



Parts Book

Parts Book

GENERATOR DIESEL ENGINE

DP180LBS

DP180LAS

DP180LBF

DP180LAF

DP180LBS, DP180LAS, DP180LBF, DP180LAF



Doosan Infracore Co., Ltd.
Head Office & Incheon Plant
7-11, Hwasu-Dong, Dong-Gu,
Incheon, Korea 401-702
TEL:+82-32-211-1114
FAX:+82-32-211-1231

Doosan Infracore

INTRODUCTION

- This parts List presents the users with the serviceable parts of all the 『DOOSAN INFRACORE Engines』 by type, in the forms of exploded view, parts list.

1. INFORMATION FOR ORDERING THE PARTS

Please contact your nearest service centre with following information for the part(s) ordered.

<E.g.> 1) Engine model : DP180LBS
2) Serial No. : DV18-OOG08 400001
3) Part No. : 150107-00515
4) Part Name : Crankshaft
5) Order Quantity : 1
6) Name and address of the customer :

2. HOW TO USE THIS PARTS LIST

Key No : The number referring to the corresponding part in the exploded view. The index number may have alphanumeric suffixes headed with 『-』 sign, for example, -1 or -1A. The suffix indicates that the part is a part of the component referred to with the Part No. without the suffix following the 『-』 sign. If the part is assigned with a part number, the part can be delivered independently.

Part No : Unique number assigned to the part.

Part Name : Name of the part.

Q'ty : The total number of the parts used in the engine system.

DV18-OOG08 : DP180LBS(661KWM)_GENERATOR ENGINE

DV18-OOG09 : DP180LAS(615KWM)_GENERATOR ENGINE

DV18-OOG10 : DP180LBF(612KWM)_GENERATOR ENGINE

DV18-OOG11 : DP180LAF(552KWM)_GENERATOR ENGINE

S/C : Following service symbols are provided.

B : Factory processing is required. Please contact us.

D : The part has to be replaced by the entire assembly.

K : The part has to be replaced by a KIT unit.

OP : Optional part.

OS : Over size part.

US : Under size part.

R : The total number of the parts used in engine sets may vary by set, for example, adjusting shims.

S : The parts supplied for service or repair, not assembled in the factory.

G : The part requires grade control. As such, please order the part of the same grade of the mating part to be assembled with

- Make sure to use genuine parts.
- The Part List is subject to change for quality improvement.
- If you have any question, please do not hesitate to contact our service centre.

Jan. 2014.

머 리 말

● 이 부품목록은 『두산인프라코어 엔진』 전호기의 서비스 가능 부품을 조립전개도, 부품목록을 수록하였습니다.

1. 부품 주문에 대하여

부품을 주문할 때에는 아래 사항을 명기하시어 가까운 서비스 센터로 연락하시기 바랍니다.

- < 예 > 1) 엔진 모델 : DP180LBS
2) 제조번호 : DV18-OOG08 400001
3) 부품번호 : 150107-00515
4) 부품명 : 크랭크축
5) 수량 : 1
6) 주문자의 주소 및 성명 :

2. 부품 목록을 보는 방법

Key No : 전개도의 각 부품을 표시하는 번호입니다. 지시번호가 숫자 뒤에 -1, -1A 와 같이 『-』 표시 뒤에 숫자와 알파벳으로 연결되어 기입된 경우가 있습니다. 이는 『-』 표시가 없는 부품의 구성품임을 나타냅니다. 이 부품에 부품번호가 지정되어 있으면 단독으로 부품공급이 가능합니다.

Part No : 부품에 붙여진 고유번호입니다.

Part Name : 부품의 명칭입니다.

Qty : 부품이 사용되고 있는 『1 대분의 수량』입니다.

DV18-OOG08 : DP180LBS(661KWM)_GENERATOR ENGINE

DV18-OOG09 : DP180LAS(615KWM)_GENERATOR ENGINE

DV18-OOG10 : DP180LBF(612KWM)_GENERATOR ENGINE

DV18-OOG11 : DP180LAF(552KWM)_GENERATOR ENGINE

S/C : 아래와 같은 서비스 기호등이 기재되어 있습니다.

B : 가공작업이 필요하므로 당사로 연락해 주십시오.

D : 단품 교환불가 품목으로 그 부품을 포함한 조립품으로 교환하여 주십시오.

K : KIT 품으로 교환하여 주십시오.

OP : 옵션 파트 부품을 표시합니다.

OS : 오버 사이즈 부품을 표시합니다.

US : 언더 사이즈 부품을 표시합니다.

R : 조정용 씬 등으로, 사용하는 수량이 매 호기마다 상이한 것을 표시합니다.

S : 공장출하시 조립되는 부품이 아닌, 수리, 서비스용으로 공급되는 부품을 표시합니다.

G : 이 부품은 등급 (Grade) 관리가 필요한 부품입니다. 따라서 조립되어지는 상대부품과 같은 등급으로 신청하여 주십시오.

- 부품은 필히 순정부품을 사용하여 주십시오.
- 부품목록의 내용은 품질 향상을 위해 변경될 수 있습니다.
- 부품목록의 내용에 대한 문의 사항은 당사 서비스 센터로 연락하여 주십시오.

2014. 01.

前 言

- 此零件目录列举了出现在『空气压缩机柴油发动机』上的设备构件。

1. 配件订购

订购配件时，请提供以下内容

- 1) 发动机型号 : DP180LBS
- 2) 发动机序列号 : DV18-OOG08 400001
- 3) 零件号 : 150107-00515
- 4) 名称 : 曲轴
- 5) 数量 : 1
- 6) 联系人名称及地址 :

2. 目录使用方法

- 序号 (Key No) : 序号与图中的编号相对应
- 零件号 (Part No) : 即零件的编号
- 零件名称 (Part Name) : 零件名称。零件名称右边部分有时也印刷有了尺寸、规格等信息。
- 数量 (Q'ty) : 『数量』表示整个部件使用的零件数量，但总成构件的数量表示总成使用的零件
DV18-OOG08 : DP180LBS(661KWM)_GENERATOR ENGINE
DV18-OOG09 : DP180LAS(615KWM)_GENERATOR ENGINE
DV18-OOG10 : DP180LBF(612KWM)_GENERATOR ENGINE
DV18-OOG11 : DP180LAF(552KWM)_GENERATOR ENGINE
- 服务码 (S/C) : 零件服务码缩写的含义如下
B : 此类的零件在装配前要进行加工
D : 此类的零件不单独提供，要与包含此零件的总成一同订购
K : 此类的零件不单独提供，要与包含此零件的总成一同订购
OP : 选择零件
OS : 超大尺寸的零件
US : 低于尺寸的零件
R : 此类的零件表示零件数量随发动机的不同有所，例，调节垫片等
S : 此类的零件为安装的发动机备件，在出厂前不在发动机总成提供
G : 此类的零件在维修时，需要特殊维护（级别控制）。因此，订购前需要知道发动机其余部件的级别，所以请订购与发动机零件级别相同的零件

- 当维修时，推荐使用标准零件
- 用零件号查询零件，请参阅目录后的 [零件索引]
- 本图册可能会随着发动机的改进而有所改变。因此，建议客户与我们的售后服务中心联系。

2014.01.

CONTENTS

Fig. 0110 Cylinder Block	2
0120 Cylinder Liner	4
0140 Flywheel Housing	6
0150 Oil Seal	8
0160 Oil Spray Nozzle	10
0180 Breather	12
0210 Crankshaft	14
0220 Vibration Damper	16
0230 Flywheel	18
0240 Connecting Rod	20
0250 Piston	22
0260 Crankshaft Pulley	24
0310 Cylinder Head	26
0340 Cylinder Head Cover	28
0410 Valve	30
0420 Rocker Arm	32
0430 Tappet & Push Rod	34
0440 Camshaft	36
0510 Oil Pump	38
0550 Oil Filter	40
0560 Oil Cooler	42
0580 Oil Pan	44
0630 Cooling Water Pipe	46
0640 Thermostat	48
0650 Water Pump	50
0660 Cooling Fan	52
0810 Exhaust Manifold	54
0820 Intake Manifold	56
0910 Turbocharger	58
0940 Intake Stake	60
1010 Injection Nozzle	62
1030 Injection Pipe	64
1110 Injection Pump(1)	66
1110 Injection Pump(2)	68

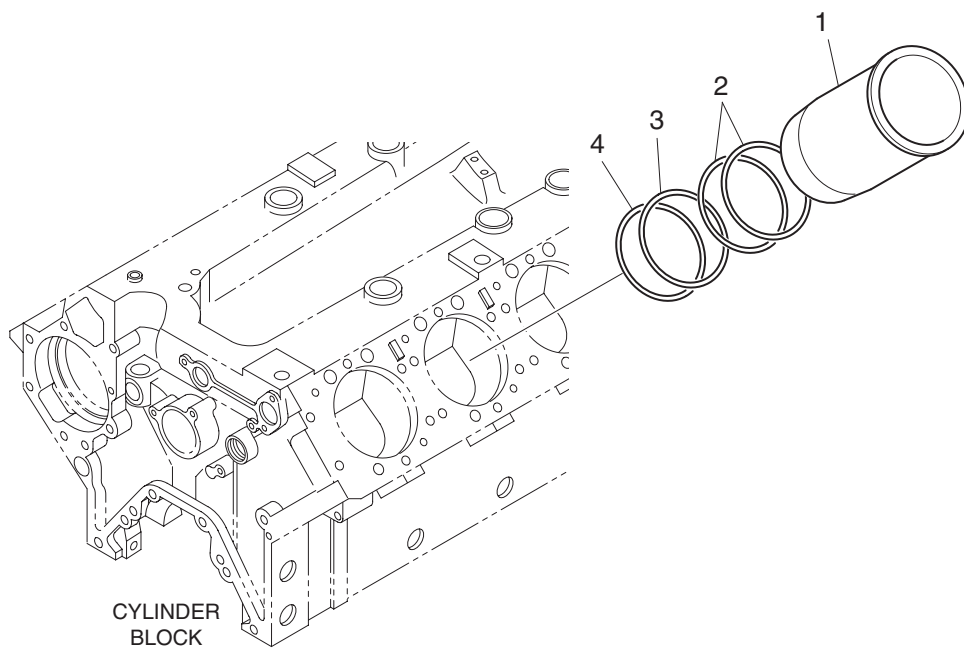
Fig. 1130 Injection Pump Drive70
1140 Injection Pump Mounting72
1230 Fuel Line74
1250 Fuel Filter78
1910 Alternator Mounting80
1920 Engine Lifting82
2610 Alternator84
2620 Starter86
4150 Engine Mounting88
8900 Accessories(1)90
8900 Accessories(2)92
8900 Accessories(3)94
8900 Accessories(4)96
8900 Accessories(5)98
8900 Accessories(6)	100
8900 Accessories(7)	102
8900 Accessories(8)	104
9880 Spare Part(1)	106
9880 Spare Part(2)	108
9880 Spare Part(3)	110

● 국내 엔진부품 대리점 현황

Fig.0110 CYLINDER BLOCK

Key No	Part No	Part Name	(Q'ty)				S/C	ICA
			DP180 LBS	DP180 LAS	DP180 LBF	DP180 LAF		
			DV 18 - 0000 8	DV 18 - 0000 9	DV 18 - 000 1 0	DV 18 - 000 1 1		
1	150102-00667	CYLINDER BLOCK ASS'Y	1	1	1	1		
1-1	150102-00673	CYLINDER BLOCK ASS'Y	1	1	1	1	NS	
1-1A	150102-00676	BLOCK ; CYLINDER	1	1	1	1	NS	
1-1B	140202-00008	BEARING CAP ASS'Y	5	5	5	5	NS	
1-1BA	140202-00011	CAP ; BEARING	1	1	1	1	NS	
1-1BB	06.22022-3061	PIN ; DOWEL	2	2	2	2		
1-1C	140202-00020	BEARING CAP ASS'Y	1	1	1	1	NS	
1-1CA	140202-00011	CAP ; BEARING	1	1	1	1	NS	
1-1CB	65.91301-0071	PIN	2	2	2	2		
1-1D	65.90020-0293B	BOLT ; BEARING CAP	12	12	12	12		
1-1E	65.04410-0018	BUSH ; CAMSHAFT	1	1	1	1	B	
1-1F	65.04410-0078	BUSH ; CAMSHAFT	5	5	5	5	B	
1-1G	06.01494-4316	BOLT ; HEX. M12x1.5x85	12	12	12	12		
1-2	65.91606-0039	PLUG ; CORE	13	13	13	13		
1-3	65.91606-0037	PLUG ; CORE	3	3	3	3		
1-4	65.90302-0041	PLUG ; CORE	2	2	2	2		
1-5	65.90310-0149A	SCREW ; PLUG M26x1.5	6	6	6	6		
1-6	06.56190-0726	RING ; SEAL	6	6	6	6		
1-7	65.90310-0134	SCREW ; PLUG	4	4	4	4		
1-8	06.56190-0732	RING ; SEAL	4	4	4	4		
1-9	06.22022-1063	PIN	2	2	2	2		
1-10	06.22022-3563	PIN ; DOWEL	2	2	2	2		
1-11	65.90310-0131	SCREW ; PLUG	1	1	1	1		
1-12	06.56190-0713	RING ; SEAL A18x24	1	1	1	1		
2	65.91701-0274	PIN ; LOCATING	20	20	20	20		
3	06.08041-2203	SCREW ; PLUG M14x1.5	1	1	1	1		
4	06.56190-0706	RING ; SEAL A14x20	1	1	1	1		
5	65.90310-0135	SCREW ; PLUG	1	1	1	1		
6	06.56190-0706	RING ; SEAL A14x20	1	1	1	1		
7	430215-00779	FLANGE	1	1	1	1		
8	06.56190-0732	RING ; SEAL	1	1	1	1		
9	65.90310-0134	SCREW ; PLUG	1	1	1	1		
10	65.96601-0054	GASKET	1	1	1	1		
11	06.01913-3220	BOLT ASS'Y M10x45	1	1	1	1		
12	120122-00049	BOLT ; STAY	1	1	1	1		
13	66.27435-6008	SWITCH ; THERMO	1	1	1	1		
14	65.27405-5005	SENSOR ; TEMPERATURE	1	1	1	1		
15	65.91605-0013	COVER	1	1	1	1		

Fig.0120 CYLINDER LINER

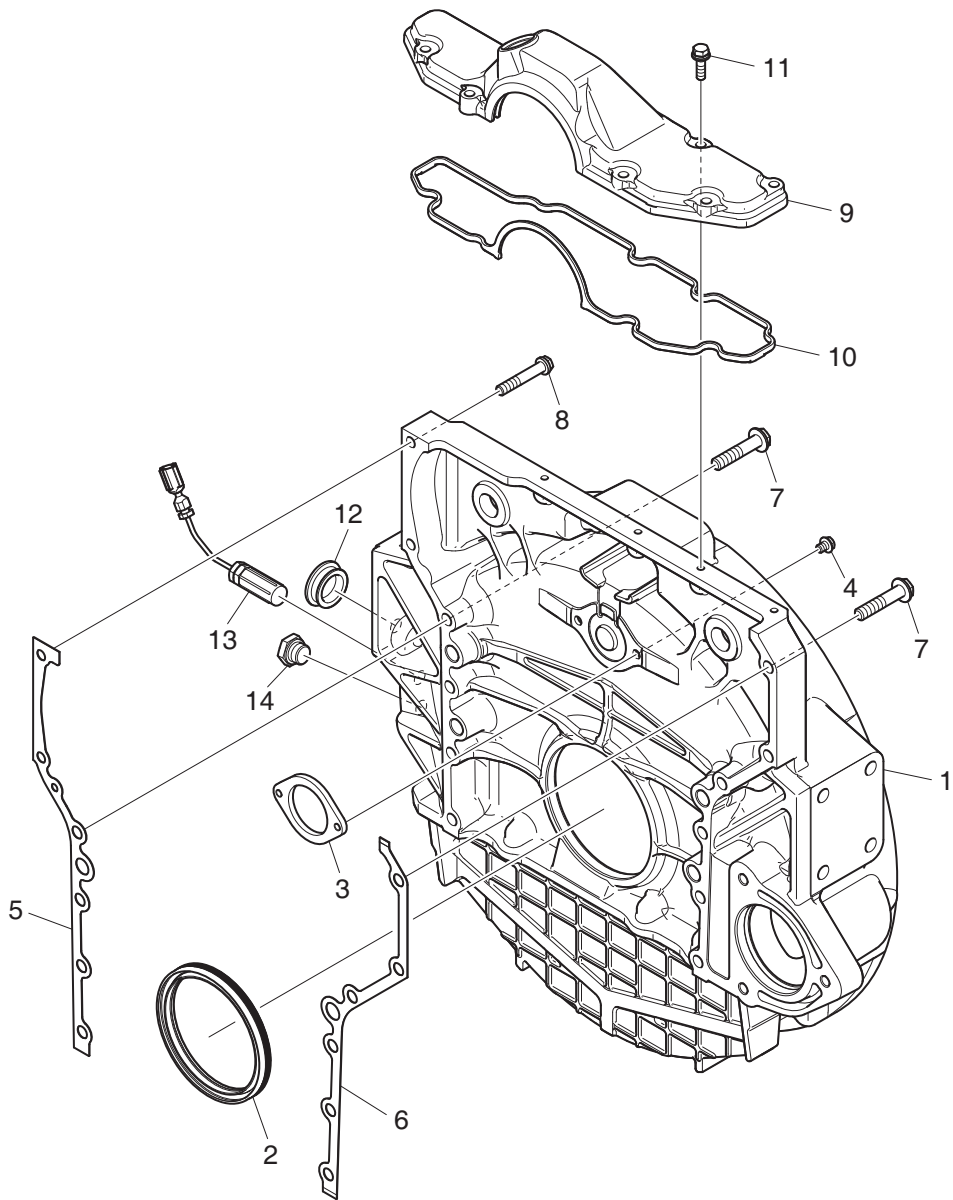


B012-DV18-001/120704

Fig.0120 CYLINDER LINER

Key No	Part No	Part Name	(Q'ty)				S/C	ICA
			DP180 LBS	DP180 LAS	DP180 LBF	DP180 LAF		
			DV 18 - 0000 8	DV 18 - 0000 9	DV 18 - 000 0	DV 18 - 000 1		
1	65.01201-0312C	LINER ; CYLINDER	10	10	10	10		
2	401002-00785	O-RING	20	20	20	20		
3	401002-00786	O-RING	10	10	10	10		
4	401002-00786	O-RING	10	10	10	10		

Fig.0140 FLYWHEEL HOUSING

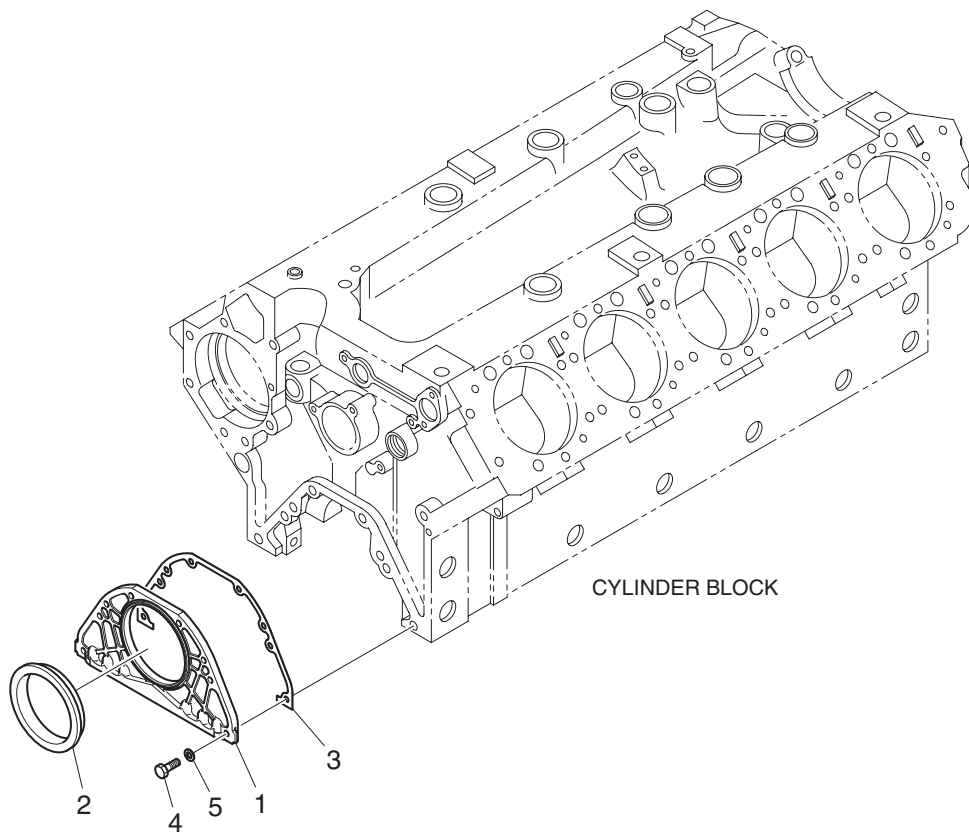


B014-DV22-001/130913

Fig.0140 FLYWHEEL HOUSING

Key No	Part No	Part Name	(Q'ty)				S/C	ICA
			DP180 LBS	DP180 LAS	DP180 LBF	DP180 LAF		
			DV 18 - 0000 8	DV 18 - 0000 9	DV 18 - 000 1 0	DV 18 - 000 1 1		
1	150114-00169	HOUSING ; FLYWHEEL	1	1	1	1		
2	65.01510-0141	SEAL ; OIL	1	1	1	1		
3	120816-00123	WASHER ; THRUST	1	1	1	1		
4	65.90020-0065A	BOLT ; HEX.	2	2	2	2		
5	65.01903A0200	GASKET ; FLYWHEEL HOUSING	1	1	1	1		
6	65.01903A0201	GASKET ; FLYWHEEL HOUSING	1	1	1	1		
7	65.90020-0223	BOLT ; HEX.	10	10	10	10		
8	65.90020-0091	BOLT ; COLLARED HEX.	2	2	2	2		
9	65.01402-0020	COVER ; FLYWHEEL HOUSING	1	1	1	1		
10	65.01903-0011	GASKET ; FLYWHEEL HOUSING COVER	1	1	1	1		
11	06.01923-3117	BOLT ASS'Y M8x30	4	4	4	4		
12	65.96401-0007	CAP ; RUBBER	1	1	1	1		
13	65.27103-7002D	SENSOR ; TACHOMETER	1	1	1	1		
14	06.08092-2405	SCREW ; PLUG M16x1.5	1	1	1	1		

Fig.0150 OIL SEAL

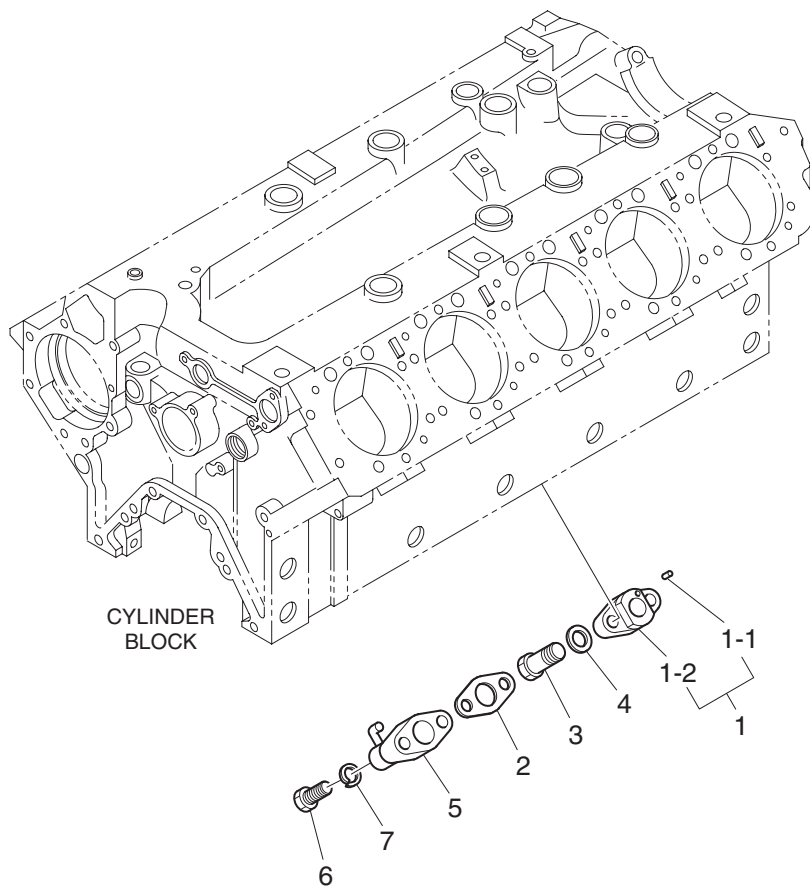


B015-DV18-001/120810

Fig.0150 OIL SEAL

Key No	Part No	Part Name	(Q'ty)				S/C	ICA
			DP180 LBS	DP180 LAS	DP180 LBF	DP180 LAF		
			DV 18 - 0000 8	DV 18 - 0000 9	DV 18 - 000 10	DV 18 - 000 11		
1	65.01501-5017E	COVER ; SEALING	1	1	1	1		
2	65.01510-0153A	SEAL ; OIL	1	1	1	1		
3	65.01905-0032	GASKET	1	1	1	1		
4	06.01283-7115	BOLT M8x25	6	6	6	6		
5	06.16044-0210	WASHER ; SPRING	6	6	6	6		

Fig.0160 OIL SPRAY NOZZLE

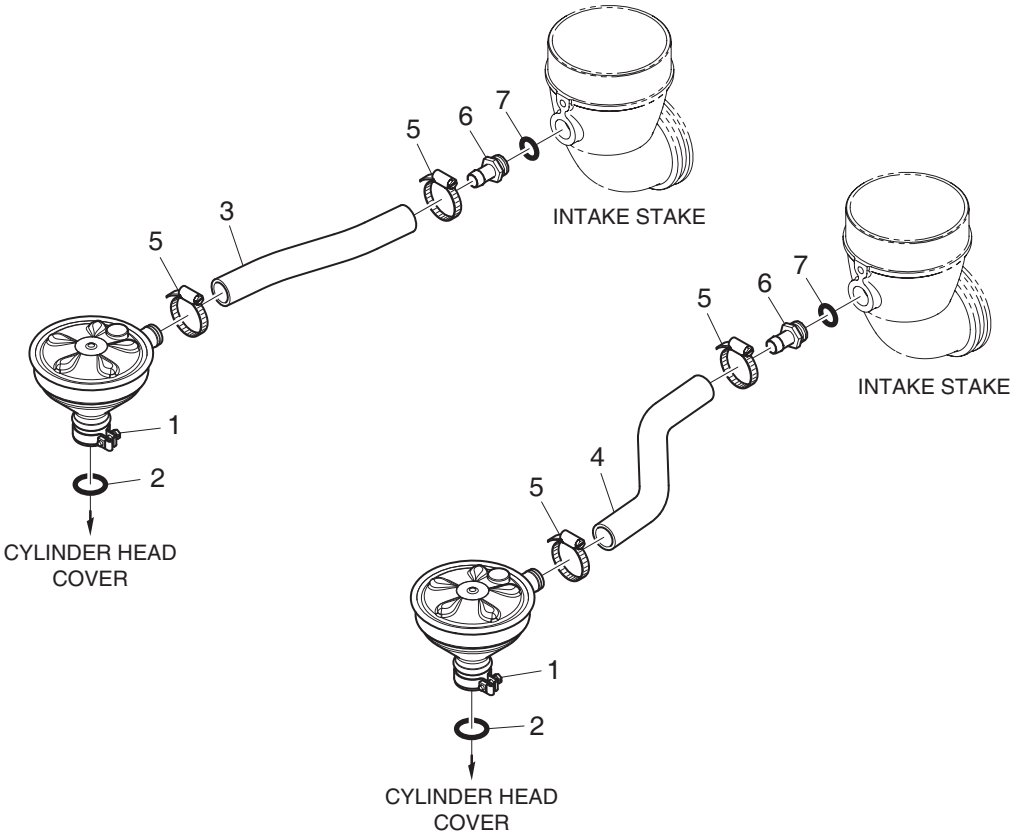


B016-DV18-001/120704

Fig.0160 OIL SPRAY NOZZLE

Key No	Part No	Part Name	(Q'ty)				S/C	ICA
			DP180 LBS	DP180 LAS	DP180 LBF	DP180 LAF		
			DV 18 - 0000 8	DV 18 - 0000 9	DV 18 - 000 0	DV 18 - 000 1		
1	65.01601-2016A	FLANGE ASS'Y	10	10	10	10		
1-1	06.22180-0804	PIN ; SPIRAL	1	1	1	1		
1-2	65.01601-0007A	FLANGE ; OIL SPRAY NOZZLE	1	1	1	1		
2	65.96601A0237	GASKET	10	10	10	10		
3	65.98150-0051	SCREW ; HOLLOW	10	10	10	10		
4	06.56190-0706	RING ; SEAL A14x20	10	10	10	10		
5	65.01601-5070	OIL SPRAY NOZZLE ASS'Y	10	10	10	10		
6	65.90001-0129	BOLT ; HEX.	20	20	20	20		
7	06.16044-0208	WASHER ; SPRING	20	20	20	20		

Fig.0180 BREATHER

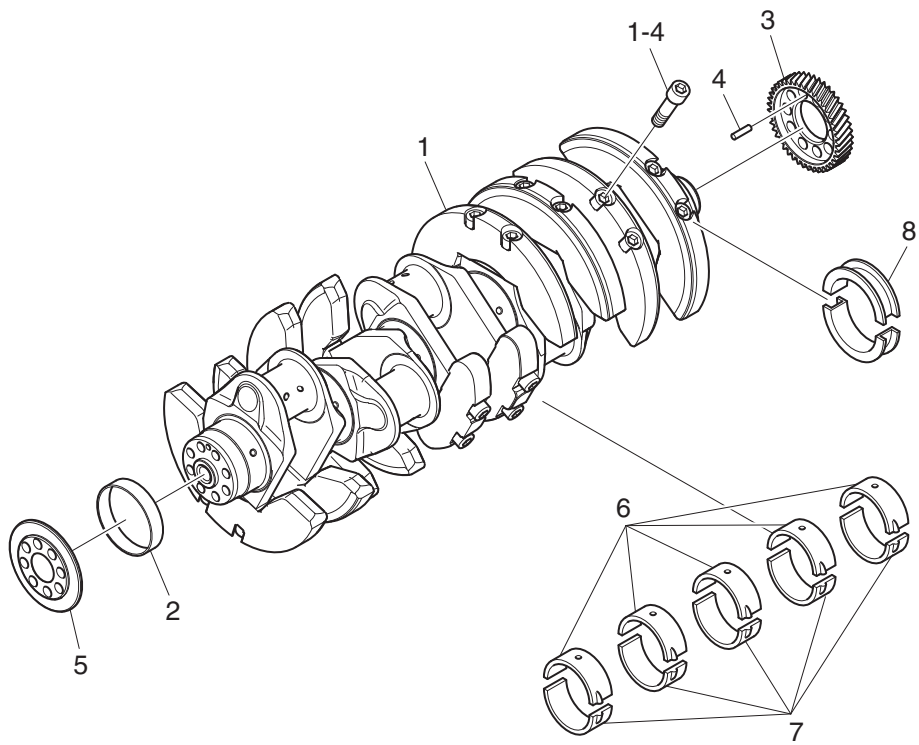


B018-DV22-001/130913

Fig.0180 BREATHER

Key No	Part No	Part Name	(Q'ty)				S/C	ICA
			DP180 LBS	DP180 LAS	DP180 LBF	DP180 LAF		
			DV 18 - 0000 8	DV 18 - 0000 9	DV 18 - 000 10	DV 18 - 000 11		
1	51.01804-7023	SEPARATOR	2	2	2	2		
2	65.96501-0032B	O-RING	2	2	2	2		
3	420101-00721	HOSE ; AIR	1	1	1	1		
4	420101-00722	HOSE ; AIR	1	1	1	1		
5	65.97440-0006	CLAMP ; HOSE	4	4	4	4		
6	65.98131-0072	SCREW ; CONNECTION	2	2	2	2		
7	06.56190-0726	RING ; SEAL	2	2	2	2		

Fig.0210 CRANKSHAFT

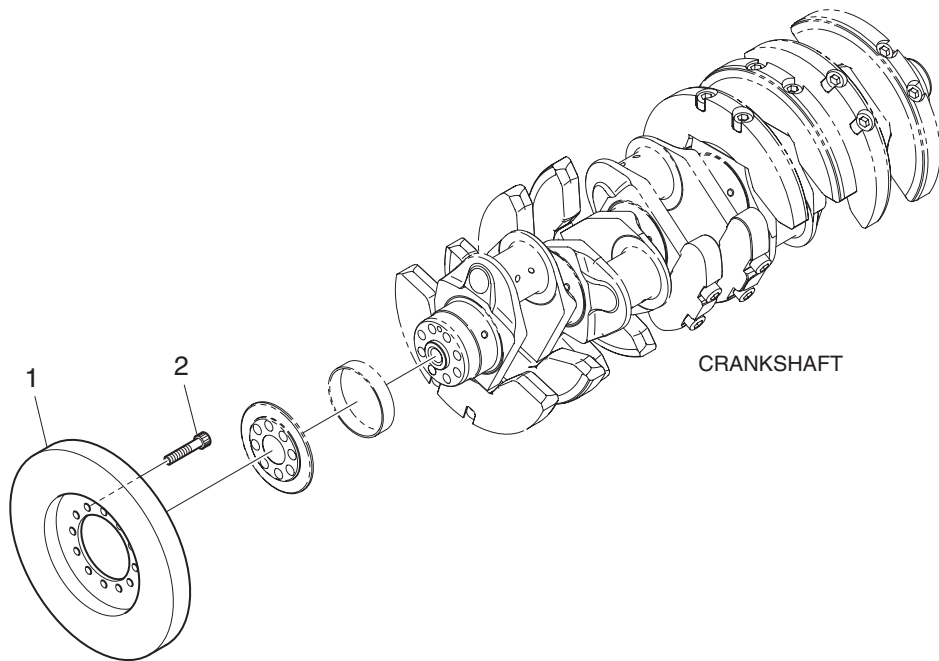


C021-DV18-005/120810

Fig.0210 CRANKSHAFT

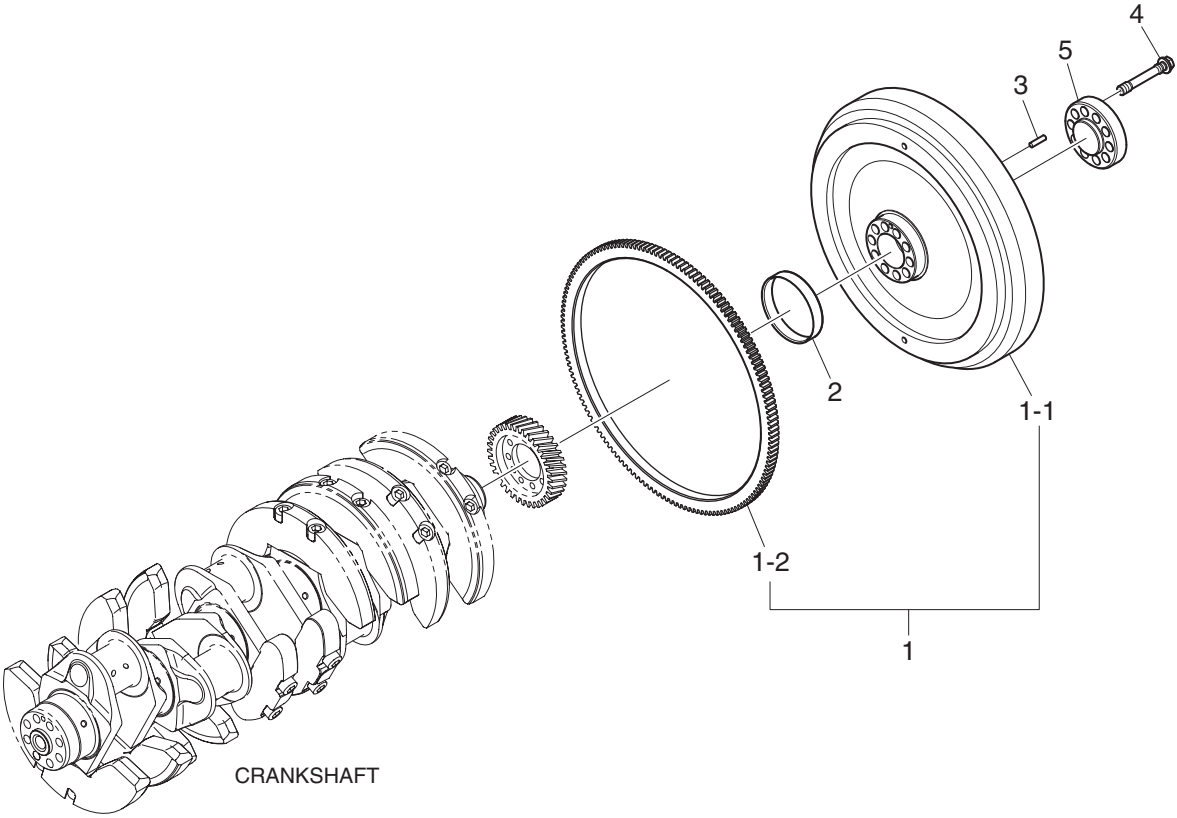
Key No	Part No	Part Name	(Q'ty)				S/C	ICA
			DP180 LBS	DP180 LAS	DP180 LBF	DP180 LAF		
			DV 18 - 0000 8	DV 18 - 0000 9	DV 18 - 000 0	DV 18 - 000 1		
1	150107-00515	CRANKSHAFT ASS'Y	1	1	1	1		
1-4	65.90030-0048A	BOLT ; BALANCE WEIGHT	20	20	20	20		
2	65.02130-0001	RING ; WEAR (FRONT)	1	1	1	1		
3	65.02115-0066	GEAR ; CRANKSHAFT	1	1	1	1		
4	06.22022-3065	PIN ; PARALLEL	1	1	1	1		
5	401102-00033	HOLDER ; OIL SEAL	1	1	1	1		
6	65.01110-0070	BEARING ; MAIN	5	5	5	5		
7	65.01110-0080	BEARING ; MAIN	5	5	5	5		
8	65.01111-6539	WASHER ; THRUST	1	1	1	1		

Fig.0220 VIBRATION DAMPER



C022-DV18-002/120810

Fig.0230 FLYWHEEL

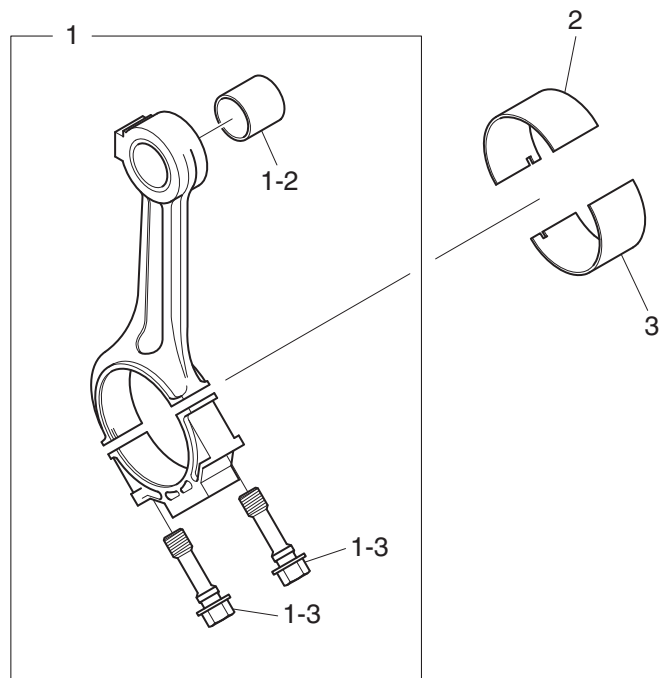


C023-DV18-001/140102

Fig.0230 FLYWHEEL

Key No	Part No	Part Name	(Q'ty)				S/C	ICA
			DP180 LBS	DP180 LAS	DP180 LBF	DP180 LAF		
			DV 18 - 0000 8	DV 18 - 0000 9	DV 18 - 000 0	DV 18 - 000 1		
1	65.02301-5014C	FLYWHEEL ASS'Y	1	1	1	1		
1-1	65.02301-0303E	FLYWHEEL	1	1	1	1	NS	
1-2	65.02310-0073D	GEAR ; STARTER RING	1	1	1	1		
2	65.02130-0002	RING ; WEAR (REAR)	1	1	1	1		
3	65.91303-0005	PIN ; TAPER	1	1	1	1		
4	120106-00548	BOLT ; HEX.	10	10	10	10		
5	120808-00736	WASHER ; SPACER	1	1	1	1		

Fig.0240 CONNECTING ROD

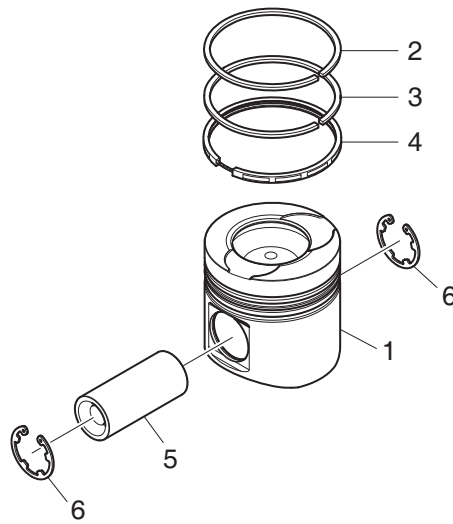


C024-DV18-005/120810

Fig.0240 CONNECTING ROD

Key No	Part No	Part Name	(Q'ty)				S/C	ICA
			DP180 LBS	DP180 LAS	DP180 LBF	DP180 LAF		
			DV 18 - 00 00 00 8	DV 18 - 00 00 09	DV 18 - 00 10	DV 18 - 00 11		
1	150121-00107	CONNECTING ROD ASS'Y	10	10	10	10		
1-2	65.02405-0008	BUSH ; CONNECTING ROD	1	1	1	1		
1-3	65.02411-0008	BOLT ; CONNECTING ROD	2	2	2	2		
2	65.02410-0320	BEARING ; CONNECTING ROD (STD)	10	10	10	10	G	
3	65.02410-0200	BEARING ; CONNECTING ROD (STD)	10	10	10	10	G	

Fig.0250 PISTON

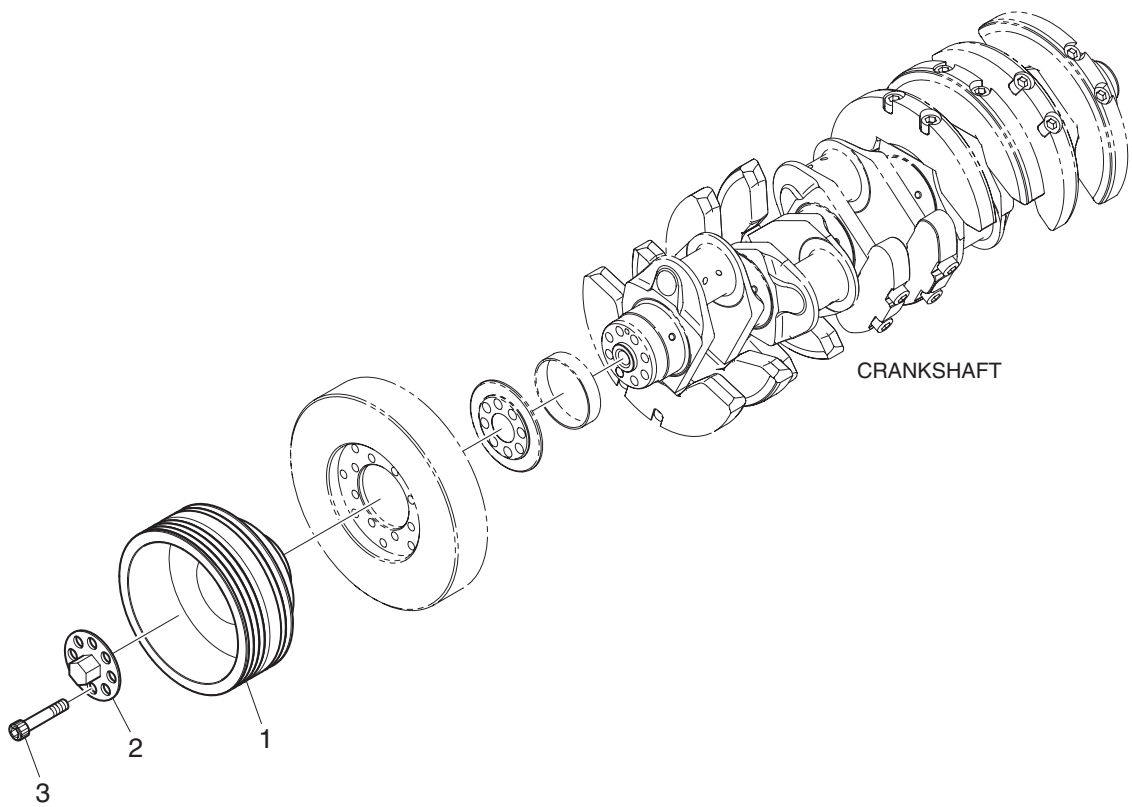


C025-DV18-006/140102

Fig.0250 PISTON

Key No	Part No	Part Name	(Q'ty)				S/C	ICA
			DP180 LBS	DP180 LAS	DP180 LBF	DP180 LAF		
			DV 18 - 000 0 00 8	DV 18 - 000 0 00 9	DV 18 - 000 1 0	DV 18 - 000 1 1		
1	65.02501-0704	PISTON	10	10	10	10		
2	65.02503-0158	RING ; TOP	10	10	10	10	K	
3	65.02503-0159	RING ; SECOND	10	10	10	10	K	
4	65.02503-0678	RING ; OIL	10	10	10	10	K	
5	130601-00042	PIN ; PISTON	10	10	10	10		
6	65.90815-0022A	RING ; LOCK	20	20	20	20		
*	401004-00022	PISTON RING KIT	10	10	10	10		

Fig.0260 CRANKSHAFT PULLEY

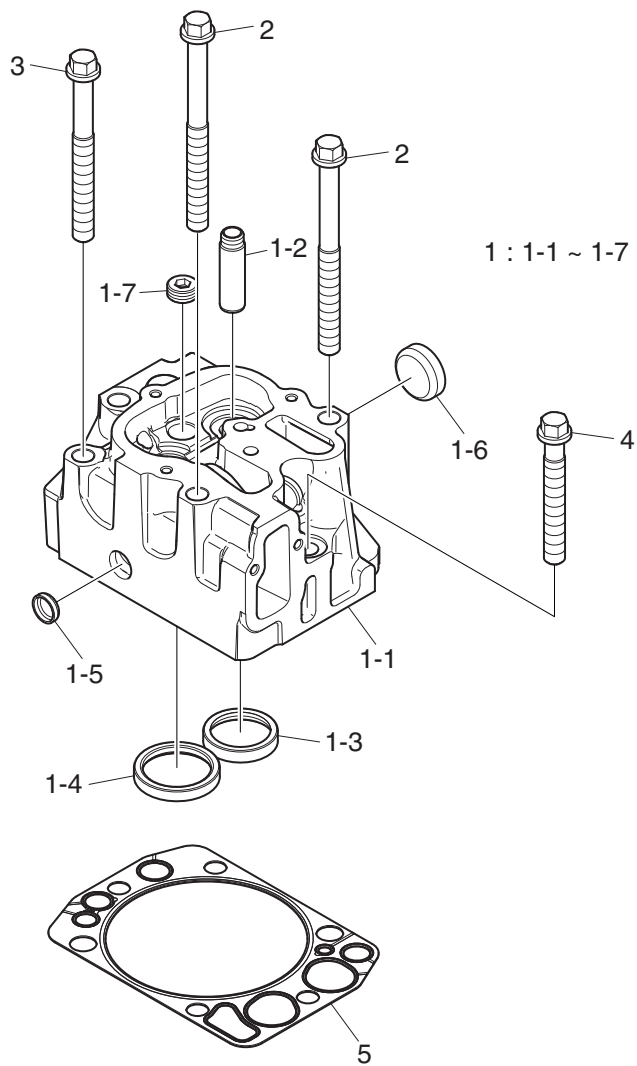


C026-DV18-013/140102

Fig.0260 CRANKSHAFT PULLEY

Key No	Part No	Part Name	(Q'ty)				S/C	ICA
			DP180 LBS	DP180 LAS	DP180 LBF	DP180 LAF		
			DV 18 - 00 00 00 8	DV 18 - 00 00 09	DV 18 - 00 00 10	DV 18 - 00 00 11		
1	130711-00097	PULLEY ; CRANKSHAFT	1	1	1	1		
2	65.99710-5003	PLATE ; TURNING DEVICE	1	1	1	1		
3	06.02106-0824	BOLT	8	8	8	8		

Fig.0310 CYLINDER HEAD

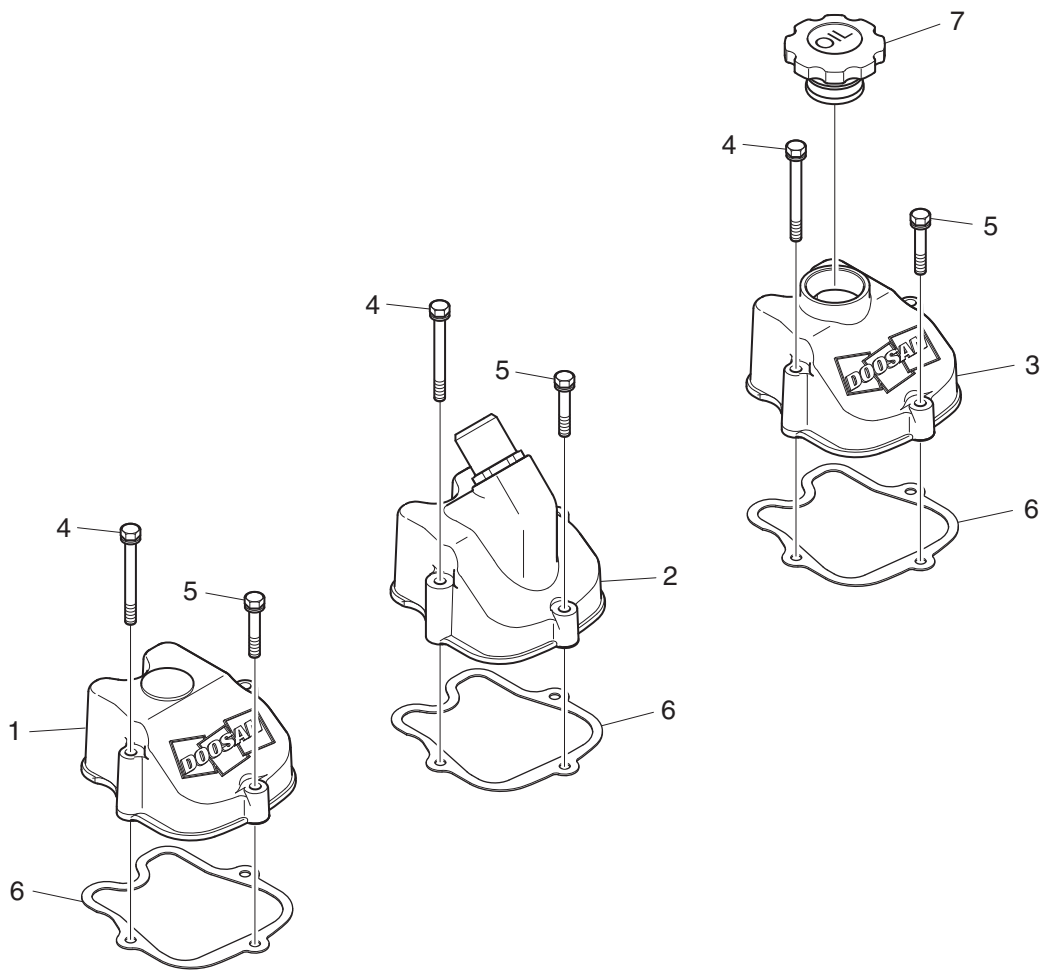


B031-DV18-007/140102

Fig.0310 CYLINDER HEAD

Key No	Part No	Part Name	(Q'ty)				S/C	ICA
			DP180 LBS	DP180 LAS	DP180 LBF	DP180 LAF		
			DV 18 - 0000 8	DV 18 - 0000 9	DV 18 - 000 0	DV 18 - 000 1		
1	150113-00408A	CYLINDER HEAD ASS'Y	10	10	10	10		
1-1	150113-00400A	HEAD ; CYLINDER	1	1	1	1	NS	
1-2	65.03201-1060	GUIDE ; VALVE	2	2	2	2		
1-3	65.03203-0184	SEAT ; VALVE (EXHAUST)	1	1	1	1		
1-4	65.03203-0242	SEAT ; VALVE (INTAKE)	1	1	1	1		
1-5	65.91606-0041	PLUG ; CORE	1	1	1	1		
1-6	65.91606-0037	PLUG ; CORE	1	1	1	1		
1-7	06.08023-0207	SCREW ; PLUG	1	1	1	1		
2	65.90020-0268	BOLT ; CYLINDER HEAD	20	20	20	20		
3	65.90020-0269	BOLT ; CYLINDER HEAD	30	30	30	30		
4	65.90020-0270	BOLT ; CYLINDER HEAD	10	10	10	10		
5	51.03901-0348	GASKET ; CYLINDER HEAD	10	10	10	10		

Fig.0340 CYLINDER HEAD COVER

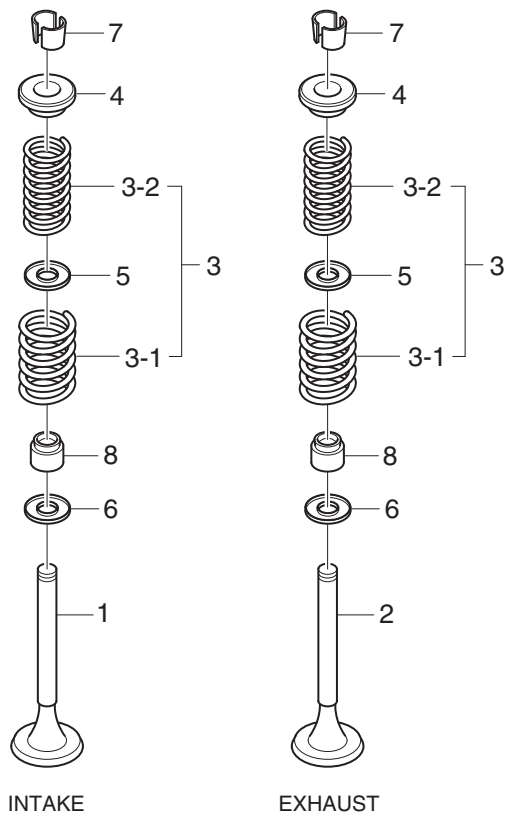


B034-DV18-003/120810

Fig.0340 CYLINDER HEAD COVER

Key No	Part No	Part Name	(Q'ty)				S/C	ICA
			DP180 LBS	DP180 LAS	DP180 LBF	DP180 LAF		
			DV 18 - 0000 8	DV 18 - 0000 9	DV 18 - 000 0	DV 18 - 000 1		
1	65.03401-0077	COVER ; CYLINDER HEAD	7	7	7	7		
2	65.03401-5002	COVER ; CYLINDER HEAD	2	2	2	2		
3	65.03401-0081	COVER ; CYLINDER HEAD	1	1	1	1		
4	06.01923-3125	BOLT ASS'Y M8x70	20	20	20	20		
5	06.01923-3120	BOLT ASS'Y M8x45	10	10	10	10		
6	65.03905-0034	GASKET ; CYLINDER HEAD COVER	10	10	10	10		
7	65.01810-5011	CAP ; OIL FILLER	1	1	1	1		

Fig.0410 VALVE

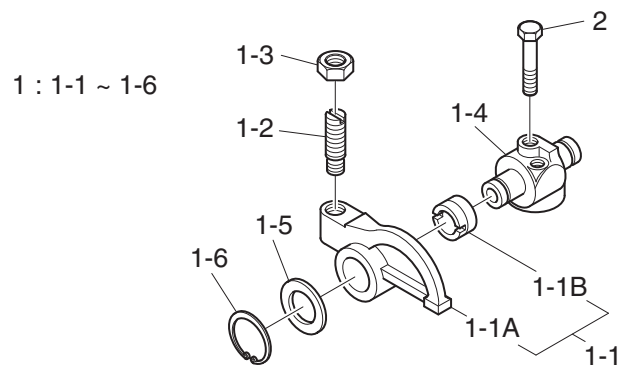


D041-DV18-001/120810

Fig.0410 VALVE

Key No	Part No	Part Name	(Q'ty)				S/C	ICA
			DP180 LBS	DP180 LAS	DP180 LBF	DP180 LAF		
			DV 18 - 0000 8	DV 18 - 0000 9	DV 18 - 000 0	DV 18 - 000 1		
1	65.04101-0375C	VALVE ; INTAKE	10	10	10	10		
2	65.04101-0367C	VALVE ; EXHAUST	10	10	10	10		
3	65.04102-6007	VALVE SPRING ASS'Y	20	20	20	20		
3-1	65.04102-0083A	SPRING ; VALVE (OUTER)	1	1	1	1		
3-2	65.04102-0084A	SPRING ; VALVE (INNER)	1	1	1	1		
4	65.04103-0074	RETAINER ; VALVE SPRING	20	20	20	20		
5	65.90701-0103	WASHER ; INNER	20	20	20	20		
6	65.90701-0104	WASHER ; OUTER	20	20	20	20		
7	65.04104-0023	COTTER ; VALVE	40	40	40	40		
8	65.04902-0027	SEAL ; VALVE STEM	20	20	20	20		

Fig.0420 ROCKER ARM

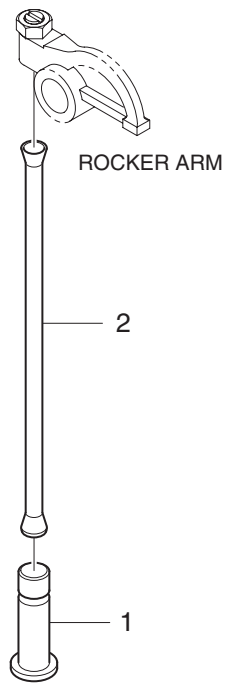


D042-DV18-002/120704

Fig.0420 ROCKER ARM

Key No	Part No	Part Name	(Q'ty)				S/C	ICA
			DP180 LBS	DP180 LAS	DP180 LBF	DP180 LAF		
			DV 18 - 0000 8	DV 18 - 0000 9	DV 18 - 000 0	DV 18 - 000 1		
1	65.04200-6029A	ROCKER ARM ASS'Y	10	10	10	10		
1-1	65.04201-5020	ARM ; ROCKER	2	2	2	2		
1-1A	65.04201-1003	ARM ; ROCKER	1	1	1	1		
1-1B	65.93020-1011	BUSH ; ROCKER ARM	1	1	1	1		
1-2	65.04205-0021A	ROCKER ARM SCREW KIT	2	2	2	2		
1-3	65.90501-0049	NUT ; HEX.	2	2	2	2		
1-4	65.04202-5035	RETAINER BRACKET ASS'Y	1	1	1	1		
1-5	65.90701-0136B	WASHER	2	2	2	2		
1-6	06.29010-0120	RING ; SNAP	2	2	2	2		
2	65.90001-0146A	BOLT ; HEX.	20	20	20	20		

Fig.0430 TAPPET & PUSH ROD

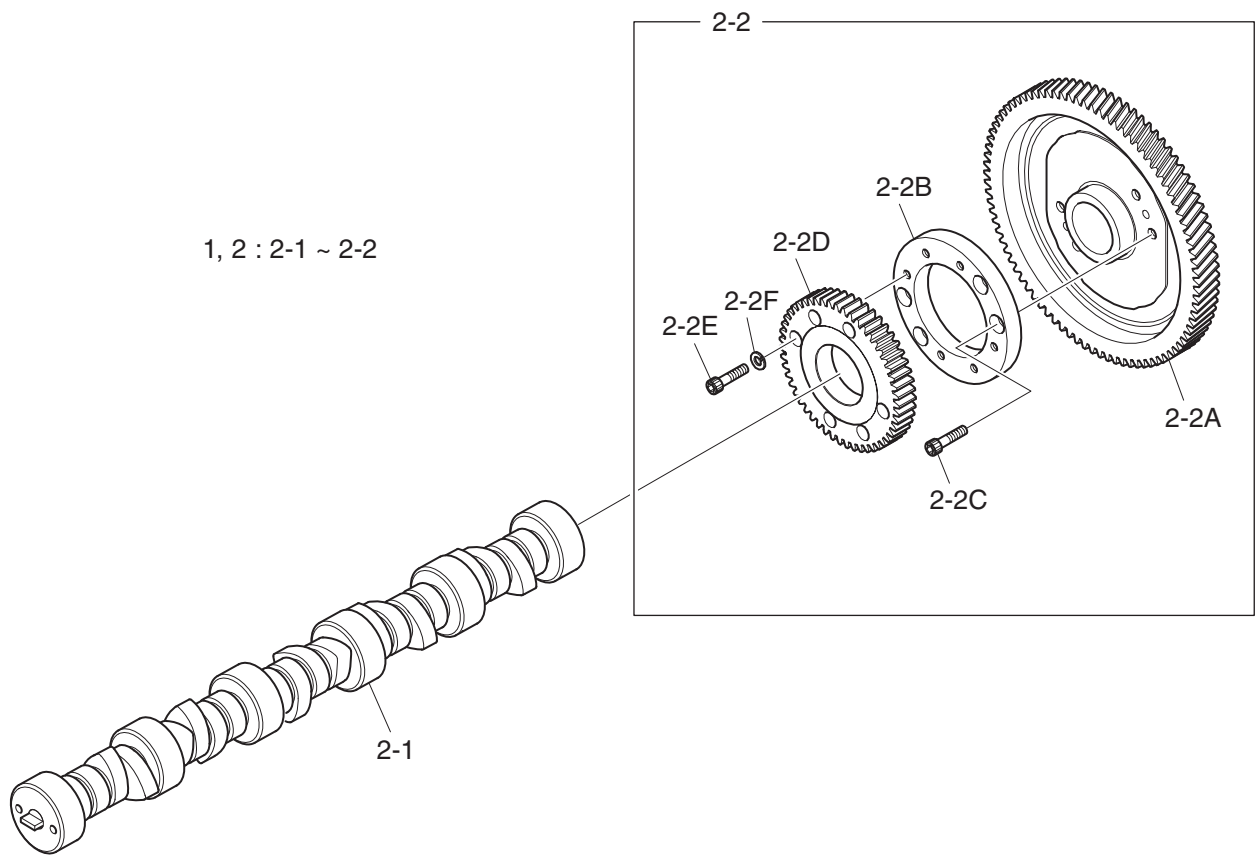


D043-DV18-001/120704

Fig.0430 TAPPET & PUSH ROD

Key No	Part No	Part Name	(Q'ty)				S/C	ICA
			DP180 LBS	DP180 LAS	DP180 LBF	DP180 LAF		
			DV 18 - 0 0 0 0 0 0 8	DV 18 - 0 0 0 0 9	DV 18 - 0 0 0 1 0	DV 18 - 0 0 0 1 1		
1	65.04301-0079	TAPPET ; VALVE	20	20	20	20		
2	65.04302-0026	ROD ; PUSH	20	20	20	20		

Fig.0440 CAMSHAFT

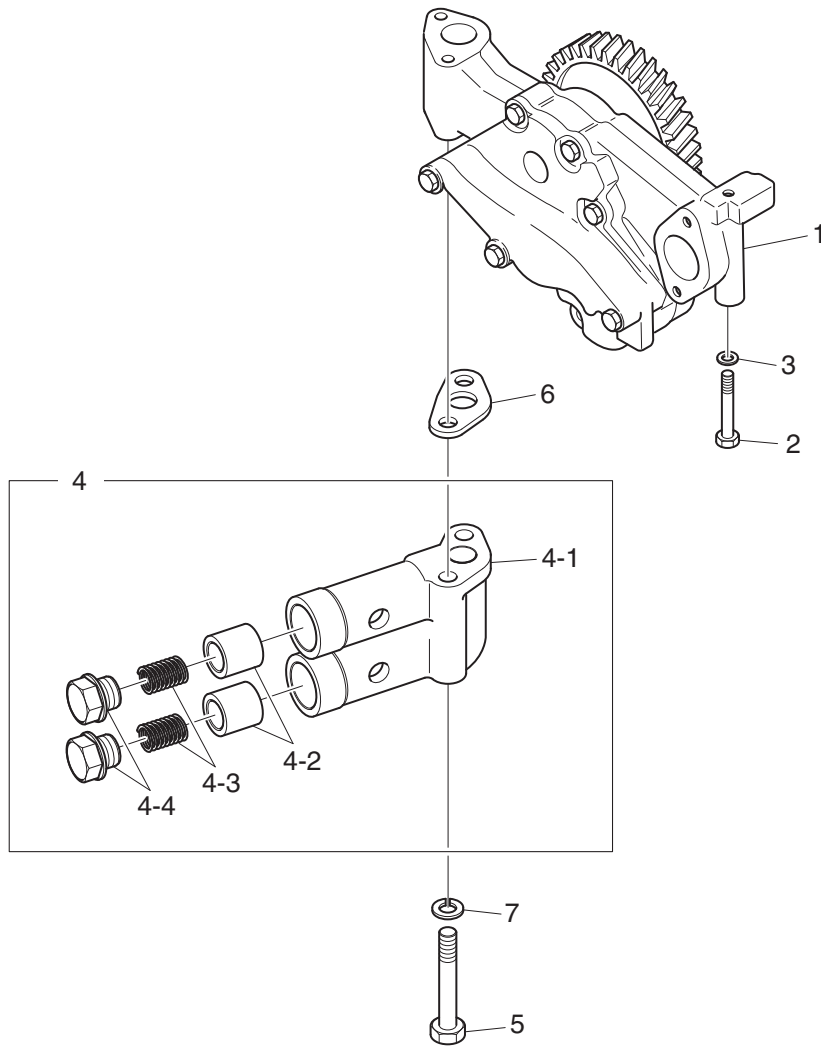


D044-DV18-001/120704

Fig.0440 CAMSHAFT

Key No	Part No	Part Name	(Q'ty)				S/C	ICA
			DP180 LBS	DP180 LAS	DP180 LBF	DP180 LAF		
			DV 18 - 0000 8	DV 18 - 0000 9	DV 18 - 000 0	DV 18 - 000 1		
1	65.04401-8008	CAMSHAFT ASS'Y	1	1	1	1	NS	
2	65.04401-6002A	CAMSHAFT ASS'Y	1	1	1	1		
2-1	65.04401-0440	CAMSHAFT	1	1	1	1		
2-2	65.11300-6001B	DRIVE GEAR ASS'Y	1	1	1	1	NS	
2-2A	65.04501-0097	GEAR ; CAMSHAFT	1	1	1	1		
2-2B	65.11121-0002A	SPACER	1	1	1	1		
2-2C	65.90030-0024	BOLT ; SOCKET HEAD HEX.	4	4	4	4		
2-2D	65.11301-0018A	GEAR ; INJECTION PUMP DRIVE	1	1	1	1		
2-2E	06.02096-0412	BOLT ; SOCKET HEAD HEX.	6	6	6	6		
2-2F	06.16110-0106	WASHER	6	6	6	6		

Fig.0510 OIL PUMP

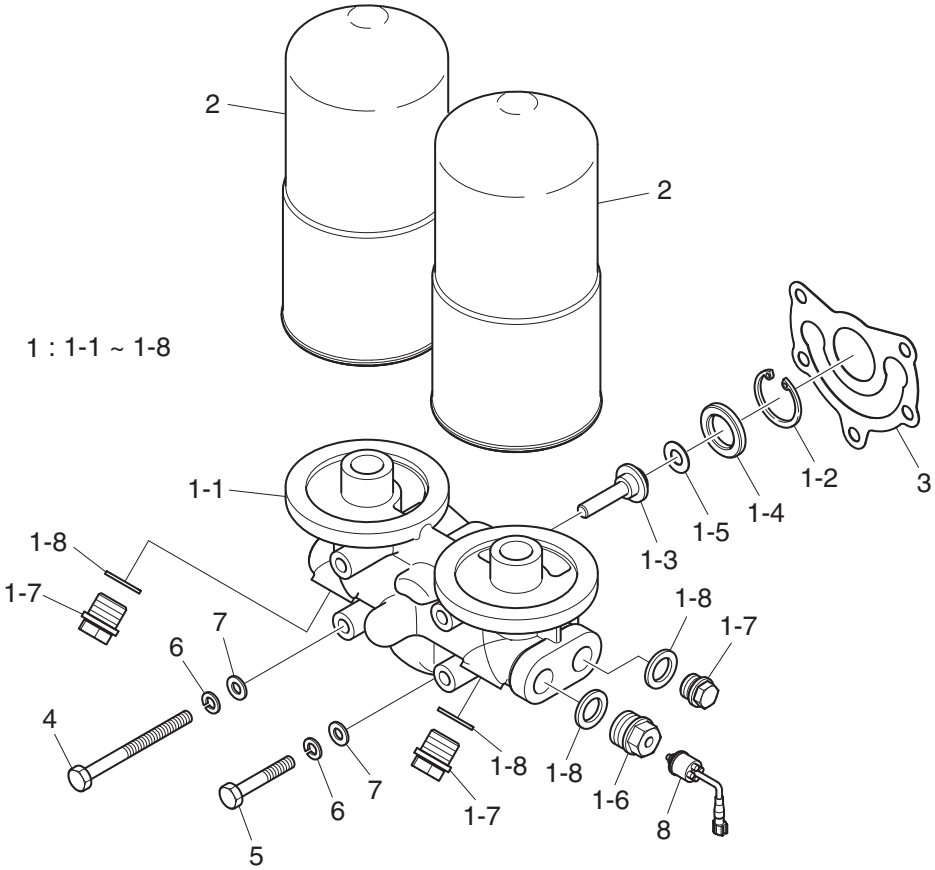


J051-DV18-006/120704

Fig.0510 OIL PUMP

Key No	Part No	Part Name	(Q'ty)				S/C	ICA
			DP180 LBS	DP180 LAS	DP180 LBF	DP180 LAF		
			DV 18 - 0000 8	DV 18 - 0000 9	DV 18 - 000 0	DV 18 - 000 1		
1	65.05100-6043A	OIL PUMP ASS'Y	1	1	1	1		
2	06.01013-9124	BOLT M8x95	1	1	1	1		
3	06.16731-2107	WASHER	1	1	1	1		
4	65.05401-5024	RELIEF VALVE ASS'Y	1	1	1	1		
4-1	65.05406-0027	HOUSING ; RELIEF VALVE	1	1	1	1	NS	
4-2	65.05410-0006	PLUNGER ; RELIEF VALVE	1	1	1	1	NS	
4-3	65.97601-0102	SPRING ; RELIEF VALVE	1	1	1	1		
4-4	65.90310-0119	SCREW ; RELIEF VALVE	1	1	1	1		
5	06.01013-9129	BOLT M8x140	2	2	2	2		
6	65.05903A0006	GASKET ; RELIEF VALVE	1	1	1	1		
7	06.16731-2107	WASHER	2	2	2	2		

Fig.0550 OIL FILTER

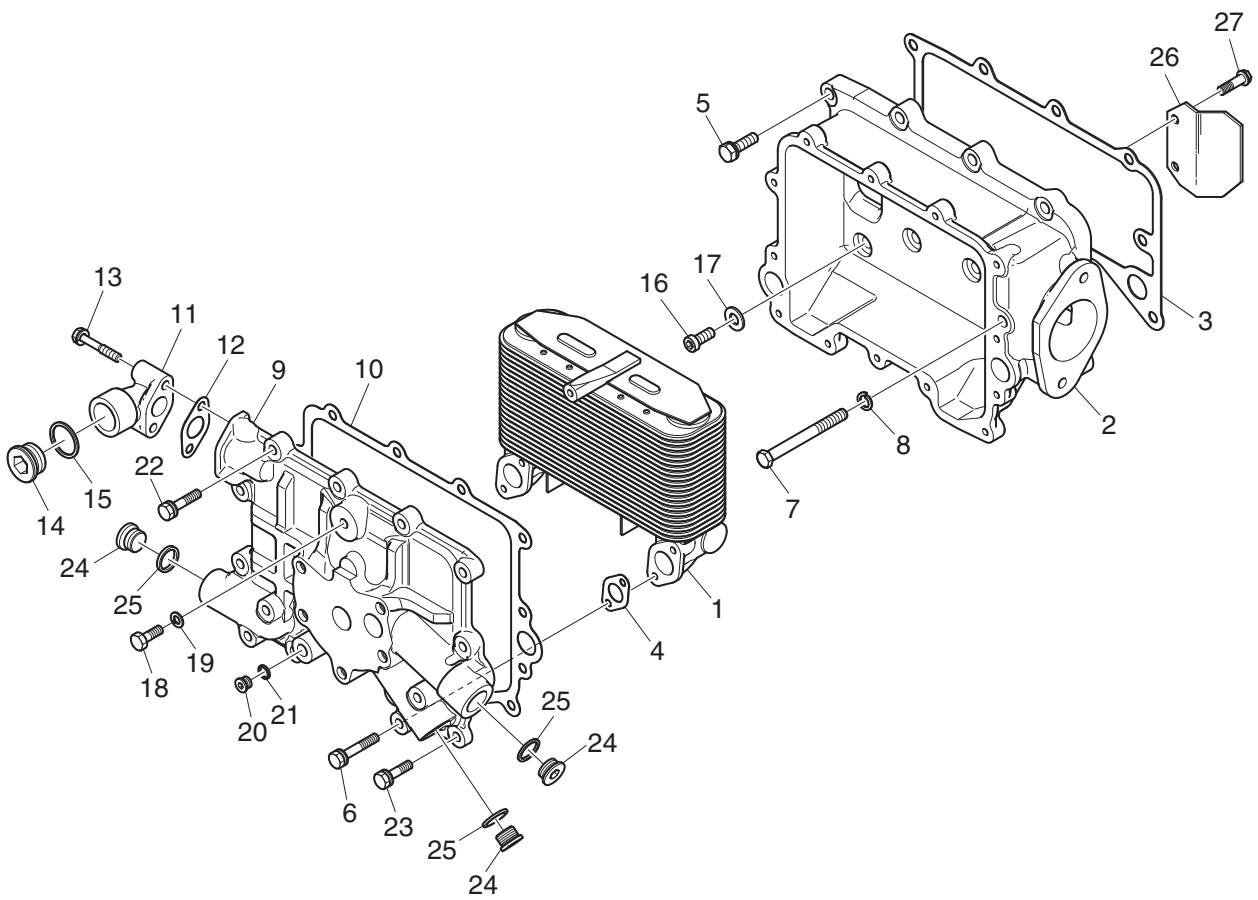


J055-GV15-001/120613

Fig.0550 OIL FILTER

Key No	Part No	Part Name	(Q'ty)				S/C	ICA
			DP180 LBS	DP180 LAS	DP180 LBF	DP180 LAF		
			DV 18 - 0000 8	DV 18 - 0000 9	DV 18 - 000 1 0	DV 18 - 000 1 1		
1	65.05501-7087	FUEL FILTER ASS'Y	1	1	1	1		
1-1	65.05503-0043	HEAD ; OIL FILTER	1	1	1	1		
1-2	06.29020-0125	RING ; LOCK	1	1	1	1		
1-3	65.05518-0005	VALVE	1	1	1	1		
1-4	65.05541-0001	SEAT ; VALVE	1	1	1	1		
1-5	65.05517-0011	PLATE ; STOP	1	1	1	1		
1-6	65.98130-0226	ADAPTER	1	1	1	1		
1-7	06.08062-6208	SCREW ; PLUG	3	3	3	3		
1-8	06.56190-0722	RING ; SEAL	4	4	4	4		
2	65.05510-5020B	CARTRIDGE ; OIL FILTER	2	2	2	2		
3	65.05901A0080	GASKET ; OIL FILTER COVER	1	1	1	1		
4	06.01013-9237	BOLT ; HEX.	4	4	4	4		
5	06.01284-7223	BOLT ; HEX.	1	1	1	1		
6	06.16731-2108	WASHER ; SPRING	5	5	5	5		
7	06.15010-2312	WASHER ; PLAIN	5	5	5	5		
8	65.27441-7009	SWITCH ; OIL PRESSURE	1	1	1	1		

Fig.0560 OIL COOLER

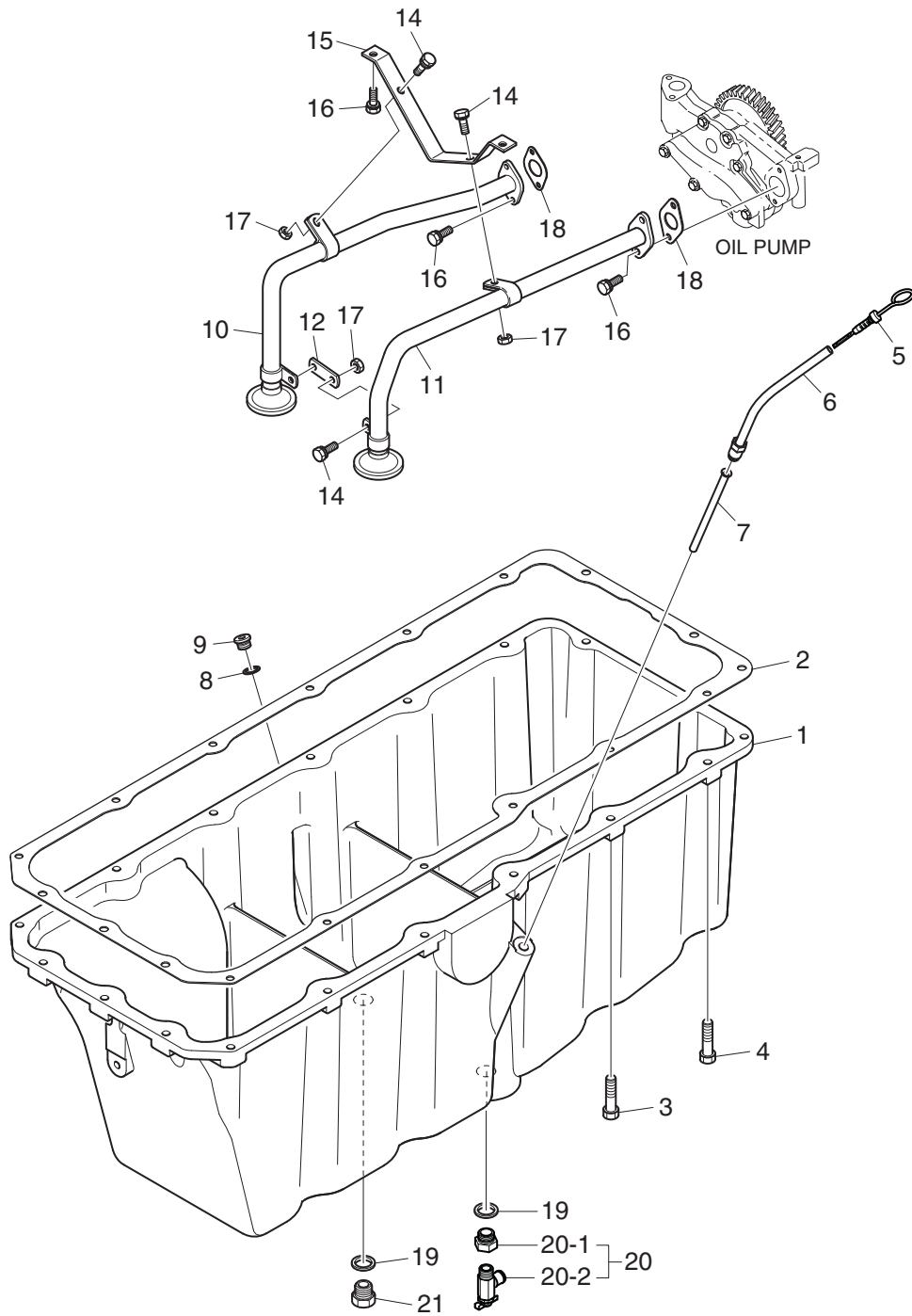


J056-DV15-010/130913

Fig.0560 OIL COOLER

Key No	Part No	Part Name	(Q'ty)				S/C	ICA
			DP180 LBS	DP180 LAS	DP180 LBF	DP180 LAF		
			DV 18 - 0000 8	DV 18 - 0000 9	DV 18 - 000 1 0	DV 18 - 000 1 1		
1	65.05601-7135	OIL COOLER ASS'Y	1	1	1	1		
2	110975-00007	HOUSING ; OIL COOLER	1	1	1	1		
3	400621-00018	GASKET ; OIL COOLER HOUSING	1	1	1	1		
4	65.96601-0221B	GASKET	2	2	2	2		
5	06.01914-3218	HEX. BOLT ASS'Y	6	6	6	6		
6	06.01913-3122	BOLT ASS'Y M8x55	4	4	4	4		
7	06.01014-9226	BOLT ; HEX.	1	1	1	1		
8	06.16731-2108	WASHER ; SPRING	1	1	1	1		
9	160402-00013	HEAD ; OIL COOLER	1	1	1	1		
10	65.05902A0038	GASKET ; COVER HOUSING	1	1	1	1		
11	430215-00780	FLANGE	1	1	1	1		
12	65.05903-0030	GASKET	1	1	1	1		
13	06.01913-3121	BOLT ASS'Y M8x50	2	2	2	2		
14	65.90310-0134	SCREW ; PLUG	1	1	1	1		
15	06.56190-0732	RING ; SEAL	1	1	1	1		
16	65.90030-0001	BOLT ; SOCKET HEAD HEX.	3	3	3	3		
17	120810-00112	WASHER	3	3	3	3		
18	06.01283-7111	BOLT ; HEX. M8x16	1	1	1	1		
19	06.16044-0210	WASHER ; SPRING	1	1	1	1		
20	06.08092-0204	SCREW ; PLUG M14x1.5	1	1	1	1		
21	06.56190-0706	RING ; SEAL A14x20	1	1	1	1		
22	06.01923-3118	BOLT ASS'Y M8x35	12	12	12	12		
23	06.01923-3115	BOLT ASS'Y M8x25	1	1	1	1		
24	65.90310-0133	SCREW ; PLUG	3	3	3	3		
25	06.56190-0726	RING ; SEAL	3	3	3	3		
26	65.05604-0012	PLATE	1	1	1	1		
27	06.01283-7113	BOLT ; HEX. M8x1.25x20	2	2	2	2		

Fig.0580 OIL PAN

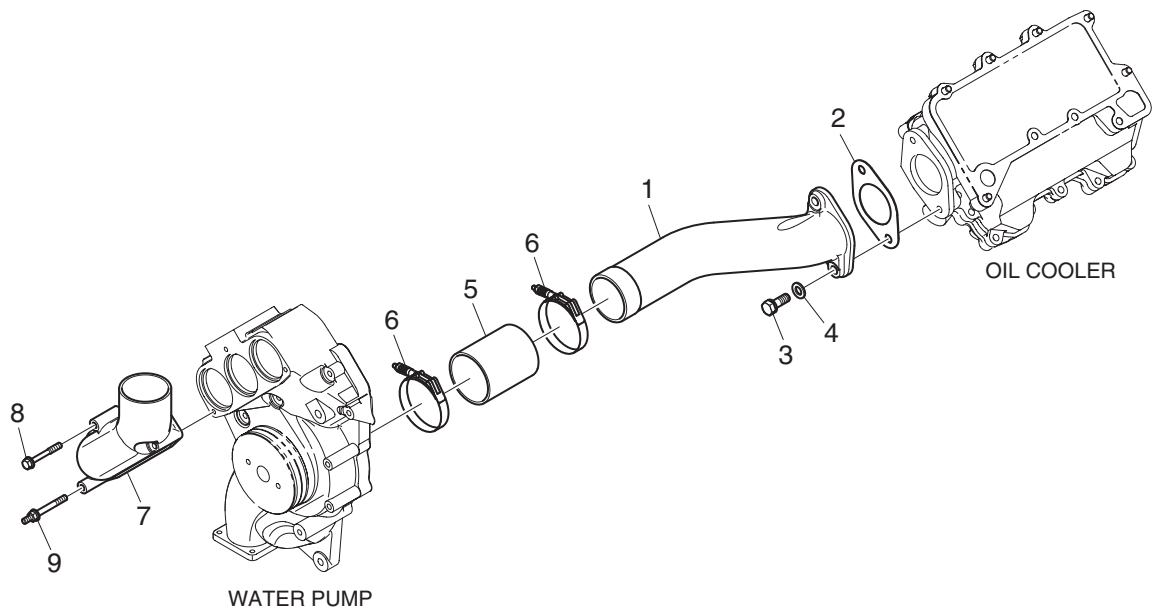


B058-DV18-006/140102

Fig.0580 OIL PAN

Key No	Part No	Part Name	(Q'ty)				S/C	ICA
			DP180 LBS	DP180 LAS	DP180 LBF	DP180 LAF		
			DV 18 - 0000 8	DV 18 - 0000 9	DV 18 - 000 1 0	DV 18 - 000 1 1		
1	65.05801-5214	PAN ; OIL	1	1	1	1		
2	65.05904A0093	GASKET ; OIL PAN	1	1	1	1		
3	06.01923-3118	BOLT ASS'Y M8x35	15	15	15	15		
4	06.01923-3118	BOLT ASS'Y M8x35	3	3	3	3		
5	800108-00159	OIL LEVEL GAUGE ASS'Y	1	1	1	1		
6	65.05806-6085	PIPE ; OIL LEVEL GAUGE	1	1	1	1		
7	65.05806-0029	PIPE ; OIL LEVEL GAUGE	1	1	1	1		
8	06.56190-0713	RING ; SEAL A18x24	1	1	1	1		
9	65.90310-0131	SCREW ; PLUG	1	1	1	1		
10	65.05701-5815	PIPE ; OIL SUCTION	1	1	1	1		
11	65.05701-5816	PIPE ; OIL SUCTION	1	1	1	1		
12	65.97480-0422	HOLDER ; OIL SUCTION PIPE	1	1	1	1		
14	06.01913-3115	BOLT ASS'Y M8x25	4	4	4	4		
15	65.05740-0093	HOLDER ; OIL SUCTION PIPE	1	1	1	1		
16	06.01913-3113	BOLT ASS'Y M8x20	6	6	6	6		
17	06.11063-8214	NUT	4	4	4	4		
18	65.96601-0055	GASKET	2	2	2	2		
19	06.56190-0728	RING ; SEAL	2	2	2	2		
20	460102-00029	DRAIN ASS'Y	1	1	1	1		
20-1	430201-00600	ADAPTER	1	1	1	1		
20-2	460102-00028	DRAIN	1	1	1	1		
21	65.90310-0149A	SCREW ; PLUG M26x1.5	1	1	1	1		

Fig.0630 COOLING WATER PIPE

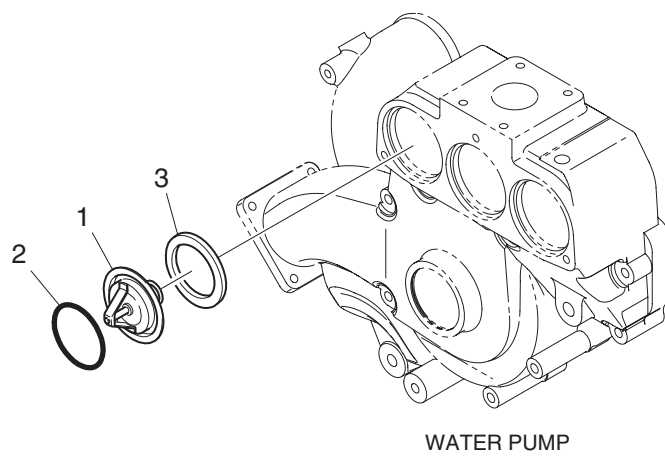


K063-DV18-012/140102

Fig.0630 COOLING WATER PIPE

Key No	Part No	Part Name	(Q'ty)				S/C	ICA
			DP180 LBS	DP180 LAS	DP180 LBF	DP180 LAF		
			DV 18 - 0000 8	DV 18 - 0000 9	DV 18 - 0000 0	DV 18 - 0000 1		
1	65.06301-0158	PIPE ; COOLING WATER	1	1	1	1		
2	65.06903B0010	GASKET ; COOLING WATER PIPE	1	1	1	1		
3	06.01913-3318	BOLT ; HEX. M12x1.75x35	2	2	2	2		
4	06.15010-2313	WASHER ; PLAIN	2	2	2	2		
5	420108-00158	HOSE ; RUBBER	1	1	1	1		
6	65.97440-5005	CLAMP ; HOSE	2	2	2	2		
7	65.06301-0368	PIPE ; COOLING WATER	1	1	1	1		
8	06.01923-3124	BOLT ASS'Y M8x65	1	1	1	1		
9	120122-00048	BOLT ; STAY	2	2	2	2		

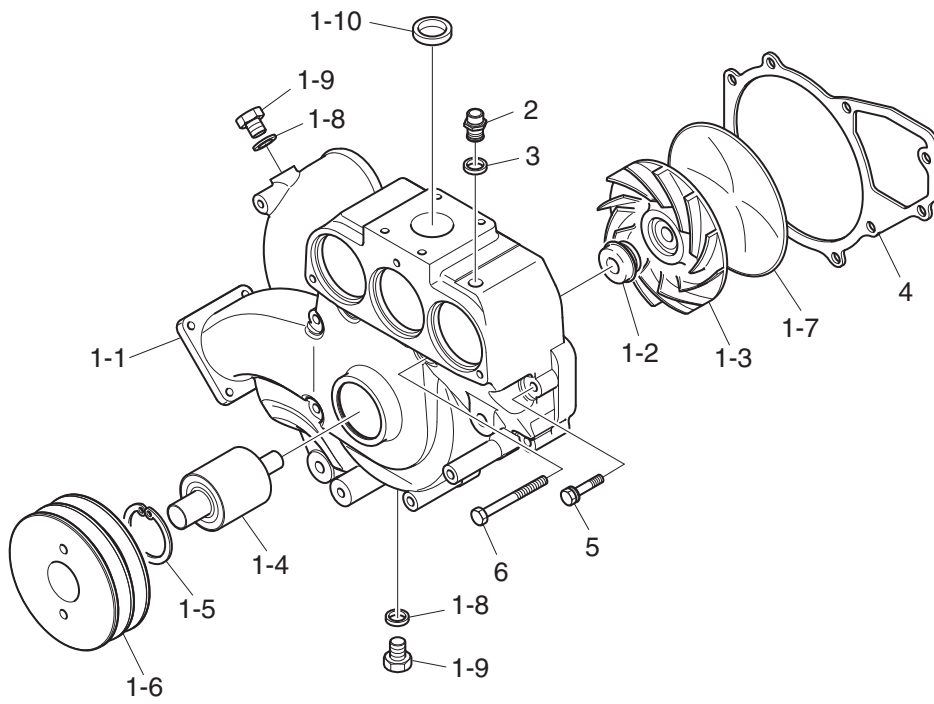
Fig.0640 THERMOSTAT



K064-DV15-002/120724

Fig.0650 WATER PUMP

1 : 1-1 ~ 1-10

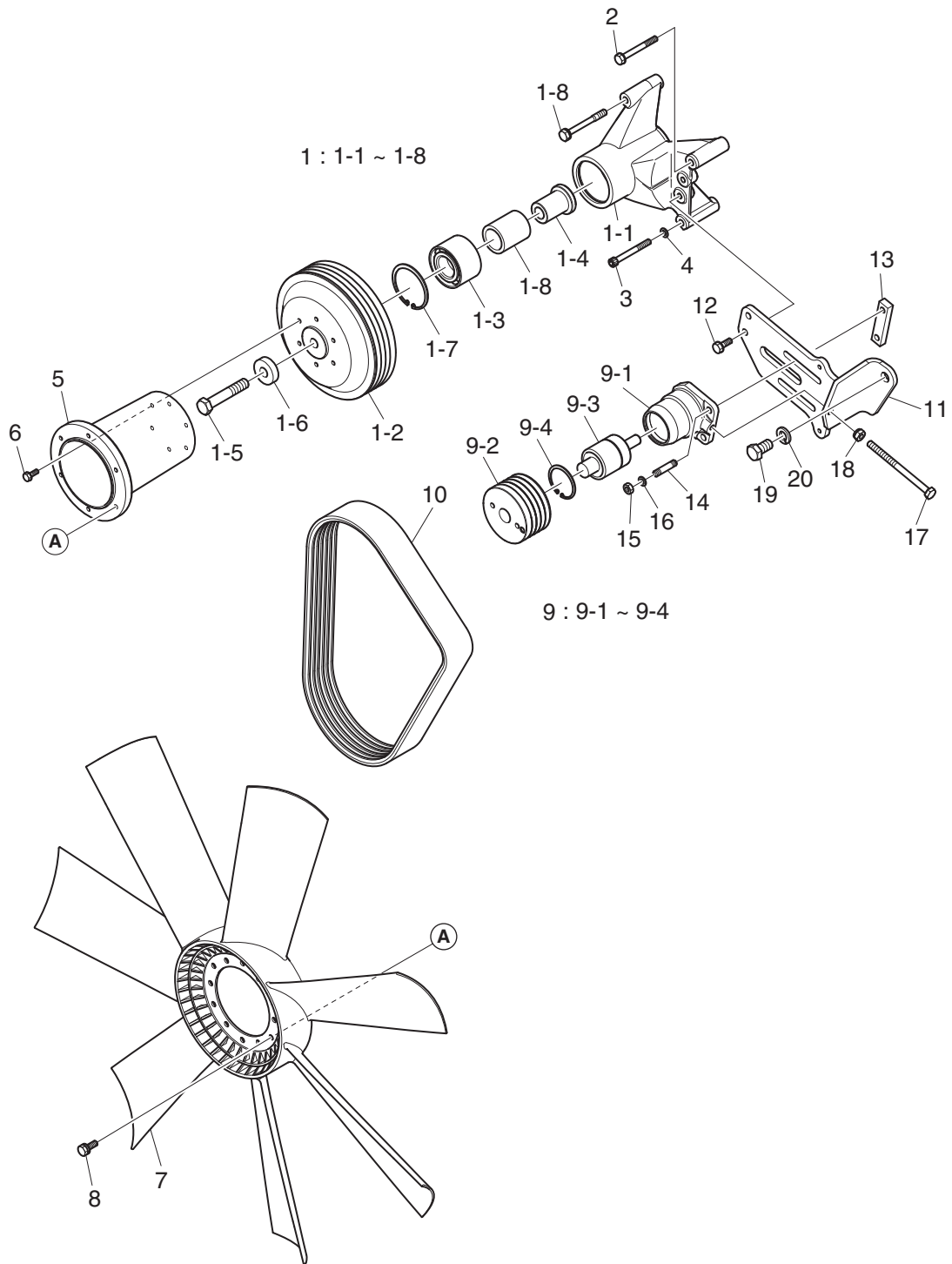


K065-DV15-004/120724

Fig.0650 WATER PUMP

Key No	Part No	Part Name	(Q'ty)				S/C	ICA
			DP180 LBS	DP180 LAS	DP180 LBF	DP180 LAF		
			DV 18 - 0000 8	DV 18 - 0000 9	DV 18 - 000 1 0	DV 18 - 000 1 1		
1	400921-00021	WATER PUMP ASS'Y	1	1	1	1		
1-1	65.06501-0082A	HOUSING ; WATER PUMP	1	1	1	1	NS	
1-2	65.06520-6007	SEAL ; MECHANICAL	1	1	1	1		
1-3	65.06506-6001A	IMPELLER ; WATER PUMP	1	1	1	1		
1-4	65.93410-0087	BEARING	1	1	1	1		
1-5	06.29020-0132	RING ; SNAP 55x2	1	1	1	1		
1-6	65.06503-0174	PULLEY ; BELT	1	1	1	1		
1-7	65.06512-0017A	COVER ; WATER PUMP	1	1	1	1		
1-8	06.56190-0709	RING ; SEAL	2	2	2	2		
1-9	06.08092-2405	SCREW ; PLUG M16x1.5	2	2	2	2		
1-10	65.90302-0026	PLUG ; CORE	1	1	1	1		
2	65.98131-0060	SCREW ; CONNECTION	1	1	1	1		
3	06.56190-0706	RING ; SEAL A14x20	1	1	1	1		
4	65.06901A0074	GASKET ; WATER PUMP	1	1	1	1		
5	06.01923-3122	BOLT ASS'Y M8x55	3	3	3	3		
6	06.01913-3128	BOLT M8x85	3	3	3	3		

Fig.0660 COOLING FAN



K066-DV15-011/130913

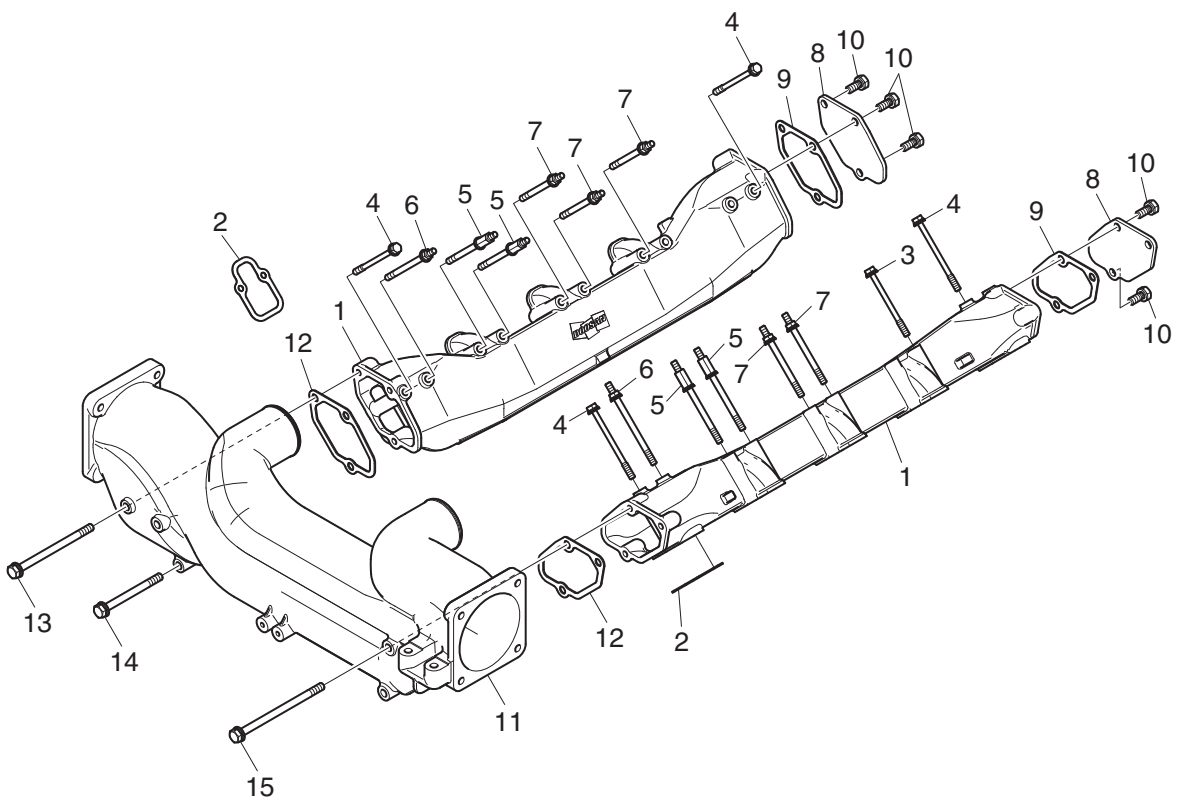
Fig.0660 COOLING FAN

Key No	Part No	Part Name	(Q'ty)				S/C	ICA
			DP180 LBS	DP180 LAS	DP180 LBF	DP180 LAF		
			DV 18 - 0000 8	DV 18 - 0000 9	DV 18 - 000 1 0	DV 18 - 000 1 1		
1	110412-00076	FAN MOUNTING BRACKET ASS'Y	1	1	1	1		
1-1	130709-00057	PULLEY ; FAN	1	1	1	1		
1-2	65.06602-0004	BRACKET ; FAN MOUNTING	1	1	1	1		
1-3	51.93410-0073	BEARING ; ANGULAR BALL	1	1	1	1		
1-4	65.06603-0004	SHAFT ; FAN	1	1	1	1		
1-5	06.01494-4517	BOLT ; HEX.	1	1	1	1		
1-6	65.90710-0253	WASHER	1	1	1	1		
1-7	06.29020-0152	RING ; SNAP	1	1	1	1		
1-8	06.01913-3229	BOLT ASS'Y M10x90	2	2	2	2		
2	06.01913-3229	BOLT ASS'Y M10x90	1	1	1	1		
3	06.02091-0527	BOLT ; SOCKET HEAD HEX.	1	1	1	1		
4	06.16110-0107	WASHER ; SPRING	1	1	1	1		
5	65.06611-0138	FLANGE ; FAN	1	1	1	1		
6	06.01913-3116	BOLT ; HEX. M8x28	6	6	6	6		
7	65.06601-5048	FAN ; COOLING	1	1	1	1		
8	06.01923-3117	BOLT ASS'Y M8x30	6	6	6	6		
9	130710-00070	IDLE PULLEY ASS'Y	1	1	1	1		
9-1	65.95840-0076	BRACKET ; IDLE PULLEY	1	1	1	1		
9-2	130710-00071	PULLEY ; IDLE	1	1	1	1		
9-3	65.93410-0087	BEARING	1	1	1	1		
9-4	06.29020-0132	RING ; SNAP 55x2	1	1	1	1		
10	130205-00319	V-BELT	1	1	1	1		
11	110417-00052	BRACKET ; IDLE PULLEY	1	1	1	1		
12	06.01914-3215	BOLT ASS'Y M10x25	2	2	2	2		
13	65.95840-0079	BRACKET ; IDLE PULLEY	1	1	1	1		
14	06.06225-0809	BOLT ; STUD M10x35	2	2	2	2		
15	06.11063-8215	NUT ; HEX. M10	2	2	2	2		
16	06.16731-2108	WASHER ; SPRING	2	2	2	2		
17	06.01283-7235	BOLT ; HEX.	1	1	1	1		
18	06.11250-2106	NUT ; HEX.	1	1	1	1		
19	06.01283-7517	BOLT ; HEX.	1	1	1	1		
20	06.16731-2111	WASHER ; SPRING	1	1	1	1		

Fig.0810 EXHAUST MANIFOLD

Key No	Part No	Part Name	(Q'ty)				S/C	ICA
			DP180 LBS	DP180 LAS	DP180 LBF	DP180 LAF		
			DV 18 - 0000 8	DV 18 - 0000 9	DV 18 - 000 1 0	DV 18 - 000 1 1		
1	240102-00289	EXHAUST MANIFOLD ASS'Y	1	1	1	1		
1-1	240102-00216A	MANIFOLD ; EXHAUST	1	1	1	1		
1-2	240102-00243	MANIFOLD ; EXHAUST	1	1	1	1		
1-3	65.08901-0060	GASKET	1	1	1	1		
1-4	65.90001-0157	BOLT ; HEX.	3	3	3	3		
1-5	65.90801-0013	WASHER ; LOCK	2	2	2	2		
1-6	65.90701-0054	WASHER	4	4	4	4		
1-7	06.11063-8215	NUT ; HEX. M10	1	1	1	1		
1-8	65.90201-0080	BOLT ; STUD	1	1	1	1		
2	240102-00288	EXHAUST MANIFOLD ASS'Y	1	1	1	1		
2-1	240102-00219	MANIFOLD ; EXHAUST	1	1	1	1		
2-2	240102-00242	MANIFOLD ; EXHAUST	1	1	1	1		
2-3	65.08901-0060	GASKET	1	1	1	1		
2-4	65.90001-0157	BOLT ; HEX.	3	3	3	3		
2-5	65.90801-0013	WASHER ; LOCK	2	2	2	2		
2-6	65.90701-0054	WASHER	4	4	4	4		
2-7	65.90201-0080	BOLT ; STUD	1	1	1	1		
2-8	06.11063-8215	NUT ; HEX. M10	1	1	1	1		
3	240102-00210	MANIFOLD ; EXHAUST	1	1	1	1		
4	240102-00212	MANIFOLD ; EXHAUST	1	1	1	1		
5	65.98701-0005	RING ; LAMINATED	4	4	4	4		
6	65.08901-0047	GASKET ; EXHAUST MANIFOLD	10	10	10	10		
7	65.90001-0156	BOLT ; HEX.	12	12	12	12		
8	65.90001-0155A	BOLT ; HEX.	8	8	8	8		
9	65.91701-0541	SPACER	20	20	20	20		
10	110443-00048	BRACKET ; EXHAUST ELBOW	1	1	1	1		
11	06.01943-3317	BOLT ASS'Y M12x1.5x30	4	4	4	4		
12	110443-00049	BRACKET ; EXHAUST ELBOW	1	1	1	1		
13	06.01494-4507	BOLT ; HEX.	2	2	2	2		
14	06.16731-2111	WASHER ; SPRING	2	2	2	2		
15	110443-00050	BRACKET ; EXHAUST ELBOW	1	1	1	1		
16	06.01943-3317	BOLT ASS'Y M12x1.5x30	4	4	4	4		
17	110443-00051	BRACKET ; EXHAUST ELBOW	1	1	1	1		
18	06.01494-4507	BOLT ; HEX.	2	2	2	2		
19	06.16731-2111	WASHER ; SPRING	2	2	2	2		

Fig.0820 INTAKE MANIFOLD

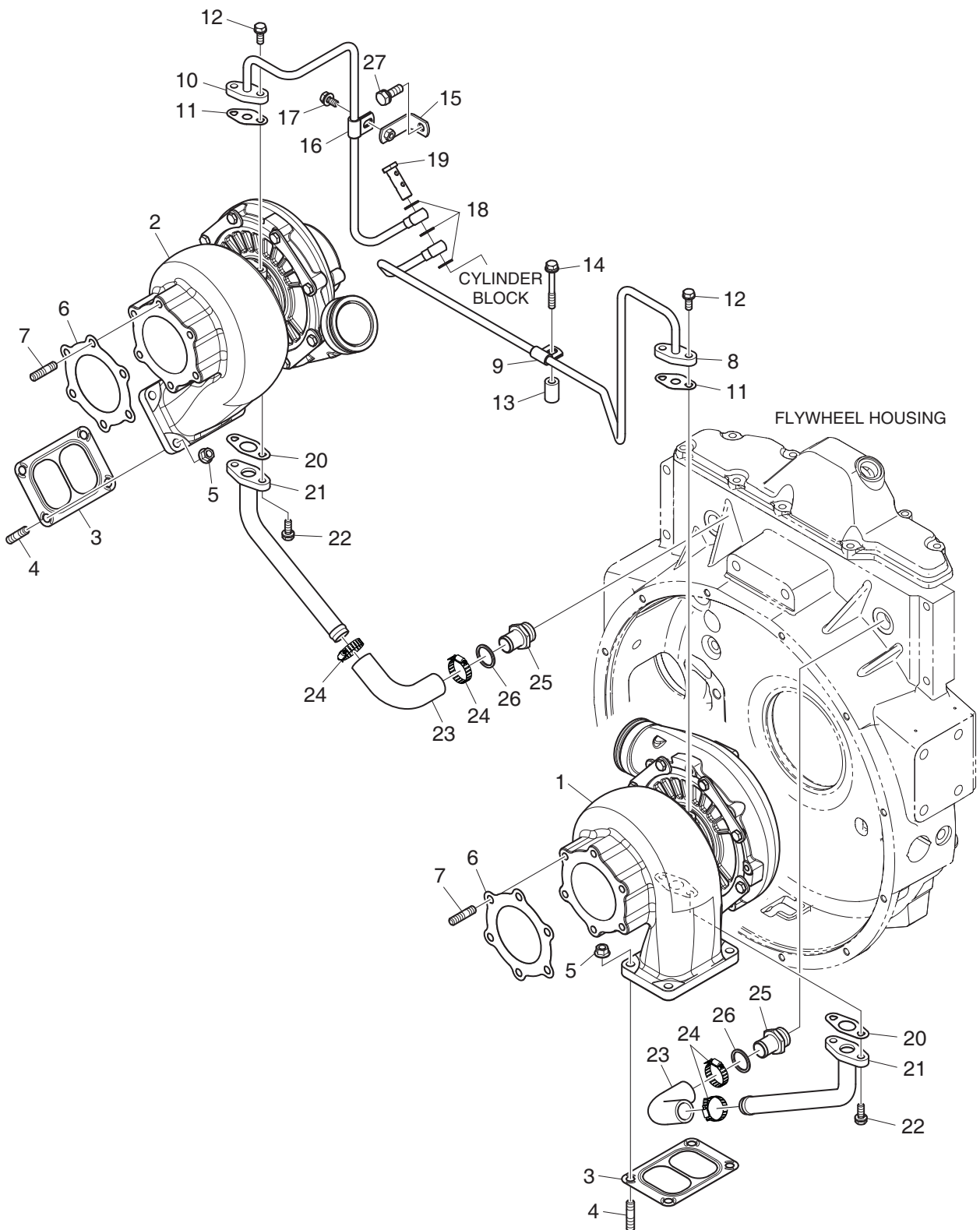


H082-DV18-009/140102

Fig.0820 INTAKE MANIFOLD

Key No	Part No	Part Name	(Q'ty)				S/C	ICA
			DP180 LBS	DP180 LAS	DP180 LBF	DP180 LAF		
			DV 18 - 0000 8	DV 18 - 0000 9	DV 18 - 0000 10	DV 18 - 0000 11		
1	240203-00127	MANIFOLD ; INTAKE	2	2	2	2		
2	65.08902-0078D	GASKET ; INTAKE MANIFOLD	10	10	10	10		
3	06.01923-3129	BOLT ASS'Y M8x90	1	1	1	1		
4	06.01923-3132	BOLT ASS'Y M8x110	4	4	4	4		
5	120122-00043	BOLT ; STAY	4	4	4	4		
6	120122-00044	BOLT ; STAY	2	2	2	2		
7	120122-00050	BOLT ; STAY	5	5	5	5		
8	65.08203-0001A	COVER ; INTAKE	2	2	2	2		
9	65.08902A0057	GASKET	2	2	2	2		
10	06.01913-3215	BOLT ASS'Y M10x25	5	5	5	5		
11	420209-00246	PIPE ; AIR INLET	1	1	1	1		
12	65.08902A0057	GASKET	2	2	2	2		
13	120106-00508	BOLT ASS'Y	2	2	2	2		
14	120106-00507	BOLT ASS'Y	1	1	1	1		
15	120106-00509	BOLT ASS'Y	3	3	3	3		

Fig.0910 TURBOCHARGER

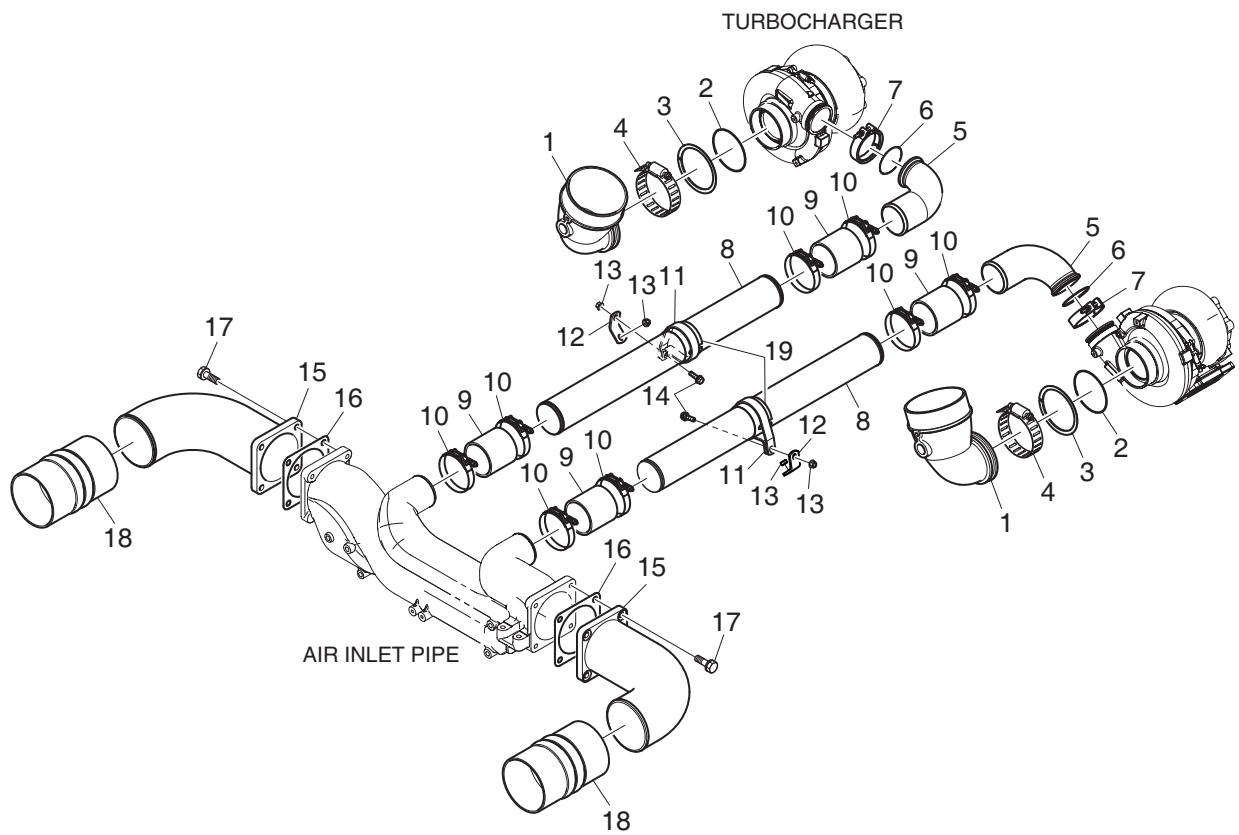


H091-DV18-006/140102

Fig.0910 TURBOCHARGER

Key No	Part No	Part Name	(Q'ty)				S/C	ICA
			DP180 LBS	DP180 LAS	DP180 LBF	DP180 LAF		
			DV 18 - 0000 8	DV 18 - 0000 9	DV 18 - 0000 10	DV 18 - 0000 11		
1	150105-00582	TURBOCHARGER ASS'Y	1	1	1	1		
2	150105-00583	TURBOCHARGER ASS'Y	1	1	1	1		
3	65.09901-0033	GASKET ; TURBOCHARGER	2	2	2	2		
4	65.90201-0076	BOLT ; STUD	8	8	8	8		
5	65.90535-0001	NUT	8	8	8	8		
6	65.08901-0063	GASKET ; EXHAUST ELBOW	2	2	2	2		
7	06.06226-0808	BOLT ; STUD M10x30	12	12	12	12		
8	420214-00249	PIPE ; OIL DELIVERY	1	1	1	1		
9	65.97401-0110A	CLIP ; PIPE	1	1	1	1		
10	420214-00374	PIPE ; OIL DELIVERY	1	1	1	1		
11	65.96601-0046B	GASKET ; OIL PIPE ADAPTER	2	2	2	2		
12	06.01913-3114	BOLT ASS'Y M8x22	4	4	4	4		
13	65.91701-0086	SPACER	1	1	1	1		
14	06.01913-3124	BOLT ASS'Y M8x65	1	1	1	1		
15	110928-00360	HOLDER	1	1	1	1		
16	65.97401-0110A	CLIP ; PIPE	1	1	1	1		
17	06.01923-3112	BOLT ASS'Y M8x18	1	1	1	1		
18	06.56190-0706	RING ; SEAL A14x20	3	3	3	3		
19	65.98150-0071	SCREW ; HOLLOW	1	1	1	1		
20	65.96601-0067	GASKET ; OIL RETURN	2	2	2	2		
21	420217-00227	PIPE ; OIL RETURN	2	2	2	2		
22	06.01913-3114	BOLT ASS'Y M8x22	4	4	4	4		
23	420107-00301	HOSE ; OIL	2	2	2	2		
24	65.97440-0103	CLAMP ; HOSE	4	4	4	4		
25	65.98131-0071	SCREW ; CONNECTION	2	2	2	2		
26	06.56190-0728	RING ; SEAL	2	2	2	2		
27	06.01913-3217	BOLT M10x30	1	1	1	1		

Fig.0940 INTAKE STAKE

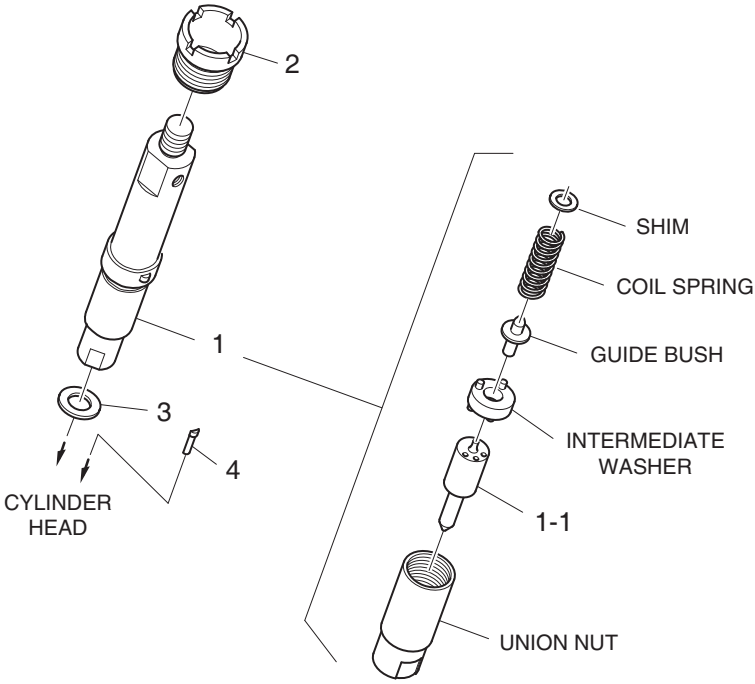


H094-DV18-010/140102

Fig.0940 INTAKE STAKE

Key No	Part No	Part Name	(Q'ty)				S/C	ICA
			DP180 LBS	DP180 LAS	DP180 LBF	DP180 LAF		
			DV 18 - 0000 8	DV 18 - 0000 9	DV 18 - 0000 10	DV 18 - 0000 11		
1	240401-00140	STAKE ; INTAKE	2	2	2	2		
2	65.96501-0075	O-RING	2	2	2	2		
3	65.08212-0002	INSERT	2	2	2	2		
4	65.97450-5006	V-CLAMP	2	2	2	2		
5	420209-00196	PIPE ; INLET	2	2	2	2		
6	65.96501-0420	O-RING	2	2	2	2		
7	65.97450-5001A	CLAMP	2	2	2	2		
8	420209-00276	PIPE ; INLET	2	2	2	2		
9	420108-00152	HOSE ; RUBBER	4	4	4	4		
10	65.97440-5005	CLAMP ; HOSE	8	8	8	8		
11	65.97401-0397	CLIP ; PIPE	2	2	2	2		
12	110928-00480	HOLDER	2	2	2	2		
13	65.90535-0003	NUT	4	4	4	4		
14	06.01923-3117	BOLT ASS'Y M8x30	2	2	2	2		
15	420209-00197	PIPE ; INLET	2	2	2	2		
16	65.09905-0004	GASKET ; AIR PIPE	2	2	2	2		
17	06.01953-3320	BOLT ASS'Y	8	8	8	8		
18	420108-00111	HOSE ; RUBBER	2	2	2	2		
19	420108-01165	HOSE ; RUBBER	2	2	2	2		

Fig.1010 INJECTION NOZZLE

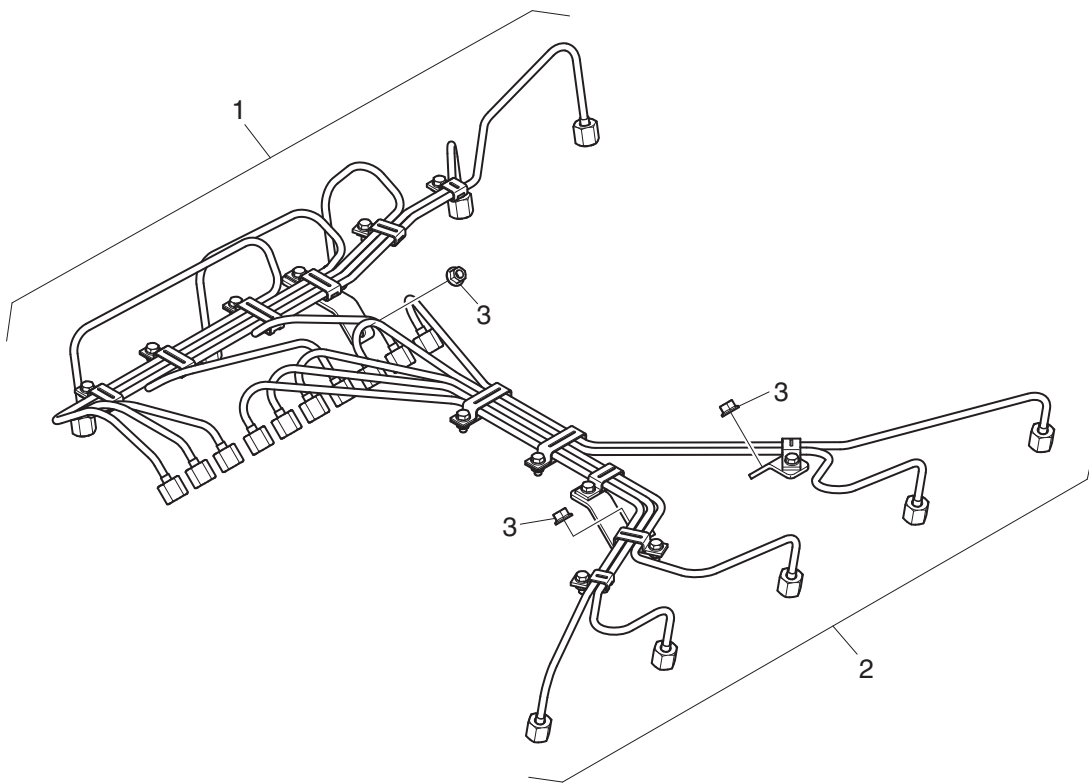


L101-DV18-006/140102

Fig.1010 INJECTION NOZZLE

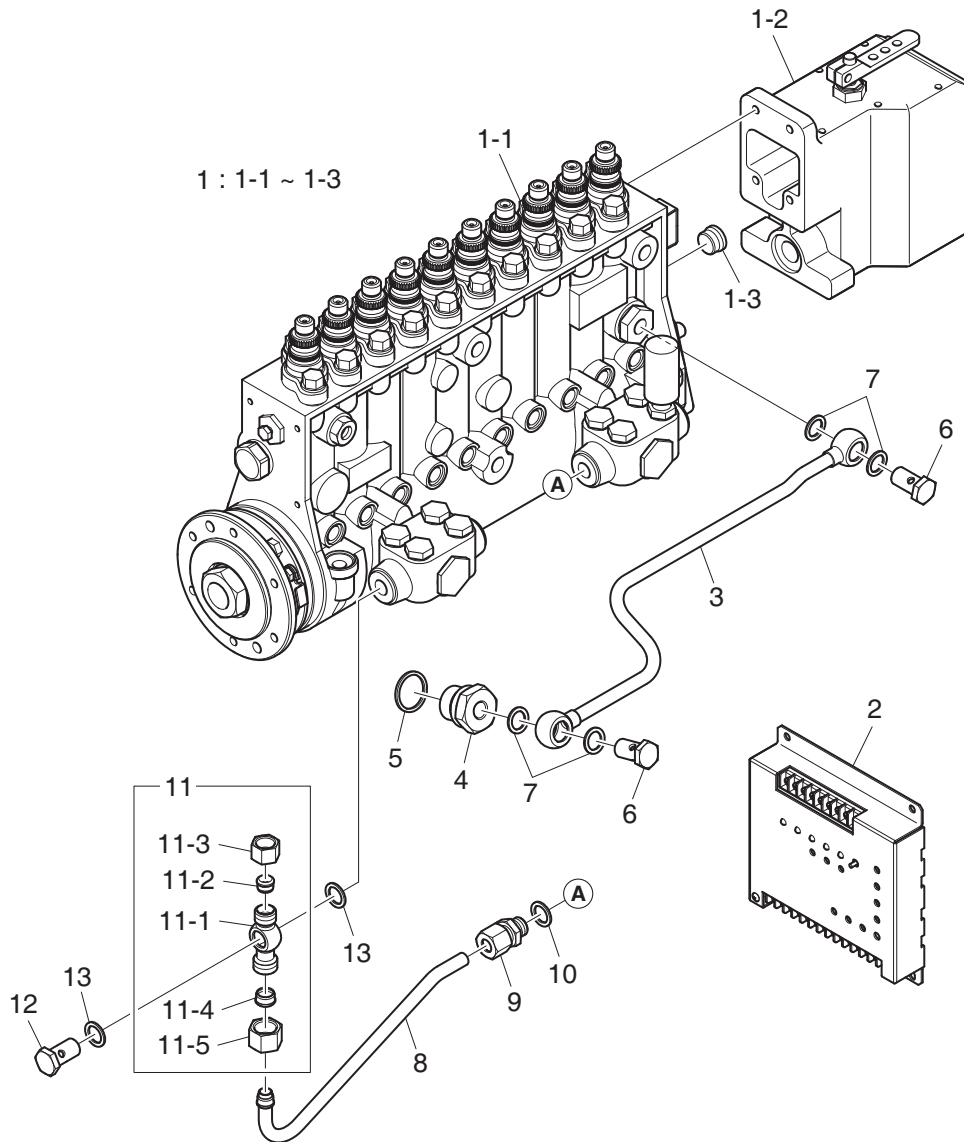
Key No	Part No	Part Name	(Q'ty)				S/C	ICA
			DP180 LBS	DP180 LAS	DP180 LBF	DP180 LAF		
			DV 18 - 00 00 00 8	DV 18 - 00 00 09	DV 18 - 00 10	DV 18 - 00 01 1		
1	65.10101-7051	NOZZLE HOLDER ASS'Y	10	10	10	10		
1-1	65.10102-6047	NOZZLE ; INJECTION	1	1	1	1		
2	65.10108-0006	PRESSURE SCREW KIT	10	10	10	10		
3	65.98701-0065	SEALRING	10	10	10	10		
4	65.98701-0006	SEAL ; NOZZLE HOLDER HOLE	10	10	10	10		

Fig.1030 INJECTION PIPE



L103-DV18-010/140102

Fig.1110 INJECTION PUMP(1)

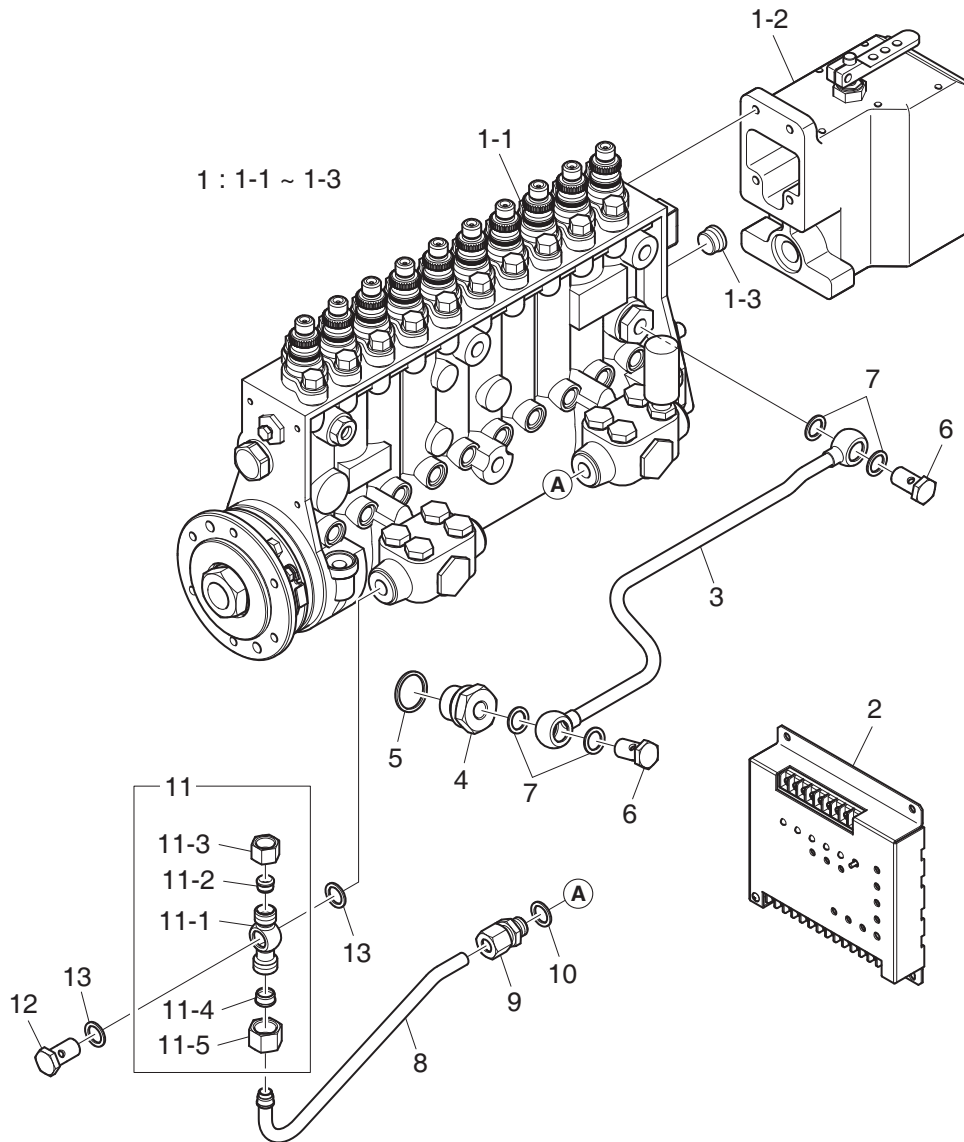


L111-DV18-013/140102

Fig.1110 INJECTION PUMP(1)

Key No	Part No	Part Name	(Q'ty)				S/C	ICA
			DP180 LBS	DP180 LAS	DP180 LBF	DP180 LAF		
			DV 18	DV 18	DV 18	DV 18		
1	400912-00027	INJECTION PUMP ASS'Y			1	1		
1-1	65.11101-7302	PUMP ; INJECTION			1	1		
1-2	65.11501-7006C	GOVERNOR ASS'Y			1	1		
1-3	65.90310-0129	SCREW ; PLUG			1	1		
2	300611-00683A	CONTROLLER			1	1		
3	65.05701-5357	PIPE ; RETURN			1	1		
4	65.98130-0151	ADAPTER ; INJECTION PUMP RETURN			1	1		
5	06.56190-0726	RING ; SEAL			1	1		
6	06.78144-2204	SCREW ; HOLLOW			2	2		
7	06.56190-0706	RING ; SEAL A14x20			4	4		
8	420204-00026	PIPE ; FUEL			1	1		
9	06.71010-0213	FITTING ; PIPE			1	1		
10	06.56190-0706	RING ; SEAL A14x20			1	1		
11	430228-00012	BANJO UNION ASS'Y			1	1		
11-1	430228-00013	UNION ; BANJO			1	1	NS	
11-2	06.71024-0107	RING ; DIE			1	1	NS	
11-3	06.71030-8113	NUT ; UNION			1	1	NS	
11-4	06.71024-0108	RING ; DIE			1	1	NS	
11-5	06.71030-8114	NUT ; UNION			1	1	NS	
12	06.78144-2204	SCREW ; HOLLOW			1	1		
13	06.56190-0706	RING ; SEAL A14x20			2	2		

Fig.1110 INJECTION PUMP(2)

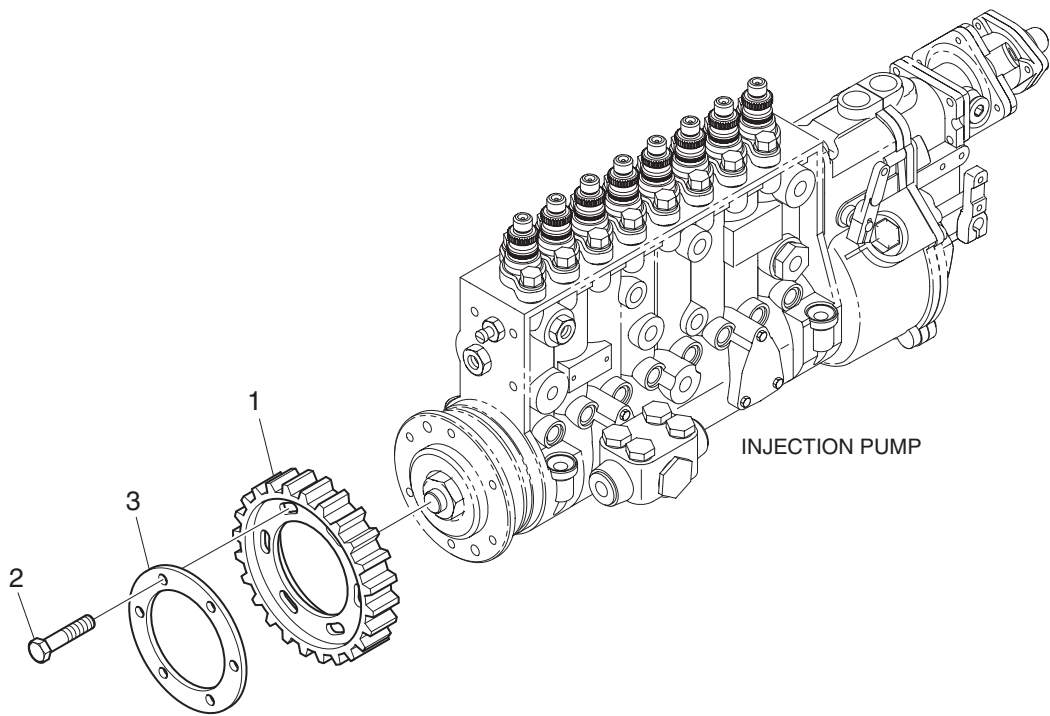


L111-DV18-014/140102

Fig.1110 INJECTION PUMP(2)

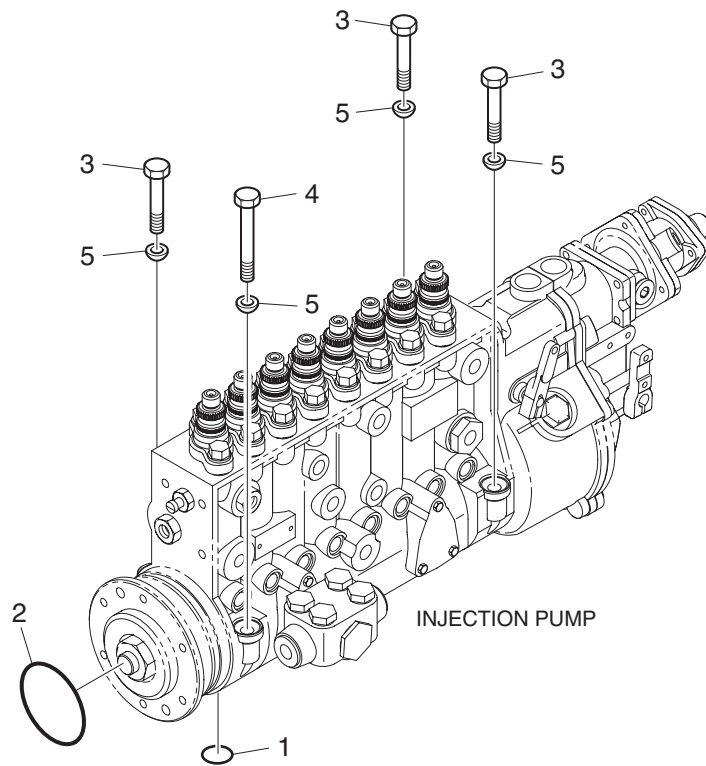
Key No	Part No	Part Name	(Q'ty)				S/C	ICA
			DP180 LBS	DP180 LAS	DP180 LBF	DP180 LAF		
			DV 18 - 0000 8	DV 18 - 0000 9	DV 18 - 000 1 0	DV 18 - 000 1 1		
1	400912-00027	INJECTION PUMP ASS'Y	1	1				
1-1	65.11101-7302	PUMP ; INJECTION	1	1				
1-2	65.11501-7006C	GOVERNOR ASS'Y	1	1				
1-3	65.90310-0129	SCREW ; PLUG	1	1				
2	300611-00684A	CONTROLLER	1	1				
3	65.05701-5357	PIPE ; RETURN	1	1				
4	65.98130-0151	ADAPTER ; INJECTION PUMP RETURN	1	1				
5	06.56190-0726	RING ; SEAL	1	1				
6	06.78144-2204	SCREW ; HOLLOW	2	2				
7	06.56190-0706	RING ; SEAL A14x20	4	4				
8	420204-00026	PIPE ; FUEL	1	1				
9	06.71010-0213	FITTING ; PIPE	1	1				
10	06.56190-0706	RING ; SEAL A14x20	1	1				
11	430228-00012	BANJO UNION ASS'Y	1	1				
11-1	430228-00013	UNION ; BANJO	1	1			NS	
11-2	06.71024-0107	RING ; DIE	1	1			NS	
11-3	06.71030-8113	NUT ; UNION	1	1			NS	
11-4	06.71024-0108	RING ; DIE	1	1			NS	
11-5	06.71030-8114	NUT ; UNION	1	1			NS	
12	06.78144-2204	SCREW ; HOLLOW	1	1				
13	06.56190-0706	RING ; SEAL A14x20	2	2				

Fig.1130 INJECTION PUMP DRIVE



L113-DV15-001/120724

Fig.1140 INJECTION PUMP MOUNTING

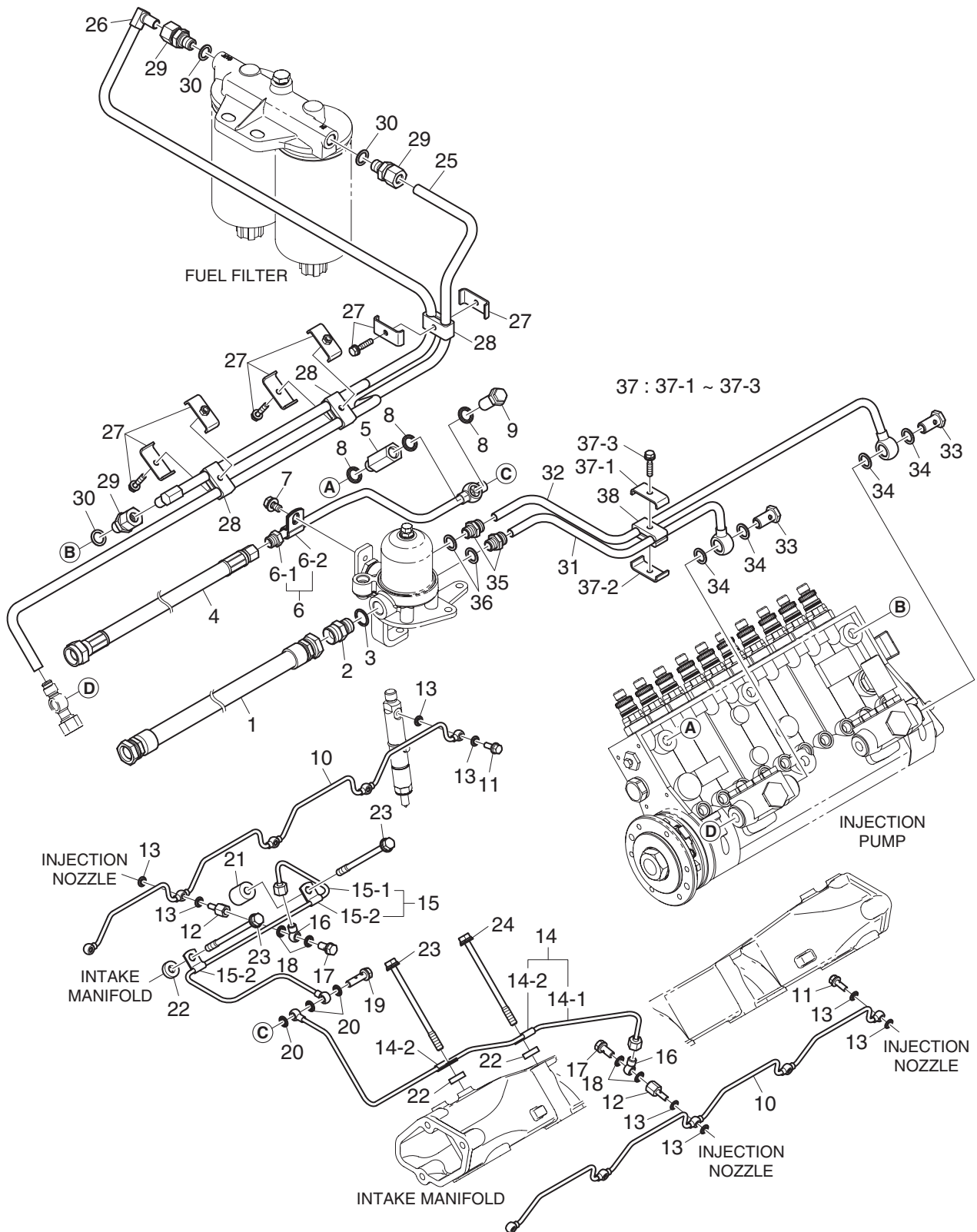


L114-DV15-001/120724

Fig.1140 INJECTION PUMP MOUNTING

Key No	Part No	Part Name	(Q'ty)				S/C	ICA
			DP180 LBS	DP180 LAS	DP180 LBF	DP180 LAF		
			DV 18 - 0000 8	DV 18 - 0000 9	DV 18 - 000 10	DV 18 - 000 11		
1	51.96501-0322	O-RING	1	1	1	1		
2	51.96501-0295	O-RING	1	1	1	1		
3	65.90001-0146A	BOLT ; HEX.	3	3	3	3		
4	06.01014-7225	BOLT ; HEX. M10x100	1	1	1	1		
5	06.15061-0103	WASHER ; BALL	4	4	4	4		

Fig.1230 FUEL LINE



F123-DV18-011/140102

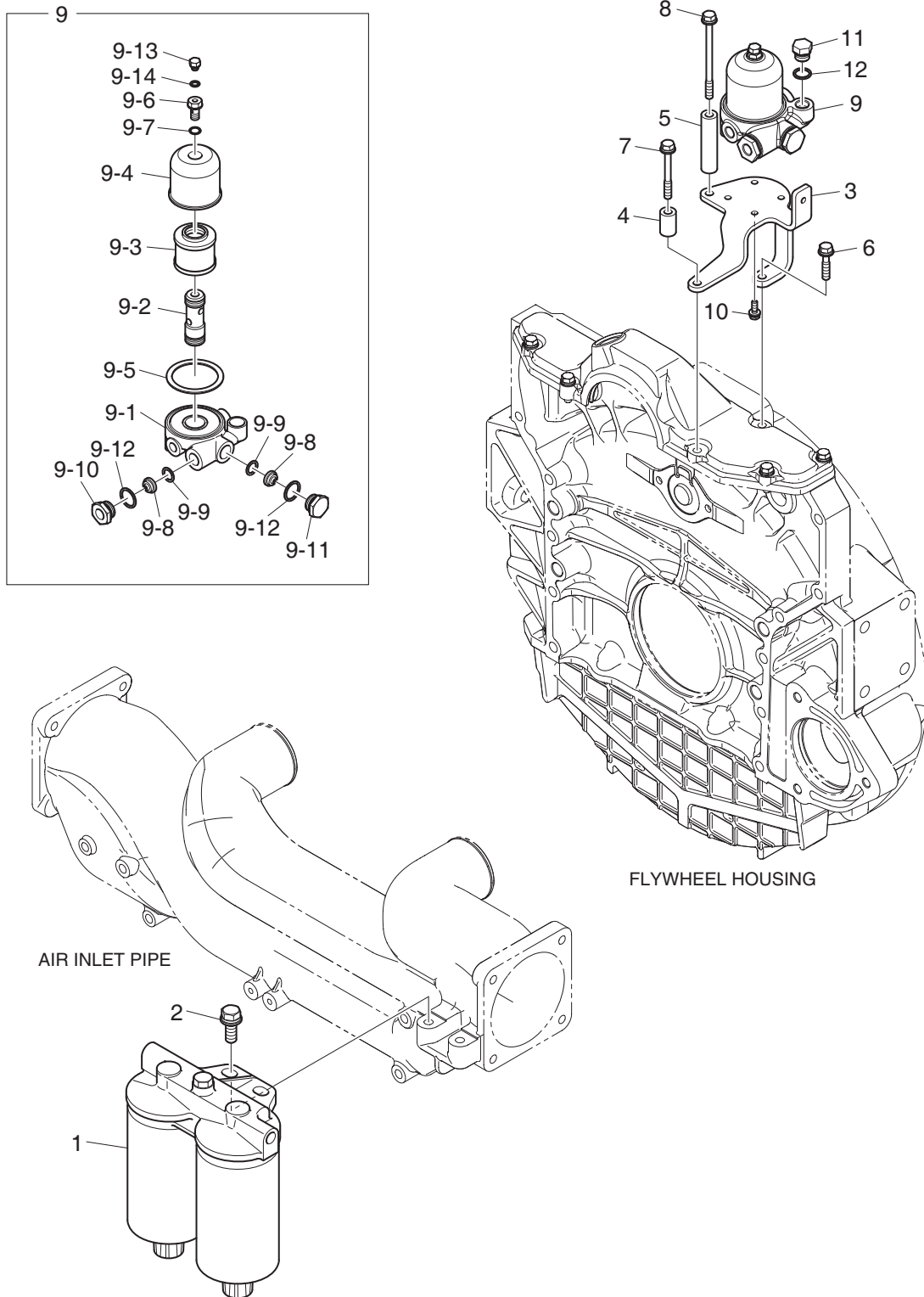
Fig.1230 FUEL LINE

Key No	Part No	Part Name	(Q'ty)				S/C	ICA
			DP180 LBS	DP180 LAS	DP180 LBF	DP180 LAF		
			DV 18 - 0000 8	DV 18 - 0000 9	DV 18 - 0000 10	DV 18 - 0000 11		
1	65.96340-5061	HOSE ; RUBBER	1	1	1	1		
2	65.98131-0105	NIPPLE	1	1	1	1		
3	06.56190-0712	RING ; SEAL	1	1	1	1		
4	65.96340-5037	HOSE ; RUBBER	1	1	1	1		
5	430201-00821	ADAPTER	1	1	1	1		
6	420204-00479	FUEL RETURN PIPE ASS'Y	1	1	1	1		
6-1	420204-00480	PIPE ; FUEL RETURN	1	1	1	1	NS	
6-2	65.97401-0110A	CLIP ; PIPE	1	1	1	1		
7	06.01923-3111	BOLT M8x16	1	1	1	1		
8	65.96507-0043	RING ; SEAL A14x20	3	3	3	3		
9	65.11120-5002	VALVE ; OVERFLOW	1	1	1	1		
10	65.12301-5143	PIPE ; FUEL	2	2	2	2		
11	120703-00030	SCREW ; HOLLOW	8	8	8	8		
12	120703-00033	SCREW ; HOLLOW	2	2	2	2		
13	401109-00124	SEALRING	20	20	20	20		
14	420204-00445	FUEL RETURN PIPE ASS'Y	1	1	1	1		
14-1	420204-00447	PIPE ; FUEL RETURN	1	1	1	1	NS	
14-2	65.97401-0178	CLIP	2	2	2	2	NS	
15	420204-00419	FUEL RETURN PIPE ASS'Y	1	1	1	1		
15-1	420204-00417	PIPE ; FUEL RETURN	1	1	1	1	NS	
15-2	65.97401-0178	CLIP	2	2	2	2	NS	
16	65.98103-0027	UNION ; BANJO	2	2	2	2		
17	120703-00016	SCREW ; HOLLOW	2	2	2	2		
18	65.96507-0001	RING ; SEAL A8x14	4	4	4	4		
19	120703-00034	SCREW ; HOLLOW	1	1	1	1		
20	65.96507-0001	RING ; SEAL A8x14	3	3	3	3		
21	65.91701-0184	SPACER	1	1	1	1		
22	65.91701-0121	SPACER	3	3	3	3		
23	06.01923-3133	BOLT ; HEX.	3	3	3	3		
24	06.01923-3131	BOLT ; HEX.	1	1	1	1		
25	420204-00471	PIPE ; FUEL	1	1	1	1		
26	420204-00472	PIPE ; FUEL	1	1	1	1		
27	120402-00414	PIPE CLIP ASS'Y	3	3	3	3		
28	300728-00057	INSULATOR	3	3	3	3		
29	101552-00287	NIPPLE ; UNION	3	3	3	3		
30	06.56190-0706	RING ; SEAL A14x20	3	3	3	3		
31	420204-00407	PIPE ; FUEL	1	1	1	1		
32	420204-00409	PIPE ; FUEL	1	1	1	1		
33	06.78144-2204	SCREW ; HOLLOW	2	2	2	2		
34	06.56190-0706	RING ; SEAL A14x20	4	4	4	4		
35	06.71010-0213	FITTING ; PIPE	2	2	2	2		
36	06.56190-0706	RING ; SEAL A14x20	2	2	2	2		
37	120402-00414	PIPE CLIP ASS'Y	1	1	1	1		
37-1	120402-00412	CLIP ; PIPE	1	1	1	1		
37-2	120402-00413	CLIP ; PIPE	1	1	1	1		

Fig.1230 FUEL LINE

Key No	Part No	Part Name	(Q'ty)				S/C	ICA
			DP180 LBS	DP180 LAS	DP180 LBF	DP180 LAF		
			DV 18 - 0000 8	DV 18 - 0000 9	DV 18 - 000 1 0	DV 18 - 000 1 1		
37-3	06.01923-2917	BOLT ASS'Y M6x30	1	1	1	1		
38	300728-00056	INSULATOR	1	1	1	1		

Fig.1250 FUEL FILTER

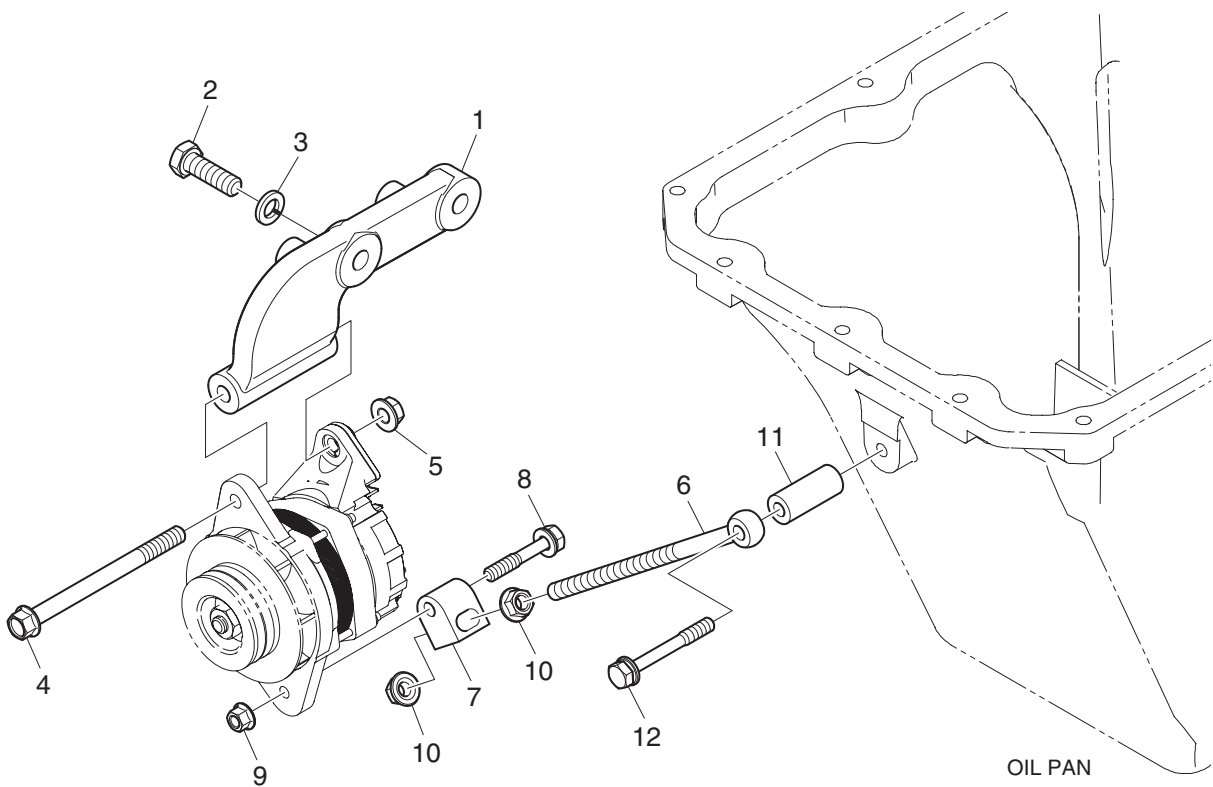


F125-DV22-001/130913

Fig.1250 FUEL FILTER

Key No	Part No	Part Name	(Q'ty)				S/C	ICA
			DP180 LBS	DP180 LAS	DP180 LBF	DP180 LAF		
			DV 18 - 0000 8	DV 18 - 0000 9	DV 18 - 000 1 0	DV 18 - 000 1 1		
1	65.12501-7095A	FUEL FILTER ASS'Y	1	1	1	1		
2	06.01953-3318	BOLT ASS'Y M12x1.5x35	2	2	2	2		
3	110413-00130	BRACKET ; FUEL FILTER	1	1	1	1		
4	65.91701-0086	SPACER	1	1	1	1		
5	110951-00805	SPACER	1	1	1	1		
6	06.01923-3119	BOLT ASS'Y M8x40	1	1	1	1		
7	06.01923-3125	BOLT ASS'Y M8x70	1	1	1	1		
8	06.01923-3132	BOLT ASS'Y M8x110	1	1	1	1		
9	65.12501-7036	FUEL FILTER ASS'Y	1	1	1	1		
9-1	65.12504-0011	COVER ; FUEL FILTER	1	1	1	1		
9-2	65.12510-0006	BOLT ; CENTER	1	1	1	1		
9-3	65.12503-5019	ELEMENT ; FUEL FILTER	1	1	1	1		
9-4	65.12502-0005	HOUSING ; FUEL FILTER	1	1	1	1		
9-5	65.12506-0011	PACKING	1	1	1	1		
9-6	65.90002-0033	BOLT ; STUD	1	1	1	1		
9-7	06.56011-0301	O-RING	1	1	1	1		
9-8	65.01816-5003	VALVE ; CHECK	2	2	2	2		
9-9	65.12506-0012	PACKING	2	2	2	2		
9-10	65.98130-0088	ADAPTER	1	1	1	1		
9-11	06.08092-2407	SCREW ; PLUG M22x1.5	1	1	1	1		
9-12	06.56190-0718	RING ; SEAL	2	2	2	2		
9-13	06.08090-0201	SCREW ; PLUG	1	1	1	1		
9-14	06.56180-0811	RING ; SEAL A8x12	1	1	1	1		
10	06.01923-2912	BOLT ASS'Y M6x18	4	4	4	4		
11	65.90310-0150	SCREW ; PLUG	1	1	1	1		
12	06.56190-0708	RING ; SEAL	1	1	1	1		

Fig.1910 ALTERNATOR MOUNTING

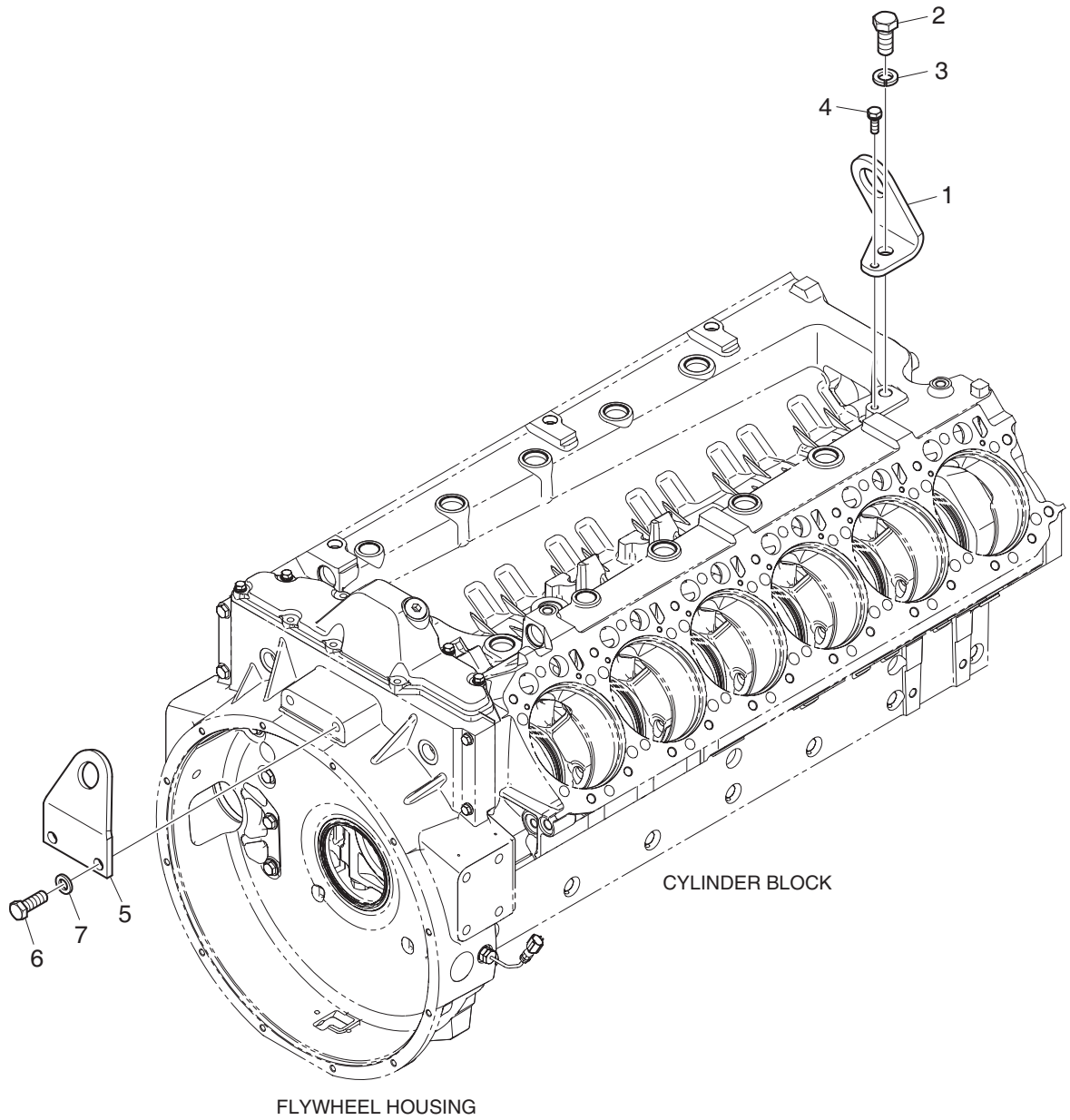


M191-DV15-011/130913

Fig.1910 ALTERNATOR MOUNTING

Key No	Part No	Part Name	(Q'ty)				S/C	ICA
			DP180 LBS	DP180 LAS	DP180 LBF	DP180 LAF		
			DV 18 - 0000 8	DV 18 - 0000 9	DV 18 - 0000 0	DV 18 - 0000 1		
1	110403-00113	BRACKET ; ALTERNATOR	1	1	1	1		
2	06.01284-7420	BOLT ; HEX.	2	2	2	2		
3	06.16731-2110	WASHER ; SPRING	2	2	2	2		
4	120106-00412	BOLT ; COLLARED HEX.	1	1	1	1		
5	65.90535-0005	NUT ; HEX. M12x1.5	1	1	1	1		
6	65.90441-0061	BOLT ; SPACER	1	1	1	1		
7	101558-00034	PIECE ; GUIDE	1	1	1	1		
8	06.01923-3223	BOLT ASS'Y	1	1	1	1		
9	120305-00003	NUT ; FLANGE	1	1	1	1		
10	120305-00033	NUT ; HEX.	2	2	2	2		
11	65.91701-0216	SPACER	1	1	1	1		
12	06.01923-3126	BOLT ; HEX. M8x75	1	1	1	1		

Fig.1920 ENGINE LIFTING

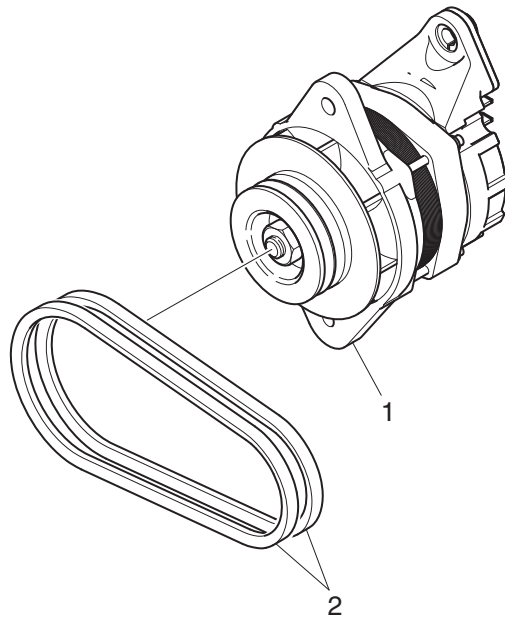


P192-DV22-001/130913

Fig.1920 ENGINE LIFTING

Key No	Part No	Part Name	(Q'ty)				S/C	ICA
			DP180 LBS	DP180 LAS	DP180 LBF	DP180 LAF		
			DV 18 - 0000 8	DV 18 - 0000 9	DV 18 - 000 0	DV 18 - 000 1		
1	120404-00196	HOOK ; LIFTING	1	1	1	1		
2	06.01283-7720	BOLT ; HEX.	1	1	1	1		
3	06.16731-2113	WASHER ; SPRING	1	1	1	1		
4	06.01913-3217	BOLT M10x30	1	1	1	1		
5	120404-00192	HOOK ; LIFTING	1	1	1	1		
6	06.01283-7520	BOLT ; HEX. M16x45	2	2	2	2		
7	06.16731-2111	WASHER ; SPRING	2	2	2	2		

Fig.2610 ALTERNATOR

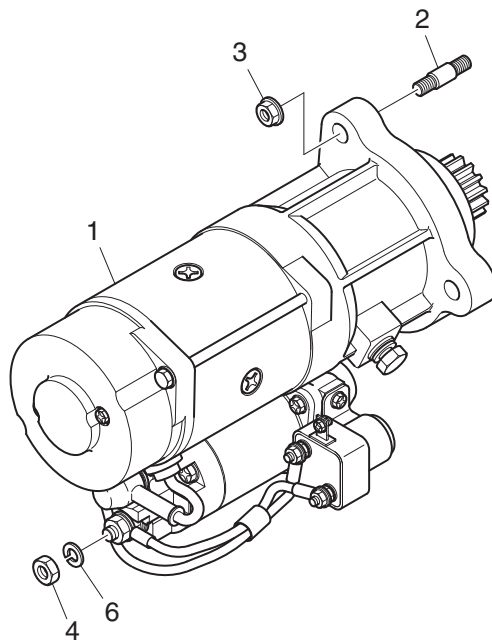


M261-DV22-006/120817

Fig.2610 ALTERNATOR

Key No	Part No	Part Name	(Q'ty)				S/C	ICA
			DP180 LBS	DP180 LAS	DP180 LBF	DP180 LAF		
			DV 18 - 0000 8	DV 18 - 0000 9	DV 18 - 000 1 0	DV 18 - 000 1 1		
1	300901-00009	ALTERNATOR	1	1	1	1		
2	130205-00305	V-BELT	2	2	2	2		

Fig.2620 STARTER

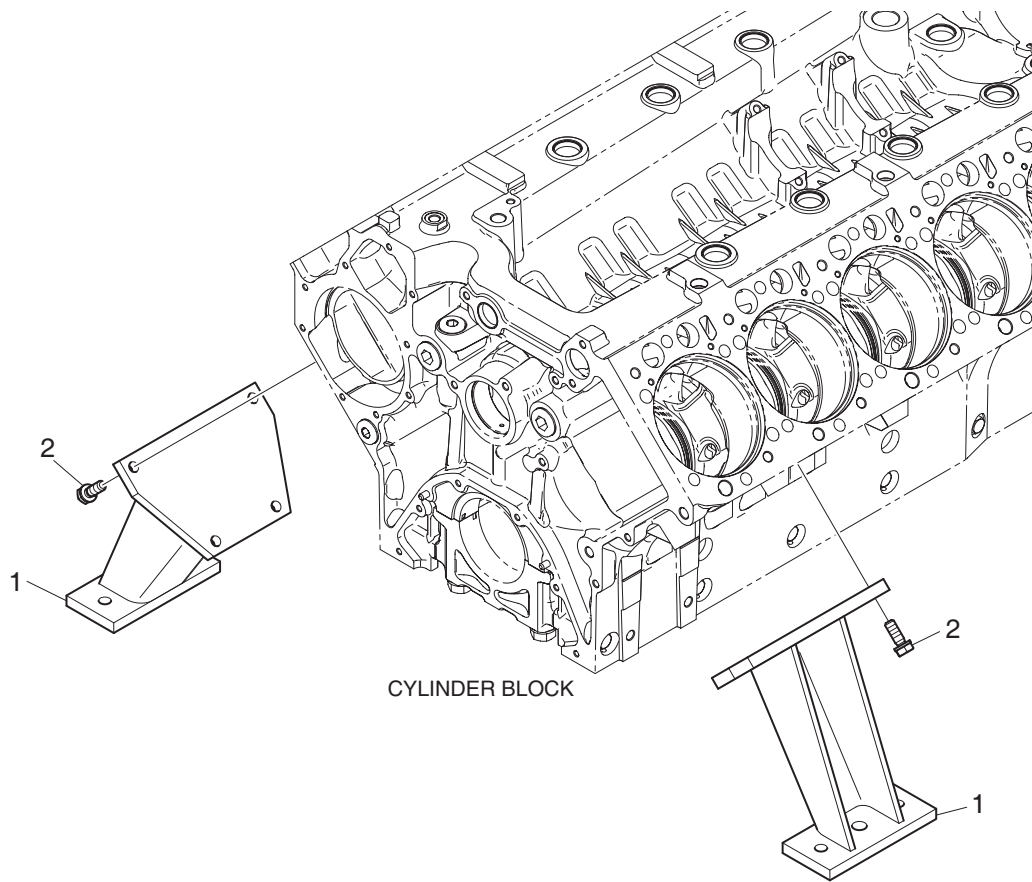


M262-DV15-001/120613

Fig.2620 STARTER

Key No	Part No	Part Name	(Q'ty)				S/C	ICA
			DP180 LBS	DP180 LAS	DP180 LBF	DP180 LAF		
			DV 18 - 0000 8	DV 18 - 0000 9	DV 18 - 0000 0	DV 18 - 0000 1		
1	300516-00075	STARTER	1	1	1	1		
2	06.06175-8309	BOLT ; STUD M12x1.5x35	3	3	3	3		
3	65.90535-0005	NUT ; HEX. M12x1.5	3	3	3	3		
4	06.11063-8215	NUT ; HEX. M10	1	1	1	1		
6	06.16731-2108	WASHER ; SPRING	1	1	1	1		

Fig.4150 ENGINE MOUNTING

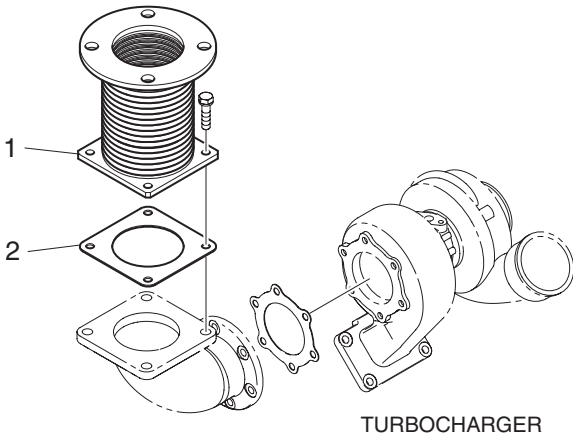


P415-DV22-001/130913

Fig.4150 ENGINE MOUNTING

Key No	Part No	Part Name	(Q'ty)				S/C	ICA
			DP180 LBS	DP180 LAS	DP180 LBF	DP180 LAF		
			DV 18 - 0000 8	DV 18 - 0000 9	DV 18 - 000 1 0	DV 18 - 000 1 1		
1	110427-00533	BRACKET ; ENGINE MOUNTING	2	2	2	2		
2	06.01914-3318	HEX. BOLT ASS'Y	8	8	8	8		

Fig.8900 ACCESSORIES(1)

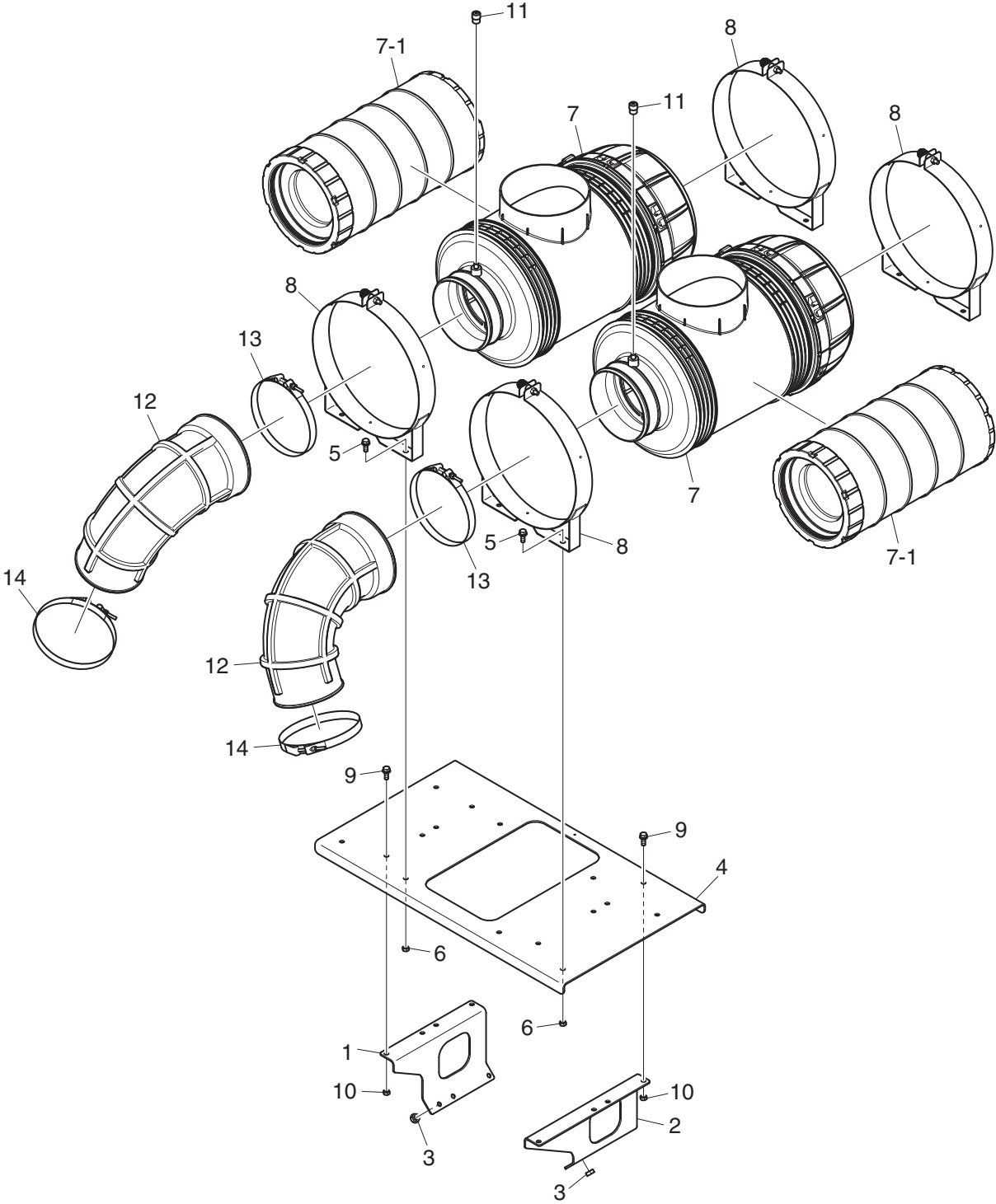


Q890-DL11-057/121016

Fig.8900 ACCESSORIES(1)

Key No	Part No	Part Name	(Q'ty)				S/C	ICA
			DP180 LBS	DP180 LAS	DP180 LBF	DP180 LAF		
			DV 18 - 0000 8	DV 18 - 0000 9	DV 18 - 000 1 0	DV 18 - 000 1 1		
1	65.15211-5008	BELLOWS	2	2	2	2		
2	65.15901-0010	GASKET ; EXHAUST PIPE	2	2	2	2		

Fig.8900 ACCESSORIES(2)

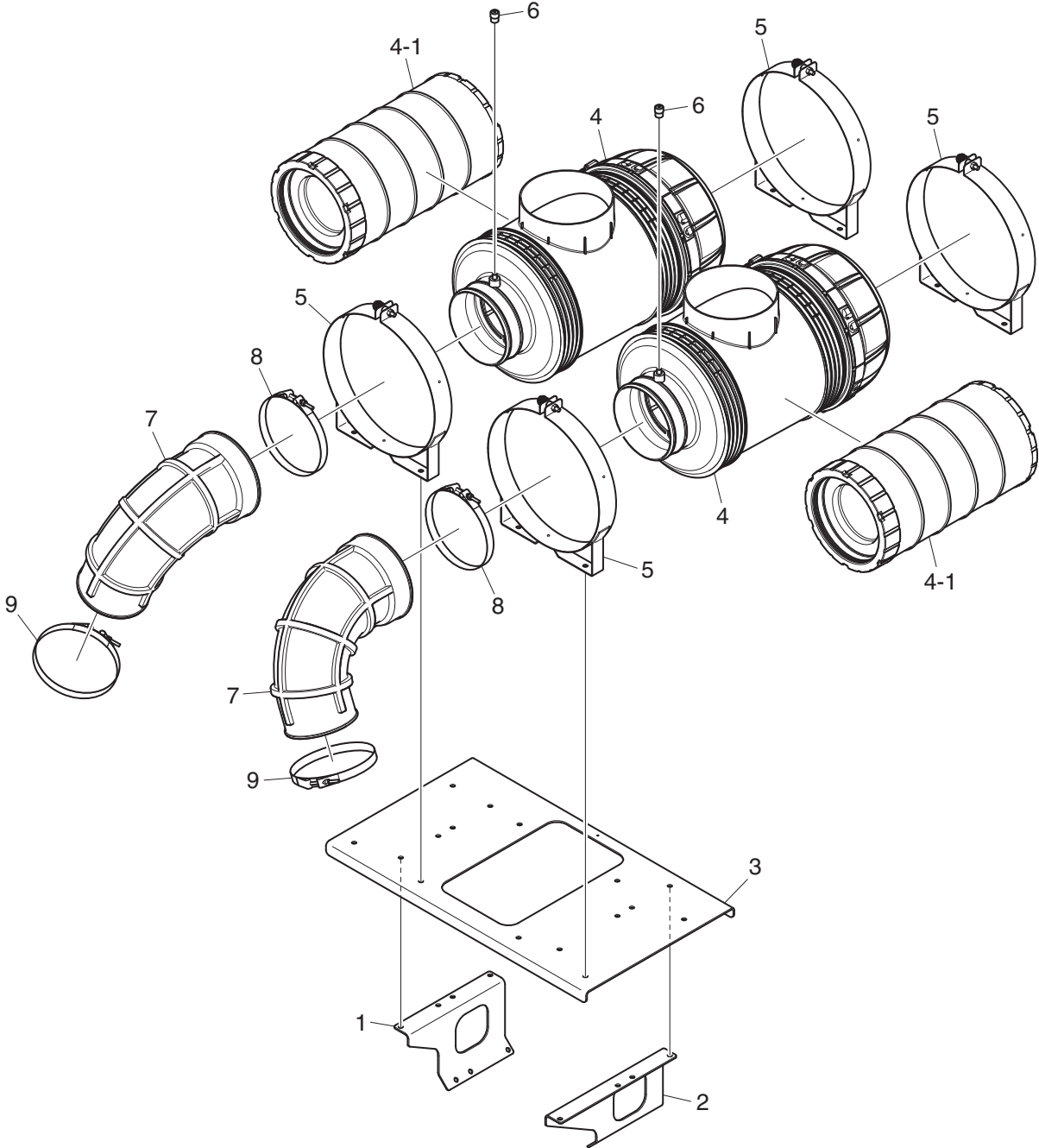


Q890-DV18-027/140102

Fig.8900 ACCESSORIES(2)

Key No	Part No	Part Name	(Q'ty)				S/C	ICA
			DP180 LBS	DP180 LAS	DP180 LBF	DP180 LAF		
			DV 18 - 0000 8	DV 18 - 0000 9	DV 18 - 0000 10	DV 18 - 0000 11		
1	110401-00066	BRACKET ; AIR CLEANER	1	1	1	1		
2	110401-00067	BRACKET ; AIR CLEANER	1	1	1	1		
3	65.90535-0003	NUT ; HEX.	6	6	6	6		
4	110401-00065	BRACKET ; AIR CLEANER	1	1	1	1		
5	06.01923-3115	BOLT ASS'Y M8x25	8	8	8	8		
6	06.11063-2214	NUT ; HEX.	8	8	8	8		
7	400414-00335	AIR CLEANER ASS'Y	2	2	2	2		
7-1	400504-00169	ELEMENT ; AIR CLEANER	1	1	1	1		
8	110401-00076	BRACKET ; AIR CLEANER MOUNTING	4	4	4	4		
9	06.01923-3115	BOLT ASS'Y M8x25	8	8	8	8		
10	06.11063-2214	NUT ; HEX.	8	8	8	8		
11	67.16250-6003	INDICATOR ; SERVICE	2	2	2	2		
12	420101-01068	HOSE ; AIR CLEANER	2	2	2	2		
13	120202-00211	CLAMP ; HOSE	2	2	2	2		
14	120202-00258	CLAMP ; HOSE	2	2	2	2		

Fig.8900 ACCESSORIES(3)

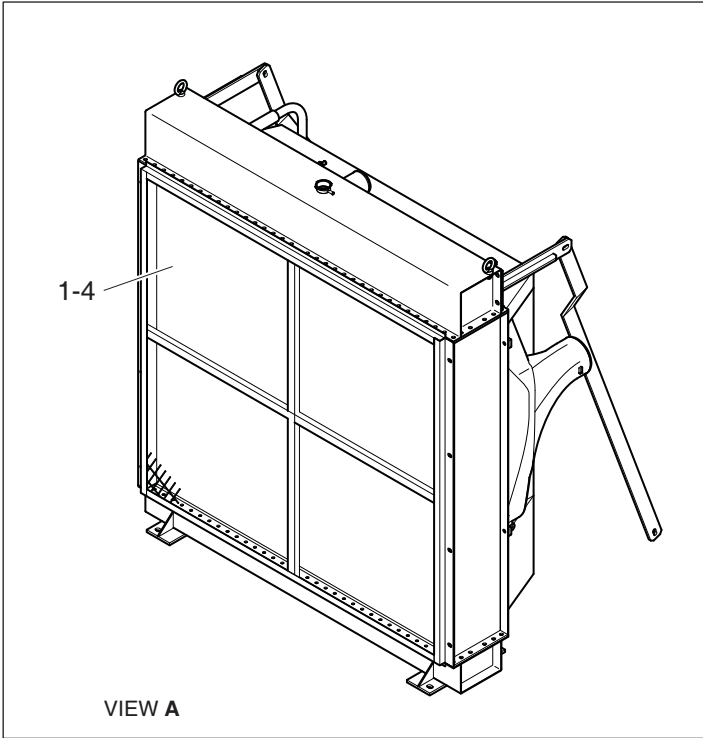
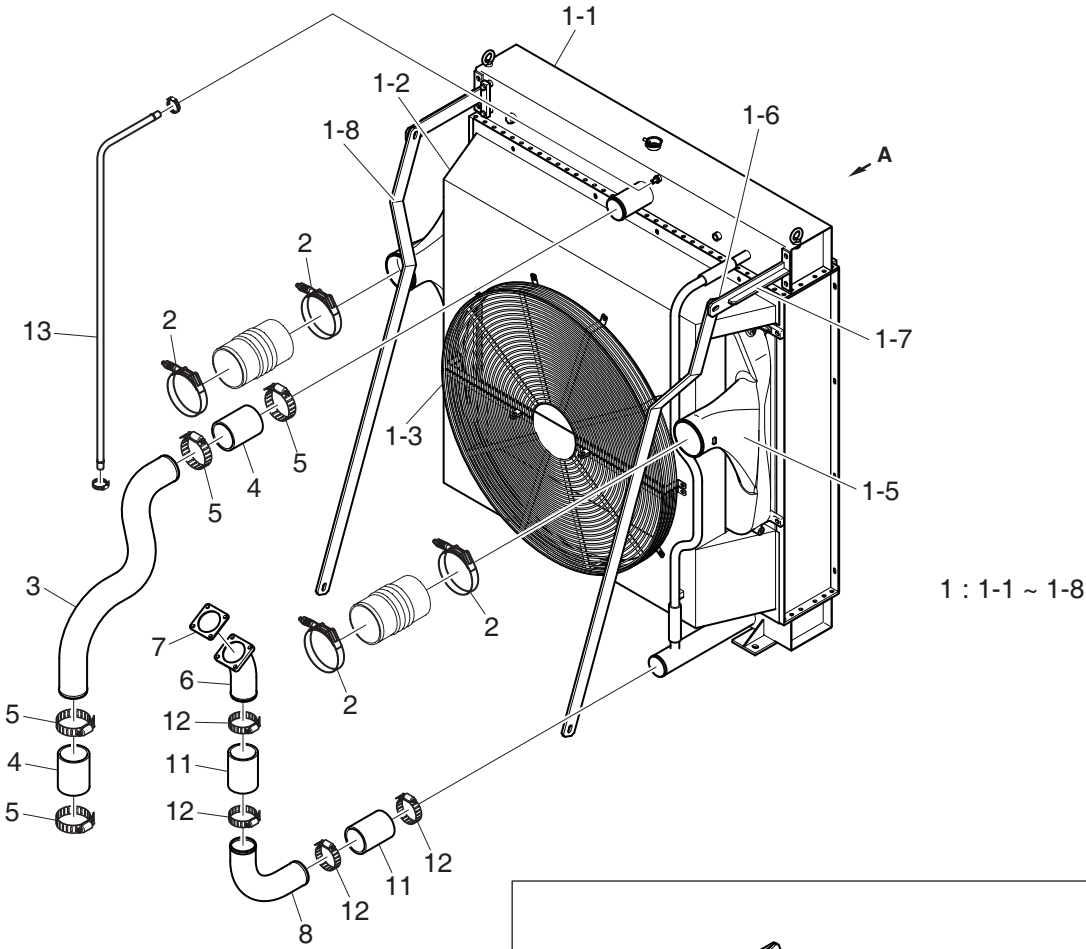


Q890-DV18-028/140102

Fig.8900 ACCESSORIES(3)

Key No	Part No	Part Name	(Q'ty)				S/C	ICA
			DP180 LBS	DP180 LAS	DP180 LBF	DP180 LAF		
			DV 18 - 0000 8	DV 18 - 0000 9	DV 18 - 000 0	DV 18 - 000 1		
1	110401-00066	BRACKET ; AIR CLEANER	1	1	1	1		
2	110401-00067	BRACKET ; AIR CLEANER	1	1	1	1		
3	110401-00065	BRACKET ; AIR CLEANER	1	1	1	1		
4	400414-00335	AIR CLEANER ASS'Y	2	2	2	2		
4-1	400504-00169	ELEMENT ; AIR CLEANER	1	1	1	1		
5	110401-00076	BRACKET ; AIR CLEANER MOUNTING	4	4	4	4		
6	67.16250-6003	INDICATOR ; SERVICE	2	2	2	2		
7	420101-01068	HOSE ; AIR CLEANER	2	2	2	2		
8	120202-00211	CLAMP ; HOSE	2	2	2	2		
9	120202-00258	CLAMP ; HOSE	2	2	2	2		

Fig.8900 ACCESSORIES(4)

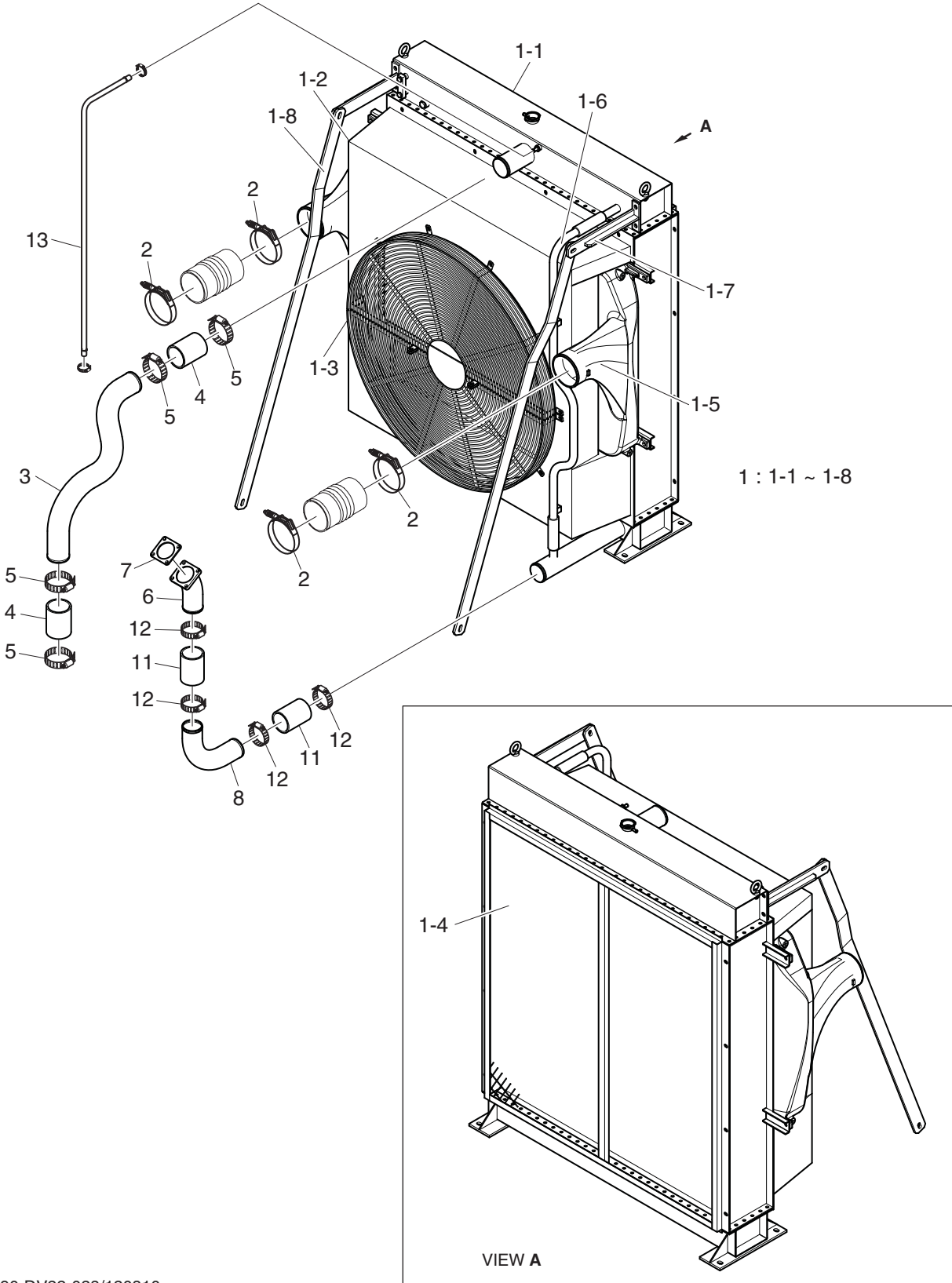


Q890-DV22-027/120817

Fig.8900 ACCESSORIES(4)

Key No	Part No	Part Name	(Q'ty)				S/C	ICA
			DP180 LBS	DP180 LAS	DP180 LBF	DP180 LAF		
			DV 18 - 0000 8	DV 18 - 0000 9	DV 18 - 000 1 0	DV 18 - 000 1 1		
1	440211-00439	RADIATOR ASS'Y	1	1	1	1		
1-1	440211-00451	RADIATOR	1	1	1	1		
1-2	110948-00119	SHROUD ; FAN	1	1	1	1		
1-3	110921-02081	GUARD ; FAN	2	2	2	2		
1-4	101569-00143	GUARD ; RADIATOR	1	1	1	1		
1-5	400215-00032	INTERCOOLER ASS'Y	1	1	1	1		
1-6	420202-00279	PIPE ; EXPANSION	1	1	1	1		
1-7	110958-01844	SUPPORT ; RADIATOR	2	2	2	2		
1-8	110958-01845	SUPPORT ; RADIATOR	2	2	2	2		
2	65.97401-6040	CLIP ; PIPE	4	4	4	4		
3	420211-00357	PIPE ; COOLING WATER	1	1	1	1		
4	04.27415-0413	HOSE ; RUBBER	2	2	2	2		
5	06.67020-0113	CLAMP ; HOSE	4	4	4	4		
6	420211-00356	PIPE ; COOLING WATER	1	1	1	1		
7	67.06901A0001	GASKET ; COOLING WATER	1	1	1	1		
8	420211-00355	PIPE ; COOLING WATER	1	1	1	1		
11	04.27415-0313	HOSE ; RUBBER	2	2	2	2		
12	06.67020-0112	CLAMP ; HOSE	4	4	4	4		
13	65.96301-0573	HOSE ; RUBBER	1	1	1	1		

Fig.8900 ACCESSORIES(5)

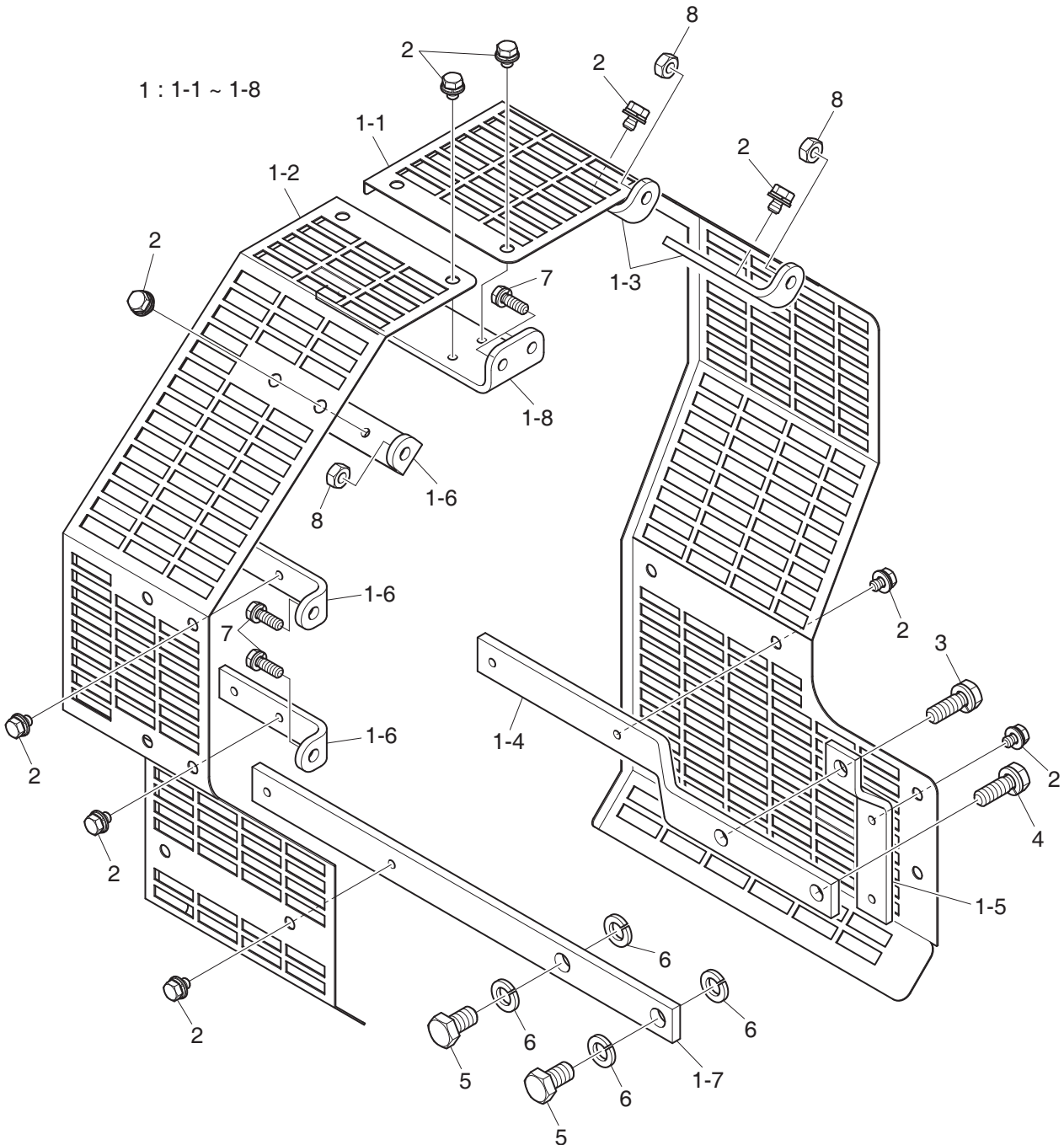


Q890-DV22-028/120810

Fig.8900 ACCESSORIES(5)

Key No	Part No	Part Name	(Q'ty)				S/C	ICA
			DP180 LBS	DP180 LAS	DP180 LBF	DP180 LAF		
			DV 18 - 0000 8	DV 18 - 0000 9	DV 18 - 000 1 0	DV 18 - 000 1 1		
1	440211-00440	RADIATOR ASS'Y	1	1	1	1		
1-1	440211-00452	RADIATOR	1	1	1	1		
1-2	110948-00120	SHROUD ; FAN	1	1	1	1		
1-3	110921-02082	GUARD ; FAN	2	2	2	2		
1-4	101569-00144	GUARD ; RADIATOR	1	1	1	1		
1-5	400215-00033	INTERCOOLER ASS'Y	1	1	1	1		
1-6	420202-00280	PIPE ; EXPANSION	1	1	1	1		
1-7	110958-01846	SUPPORT ; RADIATOR	2	2	2	2		
1-8	110958-01847	SUPPORT ; RADIATOR	2	2	2	2		
2	65.97401-6040	CLIP ; PIPE	4	4	4	4		
3	420211-00357	PIPE ; COOLING WATER	1	1	1	1		
4	04.27415-0413	HOSE ; RUBBER	2	2	2	2		
5	06.67020-0113	CLAMP ; HOSE	4	4	4	4		
6	420211-00356	PIPE ; COOLING WATER	1	1	1	1		
7	67.06901A0001	GASKET ; COOLING WATER	1	1	1	1		
8	420211-00355	PIPE ; COOLING WATER	1	1	1	1		
11	04.27415-0313	HOSE ; RUBBER	2	2	2	2		
12	06.67020-0112	CLAMP ; HOSE	4	4	4	4		
13	65.96301-0573	HOSE ; RUBBER	1	1	1	1		

Fig.8900 ACCESSORIES(6)

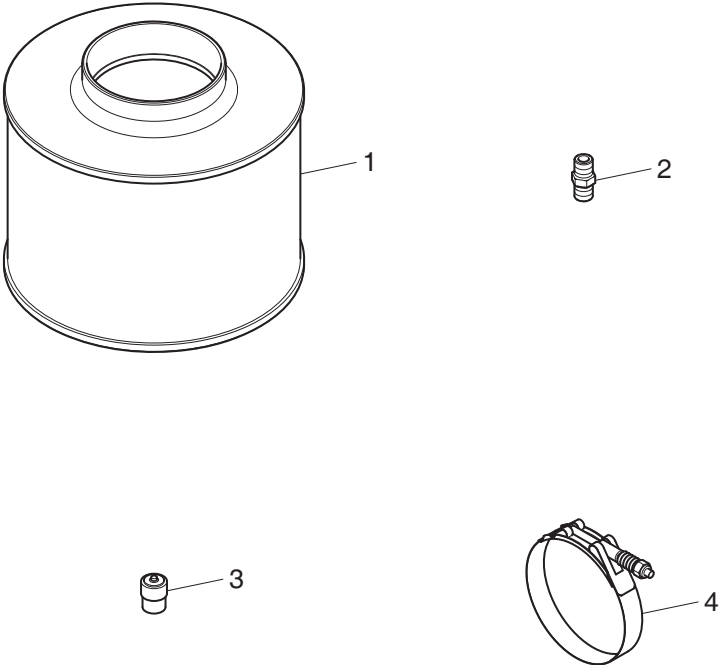


Q890-DV22-033/130913

Fig.8900 ACCESSORIES(6)

Key No	Part No	Part Name	(Q'ty)				S/C	ICA
			DP180 LBS	DP180 LAS	DP180 LBF	DP180 LAF		
			DV 18 - 0000 8	DV 18 - 0000 9	DV 18 - 0000 10	DV 18 - 0000 11		
1	110508-15319	FAN COVER ASS'Y	1	1	1	1		
1-1	110508-15320	COVER ; FAN	1	1	1	1		
1-2	110508-12417	COVER ; FAN	1	1	1	1		
1-3	110515-00274	COVER ; BRACKET	2	2	2	2		
1-4	110515-00275	COVER ; BRACKET	1	1	1	1		
1-5	110515-00276	COVER ; BRACKET	1	1	1	1		
1-6	110515-00233	COVER ; BRACKET	3	3	3	3		
1-7	110515-00236	COVER ; BRACKET	1	1	1	1		
1-8	430216-00295	JOINT ; COVER	1	1	1	1		
2	06.01923-3110	BOLT ASS'Y M8x12	20	20	20	20		
3	06.01913-7318	HEX. BOLT ASS'Y	1	1	1	1		
4	06.01913-7317	HEX. BOLT ASS'Y	1	1	1	1		
5	06.01283-7415	BOLT ; HEX.	2	2	2	2		
6	06.16731-2110	WASHER ; SPRING	4	4	4	4		
7	06.01923-3114	BOLT ASS'Y M8x22	4	4	4	4		
8	65.90535-0003	NUT	3	3	3	3		

Fig.8900 ACCESSORIES(7)

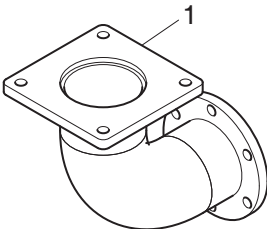
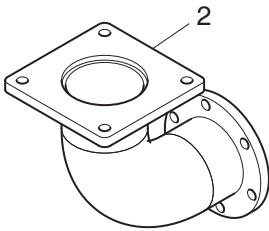


Q890-DV22-036/130913

Fig.8900 ACCESSORIES(7)

Key No	Part No	Part Name	(Q'ty)				S/C	ICA
			DP180 LBS	DP180 LAS	DP180 LBF	DP180 LAF		
			DV 18 - 0000 8	DV 18 - 0000 9	DV 18 - 000 1 0	DV 18 - 000 1 1		
1	400414-00336	AIR CLEANER ASS'Y	2	2	2	2		
2	101552-00242	NIPPLE	2	2	2	2		
3	67.16250-6003	INDICATOR ; SERVICE	2	2	2	2		
4	120202-00212	CLAMP	2	2	2	2		

Fig.8900 ACCESSORIES(8)

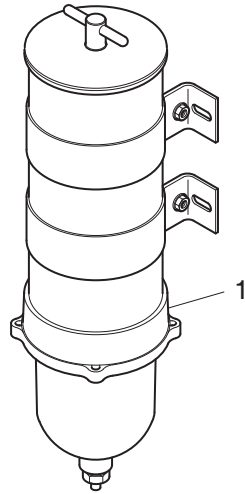


Q890-DV22-038/130913

Fig.8900 ACCESSORIES(8)

Key No	Part No	Part Name	(Q'ty)				S/C	ICA
			DP180 LBS	DP180 LAS	DP180 LBF	DP180 LAF		
			DV 18 - 0000 8	DV 18 - 0000 9	DV 18 - 0000 0	DV 18 - 0000 1		
1	430213-00245	ELBOW ; EXHAUST	1	1	1	1		
2	430213-00246	ELBOW ; EXHAUST	1	1	1	1		

Fig.9880 SPARE PART(1)

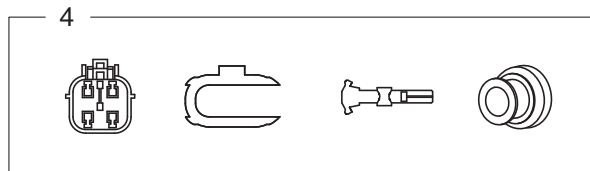
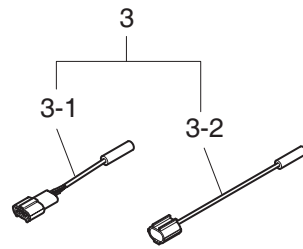
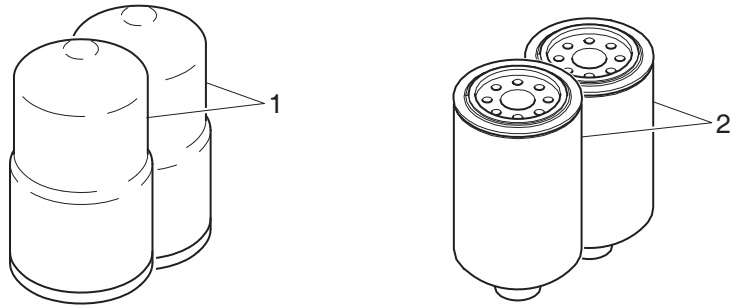


Q988-DV18-006/130913

Fig.9880 SPARE PART(1)

Key No	Part No	Part Name	(Q'ty)				S/C	ICA
			DP180 LBS	DP180 LAS	DP180 LBF	DP180 LAF		
			DV 18 - 0000 8	DV 18 - 0000 9	DV 18 - 0000 0	DV 18 - 0000 1		
1	65.12501-7038	FUEL FILTER ASS'Y	1	1	1	1		

Fig.9880 SPARE PART(2)

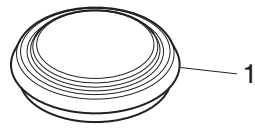


Q988-DV22-003/130913

Fig.9880 SPARE PART(2)

Key No	Part No	Part Name	(Q'ty)				S/C	ICA
			DP180 LBS	DP180 LAS	DP180 LBF	DP180 LAF		
			DV 18 - 0000 8	DV 18 - 0000 9	DV 18 - 000 0	DV 18 - 000 1		
1	65.05510-5020B	CARTRIDGE ; OIL FILTER	2	2	2	2		
2	65.12503-5016B	ELEMENT ; FUEL FILTER	2	2	2	2		
3	65.29101-6164	ELECTRIC WIRE ASS'Y	1	1	1	1		
3-1	65.29101-6154	WIRE ; ELECTRIC	1	1	1	1		
3-2	65.29101-6159	WIRE ; ELECTRIC	1	1	1	1		
4	65.26810-7025	CONNECTER ; OIL PRESSURE SENSOR	1	1	1	1		

Fig.9880 SPARE PART(3)



Q988-DV22-012/130913

Fig.9880 SPARE PART(3)

Key No	Part No	Part Name	(Q'ty)				S/C	ICA
			DP180 LBS	DP180 LAS	DP180 LBF	DP180 LAF		
			DV 18 - 0000 8	DV 18 - 0000 9	DV 18 - 0000 10	DV 18 - 0000 11		
1	110910-01001	CAP ; RAIN	2	2	2	2		

INDEX

Part No	Fig. No	Find No	Part No	Fig. No	Find No	Part No	Fig. No	Find No
04.27415-0313	8900(4)	11	06.01923-3110	8900(6)	2	06.11063-8215	0660	15
	8900(5)	11	06.01923-3111	1230	7		0810	1-7
04.27415-0413	8900(4)	4	06.01923-3112	0910	17		0810	2-8
	8900(5)	4	06.01923-3114	8900(6)	7		2620	4
06.01013-9124	0510	2	06.01923-3115	0560	23	06.11250-2106	0660	18
06.01013-9129	0510	5		8900(2)	5	06.15010-2312	0550	7
06.01013-9237	0550	4		8900(2)	9	06.15010-2313	0630	4
06.01014-7225	1140	4	06.01923-3117	0140	11	06.15061-0103	1140	5
06.01014-9226	0560	7		0660	8	06.16044-0208	0160	7
06.01283-7111	0560	18		0940	14	06.16044-0210	0150	5
06.01283-7113	0560	27	06.01923-3118	0560	22		0560	19
06.01283-7115	0150	4		0580	3	06.16110-0106	0440	2-2F
06.01283-7235	0660	17		0580	4	06.16110-0107	0660	4
06.01283-7415	8900(6)	5	06.01923-3119	1250	6		0510	3
06.01283-7517	0660	19	06.01923-3120	0340	5		0510	7
06.01283-7520	1920	6	06.01923-3122	0650	5	06.16731-2108	0550	6
06.01283-7720	1920	2	06.01923-3124	0630	8		0560	8
06.01284-7112	1130	2	06.01923-3125	0340	4		0660	16
06.01284-7223	0550	5		1250	7		2620	6
06.01284-7420	1910	2	06.01923-3126	1910	12	06.16731-2110	1910	3
06.01494-4316	0110	1-1G	06.01923-3129	0820	3		8900(6)	6
06.01494-4507	0810	13	06.01923-3131	1230	24	06.16731-2111	0660	20
	0810	18	06.01923-3132	0820	4		0810	14
06.01494-4517	0660	1-5		1250	8		0810	19
06.01913-3113	0580	16	06.01923-3133	1230	23		1920	7
06.01913-3114	0910	12	06.01923-3223	1910	8	06.16731-2113	1920	3
	0910	22	06.01943-3317	0810	11	06.22022-1063	0110	1-9
06.01913-3115	0580	14		0810	16	06.22022-3061	0110	1-1BB
06.01913-3116	0660	6	06.01953-3318	1250	2	06.22022-3065	0210	4
06.01913-3121	0560	13	06.01953-3320	0940	17	06.22022-3563	0110	1-10
06.01913-3122	0560	6	06.02091-0527	0660	3	06.22180-0804	0160	1-1
06.01913-3124	0910	14	06.02096-0412	0440	2-2E	06.29010-0120	0420	1-6
06.01913-3128	0650	6	06.02106-0824	0260	3	06.29020-0125	0550	1-2
06.01913-3215	0820	10	06.06175-8309	2620	2	06.29020-0132	0650	1-5
06.01913-3217	0910	27	06.06225-0809	0660	14		0660	9-4
	1920	4	06.06226-0808	0910	7	06.29020-0152	0660	1-7
06.01913-3220	0110	11	06.08023-0207	0310	1-7	06.56011-0301	1250	9-7
06.01913-3229	0660	1-8	06.08041-2203	0110	3	06.56180-0811	1250	9-14
	0660	2	06.08062-6208	0550	1-7	06.56190-0706	0110	4
06.01913-3318	0630	3	06.08090-0201	1250	9-13		0110	6
06.01913-7317	8900(6)	4	06.08092-0204	0560	20		0160	4
06.01913-7318	8900(6)	3	06.08092-2405	0140	14		0560	21
06.01914-3215	0660	12		0650	1-9		0650	3
06.01914-3218	0560	5	06.08092-2407	1250	9-11		0910	18
	4150	2	06.11063-2214	8900(2)	6		1110(1)	7
06.01923-2912	1250	10		8900(2)	10		1110(1)	10
06.01923-2917	1230	37-3	06.11063-8214	0580	17		1110(1)	13

Part No	Fig. No	Find No	Part No	Fig. No	Find No	Part No	Fig. No	Find No
06.56190-0706	1110(2)	7	101569-00143	8900(4)	1-4	120122-00048	0630	9
	1110(2)	10	101569-00144	8900(5)	1-4	120122-00049	0110	12
	1110(2)	13	110401-00065	8900(2)	4	120122-00050	0820	7
	1230	30		8900(3)	3	120202-00211	8900(2)	13
	1230	34	110401-00066	8900(2)	1		8900(3)	8
	1230	36		8900(3)	1	120202-00212	8900(7)	4
06.56190-0708	1250	12	110401-00067	8900(2)	2	120202-00258	8900(2)	14
06.56190-0709	0650	1-8		8900(3)	2		8900(3)	9
06.56190-0712	1230	3	110401-00076	8900(2)	8	120305-00003	1910	9
06.56190-0713	0110	1-12		8900(3)	5	120305-00033	1910	10
	0580	8	110403-00113	1910	1	120402-00412	1230	37-1
06.56190-0718	1250	9-12	110412-00076	0660	1	120402-00413	1230	37-2
06.56190-0722	0550	1-8	110413-00130	1250	3	120402-00414	1230	27
06.56190-0726	0110	1-6	110417-00052	0660	11		1230	37
	0180	7	110427-00533	4150	1	120404-00192	1920	5
	0560	25	110443-00048	0810	10	120404-00196	1920	1
	1110(1)	5	110443-00049	0810	12	120703-00016	1230	17
	1110(2)	5	110443-00050	0810	15	120703-00030	1230	11
06.56190-0728	0580	19	110443-00051	0810	17	120703-00033	1230	12
	0910	26	110508-12417	8900(6)	1-2	120703-00034	1230	19
06.56190-0732	0110	1-8	110508-15319	8900(6)	1	120808-00736	0230	5
	0110	8	110508-15320	8900(6)	1-1	120810-00112	0560	17
	0560	15	110515-00233	8900(6)	1-6	120816-00123	0140	3
06.56342-1208	0640	2	110515-00236	8900(6)	1-7	130205-00305	2610	2
06.67020-0112	8900(4)	12	110515-00274	8900(6)	1-3	130205-00319	0660	10
	8900(5)	12	110515-00275	8900(6)	1-4	130601-00042	0250	5
06.67020-0113	8900(4)	5	110515-00276	8900(6)	1-5	130709-00057	0660	1-1
	8900(5)	5	110910-01001	9880(3)	1	130710-00070	0660	9
06.71010-0213	1110(1)	9	110921-02081	8900(4)	1-3	130710-00071	0660	9-2
	1110(2)	9	110921-02082	8900(5)	1-3	130711-00097	0260	1
	1230	35	110928-00360	0910	15	140202-00008	0110	1-1B
06.71024-0107	1110(1)	11-2	110928-00480	0940	12	140202-00011	0110	1-1BA
	1110(2)	11-2	110948-00119	8900(4)	1-2		0110	1-1CA
06.71024-0108	1110(1)	11-4	110948-00120	8900(5)	1-2	140202-00020	0110	1-1C
	1110(2)	11-4	110951-00805	1250	5	150102-00667	0110	1
06.71030-8113	1110(1)	11-3	110958-01844	8900(4)	1-7	150102-00673	0110	1-1
	1110(2)	11-3	110958-01845	8900(4)	1-8	150102-00676	0110	1-1A
06.71030-8114	1110(1)	11-5	110958-01846	8900(5)	1-7	150105-00582	0910	1
	1110(2)	11-5	110958-01847	8900(5)	1-8	150105-00583	0910	2
06.78144-2204	1110(1)	6	110975-00007	0560	2	150107-00515	0210	1
	1110(1)	12	120106-00412	1910	4	150113-00400A	0310	1-1
	1110(2)	6	120106-00507	0820	14	150113-00408A	0310	1
	1110(2)	12	120106-00508	0820	13	150114-00169	0140	1
	1230	33	120106-00509	0820	15	150121-00107	0240	1
101552-00242	8900(7)	2	120106-00548	0230	4	160402-00013	0560	9
101552-00287	1230	29	120122-00043	0820	5	240102-00210	0810	3
101558-00034	1910	7	120122-00044	0820	6	240102-00212	0810	4

Part No	Fig. No	Find No	Part No	Fig. No	Find No	Part No	Fig. No	Find No
240102-00216A	0810	1-1	420204-00419	1230	15	65.01201-0312C	0120	1
240102-00219	0810	2-1	420204-00445	1230	14	65.01402-0020	0140	9
240102-00242	0810	2-2	420204-00447	1230	14-1	65.01501-5017E	0150	1
240102-00243	0810	1-2	420204-00471	1230	25	65.01510-0141	0140	2
240102-00288	0810	2	420204-00472	1230	26	65.01510-0153A	0150	2
240102-00289	0810	1	420204-00479	1230	6	65.01601-0007A	0160	1-2
240203-00127	0820	1	420204-00480	1230	6-1	65.01601-2016A	0160	1
240401-00140	0940	1	420208-00399	1030	1	65.01601-5070	0160	5
300516-00075	2620	1	420208-00400	1030	2	65.01810-5011	0340	7
300611-00683A	1110(1)	2	420209-00196	0940	5	65.01816-5003	1250	9-8
300611-00684A	1110(2)	2	420209-00197	0940	15	65.01903-0011	0140	10
300728-00056	1230	38	420209-00246	0820	11	65.01903A0200	0140	5
300728-00057	1230	28	420209-00276	0940	8	65.01903A0201	0140	6
300901-00009	2610	1	420211-00355	8900(4)	8	65.01905-0032	0150	3
400215-00032	8900(4)	1-5		8900(5)	8	65.02115-0066	0210	3
400215-00033	8900(5)	1-5	420211-00356	8900(4)	6	65.02130-0001	0210	2
400414-00335	8900(2)	7		8900(5)	6	65.02130-0002	0230	2
	8900(3)	4	420211-00357	8900(4)	3	65.02201-0049	0220	1
400414-00336	8900(7)	1		8900(5)	3	65.02301-0303E	0230	1-1
400504-00169	8900(2)	7-1	420214-00249	0910	8	65.02301-5014C	0230	1
	8900(3)	4-1	420214-00374	0910	10	65.02310-0073D	0230	1-2
400621-00018	0560	3	420217-00227	0910	21	65.02405-0008	0240	1-2
400912-00027	1110(1)	1	430201-00600	0580	20-1	65.02410-0200	0240	3
	1110(2)	1	430201-00821	1230	5	65.02410-0320	0240	2
400921-00021	0650	1	430213-00245	8900(8)	1	65.02411-0008	0240	1-3
401002-00785	0120	2	430213-00246	8900(8)	2	65.02501-0704	0250	1
401002-00786	0120	3	430215-00779	0110	7	65.02503-0158	0250	2
	0120	4	430215-00780	0560	11	65.02503-0159	0250	3
401004-00022	0250	*	430216-00295	8900(6)	1-8	65.02503-0678	0250	4
401102-00033	0210	5	430228-00012	1110(1)	11	65.03201-1060	0310	1-2
401109-00124	1230	13		1110(2)	11	65.03203-0184	0310	1-3
420101-00721	0180	3	430228-00013	1110(1)	11-1	65.03203-0242	0310	1-4
420101-00722	0180	4		1110(2)	11-1	65.03401-0077	0340	1
420101-01068	8900(2)	12	440211-00439	8900(4)	1	65.03401-0081	0340	3
	8900(3)	7	440211-00440	8900(5)	1	65.03401-5002	0340	2
420107-00301	0910	23	440211-00451	8900(4)	1-1	65.03905-0034	0340	6
420108-00111	0940	18	440211-00452	8900(5)	1-1	65.04101-0367C	0410	2
420108-00152	0940	9	460102-00028	0580	20-2	65.04101-0375C	0410	1
420108-00158	0630	5	460102-00029	0580	20	65.04102-0083A	0410	3-1
420108-01165	0940	19	51.01804-7023	0180	1	65.04102-0084A	0410	3-2
420202-00279	8900(4)	1-6	51.03901-0348	0310	5	65.04102-6007	0410	3
420202-00280	8900(5)	1-6	51.93410-0073	0660	1-3	65.04103-0074	0410	4
420204-00026	1110(1)	8	51.96501-0295	1140	2	65.04104-0023	0410	7
	1110(2)	8	51.96501-0322	1140	1	65.04200-6029A	0420	1
420204-00407	1230	31	65.01110-0070	0210	6	65.04201-1003	0420	1-1A
420204-00409	1230	32	65.01110-0080	0210	7	65.04201-5020	0420	1-1
420204-00417	1230	15-1	65.01111-6539	0210	8	65.04202-5035	0420	1-4

Part No	Fig. No	Find No	Part No	Fig. No	Find No	Part No	Fig. No	Find No
65.04205-0021A	0420	1-2	65.06611-0138	0660	5	65.90001-0129	0160	6
65.04301-0079	0430	1	65.06901A0069	0640	3	65.90001-0146A	0420	2
65.04302-0026	0430	2	65.06901A0074	0650	4		1140	3
65.04401-0440	0440	2-1	65.06903B0010	0630	2	65.90001-0155A	0810	8
65.04401-6002A	0440	2	65.08203-0001A	0820	8	65.90001-0156	0810	7
65.04401-8008	0440	1	65.08212-0002	0940	3	65.90001-0157	0810	1-4
65.04410-0018	0110	1-1E	65.08901-0047	0810	6		0810	2-4
65.04410-0078	0110	1-1F	65.08901-0060	0810	1-3	65.90002-0033	1250	9-6
65.04501-0097	0440	2-2A		0810	2-3	65.90020-0065A	0140	4
65.04902-0027	0410	8	65.08901-0063	0910	6	65.90020-0091	0140	8
65.05100-6043A	0510	1	65.08902-0078D	0820	2	65.90020-0223	0140	7
65.05401-5024	0510	4	65.08902A0057	0820	9	65.90020-0268	0310	2
65.05406-0027	0510	4-1		0820	12	65.90020-0269	0310	3
65.05410-0006	0510	4-2	65.09901-0033	0910	3	65.90020-0270	0310	4
65.05501-7087	0550	1	65.09905-0004	0940	16	65.90020-0293B	0110	1-1D
65.05503-0043	0550	1-1	65.10101-7051	1010	1	65.90030-0001	0560	16
65.05510-5020B	0550	2	65.10102-6047	1010	1-1	65.90030-0015	0220	2
	9880(2)	1	65.10108-0006	1010	2	65.90030-0024	0440	2-2C
65.05517-0011	0550	1-5	65.11101-7302	1110(1)	1-1	65.90030-0048A	0210	1-4
65.05518-0005	0550	1-3		1110(2)	1-1	65.90201-0076	0910	4
65.05541-0001	0550	1-4	65.11120-5002	1230	9	65.90201-0080	0810	1-8
65.05601-7135	0560	1	65.11121-0002A	0440	2-2B		0810	2-7
65.05604-0012	0560	26	65.11300-6001B	0440	2-2	65.90302-0026	0650	1-10
65.05701-5357	1110(1)	3	65.11301-0018A	0440	2-2D	65.90302-0041	0110	1-4
	1110(2)	3	65.11301-0115A	1130	1	65.90310-0119	0510	4-4
65.05701-5815	0580	10	65.11501-7006C	1110(1)	1-2	65.90310-0129	1110(1)	1-3
65.05701-5816	0580	11		1110(2)	1-2		1110(2)	1-3
65.05740-0093	0580	15	65.12301-5143	1230	10	65.90310-0131	0110	1-11
65.05801-5214	0580	1	65.12501-7036	1250	9		0580	9
65.05806-0029	0580	7	65.12501-7038	9880(1)	1	65.90310-0133	0560	24
65.05806-6085	0580	6	65.12501-7095A	1250	1	65.90310-0134	0110	1-7
65.05901A0080	0550	3	65.12502-0005	1250	9-4		0110	9
65.05902A0038	0560	10	65.12503-5016B	9880(2)	2		0560	14
65.05903-0030	0560	12	65.12503-5019	1250	9-3	65.90310-0135	0110	5
65.05903A0006	0510	6	65.12504-0011	1250	9-1	65.90310-0149A	0110	1-5
65.05904A0093	0580	2	65.12506-0011	1250	9-5		0580	21
65.06301-0158	0630	1	65.12506-0012	1250	9-9	65.90310-0150	1250	11
65.06301-0368	0630	7	65.12510-0006	1250	9-2	65.90441-0061	1910	6
65.06402-0006	0640	1	65.15211-5008	8900(1)	1	65.90501-0049	0420	1-3
65.06501-0082A	0650	1-1	65.15901-0010	8900(1)	2	65.90535-0001	0910	5
65.06503-0174	0650	1-6	65.26810-7025	9880(2)	4	65.90535-0003	0940	13
65.06506-6001A	0650	1-3	65.27103-7002D	0140	13		1030	3
65.06512-0017A	0650	1-7	65.27405-5005	0110	14		8900(2)	3
65.06520-6007	0650	1-2	65.27441-7009	0550	8		8900(6)	8
65.06601-5048	0660	7	65.29101-6154	9880(2)	3-1	65.90535-0005	1910	5
65.06602-0004	0660	1-2	65.29101-6159	9880(2)	3-2		2620	3
65.06603-0004	0660	1-4	65.29101-6164	9880(2)	3	65.90701-0054	0810	1-6

Part No	Fig. No	Find No	Part No	Fig. No	Find No	Part No	Fig. No	Find No
65.90701-0054	0810	2-6	65.97401-0110A	1230	6-2			
65.90701-0103	0410	5	65.97401-0178	1230	14-2			
65.90701-0104	0410	6		1230	15-2			
65.90701-0136B	0420	1-5	65.97401-0397	0940	11			
65.90710-0253	0660	1-6	65.97401-6040	8900(4)	2			
65.90720-0024	1130	3		8900(5)	2			
65.90801-0013	0810	1-5	65.97440-0006	0180	5			
	0810	2-5	65.97440-0103	0910	24			
65.90815-0022A	0250	6	65.97440-5005	0630	6			
65.91301-0071	0110	1-1CB		0940	10			
65.91303-0005	0230	3	65.97450-5001A	0940	7			
65.91605-0013	0110	15	65.97450-5006	0940	4			
65.91606-0037	0110	1-3	65.97480-0422	0580	12			
	0310	1-6	65.97601-0102	0510	4-3			
65.91606-0039	0110	1-2	65.98103-0027	1230	16			
65.91606-0041	0310	1-5	65.98130-0088	1250	9-10			
65.91701-0086	0910	13	65.98130-0151	1110(1)	4			
	1250	4		1110(2)	4			
65.91701-0121	1230	22	65.98130-0226	0550	1-6			
65.91701-0184	1230	21	65.98131-0060	0650	2			
65.91701-0216	1910	11	65.98131-0071	0910	25			
65.91701-0274	0110	2	65.98131-0072	0180	6			
65.91701-0541	0810	9	65.98131-0105	1230	2			
65.93020-1011	0420	1-1B	65.98150-0051	0160	3			
65.93410-0087	0650	1-4	65.98150-0071	0910	19			
	0660	9-3	65.98701-0005	0810	5			
65.95840-0076	0660	9-1	65.98701-0006	1010	4			
65.95840-0079	0660	13	65.98701-0065	1010	3			
65.96301-0573	8900(4)	13	65.99710-5003	0260	2			
	8900(5)	13	66.27435-6008	0110	13			
65.96340-5037	1230	4	67.06901A0001	8900(4)	7			
65.96340-5061	1230	1		8900(5)	7			
65.96401-0007	0140	12	67.16250-6003	8900(2)	11			
65.96501-0032B	0180	2		8900(3)	6			
65.96501-0075	0940	2		8900(7)	3			
65.96501-0420	0940	6	800108-00159	0580	5			
65.96507-0001	1230	18						
	1230	20						
65.96507-0043	1230	8						
65.96601-0046B	0910	11						
65.96601-0054	0110	10						
65.96601-0055	0580	18						
65.96601-0067	0910	20						
65.96601-0221B	0560	4						
65.96601A0237	0160	2						
65.97401-0110A	0910	9						
	0910	16						

국내 엔진부품 대리점 현황

☐ 서울사무소 : 100-730 서울시 중구 을지로 6가 18-12 두산타워빌딩 02) 3398-8527(대) ☐

(주)두산영등포부품센터 02)2677-0704 / 2679-0202

서울특별시 영등포구 영등포동7가 94-86
서울특별시 영등포구 버드나루로 62
62, Beodeunaru-ro, Yeongdeungpo-gu, Seoul

대남오토..... 02)2245-5253

서울특별시 동대문구 답십리동 952 한국자동차부품상가 (다114호)
서울특별시 동대문구 전농로4길 62 한국자동차부품상가 (다114호)
62, Jeonong-ro 4-gil, Dongdaemun-gu, Seoul

(주)두산서우부품센터 02)2676-3366

서울특별시 영등포구 영등포동7가 94-325
서울특별시 영등포구 버드나루로 56
56, Beodeunaru-ro, Yeongdeungpo-gu, Seoul

진화상사..... 02)2245-3701

서울특별시 동대문구 답십리동 952-4 한국자동차부품상가 다동1층 80
서울특별시 동대문구 한천로 31 다동1층 80
31, Hancheon-ro, Dongdaemun-gu, Seoul

(주)협성부품상사 02)2214-1140 / 2214-1891~4

서울특별시 동대문구 답십리동 952-6 부품상가 나 B1-71
서울특별시 동대문구 한천로 17 부품상가 나 B1-71
17, Hancheon-ro, Dongdaemun-gu, Seoul

종합센타 KOREA 02)2242-9982~3

서울특별시 동대문구 장안동 237-38 제일빌딩 107호
서울특별시 동대문구 한천로 38 제일빌딩 107호
38, Hancheon-ro, Dongdaemun-gu, Seoul

태경상사..... 02)2214-5253

서울특별시 동대문구 답십리동 952-4 부품다동 1-71
서울특별시 동대문구 한천로 3 부품다동 1-71
31, Hancheon-ro, Dongdaemun-gu, Seoul

이창부품판매(주) 02)213-2553

서울특별시 동대문구 답십리동 954-6 부품상가 마동
서울특별시 동대문구 황물로17길 33 부품상가 마동
33, Hwangmul-ro 17-gil, Dongdaemun-gu, Seoul

삼우상사..... 02)2245-4527

서울특별시 동대문구 답십리동 12-196
서울특별시 동대문구 한천로11나길 12-13
12-13, Hancheon-ro 11na-gil, Dongdaemun-gu, Seoul

두산디에치아이(주)..... 02)2671-4040

서울특별시 영등포구 영등포동2가 94-27
서울특별시 영등포구 버드나루로 37
37, Beodeunaru-ro, Yeongdeungpo-gu, Seoul

대방상사..... 02)2672-7383 / 010-5218-0628

서울특별시 영등포구 당산동 121-144 상옥빌딩 102호
서울특별시 영등포구 버드나루로 104 상옥빌딩 102호
104, Beodeunaru-ro, Yeongdeungpo-gu, Seoul

우리상사..... 032)831-1150~1

인천광역시 서구 가좌동 560-10번지
인천광역시 서구 가좌로 38번길 29
29, Gajeong-ro, 38beon-gil, Seo-gu, Incheon

신성종합엔진부품 032)883-9975~6

인천광역시 중구 향동7가 27-43
인천광역시 중구 연안부두로 3
3, Yeonanbudo-ro, Jung-gu, Incheon

인천선박부품센터 032)888-9607

인천광역시 중구 향동7가 58-4 비치상가 2-2
인천광역시 중구 연안부두로33번길 16 비치상가 2-2
16, Yeonanbudo-ro 33beon-gil, Jung-gu, Incheon

강릉중기부품센터 033)652-9151

강원 강릉시 두산동 63-3
강원도 강릉시 성덕로176번길 22-3
22-3, Seongdeok-ro 176beon-gil, Gangneung-si, Gangwon-do

연합상사..... 061)641-4999

전라남도 여수시 국동 37-26
전라남도 여수시 어항로 52
52, Eohang-ro, Yeosu-si, Jeollanam-do

영광기공사 061)243-2295

전라남도 목포시 해안동 2가 3-15
전라남도 목포시 해안로165번길 5
5, Haeon-ro 165beon-gil, Mokpo-si, Jeollanam-do

협성상사 063)211-9719

전라북도 전주시 덕진구 팔복동 3가 211-1
전라북도 전주시 덕진구 신행로 41-2
41-2, Sinhaeng-ro, Deokjin-gu, Jeonju-si, Jeollabuk-do

새한상사 064)753-1651

제주도 제주시 도남동 915-30
제주특별자치도 제주시 도남로 21-1
21-1, Donam-ro, Jeju-si, Jeju-do

(주)두산종합건기..... 055)294-4001~3

경상남도 창원시 마산회원구 봉암동 660-71
경상남도 창원시 마산회원구 봉암공단8길 77
77, Bongamgongdan 8-gil, Masanhoewon-gu, Changwon-si, Gyeongsangnam-do

현대디젤 055)832-5535

경상남도 사천시 서금동 101-56
경상남도 사천시 등대길 17
17, Deungdae-gil, Sacheon-si, Gyeongsangnam-do

천강상사 051)809-6323

부산광역시 부산진구 부전동 100-6
부산광역시 부산진구 동천로 121
121, Dongcheon-ro, Busanjin-gu, Busan

흥진디젤상사..... 051)819-5115

부산광역시 부산진구 전포동 878-26
부산광역시 부산진구 동천로 134
134, Dongcheon-ro, Busanjin-gu, Busan

(주)호경상사... 서면)051)805-4123, 사상)051)324-0660

부산광역시 사상구 감전동 125-14
부산광역시 사상구 새벽시장로9번길 56
56, Saebyeoksijang-ro 9beon-gil, Sasang-gu, Busan

영남부속 055)644-3561

경상남도 통영시 동호동 339-2 (23/2)
경상남도 통영시 장좌로 36
36, Jangjiwa-ro, Tongyeong-si, Gyeongsangnam-do

대산종합상사..... 051)816-5411~2

부산광역시 부산진구 전포동 193-14
부산광역시 부산진구 서천로57번길 43
43, Seojeon-ro 57beon-gil, Busanjin-gu, Busan

부성디젤 053)353-8634

대구광역시 대구 서구 비산동 1488-4
대구광역시 서구 팔달로 64
64, Paldal-ro, Seo-gu, Daegu

대구종합상사 053)254-5724

대구광역시 대구 중구 수창동 91-2번지 대왕빌딩 1층
대구광역시 중구 달성로22길 82 대왕빌딩 1층
82, Dalseong-ro 22-gil, Jung-gu, Daegu

일진기계 054)247-4400

경상북도 포항시 북구 동빈1가 122-1번지

두산커머셜엔진 032)822-2840 / 011-1707-2840

경기도 시흥시 신천동 600
경기도 시흥시 용부리길 15
15, Yongburi-gil, Siheung-si, Gyeonggi-do

오성상사 032)581-5658

인천 서구 가좌동 560-10
인천 서구 가좌로 38번길 29
29, Gajeong-ro, 38beon-gil, Seo-gu, Incheon

