



Parts Book

Parts Book

GENERATOR DIESEL ENGINE

DP222LCS
DP222LBS
DP222LAS
DP222LCF
DP222LBF

DP222LCS, DP222LBS, DP222LAS, DP222LCF, DP222LBF



Doosan Infracore Co., Ltd.
Head Office & Incheon Plant
7-11, Hwasu-Dong, Dong-Gu,
Incheon, Korea 401-702
TEL:+82-32-211-1114
FAX:+82-32-211-1231

Doosan Infracore

INTRODUCTION

- This parts List presents the users with the serviceable parts of all the 『DOOSAN INFRACORE Engines』 by type, in the forms of exploded view, parts list.

1. INFORMATION FOR ORDERING THE PARTS

Please contact your nearest service centre with following information for the part(s) ordered.

<E.g.> 1) Engine model : DP222LCS
2) Serial No. : DV22-OOG10 300001
3) Part No. : 150107-00495
4) Part Name : Crankshaft
5) Order Quantity : 1
6) Name and address of the customer :

2. HOW TO USE THIS PARTS LIST

Key No : The number referring to the corresponding part in the exploded view. The index number may have alphanumerical suffixes headed with 『-』 sign, for example, -1 or -1A. The suffix indicates that the part is a part of the component referred to with the Part No. without the suffix following the 『-』 sign. If the part is assigned with a part number, the part can be delivered independently.

Part No : Unique number assigned to the part.

Part Name : Name of the part.

Q'ty : The total number of the parts used in the engine system.

DV22-OOG10 : D28 POWER UP SERIES 1ST SUFFIX
DV22-OOG11 : DP222LBS(782KWM)_GENERATOR ENGINE
DV22-OOG12 : DP222LAS(737KWM)_GENERATOR ENGINE
DV22-OOG13 : DP222LCF(723KWM)_GENERATOR ENGINE
DV22-OOG14 : DP222LBF(664KWM)_GENERATOR ENGINE

S/C : Following service symbols are provided.

B : Factory processing is required. Please contact us.

D : The part has to be replaced by the entire assembly.

K : The part has to be replaced by a KIT unit.

OP : Optional part.

OS : Over size part.

US : Under size part.

R : The total number of the parts used in engine sets may vary by set, for example, adjusting shims.

S : The parts supplied for service or repair, not assembled in the factory.

G : The part requires grade control. As such, please order the part of the same grade of the mating part to be assembled with

- Make sure to use genuine parts.
- The Part List is subject to change for quality improvement.
- If you have any question, please do not hesitate to contact out service centre.

Sep. 2013.

머 리 말

● 이 부품목록은 『두산인프라코어 엔진』 전호기의 서비스 가능 부품을 조립전개도, 부품목록을 수록하였습니다.

1. 부품 주문에 대하여

부품을 주문할 때에는 아래 사항을 명기하시어 가까운 서비스 센터로 연락하시기 바랍니다.

- < 예 > 1) 엔진 모델 : DP222LCS
2) 제조번호 : DV22-OOG10 300001
3) 부품번호 : 150107-00495
4) 부품명 : 크랭크축
5) 수량 : 1
6) 주문자의 주소 및 성명 :

2. 부품 목록을 보는 방법

Key No : 전개도의 각 부품을 표시하는 번호입니다. 지시번호가 숫자 뒤에 -1, -1A 와 같이 『-』 표시 뒤에 숫자와 알파벳으로 연결되어 기입된 경우가 있습니다. 이는 『-』 표시가 없는 부품의 구성품임을 나타냅니다. 이 부품에 부품번호가 지정되어 있으면 단독으로 부품공급이 가능합니다.

Part No : 부품에 붙여진 고유번호입니다.

Part Name : 부품의 명칭입니다.

Qty : 부품이 사용되고 있는 『1 대분의 수량』입니다.

DV22-OOG10 : D28 POWER UP SERIES 1ST SUFFIX

DV22-OOG11 : DP222LBS(782KWM)_GENERATOR ENGINE

DV22-OOG12 : DP222LAS(737KWM)_GENERATOR ENGINE

DV22-OOG13 : DP222LCF(723KWM)_GENERATOR ENGINE

DV22-OOG14 : DP222LBF(664KWM)_GENERATOR ENGINE

S/C : 아래와 같은 서비스 기호등이 기재되어 있습니다.

B : 가공작업이 필요하므로 당사로 연락해 주십시오.

D : 단품 교환불가 품목으로 그 부품을 포함한 조립품으로 교환하여 주십시오.

K : KIT 품으로 교환하여 주십시오.

OP : 옵션 파트 부품을 표시합니다.

OS : 오버 사이즈 부품을 표시합니다.

US : 언더 사이즈 부품을 표시합니다.

R : 조정용 씬 등으로, 사용하는 수량이 매 호기마다 상이한 것을 표시합니다.

S : 공장출하시 조립되는 부품이 아닌, 수리, 서비스용으로 공급되는 부품을 표시합니다.

G : 이 부품은 등급 (Grade) 관리가 필요한 부품입니다. 따라서 조립되어지는 상대부품과 같은 등급으로 신청하여 주십시오.

- 부품은 필히 순정부품을 사용하여 주십시오.
- 부품목록의 내용은 품질 향상을 위해 변경될 수 있습니다.
- 부품목록의 내용에 대한 문의 사항은 당사 서비스 센터로 연락하여 주십시오.

2013. 09.

前 言

- 此零件目录列举了出现在『空气压缩机柴油发动机』上的设备构件。

1. 配件订购

订购配件时，请提供以下内容

- 1) 发动机型号 : DP222LCS
- 2) 发动机序列号 : DV22-OOG10 300001
- 3) 零件号 : 150107-00495
- 4) 名称 : 曲轴
- 5) 数量 : 1
- 6) 联系人名称及地址 :

2. 目录使用方法

- 序号 (Key No) : 序号与图中的编号相对应
- 零件号 (Part No) : 即零件的编号
- 零件名称 (Part Name) : 零件名称。零件名称右边部分有时也印刷有了尺寸、规格等信息。
- 数量 (Q'ty) : 『数量』表示整个部件使用的零件数量，但总成构件的数量表示总成使用的零件
DV22-OOG10 : D28 POWER UP SERIES 1ST SUFFIX
DV22-OOG11 : DP222LBS(782KWM)_GENERATOR ENGINE
DV22-OOG12 : DP222LAS(737KWM)_GENERATOR ENGINE
DV22-OOG13 : DP222LCF(723KWM)_GENERATOR ENGINE
DV22-OOG14 : DP222LBF(664KWM)_GENERATOR ENGINE

- 服务码 (S/C) : 零件服务码缩写的含义如下
 - B : 此类的零件在装配前要进行加工
 - D : 此类的零件不单独提供，要与包含此零件的总成一同订购
 - K : 此类的零件不单独提供，要与包含此零件的总成一同订购
 - OP : 选择零件
 - OS : 超大尺寸的零件
 - US : 低于尺寸的零件
 - R : 此类的零件表示零件数量随发动机的不同有所，例，调节垫片等
 - S : 此类的零件为安装的发动机备件，在出厂前不在发动机总成提供
 - G : 此类的零件在维修时，需要特殊维护（级别控制）。因此，订购前需要知道发动机其余部件的级别，所以请订购与发动机零件级别相同的零件

- 当维修时，推荐使用标准零件
- 用零件号查询零件，请参阅目录后的 [零件索引]
- 本图册可能会随着发动机的改进而有所改变。因此，建议客户与我们的售后服务中心联系。

2013.09.

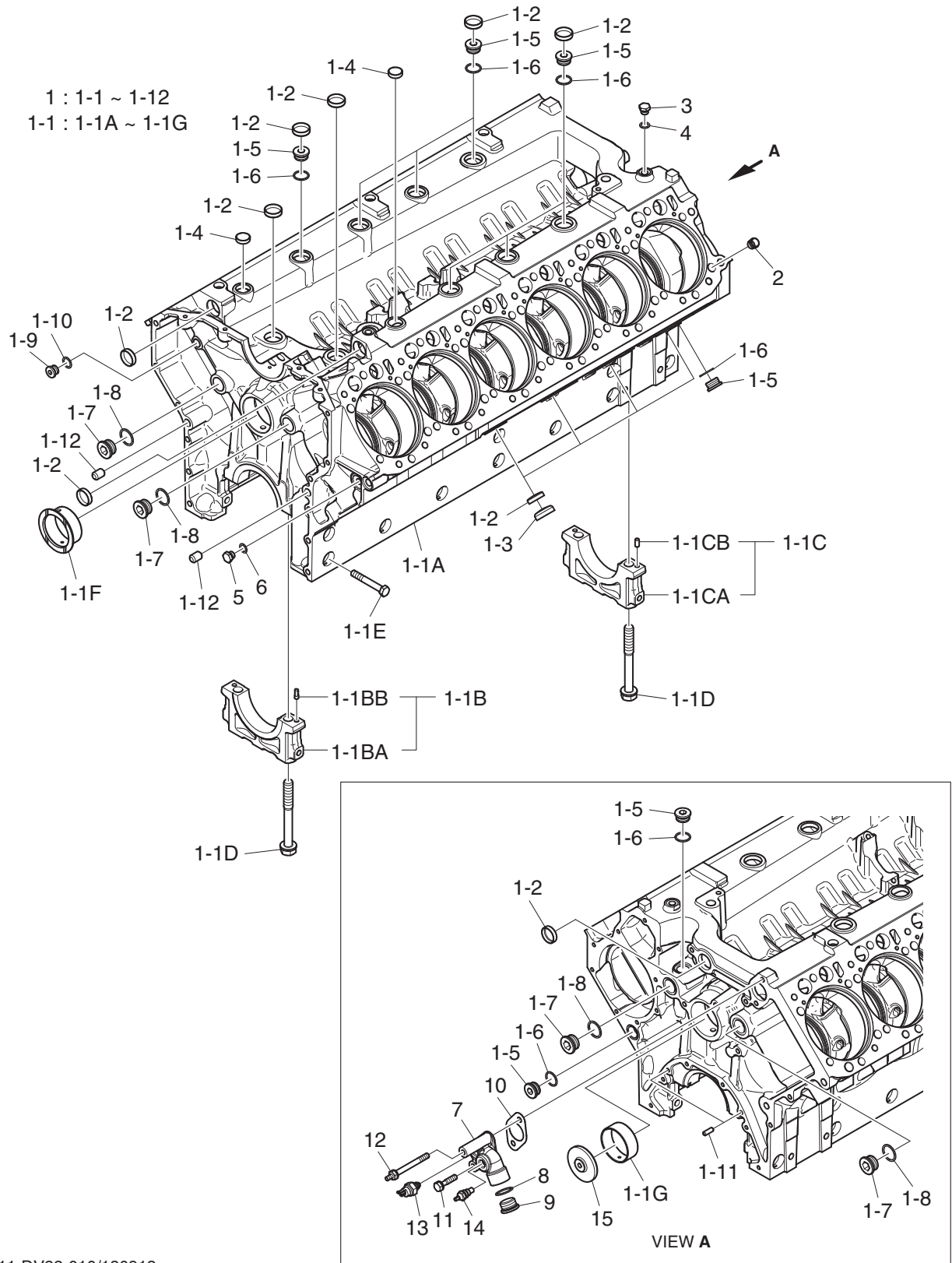
CONTENTS

Fig. 0110 Cylinder Block	2
0120 Cylinder Liner	4
0140 Flywheel Housing	6
0150 Oil Seal	8
0160 Oil Spray Nozzle	10
0180 Breather	12
0210 Crankshaft	14
0220 Vibration Damper	16
0230 Flywheel	18
0240 Connecting Rod	20
0250 Piston	22
0260 Crankshaft Pulley	24
0310 Cylinder Head	26
0340 Cylinder Head Cover	28
0410 Valve	30
0420 Rocker Arm	32
0430 Tappet & Push Rod	34
0440 Camshaft	36
0510 Oil Pump	38
0550 Oil Filter	40
0560 Oil Cooler	42
0580 Oil Pan	44
0630 Cooling Water Pipe	46
0640 Thermostat	48
0650 Water Pump	50
0660 Cooling Fan	52
0810 Exhaust Manifold	54
0820 Intake Manifold	56
0910 Turbocharger	58
0940 Intake Stake	60
1010 Injection Nozzle	62
1030 Injection Pipe	64
1110 Injection Pump(1)	66
1110 Injection Pump(2)	68

Fig. 1130 Injection Pump Drive70
1140 Injection Pump Mounting72
1230 Fuel Line74
1250 Fuel Filter76
1910 Alternator Mounting78
1920 Engine Lifting80
2610 Alternator82
2620 Starter84
4150 Engine Mounting86
8900 Accessories(1)88
8900 Accessories(2)90
8900 Accessories(3)92
8900 Accessories(4)94
8900 Accessories(5)96
8900 Accessories(6)98
8900 Accessories(7)	100
8900 Accessories(8)	102
8900 Accessories(9)	104
9880 Spare Part(1)	106
9880 Spare Part(2)	108
9880 Spare Part(3)	110

● 국내 엔진부품 대리점 현황

Fig.0110 CYLINDER BLOCK

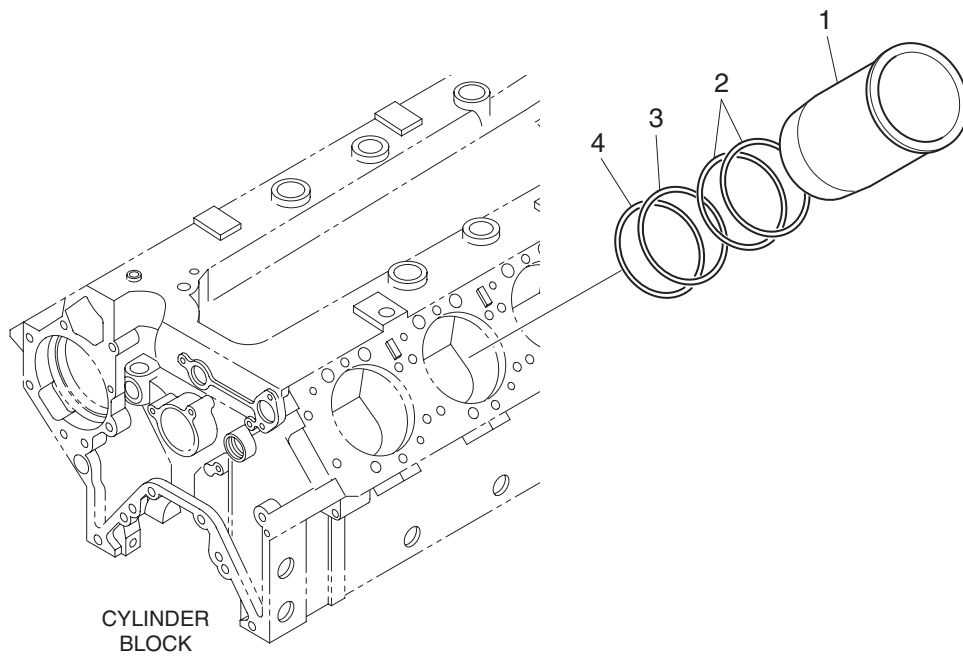


B011-DV22-010/130913

Fig.0110 CYLINDER BLOCK

Key No	Part No	Part Name	(Q'ty)					S/C	ICA
			DP222 LCS	DP222 LBS	DP222 LAS	DP222 LCF	DP222 LBF		
			DV 22 - 0 0 0 1 0	DV 22 - 0 0 0 1 1	DV 22 - 0 0 0 1 2	DV 22 - 0 0 0 1 3	DV 22 - 0 0 0 1 4		
1	150102-00668A	CYLINDER BLOCK ASS'Y	1	1	1	1	1		
1-1	150102-00674A	CYLINDER BLOCK ASS'Y	1	1	1	1	1	NS	
1-1A	150102-00677A	BLOCK ; CYLINDER	1	1	1	1	1	NS	
1-1B	140202-00020	BEARING CAP ASS'Y	1	1	1	1	1	NS	
1-1BA	140202-00011	CAP ; BEARING	1	1	1	1	1	NS	
1-1BB	65.91301-0071	PIN	2	2	2	2	2		
1-1C	140202-00008	BEARING CAP ASS'Y	6	6	6	6	6	NS	
1-1CA	140202-00011	CAP ; BEARING	1	1	1	1	1	NS	
1-1CB	06.22022-3061	PIN ; DOWEL	2	2	2	2	2		
1-1D	65.90020-0293B	BOLT ; BEARING CAP	14	14	14	14	14		
1-1E	06.01494-4316	BOLT ; HEX. M12x1.5x85	14	14	14	14	14		
1-1F	65.04410-0018	BUSH ; CAMSHAFT	1	1	1	1	1	B	
1-1G	65.04410-0078	BUSH ; CAMSHAFT	6	6	6	6	6	B	
1-2	65.91606-0039	PLUG ; CORE	16	16	16	16	16		
1-3	65.91606-0037	PLUG ; CORE	4	4	4	4	4		
1-4	65.90302-0041	PLUG ; CORE	2	2	2	2	2		
1-5	65.90310-0149A	SCREW ; PLUG M26x1.5	10	10	10	10	10		
1-6	06.56190-0726	RING ; SEAL	10	10	10	10	10		
1-7	65.90310-0134	SCREW ; PLUG	4	4	4	4	4		
1-8	06.56190-0732	RING ; SEAL	4	4	4	4	4		
1-9	65.90310-0131	SCREW ; PLUG	1	1	1	1	1		
1-10	06.56190-0713	RING ; SEAL A18x24	1	1	1	1	1		
1-11	06.22022-1063	PIN	2	2	2	2	2		
1-12	06.22022-3563	PIN ; DOWEL	2	2	2	2	2		
2	65.91701-0274	PIN ; LOCATING	24	24	24	24	24		
3	06.08041-2203	SCREW ; PLUG M14x1.5	1	1	1	1	1		
4	06.56190-0705	RING ; SEAL	1	1	1	1	1		
5	65.90310-0135	PLUG ; SCREW	1	1	1	1	1		
6	06.56190-0705	RING ; SEAL	1	1	1	1	1		
7	430215-00779	FLANGE	1	1	1	1	1		
8	06.56190-0732	RING ; SEAL	1	1	1	1	1		
9	65.90310-0134	SCREW ; PLUG	1	1	1	1	1		
10	65.96601-0054	GASKET	1	1	1	1	1		
11	06.01913-3220	BOLT ASS'Y M10x45	1	1	1	1	1		
12	120122-00049	BOLT ; STAY	1	1	1	1	1		
13	66.27435-6008	SWITCH ; THERMO	1	1	1	1	1		
14	65.27405-5005	SENSOR ; TACHOMETER	1	1	1	1	1	AL	
14	301317-00017	SENSOR ; TACHOMETER	1	1	1	1	1	AL	
15	65.91605-0013	COVER	1	1	1	1	1		

Fig.0120 CYLINDER LINER

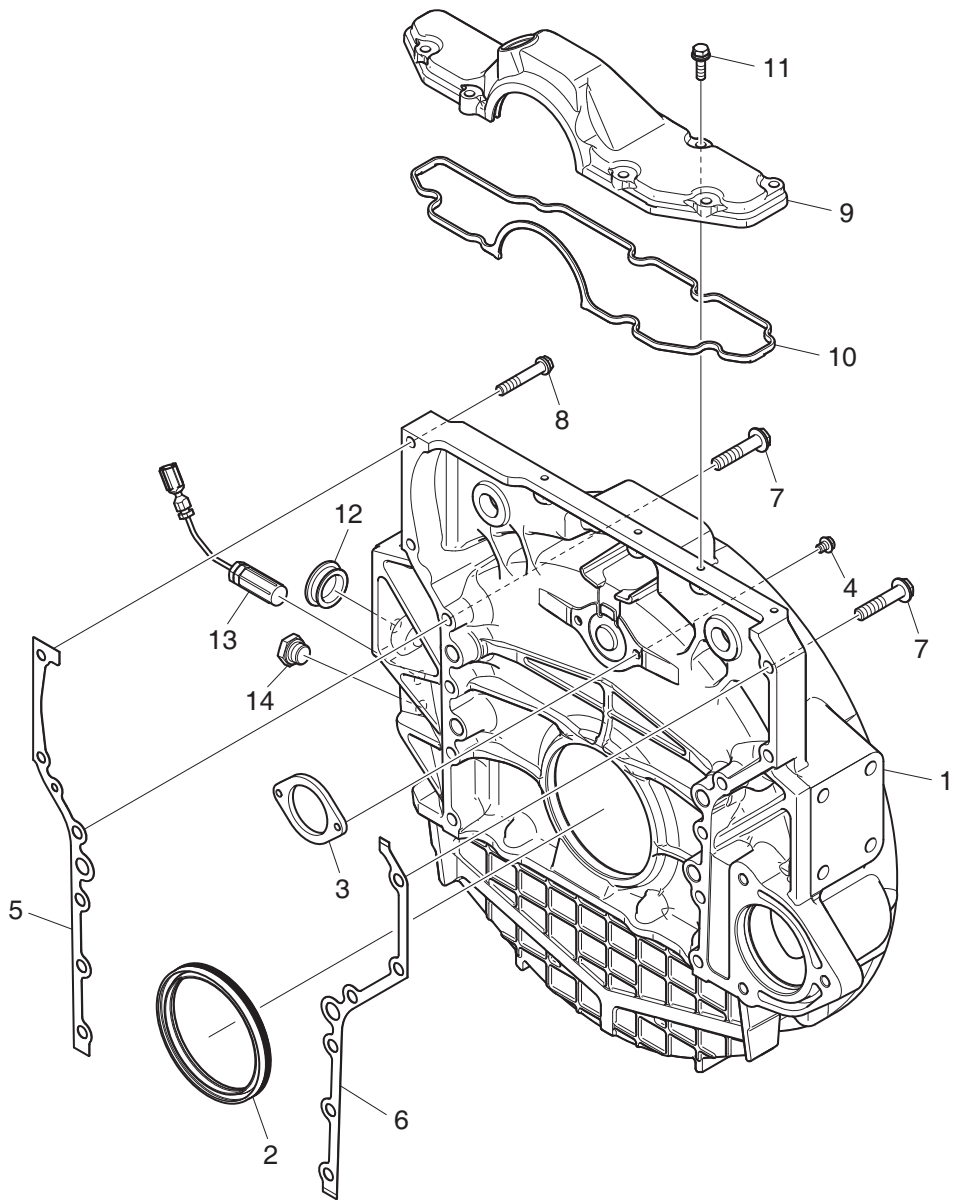


B012-DV22-001/120704

Fig.0120 CYLINDER LINER

Key No	Part No	Part Name	(Q'ty)					S/C	ICA
			DP222 LCS	DP222 LBS	DP222 LAS	DP222 LCF	DP222 LBF		
			DV 22 - 0 0 G 1 0	DV 22 - 0 0 G 1 1	DV 22 - 0 0 G 1 2	DV 22 - 0 0 G 1 3	DV 22 - 0 0 G 1 4		
1	65.01201-0312C	LINER ; CYLINDER	12	12	12	12	12		
2	401002-00785	O-RING	24	24	24	24	24		
3	401002-00786	O-RING	12	12	12	12	12		
4	401002-00786	O-RING	12	12	12	12	12		

Fig.0140 FLYWHEEL HOUSING

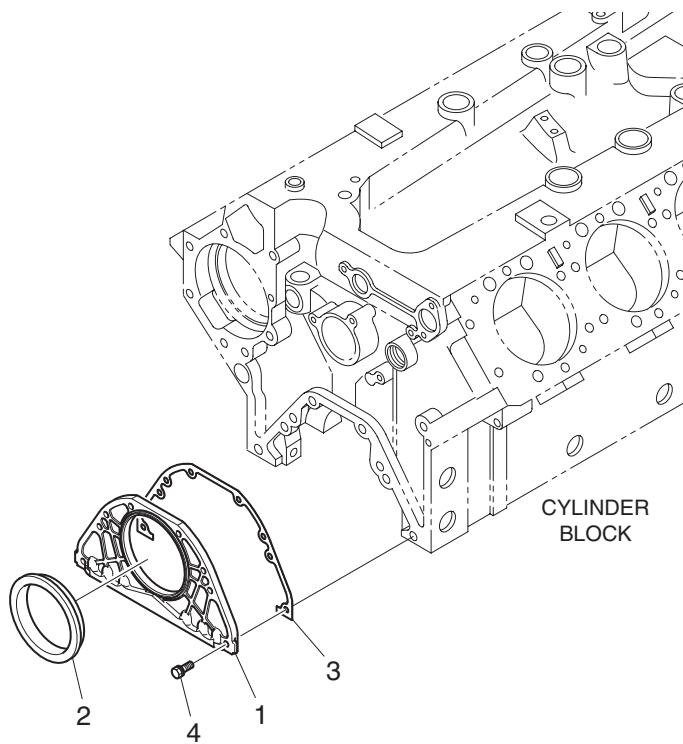


B014-DV22-001/130913

Fig.0140 FLYWHEEL HOUSING

Key No	Part No	Part Name	(Q'ty)					S/C	ICA
			DP222 LCS	DP222 LBS	DP222 LAS	DP222 LCF	DP222 LBF		
			DV 22 - 0 0 0 0 1 0	DV 22 - 0 0 0 0 1 1	DV 22 - 0 0 0 0 1 2	DV 22 - 0 0 0 0 1 3	DV 22 - 0 0 0 0 1 4		
1	150114-00169	HOUSING ; FLYWHEEL	1	1	1	1	1		
2	65.01510-0141	OIL SEAL	1	1	1	1	1		
3	120816-00123	WASHER ; THRUST	1	1	1	1	1		
4	65.90020-0065A	BOLT ; HEX.	2	2	2	2	2		
5	65.01903A0200	GASKET ; FLYWHEEL HOUSING	1	1	1	1	1		
6	65.01903A0201	GASKET ; FLYWHEEL HOUSING	1	1	1	1	1		
7	65.90020-0223	BOLT ; FLYWHEEL HOUSING	10	10	10	10	10		
8	65.90020-0091	BOLT ; COLLARED HEX.	2	2	2	2	2		
9	65.01402-0020	COVER ; FLYWHEEL HOUSING	1	1	1	1	1		
10	65.01903-0011	GASKET ; FLYWHEEL HOUSING COVER	1	1	1	1	1		
11	06.01923-3117	BOLT ASS'Y M8x30	4	4	4	4	4		
12	65.96401-0007	CAP ; RUBBER	1	1	1	1	1		
13	65.27103-7002D	SENSOR ; TACHOMETER	1	1	1	1	1		
14	06.08092-2405	PLUG ; SCREW M16x1.5	1	1	1	1	1		

Fig.0150 OIL SEAL

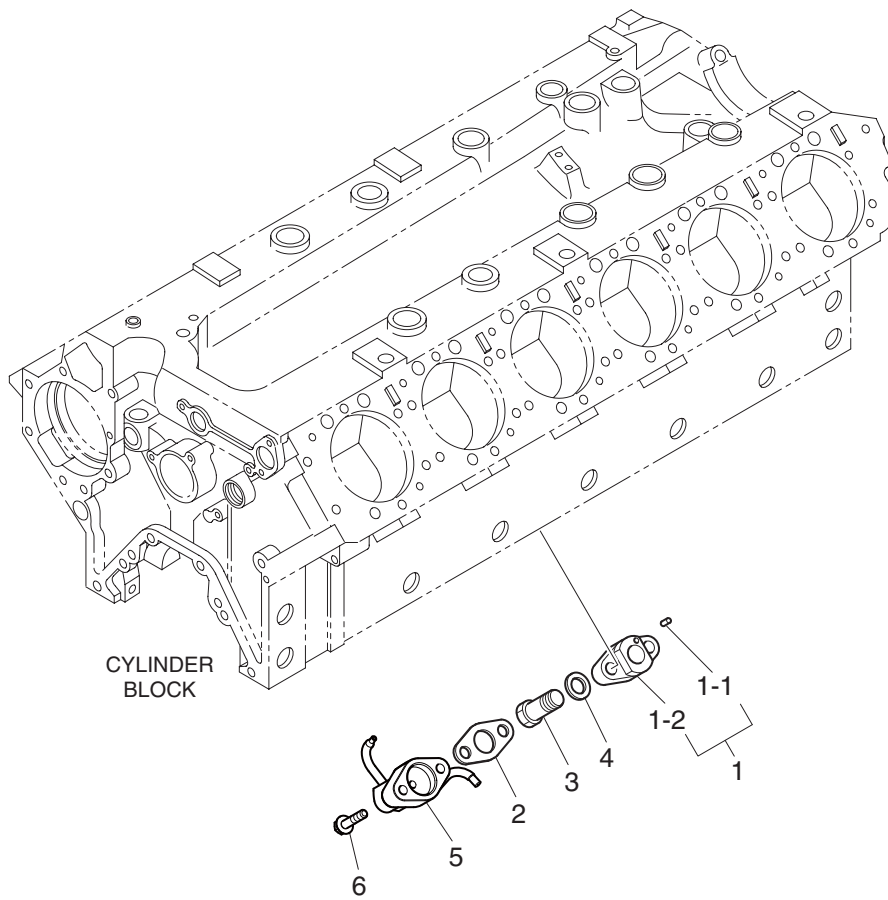


B015-DV15-001/120613

Fig.0150 OIL SEAL

Key No	Part No	Part Name	(Q'ty)					S/C	ICA
			DP222 LCS	DP222 LBS	DP222 LAS	DP222 LCF	DP222 LBF		
			DV 22 - 0 0 G 1 0	DV 22 - 0 0 G 1 1	DV 22 - 0 0 G 1 2	DV 22 - 0 0 G 1 3	DV 22 - 0 0 G 1 4		
1	65.01501-5017E	COVER ; SEALING	1	1	1	1	1		
2	65.01510-0153A	SEAL ; OIL	1	1	1	1	1		
3	65.01905-0032	GASKET	1	1	1	1	1		
4	06.01923-3116	BOLT ASS'Y M8x28	6	6	6	6	6		

Fig.0160 OIL SPRAY NOZZLE

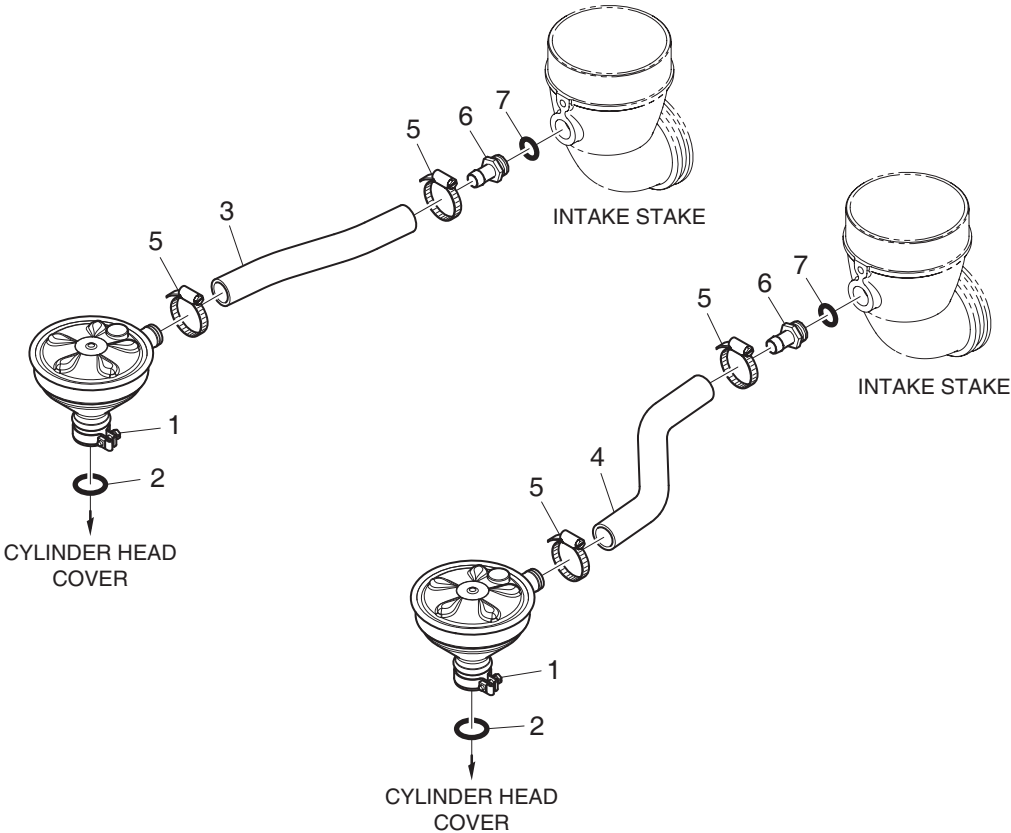


B016-DV22-001/120704

Fig.0160 OIL SPRAY NOZZLE

Key No	Part No	Part Name	(Q'ty)					S/C	ICA
			DP222 LCS	DP222 LBS	DP222 LAS	DP222 LCF	DP222 LBF		
			DV 22 - 0 0 0 0 1 0	DV 22 - 0 0 0 0 1 1	DV 22 - 0 0 0 0 1 2	DV 22 - 0 0 0 0 1 3	DV 22 - 0 0 0 0 1 4		
1	65.01601-2016A	FLANGE ASS'Y	12	12	12	12	12		
1-1	06.22180-0804	PIN ; SPIRAL	1	1	1	1	1		
1-2	65.01601-0007A	FLANGE ; OIL SPRAY NOZZLE	1	1	1	1	1		
2	65.96601A0237	GASKET	12	12	12	12	12		
3	65.98150-0051	SCREW ; HOLLOW	12	12	12	12	12		
4	06.56190-0706	RING ; SEAL A14x20	12	12	12	12	12		
5	430218-00256	OIL SPRAY NOZZLE ASS'Y	12	12	12	12	12		
6	120106-00539	BOLT ; HEX.	24	24	24	24	24		

Fig.0180 BREATHER

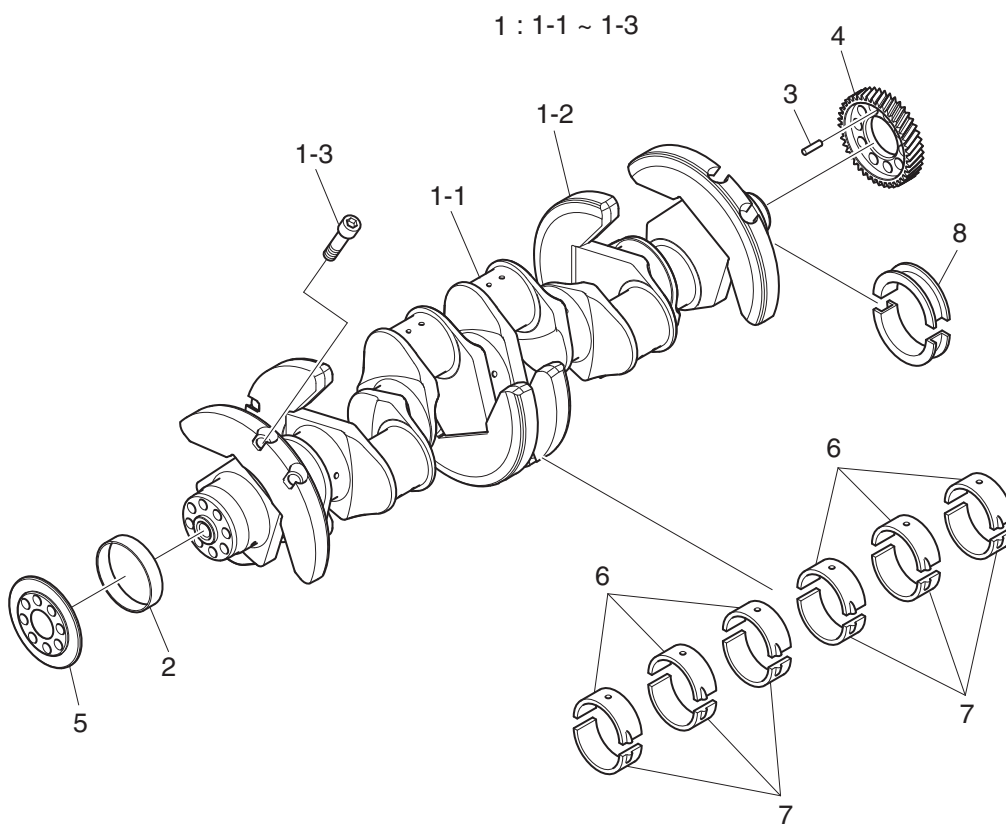


B018-DV22-001/130913

Fig.0180 BREATHER

Key No	Part No	Part Name	(Q'ty)					S/C	ICA
			DP222 LCS	DP222 LBS	DP222 LAS	DP222 LCF	DP222 LBF		
			DV 22 - 0 0 G 1 0	DV 22 - 0 0 G 1 1	DV 22 - 0 0 G 1 2	DV 22 - 0 0 G 1 3	DV 22 - 0 0 G 1 4		
1	51.01804-7023	SEPARATOR	2	2	2	2	2		
2	65.96501-0032B	O-RING	2	2	2	2	2		
3	420101-00721	HOSE ; AIR	1	1	1	1	1		
4	420101-00722	HOSE ; AIR	1	1	1	1	1		
5	65.97440-0006	CLAMP ; HOSE	4	4	4	4	4		
6	65.98131-0072	SCREW ; CONNECTION	2	2	2	2	2		
7	06.56190-0726	RING ; SEAL	2	2	2	2	2		

Fig.0210 CRANKSHAFT

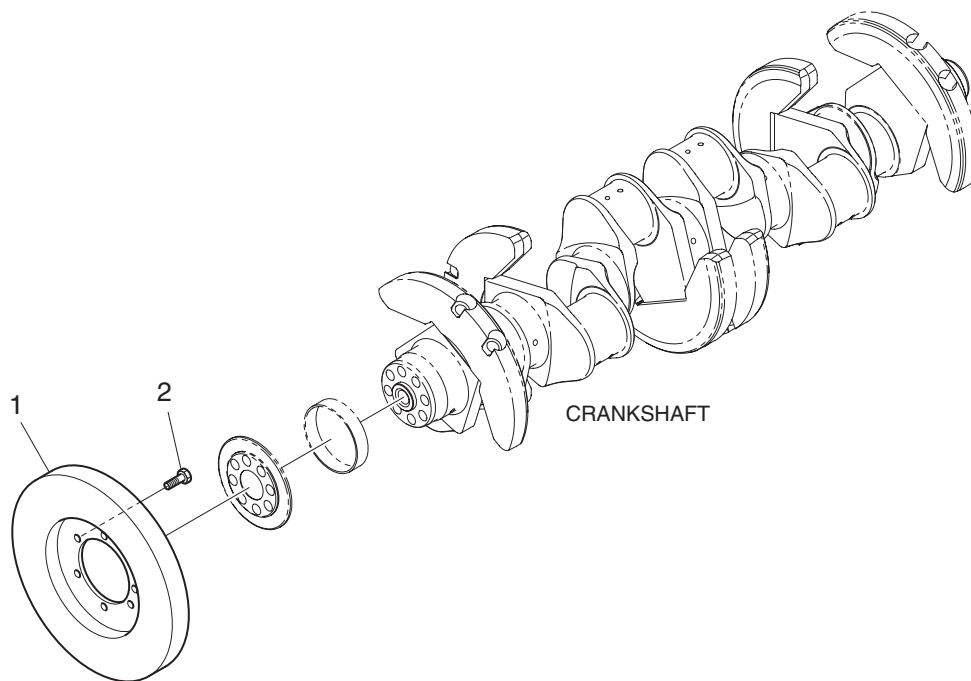


C021-DV22-003/120704

Fig.0210 CRANKSHAFT

Key No	Part No	Part Name	(Q'ty)					S/C	ICA
			DP222 LCS	DP222 LBS	DP222 LAS	DP222 LCF	DP222 LBF		
			DV 22 - 0 0 0 1 0	DV 22 - 0 0 0 1 1	DV 22 - 0 0 0 1 2	DV 22 - 0 0 0 1 3	DV 22 - 0 0 0 1 4		
1	150107-00497	CRANKSHAFT ASS'Y	1	1	1	1	1		
1-1	150107-00495	CRANKSHAFT	1	1	1	1	1	NS	
1-2	160701-00043	WEIGHT ; COUNTER	6	6	6	6	6	NS	
1-3	65.90030-0048A	BOLT ; BALANCE WEIGHT	12	12	12	12	12		
2	65.02130-0001	RING ; WEAR (FRONT)	1	1	1	1	1		
3	06.22022-3065	PIN ; PARALLEL	1	1	1	1	1		
4	65.02115-0066	GEAR ; CRANKSHAFT	1	1	1	1	1		
5	401102-00033	HOLDER ; OIL SEAL	1	1	1	1	1		
6	65.01110-0070	BEARING ; MAIN	6	6	6	6	6		
7	65.01110-0080	BEARING ; MAIN	6	6	6	6	6		
8	65.01111-6539	WASHER ; THRUST	1	1	1	1	1		

Fig.0220 VIBRATION DAMPER

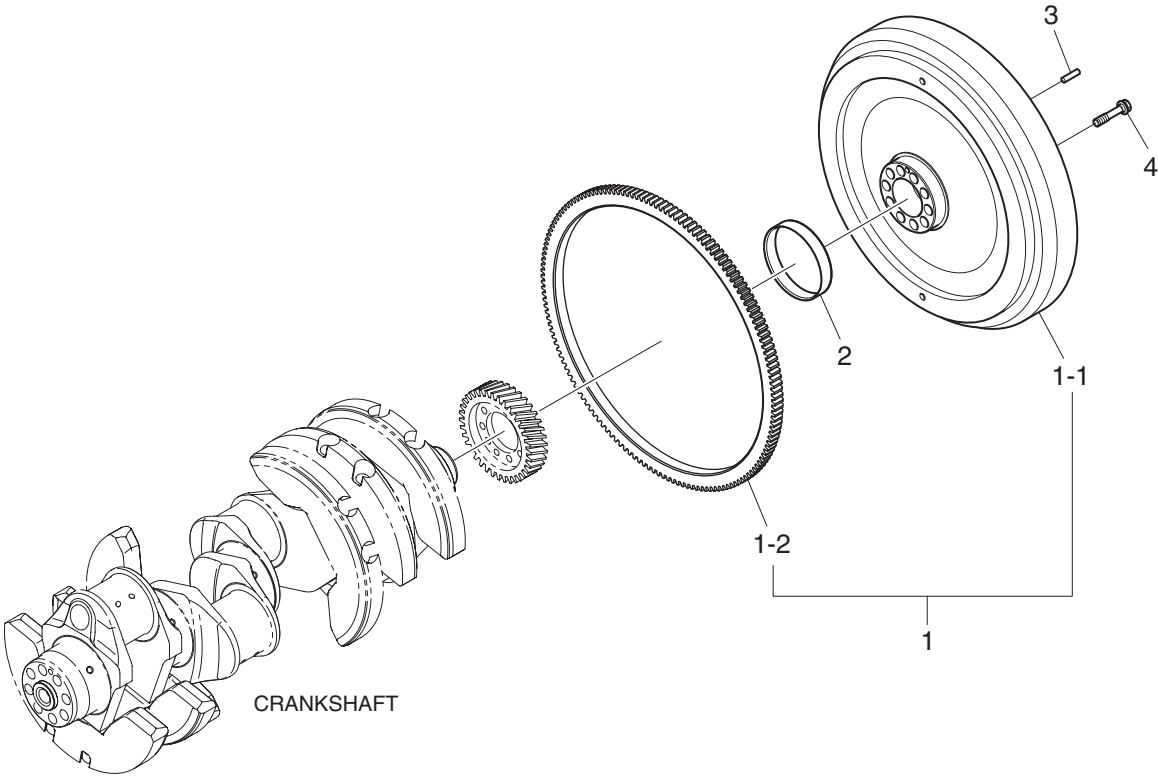


C022-DL11-002/120704

Fig.0220 VIBRATION DAMPER

Key No	Part No	Part Name	(Q'ty)					S/C	ICA
			DP222 LCS	DP222 LBS	DP222 LAS	DP222 LCF	DP222 LBF		
			DV 22 - 0 0 G 1 0	DV 22 - 0 0 G 1 1	DV 22 - 0 0 G 1 2	DV 22 - 0 0 G 1 3	DV 22 - 0 0 G 1 4		
1	65.02201-7033	DAMPER ; VISCOUS	1	1	1	1	1	AL	
1	65.02201-7034	DAMPER ; VISCOUS	1	1	1	1	1	AL	
2	65.90020-0062B	BOLT ; HEX. M10x20	6	6	6	6	6		

Fig.0230 FLYWHEEL

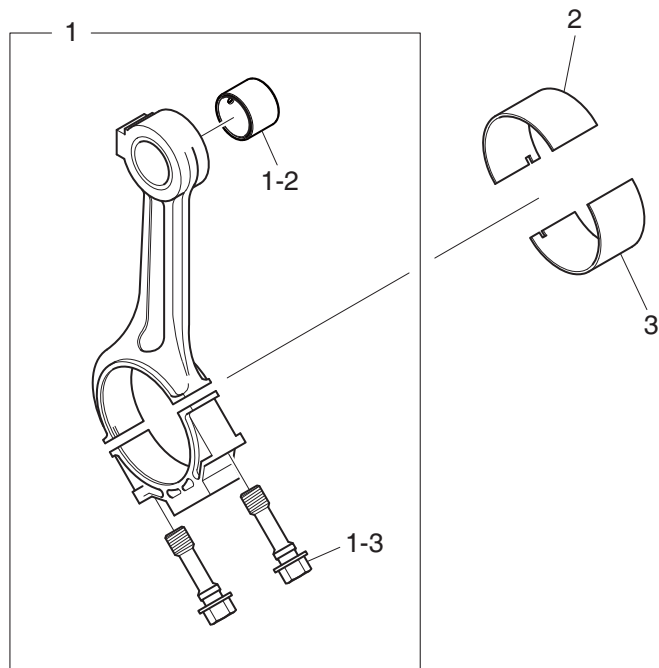


C023-DV15-007/120613

Fig.0230 FLYWHEEL

Key No	Part No	Part Name	(Q'ty)					S/C	ICA
			DP222 LCS	DP222 LBS	DP222 LAS	DP222 LCF	DP222 LBF		
			DV 22 - 0 0 0 1 0	DV 22 - 0 0 0 1 1	DV 22 - 0 0 0 1 2	DV 22 - 0 0 0 1 3	DV 22 - 0 0 0 1 4		
1	65.02301-5014C	FLYWHEEL ASS'Y	1	1	1	1	1		
1-1	65.02301-0303E	FLYWHEEL	1	1	1	1	1	NS	
1-2	65.02310-0073D	GEAR ; STARTER RING	1	1	1	1	1		
2	65.02130-0002	RING ; WEAR (REAR)	1	1	1	1	1		
3	65.91303-0005	PIN ; TAPER	1	1	1	1	1		
4	65.90020-0127	BOLT ; FLYWHEEL HOUSING	10	10	10	10	10		

Fig.0240 CONNECTING ROD

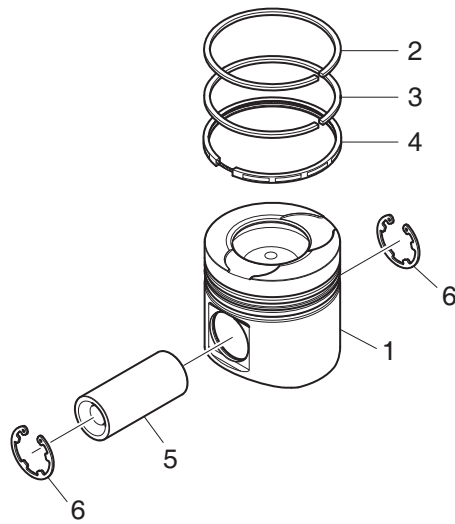


C024-DV22-002/120817

Fig.0240 CONNECTING ROD

Key No	Part No	Part Name	(Q'ty)					S/C	ICA
			DP222 LCS	DP222 LBS	DP222 LAS	DP222 LCF	DP222 LBF		
			DV 22 - 0 0 G 1 0	DV 22 - 0 0 G 1 1	DV 22 - 0 0 G 1 2	DV 22 - 0 0 G 1 3	DV 22 - 0 0 G 1 4		
1	150121-00107	CONNECTING ROD ASS'Y	12	12	12	12	12		
1-2	65.02405-0008	BUSHING ; CONNECTING ROD	1	1	1	1	1		
1-3	65.02411-0008	BOLT ; CONNECTING ROD	2	2	2	2	2		
2	65.02410-0320	BEARING ; CONNECTING ROD (UPPER)	12	12	12	12	12		
3	65.02410-0200	BEARING ; CONNECTING ROD (LOWER)	12	12	12	12	12		

Fig.0250 PISTON

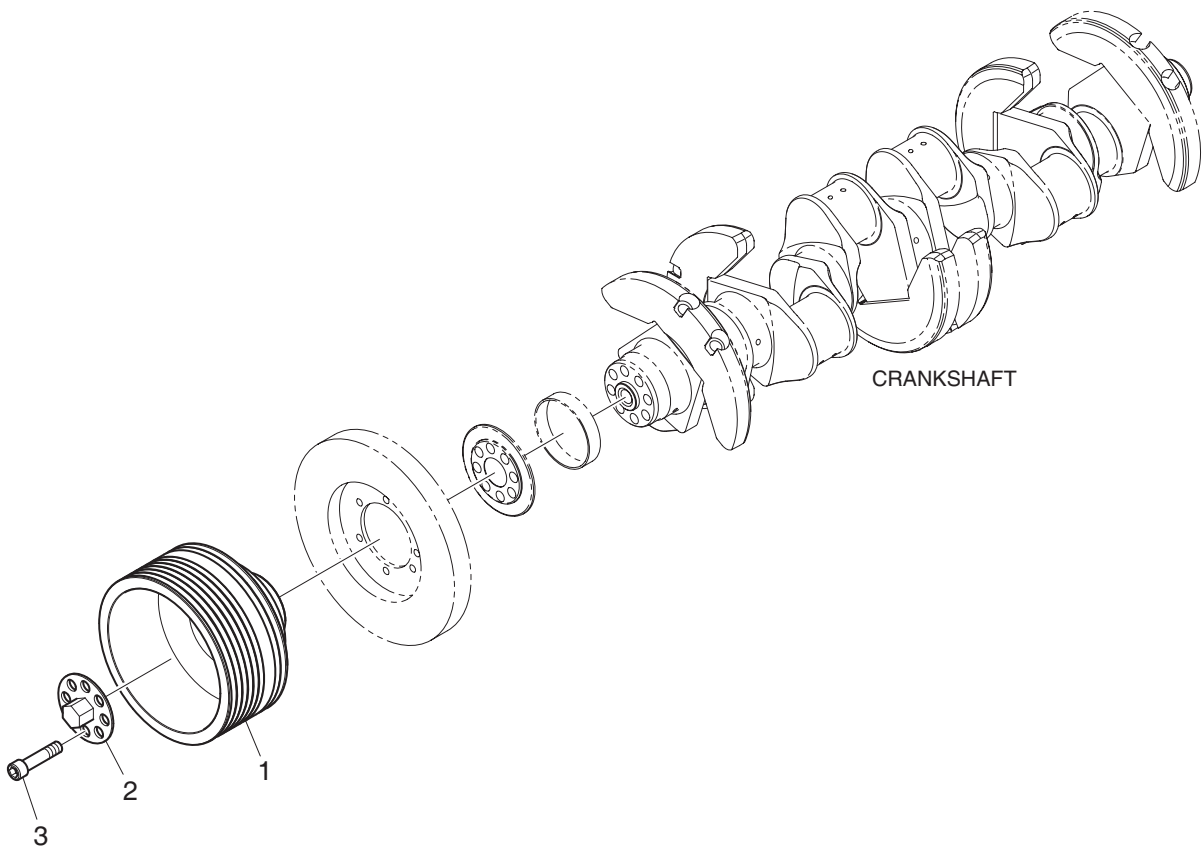


C025-DV22-009/130913

Fig.0250 PISTON

Key No	Part No	Part Name	(Q'ty)					S/C	ICA
			DP222 LCS	DP222 LBS	DP222 LAS	DP222 LCF	DP222 LBF		
			DV 22 - 0 0 G 1 0	DV 22 - 0 0 G 1 1	DV 22 - 0 0 G 1 2	DV 22 - 0 0 G 1 3	DV 22 - 0 0 G 1 4		
1	65.02501-0704	PISTON	12	12	12	12	12		
2	65.02503-0158	RING ; TOP	12	12	12	12	12	K	
3	65.02503-0159	RING ; SECOND	12	12	12	12	12	K	
4	65.02503-0678	RING ; OIL	12	12	12	12	12	K	
5	130601-00042	PIN ; PISTON	12	12	12	12	12		
6	65.90815-0022A	RING ; LOCK	24	24	24	24	24		
*	401004-00022	RING KIT ; PISTON	12	12	12	12	12		

Fig.0260 CRANKSHAFT PULLEY

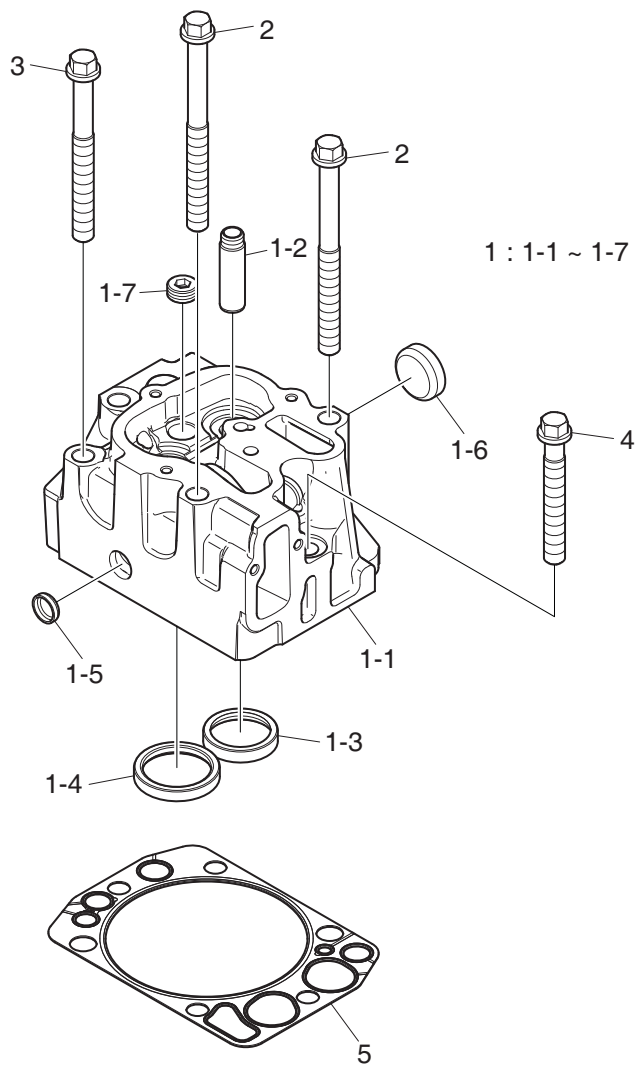


C026-DV22-002/130913

Fig.0260 CRANKSHAFT PULLEY

Key No	Part No	Part Name	(Q'ty)					S/C	ICA
			DP222 LCS	DP222 LBS	DP222 LAS	DP222 LCF	DP222 LBF		
			DV 22 - 0 0 G 1 0	DV 22 - 0 0 G 1 1	DV 22 - 0 0 G 1 2	DV 22 - 0 0 G 1 3	DV 22 - 0 0 G 1 4		
1	130711-00088	PULLEY ; CRANKSHAFT	1	1	1	1	1		
2	65.99710-5003	PLATE ; TURNING DEVICE	1	1	1	1	1		
3	120107-00008	BOLT ; SOCKET HEAD	8	8	8	8	8		

Fig.0310 CYLINDER HEAD

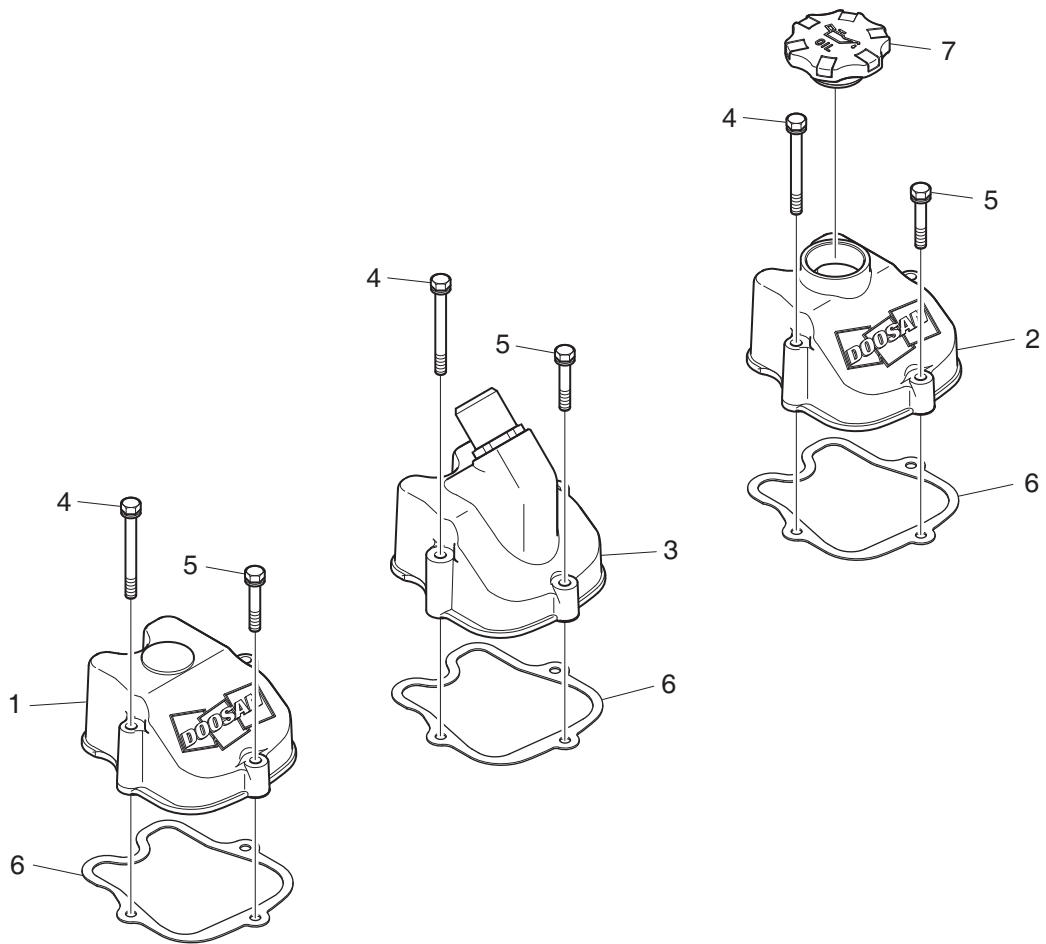


B031-DV22-004/130913

Fig.0310 CYLINDER HEAD

Key No	Part No	Part Name	(Q'ty)					S/C	ICA
			DP222 LCS	DP222 LBS	DP222 LAS	DP222 LCF	DP222 LBF		
			DV 22 - 0 0 G 1 0	DV 22 - 0 0 G 1 1	DV 22 - 0 0 G 1 2	DV 22 - 0 0 G 1 3	DV 22 - 0 0 G 1 4		
1	150113-00408A	CYLINDER HEAD ASS'Y	12	12	12	12	12		
1-1	150113-00400A	HEAD ; CYLINDER	1	1	1	1	1	NS	
1-2	65.03201-1060	GUIDE ; VALVE	2	2	2	2	2		
1-3	65.03203-0184	VALVE ; SEAT (EXHAUST)	1	1	1	1	1		
1-4	65.03203-0242	VALVE ; SEAT (INTAKE)	1	1	1	1	1		
1-5	65.91606-0041	PLUG ; CORE	1	1	1	1	1		
1-6	65.91606-0037	PLUG ; CORE	1	1	1	1	1		
1-7	06.08023-0207	SCREW ; PLUG	1	1	1	1	1		
2	65.90020-0268	BOLT ; CYLINDER HEAD	24	24	24	24	24		
3	65.90020-0269	BOLT ; CYLINDER HEAD	36	36	36	36	36		
4	65.90020-0270	BOLT ; CYLINDER HEAD	12	12	12	12	12		
5	51.03901-0348	GASKET ; CYLINDER HEAD	12	12	12	12	12	AL	
5	51.03901-0338	GASKET ; CYLINDER HEAD	12	12	12	12	12	AL	

Fig.0340 CYLINDER HEAD COVER

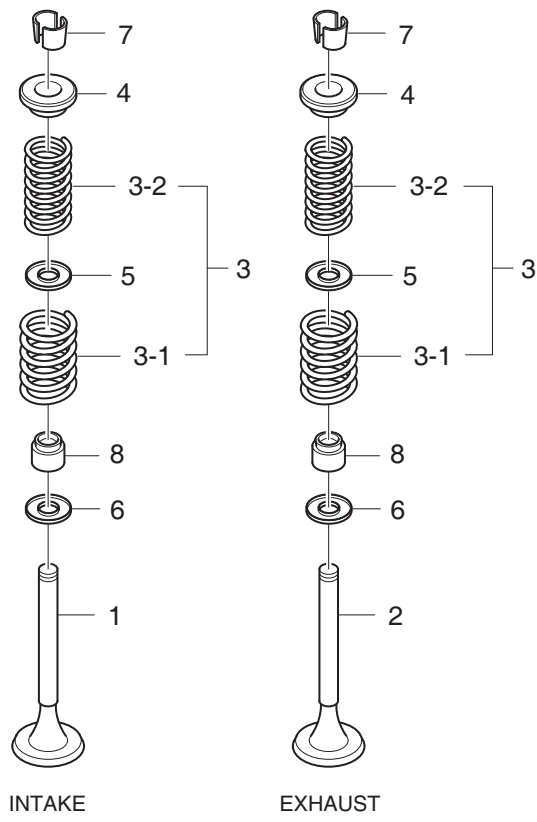


B034-DV22-007/130913

Fig.0340 CYLINDER HEAD COVER

Key No	Part No	Part Name	(Q'ty)					S/C	ICA
			DP222 LCS	DP222 LBS	DP222 LAS	DP222 LCF	DP222 LBF		
			DV 22 - 0 0 G 1 0	DV 22 - 0 0 G 1 1	DV 22 - 0 0 G 1 2	DV 22 - 0 0 G 1 3	DV 22 - 0 0 G 1 4		
1	65.03401-0077	COVER ; CYLINDER HEAD	9	9	9	9	9		
2	65.03401-0081	COVER ; CYLINDER HEAD	1	1	1	1	1		
3	65.03401-5002	COVER ; CYLINDER HEAD	2	2	2	2	2		
4	06.01923-3125	BOLT ASS'Y M8x70	24	24	24	24	24		
5	06.01923-3120	BOLT ASS'Y M8x45	12	12	12	12	12		
6	65.03905-0034	GASKET ; CYLINDER HEAD COVER	12	12	12	12	12		
7	65.01810-5011	CAP ; OIL FILLER	1	1	1	1	1		

Fig.0410 VALVE

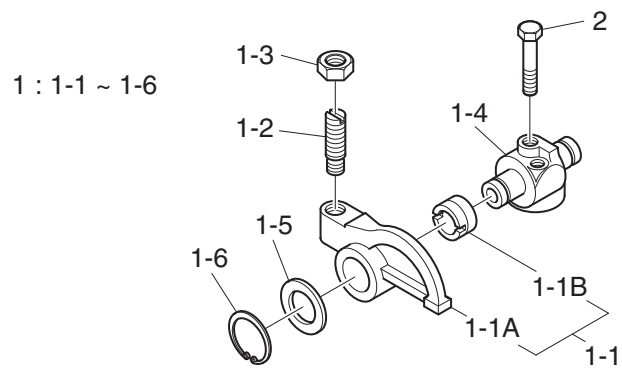


D041-DV22-001/120817

Fig.0410 VALVE

Key No	Part No	Part Name	(Q'ty)					S/C	ICA
			DP222 LCS	DP222 LBS	DP222 LAS	DP222 LCF	DP222 LBF		
			DV 22 - 0 0 G 1 0	DV 22 - 0 0 G 1 1	DV 22 - 0 0 G 1 2	DV 22 - 0 0 G 1 3	DV 22 - 0 0 G 1 4		
1	65.04101-0375C	VALVE ; INTAKE	12	12	12	12	12		
2	65.04101-0367C	VALVE ; EXHAUST	12	12	12	12	12		
3	65.04102-6007	VALVE SPRING ASS'Y	24	24	24	24	24	AL	
3	65.04102-6030	VALVE SPRING ASS'Y	24	24	24	24	24	AL	
3-1	65.04102-0083A	SPRING ; VALVE (OUTER)	1	1	1	1	1		
3-2	65.04102-0084A	SPRING ; VALVE (INNER)	1	1	1	1	1		
4	65.04103-0074	RETAINER ; VALVE SPRING	24	24	24	24	24		
5	65.90701-0103	WASHER ; INNER	24	24	24	24	24		
6	65.90701-0104	WASHER ; OUTER	24	24	24	24	24		
7	65.04104-0023	COTTER ; VALVE	48	48	48	48	48	AL	
7	51.04104-0023	COTTER ; VALVE	48	48	48	48	48	AL	
8	65.04902-0027	SEAL ; VALVE STEM	24	24	24	24	24		

Fig.0420 ROCKER ARM

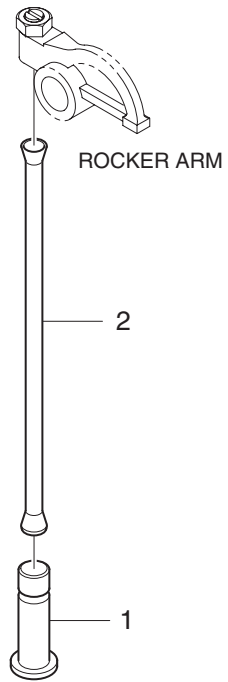


D042-DV22-002/120704

Fig.0420 ROCKER ARM

Key No	Part No	Part Name	(Q'ty)					S/C	ICA
			DP222 LCS	DP222 LBS	DP222 LAS	DP222 LCF	DP222 LBF		
			DV 22 - 0 0 0 G 1 0	DV 22 - 0 0 0 G 1 1	DV 22 - 0 0 0 G 1 2	DV 22 - 0 0 0 G 1 3	DV 22 - 0 0 0 G 1 4		
1	65.04200-6029A	ROCKER ARM ASS'Y	12	12	12	12	12		
1-1	65.04201-5020	ARM ; ROCKER	2	2	2	2	2		
1-1A	65.04201-1003	ARM ; ROCKER	1	1	1	1	1		
1-1B	65.93020-1011	BUSH ; ROCKER ARM	1	1	1	1	1		
1-2	65.04205-0021A	SCREW KIT ; ROCKER ARM	2	2	2	2	2		
1-3	65.90501-0049	NUT ; HEX.	2	2	2	2	2		
1-4	65.04202-5035	RETAINER BRACKET ASS'Y	1	1	1	1	1		
1-5	65.90701-0136B	WASHER	2	2	2	2	2		
1-6	06.29010-0120	RING ; SNAP	2	2	2	2	2		
2	65.90001-0146A	BOLT ; HEX.	24	24	24	24	24		

Fig.0430 TAPPET & PUSH ROD

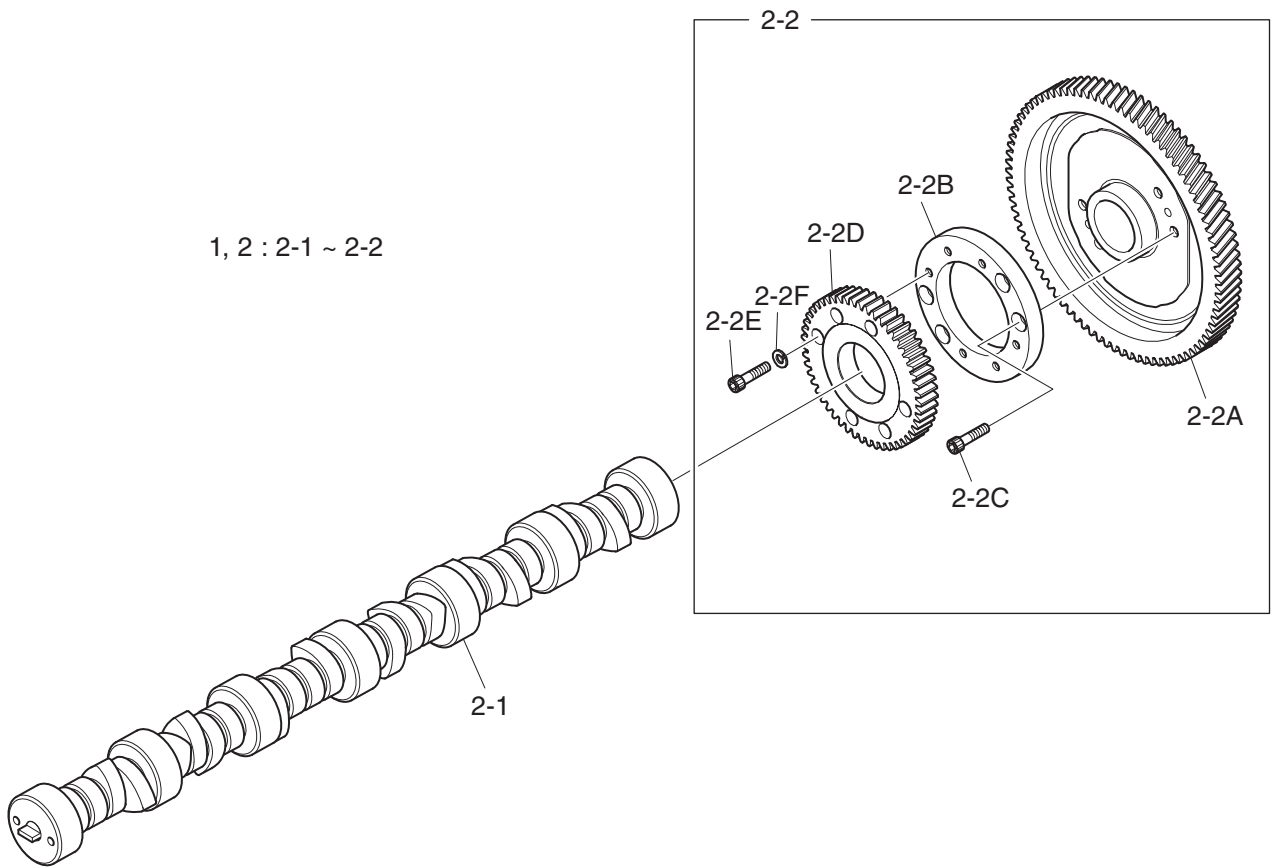


D043-DV22-001/120704

Fig.0430 TAPPET & PUSH ROD

Key No	Part No	Part Name	(Q'ty)					S/C	ICA
			DP222 LCS	DP222 LBS	DP222 LAS	DP222 LCF	DP222 LBF		
			DV 22 - 0 0 G 1 0	DV 22 - 0 0 G 1 1	DV 22 - 0 0 G 1 2	DV 22 - 0 0 G 1 3	DV 22 - 0 0 G 1 4		
1	65.04301-0079	TAPPET ; VALVE	24	24	24	24	24		
2	65.04302-0026	ROD ; PUSH	24	24	24	24	24		

Fig.0440 CAMSHAFT

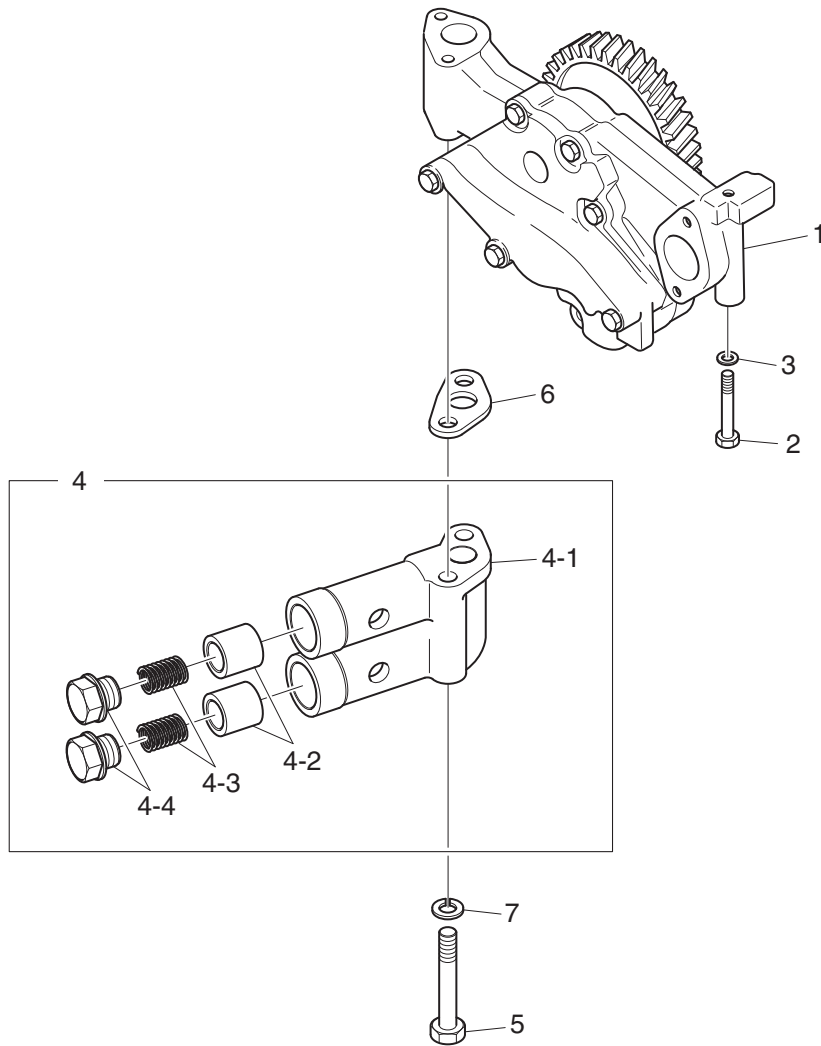


D044-DV22-001/120704

Fig.0440 CAMSHAFT

Key No	Part No	Part Name	(Q'ty)					S/C	ICA
			DP222 LCS	DP222 LBS	DP222 LAS	DP222 LCF	DP222 LBF		
			DV 22 - 0 0 0 1 0	DV 22 - 0 0 0 1 1	DV 22 - 0 0 0 1 2	DV 22 - 0 0 0 1 3	DV 22 - 0 0 0 1 4		
1	65.04401-8008	CAMSHAFT	1	1	1	1	1	NS	
2	65.04401-6003A	CAMSHAFT ASS'Y	1	1	1	1	1		
2-1	65.04401-0443	CAMSHAFT	1	1	1	1	1		
2-2	65.11300-6001B	DRIVE GEAR ASS'Y	1	1	1	1	1	NS	
2-2A	65.04501-0097	GEAR ; CAMSHAFT	1	1	1	1	1		
2-2B	65.11121-0002A	SPACER ; FOR DRIVE GEAR	1	1	1	1	1		
2-2C	65.90030-0024	BOLT ; SOCKET HEAD	4	4	4	4	4		
2-2D	65.11301-0018A	GEAR ; INJECTION PUMP DRIVE	1	1	1	1	1		
2-2E	06.02096-0412	BOLT ; SOCKET HEAD	6	6	6	6	6		
2-2F	06.16110-0106	WASHER	6	6	6	6	6		

Fig.0510 OIL PUMP

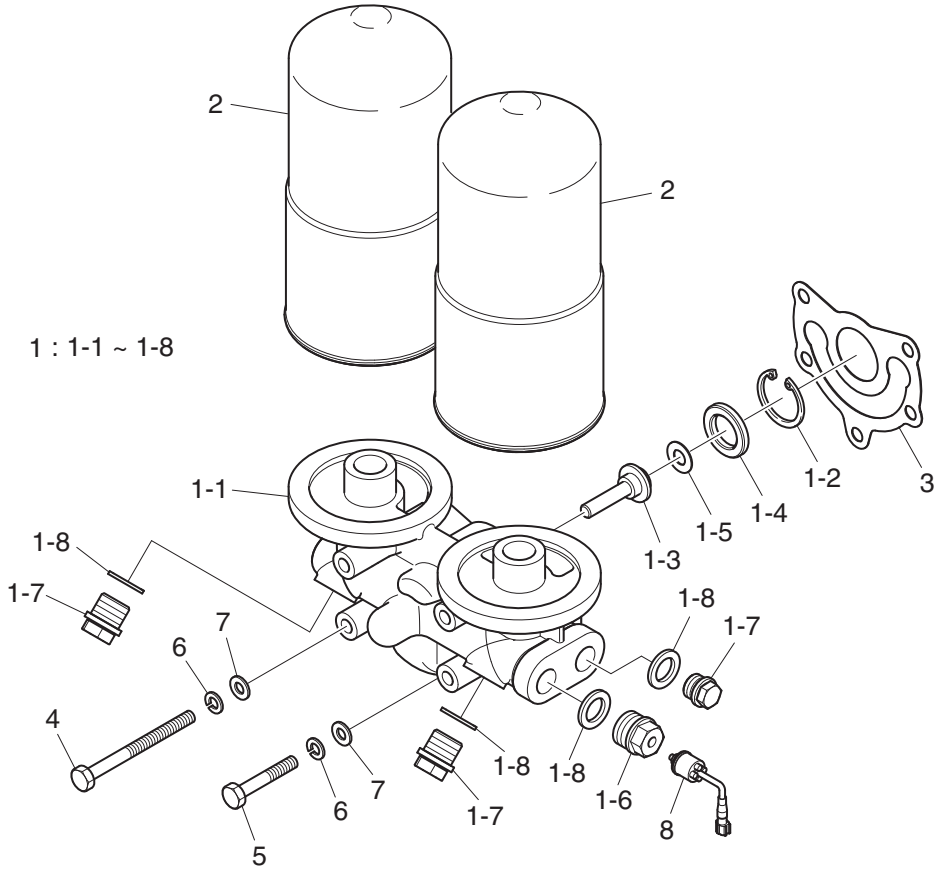


J051-DV18-006/120704

Fig.0510 OIL PUMP

Key No	Part No	Part Name	(Q'ty)					S/C	ICA
			DP222 LCS	DP222 LBS	DP222 LAS	DP222 LCF	DP222 LBF		
			DV 22 - 0 0 0 1 0	DV 22 - 0 0 0 1 1	DV 22 - 0 0 0 1 2	DV 22 - 0 0 0 1 3	DV 22 - 0 0 0 1 4		
1	65.05100-6043A	OIL PUMP ASS'Y	1	1	1	1	1		
2	06.01013-9124	BOLT M8x95	1	1	1	1	1		
3	06.16731-2107	WASHER	1	1	1	1	1		
4	65.05401-5024	RELIEF VALVE ASS'Y	1	1	1	1	1		
4-1	65.05406-0027	HOUSING ; RELIEF VALVE	1	1	1	1	1	NS	
4-2	65.05410-0006	PLUNGER ; RELIEF VALVE	1	1	1	1	1	NS	
4-3	65.97601-0102	SPRING ; REL.VALVE	1	1	1	1	1		
4-4	65.90310-0119	SCREW ; RELIEF VALVE	1	1	1	1	1		
5	06.01013-9129	BOLT M8x140	2	2	2	2	2		
6	65.05903A0006	GASKET ; RELIEF VALVE	1	1	1	1	1		
7	06.16731-2107	WASHER	2	2	2	2	2		

Fig.0550 OIL FILTER

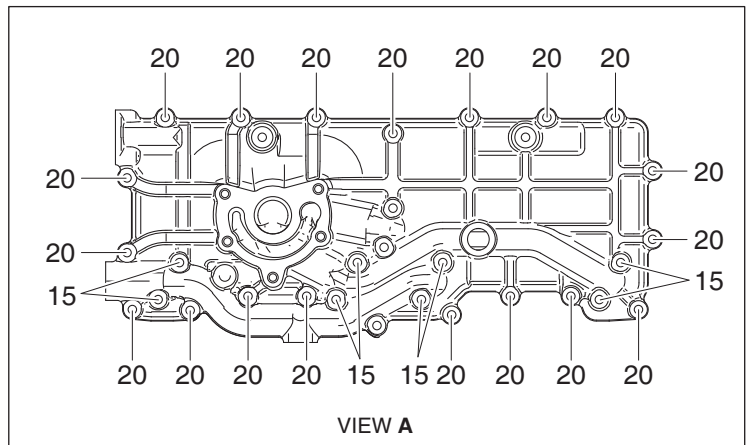
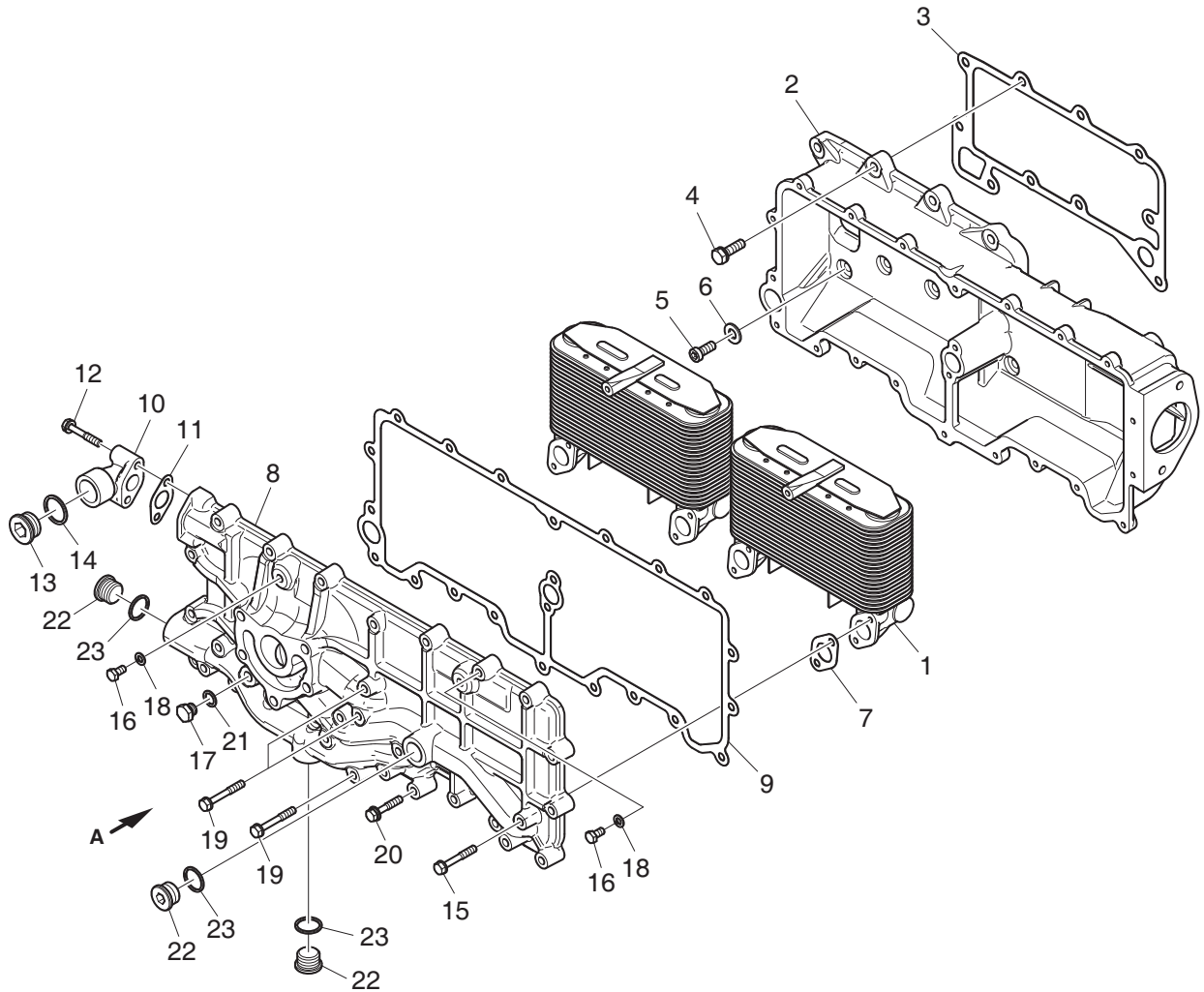


J055-GV15-001/120613

Fig.0550 OIL FILTER

Key No	Part No	Part Name	(Q'ty)					S/C	ICA
			DP222 LCS	DP222 LBS	DP222 LAS	DP222 LCF	DP222 LBF		
			DV 22 - 0 0 0 0 1 0	DV 22 - 0 0 0 0 1 1	DV 22 - 0 0 0 0 1 2	DV 22 - 0 0 0 0 1 3	DV 22 - 0 0 0 0 1 4		
1	65.05501-7087	ENGINE OIL FILTER ASS'Y	1	1	1	1	1		
1-1	65.05503-0043	HEAD ; OIL FILTER	1	1	1	1	1		
1-2	06.29020-0125	RING ; LOCK	1	1	1	1	1		
1-3	65.05518-0005	VALVE	1	1	1	1	1		
1-4	65.05541-0001	SEAT ; VALVE	1	1	1	1	1		
1-5	65.05517-0011	PLATE ; STOP	1	1	1	1	1		
1-6	65.98130-0226	ADAPTER	1	1	1	1	1		
1-7	06.08062-6208	SCREW ; PLUG	3	3	3	3	3		
1-8	06.56190-0722	RING ; SEAL	4	4	4	4	4		
2	65.05510-5020B	CARTRIDGE ; OIL FILTER	2	2	2	2	2	AL	
2	400508-00006	CARTRIDGE ; OIL FILTER	2	2	2	2	2	AL	
3	65.05901A0080	GASKET ; OIL FILTER COVER	1	1	1	1	1		
4	06.01013-9237	BOLT ; HEX.	4	4	4	4	4		
5	06.01284-7223	BOLT ; HEX.	1	1	1	1	1		
6	06.16731-2108	WASHER ; SPRING	5	5	5	5	5		
7	06.15010-2312	WASHER ; PLAIN	5	5	5	5	5		
8	301309-00022	SENSOR ; OIL PRESSURE	1	1	1	1	1		

Fig.0560 OIL COOLER

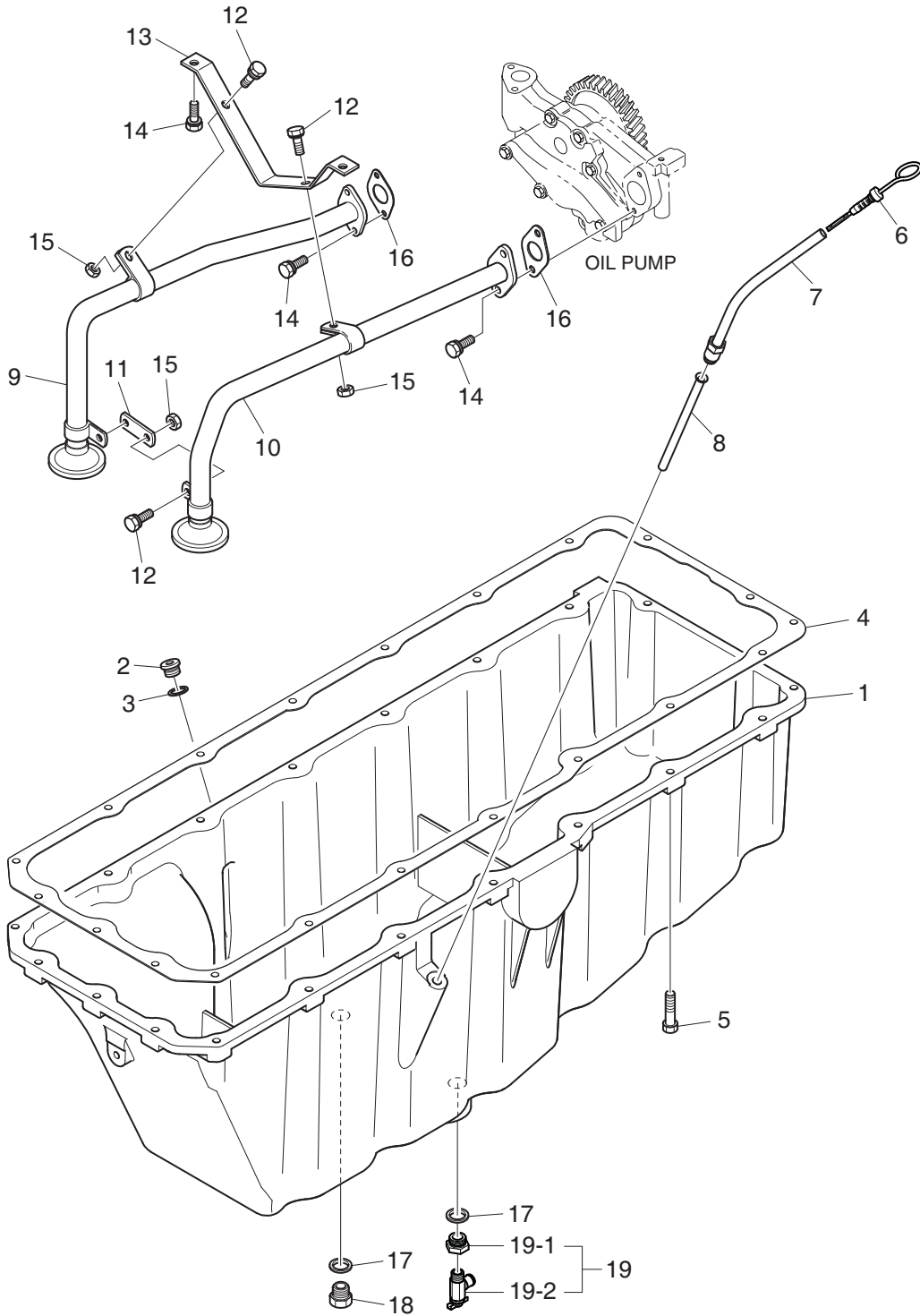


J056-DV22-008/130913

Fig.0560 OIL COOLER

Key No	Part No	Part Name	(Q'ty)					S/C	ICA
			DP222 LCS	DP222 LBS	DP222 LAS	DP222 LCF	DP222 LBF		
			DV 22 - 0 0 0 1 0	DV 22 - 0 0 0 1 1	DV 22 - 0 0 0 1 2	DV 22 - 0 0 0 1 3	DV 22 - 0 0 0 1 4		
1	65.05601-7135	OIL COOLER ASS'Y	2	2	2	2	2		
2	65.05604-0028	HOUSING ; OIL COOLER	1	1	1	1	1		
3	65.05901-0014	GASKET	1	1	1	1	1		
4	06.01914-3218	HEX. BOLT ASS'Y	5	5	5	5	5		
5	65.90030-0001	BOLT ; SOCKET HEAD	5	5	5	5	5		
6	120810-00112	WASHER	5	5	5	5	5		
7	65.96601-0221B	GASKET	4	4	4	4	4		
8	65.05605-0037A	HEAD ; OIL COOLER	1	1	1	1	1		
9	65.05902A0041	GASKET ; OIL COOLER HOUSING	1	1	1	1	1		
10	430215-00780	FLANGE	1	1	1	1	1		
11	65.05903-0030	GASKET	1	1	1	1	1		
12	06.01913-3121	BOLT ASS'Y M8x50	2	2	2	2	2		
13	65.90310-0134	SCREW ; PLUG	1	1	1	1	1		
14	06.56190-0732	RING ; SEAL	1	1	1	1	1		
15	06.01913-3122	BOLT ASS'Y M8x55	8	8	8	8	8		
16	06.01283-7112	BOLT ; HEX. M8x18	2	2	2	2	2		
17	06.08092-0204	SCREW ; PLUG M14x1.5	1	1	1	1	1		
18	06.16044-0210	WASHER ; SPRING	2	2	2	2	2		
19	06.01913-3123	BOLT ; HEX. M8x60	3	3	3	3	3		
20	06.01923-3120	BOLT ASS'Y M8x45	19	19	19	19	19		
21	06.56190-0706	RING ; SEAL A14x20	1	1	1	1	1		
22	65.90310-0133	SCREW ; PLUG	3	3	3	3	3		
23	06.56190-0726	RING ; SEAL	3	3	3	3	3		

Fig.0580 OIL PAN

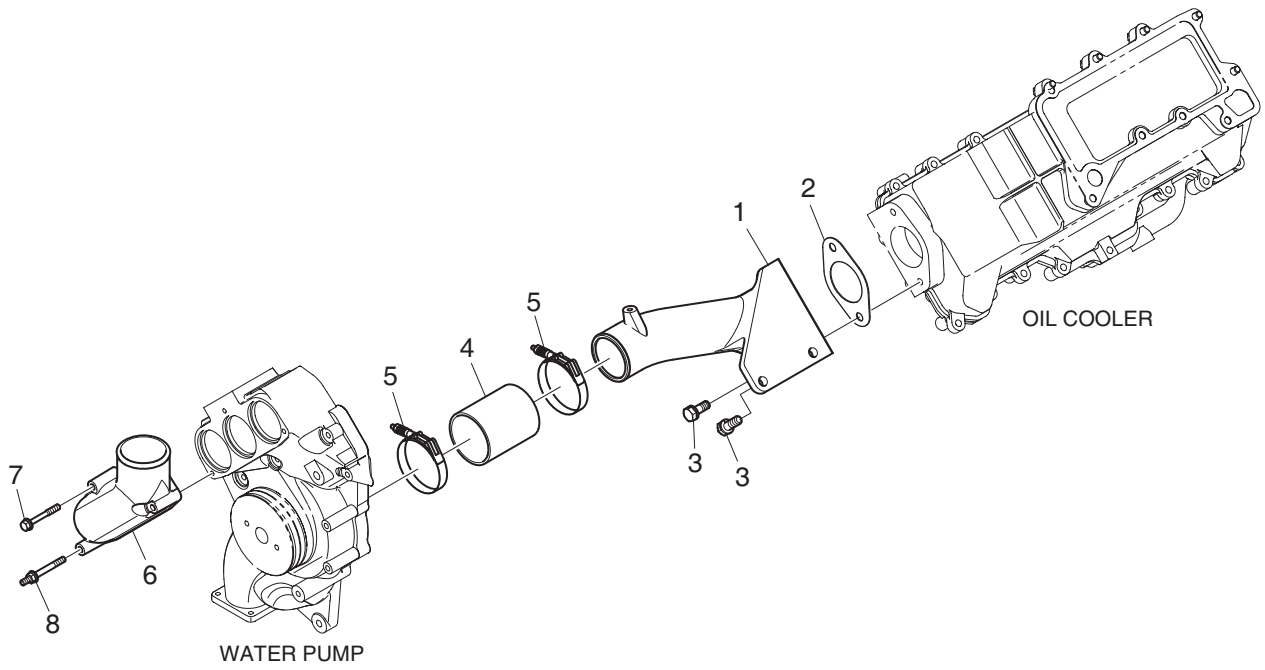


B058-DV22-005/130913

Fig.0580 OIL PAN

Key No	Part No	Part Name	(Q'ty)					S/C	ICA
			DP222 LCS	DP222 LBS	DP222 LAS	DP222 LCF	DP222 LBF		
			DV 22 - 0 0 0 0 1 0	DV 22 - 0 0 0 0 1 1	DV 22 - 0 0 0 0 1 2	DV 22 - 0 0 0 0 1 3	DV 22 - 0 0 0 0 1 4		
1	65.05801-5215A	PAN ; OIL	1	1	1	1	1		
2	65.90310-0131	SCREW ; PLUG	1	1	1	1	1		
3	06.56190-0713	RING ; SEAL A18x24	1	1	1	1	1		
4	65.05904-0105B	GASKET ; OIL PAN	1	1	1	1	1		
5	06.01923-3118	BOLT ASS'Y M8x35	20	20	20	20	20		
6	800108-00159	OIL LEVEL GAUGE ASS'Y	1	1	1	1	1		
7	65.05806-6085	PIPE ; OIL LEVEL GAUGE	1	1	1	1	1		
8	65.05806-0029	PIPE ; OIL LEVEL GAUGE	1	1	1	1	1		
9	65.05701-5582	PIPE ; OIL SUCTION	1	1	1	1	1		
10	65.05701-5804	OIL SUCTION PIPE ASS'Y	1	1	1	1	1		
11	65.97480-0422	HOLDER ; OIL SUCTION PIPE	1	1	1	1	1		
12	06.01913-3115	BOLT ASS'Y M8x25	4	4	4	4	4		
13	65.05740-0093	HOLDER ; OIL SUCTION PIPE	1	1	1	1	1		
14	06.01913-3113	BOLT ASS'Y M8x20	6	6	6	6	6		
15	06.11063-8214	NUT	4	4	4	4	4		
16	65.96601-0055	GASKET	2	2	2	2	2		
17	06.56190-0728	RING ; SEAL	2	2	2	2	2		
18	65.90310-0149A	SCREW ; PLUG M26x1.5	1	1	1	1	1		
19	460102-00029	DRAIN ASS'Y	1	1	1	1	1		
19-1	430201-00600	ADAPTER	1	1	1	1	1		
19-2	460102-00028	DRAIN	1	1	1	1	1		

Fig.0630 COOLING WATER PIPE

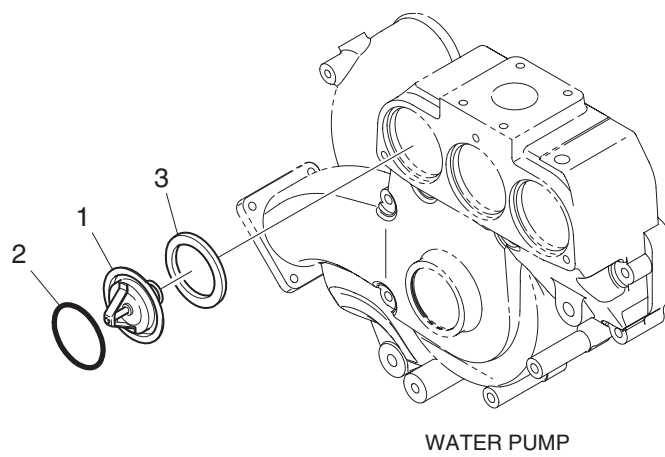


K063-DV22-017/130913

Fig.0630 COOLING WATER PIPE

Key No	Part No	Part Name	(Q'ty)					S/C	ICA
			DP222 LCS	DP222 LBS	DP222 LAS	DP222 LCF	DP222 LBF		
			DV 22 - 0 0 G 1 0	DV 22 - 0 0 G 1 1	DV 22 - 0 0 G 1 2	DV 22 - 0 0 G 1 3	DV 22 - 0 0 G 1 4		
1	65.06301-0303	PIPE ; COOLING WATER	1	1	1	1	1		
2	65.06903B0010	GASKET ; COOLING WATER PIPE	1	1	1	1	1		
3	06.01913-3318	BOLT ; HEX. M12x1.75x35	4	4	4	4	4		
4	420108-00158	HOSE ; RUBBER	1	1	1	1	1		
5	65.97440-5005	CLAMP ; HOSE	2	2	2	2	2		
6	65.06301-0368	PIPE ; COOLING WATER	1	1	1	1	1		
7	06.01923-3124	BOLT ASS'Y M8x65	1	1	1	1	1		
8	120122-00048	BOLT ; STAY	2	2	2	2	2		

Fig.0640 THERMOSTAT



WATER PUMP

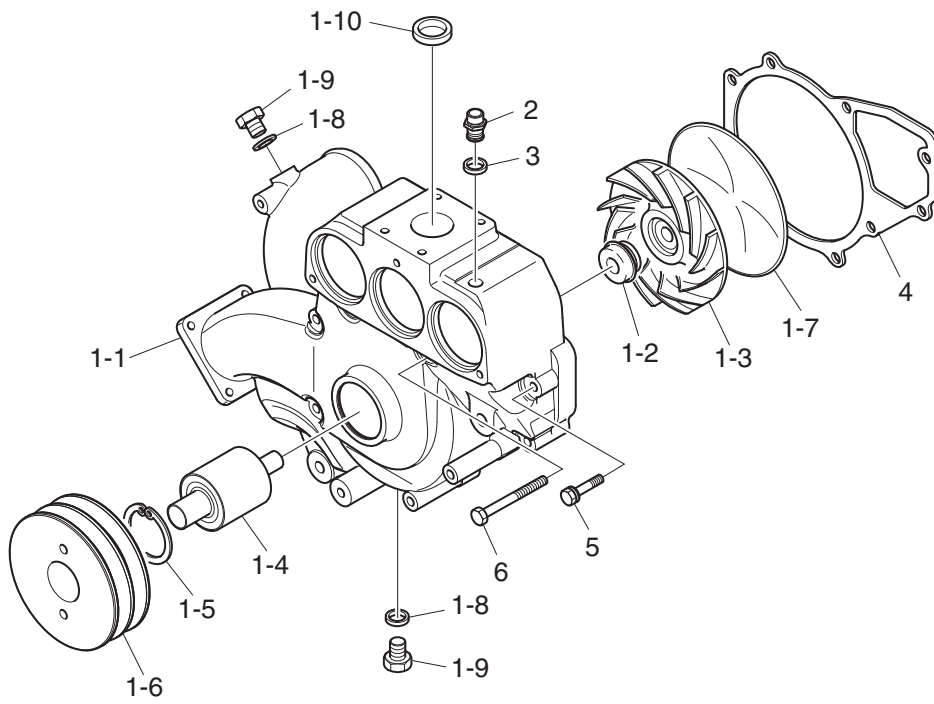
K064-DV15-002/120724

Fig.0640 THERMOSTAT

Key No	Part No	Part Name	(Q'ty)					S/C	ICA
			DP222 LCS	DP222 LBS	DP222 LAS	DP222 LCF	DP222 LBF		
			DV 22	DV 22	DV 22	DV 22	DV 22		
			0 0 0 0 1 0	0 0 0 0 1 1	0 0 0 0 1 2	0 0 0 0 1 3	0 0 0 0 1 4		
1	65.06402-0006	THERMOSTAT	3	3	3	3	3		
2	06.56342-1208	O-RING	3	3	3	3	3		
3	65.06901A0069	GASKET	3	3	3	3	3		

Fig.0650 WATER PUMP

1 : 1-1 ~ 1-10

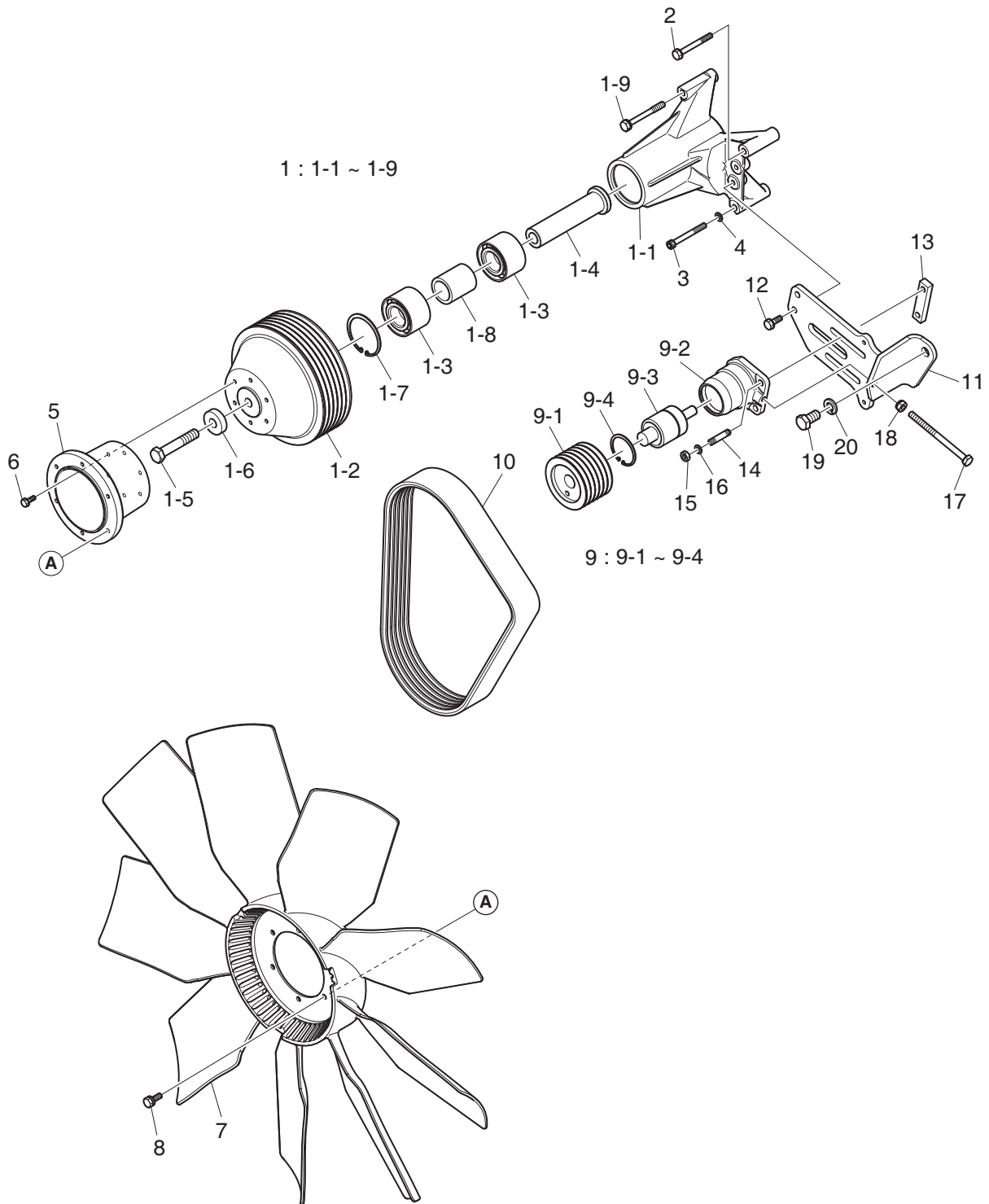


K065-DV15-004/120724

Fig.0650 WATER PUMP

Key No	Part No	Part Name	(Q'ty)					S/C	ICA
			DP222 LCS	DP222 LBS	DP222 LAS	DP222 LCF	DP222 LBF		
			DV 22 - 0 0 0 0 1 0	DV 22 - 0 0 0 0 1 1	DV 22 - 0 0 0 0 1 2	DV 22 - 0 0 0 0 1 3	DV 22 - 0 0 0 0 1 4		
1	400921-00021	WATER PUMP ASS'Y	1	1	1	1	1	AL	
1	400921-00091	WATER PUMP ASS'Y	1	1	1	1	1	AL	
1-1	65.06501-0082A	HOUSING ; WATER PUMP	1	1	1	1	1	NS	
1-2	65.06520-6007	SEAL ; MECHANICAL	1	1	1	1	1		
1-3	65.06506-6001A	IMPELLER ; WATER PUMP	1	1	1	1	1		
1-4	65.93410-0087	BEARING	1	1	1	1	1		
1-5	06.29020-0132	RING ; SNAP 55x2	1	1	1	1	1		
1-6	65.06503-0174	PULLEY ; V-BELT	1	1	1	1	1		
1-7	65.06512-0017A	COVER ; WATER PUMP	1	1	1	1	1		
1-8	06.56190-0709	RING ; SEAL	2	2	2	2	2		
1-9	06.08092-2405	PLUG ; SCREW M16x1.5	2	2	2	2	2		
1-10	65.90302-0026	PLUG ; CORE	1	1	1	1	1		
2	65.98131-0060	SCREW ; CONNECTION	1	1	1	1	1		
3	06.56190-0706	RING ; SEAL A14x20	1	1	1	1	1		
4	65.06901A0074	GASKET ; WATER PUMP	1	1	1	1	1		
5	06.01923-3122	BOLT ASS'Y M8x55	3	3	3	3	3		
6	06.01913-3128	BOLT M8x85	3	3	3	3	3		

Fig.0660 COOLING FAN

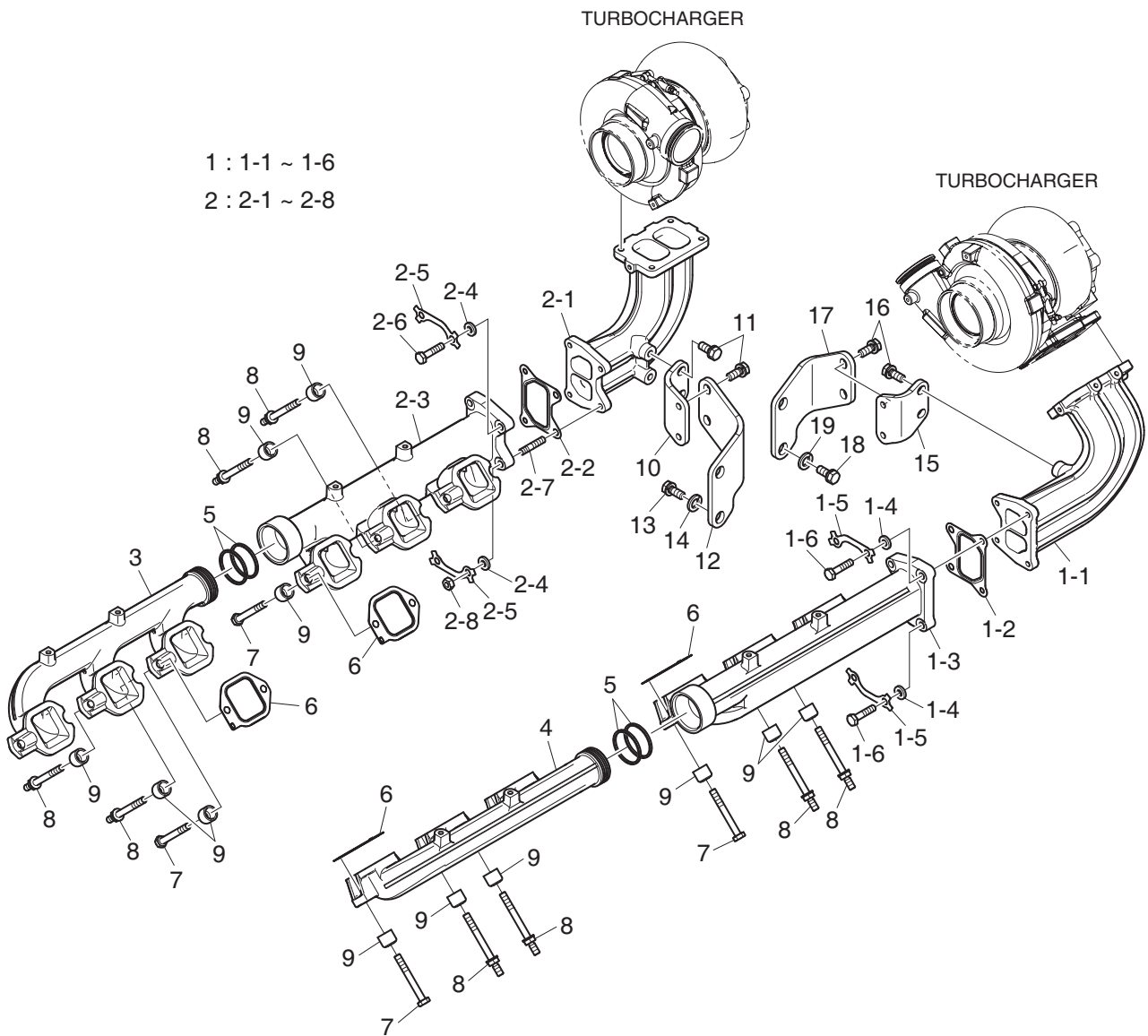


K066-DV22-004/130913

Fig.0660 COOLING FAN

Key No	Part No	Part Name	(Q'ty)					S/C	ICA
			DP222 LCS	DP222 LBS	DP222 LAS	DP222 LCF	DP222 LBF		
			DV 22 - 0 0 0 0 1 0	DV 22 - 0 0 0 0 1 1	DV 22 - 0 0 0 0 1 2	DV 22 - 0 0 0 0 1 3	DV 22 - 0 0 0 0 1 4		
1	110412-00094	FAN MOUNTING BRACKET ASS'Y	1	1	1	1	1		
1-1	110412-00070	BRACKET ; FAN MOUNTING	1	1	1	1	1		
1-2	130709-00054	PULLEY ; FAN	1	1	1	1	1		
1-3	51.93410-0073	BEARING ; ANGULAR BALL	2	2	2	2	2		
1-4	130712-00790	SHAFT ; FAN	1	1	1	1	1		
1-5	06.01494-4517	BOLT ; HEX.	1	1	1	1	1		
1-6	65.90710-0253	WASHER	1	1	1	1	1		
1-7	06.29020-0152	RING ; SNAP	1	1	1	1	1		
1-8	110951-01076	SPACER ; FAN	1	1	1	1	1		
1-9	06.01913-3229	BOLT ASS'Y M10x90	2	2	2	2	2		
2	06.01913-3229	BOLT ASS'Y M10x90	1	1	1	1	1		
3	06.02091-0527	BOLT ; SOCKET HEAD	1	1	1	1	1		
4	06.16110-0107	WASHER ; SPRING	1	1	1	1	1		
5	430215-00619	FLANGE ; FAN	1	1	1	1	1		
6	06.01913-3116	BOLT ; HEX. M8x28	6	6	6	6	6		
7	210101-00009	FAN ; COOLING	1	1	1	1	1		
8	06.01923-3117	BOLT ASS'Y M8x30	6	6	6	6	6		
9	130710-00052A	IDLE PULLEY ASS'Y	1	1	1	1	1		
9-1	130710-00048	PULLEY ; IDLE	1	1	1	1	1		
9-2	65.95840-0076	BRACKET ; IDLE PULLEY	1	1	1	1	1		
9-3	65.93410-0087	BEARING	1	1	1	1	1	AL	
9-3	140101-00040	BEARING	1	1	1	1	1	AL	
9-4	06.29020-0132	RING ; SNAP 55x2	1	1	1	1	1		
10	130205-00304	V-BELT	1	1	1	1	1		
11	110417-00052	BRACKET ; IDLE PULLEY	1	1	1	1	1		
12	06.01914-3215	BOLT ASS'Y M10x25	2	2	2	2	2		
13	65.95840-0079	BRACKET ; IDLE PULLEY	1	1	1	1	1		
14	06.06225-0809	BOLT ; STUD M10x35	2	2	2	2	2		
15	06.11063-8215	NUT ; HEX. M10	2	2	2	2	2		
16	06.16731-2108	WASHER ; SPRING	2	2	2	2	2		
17	06.01283-7235	BOLT ; HEX.	1	1	1	1	1		
18	06.11250-2106	NUT ; HEX.	1	1	1	1	1		
19	06.01283-7517	BOLT ; HEX.	1	1	1	1	1		
20	06.16731-2111	WASHER ; SPRING	1	1	1	1	1		

Fig.0810 EXHAUST MANIFOLD

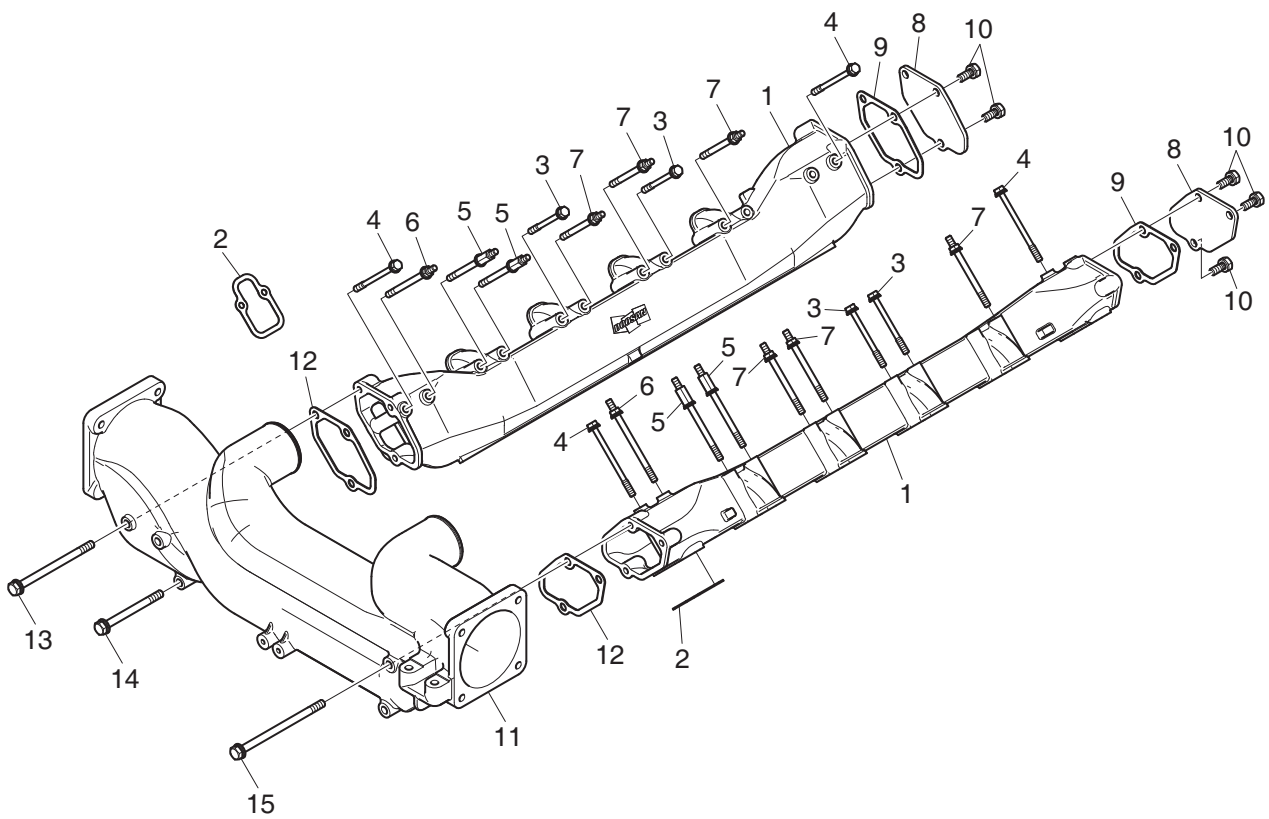


H081-DV22-013/130913

Fig.0810 EXHAUST MANIFOLD

Key No	Part No	Part Name	(Q'ty)					S/C	ICA
			DP222 LCS	DP222 LBS	DP222 LAS	DP222 LCF	DP222 LBF		
			DV 22 - 0 0 0 G 1 0	DV 22 - 0 0 0 G 1 1	DV 22 - 0 0 0 G 1 2	DV 22 - 0 0 0 G 1 3	DV 22 - 0 0 0 G 1 4		
1	240102-00278	EXHAUST MANIFOLD ASS'Y	1	1	1	1	1		
1-1	240102-00243	MANIFOLD ; EXHAUST	1	1	1	1	1		
1-2	65.08901-0060	GASKET	1	1	1	1	1		
1-3	240102-00213	MANIFOLD ; EXHAUST	1	1	1	1	1		
1-4	65.90701-0054	WASHER	4	4	4	4	4		
1-5	65.90801-0013	WASHER ; LOCK	2	2	2	2	2		
1-6	65.90001-0157	BOLT ; HEX.	4	4	4	4	4		
2	240102-00277	EXHAUST MANIFOLD ASS'Y	1	1	1	1	1		
2-1	240102-00242	MANIFOLD ; EXHAUST	1	1	1	1	1		
2-2	65.08901-0060	GASKET	1	1	1	1	1		
2-3	240102-00211	MANIFOLD ; EXHAUST	1	1	1	1	1		
2-4	65.90701-0054	WASHER	4	4	4	4	4		
2-5	65.90801-0013	WASHER ; LOCK	2	2	2	2	2		
2-6	65.90001-0157	BOLT ; HEX.	3	3	3	3	3		
2-7	65.90201-0080	BOLT ; STUD	1	1	1	1	1		
2-8	06.11063-8215	NUT ; HEX. M10	1	1	1	1	1		
3	240102-00210	MANIFOLD ; EXHAUST	1	1	1	1	1		
4	240102-00212	MANIFOLD ; EXHAUST	1	1	1	1	1		
5	65.98701-0005	RING ; LAMINATED	4	4	4	4	4		
6	65.08901-0047	GASKET ; EXHAUST MANIFOLD	12	12	12	12	12		
7	65.90001-0156	BOLT ; HEX.	16	16	16	16	16		
8	65.90001-0155A	BOLT ; HEX.	8	8	8	8	8		
9	65.91701-0541	SPACER	24	24	24	24	24		
10	110443-00048	BRACKET ; EXHAUST ELBOW	1	1	1	1	1		
11	06.01943-3317	BOLT ASS'Y M12x1.5x30	4	4	4	4	4		
12	110443-00049	BRACKET ; EXHAUST ELBOW	1	1	1	1	1		
13	06.01494-4507	BOLT ; HEX.	2	2	2	2	2		
14	06.16731-2111	WASHER ; SPRING	2	2	2	2	2		
15	110443-00050	BRACKET ; EXHAUST ELBOW	1	1	1	1	1		
16	06.01943-3317	BOLT ASS'Y M12x1.5x30	4	4	4	4	4		
17	110443-00051	BRACKET ; EXHAUST ELBOW	1	1	1	1	1		
18	06.01494-4507	BOLT ; HEX.	2	2	2	2	2		
19	06.16731-2111	WASHER ; SPRING	2	2	2	2	2		

Fig.0820 INTAKE MANIFOLD

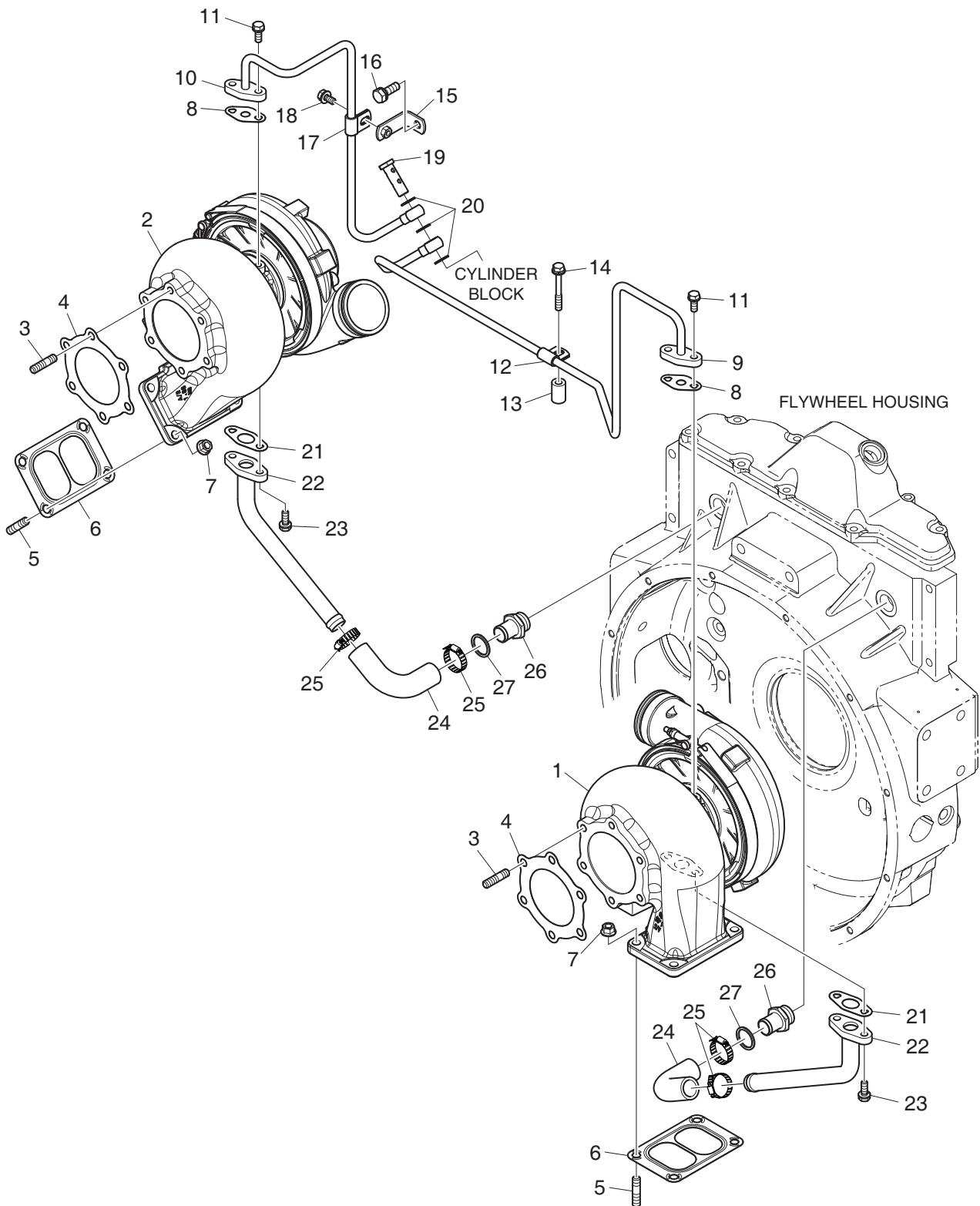


H082-DV22-012/130913

Fig.0820 INTAKE MANIFOLD

Key No	Part No	Part Name	(Q'ty)					S/C	ICA
			DP222 LCS	DP222 LBS	DP222 LAS	DP222 LCF	DP222 LBF		
			DV 22 - 0 0 0 G 1 0	DV 22 - 0 0 0 G 1 1	DV 22 - 0 0 0 G 1 2	DV 22 - 0 0 0 G 1 3	DV 22 - 0 0 0 G 1 4		
1	240203-00128	MANIFOLD ; INTAKE	2	2	2	2	2		
2	65.08902-0078D	GASKET ; INTAKE MANIFOLD	12	12	12	12	12		
3	06.01923-3129	BOLT ASS'Y M8x90	4	4	4	4	4		
4	06.01923-3132	BOLT ASS'Y M8x110	4	4	4	4	4		
5	120122-00043	BOLT ; STAY	4	4	4	4	4		
6	120122-00044	BOLT ; STAY	2	2	2	2	2		
7	120122-00050	BOLT ; STAY	6	6	6	6	6		
8	65.08203-0001A	COVER ; INTAKE	2	2	2	2	2		
9	65.08902A0057	GASKET	2	2	2	2	2		
10	06.01913-3215	BOLT ASS'Y M10x25	5	5	5	5	5		
11	420209-00246	PIPE ; AIR INLET	1	1	1	1	1		
12	65.08902A0057	GASKET	2	2	2	2	2		
13	120106-00508	BOLT ASS'Y	2	2	2	2	2		
14	120106-00507	BOLT ASS'Y	1	1	1	1	1		
15	120106-00509	BOLT ASS'Y	3	3	3	3	3		

Fig.0910 TURBOCHARGER

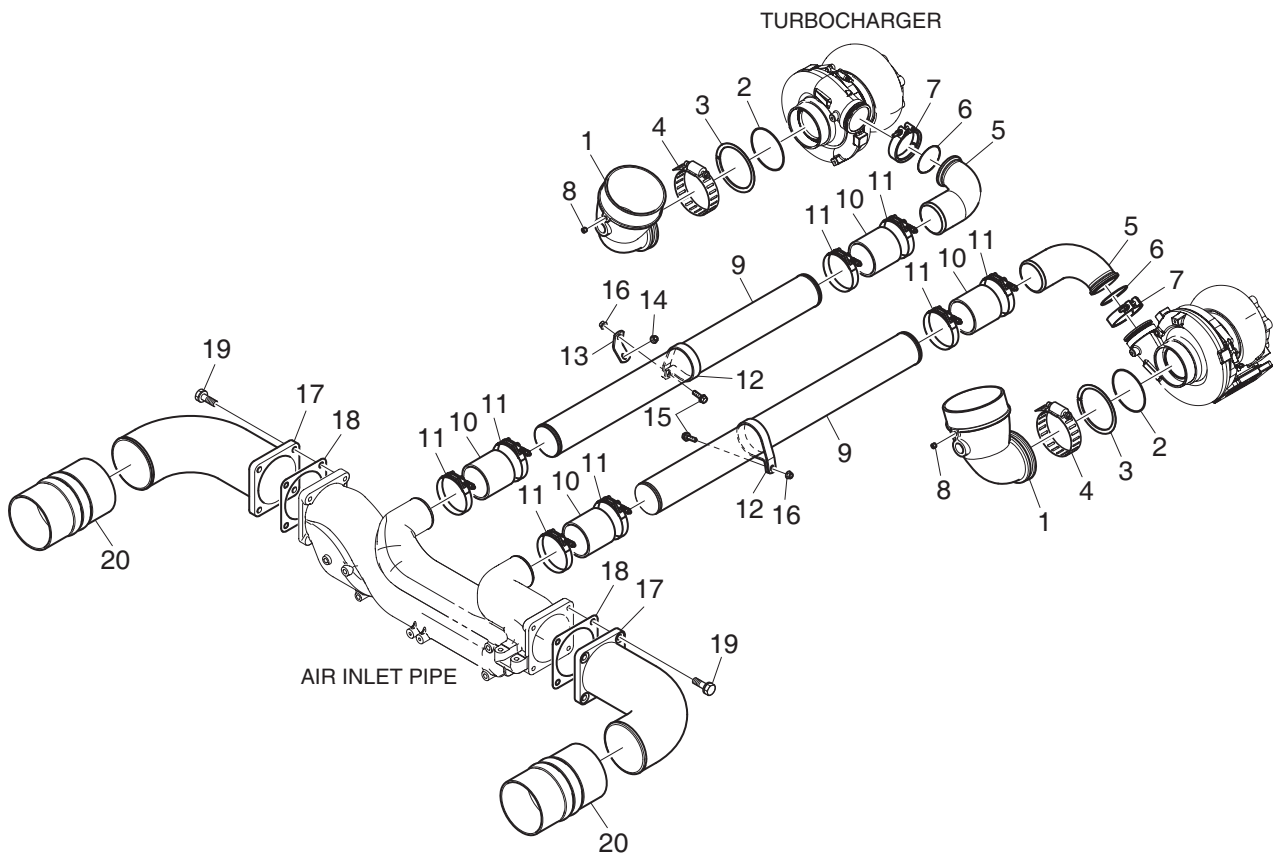


H091-DV22-016/130913

Fig.0910 TURBOCHARGER

Key No	Part No	Part Name	(Q'ty)					S/C	ICA
			DP222 LCS	DP222 LBS	DP222 LAS	DP222 LCF	DP222 LBF		
			DV 22 - 0 0 0 1 0	DV 22 - 0 0 0 1 1	DV 22 - 0 0 0 1 2	DV 22 - 0 0 0 1 3	DV 22 - 0 0 0 1 4		
1	150105-00438	TURBOCHARGER ASS'Y	1	1	1	1	1		
2	150105-00439	TURBOCHARGER ASS'Y	1	1	1	1	1		
3	06.06226-0808	BOLT ; STUD M10x30	12	12	12	12	12		
4	65.08901-0063	GASKET ; EXHAUST ELBOW	2	2	2	2	2		
5	65.90201-0076	BOLT ; STUD	8	8	8	8	8		
6	65.09901-0033	GASKET ; TURBOCHARGER	2	2	2	2	2		
7	65.90535-0001	NUT	8	8	8	8	8		
8	65.96601-0046B	GASKET ; OIL PIPE ADAPTER	2	2	2	2	2	AL	
8	400612-00031	GASKET ; OIL PIPE ADAPTER	2	2	2	2	2	AL	
9	420214-00249	PIPE ; OIL DELIVERY	1	1	1	1	1		
10	420214-00250	PIPE ; OIL DELIVERY	1	1	1	1	1		
11	120106-00191	BOLT ; HEX.	4	4	4	4	4		
12	65.97401-0110A	CLIP ; PIPE	1	1	1	1	1		
13	65.91701-0086	SPACER	1	1	1	1	1		
14	06.01923-3124	BOLT ASS'Y M8x65	1	1	1	1	1		
15	110928-00360	HOLDER	1	1	1	1	1		
16	06.01913-3217	BOLT M10x30	1	1	1	1	1		
17	65.97401-0110A	CLIP ; PIPE	1	1	1	1	1		
18	06.01923-3112	BOLT ASS'Y M8x18	1	1	1	1	1		
19	65.98150-0071	SCREW ; HOLLOW	1	1	1	1	1		
20	06.56190-0706	RING ; SEAL A14x20	3	3	3	3	3		
21	65.96601-0067	GASKET ; TURBOCHARGER OIL RETURN	2	2	2	2	2	AL	
21	400612-00028	GASKET ; TURBOCHARGER OIL RETURN	2	2	2	2	2	AL	
22	420217-00227	PIPE ; OIL RETURN	2	2	2	2	2		
23	120106-00191	BOLT ; HEX.	4	4	4	4	4		
24	420107-00301	HOSE ; OIL	2	2	2	2	2		
25	65.97440-0004A	CLAMP ; HOSE	4	4	4	4	4		
26	65.98131-0071	CONNECTION ; SCREW	2	2	2	2	2		
27	06.56190-0728	RING ; SEAL	2	2	2	2	2		

Fig.0940 INTAKE STAKE

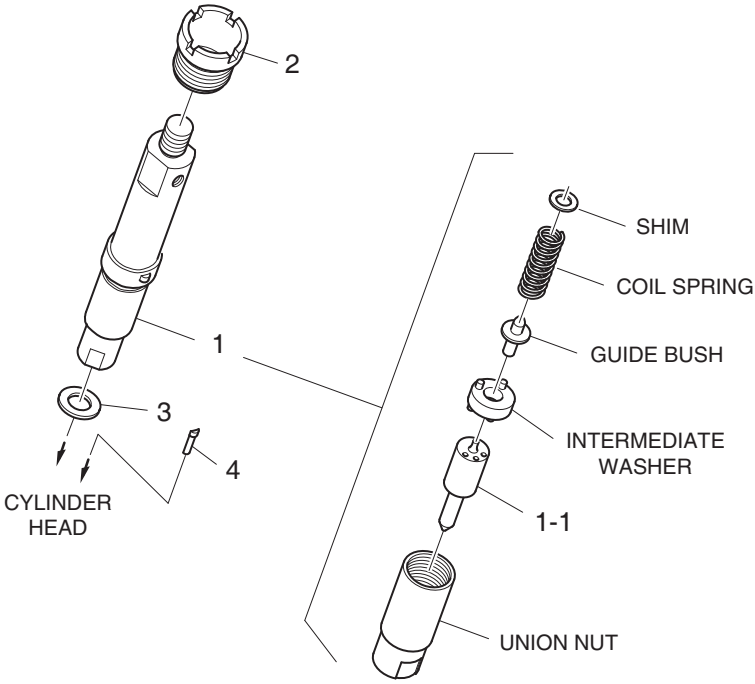


H094-DV22-017/130913

Fig.0940 INTAKE STAKE

Key No	Part No	Part Name	(Q'ty)					S/C	ICA
			DP222 LCS	DP222 LBS	DP222 LAS	DP222 LCF	DP222 LBF		
			DV 22	DV 22	DV 22	DV 22	DV 22		
1	240401-00140	STAKE ; INTAKE	2	2	2	2	2		
2	65.96501-0075	O-RING	2	2	2	2	2		
3	65.08212-0002	INSERT	2	2	2	2	2		
4	65.97450-5006	V-CLAMP	2	2	2	2	2		
5	420209-00196	PIPE ; INLET	2	2	2	2	2		
6	65.96501-0420	O-RING	2	2	2	2	2		
7	65.97450-5001A	CLAMP	2	2	2	2	2		
8	65.90320-0022	PLUG ; SCREW	2	2	2	2	2		
9	420209-00245	PIPE ; INLET	2	2	2	2	2		
10	420108-00152	HOSE ; RUBBER	4	4	4	4	4		
11	65.97440-5005	CLAMP ; HOSE	8	8	8	8	8		
12	120402-00444	CLIP ; AIR PIPE	2	2	2	2	2		
13	110928-00480	HOLDER	1	1	1	1	1		
14	65.90535-0003	NUT	1	1	1	1	1		
15	06.01923-3117	BOLT ASS'Y M8x30	2	2	2	2	2		
16	65.90535-0003	NUT	2	2	2	2	2		
17	420209-00197	PIPE ; INLET	2	2	2	2	2		
18	65.09905-0012	GASKET ; INTERCOOLER	2	2	2	2	2		
19	06.01953-3320	BOLT ASS'Y	8	8	8	8	8		
20	420108-00111	HOSE ; RUBBER	2	2	2	2	2		

Fig.1010 INJECTION NOZZLE

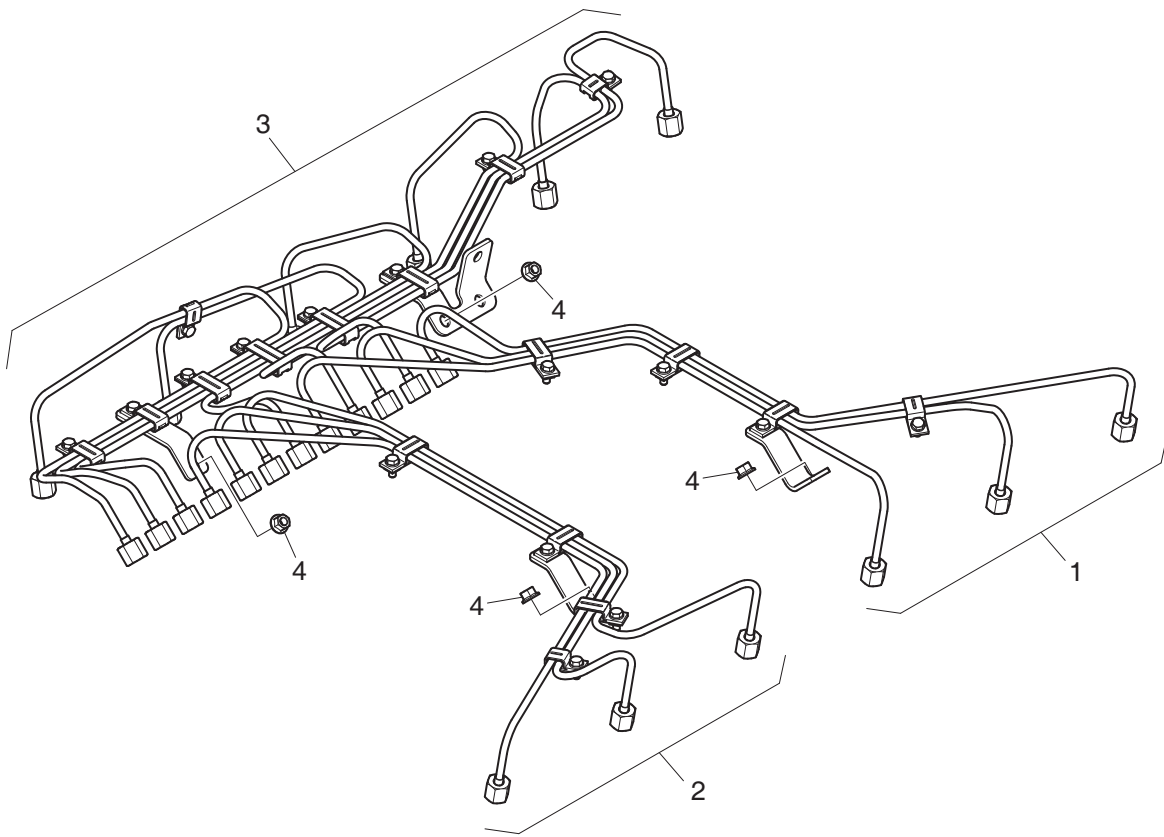


L101-DV22-004/130913

Fig.1010 INJECTION NOZZLE

Key No	Part No	Part Name	(Q'ty)					S/C	ICA
			DP222 LCS	DP222 LBS	DP222 LAS	DP222 LCF	DP222 LBF		
			DV 22 - 0 0 0 1 0	DV 22 - 0 0 0 1 1	DV 22 - 0 0 0 1 2	DV 22 - 0 0 0 1 3	DV 22 - 0 0 0 1 4		
1	65.10101-7051	NOZZLE HOLDER ASS'Y	12	12	12	12	12		
1-1	65.10102-6047	NOZZLE ; INJECTION	1	1	1	1	1		
2	65.10108-0006	SCREW KIT ; PRESSURE	12	12	12	12	12		
3	65.98701-0075	RING ; SEAL	12	12	12	12	12		
4	65.98701-0006	SEAL ; NOZZLE HOLDER HOLE	12	12	12	12	12		

Fig.1030 INJECTION PIPE

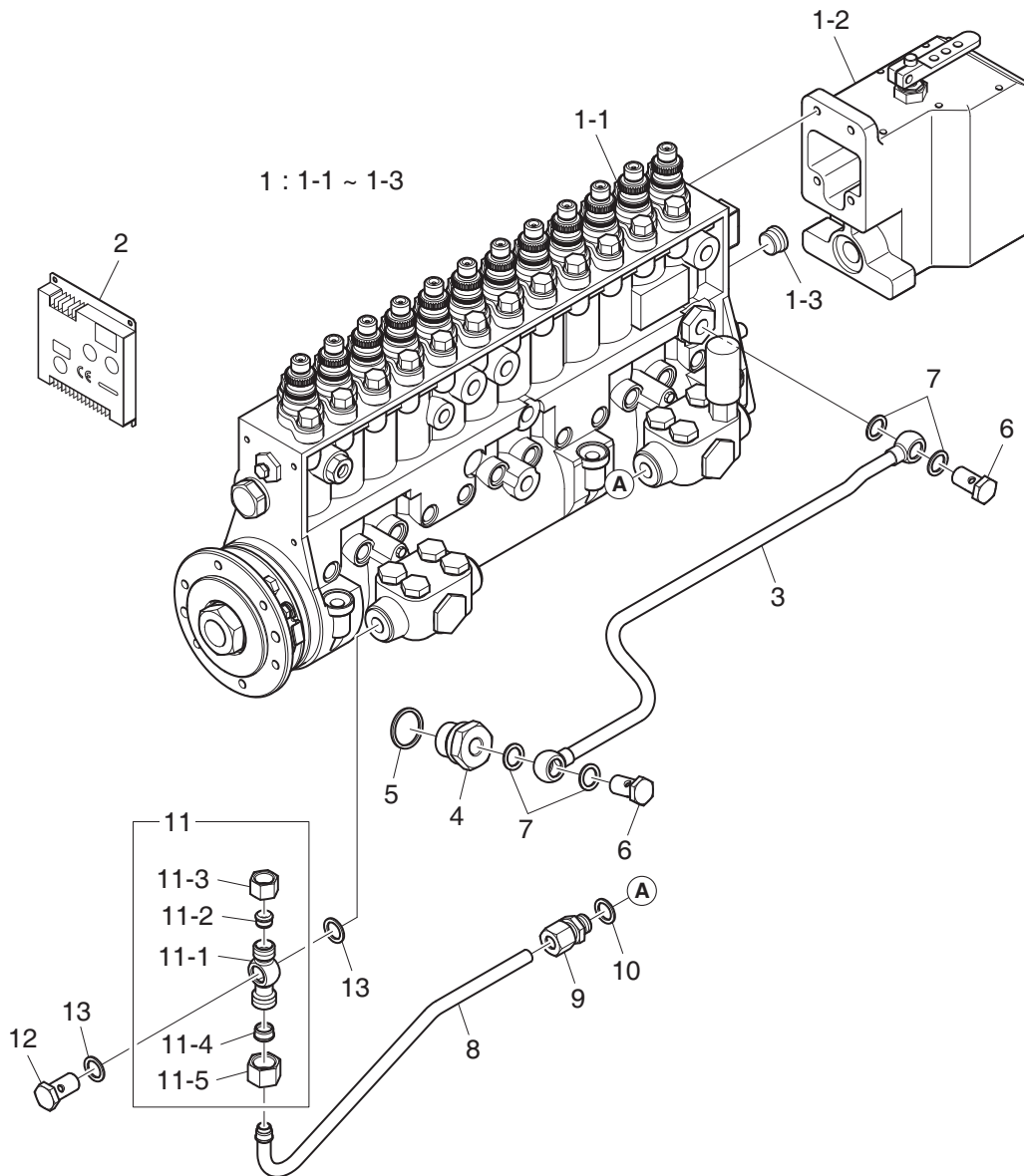


L103-DV22-010/130913

Fig.1030 INJECTION PIPE

Key No	Part No	Part Name	(Q'ty)					S/C	ICA
			DP222 LCS	DP222 LBS	DP222 LAS	DP222 LCF	DP222 LBF		
			DV 22 - 0 0 G G 1 0	DV 22 - 0 0 G G 1 1	DV 22 - 0 0 G G 1 2	DV 22 - 0 0 G G 1 3	DV 22 - 0 0 G G 1 4		
1	420208-00446A	INJECTION PIPE ASS'Y	1	1	1	1	1		
2	420208-00444A	INJECTION PIPE ASS'Y	1	1	1	1	1		
3	420208-00442B	INJECTION PIPE ASS'Y	1	1	1	1	1		
4	65.90535-0003	NUT	4	4	4	4	4		

Fig.1110 INJECTION PUMP(1)

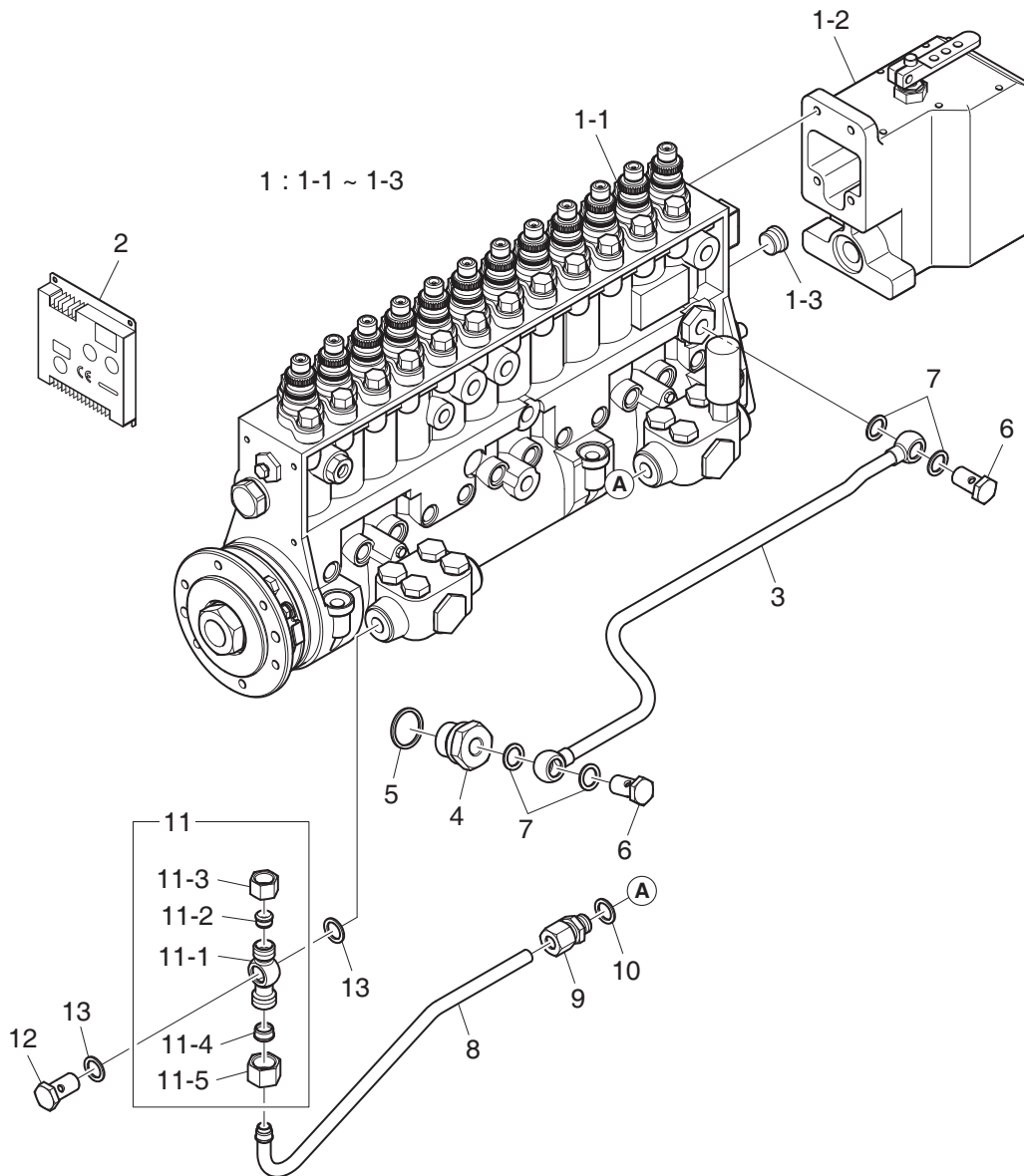


L111-DV22-020/130913

Fig.1110 INJECTION PUMP(1)

Key No	Part No	Part Name	(Q'ty)					S/C	ICA
			DP222 LCS	DP222 LBS	DP222 LAS	DP222 LCF	DP222 LBF		
			DV 22 - 0 0 0 0 1 0	DV 22 - 0 0 0 0 1 1	DV 22 - 0 0 0 0 1 2	DV 22 - 0 0 0 0 1 3	DV 22 - 0 0 0 0 1 4		
1	400912-00028	INJECTION PUMP ASS'Y				1	1		
1-1	65.11101-7303	PUMP ; INJECTION				1	1		
1-2	65.11501-7006C	GOVERNOR ASS'Y				1	1		
1-3	65.90310-0129	SCREW ; PLUG				1	1		
2	300611-00683	CONTROLLER				1	1		
3	65.05701-5360	PIPE ; OIL				1	1		
4	65.98130-0151	ADAPTER				1	1		
5	06.56190-0726	RING ; SEAL				1	1		
6	06.78144-2204	SCREW ; HOLLOW				2	2		
7	06.56190-0706	RING ; SEAL A14x20				4	4		
8	420204-00027	PIPE ; FUEL				1	1		
9	06.71010-0213	FITTING ; PIPE				1	1		
10	06.56190-0706	RING ; SEAL A14x20				1	1		
11	430228-00012	BANJO UNION ASS'Y				1	1		
11-1	430228-00013	UNION ; BANJO				1	1	NS	
11-2	06.71024-0107	RING ; DIE				1	1	NS	
11-3	06.71030-8113	NUT ; UNION				1	1	NS	
11-4	06.71024-0108	RING ; DIE				1	1	NS	
11-5	06.71030-8114	NUT ; UNION				1	1	NS	
12	06.78144-2204	SCREW ; HOLLOW				1	1		
13	06.56190-0706	RING ; SEAL A14x20				2	2		

Fig.1110 INJECTION PUMP(2)

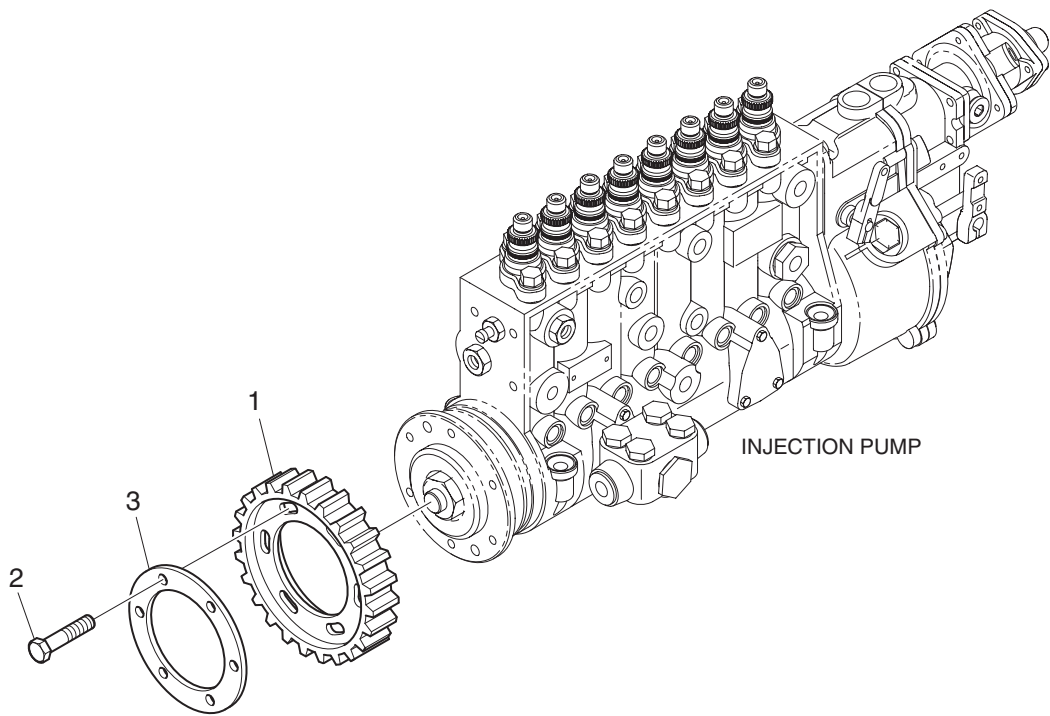


L111-DV22-021/130913

Fig.1110 INJECTION PUMP(2)

Key No	Part No	Part Name	(Q'ty)					S/C	ICA
			DP222 LCS	DP222 LBS	DP222 LAS	DP222 LCF	DP222 LBF		
			DV 22 - 0 0 0 0 1 0	DV 22 - 0 0 0 0 1 1	DV 22 - 0 0 0 0 1 2	DV 22 - 0 0 0 0 1 3	DV 22 - 0 0 0 0 1 4		
1	400912-00028	INJECTION PUMP ASS'Y	1	1	1				
1-1	65.11101-7303	PUMP ; INJECTION	1	1	1				
1-2	65.11501-7006C	GOVERNOR ASS'Y	1	1	1				
1-3	65.90310-0129	SCREW ; PLUG	1	1	1				
2	300611-00684	CONTROLLER	1	1	1				
3	65.05701-5360	PIPE ; OIL	1	1	1				
4	65.98130-0151	ADAPTER	1	1	1				
5	06.56190-0726	RING ; SEAL	1	1	1				
6	06.78144-2204	SCREW ; HOLLOW	2	2	2				
7	06.56190-0706	RING ; SEAL A14x20	4	4	4				
8	420204-00027	PIPE ; FUEL	1	1	1				
9	06.71010-0213	FITTING ; PIPE	1	1	1				
10	06.56190-0706	RING ; SEAL A14x20	1	1	1				
11	430228-00012	BANJO UNION ASS'Y	1	1	1				
11-1	430228-00013	UNION ; BANJO	1	1	1			NS	
11-2	06.71024-0107	RING ; DIE	1	1	1			NS	
11-3	06.71030-8113	NUT ; UNION	1	1	1			NS	
11-4	06.71024-0108	RING ; DIE	1	1	1			NS	
11-5	06.71030-8114	NUT ; UNION	1	1	1			NS	
12	06.78144-2204	SCREW ; HOLLOW	1	1	1				
13	06.56190-0706	RING ; SEAL A14x20	2	2	2				

Fig.1130 INJECTION PUMP DRIVE

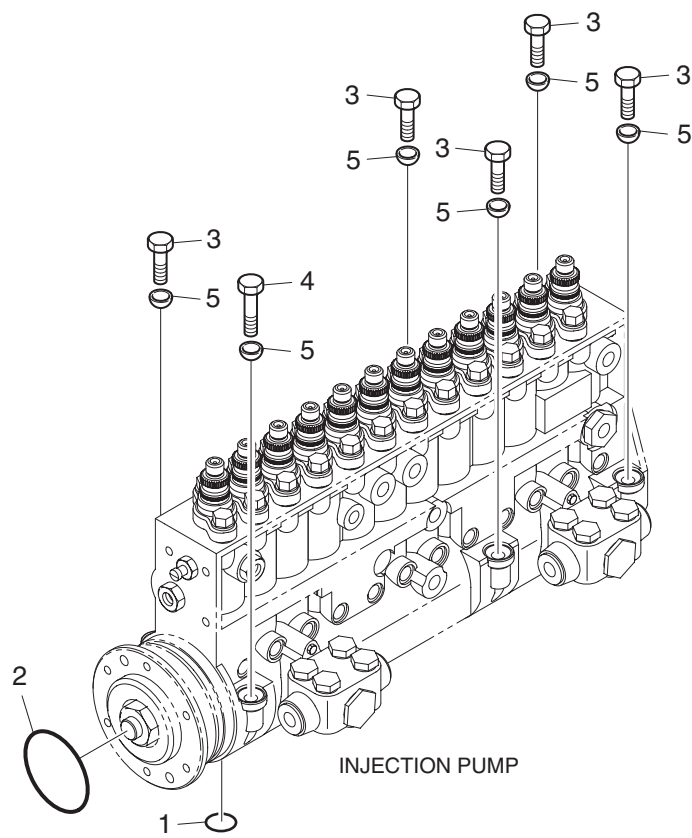


L113-DV15-001/120724

Fig.1130 INJECTION PUMP DRIVE

Key No	Part No	Part Name	(Q'ty)					S/C	ICA
			DP222 LCS	DP222 LBS	DP222 LAS	DP222 LCF	DP222 LBF		
			DV 22	DV 22	DV 22	DV 22	DV 22		
1	65.11301-0115A	GEAR ; INJECTION PUMP DRIVE	1	1	1	1	1		
2	06.01284-7112	BOLT ; HEX. M8x18	6	6	6	6	6		
3	65.90720-0024	WASHER ; THRUST	1	1	1	1	1		

Fig.1140 INJECTION PUMP MOUNTING

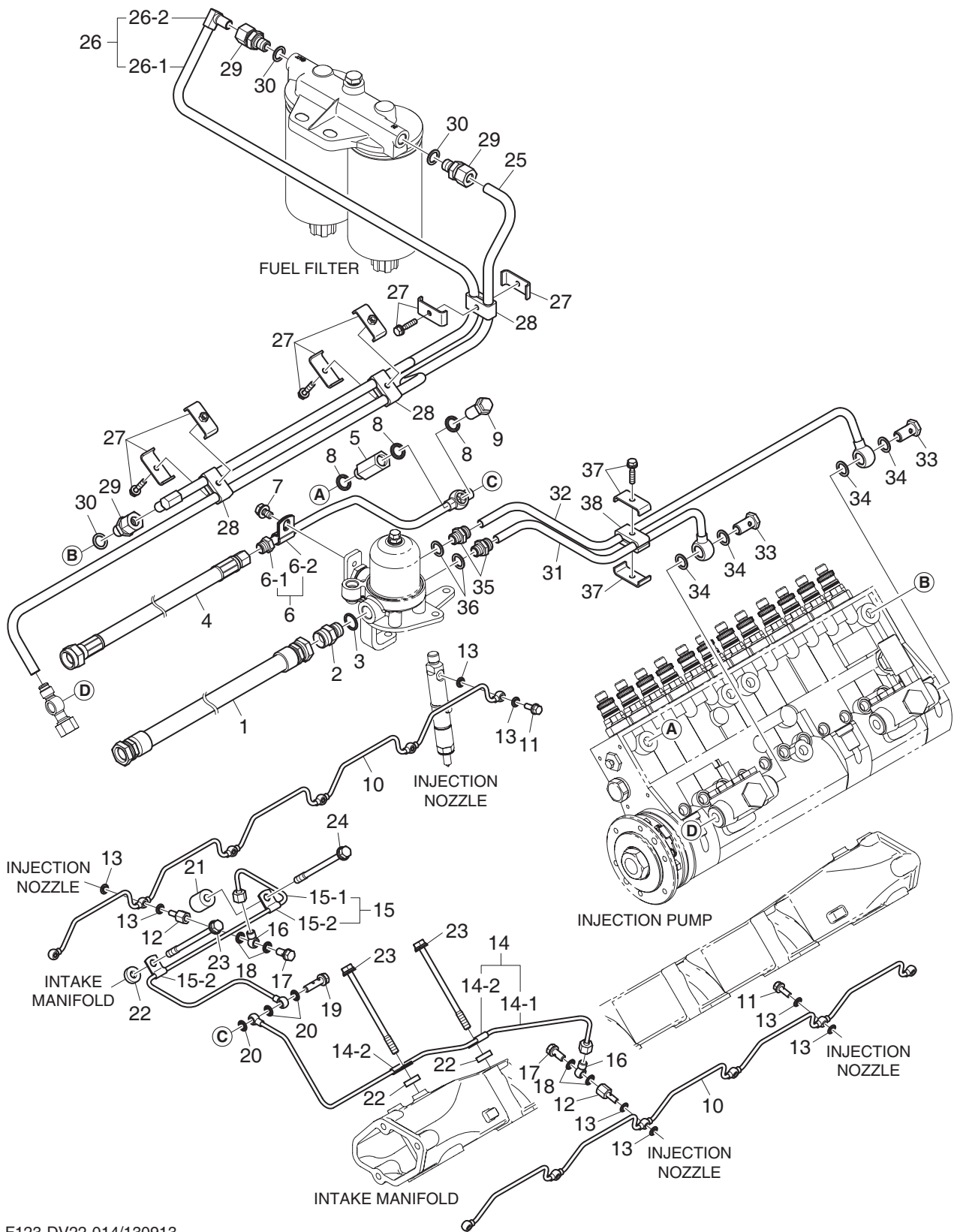


L114-DV22-001/120817

Fig.1140 INJECTION PUMP MOUNTING

Key No	Part No	Part Name	(Q'ty)					S/C	ICA
			DP222 LCS	DP222 LBS	DP222 LAS	DP222 LCF	DP222 LBF		
			DV 22 - 0 0 G 1 0	DV 22 - 0 0 G 1 1	DV 22 - 0 0 G 1 2	DV 22 - 0 0 G 1 3	DV 22 - 0 0 G 1 4		
1	51.96501-0322	O-RING	1	1	1	1	1		
2	51.96501-0295	O-RING	1	1	1	1	1		
3	65.90001-0146A	BOLT ; HEX.	5	5	5	5	5		
4	06.01014-7225	BOLT ; HEX. M10x100	1	1	1	1	1		
5	06.15061-0103	WASHER ; BALL	6	6	6	6	6		

Fig.1230 FUEL LINE

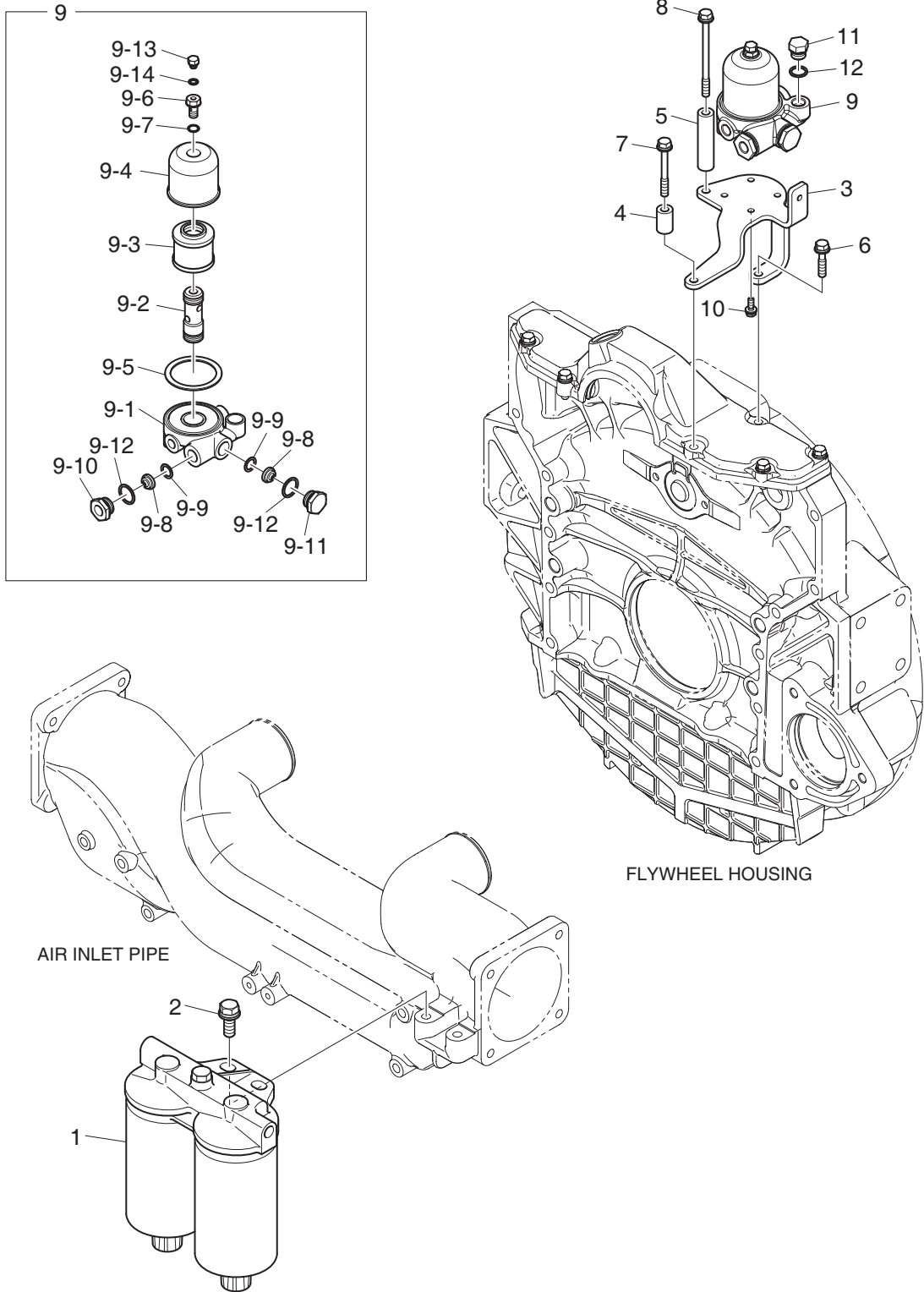


F123-DV22-014/130913

Fig.1230 FUEL LINE

Key No	Part No	Part Name	(Q'ty)					S/C	ICA
			DP222 LCS	DP222 LBS	DP222 LAS	DP222 LCF	DP222 LBF		
			DV 22 - 0 0 0 1 0	DV 22 - 0 0 0 1 1	DV 22 - 0 0 0 1 2	DV 22 - 0 0 0 1 3	DV 22 - 0 0 0 1 4		
1	65.96340-5061	HOSE ; RUBBER	1	1	1	1	1		
2	65.98131-0105	NIPPLE	1	1	1	1	1		
3	06.56190-0712	RING ; SEAL	1	1	1	1	1		
4	65.96340-5037	HOSE ; RUBBER	1	1	1	1	1		
5	430201-00821	ADAPTER	1	1	1	1	1		
6	420204-00479	PIPE ; FUEL RETURN	1	1	1	1	1		
6-1	420204-00480	PIPE ; FUEL RETURN	1	1	1	1	1	NS	
6-2	65.97401-0110A	CLIP ; PIPE	1	1	1	1	1		
7	06.01923-3111	BOLT M8X16	1	1	1	1	1		
8	65.96507-0043	RING ; SEAL A14x20	3	3	3	3	3		
9	65.11120-5002	VALVE ; OVERFLOW	1	1	1	1	1		
10	65.12301-5144	PIPE ; FUEL	2	2	2	2	2		
11	120703-00030	SCREW ; HOLLOW	10	10	10	10	10		
12	120703-00033	SCREW ; HOLLOW	2	2	2	2	2		
13	401109-00124	SEALRING	24	24	24	24	24		
14	420204-00445	PIPE ; FUEL RETURN	1	1	1	1	1		
14-1	420204-00447	PIPE ; FUEL RETURN	1	1	1	1	1	NS	
14-2	65.97401-0178	CLIP	2	2	2	2	2	NS	
15	420204-00419	FUEL PIPE ASS'Y	1	1	1	1	1		
15-1	420204-00417	PIPE ; FUEL RETURN	1	1	1	1	1	NS	
15-2	65.97401-0178	CLIP	2	2	2	2	2	NS	
16	65.98103-0027	UNION ; BANJO	2	2	2	2	2		
17	120703-00016	SCREW ; HOLLOW	2	2	2	2	2		
18	65.96507-0001	RING ; SEAL A8x14	4	4	4	4	4		
19	120703-00034	SCREW ; HOLLOW	1	1	1	1	1		
20	65.96507-0001	RING ; SEAL A8x14	3	3	3	3	3		
21	65.91701-0184	SPACER	1	1	1	1	1		
22	65.91701-0121	SPACER	3	3	3	3	3		
23	06.01923-3133	BOLT ; HEX.	3	3	3	3	3		
24	06.01923-3131	BOLT ; HEX.	1	1	1	1	1		
25	420204-00449	PIPE ; FUEL	1	1	1	1	1		
26	420204-00451	PIPE ; FUEL	1	1	1	1	1		
26-1	420204-00450	PIPE ; FUEL	1	1	1	1	1		
26-2	430208-00299	CONNECTER ; PIPE	2	2	2	2	2		
27	120402-00414	PIPE CLIP ASS'Y	3	3	3	3	3		
28	300728-00057	INSULATOR	3	3	3	3	3		
29	101552-00287	NIPPLE ; UNION	3	3	3	3	3		
30	06.56190-0706	RING ; SEAL A14x20	3	3	3	3	3		
31	420204-00407	PIPE ; FUEL	1	1	1	1	1		
32	420204-00408	PIPE ; FUEL	1	1	1	1	1		
33	06.78144-2204	SCREW ; HOLLOW	2	2	2	2	2		
34	06.56190-0706	RING ; SEAL A14x20	4	4	4	4	4		
35	06.71010-0213	FITTING ; PIPE	2	2	2	2	2		
36	06.56190-0706	RING ; SEAL A14x20	2	2	2	2	2		
37	120402-00414	PIPE CLIP ASS'Y	1	1	1	1	1		
38	300728-00056	INSULATOR	1	1	1	1	1		

Fig.1250 FUEL FILTER

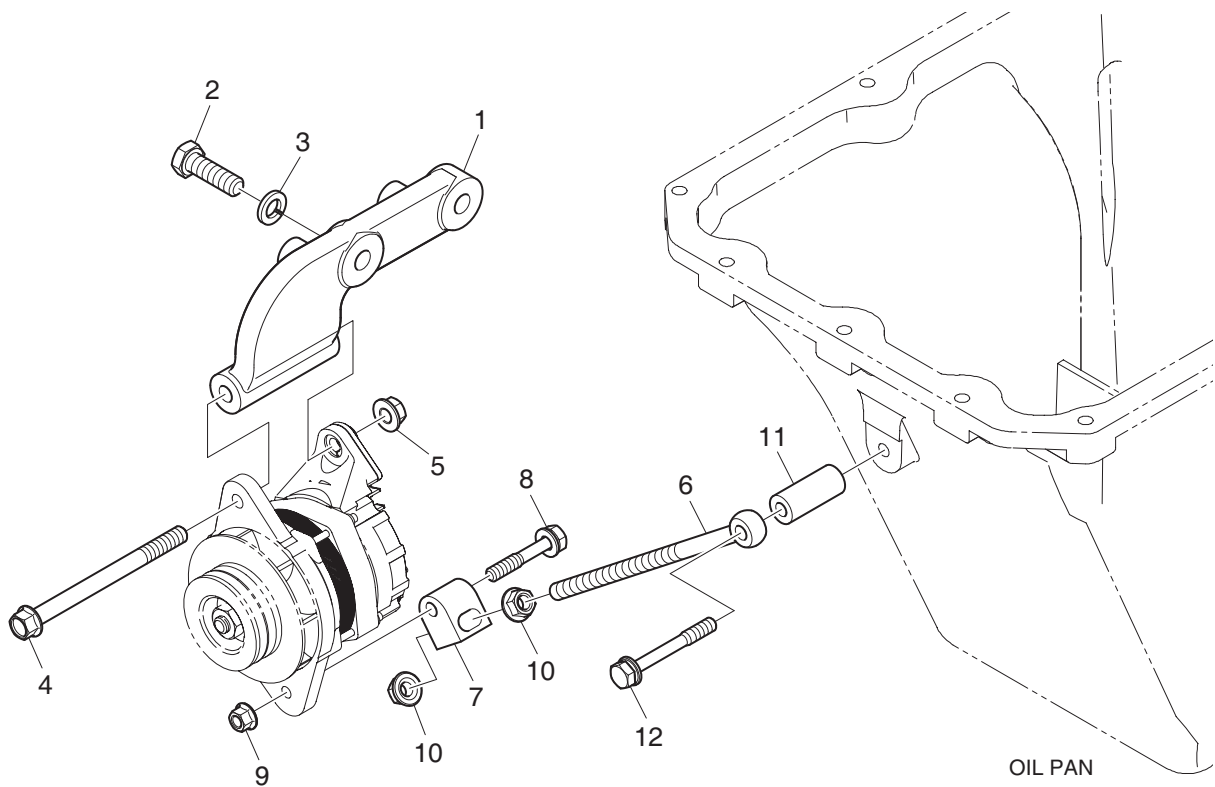


F125-DV22-001/130913

Fig.1250 FUEL FILTER

Key No	Part No	Part Name	(Q'ty)					S/C	ICA
			DP222 LCS	DP222 LBS	DP222 LAS	DP222 LCF	DP222 LBF		
			DV 22 - 0 0 0 0 1 0	DV 22 - 0 0 0 0 1 1	DV 22 - 0 0 0 0 1 2	DV 22 - 0 0 0 0 1 3	DV 22 - 0 0 0 0 1 4		
1	65.12501-7095A	FUEL FILTER ASS'Y	1	1	1	1	1		
2	06.01953-3318	BOLT ASS'Y M12x1.5x35	2	2	2	2	2		
3	110413-00130	BRACKET ; FUEL FILTER	1	1	1	1	1		
4	65.91701-0086	SPACER	1	1	1	1	1		
5	110951-00805	SPACER	1	1	1	1	1		
6	06.01923-3119	BOLT ASS'Y M8x40	1	1	1	1	1		
7	06.01923-3125	BOLT ASS'Y M8x70	1	1	1	1	1		
8	06.01923-3132	BOLT ASS'Y M8x110	1	1	1	1	1		
9	65.12501-7036	FUEL FILTER ASS'Y	1	1	1	1	1	AL	
9	400403-00038	FUEL FILTER ASS'Y	1	1	1	1	1	AL	
9-1	65.12504-0011	COVER ; FUEL FILTER	1	1	1	1	1		
9-2	65.12510-0006	BOLT ; CENTER	1	1	1	1	1		
9-3	65.12503-5019	ELEMENT ; FUEL FILTER	1	1	1	1	1		
9-4	65.12502-0005	HOUSING ; FUEL FILTER	1	1	1	1	1		
9-5	65.12506-0011	PACKING	1	1	1	1	1		
9-6	65.90002-0033	BOLT ; STUD	1	1	1	1	1		
9-7	06.56011-0301	O-RING	1	1	1	1	1		
9-8	65.01816-5003	VALVE ; CHECK	2	2	2	2	2		
9-9	65.12506-0012	PACKING	2	2	2	2	2		
9-10	65.98130-0088	ADAPTER	1	1	1	1	1		
9-11	06.08092-2407	SCREW ; PLUG M22x1.5	1	1	1	1	1		
9-12	06.56190-0718	RING ; SEAL	2	2	2	2	2		
9-13	06.08090-0201	SCREW ; PLUG	1	1	1	1	1		
9-14	06.56180-0811	RING ; SEAL A8x12	1	1	1	1	1		
10	06.01923-2912	BOLT ASS'Y M6x18	4	4	4	4	4		
11	65.90310-0150	SCREW ; PLUG	1	1	1	1	1		
12	06.56190-0708	RING ; SEAL	1	1	1	1	1		

Fig.1910 ALTERNATOR MOUNTING

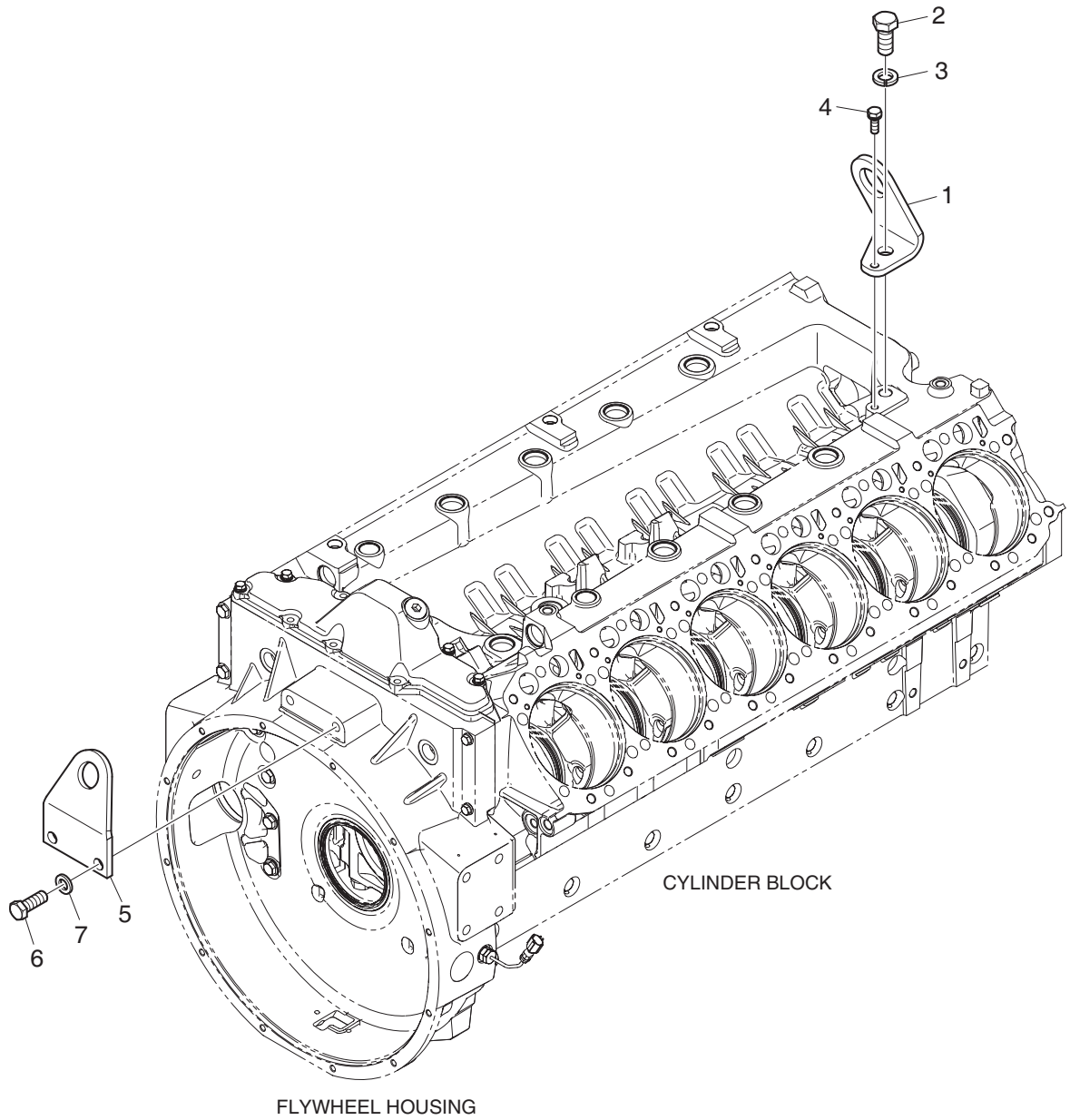


M191-DV22-005/130913

Fig.1910 ALTERNATOR MOUNTING

Key No	Part No	Part Name	(Q'ty)					S/C	ICA
			DP222 LCS	DP222 LBS	DP222 LAS	DP222 LCF	DP222 LBF		
			DV 22 - 0 0 0 0 1 0	DV 22 - 0 0 0 0 1 1	DV 22 - 0 0 0 0 1 2	DV 22 - 0 0 0 0 1 3	DV 22 - 0 0 0 0 1 4		
1	110403-00113	BRACKET ; ALTERNATOR	1	1	1	1	1		
2	06.01284-7420	BOLT ; HEX.	2	2	2	2	2		
3	06.16731-2110	WASHER ; SPRING	2	2	2	2	2		
4	120106-00412	BOLT ; COLLARED HEX.	1	1	1	1	1		
5	65.90535-0005	NUT ; HEX. M12x1.5	1	1	1	1	1		
6	65.90441-0061	BOLT ; SPACER	1	1	1	1	1		
7	101558-00034	PIECE ; GUIDE	1	1	1	1	1		
8	06.01923-3223	BOLT ASS'Y	1	1	1	1	1		
9	120305-00003	NUT ; FLANGE	1	1	1	1	1		
10	120305-00033	NUT ; HEX.	2	2	2	2	2		
11	110951-00946	SPACER	1	1	1	1	1		
12	06.01923-3228	BOLT ASS'Y M10x85	1	1	1	1	1		

Fig.1920 ENGINE LIFTING

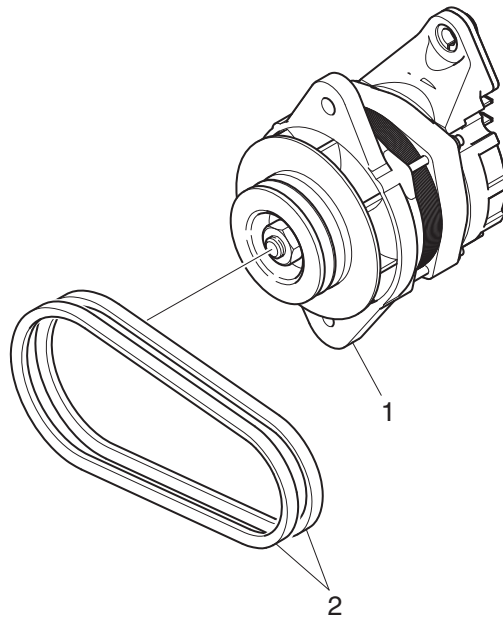


P192-DV22-001/130913

Fig.1920 ENGINE LIFTING

Key No	Part No	Part Name	(Q'ty)					S/C	ICA
			DP222 LCS	DP222 LBS	DP222 LAS	DP222 LCF	DP222 LBF		
			DV 22 - 0 0 G 1 0	DV 22 - 0 0 G 1 1	DV 22 - 0 0 G 1 2	DV 22 - 0 0 G 1 3	DV 22 - 0 0 G 1 4		
1	120404-00196	HOOK ; LIFTING	1	1	1	1	1		
2	06.01283-7720	BOLT ; HEX.	1	1	1	1	1		
3	06.16731-2113	WASHER ; SPRING	1	1	1	1	1		
4	06.01913-3217	BOLT M10x30	1	1	1	1	1		
5	120404-00192	HOOK ; LIFTING	1	1	1	1	1		
6	06.01283-7520	BOLT ; HEX. M16x45	2	2	2	2	2		
7	06.16731-2111	WASHER ; SPRING	2	2	2	2	2		

Fig.2610 ALTERNATOR

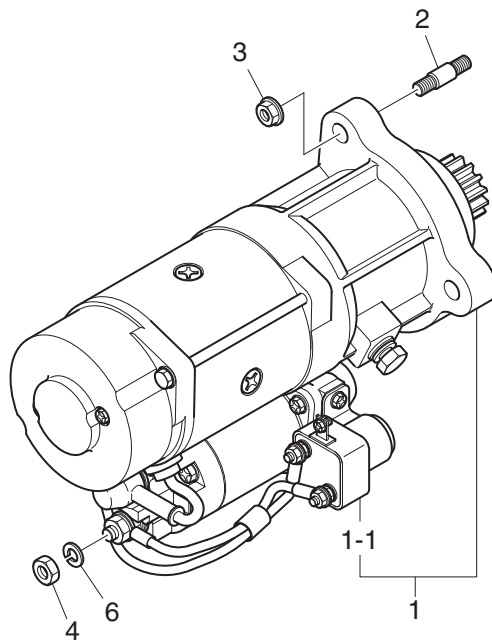


M261-DV22-006/120817

Fig.2610 ALTERNATOR

Key No	Part No	Part Name	(Q'ty)					S/C	ICA
			DP222 LCS	DP222 LBS	DP222 LAS	DP222 LCF	DP222 LBF		
			DV 22 - 0 0 G 1 0	DV 22 - 0 0 G 1 1	DV 22 - 0 0 G 1 2	DV 22 - 0 0 G 1 3	DV 22 - 0 0 G 1 4		
1	300901-00009	ALTERNATOR	1	1	1	1	1		
2	130205-00305	V-BELT	2	2	2	2	2		

Fig.2620 STARTER

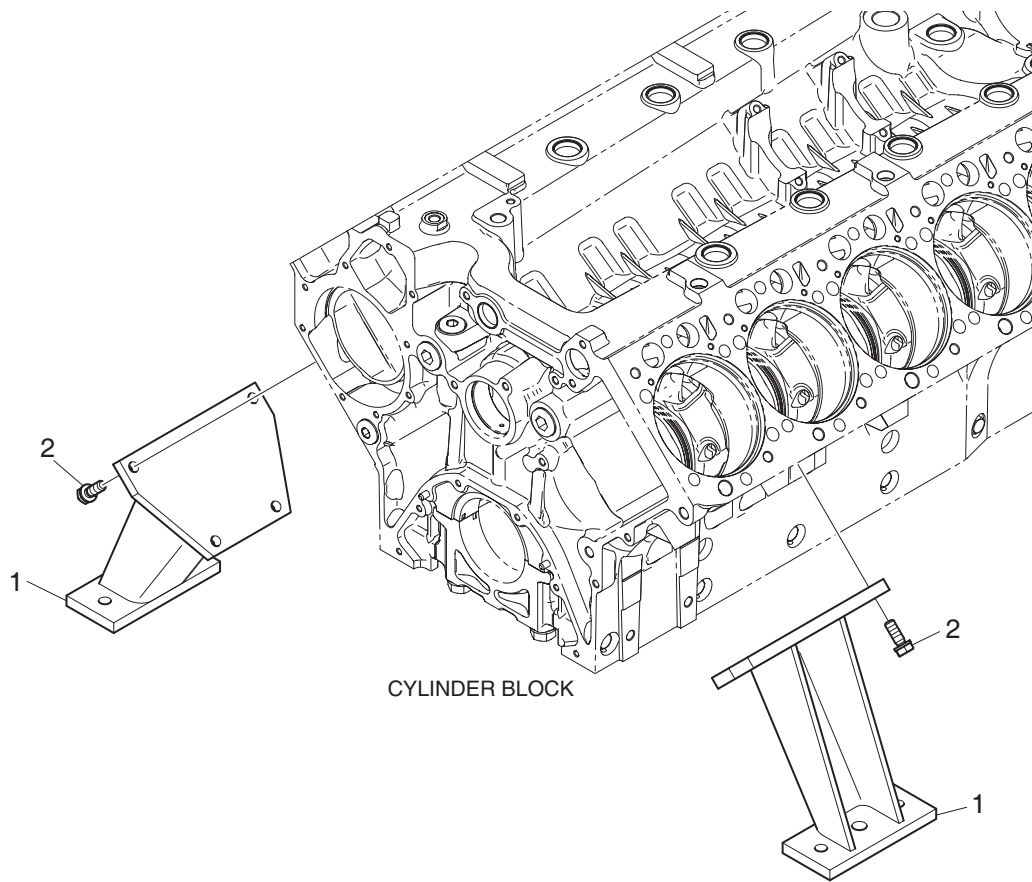


M262-DV15-001/120613

Fig.2620 STARTER

Key No	Part No	Part Name	(Q'ty)					S/C	ICA
			DP222 LCS	DP222 LBS	DP222 LAS	DP222 LCF	DP222 LBF		
			DV 22 - 0 0 G 1 0	DV 22 - 0 0 G 1 1	DV 22 - 0 0 G 1 2	DV 22 - 0 0 G 1 3	DV 22 - 0 0 G 1 4		
1	300516-00075	STARTER	1	1	1	1	1		
1-1	301206-00017	RELAY	1	1	1	1	1		
2	06.06175-8309	BOLT ; STUD M12x1.5x35	3	3	3	3	3		
3	65.90535-0005	NUT ; HEX. M12x1.5	3	3	3	3	3		
4	06.11063-8215	NUT ; HEX. M10	1	1	1	1	1		
6	06.16731-2108	WASHER ; SPRING	1	1	1	1	1		

Fig.4150 ENGINE MOUNTING

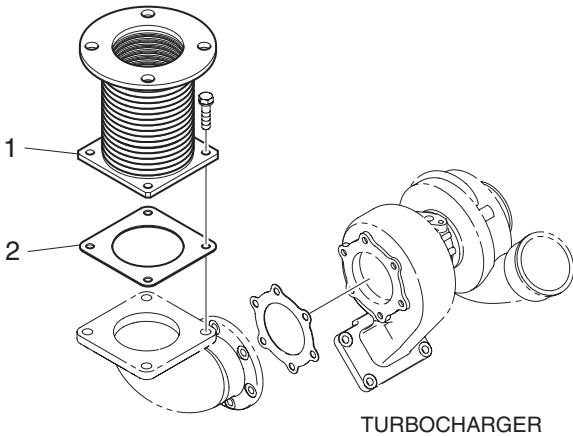


P415-DV22-001/130913

Fig.4150 ENGINE MOUNTING

Key No	Part No	Part Name	(Q'ty)					S/C	ICA
			DP222 LCS	DP222 LBS	DP222 LAS	DP222 LCF	DP222 LBF		
			DV 22	DV 22	DV 22	DV 22	DV 22		
1	110427-00533	BRACKET ; ENGINE MOUNTING	2	2	2	2	2		
2	06.01914-3318	HEX. BOLT ASS'Y	8	8	8	8	8		

Fig.8900 ACCESSORIES(1)

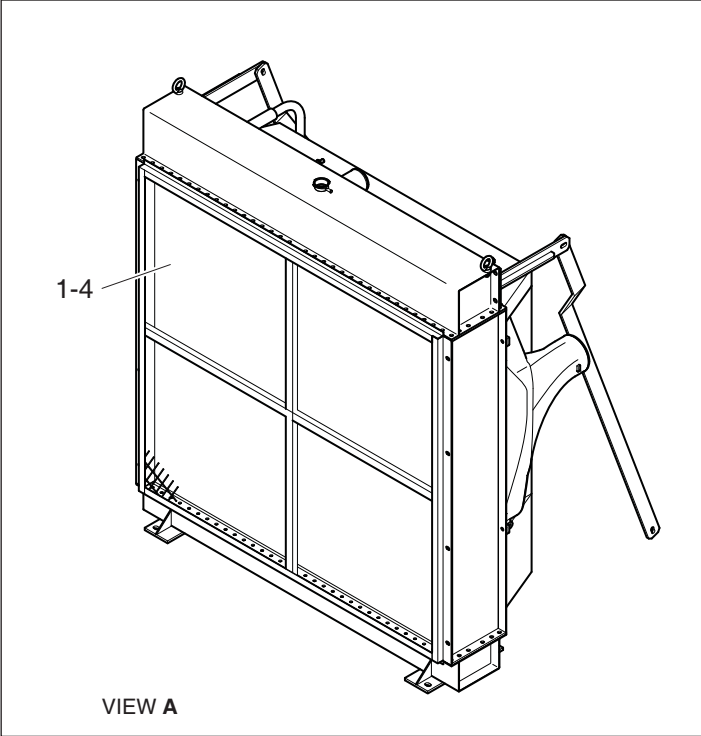
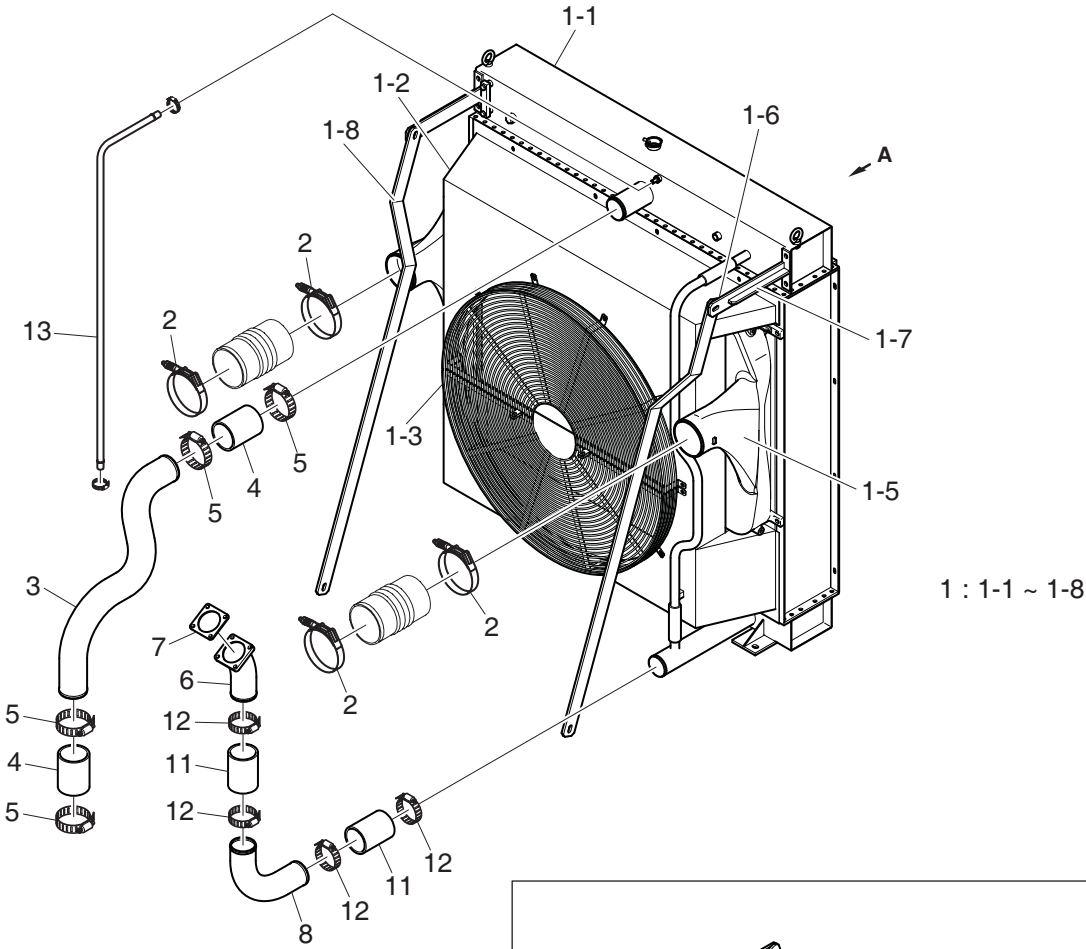


Q890-DL11-057/121016

Fig.8900 ACCESSORIES(1)

Key No	Part No	Part Name	(Q'ty)					S/C	ICA
			DP222 LCS	DP222 LBS	DP222 LAS	DP222 LCF	DP222 LBF		
			DV 22	DV 22	DV 22	DV 22	DV 22		
1	65.15211-5008	BELLOWS	2	2	2	2	2		
2	65.15901-0010	GASKET ; EXHAUST PIPE	2	2	2	2	2		

Fig.8900 ACCESSORIES(2)

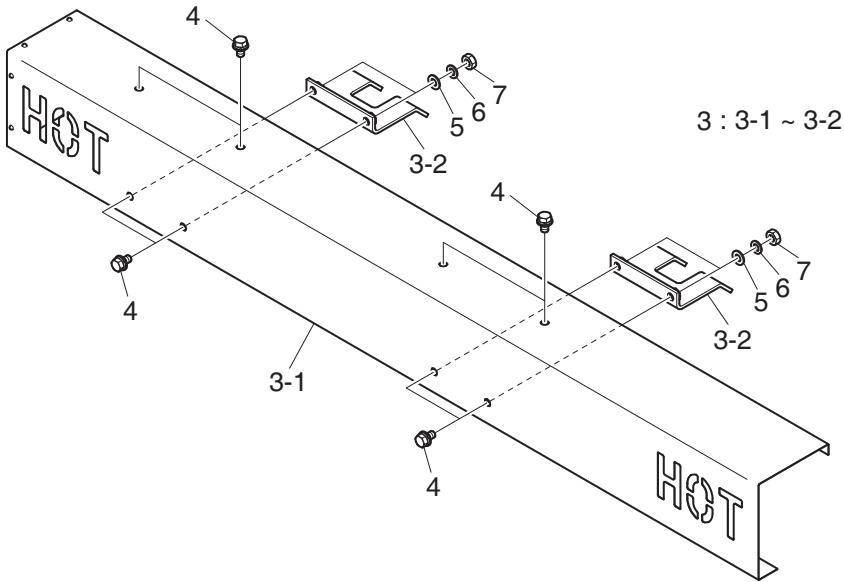
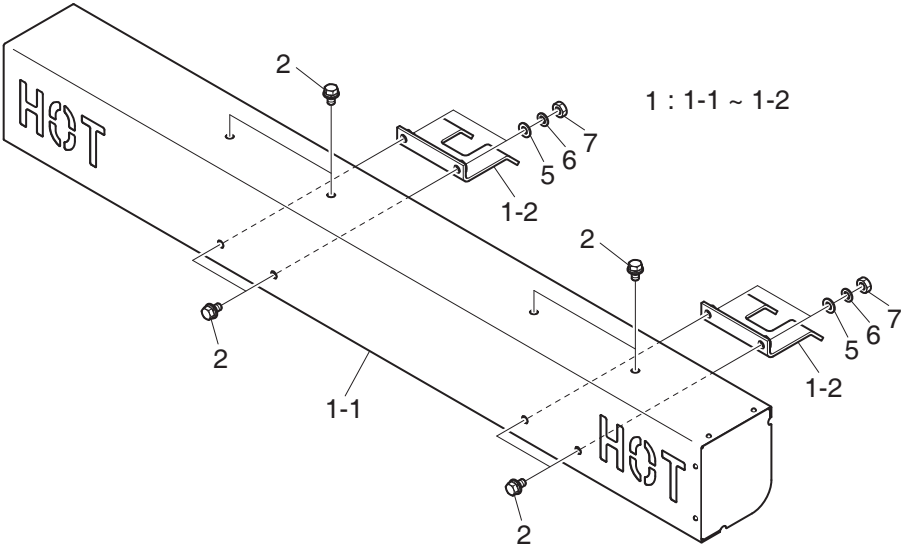


Q890-DV22-027/120817

Fig.8900 ACCESSORIES(2)

Key No	Part No	Part Name	(Q'ty)					S/C	ICA
			DP222 LCS	DP222 LBS	DP222 LAS	DP222 LCF	DP222 LBF		
			DV 22	DV 22	DV 22	DV 22	DV 22		
1	440211-00439	RADIATOR ASS'Y	1	1	1	1	1		
1-1	440211-00451	RADIATOR	1	1	1	1	1		
1-2	110948-00119	SHROUD ; FAN	1	1	1	1	1		
1-3	110921-02081	GUARD ; FAN	2	2	2	2	2		
1-4	101569-00143	GUARD ; RADIATOR	1	1	1	1	1		
1-5	400215-00032	INTERCOOLER ASS'Y	1	1	1	1	1		
1-6	420202-00279	PIPE ; EXPANSION	1	1	1	1	1		
1-7	110958-01844	SUPPORT ; RADIATOR	2	2	2	2	2		
1-8	110958-01845	SUPPORT ; RADIATOR	2	2	2	2	2		
2	65.97401-6040	CLIP ; PIPE	4	4	4	4	4		
3	420211-00357	PIPE ; COOLING WATER	1	1	1	1	1		
4	04.27415-0413	HOSE ; RUBBER	2	2	2	2	2		
5	06.67020-0113	CLAMP ; HOSE	4	4	4	4	4		
6	420211-00356	PIPE ; COOLING WATER	1	1	1	1	1		
7	67.06901A0001	GASKET ; COOLING WATER	1	1	1	1	1		
8	420211-00355	PIPE ; COOLING WATER	1	1	1	1	1		
11	04.27415-0313	HOSE ; RUBBER	2	2	2	2	2		
12	06.67020-0112	CLAMP ; HOSE	4	4	4	4	4		
13	65.96301-0573	HOSE ; RUBBER	1	1	1	1	1		

Fig.8900 ACCESSORIES(3)

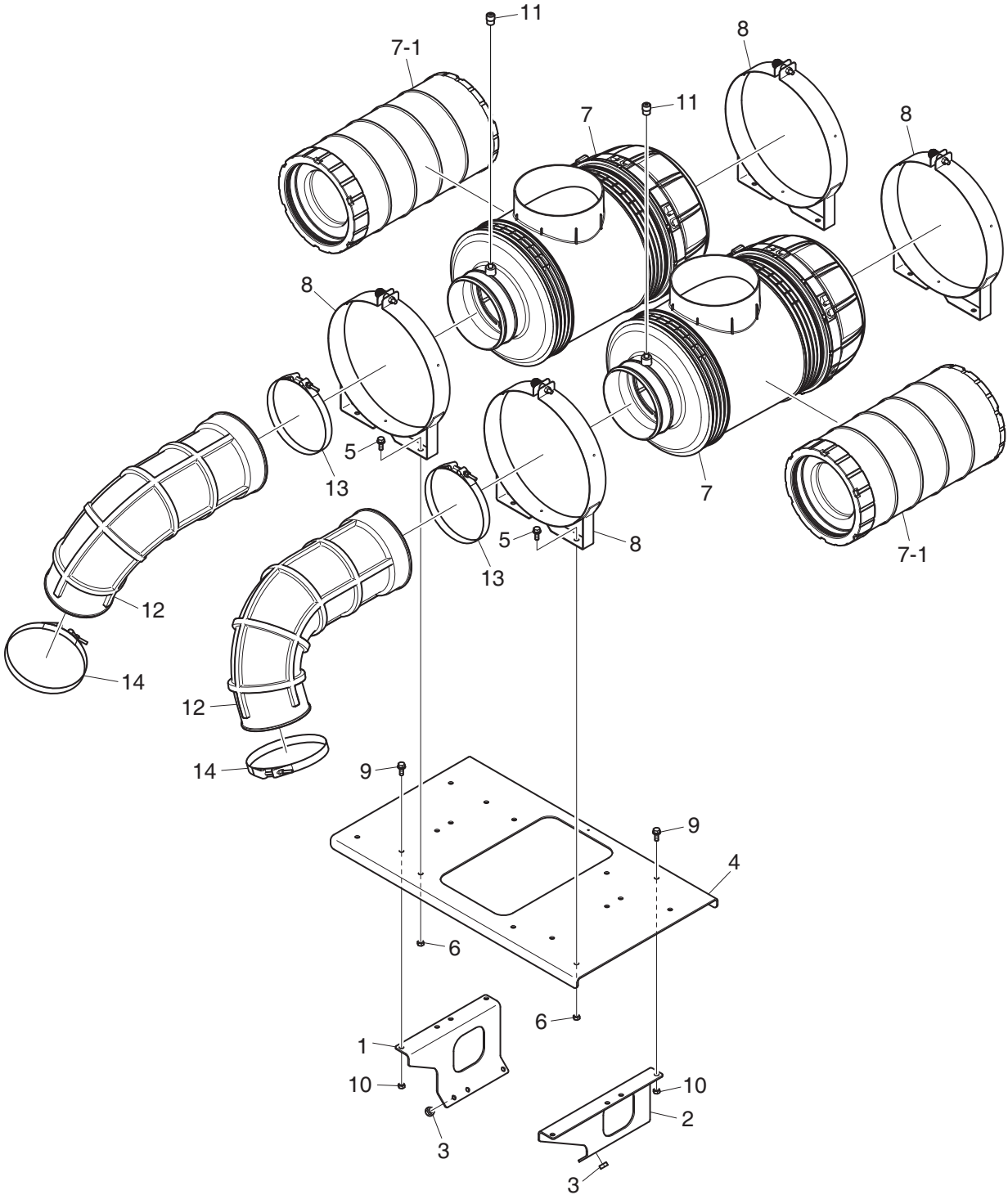


Q890-DV22-034/130913

Fig.8900 ACCESSORIES(3)

Key No	Part No	Part Name	(Q'ty)					S/C	ICA
			DP222 LCS	DP222 LBS	DP222 LAS	DP222 LCF	DP222 LBF		
			DV 22 - 0 0 G 1 0	DV 22 - 0 0 G 1 1	DV 22 - 0 0 G 1 2	DV 22 - 0 0 G 1 3	DV 22 - 0 0 G 1 4		
1	111002-00122	HEAT SCREEN ASS'Y	1	1	1	1	1		
1-1	111002-00124	SCREEN ; HEAT	1	1	1	1	1	NS	
1-2	110928-00339	HOLDER	2	2	2	2	2	NS	
2	06.01923-3111	BOLT M8X16	8	8	8	8	8		
3	111002-00123	HEAT SCREEN ASS'Y	1	1	1	1	1		
3-1	111002-00125	SCREEN ; HEAT	1	1	1	1	1	NS	
3-2	110928-00339	HOLDER	2	2	2	2	2	NS	
4	06.01923-3111	BOLT M8X16	8	8	8	8	8		
5	06.15010-2312	WASHER ; PLAIN	8	8	8	8	8		
6	06.16731-2108	WASHER ; SPRING	8	8	8	8	8		
7	06.11063-8215	NUT ; HEX. M10	8	8	8	8	8		

Fig.8900 ACCESSORIES(4)

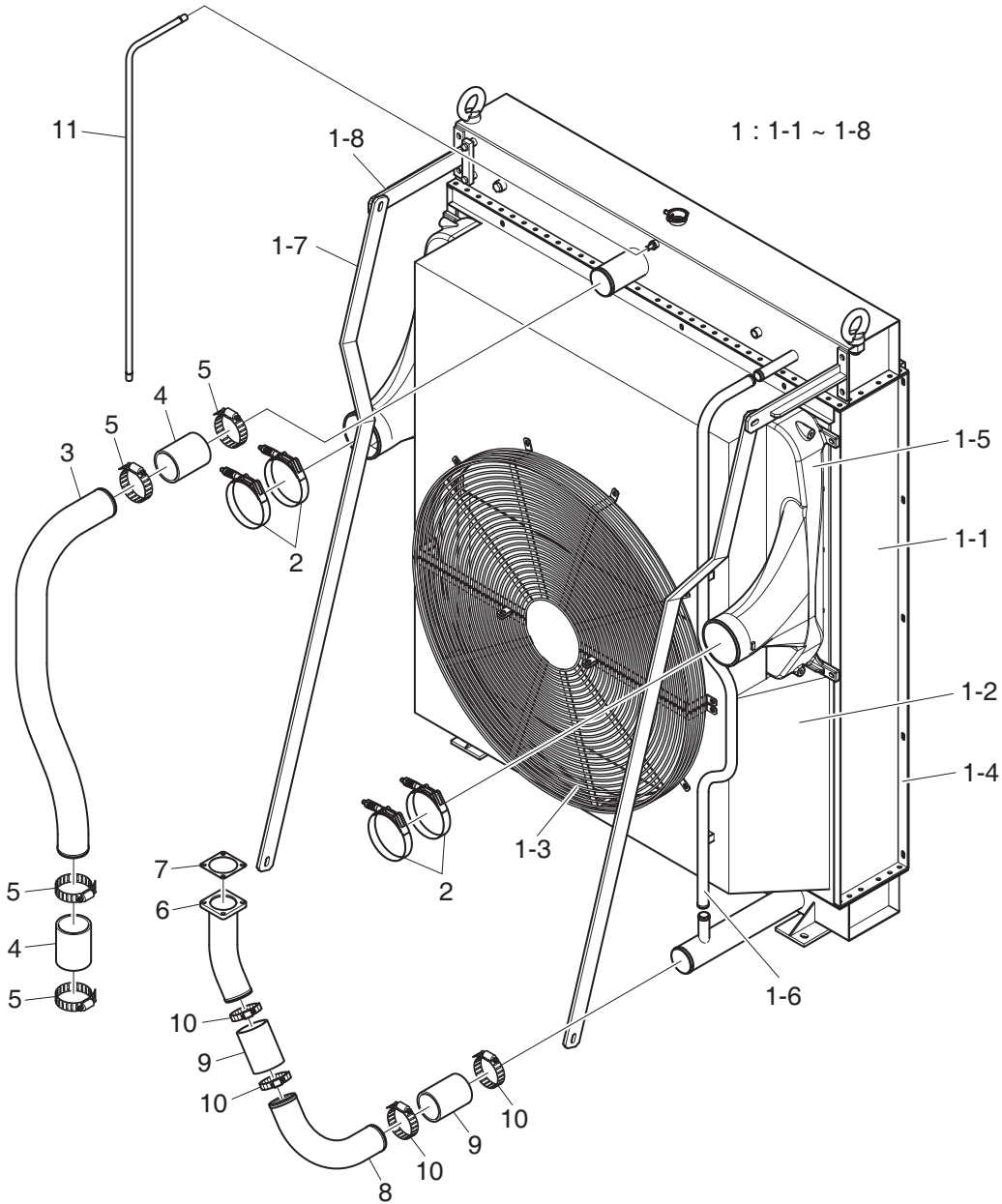


Q890-DV22-035/130913

Fig.8900 ACCESSORIES(4)

Key No	Part No	Part Name	(Q'ty)					S/C	ICA
			DP222 LCS	DP222 LBS	DP222 LAS	DP222 LCF	DP222 LBF		
			DV 22 - 0 0 0 1 0	DV 22 - 0 0 0 1 1	DV 22 - 0 0 0 1 2	DV 22 - 0 0 0 1 3	DV 22 - 0 0 0 1 4		
1	110401-00066	BRACKET ; AIR CLEANER	1	1	1	1	1		
2	110401-00067	BRACKET ; AIR CLEANER	1	1	1	1	1		
3	65.90535-0003	NUT	6	6	6	6	6		
4	110401-00065	BRACKET ; AIR CLEANER	1	1	1	1	1		
5	06.01923-3115	BOLT ASS'Y M8x25	8	8	8	8	8		
6	06.11063-2214	NUT ; HEX.	8	8	8	8	8		
7	400414-00335	AIR CLEANER ASS'Y	2	2	2	2	2		
7-1	400504-00169	ELEMENT ; AIR CLEANER	1	1	1	1	1		
8	110401-00076	BRACKET ; AIR CLEANER MOUNTING	4	4	4	4	4		
9	06.01923-3115	BOLT ASS'Y M8x25	8	8	8	8	8		
10	06.11063-2214	NUT ; HEX.	8	8	8	8	8		
11	67.16250-6003	INDICATOR ; SERVICE	2	2	2	2	2		
12	420101-00928	HOSE ; AIR CLEANER	2	2	2	2	2		
13	120202-00211	CLAMP	2	2	2	2	2		
14	120202-00212	CLAMP	2	2	2	2	2		

Fig.8900 ACCESSORIES(5)

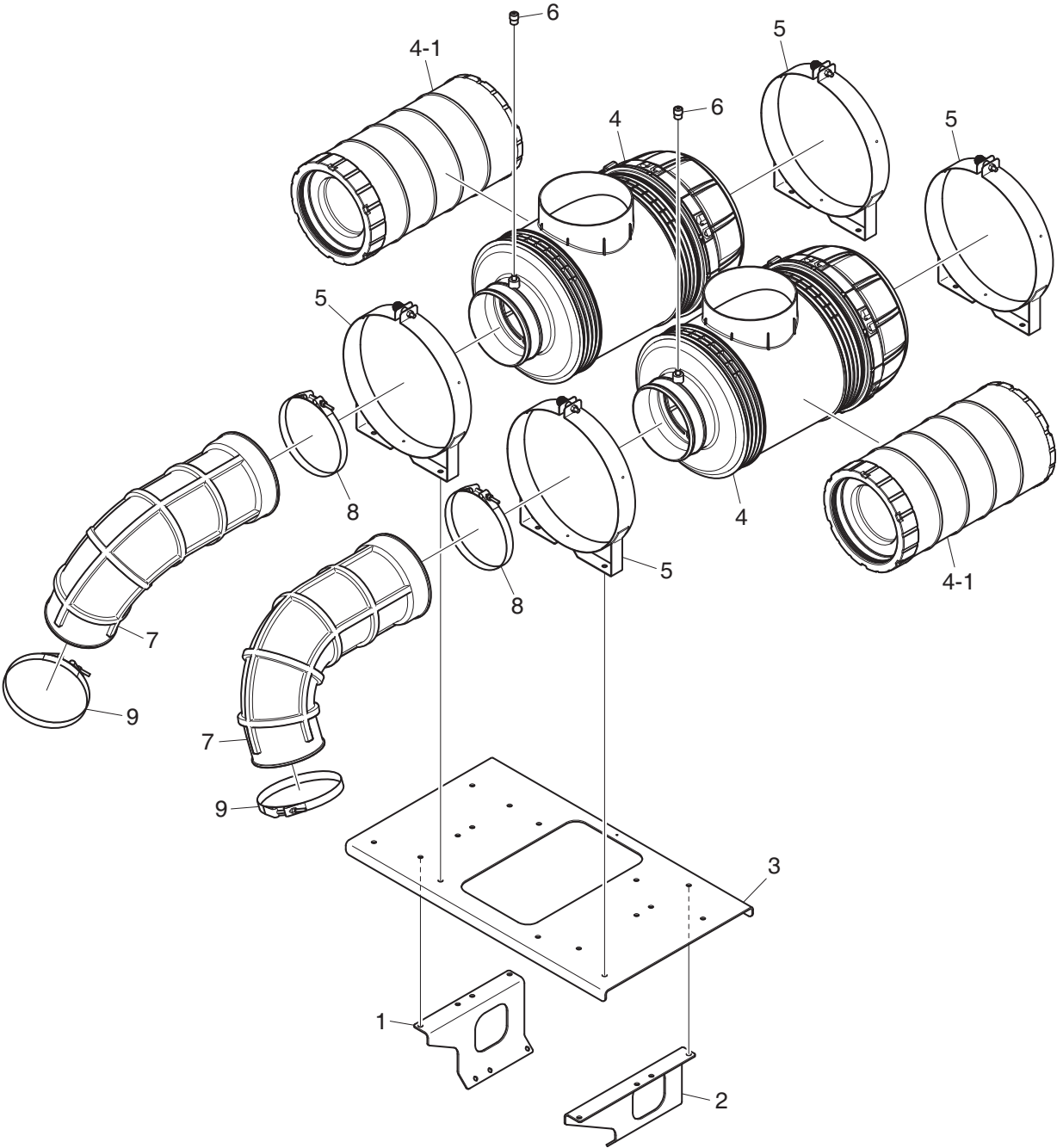


Q890-DV22-037/130913

Fig.8900 ACCESSORIES(5)

Key No	Part No	Part Name	(Q'ty)					S/C	ICA
			DP222 LCS	DP222 LBS	DP222 LAS	DP222 LCF	DP222 LBF		
			DV 22	DV 22	DV 22	DV 22	DV 22		
1	440211-00526	RADIATOR ASS'Y	1	1	1	1	1		
1-1	440211-00567	RADIATOR	1	1	1	1	1		
1-2	110948-00144	SHROUD ; FAN	1	1	1	1	1		
1-3	110921-02545	GUARD ; FAN	1	1	1	1	1		
1-4	101569-00165	GUARD ; RADIATOR	1	1	1	1	1		
1-5	400215-00036	INTERCOOLER ASS'Y	1	1	1	1	1		
1-6	420202-00339	PIPE ; EXPANSION	1	1	1	1	1		
1-7	110958-02383	SUPPORT ; RADIATOR	1	1	1	1	1		
1-8	110958-02384	SUPPORT ; RADIATOR	1	1	1	1	1		
2	65.97401-6040	CLIP ; PIPE	4	4	4	4	4		
3	420211-00476A	PIPE ; COOLING WATER	1	1	1	1	1		
4	04.27415-0413	HOSE ; RUBBER	2	2	2	2	2		
5	06.67020-0113	CLAMP ; HOSE	4	4	4	4	4		
6	420211-00477	PIPE ; COOLING WATER	1	1	1	1	1		
7	67.06901A0001	GASKET ; COOLING WATER	1	1	1	1	1		
8	420211-00355	PIPE ; COOLING WATER	1	1	1	1	1		
9	04.27415-0313	HOSE ; RUBBER	2	2	2	2	2		
10	06.67020-0112	CLAMP ; HOSE	4	4	4	4	4		
11	420101-00974	HOSE ; AIR	1	1	1	1	1		

Fig.8900 ACCESSORIES(6)

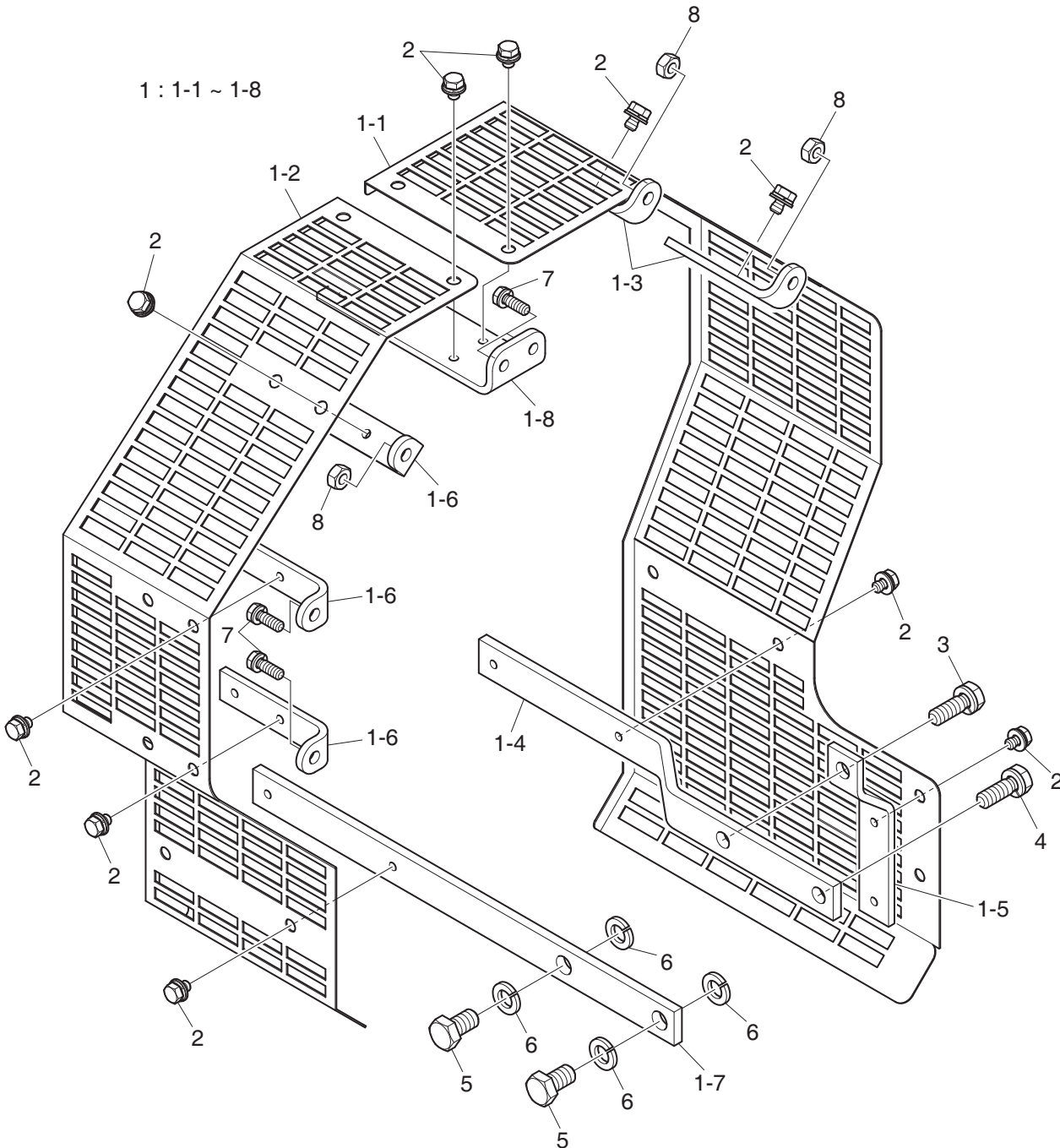


Q890-DV22-039/130913

Fig.8900 ACCESSORIES(6)

Key No	Part No	Part Name	(Q'ty)					S/C	ICA
			DP222 LCS	DP222 LBS	DP222 LAS	DP222 LCF	DP222 LBF		
			DV 22 - 0 0 G 1 0	DV 22 - 0 0 G 1 1	DV 22 - 0 0 G 1 2	DV 22 - 0 0 G 1 3	DV 22 - 0 0 G 1 4		
1	110401-00066	BRACKET ; AIR CLEANER	1	1	1	1	1		
2	110401-00067	BRACKET ; AIR CLEANER	1	1	1	1	1		
3	110401-00065	BRACKET ; AIR CLEANER	1	1	1	1	1		
4	400414-00335	AIR CLEANER ASS'Y	2	2	2	2	2		
4-1	400504-00169	ELEMENT ; AIR CLEANER	1	1	1	1	1		
5	110401-00076	BRACKET ; AIR CLEANER MOUNTING	4	4	4	4	4		
6	67.16250-6003	INDICATOR ; SERVICE	2	2	2	2	2		
7	420101-00928	HOSE ; AIR CLEANER	2	2	2	2	2		
8	120202-00211	CLAMP	2	2	2	2	2		
9	120202-00212	CLAMP	2	2	2	2	2		

Fig.8900 ACCESSORIES(7)

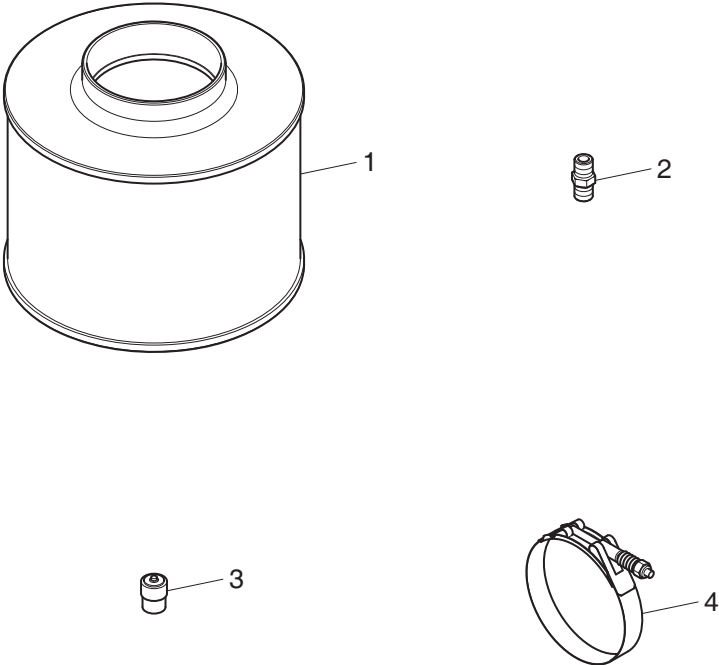


Q890-DV22-033/130913

Fig.8900 ACCESSORIES(7)

Key No	Part No	Part Name	(Q'ty)					S/C	ICA
			DP222 LCS	DP222 LBS	DP222 LAS	DP222 LCF	DP222 LBF		
			DV 22 - 0 0 0 1 0	DV 22 - 0 0 0 1 1	DV 22 - 0 0 0 1 2	DV 22 - 0 0 0 1 3	DV 22 - 0 0 0 1 4		
1	110508-15319	FAN COVER ASS'Y	1	1	1	1	1		
1-1	110508-15320	COVER ; FAN	1	1	1	1	1		
1-2	110508-12417	COVER ; FAN	1	1	1	1	1		
1-3	110515-00274	COVER ; BRACKET	2	2	2	2	2		
1-4	110515-00275	COVER ; BRACKET	1	1	1	1	1		
1-5	110515-00276	COVER ; BRACKET	1	1	1	1	1		
1-6	110515-00233	COVER ; BRACKET	3	3	3	3	3		
1-7	110515-00236	COVER ; BRACKET	1	1	1	1	1		
1-8	430216-00295	JOINT ; COVER	1	1	1	1	1		
2	06.01923-3110	BOLT ASS'Y M8x12	20	20	20	20	20		
3	06.01913-7318	HEX. BOLT ASS'Y	1	1	1	1	1		
4	06.01913-7317	HEX. BOLT ASS'Y	1	1	1	1	1		
5	06.01283-7415	BOLT ; HEX.	2	2	2	2	2		
6	06.16731-2110	WASHER ; SPRING	4	4	4	4	4		
7	06.01923-3114	BOLT ASS'Y M8x22	4	4	4	4	4		
8	65.90535-0003	NUT	3	3	3	3	3		

Fig.8900 ACCESSORIES(8)

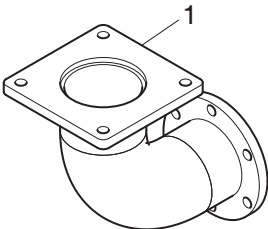
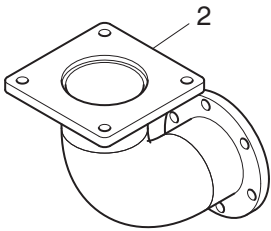


Q890-DV22-036/130913

Fig.8900 ACCESSORIES(8)

Key No	Part No	Part Name	(Q'ty)					S/C	ICA
			DP222 LCS	DP222 LBS	DP222 LAS	DP222 LCF	DP222 LBF		
			DV 22 - 0 0 G 1 0	DV 22 - 0 0 G 1 1	DV 22 - 0 0 G 1 2	DV 22 - 0 0 G 1 3	DV 22 - 0 0 G 1 4		
1	400414-00336	AIR CLEANER ASS'Y	2	2	2	2	2		
2	101552-00242	NIPPLE	2	2	2	2	2		
3	67.16250-6003	INDICATOR ; SERVICE	2	2	2	2	2		
4	120202-00212	CLAMP	2	2	2	2	2		

Fig.8900 ACCESSORIES(9)

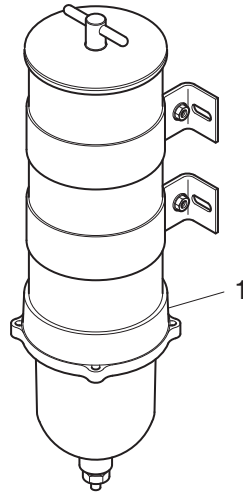


Q890-DV22-038/130913

Fig.8900 ACCESSORIES(9)

Key No	Part No	Part Name	(Q'ty)					S/C	ICA
			DP222 LCS	DP222 LBS	DP222 LAS	DP222 LCF	DP222 LBF		
			DV 22 - 0 0 G 1 0	DV 22 - 0 0 G 1 1	DV 22 - 0 0 G 1 2	DV 22 - 0 0 G 1 3	DV 22 - 0 0 G 1 4		
1	430213-00245	ELBOW ; EXHAUST	1	1	1	1	1		
2	430213-00246	ELBOW ; EXHAUST	1	1	1	1	1		

Fig.9880 SPARE PART(1)

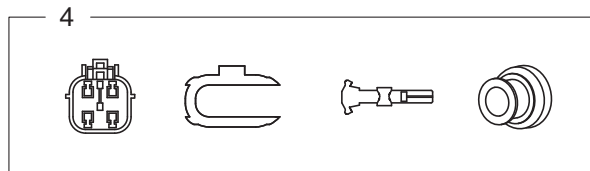
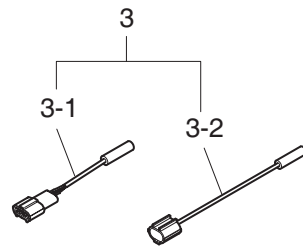
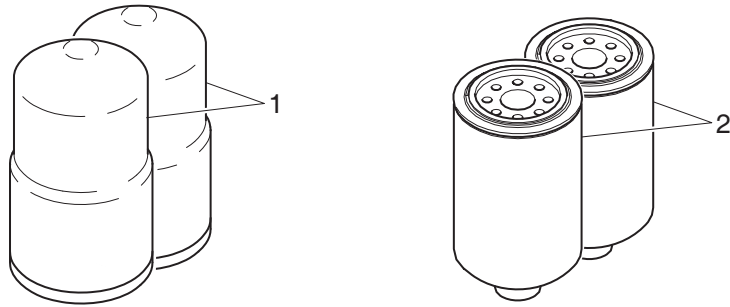


Q988-DV18-006/130913

Fig.9880 SPARE PART(1)

Key No	Part No	Part Name	(Q'ty)					S/C	ICA
			DP222 LCS	DP222 LBS	DP222 LAS	DP222 LCF	DP222 LBF		
			DV 22	DV 22	DV 22	DV 22	DV 22		
1	65.12501-7038	FUEL FILTER ASS'Y	0 0 0 0 0 1 0	0 0 0 0 0 1 1	0 0 0 0 0 1 2	0 0 0 0 0 1 3	0 0 0 0 0 1 4		

Fig.9880 SPARE PART(2)

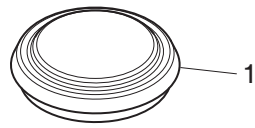


Q988-DV22-003/130913

Fig.9880 SPARE PART(2)

Key No	Part No	Part Name	(Q'ty)					S/C	ICA
			DP222 LCS	DP222 LBS	DP222 LAS	DP222 LCF	DP222 LBF		
			DV 22 - 0 0 0 1 0	DV 22 - 0 0 0 1 1	DV 22 - 0 0 0 1 2	DV 22 - 0 0 0 1 3	DV 22 - 0 0 0 1 4		
1	65.05510-5020B	CARTRIDGE ; OIL FILTER	2	2	2	2	2	AL	
1	400508-00006	CARTRIDGE ; OIL FILTER	2	2	2	2	2	AL	
2	65.12503-5016B	ELEMENT ; FUEL FILTER	2	2	2	2	2		
3	65.29101-6164	WIRE ; ELECTRIC	1	1	1	1	1		
3-1	65.29101-6154	WIRE ; ELECTRIC	1	1	1	1	1		
3-2	65.29101-6159	WIRE ; ELECTRIC	1	1	1	1	1		
4	65.26810-7025	CONNECTER ; OIL PRESSURE SENSOR	1	1	1	1	1		

Fig.9880 SPARE PART(3)



Q988-DV22-012/130913

Fig.9880 SPARE PART(3)

Key No	Part No	Part Name	(Q'ty)					S/C	ICA
			DP222 LCS	DP222 LBS	DP222 LAS	DP222 LCF	DP222 LBF		
			DV 22 - 0 0 0 0 1 0	DV 22 - 0 0 0 0 1 1	DV 22 - 0 0 0 0 1 2	DV 22 - 0 0 0 0 1 3	DV 22 - 0 0 0 0 1 4		
1	110910-01001	CAP ; RAIN	2	2	2	2	2		

INDEX

Part No	Fig. No	Find No	Part No	Fig. No	Find No	Part No	Fig. No	Find No
04.27415-0313	8900(2)	11	06.01923-3115	8900(4)	5	06.15010-2312	0550	7
	8900(5)	9		8900(4)	9		8900(3)	5
04.27415-0413	8900(2)	4	06.01923-3116	0150	4	06.15061-0103	1140	5
	8900(5)	4	06.01923-3117	0140	11	06.16044-0210	0560	18
06.01013-9124	0510	2		0660	8	06.16110-0106	0440	2-2F
06.01013-9129	0510	5		0940	15	06.16110-0107	0660	4
06.01013-9237	0550	4	06.01923-3118	0580	5	06.16731-2107	0510	3
06.01014-7225	1140	4	06.01923-3119	1250	6		0510	7
06.01283-7112	0560	16	06.01923-3120	0340	5	06.16731-2108	0550	6
06.01283-7235	0660	17		0560	20		0660	16
06.01283-7415	8900(7)	5	06.01923-3122	0650	5		2620	6
06.01283-7517	0660	19	06.01923-3124	0630	7		8900(3)	6
06.01283-7520	1920	6		0910	14	06.16731-2110	1910	3
06.01283-7720	1920	2	06.01923-3125	0340	4		8900(7)	6
06.01284-7112	1130	2		1250	7	06.16731-2111	0660	20
06.01284-7223	0550	5	06.01923-3129	0820	3		0810	14
06.01284-7420	1910	2	06.01923-3131	1230	24		0810	19
06.01494-4316	0110	1-1E	06.01923-3132	0820	4		1920	7
06.01494-4507	0810	13		1250	8	06.16731-2113	1920	3
	0810	18	06.01923-3133	1230	23	06.22022-1063	0110	1-11
06.01494-4517	0660	1-5	06.01923-3223	1910	8	06.22022-3061	0110	1-1CB
06.01913-3113	0580	14	06.01923-3228	1910	12	06.22022-3065	0210	3
06.01913-3115	0580	12	06.01943-3317	0810	11	06.22022-3563	0110	1-12
06.01913-3116	0660	6		0810	16	06.22180-0804	0160	1-1
06.01913-3121	0560	12	06.01953-3318	1250	2	06.29010-0120	0420	1-6
06.01913-3122	0560	15	06.01953-3320	0940	19	06.29020-0125	0550	1-2
06.01913-3123	0560	19	06.02091-0527	0660	3	06.29020-0132	0650	1-5
06.01913-3128	0650	6	06.02096-0412	0440	2-2E		0660	9-4
06.01913-3215	0820	10	06.06175-8309	2620	2	06.29020-0152	0660	1-7
06.01913-3217	0910	16	06.06225-0809	0660	14	06.56011-0301	1250	9-7
	1920	4	06.06226-0808	0910	3	06.56180-0811	1250	9-14
06.01913-3220	0110	11	06.08023-0207	0310	1-7	06.56190-0705	0110	4
06.01913-3229	0660	1-9	06.08041-2203	0110	3		0110	6
	0660	2	06.08062-6208	0550	1-7	06.56190-0706	0160	4
06.01913-3318	0630	3	06.08090-0201	1250	9-13		0560	21
06.01913-7317	8900(7)	4	06.08092-0204	0560	17		0650	3
06.01913-7318	8900(7)	3	06.08092-2405	0140	14		0910	20
06.01914-3215	0660	12		0650	1-9		1110(1)	7
06.01914-3218	0560	4	06.08092-2407	1250	9-11		1110(1)	10
06.01914-3318	4150	2	06.11063-2214	8900(4)	6		1110(1)	13
06.01923-2912	1250	10		8900(4)	10		1110(2)	7
06.01923-3110	8900(7)	2	06.11063-8214	0580	15		1110(2)	10
06.01923-3111	1230	7	06.11063-8215	0660	15		1110(2)	13
	8900(3)	2		0810	2-8		1230	30
	8900(3)	4		2620	4		1230	34
06.01923-3112	0910	18		8900(3)	7		1230	36
06.01923-3114	8900(7)	7	06.11250-2106	0660	18	06.56190-0708	1250	12

Part No	Fig. No	Find No	Part No	Fig. No	Find No	Part No	Fig. No	Find No
06.56190-0709	0650	1-8	110401-00067	8900(6)	2	120106-00539	0160	6
06.56190-0712	1230	3	110401-00076	8900(4)	8	120107-00008	0260	3
06.56190-0713	0110	1-10		8900(6)	5	120122-00043	0820	5
	0580	3	110403-00113	1910	1	120122-00044	0820	6
06.56190-0718	1250	9-12	110412-00070	0660	1-1	120122-00048	0630	8
06.56190-0722	0550	1-8	110412-00094	0660	1	120122-00049	0110	12
06.56190-0726	0110	1-6	110413-00130	1250	3	120122-00050	0820	7
	0180	7	110417-00052	0660	11	120202-00211	8900(4)	13
	0560	23	110427-00533	4150	1		8900(6)	8
	1110(1)	5	110443-00048	0810	10	120202-00212	8900(4)	14
	1110(2)	5	110443-00049	0810	12		8900(6)	9
06.56190-0728	0580	17	110443-00050	0810	15		8900(8)	4
	0910	27	110443-00051	0810	17	120305-00003	1910	9
06.56190-0732	0110	1-8	110508-12417	8900(7)	1-2	120305-00033	1910	10
	0110	8	110508-15319	8900(7)	1	120402-00414	1230	27
	0560	14	110508-15320	8900(7)	1-1		1230	37
06.56342-1208	0640	2	110515-00233	8900(7)	1-6	120402-00444	0940	12
06.67020-0112	8900(2)	12	110515-00236	8900(7)	1-7	120404-00192	1920	5
	8900(5)	10	110515-00274	8900(7)	1-3	120404-00196	1920	1
06.67020-0113	8900(2)	5	110515-00275	8900(7)	1-4	120703-00016	1230	17
	8900(5)	5	110515-00276	8900(7)	1-5	120703-00030	1230	11
06.71010-0213	1110(1)	9	110910-01001	9880(3)	1	120703-00033	1230	12
	1110(2)	9	110921-02081	8900(2)	1-3	120703-00034	1230	19
06.71010-0213	1230	35	110921-02545	8900(5)	1-3	120810-00112	0560	6
06.71024-0107	1110(1)	11-2	110928-00339	8900(3)	1-2	120816-00123	0140	3
	1110(2)	11-2		8900(3)	3-2	130205-00304	0660	10
06.71024-0108	1110(1)	11-4	110928-00360	0910	15	130205-00305	2610	2
	1110(2)	11-4	110928-00480	0940	13	130601-00042	0250	5
06.71030-8113	1110(1)	11-3	110948-00119	8900(2)	1-2	130709-00054	0660	1-2
	1110(2)	11-3	110948-00144	8900(5)	1-2	130710-00048	0660	9-1
06.71030-8114	1110(1)	11-5	110951-00805	1250	5	130710-00052A	0660	9
	1110(2)	11-5	110951-00946	1910	11	130711-00088	0260	1
06.78144-2204	1110(1)	6	110951-01076	0660	1-8	130712-00790	0660	1-4
	1110(1)	12	110958-01844	8900(2)	1-7	140101-00040	0660	9-3
	1110(2)	6	110958-01845	8900(2)	1-8	140202-00008	0110	1-1C
	1110(2)	12	110958-02383	8900(5)	1-7	140202-00011	0110	1-1BA
	1230	33	110958-02384	8900(5)	1-8		0110	1-1CA
101552-00242	8900(8)	2	111002-00122	8900(3)	1	140202-00020	0110	1-1B
101552-00287	1230	29	111002-00123	8900(3)	3	150102-00668A	0110	1
101558-00034	1910	7	111002-00124	8900(3)	1-1	150102-00674A	0110	1-1
101569-00143	8900(2)	1-4	111002-00125	8900(3)	3-1	150102-00677A	0110	1-1A
101569-00165	8900(5)	1-4	120106-00191	0910	11	150105-00438	0910	1
110401-00065	8900(4)	4		0910	23	150105-00439	0910	2
	8900(6)	3	120106-00412	1910	4	150107-00495	0210	1-1
110401-00066	8900(4)	1	120106-00507	0820	14	150107-00497	0210	1
	8900(6)	1	120106-00508	0820	13	150113-00400A	0310	1-1
110401-00067	8900(4)	2	120106-00509	0820	15	150113-00408A	0310	1

Part No	Fig. No	Find No	Part No	Fig. No	Find No	Part No	Fig. No	Find No
150114-00169	0140	1	420101-00928	8900(4)	12	430218-00256	0160	5
150121-00107	0240	1		8900(6)	7	430228-00012	1110(1)	11
160701-00043	0210	1-2	420101-00974	8900(5)	11		1110(2)	11
210101-00009	0660	7	420107-00301	0910	24	430228-00013	1110(1)	11-1
240102-00210	0810	3	420108-00111	0940	20		1110(2)	11-1
240102-00211	0810	2-3	420108-00152	0940	10	440211-00439	8900(2)	1
240102-00212	0810	4	420108-00158	0630	4	440211-00451	8900(2)	1-1
240102-00213	0810	1-3	420202-00279	8900(2)	1-6	440211-00526	8900(5)	1
240102-00242	0810	2-1	420202-00339	8900(5)	1-6	440211-00567	8900(5)	1-1
240102-00243	0810	1-1	420204-00027	1110(1)	8	460102-00028	0580	19-2
240102-00277	0810	2		1110(2)	8	460102-00029	0580	19
240102-00278	0810	1	420204-00407	1230	31	51.01804-7023	0180	1
240203-00128	0820	1	420204-00408	1230	32	51.03901-0338	0310	5
240401-00140	0940	1	420204-00417	1230	15-1	51.03901-0348	0310	5
300516-00075	2620	1	420204-00419	1230	15	51.04104-0023	0410	7
300611-00683	1110(1)	2	420204-00445	1230	14	51.93410-0073	0660	1-3
300611-00684	1110(2)	2	420204-00447	1230	14-1	51.96501-0295	1140	2
300728-00056	1230	38	420204-00449	1230	25	51.96501-0322	1140	1
300728-00057	1230	28	420204-00450	1230	26-1	65.01110-0070	0210	6
300901-00009	2610	1	420204-00451	1230	26	65.01110-0080	0210	7
301206-00017	2620	1-1	420204-00479	1230	6	65.01111-6539	0210	8
301309-00022	0550	8	420204-00480	1230	6-1	65.01201-0312C	0120	1
301317-00017	0110	14	420208-00442B	1030	3	65.01402-0020	0140	9
400215-00032	8900(2)	1-5	420208-00444A	1030	2	65.01501-5017E	0150	1
400215-00036	8900(5)	1-5	420208-00446A	1030	1	65.01510-0141	0140	2
400403-00038	1250	9	420209-00196	0940	5	65.01510-0153A	0150	2
400414-00335	8900(4)	7	420209-00197	0940	17	65.01601-0007A	0160	1-2
	8900(6)	4	420209-00245	0940	9	65.01601-2016A	0160	1
400414-00336	8900(8)	1	420209-00246	0820	11	65.01810-5011	0340	7
400504-00169	8900(4)	7-1	420211-00355	8900(2)	8	65.01816-5003	1250	9-8
	8900(6)	4-1		8900(5)	8	65.01903-0011	0140	10
400508-00006	0550	2	420211-00356	8900(2)	6	65.01903A0200	0140	5
	9880(2)	1	420211-00357	8900(2)	3	65.01903A0201	0140	6
400612-00028	0910	21	420211-00476A	8900(5)	3	65.01905-0032	0150	3
400612-00031	0910	8	420211-00477	8900(5)	6	65.02115-0066	0210	4
400912-00028	1110(1)	1	420214-00249	0910	9	65.02130-0001	0210	2
	1110(2)	1	420214-00250	0910	10	65.02130-0002	0230	2
400921-00021	0650	1	420217-00227	0910	22	65.02201-7033	0220	1
400921-00091	0650	1	430201-00600	0580	19-1	65.02201-7034	0220	1
401002-00785	0120	2	430201-00821	1230	5	65.02301-0303E	0230	1-1
401002-00786	0120	3	430208-00299	1230	26-2	65.02301-5014C	0230	1
	0120	4	430213-00245	8900(9)	1	65.02310-0073D	0230	1-2
401004-00022	0250	*	430213-00246	8900(9)	2	65.02405-0008	0240	1-2
401102-00033	0210	5	430215-00619	0660	5	65.02410-0200	0240	3
401109-00124	1230	13	430215-00779	0110	7	65.02410-0320	0240	2
420101-00721	0180	3	430215-00780	0560	10	65.02411-0008	0240	1-3
420101-00722	0180	4	430216-00295	8900(7)	1-8	65.02501-0704	0250	1

Part No	Fig. No	Find No	Part No	Fig. No	Find No	Part No	Fig. No	Find No
65.02503-0158	0250	2	65.05701-5360	1110(2)	3	65.12301-5144	1230	10
65.02503-0159	0250	3	65.05701-5582	0580	9	65.12501-7036	1250	9
65.02503-0678	0250	4	65.05701-5804	0580	10	65.12501-7038	9880(1)	1
65.03201-1060	0310	1-2	65.05740-0093	0580	13	65.12501-7095A	1250	1
65.03203-0184	0310	1-3	65.05801-5215A	0580	1	65.12502-0005	1250	9-4
65.03203-0242	0310	1-4	65.05806-0029	0580	8	65.12503-5016B	9880(2)	2
65.03401-0077	0340	1	65.05806-6085	0580	7	65.12503-5019	1250	9-3
65.03401-0081	0340	2	65.05901-0014	0560	3	65.12504-0011	1250	9-1
65.03401-5002	0340	3	65.05901A0080	0550	3		1250	9-5
65.03905-0034	0340	6	65.05902A0041	0560	9	65.12506-0012	1250	9-9
65.04101-0367C	0410	2	65.05903-0030	0560	11	65.12510-0006	1250	9-2
65.04101-0375C	0410	1	65.05903A0006	0510	6	65.15211-5008	8900(1)	1
65.04102-0083A	0410	3-1	65.05904-0105B	0580	4	65.15901-0010	8900(1)	2
65.04102-0084A	0410	3-2	65.06301-0303	0630	1	65.26810-7025	9880(2)	4
65.04102-6007	0410	3	65.06301-0368	0630	6	65.27103-7002D	0140	13
65.04102-6030	0410	3	65.06402-0006	0640	1	65.27405-5005	0110	14
65.04103-0074	0410	4	65.06501-0082A	0650	1-1	65.29101-6154	9880(2)	3-1
65.04104-0023	0410	7	65.06503-0174	0650	1-6	65.29101-6159	9880(2)	3-2
65.04200-6029A	0420	1	65.06506-6001A	0650	1-3	65.29101-6164	9880(2)	3
65.04201-1003	0420	1-1A	65.06512-0017A	0650	1-7	65.90001-0146A	0420	2
65.04201-5020	0420	1-1	65.06520-6007	0650	1-2		1140	3
65.04202-5035	0420	1-4	65.06901A0069	0640	3	65.90001-0155A	0810	8
65.04205-0021A	0420	1-2	65.06901A0074	0650	4	65.90001-0156	0810	7
65.04301-0079	0430	1	65.06903B0010	0630	2	65.90001-0157	0810	1-6
65.04302-0026	0430	2	65.08203-0001A	0820	8		0810	2-6
65.04401-0443	0440	2-1	65.08212-0002	0940	3	65.90002-0033	1250	9-6
65.04401-6003A	0440	2	65.08901-0047	0810	6	65.90020-0062B	0220	2
65.04401-8008	0440	1	65.08901-0060	0810	1-2	65.90020-0065A	0140	4
65.04410-0018	0110	1-1F		0810	2-2	65.90020-0091	0140	8
65.04410-0078	0110	1-1G	65.08901-0063	0910	4	65.90020-0127	0230	4
65.04501-0097	0440	2-2A	65.08902-0078D	0820	2	65.90020-0223	0140	7
65.04902-0027	0410	8	65.08902A0057	0820	9	65.90020-0268	0310	2
65.05100-6043A	0510	1		0820	12	65.90020-0269	0310	3
65.05401-5024	0510	4	65.09901-0033	0910	6	65.90020-0270	0310	4
65.05406-0027	0510	4-1	65.09905-0012	0940	18	65.90020-0293B	0110	1-1D
65.05410-0006	0510	4-2	65.10101-7051	1010	1	65.90030-0001	0560	5
65.05501-7087	0550	1	65.10102-6047	1010	1-1	65.90030-0024	0440	2-2C
65.05503-0043	0550	1-1	65.10108-0006	1010	2	65.90030-0048A	0210	1-3
65.05510-5020B	0550	2	65.11101-7303	1110(1)	1-1	65.90201-0076	0910	5
	9880(2)	1		1110(2)	1-1	65.90201-0080	0810	2-7
65.05517-0011	0550	1-5	65.11120-5002	1230	9	65.90302-0026	0650	1-10
65.05518-0005	0550	1-3	65.11121-0002A	0440	2-2B	65.90302-0041	0110	1-4
65.05541-0001	0550	1-4	65.11300-6001B	0440	2-2	65.90310-0119	0510	4-4
65.05601-7135	0560	1	65.11301-0018A	0440	2-2D	65.90310-0129	1110(1)	1-3
65.05604-0028	0560	2	65.11301-0115A	1130	1		1110(2)	1-3
65.05605-0037A	0560	8	65.11501-7006C	1110(1)	1-2	65.90310-0131	0110	1-9
65.05701-5360	1110(1)	3		1110(2)	1-2		0580	2

Part No	Fig. No	Find No	Part No	Fig. No	Find No	Part No	Fig. No	Find No
65.90310-0133	0560	22	65.96301-0573	8900(2)	13	67.06901A0001	8900(2)	7
65.90310-0134	0110	1-7	65.96340-5037	1230	4		8900(5)	7
	0110	9	65.96340-5061	1230	1	67.16250-6003	8900(4)	11
	0560	13	65.96401-0007	0140	12		8900(6)	6
65.90310-0135	0110	5	65.96501-0032B	0180	2		8900(8)	3
65.90310-0149A	0110	1-5	65.96501-0075	0940	2	800108-00159	0580	6
	0580	18	65.96501-0420	0940	6			
65.90310-0150	1250	11	65.96507-0001	1230	18			
65.90320-0022	0940	8		1230	20			
65.90441-0061	1910	6	65.96507-0043	1230	8			
65.90501-0049	0420	1-3	65.96601-0046B	0910	8			
65.90535-0001	0910	7	65.96601-0054	0110	10			
65.90535-0003	0940	14	65.96601-0055	0580	16			
	0940	16	65.96601-0067	0910	21			
	1030	4	65.96601-0221B	0560	7			
	8900(4)	3	65.96601A0237	0160	2			
	8900(7)	8	65.97401-0110A	0910	12			
65.90535-0005	1910	5		0910	17			
	2620	3		1230	6-2			
65.90701-0054	0810	1-4	65.97401-0178	1230	14-2			
	0810	2-4		1230	15-2			
65.90701-0103	0410	5	65.97401-6040	8900(2)	2			
65.90701-0104	0410	6		8900(5)	2			
65.90701-0136B	0420	1-5	65.97440-0004A	0910	25			
65.90710-0253	0660	1-6	65.97440-0006	0180	5			
65.90720-0024	1130	3	65.97440-5005	0630	5			
65.90801-0013	0810	1-5		0940	11			
	0810	2-5	65.97450-5001A	0940	7			
65.90815-0022A	0250	6	65.97450-5006	0940	4			
65.91301-0071	0110	1-1BB	65.97480-0422	0580	11			
65.91303-0005	0230	3	65.97601-0102	0510	4-3			
65.91605-0013	0110	15	65.98103-0027	1230	16			
65.91606-0037	0110	1-3	65.98130-0088	1250	9-10			
	0310	1-6	65.98130-0151	1110(1)	4			
65.91606-0039	0110	1-2		1110(2)	4			
65.91606-0041	0310	1-5	65.98130-0226	0550	1-6			
65.91701-0086	0910	13	65.98131-0060	0650	2			
	1250	4	65.98131-0071	0910	26			
65.91701-0121	1230	22	65.98131-0072	0180	6			
65.91701-0184	1230	21	65.98131-0105	1230	2			
65.91701-0274	0110	2	65.98150-0051	0160	3			
65.91701-0541	0810	9	65.98150-0071	0910	19			
65.93020-1011	0420	1-1B	65.98701-0005	0810	5			
65.93410-0087	0650	1-4	65.98701-0006	1010	4			
	0660	9-3	65.98701-0075	1010	3			
65.95840-0076	0660	9-2	65.99710-5003	0260	2			
65.95840-0079	0660	13	66.27435-6008	0110	13			

국내 엔진부품 대리점 현황

☐ 서울사무소 : 100-730 서울시 중구 을지로 6가 18-12 두산타워빌딩 02) 3398-8527(대) ☐

(주)두산영등포부품센터 02)2677-0704 / 2679-0202

서울특별시 영등포구 영등포동7가 94-86
서울특별시 영등포구 버드나루로 62
62, Beodeunaru-ro, Yeongdeungpo-gu, Seoul

대남오토..... 02)2245-5253

서울특별시 동대문구 답십리동 952 한국자동차부품상가 (다114호)
서울특별시 동대문구 전농로4길 62 한국자동차부품상가 (다114호)
62, Jeonong-ro 4-gil, Dongdaemun-gu, Seoul

(주)두산서우부품센터 02)2676-3366

서울특별시 영등포구 영등포동7가 94-325
서울특별시 영등포구 버드나루로 56
56, Beodeunaru-ro, Yeongdeungpo-gu, Seoul

진화상사..... 02)2245-3701

서울특별시 동대문구 답십리동 952-4 한국자동차부품상가 다동1층 80
서울특별시 동대문구 한천로 31 다동1층 80
31, Hancheon-ro, Dongdaemun-gu, Seoul

(주)협성부품상사 02)2214-1140 / 2214-1891~4

서울특별시 동대문구 답십리동 952-6 부품상가 나 B1-71
서울특별시 동대문구 한천로 17 부품상가 나 B1-71
17, Hancheon-ro, Dongdaemun-gu, Seoul

종합센타 KOREA 02)2242-9982~3

서울특별시 동대문구 장안동 237-38 제일빌딩 107호
서울특별시 동대문구 한천로 38 제일빌딩 107호
38, Hancheon-ro, Dongdaemun-gu, Seoul

태경상사..... 02)2214-5253

서울특별시 동대문구 답십리동 952-4 부품다동 1-71
서울특별시 동대문구 한천로 3 부품다동 1-71
31, Hancheon-ro, Dongdaemun-gu, Seoul

이창부품판매(주) 02)213-2553

서울특별시 동대문구 답십리동 954-6 부품상가 마동
서울특별시 동대문구 황물로17길 33 부품상가 마동
33, Hwangmul-ro 17-gil, Dongdaemun-gu, Seoul

삼우상사..... 02)2245-4527

서울특별시 동대문구 답십리동 12-196
서울특별시 동대문구 한천로11나길 12-13
12-13, Hancheon-ro 11na-gil, Dongdaemun-gu, Seoul

두산디에치아이(주)..... 02)2671-4040

서울특별시 영등포구 영등포동2가 94-27
서울특별시 영등포구 버드나루로 37
37, Beodeunaru-ro, Yeongdeungpo-gu, Seoul

대방상사..... 02)2672-7383 / 010-5218-0628

서울특별시 영등포구 당산동 121-144 상옥빌딩 102호
서울특별시 영등포구 버드나루로 104 상옥빌딩 102호
104, Beodeunaru-ro, Yeongdeungpo-gu, Seoul

우리상사..... 032)831-1150~1

인천광역시 서구 가좌동 560-10번지
인천광역시 서구 가좌로 38번길 29
29, Gajeong-ro, 38beon-gil, Seo-gu, Incheon

신성종합엔진부품 032)883-9975~6

인천광역시 중구 향동7가 27-43
인천광역시 중구 연안부두로 3
3, Yeonanbudo-ro, Jung-gu, Incheon

인천선박부품센터 032)888-9607

인천광역시 중구 향동7가 58-4 비치상가 2-2
인천광역시 중구 연안부두로33번길 16 비치상가 2-2
16, Yeonanbudo-ro 33beon-gil, Jung-gu, Incheon

강릉중기부품센터 033)652-9151

강원 강릉시 두산동 63-3
강원도 강릉시 성덕로176번길 22-3
22-3, Seongdeok-ro 176beon-gil, Gangneung-si, Gangwon-do

연합상사..... 061)641-4999

전라남도 여수시 국동 37-26
전라남도 여수시 어항로 52
52, Eohang-ro, Yeosu-si, Jeollanam-do

영광기공사 061)243-2295

전라남도 목포시 해안동 2가 3-15
전라남도 목포시 해안로165번길 5
5, Haean-ro 165beon-gil, Mokpo-si, Jeollanam-do

협성상사 063)211-9719

전라북도 전주시 덕진구 팔복동 3가 211-1
전라북도 전주시 덕진구 신행로 41-2
41-2, Sinhaeng-ro, Deokjin-gu, Jeonju-si, Jeollabuk-do

새한상사 064)753-1651

제주도 제주시 도남동 915-30
제주특별자치도 제주시 도남로 21-1
21-1, Donam-ro, Jeju-si, Jeju-do

(주)두산종합건기..... 055)294-4001~3

경상남도 창원시 마산회원구 봉암동 660-71
경상남도 창원시 마산회원구 봉암공단8길 77
77, Bongamgongdan 8-gil, Masanhoewon-gu, Changwon-si, Gyeongsangnam-do

현대디젤 055)832-5535

경상남도 사천시 서금동 101-56
경상남도 사천시 등대길 17
17, Deungdae-gil, Sacheon-si, Gyeongsangnam-do

천강상사 051)809-6323

부산광역시 부산진구 부전동 100-6
부산광역시 부산진구 동천로 121
121, Dongcheon-ro, Busanjin-gu, Busan

흥진디젤상사..... 051)819-5115

부산광역시 부산진구 전포동 878-26
부산광역시 부산진구 동천로 134
134, Dongcheon-ro, Busanjin-gu, Busan

(주)호경상사... 서면)051)805-4123, 사상)051)324-0660

부산광역시 사상구 감전동 125-14
부산광역시 사상구 새벽시장로9번길 56
56, Saebyeoksijang-ro 9beon-gil, Sasang-gu, Busan

영남부속 055)644-3561

경상남도 통영시 동호동 339-2 (23/2)
경상남도 통영시 장좌로 36
36, Jangjiwa-ro, Tongyeong-si, Gyeongsangnam-do

대산종합상사..... 051)816-5411~2

부산광역시 부산진구 전포동 193-14
부산광역시 부산진구 서천로57번길 43
43, Seojeon-ro 57beon-gil, Busanjin-gu, Busan

부성디젤 053)353-8634

대구광역시 대구 서구 비산동 1488-4
대구광역시 서구 팔달로 64
64, Paldal-ro, Seo-gu, Daegu

대구종합상사 053)254-5724

대구광역시 대구 중구 수창동 91-2번지 대왕빌딩 1층
대구광역시 중구 달성로22길 82 대왕빌딩 1층
82, Dalseong-ro 22-gil, Jung-gu, Daegu

일진기계 054)247-4400

경상북도 포항시 북구 동빈1가 122-1번지

두산커머셜엔진 032)822-2840 / 011-1707-2840

경기도 시흥시 신천동 600
경기도 시흥시 용부리길 15
15, Yongburi-gil, Siheung-si, Gyeonggi-do

오성상사 032)581-5658

인천 서구 가좌동 560-10
인천 서구 가좌로 38번길 29
29, Gajeong-ro, 38beon-gil, Seo-gu, Incheon

