

前 言

为使4M06 系列柴油机在使用、维护等工作上的方便，特汇编本图册，以供我方与用户在使用中查阅参考。

该图册基本上按组绘出了各个零件的装配关系。图序号、件号、数量、中文名称、英文名称等列于明细表栏内。图册包含发动机详细的装机明细，其中部分零件为不可销售配件，如欲了解配件销售事宜可咨询潍柴备品公司。

随着技术和生产的不断发展，柴油机的变形将增多，故本图册的内容将有所更新。变化不再另行通知，特请用户注意。本产品的售后服务统一授权潍柴动力股份有限公司执行，用户可通过www.weichai.com网站访问获取相关产品信息。

FOREWORD

This illustrated parts manual is specially prepared for customers to facilitate the use of 4M06 series diesel engine in operation and tenance.

The illustrations are grouped under the heading of each assembly and numbered individually.Part.

No.,Quantity,Model,English designation,Chinese designation and so on are written in the parts list . The parts catalogue include detailed assembling parts list of diesel engine ,some parts can not be sold ,if you want to know selling part matters,please ask weichai power spare part resource CO.,LTD.

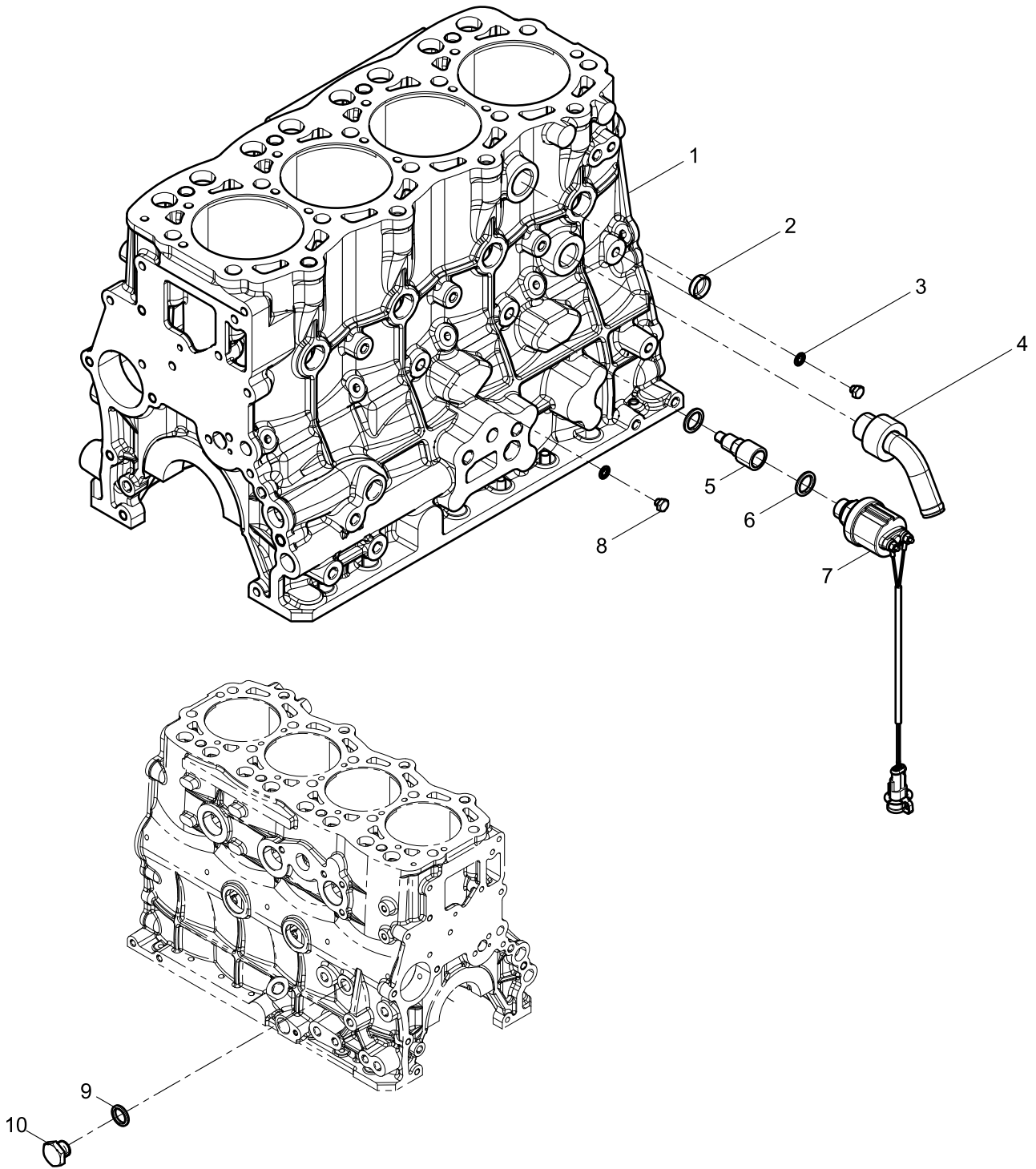
With the development of technology and production,the versions of the diesel engine will be increased, so the catalogue will be revised.Please pay attention to our revised edition.After service of this product is authorized to Weichai Power Co.,Ltd ,Consumers can acquire information of this product through www.weichai.com.

目 录 CONTENTS

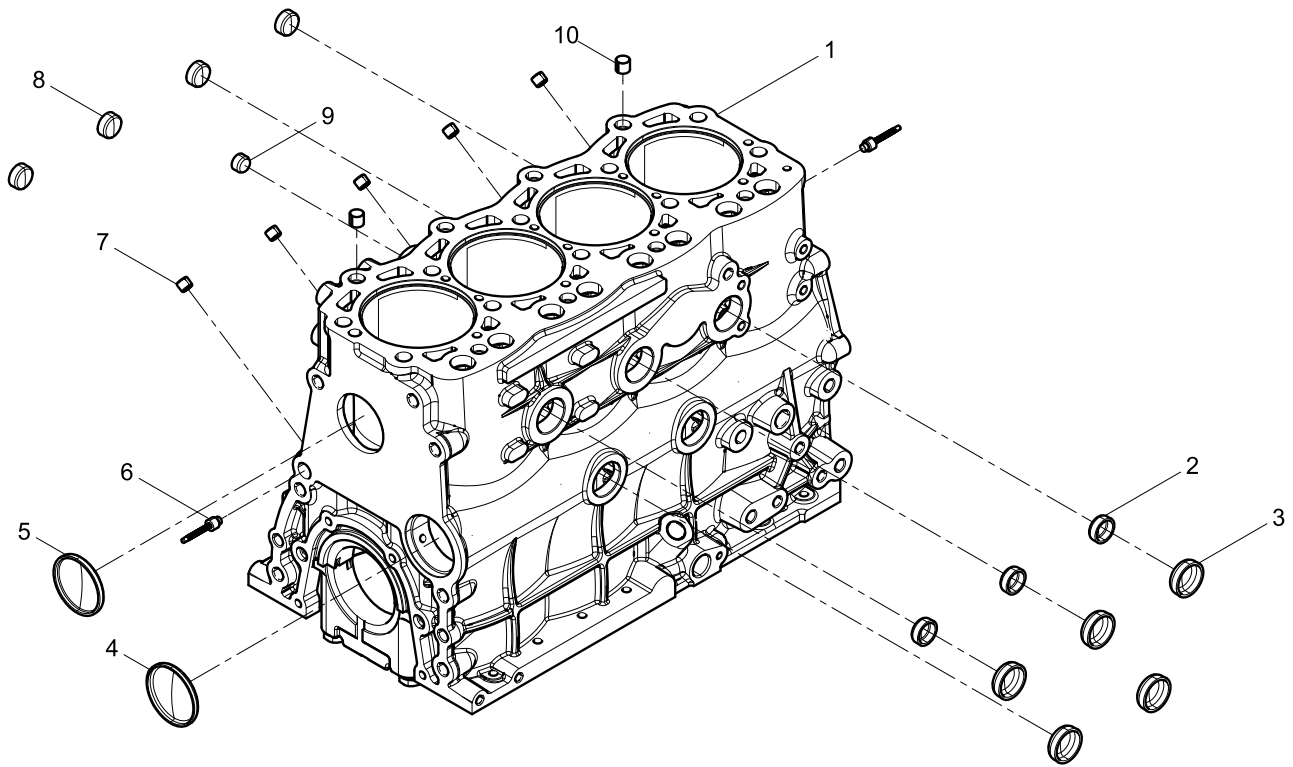
机体结合组(Engine Block Group)	1
机体总成(crankcase assembly)	3
机体预装配(crankcase pre-assembly)	5
油封结合组(Oil Seal Group)	7
飞轮壳结合组(Flywheel Housing Group)	9
齿轮室罩壳结合组(Gear Housing Cover Group)	11
齿轮室结合组(Gear Housing Group)	13
曲轴结合组(Crankshaft Group)	15
主轴瓦结合组(Main Bearing Group)	17
止推片结合组(Thrust Plate Group)	19
飞轮结合组(Flywheel Group)	21
活塞连杆结合组(Piston and Connecting Rod Group)	23
活塞环组件(Piston Ring Set)	25
连杆总成(Connecting Rod Assembly)	27
气缸盖结合组(Cylinder Head Group)	29
气缸盖分总成(Cylinder Head Subassembly).....	31
气缸盖前盖板结合组(Cylinder Head Front Cover Group)	33
吊环结合组(Eye Ring Group)	35
气缸盖罩结合组(Cylinder Head Cover Group)	37
加机油口盖组件()	39
配气机构结合组(Valve Train Group)	41
整体式摇臂轴总成(Integrated Rocker Arm Shaft Assembly).....	43
齿轮传动结合组(Gear Drive Group)	45
曲轴皮带轮结合组(Crankshaft Pulley Group)	47
油底壳结合组(Oil Pan Group)	49
放油螺塞(Oil Drain Plug).....	51
油标尺结合组(Oil Dipstick Group)	53
机油泵结合组(Oil Pump Group)	55
机油集滤器结合组(Oil Strainer Group)	57

机油冷却器结合组(Oil Cooler Group).....	59
机油滤清器结合组(Oil Filter Group).....	61
水泵结合组(Water Pump Group).....	63
节温器结合组(Thermostat Group).....	65
散热器结合组(Radiator Group).....	67
中冷器结合组(Intercooler Group).....	69
风扇及轮毂结合组(Fan and Hub Group).....	71
喷油泵结合组(Fuel Injection Pump Group).....	73
喷油泵润滑油管结合组(Fuel Injection Pump Oil Pipe Group).....	75
喷油器结合组(Fuel Injector Group).....	77
低压油管结合组(Low Pressure Fuel Pipe Group).....	79
燃油滤清器结合组(Fuel Filter Group).....	81
高压油管结合组(High Pressure Fuel Pipe Group).....	83
高压油管总成(High-pressure Fuel Pipe Assembly).....	85
进气管结合组(Intake Manifold Group).....	87
增压器结合组(Turbocharger Group).....	89
增压器润滑油管结合组(Turbocharger Oil Pipe Group).....	91
压气机管路结合组(Compressor Pipe Group).....	93
空气滤清器结合组(Air Filter Group).....	95
排气管结合组(Exhaust Manifold Group).....	97
张紧轮及皮带结合组(Tensioner And Belt Group).....	99
起动机结合组(Starter Motor Group).....	101
发动机支架结合组(Engine Bracket Group).....	103
主机外围附件支撑结合组(Engine Peripheral Device Support Group).....	105
随机备件结合组(Spare Parts Attached to Engine Group).....	107
发电机结合组(Alternator Group).....	109

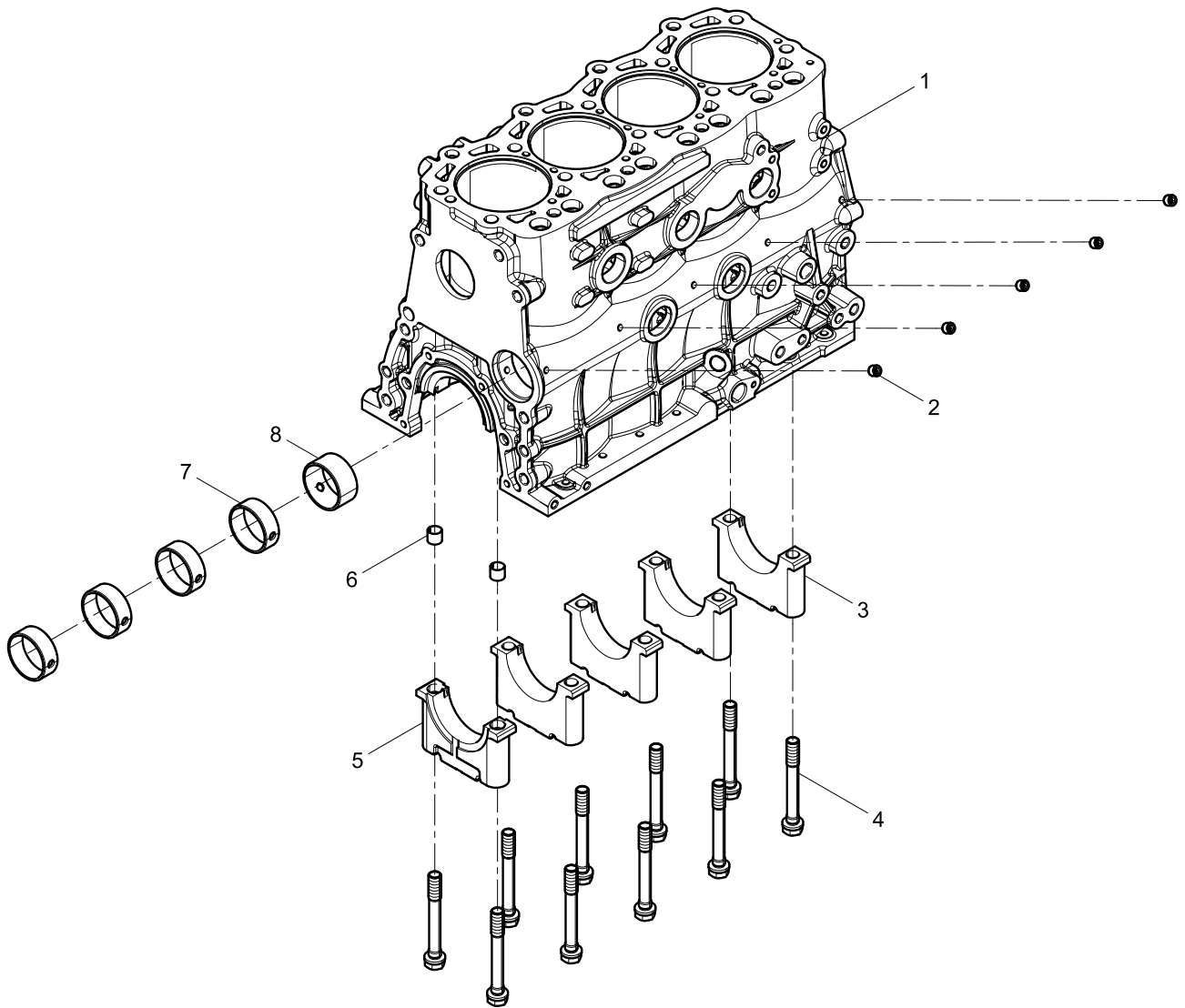
机体结合组(Engine Block Group)



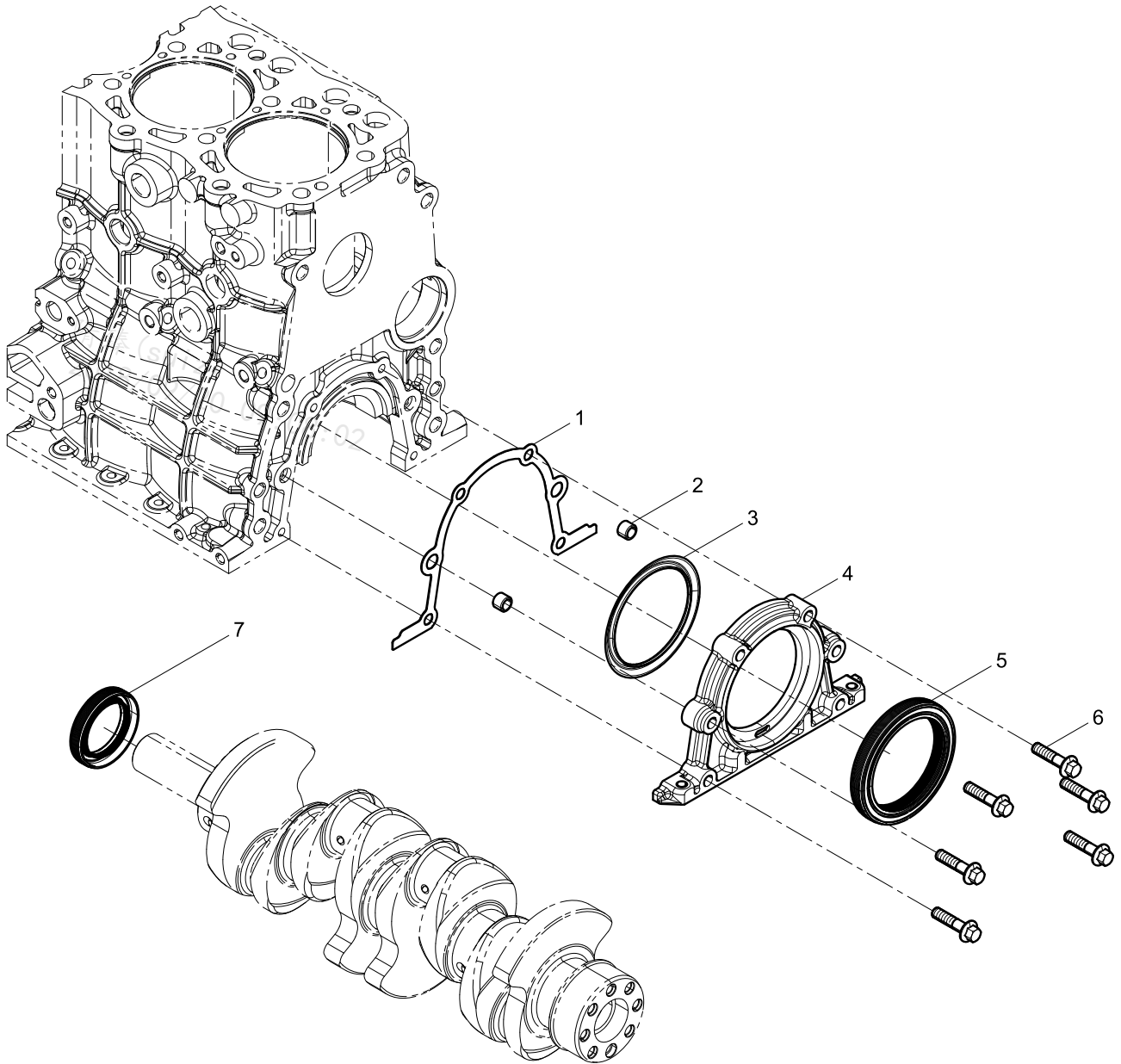
机体总成(crankcase assembly)



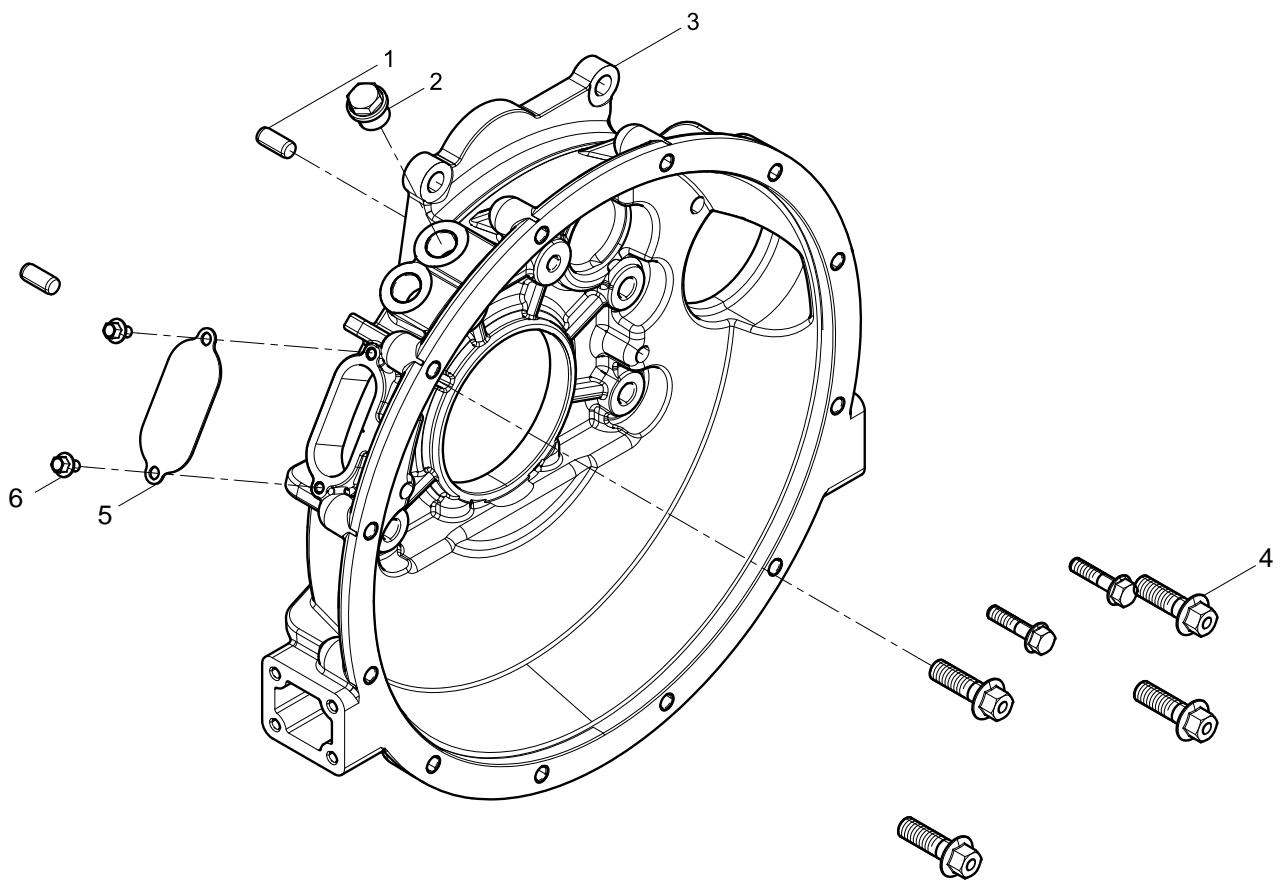
机体预装配(crankcase pre-assembly)



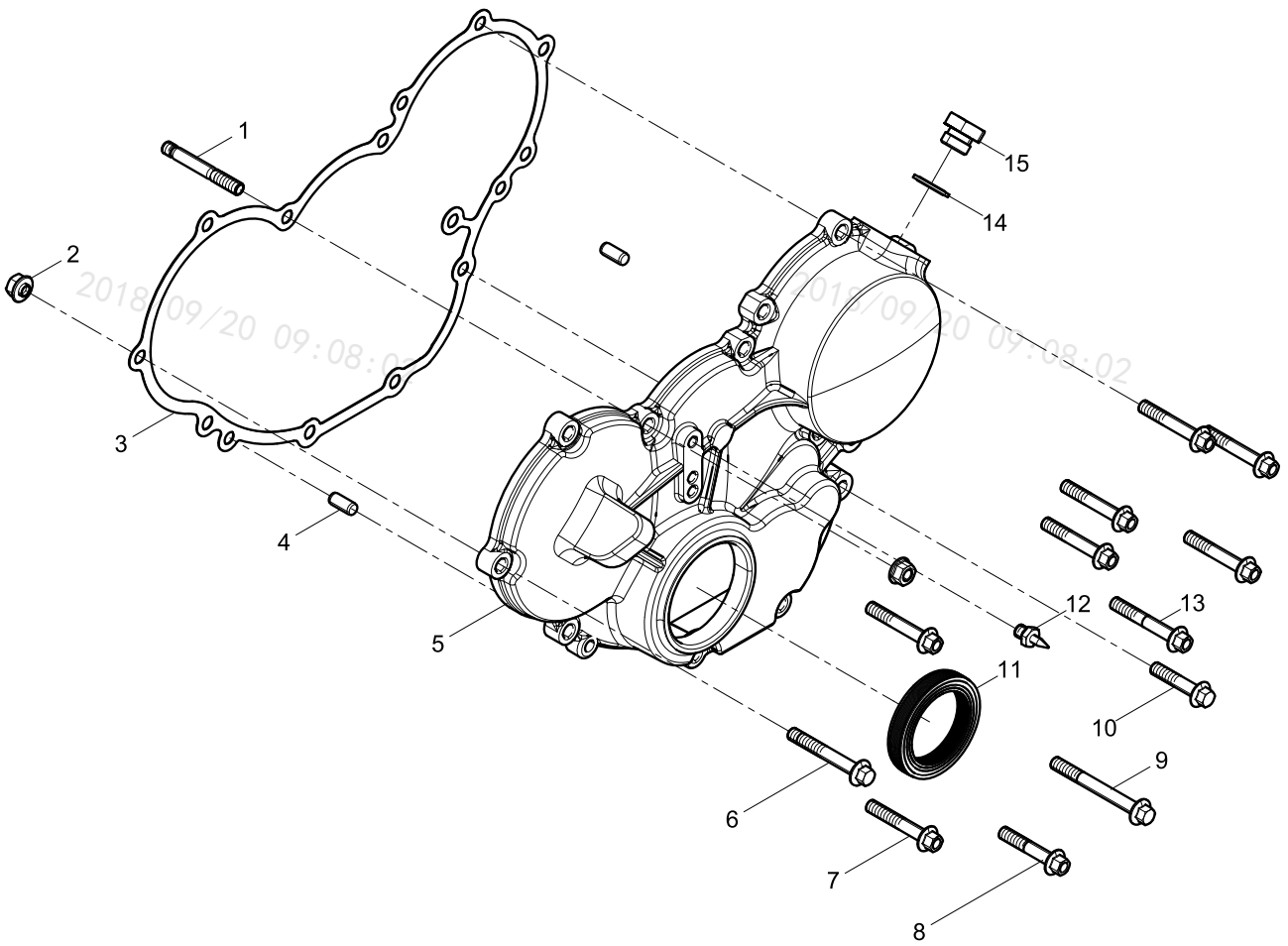
油封结合组(Oil Seal Group)



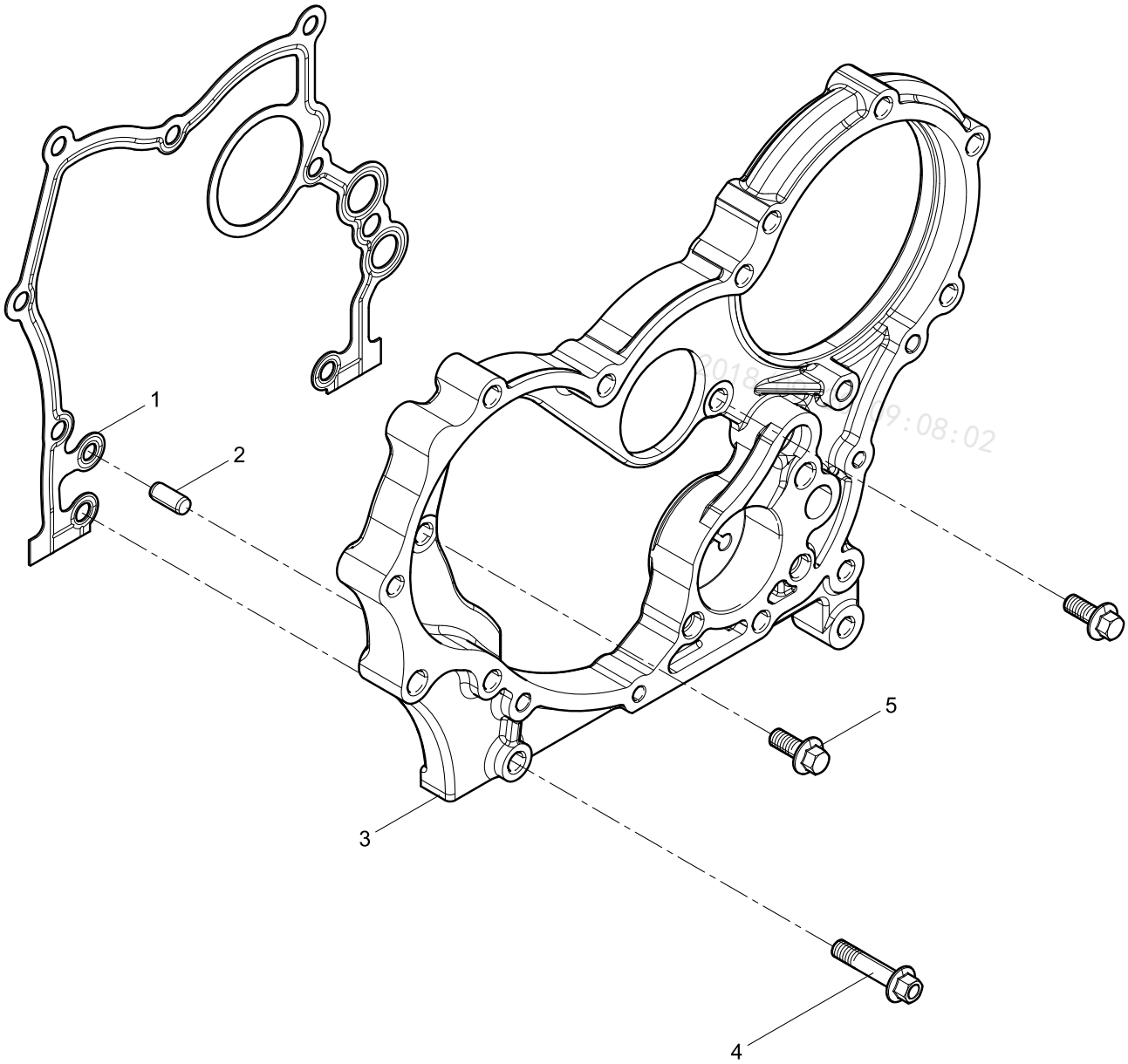
飞轮壳结合组(Flywheel Housing Group)



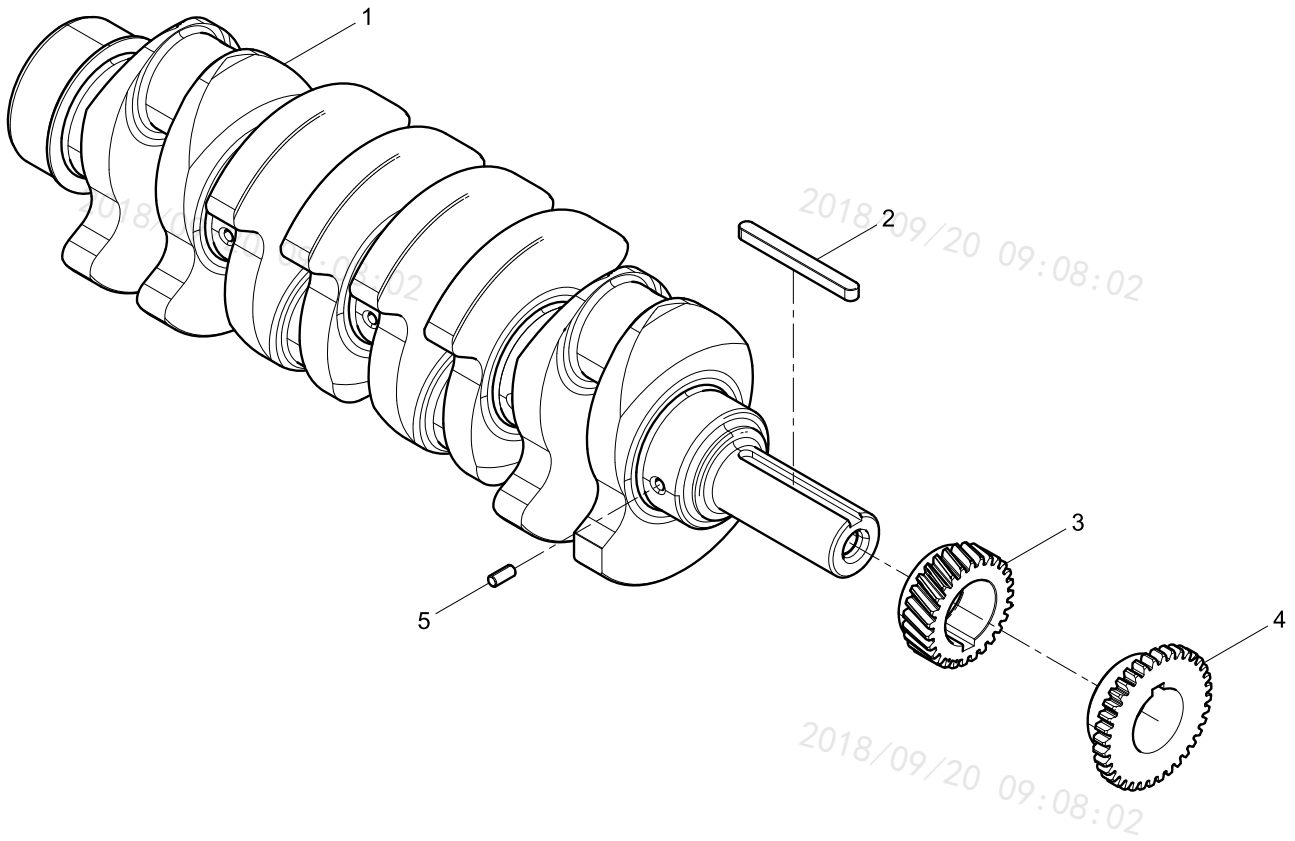
齿轮室罩壳结合组(Gear Housing Cover Group)



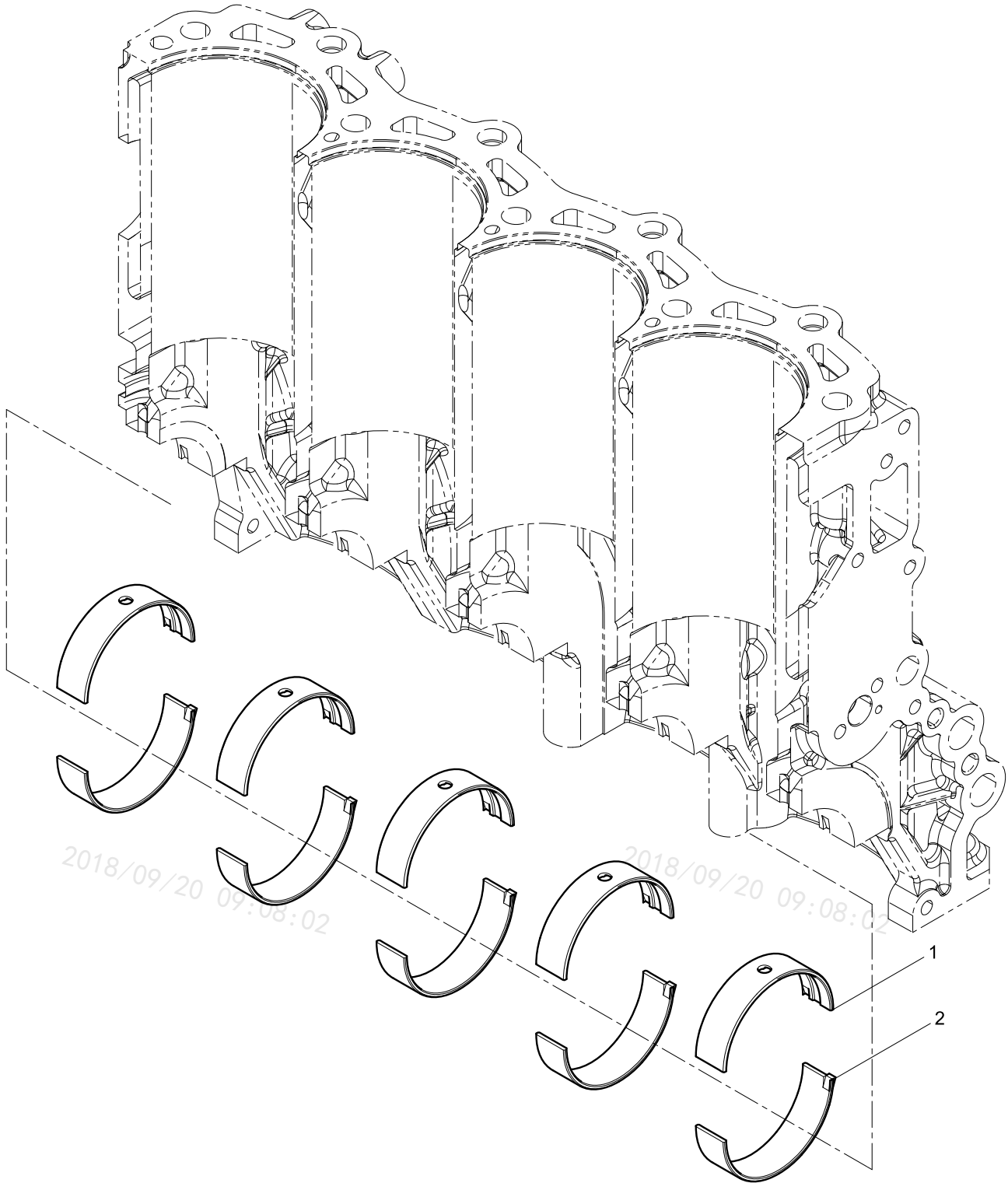
齿轮室结合组(Gear Housing Group)



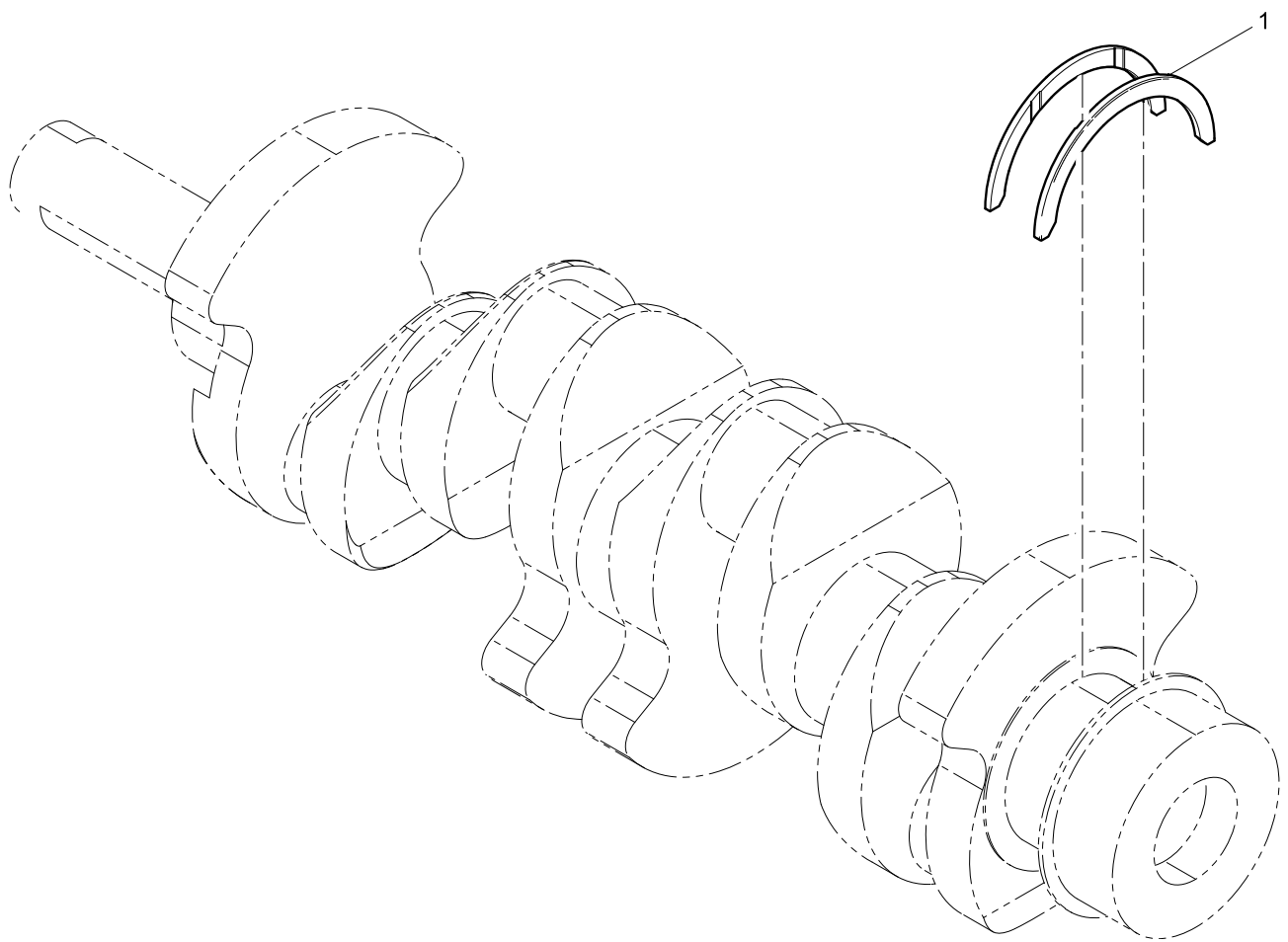
曲轴结合组(Crankshaft Group)



主轴瓦结合组(Main Bearing Group)



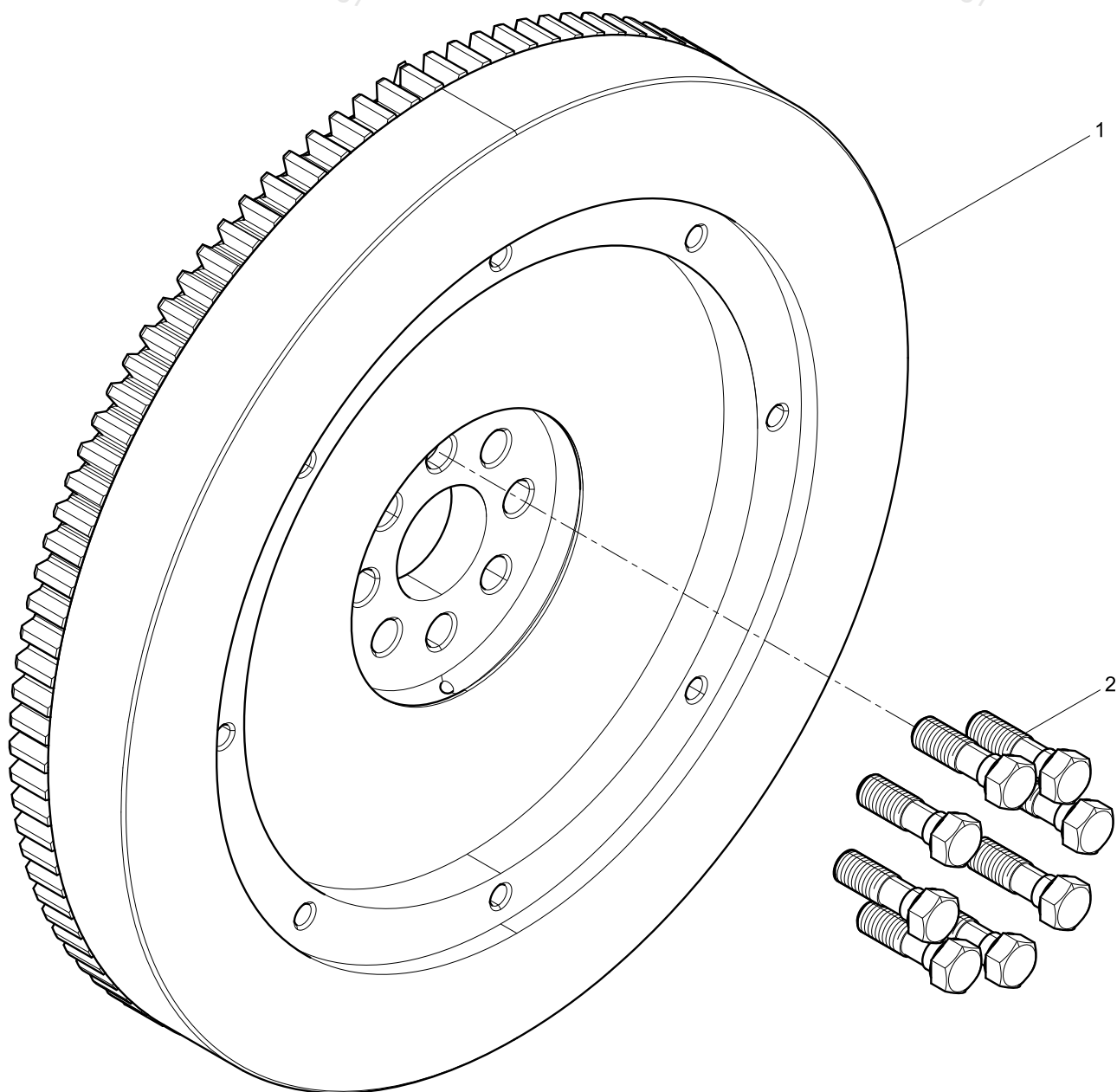
止推片结合组(Thrust Plate Group)



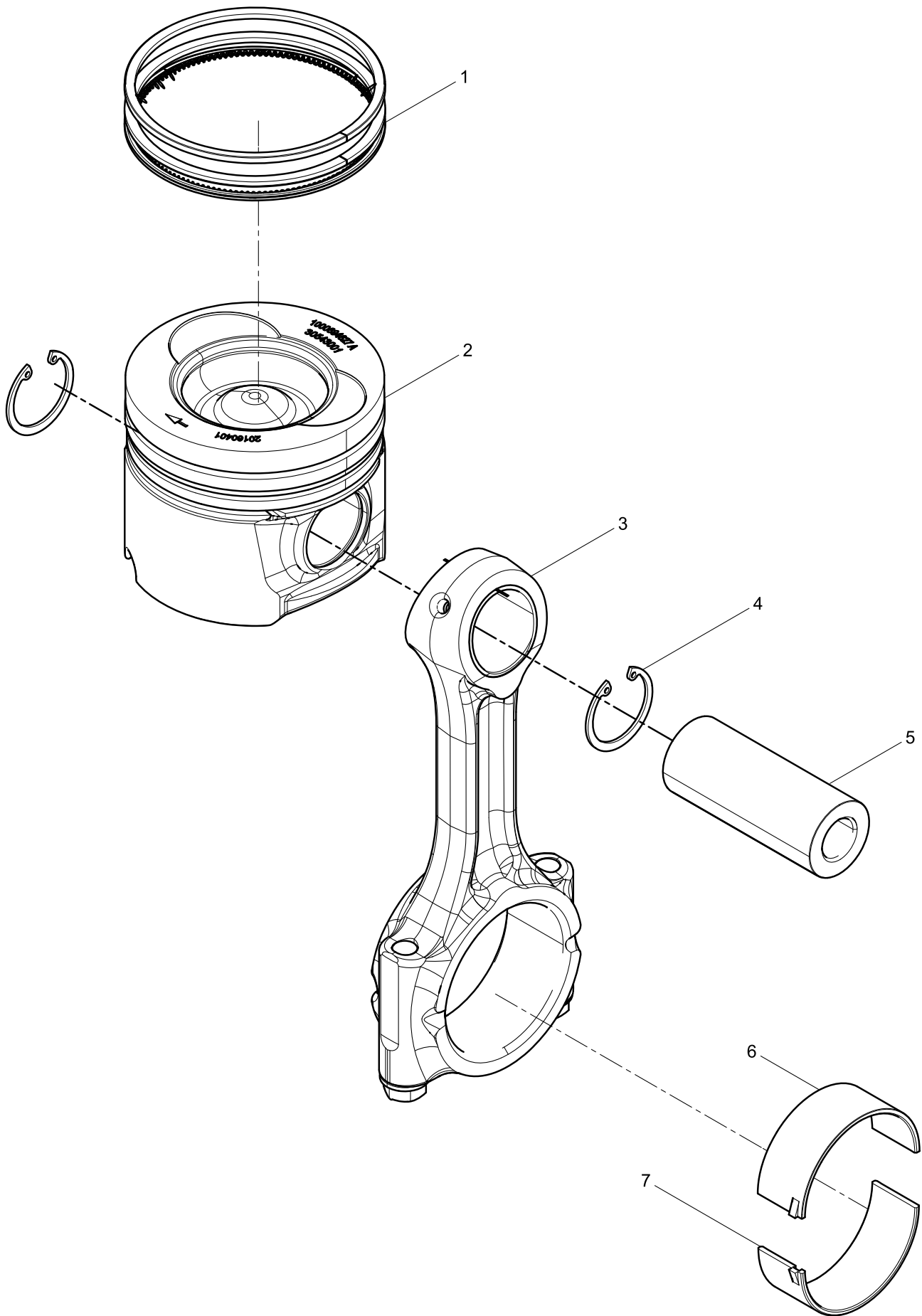
飞轮结合组(Flywheel Group)

2018/09/20 10:31:57

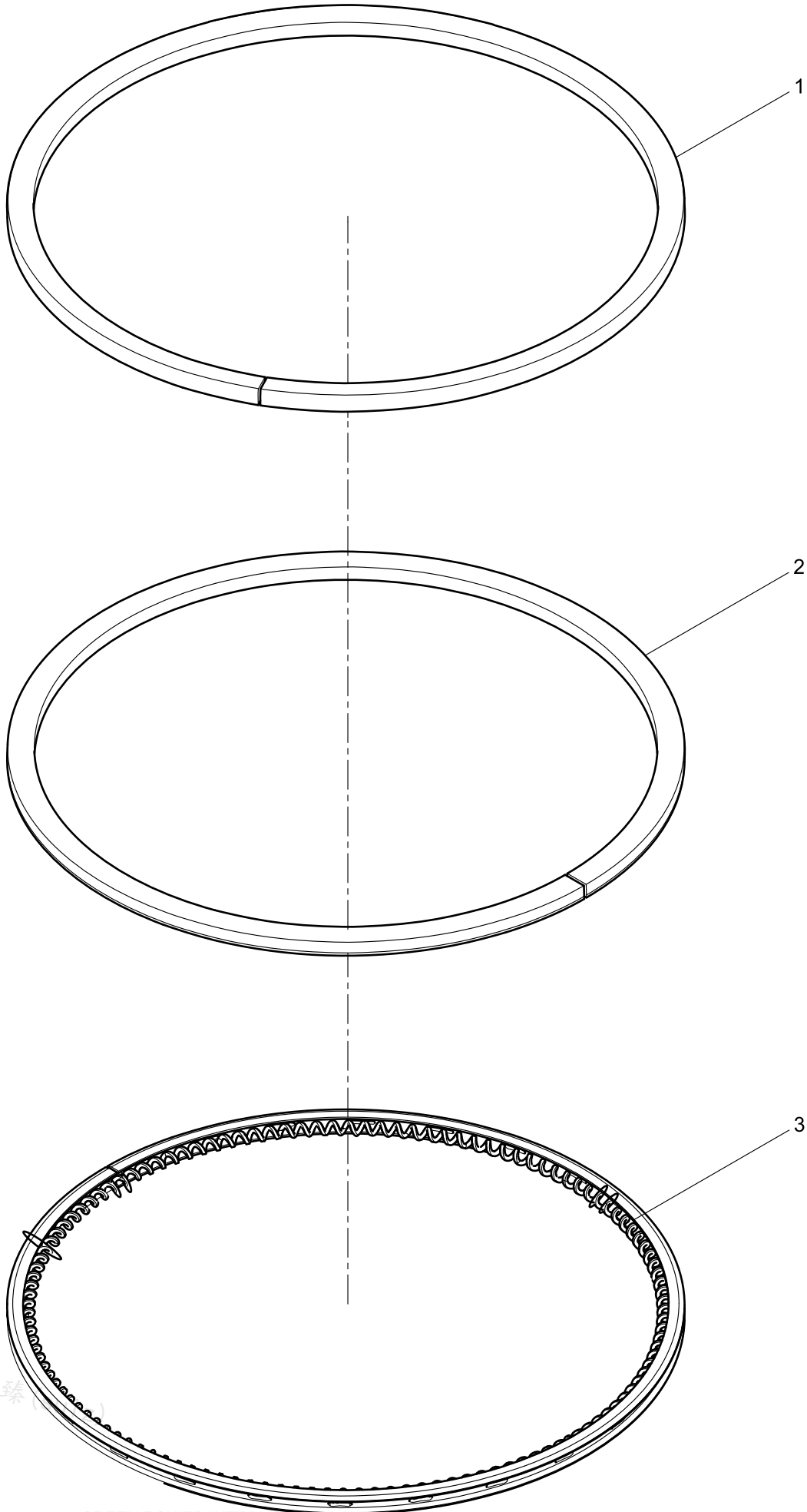
2018/09/20 10:31:57



活塞连杆结合组(Piston and Connecting Rod Group)

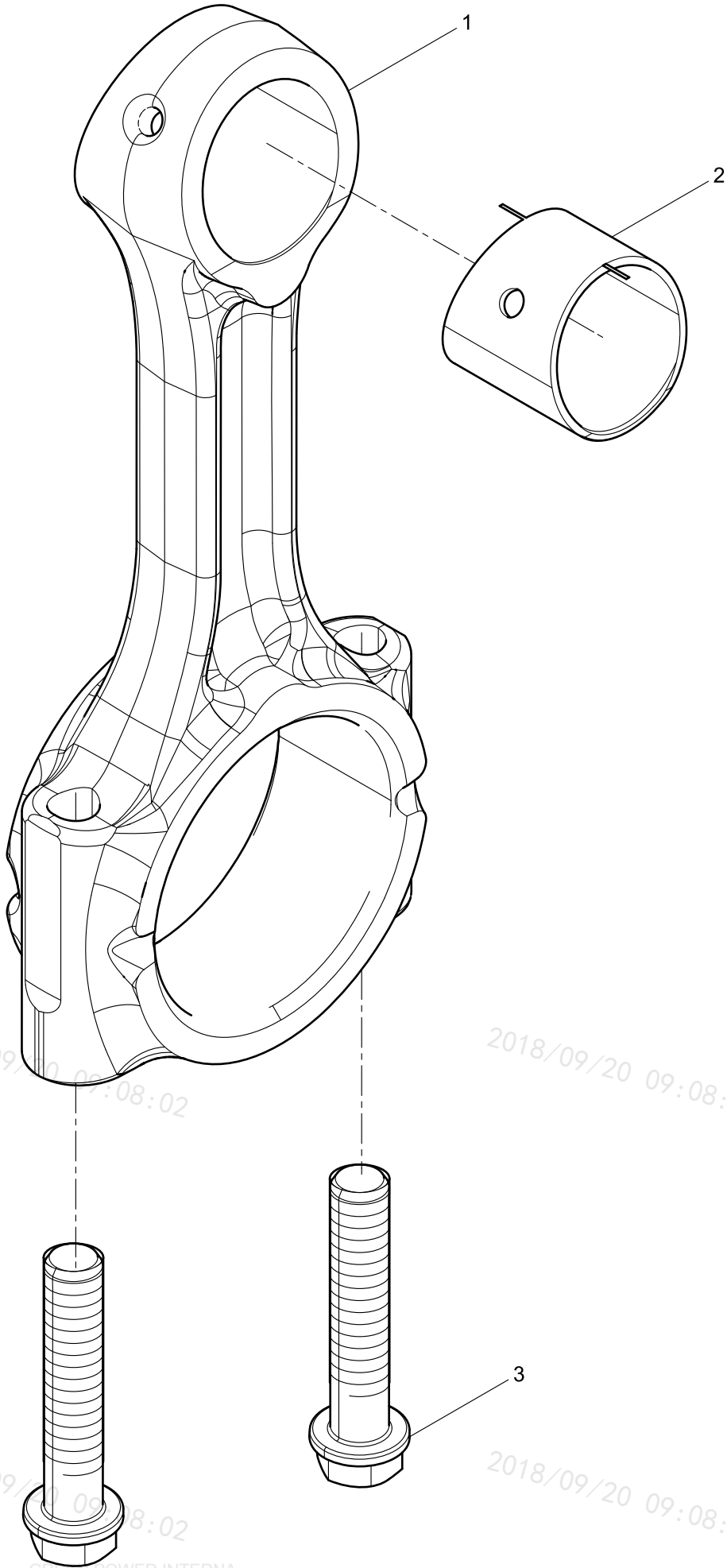


活塞环组件(Piston Ring Set)

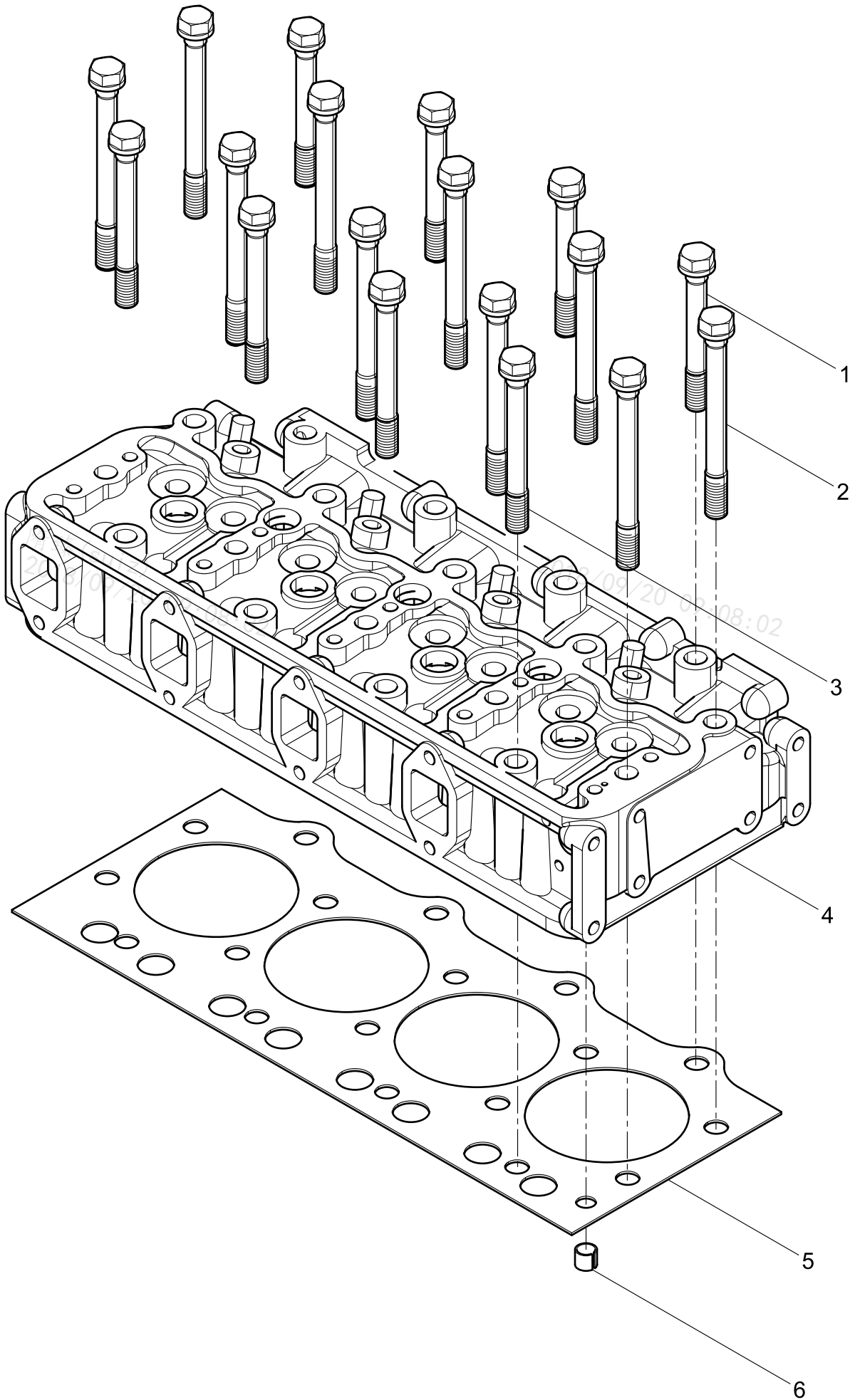


隋臻

连杆总成(Connecting Rod Assembly)



气缸盖结合组(Cylinder Head Group)



气缸盖结合组(Cylinder Head Group)

图序号 Pos.	件号 Teile.Number	数量 Amount	中文名称 Denomination	英文名称 Designation
1	2010008/1	4	气缸盖短螺栓	Cylinder head short bolt
2	2010010/1	10	气缸盖长螺栓	Cylinder head long bolt
3	2010005/1	4	气缸盖长螺栓	Cylinder head long bolt
4	2010391/2	1	气缸盖分总成	Cylinder Head Subassembly
5	1000612081	1	气缸盖垫片	Cylinder Head Gasket
6	2020106	1	定位套	Dowel Pin

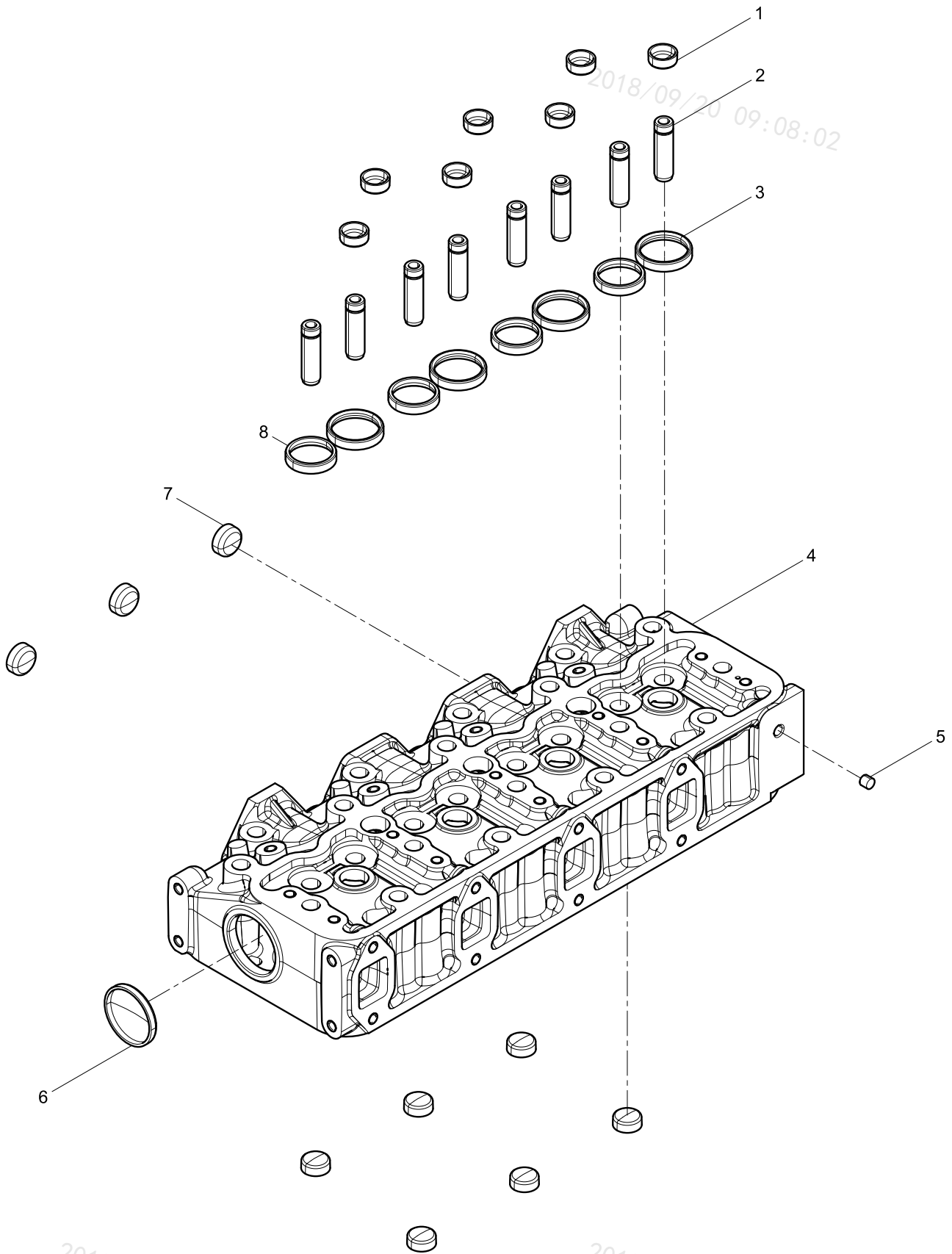
2018/09/20 09:08:02

2018/09/20 09:08:02

2018/09/20 09:08:02

2018/09/20 09:08:02

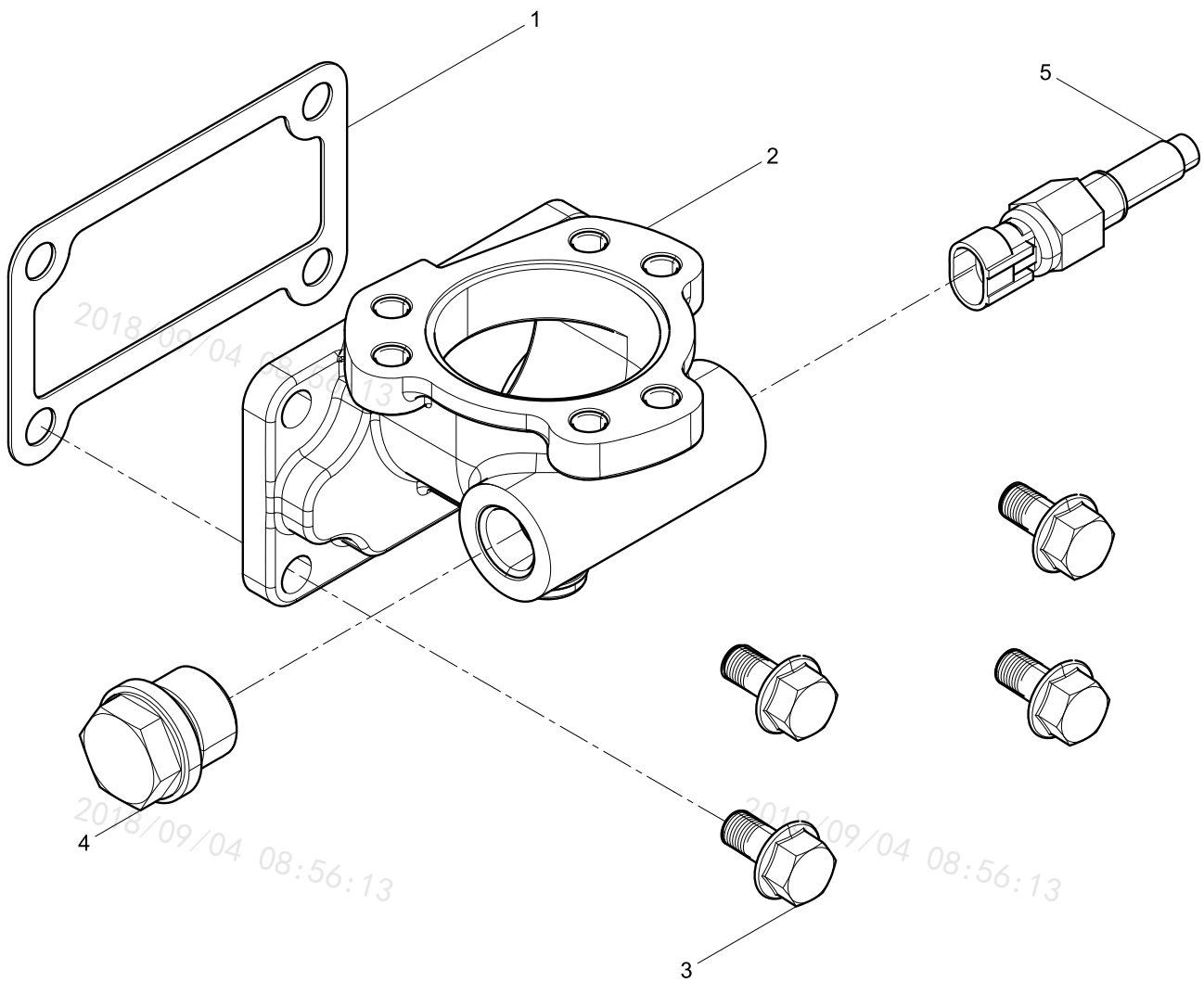
气缸盖分总成(Cylinder Head Subassembly)



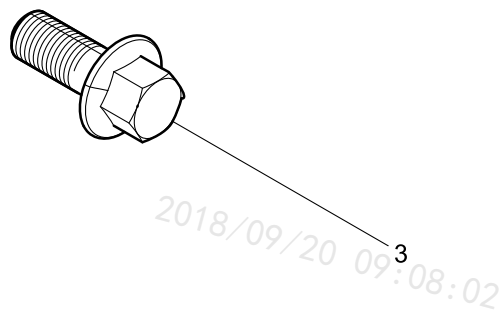
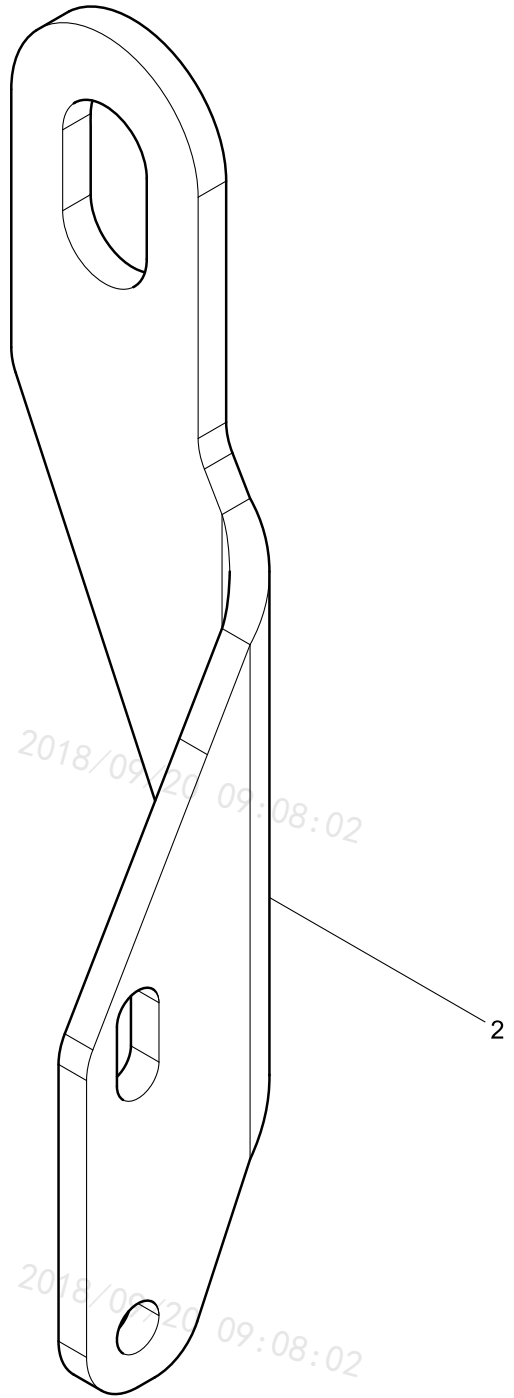
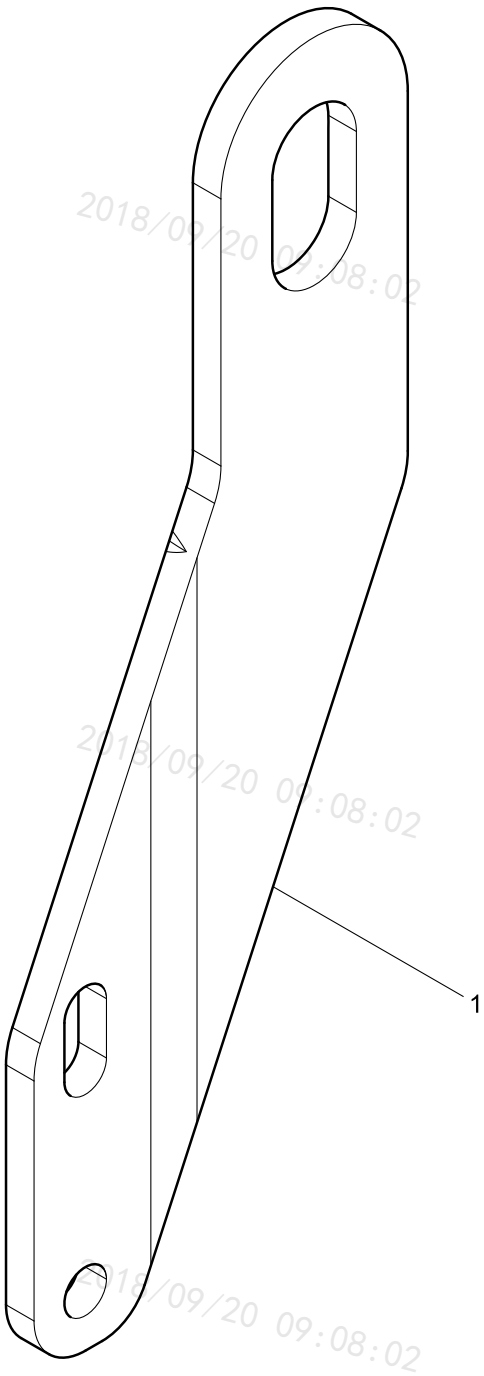
2018/09/20 09:08:02

2018/09/20 09:08:02

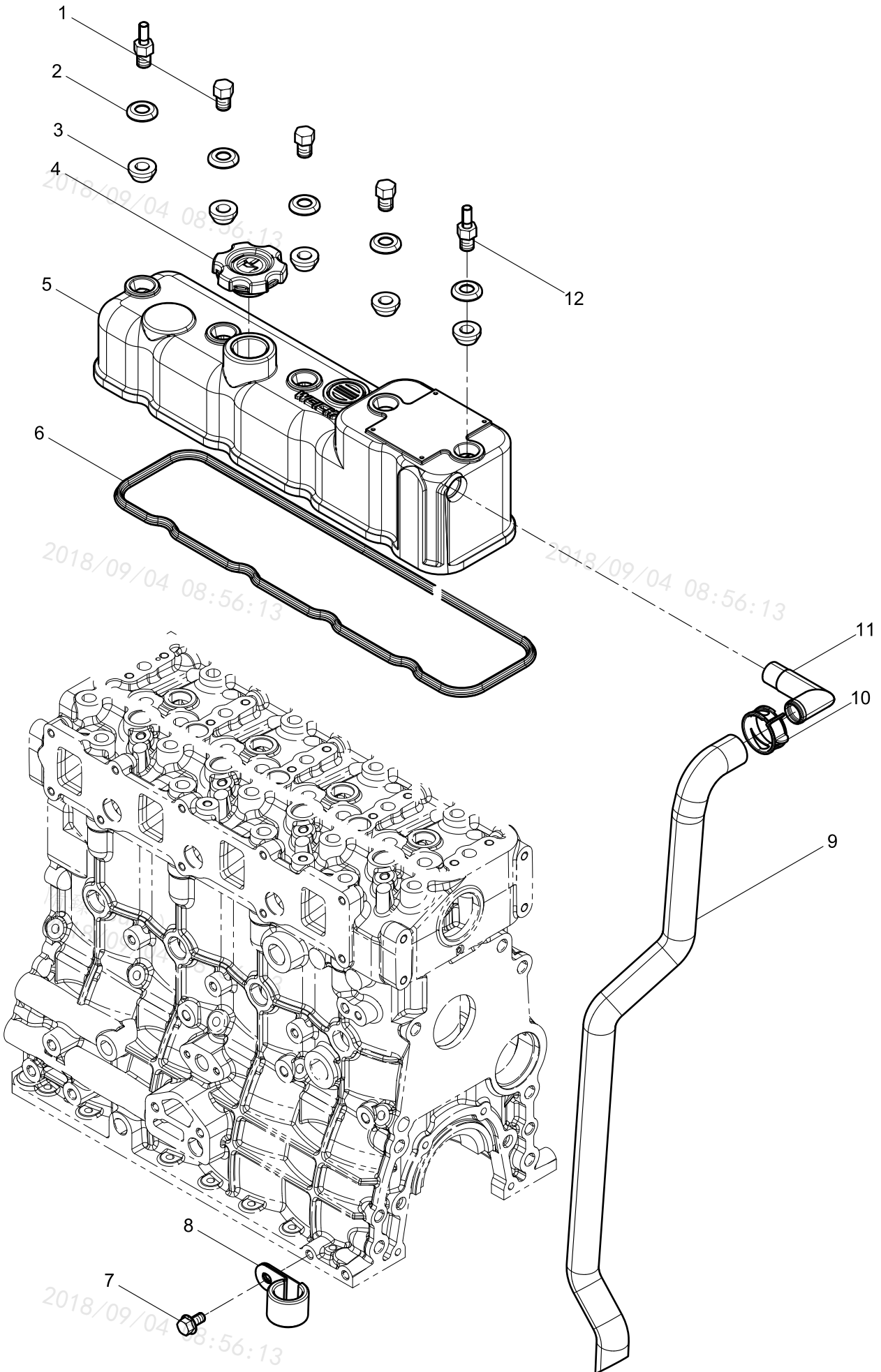
气缸盖前盖板结合组(Cylinder Head Front Cover Group)



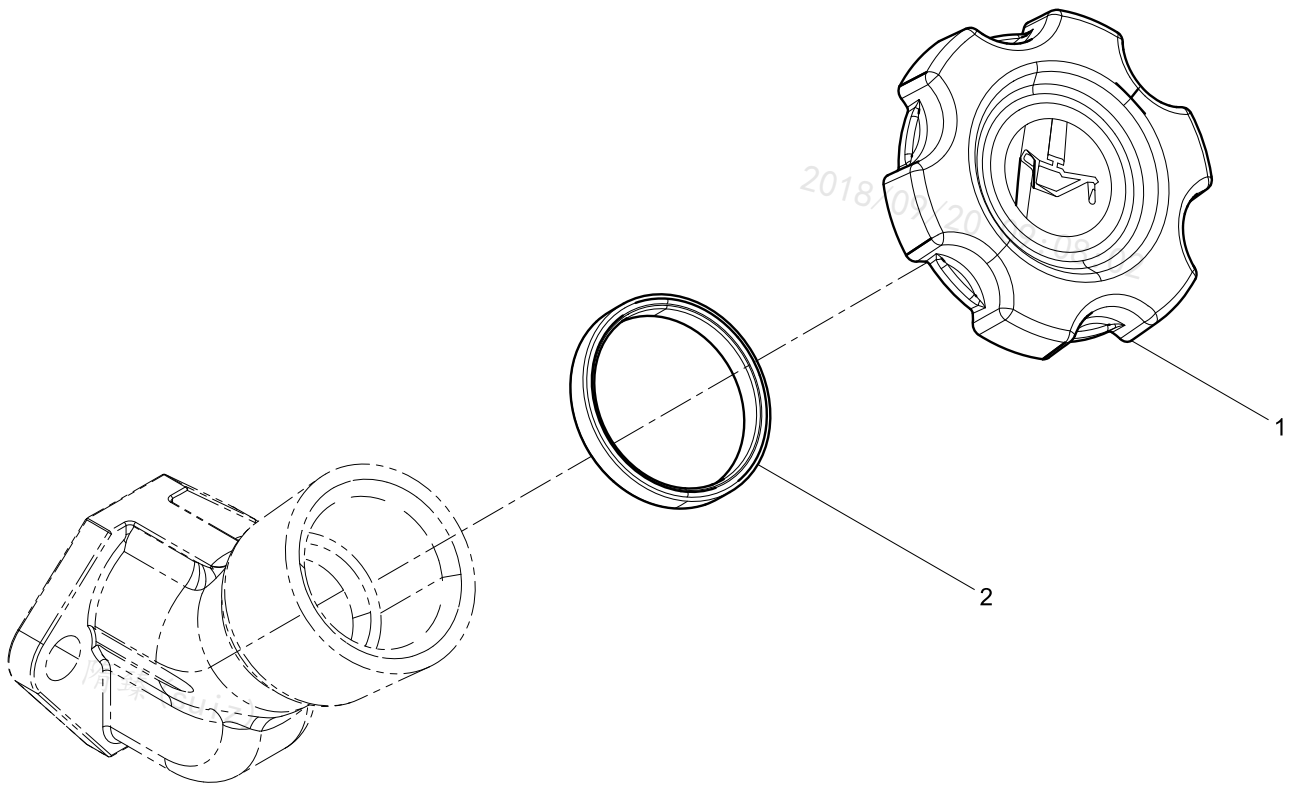
吊环结合组(Eye Ring Group)



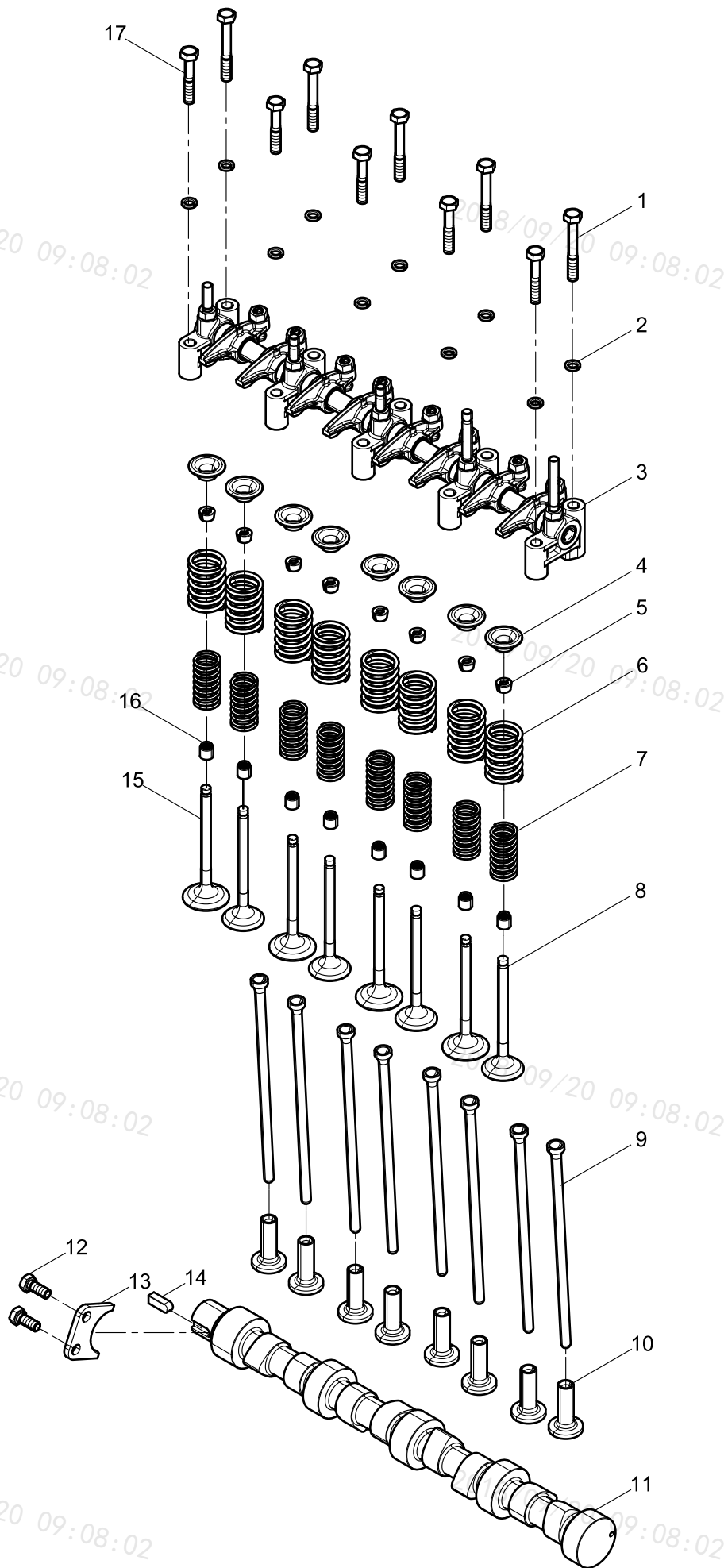
气缸盖罩结合组(Cylinder Head Cover Group)



加机油口盖组件0



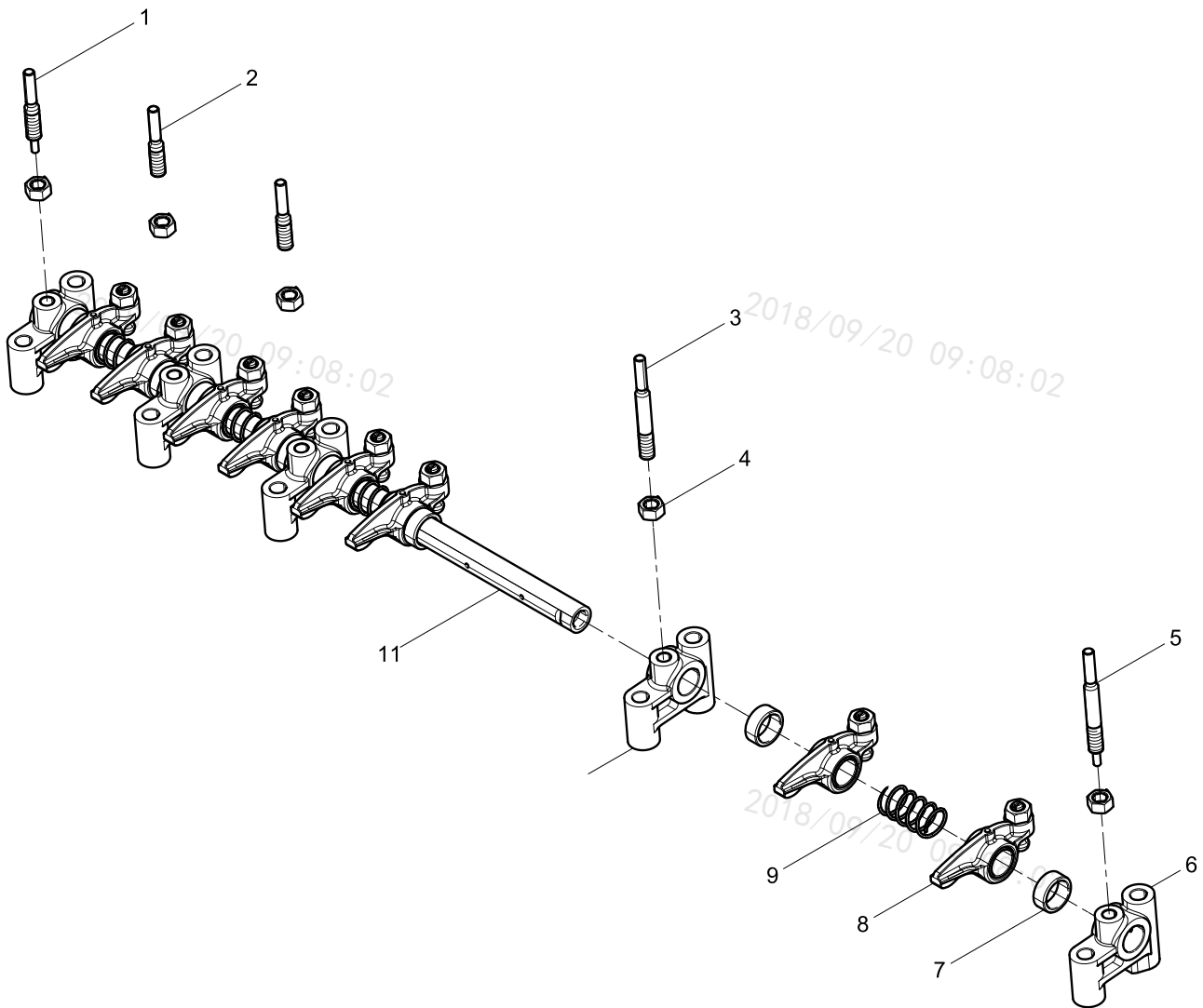
配气机构结合组(Valve Train Group)



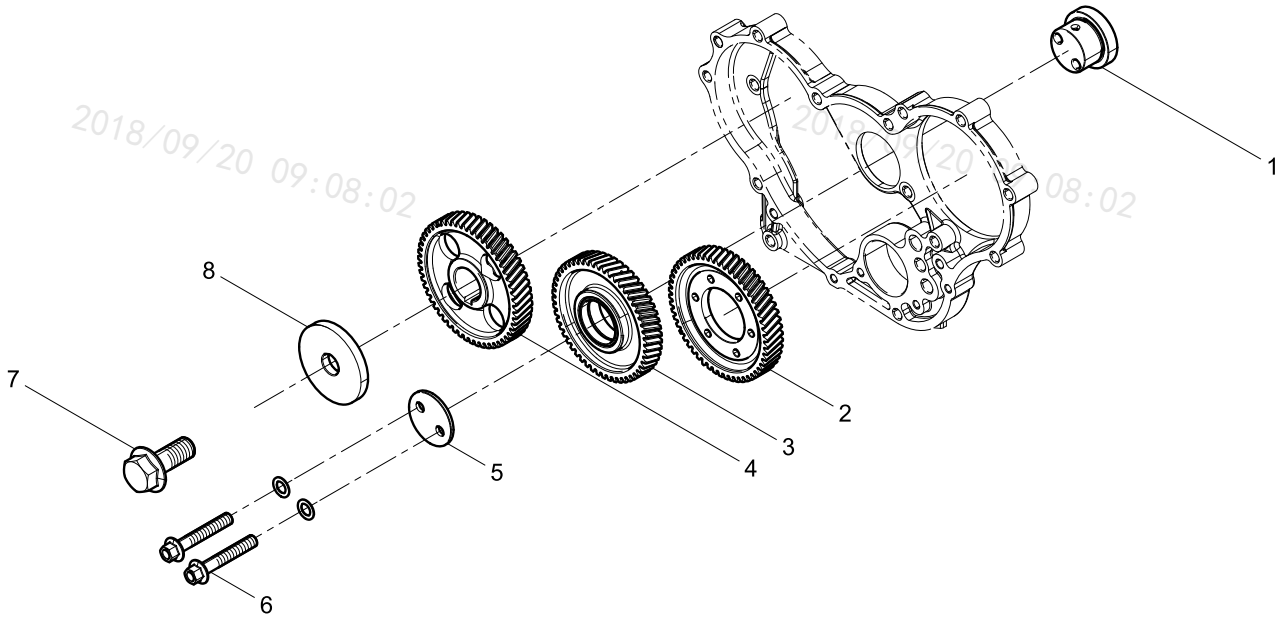
配气机构结合组(Valve Train Group)

图序号 Pos.	件号 Teile.Number	数量 Amount	中文名称 Denomination	英文名称 Designation
1	90011280014	5	六角头螺栓	Hexagon Head Bolt
2	90003931102	12	弹簧垫圈	Spring Washer
3	1000874515	1	整体式摇臂轴总成	Integrated Rocker Arm Shaft Assembly
4	2010111	8	气门弹簧上座	Valve Spring Top Retainer
5	2010063	8	锁夹	
6	2010056	8	气门外弹簧	Outer Valve Spring
7	2010053	8	气门内弹簧	Inner Valve Spring
8	1000803669	4	排气门	Exhaust Valve
9	2050206	8	推杆	Push Rod
10	2050327	8	挺柱	Tappet
11	2050361	1	凸轮轴	Camshaft
12	90003802419	2	六角头螺栓	Hexagon Head Bolt
13	2050102	1	凸轮轴止推片	Camshaft Thrust Plate
14	9000000051	1	普通平键	Square and Rectangular Key
15	2010382	4	进气门	Intake Valve
16	2010027	8	气门杆密封套	Valve Stem Seal
17	90011280007	5	六角头螺栓	Hexagon Head Bolt

整体式摇臂轴总成(Integrated Rocker Arm Shaft Assembly)



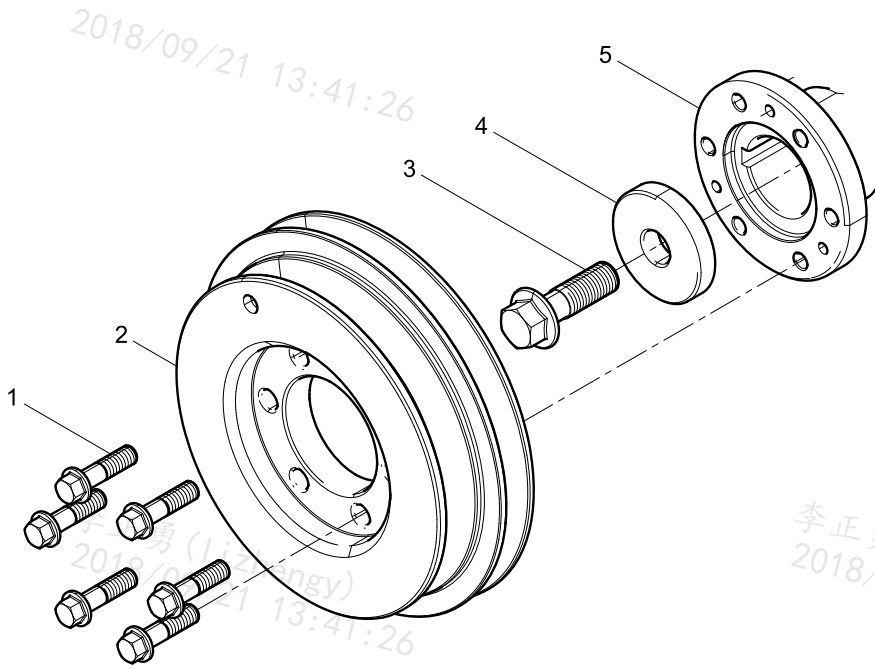
齿轮传动结合组(Gear Drive Group)



曲轴皮带轮结合组(Crankshaft Pulley Group)

2018/09/21 13:41:26

2018/09/21 13:41:26



2018/09/21 13:41:26

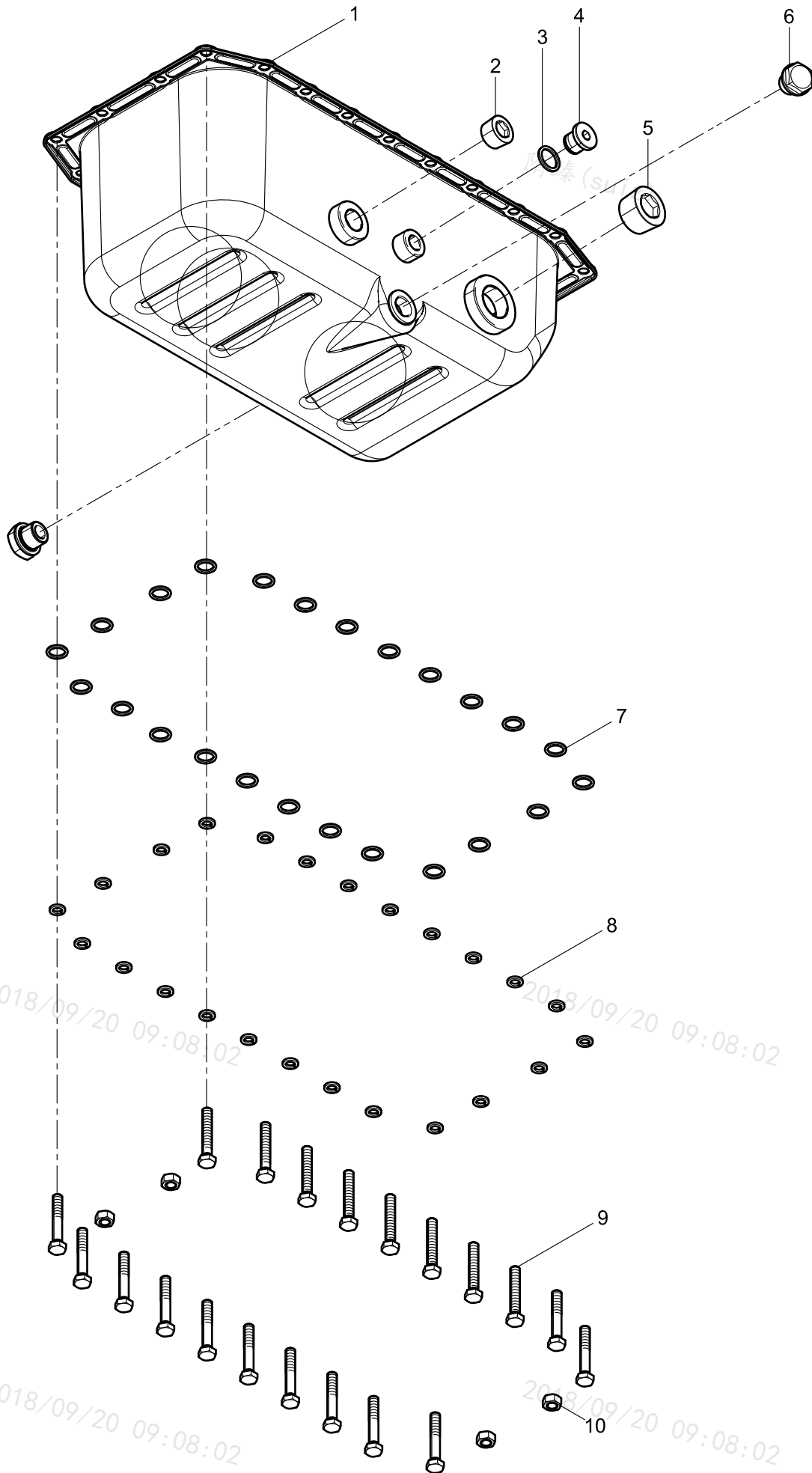
李正勇(lizhengy)
2018/09/21 13:41:26

李正勇(lizhengy)
2018/09/21 13:41:26

李正勇(lizhengy)
2018/09/21 13:41:26

李正勇(lizhengy)
2018/09/21 13:41:26

油底壳结合组(Oil Pan Group)



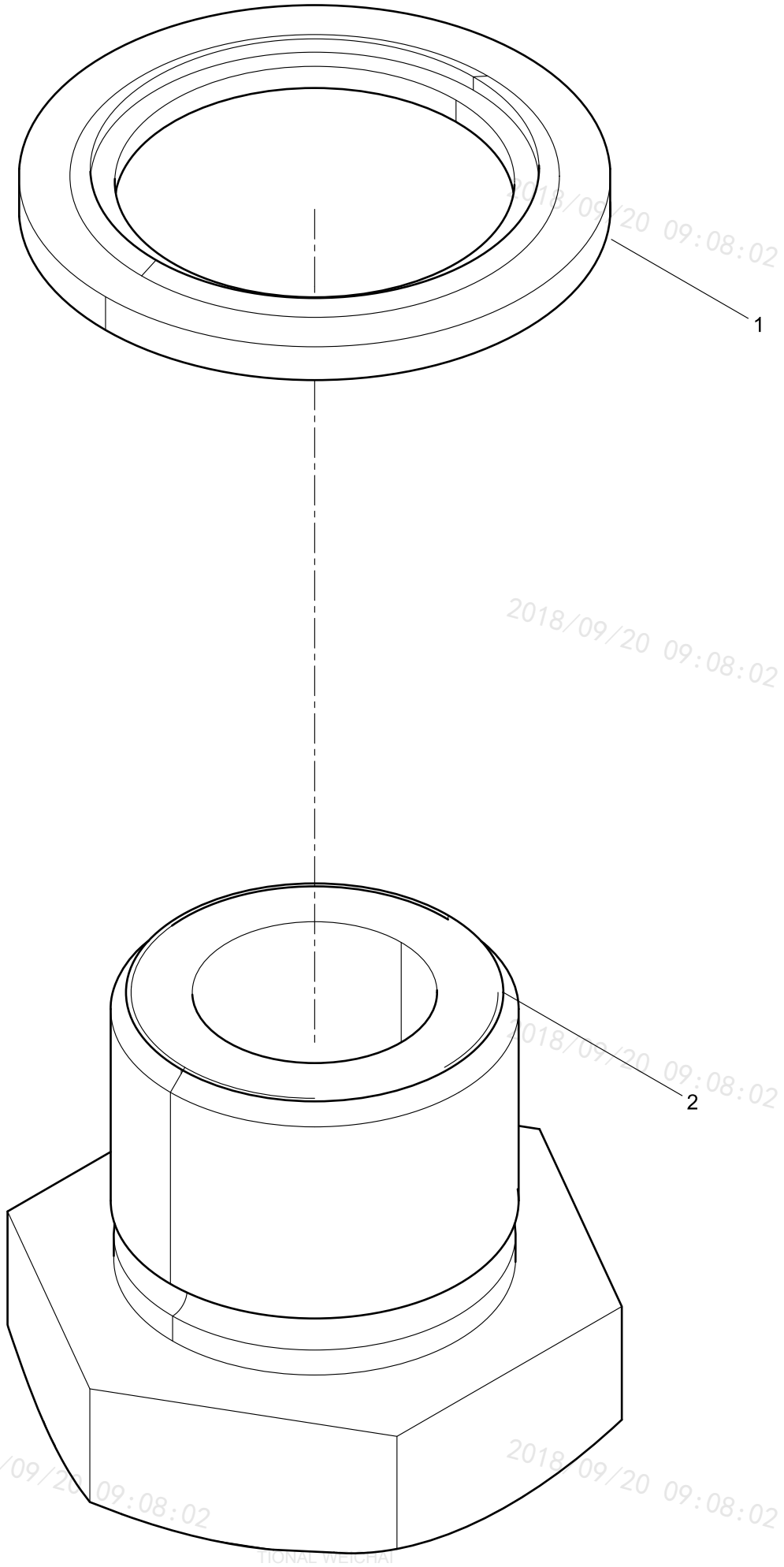
2018/09/20 09:08:02

2018/09/20 09:08:02

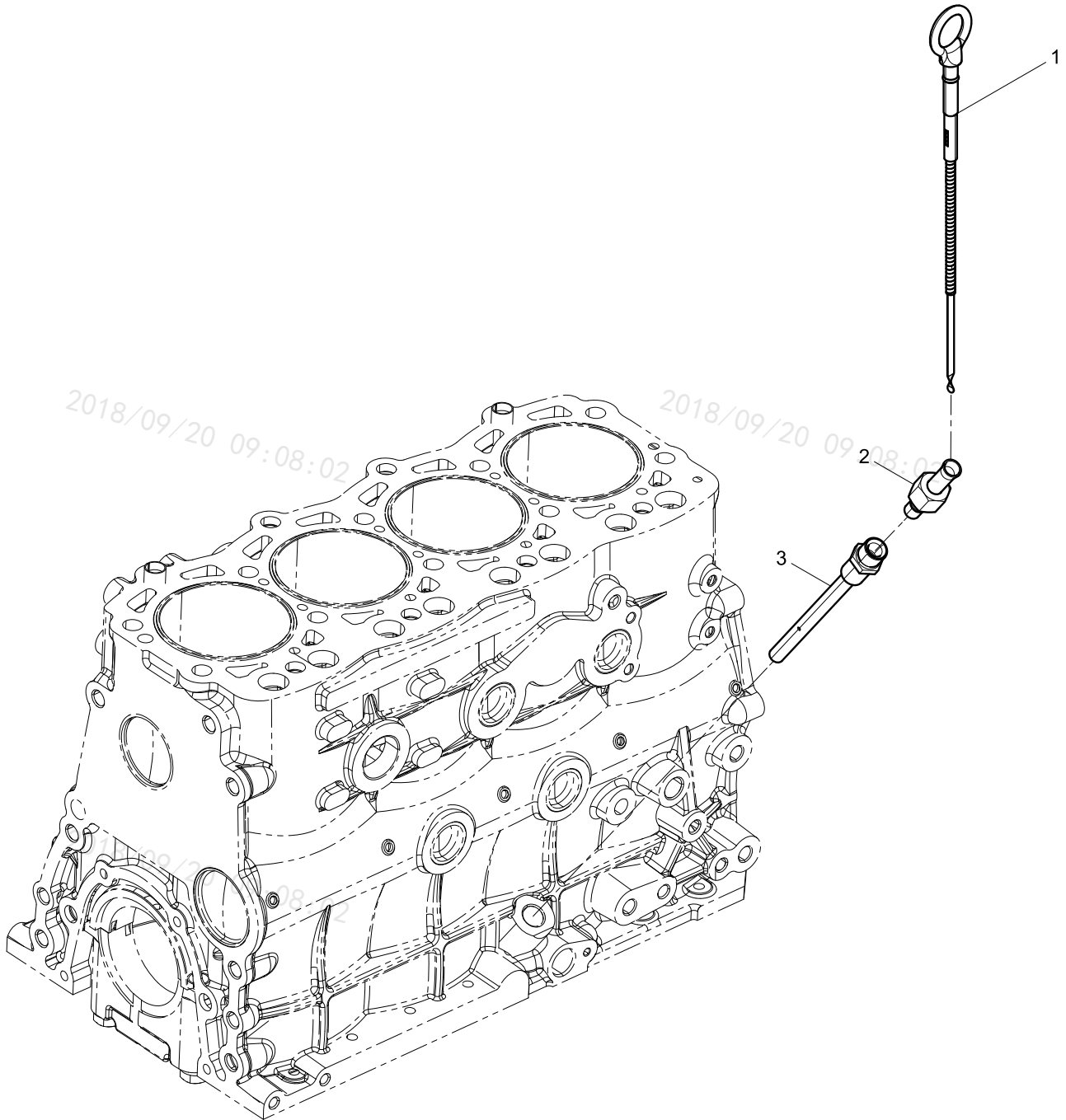
2018/09/20 09:08:02

2018/09/20 09:08:02

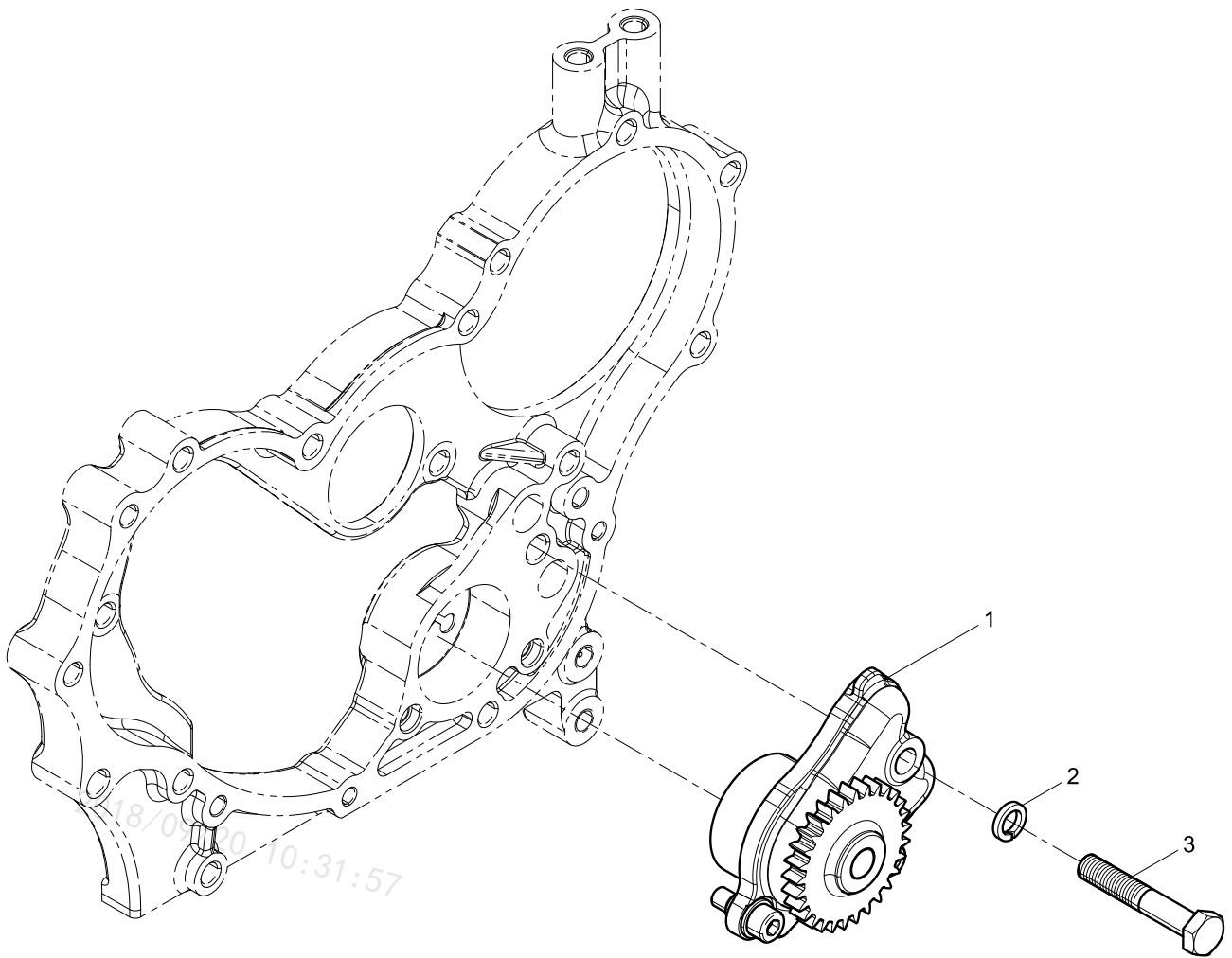
放油螺塞(Oil Drain Plug)



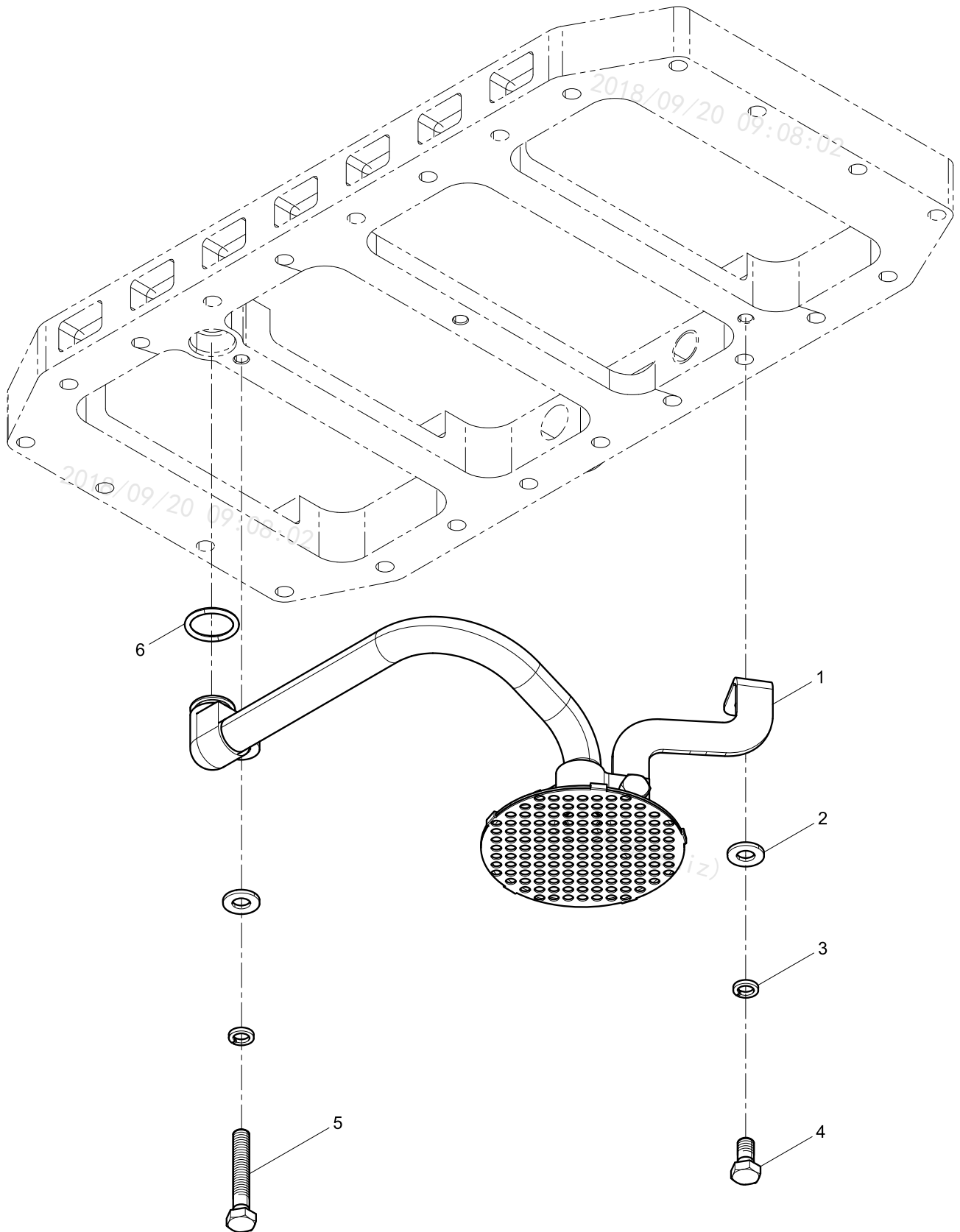
油标尺结合组(Oil Dipstick Group)



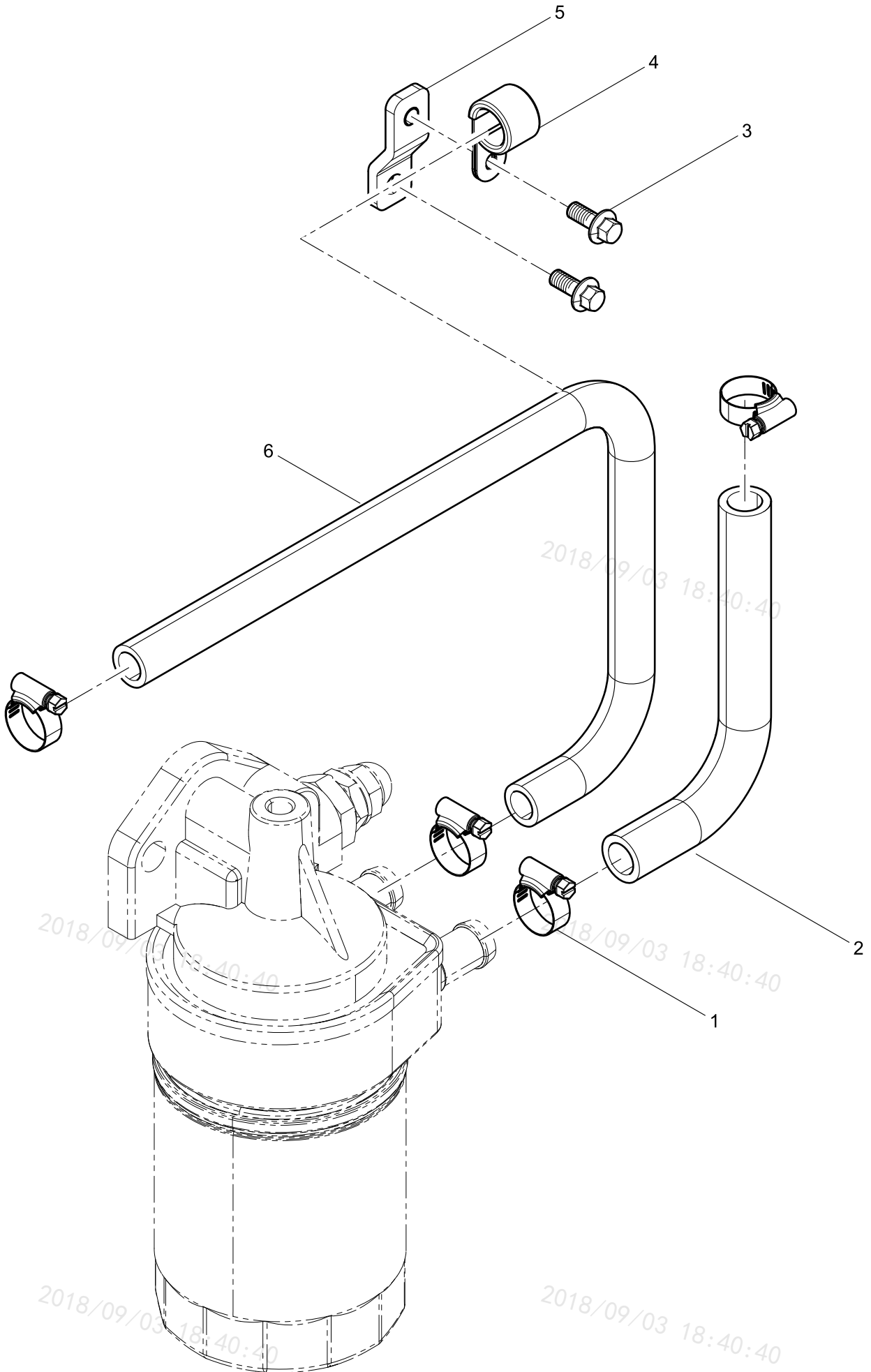
机油泵结合组(Oil Pump Group)



机油集滤器结合组(Oil Strainer Group)



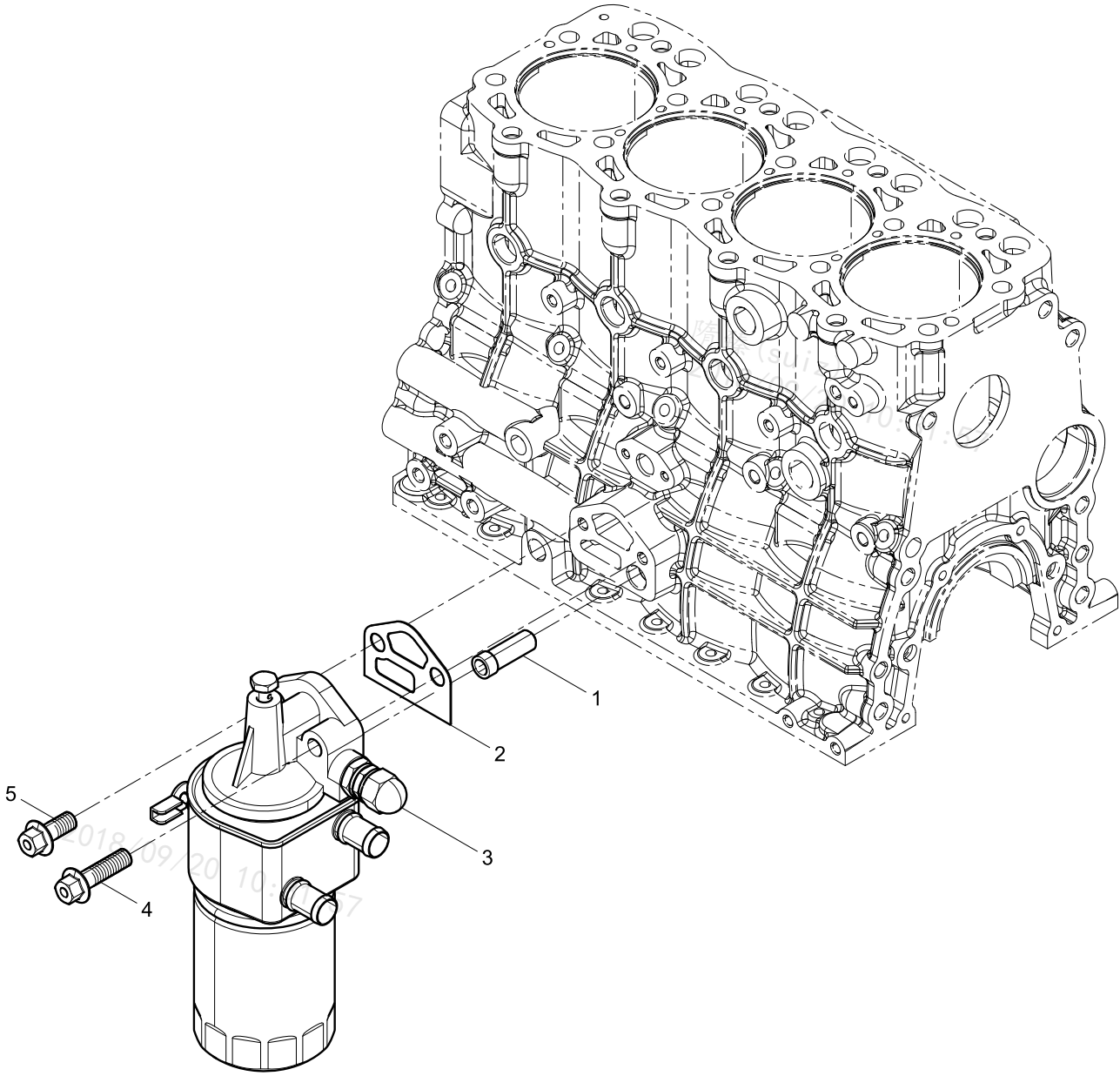
机油冷却器结合组(Oil Cooler Group)



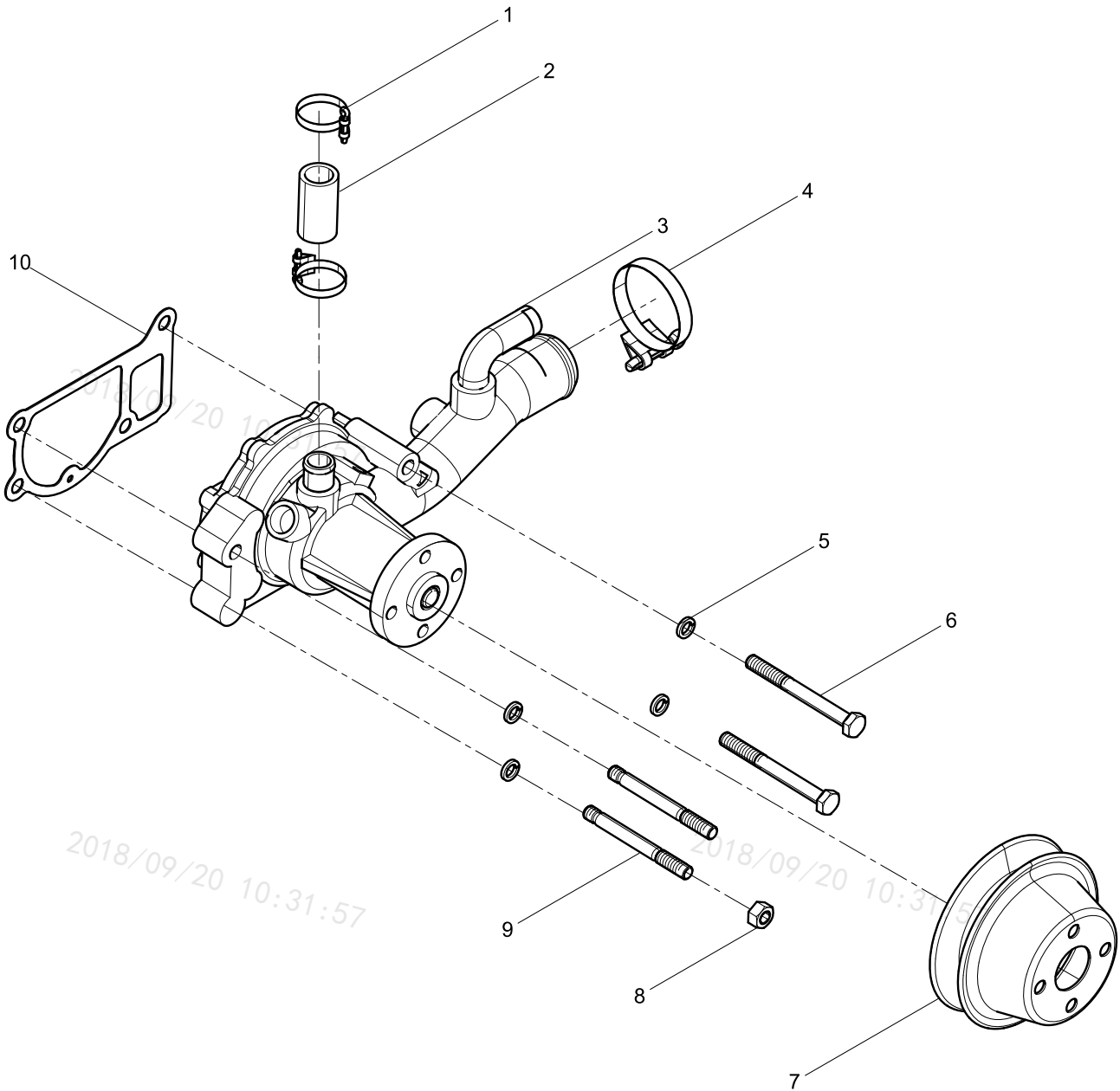
机油滤清器结合组(Oil Filter Group)

2018/09/20 10:31:57

2018/09/20 10:31:57



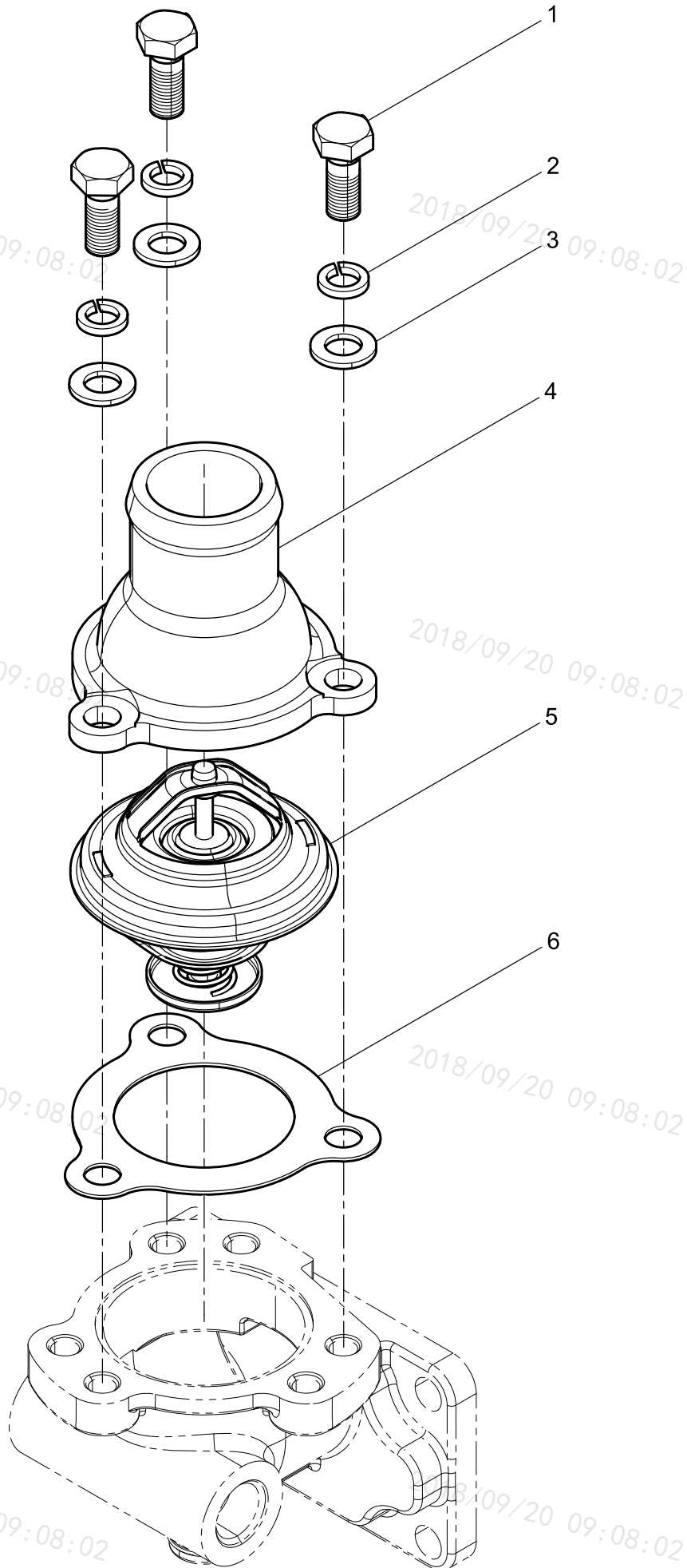
水泵结合组(Water Pump Group)



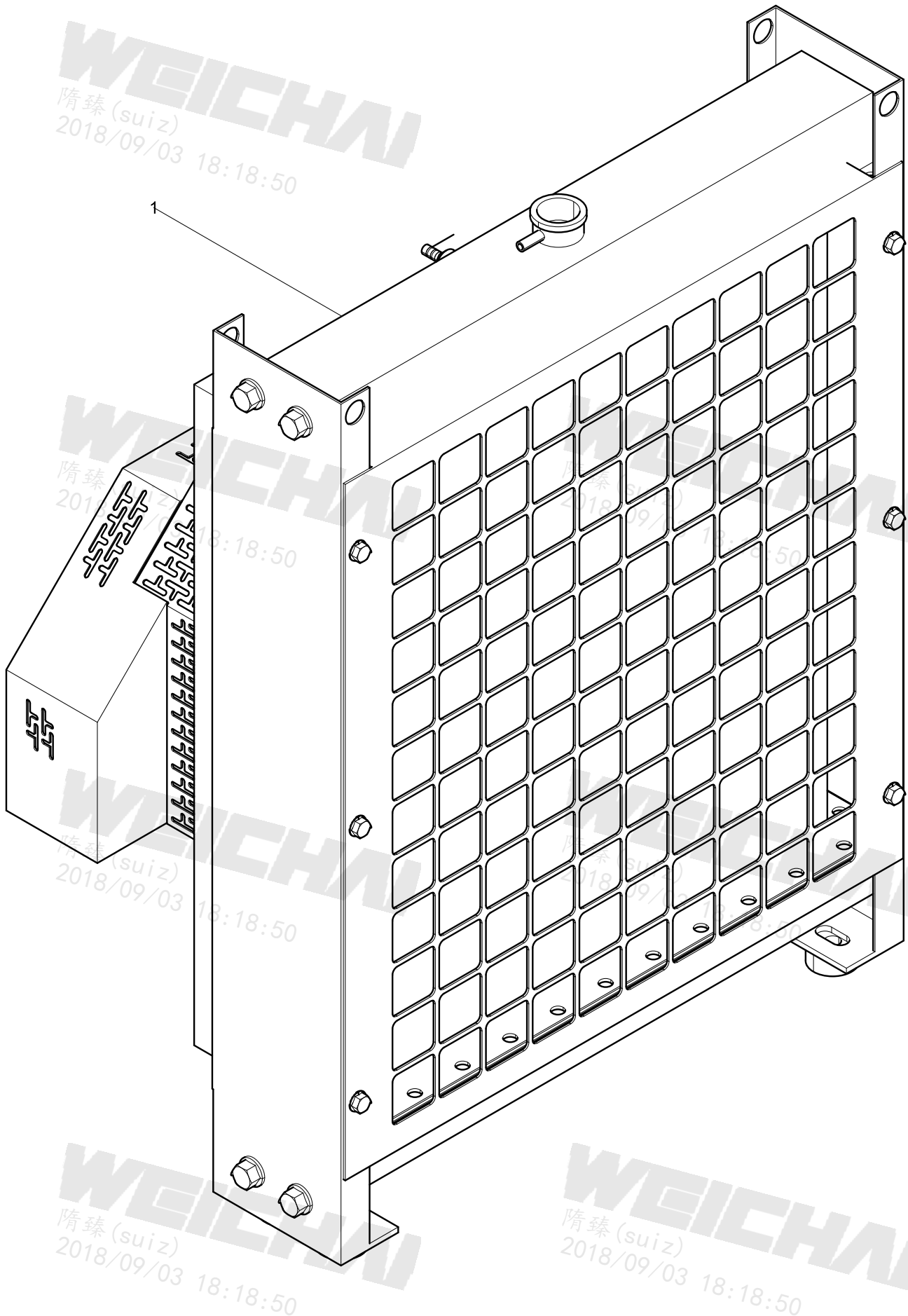
水泵结合组(Water Pump Group)

图序号 Pos.	件号 Teile.Number	数量 Amount	中文名称 Denomination	英文名称 Designation
1	2190444	2	喉箍	Clip
2	2010412	1	冷却液连接胶管	Coolant Connecting Rubber Pipe
3	2190286/2	1	水泵	Water Pump
4	90018260011	1	软管环箍	Hoses Clamp
5	90003931102	4	弹簧垫圈	Spring Washer
6	90003800458	2	六角头螺栓	Hexagon Head Bolt
7	1000386535	1	水泵皮带轮	Water Pump Pulley
8	90003871252	1	1型六角螺母	Hexagon Nuts, Style 1
9	90003813471	2	双头螺栓	Stud
10	1000795642	1	水泵密封垫	Water Pump Sealing Gasket

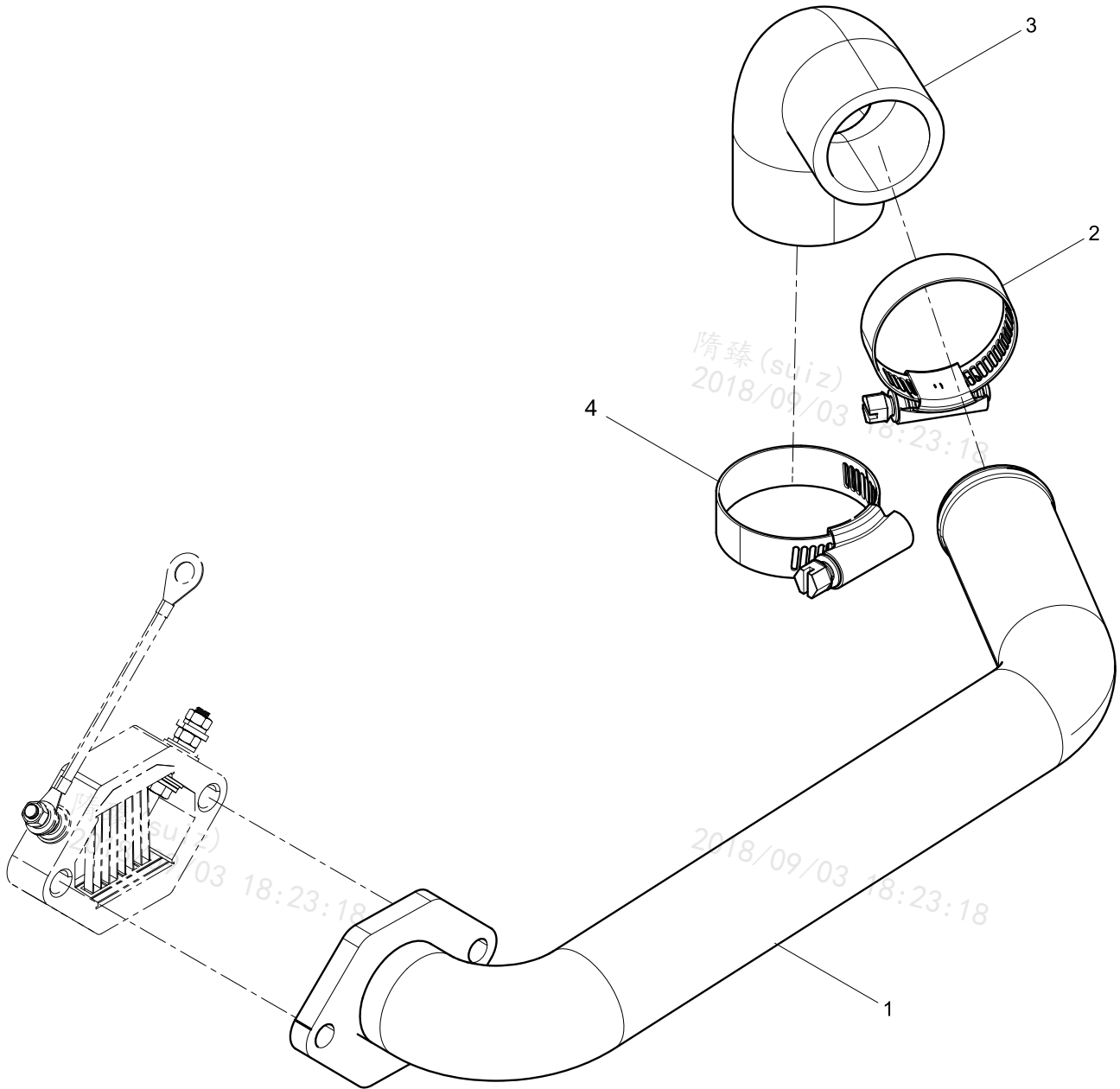
节温器结合组(Thermostat Group)



散热器结合组(Radiator Group)



中冷器结合组(Intercooler Group)



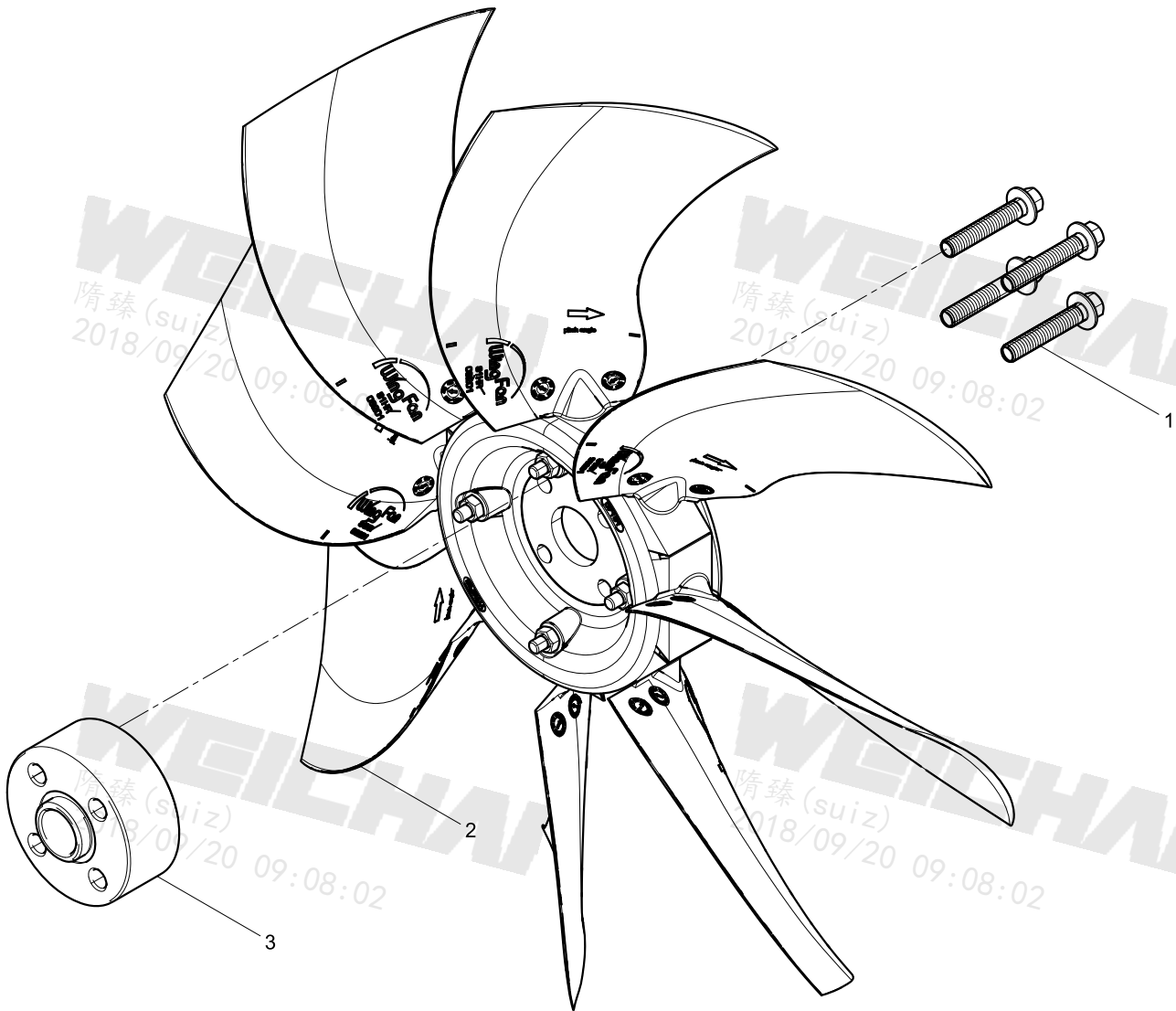
隋臻(suiz)
2018/09/03 18:23:18

隋臻(suiz)
2018/09/03 18:23:18

风扇及轮毂结合组(Fan and Hub Group)

WEICHAI
隋臻 (suiz)
2018/09/20 09:08:02

WEICHAI
隋臻 (suiz)
2018/09/20 09:08:02



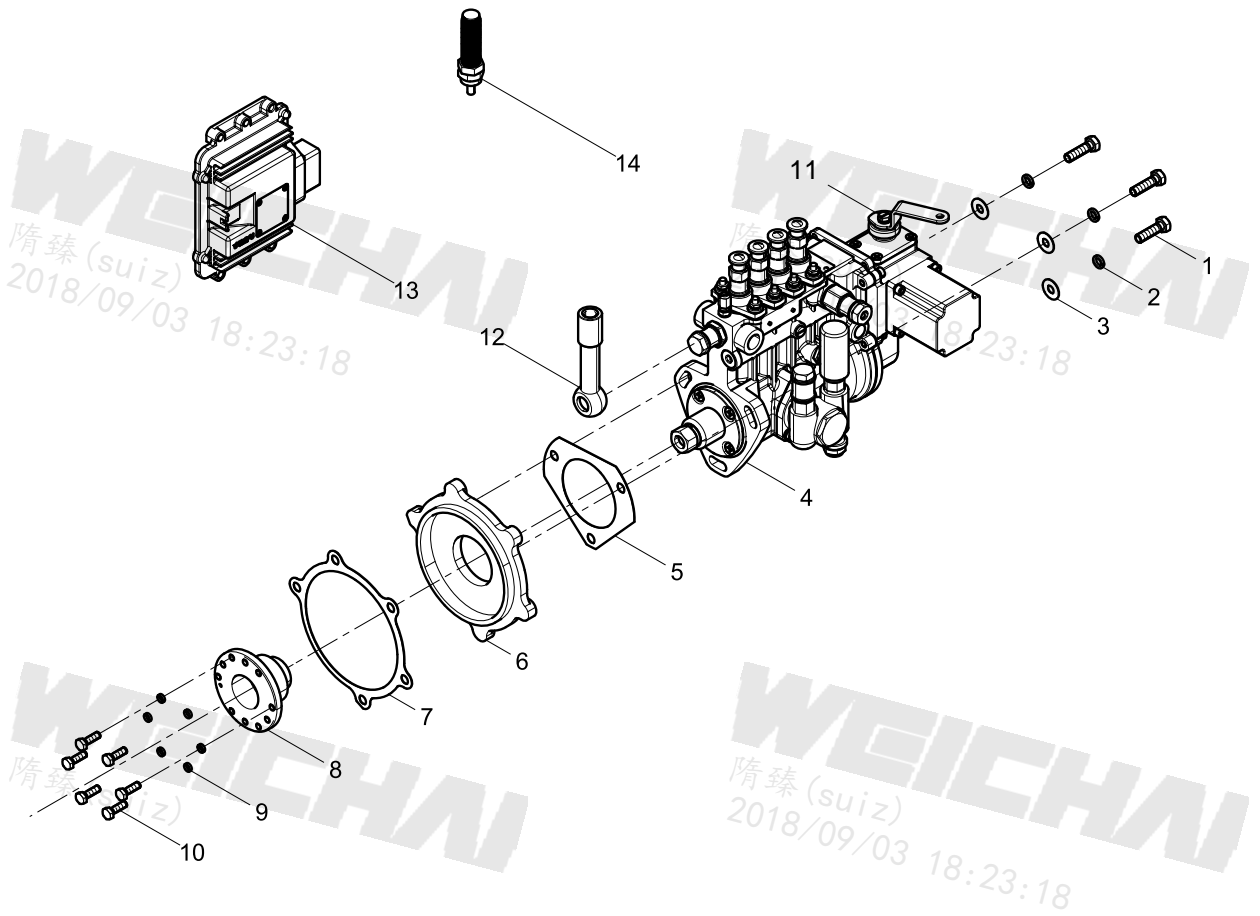
WEICHAI
隋臻 (suiz)
2018/09/20 09:08:02

WEICHAI
隋臻 (suiz)
2018/09/20 09:08:02

喷油泵结合组(Fuel Injection Pump Group)

WEICHAI
隋臻 (suiz)
2018/09/03 18:23:18

WEICHAI
隋臻 (suiz)
2018/09/03 18:23:18



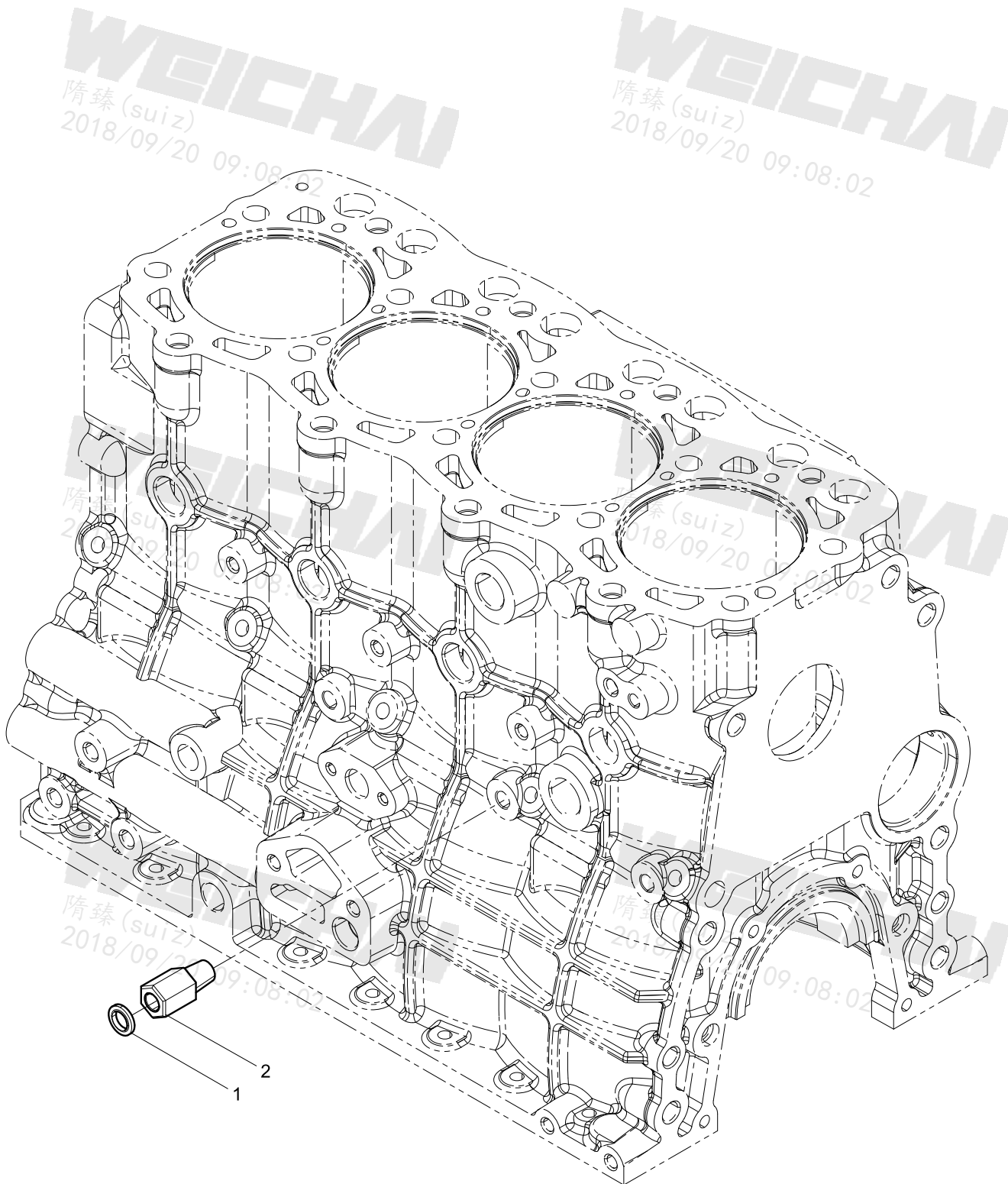
WEICHAI
隋臻 (suiz)
2018/09/03 18:23:18

WEICHAI
隋臻 (suiz)
2018/09/03 18:23:18

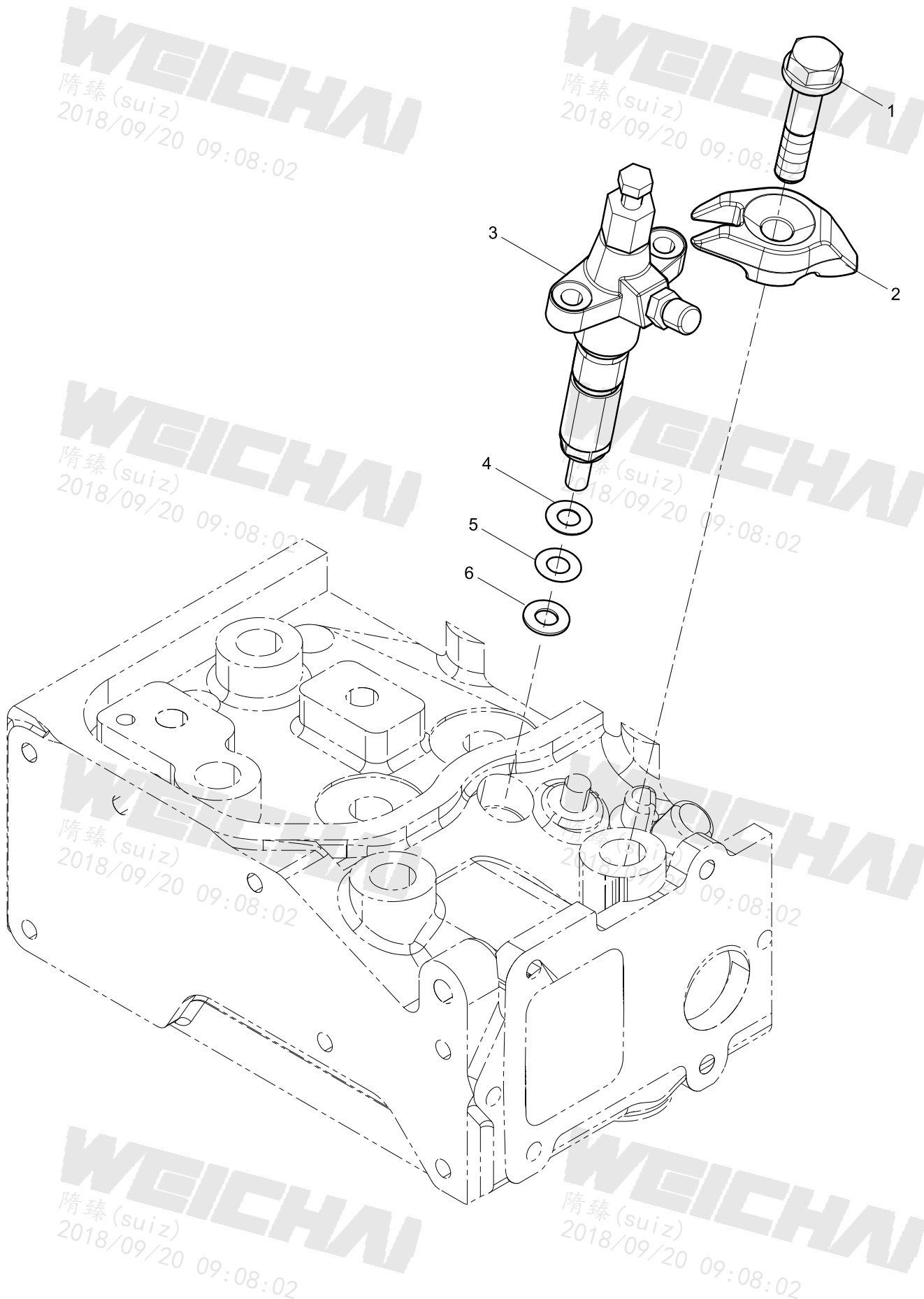
WEICHAI
隋臻 (suiz)
2018/09/03 18:23:18

WEICHAI
隋臻 (suiz)
2018/09/03 18:23:18

喷油泵润滑油管结合组(Fuel Injection Pump Oil Pipe Group)

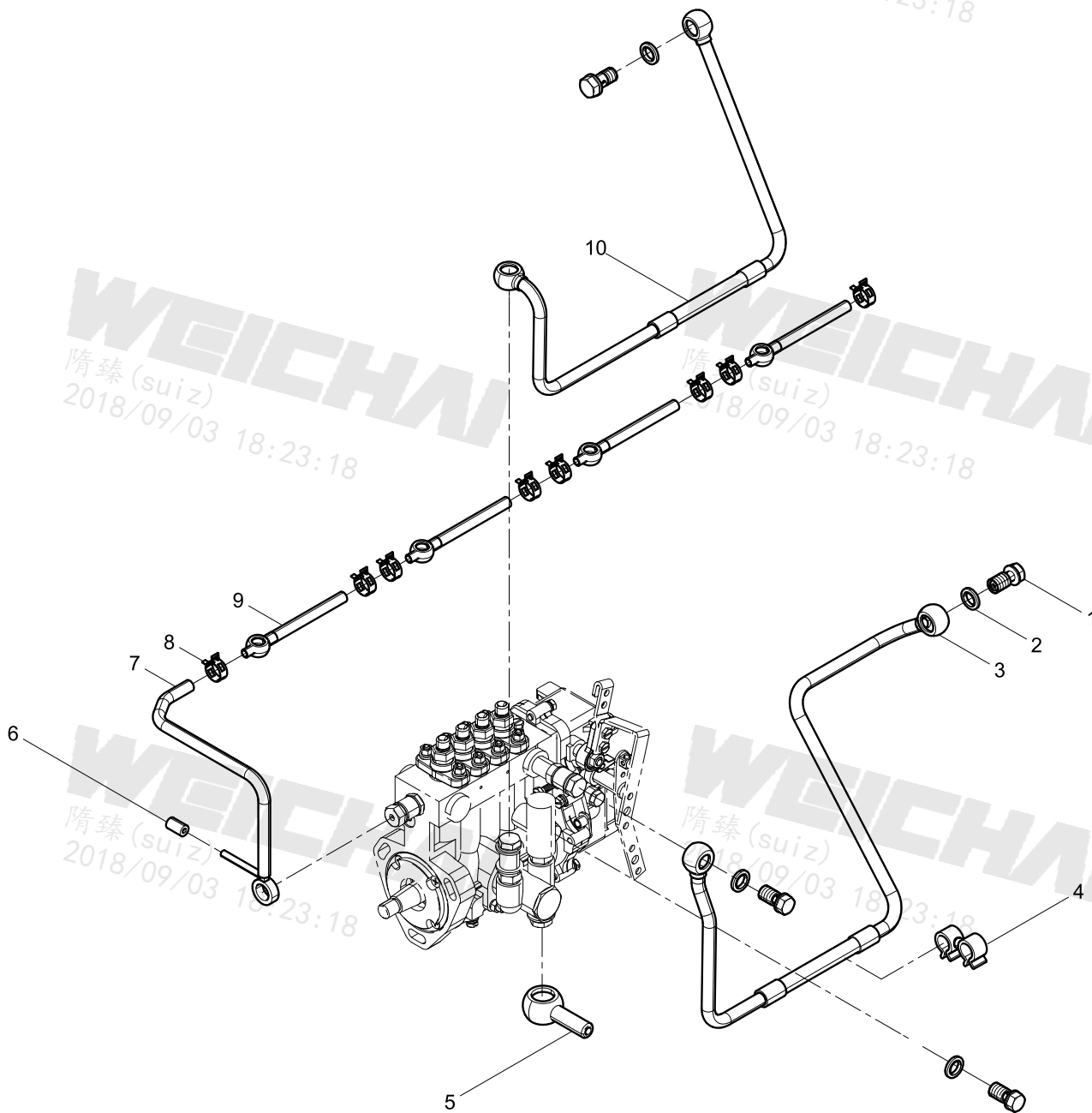


喷油器结合组(Fuel Injector Group)



低压油管结合组(Low Pressure Fuel Pipe Group)

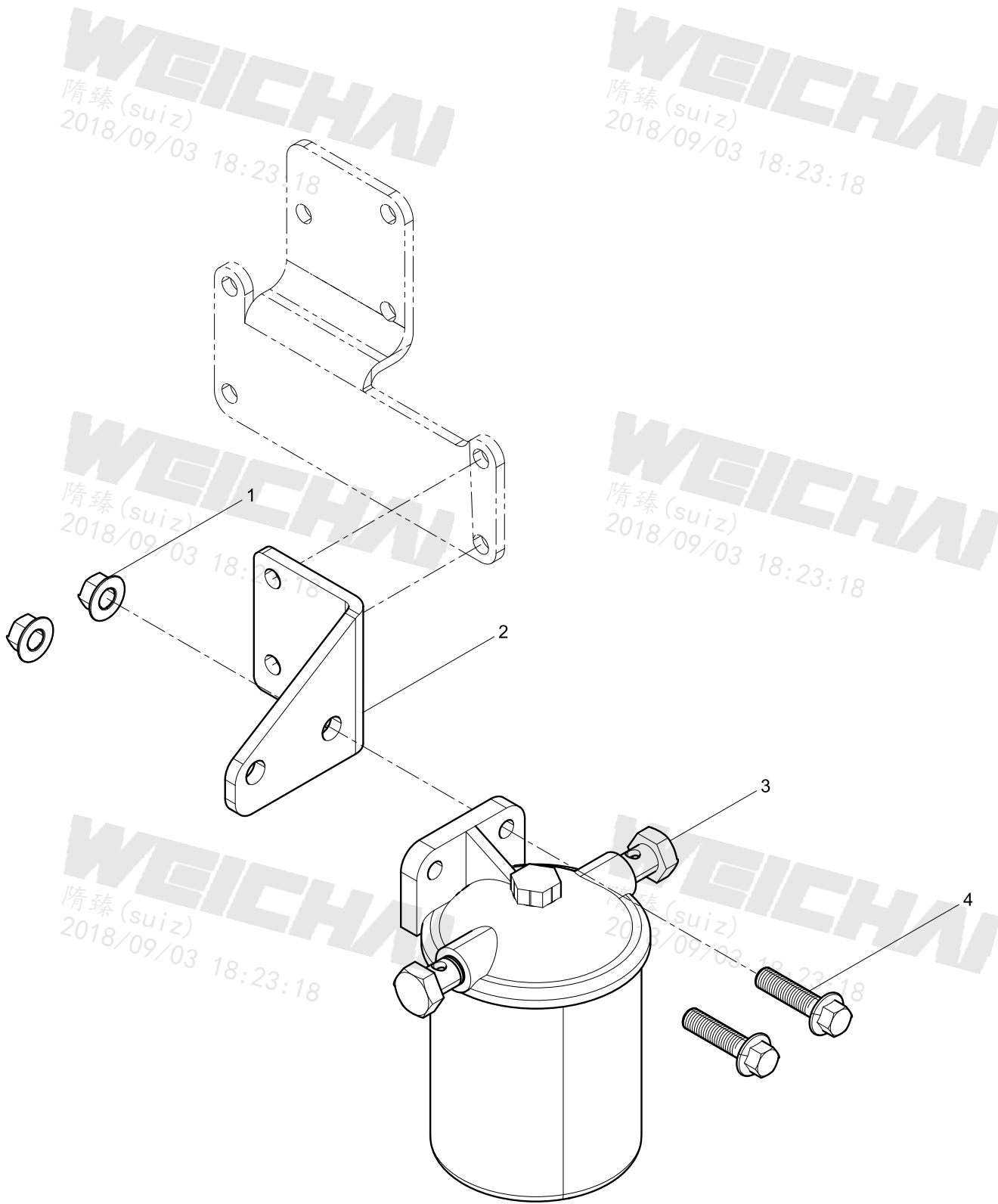
WEICHAI
隋臻 (suiz)
2018/09/03 18:23:18



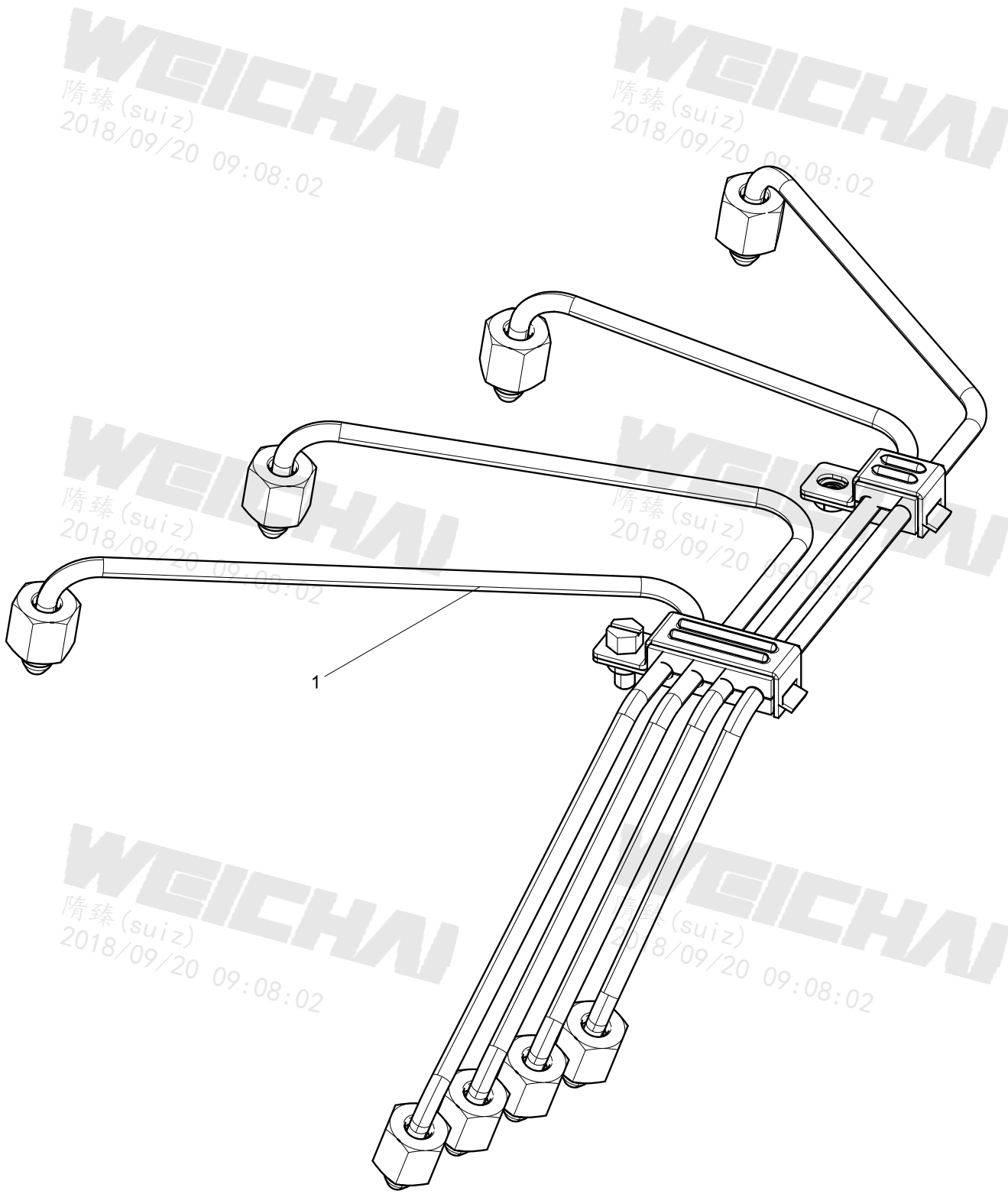
WEICHAI
隋臻 (suiz)
2018/09/03 18:23:18

WEICHAI
隋臻 (suiz)
2018/09/03 18:23:18

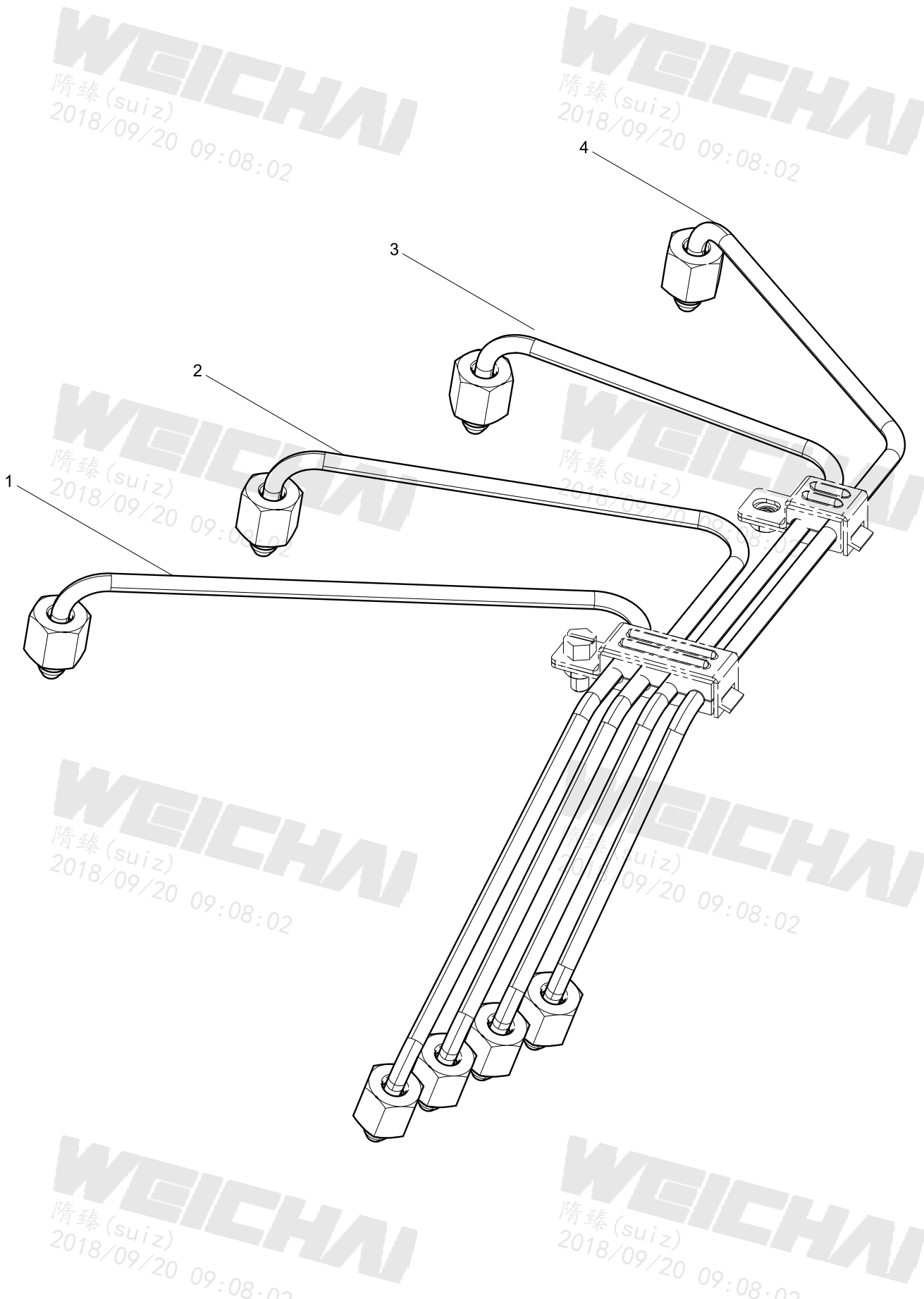
燃油滤清器结合组(Fuel Filter Group)



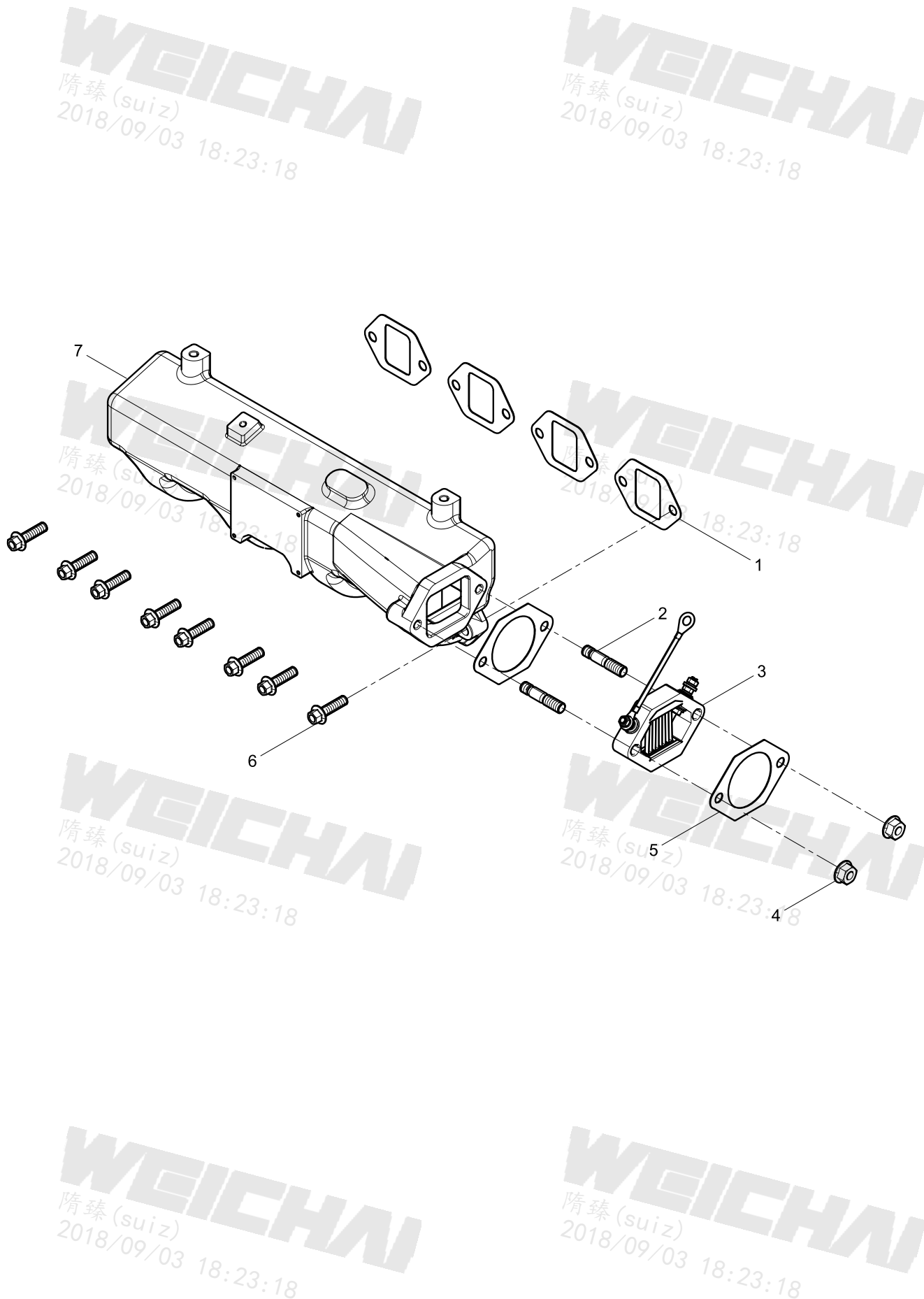
高压油管结合组(High Pressure Fuel Pipe Group)



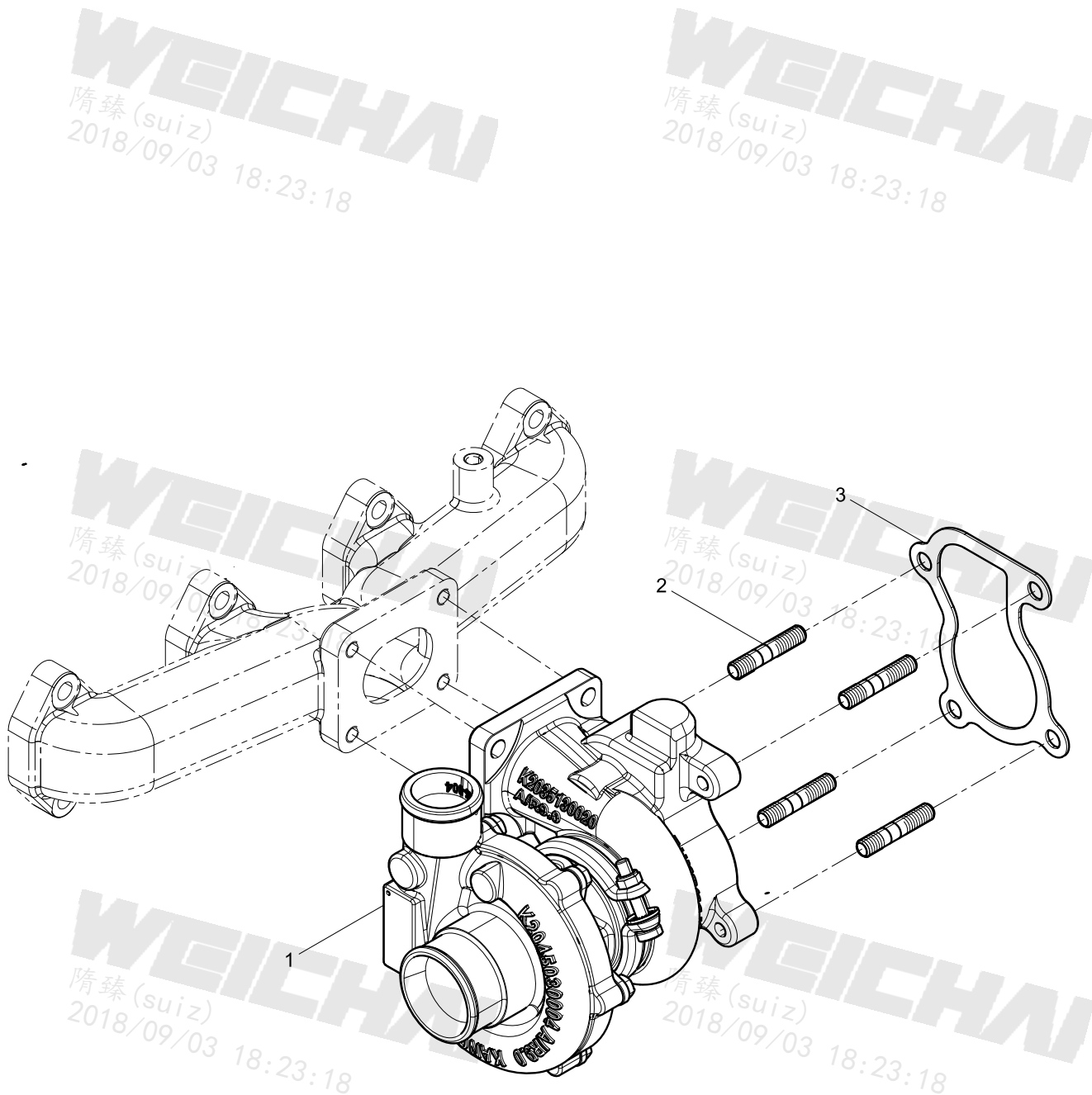
高压油管总成(High-pressure Fuel Pipe Assembly)



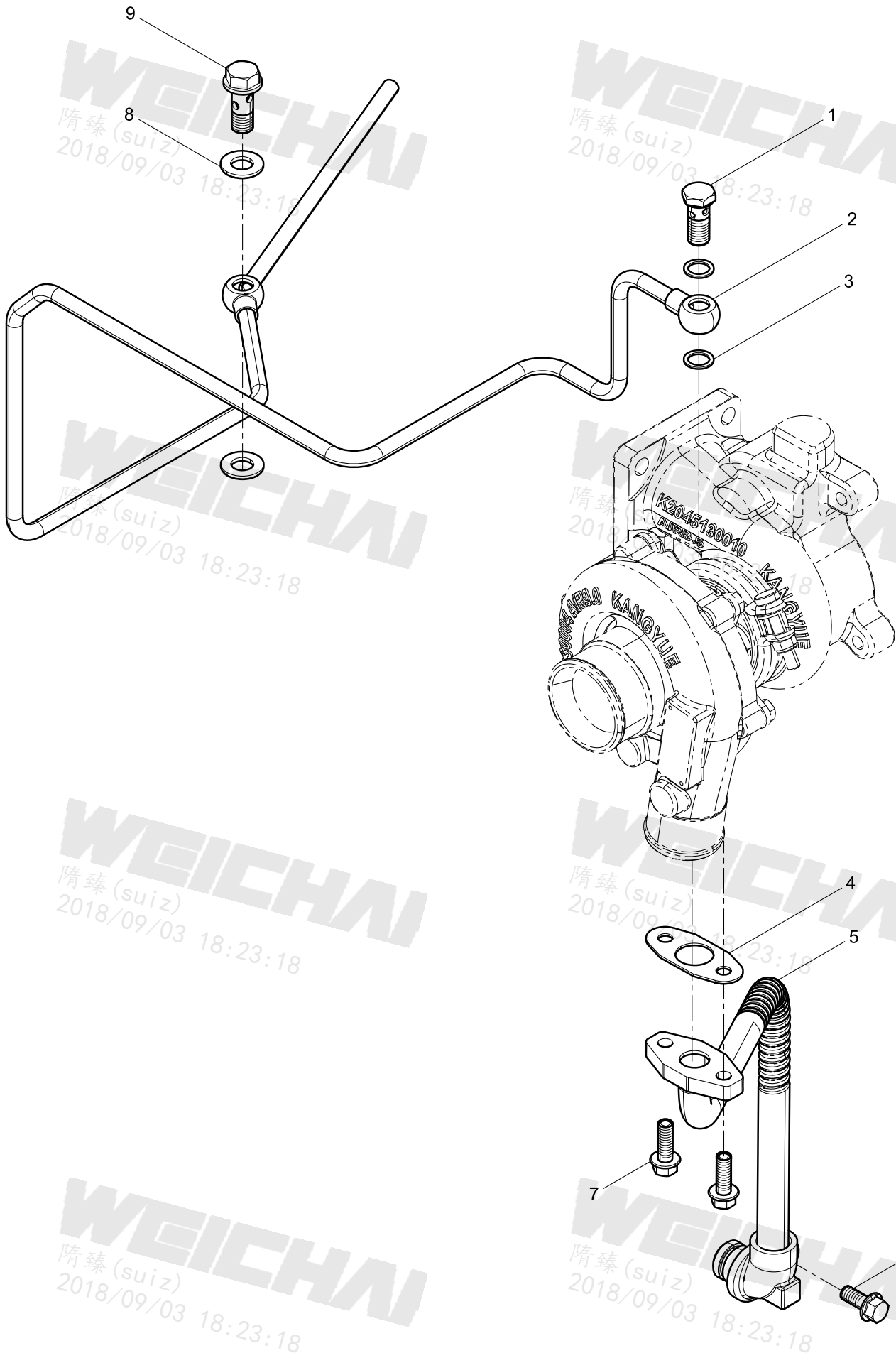
进气管结合组(Intake Manifold Group)



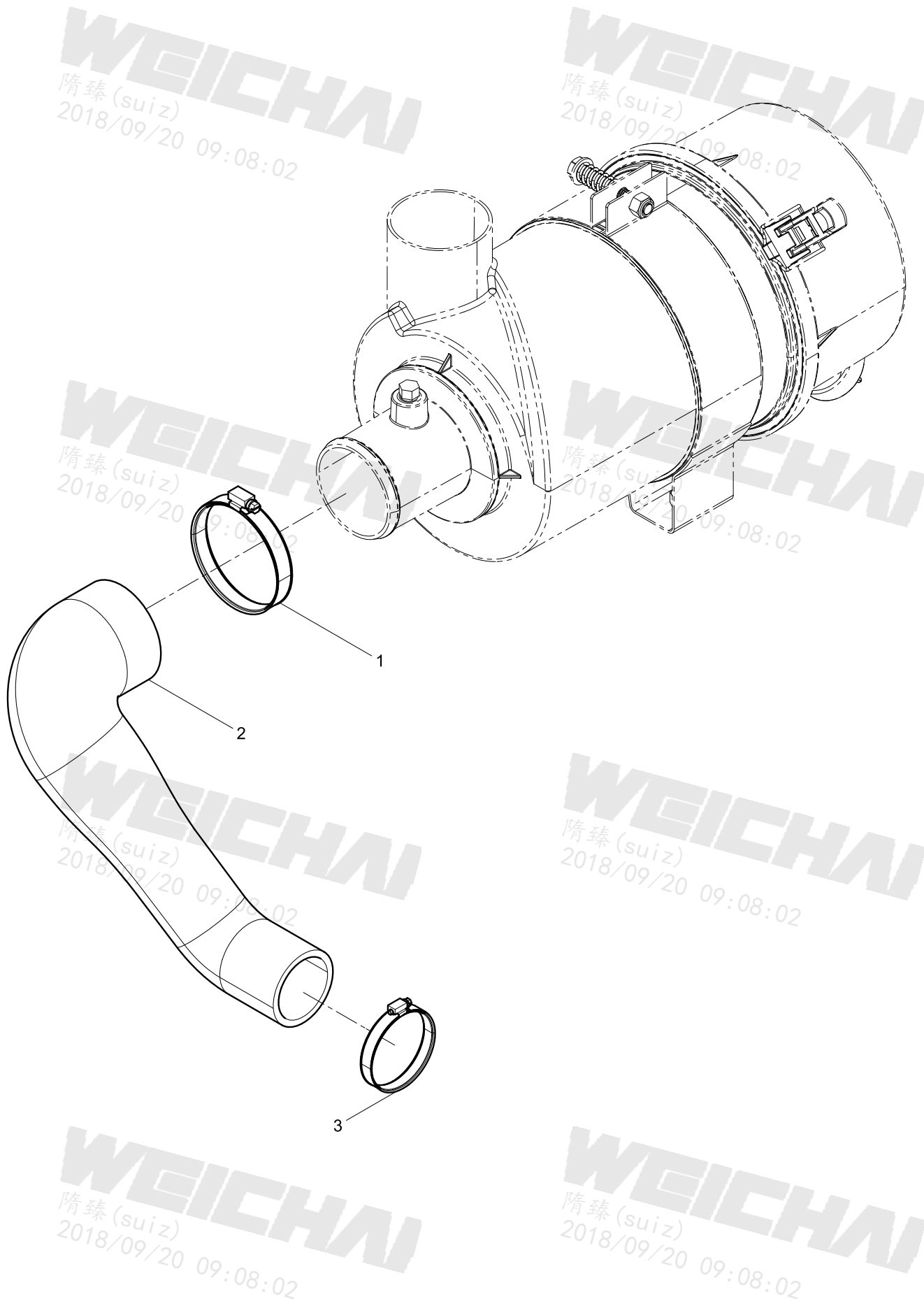
增压器结合组(Turbocharger Group)



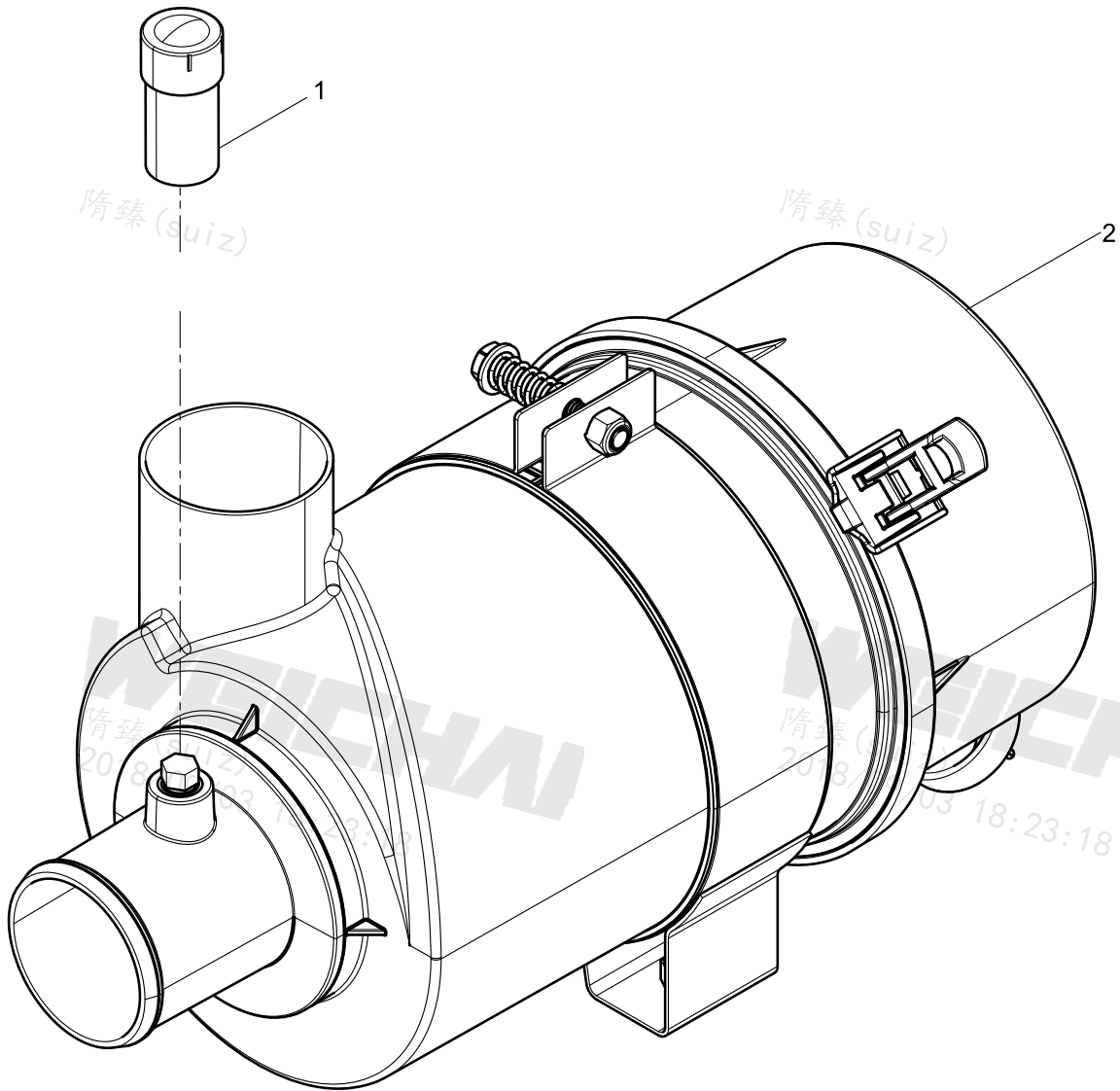
增压器润滑油管结合组(Turbocharger Oil Pipe Group)



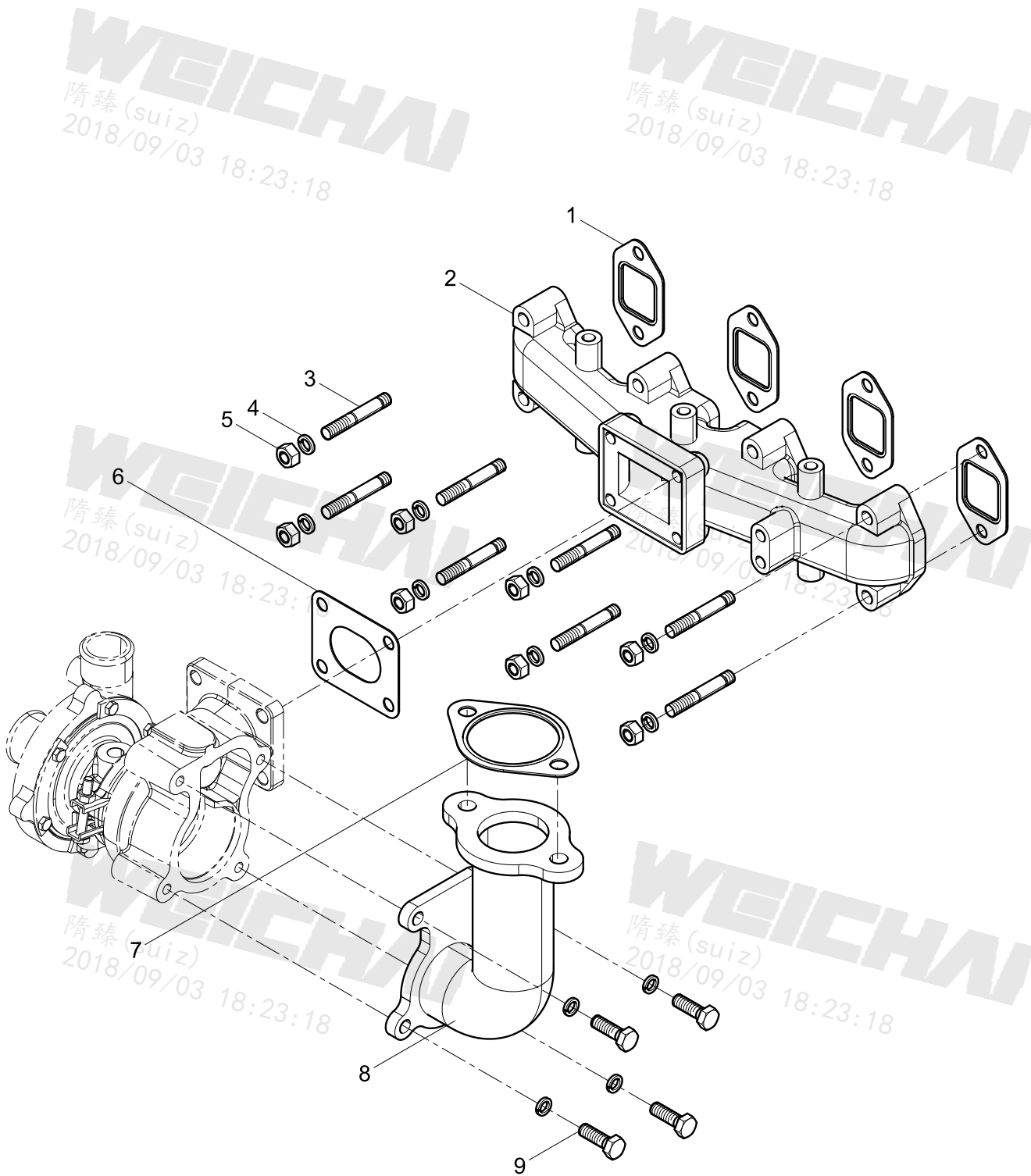
压气机管路结合组(Compressor Pipe Group)



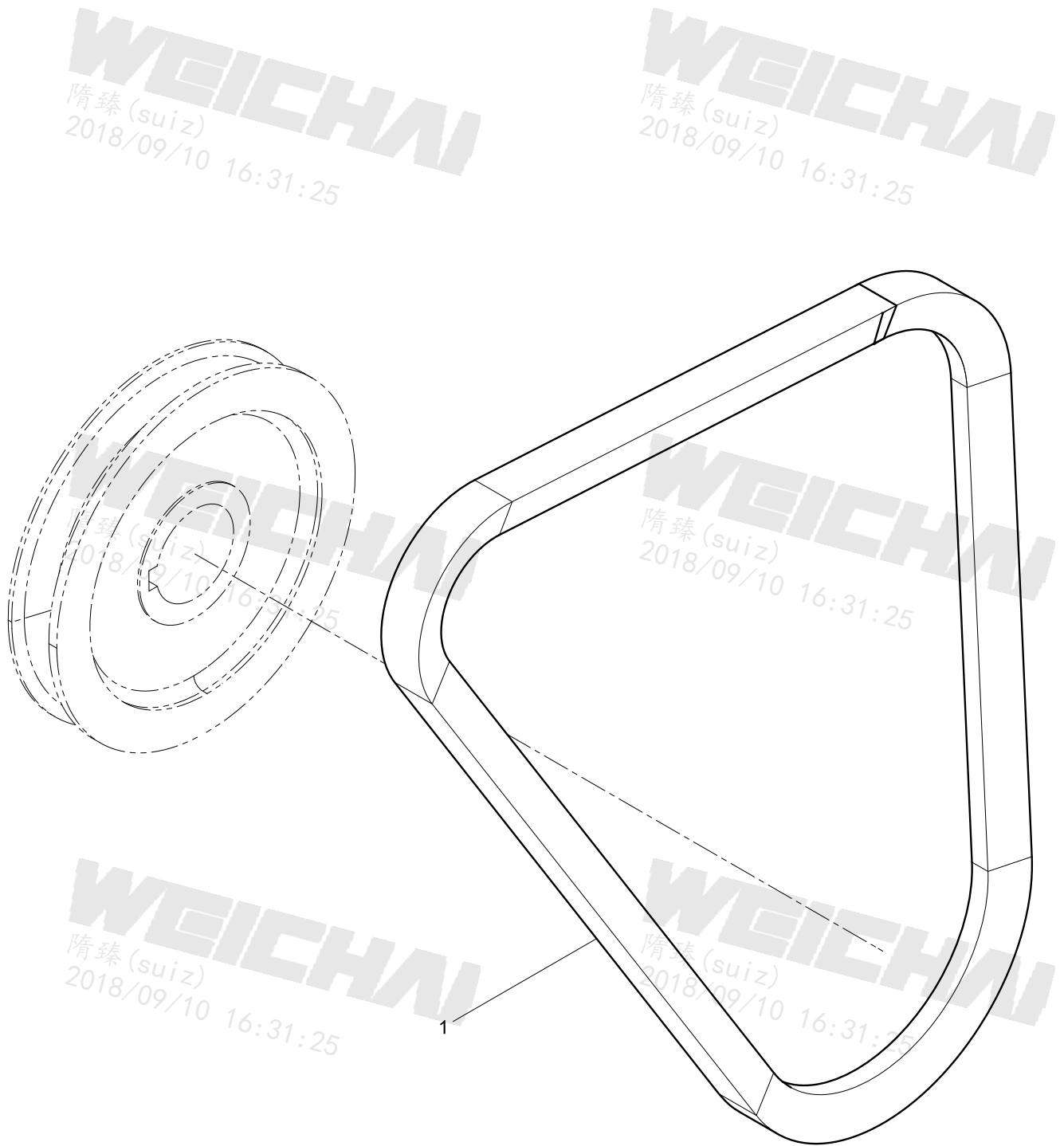
空气滤清器结合组(Air Filter Group)



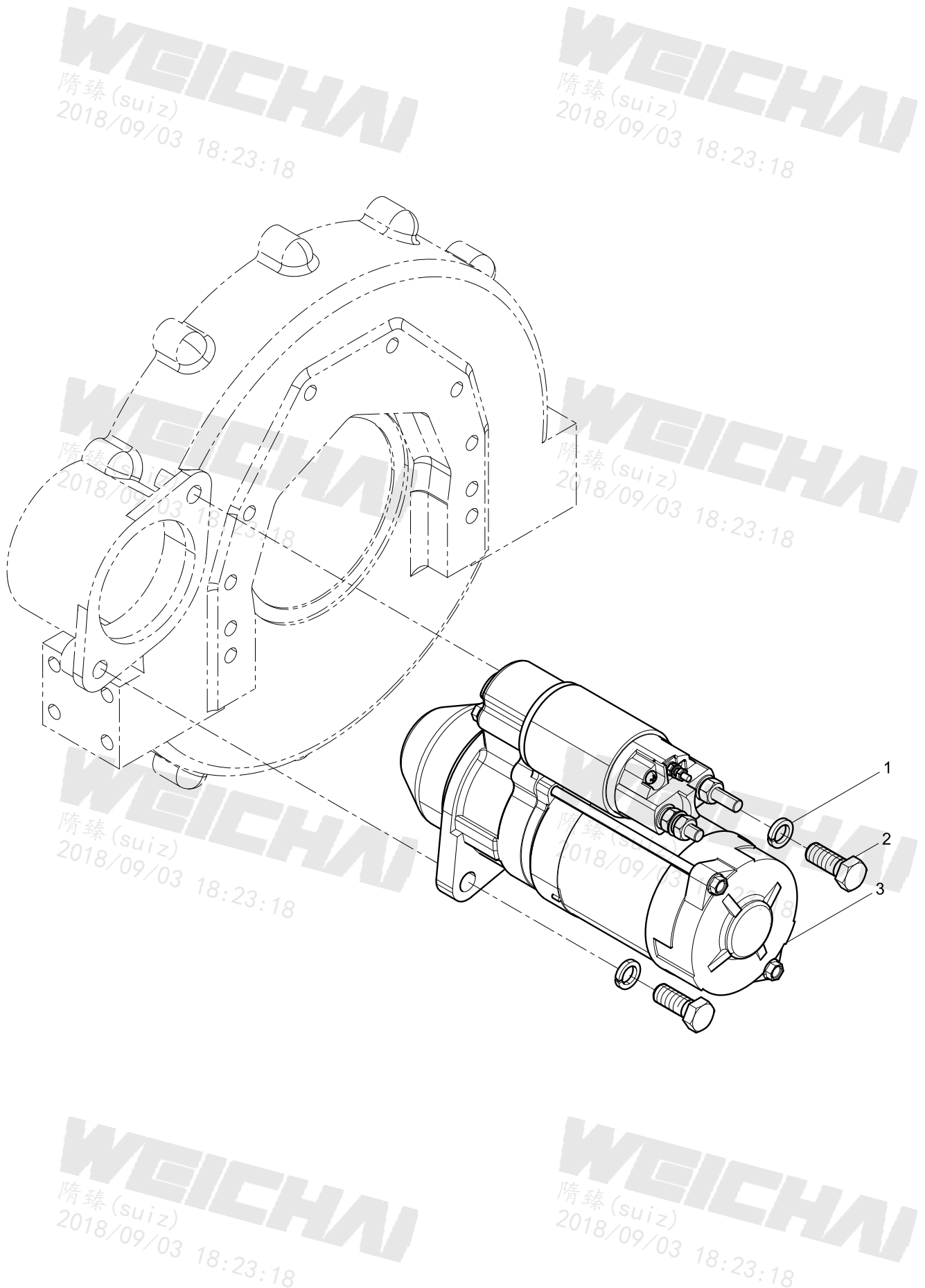
排气管结合组(Exhaust Manifold Group)



张紧轮及皮带结合组(Tensioner And Belt Group)



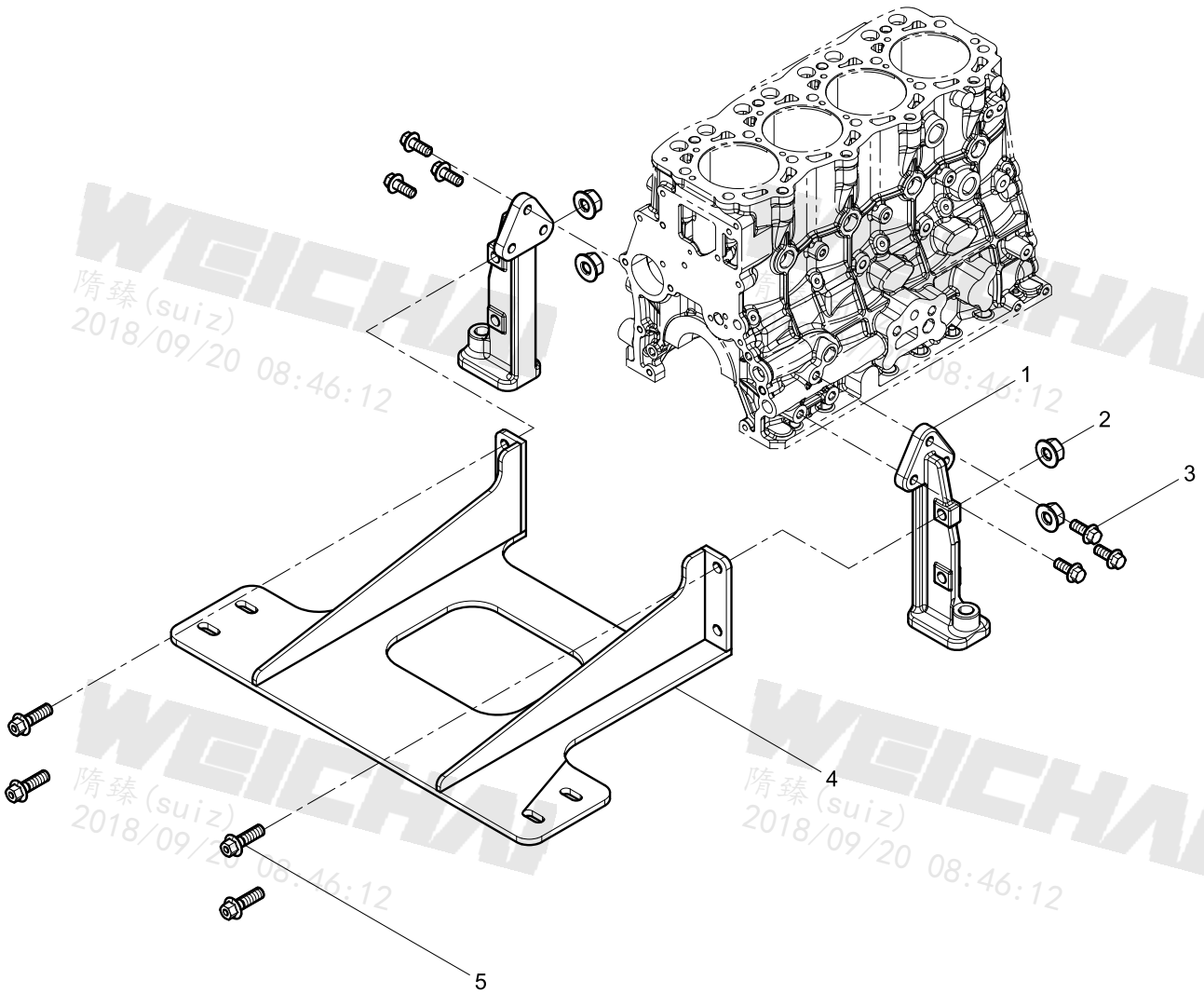
起动机结合组(Starter Motor Group)



发动机支架结合组(Engine Bracket Group)

WEICHAI
隋臻(suiz)
2018/09/20 08:46:12

WEICHAI
隋臻(suiz)
2018/09/20 08:46:12



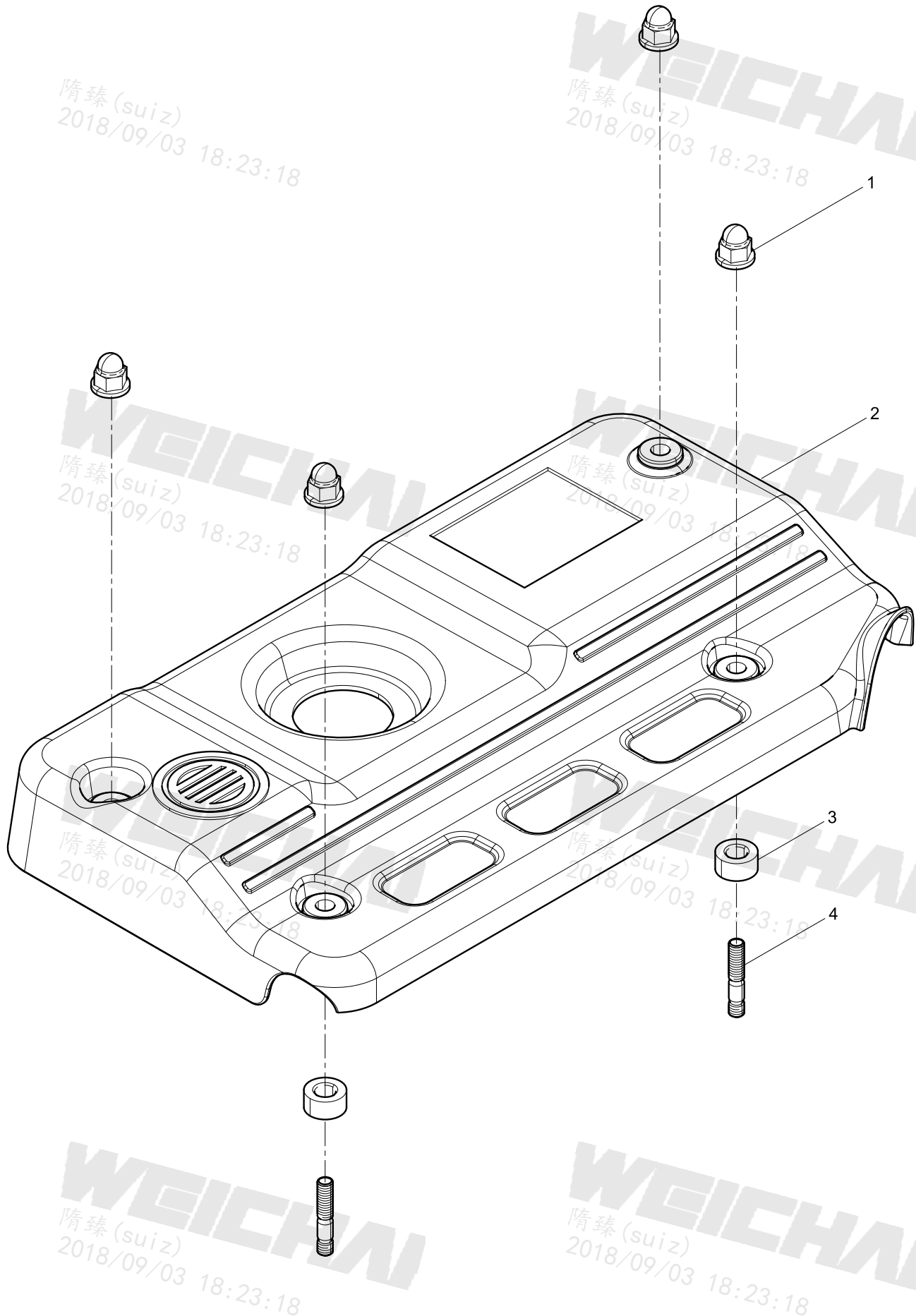
WEICHAI
隋臻(suiz)
2018/09/20 08:46:12

WEICHAI
隋臻(suiz)
2018/09/20 08:46:12

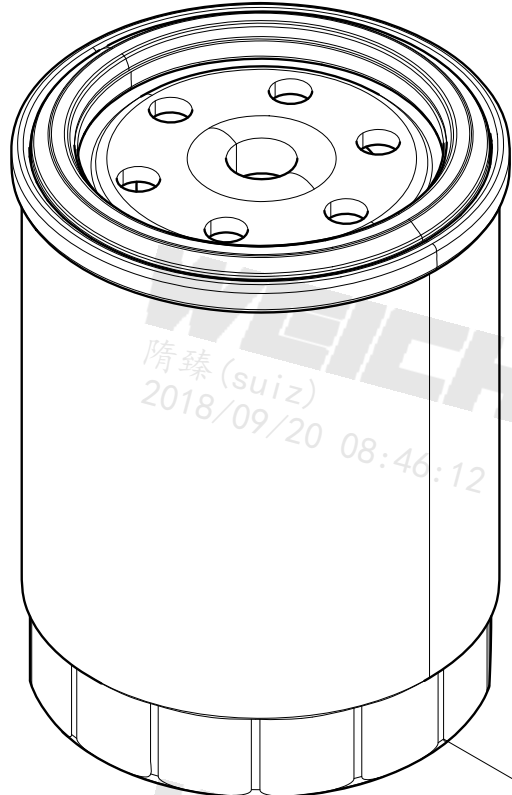
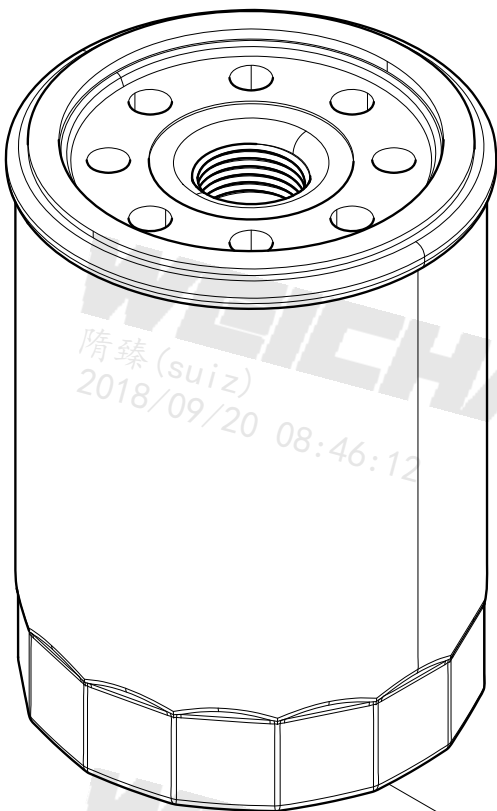
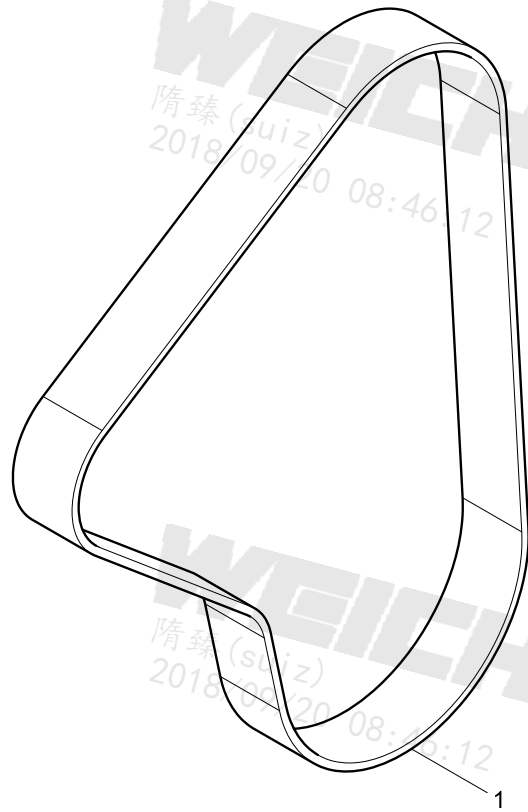
WEICHAI
隋臻(suiz)
2018/09/20 08:46:12

WEICHAI
隋臻(suiz)
2018/09/20 08:46:12

主机外围附件支撑结合组(Engine Peripheral Device Support Group)



随机备件结合组(Spare Parts Attached to Engine Group)



发电机结合组(Alternator Group)

