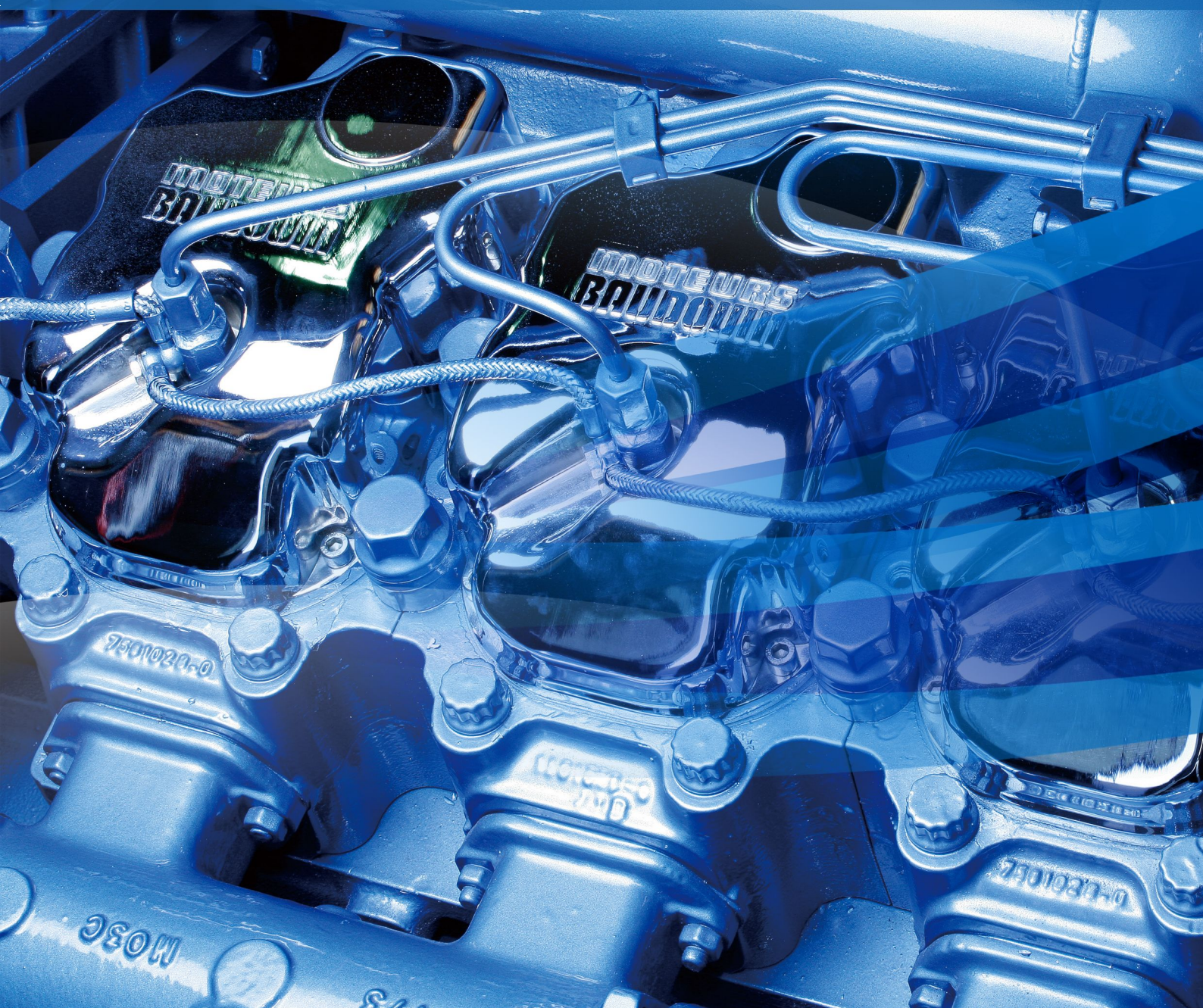


**3M10 BAUDOUIN DIESEL PARTS CATALOGUE**





# PREFACE

This illustrated parts manual is specially prepared for customers to facilitate the use of 3M10 series diesel engine in operation and tenance.

The illustrations are grouped under the heading of each assembly and numbered individually.Part.

No.,Quantity,Model,English designation,Chinese designation and so on are written in the parts list .  
The parts catalogue include detailed assembling parts list of diesel engine ,some parts can not be sold ,if you want to know selling part matters,please ask weichai power spare part resource CO.,LTD.

With the development of technology and production,the versions of the diesel engine will be increased, so the catalogue will be revised.Please pay attention to our revised edition.After service of this product is authorized to Weichai Power Co.,Ltd ,Consumers can acquire information of this product through [www.weichai.com](http://www.weichai.com).

# CONTENTS

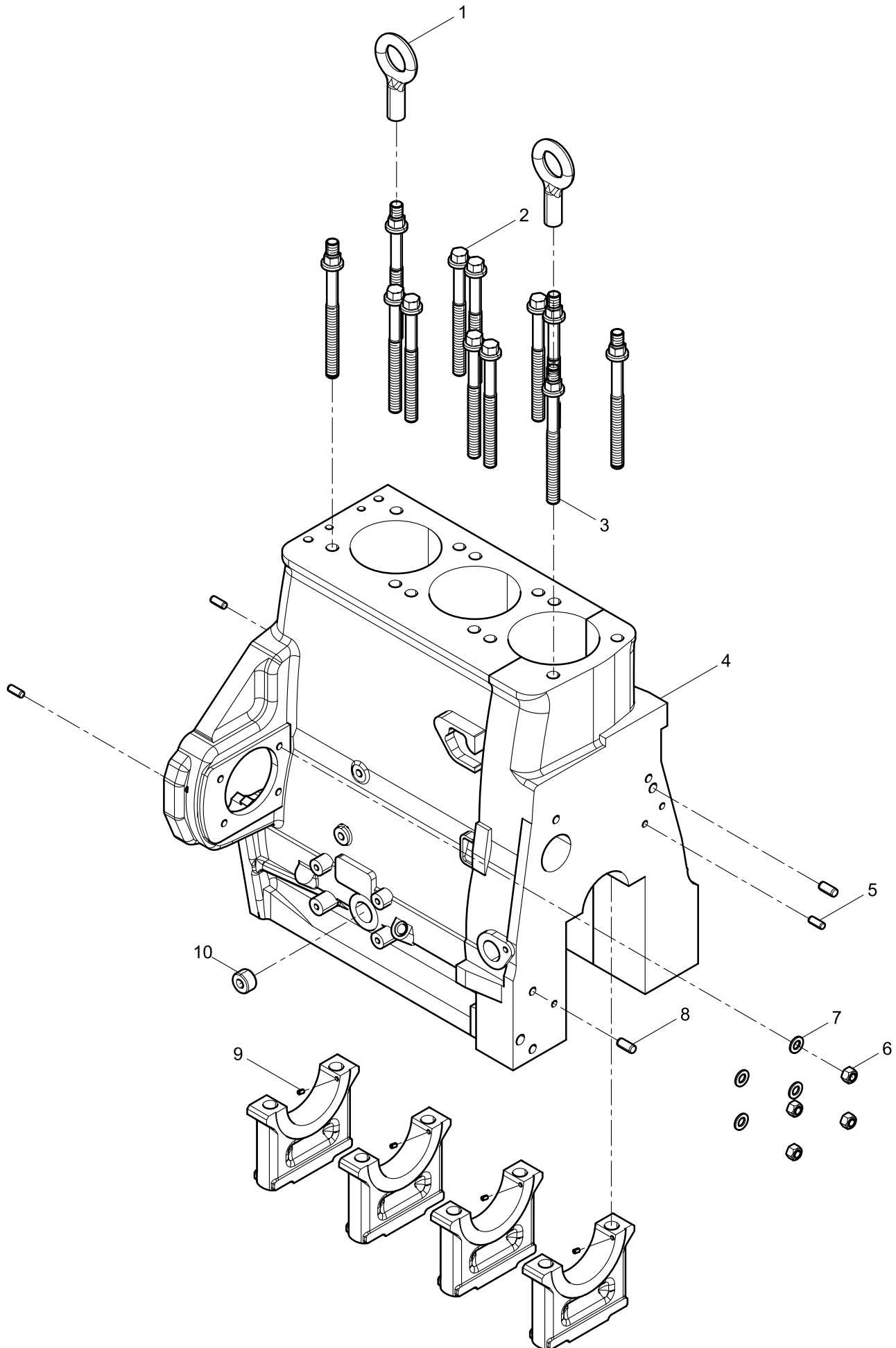
<b>Engine Block Group</b> .....	<b>1</b>
crankcase assembly .....	3
<b>Rear Oil Seal Cover Assembly</b> .....	<b>5</b>
Rear Oil Seal Cover Set.....	7
<b>Flywheel Housing Group</b> .....	<b>9</b>
<b>Gear Housing Group</b> .....	<b>11</b>
Front End Cover Subassembly .....	13
<b>Crankshaft Group</b> .....	<b>15</b>
<b>Main Bearing Set</b> .....	<b>17</b>
Thrust Bearing Set.....	19
Main Bearing Set.....	21
<b>Thrust Plate Group</b> .....	<b>23</b>
<b>Flywheel Group</b> .....	<b>25</b>
Flywheel Assembly .....	27
<b>Piston and Connecting Rod Group</b> .....	<b>29</b>
Piston and Connecting Rod Group .....	31
Piston Assembly .....	33
Connecting Rod Assembly .....	35
Connecting Rod Bearing Set .....	37
<b>Cylinder Head Assembly</b> .....	<b>39</b>
Cylinder Head Subassembly .....	41
Intake and exhaust valve set.....	43
Cylinder Head Subassembly .....	45
Rocker Arm Bracket Assembly.....	47
Rocker Arm Set.....	49
<b>Cylinder Head Gasket</b> .....	<b>51</b>
<b>Cylinder Head Cover Group</b> .....	<b>53</b>
<b>Camshaft Assembly</b> .....	<b>55</b>
<b>Valve train assembly</b> .....	<b>57</b>
<b>Crankshaft Pulley Group</b> .....	<b>59</b>
.....	<b>61</b>

<b>Oil Pan Assembly .....</b>	<b>63</b>
<b>Lubricating Oil Pump .....</b>	<b>65</b>
<b>Oil Cooler Group .....</b>	<b>67</b>
<b>Oil Cooler Coolant Pipe Group .....</b>	<b>69</b>
<b>Oil Filter Group .....</b>	<b>71</b>
Filter seat assembly .....	73
<b>Oil Inlet Pipe Assembly .....</b>	<b>75</b>
<b>Crankcase ventilation unit set.....</b>	<b>77</b>
<b>Water Pump Group .....</b>	<b>79</b>
<b>Water Pump Pulley Assembly .....</b>	<b>81</b>
<b>Intermediate plate.....</b>	<b>83</b>
<b>Radiator Group.....</b>	<b>85</b>
<b>Fan.....</b>	<b>87</b>
<b>Fuel Injection Pump Assembly.....</b>	<b>89</b>
Pipe Joint .....	91
<b>Injector assembly .....</b>	<b>93</b>
<b>Injector Return Pipe Group.....</b>	<b>95</b>
<b>Fuel Filter Group .....</b>	<b>97</b>
Fuel Filter .....	99
<b>High-pressure Fuel Pipe Assembly.....</b>	<b>101</b>
High-pressure Fuel Pipe Assembly .....	103
<b>Intake Manifold Group .....</b>	<b>105</b>
<b>Air Filter Group.....</b>	<b>107</b>
Air Filter .....	109
<b>Exhaust Manifold Group .....</b>	<b>111</b>
<b>Hydraulic pump cover assembly .....</b>	<b>113</b>
<b>Starter Motor Group .....</b>	<b>115</b>
<b>Engine Bracket Group.....</b>	<b>117</b>
<b>Packing Box Chassis Parts Group.....</b>	<b>119</b>
<b>Alternator Group .....</b>	<b>121</b>

<b>Alternator Bracket Assembly .....</b>	<b>123</b>
--	------------



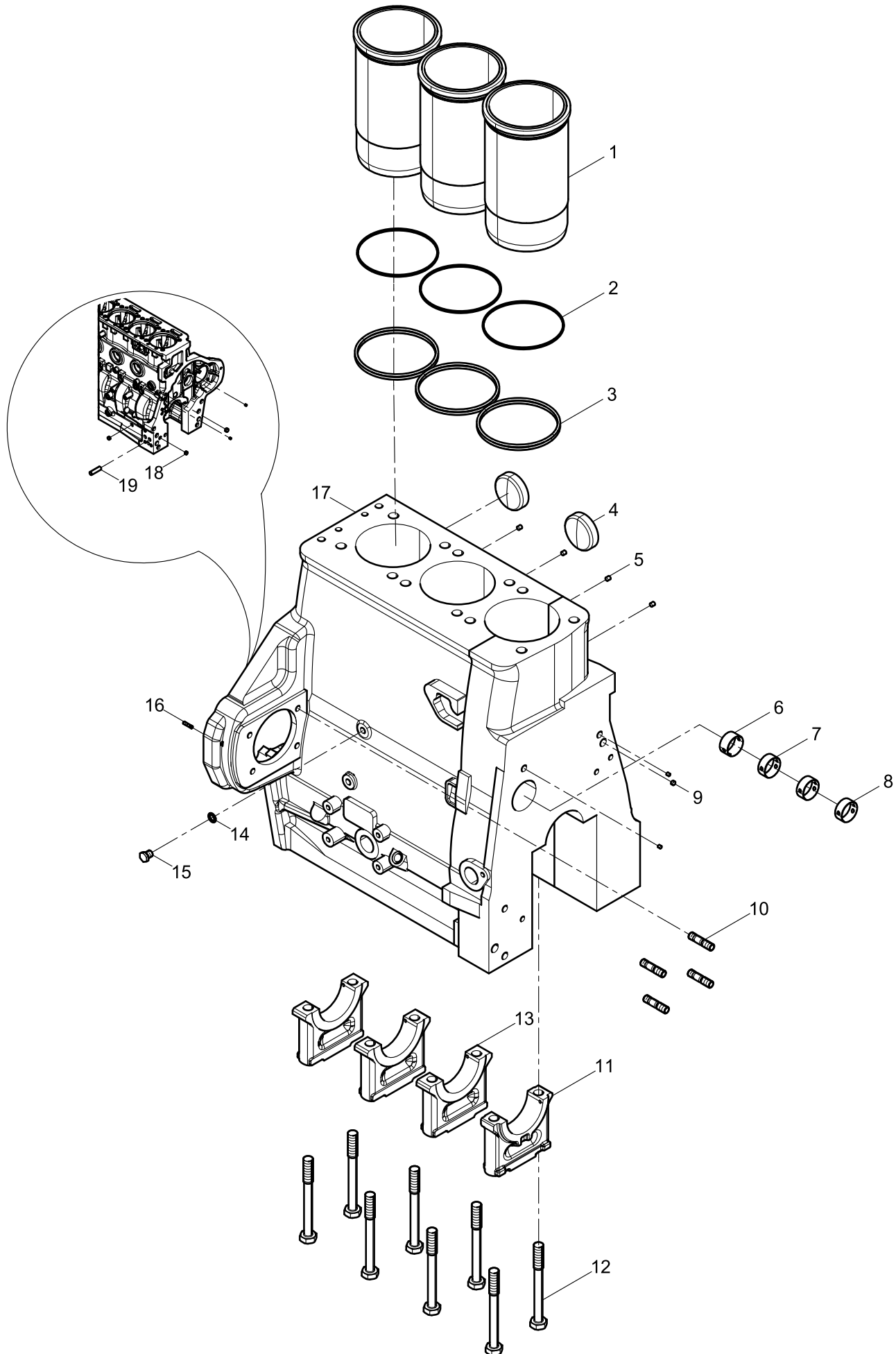
### Engine Block Group





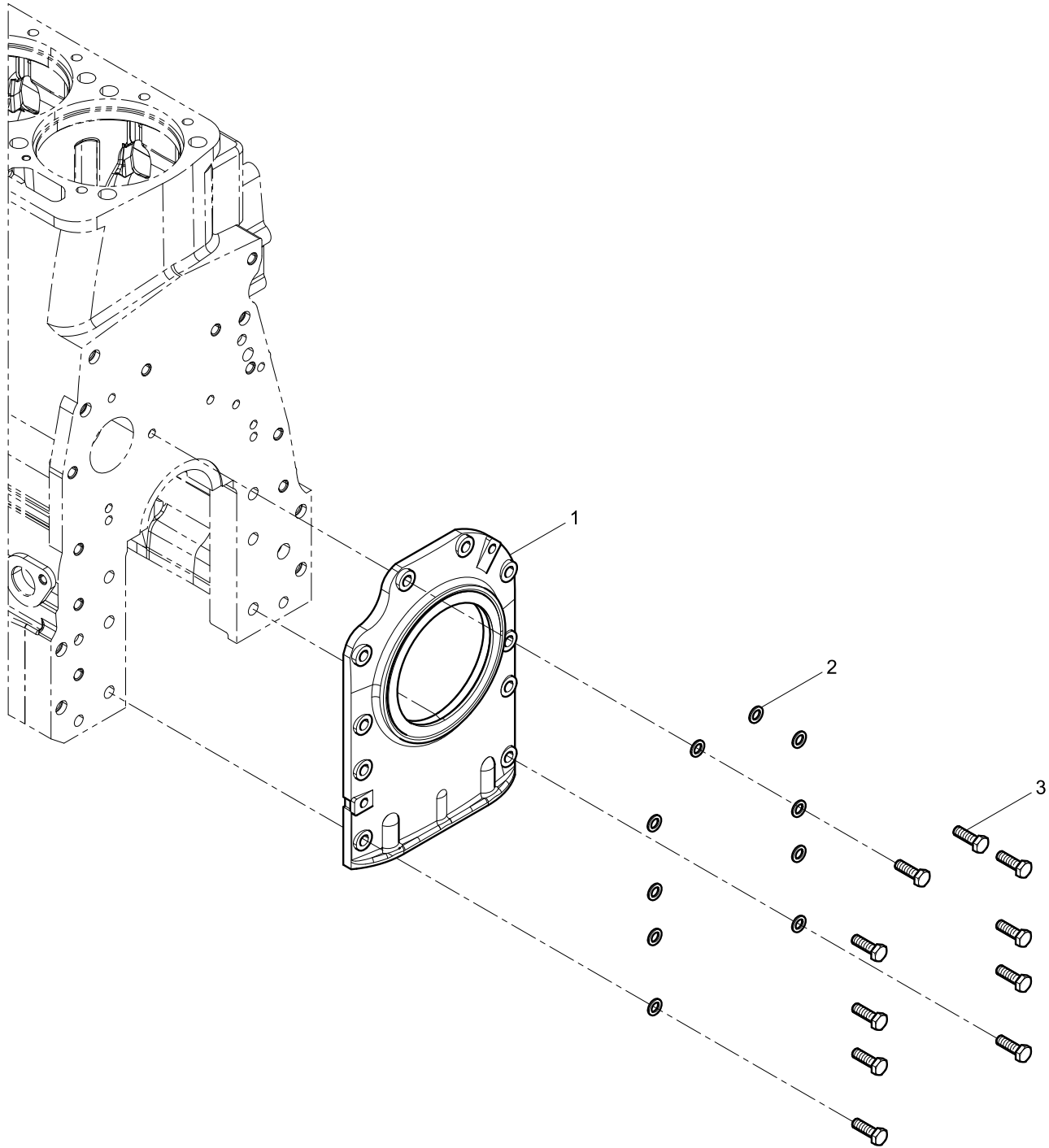


crankcase assembly



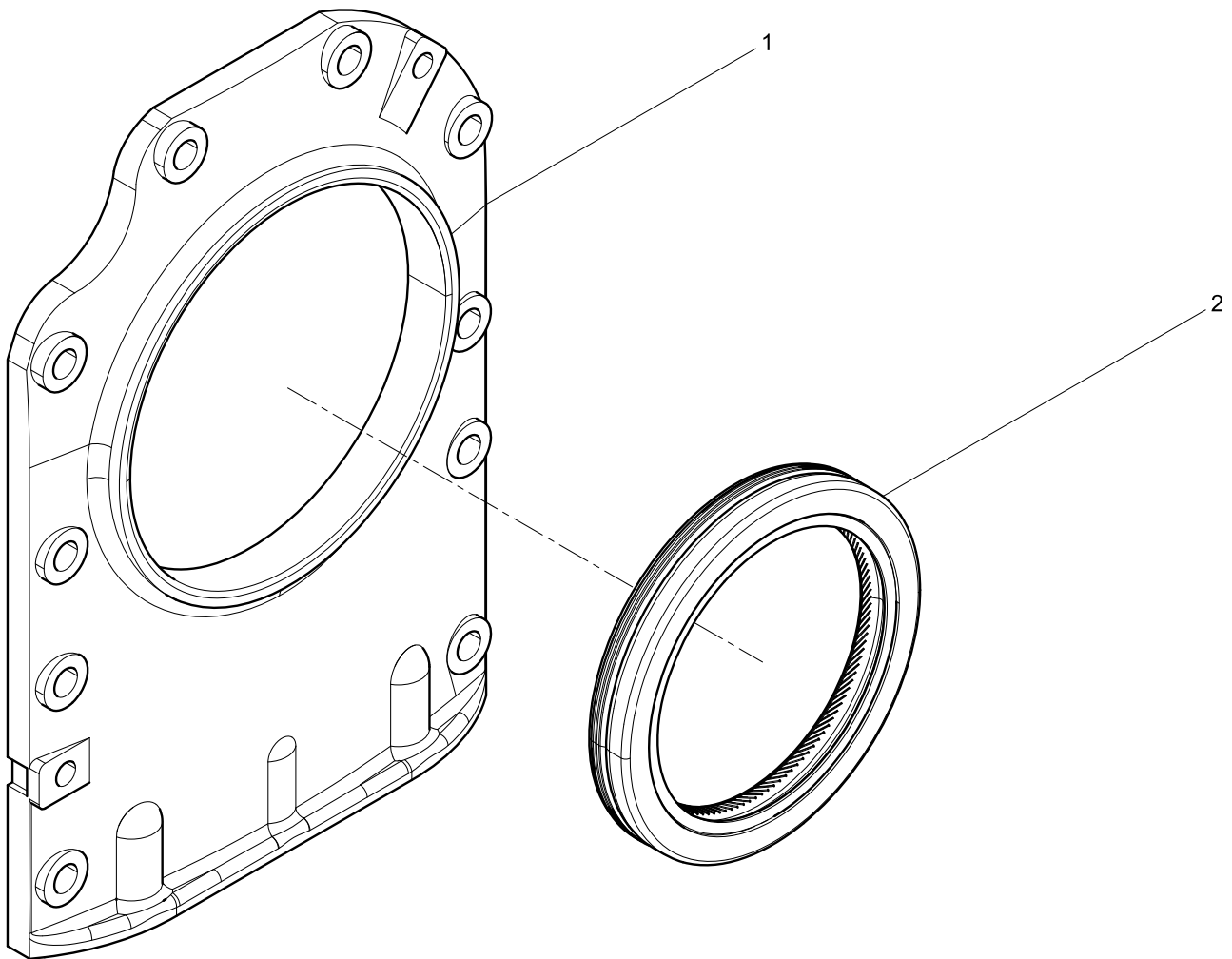


### Rear Oil Seal Cover Assembly





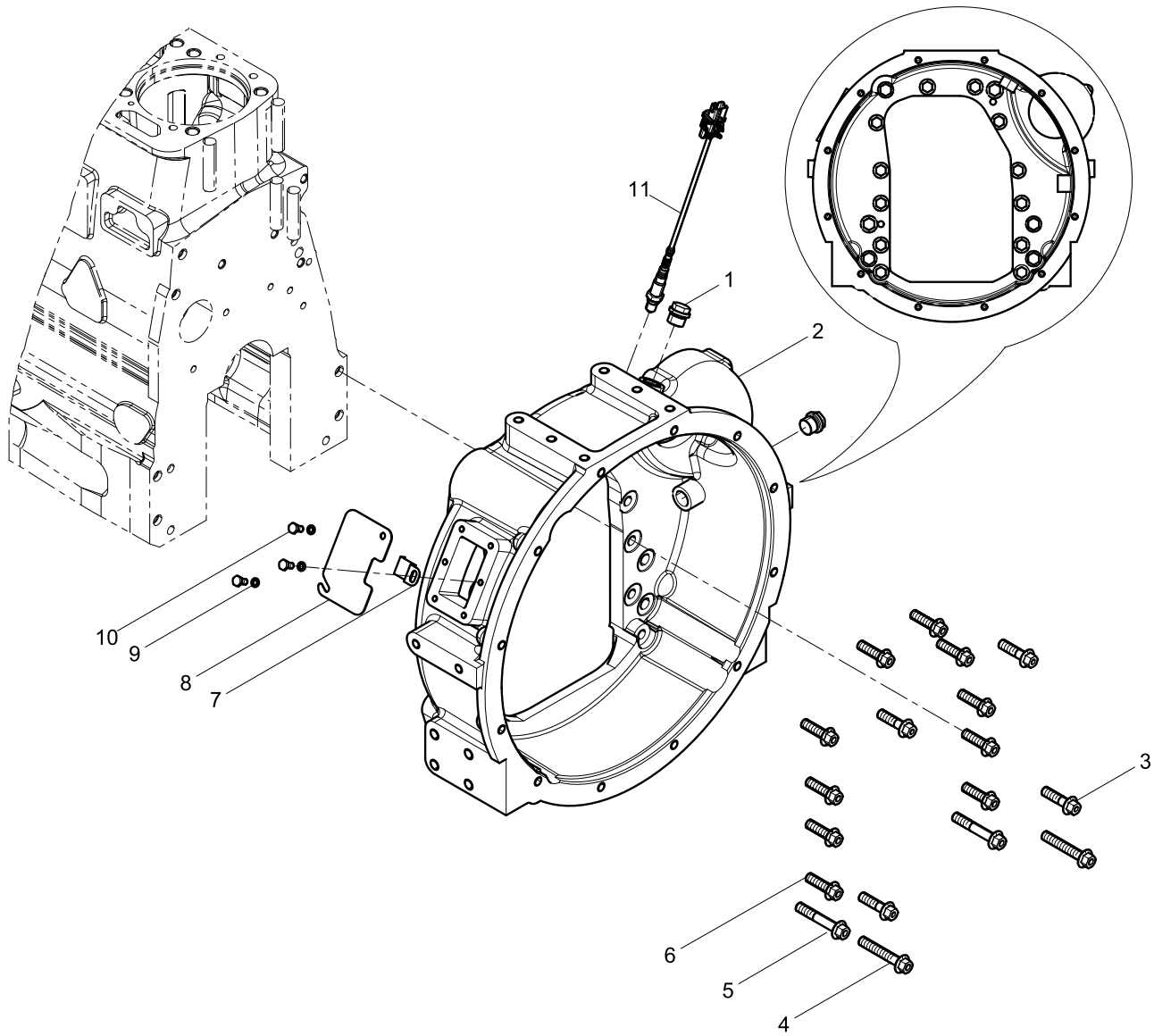
**Rear Oil Seal Cover Set**





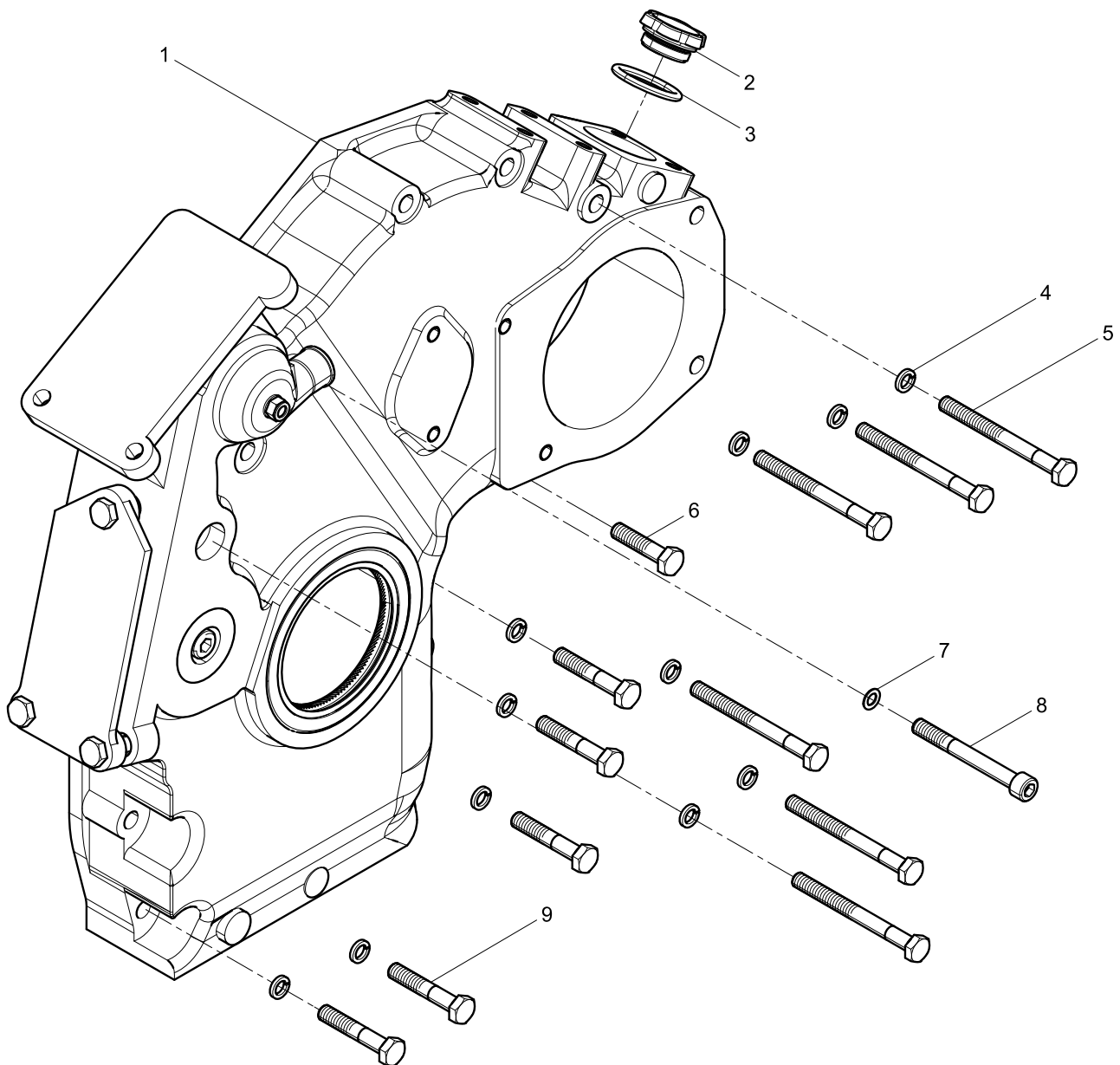


### Flywheel Housing Group



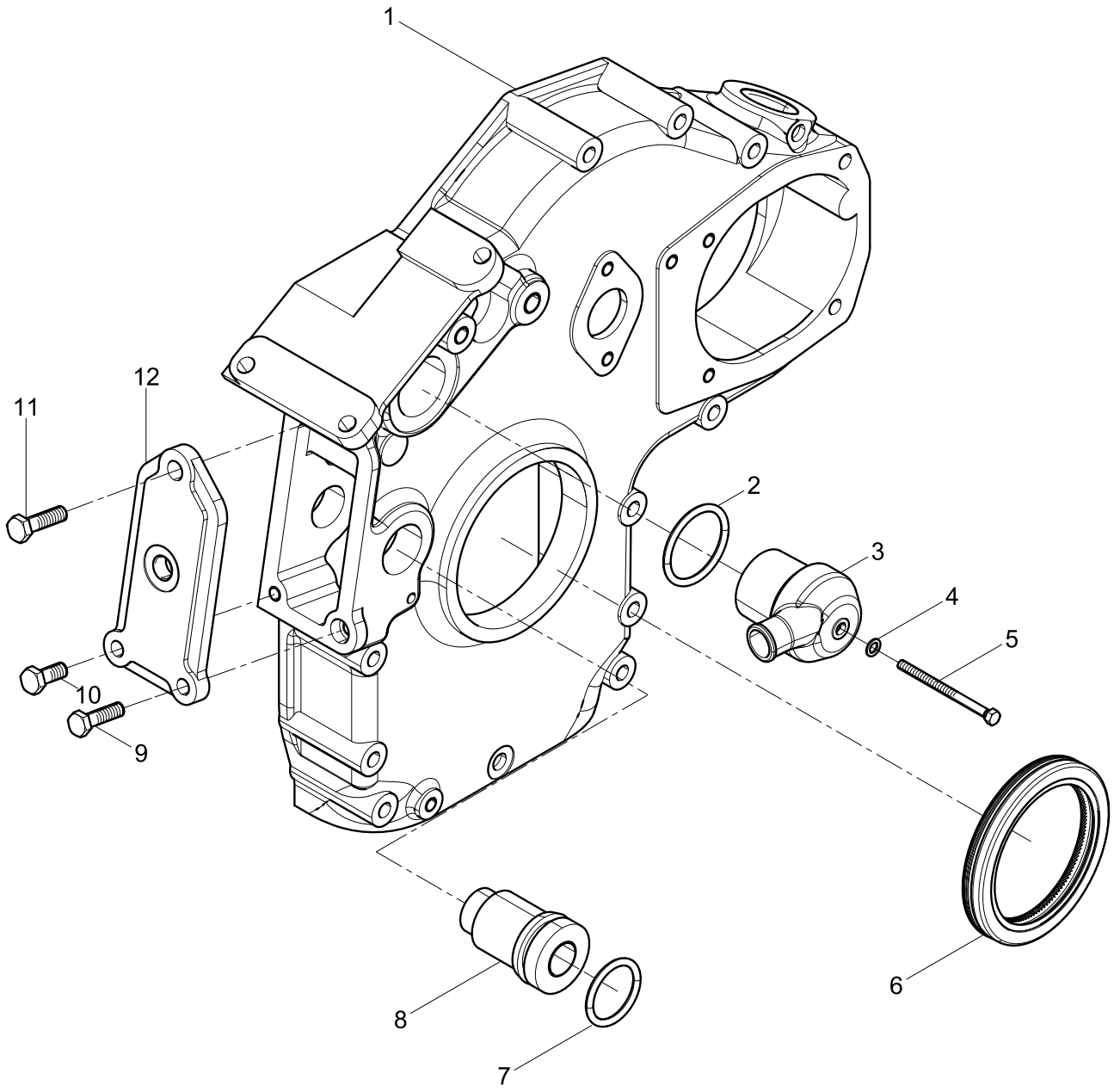


### Gear Housing Group





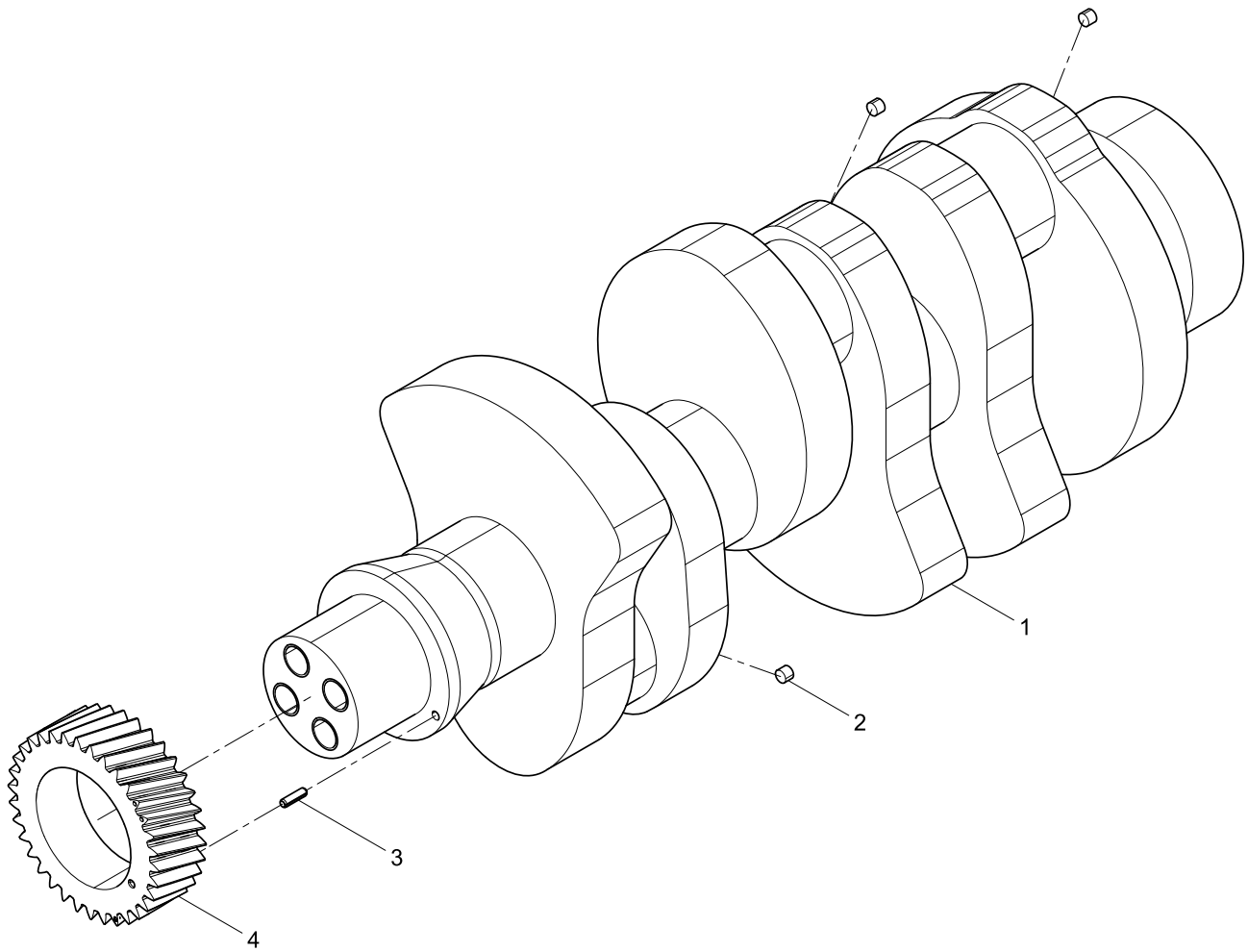
### Front End Cover Subassembly





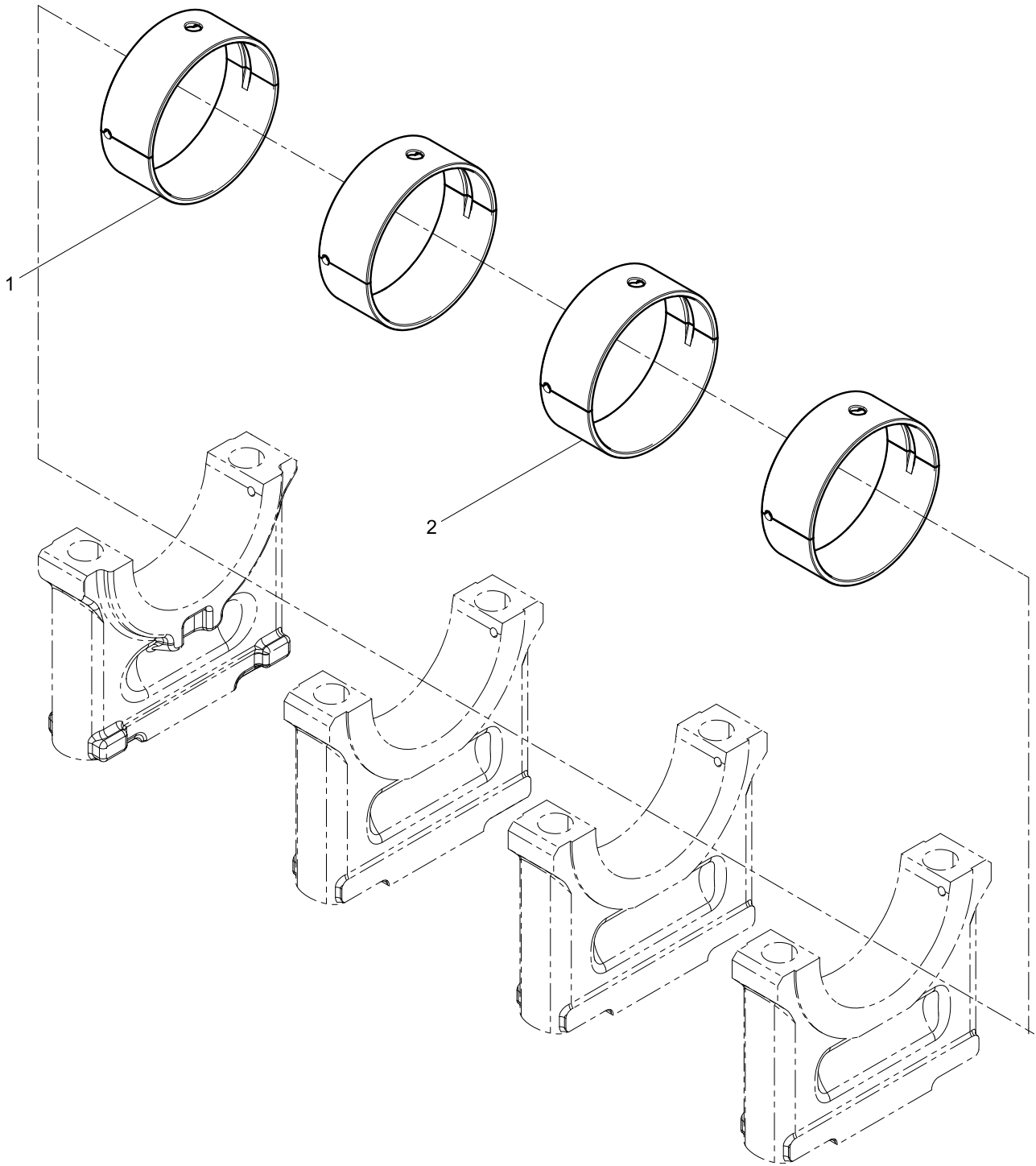


### Crankshaft Group



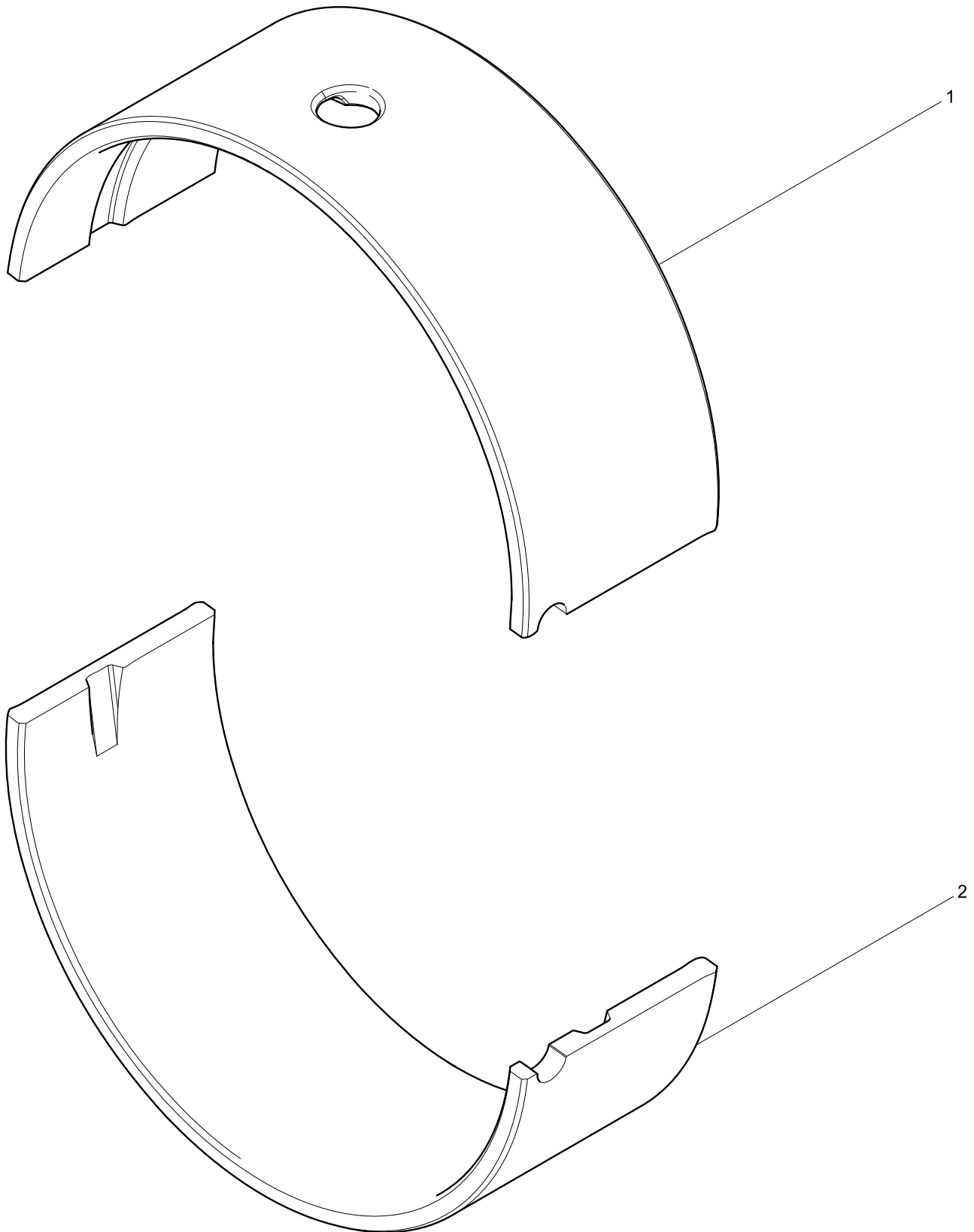


### Main Bearing Set





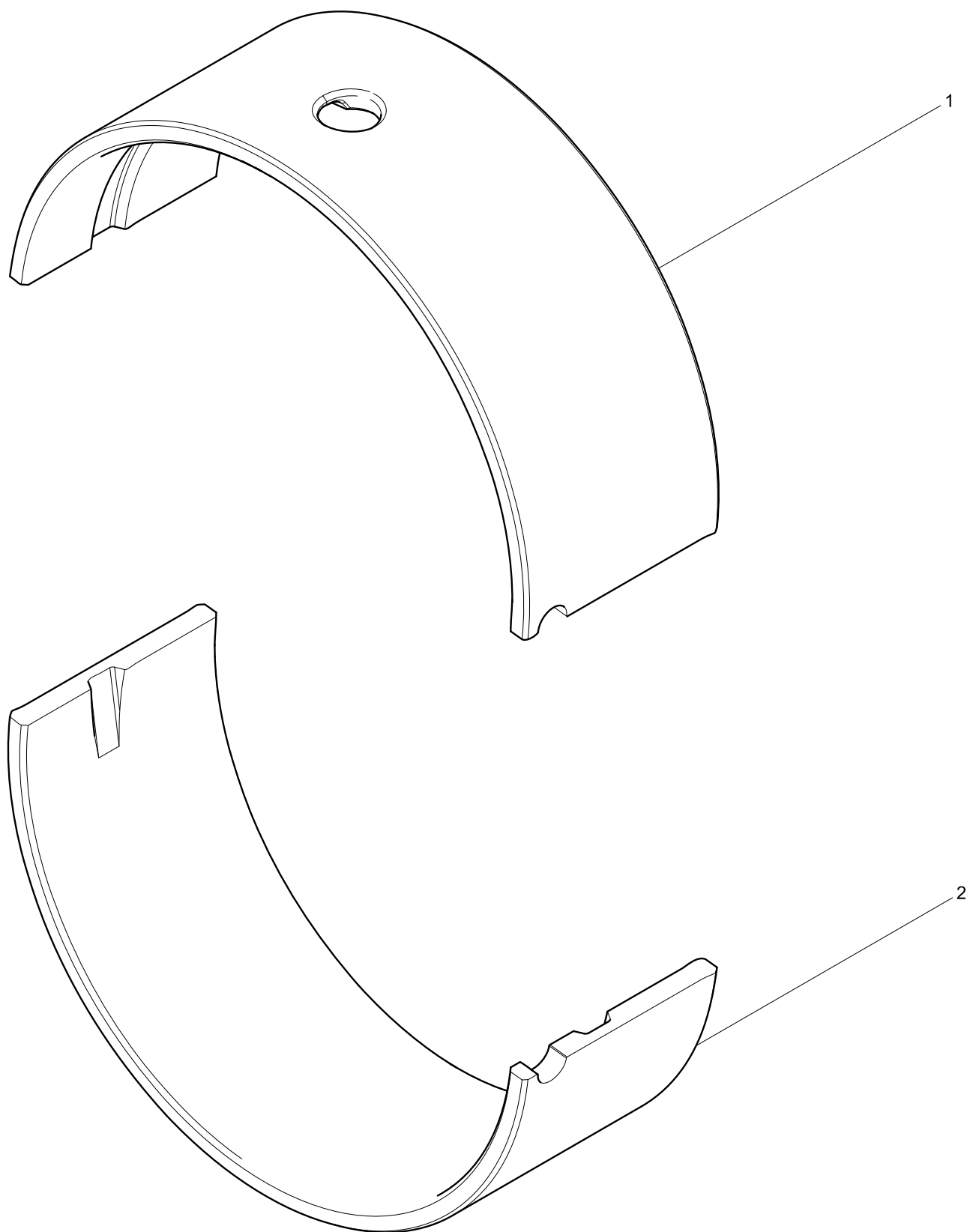
### Thrust Bearing Set





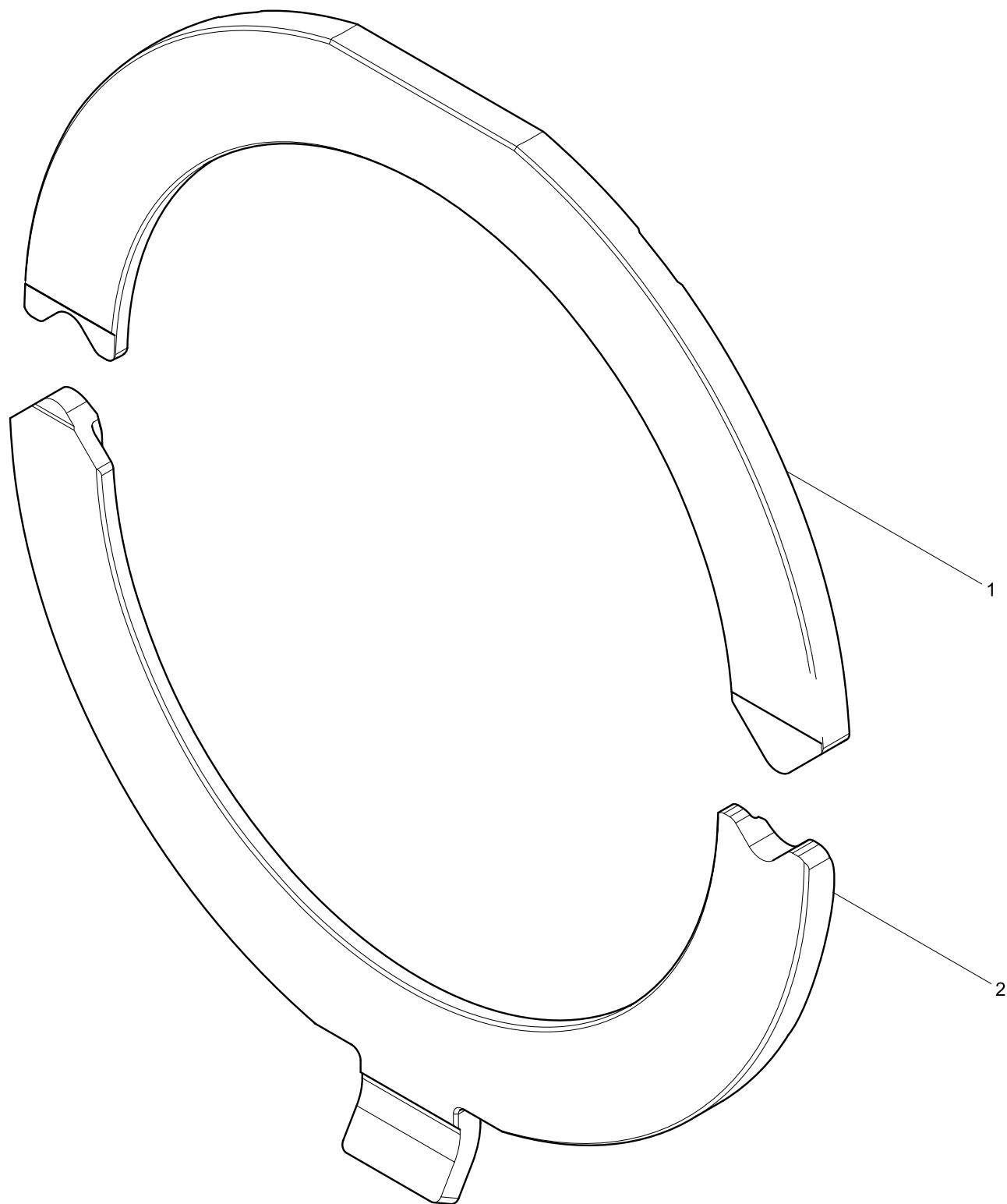


**Main Bearing Set**



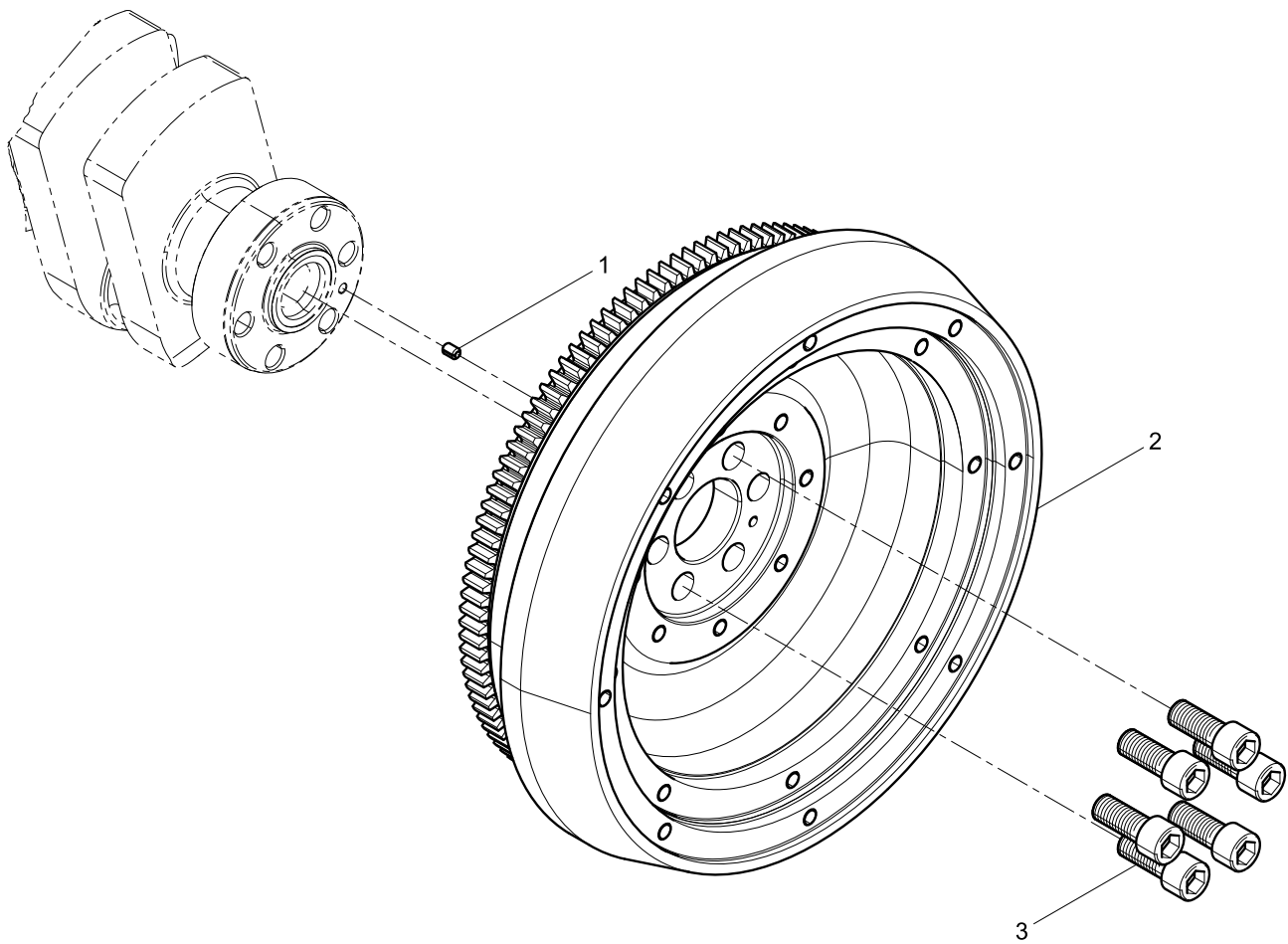


**Thrust Plate Group**





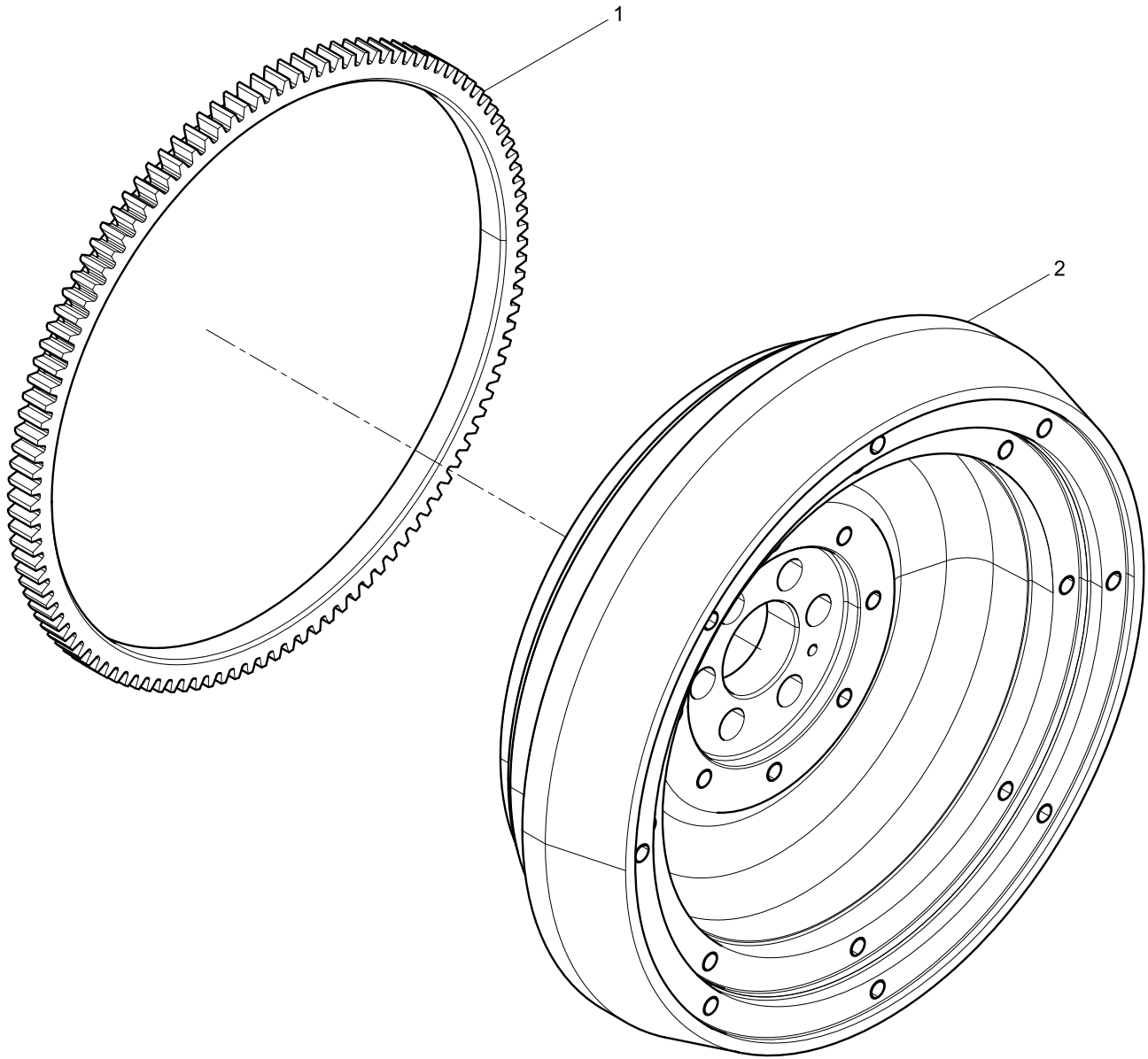
### Flywheel Group





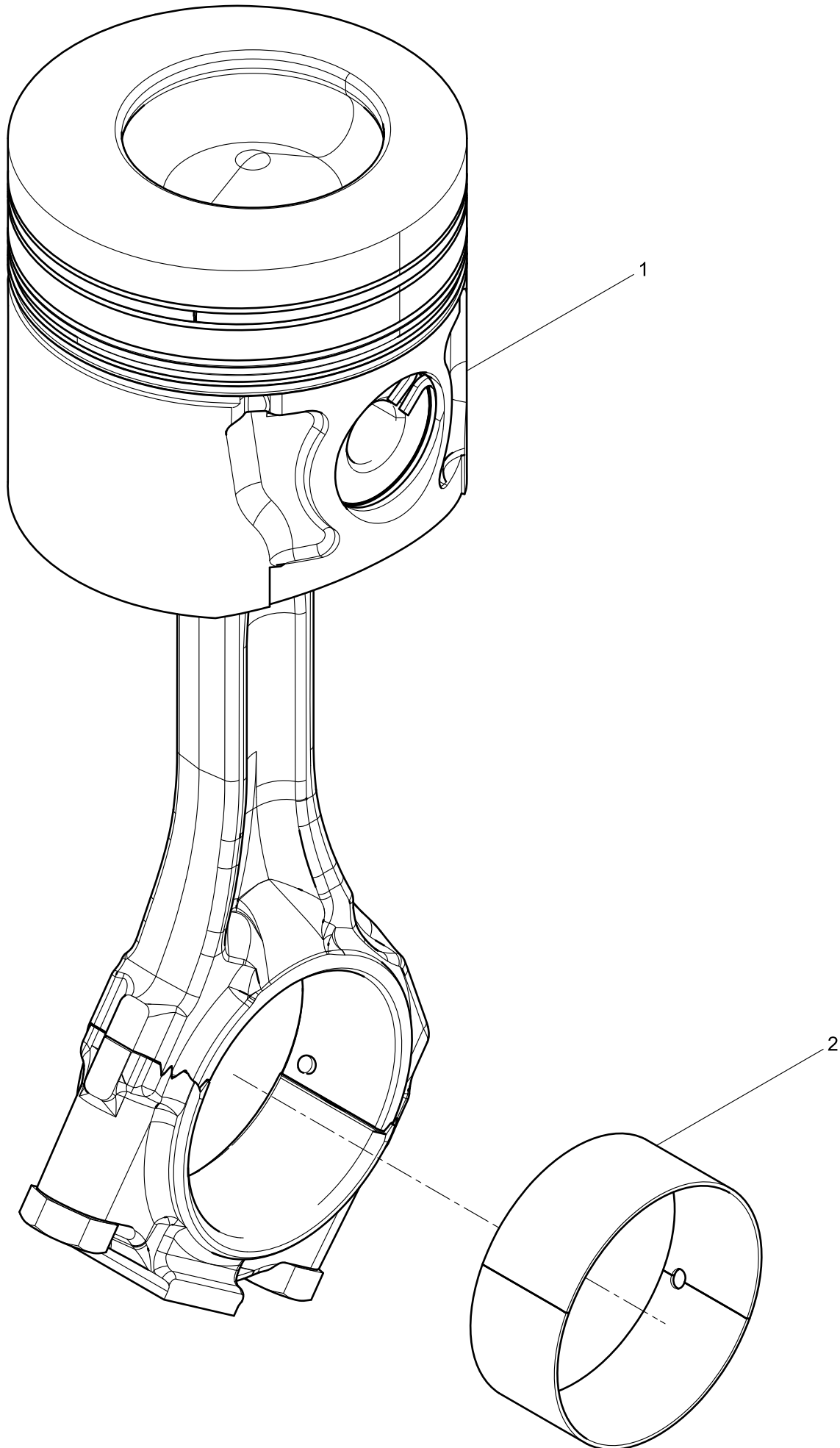


### Flywheel Assembly



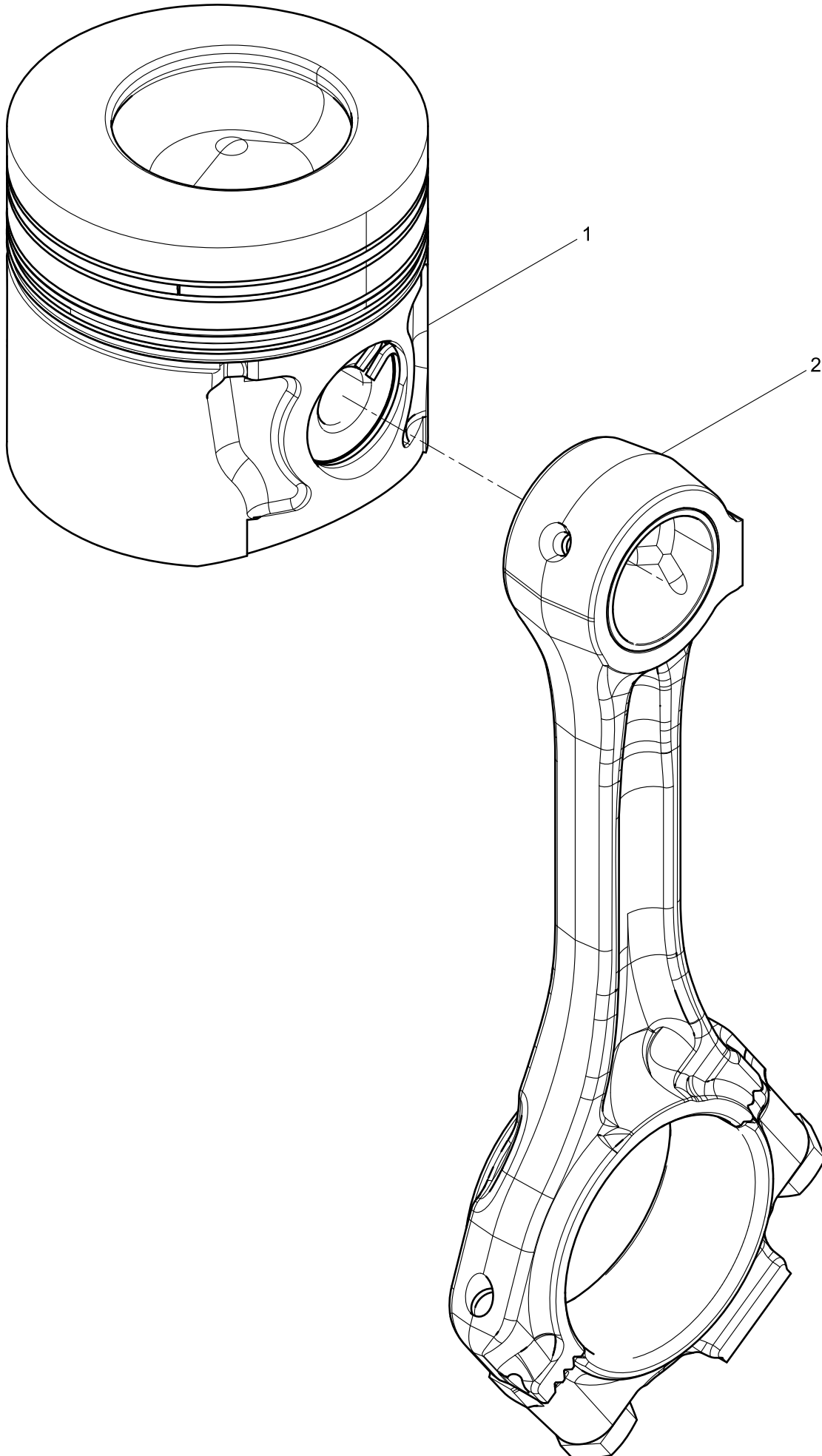


**Piston and Connecting Rod Group**



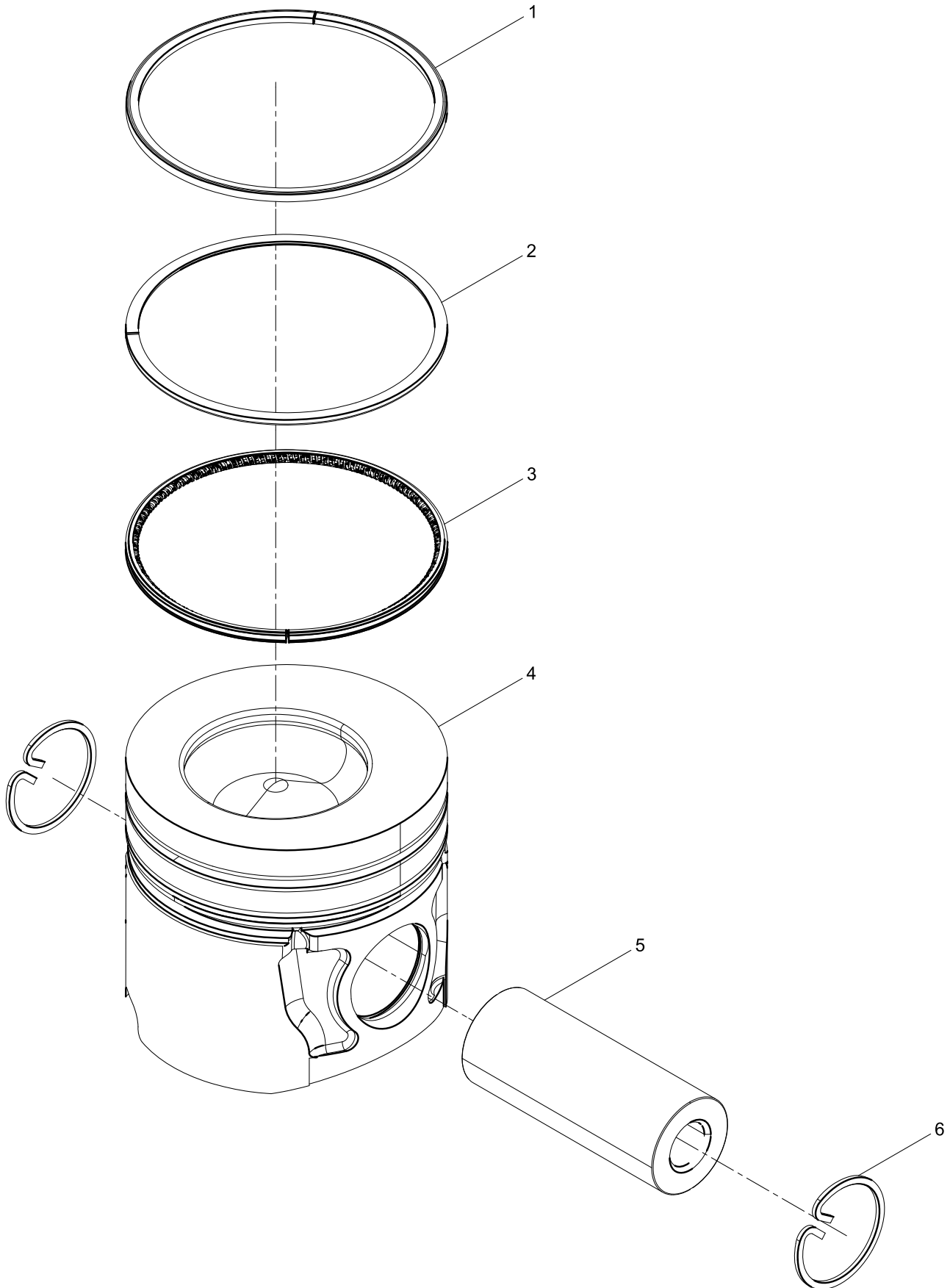


**Piston and Connecting Rod Group**





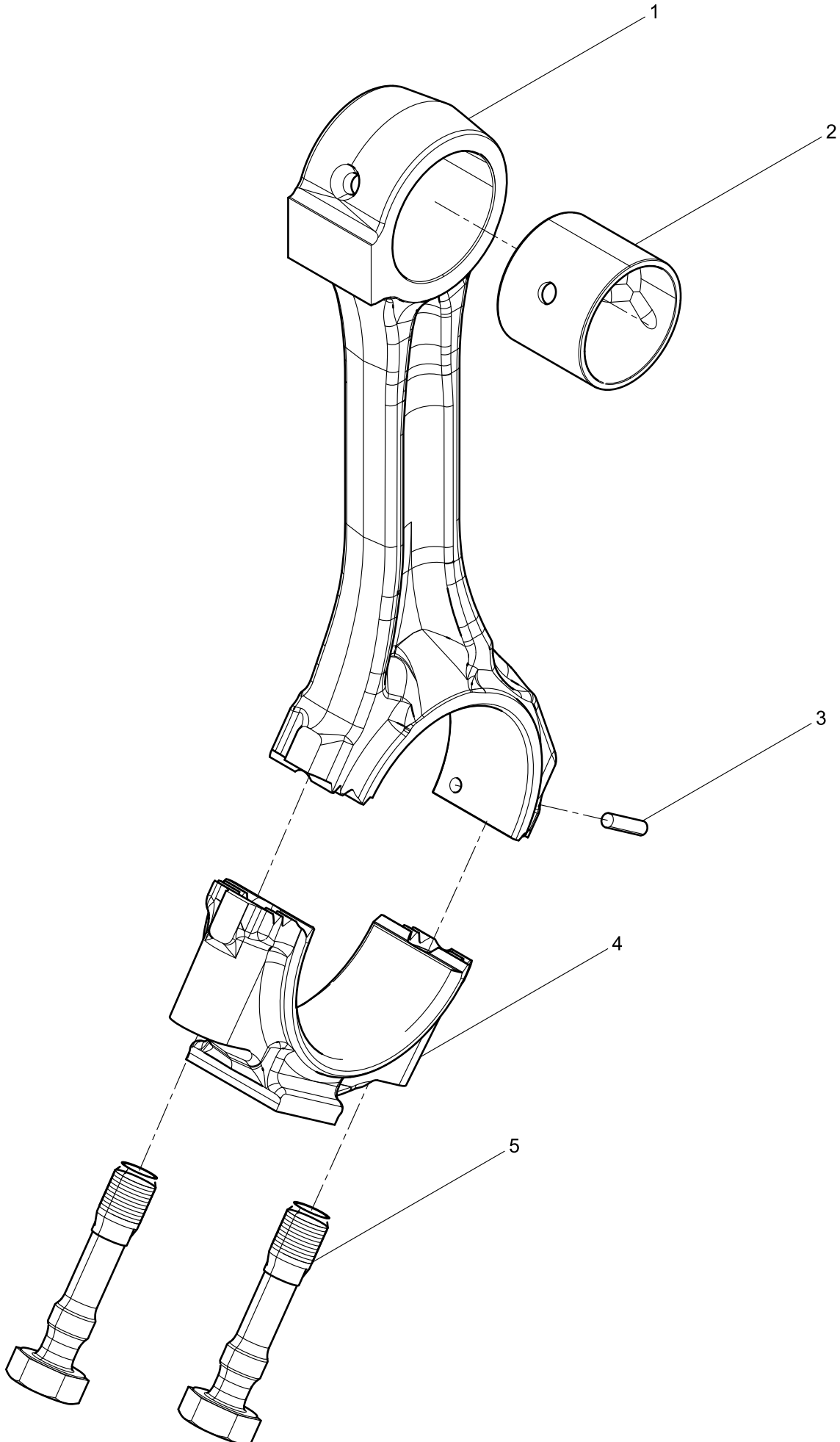
### Piston Assembly





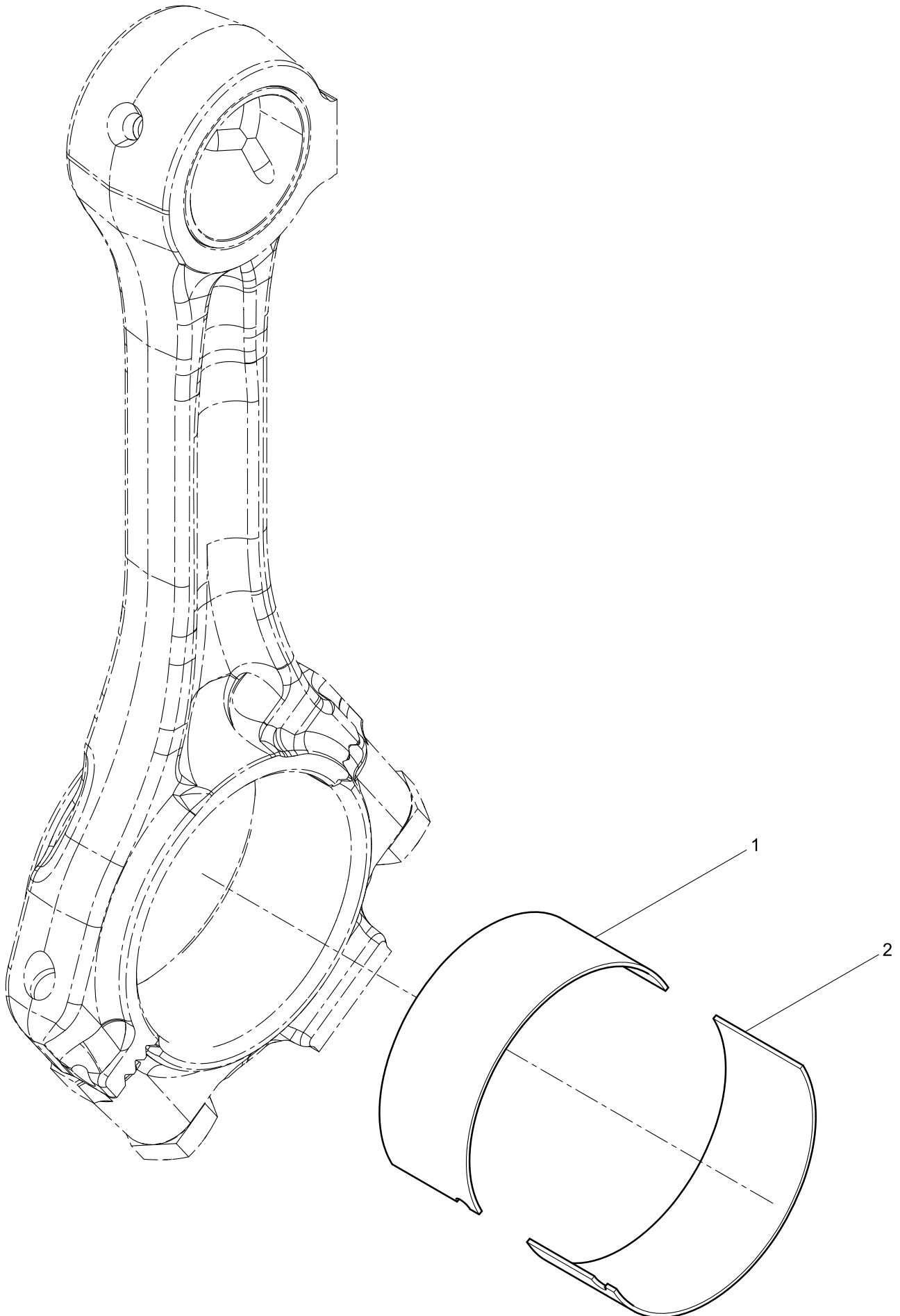


### Connecting Rod Assembly



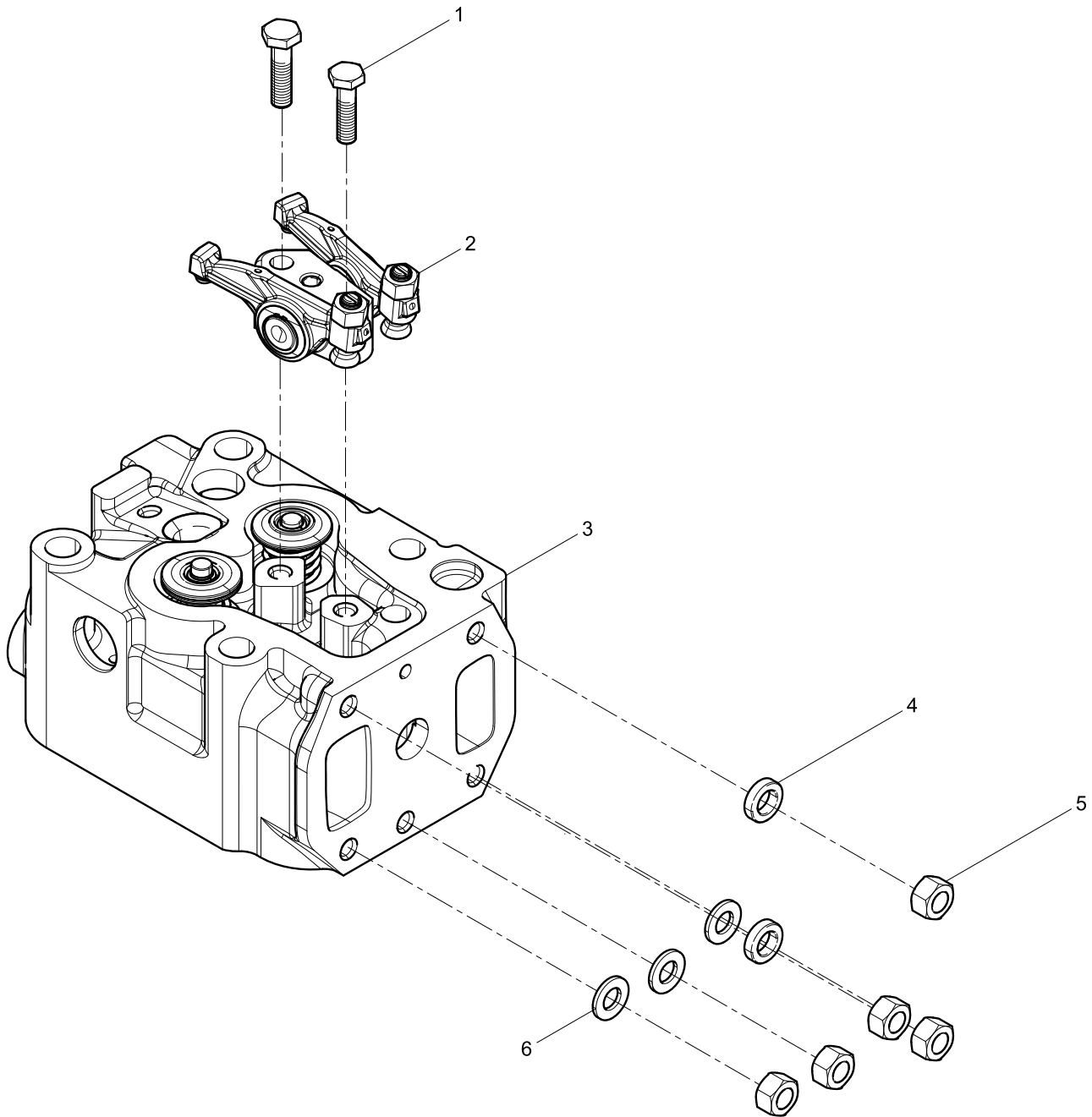


**Connecting Rod Bearing Set**



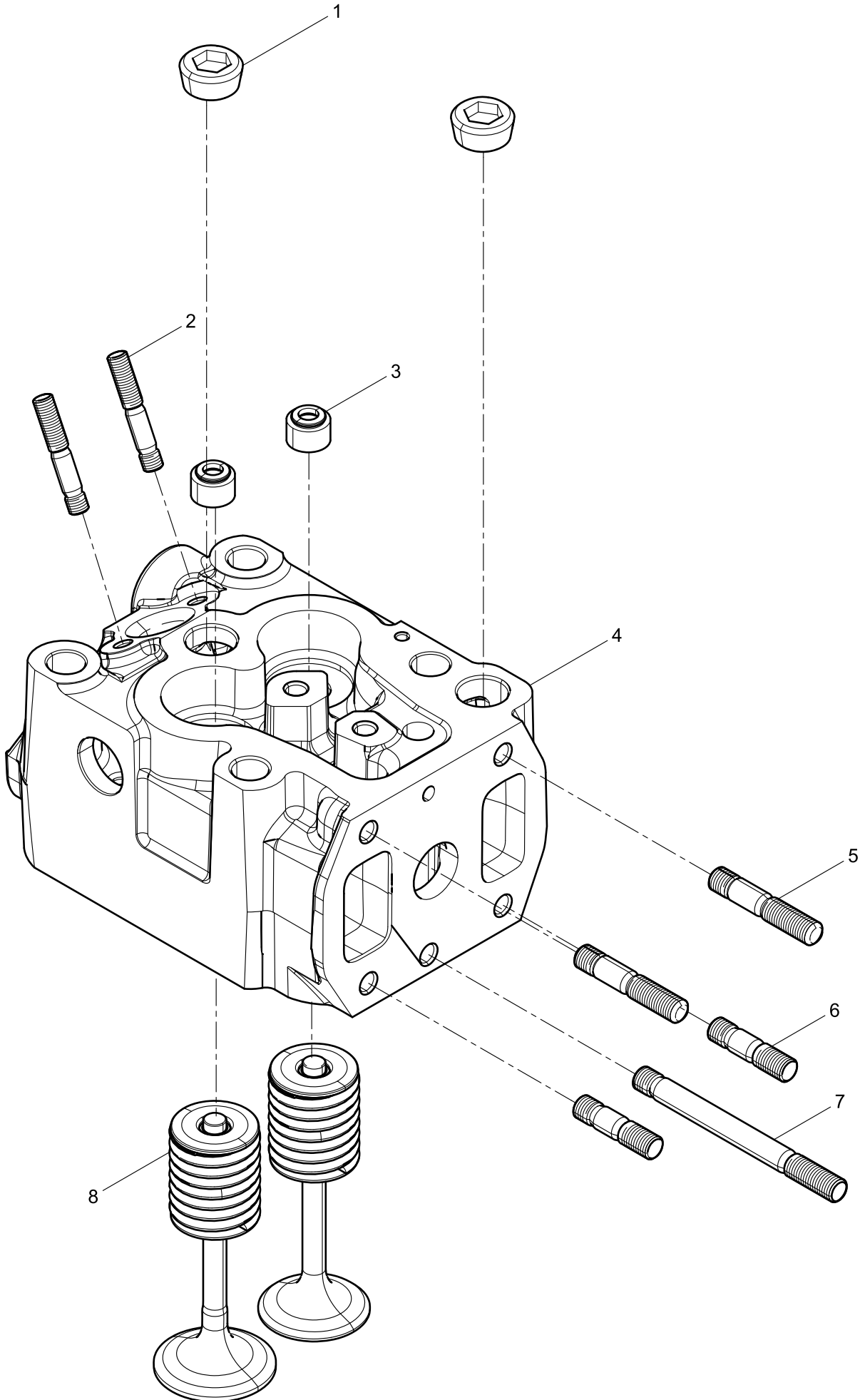


### Cylinder Head Assembly





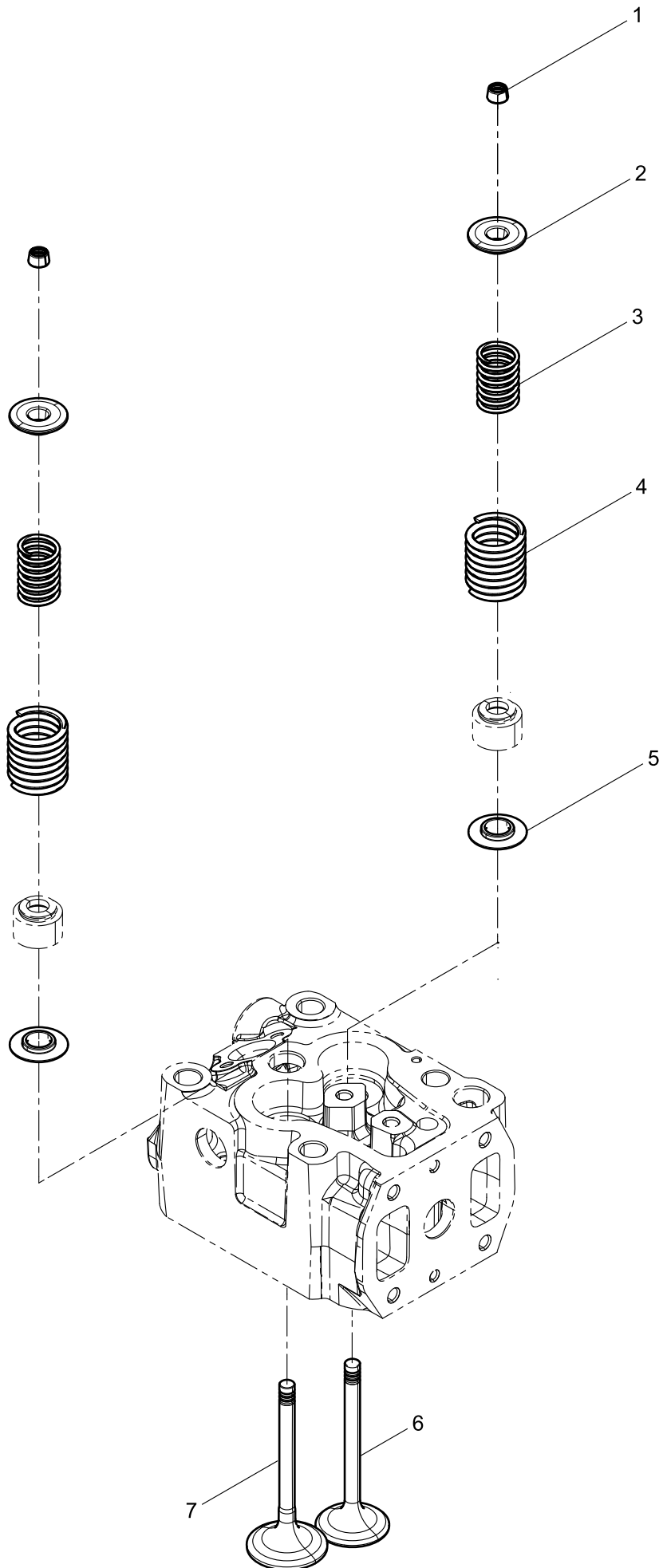
### Cylinder Head Subassembly





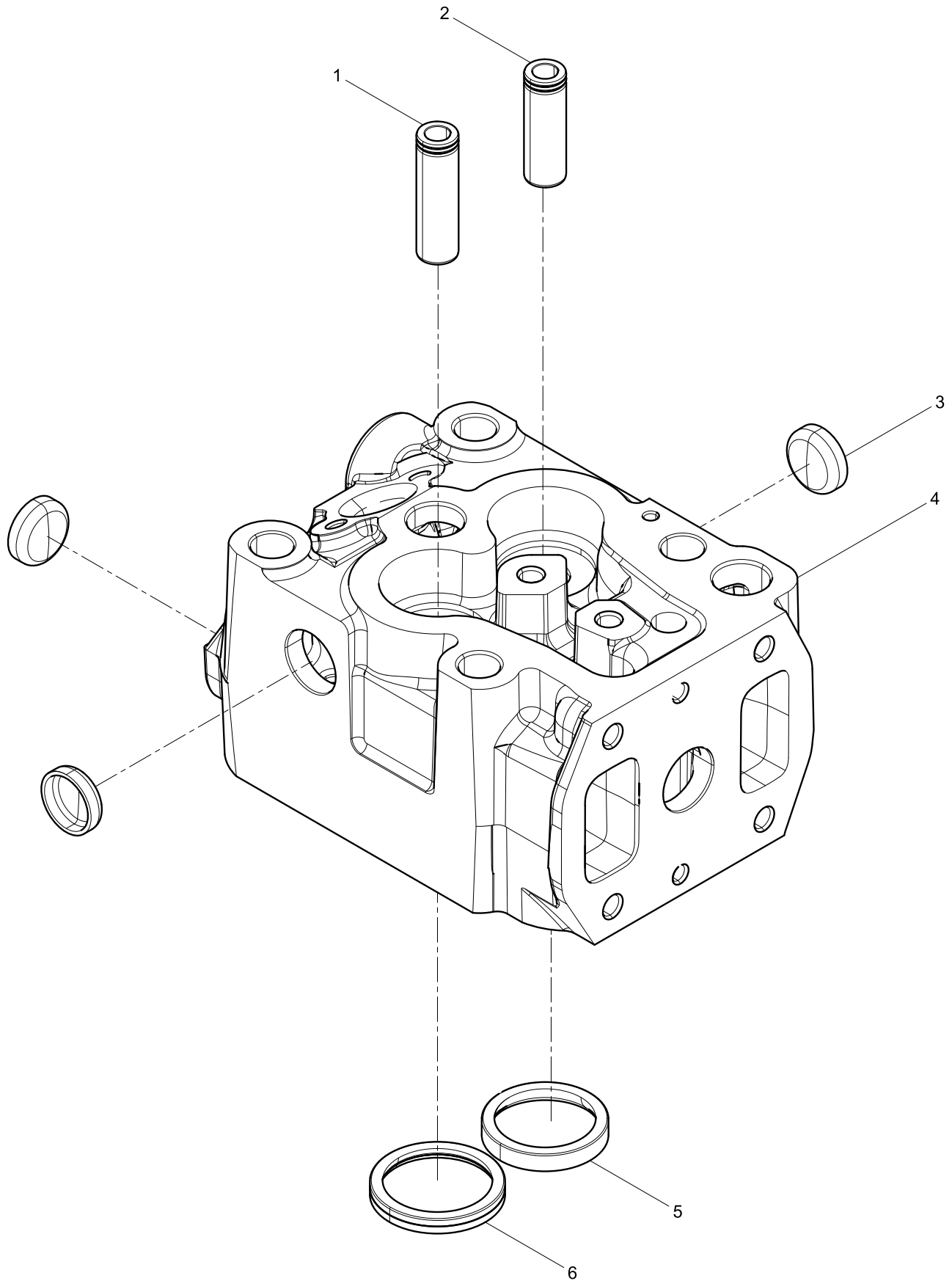


### Intake and exhaust valve set



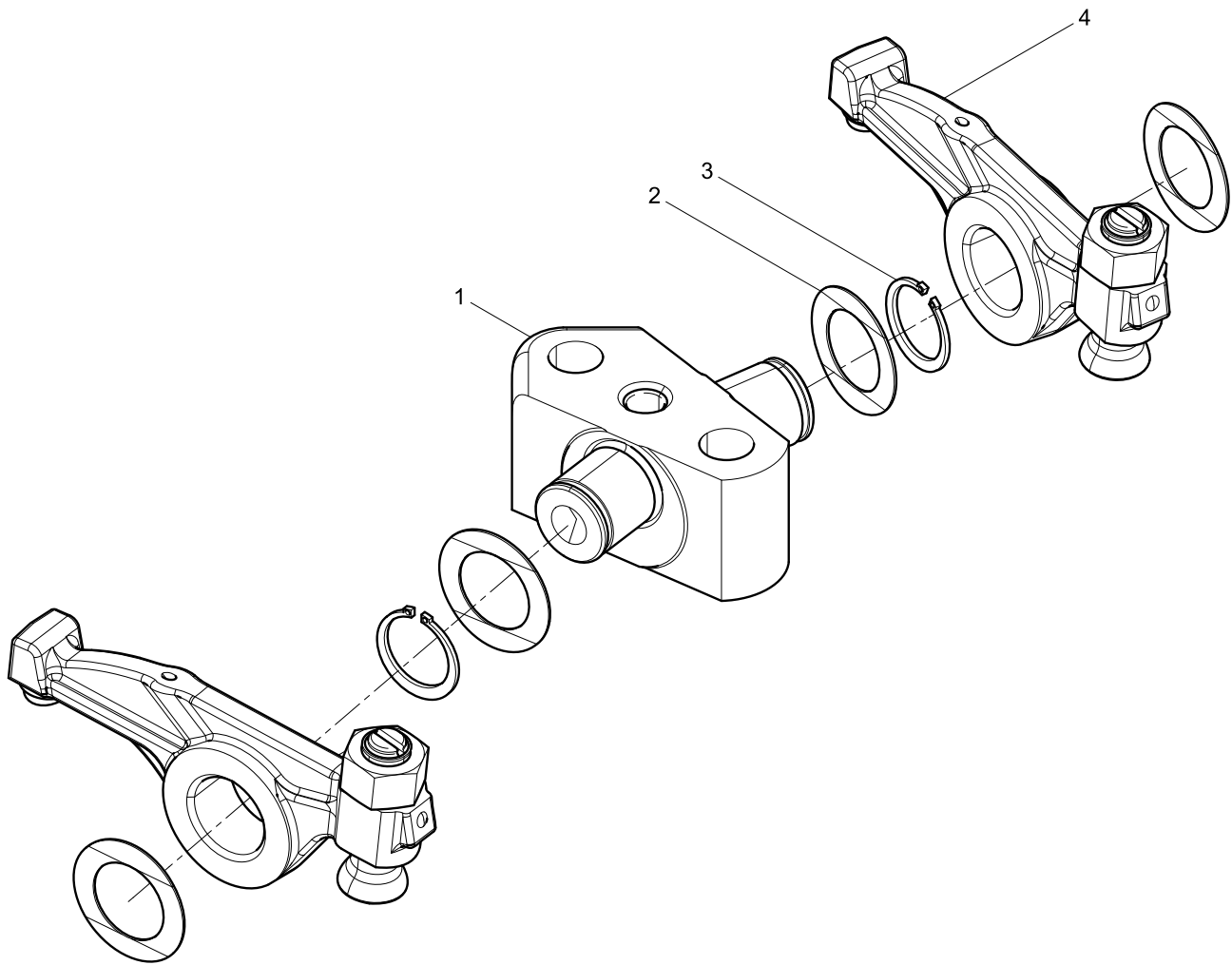


### Cylinder Head Subassembly



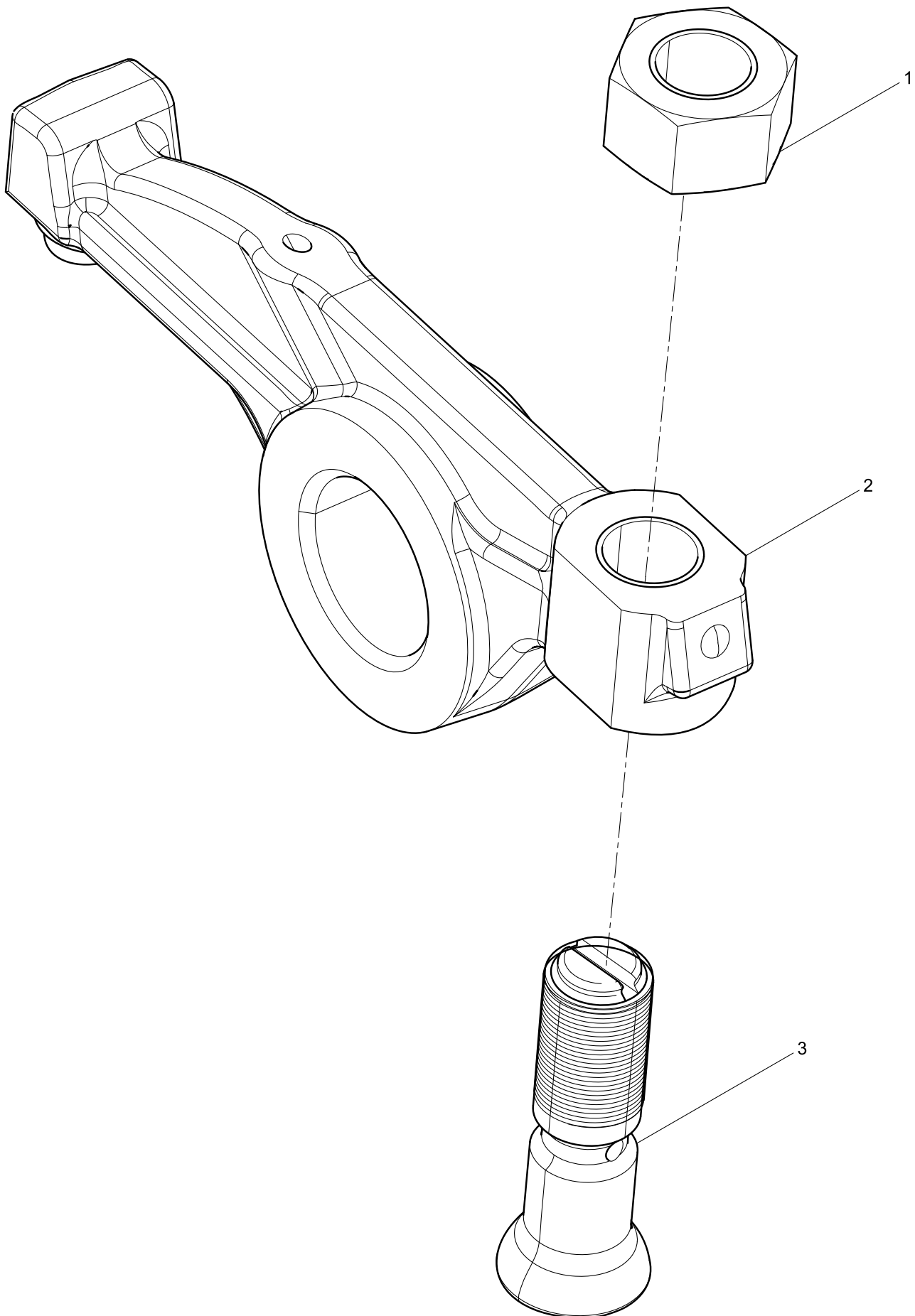


### Rocker Arm Bracket Assembly





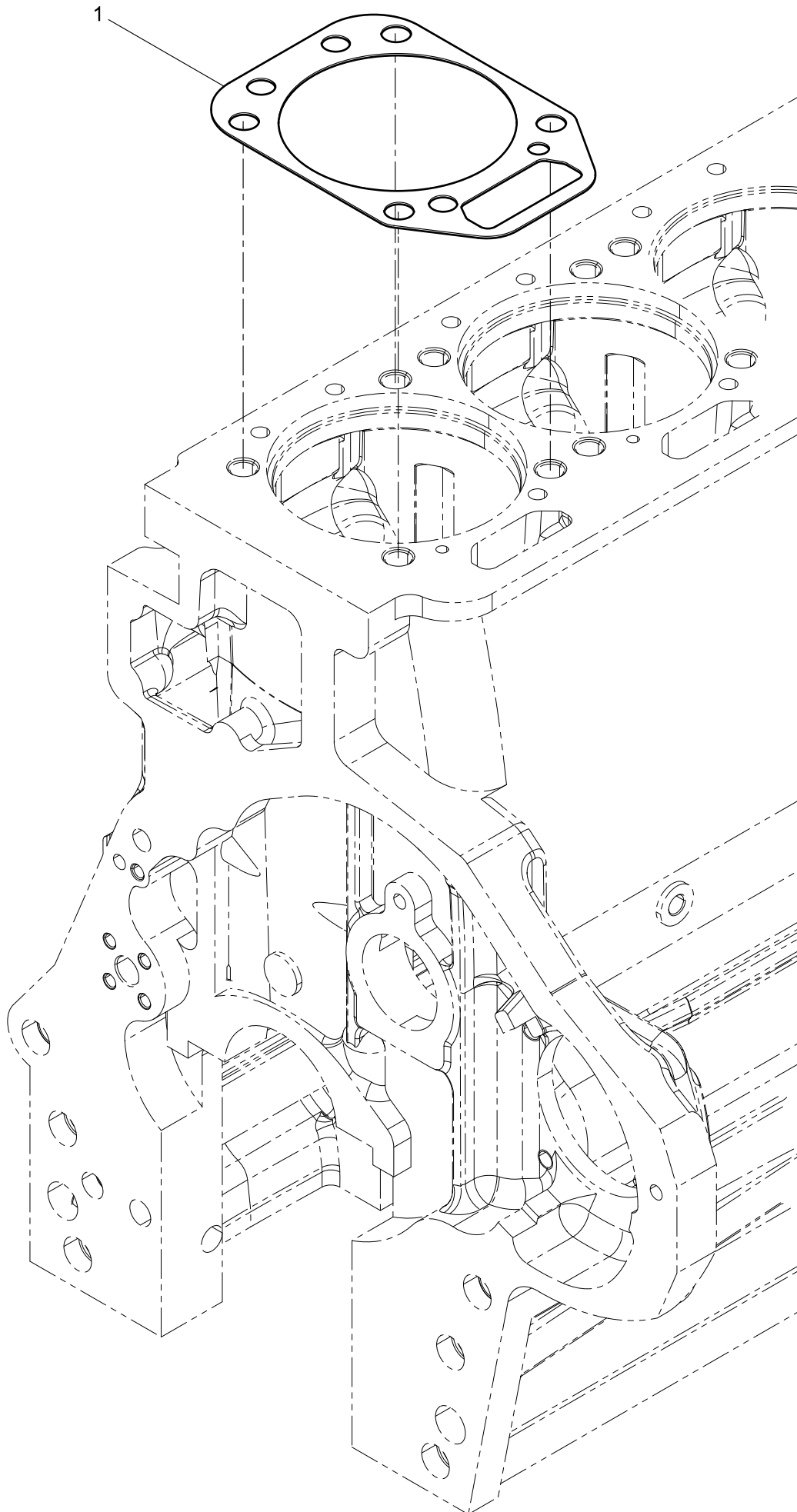
**Rocker Arm Set**





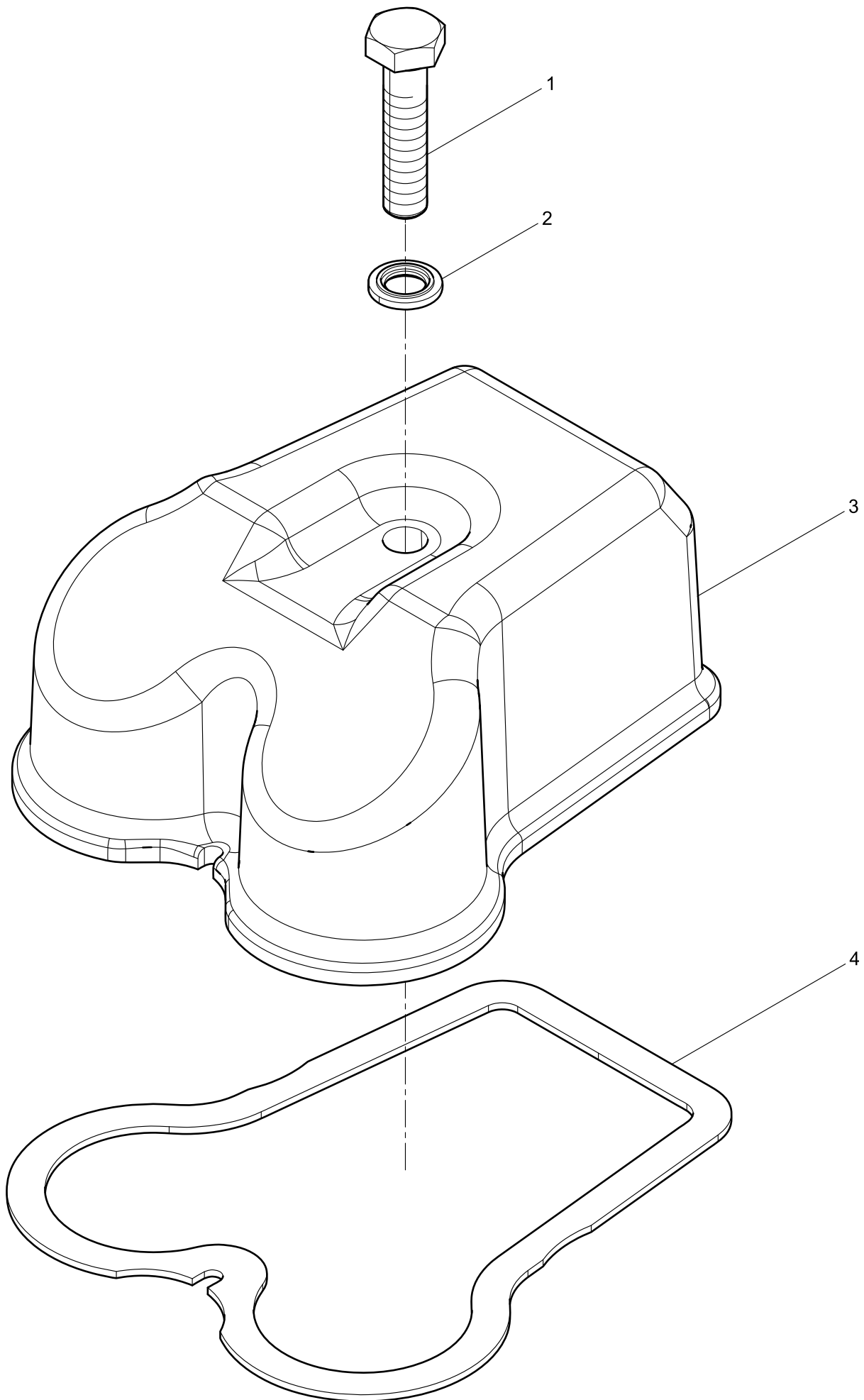


### Cylinder Head Gasket



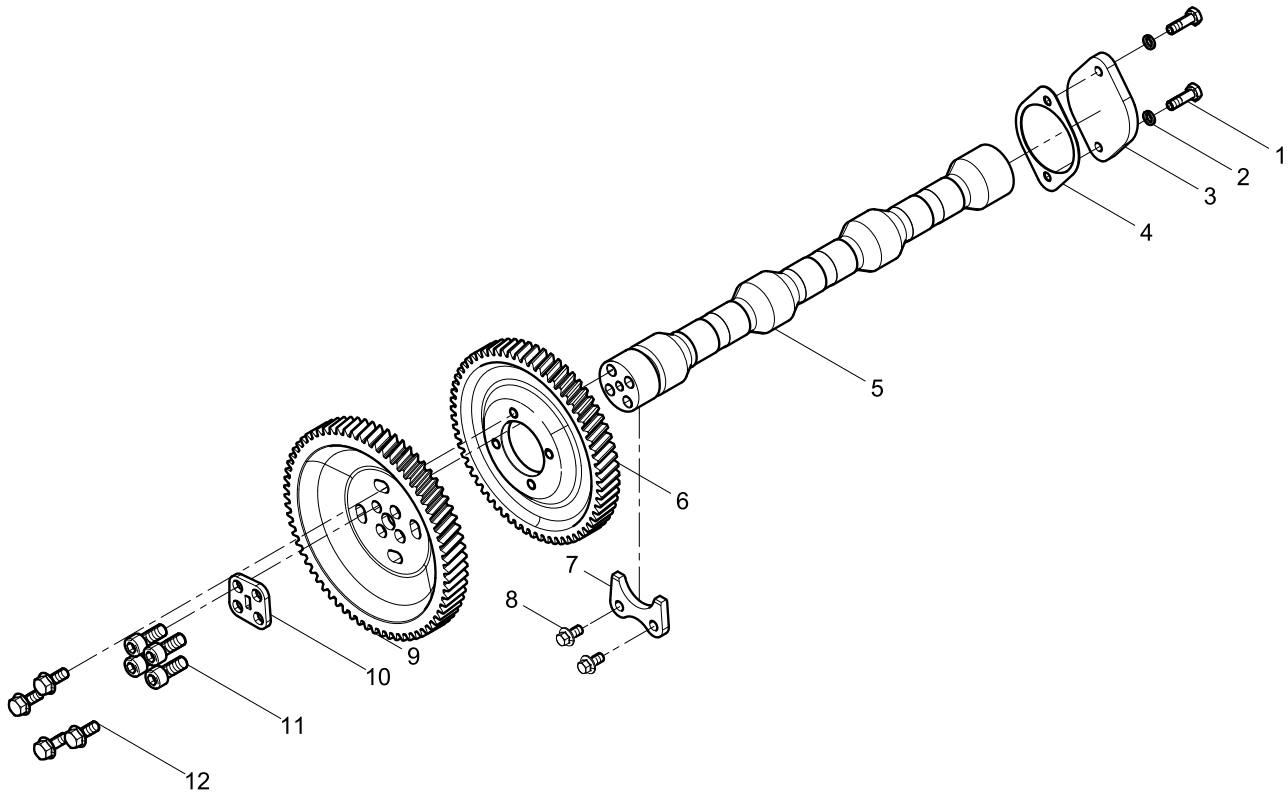


### Cylinder Head Cover Group



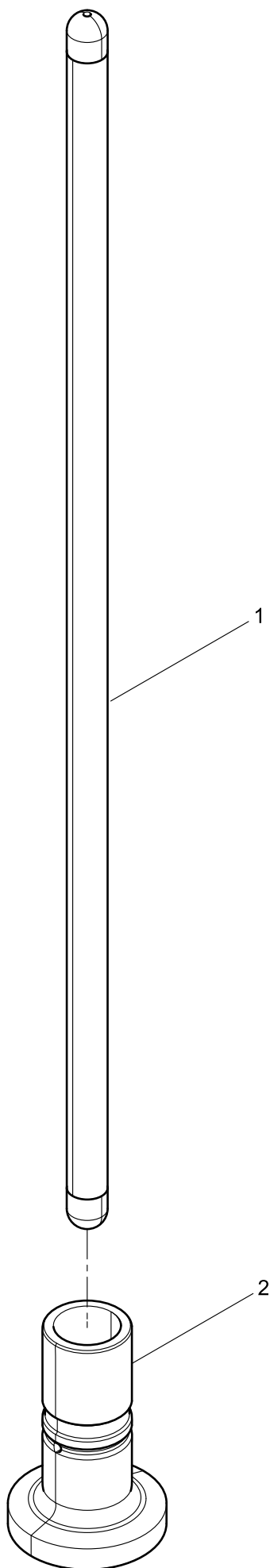


### Camshaft Assembly





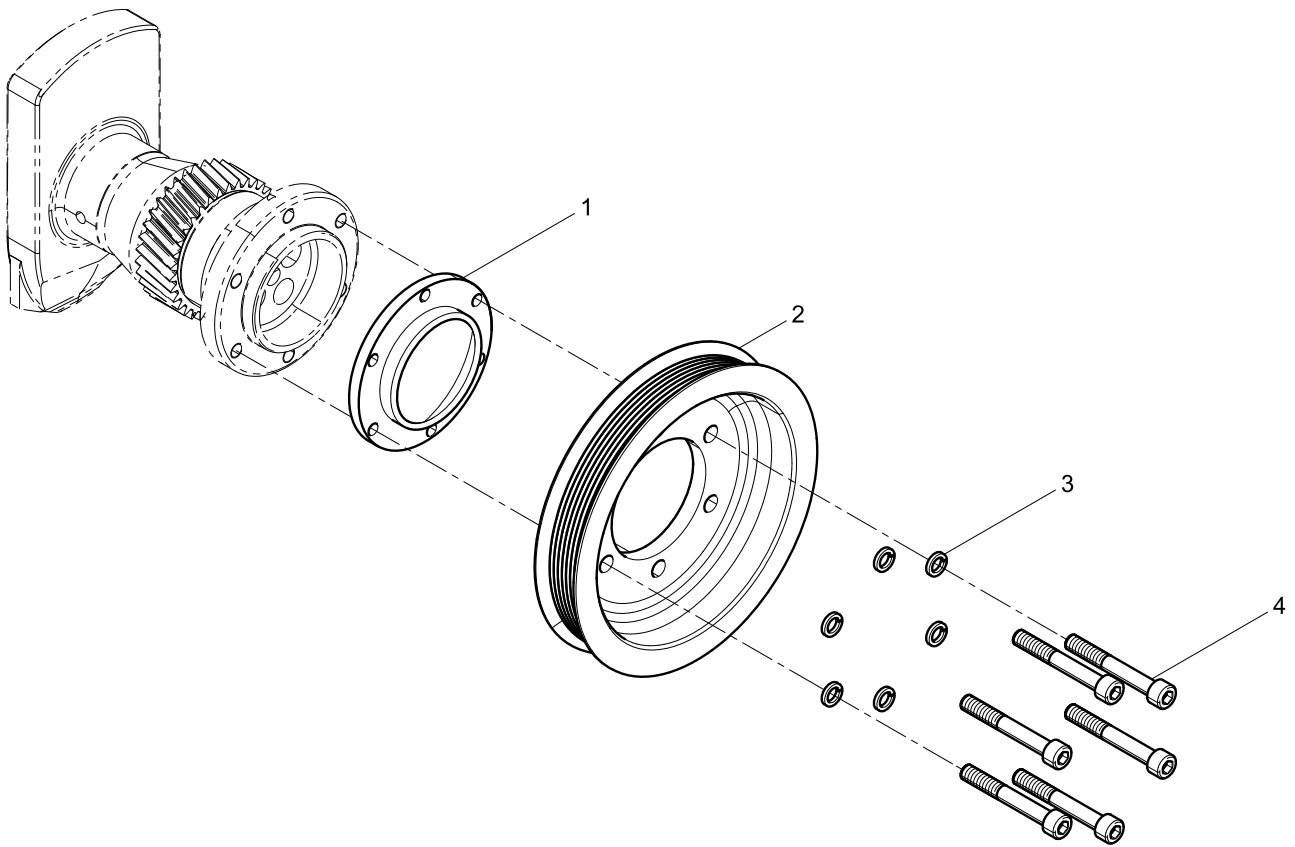
Valve train assembly



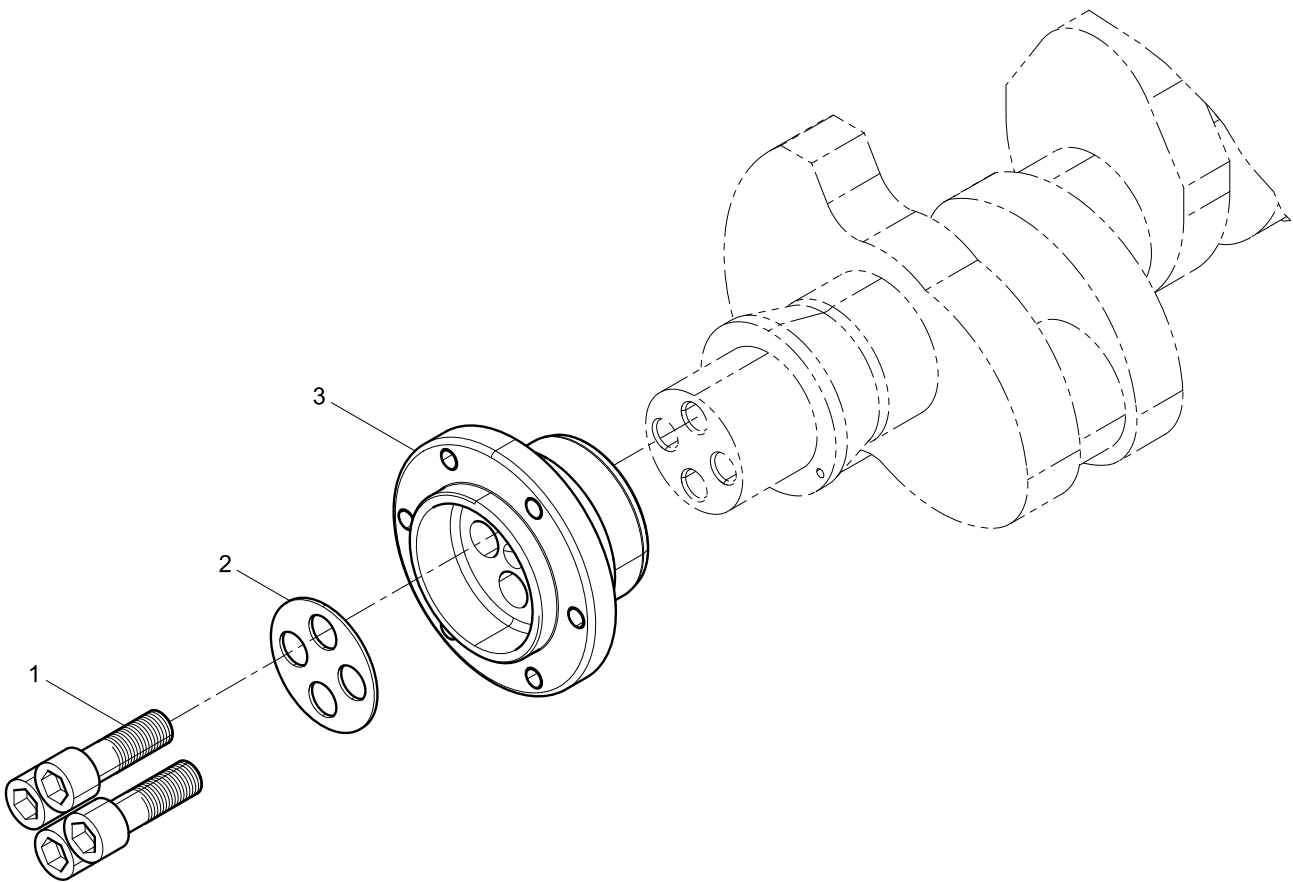




### Crankshaft Pulley Group

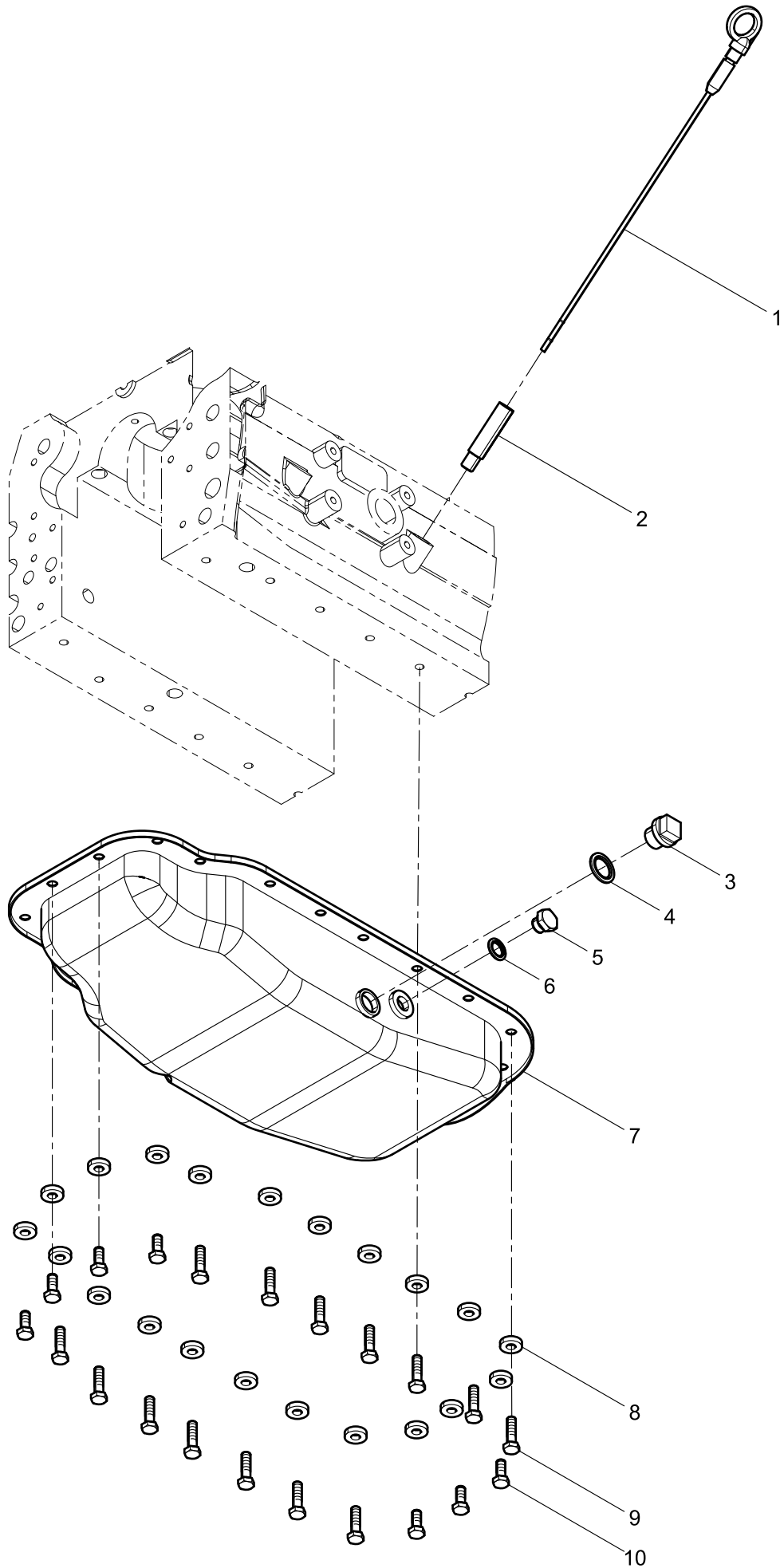






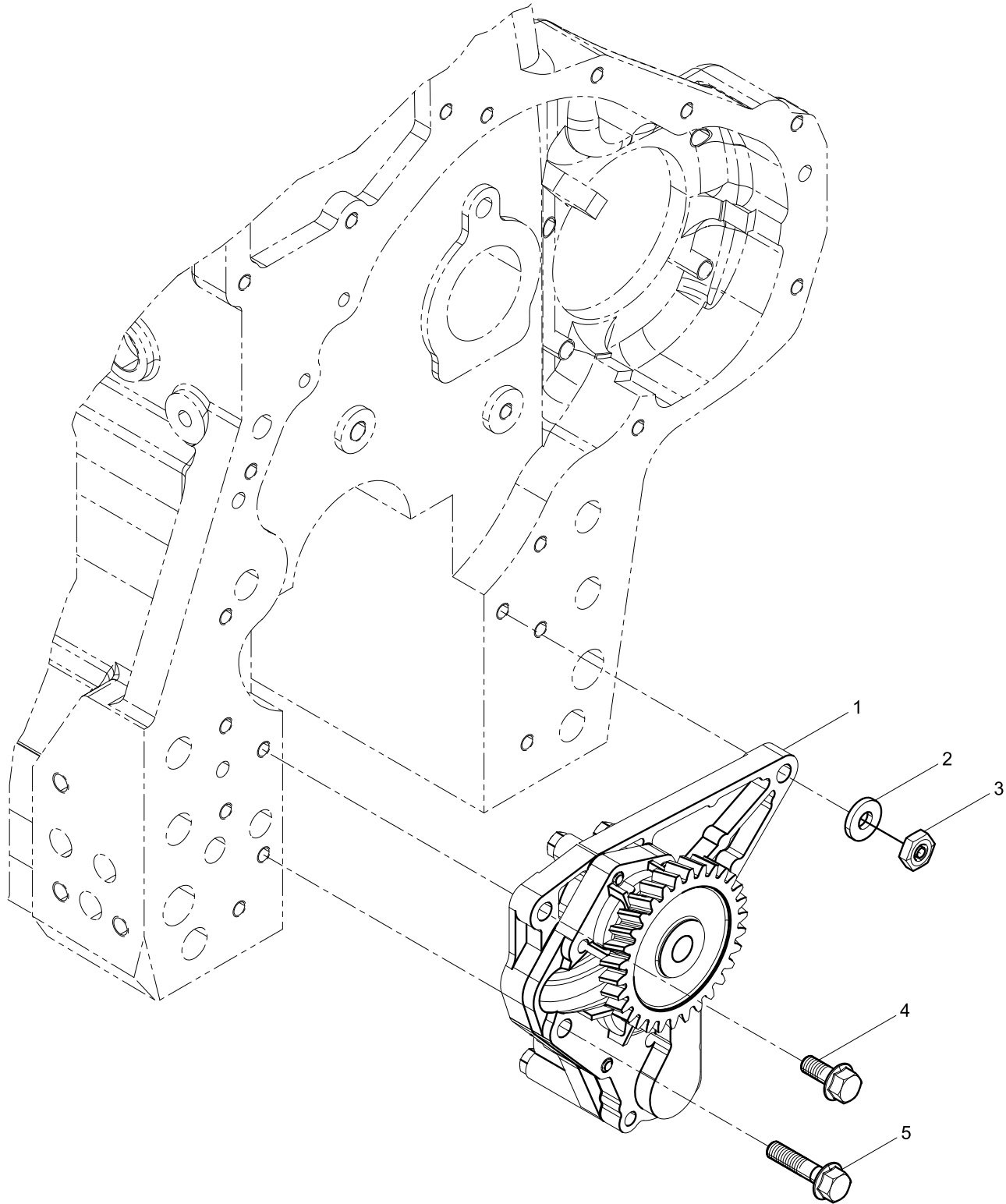


### Oil Pan Assembly





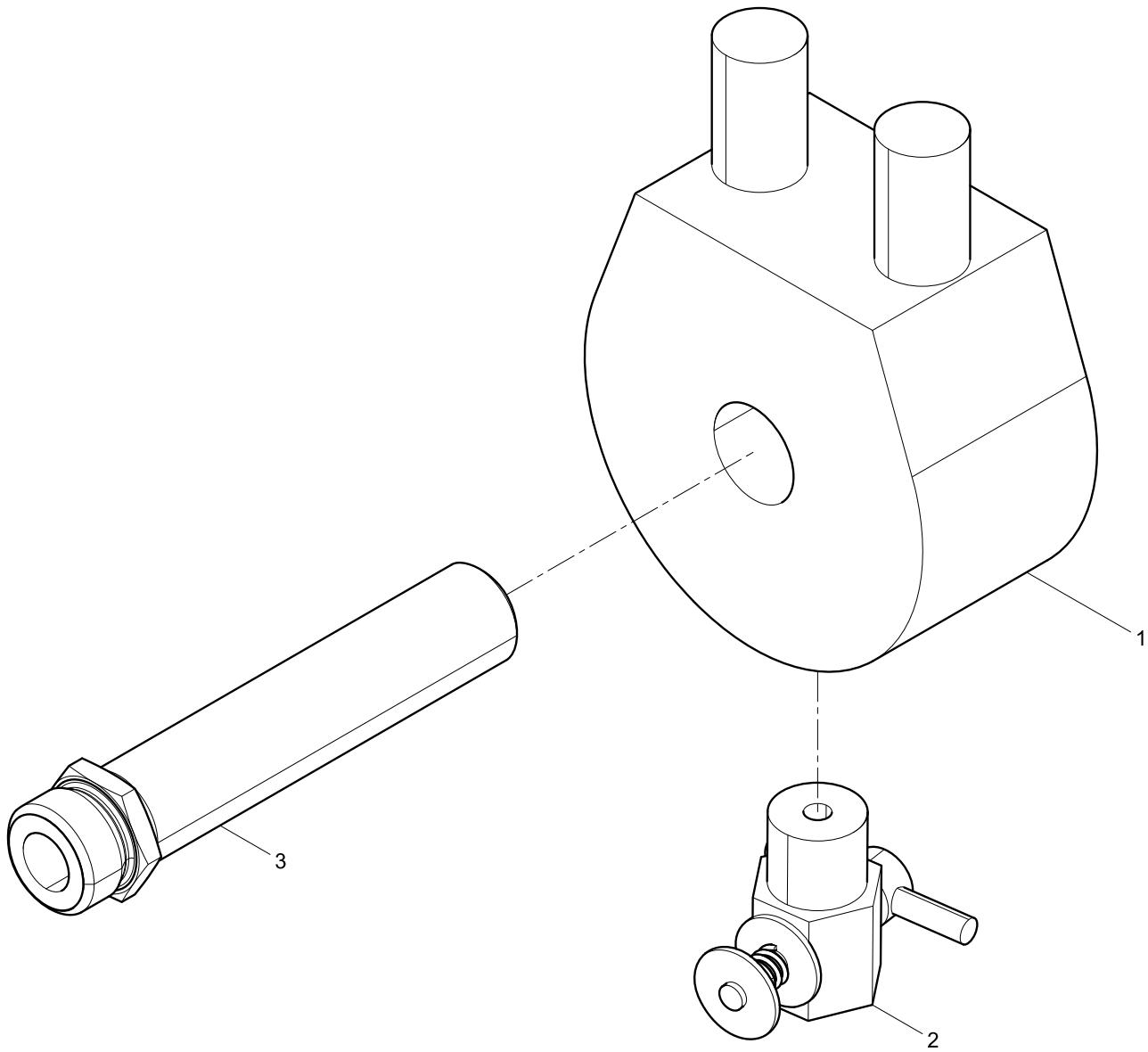
### Lubricating Oil Pump





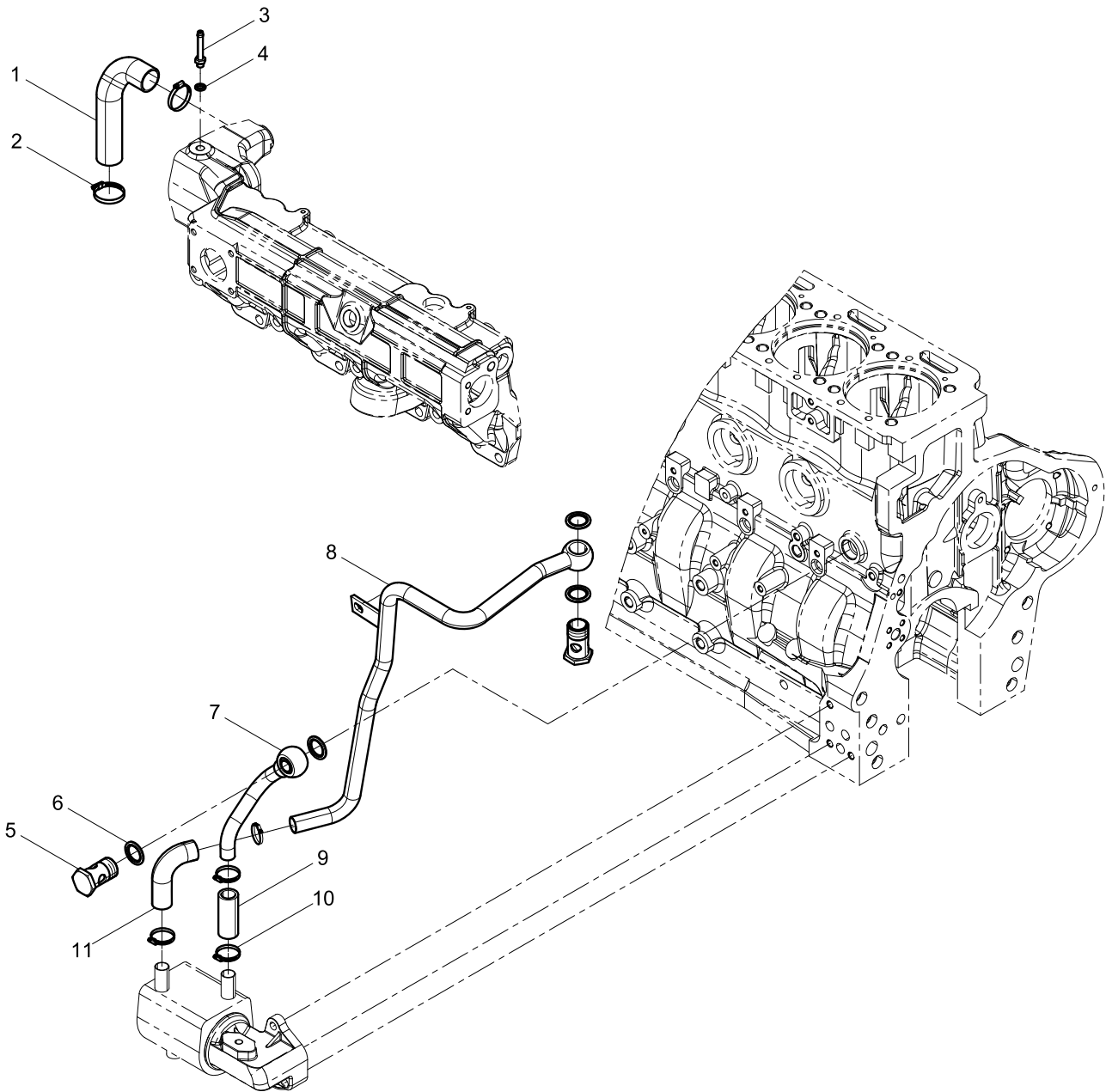


**Oil Cooler Group**



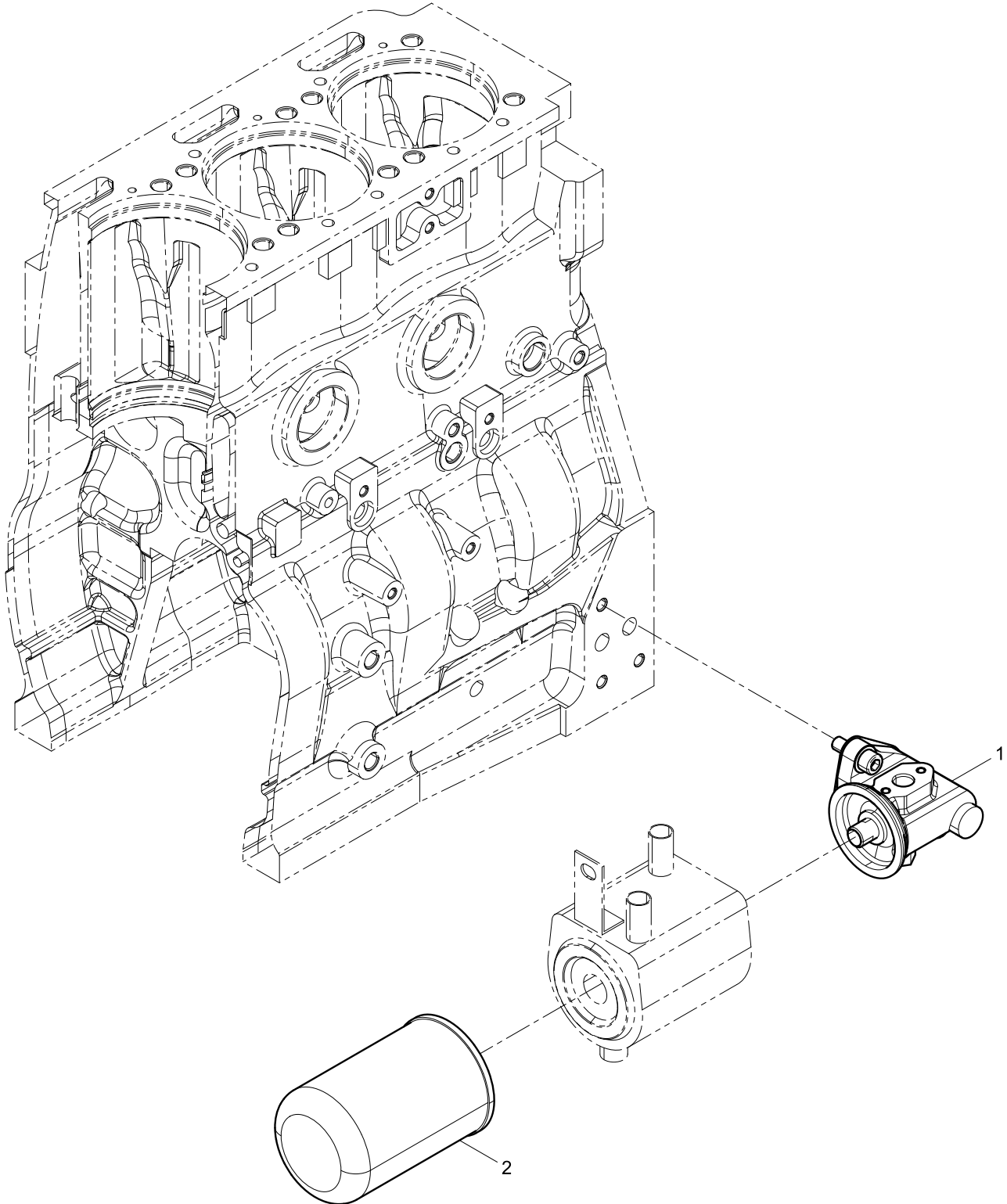


### Oil Cooler Coolant Pipe Group



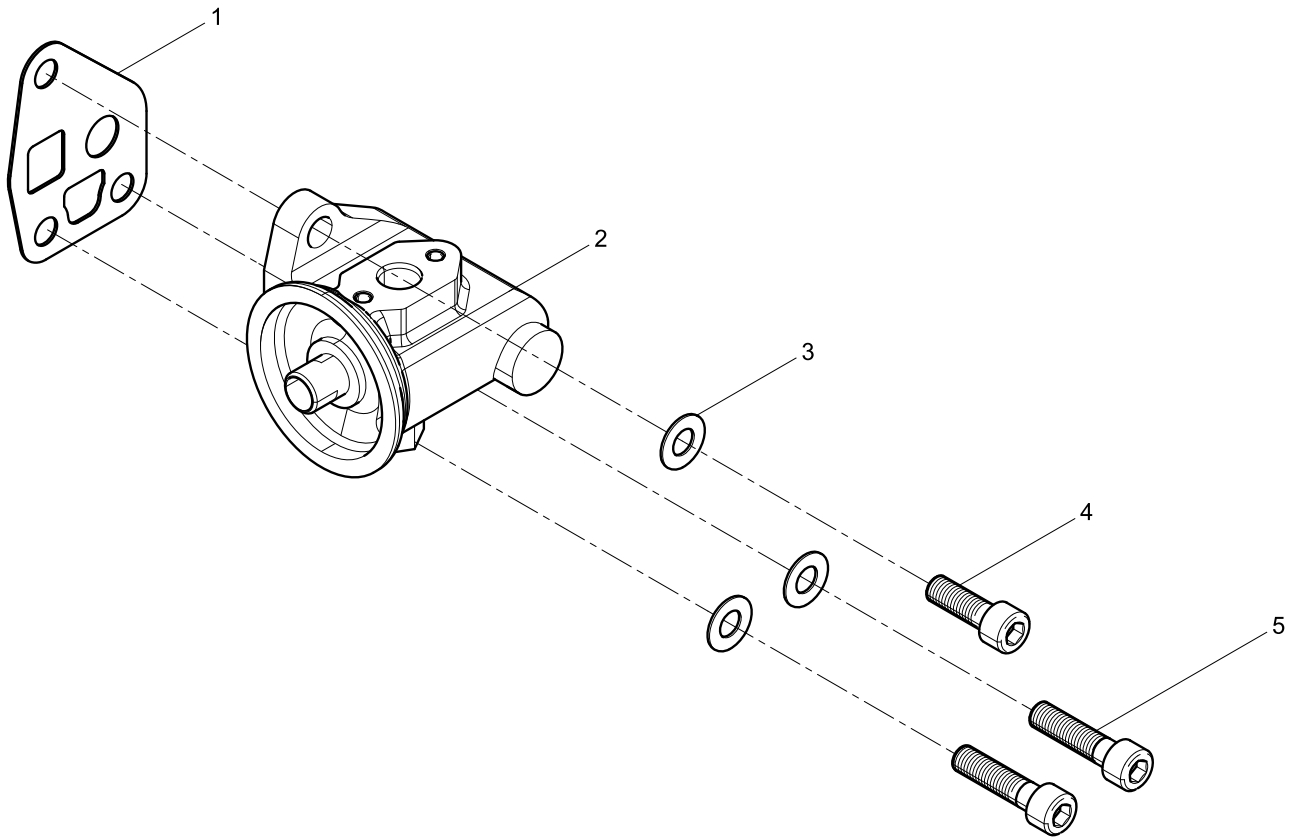


### Oil Filter Group





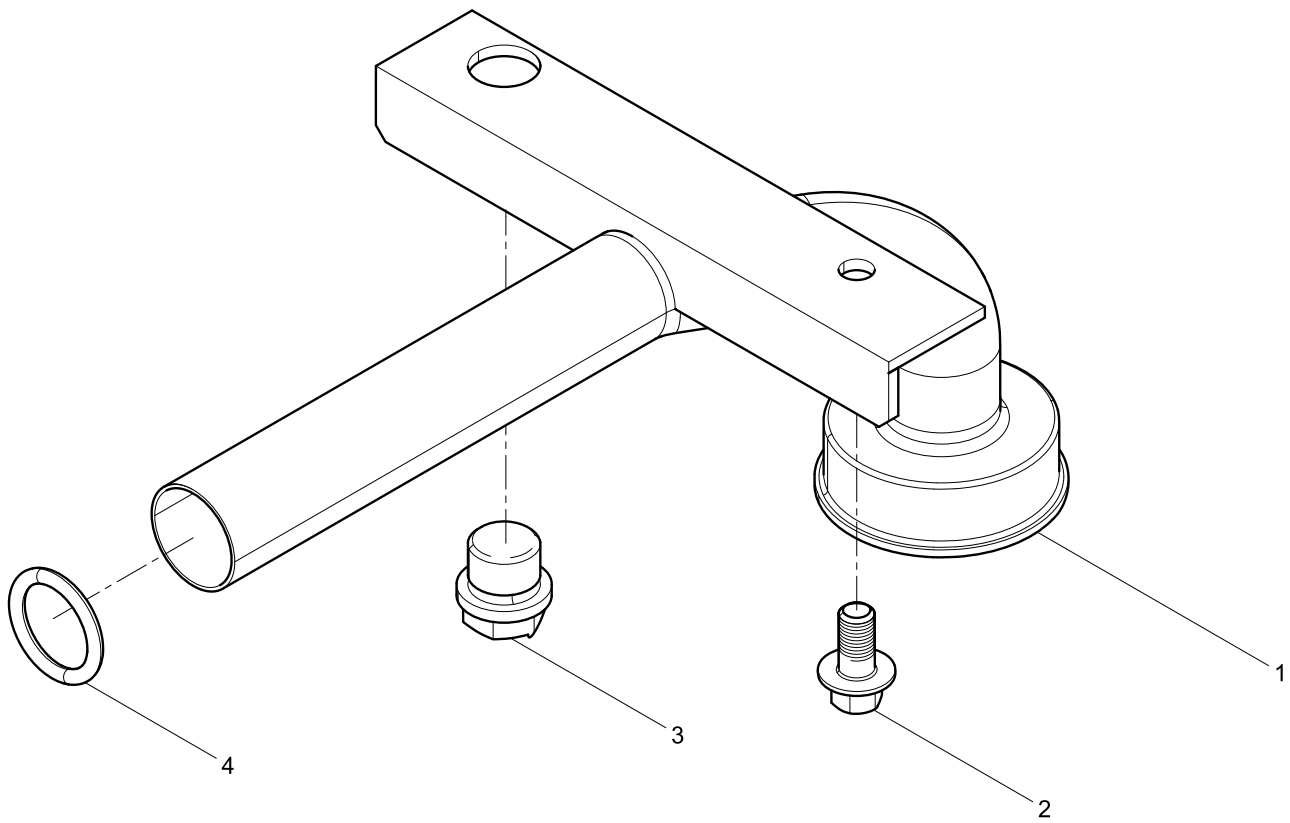
**Filter seat assembly**





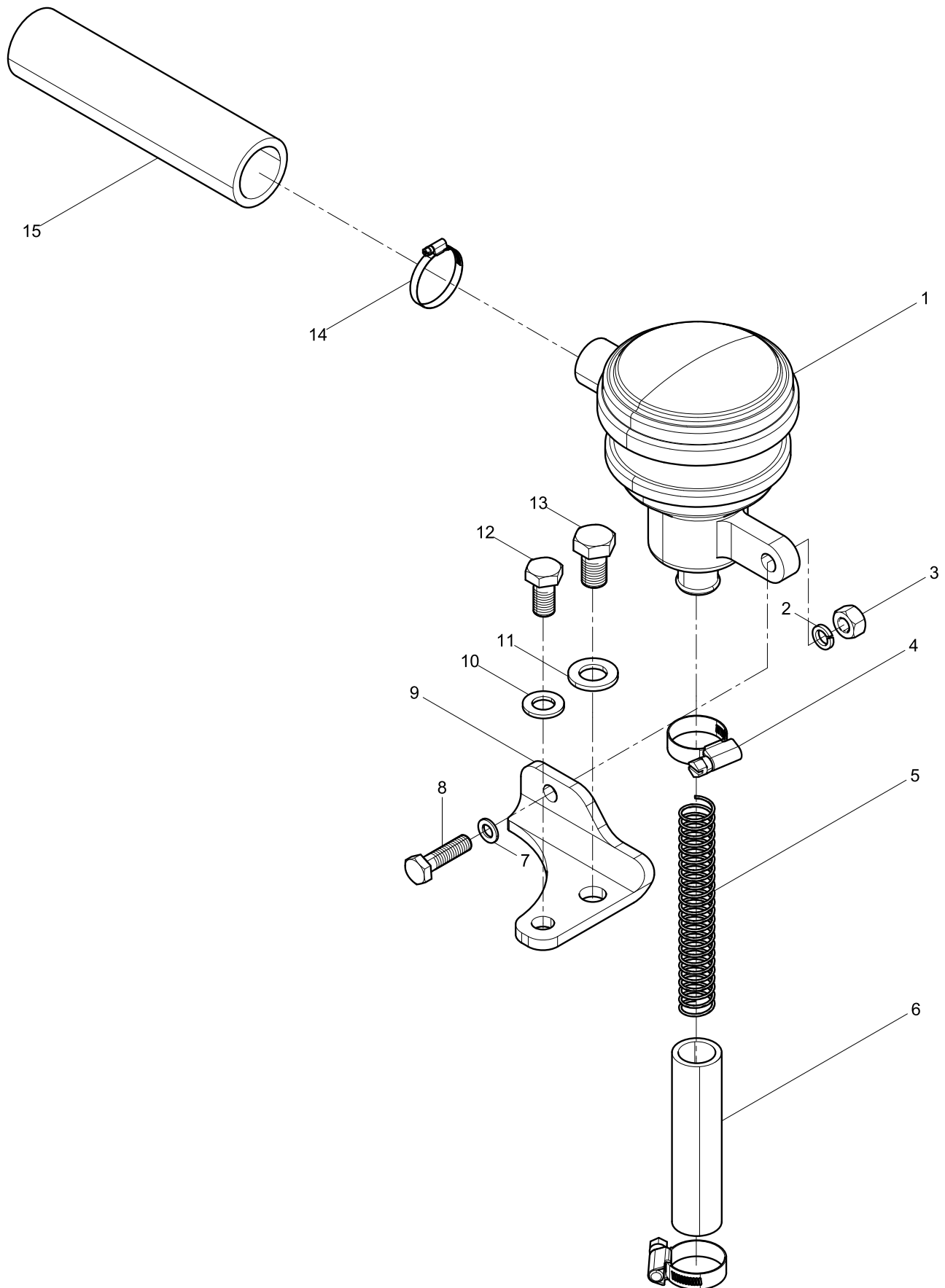


### Oil Inlet Pipe Assembly



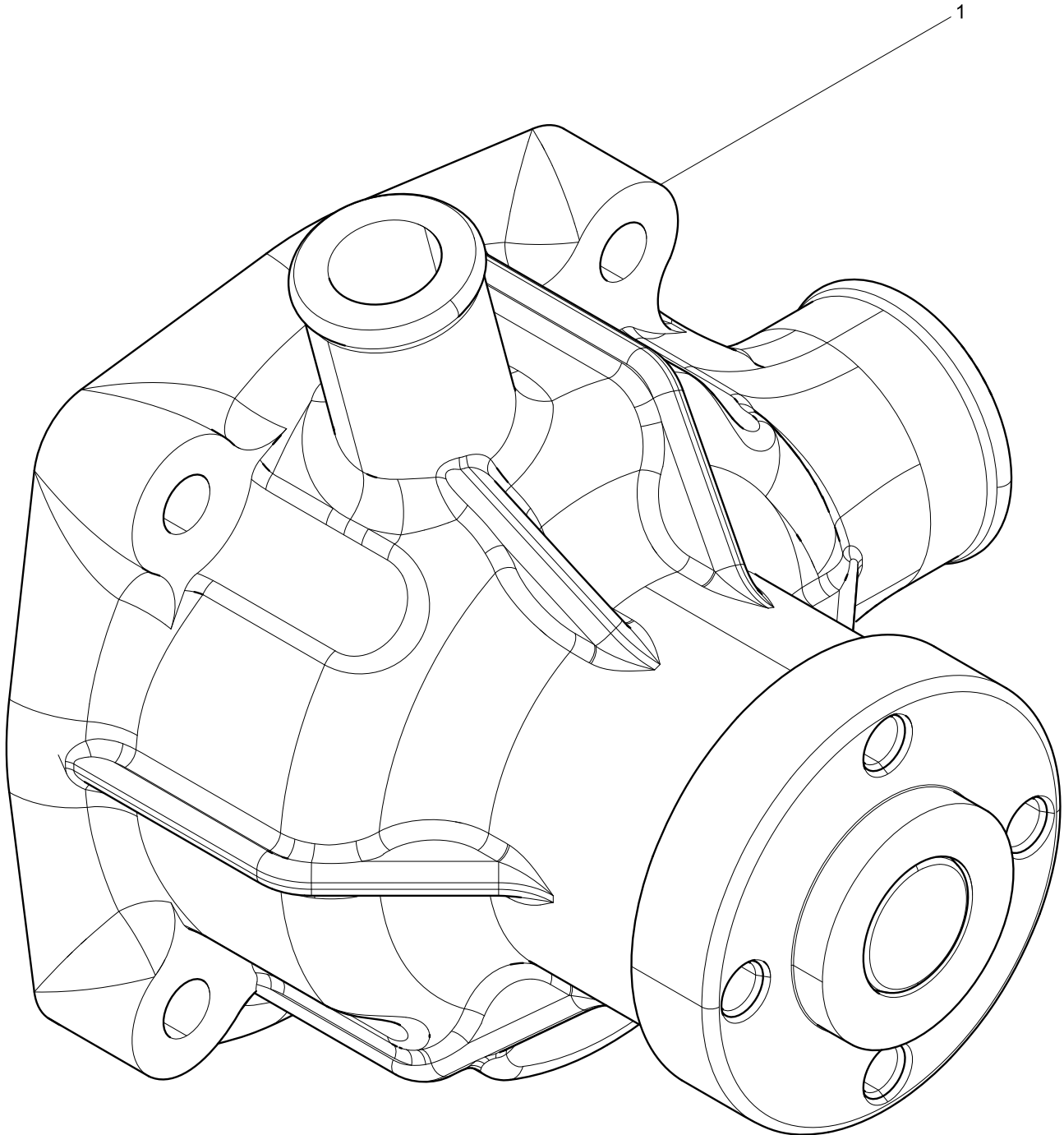


### Crankcase ventilation unit set



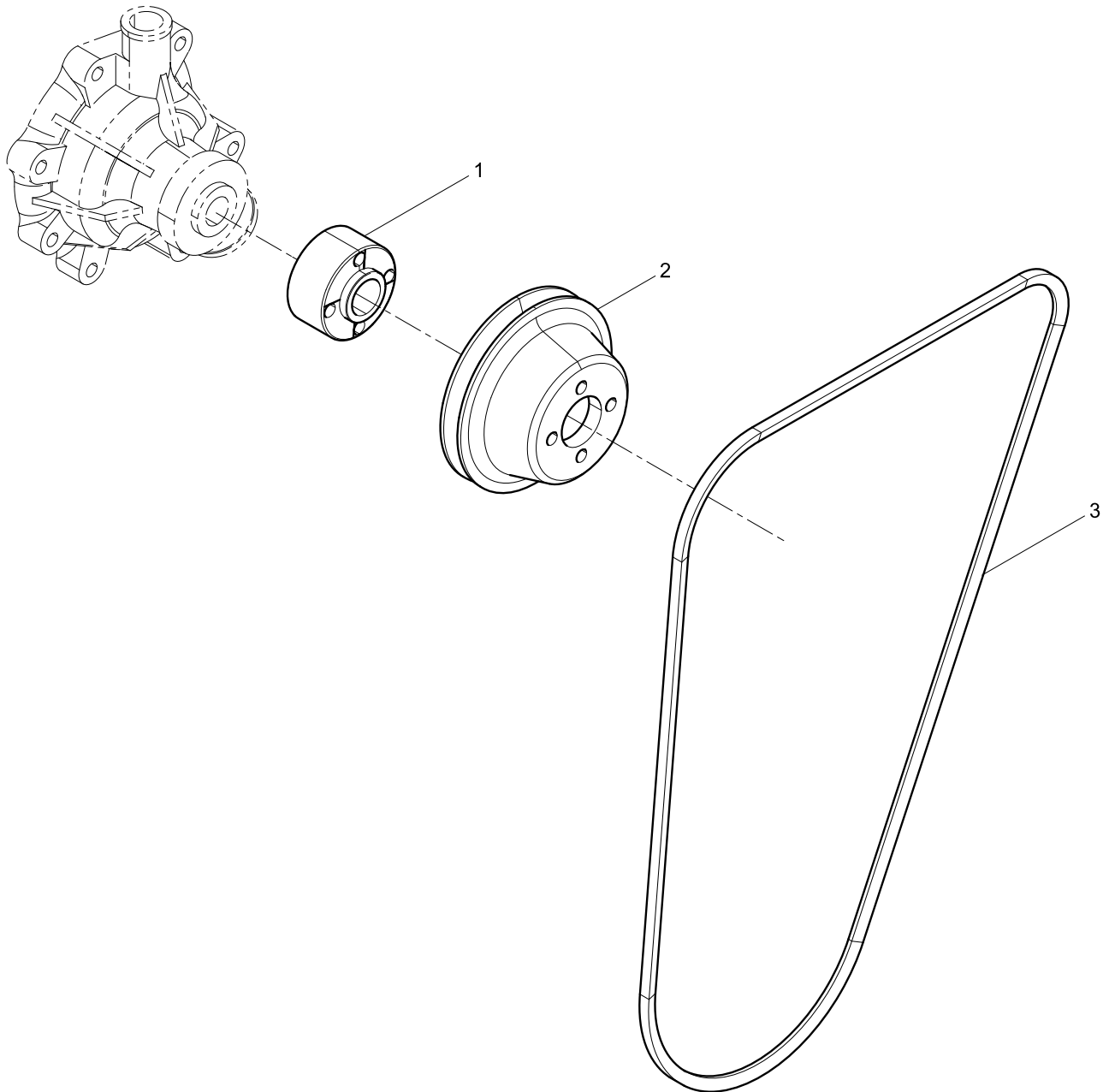


Water Pump Group





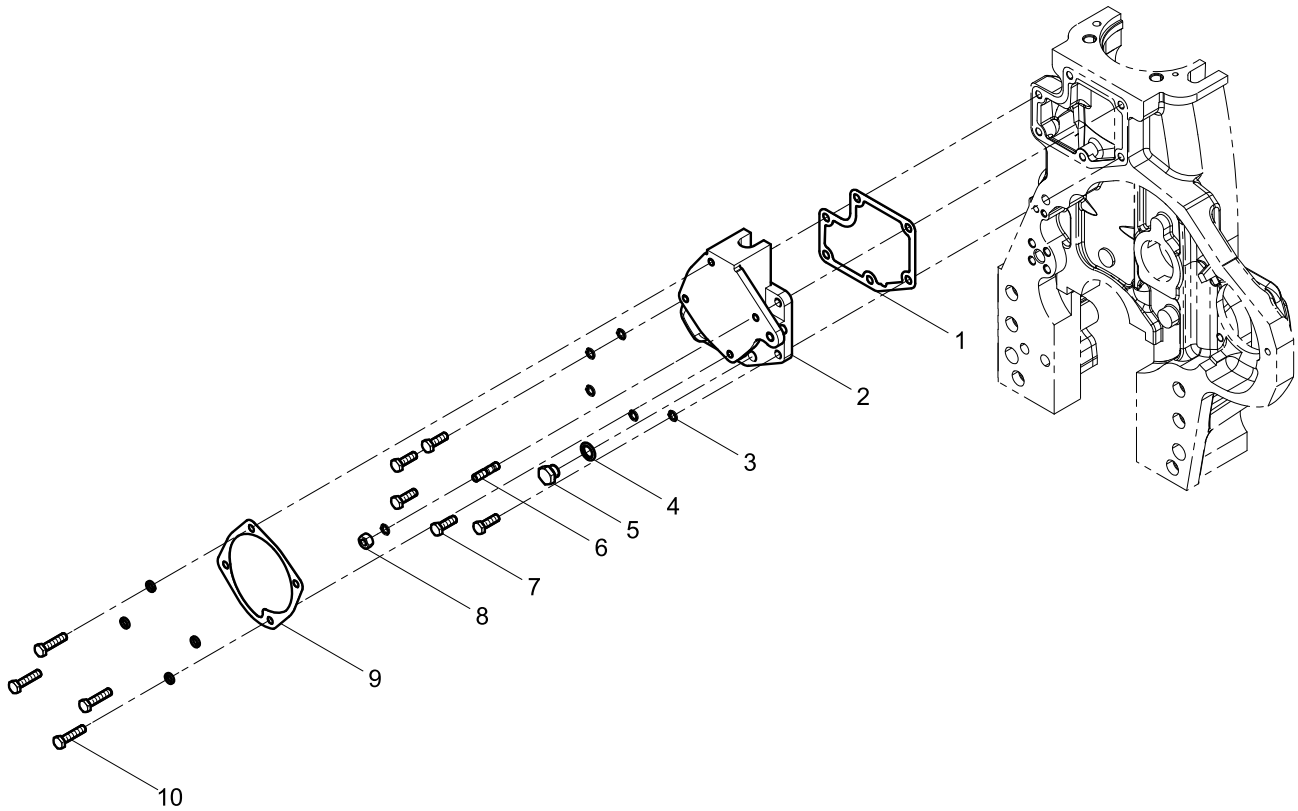
### Water Pump Pulley Assembly





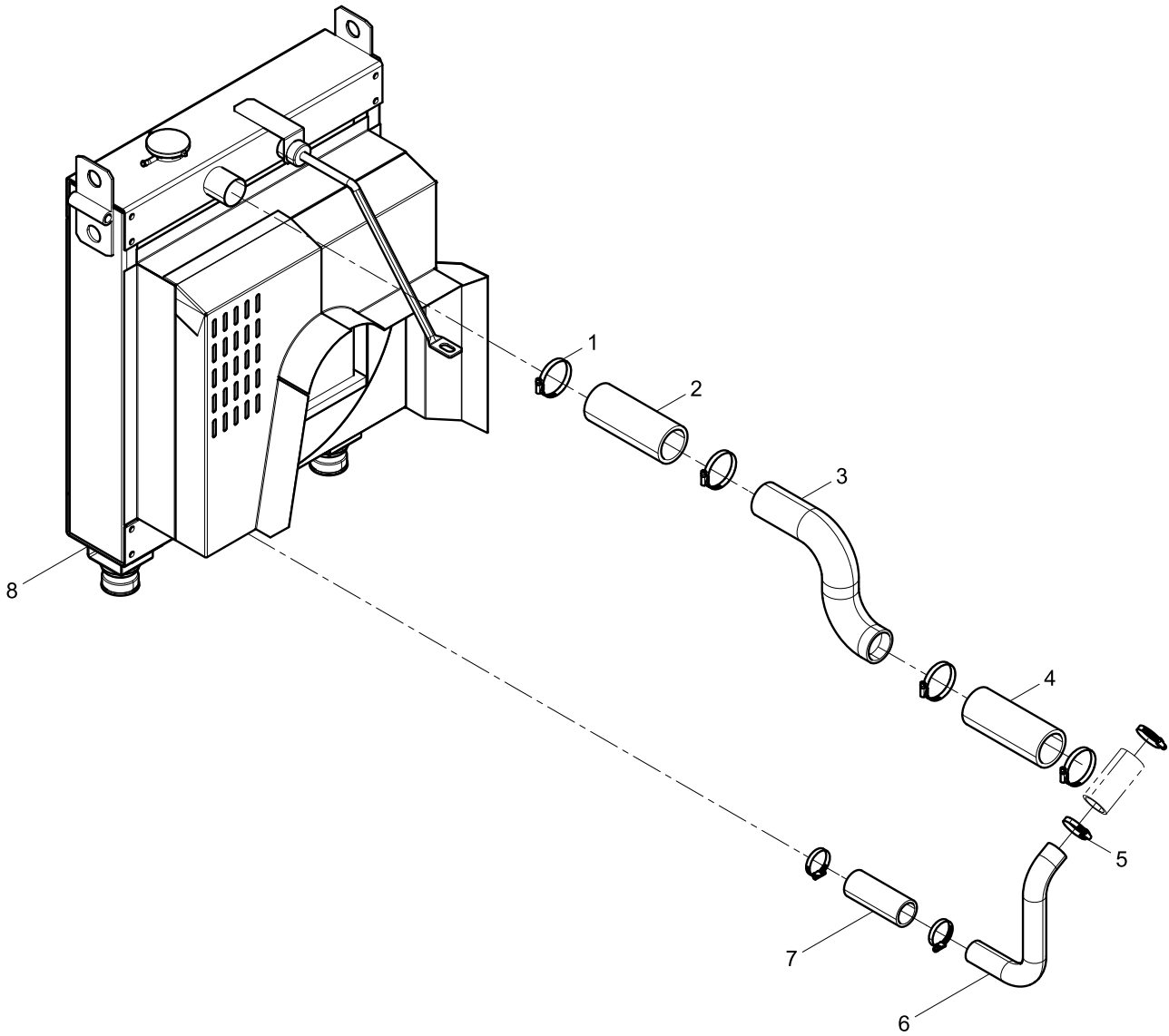


### Intermediate plate



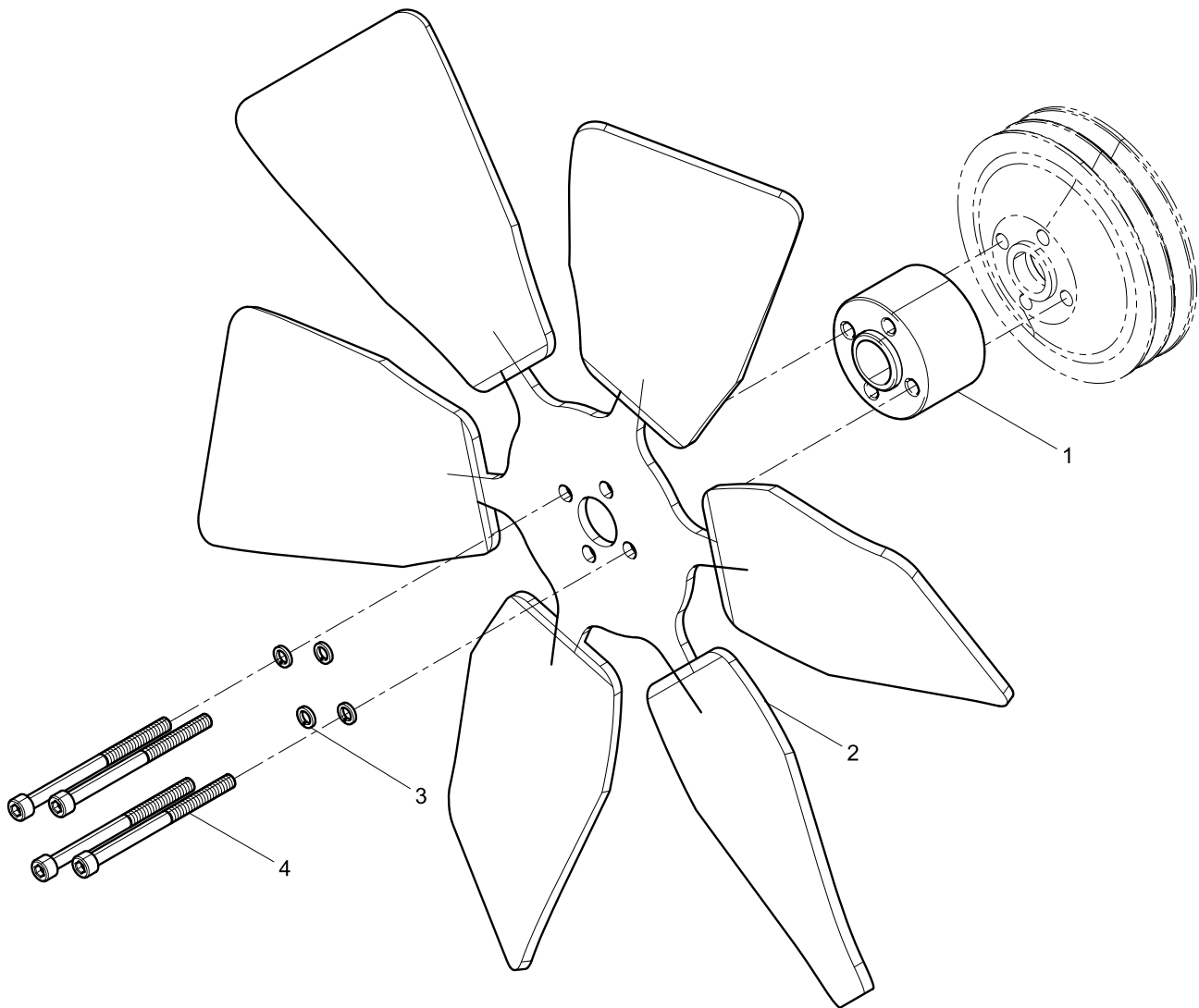


### Radiator Group



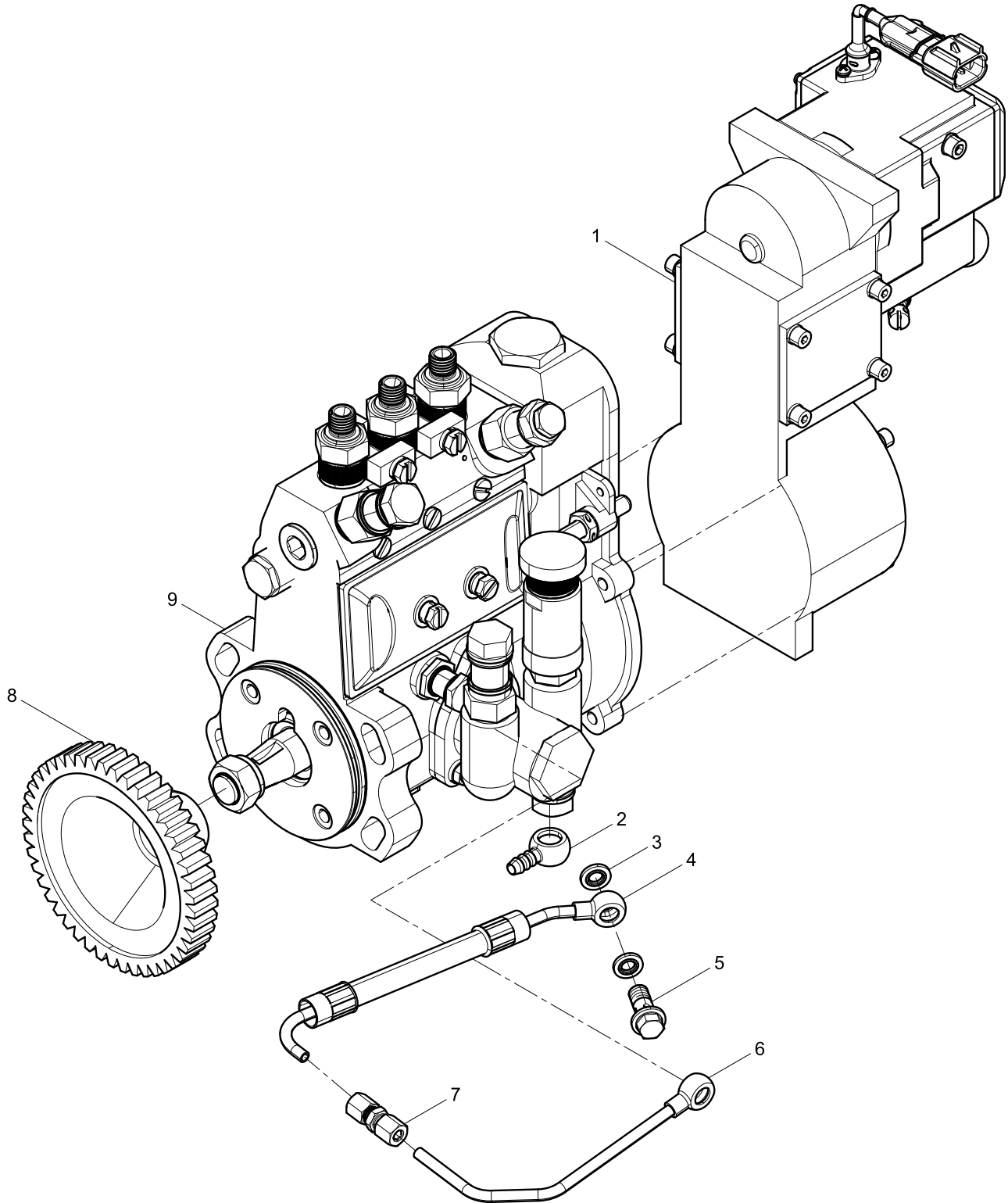


Fan





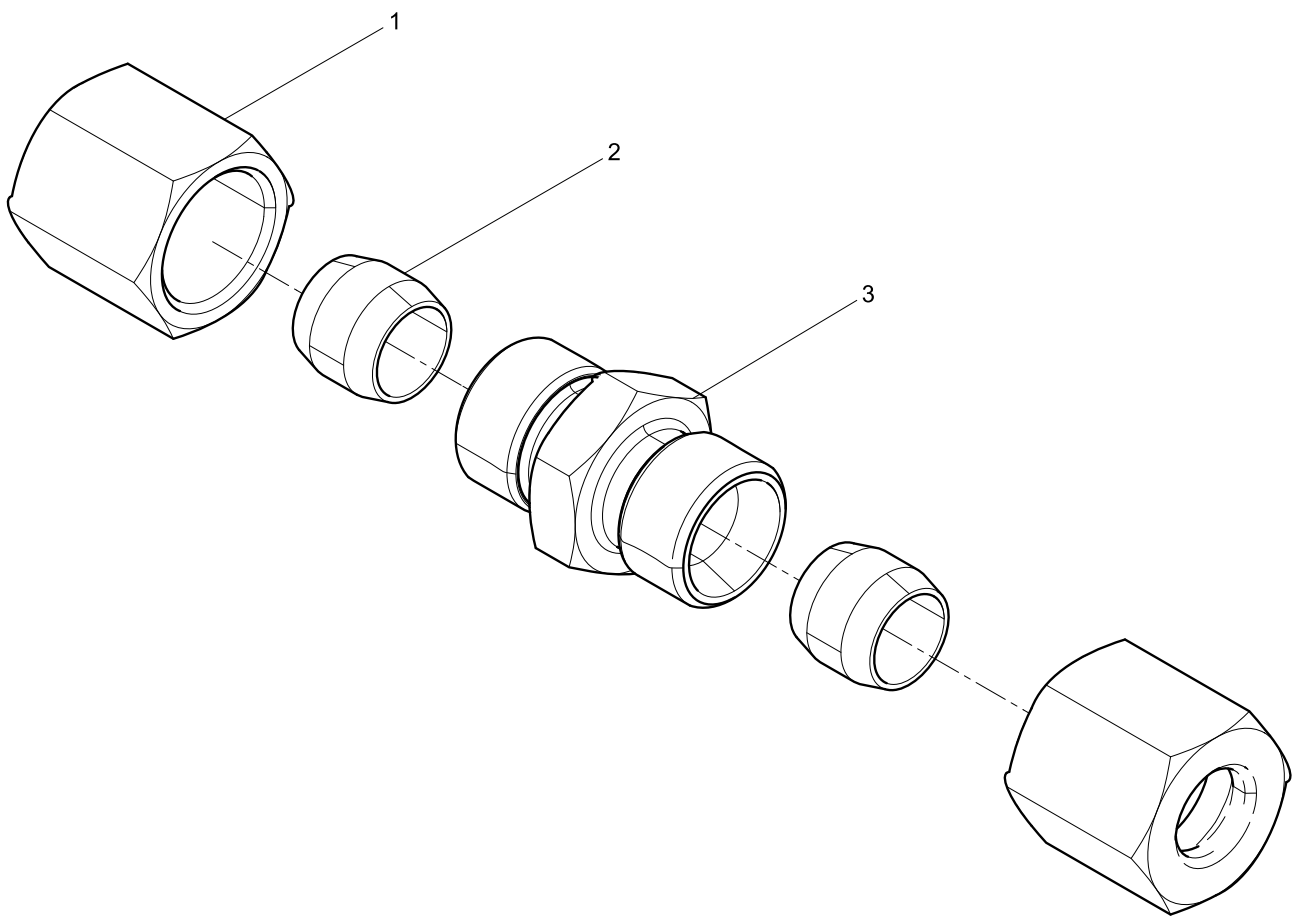
### Fuel Injection Pump Assembly





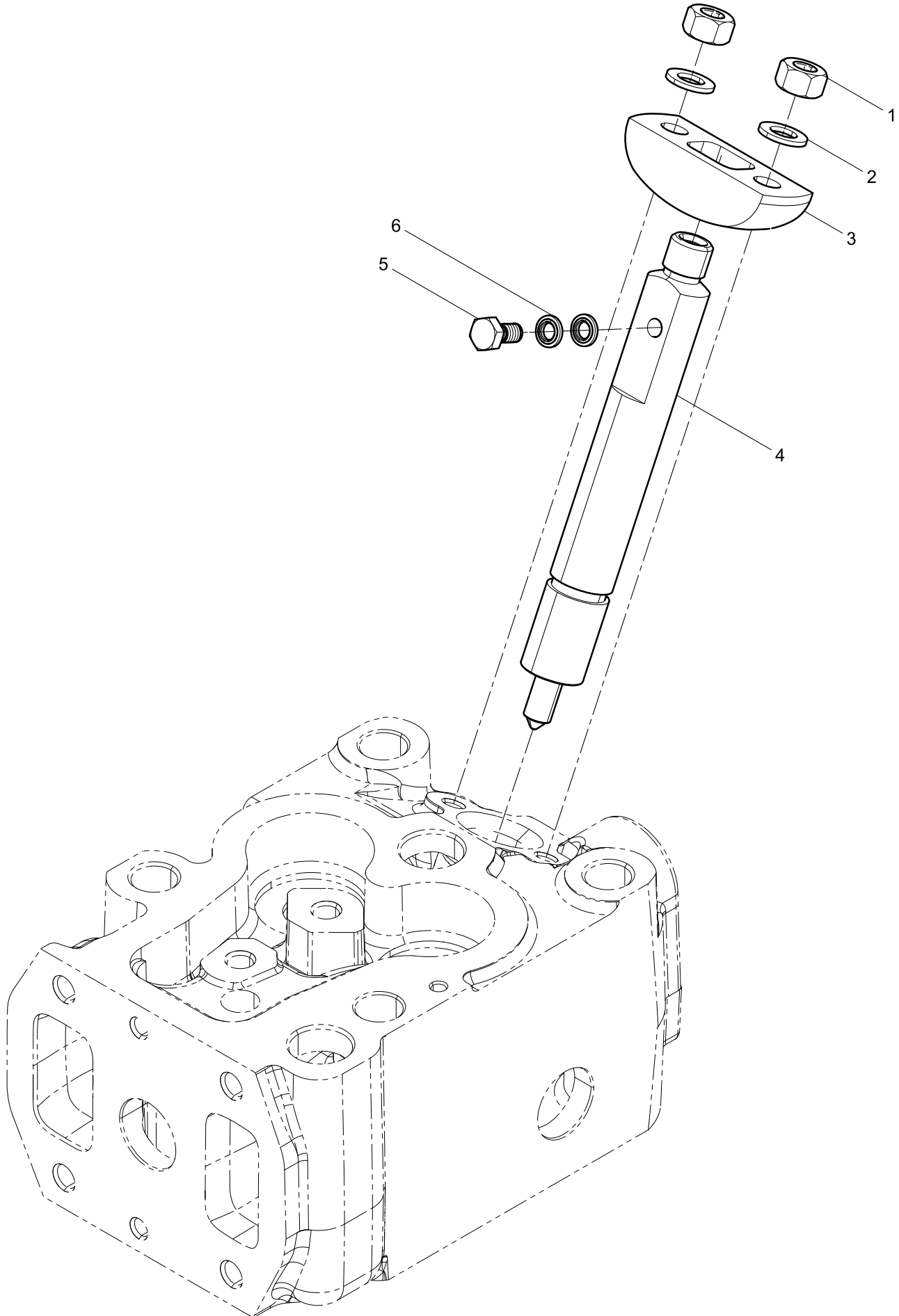


### Pipe Joint



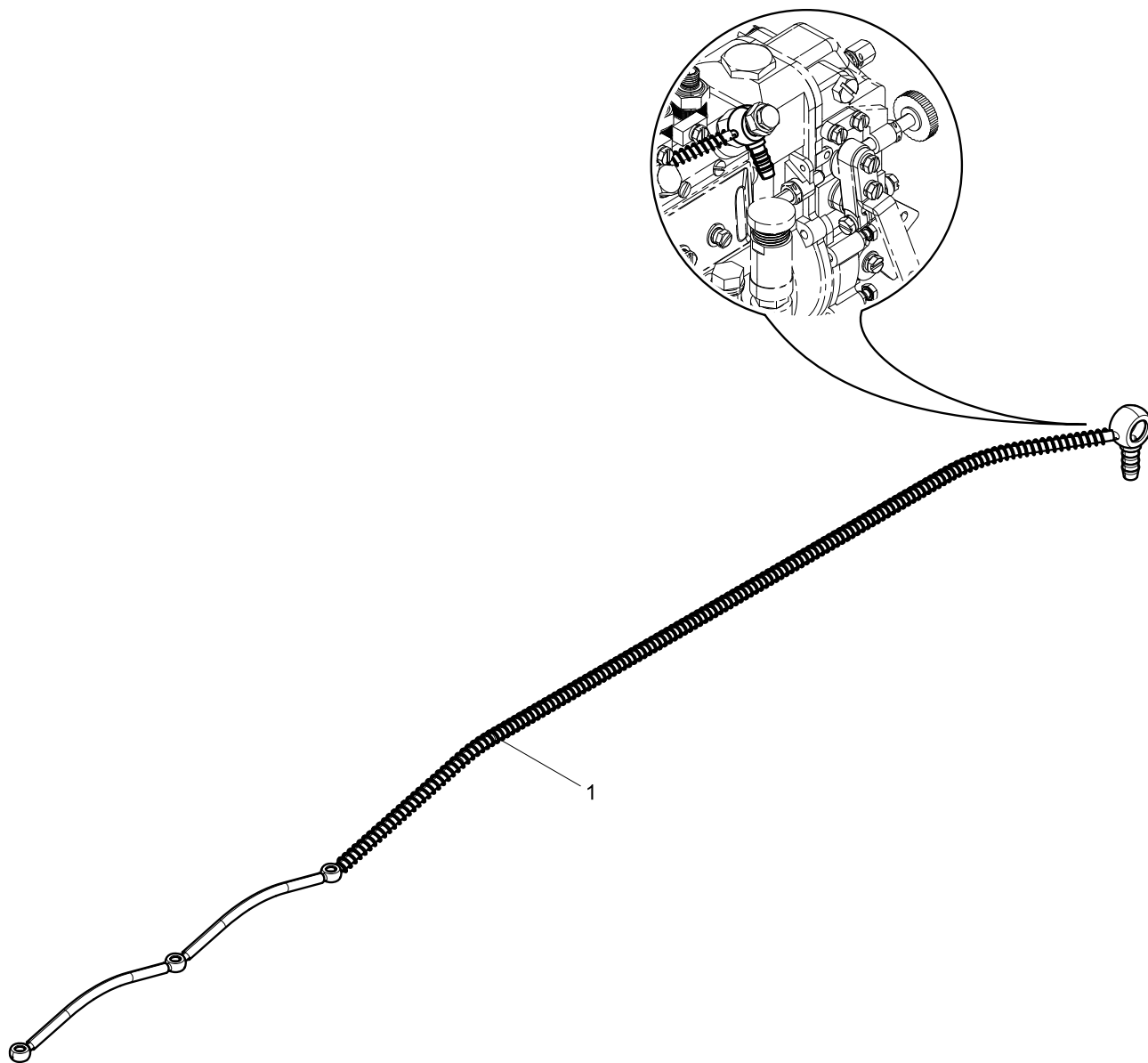


### Injector assembly



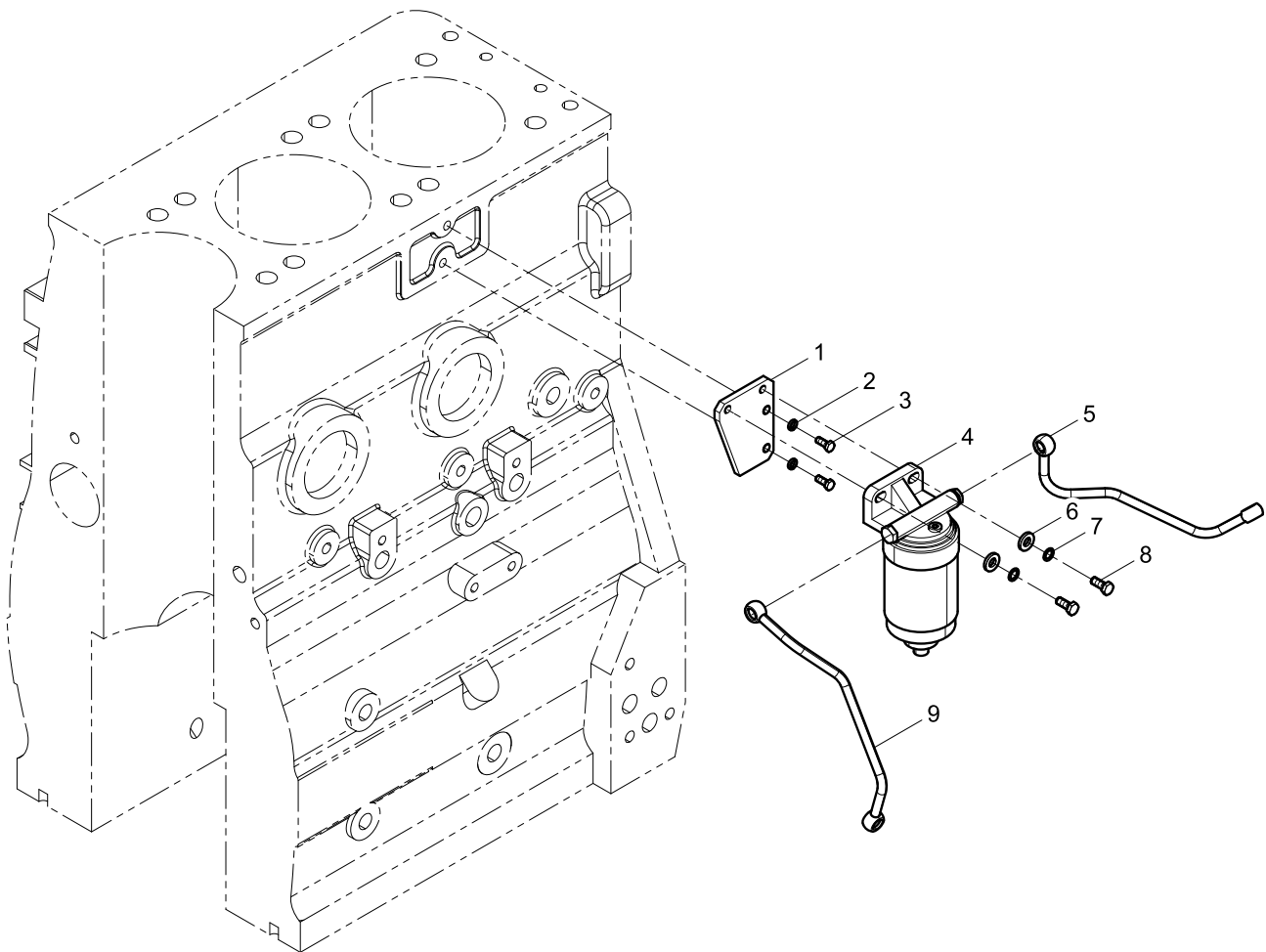


### Injector Return Pipe Group





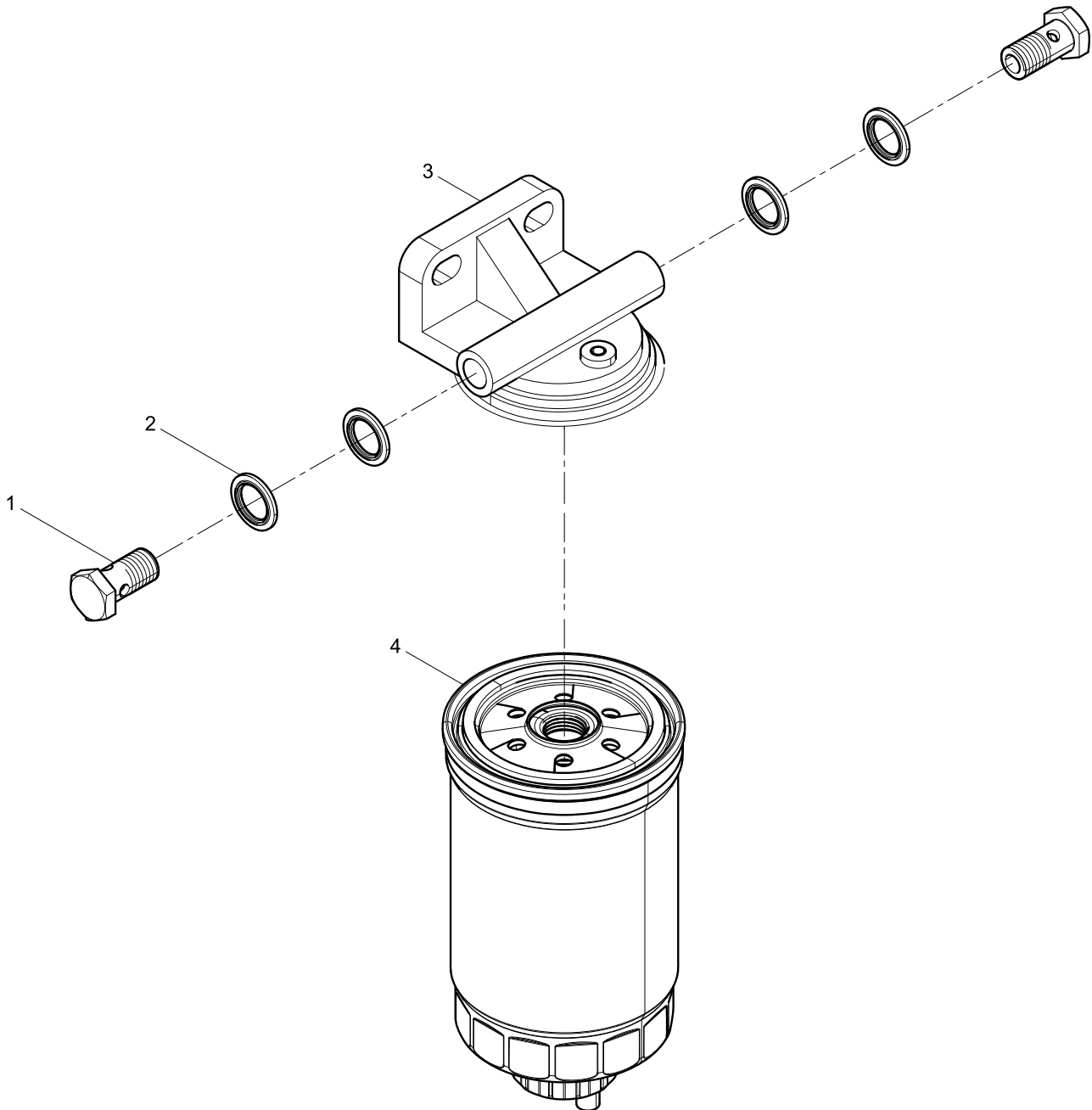
### Fuel Filter Group





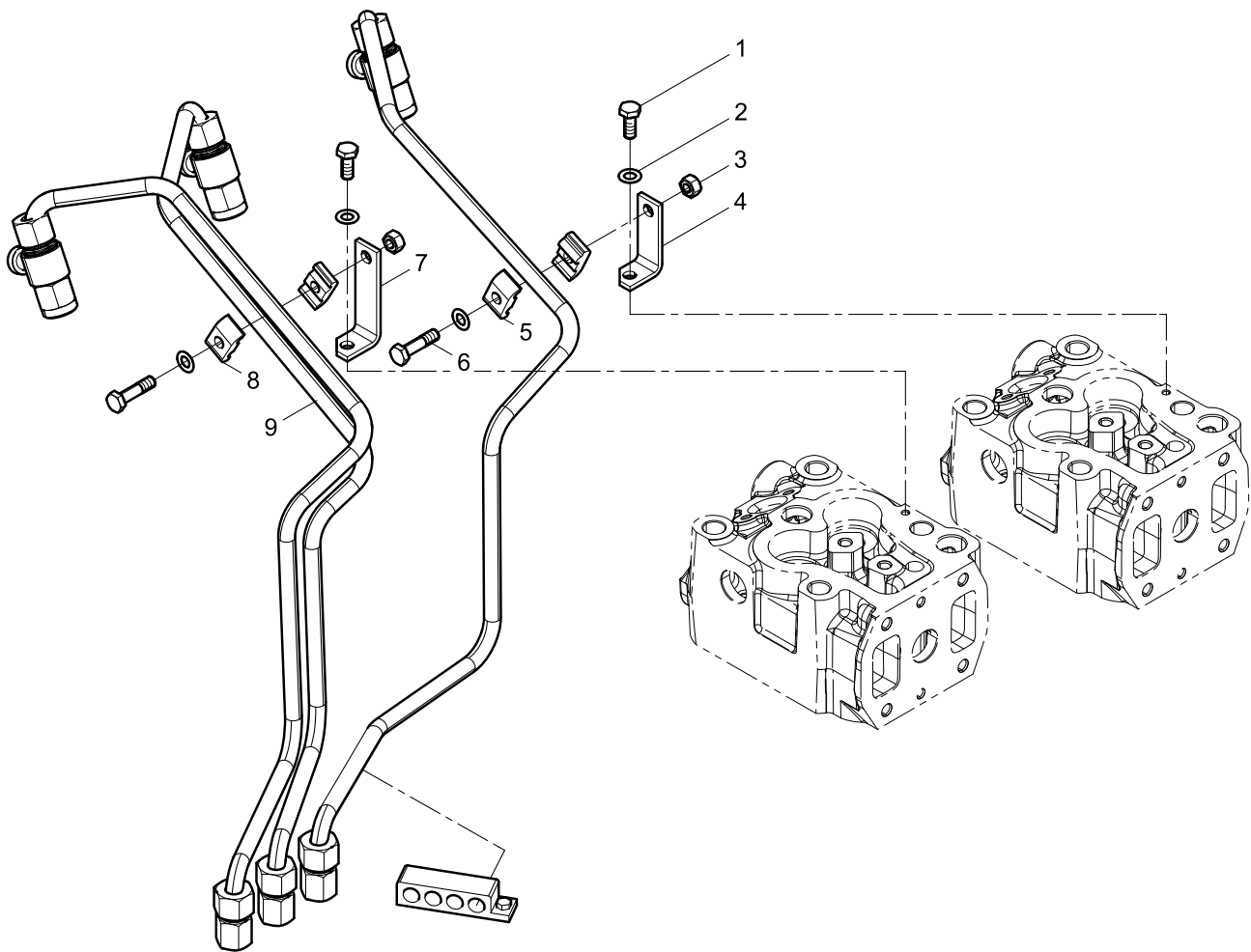


### Fuel Filter



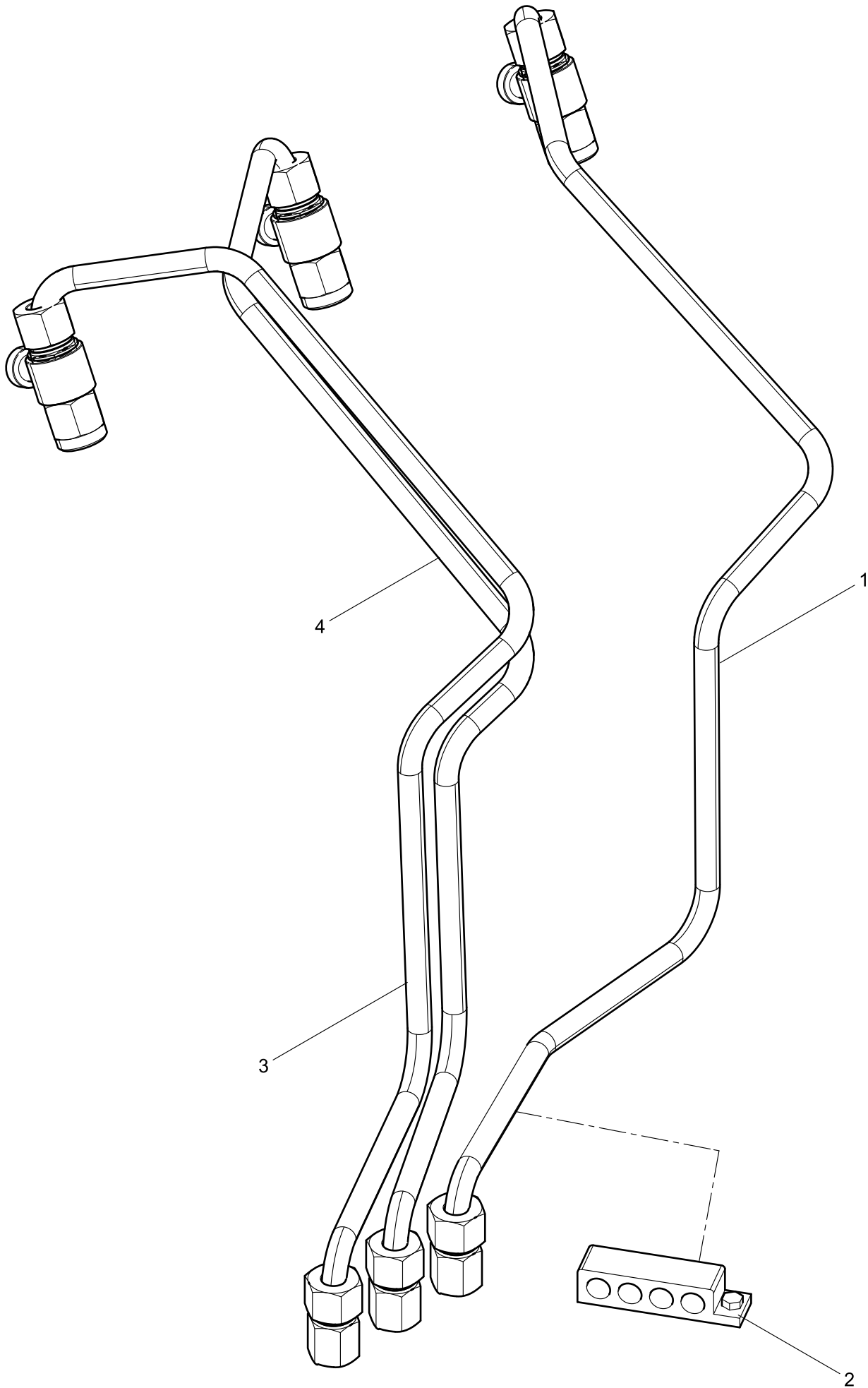


### High-pressure Fuel Pipe Assembly



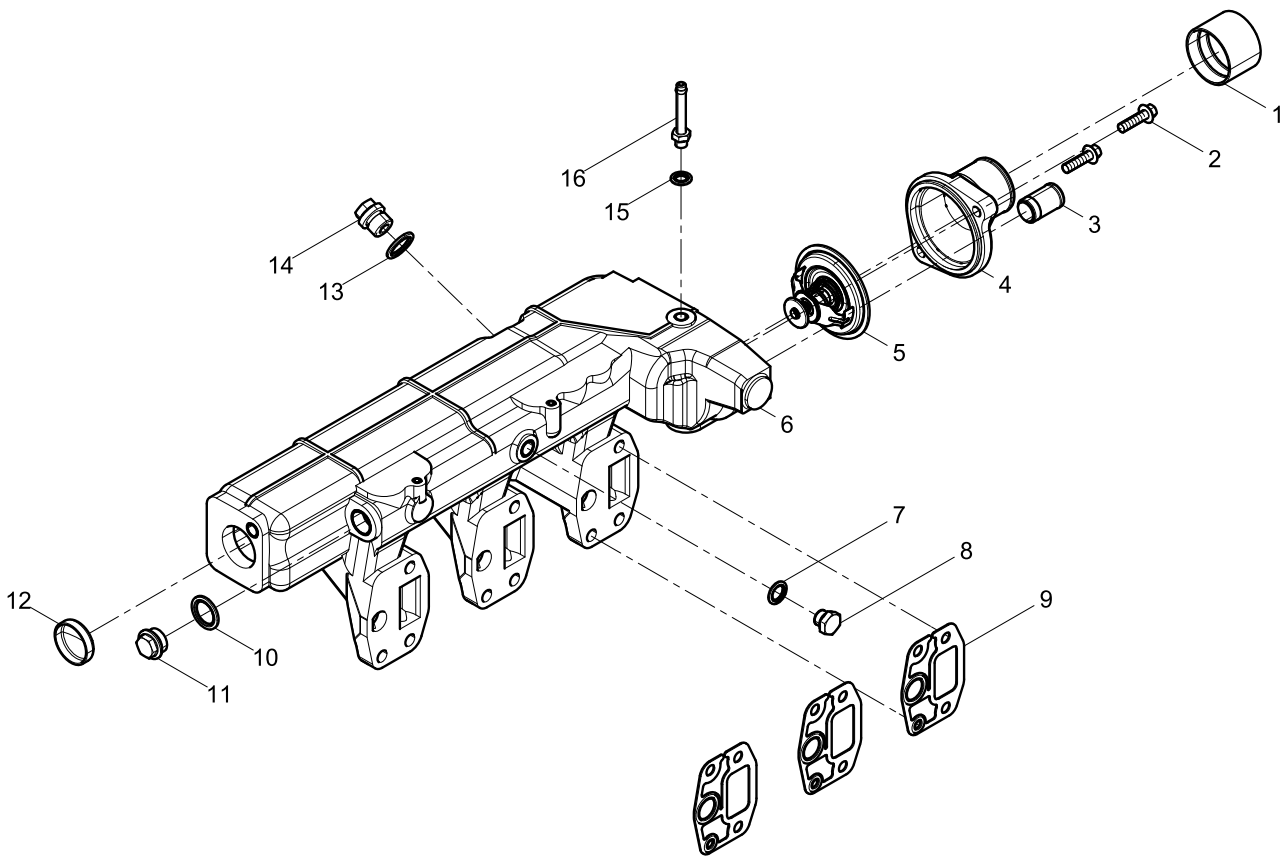


### High-pressure Fuel Pipe Assembly





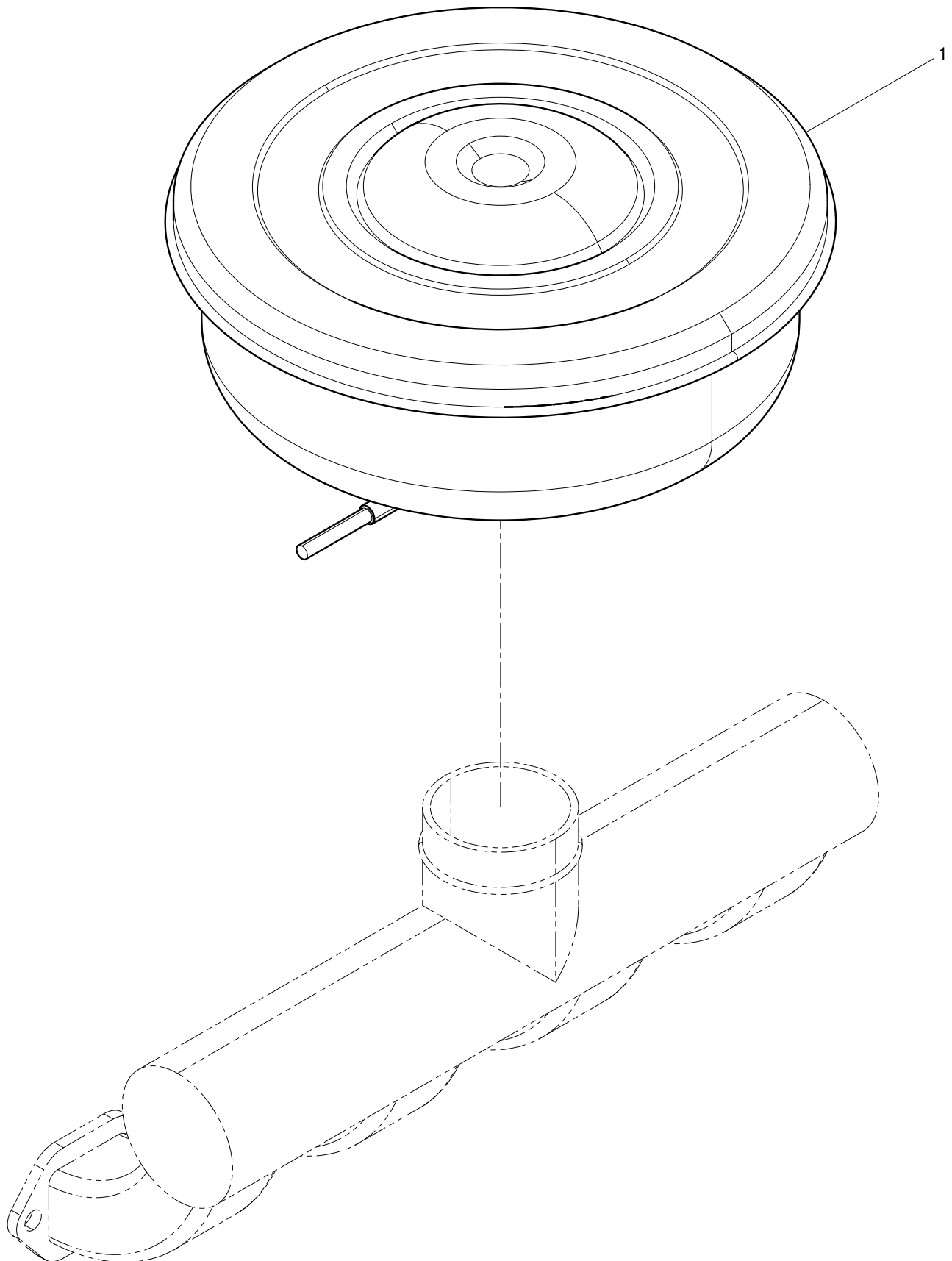
### Intake Manifold Group





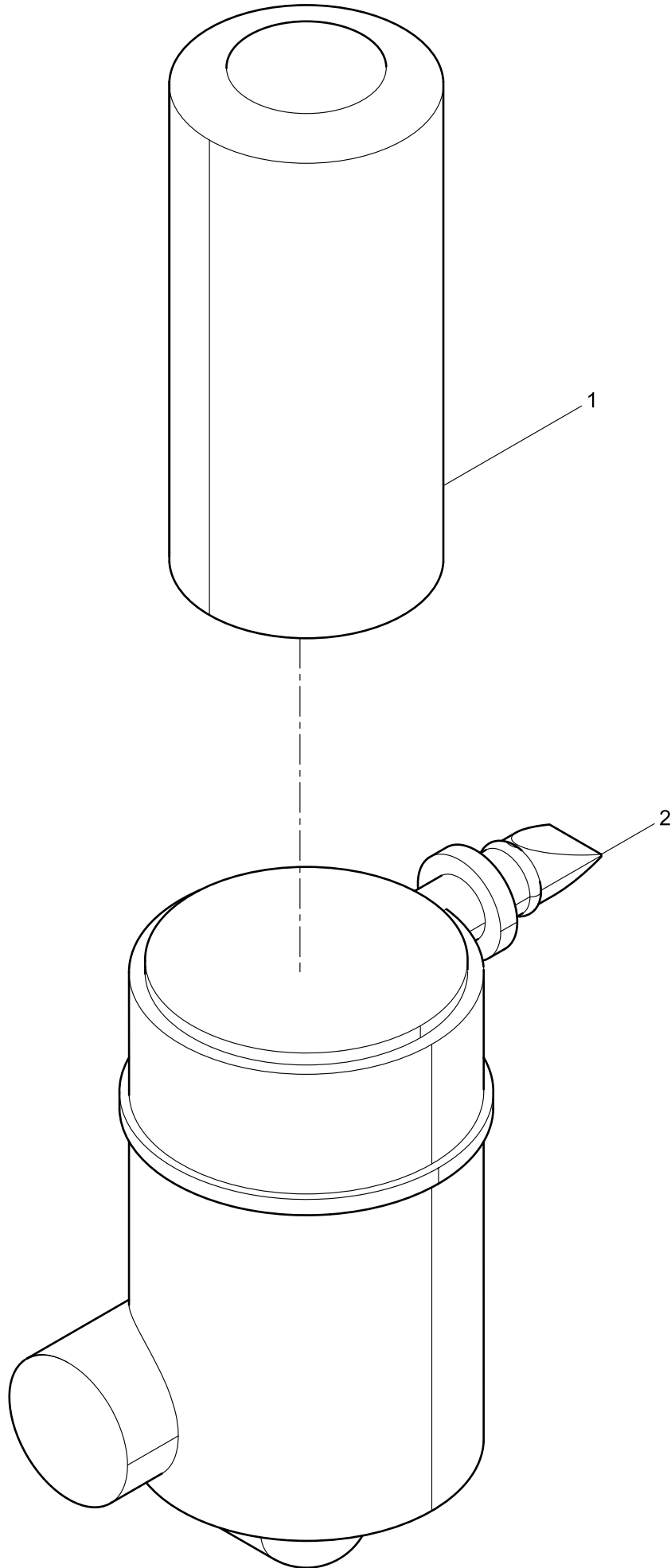


**Air Filter Group**



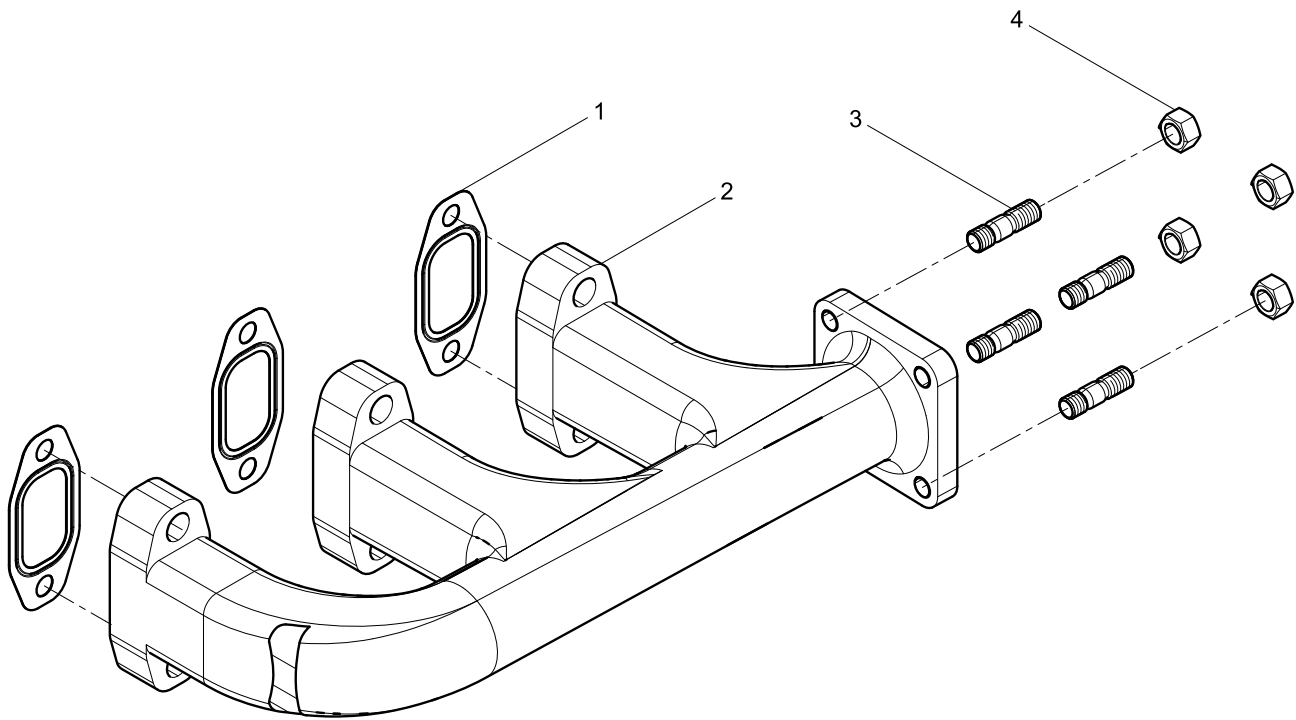


**Air Filter**



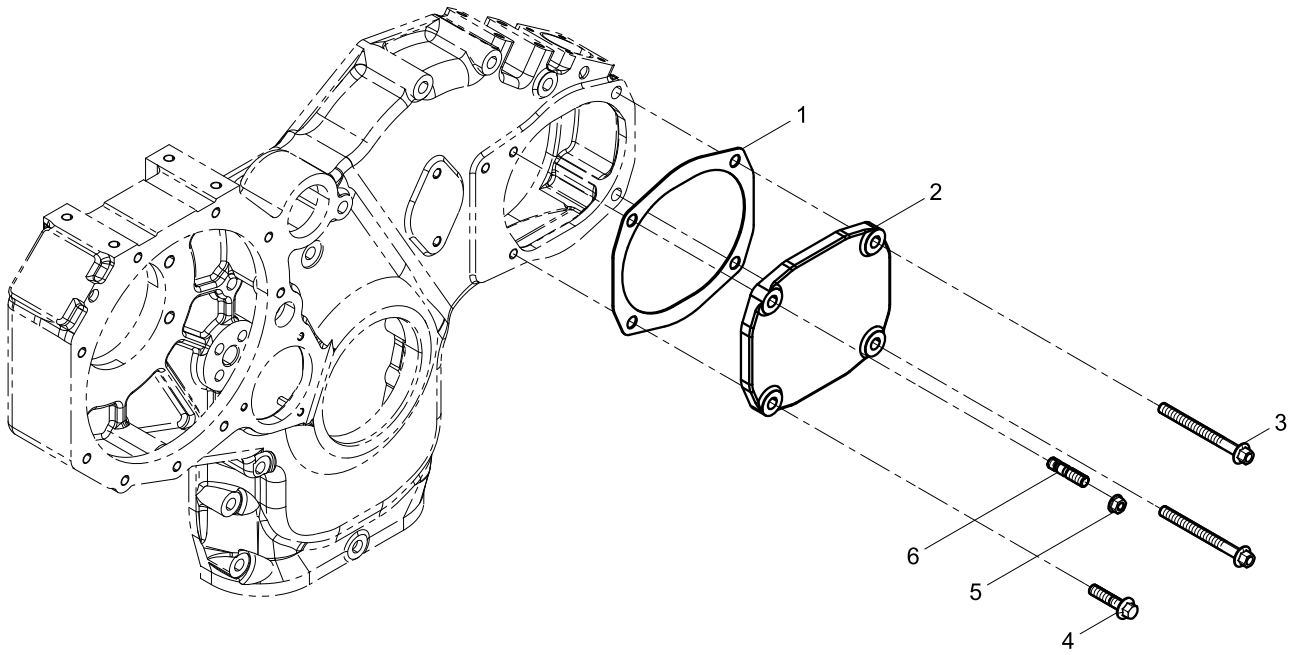


### Exhaust Manifold Group





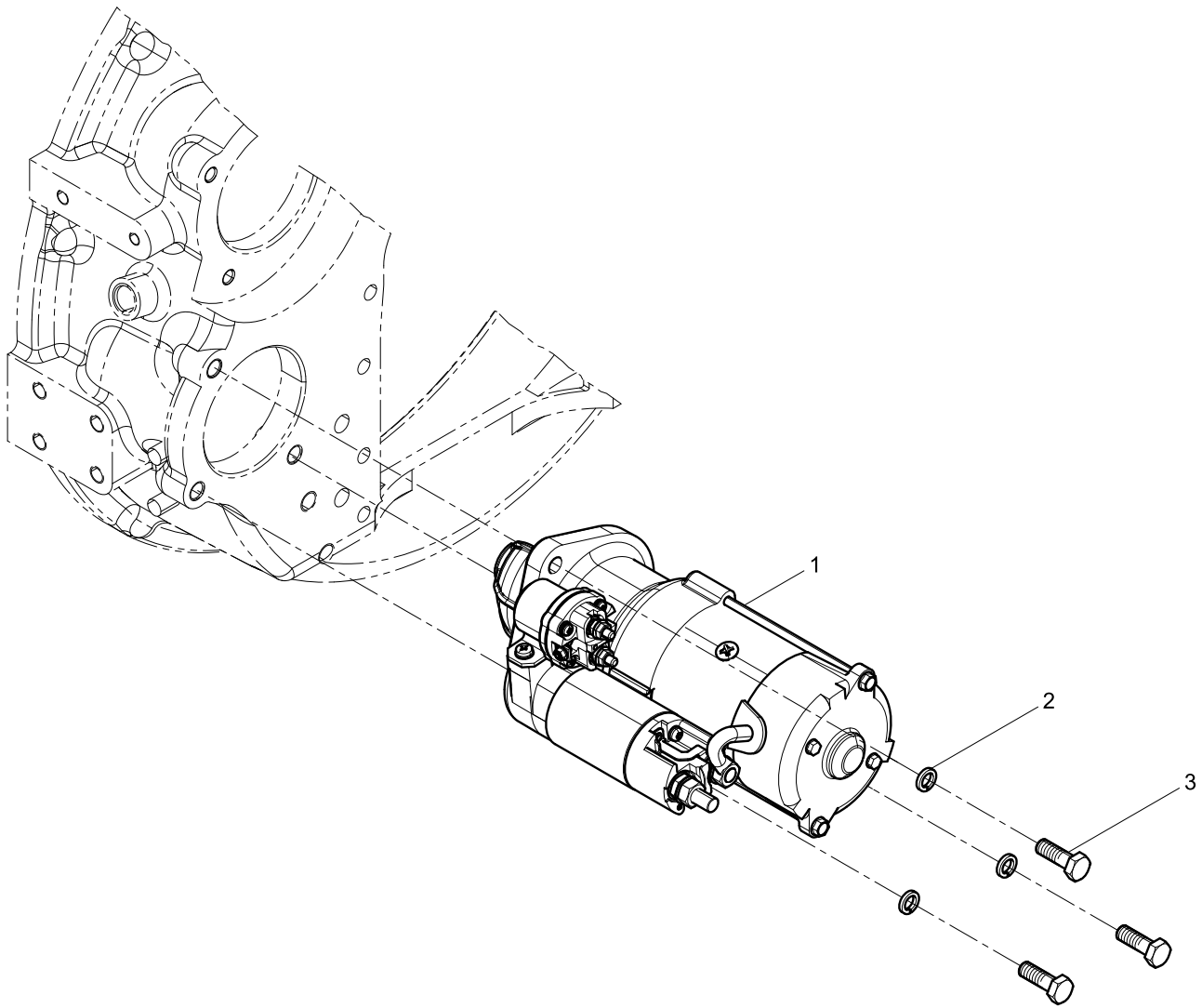
### Hydraulic pump cover assembly





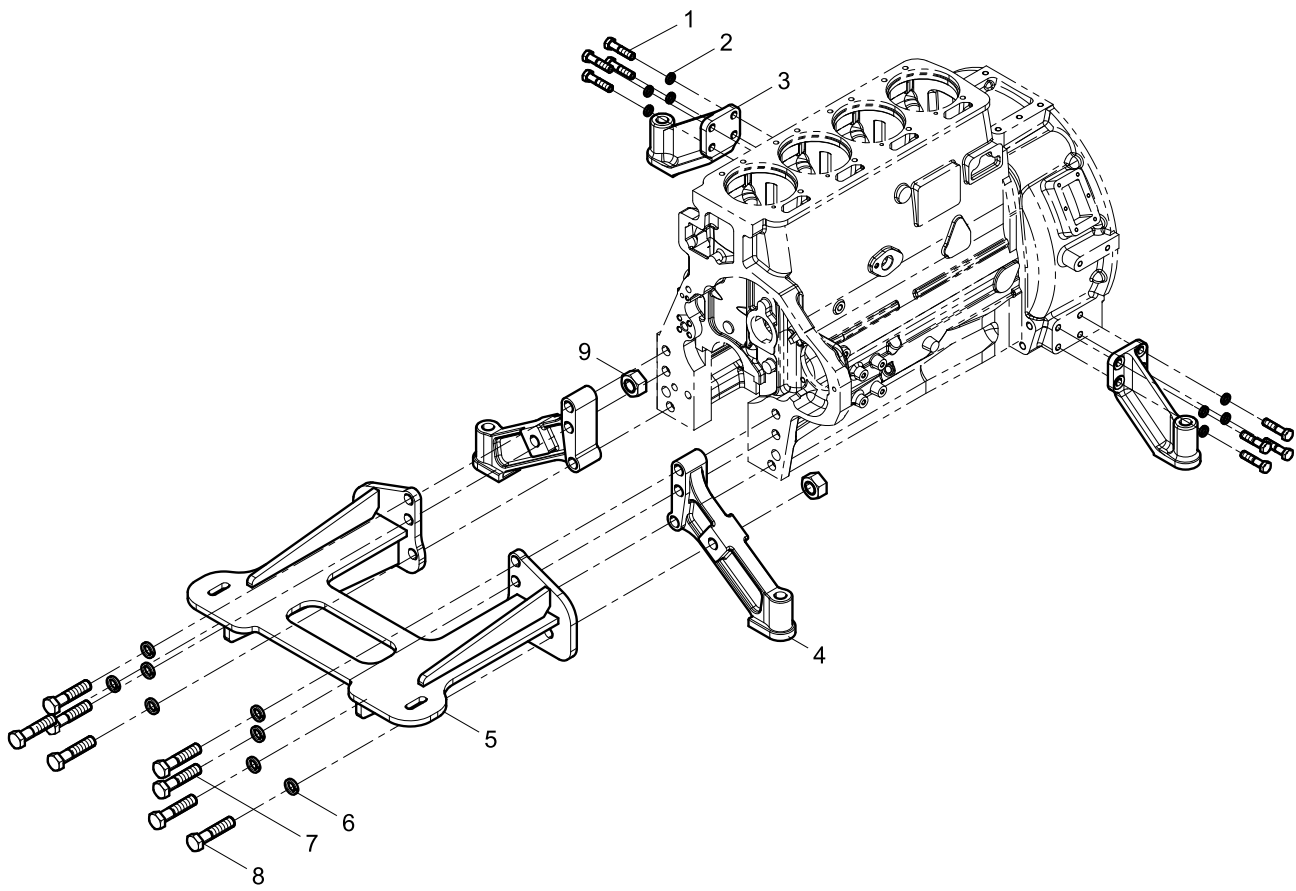


Starter Motor Group



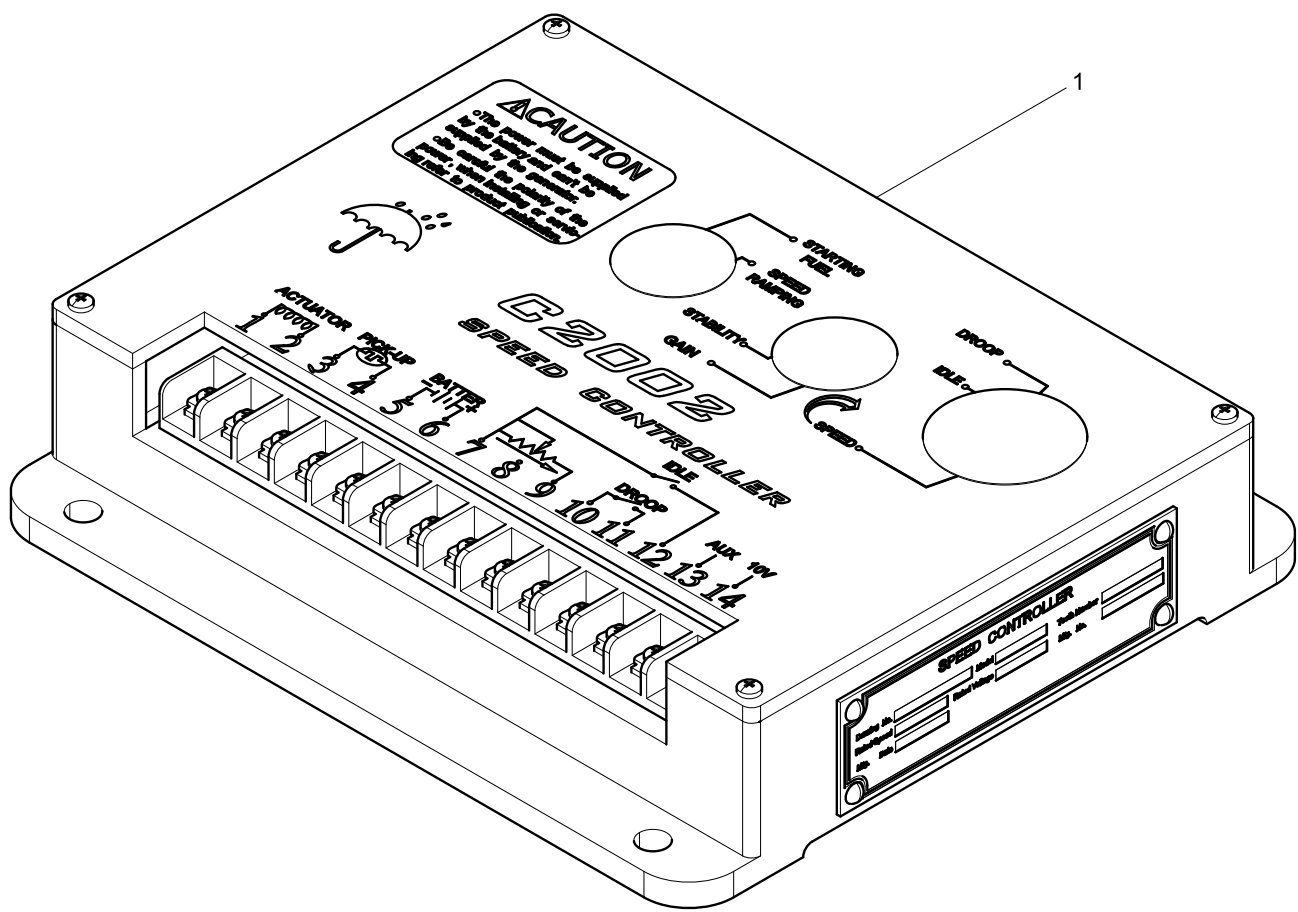


### Engine Bracket Group



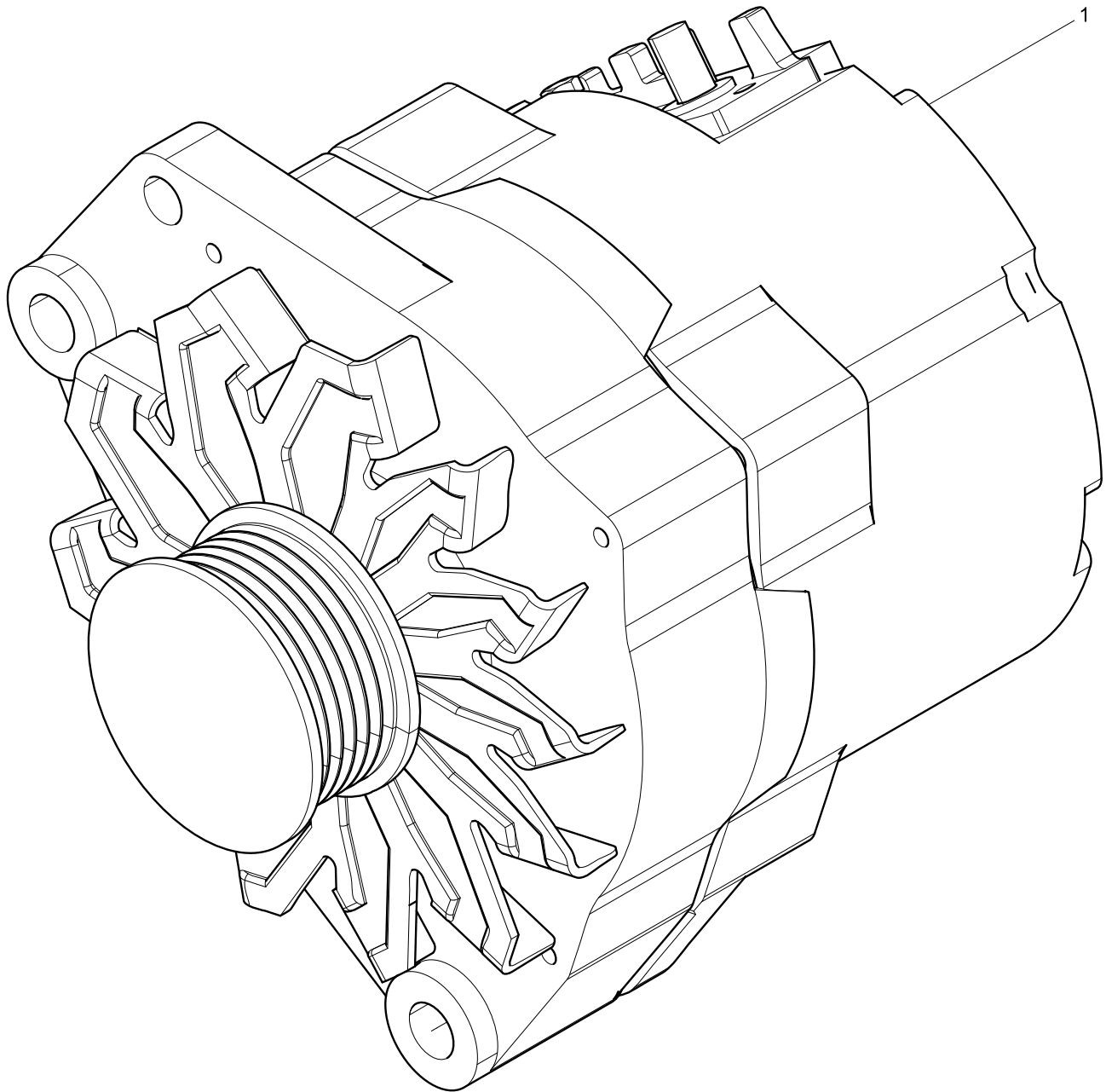


Packing Box Chassis Parts Group





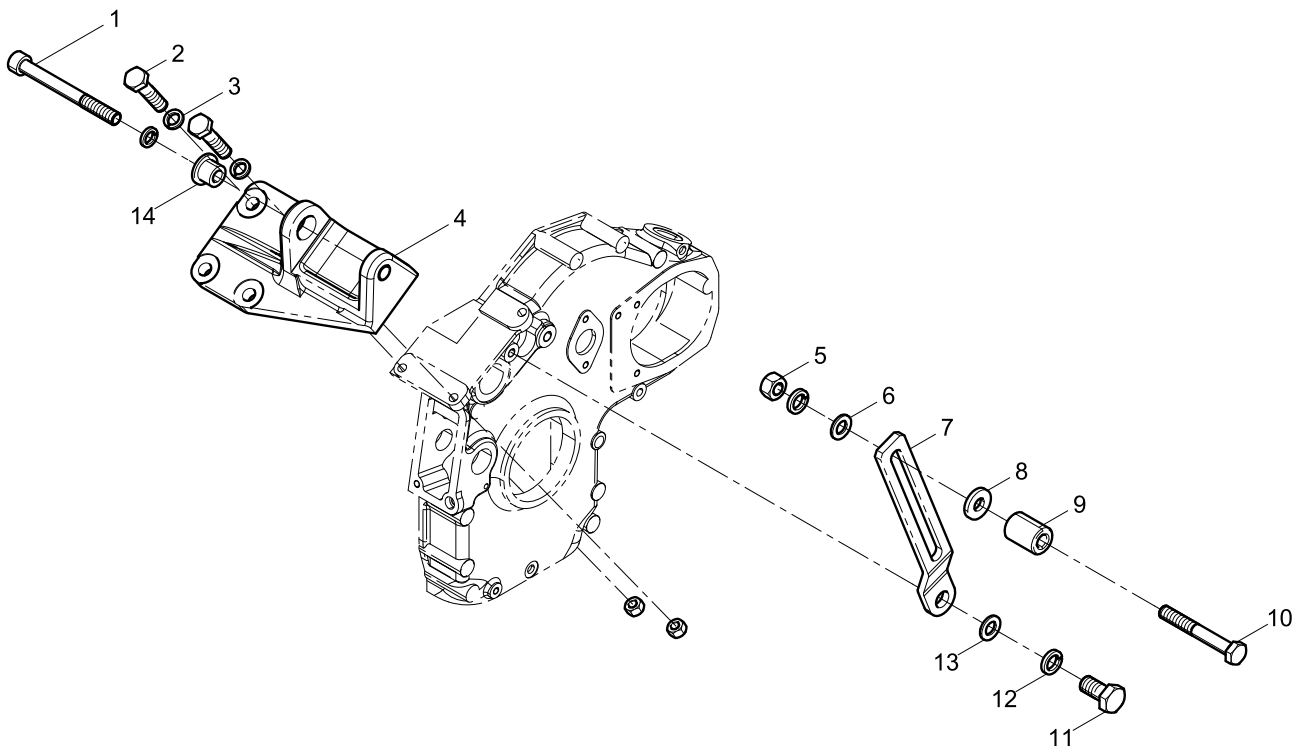
**Alternator Group**







### Alternator Bracket Assembly





This manual is for reference only,  
product parameters are subject to alteration  
without notice,  
whichever is the physical product.