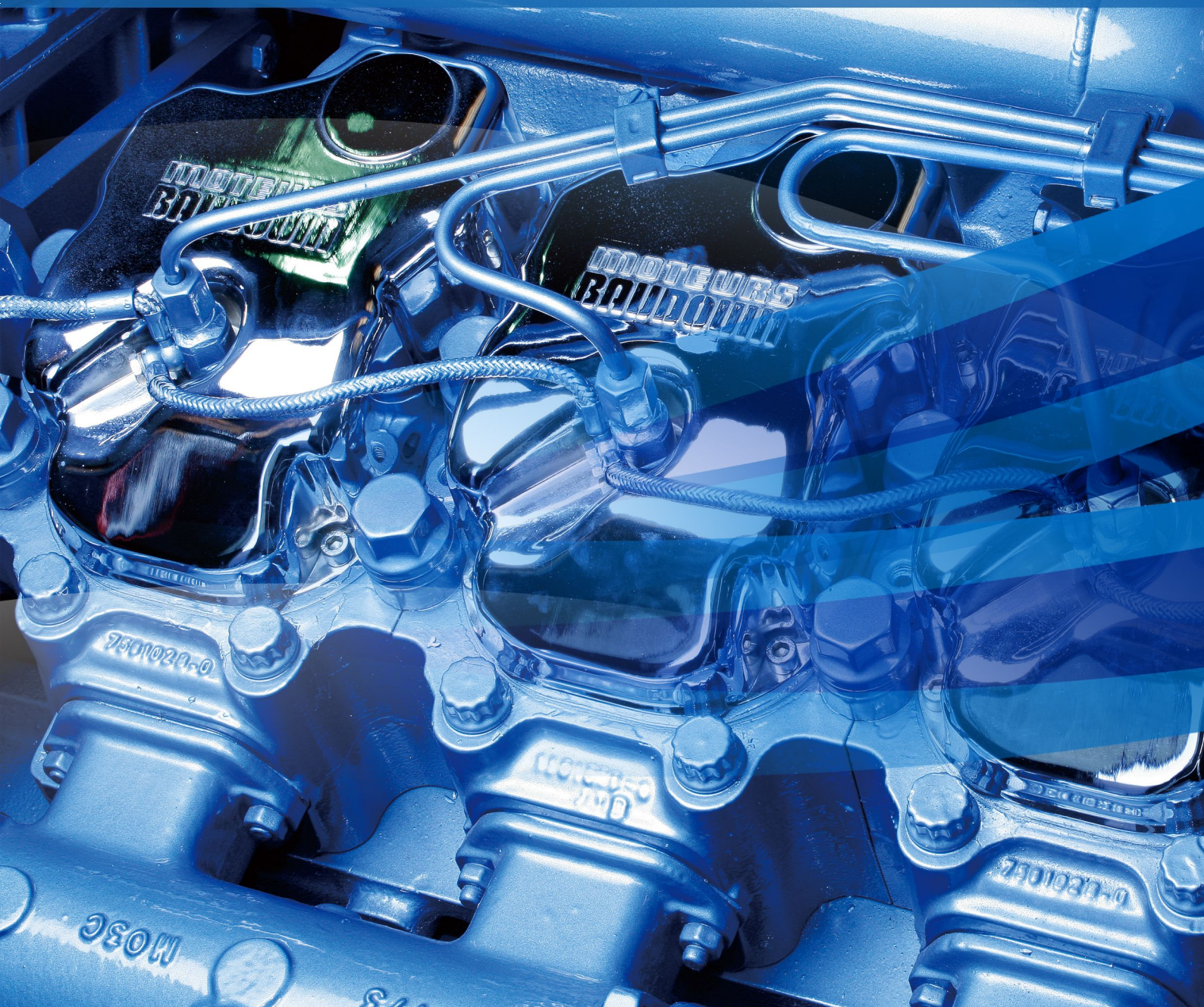


6M11 BAUDOUIN DIESEL PARTS CATALOGUE



PREFACE

This illustrated parts manual is specially prepared for customers to facilitate the use of 6M11 series diesel engine in operation and tenance.

The illustrations are grouped under the heading of each assembly and numbered individually.Part.

No.,Quantity,Model,English designation,Chinese designation and so on are written in the parts list .
The parts catalogue include detailed assembling parts list of diesel engine ,some parts can not be sold ,if you want to know selling part matters,please ask weichai power spare part resource CO.,LTD.

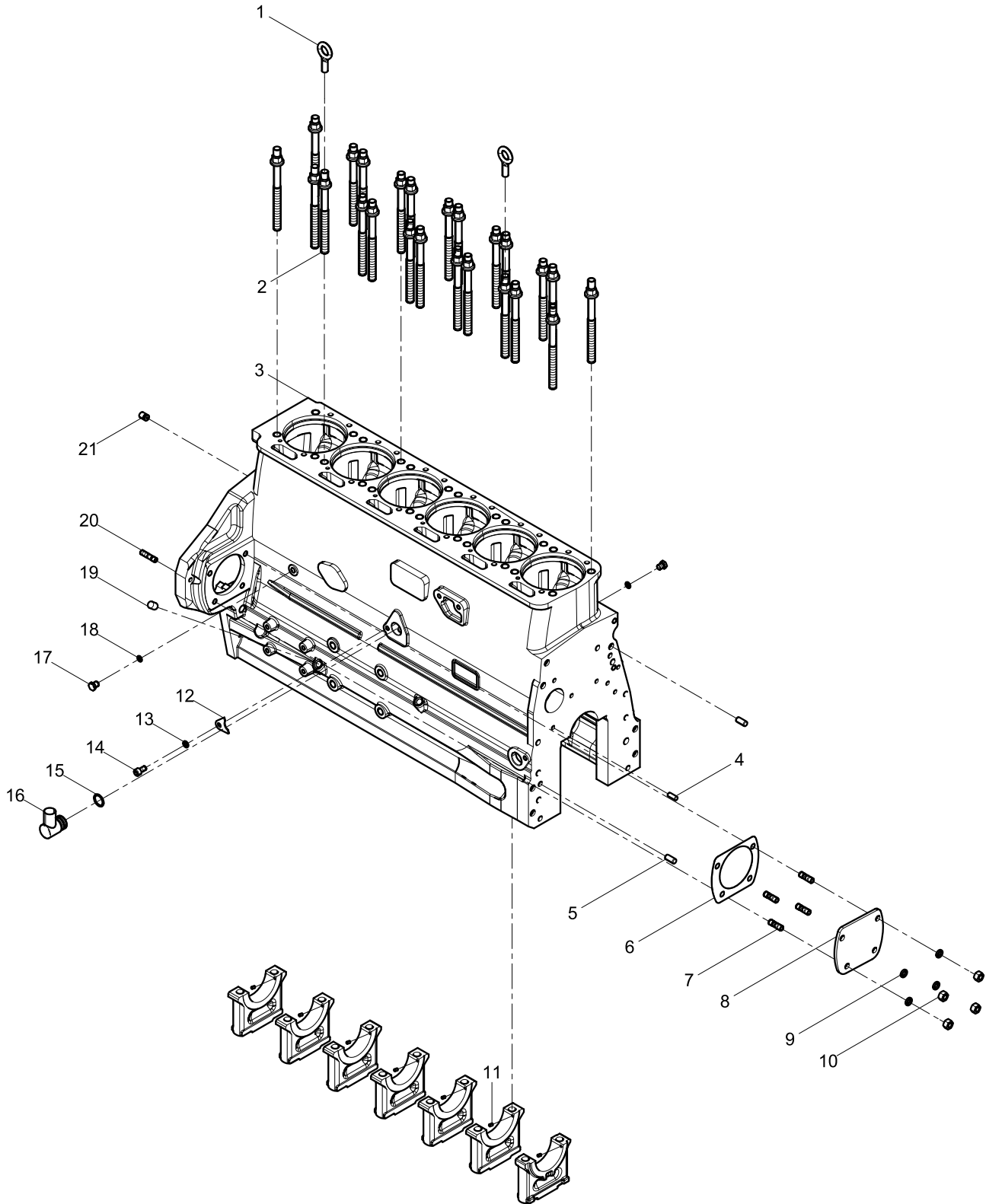
With the development of technology and production,the versions of the diesel engine will be increased, so the catalogue will be revised.Please pay attention to our revised edition.After service of this product is authorized to Weichai Power Co.,Ltd ,Consumers can acquire information of this product through www.weichai.com.

CONTENTS

Engine Block Group	1
crankcase assembly	3
Front cover group	5
Idler Gear Assembly.....	9
Spray Nozzle Group.....	11
Oil-gas Separator Group.....	13
Hydraulic Pump Group.....	15
Oil Pan Assembly	17
Crankshaft Group.....	19
Main Bearing Set	21
Thrust Bearing Set.....	23
Main Bearing Set.....	25
Thrust Plate Group.....	27
Flywheel Group.....	29
Flywheel Assembly	31
Crankshaft Pulley Group.....	33
.....	35
Piston and Connecting Rod Group	37
Piston and Connecting Rod Group.....	39
Piston Assembly	41
Connecting Rod Assembly.....	43
Connecting Rod Bearing Set	45
Cylinder Head Assembly.....	47
Cylinder Head Subassembly	49
Cylinder Head Subassembly	51
Cylinder Head Gasket	53
Rocker Arm Bracket Assembly.....	55
Rocker Arm Set.....	57
Cylinder Head Cover Group.....	59
Camshaft Assembly	61

Valve Train Group	63
Lubricating Oil Pump	65
Oil Cooler Group	67
Oil Cooler Assembly	69
Oil Inlet Pipe Assembly	71
Turbocharger Oil Pipe Group	73
Fuel Injection Pump Assembly	75
Fuel Injector Group	77
Fuel Filter Group	79
Fuel Filter Assembly	81
High Pressure Fuel Pipe Group	83
Intake Manifold Group	85
Air Filter Group	89
Air Filter	91
Water Pump Group	93
Middle Filling Block Group	95
Water Pump Pulley Assembly	97
Tensioner And Belt Group	99
Exhaust Manifold Group	101
Turbocharger Group	103
Alternator Bracket Group	105
Alternator Group	107
Starter Motor Group	109
Compressor Pipe Group	111
Engine Bracket Group	113
Flywheel Housing Assembly	115
Sound Insulation Cover Group	117
Water tank Group	119
Packing Box Chassis Parts Group	121
Spare Parts Attached to Engine Group	123

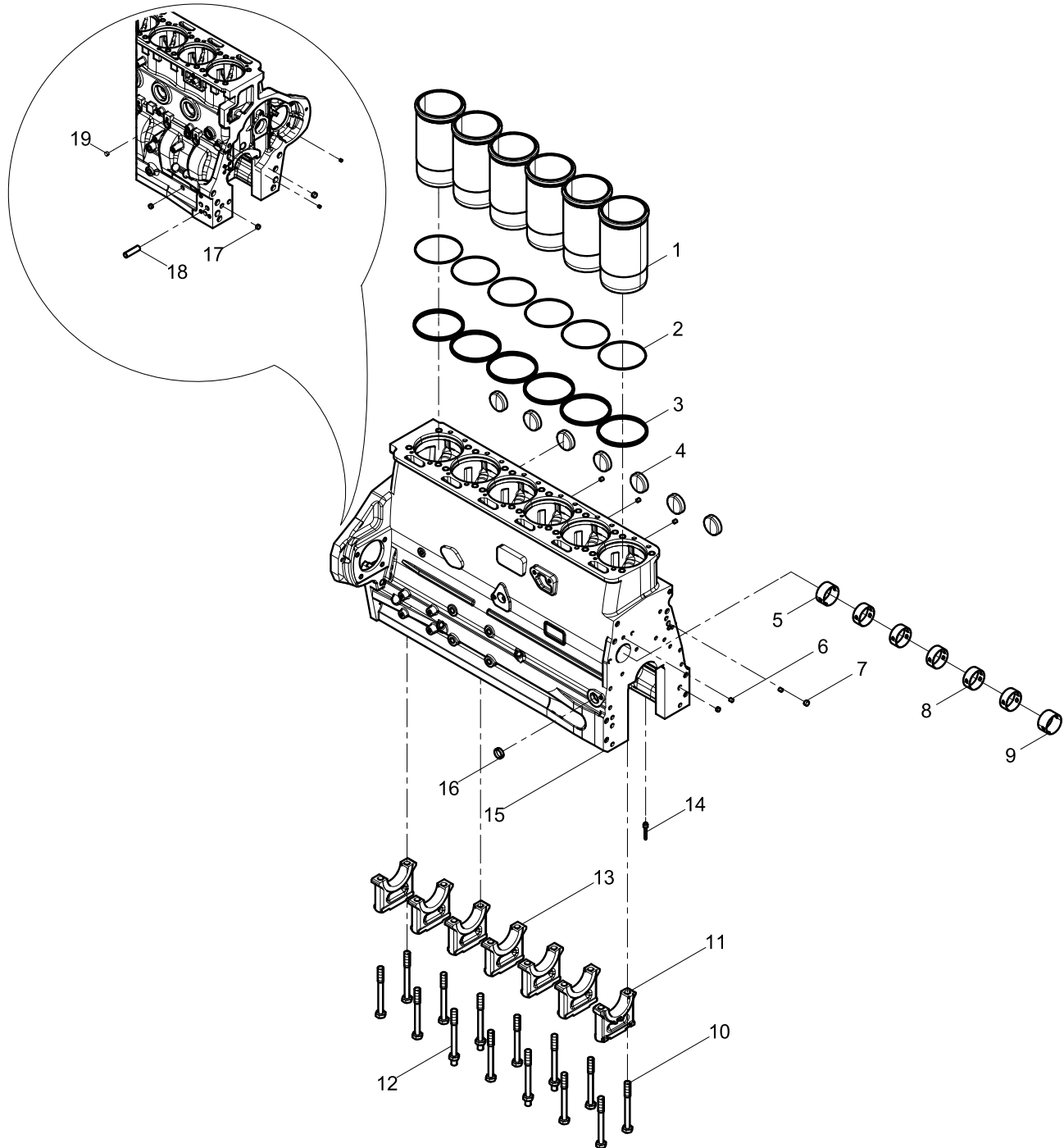
Engine Block Group



Engine Block Group

Pos.	Teile.Number	Amount	Designation
1	13020212	2	Lifting Screw
2	13037379	24	Cylinder Head Bolt
3	13060426	1	crankcase assembly
4	90003901420	1	Parallel Pin
5	90015210010	2	Parallel Pin
6	13024489	1	Gasket
7	90011620019	4	Double End Stud
8	13025795	1	Cover
9	90003931122	4	Spring Washer
10	90012700002	4	Hexagon Nut, Style 2
11	90015100005	7	Spring-Type Straight Pin, Slotted, Heavy Duty
12	12160129	1	Plate
13	90003931102	1	Spring Washer
14	01151498	1	Inner Hexagon Socket Head Cap Screw
15	01153869	1	O-ring
16	12160117	1	Pipe
17	01118952	2	Hexagon Screw Plug
18	612600080246	2	Washer
19	13039669	1	Parallel Pin
20	90011520047	1	Double End Stud
21	13022330	1	Idler Gear Shaft

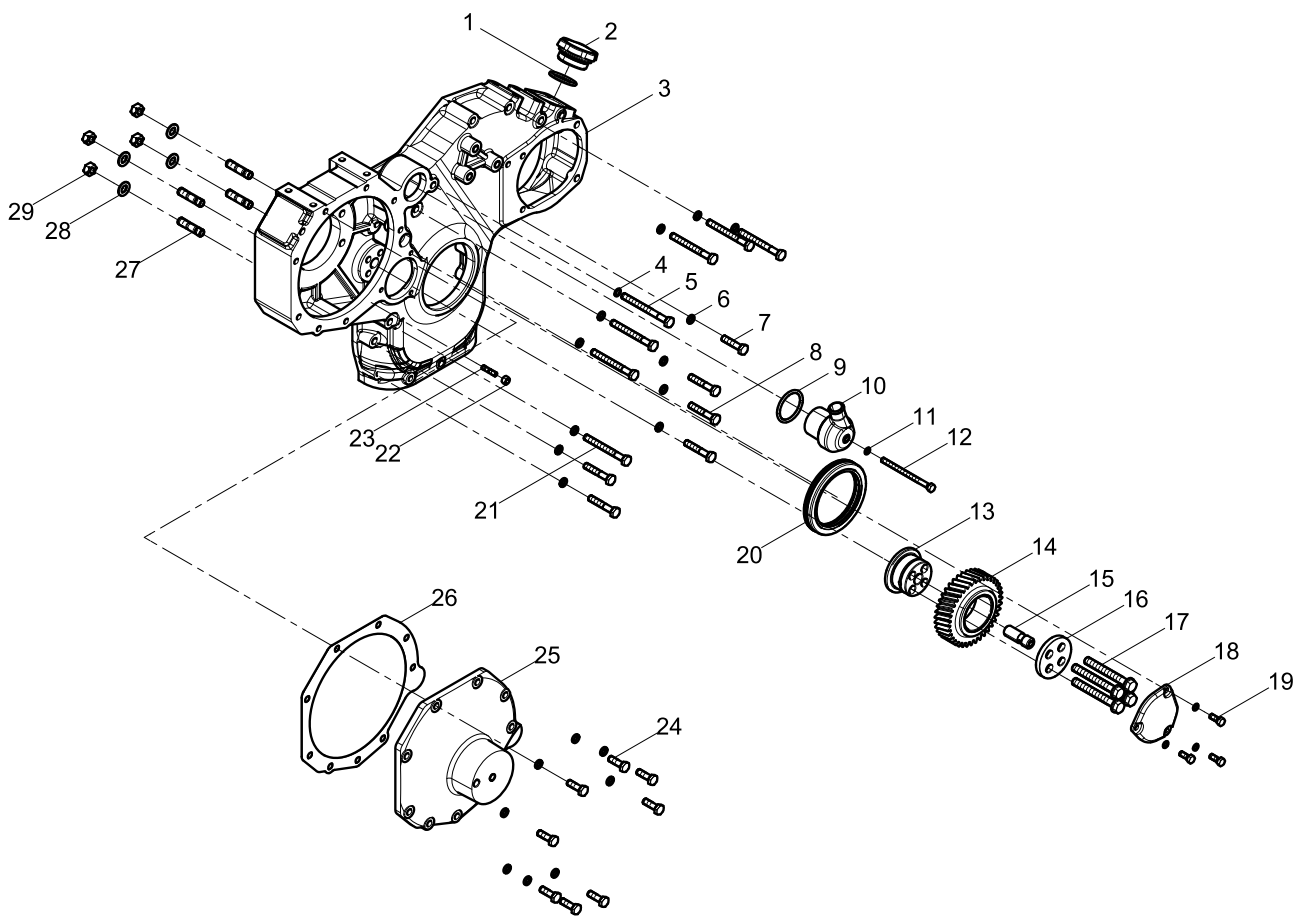
crankcase assembly



crankcase assembly

Pos.	Teile.Number	Amount	Designation
1	13056682	6	Cylinder Liner
2	01153804	12	O-ring
3	01153805	12	O-ring
4	612639000030	7	Lebes plug
5	12159599	1	Camshaft Bush
6	12151365	7	Pulling Rivet
7	12273515	2	Pulling Rivet
8	13032911	5	Camshaft Bush
9	13032912	1	Camshaft Bush
10	13037380	12	Main Bearing Bolt
11	13053433	1	Thrust Bearing Cover
12	13037381	2	Main Bearing Bolt
13	12188652	6	Pre-machined Main Bearing Cap
14	610800010328	1	Pulling Rivet
15	13052535	1	Engine Block
16	13039690	1	Bowl Plug
17	12273557	3	Screw Plug
18	13053505	1	Studs
19	13054085	1	Sealer

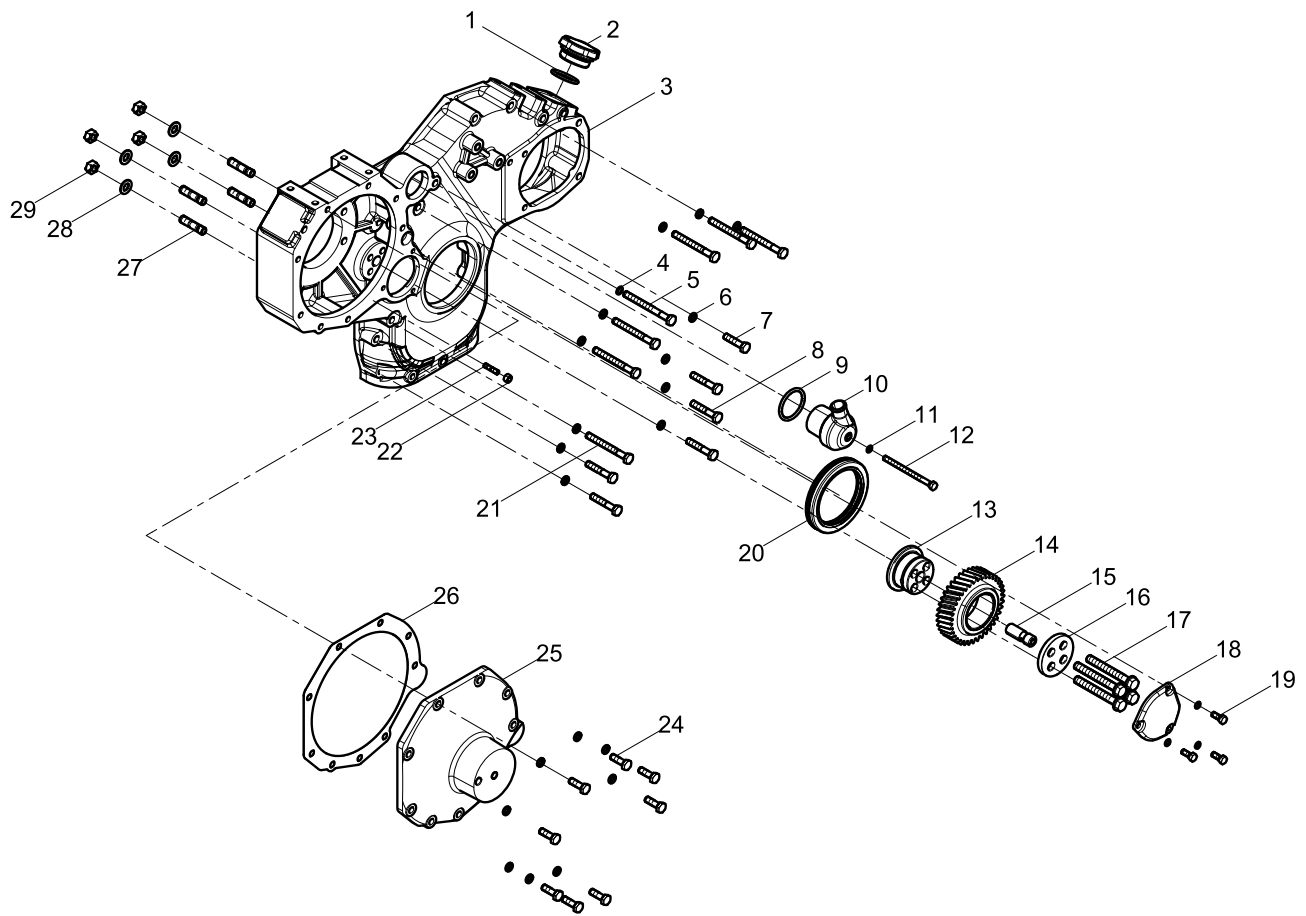
Front cover group



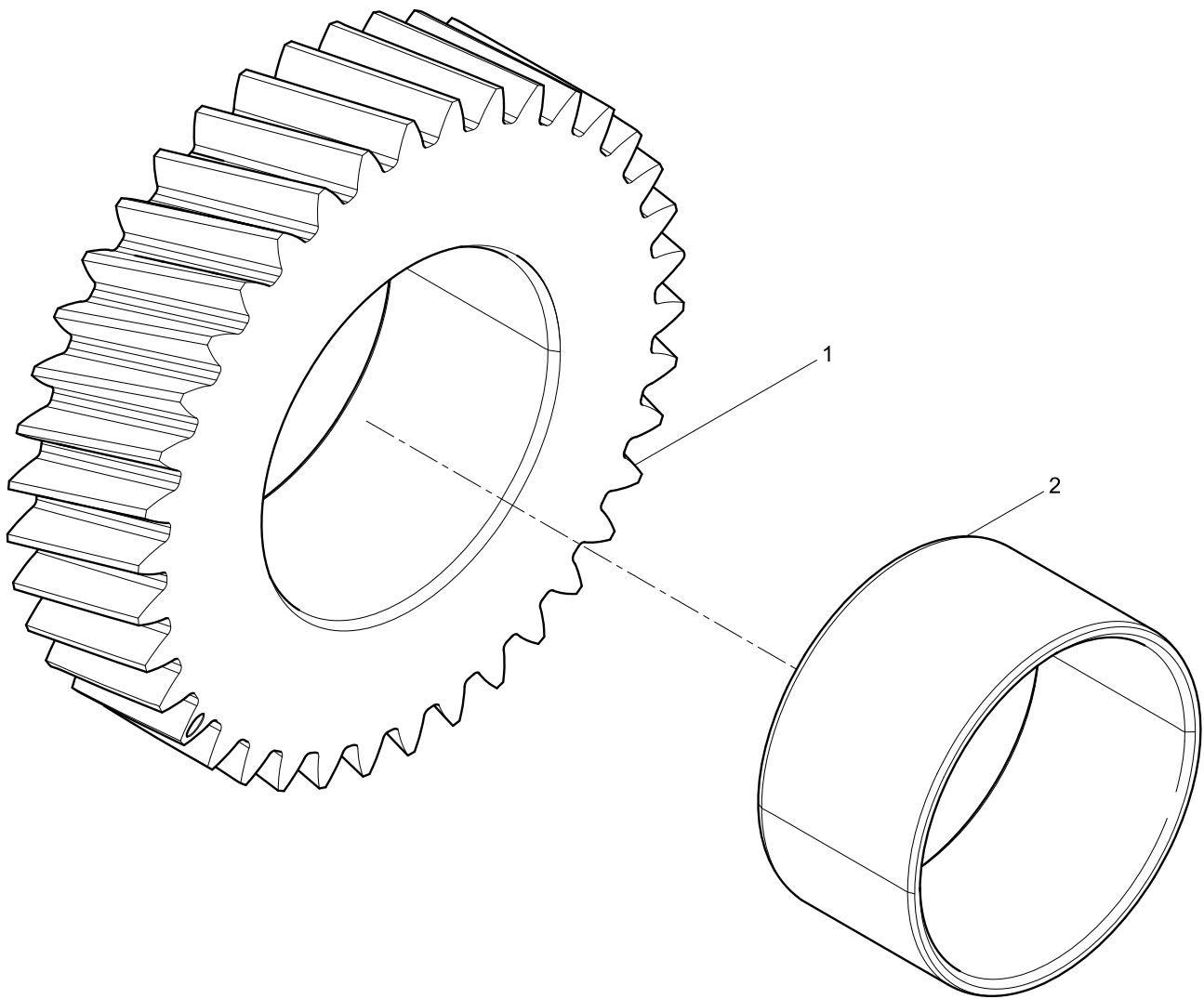
Front cover group

Pos.	Teile.Number	Amount	Designation
1	06214722	1	O-ring
2	1000880527	1	Oil Filling Pipe Cap
3	13054982	1	Front Cap
4	01118647	1	Sealing Washer
5	90003800472	1	Hexagon Head Bolt
6	90003931102	20	Spring Washer
7	90003800431	1	Hexagon Head Bolt
8	90003800441	5	Hexagon Head Bolt
9	01161340	1	O-ring
10	13031548	1	Crankcase Breather
11	01118641	4	Sealing Washer
12	01111096	1	Hexagon Head Bolt
13	13022332	1	Idler Gear Shaft
14	13022327	1	Idler Gear Assembly
15	13022331	1	Shaft
16	13022333	1	Baffle Board
17	13027282	4	Hexagon Head Bolt
18	13022340	1	Front Cover shield
19	90003802321	3	Hexagon Head Bolt
20	12188100	1	Front Oil Seal
21	90003800467	6	Hexagon Head Bolt
22	90012700003	1	Hexagon Nut, Style 2
23	90003813434	1	Double End Stud
24	90003802424	8	Hexagon Head Bolt
25	13054661	1	Plug
26	13031533	1	Gasket
27	90011620040	4	Double End Stud

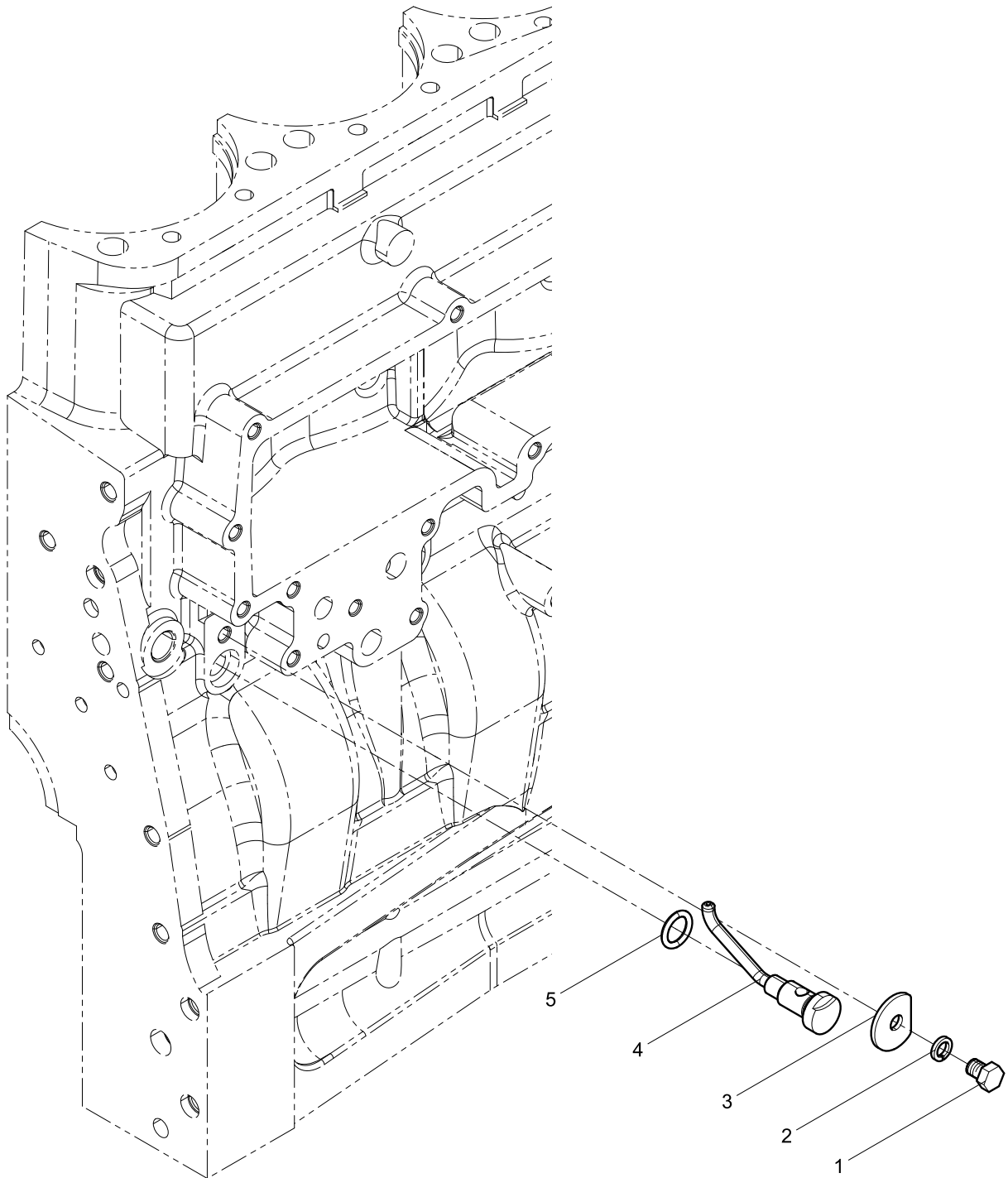
Front cover group



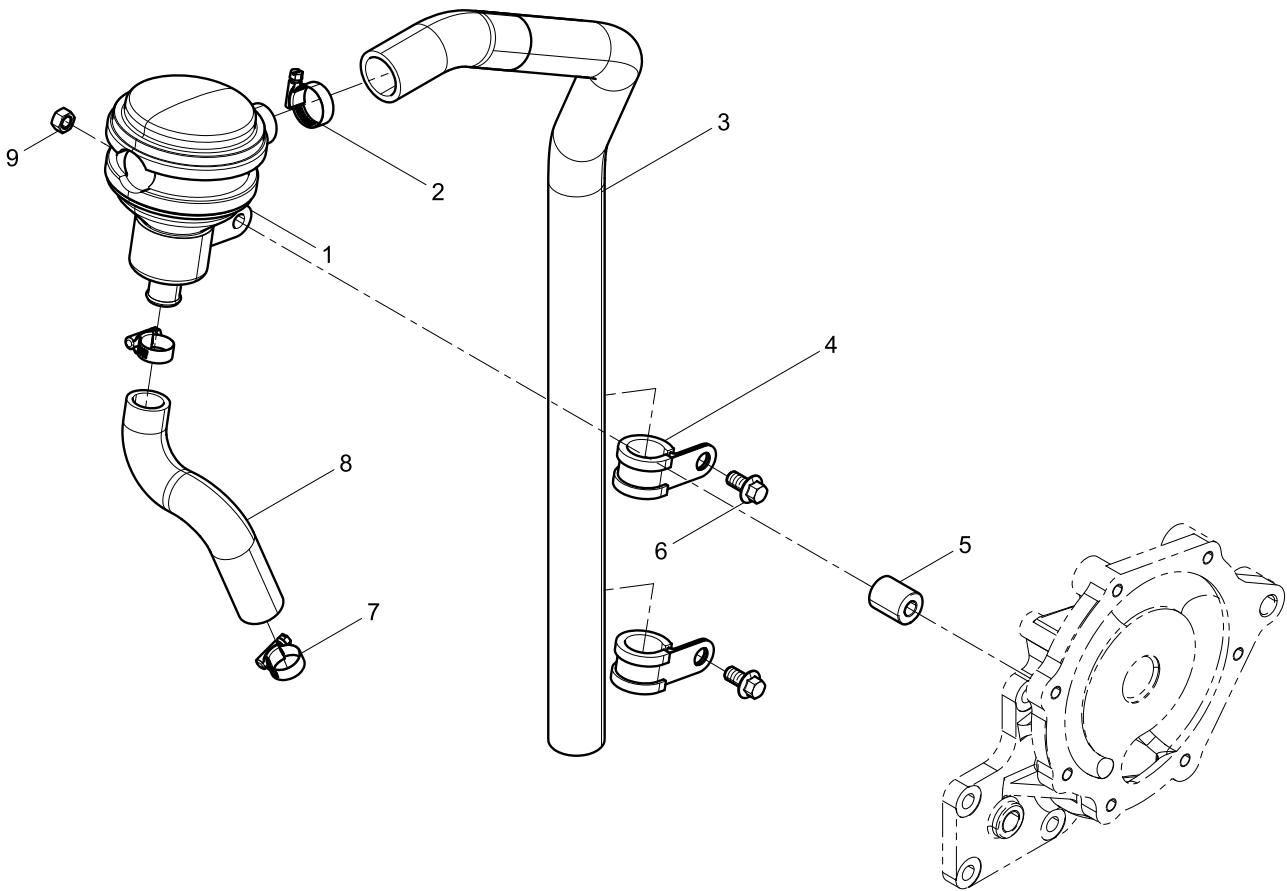
Idler Gear Assembly



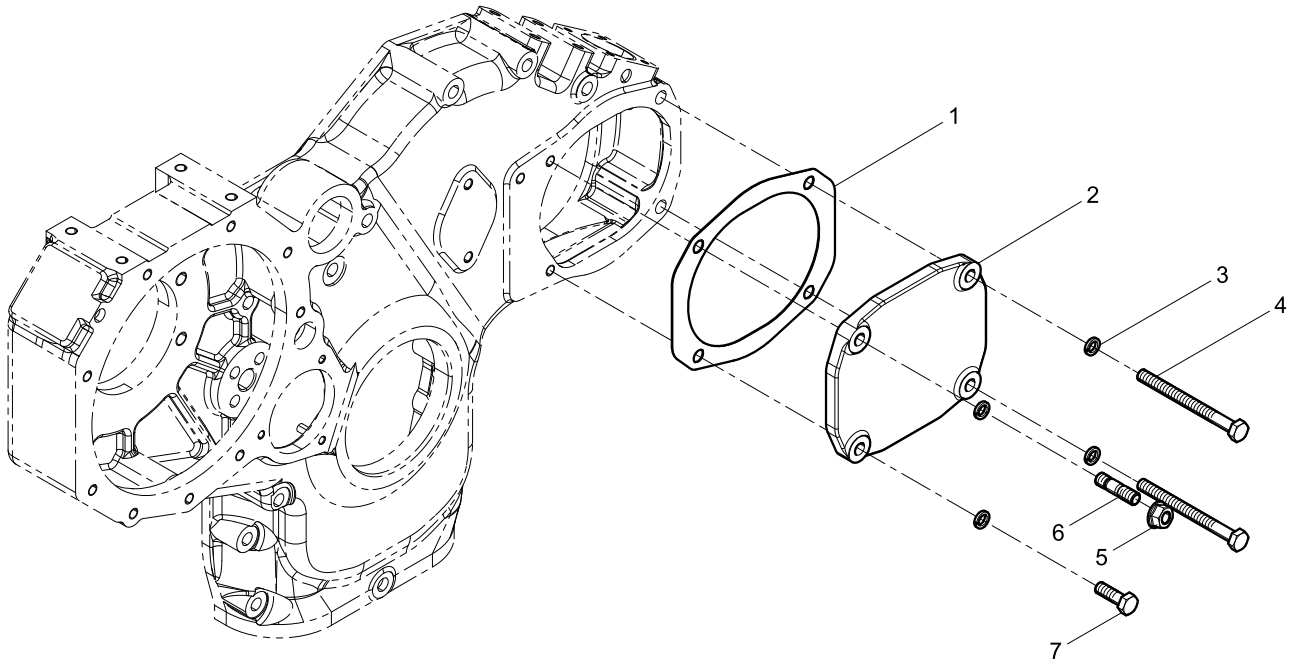
Spray Nozzle Group



Oil-gas Separator Group



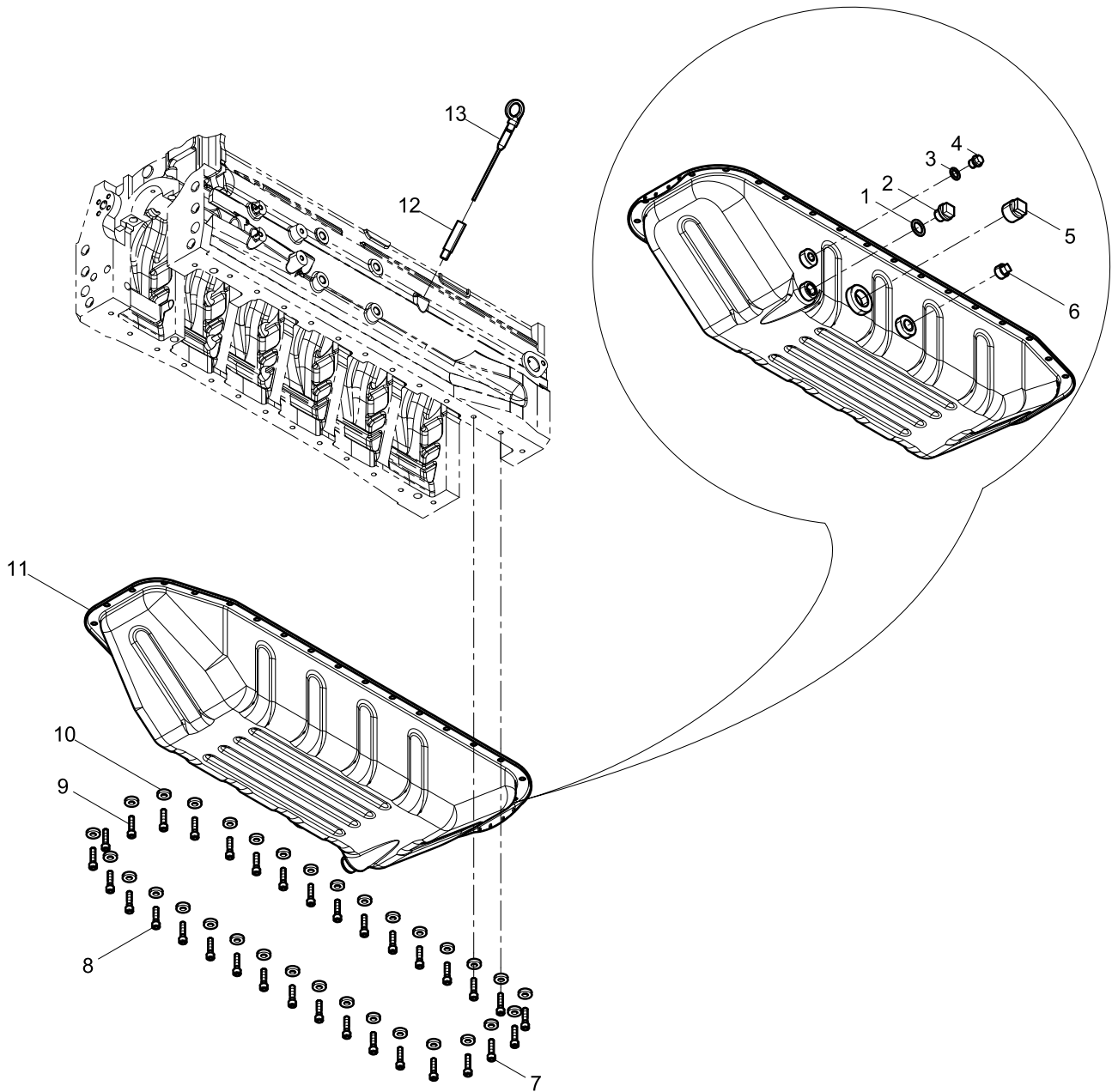
Hydraulic Pump Group



Hydraulic Pump Group

Pos.	Teile.Number	Amount	Designation
1	13031518	1	Gasket
2	12166808	1	Plug
3	90003931102	4	Spring Washer
4	90003800023	2	Hexagon Head Bolt
5	90012290001	1	Hexagon Flange Nut
6	90003813434S	1	Double End Stud
7	90003802424	1	Hexagon Head Bolt

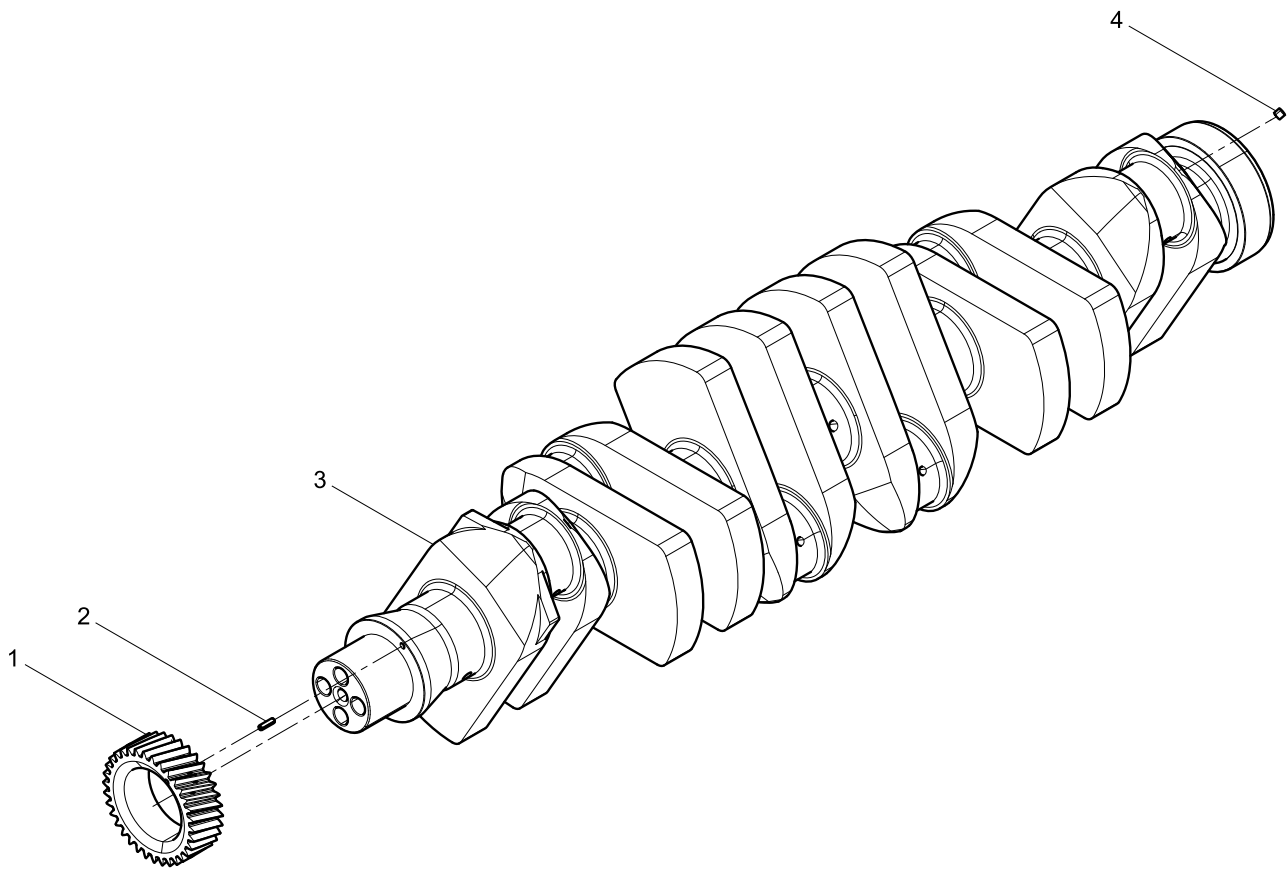
Oil Pan Assembly



Oil Pan Assembly

Pos.	Teile.Number	Amount	Designation
1	13023363	1	Unit washer
2	13057942	1	Magnetic Screw Plug Assembly
3	13023360	1	Assembled Sealing Washer
4	01133632	1	Hexagon Screw Plug
5	612600150273	1	Screw Plug
6	612600150274	1	Screw Plug
7	90003862427	3	Inner Hexagon Socket Head Cap Screw
8	90003862428	26	Inner Hexagon Socket Head Cap Screw
9	90003862419	4	Inner Hexagon Socket Head Cap Screw
10	01214459	33	Gasket
11	1001023475	1	Oil Pan Set
12	13020273	1	Dipstick Pipe
13	1000723232	1	Dipstick

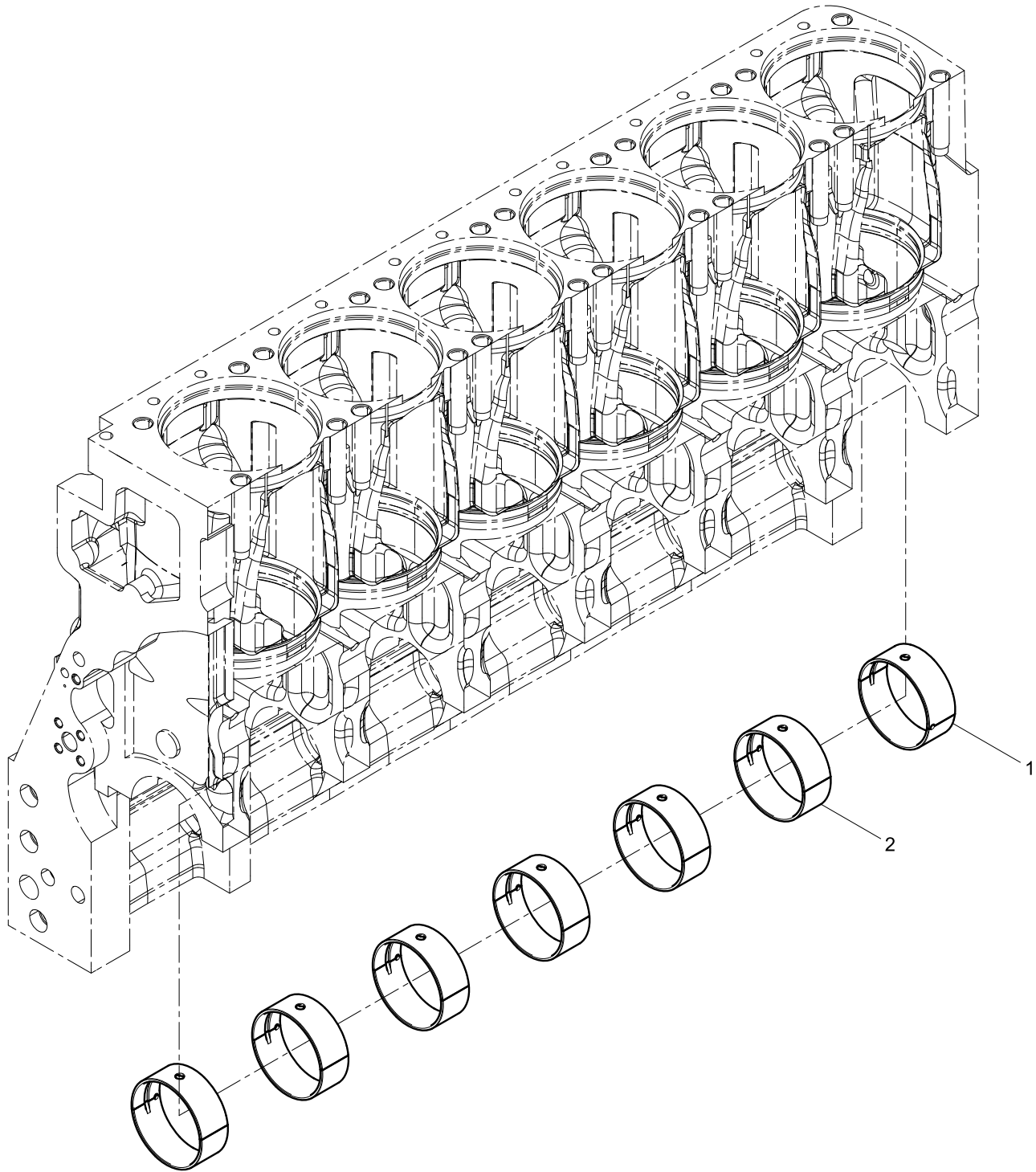
Crankshaft Group



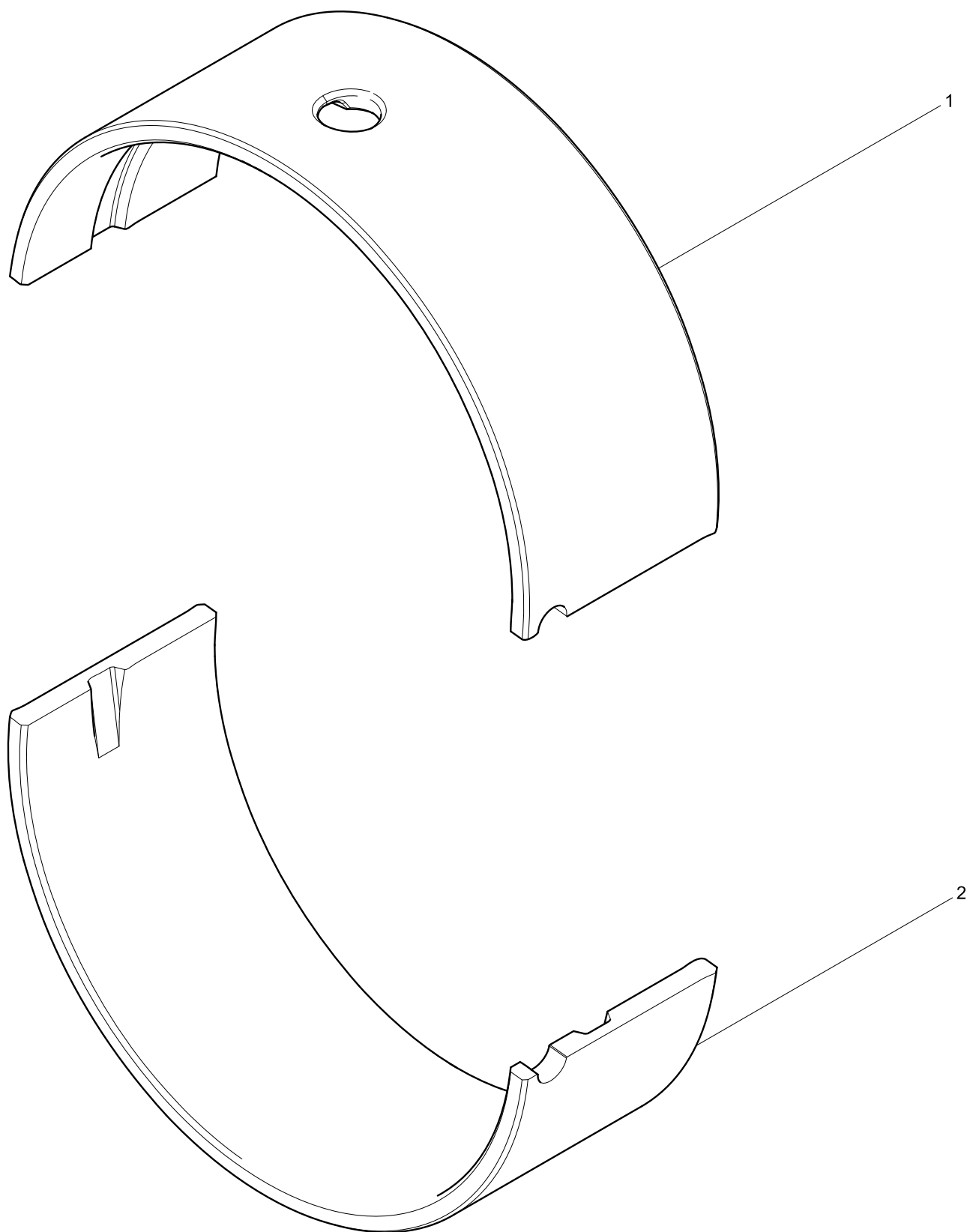
Crankshaft Group

Pos.	Teile.Number	Amount	Designation
1	13022334	1	Crankshaft Timing Gear
2	90015100007	1	Spring-Type Straight Pin, Slotted, Heavy Duty
3	13031181	1	Crankshaft
4	12151364	6	jam

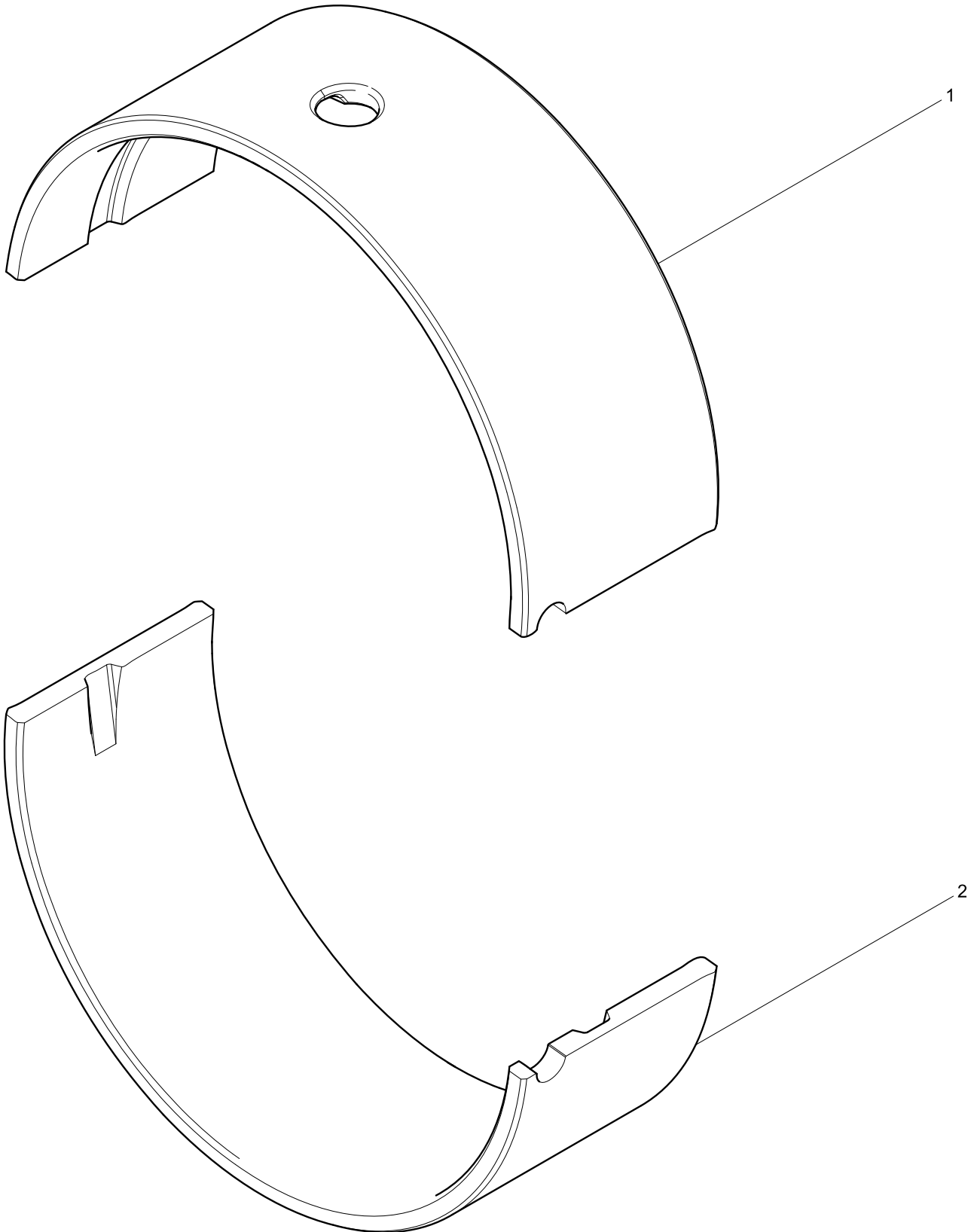
Main Bearing Set



Thrust Bearing Set



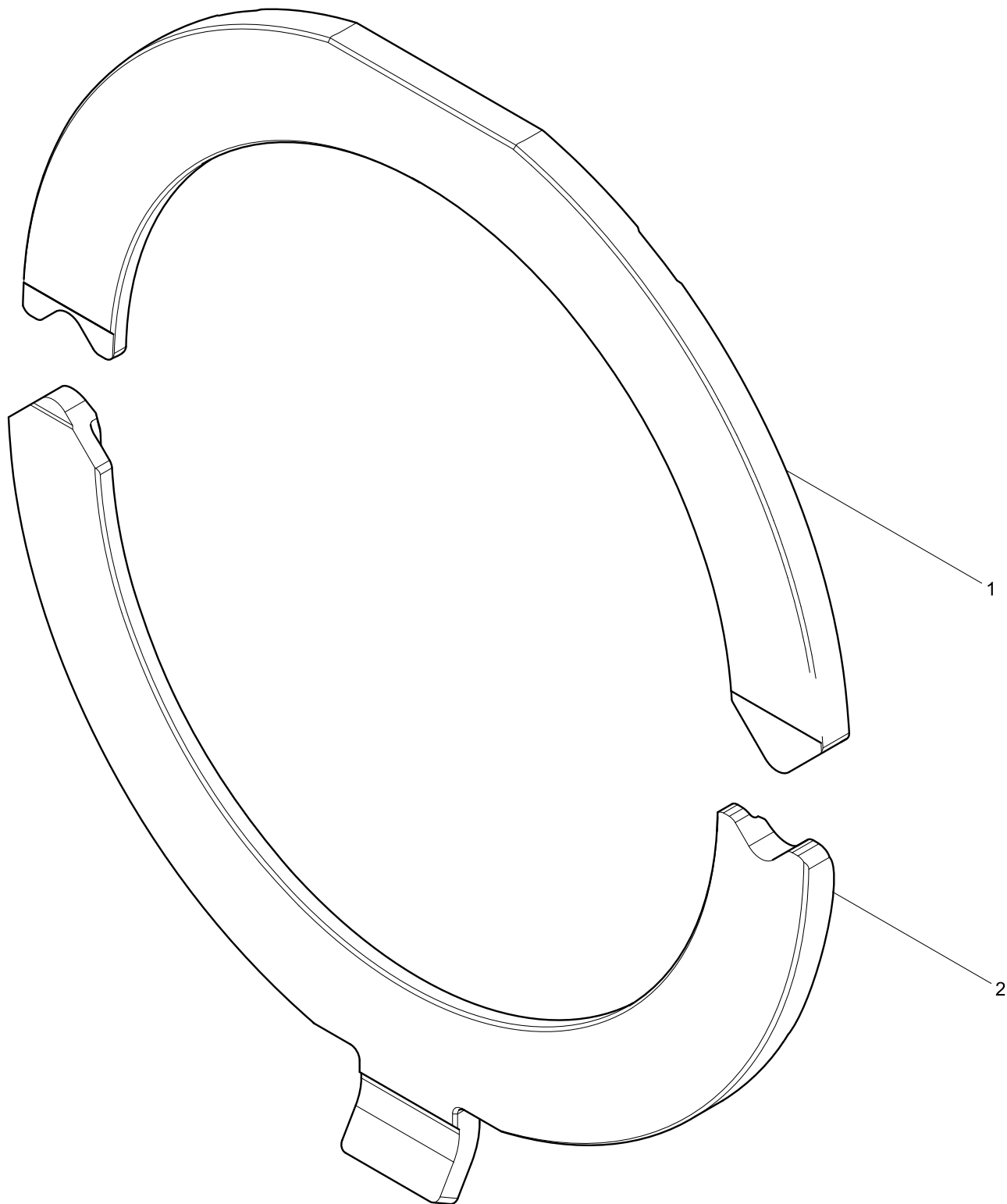
Main Bearing Set



Main Bearing Set

Pos.	Teile.Number	Amount	Designation
1	13034908	6	Main Bearing Upper Shell
2	13034916	6	Main Bearing Lower Shell

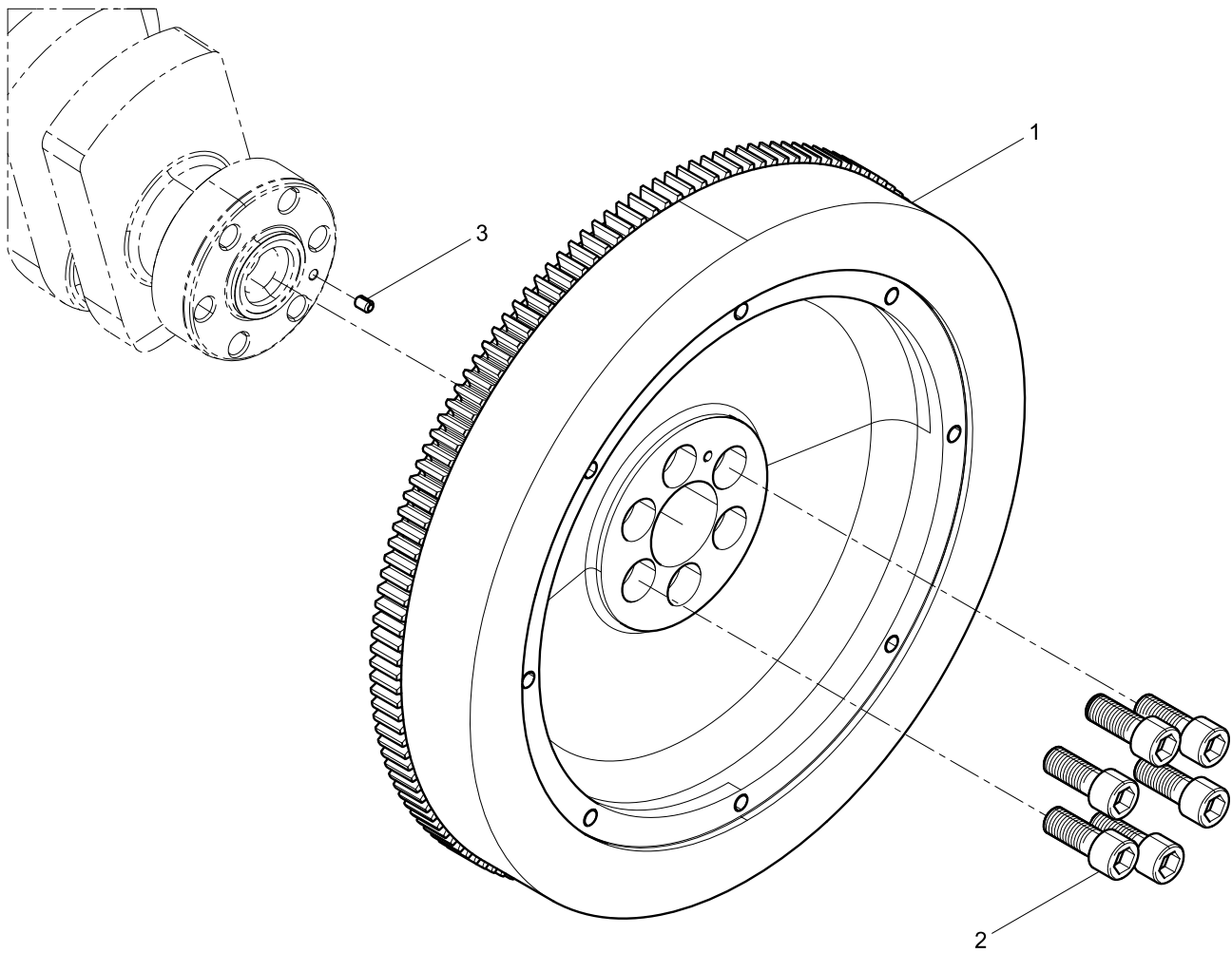
Thrust Plate Group



Thrust Plate Group

Pos.	Teile.Number	Amount	Designation
1	13058396	2	Upper Thrust Plate
2	13058397	2	Lower Thrust Plate

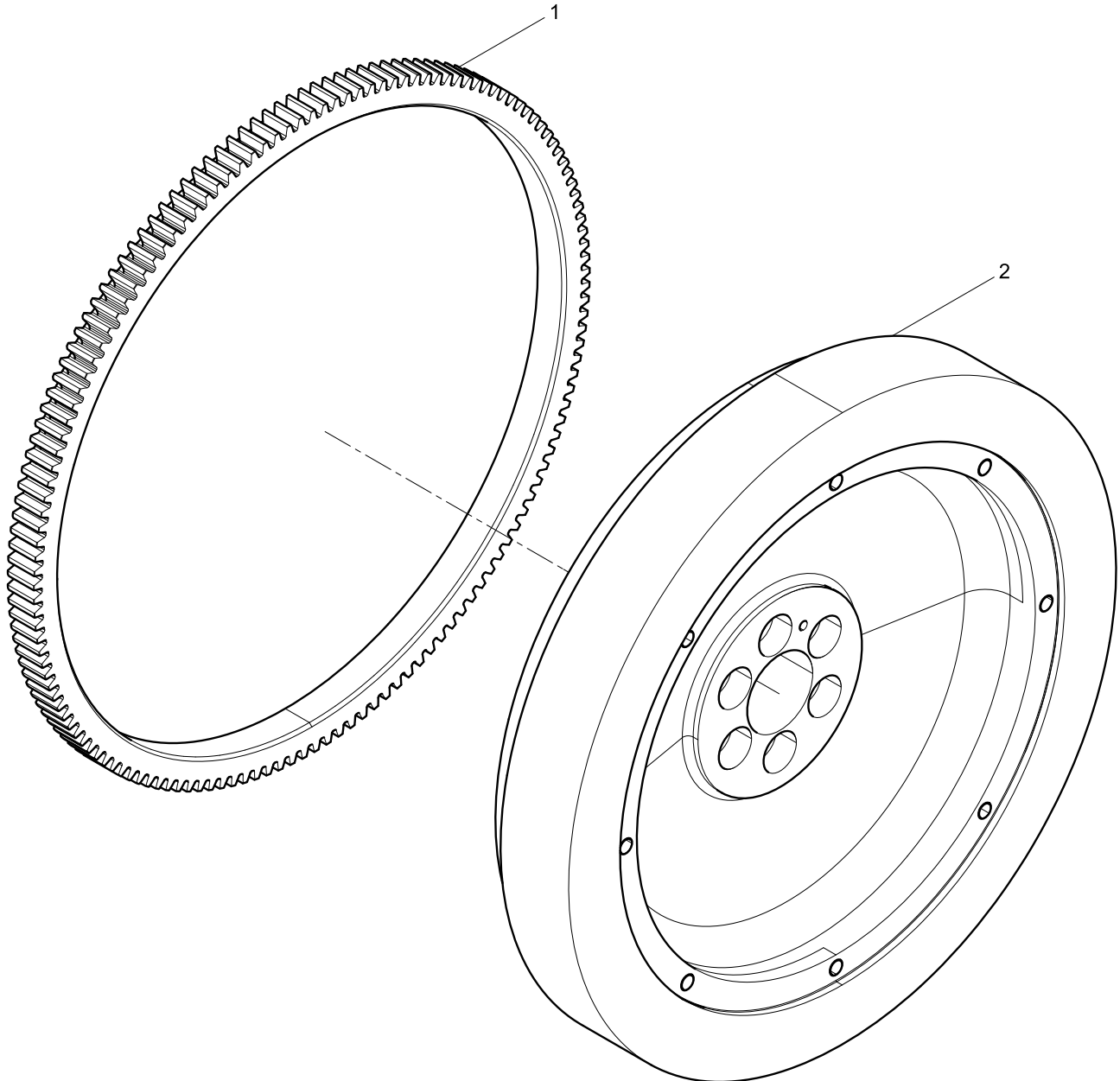
Flywheel Group



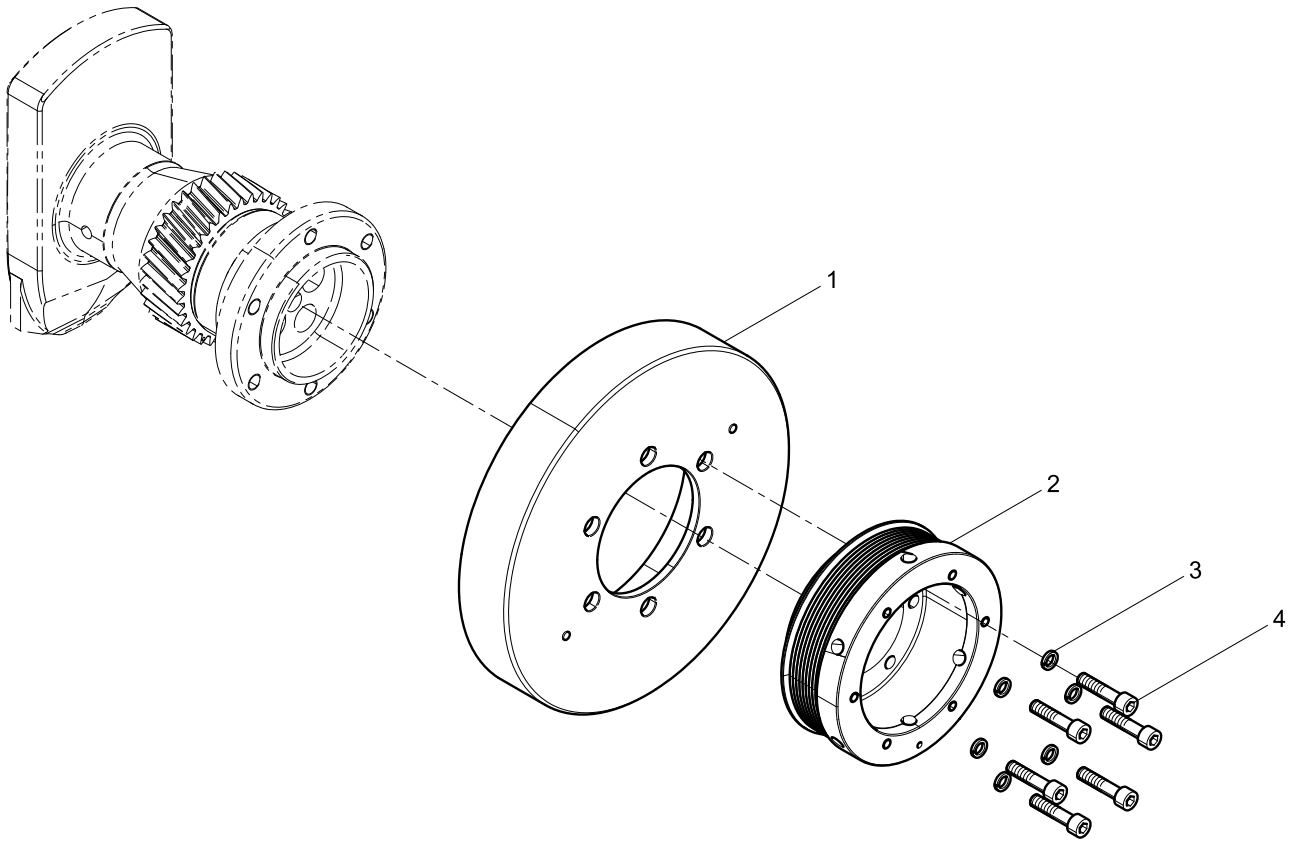
Flywheel Group

Pos.	Teile.Number	Amount	Designation
1	1000855637	1	Flywheel Assembly
2	90013050086	6	Inner Hexagon Socket Head Cap Screw
3	90015100008	1	Spring-Type Straight Pin

Flywheel Assembly



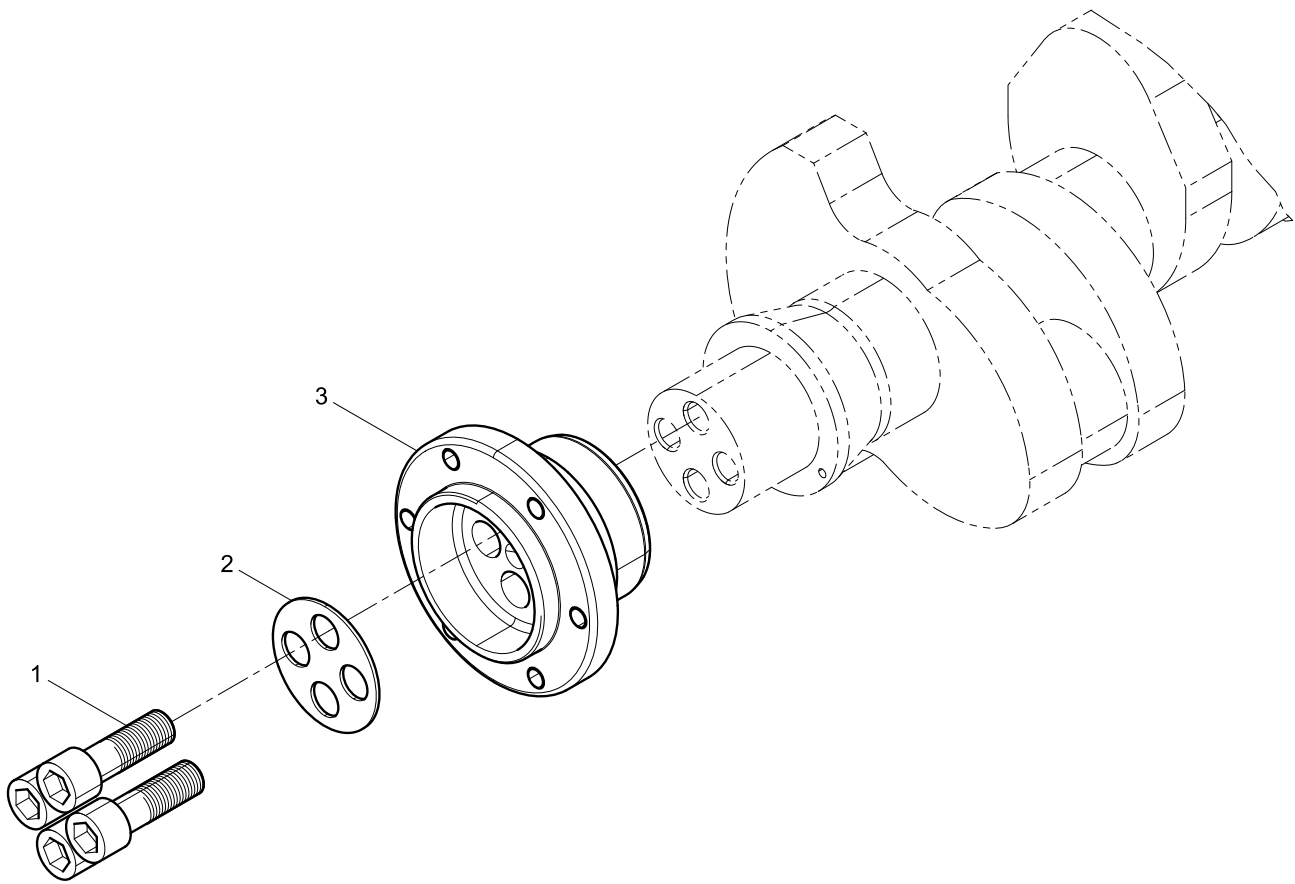
Crankshaft Pulley Group



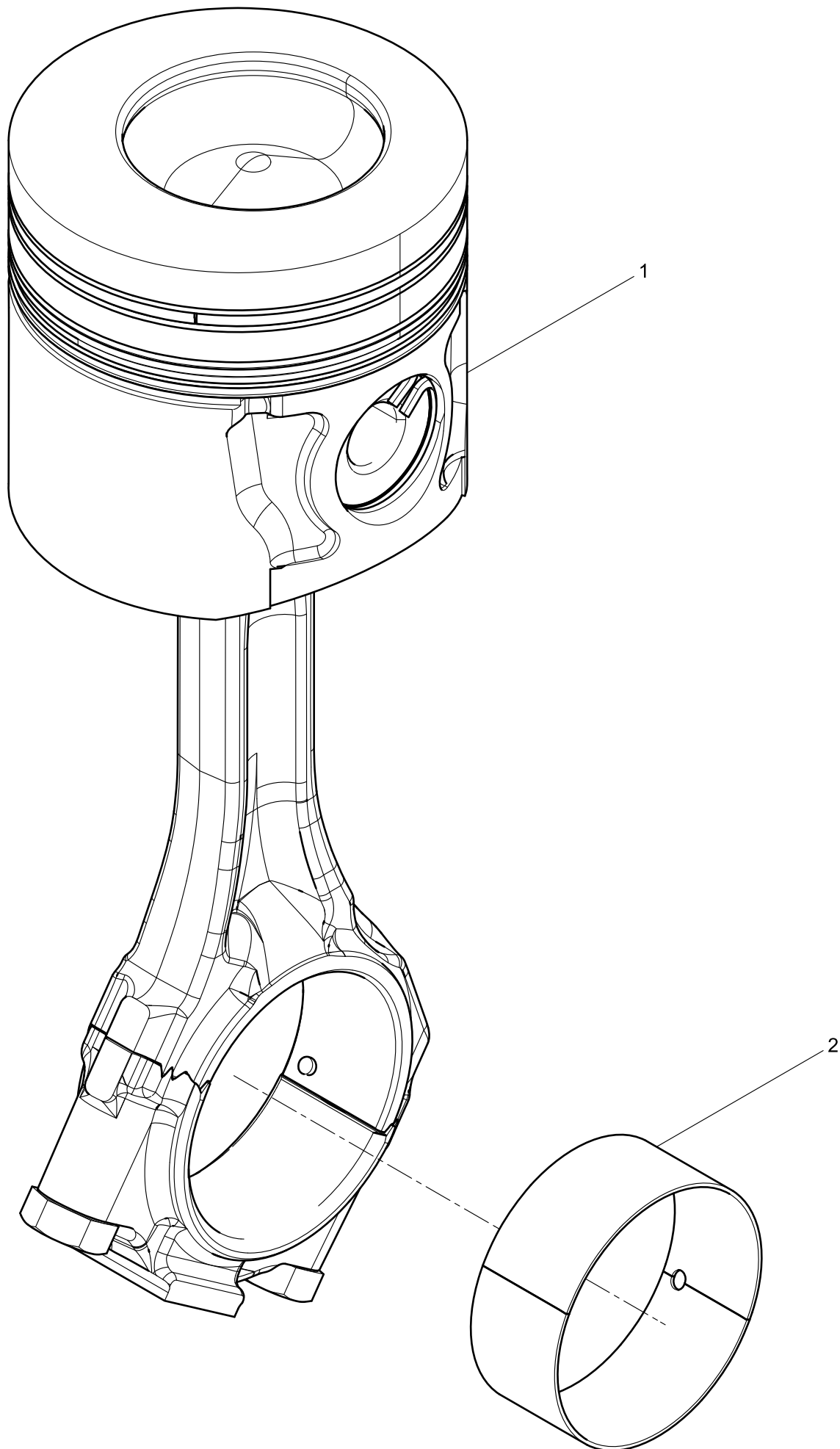
Crankshaft Pulley Group

Pos.	Teile.Number	Amount	Designation
1	13026586	1	Torsional Vibration Damper
2	13054983	1	Crankshaft Pulley
3	90003931122	6	Spring Washer
4	90013050089	6	Inner Hexagon Socket Head Cap Screw





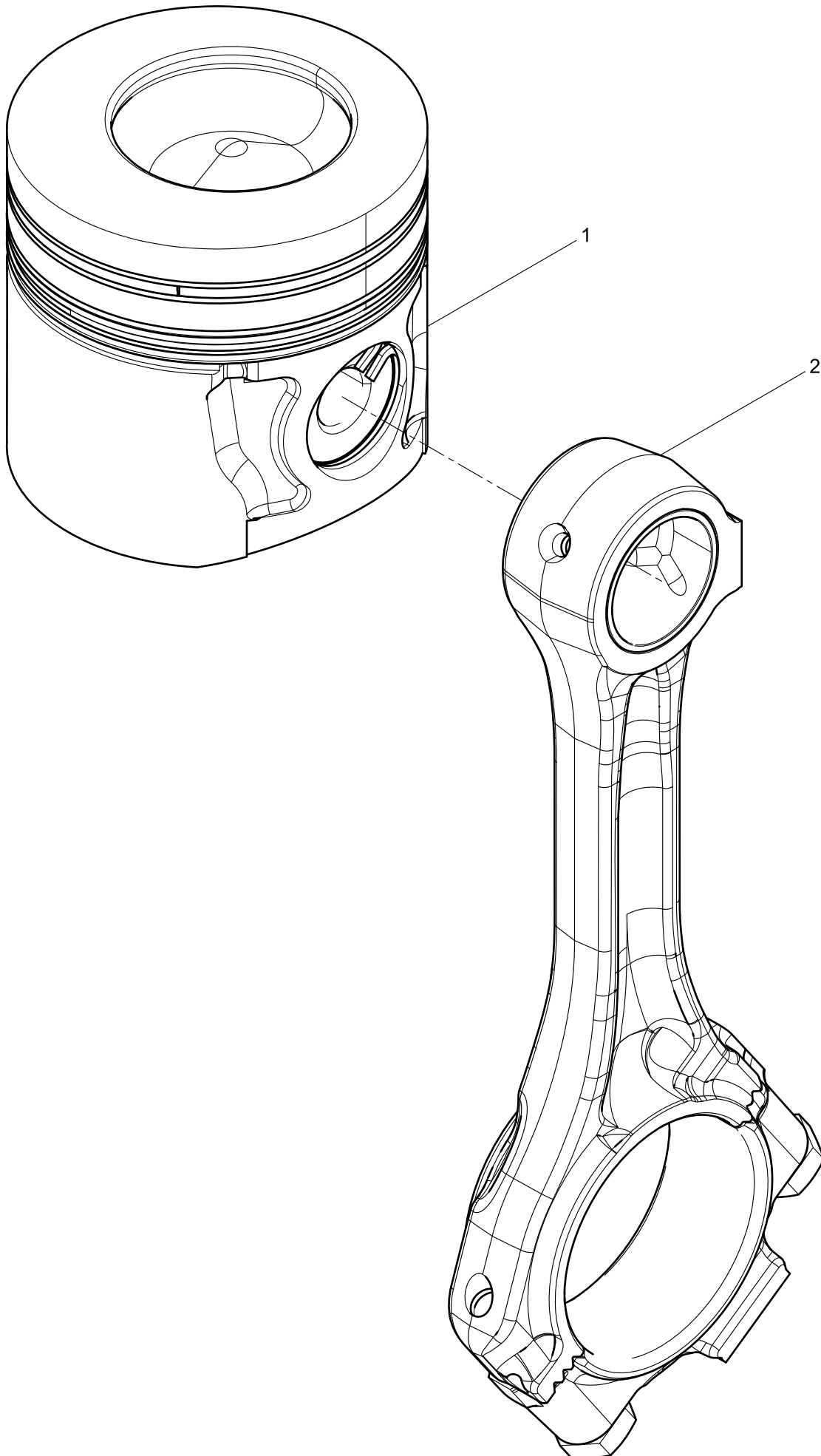
Piston and Connecting Rod Group



Piston and Connecting Rod Group

Pos.	Teile.Number	Amount	Designation
1	13056324	6	Piston and Connecting Rod Group
2	13061012	6	Connecting Rod Bearing Set

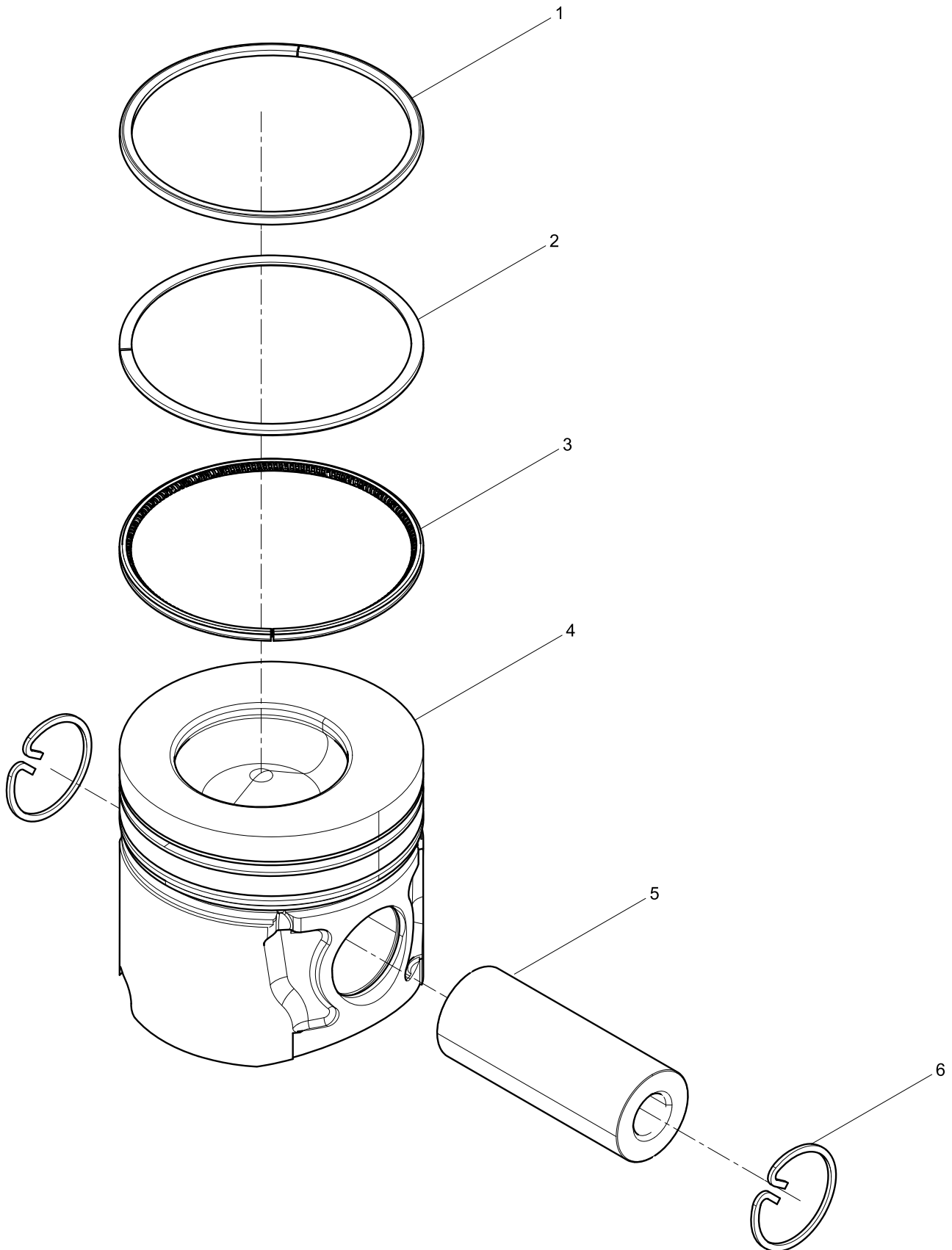
Piston and Connecting Rod Group



Piston and Connecting Rod Group

Pos.	Teile.Number	Amount	Designation
1	13032155	1	Piston Assembly
2	13053248	1	Connecting Rod Assembly

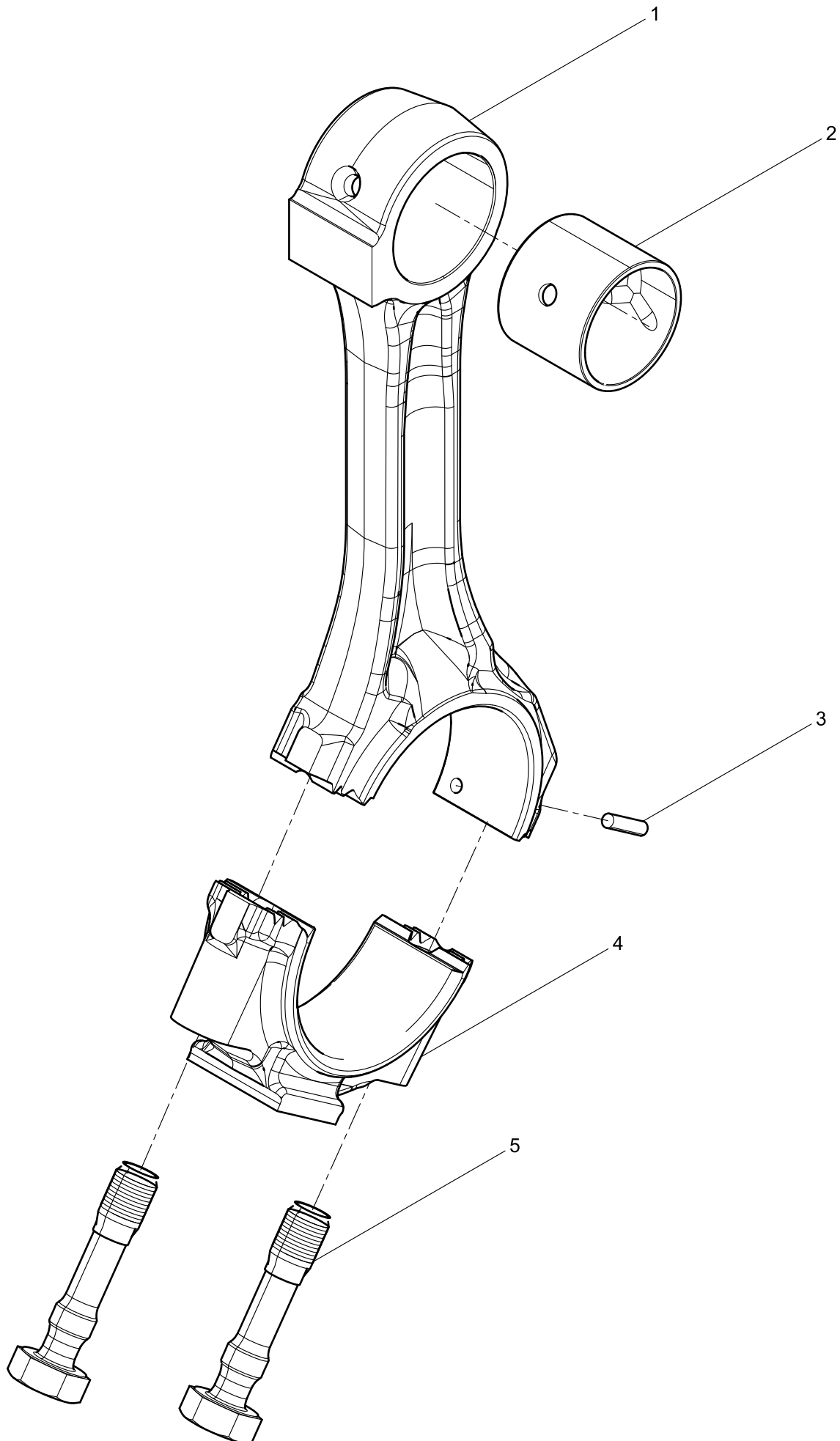
Piston Assembly



Piston Assembly

Pos.	Teile.Number	Amount	Designation
1	13026703	1	Keystone Barrel Ring
2	13022349	1	Taper Ring
3	13026702	1	Coil Spring Loaded Oil-control Ring
4	13032095	1	Piston
5	12152378	1	Piston Pin
6	12151395	2	Piston Pin Retainer

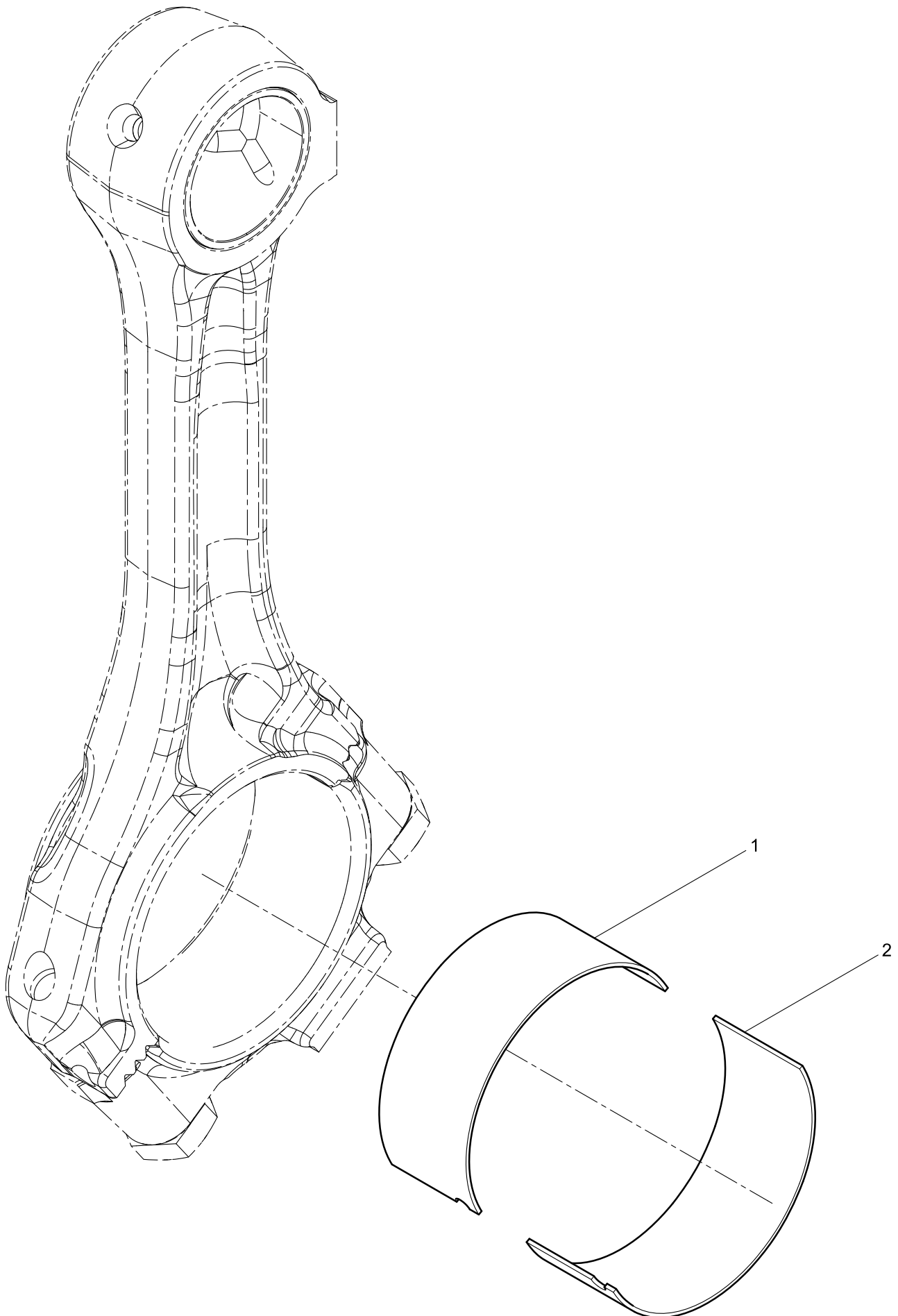
Connecting Rod Assembly



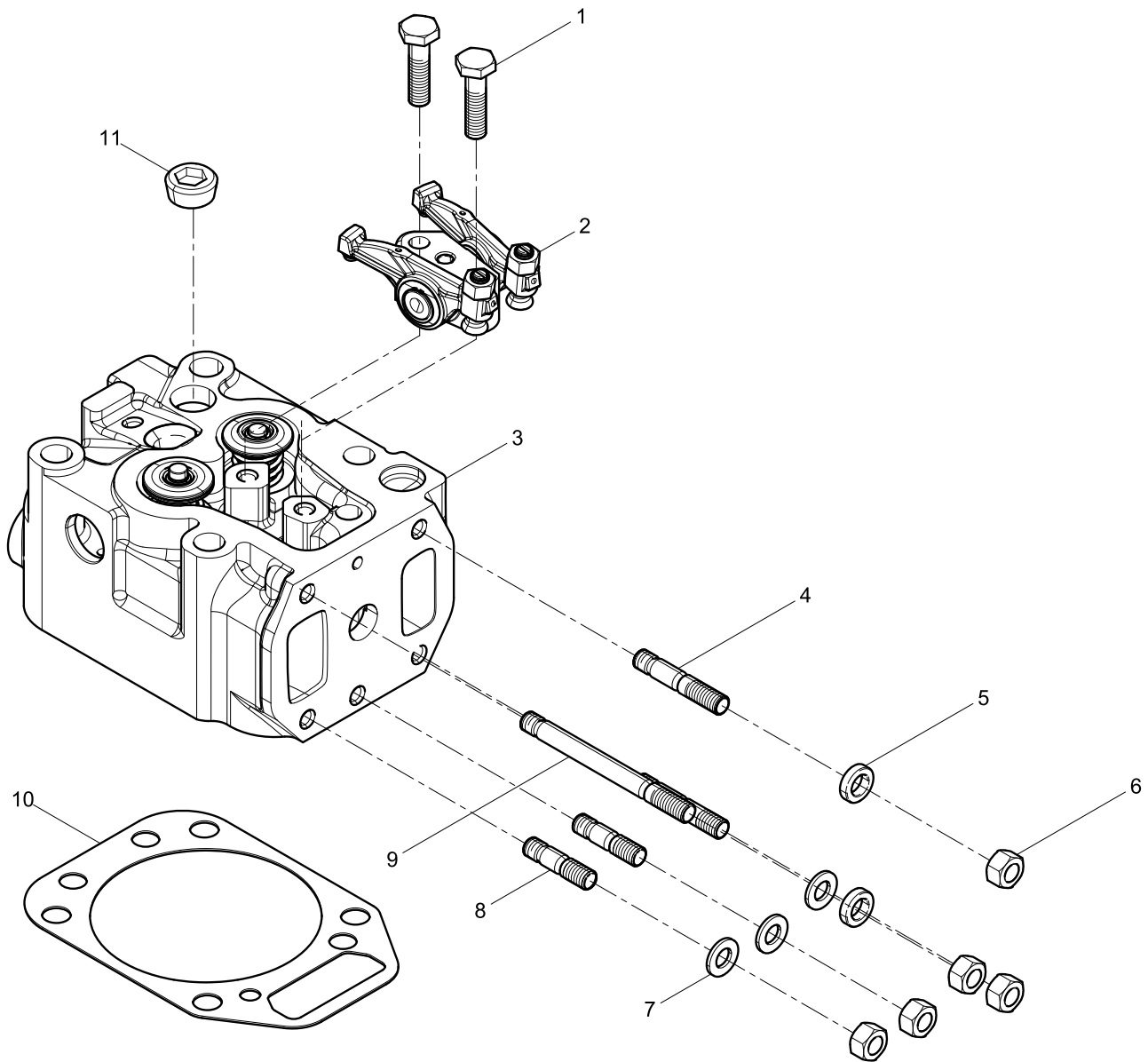
Connecting Rod Assembly

Pos.	Teile.Number	Amount	Designation
1	13053281	1	Connecting Rod Body
2	13038395	1	Connecting Rod Bush
3	01154162	1	Spring-Type Straight Pin
4	13053282	1	Connecting Rod Cover
5	12167047	2	Connecting Rod Bolt

Connecting Rod Bearing Set



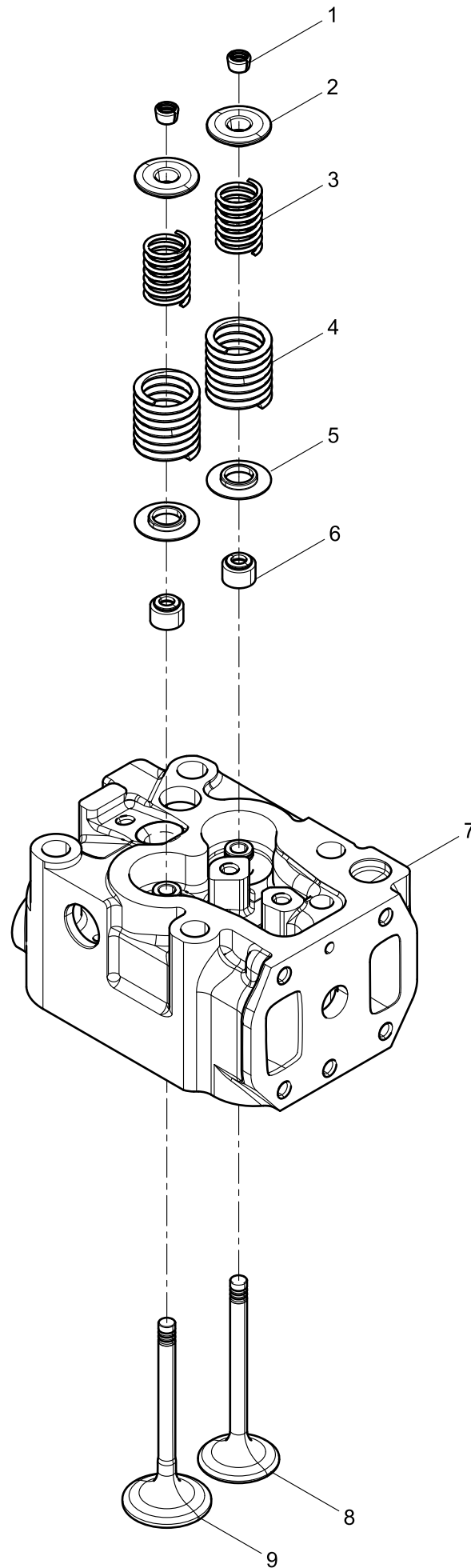
Cylinder Head Assembly



Cylinder Head Assembly

Pos.	Teile.Number	Amount	Designation
1	90003802538	12	Hexagon Head Bolt
2	13037828	6	Rocker Arm Bracket Assembly
3	13032055	6	Cylinder Head Subassembly
4	90003813532	12	Double End Stud
5	12163182	12	Gasket
6	13020378	30	Hexagon Nut
7	12167216	18	Gasket
8	13032347	12	Double End Stud
9	90011520048	6	Double End Stud
10	13026701	6	Cylinder Head Gasket
11	01104736	12	Inner hexagon srew plug

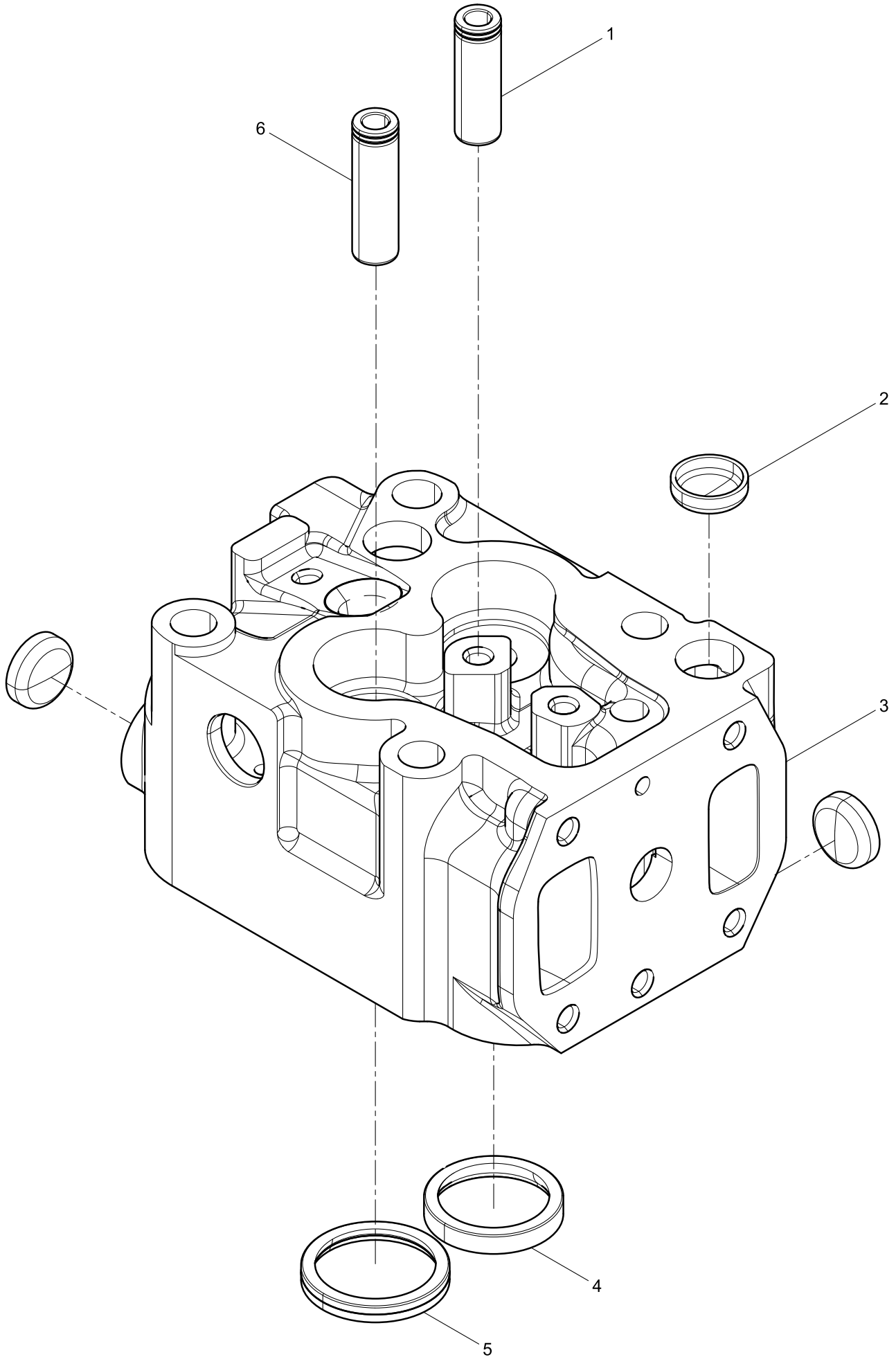
Cylinder Head Subassembly



Cylinder Head Subassembly

Pos.	Teile.Number	Amount	Designation
1	12164698	4	Valve Collet
2	12164645	2	Valve Spring Retainer
3	01222009	2	Valve Spring
4	01222051	2	Valve Spring
5	13024293	2	Valve Spring Bottom Retainer
6	13023391	2	Valve Stem Seal
7	13028585	1	Cylinder Head Subassembly
8	12159608	1	Exhaust Valve
9	12159606	1	Intake Valve

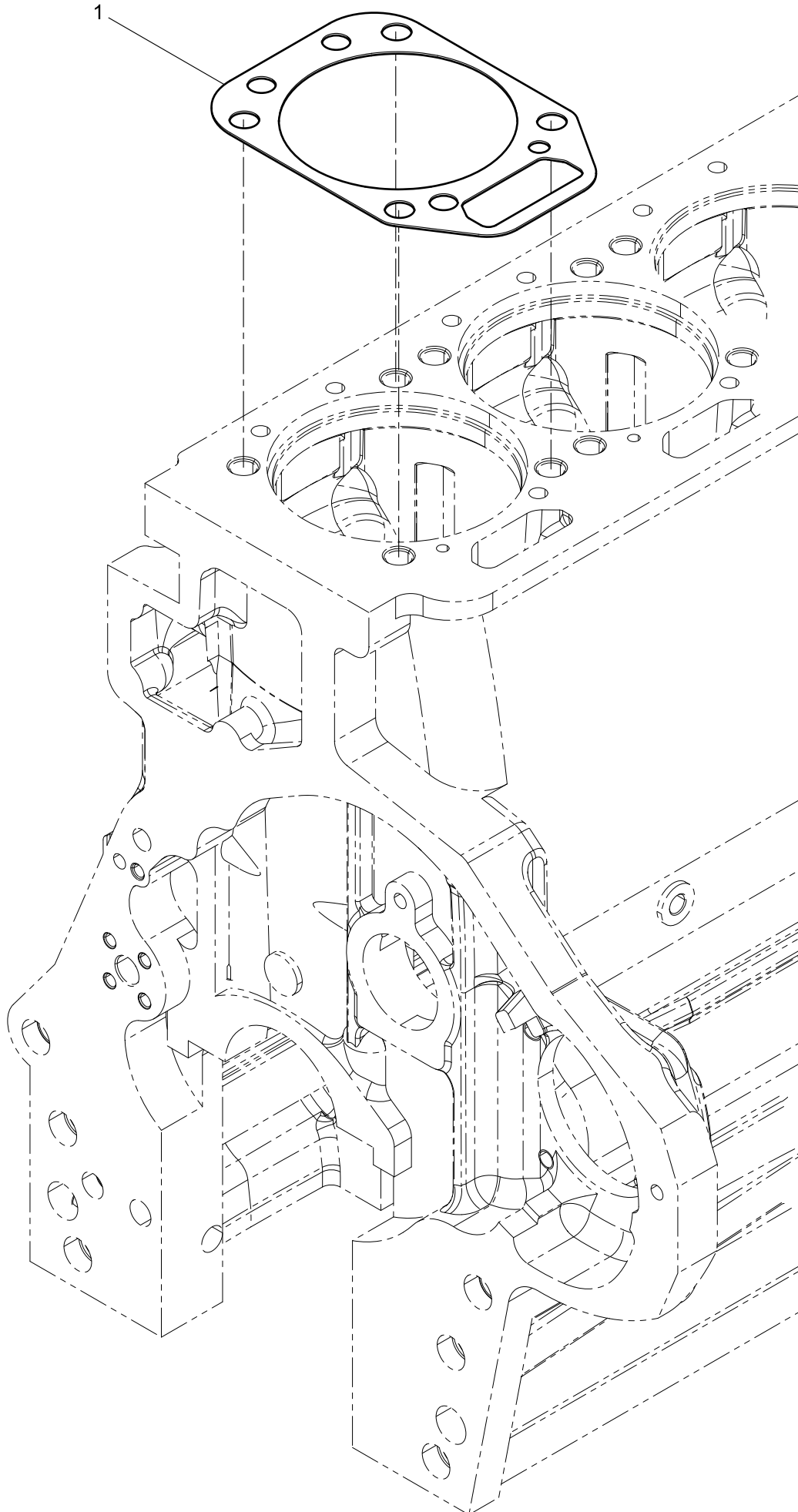
Cylinder Head Subassembly



Cylinder Head Subassembly

Pos.	Teile.Number	Amount	Designation
1	13026864	1	Valve Guide
2	612600040634	3	Bowl Plug
3	13031513	1	Cylinder Head
4	13058468	1	Exhaust Valve Seat
5	13026865	1	Intake Valve Seat
6	13026863	1	Intake Valve Guide

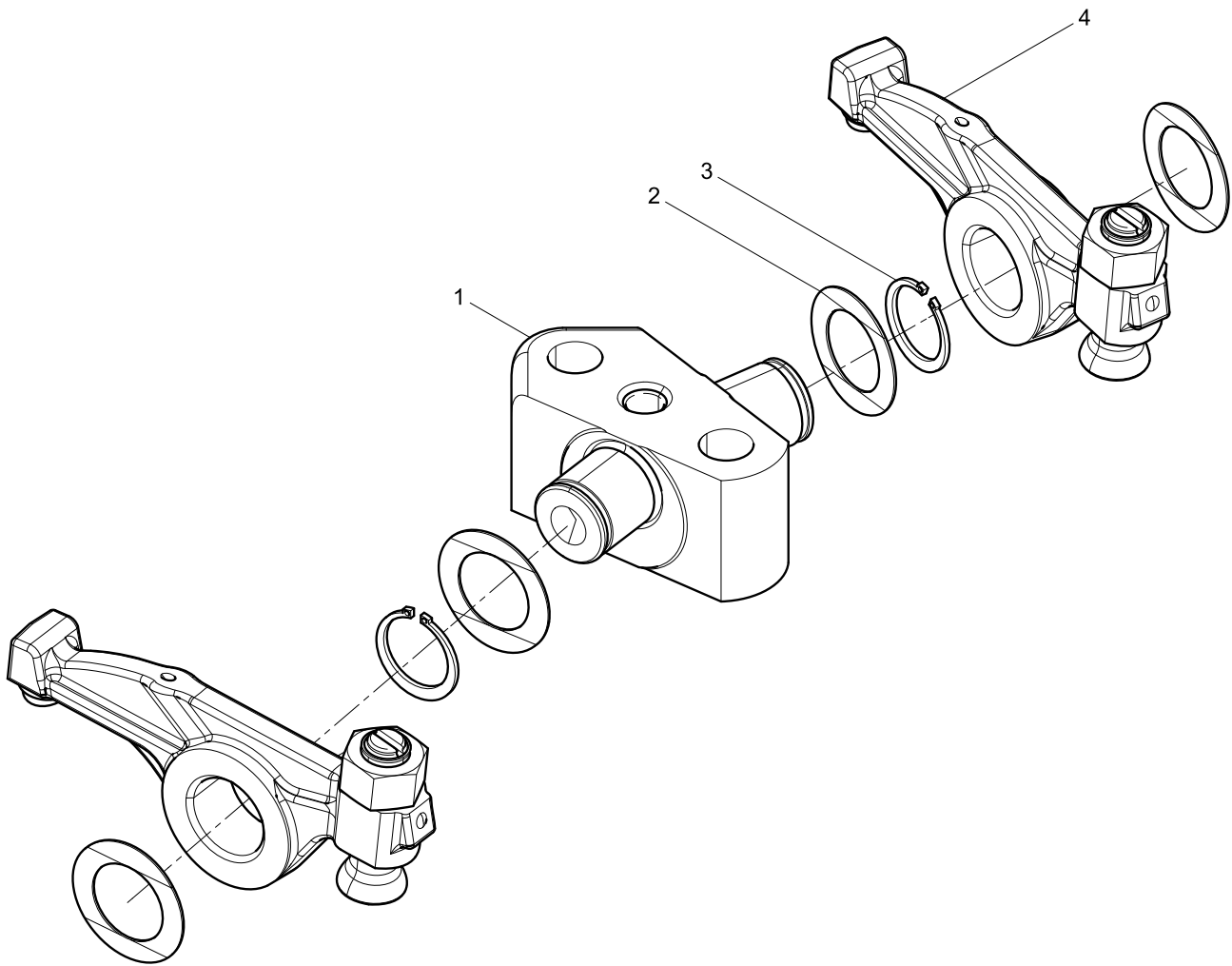
Cylinder Head Gasket



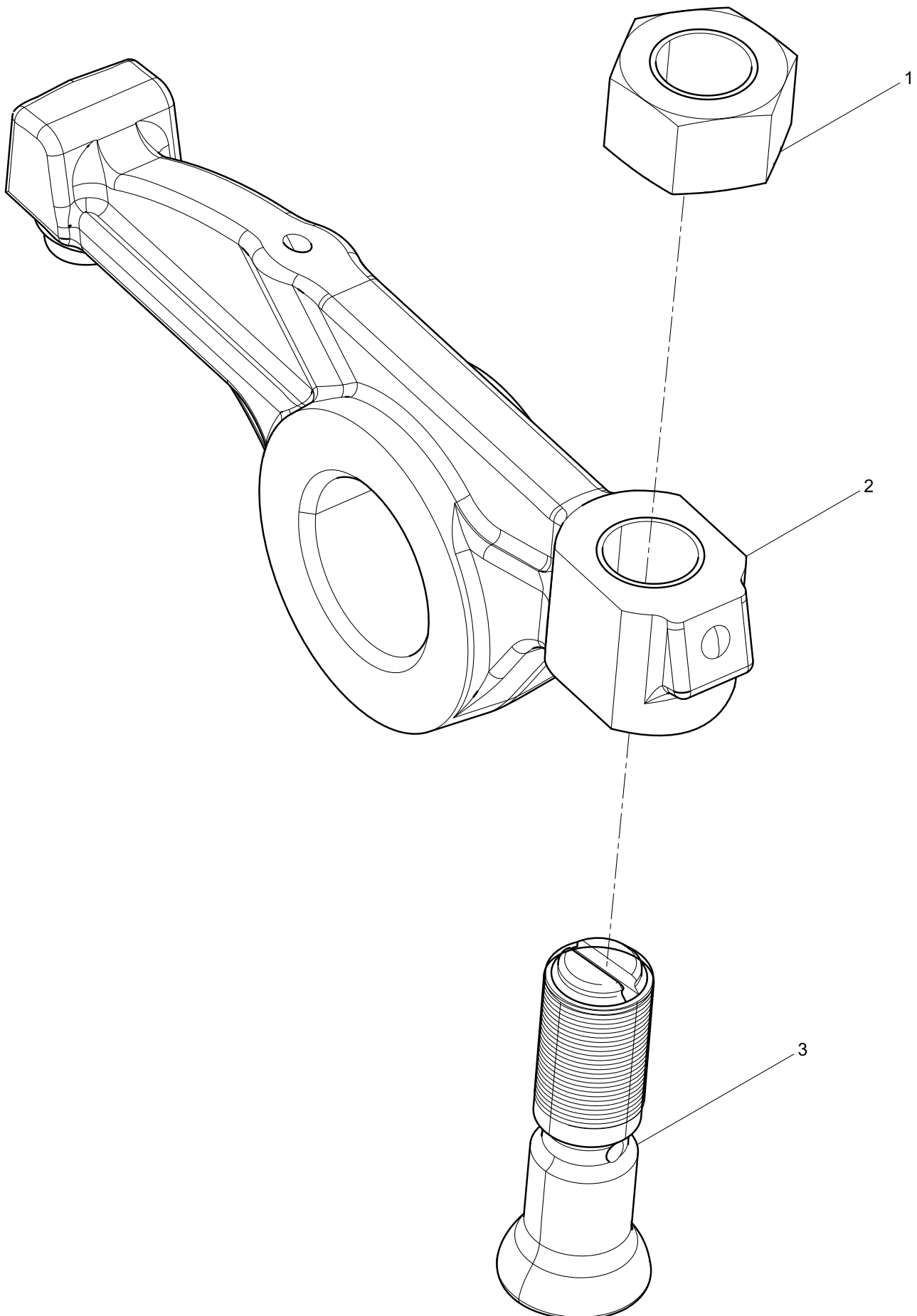
Cylinder Head Gasket

Pos.	Teile.Number	Amount	Designation
1	13059912	1	Cylinder Head Gasket

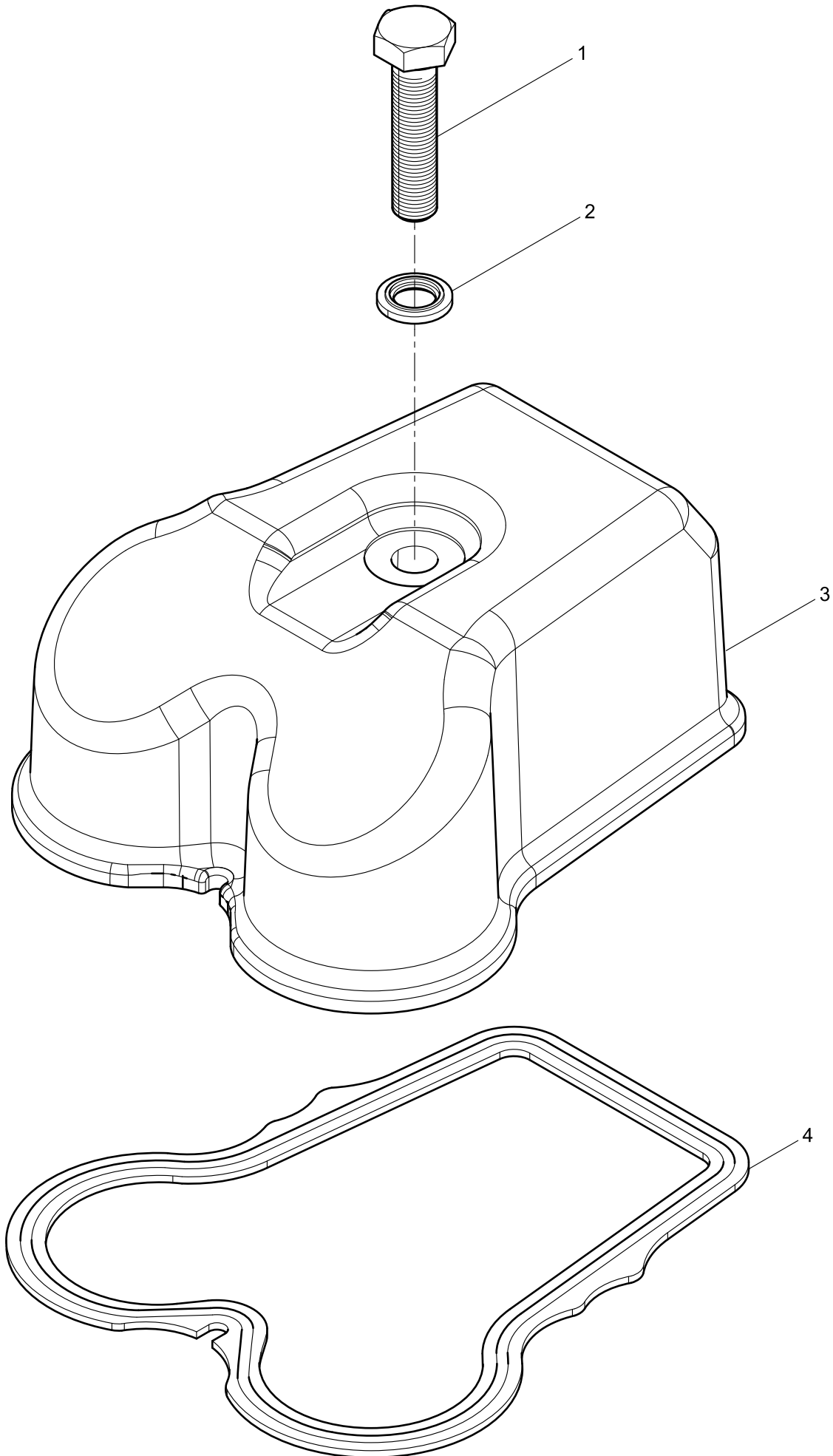
Rocker Arm Bracket Assembly



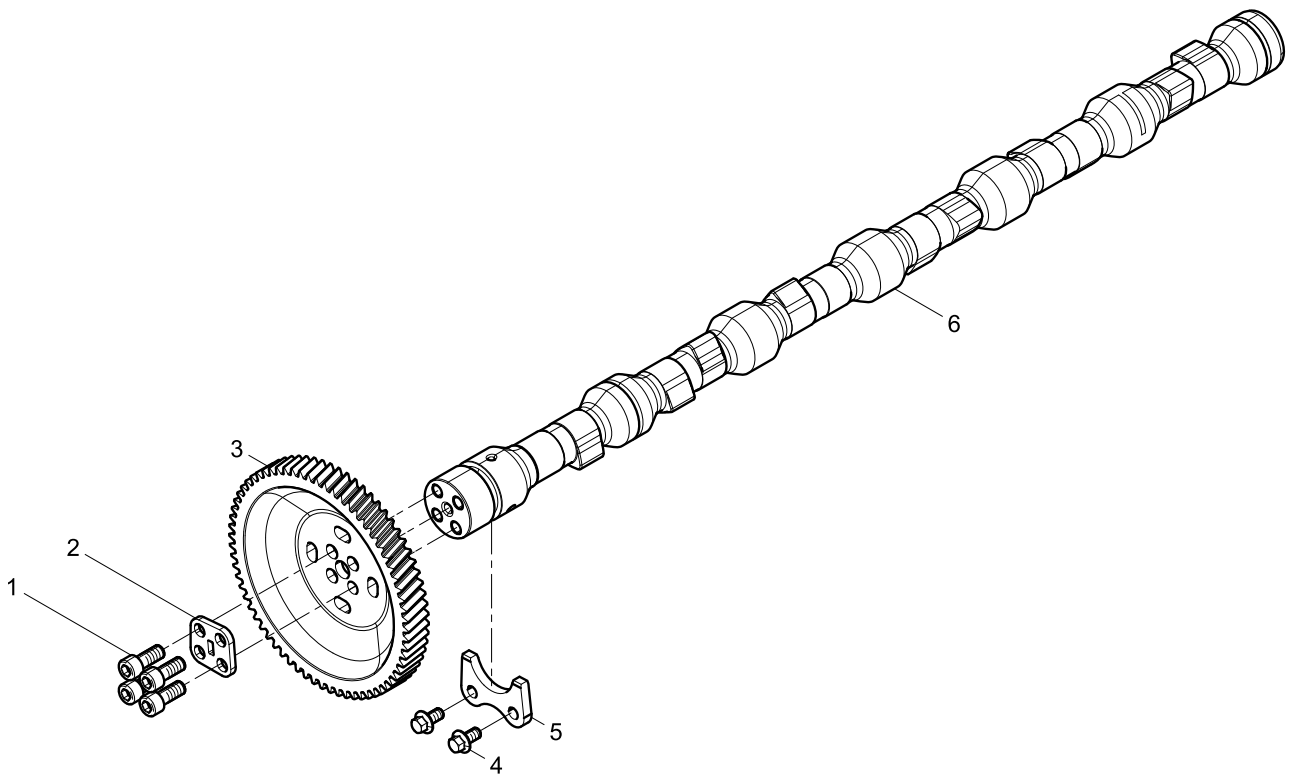
Rocker Arm Set



Cylinder Head Cover Group



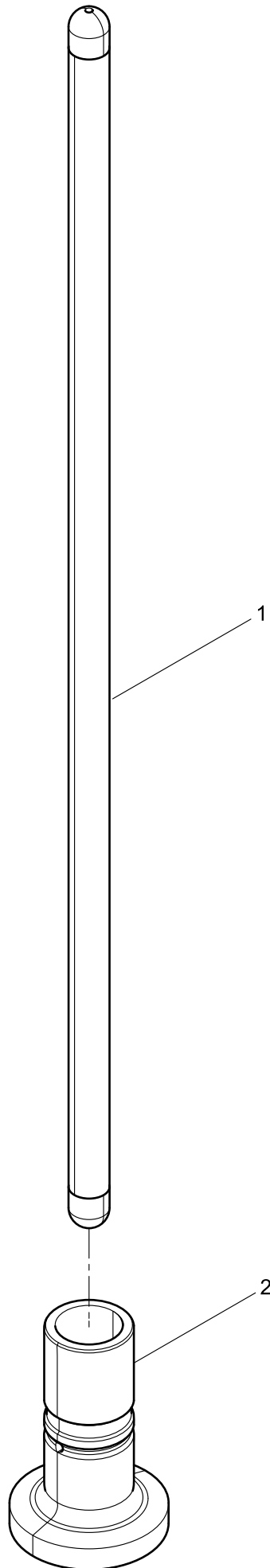
Camshaft Assembly



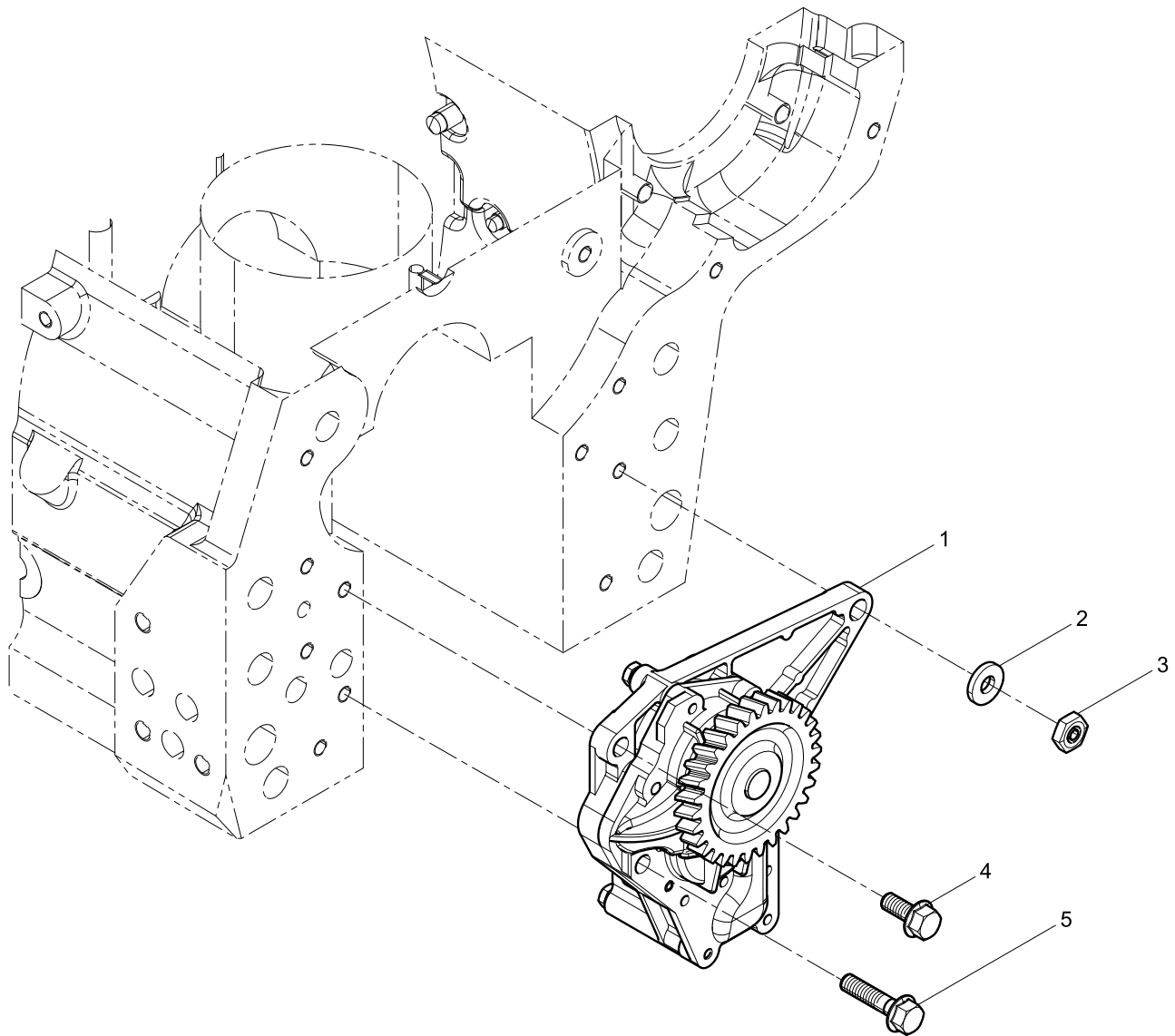
Camshaft Assembly

Pos.	Teile.Number	Amount	Designation
1	01139989	4	Inner Hexagon Socket Head Cap Screw
2	12189558	1	Flange
3	12189556	1	Camshaft Timing Gear
4	01157294	2	Toothed bolt
5	12159721	1	Sector
6	13031471	1	Camshaft

Valve Train Group



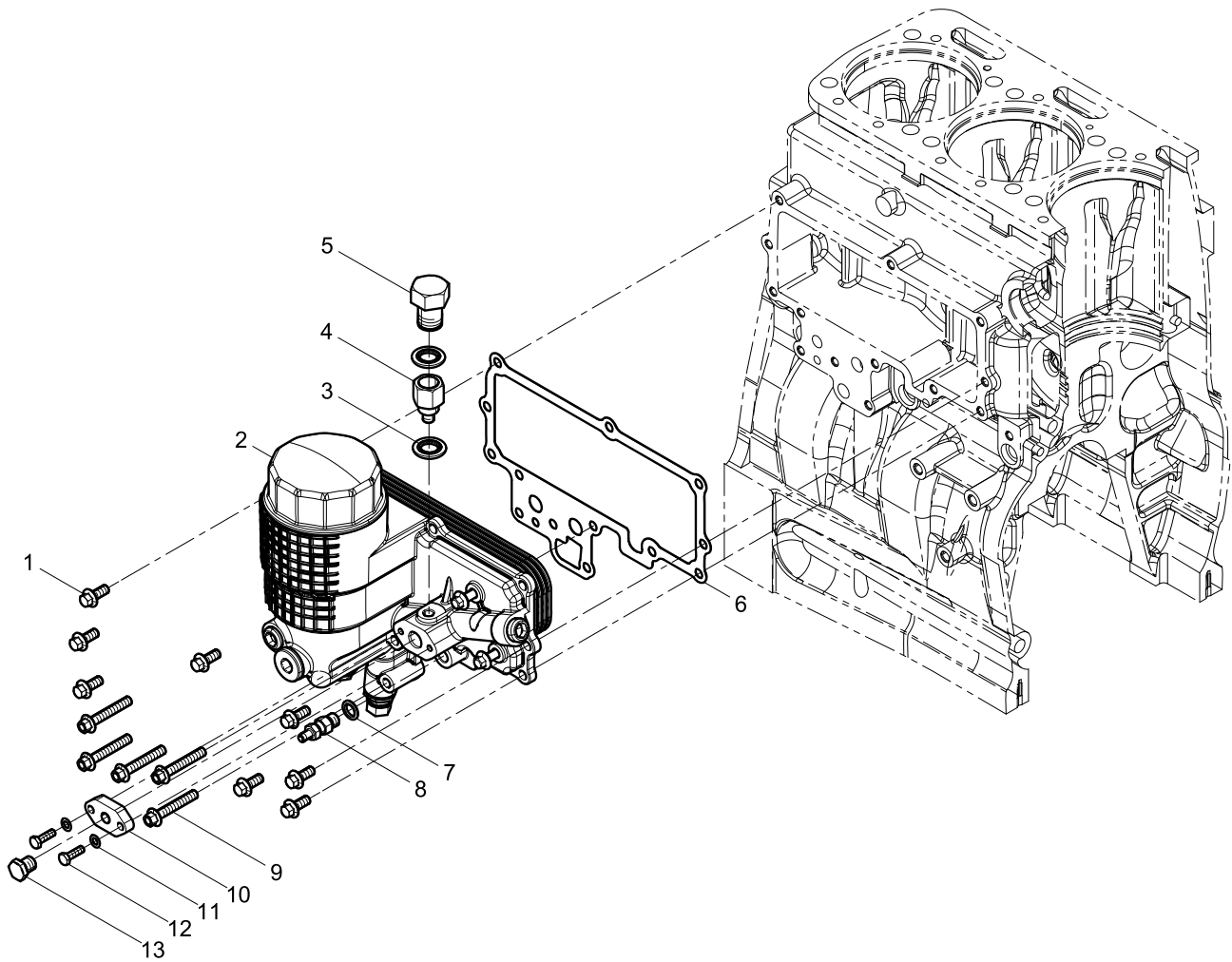
Lubricating Oil Pump



Lubricating Oil Pump

Pos.	Teile.Number	Amount	Designation
1	13026760	1	Lubricating Oil Pump
2	12159468	1	Gasket
3	90003888451	1	Prevailing Torque Type All-metal Hexagon Nut,
4	01157293	1	Toothed bolt
5	01156339	1	Toothed bolt

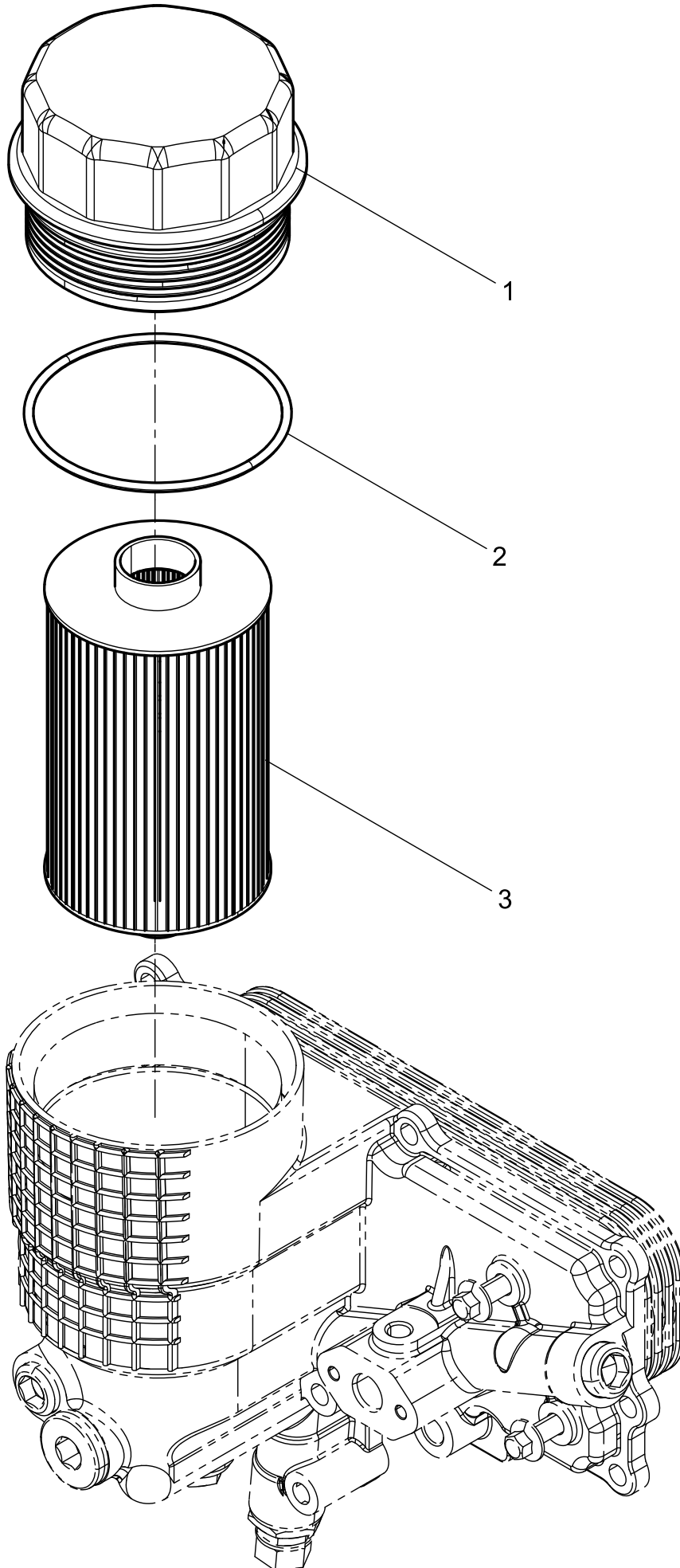
Oil Cooler Group



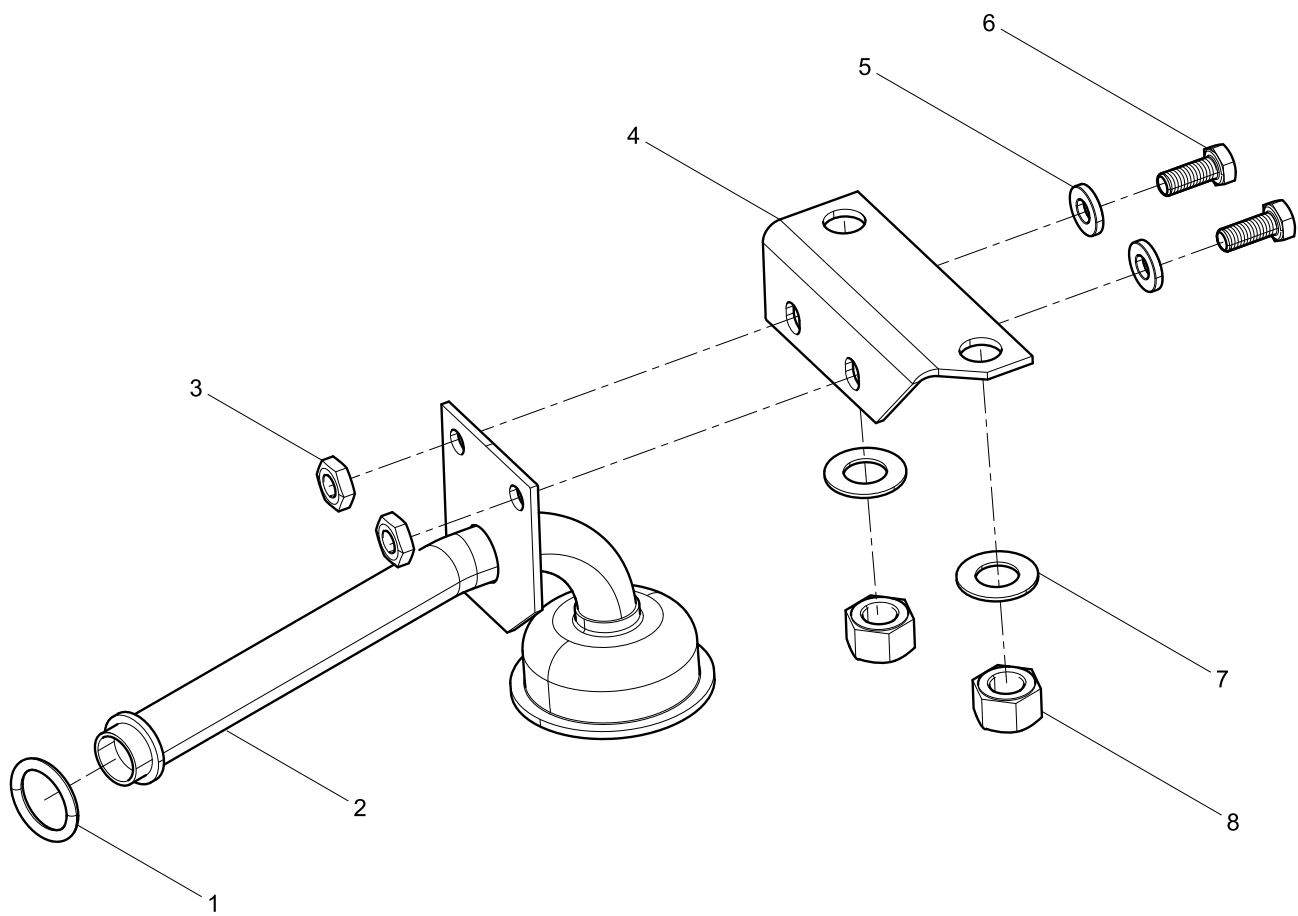
Oil Cooler Group

Pos.	Teile.Number	Amount	Designation
1	90011410004	8	Hexagon Flange Bolt
2	1000903331	1	Oil Cooler Assembly
3	13057039	2	Assembled Sealing Washer
4	13022880	1	Sensor Seat
5	13022969	1	Screw Plug
6	13054483	1	Gasket
7	612600050042	1	Sealing Washer
8	610800060130	1	Water Draining Valve
9	90011420024	5	Hexagon Flange Bolt
10	13032076	1	Pad
11	90003932008	2	Wave Spring Washer
12	90003802331	2	Hexagon Head Bolt
13	01118952	1	Hexagon Screw Plug

Oil Cooler Assembly



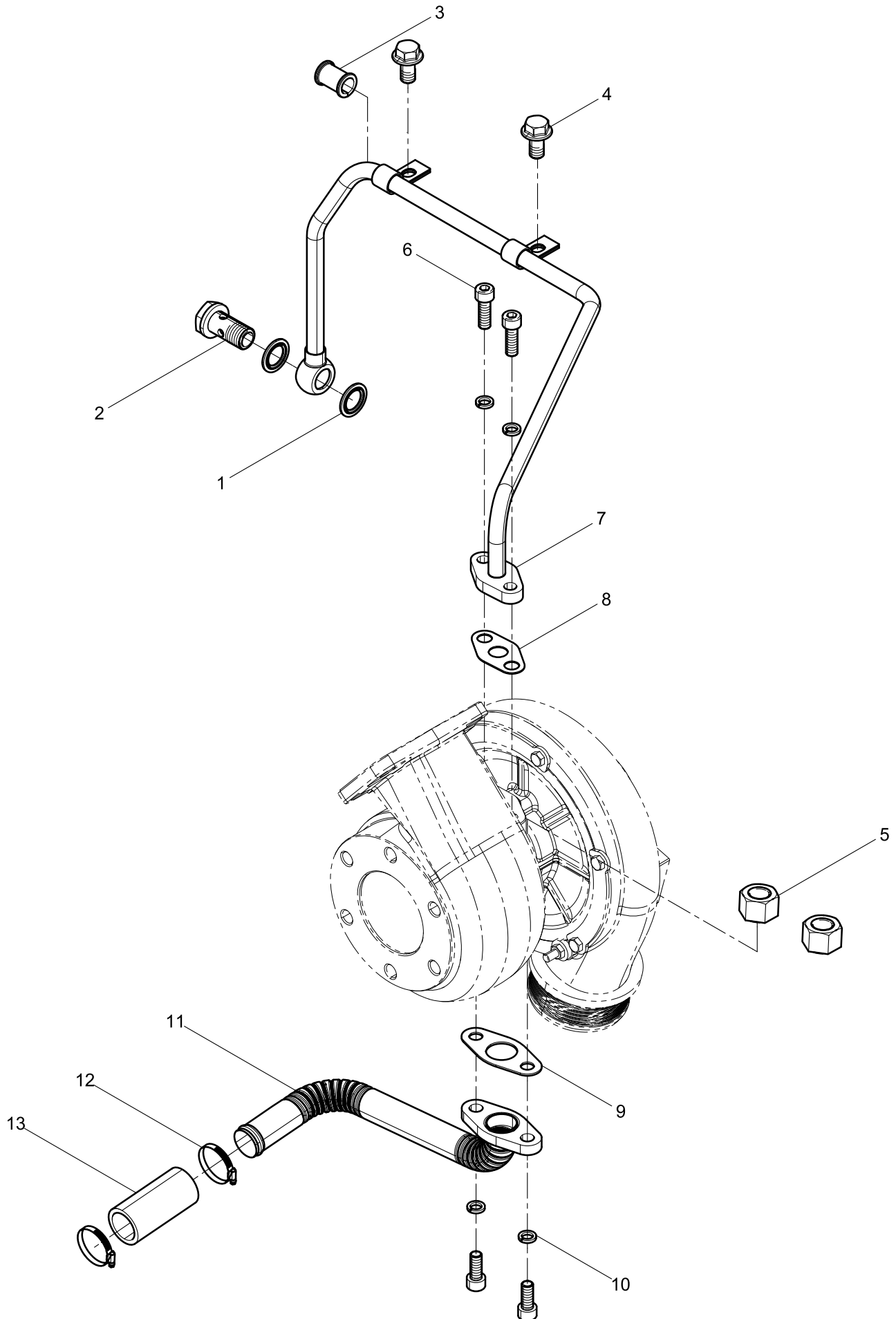
Oil Inlet Pipe Assembly



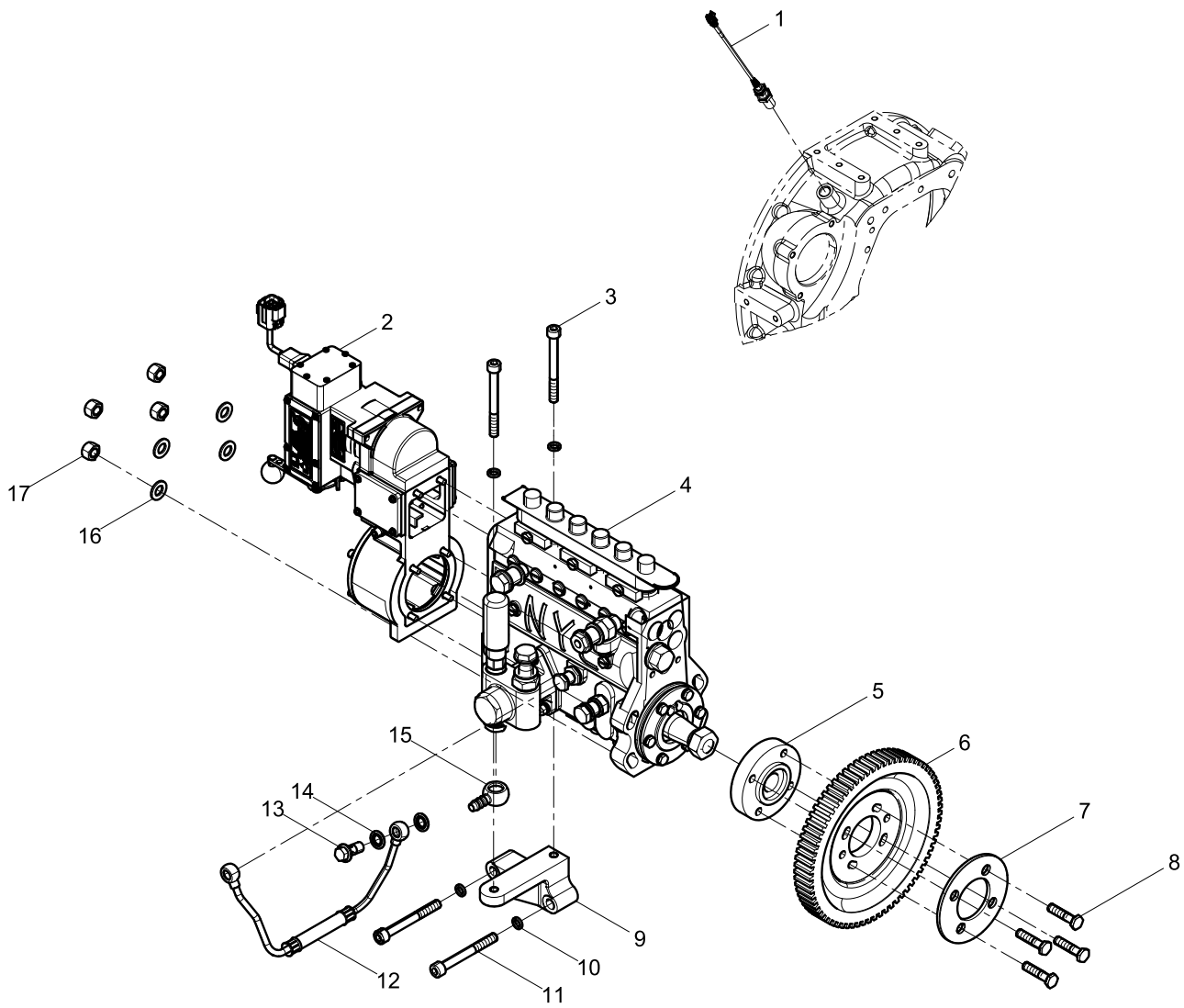
Oil Inlet Pipe Assembly

Pos.	Teile.Number	Amount	Designation
1	01153874	1	O-ring
2	12159895	1	Lubricating Oil Suction Strainer
3	90003888451	2	Prevailing Torque Type All-metal Hexagon Nut,
4	13033056	1	Plate
5	02404201	2	Gasket
6	90003802419	2	Hexagon Head Bolt
7	90014230004	2	Wave Spring Washer
8	90012630006	2	Hexagon Nuts, Style 1

Turbocharger Oil Pipe Group



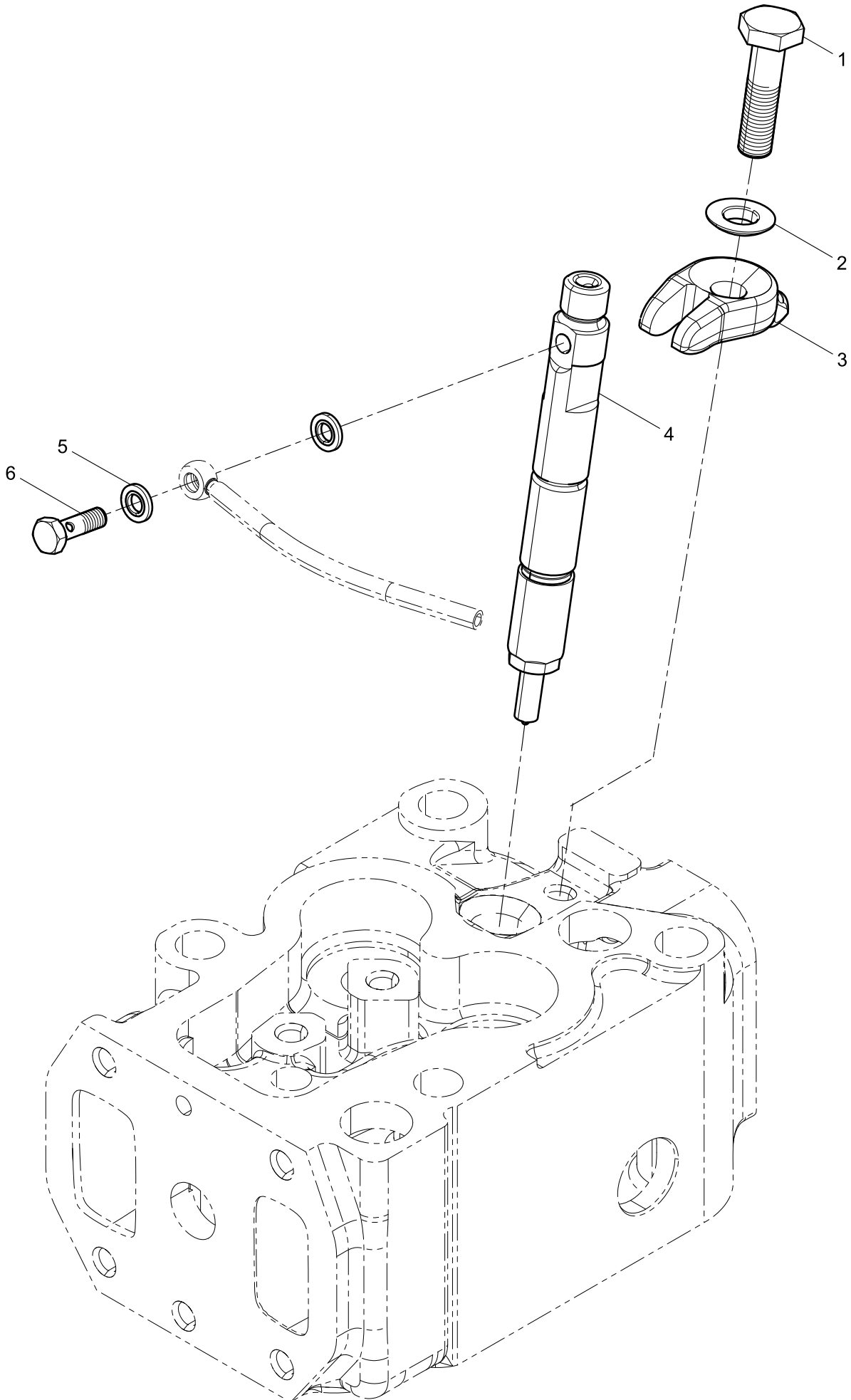
Fuel Injection Pump Assembly



Fuel Injection Pump Assembly

Pos.	Teile.Number	Amount	Designation
1	612600190113	1	Speed Sensor
2	1000940784	1	Electromagnetic Actuator
3	01152349	2	Inner Hexagon Socket Head Cap Screw
4	1000950888	1	Fuel Injection Pump Assembly
5	13024514	1	Fuel Injection Pump Hub
6	13024513	1	Fuel Injection Pump Gear
7	13025100	1	Clamp
8	90011350129	4	Hexagon Head Bolt
9	13070337	1	Fuel Injection Pump Bracket
10	90003931102	4	Spring Washer
11	01110590	2	Inner Hexagon Socket Head Cap Screw
12	13025125	1	Fuel Injection Pump Oil Pipe
13	01153236	1	Hollow screw
14	13057039	2	Assembled Sealing Washer
15	612600081861	1	Pipe Joint
16	90014040008	4	Plain Washer
17	90003888452	4	Prevailing Torque Type All-metal Hexagon Nut,

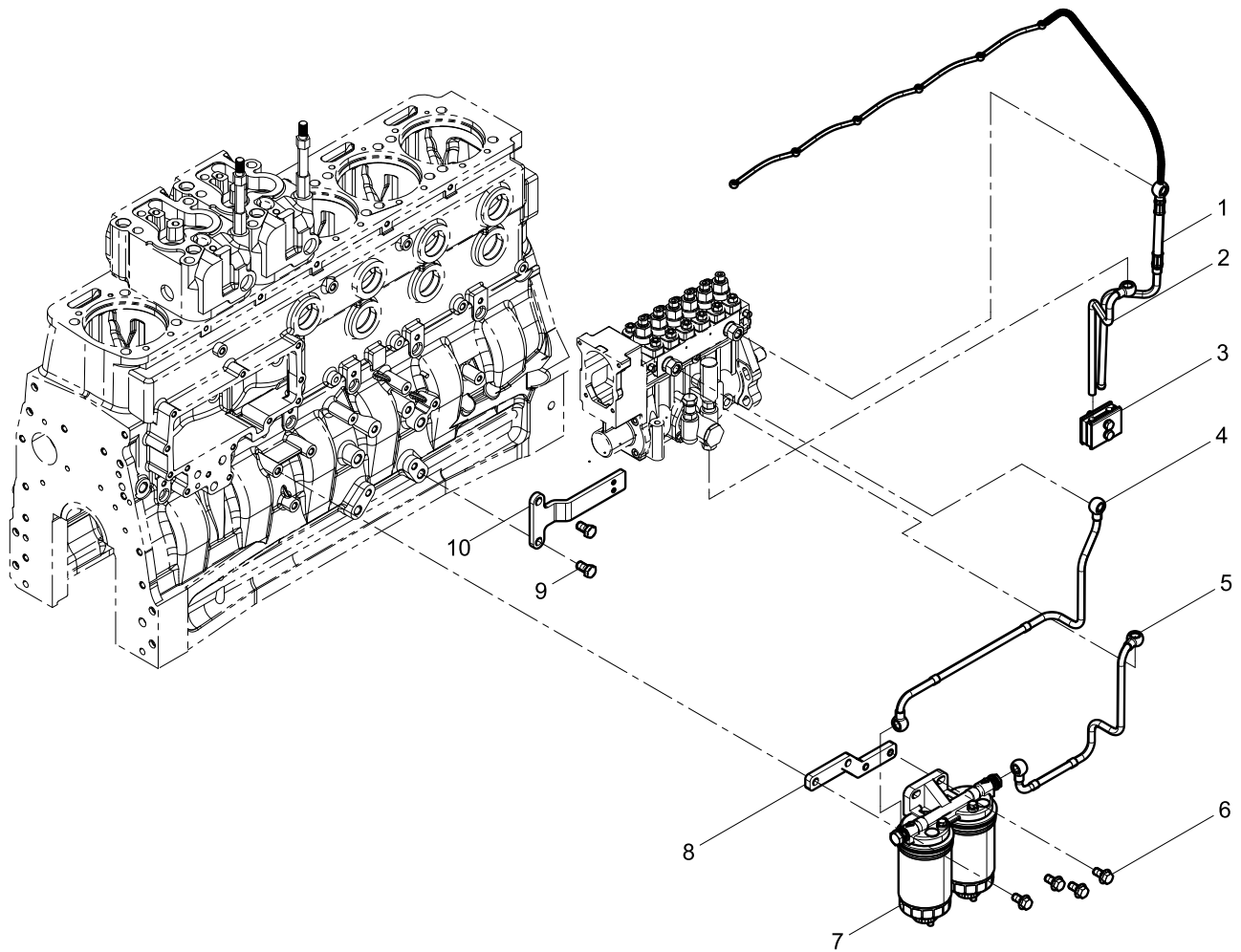
Fuel Injector Group



Fuel Injector Group

Pos.	Teile.Number	Amount	Designation
1	13022359	6	Hexagon Head Bolt
2	13022382	6	Washer with Ball Face
3	13022357	6	Fuel Injector Clamp
4	13027052	6	Fuel Injector
5	612600080688	12	Assembled Sealing Washer
6	12151817	6	Bolt

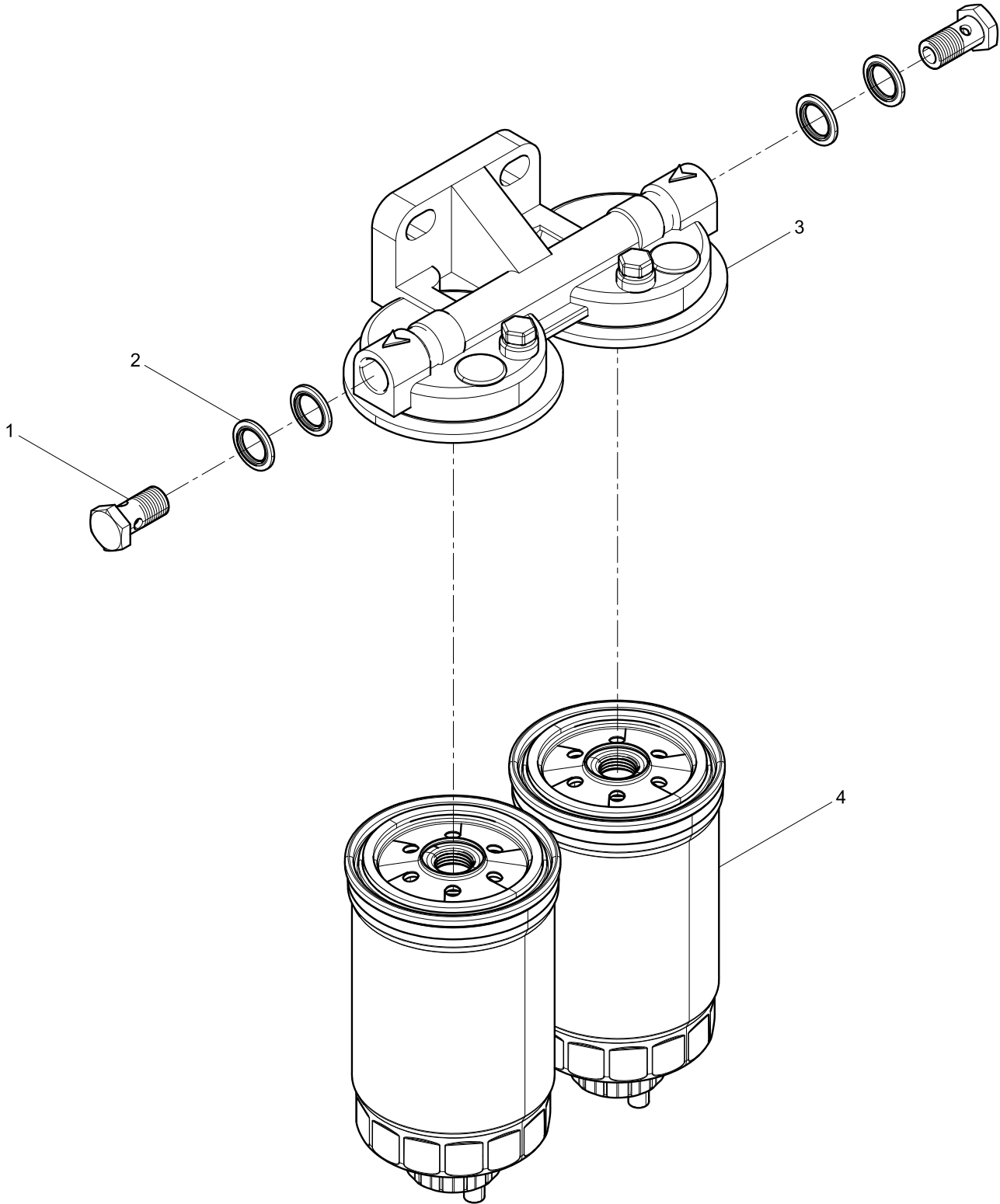
Fuel Filter Group



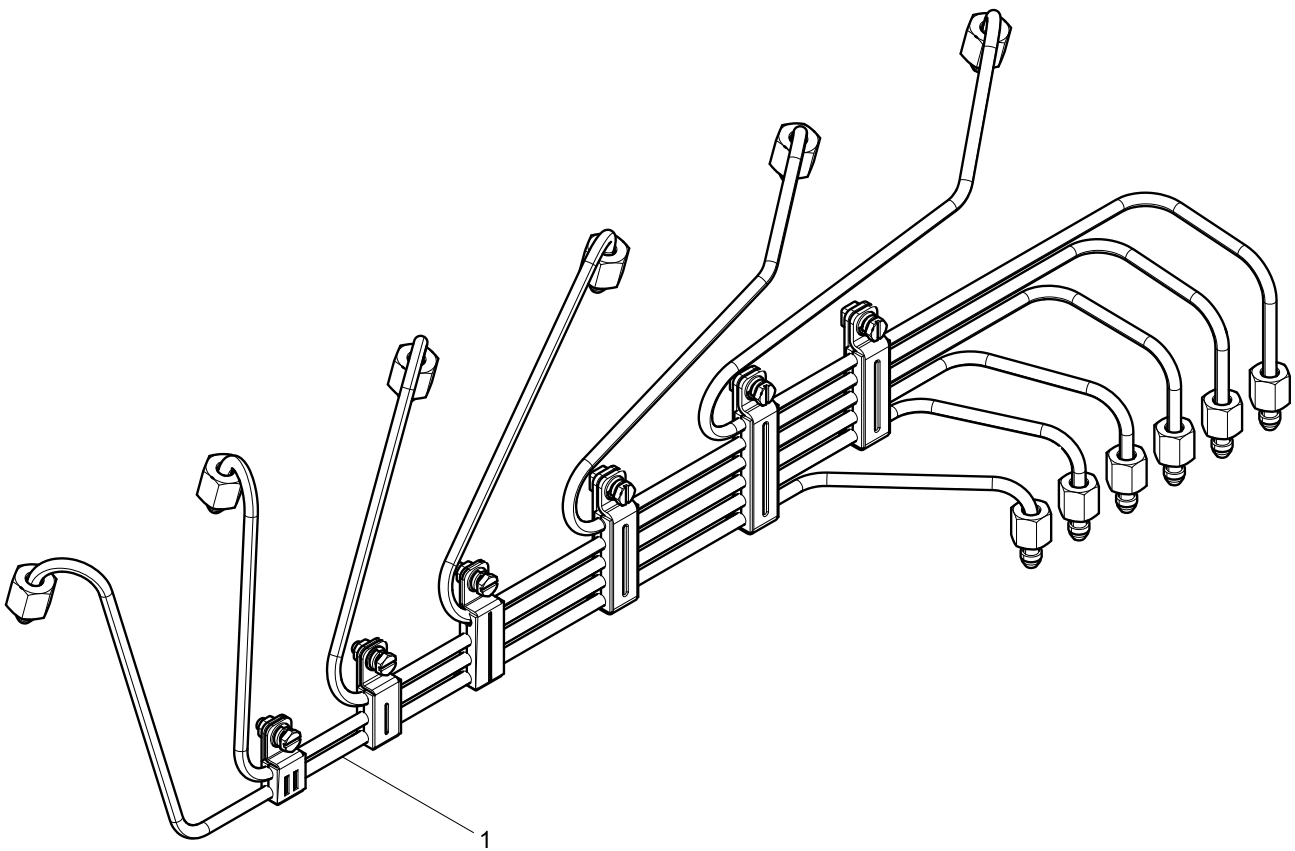
Fuel Filter Group

Pos.	Teile.Number	Amount	Designation
1	1000809381	1	Fuel Return Pipe Assembly
2	1000798052	1	Fuel-inlet Pipe Assembly
3	612600082473	1	Pipe Clamp
4	1000798033	1	Fuel-inlet Pipe Assembly
5	1000798045	1	Fuel-inlet Pipe Assembly
6	90011400027	4	Hexagon Flange Bolt
7	1001058861	1	Fuel Filter Assembly
8	1000720691	1	Fuel Filter Bracket
9	01152414	2	Hexagon Head Bolt
10	1000721018	1	Bracket

Fuel Filter Assembly



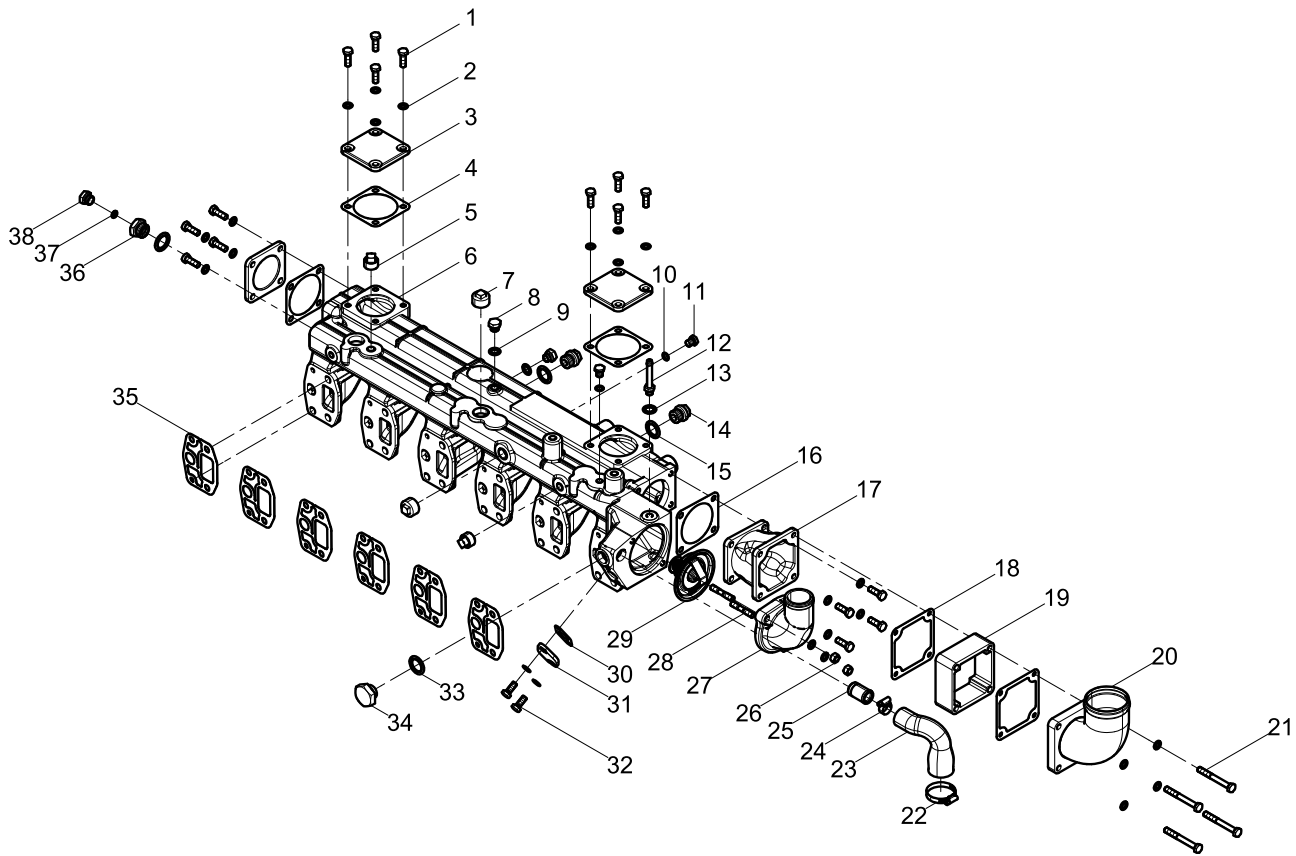
High Pressure Fuel Pipe Group



High Pressure Fuel Pipe Group

Pos.	Teile.Number	Amount	Designation
1	1000797368	1	High-pressure Fuel Pipe Assembly

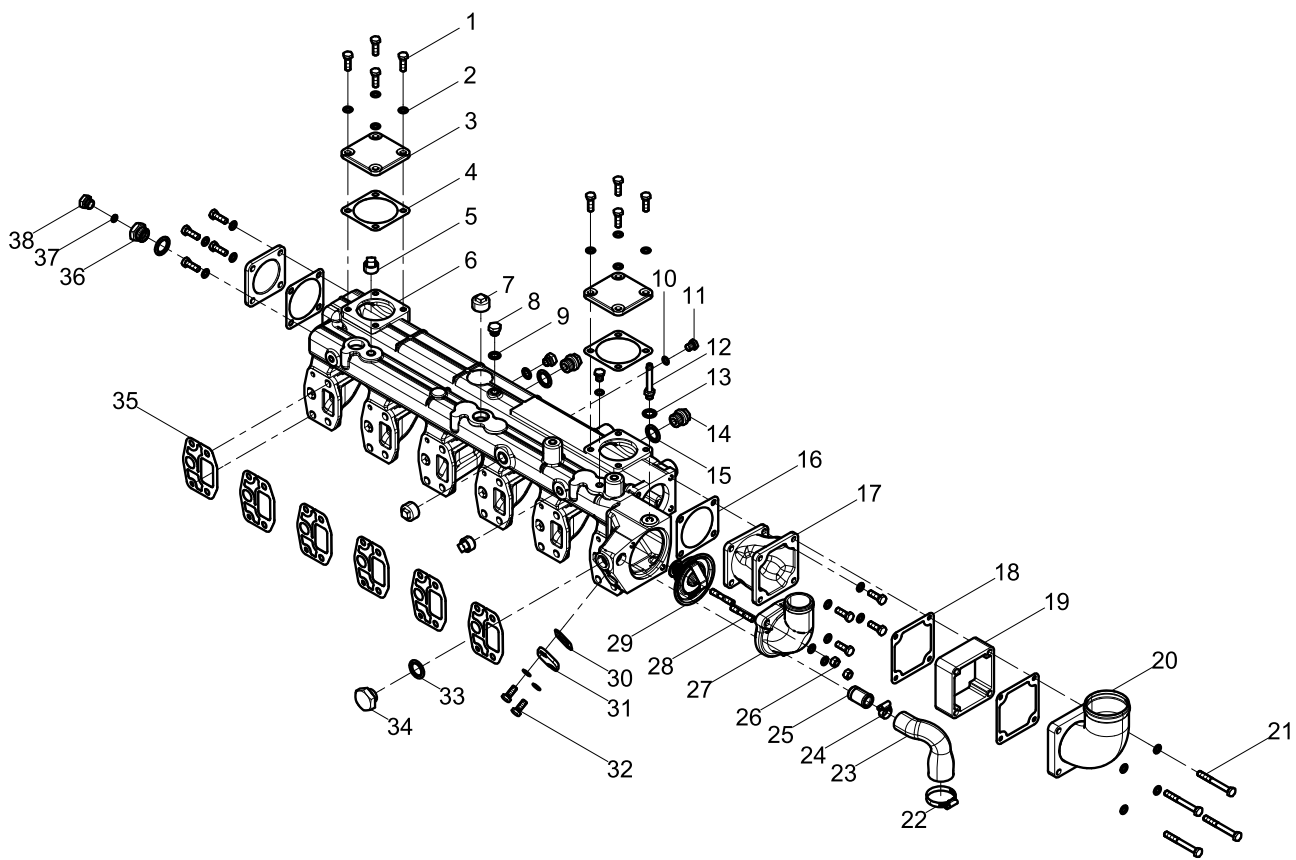
Intake Manifold Group



Intake Manifold Group

Pos.	Teile.Number	Amount	Designation
1	90003802424	16	Hexagon Head Bolt
2	90003932023	24	Wave Spring Washer
3	13024007	3	Plug
4	13059436	3	Intake Manifold Gasket
5	13022827M	2	Screw Plug
6	13071855	1	Intake Manifold Assembly
7	13022921M	2	Square Taper Screw Plug
8	01152105	2	Hexagon Screw Plug
9	13023359	2	Assembled Sealing Washer
10	13057039	2	Assembled Sealing Washer
11	01118952	2	Hexagon Screw Plug
12	13020659	1	Pipe Joint
13	612600080200	1	Washer
14	01125789	2	Hexagon Screw Plug
15	13023363	2	Unit washer
16	13059426	1	Intake Manifold Gasket
17	13024996	1	Heater connecting pipe
18	612630120002	2	Gasket
19	612600113013	1	Flange
20	13061855	1	Intake Connecting Pipe
21	90003800458	4	Hexagon Head Bolt
22	90018260006	1	Hoses Clamp
23	13023775	1	Coolant Connecting Rubber Pipe
24	12151665	1	Clamp
25	12188750	1	Pipe Joint
26	90012700003	2	Hexagon Nut, Style 2
27	13024466	1	Thermostat Cover

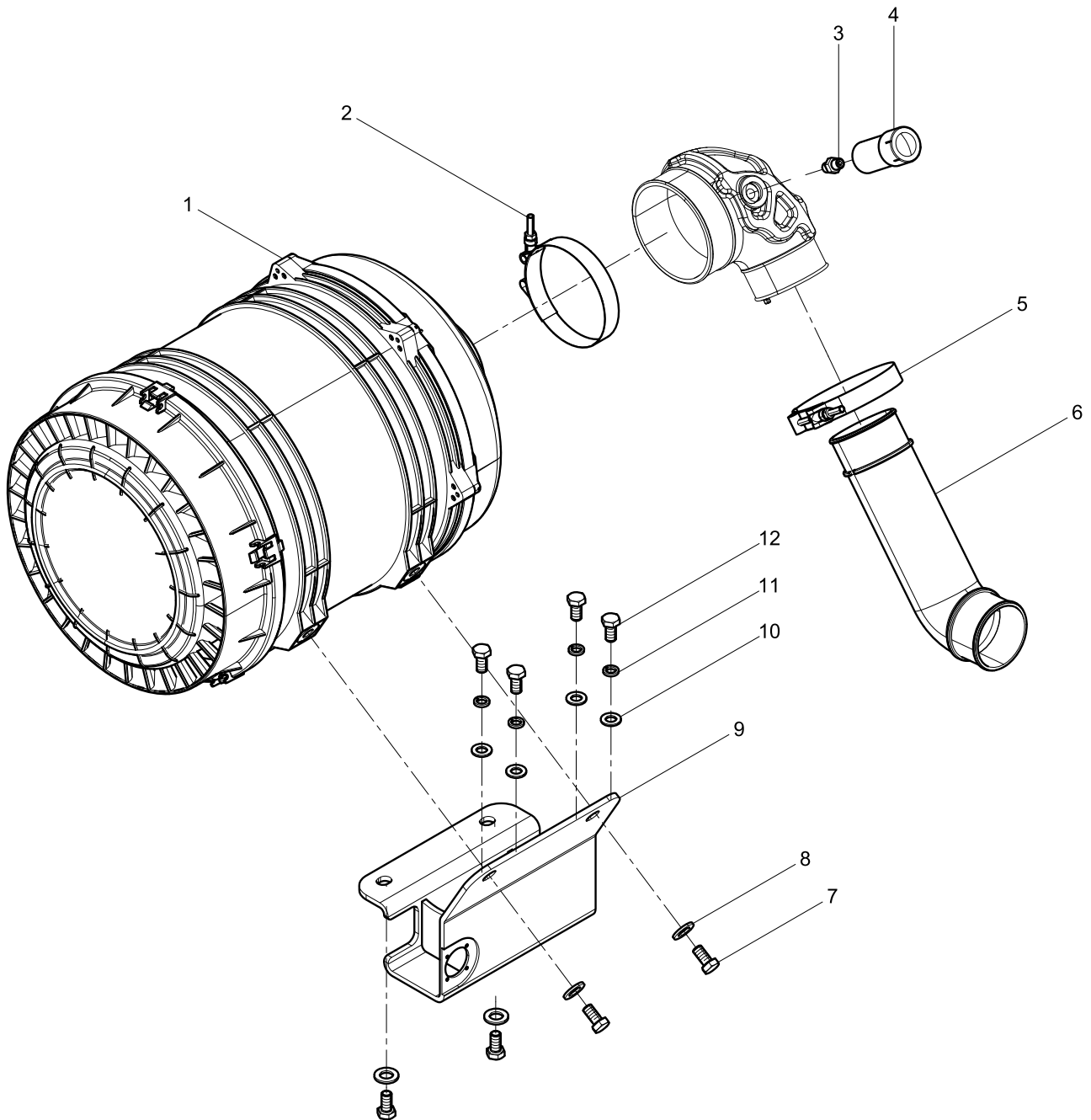
Intake Manifold Group



Intake Manifold Group

Pos.	Teile.Number	Amount	Designation
28	90011540009	2	Double End Stud
29	13021132	1	Thermostat
30	13059425	1	Gasket
31	13058992	1	cover
32	90003802419	2	Hexagon Head Bolt
33	13023364	2	Assembled Sealing Washer
34	01118979	1	Hexagon Screw Plug
35	1000104597	6	Intake Manifold Gasket
36	13024670	1	Conversion Adapter
37	13023360	1	Assembled Sealing Washer
38	01118960	1	Hexagon Screw Plug

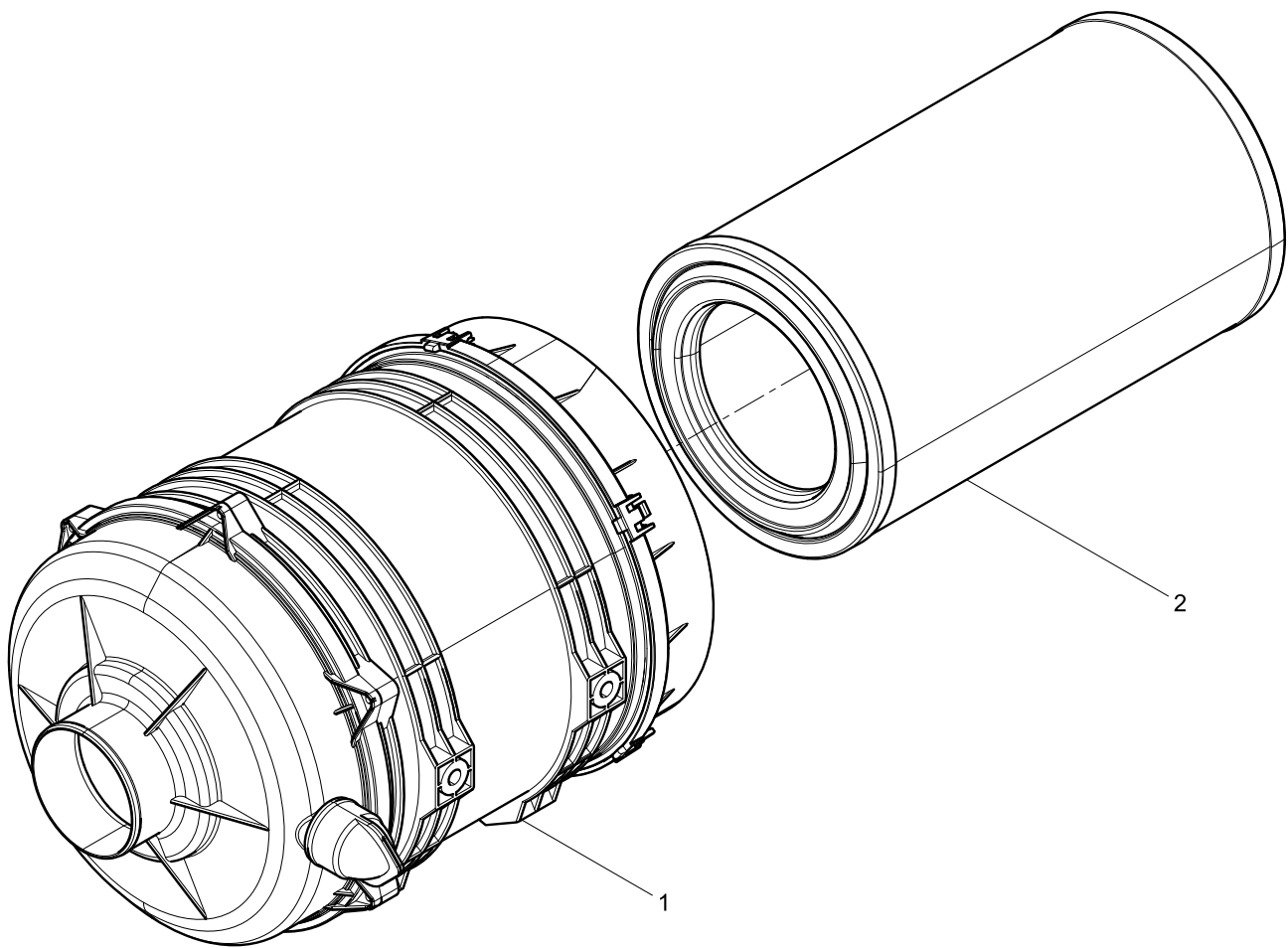
Air Filter Group



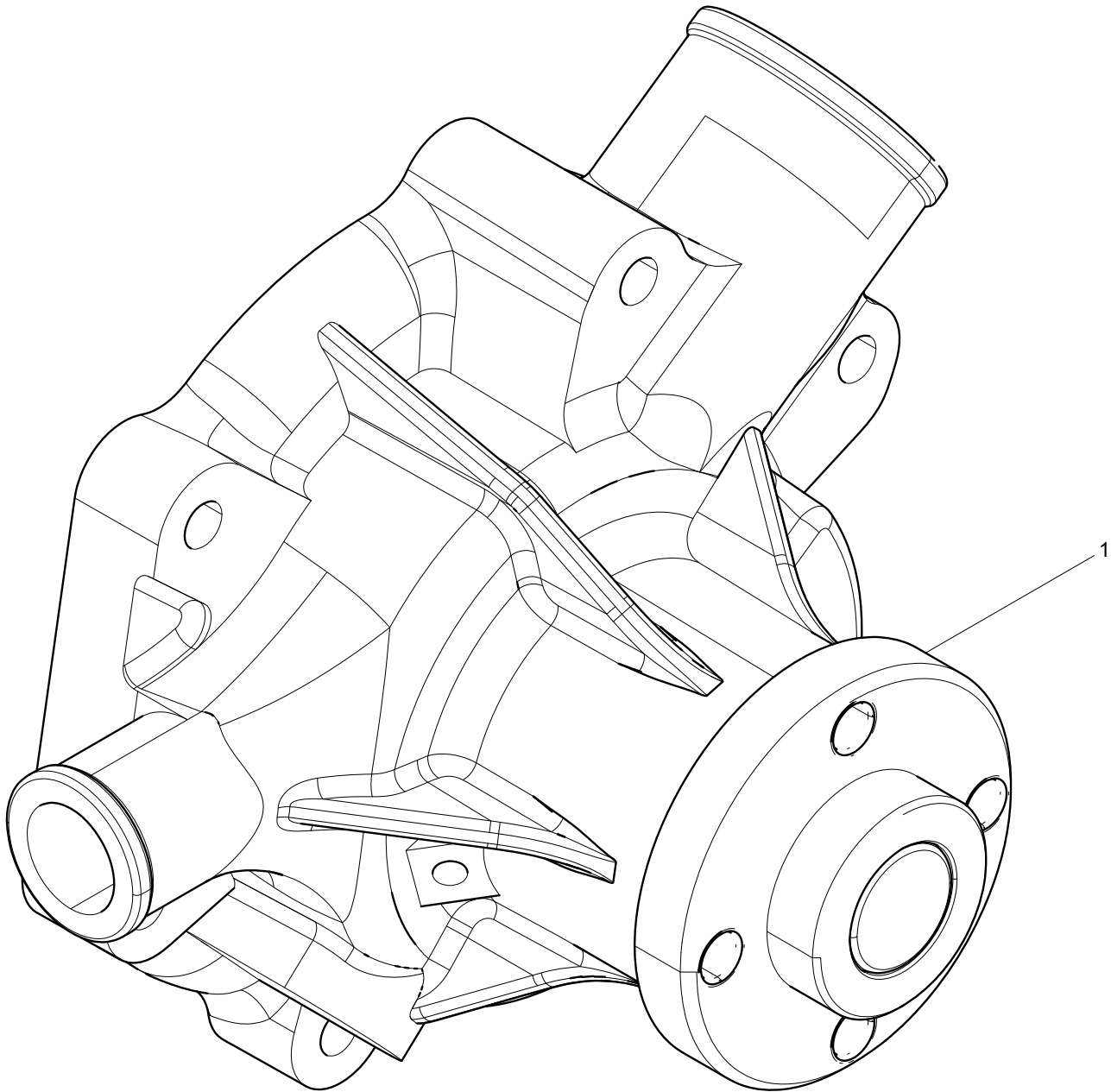
Air Filter Group

Pos.	Teile.Number	Amount	Designation
1	1001050187	1	Air Filter
2	612600114701	1	Clamp
3	612600115282	1	Transition joint
4	1000644232	1	Intake Resistance Alarm
5	612600114166	1	Clamp
6	13058044	1	Intake Connecting Pipe
7	90011350132	4	Hexagon Head Bolt
8	90014040009	4	Plain Washer
9	1000879917	1	Air Filter Bracket
10	90014040008	4	Plain Washer
11	90003931122	4	Spring Washer
12	90011350026	4	Hexagon Head Bolt

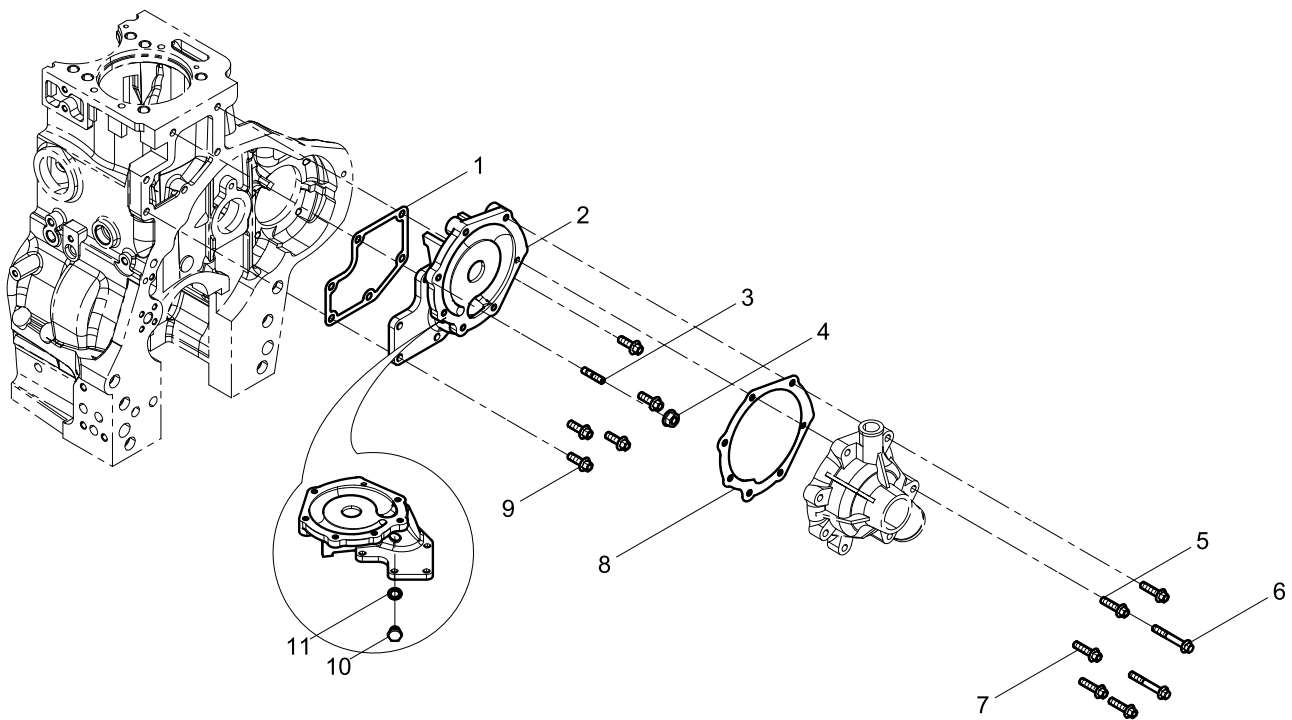
Air Filter



Water Pump Group



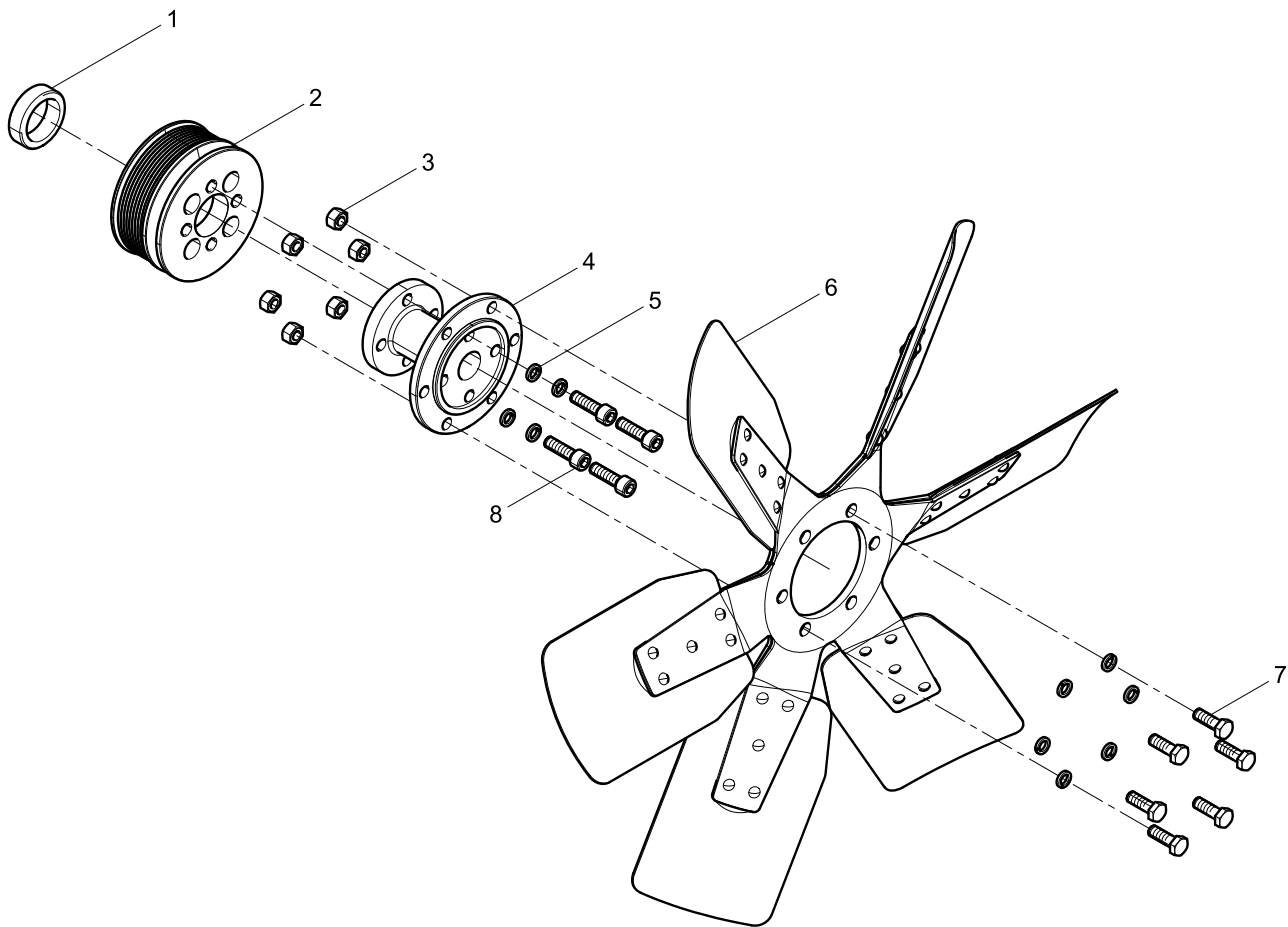
Middle Filling Block Group



Middle Filling Block Group

Pos.	Teile.Number	Amount	Designation
1	13072378	1	Water Pump Sealing Gasket
2	1000049547	1	Water Pump Middle Filling Block
3	90011520047	1	Double End Stud
4	90012290006	1	Hexagon Flange Nut
5	9000000185	4	Hexagon Flange Bolt
6	612600040636	2	Hexagon Flange Bolt
7	90011430006	1	Hexagon Flange with Tooth Bolt
8	13072379	1	Water Pump Sealing Gasket
9	9000000122	5	Hexagon Flange Bolt
10	90003962025	1	Hexagon plug
11	612600080200	1	Washer

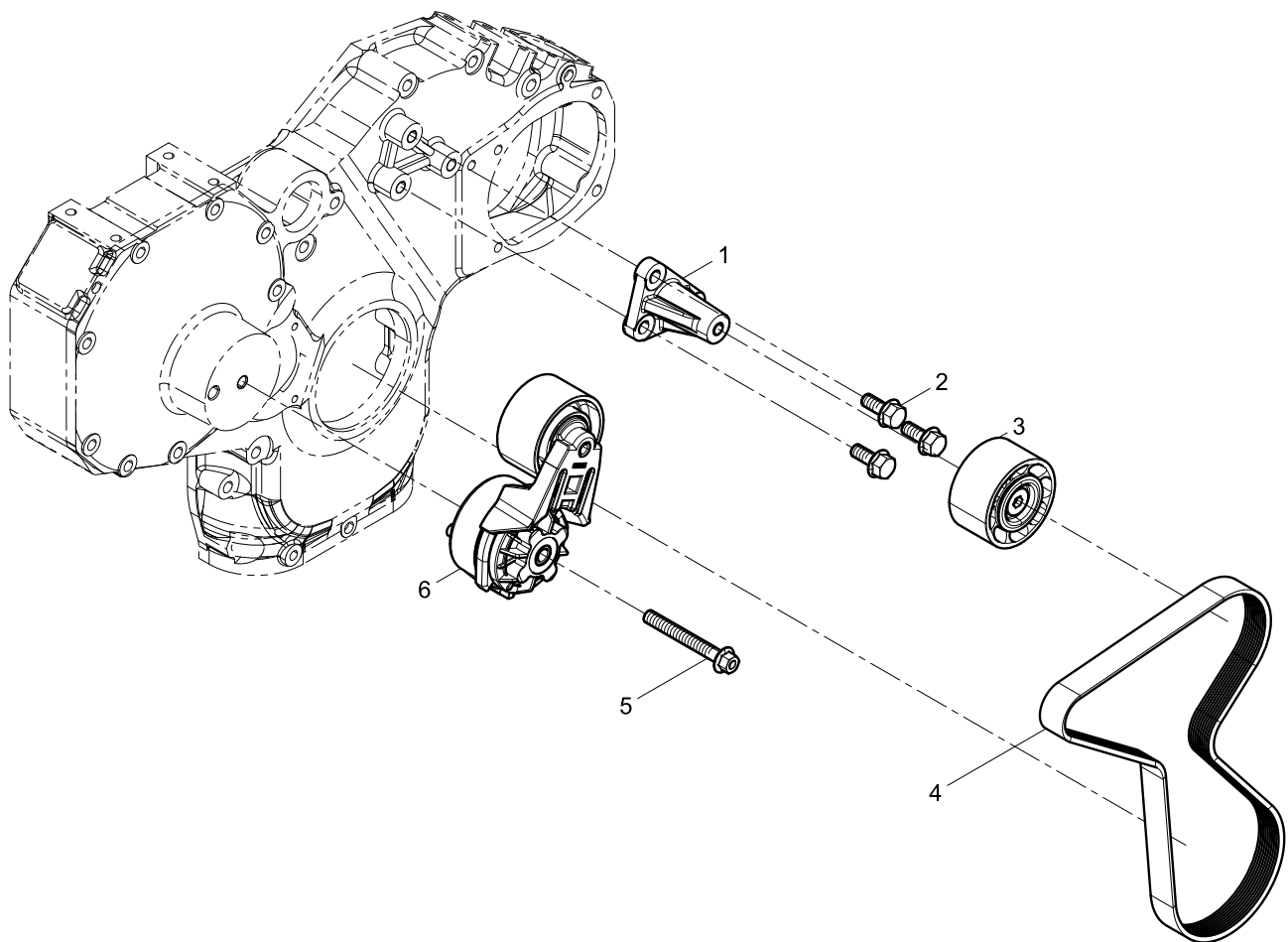
Water Pump Pulley Assembly



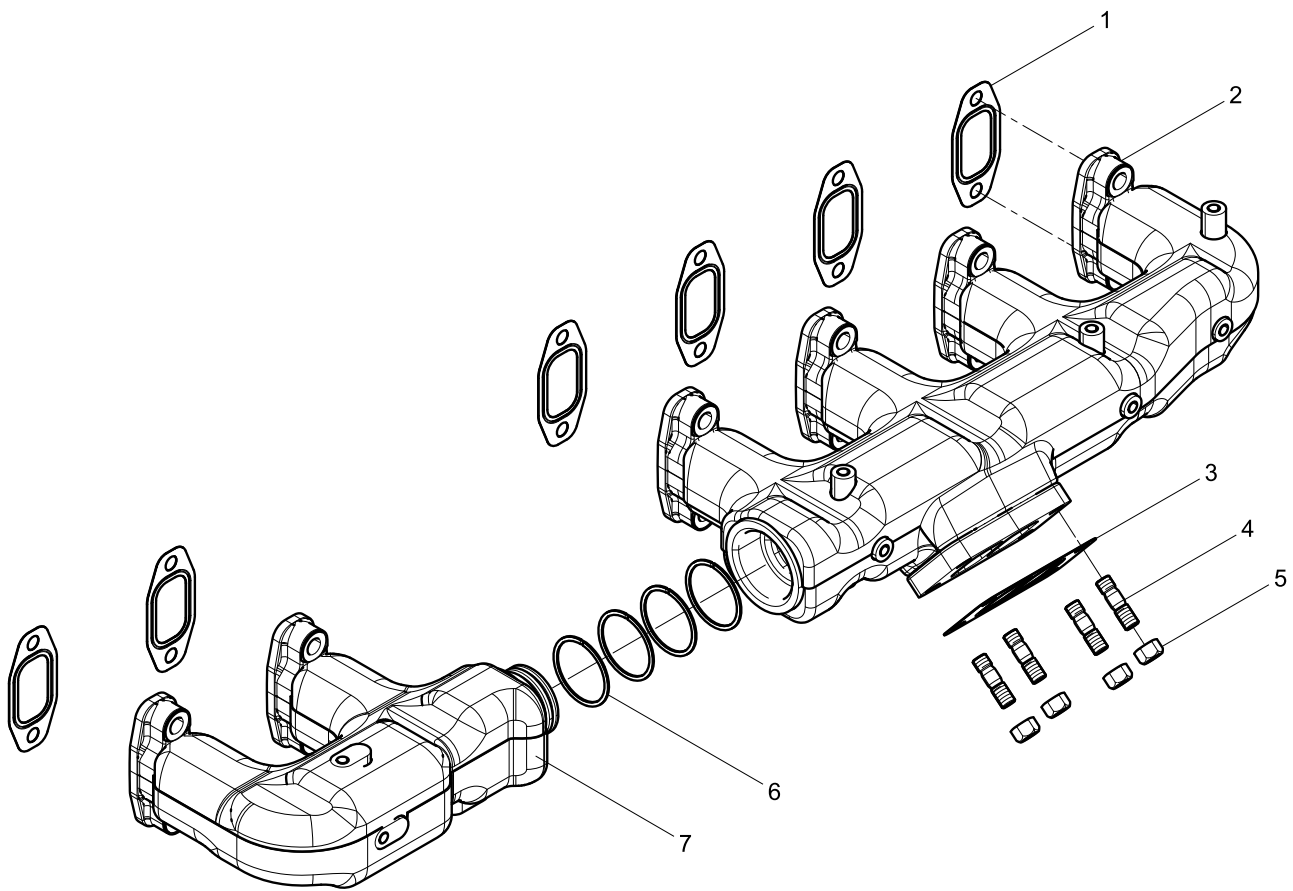
Water Pump Pulley Assembly

Pos.	Teile.Number	Amount	Designation
1	13071793	1	Water Pump Pulley
2	1001276282	1	Fan Flange
3	90014020001	4	Plain Washer
4	90003931122	10	Spring Washer
5	13021190	1	Fan
6	90014040008	6	Plain Washer
7	90013050083	6	Inner Hexagon Socket Head Cap Screw
8	90013050020	4	Screw

Tensioner And Belt Group



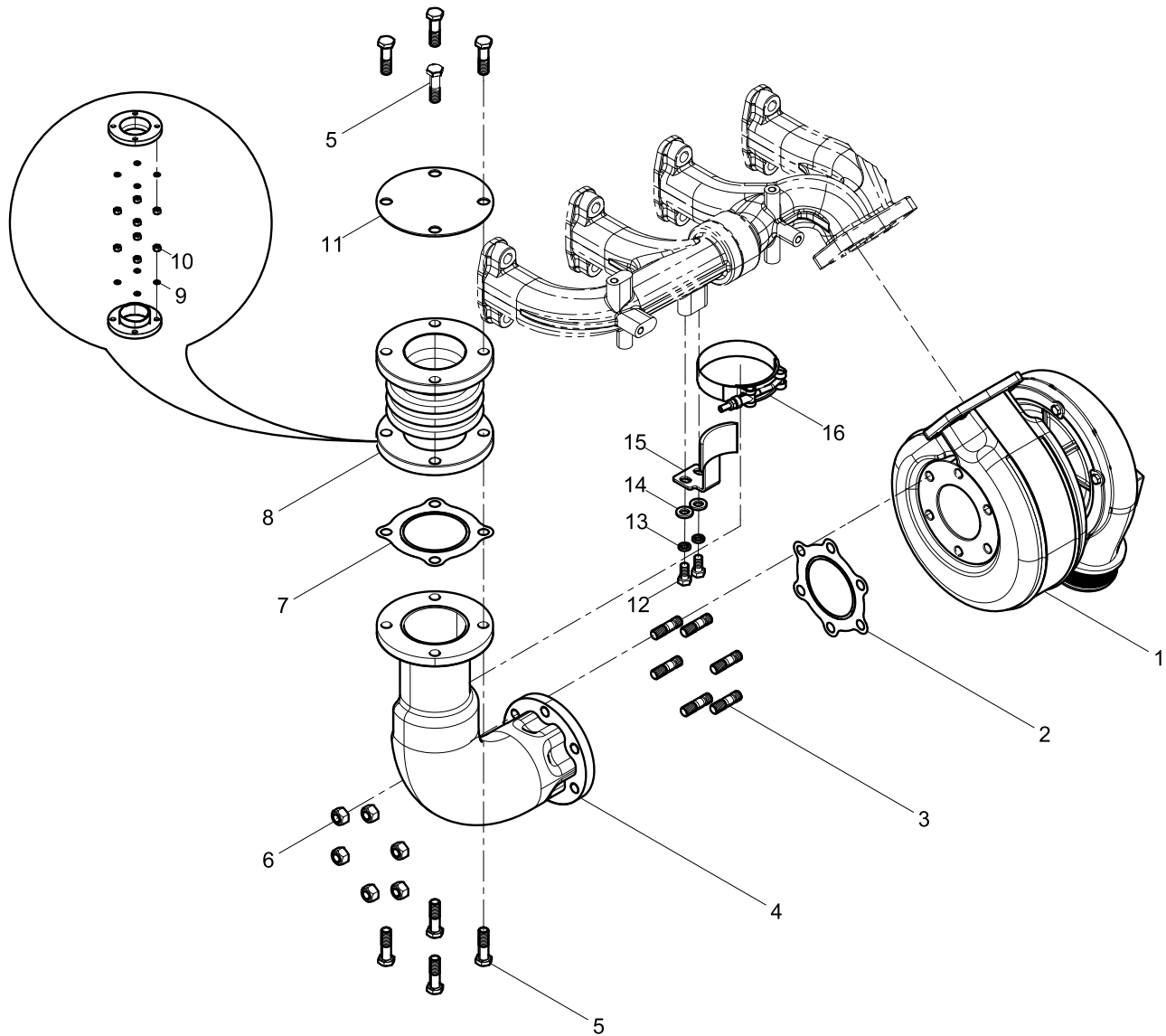
Exhaust Manifold Group



Exhaust Manifold Group

Pos.	Teile.Number	Amount	Designation
1	12272783	6	Gasket
2	1001062270	1	Exhaust Manifold Heat Shield Assembly
3	13025181	1	Turbocharger washer
4	612600110282	4	Double End Stud
5	90003888452	4	Prevailing Torque Type All-metal Hexagon Nut,
6	12188619	4	Chip Ring
7	1001063242	1	Exhaust Manifold Heat Shield Assembly

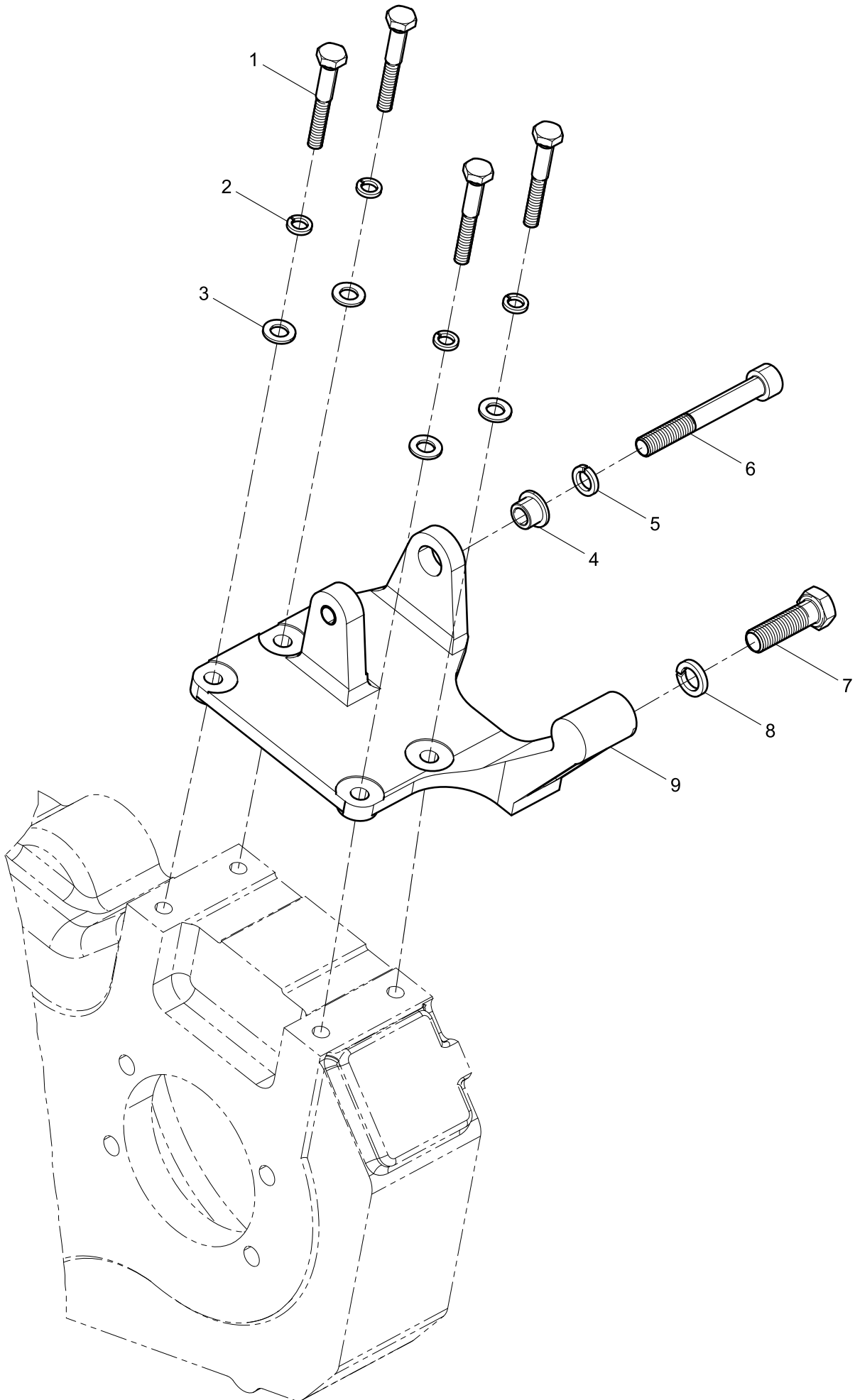
Turbocharger Group



Turbocharger Group

Pos.	Teile.Number	Amount	Designation
1	1001063410	1	
2	13058323	1	Gasket
3	612600110282	6	Double End Stud
4	1000812768	1	
5	90003802532	8	Hexagon Head Bolt
6	90003888452	6	Prevailing Torque Type All-metal Hexagon Nut,
7	13058845	1	Gasket
8	13058497	1	Expansion Joint
9	90003932024	8	Wave Spring Washer
10	90012700002	8	Hexagon Nut, Style 2
11	13052450	1	Cover
12	90003802411	2	Hexagon Head Bolt
13	90003931102	2	Spring Washer
14	01154438	2	Gasket
15	13058302	1	Exhaust Manifold Bracket
16	612600114166	1	Clamp

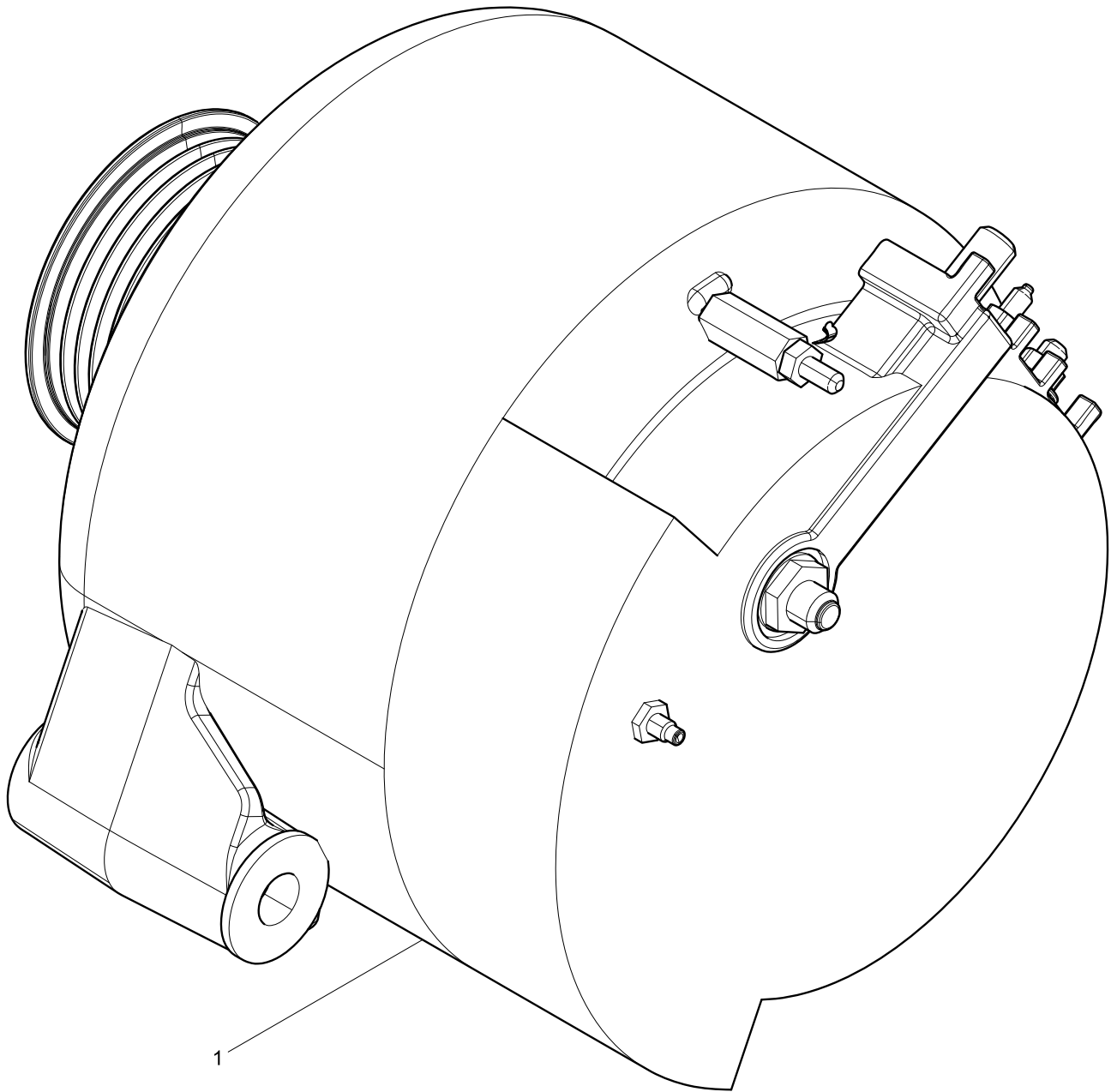
Alternator Bracket Group



Alternator Bracket Group

Pos.	Teile.Number	Amount	Designation
1	90003802424	4	Hexagon Head Bolt
2	90003931102	4	Spring Washer
3	90014040007	4	Plain Washer
4	13024352	1	Sleeve
5	90003931122	1	Spring Washer
6	90013550047	1	Inner Hexagon Socket Head Cap Screw
7	90003800619	1	Hexagon Head Bolt
8	90003931142	1	Spring Washer
9	13054703	1	Alternator Bracket

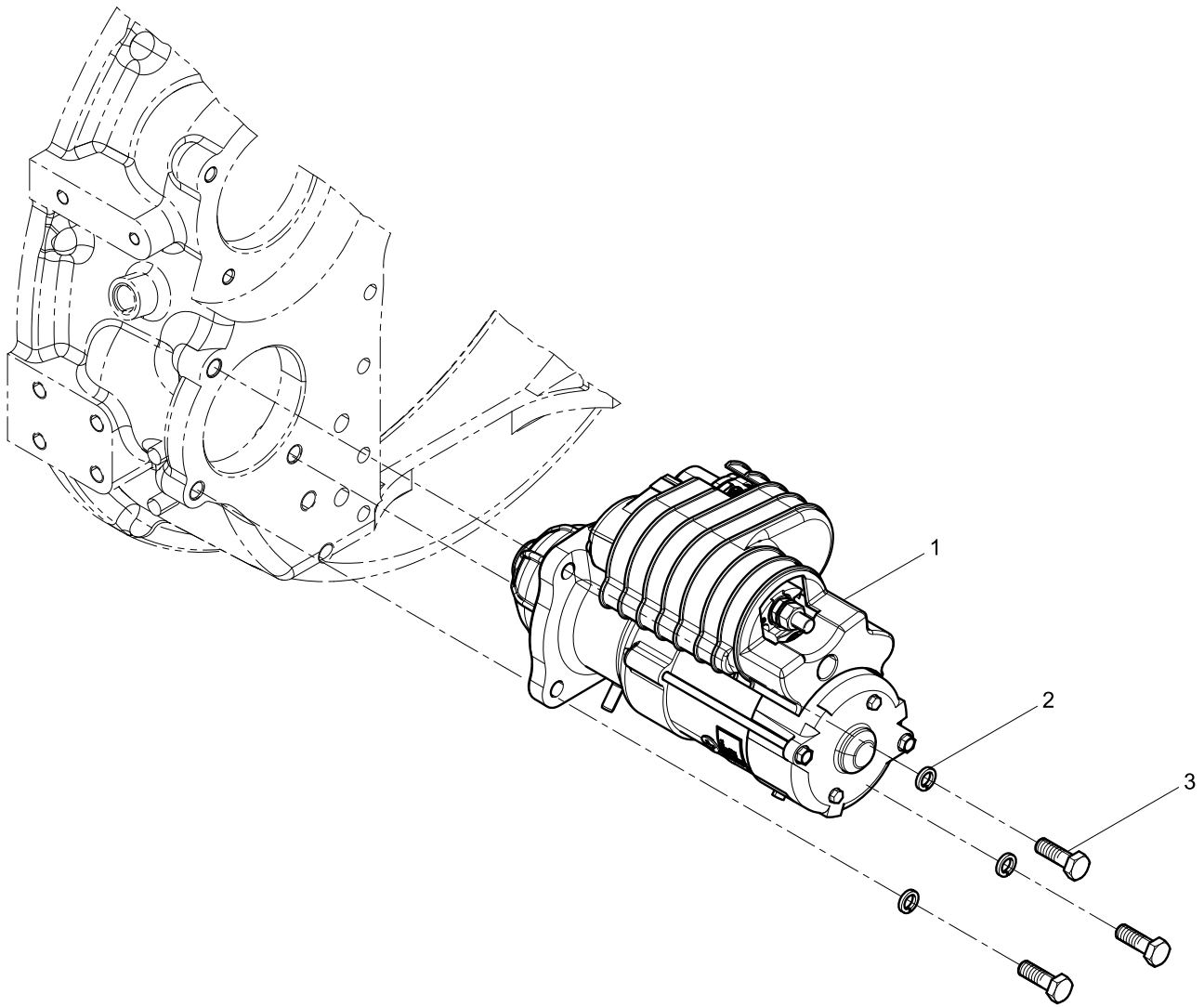
Alternator Group



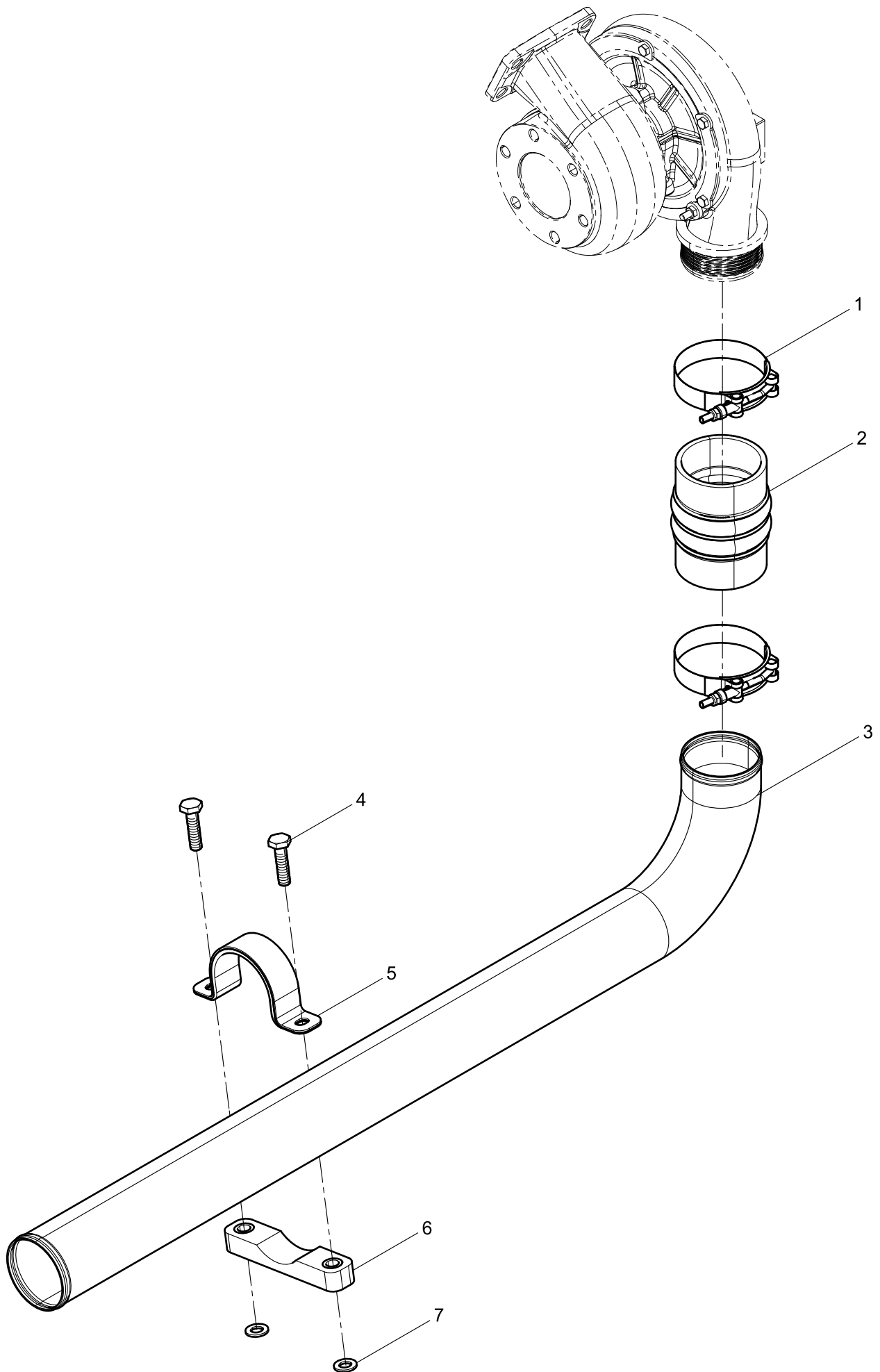
Alternator Group

Pos.	Teile.Number	Amount	Designation
1	1001063258	1	Alternator

Starter Motor Group



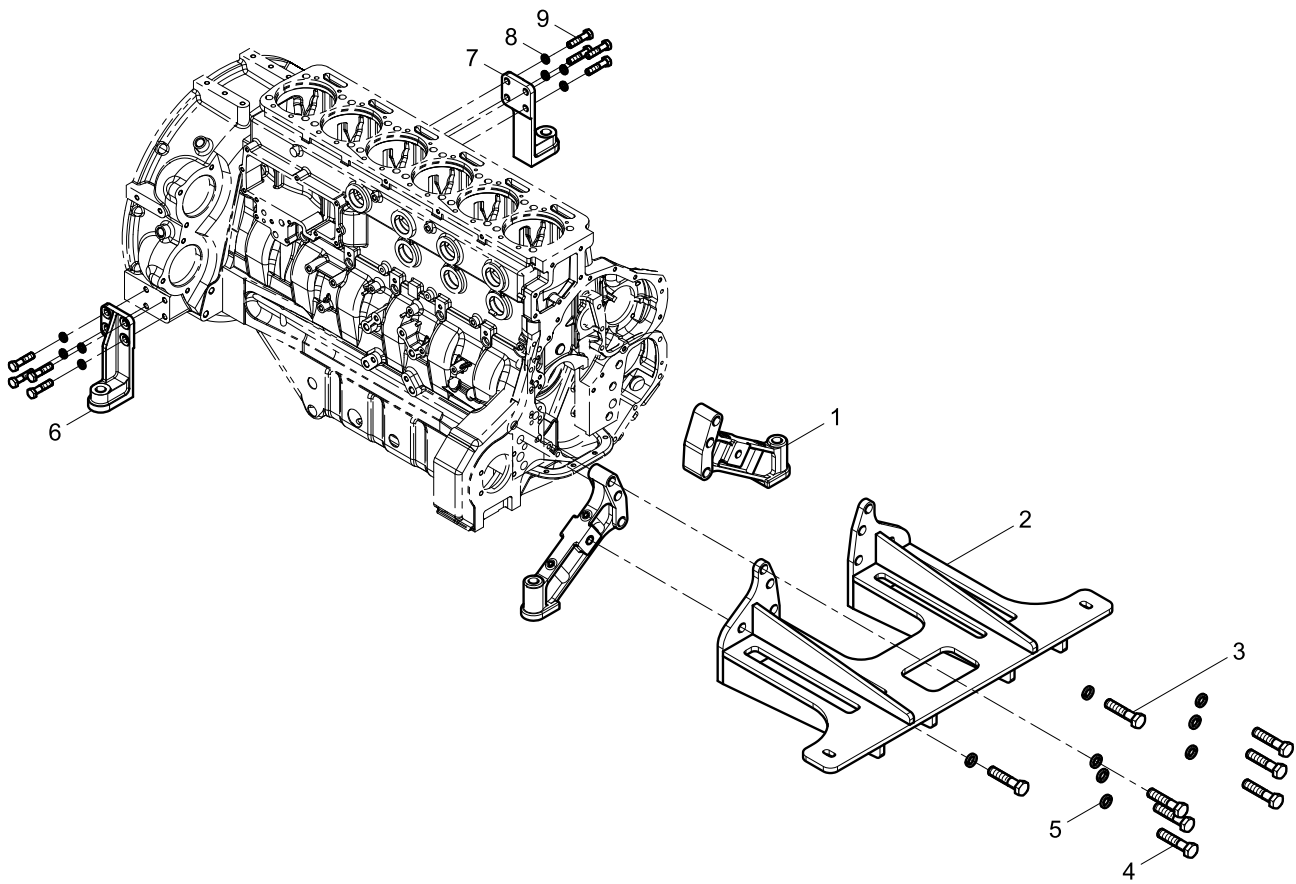
Compressor Pipe Group



Compressor Pipe Group

Pos.	Teile.Number	Amount	Designation
1	612600114166	2	Clamp
2	13058053	1	Air Connecting Rubber Pipe
3	13058054	1	Inter- cooler Air Pipe
4	90003802538	2	Hexagon Head Bolt
5	13058059	1	Pipe Clamp
6	13058173	1	Pad
7	90014040008	2	Plain Washer

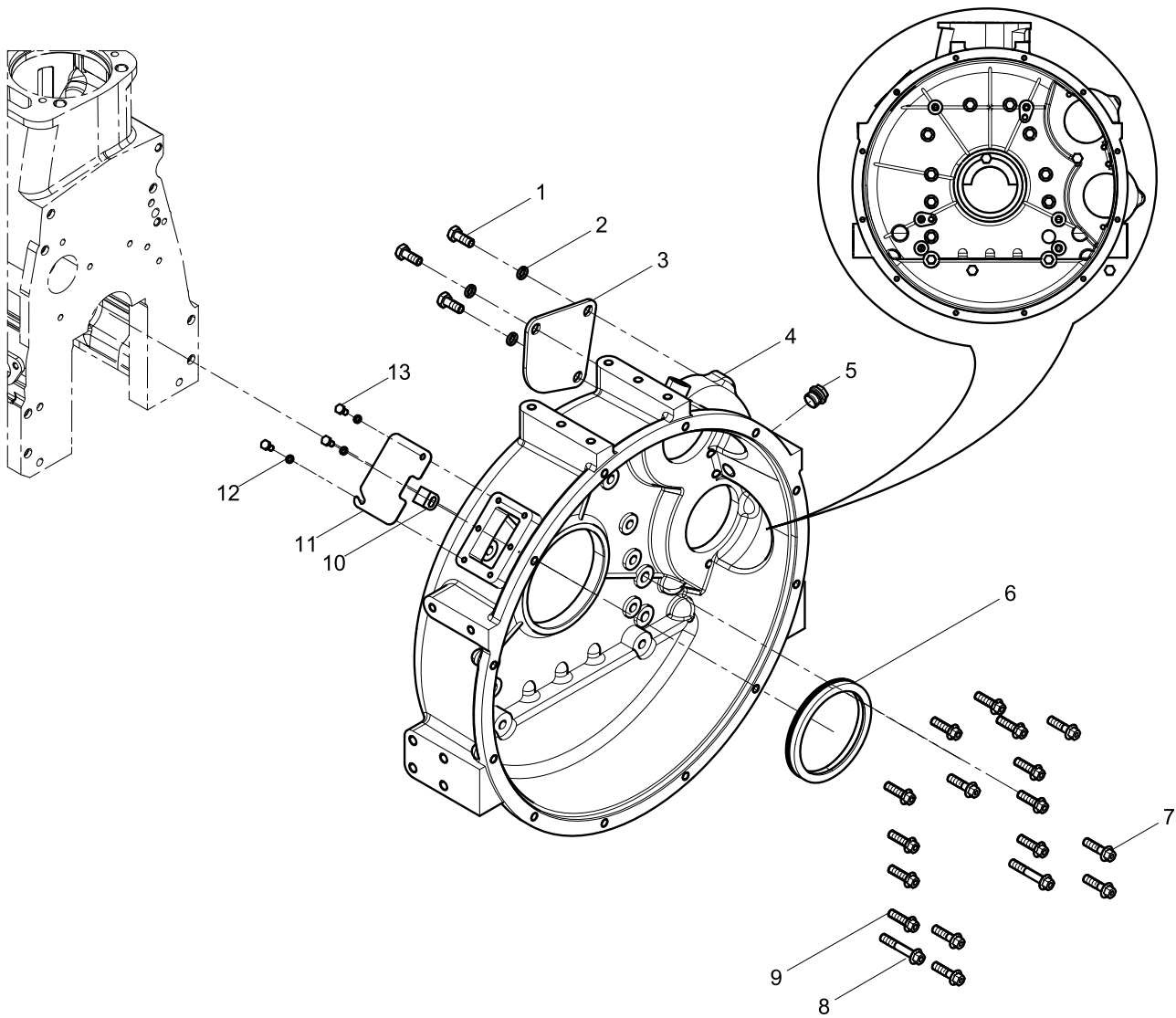
Engine Bracket Group



Engine Bracket Group

Pos.	Teile.Number	Amount	Designation
1	1000788815	2	Engine Bracket
2	1000955582	1	Bracket
3	01112000	2	Hexagon Head Bolt
4	13026190	6	Hexagon Head Bolt
5	90014350010	8	Spring Washer
6	13059148	1	Engine Bracket
7	13059149	1	Engine Bracket
8	90003931142	8	Spring Washer
9	90003802627	8	Hexagon Head Bolt

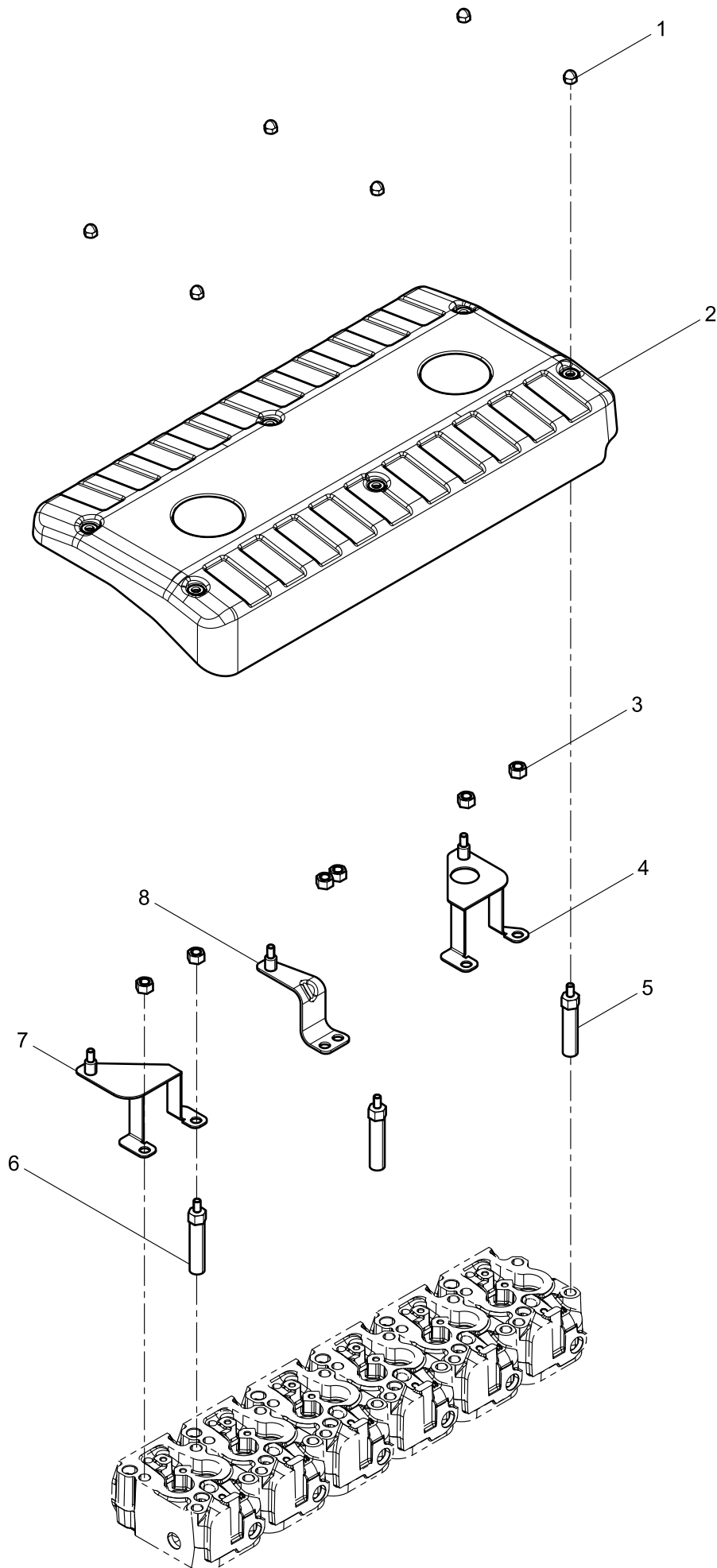
Flywheel Housing Assembly



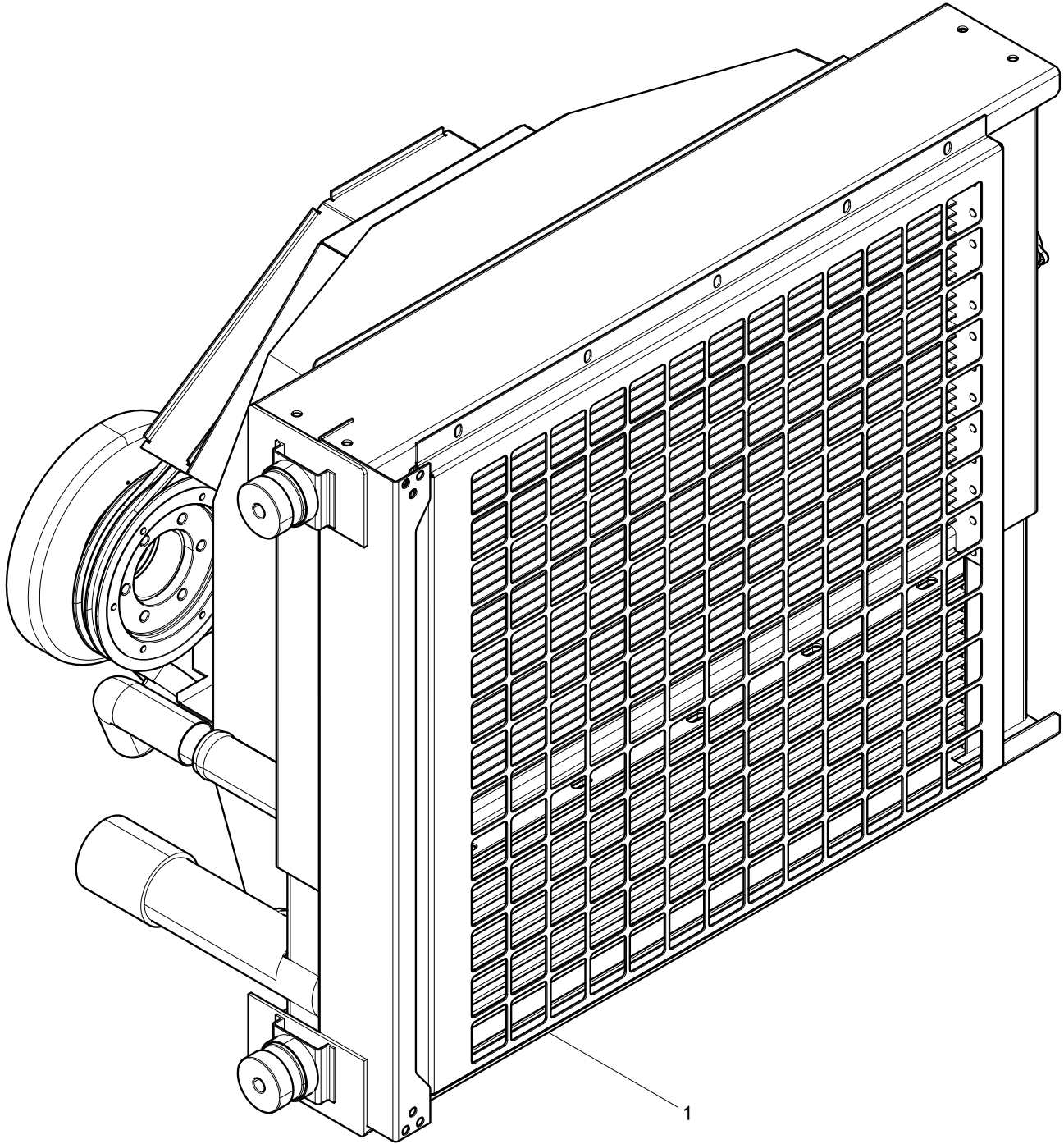
Flywheel Housing Assembly

Pos.	Teile.Number	Amount	Designation
1	90003802523	3	Hexagon Head Bolt
2	90003931122	3	Spring Washer
3	13025528	1	Plug
4	13059159	1	Flywheel Housing
5	13022205	1	Hexagon Screw Plug
6	12189888	1	Oil Seal
7	90011420012	6	Hexagon Flange Bolt
8	9000000097	2	Hexagon Flange Bolt
9	90011420014	10	Hexagon Flange Bolt
10	13025931	1	Indicator
11	13021291	1	Handhole Cover
12	90014350003	3	Spring Washer
13	90003802312	3	Hexagon Head Bolt

Sound Insulation Cover Group



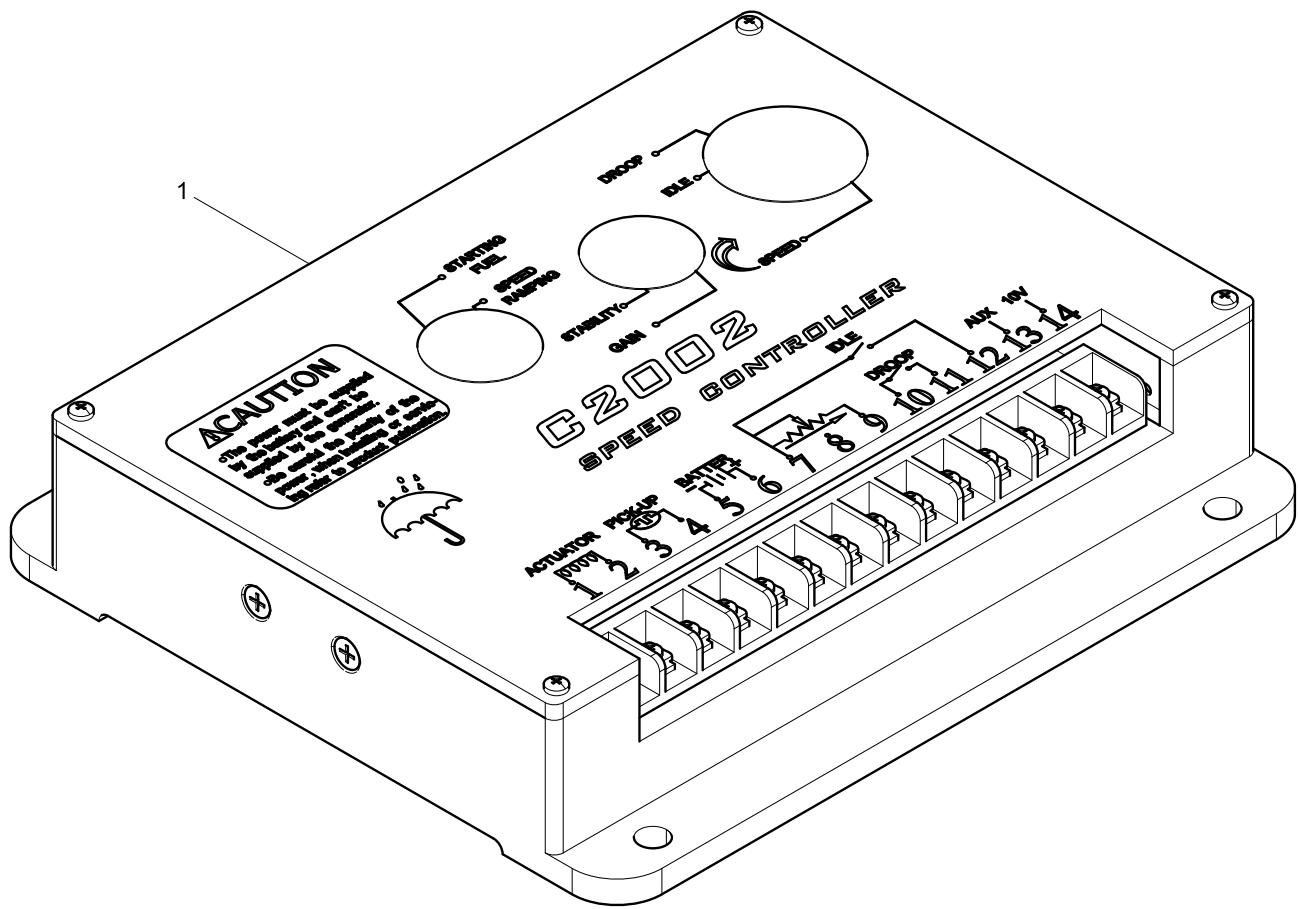
Water tank Group



Water tank Group

Pos.	Teile.Number	Amount	Designation
1	1000855382	1	Radiator

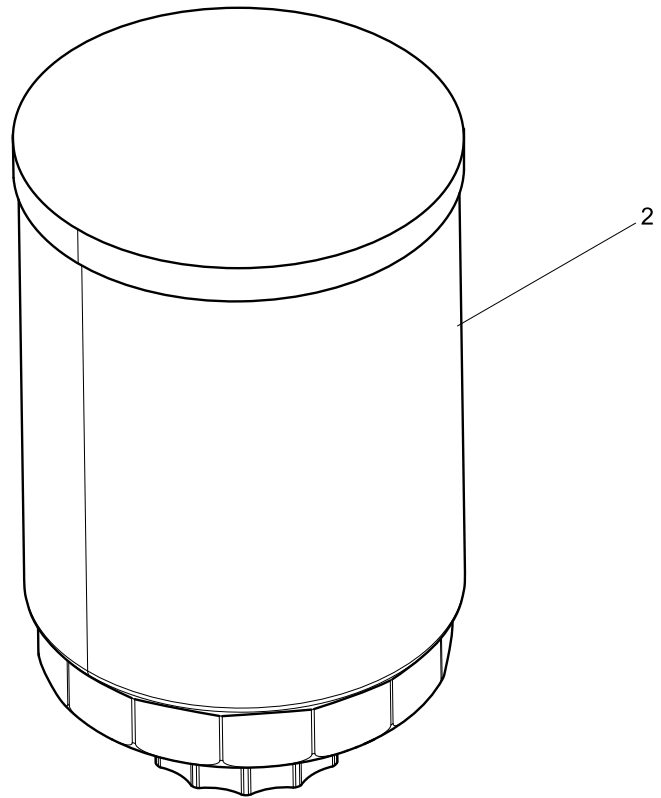
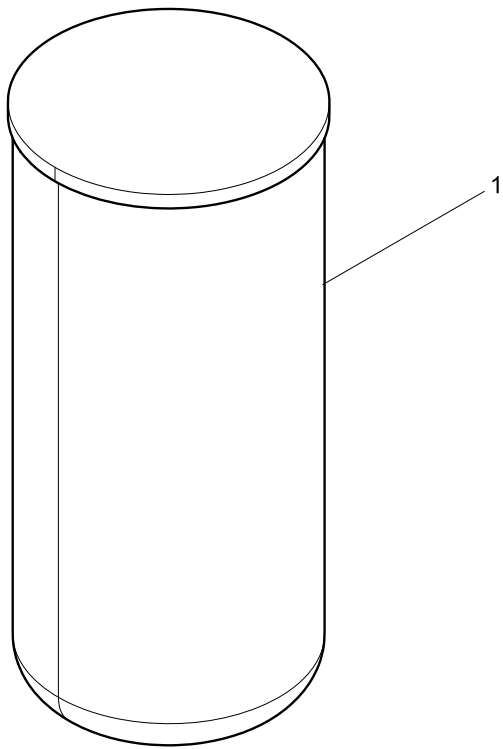
Packing Box Chassis Parts Group



Packing Box Chassis Parts Group

Pos.	Teile.Number	Amount	Designation
1	1001063476	1	Speed Controller

Spare Parts Attached to Engine Group



This manual is for reference only,
product parameters are subject to alteration
without notice,
whichever is the physical product.