

**Cummins**

# Parts Catalogue

## KTA-50-G3

GENSET/1250 KVA  
R / DB / PC 3.3

Bulletin No. 5276659 (Aug-2011)

**Cummins India Limited**

Registered Office: Kothrud, Pune 411 038 (India)



## Parts Ordering Guidelines :

Genuine Cummins Parts and service facilities are available all over India. There are more than 100 Cummins sales and service locations giving service support to the engines owned by you. Each distribution outlet is thoroughly equipped with technical data, factory trained mechanics, modern equipments and a full adequate stock of Genuine Cummins Parts.

For quicker and better service, your parts requirements should be ordered from your nearest Cummins Distributer or Dealer. At any of the locations prompt, intelligent, courteous service is a basic trademark. Each is ready and eager to help in every possible way through personal contact or through the mail-at your convenience.

The satisfactory ordering and receiving of parts by the purchase is greatly dependent upon the proper use of available information. In order that all avoidable errors may be eliminated, the following instructions are offered as the purchaser's guide:

1. Write your order clearly, using a typewriter if possible.
2. Be sure to list the correct part number. If in doubt as to the correct part number, state the model and serial number of the

engine on which the part is to be used. Part numbers are usually located in various places on the part itself.

3. When possible, arrange your purchase order in part number numerical sequence.

4. Please specify shipping instructions, if any, preferable to you.

5. State your company name and shipping address clearly.

Genuine Cummins Parts mean **QUALITY** : They're designed and engineered to fit best in your Cummins Diesel. Each part is made of the highest quality and accuracy-by the top craftsman of the trade.

You can be sure a Genuine Cummins Part will fit better-do the job better-lesser the chances of costly breakdown. When you buy replacement parts, buy quality. Buy Genuine Cummins Parts. **YOU OWN BEST...REPAIR WITH THE BEST**

No part of this manual may be copied, photocopied, reproduced, translated or stored in a retrieval system by any means electronic, mechanical or otherwise without prior permission in writing of Cummins India Limited, Kothrud, Pune 411038.

Visit us at :  
[www.cummins-india.com](http://www.cummins-india.com)

## CUSTOMER SERVICE INFORMATION

This parts catalog contains parts information.

Part numbers appearing in ( ) against production part no. are available service part nos. Please place order for service replacement parts on bracketed part numbers only.

Parts /AR/BMs marked with asterisk (\*) are not available for service. Only assemblies under which they are indented are available for service.

Items marked with @ are not available for service. Please order on individual parts shown under these items.

Engine Model \_\_\_\_\_ Engine Serial No. \_\_\_\_\_

MFG Make \_\_\_\_\_ Model \_\_\_\_\_ Chassis No. \_\_\_\_\_

Fuel Pump Assembly No. \_\_\_\_\_ Injector No. \_\_\_\_\_

Belt, Fan \_\_\_\_\_ Belt, Water Pump \_\_\_\_\_ Belt, Gen \_\_\_\_\_

Element, Fuel Filter \_\_\_\_\_ Full Flow Lub. Filter \_\_\_\_\_

Air Cleaner \_\_\_\_\_ By-Pass Lub. Filter \_\_\_\_\_

Special Equipment \_\_\_\_\_

\_\_\_\_\_

\_\_\_\_\_

\_\_\_\_\_

\_\_\_\_\_

\_\_\_\_\_

\_\_\_\_\_

Cummins Distributor \_\_\_\_\_

**Since improvements are made from time to time contents in the parts catalog are subject to change without notice**

## ABOUT PART INDENTATION USED IN THE PARTS CATALOG

The subject parts catalog uses parts indentation method to break sub level parts under their corresponding top assembly.

By placing an order on corresponding top level assemblies / Bills of material the individual parts under that top assemblies / Bills of material can be obtained

Indentation can be explained as under -

Example :-

Level	Part No	Description
1	3920037	Block Cylinder
2	3815812	Block Cylinder
3	3901685	Bushing
3	3916369	Screw hex. head
3	3917313	Cap main bearing
3	3919917	Block Cylinder
2	3813247	Plug expansion
2	3004258	Plug expansion
2	3027646	Plug expansion
2	3812090	Plug expansion
2	3813243	Plug expansion

Level '1' assembly 3920037 in above example is a top Bill of Material / Assembly. Level '2' items namely 3815812, 3813247, 3004258, 3027646, 3812090, & 3813243 are included in 3920037. Hence these items are shifted to the right of 3920037 by one space.

3815812 is also a Bill of Material which includes parts, namely 3901685, 3916369, 3917313, 3919917. As 3815812 is of level '2' here, these parts are of level '3'. Hence these are shifted to the right of 3815812 by one space.

In above example if you order on Block assembly 3920037 of level '1', you will receive all the parts of level '2' & level '3'.

If you order on sub assembly 3815812 of level '2', you will receive all the parts of level '3' listed below this level '2' subassembly.

If required, parts of level '2' & level '3' can be ordered individually.

Version : 3.0.20.0 Applicable Date : Aug-2011

**TABLE OF CONTENTS**

GROUPS/OPTIONS.

S NO.	DESCRIPTION	GROUP NO.
1	AFTERCOOLER	GR_10_01_00_027
2	ALTERNATOR	GR_13_10_00_070
3	ALTERNATOR	GR_13_17_02_017
4	BLOCK, CYLINDER	GR_01_01_00_027
5	BREATHER, CRANKCASE	GR_03_02_00_038
6	CAMSHAFT	GR_01_07_00_027
7	CLEANER,AIR	GR_10_04_01_014
8	CONN. BLOCK FUEL ASSY	GR_05_19_00_006
9	CONNECTION EXHAUST OUTLET	GR_10_06_01_027
10	CONNECTION, OIL TRANSFER	GR_06_01_02_027
11	COOLER, LUB OIL	GR_07_05_00_027
12	COUPLING FLEXIBLE	GR_16_05_00_027
13	COVER HAND HOLE	GR_01_08_00_027
14	CRANKSHAFT	GR_01_02_00_038
15	CRN RESISTOR,ARRANGEMENT	GR_08_07_01_035
16	DAMPER VIBRATION	GR_01_02_02_027
17	DRIVE ACCESSORY	GR_09_01_00_006
18	DRIVE GEAR	GR_01_07_01_027
19	FAN IDLER ASSY.	GR_08_04_00_027
20	FILTER LUBRICATING OIL	GR_07_03_00_006
21	FILTER, LUB OIL BYPASS	GR_07_03_02_031
22	FILTER,FUEL	GR_06_04_00_027
23	FUEL PUMP	GR_05_01_00_095
24	HEAD,CYLINDER	GR_02_01_00_058
25	HOSE,BREATHER VENT	GR_03_02_01_038
26	HOUSING CAM FOLLOWER	GR_04_01_00_027
27	HOUSING GEAR	GR_01_09_00_027
28	HOUSING,FLYWHEEL	GR_16_01_00_048
29	INHIBITOR,CORROSION	GR_08_08_00_027
30	INJECTOR	GR_06_01_00_027

Version : 3.0.20.0 Applicable Date : Aug-2011

**TABLE OF CONTENTS**

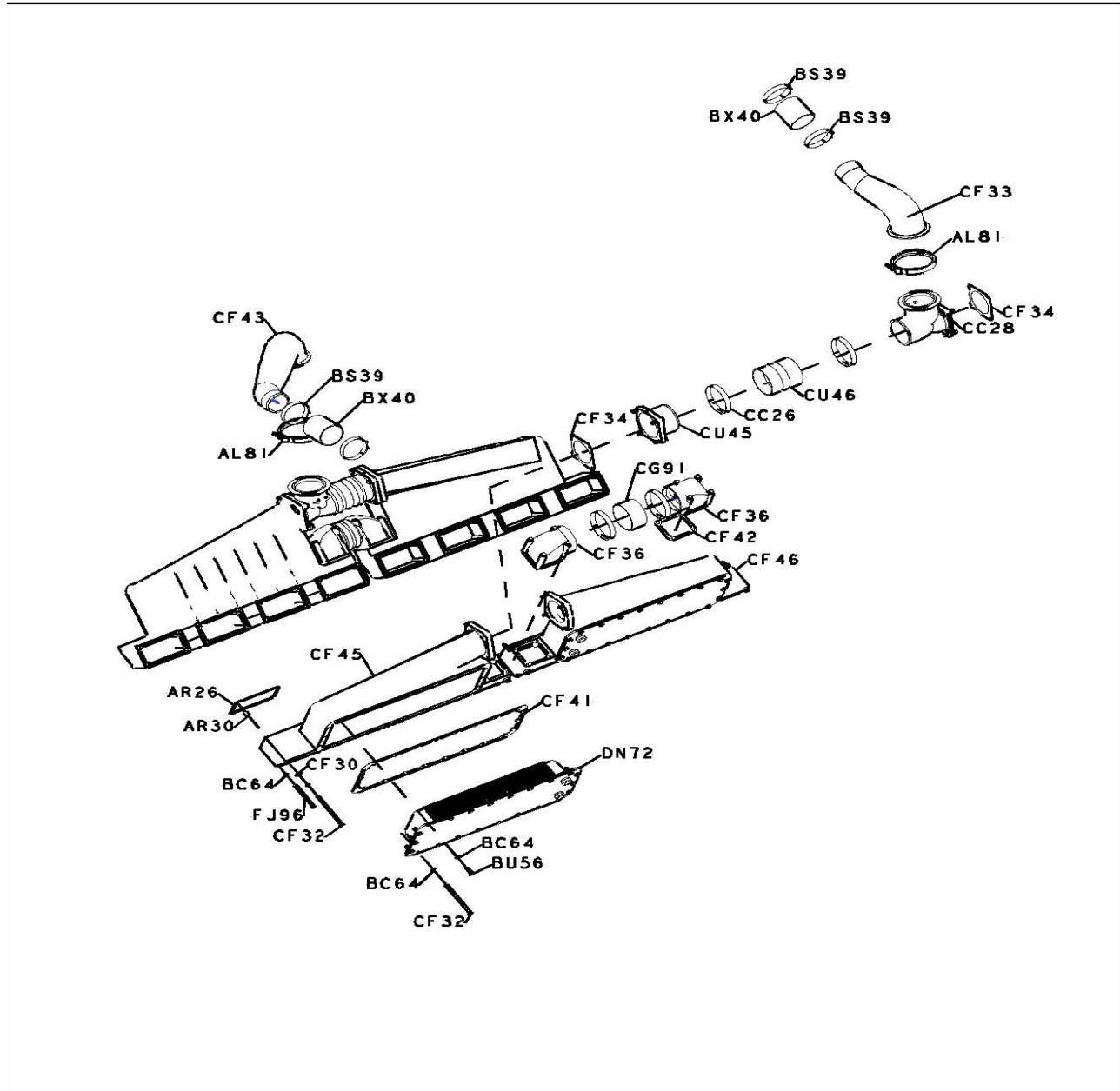
GROUPS/OPTIONS.

<b>S NO.</b>	<b>DESCRIPTION</b>	<b>GROUP NO.</b>
31	KIT, FLEXIBLE EXHAUST	GR_11_02_00_025
32	LUB OIL PUMP & TUBING	GR_07_06_00_027
33	MANIFOLD EXHAUST & MTG.	GR_11_01_00_034
34	MANIFOLD,FUEL	GR_06_02_00_027
35	MANIFOLD,OIL & VALVE,OIL CONTROL	GR_07_03_01_027
36	MISCELLANEOUS	GR_17_00_00_011
37	MISCELLANEOUS	GR_17_00_02_059
38	MOTOR STARTING	GR_13_15_00_049
39	PAN OIL	GR_07_01_00_033
40	PLUMBING A/C & VENT HOSE	GR_10_01_01_027
41	PRIMER,ENGINE	GR_07_06_01_027
42	PUMP, WATER & SUPPORT	GR_08_01_01_036
43	PUMP,WATER	GR_08_01_01_040
44	RADIATOR	GR_08_13_01_048
45	ROCKER HOUSING	GR_03_01_00_027
46	SENSOR	GR_08_13_00_006
47	SUPPORT THERMOSTATE & HOUSING.	GR_08_07_01_032
48	SUPPORT,FRONT ENGINE	GR_16_03_00_023
49	TRANSFORMER-CUR	GR_15_08_02_009
50	TURBOCHARGER & MOUNTING	GR_10_06_00_027
51	WATER SEPERATOR	GR_06_04_01_027

Version : 3.0.20.0 Applicable Date : Aug-2011

Group Number: GR\_10\_01\_00\_027

### AFTERCOOLER





Version : 3.0.20.0 Applicable Date : Aug-2011

Details of Group Number: GR\_10\_01\_00\_027

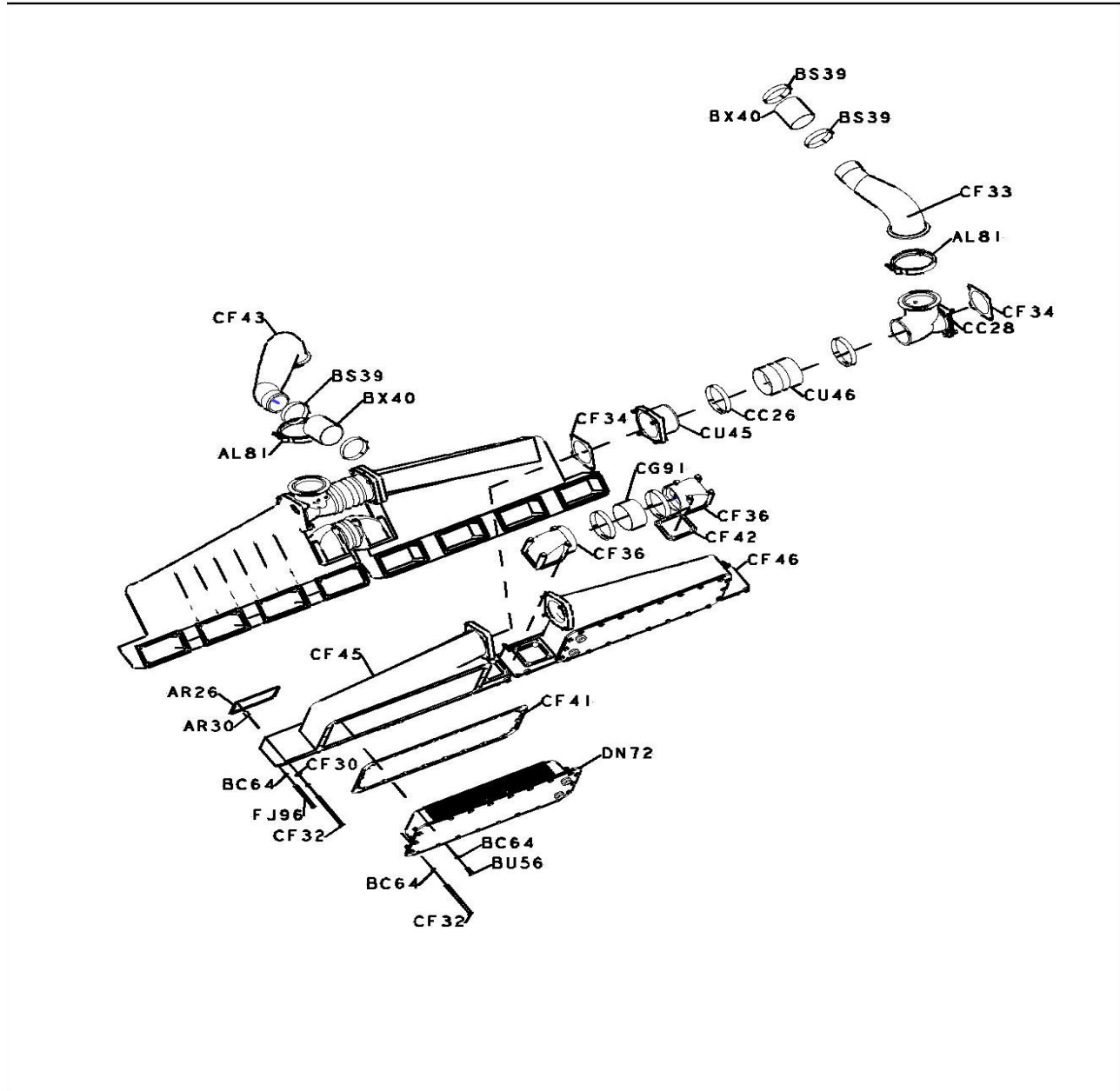
## AFTERCOOLER

S No	Ref No	Part No	Description	Qty	Serviceable	Remarks
			<b>MANIFOLD,AIR</b>			
1	-	3177575	MANIFOLD,AIR	1	N	
2	-	3627393	MANIFOLD,AIR INTAKE	2	Y	
3	CF46	3627376	MANIFOLD,AIR INTAKE	1	Y	
4	CF31	67184-B	INSERT,THREADED	8	Y	
5	CF30	62279	SPACER,MOUNTING	4	Y	
6	BC64	3036460	WASHER,SPRING	30	Y	
7	AN09	3628605	PLUG, PIPE	2	Y	PART NO. FOR SERVICE S 910 B
8	AE21	S 106C	SCREW HEXAGON HEAD CAP	14	Y	
9	CF32	69028	SCREW,HEXAGON HEAD CAP	16	Y	
			<b>MANIFOLD,AIR</b>			
10	-	3177576	MANIFOLD,AIR	1	N	
11	-	3627392	MANIFOLD,AIR INTAKE	2	Y	
12	CF45	3627375	MANIFOLD,AIR INTAKE	1	Y	
13	CF31	67184-B	INSERT,THREADED	8	Y	
14	CF30	62279	SPACER,MOUNTING	4	Y	
15	BC64	3036460	WASHER,SPRING	30	Y	
16	AE21	S 106C	SCREW HEXAGON HEAD CAP	14	Y	
17	CF32	69028	SCREW,HEXAGON HEAD CAP	16	Y	
18	AN09	3628605	PLUG, PIPE	2	Y	PART NO. FOR SERVICE S 910 B
			<b>MTG,AIR MANIFOLDS</b>			
19	-	3630794	MTG,AIR MANIFOLDS	1	N	
20	AR26	206277	GASKET,INTAKE MANIFOLD	16	Y	
21	AR30	3014304	SEAL,RECTANGULAR RING	32	Y	
			<b>CORE,AFTERCOOLER</b>			
22	-	4054492	CORE,AFTERCOOLER	2	N	
23	CF41	3178289	GASKET,AFTERCOOLER COVER	4	Y	
24	CF47	3627381	SEAL,RECTANGULAR STRIP	4	Y	
25	CF38	3068976	CORE,AFTERCOOLER	4	Y	PART NO. FOR SERVICE 3638311
26	BC64	3036460	WASHER,SPRING	50	Y	
27	BU56	S 103 D	SCREW, HEXAGON HEAD CAP	50	Y	
			<b>CONNECTION,AIR</b>			
28	-	4054479	CONNECTION,AIR	1	N	
29	CF42	3179028	GASKET,CONNECTION	4	Y	
30	CF36	3058814	CONNECTION,AIR INTAKE	4	Y	
31	CF44	3626479	BRACKET,CONNECTION	2	N	
32	BC64	3036460	WASHER,SPRING	16	Y	
33	AY13	S 170A	SCREW HEXAGON HEAD CAP	2	Y	
34	CF54	S 166B	SCREW, HEXAGON HEAD CAP	6	Y	
35	AE21	S 106C	SCREW HEXAGON HEAD CAP	8	Y	
36	CF49	3049565	HOSE,PLAIN	2	Y	
37	CC26	3633975	CLAMP,T BOLT	4	Y	
			<b>CONNECTION,AIR</b>			
38	-	4054480	CONNECTION,AIR	1	N	
39	CF34	3047665	GASKET,CONNECTION	4	Y	
40	-	3072040	CONNECTION,AIR CROSSOVER	2	Y	

Version : 3.0.20.0 Applicable Date : Aug-2011

Group Number: GR\_10\_01\_00\_027

### AFTERCOOLER



Version : 3.0.20.0 Applicable Date : Aug-2011

Details of Group Number: GR\_10\_01\_00\_027

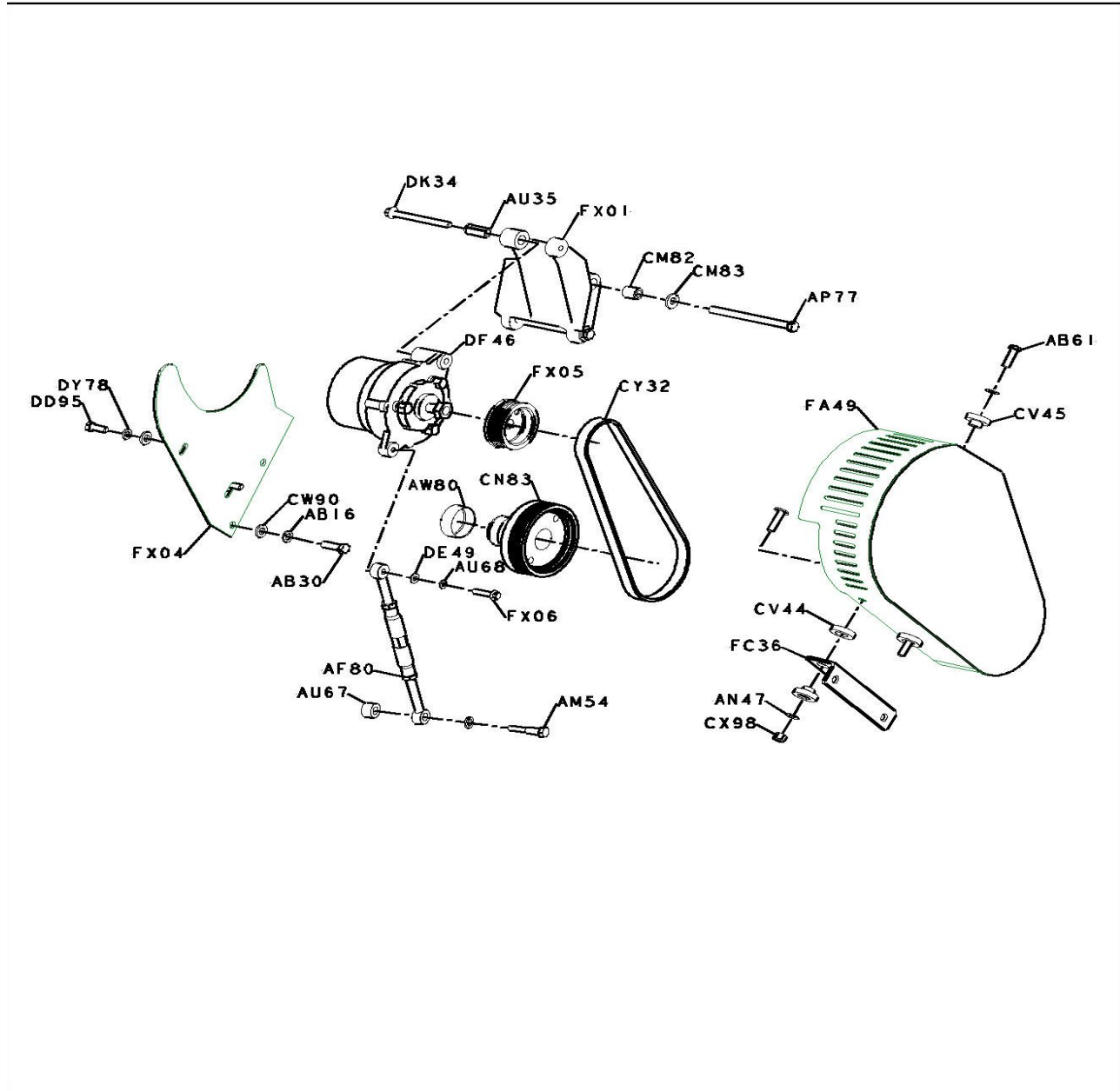
**AFTERCOOLER**

S No	Ref No	Part No	Description	Qty	Serviceable	Remarks
41	CC28	3629545	CONNECTION,AIR CROSSOVER	1	Y	PART NO. FOR SERVICE 3072040
42	BX13	67184	INSERT,THREADED	4	Y	
43	CU45	3630249	CONNECTION,AIR TRANSFER	2	Y	
44	BM54	3008466	PLUG,PIPE	4	Y	
45	CF37	3065723	SCREW,CAPTIVE WASHER CAP	16	Y	
46	CU46	3634116	HOSE,HUMP	2	N	
47	CC26	3633975	CLAMP,T BOLT	4	Y	
			<b>AIR CROSSOVER ASSY</b>			
48	-	<b>3630799</b>	AIR CROSSOVER ASSY	1	N	
49	CF43	3179585	CONNECTION,AIR CROSSOVER	1	Y	
50	AL81	186917	CLAMP,V BAND	2	Y	
51	CA63	3630125	HOSE,PLAIN	2	Y	
52	BS39	3633974	CLAMP,T BOLT	4	Y	
53	CF33	3058809	CONNECTION,AIR CROSSOVER	1	Y	

Version : 3.0.20.0 Applicable Date : Aug-2011

Group Number: GR\_13\_10\_00\_070

### ALTERNATOR



Version : 3.0.20.0 Applicable Date : Aug-2011

Details of Group Number: GR\_13\_10\_00\_070

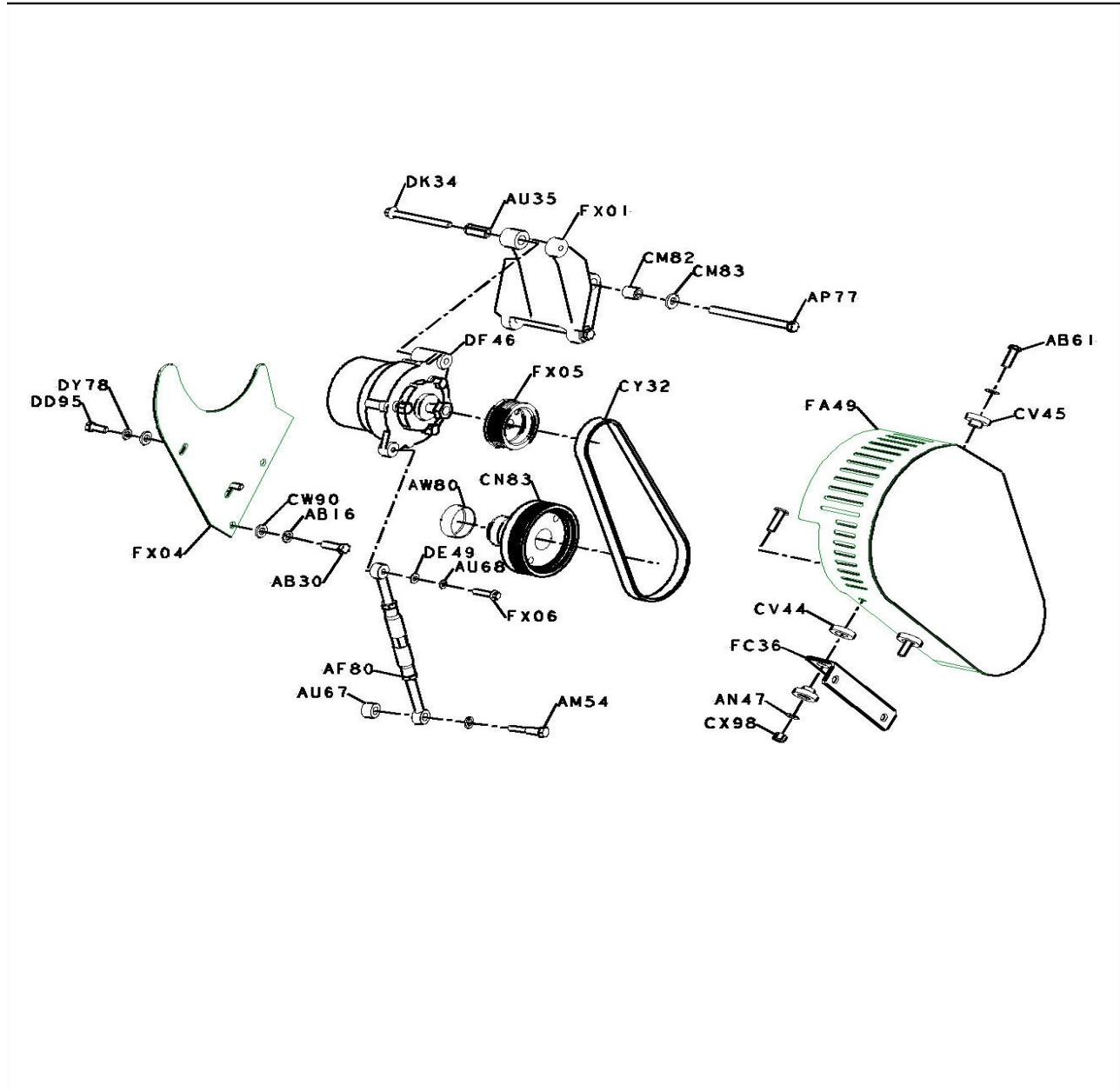
## ALTERNATOR

S No	Ref No	Part No	Description	Qty	Serviceable	Remarks
			<b>ALTERNATOR MTG</b>			
1	-	<b>2865523</b>	ALTERNATOR MTG	1	N	
2	FX01	2865522	SUPPORT,ALTER	1	Y	
3	CM82	207509	SLEEVE	2	Y	
4	CM83	203760	WASHER,PLAIN	2	Y	
5	AP77	S 167B	SCREW,HEXAGON HEAD CAP	2	Y	
6	AU35	3902469	SPACER, MOUNTING	1	Y	
7	CD13	3914407	SCREW,HEX FLANGE HEAD CAP	1	Y	
8	CY32	<b>4958411</b>	BELT	1	Y	
9	FX05	<b>2865525</b>	PULLEY,ALTERNATOR	1	Y	
			<b>GUARD,ALTERNATOR</b>			
10	-	<b>2865542</b>	GUARD,ALTERNATOR	1	N	
11	CV44	3035083	ISOLATOR,VIBRATION	3	Y	
12	FA49	3627463	GUARD,BELT	1	Y	
13	-	3627464	PIECE	1	N	
14	-	3627465	PIECE	1	N	
15	-	3627468	PIECE	1	N	
16	-	3038701	STUD,WELD	2	Y	
17	-	3627466	PIECE	1	N	
18	-	3627467	PIECE	4	N	
19	CV45	3035084	ISOLATOR,VIBRATION	3	Y	
20	FC36	3627469	BRACKET,VIB ISOLATOR	1	Y	
21	-	3627470	PIECE	1	N	
22	-	214718	NUT,WELD	2	Y	
23	AN47	3628902	WASHER,PLAIN	3	Y	
24	CX98	3175239	NUT,LOCK	2	Y	
25	AB61	S 103D	SCREW, HEXAGON HEAD CAP	1	Y	
26	FX04	2865524	PIECE	1	N	
27	AP76	3000082	WASHER,PLAIN	3	Y	
28	DD63	S 610	WASHER, PLAIN	1	Y	
29	AB30	103009	SCREW, HEXAGON HEAD CAP	1	Y	
30	AA98	S 604	WASHER, LOCK	2	Y	
31	DD95	S 112	SCREW, HEXAGON	2	Y	
			<b>LNK,ADJUSTING</b>			
32	-	<b>2865541</b>	LNK,ADJUSTING	1	N	
33	-	2865526	LINK,ADJUSTING	1	Y	
34	FX13	3201185	BOLT,EYE	1	Y	
35	FX14	3201187	LINK,ADJUSTING	1	Y	
36	FX15	4913131	BOLT,EYE	1	Y	
37	BU09	206202	NUT,REGULAR HEXAGON	1	Y	
38	AF80	S 253	NUT, REGULAR HEXAGON JAM	1	Y	
39	DE49	S 626	WASHER,PLAIN	1	Y	
40	AU68	3235457	WASHER,LOCK	1	Y	

Version : 3.0.20.0 Applicable Date : Aug-2011

Group Number: GR\_13\_10\_00\_070

### ALTERNATOR



Version : 3.0.20.0 Applicable Date : Aug-2011

Details of Group Number: GR\_13\_10\_00\_070

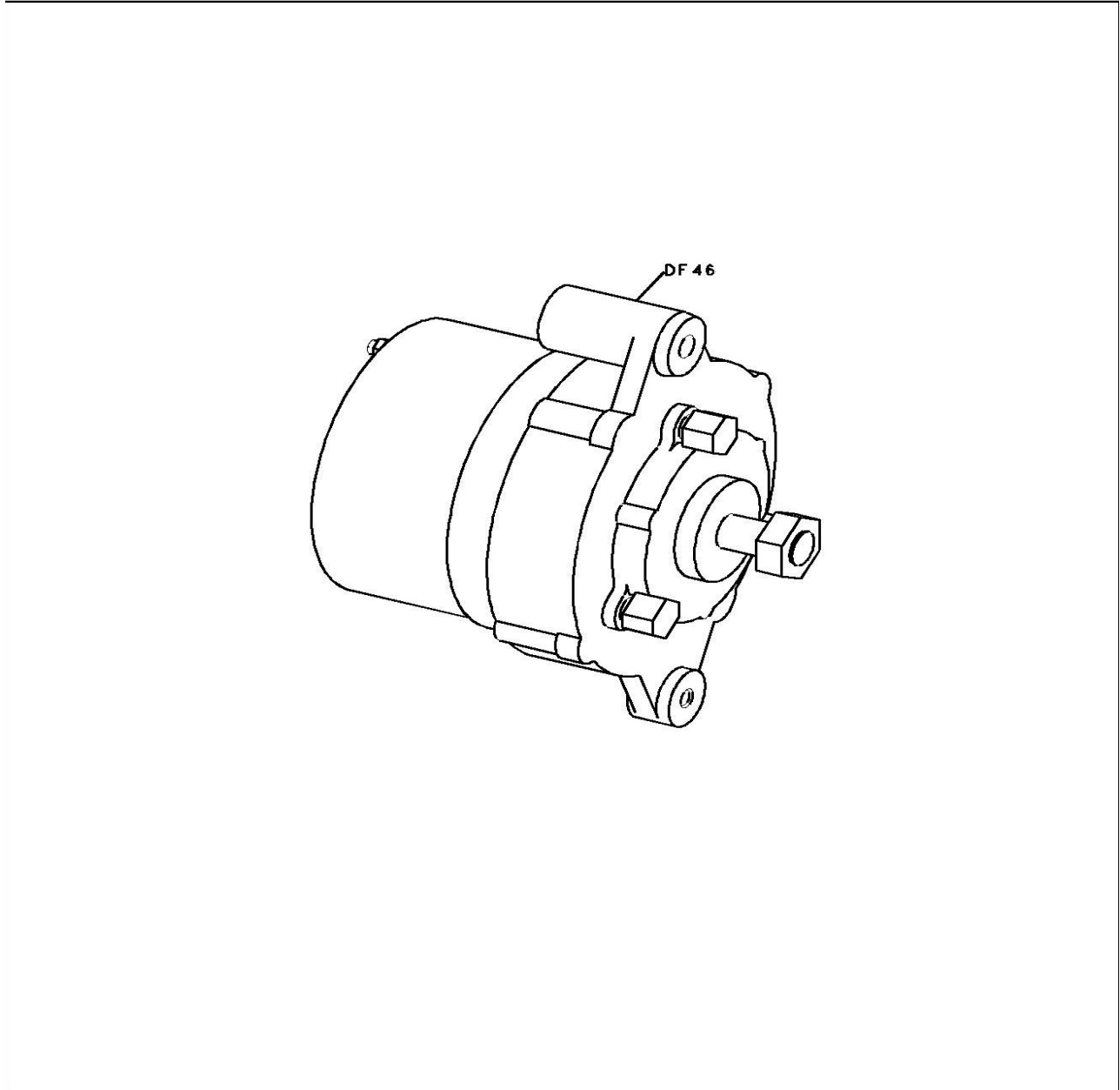
**ALTERNATOR**

S No	Ref No	Part No	Description	Qty	Serviceable	Remarks
41	FX06	3280899	SCREW,HEX FLANGE HEAD CAP	1	Y	
42	DD63	S 610	WASHER, PLAIN	1	Y	
43	AM54	106069	SCREW, HEXAGON HEAD CAP	1	Y	
44	AU67	3812312	SPACER MOUNTING	1	Y	
			<b>PULLEY,ACCESSORY DRIVE</b>			
45	-	<b>3179944</b>	PULLEY,ACCESSORY DRIVE	1	Y	
46	CN83	3628939	PULLEY,ACCESSORY DRIVE	1	Y	
47	AW80	190397	SLEEVE ,WEAR	1	Y	

Version : 3.0.20.0 Applicable Date : Aug-2011

Group Number: GR\_13\_17\_02\_017

ALTERNATOR





Version : 3.0.20.0 Applicable Date : Aug-2011

Details of Group Number: GR\_13\_17\_02\_017

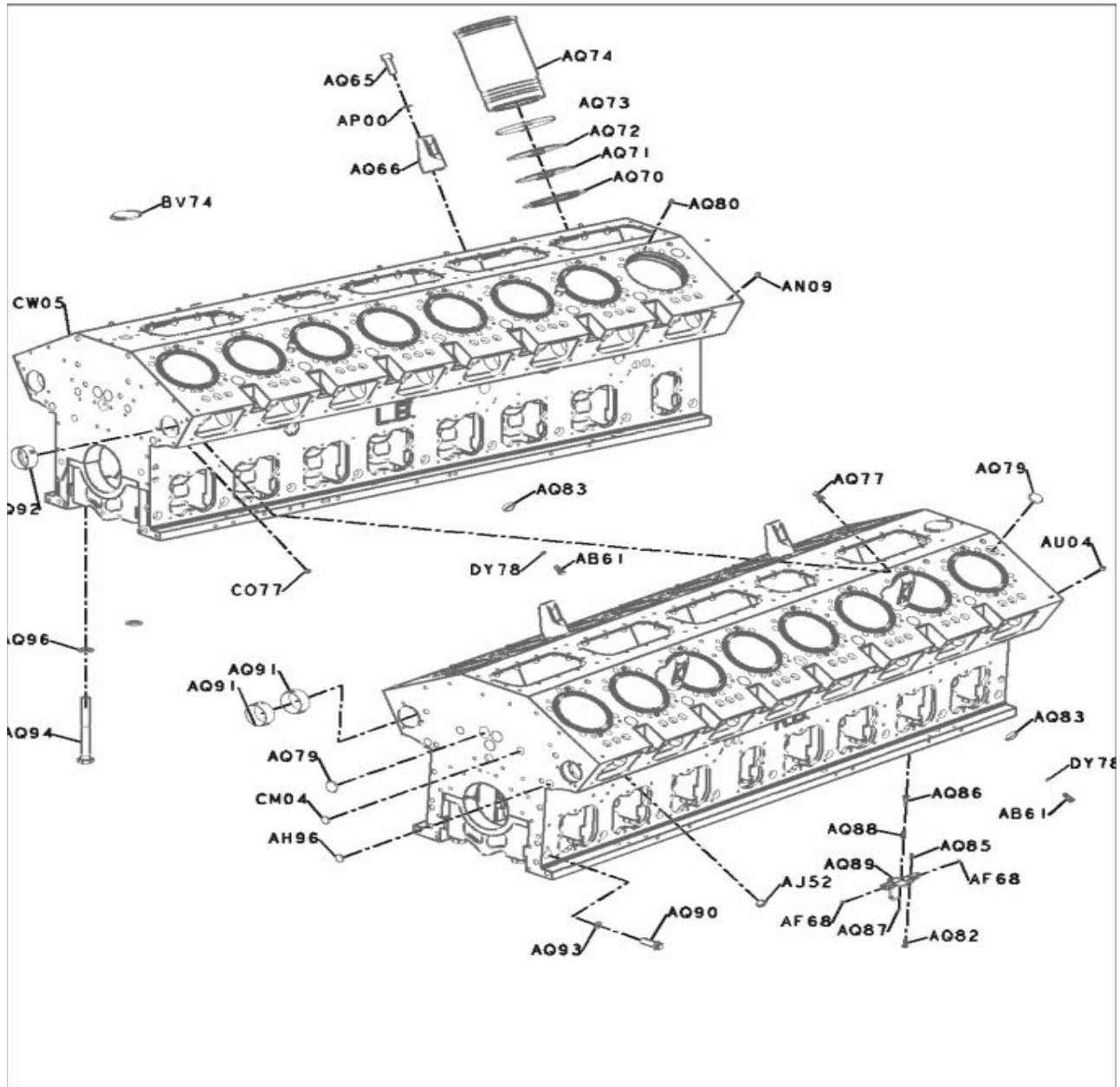
### ALTERNATOR

S No	Ref No	Part No	Description	Qty	Serviceable	Remarks
1	DF46	4971861	ALTERNATOR	1	Y	

Version : 3.0.20.0 Applicable Date : Aug-2011

Group Number: GR\_01\_01\_00\_027

### BLOCK, CYLINDER



Version : 3.0.20.0 Applicable Date : Aug-2011

Details of Group Number: GR\_01\_01\_00\_027

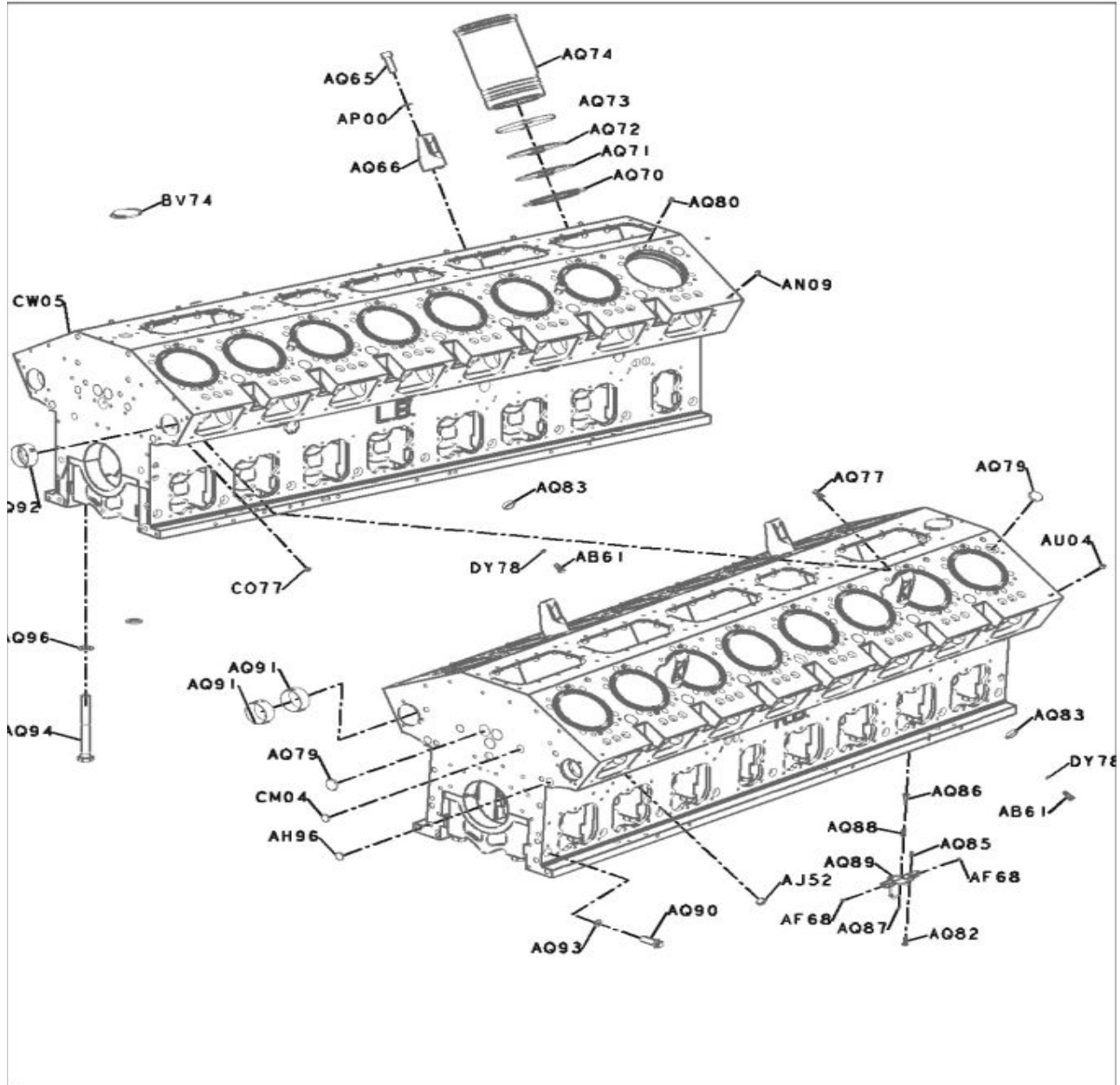
**BLOCK, CYLINDER**

S No	Ref No	Part No	Description	Qty	Serviceable	Remarks
			<b>BLOCK,CYLINDER</b>			
1	-	4951771	BLOCK,CYLINDER	1	N	
2	-	4927512	BLOCK,CYLINDER	1	Y	
3	CW05	4927511	BLOCK CYLINDER	1	Y	
4	-	4971980	CAP,MAIN BEARING	7	Y	
5	AQ95	206587	CAP,MAIN BEARING	1	Y	
6	AQ98	3176857	DOWEL,RING	1	Y	
7	-	4971994	CAP,MAIN BEARING	2	Y	
8	AQ97	206588	CAP,MAIN BEARING	1	Y	
9	AQ98	3176857	DOWEL,RING	1	Y	
10	AQ96	3025485	WASHER,PLAIN	18	Y	
11	AQ94	3628452	SCREW,HEXAGON HEAD CAP	18	Y	
12	AQ93	139990	WASHER,PLAIN	18	Y	
13	AQ90	205584	SCREW,TWELVE POINT CAP	18	Y	
14	HL64	3640775	SEAL,TAMPER PROOF	9	Y	
15	AQ92	205230	BUSHING	2	Y	
16	AQ91	3175805	BUSHING	32	N	PART NO. FOR SERVICE 205230
17	-	3248952	MOUNTING PLATE	6	N	
18	AQ83	3177556	SEAL,RECTANGULAR RING	1	Y	
19	AA98	S 604	WASHER, LOCK	2	Y	
20	AB61	S 103D	SCREW, HEXAGON HEAD CAP	2	Y	
21	CM03	3631471	ADAPTER,O RING	6	Y	
22	-	3631473	PLATE,COVER	1	Y	
23	-	3631472	RETAINER,SEAL	1	Y	
24	-	3879479	VALVE,PISTON COOLING	8	N	
25	AQ89	3873869	BODY, PISTON COOLING VALVE	1	Y	PART NO. FOR SERVICE 3879479
26	AQ88	3058424	SPRING,COMPRESSION	1	Y	
27	AQ87	3873801	RING,RETAINING	1	Y	
28	AQ86	3873802	PLUNGER,OIL CONTROL VALVE	1	Y	
29	AF68	S 965E	PLUG PIPE	2	Y	
30	AQ85	3179000	DOWEL,PIN	2	Y	
31	AQ82	3178947	SCREW,HEXAGON HEAD CAP	16	Y	
32	AQ80	4016364	DOWEL,PIN	32	Y	
33	JE78	3645841	PLUG,EXPANSION	16	Y	
34	AH96	175830	PLUG EXPANSION	4	Y	
35	-	3236310	PLUG EXPANSION	4	Y	
36	AJ52	S 995	PLUG PIPE	2	Y	
37	AN09	3628605	PLUG, PIPE	5	Y	PART NO. FOR SERVICE S 910 B
38	AU04	S 910B	PLUG PIPE	4	Y	
39	AQ79	4017621	PLUG,EXPANSION	19	Y	
40	AQ77	176307	DRAINCOCK	3	Y	

Version : 3.0.20.0 Applicable Date : Aug-2011

Group Number: GR\_01\_01\_00\_027

### BLOCK, CYLINDER



Version : 3.0.20.0 Applicable Date : Aug-2011

Details of Group Number: GR\_01\_01\_00\_027

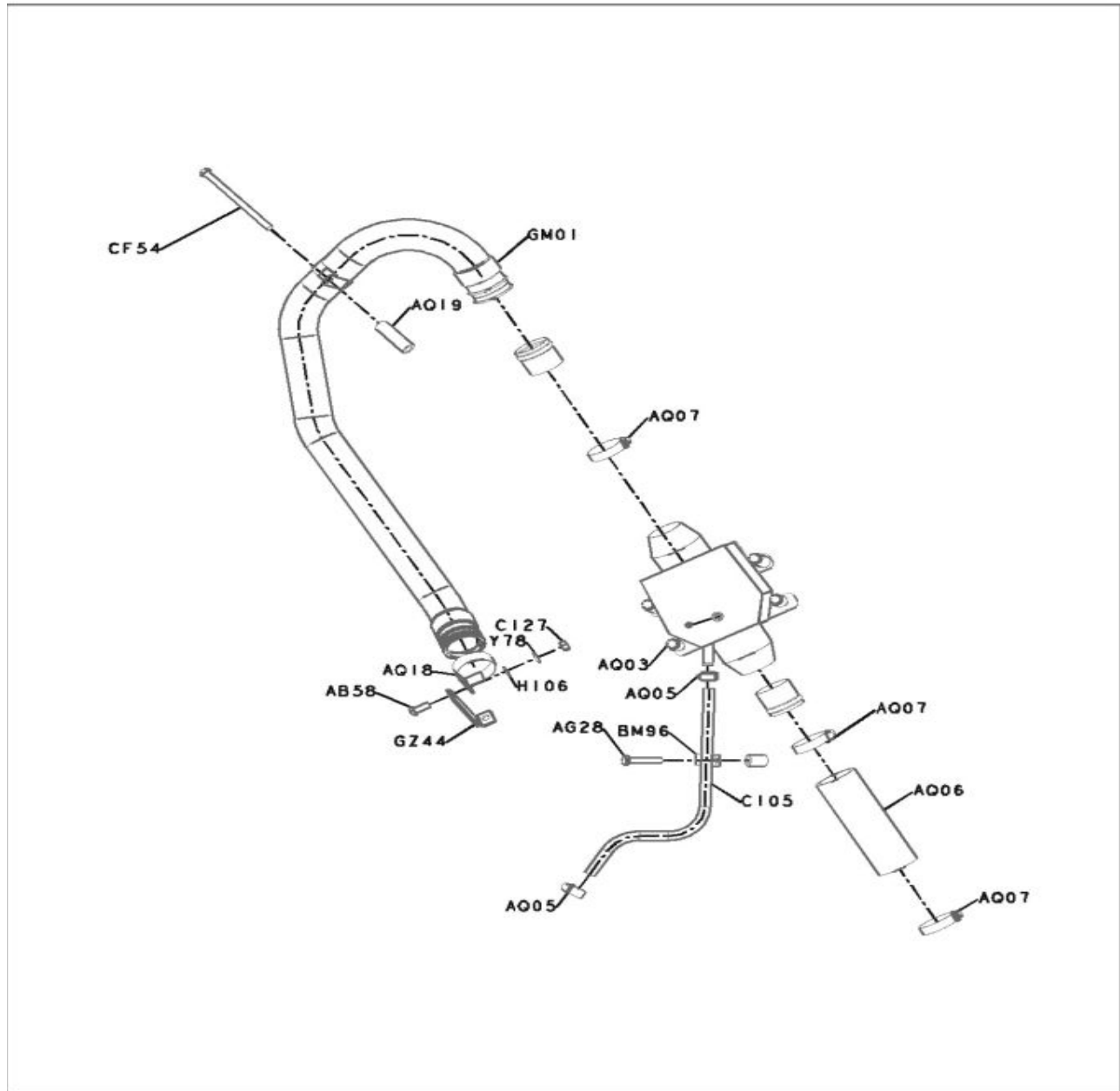
**BLOCK, CYLINDER**

S No	Ref No	Part No	Description	Qty	Serviceable	Remarks
41	CU08	3632840	SEAL 'O' RING	6	Y	
42	HL64	3640775	SEAL,TAMPER PROOF	14	Y	
			<b>COVER,WATER CONN MTG</b>			
43	-	<b>3013519</b>	COVER,WATER CONN MTG	1	N	
44	BV75	3175517	GASKET,FLANGE	1	Y	
45	HQ61	3014766	SCREW,CAPTIVE WASHER	2	Y	
46	BV74	<b>3175522</b>	PLATE,COVER	1	Y	
			<b>BRACKET,LIFTING</b>			
47	-	<b>3167149</b>	BRACKET,LIFTING	4	N	
48	AQ66	205684	BRACKET,LIFTING	1	Y	
49	AP00	205059	WASHER,PLAIN	1	Y	
50	AQ65	206028	SCREW, SOCKET HEAD CAP	1	Y	
			<b>PLUG,PIPE</b>			
51	CO77	<b>3628609</b>	PLUG,PIPE	1	Y	
			<b>LINER,CYLINDER</b>			
52	-	<b>3006089</b>	LINER,CYLINDER	16	N	
53	AQ74	3022157	LINER,CYLINDER	1	Y	PART NO. FOR SERVICE 3006089
54	AQ73	3081489	SEAL,OIL	1	Y	
55	AQ72	3011076	SEAL,D RING	1	Y	
56	AQ71	3014668	SEAL,D RING	1	Y	
57	AQ70	3011884	INSERT,LINER	1	Y	

Version : 3.0.20.0 Applicable Date : Aug-2011

Group Number: GR\_03\_02\_00\_038

### BREATHER, CRANKCASE



Version : 3.0.20.0 Applicable Date : Aug-2011

Details of Group Number: GR\_03\_02\_00\_038

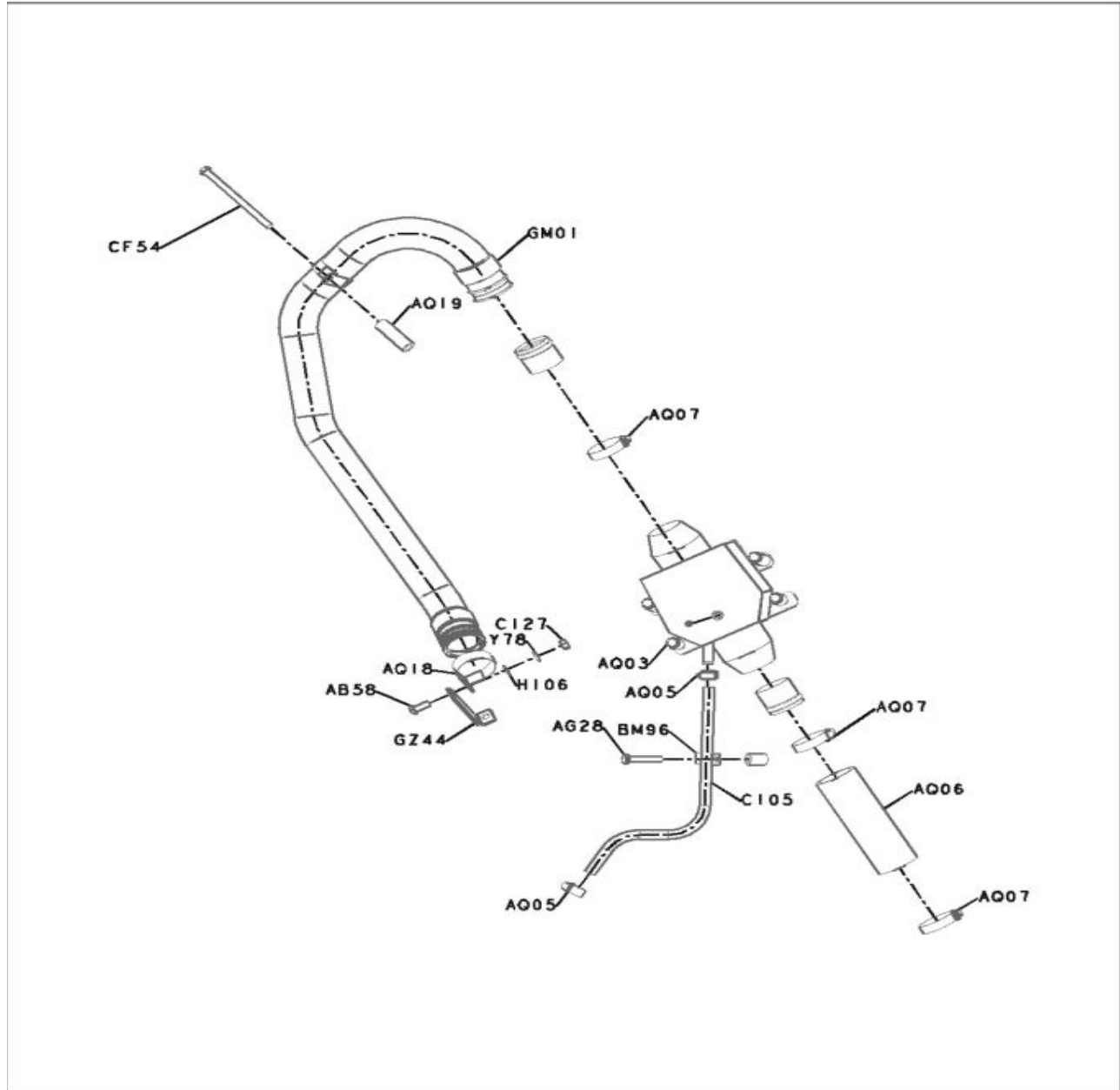
**BREATHER, CRANKCASE**

S No	Ref No	Part No	Description	Qty	Serviceable	Remarks
			<b>BREATHER,CRANKCASE</b>			
1	-	<b>3631537</b>	BREATHER,CRANKCASE	1	N	
2	-	3631925	BREATHER,CRANKCASE	1	N	
3		4344108	BREATHER,CRANKCASE	1	N	
4	FE45	3631539	BREATHER,CRANKCASE	1	Y	
5	-	3631540	PIECE	1	N	
6	-	3631551	PIECE	1	N	
7	-	3631553	PIECE	1	N	
8	-	3631546	PIECE	1	N	
9	-	3631545	PIECE	1	N	
10	-	3631554	PIECE	1	N	
11	-	3631544	PIECE	2	N	
12	-	3631550	PIECE	2	N	
13	-	3631541	PIECE	2	N	
14	-	3631552	PIECE	2	N	
15	-	3631543	PIECE	1	N	
16	-	3631549	PIECE	2	N	
17	-	3631548	PIECE	2	N	
18	-	3631542	PIECE	1	N	
19	-	3631745	PIECE	1	N	
20	-	3000290	BOSS	1	N	
21	AN05	3628604	PLUG,PIPE	1	Y	
22	AQ06	3631578	HOSE,PLAIN	1	Y	
23	AQ07	43828C	CLAMP, HOSE	2	Y	
24	-	3631558	HOSE,BREATHER VENT	1	N	
25	GM01	3631572	HOSE,MOLDED	1	Y	
26	AQ07	43828C	CLAMP, HOSE	1	Y	
27	-	3631560	BREATHER,VENT MTG	1	N	
28	AQ18	172558	CLIP	1	Y	
29	GZ44	3642285	BRACE,TUBE	1	Y	
30	AB58	S 109	SCREW, HEXAGON HEAD CAP	1	Y	
31	AN47	3628902	WASHER,PLAIN	2	Y	
32	AA98	S 604	WASHER, LOCK	1	Y	
33	CI27	3201128	NUT,REGULAR HEXAGON	1	Y	
34	-	3631538	BREATHER,OIL DRAIN	1	N	
35	AQ04	3632449	HOSE,PLAIN	1	Y	
36	AQ05	179904	CLAMP,HOSE	2	Y	
37	AQ02	3630986	COUPLING, PLAIN HOSE	1	Y	
38	CH36	3002158	PLUG,PIPE	1	Y	
			<b>MOUNTING,CRC BREATHER</b>			
39	-	<b>3631555</b>	MOUNTING,CRC BREATHER	1	N	
40	AQ03	64709	SPACER,MOUNTING	2	Y	

Version : 3.0.20.0 Applicable Date : Aug-2011

Group Number: GR\_03\_02\_00\_038

### BREATHER, CRANKCASE





Version : 3.0.20.0 Applicable Date : Aug-2011

Details of Group Number: GR\_03\_02\_00\_038

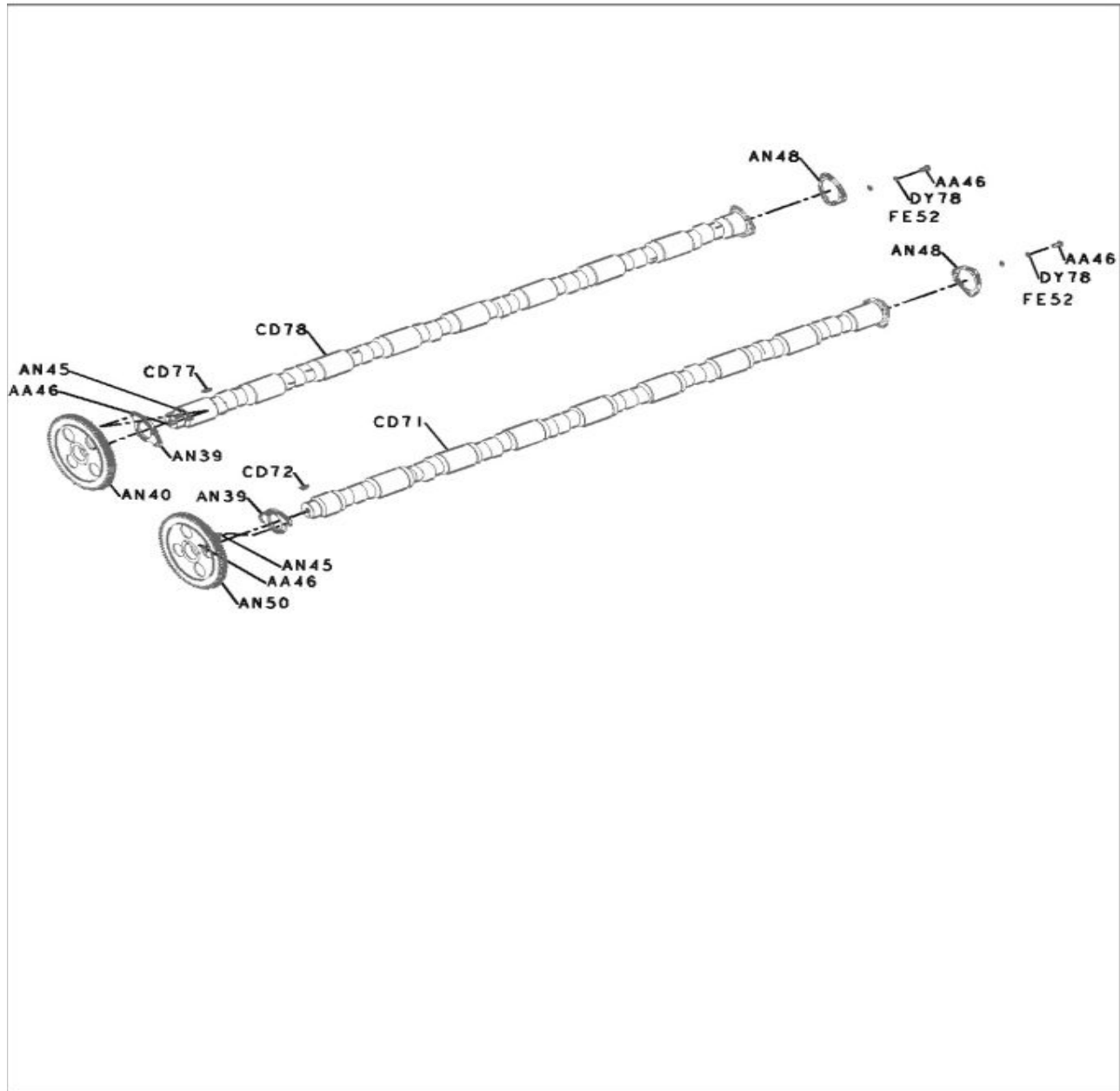
**BREATHER, CRANKCASE**

S No	Ref No	Part No	Description	Qty	Serviceable	Remarks
41	AN47	3628902	WASHER,PLAIN	4	Y	
42	AA98	S 604	WASHER, LOCK	4	Y	
43	AN73	S 105	SCREW, HEXAGON HEAD CAP	4	Y	
44	CQ74	3629762	SPACER,MOUNTING	2	Y	
45	AQ18	<b>172558</b>	CLIP	1	Y	
46	AQ19	<b>3202032</b>	SPACER,MOUNTING	1	Y	
47	CF54	<b>S 166B</b>	SCREW, HEXAGON HEAD CAP	1	Y	
48	BM96	<b>69911A</b>	CLIP	1	Y	
49	AQ03	<b>64709</b>	SPACER,MOUNTING	1	Y	
50	AG28	<b>S 137</b>	SCREW, HEXAGON HEAD CAP	1	Y	

Version : 3.0.20.0 Applicable Date : Aug-2011

Group Number: GR\_01\_07\_00\_027

### CAMSHAFT



Version : 3.0.20.0 Applicable Date : Aug-2011

Details of Group Number: GR\_01\_07\_00\_027

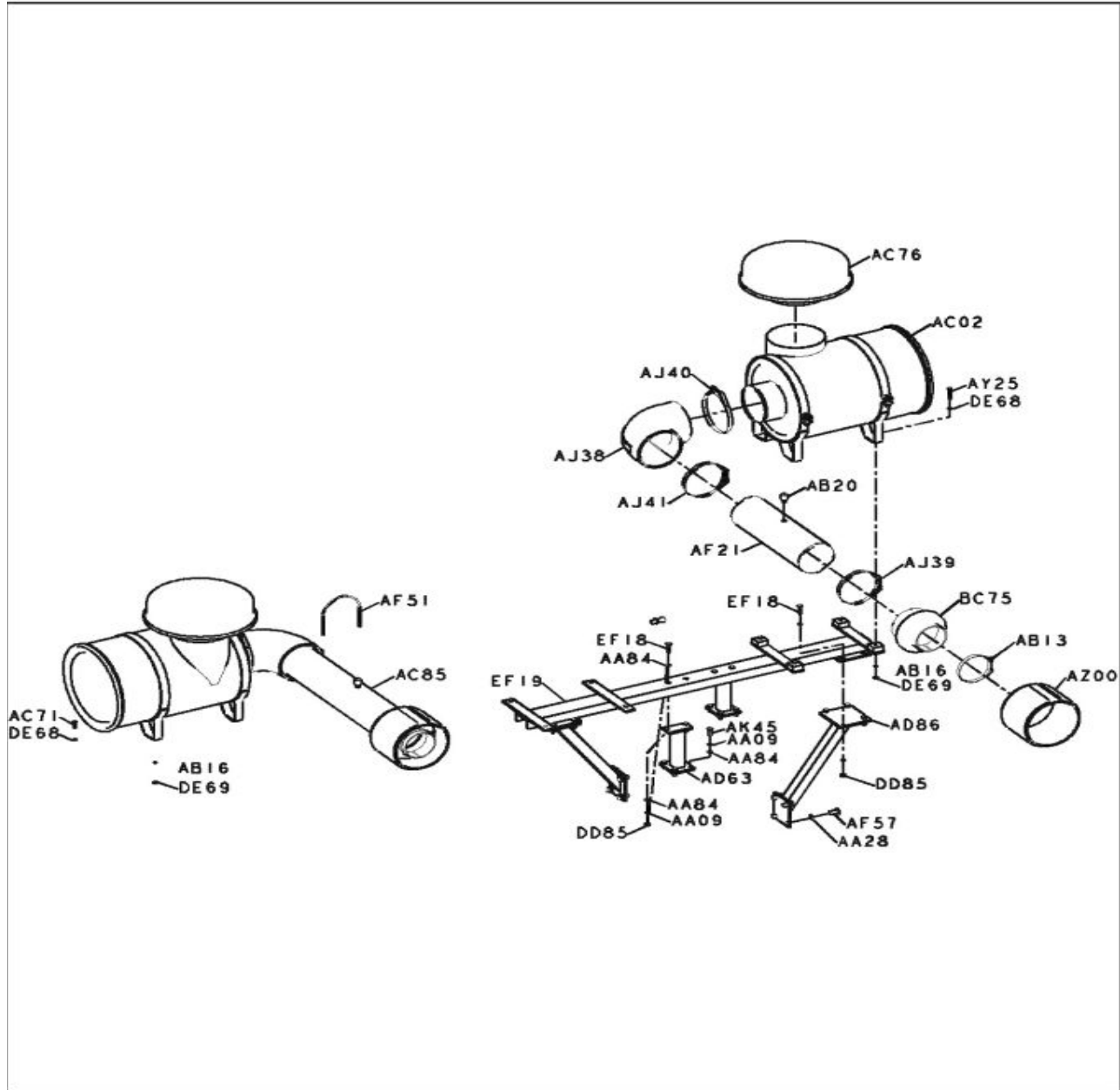
**CAMSHAFT**

S No	Ref No	Part No	Description	Qty	Serviceable	Remarks
			<b>COVER CAMSHAFT MOUNTING</b>			
1	-	<b>4021016</b>	COVER CAMSHAFT MOUNTING	2	N	
2	BW61	3040722	GASKET,CAMSHAFT COVER	1	Y	
3	AN47	3628902	WASHER,PLAIN	3	Y	
4	AA98	S 604	WASHER, LOCK	3	Y	
5	AA46	S 112	SCREW,HEXAGON HEAD CAP	3	Y	
6	AN48	<b>207373</b>	COVER,CAMSHAFT	2	Y	PART NO. FOR SERVICE-3175210
			<b>CAMSHAFT, RB</b>			
7	-	<b>4054481</b>	CAMSHAFT, RB	1	N	
8	CD78	3074304	CAMSHAFT	1	Y	
9	AN39	3007971	BEARING,CAMSHAFT THRUST	1	Y	
10	AN40	206747	GEAR, CAMSHAFT	1	Y	
11	CD77	200709	KEY, OFFSET WOODRUFF	1	Y	
			<b>CAMSHAFT, LB</b>			
12	-	<b>4054482</b>	CAMSHAFT, LB	1	N	
13	CD71	3074305	CAMSHAFT	1	Y	
14	AN39	3007971	BEARING,CAMSHAFT THRUST	1	Y	
15	CD72	200708	KEY, OFFSET WOODRUFF	1	Y	
16	AN50	207248	GEAR,CAMSHAFT	1	Y	
			<b>CAMSHAFT MTG</b>			
17	-	<b>MP4970</b>	CAMSHAFT MTG	2	N	
18	AN45	109319	LOCKPLATE	2	Y	
19	AA46	S 112	SCREW,HEXAGON HEAD CAP	2	Y	

Version : 3.0.20.0 Applicable Date : Aug-2011

Group Number: GR\_10\_04\_01\_014

CLEANER,AIR



Version : 3.0.20.0 Applicable Date : Aug-2011

Details of Group Number: GR\_10\_04\_01\_014

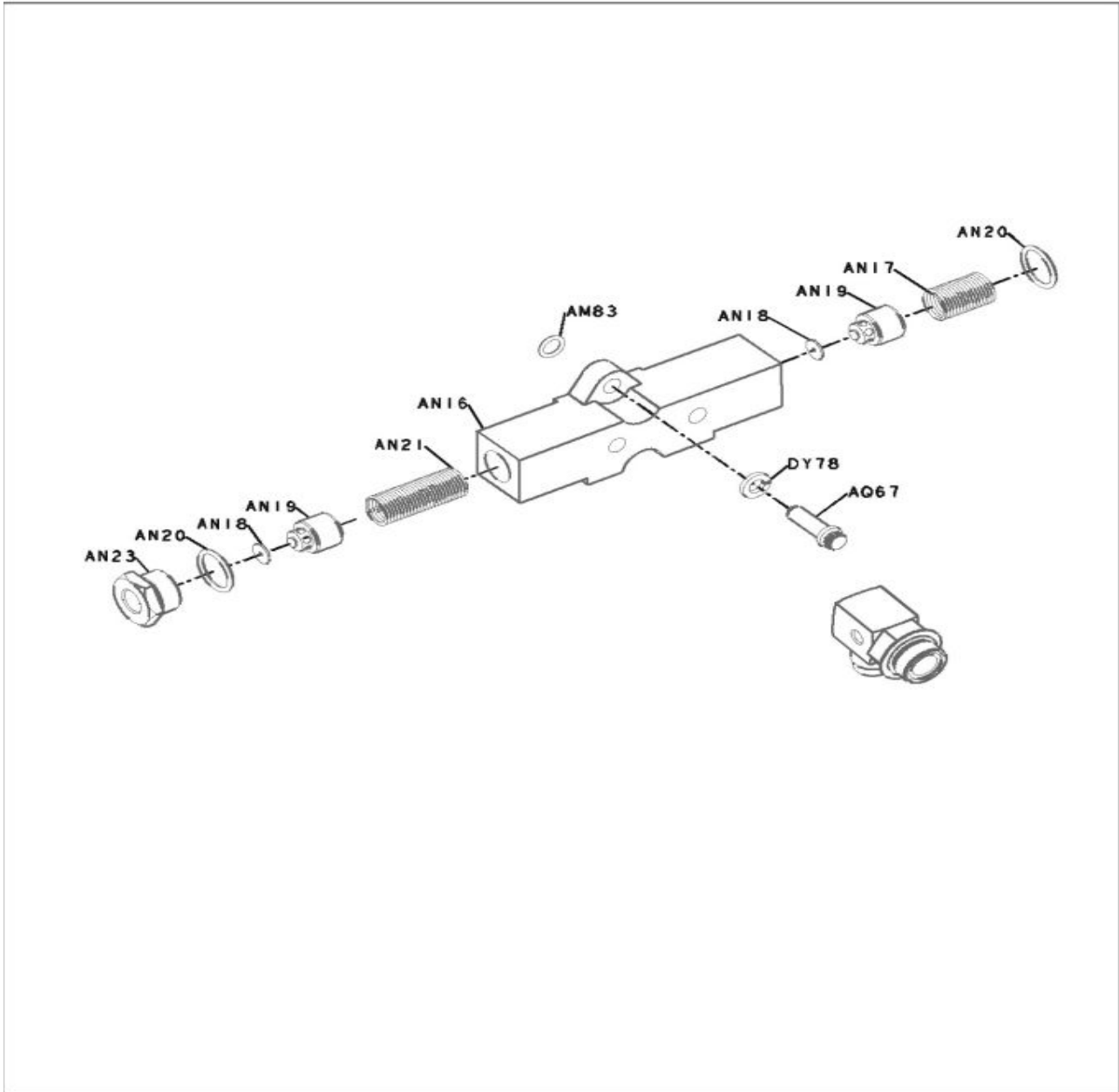
## CLEANER,AIR

S No	Ref No	Part No	Description	Qty	Serviceable	Remarks
			<b>CLEANER,AIR</b>			
1	-	4987524	CLEANER,AIR	1	N	
2	-	4987525	MTG & PLUMBING AIR CLEANER	1	N	
3	EF19	4987514	BRACKET,AIR CLEANER	1	Y	
4	-	4987515	PIECE	1	N	
5	-	4987516	PIECE	2	N	
6	-	4987517	PIECE	4	N	
7	-	4987518	PEICE	4	N	
8	AD63	4056424	BRACKET, AIR CLEANER	2	Y	
9	AD86	4056428	BRACKET, AIR CLEANER	2	Y	
10	DE68	S 622	WASHER, PLAIN	8	Y	
11	AC71	S 155	SCREW, HEXAGON HEAD CAP	4	Y	
12	AY25	S 121B	SCREW, HEXAGON HEAD CAP	4	Y	
13	DD63	S 610	WASHER, PLAIN	8	Y	
14	DE69	S 217	NUT REGULAR HEXAGON	8	Y	
15	DD83	S 670	WASHER, PLAIN	24	Y	
16	AA09	S 608	WASHER, LOCK	20	Y	
17	AK45	S 113	SCREW , HEXAGON HEAD CAP	8	Y	
18	EF18	S-125	SCREW,HEXAGON HEAD CAP	12	Y	
19	DD85	S 200	NUT, HEAVY HEX	12	Y	
20	AJ38	3030778	HOSE ELBOW	2	Y	
21	AJ40	3627206	CLAMP,T BOLT	2	Y	
22	AF21	4053831	TUBE, AIR INLET	1	Y	
23	AC85	4056465	TUBE, AIR INLET	1	Y	
24	-	4056466	PIECE	1	N	
25	-	250099	BOSS	1	N	
26	BC75	3030768	HOSE, HUMP	2	Y	
27	AJ41	3175623	CLAMP, T BOLT	2	Y	
28	AJ39	125742	CLAMP, T BOLT	2	Y	
29	AB13	125741	CLAMP T BOLT	2	Y	
30	AA28	S 611	WASHER LOCK	8	Y	
31	AF57	3875463	SCREW, HEXAGON HEAD	8	Y	
32	AB20	3872813	INDICATOR,RESTRICTION	2	Y	
33	AF51	3414895	CLAMP, U BOLT	1	Y	
34	AZ00	3631822	HEAT SHIELD	2	Y	
35	AC02	4056194	CLEANER, AIR	2	Y	
36	AC76	4056195	CAP, AIR CLEANER	2	Y	
37	JE08	5278931	SCREW,SOCKET HEAD CAP	8	Y	
38	BS43	140218	WASHER,PLAIN	8	Y	
39	AA28	S 611	WASHER LOCK	8	Y	

Version : 3.0.20.0 Applicable Date : Aug-2011

Group Number: GR\_05\_19\_00\_006

CONN. BLOCK FUEL ASSY



Version : 3.0.20.0 Applicable Date : Aug-2011

Details of Group Number: GR\_05\_19\_00\_006

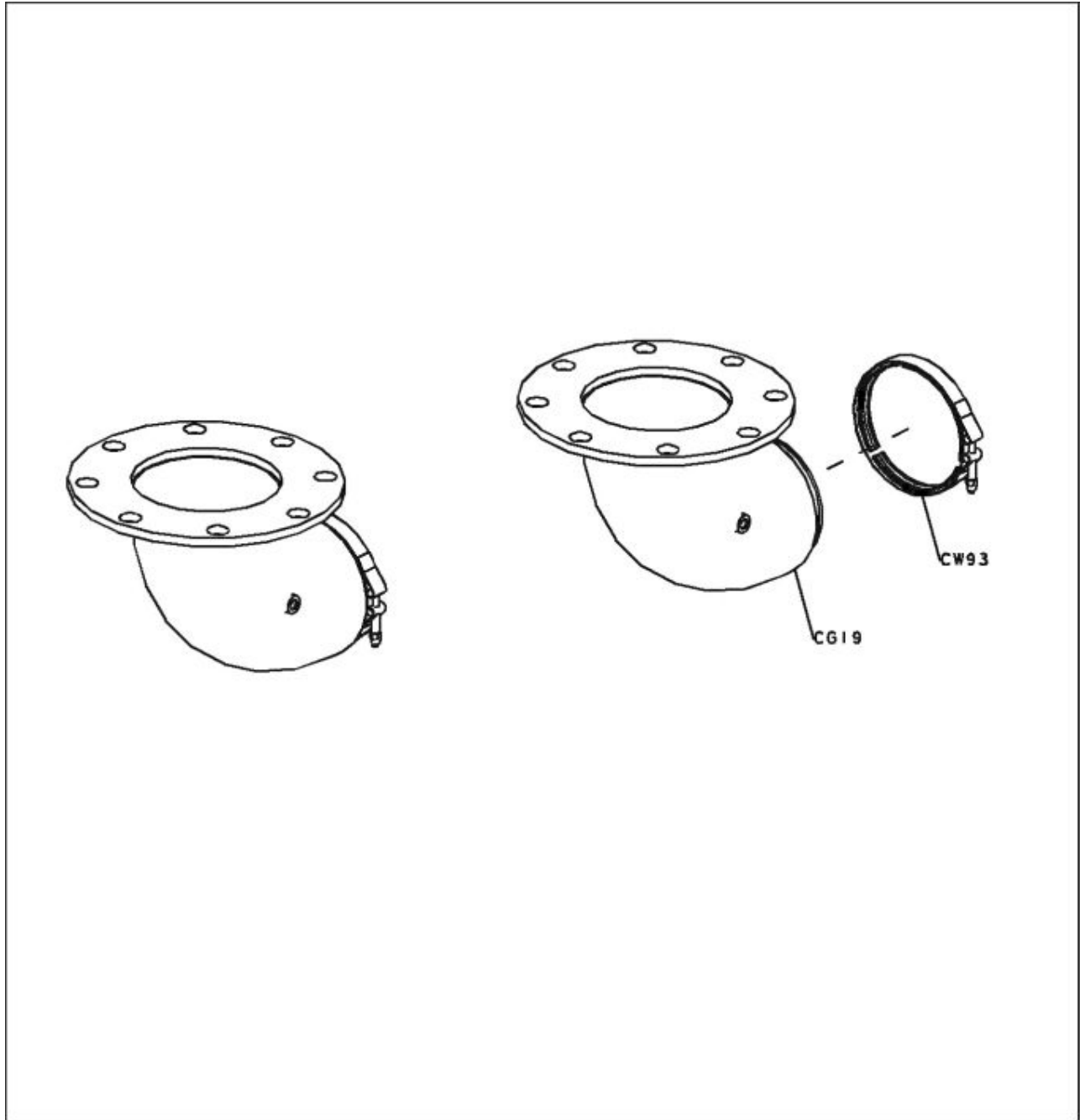
**CONN. BLOCK FUEL ASSY**

S No	Ref No	Part No	Description	Qty	Serviceable	Remarks
			<b>FUEL BLOCK MOUNTING</b>			
1	-	<b>3007065</b>	FUEL BLOCK MOUNTING	1	N	
2	AQ67	191772	SCREW,TWELVE POINT CAP	2	Y	
3	AA98	S 604	WASHER, LOCK	2	Y	
4	AM83	3818885	SEAL,O RING	2	Y	
			<b>CONNECTION,FUEL</b>			
5	-	<b>3629408</b>	CONNECTION,FUEL	1	Y	
6	AN16	3629409	CONNECTION,FUEL BLOCK	1	Y	
7	AN21	3277045	SPRING,COMPRESSION	1	Y	
8	AN19	650826	PLUNGER,FUEL CONTROL	2	Y	
9	AN18	651045	SEAL,GROMMET	2	Y	
10	AN20	3046943	SEAL,O RING	2	Y	
11	AN17	650829	SPRING,COMPRESSION	1	Y	
12	AN23	3629411	SEAT,PRS REGULATOR VALVE	1	Y	
13	HO48	3644027	ELBOW,MALE ADAPTER	1	Y	

Version : 3.0.20.0 Applicable Date : Aug-2011

Group Number: GR\_10\_06\_01\_027

CONNECTION EXHAUST OUTLET





Version : 3.0.20.0 Applicable Date : Aug-2011

Details of Group Number: GR\_10\_06\_01\_027

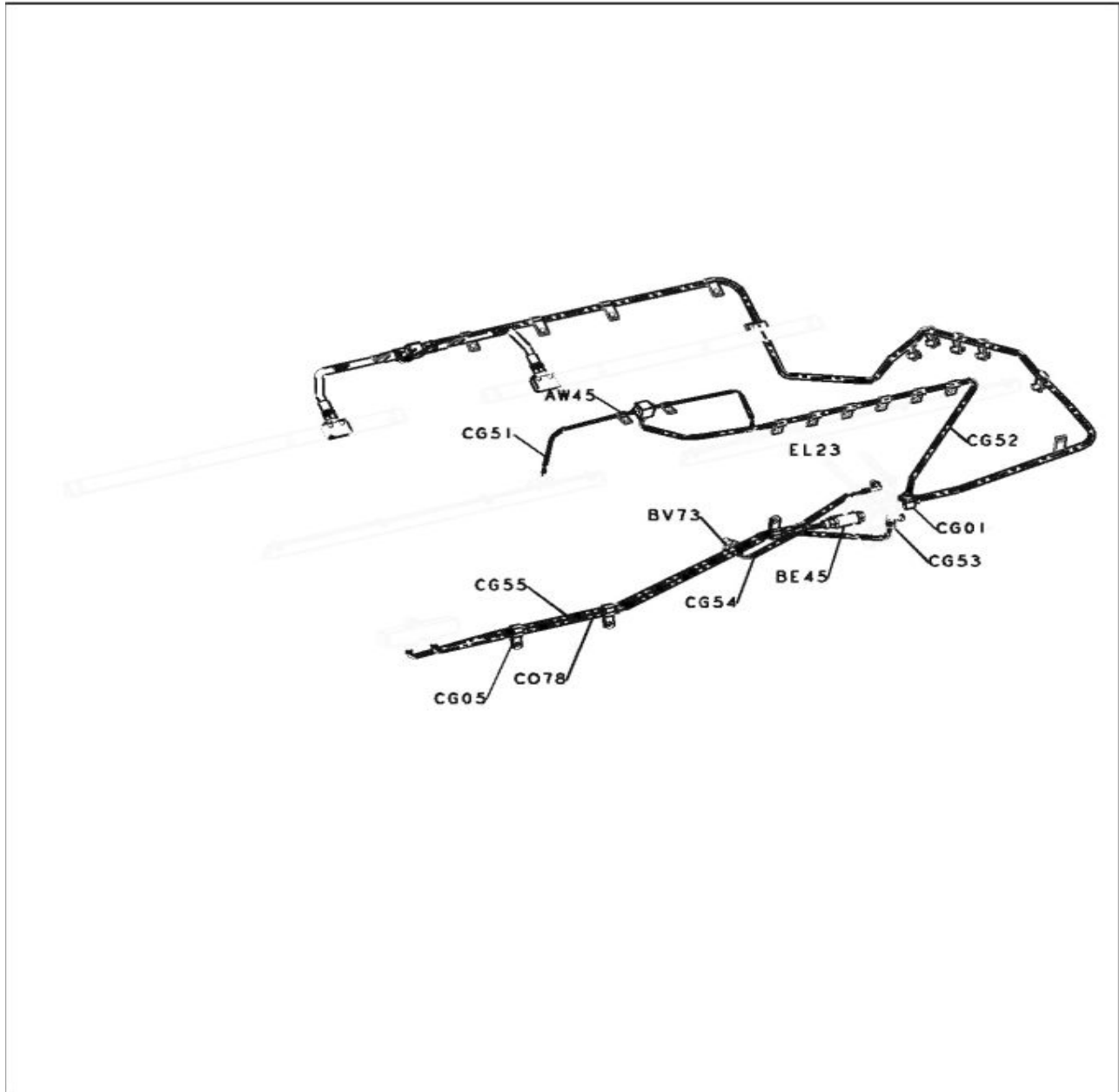
**CONNECTION EXHAUST OUTLET**

S No	Ref No	Part No	Description	Qty	Serviceable	Remarks
			<b>CONNECTION,EXHAUST OUTLET</b>			
1	-	<b>3880870</b>	CONNECTION,EXHAUST OUTLET	2	Y	
2	CG19	3878372	CONNECTION,EXHAUST OUTLET	1	Y	
3	CG17	3029631	CLAMP,V BAND	1	Y	

Version : 3.0.20.0 Applicable Date : Aug-2011

Group Number: GR\_06\_01\_02\_027

CONNECTION, OIL TRANSFER



Version : 3.0.20.0 Applicable Date : Aug-2011

Details of Group Number: GR\_06\_01\_02\_027

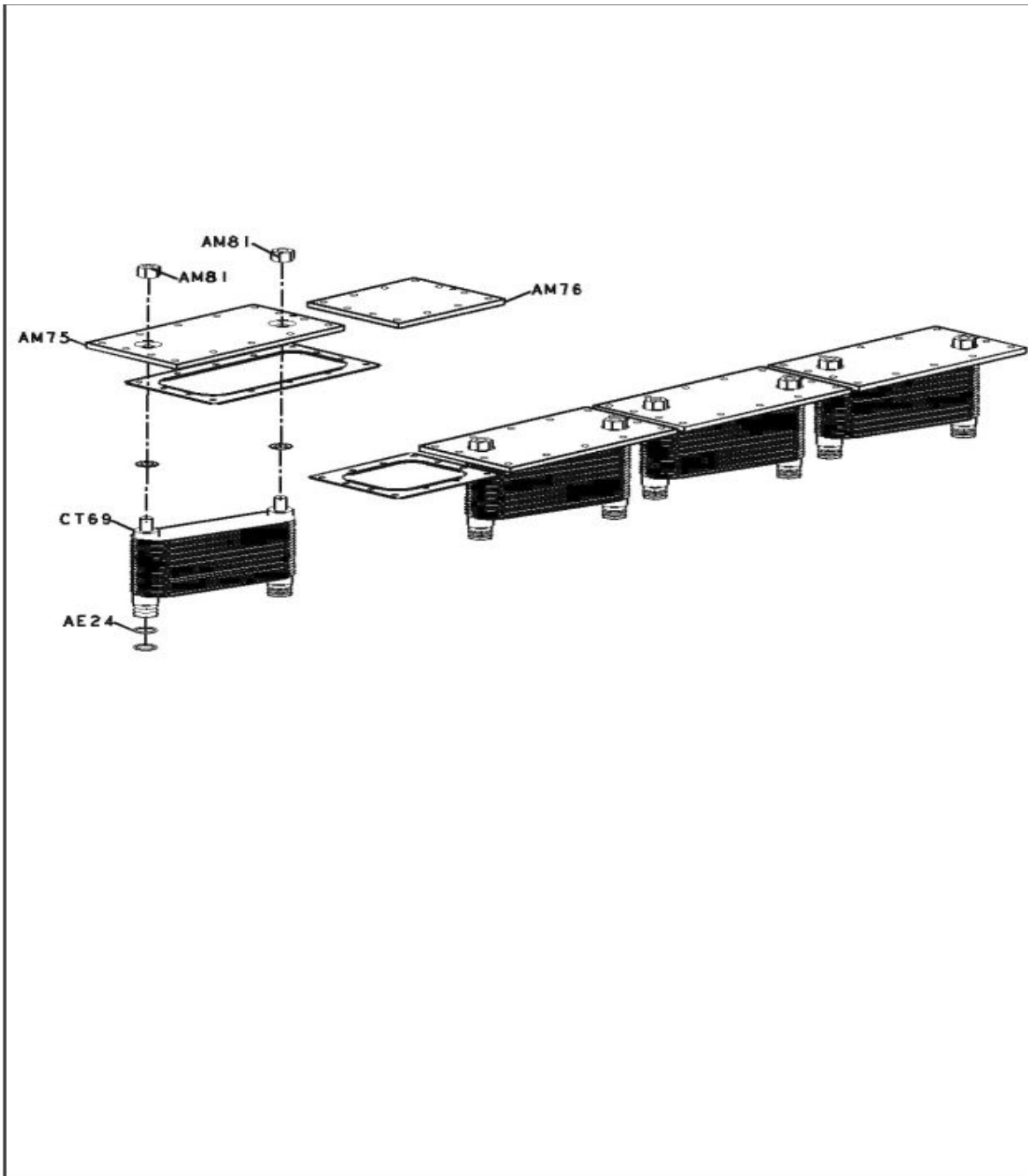
## CONNECTION, OIL TRANSFER

S No	Ref No	Part No	Description	Qty	Serviceable	Remarks
			<b>CONNECTION, OIL TRANSFER</b>			
1	-	<b>4054484</b>	CONNECTION, OIL TRANSFER	1	N	
2	CG52	3632024 SO38066	HOSE,FLEXIBLE	1	N	
3	CG53	3175318 SO38066	HOSE,FLEXIBLE	1	N	
4	CG54	3632314 SO38066	HOSE,FLEXIBLE	1	N	
5	CG05	3178520	CLIP	3	Y	
6	CG55	AK 4049 SL SO38066 1	HOSE,FLEXIBLE	1	N	
7	CO78	AK 4049 SL SO38066 2	HOSE,FLEXIBLE	1	N	
8	-	3095651	TEE, MALE UNION	1	Y	
9	CG01	3627702	TEE, MALE UNION	1	Y	PART NO. FOR SERVICE 3095651
10	CO47	3627695	SEAL, O RING	2	Y	
11	CN55	3046201	SEAL O RING	1	Y	
12	AK87	3037662	ELBOW MALE UNION	3	Y	
13	-	3630525	VALVE, CHECK	1	N	
14	BE45	178079	VALVE,CHECK	1	Y	
15	-	650828	BODY,CHECK VALVE	1	N	
16	-	650827	SEAT,CHECK VALVE	1	Y	
17	AN18	651045	SEAL,GROMMET	1	Y	
18	-	650831	GASKET,CHECK VALVE	1	Y	
19	AN19	650826	PLUNGER,FUEL CONTROL	1	Y	
20	AN17	650829	SPRING,COMPRESSION	1	Y	
21	CM77	3063019	CONNECTOR,MALE	1	N	
22	CN55	3046201	SEAL O RING	1	Y	
23	-	3628522	UNION, MALE	1	Y	
24	CG03	3634693	UNION, MALE	1	Y	
25	CO47	3627695	SEAL, O RING	1	Y	
26	AW45	3629452	CLIP	2	Y	
27	CF98	3627703	TEE, MALE UNION	1	Y	
28	AS25	3627412	CLIP	6	Y	
29	CG51	3632206 SO38066 1	HOSE,FLEXIBLE	4	N	
			<b>CONNECTION, OIL TRANSFER</b>			
30	-	<b>3628100</b>	CONNECTION, OIL TRANSFER	2	N	
31	AW45	3629452	CLIP	2	Y	
32	CF98	3627703	TEE, MALE UNION	1	Y	
33	CG50	3632026 SO38066	HOSE,FLEXIBLE	1	N	
34	AB06	S 622	WASHER, PLAIN	5	Y	
35	AB16	S 610	WASHER, LOCK	5	Y	
36	AB11	103023	SCREW HEXAGON HEAD CAP	5	Y	
37	AS25	3627412	CLIP	14	Y	
			<b>UNION, MALE</b>			
38	BV73	<b>3095295</b>	UNION, MALE	1	Y	
39	-	3627699	UNION,MALE	1	Y	
40	CO47	3627695	SEAL, O RING	1	Y	

Version : 3.0.20.0 Applicable Date : Aug-2011

Group Number: GR\_07\_05\_00\_027

### COOLER, LUB OIL



Version : 3.0.20.0 Applicable Date : Aug-2011

Details of Group Number: GR\_07\_05\_00\_027

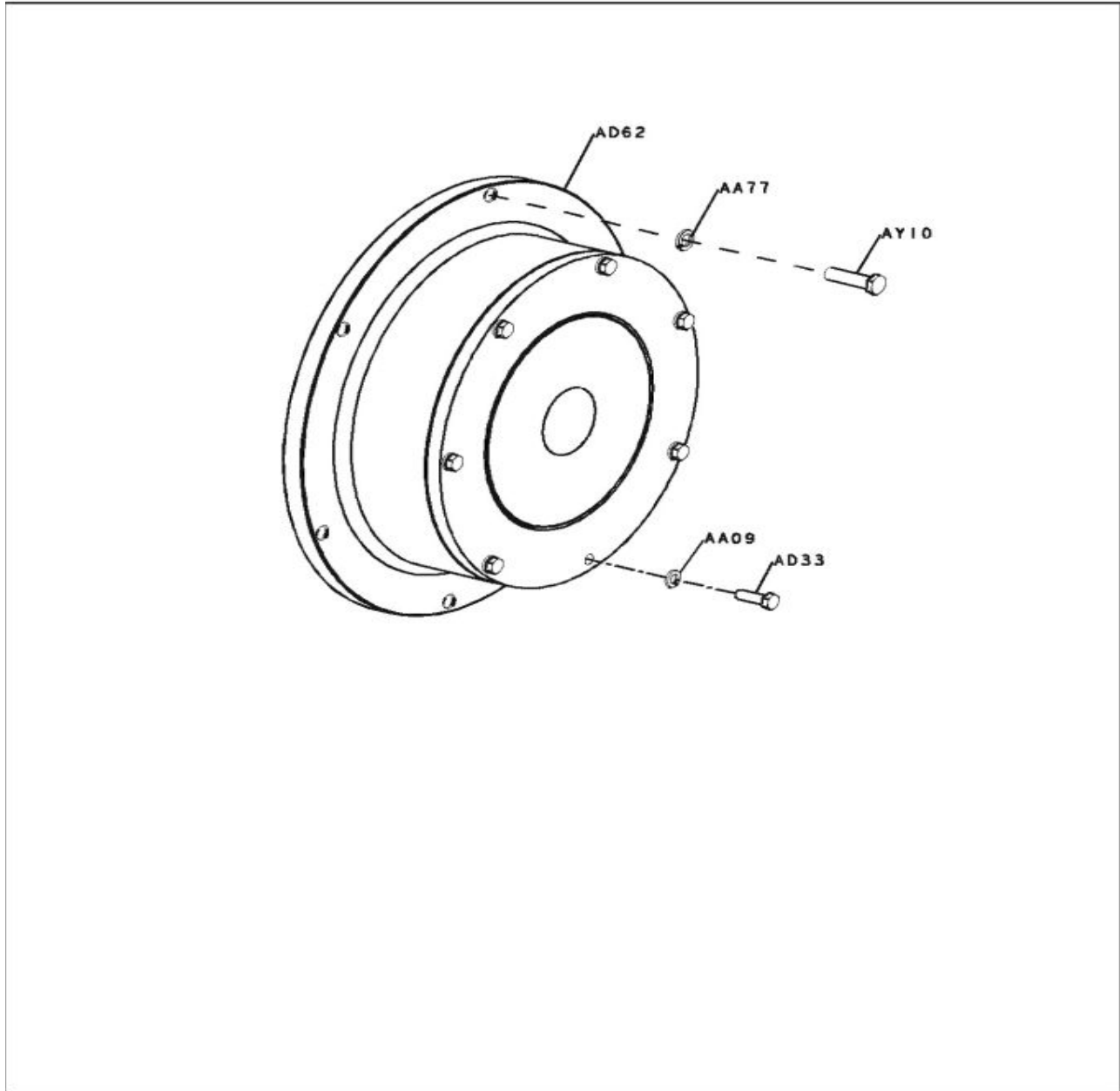
**COOLER, LUB OIL**

S No	Ref No	Part No	Description	Qty	Serviceable	Remarks
			<b>MTG, COVER, OIL COOLER</b>			
1	-	3011416	MTG, COVER, OIL COOLER	4	N	
2	-	3011715	SCREW, CAPTIVE WASHER CAP	14	Y	
3	DD94	S 604	WASHER, LOCK	1	Y	
4	AB61	S 103D	SCREW, HEXAGON HEAD CAP	1	Y	
			<b>MTG, COVER WTR HEADER</b>			
5	-	3011417	MTG, COVER WTR HEADER	1	N	
6	AM77	3009323	GASKET,WATER HEADER COVER	1	Y	
7	-	3011715	SCREW, CAPTIVE WASHER CAP	12	Y	
8	DD94	S 604	WASHER, LOCK	1	Y	
9	AB61	S 103D	SCREW, HEXAGON HEAD CAP	1	Y	
10	AM76	3629065	COVER,WATER HEADER	1	Y	
11	AM75	3629066	COVER,WATER HEADER	4	Y	
			<b>COOLER,LUB OIL</b>			
12	-	3635564	COOLER,LUB OIL	4	N	
13	-	3635563	COOLER,LUB OIL	1	N	
14	CT69	3635074	CORE,COOLER	1	Y	
15	AE24	212161	SEAL 'O' RING	4	Y	
16	AM81	3633479	NUT,LOCK	2	Y	
17	AM78	3630969	GASKET,LUB OIL CLR COVER	2	Y	

Version : 3.0.20.0 Applicable Date : Aug-2011

Group Number: GR\_16\_05\_00\_027

COUPLING FLEXIBLE



Version : 3.0.20.0 Applicable Date : Aug-2011

Details of Group Number: GR\_16\_05\_00\_027

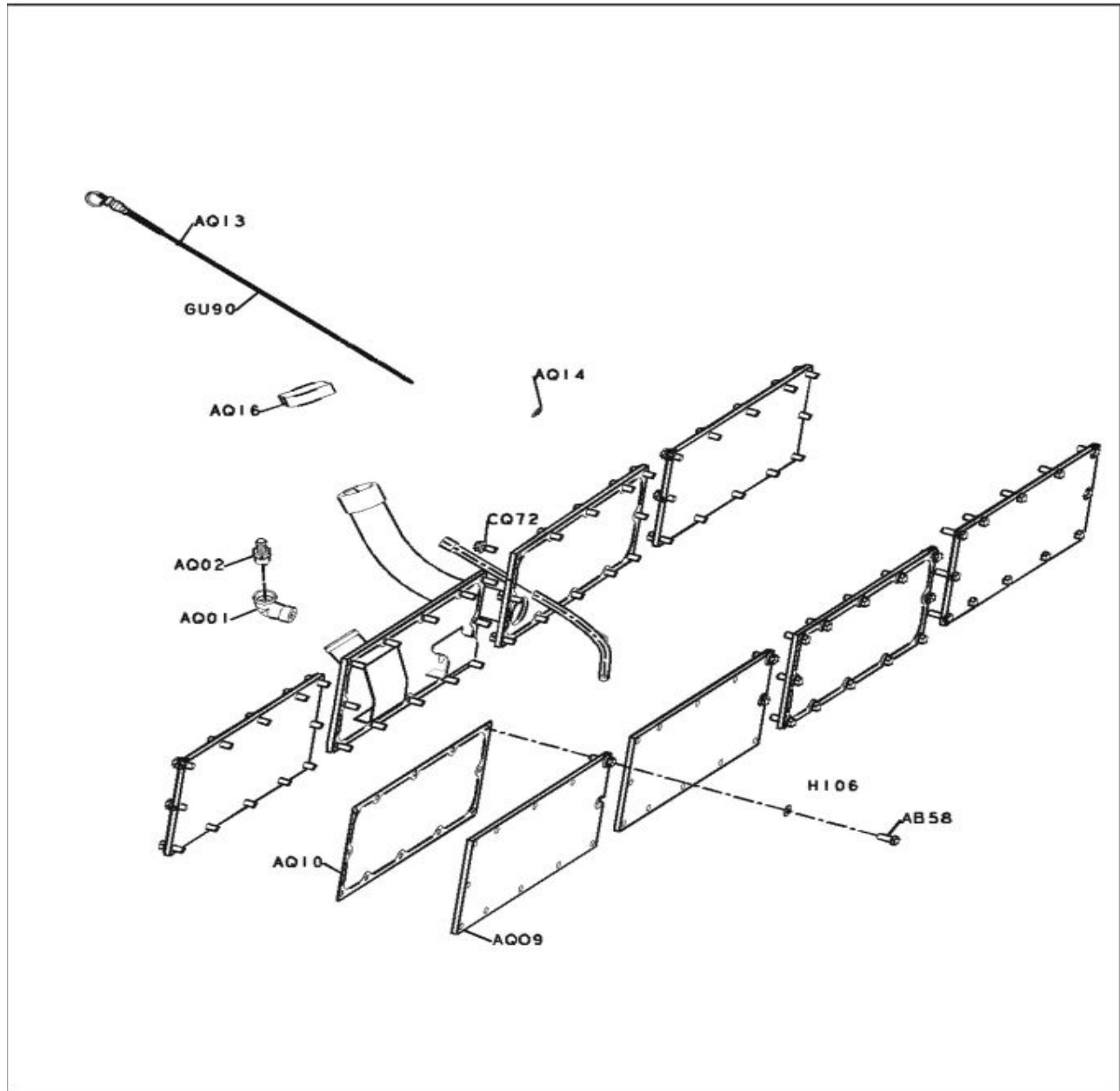
**COUPLING FLEXIBLE**

S No	Ref No	Part No	Description	Qty	Serviceable	Remarks
1	AD62	3229718	COUPLING, FLEXIBLE	1	Y	
			<b>WASHER, LOCK</b>			
2	AA77	S 603	WASHER, LOCK	6	Y	
3	AY10	S 173A	SCREW HEXAGON HEAD CAP	6	Y	

Version : 3.0.20.0 Applicable Date : Aug-2011

Group Number: GR\_01\_08\_00\_027

### COVER HAND HOLE





Version : 3.0.20.0 Applicable Date : Aug-2011

Details of Group Number: GR\_01\_08\_00\_027

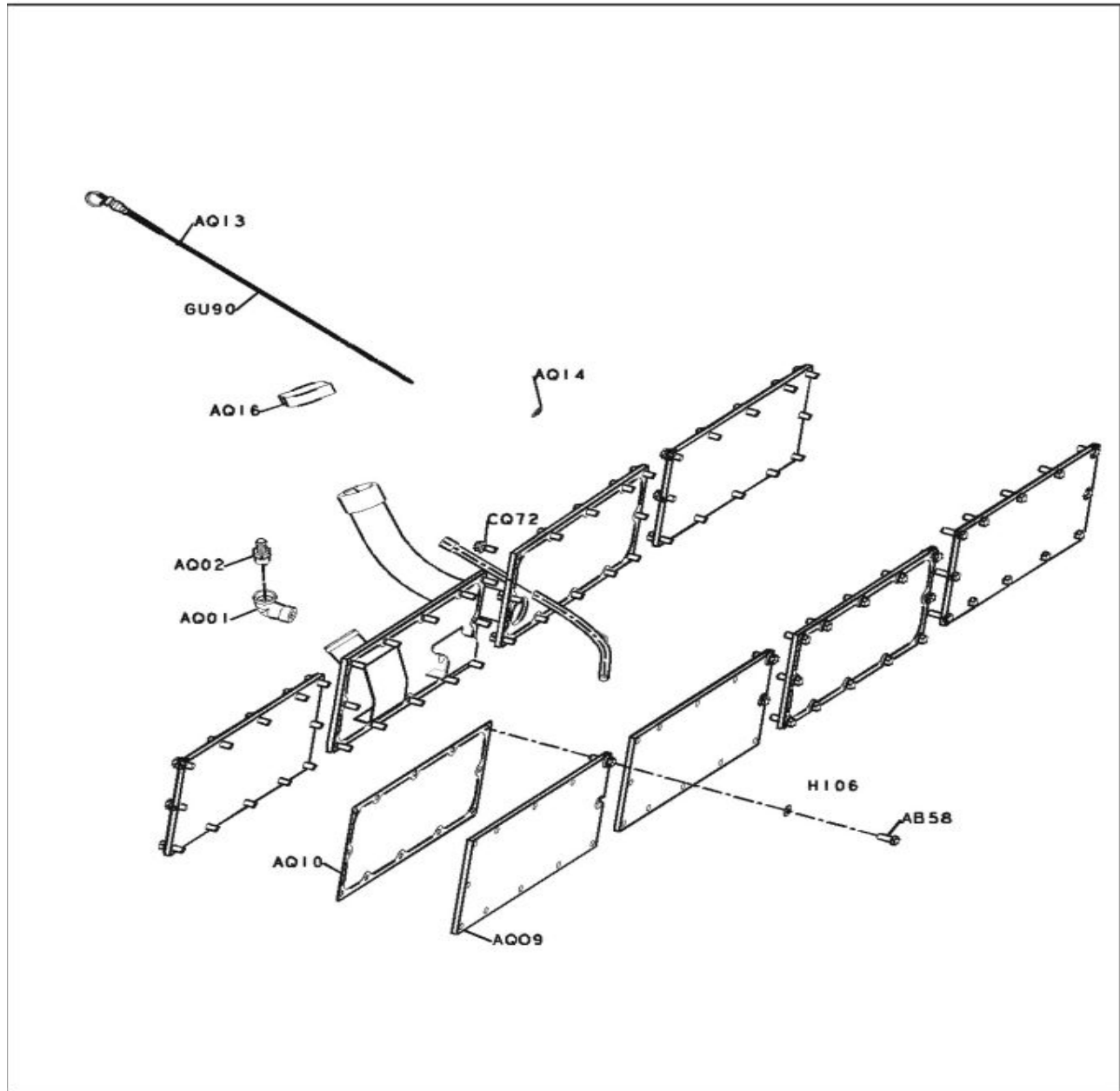
## COVER HAND HOLE

S No	Ref No	Part No	Description	Qty	Serviceable	Remarks
			<b>COVER,HAND HOLE</b>			
1	-	3631535	COVER,HAND HOLE	2	N	
2	AQ09	3628229	COVER,HAND HOLE	1	Y	
3	AQ10	3175856	GASKET,HAND HOLE	1	Y	
4	-	3631536	COVER,HAND HOLE MTG	1	N	
5	AN47	3628902	WASHER,PLAIN	4	Y	
6	AB58	S 109	SCREW, HEXAGON HEAD CAP	4	Y	
7	-	3014766	SCREW,CAPTIVE WASHER CAP	20	Y	
8	AA46	S 112	SCREW,HEXAGON HEAD CAP	1	Y	
9	AA98	S 604	WASHER, LOCK	1	Y	
			<b>COVER,HAND HOLE</b>			
10	-	3631530	COVER,HAND HOLE	3	N	
11	AQ09	3628229	COVER,HAND HOLE	1	Y	
12	-	MP5264	COVER,HAND HOLE MTG	1	Y	
13	AB58	S 109	SCREW, HEXAGON HEAD CAP	2	Y	
14	-	3014766	SCREW,CAPTIVE WASHER CAP	10	Y	
15	AA46	S 112	SCREW,HEXAGON HEAD CAP	1	Y	
16	AA98	S 604	WASHER, LOCK	1	Y	
17	AQ10	3175856	GASKET,HAND HOLE	1	Y	
18	AN47	3628902	WASHER,PLAIN	2	Y	
			<b>BREATHER,HAND HOLE</b>			
19	-	3631534	BREATHER,HAND HOLE	1	N	
20	JD90	3642547	COVER,HAND HOLE	1	Y	
21	-	3642639	COVER,HAND HOLE	1	Y	
22	JD08	4924777	BAFFLE,OIL	1	Y	
23	JD09	3642211	TUBE,LUB OIL	1	Y	
24	-	4928072	BOSS	1	Y	
25	-	3629379	PIECE	1	N	
26	-	3178477	MTG,HAND HOLE COVER	1	N	
27	AQ10	3175856	GASKET,HAND HOLE	1	Y	
28	-	3014766	SCREW,CAPTIVE WASHER CAP	12	Y	
29	AA46	S 112	SCREW,HEXAGON HEAD CAP	1	Y	
30	AA98	S 604	WASHER, LOCK	1	Y	
31	AQ01	3178838	ELBOW,PLAIN STREET PIPE	1	Y	
32	AQ02	3630986	COUPLING, PLAIN HOSE	1	Y	
			<b>DIPSTICK/FILL HAND HOLE</b>			
33	-	3631532	DIPSTICK/FILL HAND HOLE	1	N	
34	CQ71	3635372	COVER,HAND HOLE	1	Y	
35	-	3634517	MTG,HAND HOLE COVER	1	N	
36	AQ10	3175856	GASKET,HAND HOLE	1	Y	
37	-	3014766	SCREW,CAPTIVE WASHER CAP	11	Y	
38	AA46	S 112	SCREW,HEXAGON HEAD CAP	1	Y	
39	AA98	S 604	WASHER, LOCK	1	Y	
40	CQ72	3064321	SCREW,CAPTIVE WASHER CAP	1	Y	

Version : 3.0.20.0 Applicable Date : Aug-2011

Group Number: GR\_01\_08\_00\_027

### COVER HAND HOLE



Version : 3.0.20.0 Applicable Date : Aug-2011

Details of Group Number: GR\_01\_08\_00\_027

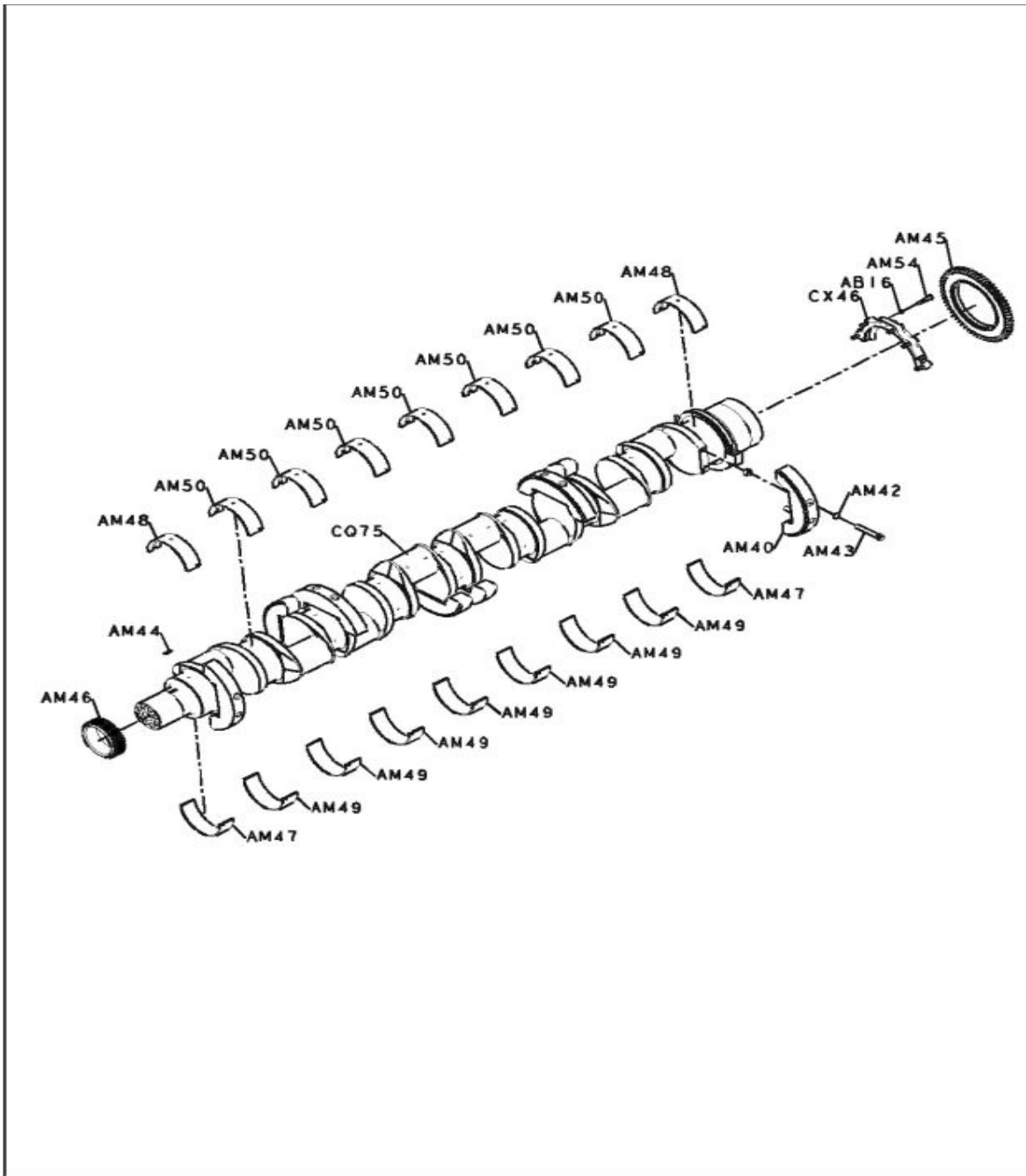
**COVER HAND HOLE**

S No	Ref No	Part No	Description	Qty	Serviceable	Remarks
41	AQ16	3629112	CAP,FILLER	1	Y	
			<b>COVER,HAND HOLE MTG</b>			
42	-	<b>MP5264</b>	COVER,HAND HOLE MTG	1	Y	
43	AB58	S 109	SCREW, HEXAGON HEAD CAP	2	Y	
44	-	3014766	SCREW,CAPTIVE WASHER CAP	10	Y	
45	AA46	S 112	SCREW,HEXAGON HEAD CAP	1	Y	
46	AA98	S 604	WASHER, LOCK	1	Y	
47	AQ10	3175856	GASKET,HAND HOLE	1	Y	
48	AN47	3628902	WASHER,PLAIN	2	Y	
49	AQ09	<b>3628229</b>	COVER,HAND HOLE	1	Y	
50	AQ14	<b>3030207</b>	RETAINER,DIPSTICK	1	Y	
51	AQ15	<b>3178857</b>	DIPSTICK	1	N	PART NO. FOR SERVICE 3201793

Version : 3.0.20.0 Applicable Date : Aug-2011

Group Number: GR\_01\_02\_00\_038

### CRANKSHAFT



Version : 3.0.20.0 Applicable Date : Aug-2011

Details of Group Number: GR\_01\_02\_00\_038

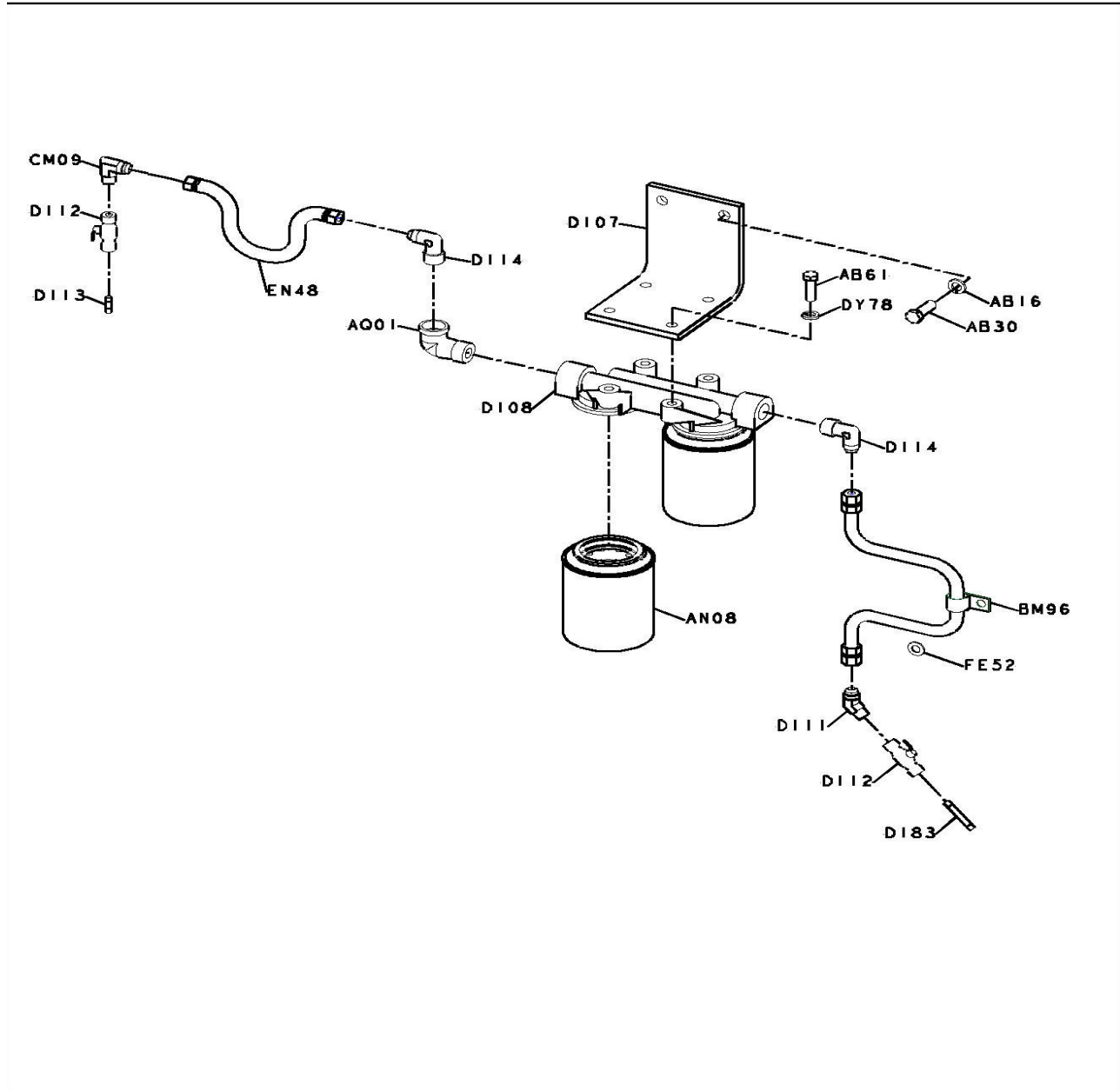
**CRANKSHAFT**

S No	Ref No	Part No	Description	Qty	Serviceable	Remarks
			<b>RETAINER, THRUST MTG</b>			
1	-	3034627	RETAINER, THRUST MTG	1	N	
2	AM53	3000138	SUPPORT,BEARING	1	Y	
3	AB16	S 610	WASHER, LOCK	6	Y	
4	AM54	106069	SCREW, HEXAGON HEAD CAP	6	Y	
			<b>ASSY,CRANKSHAFT</b>			
5	-	3629189	ASSY,CRANKSHAFT	1	N	
6	-	4098998	CRANKSHAFT,ENGINE	1	Y	
7	CQ75	4098997	CRANKSHAFT	1	Y	
8	HQ81	3642450	DOWEL,RING	16	Y	
9	AM40	3176216	WEIGHT CRANKSHAFT COUNTER	8	Y	
10	AM42	205126	WASHER, PLAIN	16	Y	
11	AM43	219153	BOLT CONNECTING ROD	16	Y	
12	AM44	206904	KEY,PLAIN WOODRUFF	1	Y	
13	AM46	3628798	GEAR CRANKSHAFT	1	Y	
14	AM45	3175255	GEAR CRANKSHAFT	1	Y	
			<b>SHELL,MAIN BEARING</b>			
15	-	3011737	SHELL,MAIN BEARING	1	N	
16	-	3800090	SET,MAIN BEARING STD	1	Y	
17	AA98	S 604	WASHER, LOCK	2	Y	
18	AN73	S 105	SCREW, HEXAGON HEAD CAP	2	Y	
19	AM48	206600	BEARING,MAIN	2	Y	PART NO. FOR SERVICE AR12250
20	AM47	206610	BEARING,MAIN	2	Y	PART NO. FOR SERVICE AR12250
21	AM50	206580	BEARING,MAIN	7	Y	PART NO. FOR SERVICE AR12250
22	AM49	206590	BEARING,MAIN	7	Y	PART NO. FOR SERVICE AR12250
23	AM51	3000139	BEARING,THRUST	2	Y	
24	AM52	3175281	SUPPORT,BEARING	1	Y	

Version : 3.0.20.0 Applicable Date : Aug-2011

Group Number: GR\_08\_07\_01\_035

### CRN RESISTOR,ARRANGEMENT



Version : 3.0.20.0 Applicable Date : Aug-2011

Details of Group Number: GR\_08\_07\_01\_035

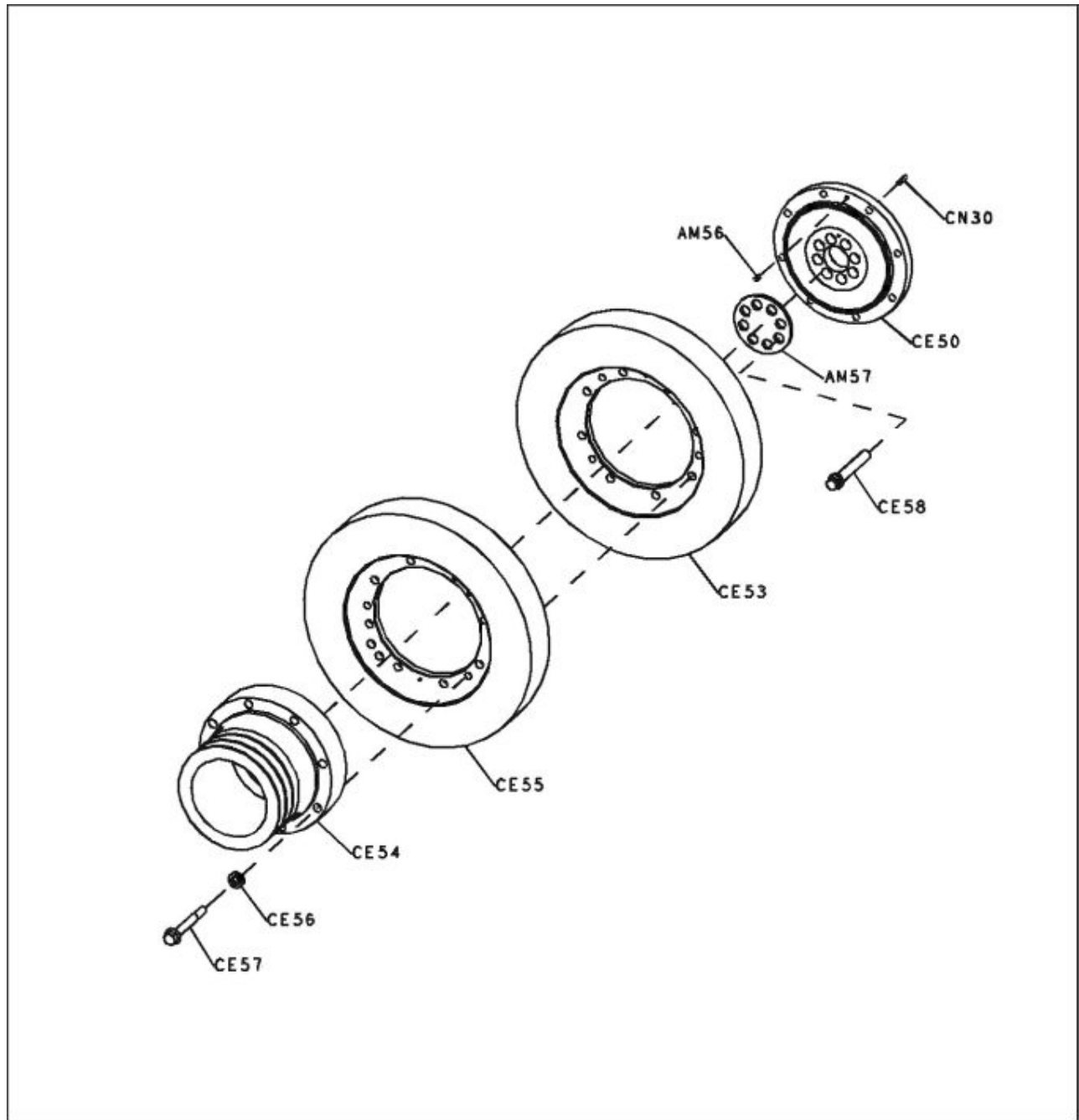
**CRN RESISTOR,ARRANGEMENT**

S No	Ref No	Part No	Description	Qty	Serviceable	Remarks
			<b>ARRANGEMENT,CRN RESISTOR</b>			
1	-	<b>4987179</b>	ARRANGEMENT,CRN RESISTOR	1	N	
2	AN08	4072352	ELEMENT, CRN RESISTOR	2	Y	
3	AB16	S 610	WASHER, LOCK	2	Y	
4	CM09	S 1040A	ELBOW,MALE ADAPTER	1	Y	
5	AB30	103009	SCREW, HEXAGON HEAD CAP	2	Y	
6	DI11	3629494	ELBOW,MALE ADAPTER	1	Y	
7	DI12	3178837	VALVE,SHUTOFF	2	Y	
8	DI83	109712	NIPPLE,PLAIN PIPE	1	Y	
9	BM96	69911A	CLIP	1	Y	
10	AN47	3628902	WASHER,PLAIN	1	Y	
11	DI13	S-946	NIPPLE,PLAIN PIPE	1	Y	
12	-	3630338	HEAD,CORROSION RESISTOR	1	N	
13	DI07	3177591	BRACKET,CRN RESISTOR	1	Y	
14	DI08	215617	HEAD,CORROSION RESISTOR	1	Y	
15	AA98	S 604	WASHER, LOCK	4	Y	
16	AB61	S 103D	SCREW, HEXAGON HEAD CAP	4	Y	
17	-	3629496	ELBOW,MALE ADAPTER	2	Y	
18	AQ01	3178838	ELBOW,PLAIN STREET PIPE	1	Y	
19	-	AK6018SS	HOSE FLEXIBLE	1	Y	
20	-	AK6009SS	HOSE,FLEXIBLE	1	Y	

Version : 3.0.20.0 Applicable Date : Aug-2011

Group Number: GR\_01\_02\_02\_027

### DAMPER VIBRATION





Version : 3.0.20.0 Applicable Date : Aug-2011

Details of Group Number: GR\_01\_02\_02\_027

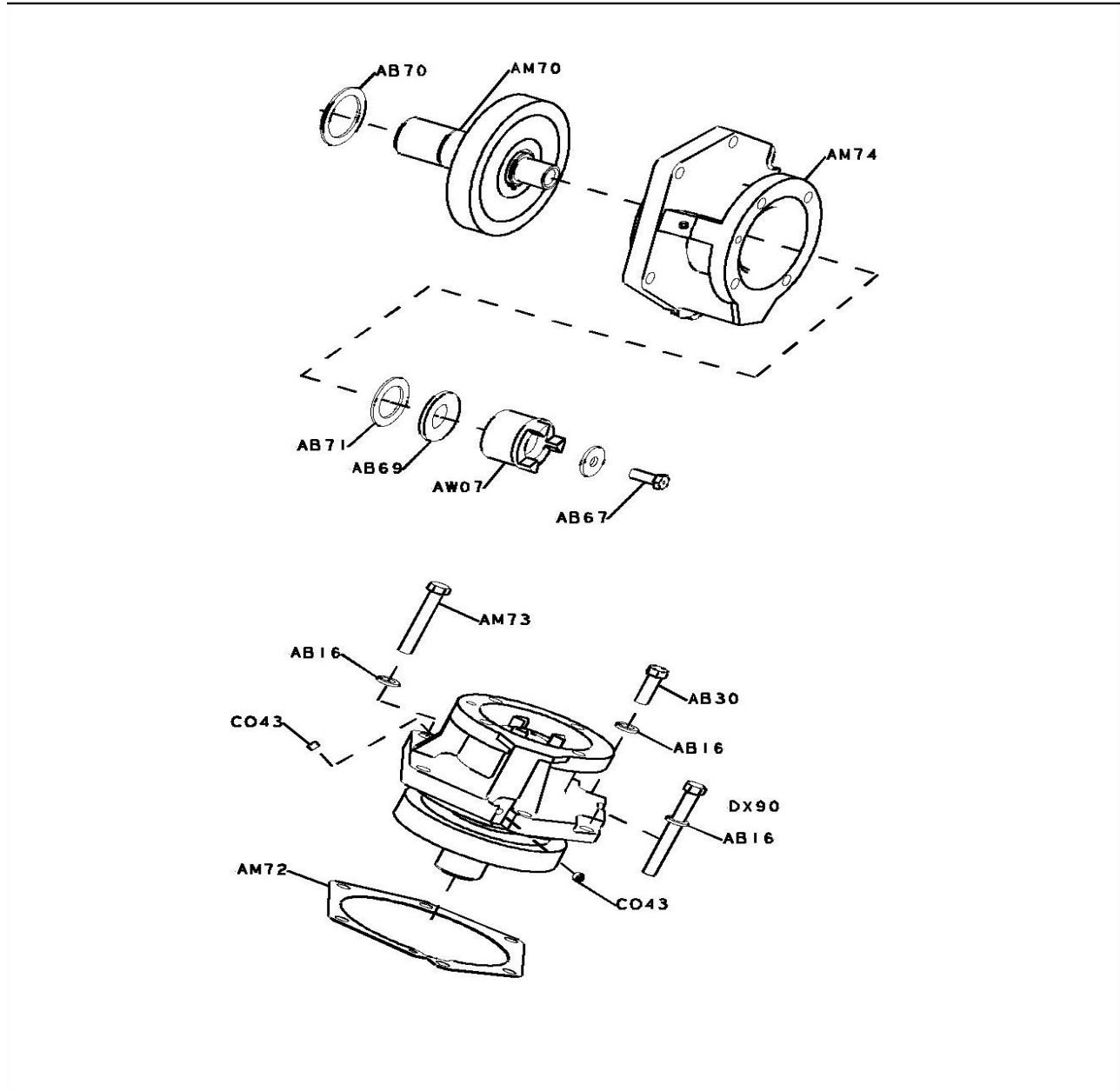
**DAMPER VIBRATION**

S No	Ref No	Part No	Description	Qty	Serviceable	Remarks
			<b>DAMPER VIBRATION</b>			
1	-	<b>3880713</b>	DAMPER VIBRATION	1	Y	
2	CE50	3069776	ADAPTER,CRANKSHAFT	1	Y	
3	-	3626864	MOUNTING,ADAPTER CRANK	1	N	
4	AM57	3069781	SPACER , CRANKSHAFT	1	Y	
5	CE58	3069779	SCREW, TWELVE POINT CAP	8	Y	
6	CE52	3033629	PIN,ROLL	1	Y	
7	CE53	3628649	DAMPER,VIBRATION	1	Y	
8	CE54	3877886	PULLEY,CRANKSHAFT	1	Y	
9	CE55	3628650	DAMPER,VIBRATION	1	Y	
10	-	3037921	DAMPER,MTG	1	N	
11	CE56	3033627	WASHER,PLAIN	8	Y	
12	CE57	3033630	SCREW,HEX FLANGE HEAD CAP	8	Y	
13	AM56	131584	PIN ROLL	1	Y	

Version : 3.0.20.0 Applicable Date : Aug-2011

Group Number: GR\_09\_01\_00\_006

### DRIVE ACCESSORY



Version : 3.0.20.0 Applicable Date : Aug-2011

Details of Group Number: GR\_09\_01\_00\_006

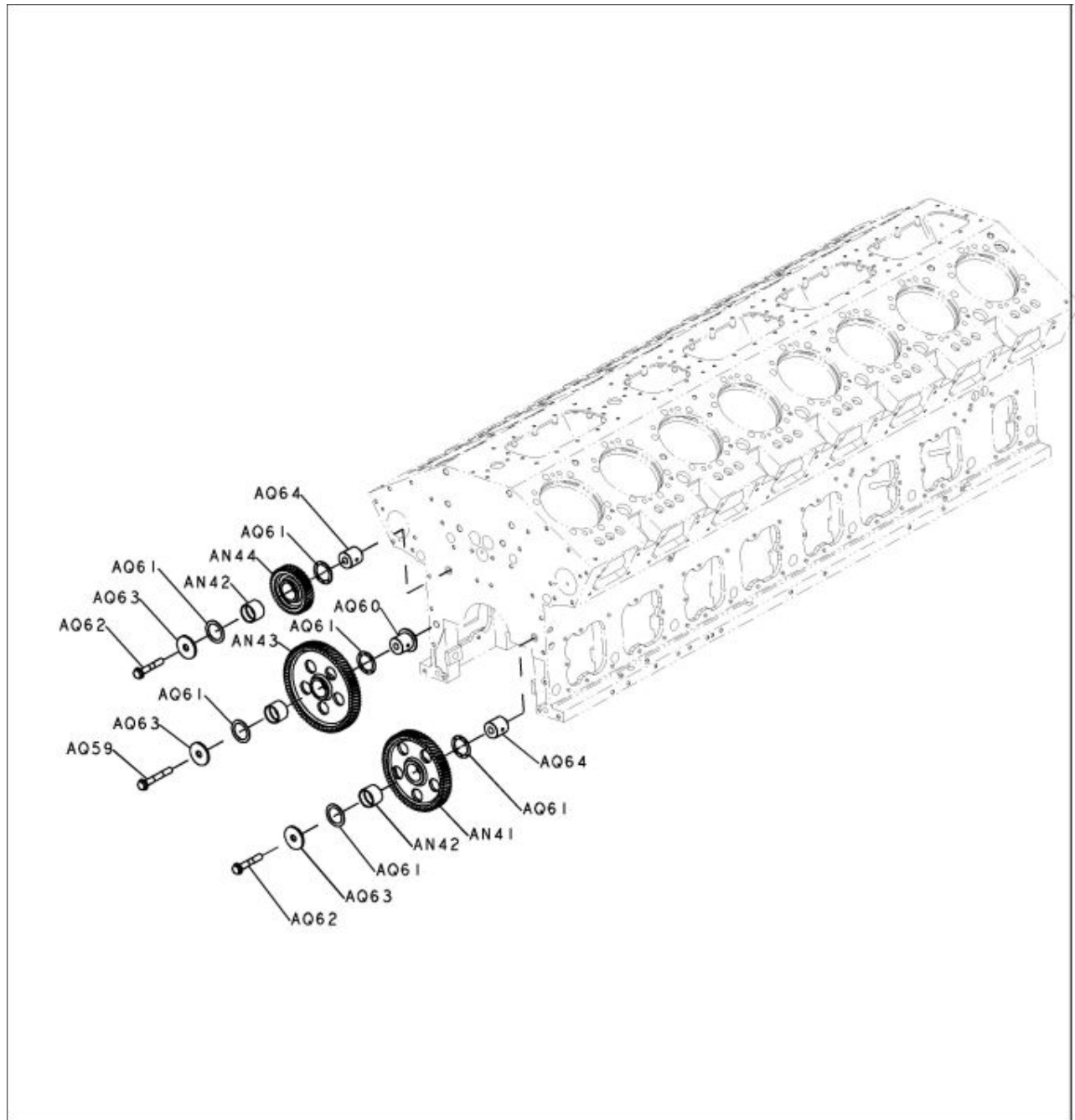
**DRIVE ACCESSORY**

S No	Ref No	Part No	Description	Qty	Serviceable	Remarks
			<b>DRIVE ACCESSORY</b>			
1	-	3414488	DRIVE ACCESSORY	1	N	
2	-	3880161	SUPPORT & BUSHING	1	N	
3	AM74	3875948	SUPPORT,ACCESSORY DRIVE	1	Y	
4	AB73	116391	BUSHING	1	Y	
5	AM70	3414487	SHAFT,ACCESSORY DRIVE	1	Y	
6	AB69	3014103	WASHER,PLAIN	1	Y	
7	AW07	3000175	HUB, JAW COUPLING	1	Y	
8	AB66	3236075	WASHER, PLAIN	1	Y	
9	AB67	3000173	SCREW,HEXAGON HEAD CAP	1	Y	
10	AB70	3026556	BEARING ,THRUST	1	Y	
11	AB71	3026557	BEARING ,THRUST	1	Y	
12	AM71	207253	GEAR,ACCESSORY DRIVE	1	Y	
13	CO43	S 911B	PLUG, PIPE	2	Y	
			<b>MTG,DRIVE ACCESSORY</b>			
14	-	3167103	MTG,DRIVE ACCESSORY	1	N	
15	AM72	3046852	GASKET,ACC DRIVE SUPPORT	1	Y	
16	AB16	S 610	WASHER, LOCK	6	Y	
17	AB30	103009	SCREW, HEXAGON HEAD CAP	1	Y	
18	AB11	103023	SCREW HEXAGON HEAD CAP	1	Y	
19	AM73	S 162A	SCREW,HEXAGON HEAD CAP	4	Y	

Version : 3.0.20.0 Applicable Date : Aug-2011

Group Number: GR\_01\_07\_01\_027

### DRIVE GEAR



Version : 3.0.20.0 Applicable Date : Aug-2011

Details of Group Number: GR\_01\_07\_01\_027

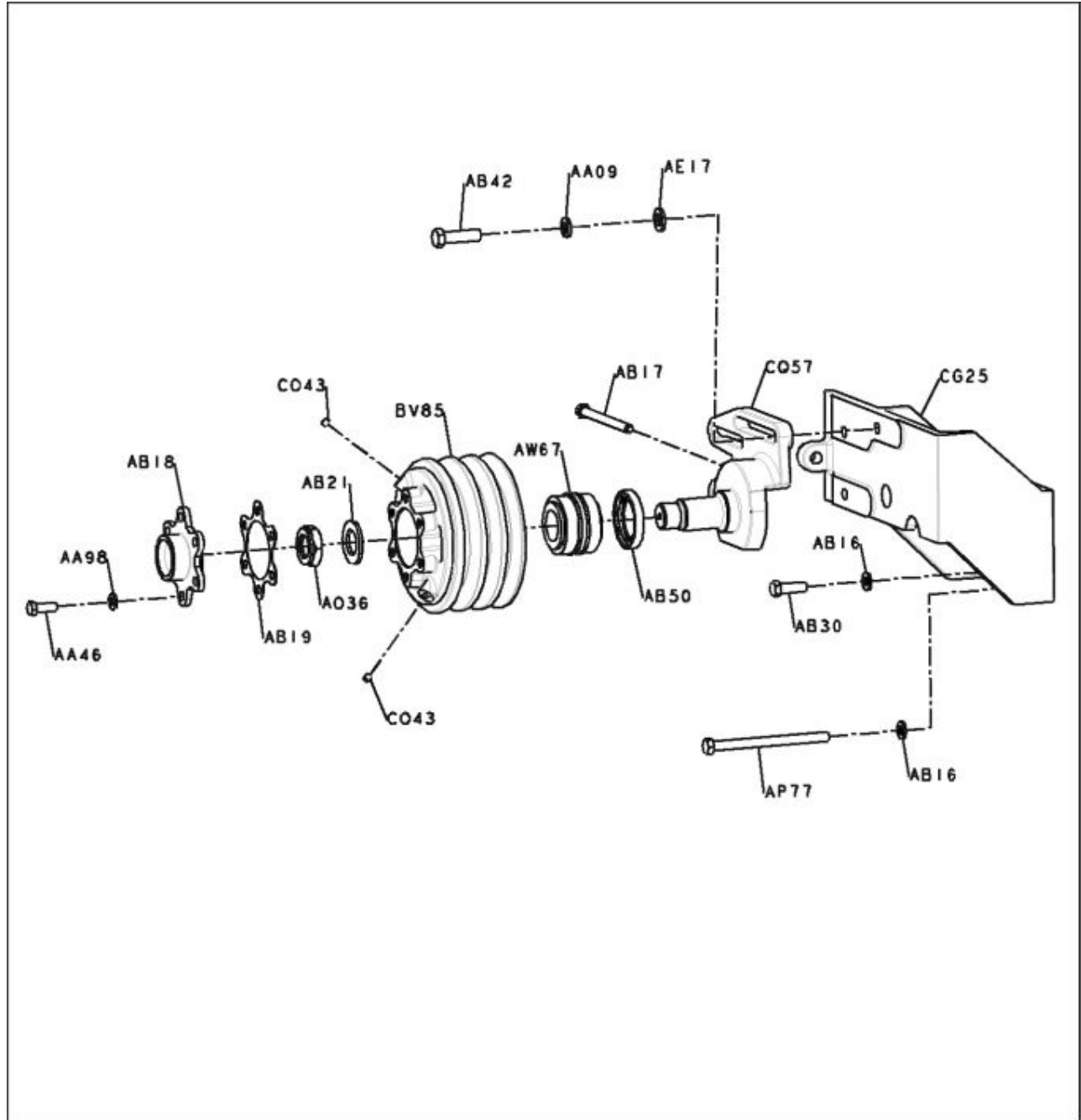
## DRIVE GEAR

S No	Ref No	Part No	Description	Qty	Serviceable	Remarks
			<b>GEAR,IDLER MTG</b>			
1	-	MP5474	GEAR,IDLER MTG	1	Y	
2	AQ60	3178450	SHAFT,IDLER	1	Y	
3	AQ63	3178457	WASHER,PLAIN	1	Y	
4	AQ59	3177443	SCREW,HEX FLANGE HEAD CAP	1	Y	
5	AQ61	130083	BEARING,THRUST	2	Y	
			<b>GEAR,CAM IDLER MTG</b>			
6	-	3011512	GEAR,CAM IDLER MTG	2	N	
7	AQ64	3033853	SHAFT,IDLER	1	Y	
8	AQ63	3178457	WASHER,PLAIN	1	Y	
9	AQ62	3177945	SCREW,HEX FLANGE HEAD CAP	1	Y	
10	AQ61	130083	BEARING,THRUST	2	Y	
			<b>GEAR IDLER</b>			
11	-	3628822	GEAR IDLER	1	Y	
12	AN43	3632363	GEAR,IDLER	1	Y	PART NO. FOR SERVICE 3628822
13	AN42	3004686	BUSHING	1	Y	
			<b>GEAR IDLER</b>			
14	-	3628823	GEAR IDLER	1	Y	
15	AN41	3632362	GEAR,IDLER	1	Y	PART NO. FOR SERVICE 3628823
16	AN42	3004686	BUSHING	1	Y	
			<b>GEAR IDLER</b>			
17	-	3004683	GEAR IDLER	1	Y	
18	AN44	3004594	GEAR,IDLER	1	N	PART NO. FOR SERVICE 3004683
19	AN42	3004686	BUSHING	1	Y	

Version : 3.0.20.0 Applicable Date : Aug-2011

Group Number: GR\_08\_04\_00\_027

FAN IDLER ASSY.



Version : 3.0.20.0 Applicable Date : Aug-2011

Details of Group Number: GR\_08\_04\_00\_027

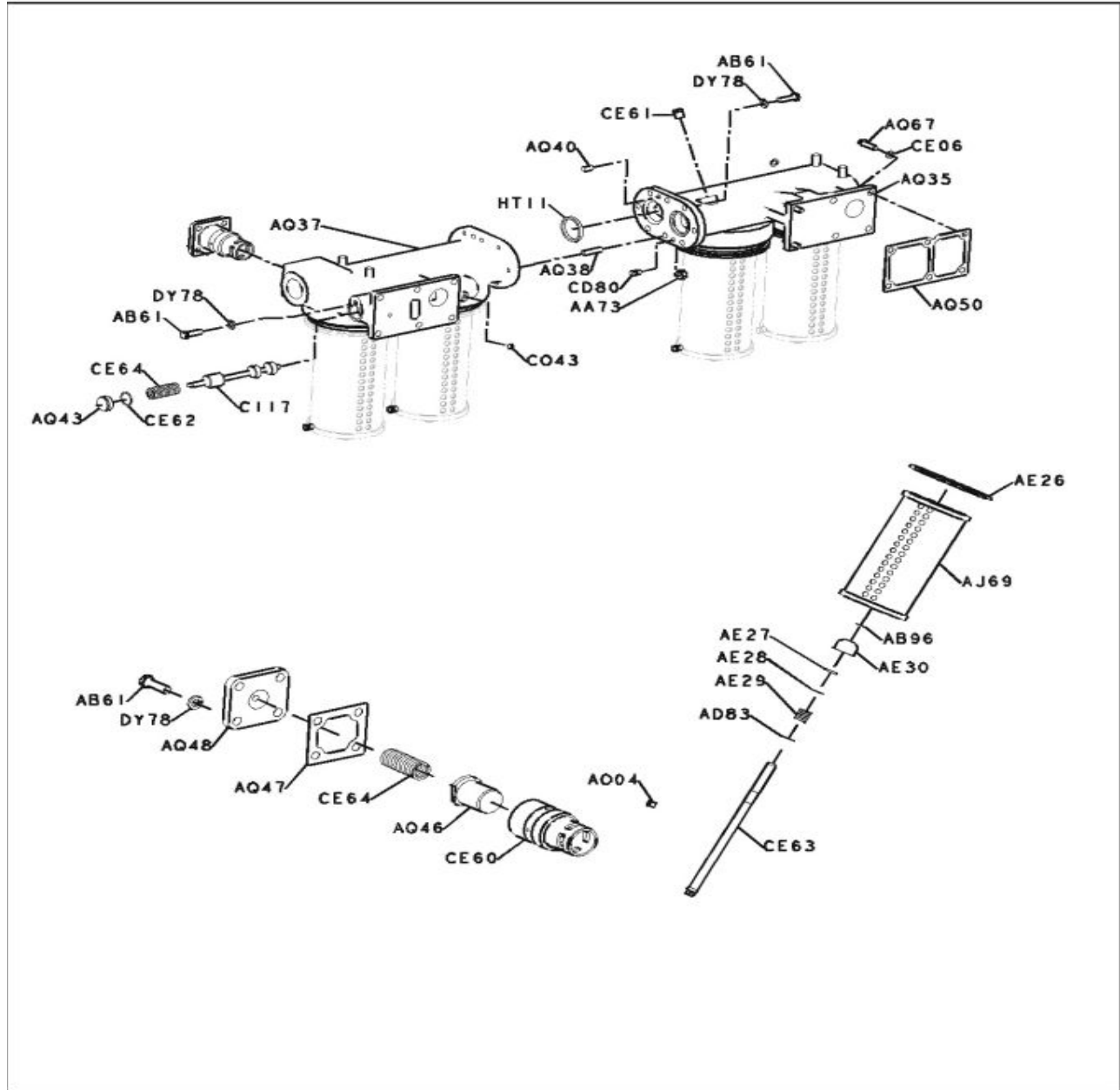
## FAN IDLER ASSY.

S No	Ref No	Part No	Description	Qty	Serviceable	Remarks
			<b>SUPPORT, IDLER BRKT</b>			
1	-	3247475	SUPPORT, IDLER BRKT	1	N	
2	CG25	3231023	BRACKET, IDLER PULLEY	1	Y	
3	AB16	S 610	WASHER, LOCK	4	Y	
4	AP77	S 167B	SCREW, HEXAGON HEAD CAP	3	Y	
5	AB30	103009	SCREW, HEXAGON HEAD CAP	1	Y	
			<b>ASSEMBLY, FAN IDLER</b>			
6	-	4950080	ASSEMBLY, FAN IDLER	1	N	
7	CQ57	4912102	SHAFT, FAN HUB	1	N	
8	AB50	200307	SEAL OIL	1	Y	
9	AW67	201123	BEARING, ROLLER	1	Y	
10	BV85	3231069	PULLEY, IDLER	1	Y	
11	AB21	3012467	WASHER, PLAIN	1	Y	
12	AO36	142176	NUT, LOCK	1	Y	
13	AB19	3005592	GASKET, FAN SPACER	1	Y	
14	AB18	3005588	SPACER, FAN PILOT	1	Y	
15	AA98	S 604	WASHER, LOCK	6	Y	
16	AA46	S 112	SCREW, HEXAGON HEAD CAP	6	Y	
17	CO43	S 911B	PLUG, PIPE	2	Y	
			<b>FAN IDLER ASSEMBLY MOUNTING</b>			
18	-	3005231	FAN IDLER ASSEMBLY MOUNTING	1	N	
19	AE17	203310	WASHER, PLAIN	3	Y	
20	AA09	S 608	WASHER, LOCK	3	Y	
21	AB42	S 106	SCREW, HEXAGON HEAD CAP	3	Y	
22	AB17	66650	SCREW, HEXAGON HEAD CAP	1	Y	

Version : 3.0.20.0 Applicable Date : Aug-2011

Group Number: GR\_07\_03\_00\_006

### FILTER LUBRICATING OIL





Version : 3.0.20.0 Applicable Date : Aug-2011

Details of Group Number: GR\_07\_03\_00\_006

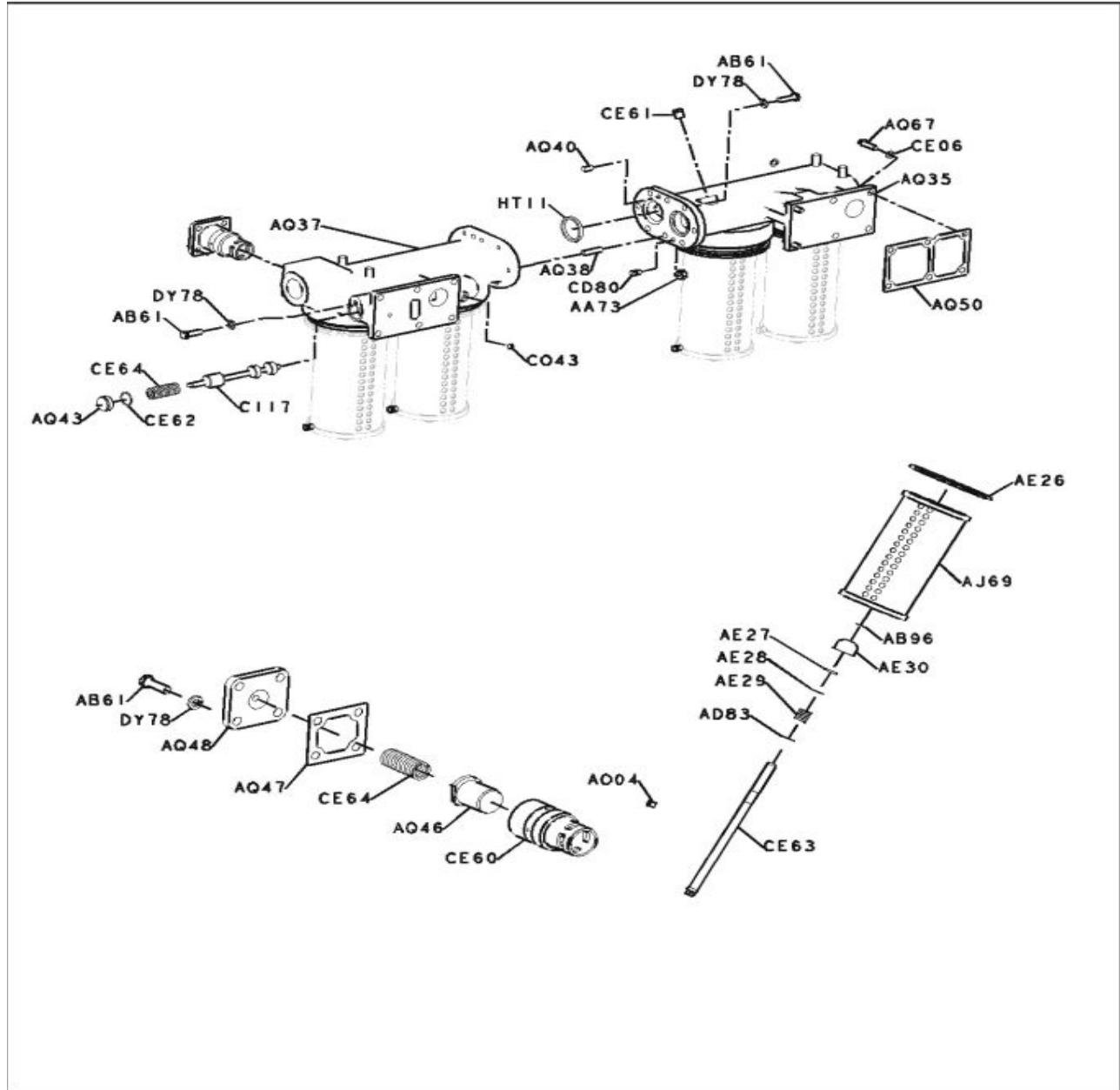
## FILTER LUBRICATING OIL

S No	Ref No	Part No	Description	Qty	Serviceable	Remarks
			<b>HEAD,LUB OIL FILTER</b>			
1	-	<b>3872549</b>	HEAD,LUB OIL FILTER	1	Y	
2	-	3879267	HEAD,LUB OIL FILTER	1	N	
3	AQ35	3872551	HEAD,LUB OIL FILTER	1	N	
4	HT11	4308682	SEAL,RECTANGULAR	2	Y	
5	AQ37	3230447	HEAD,LUB OIL FILTER	1	Y	SOTL
6	AA98	S 604	WASHER, LOCK	8	Y	
7	AA73	S 223	NUT, HEAVY HEXAGON	1	Y	
8	AQ38	61900	STUD SUPERCHARGER	1	Y	
9	AB61	S 103D	SCREW, HEXAGON HEAD CAP	7	Y	
10	AQ39	112076	PLUG,PIPE	1	Y	PART NO. FOR SERVICE S 910 B
11	CD80	107948	DOWEL,DIAMOND	1	Y	
12	AQ40	69519	DOWEL,PIN	1	Y	
13	-	3247254	VALVE,PRESSURE REGULATOR	1	N	
14	CI17	3627927	PLUNGER,PRS REGULATOR	1	Y	
15	AQ42	205659	SPRING, COMPRESSION	1	Y	
16	AQ43	3000911	PLUG,PANEL	1	Y	
17	AB66	3236075	WASHER, PLAIN	1	Y	
18	AA98	S 604	WASHER, LOCK	1	Y	
19	AB61	S 103D	SCREW, HEXAGON HEAD CAP	1	Y	
20	AQ44	145529	SEAL,O RING	1	Y	
21	CO43	S 911B	PLUG, PIPE	1	Y	
22	-	AR11472	VALVE, FILTER BYPASS	1	Y	
23	AQ45	205666	BODY,BYPASS VALVE	1	Y	
24	AQ46	3021618	PLUNGER,PRS REGULATOR	1	Y	
25	AQ42	205659	SPRING, COMPRESSION	1	Y	
26	AQ47	205661	GASKET,BYPASS VALVE COVER	1	Y	
27	AQ48	3876949	COVER,LUB OIL FILTER	1	Y	
28	AA98	S 604	WASHER, LOCK	4	Y	
29	AB61	S 103D	SCREW, HEXAGON HEAD CAP	4	Y	
			<b>FILTER,LUBRICATING OIL</b>			
30	-	<b>AR95996</b>	FILTER,LUBRICATING OIL	4	Y	
31	-	AR95995	SHELL & BOLT ASSEMBLY	1	Y	
32	EX42	AR96295	SHELL, ASSEMBLY	1	Y	
33	AL31	184385	SHELL LUB OIL	1	Y	PART NO. FOR SERVICE AR96295
34	-	250981	PLUG,PIPE	1	N	
35	AE29	173176	SPRING,COMPRESSION	1	Y	
36	AE28	153520	WASHER , PLAIN	1	Y	
37	AE27	153518	SEAL RECTANGULAR RING	1	Y	
38	AE30	183342	SUPPORT, FILTER	1	Y	
39	AJ69	3166554	ELEMENT LUB, OIL FILTER	1	Y	
40	AD83	8265	WASHER,PLAIN	1	Y	

Version : 3.0.20.0 Applicable Date : Aug-2011

Group Number: GR\_07\_03\_00\_006

FILTER LUBRICATING OIL



Version : 3.0.20.0 Applicable Date : Aug-2011

Details of Group Number: GR\_07\_03\_00\_006

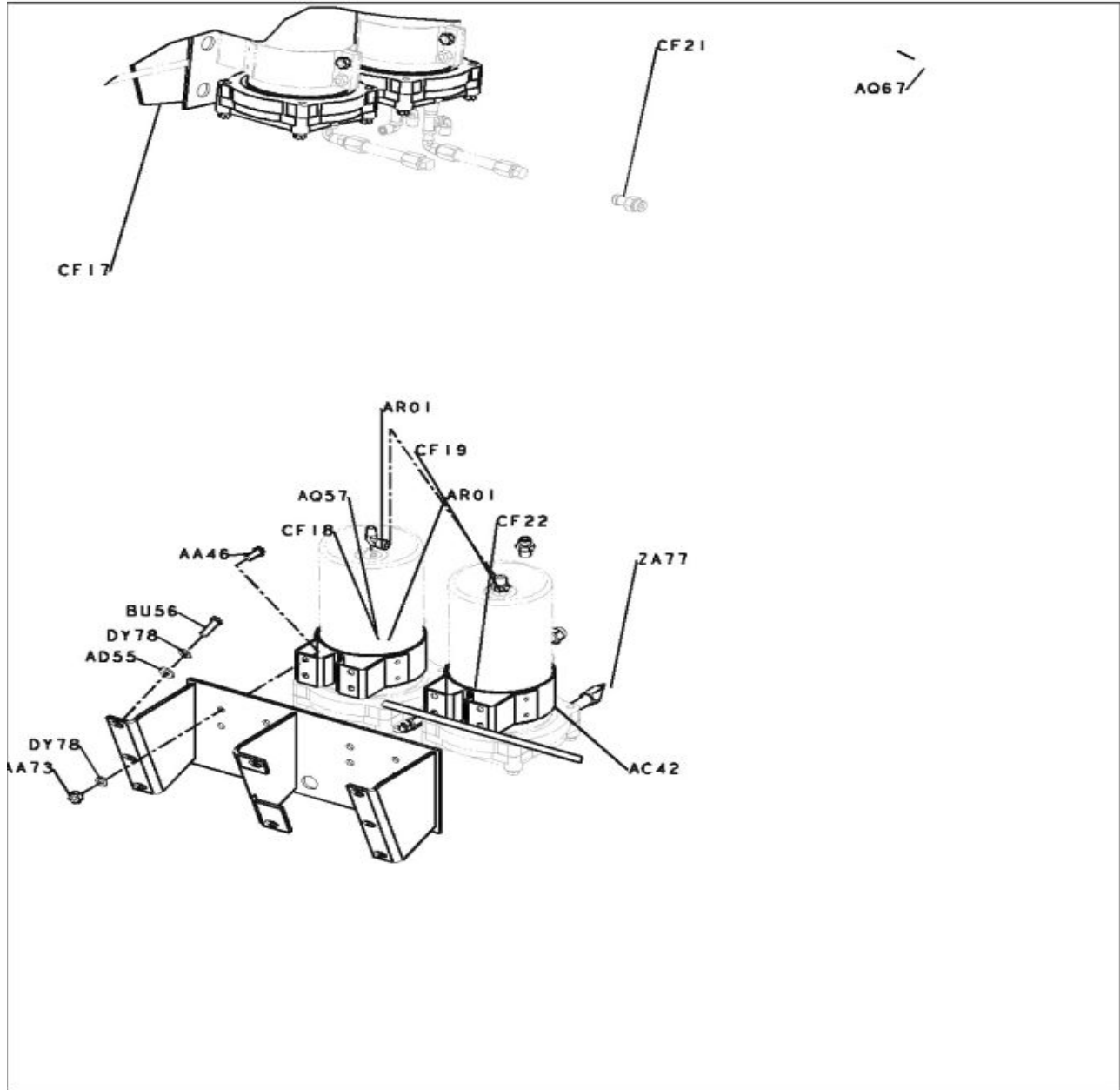
**FILTER LUBRICATING OIL**

S No	Ref No	Part No	Description	Qty	Serviceable	Remarks
41	AQ49	173321	SCREW,FILTER SHELL	1	Y	
42	AB96	250843	RING,RETAINING	1	Y	
43	-	69901	PLUG, PIPE	1	Y	
44	AE26	173368	SEAL,RECTANGULAR RING	1	Y	
			<b>LUB OIL, FILTER HEAD MTG</b>			
45	-	<b>3012565</b>	LUB OIL, FILTER HEAD MTG	1	N	
46	AQ50	3629387	GASKET,FILTER HEAD	2	Y	
47	CE06	127362	WASHER,PLAIN	12	Y	
48	AQ67	191772	SCREW,TWELVE POINT CAP	12	Y	

Version : 3.0.20.0 Applicable Date : Aug-2011

Group Number: GR\_07\_03\_02\_031

FILTER, LUB OIL BYPASS



Version : 3.0.20.0 Applicable Date : Aug-2011

Details of Group Number: GR\_07\_03\_02\_031

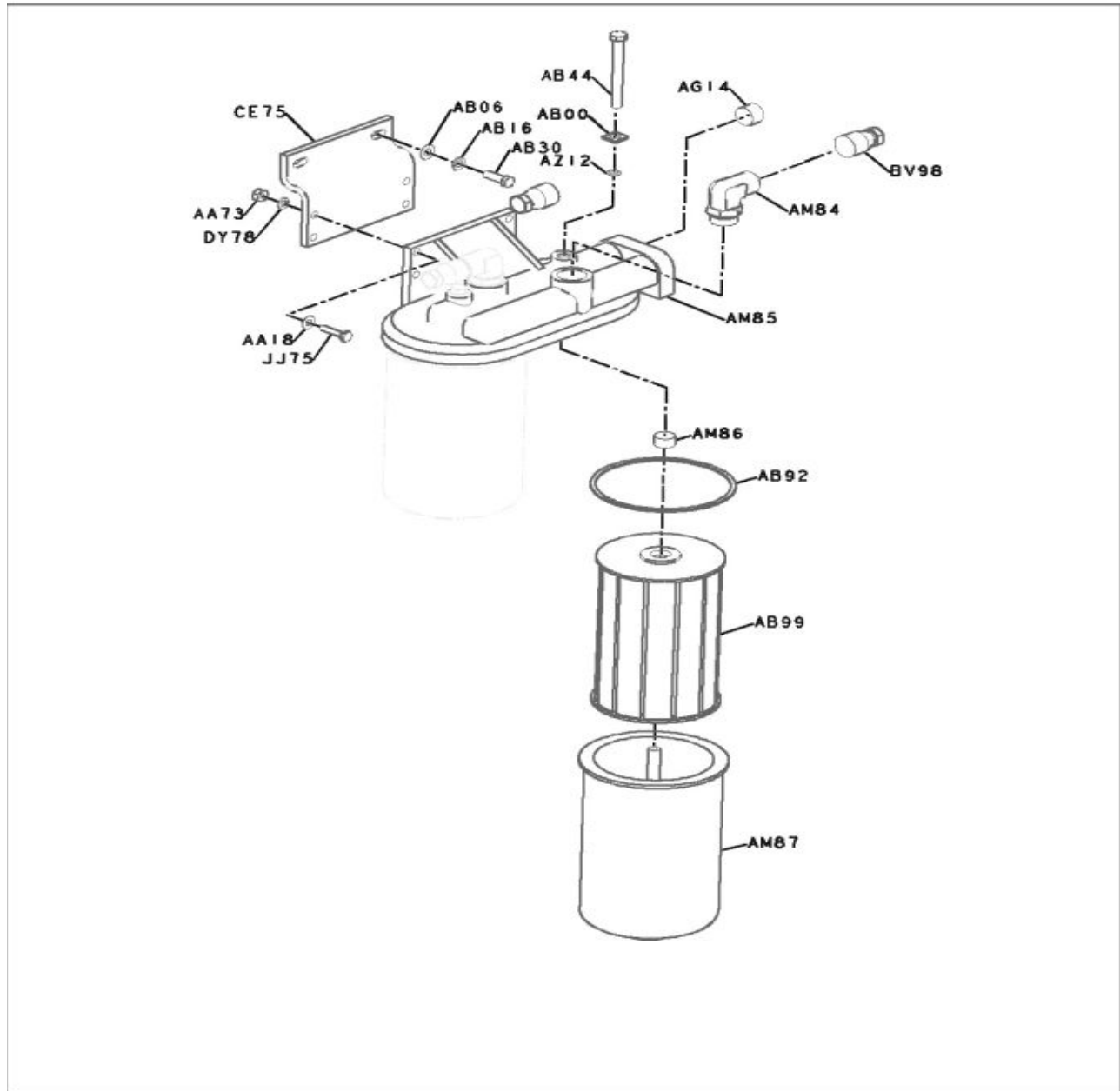
**FILTER, LUB OIL BYPASS**

S No	Ref No	Part No	Description	Qty	Serviceable	Remarks
			<b>MTG.SUPER BYPASS FILTER</b>			
1	-	<b>4085713</b>	MTG.SUPER BYPASS FILTER	1	Y	
2	CF17	3874415	BRACKET,FILTER	1	Y	
3	AA46	S 112	SCREW,HEXAGON HEAD CAP	8	Y	
4	AA98	S 604	WASHER, LOCK	15	Y	
5	AA73	S 223	NUT, HEAVY HEXAGON	8	Y	
6	AD55	108330	WASHER, PLAIN	7	Y	
7	BU56	S 103 D	SCREW, HEXAGON HEAD CAP	7	Y	
			<b>FILTER LUB OIL BYPASS</b>			
8	-	<b>3414934</b>	FILTER LUB OIL BYPASS	2	N	
9	CP50	3414814	FILTER,OIL BYPASS	1	Y	
10	AB82	3873573	HEAD, LUB OIL FILTER	1	Y	
11	AC41	3167229	SEAL,O RING	1	Y	
12	AC45	3873681	CLAMP,RETAINING	1	Y	
13	AC40	3873576	ELEMENT, OIL BYPASS FILTER	1	Y	
14	AB88	3874764	SPRING,TENSION	1	Y	
15	-	3414812	SHELL, FILTER	1	Y	
16	AB74	3873922	SHELL, FILTER	1	Y	
17	-	3873921	BOSS	1	Y	
18	AZ16	3414811	PLATE,CLAMPING	1	N	
19	AB81	67622	PLUG PIPE	1	Y	
20	AA98	S 604	WASHER, LOCK	5	Y	
21	AA18	S 602	WASHER, PLAIN	4	Y	
22	AA79	S 104	SCREW,HEXAGON HEAD CAP	4	Y	
23	AC42	3873649	CLAMP FILTER	1	Y	
24	AB61	S 103D	SCREW, HEXAGON HEAD CAP	2	Y	
25	AA98	S 604	WASHER, LOCK	2	Y	
26	AA73	S 223	NUT, HEAVY HEXAGON	2	Y	
			<b>CONNECTION, OIL TRANSFER</b>			
27	-	<b>3628228</b>	CONNECTION, OIL TRANSFER	1	N	
28	AQ69	3629146	CONNECTION,OIL TRANSFER	2	Y	
29	-	3046202	PLUG THREADED	3	Y	
30	AL57	3040810	PLUG,THREADED	1	Y	
31	CN55	3046201	SEAL O RING	1	Y	
32	AA98	S 604	WASHER, LOCK	12	Y	
33	AQ67	191772	SCREW,TWELVE POINT CAP	12	Y	
34	AQ68	3627938	GASKET,COVER PLATE	2	Y	

Version : 3.0.20.0 Applicable Date : Aug-2011

Group Number: GR\_06\_04\_00\_027

FILTER,FUEL



Version : 3.0.20.0 Applicable Date : Aug-2011

Details of Group Number: GR\_06\_04\_00\_027

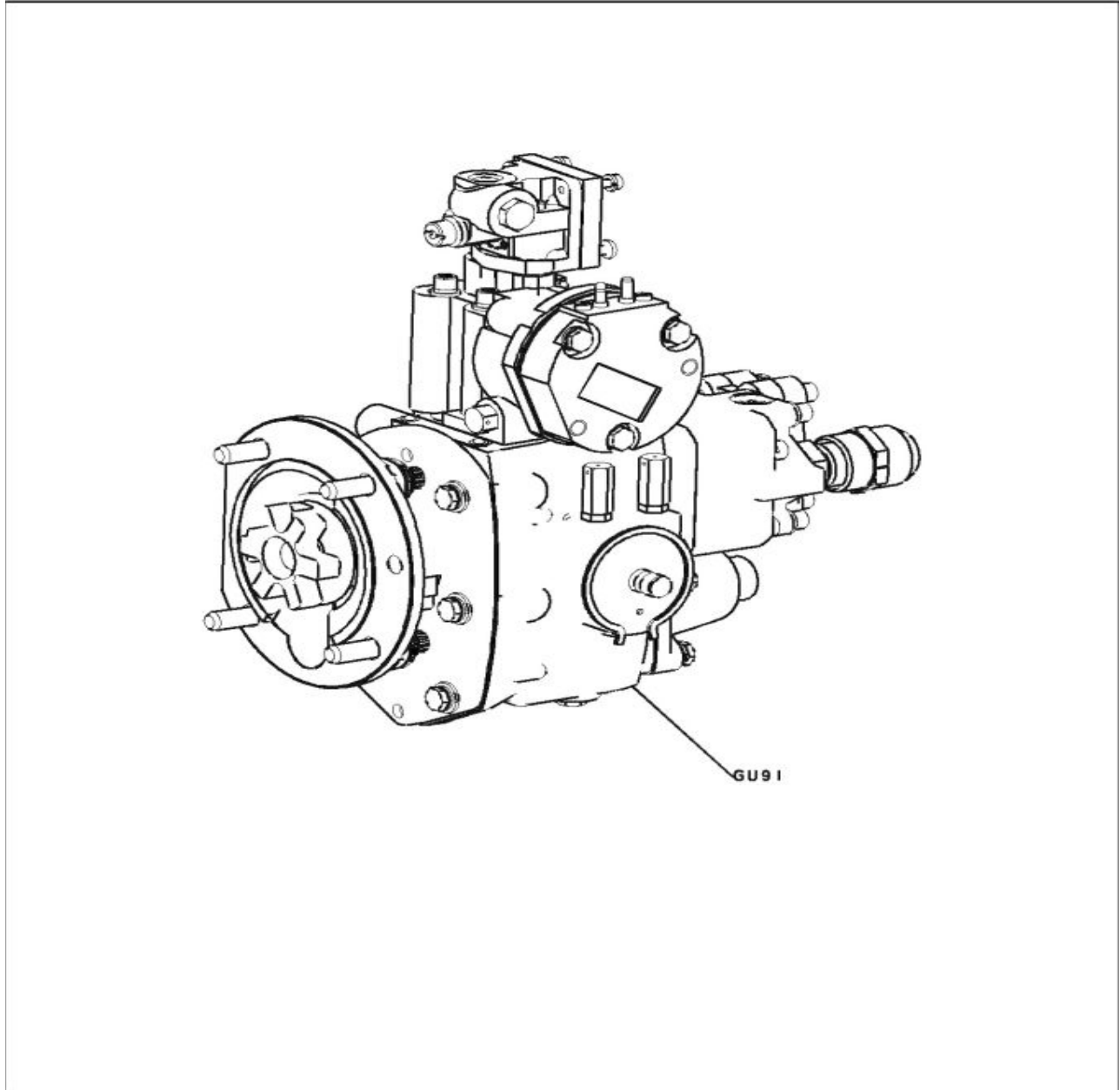
## FILTER,FUEL

S No	Ref No	Part No	Description	Qty	Serviceable	Remarks
			<b>MTG.FUEL FILTER</b>			
1	-	<b>3248969</b>	MTG.FUEL FILTER	1	N	
2	CE75	3872506	BRACKET FUEL FILTER	1	Y	
3	AA18	S 602	WASHER, PLAIN	4	Y	
4	AE62	108707	SCREW, HEXAGON HEAD CAP	4	Y	
5	AA98	S 604	WASHER, LOCK	4	Y	
6	AA73	S 223	NUT, HEAVY HEXAGON	4	Y	
7	AB06	S 622	WASHER, PLAIN	2	Y	
8	AB16	S 610	WASHER, LOCK	2	Y	
9	AB30	103009	SCREW, HEXAGON HEAD CAP	2	Y	
10	BV98	<b>AK16030SS</b>	COUPLING PLAIN HOSE	2	Y	
			<b>FILTER FUEL</b>			
11	-	<b>4084701</b>	FILTER FUEL	1	Y	
12	-	4084702	FILTER FUEL	1	Y	
13	AM85	3235431	HEAD,FUEL FILTER	1	Y	
14	AM86	4105092	DOWEL,RING	2	N	
15	AB92	151881	GASKET,FUEL FILTER COVER	2	Y	
16	AB99	4084133	ELEMENT ,FUEL FILTER	2	Y	
17	AZ12	3010937	SEAL,O RING	2	Y	
18	AB00	251081	WASHER	2	Y	
19	AB44	108604	SCREW, HEXAGON HEAD CAP	2	Y	
20	AM87	3235628	FILTER,FUEL	2	Y	
21	AG14	S 962	PLUG PIPE	2	Y	
22	AM84	3234779	ELBOW,MALE UNION	2	Y	

Version : 3.0.20.0 Applicable Date : Aug-2011

Group Number: GR\_05\_01\_00\_095

FUEL PUMP





Version : 3.0.20.0 Applicable Date : Aug-2011

Details of Group Number: GR\_05\_01\_00\_095

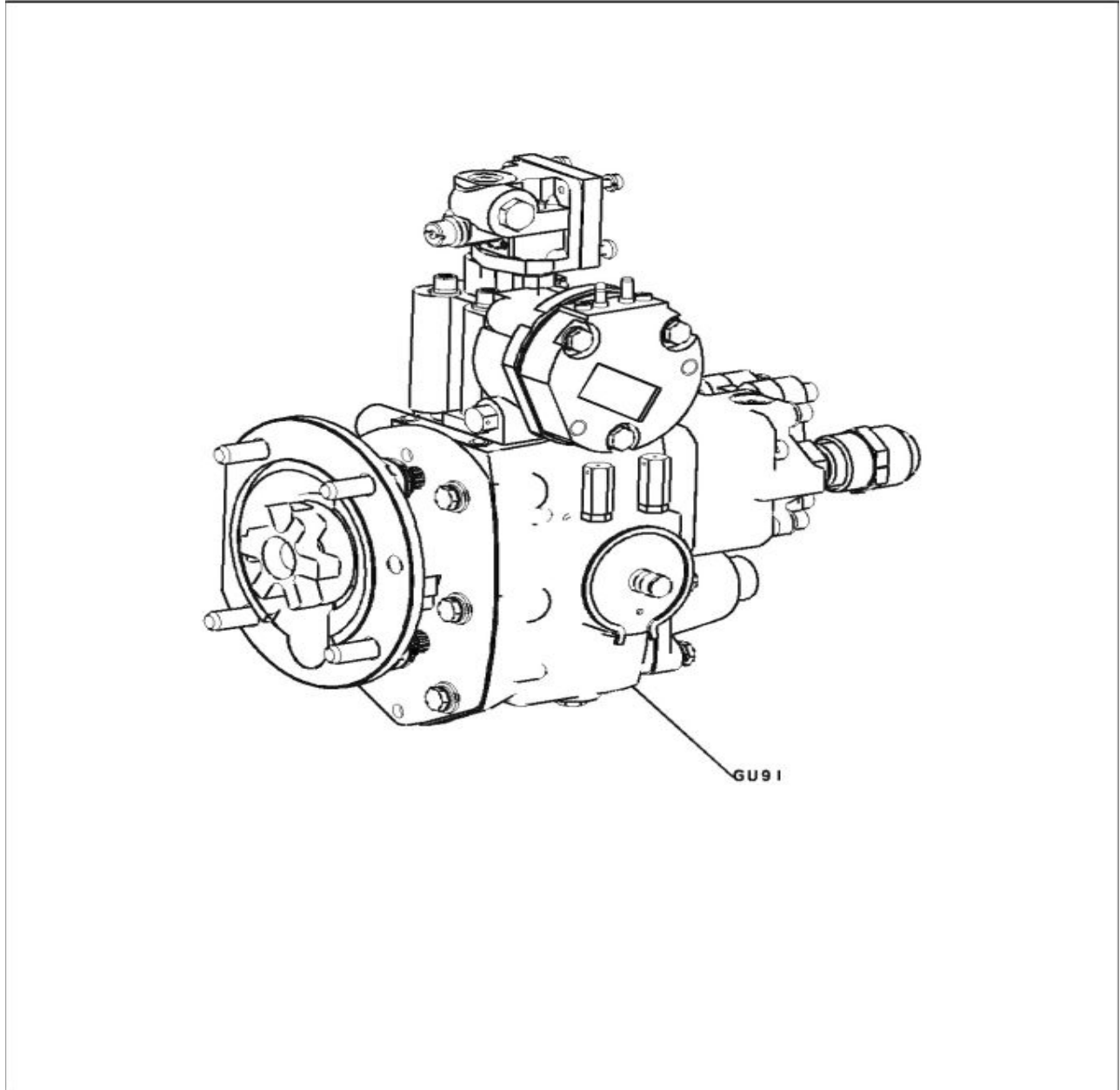
**FUEL PUMP**

S No	Ref No	Part No	Description	Qty	Serviceable	Remarks
			<b>PUMP,FUEL</b>			
1	-	2879740	PUMP,FUEL	1	N	
2	-	2879737	PUMP, FUEL	1	N	
3	-	2879736	PUMP,FUEL	1	N	
4	ZA38	4072863	BODY FUEL PUMP	1	N	
5	ZA35	177761	HOUSING,FUEL PUMP	1	Y	
6	BV07	148977	COVER, FUEL CONTROL	1	Y	
7	AE56	S 16206	SNAP RING	1	Y	
8	AE57	139473	PLUG	1	Y	
9	AE58	43696A	O RING	1	Y	
10	AE41	149030	SHAFT, THROTTLE	1	Y	PART NO. FOR SERVICE AR12530
11	AW83	109915	SCREW, SLOTTED SET	2	Y	
12	AE60	S 251	NUT, REGULAR HEXAGON JAM	2	Y	
13	CE73	3034221	PUMP GEAR FUEL	1	Y	
14	ZA39	4104949	COVER AND GOVERNOR	1	Y	
15	ZA36	139668	COVER, FUEL PUMP	1	Y	PART NO. FOR SERVICE-BM53139
16	AD64	100764	GASKET FRONT COVER	1	Y	
17	AD68	103089	WASHER	1	Y	
18	AF18	70704	WASHER, PLAIN	7	Y	
19	AD67	S 606	WASHER LOCK	3	Y	
20	AA64	S 600	WASHER, LOCK	5	Y	
21	AD65	118226	CAPSCREW	1	Y	
22	AD66	S 105C	SCREW, HEXAGON HEAD CAP	7	Y	
23	-	AR12112	DAMPER, FUEL PUMP & MTG.	1	Y	
24	-	BM69889	PACK,IDLE SPRING	1	Y	
25	-	3038218		1	N	
26	CR95	3036473	GUIDE,IDLE SPRING PLUNGER	1	Y	
27	CR96	3032014	SPRING,COMPRESSION	1	Y	
28	CV48	70715	WASHER	1	Y	
29	CR93	144195	SPRING,COMPRESSION	1	Y	
30	CR94	70716	SCREW,KNURLED	1	Y	
31	-	3033742	PLUG,THREADED	1	Y	
32	AK70	3079584	PLUG, THREADED	1	N	PART NO. FOR SERVICE 4903442
33	AK71	3034412	SEAL O RING	1	Y	
34	-	3065383	PLUG,THREADED	1	Y	
35	AK41	3065382	PLUG,THREADED	1	Y	
36	AK71	3034412	SEAL O RING	1	Y	
37	AF16	3072817	GASKET	1	Y	
38	AK37	3065376	COVER,SPRING PACK	1	Y	
39	AD64	100764	GASKET FRONT COVER	1	Y	
40	BV07	148977	COVER, FUEL CONTROL	1	Y	

Version : 3.0.20.0 Applicable Date : Aug-2011

Group Number: GR\_05\_01\_00\_095

FUEL PUMP



Version : 3.0.20.0 Applicable Date : Aug-2011

Details of Group Number: GR\_05\_01\_00\_095

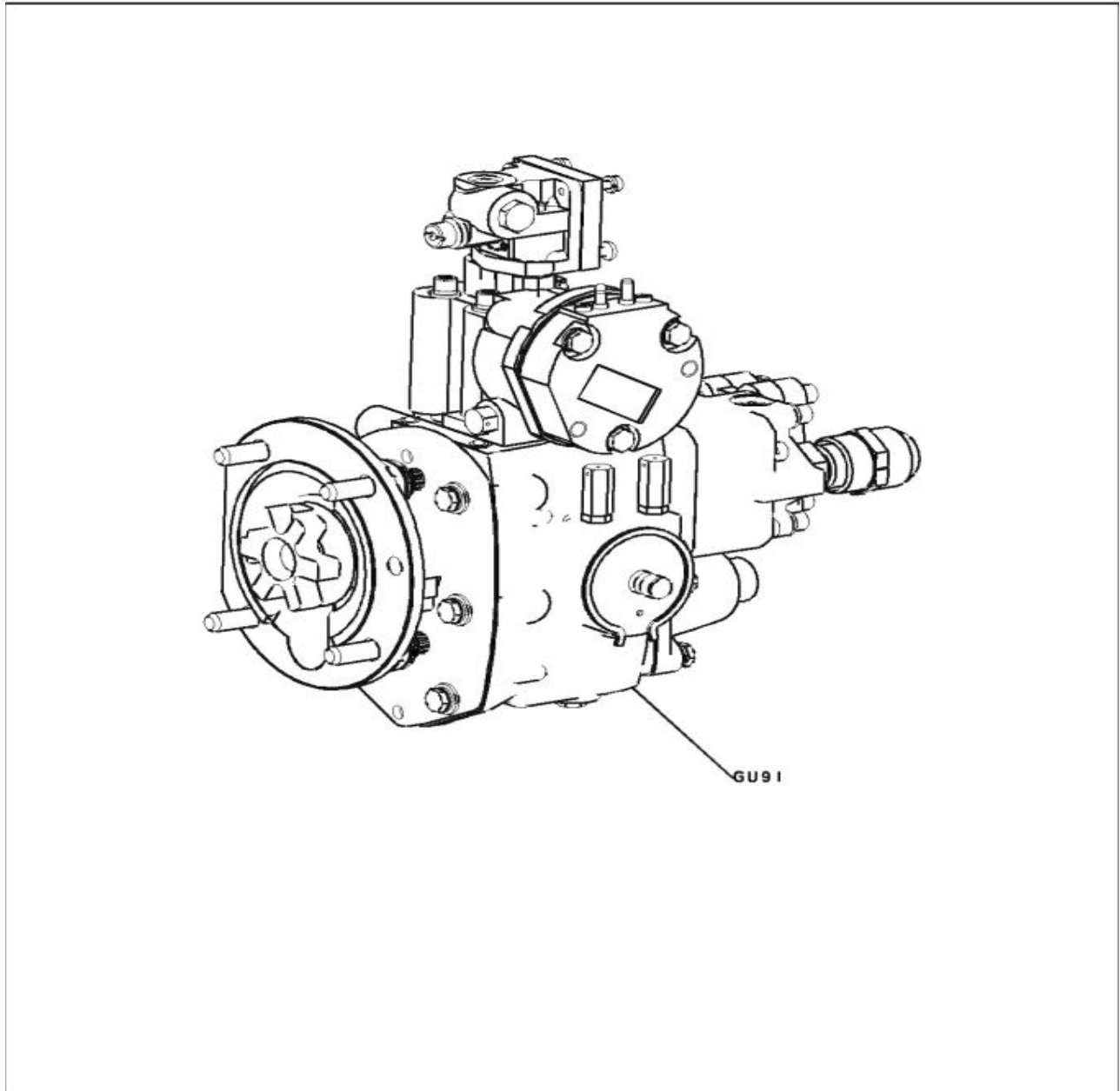
**FUEL PUMP**

S No	Ref No	Part No	Description	Qty	Serviceable	Remarks
41	CR63	3096077	GASKET,FUEL PUMP	1	Y	
42	AE53	105375	NAME PLATE	1	Y	
43	BU04	500285	WASHER	2	Y	
44	AW83	109915	SCREW, SLOTTED SET	2	Y	
45	GQ63	146483 KMCS PARTIAL	SCREEN,FILTER	1	Y	
46	AF19	100129	SCREW, SOCKET HEAD CAP	4	Y	
47	AF18	70704	WASHER, PLAIN	4	Y	
48	AA64	S 600	WASHER, LOCK	10	Y	
49	CN45	70700	SPRING, COMPRESSION	1	Y	
50	AF15	S 16240	RING SNAP	1	Y	
51	C013	154088	SEAL, RECTANGULAR RING	1	Y	
52	-	157088	CAP, FUEL PUMP FILTER	1	Y	
53	AE54	S 2267	SCREW, DRIVE	2	Y	
54	AE56	S 16206	SNAP RING	1	Y	
55	AE60	S 251	NUT, REGULAR HEXAGON JAM	2	Y	
56	CD93	3875552	NUT, FUEL PUMP ADJUSTING	2	Y	
57	CV47	70713	RETAINER SPRING	1	Y	
58	CR65	203619	SCREW, HEXAGON HEAD CAP	1	Y	
59	AD68	103089	WASHER	2	Y	
60	AD66	S 105C	SCREW, HEXAGON HEAD CAP	12	Y	
61	AE57	139473	PLUG	1	Y	
62	AE58	43696A	O RING	1	Y	
63	FV85	S 631	WASHER, PLAIN	6	Y	
64	AB38	181466	WASHER, LOCK	4	Y	
65	AU04	S 910B	PLUG PIPE	1	Y	
66	AD65	118226	CAPSCREW	1	Y	
67	AW02	3166630	HOUSING, ACTUATOR	1	Y	
68	AT96	3408326	ACTUATOR, ETR FUEL CONTROL	1	Y	
69	-	3881860	MOUNTING ACTUATOR	1	N	
70	AF19	100129	SCREW, SOCKET HEAD CAP	4	Y	
71	AB38	181466	WASHER, LOCK	4	Y	
72	AF18	70704	WASHER, PLAIN	4	Y	
73	-	3017993	VALVE, SHUT OFF	1	Y	
74	-	3013642	BODY, FUEL SHUTOFF VALVE	1	N	
75	AB27	129838	KNOB	1	Y	
76	CR53	3013036	SHAFT, SHUTOFF VALVE	1	Y	
77	AW03	3014010	BODY SHUT OFF VALVE	1	Y	
78	CR54	3279794	SEAL, O RING	1	Y	
79	AW06	3034451	HOUSING ACTUATOR	1	Y	
80	CR55	3034452	DISC, ACTUATOR	1	Y	

Version : 3.0.20.0 Applicable Date : Aug-2011

Group Number: GR\_05\_01\_00\_095

FUEL PUMP



Version : 3.0.20.0 Applicable Date : Aug-2011

Details of Group Number: GR\_05\_01\_00\_095

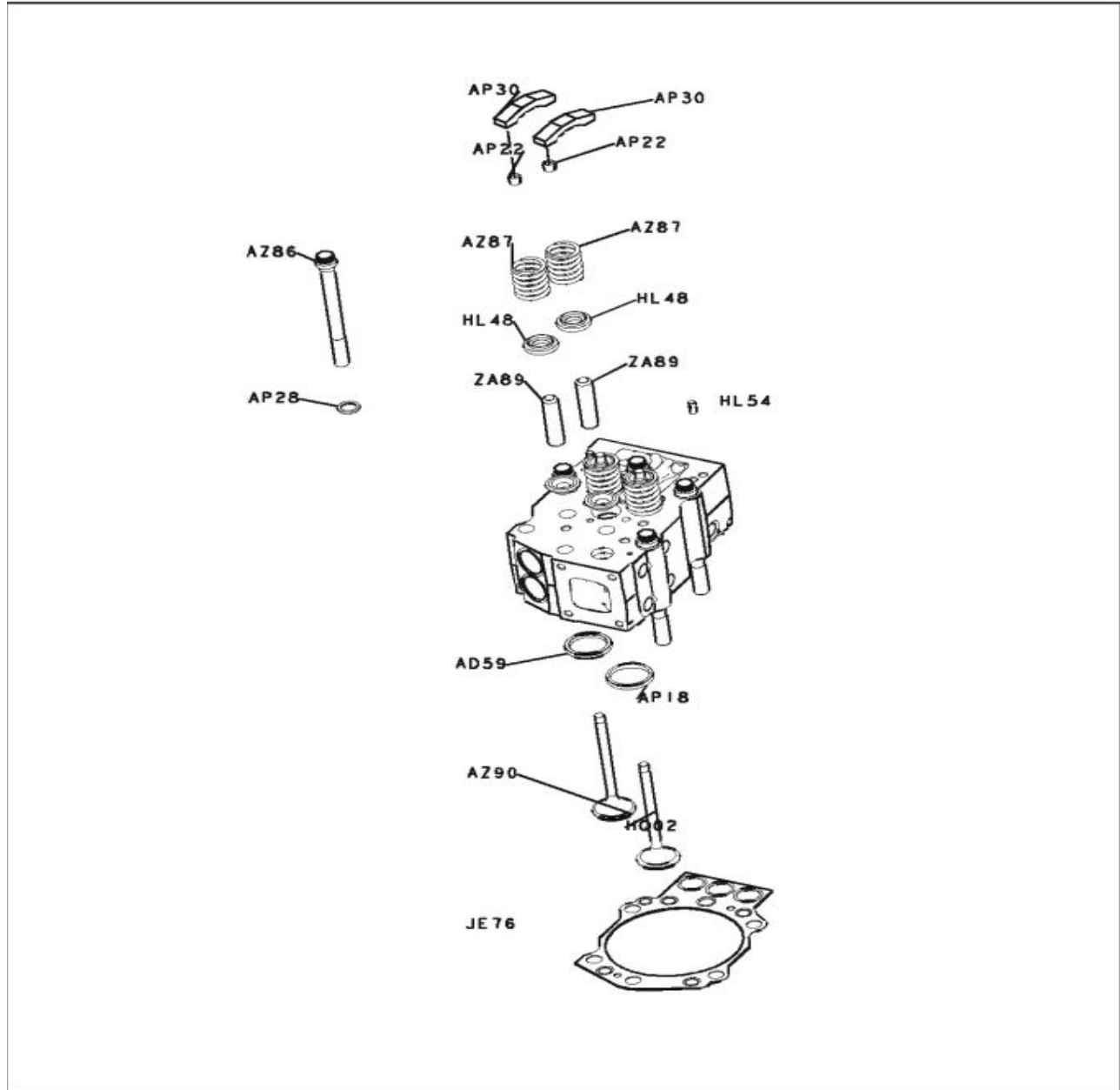
**FUEL PUMP**

S No	Ref No	Part No	Description	Qty	Serviceable	Remarks
81	BW26	196057	DISC,VALVE	1	Y	
82	-	195265	PLUG PIPE	1	Y	
83	AB25	129888	SEAL RECTANGULAR RING	1	Y	
84	AB24	129839	SHIELD,SHUTOFF VALVE	1	Y	
85	AI35	3054609	SOLENOID	1	Y	
86	AG71	S 607	WASHER, LOCK	3	Y	
87	CR51	3018047	SCREW,FILLISTER HEAD CAP	3	Y	
88	-	MP1356	MTG, FUEL SHUTOFF VALVE	1	N	
89	AB37	67684	WASHER, PLAIN	2	Y	
90	AB38	181466	WASHER, LOCK	2	Y	
91	-	S 189C	SCREW SOCKET HEAD CAP	2	Y	
92	AB39	154087	SEAL,RECTANGULAR RING	1	Y	
			<b>MOUNTING,FUEL PUMP</b>			
93	AW86	<b>4021021</b>	MOUNTING,FUEL PUMP	1	N	
94	AW64	3069103	GASKET,FUEL PUMP & COPR.	1	Y	PART NO. FOR SERVICE 4026171
95	AB06	S 622	WASHER, PLAIN	4	Y	
96	AD69	3046200	SPIDER,JAW COUPLING	1	Y	
97	AW81	206326	SCREW TWELVE POINT CAP	4	Y	
98	AB16	S 610	WASHER, LOCK	4	Y	
			<b>UNION, MALE</b>			
99	-	<b>203850</b>	UNION, MALE	1	Y	
100	AZ43	3100517	UNION, MALE	1	Y	
101	CN55	3046201	SEAL O RING	1	Y	
			<b>ADAPTER,FUEL CONNECTOR</b>			
102	CN38	<b>3232992</b>	ADAPTER,FUEL CONNECTOR	2	Y	

Version : 3.0.20.0 Applicable Date : Aug-2011

Group Number: GR\_02\_01\_00\_058

### HEAD,CYLINDER



Version : 3.0.20.0 Applicable Date : Aug-2011

Details of Group Number: GR\_02\_01\_00\_058

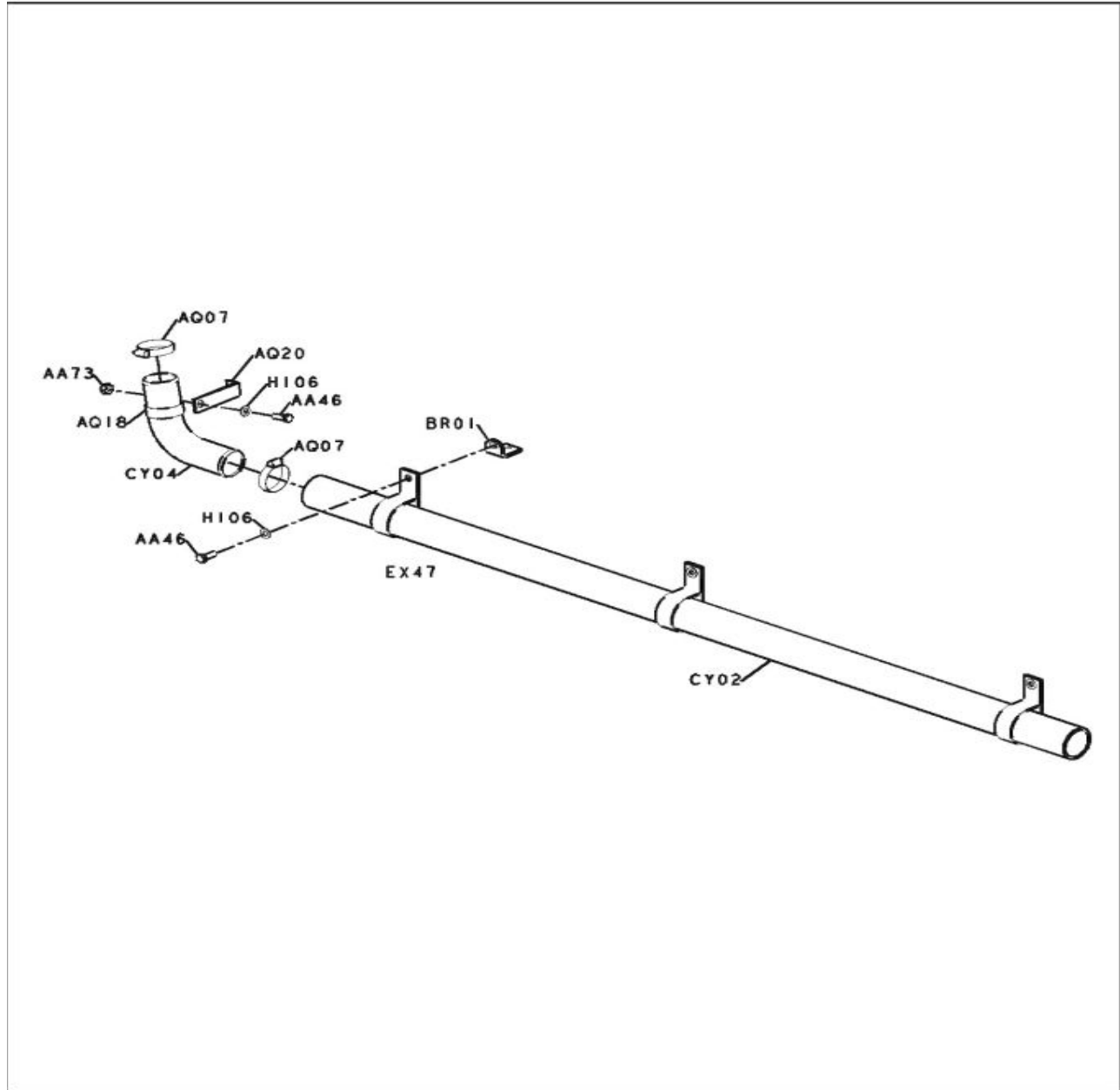
**HEAD,CYLINDER**

S No	Ref No	Part No	Description	Qty	Serviceable	Remarks
			<b>HEAD,CYLINDER</b>			
1	-	<b>3640318</b>	HEAD,CYLINDER	6	N	
2	-	3811981	HEAD,CYLINDER	1	N	
3	-	3081065	HEAD,CYLINDER	1	N	
4	AP13	3081064	HEAD,CYLINDER	1	Y	
5	DX15	S911B	PLUG,PIPE	1	Y	
6	CI68	S-915-A	PLUG,PIPE	1	Y	
7	AP42	203933	PLUG,EXPANSION	1	Y	
8	AP15	206224	PLUG,EXPANSION	2	Y	
9	AP14	205401	PLUG,EXPANSION	8	Y	
10	AD59	3086193	INSERT,VALVE	2	Y	
11	FT54	3635250	PIN,GROOVE	2	Y	
12	ZA89	3202210	GUIDE,VALVE STEM	4	Y	
13	AP18	3086192	INSERT,VALVE	2	Y	
14	EF94	3640315	ROTATOR,VALVE	4	Y	
15	-	3640315 1	ROTATOR,VALVE	1	N	
16	-	3640315 2	ROTATOR,VALVE	1	N	
17	-	3640315 3	ROTATOR,VALVE	1	N	
18	AZ87	3633840	SPRING,VALVE	4	Y	
19	AP23	205094	RETAINER,VALVE SPRING	4	Y	
20	AP22	205091	COLLET,VALVE	8	Y	
21	AZ90	3088389	VALVE,EXHAUST	2	Y	
22	GL20	4986317	VALVE,INTAKE	2	Y	
23	EH65	<b>4959089</b>	GASKET,CYLINDER HEAD	6	N	PART NO. FOR SERVICE-3022340
24	AP30	<b>3086362</b>	CROSSHEAD	12	Y	
			<b>CYLINDER HEAD MTG</b>			
25	-	<b>3043088</b>	CYLINDER HEAD MTG	6	N	
26	AP28	3629962	WASHER,PLAIN	6	Y	
27	AZ86	3032633	SCREW,TWELVE POINT CAP	6	Y	

Version : 3.0.20.0 Applicable Date : Aug-2011

Group Number: GR\_03\_02\_01\_038

### HOSE,BREATHER VENT





Version : 3.0.20.0 Applicable Date : Aug-2011

Details of Group Number: GR\_03\_02\_01\_038

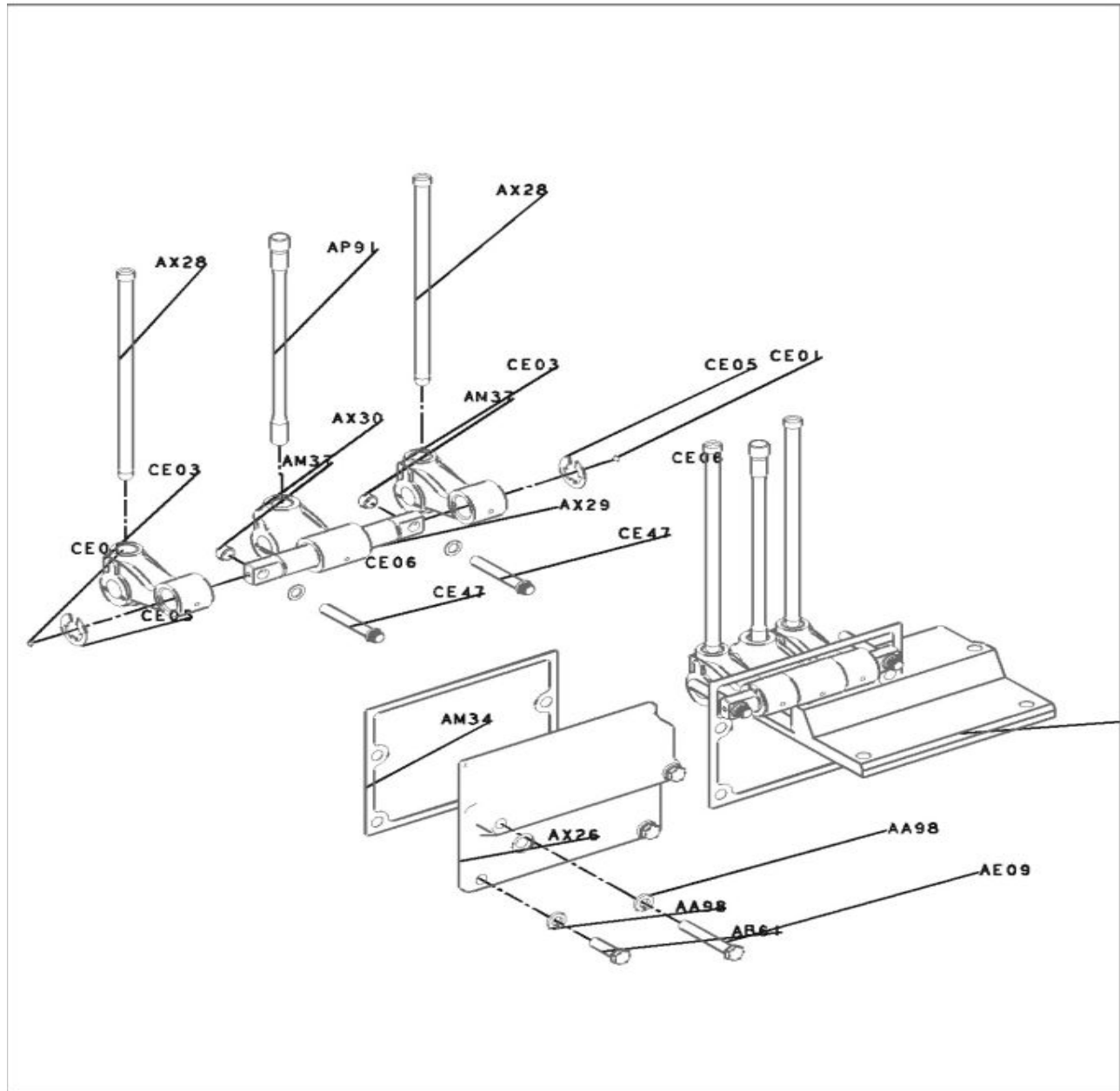
**HOSE,BREATHER VENT**

S No	Ref No	Part No	Description	Qty	Serviceable	Remarks
			<b>HOSE,BREATHER VENT</b>			
1	-	4911727	HOSE,BREATHER VENT	1	N	
2	CY04	4911726	TUBE,BREATHER	1	Y	
3	CY02	4911725	HOSE,PLAIN	1	Y	
4	AQ07	43828C	CLAMP, HOSE	2	Y	
5	AQ18	172558	CLIP	1	Y	
6	AQ20	114307	BRACE,TUBE	1	Y	
7	CY03	3282250	CLIP	3	Y	
8	AN47	3628902	WASHER,PLAIN	4	Y	
9	AA46	S 112	SCREW,HEXAGON HEAD CAP	2	Y	
10	AA73	S 223	NUT, HEAVY HEXAGON	1	Y	
11	AA98	S 604	WASHER, LOCK	1	Y	
12	BR01	101476	BRACE, TUBE	1	Y	

Version : 3.0.20.0 Applicable Date : Aug-2011

Group Number: GR\_04\_01\_00\_027

### HOUSING CAM FOLLOWER



Version : 3.0.20.0 Applicable Date : Aug-2011

Details of Group Number: GR\_04\_01\_00\_027

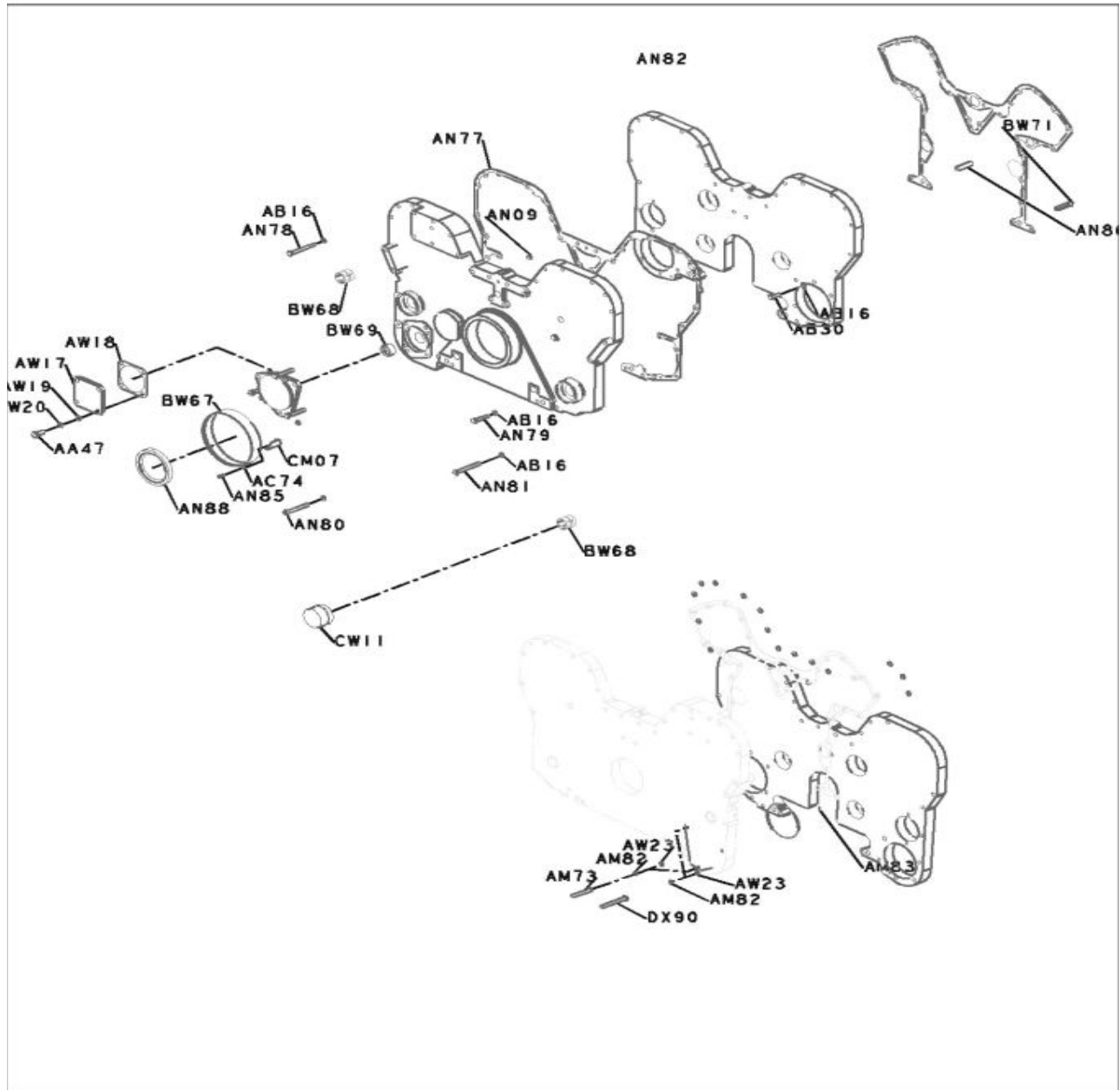
**HOUSING CAM FOLLOWER**

S No	Ref No	Part No	Description	Qty	Serviceable	Remarks
			<b>MTG,COVER CAM FOLLOWER</b>			
1	-	<b>4073163</b>	MTG,COVER CAM FOLLOWER	1	Y	
2	AM34	3040721	GASKET, CAM FOL HOUSING	1	Y	
3	AN47	3628902	WASHER,PLAIN	4	Y	
4	AA98	S 604	WASHER, LOCK	4	Y	
5	AE09	S 126	SCREW HEXAGON HEAD CAP	2	Y	
6	AB61	S 103D	SCREW, HEXAGON HEAD CAP	2	Y	
			<b>FOLLOWER,CAM MOUNTING</b>			
7	-	<b>3628092</b>	FOLLOWER,CAM MOUNTING	16	N	
8	AM37	3002993	DOWEL, RING	2	Y	
9	CE06	127362	WASHER,PLAIN	2	Y	
10	CE47	3627945	SCREW,TWELVE POINT CAP	2	Y	
			<b>FOLLOWER, CAMSHAFT</b>			
11	-	<b>3078180</b>	FOLLOWER, CAMSHAFT	16	Y	
12	-	3078218	SHAFT CAM ,FOLLOWER	1	Y	
13	AX29	3077538	SHAFT,CAM FOLLOWER	1	Y	
14	CE01	205227	PLUG,EXPANSION	2	Y	
15	CE03	3039164	LEVER,CAM FOLLOWER	2	Y	
16	EH35	205069	LEVER,CAM FOLLOWER	1	N	PART NO. FOR SERVICE 3039164
17	EH36	4009248	PIN, CAM FOLLOWER ROLLER	1	Y	
18	-	213559	SOCKET,CAM FOLLOWER	1	Y	
19	EH37	3016826	ROLLER, CAM FOLLOWER	1	Y	
20	EH38	205438	LOCKWIRE,TPT ROLLER PIN	1	Y	
21	-	3081413	LEVER CANFOLLOWER	1	Y	
22	AX30	3081411	LEVER,CAM FOLLOWER	1	N	
23	AX31	3062141	ROLLER,CAM FOLLOWER	1	Y	
24	AX32	4009479	PIN,CAM FOLLOWER ROLLER	1	Y	
25	-	213559	SOCKET,CAM FOLLOWER	1	Y	
26	EH38	205438	LOCKWIRE,TPT ROLLER PIN	1	Y	
27	CE05	205439	RING, RETAINING	2	Y	
28	AX26	<b>3628756</b>	COVER CAM SHAFT	1	Y	
29	AM38	<b>3628755</b>	COVER, CAM SHAFT	15	Y	
			<b>ROD, PUSH</b>			
30	AP91	<b>3017961</b>	ROD, PUSH	16	Y	
31	-	3018079	ROD,PUSH	1	N	
32	-	119391	END,PUSH ROD	1	N	
33	AX28	<b>3057139</b>	PUSH ROD	32	Y	

Version : 3.0.20.0 Applicable Date : Aug-2011

Group Number: GR\_01\_09\_00\_027

### HOUSING GEAR



Version : 3.0.20.0 Applicable Date : Aug-2011

Details of Group Number: GR\_01\_09\_00\_027

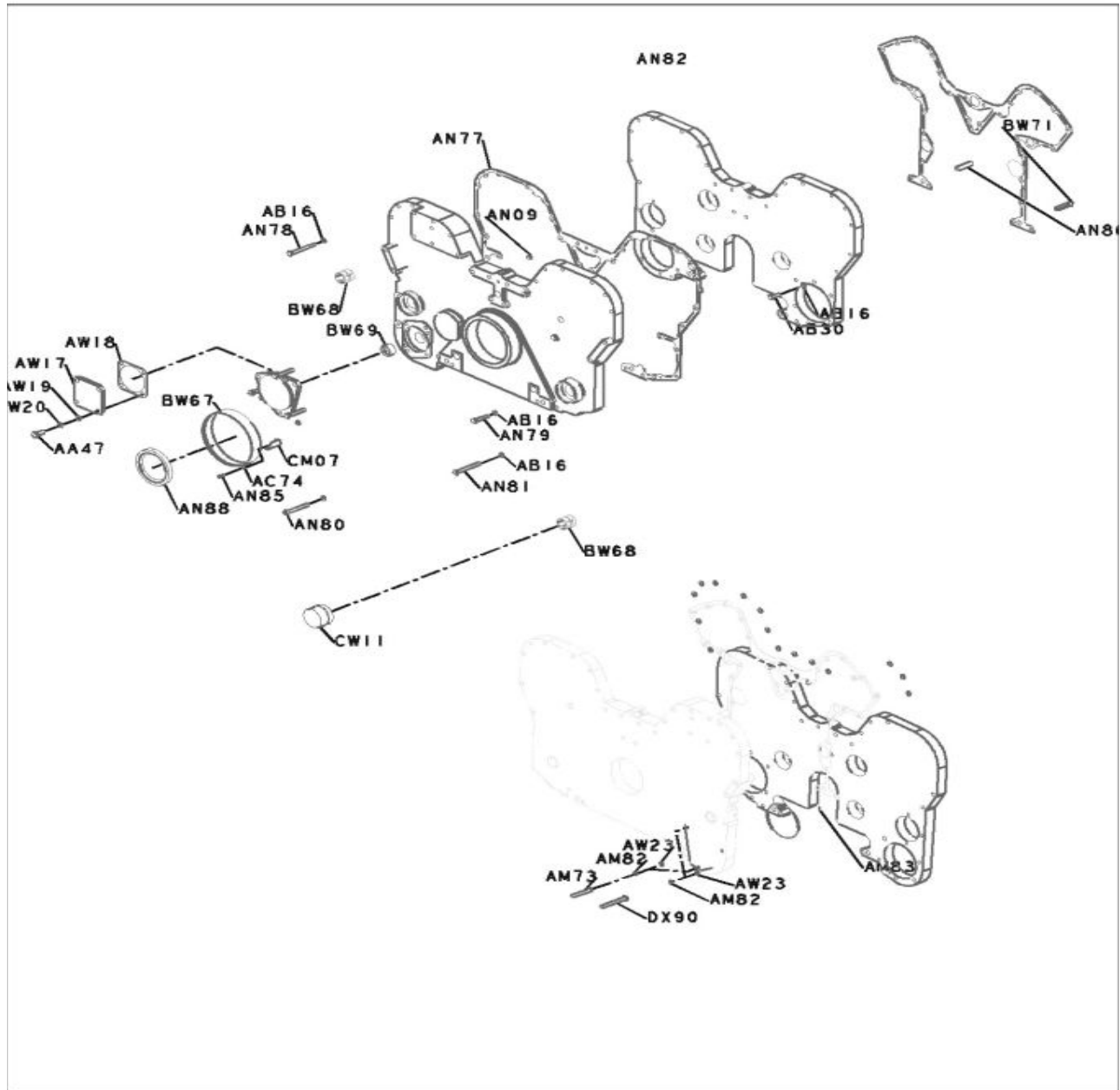
## HOUSING GEAR

S No	Ref No	Part No	Description	Qty	Serviceable	Remarks
			<b>HOUSING GEAR</b>			
1	-	3630010	HOUSING GEAR	1	Y	
2	AN82	3176918	HOUSING,GEAR	1	Y	PART NO. FOR SERVICE 3881164
			<b>COVER,FRONT GEAR MTG</b>			
3	-	3015275	COVER,FRONT GEAR MTG	1	N	
4	AN77	3177160	GASKET,GEAR COVER	1	Y	
5	AB16	S 610	WASHER, LOCK	27	Y	
6	AN78	110266	SCREW,HEXAGON HEAD CAP	6	Y	PART NO. FOR SERVICE 200908
7	AN79	102020	SCREW,HEXAGON HEAD CAP	7	Y	
8	AA56	137890	CAPSCREW	2	Y	
9	AB08	S 217	NUT, HEAVY HEXAGON	2	Y	
10	AZ25	108767	SCREW,HEXAGON HEAD CAP	5	Y	
11	AN80	3069026	SCREW, SOCKET HEAD CAP	2	Y	
12	AN81	S 127	SCREW,HEXAGON HEAD CAP	2	Y	
13	AB80	S 140	SCREW HEXAGON HEAD CAP	3	Y	
			<b>COVER,GEAR</b>			
14	-	3069028	COVER,GEAR	1	Y	
15	-	3627026	COVER,GEAR	1	Y	
16	AN75	3069025	COVER,GEAR	1	Y	PART NO. FOR SERVICE 3069027
17	AN76	3176649	SEAL TAMPER PROF	6	Y	
18	-	3069027	COVER,GEAR	1	Y	
19	BW67	205683	BUSHING	1	Y	
20	BW68	3177510	BUSHING	2	Y	
21	BW69	3177509	BUSHING	1	Y	
22	-	3201700	GEAR COVER MOUNTING	1	N	
23	AN09	3628605	PLUG, PIPE	2	Y	PART NO. FOR SERVICE S 910 B
24	BC59	3628606	PLUG,PIPE	1	Y	
25	CO77	3628609	PLUG,PIPE	1	Y	
			<b>HOUSING FRONT GEAR MTG</b>			
26	-	MP5271	HOUSING FRONT GEAR MTG	1	N	
27	JA77	3644502	GASKET,GEAR HOUSING	1	Y	
28	AB16	S 610	WASHER, LOCK	15	Y	
29	AB30	103009	SCREW, HEXAGON HEAD CAP	15	Y	
30	AN86	138912	DOWEL,PIN	1	Y	
31	BW71	3176618	DOWEL,DIAMOND	1	Y	
			<b>POINTER,TIMING</b>			
32	CM07	206526	POINTER,TIMING	1	Y	
33	AN88	3016787	SEAL,OIL	1	Y	
			<b>POINTER MTG</b>			
34	-	MP5266	POINTER MTG	1	N	
35	AC74	S 605	WASHER, LOCK	1	Y	
36	AN85	206527	SCREW,TWELVE POINT CAP	1	Y	
			<b>PLUG,GEAR COVER</b>			
37	CW11	3332255	PLUG,GEAR COVER	1	Y	
			<b>COVER,REAR HYD HOLE</b>			
38	-	MP5275	COVER,REAR HYD HOLE	1	N	
39	AW23	3175027	WASHER,PLAIN	3	Y	
40	AM82	135783	WASHER,LOCK	3	Y	

Version : 3.0.20.0 Applicable Date : Aug-2011

Group Number: GR\_01\_09\_00\_027

### HOUSING GEAR



Version : 3.0.20.0 Applicable Date : Aug-2011

Details of Group Number: GR\_01\_09\_00\_027

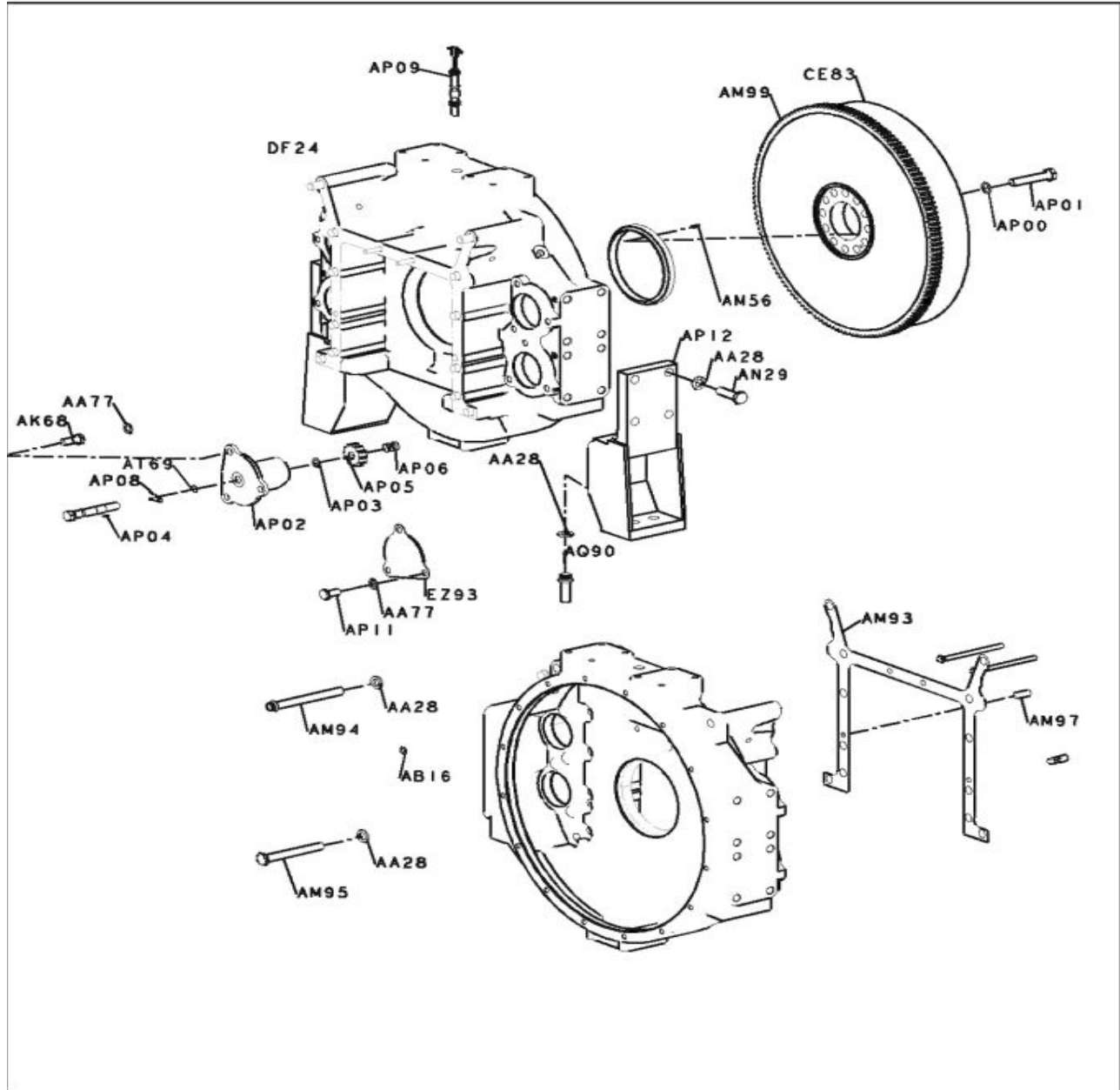
## HOUSING GEAR

S No	Ref No	Part No	Description	Qty	Serviceable	Remarks
41	AM73	S 162A	SCREW,HEXAGON HEAD CAP	2	Y	
42	AB11	103023	SCREW HEXAGON HEAD CAP	1	Y	
43	AM83	3818885	SEAL,O RING	1	Y	
44	GF75	4998542	SEAL,O RING	1	Y	
			<b>COVER,HYD PUMP FLANGE</b>			
45	AW16	<b>206158</b>	COVER,HYD PUMP FLANGE	1	Y	
			<b>FLANGE, BLIND PLUG MTG</b>			
46	-	<b>MP5276</b>	FLANGE, BLIND PLUG MTG	1	N	
47	AW18	206407	GASKET,HAND HOLE	1	Y	
48	AW19	127571	WASHER,PLAIN	4	Y	
49	AW20	111445	LOCKWIRE	4	Y	PART NO. FOR SERVICE S 608
50	AA47	S 145	SCREW, HEXAGON HEAD CAP	4	Y	
			<b>FLANGE</b>			
51	AW17	<b>206406</b>	FLANGE	1	Y	

Version : 3.0.20.0 Applicable Date : Aug-2011

Group Number: GR\_16\_01\_00\_048

### HOUSING,FLYWHEEL





Version : 3.0.20.0 Applicable Date : Aug-2011

Details of Group Number: GR\_16\_01\_00\_048

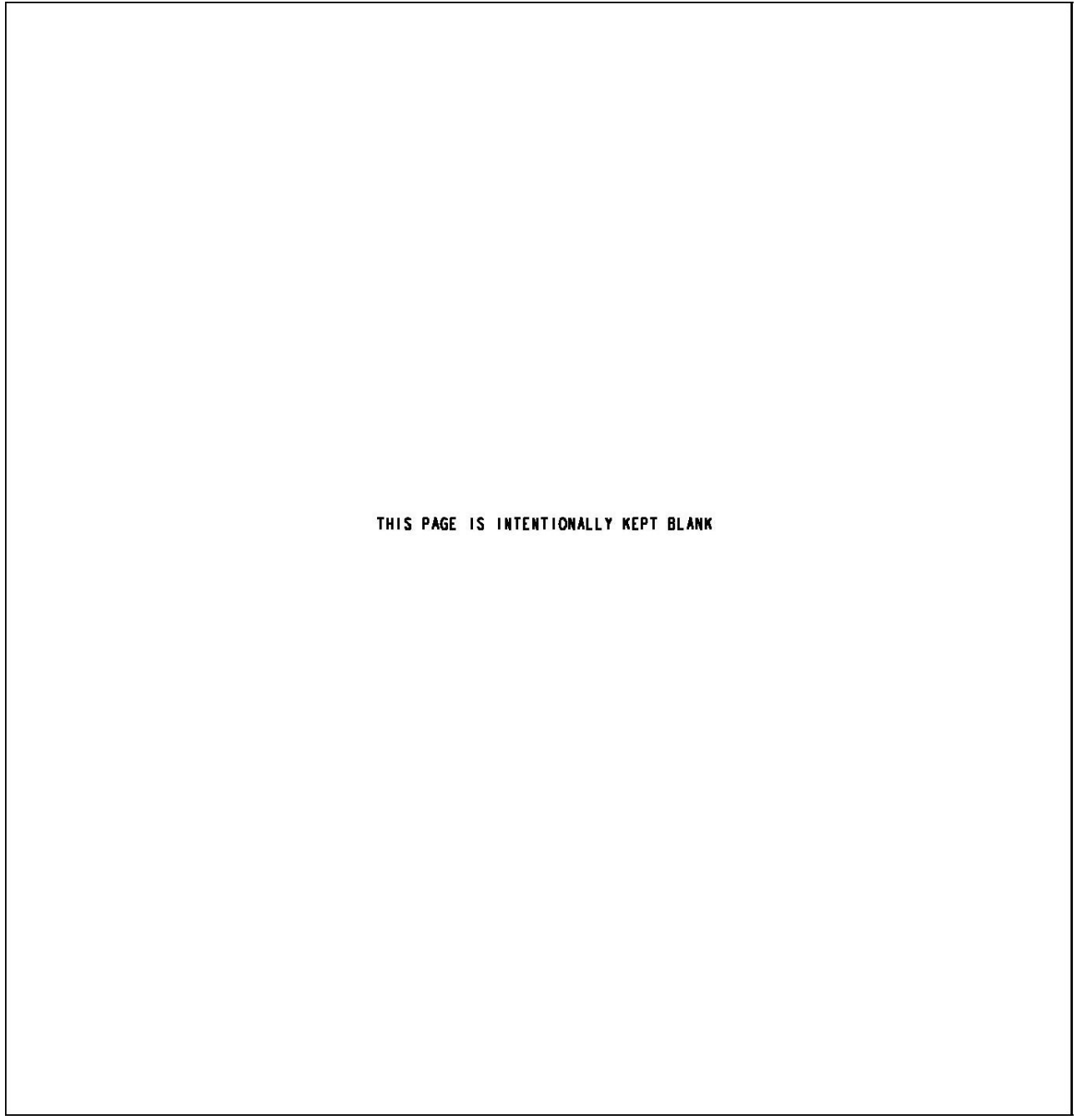
## HOUSING,FLYWHEEL

S No	Ref No	Part No	Description	Qty	Serviceable	Remarks
			<b>HOUSING, FLYWHEEL MTG.</b>			
1	-	3177397	HOUSING, FLYWHEEL MTG.	1	N	
2	AM93	3630874	GASKET,FLYWHEEL HOUSING	1	Y	
3	AA28	S 611	WASHER LOCK	12	Y	
4	AM95	S 150A	SCREW,HEXAGON HEAD CAP	10	Y	
5	AM97	70662	DOWEL,PIN	1	Y	
6	CE84	3634269	DOWEL,DIAMOND	1	Y	
7	AM94	205565	SCREW,TWELVE POINT CAP	2	Y	
8	AM96	3176465	SCREW,HEXAGON HEAD CAP	2	Y	
9	AB16	S 610	WASHER, LOCK	2	Y	
			<b>FLYWHEEL</b>			
10	-	3392874	FLYWHEEL	1	Y	
11	AM99	124507	GEAR,FLYWHEEL RING	1	Y	
12	CE83	3392873	FLYWHEEL	1	N	
			<b>FLEXPLATE, MTG</b>			
13	-	MP5486	FLEXPLATE, MTG	1	N	
14	AP00	205059	WASHER,PLAIN	12	Y	
15	AP01	3023536	SCREW,HEXAGON HEAD CAP	12	Y	
16	AM56	131584	PIN ROLL	1	Y	
			<b>DRIVE, ENGINE BARRING</b>			
17	-	3201740	DRIVE, ENGINE BARRING	1	Y	
18	AP02	206093	HOUSING,ENGINE BARRING	1	Y	
19	AD43	3201739	SHAFT,BARRING	1	Y	
20	AP03	206090	RING,RETAINING	1	Y	
21	AP04	S 306	KEY,PLAIN WOODRUFF	1	Y	
22	AP05	206091	GEAR,ENGINE BARRING	1	Y	
23	AP06	206092	SPRING,COMPRESSION	1	Y	
24	AT69	3913994	SEAL,O RING	1	Y	
25	AP08	169834	CLIP	1	Y	
			<b>MECHANISM, BARRING MTG</b>			
26	-	3041271	MECHANISM, BARRING MTG	1	N	
27	AA77	S 603	WASHER, LOCK	3	Y	
28	AK68	S 116	SCREW, HEXAGON HEAD CAP	3	Y	
29	AP12	3003440	SUPPORT,FLYWHEEL HOUSING	2	Y	
			<b>SUPPORT, REAR ENG MTG.</b>			
30	-	3004434	SUPPORT, REAR ENG MTG.	2	N	
31	AA28	S 611	WASHER LOCK	6	Y	
32	AN29	S 123	SCREW,HEXAGON HEAD CAP	4	Y	
33	AQ90	205584	SCREW,TWELVE POINT CAP	2	Y	
			<b>HOUSING,FLYWHEEL</b>			
34	-	4021226	HOUSING,FLYWHEEL	1	N	
35	CE80	3414620	HOUSING,FLYWHEEL	1	Y	
36	HX19	3642365	SEAL,OIL	1	Y	
			<b>COVER, STARTER HOLE</b>			
37	-	MP5044	COVER, STARTER HOLE	1	N	
38	AP10	3628411	COVER,STARTER FLANGE	1	Y	
39	AA77	S 603	WASHER, LOCK	3	Y	
40	AP11	S 181	SCREW HEXAGON HEAD CAP	3	Y	
41	AP09	4085824	PICKUP,MAGNETIC	1	Y	

Version : 3.0.20.0 Applicable Date : Aug-2011

Group Number: GR\_08\_08\_00\_027

**INHIBITOR,CORROSION**



**THIS PAGE IS INTENTIONALLY KEPT BLANK**

Version : 3.0.20.0 Applicable Date : Aug-2011

Details of Group Number: GR\_08\_08\_00\_027

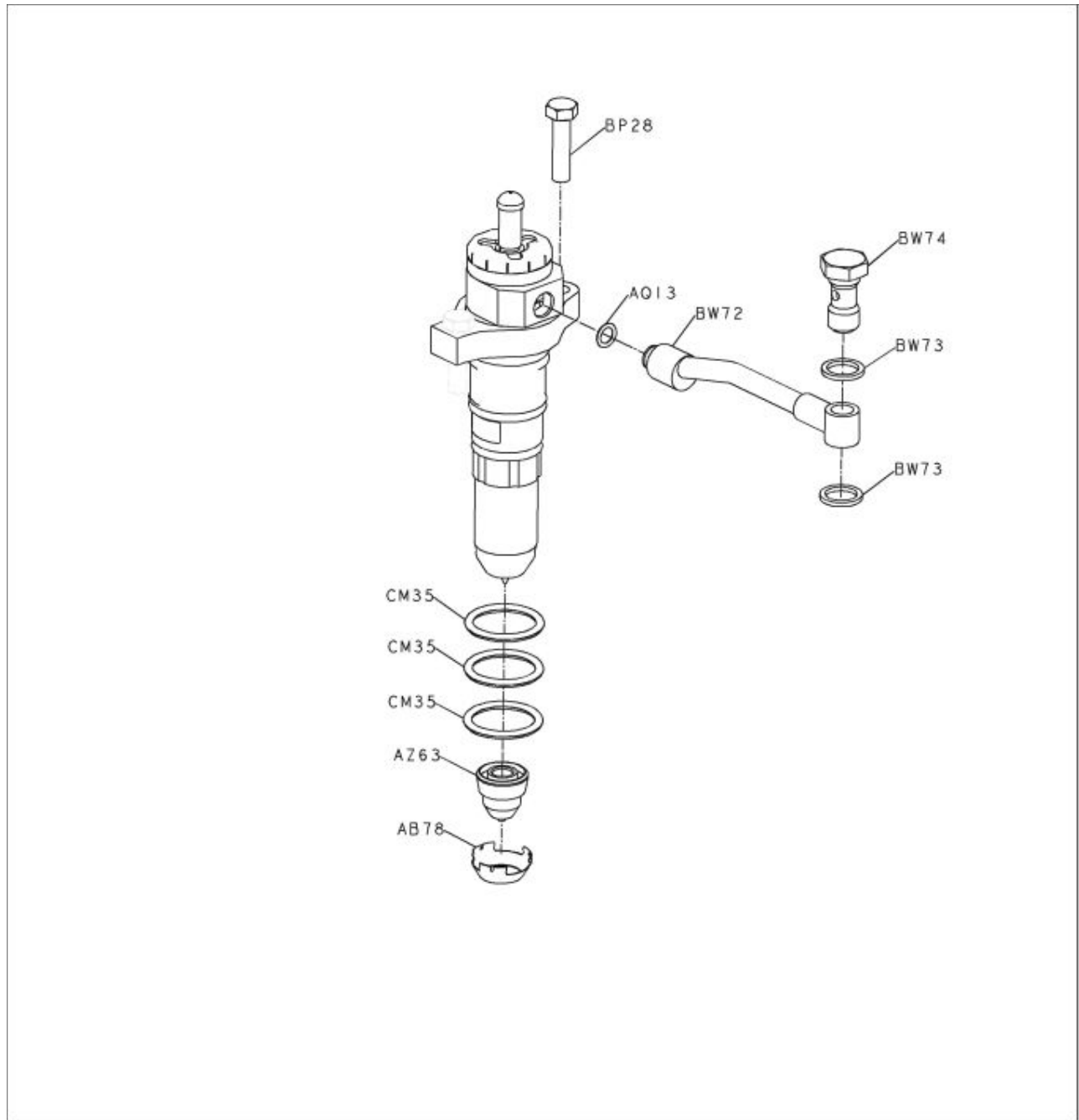
**INHIBITOR,CORROSION**

S No	Ref No	Part No	Description	Qty	Serviceable	Remarks
			<b>INHIBITOR,CORROSION</b>			
1	-	3413646	INHIBITOR,CORROSION	1	N	
2	-	3167218	INHIBITOR,CORROSION	3	Y	
3	-	3167222	INHIBITOR,CORROSION	1	Y	
4	-	3167226	KIT TEST	1	Y	

Version : 3.0.20.0 Applicable Date : Aug-2011

Group Number: GR\_06\_01\_00\_027

### INJECTOR



Version : 3.0.20.0 Applicable Date : Aug-2011

Details of Group Number: GR\_06\_01\_00\_027

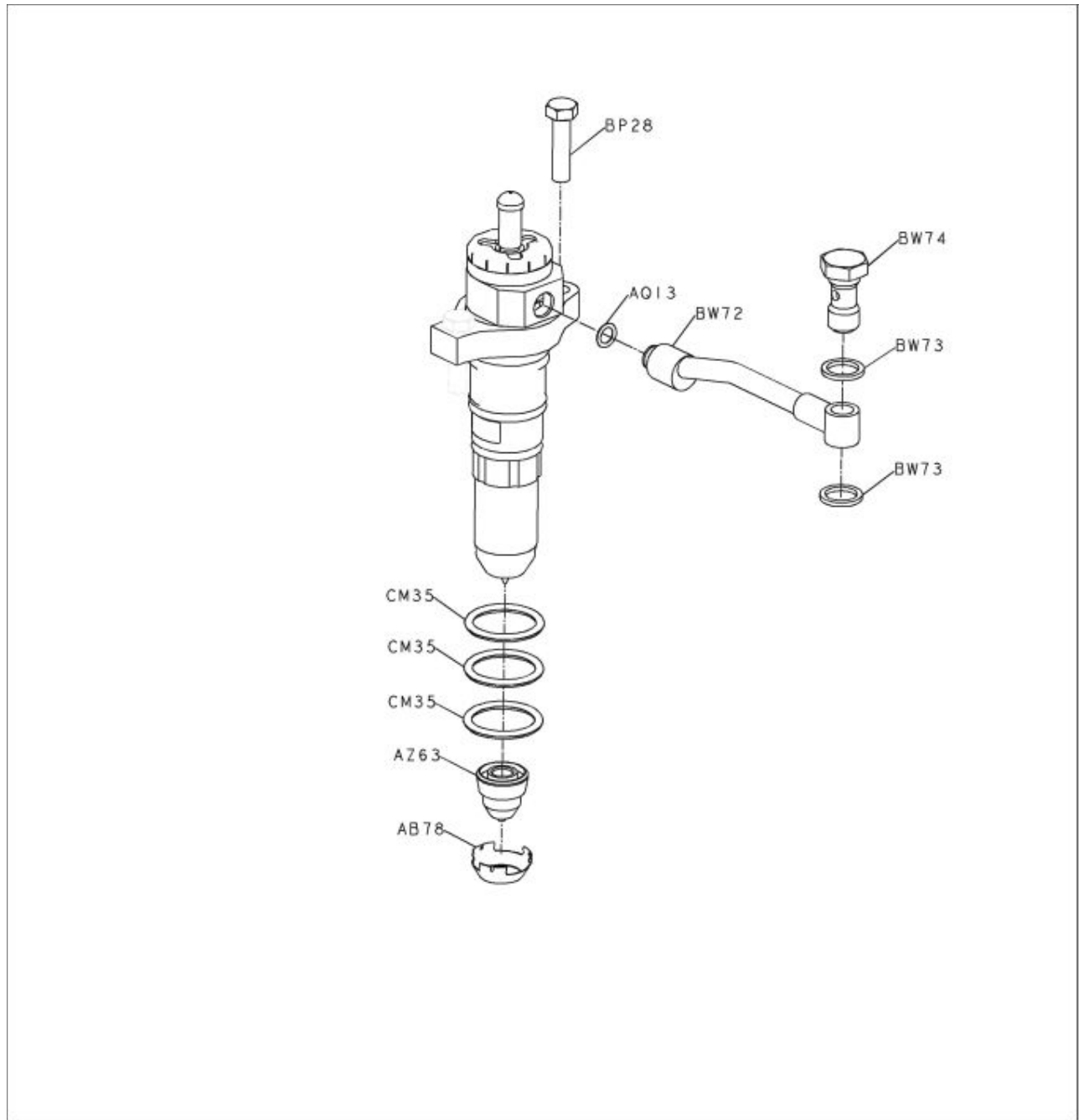
## INJECTOR

S No	Ref No	Part No	Description	Qty	Serviceable	Remarks
			<b>INJECTOR</b>			
1	-	<b>3095773</b>	INJECTOR	16	Y	
2	AZ64	3042430	RETAINER, INJECTORCUP	1	Y	
3	AZ63	3279720	CUP, INJECTOR	1	Y	
4	-	3076126	BARREL & PLUNGER	1	Y	
5	AZ62	3053504	BARREL,INJECTOR	1	N	
6	FA38	3076124	PLUNGER,INJECTOR	1	Y	
7	AD71	167157	BALL CHECK	1	Y	
8	AD76	203426	PIN,ROLL	1	Y	
9	AZ60	3042425	ADAPTER,INJECTOR	1	Y	
10	CM35	193736	SEAL 'O' RING	3	Y	
11	AZ59	3042427	SPRING, INJECTOR	1	Y	
12	AZ58	3042428	SPRING INJECTOR	1	Y	
13	AL16	3052218	RETAINER, INJECTOR SPRING	1	Y	
14	AZ57	3279821	SCREW.INJECTOR STOP	1	Y	
15	AZ56	3411695	CLAMP,INJECTOR	1	Y	
16	AJ16	3068860	NUT, LOCK	1	Y	
17	AZ55	3627894	LINK INJECTOR PLUNGER	1	Y	
18	-	3075381	TAPPET,HYD VAR TIMING	1	Y	
19	-	3075391	SLEEVE & PLUNGER	1	N	
20	AJ23	3075386	SLEEVE TAPPET	1	N	
21	AJ24	3053772	PLUNGER,TAPPET	1	Y	
22	AJ25	3085344	GUIDE, BALL	1	N	
23	AJ26	4077027	SPRING, INJECTOR	1	N	
24	AJ27	3085345	SOCKET, TAPPET	1	N	
25	AJ28	3027988	RING RETAINING	1	Y	
26	AJ29	3027996	BALL, CHECK	1	N	
27	AJ30	3027994	SPRING, COMPRESSION	1	N	
28	AJ31	3076033	GUIDE,BALL	1	Y	
29	AJ32	3054852	SPRING,INJECTOR	1	N	
30	AZ54	3279850	NUT,TAPPER TOP STOP CLOCK	1	Y	
31	AJ21	3068859	CAP, TAPPET TOP STOP	1	Y	
32	AJ18	3052231	RETAINER, INJECTOR LINK	1	Y	
33	AZ53	3052233	LINK,INJECTOR PLUNGER	1	Y	
34	AD72	173086	GASKET INJECTOR	1	Y	
35	-	3045047	PLUG, INJECTOR ORIFIC	1	N	
36	AF25	173085	PLUG, THREADED	1	Y	
37	AJ22	3054999	SCREEN FILTER	1	Y	
38	AD73	174299	RETAINER,SCREEN	1	Y	
			<b>INJECTOR MOUNTING</b>			
39	-	<b>3176986</b>	INJECTOR MOUNTING	16	N	
40	BW72	3629341	CONNECTION,OIL TRANSFER	1	Y	

Version : 3.0.20.0 Applicable Date : Aug-2011

Group Number: GR\_06\_01\_00\_027

### INJECTOR



Version : 3.0.20.0 Applicable Date : Aug-2011

Details of Group Number: GR\_06\_01\_00\_027

**INJECTOR**

S No	Ref No	Part No	Description	Qty	Serviceable	Remarks
41	AQ13	131026	SEAL, O RING	1	Y	
42	BW73	3023095	WASHER,PLAIN	2	Y	
43	BW74	3179021	SCREW,BANJO CONNECTOR	1	Y	
44	BP28	3070962	SCREW, HEXAGON HEAD CAP	2	Y	
45	AB78	207244	SEAL,INJECTOR	1	Y	

Version : 3.0.20.0 Applicable Date : Aug-2011

Group Number: GR\_11\_02\_00\_025

**KIT, FLEXIBLE EXHAUST**

THIS PAGE IS INTENSIONALLY KEPT BLANK.



Version : 3.0.20.0 Applicable Date : Aug-2011

Details of Group Number: GR\_11\_02\_00\_025

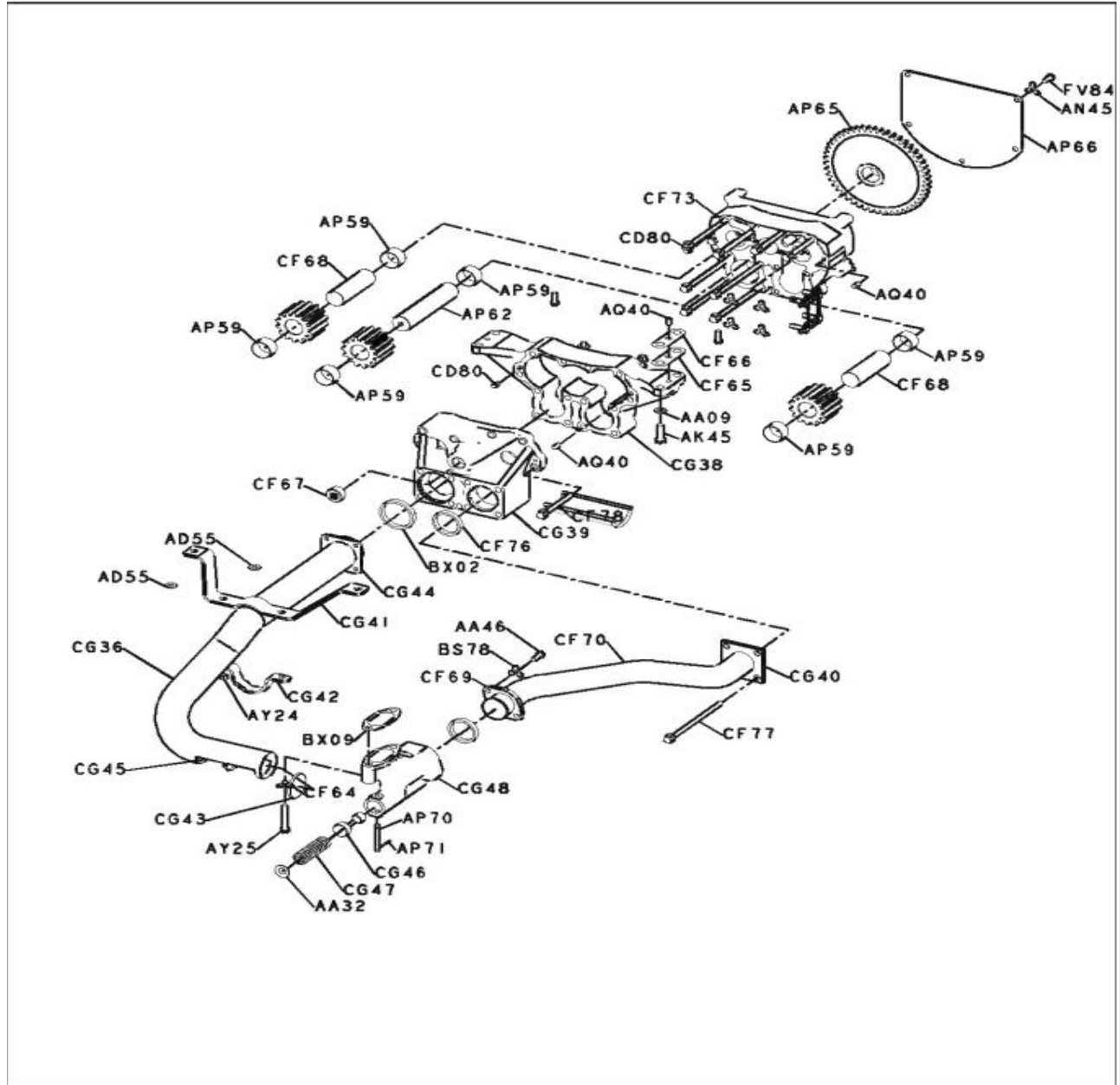
**KIT, FLEXIBLE EXHAUST**

S No	Ref No	Part No	Description	Qty	Serviceable	Remarks
			<b>KIT, FLEXIBLE EXHAUST</b>			
1	-	<b>4972433</b>	KIT, FLEXIBLE EXHAUST	1	N	
2	CG07	3392878	CONNECTION,EXHAUST OUTLET	2	Y	
3	GN34	2880040	GASKET,EXH OUT CONNECTION	2	Y	
4	BX20	3878283	GASKET, EXH OUT CONNECTION	2	Y	
5	CG09	3231857	FLANGE,WELD	2	Y	
6	GM30	2880041	GASKET,EXHOUTCONNECTION	2	Y	
7	CG08	3878282	FLANGE,WELD	2	Y	
8	CX75	4020700	CONNECTION,EXHAUST OUTLET	1	Y	
9	GJ44	2880046	GASKET,EXH OUT CONNECTION	3	Y	
10	CX73	4020702	FLANGE	1	Y	
11	AA29	S 640	WASHER PLAIN	64	Y	
12	AA28	S 611	WASHER LOCK	32	Y	
13	AN29	S 123	SCREW,HEXAGON HEAD CAP	32	Y	
14	AA27	S 204	NUT, HEAVY HEXAGON	32	Y	
15	AF11	S 690	WASHER, PLAIN	120	Y	
16	CB22	S 612	WASHER,LOCK	78	Y	
17	CX70	S 138	SCREW,HEXAGON HEAD CAP	60	N	
18	CB23	S 203	NUT, HEAVY HEXAGON	60	Y	
19	-	<b>4972209</b>	MUFFLER,CTL CONVERTER	1	Y	

Version : 3.0.20.0 Applicable Date : Aug-2011

Group Number: GR\_07\_06\_00\_027

### LUB OIL PUMP & TUBING



Version : 3.0.20.0 Applicable Date : Aug-2011

Details of Group Number: GR\_07\_06\_00\_027

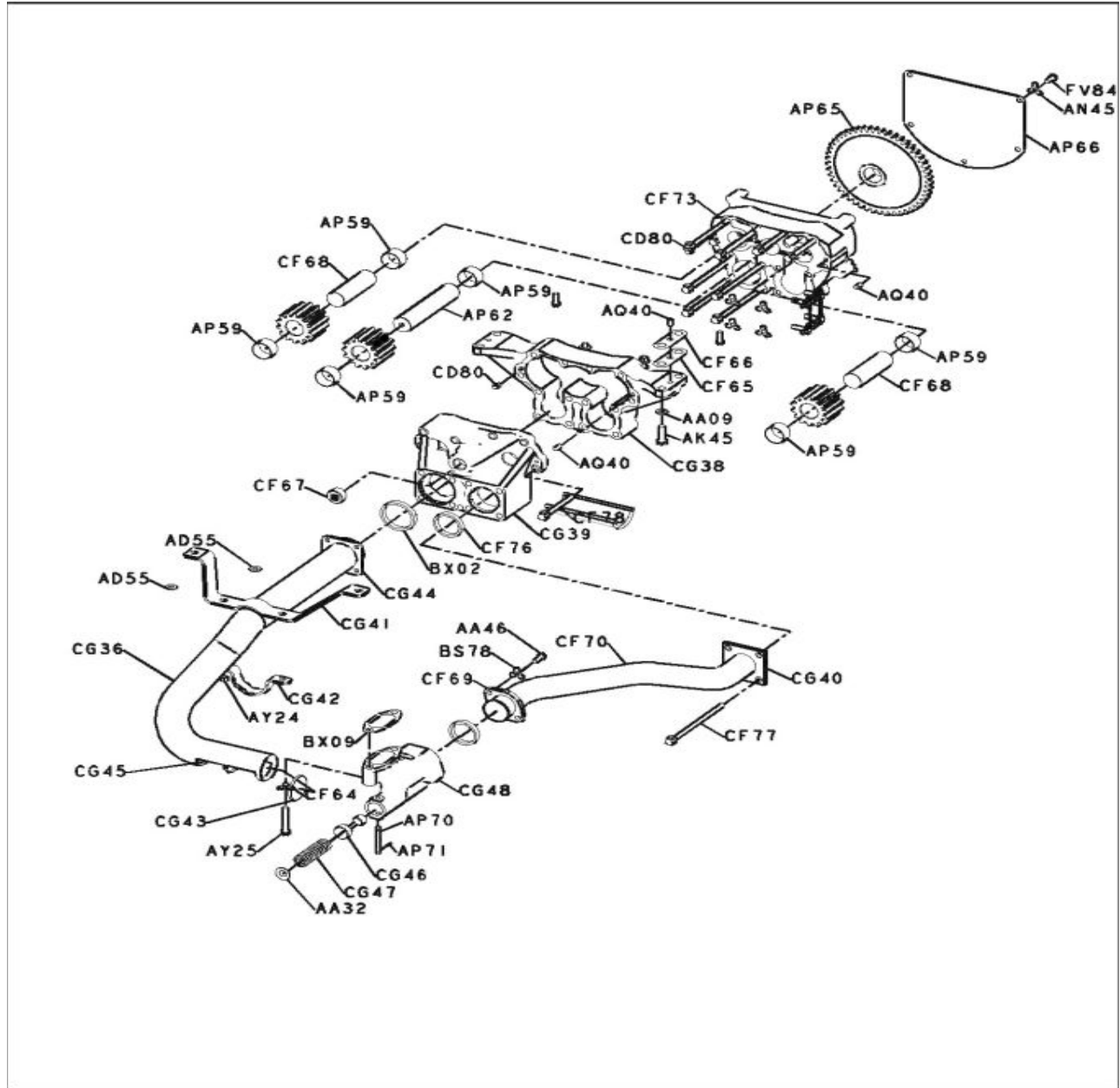
## LUB OIL PUMP &amp; TUBING

S No	Ref No	Part No	Description	Qty	Serviceable	Remarks
			<b>PUMP,LUBRICATING OIL</b>			
1	-	<b>3634643</b>	PUMP,LUBRICATING OIL	1	Y	
2	CG38	3634642	BODY,LUBRICATING OIL PUMP	1	Y	
3	CD80	107948	DOWEL,DIAMOND	3	Y	
4	AQ40	69519	DOWEL,PIN	3	Y	
5	-	3025294	COVER,LUB OIL PUMP	1	Y	
6	CF73	3025284	COVER,LUB OIL PUMP	1	N	
7	AP59	205548	BUSHING	3	Y	
8	AP65	206756	GEAR,LUBRICATING OIL PUMP	1	Y	
9	-	3178224	GEAR & SHAFT	1	Y	
10	-	3178223	GEAR,LUBRICATING OIL PUMP	1	N	
11	AP62	205544	SHAFT,LUB OIL PUMP	1	Y	
12	-	3178225	GEAR & SHAFT	2	Y	
13	-	3178223	GEAR,LUBRICATING OIL PUMP	1	N	
14	CF68	3000624	SHAFT,LUB OIL PUMP	1	N	
15	-	3175985	COVER,LUB OIL PUMP	1	Y	
16	-	3029415	COVER,LUB OIL PUMP	1	N	
17	CG39	3175984	COVER,LUB OIL PUMP	1	N	
18	AP59	205548	BUSHING	3	Y	
19	CF67	3628608	PLUG,PIPE	1	Y	
20	AP66	205546	COVER,LUB OIL PUMP	1	Y	
21	AN45	109319	LOCKPLATE	5	Y	
22	AK40	S 117	SCREW, HEXAGON HEAD CAP	5	Y	
23	CF78	3026678	SCREW,HEX FLANGE HEAD CAP	6	Y	
24	CG36	<b>3177089</b>	TUBE,LUB OIL SUCTION	1	Y	
			<b>MOUNTING,TUBE OIL TRANSFER</b>			
25	-	<b>3011425</b>	MOUNTING,TUBE OIL TRANSFER	1	N	
26	BX09	3000632	GASKET,CONNECTION	1	Y	
27	CG37	3031385	VALVE,PRESSURE RELIEF	1	Y	
28	AP71	107695	PIN,ROLL	2	Y	
29	CG48	3026925	CONNECTION,OIL TRANSFER	1	Y	
30	AA32	127316	WASHER,PLAIN	1	Y	
31	AP70	3001719	PIN,STRAIGHT	1	Y	
32	CG47	3026926	SPRING,COMPRESSION	1	Y	
33	CG46	3026927	PLUNGER,PRS REGULATOR	1	Y	
34	CF64	151355	LOCKPLATE	2	Y	
35	AY25	S 121B	SCREW, HEXAGON HEAD CAP	2	Y	
36	CF77	3026676	SCREW,HEX FLANGE HEAD CAP	8	Y	
37	BS78	68908	LOCKPLATE	2	Y	
38	AA46	S 112	SCREW,HEXAGON HEAD CAP	2	Y	
39	BX02	<b>3026391</b>	SEAL,RECTANGULAR RING	1	Y	
40	CF76	<b>3026392</b>	SEAL,RECTANGULAR RING	2	Y	

Version : 3.0.20.0 Applicable Date : Aug-2011

Group Number: GR\_07\_06\_00\_027

### LUB OIL PUMP & TUBING



Version : 3.0.20.0 Applicable Date : Aug-2011

Details of Group Number: GR\_07\_06\_00\_027

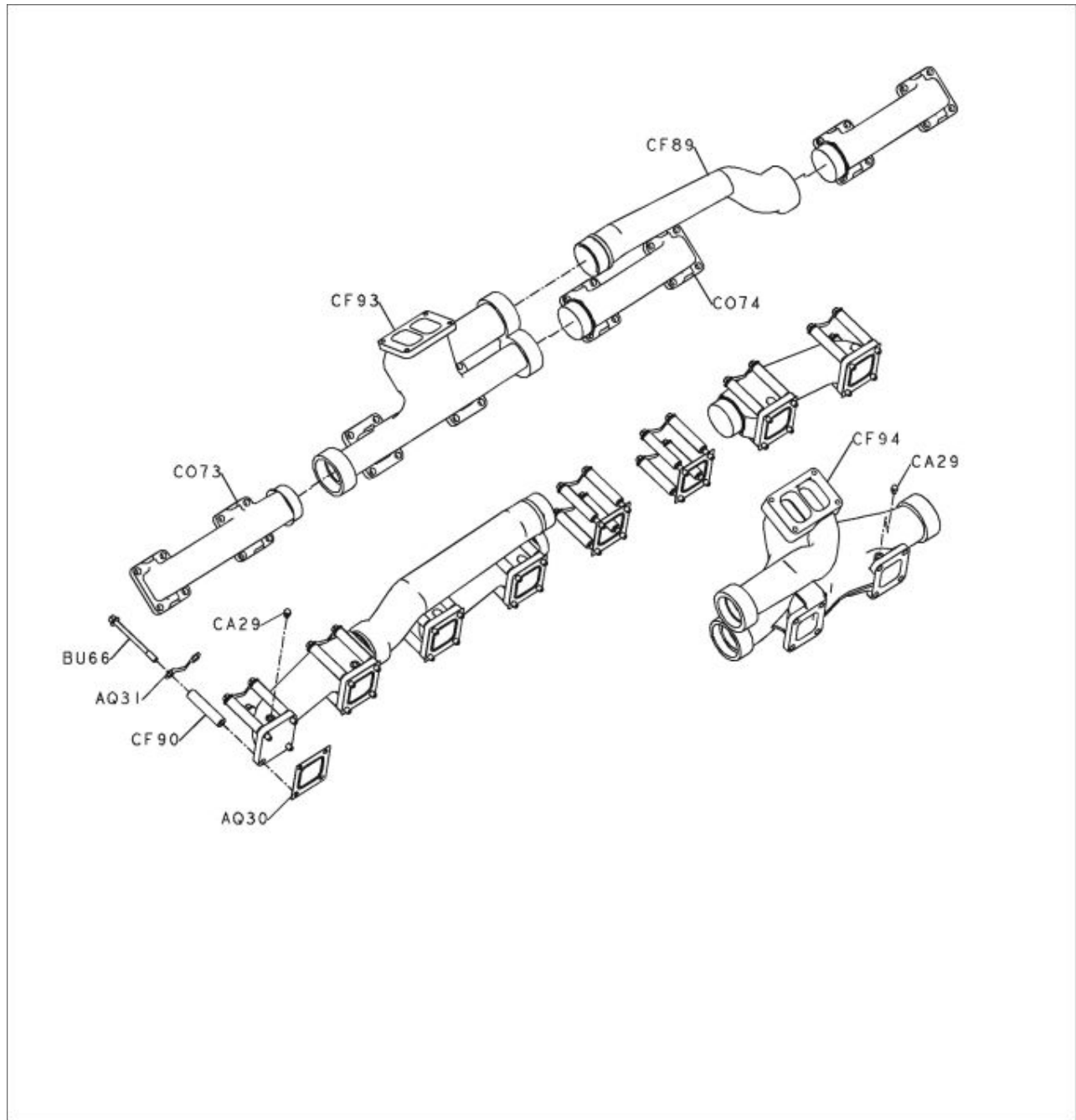
**LUB OIL PUMP & TUBING**

S No	Ref No	Part No	Description	Qty	Serviceable	Remarks
			<b>TUBE,LUB OIL SUPPLY</b>			
41	-	3025292	TUBE,LUB OIL SUPPLY	1	Y	
42	CF70	3008928	TUBE, OIL TRANSFER RB	1	N	
43	CF69	3008934	FLANGE,WELD	1	N	
44	CG40	3025290	FLANGE	1	N	
			<b>MOUNTING,TUBE OIL SUCTION</b>			
45	-	3011414	MOUNTING,TUBE OIL SUCTION	1	N	
46	CG41	3175585	BRACKET,OIL TUBE	1	Y	
47	CG42	3175584	CLAMP,TUBE	1	Y	
48	AD55	108330	WASHER, PLAIN	4	Y	
49	AJ05	129510	SCREW, HEXAGON HEAD CAP	2	Y	
50	AE62	108707	SCREW, HEXAGON HEAD CAP	2	Y	
51	AY24	70168	NUT,LOCK	2	Y	
			<b>LUBE OIL PUMP MTG</b>			
52	-	3634561	LUBE OIL PUMP MTG	1	N	
53	AA09	S 608	WASHER, LOCK	4	Y	
54	CF65	3026312	SHIM	2	Y	
55	CF66	3026313	SHIM	2	Y	
56	AK45	S 113	SCREW , HEXAGON HEAD CAP	4	Y	

Version : 3.0.20.0 Applicable Date : Aug-2011

Group Number: GR\_11\_01\_00\_034

**MANIFOLD EXHAUST & MTG.**



Version : 3.0.20.0 Applicable Date : Aug-2011

Details of Group Number: GR\_11\_01\_00\_034

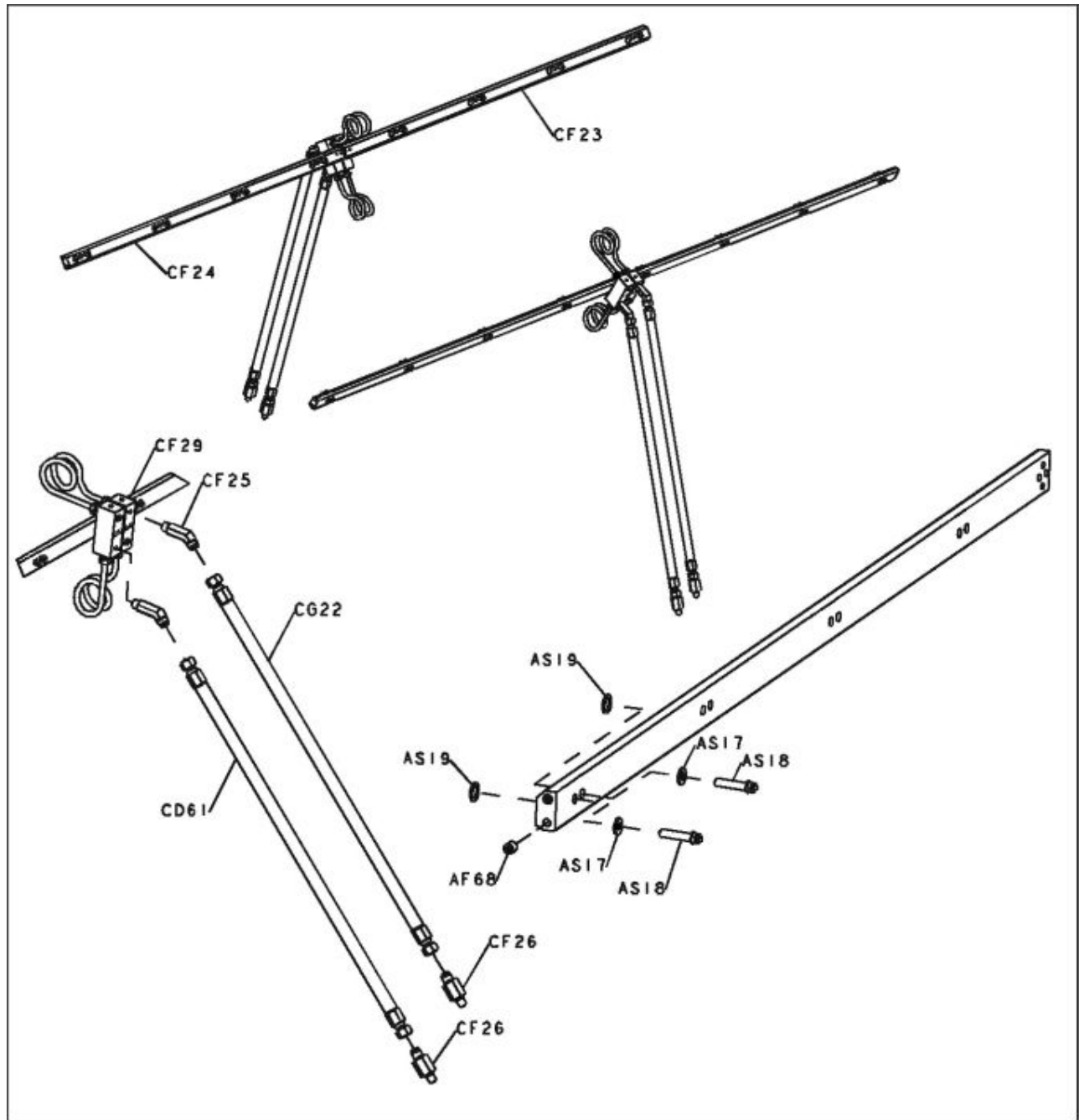
**MANIFOLD EXHAUST & MTG.**

S No	Ref No	Part No	Description	Qty	Serviceable	Remarks
			<b>MOUNTING EXHAUST MANIFOLD</b>			
1	-	<b>3049324</b>	MOUNTING EXHAUST MANIFOLD	8	N	
2	AQ30	3037821	GASKET,EXHAUST MANIFOLD	8	Y	
3	CF90	3046287	SPACER,MOUNTING	32	Y	
4	BU66	3066497	SCREW,HEX FLANGE HEAD CAP	32	Y	
5	AQ31	3628969	LOCKPLATE	16	Y	
			<b>MANIFOLD,EXHAUST (RB)</b>			
6	-	<b>3630505</b>	MANIFOLD,EXHAUST (RB)	1	Y	
7	CF93	3630241	MANIFOLD,EXHAUST	1	Y	
8	CA29	3630164	PLUG,THREADED	2	Y	
9	CO73	<b>3630172</b>	MANIFOLD,EXHAUST	4	Y	
10	CO74	<b>3630173</b>	MANIFOLD,EXHAUST	2	Y	
11	CF89	<b>3043032</b>	PIPE,EXHAUST OUTLET	2	Y	
			<b>MANIFOLD,EXHAUST (LB)</b>			
12	-	<b>3630506</b>	MANIFOLD,EXHAUST (LB)	1	Y	
13	CF94	3630242	MANIFOLD,EXHAUST	1	Y	
14	CA29	3630164	PLUG,THREADED	2	Y	
15	CA29	<b>3630164</b>	PLUG,THREADED	8	Y	

Version : 3.0.20.0 Applicable Date : Aug-2011

Group Number: GR\_06\_02\_00\_027

MANIFOLD,FUEL





Version : 3.0.20.0 Applicable Date : Aug-2011

Details of Group Number: GR\_06\_02\_00\_027

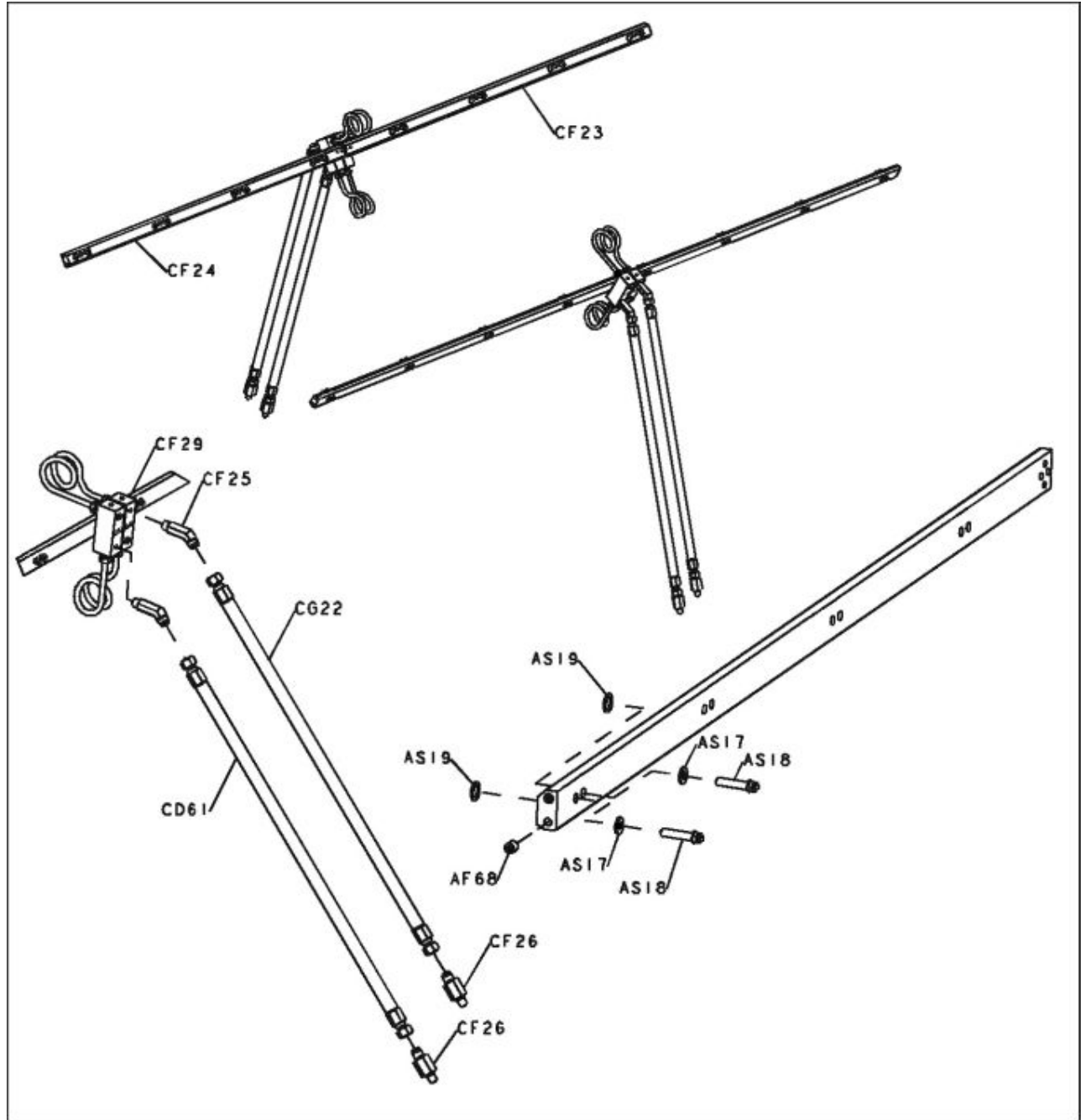
## MANIFOLD,FUEL

S No	Ref No	Part No	Description	Qty	Serviceable	Remarks
			<b>MANIFOLD,FUEL</b>			
1	-	3175749	MANIFOLD,FUEL	1	N	
2	-	3019588	MANIFOLD,FUEL RH	1	N	
3	-	3879656	BLOCK,FUEL	1	N	
4	CF29	3874218	ASSY,FUEL BLOCK	1	Y	
5	-	3874214	BLOCK,FUEL	2	Y	
6	-	3874216	UNION MALE	4	Y	
7	CF28	3874215	NUT	4	Y	
8	CG23	3874217	SEAL FERRULE	4	Y	
9	BW94	3176710	TUBE,FUEL SUPPLY	2	Y	
10	AQ13	131026	SEAL, O RING	4	Y	
11	AS20	3175074	SCREW,SOCKET HEAD CAP	4	Y	
12	AU04	S 910B	PLUG PIPE	2	Y	
13	CO43	S 911B	PLUG, PIPE	2	Y	
14	-	3019583	MANIFOLD,FUEL RH	1	N	
15	CF23	3017245	MANIFOLD	1	N	
16	AF68	S 965E	PLUG PIPE	4	Y	
17	-	3019584	MANIFOLD,FUEL RH	1	N	
18	CF24	3017246	MANIFOLD	1	N	
19	AF68	S 965E	PLUG PIPE	4	Y	
20	AS17	127018	WASHER,PLAIN	16	Y	
21	AS18	3001811	SCREW,TWELVE POINT CAP	16	Y	
22	AS19	3001340	SEAL,O RING	16	Y	
23	CF25	3177368	ELBOW,MALE ADAPTER	2	Y	
24	CG22	AK6034SS	HOSE FLEXIBLE	1	Y	
25	CD61	AK6032SS	HOSE, FLEXIBLE	1	Y	
26	CF26	3177366	CONNECTOR,MALE	2	Y	
27	-	3019587	MANIFOLD,FUEL RH	1	N	
28	-	3879656	BLOCK,FUEL	1	N	
29	CF29	3874218	ASSY,FUEL BLOCK	1	Y	
30	-	3874214	BLOCK,FUEL	2	Y	
31	-	3874216	UNION MALE	4	Y	
32	CF28	3874215	NUT	4	Y	
33	CG23	3874217	SEAL FERRULE	4	Y	
34	BW94	3176710	TUBE,FUEL SUPPLY	2	Y	
35	AQ13	131026	SEAL, O RING	4	Y	
36	AS20	3175074	SCREW,SOCKET HEAD CAP	4	Y	
37	AU04	S 910B	PLUG PIPE	2	Y	
38	CO43	S 911B	PLUG, PIPE	2	Y	
39	-	3019583	MANIFOLD,FUEL RH	1	N	
40	CF23	3017245	MANIFOLD	1	N	

Version : 3.0.20.0 Applicable Date : Aug-2011

Group Number: GR\_06\_02\_00\_027

MANIFOLD,FUEL



Version : 3.0.20.0 Applicable Date : Aug-2011

Details of Group Number: GR\_06\_02\_00\_027

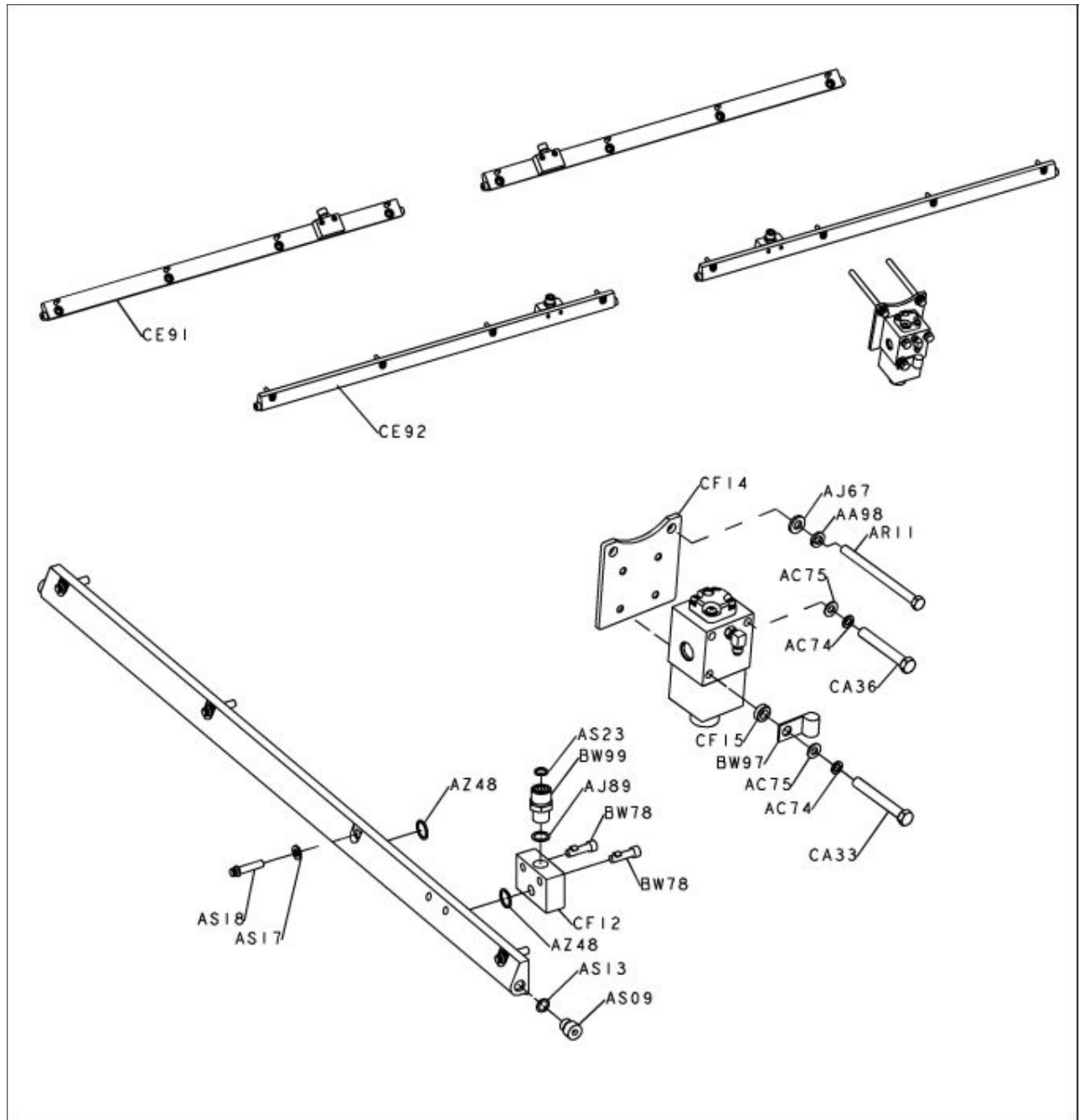
**MANIFOLD,FUEL**

S No	Ref No	Part No	Description	Qty	Serviceable	Remarks
41	AF68	S 965E	PLUG PIPE	4	Y	
42	-	3019584	MANIFOLD,FUEL RH	1	N	
43	CF24	3017246	MANIFOLD	1	N	
44	AF68	S 965E	PLUG PIPE	4	Y	
45	AS17	127018	WASHER,PLAIN	16	Y	
46	AS18	3001811	SCREW,TWELVE POINT CAP	16	Y	
47	AS19	3001340	SEAL,O RING	16	Y	
48	CF25	3177368	ELBOW,MALE ADAPTER	2	Y	
49	CG22	AK6034SS	HOSE FLEXIBLE	1	Y	
50	CD61	AK6032SS	HOSE, FLEXIBLE	1	Y	
51	CF26	3177366	CONNECTOR,MALE	2	Y	

Version : 3.0.20.0 Applicable Date : Aug-2011

Group Number: GR\_07\_03\_01\_027

MANIFOLD,OIL & VALVE,OIL CONTROL



Version : 3.0.20.0 Applicable Date : Aug-2011

Details of Group Number: GR\_07\_03\_01\_027

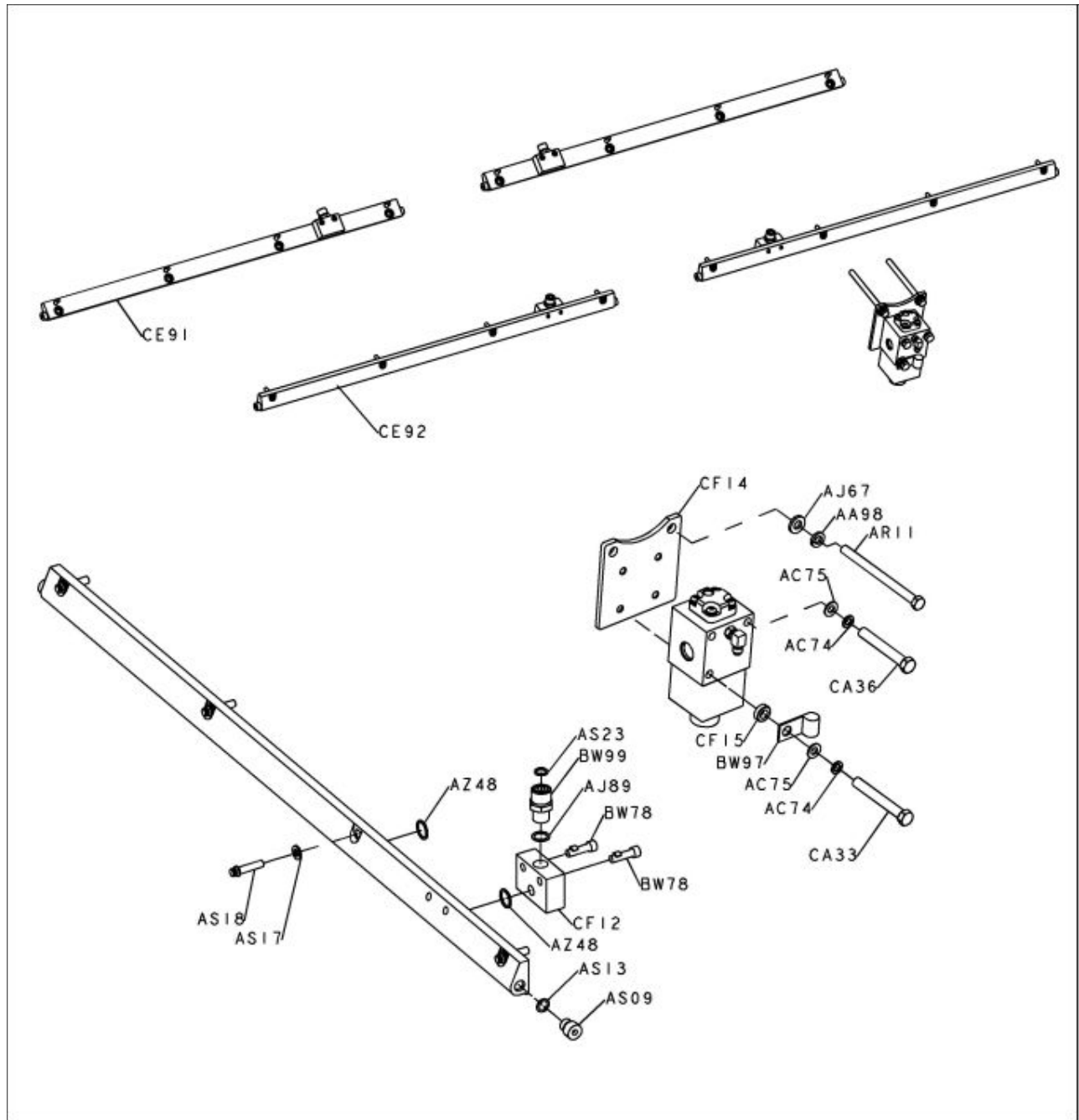
**MANIFOLD,OIL & VALVE,OIL CONTROL**

S No	Ref No	Part No	Description	Qty	Serviceable	Remarks
			<b>MANIFOLD,OIL R B</b>			
1	-	<b>3040159</b>	MANIFOLD,OIL R B	1	N	
2	-	3040157	MANIFOLD,OIL	1	N	
3	CE91	3084623	MANIFOLD,OIL	1	Y	
4	-	3023217	PLUG,THREADED	2	Y	
5	AS09	3630034	PLUG,THREADED	1	Y	
6	AS13	3036666	SEAL, O RING	1	Y	
7	AS17	127018	WASHER,PLAIN	8	Y	
8	AS18	3001811	SCREW,TWELVE POINT CAP	8	Y	
9	AZ48	3084539	SEAL,O RING	8	Y	
10	-	3040158	MANIFOLD,OIL	1	N	
11	CE92	3084624	MANIFOLD,OIL	1	Y	
12	-	3023217	PLUG,THREADED	2	Y	
13	AS09	3630034	PLUG,THREADED	1	Y	
14	AS13	3036666	SEAL, O RING	1	Y	
			<b>MANIFOLD,OIL L B</b>			
15	-	<b>3040160</b>	MANIFOLD,OIL L B	1	N	
16	-	3040157	MANIFOLD,OIL	1	N	
17	CE91	3084623	MANIFOLD,OIL	1	Y	
18	-	3023217	PLUG,THREADED	2	Y	
19	AS09	3630034	PLUG,THREADED	1	Y	
20	AS13	3036666	SEAL, O RING	1	Y	
21	-	3040158	MANIFOLD,OIL	1	N	
22	CE92	3084624	MANIFOLD,OIL	1	Y	
23	-	3023217	PLUG,THREADED	2	Y	
24	AS09	3630034	PLUG,THREADED	1	Y	
25	AS13	3036666	SEAL, O RING	1	Y	
26	AS17	127018	WASHER,PLAIN	8	Y	
27	AS18	3001811	SCREW,TWELVE POINT CAP	8	Y	
28	AZ48	3084539	SEAL,O RING	8	Y	
			<b>CONNECTION,OIL SUPPLY</b>			
29	-	<b>3044355</b>	CONNECTION,OIL SUPPLY	2	N	
30	BW99	3634685	UNION MALE	2	Y	
31	-	3634687	UNION MALE	1	Y	
32	AS23	3922794	SEAL O RING	1	N	
33	AJ89	3037537	SEAL O RING	1	Y	
34	CF12	3044286	CONNECTION,OIL SUPPLY	2	Y	
35	AZ48	3084539	SEAL,O RING	2	Y	
36	BW78	3178257	SCREW,SOCKET HEADCAP	4	Y	
			<b>MTG,OIL CONTROL VALVE</b>			
37	-	<b>3067805</b>	MTG,OIL CONTROL VALVE	1	N	
38	AJ67	63842	WASHER, PLAIN	2	Y	
39	AA98	S 604	WASHER, LOCK	2	Y	
40	AR11	S 149A	SCREW, HEXAGON HEAD CAP	2	Y	

Version : 3.0.20.0 Applicable Date : Aug-2011

Group Number: GR\_07\_03\_01\_027

MANIFOLD,OIL & VALVE,OIL CONTROL



Version : 3.0.20.0 Applicable Date : Aug-2011

Details of Group Number: GR\_07\_03\_01\_027

## MANIFOLD,OIL &amp; VALVE,OIL CONTROL

S No	Ref No	Part No	Description	Qty	Serviceable	Remarks
41	CA36	S 164	SCREW,HEXAGON HEAD CAP	2	Y	
42	CA33	S 108B	SCREW,HEXAGON HEAD CAP	1	Y	
43	AC74	S 605	WASHER, LOCK	3	Y	
44	AC75	S 626	WASHER,PLAIN	3	Y	
45	AS25	3627412	CLIP	1	Y	
46	CA34	3632879	SPACER,MOUNTING	1	Y	
47	BW79	3634172	BRACKET,VALVE	1	Y	
			<b>VALVE,OIL CONTROL</b>			
48	-	<b>3074003</b>	VALVE,OIL CONTROL	1	Y	
49	AK69	3060606	BODY, OIL CONTROL VALVE	1	Y	
50	AZ04	4009927	COVER,DIAPHRAGM	1	Y	
51	AF15	S 16240	RING SNAP	1	Y	
52	-	3060605	BARREL & PLUNGER	1	Y	
53	AK75	3060604	BARREL,OIL CONTROL VALVE	1	Y	
54	AK76	3053667	PLUNGER, OIL CONTROL VALVE	1	Y	
55	AK55	3073998	DISC, VALVE	1	Y	
56	BD57	3069015	NUT LOCK	2	Y	
57	AK81	3070186	WASHER, PLAIN	1	Y	
58	AK80	3070108	GASKET, CONTROL VALVE BODY	1	Y	
59	CF13	3054526	SPRING,COMPRESSION	1	Y	
60	AK83	3049041	RETAINER,SPRING	1	Y	
61	-	3417076	PLUG,THREADED	1	Y	
62	AZ02	3417103	PLUG,THREADED	1	Y	
63	AK71	3034412	SEAL O RING	1	Y	
64	AK73	3034408	SEAL, O RING	1	Y	
65	AK72	3069989	COVER, OIL CONTROL VALVE	1	N	
66	BD58	3417077	SCREW,SOCKET HEAD CAP	4	Y	
67	BD59	3066914	SEAL O RING	1	Y	
68	AK79	3054411	SPRING, LEAF	1	Y	
69	AE53	105375	NAME PLATE	1	Y	
70	AK74	S 2286	SCREW, DRIVE	2	Y	
71	-	3040814	PLUG, THREADED	1	Y	
72	BD60	3036665	PLUG,THREADED	1	Y	
73	AS13	3036666	SEAL, O RING	1	Y	
74	AF39	3042542	SEAL O RING	2	Y	
75	AK78	3045986	SEAL, O RING	1	Y	
76	BD56	3417098	SCREW,SOCKET HEAD CAP	4	Y	
77	AZ03	3417096	SCREW , SOCKET	1	Y	
78	CA32	3038743	VALVE,CHECK	1	Y	
79	CA31	3044993	PLUG,INJECTOR ORIFICE	1	Y	
80	-	3033742	PLUG,THREADED	1	Y	
81	AK70	3079584	PLUG, THREADED	1	N	PART NO. FOR SERVICE 4903442
82	AK71	3034412	SEAL O RING	1	Y	

Version : 3.0.20.0 Applicable Date : Aug-2011

Group Number: GR\_17\_00\_00\_011

**MISCELLANEOUS**

THIS PAGE IS INTENTIONALLY KEPT BLANK.



Version : 3.0.20.0 Applicable Date : Aug-2011

Details of Group Number: GR\_17\_00\_00\_011

## MISCELLANEOUS

S No	Ref No	Part No	Description	Qty	Serviceable	Remarks
1	AQ13	131026	SEAL, O RING	1	Y	
2	AP54	119984	CONNECTOR,MALE	1	Y	
3	BC46	3008465	PLUG,PIPE	1	Y	
			<b>COVER, PROTECTIVE</b>			
4	-	3014696	COVER, PROTECTIVE	1	N	
5	GF68	3175400	COVER,PROTECTIVE	1	Y	
6	JE37	3175549	COVER,PROTECTIVE	1	Y	
7	FA43	3175550	COVER,PROTECTIVE	1	Y	
8	DG62	3175552	COVER,PROTECTIVE	1	Y	
9	DG63	3175553	COVER,PROTECTIVE	1	Y	
10	DG64	3175554	COVER,PROTECTIVE	1	Y	
11	DG65	3175555	COVER,PROTECTIVE	1	Y	
12	JE40	3175608	COVER,PROTECTIVE	1	Y	
13	DG68	3177018	COVER,PROTECTIVE	1	Y	
14	JE33	44092F	COVER,PROTECTIVE	1	Y	
15	JE34	44092G	COVER,PROTECTIVE	1	Y	
16	JE39	3175607	COVER,PROTECTIVE	1	Y	
17	JE36	3175547	COVER,PROTECTIVE	1	Y	
18	CG29	3032629	PLUG,THREADED	2	Y	
19	CG73	3054518	CONNECTION,WATER TRANSFER	1	Y	
20	CQ02	3063809	CLAMP,T BOLT	4	Y	
			<b>MOUNTING,COVER HAND HOLE</b>			
21	-	3167139	MOUNTING,COVER HAND HOLE	6	N	
22	AQ10	3175856	GASKET,HAND HOLE	1	Y	
23	AN47	3628902	WASHER,PLAIN	2	Y	
24	AA98	S 604	WASHER, LOCK	10	Y	
25	AB58	S 109	SCREW, HEXAGON HEAD CAP	2	Y	
26	AA46	S 112	SCREW,HEXAGON HEAD CAP	10	Y	
27	CE85	3175716	ELBOW,MALE ADAPTER	1	Y	
28	AP33	3628607	PLUG,PIPE	1	Y	
29	CA63	3630125	HOSE,PLAIN	2	Y	
			<b>HOSE</b>			
30	CE86	AK4016SS	HOSE	1	Y	
31	CD59	AK6100SS	HOSE FLEXIBLE	1	Y	
32	-	S1039A	CONNECTOR,MALE	1	Y	
33	-	S1047A	ELBOW,MALE ADAPTER	1	Y	
34	BD72	4053490	ADAPTER O RING	1	Y	
35	AQ75	S 964	BUSHING,REDUCING PIPE	1	Y	

Version : 3.0.20.0 Applicable Date : Aug-2011

Group Number: GR\_17\_00\_02\_059

**MISCELLANEOUS**

THIS PAGE IS INTENTIONALLY KEPT BLANK

Version : 3.0.20.0 Applicable Date : Aug-2011

Details of Group Number: GR\_17\_00\_02\_059

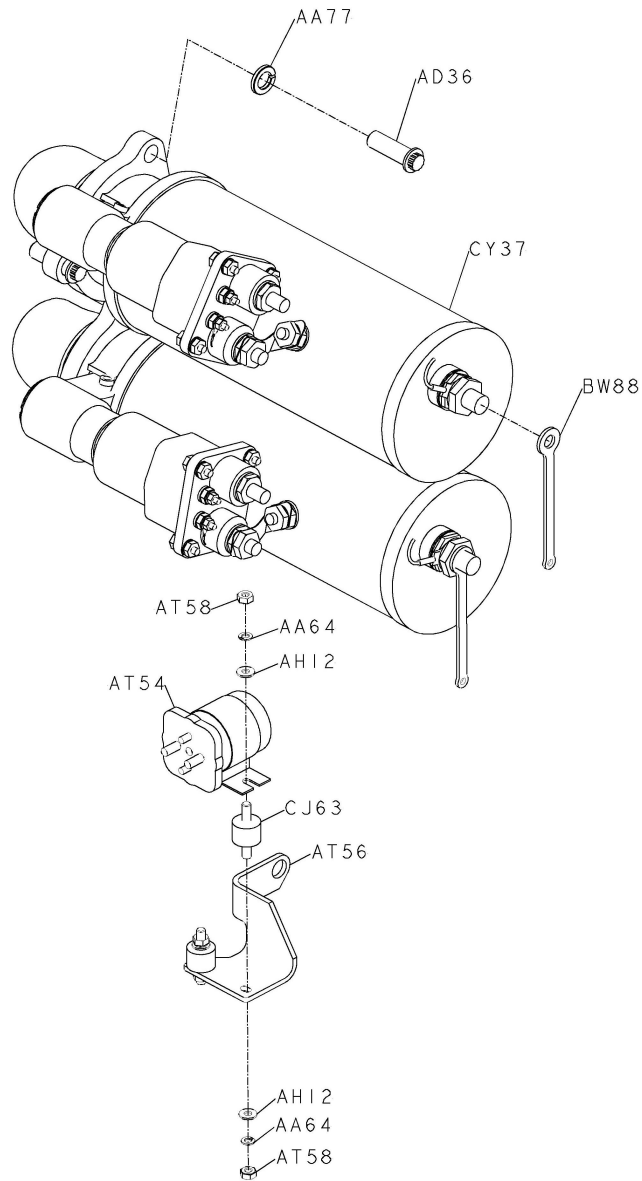
**MISCELLANEOUS**

S No	Ref No	Part No	Description	Qty	Serviceable	Remarks
1	-	5276436	KIT GENSET CONTROL	1	N	
2	-	5276432	KITGENSETCONTROL	1	N	

Version : 3.0.20.0 Applicable Date : Aug-2011

Group Number: GR\_13\_15\_00\_049

### MOTOR STARTING



Version : 3.0.20.0 Applicable Date : Aug-2011

Details of Group Number: GR\_13\_15\_00\_049

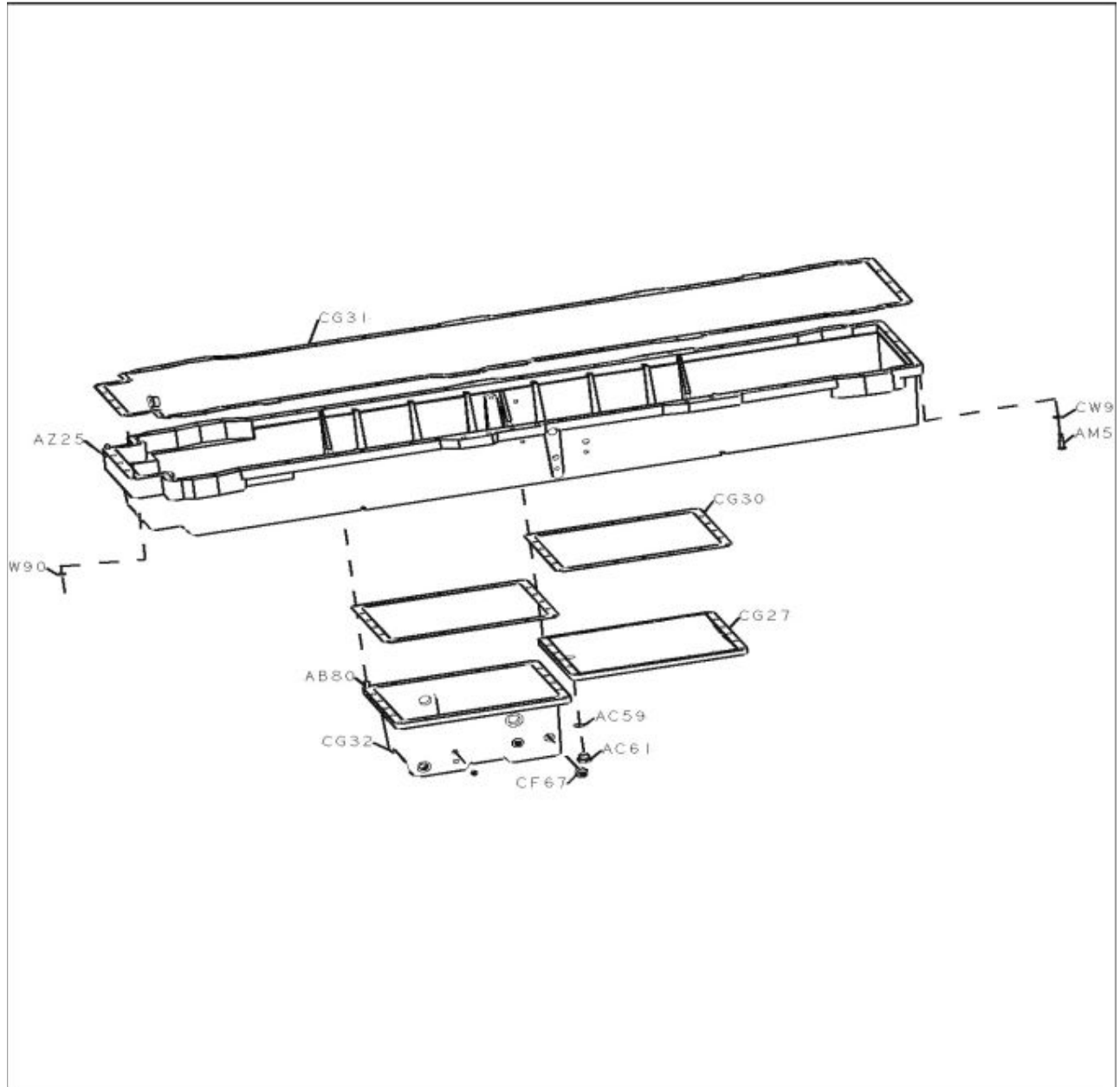
**MOTOR STARTING**

S No	Ref No	Part No	Description	Qty	Serviceable	Remarks
			<b>MOTOR,STARTING</b>			
1	CY37	4912940	MOTOR,STARTING	2	Y	
			<b>MOTOR STARTING MOUNTING</b>			
2	-	MP1106	MOTOR STARTING MOUNTING	2	N	
3	AA77	S 603	WASHER, LOCK	3	Y	
4	AD36	153581	SCREW,TWELVE POINT CAP	3	Y	
			<b>MOUNTING,MAGNETIC SWITCH</b>			
5	-	3627325	MOUNTING,MAGNETIC SWITCH	1	N	
6	AT55	3408250	ISOLATOR,VIBRATION	2	Y	
7	AT56	3627324	BRACKET,MAGNETIC SWITCH	1	Y	
8	AH12	S 631	WASHER, PLAIN	4	Y	
9	AA64	S 600	WASHER, LOCK	4	Y	
10	AT58	S 224	NUT,HEAVY HEXAGON	4	Y	
11	AT54	3050692	SWITCH,MAGNETIC	1	Y	
12	-	3166997	CABLE ELECTRICAL	1	Y	
13	BW88	3018924	WIRE,GROUND	2	Y	

Version : 3.0.20.0 Applicable Date : Aug-2011

Group Number: GR\_07\_01\_00\_033

### PAN OIL



Version : 3.0.20.0 Applicable Date : Aug-2011

Details of Group Number: GR\_07\_01\_00\_033

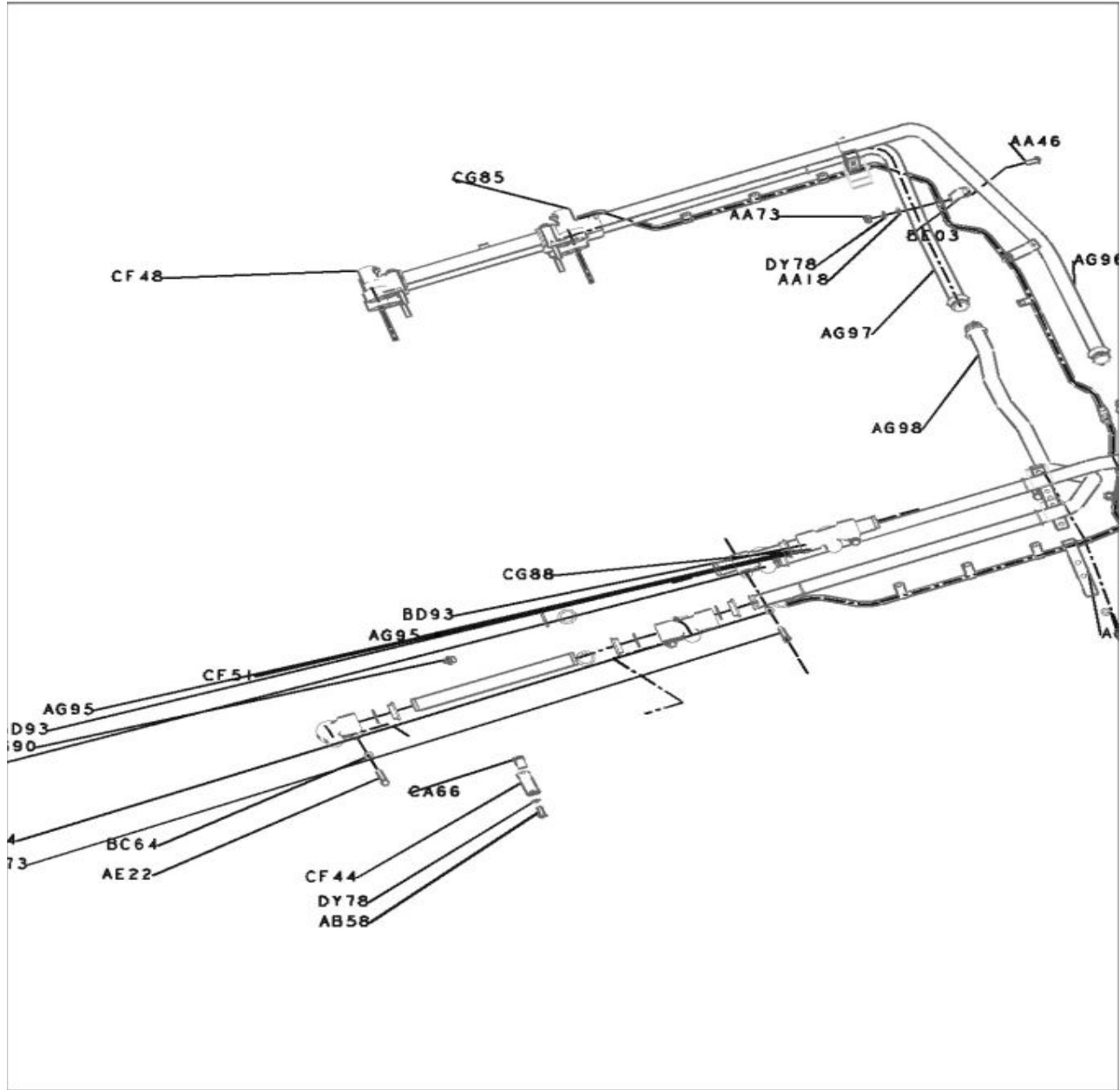
## PAN OIL

S No	Ref No	Part No	Description	Qty	Serviceable	Remarks
			<b>PAN,OIL</b>			
1	-	<b>3635848</b>	PAN,OIL	1	N	
2	-	3630510	ADAPTER,OIL PAN	1	Y	
3	-	3630511	PAN,OIL	1	N	
4	CG33	3630246	ADAPTER,OIL PAN	1	N	PART NO. FOR SERVICE 3627444
5	CG34	200845	INSERT,THREADED	2	Y	
6	CO77	3628609	PLUG,PIPE	1	Y	
7	-	3178489	PAN,OIL	1	N	
8	AC59	67946	WASHER, PLAIN	2	Y	
9	CF67	3628608	PLUG,PIPE	4	Y	
10	AC61	3055069	PLUG THREADED	2	Y	
11	BC59	3628606	PLUG,PIPE	2	Y	
12	CG29	3032629	PLUG,THREADED	2	Y	
13	-	3630046	PAN,OIL	1	N	
14	-	3087563	PAN,OIL	1	Y	
15	CG32	3629988	PAN,OIL	1	N	
16	CG34	200845	INSERT,THREADED	2	Y	
17	-	3037536	PLUG THREADED	2	Y	
18	AJ89	3037537	SEAL O RING	1	Y	
19	AA54	3040813	PLUG, THREADED	1	Y	PART NO. FOR SERVICE 3037536
20	-	3178743	COVER,OIL PAN	1	Y	
21	-	3028696	COVER,OIL PAN	1	Y	
22	CG27	206099	COVER,OIL PAN	1	Y	PART NO. FOR SERVICE 3876279
23	CG34	200845	INSERT,THREADED	1	Y	
24	AC59	67946	WASHER, PLAIN	1	Y	
25	AC61	3055069	PLUG THREADED	1	Y	
26	-	MP 5293	OIL PAN & COVER,MTG	2	N	
27	CG30	3043211	GASKET,OIL PAN	1	Y	
28	AP76	3000082	WASHER,PLAIN	22	Y	
29	AB80	S 140	SCREW HEXAGON HEAD CAP	22	Y	
30	CG28	3000204	WASHER,LOCK	4	Y	
31	CN63	S 181 C	SCREW HEXAGON HEAD CAP	4	Y	
32	AC59	67946	WASHER, PLAIN	2	Y	
33	AC61	3055069	PLUG THREADED	2	Y	
34	BC46	3008465	PLUG,PIPE	2	Y	
35	BC59	3628606	PLUG,PIPE	1	Y	
			<b>ADAPTER,OIL PAN MTG</b>			
36	-	<b>3011523</b>	ADAPTER,OIL PAN MTG	1	N	
37	CG31	3043213	GASKET,OIL PAN	1	Y	
38	AP76	3000082	WASHER,PLAIN	74	Y	
39	AM54	106069	SCREW, HEXAGON HEAD CAP	46	Y	
40	AZ25	108767	SCREW,HEXAGON HEAD CAP	28	Y	
41	CG29	<b>3032629</b>	PLUG,THREADED	2	Y	

Version : 3.0.20.0 Applicable Date : Aug-2011

Group Number: GR\_10\_01\_01\_027

PLUMBING A/C & VENT HOSE





Version : 3.0.20.0 Applicable Date : Aug-2011

Details of Group Number: GR\_10\_01\_01\_027

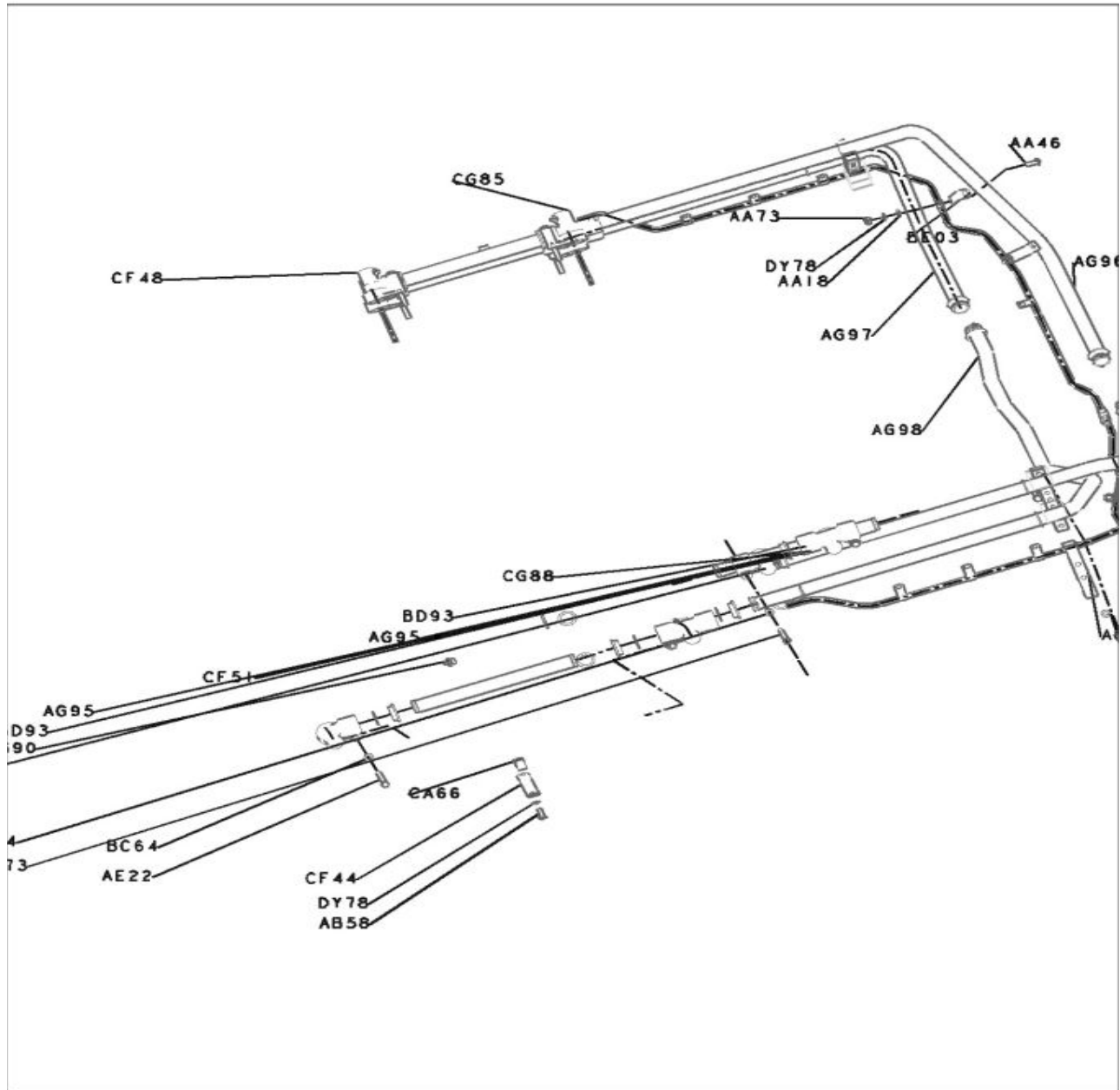
**PLUMBING A/C & VENT HOSE**

S No	Ref No	Part No	Description	Qty	Serviceable	Remarks
			<b>PLUMBING,AFTERCOOLER</b>			
1	-	<b>3177568</b>	PLUMBING,AFTERCOOLER	1	N	
2	CG89	3629821	BRACE, TUBE	2	Y	
3	CF48	3633134	CONNECTION, WATER TRANSFER	1	Y	
4	CG85	3633135	CONNECTION, WATER TRANSFER	1	Y	
5	BC64	3036460	WASHER,SPRING	8	Y	
6	CF51	3050953	TUBE,WATER TRANSFER	4	Y	
7	BD93	68910	SEAL, O RING	8	Y	
8	AG95	3058812	SEAL, DUST	8	Y	
9	CG92	3633122	CONNECTION, WATER TRANSFER	1	Y	
10	-	3633126	CONNECTION, WATER TRANSFER	1	N	
11	-	3633128	TUBE, VENT	1	N	
12	CF63	3633121	CONNECTION, WATER TRANSFER	1	Y	
13	-	3633125	CONNECTION, WATER TRANSFER	1	N	
14	-	3633128	TUBE, VENT	1	N	
15	AE22	S 199B	SCREW,HEXAGON HEAD CAP	4	Y	
16	CA66	3175058	CLIP	2	Y	
17	AA98	S 604	WASHER, LOCK	2	Y	
18	AB58	S 109	SCREW, HEXAGON HEAD CAP	2	Y	
19	CG88	3633132	CONNECTION, WATER TRANSFER	1	Y	
20	CG87	3633133	CONNECTION, WATER TRANSFER	1	Y	
21	AN73	S 105	SCREW, HEXAGON HEAD CAP	4	Y	
22	CF53	3633123	CONNECTION, WATER TRANSFER	1	Y	
23	-	3633127	CONNECTION, WATER TRANSFER	1	N	
24	-	3633128	TUBE, VENT	1	N	
25	CF52	3633120	CONNECTION, WATER TRANSFER	1	Y	
26	-	3633124	CONNECTION, WATER TRANSFER	1	N	
27	-	3633128	TUBE, VENT	1	N	
28	CC08	3033915	SEAL,O RING	16	Y	
			<b>PLUMBING, AFTERCOOLER</b>			
29	-	<b>4911596</b>	PLUMBING, AFTERCOOLER	1	N	
30	BC68	3066467	UNION, MALE	6	Y	
31	-	3100537	UNION, MALE	1	Y	
32	BC70	3068888	SEAL, O RING	1	Y	
33	CG90	3634708	DRAINCOCK	4	Y	
34	-	AK 4015 SS	HOSE, FLEXIBLE	2	Y	
			<b>PLUMBING,LB AFTERCOOLER</b>			
35	-	<b>3630800</b>	PLUMBING,LB AFTERCOOLER	1	N	
36	CF40	3179853	TUBE, WATER TRANSFER	1	Y	
37	-	3179854	PIECE	1	N	
38	-	3179855	PIECE	1	N	
39	BD93	68910	SEAL, O RING	4	Y	
40	AG98	3179850	TUBE, WATER TRANSFER	1	Y	

Version : 3.0.20.0 Applicable Date : Aug-2011

Group Number: GR\_10\_01\_01\_027

PLUMBING A/C & VENT HOSE



Version : 3.0.20.0 Applicable Date : Aug-2011

Details of Group Number: GR\_10\_01\_01\_027

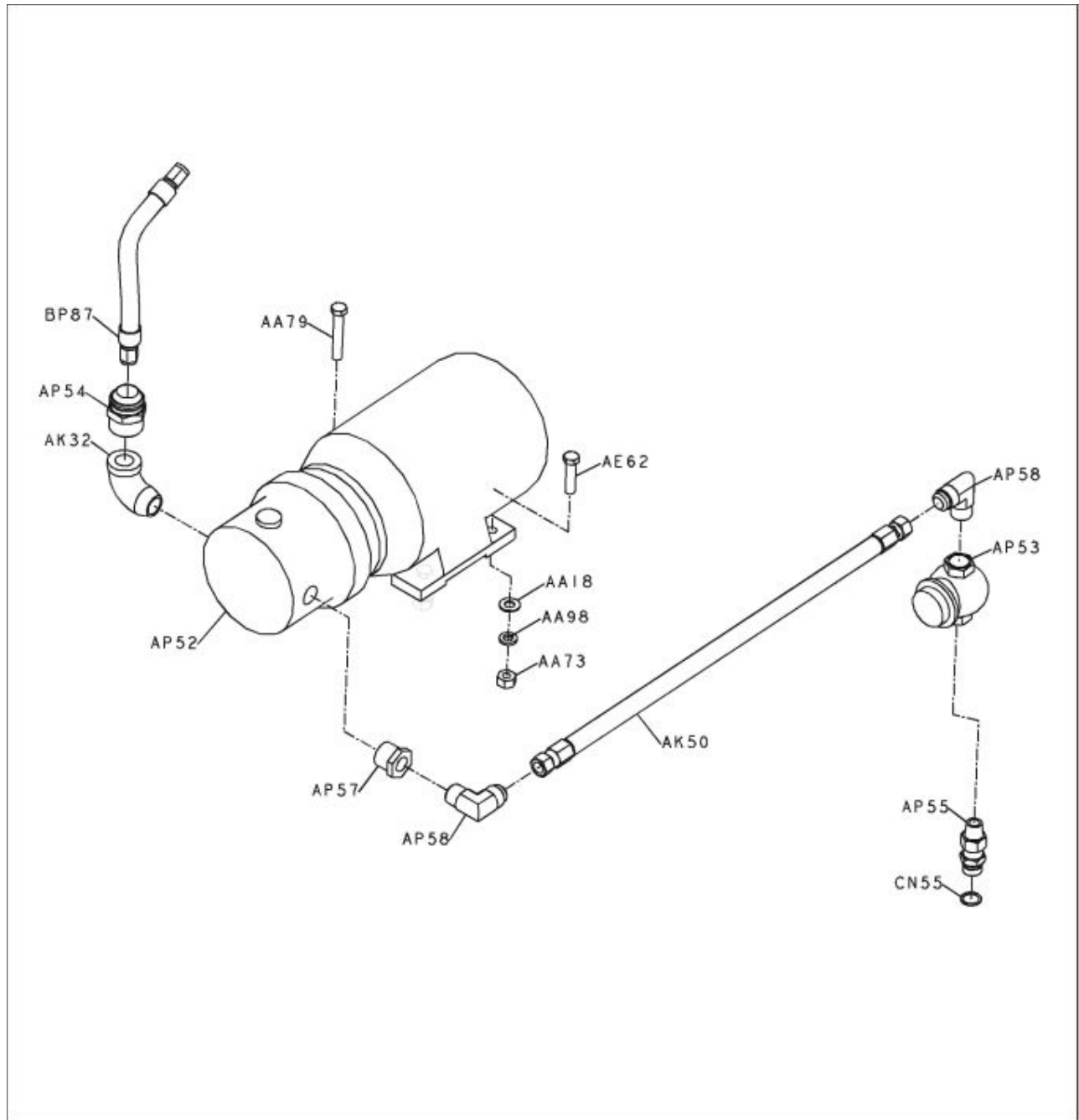
## PLUMBING A/C &amp; VENT HOSE

S No	Ref No	Part No	Description	Qty	Serviceable	Remarks
41	-	3179851	PIECE	1	N	
42	-	3179852	PIECE	1	N	
43	AG95	3058812	SEAL, DUST	4	Y	
44	AG88	3629820	BRACE, TUBE	1	Y	
45	BC64	3036460	WASHER, SPRING	2	Y	
46	AA79	S 104	SCREW, HEXAGON HEAD CAP	2	Y	
			<b>PLUMBING, RB AFTERCOOLER</b>			
47	-	<b>3630801</b>	PLUMBING, RB AFTERCOOLER	1	N	
48	AG97	3179859	TUBE, WATER TRANSFER	1	Y	
49	-	3179860	PIECE	1	N	
50	-	3179861	PIECE	1	N	
51	AG96	3179856	TUBE, WATER TRANSFER	1	Y	
52	-	3179857	PIECE	1	N	
53	-	3179858	PIECE	1	N	
54	BD93	68910	SEAL, O RING	4	Y	
55	AG95	3058812	SEAL, DUST	4	Y	
56	AG88	3629820	BRACE, TUBE	1	Y	
57	BC64	3036460	WASHER, SPRING	2	Y	
58	AA79	S 104	SCREW, HEXAGON HEAD CAP	2	Y	
			<b>VENT, HOSE</b>			
59	-	<b>4054491</b>	VENT, HOSE	1	N	
60	CA66	3175058	CLIP	6	Y	
61	AG70	3626660	CROSS, MALE UNION	1	Y	
62	AQ75	S 964	BUSHING, REDUCING PIPE	1	Y	
63	AV28	S 923E	DRAIN COCK	1	Y	1/4 NPTF
64	BE03	109895	BRACKET, OIL TUBE	2	-	
65	BU82	108722	CLIP	4	Y	
66	AA18	S 602	WASHER, PLAIN	3	Y	
67	AB58	S 109	SCREW, HEXAGON HEAD CAP	3	Y	
68	AA98	S 604	WASHER, LOCK	3	Y	
69	AA73	S 223	NUT, HEAVY HEXAGON	3	Y	
70	AG69	3629729	BRACKET, WATER TUBE	1	Y	
71	AL27	AK4057SS	HOSE, FLEXIBLE	1	Y	
72	AL38	AK4060SS	HOSE, FLEXIBLE	1	Y	

Version : 3.0.20.0 Applicable Date : Aug-2011

Group Number: GR\_07\_06\_01\_027

**PRIMER,ENGINE**



Version : 3.0.20.0 Applicable Date : Aug-2011

Details of Group Number: GR\_07\_06\_01\_027

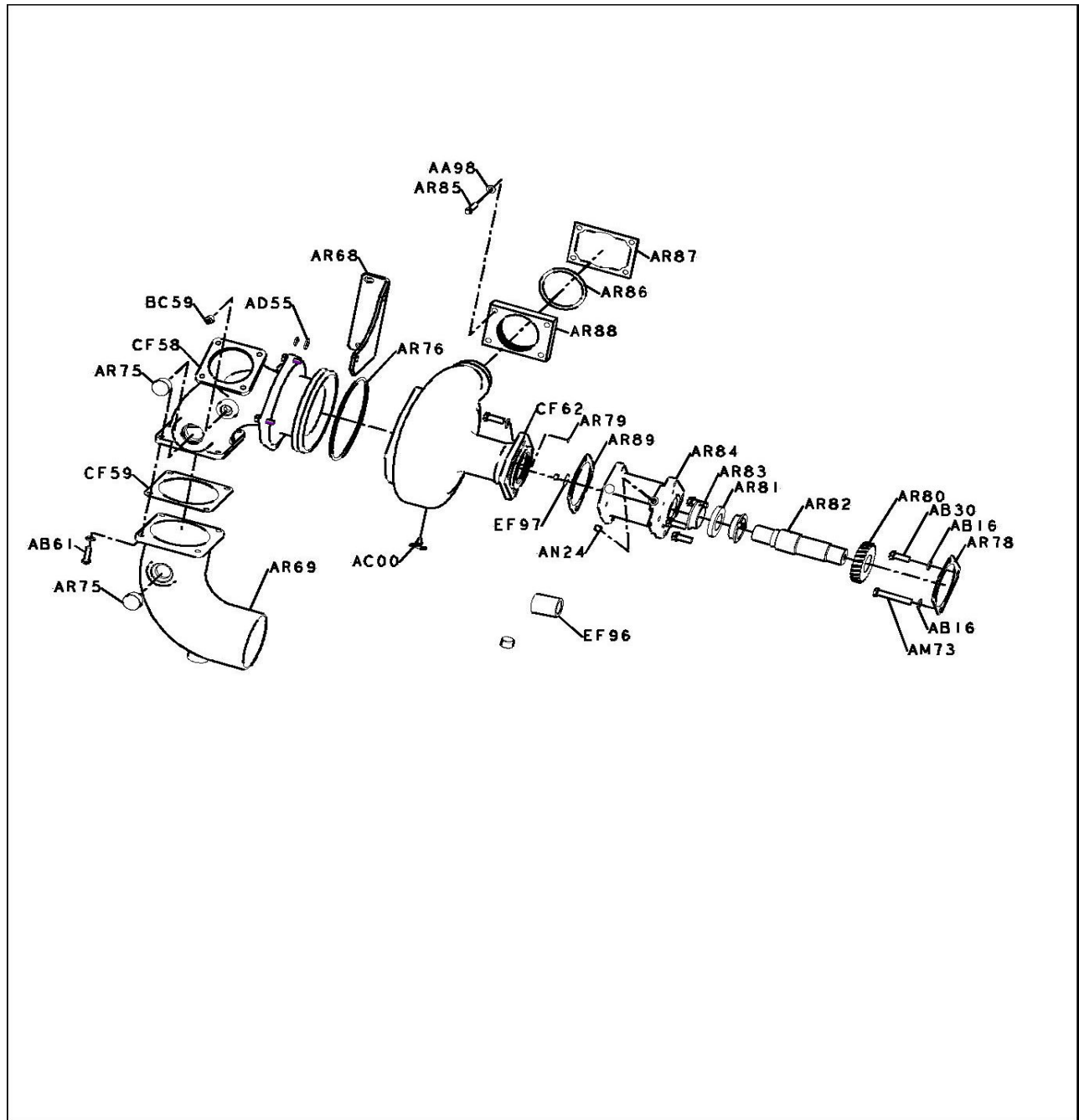
**PRIMER,ENGINE**

S No	Ref No	Part No	Description	Qty	Serviceable	Remarks
			<b>PRIMER,ENGINE LUBRICATING</b>			
1	AP52	3414038	PRIMER,ENGINE LUBRICATING	1	Y	
			<b>MOUNTING,PRIMER</b>			
2	-	4105810	MOUNTING,PRIMER	1	N	
3	AP58	100501	ELBOW, MALE ADAPTER	2	Y	
4	BV99	AK10030SS	COUPLING PLAIN HOSE	1	Y	
5	AE62	108707	SCREW, HEXAGON HEAD CAP	2	Y	
6	AA79	S 104	SCREW,HEXAGON HEAD CAP	2	Y	
7	AA73	S 223	NUT, HEAVY HEXAGON	4	Y	
8	AA98	S 604	WASHER, LOCK	4	Y	
9	AA18	S 602	WASHER, PLAIN	4	Y	
10	AK32	S 988	ELBOW,PLAIN STREET PIPE	1	Y	
11	AP54	119984	CONNECTOR,MALE	1	Y	
12	BP87	AK16030MS	HOSE FLEXIBLE	1	Y	
13	AP57	S 982	BUSHING, REDUCING PIPE	1	Y	
14	AP53	3233694	VALVE,CHECK	1	Y	
15	-	4105799	CONNECTOR, MALE	1	Y	
16	AP55	4105681	CONNECTOR,MALE	1	Y	PART NO. FOR SERVICE 4105799
17	CN55	3046201	SEAL O RING	1	Y	

Version : 3.0.20.0 Applicable Date : Aug-2011

Group Number: GR\_08\_01\_01\_036

**PUMP, WATER & SUPPORT**



Version : 3.0.20.0 Applicable Date : Aug-2011

Details of Group Number: GR\_08\_01\_01\_036

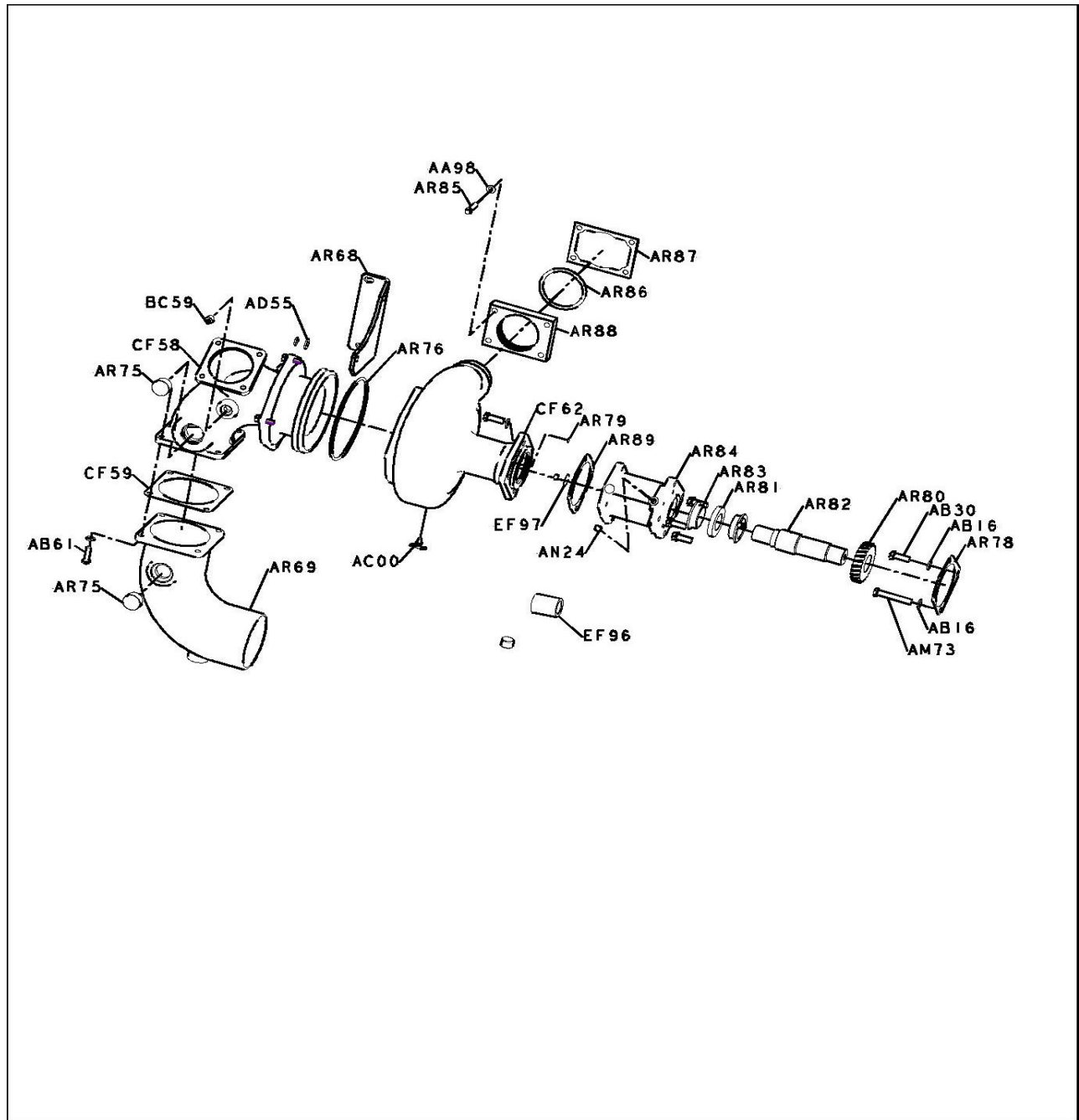
**PUMP, WATER & SUPPORT**

S No	Ref No	Part No	Description	Qty	Serviceable	Remarks
			<b>SUPPORT WATER PUMP MTG</b>			
1	-	<b>MP5273</b>	SUPPORT WATER PUMP MTG	1	Y	
2	AR78	206416	GASKET,SUPPORT	1	Y	
3	AB16	S 610	WASHER, LOCK	4	Y	
4	AB30	103009	SCREW, HEXAGON HEAD CAP	1	Y	
5	AM73	S 162A	SCREW,HEXAGON HEAD CAP	3	Y	
			<b>SUPPORT, WATER PUMP</b>			
6	-	<b>3634065</b>	SUPPORT, WATER PUMP	1	N	
7	-	3634066	SUPPORT, WATER PUMP	1	Y	
8	AR84	3634067	SUPPORT,WATER PUMP	1	N	PART NO. FOR SERVICE 3634065
9	AR83	3629855	BUSHING	2	Y	
10	AN24	3631805	PLUG,PIPE	1	Y	
11	-	3628639	SHAFT, WATER PUMP	1	Y	
12	AR82	3628187	SHAFT,WATER PUMP	1	N	PART NO. FOR SERVICE 3628639
13	AR81	3627723	RETAINER,SHAFT	1	N	PART NO. FOR SERVICE 3628639
14	AR80	207251	GEAR,WATER PUMP	1	Y	
15	AD85	68193	PLUG, PIPE	1	Y	
16	AR79	3634019	PLUG,EXPANSION	1	Y	
			<b>PUMP WATER MTG</b>			
17	-	<b>MP5274</b>	PUMP WATER MTG	1	Y	
18	AR88	3008494	ADAPTER,O RING	1	Y	
19	AR86	3007512	SEAL,O RING	1	Y	
20	AR87	206455	GASKET,WATER PUMP	1	Y	
21	AA98	S 604	WASHER, LOCK	4	Y	
22	AR85	199919	SCREW,TWELVE POINT CAP	4	Y	
			<b>PUMP,WATER</b>			
23	-	<b>3634032</b>	PUMP,WATER	1	N	
24	-	3634033	PUMP,WATER	1	N	
25	-	3634034	PUMP,WATER	1	N	
26	AR99	3634049	SHAFT,WATER PUMP	1	Y	
27	AR95	3175573	RING,RETAINING	1	Y	
28	AR98	S 16069	BEARING,BALL	1	Y	
29	AR97	3030487	SPACER,BEARING	1	Y	
30	AR96	S 16054	BEARING,BALL	1	Y	
31	CF62	3634035	BODY,WATER PUMP	1	Y	
32	AR91	3634007	SEAL,WATER PUMP	1	Y	
33	AR92	3634146	SEAL,OIL	1	Y	
34	CF57	3050454	IMPELLER,WATER PUMP	1	Y	
35	AR93	70183	RING,RETAINING	1	Y	
36	AC00	S 962E	DRAINCOCK	1	Y	
37	-	3018898	COUPLING & SNAP RING	1	N	
38	CF55	206195	SLEEVE,SPLINE COUPLING	1	Y	
39	-	206196	WIRE,ELECTRICAL	1	Y	
40	CF58	<b>3050945</b>	CONNECTION,WATER INLET	1	Y	

Version : 3.0.20.0 Applicable Date : Aug-2011

Group Number: GR\_08\_01\_01\_036

### PUMP, WATER & SUPPORT





Version : 3.0.20.0 Applicable Date : Aug-2011

Details of Group Number: GR\_08\_01\_01\_036

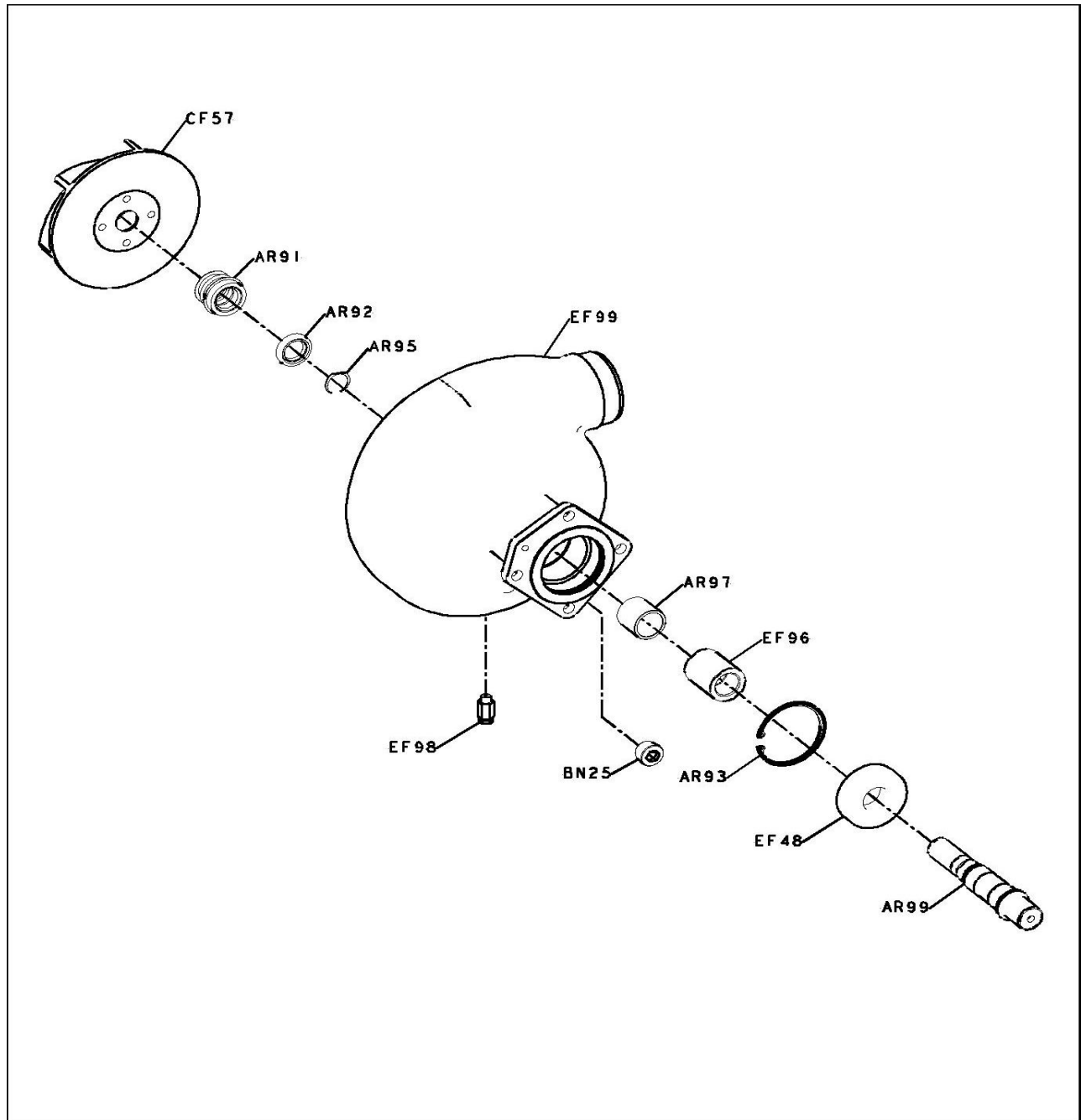
**PUMP, WATER & SUPPORT**

S No	Ref No	Part No	Description	Qty	Serviceable	Remarks
			<b>CONNECTION,WATER PUMP</b>			
41	-	<b>MP5267</b>	CONNECTION,WATER PUMP	1	Y	
42	AR68	3175857	SUPPORT,WATER PUMP	1	Y	
43	AD55	108330	WASHER, PLAIN	4	Y	
44	AA98	S 604	WASHER, LOCK	4	Y	
45	AE62	108707	SCREW, HEXAGON HEAD CAP	4	Y	
46	AR75	S 907A	PLUG,PIPE	1	Y	
47	BC59	3628606	PLUG,PIPE	1	Y	
48	AR76	206457	SEAL,O RING	1	Y	
			<b>CONNECTION, WATER</b>			
49	-	<b>MP5494</b>	CONNECTION, WATER	1	Y	
50	AR70	3179035	GASKET,WTR TRF CONNECTION	1	Y	
51	AA98	S 604	WASHER, LOCK	4	Y	
52	AB61	S 103D	SCREW, HEXAGON HEAD CAP	4	Y	
53	AR69	<b>3237334</b>	CONNECTION,WATER INLET	1	Y	
54	AR75	<b>S 907A</b>	PLUG,PIPE	1	Y	
55	AP33	<b>3628607</b>	PLUG,PIPE	1	Y	

Version : 3.0.20.0 Applicable Date : Aug-2011

Group Number: GR\_08\_01\_01\_040

**PUMP,WATER**



Version : 3.0.20.0 Applicable Date : Aug-2011

Details of Group Number: GR\_08\_01\_01\_040

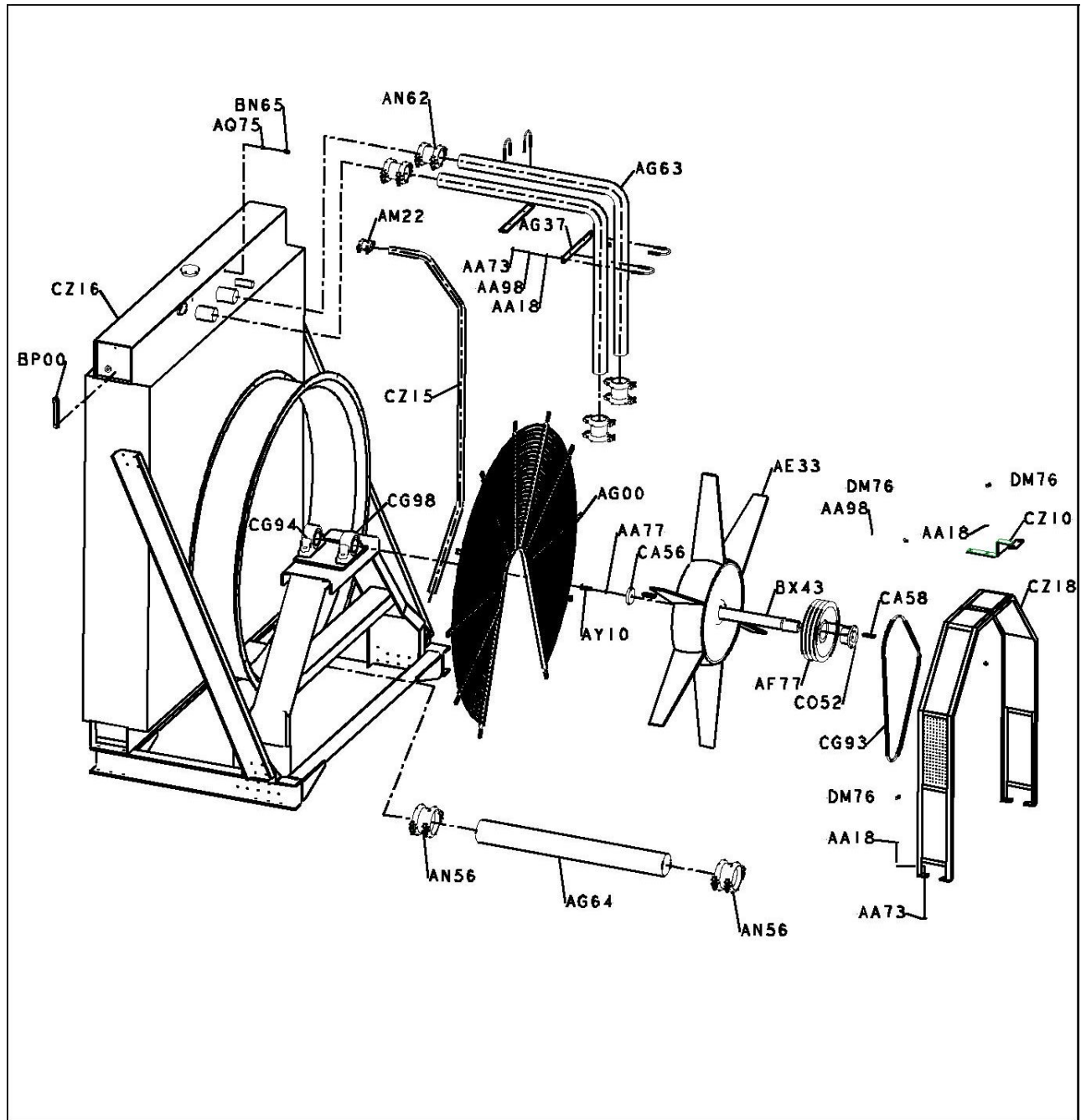
**PUMP,WATER**

S No	Ref No	Part No	Description	Qty	Serviceable	Remarks
			<b>PUMP,WATER</b>			
1	-	<b>3635808</b>	PUMP,WATER	1	N	
2	-	3635809	PUMP,WATER	1	Y	
3	-	3635784	PUMP,WATER	1	Y	
4	EF99	3635714	BODY,WATER PUMP	1	Y	
5	AR91	3634007	SEAL,WATER PUMP	1	Y	
6	AR92	3634146	SEAL,OIL	1	Y	
7	AR95	3175573	RING,RETAINING	1	Y	
8	EF48	S-16069	BEARING,BALL	1	Y	
9	AR97	3030487	SPACER,BEARING	1	Y	
10	AR93	70183	RING,RETAINING	1	Y	
11	AR99	3634049	SHAFT,WATER PUMP	1	Y	
12	EF98	3638582	DRAINCOCK	1	Y	
13	CF57	3050454	IMPELLER,WATER PUMP	1	Y	
14	BN25	S 995	PLUG,PIPE	1	Y	
15	-	3018898	COUPLING & SNAP RING	1	N	
16	CF55	206195	SLEEVE,SPLINE COUPLING	1	Y	
17	-	206196	WIRE,ELECTRICAL	1	Y	

Version : 3.0.20.0 Applicable Date : Aug-2011

Group Number: GR\_08\_13\_01\_048

### RADIATOR



Version : 3.0.20.0 Applicable Date : Aug-2011

Details of Group Number: GR\_08\_13\_01\_048

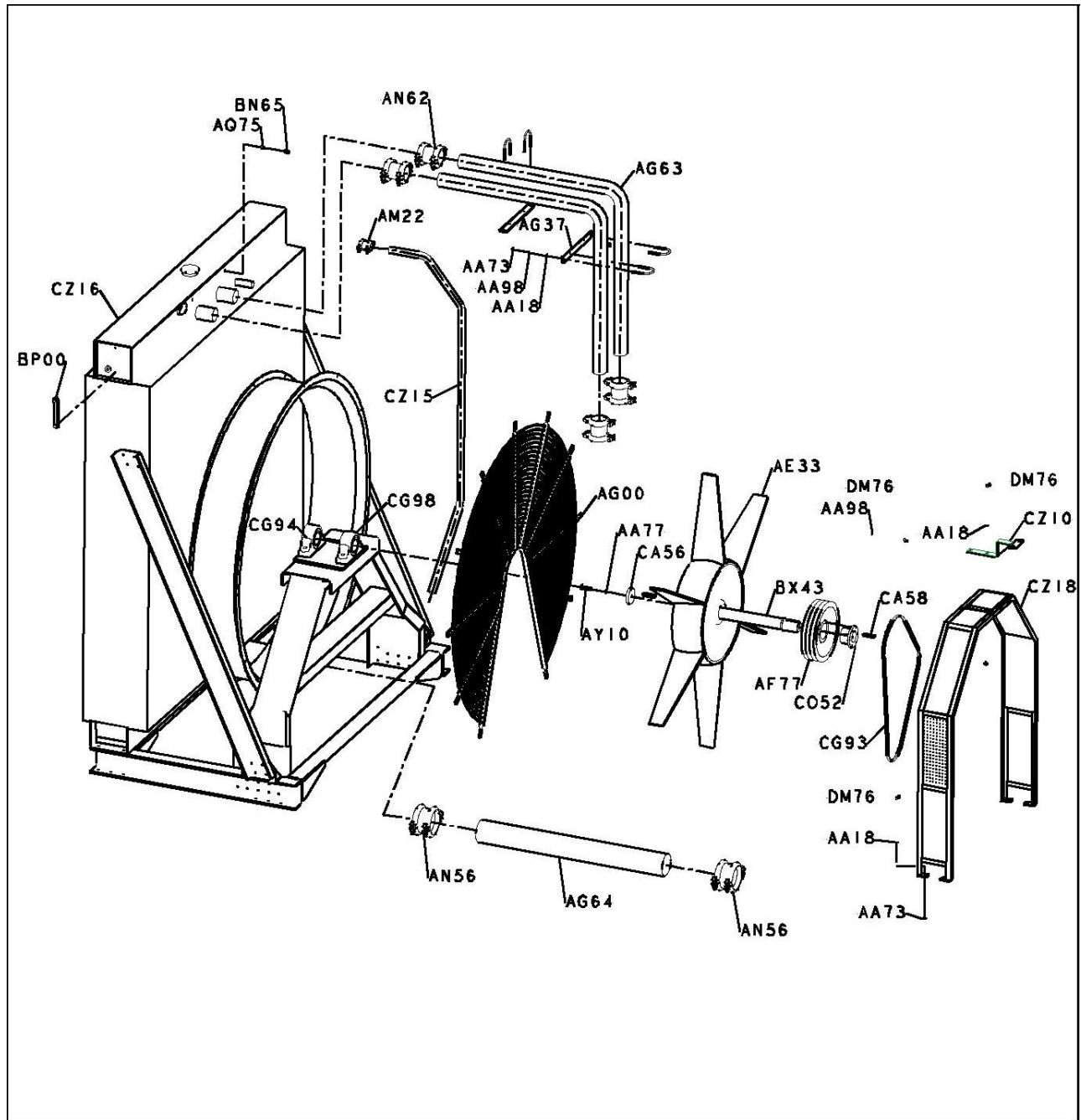
## RADIATOR

S No	Ref No	Part No	Description	Qty	Serviceable	Remarks
			<b>RADIATOR PARTS</b>			
1	-	<b>4105843</b>	RADIATOR PARTS	1	N	
2	-	4950043	RADIATOR	1	Y	
3	-	3876560	BASE,RADIATOR	1	Y	
4	-	4104960	SUPPORT,BEARING	1	N	
5	CG98	4085741	BLOCK,PILLOW	1	Y	
6	BX43	3876738	SHAFT,FAN HUB	1	Y	
7	AE33	3876739	FAN,ENGINE	1	Y	
8	-	3876779	SHROUD,ENGINE COOLING FAN	1	Y	
9	CZ16	4950044	RADIATOR	1	Y	
10	-	3392113	BRACE,RADIATOR	1	Y	
11	-	3392112	BRACE,RADIATOR	1	Y	
12	CZ15	3876564	TUBE,WATER MAKEUP	1	Y	
13	AM22	3872284	COUPLING,FLEXIBLE PIPE	2	Y	
14	CG94	4085740	BLOCK,PILLOW	1	Y	
15	CA58	3879156	KEYSQUARE	2	Y	
16	-	3166820	PULLEY,FAN	1	N	
17	AF77	3231022	PULLEY, ACCESSORY DRIIVE	1	Y	
18	CA54	3872524	SLEEVE,WEAR	1	Y	
19	AA98	S 604	WASHER, LOCK	3	Y	
20	AE62	108707	SCREW, HEXAGON HEAD CAP	3	Y	
21	AG00	3876752	GUARD, FAN	1	Y	
22	CA56	4085719	WASHER,PLAIN	1	Y	
23	AA77	S 603	WASHER, LOCK	1	Y	
24	AY10	S 173A	SCREW HEXAGON HEAD CAP	1	Y	
25	CG93	3872639	BELT,V	3	Y	
26	AG37	4072781	BRACE, BELT GUARD	2	Y	
27	AG41	3878006	CLAMP	4	Y	
28	BW70	S 908	PLUG,PIPE	1	N	
29	AA73	S 223	NUT, HEAVY HEXAGON	8	Y	
30	AA18	S 602	WASHER, PLAIN	8	Y	
31	AA98	S 604	WASHER, LOCK	8	Y	
			<b>CONNECTION, RADIATOR</b>			
32	-	<b>3880326</b>	CONNECTION, RADIATOR	1	Y	
33	AG63	3876568	TUBE, WATER TRANSFER	2	Y	
34	AG64	3876552	TUBE, WATER TRANSFER	1	Y	
35	AN62	3872268	COUPLING,FLEXIBLE PIPE	4	Y	
36	AN56	3872304	COUPLING,FLEXIBLE PIPE	2	Y	
37	AM22	3872284	COUPLING,FLEXIBLE PIPE	2	Y	
38	AG47	AK6048SS	HOSE, FLEXIBLE	1	Y	
39	CE88	S 1039 A	CONNECTOR, MALE	2	Y	
40	AQ75	S 964	BUSHING,REDUCING PIPE	2	Y	

Version : 3.0.20.0 Applicable Date : Aug-2011

Group Number: GR\_08\_13\_01\_048

### RADIATOR



Version : 3.0.20.0 Applicable Date : Aug-2011

Details of Group Number: GR\_08\_13\_01\_048

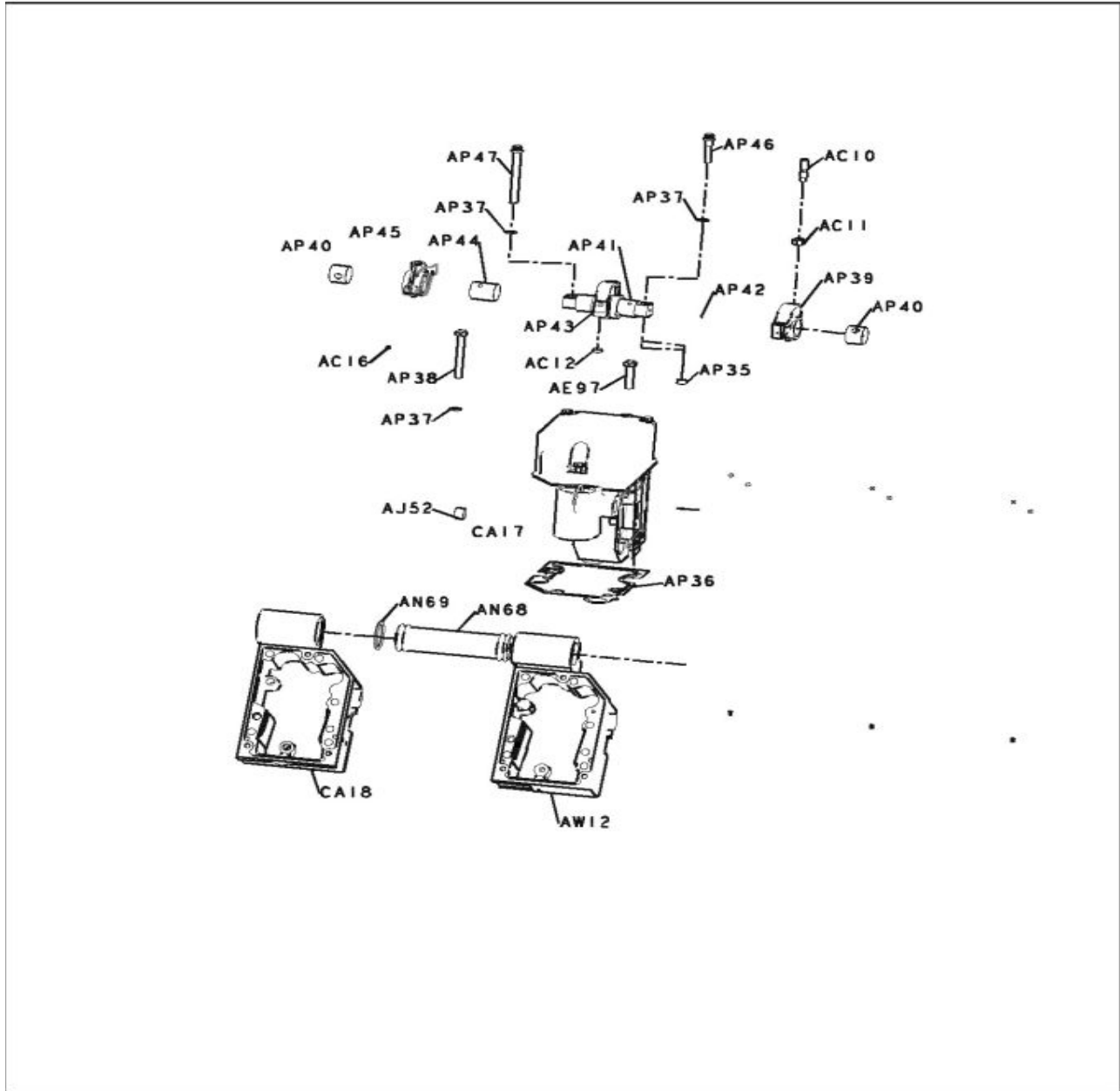
**RADIATOR**

S No	Ref No	Part No	Description	Qty	Serviceable	Remarks
			<b>GUARD,BELT</b>			
41	-	<b>4072818</b>	GUARD,BELT	1	N	
42	CZ18	4072782	GUARD,BELT	1	N	
43	AA18	S 602	WASHER, PLAIN	6	Y	
44	AE62	108707	SCREW, HEXAGON HEAD CAP	6	Y	
45	AA73	S 223	NUT, HEAVY HEXAGON	6	Y	
			<b>ENGINE,VENT</b>			
46	-	<b>4912886</b>	ENGINE,VENT	1	N	
47	AQ75	S 964	BUSHING,REDUCING PIPE	2	Y	
48	BN65	143950	CONNECTOR,MALE	4	Y	
49	CZ19	AK 5090SS	HOSE , FLEXIBLE	2	N	
50	BP00	<b>3008837</b>	GAUGE,SIGHT	1	Y	
51	CZ10	<b>4072788</b>	BRACKET,BELT GUARD	1	N	

Version : 3.0.20.0 Applicable Date : Aug-2011

Group Number: GR\_03\_01\_00\_027

### ROCKER HOUSING





Version : 3.0.20.0 Applicable Date : Aug-2011

Details of Group Number: GR\_03\_01\_00\_027

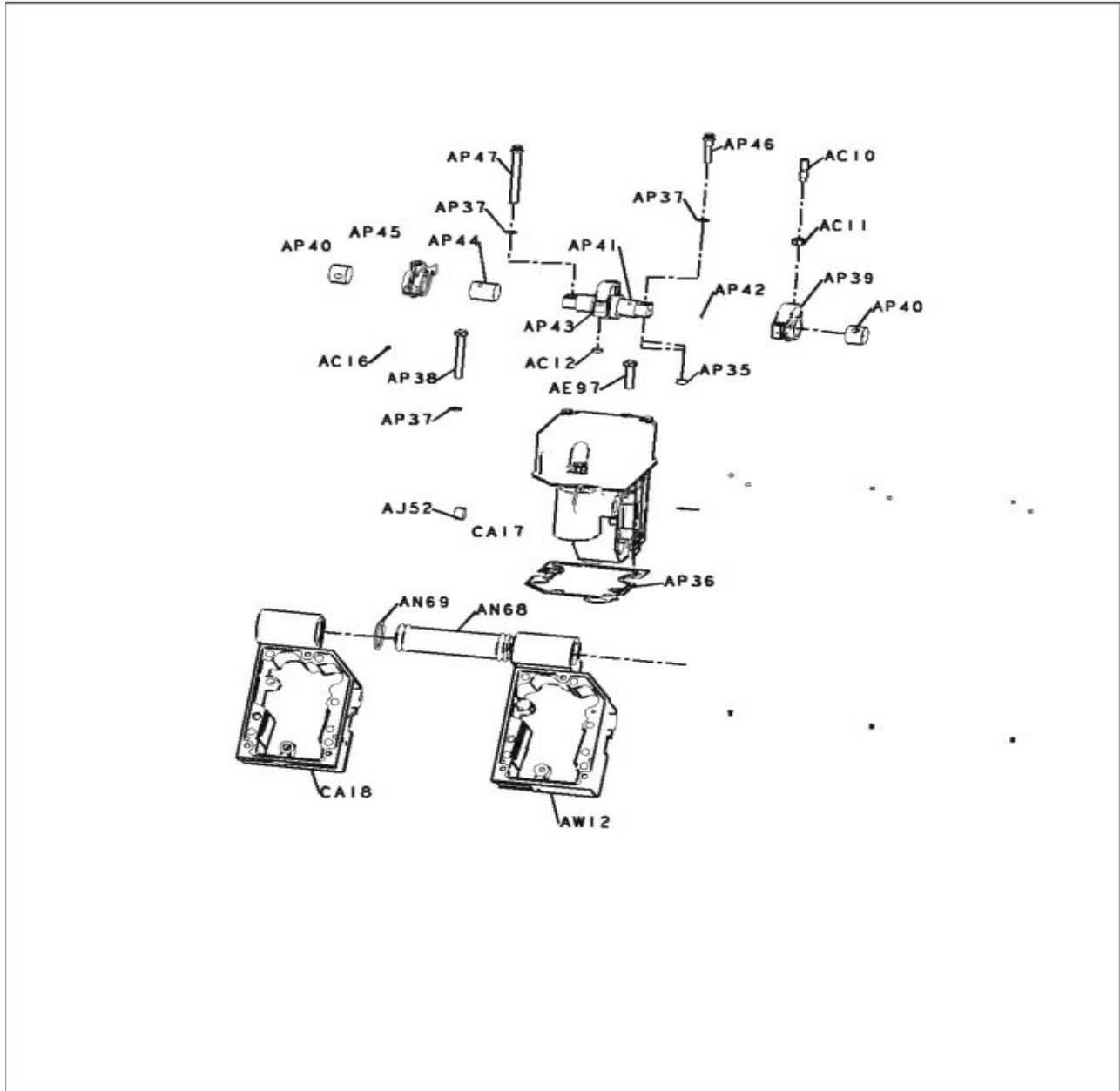
## ROCKER HOUSING

S No	Ref No	Part No	Description	Qty	Serviceable	Remarks
			<b>HSG. RKR ARM MOUNTING</b>			
1	-	3881696	HSG. RKR ARM MOUNTING	16	N	
2	AP36	3630839	GASKET,RKR LEVER HOUSING	1	Y	
3	AP37	205128	WASHER,PLAIN	6	Y	
4	AP38	108602	SCREW,HEXAGON HEAD CAP	5	Y	
5	AE97	S 125	SCREW, HEXAGON HEAD CAP	1	Y	
			<b>ASSY,ROCKER LEVER HOUSING</b>			
6	-	3881651	ASSY,ROCKER LEVER HOUSING	1	Y	
7	CA18	3629538	HOUSING,ROCKER LEVER	1	Y	
8	AP35	205129	DOWEL,RING	1	Y	
9	AJ52	S 995	PLUG PIPE	1	Y	
			<b>ASSY,ROCKER LEVER HOUSING</b>			
10	-	3039097	ASSY,ROCKER LEVER HOUSING	14	Y	
11	AW12	3177713	HOUSING,ROCKER LEVER	1	Y	
12	AP35	205129	DOWEL,RING	1	Y	
			<b>ASSY,ROCKER LEVER HOUSING</b>			
13	-	3039099	ASSY,ROCKER LEVER HOUSING	1	N	
14	CA17	3202199	HOUSING,ROCKER LEVER	1	Y	
15	AP35	205129	DOWEL,RING	1	Y	
			<b>TUBE WATER TRANSFER</b>			
16	-	AR12428	TUBE WATER TRANSFER	14	Y	
17	AN68	206709	TUBE,WATER TRANSFER	1	Y	
18	AN69	3028291	SEAL,O RING	2	Y	
			<b>ASSY, ROCKER LEVER</b>			
19	-	3176363	ASSY, ROCKER LEVER	16	N	
20	-	3053479	LEVER, ROCKER	1	Y	
21	AP39	3049432	LEVER,ROCKER	1	Y	
22	AP40	207344	BUSHING	1	Y	
23	AC16	208084	RIVET	1	Y	
24	-	3176772	SHAFT, ROCKER LEVER	1	Y	
25	AP41	3049164	SHAFT,ROCKER LEVER	1	Y	PART NO. FOR SERVICE 3176772
26	AP42	203933	PLUG,EXPANSION	1	Y	
27	-	3053478	LEVER, ROCKER	1	Y	
28	AP43	3049437	LEVER,ROCKER	1	Y	
29	AP44	207226	BUSHING	1	Y	
30	AC12	194037	SOCKET,ROCKER LEVER	1	Y	
31	AC16	208084	RIVET	1	Y	
32	-	3053476	LEVER, ROCKER	1	Y	
33	AP45	3049438	LEVER,ROCKER	1	Y	PART NO. FOR SERVICE 3053476
34	AP40	207344	BUSHING	1	Y	
35	AC16	208084	RIVET	1	Y	
36	AC10	168306	SCREW, SLOTTED SET	3	Y	
37	AC11	S 212	NUT REGULAR HEXAGON	3	Y	
38	AP37	205128	WASHER,PLAIN	2	Y	
39	AP46	205393	SCREW,TWELVE POINT CAP	1	Y	
40	AP47	205394	SCREW,TWELVE POINT CAP	1	Y	

Version : 3.0.20.0 Applicable Date : Aug-2011

Group Number: GR\_03\_01\_00\_027

### ROCKER HOUSING



Version : 3.0.20.0 Applicable Date : Aug-2011

Details of Group Number: GR\_03\_01\_00\_027

**ROCKER HOUSING**

S No	Ref No	Part No	Description	Qty	Serviceable	Remarks
			<b>MTG, COVER PLATE</b>			
41	-	<b>3882076</b>	MTG, COVER PLATE	16	N	
42	FF73	4920076	GASKET,ROCKER LEVER COVER	1	Y	
43	AN47	3628902	WASHER,PLAIN	3	Y	
44	AP49	3628194	SCREW,HEXAGON HEAD CAP	2	Y	
45	AP50	3628196	SCREW,HEXAGON HEAD CAP	1	Y	
46	AP51	<b>3010388</b>	COVER,ROCKER LEVER	16	N	

Version : 3.0.20.0 Applicable Date : Aug-2011

Group Number: GR\_08\_13\_00\_006

**SENSOR**

THIS PAGE IS INTENTINALLY KEPT BLANK.

Version : 3.0.20.0 Applicable Date : Aug-2011

Details of Group Number: GR\_08\_13\_00\_006

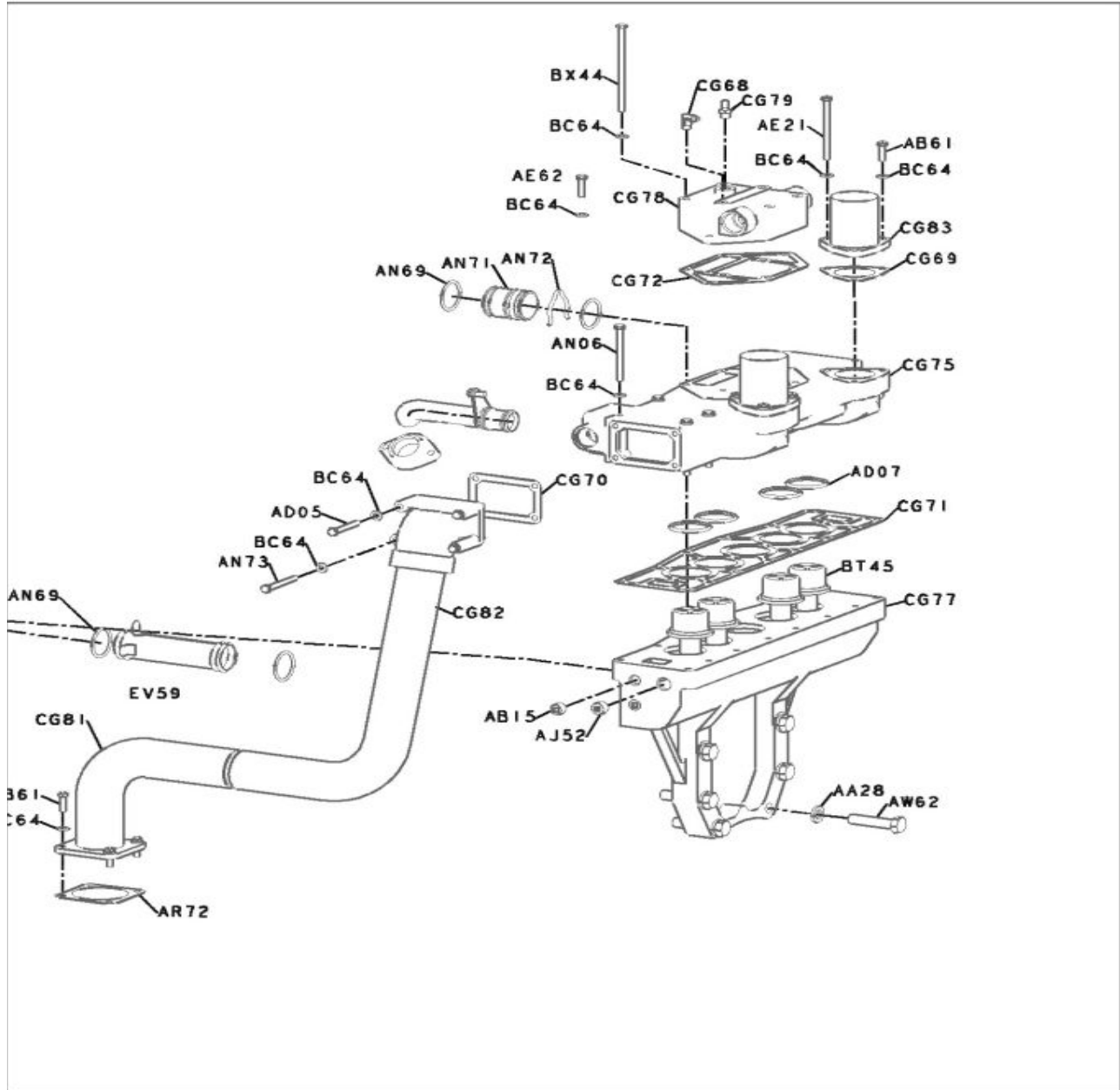
### SENSOR

S No	Ref No	Part No	Description	Qty	Serviceable	Remarks
1	-	4084762	SWITCH,COOLANT LEVEL	1	Y	

Version : 3.0.20.0 Applicable Date : Aug-2011

Group Number: GR\_08\_07\_01\_032

SUPPORT THERMOSTATE & HOUSING.



Version : 3.0.20.0 Applicable Date : Aug-2011

Details of Group Number: GR\_08\_07\_01\_032

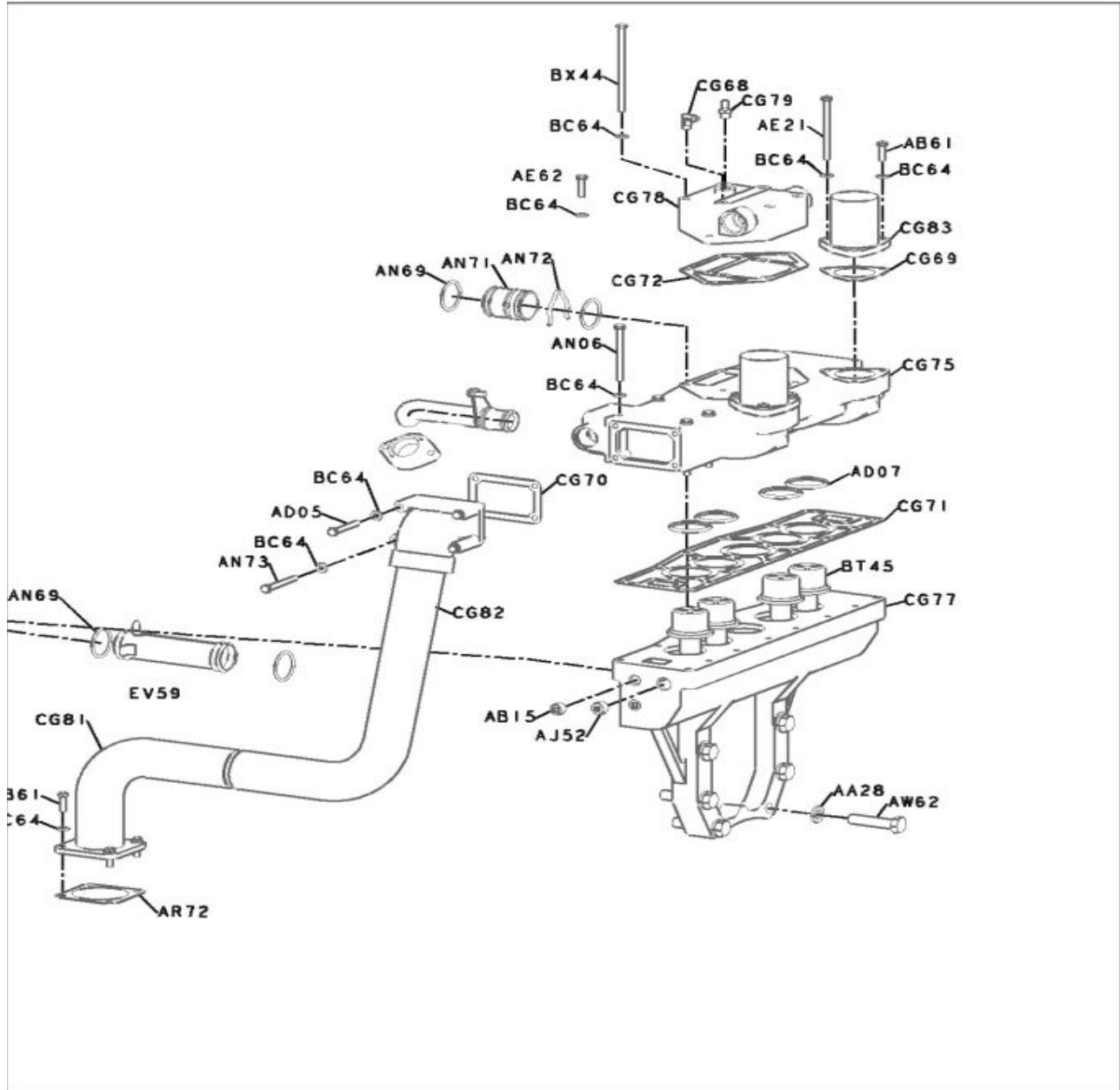
**SUPPORT THERMOSTATE & HOUSING.**

S No	Ref No	Part No	Description	Qty	Serviceable	Remarks
			<b>HSG.THERMO &amp; SUPPORT</b>			
1	-	<b>3880244</b>	HSG.THERMO & SUPPORT	1	N	
2	-	4054489	HSG.THERMO & SUPPORT	1	N	
3	CG77	3628968	SUPPORT,THM HOUSING	1	Y	
4	-	3008469	PLUG,PIPE	2	Y	
5	AJ52	S 995	PLUG PIPE	1	Y	
6	AB15	3008468	PLUG,PIPE	5	Y	PART NO. FOR SERVICE S 915 A
7	AA28	S 611	WASHER LOCK	6	Y	
8	AW62	S 195B	SCREW, HEXAGON HEAD CAP	6	Y	
9	-	4054493	HOUSING,THERMOSTAT	1	N	
10	CG75	3060889	HOUSING,THERMOSTAT	1	Y	
11	AD07	186780	SEAL,THERMOSTAT	4	Y	
12	BT45	135675	THERMOSTAT	4	Y	
13	CG71	3052906	GASKET,THERMOSTAT HOUSING	1	Y	PART NO. FOR SERVICE 3874652
14	BC64	3036460	WASHER,SPRING	8	Y	
15	AB61	S 103D	SCREW, HEXAGON HEAD CAP	2	Y	
16	AE21	S 106C	SCREW HEXAGON HEAD CAP	6	Y	
17	-	3179698	CONN,WATER OUTLET-NO LTA	1	N	
18	CG78	3629196	CONNECTION,WATER TRANSFER	1	Y	
19	CG72	3052908	GASKET,WTR TRF CONNECTION	1	Y	PART NO. FOR SERVICE 3874653
20	BC64	3036460	WASHER,SPRING	6	Y	
21	BX44	S 141C	SCREW,HEXAGON HEAD CAP	4	Y	
22	AE62	108707	SCREW, HEXAGON HEAD CAP	2	Y	
23	CG79	3630619	CONNECTOR,MALE	1	Y	
24	CG68	112105	ELBOW,MALE ADAPTER	1	Y	
			<b>TUBE,WTR TRANSFER LB</b>			
25	-	<b>3005118</b>	TUBE,WTR TRANSFER LB	1	N	
26	AN71	3002956	TUBE,WATER TRANSFER	1	Y	
27	AN72	205976	RING,RETAINING	1	Y	
28	AN69	3028291	SEAL,O RING	2	Y	
			<b>TUBE WATER TRANSFER</b>			
29	-	<b>3040881</b>	TUBE WATER TRANSFER	1	N	
30	GR57	3642036	TUBE,WATER TRANSFER	1	N	
31	AN69	3028291	SEAL,O RING	2	Y	
			<b>MTG,TUBE WATER TRANSFER</b>			
32	-	<b>3068028</b>	MTG,TUBE WATER TRANSFER	1	N	
33	-	3628967	TUBE,WATER TRANSFER	1	Y	
34	DH37	3628966	PIECE	1	N	
35	DH38	3090739	PIECE	1	N	
36	CG74	3054519	BRACE,TUBE	1	Y	
37	CO64	4066112	SEAL, O RING	1	Y	
38	BC64	3036460	WASHER,SPRING	1	Y	
39	AB58	S 109	SCREW, HEXAGON HEAD CAP	1	Y	
			<b>CONNECTION WATER BYPASS</b>			
40	-	<b>4056134</b>	CONNECTION WATER BYPASS	1	N	

Version : 3.0.20.0 Applicable Date : Aug-2011

Group Number: GR\_08\_07\_01\_032

SUPPORT THERMOSTATE & HOUSING.





Version : 3.0.20.0 Applicable Date : Aug-2011

Details of Group Number: GR\_08\_07\_01\_032

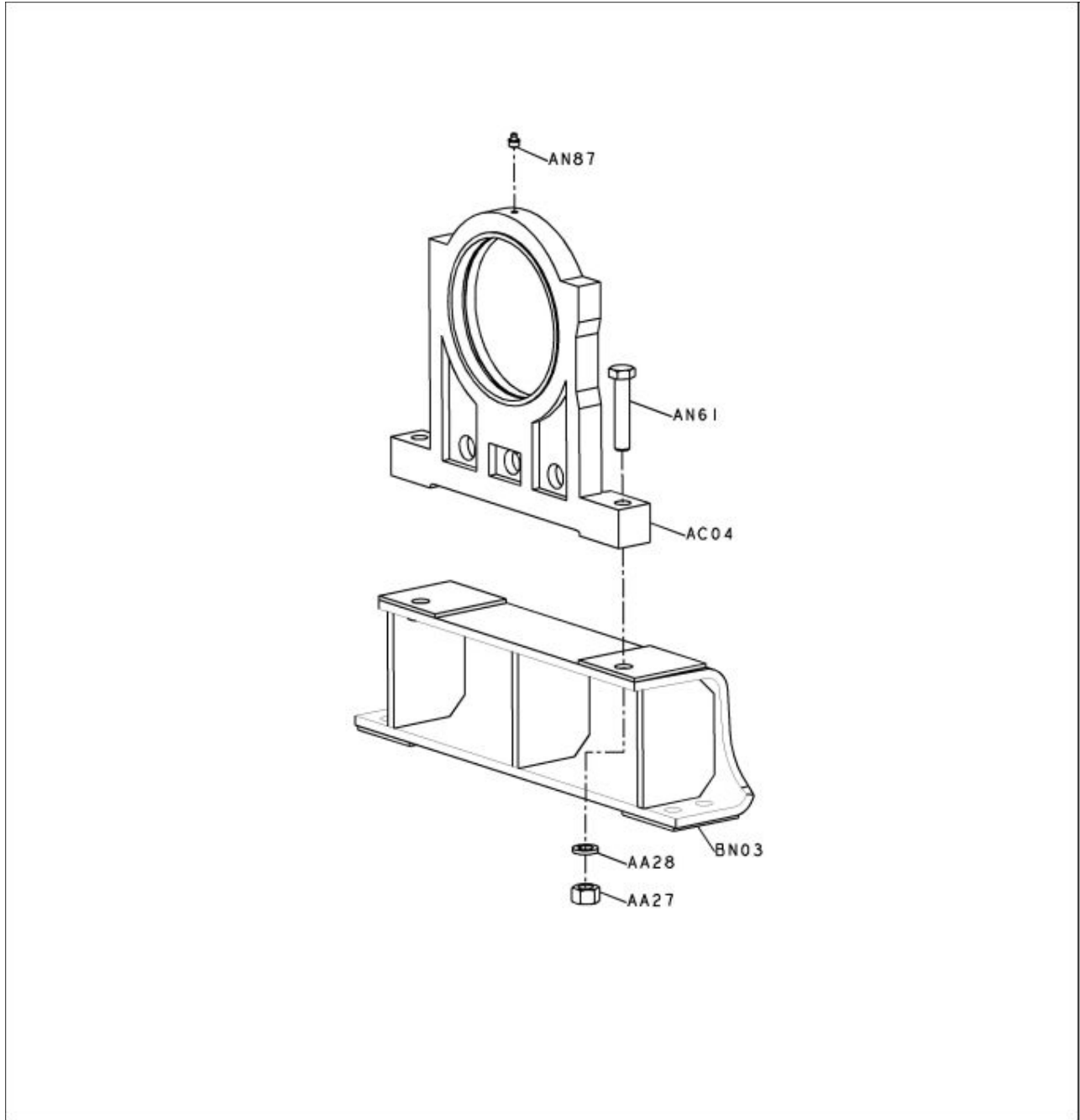
**SUPPORT THERMOSTATE & HOUSING.**

S No	Ref No	Part No	Description	Qty	Serviceable	Remarks
41	BC64	3036460	WASHER,SPRING	8	Y	
42	AB61	S 103D	SCREW, HEXAGON HEAD CAP	4	Y	
43	AN73	S 105	SCREW, HEXAGON HEAD CAP	2	Y	
44	AD05	S 102D	SCREW HEXAGON HEAD CAP	2	Y	
45	AN62	3872268	COUPLING,FLEXIBLE PIPE	1	Y	
46	CG70	3049368	GASKET,CONNECTION	1	Y	
47	CG82	4055380	CONNECTION,WATER BYPASS	1	Y	
48	-	4055379	CONNECTION,WATER BYPASS	1	N	
49	-	4055381	PIECE	1	N	
50	AR72	3050944	GASKET,FLANGE	1	Y	
51	CG81	4055382	CONNECTION,WATER BYPASS	1	Y	
52	-	4055383	PIECE	1	N	
53	-	4056448	FLANGE,WELD	1	N	
			<b>CONNECTION,WATER OUT</b>			
54	-	<b>3881525</b>	CONNECTION,WATER OUT	2	N	
55	CG69	3049364	GASKET,CONNECTION	2	Y	PART NO. FOR SERVICE 3874649
56	CG83	3876569	CONNECTION WATER OUTLET	2	Y	
57	-	3876569 2		1	N	
58	-	3876569 1		1	N	
59	BC64	3036460	WASHER,SPRING	6	Y	
60	AB61	S 103D	SCREW, HEXAGON HEAD CAP	4	Y	
61	AR11	S 149A	SCREW, HEXAGON HEAD CAP	2	Y	
62	CG73	<b>3054518</b>	CONNECTION,WATER TRANSFER	1	Y	
			<b>COVER,WATER CONN MTG</b>			
63	-	<b>3013519</b>	COVER,WATER CONN MTG	1	N	
64	BV75	3175517	GASKET,FLANGE	1	Y	
65	HQ61	3014766	SCREW,CAPTIVE WASHER	2	Y	

Version : 3.0.20.0 Applicable Date : Aug-2011

Group Number: GR\_16\_03\_00\_023

**SUPPORT,FRONT ENGINE**



Version : 3.0.20.0 Applicable Date : Aug-2011

Details of Group Number: GR\_16\_03\_00\_023

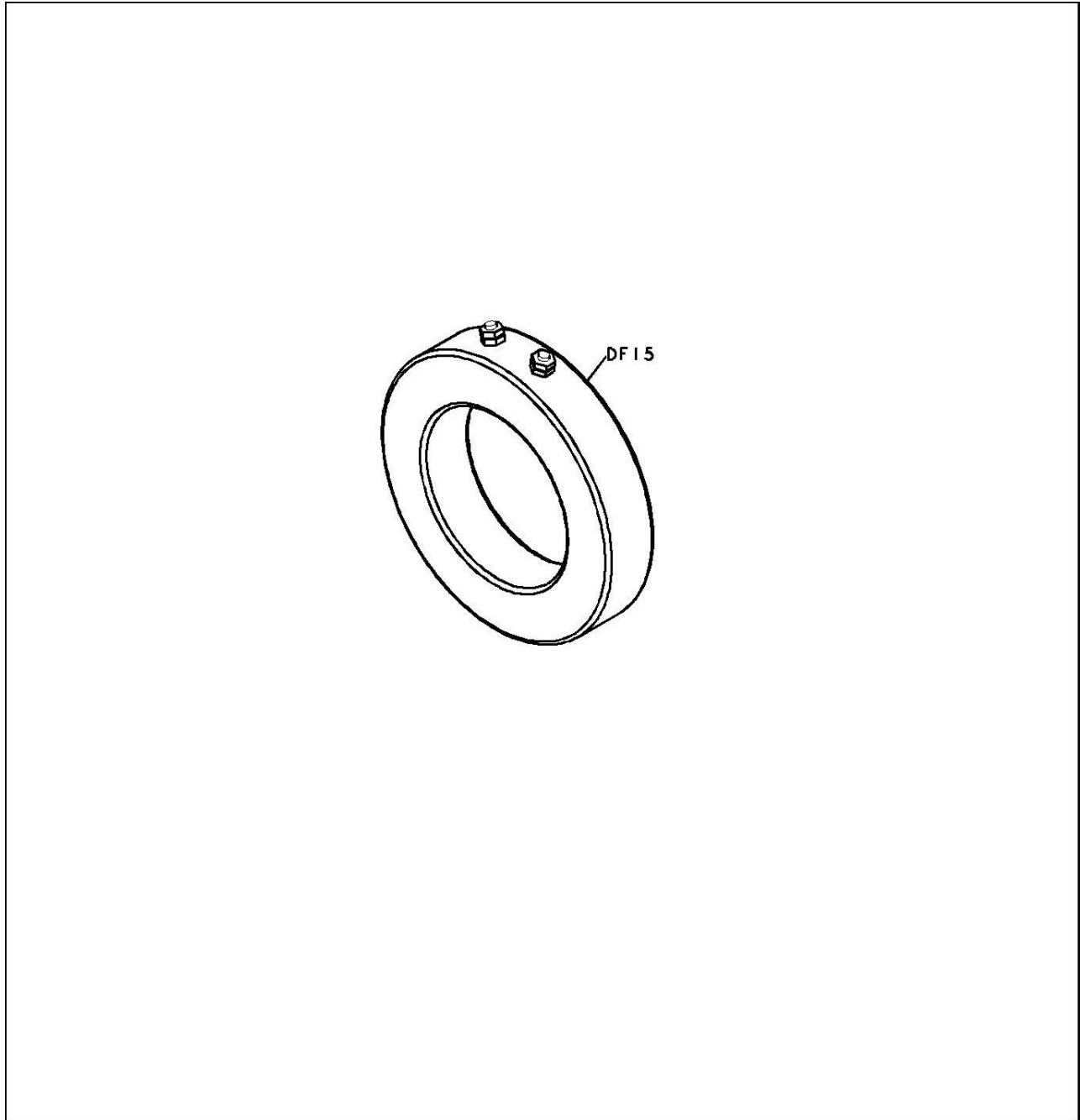
**SUPPORT,FRONT ENGINE**

S No	Ref No	Part No	Description	Qty	Serviceable	Remarks
			<b>SUPPORT FRONT ENGINE</b>			
1	-	<b>3240186</b>	SUPPORT FRONT ENGINE	1	N	
2	AC04	3177812	SUPPORT,FRONT ENGINE	1	Y	
3	AN87	S 2268	FITTING,GREASE	1	Y	
			<b>SUPPORT FRONT ENGINE</b>			
4	-	<b>4911950</b>	SUPPORT FRONT ENGINE	1	Y	
5	BN03	4911809	SUPPORT FRONT ENGINE	1	Y	
6	AN61	S 189	SCREW HEXAGON HEAD CAP	2	Y	
7	AA28	S 611	WASHER LOCK	2	Y	
8	AA27	S 204	NUT, HEAVY HEXAGON	2	Y	

Version : 3.0.20.0 Applicable Date : Aug-2011

Group Number: GR\_15\_08\_02\_009

TRANSFORMER-CUR



Version : 3.0.20.0 Applicable Date : Aug-2011

Details of Group Number: GR\_15\_08\_02\_009

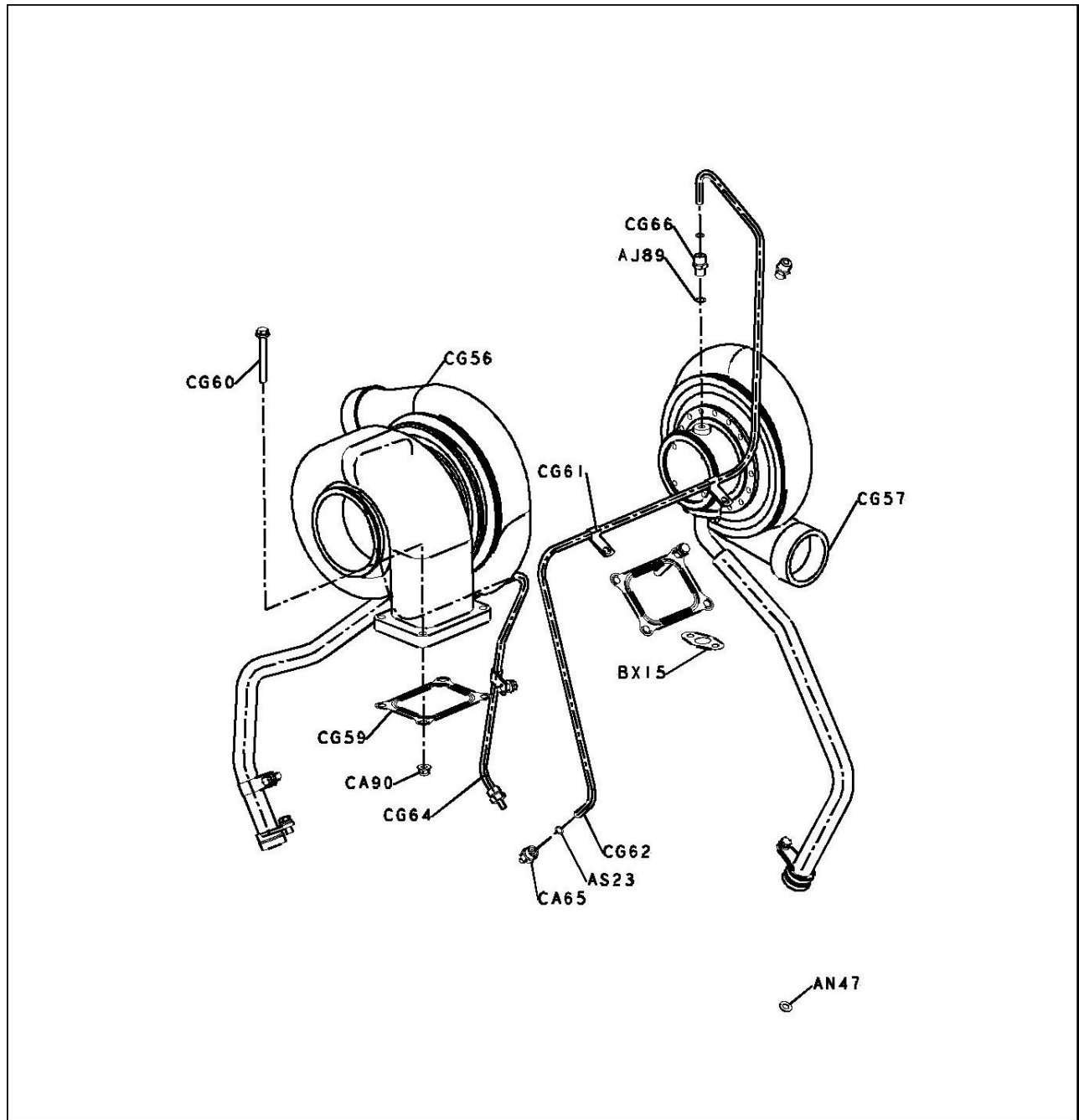
**TRANSFORMER-CUR**

S No	Ref No	Part No	Description	Qty	Serviceable	Remarks
1	-	0302-2058-12	Transformer-Cur	3	Y	

Version : 3.0.20.0 Applicable Date : Aug-2011

Group Number: GR\_10\_06\_00\_027

### TURBOCHARGER & MOUNTING



Version : 3.0.20.0 Applicable Date : Aug-2011

Details of Group Number: GR\_10\_06\_00\_027

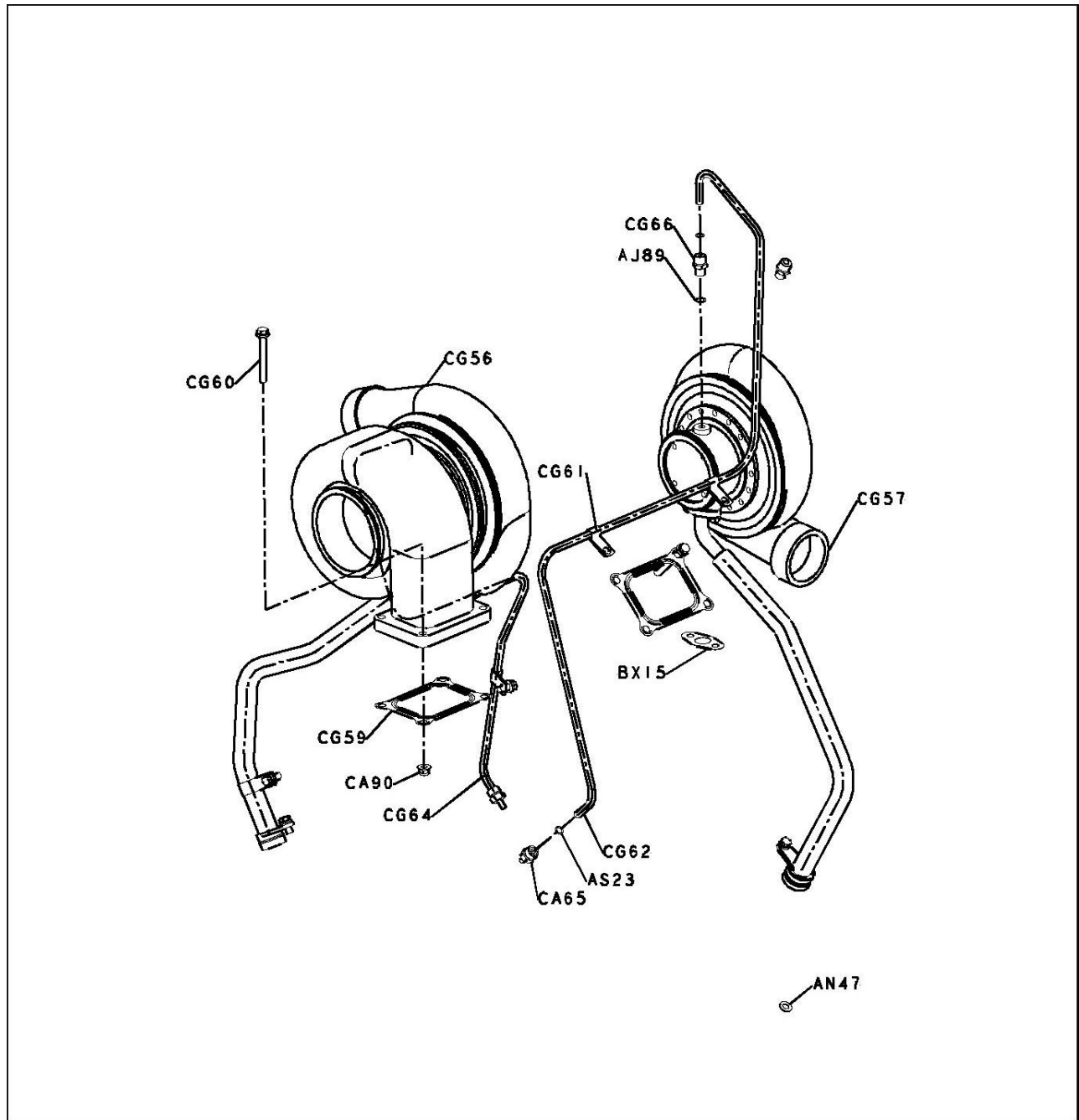
**TURBOCHARGER & MOUNTING**

S No	Ref No	Part No	Description	Qty	Serviceable	Remarks
			<b>TURBOCHARGER,MTG</b>			
1	-	4054490	TURBOCHARGER,MTG	2	Y	
2	CG59	3177942	GASKET,TURBOCHARGER	1	Y	
3	CG60	3627095	SCREW,HEX FLANGE HEAD CAP	4	Y	
4	CA90	3626804	NUT,LOCK	4	Y	PART NO. FOR SERVICE 3016182
			<b>TURBOCHARGER</b>			
5	CG56	3594164	TURBOCHARGER	1	Y	
6	-	3534169	HOUSING,TURBINE	1	N	
7	-	3594555	HOUSING,TUR BEARING	1	Y	
8	-	3539268	HOUSING,COMPRESSOR	1	N	
			<b>TURBOCHARGER</b>			
9	CG57	3594165	TURBOCHARGER	1	Y	
10	-	3534169	HOUSING,TURBINE	1	N	
11	-	3594555	HOUSING,TUR BEARING	1	Y	
12	-	3539268	HOUSING,COMPRESSOR	1	N	
			<b>CLIP,TUR SUPPLY HOSE</b>			
13	-	3414734	CLIP,TUR SUPPLY HOSE	1	N	
14	CG61	3629453	CLIP	3	Y	
			<b>HOSE,TURBO OIL DRAIN</b>			
15	-	3177296	HOSE,TURBO OIL DRAIN	1	N	
16	BX15	3630742	GASKET,CONNECTION	1	Y	
17	CG63	3632336	HOSE,FLEXIBLE	1	Y	
18	AA98	S 604	WASHER, LOCK	4	Y	
19	AB47	S 172B	SCREW HEX HEAD CAP	2	Y	
20	AN47	3628902	WASHER,PLAIN	2	Y	
21	AK40	S 117	SCREW, HEXAGON HEAD CAP	1	Y	
22	CA69	216187	SEAL,O RING	1	Y	
23	CA70	3629451	CLIP	1	Y	
24	AB58	S 109	SCREW, HEXAGON HEAD CAP	1	Y	
			<b>HOSE,TURBO OIL DRAIN</b>			
25	-	3177297	HOSE,TURBO OIL DRAIN	1	N	
26	CG65	3632337	HOSE,FLEXIBLE	1	Y	
27	BX15	3630742	GASKET,CONNECTION	1	Y	
28	AA98	S 604	WASHER, LOCK	2	Y	
29	AB47	S 172B	SCREW HEX HEAD CAP	2	Y	
30	AN47	3628902	WASHER,PLAIN	1	Y	
31	AK40	S 117	SCREW, HEXAGON HEAD CAP	1	Y	
32	CA69	216187	SEAL,O RING	1	Y	
			<b>HOSE,TURBO OIL SUPPLY</b>			
33	-	3628722	HOSE,TURBO OIL SUPPLY	1	N	
34	CG62	3632017	HOSE,FLEXIBLE	1	Y	PART NO. FOR SERVICE 3635033
35	-	3634690	UNION,MALE	1	Y	
36	CA65	3634692	UNION,MALE	1	Y	
37	AS23	3922794	SEAL O RING	1	N	
			<b>HOSE,TURBO OIL SUPPLY</b>			
38	-	3628720	HOSE,TURBO OIL SUPPLY	1	N	
39	CG64	3632018	HOSE,FLEXIBLE	1	Y	PART NO. FOR SERVICE 3635032
40	-	3634690	UNION,MALE	1	Y	

Version : 3.0.20.0 Applicable Date : Aug-2011

Group Number: GR\_10\_06\_00\_027

### TURBOCHARGER & MOUNTING





Version : 3.0.20.0 Applicable Date : Aug-2011

Details of Group Number: GR\_10\_06\_00\_027

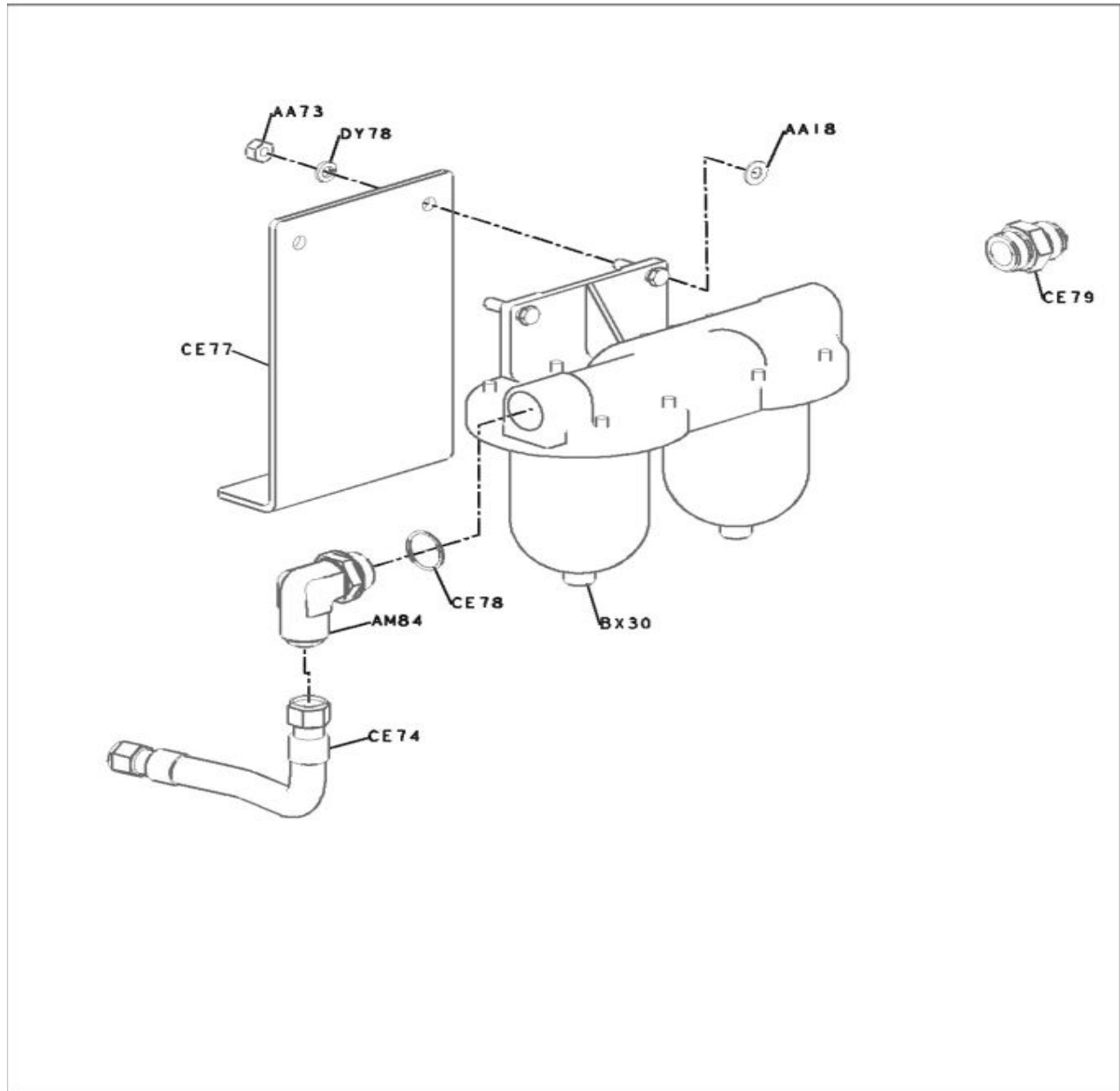
**TURBOCHARGER & MOUNTING**

S No	Ref No	Part No	Description	Qty	Serviceable	Remarks
41	CA65	3634692	UNION,MALE	1	Y	
42	AS23	3922794	SEAL O RING	1	N	
			<b>TURBO OIL SUPPLY,MTG.</b>			
43	-	<b>3628721</b>	TURBO OIL SUPPLY,MTG.	2	N	
44	BW99	3634685	UNION MALE	2	Y	
45	-	3634687	UNION MALE	1	Y	
46	AS23	3922794	SEAL O RING	1	N	
47	AJ89	3037537	SEAL O RING	1	Y	
48	CA66	3175058	CLIP	1	Y	
49	AN47	3628902	WASHER,PLAIN	1	Y	
50	AA98	S 604	WASHER, LOCK	1	Y	
51	AB58	S 109	SCREW, HEXAGON HEAD CAP	1	Y	

Version : 3.0.20.0 Applicable Date : Aug-2011

Group Number: GR\_06\_04\_01\_027

### WATER SEPERATOR



Version : 3.0.20.0 Applicable Date : Aug-2011

Details of Group Number: GR\_06\_04\_01\_027

**WATER SEPERATOR**

S No	Ref No	Part No	Description	Qty	Serviceable	Remarks
			<b>WATER SEPERATOR</b>			
1	-	<b>3880037</b>	WATER SEPERATOR	1	N	
2	BX30	3873233	WATER SEPERATOR	1	Y	
3	CE77	3875477	BRACKET WTR. SEPARATOR	1	Y	
4	AA18	S 602	WASHER, PLAIN	4	Y	
5	AE62	108707	SCREW, HEXAGON HEAD CAP	4	Y	
6	AA98	S 604	WASHER, LOCK	4	Y	
7	AA73	S 223	NUT, HEAVY HEXAGON	4	Y	
8	CE78	3235586	SEAL,O RING	1	Y	
9	AM84	3234779	ELBOW,MALE UNION	1	Y	
10	CE79	3413484	UNION,MALE	1	Y	
11	CE74	<b>AK10065MS</b>	HOSE, FLEXIBLE	1	Y	

# Parts Catalogue

## KTA-50-G3

**GENSET/1250 KVA  
R / DB / PC 3.3**

**Bulletin No. 5276659 (Aug-2011)**

**Cummins India Limited**

Registered Office: Kothrud, Pune 411 038 (India)

