



Customized Parts Catalog for Engine Model

QSB6.7 CM850

CONSTRUCTION

Prepared Specifically for:

Engine Serial Number: 73099790

Cummins Inc.
Box 3005
Columbus, Indiana, U.S.A., 47202

Copyright© 2008
Cummins Inc.

Bulletin No.73099790 Printed in U.S.A.



Cummins Inc.
New Parts Warranty
Midrange

COVERAGE

PRODUCTS WARRANTED

This warranty applies to New Parts marketed by Cummins for its A, B, and C Series engines. It applies anywhere in the world where service is available through a Cummins distributor or A, B, and C Series dealer.*

COVERAGE

This warranty covers any failures of parts on or after December 1, 1986, which result, under normal use and service, from defects in workmanship or material (Warrantable Failures). The coverage extends six months from the date of first installation.

This warranty continues to all subsequent Owners until the end of the period of coverage.

CUMMINS RESPONSIBILITIES

Cummins will pay for all parts and labor needed to repair the damage to the engine resulting from the Warrantable Failure. All labor costs will be paid in accordance with Cummins published Standard Repair Time guidelines.

Cummins will pay for the lubricating oil, antifreeze, filter elements, and other maintenance items that are not reusable due to the Warrantable Failure.

Cummins will pay reasonable labor costs for engine removal and reinstallation when necessary to make the warranty repair.

OWNER RESPONSIBILITIES

At the time when the parts are installed, Owner is responsible for the preparation of a written record containing the following: (1) the date of installation of the parts; (2) the engine serial number; (3) the engine miles, hours or kilometers of operation; (4) the parts installed, and (5) the location of the parts in the engine. The purpose of this record is to protect Owner's interests and support any claim for a Warrantable Failure.

Owner is responsible for the operation and maintenance of the engine as specified in Cummins Operation and Maintenance Manuals.

Before expiration of the warranty, Owner must give notice to a Cummins distributor or A, B, and C Series dealer* of a failure considered to be warrantable and deliver the engine to such facility for repair.

Owner is responsible for the cost of lubricating oil, antifreeze, filter elements and other maintenance items replaced during warranty repairs except where such items are not reusable due to a Warrantable Failure.

Owner is responsible for communication expenses, meals, lodging and similar costs incurred by Owner as a result of a Warrantable Failure. Owner is responsible for non-engine repairs and for "downtime" expenses, cargo damage and all business costs and losses resulting from a Warrantable Failure. **CUMMINS IS NOT RESPONSIBLE FOR INCIDENTAL OR CONSEQUENTIAL DAMAGES.**

(In the United States, some states do not allow the exclusion or limitation of incidental or consequential damages relating to Consumer Products, so the above limitation or exclusion may not apply to you.)

LIMITATIONS

Cummins is not responsible for failures resulting from Owner or Operator abuse or neglect, such as: operation without adequate coolant or lubricants; overfueling; overspeeding; lack of maintenance of lubricating, cooling or air intake systems; improper storage, starting, warm-up, run-in or shutdown practices. Cummins is also not responsible for failures caused by incorrect fuel, or by water, dirt or other contaminants in the fuel.

Except for fuel pumps, Cummins does not warrant parts supplied by Cummins which bear the name of another company. These parts are warranted by their manufacturers and not by Cummins. This category of parts includes, but is not limited to: hydraulic pumps, alternators, starters, fans, air conditioning compressors, clutches, filters, transmissions, torque converters, marine gears, air cleaners and non-Cummins air compressors, engine compression brakes, and steering pumps.

Parts used in warranty repairs may be new Cummins, Cummins approved rebuilt parts, or repaired parts. Cummins is not responsible for failures resulting from the use of parts not approved by Cummins.

Before a claim for excessive oil consumption will be considered, Owner must submit adequate documentation to show that consumption exceeds Cummins published standards.

This warranty does not apply to parts furnished by Cummins at no charge to the Owner.

THIS WARRANTY IS THE SOLE WARRANTY MADE BY CUMMINS IN REGARD TO THESE PARTS. CUMMINS MAKES NO OTHER WARRANTIES, EXPRESS OR IMPLIED, OR OF MERCHANTABILITY OR FITNESS FOR A PARTICULAR PURPOSE.



Customer Service Information

This Customized Parts Catalog contains parts information for the following Cummins Engine:

Engine Data

| | |
|-----------------------------|-------------------------|
| Model Number | QSB6.7 CM850 |
| Serial Number | 73099790 |
| Shop Order Number | SO24151 |
| Build Plant | CONSOLIDATED DIESEL CO. |
| Build Date | 01JUN10 |
| Fuel Pump Part Number | 5256608 |
| Fuel Pump Calibration | GY38 |
| Engine Configuration Number | D313013CC08 |
| CPL Number | CPL8610 |

Certain basic engine components have been matched to give optimum performance to your engine. The part numbers listed in this catalog for these components are for a standard engine configuration. When ordering any of the Control Parts List (CPL) components listed below, please order by part description and engine serial number. Reference to the CPL number stamped on the engine data (name) plate will also help identify the proper service parts for your engine.

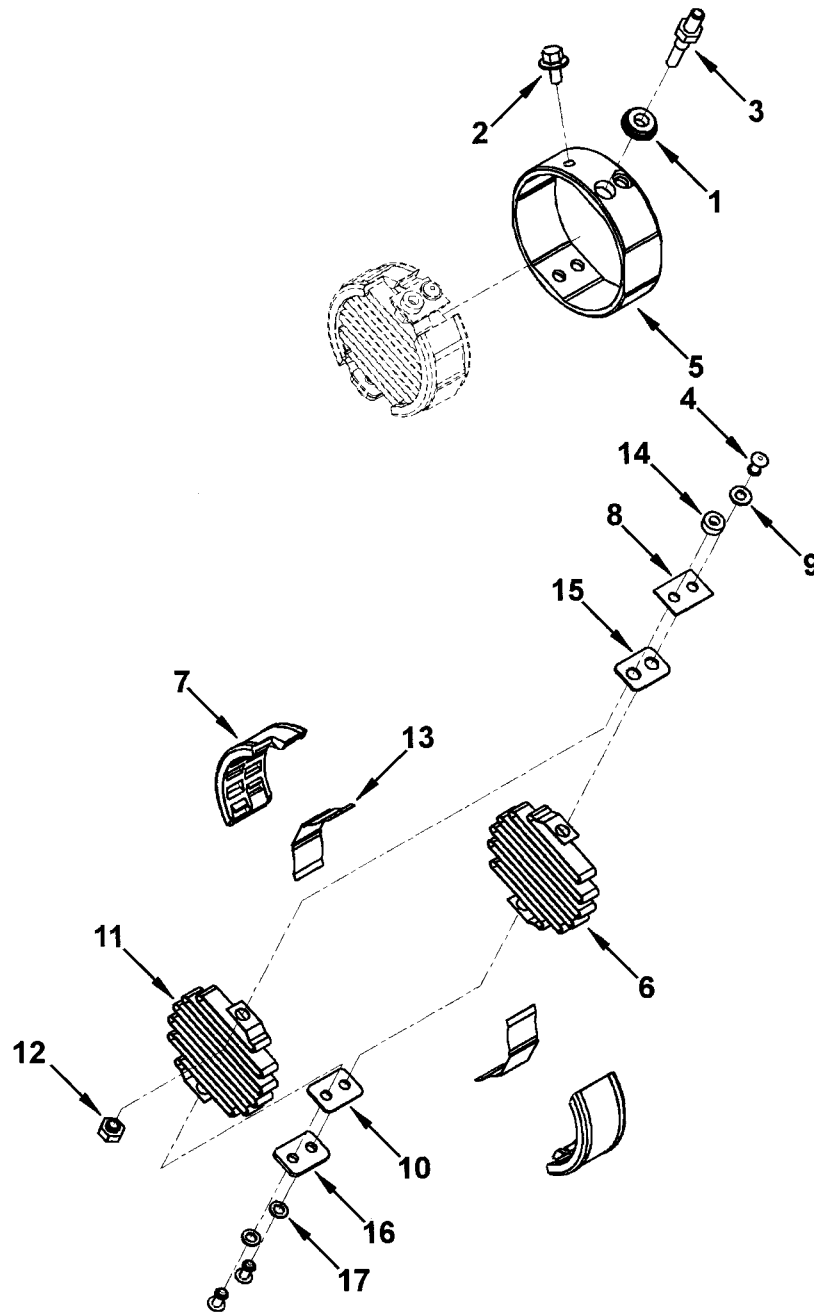
This catalog was compiled using the most current information as of 16-FEB-11.

USER INFORMATION

- . Parts numbers appearing in () are for identification purposes only and should not be used when ordering service replacement parts.
- . The reference numbers appearing on the art pages is for publication use only.
- . Assembly content is shown by part number indentation.
- . Options are engineered production part groupings, specifically used for compiling engine orders.
- . Option numbers are for reference only and are not sold for service.
- . Use assembly and not option content to determine service parts replacement.
- . Always specify engine model and serial number when ordering parts from this catalog.
- . Continual product improvement causes the obsolescence and replacement of part numbers. Service Parts you receive may not be the part number as those listed in this parts catalog.

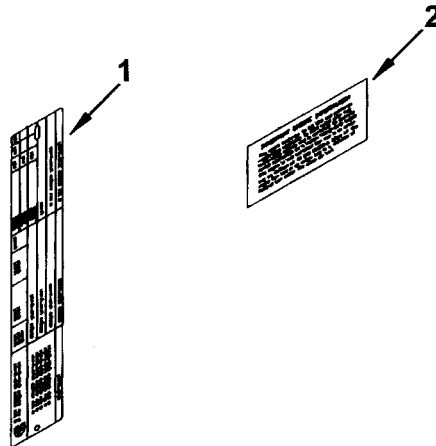
Table of Contents

| | Page No. | | Page No. |
|----------------------------------|-------------|--------------------------------|-------------|
| Agency Approval | 4 | Oil Filler Arrangement | 82 |
| AID,COO HEATER STARTING | 21 | Oil Level Gauge | 79 |
| Air Compressor | 25 | Oil Pan | 85 |
| Air Compressor Dis Plumbin | 18 | Paint | 108 |
| Air Compressor Mounting | 26 | RATING,FUEL | 52 |
| Air Heater Starting Aid | 3 | Rear Gear Housing | 6 |
| Air Intake Connection | 65 | Rocker Lever | 103 |
| Air Intake Manifold | 67 | SOFTWARE,CALIBRATION | 105 |
| Air Transfer Connection | 69 | SOFTWARE,CUS INTERFACE | 31 |
| Alternator | 35 | Starting Motor | 111 |
| Alternator Mounting | 37 | Thermostat | 32 |
| Belt Tensioner | 124 | Turbocharger | 99, 101 |
| Cabin Heater Plumbing | 62 | Turbocharger Arrangement | 113 |
| Camshaft | 90 | Turbocharger Plumbing | 117 |
| Compressor Coolant Plumbin | 17 | Valve Cover Arrangement | 119 |
| Connecting Rod and Piston | 89 | Valve Tappets | 12 |
| COOLER,TOR CONVERTER OIL | 115 | VENT,ENGINE COOLANT | 104 |
| CPR Air Inlet Plumbing | 22 | Vibration Damper | 29 |
| Crankcase Breather | 15 | Water Inlet Connection | 121 |
| Crankshaft and Bearings | 11 | Water Outlet Connection | 122 |
| Cylinder Block | 9 | Water Pump | 125 |
| Cylinder Head | 93 | Water Pump Drive | 123 |
| Engine Control Module | 87 | Option Number Index | A-1 |
| Engine Control Wrg Harness | 126 | Part Number Index | B-1 |
| Engine Oil Cooler | 75 | | |
| Exhaust Outlet Connection | 127 | | |
| Fan Drive | 39 | | |
| Fan Drive Mounting | 40 | | |
| Flywheel | 59 | | |
| Flywheel Housing | 47 | | |
| Flywheel Housing Mounting | 48 | | |
| Flywheel Mounting | 60 | | |
| Front Gear Cover | 61 | | |
| Fuel Filter Location | 43 | | |
| Fuel Filter Plumbing | 45 | | |
| Fuel Plumbing | 57 | | |
| Fuel Pump | 51 | | |
| Fuel System Accessories | 55 | | |
| Full Flow Oil Filter | 76 | | |
| Heat Shield | 106 | | |
| Incorporation Documentatio | 5 | | |
| Injector | 94 | | |
| Injector Plumbing | 97 | | |
| Lifting Arrangement | 71 | | |
| Lifting Bracket Mounting | 72 | | |
| LOCATION,DRAIN | 30 | | |
| Lube Oil | 80 | | |
| Lubricating Oil Pump | 81 | | |
| MOUNTING,AUXILIARY PUMP | 63 | | |
| MOUNTING,STARTING MOTOR | 107 | | |



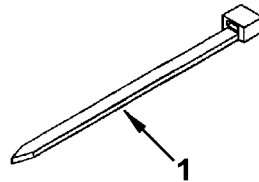
ah955gd

| Ref No. | Part Number | Part Name | Req | Remarks |
|---------|-------------|--|-----|--|
| | | AIR HEATER STARTING AID OPTION AH9161 | | Air Heater Starting Aid air heater type: Electric grid Voltage: 12volt Amperage: 125 A ground type: Earth return - internal Control Provided: No Engine Family: "B" Series earth return only decal: Place the warning label on the round surface of air transfer pipe. The label should be placed after painting DEP will omit 4938740 tag instruction from u.k option to comply with European legislation. |
| 1 | 4896355 | Retainer, Cover | 1 | |
| 2 | 3900625 | Screw, Hex Flange Head Cap | 1 | M6 X 1.00 X 10 |
| 3 | 4940117 | Screw, Hex Flange Head Cap | 1 | |
| | 4941310 | Aid, Starting | 1 | |
| 4 | (4934489) | Rivet | 3 | |
| 5 | 4938354 | Housing, Starting Aid | 1 | |
| 6 | 4938355 | Element, Heating | 1 | |
| 7 | 4938357 | Retainer, Element | 2 | |
| 8 | 4938367 | Washer, Plain | 1 | |
| 9 | 4938360 | Washer, Insulating | 1 | |
| 10 | 4938368 | Washer, Insulating | 1 | |
| 11 | 4938356 | Element, Heating | 1 | |
| 12 | 4941307 | Adapter, Elc Connector | 1 | |
| 13 | 4938358 | Spring, Leaf | 2 | |
| 14 | 4938359 | Washer, Insulating | 1 | |
| 15 | 4938369 | Retainer, Cap Screw | 1 | |
| 16 | 4938362 | Washer, Plain | 3 | |
| 17 | 4938370 | Washer, Plain | 2 | |



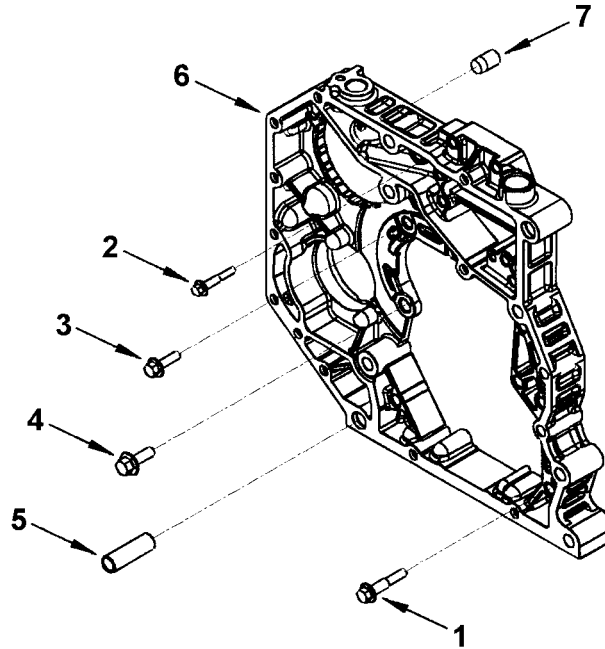
ap950go

| Ref No. | Part Number | Part Name | Req | Remarks |
|---------|-------------|--|-----|---|
| | | AGENCY APPROVAL OPTION AP9900 | | Agency Approval Certified By: Mep, EPA, CARB, Eu Application: Nonroad cert level: Stg II, tier 3, tier 3, stg iii special variant dataplate con- tent: In place of 4989273 DEP May Use: 4996959 kcec may use: 5253040 and 5258623 variant chinese nameplate content: In place of 5260014 DEP May Use: 5262967 kcec may use: 5260840 For engines with fuel pump to be mounted/ attached on the rear gear housing, dataplate and nameplate to be mounted and centered on valve cover in the sunken flat section. |
| 1 | 5260014 | Nameplate | 1 | |
| 2 | 4989273 | Dataplate | 1 | |



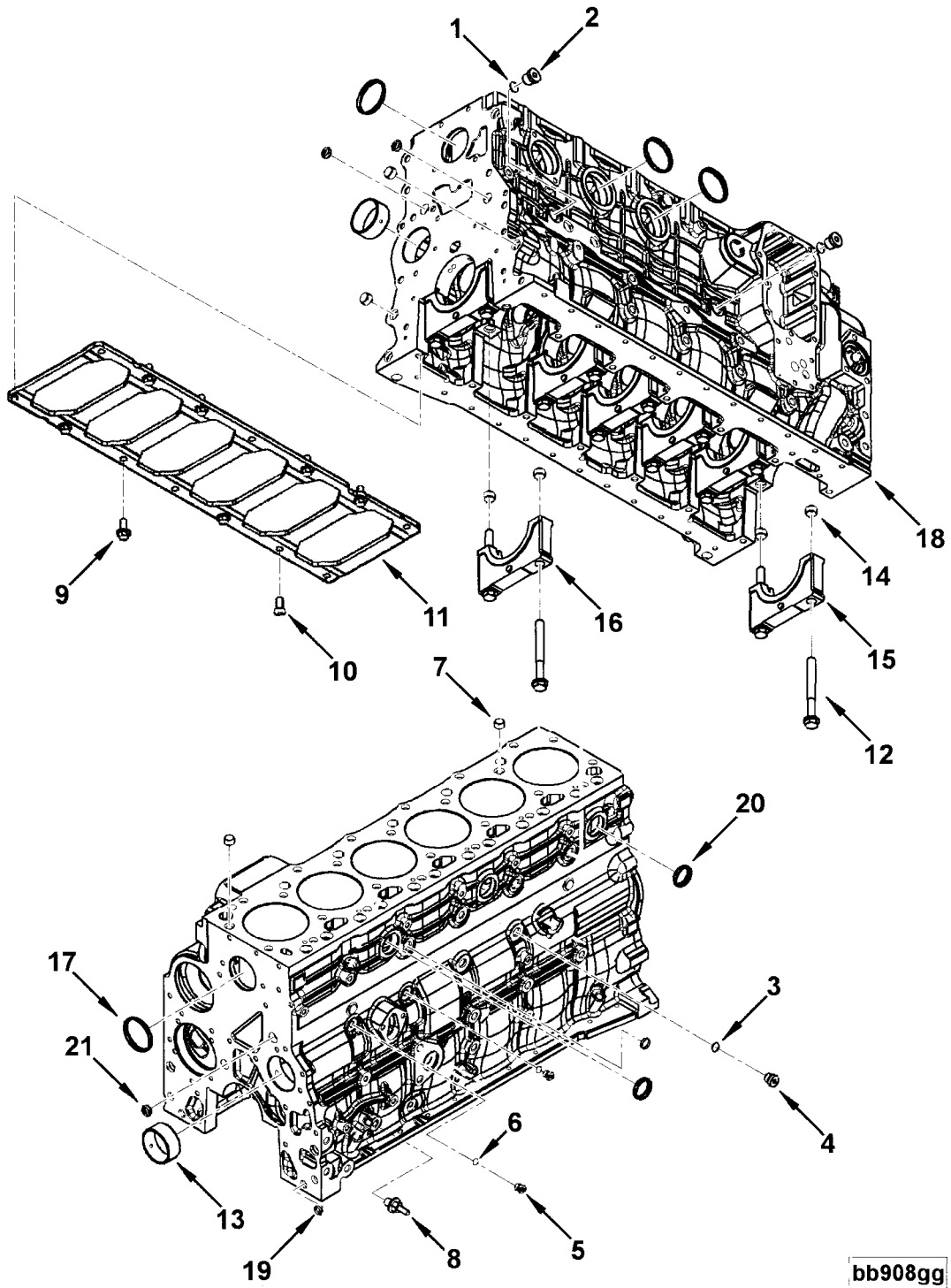
ap951gj

| Ref No. | Part Number | Part Name | Req | Remarks |
|---------|-------------|---|-----|---|
| 1 | 201351 | <p style="text-align: center;">INCORPORATION DOCUMENTATIO OPTION AP9980</p> <p>Clamp, Wire Tie</p> | 1 | <p>Incorporation Documentation</p> <p>Certification Agency: European Commission directive: 2006/42/EC</p> <p>Additional Information: A letter of conformity is supplied with the engine stating this product meets the declaration of incorporation in accordance with e.C. Machinery directive 2006/42/EC.</p> <p>This engine meets the requirements of the directives for machines which are to be incorporated into a final product.</p> |



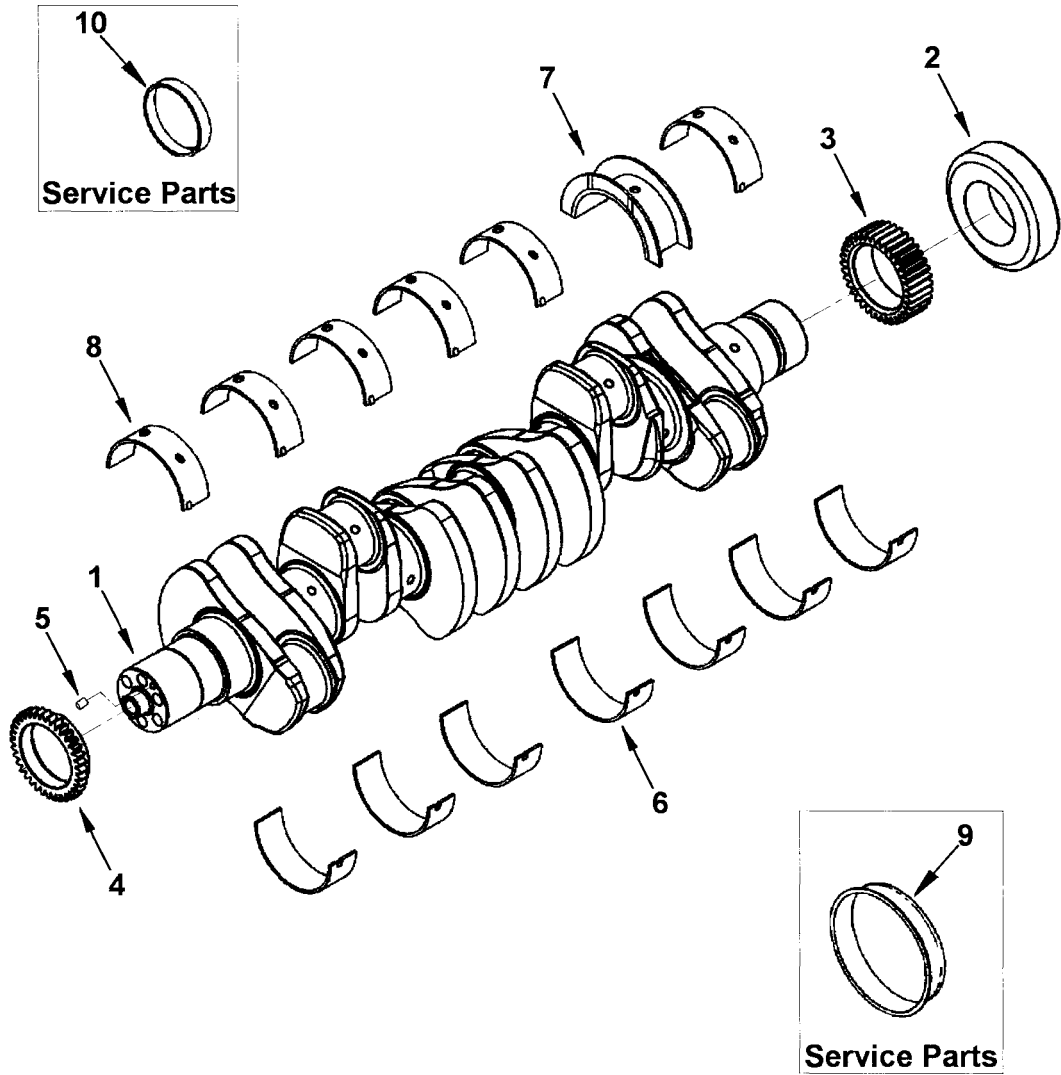
bb903gl

| Ref No. | Part Number | Part Name | Req | Remarks |
|---------|-------------|--|-----|-------------------|
| | | REAR GEAR HOUSING OPTION BB9131 | | |
| | | | | Rear Gear Housing |
| 1 | 3918153 | Screw, Hex Flange Head Cap | 3 | M10 X 1.50 X 50 |
| 2 | 3901445 | Screw, Hex Flange Head Cap | 4 | M8 X 1.25 X 45 |
| 3 | 3903112 | Screw, Hex Flange Head Cap | 2 | M10 X 1.50 X 30 |
| 4 | 3910495 | Screw, Hex Flange Head Cap | 1 | M12 X 1.75 X 30 |
| | 4936423 | Housing, Gear | 1 | |
| 5 | 3954616 | Dowel, Ring | 2 | |
| 6 | (4936420) | Housing, Gear | 1 | |
| 7 | (4929128) | Insert, Threaded | 2 | |



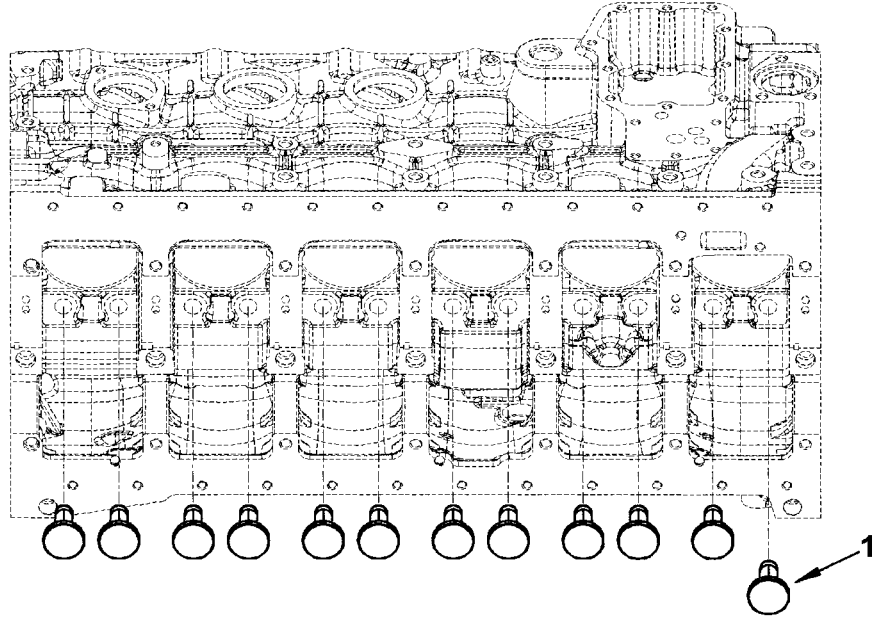
bb908gg

| Ref No. | Part Number | Part Name | Req | Remarks |
|---------|----------------------|--|-----|---|
| | | CYLINDER BLOCK OPTION BB9206 | | Cylinder Block Cylinders: 6 High Speed Balancer: No water pump location: Low Crank Gear Material: Steel Fuel Type: Diesel premium block: No tapped fittings: Storm structural block: No thrust face: 180 degrees main bearing type: Standard valves per cylinder: 4 rear gear train provision: Yes front gear train provision: No Front PTO Provision: Yes tappet diameter: 30mm block oil pan flange bolt pattern spacing: 60mm block oil pan flange bolt pattern width: 299mm block oil pan flange bolt pattern quantity: 24 components included in oil pan flange bolt pattern block: Yes rear gear housing: Yes oil pump: No front gear cover: Yes cast rear drive provision: No Additional Rear Structural Member: No |
| | 3678873 | Plug, Threaded | 2 | |
| 1 | 3678786 | Seal, O Ring | 1 | |
| 2 | (3678791) | Plug, Threaded | 1 | |
| | 3678921 | Plug, Threaded | 1 | M14 X 1.50 |
| 3 | 3678912 | Seal, O Ring | 1 | |
| 4 | (3678922) | Plug, Threaded | 1 | M14 X 1.50 |
| | 3678923 | Plug, Threaded | 1 | M10 X 1 X 13.5 |
| 5 | (3678924) | Plug, Threaded | 1 | M10 X 1 X 13.5 |
| 6 | 3678925 | Seal, O Ring | 1 | M10 X 1.00 |
| 7 | 3902343 | Dowel, Ring | 2 | |
| 8 | 3936352 | Screw, Hex Flange Head Cap | 2 | |
| 9 | 3902460 | Screw, Hex Flange Head Cap | 10 | M10 X 1.50 X 25 |
| 10 | 3949830 | Screw, Round Head Cap | 1 | |
| 11 | 3965764 (4991099) | Stiffener, Cylinder Block Block, Cylinder | 1 | Serviced as 4955412 |
| 12 | 3927948 | Screw, Hex Flange Head Cap | 14 | |
| 13 | 4983253 | Bushing | 2 | |
| | 3974157 | Cap, Main Bearing | 6 | |
| 14 | 3900068 | Dowel, Ring | 2 | |
| 15 | (3974156) | Cap, Main Bearing | 1 | |
| | 3974159 | Cap, Main Bearing | 1 | |
| 14 | 3900068 | Dowel, Ring | 2 | |
| 16 | (3974158) | Cap, Main Bearing | 1 | |
| 17 | 4938189 | Plug, Expansion | 4 | |
| 18 | (4990447) | Block, Cylinder | 1 | |
| 19 | 3900956 | Plug, Expansion | 2 | |
| 20 | 3905401 | Plug, Expansion | 3 | |
| 21 | 3914035 | Plug, Expansion | 3 | |



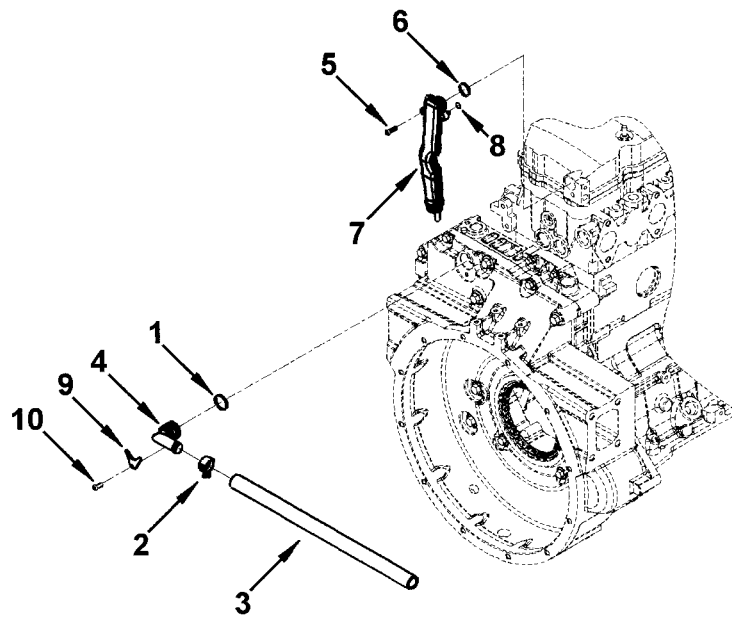
bb904ge

| Ref No. | Part Number | Part Name | Req | Remarks |
|---------|-------------|--------------------------------|-----|-------------------------|
| | | CRANKSHAFT AND BEARINGS | | |
| | | OPTION BB9206 | | Crankshaft and Bearings |
| | 4934861 | Crankshaft, Engine | 1 | |
| | 4934862 | Crankshaft, Engine | 1 | |
| 1 | (3968164) | Crankshaft, Engine | 1 | |
| 2 | (2831066) | Collar, Shaft | 1 | |
| 3 | 4934418 | Gear, Crankshaft | 1 | |
| 4 | (4934419) | Gear, Crankshaft | 1 | |
| 5 | 3955030 | Dowel, Pin | 1 | |
| | 3357480 | PDC Kit | A/R | Standard |
| 6 | 3929021 | Bearing, Main | 7 | Standard |
| 7 | 3927772 | Bearing, Crankshaft Thrust | 1 | Standard |
| 8 | 3929016 | Bearing, Main | 6 | Standard |
| | 3802071 | Set, Main Brg(.010) | A/R | 0.25 mm Oversize |
| 6 | 3929022 | Bearing, Main | 7 | 0.25 mm Oversize |
| 7 | 3283065 | Bearing, Crankshaft Thrust | 1 | 0.25 mm Oversize |
| 8 | 3929017 | Bearing, Main | 6 | 0.25 mm Oversize |
| | 3802072 | Set, Main Brg(.020) | A/R | 0.50 mm Oversize |
| 6 | 3929023 | Bearing, Main | 7 | 0.50 mm Oversize |
| 7 | 3283066 | Bearing, Crankshaft Thrust | 1 | |
| 8 | 3929018 | Bearing, Main | 6 | 0.50 mm Oversize |
| | 3802073 | Set, Main Brg(.030) | A/R | 0.75 mm Oversize |
| 6 | 3929024 | Bearing, Main | 7 | 0.75 mm Oversize |
| 7 | 3283067 | Bearing, Crankshaft Thrust | 1 | 0.75 mm Oversize |
| 8 | 3929019 | Bearing, Main | 6 | 0.75 mm Oversize |
| | 3802074 | Set, Main Brg(.040) | A/R | 1.00 mm Oversize |
| 6 | 3929024 | Bearing, Main | 7 | 0.75 mm Oversize |
| 7 | 3283068 | Bearing, Crankshaft Thrust | 1 | 1.00 mm Oversize |
| 8 | 3929019 | Bearing, Main | 6 | 0.75 mm Oversize |
| | 3802702 | Bearing, Crankshaft Thrust | A/R | 0.50 mm Oversize |
| 6 | 3929023 | Bearing, Main | 1 | 0.50 mm Oversize |
| 7 | 3283066 | Bearing, Crankshaft Thrust | 1 | |
| | 3802704 | Bearing, Crankshaft Thrust | A/R | 1.00 mm Oversize |
| 6 | 3929025 | Bearing, Main | 1 | 1.00 mm Oversize |
| 7 | 3283068 | Bearing, Crankshaft Thrust | 1 | 1.00 mm Oversize |
| | | SERVICE PARTS | | |
| 9 | 3926126 | Rear Seal, Wear Sleeve Kit | | Rear |
| 10 | 3802820 | Front Seal, Wearsleeve Kit | | Front |



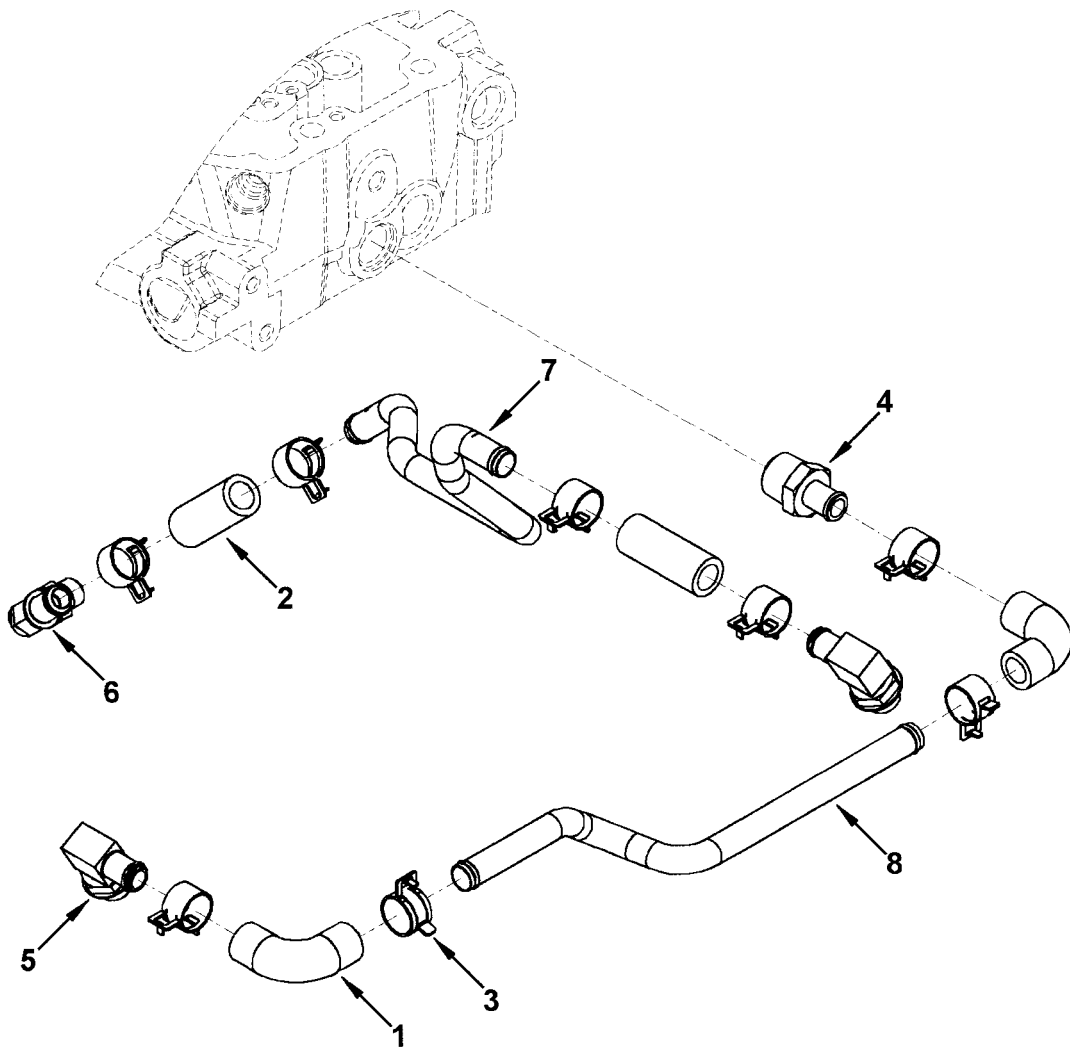
bb902zk

| Ref No. | Part Number | Part Name | Req | Remarks |
|---------|-------------|---|-----|---------------|
| 1 | 3947759 | <p>VALVE TAPPETS OPTION BB9206</p> <p>Tappet, Valve</p> | 12 | Valve Tappets |



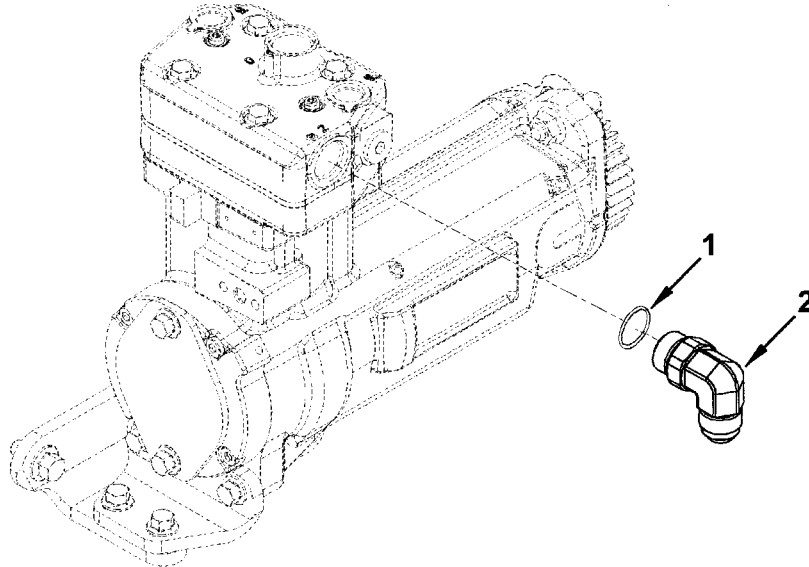
br953go

| Ref No. | Part Number | Part Name | Req | Remarks |
|---------|-------------|---|-----|---|
| | | CRANKCASE BREATHER OPTION BR9191 | | Crankcase Breather Structure Code: Mr03 EBM System Type: Non ccv Location: Flywheel Housing Vent Size: 19.05 Outlet can be Rotated to Suit OEM Around Horizontal Axis Factory set at 8 o' Clock to Following: Vent Location From Centerline Of Crank (mm): 256 Vent Location From C/L of Engine (mm): 180.7 Hose Length Below Pan Rail: N/A Engine Angularity Limit: 32 Deg. |
| 1 | 145530 | Seal, O Ring | 1 | |
| 2 | 3917995 | Clamp, Spring Hose | 1 | |
| 3 | 3918614 | Hose, Plain | 1 | |
| 4 | 3966164 | Breather, Crankcase | 1 | |
| 5 | 3977572 | Screw, Round Head Cap | 2 | |
| | 3971371 | Tube, Breather | 1 | |
| 6 | 145528 | Seal, O Ring | 2 | |
| 7 | (3968786) | Tube, Breather | 1 | |
| 8 | 3970042 | Seal, O Ring | 1 | |
| 9 | 4899498 | Plate, Clamping | 1 | |
| 10 | 4937420 | Screw, Round Head Cap | 1 | |



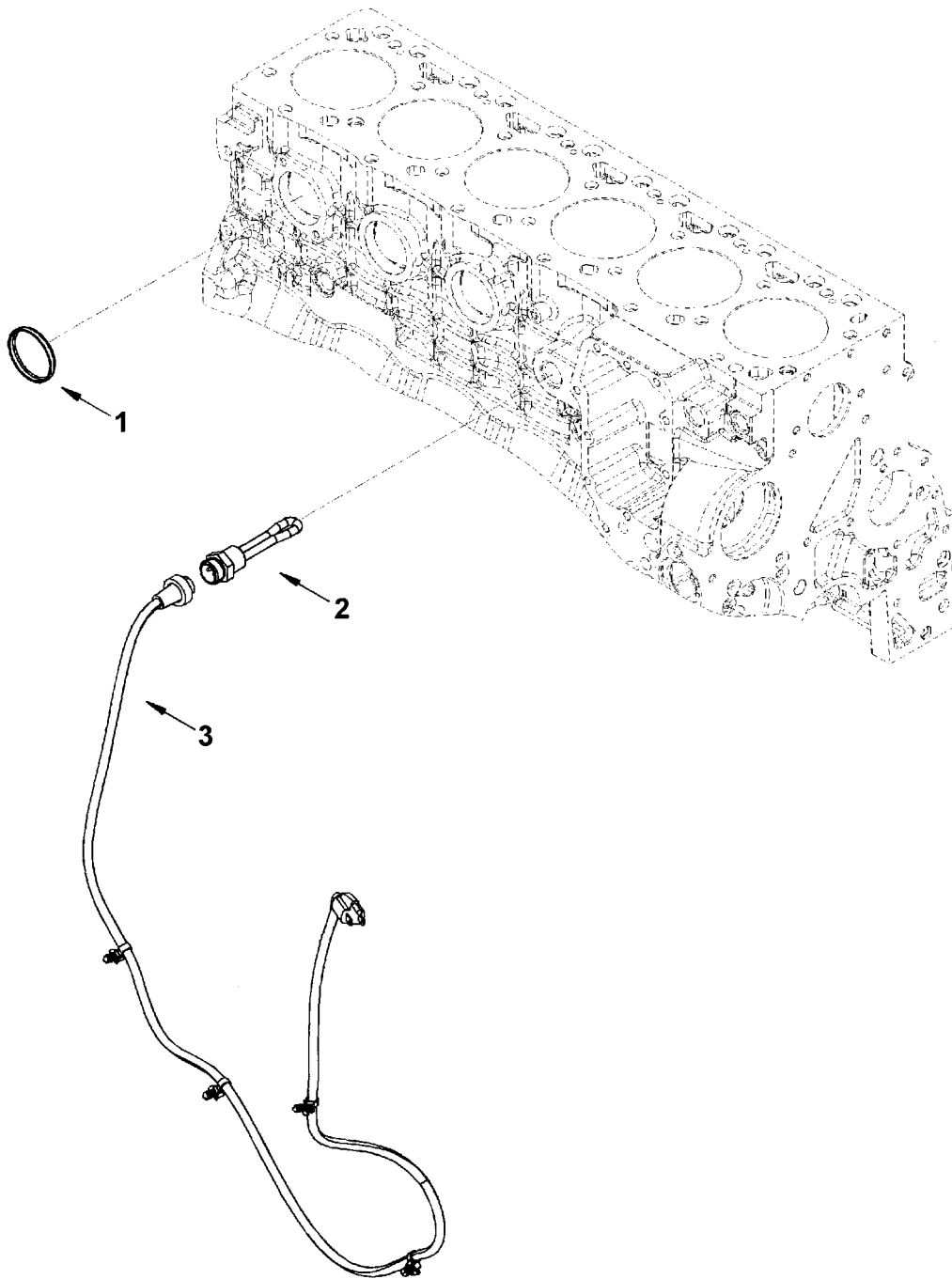
cc951zr

| Ref No. | Part Number | Part Name | Req | Remarks |
|---------|-------------|--|-----|--|
| | | COMPRESSOR COOLANT PLUMBING OPTION CC9232 | | Compressor Coolant Plumbing Engine Family: "B" Series Coolant Pick-Up Location: Cylinder Block Side (remove expansion plugs) coolant return: Head rear water plumbing type: Rigid CPR Water Inlet Location: Top CPR Water Outlet Location: Top CPR Air Outlet Location: Side compressor manufacturing/model: Wabco 250cc Accessory Drive Location: Vertical from crank CL: 202.83mm horizontal from engine CL: 190.63mm air compressor position: High |
| 1 | 4930889 | Hose, Elbow | 3 | |
| 2 | 3931522 | Hose, Plain | 2 | |
| 3 | 4930304 | Clamp, Hose | 8 | 23 mm Clamp |
| 4 | 3954646 | Coupling, Plain Hose | 1 | |
| 5 | 3979410 | Coupling, Elbow Hose | 2 | |
| 6 | 3954655 | Coupling, Elbow Hose | 1 | |
| 7 | 3955465 | Tube, Cpr Water Inlet | 1 | |
| 8 | 3955466 | Tube, Cpr Water Outlet | 1 | |



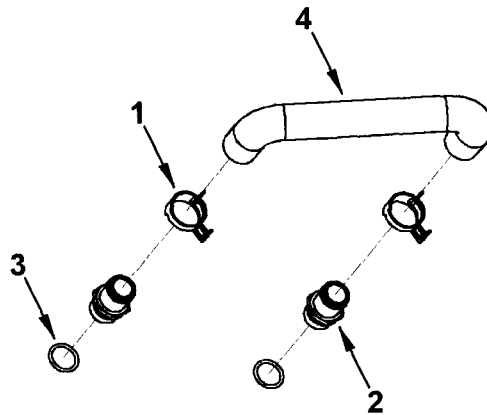
cd900za

| Ref No. | Part Number | Part Name | Req | Remarks |
|-----------------------------------|----------------------|---------------------|-----|---|
| AIR COMPRESSOR DIS PLUMBIN | | | | |
| OPTION CD9003 | | | | |
| | | | | CPR Air Discharge |
| 1 | 3958561 | Elbow, Male Adapter | 1 | Plumbing Discharge Connection Type: 90 Degree Elbow |
| 2 | 3678606 (3958562) | Seal, O Ring | 1 | Discharge Connection Customer Interface: 1/16-12 |
| | | Elbow, Male Adapter | 1 | Discharge Connection CPR Interface: M27 X 2 |



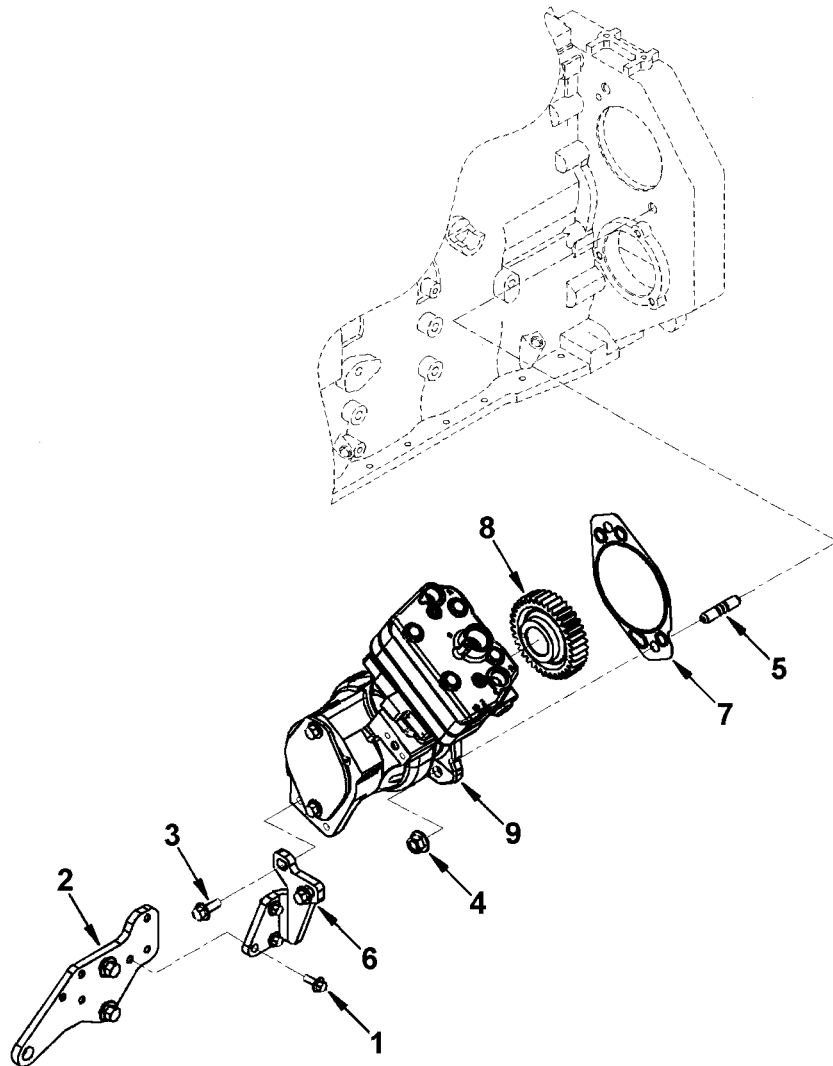
ch900zq

| Ref No. | Part Number | Part Name | Req | Remarks |
|---------|-------------|--|-----|---|
| | | AID,COO HEATER STARTING OPTION CH9081 | | Mr - coo heater starting aid Voltage: 120 watt: 750 cord length: 72in. type: Water only male plug type: US plug type: 2 bolt operation type: Manual location from front face of block(mm): 254 supply method: Mounted cord provision: Yes Engine Family: "B" Series engine design phase: Echo. |
| 1 | 4938189 | Plug, Expansion | 1 | |
| 2 | 3923050 | Cable, Engine Heater | 1 | |
| 3 | 4948145 | Heater, Engine | 1 | |



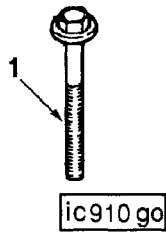
ci953gs

| Ref No. | Part Number | Part Name | Req | Remarks |
|---------|-------------|---|-----|---|
| | | CPR AIR INLET PLUMBING OPTION CI9190 | | CPR Air Inlet Plumbing arrangement engine family : Tier 3 b air plumbing supplier: Cummins Air Supply Location: Plumbing Off Of Intake manifold air plumbing type: Molded hose CPR Air Inlet Location: Top Of CPR Head CPR Air Outlet Location: Side Of CPR Head compressor manufacturing/model: Wabco 250cc Accessory Drive Location: High vertical from crank centerline: 202.83mm horizontal from engine centerline: 190.63mm air compressor position: High. |
| 1 | 3925089 | Clamp, Spring Hose | 2 | |
| | 3977696 | Union, Male | 2 | |
| 2 | (3977695) | Union, Male | 1 | |
| 3 | 3678606 | Seal, O Ring | 1 | M27 X 2.00 |
| 4 | 4937961 | Hose, Molded | 1 | |

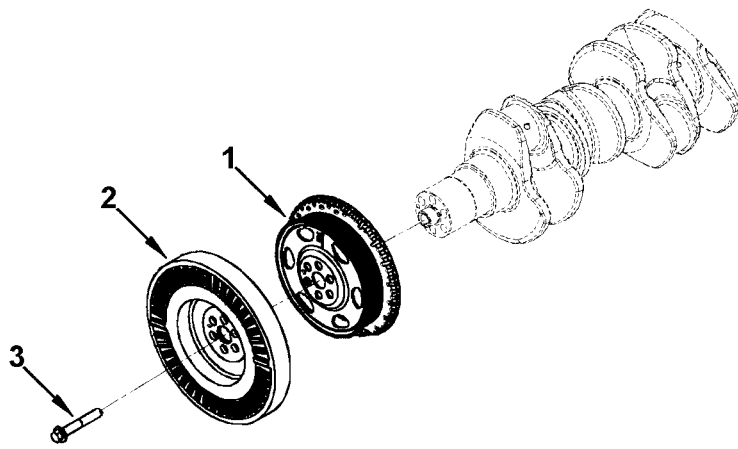


cp963gc

| Ref No. | Part Number | Part Name | Req | Remarks |
|---------|-------------|---|-----|---|
| | | AIR COMPRESSOR OPTION CP9548 | | Air Compressor CPR Manufacturer/model: Wabco 250cc Cylinders: 1 Method Of Cooling: Water CFM: 15.2 CPR Rear Drive: Gear CPR Front Flange: SAE "B" (5.750in) CPR Rear Flange: 82-B (SAE A) CPR Rear Mount Thread: Metric air compressor location: High fuel pump location: Low Water Inlet: Top Water Outlet: Top Air Outlet: Side Air Outlet Port Size: M27-2 Air Inlet: Top CPR SAE/din Standard Rear Drive: SAE 19-4 CPR Max Thru Torque: 105 FT LB Max CPR Speed (RPM): 3000 CPR Max Inlet Temp (deg F): 250 CPR Turbocharged: Yes CPR Supplier: Cummins Rear Support Mounting Location: 588.74mm from front face of block compressor length (mm): 162.5 Design Phase: Echo oil return provision: Rear gear housing. Drive centerline from crank centerline (mm): 278.35 Engine Family: "B" Series. |
| 1 | 3900630 | Screw, Hex Flange Head Cap | 3 | M8 X 1.25 X 20 |
| 2 | 3959312 | Brace, Air Compressor | 1 | |
| 3 | 3902460 | Screw, Hex Flange Head Cap | 2 | M10 X 1.50 X 25 |
| 4 | 3903210 | Nut, Hexagon Flange | 2 | M12 X 1.75 |
| 5 | 3905371 | Stud | 2 | |
| 6 | 3955094 | Brace, Air Compressor | 1 | |
| 7 | 4896897 | Gasket, Acc Drive Cover | 1 | |
| | 4946291 | Compressor, Air | 1 | Recon equivalent 4946291 RX |
| 8 | 3954290 | Gear, Accessory Drive | 1 | |
| 9 | (4946485) | Compressor, Air | 1 | |
| | | COMPRESSOR SERVICE KITS | | |
| | 4089222 | Kit, Rear Seal & Adpt. | 1 | Services 4933559 |
| | 4089240 | Kit, Gskt & Seals 1 Cyl | 1 | Gasket & Seal Set Kit 75mm Single Major |
| | 4089675 | Plug, Solid | 1 | Services 4933559 |
| | 4089684 | Adapter, Spline | 1 | Spline Adapter, 11th LH/HM |
| | 4089686 | Kit, Compressor Repair | 1 | Head Repair Kit, Single 75mm US Ports |

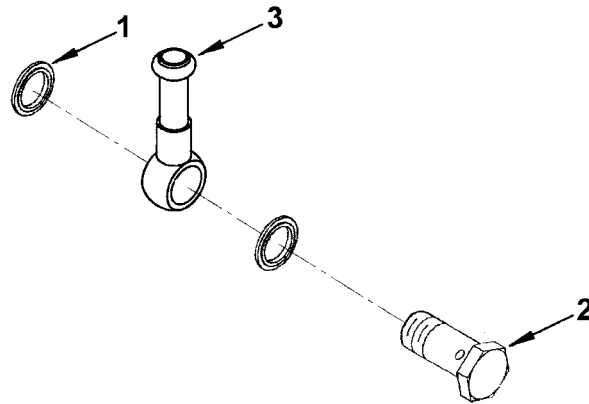


| Ref No. | Part Number | Part Name | Req | Remarks |
|---------|-------------|---|-----|---|
| 1 | 3901249 | <p style="text-align: center;">AIR COMPRESSOR MOUNTING OPTION CP9568</p> <p>Screw, Hex Flange Head Cap</p> | 1 | <p>Air Compressor Mounting CPR Manufacturer/model: Wabco 250cc mounting for compressor bracket when fuel filter is located on-engine. M12 X 1.75 X 25</p> |



da954ga

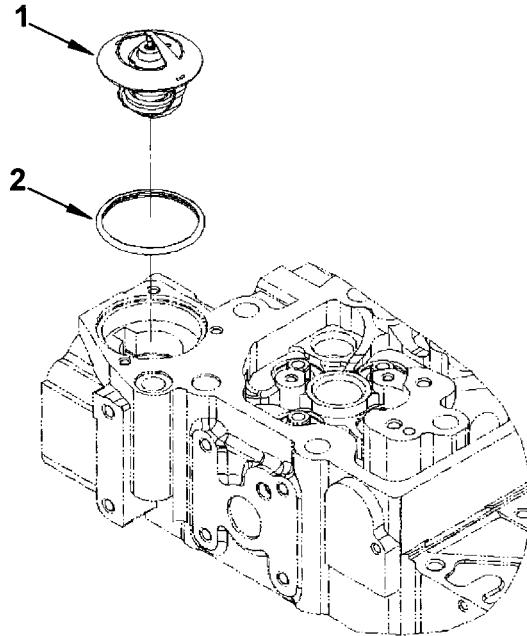
| Ref No. | Part Number | Part Name | Req | Remarks |
|---------|-------------|---|-----|---|
| | | VIBRATION DAMPER OPTION DA9342 | | Vibration Damper Structure Code: 03 EBM Crank Pulley Type: Cast 8 Groove Crank Pulley Groove Profile: Poly Vee 8rib K Crank Pulley Diameter (mm): 174.75 over balls: 2.5 engine speed sensing: Yes Engine Position Sensing: Yes FFOB (mm) to CL of First Crank Pulley Groove: 51.78 Crank Bolt Circle (mm): 50 Natural Frequency (@ 40 degrees C): N/A Damper Type: Viscous damper diameter (mm): 250 Damper RPM Limitation: 300 PS@2500 PTO Provision: No customer mounting thread: N/A customer mounting bolt circle (mm): N/A customer mounting face from FFOB (mm): N/A Auxiliary drive pulley type: None auxiliary drive pulley diameter (mm): N/A over balls (mm): N/A FFOB (mm) to CL of First auxiliary pulley groove: N/A Additional Info: Dcec may use vibration damper 4981136 in place of 4991131. |
| 1 | 5255204 | Pulley, Crankshaft | 1 | |
| 2 | 4991131 | Damper, Vibration | 1 | |
| 3 | 3968075 | Screw, Captive Washer Cap | 6 | |



dl951gy

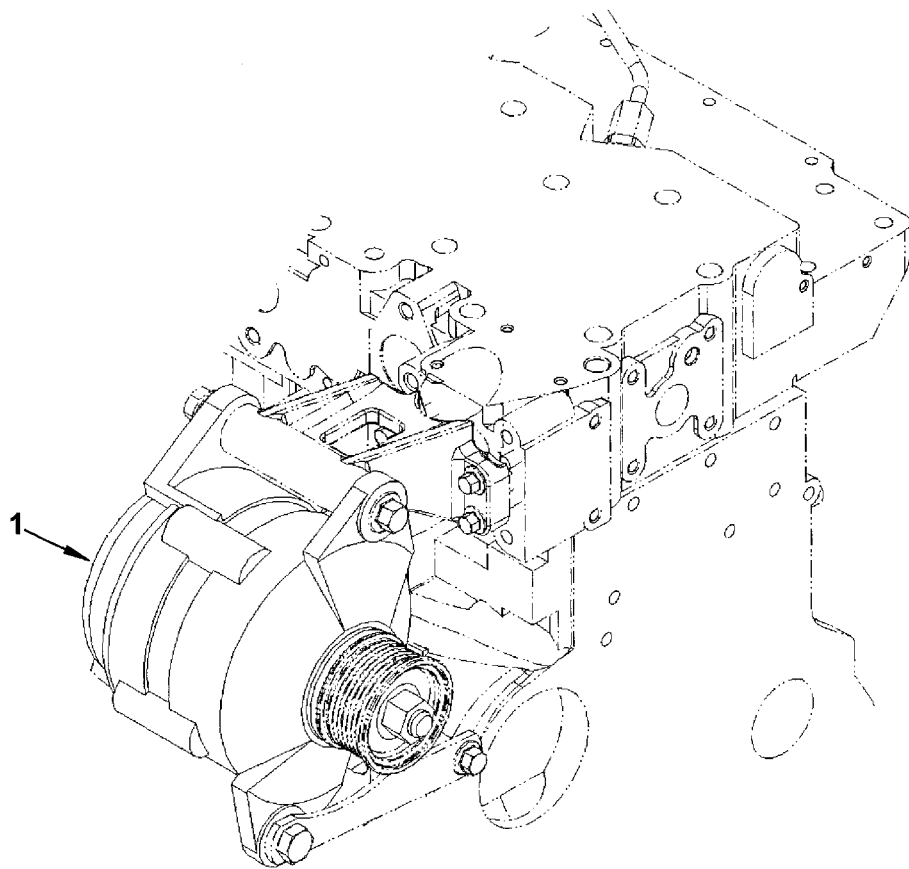
| Ref No. | Part Number | Part Name | Req | Remarks |
|-----------------------|-------------|------------------------|-----|---|
| LOCATION,DRAIN | | | | |
| OPTION DL9224 | | | | |
| | | | | Mr - drain location cust interface: 10mm push on hose - single bead location from fob and centerline of crank(mm): X = 335.0 y = 373.0 z = -565.0 engine design phase: Echo Engine Cylinders: 6 Engine Family: "B" Series Unique Characteristics: 10mm push-on banjo fitting supplied in kit 8mm quick- disconnect fitting per SAE j2044 supplied with engine. |
| 1 | 3963990 | Washer, Sealing | 2 | |
| 2 | 3957770 | Screw, Banjo Connector | 1 | |
| 3 | 4929149 | Connector, Banjo | 1 | |

| Ref No. | Part Number | Part Name | Req | Remarks |
|---------|-------------|--|-----|---|
| | | <p style="text-align: center;">SOFTWARE,CUS INTERFACE OPTION DO91173</p> | | <p>Customer software interface Engine Control System: E2 I Transmission: Generic Commun Support: J1939 cust/OEM name: Terex cust/OEM model: RT600 cust/OEM app: Rough terrain Crane Remote Throttle: No High Idle: 2710 RPM Low Idle: 950 RPM ISC enable: Yes ISC Validation: No switch speed input: No Torque Curve Selection: No Governor Type: ASG governor droop: 7% idle validation: No Multiple Unit Synchronization: N/A Output Driver Setup: Yes Calibration Voltage: 12 Throttle Type: Williams Pedal Or Equivalent comment: PWM7125 powermatch: No guid: N/A governor break: 2530 RPM engine brake provision: Yes electronic fan clutch: Yes Oil Pressure Sensor Type: Switch Engine Family: Qsb6(t3) applicable FR option: FR91597.</p> |



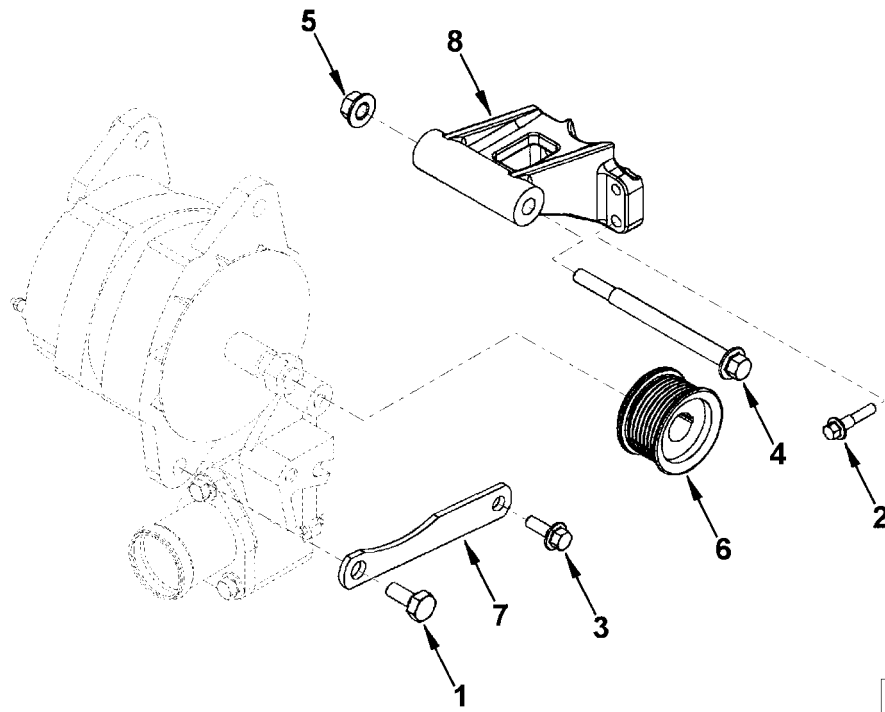
ec900zf

| Ref No. | Part Number | Part Name | Req | Remarks |
|---------|-------------|-------------------------------------|-----|---|
| | | THERMOSTAT OPTION EC9045 | | Thermostat Thermostat Opening Temperature: 83 C Number of Thermostats: 1 Thermostat Type: Non-Balanced or Poppet Vented Non-Vented: Vented With Jiggle-Pin By-Pass Type: Mechanical Plug Engine Family: "B" Series Required Housing Bore Diameter: 60.96 mm (2.4 in) Low Gain Thermostat: Yes Maximum Temperature Capability: 118.3 C (245 F) One Notch High Metal Weir D-Ring Seal. Material: Nitrile |
| 1 | 3974823 | Thermostat | 1 | |
| | 3973834 | Thermostat | 1 | |
| 2 | 3954829 | Seal, Thermostat | 1 | |



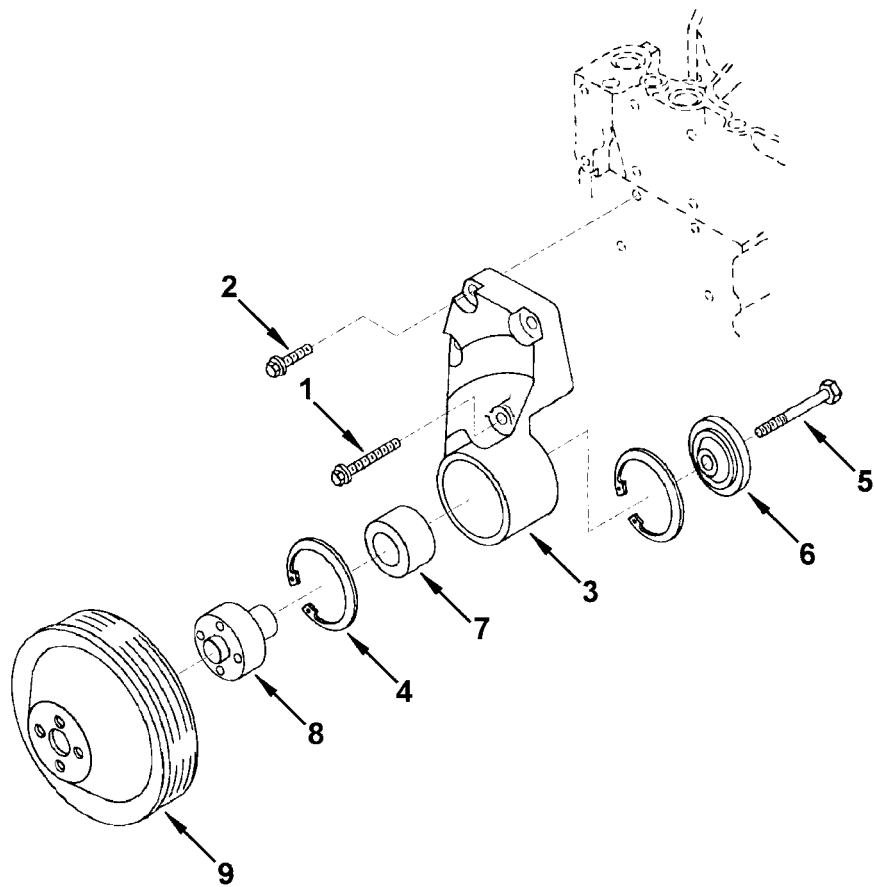
ee900ze

| Ref No. | Part Number | Part Name | Req | Remarks |
|---------|-------------|--|-----|--|
| 1 | 5260126 | <p style="text-align: center;">ALTERNATOR OPTION EE9245</p> <p>Alternator</p> | 1 | <p>Alternator manufacturer/model: Delco 24si Voltage: 12 Amperage: 130 mounting type: Lugs, 101.1mm apart mounting to suit: 98.5mm spool alternator length (mm): 179.67 Cummins branded: Yes</p> |



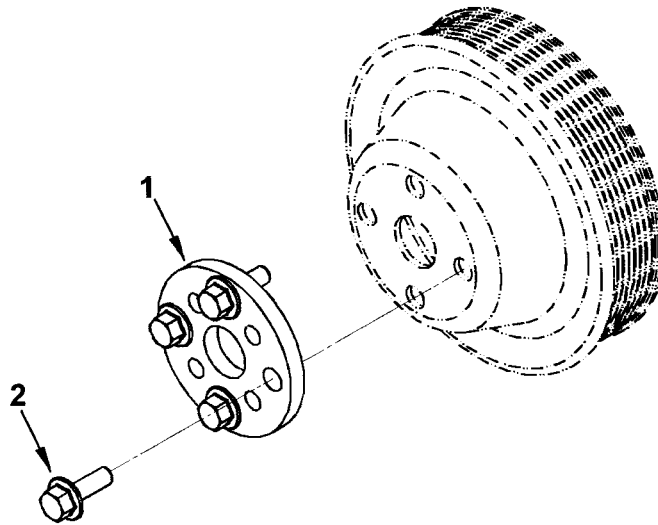
eh954zs

| Ref No. | Part Number | Part Name | Req | Remarks |
|---------|-------------|--|-----|---|
| | | ALTERNATOR MOUNTING OPTION EH9469 | | Alternator Mounting Engine Family: "B" Series alternator mount location: Cylinder head alternator center: Pulley location horizontal from engine centerline (mm): -287.99 Pulley location vertical from crank centerline (mm): 339.15 Pulley Retainer Provided: No alternator pulley provided: Yes alternator pulley diameter over 2.5mm gage balls (mm): 61.13 mounting for alternator type: 4in. spool Alternator Driven By Auxiliary Belt: No alternator tail support required: No Maximum Amperage At 14volt: 160 Maximum Amperage At 28volt: 80 Damper Pulley Effective Diameter (mm): 173.76 Unique Characteristics: Alternator mounting screws provided tensioner locating pin position 1: X = -227.0, y = 195.0 accommodates alternator model: Delco 22si 24si. |
| 1 | 3052061 | Screw, Hexagon Head Cap | 1 | 1/2 - 13 X 1 in |
| 2 | 3900632 | Screw, Hex Flange Head Cap | 4 | M8 X 1.25 X 35 |
| 3 | 3902460 | Screw, Hex Flange Head Cap | 1 | M10 X 1.50 X 25 |
| 4 | 3903105 | Screw, Hex Flange Head Cap | 1 | M12 X 1.75 X 150 |
| 5 | 3903210 | Nut, Hexagon Flange | 1 | M12 X 1.75 |
| 6 | 3925852 | Pulley, Alternator | 1 | |
| 7 | 3942821 | Brace, Alternator | 1 | |
| 8 | 4931017 | Support, Alternator | 1 | |



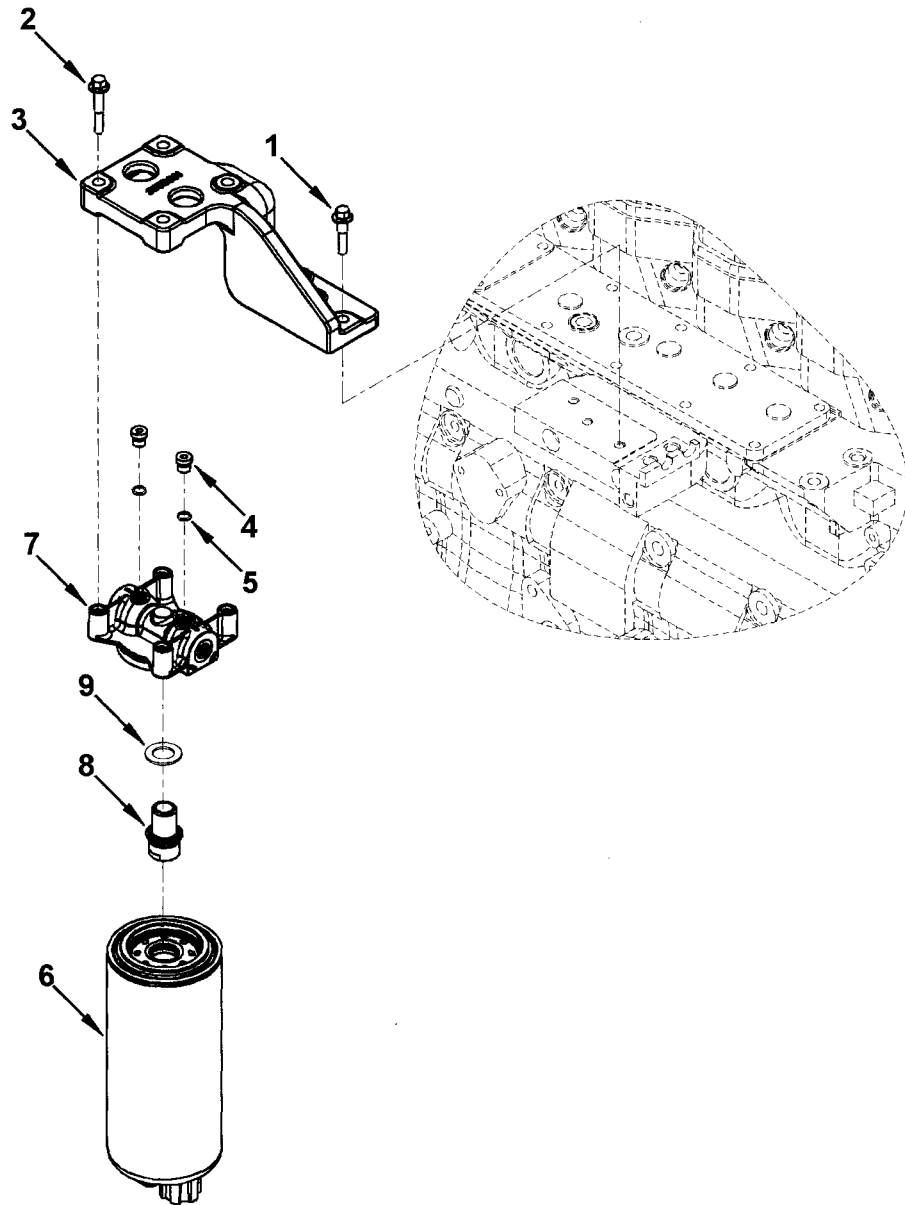
fa901gw

| Ref No. | Part Number | Part Name | Req | Remarks |
|---------|-------------|--|-----|--|
| | | FAN DRIVE OPTION FA9336 | | Fan Drive Fan Drive Ratio: 1.1:1 Fan Drive CL to CCL (mm): 203.2 Fan Drive CL to Engine CL (mm): 49 Fan Pilot Diameter (mm): 25.4 Fan Mounting Bolt Circle (mm): 60 Fan Pulley Thickness (mm): 5 Fan Pulley Diameter Over 2.5mm Gage Balls (mm): 159.13 Crank Pulley Effective Diameter (mm): 173.76 |
| 1 | 3975555 | Screw, Hex Flange Head Cap | 1 | |
| 2 | 2830411 | Screw, Hex Flange Head Cap | 3 | |
| | 3285949 | Support, Fan | 1 | |
| 3 | (3285946) | Support, Fan | 1 | |
| 4 | 3035960 | Ring, Retaining | 2 | |
| 5 | 3907769 | Screw, Hexagon Head Cap | 1 | M10 X 1.75 X 70 |
| 6 | 3923044 | Retainer, Fan Hub | 1 | |
| 7 | 3910739 | Bearing, Ball | 1 | |
| 8 | 3911924 | Hub, Fan | 1 | |
| 9 | 3914462 | Pulley, Fan | 1 | |



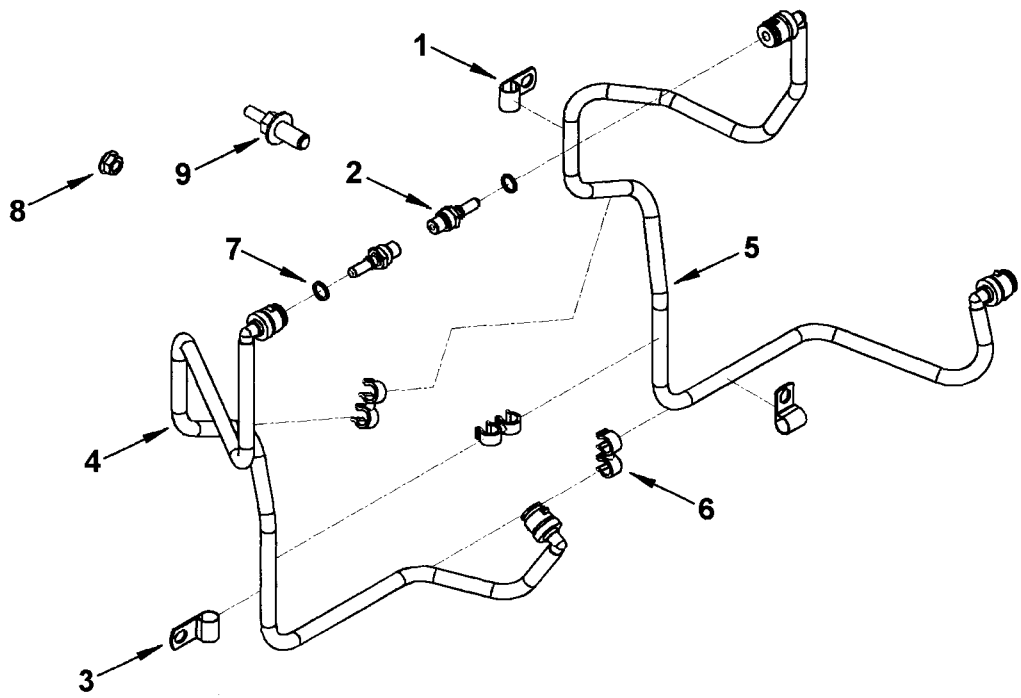
fa901zi

| Ref No. | Part Number | Part Name | Req | Remarks |
|---------|-------------|---|-----|--|
| | | FAN DRIVE MOUNTING OPTION FA9734 | | |
| 1 | 3915490 | Plate, Clamping | 1 | Fan Drive Mounting |
| 2 | 3902460 | Screw, Hex Flange Head Cap | 4 | Thread Size: M10 X 1.5 Capscrew Length: 25 mm Clamping Plate Thickness: 8.4 mm Clamping Plate Bolt Circle: 4 X 60 mm M10 X 1.50 X 25 |



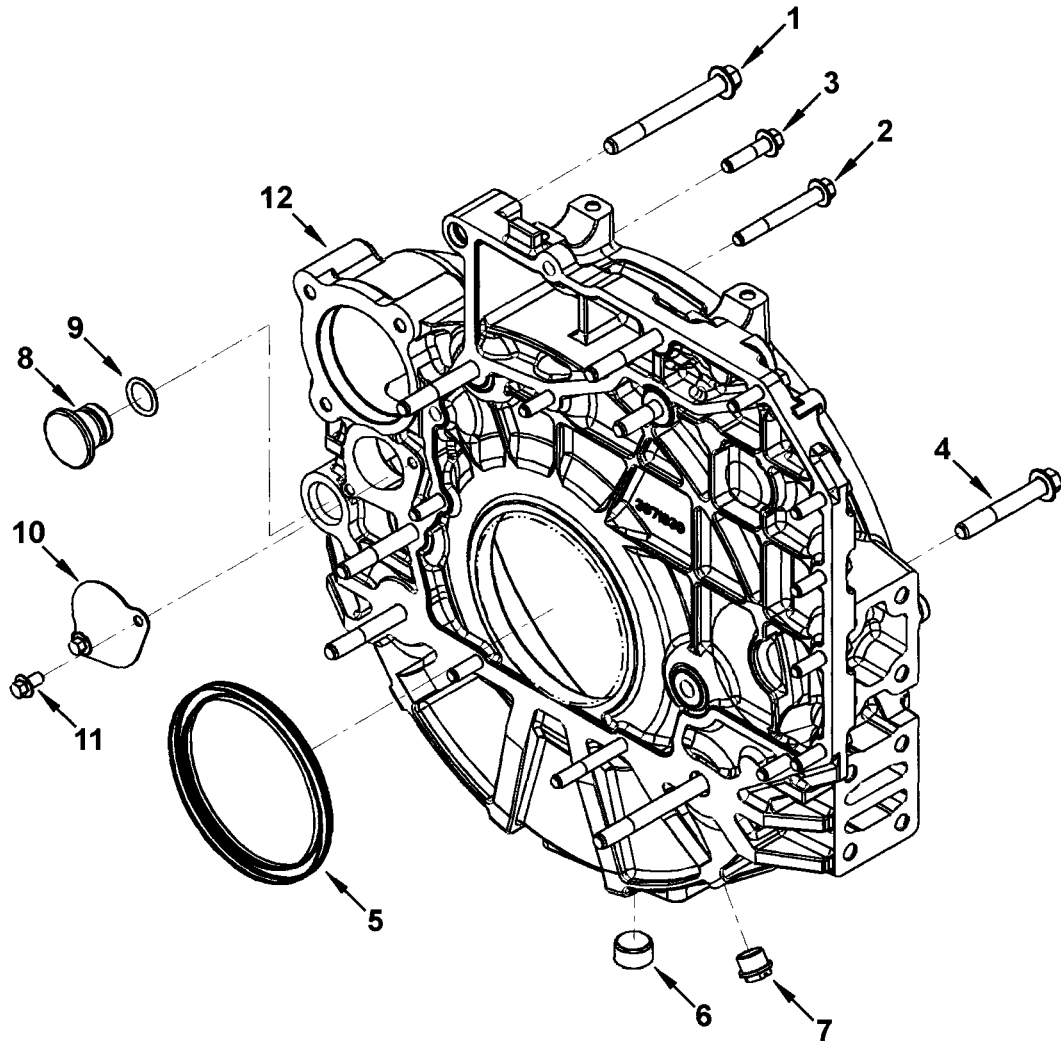
ff967gm

| Ref No. | Part Number | Part Name | Req | Remarks |
|---------|-------------|---|-----|--|
| | | FUEL FILTER LOCATION OPTION FF9541 | | Fuel Filter Location Element Type: Single element style: Spin-on drain provision: No fuel heater provided: No fuel heater voltage: No water separator provision: No Location: Engine Mounted CCL to top of Canister (mm): 417 engine CL to Canister CL (mm): 316 FFOB to Canister CL (mm): -324 filter length (mm): 191 filter diameter (mm): 93.5 fuel filter fuel inlet location: CCL to inlet CL (mm): 439 engine CL to inlet CL (mm): 316 FFOB to inlet CL (mm): -277 fuel filter fuel outlet location: CCL to outlet CL (mm): 439 engine CL to outlet CL (mm): 316 FFOB to outlet CL (mm): -371 absolute filtration (microns): 3 Engine Family: "B" Series. |
| 1 | 3900632 | Screw, Hex Flange Head Cap | 3 | M8 X 1.25 X 35 |
| 2 | 3901445 | Screw, Hex Flange Head Cap | 4 | M8 X 1.25 X 45 |
| 3 | 4992695 | Support, Filter | 1 | |
| | 5264205 | Filter, Fuel | 1 | |
| | 3678923 | Plug, Threaded | 2 | M10 X 1 X 13.5 |
| 4 | (3678924) | Plug, Threaded | 1 | M10 X 1 X 13.5 |
| 5 | 3678925 | Seal, O Ring | 1 | M10 X 1.00 |
| 6 | 4989106 | Filter, Fuel | 1 | Buy From Cummins Filtration |
| 7 | 4990848 | Head, Fuel Filter | 1 | Buy From Cummins Filtration |
| 8 | 5264206 | Adapter, Filter Head | 1 | |
| 9 | 4937285 | Gasket, Filter | 1 | Buy From Cummins Filtration |



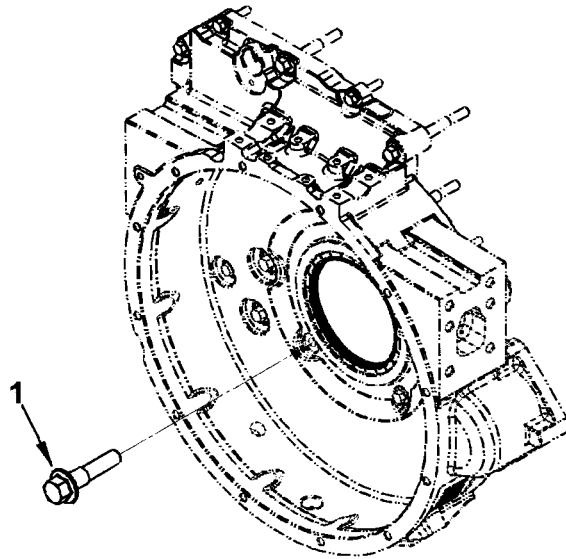
ff968gf

| Ref No. | Part Number | Part Name | Req | Remarks |
|---------|-------------|---|-----|----------------------|
| | | FUEL FILTER PLUMBING OPTION FF9573 | | Fuel Filter Plumbing |
| 1 | 3609967 | Clip | 2 | |
| 2 | 3964337 | Connector, Qck Disconnect | 2 | |
| 3 | 68152 | Clip | 1 | # 4 |
| | 4941584 | Tube, Fuel Supply | 1 | |
| 4 | 4941582 | Tube, Fuel Supply | 1 | |
| 5 | 4941583 | Tube, Fuel Supply | 1 | |
| 6 | 3954778 | Clamp, Tube | 4 | |
| 6 | 3954778 | Clamp, Tube | 1 | |
| 7 | 4891385 | Washer, Sealing | 2 | |
| 8 | 3900589 | Nut, Hexagon Flange | 3 | M8 X 1.25 |
| 9 | 3944061 | Screw, Hex Flange Head Cap | 2 | |



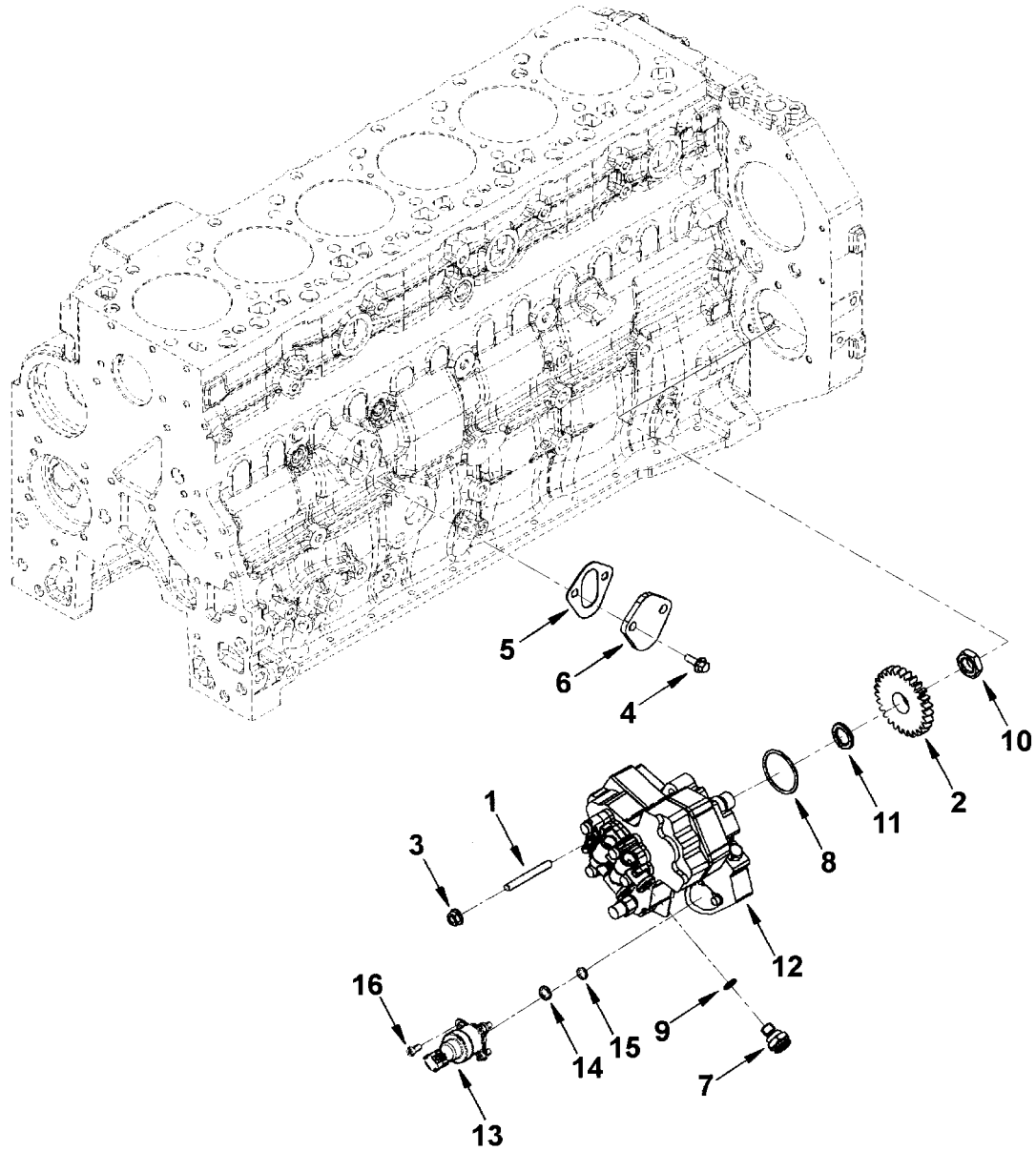
fh955gb

| Ref No. | Part Number | Part Name | Req | Remarks |
|---------|-------------|---|-----|--|
| | | FLYWHEEL HOUSING OPTION FH9481 | | Flywheel Housing Clutch Type: Dry Starter Bore Position: 55 FH to block pattern: 8 xm12 x1.75 + 2 xm10 x1.5 SAE size: 3 starter pilot bore diameter: 88.9 Starter bore location horiz from CCL: - 177.26 vert from CCL: 124.12 Starter mounting hole pattern angle: 0 Starter mounting hole thread size: M10 Starter mounting face offset from RFOB: 41.2 starter motor center distance(mm): 216.4 Tachometer sensor hole location: 3rd quadrant Tachometer sensor hole count: 1 Tachometer sensor hole thread size: 3/4-16 UNF Material: Aluminum Engine Mount Type: Pad mounting pad hole description: 8 xm12 x 1.75 per side mounting pad top hole location from CCL (mm): 84.68 mounting pad angle from vertical (deg): 0 Transmission mounting hole count: 12 Transmission mounting hole thread size: M10X1.5-6 h Engine Family: "B" Series distance across mounting surface(mm): 490 Suitable for +/- 6 g vertical, +/- 4 g axial, and +/- 2 g lateral load with 409 kg transmis- sion. |
| 1 | 3089188 | Screw, Hex Flange Head Cap | 2 | |
| 2 | 3900679 | Screw, Hex Flange Head Cap | 2 | M10 X 1.50 X 80 |
| 3 | 3903464 | Screw, Hex Flange Head Cap | 9 | M10 X 1.50 X 40 |
| 4 | 3914177 | Screw, Hex Flange Head Cap | 6 | M12 X 1.75 X 80 |
| 5 | 4988952 | Seal, Oil | 1 | |
| | (3973088) | Housing, Flywheel | 1 | |
| 6 | 3008469 | Plug, Pipe | 1 | 3/4 NPT |
| 7 | 3904181 | Plug, Threaded | 1 | 3/4 - 16 UNF |
| 8 | 3910248 | Plug, O Ring | 1 | |
| 9 | 3910260 | Seal, O Ring | 1 | |
| 10 | 3925234 | Plate, Cover | 1 | |
| 11 | 3925883 | Screw, Hex Flange Head Cap | 2 | M8 X 1.25 X 16 |
| 12 | 3971631 | Housing, Flywheel | 1 | |



fh960gb

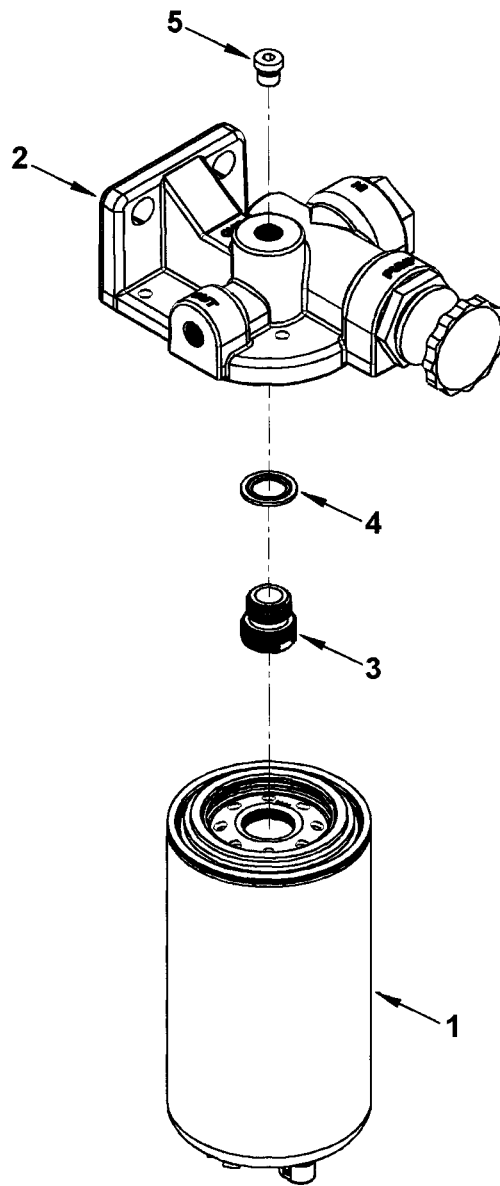
| Ref No. | Part Number | Part Name | Req | Remarks |
|---------|-------------|--|-----|--|
| 1 | 3903464 | <p align="center">FLYWHEEL HOUSING MOUNTING OPTION FH9629</p> <p>Screw, Hex Flange Head Cap</p> | 1 | <p>Flywheel Housing Mounting 1 x M10 x 1.5 40 long capscrew For use without engine balancer. M10 X 1.50 X 40</p> |



fp965gz

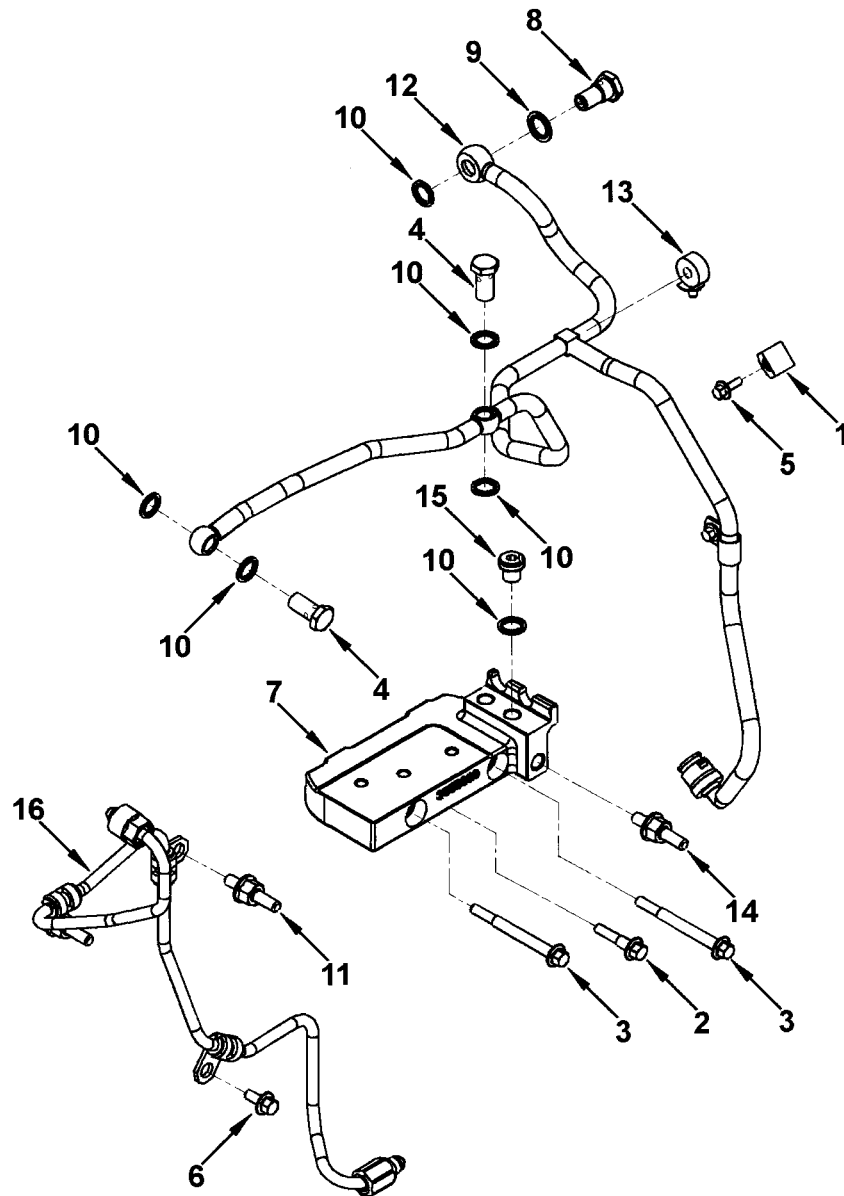
| Ref No. | Part Number | Part Name | Req | Remarks |
|---------|-------------|-------------------------------------|-----|---|
| | | FUEL PUMP OPTION FP90312 | | Fuel Pump Structure Code: Mr 03 BM fuel pump manufacturer/model: Bosch common rail pressure capability: 1600 BAR SAE flange type: SAE j626 aug 93 non- standard type 2 pilot shaft diameter (mm): 80 fuel pump inlet: M12 x 1.5 fuel pump drain: SAE j2044 Location: Low engine design phase: Tier 3 DEP may substitute gear 4893389 for 3955153. |
| 1 | 3949419 | Stud | 3 | |
| 2 | 3955153 | Gear, Fuel Pump | 1 | |
| 3 | 3900589 | Nut, Hexagon Flange | 3 | M8 X 1.25 |
| 4 | 3900630 | Screw, Hex Flange Head Cap | 2 | M8 X 1.25 X 20 |
| 5 | 3939258 | Gasket, Cover Plate | 1 | |
| 6 | 3948083 | Plate, Cover | 1 | |
| | 4988593 | Pump, Fuel | 1 | Recon Equivalent 4988593 NX |
| 7 | 3974765 | Connector, Qck Disconnect | 4 | |
| 8 | 2830977 | Seal, O Ring | 1 | |
| 9 | 4891385 | Washer, Sealing | 4 | |
| 10 | 4890634 | Nut, Regular Hexagon | 1 | |
| 11 | 4890635 | Washer, Spring | 1 | |
| 12 | (4988594) | Pump, Fuel | 1 | |
| 13 | 5257595 | Actuator, Etr Fuel Control | 1 | |
| 14 | 3947269 | Seal, O Ring | 1 | |
| 15 | 3947270 | Seal, O Ring | 1 | |
| 16 | 4932790 | Screw, Socket Head Cap | 3 | |

| Ref No. | Part Number | Part Name | Req | Remarks |
|---------|-------------|---|-----|--|
| | | <p>RATING,FUEL OPTION FR91597</p> | | <p>Mr - fuel rating rated power: 215 BHP at 2500 RPM</p> <p>Peak torque: 655 lbs. FT at 1500 RPM Governed Power: 215 BHP At 2500 RPM CPL: 8610 Certified By: EPA,CARB,EU cal. Restr: No Power Rating: No Engine Control System: E2 I Application: Non Road cert level: Tier 3,tier 3,stiia Engine Family: "B" Series Cylinders: 6 engine design phase: Tier3 b Engine Aspiration: Charged Air Cooled fuel pump manufacturer/model: Bosch CP3.3 ECM version: CM850 manufacturer of record: Cummins ambient air pressure sensor: Yes Fuel Type: Diesel FP gear timing (deg crank:) N/A Speed Sensor Location: Crank cylinder head valve seat inserts: Yes Turbocharger ID17 P/N: 3770571, 4039043, 4039630, 4039631, 4043956.</p> |



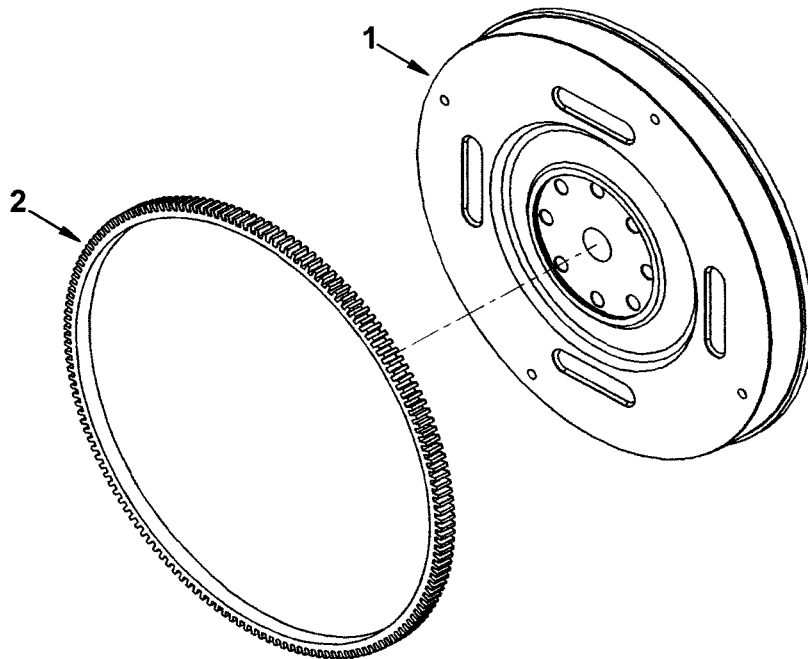
fs962gs

| Ref No. | Part Number | Part Name | Req | Remarks |
|---------|-------------|--|-----|---|
| | | FUEL SYSTEM ACCESSORIES OPTION FS9996 | | Fuel System Accessories Element type; single element style: Spin-on priming provision: Yes drain provision: Yes fuel heater voltage: None water Separator provision: Yes water in fuel sensor (wif): Yes water in fuel Sensor (wif)harness provided: No water in fuel sensor Harness Length(FT): N/A Location: Off Engine Hose Length: None absolute filtration (mi- crons): 25 fuel pump inlet from pre- filter: SAE j2044 |
| | 3975126 | Filter, Fuel | 1 | Individual Comp. Available |
| 1 | 3973233 | Filter, Fuel | 1 | Fleetguard P/N FS19732 |
| 2 | 3975404 | Head, Fuel Filter | 1 | |
| 3 | 3975405 | Adapter, Filter Head | 1 | Fleetguard 394283401 |
| 4 | 4946959 | Gasket, Filter | 1 | Fleetguard #033384900 |
| 5 | 3977852 | Plug, Threaded | 1 | |



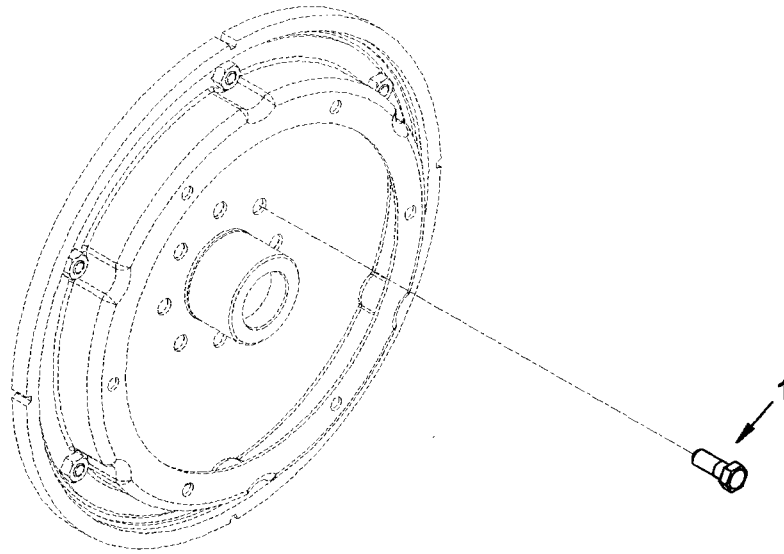
ft962gy

| Ref No. | Part Number | Part Name | Req | Remarks |
|---------|-------------|--|-----|--|
| | | FUEL PLUMBING OPTION FT9113 | | Fuel Plumbing Structure Code: Mr 03 EBM Engine Cylinders: 6 fitting type: N/A 4 fitting supplier: Customer orientation: N/A OEM Attachment: M12 X 1.5-6 H Female OEM Drain Fitting Location: CL of engine (mm): 307.0 CL of crank (mm): 373.0 FFOB (mm): -532.0 Cylinder head Fuel Drain Loc.: CL of engine (mm): 16.0 CL of crank (mm): 391.5 FFOB (mm): -756.5 Common rail fuel Drain Loc.: CL of engine (mm): 216.0 CL of crank (mm): 412.0 FFOB (mm): -289.5 Fuel pump Drain Loc.: CL of engine (mm): 291.5 CL of crank (mm): 55.0 FFOB (mm): -695.0 ECM fuel Manifold Drain Port: CL of engine (mm): N/A CL of crank (mm): N/A FFOB (mm): N/A Unique Characteristics: For Use With Low mount pump. |
| 1 | 68152 | Clip | 2 | # 4 |
| 2 | 3900632 | Screw, Hex Flange Head Cap | 2 | M8 X 1.25 X 35 |
| 3 | 3902112 | Screw, Hex Flange Head Cap | 1 | M8 X 1.25 X 80 |
| 4 | 3903035 | Screw, Banjo Connector | 2 | M12 X 1.50 X 24 |
| 5 | 3913638 | Screw, Hex Flange Head Cap | 2 | M6 X 1.00 X 16 |
| 6 | 3925883 | Screw, Hex Flange Head Cap | 1 | M8 X 1.25 X 16 |
| 7 | 3955080 | Connection, Fuel Block | 1 | |
| 8 | 3957290 | Valve, Check | 1 | |
| 9 | 3963988 | Washer, Sealing | 1 | |
| 10 | 3963990 | Washer, Sealing | 7 | |
| 11 | 4929065 | Screw, Studded Flange Cap | 2 | |
| 12 | 4994932 | Tube, Fuel Drain | 1 | |
| 13 | 4899743 | Clip | 1 | |
| 14 | 3955171 | Coupling, Plain Hose | 1 | |
| 15 | 4929619 | Plug, Threaded | 1 | |
| 16 | 4940552 | Tube, Fuel Supply | 1 | |



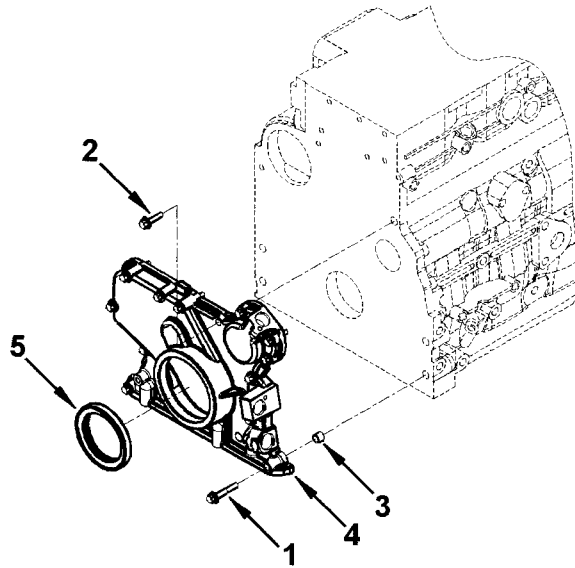
fw954gm

| Ref No. | Part Number | Part Name | Req | Remarks |
|---------|-------------|---|-----|--|
| | | FLYWHEEL OPTION FW9885 | | Flywheel ring gear diametrical pitch: 8/10 ring gear tooth count: 127 ring gear outside diameter(mm): 407.85 supplier: Cummins type: Flywheel max full load rated speed(not to exceed): 2980 flywheel inertia: 0.35 flywheel mounting flange to ring gear leading edge (mm): 16.13 mounting web thickness (mm): 16 Pilot Bearing Bore Diameter (mm): 51.968 clutch/t. C.Mounting bolt circle count: Single clutch/t. C.Mounting hole count: 8 clutch/t. C.Bolt circle diameter (mm): 342.9 clutch/t. C.Mounting hole spacing: Equal clutch/t. C.Mounting hole size: 10.5mm thru 2 nd clutch/t. C.Mounting hole count: N/A 2 nd clutch/t. C.Bolt circle diameter (mm): N/A 2 nd clutch/t. C.Mounting hole spacing: N/A 2 nd clutch/t. C.Mounting hole size: N/A Cummins material standard: 40001 Intended Drive Hardware: Clark 18000, 24000,hr 28000,32000,c270,c320. |
| 1 | 3973519 | Flywheel | 1 | |
| | (3973518) | Flywheel | 1 | |
| 2 | 3905427 | Gear, Flywheel Ring | 1 | |



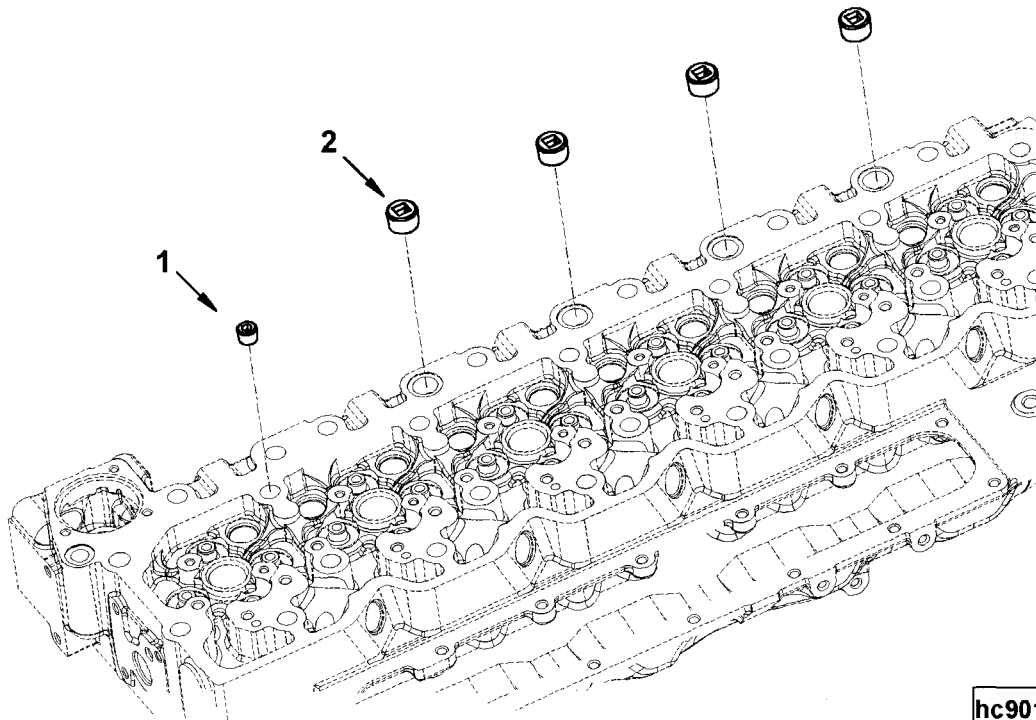
fw951zu

| Ref No. | Part Number | Part Name | Req | Remarks |
|---------|-------------|--|-----|--|
| 1 | 4894641 | <p align="center">FLYWHEEL MOUNTING OPTION FW9934</p> <p>Screw, Captive Washer Cap</p> | 8 | <p>Flywheel Mounting Bolt Length (mm): 31 Flywheel Web Thickness (mm): 16 To Suit REPTO: No</p> |



gg940gy

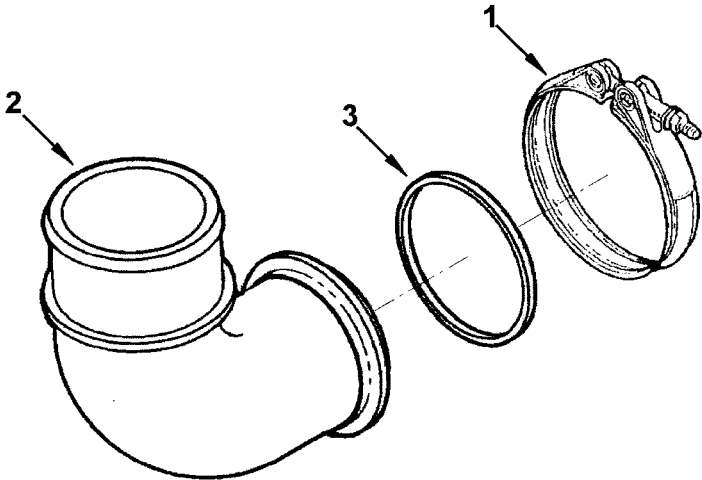
| Ref No. | Part Number | Part Name | Req | Remarks |
|---------|-------------|---|-----|---|
| | | FRONT GEAR COVER OPTION GG9836 | | Front Gear Cover Structure Code: 03 EBM Engine Family: "B" Series Cylinders: 4/6 Design Phase: N/A Belt Retainer Provision: No Noise Panel Provision: No Material: Cast Aluminium Oil Pan/Front Gear Cover Mtg Holes: 2 Oil Pressure Switch Provision: Yes Oil Fill Provision: No |
| 1 | 3901445 | Screw, Hex Flange Head Cap | 7 | M8 X 1.25 X 45 |
| 2 | 3902114 | Screw, Hex Flange Head Cap | 6 | M8 X 1.25 X 30 |
| 3 | 3949326 | Dowel, Ring | 2 | |
| 4 | 5258751 | Cover, Front | 1 | |
| 5 | 4890832 | Seal, Oil | 1 | |



hc901zm

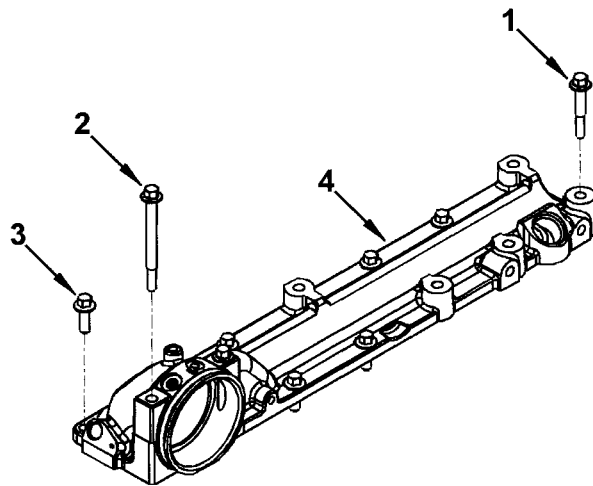
| Ref No. | Part Number | Part Name | Req | Remarks |
|--|-------------|------------|-----|---|
| CABIN HEATER PLUMBING OPTION HC9026 | | | | |
| 1 | 4931643 | Plug, Pipe | 4 | Cabin Heater Plumbing For use with customer supplied cab heater. |
| 2 | 4933532 | Plug, Pipe | 1 | |

| Ref No. | Part Number | Part Name | Req | Remarks |
|---------|-------------|--|-----|--|
| | | <p style="text-align: center;">MOUNTING,AUXILIARY PUMP OPTION HD9347</p> | | <p>Mr - auxiliary pump mounting pump drive type: Gear compressor rear drive: N/A</p> <p>Engine Family: "B" Series</p> <p>No content option for no air compressor and no hydraulic drive engines.</p> |



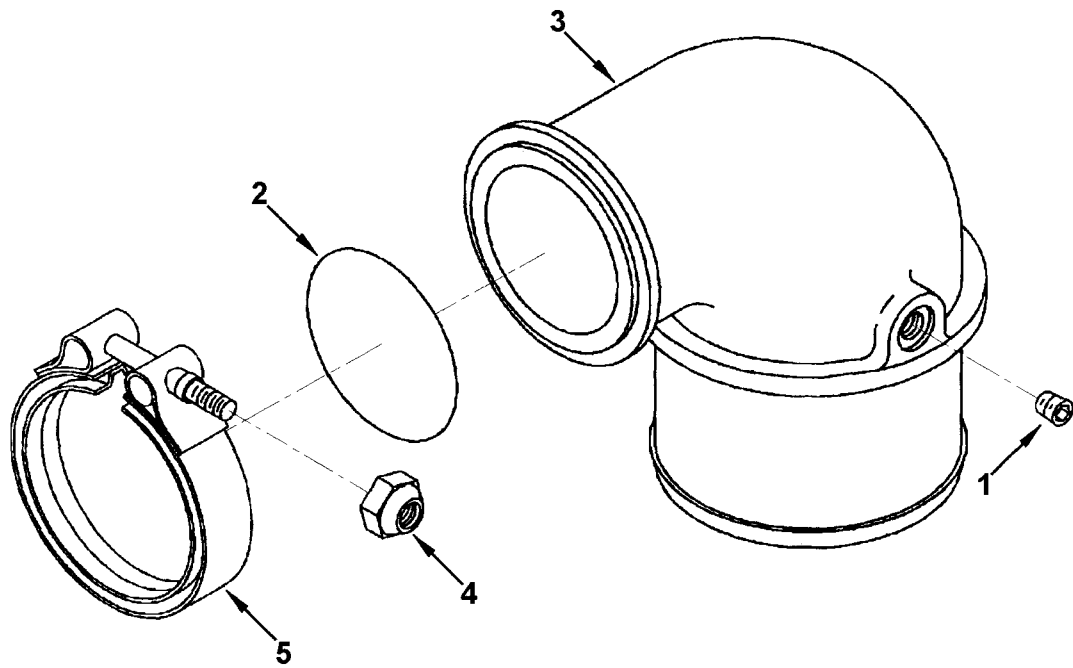
ic910gp

| Ref No. | Part Number | Part Name | Req | Remarks |
|---------|-------------|--|-----|--|
| | | AIR INTAKE CONNECTION OPTION IC9480 | | Air Intake Connection Design Phase: Current Product Engine Family: "B" Series Engine Cylinders: 4 And 6 Engine Aspiration: Turbocharged Connection supplier: Connection Style: Elbow Connection orientation: Customer defined customer interface location from engine centerline(mm): 279.75 from crank centerline (mm): Customer defined from front face of block (mm): Customer defined Connection Outside Diameter (mm): 75. |
| 1 | 4938989 | Clamp, V Band | 1 | |
| 2 | 4933777 | Pipe, Air Transfer | 1 | |
| 3 | 3867646 | Seal, O Ring | 1 | |



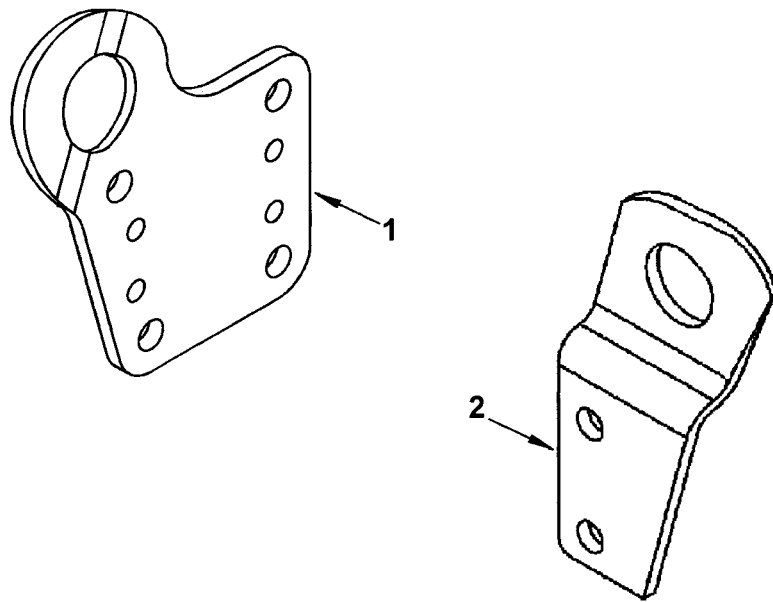
im901gz

| Ref No. | Part Number | Part Name | Req | Remarks |
|---------|-------------|--|-----|--|
| | | AIR INTAKE MANIFOLD OPTION IM9113 | | Air Intake Manifold Design Phase: Current Product Engine Family: "B" Series Engine Cylinders: 6 Intake connection mounting provision: Yes Intake Connection Type/interface: Half Marmon flange Marmon flange diameter (mm): 88 Intake Connection Mounting Interface: From engine CL (mm): 221.75 from CCL (mm): 427.728 From FFOB (mm): -132 Air heater provision: Yes Integral Air Heater Voltage: 12/24 V fipg (fixed in place gasket) used in this opt air compressor air supply provision: Yes |
| 1 | 3900633 | Screw, Hex Flange Head Cap | 1 | M8 X 1.25 X 50 |
| 2 | 3919995 | Screw, Hex Flange Head Cap | 2 | M8 X 1.25 X 90 |
| 3 | 3918109 | Screw, Hex Flange Head Cap | 7 | M8 X 1.25 X 25 |
| 4 | 4981333 | Manifold, Air Intake | 1 | |



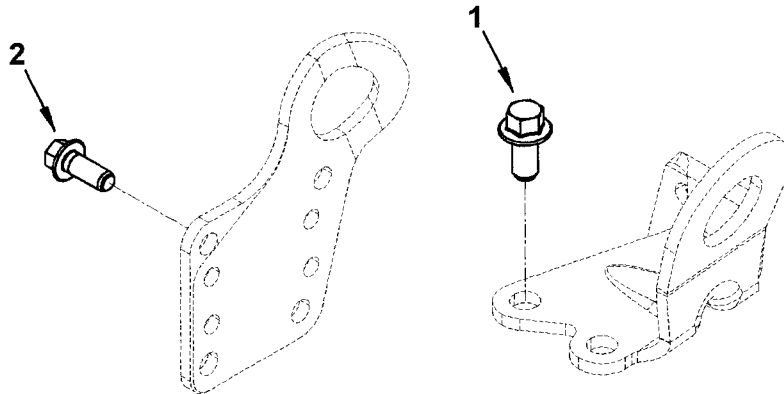
it950ga

| Ref No. | Part Number | Part Name | Req | Remarks |
|---------|-------------|--|-----|---|
| | | AIR TRANSFER CONNECTION OPTION IT9039 | | Air Transfer Connection Connection Supplier: Cummins Connection Type: 90 Degree Elbow orientation: Rotatable engine interface flange type: Half Marmon engine interface flange diameter(mm): 73.85 (3") engine interface flange thickness (mm): 3.5 OEM Interface Connection. Diameter (mm): 76.7 OEM Interface Connection. Clamping Surface(mm): 33.5 Turbocharger interface to CL OEM interface (mm): 95.2 OEM Interface To CL Turbocharger Interface(mm): 100 customer tapping: 1/8-27 NPTF s-2 supply method: Kit 1/8 NPT |
| 1 | 3008465 | Plug, Pipe | 1 | |
| 2 | 3883284 | Seal, O Ring | 1 | |
| 3 | 3918685 | Pipe, Air Transfer | 1 | |
| 4 | 3923041 | Nut, Lock | 1 | |
| 5 | 3069053 | Clamp, V Band | 1 | |



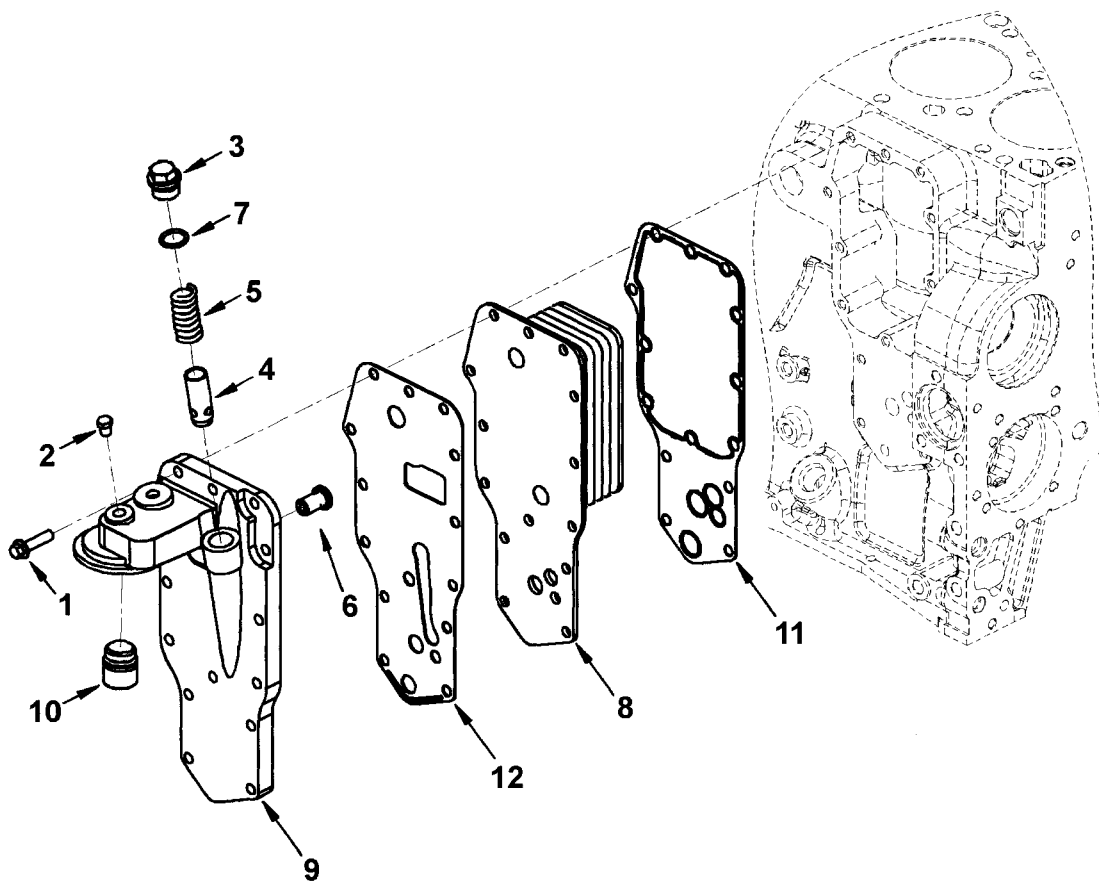
la952gj

| Ref No. | Part Number | Part Name | Req | Remarks |
|---------|-------------|--|-----|---|
| | | LIFTING ARRANGEMENT OPTION LA9145 | | Lifting Arrangement Engine Family: "B" Series max lifting load(lbs): 3145 bracket(s) provided: Front and rear accommodates pad mount alternator bracket: Y accommodates spool, hinge and customer supplied mount alternator bracket: Y this bracket is designed for engine mounting on tier3 6B engines. Maximum allowable load for a single bracket is 2450 lbs. front bracket eyelet coordinates as viewed from the front, using front face of block and centerline of crank: X = -144.35; y = 455.73; z = 78.00 rear bracket eyelet coordinates as viewed from the front, using front face of block and centerline of crank: X = -123.75; y = 444.45; z = 785.58. |
| 1 | 4894100 | Bracket, Lifting | 1 | |
| 2 | 4933232 | Bracket, Lifting | 1 | |



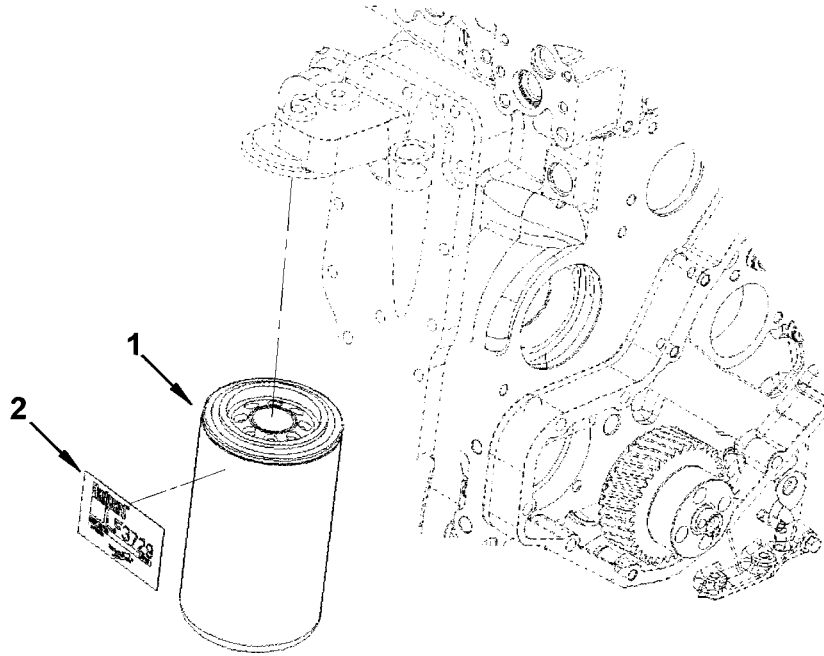
la951gz

| Ref No. | Part Number | Part Name | Req | Remarks |
|---|-------------|----------------------------|-----|---|
| LIFTING BRACKET MOUNTING OPTION LA9147 | | | | |
| | | | | Lifting Bracket Mounting Engine Family: "B" Series rear bracket capscrew diameter: M12 rear bracket cap- screw length: 25 rear bracket capscrew quantity: 2 front bracket capscrew diameter: M10 front bracket capscrew length: 25 accommodates spool, hinge and customer supplied mount alternator bracket. |
| 1 | 3903990 | Screw, Hex Flange Head Cap | 2 | M10 X 1.50 X 20 |
| 2 | 3902460 | Screw, Hex Flange Head Cap | 4 | M10 X 1.50 X 25 |



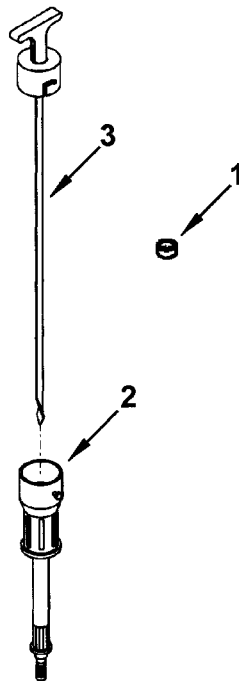
Ic900zb

| Ref No. | Part Number | Part Name | Req | Remarks |
|---------|-------------|--|-----|--|
| | | ENGINE OIL COOLER OPTION LC9244 | | Engine Oil Cooler Advertised HP Restriction: Less Than or Equal to 300 Filter Head Loc: High CL of Engine to CL of Filter Head (mm): -227.8 FFOB to CL of Filter Head (mm): -185 Filter Thread Size Provided: 1-16 UN - 2A Oil Pressure Tap Size: 1/8- 27 NPTF Lube Flow Cooling Capacity (GPM): 20.5 Block Mtg Interface: 15-M8 X 1.25 Threaded Hole BZL may use 3008465 Instead of 3906619 and 3947206 (2X) and 3901445 (13X) Instead of 3901445 (15X). |
| 1 | 3901445 | Screw, Hex Flange Head Cap | 15 | M8 X 1.25 X 45 |
| 2 | 3906619 | Plug, Pipe | 2 | 1/8 NPT |
| 3 | 3946947 | Plug, Threaded | 1 | |
| 4 | 3947287 | Plunger, Prs Regulator | 1 | |
| 5 | 3925009 | Spring, Compression | 1 | |
| 6 | 3936365 | Valve, Pressure Relief | 1 | |
| 7 | 3929457 | Seal, O Ring | 1 | |
| 8 | 3975818 | Cooler, Oil | 1 | |
| | 3955034 | Head, Lub Oil Filter | 1 | |
| 9 | (3965153) | Head, Lub Oil Filter | 1 | |
| 10 | (3942367) | Adapter, Filter Head | 1 | |
| 11 | 2830559 | Gasket, Oil Cooler Core | 1 | Serviced as 3977913 |
| 12 | 3974127 | Gasket, Filter Head | 1 | Serviced as 3977913 |



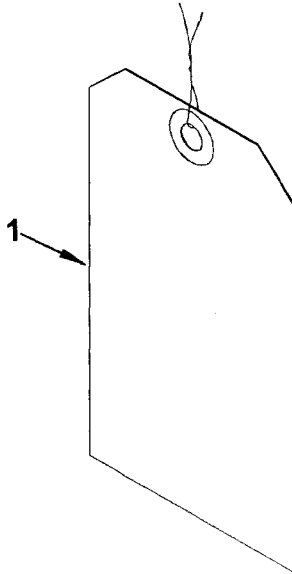
If900zk

| Ref No. | Part Number | Part Name | Req | Remarks |
|---------|-------------|---|-----|--------------------------|
| | | FULL FLOW OIL FILTER OPTION LF9136 | | |
| 1 | 3937736 | Cartridge, Lub Oil Filter | 1 | Full Flow Oil Filter |
| 2 | (5259795) | Decal | 1 | Purchase From Fleetguard |



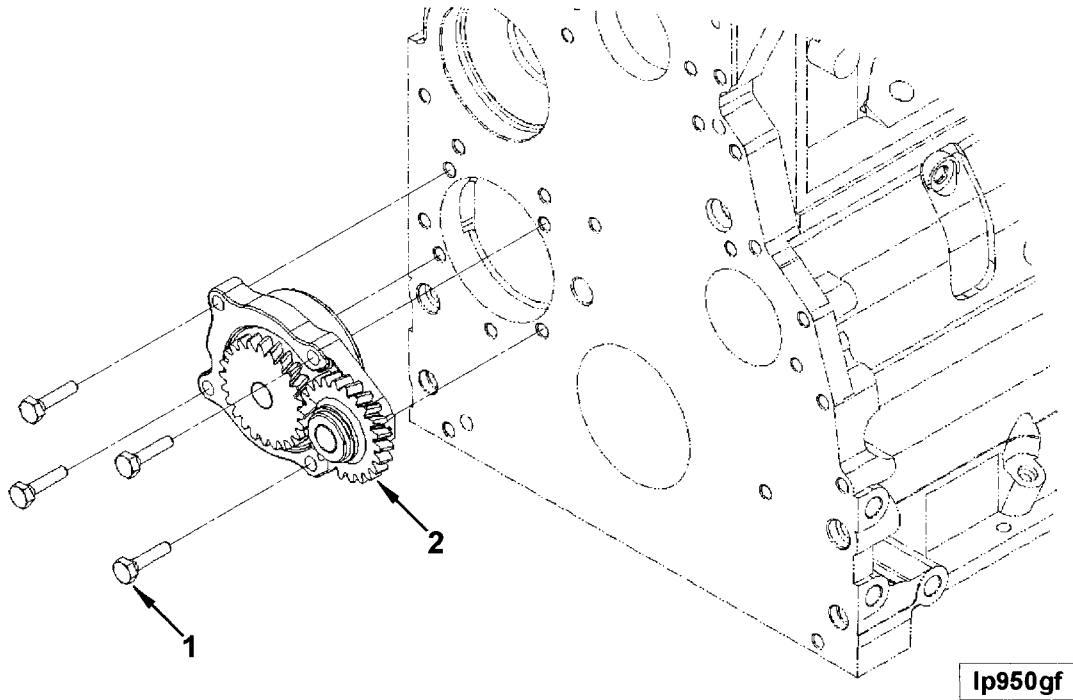
Ig955gp

| Ref No. | Part Number | Part Name | Req | Remarks |
|---------|----------------------|---|-----|---|
| | | <p>OIL LEVEL GAUGE OPTION LG90117</p> | | <p>Oil Level Gauge Engine Family: B Engine Cylinders: 6 Oil Pan Sump Type: Standard Front/ Rear Dipstick Supplier: Cummins Dipstick Tube Supplier: Cummins Dipstick Location: Fuel Pump Side tube entry location from FFOB (mm): 352 Dipstick Style: Locking, Free Hanging Dipstick Pull Location: Fuel Pump Side from engine CL: N/A from CCL: N/A from FFOB CL: N/A Dipstick Brace Attachment Location: N/A from engine CL: N/A from CCL: N/A from FFOB CL: N/A Oil Level High / Low (qt): 18.5 / 15.85 Dipstick Calibration: Bfob - full / low (mm): 50.5/63.6 Power Angle (deg): 0 Tilt Angle (deg): 0 effective tube length (mm): 800 tube bend angle (deg): N/A handle color: Yellow wire tie to engine for shipment.</p> |
| 1 | 3900955 (3976997) | Plug, Expansion Dipstick | 4 | |
| 2 | 3974254 | Tube, Oil Gauge | 1 | |
| 3 | 3976998 | Dipstick | 1 | |

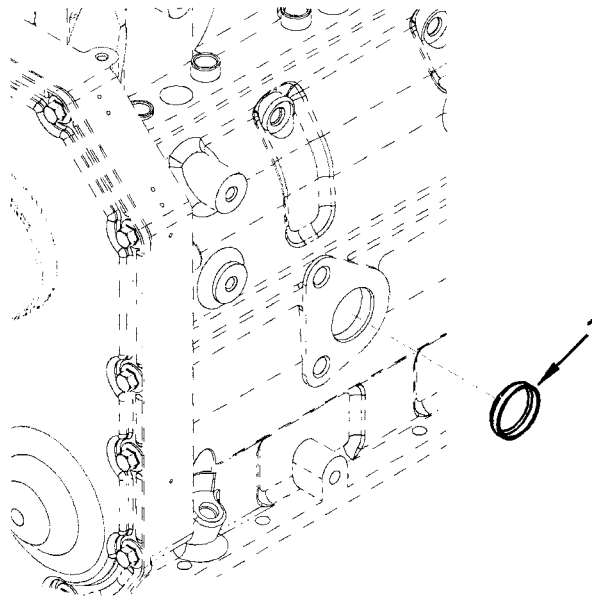


Io951ga

| Ref No. | Part Number | Part Name | Req | Remarks |
|---------|-------------|--|-----|---|
| 1 | (3916103) | <p style="text-align: center;">LUBE OIL OPTION LO9701</p> <p>Tag, Instruction</p> | 1 | <p>Tag Identification: No Oil Tag Location: Front Lifting Bracket BZL Plant May Substitute P/N 3916103 for P/N 3352918 Instruction Tag</p> |

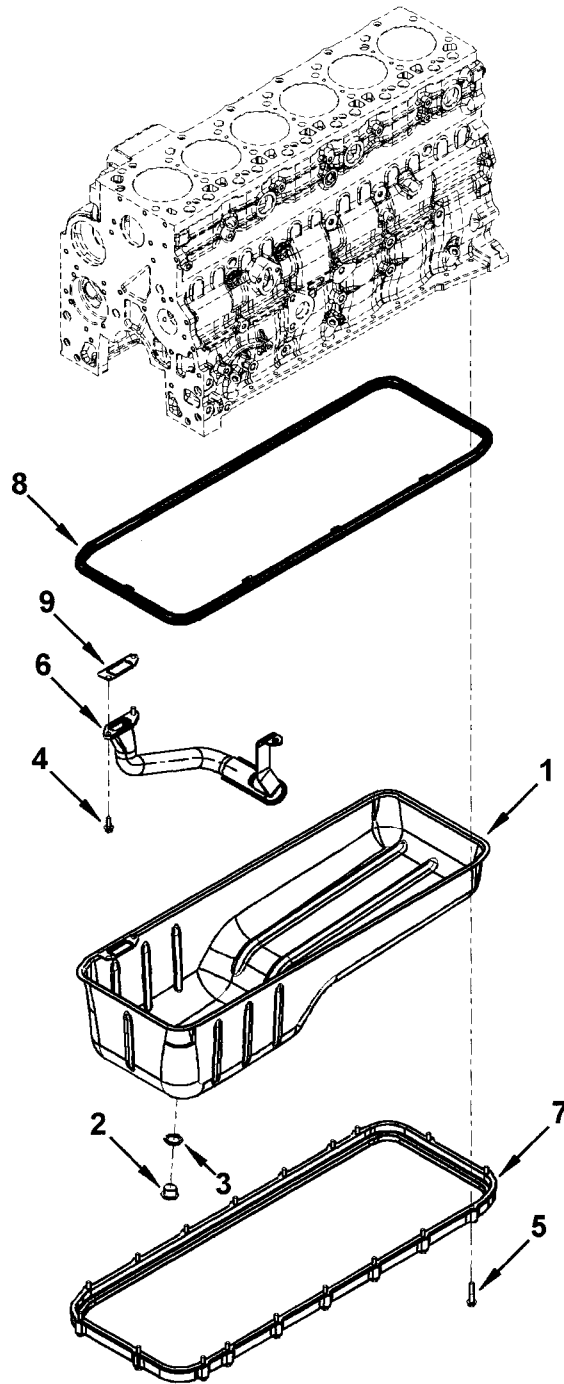


| Ref No. | Part Number | Part Name | Req | Remarks |
|---------|-------------|---|-----|--|
| | | LUBRICATING OIL PUMP OPTION LP9065 | | Lubricating Oil Pump pump drive: Non crank concentric max HP: 305 body material: Cast iron flow rate at pump speed (GPM at RPM): 3.2 at 750 gear type: Steel HCR gear piston cooling method: Saddle or j-jet Engine Cylinders: 6 Engine Aspiration: Charge Air Cooled block oil pump cavity (mm): 21.2 CDC may use lub oil pump 3971544 in place of lub oil pump 4939588 |
| 1 | 3900677 | Screw, Hexagon Head Cap | 4 | |
| 2 | 4939588 | Pump, Lubricating Oil | 1 | M8 X 1.25 X 30 |



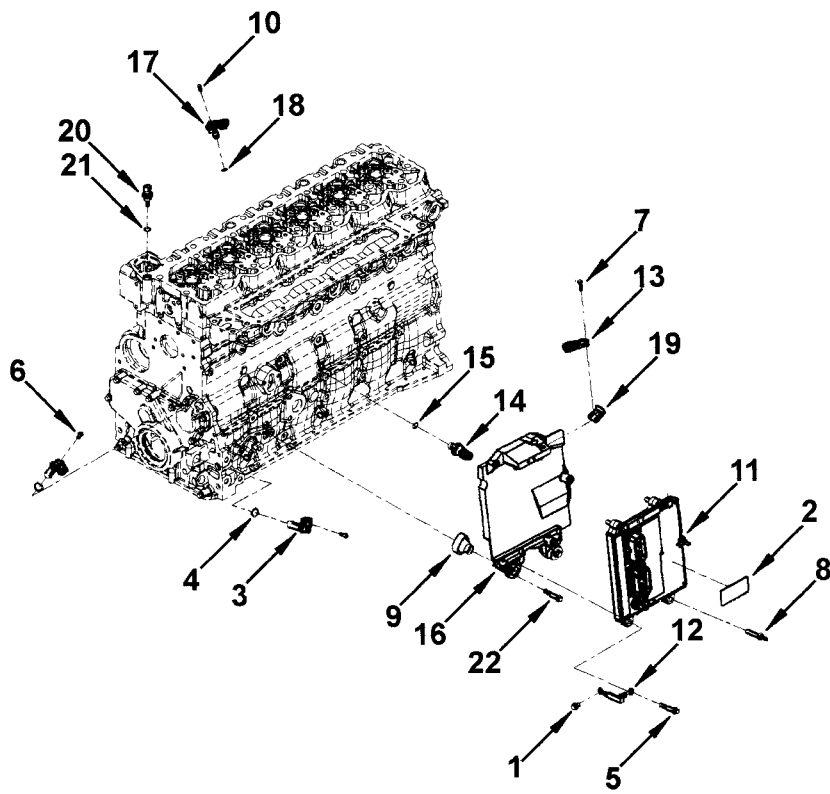
ob901zb

| Ref No. | Part Number | Part Name | Req | Remarks |
|---------|-------------|---|-----|--|
| 1 | 3900958 | <p style="text-align: center;">OIL FILLER ARRANGEMENT OPTION OB9169</p> <p>Plug, Expansion</p> | 1 | <p>Oil Filler Arrangement</p> <p>Engine Family: "B" Series fill tube supplier: No fill provided in block. Functional w/dual power ratings: Yes Restricted Breather Type: None Fuel Type: Diesel drain provision for 50 DN alternator: No Engine Aspiration: Charge Air Cooled engine cylinder count: 6 Fill Location: Valve Cover.</p> |



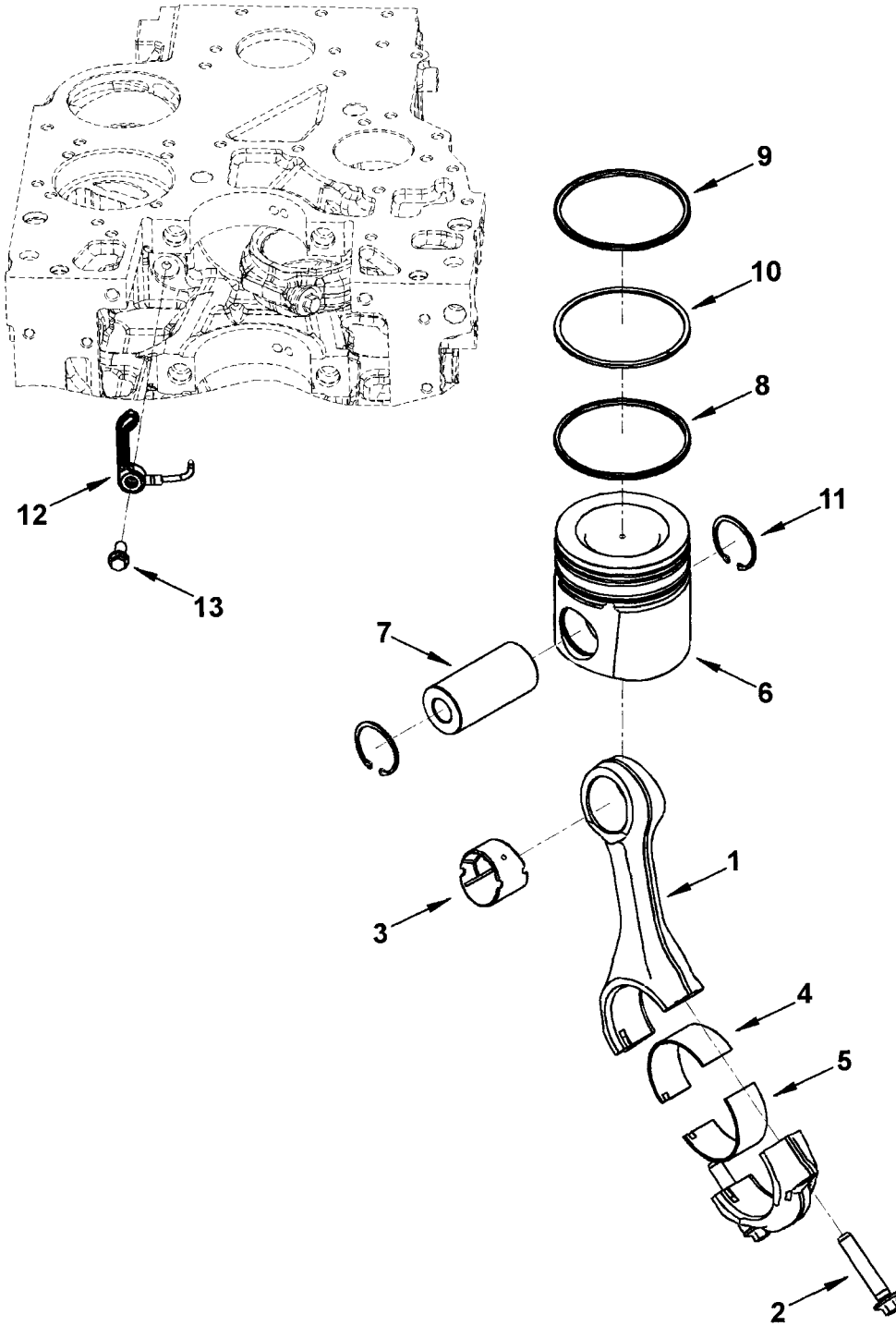
op957gh

| Ref No. | Part Number | Part Name | Req | Remarks |
|---------|----------------------|----------------------------------|-----|--|
| | | OIL PAN OPTION OP9456 | | Oil Pan Design Phase: EBM 03 Engine Family: "B" Series Engine Cylinders: 6 sump location: Front oil pan material: Stamped steel pan capacity value high(qt): 18.5 (17.5 l) low (qt) 15.85 (15 l) oil pan angularity value up: 50 down: 50 side to side: 43 drain size: M22 Drain Location: Bottom heater provision: Yes heater boss size: M22X1.5 heater boss location: Fuel pump side Oil Level Sensor Provision: None Oil Level Sensor Tapping Size: None Oil Level Sensor Location: N/A block flange (width/length hole to hole): 299 x 775.4 Unique Characteristics: Isolated Oil Pan sump style: Standard oil pan type: Isolated suspended internally cast suction tube: No required oil filter medium: Stratapore suction tube flange thickness (mm): 15.0 doweled for flywheel housing: No corner pan stiffener provided: No. |
| 1 | 4898036 (4898037) | Pan, Oil | 1 | |
| 2 | 3282266 | Pan, Oil | 1 | |
| 3 | 3287561 | Plug, Threaded | 2 | |
| 4 | 3025806 | Washer, Sealing | 2 | |
| 5 | 3901445 | Screw, Socket Head Cap | 2 | M8 X 1.25 X 30 |
| 6 | 3977790 | Screw, Hex Flange Head Cap | 18 | M8 X 1.25 X 45 |
| 7 | 4938655 | Tube, Lub Oil Suction | 1 | |
| 8 | 4934344 | Adapter, Oil Pan | 1 | |
| 9 | 4898301 | Gasket, Oil Pan | 1 | |
| | | Gasket, Oil Suc Connection | 1 | |



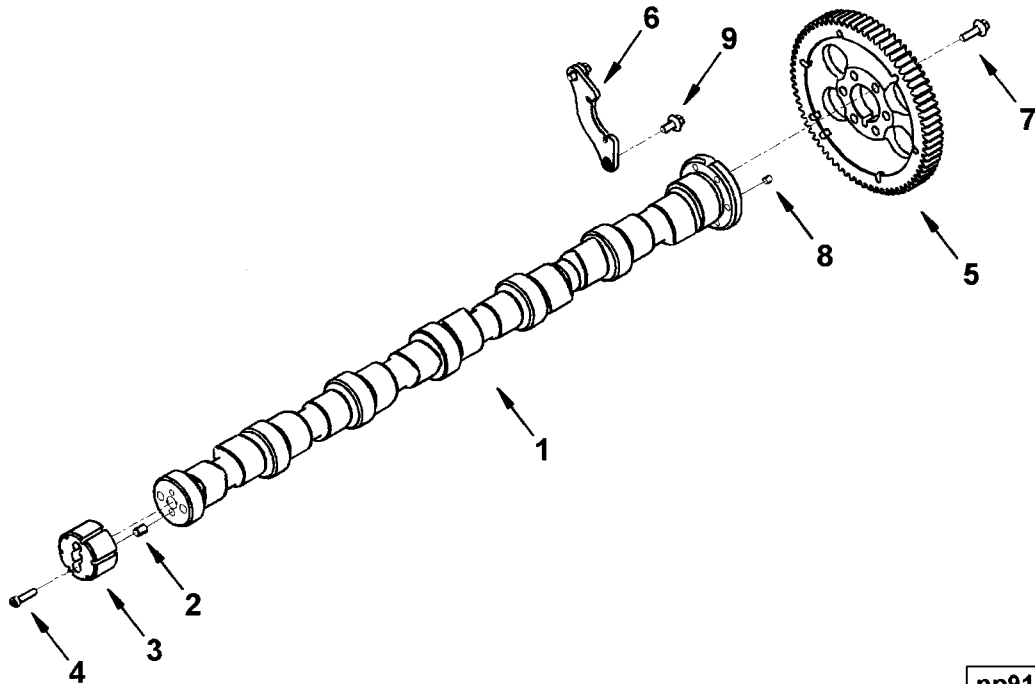
ph903zg

| Ref No. | Part Number | Part Name | Req | Remarks |
|---------|-------------|--|-----|--|
| | | ENGINE CONTROL MODULE OPTION PH9114 | | Engine Control Module ECM Version: CM850 PV ECM Location: On-Engine Manufacturer of Record: Cummins Boot Software Type: BL 4504 Ambient Air Pressure Sensor: Yes Intake Manifold Pressure Sensor: Absolute Oil Pressure Sensor: Switch Speed Sensor Location: Damper Pulley Engine Design Phase: ISBE EURO4 Beta Build Engine Family: B Series ECM Hardware Level: PV Turbo Type: Wgt/Vgt Coolant Temp Sensor: Standard Tolerance Intake Connection Type: Round Rotatable Unique Characteristics: Oil Pressure SW. In Frt. Gear CVR. KOM may use 4936491 SHCS in Place of the 3957849 SHCS. KOM may use 3609867 in Place of 3958748. DCEC may use Dataplate 5267513 in Place of 3958748. |
| 1 | 3093956 | Screw, Hex Flange Head Cap | 1 | M8 X 1.25 X 12 |
| 2 | 3609867 | Dataplate | 1 | |
| 3 | 2872277 | Sensor, Position | 2 | Cam or Crank |
| 4 | 4928599 | Seal, O Ring | 1 | |
| 5 | 3901445 | Screw, Hex Flange Head Cap | 6 | M8 X 1.25 X 45 |
| 6 | 3906391 | Screw, Socket Head Cap | 2 | M6 X 1.00 X 16 |
| 7 | 3920854 | Screw, Captive Washer Cap | 1 | M5 X 0.80 X 20 |
| 8 | 3947206 | Screw, Studded Flange Cap | 2 | |
| 9 | 4899791 | Isolator, Vibration | 3 | |
| 10 | 3957849 | Screw, Socket Head Cap | 1 | |
| 11 | 4921776 | Module, Electronic Control | 1 | Recon Equiv. 4921776 NX/RX |
| 12 | 3977357 | Wire, Ground | 1 | |
| 13 | 4076493 | Sensor, Pressure | 1 | Ambient Air |
| 14 | 4076930 | Switch, Pressure | 1 | Oil |
| 15 | 4921574 | Seal, O Ring | 1 | |
| 16 | 4993966 | Bracket, Etr Cnt Module | 1 | |
| 17 | 4921322 | Sensor, Prs Temperature | 1 | Intake Manifold |
| 18 | 4903482 | Seal, O Ring | 1 | |
| 19 | 4932211 | Clip | 1 | |
| 20 | 4954905 | Sensor, Temperature | 1 | Coolant or Oil or Fuel |
| 21 | 4010519 | Seal, O Ring | 1 | |
| 22 | 3928873 | Screw, Hex Flange Head Cap | 3 | |



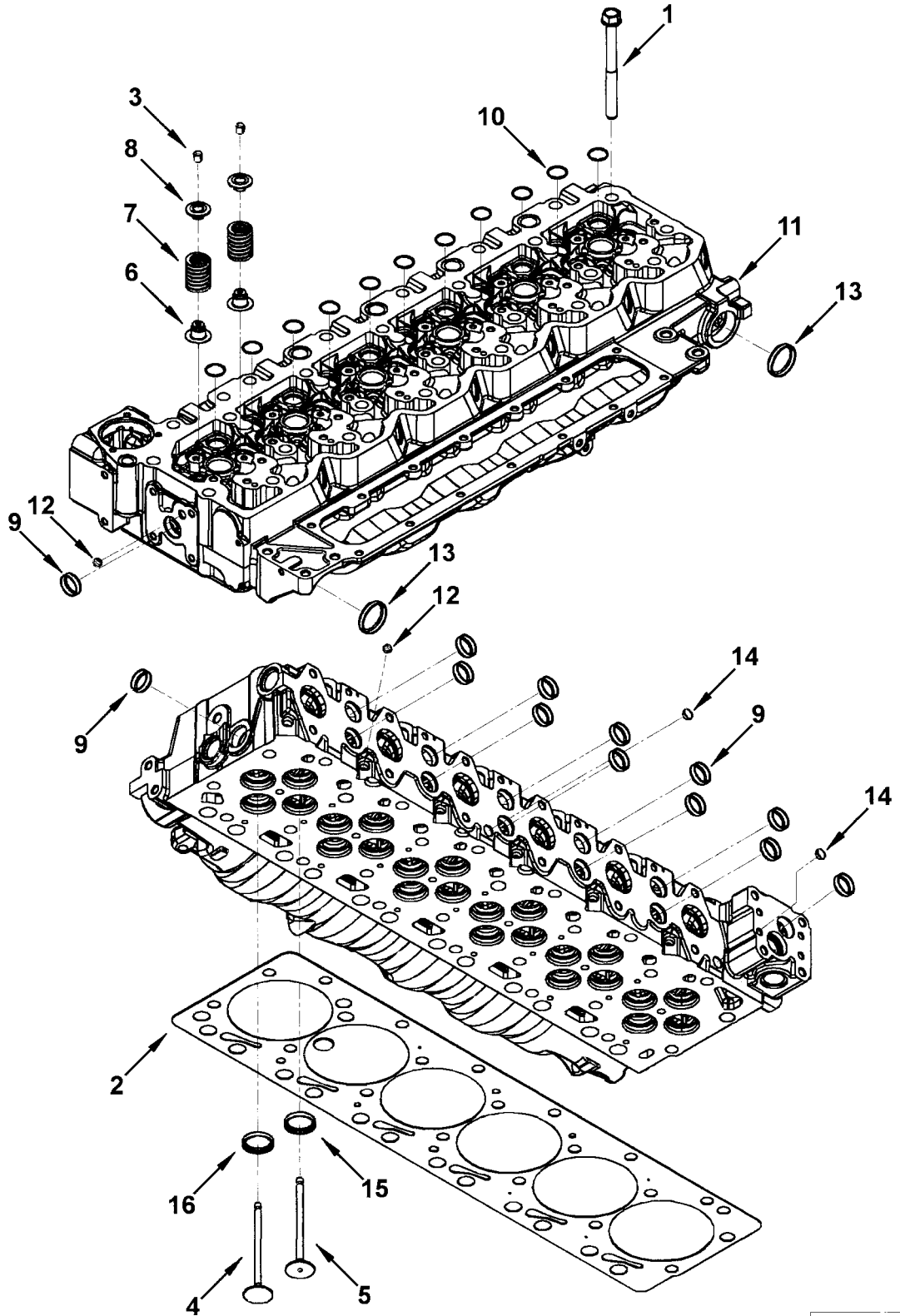
pp978gt

| Ref No. | Part Number | Part Name | Req | Remarks |
|---------|-------------|--|-----|-----------------------------|
| | | CONNECTING ROD AND PISTON OPTION PP8610 | | Connecting Rod and Piston |
| 1 | (3971212) | Rod, Engine Connecting | 6 | Recon Equivalent 3971212 RX |
| 2 | (3971211) | Rod, Engine Connecting | 1 | |
| 3 | 4891179 | Screw, Connecting Rod Cap | 2 | |
| 4 | 4891178 | Bushing | 1 | |
| 5 | 3969562 | Bearing, Connecting Rod | 6 | Standard |
| 6 | 4893693 | Bearing, Connecting Rod | 6 | Standard |
| 7 | 4955160 | Kit, Engine Piston | 6 | |
| 8 | (4934860) | Piston, Engine | 1 | Serviced as 4955160 |
| 9 | 4931041 | Pin, Piston | 1 | |
| 10 | 4955251 | Set, Piston Ring | 1 | |
| 11 | (3976339) | Ring, Compression Piston | 1 | |
| 12 | (4932587) | Ring, Compression Piston | 1 | |
| 13 | 4932801 | Ring, Oil Piston | 1 | |
| 14 | 3920691 | Ring, Retaining | 12 | |
| 15 | 3968877 | Nozzle, Piston Cooling | 6 | |
| 16 | 3964817 | Screw, Banjo Connector | 6 | |
| 17 | 4955481 | Kit, Engine Piston .50 mm | A/R | 0.50 mm Oversize |
| 18 | (4934816) | Piston, Engine | 1 | Serviced as 4955481 |
| 19 | 4955480 | Set, Piston Ring .50 mm | 1 | 0.50 mm Oversize |
| 20 | 3901171 | Bearing, Connecting Rod | A/R | 0.25 mm Oversize |
| 21 | 3901172 | Bearing, Connecting Rod | A/R | 0.50 mm Oversize |
| 22 | 3901173 | Bearing, Connecting Rod | A/R | 0.75 mm Oversize |
| 23 | 3901174 | Bearing, Connecting Rod | A/R | 1.00 mm Oversize |
| 24 | 4892795 | Bearing, Connecting Rod | A/R | 0.25 mm Oversize |
| 25 | 4892796 | Bearing, Connecting Rod | A/R | 0.50 mm Oversize |
| 26 | 4892797 | Bearing, Connecting Rod | A/R | 0.75 mm Oversize |
| 27 | 4892798 | Bearing, Connecting Rod | A/R | 1.00 mm Oversize |



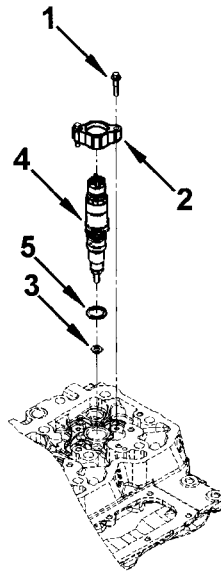
pp915zr

| Ref No. | Part Number | Part Name | Req | Remarks |
|---------|----------------------|-----------------------------------|-----|------------------------------|
| | | CAMSHAFT OPTION PP8610 | | |
| | | | | Camshaft |
| 1 | 3954100 (3954099) | Camshaft | 1 | |
| 2 | 3954111 | Camshaft | 1 | Customer to Purchase 3979506 |
| 3 | 3955069 | Dowel, Ring | 1 | |
| 4 | 4895877 | Ring, Speed Indicator | 1 | |
| 5 | 4896380 | Screw, Socket Head Cap | 2 | |
| 6 | 4897457 | Gear, Camshaft | 1 | |
| 7 | 3093730 | Support, Camshaft Thrust | 1 | |
| 8 | 3904483 | Screw, Hex Flange Head Cap | 6 | M8 X 1.25 X 25 |
| 9 | 3925883 | Dowel, Pin | 1 | |
| | | Screw, Hex Flange Head Cap | 2 | M8 X 1.25 X 16 |



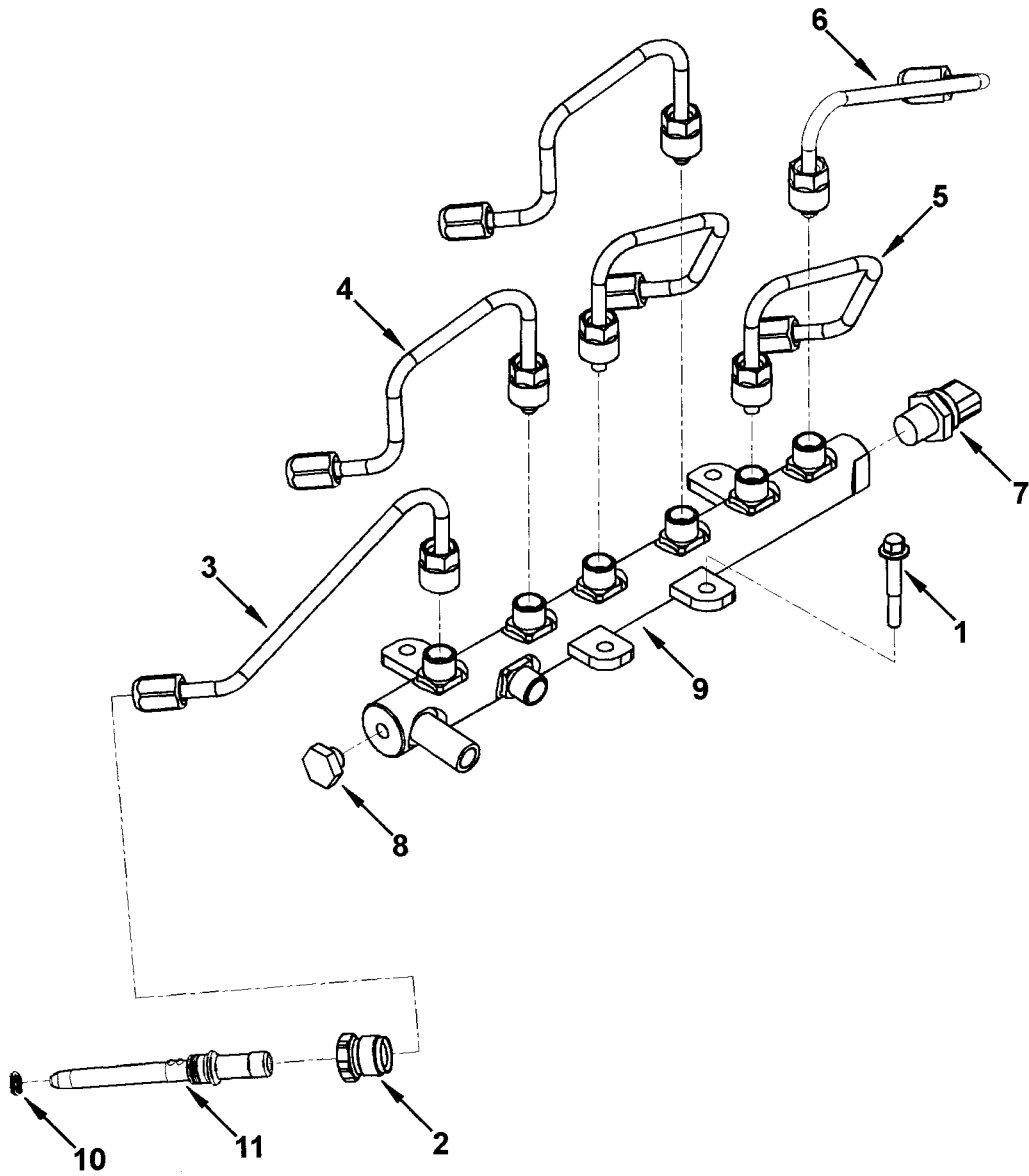
pp972gn

| Ref No. | Part Number | Part Name | Req | Remarks |
|---------|-------------|--|-----|-----------------------------|
| | | CYLINDER HEAD OPTION PP8610 | | Cylinder Head |
| 1 | 3927063 | Screw, Hex Flange Head Cap | 26 | |
| 2 | 4932210 | Gasket, Cylinder Head | 1 | |
| | 4936081 | Head, Cylinder | 1 | Recon Equivalent 4936081 NX |
| | 3802967 | Kit, Exhaust Valve | 12 | |
| 3 | 3940123 | Collet, Valve | 2 | |
| 4 | (3940734) | Valve, Exhaust | 1 | Serviced as 3802967 |
| | 3802924 | Kit, Intake Valve | 12 | |
| 3 | 3940123 | Collet, Valve | 2 | |
| 5 | (3940735) | Valve, Intake | 1 | Serviced as 3802924 |
| 6 | 3955393 | Seal, Valve Stem | 2 | |
| 7 | 3943161 | Spring, Valve | 24 | |
| 8 | 3943198 | Retainer, Valve Spring | 24 | |
| | 3977226 | Head, Cylinder | 1 | |
| 9 | 3914035 | Plug, Expansion | 13 | |
| 10 | 3920706 | Plug, Expansion | 11 | |
| 11 | (3977222) | Head, Cylinder | 1 | |
| 12 | 3007632 | Plug, Expansion | 7 | |
| 13 | 3945094 | Plug, Expansion | 2 | |
| 14 | 3945095 | Plug, Expansion | 2 | |
| 15 | 3943449 | Insert, Valve | 12 | Standard |
| 16 | 3943450 | Insert, Valve | 12 | Standard |
| | | SERVICE PARTS | | |
| 15 | 3939719 | Insert, Valve | A/R | 0.127 mm Oversize |
| 15 | 3939720 | Insert, Valve | A/R | 0.254 mm Oversize |
| 15 | 3939721 | Insert, Valve | A/R | 0.508 mm Oversize |
| 16 | 3939723 | Insert, Valve | A/R | 0.127 mm Oversize |
| 16 | 3939724 | Insert, Valve | A/R | 0.254 mm Oversize |
| 16 | 3939725 | Insert, Valve | A/R | 0.508 mm Oversize |



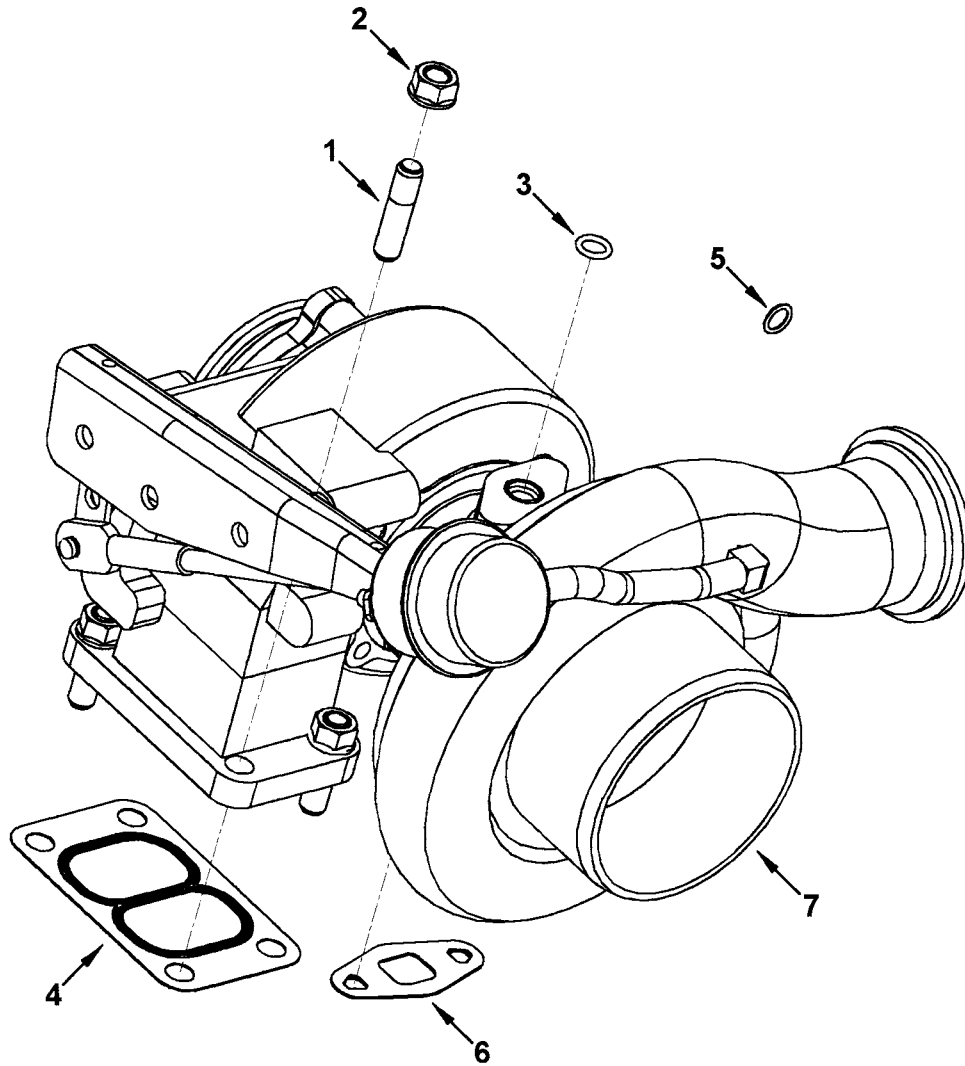
pp968gk

| Ref No. | Part Number | Part Name | Req | Remarks |
|---------|-------------|-----------------------------------|-----|-----------------------------|
| | | INJECTOR OPTION PP8610 | | Injector |
| 1 | 3900628 | Screw, Hex Flange Head Cap | 12 | M6 X 1.00 X 30 |
| 2 | 3976370 | Clamp, Injector | 6 | |
| 4 | 3976372 | Injector | 6 | Recon Equivalent 3976372 NX |
| 3 | 3976371 | Seal, Injector | 1 | |
| 5 | 3977393 | Seal, O Ring | 1 | |



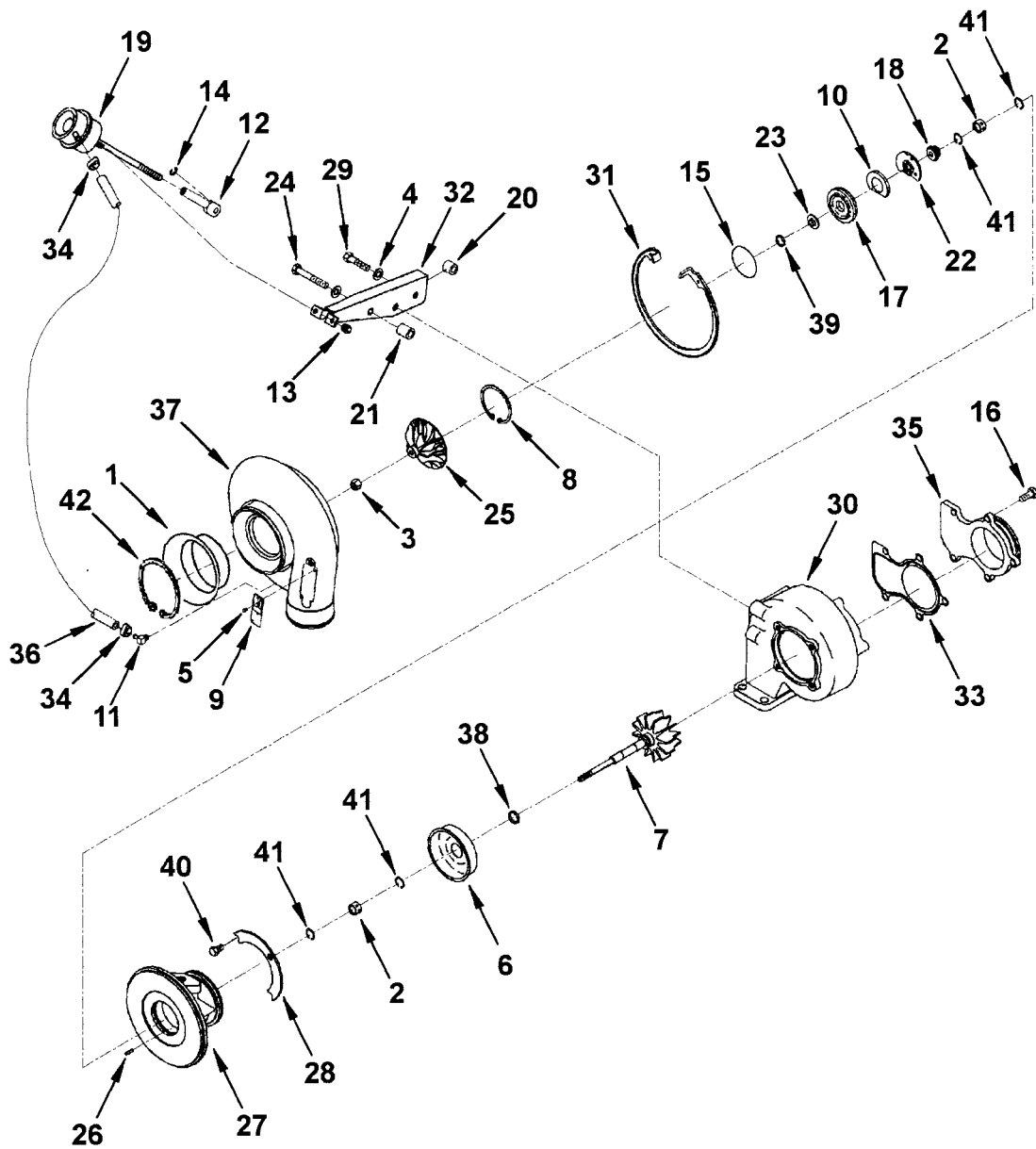
pp961gy

| Ref No. | Part Number | Part Name | Req | Remarks |
|---------|-------------|--|-----|--------------------|
| | | INJECTOR PLUMBING OPTION PP8610 | | Injector Plumbing |
| 1 | 3930837 | Screw, Hex Flange Head Cap | 4 | |
| 2 | 5264181 | Retainer, Inj Ful Sup Cnr | 6 | |
| 3 | 3978031 | Tube, Injector Fuel Supply | 1 | #1 Cylinder |
| 4 | 3978032 | Tube, Injector Fuel Supply | 2 | #2 and #3 Cylinder |
| 5 | 3978034 | Tube, Injector Fuel Supply | 2 | #4 and #5 Cylinder |
| 6 | 3978036 | Tube, Injector Fuel Supply | 1 | #6 Cylinder |
| | 3977530 | Manifold, Fuel | 1 | |
| 7 | 5260246 | Sensor, Pressure | 1 | Fuel |
| 8 | 3974093 | Valve, Pressure Relief | 1 | |
| 9 | (3978448) | Manifold, Fuel | 1 | |
| | 3975703 | Connector, Inj Fuel Supply | 6 | |
| 10 | 3972753 | Seal, O Ring | 1 | |
| 11 | (3975702) | Connector, Inj Fuel Supply | 1 | |



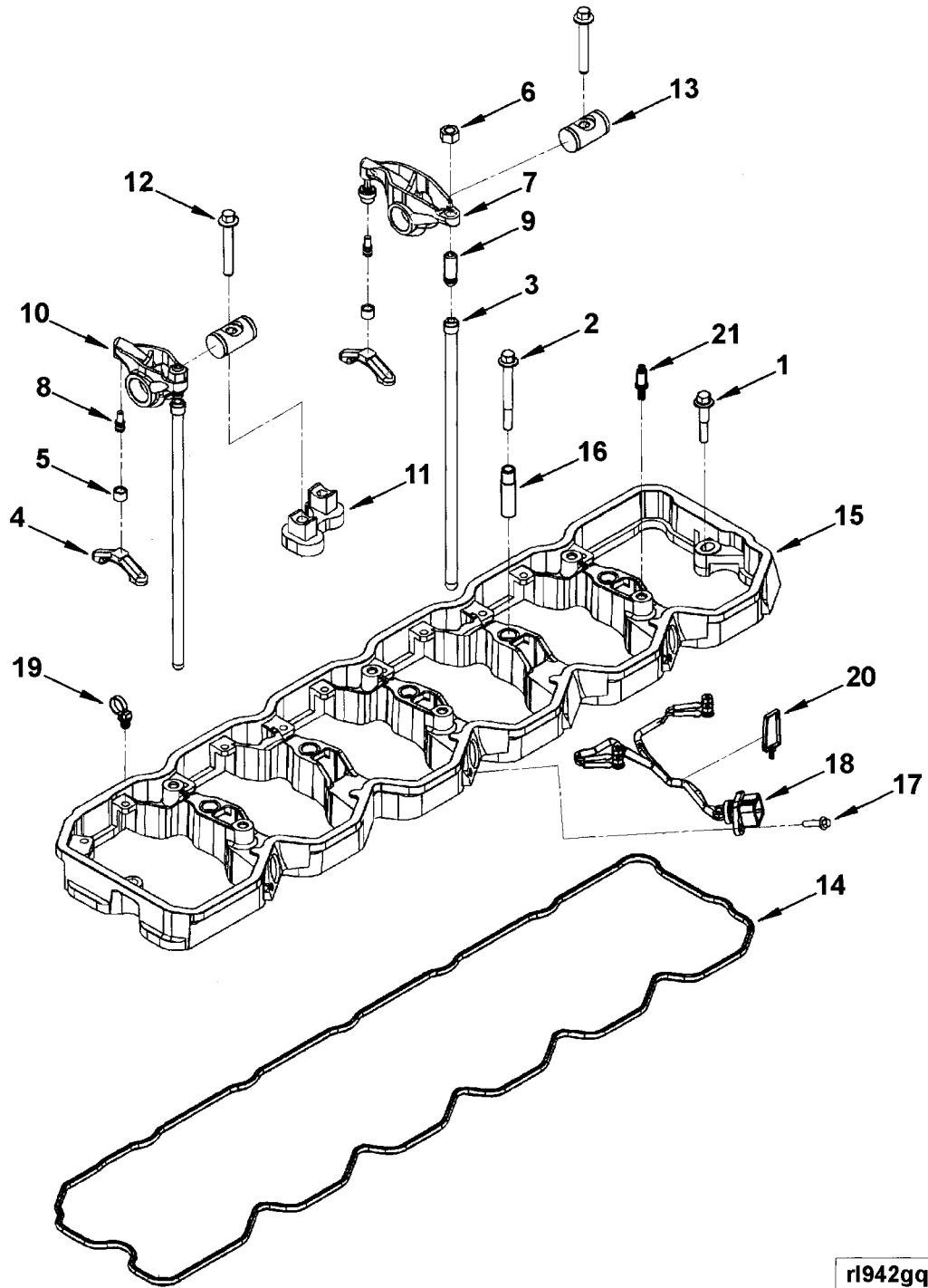
pp959gk

| Ref No. | Part Number | Part Name | Req | Remarks |
|---------|-------------|--|-----|--|
| | | TURBOCHARGER OPTION PP99127 | | Turbocharger Engine Cylinders: 6 Engine Family: "B" Series engine design phase: Tier 3 Exhaust Outlet Location: HMRO x = -177 y = 528 z = -504 base ID17 turbocharger: 4039630 Turbocharger Type: Wastegate wastegate pressure setting (BAR): 1.93 Turbocharger model: HX35 w fixed compressor outlet orientation(deg): 5 compressor angle (shipping (deg): 335 turbine angle (deg): 20 Engine Aspiration: Charge Air Cooled heat shield provision: No M10 X 1.5-6G Both Ends M10 X 1.50 |
| 1 | 3818823 | Stud | 4 | |
| 2 | 3818824 | Nut, Hexagon Flange | 4 | |
| | 4955479 | Kit, Turbocharger | 1 | |
| 3 | 3678603 | Seal, O Ring | 1 | |
| 4 | 3949530 | Gasket, Turbocharger | 1 | |
| 5 | 3922794 | Seal, O Ring | 1 | |
| 6 | 4891288 | Gasket, Oil Drain | 1 | |
| 7 | (4039630) | Turbocharger | 1 | Serviced as 4955479 |



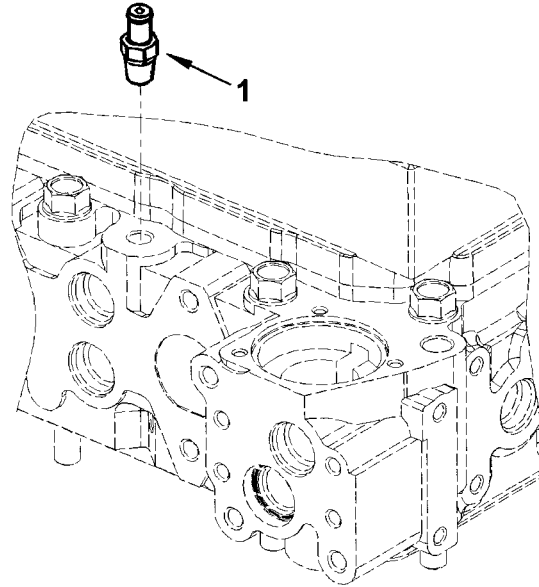
pp975gc

| Ref No. | Part Number | Part Name | Req | Remarks |
|---------|-----------------------------------|---|-------------|---------------------|
| | | TURBOCHARGER OPTION PP99127 | | Turbocharger |
| 1 | 4955479 (4039630) (3532427) | Kit, Turbocharger Turbocharger Baffle, Turbocharger Noise | 1 1 1 | Serviced as 4955479 |
| 2 | 3503100 | Bearing, Turbocharger | 2 | |
| 3 | 3596402 | Nut, Lock | 1 | |
| 4 | 3504967 | Washer, Plain | 3 | |
| 5 | 3519163 | Screw, Drive | 2 | |
| 6 | 3519302 | Shield, Turbocharger Heat | 1 | |
| 7 | 3519336 | Shaft & Wheel | 1 | |
| 8 | 3527566 | Ring, Retaining | 1 | |
| 9 | (3527619) | Dataplate | 1 | |
| 10 | 3528104 | Baffle, Oil | 1 | |
| 11 | 3528121 | Coupling, Elbow Hose | 1 | |
| 12 | (3528177) | End, Adjusting Link | 1 | |
| 13 | 3592050 | Nut, Hexagon Flange | 2 | |
| 14 | 3528221 | Ring, Retaining | 1 | |
| 15 | 3528933 | Seal, O Ring | 1 | |
| 16 | 3530556 | Screw, Hexagon Head Set | 5 | M8 X 1.25 X 20 |
| 17 | 3530923 | Plate, Oil Seal | 1 | |
| 18 | 3530924 | Slinger, Oil | 1 | |
| 19 | (3598272) | Actuator, Turbocharger | 1 | |
| 20 | 3532195 | Spacer, Mounting | 3 | |
| 21 | 3532196 | Spacer, Mounting | 1 | |
| 22 | 3595651 | Bearing, Tur Thrust | 1 | |
| 23 | 3532217 | Collar, Thrust | 1 | |
| 24 | 3539209 | Screw, Hexagon Head Set | 1 | |
| 25 | (4035699) | Impeller, Tur Compressor | 1 | |
| 26 | 3522597 | Pin, Roll | 1 | |
| 27 | (4035900) | Housing, Tur Bearing | 1 | |
| 28 | 3534309 | Plate, Clamping | 2 | |
| 29 | 3534291 | Screw, Hexagon Head Set | 2 | |
| 30 | 3529882 | Housing, Turbine | 1 | |
| 31 | 3533163 | Ring, Retaining | 1 | |
| 32 | (4041846) | Bracket, Actuator | 1 | |
| 33 | 3535001 | Gasket, Adapter | 1 | |
| 34 | 3535215 | Clamp, Hose | 2 | |
| 35 | 3527759 | Connection, Adapter | 1 | |
| 36 | (4048711) | Hose, Plain | 1 | |
| 37 | (4036745) | Housing, Compressor | 1 | |
| 38 | 3756754 | Seal, Split Ring | 1 | |
| 39 | 3758848 | Seal, Split Ring | 1 | |
| 40 | 3759917 | Screw, Hexagon Head Set | 4 | M8 X 1.25 X 12 |
| 41 | 3762259 | Ring, Retaining | 4 | |
| 42 | 3531238 | Ring, Retaining | 1 | |



rl942gq

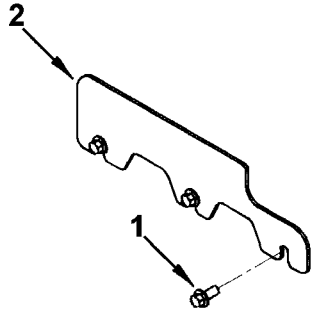
| Ref No. | Part Number | Part Name | Req | Remarks |
|---------|-------------|---------------------------------------|-----|--|
| | | ROCKER LEVER OPTION RL9765 | | Rocker Lever Structure Code: 03 EBM engine design: Tier3 Engine Family: "B" Series Cylinders: 6 compression brake compatible: No pressure diameter cast rocker housing with Additional mounting holes. |
| 1 | 3900633 | Screw, Hex Flange Head Cap | 2 | M8 X 1.25 X 50 |
| 2 | 3903096 | Screw, Hex Flange Head Cap | 5 | M8 X 1.25 X 70 |
| 3 | 3941253 | Rod, Push | 12 | |
| 4 | 3943626 | Crosshead, Valve | 12 | |
| | 4995602 | Assembly, Rocker Lever | 6 | |
| | 4995603 | Lever, Rocker | 1 | |
| 5 | (4994198) | Socket, Rocker Lever | 1 | |
| | (4995605) | Lever, Rocker | 1 | |
| 6 | 3927692 | Nut, Heavy Hexagon | 1 | |
| 7 | 3941928 | Lever, Rocker | 1 | Exhaust |
| 8 | (4994197) | Ball, Rocker Lever | 1 | |
| 9 | 3959128 | Screw, Rkr Lever Adjusting | 1 | |
| | 4995604 | Lever, Rocker | 1 | |
| 5 | (4994198) | Socket, Rocker Lever | 1 | |
| | (4995606) | Lever, Rocker | 1 | |
| 6 | 3927692 | Nut, Heavy Hexagon | 1 | |
| 8 | (4994197) | Ball, Rocker Lever | 1 | |
| 9 | 3959128 | Screw, Rkr Lever Adjusting | 1 | |
| 10 | (3941927) | Lever, Rocker | 1 | Intake |
| 11 | 3964908 | Support, Rocker Lever | 1 | |
| 12 | 3990127 | Screw, Hex Flange Head Cap | 2 | |
| 13 | 4928699 | Shaft, Rocker Lever | 2 | |
| | 4934573 | Housing, Rocker Lever | 1 | |
| 14 | 4899231 | Gasket, Rkr Lever Housing | 1 | |
| | 4938657 | Housing, Rocker Lever | 1 | |
| 15 | (4938658) | Housing, Rocker Lever | 1 | |
| 16 | (4938676) | Sleeve | 5 | |
| 17 | 3913638 | Screw, Hex Flange Head Cap | 3 | M6 X 1.00 X 16 |
| 18 | 3287699 | Harness, Wiring | 3 | |
| 19 | 3287727 | Clip, Wire Retaining | 6 | |
| 20 | 4890404 | Clip, Wire Retaining | 3 | |
| 21 | 4896991 | Stud | 6 | |



rp900zm

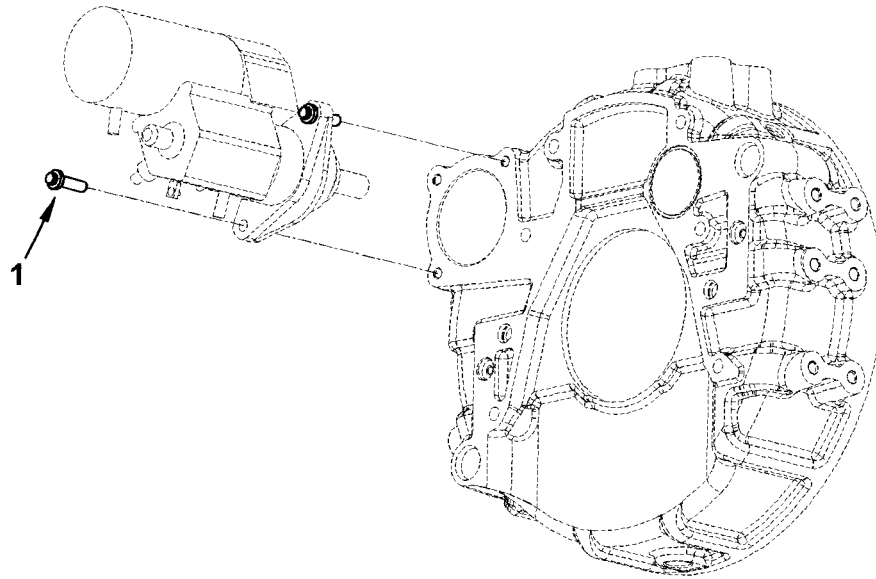
| Ref No. | Part Number | Part Name | Req | Remarks |
|---------|-------------|--|-----|---|
| 1 | 3943671 | <p style="text-align: center;">VENT,ENGINE COOLANT OPTION RP9094</p> <p>Fitting, Orifice</p> | 1 | <p>Mr - rad plumbing, connection vent provision type: Threaded engine interface: 1/4in. NPTF orifice size (mm): 3.18</p> <p>OEM Interface Thread Size: 7/16in. - 20 UNF OEM Interface Flare Angle: 45 Degrees Centerline of engine to OEM interface (mm): -76 Centerline of crank to OEM interface (mm): -156.5 429 front face of block to OEM interface (mm): -156.5</p> <p>This is an orificed fitting (1/8in. orifice) For use with a positive deaeration Cooling system.</p> |

| Ref No. | Part Number | Part Name | Req | Remarks |
|---------|-------------|---|-----|---|
| | | SOFTWARE,CALIBRATION OPTION SC9462 | | Mr - software calibration CPL: 8610 Engine Control System: E2 I rated power: 215 BHP at 2500 RPM Peak torque: 655 lbs. FT at 1500 RPM Governed Power: 215 BHP At 2500 RPM Governed Torque: 452 Lbs. FT Certified By: EPA,CARB,EU Application: Non Road cal restr: No Power Rating: Yes Calibration Voltage: 12 Or 24 speed input: N/A comment: None cert level: Tier 3,tier 3,stiia not used: ECM controlled start aid: Yes Engine Family: "B" Series ambient air pressure sensor: Yes software phase: P111016 SC history: N/A manufacturer of record: Cummins. |



sh950gw

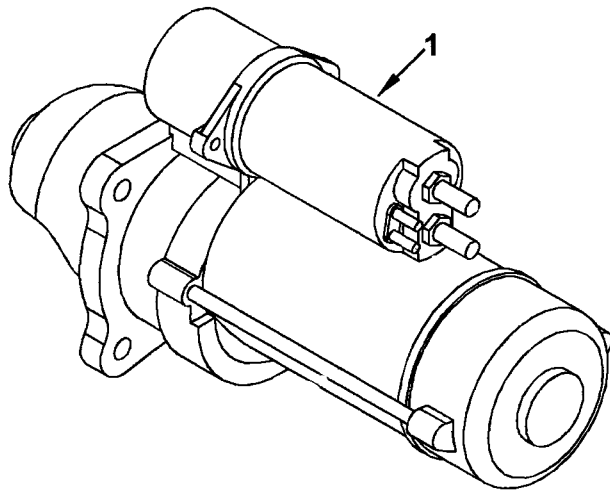
| Ref No. | Part Number | Part Name | Req | Remarks |
|---------|-------------|--------------------------------------|-----|----------------|
| | | HEAT SHIELD OPTION SH9047 | | |
| 1 | 3926846 | Screw, Hex Flange Head Cap | 3 | Heat Shield |
| 2 | 4931529 | Shield, Heat | 1 | M8 X 1.25 X 20 |



sm900zj

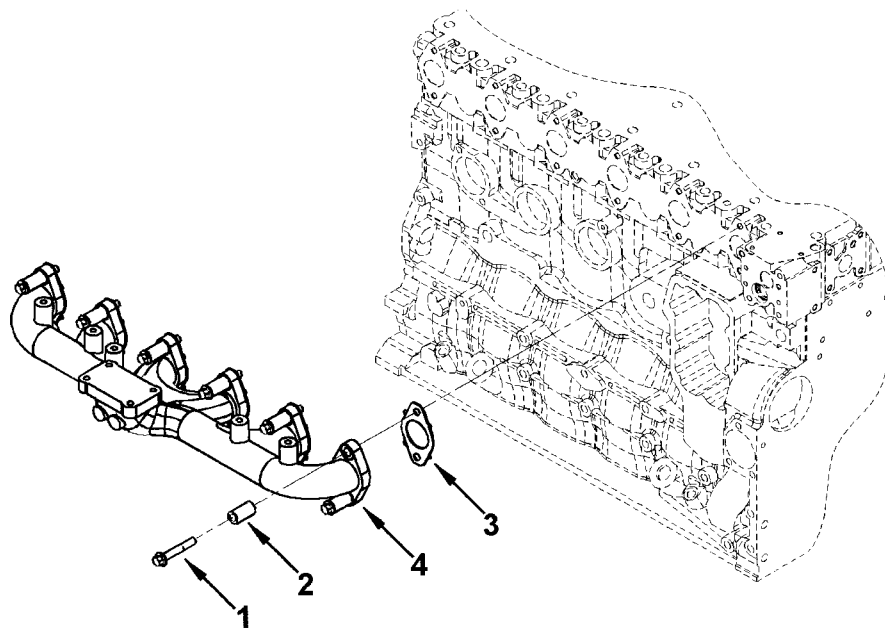
| Ref No. | Part Number | Part Name | Req | Remarks |
|---------|-------------|---|-----|--|
| 1 | 3968470 | <p style="text-align: center;">MOUNTING,STARTING MOTOR OPTION SM9790</p> <p>Screw, Twelve Point Cap</p> | 2 | <p>Mr - starting motor mounting thread size: M10 x 1.5 - 6 h items supplied: Spacer thickness thickness (mm): 0 spacer mounting flange SAE type: N/A spacer included: Spacer male pilot diameter (mm): 0 spacer female pilot diameter (mm): 0 mounting hardware supplied: 2 capscrews mounting hardware supplier: Cummins.</p> |

| Ref No. | Part Number | Part Name | Req | Remarks |
|---------|-------------|---|-----|--|
| | | <p style="text-align: center;">PAINT OPTION SS9190</p> <p>No Content Option</p> | | <p>Paint</p> <p>Engine Families: B,C, and D</p> <p>Paint Color: Titanium Black</p> <p>Valve Cover Type:Ti-Black and Red</p> <p>Hue 9</p> <p>Value: 1.44</p> <p>Chroma: .95</p> <p>Gloss Level @ 60 Degrees: 95</p> <p>Structure Language: 03 EBM</p> <p>Unique Characteristics</p> |



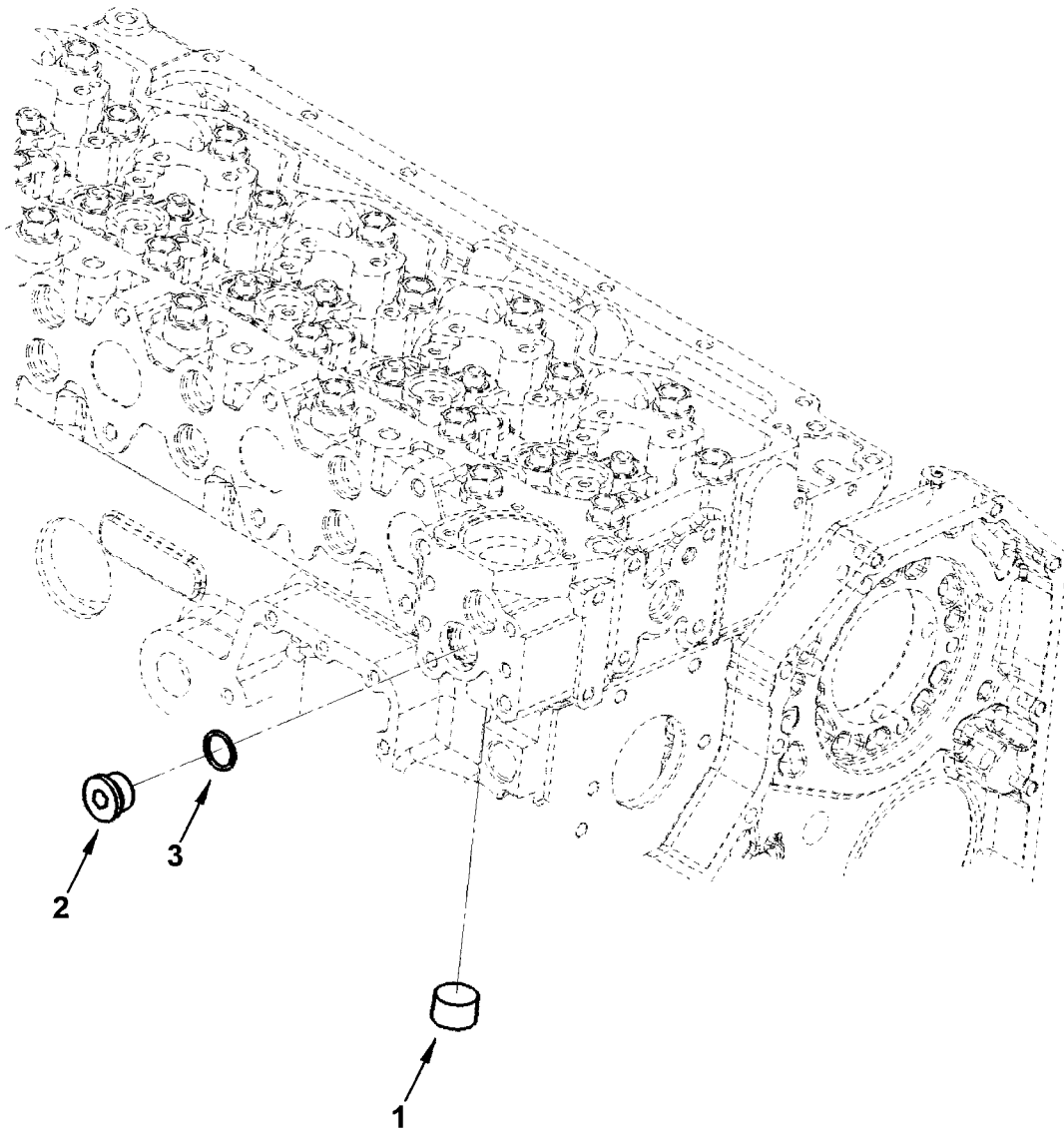
st951gi

| Ref No. | Part Number | Part Name | Req | Remarks |
|---------|-------------|--|-----|--|
| 1 | 3971603 | <p style="text-align: center;">STARTING MOTOR OPTION ST9371</p> <p>Motor, Starting</p> | 1 | <p>Starting Motor</p> <p>pinion diametral pitch: 8/10 Pinion Gear OD (mm): 40.5 Pinion gear Offset (mm): 3.2 Pinion Drive Type: Offset Mtg flange type: SAE #1 2 bolt 180 frame size diameter: 100mm pilot diameter: 88.9mm starter motor length: 244mm starter motor engine mounted angle (deg): 40.5 (+/- 15) Sealing Provision: Not Sealed supply method: Mounted removal length: 74.5 manufacturer: Denso Model: R4.0 Voltage: 12 kilowatt rating: 4.8 nameplate brand: Cummins jump start protection: Yes.</p> |



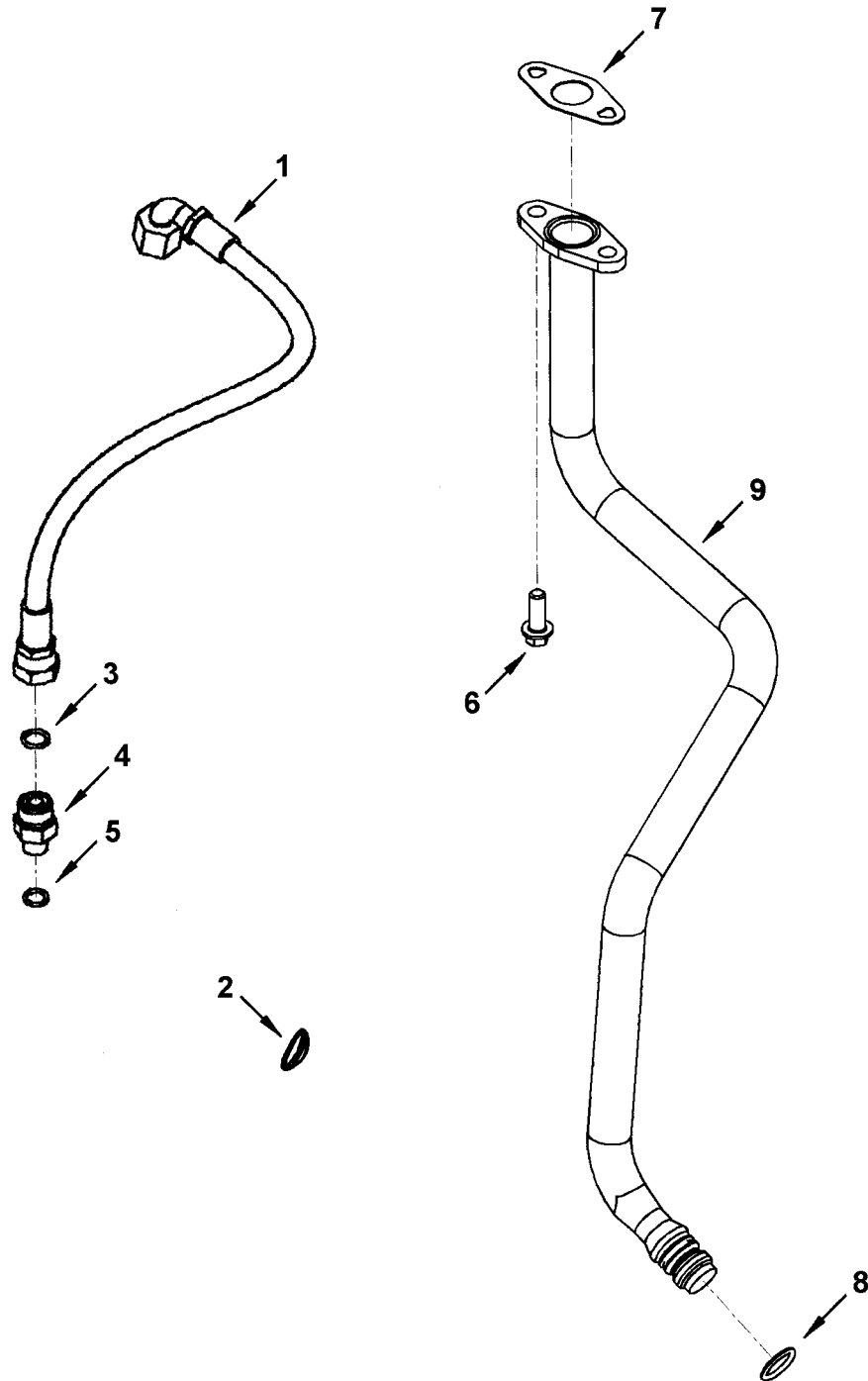
tb970gt

| Ref No. | Part Number | Part Name | Req | Remarks |
|---------|-------------|--|-----|--|
| | | TURBOCHARGER ARRANGEMENT OPTION TB91137 | | Turbocharger Arrangement Engine Config: 6B Exh Outlet Loc: HMRO Exh Horiz CCL (mm): -177 Exh Vert CCL (mm): 528 Turbo Exh Loc FFOB (mm): -504 Engine Aspiration: Charged Air Cooled Turbo Type: Wastegate CPR Outlet Config: Half Marmon CPR Outlet Angle on Engine (deg): 5 Exh Outlet Config: Half Marmon Exh Manifold Studs: None Block Drain Boss: Front Base Turbo ID 17: 4038289, 4039630, 4039636 |
| 1 | 3944593 | Screw, Hex Flange Head Cap | 12 | M10 X 1.5 X 65 |
| 2 | 3945252 | Spacer, Mounting | 12 | |
| 3 | 5266422 | Gasket, Exhaust Manifold | 6 | |
| 4 | 3973422 | Manifold, Exhaust | 1 | |



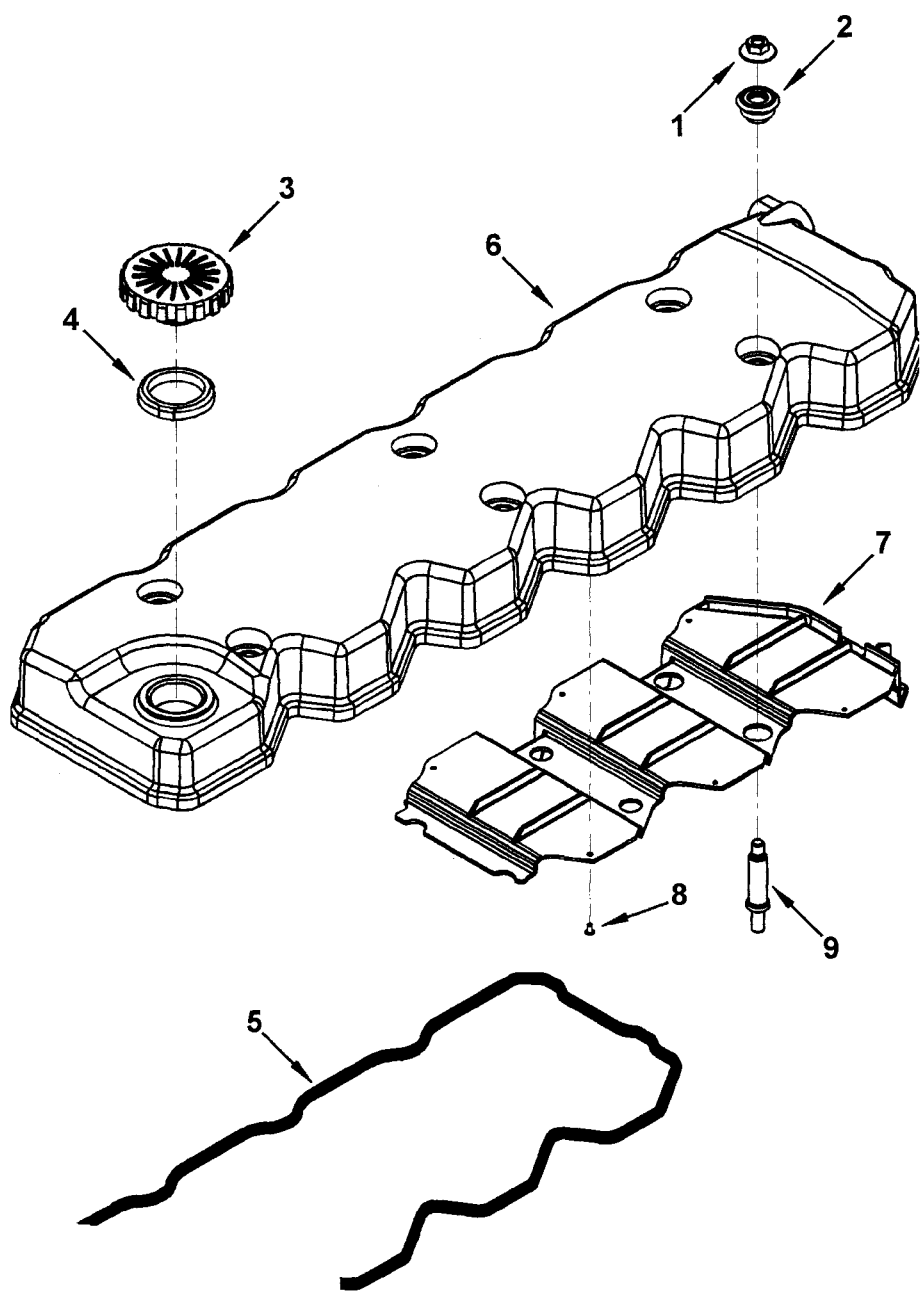
tk944gi

| Ref No. | Part Number | Part Name | Req | Remarks |
|---------|-------------|--|-----|--|
| | | COOLER, TOR CONVERTER OIL OPTION TK9036 | | Mr - tor converter oil cooler For use when no torque converter is required. Pipe plug 3008469 may be used in place of 4933532. |
| 1 | 4933532 | Plug, Pipe | 1 | 3/4 NPT |
| | 3089238 | Plug, Threaded | 1 | M22 X 1.50 X 15.5 |
| 2 | (3089239) | Plug, Threaded | 1 | |
| 3 | 3089240 | Seal, O Ring | 1 | M22 X 1.50 X 15.5 |



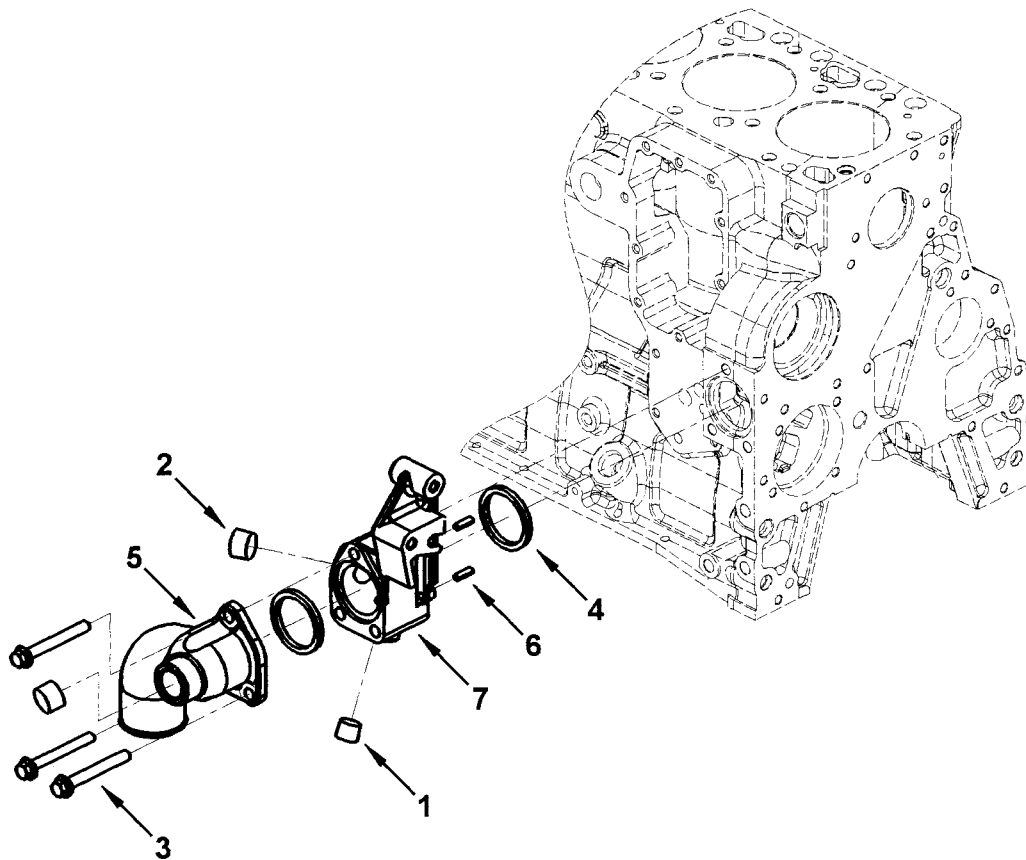
tp960gc

| Ref No. | Part Number | Part Name | Req | Remarks |
|---------|-------------|---|-----|--|
| | | TURBOCHARGER PLUMBING OPTION TP97318 | | Turbocharger Plumbing engine design phase: Echo Engine Cylinders: 6 Engine Family: "B" Series Turbocharger exhaust location (mm): HMRO x= TBD y= TBD z= TBD Turbocharger Type: Wgt Oil Filter Mounted Location: Vertical Turbocharger supply line routing: Inboard exhaust brake capable: ? Block drain location: Front drain required exhaust manifold type: Dry bearing housing manufacturer: Holset Turbocharger Drain Line Type: Flexible bearing housing cooling provision: Oil cooled. |
| 1 | 3920706 | Plug, Expansion | 1 | |
| | 4940183 | Union, Male | 2 | |
| 2 | 3678603 | Seal, O Ring | 1 | |
| 3 | (4940182) | Connector, Male | 1 | |
| 4 | 3922794 | Seal, O Ring | 1 | |
| 5 | 3900630 | Screw, Hex Flange Head Cap | 2 | M8 X 1.25 X 20 |
| 6 | 4931365 | Gasket, Oil Drain | 1 | |
| | 3975076 | Connection, Tur Oil Drain | 1 | |
| 7 | 3928624 | Seal, O Ring | 2 | |
| 8 | (3975077) | Connection, Tur Oil Drain | 1 | |
| 9 | 3976464 | Hose, Flexible | 1 | |



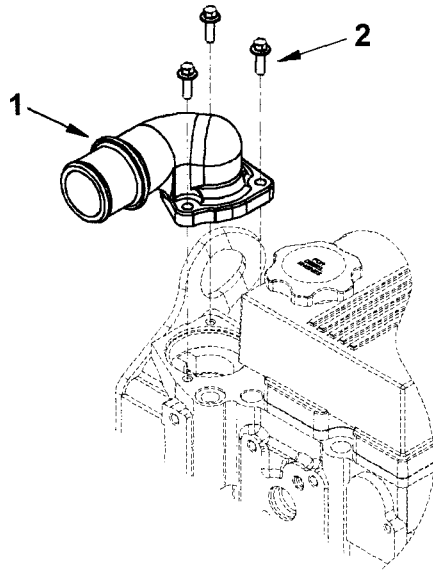
vc953gv

| Ref No. | Part Number | Part Name | Req | Remarks |
|---------|-------------|--|-----|--|
| | | VALVE COVER ARRANGEMENT OPTION VC9305 | | Valve Cover Arrangement compression brake compatible: No Engine Family: "B" Series Design Phase: Tier 3 Cylinders: 6 Fill Location: Rear Integral Breather: Yes. |
| 1 | 4893936 | Nut, Hexagon Flange | 6 | |
| 2 | 4899239 | Isolator, Noise | 6 | |
| | 3976171 | Cover, Valve | 1 | |
| | 4895459 | Cap, Filler | 1 | |
| 3 | (4895460) | Cap, Filler | 1 | |
| 4 | 4895461 | Gasket, Filler Cap | 1 | |
| 5 | 4899226 | Gasket, Valve Cover | 1 | |
| | 3976172 | Cover, Valve | 1 | |
| 6 | (3976173) | Cover, Valve | 1 | |
| 7 | (2830882) | Baffle, Breather | 1 | |
| 8 | 3931532 | Screw, Self Tapping Metal | 8 | |
| 9 | 4896991 | Stud | 6 | |



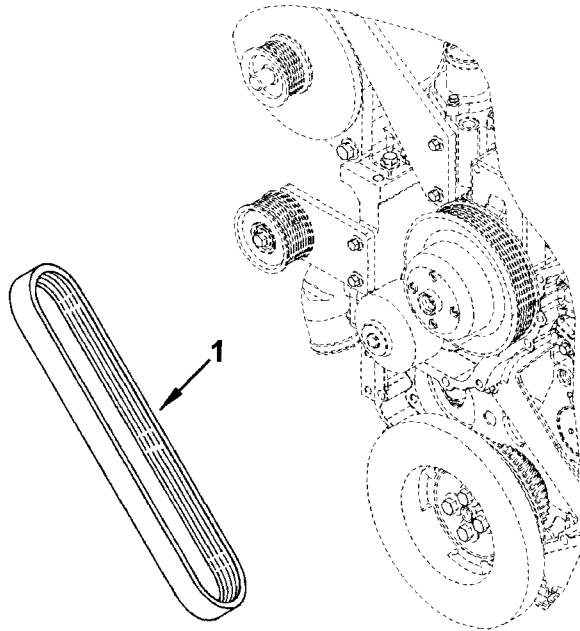
wi900zw

| Ref No. | Part Number | Part Name | Req | Remarks |
|---------|-------------|---|-----|---|
| | | WATER INLET CONNECTION OPTION WI9177 | | Water Inlet Connection Engine Family: "B" Series Connection Outside Diameter (mm): 58.0 Connection Type: Beaded Connection Location: Vertical Down from engine centerline (mm): -277.0 from crank centerline (mm): 38.0 from front face of block (mm): -97.0 mounting for belt tensioner: Yes Provision For Alternator Brace: Yes tensioner pivot location (mm): 1: X = - 227.0, y = 195.0 ER plumbing port location (mm): None pipe plug 3008468 may be used in place of 4931643 Pipe plug 3008469 may be used in place of 4933532. |
| 1 | 4931643 | Plug, Pipe | 1 | |
| 2 | 4933532 | Plug, Pipe | 2 | |
| 3 | 3900679 | Screw, Hex Flange Head Cap | 3 | M10 X 1.50 X 80 |
| 4 | 4983908 | Seal, Rectangular Ring | 2 | |
| 5 | 3943149 | Connection, Water Inlet | 1 | |
| | 3943549 | Connection, Water Inlet | 1 | |
| 6 | 131584 | Pin, Roll | 2 | |
| 7 | (4980267) | Connection, Water Inlet | 1 | |



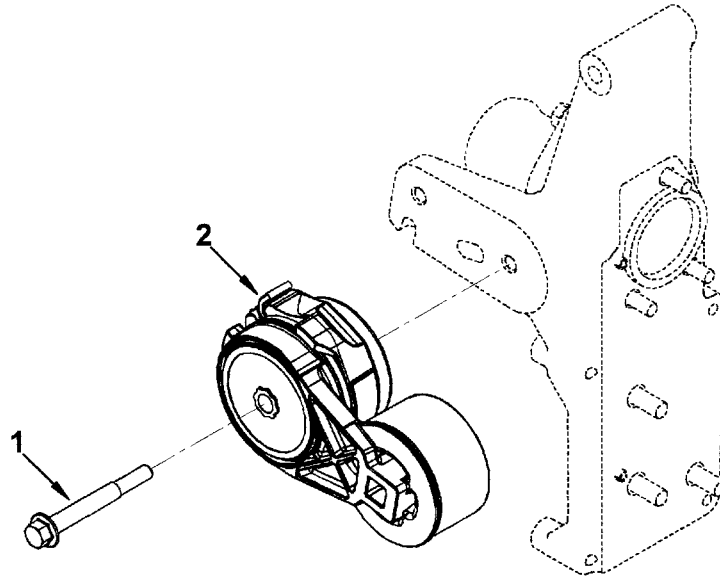
wo900ze

| Ref No. | Part Number | Part Name | Req | Remarks |
|--|-------------|----------------------------|-----|---|
| WATER OUTLET CONNECTION OPTION WO9068 | | | | |
| 1 | 3943133 | Connection, Water Outlet | 1 | Water Outlet Connection Connection Orientation: Horizontal, Forward Connection Outlet Diameter (mm): 44.4 Connection Outlet Location From Coord. Sys. (mm): X = 125 Y = 468 Z = 145 |
| 2 | 3901865 | Screw, Hex Flange Head Cap | 3 | M6 X 1.00 X 20 |



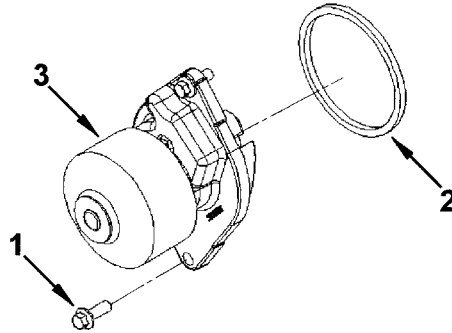
wp901zo

| Ref No. | Part Number | Part Name | Req | Remarks |
|---------|-------------|--|-----|---|
| 1 | 3979344 | <p style="text-align: center;">WATER PUMP DRIVE OPTION WP9300</p> <p>Belt, V Ribbed</p> | 1 | <p>Water Pump Drive</p> <p>Engine Family: "B" Series Tensioner Mounting Location (mm): X: -227.0 Y: 195.0 Alternator Center (mm): X: -287.99 Y: 339.15 Alternator Pulley Diameter (mm): 61.13 Engine Fan Center (mm): X: 49 Y: 202.0 Fan Pulley Diameter (mm): 159.13 Belt Length (mm): 1732.0 Damper Pulley Effective Diameter (mm): 173.76.</p> |



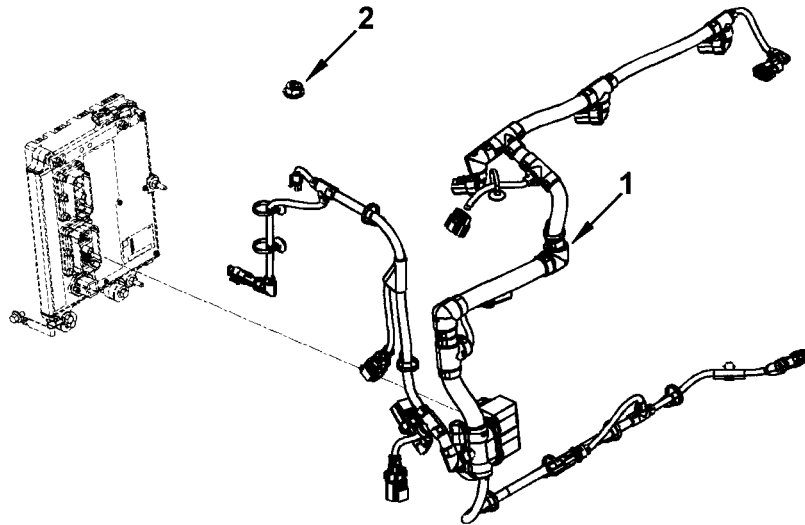
wp900zc

| Ref No. | Part Number | Part Name | Req | Remarks |
|---------|-------------|--|-----|--|
| | | BELT TENSIONER OPTION WP97056 | | |
| 1 | 3900679 | Screw, Hex Flange Head Cap | 1 | Belt Tensioner |
| 2 | 3976834 | Tensioner, Belt | 1 | Tensioner mounting location(mm): X: -227.0 y: 195.0 M10 X 1.50 X 80 |



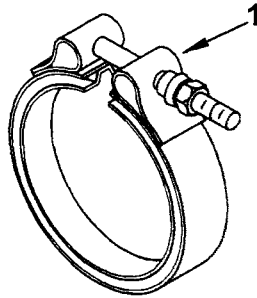
wp952ga

| Ref No. | Part Number | Part Name | Req | Remarks |
|---------|----------------------|---------------------------------------|-----|--|
| | | WATER PUMP OPTION WP9757 | | Water Pump Pulley Type: Standard Pulley Diameter: 88 Pulley Hardness: HRC 50 Water Pump Location From CL of Crank: -108 CL of Engine: 80 FFOB: 103.3 Recon Equivalent 2881804 NX |
| 1 | 2881804 | Kit, Water Pump | 1 | Serviced as 2881804 |
| 2 | 3906698 (5260263) | Seal, Rectangular Ring Pump, Water | 1 | |
| 3 | 3941981 | Screw, Hex Flange Head Cap | 2 | |



wr961gt

| Ref No. | Part Number | Part Name | Req | Remarks |
|---|-------------|---------------------|-----|---|
| ENGINE CONTROL WRG HARNESS OPTION WR9359 | | | | |
| 1 | 4988598 | Harness, Wiring | 1 | Engine Control Wrg Harness Engine Cylinders: 6 harness supplier: Cummins bracket supplier: Cummins Customer: Various Connection Type: 90 Degree OEM Connector Location: Not Mounted J1939 connector location: Front ECM location: On engine Speed Sensor Location: Front Cover Voltage: 12 or 24 real time clock battery: No to suit oil pressure switch located in front gear cover Suitable for tier3 applications only. |
| 2 | 3900589 | Nut, Hexagon Flange | 1 | M8 X 1.25 |



xs950gp

| Ref No. | Part Number | Part Name | Req | Remarks |
|---------|-------------|--|-----|---|
| 1 | 3903652 | <p style="text-align: center;">EXHAUST OUTLET CONNECTION OPTION XS9254</p> <p>Clamp, V Band</p> | 1 | <p>Exhaust Outlet Connection Engine Configuration: "B" Series Connection Configuration: None Connection Outside Diameter (mm): N/A Turbine Outlet Flange Type: Half Marmon Supported on Exhaust Manifold: No Groove Width (mm): 6.65 Clamp ID (mm): 76.2 Includes Vee Band Clamp Only</p> |

Group No. 17.01

Set,Upper Engine Gasket

| Ref No. | Part Number | Part Name | Req | Remarks |
|---------|-------------|--------------------------------|-----|------------|
| | | SET,UPPER ENGINE GASKET | | |
| | 4955229 | Set, Upper Engine Gasket | | |
| | 2830409 | Seal, O Ring | 1 | |
| | 3678603 | Seal, O Ring | 2 | |
| | 3678925 | Seal, O Ring | 1 | M10 X 1.00 |
| | 3867646 | Seal, O Ring | 1 | |
| | 3906698 | Seal, Rectangular Ring | 1 | |
| | (3919869) | Gear, Idler | 1 | |
| | 3922794 | Seal, O Ring | 2 | |
| | 3928624 | Seal, O Ring | 2 | |
| | 3947530 | Gasket, Int Manifold Cover | 1 | |
| | 3949530 | Gasket, Turbocharger | 1 | |
| | 3954829 | Seal, Thermostat | 1 | |
| | 3955339 | Gasket, Exhaust Manifold | 6 | |
| | 3963983 | Washer, Sealing | 5 | |
| | 3963988 | Washer, Sealing | 1 | |
| | 3963990 | Washer, Sealing | 7 | |
| | 3969988 | Gasket, Connection | 2 | |
| | 3976371 | Seal, Injector | 6 | |
| | 3977393 | Seal, O Ring | 6 | |
| | 4010643 | Seal, O Ring | 2 | |
| | 4891288 | Gasket, Oil Drain | 2 | |
| | 4896897 | Gasket, Acc Drive Cover | 1 | |
| | 4898372 | Seal, O Ring | 1 | |
| | 4899226 | Gasket, Valve Cover | 1 | |
| | 4899231 | Gasket, Rkr Lever Housing | 1 | |
| | 4931365 | Gasket, Oil Drain | 1 | |
| | 4932210 | Gasket, Cylinder Head | 1 | |

Group No. 17.01

Set, Lower Engine Gasket

| Ref No. | Part Number | Part Name | Req | Remarks |
|---------|-------------|---------------------------------|-----|---------------------|
| | | SET, LOWER ENGINE GASKET | | |
| | 4955230 | Set, Lower Engine Gasket | 1 | |
| | 2830409 | Seal, O Ring | 1 | |
| | 2830559 | Gasket, Oil Cooler Core | 1 | Serviced as 3977913 |
| | 2831077 | Gasket, Filter Head | 1 | |
| | 3902425 | Washer, Sealing | 1 | |
| | 3906252 | Seal, Rectangular Ring | 1 | |
| | 3906697 | Seal, Rectangular Ring | 2 | |
| | 3906698 | Seal, Rectangular Ring | 1 | |
| | 3929457 | Seal, O Ring | 1 | |
| | 3939258 | Gasket, Cover Plate | 1 | |
| | 3939357 | Gasket, Cover Plate | 1 | |
| | 3949562 | Gasket, Flange | 1 | |
| | 3959797 | Gasket, Oil Pan | 1 | |
| | 3963988 | Washer, Sealing | 1 | |
| | 3963990 | Washer, Sealing | 1 | |
| | 3974127 | Gasket, Filter Head | 1 | Serviced as 3977913 |
| | 4890832 | Seal, Oil | 1 | |
| | 4895710 | Seal, O Ring | 1 | |
| | 4898301 | Gasket, Oil Suc Connection | 1 | |
| | 4898372 | Seal, O Ring | 1 | |
| | 4934344 | Gasket, Oil Pan | 1 | |
| | 4955372 | Kit, Rear Crank Seal | 1 | |
| | (3904325) | Tool, Seal Installation | 1 | |
| | (3909409) | Tool, Seal Installation | 1 | |
| | (4936646) | Seal, Oil | 1 | Serviced as 4955372 |

Option Index

| Option No. | Description | Page No. |
|------------|----------------------------|----------|
| AH9161 | Air Heater Starting Aid | 3 |
| AP9900 | Agency Approval | 4 |
| AP9980 | Incorporation Documentatio | 5 |
| BB9131 | Rear Gear Housing | 6 |
| BB9206 | Crankshaft and Bearings | 11 |
| | Cylinder Block | 9 |
| | Valve Tappets | 12 |
| BR9191 | Crankcase Breather | 15 |
| CC9232 | Compressor Coolant Plumbin | 17 |
| CD9003 | Air Compressor Dis Plumbin | 18 |
| CH9081 | AID,COO HEATER STARTING | 21 |
| CI9190 | CPR Air Inlet Plumbing | 22 |
| CP9548 | Air Compressor | 25 |
| CP9568 | Air Compressor Mounting | 26 |
| DA9342 | Vibration Damper | 29 |
| DL9224 | LOCATION,DRAIN | 30 |
| DO91173 | SOFTWARE,CUS INTERFACE | 31 |
| EC9045 | Thermostat | 32 |
| EE9245 | Alternator | 35 |
| EH9469 | Alternator Mounting | 37 |
| FA9336 | Fan Drive | 39 |
| FA9734 | Fan Drive Mounting | 40 |
| FF9541 | Fuel Filter Location | 43 |
| FF9573 | Fuel Filter Plumbing | 45 |
| FH9481 | Flywheel Housing | 47 |
| FH9629 | Flywheel Housing Mounting | 48 |
| FP90312 | Fuel Pump | 51 |
| FR91597 | RATING,FUEL | 52 |
| FS9996 | Fuel System Accessories | 55 |
| FT9113 | Fuel Plumbing | 57 |
| FW9885 | Flywheel | 59 |
| FW9934 | Flywheel Mounting | 60 |
| GG9836 | Front Gear Cover | 61 |
| HC9026 | Cabin Heater Plumbing | 62 |
| HD9347 | MOUNTING,AUXILIARY PUMP | 63 |
| IC9480 | Air Intake Connection | 65 |
| IM9113 | Air Intake Manifold | 67 |
| IT9039 | Air Transfer Connection | 69 |
| LA9145 | Lifting Arrangement | 71 |
| LA9147 | Lifting Bracket Mounting | 72 |
| LC9244 | Engine Oil Cooler | 75 |
| LF9136 | Full Flow Oil Filter | 76 |
| LG90117 | Oil Level Gauge | 79 |
| LO9701 | Lube Oil | 80 |
| LP9065 | Lubricating Oil Pump | 81 |
| OB9169 | Oil Filler Arrangement | 82 |
| OP9456 | Oil Pan | 85 |
| PH9114 | Engine Control Module | 87 |
| PP8610 | Camshaft | 90 |
| | Connecting Rod and Piston | 89 |
| | Cylinder Head | 93 |
| | Injector | 94 |
| | Injector Plumbing | 97 |
| PP99127 | Turbocharger | 99, 101 |
| RL9765 | Rocker Lever | 103 |

| Option No. | Description | Page No. |
|-------------------|----------------------------|-----------------|
| RP9094 | VENT,ENGINE COOLANT | 104 |
| SC9462 | SOFTWARE,CALIBRATION | 105 |
| SH9047 | Heat Shield | 106 |
| SM9790 | MOUNTING,STARTING MOTOR | 107 |
| SS9190 | Paint | 108 |
| ST9371 | Starting Motor | 111 |
| TB91137 | Turbocharger Arrangement | 113 |
| TK9036 | COOLER,TOR CONVERTER OIL | 115 |
| TP97318 | Turbocharger Plumbing | 117 |
| VC9305 | Valve Cover Arrangement | 119 |
| WI9177 | Water Inlet Connection | 121 |
| WO9068 | Water Outlet Connection | 122 |
| WP9300 | Water Pump Drive | 123 |
| WP9757 | Water Pump | 125 |
| WP97056 | Belt Tensioner | 124 |
| WR9359 | Engine Control Wrg Harness | 126 |
| XS9254 | Exhaust Outlet Connection | 127 |

INDEX

| Part No. | Description | Page No. | Part No. | Description | Page No. |
|----------|-------------------------------|----------|----------|-------------------------------|--------------------------|
| 131584 | Pin, Roll | 121 | 3535001 | Gasket, Adapter | 101 |
| 145528 | Seal, O Ring | 15 | 3535215 | Clamp, Hose | 101 |
| 145530 | Seal, O Ring | 15 | 3539209 | Screw, Hexagon Head Set | 101 |
| 201351 | Clamp, Wire Tie | 5 | 3592050 | Nut, Hexagon Flange | 101 |
| 2830409 | Seal, O Ring | 128, 129 | 3595651 | Bearing, Tur Thrust | 101 |
| 2830411 | Screw, Hex Flange Head Cap | 39 | 3596402 | Nut, Lock | 101 |
| 2830559 | Gasket, Oil Cooler Core | 75, 129 | 3598272 | Actuator, Turbocharger | 101 |
| 2830882 | Baffle, Breather | 119 | 3609867 | Dataplate | 87 |
| 2830977 | Seal, O Ring | 51 | 3609967 | Clip | 45 |
| 2831066 | Collar, Shaft | 11 | 3678603 | Seal, O Ring | 99, 117, 128 |
| 2831077 | Gasket, Filter Head | 129 | 3678606 | Seal, O Ring | 18, 22 |
| 2872277 | Sensor, Position | 87 | 3678786 | Seal, O Ring | 9 |
| 2881804 | Kit, Water Pump | 125 | 3678791 | Plug, Threaded | 9 |
| 3007632 | Plug, Expansion | 93 | 3678873 | Plug, Threaded | 9 |
| 3008465 | Plug, Pipe | 69 | 3678912 | Seal, O Ring | 9 |
| 3008469 | Plug, Pipe | 47 | 3678921 | Plug, Threaded | 9 |
| 3025806 | Screw, Socket Head Cap | 85 | 3678922 | Plug, Threaded | 9 |
| 3035960 | Ring, Retaining | 39 | 3678923 | Plug, Threaded | 9, 43 |
| 3052061 | Screw, Hexagon Head Cap | 37 | 3678924 | Plug, Threaded | 9, 43 |
| 3069053 | Clamp, V Band | 69 | 3678925 | Seal, O Ring | 9, 43, 128 |
| 3089188 | Screw, Hex Flange Head Cap | 47 | 3756754 | Seal, Split Ring | 101 |
| 3089238 | Plug, Threaded | 115 | 3758848 | Seal, Split Ring | 101 |
| 3089239 | Plug, Threaded | 115 | 3759917 | Screw, Hexagon Head Set | 101 |
| 3089240 | Seal, O Ring | 115 | 3762259 | Ring, Retaining | 101 |
| 3093730 | Screw, Hex Flange Head Cap | 90 | 3802071 | Set, Main Brg(.010) | 11 |
| 3093956 | Screw, Hex Flange Head Cap | 87 | 3802072 | Set, Main Brg(.020) | 11 |
| 3282266 | Plug, Threaded | 85 | 3802073 | Set, Main Brg(.030) | 11 |
| 3283065 | Bearing, Crankshaft Thrust | 11 | 3802074 | Set, Main Brg(.040) | 11 |
| 3283066 | Bearing, Crankshaft Thrust | 11 | 3802702 | Bearing, Crankshaft Thrust | 11 |
| 3283067 | Bearing, Crankshaft Thrust | 11 | 3802704 | Bearing, Crankshaft Thrust | 11 |
| 3283068 | Bearing, Crankshaft Thrust | 11 | 3802820 | Front Seal, Wearsleeve Kit | 11 |
| 3285946 | Support, Fan | 39 | 3802924 | Kit, Intake Valve | 93 |
| 3285949 | Support, Fan | 39 | 3802967 | Kit, Exhaust Valve | 93 |
| 3287561 | Washer, Sealing | 85 | 3818823 | Stud | 99 |
| 3287699 | Harness, Wiring | 103 | 3818824 | Nut, Hexagon Flange | 99 |
| 3287727 | Clip, Wire Retaining | 103 | 3867646 | Seal, O Ring | 65, 128 |
| 3357480 | PDC Kit | 11 | 3883284 | Seal, O Ring | 69 |
| 3503100 | Bearing, Turbocharger | 101 | 3900068 | Dowel, Ring | 9 |
| 3504967 | Washer, Plain | 101 | 3900589 | Nut, Hexagon Flange | 45, 51, 126 |
| 3519163 | Screw, Drive | 101 | 3900625 | Screw, Hex Flange Head Cap | 3 |
| 3519302 | Shield, Turbocharger Heat | 101 | 3900628 | Screw, Hex Flange Head Cap | 94 |
| 3519336 | Shaft & Wheel | 101 | 3900630 | Screw, Hex Flange Head Cap | 25, 51, 117 |
| 3522597 | Pin, Roll | 101 | 3900632 | Screw, Hex Flange Head Cap | 37, 43, 57 |
| 3527566 | Ring, Retaining | 101 | 3900633 | Screw, Hex Flange Head Cap | 67, 103 |
| 3527619 | Dataplate | 101 | 3900677 | Screw, Hexagon Head Cap | 81 |
| 3527759 | Connection, Adapter | 101 | 3900679 | Screw, Hex Flange Head Cap | 47, 121, 124 |
| 3528104 | Baffle, Oil | 101 | 3900955 | Plug, Expansion | 79 |
| 3528121 | Coupling, Elbow Hose | 101 | 3900956 | Plug, Expansion | 9 |
| 3528177 | End, Adjusting Link | 101 | 3900958 | Plug, Expansion | 82 |
| 3528221 | Ring, Retaining | 101 | 3901171 | Bearing, Connecting Rod | 89 |
| 3528933 | Seal, O Ring | 101 | 3901172 | Bearing, Connecting Rod | 89 |
| 3529882 | Housing, Turbine | 101 | 3901173 | Bearing, Connecting Rod | 89 |
| 3530556 | Screw, Hexagon Head Set | 101 | 3901174 | Bearing, Connecting Rod | 89 |
| 3530923 | Plate, Oil Seal | 101 | 3901249 | Screw, Hex Flange Head Cap | 26 |
| 3530924 | Slinger, Oil | 101 | 3901445 | Screw, Hex Flange Head Cap | 6, 43, 61, 75, 85, 87 |
| 3531238 | Ring, Retaining | 101 | 3901865 | Screw, Hex Flange Head Cap | 122 |
| 3532195 | Spacer, Mounting | 101 | | | |
| 3532196 | Spacer, Mounting | 101 | | | |
| 3532217 | Collar, Thrust | 101 | | | |
| 3532427 | Baffle, Turbocharger Noise | 101 | | | |
| 3533163 | Ring, Retaining | 101 | | | |
| 3534291 | Screw, Hexagon Head Set | 101 | | | |
| 3534309 | Plate, Clamping | 101 | | | |

INDEX

| Part No. | Description | Page No. | Part No. | Description | Page No. |
|----------|---------------------------|----------------|----------|----------------------------|------------|
| 3902112 | Screw, Hex Flange Head | | 3925089 | Clamp, Spring Hose | 22 |
| | Cap | 57 | 3925234 | Plate, Cover | 47 |
| 3902114 | Screw, Hex Flange Head | | 3925852 | Pulley, Alternator | 37 |
| | Cap | 61 | 3925883 | Screw, Hex Flange Head | |
| 3902343 | Dowel, Ring | 9 | | Cap | 47, 57, 90 |
| 3902425 | Washer, Sealing | 129 | 3926126 | Rear Seal, Wear Sleeve Kit | 11 |
| 3902460 | Screw, Hex Flange Head | | 3926846 | Screw, Hex Flange Head | |
| | Cap | 9, 25, 37, 40, | | Cap | 106 |
| | | 72 | 3927063 | Screw, Hex Flange Head | |
| 3903035 | Screw, Banjo Connector | 57 | | Cap | 93 |
| 3903096 | Screw, Hex Flange Head | | 3927692 | Nut, Heavy Hexagon | 103 |
| | Cap | 103 | 3927772 | Bearing, Crankshaft Thrust | 11 |
| 3903105 | Screw, Hex Flange Head | | 3927948 | Screw, Hex Flange Head | |
| | Cap | 37 | | Cap | 9 |
| 3903112 | Screw, Hex Flange Head | | 3928624 | Seal, O Ring | 117, 128 |
| | Cap | 6 | 3928873 | Screw, Hex Flange Head | |
| 3903210 | Nut, Hexagon Flange | 25, 37 | | Cap | 87 |
| 3903464 | Screw, Hex Flange Head | | 3929016 | Bearing, Main | 11 |
| | Cap | 47, 48 | 3929017 | Bearing, Main | 11 |
| 3903652 | Clamp, V Band | 127 | 3929018 | Bearing, Main | 11 |
| 3903990 | Screw, Hex Flange Head | | 3929019 | Bearing, Main | 11 |
| | Cap | 72 | 3929021 | Bearing, Main | 11 |
| 3904181 | Plug, Threaded | 47 | 3929022 | Bearing, Main | 11 |
| 3904325 | Tool, Seal Installation | 129 | 3929023 | Bearing, Main | 11 |
| 3904483 | Dowel, Pin | 90 | 3929024 | Bearing, Main | 11 |
| 3905371 | Stud | 25 | 3929025 | Bearing, Main | 11 |
| 3905401 | Plug, Expansion | 9 | 3929457 | Seal, O Ring | 75, 129 |
| 3905427 | Gear, Flywheel Ring | 59 | 3930837 | Screw, Hex Flange Head | |
| 3906252 | Seal, Rectangular Ring | 129 | | Cap | 97 |
| 3906391 | Screw, Socket Head Cap | 87 | 3931522 | Hose, Plain | 17 |
| 3906619 | Plug, Pipe | 75 | 3931532 | Screw, Self Tapping Metal | 119 |
| 3906697 | Seal, Rectangular Ring | 129 | 3936352 | Screw, Hex Flange Head | |
| 3906698 | Seal, Rectangular Ring | 125, 128, 129 | | Cap | 9 |
| 3907769 | Screw, Hexagon Head Cap | 39 | 3936365 | Valve, Pressure Relief | 75 |
| 3909409 | Tool, Seal Installation | 129 | 3937736 | Cartridge, Lub Oil Filter | 76 |
| 3910248 | Plug, O Ring | 47 | 3939258 | Gasket, Cover Plate | 51, 129 |
| 3910260 | Seal, O Ring | 47 | 3939357 | Gasket, Cover Plate | 129 |
| 3910495 | Screw, Hex Flange Head | | 3939719 | Insert, Valve | 93 |
| | Cap | 6 | 3939720 | Insert, Valve | 93 |
| 3910739 | Bearing, Ball | 39 | 3939721 | Insert, Valve | 93 |
| 3911924 | Hub, Fan | 39 | 3939723 | Insert, Valve | 93 |
| 3913638 | Screw, Hex Flange Head | | 3939724 | Insert, Valve | 93 |
| | Cap | 57, 103 | 3939725 | Insert, Valve | 93 |
| 3914035 | Plug, Expansion | 9, 93 | 3940123 | Collet, Valve | 93 |
| 3914177 | Screw, Hex Flange Head | | 3940734 | Valve, Exhaust | 93 |
| | Cap | 47 | 3940735 | Valve, Intake | 93 |
| 3914462 | Pulley, Fan | 39 | 3941253 | Rod, Push | 103 |
| 3915490 | Plate, Clamping | 40 | 3941927 | Lever, Rocker | 103 |
| 3916103 | Tag, Instruction | 80 | 3941928 | Lever, Rocker | 103 |
| 3917995 | Clamp, Spring Hose | 15 | 3941981 | Screw, Hex Flange Head | |
| 3918109 | Screw, Hex Flange Head | | | Cap | 125 |
| | Cap | 67 | 3942367 | Adapter, Filter Head | 75 |
| 3918153 | Screw, Hex Flange Head | | 3942821 | Brace, Alternator | 37 |
| | Cap | 6 | 3943133 | Connection, Water Outlet | 122 |
| 3918614 | Hose, Plain | 15 | 3943149 | Connection, Water Inlet | 121 |
| 3918685 | Pipe, Air Transfer | 69 | 3943161 | Spring, Valve | 93 |
| 3919869 | Gear, Idler | 128 | 3943198 | Retainer, Valve Spring | 93 |
| 3919995 | Screw, Hex Flange Head | | 3943449 | Insert, Valve | 93 |
| | Cap | 67 | 3943450 | Insert, Valve | 93 |
| 3920691 | Ring, Retaining | 89 | 3943549 | Connection, Water Inlet | 121 |
| 3920706 | Plug, Expansion | 93, 117 | 3943626 | Crosshead, Valve | 103 |
| 3920854 | Screw, Captive Washer Cap | 87 | 3943671 | Fitting, Orifice | 104 |
| 3922794 | Seal, O Ring | 99, 117, 128 | 3944061 | Screw, Hex Flange Head | |
| 3923041 | Nut, Lock | 69 | | Cap | 45 |
| 3923044 | Retainer, Fan Hub | 39 | 3944593 | Screw, Hex Flange Head | |
| 3923050 | Cable, Engine Heater | 21 | | Cap | 113 |
| 3925009 | Spring, Compression | 75 | 3945094 | Plug, Expansion | 93 |

INDEX

| Part No. | Description | Page No. | Part No. | Description | Page No. |
|----------|----------------------------|------------------|----------|----------------------------|----------|
| 3945095 | Plug, Expansion | 93 | 3973088 | Housing, Flywheel | 47 |
| 3945252 | Spacer, Mounting | 113 | 3973233 | Filter, Fuel | 55 |
| 3946947 | Plug, Threaded | 75 | 3973422 | Manifold, Exhaust | 113 |
| 3947206 | Screw, Studded Flange Cap | 87 | 3973518 | Flywheel | 59 |
| 3947269 | Seal, O Ring | 51 | 3973519 | Flywheel | 59 |
| 3947270 | Seal, O Ring | 51 | 3973834 | Thermostat | 32 |
| 3947287 | Plunger, Prs Regulator | 75 | 3974093 | Valve, Pressure Relief | 97 |
| 3947530 | Gasket, Int Manifold Cover | 128 | 3974127 | Gasket, Filter Head | 75, 129 |
| 3947759 | Tappet, Valve | 12 | 3974156 | Cap, Main Bearing | 9 |
| 3948083 | Plate, Cover | 51 | 3974157 | Cap, Main Bearing | 9 |
| 3949326 | Dowel, Ring | 61 | 3974158 | Cap, Main Bearing | 9 |
| 3949419 | Stud | 51 | 3974159 | Cap, Main Bearing | 9 |
| 3949530 | Gasket, Turbocharger | 99, 128 | 3974254 | Tube, Oil Gauge | 79 |
| 3949562 | Gasket, Flange | 129 | 3974765 | Connector, Qck Disconnect | 51 |
| 3949830 | Screw, Round Head Cap | 9 | 3974823 | Thermostat | 32 |
| 3954099 | Camshaft | 90 | 3975076 | Connection, Tur Oil Drain | 117 |
| 3954100 | Camshaft | 90 | 3975077 | Connection, Tur Oil Drain | 117 |
| 3954111 | Dowel, Ring | 90 | 3975126 | Filter, Fuel | 55 |
| 3954290 | Gear, Accessory Drive | 25 | 3975404 | Head, Fuel Filter | 55 |
| 3954616 | Dowel, Ring | 6 | 3975405 | Adapter, Filter Head | 55 |
| 3954646 | Coupling, Plain Hose | 17 | 3975555 | Screw, Hex Flange Head | |
| 3954655 | Coupling, Elbow Hose | 17 | | Cap | 39 |
| 3954778 | Clamp, Tube | 45 | 3975702 | Connector, Inj Fuel Supply | 97 |
| 3954829 | Seal, Thermostat | 32, 128 | 3975703 | Connector, Inj Fuel Supply | 97 |
| 3955030 | Dowel, Pin | 11 | 3975818 | Cooler, Oil | 75 |
| 3955034 | Head, Lub Oil Filter | 75 | 3976171 | Cover, Valve | 119 |
| 3955069 | Ring, Speed Indicator | 90 | 3976172 | Cover, Valve | 119 |
| 3955080 | Connection, Fuel Block | 57 | 3976173 | Cover, Valve | 119 |
| 3955094 | Brace, Air Compressor | 25 | 3976339 | Ring, Compression Piston | 89 |
| 3955153 | Gear, Fuel Pump | 51 | 3976370 | Clamp, Injector | 94 |
| 3955171 | Coupling, Plain Hose | 57 | 3976371 | Seal, Injector | 94, 128 |
| 3955339 | Gasket, Exhaust Manifold | 128 | 3976372 | Injector | 94 |
| 3955393 | Seal, Valve Stem | 93 | 3976464 | Hose, Flexible | 117 |
| 3955465 | Tube, Cpr Water Inlet | 17 | 3976834 | Tensioner, Belt | 124 |
| 3955466 | Tube, Cpr Water Outlet | 17 | 3976997 | Dipstick | 79 |
| 3957290 | Valve, Check | 57 | 3976998 | Dipstick | 79 |
| 3957770 | Screw, Banjo Connector | 30 | 3977222 | Head, Cylinder | 93 |
| 3957849 | Screw, Socket Head Cap | 87 | 3977226 | Head, Cylinder | 93 |
| 3958561 | Elbow, Male Adapter | 18 | 3977357 | Wire, Ground | 87 |
| 3958562 | Elbow, Male Adapter | 18 | 3977393 | Seal, O Ring | 94, 128 |
| 3959128 | Screw, Rkr Lever Adjusting | 103 | 3977530 | Manifold, Fuel | 97 |
| 3959312 | Brace, Air Compressor | 25 | 3977572 | Screw, Round Head Cap | 15 |
| 3959797 | Gasket, Oil Pan | 129 | 3977695 | Union, Male | 22 |
| 3963983 | Washer, Sealing | 128 | 3977696 | Union, Male | 22 |
| 3963988 | Washer, Sealing | 57, 128, 129 | 3977790 | Tube, Lub Oil Suction | 85 |
| 3963990 | Washer, Sealing | 30, 57, 128, 129 | 3977852 | Plug, Threaded | 55 |
| | | | 3978031 | Tube, Injector Fuel Supply | 97 |
| 3964337 | Connector, Qck Disconnect | 45 | 3978032 | Tube, Injector Fuel Supply | 97 |
| 3964817 | Screw, Banjo Connector | 89 | 3978034 | Tube, Injector Fuel Supply | 97 |
| 3964908 | Support, Rocker Lever | 103 | 3978036 | Tube, Injector Fuel Supply | 97 |
| 3965153 | Head, Lub Oil Filter | 75 | 3978448 | Manifold, Fuel | 97 |
| 3965764 | Stiffener, Cylinder Block | 9 | 3979344 | Belt, V Ribbed | 123 |
| 3966164 | Breather, Crankcase | 15 | 3979410 | Coupling, Elbow Hose | 17 |
| 3968075 | Screw, Captive Washer Cap | 29 | 3990127 | Screw, Hex Flange Head | |
| 3968164 | Crankshaft, Engine | 11 | | Cap | 103 |
| 3968470 | Screw, Twelve Point Cap | 107 | 4010519 | Seal, O Ring | 87 |
| 3968786 | Tube, Breather | 15 | 4010643 | Seal, O Ring | 128 |
| 3968877 | Nozzle, Piston Cooling | 89 | 4035699 | Impeller, Tur Compressor | 101 |
| 3969562 | Bearing, Connecting Rod | 89 | 4035900 | Housing, Tur Bearing | 101 |
| 3969988 | Gasket, Connection | 128 | 4036745 | Housing, Compressor | 101 |
| 3970042 | Seal, O Ring | 15 | 4039630 | Turbocharger | 99, 101 |
| 3971211 | Rod, Engine Connecting | 89 | 4041846 | Bracket, Actuator | 101 |
| 3971212 | Rod, Engine Connecting | 89 | 4048711 | Hose, Plain | 101 |
| 3971371 | Tube, Breather | 15 | 4076493 | Sensor, Pressure | 87 |
| 3971603 | Motor, Starting | 111 | 4076930 | Switch, Pressure | 87 |
| 3971631 | Housing, Flywheel | 47 | 4089222 | Kit, Rear Seal & Adpt. | 25 |
| 3972753 | Seal, O Ring | 97 | 4089240 | Kit, Gskt & Seals 1 Cyl | 25 |

INDEX

| Part No. | Description | Page No. | Part No. | Description | Page No. |
|----------|----------------------------|--------------|----------|---------------------------|----------|
| 4089675 | Plug, Solid | 25 | 4934489 | Rivet | 3 |
| 4089684 | Adapter, Spline | 25 | 4934573 | Housing, Rocker Lever | 103 |
| 4089686 | Kit, Compressor Repair | 25 | 4934816 | Piston, Engine | 89 |
| 4890404 | Clip, Wire Retaining | 103 | 4934860 | Piston, Engine | 89 |
| 4890634 | Nut, Regular Hexagon | 51 | 4934861 | Crankshaft, Engine | 11 |
| 4890635 | Washer, Spring | 51 | 4934862 | Crankshaft, Engine | 11 |
| 4890832 | Seal, Oil | 61, 129 | 4936081 | Head, Cylinder | 93 |
| 4891178 | Bushing | 89 | 4936420 | Housing, Gear | 6 |
| 4891179 | Screw, Connecting Rod Cap | 89 | 4936423 | Housing, Gear | 6 |
| 4891288 | Gasket, Oil Drain | 99, 128 | 4936646 | Seal, Oil | 129 |
| 4891385 | Washer, Sealing | 45, 51 | 4937285 | Gasket, Filter | 43 |
| 4892795 | Bearing, Connecting Rod | 89 | 4937420 | Screw, Round Head Cap | 15 |
| 4892796 | Bearing, Connecting Rod | 89 | 4937961 | Hose, Molded | 22 |
| 4892797 | Bearing, Connecting Rod | 89 | 4938189 | Plug, Expansion | 9, 21 |
| 4892798 | Bearing, Connecting Rod | 89 | 4938354 | Housing, Starting Aid | 3 |
| 4893693 | Bearing, Connecting Rod | 89 | 4938355 | Element, Heating | 3 |
| 4893936 | Nut, Hexagon Flange | 119 | 4938356 | Element, Heating | 3 |
| 4894100 | Bracket, Lifting | 71 | 4938357 | Retainer, Element | 3 |
| 4894641 | Screw, Captive Washer Cap | 60 | 4938358 | Spring, Leaf | 3 |
| 4895459 | Cap, Filler | 119 | 4938359 | Washer, Insulating | 3 |
| 4895460 | Cap, Filler | 119 | 4938360 | Washer, Insulating | 3 |
| 4895461 | Gasket, Filler Cap | 119 | 4938362 | Washer, Plain | 3 |
| 4895710 | Seal, O Ring | 129 | 4938367 | Washer, Plain | 3 |
| 4895877 | Screw, Socket Head Cap | 90 | 4938368 | Washer, Insulating | 3 |
| 4896355 | Retainer, Cover | 3 | 4938369 | Retainer, Cap Screw | 3 |
| 4896380 | Gear, Camshaft | 90 | 4938370 | Washer, Plain | 3 |
| 4896897 | Gasket, Acc Drive Cover | 25, 128 | 4938655 | Adapter, Oil Pan | 85 |
| 4896991 | Stud | 103, 119 | 4938657 | Housing, Rocker Lever | 103 |
| 4897457 | Support, Camshaft Thrust | 90 | 4938658 | Housing, Rocker Lever | 103 |
| 4898036 | Pan, Oil | 85 | 4938676 | Sleeve | 103 |
| 4898037 | Pan, Oil | 85 | 4938989 | Clamp, V Band | 65 |
| 4898301 | Gasket, Oil Suc Connection | 85, 129 | 4939588 | Pump, Lubricating Oil | 81 |
| 4898372 | Seal, O Ring | 128, 129 | 4940117 | Screw, Hex Flange Head | |
| 4899226 | Gasket, Valve Cover | 119, 128 | | Cap | 3 |
| 4899231 | Gasket, Rkr Lever Housing | 103, 128 | 4940182 | Connector, Male | 117 |
| 4899239 | Isolator, Noise | 119 | 4940183 | Union, Male | 117 |
| 4899498 | Plate, Clamping | 15 | 4940552 | Tube, Fuel Supply | 57 |
| 4899743 | Clip | 57 | 4941307 | Adapter, Eic Connector | 3 |
| 4899791 | Isolator, Vibration | 87 | 4941310 | Aid, Starting | 3 |
| 4903482 | Seal, O Ring | 87 | 4941582 | Tube, Fuel Supply | 45 |
| 4921322 | Sensor, Prs Temperature | 87 | 4941583 | Tube, Fuel Supply | 45 |
| 4921574 | Seal, O Ring | 87 | 4941584 | Tube, Fuel Supply | 45 |
| 4921776 | Module, Electronic Control | 87 | 4946291 | Compressor, Air | 25 |
| 4928599 | Seal, O Ring | 87 | 4946485 | Compressor, Air | 25 |
| 4928699 | Shaft, Rocker Lever | 103 | 4946959 | Gasket, Filter | 55 |
| 4929065 | Screw, Studded Flange Cap | 57 | 4948145 | Heater, Engine | 21 |
| 4929128 | Insert, Threaded | 6 | 4954905 | Sensor, Temperature | 87 |
| 4929149 | Connector, Banjo | 30 | 4955160 | Kit, Engine Piston | 89 |
| 4929619 | Plug, Threaded | 57 | 4955229 | Set, Upper Engine Gasket | 128 |
| 4930304 | Clamp, Hose | 17 | 4955230 | Set, Lower Engine Gasket | 129 |
| 4930889 | Hose, Elbow | 17 | 4955251 | Set, Piston Ring | 89 |
| 4931017 | Support, Alternator | 37 | 4955372 | Kit, Rear Crank Seal | 129 |
| 4931041 | Pin, Piston | 89 | 4955479 | Kit, Turbocharger | 99, 101 |
| 4931365 | Gasket, Oil Drain | 117, 128 | 4955480 | Set, Piston Ring .50 mm | 89 |
| 4931529 | Shield, Heat | 106 | 4955481 | Kit, Engine Piston .50 mm | 89 |
| 4931643 | Plug, Pipe | 62, 121 | 4980267 | Connection, Water Inlet | 121 |
| 4932210 | Gasket, Cylinder Head | 93, 128 | 4981333 | Manifold, Air Intake | 67 |
| 4932211 | Clip | 87 | 4983253 | Bushing | 9 |
| 4932587 | Ring, Compression Piston | 89 | 4983908 | Seal, Rectangular Ring | 121 |
| 4932790 | Screw, Socket Head Cap | 51 | 4988593 | Pump, Fuel | 51 |
| 4932801 | Ring, Oil Piston | 89 | 4988594 | Pump, Fuel | 51 |
| 4933232 | Bracket, Lifting | 71 | 4988598 | Harness, Wiring | 126 |
| 4933532 | Plug, Pipe | 62, 115, 121 | 4988952 | Seal, Oil | 47 |
| 4933777 | Pipe, Air Transfer | 65 | 4989106 | Filter, Fuel | 43 |
| 4934344 | Gasket, Oil Pan | 85, 129 | 4989273 | Dataplate | 4 |
| 4934418 | Gear, Crankshaft | 11 | 4990447 | Block, Cylinder | 9 |
| 4934419 | Gear, Crankshaft | 11 | 4990848 | Head, Fuel Filter | 43 |

INDEX

| Part No. | Description | Page No. | Part No. | Description | Page No. |
|-----------------|----------------------------|-----------------|-----------------|--------------------|-----------------|
| 4991099 | Block, Cylinder | 9 | | | |
| 4991131 | Damper, Vibration | 29 | | | |
| 4992695 | Support, Filter | 43 | | | |
| 4993966 | Bracket, Etr Cnt Module | 87 | | | |
| 4994197 | Ball, Rocker Lever | 103 | | | |
| 4994198 | Socket, Rocker Lever | 103 | | | |
| 4994932 | Tube, Fuel Drain | 57 | | | |
| 4995602 | Assembly, Rocker Lever | 103 | | | |
| 4995603 | Lever, Rocker | 103 | | | |
| 4995604 | Lever, Rocker | 103 | | | |
| 4995605 | Lever, Rocker | 103 | | | |
| 4995606 | Lever, Rocker | 103 | | | |
| 5255204 | Pulley, Crankshaft | 29 | | | |
| 5257595 | Actuator, Etr Fuel Control | 51 | | | |
| 5258751 | Cover, Front | 61 | | | |
| 5259795 | Decal | 76 | | | |
| 5260014 | Nameplate | 4 | | | |
| 5260126 | Alternator | 35 | | | |
| 5260246 | Sensor, Pressure | 97 | | | |
| 5260263 | Pump, Water | 125 | | | |
| 5264181 | Retainer, inj Ful Sup Cnr | 97 | | | |
| 5264205 | Filter, Fuel | 43 | | | |
| 5264206 | Adapter, Filter Head | 43 | | | |
| 5266422 | Gasket, Exhaust Manifold | 113 | | | |

