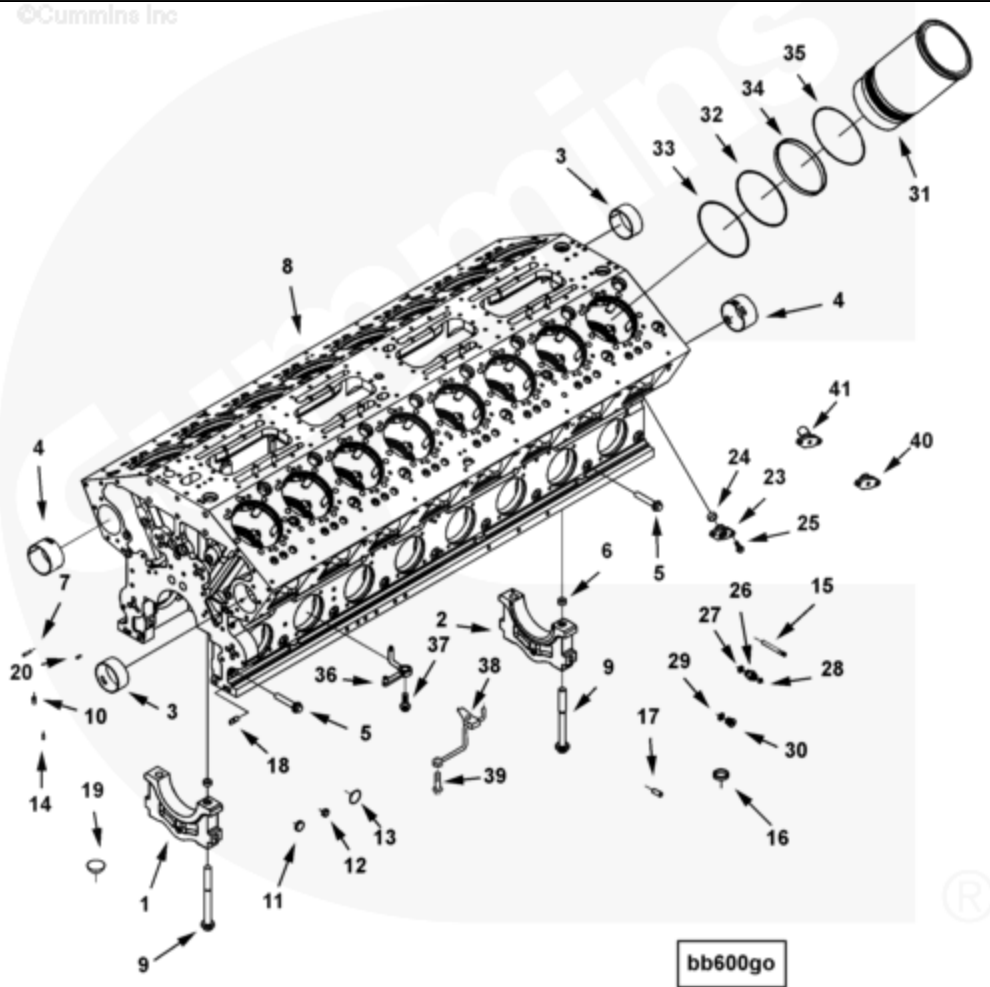




Parts Catalog - Option Detail

Electronic Parts Catalog - Option Detail				
Option	Group	Graphic	Film Card	Date
BB6714-11	01.01	bb600go	P60	12-AUG-03
Engines	QSK60 CM2150 MCRS, QSK60 CM2250 K112, QSK60 CM2350 K116, QSK60 CM2350 K117, QSK60 CM2350 K121, QSK60 CM2350 K133, QSK60 CM500, QSK60 CM850 MCRS, QSK60 G, QSK60 G CM2358 K110			



[SMALL](#) | [MEDIUM](#) | [LARGE](#)

Cart	Ref No	Part Number	Part Description	Required	Remarks
View My Cart					
		BB6714-11	Cylinder Block		Block, cylinder
					To be used on QSK60 engines.
					Use with 7 bolt cylinder
					head only.

<input type="checkbox"/>		4001053	Cylinder Block	1	
<input type="checkbox"/>	1	3082443	Main Bearing Cap	8	
<input type="checkbox"/>	2	4016726	Main Bearing Cap	1	
<input type="checkbox"/>	3	3089172	Bushing	2	
<input type="checkbox"/>	4	3089173	Bushing	16	
<input type="checkbox"/>	5	3089192	Hexagon Flange Head Cap Screw	18	
<input type="checkbox"/>	6	3089201	Ring Dowel	9	
<input type="checkbox"/>	7	4016701	Diamond Dowel	2	
	8	4016529	Cylinder Block	1	
<input type="checkbox"/>	9	3332234	Fracture Resistant Screw	18	
<input type="checkbox"/>	10	68445	Groove Pin	32	
<input type="checkbox"/>	11	4017622	Expansion Plug	4	
<input type="checkbox"/>	12	3082438	Ring Dowel	32	
<input type="checkbox"/>	13	3629168	Expansion Plug	9	
<input type="checkbox"/>	14	4016468	Pin Dowel	4	
<input type="checkbox"/>	15	3176663	Tamper Proof Seal	24	
<input type="checkbox"/>	16	4017621	Expansion Plug	8	
<input type="checkbox"/>	17	3089378	Pin Dowel	1	
<input type="checkbox"/>	18	3089379	Diamond Dowel	1	
<input type="checkbox"/>	19	4017240	Expansion Plug	19	
<input type="checkbox"/>	20	4001096	Pin Dowel	16	
<input type="checkbox"/>	22	3903990	Hexagon Flange Head Cap Screw	38	M10 X 1.50 X 20.
<input type="checkbox"/>	23	3631471	O-Ring Adapter	1	
<input type="checkbox"/>	24	3632840	O-Ring Seal	6	
<input type="checkbox"/>	40	4080519	O-Ring Adapter	4	
<input type="checkbox"/>	25	3902460	Hexagon Flange Head Cap Screw	12	M10 X 1.50 X 25.
<input type="checkbox"/>		3090400	Male Union	4	
	26	3090419	Male Union	4	
<input type="checkbox"/>	27	3679139	O-Ring Seal	4	
<input type="checkbox"/>	28	3922794	O-Ring Seal	4	
<input type="checkbox"/>		3678873	Threaded Plug	2	M18 X 1.5 X 19.5

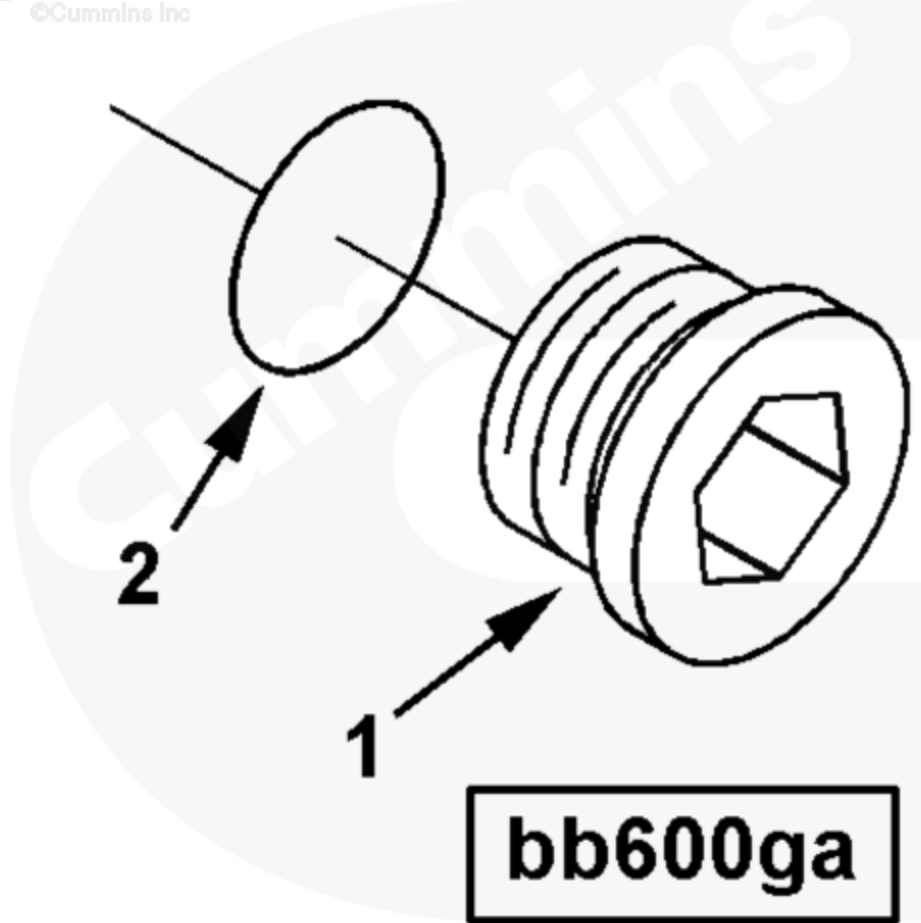
<input type="checkbox"/>	29	3678786	O-Ring Seal	2	M18
	30	3678791	Threaded Plug	2	M18 X 1.5 X 19.5
<input type="checkbox"/>		4089143	Cylinder Liner Kit	16	
	31	4085917	Cylinder Liner	16	
<input type="checkbox"/>	32	4017292	D-Ring Seal	16	
<input type="checkbox"/>	33	3014668	D-Ring Seal	16	
<input type="checkbox"/>	34	3081489	Oil Seal	16	
<input type="checkbox"/>	35	3088386	Liner Seal Ring	16	
<input type="checkbox"/>	35	3088385	Liner Seal Ring	A/R	
<input type="checkbox"/>	35	3088387	Liner Seal Ring	A/R	
<input type="checkbox"/>	35	3088388	Liner Seal Ring	A/R	
<input type="checkbox"/>	36	4016048	Piston Cooling Nozzle	16	
<input type="checkbox"/>	37	3089016	Hexagon Flange Head Cap Screw	16	M10 X 1.50 X 35.
<input type="checkbox"/>	38	4080156	Piston Cooling Nozzle	16	
<input type="checkbox"/>	39	4001095	Banjo Connector Screw	16	
<input type="checkbox"/>	41	4100631	O-Ring Adapter	1	



Parts Catalog - Option Detail

Electronic Parts Catalog - Option Detail				
Option	Group	Graphic	Film Card	Date
BB6708-02	01.01.4	bb600ga	P60	26-JUN-00
Engines	QSK60 CM2150 MCRS, QSK60 CM2250 K112, QSK60 CM2350 K116, QSK60 CM2350 K117, QSK60 CM2350 K121, QSK60 CM2350 K133, QSK60 CM500, QSK60 CM850 MCRS, QSK60 G, QSK60 G CM2358 K110			

©Cummins Inc



[SMALL](#) | [MEDIUM](#) | [LARGE](#)

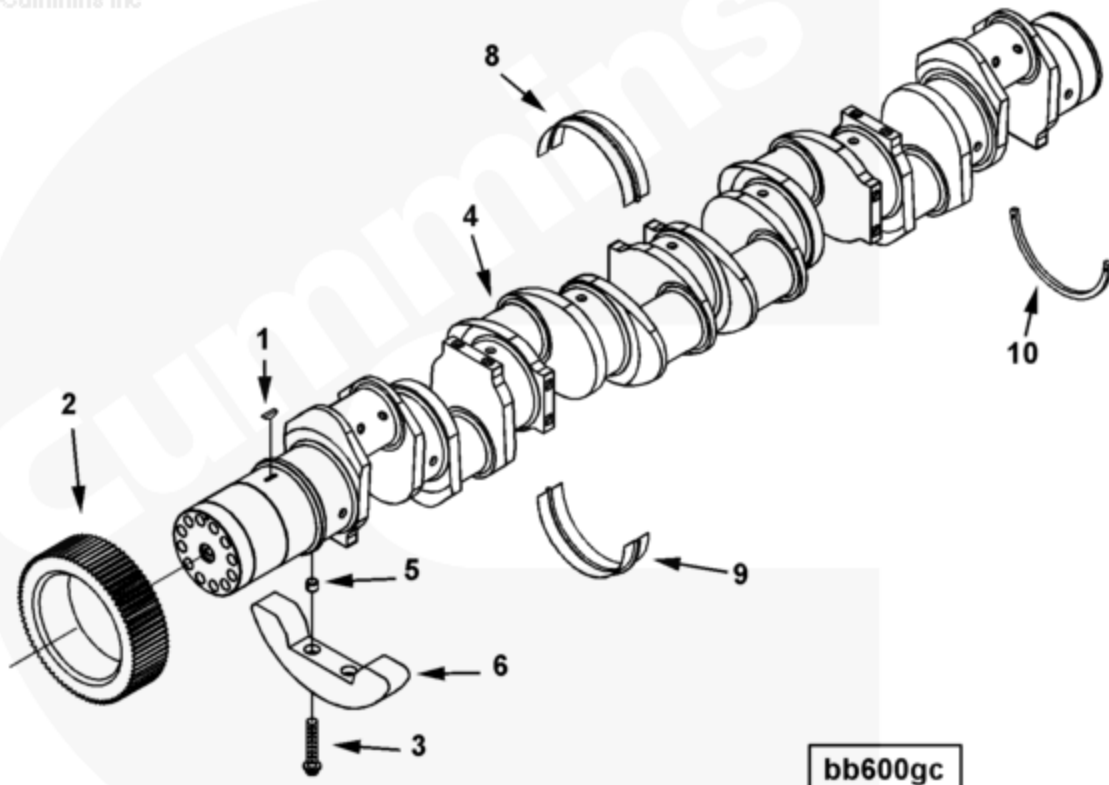
Cart	Ref No	Part Number	Part Description	Required	Remarks
View My Cart					
		BB6708-02	Cylinder Block Plumbing		Cylinder block plumbing
<input type="checkbox"/>		3678873	Threaded Plug	1	M18 X 1.5 X 19.5
	1	3678791	Threaded Plug	1	M18 X 1.5 X 19.5
<input type="checkbox"/>	2	3678786	O-Ring Seal	1	M18



Parts Catalog - Option Detail

Electronic Parts Catalog - Option Detail				
Option	Group	Graphic	Film Card	Date
BB6714-03	01.02	bb600gc	P60	03-FEB-03
Engines	QSK60 CM2150 MCRS, QSK60 CM2250 K112, QSK60 CM2350 K116, QSK60 CM2350 K117, QSK60 CM2350 K121, QSK60 CM2350 K133, QSK60 CM500, QSK60 CM850 MCRS, QSK60 G, QSK60 G CM2358 K110			

©Cummins Inc



SMALL | MEDIUM | LARGE

Cart	Ref No	Part Number	Part Description	Required	Remarks
<input type="button" value="View My Cart"/>					
		BB6714-03	Crankshaft Assembly		
<input type="checkbox"/>	1	206904	Plain Woodruff Key	1	
<input type="checkbox"/>	2	4015887	Crankshaft Gear	1	
		3331923	Engine Crankshaft	1	
<input type="checkbox"/>	3	3089869	Fracture Resistant Screw	16	
	4	3089963	Engine Crankshaft	1	
<input type="checkbox"/>	5	3176218	Ring Dowel	16	
<input type="checkbox"/>	6	3331921	Crankshaft Counter Weight	8	

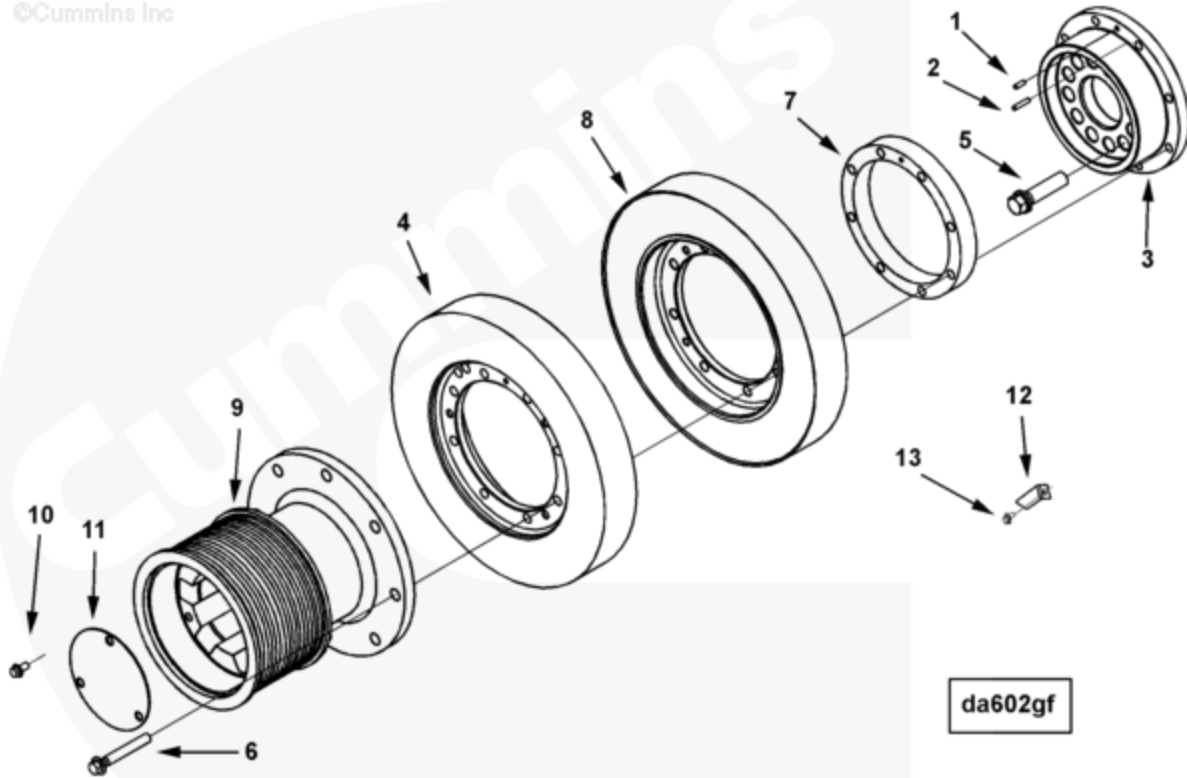
<input type="checkbox"/>		4024792	Main Bearing Set	1	Standard
<input type="checkbox"/>	8	3082340	Main Bearing	9	
<input type="checkbox"/>	9	3082346	Main Bearing	9	
<input type="checkbox"/>	10	4007569	Thrust Bearing	4	
<input type="checkbox"/>		4024793	Main Bearing Set	A/R	.25 MM oversize
<input type="checkbox"/>	8	3082341	Main Bearing	A/R	
<input type="checkbox"/>	9	3082347	Main Bearing	A/R	
<input type="checkbox"/>	10	4007569	Thrust Bearing	A/R	
<input type="checkbox"/>		4024794	Main Bearing Set	A/R	.50 MM oversize
<input type="checkbox"/>	8	3082342	Main Bearing	A/R	
<input type="checkbox"/>	9	3082348	Main Bearing	A/R	
<input type="checkbox"/>	10	4007569	Thrust Bearing	A/R	
<input type="checkbox"/>		4024795	Main Bearing Set	A/R	.75 MM oversize
<input type="checkbox"/>	8	3082343	Main Bearing	A/R	
<input type="checkbox"/>	9	3082349	Main Bearing	A/R	
<input type="checkbox"/>	10	4007569	Thrust Bearing	A/R	
<input type="checkbox"/>		4024796	Main Bearing Set	A/R	1.00 MM oversize
<input type="checkbox"/>	8	3082344	Main Bearing	A/R	
<input type="checkbox"/>	9	3082350	Main Bearing	A/R	
<input type="checkbox"/>	10	4007569	Thrust Bearing	A/R	



Parts Catalog - Option Detail

Electronic Parts Catalog - Option Detail				
Option	Group	Graphic	Film Card	Date
DA6147-05	01.02.2	da602gf	P60	01-APR-03
Engines	QSK60 CM2150 MCRS, QSK60 CM2250 K112, QSK60 CM2350 K116, QSK60 CM2350 K117, QSK60 CM2350 K121, QSK60 CM2350 K133, QSK60 CM500, QSK60 CM850 MCRS, QSK60 G, QSK60 G CM2358 K110			

©Cummins Inc



SMALL | MEDIUM | LARGE

Cart	Ref No	Part Number	Part Description	Required	Remarks
View My Cart					
		DA6147-05	Vibration Damper		VIG Damper Arrangement
<input type="checkbox"/>	1	131584	Roll Pin	1	
<input type="checkbox"/>	2	3033629	Roll Pin	1	
<input type="checkbox"/>	3	3089093	Crankshaft Adapter	1	
<input type="checkbox"/>	4	4007034	Viscous Vibration Damper	1	
<input type="checkbox"/>	5	3089127	Fracture Resistant Screw	12	
<input type="checkbox"/>	6	3089128	Hexagon Flange Head Cap Screw	8	M14 X 1.50 X 105.
<input type="checkbox"/>	7	3089570	Crankshaft Spacer	1	

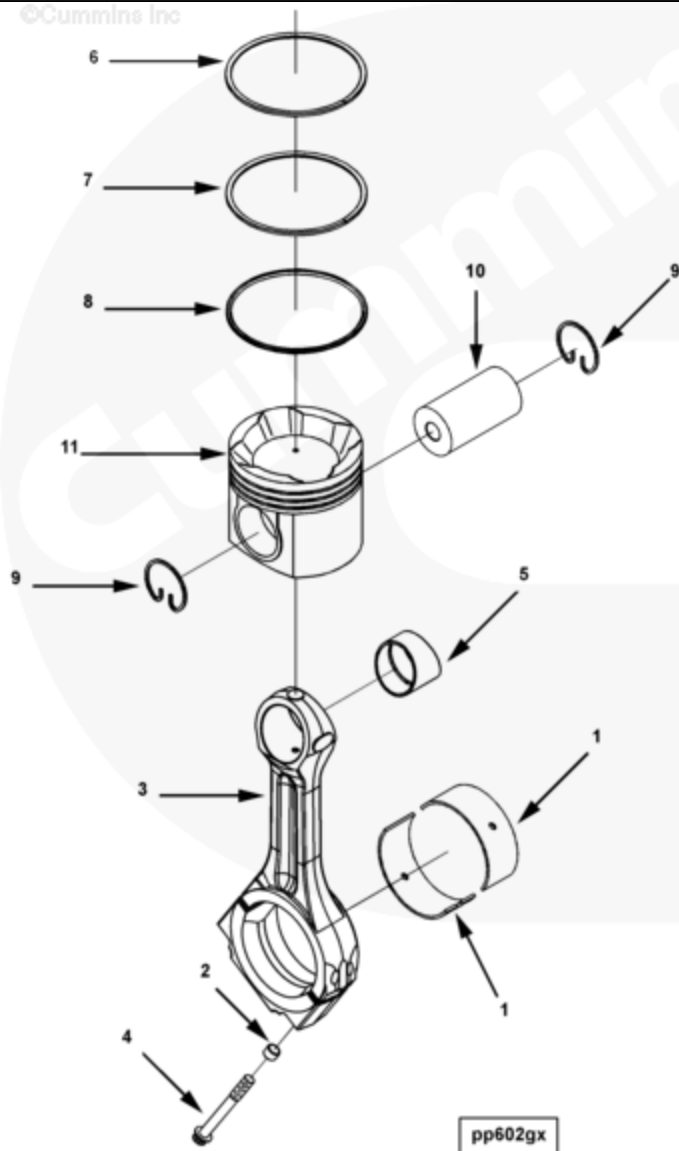
<input type="checkbox"/>	8	4007035	Viscous Vibration Damper	1	
<input type="checkbox"/>	9	4016987	Crankshaft Pulley	1	
<input type="checkbox"/>	10	3903990	Hexagon Flange Head Cap Screw	3	M10 X 1.50 X 20.
<input type="checkbox"/>	11	3036115	Protective Cover	1	
<input type="checkbox"/>	12	4017238	Timing Pointer	1	
<input type="checkbox"/>	13	3900626	Hexagon Flange Head Cap Screw	1	M6 X 1.00 X 12.

© 2019 Cummins Inc., Box 3005, Columbus, IN 47202-3005 U.S.A.
Terms of Use and Disclaimers | Recommended System Requirements
Need Assistance? Please click on the Contact Us button in the top right corner of any page.



Parts Catalog - Option Detail

Electronic Parts Catalog - Option Detail				
Option	Group	Graphic	Film Card	Date
PP2848-06	01.04	pp602gx	P60	28-JUL-03
Engines	QSK60 CM2150 MCRS, QSK60 CM2250 K112, QSK60 CM2350 K116, QSK60 CM2350 K117, QSK60 CM2350 K121, QSK60 CM2350 K133, QSK60 CM500, QSK60 CM850 MCRS, QSK60 G, QSK60 G CM2358 K110			



[SMALL](#) | [MEDIUM](#) | [LARGE](#)

Cart	Ref No	Part Number	Part Description	Required	Remarks
View My Cart					
		PP2848-06	Connecting Rod And Piston		Performance parts
					Certified Model Name: Qsk60-
					C timing gear code: Kf

					CPL: 2848
					Certified By: EPA , CARB
					AFC: N/A
					ASA: N/A
					EFC: N/A ETC: N/A
					Manifold Type: Dry
					Engine Aspiration:
					Turbocharger Aftercooled
					Engine Control System: HPI
					Application: Nonroad
					Power Turbine: N/A
					Design Phase: N/A
					Power Rating: N/A ECM
					version: CM series sentinel
					provision: No.
<input type="checkbox"/>	1	4100932	Connecting Rod Bearing	2	
<input type="checkbox"/>		4100935	Connecting Rod Bearing	A/R	.25 MM Oversize.
<input type="checkbox"/>		4100936	Connecting Rod Bearing	A/R	.50 MM Oversize.
<input type="checkbox"/>		4100937	Connecting Rod Bearing	A/R	.75 MM Oversize.
<input type="checkbox"/>		4100938	Connecting Rod Bearing		1.00 MM Oversize.
<input type="checkbox"/>		3635126	Engine Connecting Rod	16	Recon Equivalent 3635126 NX.
<input type="checkbox"/>	2	4101000	Ring Dowel	2	
	3	3635125	Engine Connecting Rod	1	
<input type="checkbox"/>	4	3332239	Hexagon Flange Head Cap Screw	4	
<input type="checkbox"/>	5	3089522	Bushing	1	
<input type="checkbox"/>		4089247	Piston Ring Set	16	
<input type="checkbox"/>	6	4100481	Compression Piston Ring	1	
	7	3090460	Compression Piston Ring	1	
	8	3090450	Oil Piston Ring	1	
<input type="checkbox"/>		4089246	Engine Piston Kit	16	
<input type="checkbox"/>	9	3089251	Retaining Ring	2	

<input type="checkbox"/>	10	4001416	Piston Pin	1	
<input type="checkbox"/>	11	4066543	Engine Piston	1	Serviced As 4089246.

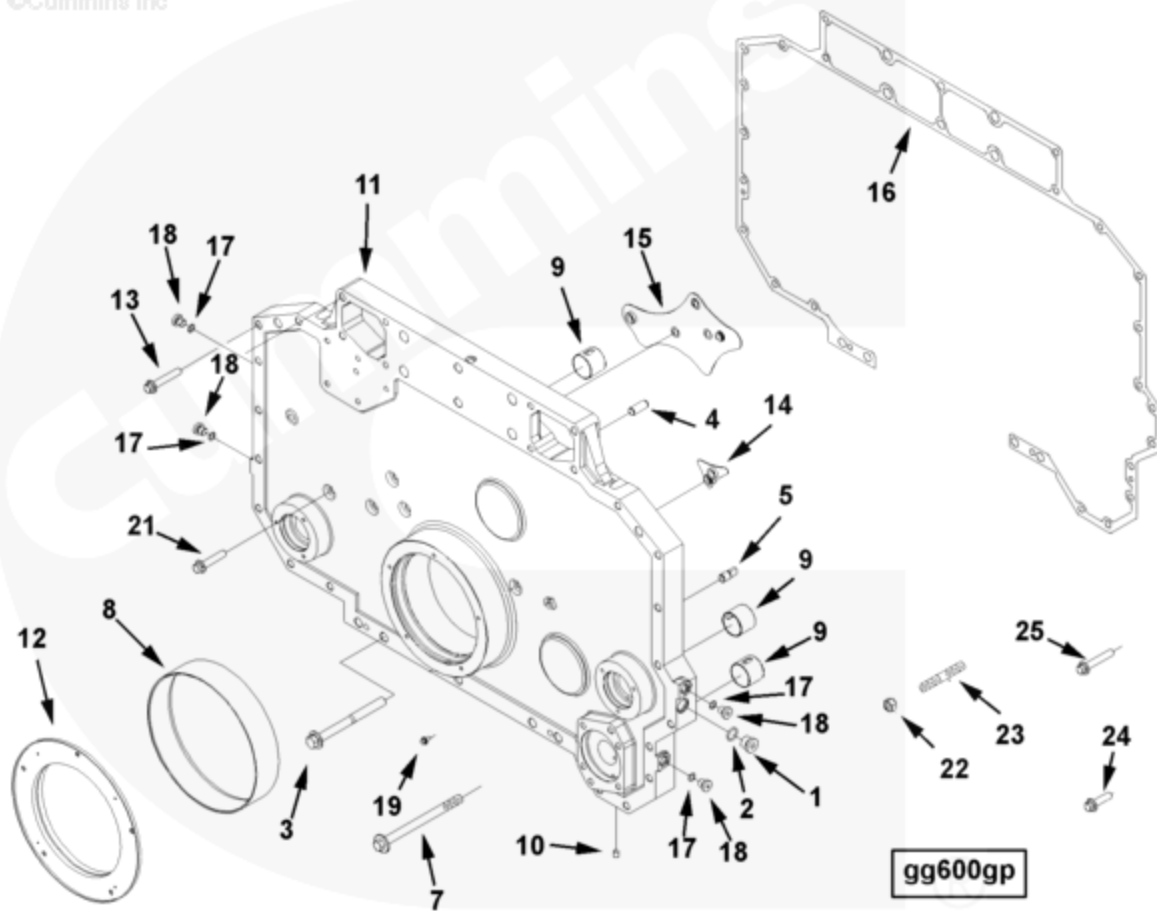
© 2019 Cummins Inc., Box 3005, Columbus, IN 47202-3005 U.S.A.
Terms of Use and Disclaimers | Recommended System Requirements
Need Assistance? Please click on the Contact Us button in the top right corner of any page.



Parts Catalog - Option Detail

Electronic Parts Catalog - Option Detail				
Option	Group	Graphic	Film Card	Date
GG6711-04	01.06	gg600gp	P60	01-SEP-03
Engines	QSK60 CM2150 MCRS, QSK60 CM2250 K112, QSK60 CM2350 K116, QSK60 CM2350 K117, QSK60 CM2350 K121, QSK60 CM2350 K133, QSK60 CM500, QSK60 CM850 MCRS, QSK60 G, QSK60 G CM2358 K110			

©Cummins Inc



[SMALL](#) | [MEDIUM](#) | [LARGE](#)

Cart	Ref No	Part Number	Part Description	Required	Remarks
View My Cart					
		GG6711-04	Front Gear Cover		Cover, front gear
					cast iron front gear cover
					To be used on qsk45/60
					construction engines.
					To be used with fan drive
					bracket.

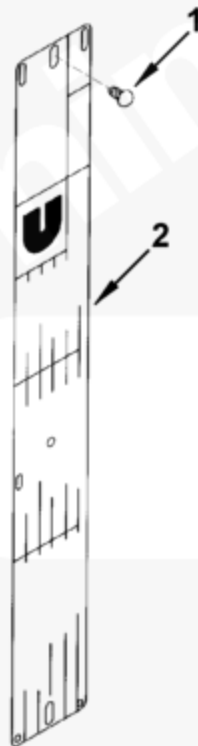
<input type="checkbox"/>	3	3089296	Hexagon Flange Head Cap Screw	6	M16 x 2.00 x 170
<input type="checkbox"/>	4	3089378	Pin Dowel	1	
<input type="checkbox"/>	5	3089379	Diamond Dowel	1	
<input type="checkbox"/>	7	3089592	Hexagon Flange Head Cap Screw	2	
		4101324	Gear Cover	1	
<input type="checkbox"/>		3089238	Threaded Plug	1	M22 x 1.50 x 20.1
	1	3089239	Threaded Plug	1	M22 x 1.50 x 20.1
<input type="checkbox"/>	2	3089240	O-Ring Seal	1	M22
<input type="checkbox"/>	8	4101322	Bushing	1	
<input type="checkbox"/>	9	3089454	Bushing	3	
<input type="checkbox"/>	10	3176663	Tamper Proof Seal	2	
<input type="checkbox"/>	11	4016504	Gear Cover	1	
<input type="checkbox"/>		3678921	Threaded Plug	3	M14 X 1.5 X 16
<input type="checkbox"/>	17	3678912	O-Ring Seal	1	M14
	18	3678922	Threaded Plug	1	M14 X 1.5 X 16
<input type="checkbox"/>	12	4066222	Oil Seal	1	QSK45 & QSK60 use 4100624
<input type="checkbox"/>	13	3278480	Hexagon Flange Head Cap Screw	19	M12 x 1.75 x 70
<input type="checkbox"/>	14	3331969	Spacer Gasket	1	
<input type="checkbox"/>	15	3331970	Spacer Gasket	1	
<input type="checkbox"/>	16	4100983	Gear Cover Gasket	1	
<input type="checkbox"/>	19	3900626	Hexagon Flange Head Cap Screw	5	M6 x 1.00 x 12
<input type="checkbox"/>	21	3905372	Hexagon Flange Head Cap Screw	3	M12 x 1.75 x 60
<input type="checkbox"/>	22	3903210	Hexagon Flange Nut	2	M12 X 1.75.
<input type="checkbox"/>	23	4017427	Double End Plain Stud	2	
<input type="checkbox"/>	24	3093937	Hexagon Flange Head Cap Screw	4	M12 x 1.75 x 20
<input type="checkbox"/>	25	3681065	Hexagon Flange Head Cap Screw	2	M12 x 1.75 x 70



Parts Catalog - Option Detail

Electronic Parts Catalog - Option Detail				
Option	Group	Graphic	Film Card	Date
AP6028-01	01.06.1	ap400ga	P60	14-APR-03
Engines	QSK60 CM2150 MCRS, QSK60 CM2250 K112, QSK60 CM2350 K116, QSK60 CM2350 K117, QSK60 CM2350 K121, QSK60 CM2350 K133, QSK60 CM500, QSK60 CM850 MCRS, QSK60 G, QSK60 G CM2358 K110			

©Cummins Inc



ap400ga

[SMALL](#) | [MEDIUM](#) | [LARGE](#)

Cart	Ref No	Part Number	Part Description	Required	Remarks
View My Cart					
		AP6028-01	Agency Approval		Agency approval
					Certified By: EPA/CARB
					Application: Nonroad
					Certification Level: Tier 1
					centinel: No
					For use on Komatsu engines
					only.
<input type="checkbox"/>	1	3056508	Drive Screw	3	
<input type="checkbox"/>	2	4080178	Dataplate	1	Engine datatags have a

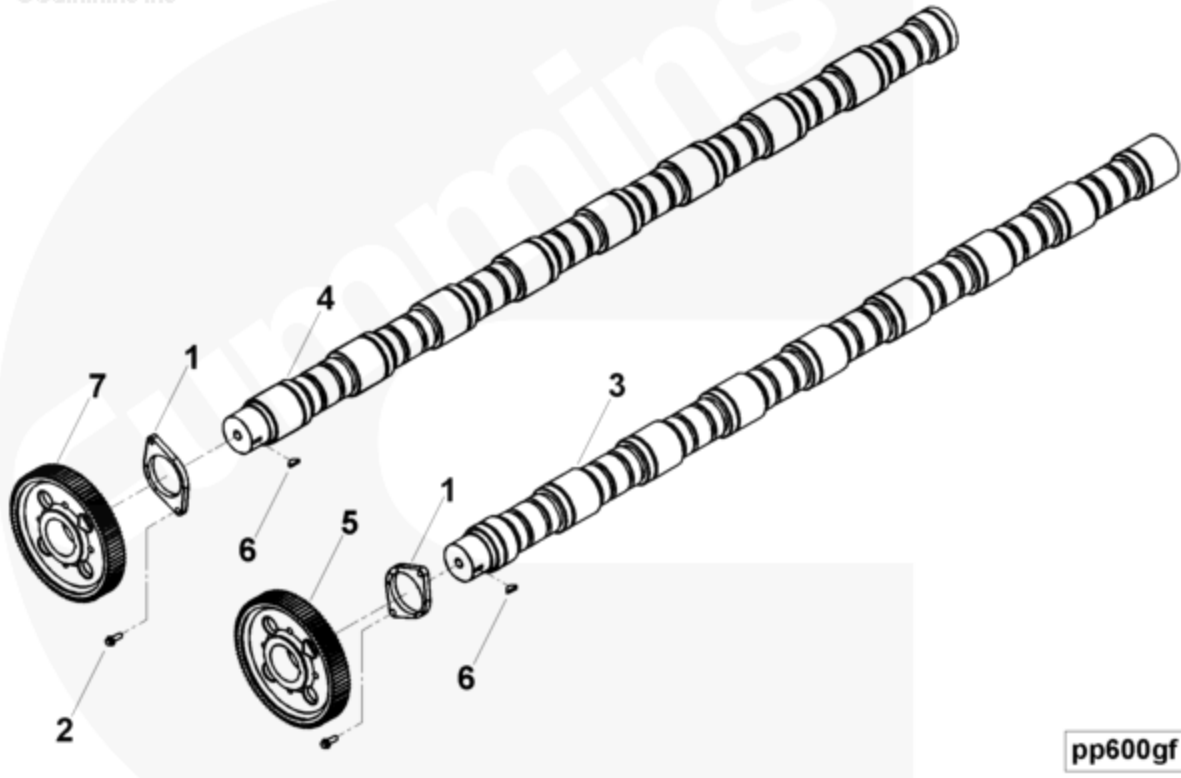
					controlled distribu tion.
					Sales are now restricted thru
					mdc. For replacement
					datatags, please contact
					meliss a campbell 812-377-
					9028.customers must be able
					to supply appropriate
					engine/prod info in order to
					process this request. Esn#,
					CPL# shop order#, customer
					name, customer locatio
					n,distributor name, kms
					distributor name, equipment
					vin. Nomultiple datatag
					requests will be permitted.
					One datatag per approved
					esn#.



Parts Catalog - Option Detail

Electronic Parts Catalog - Option Detail				
Option	Group	Graphic	Film Card	Date
PP2848	01.07	pp600gf	P60	04-SEP-00
Engines	QSK60 CM2150 MCRS, QSK60 CM2250 K112, QSK60 CM2350 K116, QSK60 CM2350 K117, QSK60 CM2350 K121, QSK60 CM2350 K133, QSK60 CM500, QSK60 CM850 MCRS, QSK60 G, QSK60 G CM2358 K110			

©Cummins Inc



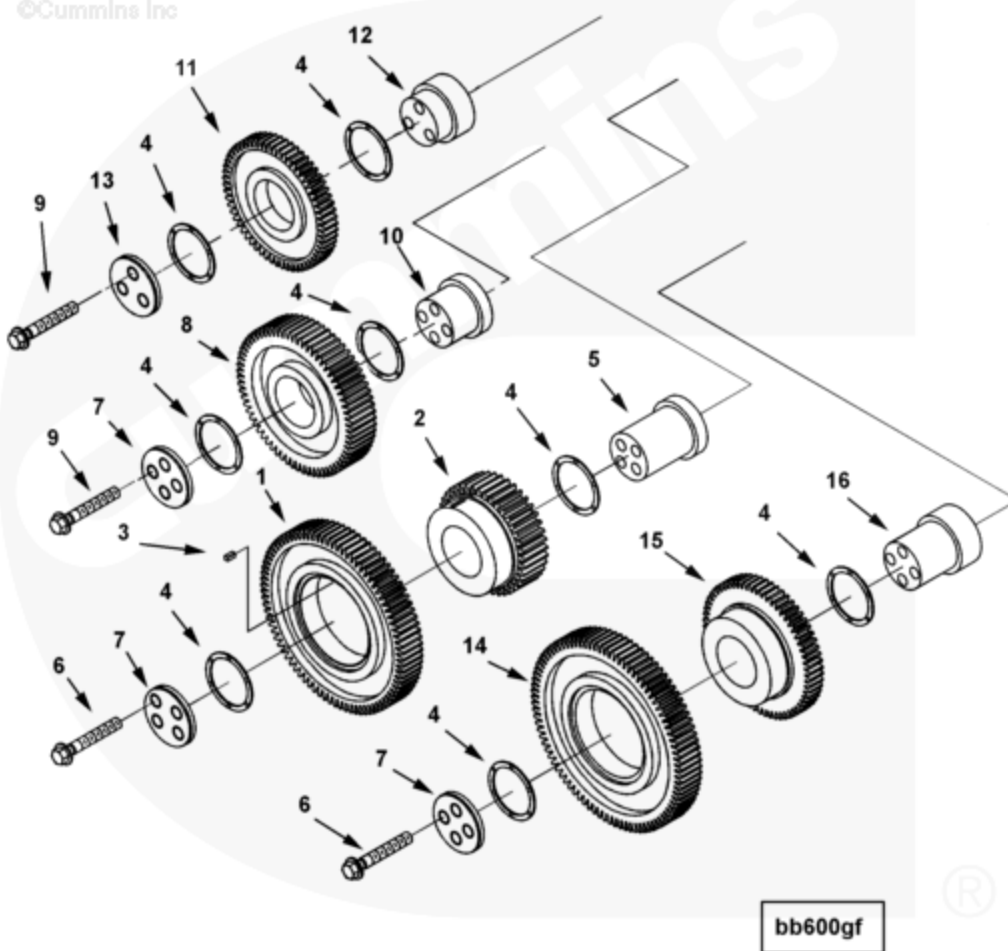
[SMALL](#) | [MEDIUM](#) | [LARGE](#)

Cart	Ref No	Part Number	Part Description	Required	Remarks
View My Cart					
		PP2848	Camshaft		
<input type="checkbox"/>	1	3082437	Camshaft Thrust Bearing	2	
<input type="checkbox"/>	2	3903112	Hexagon Flange Head Cap Screw	4	M10 X 1.50 X 30.
<input type="checkbox"/>	3	3411289	Camshaft	1	Left Bank.
<input type="checkbox"/>	4	3411290	Camshaft	1	Right Bank.
<input type="checkbox"/>	5	3332138	Camshaft Gear	1	
<input type="checkbox"/>	6	S 302	Plain Woodruff Key	2	
<input type="checkbox"/>	7	3089081	Camshaft Gear	1	



Parts Catalog - Option Detail

Electronic Parts Catalog - Option Detail				
Option	Group	Graphic	Film Card	Date
BB6714-01	01.07.1	bb600gf	P60	15-FEB-02
Engines	QSK60 CM2150 MCRS, QSK60 CM2250 K112, QSK60 CM2350 K116, QSK60 CM2350 K117, QSK60 CM2350 K121, QSK60 CM2350 K133, QSK60 CM500, QSK60 CM850 MCRS, QSK60 G, QSK60 G CM2358 K110			



[SMALL](#) | [MEDIUM](#) | [LARGE](#)

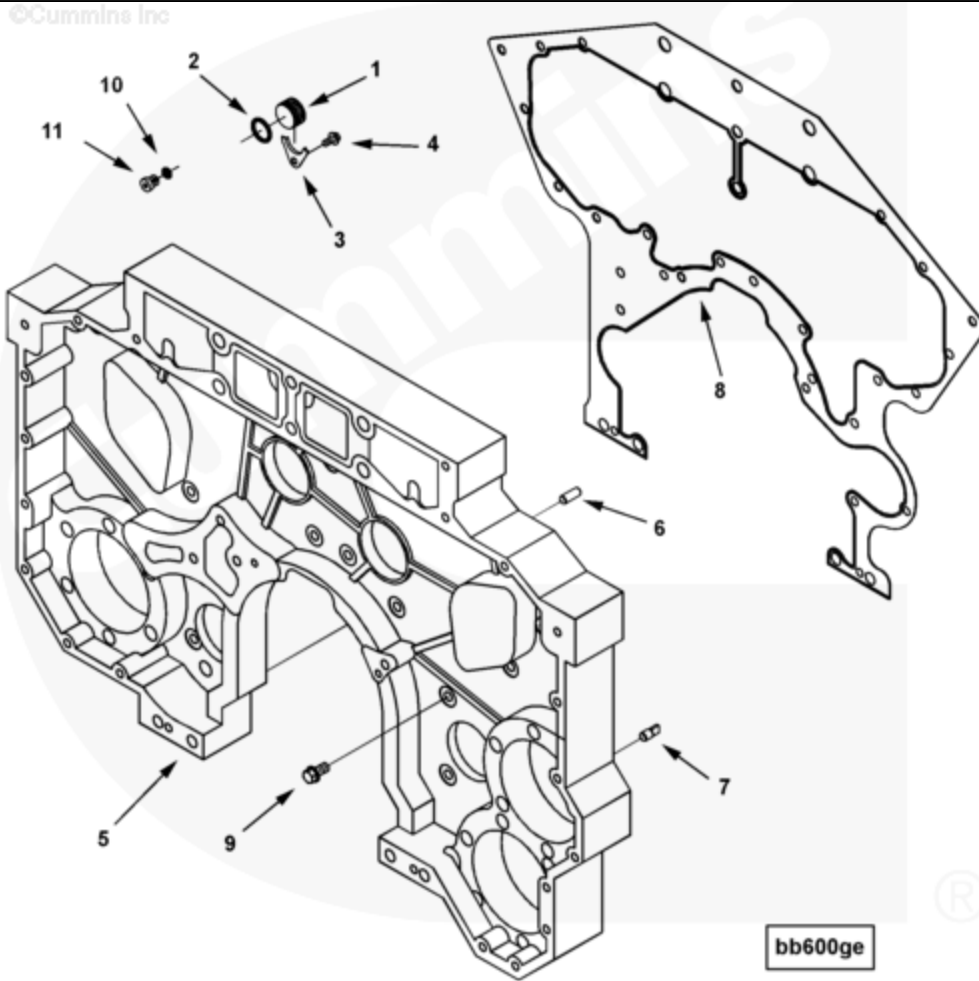
Cart	Ref No	Part Number	Part Description	Required	Remarks
View My Cart					
		BB6714-01	Idler Gear		
<input type="checkbox"/>		3089087	Idler Gear	1	
<input type="checkbox"/>	1	4015886	Idler Gear	1	
<input type="checkbox"/>	2	3089089	Idler Gear	1	
<input type="checkbox"/>		3082057	Bushing	2	
		3089090	Idler Gear	1	

<input type="checkbox"/>					
<input type="checkbox"/>	3	3089498	Square Key	1	
<input type="checkbox"/>	4	3082121	Thrust Bearing	2	
<input type="checkbox"/>	5	3089083	Idler Shaft	1	
<input type="checkbox"/>	6	3089259	Hexagon Flange Head Cap Screw	4	
<input type="checkbox"/>	7	3089281	Gear Retainer	1	
<input type="checkbox"/>	8	3089091	Idler Gear	1	
		4000790	Idler Gear	1	
<input type="checkbox"/>		3089214	Bushing	1	
<input type="checkbox"/>	4	3082121	Thrust Bearing	2	
<input type="checkbox"/>	9	3082427	Fracture Resistant Screw	4	
<input type="checkbox"/>	10	3089084	Idler Shaft	1	
<input type="checkbox"/>	7	3089281	Gear Retainer	1	
<input type="checkbox"/>	11	3089105	Idler Gear	1	
		4000791	Idler Gear	1	
<input type="checkbox"/>		3089107	Bushing	1	
<input type="checkbox"/>	4	3082121	Thrust Bearing	2	
<input type="checkbox"/>	9	3082427	Fracture Resistant Screw	3	
<input type="checkbox"/>	12	3089104	Idler Shaft	1	
<input type="checkbox"/>	13	3089320	Gear Retainer	1	
<input type="checkbox"/>		3089121	Idler Gear	1	
<input type="checkbox"/>	14	3089122	Idler Gear	1	
<input type="checkbox"/>	15	3089123	Idler Gear	1	
		4000793	Idler Gear	1	
<input type="checkbox"/>		3089315	Bushing	2	
<input type="checkbox"/>	4	3082121	Thrust Bearing	2	
<input type="checkbox"/>	6	3089259	Hexagon Flange Head Cap Screw	4	
<input type="checkbox"/>	7	3089281	Gear Retainer	1	
<input type="checkbox"/>	16	3089314	Idler Shaft	1	



Parts Catalog - Option Detail

Electronic Parts Catalog - Option Detail				
Option	Group	Graphic	Film Card	Date
BB6714-02	01.09	bb600ge	P60	04-DEC-00
Engines	QSK60 CM2150 MCRS, QSK60 CM2250 K112, QSK60 CM2350 K116, QSK60 CM2350 K117, QSK60 CM2350 K121, QSK60 CM2350 K133, QSK60 CM500, QSK60 CM850 MCRS, QSK60 G, QSK60 G CM2358 K110			



SMALL | MEDIUM | LARGE

Cart	Ref No	Part Number	Part Description	Required	Remarks
View My Cart					
		BB6714-02	Gear Housing		
<input type="checkbox"/>	1	3171643	Gear Housing Plug	2	
<input type="checkbox"/>	2	3035026	O-Ring Seal	2	
<input type="checkbox"/>	3	3090171	Tube Clamp	2	
<input type="checkbox"/>	4	3900629	Hexagon Flange Head Cap Screw	2	M8 X 1.25 X 16
	5	4016512	Gear Housing	1	

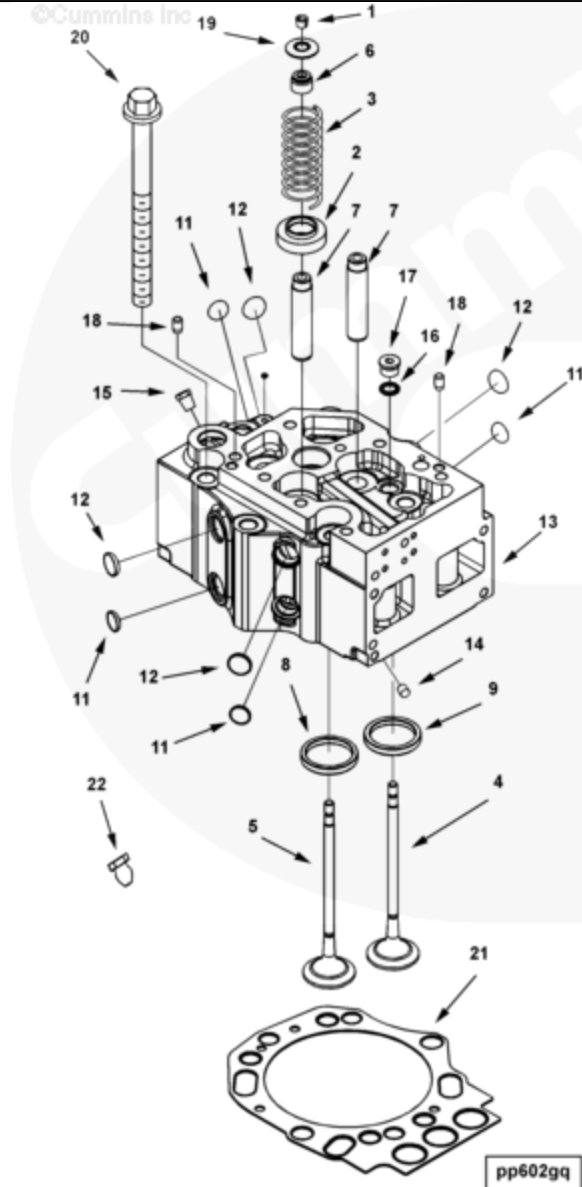
<input type="checkbox"/>					
<input type="checkbox"/>	6	3089378	Pin Dowel	1	
<input type="checkbox"/>	7	3089379	Diamond Dowel	1	
<input type="checkbox"/>	8	4007165	Gear Housing Gasket	1	
<input type="checkbox"/>	9	3910495	Hexagon Flange Head Cap Screw	19	M12 X 1.75 X 30.
<input type="checkbox"/>		3678611	Threaded Plug	2	
<input type="checkbox"/>	10	3678606	O-Ring Seal	2	M27 X 2.00
	11	3678605	Threaded Plug	2	M27x2

© 2019 Cummins Inc., Box 3005, Columbus, IN 47202-3005 U.S.A.
Terms of Use and Disclaimers | Recommended System Requirements
Need Assistance? Please click on the Contact Us button in the top right corner of any page.



Parts Catalog - Option Detail

Electronic Parts Catalog - Option Detail				
Option	Group	Graphic	Film Card	Date
PP2848-08	02.01	pp602gq	P60	20-FEB-03
Engines	QSK60 CM2150 MCRS, QSK60 CM2250 K112, QSK60 CM2350 K116, QSK60 CM2350 K117, QSK60 CM2350 K121, QSK60 CM2350 K133, QSK60 CM500, QSK60 CM850 MCRS, QSK60 G, QSK60 G CM2358 K110			



[SMALL](#) | [MEDIUM](#) | [LARGE](#)

Cart	Ref No	Part Number	Part Description	Required	Remarks
View My Cart					
		PP2848-08	Cylinder Head		
<input type="checkbox"/>		4086077	Cylinder Head	16	
	2	4086649	Valve Rotator	4	

<input type="checkbox"/>					
	3	3085962	Valve Spring	4	
<input type="checkbox"/>		3800955	Intake Valve	2	
<input type="checkbox"/>	4	4016438	Intake Valve	1	Service as 3800955
<input type="checkbox"/>	1	3081534	Valve Collet	2	
<input type="checkbox"/>		4025070	Exhaust Valve Kit	2	
<input type="checkbox"/>	5	4065481	Exhaust Valve	1	
<input type="checkbox"/>	1	3081534	Valve Collet	2	
<input type="checkbox"/>	6	3408282	Valve Stem Seal	2	Intake
<input type="checkbox"/>	6	4080343	Valve Stem Seal	2	Exhaust
<input type="checkbox"/>	7	3170135	Valve Stem Guide	4	
<input type="checkbox"/>	8	4080326	Valve Insert	2	Intake
<input type="checkbox"/>	9	4080333	Valve Insert	2	Exhaust
<input type="checkbox"/>	10	203933	Expansion Plug	1	
<input type="checkbox"/>	11	205401	Expansion Plug	4	
<input type="checkbox"/>	12	3007635	Expansion Plug	4	
	13	4086626	Cylinder Head	1	
<input type="checkbox"/>	14	3176663	Tamper Proof Seal	1	
<input type="checkbox"/>	15	3278093	Pipe Plug	1	1/4 NPT
<input type="checkbox"/>		3678873	Threaded Plug	1	M18 X 1.5 X 19.5
<input type="checkbox"/>	16	3678786	O-Ring Seal	1	M18
	17	3678791	Threaded Plug	1	M18 X 1.5 X 19.5
<input type="checkbox"/>	18	3900257	Pin Dowel	2	
<input type="checkbox"/>	19	3331752	Valve Spring Retainer	4	
<input type="checkbox"/>	22	4066599	Retainer Plug	1	
<input type="checkbox"/>	20	4080253	Fracture Resistant Screw	112	
<input type="checkbox"/>	21	4086225	Cylinder Head Gasket	16	
<input type="checkbox"/>		3800955	Intake Valve	1	
<input type="checkbox"/>	1	3081534	Valve Collet	2	
<input type="checkbox"/>	4	4016438	Intake Valve	1	Service as 3800955

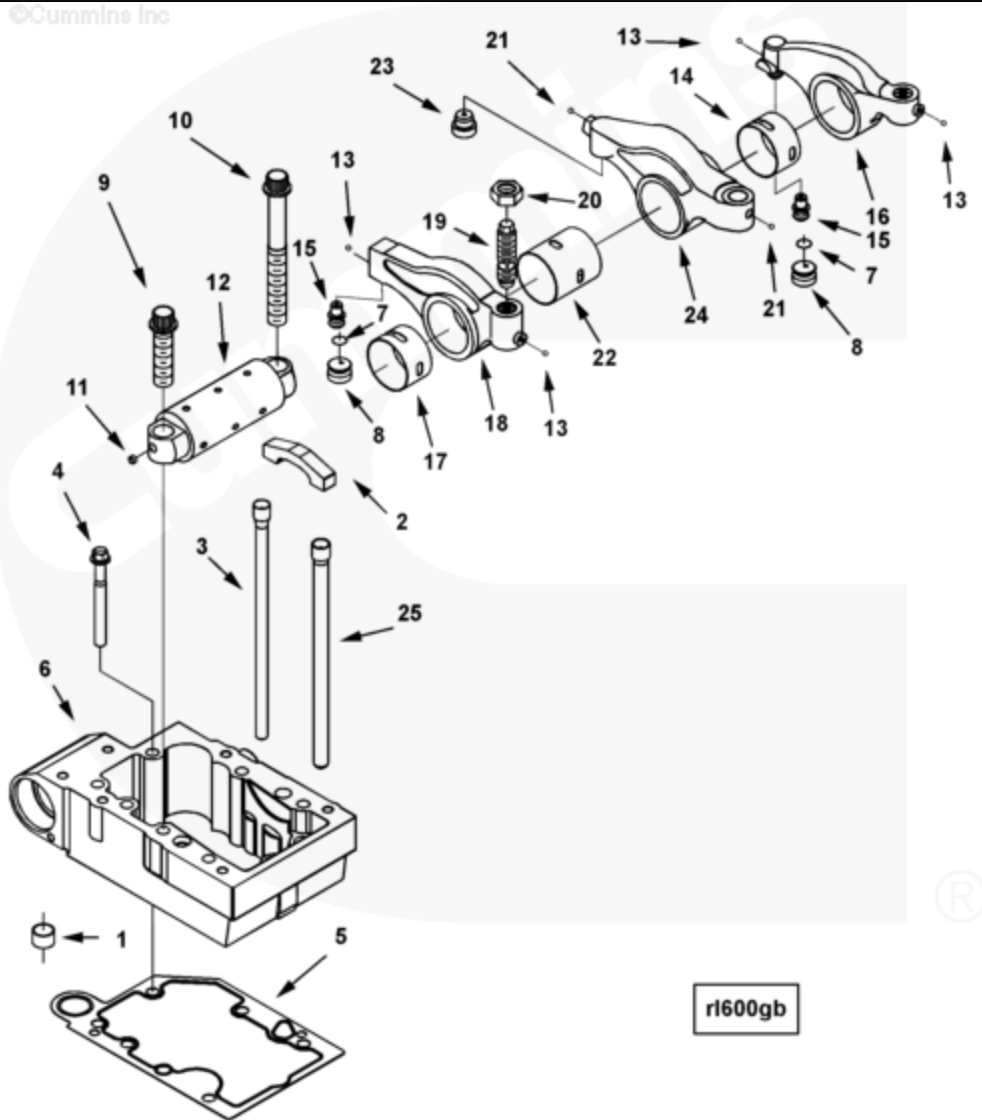
<input type="checkbox"/>		3804892	Exhaust Valve Kit		
<input type="checkbox"/>	1	3081534	Valve Collet	2	
<input type="checkbox"/>	5	3090469	Exhaust Valve	1	

© 2019 Cummins Inc., Box 3005, Columbus, IN 47202-3005 U.S.A.
Terms of Use and Disclaimers | Recommended System Requirements
Need Assistance? Please click on the Contact Us button in the top right corner of any page.



Parts Catalog - Option Detail

Electronic Parts Catalog - Option Detail				
Option	Group	Graphic	Film Card	Date
RL6707-08	03.01	r1600gb	P60	19-AUG-03
Engines	QSK60 CM2150 MCRS, QSK60 CM2250 K112, QSK60 CM2350 K116, QSK60 CM2350 K117, QSK60 CM2350 K121, QSK60 CM2350 K133, QSK60 CM500, QSK60 CM850 MCRS, QSK60 G, QSK60 G CM2358 K110			



[SMALL](#) | [MEDIUM](#) | [LARGE](#)

Cart	Ref No	Part Number	Part Description	Required	Remarks
View My Cart					
		RL6707-08	Rocker Lever		Lever, rocker
					To be used on QSK60
					Applications: all
	1	3079743	Ring Dowel	16	

<input type="checkbox"/>					
<input type="checkbox"/>	2	3085964	Valve Crosshead	32	
<input type="checkbox"/>	3	3089507	Push Rod	32	
<input type="checkbox"/>	4	3089563	Hexagon Flange Head Cap Screw	112	
<input type="checkbox"/>	5	3171499	Rocker Lever Housing Gasket	16	
<input type="checkbox"/>	6	4086016	Rocker Lever Housing	16	
<input type="checkbox"/>	9	3089193	Twelve Point Cap Screw	16	
<input type="checkbox"/>	10	3089194	Twelve Point Cap Screw	16	
<input type="checkbox"/>		3089715	Rocker Lever Shaft	16	
<input type="checkbox"/>	11	203933	Expansion Plug	16	
	12	3089716	Rocker Lever Shaft	16	
<input type="checkbox"/>		4065633	Rocker Lever	16	
<input type="checkbox"/>	7	3028349	O-Ring Seal	16	
<input type="checkbox"/>	8	3085980	Rocker Lever Socket	16	
<input type="checkbox"/>	13	4065627	Drive Plug	32	
<input type="checkbox"/>	14	3085972	Bushing	16	
<input type="checkbox"/>	15	3085978	Rocker Lever Ball	16	
	16	4065632	Rocker Lever	16	
<input type="checkbox"/>	19	3090007	Rocker Lever Adjusting Screw	16	
<input type="checkbox"/>	20	3680057	Regular Hexagon Jam Nut	16	
<input type="checkbox"/>		4065636	Rocker Lever	16	
<input type="checkbox"/>	7	3028349	O-Ring Seal	16	
<input type="checkbox"/>	8	3085980	Rocker Lever Socket	16	
<input type="checkbox"/>	13	4065627	Drive Plug	32	
<input type="checkbox"/>	17	3085973	Bushing	16	
<input type="checkbox"/>	15	3085978	Rocker Lever Ball	16	
<input type="checkbox"/>	18	4065635	Rocker Lever	16	
<input type="checkbox"/>	19	3090007	Rocker Lever Adjusting Screw	16	
<input type="checkbox"/>	20	3680057	Regular Hexagon Jam Nut	16	
<input type="checkbox"/>		3332089	Rocker Lever	16	
<input type="checkbox"/>	21	4065627	Drive Plug	32	
<input type="checkbox"/>	22	3081514	Bushing	16	

<input type="checkbox"/>	23	3089177	Rocker Lever Socket	16	
<input type="checkbox"/>	24	4065638	Rocker Lever	16	
<input type="checkbox"/>	19	3090007	Rocker Lever Adjusting Screw	16	
<input type="checkbox"/>	20	3680057	Regular Hexagon Jam Nut	16	
<input type="checkbox"/>	25	3410897	Push Rod	16	

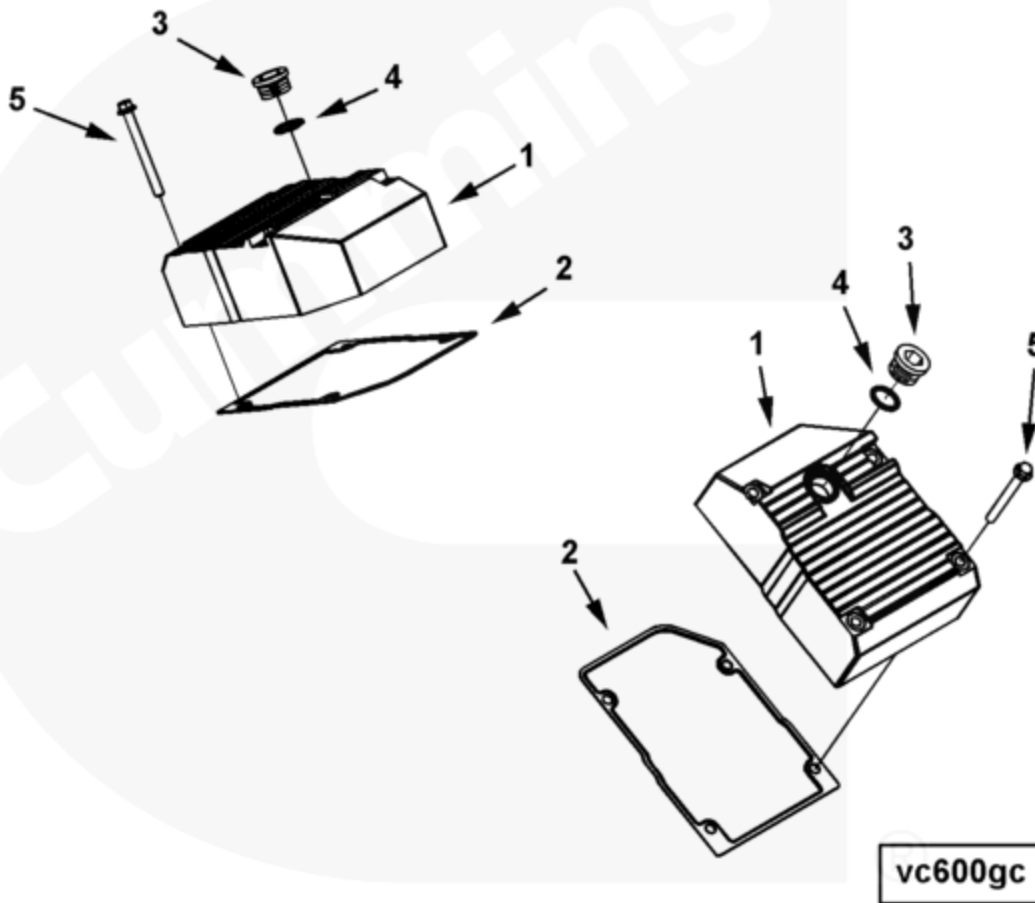
© 2019 Cummins Inc., Box 3005, Columbus, IN 47202-3005 U.S.A.
Terms of Use and Disclaimers | Recommended System Requirements
Need Assistance? Please click on the Contact Us button in the top right corner of any page.



Parts Catalog - Option Detail

Electronic Parts Catalog - Option Detail				
Option	Group	Graphic	Film Card	Date
VC6008-03	03.01.1	vc600gc	P60	30-SEP-02
Engines	QSK60 CM2150 MCRS, QSK60 CM2250 K112, QSK60 CM2350 K116, QSK60 CM2350 K117, QSK60 CM2350 K121, QSK60 CM2350 K133, QSK60 CM500, QSK60 CM850 MCRS, QSK60 G, QSK60 G CM2358 K110			

©Cummins Inc



SMALL | MEDIUM | LARGE

Cart	Ref No	Part Number	Part Description	Required	Remarks
View My Cart					
		VC6008-03	Valve Cover		Valve cover
					material/color: Cast iron
					Unique Characteristics:
					To be used on quantum qsk60
					industrial engines.
<input type="checkbox"/>	1	3090495	Valve Cover	16	

<input type="checkbox"/>	2	3332291	Valve Cover Gasket	16	
<input type="checkbox"/>		3678611	Threaded Plug	16	
	3	3678605	Threaded Plug	1	M27x2
<input type="checkbox"/>	4	3678606	O-Ring Seal	1	M27 X 2.00
<input type="checkbox"/>	5	3914407	Hexagon Flange Head Cap Screw	64	M10 x 1.50 x 100

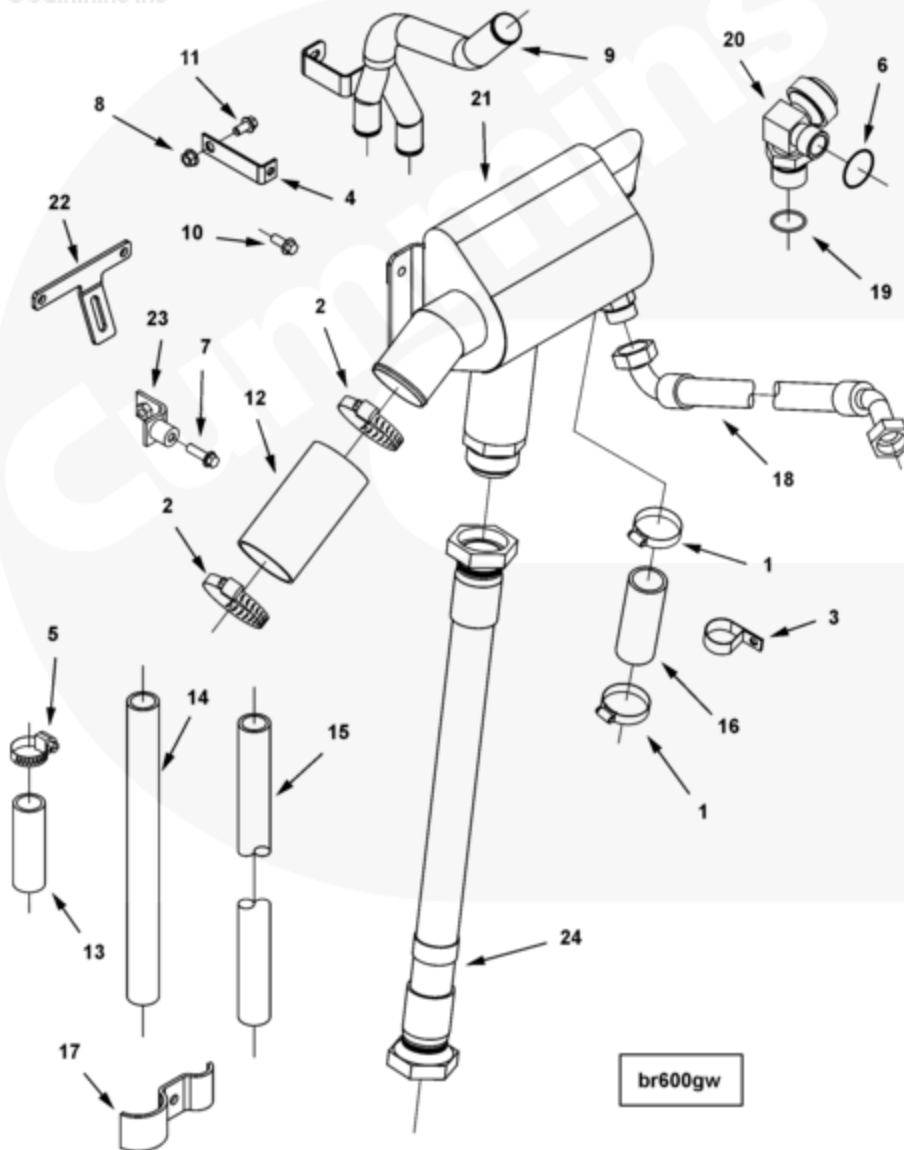
© 2019 Cummins Inc., Box 3005, Columbus, IN 47202-3005 U.S.A.
Terms of Use and Disclaimers | Recommended System Requirements
Need Assistance? Please click on the Contact Us button in the top right corner of any page.



Parts Catalog - Option Detail

Electronic Parts Catalog - Option Detail				
Option	Group	Graphic	Film Card	Date
BR6748	03.02	br600gw	P60	05-JAN-04
Engines	QSK60 CM2150 MCRS, QSK60 CM2250 K112, QSK60 CM2350 K116, QSK60 CM2350 K117, QSK60 CM2350 K121, QSK60 CM2350 K133, QSK60 CM500, QSK60 CM850 MCRS, QSK60 G, QSK60 G CM2358 K110			

©Cummins Inc



[SMALL](#) | [MEDIUM](#) | [LARGE](#)

Cart	Ref No	Part Number	Part Description	Required	Remarks
View My Cart					
		BR6748	Crankcase Breather		Crankcase breather
					product: Qsk60
					Application:

					Industrial oil pan
					arrangement: Double deep
					sump in locations 2 and 3
					mounting location: LB
					breather inlet from hand hole
					cover: #3 LB oil drainback to
					rear m42 port in oil pan
					Unique characteristics.
<input type="checkbox"/>	1	43828 B	Hose Clamp	2	1 5/16 - 2 1/4 in.
<input type="checkbox"/>	2	43828 F	Hose Clamp	2	2 9/16 - 3 1/2 in.
<input type="checkbox"/>	3	68189	Clip	2	
<input type="checkbox"/>	4	114307	Tube Brace	1	
<input type="checkbox"/>	5	209773	Hose Clamp	4	3/4 - 1 3/4 in.
<input type="checkbox"/>	6	3075658	O-Ring Seal	1	
<input type="checkbox"/>	7	3089016	Hexagon Flange Head Cap Screw	1	M10 X 1.50 X 35.
<input type="checkbox"/>	8	3093828	Hexagon Flange Nut	1	M10 X 1.50.
<input type="checkbox"/>	9	3635341	Air Tube	1	
<input type="checkbox"/>	10	3902460	Hexagon Flange Head Cap Screw	4	M10 X 1.50 X 25.
<input type="checkbox"/>	11	3903990	Hexagon Flange Head Cap Screw	2	M10 X 1.50 X 20.
<input type="checkbox"/>	12	4007901	Plain Hose	1	
<input type="checkbox"/>	13	4086143	Plain Hose	1	
<input type="checkbox"/>	14	4086561	Plain Hose	1	
<input type="checkbox"/>	15	4086562	Plain Hose	1	
<input type="checkbox"/>	16	4086563	Plain Hose	1	
<input type="checkbox"/>	17	4086753	Retaining Clamp	2	
<input type="checkbox"/>	18	4100997	Flexible Hose	1	
<input type="checkbox"/>		4101097	Male Adapter Elbow	1	
<input type="checkbox"/>	6	3075658	O-Ring Seal	1	
<input type="checkbox"/>	19	3089019	O-Ring Seal	1	M42.
<input type="checkbox"/>	20	4101096	Male Adapter Elbow	1	
<input type="checkbox"/>	21	4101381	Crankcase Breather	1	
	22	4101402	Breather Bracket	1	

<input type="checkbox"/>					
<input type="checkbox"/>	23	4101403	Breather Bracket	1	
<input type="checkbox"/>	24	4101407	Flexible Hose	1	

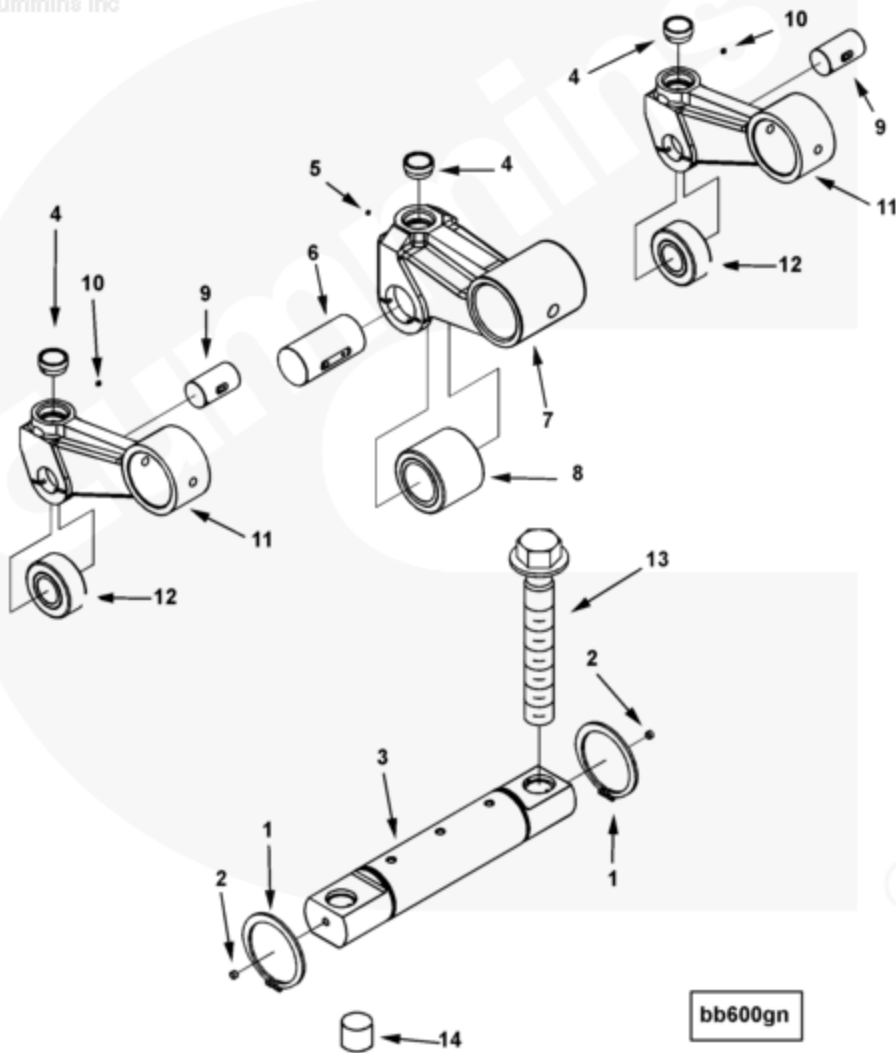
© 2019 Cummins Inc., Box 3005, Columbus, IN 47202-3005 U.S.A.
Terms of Use and Disclaimers | Recommended System Requirements
Need Assistance? Please click on the Contact Us button in the top right corner of any page.



Parts Catalog - Option Detail

Electronic Parts Catalog - Option Detail				
Option	Group	Graphic	Film Card	Date
BB6714-03	04.01	bb600gn	P60	12-NOV-01
Engines	QSK60 CM2150 MCRS, QSK60 CM2250 K112, QSK60 CM2350 K116, QSK60 CM2350 K117, QSK60 CM2350 K121, QSK60 CM2350 K133, QSK60 CM2350 K135, QSK60 CM2350 K136, QSK60 CM500, QSK60 CM850 MCRS, QSK60 G, QSK60 G CM2358 K110			

©Cummins Inc



[SMALL](#) | [MEDIUM](#) | [LARGE](#)

Cart	Ref No	Part Number	Part Description	Required	Remarks
View My Cart					
		BB6714-03	Cam Follower Lever		
<input type="checkbox"/>		4017289	Lever , Cam Shaft Follower Top Level Assembly	16	
<input type="checkbox"/>	1	3082415	Retaining Ring	2	

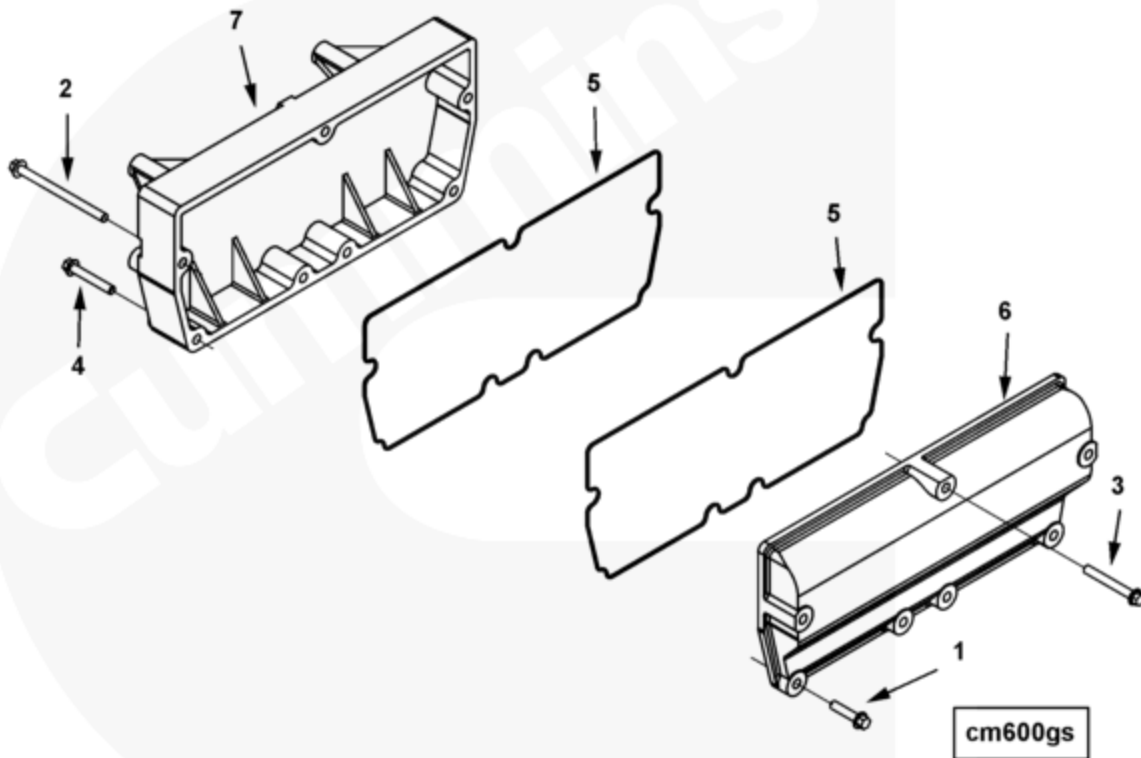
<input type="checkbox"/>		3082416	Cam Follower Shaft	1	
	2	4066210	Ball Plug	2	
	3	3082417	Cam Follower Shaft	1	
<input type="checkbox"/>		4065754	Cam Follower Lever	1	
<input type="checkbox"/>	4	4006772	Cam Follower Socket	1	
<input type="checkbox"/>	5	4066811	Ball Plug	2	
<input type="checkbox"/>	6	4065749	Cam Follower Roller Pin	1	
<input type="checkbox"/>	7	4065755	Cam Follower Lever	1	
	8	3089217	Cam Follower Roller	1	
<input type="checkbox"/>		4065756	Cam Follower Lever	2	
<input type="checkbox"/>	9	4065750	Cam Follower Roller Pin	1	
<input type="checkbox"/>	10	4066811	Ball Plug	2	
<input type="checkbox"/>	4	4006772	Cam Follower Socket	1	
<input type="checkbox"/>	11	4065757	Cam Follower Lever	1	
<input type="checkbox"/>	12	3090010	Cam Follower Roller	1	
<input type="checkbox"/>	13	3082427	Fracture Resistant Screw	32	
<input type="checkbox"/>	14	3082438	Ring Dowel	32	



Parts Catalog - Option Detail

Electronic Parts Catalog - Option Detail				
Option	Group	Graphic	Film Card	Date
CM6715-01	04.03	cm600gs	P60	08-SEP-03
Engines	QSK60 CM2150 MCRS, QSK60 CM2250 K112, QSK60 CM2350 K116, QSK60 CM2350 K117, QSK60 CM2350 K121, QSK60 CM2350 K133, QSK60 CM500, QSK60 CM850 MCRS, QSK60 G, QSK60 G CM2358 K110			

©Cummins Inc



SMALL | MEDIUM | LARGE

Cart	Ref No	Part Number	Part Description	Required	Remarks
View My Cart					
		CM6715-01	Cam Follower Cover		Cam follower cover
					Engine Model: Qsk60 C cense:
					Yes two cylinders are covered
					by each cover.
<input type="checkbox"/>	1	3089232	Hexagon Flange Head Cap Screw	27	M10 X 1.50 X 45.
<input type="checkbox"/>	2	3089316	Hexagon Flange Head Cap Screw	3	
<input type="checkbox"/>	3	3900679	Hexagon Flange Head Cap Screw	18	M10 X 1.50 X 80.
	4	3901448	Hexagon Flange Head Cap Screw	2	M10 x 1.50 x 65

<input type="checkbox"/>	5	4085924	Camshaft Cover Gasket	8	
<input type="checkbox"/>	6	4085925	Camshaft Cover	7	
<input type="checkbox"/>	7	4101308	Camshaft Cover	1	

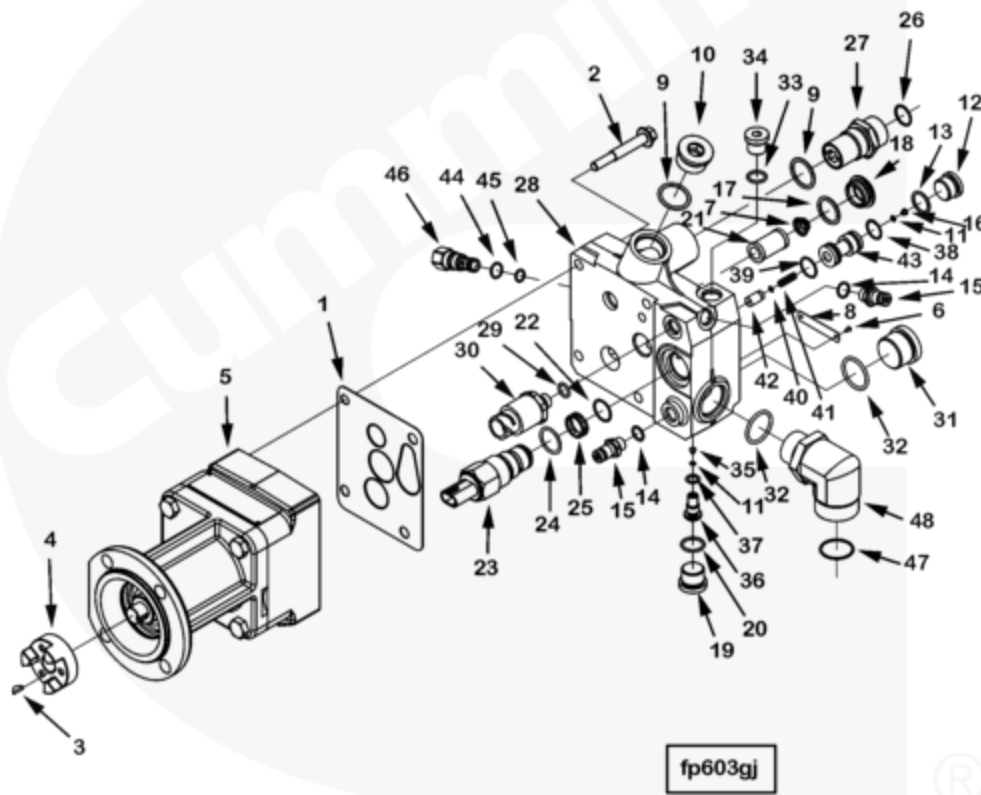
© 2019 Cummins Inc., Box 3005, Columbus, IN 47202-3005 U.S.A.
Terms of Use and Disclaimers | Recommended System Requirements
Need Assistance? Please click on the Contact Us button in the top right corner of any page.



Parts Catalog - Option Detail

Electronic Parts Catalog - Option Detail				
Option	Group	Graphic	Film Card	Date
FP6864	05.01.4	fp603gj	P60	13-MAR-02
Engines	QSK60 CM2150 MCRS, QSK60 CM2250 K112, QSK60 CM2350 K116, QSK60 CM2350 K117, QSK60 CM2350 K121, QSK60 CM2350 K133, QSK60 CM500, QSK60 CM850 MCRS, QSK60 G, QSK60 G CM2358 K110			

©Cummins Inc



[SMALL](#) | [MEDIUM](#) | [LARGE](#)

Cart	Ref No	Part Number	Part Description	Required	Remarks
View My Cart					
		FP6864	Fuel Pump		Pump, fuel
<input type="checkbox"/>		4088186	Fuel Pump	1	
<input type="checkbox"/>	1	3348583	Pressure Regulator Valve Gasket	1	
<input type="checkbox"/>	2	3904446	Hexagon Flange Head Cap Screw	4	M10 X 1.50 X 70.
		4062159	Gear Fuel Pump	1	

<input type="checkbox"/>	3	S 306	Plain Woodruff Key	1	
<input type="checkbox"/>	4	4061677	Jaw Coupling Hub	1	
<input type="checkbox"/>	5	4903532	Fuel Pump	1	
		4088182	Pressure Regulator Valve	1	
<input type="checkbox"/>	6	S 2286	Drive Screw	2	3/16 in.
<input type="checkbox"/>	7	70700	Compression Spring	1	
<input type="checkbox"/>	8	105375	Nameplate	1	
<input type="checkbox"/>		3040818	Threaded Plug	1	1 3/16 - 12 UN
<input type="checkbox"/>	9	3035228	O-Ring Seal	1	
	10	3040819	Threaded Plug	1	
<input type="checkbox"/>	11	173086	Injector Gasket	1	
<input type="checkbox"/>		3040815	Threaded Plug	1	7/18 - 14 UNF
	12	3040816	Threaded Plug	1	Service as 3040815
<input type="checkbox"/>	13	3040817	O-Ring Seal	1	
<input type="checkbox"/>		3040818	Threaded Plug	1	1 3/16 - 12 UN
<input type="checkbox"/>	9	3035228	O-Ring Seal	1	
	10	3040819	Threaded Plug	1	
<input type="checkbox"/>		3042619	Coupling Nipple	2	
<input type="checkbox"/>	14	3037537	O-Ring Seal	2	
	15	3042620	Coupling Nipple	2	
<input type="checkbox"/>	16	3045045	Injector Orifice Plug	1	
<input type="checkbox"/>	17	3046943	O-Ring Seal	1	
<input type="checkbox"/>	18	3080223	Fuel Pump Filter Cap	1	
<input type="checkbox"/>		3089238	Threaded Plug	1	M22 x 1.50 x 20.1
	19	3089239	Threaded Plug	1	M22 x 1.50 x 20.1
<input type="checkbox"/>	20	3089240	O-Ring Seal	1	M22
<input type="checkbox"/>	21	3090769	Filter Screen	1	
<input type="checkbox"/>		3330600	Electronic Fuel Control Actuator	1	
<input type="checkbox"/>	22	3042542	O-Ring Seal	1	
	23	3331029	Electronic Fuel Control Actuator	1	
<input type="checkbox"/>	24	3865398	O-Ring Seal	1	
<input type="checkbox"/>	25	3867393	Filter Screen	1	

<input type="checkbox"/>		3348444	Check Valve	1	
<input type="checkbox"/>	9	3035228	O-Ring Seal	1	
<input type="checkbox"/>	26	3328589	O-Ring Seal	1	
	27	4001945	Check Valve	1	
<input type="checkbox"/>	28	3348458	Pressure Regulator Valve Body	1	
<input type="checkbox"/>		3408566	Pressure Sensor	1	Fuel pump.
<input type="checkbox"/>	29	3330202	O-Ring Seal	1	
	30	3408567	Pressure Sensor	1	
<input type="checkbox"/>		3678838	Threaded Plug	1	M33 x 2.00
	31	3678845	Threaded Plug	1	
<input type="checkbox"/>	32	3678846	O-Ring Seal	1	
<input type="checkbox"/>		3678873	Threaded Plug	3	M18 X 1.5 X 19.5
<input type="checkbox"/>	33	3678786	O-Ring Seal	3	M18
	34	3678791	Threaded Plug	3	M18 X 1.5 X 19.5
<input type="checkbox"/>		3867737	Pressure Relief Valve	1	
<input type="checkbox"/>	11	173086	Injector Gasket	1	
<input type="checkbox"/>	35	3045012	Injector Orifice Plug	1	
<input type="checkbox"/>	36	3329676	Pressure Relief Valve	1	
<input type="checkbox"/>	37	3417238	O-Ring Seal	1	
<input type="checkbox"/>		4001756	Pressure Regulator Valve	1	
<input type="checkbox"/>	38	3045986	O-Ring Seal	1	
<input type="checkbox"/>	39	3066914	O-Ring Seal	1	
<input type="checkbox"/>	40	3071719	Shim	1	
	41	3867668	Compression Spring	1	
	42	4001751	Fuel Pressure Regulator Plunger	1	
	43	4001757	Control Valve Barrel	1	
<input type="checkbox"/>		4002080	Pressure Regulator Valve	1	
<input type="checkbox"/>	44	3348703	O-Ring Seal	1	
<input type="checkbox"/>	45	3867640	O-Ring Seal	1	
	46	4002081	Pressure Regulator Valve	1	
<input type="checkbox"/>		4007074	Male Union Elbow	1	
	47	3332160	O-Ring Seal	1	

<input type="checkbox"/>					
<input type="checkbox"/>	32	3678846	O-Ring Seal	1	
	48	4007073	Male Union Elbow	1	

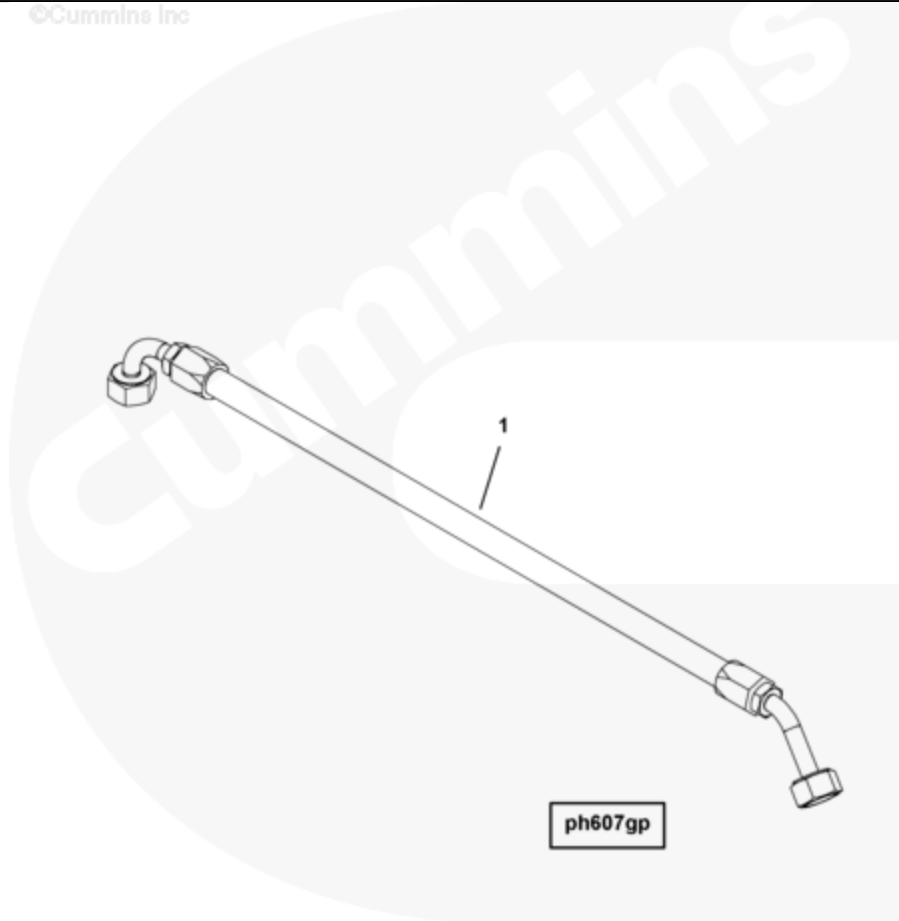
© 2019 Cummins Inc., Box 3005, Columbus, IN 47202-3005 U.S.A.
Terms of Use and Disclaimers | Recommended System Requirements
Need Assistance? Please click on the Contact Us button in the top right corner of any page.



Parts Catalog - Option Detail

Electronic Parts Catalog - Option Detail				
Option	Group	Graphic	Film Card	Date
PH6722	05.06.1	ph607gp	P60	08-OCT-13
Engines	QSK60 CM2150 MCRS, QSK60 CM2250 K112, QSK60 CM2350 K116, QSK60 CM2350 K117, QSK60 CM2350 K121, QSK60 CM2350 K133, QSK60 CM500, QSK60 CM850 MCRS, QSK60 G, QSK60 G CM2358 K110			

©Cummins Inc



[SMALL](#) | [MEDIUM](#) | [LARGE](#)

Cart	Ref No	Part Number	Part Description	Required	Remarks
View My Cart					
		PH6722	Engine Control Module Plumbing		Engine cnt module plumbing
					engine mode: Qsk60 air
					compressor: None.

	1	3648656	Fuel Hose	1	
--	---	-------------------------	-----------	---	--

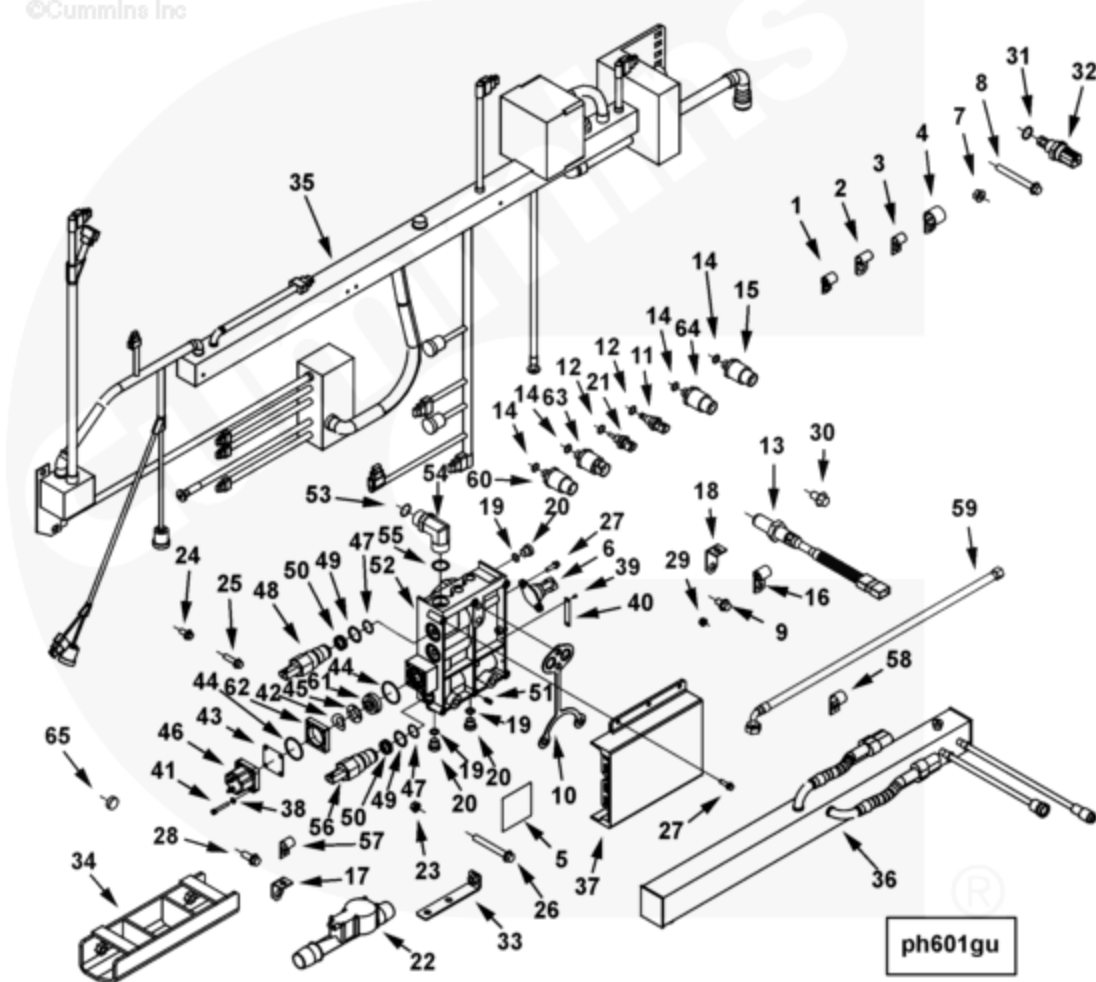
© 2019 Cummins Inc., Box 3005, Columbus, IN 47202-3005 U.S.A.
Terms of Use and Disclaimers | Recommended System Requirements
Need Assistance? Please click on the Contact Us button in the top right corner of any page.



Parts Catalog - Option Detail

Electronic Parts Catalog - Option Detail				
Option	Group	Graphic	Film Card	Date
PH6769-01	05.06.1	ph601gu	P60	18-AUG-03
Engines	QSK60 CM2150 MCRS, QSK60 CM2250 K112, QSK60 CM2350 K116, QSK60 CM2350 K117, QSK60 CM2350 K121, QSK60 CM2350 K133, QSK60 CM500, QSK60 CM850 MCRS, QSK60 G, QSK60 G CM2358 K110			

©Cummins Inc



[SMALL](#) | [MEDIUM](#) | [LARGE](#)

Cart	Ref No	Part Number	Part Description	Required	Remarks
View My Cart					
		PH6769-01	Engine Control Module		Engine control module
					Engine Control System: HPI
					ECM version: CM series
					module location (mm): Left
					side ambient air pressure

					sensor included: Yes
					Intake manifold temp sensor
					manufact: High stat cense:
					Yes flywheel size: SAE "0"
					for QSK 60 industrial engines
<input type="checkbox"/>	1	68152	Clip	1	#4
<input type="checkbox"/>	2	68152 B	Clip	1	
<input type="checkbox"/>	3	68425	Clip	1	
<input type="checkbox"/>	4	69465	Clip	1	
<input type="checkbox"/>	5	3066855	Dataplate	1	
<input type="checkbox"/>	6	3085140	Pressure Sensor	1	Ambient Air
<input type="checkbox"/>	7	3093828	Hexagon Flange Nut	1	M10 X 1.50.
<input type="checkbox"/>	8	3093936	Hexagon Flange Head Cap Screw	4	M10 X 1.50 X 90
<input type="checkbox"/>	9	3093957	Hexagon Flange Head Cap Screw	2	M10 X 1.50 X 16
<input type="checkbox"/>	10	3332183	Connection Gasket	1	
<input type="checkbox"/>		3408345	Temperature Sensor	1	Coolant or Intake Manifold
	11	3408346	Temperature Sensor	1	Air Temperature
<input type="checkbox"/>	12	4010519	O-Ring Seal	1	
<input type="checkbox"/>	13	3408472	Speed Sensor	1	Flywheel.
<input type="checkbox"/>		3408556	Pressure Sensor	2	Coolant or Intake Manifold
<input type="checkbox"/>	14	3330202	O-Ring Seal	1	
	15	3408557	Pressure Sensor	1	
<input type="checkbox"/>	16	3627412	Clip	1	
<input type="checkbox"/>	17	3628553	Tube Brace	2	
<input type="checkbox"/>	18	3628585	Tube Brace	1	
<input type="checkbox"/>		3678921	Threaded Plug	1	M14 X 1.5 X 16
<input type="checkbox"/>	19	3678912	O-Ring Seal	1	M14
	20	3678922	Threaded Plug	1	M14 X 1.5 X 16
<input type="checkbox"/>		3865346	Temperature Sensor	1	Coolant Or Oil Or Fuel.
<input type="checkbox"/>	21	3096153	Temperature Sensor	1	Coolant or Oil
<input type="checkbox"/>	12	4010519	O-Ring Seal	1	
	22	3867561	Blowby Flow Sensor	1	Blowby flow.

<input type="checkbox"/>					
<input type="checkbox"/>	23	3900589	Hexagon Flange Nut	2	M8 X 1.25
<input type="checkbox"/>	24	3900629	Hexagon Flange Head Cap Screw	2	M8 X 1.25 X 16
<input type="checkbox"/>	25	3900630	Hexagon Flange Head Cap Screw	1	M8 X 1.25 X 20
<input type="checkbox"/>	26	3900679	Hexagon Flange Head Cap Screw	2	M10 X 1.50 X 80.
<input type="checkbox"/>	27	3901865	Hexagon Flange Head Cap Screw	2	M6 X 1.00 X 20.
<input type="checkbox"/>	28	3902460	Hexagon Flange Head Cap Screw	2	M10 X 1.50 X 25.
<input type="checkbox"/>	29	3906216	Hexagon Flange Nut	1	M6 X 1.00.
<input type="checkbox"/>	30	3913372	Hexagon Flange Head Cap Screw	1	M12 X 1.75 X 20.
<input type="checkbox"/>		4065972	Oil Level Sensor	1	Oil.
<input type="checkbox"/>	31	3089240	O-Ring Seal	1	M22
<input type="checkbox"/>	32	4065973	Fluid Level Sensor	1	Oil.
<input type="checkbox"/>	33	4066935	Wiring Brace	1	
<input type="checkbox"/>	34	4067011	Wiring Retainer Bracket	1	
<input type="checkbox"/>	35	4067050	Electronic Control Module Wiring Harness	1	
<input type="checkbox"/>	36	4086486	Electronic Control Module Wiring Harness	1	
<input type="checkbox"/>		4088181	Electronic Fuel Control Valve	1	
	37	3867743	Electronic Control Module	1	
<input type="checkbox"/>	27	3901865	Hexagon Flange Head Cap Screw	6	M6 X 1.00 X 20.
<input type="checkbox"/>		4088180	Electronic Control Pressure Valve	1	
<input type="checkbox"/>	38	S 607	Lock Washer	4	#10
<input type="checkbox"/>	39	S 2286	Drive Screw	2	3/16 in.
<input type="checkbox"/>	40	105375	Nameplate	1	
<input type="checkbox"/>	41	118226	Socket Head Cap Screw	4	#10 - 24 x 1 1/4 in.
<input type="checkbox"/>	42	129768	Valve Spring	1	
<input type="checkbox"/>	43	129839	Shut-Off Valve Shield	1	
<input type="checkbox"/>	44	129888	Rectangular Ring Seal	2	
<input type="checkbox"/>	45	196057	Valve Disc	1	
<input type="checkbox"/>	46	3021420	Solenoid	1	
<input type="checkbox"/>		3347907	Electronic Fuel Control Actuator	2	ECVA Fuel Rail Actuator
<input type="checkbox"/>	47	3042542	O-Ring Seal	1	

	48	3348442	Electronic Fuel Control Actuator	1	
<input type="checkbox"/>	49	3865398	O-Ring Seal	1	
<input type="checkbox"/>	50	3867393	Filter Screen	1	
<input type="checkbox"/>		3330658	Control Valve Body	1	
	51	3329693	Threaded Insert	8	
	52	3330657	Control Valve Body	1	
<input type="checkbox"/>		3331818	Male Union Elbow	1	
<input type="checkbox"/>	53	3085709	O-Ring Seal	1	
	54	3331819	Male Union Elbow	1	
<input type="checkbox"/>	55	3678606	O-Ring Seal	1	M27 X 2.00
<input type="checkbox"/>		3330602	Electronic Fuel Control Actuator	1	
<input type="checkbox"/>	47	3042542	O-Ring Seal	1	
	56	3331031	Electronic Fuel Control Actuator	1	
<input type="checkbox"/>	49	3865398	O-Ring Seal	1	
<input type="checkbox"/>	50	3867393	Filter Screen	1	
<input type="checkbox"/>		3408562	Pressure Sensor	1	Fuel Supply
<input type="checkbox"/>	14	3330202	O-Ring Seal	1	
	64	3408563	Pressure Sensor	1	Fuel Supply
<input type="checkbox"/>		3408564	Pressure Sensor	1	Timing Rail
<input type="checkbox"/>	14	3330202	O-Ring Seal	1	
	60	3408565	Pressure Sensor	1	Timing Rail
<input type="checkbox"/>		3678921	Threaded Plug	4	M14 X 1.5 X 16
<input type="checkbox"/>	19	3678912	O-Ring Seal	1	M14
	20	3678922	Threaded Plug	1	M14 X 1.5 X 16
<input type="checkbox"/>		3865346	Temperature Sensor	1	Coolant Or Oil Or Fuel.
<input type="checkbox"/>	21	3096153	Temperature Sensor	1	Coolant or Oil
<input type="checkbox"/>	12	4010519	O-Ring Seal	1	
<input type="checkbox"/>	61	4088274	Actuator Disc	1	
<input type="checkbox"/>	62	4088863	Actuator Housing	1	
<input type="checkbox"/>		4088734	Pressure Sensor	1	Oil.
<input type="checkbox"/>	14	3330202	O-Ring Seal	1	
	63	4088735	Pressure Sensor	1	

<input type="checkbox"/>	57	4100552	Clip	7	
<input type="checkbox"/>		4101034	Flexible Hose	1	
<input type="checkbox"/>	58	202888	Clip	1	
	59	4100627	Flexible Hose	1	
<input type="checkbox"/>	65	4017050	Protective Cover	1	

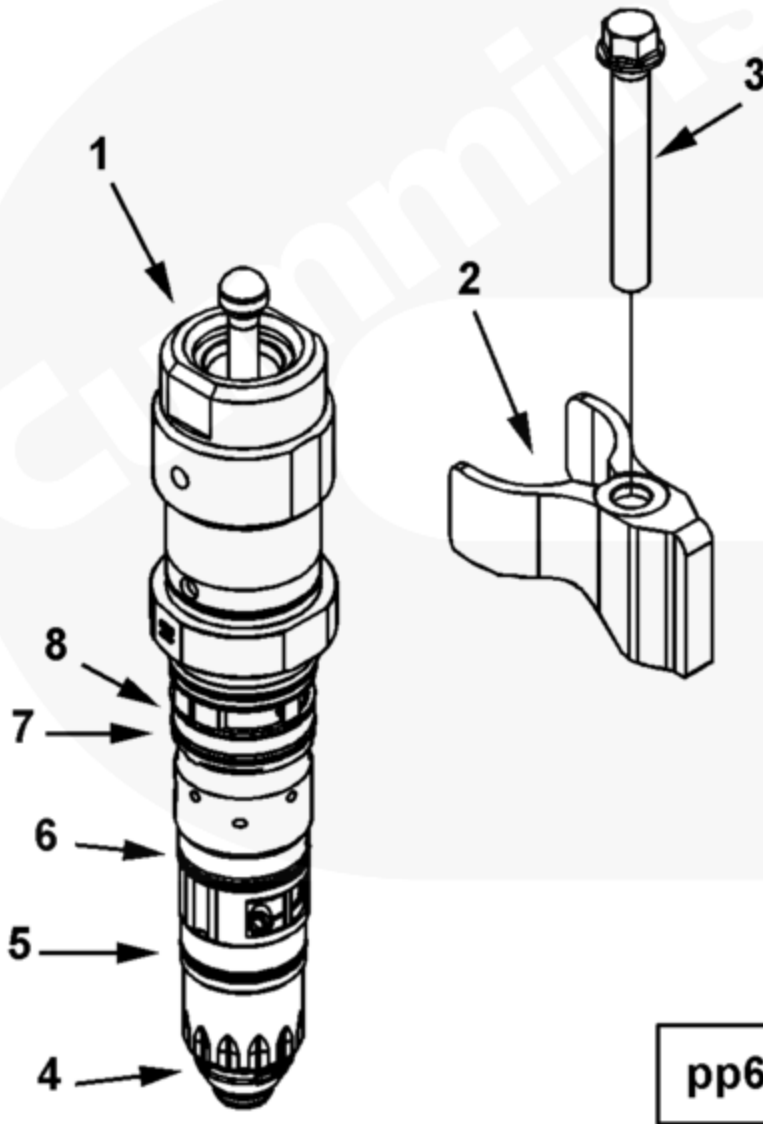
© 2019 Cummins Inc., Box 3005, Columbus, IN 47202-3005 U.S.A.
Terms of Use and Disclaimers | Recommended System Requirements
Need Assistance? Please click on the Contact Us button in the top right corner of any page.



Parts Catalog - Option Detail

Electronic Parts Catalog - Option Detail				
Option	Group	Graphic	Film Card	Date
PP2848-03	06.01	pp600gd	P60	05-MAY-03
Engines	QSK60 CM2150 MCRS, QSK60 CM2250 K112, QSK60 CM2350 K116, QSK60 CM2350 K117, QSK60 CM2350 K121, QSK60 CM2350 K133, QSK60 CM500, QSK60 CM850 MCRS, QSK60 G, QSK60 G CM2358 K110			

©Cummins Inc



SMALL | MEDIUM | LARGE

Cart	Ref No	Part Number	Part Description	Required	Remarks
View My Cart					
		PP2848-03	Injector		
<input type="checkbox"/>	1	4088427	Injector	16	Recon equivalent 4088427 PX
	2	3867350	Injector Clamp	16	

<input type="checkbox"/>					
<input type="checkbox"/>	3	3089499	Hexagon Flange Head Cap Screw	16	
<input type="checkbox"/>	4	3867687	Injector Seal	16	Std.
<input type="checkbox"/>	5	3867651	O-Ring Seal	16	Brown
<input type="checkbox"/>	6	3347937	O-Ring Seal	16	Refer To TSB170004.
<input type="checkbox"/>	7	4010577	O-Ring Seal	16	Blue
<input type="checkbox"/>	8	3347939	O-Ring Seal	16	Black

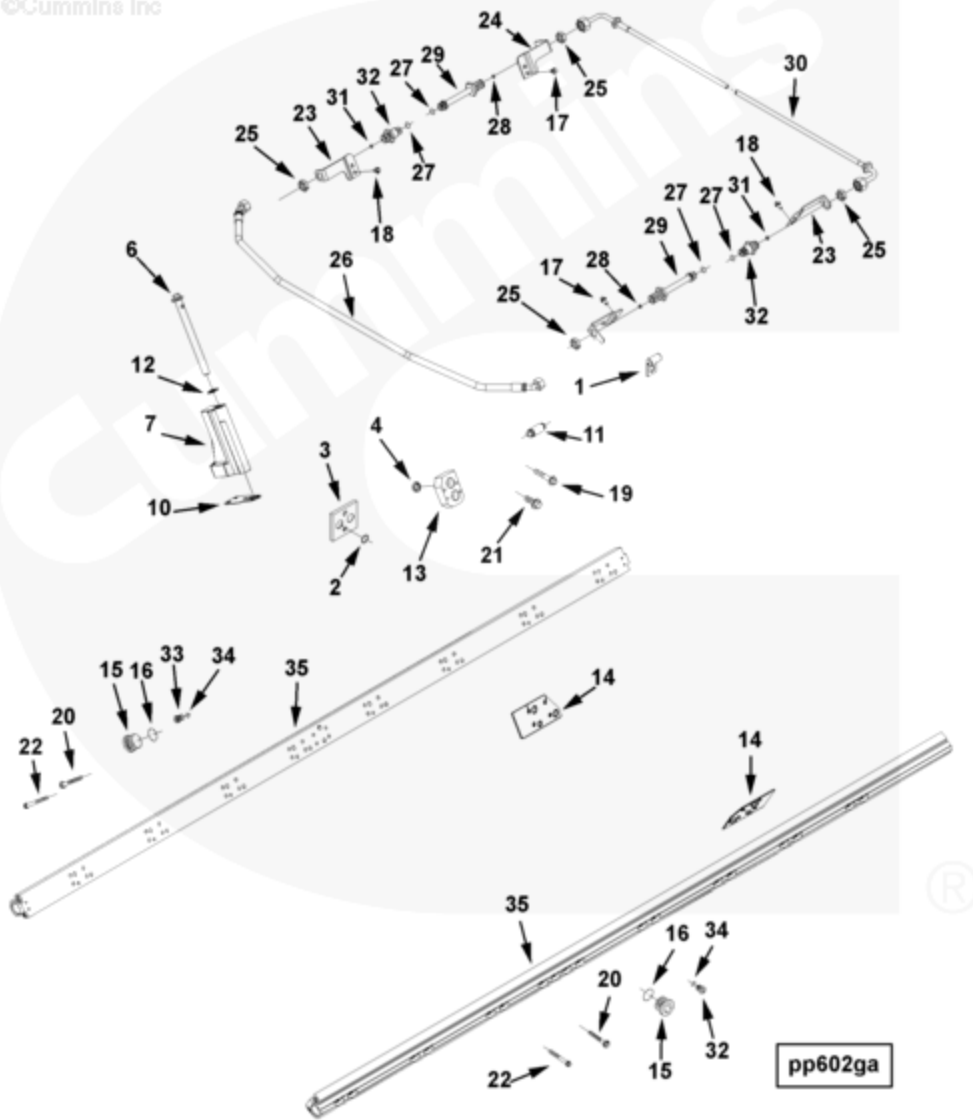
© 2019 Cummins Inc., Box 3005, Columbus, IN 47202-3005 U.S.A.
Terms of Use and Disclaimers | Recommended System Requirements
Need Assistance? Please click on the Contact Us button in the top right corner of any page.



Parts Catalog - Option Detail

Electronic Parts Catalog - Option Detail				
Option	Group	Graphic	Film Card	Date
PP6779-07	06.01.2	pp602ga	P60	09-SEP-03
Engines	QSK60 CM2150 MCRS, QSK60 CM2250 K112, QSK60 CM2350 K116, QSK60 CM2350 K117, QSK60 CM2350 K121, QSK60 CM2350 K133, QSK60 CM500, QSK60 CM850 MCRS, QSK60 G, QSK60 G CM2358 K110			

©Cummins Inc



SMALL | MEDIUM | LARGE

Cart	Ref No	Part Number	Part Description	Required	Remarks
View My Cart					
		PP6779-07	Injector Plumbing		Injector plumbing
<input type="checkbox"/>	1	68152 B	Clip	7	
<input type="checkbox"/>	2	193734	O-Ring Seal	2	

<input type="checkbox"/>	3	3082396	Fuel Block Connection	1	
<input type="checkbox"/>	4	3089501	Rectangular Ring Seal	8	
<input type="checkbox"/>	6	3171693	Banjo Connector Screw	2	
<input type="checkbox"/>	7	3171694	Fuel Block Connection	2	
<input type="checkbox"/>	10	3171695	Connection Gasket	2	
<input type="checkbox"/>	11	3171696	Fuel Transfer Tube	4	
<input type="checkbox"/>	12	3171963	Sealing Washer	2	
<input type="checkbox"/>	13	4101414	Fuel Block Connection	2	
<input type="checkbox"/>	14	4086222	Fuel Manifold Gasket	16	
<input type="checkbox"/>		3678611	Threaded Plug	1	
	15	3678605	Threaded Plug	1	M27x2
<input type="checkbox"/>	16	3678606	O-Ring Seal	1	M27 X 2.00
<input type="checkbox"/>	17	3900626	Hexagon Flange Head Cap Screw	4	M6 x 1.00 x 12
<input type="checkbox"/>	18	3900627	Hexagon Flange Head Cap Screw	4	M6 X 1.00 X 14.
<input type="checkbox"/>	19	3901445	Hexagon Flange Head Cap Screw	4	M8 x 1.25 x 45
<input type="checkbox"/>	20	3901937	Hexagon Flange Head Cap Screw	64	M6 x 1.00 x 45
<input type="checkbox"/>	21	3902460	Hexagon Flange Head Cap Screw	2	M10 X 1.50 X 25.
	22	3927220	Hexagon Flange Head Cap Screw	8	M6 X 1.00 X 50.
<input type="checkbox"/>	23	4000843	Tube Brace	1	
<input type="checkbox"/>	24	4000844	Tube Brace	1	
<input type="checkbox"/>	25	4000847	Lock Nut	2	
<input type="checkbox"/>	26	4065385	Flexible Hose	1	
<input type="checkbox"/>		4001633	Male Connector	2	
<input type="checkbox"/>	27	3678912	O-Ring Seal	2	M14
<input type="checkbox"/>	28	3922794	O-Ring Seal	2	
	29	4001170	Male Connector	2	
<input type="checkbox"/>	30	4085920	Flexible Hose	1	
<input type="checkbox"/>		4101023	Male Connector	2	
<input type="checkbox"/>	27	3678912	O-Ring Seal	2	M14
<input type="checkbox"/>	31	3922794	O-Ring Seal	2	
	32	4101022	Male Connector	2	
<input type="checkbox"/>		3678923	Threaded Plug	4	M10 X 1.00 X 13.5

<input type="checkbox"/>	33	3678924	Threaded Plug	2	M10 X 1.00 X 13.5
<input type="checkbox"/>	34	3678925	O-Ring Seal	2	M10.
<input type="checkbox"/>	35	4086224	Fuel Manifold	2	

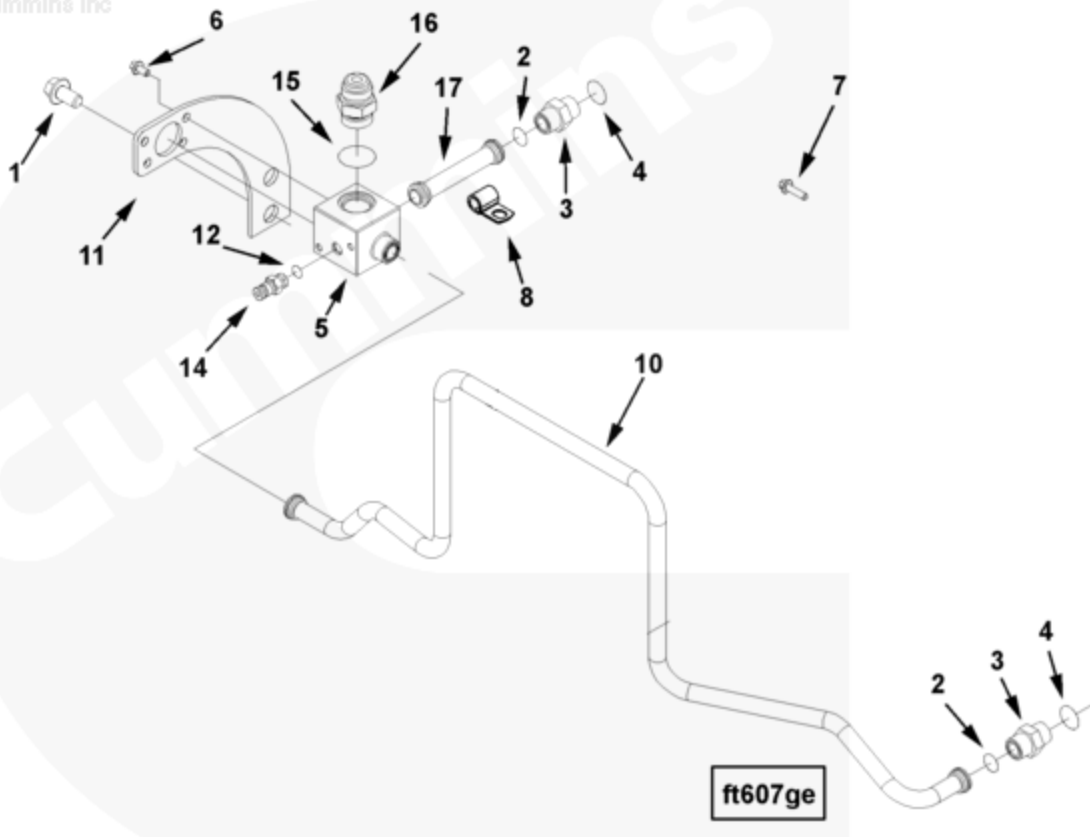
© 2019 Cummins Inc., Box 3005, Columbus, IN 47202-3005 U.S.A.
Terms of Use and Disclaimers | Recommended System Requirements
Need Assistance? Please click on the Contact Us button in the top right corner of any page.



Parts Catalog - Option Detail

Electronic Parts Catalog - Option Detail				
Option	Group	Graphic	Film Card	Date
FT60754-06	06.03	ft607ge	P60	26-MAY-03
Engines	QSK60 CM2150 MCRS, QSK60 CM2250 K112, QSK60 CM2350 K116, QSK60 CM2350 K117, QSK60 CM2350 K121, QSK60 CM2350 K133, QSK60 CM500, QSK60 CM850 MCRS, QSK60 G, QSK60 G CM2358 K110			

©Cummins Inc



[SMALL](#) | [MEDIUM](#) | [LARGE](#)

Cart	Ref No	Part Number	Part Description	Required	Remarks
View My Cart					
		FT60754-06	Fuel Plumbing		Fuel plumbing
					Location: RB - Pointing Down
					To be used on
					(A) quantum 45 and 60 engines
					with Cummins supplied engine
					mounted fan
					(B) qsk45 locomotive
					applications with auxiliary

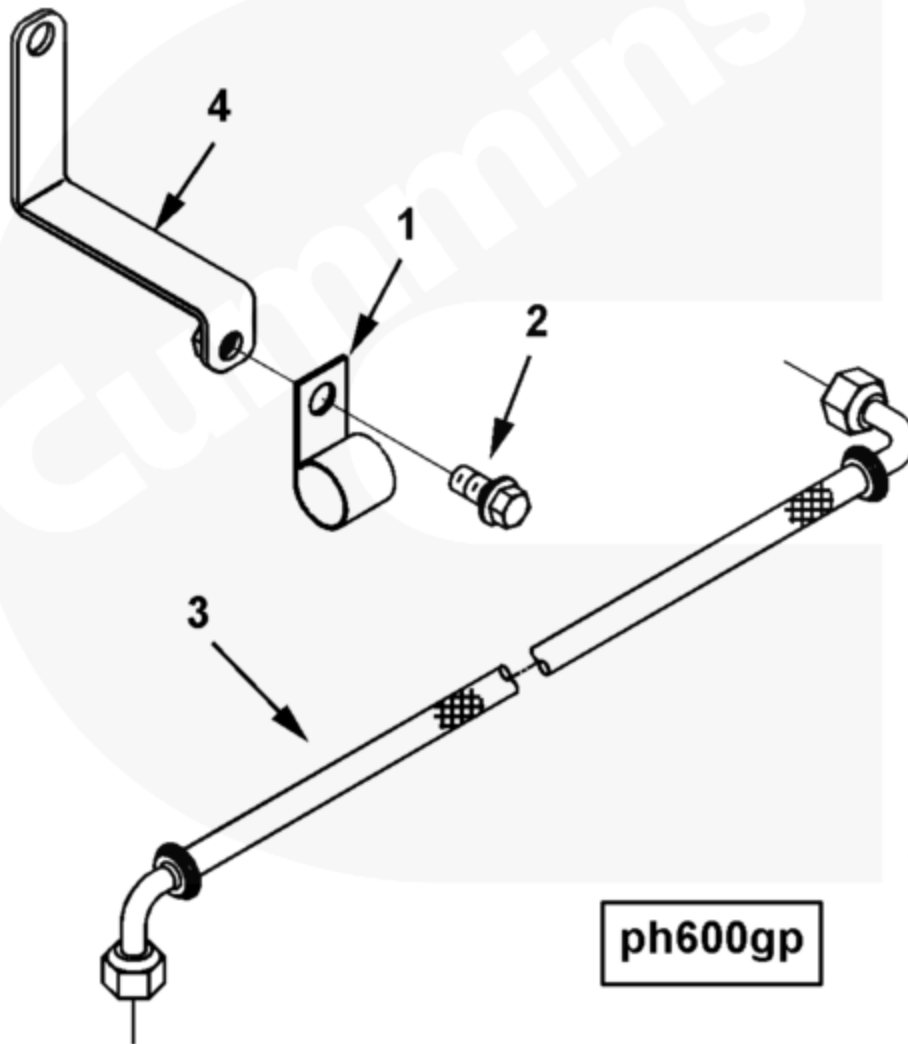
					fuel system in place of
					engine mounted fan.
<input type="checkbox"/>	1	3089324	Hexagon Flange Head Cap Screw	2	M16 X 2.00 X 30.
<input type="checkbox"/>		3171722	Male Union	2	
<input type="checkbox"/>	2	3085709	O-Ring Seal	1	
	3	3171723	Male Union	1	
<input type="checkbox"/>	4	3678606	O-Ring Seal	1	M27 X 2.00
<input type="checkbox"/>	5	4085926	Tube Connector Tee	1	
<input type="checkbox"/>	6	3900630	Hexagon Flange Head Cap Screw	2	M8 X 1.25 X 20
<input type="checkbox"/>	7	3093956	Hexagon Flange Head Cap Screw	2	M8 X 1.25 X 12.
<input type="checkbox"/>	8	4065553	Clip	2	
<input type="checkbox"/>	10	4001152	Fuel Drain Tube	1	
<input type="checkbox"/>	11	4001156	Tube Brace	1	
<input type="checkbox"/>		3042619	Coupling Nipple	1	
<input type="checkbox"/>	12	3037537	O-Ring Seal	1	
	14	3042620	Coupling Nipple	1	
<input type="checkbox"/>		4000877	Check Valve	1	
<input type="checkbox"/>	15	3678846	O-Ring Seal	1	
	16	4000878	Check Valve	1	
<input type="checkbox"/>	17	4001224	Fuel Drain Tube	1	



Parts Catalog - Option Detail

Electronic Parts Catalog - Option Detail				
Option	Group	Graphic	Film Card	Date
PH6722-04	06.03	ph600gp	P60	26-FEB-01
Engines	QSK60 CM2150 MCRS, QSK60 CM2250 K112, QSK60 CM2350 K116, QSK60 CM2350 K117, QSK60 CM2350 K121, QSK60 CM2350 K133, QSK60 CM500, QSK60 CM850 MCRS, QSK60 G, QSK60 G CM2358 K110			

©Cummins Inc



[SMALL](#) | [MEDIUM](#) | [LARGE](#)

Cart	Ref No	Part Number	Part Description	Required	Remarks
View My Cart					
		PH6722-04	Engine Control Module Plumbing		Plumbing, eng cnt module
					Engine mode: QSK60
					Air Compressor: No
					Bracket mounts on

					rearmost fuel
					filter head lug facing
					forwards.
<input type="checkbox"/>	1	107460	Clip	1	
<input type="checkbox"/>	2	3903990	Hexagon Flange Head Cap Screw	1	M10 X 1.50 X 20.
<input type="checkbox"/>	3	4065606	Flexible Hose	1	
<input type="checkbox"/>	4	4065229	Fuel Plumbing Bracket	1	

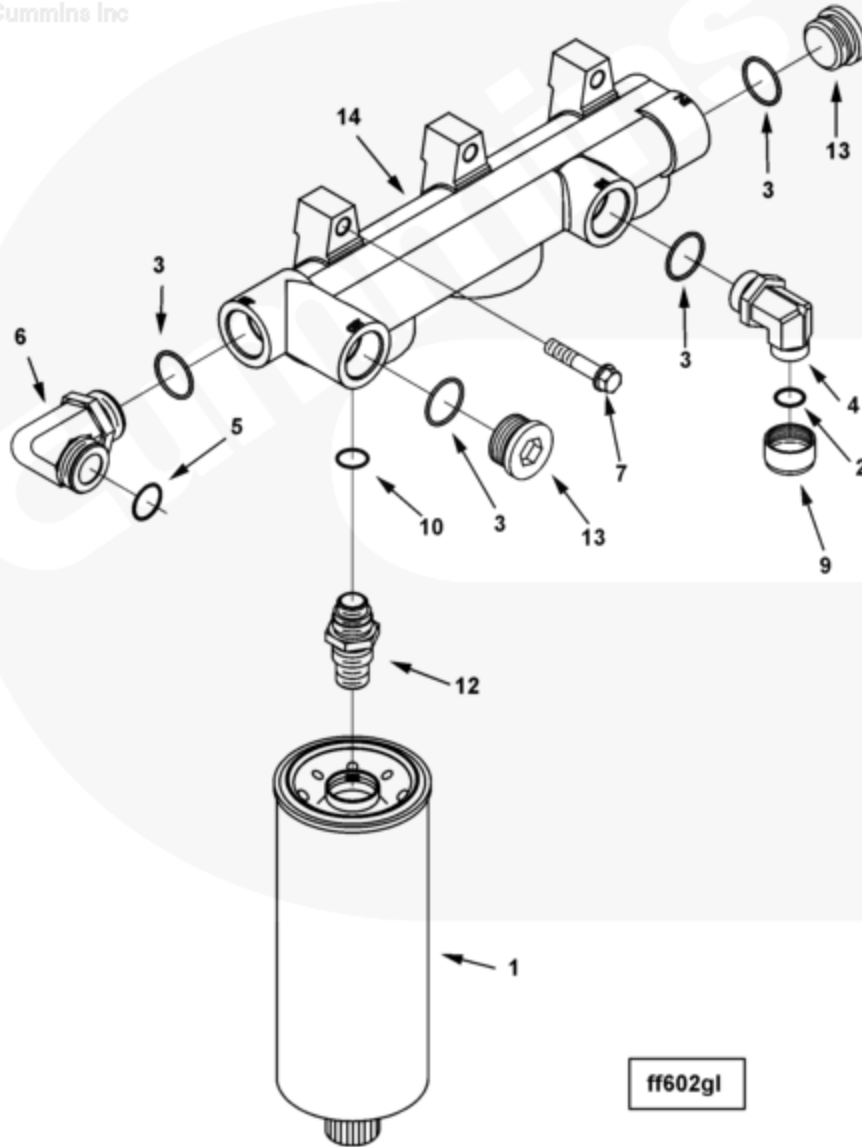
© 2019 Cummins Inc., Box 3005, Columbus, IN 47202-3005 U.S.A.
Terms of Use and Disclaimers | Recommended System Requirements
Need Assistance? Please click on the Contact Us button in the top right corner of any page.



Parts Catalog - Option Detail

Electronic Parts Catalog - Option Detail				
Option	Group	Graphic	Film Card	Date
FF6074-03	06.04	ff602gl	P60	24-NOV-03
Engines	QSK60 CM2150 MCRS, QSK60 CM2250 K112, QSK60 CM2350 K116, QSK60 CM2350 K117, QSK60 CM2350 K121, QSK60 CM2350 K133, QSK60 CM500, QSK60 CM850 MCRS, QSK60 G, QSK60 G CM2358 K110			

©Cummins Inc



[SMALL](#) | [MEDIUM](#) | [LARGE](#)

Cart	Ref No	Part Number	Part Description	Required	Remarks
View My Cart					
		FF6074-03	Fuel Filter		Fuel filter
					Element Type: Spin-On
					Number Of Elements: 3 with

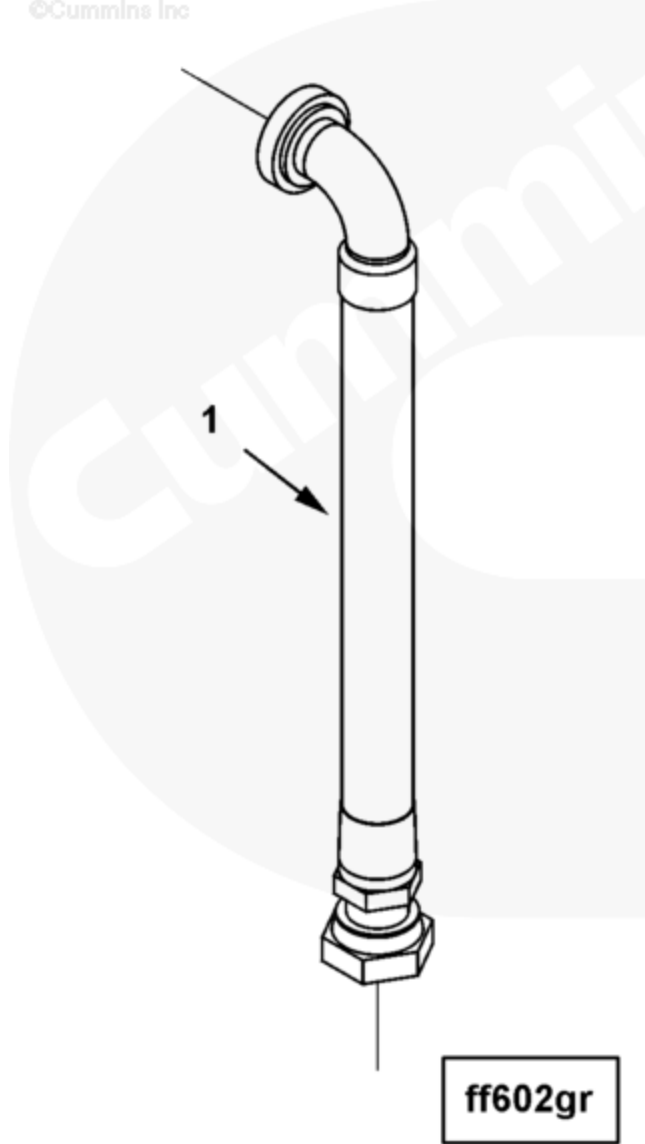
					water separator: Yes
					mounting location: Left bank
					side of engine
					In the rear position absolute
					filtration measure in micron:
					10 inlet fitting description:
					1 7/16-12 un-16 orfs to SAE
					j1453 outlet fitting
					description: 1 11/16-12 un-
					20 orfs to SAE j1453 fitting
					orientation: Down.
<input type="checkbox"/>	1	3089916	Fuel Water Separator	3	Buy from Cummins Filtration
<input type="checkbox"/>		3332349	Male Union Elbow	1	
<input type="checkbox"/>	2	3075658	O-Ring Seal	1	
<input type="checkbox"/>	3	3089019	O-Ring Seal	1	M42.
	4	3332350	Male Union Elbow	1	
<input type="checkbox"/>		3410392	Male Union Elbow	1	
<input type="checkbox"/>	3	3089019	O-Ring Seal	1	M42.
<input type="checkbox"/>	5	3332160	O-Ring Seal	1	
	6	3410393	Male Union Elbow	1	
<input type="checkbox"/>	7	3905372	Hexagon Flange Head Cap Screw	3	M12 x 1.75 x 60
<input type="checkbox"/>	9	4017295	Protective Cover	1	
<input type="checkbox"/>		4916697	Fuel Filter Head	1	
<input type="checkbox"/>	10	145536	O-Ring Seal	3	
<input type="checkbox"/>	12	3010635	Filter Head Adapter	3	
<input type="checkbox"/>		3089023	Threaded Plug	2	M42 X 2.00 X 19.5.
<input type="checkbox"/>	3	3089019	O-Ring Seal	1	M42.
	13	3089021	Threaded Plug	1	M42 X 2.00 X 19.5.
<input type="checkbox"/>	14	4916702	Fuel Filter Head	1	



Parts Catalog - Option Detail

Electronic Parts Catalog - Option Detail				
Option	Group	Graphic	Film Card	Date
FF6765-01	06.04.1	ff602gr	P60	25-NOV-03
Engines	QSK60 CM2150 MCRS, QSK60 CM2250 K112, QSK60 CM2350 K116, QSK60 CM2350 K117, QSK60 CM2350 K121, QSK60 CM2350 K133, QSK60 CM500, QSK60 CM850 MCRS, QSK60 G, QSK60 G CM2358 K110			

©Cummins Inc



[SMALL](#) | [MEDIUM](#) | [LARGE](#)

Cart	Ref No	Part Number	Part Description	Required	Remarks
View My Cart					
		FF6765-01	Fuel Filter Plumbing		Plumbing, fuel filter
					for application with: A) no
					compressor b) twin cylinder

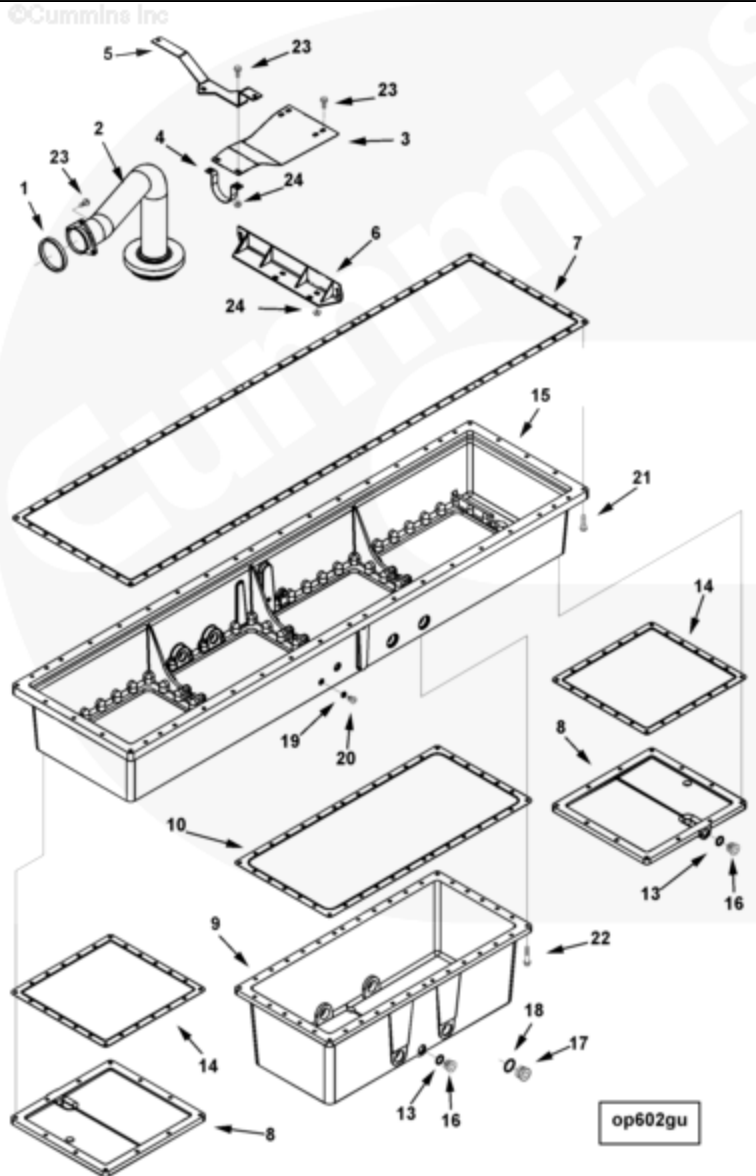
					compressor c) single cylinder
					compressor with fuel filter
					head in forward position.
<input type="checkbox"/>	1	3635268	Flexible Hose	1	

© 2019 Cummins Inc., Box 3005, Columbus, IN 47202-3005 U.S.A.
Terms of Use and Disclaimers | Recommended System Requirements
Need Assistance? Please click on the Contact Us button in the top right corner of any page.



Parts Catalog - Option Detail

Electronic Parts Catalog - Option Detail				
Option	Group	Graphic	Film Card	Date
OP6046-10	07.01	op602gu	P60	22-JUL-03
Engines	QSK60 CM2150 MCRS, QSK60 CM2250 K112, QSK60 CM2350 K116, QSK60 CM2350 K117, QSK60 CM2350 K121, QSK60 CM2350 K133, QSK60 CM500, QSK60 CM850 MCRS, QSK60 G, QSK60 G CM2358 K110			



[SMALL](#) | [MEDIUM](#) | [LARGE](#)

Cart	Ref No	Part Number	Part Description	Required	Remarks
View My Cart					
		OP6046-10	Oil Pan		Pan, oil
					sump location: Double deep
					sump on center locations #2

					and #3
					Material: Aluminum
					construction: Cast high oil
					capacity: 261liters (69 US
					gallons) low oil capacity:
					231liters (61 US gallons)
					Angularity Limits: TBD
					Drain Location: Right Bank
					accessible ports/sizes: 6
					off m27 x 2 oil drain ports
					(2in oil pan and 4in oil pan
					covers) 4 off m42 x 2 ports
					in oil pan adapter 2 off M22
					x 1.5 ports in oil pan
					adapter 6 off m14 x 1.5 ports
					in oil pan adapter 4 off m42
					x 2 ports in oil pan.
<input type="checkbox"/>	1	3089891	Rectangular Ring Seal	1	
<input type="checkbox"/>	2	4015803	Lubricating Oil Supply Tube	1	
<input type="checkbox"/>	3	4017188	Oil Tube Bracket	1	
<input type="checkbox"/>	4	3171711	Tube Clamp	2	
<input type="checkbox"/>	5	4065718	Oil Tube Bracket	1	
<input type="checkbox"/>	6	4086650	Oil Tube Bracket	1	
<input type="checkbox"/>	7	4101118	Oil Pan Adapter Gasket	1	
<input type="checkbox"/>	8	4080151	Oil Pan Cover	2	
<input type="checkbox"/>	9	3171565	Oil Pan	1	
<input type="checkbox"/>	10	3171648	Oil Pan Gasket	1	
<input type="checkbox"/>	14	3332085	Oil Pan Cover Gasket	2	
<input type="checkbox"/>	15	4080596	Oil Pan Adapter	1	
<input type="checkbox"/>		3089023	Threaded Plug	8	M42 X 2.00 X 19.5.
	16	3089021	Threaded Plug	1	M42 X 2.00 X 19.5.

<input type="checkbox"/>	13	3089019	O-Ring Seal	1	M42.
<input type="checkbox"/>		3678873	Threaded Plug	1	M18 X 1.5 X 19.5
	17	3678791	Threaded Plug	1	M18 X 1.5 X 19.5
<input type="checkbox"/>	18	3678786	O-Ring Seal	1	M18
<input type="checkbox"/>		3089238	Threaded Plug	4	M22 x 1.50 x 20.1
<input type="checkbox"/>	19	3089240	O-Ring Seal	1	M22
	20	3089239	Threaded Plug	1	M22 x 1.50 x 20.1
<input type="checkbox"/>	21	3903464	Hexagon Flange Head Cap Screw	38	M10 X 1.50 X 40.
<input type="checkbox"/>	22	3900634	Hexagon Flange Head Cap Screw	52	M10 X 1.50 X 50.
<input type="checkbox"/>	23	3902460	Hexagon Flange Head Cap Screw	48	M10 X 1.50 X 25.
<input type="checkbox"/>	24	3902662	Hexagon Flange Nut	8	M10 x 1.50

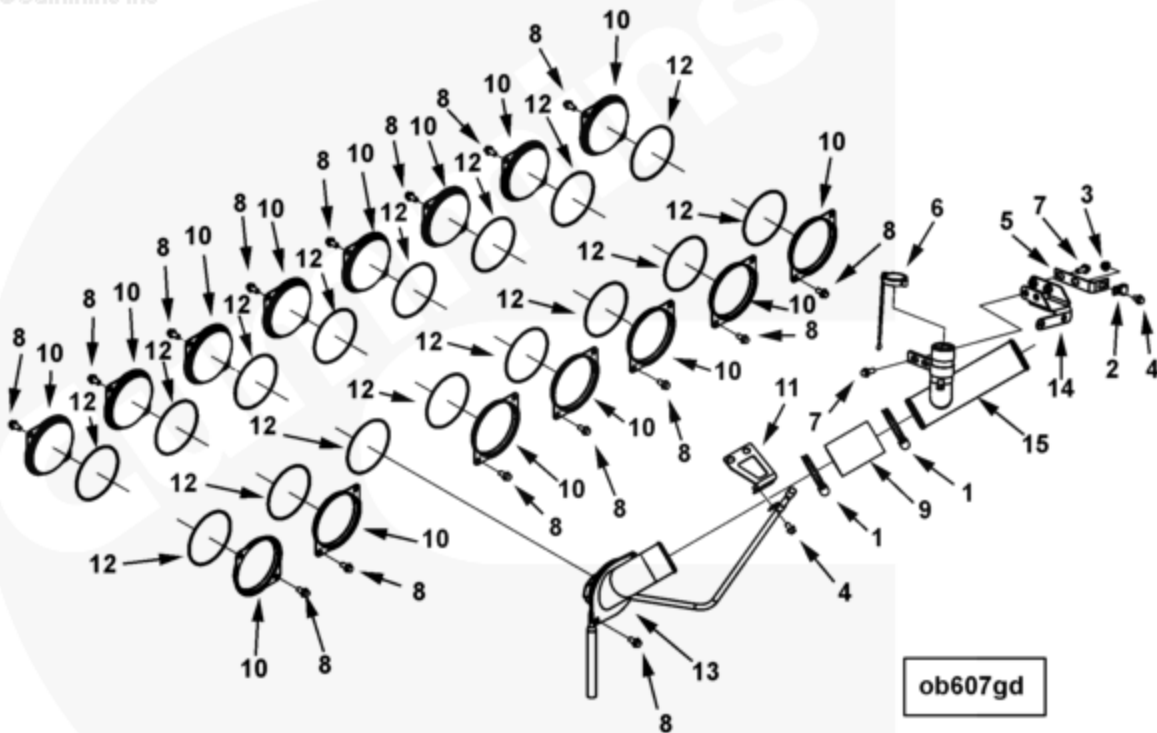
© 2019 Cummins Inc., Box 3005, Columbus, IN 47202-3005 U.S.A.
Terms of Use and Disclaimers | Recommended System Requirements
Need Assistance? Please click on the Contact Us button in the top right corner of any page.



Parts Catalog - Option Detail

Electronic Parts Catalog - Option Detail				
Option	Group	Graphic	Film Card	Date
OB67034-01	07.02	ob607gd	P60	12-AUG-03
Engines	QSK60 CM2150 MCRS, QSK60 CM2250 K112, QSK60 CM2350 K116, QSK60 CM2350 K117, QSK60 CM2350 K121, QSK60 CM2350 K133, QSK60 CM500, QSK60 CM850 MCRS, QSK60 G, QSK60 G CM2358 K110			

©Cummins Inc



[SMALL](#) | [MEDIUM](#) | [LARGE](#)

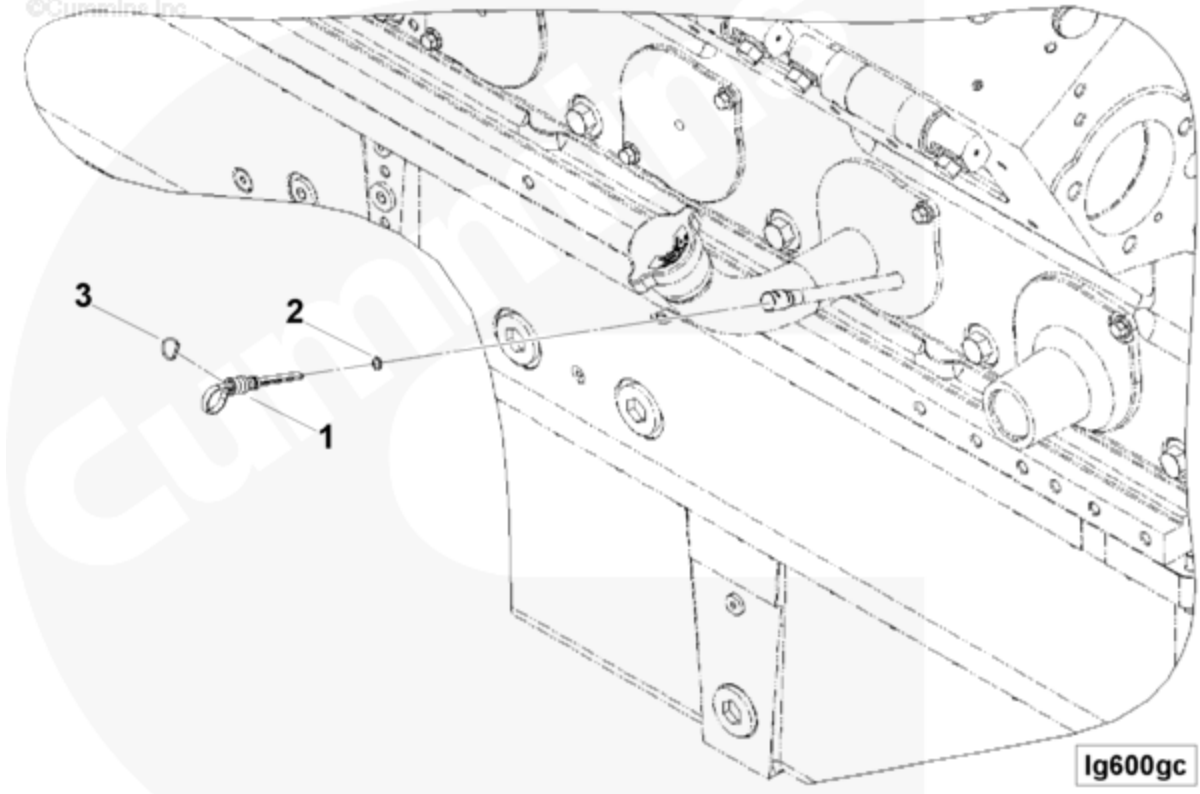
Cart	Ref No	Part Number	Part Description	Required	Remarks
View My Cart					
		OB67034-01	Hand Hole Cover		Cover, hand hole
					Oil Fill Location: LB3
					Dipstick Location: LB3
					breather inlet cover: LB3
					lube filter type: Venturi
					starters: LB or RB
					centrifuge: No
					Hand Hole Cover Position:

					Plain cover: LB1, 2, 4, 5,
					6, 7, 8 RB1, 2, 3, 4, 5, 6,
					7, 8
					Unique Characteristics:
					Extended height dipstick
					arrangement
					Contains running level
					dipstick compatible
					Hand hole cover for qsk60
					industrial engines.
<input type="checkbox"/>	1	43828 F	Hose Clamp	2	2 9/16 - 3 1/2 in.
<input type="checkbox"/>	2	108722	Clip	1	
<input type="checkbox"/>	3	3093828	Hexagon Flange Nut	1	M10 X 1.50.
<input type="checkbox"/>	4	3093957	Hexagon Flange Head Cap Screw	3	M10 X 1.50 X 16
<input type="checkbox"/>	5	4100877	Oil Tube Bracket	1	
<input type="checkbox"/>	6	3629112	Filler Cap	1	
<input type="checkbox"/>	7	3902460	Hexagon Flange Head Cap Screw	4	M10 X 1.50 X 25.
<input type="checkbox"/>	8	3903990	Hexagon Flange Head Cap Screw	32	M10 X 1.50 X 20.
<input type="checkbox"/>	9	4066212	Plain Hose	1	
<input type="checkbox"/>	10	4086695	Hand Hole Cover	15	
<input type="checkbox"/>	11	4100883	Oil Tube Bracket	1	
<input type="checkbox"/>	12	4100660	O-Ring Seal	16	
<input type="checkbox"/>	13	4100685	Hand Hole Cover	1	
<input type="checkbox"/>	14	4100764	Oil Tube Bracket	1	
<input type="checkbox"/>	15	4100767	Breather Tube	1	



Parts Catalog - Option Detail

Electronic Parts Catalog - Option Detail				
Option	Group	Graphic	Film Card	Date
LG6047	07.02	Ig600gc	P60	25-NOV-02
Engines	QSK60 CM2150 MCRS, QSK60 CM2250 K112, QSK60 CM2350 K116, QSK60 CM2350 K117, QSK60 CM2350 K121, QSK60 CM2350 K133, QSK60 CM500, QSK60 CM850 MCRS, QSK60 G, QSK60 G CM2358 K110			



[SMALL](#) | [MEDIUM](#) | [LARGE](#)

Cart	Ref No	Part Number	Part Description	Required	Remarks
View My Cart					
		LG6047	Oil Level Gauge Location		Oil level gauge location
					Power Angle: 0 power tilt:
					0
					Location: #3 LB (extended)
					run level check capability:
					Yes opening from front face
					of block: 677mm opening
					above centerline of
					crankshaft: 482mm opening

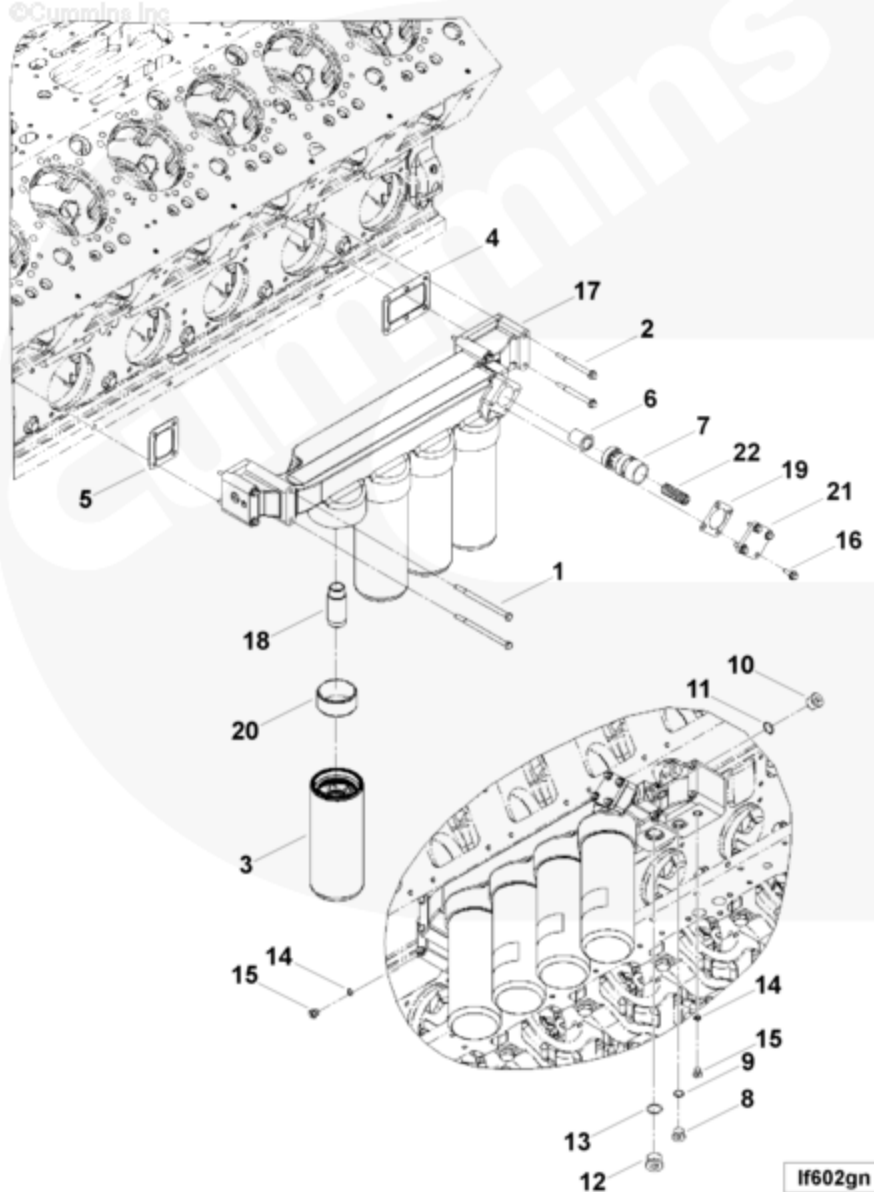
					from centerline of engine:
					812mm
					Unique Characteristics:
					Dipstick includes calibration
					marks for low idle speed oil
					level checks. For qsk60
					engines.
<input type="checkbox"/>	1	4080458	Dipstick	1	
<input type="checkbox"/>	2	131026	O-Ring Seal	1	
<input type="checkbox"/>	3	3030207	Dipstick Retainer	1	

© 2019 Cummins Inc., Box 3005, Columbus, IN 47202-3005 U.S.A.
Terms of Use and Disclaimers | Recommended System Requirements
Need Assistance? Please click on the Contact Us button in the top right corner of any page.



Parts Catalog - Option Detail

Electronic Parts Catalog - Option Detail				
Option	Group	Graphic	Film Card	Date
LF6068-05	07.03	If602gn	P60	01-JAN-03
Engines	QSK60 CM2150 MCRS, QSK60 CM2250 K112, QSK60 CM2350 K116, QSK60 CM2350 K117, QSK60 CM2350 K121, QSK60 CM2350 K133, QSK60 CM500, QSK60 CM850 MCRS, QSK60 G, QSK60 G CM2358 K110			



[SMALL](#) | [MEDIUM](#) | [LARGE](#)

Cart	Ref No	Part Number	Part Description	Required	Remarks
View My Cart					
		LF6068-05	Full Flow Oil Filter		Combination full flow/bypass
					oil filter
					Element Type: Venturi Combo

					LF9024
					No. of elements: 4 mounting
					location: RB bypass
					provision: Yes
					One piece filter head
					For use on q60 industrial and
					generator drive engines.
<input type="checkbox"/>	1	4001378	Hexagon Flange Head Cap Screw	2	M10 x 1.50 x 163
<input type="checkbox"/>	2	3922863	Hexagon Flange Head Cap Screw	6	M10 x 1.50 x 110
<input type="checkbox"/>	3	3101870	Lubricating Oil Filter	4	Buy from Cummins filtration
<input type="checkbox"/>	4	4066135	Filter Head Gasket	1	
<input type="checkbox"/>	5	4066136	Filter Head Gasket	1	
<input type="checkbox"/>		4100476	Lubricating Oil Filter Head	1	
<input type="checkbox"/>	6	3021618	Pressure Regulator Plunger	1	
<input type="checkbox"/>	7	3028552	Bypass Valve Body	1	
<input type="checkbox"/>		3089238	Threaded Plug	1	M22 x 1.50 x 20.1
	8	3089239	Threaded Plug	1	M22 x 1.50 x 20.1
<input type="checkbox"/>	9	3089240	O-Ring Seal	1	M22
<input type="checkbox"/>		3678611	Threaded Plug	1	
	10	3678605	Threaded Plug	1	
<input type="checkbox"/>	11	3678606	O-Ring Seal	1	M27 X 2.00
<input type="checkbox"/>		3678838	Threaded Plug	1	M33 x 2.00
	12	3678845	Threaded Plug	1	
<input type="checkbox"/>	13	3678846	O-Ring Seal	1	
<input type="checkbox"/>		3678921	Threaded Plug	6	M14 X 1.5 X 16
<input type="checkbox"/>	14	3678912	O-Ring Seal	1	M14
	15	3678922	Threaded Plug	1	M14 X 1.5 X 16
<input type="checkbox"/>	16	3902460	Hexagon Flange Head Cap Screw	4	M10 X 1.50 X 25.
<input type="checkbox"/>	17	4065919	Lubricating Oil Filter Head	1	
<input type="checkbox"/>	18	4066190	Filter Head Adapter	4	
<input type="checkbox"/>	19	4100474	Cover Plate Gasket	1	

<input type="checkbox"/>	20	4066192	Filter Head Adapter	4	
<input type="checkbox"/>	21	4066194	Cover Plate	1	
<input type="checkbox"/>	22	4066195	Compression Spring	1	

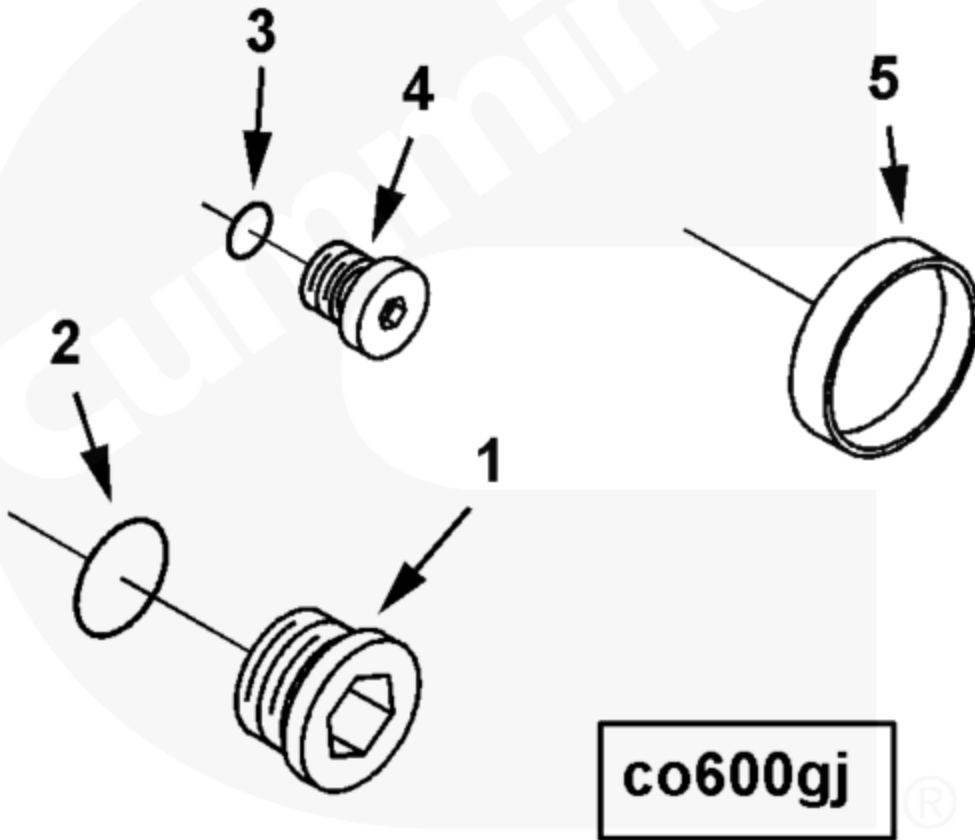
© 2019 Cummins Inc., Box 3005, Columbus, IN 47202-3005 U.S.A.
Terms of Use and Disclaimers | Recommended System Requirements
Need Assistance? Please click on the Contact Us button in the top right corner of any page.



Parts Catalog - Option Detail

Electronic Parts Catalog - Option Detail				
Option	Group	Graphic	Film Card	Date
CO6702-02	07.03	co600gj	P60	25-AUG-03
Engines	QSK60 CM2150 MCRS, QSK60 CM2250 K112, QSK60 CM2350 K116, QSK60 CM2350 K117, QSK60 CM2350 K121, QSK60 CM2350 K133, QSK60 CM500, QSK60 CM850 MCRS, QSK60 G, QSK60 G CM2358 K110			

©Cummins Inc



SMALL | MEDIUM | LARGE

Cart	Ref No	Part Number	Part Description	Required	Remarks
View My Cart					
		CO6702-02	Oil Replenishing System Plumbing		Plumbing, oil replenishing
					system centinel: No
					For use on QSK45/60 engines
					For use with phase 2.0
					harness only.
		3678611	Threaded Plug	1	

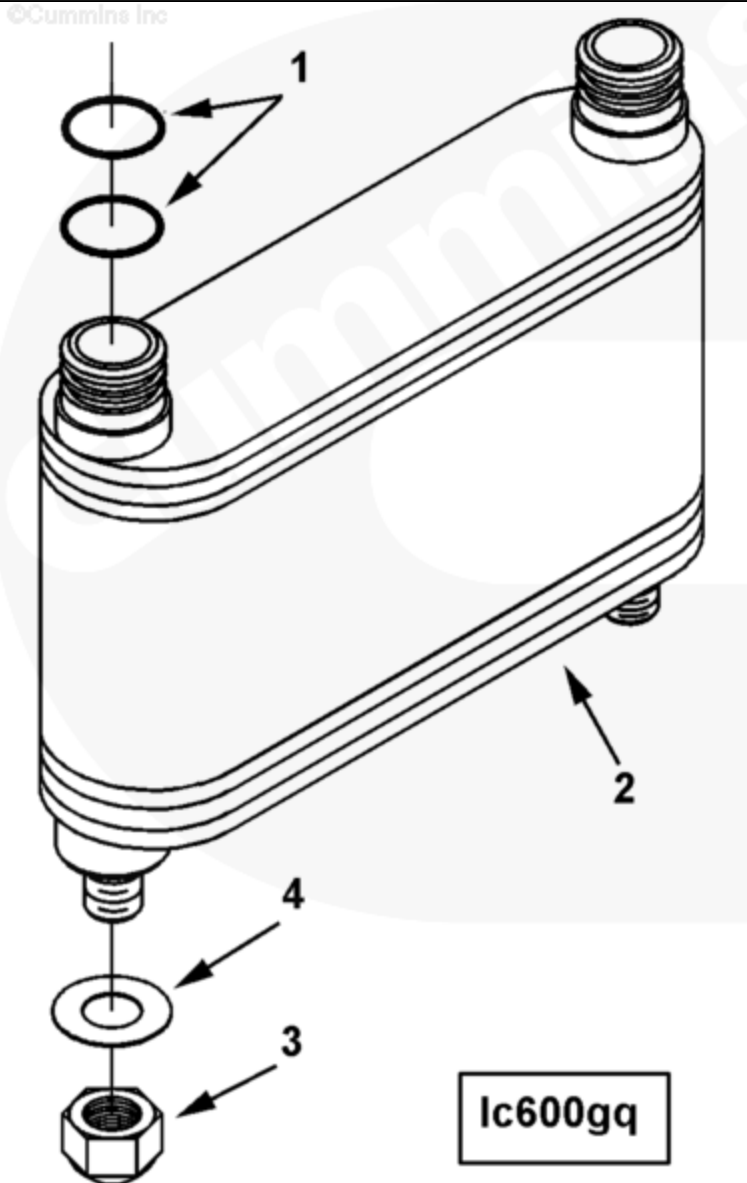
<input type="checkbox"/>					
	1	3678605	Threaded Plug	1	
<input type="checkbox"/>	2	3678606	O-Ring Seal	1	M27 X 2.00
<input type="checkbox"/>		3678921	Threaded Plug	1	M14 X 1.5 X 16
<input type="checkbox"/>	3	3678912	O-Ring Seal	1	M14
	4	3678922	Threaded Plug	1	M14 X 1.5 X 16
<input type="checkbox"/>	5	4017621	Expansion Plug	1	

© 2019 Cummins Inc., Box 3005, Columbus, IN 47202-3005 U.S.A.
Terms of Use and Disclaimers | Recommended System Requirements
Need Assistance? Please click on the Contact Us button in the top right corner of any page.



Parts Catalog - Option Detail

Electronic Parts Catalog - Option Detail				
Option	Group	Graphic	Film Card	Date
LC6702	07.05	lc600gq	P60	18-MAR-98
Engines	QSK60 CM2150 MCRS, QSK60 CM2250 K112, QSK60 CM2350 K116, QSK60 CM2350 K117, QSK60 CM2350 K121, QSK60 CM2350 K133, QSK60 CM500, QSK60 CM850 MCRS, QSK60 G, QSK60 G CM2358 K110			



[SMALL](#) | [MEDIUM](#) | [LARGE](#)

Cart	Ref No	Part Number	Part Description	Required	Remarks
View My Cart					
		LC6702	Engine Oil Cooler		Engine oil cooler
					for q60 engines.
<input type="checkbox"/>	1	212161	O-Ring Seal	16	

<input type="checkbox"/>	2	3082360	Cooler Core	4	
<input type="checkbox"/>	3	3089271	Lock Nut	8	
	4	3630969	Lubricating Oil Cooler Cover Gasket	8	

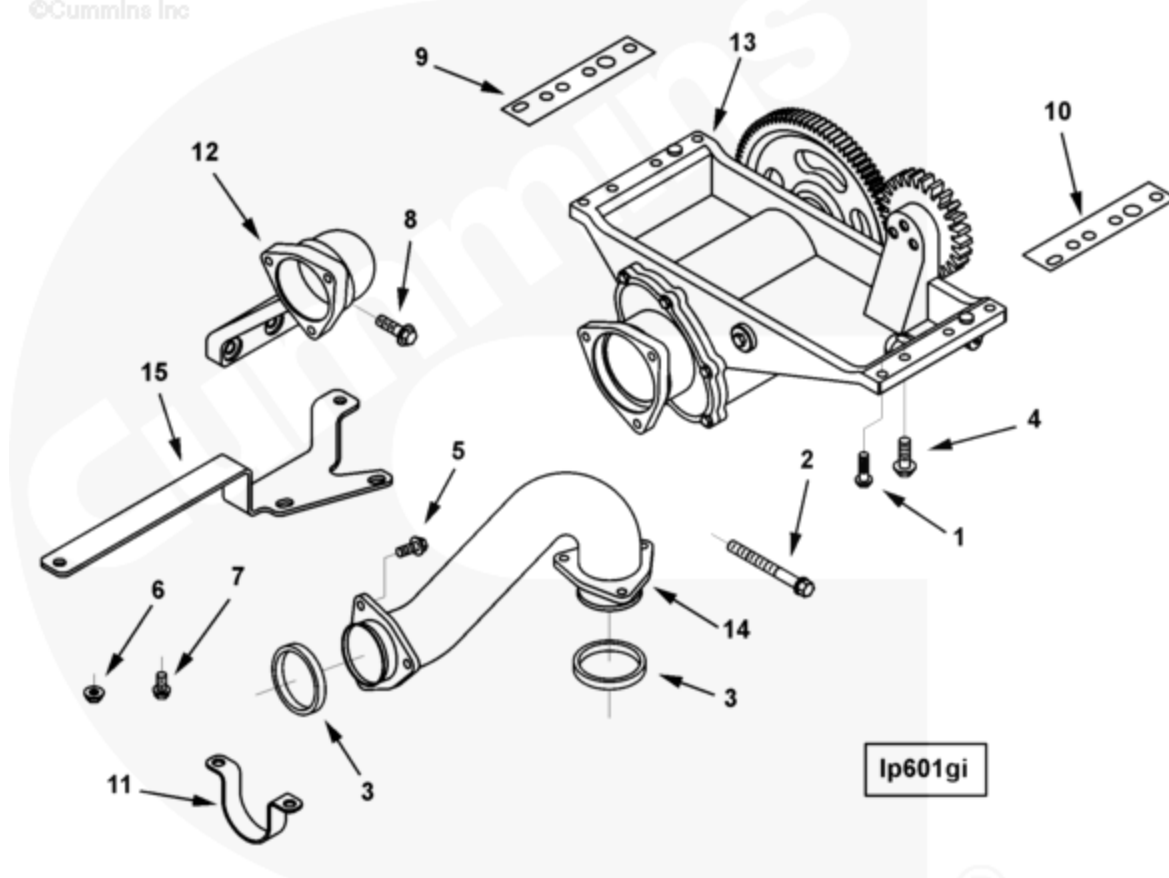
© 2019 Cummins Inc., Box 3005, Columbus, IN 47202-3005 U.S.A.
Terms of Use and Disclaimers | Recommended System Requirements
Need Assistance? Please click on the Contact Us button in the top right corner of any page.



Parts Catalog - Option Detail

Electronic Parts Catalog - Option Detail				
Option	Group	Graphic	Film Card	Date
LP6704-08	07.06	lp601gi	P60	11-JUN-03
Engines	QSK60 CM2150 MCRS, QSK60 CM2250 K112, QSK60 CM2350 K116, QSK60 CM2350 K117, QSK60 CM2350 K121, QSK60 CM2350 K133, QSK60 CM500, QSK60 CM850 MCRS, QSK60 G, QSK60 G CM2358 K110			

©Cummins Inc



[SMALL](#) | [MEDIUM](#) | [LARGE](#)

Cart	Ref No	Part Number	Part Description	Required	Remarks
View My Cart					
		LP6704-08	Lubricating Oil Pump		Pump, lubricating oil
					To be used on quantum qsk60 engine.
<input type="checkbox"/>	1	3089016	Hexagon Flange Head Cap Screw	3	M10 X 1.50 X 35.
<input type="checkbox"/>	2	3089563	Hexagon Flange Head Cap Screw	1	
<input type="checkbox"/>	3	3089886	Rectangular Ring Seal	2	
<input type="checkbox"/>	4	3900637	Hexagon Flange Head Cap Screw	6	M12 x 1.75 x 35

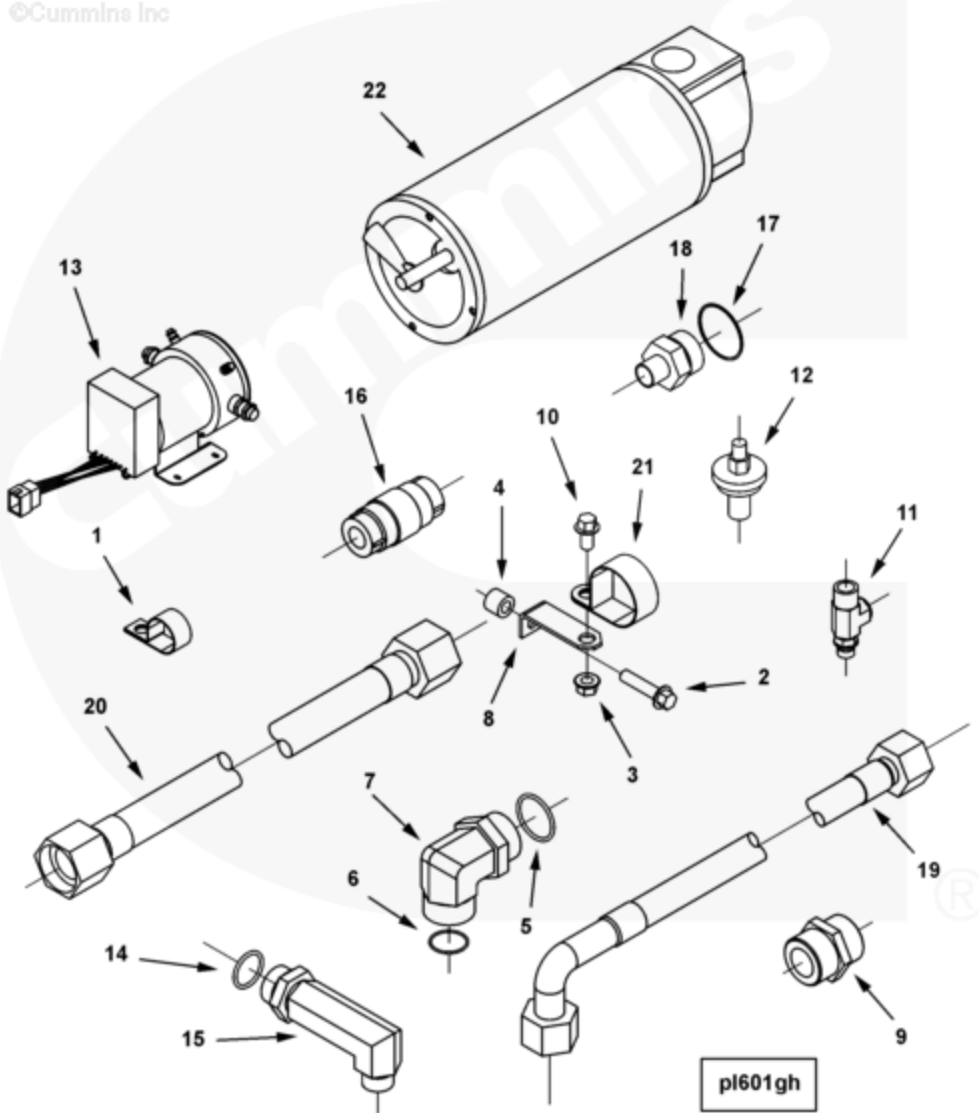
<input type="checkbox"/>	5	3902460	Hexagon Flange Head Cap Screw	8	M10 X 1.50 X 25.
<input type="checkbox"/>	6	3902662	Hexagon Flange Nut	2	M10 x 1.50
<input type="checkbox"/>	7	3903990	Hexagon Flange Head Cap Screw	2	M10 X 1.50 X 20.
<input type="checkbox"/>	8	3920447	Hexagon Flange Head Cap Screw	2	M12 X 1.75 X 40.
<input type="checkbox"/>	9	4016660	Shim	2	
<input type="checkbox"/>	10	4016661	Shim	2	
<input type="checkbox"/>	11	4017285	Tube Clamp	1	
<input type="checkbox"/>	12	4065720	Oil Transfer Connection	1	
<input type="checkbox"/>	13	4100711	Lubricating Oil Pump	1	
<input type="checkbox"/>	14	4066383	Lubricating Oil Transfer Tube	1	
<input type="checkbox"/>	15	4066672	Oil Tube Bracket	1	

© 2019 Cummins Inc., Box 3005, Columbus, IN 47202-3005 U.S.A.
Terms of Use and Disclaimers | Recommended System Requirements
Need Assistance? Please click on the Contact Us button in the top right corner of any page.



Parts Catalog - Option Detail

Electronic Parts Catalog - Option Detail				
Option	Group	Graphic	Film Card	Date
PL6740-01	07.06.1	pl601gh	P60	23-JUN-03
Engines	QSK60 CM2150 MCRS, QSK60 CM2250 K112, QSK60 CM2350 K116, QSK60 CM2350 K117, QSK60 CM2350 K121, QSK60 CM2350 K133, QSK60 CM500, QSK60 CM850 MCRS, QSK60 G, QSK60 G CM2358 K110			



[SMALL](#) | [MEDIUM](#) | [LARGE](#)

Cart	Ref No	Part Number	Part Description	Required	Remarks
View My Cart					
		PL6740-01	Engine Lubricating Primer		Plumbing, engine oil primer
					Includes remote high volume
					prelub primer, suction and
					delivery hoses, prelub

					pressure switch, relay switch
					and associated hose
					connectors.
					Wiring harness to be supplied
					by customer. Right bank
					mounted remote high volume
					prelub
					For use on kaic 830 e/930 e
					(qsk60) engines with spin-on
					filter head.
<input type="checkbox"/>	1	67950	Clip	1	# 16
<input type="checkbox"/>	2	3089232	Hexagon Flange Head Cap Screw	1	M10 X 1.50 X 45.
<input type="checkbox"/>	3	3093828	Hexagon Flange Nut	1	M10 X 1.50.
<input type="checkbox"/>	4	3200162	Mounting Spacer	1	
<input type="checkbox"/>		3410392	Male Union Elbow	1	
<input type="checkbox"/>	5	3089019	O-Ring Seal	1	M42.
<input type="checkbox"/>	6	3332160	O-Ring Seal	1	
	7	3410393	Male Union Elbow	1	
<input type="checkbox"/>	8	3628554	Tube Brace	1	
<input type="checkbox"/>		3634686	Male Union	1	
	9	3634688	Male Union	1	
<input type="checkbox"/>	10	3903990	Hexagon Flange Head Cap Screw	1	M10 X 1.50 X 20.
<input type="checkbox"/>	11	4017212	Male Union Tee	1	
<input type="checkbox"/>	12	4101287	Pressure Switch	1	
<input type="checkbox"/>	13	4065468	Relay Switch	1	
<input type="checkbox"/>		4065496	Male Union Elbow	1	
<input type="checkbox"/>	14	3678846	O-Ring Seal	1	
	15	4065497	Male Adapter Elbow	1	Purchase at the higher level
					only.
<input type="checkbox"/>		4065979	Check Valve	1	
					4007207.

<input type="checkbox"/>	16	4007204	Check Valve	1	
<input type="checkbox"/>		4007207	Male Connector	1	
<input type="checkbox"/>	17	3075658	O-Ring Seal	1	
	18	4007208	Male Union	1	
<input type="checkbox"/>	19	4080229	Flexible Hose	1	
<input type="checkbox"/>	20	4080230	Flexible Hose	1	
<input type="checkbox"/>	21	4080234	Clip	1	
<input type="checkbox"/>	22	4080590	Engine Lubricating Primer	1	

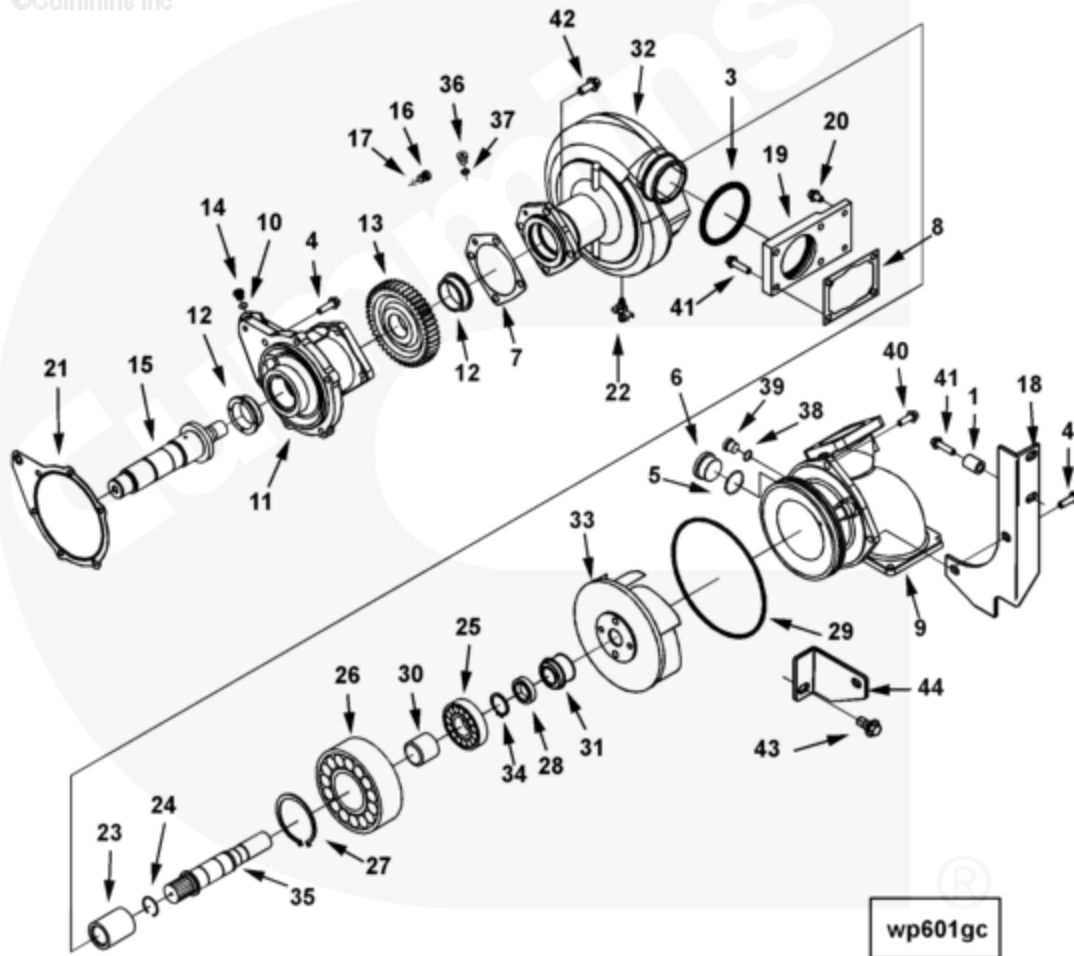
© 2019 Cummins Inc., Box 3005, Columbus, IN 47202-3005 U.S.A.
Terms of Use and Disclaimers | Recommended System Requirements
Need Assistance? Please click on the Contact Us button in the top right corner of any page.



Parts Catalog - Option Detail

Electronic Parts Catalog - Option Detail				
Option	Group	Graphic	Film Card	Date
WP6012-11	08.01	wp601gc	P60	02-FEB-03
Engines	QSK60 CM2150 MCRS, QSK60 CM2250 K112, QSK60 CM2350 K116, QSK60 CM2350 K117, QSK60 CM2350 K121, QSK60 CM2350 K133, QSK60 CM500, QSK60 CM850 MCRS, QSK60 G, QSK60 G CM2358 K110			

©Cummins Inc



[SMALL](#) | [MEDIUM](#) | [LARGE](#)

Cart	Ref No	Part Number	Part Description	Required	Remarks
View My Cart					
		WP6012-11	Water Pump		Water pump
					engine cooling water pump
					internal or external:
					External qsk45 engines: "TBD"
					US gallons/min at 1900 RPM
					with 5 PSI external

					restriction. Qsk60 engines:
					Approx. 585 US gallons/min
					at 1900 RPM with 5 PSI
					external restriction.
					For use on qsk45 and qsk60
					engines.
<input type="checkbox"/>	1	64709	Mounting Spacer	1	
<input type="checkbox"/>	3	3007512	O-Ring Seal	1	
<input type="checkbox"/>	4	3089016	Hexagon Flange Head Cap Screw	7	M10 X 1.50 X 35.
<input type="checkbox"/>		3089023	Threaded Plug	1	M42 X 2.00 X 19.5.
<input type="checkbox"/>	5	3089019	O-Ring Seal	1	M42.
	6	3089021	Threaded Plug	1	M42 X 2.00 X 19.5.
<input type="checkbox"/>	7	3089261	Water Pump Gasket	1	
<input type="checkbox"/>	8	3089262	Water Pump Gasket	1	
<input type="checkbox"/>	9	3089731	Water Inlet Connection	1	
<input type="checkbox"/>		4066277	Water Pump Support	1	Recon equivalent 4066277 NX
<input type="checkbox"/>	10	3634019	Expansion Plug	1	
		4066278	Water Pump Support	1	
	11	4066279	Water Pump Support	1	
<input type="checkbox"/>	12	3089409	Bushing	2	
<input type="checkbox"/>	13	3089100	Accessory Drive Gear	1	
<input type="checkbox"/>	14	3089412	Orifice Plug	1	
<input type="checkbox"/>	15	3332037	Water Pump Shaft	1	
<input type="checkbox"/>		3678923	Threaded Plug	1	M10 X 1.00 X 13.5
<input type="checkbox"/>	16	3678924	Threaded Plug	1	M10 X 1.00 X 13.5
<input type="checkbox"/>	17	3678925	O-Ring Seal	1	M10.
<input type="checkbox"/>	18	4007215	Connection Bracket	1	
<input type="checkbox"/>	19	4016906	O-Ring Adapter	1	
<input type="checkbox"/>	20	3903990	Hexagon Flange Head Cap Screw	2	M10 X 1.50 X 20.
<input type="checkbox"/>	21	3332299	Water Pump Support Gasket	1	
<input type="checkbox"/>		4100928	Water Pump	1	

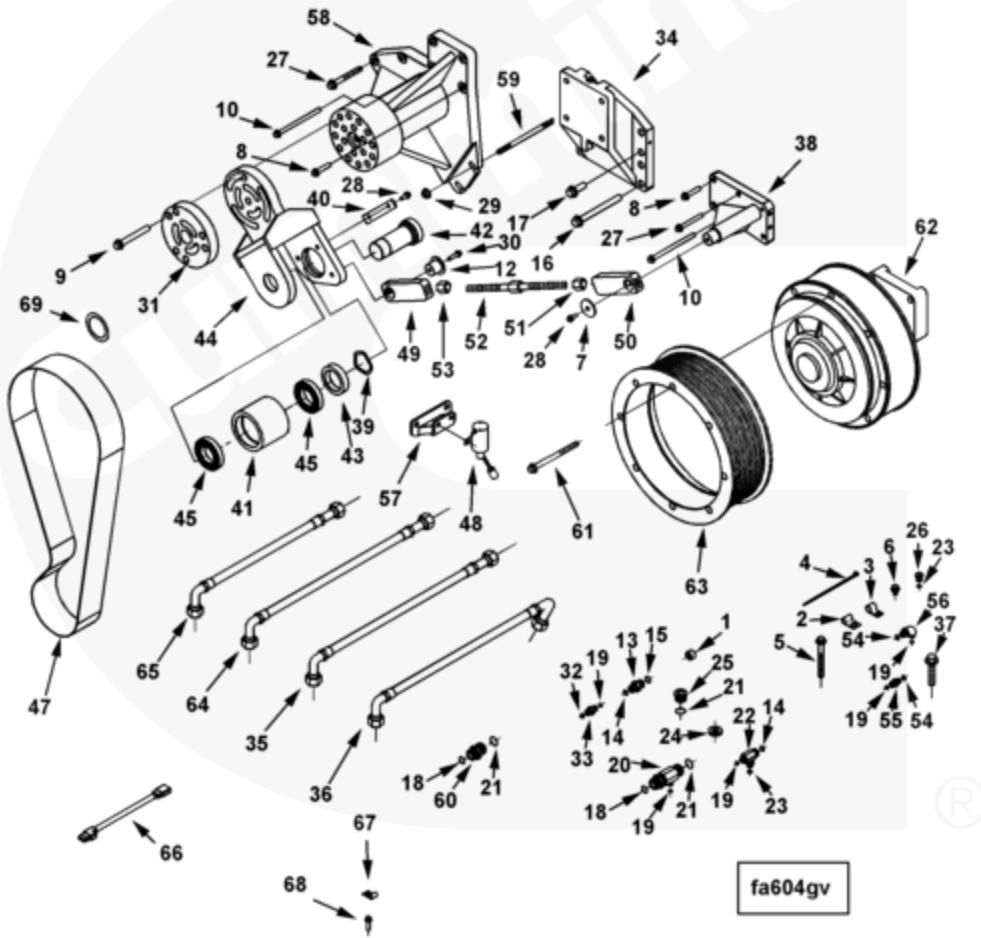
<input type="checkbox"/>	22	S 962 E	Draincock	1	
<input type="checkbox"/>	23	206195	Spline Coupling Sleeve	1	
<input type="checkbox"/>	24	206196	Retaining Ring	1	
		4100927	Water Pump	1	
<input type="checkbox"/>	25	S 16054	Ball Bearing	1	
<input type="checkbox"/>	26	S 16069	Ball Bearing	1	
<input type="checkbox"/>	27	70183	Retaining Ring	1	
<input type="checkbox"/>	28	3634146	Oil Seal	1	
<input type="checkbox"/>	29	206457	O-Ring Seal	1	
<input type="checkbox"/>	30	3030487	Bearing Spacer	1	
<input type="checkbox"/>	31	3634007	Water Pump Seal	1	
<input type="checkbox"/>	32	4100779	Water Pump Body	1	
<input type="checkbox"/>	33	3172019	Water Pump Impeller	1	
<input type="checkbox"/>	34	3175573	Retaining Ring	1	
<input type="checkbox"/>	35	3634049	Water Pump Shaft	1	
<input type="checkbox"/>		3678610	Threaded Plug	2	M12 x 1.50
	36	3678602	Threaded Plug	1	M12 x 1.50 THD
<input type="checkbox"/>	37	3678603	O-Ring Seal	1	
<input type="checkbox"/>		3678873	Threaded Plug	1	M18 X 1.5 X 19.5
<input type="checkbox"/>	38	3678786	O-Ring Seal	1	M18
	39	3678791	Threaded Plug	1	M18 X 1.5 X 19.5
<input type="checkbox"/>	40	3903112	Hexagon Flange Head Cap Screw	2	M10 X 1.50 X 30.
<input type="checkbox"/>	41	3903464	Hexagon Flange Head Cap Screw	5	M10 X 1.50 X 40.
<input type="checkbox"/>	42	3910495	Hexagon Flange Head Cap Screw	4	M12 X 1.75 X 30.
<input type="checkbox"/>	43	3901249	Hexagon Flange Head Cap Screw	1	M12 X 1.75 X 25.
<input type="checkbox"/>	44	4007216	Connection Bracket	1	



Parts Catalog - Option Detail

Electronic Parts Catalog - Option Detail				
Option	Group	Graphic	Film Card	Date
FA6177-01	08.03	fa604gv	P60	16-SEP-03
Engines	QSK60 CM2150 MCRS, QSK60 CM2250 K112, QSK60 CM2350 K116, QSK60 CM2350 K117, QSK60 CM2350 K121, QSK60 CM2350 K133, QSK60 CM500, QSK60 CM850 MCRS, QSK60 G, QSK60 G CM2358 K110			

©Cummins Inc



[SMALL](#) | [MEDIUM](#) | [LARGE](#)

Cart	Ref No	Part Number	Part Description	Required	Remarks
View My Cart					
		FA6177-01	Fan Drive		Fan drive
					Fan Center Distance To Crank
					Centerline: 700mm (27.6in)
					Fan Center: Fixed 700mm

				offset from centerline of
				crank: 0mm type of drive: 8
				bolt belt description: 23 l
				belt included: Yes
				Drive Ratio: .42:1
				Crank Pulley Diameter: 215mm
				distance of fan mounting
				surface from front face of
				block: 630.5mm
				Fan Pulley Diameter: 513mm
				type of fan hub: Variable
				viscous clutch
				Method Of Tensioning: Manual
				Back Side Idler tensioner
				included: Yes fan drive
				limitations: Maxium
				horsepower: 150 HP
				Maximum Torque Capability:
				TBD
				Maximum Fan Inertia: (In-
				LB/sec**2) TBD maximum
				bending moment on fan hub
				mounting surface: (In-LB) TBD
				Maximum Fan Weight: (LB) TBD
				Maximum Fan Spacer Length:
				0mm special installation
				requirements: Fan mounting
				bolts must be grade 10.9 as
				per ces12107
				Unique Characteristics: Fan
				mounting is an 8 bolt

					pattern. Bolt pattern is m16
					x 2 tapped holes on a 5-
					3/4in. (146mm) bolt circle.
					For use with phase 2 harness.
<input type="checkbox"/>	1	66747	Mounting Spacer	2	
<input type="checkbox"/>	2	68152 B	Clip	4	
<input type="checkbox"/>	3	69911 A	Clip	1	
<input type="checkbox"/>	4	3062329	Wire Tie Clamp	7	
<input type="checkbox"/>	5	3089563	Hexagon Flange Head Cap Screw	1	
<input type="checkbox"/>	6	3089384	Hexagon Flange Head Cap Screw	1	M10 X 1.50 X 14.
<input type="checkbox"/>	7	3171143	Plain Washer	1	
<input type="checkbox"/>	8	3171713	Hexagon Flange Head Cap Screw	5	M12 X 1.75 X 50.
<input type="checkbox"/>	9	3171714	Hexagon Flange Head Cap Screw	10	
<input type="checkbox"/>	10	3171715	Hexagon Flange Head Cap Screw	2	M12 x 1.75 x 190
<input type="checkbox"/>	12	3171855	Plug Retainer	1	
<input type="checkbox"/>		3331873	Male Union	1	
	13	3331838	Male Union	1	
<input type="checkbox"/>	14	3627695	O-Ring Seal	1	
<input type="checkbox"/>	15	3678786	O-Ring Seal	1	M18
<input type="checkbox"/>	16	3332174	Hexagon Flange Head Cap Screw	4	
<input type="checkbox"/>	17	3332175	Hexagon Flange Head Cap Screw	4	
<input type="checkbox"/>		3410781	Male Union Tee	1	
<input type="checkbox"/>	18	3085709	O-Ring Seal	1	
<input type="checkbox"/>	19	3089392	O-Ring Seal	1	
	20	3410367	Male Run Tee	1	
<input type="checkbox"/>	21	3678606	O-Ring Seal	1	M27 X 2.00
<input type="checkbox"/>		3410782	Male Union Tee	1	
<input type="checkbox"/>	19	3089392	O-Ring Seal	1	
	22	3410368	Male Union Tee	1	
<input type="checkbox"/>	14	3627695	O-Ring Seal	1	
<input type="checkbox"/>	23	3678912	O-Ring Seal	1	M14
<input type="checkbox"/>	24	3628745	Plain Washer	4	

<input type="checkbox"/>		3678611	Threaded Plug	1	
	25	3678605	Threaded Plug	1	
<input type="checkbox"/>	21	3678606	O-Ring Seal	1	M27 X 2.00
<input type="checkbox"/>		3678921	Threaded Plug	1	M14 X 1.5 X 16
<input type="checkbox"/>	23	3678912	O-Ring Seal	1	M14
	26	3678922	Threaded Plug	1	M14 X 1.5 X 16
<input type="checkbox"/>	27	3680437	Hexagon Flange Head Cap Screw	5	
<input type="checkbox"/>	28	3902460	Hexagon Flange Head Cap Screw	3	M10 X 1.50 X 25.
<input type="checkbox"/>	29	3903210	Hexagon Flange Nut	2	M12 X 1.75.
<input type="checkbox"/>	30	3903464	Hexagon Flange Head Cap Screw	1	M10 X 1.50 X 40.
<input type="checkbox"/>	31	4000674	Mounting Spacer	1	
<input type="checkbox"/>		4000730	Male Union	1	
<input type="checkbox"/>	19	3089392	O-Ring Seal	1	
<input type="checkbox"/>	32	3678603	O-Ring Seal	1	
	33	4000728	Male Union	1	
<input type="checkbox"/>	34	4100580	Fan Bracket	1	
<input type="checkbox"/>	35	4001213	Flexible Hose	1	
<input type="checkbox"/>	36	4080262	Flexible Hose	1	
<input type="checkbox"/>	37	4001226	Hexagon Flange Head Cap Screw	4	
<input type="checkbox"/>	38	4016729	Actuator Bracket	1	
		4066540	Idler Shaft	1	
<input type="checkbox"/>	39	3171146	Spring Washer	1	
<input type="checkbox"/>	40	3171908	Clamping Plate	1	
<input type="checkbox"/>	41	4001566	Idler Pulley	1	
<input type="checkbox"/>	28	3902460	Hexagon Flange Head Cap Screw	2	M10 X 1.50 X 25.
<input type="checkbox"/>	42	4066386	Idler Shaft	1	
<input type="checkbox"/>	43	4001568	Bearing Spacer	1	
<input type="checkbox"/>	44	4016914	Idler Lever	1	
<input type="checkbox"/>	45	4016800	Roller Bearing	2	
<input type="checkbox"/>	47	4015784	V Ribbed Belt	1	
<input type="checkbox"/>	48	4066810	Solenoid	1	
<input type="checkbox"/>		4016245	Control Rod	1	Order as loose pieces

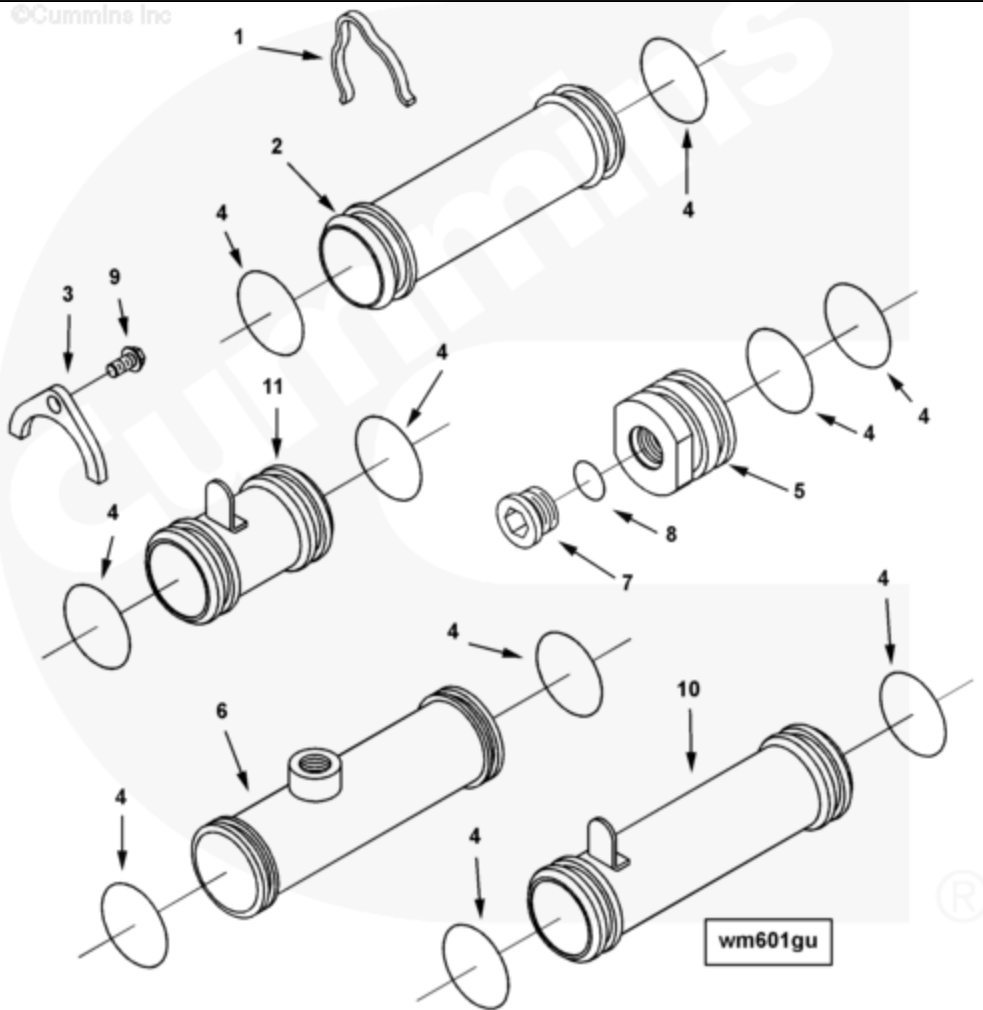
<input type="checkbox"/>	49	4086497	Control Rod End	1	Left Hand Thread
<input type="checkbox"/>	50	4086495	Control Rod End	1	
<input type="checkbox"/>	51	3279355	Regular Hexagon Nut	1	M16 x 2.00
<input type="checkbox"/>	52	4015778	Control Rod	1	
<input type="checkbox"/>	53	4016178	Regular Hexagon Nut	1	M16 x 2-6h Left Hand Thread
<input type="checkbox"/>		4016277	Male Union	1	9/16-18 x 9/16-18
<input type="checkbox"/>	54	3037537	O-Ring Seal	1	
<input type="checkbox"/>	19	3089392	O-Ring Seal	1	
	55	4016278	Male Union	1	
<input type="checkbox"/>		4016279	Male Union Elbow	2	
<input type="checkbox"/>	54	3037537	O-Ring Seal	1	
<input type="checkbox"/>	19	3089392	O-Ring Seal	1	
	56	4016280	Male Union Elbow	1	
<input type="checkbox"/>	57	4086160	Solenoid Bracket	1	
<input type="checkbox"/>	58	4017389	Belt Tensioner Bracket	1	
<input type="checkbox"/>	59	4017427	Double End Plain Stud	2	
<input type="checkbox"/>		3171722	Male Union	1	
<input type="checkbox"/>	18	3085709	O-Ring Seal	1	
<input type="checkbox"/>	21	3678606	O-Ring Seal	1	M27 X 2.00
	60	3171723	Male Union	1	
<input type="checkbox"/>		4017548	Clutch , Fan Top Level Assembly	1	
<input type="checkbox"/>	61	3093805	Hexagon Flange Head Cap Screw	8	M10 X 1.50 X 35.
	62	4016984	Fan Clutch		
	63	4016985	Fan Clutch Pulley	1	
<input type="checkbox"/>	64	4015817	Flexible Hose	1	
<input type="checkbox"/>	65	4015819	Flexible Hose	2	
<input type="checkbox"/>	66	4066664	Electronic Control Module Wiring Harness	1	
<input type="checkbox"/>	67	3629452	Clip	1	
<input type="checkbox"/>	68	3900630	Hexagon Flange Head Cap Screw	1	M8 X 1.25 X 20
<input type="checkbox"/>	69	3635105	Dust Shield	2	

Need Assistance? Please click on the Contact Us button in the top right corner of any page.



Parts Catalog - Option Detail

Electronic Parts Catalog - Option Detail				
Option	Group	Graphic	Film Card	Date
WM6702-03	08.06	wm601gu	P60	27-NOV-01
Engines	QSK60 CM2150 MCRS, QSK60 CM2250 K112, QSK60 CM2350 K116, QSK60 CM2350 K117, QSK60 CM2350 K121, QSK60 CM2350 K133, QSK60 CM500, QSK60 CM850 MCRS, QSK60 G, QSK60 G CM2358 K110			



[SMALL](#) | [MEDIUM](#) | [LARGE](#)

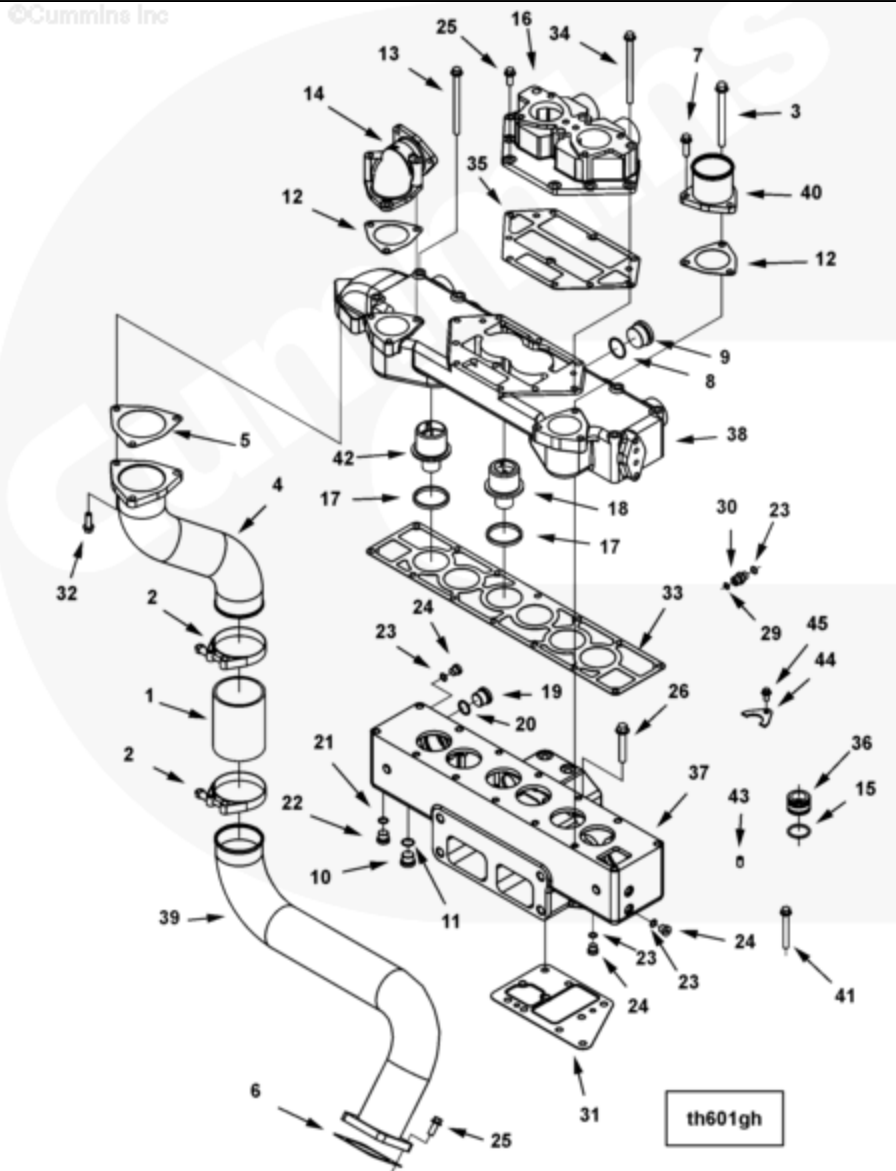
Cart	Ref No	Part Number	Part Description	Required	Remarks
View My Cart					
		WM6702-03	Water Manifold		Manifold, water
					single stage
					Provisions To Plumb
					Turbocharger: Yes
					For use on D593001CX03.

<input type="checkbox"/>	1	205976	Retaining Ring	2	
<input type="checkbox"/>	2	206709	Water Transfer Tube	10	
<input type="checkbox"/>	3	3002957	Retaining Clamp	2	
<input type="checkbox"/>	4	3028291	O-Ring Seal	34	
<input type="checkbox"/>	5	3089514	O-Ring Plug	2	
<input type="checkbox"/>	6	3331850	Water Transfer Tube	4	
<input type="checkbox"/>		3678611	Threaded Plug	2	
	7	3678605	Threaded Plug	1	
<input type="checkbox"/>	8	3678606	O-Ring Seal	1	M27 X 2.00
<input type="checkbox"/>	9	3900629	Hexagon Flange Head Cap Screw	2	M8 X 1.25 X 16
<input type="checkbox"/>	10	4066117	Water Transfer Tube	1	
<input type="checkbox"/>	11	4086012	Water Transfer Tube	1	



Parts Catalog - Option Detail

Electronic Parts Catalog - Option Detail				
Option	Group	Graphic	Film Card	Date
TH6707-09	08.07	th601gh	P60	18-AUG-03
Engines	QSK60 CM2150 MCRS, QSK60 CM2250 K112, QSK60 CM2350 K116, QSK60 CM2350 K117, QSK60 CM2350 K121, QSK60 CM2350 K133, QSK60 CM500, QSK60 CM850 MCRS, QSK60 G, QSK60 G CM2358 K110			



[SMALL](#) | [MEDIUM](#) | [LARGE](#)

Cart	Ref No	Part Number	Part Description	Required	Remarks
View My Cart					
		TH6707-09	Thermostat Housing		Thermostat housing
					Water outlet configuraiton
					accomodates 3 inch bolt on

					flange.
<input type="checkbox"/>	1	60985	Plain Hose	1	
<input type="checkbox"/>	2	3633972	T-Bolt Clamp	2	
<input type="checkbox"/>	3	3089234	Hexagon Flange Head Cap Screw	6	
<input type="checkbox"/>	4	4100975	Water Bypass Tube	1	
<input type="checkbox"/>	5	3089318	Flange Gasket	1	
<input type="checkbox"/>	6	3089319	Flange Gasket	1	
<input type="checkbox"/>	7	3089016	Hexagon Flange Head Cap Screw	2	M10 X 1.50 X 35.
<input type="checkbox"/>		3089023	Threaded Plug	1	M42 X 2.00 X 19.5.
<input type="checkbox"/>	8	3089019	O-Ring Seal	1	M42.
	9	3089021	Threaded Plug	1	M42 X 2.00 X 19.5.
<input type="checkbox"/>		3089238	Threaded Plug	2	M22 x 1.50 x 20.1
	10	3089239	Threaded Plug	1	M22 x 1.50 x 20.1
<input type="checkbox"/>	11	3089240	O-Ring Seal	1	M22
<input type="checkbox"/>	12	4101150	Connection Gasket	4	
<input type="checkbox"/>	13	3089316	Hexagon Flange Head Cap Screw	12	
<input type="checkbox"/>	14	3171320	Water Outlet Connection	1	
<input type="checkbox"/>	15	4066112	O-Ring Seal	2	
<input type="checkbox"/>	16	4017073	Water Transfer Connection	1	
<input type="checkbox"/>	17	3627961	Thermostat Seal	6	
<input type="checkbox"/>	18	3629205	Thermostat	4	
<input type="checkbox"/>		3678611	Threaded Plug	1	
	19	3678605	Threaded Plug	1	
<input type="checkbox"/>	20	3678606	O-Ring Seal	1	M27 X 2.00
<input type="checkbox"/>		3678873	Threaded Plug	1	M18 X 1.5 X 19.5
<input type="checkbox"/>	21	3678786	O-Ring Seal	1	M18
	22	3678791	Threaded Plug	1	M18 X 1.5 X 19.5
<input type="checkbox"/>		3678921	Threaded Plug	7	M14 X 1.5 X 16
<input type="checkbox"/>	23	3678912	O-Ring Seal	1	M14
	24	3678922	Threaded Plug	1	M14 X 1.5 X 16
<input type="checkbox"/>	25	3902460	Hexagon Flange Head Cap Screw	16	M10 X 1.50 X 25.

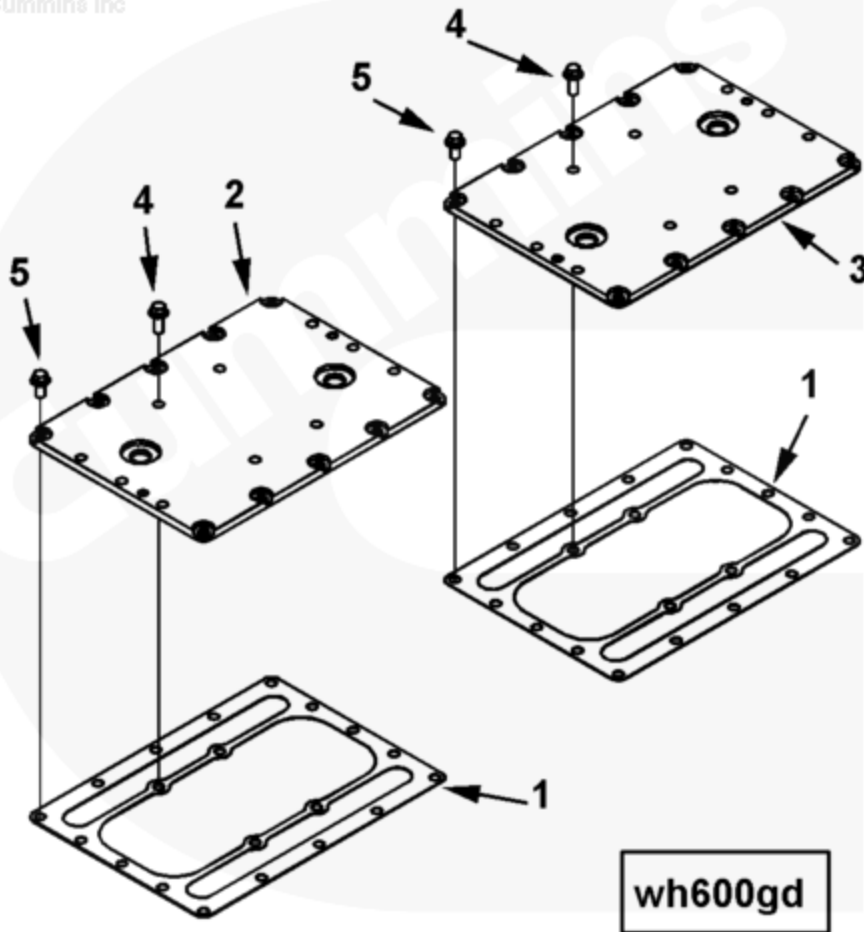
<input type="checkbox"/>	26	3278480	Hexagon Flange Head Cap Screw	4	M12 x 1.75 x 70
<input type="checkbox"/>		3332136	Male Union	2	
	30	3332137	Male Union	1	
<input type="checkbox"/>	23	3678912	O-Ring Seal	1	M14
<input type="checkbox"/>	29	3922794	O-Ring Seal	1	
<input type="checkbox"/>	31	3332157	Thermostat Housing Gasket	1	
<input type="checkbox"/>	32	3903112	Hexagon Flange Head Cap Screw	3	M10 X 1.50 X 30.
<input type="checkbox"/>	33	4101148	Thermostat Housing Gasket	1	
<input type="checkbox"/>	34	3904987	Hexagon Flange Head Cap Screw	2	M10 x 1.50 x 150
<input type="checkbox"/>	35	4101149	Water Transfer Connection Gasket	1	
<input type="checkbox"/>	36	3332148	O-Ring Plug	4	
<input type="checkbox"/>	37	3410686	Thermostat Housing Support	1	
<input type="checkbox"/>	38	4101042	Thermostat Housing	1	
<input type="checkbox"/>	39	4100976	Water Bypass Tube	1	
<input type="checkbox"/>	40	3630248	Water Outlet Connection	3	
<input type="checkbox"/>	41	3900679	Hexagon Flange Head Cap Screw	2	M10 X 1.50 X 80.
<input type="checkbox"/>	42	4065566	Thermostat	2	
<input type="checkbox"/>	43	69519	Pin Dowel	2	
<input type="checkbox"/>	44	3332147	Retaining Clamp	2	
<input type="checkbox"/>	45	3900629	Hexagon Flange Head Cap Screw	2	M8 X 1.25 X 16



Parts Catalog - Option Detail

Electronic Parts Catalog - Option Detail				
Option	Group	Graphic	Film Card	Date
WH6702-04	08.07.1	wh600gd	P60	02-DEC-03
Engines	QSK60 CM2150 MCRS, QSK60 CM2250 K112, QSK60 CM2350 K116, QSK60 CM2350 K117, QSK60 CM2350 K121, QSK60 CM2350 K133, QSK60 CM500, QSK60 CM850 MCRS, QSK60 G, QSK60 G CM2358 K110			

©Cummins Inc



SMALL | MEDIUM | LARGE

Cart	Ref No	Part Number	Part Description	Required	Remarks
View My Cart					
		WH6702-04	Oil Cooler Water Plumbing		Plumbing, oil cooler water
					header covers and mounting
					To be used on QSK60 single
					stage engines.
<input type="checkbox"/>	1	3089170	Water Header Cover Gasket	4	
	2	3332001	Water Header Cover	2	

<input type="checkbox"/>					
<input type="checkbox"/>	3	3332002	Water Header Cover	2	
<input type="checkbox"/>	4	3902460	Hexagon Flange Head Cap Screw	40	M10 X 1.50 X 25.
<input type="checkbox"/>	5	3903990	Hexagon Flange Head Cap Screw	40	M10 X 1.50 X 20.

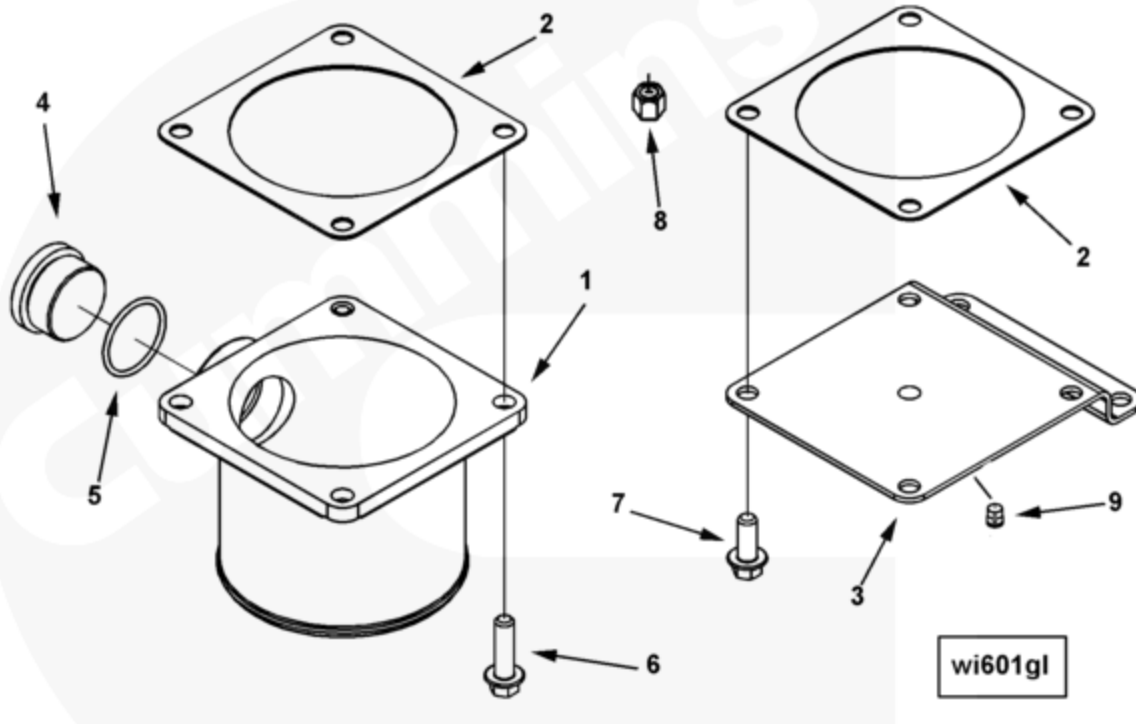
© 2019 Cummins Inc., Box 3005, Columbus, IN 47202-3005 U.S.A.
 Terms of Use and Disclaimers | Recommended System Requirements
 Need Assistance? Please click on the Contact Us button in the top right corner of any page.



Parts Catalog - Option Detail

Electronic Parts Catalog - Option Detail				
Option	Group	Graphic	Film Card	Date
WI6017-05	08.07.1	wi601gl	P60	21-FEB-02
Engines	QSK60 CM2150 MCRS, QSK60 CM2250 K112, QSK60 CM2350 K116, QSK60 CM2350 K117, QSK60 CM2350 K121, QSK60 CM2350 K133, QSK60 CM500, QSK60 CM850 MCRS, QSK60 G, QSK60 G CM2358 K110			

©Cummins Inc



SMALL | MEDIUM | LARGE

Cart	Ref No	Part Number	Part Description	Required	Remarks
View My Cart					
		WI6017-05	Water Inlet Connection		Water inlet connection
					straight water inlet
					connection
					For engine cooling water
					pump. Inlet outside
					diameter: 127mm (5.00inches)
					inlet inside diameter: 117mm
					(4.62inches)
					Unique Characteristics:.

<input type="checkbox"/>	1	3171098	Water Inlet Connection	1	
<input type="checkbox"/>	2	3179035	Water Transfer Connection Gasket	2	
<input type="checkbox"/>	3	3631921	Water Transfer Cover	1	
<input type="checkbox"/>		3678611	Threaded Plug	1	
	4	3678605	Threaded Plug	1	
<input type="checkbox"/>	5	3678606	O-Ring Seal	1	M27 X 2.00
<input type="checkbox"/>	6	3902460	Hexagon Flange Head Cap Screw	4	M10 X 1.50 X 25.
<input type="checkbox"/>	7	3903990	Hexagon Flange Head Cap Screw	6	M10 X 1.50 X 20.
<input type="checkbox"/>	8	3902662	Hexagon Flange Nut	2	M10 x 1.50
<input type="checkbox"/>	9	3628605	Pipe Plug	1	1/4 - 18.

© 2019 Cummins Inc., Box 3005, Columbus, IN 47202-3005 U.S.A.
Terms of Use and Disclaimers | Recommended System Requirements
Need Assistance? Please click on the Contact Us button in the top right corner of any page.



Parts Catalog - Option Detail

Electronic Parts Catalog - Option Detail				
Option	Group	Graphic	Film Card	Date
WO6055	08.07.1	null	P60	01-SEP-99
Engines	QSK60 CM2150 MCRS, QSK60 CM2250 K112, QSK60 CM2350 K116, QSK60 CM2350 K117, QSK60 CM2350 K121, QSK60 CM2350 K133, QSK60 CM500, QSK60 CM850 MCRS, QSK60 G, QSK60 G CM2358 K110			

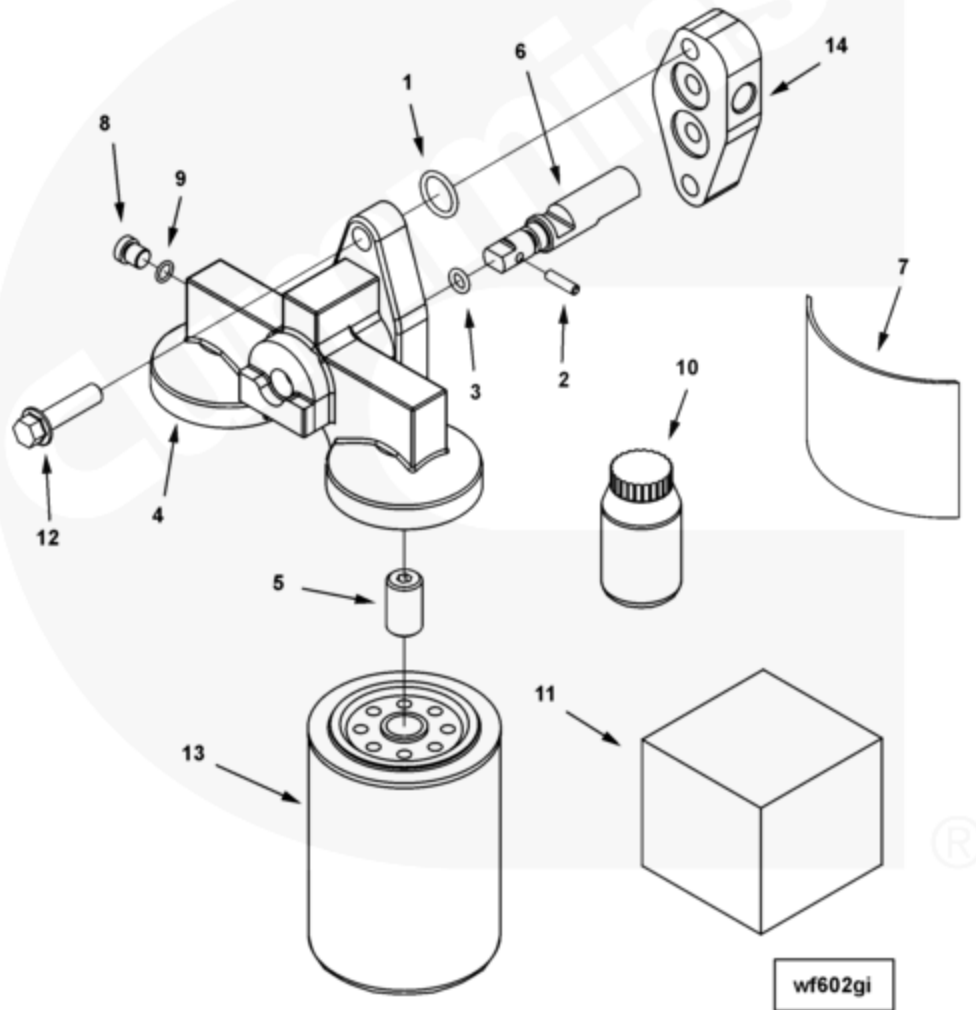
Cart	Ref No	Part Number	Part Description	Required	Remarks
View My Cart					
		WO6055	Water Outlet Connection		Water outlet connection
					Contains: Three Off Straight
					Water Outlet connections
					outlet outside diameter
					76.2mm mounting location:
					Two in forward location on
					thermostat housing one in
					rear location on left bank
					side of thermostat housing
					direction of outlet
					connections: Two forward
					locations points upwards one
					rear location on left bank
					side of engine points upward
					Cooling System: Single Stage
					W/2 Pump 2 Loop.



Parts Catalog - Option Detail

Electronic Parts Catalog - Option Detail				
Option	Group	Graphic	Film Card	Date
WF6040-05	08.08	wf602gi	P60	13-JUN-03
Engines	QSK60 CM2150 MCRS, QSK60 CM2250 K112, QSK60 CM2350 K116, QSK60 CM2350 K117, QSK60 CM2350 K121, QSK60 CM2350 K133, QSK60 CM500, QSK60 CM850 MCRS, QSK60 G, QSK60 G CM2358 K110			

©Cummins Inc



[SMALL](#) | [MEDIUM](#) | [LARGE](#)

Cart	Ref No	Part Number	Part Description	Required	Remarks
View My Cart					
		WF6040-05	Corrosion Resistor		Corrosion resistor
					type of element: Replacable
					spin-on cartridge length:
					5.55in (141mm) mounting

					location: On LB end of
					thermostat housing
					Number Of Filter Heads: 1
					Number Of DCA Units: Two 15
					Units type of mounting:
					Integral to thermostat
					housing. Type of plumbing:
					None shut-off valve location:
					Integral units of corrosion
					inhibitor in filters: 30
					units of corrosion inhibitor
					in kit: 420 service bulletin
					number: 3666132 if
					antifreeze is not available
					suitable use on engines with
					coolant systems between 530
					and 1050liter capacities (140
					and 280 US gallons).
<input type="checkbox"/>	1	145528	O-Ring Seal	2	
<input type="checkbox"/>		3089299	Corrosion Resistor Head	1	
<input type="checkbox"/>	2	8306	Roll Pin	1	
<input type="checkbox"/>	3	70415	O-Ring Seal	1	
<input type="checkbox"/>	4	3089298	Corrosion Resistor Head	1	
<input type="checkbox"/>	5	3175768	Filter Head Adapter	2	
<input type="checkbox"/>	6	3177040	Shut-Off Valve Shaft	1	
	7	3633838	Information Decal	2	
<input type="checkbox"/>		3678923	Threaded Plug	1	M10 X 1.00 X 13.5
<input type="checkbox"/>	8	3678924	Threaded Plug	1	M10 X 1.00 X 13.5
<input type="checkbox"/>	9	3678925	O-Ring Seal	1	M10.
<input type="checkbox"/>	10	3888312	Corrosion Inhibitor	1	Buy from Cummins Filtration
<input type="checkbox"/>	11	3888638	Anti-Corrosion Coolant Additive	2	Buy from Cummins Filtration
<input type="checkbox"/>	12	3910901	Hexagon Flange Head Cap Screw	2	M10 x 1.50 x 55

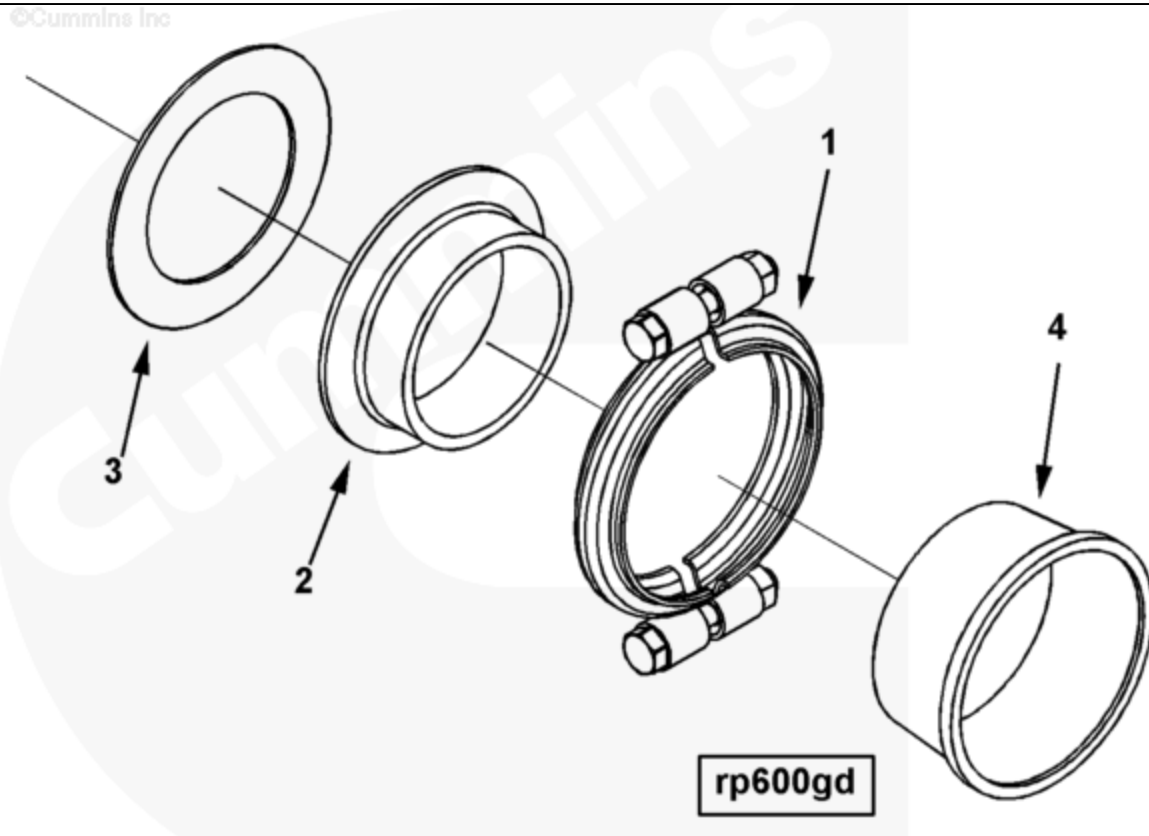
<input type="checkbox"/>	13	3100308	Corrosion Resistor	2	Buy from Cummins Filtration
<input type="checkbox"/>	14	4100950	Mounting Spacer	1	

© 2019 Cummins Inc., Box 3005, Columbus, IN 47202-3005 U.S.A.
Terms of Use and Disclaimers | Recommended System Requirements
Need Assistance? Please click on the Contact Us button in the top right corner of any page.



Parts Catalog - Option Detail

Electronic Parts Catalog - Option Detail				
Option	Group	Graphic	Film Card	Date
RP6002-03	08.13.1	rp600gd	P60	04-SEP-00
Engines	QSK60 CM2150 MCRS, QSK60 CM2250 K112, QSK60 CM2350 K116, QSK60 CM2350 K117, QSK60 CM2350 K121, QSK60 CM2350 K133, QSK60 CM2350 K135, QSK60 CM2350 K136, QSK60 CM500, QSK60 CM850 MCRS, QSK60 G, QSK60 G CM2358 K110			



SMALL | MEDIUM | LARGE

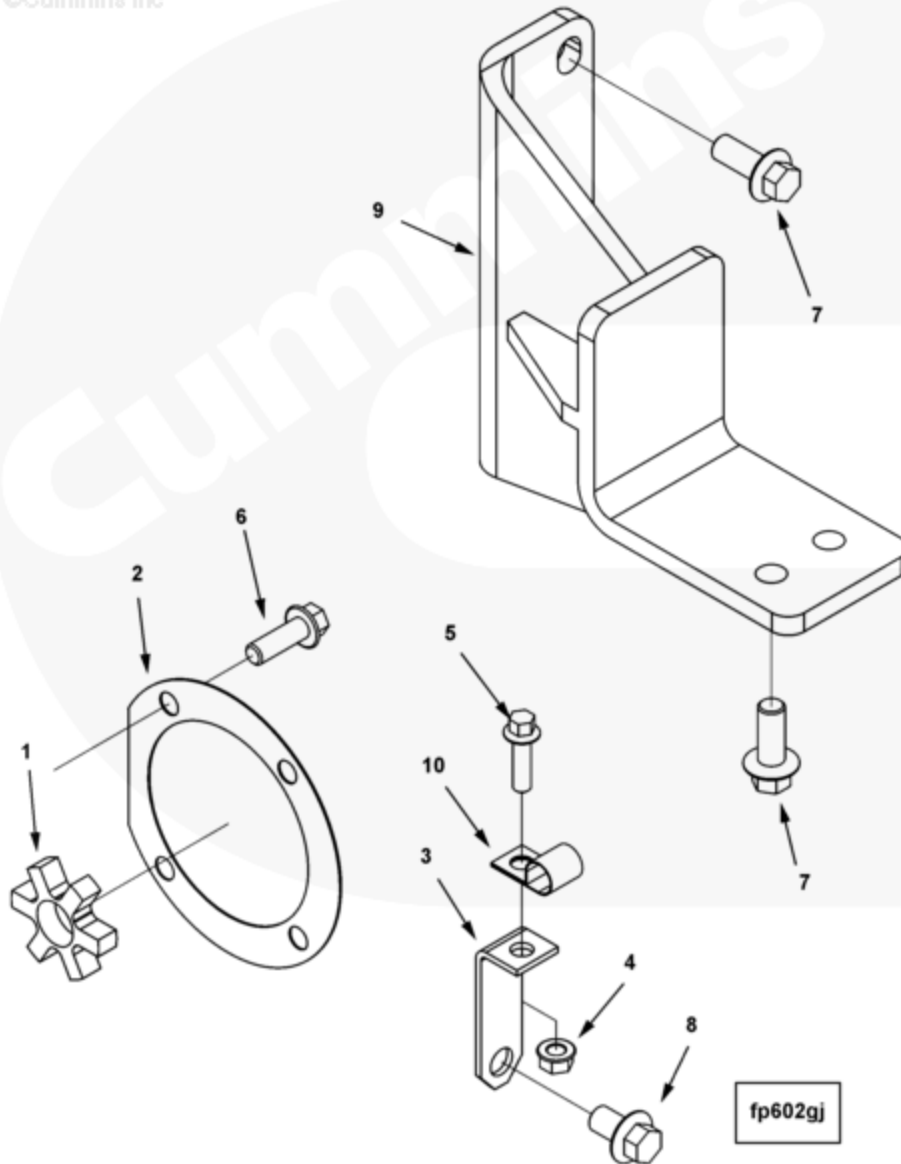
Cart	Ref No	Part Number	Part Description	Required	Remarks
View My Cart					
		RP6002-03	Radiator Plumbing		Radiator Plumbing
<input type="checkbox"/>	1	3332164	V Band Clamp	1	
<input type="checkbox"/>	2	3332194	Flange	1	
<input type="checkbox"/>	3	3332391	Water Pump Gasket	1	
<input type="checkbox"/>	4	4017656	Orifice Plug	1	



Parts Catalog - Option Detail

Electronic Parts Catalog - Option Detail				
Option	Group	Graphic	Film Card	Date
FP6869	09.01	fp602gj	P60	28-JUN-02
Engines	QSK60 CM2150 MCRS, QSK60 CM2250 K112, QSK60 CM2350 K116, QSK60 CM2350 K117, QSK60 CM2350 K121, QSK60 CM2350 K133, QSK60 CM500, QSK60 CM850 MCRS, QSK60 G, QSK60 G CM2358 K110			

©Cummins Inc



[SMALL](#) | [MEDIUM](#) | [LARGE](#)

Cart	Ref No	Part Number	Part Description	Required	Remarks
View My Cart					
		FP6869	Fuel Pump Coupling		Fuel pump coupling
					imo fuel pump support
					brackets and drive coupling

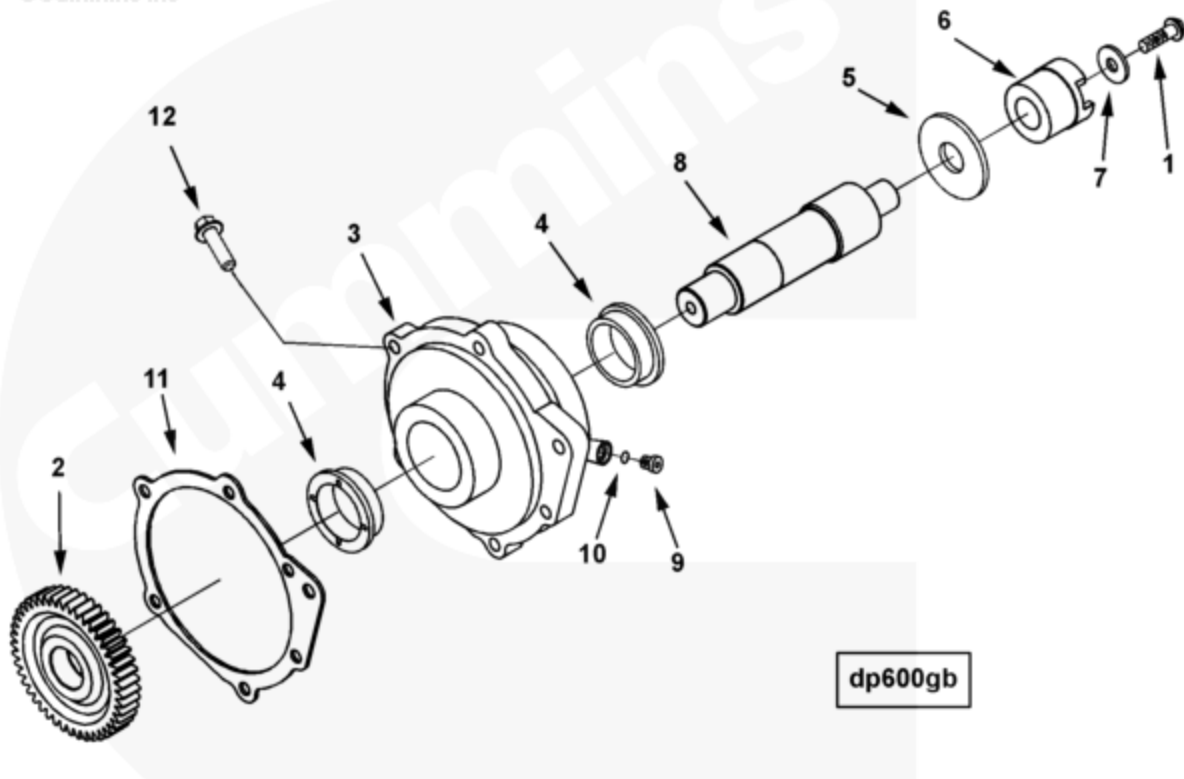
					hardware. Air compressor:
					No
					For use with phase 2 harness.
<input type="checkbox"/>	1	3046200	Jaw Coupling Spider	1	
<input type="checkbox"/>	2	3331821	Fuel Pump Gasket	1	
<input type="checkbox"/>	3	3628554	Tube Brace	1	
<input type="checkbox"/>	4	3900589	Hexagon Flange Nut	1	M8 X 1.25
<input type="checkbox"/>	5	3900630	Hexagon Flange Head Cap Screw	1	M8 X 1.25 X 20
<input type="checkbox"/>	6	3903112	Hexagon Flange Head Cap Screw	4	M10 X 1.50 X 30.
<input type="checkbox"/>	7	3910495	Hexagon Flange Head Cap Screw	4	M12 X 1.75 X 30.
<input type="checkbox"/>	8	3913372	Hexagon Flange Head Cap Screw	1	M12 X 1.75 X 20.
<input type="checkbox"/>	9	4000898	Pump Bracket	1	
<input type="checkbox"/>	10	4100552	Clip	1	



Parts Catalog - Option Detail

Electronic Parts Catalog - Option Detail				
Option	Group	Graphic	Film Card	Date
DP6702-05	09.01	dp600gb	P60	13-NOV-00
Engines	QSK60 CM2150 MCRS, QSK60 CM2250 K112, QSK60 CM2350 K116, QSK60 CM2350 K117, QSK60 CM2350 K121, QSK60 CM2350 K133, QSK60 CM500, QSK60 CM850 MCRS, QSK60 G, QSK60 G CM2358 K110			

©Cummins Inc



dp600gb

[SMALL](#) | [MEDIUM](#) | [LARGE](#)

Cart	Ref No	Part Number	Part Description	Required	Remarks
View My Cart					
		DP6702-05	Fuel Pump Drive		Fuel pump drive
					Air compressor: No.
<input type="checkbox"/>	1	3904446	Hexagon Flange Head Cap Screw	1	M10 X 1.50 X 70.
<input type="checkbox"/>		4017326	Fuel Pump Support	1	
<input type="checkbox"/>	2	3089100	Accessory Drive Gear	1	
<input type="checkbox"/>		3089102	Fuel Pump Support	1	
<input type="checkbox"/>	3	3089103	Fuel Pump Support	1	
<input type="checkbox"/>	4	3089409	Bushing	2	
<input type="checkbox"/>	5	3089407	Plain Washer	1	

<input type="checkbox"/>	6	4015993	Jaw Coupling Hub	1	
<input type="checkbox"/>	7	3089555	Plain Washer	1	
<input type="checkbox"/>	8	4017529	Fuel Pump Drive Shaft	1	
<input type="checkbox"/>		3678923	Threaded Plug	1	M10 X 1.00 X 13.5
<input type="checkbox"/>	9	3678924	Threaded Plug	1	M10 X 1.00 X 13.5
<input type="checkbox"/>	10	3678925	O-Ring Seal	1	M10.
<input type="checkbox"/>	11	3332297	Accessory Drive Support Gasket	1	
<input type="checkbox"/>	12	3089016	Hexagon Flange Head Cap Screw	6	M10 X 1.50 X 35.

© 2019 Cummins Inc., Box 3005, Columbus, IN 47202-3005 U.S.A.
Terms of Use and Disclaimers | Recommended System Requirements
Need Assistance? Please click on the Contact Us button in the top right corner of any page.



Parts Catalog - Option Detail

Electronic Parts Catalog - Option Detail				
Option	Group	Graphic	Film Card	Date
AD6020-06	09.03	ad600gv	P60	03-DEC-01
Engines	QSK60 CM2150 MCRS, QSK60 CM2250 K112, QSK60 CM2350 K116, QSK60 CM2350 K117, QSK60 CM2350 K121, QSK60 CM2350 K133, QSK60 CM500, QSK60 CM850 MCRS, QSK60 G, QSK60 G CM2358 K110			

[SMALL](#) | [MEDIUM](#) | [LARGE](#)

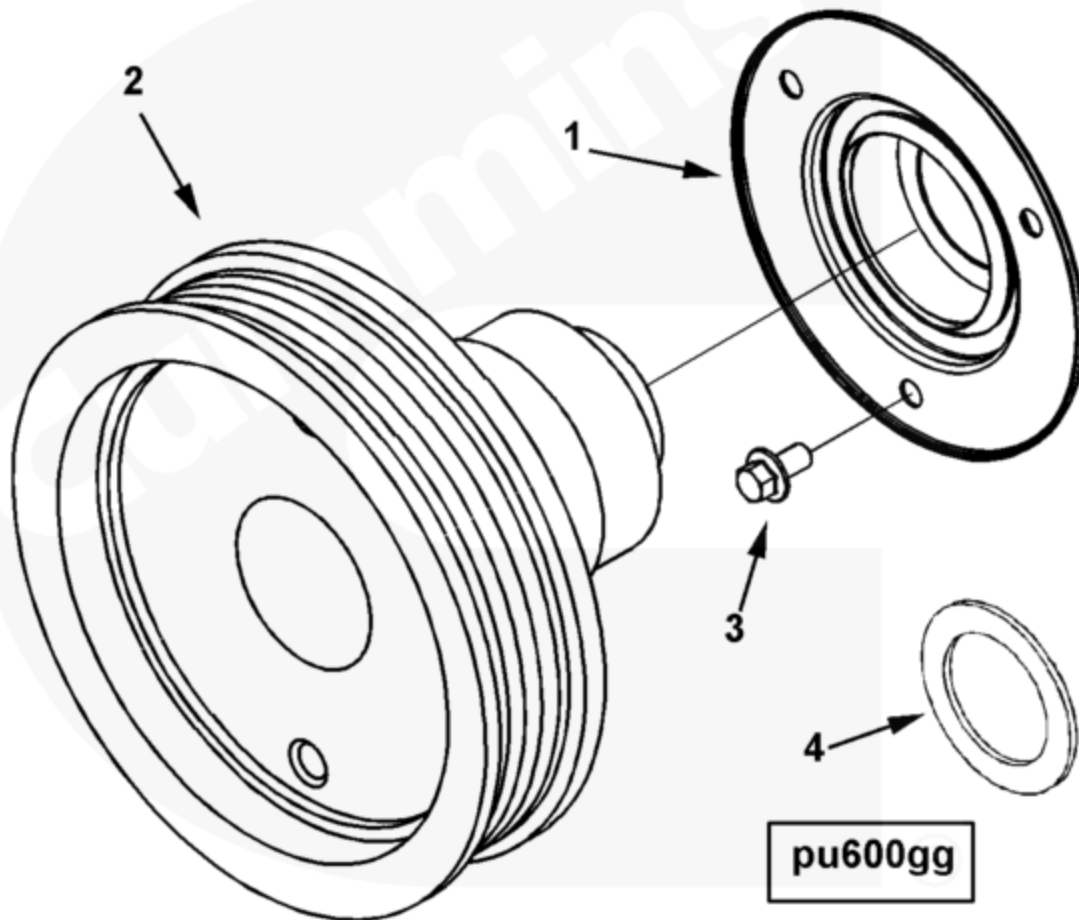
Cart	Ref No	Part Number	Part Description	Required	Remarks
View My Cart					
		AD6020-06	Accessory Drive Pulley		Accessory Drive Pulley
<input type="checkbox"/>	1	4080404	Oil Seal	1	
<input type="checkbox"/>	2	3900626	Hexagon Flange Head Cap Screw	3	M6 x 1.00 x 12
<input type="checkbox"/>	3	4080400	Accessory Drive Pulley	1	
<input type="checkbox"/>	4	4080395	Mounting Spacer	1	



Parts Catalog - Option Detail

Electronic Parts Catalog - Option Detail				
Option	Group	Graphic	Film Card	Date
PU6704-04	09.03	pu600gg	P60	03-DEC-01
Engines	QSK60 CM2150 MCRS, QSK60 CM2250 K112, QSK60 CM2350 K116, QSK60 CM2350 K117, QSK60 CM2350 K121, QSK60 CM2350 K133, QSK60 CM500, QSK60 CM850 MCRS, QSK60 G, QSK60 G CM2358 K110			

©Cummins Inc



[SMALL](#) | [MEDIUM](#) | [LARGE](#)

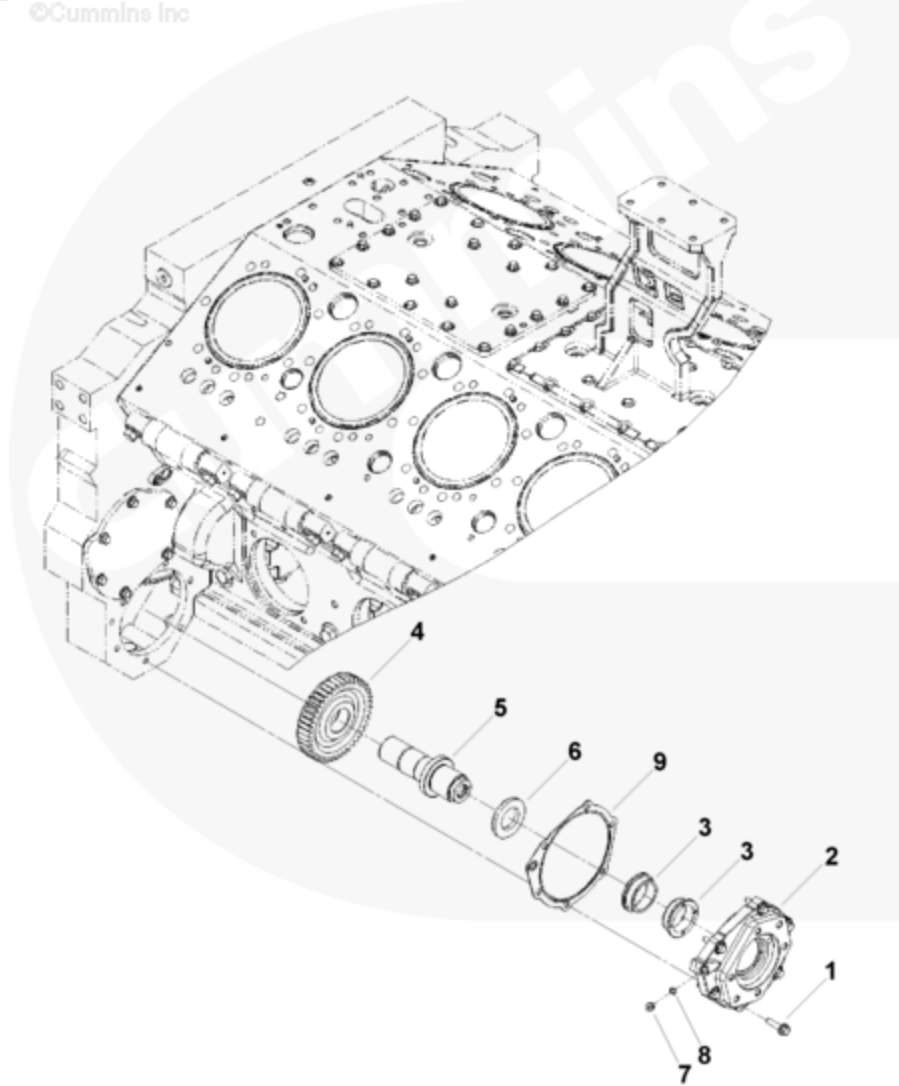
Cart	Ref No	Part Number	Part Description	Required	Remarks
View My Cart					
		PU6704-04	Accessory Drive Pulley		Accessory Drive Pulley
<input type="checkbox"/>	1	4080404	Oil Seal	1	
<input type="checkbox"/>	2	4080396	Accessory Drive Pulley	1	
<input type="checkbox"/>	3	3900626	Hexagon Flange Head Cap Screw	3	M6 x 1.00 x 12
	4	4080395	Mounting Spacer	1	



Parts Catalog - Option Detail

Electronic Parts Catalog - Option Detail				
Option	Group	Graphic	Film Card	Date
DF6003-07	09.04	df600ga	P60	16-APR-01
Engines	QSK60 CM2150 MCRS, QSK60 CM2250 K112, QSK60 CM2350 K116, QSK60 CM2350 K117, QSK60 CM2350 K121, QSK60 CM2350 K133, QSK60 CM500, QSK60 CM850 MCRS, QSK60 G, QSK60 G CM2358 K110			

©Cummins Inc



df600ga

[SMALL](#) | [MEDIUM](#) | [LARGE](#)

Cart	Ref No	Part Number	Part Description	Required	Remarks
View My Cart					
		DF6003-07	Front Gear Train Accessory Drive		Front gear train accessory
					drive.
					Drive location front: Yes

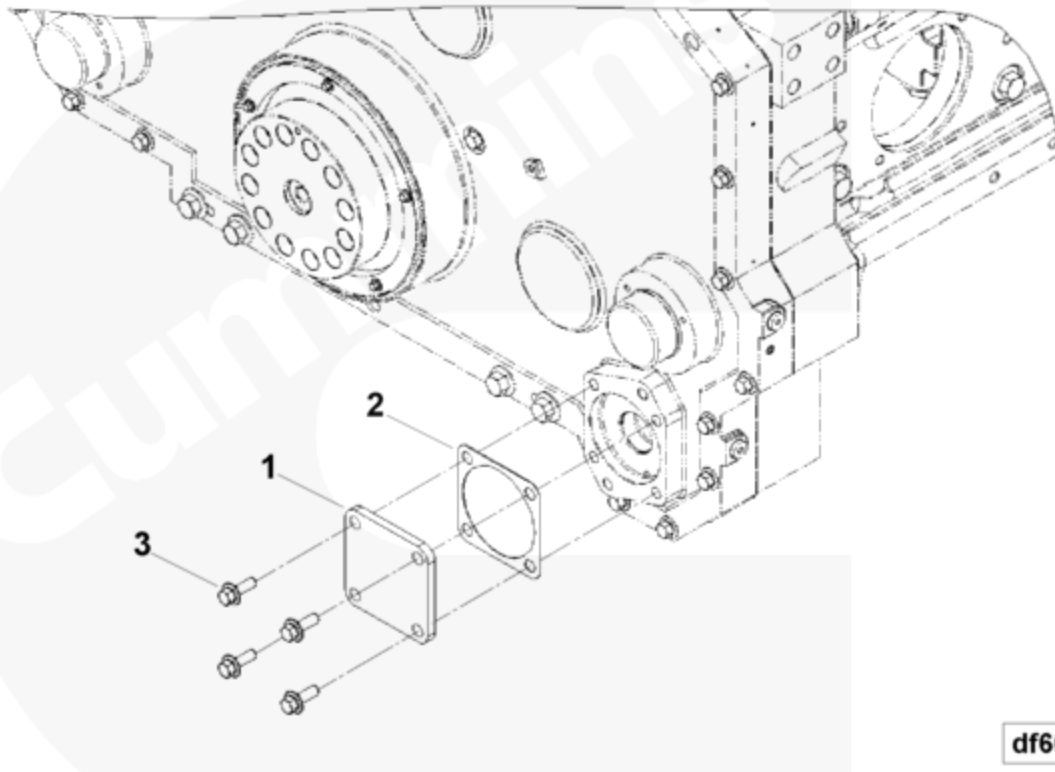
					Drive location rear: Yes
					Drive provision: Yes
					Number Of Teeth Spline Drive
					Front: 13
					Number Of Teeth Spline Drive
					Rear: 13
					Can be used with 2 or 4 bolt
					flange.
<input type="checkbox"/>	1	3089016	Hexagon Flange Head Cap Screw	6	M10 X 1.50 X 35.
<input type="checkbox"/>		3647131	Hydraulic Pump Drive	1	
		4066545	Hydraulic Pump Support	1	
	2	4066385	Hydraulic Pump Support	1	
<input type="checkbox"/>	3	3089409	Bushing	2	
<input type="checkbox"/>		3647119	Gear And Shaft	1	
<input type="checkbox"/>	4	3646082	Accessory Drive Gear	1	
<input type="checkbox"/>	5	4065992	Hydraulic Pump Drive Shaft	1	
<input type="checkbox"/>	6	3089415	Shaft Retainer	1	
<input type="checkbox"/>		3678923	Threaded Plug	1	M10 X 1.00 X 13.5
<input type="checkbox"/>	7	3678924	Threaded Plug	1	M10 X 1.00 X 13.5
<input type="checkbox"/>	8	3678925	O-Ring Seal	1	M10.
<input type="checkbox"/>	9	3332298	Hydraulic Drive Support Gasket	1	



Parts Catalog - Option Detail

Electronic Parts Catalog - Option Detail				
Option	Group	Graphic	Film Card	Date
DF6701-02	09.04	df600gc	P60	20-MAR-00
Engines	QSK60 CM2150 MCRS, QSK60 CM2250 K112, QSK60 CM2350 K116, QSK60 CM2350 K117, QSK60 CM2350 K121, QSK60 CM2350 K133, QSK60 CM500, QSK60 CM850 MCRS, QSK60 G, QSK60 G CM2358 K110			

©Cummins Inc



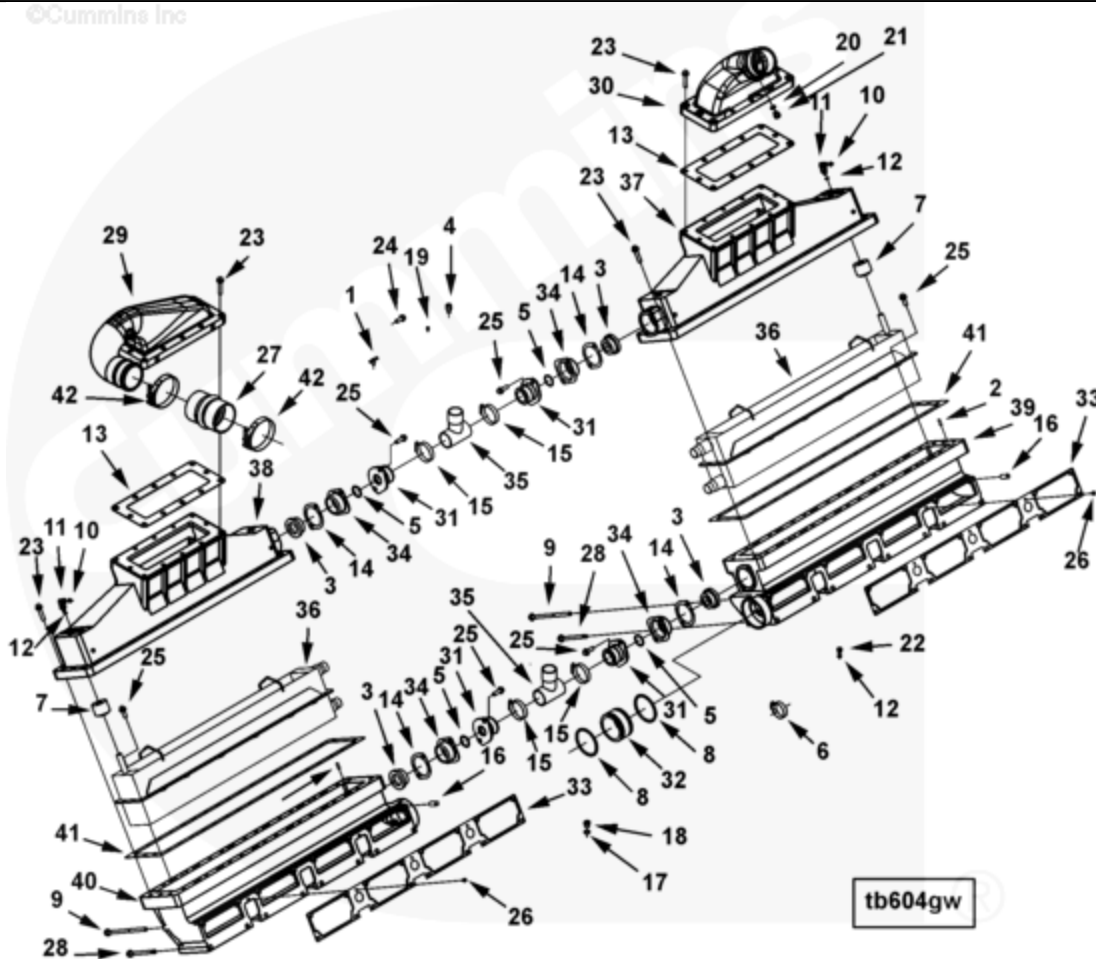
[SMALL](#) | [MEDIUM](#) | [LARGE](#)

Cart	Ref No	Part Number	Part Description	Required	Remarks
View My Cart					
		DF6701-02	Front Gear Train Accessory Mounting		Front Gear Train ACC MTG
<input type="checkbox"/>	1	206405	Cover Plate	1	
<input type="checkbox"/>	2	3082132	Cover Plate Gasket	1	
<input type="checkbox"/>	3	3910495	Hexagon Flange Head Cap Screw	4	M12 X 1.75 X 30.



Parts Catalog - Option Detail

Electronic Parts Catalog - Option Detail				
Option	Group	Graphic	Film Card	Date
TB6754	10.01	tb604gw	P60	29-APR-02
Engines	QSK60 CM2150 MCRS, QSK60 CM2250 K112, QSK60 CM2350 K116, QSK60 CM2350 K117, QSK60 CM2350 K121, QSK60 CM2350 K133, QSK60 CM500, QSK60 CM850 MCRS, QSK60 G, QSK60 G CM2358 K110			



[SMALL](#) | [MEDIUM](#) | [LARGE](#)

Cart	Ref No	Part Number	Part Description	Required	Remarks
View My Cart					
		TB6754	Aftercooler		Aftercooler
					for single stage powergen
					engines.
<input type="checkbox"/>	1	S 962 E	Draincock	2	
<input type="checkbox"/>	2	131584	Roll Pin	16	
<input type="checkbox"/>	3	206808	Grommet Seal	8	

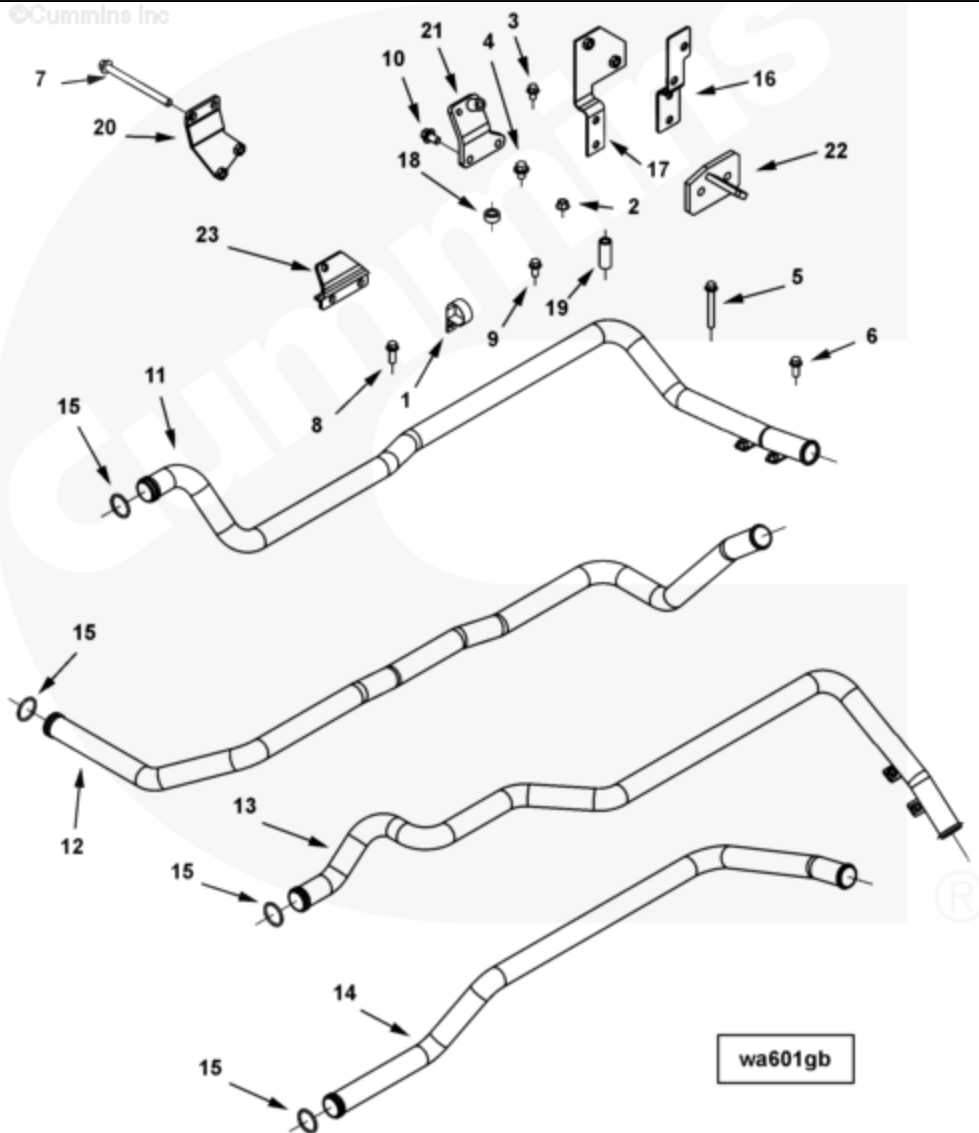
<input type="checkbox"/>	4	553044	Plain Pipe Adapter	2	
<input type="checkbox"/>	5	3035026	O-Ring Seal	8	
<input type="checkbox"/>	6	3043487	Hose Clamp	4	1 1/16 - 2 in.
<input type="checkbox"/>	7	3082357	Grommet Seal	4	
<input type="checkbox"/>	8	3082358	O-Ring Seal	4	
<input type="checkbox"/>	9	3082440	Hexagon Flange Head Cap Screw	32	M10 x 1.50 x 200
<input type="checkbox"/>		3089581	Male Union Elbow	4	
<input type="checkbox"/>	10	3089392	O-Ring Seal	1	
<input type="checkbox"/>	11	3089394	Male Union Elbow	1	
<input type="checkbox"/>	12	3678925	O-Ring Seal	1	M10.
<input type="checkbox"/>	13	3171170	Connection Gasket	4	
<input type="checkbox"/>	14	3171287	Connection Gasket	8	
<input type="checkbox"/>	15	3254315	Hose Clamp	8	1 9/16 - 2 1/2 in.
<input type="checkbox"/>	16	3331834	Rectangular Ring Seal	32	
<input type="checkbox"/>	17	3336400	Sealing Washer	4	
<input type="checkbox"/>	18	3336636	Threaded Plug	4	
<input type="checkbox"/>	19	3628604	Pipe Plug	6	1/8 - 27 X 0.3 in.
<input type="checkbox"/>		3678921	Threaded Plug	4	M14 X 1.5 X 16
<input type="checkbox"/>	20	3678912	O-Ring Seal	1	M14
	21	3678922	Threaded Plug	1	M14 X 1.5 X 16
<input type="checkbox"/>		3678923	Threaded Plug	2	M10 X 1.00 X 13.5
<input type="checkbox"/>	22	3678924	Threaded Plug	1	M10 X 1.00 X 13.5
<input type="checkbox"/>	12	3678925	O-Ring Seal	1	M10.
<input type="checkbox"/>	23	3900634	Hexagon Flange Head Cap Screw	204	M10 X 1.50 X 50.
<input type="checkbox"/>	24	3902460	Hexagon Flange Head Cap Screw	48	M10 X 1.50 X 25.
<input type="checkbox"/>	25	3903112	Hexagon Flange Head Cap Screw	16	M10 X 1.50 X 30.
<input type="checkbox"/>	26	3921851	Hexagon Flange Head Cap Screw	12	M05 X 0.80 X 8.
<input type="checkbox"/>	27	4001044	Hump Hose	4	
<input type="checkbox"/>	28	4001378	Hexagon Flange Head Cap Screw	32	M10 x 1.50 x 163
<input type="checkbox"/>	29	4100675	Air Crossover Connection	2	
<input type="checkbox"/>	30	4100676	Air Crossover Connection	2	
	31	4017163	Connection Flange	8	

<input type="checkbox"/>					
<input type="checkbox"/>	32	4017508	Air Balance Tube	2	
<input type="checkbox"/>	33	4066038	Intake Manifold Gasket	4	
<input type="checkbox"/>	34	4066129	Seal Retainer	8	
<input type="checkbox"/>	35	4066276	Water Transfer Connection	4	
<input type="checkbox"/>	36	4100636	Aftercooler Core	4	Service topic number 04T8-16
<input type="checkbox"/>	37	4080569	Aftercooler Cover	2	
<input type="checkbox"/>	38	4080570	Aftercooler Cover	2	
<input type="checkbox"/>	39	4080571	Air Intake Manifold	2	
<input type="checkbox"/>	40	4080572	Air Intake Manifold	2	
<input type="checkbox"/>	41	4080573	Aftercooler Cover Gasket	4	
<input type="checkbox"/>	42	4086588	T-Bolt Clamp	8	



Parts Catalog - Option Detail

Electronic Parts Catalog - Option Detail				
Option	Group	Graphic	Film Card	Date
WA6723-02	10.01.1	wa601gb	P60	09-SEP-03
Engines	QSK60 CM2150 MCRS, QSK60 CM2250 K112, QSK60 CM2350 K116, QSK60 CM2350 K117, QSK60 CM2350 K121, QSK60 CM2350 K133, QSK60 CM500, QSK60 CM850 MCRS, QSK60 G, QSK60 G CM2358 K110			



[SMALL](#) | [MEDIUM](#) | [LARGE](#)

Cart	Ref No	Part Number	Part Description	Required	Remarks
View My Cart					
		WA6723-02	Aftercooler Water Plumbing		Aftercooler water plumbing
					Engine Model: Qsk60 Single
					Stage and two stage with

					cense only.
<input type="checkbox"/>	1	68189	Clip	13	
<input type="checkbox"/>	2	3093828	Hexagon Flange Nut	2	M10 X 1.50.
<input type="checkbox"/>	3	3093957	Hexagon Flange Head Cap Screw	15	M10 X 1.50 X 16
<input type="checkbox"/>	4	3279244	Hexagon Flange Head Cap Screw	6	M12 X 1.75 X 16.
<input type="checkbox"/>	5	3900679	Hexagon Flange Head Cap Screw	1	M10 X 1.50 X 80.
<input type="checkbox"/>	6	3902460	Hexagon Flange Head Cap Screw	1	M10 X 1.50 X 25.
<input type="checkbox"/>	7	3903105	Hexagon Flange Head Cap Screw	2	M12 X 1.75 X 150.
<input type="checkbox"/>	8	3903112	Hexagon Flange Head Cap Screw	1	M10 X 1.50 X 30.
<input type="checkbox"/>	9	3903990	Hexagon Flange Head Cap Screw	12	M10 X 1.50 X 20.
<input type="checkbox"/>	10	3913372	Hexagon Flange Head Cap Screw	2	M12 X 1.75 X 20.
<input type="checkbox"/>	11	3635112	Water Transfer Tube	1	
<input type="checkbox"/>	12	4017625	Water Transfer Tube	1	
<input type="checkbox"/>	13	3635115	Water Transfer Tube	1	
<input type="checkbox"/>	14	4017627	Water Transfer Tube	1	
<input type="checkbox"/>	15	4066112	O-Ring Seal	4	
<input type="checkbox"/>	16	4100991	Water Tube Bracket	1	
<input type="checkbox"/>	17	4066204	Water Tube Bracket	1	
<input type="checkbox"/>	18	4080241	Mounting Spacer	2	
<input type="checkbox"/>	19	4080242	Mounting Spacer	1	
<input type="checkbox"/>	20	4080243	Water Tube Bracket	2	
<input type="checkbox"/>	21	4080245	Water Tube Bracket	1	
<input type="checkbox"/>	22	4080248	Water Tube Bracket	1	
<input type="checkbox"/>	23	4080251	Connection Bracket	1	



Parts Catalog - Option Detail

Electronic Parts Catalog - Option Detail				
Option	Group	Graphic	Film Card	Date
PP6758	10.05	pp615ga	P60	22-APR-14
Engines	QSK60 CM2150 MCRS, QSK60 CM2250 K112, QSK60 CM2350 K116, QSK60 CM2350 K117, QSK60 CM2350 K121, QSK60 CM2350 K133, QSK60 CM500, QSK60 CM850 MCRS, QSK60 G, QSK60 G CM2358 K110			

©Cummins Inc



pp615ga

[SMALL](#) | [MEDIUM](#) | [LARGE](#)

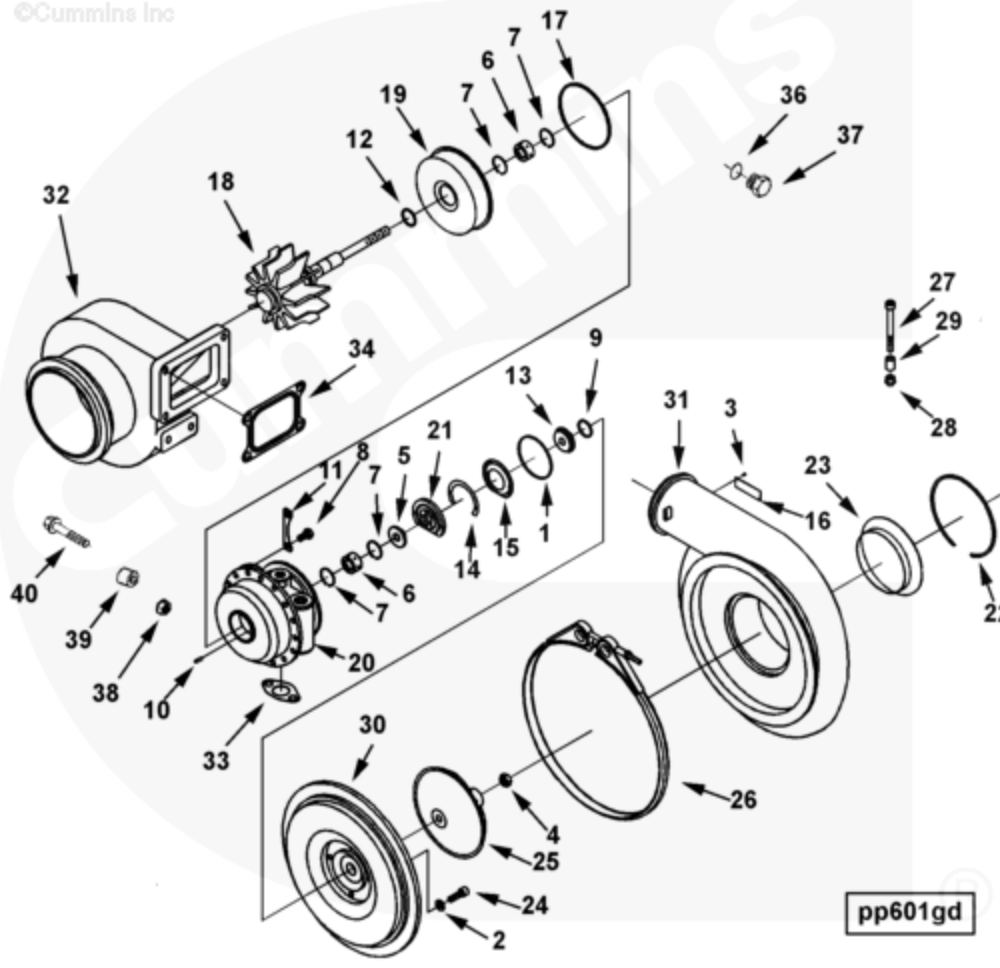
Cart	Ref No	Part Number	Part Description	Required	Remarks
View My Cart					
		PP6758	Turbocharger		Turbocharger
		*			This Graphic Is
		*			Representative And May Not

		*			Include Each Part Available
		*			For The Selected Engine
		*			Serial Number.
		3784746	Turbocharger	2	
	1	3784397	Turbocharger	1	
		3784747	Turbocharger	2	
	1	3784397	Turbocharger	1	
<input type="checkbox"/>	2	4000837	Hexagon Flange Head Cap Screw	16	
<input type="checkbox"/>	3	3089321	Mounting Spacer	16	
<input type="checkbox"/>	4	3636059	Lock Nut	16	
<input type="checkbox"/>	5	4065615	Turbocharger Gasket	4	
<input type="checkbox"/>		3678873	Threaded Plug	4	
<input type="checkbox"/>		3678786	O-Ring Seal	1	Item Not Shown In Art.
	6	3678791	Threaded Plug	1	
<input type="checkbox"/>		5321612	Turbocharger Kit	A/R	
		3793677	Aftermarket Turbocharger	1	
		3784397	Turbocharger	1	
		4032567	Turbocharger Gasket Kit	1	
<input type="checkbox"/>		3089955	Connection Gasket	1	
<input type="checkbox"/>		3627695	O-Ring Seal	2	
<input type="checkbox"/>		3678786	O-Ring Seal	4	M18.
<input type="checkbox"/>		3679139	O-Ring Seal	2	
<input type="checkbox"/>		3922794	O-Ring Seal	2	
<input type="checkbox"/>		4065615	Turbocharger Gasket	1	



Parts Catalog - Option Detail

Electronic Parts Catalog - Option Detail				
Option	Group	Graphic	Film Card	Date
PP6758-08	10.06	pp601gd	P60	01-JUN-03
Engines	QSK60 CM2150 MCRS, QSK60 CM2250 K112, QSK60 CM2350 K116, QSK60 CM2350 K117, QSK60 CM2350 K121, QSK60 CM2350 K133, QSK60 CM500, QSK60 CM850 MCRS, QSK60 G, QSK60 G CM2358 K110			



[SMALL](#) | [MEDIUM](#) | [LARGE](#)

Cart	Ref No	Part Number	Part Description	Required	Remarks
View My Cart					
		PP6758-08	Turbocharger		Turbocharger
					HX83 turbocharger for qsk60
					single stage and G6, 1800 kwe
					prime 60 HZ.
				4	
		4035965	Turbocharger	4	

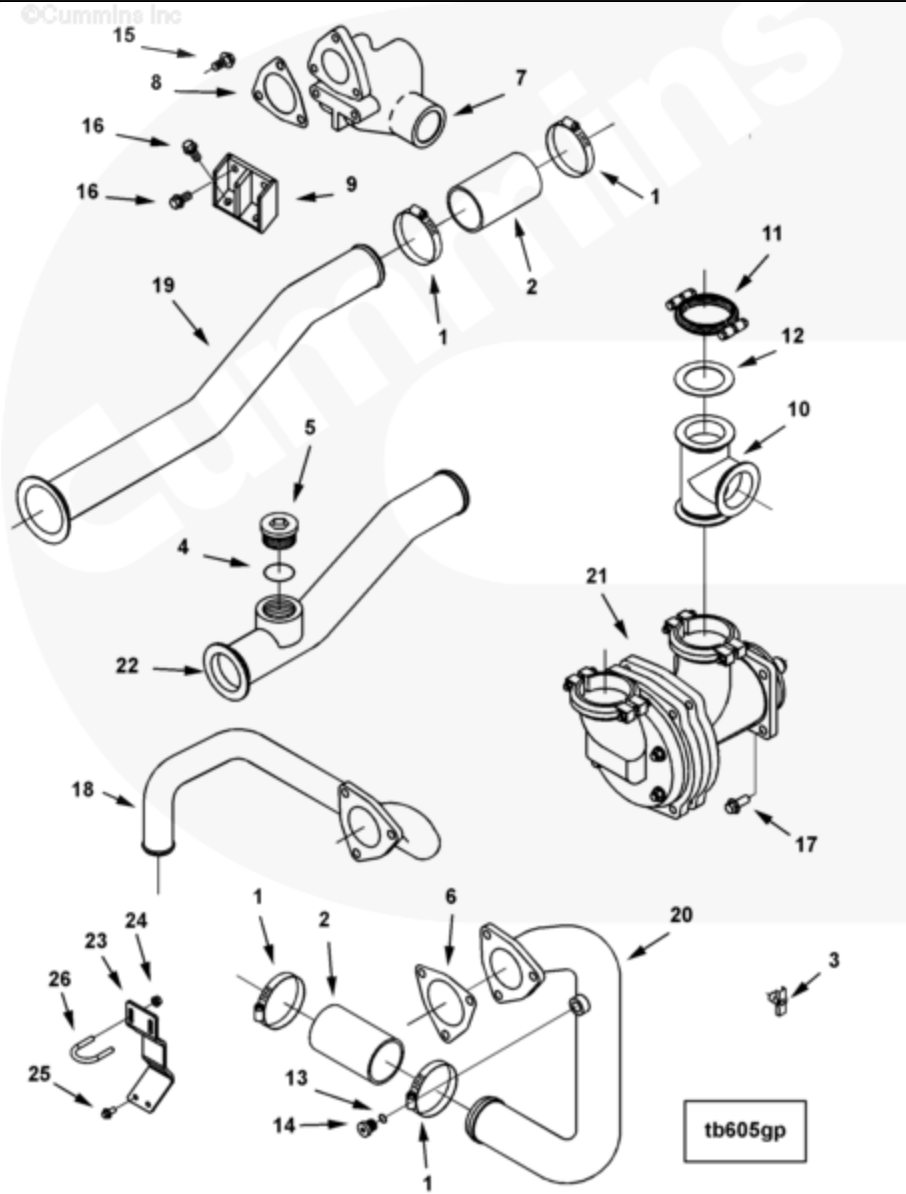
<input type="checkbox"/>					
<input type="checkbox"/>	1	3502449	Rectangular Ring Seal	1	
<input type="checkbox"/>	2	3504967	Plain Washer	4	Holset Part Sold Only In Kits
<input type="checkbox"/>	3	3519163	Drive Screw	2	
<input type="checkbox"/>	4	3519535	Lock Nut	1	M11 x 1.00
<input type="checkbox"/>	5	3591522	Thrust Collar	1	
<input type="checkbox"/>	6	3598528	Turbocharger Bearing	2	
<input type="checkbox"/>	7	3519641	Retaining Ring	4	
<input type="checkbox"/>	8	3521225	Hexagon Head Set Screw	8	M8 X 1.25 X 16.
<input type="checkbox"/>	9	3521442	Split Ring Seal	1	
	10	3522597	Roll Pin	2	
<input type="checkbox"/>	11	3522904	Lock Plate	4	
<input type="checkbox"/>	12	3523412	Split Ring Seal	1	
<input type="checkbox"/>	13	3523980	Oil Slinger	1	
<input type="checkbox"/>	14	3524418	Shim	1	
<input type="checkbox"/>	15	3524419	Oil Baffle	1	
	16	3527619	Dataplate	1	
<input type="checkbox"/>	17	3534405	Rectangular Ring Seal	1	
<input type="checkbox"/>	18	3595589	Shaft Wheel Rotor	1	
<input type="checkbox"/>	19	3536588	Turbocharger Heat Shield	1	
<input type="checkbox"/>	20	3536591	Turbocharger Bearing Housing	1	
	21	3531532	Turbine Housing	1	
<input type="checkbox"/>	22	3537301	Retaining Ring	1	
<input type="checkbox"/>	23	3537916	Turbocharger Noise Baffle	1	
<input type="checkbox"/>	24	3590377	Socket Head Cap Screw	4	
	25	3596533	Turbocharger Compressor Impeller	1	
<input type="checkbox"/>	26	3590386	V Band Clamp	1	
<input type="checkbox"/>	27	3590435	Socket Head Cap Screw	1	
<input type="checkbox"/>	28	3590444	Lock Nut	1	
<input type="checkbox"/>	29	3590445	Mounting Spacer	1	
	30	3590516	Turbocharger Diffuser	1	
	31	3594370	Compressor Housing	1	

<input type="checkbox"/>	32	3591172	Turbine Housing	1	
<input type="checkbox"/>	33	3202117	Connection Gasket	1	
<input type="checkbox"/>	34	4065615	Turbocharger Gasket	1	
<input type="checkbox"/>		3678873	Threaded Plug	8	M18 X 1.5 X 19.5
<input type="checkbox"/>	36	3678786	O-Ring Seal	1	M18
	37	3678791	Threaded Plug	1	M18 X 1.5 X 19.5
<input type="checkbox"/>	38	3089191	Hexagon Flange Nut	16	
<input type="checkbox"/>	39	3089321	Mounting Spacer	16	
<input type="checkbox"/>	40	4000837	Hexagon Flange Head Cap Screw	16	



Parts Catalog - Option Detail

Electronic Parts Catalog - Option Detail				
Option	Group	Graphic	Film Card	Date
TB6723-07	10.06.1	tb605gp	P60	17-MAR-03
Engines	QSK60 CM2150 MCRS, QSK60 CM2250 K112, QSK60 CM2350 K116, QSK60 CM2350 K117, QSK60 CM2350 K121, QSK60 CM2350 K133, QSK60 CM500, QSK60 CM850 MCRS, QSK60 G, QSK60 G CM2358 K110			



[SMALL](#) | [MEDIUM](#) | [LARGE](#)

Cart	Ref No	Part Number	Part Description	Required	Remarks
View My Cart					
		TB6723-07	Auxiliary Cooling System		Auxiliary cooling system.
					Second pump for 2 pump/2 loop
					LTA system on qsk45 and qsk60

					engines.
					Includes mounting hardware
					and plumbing.
<input type="checkbox"/>	1	43828 D	Hose Clamp	4	2 1/16 - 3 in.
<input type="checkbox"/>	2	4080544	Plain Hose	2	
<input type="checkbox"/>	3	3629497	Draincock	1	
<input type="checkbox"/>		3089023	Threaded Plug	1	M42 X 2.00 X 19.5.
<input type="checkbox"/>	4	3089019	O-Ring Seal	1	M42.
	5	3089021	Threaded Plug	1	M42 X 2.00 X 19.5.
<input type="checkbox"/>	6	3089247	Connection Gasket	1	
<input type="checkbox"/>	7	3332142	Water Transfer Connection	1	
<input type="checkbox"/>	8	3332143	Connection Gasket	1	
<input type="checkbox"/>	9	4100907	Connection Bracket	1	
<input type="checkbox"/>	10	3332158	Water Inlet Connection	1	
<input type="checkbox"/>	11	3332164	V Band Clamp	1	
<input type="checkbox"/>	12	3332391	Water Pump Gasket	1	
<input type="checkbox"/>		3678921	Threaded Plug	1	M14 X 1.5 X 16
<input type="checkbox"/>	13	3678912	O-Ring Seal	1	M14
	14	3678922	Threaded Plug	1	M14 X 1.5 X 16
<input type="checkbox"/>	15	3902460	Hexagon Flange Head Cap Screw	6	M10 X 1.50 X 25.
<input type="checkbox"/>	16	3903990	Hexagon Flange Head Cap Screw	4	M10 X 1.50 X 20.
<input type="checkbox"/>	17	3910495	Hexagon Flange Head Cap Screw	4	M12 X 1.75 X 30.
<input type="checkbox"/>	18	4000866	Water Bypass Tube	1	
<input type="checkbox"/>	19	4000872	Water Inlet Tube	1	
<input type="checkbox"/>	20	4001432	Water Inlet Tube	1	
<input type="checkbox"/>	21	4085944	Water Pump	1	Recon Equivalent 4085944 RX.
<input type="checkbox"/>		3033248	O-Ring Seal	1	
<input type="checkbox"/>	22	4016407	Water Bypass Tube	1	
<input type="checkbox"/>	23	4100806	Tube Brace	1	
<input type="checkbox"/>	24	3900589	Hexagon Flange Nut	2	M8 X 1.25

<input type="checkbox"/>	25	3900629	Hexagon Flange Head Cap Screw	2	M8 X 1.25 X 16
<input type="checkbox"/>	26	4007584	U-Bolt Clamp	1	
<input type="checkbox"/>		4085922	Service Kit Pump	A/R	Contains Bearings And Seals

© 2019 Cummins Inc., Box 3005, Columbus, IN 47202-3005 U.S.A.
Terms of Use and Disclaimers | Recommended System Requirements
Need Assistance? Please click on the Contact Us button in the top right corner of any page.



Parts Catalog - Option Detail

Electronic Parts Catalog - Option Detail				
Option	Group	Graphic	Film Card	Date
TB6732-02	10.06.1	tb602gd	P60	11-NOV-03
Engines	QSK60 CM2150 MCRS, QSK60 CM2250 K112, QSK60 CM2350 K116, QSK60 CM2350 K117, QSK60 CM2350 K121, QSK60 CM2350 K133, QSK60 CM500, QSK60 CM850 MCRS, QSK60 G, QSK60 G CM2358 K110			

©Cummins Inc



[SMALL](#) | [MEDIUM](#) | [LARGE](#)

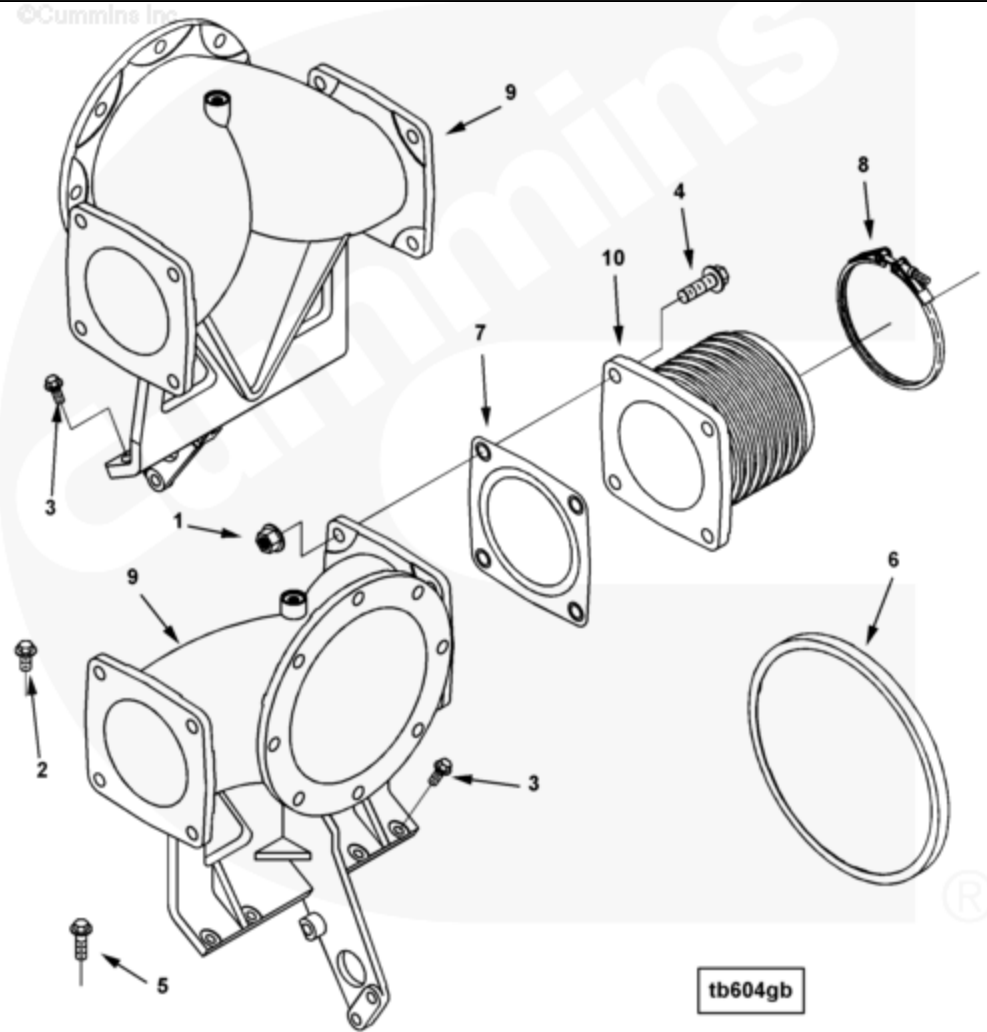
Cart	Ref No	Part Number	Part Description	Required	Remarks
View My Cart					
		TB6732-02	Exhaust Manifold		Manifold, exhaust
					To be used on qsk60
					industrial engines only.

<input type="checkbox"/>	1	205129	Ring Dowel	8	
<input type="checkbox"/>	2	3082315	Exhaust Manifold Gasket	16	
<input type="checkbox"/>	3	3089191	Hexagon Flange Nut	12	
<input type="checkbox"/>	4	3089321	Mounting Spacer	12	
<input type="checkbox"/>	5	4080141	Bellows	8	
<input type="checkbox"/>	6	3089765	V Band Clamp	16	
<input type="checkbox"/>	7	4101345	Exhaust Manifold	2	
<input type="checkbox"/>	8	4101349	Exhaust Manifold	2	
<input type="checkbox"/>	9	4065898	Exhaust Manifold	2	
<input type="checkbox"/>	10	4065896	Exhaust Manifold	2	
<input type="checkbox"/>	11	4101347	Exhaust Manifold	2	
<input type="checkbox"/>	12	4065900	Exhaust Manifold	2	
<input type="checkbox"/>	13	3089959	Hexagon Flange Head Cap Screw	12	MJ10 X 1.25 X 40
<input type="checkbox"/>	14	4065866	Hexagon Flange Head Cap Screw	64	
<input type="checkbox"/>	15	3046287	Mounting Spacer	64	
<input type="checkbox"/>	16	4101401	Lock Plate	32	



Parts Catalog - Option Detail

Electronic Parts Catalog - Option Detail				
Option	Group	Graphic	Film Card	Date
TB6021-10	10.06.1	tb604gb	P60	01-APR-03
Engines	QSK60 CM2150 MCRS, QSK60 CM2250 K112, QSK60 CM2350 K116, QSK60 CM2350 K117, QSK60 CM2350 K121, QSK60 CM2350 K133, QSK60 CM500, QSK60 CM850 MCRS, QSK60 G, QSK60 G CM2358 K110			



[SMALL](#) | [MEDIUM](#) | [LARGE](#)

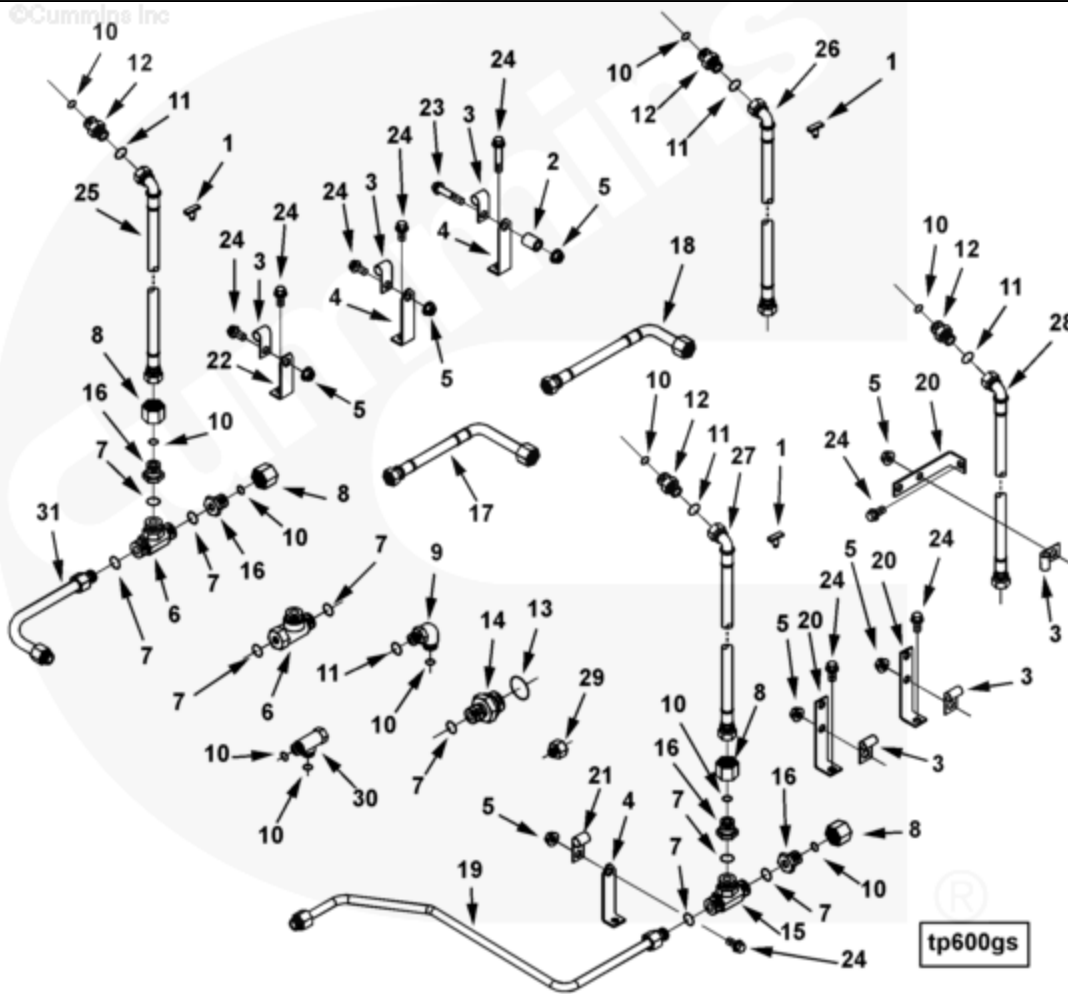
Cart	Ref No	Part Number	Part Description	Required	Remarks
View My Cart					
		TB6021-10	Turbocharger Arrangement		Turbocharger arrangement
					direction of exhaust: Side
					out
					Water Cooled Bearing Housing:
					Construction engines only

					Aspiration:
					Turbocharger, Aftercooled,
					Single stage
					Unique Characteristics:
					To be used on qsk60 single
					stage engines only.
<input type="checkbox"/>	1	3171181	Hexagon Flange Nut	16	
<input type="checkbox"/>	2	3901249	Hexagon Flange Head Cap Screw	4	M12 X 1.75 X 25.
<input type="checkbox"/>	3	3902460	Hexagon Flange Head Cap Screw	8	M10 X 1.50 X 25.
	4	3916071	Hexagon Flange Head Cap Screw	16	M16 X 2.00 X 50.
<input type="checkbox"/>	5	3920447	Hexagon Flange Head Cap Screw	2	M12 X 1.75 X 40.
<input type="checkbox"/>	6	4065343	Protective Cover	2	
<input type="checkbox"/>	7	4065349	Exhaust Outlet Connection Gasket	4	
<input type="checkbox"/>	8	4065488	V Band Clamp	4	
<input type="checkbox"/>	9	4066008	Exhaust Outlet Connection	2	
<input type="checkbox"/>	10	4080158	Bellows	4	



Parts Catalog - Option Detail

Electronic Parts Catalog - Option Detail				
Option	Group	Graphic	Film Card	Date
TP6711-07	10.06.2	tp600gs	P60	01-JUL-03
Engines	QSK60 CM2150 MCRS, QSK60 CM2250 K112, QSK60 CM2350 K116, QSK60 CM2350 K117, QSK60 CM2350 K121, QSK60 CM2350 K133, QSK60 CM500, QSK60 CM850 MCRS, QSK60 G, QSK60 G CM2358 K110			



[SMALL](#) | [MEDIUM](#) | [LARGE](#)

Cart	Ref No	Part Number	Part Description	Required	Remarks
View My Cart					
		TP6711-07	Turbocharger Coolant Plumbing		MR - PLUMBING,
					TURBOCHARGER COOLANT
					Engine Family: QSK60-C
					To Be Used on QSK60 Engines
					With HX82/70 Turbos

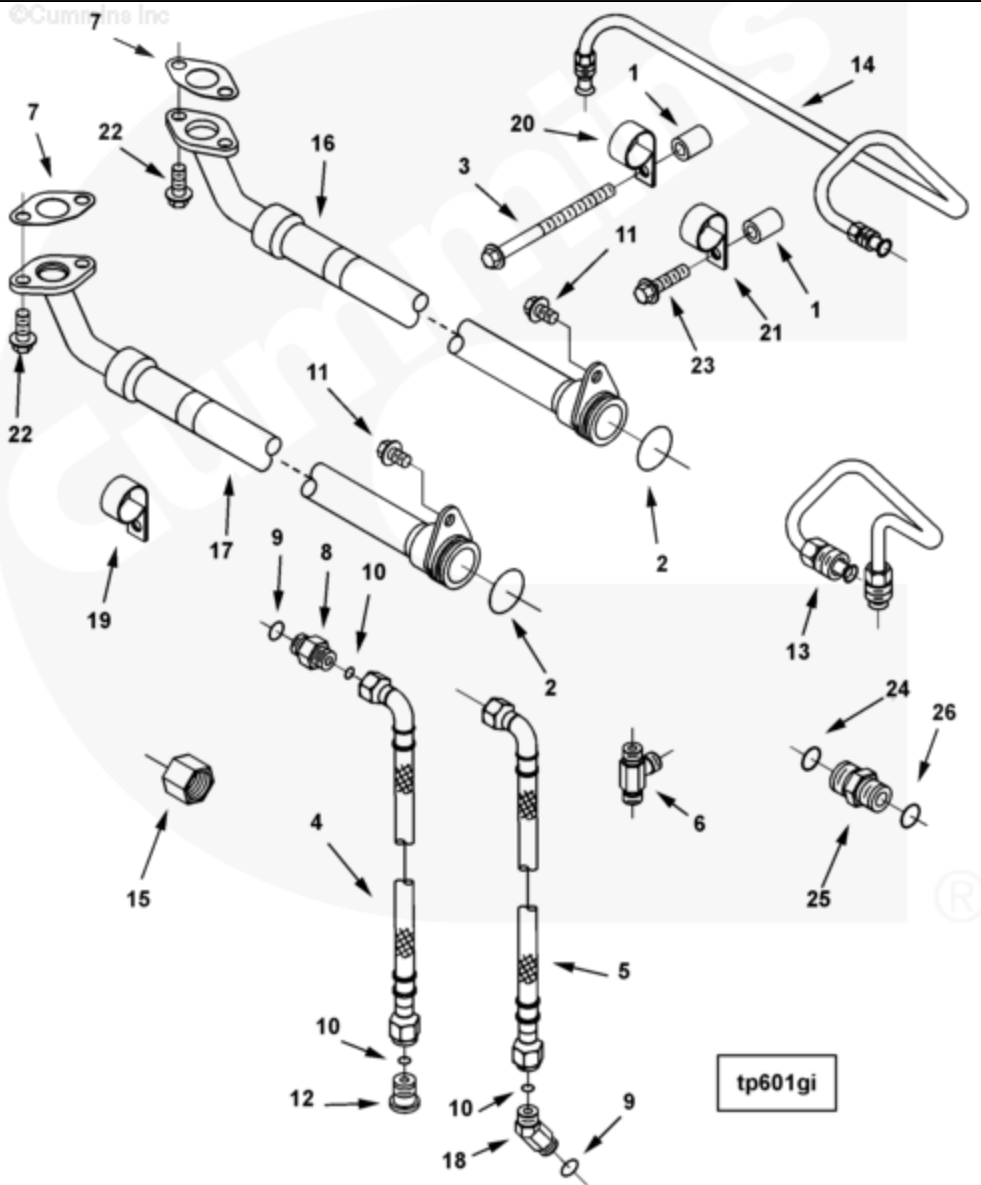
<input type="checkbox"/>	1	S 962 E	Draincock	4	
<input type="checkbox"/>	2	64709	Mounting Spacer	3	
<input type="checkbox"/>	3	68152 B	Clip	8	
<input type="checkbox"/>	4	114307	Tube Brace	8	
<input type="checkbox"/>	5	3093828	Hexagon Flange Nut	11	M10 X 1.50.
<input type="checkbox"/>		3171868	Male Union Tee	1	
	6	3171891	Male Union Tee	1	
<input type="checkbox"/>	7	3630740	O-Ring Seal	2	
<input type="checkbox"/>	8	3331855	Tube Nut	4	
<input type="checkbox"/>		3331872	Male Union Elbow	4	
	9	3331837	Male Union Elbow	1	
<input type="checkbox"/>	10	3627695	O-Ring Seal	1	
<input type="checkbox"/>	11	3678786	O-Ring Seal	1	M18
<input type="checkbox"/>		3331873	Male Union	8	
	12	3331838	Male Union	1	
<input type="checkbox"/>	10	3627695	O-Ring Seal	1	
<input type="checkbox"/>	11	3678786	O-Ring Seal	1	M18
<input type="checkbox"/>		3331875	Male Union	1	
<input type="checkbox"/>	13	3089019	O-Ring Seal	1	M42.
	14	3331856	Male Union	1	
<input type="checkbox"/>	7	3630740	O-Ring Seal	1	
<input type="checkbox"/>		3331876	Male Union Tee	2	
	15	3331857	Male Union Tee	1	
<input type="checkbox"/>	7	3630740	O-Ring Seal	3	
<input type="checkbox"/>		3331881	Tube Fitting Reducer	4	
	16	3331882	Tube Fitting Reducer	1	
<input type="checkbox"/>	10	3627695	O-Ring Seal	1	
<input type="checkbox"/>	17	4086653	Flexible Hose	2	
<input type="checkbox"/>	18	3410965	Flexible Hose	2	
<input type="checkbox"/>	19	3411002	Water Drain Tube	1	
<input type="checkbox"/>	20	3411085	Tube Brace	4	

<input type="checkbox"/>	21	3627412	Clip	1	
<input type="checkbox"/>	22	3628554	Tube Brace	1	
<input type="checkbox"/>	23	3900634	Hexagon Flange Head Cap Screw	3	M10 X 1.50 X 50.
<input type="checkbox"/>	24	3903990	Hexagon Flange Head Cap Screw	14	M10 X 1.50 X 20.
<input type="checkbox"/>	25	4016440	Flexible Hose	1	
<input type="checkbox"/>	26	4016441	Flexible Hose	1	
<input type="checkbox"/>	27	4016442	Flexible Hose	1	
<input type="checkbox"/>	28	4086754	Flexible Hose	1	
<input type="checkbox"/>	29	4016444	Reducing Adapter	4	
<input type="checkbox"/>		4016645	Male Union Tee	4	
<input type="checkbox"/>	10	3627695	O-Ring Seal	2	
	30	4016646	Male Union Tee	1	
<input type="checkbox"/>	31	4080389	Water Drain Tube	1	



Parts Catalog - Option Detail

Electronic Parts Catalog - Option Detail				
Option	Group	Graphic	Film Card	Date
TP6712-05	10.06.2	tp601gi	P60	24-FEB-03
Engines	QSK60 CM2150 MCRS, QSK60 CM2250 K112, QSK60 CM2350 K116, QSK60 CM2350 K117, QSK60 CM2350 K121, QSK60 CM2350 K133, QSK60 CM500, QSK60 CM850 MCRS, QSK60 G, QSK60 G CM2358 K110			



[SMALL](#) | [MEDIUM](#) | [LARGE](#)

Cart	Ref No	Part Number	Part Description	Required	Remarks
View My Cart					
		TP6712-05	Turbocharger Oil Plumbing		Plumbing, turbocharger oil
					To be used on qsk60 engines
					with HX82/70 turbochargers.

<input type="checkbox"/>	1	64709	Mounting Spacer	6	
<input type="checkbox"/>	2	216187	O-Ring Seal	4	
<input type="checkbox"/>	3	3089356	Hexagon Flange Head Cap Screw	4	
<input type="checkbox"/>	4	3089618	Flexible Hose	2	
<input type="checkbox"/>	5	3089619	Flexible Hose	2	
<input type="checkbox"/>	6	3089946	Male Union Tee	2	
<input type="checkbox"/>	7	3089955	Connection Gasket	4	
<input type="checkbox"/>		3090400	Male Union	2	
	8	3090419	Male Union	1	
<input type="checkbox"/>	9	3679139	O-Ring Seal	1	
<input type="checkbox"/>	10	3922794	O-Ring Seal	1	
<input type="checkbox"/>	11	3093957	Hexagon Flange Head Cap Screw	4	M10 X 1.50 X 16
<input type="checkbox"/>		3171839	Tube Fitting Reducer	2	
	12	3171840	Tube Fitting Reducer	1	
<input type="checkbox"/>	10	3922794	O-Ring Seal	1	
<input type="checkbox"/>	13	3171844	Lubricating Oil Supply Tube	1	
<input type="checkbox"/>	14	3171845	Lubricating Oil Supply Tube	1	
<input type="checkbox"/>	15	3331855	Tube Nut	2	
<input type="checkbox"/>	16	3410940	Flexible Hose	2	Turbo oil drain(RB front and
<input type="checkbox"/>	17	3410941	Flexible Hose	2	Turbo oil drain(LB front &RB
<input type="checkbox"/>		3411129	Male Union Elbow	2	
	18	3411130	Male Union Elbow	1	
<input type="checkbox"/>	9	3679139	O-Ring Seal	1	
<input type="checkbox"/>	10	3922794	O-Ring Seal	1	
<input type="checkbox"/>	19	3629451	Clip	4	
<input type="checkbox"/>	20	3629452	Clip	8	
<input type="checkbox"/>	21	3629453	Clip	2	
<input type="checkbox"/>	22	3902460	Hexagon Flange Head Cap Screw	8	M10 X 1.50 X 25.
<input type="checkbox"/>	23	3903464	Hexagon Flange Head Cap Screw	2	M10 X 1.50 X 40.
<input type="checkbox"/>		3171818	Male Union	2	
<input type="checkbox"/>	24	3089240	O-Ring Seal	1	M22

	25	3171819	Male Union	1	
<input type="checkbox"/>	26	3630740	O-Ring Seal	1	

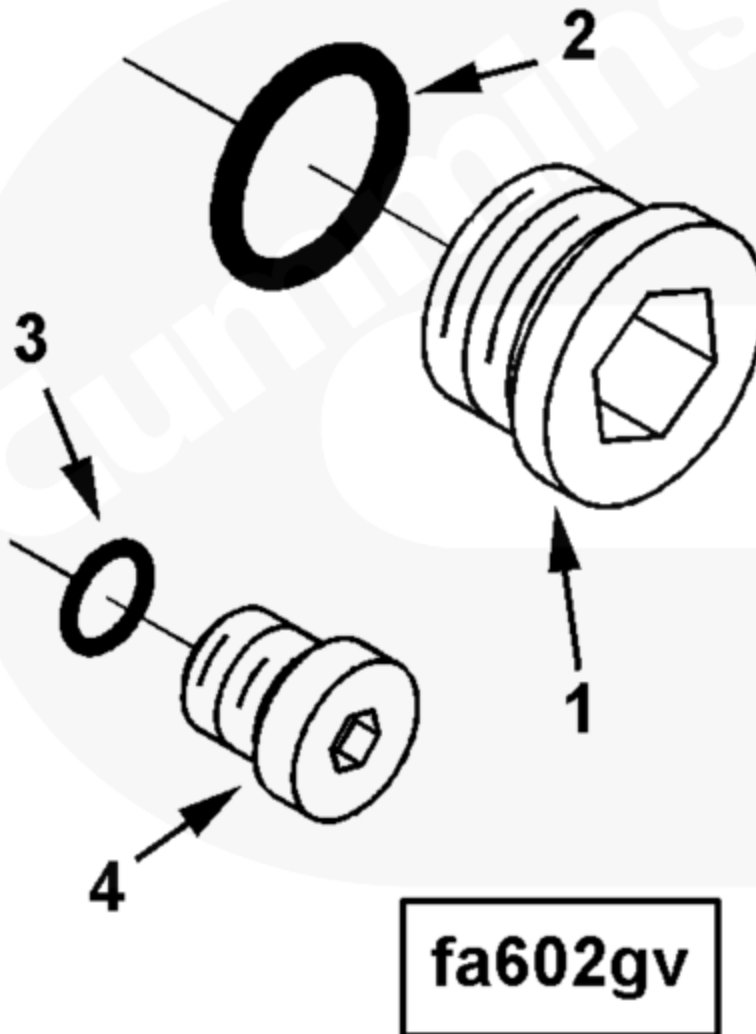
© 2019 Cummins Inc., Box 3005, Columbus, IN 47202-3005 U.S.A.
Terms of Use and Disclaimers | Recommended System Requirements
Need Assistance? Please click on the Contact Us button in the top right corner of any page.



Parts Catalog - Option Detail

Electronic Parts Catalog - Option Detail				
Option	Group	Graphic	Film Card	Date
CP6017-02	12.01	fa602gv	P60	03-JUN-99
Engines	QSK60 CM2150 MCRS, QSK60 CM2250 K112, QSK60 CM2350 K116, QSK60 CM2350 K117, QSK60 CM2350 K121, QSK60 CM2350 K133, QSK60 CM500, QSK60 CM850 MCRS, QSK60 G, QSK60 G CM2358 K110			

©Cummins Inc



[SMALL](#) | [MEDIUM](#) | [LARGE](#)

Cart	Ref No	Part Number	Part Description	Required	Remarks
View My Cart					
		CP6017-02	Air Compressor		Air compressor: No
					Plugs are used in
					thermostat housing.

<input type="checkbox"/>		3678873	Threaded Plug	1	M18 X 1.5 X 19.5
	1	3678791	Threaded Plug	1	M18 X 1.5 X 19.5
<input type="checkbox"/>	2	3678786	O-Ring Seal	1	M18
<input type="checkbox"/>		3678921	Threaded Plug	2	M14 X 1.5 X 16
<input type="checkbox"/>	3	3678912	O-Ring Seal	1	M14
	4	3678922	Threaded Plug	1	M14 X 1.5 X 16

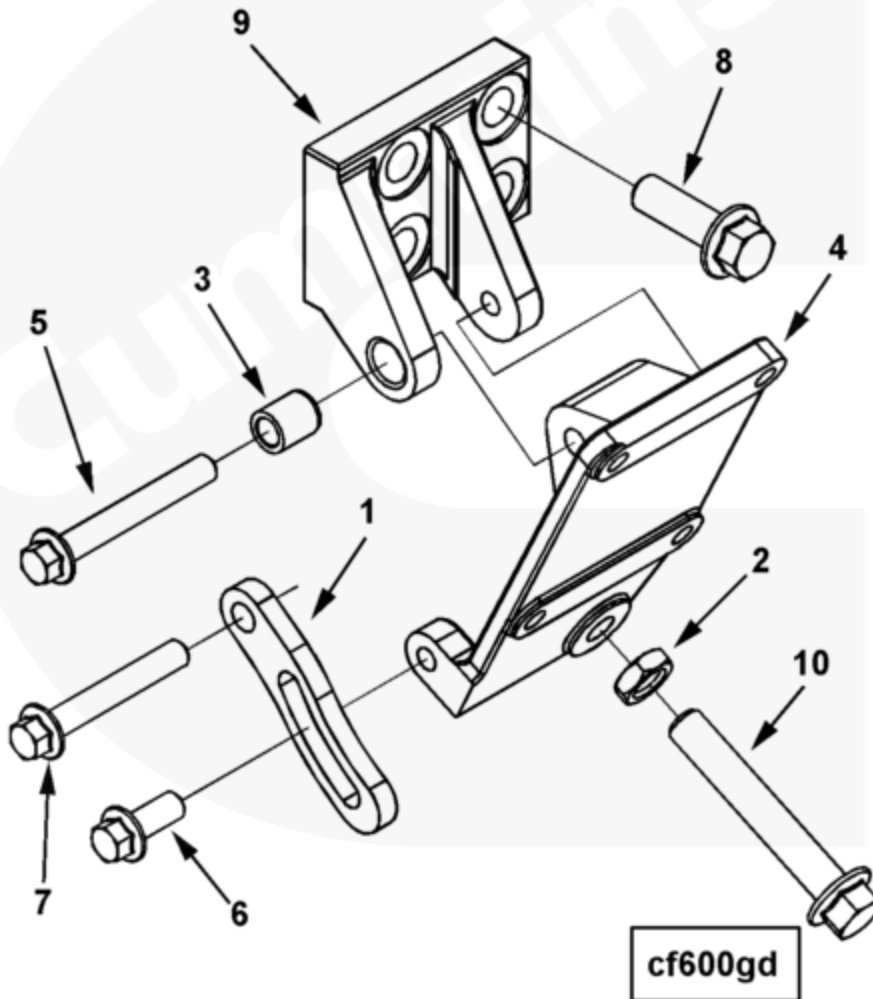
© 2019 Cummins Inc., Box 3005, Columbus, IN 47202-3005 U.S.A.
Terms of Use and Disclaimers | Recommended System Requirements
Need Assistance? Please click on the Contact Us button in the top right corner of any page.



Parts Catalog - Option Detail

Electronic Parts Catalog - Option Detail				
Option	Group	Graphic	Film Card	Date
CF6007-05	12.01	cf600gd	P60	05-MAR-01
Engines	QSK60 CM2150 MCRS, QSK60 CM2250 K112, QSK60 CM2350 K116, QSK60 CM2350 K117, QSK60 CM2350 K121, QSK60 CM2350 K133, QSK60 CM500, QSK60 CM850 MCRS, QSK60 G, QSK60 G CM2358 K110			

©Cummins Inc



[SMALL](#) | [MEDIUM](#) | [LARGE](#)

Cart	Ref No	Part Number	Part Description	Required	Remarks
View My Cart					
		CF6007-05	Refrigerant Compressor Mounting		Refrigerant compressor
					mounting.
					Description: For mounting a
					Sanko SD510 refrigerant

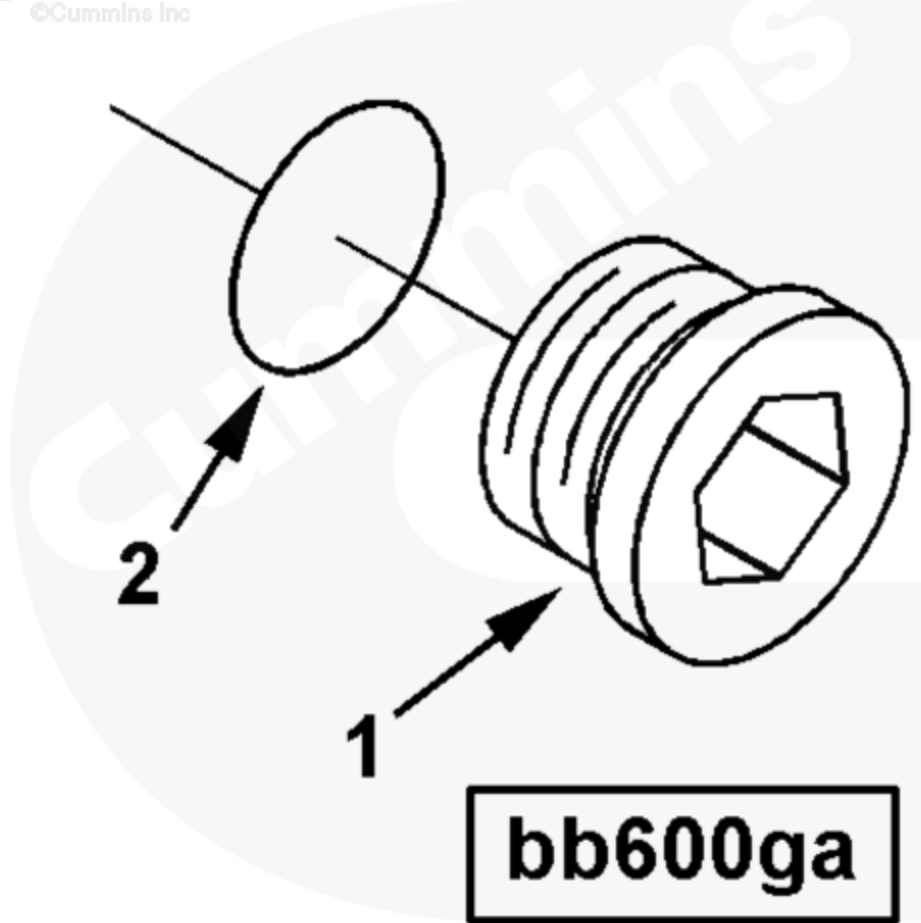
					compressor.
					Pulley description: Two
					groove coupling.
<input type="checkbox"/>	1	3171103	Adjusting Link	1	
<input type="checkbox"/>	2	3251297	Regular Hexagon Jam Nut	1	
<input type="checkbox"/>	3	3332237	Sleeve	1	
<input type="checkbox"/>	4	4066063	Refrigerant Compressor Support	1	
<input type="checkbox"/>	5	3902451	Hexagon Flange Head Cap Screw	1	M12 x 1.75 x 90
<input type="checkbox"/>	6	3910495	Hexagon Flange Head Cap Screw	1	M12 X 1.75 X 30.
<input type="checkbox"/>	7	3914177	Hexagon Flange Head Cap Screw	1	M12 X 1.75 X 80.
	8	3916071	Hexagon Flange Head Cap Screw	4	M16 X 2.00 X 50.
<input type="checkbox"/>	9	4016939	Refrigerant Compressor Bracket	1	
<input type="checkbox"/>	10	4001159	Hexagon Flange Head Cap Screw	1	



Parts Catalog - Option Detail

Electronic Parts Catalog - Option Detail				
Option	Group	Graphic	Film Card	Date
CC6701-02	12.01.3	bb600ga	P60	03-JUN-99
Engines	QSK60 CM2150 MCRS, QSK60 CM2250 K112, QSK60 CM2350 K116, QSK60 CM2350 K117, QSK60 CM2350 K121, QSK60 CM2350 K133, QSK60 CM500, QSK60 CM850 MCRS, QSK60 G, QSK60 G CM2358 K110			

©Cummins Inc



SMALL | MEDIUM | LARGE

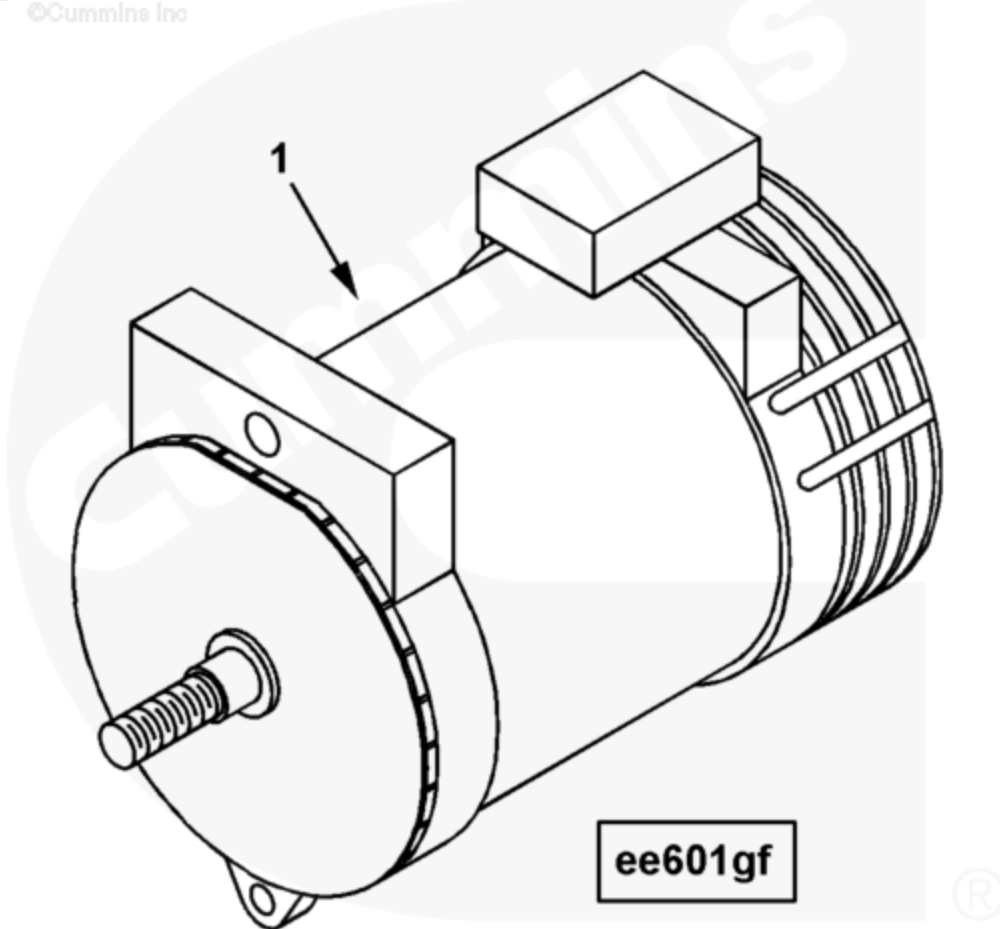
Cart	Ref No	Part Number	Part Description	Required	Remarks
View My Cart					
		CC6701-02	Compressor Coolant Plumbing		Compressor coolant plumbing.
					Air compressor: None
<input type="checkbox"/>		3678873	Threaded Plug	1	M18 X 1.5 X 19.5
	1	3678791	Threaded Plug	1	M18 X 1.5 X 19.5
<input type="checkbox"/>	2	3678786	O-Ring Seal	1	M18



Parts Catalog - Option Detail

Electronic Parts Catalog - Option Detail				
Option	Group	Graphic	Film Card	Date
EE6061-02	13.02	ee601gf	P60	13-MAY-02
Engines	QSK60 CM2150 MCRS, QSK60 CM2250 K112, QSK60 CM2350 K116, QSK60 CM2350 K117, QSK60 CM2350 K121, QSK60 CM2350 K133, QSK60 CM500, QSK60 CM850 MCRS, QSK60 G, QSK60 G CM2358 K110			

©Cummins Inc



[SMALL](#) | [MEDIUM](#) | [LARGE](#)

Cart	Ref No	Part Number	Part Description	Required	Remarks
View My Cart					
		EE6061-02	Alternator		Alternator
					manufacture/model:
					Niehoff/c653 a-1
					Voltage: 28 maximum
					regulated output voltage: 24
					Amperage: 260 ground type:

					Negative insulated: Yes
					built in voltage regulator:
					Yes
					Wiring Harness Included: No
					ground strap required: No
					ground strap included: No
					cooling fan included: Yes
					brush type: No brushless:
					Yes
					Manufacturing/model:
					Niehoff/c653 a-1.
<input type="checkbox"/>	1	4086503	Alternator	1	

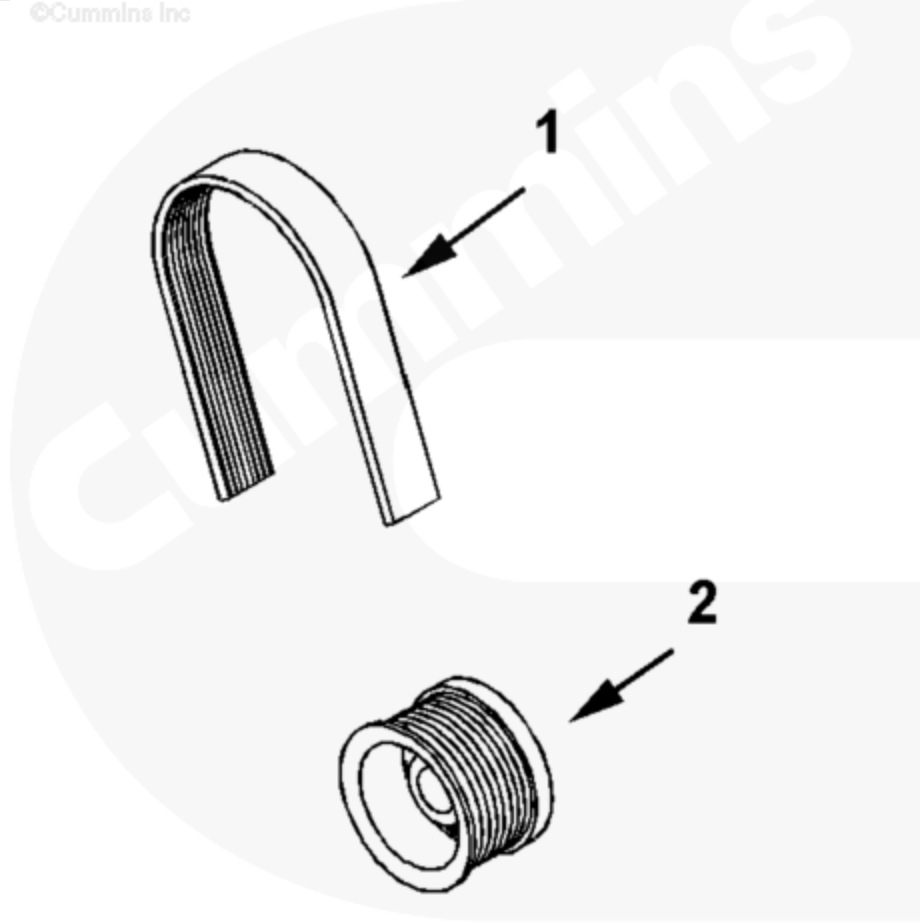
© 2019 Cummins Inc., Box 3005, Columbus, IN 47202-3005 U.S.A.
Terms of Use and Disclaimers | Recommended System Requirements
Need Assistance? Please click on the Contact Us button in the top right corner of any page.



Parts Catalog - Option Detail

Electronic Parts Catalog - Option Detail				
Option	Group	Graphic	Film Card	Date
EH6707-07	13.02.3	eh601gf	P60	21-OCT-02
Engines	QSK60 CM2150 MCRS, QSK60 CM2250 K112, QSK60 CM2350 K116, QSK60 CM2350 K117, QSK60 CM2350 K121, QSK60 CM2350 K133, QSK60 CM500, QSK60 CM850 MCRS, QSK60 G, QSK60 G CM2358 K110			

©Cummins Inc



eh601gf

[SMALL](#) | [MEDIUM](#) | [LARGE](#)

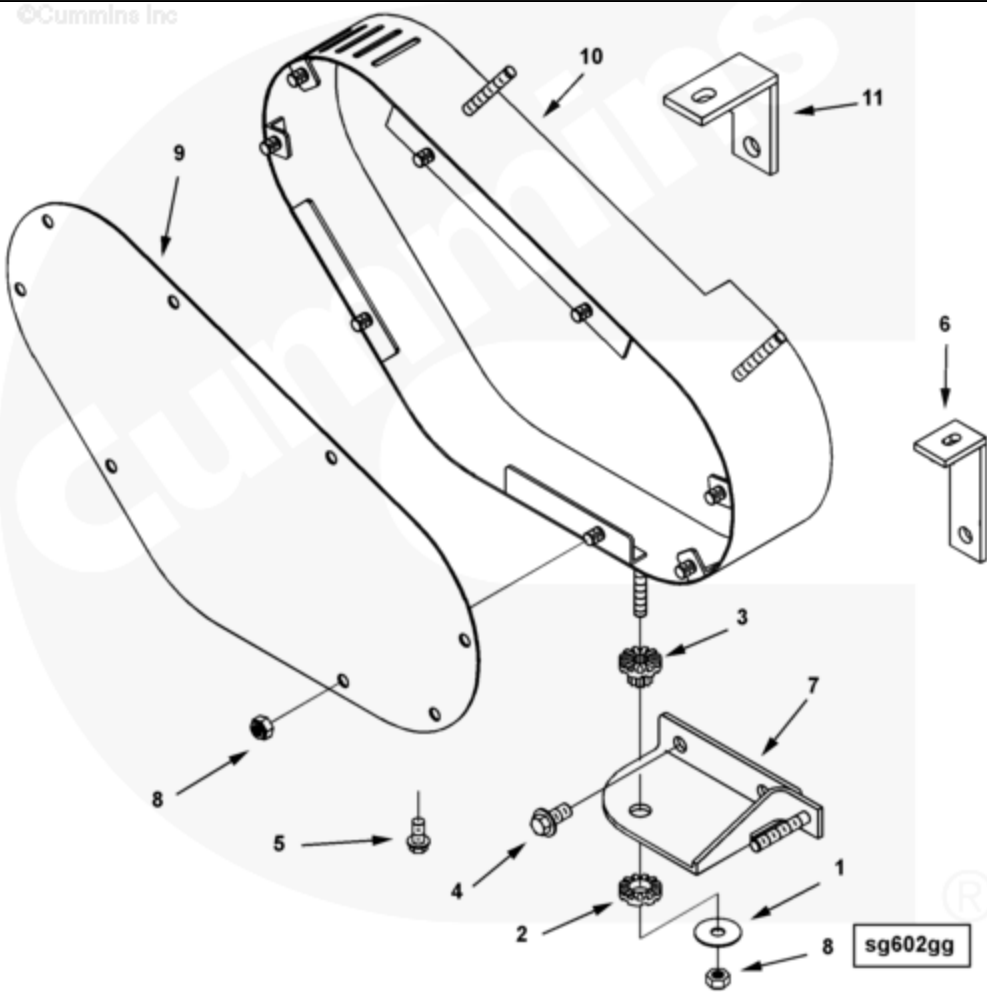
Cart	Ref No	Part Number	Part Description	Required	Remarks
View My Cart					
		EH6707-07	Alternator Drive Pulley		Alternator drive pulley
					no. of alternators: 1
					Drive Ratio: 3.56:1 belt

					description: 10rib pk
					section v-ribbed
					Supplied In Kit: No pulley
					description: 10 groove pk
					section v-ribbed alternator
					manufacturing: Niehoff
					260amp 28 v model c653 a-1
					and Prestolite 175amp 24volt.
					Model 8 SC300EH0670700
					and Prestolite 140amp 24volt
					model bld 3314.
<input type="checkbox"/>	1	4066750	V Ribbed Belt	1	
<input type="checkbox"/>	2	3630144	Alternator Pulley	1	



Parts Catalog - Option Detail

Electronic Parts Catalog - Option Detail				
Option	Group	Graphic	Film Card	Date
SG6025-08	13.02.3	sg602gg	P60	28-NOV-03
Engines	QSK60 CM2150 MCRS, QSK60 CM2250 K112, QSK60 CM2350 K116, QSK60 CM2350 K117, QSK60 CM2350 K121, QSK60 CM2350 K133, QSK60 CM500, QSK60 CM850 MCRS, QSK60 G, QSK60 G CM2358 K110			



[SMALL](#) | [MEDIUM](#) | [LARGE](#)

Cart	Ref No	Part Number	Part Description	Required	Remarks
View My Cart					
		SG6025-08	Alternator Guard		Alternator guard
					Alternator: Niehoff C609-1
					Drive Ratio: 3.56:1 Wrt
					Engine Speed.
<input type="checkbox"/>	1	3033800	Plain Washer	4	3/8 in.
	2	3035083	Vibration Isolator	4	

<input type="checkbox"/>					
<input type="checkbox"/>	3	3035084	Vibration Isolator	4	
<input type="checkbox"/>	4	3901249	Hexagon Flange Head Cap Screw	1	M12 X 1.75 X 25.
<input type="checkbox"/>	5	3903990	Hexagon Flange Head Cap Screw	2	M10 X 1.50 X 20.
<input type="checkbox"/>	6	4100874	Belt Guard Bracket	2	
<input type="checkbox"/>	7	4016894	Damper Guard Bracket	1	
<input type="checkbox"/>	8	4001248	Lock Nut	12	
<input type="checkbox"/>	9	4001516	Cover Plate	1	
<input type="checkbox"/>	10	4017199	Alternator Guard	1	
<input type="checkbox"/>	11	4100875	Belt Guard Bracket	1	

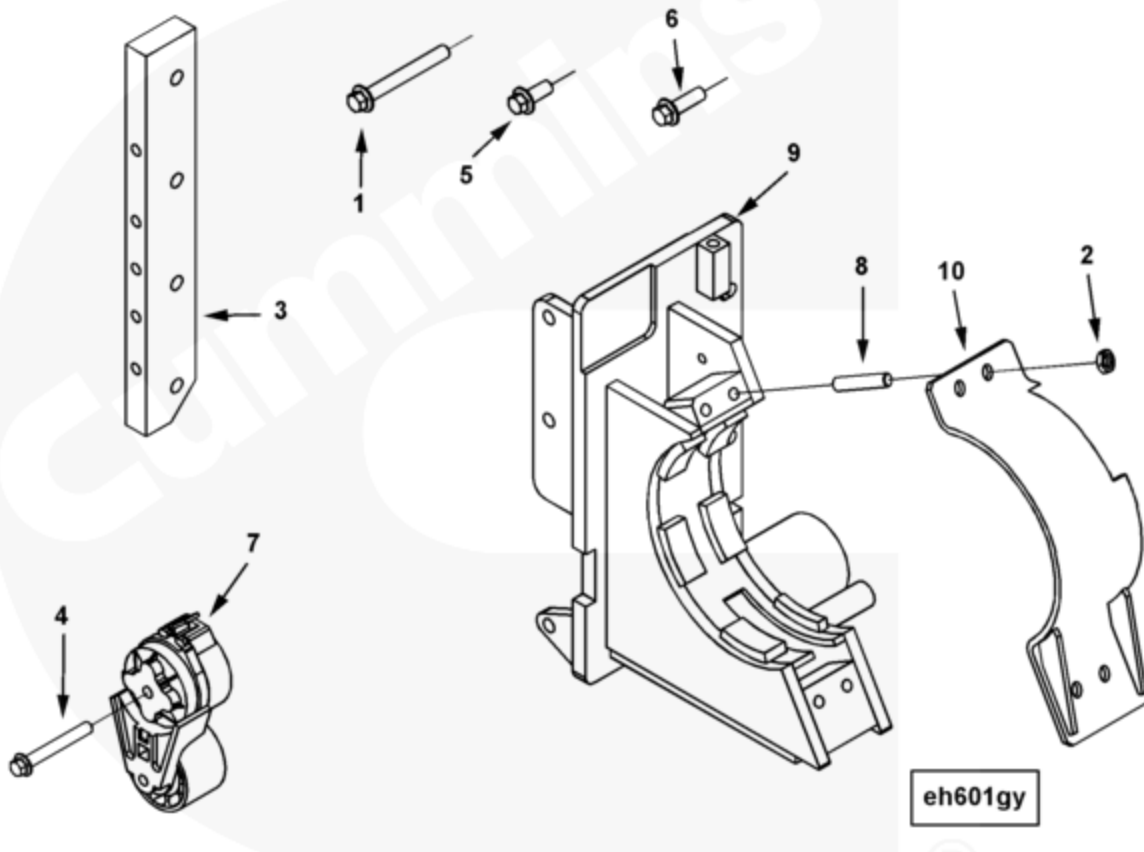
© 2019 Cummins Inc., Box 3005, Columbus, IN 47202-3005 U.S.A.
Terms of Use and Disclaimers | Recommended System Requirements
Need Assistance? Please click on the Contact Us button in the top right corner of any page.



Parts Catalog - Option Detail

Electronic Parts Catalog - Option Detail				
Option	Group	Graphic	Film Card	Date
EH6007-11	13.02.3	eh601gy	P60	06-AUG-02
Engines	QSK60 CM2150 MCRS, QSK60 CM2250 K112, QSK60 CM2350 K116, QSK60 CM2350 K117, QSK60 CM2350 K121, QSK60 CM2350 K133, QSK60 CM500, QSK60 CM850 MCRS, QSK60 G, QSK60 G CM2358 K110			

©Cummins Inc



[SMALL](#) | [MEDIUM](#) | [LARGE](#)

Cart	Ref No	Part Number	Part Description	Required	Remarks
View My Cart					
		EH6007-11	Alternator Mounting		Alternator mounting
					alternator manufacturer:
					Niehoff no. of alternators:
					1
					Model: Niehoff/c617-1
					Drive Ratio: 3.56:1 pulley
					description: 10 groove pk

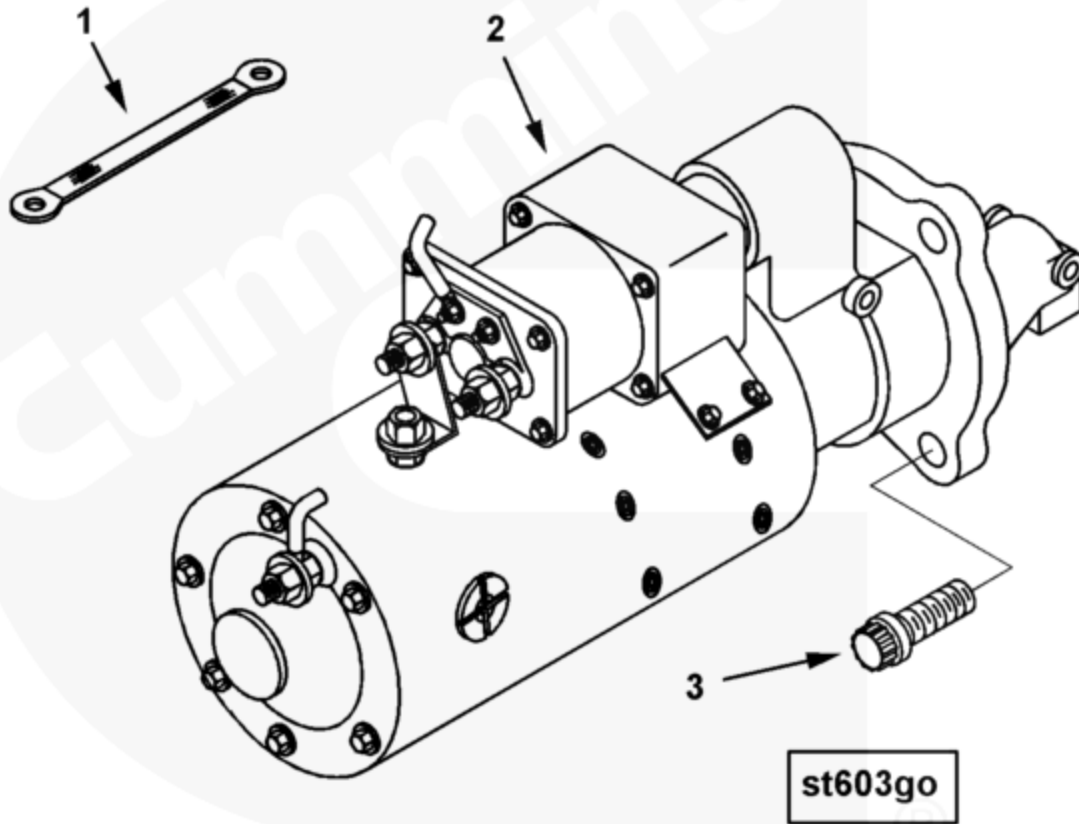
					section v ribbed
					Pulley Location: Right Bank
					Side Of Engine through front
					gear cover mounting type:
					Lug kitted: No alternator
					attachment point: Center
					from crank: Horizontal:
					715.41mm vertical: 107.76mm
					belt description: 10rib pk
					section v ribbed adjusting
					link included: No
					Unique Characteristics:
					Automatic belt tensioner.
<input type="checkbox"/>	1	3332242	Hexagon Flange Head Cap Screw	4	
<input type="checkbox"/>	2	3336571	Lock Nut	4	
<input type="checkbox"/>	3	4001640	Clamping Plate	1	
<input type="checkbox"/>	4	3896408	Hexagon Flange Head Cap Screw	1	M10 x 1.50 x 80
<input type="checkbox"/>	5	3910495	Hexagon Flange Head Cap Screw	3	M12 X 1.75 X 30.
<input type="checkbox"/>	6	3920447	Hexagon Flange Head Cap Screw	5	M12 X 1.75 X 40.
<input type="checkbox"/>	7	4086084	Belt Tensioner	1	
<input type="checkbox"/>	8	4001016	Stud	4	
<input type="checkbox"/>	9	4001232	Alternator Bracket	1	
<input type="checkbox"/>	10	4100619	Alternator Bracket	1	



Parts Catalog - Option Detail

Electronic Parts Catalog - Option Detail				
Option	Group	Graphic	Film Card	Date
ST6095-02	13.05	st603go	P60	01-JAN-02
Engines	QSK60 CM2150 MCRS, QSK60 CM2250 K112, QSK60 CM2350 K116, QSK60 CM2350 K117, QSK60 CM2350 K121, QSK60 CM2350 K133, QSK60 CM500, QSK60 CM850 MCRS, QSK60 G, QSK60 G CM2358 K110			

©Cummins Inc



[SMALL](#) | [MEDIUM](#) | [LARGE](#)

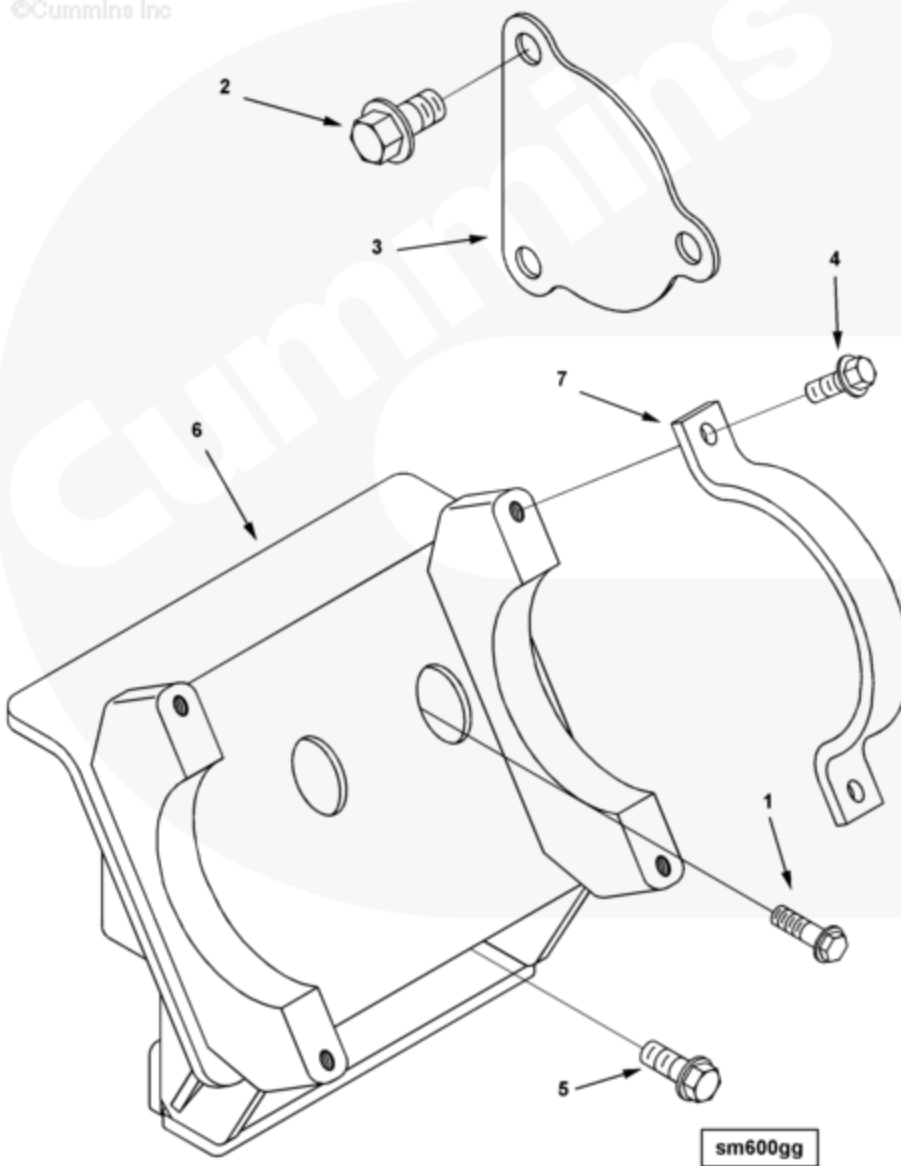
Cart	Ref No	Part Number	Part Description	Required	Remarks
View My Cart					
		ST6095-02	Starting Motor		Starting motor
					type: Oil priming device
					Voltage: 24 starter
					supplier: Cummins
					manufacturer/model: RPM
					Industries high volume pump
					count: 1 type:

					Starting motor
					Voltage: 24 starter
					supplier: Cummins
					manufacturer/model:
					Delco Remy 50 MT400 starter
					count: 2
					Method Of Engagement:
					Positive
					Solenoid Location: 322
					Degrees gear pitch: 6/8 KW
					rating: 8.95 SAE type
					starter mounting flange:
					Type no. 3 mounting
					location: Left bank
					Unique Characteristics:
					For Use With Right mounted
					remote high volume prelub
					nose housing of the starter
					motor has been modified
					For use on qsk60 engines with
					spin-on filter head.
<input type="checkbox"/>	1	3018924	Ground Wire	2	
<input type="checkbox"/>	2	3171099	Starting Motor	2	Order Recon 3604687RX
<input type="checkbox"/>	3	3600596	Twelve Point Cap Screw	6	M16 X 2.00 X 45.



Parts Catalog - Option Detail

Electronic Parts Catalog - Option Detail				
Option	Group	Graphic	Film Card	Date
SM6708-02	13.05.1	sm600gg	P60	01-JAN-03
Engines	QSK60 CM2150 MCRS, QSK60 CM2250 K112, QSK60 CM2350 K116, QSK60 CM2350 K117, QSK60 CM2350 K121, QSK60 CM2350 K133, QSK60 CM500, QSK60 CM850 MCRS, QSK60 G, QSK60 G CM2358 K110			



[SMALL](#) | [MEDIUM](#) | [LARGE](#)

Cart	Ref No	Part Number	Part Description	Required	Remarks
View My Cart					
		SM6708-02	Starting Motor Mounting		Mounting, starting motor
					Starting Motor Count: 3
					starter location: 2 electric

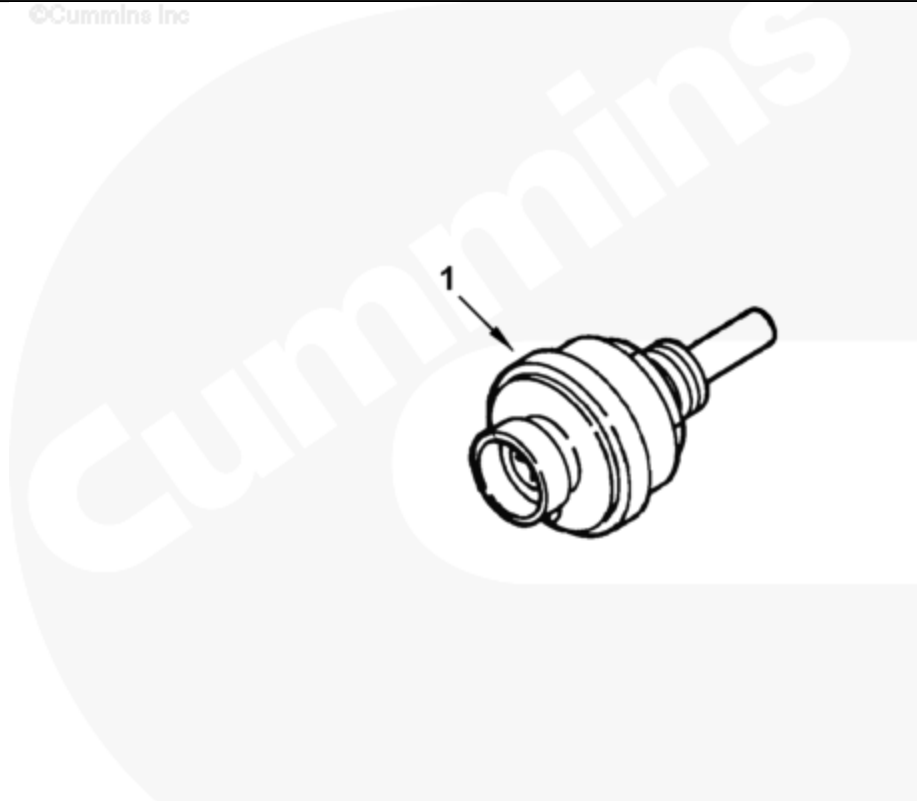
					starters
					Mounted on the left bank of
					the flywheel housing and
					right bank pan rail mounting
					For remote high volume prelub
					(hvp) pump
					Flywheel Housing Material:
					Cast Iron
					Clutch Type Provision: Dry
					Power Supply: Electric.
<input type="checkbox"/>	1	3914407	Hexagon Flange Head Cap Screw	2	M10 x 1.50 x 100
<input type="checkbox"/>	2	3089324	Hexagon Flange Head Cap Screw	3	M16 X 2.00 X 30.
<input type="checkbox"/>	3	3628411	Starter Flange Cover	1	
<input type="checkbox"/>	4	3902460	Hexagon Flange Head Cap Screw	4	M10 X 1.50 X 25.
<input type="checkbox"/>	5	3278480	Hexagon Flange Head Cap Screw	2	M12 x 1.75 x 70
<input type="checkbox"/>	6	4086504	Lubricating Oil Pump Support	1	
<input type="checkbox"/>	7	4066180	Pump Bracket	2	



Parts Catalog - Option Detail

Electronic Parts Catalog - Option Detail				
Option	Group	Graphic	Film Card	Date
SD6004	15.05	sd100gk	P60	29-JUL-97
Engines	QSK60 CM2150 MCRS, QSK60 CM2250 K112, QSK60 CM2350 K116, QSK60 CM2350 K117, QSK60 CM2350 K121, QSK60 CM2350 K133, QSK60 CM500, QSK60 CM850 MCRS, QSK60 G, QSK60 G CM2358 K110			

©Cummins Inc



sd100gk

[SMALL](#) | [MEDIUM](#) | [LARGE](#)

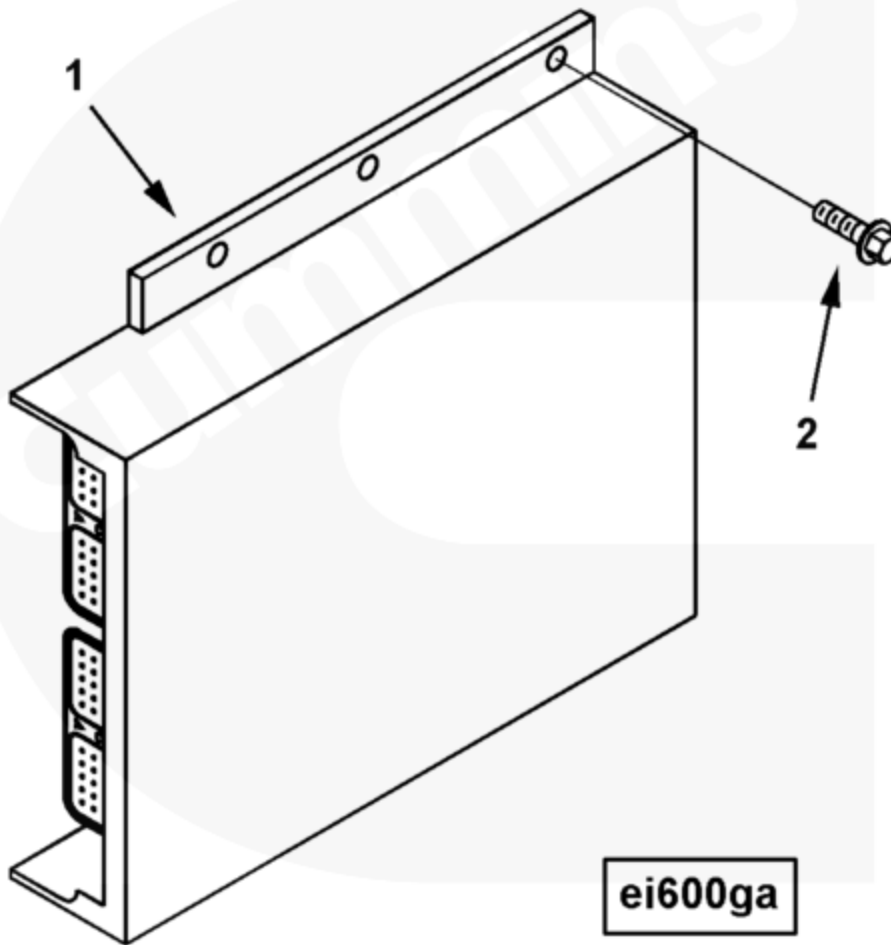
Cart	Ref No	Part Number	Part Description	Required	Remarks
View My Cart					
		SD6004	Coolant Level Sensor		Sensor, coolant level
					For use with customer
					supplied
					Wiring harness.
<input type="checkbox"/>	1	4903489	Coolant Level Switch	1	



Parts Catalog - Option Detail

Electronic Parts Catalog - Option Detail				
Option	Group	Graphic	Film Card	Date
EI6746-03	15.08	ei600ga	P60	28-APR-03
Engines	QSK60 CM2150 MCRS, QSK60 CM2250 K112, QSK60 CM2350 K116, QSK60 CM2350 K117, QSK60 CM2350 K121, QSK60 CM2350 K133, QSK60 CM500, QSK60 CM850 MCRS, QSK60 G, QSK60 G CM2358 K110			

©Cummins Inc



[SMALL](#) | [MEDIUM](#) | [LARGE](#)

Cart	Ref No	Part Number	Part Description	Required	Remarks
View My Cart					
		EI6746-03	Electronic Engine Monitor		Cense, electronic engine
					monitoring system
					Engine Model: Qsk60
					Advertised Power: 2500 BHP
					At 1900 RPM modular mining:

					N comment: 830 e statex 3 SS
					hbmep tier 1
					OEM Name: Kms
					OEM Application: Haultruck
					do: 06117,06118 software
					phase: 4.0.2
					Engine Control System: Aem.
<input type="checkbox"/>	1	3098771	Electronic Control Module	1	
<input type="checkbox"/>	2	3901865	Hexagon Flange Head Cap Screw	7	M6 X 1.00 X 20.
		4065689	Engine Monitoring System	1	

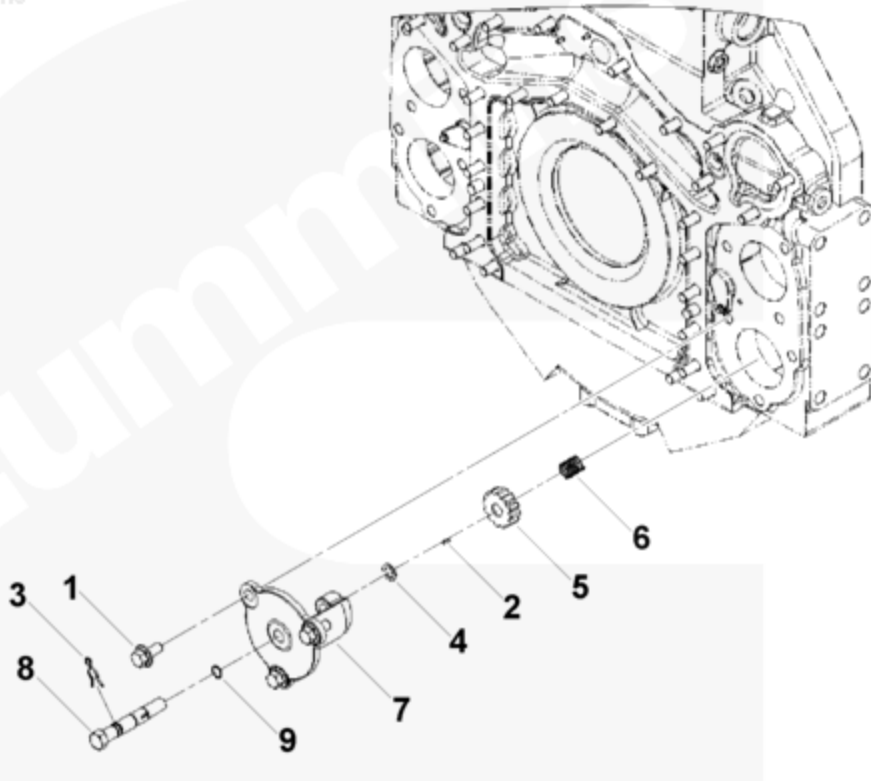
© 2019 Cummins Inc., Box 3005, Columbus, IN 47202-3005 U.S.A.
Terms of Use and Disclaimers | Recommended System Requirements
Need Assistance? Please click on the Contact Us button in the top right corner of any page.



Parts Catalog - Option Detail

Electronic Parts Catalog - Option Detail				
Option	Group	Graphic	Film Card	Date
CB6701-03	16.01	cb600ga	P60	01-MAY-01
Engines	QSK60 CM2150 MCRS, QSK60 CM2250 K112, QSK60 CM2350 K116, QSK60 CM2350 K117, QSK60 CM2350 K121, QSK60 CM2350 K133, QSK60 CM500, QSK60 CM850 MCRS, QSK60 G, QSK60 G CM2358 K110			

©Cummins Inc



cb600ga

SMALL | MEDIUM | LARGE

Cart	Ref No	Part Number	Part Description	Required	Remarks
View My Cart					
		CB6701-03	Engine Barring Drive		Drive, engine barring.
<input type="checkbox"/>	1	3089324	Hexagon Flange Head Cap Screw	3	M16 X 2.00 X 30.
<input type="checkbox"/>		3332325	Barring Drive	1	
<input type="checkbox"/>	2	S 306	Plain Woodruff Key	1	
<input type="checkbox"/>	3	169834	Clip	1	
<input type="checkbox"/>	4	206090	Retaining Ring	1	
<input type="checkbox"/>	5	206091	Barring Drive Gear	1	
<input type="checkbox"/>	6	206092	Compression Spring	1	
<input type="checkbox"/>	7	3332326	Barring Drive Housing	1	

<input type="checkbox"/>	8	3332383	Barring Shaft	1	
<input type="checkbox"/>	9	3913994	O-Ring Seal	1	

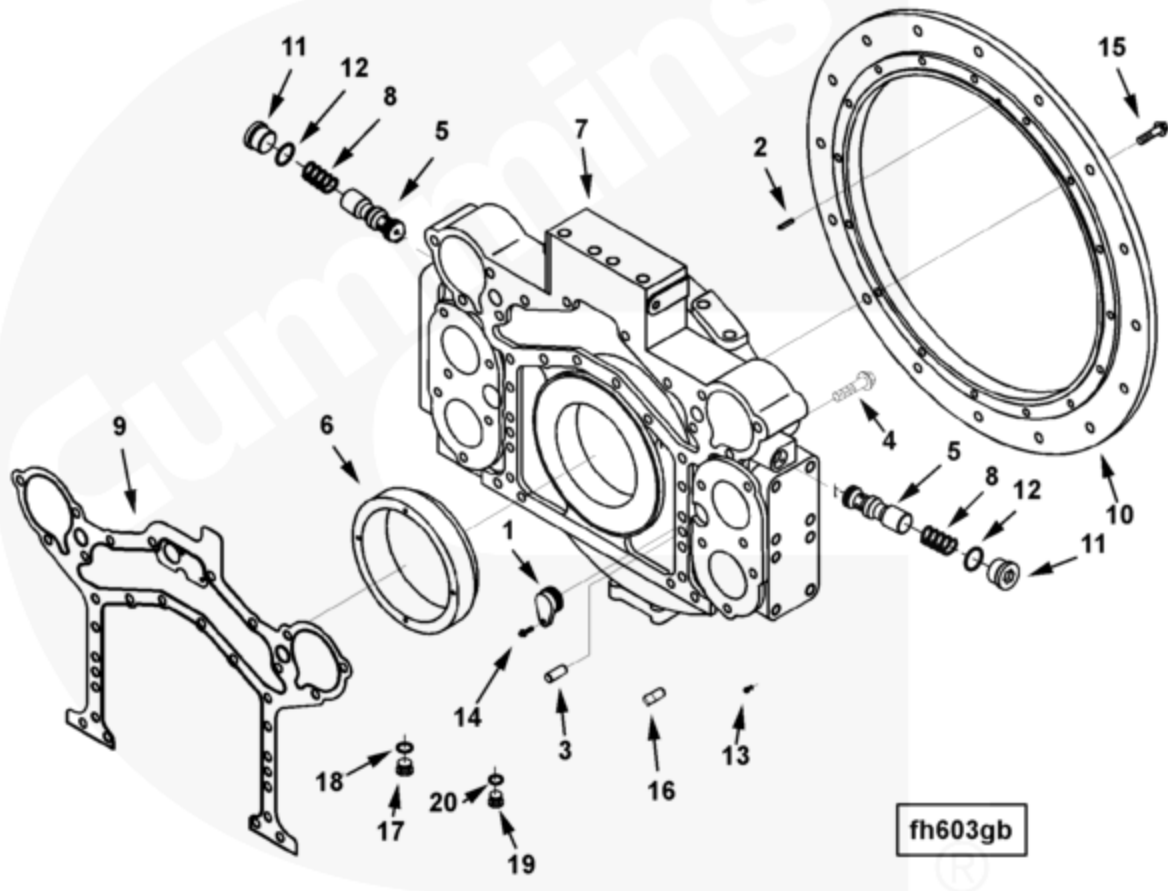
© 2019 Cummins Inc., Box 3005, Columbus, IN 47202-3005 U.S.A.
Terms of Use and Disclaimers | Recommended System Requirements
Need Assistance? Please click on the Contact Us button in the top right corner of any page.



Parts Catalog - Option Detail

Electronic Parts Catalog - Option Detail				
Option	Group	Graphic	Film Card	Date
FH6044-07	16.01	fh603gb	P60	25-FEB-03
Engines	QSK60 CM2150 MCRS, QSK60 CM2250 K112, QSK60 CM2350 K116, QSK60 CM2350 K117, QSK60 CM2350 K121, QSK60 CM2350 K133, QSK60 CM500, QSK60 CM850 MCRS, QSK60 G, QSK60 G CM2358 K110			

©Cummins Inc



[SMALL](#) | [MEDIUM](#) | [LARGE](#)

Cart	Ref No	Part Number	Part Description	Required	Remarks
View My Cart					
		FH6044-07	Flywheel Housing		Flywheel housing
					SAE size: 0
					Clutch Type Provision: Dry
					Material: SG Iron
					Starter Center Distance:
					345.52mm
					Starter spacer capability:no

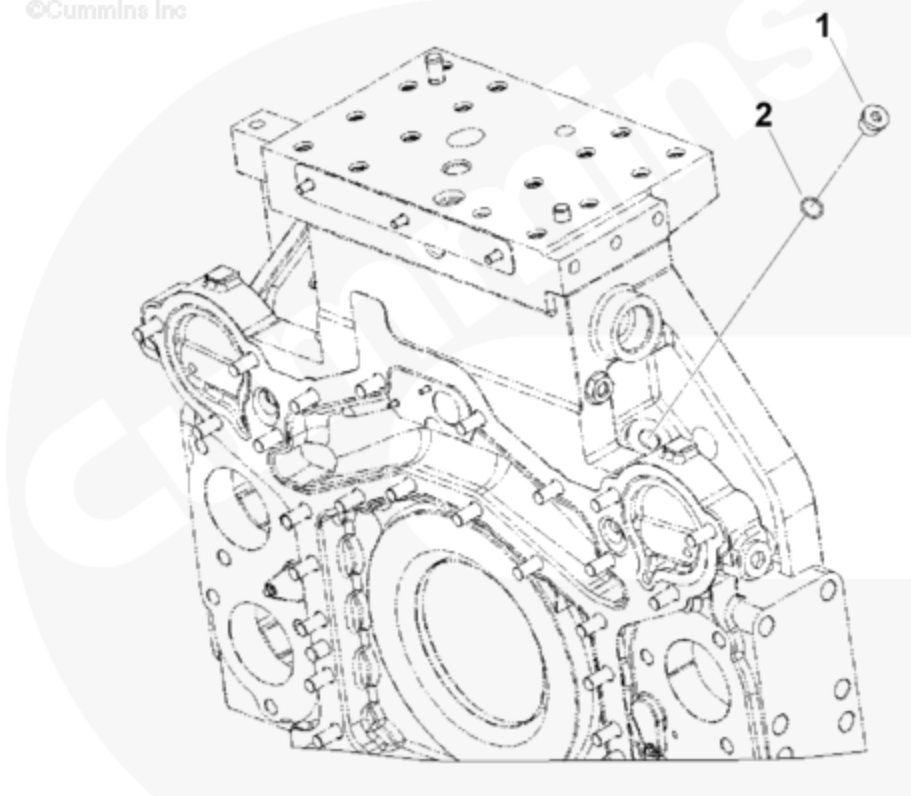
					Wrench
					Clearance hole provision: No
<input type="checkbox"/>	1	3010410	Access Hole Cover	2	
<input type="checkbox"/>	2	3033629	Roll Pin	2	
<input type="checkbox"/>	3	3089327	Pin Dowel	1	
<input type="checkbox"/>	4	3089328	Hexagon Flange Head Cap Screw	30	
<input type="checkbox"/>	5	3089330	Pressure Regulator Plunger	2	
<input type="checkbox"/>	6	4066223	Oil Seal	1	QSK45 & QSK60 use 4100625
<input type="checkbox"/>	7	4001506	Flywheel Housing	1	
<input type="checkbox"/>	8	3331976	Compression Spring	2	
<input type="checkbox"/>	9	4006223	Flywheel Housing Gasket	1	
<input type="checkbox"/>	10	4001206	Transmission Adapter	1	
<input type="checkbox"/>		3678838	Threaded Plug	2	M33 x 2.00
	11	3678845	Threaded Plug	1	
<input type="checkbox"/>	12	3678846	O-Ring Seal	1	
<input type="checkbox"/>	13	3900626	Hexagon Flange Head Cap Screw	6	M6 x 1.00 x 12
<input type="checkbox"/>	14	3901865	Hexagon Flange Head Cap Screw	2	M6 X 1.00 X 20.
<input type="checkbox"/>	15	3902116	Hexagon Flange Head Cap Screw	16	M12 X 1.75 X 50.
<input type="checkbox"/>	16	4080164	Diamond Dowel	1	
<input type="checkbox"/>		3089238	Threaded Plug	3	M22 x 1.50 x 20.1
	17	3089239	Threaded Plug	1	M22 x 1.50 x 20.1
<input type="checkbox"/>	18	3089240	O-Ring Seal	1	M22
<input type="checkbox"/>		3678921	Threaded Plug	4	M14 X 1.5 X 16
	19	3678922	Threaded Plug	1	M14 X 1.5 X 16
<input type="checkbox"/>	20	3678912	O-Ring Seal	1	M14



Parts Catalog - Option Detail

Electronic Parts Catalog - Option Detail				
Option	Group	Graphic	Film Card	Date
FH6702-07	16.01.1	fh603ga	P60	25-FEB-03
Engines	QSK60 CM2150 MCRS, QSK60 CM2250 K112, QSK60 CM2350 K116, QSK60 CM2350 K117, QSK60 CM2350 K121, QSK60 CM2350 K133, QSK60 CM500, QSK60 CM850 MCRS, QSK60 G, QSK60 G CM2358 K110			

©Cummins Inc



fh603ga

[SMALL](#) | [MEDIUM](#) | [LARGE](#)

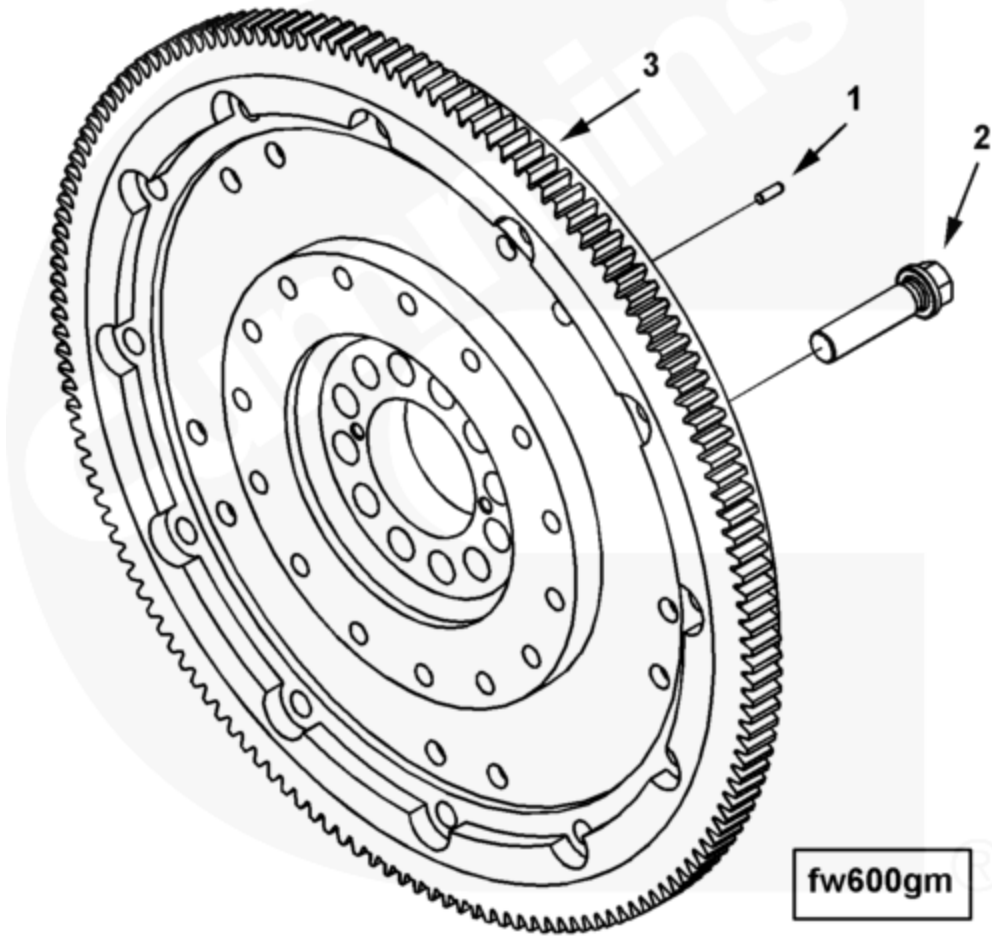
Cart	Ref No	Part Number	Part Description	Required	Remarks
<input type="button" value="View My Cart"/>					
		FH6702-07	Flywheel Housing Plumbing		Flywheel housing plumbing
					mag pickup included: No
					threaded plugs: Four.
<input type="checkbox"/>		3089238	Threaded Plug	1	M22 x 1.50 x 20.1
	1	3089239	Threaded Plug	1	M22 x 1.50 x 20.1
<input type="checkbox"/>	2	3089240	O-Ring Seal	1	M22



Parts Catalog - Option Detail

Electronic Parts Catalog - Option Detail				
Option	Group	Graphic	Film Card	Date
FW6040-05	16.02	fw600gm	P60	26-FEB-01
Engines	QSK60 CM2150 MCRS, QSK60 CM2250 K112, QSK60 CM2350 K116, QSK60 CM2350 K117, QSK60 CM2350 K121, QSK60 CM2350 K133, QSK60 CM500, QSK60 CM850 MCRS, QSK60 G, QSK60 G CM2358 K110			

©Cummins Inc



[SMALL](#) | [MEDIUM](#) | [LARGE](#)

Cart	Ref No	Part Number	Part Description	Required	Remarks
View My Cart					
		FW6040-05	Flexplate		Flexplate
					Customer Supplied: No
					Pilot bore outside diameter
					479.4mm.
					Intended Housing: SAE 0
					Starter Center Distance:

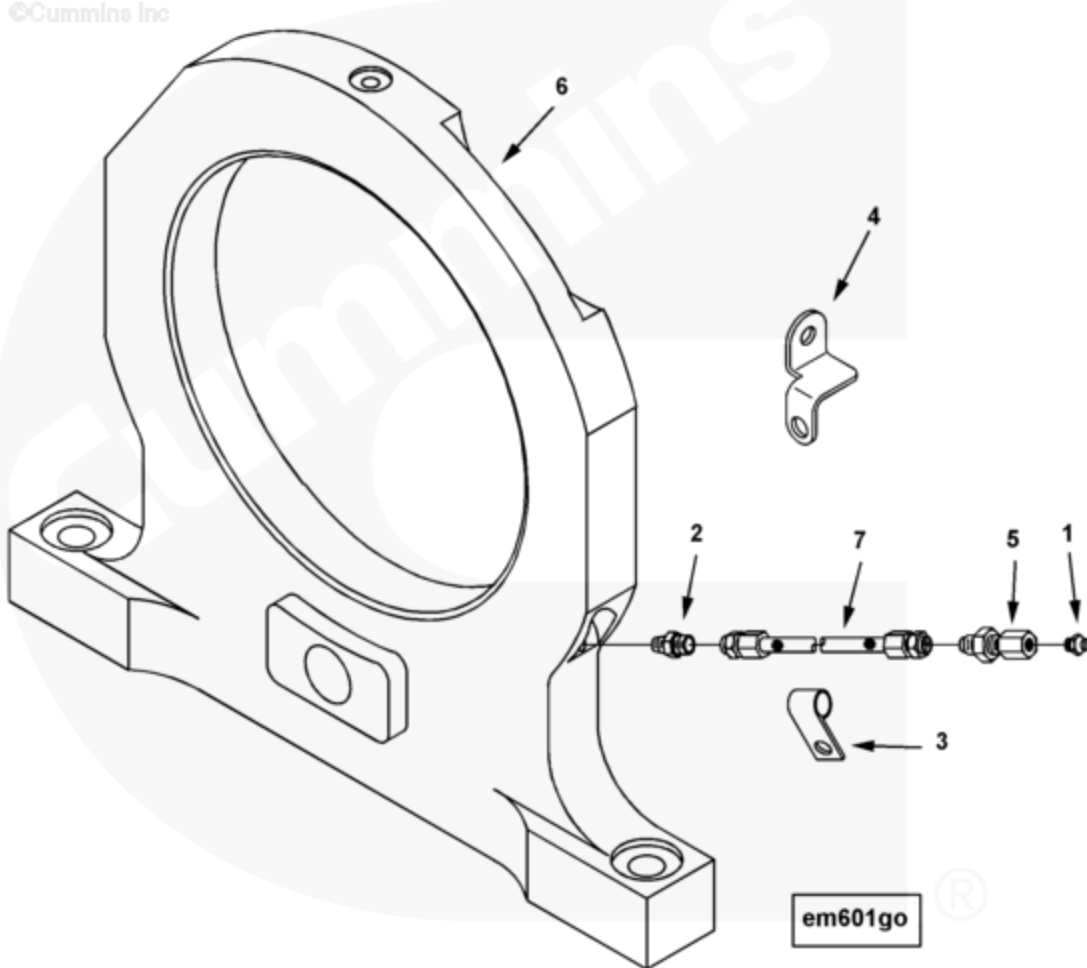
					341.305mm.
					Diametrical pitch
					of ring gear: 630.83mm.
					Ring gear tooth count:149
					Speed limitaion: 3500 RPM
<input type="checkbox"/>	1	131584	Roll Pin	1	
<input type="checkbox"/>	2	3089127	Fracture Resistant Screw	12	
<input type="checkbox"/>	3	3171332	Flexplate	1	

© 2019 Cummins Inc., Box 3005, Columbus, IN 47202-3005 U.S.A.
Terms of Use and Disclaimers | Recommended System Requirements
Need Assistance? Please click on the Contact Us button in the top right corner of any page.



Parts Catalog - Option Detail

Electronic Parts Catalog - Option Detail				
Option	Group	Graphic	Film Card	Date
EM6085-02	16.03	em601go	P60	13-NOV-01
Engines	QSK60 CM2150 MCRS, QSK60 CM2250 K112, QSK60 CM2350 K116, QSK60 CM2350 K117, QSK60 CM2350 K121, QSK60 CM2350 K133, QSK60 CM500, QSK60 CM850 MCRS, QSK60 G, QSK60 G CM2358 K110			



[SMALL](#) | [MEDIUM](#) | [LARGE](#)

Cart	Ref No	Part Number	Part Description	Required	Remarks
View My Cart					
		EM6085-02	Front Engine Support		Front Engine Support
<input type="checkbox"/>	1	S 2268	Grease Fitting	1	
<input type="checkbox"/>	2	68138	Male Connector	1	
<input type="checkbox"/>	3	68425	Clip	1	
	4	3634008	Connection Bracket	1	

<input type="checkbox"/>					
<input type="checkbox"/>	5	3634057	Plain Pipe Adapter	1	
<input type="checkbox"/>	6	4066304	Front Engine Support	1	
<input type="checkbox"/>	7	4080433	Flexible Hose	1	

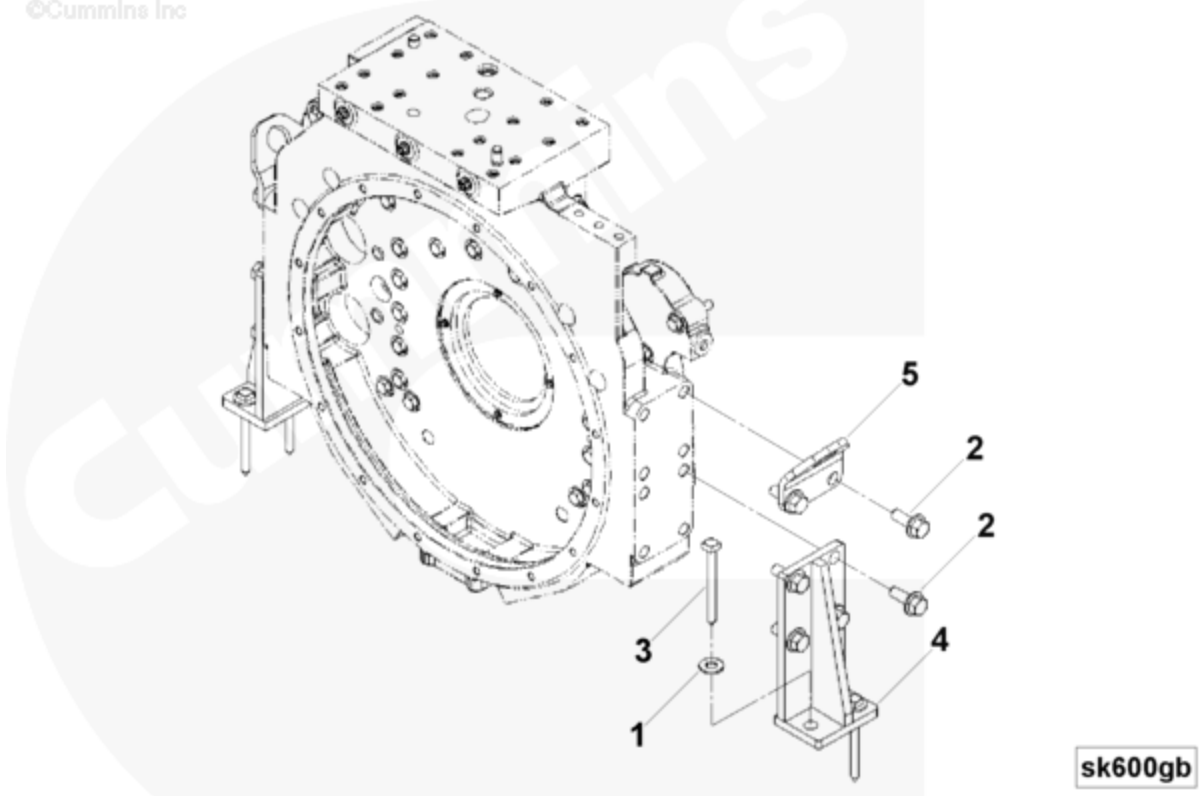
© 2019 Cummins Inc., Box 3005, Columbus, IN 47202-3005 U.S.A.
Terms of Use and Disclaimers | Recommended System Requirements
Need Assistance? Please click on the Contact Us button in the top right corner of any page.



Parts Catalog - Option Detail

Electronic Parts Catalog - Option Detail				
Option	Group	Graphic	Film Card	Date
SK6703-01	16.03	sk600gb	P60	15-JAN-02
Engines	QSK60 CM2150 MCRS, QSK60 CM2250 K112, QSK60 CM2350 K116, QSK60 CM2350 K117, QSK60 CM2350 K121, QSK60 CM2350 K133, QSK60 CM500, QSK60 CM850 MCRS, QSK60 G, QSK60 G CM2358 K110			

©Cummins Inc



SMALL | MEDIUM | LARGE

Cart	Ref No	Part Number	Part Description	Required	Remarks
View My Cart					
		SK6703-01	Shipping Bracket		Shipping Bracket
					Rear Shipping Brackets
					Locations: Flywheel Housing
					Rear Bracket Mount Type: Pad
					Rear Bracket Mounting Holes
					Description: 4 Off 89
					(3.5 in) X 114 (4.5 in) Thru
<input type="checkbox"/>	1	S 610 A	Plain Washer	4	5/8 Inch.
<input type="checkbox"/>	2	3089365	Hexagon Flange Head Cap Screw	12	

	3	3175266	Lag Screw	4	
<input type="checkbox"/>	4	4080265	Shipping Bracket	2	
<input type="checkbox"/>	5	4080327	Shipping Bracket	2	

© 2019 Cummins Inc., Box 3005, Columbus, IN 47202-3005 U.S.A.
Terms of Use and Disclaimers | Recommended System Requirements
Need Assistance? Please click on the Contact Us button in the top right corner of any page.



Parts Catalog - Option Detail

Electronic Parts Catalog - Option Detail				
Option	Group	Graphic	Film Card	Date
4089148	17.02	null	P60	31-DEC-83
Engines	QSK60 CM2150 MCRS, QSK60 CM2250 K112, QSK60 CM2350 K116, QSK60 CM2350 K117, QSK60 CM2350 K121, QSK60 CM2350 K133, QSK60 CM500, QSK60 CM850 MCRS, QSK60 G, QSK60 G CM2358 K110			

Cart	Ref No	Part Number	Part Description	Required	Remarks
<input type="button" value="View My Cart"/>					
<input type="checkbox"/>		4089148	Set, Lower Engine Gasket	1	



Parts Catalog - Option Detail

Electronic Parts Catalog - Option Detail				
Option	Group	Graphic	Film Card	Date
4025140	17.02	null	P60	31-DEC-83
Engines	QSK60 CM2150 MCRS, QSK60 CM2250 K112, QSK60 CM2350 K116, QSK60 CM2350 K117, QSK60 CM2350 K121, QSK60 CM2350 K133, QSK60 CM500, QSK60 CM850 MCRS, QSK60 G, QSK60 G CM2358 K110			

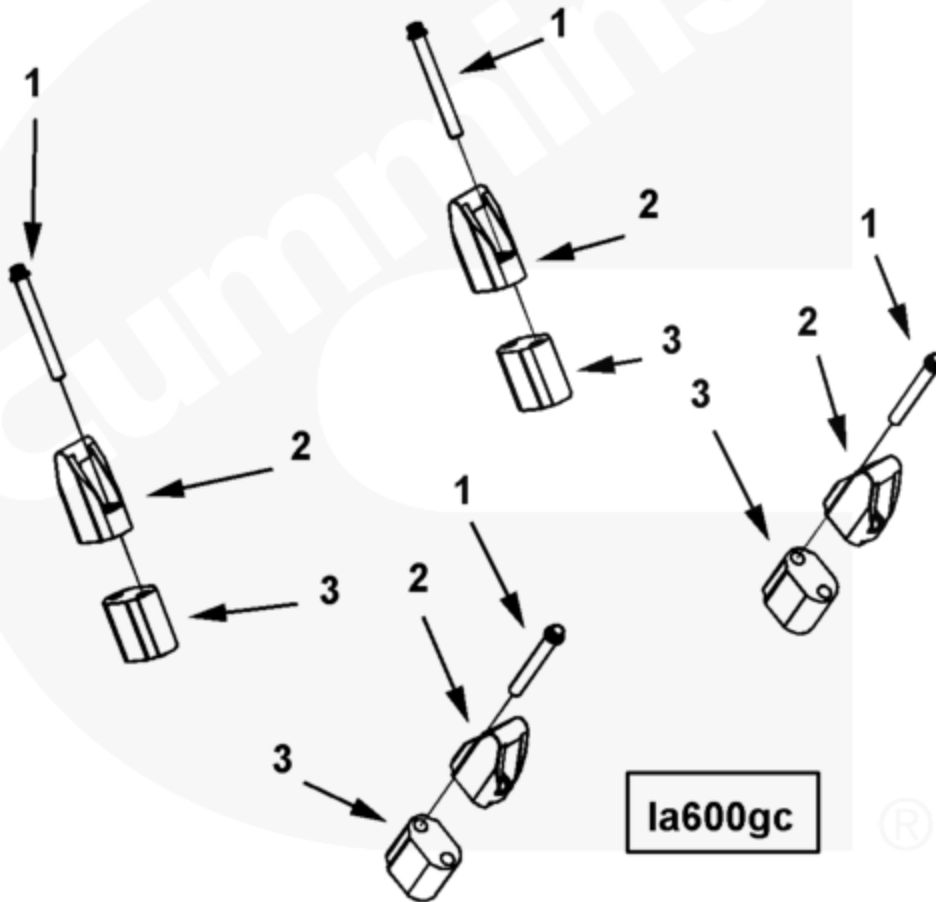
Cart	Ref No	Part Number	Part Description	Required	Remarks
<input type="button" value="View My Cart"/>					
<input type="checkbox"/>		4025140	Set, Upper Engine Gasket	1	



Parts Catalog - Option Detail

Electronic Parts Catalog - Option Detail				
Option	Group	Graphic	Film Card	Date
LA6706-02	17.06	la600gc	P60	24-JAN-00
Engines	QSK60 CM2150 MCRS, QSK60 CM2250 K112, QSK60 CM2350 K116, QSK60 CM2350 K117, QSK60 CM2350 K121, QSK60 CM2350 K133, QSK60 CM500, QSK60 CM850 MCRS, QSK60 G, QSK60 G CM2358 K110			

©Cummins Inc



SMALL | MEDIUM | LARGE

Cart	Ref No	Part Number	Part Description	Required	Remarks
View My Cart					
		LA6706-02	Lifting Arrangement		Lifting arrangement:
					Right bank locations:
					Between cylinder
					2 and 3 between cylinder 7
					and 8.
					Left bank locations:

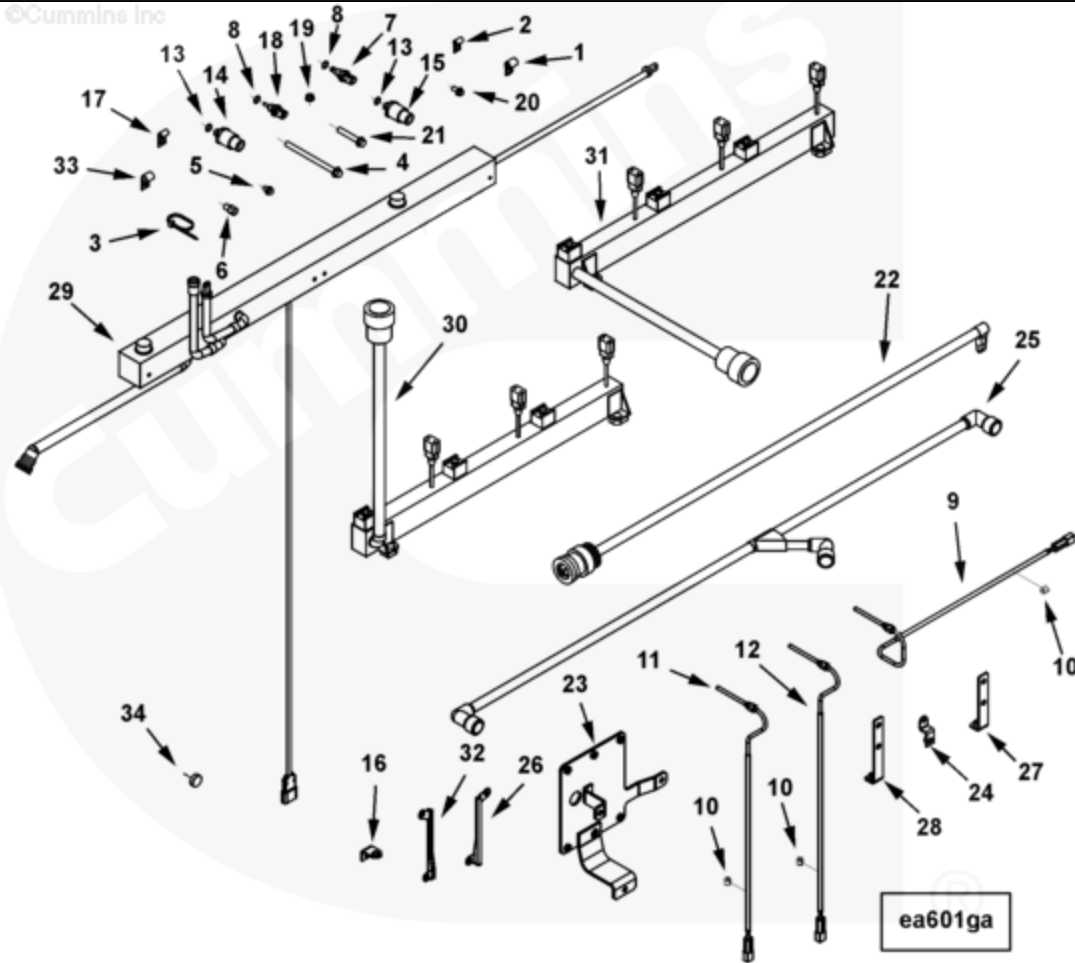
					Between cylinder 1 and 2
					between cylinder 6 and 7 .
<input type="checkbox"/>	1	3089194	Twelve Point Cap Screw	8	
<input type="checkbox"/>	2	3411232	Engine Lifting Bracket	4	
<input type="checkbox"/>	3	4016700	Mounting Spacer	4	

© 2019 Cummins Inc., Box 3005, Columbus, IN 47202-3005 U.S.A.
Terms of Use and Disclaimers | Recommended System Requirements
Need Assistance? Please click on the Contact Us button in the top right corner of any page.



Parts Catalog - Option Detail

Electronic Parts Catalog - Option Detail				
Option	Group	Graphic	Film Card	Date
EA6730-01	21.01.1	ea601ga	P60	18-AUG-03
Engines	QSK60 CM2150 MCRS, QSK60 CM2250 K112, QSK60 CM2350 K116, QSK60 CM2350 K117, QSK60 CM2350 K121, QSK60 CM2350 K133, QSK60 CM500, QSK60 CM850 MCRS, QSK60 G, QSK60 G CM2358 K110			



[SMALL](#) | [MEDIUM](#) | [LARGE](#)

Cart	Ref No	Part Number	Part Description	Required	Remarks
View My Cart					
		EA6730-01	Electrical Accessories		Electrical accessories
					sense: Yes eliminator: No
					Engine Model: Qsk60
					Contains some monting
					hardware for fitting the

					aftercoolers and cam follower
					covers when cense is fitted
					to the engine.
<input type="checkbox"/>	1	108722	Clip	4	
<input type="checkbox"/>	2	180371	Clip	20	
<input type="checkbox"/>	3	3062329	Wire Tie Clamp	2	
<input type="checkbox"/>	4	3089316	Hexagon Flange Head Cap Screw	6	
<input type="checkbox"/>	5	3093956	Hexagon Flange Head Cap Screw	49	M8 X 1.25 X 12.
<input type="checkbox"/>	6	3331658	Female Connector	1	
<input type="checkbox"/>		3408345	Temperature Sensor	3	Coolant or Intake Manifold
	7	3408346	Temperature Sensor	1	
<input type="checkbox"/>	8	4010519	O-Ring Seal	1	
<input type="checkbox"/>		3408539	Temperature Sensor	1	Exhaust gas.
<input type="checkbox"/>	9	3408538	Temperature Sensor	1	Exhaust gas.
<input type="checkbox"/>	10	3408541	Grommet Seal	1	
<input type="checkbox"/>		3408543	Temperature Sensor	13	Exhaust gas.
	11	3408500	Temperature Sensor	1	
<input type="checkbox"/>	10	3408541	Grommet Seal	1	
<input type="checkbox"/>		3408544	Temperature Sensor	2	Exhaust gas.
<input type="checkbox"/>	10	3408541	Grommet Seal	1	
	12	3408542	Temperature Sensor	1	Exhaust gas.
<input type="checkbox"/>		3408556	Pressure Sensor	1	Coolant or Intake Manifold
<input type="checkbox"/>	13	3330202	O-Ring Seal	1	
	14	3408557	Pressure Sensor	1	
<input type="checkbox"/>		3408558	Pressure Sensor	2	Oil.
<input type="checkbox"/>	13	3330202	O-Ring Seal	1	
	15	3408559	Pressure Sensor	1	Oil.
<input type="checkbox"/>	16	3628553	Tube Brace	1	
<input type="checkbox"/>	17	3629452	Clip	1	
<input type="checkbox"/>		3865346	Temperature Sensor	1	Coolant Or Oil Or Fuel.
<input type="checkbox"/>	18	3096153	Temperature Sensor	1	Coolant or Oil
	8	4010519	O-Ring Seal	1	

<input type="checkbox"/>					
<input type="checkbox"/>	19	3900589	Hexagon Flange Nut	1	M8 X 1.25
<input type="checkbox"/>	20	3900629	Hexagon Flange Head Cap Screw	4	M8 X 1.25 X 16
<input type="checkbox"/>	21	3900635	Hexagon Flange Head Cap Screw	8	M10 X 1.50 X 60.
<input type="checkbox"/>	22	4007322	Wiring Harness	1	
<input type="checkbox"/>	23	4066553	Electronic Control Module Bracket	1	
<input type="checkbox"/>	24	4066560	Wiring Retainer Bracket	1	
<input type="checkbox"/>	25	4066653	Electronic Control Module Wiring Harness	1	Right Bank
<input type="checkbox"/>	26	4066663	Wiring Brace	1	
<input type="checkbox"/>	27	4066935	Wiring Brace	1	
<input type="checkbox"/>	28	4066937	Wiring Brace	2	
<input type="checkbox"/>	29	4067051	Electronic Control Module Wiring Harness	1	
<input type="checkbox"/>	30	4067052	Electronic Control Module Wiring Harness	2	
<input type="checkbox"/>	31	4067053	Electronic Control Module Wiring Harness	2	
<input type="checkbox"/>	32	4097481	Wiring Brace	13	
<input type="checkbox"/>	33	4100552	Clip	4	
<input type="checkbox"/>	34	4017050	Protective Cover	1	



Parts Catalog - Option Detail

Electronic Parts Catalog - Option Detail				
Option	Group	Graphic	Film Card	Date
SC6861	99.01	null	P60	12-MAY-19
Engines	QSK60 CM2150 MCRS, QSK60 CM2250 K112, QSK60 CM2350 K116, QSK60 CM2350 K117, QSK60 CM2350 K121, QSK60 CM2350 K133, QSK60 CM2350 K135, QSK60 CM2350 K136, QSK60 CM500, QSK60 CM850 MCRS, QSK60 G, QSK60 G CM2358 K110			

Cart	Ref No	Part Number	Part Description	Required	Remarks
View My Cart					
		SC6861	Calibration Software		Calibration software
					CPL: 2848
					Engine Control System: HPI
					rated power: 2500 BHP at
					1900 RPM
					Peak torque: 7257 LB FT at
					1500 RPM
					Governed Power: 2500 BHP At
					1900 RPM
					Governed Torque: 0 LB FT
					Certified By: None
					Application: Nonroad cal
					restr: None
					Power Rating: N/A
					Calibration Voltage: 24
					speed input: Flywheel
					comment: Cert level: None
					software phase: 5.9.7.23
					comment cont: Manufacturer
					of record:
					Komatsu do option: Do 6118



Parts Catalog - Option Detail

Electronic Parts Catalog - Option Detail				
Option	Group	Graphic	Film Card	Date
DO6118	99.01	null	P60	12-MAY-19
Engines	QSK60 CM2150 MCRS, QSK60 CM2250 K112, QSK60 CM2350 K116, QSK60 CM2350 K117, QSK60 CM2350 K121, QSK60 CM2350 K133, QSK60 CM2350 K135, QSK60 CM2350 K136, QSK60 CM500, QSK60 CM850 MCRS, QSK60 G, QSK60 G CM2358 K110			

Cart	Ref No	Part Number	Part Description	Required	Remarks
View My Cart					
		DO6118	Customer Interface Software		Customer interface software
					Engine Control System: HPI
					Transmission: Electric Drive
					Commun Support: J1587,J1939
					OEM Name:
					Komatsu
					OEM Model: 830 E oemcomment:
					Haultruck (statex3)
					Remote Throttle: N
					High Idle: 1930 RPM
					Low Idle: 0750 RPM ISC
					enable: On
					ISC Validation: Off switch
					speed input: No
					Torque Curve Selection: No
					ASG/axg/min/max: ASG
					governor droop: 05 % idle
					validation: No
					Multiple Unit
					Synchronization: No
					Output Driver Setup: No

					Calibration Voltage: 24
					Throttle Type:
					Frequency/universal comment:
					Powermatch: N/A guid: N/A
					comment cont: Software
					phase: 5.9.7.23 flywheel
					size: SAE 0 centinel:
					Capable.

© 2019 Cummins Inc., Box 3005, Columbus, IN 47202-3005 U.S.A.
Terms of Use and Disclaimers | Recommended System Requirements
Need Assistance? Please click on the Contact Us button in the top right corner of any page.



Parts Catalog - Option Detail

Electronic Parts Catalog - Option Detail				
Option	Group	Graphic	Film Card	Date
FR6329	99.01	null	P60	12-MAY-19
Engines	QSK60 CM2150 MCRS, QSK60 CM2250 K112, QSK60 CM2350 K116, QSK60 CM2350 K117, QSK60 CM2350 K121, QSK60 CM2350 K133, QSK60 CM2350 K135, QSK60 CM2350 K136, QSK60 CM500, QSK60 CM850 MCRS, QSK60 G, QSK60 G CM2358 K110			

Cart	Ref No	Part Number	Part Description	Required	Remarks
View My Cart					
		FR6329	Fuel Rating		Fuel rating
					rated power: 2500 BHP at
					1900 RPM
					Peak torque: 7257 FT LB at
					1500 RPM
					Governed Power: 2500 BHP At
					1900 RPM
					CPL: 2849,2848
					Certified By: None cal
					restr: None
					Power Rating: N/A
					Engine Control System: HPI
					Application: Nonroad cert
					level: None.