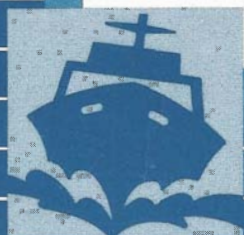
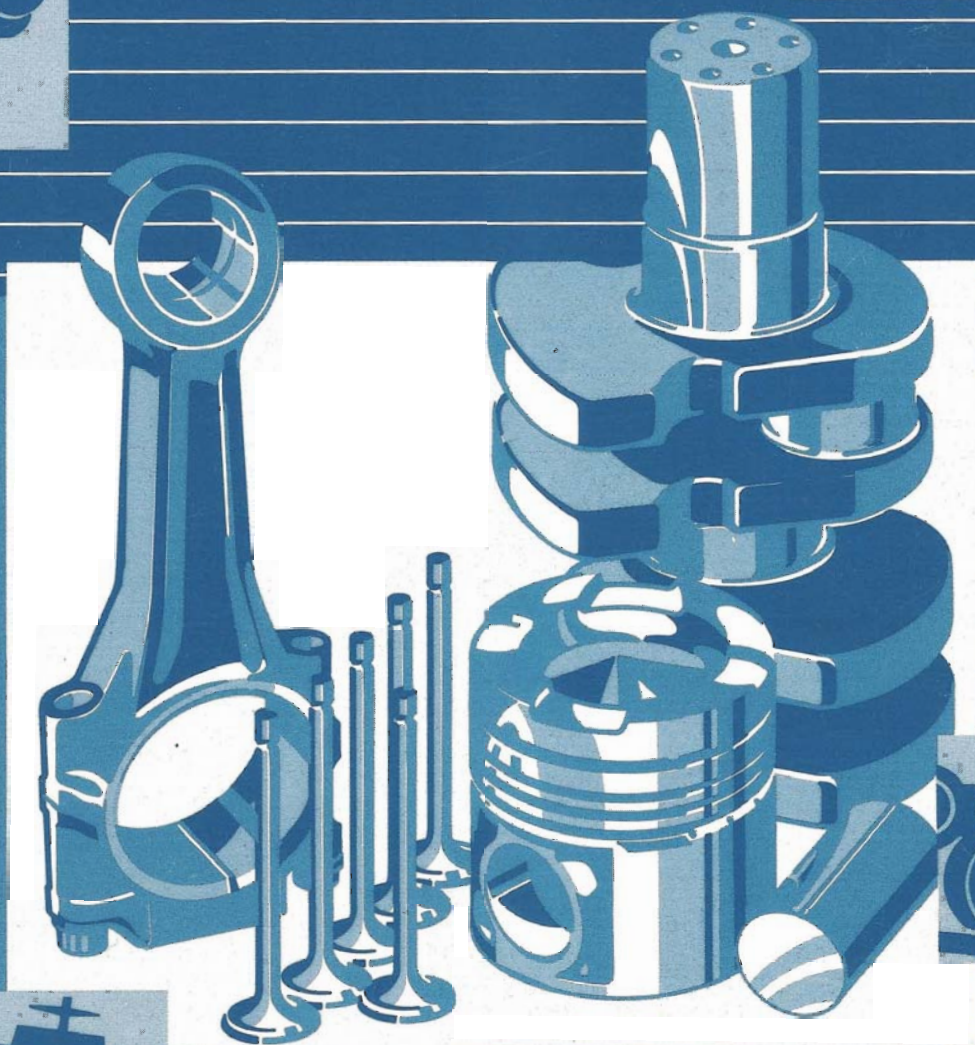




Parts Catalog

LTA10-G1/G2/G3

Generator Drive

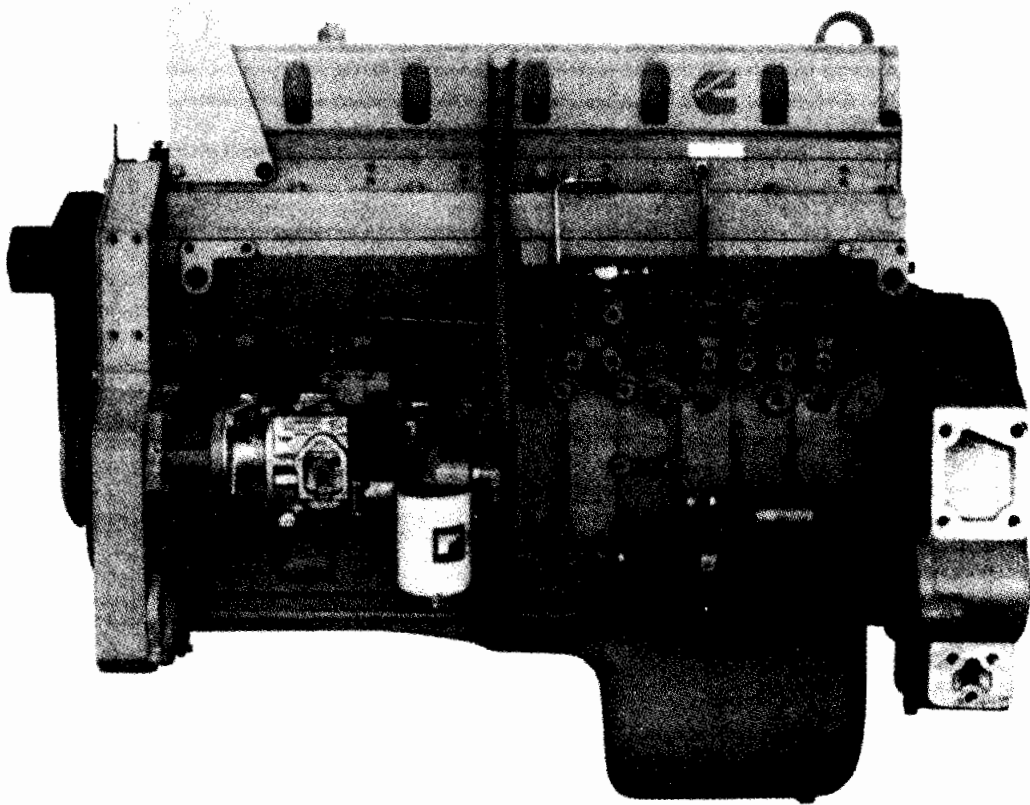




Parts Catalog

LTA10-G1/G2/G3

Generator Drive





Cummins Engine Co., Inc.

New Parts Warranty Heavy Duty

COVERAGE

PRODUCTS WARRANTED

These warranties apply to New Parts marketed by Cummins for its engines (except those for A, B, and C series engines). They apply anywhere in the world where service is available through a Cummins distributor or full service dealer.*

BASE WARRANTY

The Base Warranty covers any failures of parts on or after March 31, 1986, which result, under normal use and service, from defects in workmanship or material (Warrantable Failures). The coverage on cylinder kits designated by Cummins as "Premium Plus" extends two years, 200,000 miles (321,870 kilometers) or 7,200 hours of operation, whichever occurs first, from the date of first installation. The coverage on other parts extends one year, 100,000 miles (160,935 kilometers) or 3,600 hours of operation, whichever occurs first, from the date of first installation.

EXTENDED MAJOR COMPONENTS WARRANTY

The Extended Major Components Warranty covers Warrantable Failures on or after March 31, 1986, of engine cylinder blocks, crankshafts, flangeless NT camshafts** and connecting rods (Covered Parts). Bushing and bearing failures are not included. This coverage begins with the expiration of the Base Warranty and ends three years, 300,000 miles (482,805 kilometers) or 10,800 hours of operation, whichever occurs first, from the date of first installation.

Both the Base Warranty and Extended Major Components Warranty apply to all Owners in the chain of distribution, and coverage continues to all subsequent Owners until the end of the respective periods of coverage.

CUMMINS RESPONSIBILITIES

DURING THE BASE WARRANTY

Cummins will pay for all parts and labor needed to repair the damage to the engine resulting from the Warrantable Failure. All labor costs will be paid in accordance with Cummins published Standard Repair Operation guidelines.

Cummins will pay for the lubricating oil, antifreeze, filter elements, and other maintenance items that are not reusable due to the Warrantable Failure.

Cummins will pay reasonable labor costs for engine removal and reinstallation when necessary to make the warranty repair.

When the parts are installed in a non-automotive engine, Cummins will pay reasonable travel expenses for mechanics to and from the engine site, or the repair dock in the case of a marine engine, including meals, mileage and lodging when it is necessary for mechanics to make on-site warranty repairs.

DURING THE EXTENDED MAJOR COMPONENTS WARRANTY

Cummins will pay for the Covered Part and for any Covered Part damaged by a Warrantable Failure of another Covered Part.

OWNER RESPONSIBILITIES

DURING THE BASE WARRANTY

Before expiration of the warranty, Owner must give notice to a Cummins distributor or full service dealer* of a failure considered to be warrantable and have the repair performed by such facility.

If the part was installed in an automotive engine, the Owner must deliver the engine to the repair location. If installed in a marine engine, Owner is responsible for the cost of towing the boat to a repair dock and for any associated docking and harbor charges.

Owner is responsible for the cost of lubricating oil, antifreeze, filter elements and other maintenance items replaced during warranty repairs except where such items are not reusable due to a Warrantable Failure.

DURING THE EXTENDED MAJOR COMPONENTS WARRANTY

Before expiration of the warranty, Owner must give notice to a Cummins distributor or full service dealer* of a failure considered to be warrantable and deliver the defective and damaged Covered Parts to such facility.

Owner is responsible for the cost of all parts needed for the repair except for the defective Covered Part and for any Covered Part damaged by a Warrantable Failure of another Covered Part.

Owner is responsible for the cost of all labor needed to repair the engine, including the labor to remove and reinstall the engine. When Cummins elects to repair a part instead of replacing it, Owner is not responsible for the labor needed to repair the part.

Owner is responsible for the cost of lubricating oil, antifreeze, filter elements and other maintenance items replaced during the repair.

DURING BOTH WARRANTIES

At the time when the parts are installed, Owner is responsible for the preparation of a written record containing the following: (1) the date of installation of the parts; (2) the engine serial number; (3) the engine miles, hours or kilometers of operation; (4) the parts installed, and (5) the location of the parts in the engine. The purpose of this record is to protect Owner's interests and support any claim for a Warrantable Failure.

Owner is responsible for the operation and maintenance of the engine as specified in Cummins Operation and Maintenance Manuals.

Owner is responsible for communication expenses, meals, lodging and similar costs incurred by Owner as a result of a Warrantable Failure. Owner is responsible for non-engine repairs and for "down time" expenses, cargo damage and all business costs and losses resulting from a Warrantable Failure. CUMMINS IS NOT RESPONSIBLE FOR INCIDENTAL OR CONSEQUENTIAL DAMAGES.

LIMITATIONS

Cummins is not responsible for failures resulting from Owner or Operator abuse or neglect, such as: operation without adequate coolant, fuel or lubricants; overfueling; overspeeding; lack of maintenance of lubricating, cooling or air intake systems; improper storage, starting, warm-up, run-in or shutdown practices. Cummins is also not responsible for failures caused by incorrect fuel, or by water, dirt or other contaminants in the fuel.

Cummins does not warrant parts supplied by Cummins which bear the name of another company. These parts are warranted by their manufacturers and not by Cummins. This category of parts includes, but is not limited to: hydraulic pumps, alternators, starters, fans, air conditioning compressors, clutches, steering pumps, transmissions, torque converters, marine gears, air cleaners, filters and non-Cummins air compressors, power steering pumps, and engine compression brakes.

Parts provided may be new Cummins, Cummins approved rebuilt parts, or repaired parts. Cummins is not responsible for failures resulting from the use of parts not approved by Cummins.

Before a claim for excessive oil consumption will be considered, Owner must submit adequate documentation to show that consumption exceeds Cummins published standards.

This warranty does not apply to parts furnished by Cummins at no charge to the Owner.

INVEST IN THE BEST

Product Identification Information

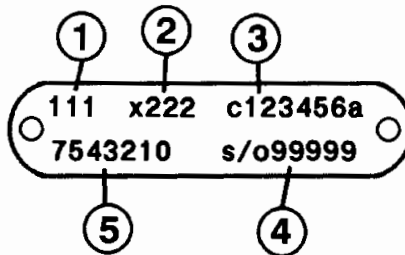
Data plates should be referred for parts identification.

1. ENGINE DATA PLATE

3 — Engine No.	1			
Model	S.O. No.			
2 — Advertised	Engine	C.I.D.	Family	C.P.L.
Conf. No.	Cert			
Date of mfg.	Indent.	4		
Warranty start date				
Manufactured by Cummins Engine Co.				

1. Shop order number
2. Model designation
3. Engine serial number
4. Control parts list

2. FUEL PUMP DATA PLATE



1. Control parts list number
2. Calibration code
3. Serial number
4. Top level number
5. Fuel pump assembly number

This catalog was compiled by Carolyn Cox in Parts Communications.

Customer Service Information

This standard Parts Catalog contains parts information for the following Cummins Engine Model(s):

LTA10-G1	D343123GX02	CPL 1429
LTA10-G2	D343123GX02	CPL 1443
LTA10-G3	D343123GX02	CPL 1444

Certain basic engine components have been matched to give optimum performance to your engine. The part numbers listed in this catalog for these components are for a standard engine configuration. When ordering any of the Control Parts List (CPL) components listed below, please order by part description and engine serial number. Reference to the CPL number stamped on the engine data (name) plate will also help identify the proper service parts for your engine.

Control Parts List (CPL) Components

Camshaft Cylinder Head Injector	Page 68 Page 71 Page 73	Piston, Engine Turbocharger Exhaust Manifold	Page 67 Page 75, 77, 79 Page 86
--	-------------------------------	---	---------------------------------------

USER INFORMATION

- . Parts numbers appearing in () are for identification purposes only and should not be used when ordering service replacement parts.
- . The reference numbers appearing on the art pages is for publication use only.
- . Assembly content is shown by part number indentation.
- . Options are engineered production part groupings, specifically used for compiling engine orders.
- . Option numbers are for reference only and are not sold for service.
- . Use assembly and not option content to determine service parts replacement.

ALWAYS SPECIFY ENGINE MODEL AND SERIAL NUMBER WHEN ORDERING PARTS FROM THIS CATALOG

Engine Model _____ Engine Serial No. _____

MFG Make _____ Model _____ Chassis No. _____

Fuel Pump Assembly No. _____ Injector No. _____

Belt, Fan _____ Belt, Water Pump _____ Belt, Gen. _____

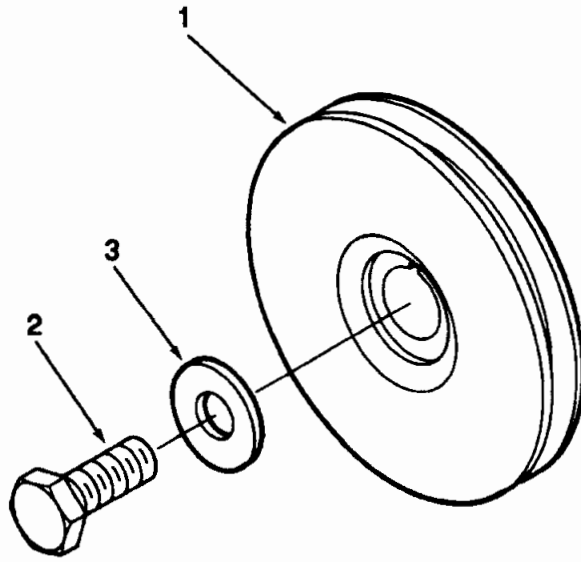
Element, Fuel Filter _____ Full Flow Lub. Filter _____

Air Cleaner _____ By-Pass Lub. Filter _____

Special Equipment

Table of Contents

	Page No.		Page No.
Accessory Drive Cover Plate	23	Oil Pan	63
Accessory Drive Pulley	2, 80	Oil Pan Plumbing	64
Aftercooler	85	Repair Kits	103, 104
Alternator	26	Rocker Lever & Housing	5
Alternator Mounting	27	Starting Motor	84
Breather Plumbing	20	Starting Motor Mounting	82
Cam Follower	7	Thermostat	25
Camshaft	68	Thermostat Housing	89
Camshaft Keys	69	Turbocharger	75, 77, 79
Connecting Rod	65	Turbocharger Plumbing	91
Corrosion Resistor	95	Valve Cover	92
Crankshaft	13	Vibration Damper	21
Cummins EFC Governor	37	Water Header Cover	97
Cylinder Block	11	Water Pump	99
Cylinder Head	71	Option Number Index	A-1
Cylinder Liner Kit	12	Part Number Index	B-1
Dataplate	3		
Dipstick and Oil Filler	61		
EFC Governor Actuator	46		
Engine Fan	34		
Engine Piston Kit	67		
Exhaust Manifold	86		
Exhaust Outlet Connection	100		
Fan Drive	31		
Fan Pilot Spacer	83		
Flywheel And Ring Gear	52		
Flywheel Housing	33		
Front Engine Support	28		
Front Gear Cover	9		
Fuel Filter	32		
Fuel Pump	38		
Fuel Pump Damper	45		
Fuel Pump Drive	24		
Fuel Pump Front Cover	43		
Fuel Pump Gear	44		
Fuel Pump Housing	41		
Fuel Tubing	49		
Fuel Valve	51		
Gasket Sets	101, 102		
Gear Housing	19		
Idler Gears	17		
Injectors	73		
Lifting Bracket	53		
Lubricating Oil Cooler	55		
Lubricating Oil Filter	56		
Lubricating Oil Pump	59		
Magnetic Pickup	29		
Magnetic Switch	81		
Main Bearings	15		

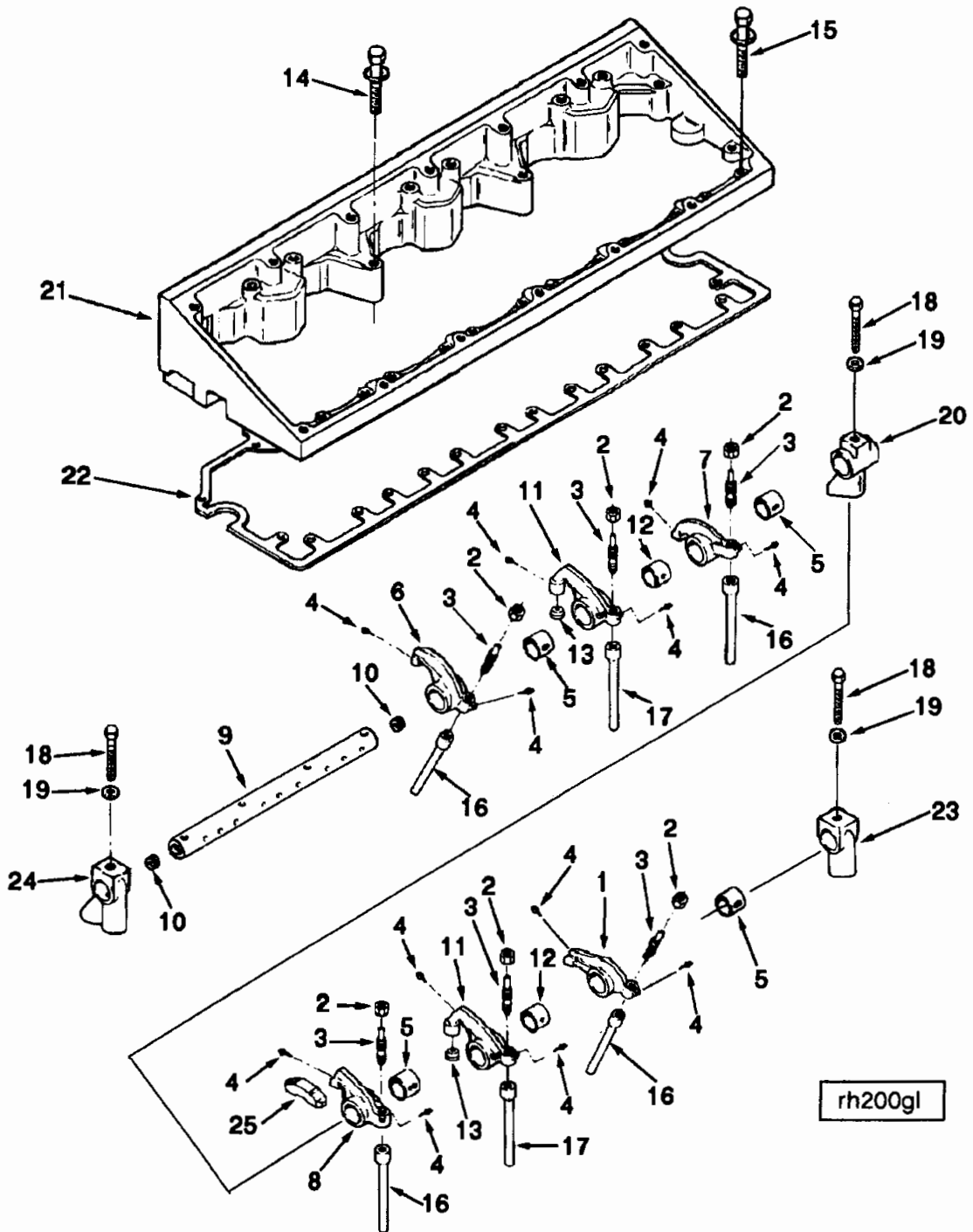


ad200gj

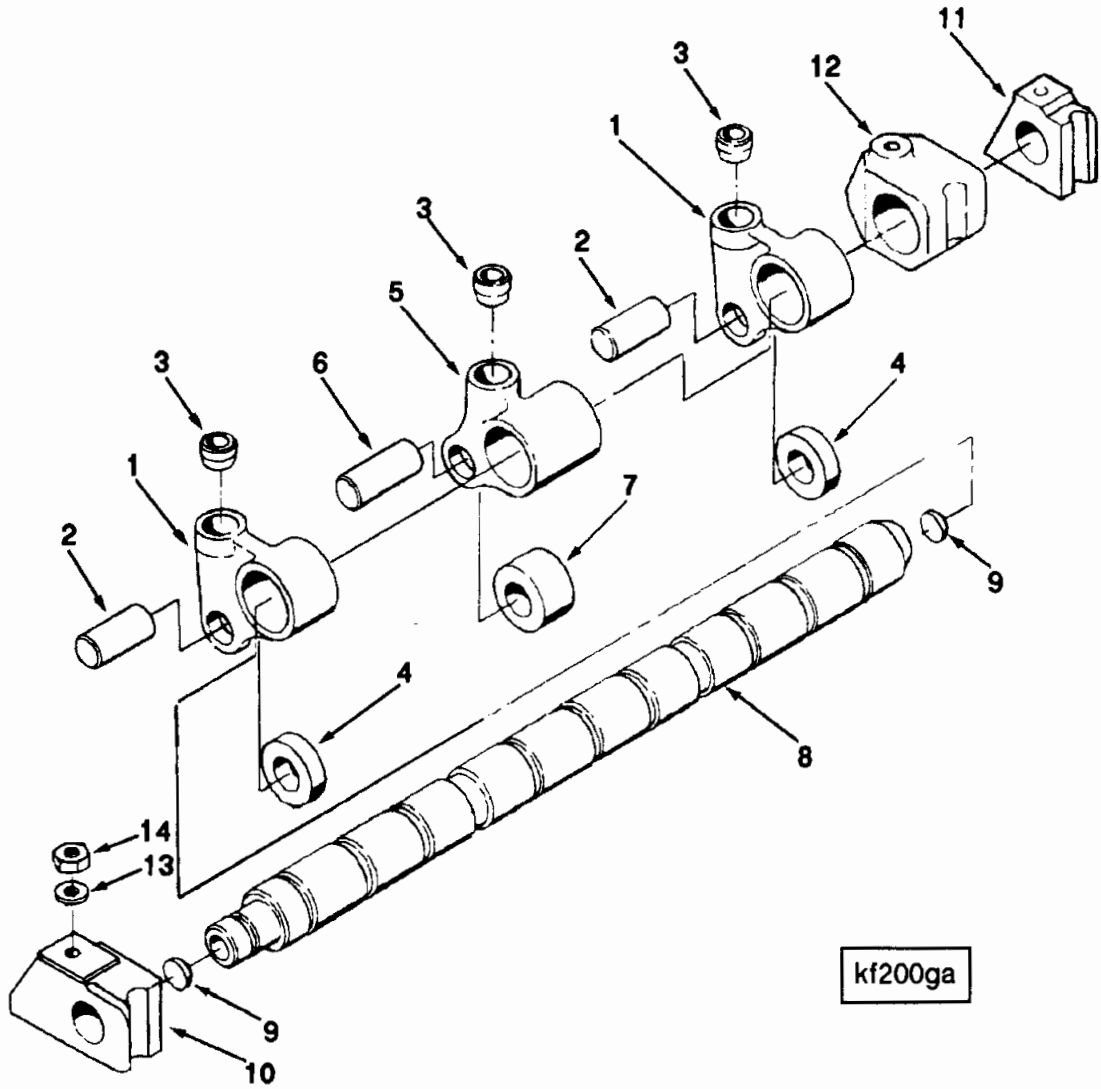
Ref No.	Part Number	Part Name	Req	Remarks
ACCESSORY DRIVE PULLEY				
OPTION AD2023				
				Accessory drive pulley located on front of left side of engine facing flywheel (fuel pump side) to turn freon compressor. Single groove 1/2 inch v belt pulley is 7.48 inch (190 mm) diameter and turns at engine speed in same direction as crankshaft. Use on fuel pump side only.
1	3046203	Pulley, Accessory Drive	1	
2	3818229	Screw, Hexagon Head Cap	1	M20 x 2.50 x 50
3	3818463	Washer, Plain	1	

Dataplate

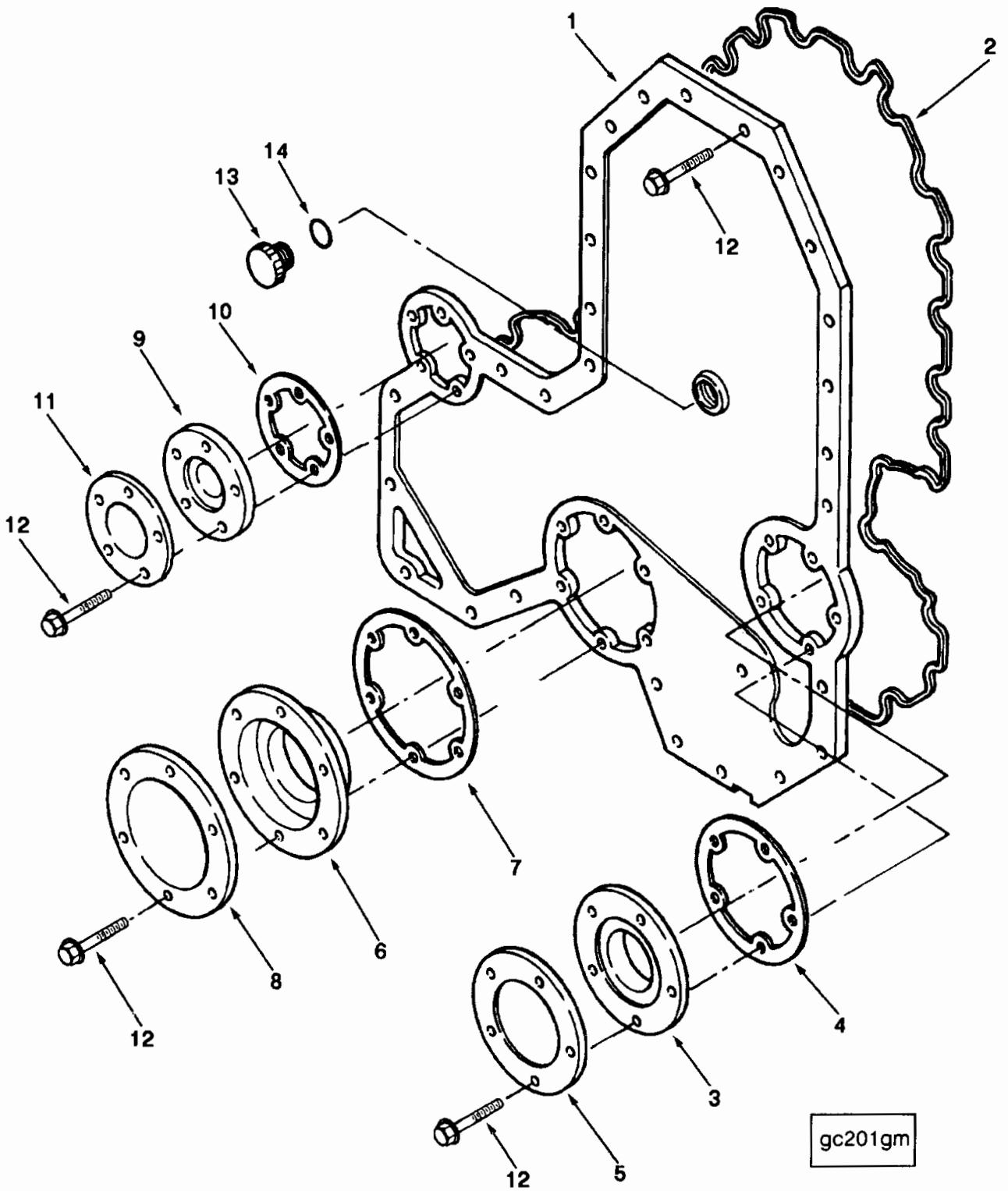
Ref No.	Part Number	Part Name	Req	Remarks
		DATAPLATE		
		OPTION AP2702		
	3029432	Dataplate	1	Dataplate for LTA-10G G-drive engine operating at 1800 or 1500 RPM.
		OPTION AP2703		
	3055644	Dataplate	1	Dataplate for LTA-10G G-drive engine operating at 1200 RPM



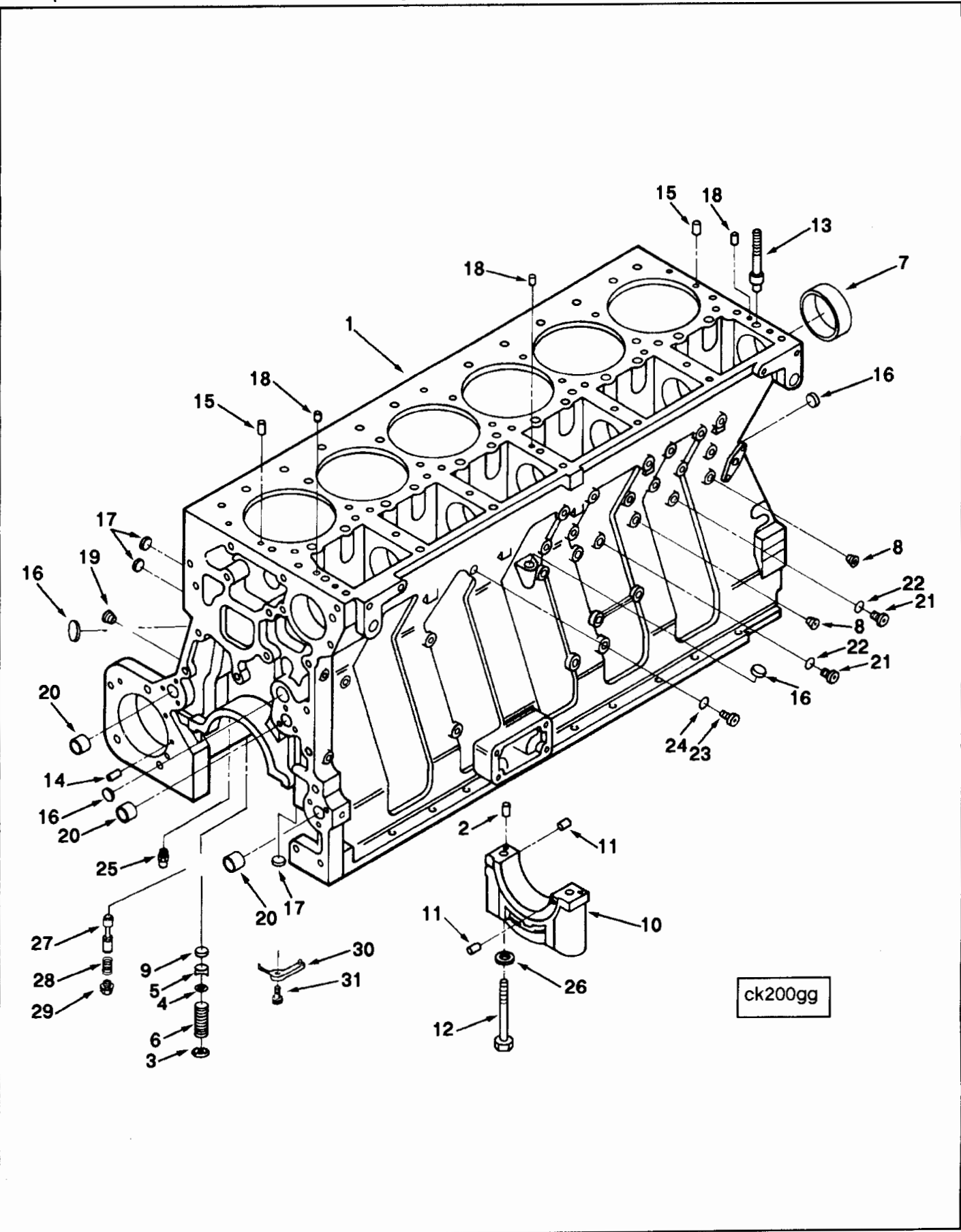
Ref No.	Part Number	Part Name	Req	Remarks
		ROCKER LEVER & HOUSING		
		OPTION BP2716		
				Standard rocker lever arrangement.
1	3884189 (3884187)	Lever, Rkr Exh Transfer	3	Exhaust, Cylinders 2,4,6.
2	S-212	Lever, Rocker	1	
3	168306	Nut, Regular Hexagon	1	
4	208084	Screw, Slotted Set	1	1/2 - 20 x 2 3/64 inch.
5	3019733	Rivet	2	
6	3884192 (3884190)	Bushing	1	
7	3884186 (3884184)	Lever, Rkr Exh Transfer	3	Exhaust, Cylinders 1,3,5.
8	S-212	Lever, Rocker	1	
9	168306	Nut, Regular Hexagon	1	
10	208084	Screw, Slotted Set	1	1/2 - 20 x 2 3/64 inch.
11	3019733	Rivet	2	
12	3884186 (3884184)	Bushing	1	
13	3884183 (3884181)	Lever, Rkr Int Transfer	3	Intake, Cylinders 1,3,5.
14	S-212	Lever, Rocker	1	
15	168306	Nut, Regular Hexagon	1	1/2 - 20 x 2 3/64 inch.
16	208084	Screw, Slotted Set	1	
17	3019733	Rivet	2	
18	3884183 (3884181)	Bushing	1	
19	3803166 (3820750)	Lever, Rkr Int Transfer	3	Intake, Cylinders 2,4,6.
20	3019630	Lever, Rocker	1	
21	3883171 (3883089)	Nut, Regular Hexagon	1	1/2 - 20 x 2 3/64 inch.
22	S-212	Screw, Slotted Set	1	
23	168306	Rivet	2	
24	208084	Bushing	1	
25	3067871	Shaft, Rocker Lever	2	
	3033292	Shaft, Rocker Lever	1	
	3892105	Plug, Drive	2	
	3821846	Lever, Injector	6	Injector, Cyl. 1,2,3,4,5,6.
	3820151	Lever, Rocker	1	
	3820152	Nut, Regular Hexagon	1	
	3020092	Screw, Slotted Set	1	1/2 - 20 x 2 3/64 inch.
	3035177	Rivet	2	
	3892789	Bushing	1	
	3062607	Socket, Tappet	1	
	3892667	Screw, Captive Washer Cap	10	M10 x 1.50 x 100
	3892787	Screw, Captive Washer Cap	14	M10 x 1.50 x 35
	3892788	Rod, Push	12	
	3070175	Rod, Push	6	
		Screw, Hexagon Head Cap	8	M14 x 2.00 x 135
		Washer, Plain	8	
		Support, Rocker Lever	4	
		Housing, Rocker Lever	1	
		Gasket, Rkr Lever Housing	1	
		Support, Rocker Lever	2	
		Support, Rocker Lever	2	
		Crosshead, Valve	12	



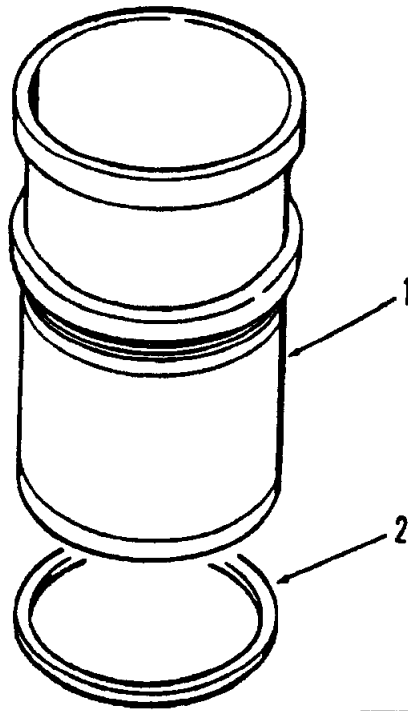
Ref No.	Part Number	Part Name	Req	Remarks
		CAM FOLLOWER		
		OPTION BP2717		
				Standard cam follower arrangement.
	3821162	Lever, Cam Follower	12	Valve
1	(3821160)	Lever, Cam Follower	1	
2	3028105	Pin, Cam Follower Roller	1	
3	3033292	Socket, Tappet	1	
4	3038178	Roller, Cam Follower	1	
	3821163	Lever, Cam Follower	6	Injector
5	(3821161)	Lever, Cam Follower	1	
6	3028106	Pin, Cam Follower Roller	1	
3	3033292	Socket, Tappet	1	
7	3038179	Roller, Cam Follower	1	
	3801145	Shaft, Cam Follower	2	
8	(3028205)	Shaft, Cam Follower	1	
9	3019630	Plug, Drive	2	
10	3031918	Support, Cam Fol Shaft	1	
11	3031919	Support, Cam Fol Shaft	1	
12	3031920	Support, Cam Fol Shaft	5	
13	3009330	Washer, Plain	7	
14	3044360	Nut, Regular Hexagon	7	M10 x 1.50



Ref No.	Part Number	Part Name	Req	Remarks
		FRONT GEAR COVER OPTION BP2859		Engine front gear cover required with belt driven fan arrangement. With or without right hand mounted alternator bracket.
1	3819496	Cover, Gear	1	
2	3882684	Seal, Rectangular Ring	1	
	3803488	Kit, Oil Seal	1	
3	(3892794)	Seal, Oil	1	
4	(3892083)	Gasket, Carrier	1	
5	(3892085)	Ring, Clamping	1	
	3803489	Kit, Oil Seal	1	
6	(3892795)	Seal, Oil	1	
7	(3892081)	Gasket, Carrier	1	
8	(3892086)	Ring, Clamping	1	
	3803487	Kit, Oil Seal	1	
9	(3892796)	Seal, Oil	1	
10	(3892082)	Gasket, Carrier	1	
11	(3892084)	Ring, Clamping	1	
12	3883217	Screw, Captive Washer Cap	38	M8 x 1.25 x 20
13	3820264	Plug, Gear Cover	1	
14	3042401	Seal, Grommet	1	

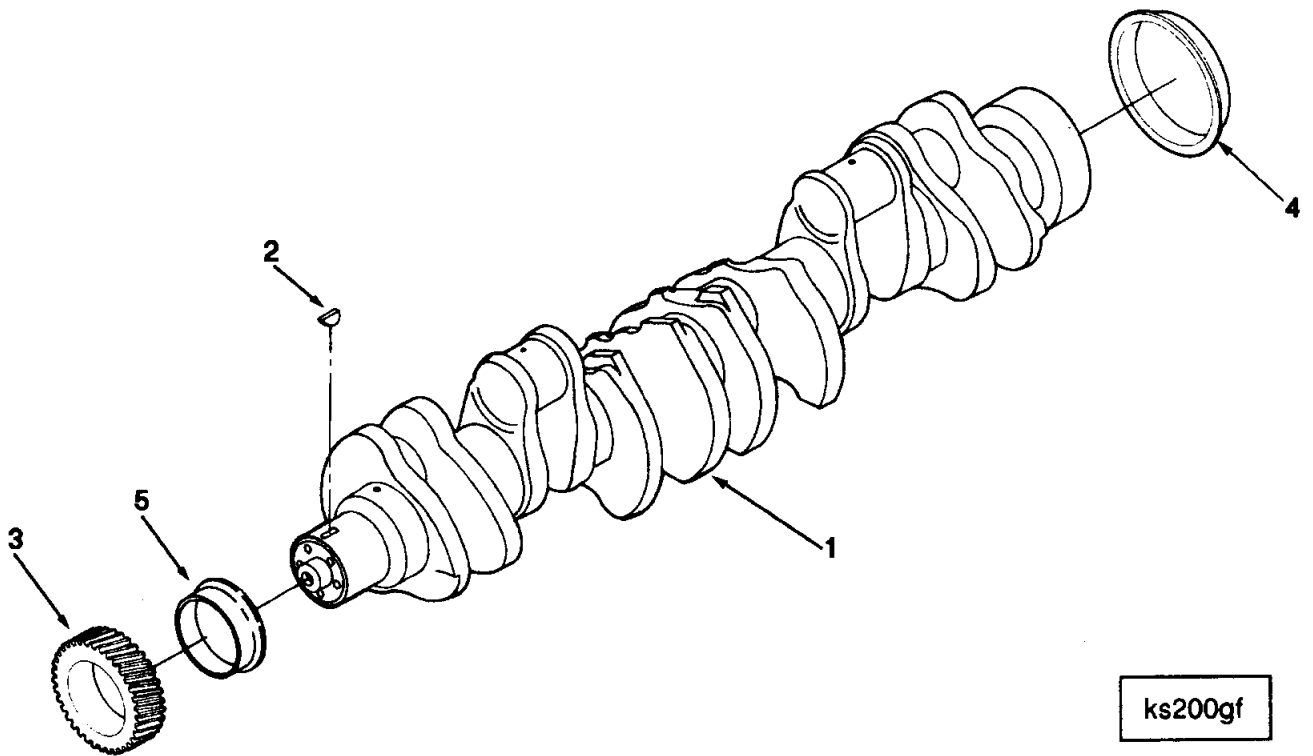


Ref No.	Part Number	Part Name	Req	Remarks
		CYLINDER BLOCK OPTION BP2902		
1	3803324 (3883666)	Assembly, Cylinder Block Block, Cylinder	1 1	
2	148555	Dowel, Pin	2	No. 4 Only.
3	179063	Plug, Retainer	1	
4	3014754	Washer, Plain	1	
5	3014755	Disc, Valve	1	
6	3014756	Spring, Compression	1	
7	3820566	Bushing	7	
8	3008466	Plug, Pipe	2	1/4 NPT
9	3026758	Seat, Prs Regulator Valve	1	
	3801279	Cap, Main Bearing	1	No. 4 Only.
10	(3027490)	Cap, Main Bearing	1	No. 4 Only.
11	3028252	Pin, Roll	2	
10	3026961	Cap, Main Bearing	6	No. 1,2,3,5,6,7.
12	3027493	Screw, Hexagon Head Cap	14	M14 x 1.50 x 156
13	3031921	Stud	7	M10 x 1.00 x 50
14	70550	Dowel, Pin	1	5/16 x 1/2 inch
15	142207	Dowel, Pin	2	7/16 x 1 inch
16	3007635	Plug, Expansion	4	1 inch
17	3007632	Plug, Expansion	8	0.387 mm
18	3008446	Dowel, Pin	3	6.00 x 12.00 mm
19	3008468	Plug, Pipe	1	1/2 NPT
20	3026231	Dowel, Ring	3	19.23 mm
	3037536	Plug, Threaded	4	9/16 -18 inch
21	(3040813)	Plug, Threaded	1	
22	3037537	Seal, O Ring	1	
	3046202	Plug, Threaded	1	3/4 NPT
23	(3040810)	Plug, Threaded	1	
24	3046201	Seal, O Ring	1	
25	3069728	Sensor, Viscosity	1	
26	3019631	Washer, Plain	14	
27	3068979	Plunger, Prs Regulator	1	
28	3010146	Spring, Compression	1	
29	3821725	Plug, Retainer	1	
30	3071032	Nozzle, Piston Cooling	6	
31	3070393	Screw, Hex Flange Head Cap	6	M10 x 1.50 x 25

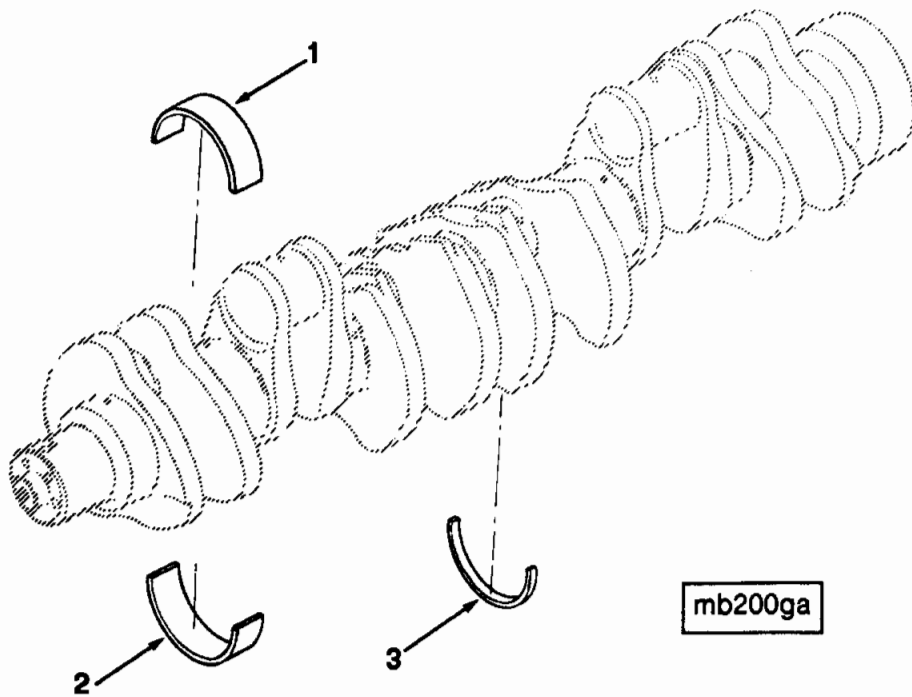


cy200gb

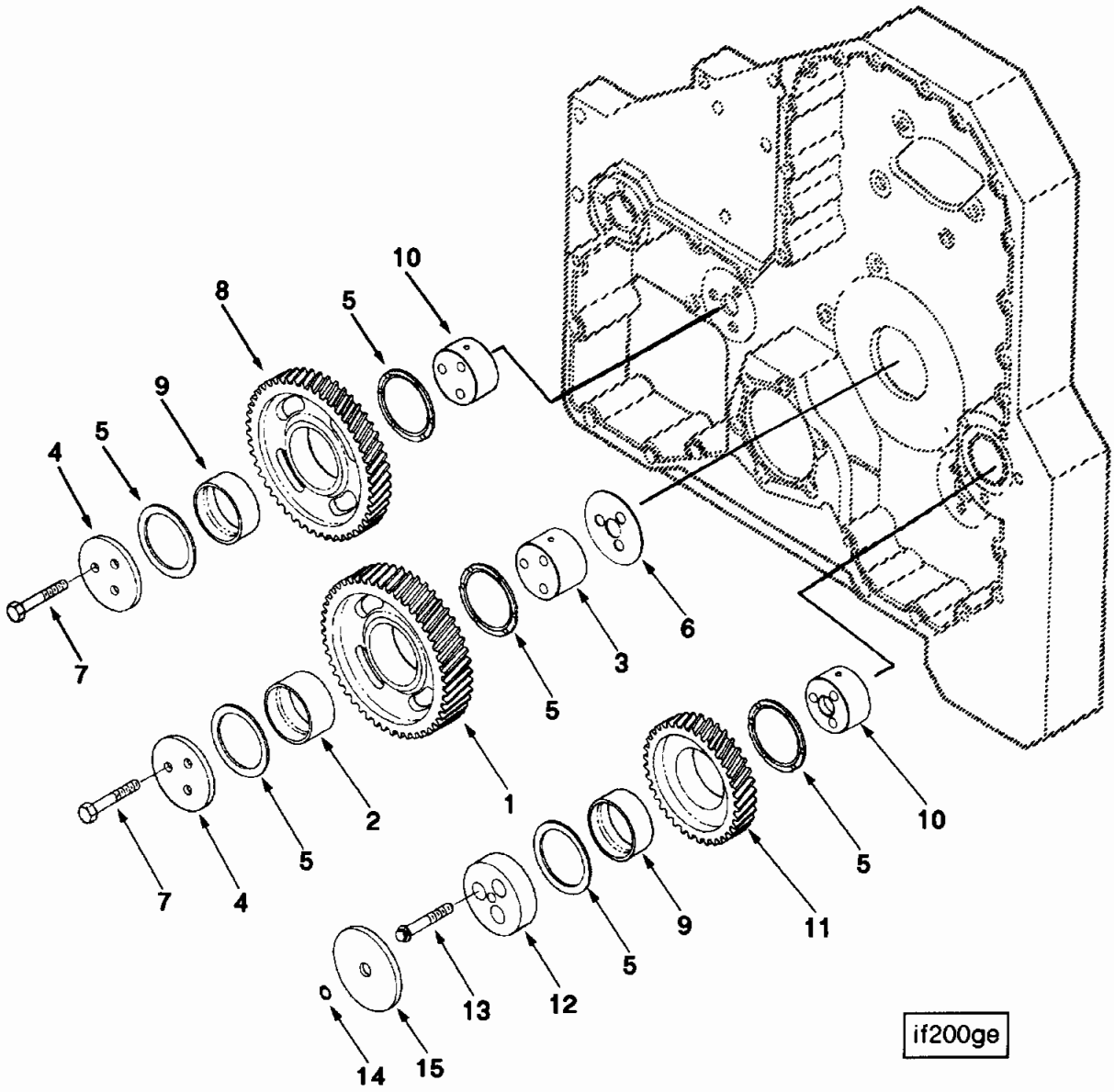
Ref No.	Part Number	Part Name	Req	Remarks
CYLINDER LINER KIT OPTION BP2902				
1	3803297 (3064627)	Kit, Cylinder Liner	6	
2	3047188	Liner, Cylinder Seal, Rectangular Ring	1 1	
LINER SHIM				
	3032623	Shim	A/R	0.005 inch
	3034663	Shim	A/R	0.008 inch



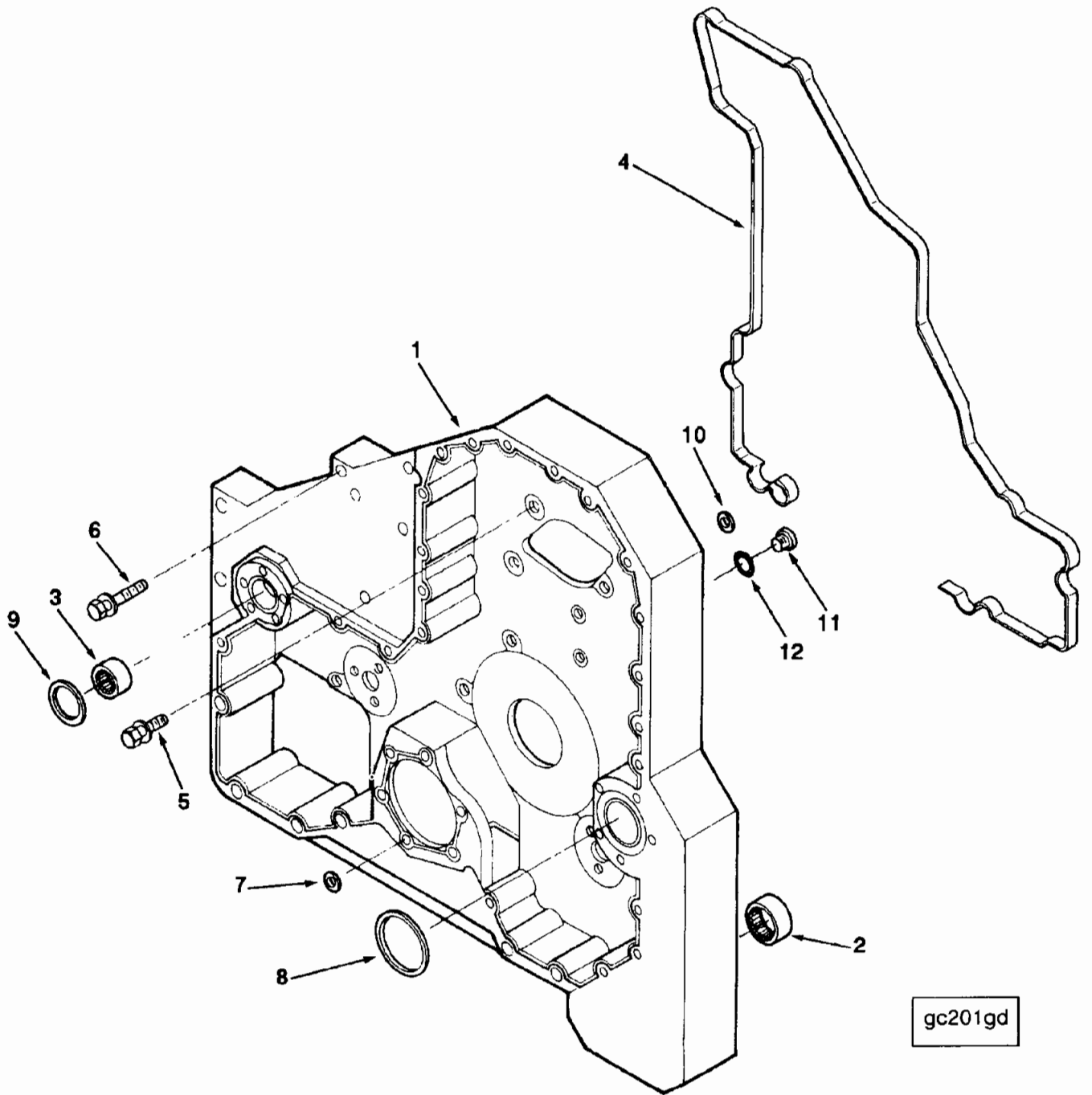
Ref No.	Part Number	Part Name	Req	Remarks
CRANKSHAFT OPTION BP2902				
1	3819624	Crankshaft, Engine	1	
2	S-300	Key, Plain Woodruff	1	
3	3038984	Gear, Crankshaft	1	
REPAIR PARTS				
4	3819774	Sleeve, Wear	1	
5	3820918	Sleeve, Wear	1	



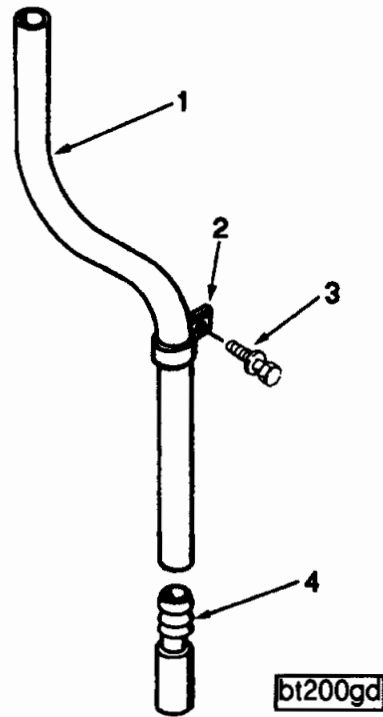
Ref No.	Part Number	Part Name	Req	Remarks
MAIN BEARINGS OPTION BP2902				
	3801150	Set, Bearing Main	1	Std.
1	3016770	Bearing, Main	7	Upper
2	3016780	Bearing, Main	7	Lower
3	3822062	Bearing, Thrust	4	No. 4 Main
	3801151	Set, Main Bearing .010	1	.010 inch Oversize
1	3016771	Bearing, Main	7	Upper
2	3016781	Bearing, Main	7	Lower
3	3822062	Bearing, Thrust	4	No. 4 Main
	3801152	Set, Main Bearing .020	1	.020 inch Oversize
1	3016772	Bearing, Main	7	Upper
2	3016782	Bearing, Main	7	Lower
3	3822062	Bearing, Thrust	4	No. 4 Main
	3801153	Set, Main Bearing .030	1	.030 inch Oversize
1	3016773	Bearing, Main	7	Upper
2	3016783	Bearing, Main	7	Lower
3	3822062	Bearing, Thrust	4	No. 4 Main
	3801154	Set, Main Bearing .040	1	.040 inch Oversize
1	3016774	Bearing, Main	7	Upper
2	3016784	Bearing, Main	7	Lower
3	3822062	Bearing, Thrust	4	No. 4 Main
OVERSIZE THRUST BEARING				
	3050589	Bearing, Thrust	4	.010 inch Oversize



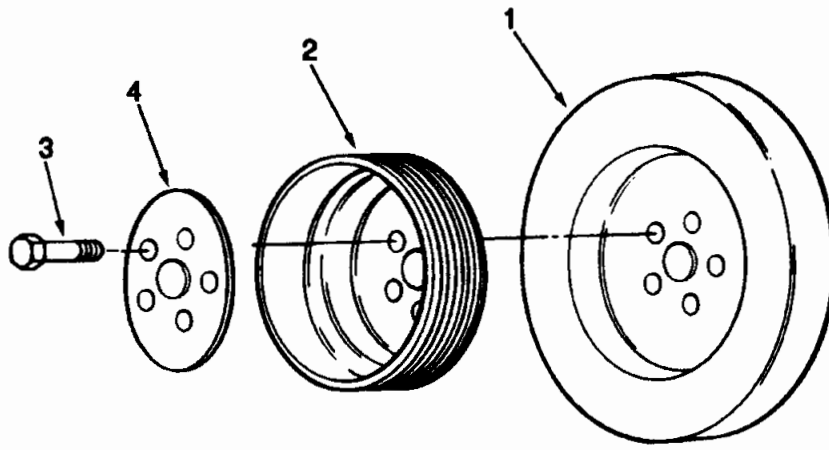
Ref No.	Part Number	Part Name	Req	Remarks
		IDLER GEARS		
		OPTION BP2902		
		CAMSHAFT IDLER GEAR		
	3038986	Gear, Idler	1	
1	(3038985)	Gear, Idler	1	
2	3026188	Bushing	1	
3	3026166	Shaft, Idler	1	
4	3026233	Retainer, Gear	1	
5	3027769	Bearing, Thrust	2	
6	3041038	Plate, Thrust Bearing Wear	1	
7	3039398	Screw, Hexagon Head Cap	3	M10 x 1.50 x 60
		WATER PUMP IDLER GEAR		
	3038988	Gear, Idler	1	
8	(3038987)	Gear, Idler	1	
9	3026189	Bushing	1	
4	3026233	Retainer, Gear	1	
5	3027769	Bearing, Thrust	2	
7	3039398	Screw, Hexagon Head Cap	3	M10 x 1.50 x 60
10	3026167	Shaft, Idler	1	
		HYDRAULIC PUMP IDLER GEAR		
	3038996	Gear, Idler	1	
11	(3038995)	Gear, Idler	1	
9	3026189	Bushing	1	
5	3027769	Bearing, Thrust	2	
10	3882902	Spacer, Hydraulic Pump	1	
12	3882528	Retainer, Gear	1	
13	3882922	Screw, Twelve Point Cap	3	M10 x 1.50 x 60
14	3883510	Seal, Rectangular Ring	1	
15	3882513	Spacer, Mounting	1	



Ref No.	Part Number	Part Name	Req	Remarks
		GEAR HOUSING OPTION BP2902		
				Gear housing for belt driven fan arrangement or no future fan drive provisions.
	3883273	Housing, Gear	1	
1	(3883267)	Housing, Gear	1	
2	3025354	Bearing, Needle	1	
3	3819634	Bearing, Needle	1	
4	3882685	Seal, Rectangular Strip	1	
5	3818060	Screw, Captive Washer Cap	12	M10 x 1.50 x 25
6	3820186	Screw, Captive Washer Cap	5	M10 x 1.50 x 50
7	3201659	Seal, Rectangular Ring	6	
8	3820945	Seal, Rectangular Ring	1	
9	3820946	Seal, Rectangular Ring	1	
10	3883150	Seal, O Ring	1	
	3046202	Plug, Threaded	1	
11	(3040810)	Plug, Threaded	1	
12	3046201	Seal, O Ring	1	

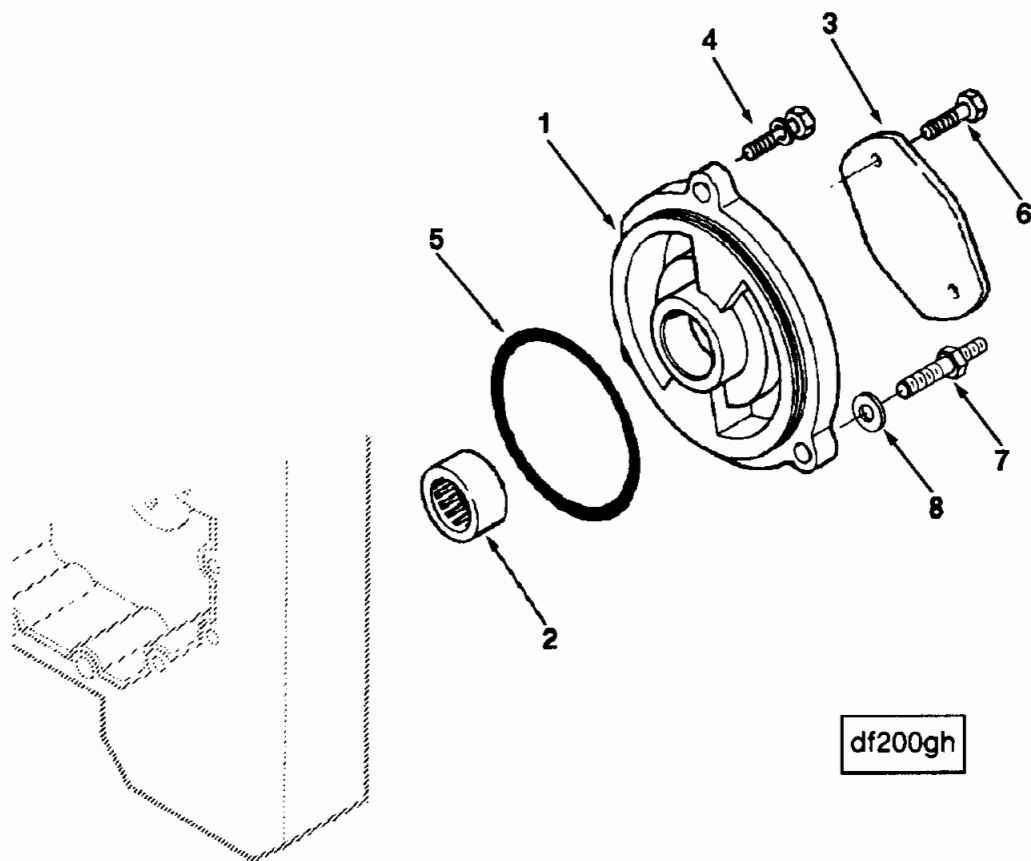


Ref No.	Part Number	Part Name	Req	Remarks
		BREATHER PLUMBING OPTION BR2019		
1	144044	Hose, Plain	1	Breather plumbing vents to fuel pump side. Internal breather valve cover. Use with or without engine brake, aftercooler or rear PTO applications. M10 x 1.50 x 25
2	107460	Clip	1	
3	3818060	Screw, Captive Washer Cap	1	
4	3819475	Tube, Breather	1	

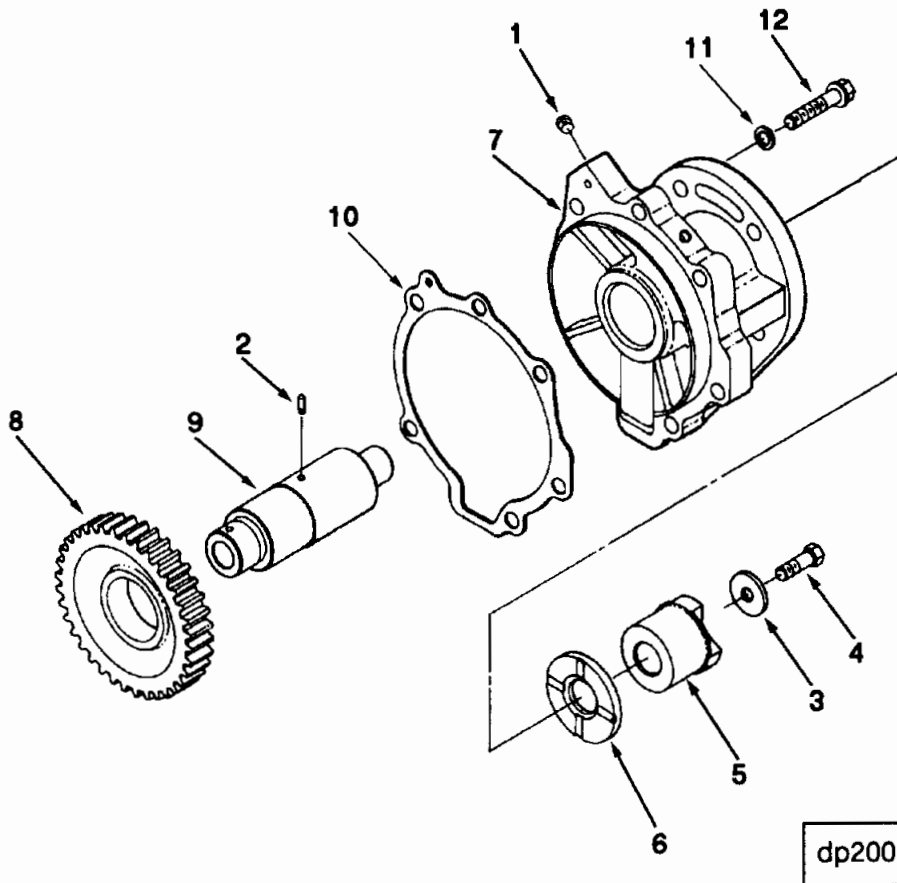


da200gl

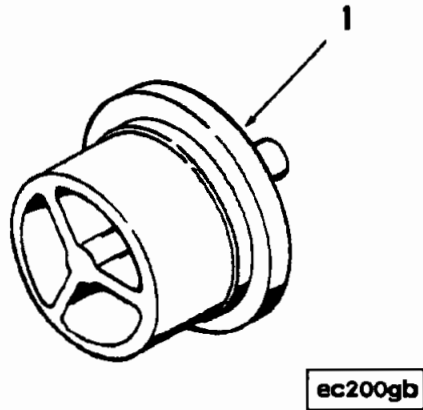
Ref No.	Part Number	Part Name	Req	Remarks
		VIBRATION DAMPER OPTION DA2027		
1	3819976	Damper, Vibration	1	Single vibration damper mounted external to gear cover with polyvee crankshaft pulley mounted external and direct to crankshaft. Use with low noise front end and belt driven fan arrangements. M14 x 1.50 x 50
2	3819407	Pulley, Crankshaft	1	
3	3820205	Screw, Hexagon Head Cap	5	
4	3882675	Plate, Clamping	1	




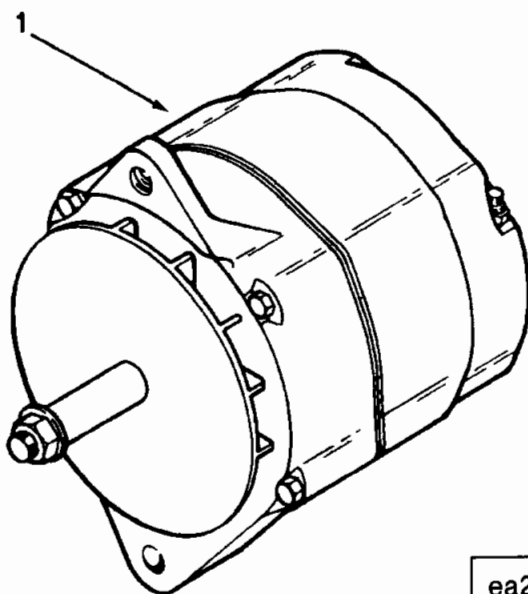
Ref No.	Part Number	Part Name	Req	Remarks	
		ACCESSORY DRIVE COVER PLATE OPTION DF2025		Cover plate for hydraulic pump drive opening. To be used when no future pump adapter is required.	
1	3820754	Support, Hydraulic Pump	1		
	(3819638)	Adapter, Hydraulic Pump	1		
2	3025354	Bearing, Needle	1		
3	204048	Plate, Cover	1		
4	3821846	Screw, Captive Washer Cap	2		M10 x 1.50 x 35
5	3883042	Seal, O Ring	1		
6	3819521	Screw, Hex Flange Head Cap	2		M10 x 1.50 x 20
7	3883395	Screw, Hexagon Head Cap	1		M10 x 1.50 x 35
8	3009330	Washer, Plain	1		



Ref No.	Part Number	Part Name	Req	Remarks
		FUEL PUMP DRIVE OPTION DP2014		Fuel pump accessory drive arrangement. For use without air compressor.
1	3054619	Shaft & Gear, Acc Drive	2	
2	3008465	Plug, Pipe	1	1/8 NPT
3	S-3193	Pin, Groove	1	3/16 inch.
4	170664	Washer, Plain	1	
5	129510	Screw, Hexagon Head Cap	1	3/8 - 16 x 1 inch
6	3000175	Hub, Jaw Coupling	1	
7	3028309	Bearing, Thrust	1	
8	3054618	Support, Accessory Drive	1	
9	3041048	Gear & Shaft	1	
10	S-3193	Pin, Groove	1	3/16 inch.
11	3041042	Gear, Accessory Drive	1	
12	3041043	Shaft, Accessory Drive	1	
	3883390	Gasket, Acc Drive Support	1	
	3882885	Washer, Plain	1	
	3883123	Screw, Hex Flange Head Cap	6	M10 x 1.50 x 40

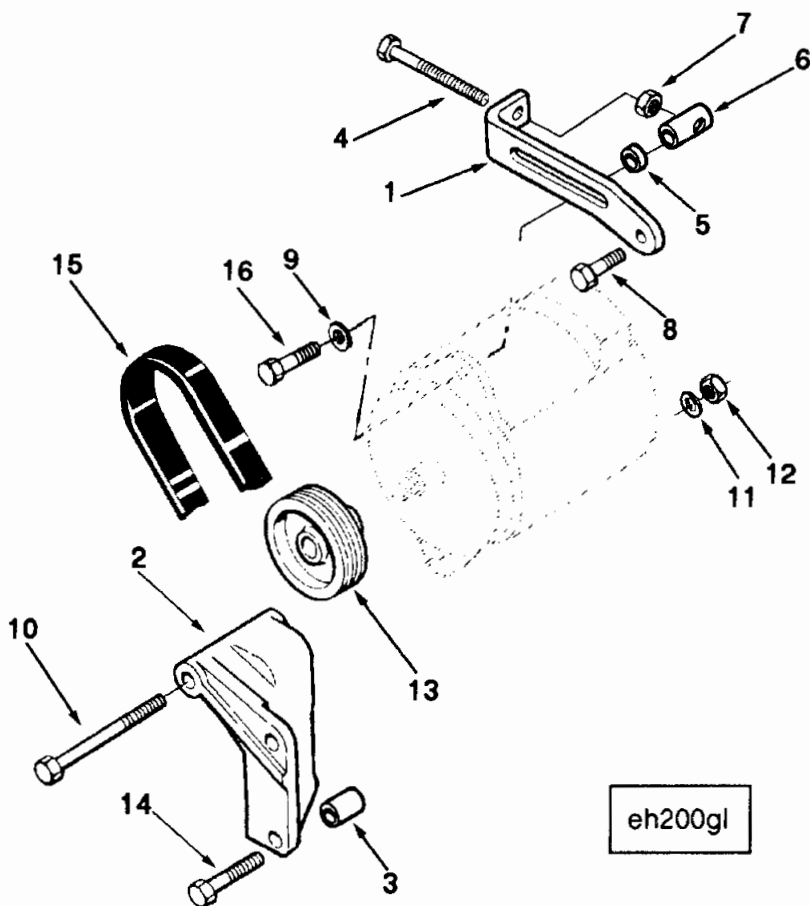


Ref No.	Part Number	Part Name	Req	Remarks
1	201737	<p>THERMOSTAT OPTION EC8095</p> <p>Thermostat</p>	1	<p>Start to open 177 - 182 degrees Fahrenheit. Full open 202 degrees Fahrenheit. Normal oper. temp. 180 degrees Fahrenheit.</p> 

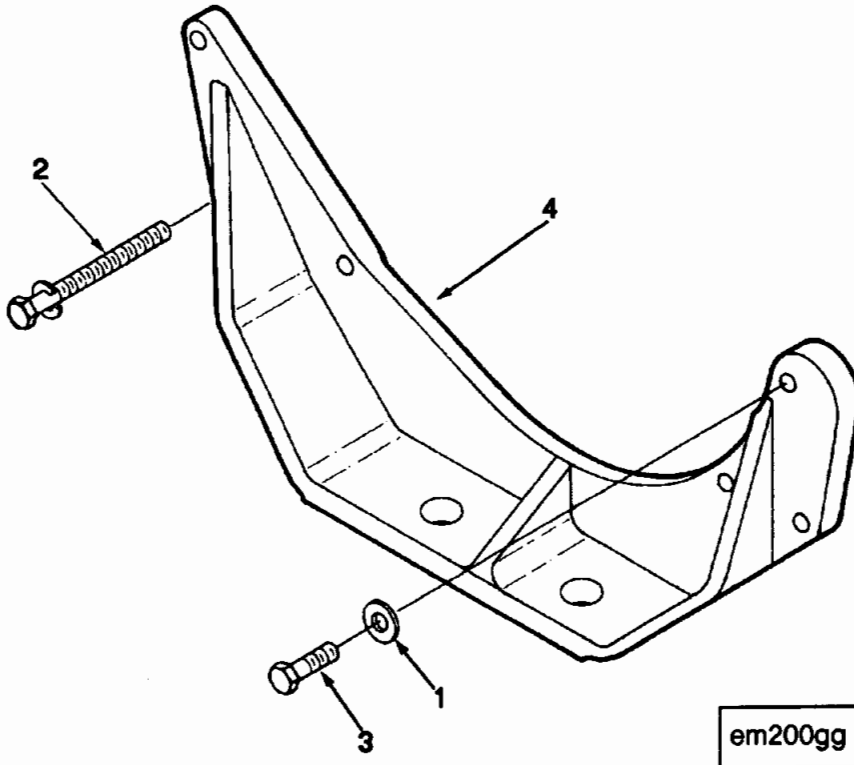


ea200gf

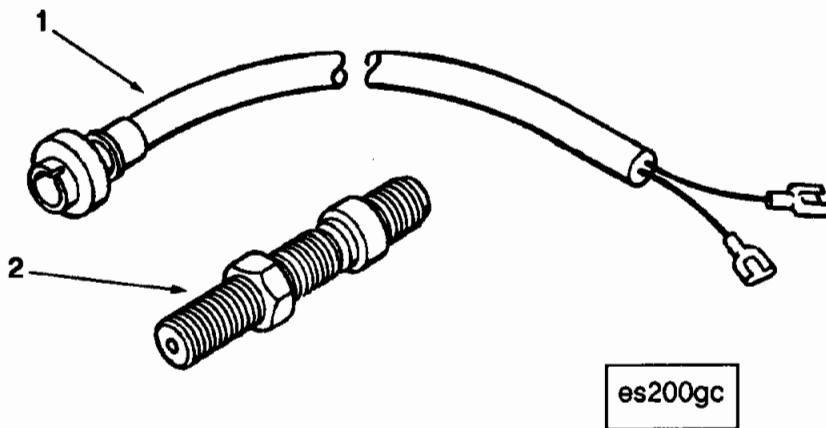
Ref No.	Part Number	Part Name	Req	Remarks
1	3016627	<p style="text-align: center;">ALTERNATOR OPTION EE8080</p> <p>Alternator</p>	1	24-Volt Delco-Remy



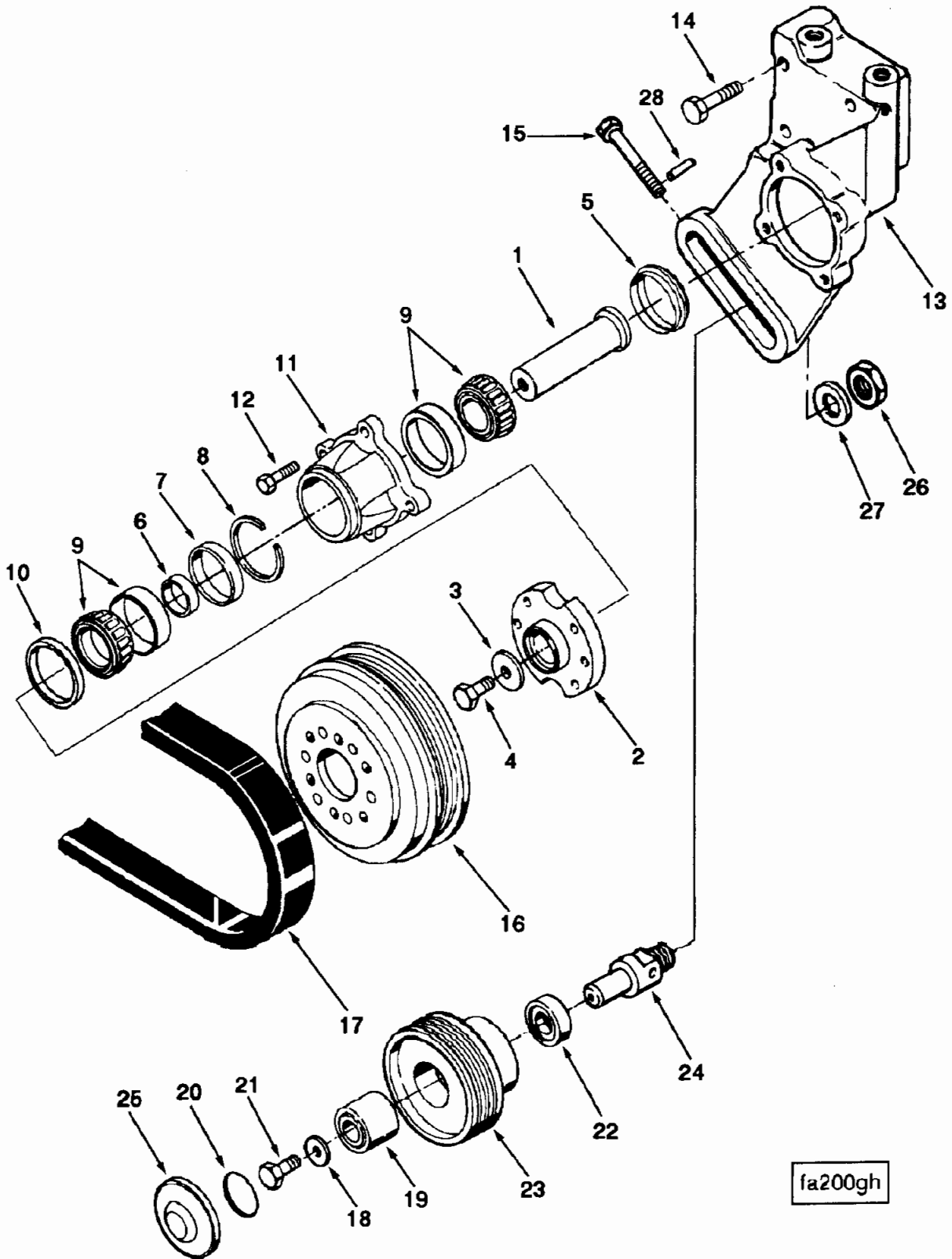
Ref No.	Part Number	Part Name	Req	Remarks
		ALTERNATOR MOUNTING OPTION EH2001		
				Alternator mounting and drive components for Delco-Remy and Leece-Neville alternator. For use with Cummins supplied alternator mounted on exhaust side of engine, with one piece support bracket and driven from the water pump pulley.
1	3821836	Link, Adjusting	1	
2	3883158	Support, Alternator	1	
3	3883157	Spacer, Mounting	2	
4	3040245	Screw, Hexagon Head Cap	1	M10 x 1.50 x 170
5	3029507	Spacer, Mounting	1	
6	3820876	Retainer, Adjusting Screw	1	
7	3044360	Nut, Regular Hexagon	1	M10 x 1.50
8	3335059	Screw, Hexagon Head Cap	1	M12 x 1.75 x 30
9	3009330	Washer, Plain	1	
10	70111	Screw, Hexagon Head Cap	1	1/2 - 20 x 6 inch
11	203310	Washer, Plain	1	
12	70897	Nut, Lock	1	1/2 - 20 UNF
13	3046204	Pulley, Alternator	1	
14	3017506	Screw, Hexagon Head Cap	2	M10 x 1.50 x 70
15	3037425	Belt, V Ribbed	1	
16	S-120	Screw, Hexagon Head Cap	1	3/8 - 16 x 1 3/4 inch



Ref No.	Part Number	Part Name	Req	Remarks
FRONT ENGINE SUPPORT				
OPTION EM2022				
1	3009330	Washer, Plain	1	Two hole cast iron front engine support. OEM attachment point is 119.12mm from front face of block. Engine mount bolt pattern for use with low noise front end.
2	3892105	Screw, Captive Washer Cap	5	
3	3820988	Screw, Hexagon Head Cap	1	
4	3819498	Support, Front Engine	1	

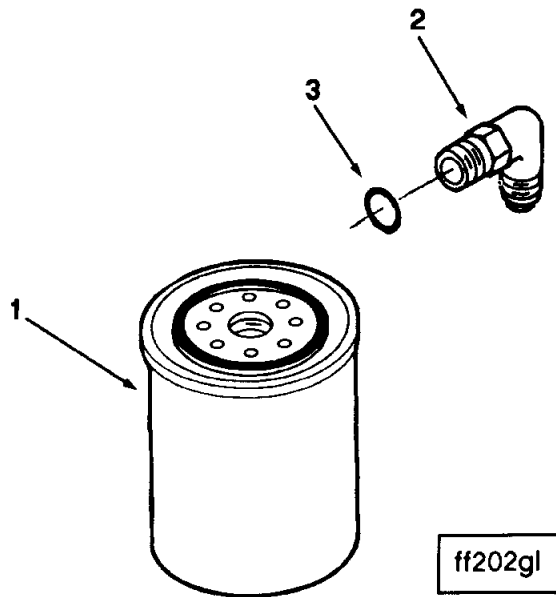


Ref No.	Part Number	Part Name	Req	Remarks
		MAGNETIC PICKUP OPTION EO2701		
1	213273	Harness, Wiring	1	5/8 - 18 UNF magnetic pickup for use with SAE # 1 and # 0 flywheel housings. Required with Woodard 2301 electro- hydraulic governors, American Bosch governors, Cummins EFC governors, tachometers, and speed switches.
2	213272	Pickup, Magnetic	1	

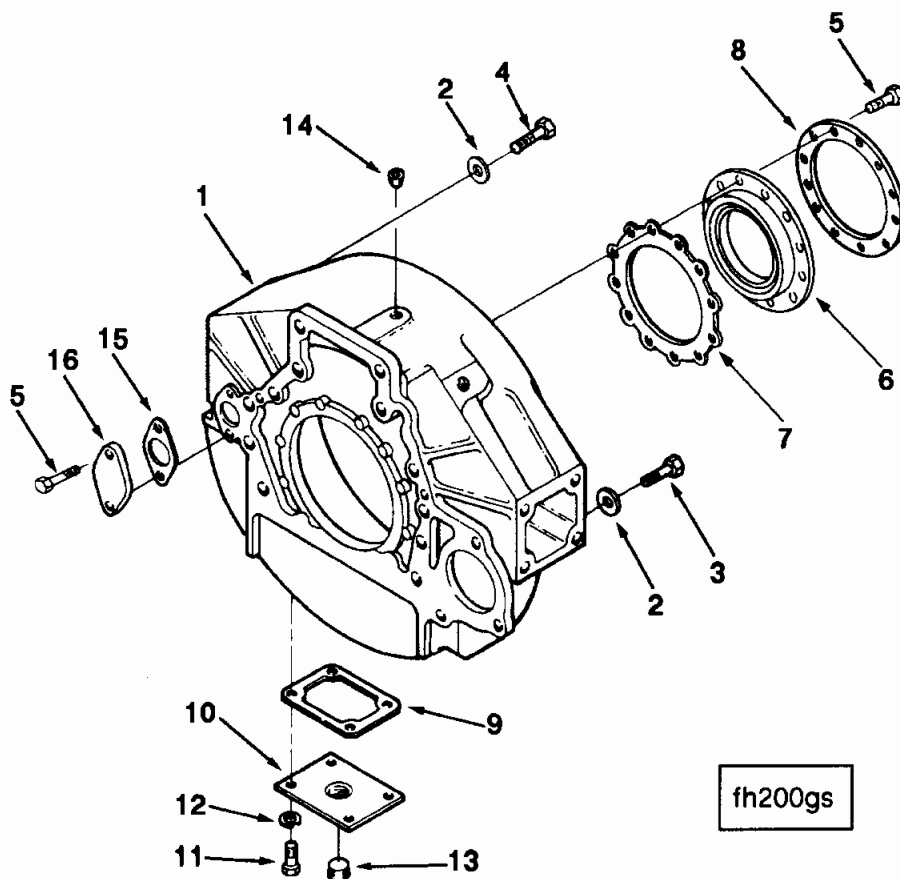


fa200gh

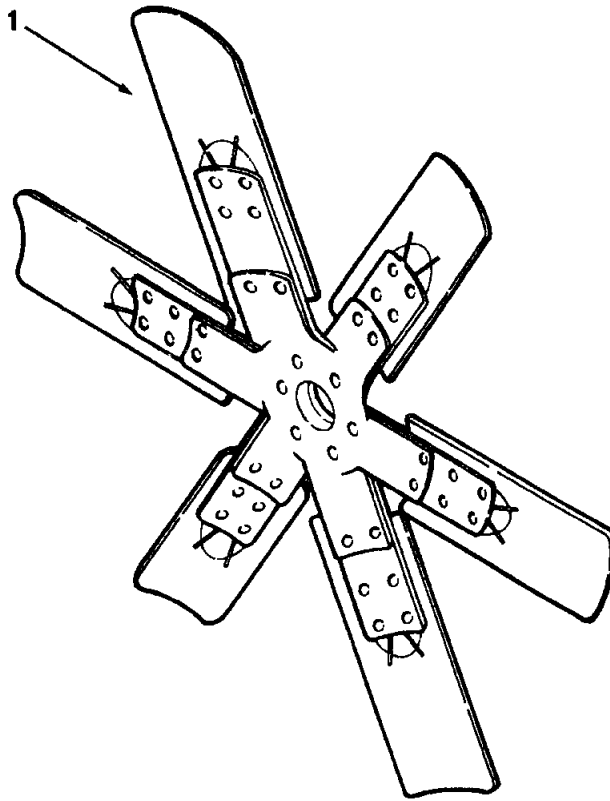
Ref No.	Part Number	Part Name	Req	Remarks
		FAN DRIVE OPTION FA2059		
				Belt driven fan 1.0:1.0 ratio. 13 inch (330mm) fan center. Rotates same direction as crankshaft. Includes idler assembly, fan hub, belt and fan pulley mounted to engine. Use with low noise front end.
	3065358	Hub, Fan	1	
1	3027676	Shaft, Fan Hub	1	
2	3027677	Flange	1	
3	3027686	Washer, Plain	1	
4	3335044	Screw, Hexagon Head Cap	1	M10 x 1.50 x 25
5	3063844	Cover, Fan Hub	1	
6	217008	Spacer, Bearing	1	
7	217011	Spacer, Bearing	1	
8	3001280	Ring, Retaining	1	
9	3001281	Bearing, Roller	2	
10	3027675	Seal, Oil	1	
11	3037597	Hub, Fan	1	
12	3034836	Screw, Hexagon Head Cap	4	M10 x 1.50 x 30
13	3819983	Support, Fan	1	
14	3892354	Screw, Hexagon Head Cap	3	
15	3040245	Screw, Hexagon Head Cap	1	M10 x 1.50 x 170
16	3046206	Pulley, Fan	1	
17	3034942	Belt, V Ribbed	1	
	3062602	Pulley, Idler Tia	1	
18	3003163	Washer, Plain	1	
19	3027681	Bearing, Roller	1	
20	3062601	Seal, O Ring	1	
21	3335044	Screw, Hexagon Head Cap	1	M10 x 1.50 x 25
22	3027680	Seal, Oil	1	
23	3060883	Pulley, Idler	1	
24	3819920	Shaft, Idler	1	
25	3060884	Cover, Idler Pulley	1	
26	3034319	Nut, Regular Hexagon	1	M20 x 1.50
27	3034320	Washer, Plain	1	
28	107695	Pin, Roll	1	



Ref No.	Part Number	Part Name	Req	Remarks
		FUEL FILTER OPTION FF2119		
1	3315847	Filter, Fuel	1	Single spin-on fuel filter mounted to fuel pump. Includes 90 degree fuel inlet fitting.
2	129859	Elbow, Male Union	1	
3	3040817	Seal, O Ring	1	



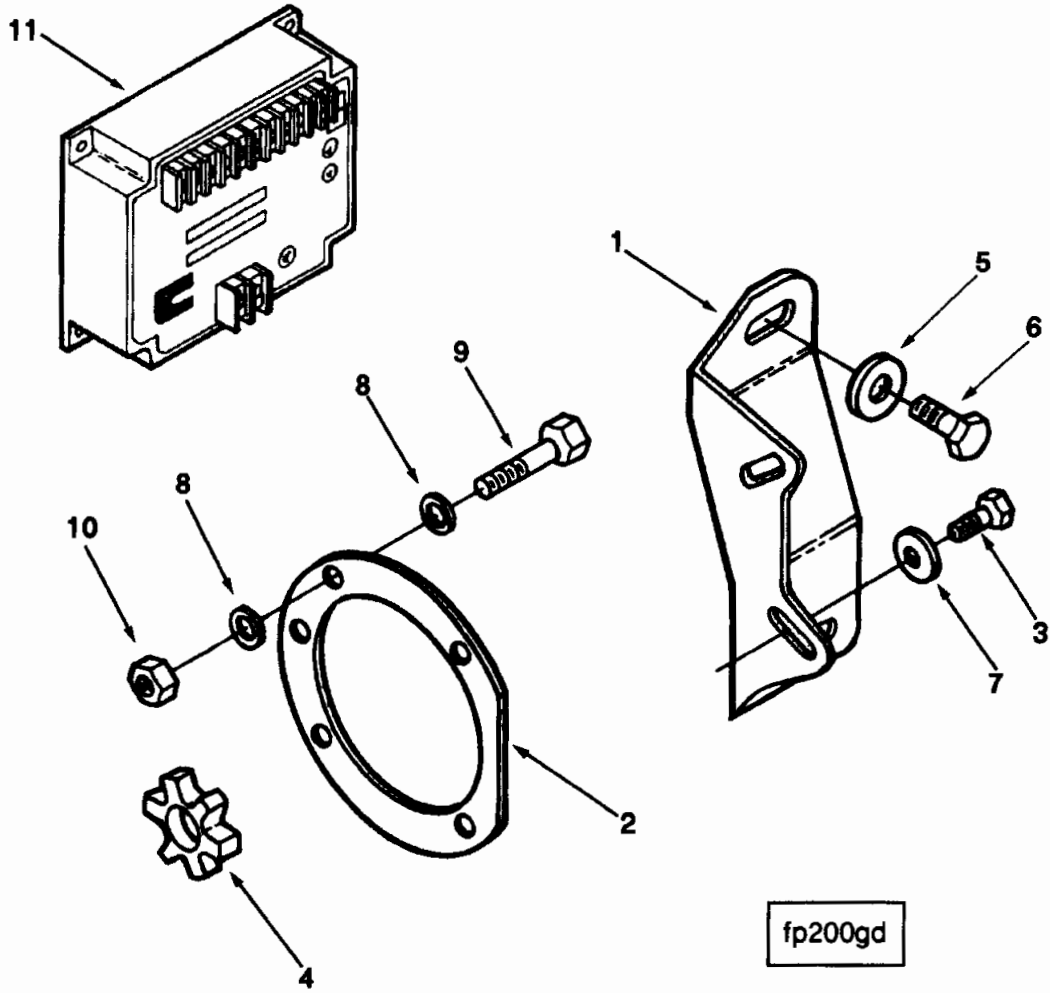
Ref No.	Part Number	Part Name	Req	Remarks	
		FLYWHEEL HOUSING OPTION FH2147			
1	3073982	Housing, Flywheel	1	SAE #1 aluminum flywheel housing, dry application. Starter location in No. 3 quadrant.	
2	127316	Washer, Plain	12		
3	3022148	Screw, Hexagon Head Cap	12		M16 x 2.00 x 55
4	3018006	Screw, Hexagon Head Cap	2		M16 x 2.00 x 45
5	3025802	Screw, Hexagon Head Cap	14		M8 x 1.25 x 20
	3803354	Kit, Oil Seal	1		
6	(3883774)	Seal, Oil	1		
7	3883659	Gasket, Carrier	1		
8	3883622	Ring, Clamping	1		
9	182459	Gasket, Water Header Cover	1		
10	200685	Plate, Cover	1		
11	3335044	Screw, Hexagon Head Cap	1		M10 x 1.50 x 25
12	409065	Washer, Lock	4		
13	3008469	Plug, Pipe	1		3/4 NPT
14	S-908	Plug, Pipe	1		3/8 NPT
15	3026134	Gasket, Cover Plate	1		
16	3026135	Cover, Access Hole	1		



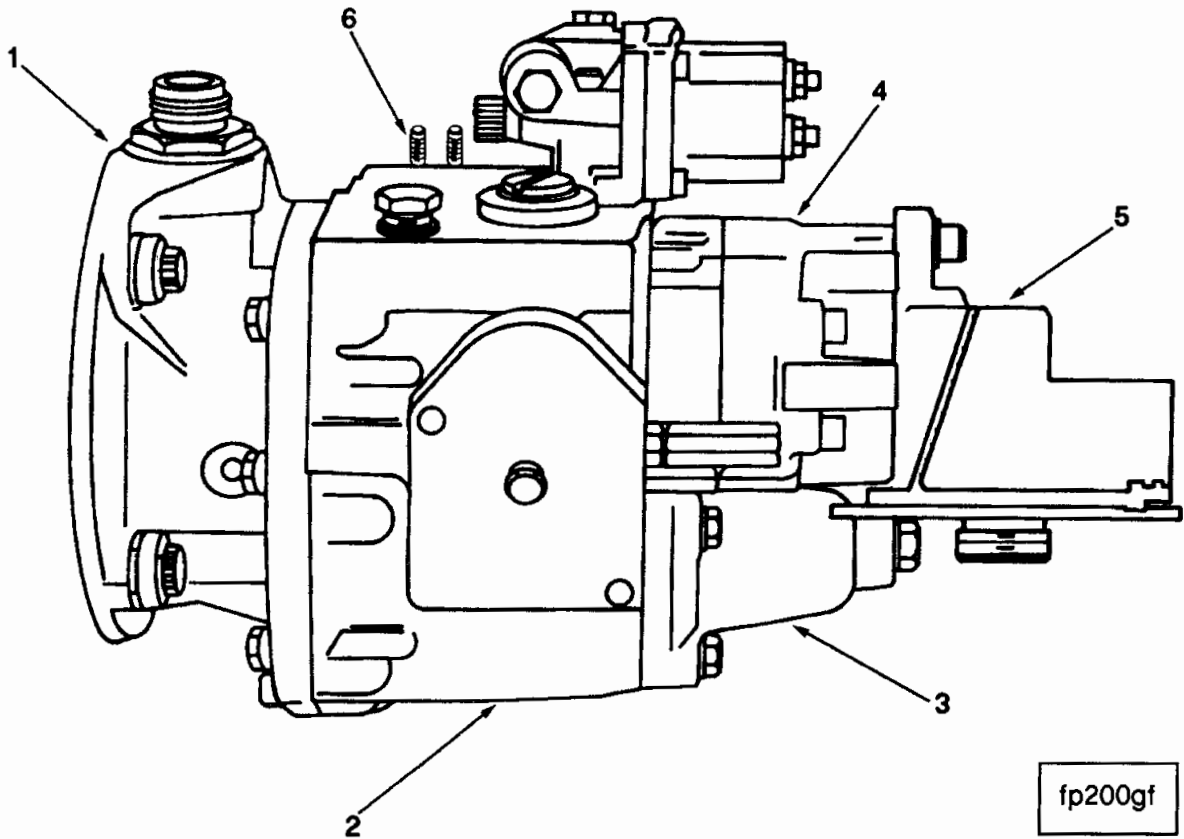
fn200ga

Ref No.	Part Number	Part Name	Req	Remarks
1	3033414	<p style="text-align: center;">ENGINE FAN OPTION FN3210</p> <p>Fan, Engine</p>	1	<p>32" diameter right hand blower fan. 2" pilot and 3.5" bolt circle.</p>

NOTES



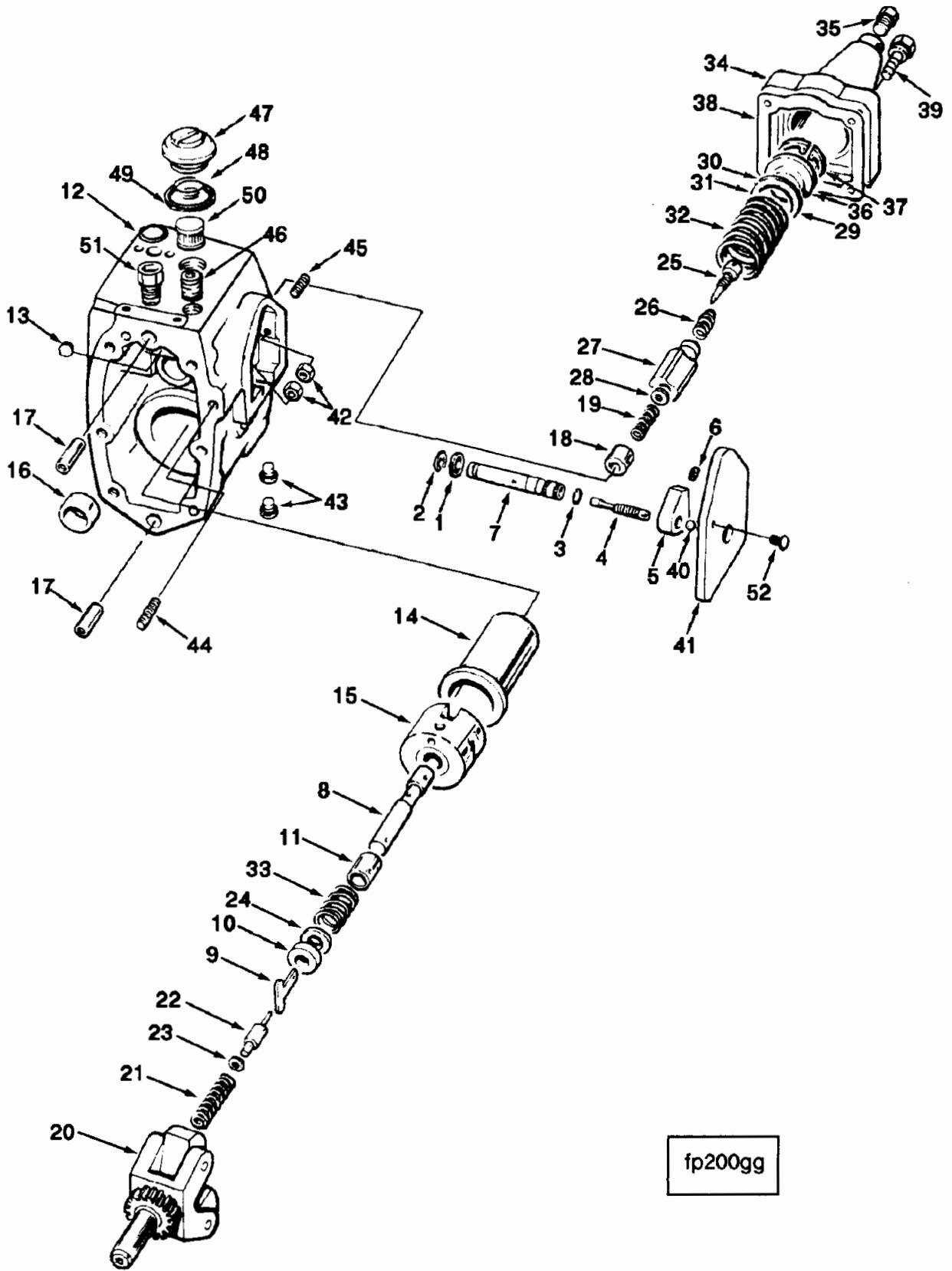
Ref No.	Part Number	Part Name	Req	Remarks
		CUMMINS EFC GOVERNOR OPTION FP2076		Cummins EFC governing system, 24 volt. For use with fuel pump mounted fuel filter.
1	3040977	Brace, Fuel Pump	1	
2	3069103	Gasket, Fuel Pump	1	
3	S-167-A	Screw, Hexagon Head Cap	2	1/4 - 20 x 7/8 inch
4	3046200	Spider, Jaw Coupling	1	
5	3003163	Washer, Plain	2	
6	3335044	Screw, Hexagon Head Cap	2	M10 x 1.50 x 25
7	3821657	Washer, Plain	2	1/4inch
8	3009330	Washer, Plain	8	M10
9	3025852	Screw, Hexagon Head Cap	4	M10 x 1.50 x 45
10	3044360	Nut, Regular Hexagon	4	
11	3044196	Control, Governor	1	



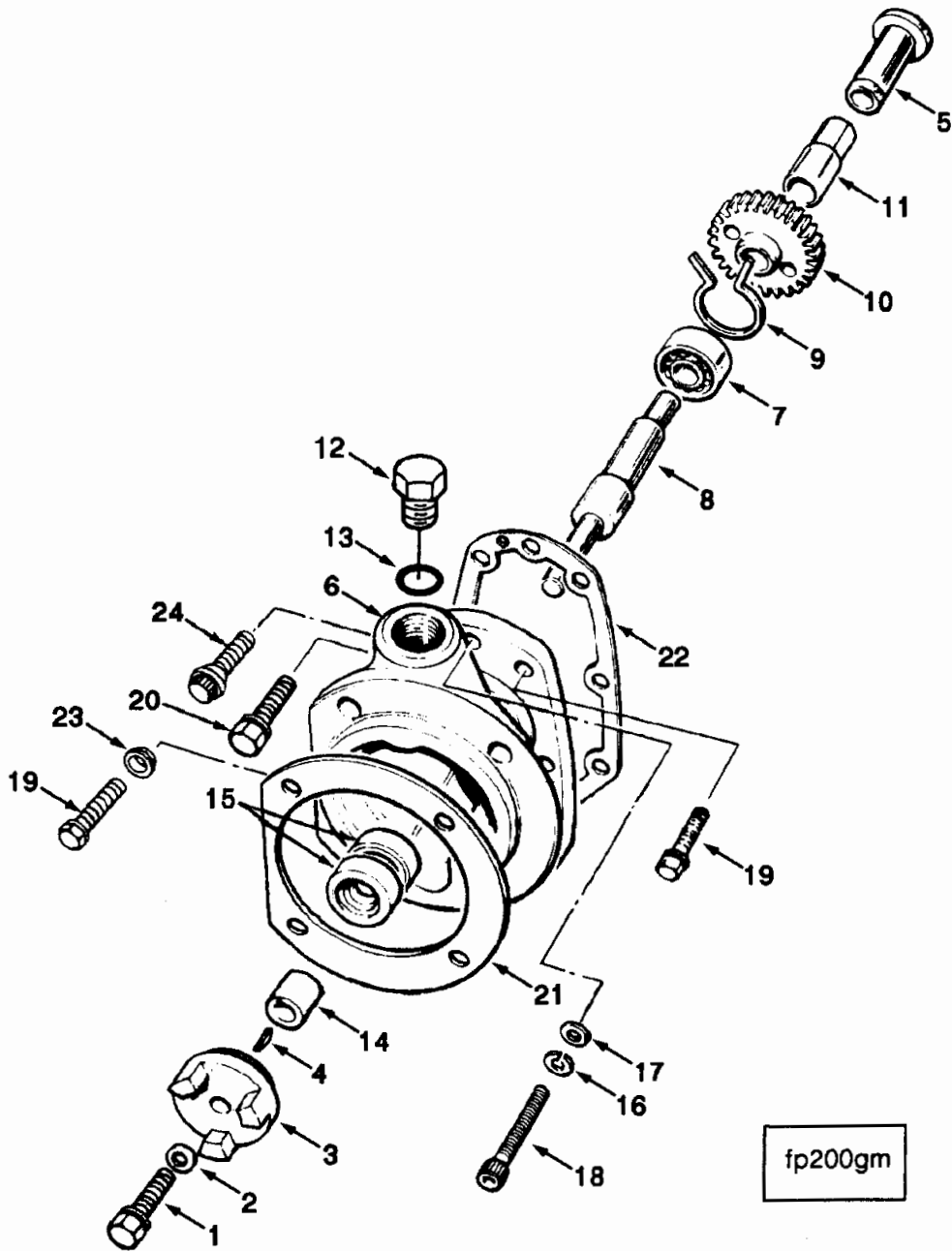
Ref No.	Part Number	Part Name	Req	Remarks
		FUEL PUMP OPTION FP2841		PTG fuel pump without mechanical tach drive. 24 volt EFC governor actuator, normally closed. Pump mounted fuel filter.
	3892949	Assembly, Fuel Pump	1	
1	3052864	Fuel Pump Front Cover	1	Breakdown on page 43
2	3059646	Fuel Pump Housing	1	Breakdown on page 41
3	3065376	Spring Pack Cover	1	Breakdown on page 41
4	3034243	Fuel Pump Gear	1	Breakdown on page 44
5	3026198	Fuel Pump Damper	1	Breakdown on page 45
6	3063504	Actuator, EFC Governor	1	Breakdown on page 46

NOTES

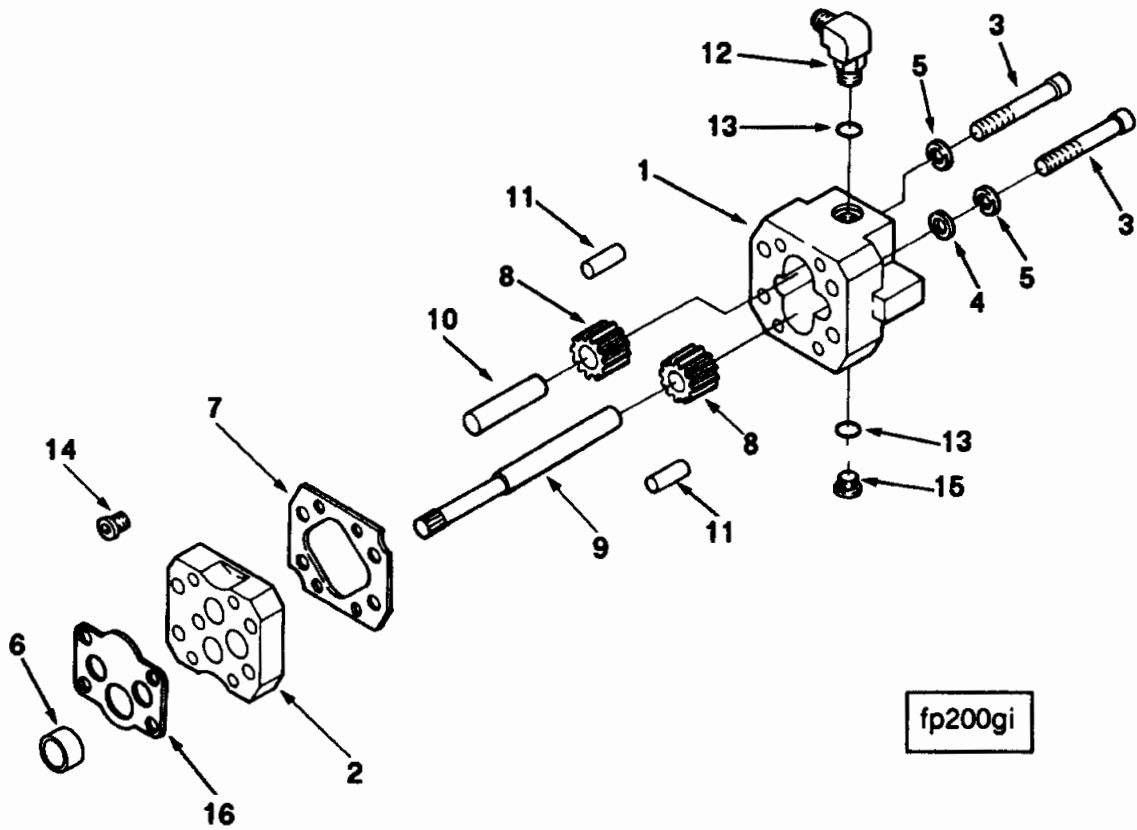
Lined area for taking notes, consisting of 20 horizontal lines.



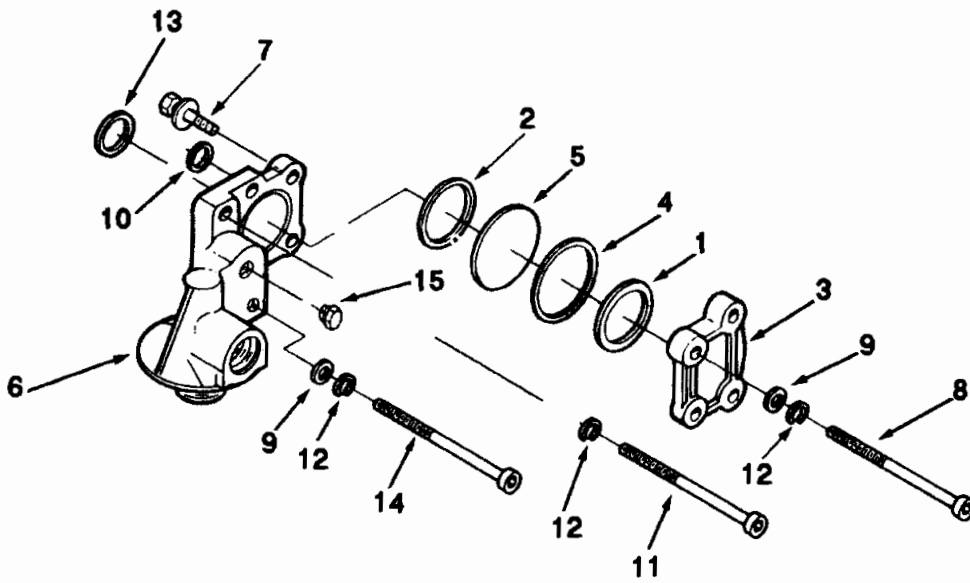
Ref No.	Part Number	Part Name	Req	Remarks
		FUEL PUMP HOUSING		
		OPTION FP2841		
	3059646	Assembly, Fuel Pump Hsg	1	
	AR-41010	Assembly, Throttle Shaft	1	
1	100478	Seal, O Ring	1	
2	163945	Ring, Retaining	1	
3	213768	Seal, O Ring	1	
4	3006175	Screw, Fuel Pump Adjusting	1	1/4 - 28 x 1 3/4 inch
5	3006343	Stop, Throttle Lever	1	
6	3006344	Screw, Set Hex Flat S'k't	2	1/4 - 28 x 3/8 inch
7	3046680	Shaft, Throttle	1	
	3040760	Assy., Governor Plunger	1	
8	3040750	Plunger, Governor	1	
9	70690	Driver, Governor Plunger	1	
10	3027633	Bearing, Thrust	1	
11	3048557	Spacer, Mounting	1	
12	3068981	Body, Fuel Pump	1	
13	214139	Ball, Plug AFC	2	
14	3036970	Housing, Spring Pack	1	
15	3058555	Barrel, Governor	1	
16	100193	Bushing, Tach Drive	1	
17	118227	Dowel, Ring	2	
18	140417	Plunger, Idle	1	
19	3018767	Spring, Compression	1	
20	3024991	Assy., Governor Carrier	1	
21	143854	Spring, Compression	1	
22	144178	Plunger, Gov.Wgt. Assist	1	
23	144179	Shim	7	
24	101841	Shim	1	.005 inch
24	101842	Shim	1	.010 inch
24	101843	Shim	1	.020 inch
25	70716	Screw, Knurled	1	#12 - 28 x 1 1/4 inch
26	3032014	Spring, Compression	1	
27	3036472	Guide, Idle Spring	1	
28	70715	Washer, Plain	1	1/8 inch
29	70717	Shim	6	.021 inch
30	70717-A	Shim	1	.010 inch
31	70717-B	Shim	1	.0060 inch
31	179068	Shim	1	.007 inch
31	189800	Shim	1	.007 inch
32	3036897	Spring, Governor Max.	1	
33	3053160	Spring, Compression	1	
34	3065376	Cover, Spring Pack	1	
35	3065383	Plug, Threaded	1	
36	70713	Retainer, Spring	1	
37	S-16240	Ring, Retaining	2	
38	70705	Gasket, Spring Pack Flange	1	
39	3017051	Screw, Captive Washer Cap	2	1/4 - 20 x 1 1/8 inch
40	213769	Plug, Ball	1	
41	3000446	Cover, Fuel Control	1	
42	S-270	Nut, Regular Hexagon	2	1/4 - 28 UNF
43	3033742	Plug, Threaded	4	
44	3046407	Screw, Socket Set	2	1/4 - 28 x 1 1/2 inch
45	110058	Nut, Fuel Pump Adjusting	1	1/4 - 28 UNF
46	195265	Plug, Pipe	1	1/4 NPT
47	157088	Cap, Fuel Pump Filter	1	
48	70700	Spring, Compression	1	
49	154088	Seal, Rectangular Ring	1	
50	146483	Screen, Filter	1	
51	3020850	Connector, Female	1	
52	S-2286	Screw, Drive	4	3/16 inch



Ref No.	Part Number	Part Name	Req	Remarks
		FUEL PUMP FRONT COVER OPTION FP2841		
	3052864	Assy., Pump Front Cover	1	
1	S-110	Screw, Hexagon Head Cap	1	5/16 - 18 x 5/8 inch
2	146160	Washer, Plain	1	5/16 inch
3	212613	Hub, Jaw Coupling	1	
4	212668	Key	1	
	3028368	Assy., Cover and Bushing	1	
5	163944	Bushing	1	
6	3063054	Cover, Fuel Pump	1	
	3028372	Assy., Main Drive	1	
7	S-16052	Bearing, Ball	1	
8	212601	Shaft, Fuel Pump	1	
9	212604	Ring, Retaining	1	
10	212605	Gear, Fuel Pump	1	
11	212639	Adapter, Spline	1	
	3040815	Plug, Threaded	1	
12	(3040816)	Plug, Threaded	1	
13	3040817	Seal, O Ring	1	
14	3052860	Spacer, Mounting	1	
15	3062676	Seal, Oil	2	
16	S-607	Washer, Lock	1	#10
17	103089	Washer, Plain	1	1/8 inch
18	118226	Screw, Socket Head Cap	1	#10 - 24 x 1 1/4 inch
19	3017051	Screw, Captive Washer Cap	5	1/4 - 20 x 1 1/8 inch
20	3017052	Screw, Captive Washer Cap	2	1/4 - 20 x 1 1/8 inch
21	3069103	Gasket, Fuel Pump	1	
22	3063052	Gasket, Front Cover	1	
23	3063056	Spacer, Mounting	1	
24	3067897	Screw, Twelve Point Cap	1	

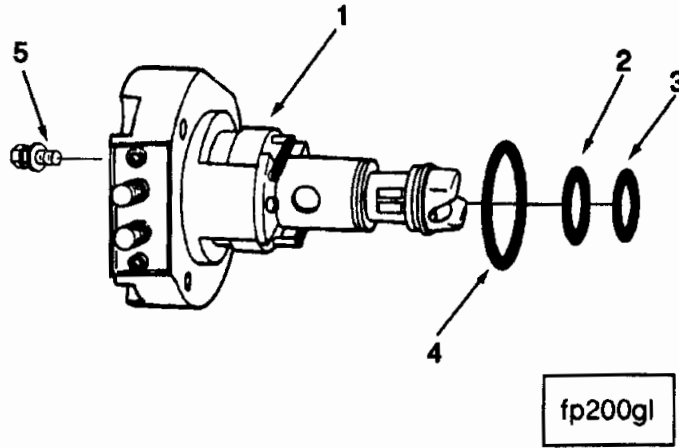


Ref No.	Part Number	Part Name	Req	Remarks
		FUEL PUMP GEAR OPTION FP2841		
				3/4 inch Gear pump.
1	3034243 (3033729)	Assy., Fuel Pump Gear	1	
2	(3033726)	Housing, Fuel Pump Gear	1	
3	70790	Cover, Fuel Pump Gear	1	
4	70790	Screw, Socket Head Cap	2	1/4 - 20 x 2 1/2 inch
5	70704	Washer, Plain	2	1/4 inch
5	181466	Washer, Lock	2	1/4 inch
6	3033719	Dowel, Ring	1	
7	110855	Gasket, Fuel Pump	1	
8	3016609	Gear and Shaft	1	
8	119363	Gear, Fuel Pumping	1	
9	100215	Gear, Fuel Pumping	1	
9	3019616	Shaft, Fuel Pump Drive	1	
8	119363	Gear and Shaft	1	
8	119363	Gear, Fuel Pumping	1	
10	175864	Gear, Fuel Pumping	1	
10	175864	Shaft, Fuel Pump	1	
11	64816-A	Shaft, Fuel Pump	1	
11	64816-A	Dowel, Pin	2	
12	3033740	Dowel, Pin	1	
12	3033740	Valve, Check	1	
13	3034412	Valve, Check	1	
13	3034412	Seal, O-Ring	1	
14	3050624	Seal, O-Ring	1	
14	3050624	Valve, Pressure Regulator	1	
15	3033742	Valve, Pressure Regulator	1	
15	3033742	Plug, Threaded	1	
13	3034412	Plug, Threaded	1	
13	3034412	Seal, O-Ring	1	
16	3026163	Seal, O-Ring	1	
16	3026163	Gasket, Fuel Pump	1	
3	70790	Gasket, Fuel Pump	4	1/4 - 20 x 2 1/2 inch
3	70790	Screw, Socket Head Cap	4	1/4 inch
5	181466	Screw, Socket Head Cap	4	1/4 inch
5	181466	Washer, Lock	4	1/4 inch

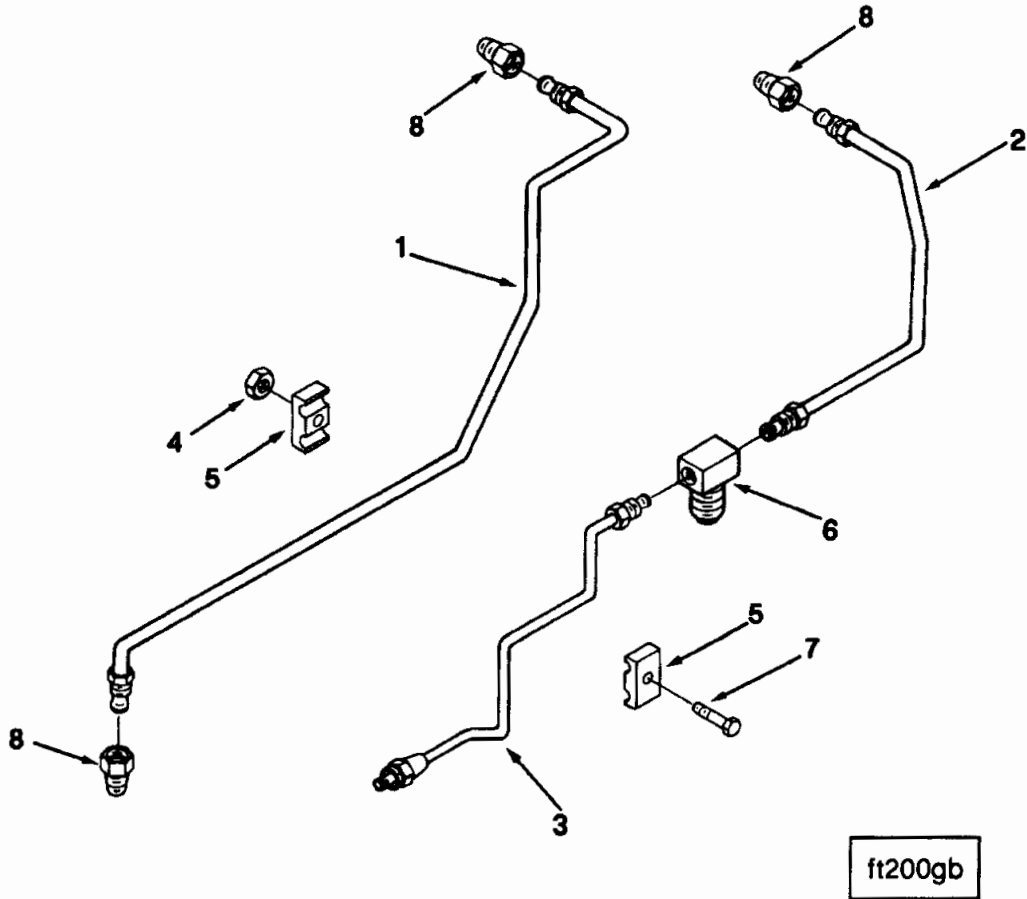


fp201gf

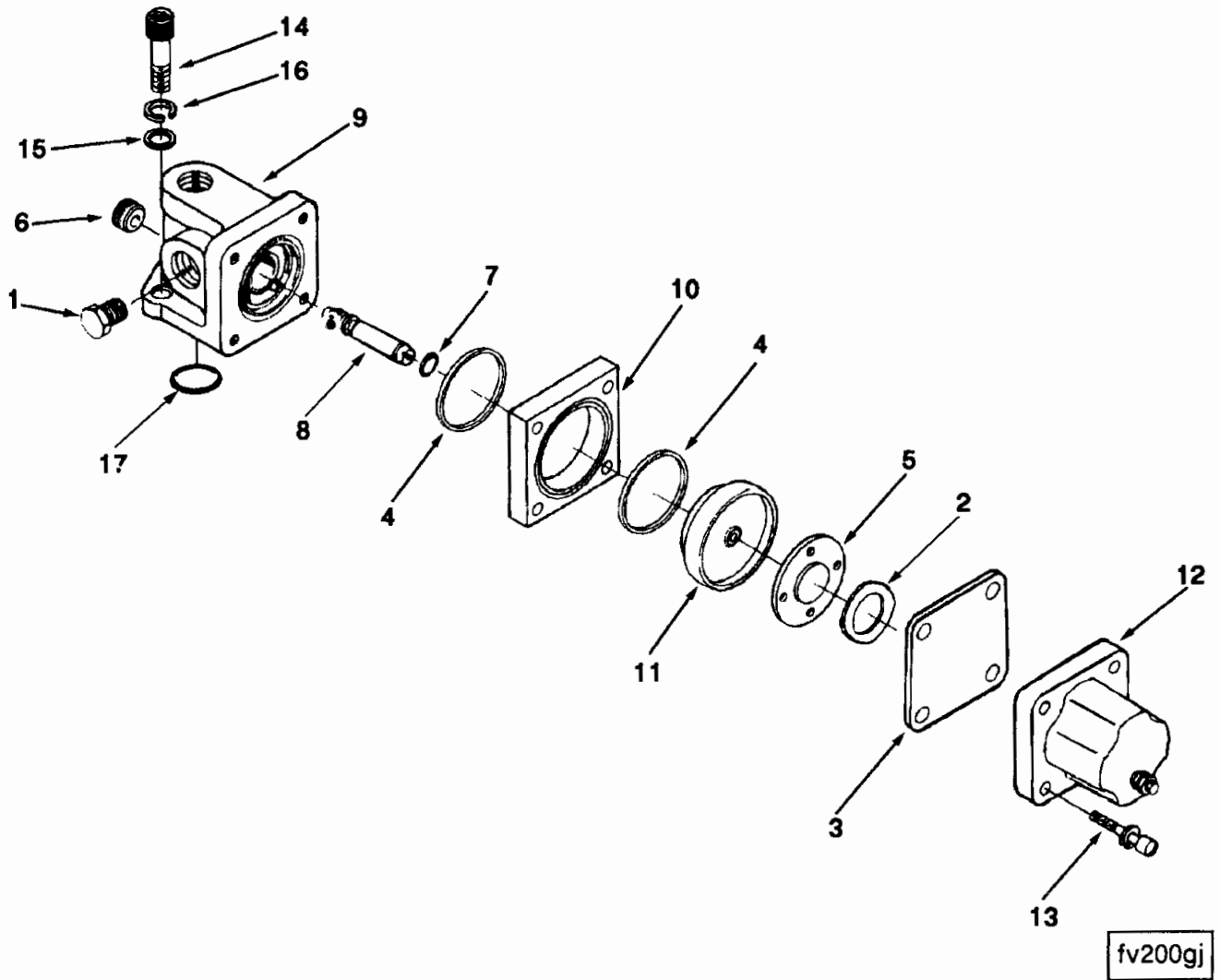
Ref No.	Part Number	Part Name	Req	Remarks
		FUEL PUMP DAMPER		
		OPTION FP2841		
	3026198	Damper, Fuel Pump	1	
1	100099	Seal, Rectangular Ring	1	
2	139988	Seal, Rectangular Ring	1	
3	153338	Cover, Plate	1	
4	160514	Washer, Plain	1	
5	202897	Diaphragm, Damper	1	
6	205451	Head, Fuel Filter	1	
7	3017051	Screw, Captive Washer Cap	2	1/4 - 20 x 1 1/8 inch
8	S-174-C	Screw, Socket Head Cap	2	1/4 - 20 x 3 1/2 inch
9	70704	Washer, Plain	4	1/4 inch
10	151900	Seal, Rectangular Ring	1	
11	133538	Screw, Socket Head Cap	1	1/4 - 20 x 3 1/4 inch
12	181466	Washer, Lock	4	1/4 inch
13	213079	Seal, Rectangular Ring	1	
14	153346	Screw, Socket Head Cap	1	1/4 - 20 x 4 inch
15	3025460	Plug, Pipe	1	1/8 NPT



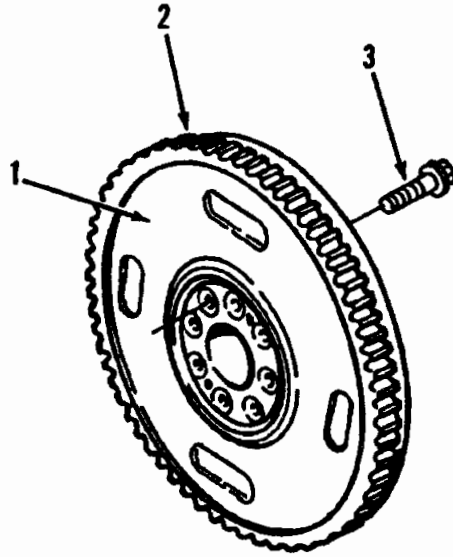
Ref No.	Part Number	Part Name	Req	Remarks
		EFC GOVERNOR ACTUATOR OPTION FP2841		
1	3063504	Actuator, EFC Governor	1	
2	3042542	Seal, O Ring	1	
3	3066914	Seal, O Ring	1	
4	3048182	Seal, O Ring	1	
5	3017052	Screw, Captive Washer Cap	5	1/4 - 20 x 1 1/8 inch



Ref No.	Part Number	Part Name	Req	Remarks
FUEL TUBING OPTION FT20006				
1	3600873	Tube, Fuel Supply	1	
2	3600875	Tube, Fuel Drain	1	
3	3600687	Tube, Fuel Drain	1	
4	3883244	Nut, Regular Hexagon	1	
5	3007024	Clamp, Tube	2	
6	203862	Tee, Male Branch	1	
7	3900619	Screw, Hexagon Head Cap	1	M6 x 1.00 x 30
8	3820091	Connector, Female	3	

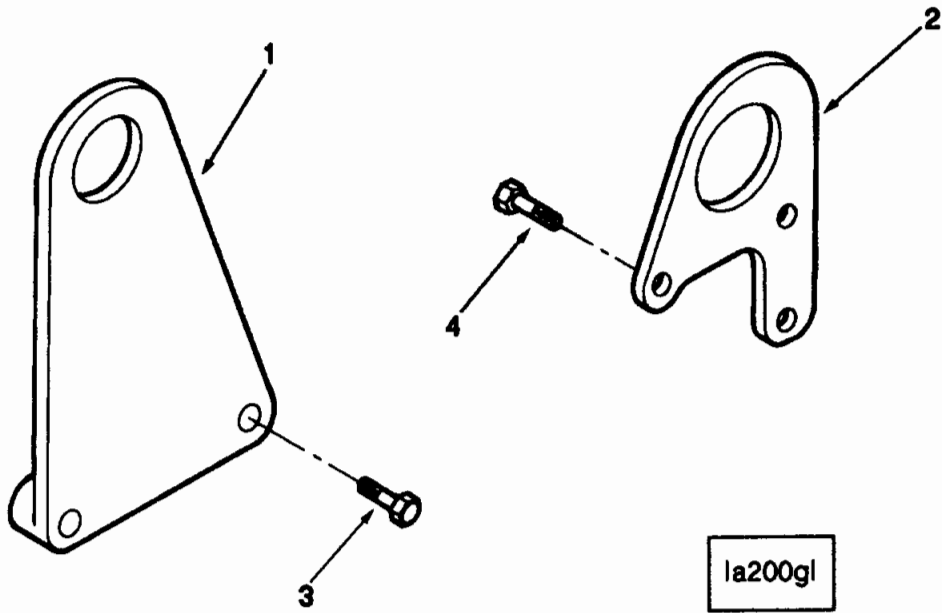


Ref No.	Part Number	Part Name	Req	Remarks
		FUEL VALVE OPTION FV8012		24 volt DC rapid restart fuel valve suggested for automatic cranking system.
	3018453	Valve, Shutoff	1	
1	3025458	Plug, Pipe	1	
2	129768	Spring, Valve	1	
3	129839	Shield, Shutoff Valve	1	
4	129888	Seal, Rectangular Ring	1	
5	196057	Disc, Valve	1	
	129886	Body, Shutoff Valve	1	
6	129838	Knob	1	
7	190876	Seal, O Ring	1	
8	3000266	Shaft, Shutoff Valve	1	
9	129826	Body, Shutoff Valve	1	
10	3034451	Housing, Actuator	1	
11	3034452	Disc, Actuator	1	
12	3054609	Solenoid	1	
13	3065944	Screw, Captive Washer Cap	4	
14	S-189-C	Screw, Socket Head Cap	2	
15	67684	Washer, Plain	2	
16	181466	Washer, Lock	2	
17	154087	Seal, Rectangular Ring	1	

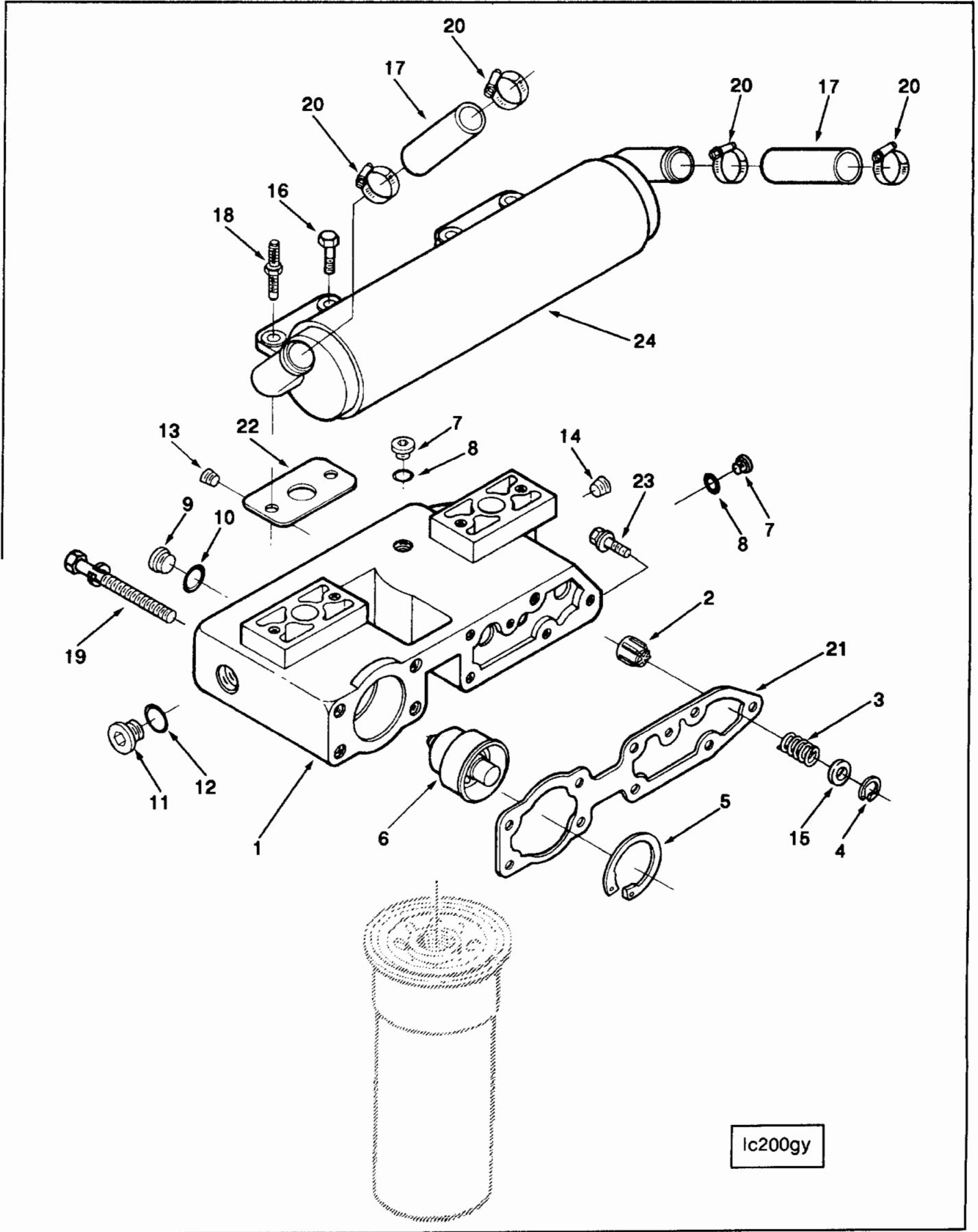


fw200gd

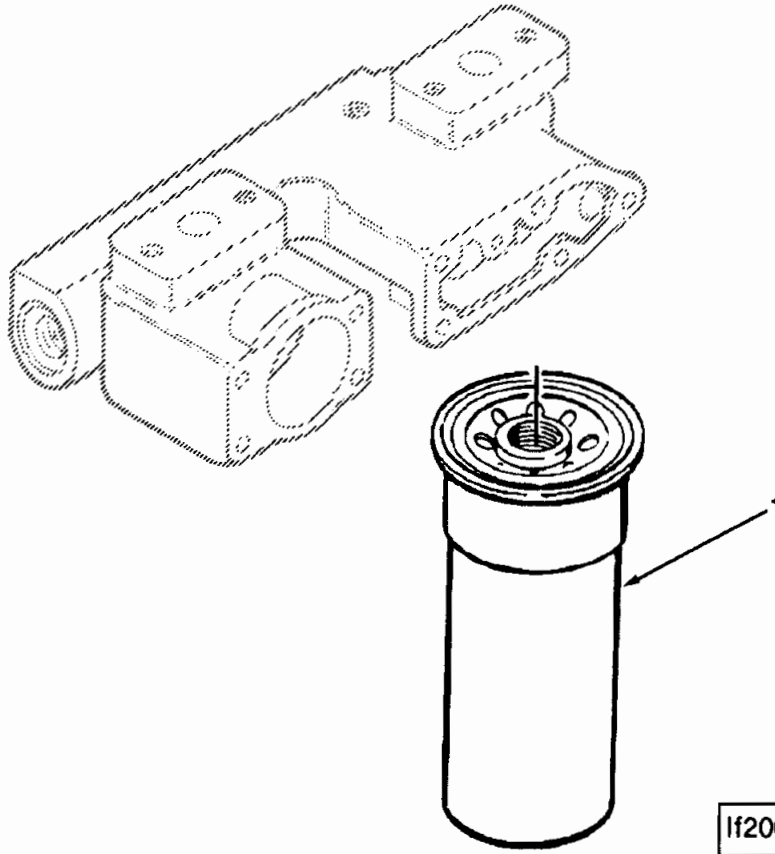
Ref No.	Part Number	Part Name	Req	Remarks
FLYWHEEL AND RING GEAR				
OPTION FW2102				
1	3027547	Flywheel	1	Flywheel with 18.37 inch (467mm) diameter mounting flange. Can be used with Twin Disc SP-114-P.
2	(3027525)	Flywheel	1	
2	4851	Gear, Flywheel Ring	1	
3	3821676	Screw, Hexagon Head Cap	8	
M14 x 1.50 x 35				



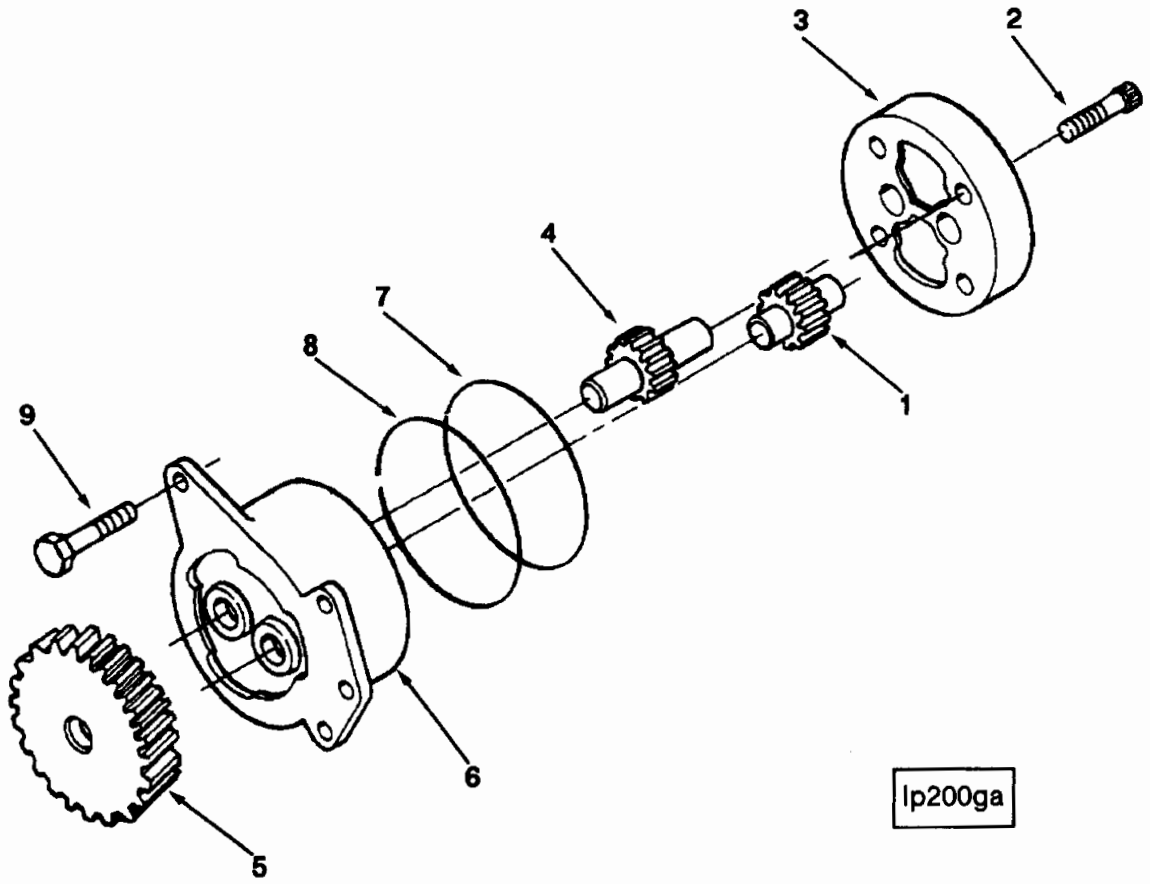
Ref No.	Part Number	Part Name	Req	Remarks
LIFTING BRACKET OPTION LA2037				
1	3251557	Bracket, Lifting	1	Front
2	3035815	Bracket, Lifting	1	Rear
3	3335003	Screw, Hexagon Head Cap	2	M10 x 1.50 x 30
4	3335044	Screw, Hexagon Head Cap	3	M10 x 1.50 x 25



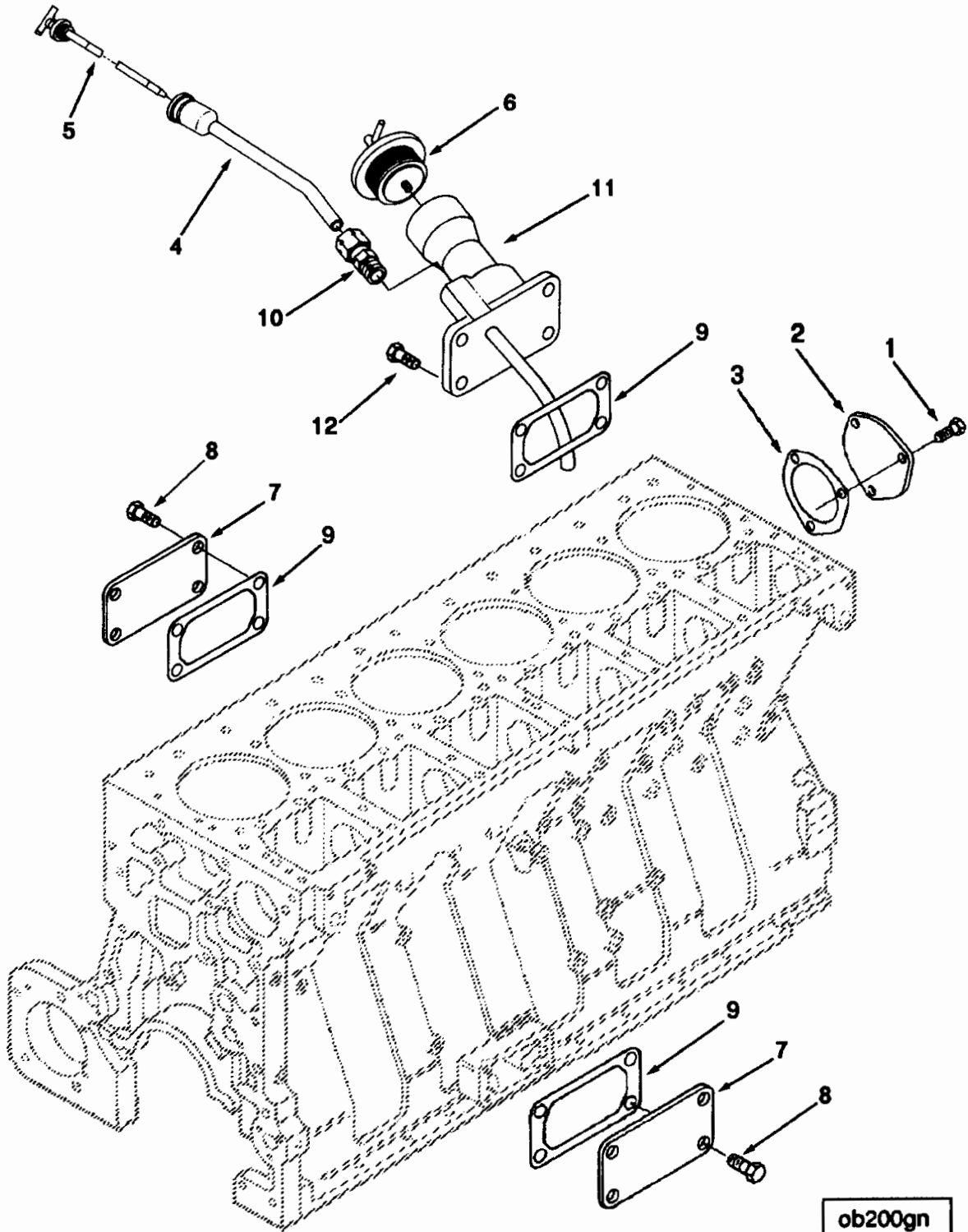
Ref No.	Part Number	Part Name	Req	Remarks
		LUBRICATING OIL COOLER OPTION LC2705		Lubricating oil cooler with combination full flow/bypass filter head and element. Includes oil thermostat. Without Compuchek.
	3074119	Assembly, Lub Oil Filter	1	
1	3820332	Head, Lub Oil Filter	1	
2	3820320	Plunger, Bypass Valve	1	
3	3882586	Spring, Compression	1	
4	3820631	Ring, Retaining	1	
5	3820782	Ring, Retaining	1	
6	3059408	Thermostat	1	
	3037536	Plug, Threaded	2	9/16 - 18 inch
7	(3040813)	Plug, Threaded	1	
8	3037537	Seal, O Ring	1	
	3046202	Plug, Threaded	1	
9	(3040810)	Plug, Threaded	1	3/4 - 16 inch
10	3046201	Seal, O Ring	1	
	3040815	Plug, Threaded	1	
11	(3040816)	Plug, Threaded	1	7/8 - 14 inch
12	3040817	Seal, O Ring	1	
13	3008466	Plug, Pipe	1	
14	3008468	Plug, Pipe	1	
15	3882585	Plug, Expansion	1	
16	3034836	Screw, Hexagon Head Cap	2	M10 x 1.50 x 30
17	3820665	Hose, Plain	2	1.25 inch ID x 2.75 inch
18	3883394	Screw, Hexagon Head Cap	2	M10 x 1.50 x 30
19	3892106	Screw, Captive Washer Cap	6	M10 x 1.50 x 170
20	3026806	Clamp, Hose	4	
21	3820629	Gasket, Filter Head	1	
22	3892625	Gasket, Oil Cooler Support	2	
23	3819448	Screw, Captive Washer Cap	3	M10 x 1.50 x 30
24	3882324	Cooler, Lubricating Oil	1	



Ref No.	Part Number	Part Name	Req	Remarks
1	3825970	<p style="text-align: center;">LUBRICATING OIL FILTER OPTION LF2018</p> <p>Element, Lub Oil Filter</p>	1	<p>Engine mounted combination full flow/bypass filter, with replaceable spin on cartridge. Location is on exhaust side of engine.</p>

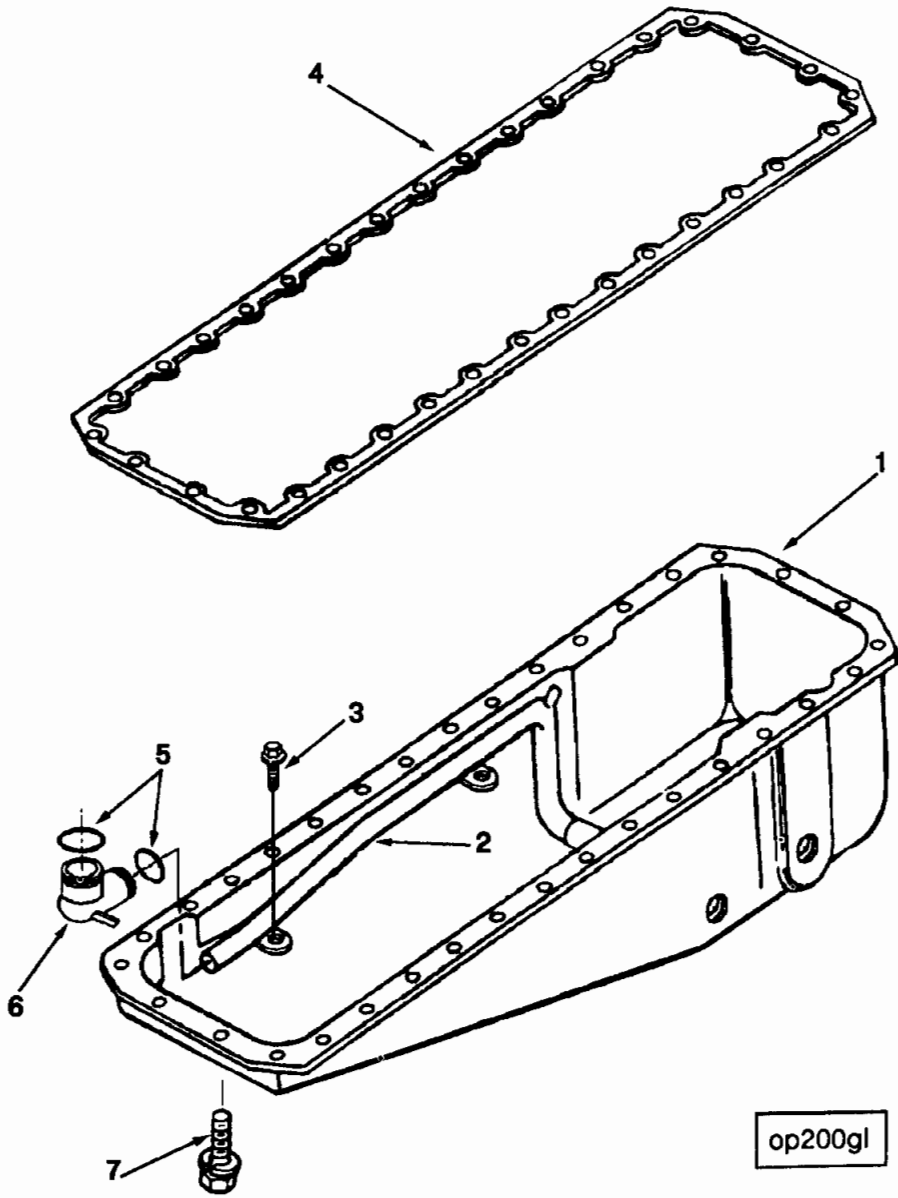


Ref No.	Part Number	Part Name	Req	Remarks
		LUBRICATING OIL PUMP OPTION LP2001		
	3803241	Pump, Lubricating Oil	1	
	(3820882)	Pump, Lubricating Oil	1	
1	3025124	Gear & Shaft	1	
	(3021050)	Gear, Lub Oil Pumping	1	
	(3025114)	Shaft, Lub Oil Pump	1	
2	3610503	Screw, Socket Head Cap	4	M8 x 1.25 x 20
3	3818686	Cover, Lub Oil Pump	1	
4	3025123	Gear & Shaft	1	
	(3021050)	Gear, Lub Oil Pumping	1	
	(3025113)	Shaft, Lub Oil Pump	1	
5	3038992	Gear, Lubricating Oil Pump	1	
6	3820884	Body, Lubricating Oil Pump	1	
7	3033247	Seal, O Ring	1	
8	3033248	Seal, O Ring	1	
9	3820316	Screw, Hexagon Head Cap	3	M8 x 1.25 x 16
		REPAIR BUSHING		
	3009376	Bushing	4	Service only

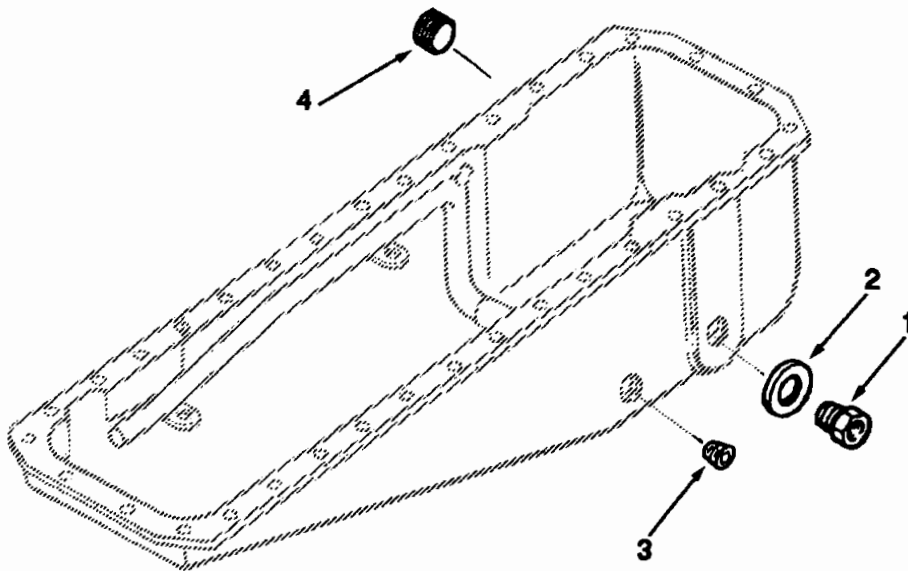


ob200gn

Ref No.	Part Number	Part Name	Req	Remarks
		DIPSTICK AND OIL FILLER OPTION OB2277		Dipstick and oil fill arrangement. Oil fill and dipstick located at rear on turbo side of engine. Use with rear sump oil pan. Dipstick calibrated for 9 gal high and 8 gal low at 0 degree power angle and 0 degree tilt.
1	3009887	Screw, Hexagon Head Cap	3	M10 x 1.50 x 22
2	3025295	Cover, Camshaft	1	
3	3025296	Gasket, Cover Plate	1	
4	165658	Tube, Oil Gauge	1	
5	3893835	Dipstick	1	
6	101322	Cap, Filler	1	
7	3028684	Cover, Hand Hole	2	
8	3036230	Screw, Hexagon Head Cap	8	M10 x 1.50 x 20
9	3883472	Gasket, Hand Hole	3	
10	163759	Connector, Tube	1	
11	3820463	Cover, Hand Hole	1	
12	3335044	Screw, Hexagon Head Cap	4	M10 x 1.50 x 25



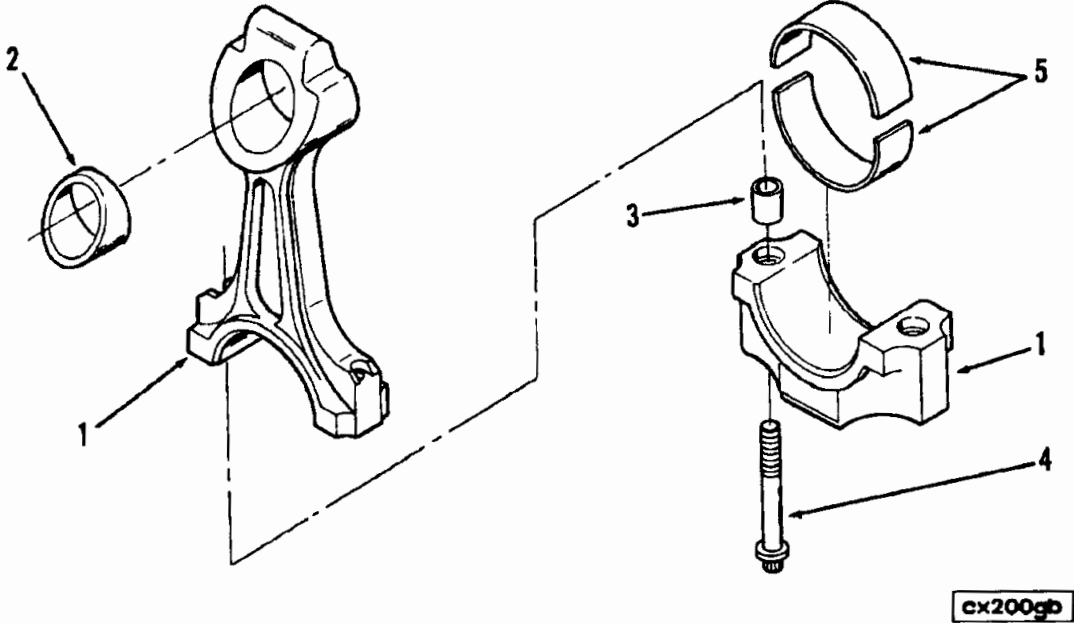
Ref No.	Part Number	Part Name	Req	Remarks
		OIL PAN OPTION OP2056		Rear sump steel stamped oil pan. High level - 9.0 U.S. gallon (34.1 litre) Low level - 7.0 U.S. Gallon (26.5 litre) Angularity: Front down - 25 degrees. Front up - 25 degrees... Side to side - 35 degrees.
	3077448	Pan, Oil	1	
1	(3077446)	Pan, Oil	1	
2	3070759	Tube, Lub Oil Suction	1	
3	3900630	Screw, Hex Flange Head Cap	3	M8 x 1.25 x 20
4	3882733	Gasket, Oil Pan	1	
5	3032787	Seal, O Ring	2	
6	3882346	Tube, Lub Oil Transfer	1	
7	3819448	Screw, Captive Washer Cap	32	M10 x 1.50 x 30



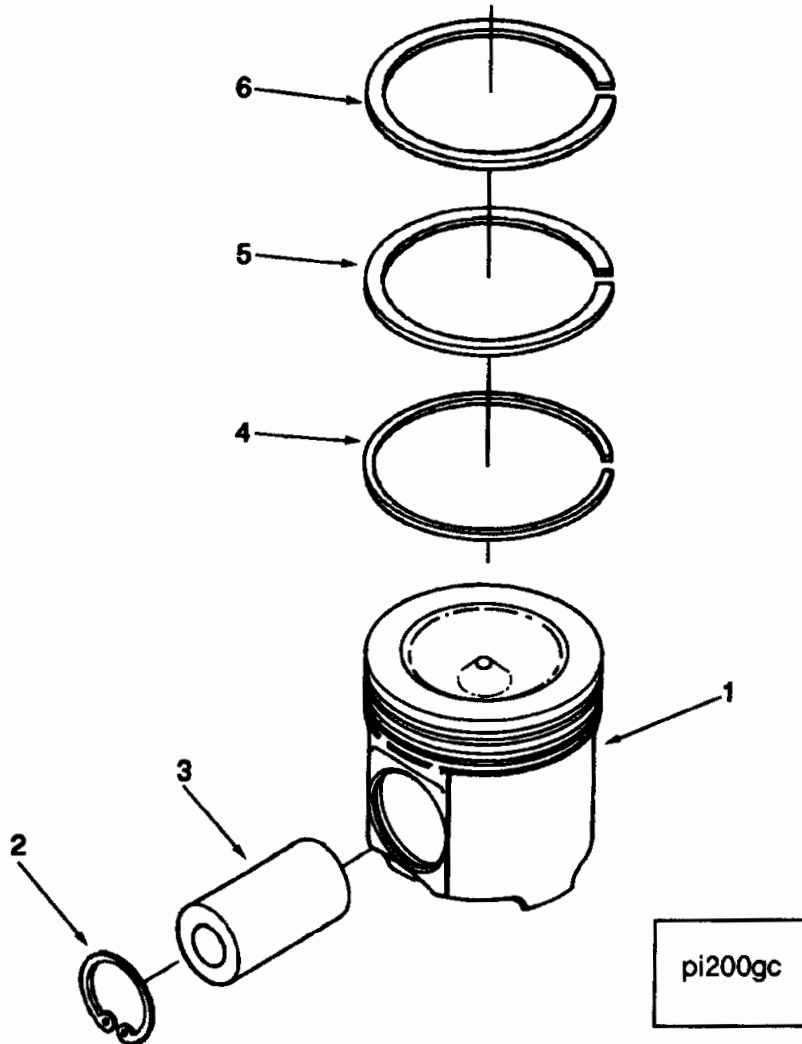
op200gm

Ref No.	Part Number	Part Name	Req	Remarks
OIL PAN PLUMBING OPTION OP2708				
1	3055069	Plug, Threaded	1	1 - 18 inch
2	67946	Washer, Plain	1	
3	3008468	Plug, Pipe	1	1/2 NPT
4	3008470	Plug, Pipe	1	1 NPT

Connecting Rod



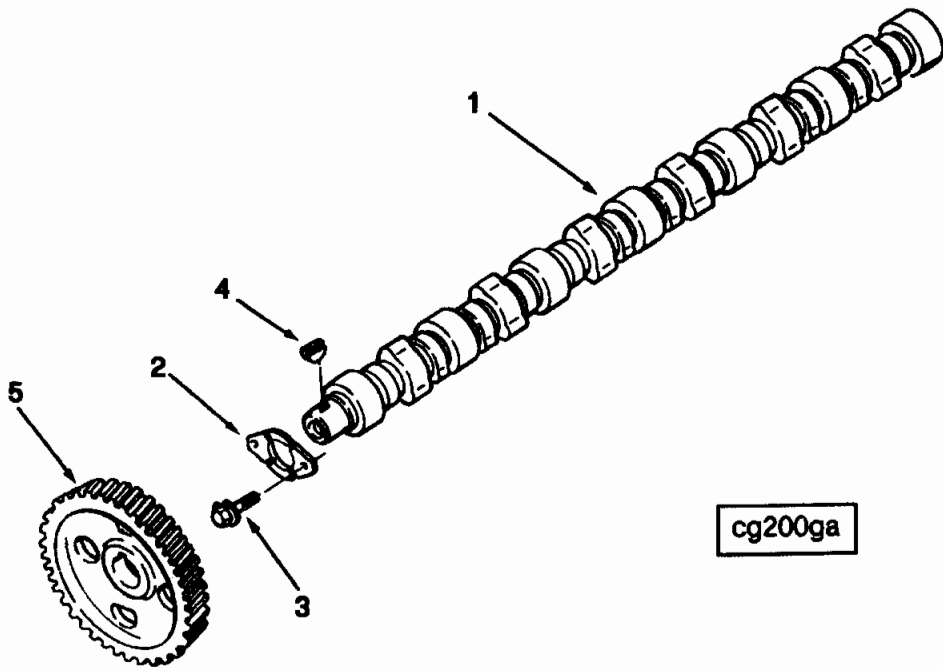
Ref No.	Part Number	Part Name	Req	Remarks
		CONNECTING ROD		
		OPTION PP1429		CPL 1429, 1800 RPM governed speed
		OPTION PP1443		CPL 1443, 1500 RPM governed speed
		OPTION PP1444		CPL 1444, 1200 RPM governed speed
1	3820302 (3820301)	Assembly, Connecting Rod	6	
2	3820303	Rod, Connecting	1	
3	3027106	Bushing	1	
4	3027108	Dowel, Ring	2	
		Screw, Connecting Rod Cap	2	M14 x 1.50 x 91
		CONNECTING ROD BEARING		
5	3016760	Bearing, Connecting Rod	12	Std.
5	3016761	Bearing, Connecting Rod	12	0.25 mm Oversize
5	3016762	Bearing, Connecting Rod	12	0.50 mm Oversize
5	3016763	Bearing, Connecting Rod	12	0.75 mm Oversize
5	3016764	Bearing, Connecting Rod	12	1.00 mm Oversize



Engine Piston Kit

Group No. 01.05

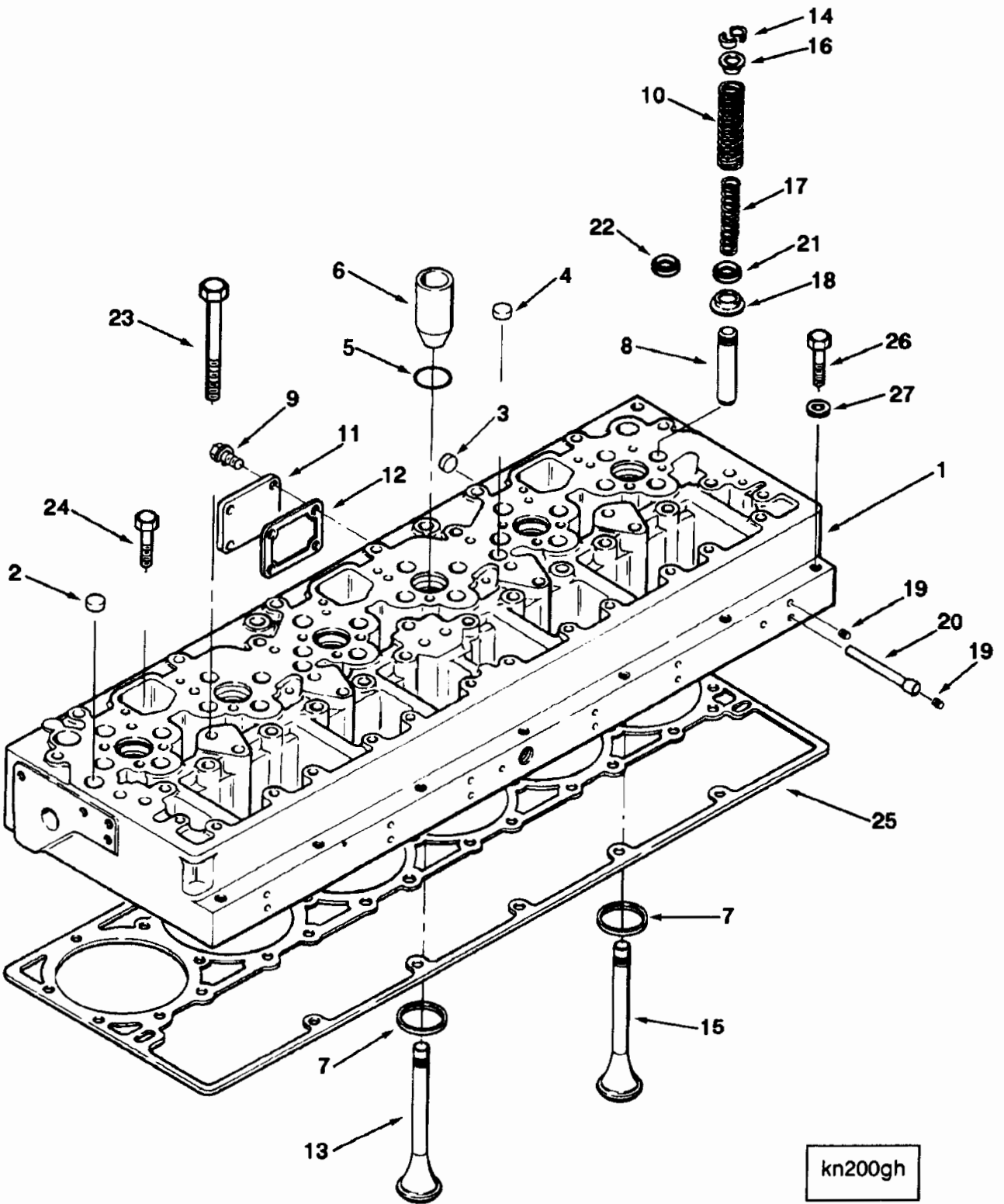
Ref No.	Part Number	Part Name	Req	Remarks
		ENGINE PISTON KIT		
		OPTION PP1429		CPL 1429, 1800 RPM governed speed
		OPTION PP1443		CPL 1443, 1500 RPM governed speed
		OPTION PP1444		CPL 1444, 1200 RPM governed speed
1	3801542 (3044448)	Kit, Engine Piston	6	
2	3016652	Piston, Engine	1	
3	3016650	Ring, Retaining	2	
		Pin, Piston	1	
4	3803350	Set, Piston Ring	1	
5	3034770	Ring, Oil	1	Oil Ring
6	3034769	Ring, Compression	1	2nd Ring
	3070381	Ring, Compression	1	Top Ring
		CYLINDER KIT		
	3803465	Kit, Cylinder	6	
	(3064627)	Liner, Cylinder	1	
	(3044448)	Piston, Engine	1	
	3047188	Seal, Rectangular	1	
	3016650	Pin, Piston	1	
	3016652	Ring, Retaining	2	
	3803350	Set, Piston Ring	1	
	3070381	Ring, Compression	1	
	3034769	Ring, Compression	1	
	3034770	Ring, Oil Piston	1	



Ref No.	Part Number	Part Name	Req	Remarks
		CAMSHAFT		
		OPTION PP1429		CPL 1429, 1800 RPM governed speed
		OPTION PP1443		CPL 1443, 1500 RPM governed speed
		OPTION PP1444		CPL 1444, 1200 RPM governed speed
1	3037523	Camshaft	1	
2	3818273	Support, Camshaft Thrust	1	
3	3822067	Screw, Captive Washer Cap	2	M10 x 1.50 x 25
4	3030894	Key, Offset	1	
5	3038989	Gear, Camshaft	1	

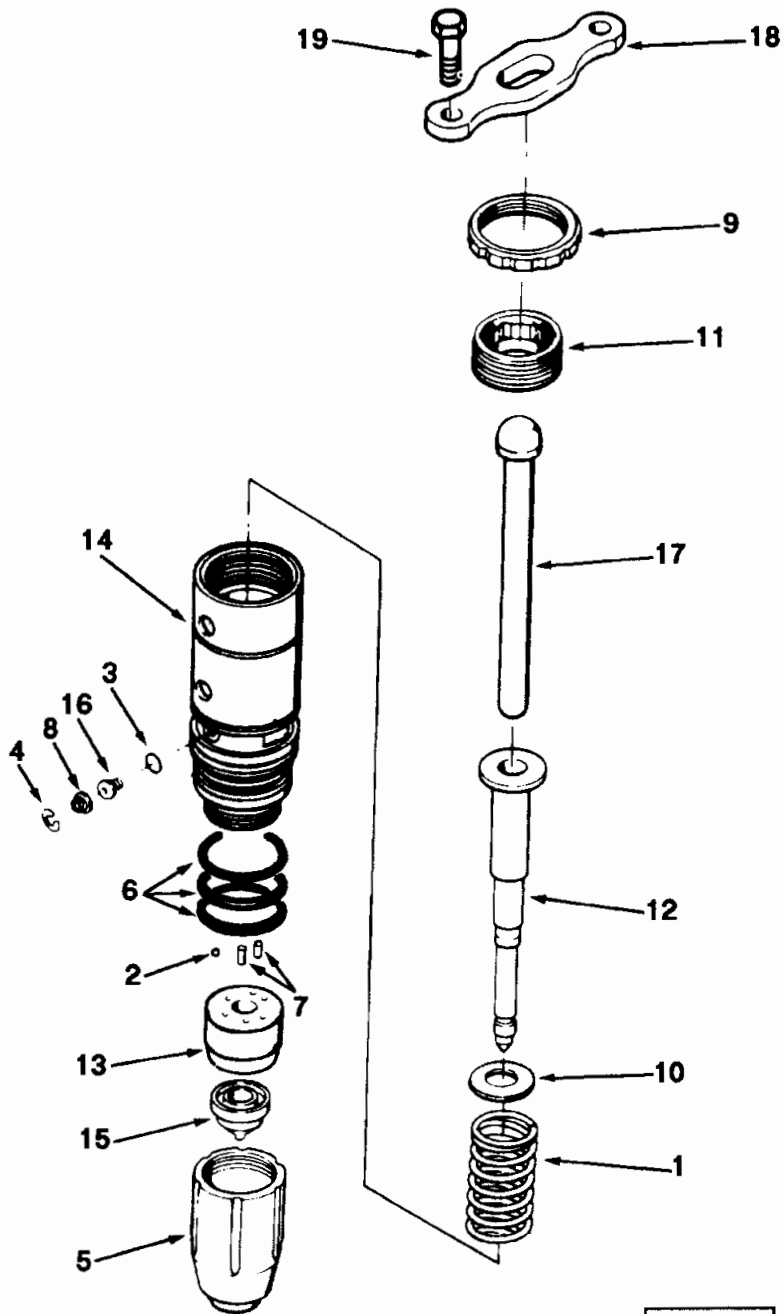
Camshaft Keys

Ref No.	Part Number	Part Name	Req	Remarks
		CAMSHAFT KEYS		
				Amount of Offset
	3009953	Key, Camshaft		0.000 mm Amount of Offset.
	3009948	Key, Camshaft		0.220 mm Amount of Offset.
	3009949	Key, Camshaft		0.435 mm Amount of Offset.
	3009950	Key, Camshaft		0.655 mm Amount of Offset.
	3009951	Key, Camshaft		0.875 mm Amount of Offset.
	3030893	Key, Camshaft		0.110 mm Amount of Offset.
	3030894	Key, Camshaft		0.330 mm Amount of Offset.
	3030895	Key, Camshaft		0.545 mm Amount of Offset.
	3030896	Key, Camshaft		0.765 mm Amount of Offset.
	3030897	Key, Camshaft		0.985 mm Amount of Offset.
	3030898	Key, Camshaft		1.090 mm Amount of Offset.
	3819630	Key, Camshaft		0.275 mm Amount of Offset.
				Angle of Offset
	3009953	Key, Camshaft		0 deg. 00' Angle of Offset.
	3009948	Key, Camshaft		0 Deg. 30' Angle of Offset.
	3009949	Key, Camshaft		1 Deg. 00' Angle of Offset.
	3009950	Key, Camshaft		1 Deg. 30' Angle of Offset.
	3009951	Key, Camshaft		2 Deg. 00' Angle of Offset.
	3030893	Key, Camshaft		0 Deg. 15' Angle of Offset.
	3030894	Key, Camshaft		0 Deg. 45' Angle of Offset.
	3030895	Key, Camshaft		1 Deg. 15' Angle of Offset.
	3030896	Key, Camshaft		1 Deg. 45' Angle of Offset.
	3030897	Key, Camshaft		2 Deg. 15' Angle of Offset.
	3030898	Key, Camshaft		2 Deg. 30' Angle of Offset.
	3819630	Key, Camshaft		0 Deg. 37' Angle of Offset.



Cylinder Head

Ref No.	Part Number	Part Name	Req	Remarks
		CYLINDER HEAD		
		OPTION PP1429		CPL 1429, 1800 RPM governed speed
		OPTION PP1443		CPL 1443, 1500 RPM governed speed
		OPTION PP1444		CPL 1444, 1200 RPM governed speed
1	3892752 (3055723)	Head, Cylinder	1	
2	3007632	Head, Cylinder	1	
3	206741	Plug, Expansion	2	
4	3007635	Plug, Expansion	2	
5	3007759	Plug, Expansion	8	
6	3011934	Seal, O Ring	6	
7	3820700	Sleeve, Injector	6	
8	3073512	Insert, Valve	24	
9	3818060	Guide, Valve Stem	24	
10	3033232	Screw, Captive Washer Cap	4	M10 x 1.50 x 25
11	3018037	Spring, Valve	24	Intake and Exhaust
12	3820872	Plate, Cover	1	
13	3801356	Gasket, Cover Plate	1	
14	(3033234)	Valve, Intake	12	
15	3275354	Valve, Intake	12	
16	3801357	Collet, Valve	24	
17	(3818520)	Valve, Exhaust	12	
18	3275354	Valve, Exhaust	12	
19	3033231	Collet, Valve	24	
20	3033233	Retainer, Valve Spring	24	
21	3033230	Spring, Valve	24	Intake and Exhaust
22	3008465	Guide, Spring	24	
23	3820749	Plug, Pipe	16	
24	3073509	Plug, Orifice	6	
25	3073510	Seal, Valve Stem	12	Intake
26		Seal, Valve Stem	12	Exhaust
		MISCELLANEOUS PARTS		
23	3045850	Screw, Hexagon Head Cap	29	M14 x 1.50 x 140
24	3045849	Screw, Hexagon Head Cap	3	M14 x 1.50 x 75
25	3883718	Gasket, Cylinder Head	1	
26	3028272	Screw, Twelve Point Cap	7	M10 x 1.50 x 75
27	3882885	Washer, Plain	7	
		VALVE STEM GUIDE		
	3074118	Guide, Valve Stem		.20 mm Oversize
		OVERSIZE VALVE SEATS		
	3028071	Seat, Oversize Valve		.25 mm Oversize
	3028072	Seat, Oversize Valve		.50 mm Oversize
	3028073	Seat, Oversize Valve		.75 mm Oversize
	3028074	Seat, Oversize Valve		1.00 mm Oversize

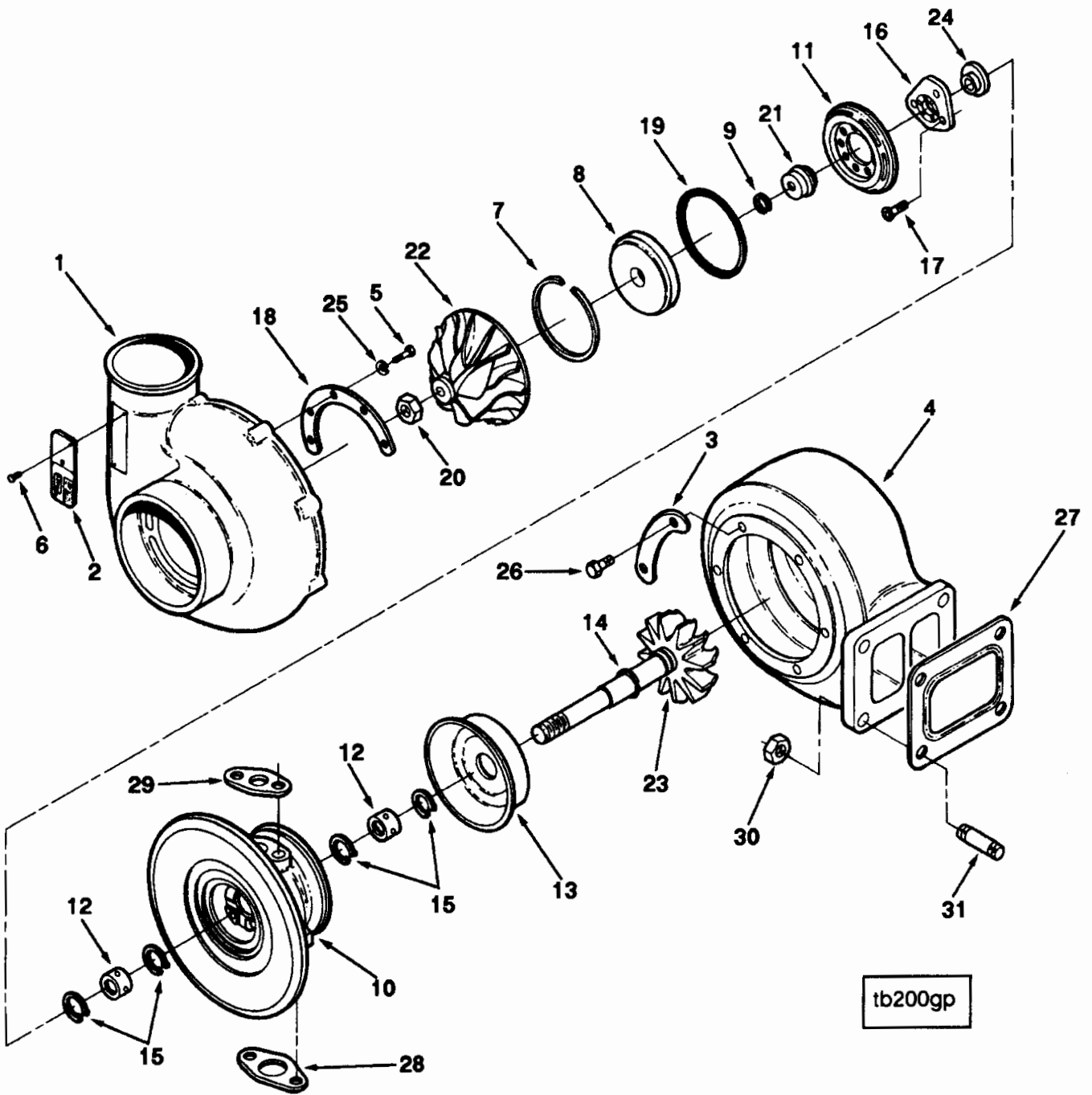


fi200ga

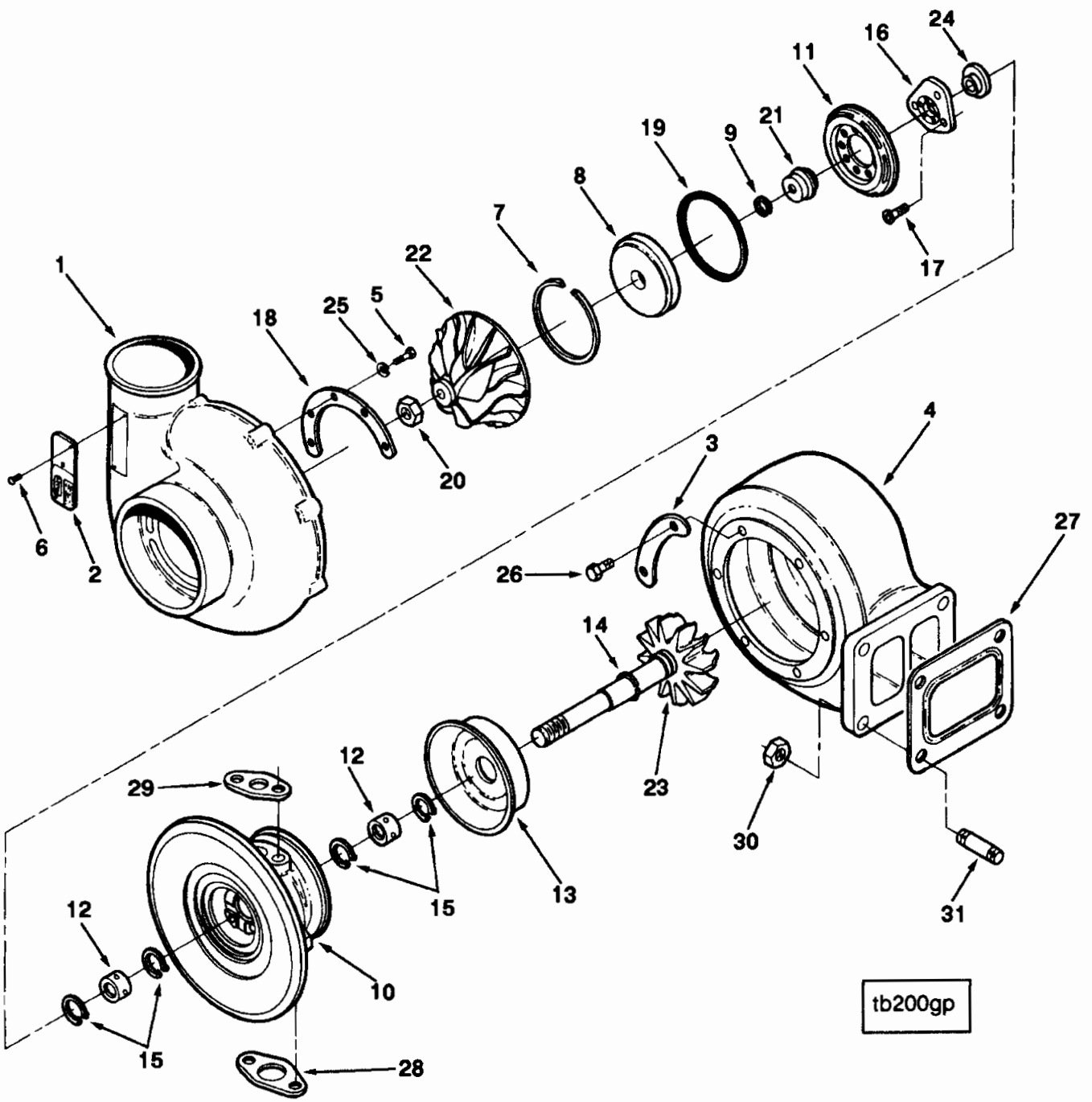
Injectors

Group No. 06.01

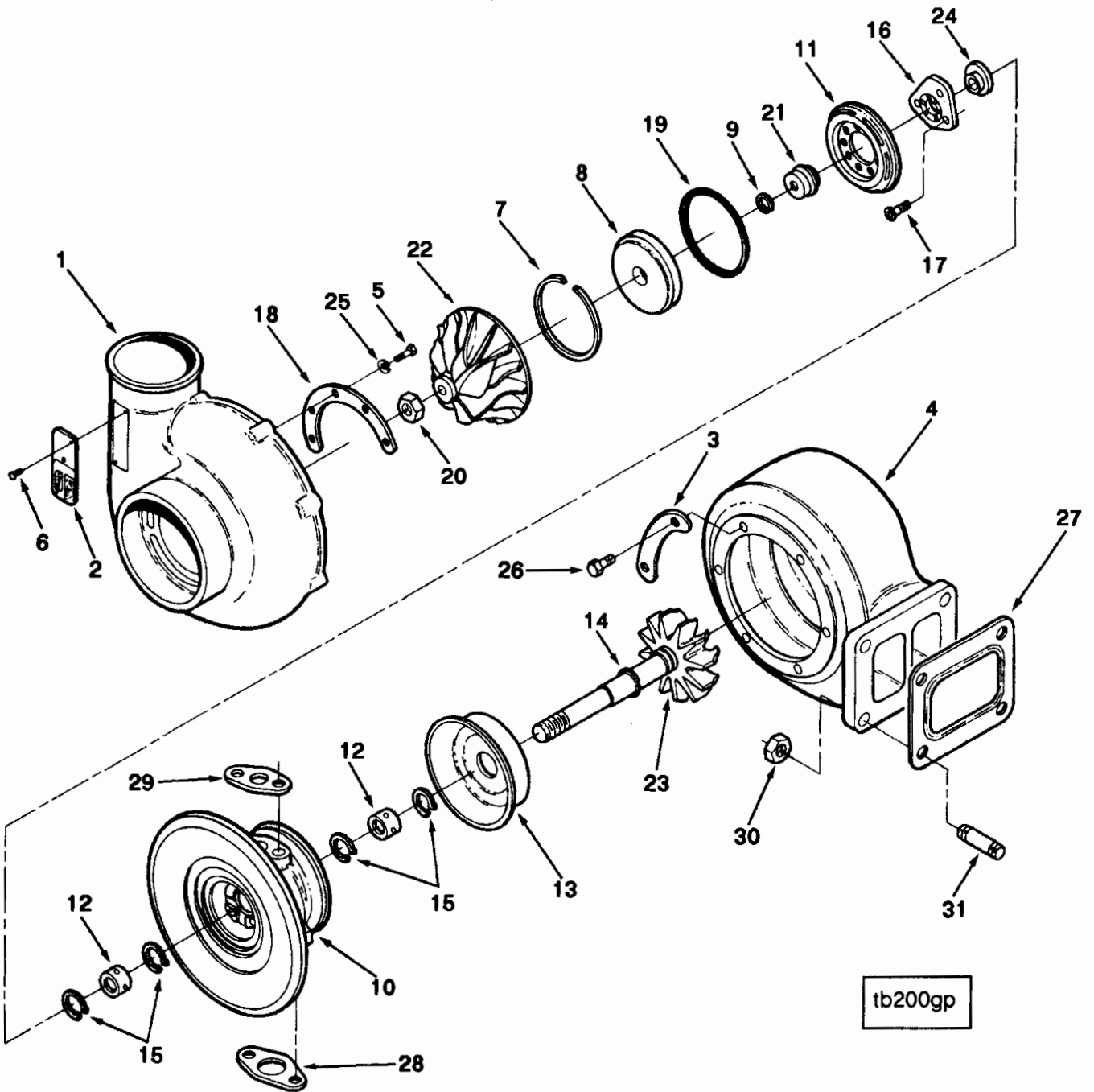
Ref No.	Part Number	Part Name	Req	Remarks
		INJECTORS		
		OPTION PP1429		CPL 1429, 1800 RPM governed speed
		OPTION PP1443		CPL 1443, 1500 RPM governed speed
		OPTION PP1444		CPL 1444, 1200 RPM governed speed
	3076736	Injector	6	
1	3062104	Spring, Compression	1	
2	167157	Ball, Check	1	
3	173086	Gasket, Injector	1	
4	174299	Retainer, Screen	1	
5	185138	Retainer, Injector Cup	1	
6	193736	Seal, O Ring	3	
7	203426	Pin, Roll	2	
8	3008706	Screen, Filter	1	
9	3009362	Nut, Lock	1	
10	3049995	Retainer, Injector Spring	1	
11	3018772	Screw, Injector Stop	1	
	3076738	Barrel & Plunger	1	
12	(3049997)	Plunger, Injector	1	
13	(3076737)	Barrel, Injector	1	
14	3028066	Adapter, Injector	1	
15	3073753	Cup, Injector	1	
16	(3045047)	Plug, Orifice	1	
17	3028065	Link, Injector Plunger	6	
18	3028346	Clamp, Injector	6	
19	3028367	Screw, Hexagon Head Cap	12	M8 x 1.25 x 80



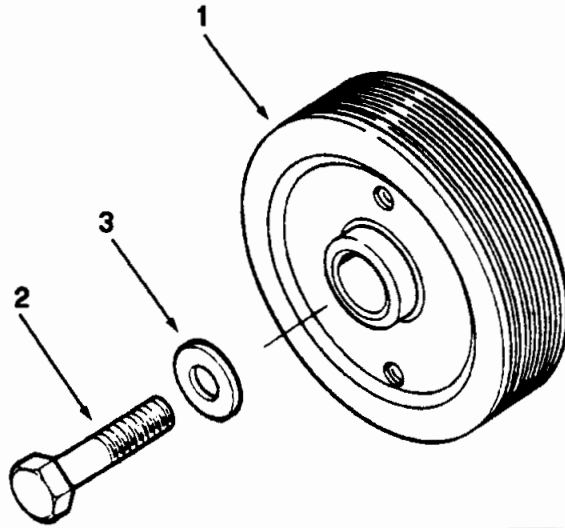
Ref No.	Part Number	Part Name	Req	Remarks
		TURBOCHARGER		
		OPTION PP1429		
				CPL 1429, 1800 RPM governed speed. 22 sq. cm. turbine casing
	3803024	Turbocharger	1	H2D
	(3525237)	Turbocharger	1	
1	3525002	Housing, Compressor	1	
2	3525562	Dataplate	1	
3	3502017	Plate, Clamping	3	
4	3522952	Housing, Turbine	1	
5	3524262	Screw, Hexagon Head Set	8	M6 x 1.0 x 12
6	3519163	Screw, Drive	2	
7	3762449	Ring, Retaining	1	
8	3762564	Plate, Oil Seal	1	
9	3758848	Seal, Split Ring	1	
10	3525199	Housing, Turbine Bearing	1	
11	3503668	Baffle, Oil	1	
12	3504413	Bearing, Turbocharger	2	
13	3503348	Shield, Heat	1	
14	3756754	Seal, Split Ring	1	
15	3709753	Ring, Retaining	4	
16	3523613	Bearing, Thrust	1	
17	3503347	Screw, Flat Head Cap	3	M5 x .80 x 16
18	3523227	Plate, Clamping	4	
19	3762915	Seal, O Ring	1	
20	3760250	Nut, Lock	1	
21	3502231	Slinger, Oil	1	
22	3524996	Impeller, Tur Compressor	1	
23	3522773	Shaft and Wheel	1	
24	3523542	Collar, Thrust	1	
25	3518004	Washer, Lock	4	
26	3759917	Screw, Hexagon Head Set	6	M8 x 1.25 x 12
27	3755843	Gasket, Turbocharger	1	
28	3819378	Gasket, Turbocharger	1	
29	3519762	Gasket, Turbocharger	1	
	3801888	Kit, Stud	4	
30	3818824	Nut, Hexagon Flange	1	
31	3818823	Stud	1	
		TURBOCHARGER REPAIR KIT		
	3545653	Kit, Turbocharger Repair	1	
7	3762449	Ring, Retaining	1	
9	3758848	Seal, Split Ring	1	
12	3504413	Bearing, Turbocharger	2	
14	3756754	Seal, Split Ring	1	
15	3709753	Ring, Retaining	4	
16	3523613	Bearing, Thrust	1	
17	3503347	Screw, Flat Head Cap	3	M5 x .80 x 16
19	3762915	Seal, O Ring	1	
25	3518004	Washer, Lock	8	
26	3759917	Screw, Hexagon Head Set	6	M8 x 1.25 x 12
	3545576	Kit, Turbocharger Gasket	1	
27	3755843	Gasket, Turbocharger	1	
28	3819378	Gasket, Turbocharger	1	
29	3519762	Gasket, Turbocharger	1	



Ref No.	Part Number	Part Name	Req	Remarks
		TURBOCHARGER		
		OPTION PP1443		CPL 1443, 1500 RPM governed speed. 19 sq. cm. turbine casing
	3803018	Turbocharger	1	H2D
	(3525743)	Turbocharger	1	
1	3525002	Housing, Compressor	1	
2	3525562	Dataplate	1	
3	3502017	Plate, Clamping	3	
4	3525055	Housing, Turbine	1	
5	3524262	Screw, Hexagon Head Set	8	M6 x 1.00 x 12
6	3519163	Screw, Drive	2	
7	3762449	Ring, Retaining	1	
8	3762564	Plate, Oil Seal	1	
9	3758848	Seal, Split Ring	1	
10	3525199	Housing, Tur Bearing	1	
11	3503668	Baffle, Oil	1	
12	3504413	Bearing, Turbocharger	2	
13	3503348	Shield, Turbocharger Heat	1	
14	3756754	Seal, Split Ring	1	
15	3709753	Ring, Retaining	4	
16	3523613	Bearing, Tur Thrust	1	
17	3503347	Screw, Flat Head Cap	3	M5 x 0.08 x 16
18	3523227	Plate, Clamping	4	
19	3762915	Seal, O Ring	1	
20	3760250	Nut, Lock	1	M8 x 1.25
21	3502231	Slinger, Oil	1	
22	3524996	Impeller, Tur Compressor	1	
23	3522773	Shaft & Wheel	1	
24	3523542	Collar, Thrust	1	
25	3518004	Washer, Lock	4	M6
26	3759917	Screw, Hexagon Head Set	6	M8 x 1.25 x 12
27	3755843	Gasket, Turbocharger	1	
28	3819378	Gasket, Turbocharger	1	
29	3519762	Gasket, Turbocharger	1	
	3801888	Kit, Stud	4	
30	3818824	Nut, Hexagon Flange	1	M10 x 1.50
31	3818823	Stud	1	
		TURBOCHARGER REPAIR KIT		
	3545653	Kit, Turbo Repair	1	
7	3762449	Ring, Retaining	1	
9	3758848	Seal, Split Ring	1	
12	3504413	Bearing, Turbocharger	2	
14	3756754	Seal, Split Ring	1	
15	3709753	Ring, Retaining	4	
16	3523613	Bearing, Tur Thrust	1	
17	3503347	Screw, Flat Head Cap	3	M5 x 0.08 x 16
19	3762915	Seal, O Ring	1	
25	3518004	Washer, Lock	8	M6
26	3759917	Screw, Hexagon Head Set	6	M8 x 1.25 x 12
	3545576	Kit, Turbocharger Gasket	1	
27	3755843	Gasket, Turbocharger	1	
28	3819378	Gasket, Turbocharger	1	
29	3519762	Gasket, Turbocharger	1	

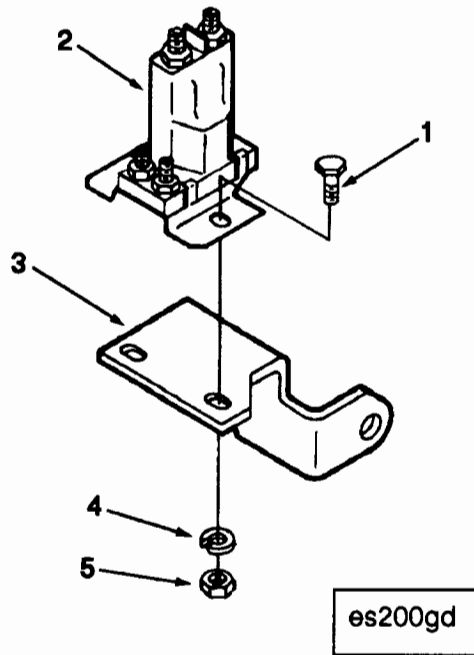


Ref No.	Part Number	Part Name	Req	Remarks
		TURBOCHARGER OPTION PP1444		CPL 1444, 1200 RPM governed speed. 19 sq. cm. turbine casing
	3803019	Turbocharger	1	H2D
	(3525745)	Turbocharger	1	
1	3525002	Housing, Compressor	1	
2	3525562	Dataplate	1	
3	3502017	Plate, Clamping	3	
4	3525054	Housing, Turbine	1	
5	3524262	Screw, Hexagon Head Set	8	M6 x 1.00 x 12
6	3519163	Screw, Drive	2	
7	3762449	Ring, Retaining	1	
8	3762564	Plate, Oil Seal	1	
9	3758848	Seal, Split Ring	1	
10	3525199	Housing, Tur Bearing	1	
11	3503668	Baffle, Oil	1	
12	3504413	Bearing, Turbocharger	2	
13	3503348	Shield, Turbocharger Heat	1	
14	3756754	Seal, Split Ring	1	
15	3709753	Ring, Retaining	4	
16	3523613	Bearing, Tur Thrust	1	
17	3503347	Screw, Flat Head Cap	3	M5 x 0.08 x 16
18	3523227	Plate, Clamping	4	
19	3762915	Seal, O Ring	1	
20	3760250	Nut, Lock	1	M8 x 1.25
21	3502231	Slinger, Oil	1	
22	3524996	Impeller	1	
23	3522232	Shaft & Wheel	1	
24	3523542	Collar, Thrust	1	
25	3518004	Washer, Lock	4	M6
26	3759917	Screw, Hexagon Head Set	6	M8 x 1.25 x 12
27	3755843	Gasket, Turbocharger	1	
28	3819378	Gasket, Turbocharger	1	
29	3519762	Gasket, Turbocharger	1	
	3801888	Kit, Stud	4	
30	3818824	Nut, Hexagon Flange	1	M10 x 1.50
31	3818823	Stud	1	
		TURBOCHARGER REPAIR KIT		
	3545653	Kit, Turbo Repair	1	
7	3762449	Ring, Retaining	1	
9	3758848	Seal, Split Ring	1	
12	3504413	Bearing, Turbocharger	2	
14	3756754	Seal, Split Ring	1	
15	3709753	Ring, Retaining	4	
16	3523613	Bearing, Tur Thrust	1	
17	3503347	Screw, Flat Head Cap	3	M5 x 0.08 x 16
19	3762915	Seal, O Ring	1	
25	3518004	Washer, Lock	8	M6
26	3759917	Screw, Hexagon Head Set	6	M8 x 1.25 x 12
	3545576	Kit, Turbocharger Gasket	1	
27	3755843	Gasket, Turbocharger	1	
28	3819378	Gasket, Turbocharger	1	
29	3519762	Gasket, Turbocharger	1	

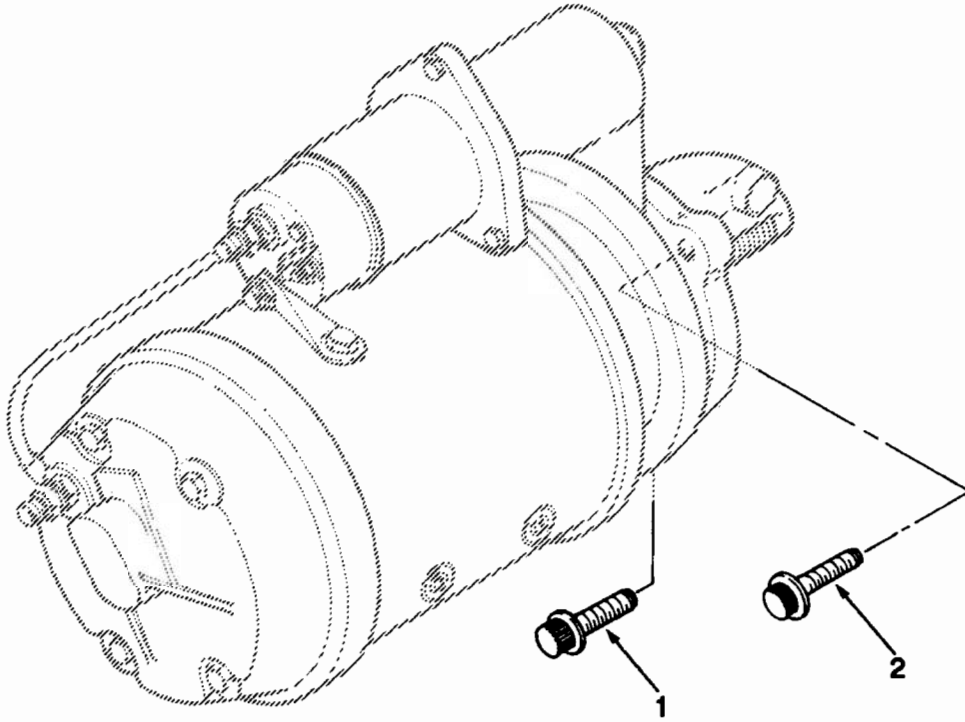


ad200ge

Ref No.	Part Number	Part Name	Req	Remarks
		ACCESSORY DRIVE PULLEY OPTION PU2001		Accessory drive pulley located on front of right side of engine facing flywheel (exhaust side) to turn alternator with 5 rib "K" section belt. Pulley is 5.5 inch diameter (140 mm) and turns 1.90 times engine speed in same direction as crankshaft.
1	3883324	Pulley, Accessory Drive	1	
2	3018671	Screw, Hexagon Head Cap	1	M12 x 1.75 x 40
3	3041247	Washer, Plain	1	

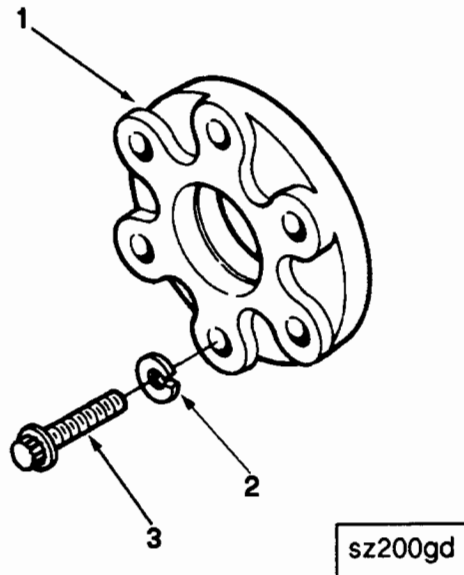


Ref No.	Part Number	Part Name	Req	Remarks
		MAGNETIC SWITCH OPTION SB8011		
1	S-118-A	Screw, Hexagon Head Cap	2	24 volt magnetic switch. 1/4 - 20 x 5/8 inch 1/4 inch
2	3916302	Switch, Magnetic	1	
3	3062484	Bracket, Magnetic Switch	1	
4	S-600	Washer, Lock	2	
5	S-258	Nut, Heavy Hexagon Jam	2	

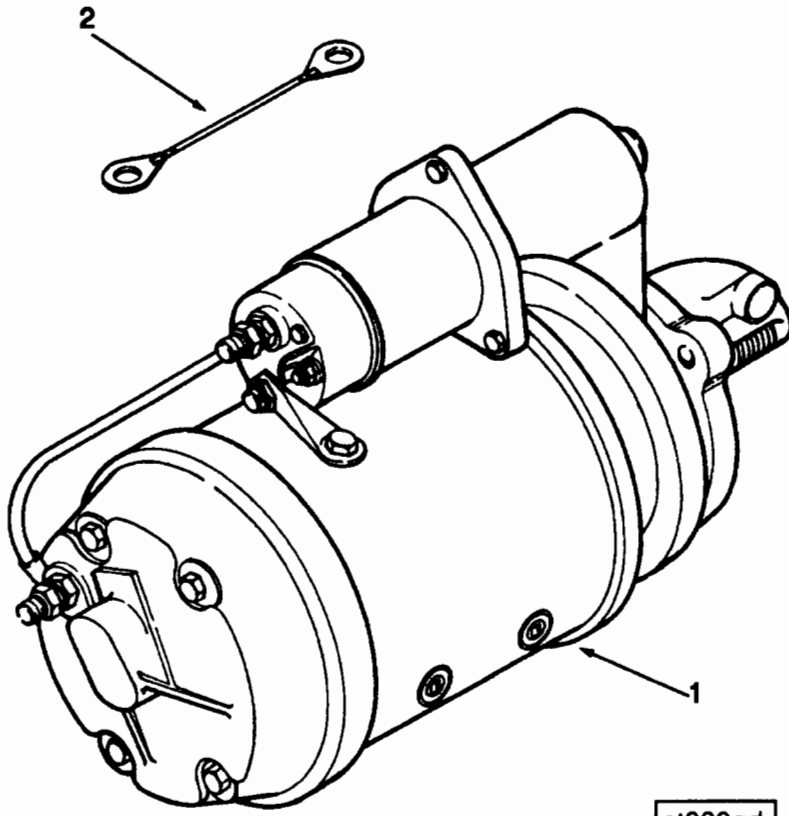


st200ge

Ref No.	Part Number	Part Name	Req	Remarks
STARTING MOTOR MOUNTING OPTION SM2010				
1	153581	Screw, Twelve Point Cap	1	Starter mounting to dry type flywheel housing. Use with magnetic switch mounted to starter mounting flange.
2	3820336	Screw, Twelve Point Cap	2	

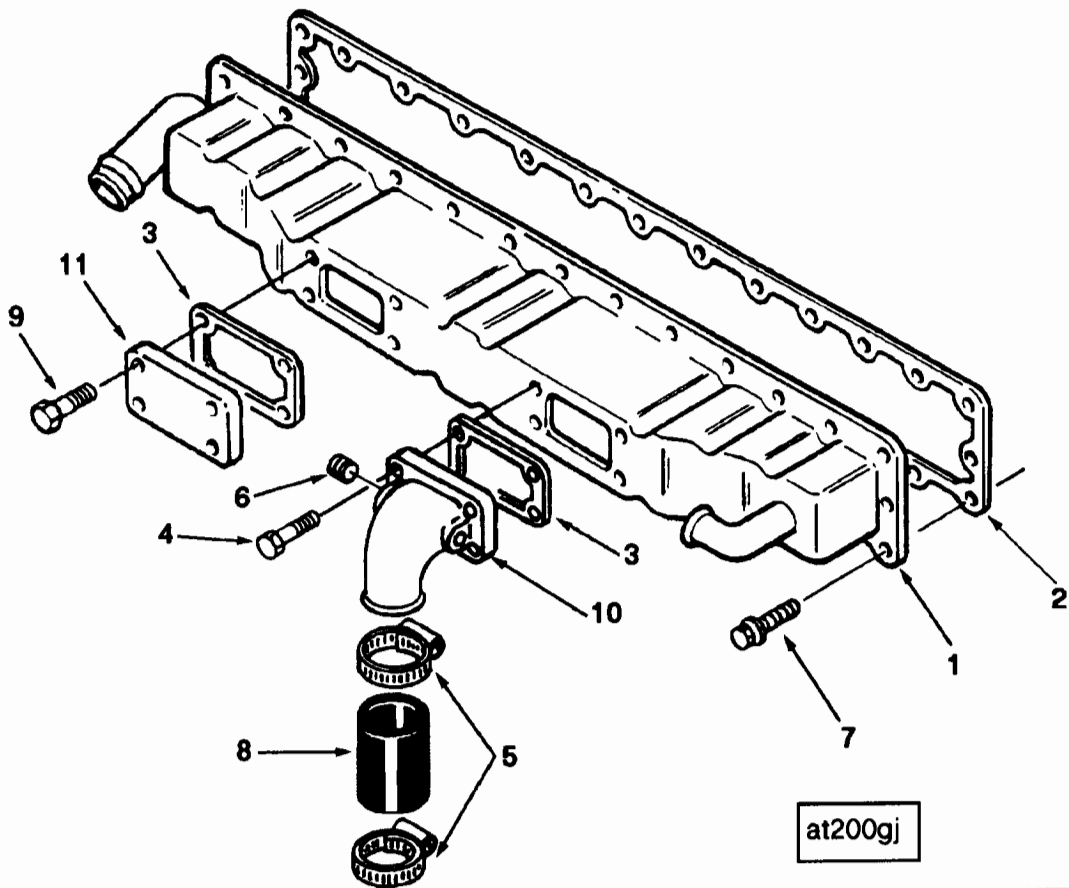


Ref No.	Part Number	Part Name	Req	Remarks
		FAN PILOT SPACER OPTION SP8240		
1	67012-1	Spacer, Fan	2	1.50 inch fan spacer with 2 inch pilot.
2	S-604	Washer, Lock	6	
3	205278	Screw, Twelve Point Cap	6	

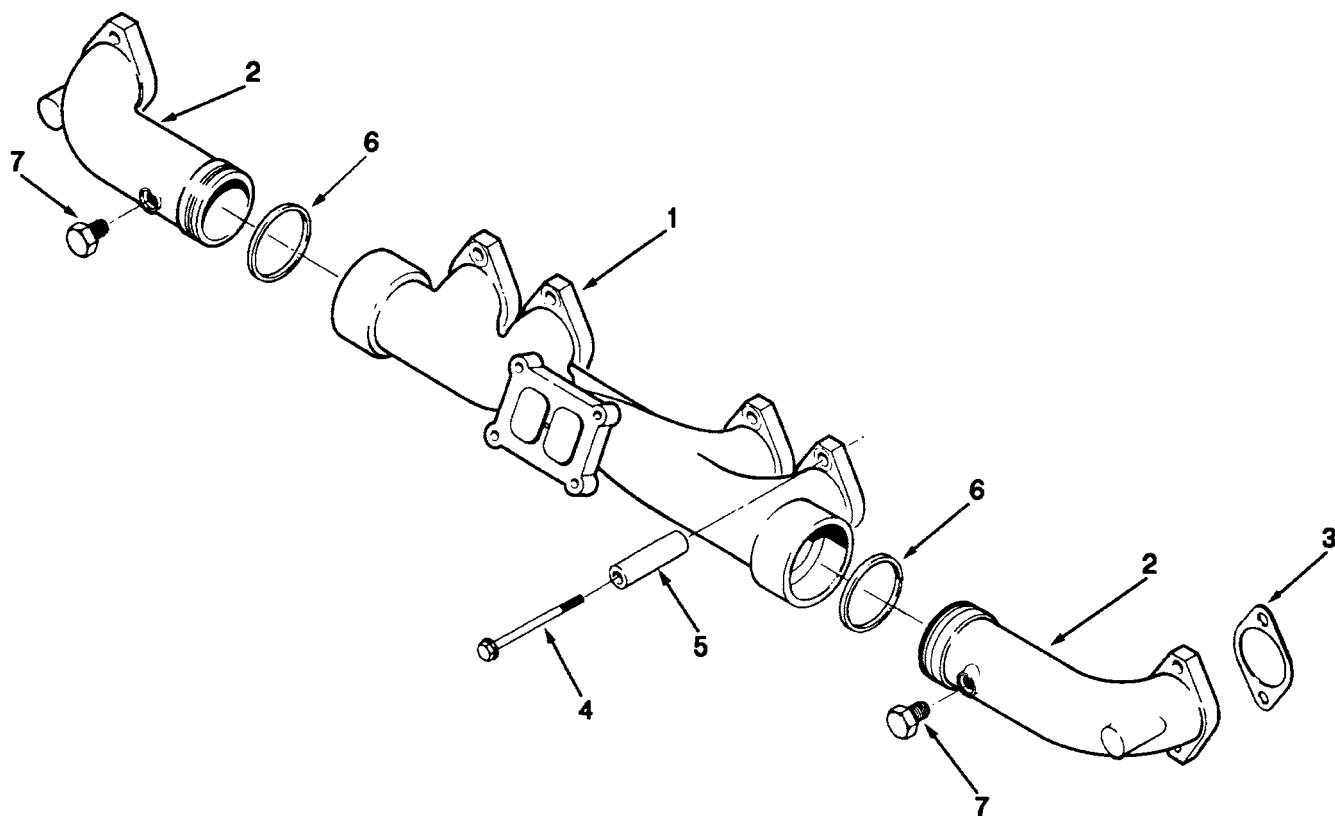


st200gd

Ref No.	Part Number	Part Name	Req	Remarks
		STARTING MOTOR OPTION ST8143		
1	3021036	Motor, Starting	1	24 volt Delco Remey type 42 MT400 insulated electric starter with ground strap.
2	3018924	Wire, Ground	1	

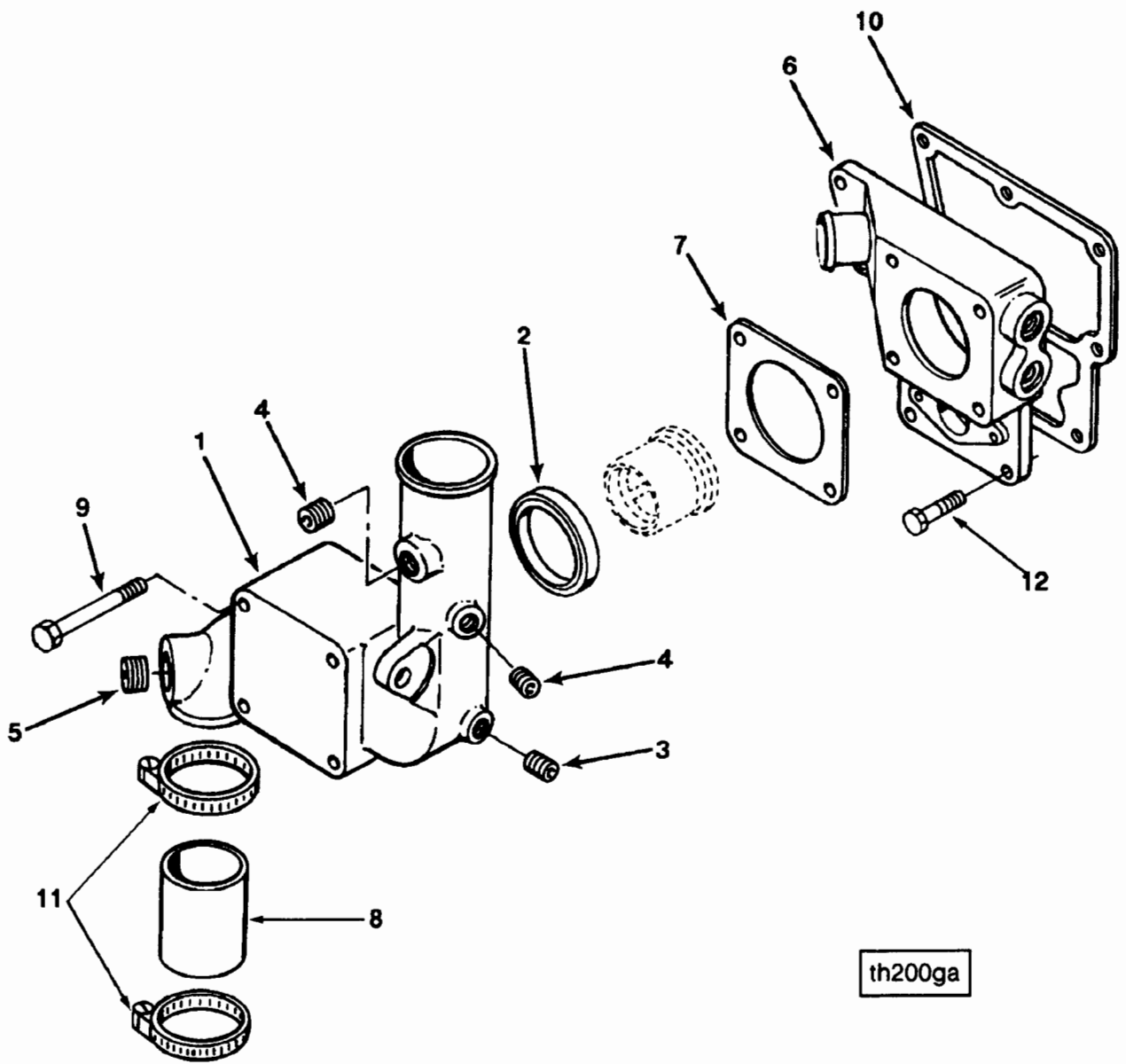


Ref No.	Part Number	Part Name	Req	Remarks
		AFTERCOOLER OPTION TB2006		Front out exhaust. Aftercooled.
1	3801801 (3821695)	Aftercooler	1	
2	3818843	Gasket, Int Manifold Cover	1	
3	3818844	Gasket, Connection	2	
4	3820317	Screw, Hexagon Head Cap	4	
5	3892347	Clamp, T Bolt	2	
6	3031511	Plug, Pipe	2	1/8 NPT
7	3819521	Screw, Hex Flange Head Cap	22	M10 x 1.50 x 20
8	3025152	Hose, Plain	1	
9	3820316	Screw, Hexagon Head Cap	4	M8 x 1.25 x 16
10	3821647	Connection, Air Intake	1	
11	3028384	Plate, Cover	1	

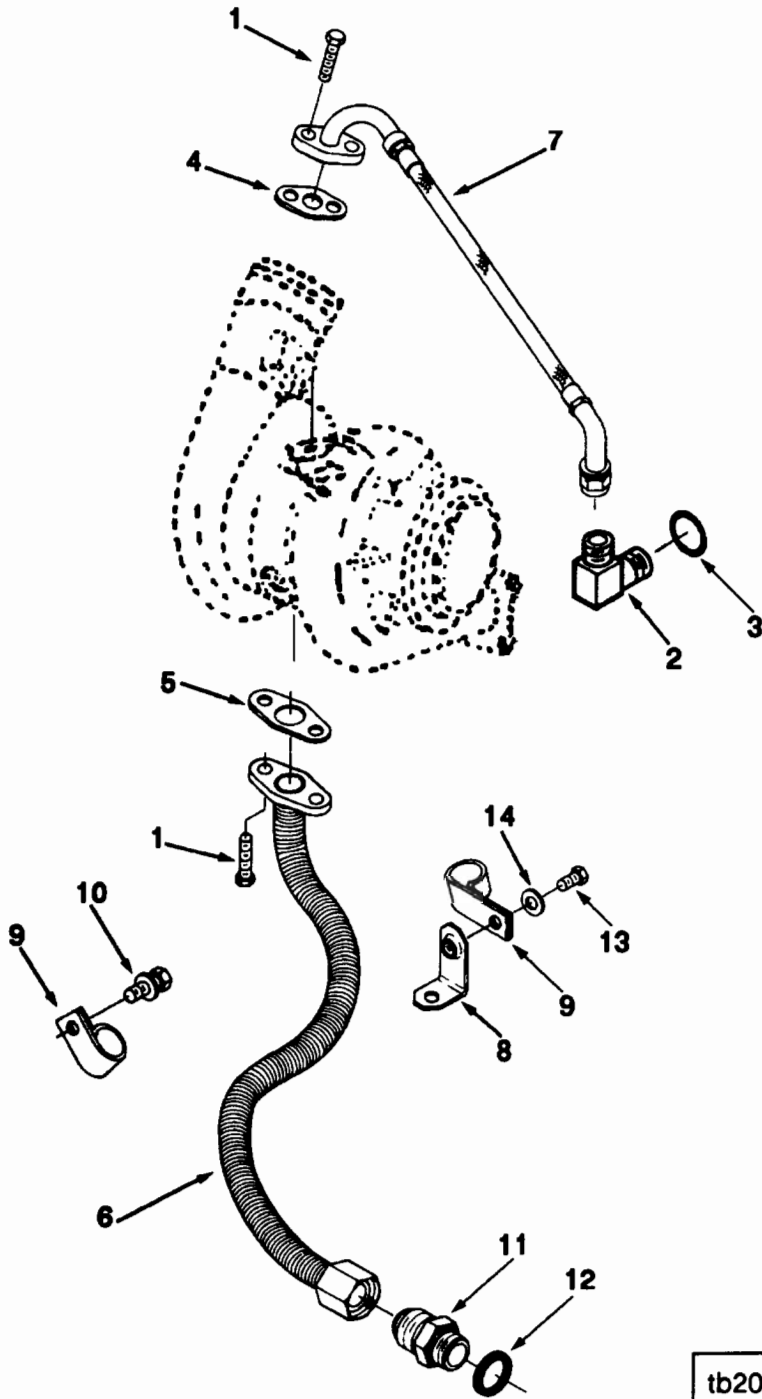


xm200gg

Ref No.	Part Number	Part Name	Req	Remarks
		EXHAUST MANIFOLD OPTION TB2006		Turbocharger location low on right side of engine. Front out exhaust. Aftercooled. For use when the front lifting bracket is mounted on the aftercooler.
1	3818128	Manifold, Exhaust	1	Center
2	3883409	Manifold, Exhaust	2	Front and Rear
3	3819760	Gasket, Exhaust Manifold	6	
4	3818121	Screw, Hex Flange Head Cap	12	M10 x 1.50 x 100
5	3818124	Spacer, Mounting	12	
6	3883407	Seal, Exhaust Manifold	2	
7	69901	Plug, Pipe	2	1/8 NPT

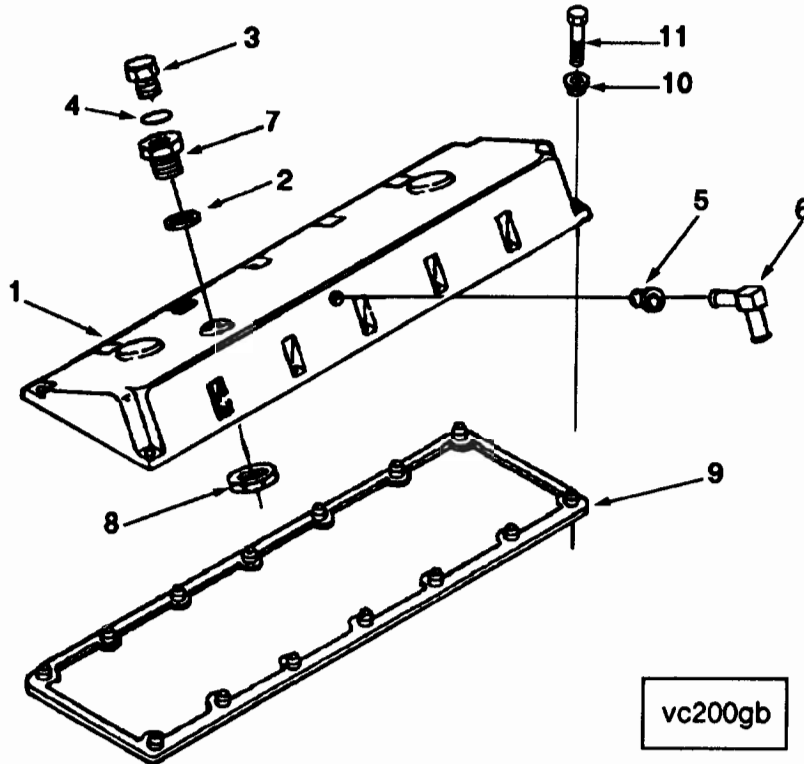


Ref No.	Part Number	Part Name	Req	Remarks
		THERMOSTAT HOUSING OPTION TH2056		
				Thermostat housing with cast- on 2.25 inch diameter water outlet connection pointing up.
	3818418	Housing, Thermostat	1	
1	(3034860)	Housing, Thermostat	1	
2	186780	Seal, Thermostat	1	
3	3008465	Plug, Pipe	1	1/8 NPT
4	3008468	Plug, Pipe	2	1/2 NPT
5	3008469	Plug, Pipe	1	3/4 NPT
6	3073779	Support, Thm Housing	1	
7	3818841	Gasket, Thermostat Housing	1	
8	3820667	Hose, Plain	1	
9	3022502	Screw, Hexagon Head Cap	4	M10 x 1.50 x 145
10	3027436	Gasket, Support	1	
11	3008690	Clamp, Hose	2	
12	3335045	Screw, Hexagon Head Cap	4	M10 x 1.50 x 35

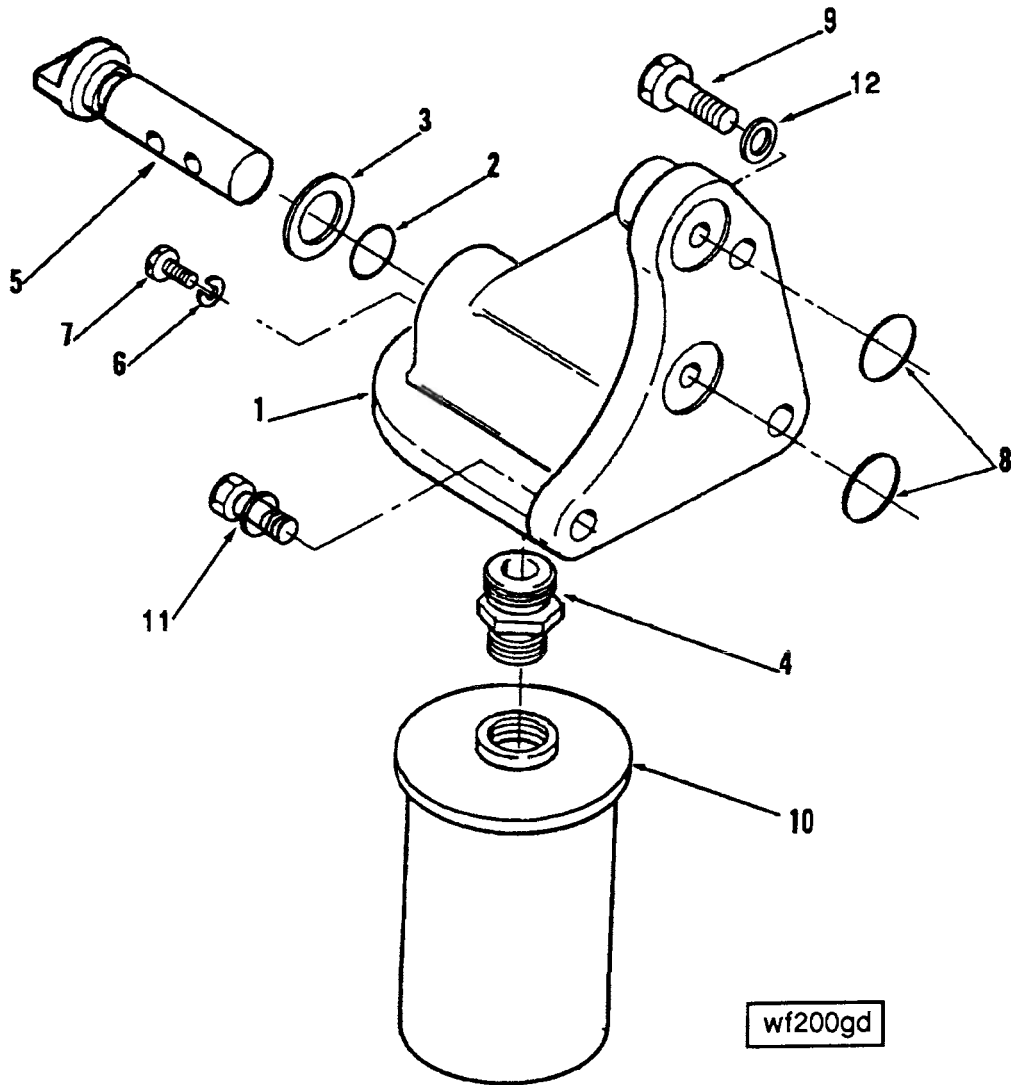


tb200gj

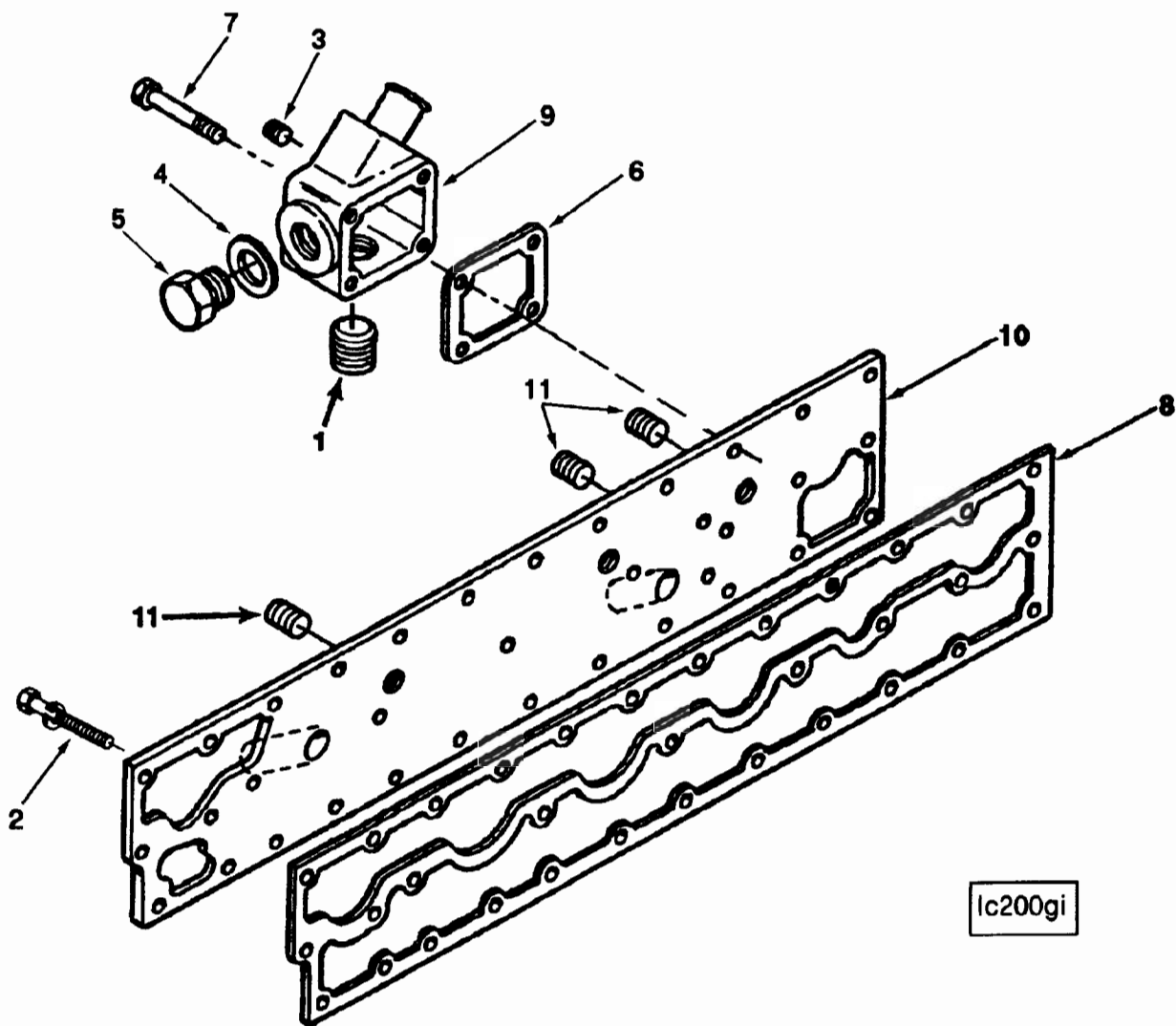
Ref No.	Part Number	Part Name	Req	Remarks
		TURBOCHARGER PLUMBING OPTION TP2729		Turbocharger plumbing for engine with turbocharger mounted low on center of engine with front out exhaust. For use with combination oil filter head.
1	3025802	Screw, Hexagon Head Cap	4	M8 x 1.25 x 20
2	3037535	Elbow, Male Union	1	
3	3037537	Seal, O Ring	1	
4	3819900	Gasket, Turbocharger	1	
5	3819378	Gasket, Turbocharger	1	
6	3882443	Tube, Turbo Oil Drain	1	
7	3820835	Hose, Flexible	1	
8	3820047	Brace, Tube	1	
9	3892099	Clip	2	
10	3818060	Screw, Captive Washer Cap	1	
11	3819720	Union, Male	1	
12	3046943	Seal, O Ring	1	
13	S-171-A	Screw, Hexagon Head Cap	1	
14	3009329	Washer, Plain	1	



Ref No.	Part Number	Part Name	Req	Remarks
		VALVE COVER OPTION VC2030		
				Internal Breather Valve Cover. No provisions for oil fill.
1	3818924 (3045094)	Cover, Rocker Lever	1	
2	3035228	Cover, Rocker Lever	1	
	3065093	Seal, O Ring	1	
3	(3065092)	Plug, Threaded	1	
4	3037537	Plug, Threaded	1	
	3042401	Seal, O Ring	1	
5	3042401	Seal, Grommet	1	
6	3047134	Seal, Grommet	1	
7	3818150	Tube, Breather	1	
8	3818151	Adapter, Plain	1	
9	3034855	Nut, Regular Hexagon Jam	1	1 - 12 UNF
10	3883223	Gasket, Rocker Lever Cover	1	
		Isolator, Noise	14	
11	3335042	Screw, Hexagon Head Cap	14	M8 x 1.25 x 40

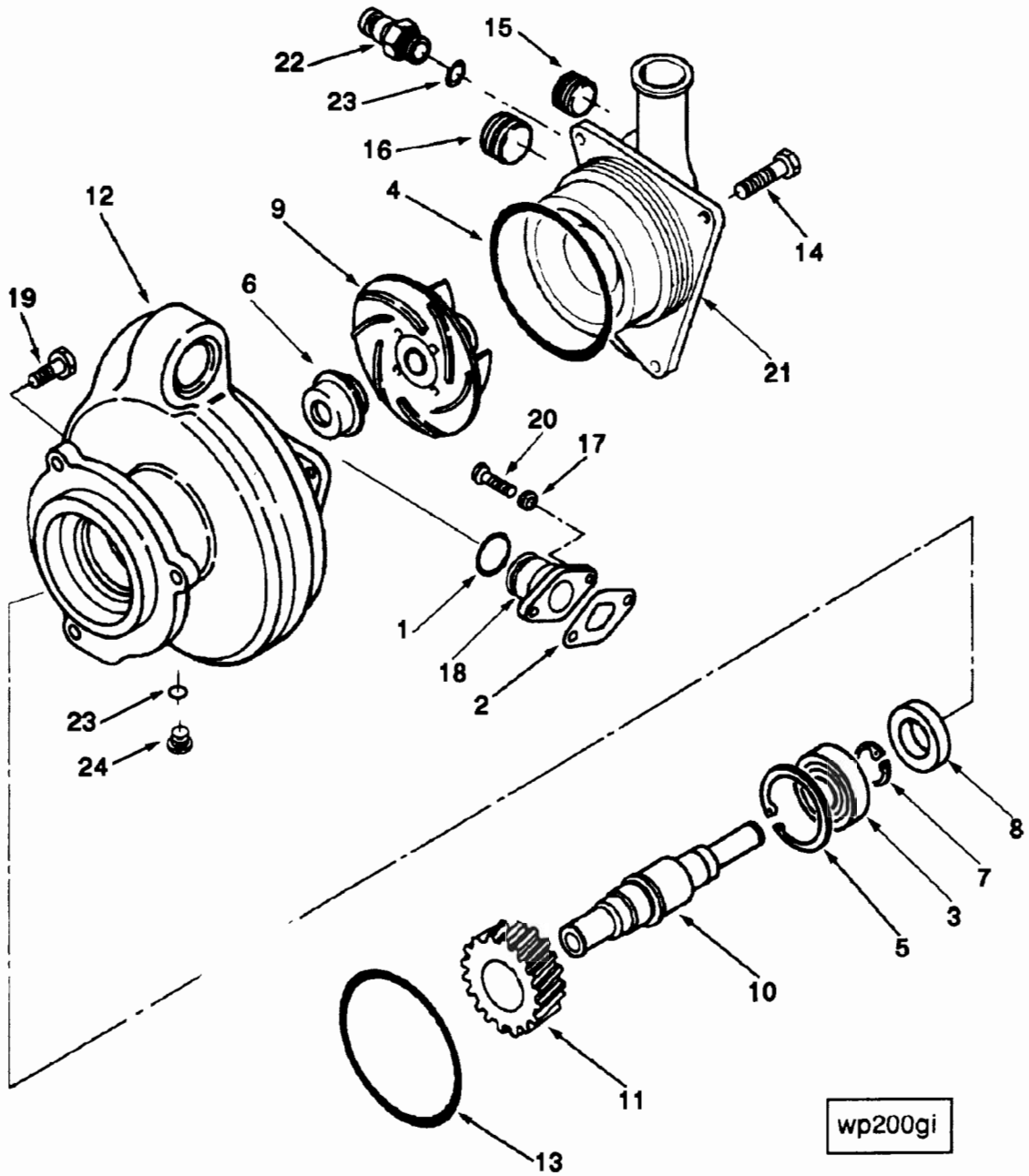


Ref No.	Part Number	Part Name	Req	Remarks
		CORROSION RESISTOR OPTION WF2017		Single spin-on corrosion resistor mounted vertically adjacent to the oil cooler on the right side of engine at the rear. For use with cooling systems with capacities from 32 to 60 quarts.
	3819767	Head, Corrosion Resistor	1	
1	(3818935)	Head, Corrosion Resistor	1	
2	3818885	Seal, O Ring	1	
3	205363	Washer, Spring	1	
4	206963	Adapter, Filter Head	1	
5	3818849	Shaft, Shutoff Valve	1	
6	3042327	Washer, Plain	1	1/4 inch
7	3202049	Screw, Hexagon Head Cap	1	M6 x 1.00 x 12
8	3819751	Seal, O Ring	2	
9	3017499	Screw, Hexagon Head Cap	1	M10 x 1.50 x 65
10	3315118	Element, Crn Resistor	1	
11	3821846	Screw, Captive Washer Cap	2	M10 x 1.50 x 35
12	3009330	Washer, Plain	1	

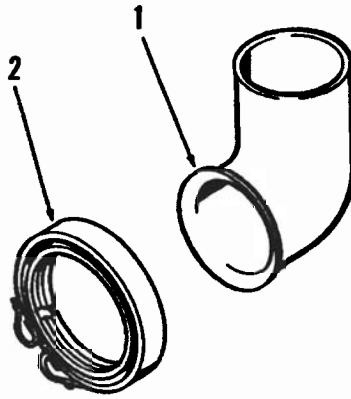


lc200gi

Ref No.	Part Number	Part Name	Req	Remarks
		WATER HEADER COVER OPTION WH2007		Oil cooler water plumbing. For aftercooled engine. Use with engine mounted corrosion resistor. Use with standard turbo location. Also used with air intake header (AH Option). Not used with rear turbo location. Not used with rear PTO.
1	3008470	Plug, Pipe	1	1 NPT
2	3818060	Screw, Captive Washer Cap	18	M10 x 1.50 x 25
3	3013786	Plug, Pipe	1	3/8 NPT
4	3026156	Washer, Plain	1	M38
5	3026195	Plug, Threaded	1	
6	3027445	Gasket, Heater Housing	1	
7	3027472	Screw, Hexagon Head Cap	4	M10 x 1.50 x 90
8	3883363	Gasket, Water Header Cover	1	
9	3821853	Housing, Engine Heater	1	
	3819627	Plate, Water Header Tla	1	
10	(3819491)	Cover, Water Header	1	
11	3008468	Plug, Pipe	3	1/2 NPT



Ref No.	Part Number	Part Name	Req	Remarks
		WATER PUMP OPTION WP2015		Single loop water pump. For use with the low noise front end and with Compuchek. This option includes water pump with 3 hole bolt mounting flange.
	3803403	Pump, Water	1	
1	3892095	Seal, O Ring	1	
2	3027924	Gasket, Connection	1	
3	S-16002	Bearing, Ball	1	
4	3820791	Seal, O Ring	1	
5	160586	Ring, Retaining	1	
6	3033677	Seal, Water Pump	1	
7	112302	Ring, Retaining	1	
8	3019600	Seal, Oil	1	
9	3035679	Impeller, Water Pump	1	
10	3819632	Shaft, Water Pump	1	
11	3038991	Gear, Water Pump	1	
12	3882615	Body, Water Pump	1	
13	3882774	Seal, O Ring	1	
14	3335044	Screw, Hexagon Head Cap	3	M10 x 1.50 x 25
15	3008468	Plug, Pipe	1	1/2 inch
16	3008470	Plug, Pipe	1	1 inch
17	3009329	Washer, Plain	2	
18	3821718	Connection, Water Transfer	1	
19	3034836	Screw, Hexagon Head Cap	4	M10 x 1.50 x 30
20	3820831	Screw, Twelve Point Cap	2	M8 x 1.25 x 25
21	3052826	Cover, Water Pump	1	
22	3042619	Nipple, Coupling	1	
23	3037537	Seal, O Ring	1	
	3037536	Plug, Threaded	1	
24	(3040813)	Plug, Threaded	1	9/16 - 18 inch
23	3037537	Seal, O Ring	1	
		WATER PUMP REPAIR KIT		
	3803261	Kit, Water Pump Repair		
3	S-16002	Bearing, Ball	1	
4	3820791	Seal, O Ring	1	
5	160586	Ring, Retaining	1	
6	3033677	Seal, Water Pump	1	
7	112302	Ring, Retaining	1	
8	3019600	Seal, Oil	1	
9	3035679	Impeller, Water Pump	1	
13	3882774	Seal, O Ring	1	



xs200ga

Ref No.	Part Number	Part Name	Req	Remarks
		EXHAUST OUTLET CONNECTION OPTION XS8119		
1	202571	Connection, Exhaust Outlet	1	90 degree turbocharger exhaust elbow for adapting to 4 inch diameter clamp.
2	115774	Clamp, V Band	1	

Ref No.	Part Number	Part Name	Req	Remarks
		GASKET SETS		
		UPPER ENGINE GASKET SET		
	3803463	Set, Upper Engine Gasket		
	S-684	Washer, Plain	8	
	3819871	Seal, O Ring	1	
	3818843	Gasket, Int Manifold Cover	1	
	3819760	Gasket, Exhaust Manifold	6	
	3818844	Gasket, Connection	2	
	3892667	Gasket, Rkr Lever Housing	1	
	3883718	Gasket, Cylinder Head	1	
	3820872	Gasket, Cover Plate	1	
	3818846	Gasket, Connection	2	
	3519762	Gasket, Turbocharger	1	
	3755843	Gasket, Turbocharger	1	
	3819378	Gasket, Turbocharger	1	
	3882885	Washer, Plain	7	

Ref No.	Part Number	Part Name	Req	Remarks
		GASKET SETS		
		LOWER ENGINE GASKET SET		
	3803453	Set, Lower Engine Gasket		
	67946	Washer, Plain	1	
	103426	Gasket, Air Compressor	1	
	186780	Seal, Thermostat	1	
	145527	Seal, O Ring	2	
	163654	Seal, O Ring	2	
	3892095	Seal, O Ring	1	
	3818841	Gasket, Thermostat Housing	1	
	3883472	Gasket, Hand Hole	3	
	3025296	Gasket, Cover Plate	1	
	3820922	Gasket, Air Compressor	1	
	3882733	Gasket, Oil Pan	1	
	3027436	Gasket, Support	1	
	3027445	Gasket, Heater Housing	1	
	3027924	Gasket, Connection	1	
	3028295	Seal, Rectangular Ring	2	
	3031007	Gasket, Starter	1	
	3883390	Gasket, Acc. Drive Support	1	
	3819751	Seal, O Ring	2	
	3883363	Gasket, Water Header Cover	1	
	3032787	Seal, O Ring	2	
	3819871	Seal, O Ring	1	
	3818885	Seal, O Ring	1	
	3820791	Seal, O Ring	1	
	3033247	Seal, O Ring	1	
	3033248	Seal, O Ring	1	
	3892625	Gasket, Oil Connection	2	
	3201386	Gasket, Connection	1	
	3803488	Kit, Oil Seal	1	
	(3892794)	Seal, Oil	1	
	(3892083)	Gasket, Carrier	1	
	(3892085)	Ring, Clamping	1	
	3803489	Kit, Oil Seal	1	
	(3892795)	Seal, Oil	1	
	(3892081)	Gasket, Carrier	1	
	(3892086)	Ring, Clamping	1	
	3803487	Kit, Oil Seal	1	
	(3892796)	Seal, Oil	1	
	(3892082)	Gasket, Carrier	1	
	(3892084)	Ring, Clamping	1	
	3069103	Gasket, Fuel Pump	1	
	3820945	Seal, Rectangular Ring	1	
	3820946	Seal, Rectangular Ring	1	
	3882684	Seal, Rectangular Strip	1	
	3882685	Seal, Rectangular Strip	1	
	3042401	Seal, Grommet	1	
	3883150	Seal, O Ring	1	
	3882774	Seal, O Ring	1	
	3883042	Seal, O Ring	1	
	3008400	Gasket, Hydraulic Pump	1	
	3025130	Gasket, Lub Oil Pump Cover	1	
	3201659	Seal, Rectangular Ring	1	
	3820030	Seal, Rectangular Ring	1	
	3820629	Gasket, Filter Head	1	
	3883510	Seal, Rectangular Ring	1	

Ref No.	Part Number	Part Name	Req	Remarks
		REPAIR KITS		
		CYLINDER KIT		
	3803465	Kit, Cylinder	6	
		CYLINDER LINER KIT		
	3803297	Kit, Cylinder Liner	6	
		ENGINE PISTON KIT		
	3801542	Kit, Engine Piston	6	
		TURBOCHARGER REPAIR KIT		
	3545653	Kit, Turbocharger Repair	1	H2D
	3545576	Kit, Turbocharger Gasket	1	
		WATER PUMP REPAIR KIT		
	3803261	Kit, Water Pump Repair	1	
		FUEL PUMP GASKET SET		
	3010242	Set, Fuel Pump Gasket	1	Automotive PT Type G With AFC/AFC-VS
		UPPER ENGINE GASKET SET		
	3803463	Set, Upper Engine Gasket	1	
		LOWER ENGINE GASKET SET		
	3803453	Set, Lower Engine Gasket	1	

Ref No.	Part Number	Part Name	Req	Remarks
		REPAIR KITS		
		MAIN BEARING SETS		
	3801150	Set, Main Bearing	1	Standard
	3801151	Set, Main Bearing	1	.010 inch Oversize
	3801152	Set, Main Bearing	1	.020 inch Oversize
	3801153	Set, Main Bearing	1	.030 inch Oversize
	3801154	Set, Main Bearing	1	.040 inch Oversize
		OVERSIZE THRUST BEARING		
	3050589	Bearing, Thrust	4	.010 inch Oversize
		CONNECTING ROD BEARINGS		
	3016760	Bearing, Connecting Rod	12	Standard
	3016761	Bearing, Connecting Rod	12	0.25 mm Oversize
	3016762	Bearing, Connecting Rod	12	0.50 mm Oversize
	3016763	Bearing, Connecting Rod	12	0.75 mm Oversize
	3016764	Bearing, Connecting Rod	12	1.00 mm Oversize
		OVERSIZE VALVE STEM GUIDE		
	3074118	Guide, Valve Stem		.20 mm Oversize
		OVERSIZE VALVE SEATS		
	3028071	Seat, Oversize Valve		.25 mm Oversize
	3028072	Seat, Oversize Valve		.50 mm Oversize
	3028073	Seat, Oversize Valve		.75 mm Oversize
	3028074	Seat, Oversize Valve		1.00 mm Oversize

Option Index

Option No.	Description	Page No.
AD2023	Accessory Drive Pulley	2
AP2702	Dataplate	3
AP2703	Dataplate	3
BP2716	Rocker Lever & Housing	5
BP2717	Cam Follower	7
BP2859	Front Gear Cover	9
BP2902	Crankshaft	13
	Cylinder Block	11
	Cylinder Liner Kit	12
	Gear Housing	19
	Idler Gears	17
	Main Bearings	15
BR2019	Breather Plumbing	20
DA2027	Vibration Damper	21
DF2025	Accessory Drive Cover Plate	23
DP2014	Fuel Pump Drive	24
EC8095	Thermostat	25
EE8080	Alternator	26
EH2001	Alternator Mounting	27
EM2022	Front Engine Support	28
EO2701	Magnetic Pickup	29
FA2059	Fan Drive	31
FF2119	Fuel Filter	32
FH2147	Flywheel Housing	33
FN3210	Engine Fan	34
FP2076	Cummins EFC Governor	37
FP2841	EFC Governor Actuator	46
	Fuel Pump	38
	Fuel Pump Damper	45
	Fuel Pump Front Cover	43
	Fuel Pump Gear	44
	Fuel Pump Housing	41
FT20006	Fuel Tubing	49
FV8012	Fuel Valve	51
FW2102	Flywheel And Ring Gear	52
LA2037	Lifting Bracket	53
LC2705	Lubricating Oil Cooler	55
LF2018	Lubricating Oil Filter	56
LP2001	Lubricating Oil Pump	59
OB2277	Dipstick and Oil Filler	61
OP2056	Oil Pan	63
OP2708	Oil Pan Plumbing	64
PP1429	Camshaft	68
	Connecting Rod	65
	Cylinder Head	71
	Engine Piston Kit	67
	Injectors	73
	Turbocharger	75
PP1443	Camshaft	68
	Connecting Rod	65
	Cylinder Head	71
	Engine Piston Kit	67
	Injectors	73
	Turbocharger	77

Option No.	Description	Page No.
PP1444	Camshaft	68
	Connecting Rod	65
	Cylinder Head	71
	Engine Piston Kit	67
	Injectors	73
	Turbocharger	79
PU2001	Accessory Drive Pulley	80
SB8011	Magnetic Switch	81
SM2010	Starting Motor Mounting	82
SP8240	Fan Pilot Spacer	83
ST8143	Starting Motor	84
TB2006	Aftercooler	85
	Exhaust Manifold	86
TH2056	Thermostat Housing	89
TP2729	Turbocharger Plumbing	91
VC2030	Valve Cover	92
WF2017	Corrosion Resistor	95
WH2007	Water Header Cover	97
WP2015	Water Pump	99
XS8119	Exhaust Outlet Connection	100

INDEX

Part No.	Description	Page No.	Part No.	Description	Page No.
AR-41010	Assembly, Throttle Shaft	41	129859	Elbow, Male Union	32
S-110	Screw, Hexagon Head Cap	43	129886	Body, Shutoff Valve	51
S-118-A	Screw, Hexagon Head Cap	81	129888	Seal, Rectangular Ring	51
S-120	Screw, Hexagon Head Cap	27	133538	Screw, Socket Head Cap	45
S-167-A	Screw, Hexagon Head Cap	37	139988	Seal, Rectangular Ring	45
S-171-A	Screw, Hexagon Head Cap	91	140417	Plunger, Idle	41
S-174-C	Screw, Socket Head Cap	45	142207	Dowel, Pin	11
S-189-C	Screw, Socket Head Cap	51	143854	Spring, Compression	41
S-212	Nut, Regular Hexagon	5	144044	Hose, Plain	20
S-258	Nut, Heavy Hexagon Jam	81	144178	Plunger, Gov.Wgt. Assist	41
S-270	Nut, Regular Hexagon	41	144179	Shim	41
S-300	Key, Plain Woodruff	13	145527	Seal, O Ring	102
S-600	Washer, Lock	81	146160	Washer, Plain	43
S-604	Washer, Lock	83	146483	Screen, Filter	41
S-607	Washer, Lock	43	148555	Dowel, Pin	11
S-684	Washer, Plain	101	151900	Seal, Rectangular Ring	45
S-908	Plug, Pipe	33	153338	Cover, Plate	45
S-2286	Screw, Drive	41	153346	Screw, Socket Head Cap	45
S-3193	Pin, Groove	24	153581	Screw, Twelve Point Cap	82
S-16002	Bearing, Ball	99	154087	Seal, Rectangular Ring	51
S-16052	Bearing, Ball	43	154088	Seal, Rectangular Ring	41
S-16240	Ring, Retaining	41	157088	Cap, Fuel Pump Filter	41
4851	Gear, Flywheel Ring	52	160514	Washer, Plain	45
64816-A	Dowel, Pin	44	160586	Ring, Retaining	99
67012-1	Spacer, Fan	83	163654	Seal, O Ring	102
67684	Washer, Plain	51	163759	Connector, Tube	61
67946	Washer, Plain	64, 102	163944	Bushing	43
69901	Plug, Pipe	86	163945	Ring, Retaining	41
70111	Screw, Hexagon Head Cap	27	165658	Tube, Oil Gauge	61
70550	Dowel, Pin	11	167157	Ball, Check	73
70690	Driver, Governor Plunger	41	168306	Screw, Slotted Set	5
70700	Spring, Compression	41	170664	Washer, Plain	24
70704	Washer, Plain	44, 45	173086	Gasket, Injector	73
70705	Gasket, Spring Pack Flange	41	174299	Retainer, Screen	73
70713	Retainer, Spring	41	175864	Shaft, Fuel Pump	44
70715	Washer, Plain	41	179063	Plug, Retainer	11
70716	Screw, Knurled	41	179068	Shim	41
70717	Shim	41	181466	Washer, Lock	44, 45, 51
70717-A	Shim	41	182459	Gasket, Water Header	
70717-B	Shim	41		Cover	33
70790	Screw, Socket Head Cap	44	185138	Retainer, Injector Cup	73
70897	Nut, Lock	27	186780	Seal, Thermostat	89, 102
100099	Seal, Rectangular Ring	45	189800	Shim	41
100193	Bushing, Tach Drive	41	190876	Seal, O Ring	51
100215	Shaft, Fuel Pump Drive	44	193736	Seal, O Ring	73
100478	Seal, O Ring	41	195265	Plug, Pipe	41
101322	Cap, Filler	61	196057	Disc, Valve	51
101841	Shim	41	200685	Plate, Cover	33
101842	Shim	41	201737	Thermostat	25
101843	Shim	41	202571	Connection, Exhaust Outlet	100
103089	Washer, Plain	43	202897	Diaphragm, Damper	45
103426	Gasket, Air Compressor	102	203310	Washer, Plain	27
107460	Clip	20	203426	Pin, Roll	73
107695	Pin, Roll	31	203862	Tee, Male Branch	49
110058	Nut, Fuel Pump Adjusting	41	204048	Plate, Cover	23
110855	Gasket, Fuel Pump	44	205278	Screw, Twelve Point Cap	83
112302	Ring, Retaining	99	205363	Washer, Spring	95
115774	Clamp, V Band	100	205451	Head, Fuel Filter	45
118226	Screw, Socket Head Cap	43	206741	Plug, Expansion	71
118227	Dowel, Ring	41	206963	Adapter, Filter Head	95
119363	Gear, Fuel Pumping	44	208084	Rivet	5
127316	Washer, Plain	33	212601	Shaft, Fuel Pump	43
129510	Screw, Hexagon Head Cap	24	212604	Ring, Retaining	43
129768	Spring, Valve	51	212605	Gear, Fuel Pump	43
129826	Body, Shutoff Valve	51	212613	Hub, Jaw Coupling	43
129838	Knob	51	212639	Adapter, Spline	43
129839	Shield, Shutoff Valve	51	212668	Key	43

INDEX

Part No.	Description	Page No.	Part No.	Description	Page No.
213079	Seal, Rectangular Ring	45	3016783	Bearing, Main	15
213272	Pickup, Magnetic	29	3016784	Bearing, Main	15
213273	Harness, Wiring	29	3017051	Screw, Captive Washer Cap	41, 43, 45
213768	Seal, O Ring	41	3017052	Screw, Captive Washer Cap	43, 46
213769	Plug, Ball	41	3017499	Screw, Hexagon Head Cap	95
214139	Ball, Plug AFC	41	3017506	Screw, Hexagon Head Cap	27
217008	Spacer, Bearing	31	3018006	Screw, Hexagon Head Cap	33
217011	Spacer, Bearing	31	3018037	Plate, Cover	71
409065	Washer, Lock	33	3018453	Valve, Shutoff	51
3000175	Hub, Jaw Coupling	24	3018671	Screw, Hexagon Head Cap	80
3000266	Shaft, Shutoff Valve	51	3018767	Spring, Compression	41
3000446	Cover, Fuel Control	41	3018772	Screw, Injector Stop	73
3001280	Ring, Retaining	31	3018924	Wire, Ground	84
3001281	Bearing, Roller	31	3019600	Seal, Oil	99
3003163	Washer, Plain	31, 37	3019616	Gear and Shaft	44
3006175	Screw, Fuel Pump Adjusting	41	3019630	Plug, Drive	5, 7
3006343	Stop, Throttle Lever	41	3019631	Washer, Plain	11
3006344	Screw, Set Hex Flat S'k't	41	3019733	Bushing	5
3007024	Clamp, Tube	49	3020092	Screw, Hexagon Head Cap	5
3007632	Plug, Expansion	11, 71	3020850	Connector, Female	41
3007635	Plug, Expansion	11, 71	3021036	Motor, Starting	84
3007759	Seal, O Ring	71	3022148	Screw, Hexagon Head Cap	33
3008400	Gasket, Hydraulic Pump	102	3022502	Screw, Hexagon Head Cap	89
3008446	Dowel, Pin	11	3024991	Assy., Governor Carrier	41
3008465	Plug, Pipe	24, 71, 89	3025123	Gear & Shaft	59
3008466	Plug, Pipe	11, 55	3025124	Gear & Shaft	59
3008468	Plug, Pipe	11, 55, 64, 89, 97, 99	3025130	Gasket, Lub Oil Pump Cover	102
3008469	Plug, Pipe	33, 89	3025152	Hose, Plain	85
3008470	Plug, Pipe	64, 97, 99	3025295	Cover, Camshaft	61
3008690	Clamp, Hose	89	3025296	Gasket, Cover Plate	61, 102
3008706	Screen, Filter	73	3025354	Bearing, Needle	19, 23
3009329	Washer, Plain	91, 99	3025458	Plug, Pipe	51
3009330	Washer, Plain	7, 23, 27, 28, 37, 95	3025460	Plug, Pipe	45
3009362	Nut, Lock	73	3025802	Screw, Hexagon Head Cap	33, 91
3009376	Bushing	59	3025852	Screw, Hexagon Head Cap	37
3009887	Screw, Hexagon Head Cap	61	3026134	Gasket, Cover Plate	33
3009948	Key, Camshaft	69	3026135	Cover, Access Hole	33
3009949	Key, Camshaft	69	3026156	Washer, Plain	97
3009950	Key, Camshaft	69	3026163	Gasket, Fuel Pump	44
3009951	Key, Camshaft	69	3026166	Shaft, Idler	17
3009953	Key, Camshaft	69	3026167	Shaft, Idler	17
3010146	Spring, Compression	11	3026188	Bushing	17
3010242	Set, Fuel Pump Gasket	103	3026189	Bushing	17
3011934	Sleeve, Injector	71	3026195	Plug, Threaded	97
3013786	Plug, Pipe	97	3026198	Fuel Pump Damper	38, 45
3014754	Washer, Plain	11	3026231	Dowel, Ring	11
3014755	Disc, Valve	11	3026233	Retainer, Gear	17
3014756	Spring, Compression	11	3026758	Seat, Prs Regulator Valve	11
3016609	Gear and Shaft	44	3026806	Clamp, Hose	55
3016627	Alternator	26	3026961	Cap, Main Bearing	11
3016650	Pin, Piston	67	3027106	Dowel, Ring	65
3016652	Ring, Retaining	67	3027108	Screw, Connecting Rod Cap	65
3016760	Bearing, Connecting Rod	65, 104	3027436	Gasket, Support	89, 102
3016761	Bearing, Connecting Rod	65, 104	3027445	Gasket, Heater Housing	97, 102
3016762	Bearing, Connecting Rod	65, 104	3027472	Screw, Hexagon Head Cap	97
3016763	Bearing, Connecting Rod	65, 104	3027493	Screw, Hexagon Head Cap	11
3016764	Bearing, Connecting Rod	65, 104	3027547	Flywheel	52
3016770	Bearing, Main	15	3027633	Bearing, Thrust	41
3016771	Bearing, Main	15	3027675	Seal, Oil	31
3016772	Bearing, Main	15	3027676	Shaft, Fan Hub	31
3016773	Bearing, Main	15	3027677	Flange	31
3016774	Bearing, Main	15	3027680	Seal, Oil	31
3016780	Bearing, Main	15	3027681	Bearing, Roller	31
3016781	Bearing, Main	15	3027686	Washer, Plain	31
3016782	Bearing, Main	15	3027769	Bearing, Thrust	17
			3027924	Gasket, Connection	99, 102

INDEX

Part No.	Description	Page No.	Part No.	Description	Page No.
3028065	Link, Injector Plunger	73	3037425	Belt, V Ribbed	27
3028066	Adapter, Injector	73	3037523	Camshaft	68
3028071	Seat, Oversize Valve	71, 104	3037535	Elbow, Male Union	91
3028072	Seat, Oversize Valve	71, 104	3037536	Plug, Threaded	11, 55, 99
3028073	Seat, Oversize Valve	71, 104	3037537	Seal, O Ring	11, 55, 91, 92, 99
3028074	Seat, Oversize Valve	71, 104			
3028105	Pin, Cam Follower Roller	7	3037597	Hub, Fan	31
3028106	Pin, Cam Follower Roller	7	3038178	Roller, Cam Follower	7
3028252	Pin, Roll	11	3038179	Roller, Cam Follower	7
3028272	Screw, Twelve Point Cap	71	3038984	Gear, Crankshaft	13
3028295	Seal, Rectangular Ring	102	3038986	Gear, Idler	17
3028309	Bearing, Thrust	24	3038988	Gear, Idler	17
3028346	Clamp, Injector	73	3038989	Gear, Camshaft	68
3028367	Screw, Hexagon Head Cap	73	3038991	Gear, Water Pump	99
3028368	Assy., Cover and Bushing	43	3038992	Gear, Lubricating Oil Pump	59
3028372	Assy., Main Drive	43	3038996	Gear, Idler	17
3028384	Plate, Cover	85	3039398	Screw, Hexagon Head Cap	17
3028684	Cover, Hand Hole	61	3040245	Screw, Hexagon Head Cap	27, 31
3029432	Dataplate	3	3040750	Plunger, Governor	41
3029507	Spacer, Mounting	27	3040760	Assy., Governor Plunger	41
3030893	Key, Camshaft	69	3040815	Plug, Threaded	43, 55
3030894	Key, Offset	68, 69	3040817	Seal, O Ring	32, 43, 55
3030895	Key, Camshaft	69	3040977	Brace, Fuel Pump	37
3030896	Key, Camshaft	69	3041038	Plate, Thrust Bearing Wear	17
3030897	Key, Camshaft	69	3041042	Gear, Accessory Drive	24
3030898	Key, Camshaft	69	3041043	Shaft, Accessory Drive	24
3031007	Gasket, Starter	102	3041048	Gear & Shaft	24
3031511	Plug, Pipe	85	3041247	Washer, Plain	80
3031918	Support, Cam Fol Shaft	7	3042327	Washer, Plain	95
3031919	Support, Cam Fol Shaft	7	3042401	Seal, Grommet	9, 92, 102
3031920	Support, Cam Fol Shaft	7	3042542	Seal, O Ring	46
3031921	Stud	11	3042619	Nipple, Coupling	99
3032014	Spring, Compression	41	3044196	Control, Governor	37
3032623	Shim	12	3044360	Nut, Regular Hexagon	7, 27, 37
3032787	Seal, O Ring	63, 102	3045849	Screw, Hexagon Head Cap	71
3033230	Guide, Spring	71	3045850	Screw, Hexagon Head Cap	71
3033231	Retainer, Valve Spring	71	3046200	Spider, Jaw Coupling	37
3033232	Spring, Valve	71	3046201	Seal, O Ring	11, 19, 55
3033233	Spring, Valve	71	3046202	Plug, Threaded	11, 19, 55
3033247	Seal, O Ring	59, 102	3046203	Pulley, Accessory Drive	2
3033248	Seal, O Ring	59, 102	3046204	Pulley, Alternator	27
3033292	Socket, Tappet	5, 7	3046206	Pulley, Fan	31
3033414	Fan, Engine	34	3046407	Screw, Socket Set	41
3033677	Seal, Water Pump	99	3046680	Shaft, Throttle	41
3033719	Dowel, Ring	44	3046943	Seal, O Ring	91
3033740	Valve, Check	44	3047134	Tube, Breather	92
3033742	Plug, Threaded	41, 44	3047188	Seal, Rectangular Ring	12, 67
3034243	Fuel Pump Gear	38, 44	3048182	Seal, O Ring	46
3034319	Nut, Regular Hexagon	31	3048557	Spacer, Mounting	41
3034320	Washer, Plain	31	3049995	Retainer, Injector Spring	73
3034412	Seal, O-Ring	44	3050589	Bearing, Thrust	15, 104
3034451	Housing, Actuator	51	3050624	Valve, Pressure Regulator	44
3034452	Disc, Actuator	51	3052826	Cover, Water Pump	99
3034663	Shim	12	3052860	Spacer, Mounting	43
3034769	Ring, Compression	67	3052864	Fuel Pump Front Cover	38, 43
3034770	Ring, Oil	67, 67	3053160	Spring, Compression	41
3034836	Screw, Hexagon Head Cap	31, 55, 99	3054609	Solenoid	51
3034855	Gasket, Rocker Lever Cover	92	3054618	Support, Accessory Drive	24
3034942	Belt, V Ribbed	31	3054619	Shaft & Gear, Acc Drive	24
3035177	Washer, Plain	5	3055069	Plug, Threaded	64
3035228	Seal, O Ring	92	3055644	Dataplate	3
3035679	Impeller, Water Pump	99	3058555	Barrel, Governor	41
3035815	Bracket, Lifting	53	3059408	Thermostat	55
3036230	Screw, Hexagon Head Cap	61	3059646	Fuel Pump Housing	38, 41
3036472	Guide, Idle Spring	41	3060883	Pulley, Idler	31
3036897	Spring, Governor Max.	41	3060884	Cover, Idler Pulley	31
3036970	Housing, Spring Pack	41	3062104	Spring, Compression	73

INDEX

Part No.	Description	Page No.	Part No.	Description	Page No.
3062484	Bracket, Magnetic Switch	81	3524262	Screw, Hexagon Head Set	75, 77, 79
3062601	Seal, O Ring	31	3524996	Impeller, Tur Compressor	75, 77, 79
3062602	Pulley, Idler Tia	31	3525002	Housing, Compressor	75, 77, 79
3062607	Housing, Rocker Lever	5	3525054	Housing, Turbine	79
3062676	Seal, Oil	43	3525055	Housing, Turbine	77
3063052	Gasket, Front Cover	43	3525199	Housing, Turbine Bearing	75, 77, 79
3063054	Cover, Fuel Pump	43	3525562	Dataplate	75, 77, 79
3063056	Spacer, Mounting	43	3545576	Kit, Turbocharger Gasket	75, 77, 79, 103
3063504	Actuator, EFC Governor	38, 46	3545653	Kit, Turbocharger Repair	75, 77, 79, 103
3063844	Cover, Fan Hub	31	3600687	Tube, Fuel Drain	49
3065093	Plug, Threaded	92	3600873	Tube, Fuel Supply	49
3065358	Hub, Fan	31	3600875	Tube, Fuel Drain	49
3065376	Spring Pack Cover	38, 41	3610503	Screw, Socket Head Cap	59
3065383	Plug, Threaded	41	3709753	Ring, Retaining	75, 77, 79
3065944	Screw, Captive Washer Cap	51	3755843	Gasket, Turbocharger	75, 77, 79, 101
3066914	Seal, O Ring	46	3756754	Seal, Split Ring	75, 77, 79
3067871	Bushing	5	3758848	Seal, Split Ring	75, 77, 79
3067897	Screw, Twelve Point Cap	43	3759917	Screw, Hexagon Head Set	75, 77, 79
3068979	Plunger, Prs Regulator	11	3760250	Nut, Lock	75, 77, 79
3068981	Body, Fuel Pump	41	3762449	Ring, Retaining	75, 77, 79
3069103	Gasket, Fuel Pump	37, 43, 102	3762564	Plate, Oil Seal	75, 77, 79
3069728	Sensor, Viscosity	11	3762915	Seal, O Ring	75, 77, 79
3070175	Crosshead, Valve	5	3801145	Shaft, Cam Follower	7
3070381	Ring, Compression	67	3801150	Set, Bearing Main	15, 104
3070393	Screw, Hex Flange Head Cap	11	3801151	Set, Main Bearing .010	15, 104
3070759	Tube, Lub Oil Suction	63	3801152	Set, Main Bearing .020	15, 104
3071032	Nozzle, Piston Cooling	11	3801153	Set, Main Bearing .030	15, 104
3073509	Seal, Valve Stem	71	3801154	Set, Main Bearing .040	15, 104
3073510	Seal, Valve Stem	71	3801279	Cap, Main Bearing	11
3073512	Guide, Valve Stem	71	3801356	Valve, Intake	71
3073512	Guide, Valve Stem	71	3801357	Valve, Exhaust	71
3073753	Cup, Injector	73	3801542	Kit, Engine Piston	67, 103
3073779	Support, Thm Housing	89	3801801	Aftercooler	85
3073982	Housing, Flywheel	33	3801888	Kit, Stud	75, 77, 79
3074118	Guide, Valve Stem	71, 104	3803018	Turbocharger	77
3074119	Assembly, Lub Oil Filter	55	3803019	Turbocharger	79
3076736	Injector	73	3803024	Turbocharger	75
3076738	Barrel & Plunger	73	3803166	Shaft, Rocker Lever	5
3077448	Pan, Oil	63	3803241	Pump, Lubricating Oil	59
3201386	Gasket, Connection	102	3803261	Kit, Water Pump Repair	99, 103
3201659	Seal, Rectangular Ring	19, 102	3803297	Kit, Cylinder Liner	12, 103
3202049	Screw, Hexagon Head Cap	95	3803324	Assembly, Cylinder Block	11
3251557	Bracket, Lifting	53	3803350	Set, Piston Ring	67
3275354	Collet, Valve	71	3803354	Kit, Oil Seal	33
3315118	Element, Crn Resistor	95	3803403	Pump, Water	99
3315847	Filter, Fuel	32	3803453	Set, Lower Engine Gasket	102, 103
3335003	Screw, Hexagon Head Cap	53	3803463	Set, Upper Engine Gasket	101, 103
3335042	Screw, Hexagon Head Cap	92	3803465	Kit, Cylinder	67, 103
3335044	Screw, Hexagon Head Cap	31, 33, 37, 53, 61, 99	3803487	Kit, Oil Seal	9, 102
3335045	Screw, Hexagon Head Cap	89	3803488	Kit, Oil Seal	9, 102
3335059	Screw, Hexagon Head Cap	27	3803489	Kit, Oil Seal	9, 102
3502017	Plate, Clamping	75, 77, 79	3818060	Screw, Captive Washer Cap	19, 20, 71, 91, 97
3502231	Slinger, Oil	75, 77, 79	3818121	Screw, Hex Flange Head Cap	86
3503347	Screw, Flat Head Cap	75, 77, 79	3818124	Spacer, Mounting	86
3503348	Shield, Heat	75, 77, 79	3818128	Manifold, Exhaust	86
3503668	Baffle, Oil	75, 77, 79	3818150	Adapter, Plain	92
3504413	Bearing, Turbocharger	75, 77, 79	3818151	Nut, Regular Hexagon Jam	92
3518004	Washer, Lock	75, 77, 79	3818229	Screw, Hexagon Head Cap	2
3519163	Screw, Drive	75, 77, 79	3818273	Support, Camshaft Thrust	68
3519762	Gasket, Turbocharger	75, 77, 79, 101	3818418	Housing, Thermostat	89
3522232	Shaft & Wheel	79	3818463	Washer, Plain	2
3522773	Shaft and Wheel	75, 77	3818686	Cover, Lub Oil Pump	59
3522952	Housing, Turbine	75	3818823	Stud	75, 77, 79
3523227	Plate, Clamping	75, 77, 79	3818824	Nut, Hexagon Flange	75, 77, 79
3523542	Collar, Thrust	75, 77, 79			
3523613	Bearing, Thrust	75, 77, 79			

INDEX

Part No.	Description	Page No.	Part No.	Description	Page No.
3818841	Gasket, Thermostat Housing		3820988	Screw, Hexagon Head Cap	28
		89, 102	3821162	Lever, Cam Follower	7
3818843	Gasket, Int Manifold Cover	85, 101	3821163	Lever, Cam Follower	7
3818844	Gasket, Connection	85, 101	3821647	Connection, Air Intake	85
3818846	Gasket, Connection	101	3821657	Washer, Plain	37
3818849	Shaft, Shutoff Valve	95	3821676	Screw, Hexagon Head Cap	52
3818885	Seal, O Ring	95, 102	3821718	Connection, Water Transfer	99
3818924	Cover, Rocker Lever	92	3821725	Plug, Retainer	11
3819378	Gasket, Turbocharger	75, 77, 79, 91, 101	3821836	Link, Adjusting	27
			3821846	Screw, Captive Washer Cap	5, 23, 95
3819407	Pulley, Crankshaft	21	3821853	Housing, Engine Heater	97
3819448	Screw, Captive Washer Cap	55, 63	3822062	Bearing, Thrust	15
3819475	Tube, Breather	20	3822067	Screw, Captive Washer Cap	68
3819496	Cover, Gear	9	3825970	Element, Lub Oil Filter	56
3819498	Support, Front Engine	28	3882324	Cooler, Lubricating Oil	55
3819521	Screw, Hex Flange Head Cap	23, 85	3882346	Tube, Lub Oil Transfer	63
			3882443	Tube, Turbo Oil Drain	91
3819624	Crankshaft, Engine	13	3882513	Spacer, Mounting	17
3819627	Plate, Water Header Tla	97	3882528	Retainer, Gear	17
3819630	Key, Camshaft	69	3882585	Plug, Expansion	55
3819632	Shaft, Water Pump	99	3882586	Spring, Compression	55
3819634	Bearing, Needle	19	3882615	Body, Water Pump	99
3819720	Union, Male	91	3882675	Plate, Clamping	21
3819751	Seal, O Ring	95, 102	3882684	Seal, Rectangular Ring	9, 102
3819760	Gasket, Exhaust Manifold	86, 101	3882685	Seal, Rectangular Strip	19, 102
3819767	Head, Corrosion Resistor	95	3882733	Gasket, Oil Pan	63, 102
3819774	Sleeve, Wear	13	3882774	Seal, O Ring	99, 102
3819871	Seal, O Ring	101, 102	3882885	Washer, Plain	24, 71, 101
3819900	Gasket, Turbocharger	91	3882902	Spacer, Hydraulic Pump	17
3819920	Shaft, Idler	31	3882922	Screw, Twelve Point Cap	17
3819976	Damper, Vibration	21	3883042	Seal, O Ring	23, 102
3819983	Support, Fan	31	3883123	Screw, Hex Flange Head Cap	24
3820030	Seal, Rectangular Ring	102		Seal, O Ring	19, 102
3820047	Brace, Tube	91	3883150	Spacer, Mounting	27
3820091	Connector, Female	49	3883157	Support, Alternator	27
3820151	Rod, Push	5	3883158	Lever, Injector	5
3820152	Rod, Push	5	3883171	Screw, Captive Washer Cap	9
3820186	Screw, Captive Washer Cap	19	3883217	Isolator, Noise	92
3820205	Screw, Hexagon Head Cap	21	3883223	Nut, Regular Hexagon	49
3820264	Plug, Gear Cover	9	3883244	Housing, Gear	19
3820302	Assembly, Connecting Rod	65	3883273	Pulley, Accessory Drive	80
3820303	Bushing	65	3883324	Gasket, Water Header Cover	97, 102
3820316	Screw, Hexagon Head Cap	59, 85	3883363	Gasket, Acc Drive Support	24, 102
3820317	Screw, Hexagon Head Cap	85		Screw, Hexagon Head Cap	55
3820320	Plunger, Bypass Valve	55	3883390	Screw, Hexagon Head Cap	23
3820332	Head, Lub Oil Filter	55	3883394	Seal, Exhaust Manifold	86
3820336	Screw, Twelve Point Cap	82	3883395	Manifold, Exhaust	86
3820463	Cover, Hand Hole	61	3883407	Gasket, Hand Hole	61, 102
3820566	Bushing	11	3883409	Seal, Rectangular Ring	17, 102
3820629	Gasket, Filter Head	55, 102	3883472	Ring, Clamping	33
3820631	Ring, Retaining	55	3883510	Gasket, Carrier	33
3820665	Hose, Plain	55	3883622	Gasket, Cylinder Head	71, 101
3820667	Hose, Plain	89	3883659	Lever, Rkr Int Transfer	5
3820700	Insert, Valve	71	3883718	Lever, Rkr Int Transfer	5
3820749	Plug, Orifice	71	3884183	Lever, Rkr Exh Transfer	5
3820754	Support, Hydraulic Pump	23	3884186	Lever, Rkr Exh Transfer	5
3820782	Ring, Retaining	55	3884189	Seal, O Ring	99, 102
3820791	Seal, O Ring	99, 102	3884192	Clip	91
3820831	Screw, Twelve Point Cap	99	3892095	Screw, Captive Washer Cap	5, 28
3820835	Hose, Flexible	91	3892099	Screw, Captive Washer Cap	55
3820872	Gasket, Cover Plate	71, 101	3892105	Clamp, T Bolt	85
3820876	Retainer, Adjusting Screw	27	3892106	Screw, Hexagon Head Cap	31
3820884	Body, Lubricating Oil Pump	59	3892347	Gasket, Oil Cooler Support	55, 102
3820918	Sleeve, Wear	13	3892354	Gasket, Rkr Lever Housing	5, 101
3820922	Gasket, Air Compressor	102	3892625	Head, Cylinder	71
3820945	Seal, Rectangular Ring	19, 102	3892667		
3820946	Seal, Rectangular Ring	19, 102	3892752		

INDEX

Part No.	Description	Page No.	Part No.	Description	Page No.
3892787	Support, Rocker Lever	5			
3892788	Support, Rocker Lever	5			
3892789	Support, Rocker Lever	5			
3892949	Assembly, Fuel Pump	38			
3893835	Dipstick	61			
3900619	Screw, Hexagon Head Cap	49			
3900630	Screw, Hex Flange Head Cap	63			
3916302	Switch, Magnetic	81			