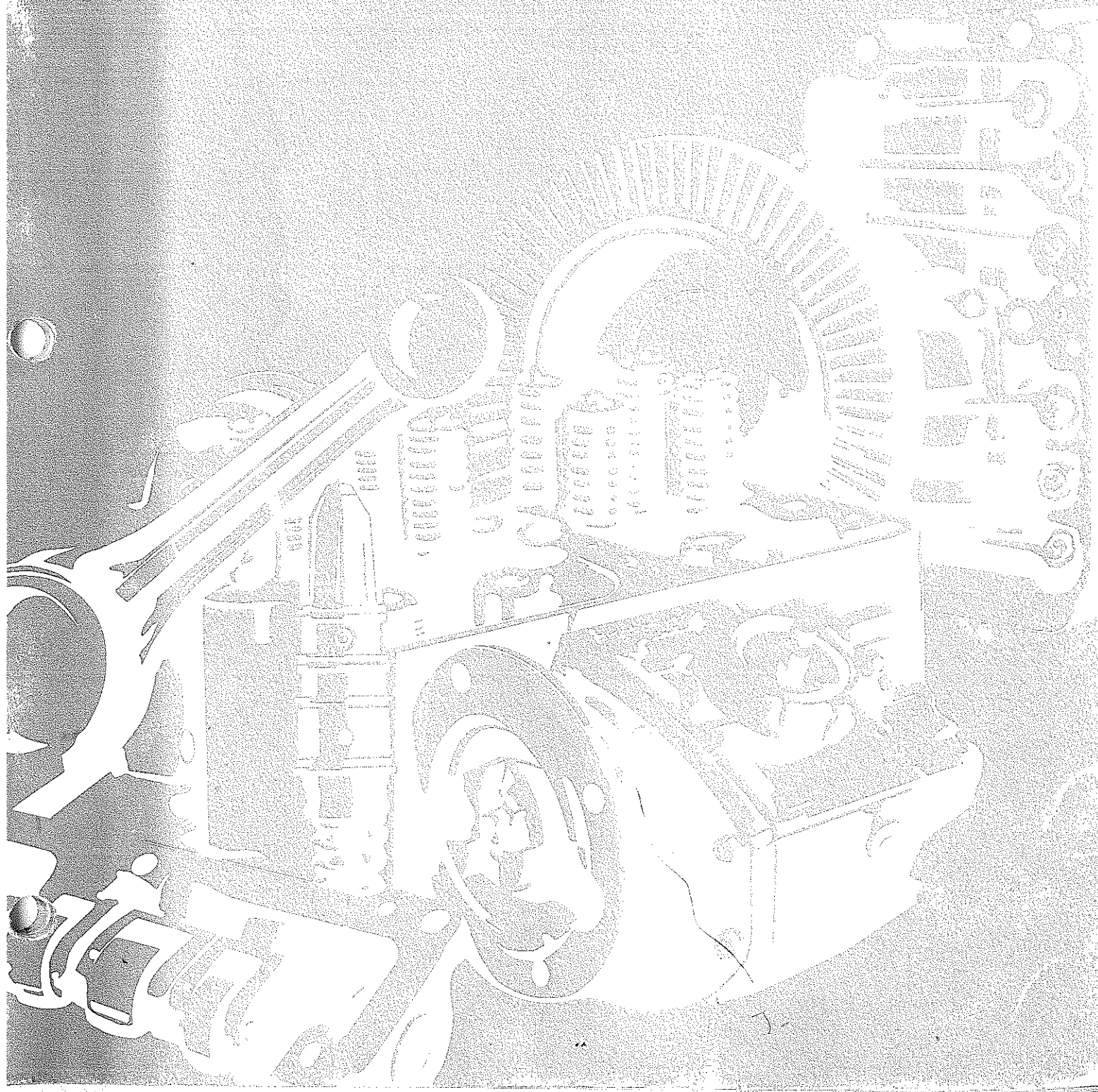
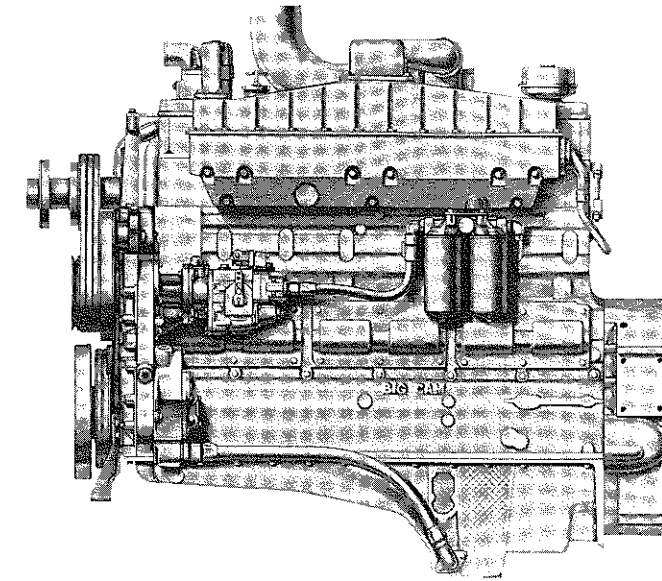


NT-855 Series

Big Cam C-Engine 6-Cylinder 4-Stroke





**Parts Ordering For: N-855-C235, NT-855-C250, NT-855-C280,
NT-855-C310, NT-855-C335, NTA-855-C360, NTA-855-C400,
N-855-L235, NT-855-L335, NTA-855-L400, N-855-P235,
NT-855-P280, NT-855-P335, NTA-855-P360, NTA-855-P400**

Genuine Cummins Parts and service facilities are worldwide. There are more than 3700 Cummins Sales and Service locations in the principal cities of the United States and Canada, and more than 800 Sales and Service locations situated elsewhere throughout the free world. Each distribution outlet is thoroughly equipped with technical data, factory-trained mechanics, modern equipment and a full, adequate stock of Genuine Cummins Parts.

For quicker and better service, your parts requirements should be ordered from your nearest Cummins Distributor or Dealer. At any of the locations prompt, intelligent, courteous service is a basic trademark. Each is ready and eager to help in every possible way through personal contact or through the mail — at your convenience.

The satisfactory ordering and receiving of parts by the purchaser is greatly dependent upon the proper use of available information. In order that all avoidable errors may be eliminated, the following instructions are offered as the purchaser's guide:

Write your order clearly, using a typewriter if possible.

Be sure to list the correct part number. If in doubt as to the correct part number, state the model and serial number of the engine on which the part is to be used. Part numbers are usually located in various places on the part itself.

When possible, arrange your purchase order in part number numerical sequence.

Always specify shipping instructions — "Best Way" is satisfactory if you have no preference.

State your company name and shipping address clearly.

Genuine Cummins Parts mean QUALITY! They're designed and engineered to fit best in your Cummins Diesel. Each part is made of the highest quality material — on the most accurate of machines — by the top craftsmen of the trade.

You can be sure a Genuine Cummins Part will fit better — do the job better — lessen the chances of costly breakdown. When you buy replacement parts, buy quality. Buy Genuine Cummins Parts!

YOU OWN THE BEST...REPAIR WITH THE BEST

Customer Service Information

This Parts Catalog contains standard parts information for the following:

N-855-C235	N-855-L 235	N-855-P235
NT-855-C250/280/310/335	NT-855-L 335	NT-855-P280/P335
NTA-855-C360/C400	NTA-855-L400	NTA-855-P360/P400

Part numbers appearing in () are for identification purposes only and should not be used when ordering service replacement parts.

The form below is provided for your convenience and when properly filled out, will allow proper identification of your unit and the normal maintenance items. Parts information errors that could cause extended down time could be avoided if the information on this is referred to when ordering parts from your Cummins Distributor or Dealer.

ALWAYS SPECIFY ENGINE MODEL AND SERIAL NUMBER WHEN ORDERING PARTS FROM THIS CATALOG

Engine Model _____ Engine Serial No. _____ CPL No. _____

MFG Make _____ Model _____ Chassis No. _____

Fuel Pump Assembly No. _____ Injector No. _____

Belt, Fan _____ Belt, Water Pump _____ Belt, Gen. _____

Element, Fuel Filter _____ Full Flow Lub. Filter _____

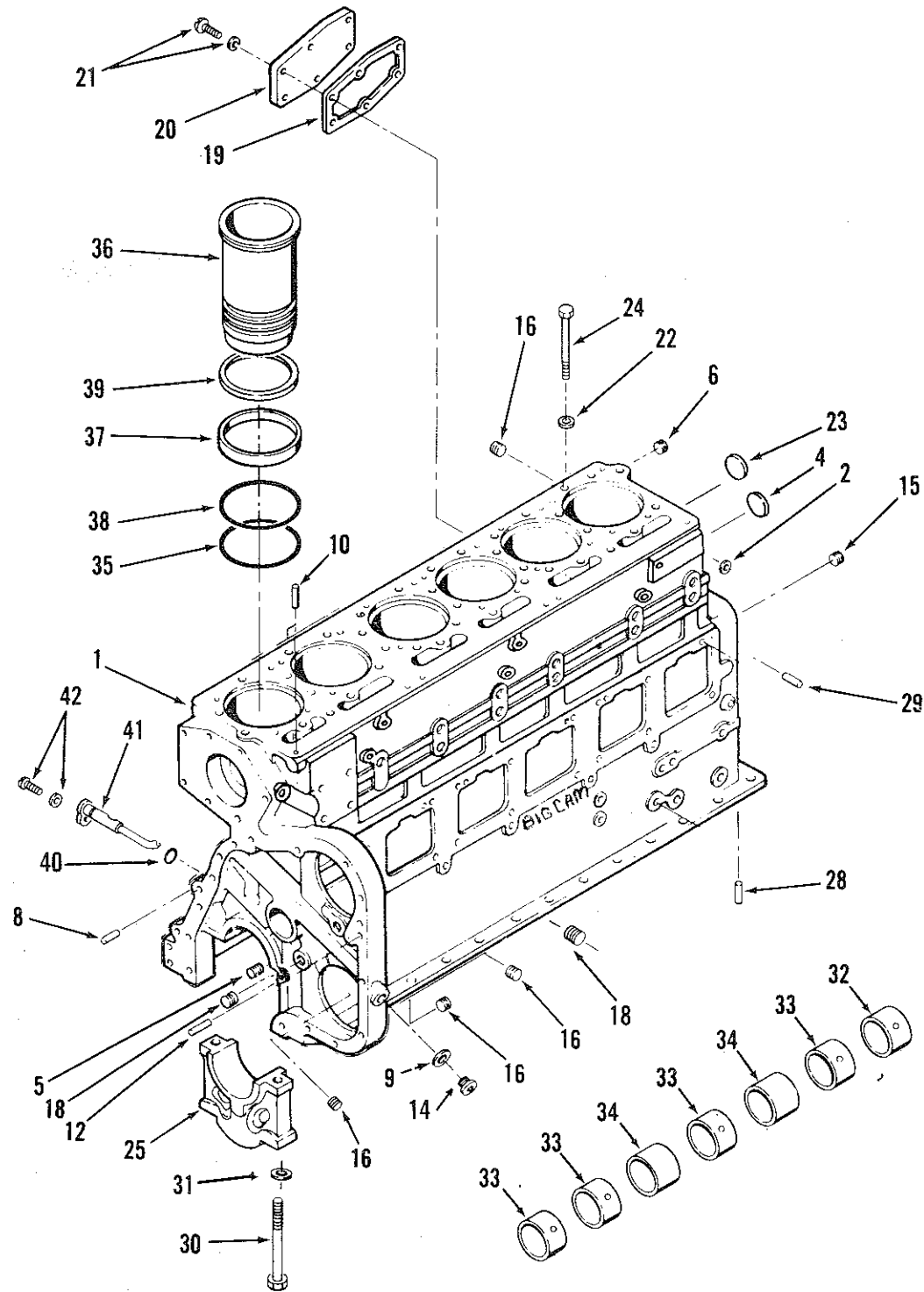
Air Cleaner _____ By-Pass Lub. Filter _____

Special Equipment

Cummins Distributor _____

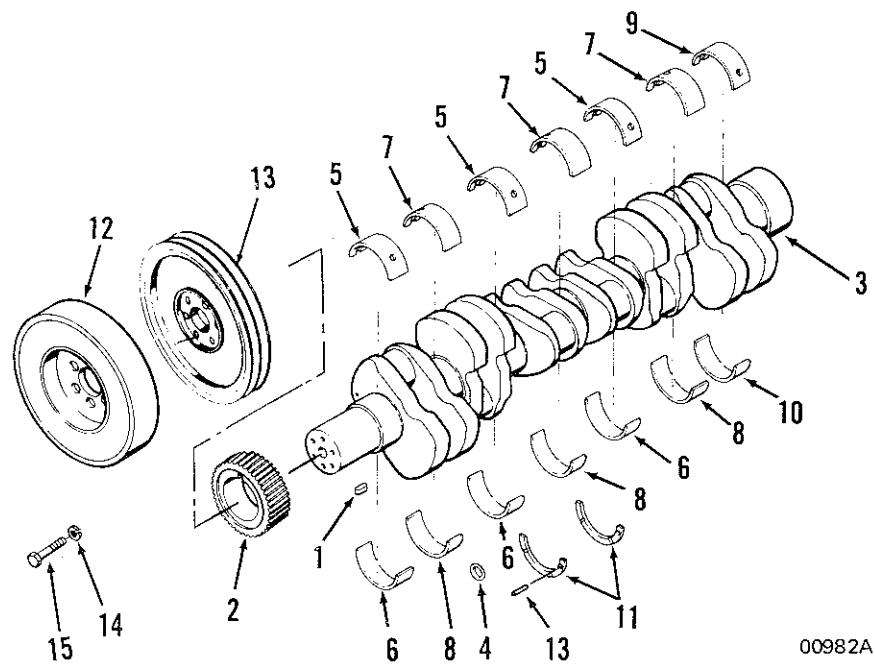
Table of Contents

	Page No.	Page No.	
Accessory Drive Pulley	35	Shutdown Valve	30, 31
Air Crossover	20, 21	Signal Generator	37
Air Intake Manifold	22	Starting Motor	36
Aftercooler and Housing	20, 21	Thermostat and Housing	18
Air Cleaner	23	Throttle Lever	33
Alternator	38	Turbocharger	26, 27
Base Rails	43	Vibration Damper	2
Breather	8, 9	Water Filter	19
Camshaft	4	Water Manifold	18
Camshaft Bushings	1	Water Pump and Idler	16, 17
Cam Followers, Cam Follower Housing	7		
Cold Start	39		
Connecting Rod	3		
Crankshaft	2		
Cylinder Block	1		
Cylinder Head	6		
Cylinder Liner	1		
Dipstick	10, 11		
Electrical Equipment	36		
Exhaust Manifold	24, 25		
Fan	44, 45		
Fan Bracket	28, 29		
Fan Hub	28, 29		
Flywheel, Ring Gear and Flywheel Housing	42		
Front Engine Support	5		
Fuel Filter	32		
Fuel Gear Pump	34		
Fuel Pump Damper	34		
Gasket Sets	46		
Gear Cover	5		
Injector	30, 31		
Instrument Panel	40, 41		
Lifting Bracket	8, 9		
Lubricating Oil Filter and Cooler	12, 13		
Lubricating Oil Bypass Filter	14		
Lubricating Oil Pump	15		
Main Bearing Shells	2		
Oil Pan	10, 11		
Pistons	3		
Piston Cooling Nozzle	1		
Piston Rings	3		
Push Rods	7		
Radiator	44, 45		
Rear Cover	4		
Rocker Lever Covers	8, 9		
Rocker Levers and Housings	8, 9		



REF. NO.	PART NUMBER	PART NAME	NO. REQ'D.	REF. NO.	PART NUMBER	PART NAME	NO. REQ'D.
CYLINDER BLOCK N-855-C235, N-855-L235, N-855-P235				CYLINDER LINER KIT All Models			
				AR-11317	Kit, cylinder liner	6	
1	3016117	Block, cylinder (3031151)	1	35	183049	Seal, drive	6
2	S-679	Washer, plain (25164)	1	36	213740	Liner, cylinder	6
3	S-716	Plug, expansion	1	37	215090	Seal, crevice	6
4	S-719	Plug, expansion	1	38	3008998	Seal, o-ring	6
5	S-911-B	Plug, pipe (1/8)	2				
6	S-966-E	Plug, pipe (1)	1				
8	60408	Dowel	1				
9	66292	Washer, plain	1	39	3019955	Shim (0.007)	A/R
10	3025888	Pin, groove	6	39	3019956	Shim (0.008)	A/R
11	69901	Plug, pipe (1/8)	7	39	3019957	Shim (0.009)	A/R
12	70653	Dowel	1	39	3019958	Shim (0.020)	A/R
13	202903	Pin, roll	2	39	3019959	Shim (0.031)	A/R
14	210884	Plug, threaded	1	39	3019960	Shim (0.062)	A/R
15	3008466	Plug, pipe (1/4)	2				
16	3008468	Plug, pipe (1/2)	3				
17	3008469	Plug, pipe (3/4)	1				
18	3013786	Plug, pipe (3/8)	6				
19	70089-1	Gasket, cover	1				
20	132019	Cover, water header	1				
21	3013904	Capscrew, captive	6				
22	69699	Washer, plain	36				
23	3011952	Plug, expansion	1	3014404	Assembly, piston cooling nozzle	6	
24	209700	Capscrew, hexagon	36	41	3013591	Nozzle, piston cooling (3013590)	6
25	3008047	Cap, main bearing	3	40	3007442	Seal, o-ring	6
25	3008048	Cap, main bearing	3	42	3033822	Capscrew, captive	6
25	3008049	Cap, main bearing	1				
28	67211	Dowel, rear main	2				
29	68585	Dowel, pin	6				
30	208346	Capscrew, hexagon	14				
31	140218	Washer, plain	14				
	3801106	Kit, camshaft bushing	1				
32	3011951	Bushing, camshaft (No. 7)	1				
33	3028075	Bushing, camshaft (No. 1, 2, 4 and 6)	4				
34	3028269	Bushing, camshaft (No. 3 and 5)	2				
CYLINDER BLOCK NT-855-C250, NT-855-C280, NT-855-P280				PISTON COOLING NOZZLE NT-855-C250, NT-855-C280, NT-855-P280, NT-855-C310, NT-855-C335, NTA-855-C360, NTA-855-C400, NT-855-L335, NTA-855-L400, NT-855-P335, NTA-855-P360, NTA-855-P400			
OMIT:							
1	3016117	Block, cylinder	1				
ADD:							
1	3016120	Block, cylinder (3031153)	1				
CYLINDER BLOCK NT-855-C310, NT-855-C335, NTA-855-C360, NTA-855-C400, NT-855-L335, NTA-855-L400, NT-855-P335, NTA-855-P360, NTA-855-P400				*Nozzle comes from supplier with o-ring installed.			
OMIT:							
1	3016117	Block, cylinder	1				
10	3025888	Pin, groove	6				
24	209700	Capscrew, hexagon	36				
ADD:							
1	3801311	Block, cylinder (3031150)	1				
10	68445	Pin, groove	6				
24	3013623	Capscrew, hexagon	36				

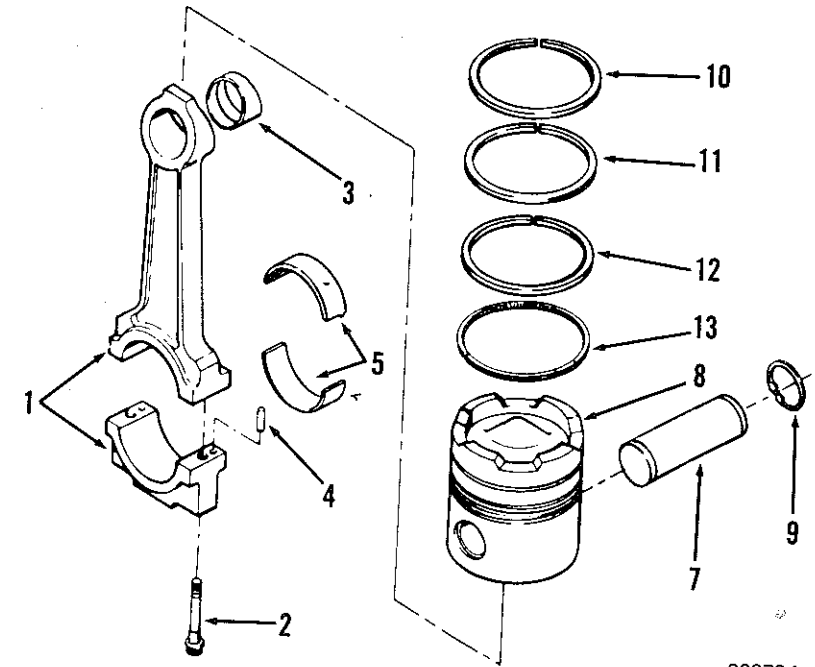
PARTS INDENTED ARE INCLUDED IN THE PART UNDER WHICH THEY ARE INDENTED



00982A

REF. NO.	PART NUMBER	PART NAME	NO. REQ'D.	REF. NO.	PART NUMBER	PART NAME	NO. REQ'D.
CRANKSHAFT							
All Models							
	3029348	Crankshaft assembly	1				
1	210179	Key	1	12	211921	Damper, vibration	1
2	3014614	Gear	1				
3	3024923	Crankshaft	1				
MAIN BEARINGS							
All Models							
	3801260	Shell, main bearing	1	12	211915	Damper, vibration	1
4	60575	Ring, main bearing	7				
5	3019174	Bearing, main (upper 1, 3, 5)	3				
6	3019180	Bearing, main (lower 1, 3, 5)	3				
7	3019186	Bearing, main (upper 2, 4, 6)	3				
8	3019192	Bearing, main (lower 2, 4, 6)	3				
9	3019198	Bearing, main (upper 7)	1	12	217323	Damper, vibration	1
10	3019204	Bearing, main (lower 7)	1				
11	3019218	Bearing, thrust	4				
		*Main bearings may be purchased in .010", .020", .030" and .040" undersize.		13	211918	Pulley, crankshaft	1
				14	127316	Washer, plain	6
				15	204165	Capscrew	6
VIBRATION DAMPER							
N-855-C235, N-855-L235, N-855-P235							
NT-855-C250, NT-855-C280, NT-855-C310, NT-855-C335, NT-855-L335, NT-855-P280, NT-855-P335							
ALL MODELS							
MOUNTING PARTS							
All Models							

PARTS INDENTED ARE INCLUDED IN THE PART UNDER WHICH THEY ARE INDENTED

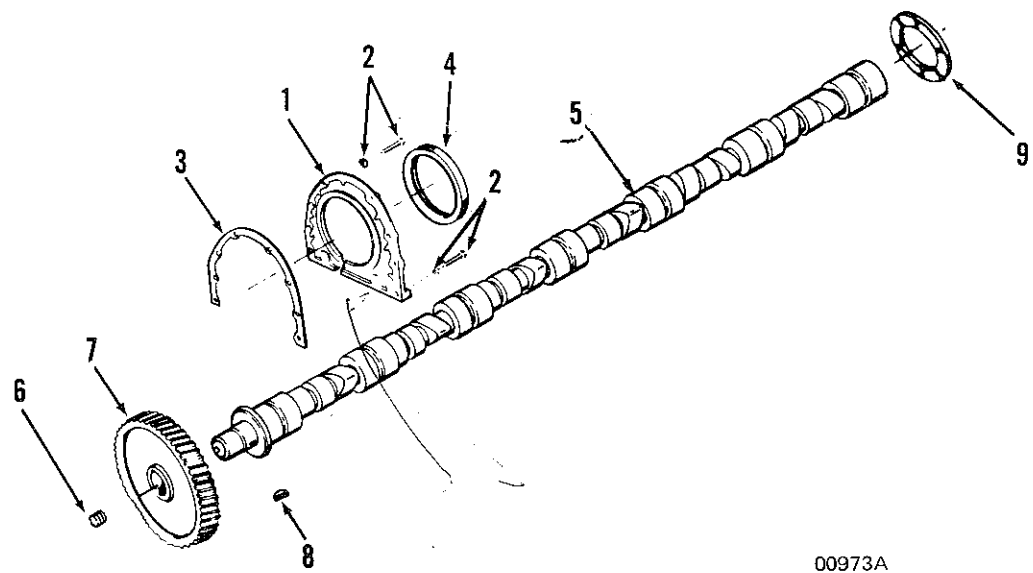


00972A

REF. NO.	PART NUMBER	PART NAME	NO. REQ'D.	REF. NO.	PART NUMBER	PART NAME	NO. REQ'D.
CONNECTING ROD							
All Models							
1	3013930	Connecting rod assembly (218808)	6				
2	219153	Bolt, connecting rod	12				
3	187420	Bushing, piston pin	6	7	191970	Pin, piston	6
4	70550	Dowel	12	8	3008472	Piston	6
5	214950*	Shell, connecting rod bearing	12	9	175755	Ring, snap	12
		*Connecting rod bearing shells may be purchased in .010", .020", .030" and .040" undersize.					
PISTON							
N-855-C235, N-855-L235, N-855-P235							
	AR-6992	Piston assembly	6				
7	191970	Pin, piston	6				
8	198660	Piston	6				
9	175755	Ring, snap	12				
PISTON							
NT-855-C250, NT-855-C280, NT-855-P280							
	3016276	Piston assembly	6				
7	191970	Pin, piston	6				
8	3012424	Piston	6				
9	175755	Ring, snap	12				
PISTON							
NT-855-C310, NT-855-C335, NT-855-L400, NT-855-P335, NTA-855-C360, NTA-855-P360							
	AR-12134	Piston assembly	6				
7	191970	Pin, piston	6				
8	216020	Piston	6				
9	175755	Ring, snap	12				
PISTON							
NTA-855-C400, NTA-855-L400, NTA-855-P400							
	3008144	Piston assembly	6				
	191970	Pin, piston	6				
	3008472	Piston	6				
	175755	Ring, snap	12				
PISTON RINGS							
All Models							
	3014149	Ring, set piston	6				
	147670	Ring, compression	6				
	3012332	Ring, compression	6				
	214730	Ring, compression	6				
	218732	Ring, oil	6				
CYLINDER KITS							
	AR-06674	Kit, cylinder (198660)	1				
	3017960	Kit, cylinder (3012424)	1				
	3016890	Kit, cylinder (216020)	1				
	3016893	Kit, cylinder (3008472)	1				

PARTS INDENTED ARE INCLUDED IN THE PART UNDER WHICH THEY ARE INDENTED

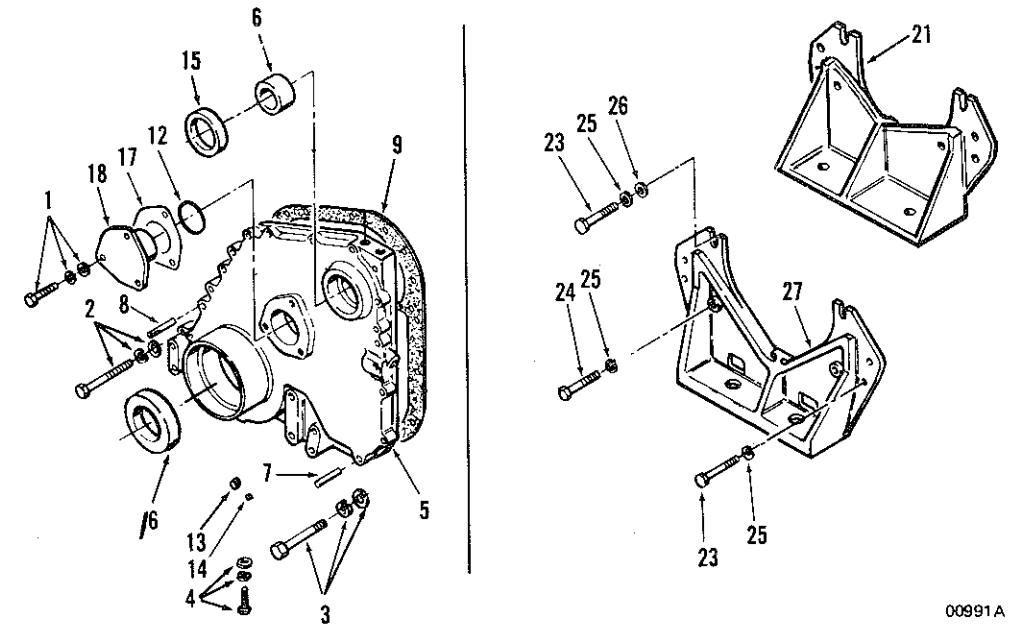
NT/855-C400 piston pin 3095742



00973A

REF. NO.	PART NUMBER	PART NAME	NO. REQ'D.	REF. NO.	PART NUMBER	PART NAME	NO. REQ'D.
REAR COVER							
All Models							
1	209919	Cover, rear	1				
2	3010594	Capscrew, captive	8				
3	40662-A	Gasket	1				
4	211253	Seal, rear oil	1				
CAMSHAFT							
N-855-C235, N-855-L235, N-855-P235							
5	3034581	Camshaft (3034580)	1				
6	68193	Plug, pipe	1				
7	3002901	Gear, camshaft	1				
8	3021601	Key, plain woodruff	1				
9	215233	Bearing, thrust	1				
NTA-855-C360, NTA-855-P360, NT-855-C310, NT-855-C335, NT-855-L400, NT-855-P335							
OMIT:							
5	3034581	Camshaft (3034580)	1				
8	3021601	Key, plain woodruff	1				
ADD:							
5	3026975	Camshaft (3025518)	1				
8	3021592	Key, plain woodruff	1				
NT-855-C250, NT-855-C280, NT-855-P280, NTA-855-C400, NTA-855-L400, NTA-855-P400							
OMIT:							
5	3034581	Camshaft (3034580)	1				
ADD:							
5	3029652	Camshaft (3025518)	1				

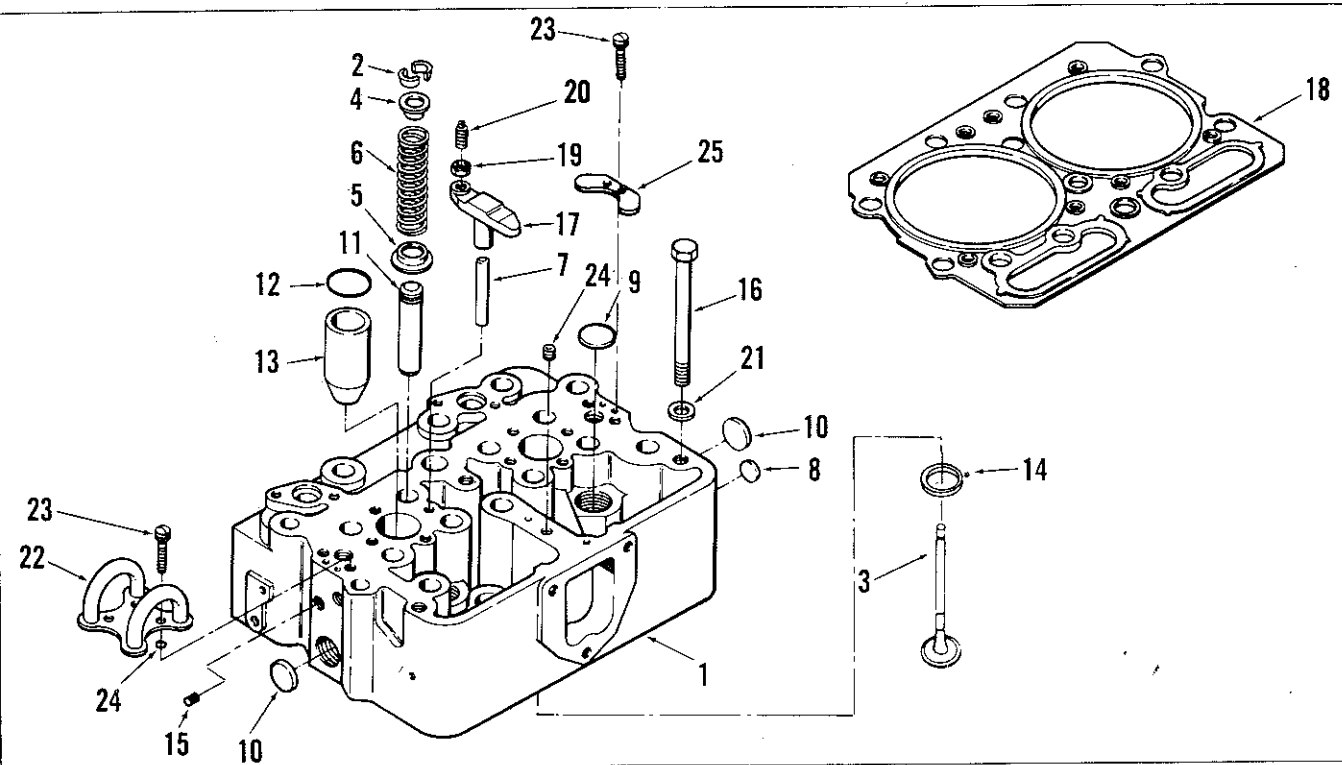
PARTS INDENTED ARE INCLUDED IN THE PART UNDER WHICH THEY ARE INDENTED



00991A

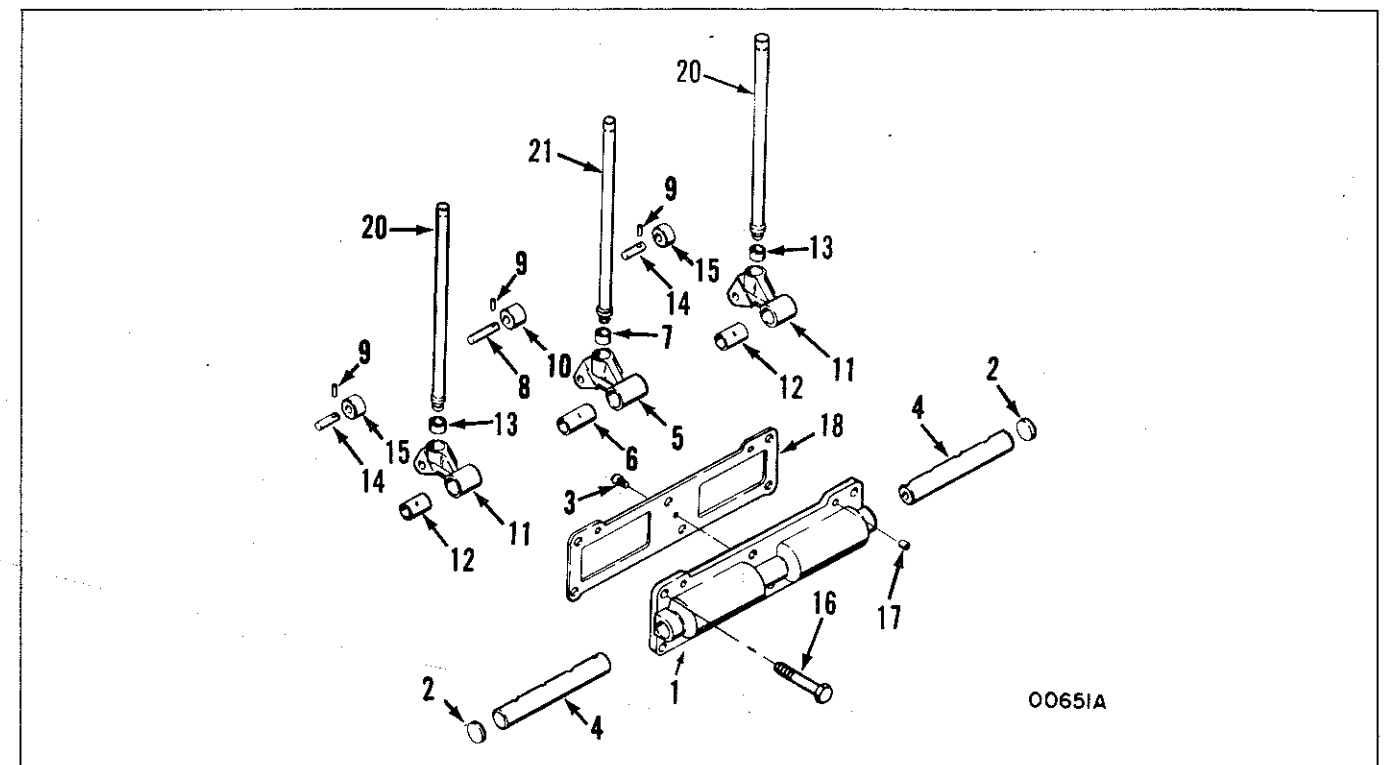
REF. NO.	PART NUMBER	PART NAME	NO. REQ'D.	REF. NO.	PART NUMBER	PART NAME	NO. REQ'D.
GEAR CASE COVER							
All Models							
1	3011715	Capscrew, captive	3				
2	3011714	Capscrew, captive	3				
3	3011713	Capscrew, captive	1				
4	3011712	Capscrew, captive	9				
5	3024442	Cover, gear (201713)	1				
6	132770	Bushing	1				
	210416	Tube	1				
7	60408	Dowel	1				
8	70653	Dowel	1				
9	3021704	Gasket, gear cover	1				
12	215705	Packing	1				
13	S-911-B	Plug, pipe	3				
14	3013786	Plug, pipe (3/8)	1				
15	3020185	Seal, oil	1				
16	3020183	Seal, crankshaft oil (3020186)	1				
	AR-01176	Shim assembly, thrust	1				
17	185573	Shim, insert	1				
17	65259-A	Shim (.010")	A/R				
17	65259-B	Shim (.005")	A/R				
17	65259-C	Shim (.002")	A/R				
18	3008530	Support, camshaft thrust	1				
FRONT ENGINE SUPPORT							
N-855-C235, NT-855-C250, NT-855-C280, NT-855-C310, NT-855-C335, NTA-855-C360, NTA-855-C400, N-855-L235, NT-855-L335, NTA-855-L400							
21	214306	Support, front engine	1				
24	212754	Capscrew	2				
23	213456	Capscrew	6				
25	203760	Washer	2				
26	3000082	Washer	8				
N-855-P235, NT-855-P280, NT-855-P335, NTA-855-P360, NTA-855-P400							
Same as above except:							
OMIT:							
21	214306	Support, front engine	1				
ADD:							
27	212301	Support, front engine	1				

PARTS INDENTED ARE INCLUDED IN THE PART UNDER WHICH THEY ARE INDENTED



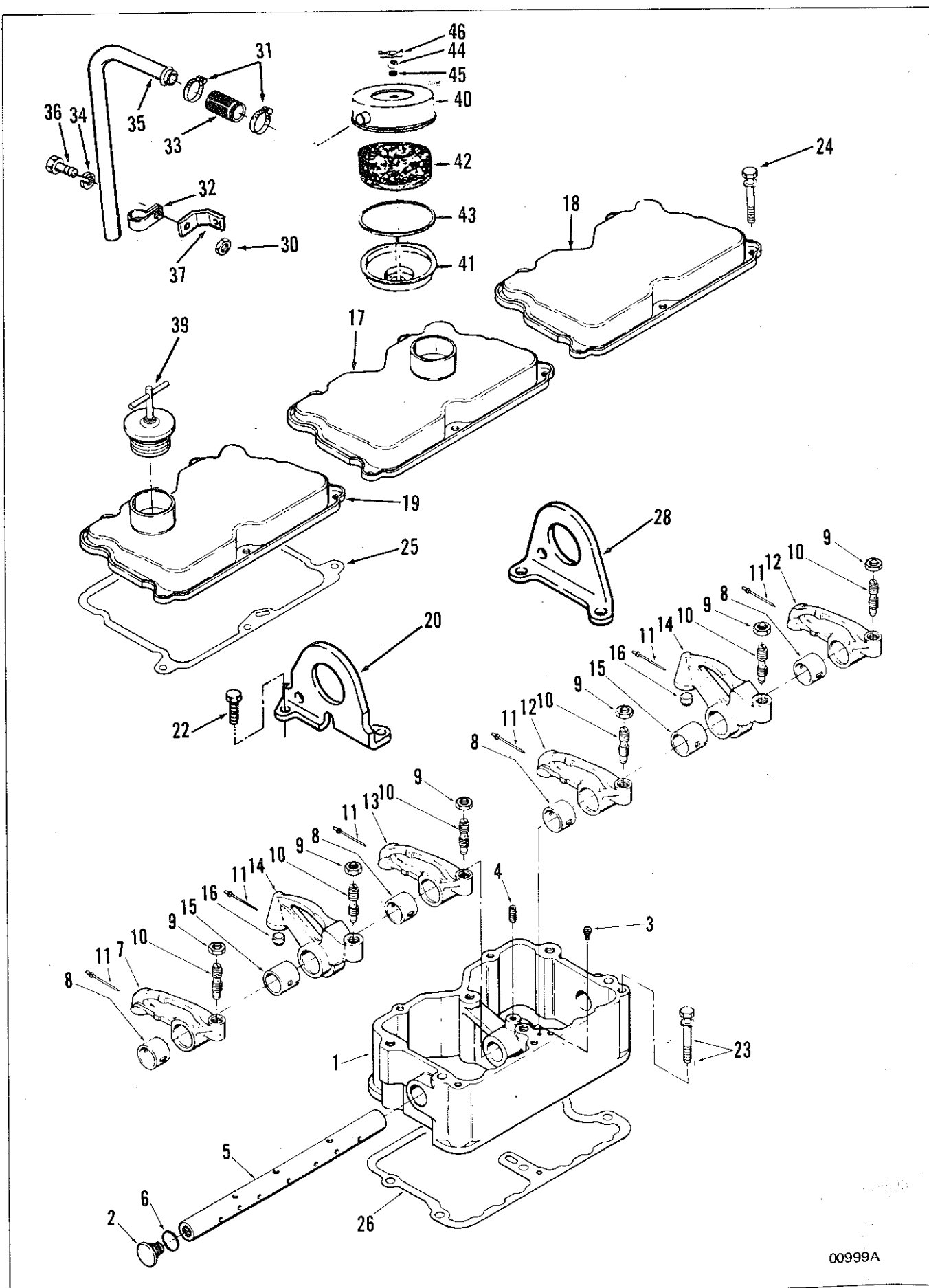
REF. NO.	PART NUMBER	PART NAME	NO. REQ'D.	REF. NO.	PART NUMBER	PART NAME	NO. REQ'D.
CYLINDER HEAD				(Continued)			
N-855-C235, N-855-L235, N-855-P235				ADD:			
1	3007834	Head, cylinder (3007717)	3	1	3008101	Head, cylinder (3007716)	3
2	127554	Collet, valve	48	14	200354	Insert, valve	12
3	135957	Valve, intake	12	NTA-855-C360, NTA-855-P360, NTA-855-C400, NTA-855-L400, NTA-855-P400			
3	145701	Valve, exhaust	12	Same as above except:			
4	170296	Guide, valve spring	24	OMIT:			
5	172034	Guide, valve spring	24	1	3007834	Head, cylinder (3007717)	3
6	211999	Spring, valve	24	3	135957	Valve, intake	12
7	123558	Guide, valve crosshead	12	14	3017759	Insert, valve	12
8	213394	Plug, expansion	3	ADD:			
9	213395	Plug, expansion	18	1	3008101	Head, cylinder (3007716)	3
10	216524	Plug, expansion	6	3	3000926	Valve, intake	12
11	3006456	Guide, valve stem	24	14	200354	Insert, valve	12
12	3007759	Seal, O-ring	6	MOUNTING PARTS			
13	3011934	Sleeve, injector	6	All Models			
14	3017759	Insert, valve	12	15	S-911-B	Plug, pipe (1/8)	10
NT-855-C250, NT-855-C280, NT-855-P280				16	3013623	Capscrew, hexagon	36
Same as above except:				17	3028293	Crosshead	12
OMIT:				19	203131	Nut, hexagon	12
1	3007834	Head, cylinder (3007717)	3	20	147389	Screw	12
3	135957	Valve, intake	12	18	3036126	Gasket, cylinder head	3
ADD:				21	69699	Washer, plain	36
1	3008089	Head, cylinder (3007716)	3	FUEL CROSSOVER			
3	200354	Valve, intake	12	All Models			
NT-855-C310, NT-855-C335, NT-855-L400, NT-855-P335				22	147100	Crossover, fuel	2
Same as above except:				23	70772	Capscrew, springtite	12
OMIT:				24	131026	Seal, O-ring	12
1	3007834	Head, cylinder (3007717)	3	25	135308	Plate, cover	2
14	3017759	Insert, valve	12				

PARTS INDENTED ARE INCLUDED IN THE PART UNDER WHICH THEY ARE INDENTED



REF. NO.	PART NUMBER	PART NAME	NO. REQ'D.	REF. NO.	PART NUMBER	PART NAME	NO. REQ'D.
CAM FOLLOWERS				00651A			
All Models							
Housing and follower assembly							
	3036939	Housing and follower assembly	3				
1	3016887	Housing	3				
2	146261	Plug, expansion	6				
3	69736	Screw, shaft	6				
4	3017031	Shaft, cam follower	6				
5	3036937	Cam follower, injector (3017032)	6				
6	118377	Bushing	6				
7	213559	Insert	6				
8	3013330	Pin, roller	6				
9	118939	Pin, roll	6				
10	3036934	Roller	6				
11	3036935	Cam follower, intake and exhaust (3014585)	12				
12	118378	Bushing	12				
13	213559	Insert	12				
14	3013331	Pin, roller	12				
9	118939	Pin, roll	12				
15	3036933	Roller	12				
MOUNTING PARTS							
All Models							
16	S-129	Capscrew	18				
17	68585	Dowel	6				
18	3020000	Gasket, cam follower (.017 THK.)	3				
18	3020002	Gasket, cam follower (.017 THK.)	3				
18	3020003	Gasket, cam follower (.022 THK.)	3				
PUSH RODS							
20	217929	Push rod, intake and exhaust	12				
21	3032681	Push rod, injector	6				

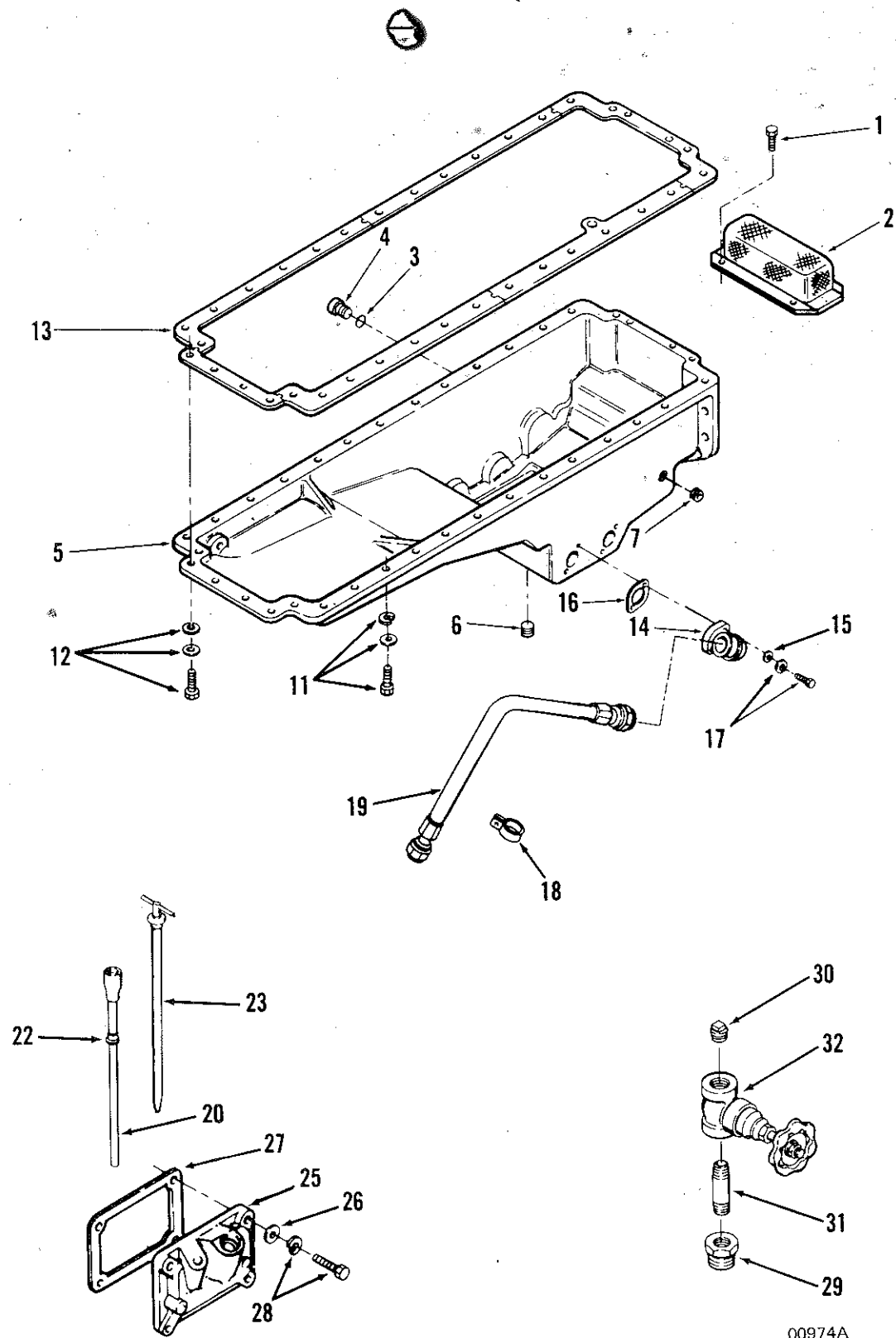
PARTS INDENTED ARE INCLUDED IN THE PART UNDER WHICH THEY ARE INDENTED



00999A

REF. NO.	PART NUMBER	PART NAME	NO. REQ'D.	REF. NO.	PART NUMBER	PART NAME	NO. REQ'D.
		ROCKER LEVER HOUSING N-855-C235, N-855-L235, N-855-P235					
	AR-3307	Housing, rocker lever assembly	3	20	170226	Bracket, lifting	1
1	3007242	Housing	3	23	3010589	Capscrew, captive	18
2	218736	Plug, expansion	6	24	3006182	Capscrew, captive	15
3	216296	Plug, vent hole	3	22	S-176	Capscrew (1/2 - 13 x 5)	4
4	168319	Screw, rocker lever shaft	3	25	3016453	Gasket, cover	3
5	140297	Shaft, rocker lever	3	26	3017750	Gasket, housing to head	3
6	3000521	O-ring	6	28	3001726	Bracket, lifting	1
7	BM-95162	Lever, exhaust valve (169705)	3				
8	140330	Bushing, lever	3				
9	S-212	Nut, adjusting screw	3				
10	168306	Screw, adjusting	3				
11	(208084)	Rivet, blind	3	257014	Breather, crankcase	1	
12	BM-95161	Lever, exhaust valve (169704)	3	40	3305386	Body, upper	1
8	140330	Bushing, lever	3	41	3302636	Body, lower	1
9	S-212	Nut, adjusting screw	3	42	3307515	Element	1
10	168306	Screw, adjusting	3	43	254608	Gasket	1
11	(208084)	Rivet, blind	3	44	255815	Gasket	1
12	BM-95159	Lever, intake valve (168805)	3	45	255816	Washer	1
8	140330	Bushing, lever	3	46	3302527	Wing nut (1/4-20)	1
9	S-212	Nut, adjusting screw	3	30	S-205	Nut (3/8 - 24)	1
10	168306	Screw, adjusting	3	31	3008596	Clamp, hose	2
13	BM-95160	Lever, intake valve (168803)	3	32	68425	Clip	1
8	140330	Bushing, lever	3	33	64775	Hose, plain	1
9	S-212	Nut, adjusting screw	3	34	S-604	Lockwasher (3/8)	1
10	168306	Screw, adjusting	3	35	142486	Tube, breather	1
14	AR-02308	Lever, injector rocker (218152)	6	36	69793	Capscrew (3/8 - 24 x 3/4)	1
15	218153	Bushing, lever	6	37	111670	Support, oil gauge tube	1
16	194037	Socket	6	39	107981	Cap, filler	1
9	S-212	Nut, adjusting screw	6				
10	168306	Screw, adjusting	6				
		NT-855-C250, NT-855-C280, NT-855-P280, NT-855-C310, NT-855-C335, NTA-855-C360, NTA-855-C400, NT-855-L335, NTA-855-L400, NT-855-P335, NTA-855-P360, NTA-855-P400,					
		Same as above except:					
OMIT:				OMIT:			
1	AR-3307	Housing, rocker lever assembly	3	257014	Breather, crankcase	1	
	3007242	Housing	3	ADD:			
ADD:				3302880	Breather, crankcase	1	
1	AR-12952	Housing, rocker lever assembly	3				
	3036285	Housing	3				
		ROCKER HOUSING COVER All Models					
17	3006358	Cover, rocker housing	1				
18	3006183	Cover, rocker housing	1				
19	3006349	Cover, rocker housing	1				

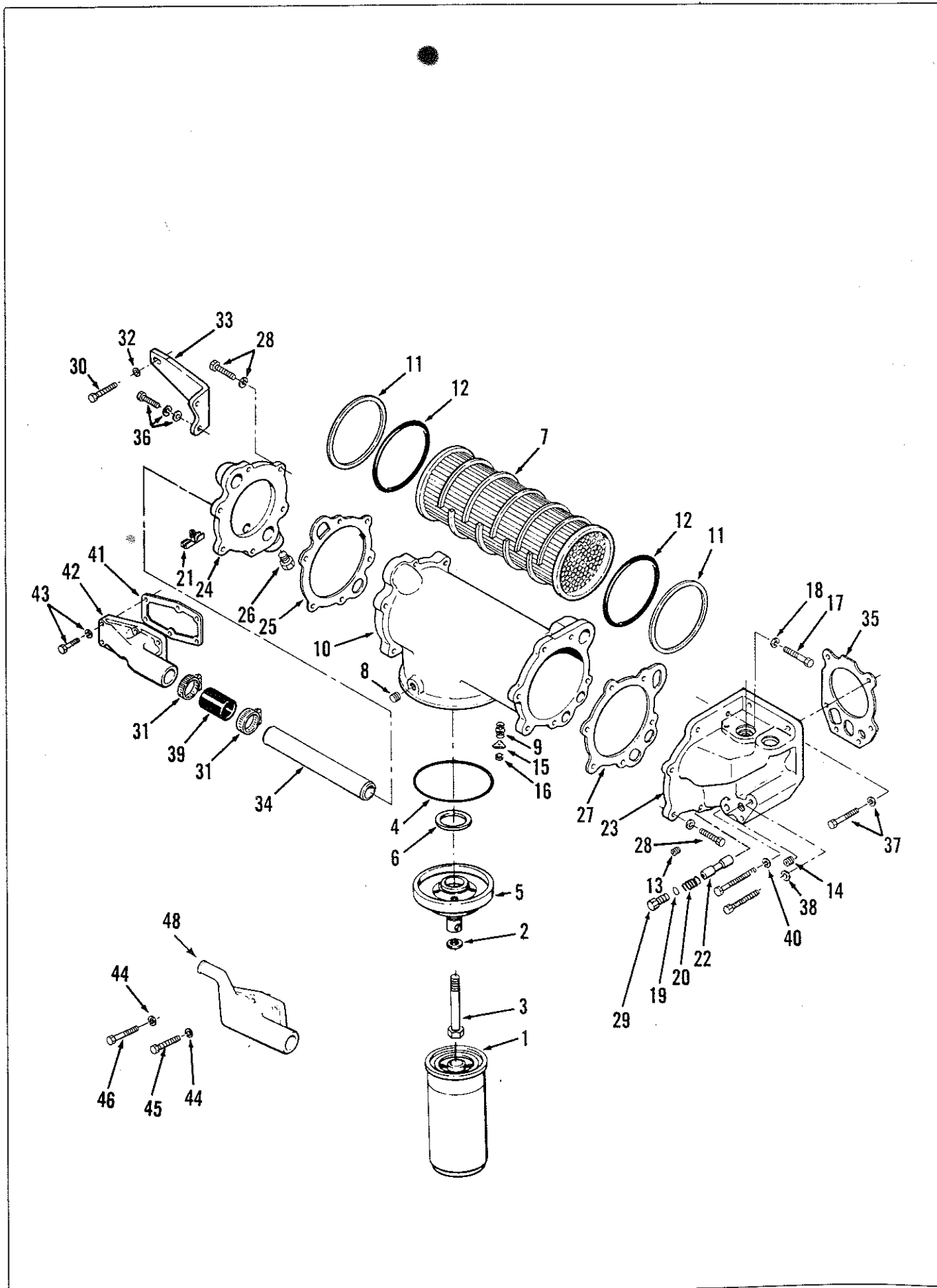
PARTS INDENTED ARE INCLUDED IN THE PART UNDER WHICH THEY ARE INDENTED



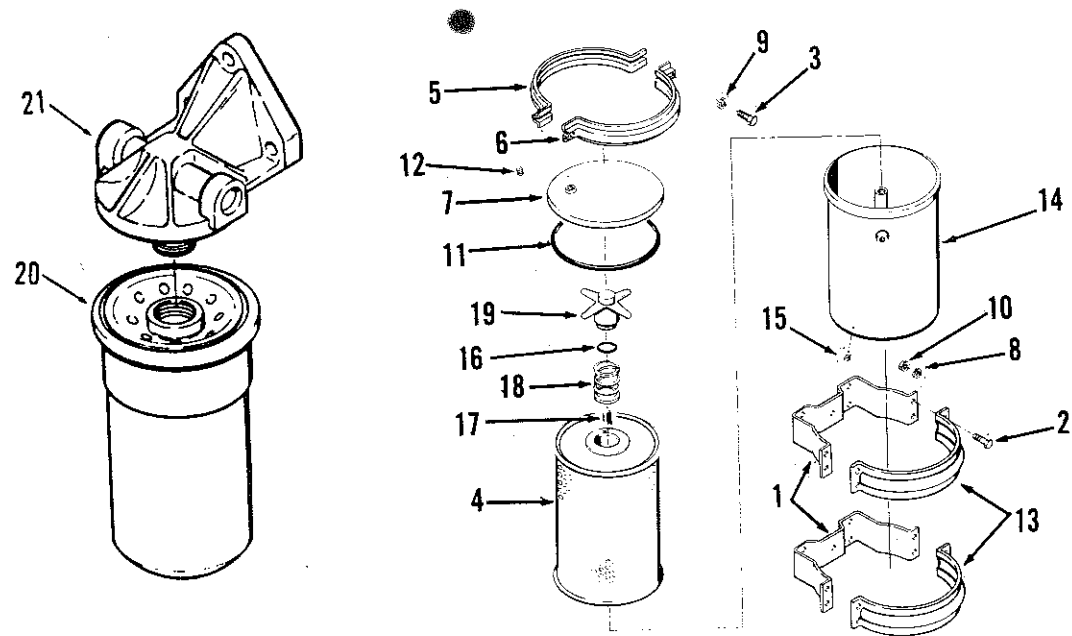
00974A

REF. NO.	PART NUMBER	PART NAME	NO. REQ'D.	REF. NO.	PART NUMBER	PART NAME	NO. REQ'D.
		OIL PAN				DIPSTICK AND TUBE	
		All Models				All Models	
1	AR-5913	Pan, oil	1	22	101814	Tube, oil gauge	1
1	S-1354	Screw, self tapping	4	23	3001047	Dipstick	1
2	20622	Screen, lub oil suction	1				
3	67946	Washer, plain	1				
4	69962	Plug, threaded (1" - 18)	1				
5	193631	Pan, oil	1				
6	3008468	Plug, pipe (1/2 - 14)	2				
7	3013786	Plug, pipe (3/8 - 18)	1				
11	3008069	Capscrew, captive (7/16 - 20 x 1-3/8)	28	25	41044-1	Cover, hand hole	1
12	3017050	Capscrew, captive (5/16 - 24 x 2-1/8)	4	26	S-602	Washer, plain (13/32)	4
13	5083	Gasket, oil pan	1	27	65274	Gasket, hand hole	1
				28	3010595	Capscrew, captive	4
		LUBE SUCTION HOSE MOUNTING				HAND HOLE COVER	
		All Models				All Models	
14	3013980	Connection, oil	1	29	S-910-C	Pipe	1
15	S-602	Washer, plain (13/32)	2	30	S-915-A	Plug, pipe (1/2)	1
16	157551	Gasket, suction	1	31	S-920	Nipple, plain pipe	1
17	3012478	Capscrew, captive	2	32	3023067	Valve, shutoff	1
18	3016478	Clip	1				
19	3017963	Hose, flexible	1				
						OIL DRAIN VALVE	
						N-855-P235, NT-855-P280, NT-855-P335, NTA-855-P360, NTA-855-P400	

PARTS INDENTED ARE INCLUDED IN THE PART UNDER WHICH THEY ARE INDENTED

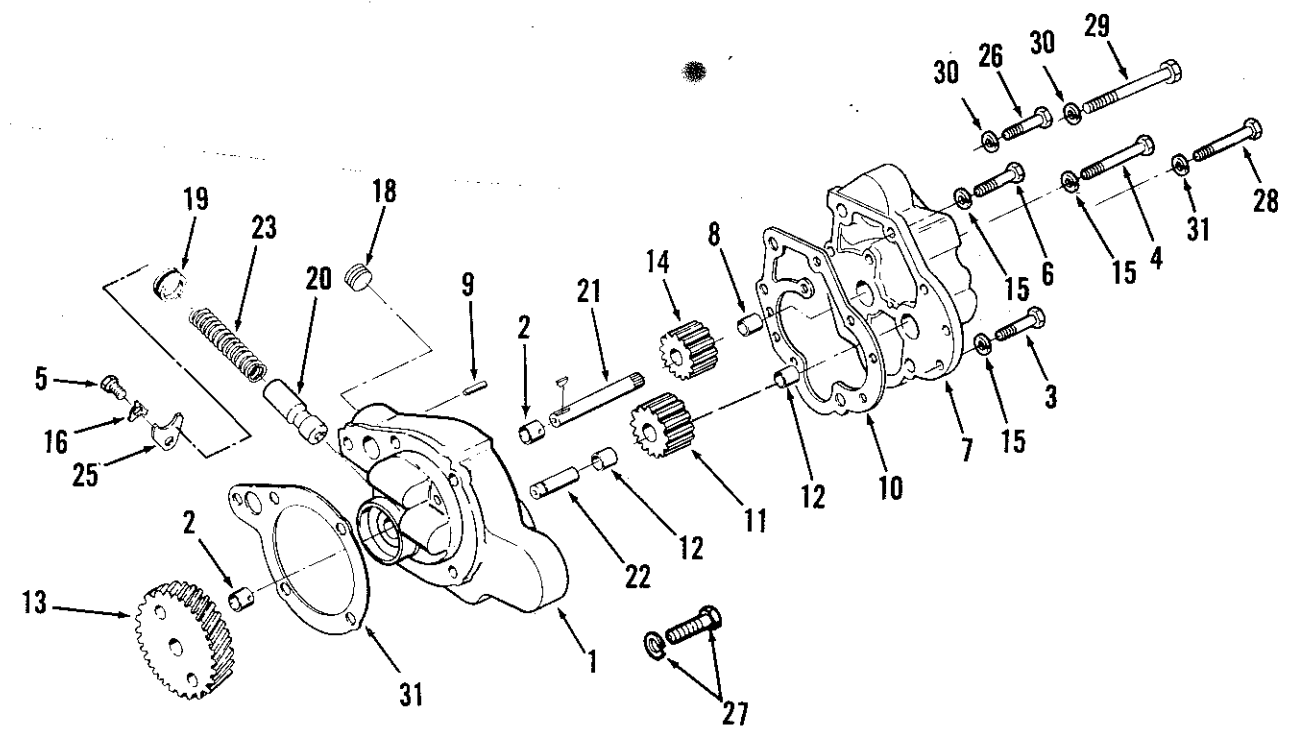


REF. NO.	PART NUMBER	PART NAME	NO. REQ'D.	REF. NO.	PART NUMBER	PART NAME	NO. REQ'D.
LUBRICATING OIL FILTER				MOUNTING PARTS			
All Models				All Models			
1	299670	Element, lub oil filter	1	30	S-145	Capscrew (1/2-13 x 1-1/4)	1
2	200861	Washer, plain	1	31	43828-B	Clamp, hose	4
3	138045	Capscrew, hexagon	1	32	203310	Washer, plain	1
4	3300908	Adapter, lub oil filter	1	33	210966	Brace, oil cooler	1
5	3302630	Seal, rectangular ring	1	34	3000907	Tube, water transfer	1
6	3308958	Seal, rectangular ring	1	35	3008017	Gasket, oil cooler support	1
LUBE OIL COOLER				Water Header Cover			
All Models				N-855-C235, NT-855-C250, NT-855-C280, NT-855-C310, NT-855-C335, N-855-L235, NT-855-L335, N-855-P235, NT-855-P280, NT-855-P335			
7	AR-09999	Cooler, lub oil	1	36	3010595	Capscrew, captive	2
8	3021581	Core, cooler	1	37	3010596	Capscrew, captive	2
9	S-911-B	Plug, pipe	1	38	3010597	Capscrew, captive	2
10	202128	Spring, compression	1	39	3031560	Hose, plain	2
11	210915	Housing, oil filter cooler	1	40	S-106-C	Capscrew	2
12	3006745	Ring, retaining	2	Water Header Cover			
13	3007713	Seal, O-ring	2	N-855-C360, NTA-855-C400, NTA-855-L400, NTA-855-P360, NTA-855-P400			
14	3008466	Plug, pipe	1	41	70089-1	Gasket, cover plate	1
15	3013786	Plug, pipe	1	42	3011233	Connection, water outlet	1
16	3018673	Disc, valve	1	43	3011342	Capscrew, captive	6
17	3023994	Plug, retainer	1	Water Header Cover			
18	S-126	Capscrew (3/8-16 x 2-1/2)	1	N-855-C360, NTA-855-C400, NTA-855-L400, NTA-855-P360, NTA-855-P400			
19	S-604	Lockwasher (3/8)	1	44	3001939	Connection, water	1
20	67946	Washer, plain	1	41	70089-1	Gasket, cover plate	1
21	68274	Spring, compression	1	44	S-600	Lockwasher	6
22	108307	Draincock	1	45	S-141-A	Capscrew	4
23	127558	Plunger, PRS regulator	1	46	S-168-C	Capscrew	2
24	210967	Support, oil cooler	1				
25	217315	Cover, lub oil cooler	1				
26	218245	Gasket, lub oil cooler cover	1				
27	3008469	Plug, pipe	1				
28	3010030	Gasket, lub oil cooler cover	1				
29	3010596	Capscrew, captive	9				
	3022961	Plug, drain	1				



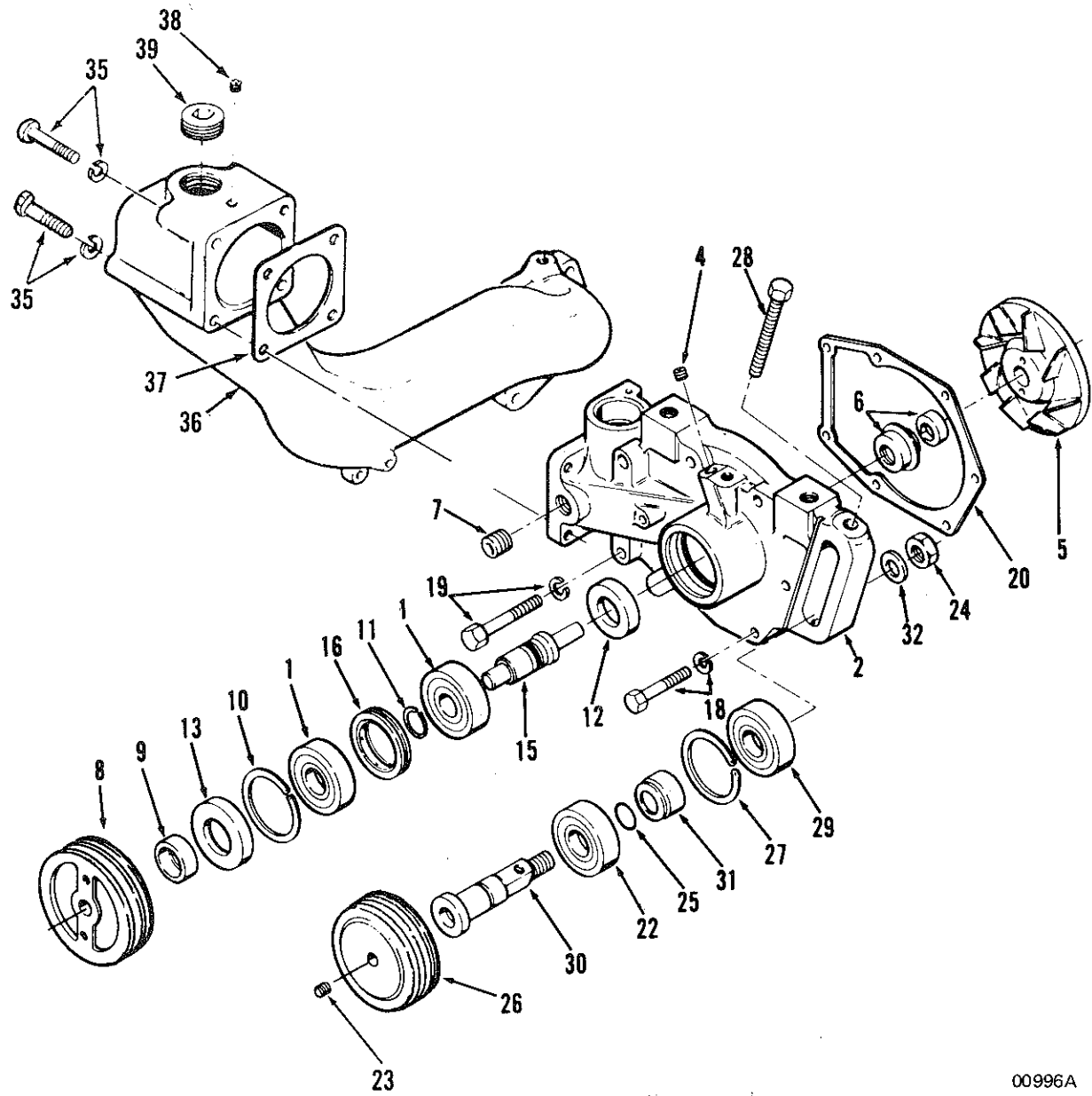
REF. NO.	PART NUMBER	PART NAME	NO. REQ'D.	REF. NO.	PART NUMBER	PART NAME	NO. REQ'D.
		BY-PASS FILTER N-855-P235, NT-855-P280, NT-855-P335, NTA-855-P360, NTA-855-P400				N-855-C235, NT-855-C250, NT-855-C280, NT-855-C310, NT-855-C335, NTA-855-C360, NTA-855-C400, N-855-L235, NT-855-L335, NTA-855-L400	
	250825	Filter, lubricating oil	1				
1	145664	Bracket, mounting	2		OMIT:		
2	70188	Capscrew, bracket	8		250825	Filter, lubricating oil	1
3	70449	Capscrew, coupling half	2		ADD:		
4	256838	Cartridge (LF-750)	1	20	3304232	Filter, lubricating oil (Spin-On)	1
5	150038	Coupling, half with nuts	1				
6	150039	Coupling, half cover	1	21	3304173	Head, lubricating oil filter (Spin-On)	1
7	159667	Cover	1				
8	70189	Lockwasher, bracket	8				
9	70194	Lockwasher, coupling half	2				
10	70299	Nut, bracket	8				
11	164159	O-ring cover	1				
12	S-908	Plug, cover	1				
13	145665	Strap, mounting	2				
14	257222	Shell, filter	1				
	157152	Decal, filter	1				
15	S-908	Plug, drain	1				
	257218	Support, upper	1				
16	116029	O-ring, support	1				
17	131911	Orifice plug	1				
18	150037	Spring, hold down	1				
19	257216	Support, upper	1				

PARTS INDENTED ARE INCLUDED IN THE PART UNDER WHICH THEY ARE INDENTED

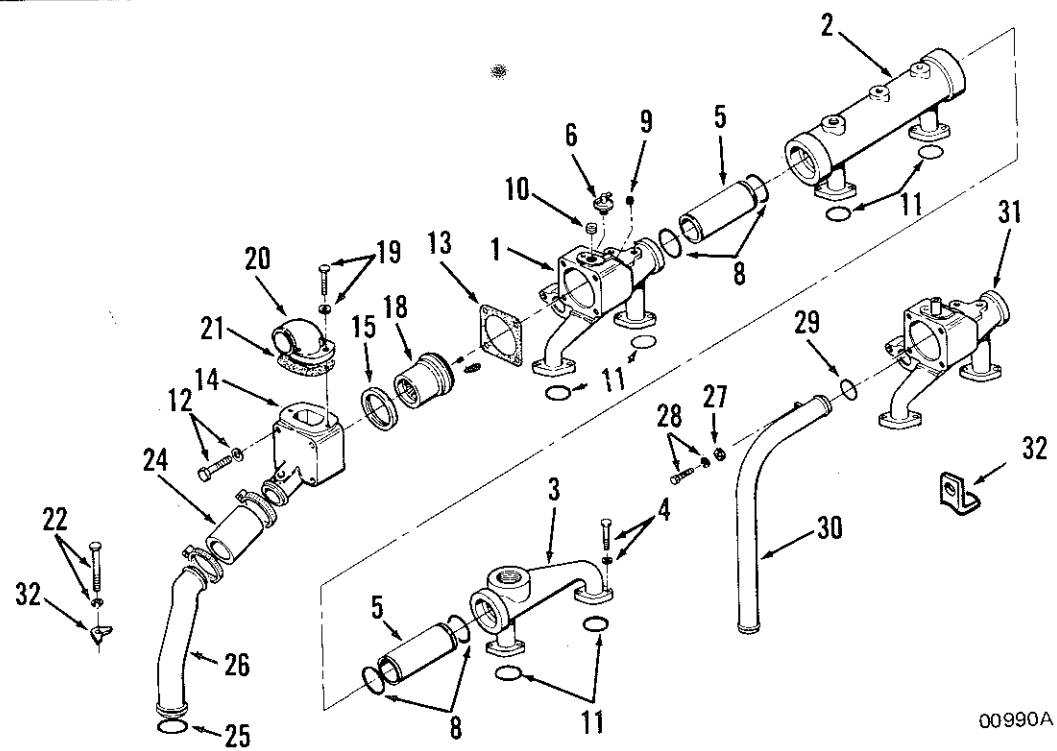


REF. NO.	PART NUMBER	PART NAME	NO. REQ'D.	REF. NO.	PART NUMBER	PART NAME	NO. REQ'D.
		LUBRICATING OIL PUMP NT-855-C250, NT-855-C280, NT-855-C310, NT-855-C335, NTA-855-C360, NTA-855-C400, NT-855-L335, NTA-855-L400, NT-855-P280, NT-855-P335, NTA-855-P360, NTA-855-P400				LUBRICATING OIL PUMP N-855-C235, N-855-L235, N-855-P235	
					OMIT:		
				1	AR-9834	Pump, lubricating oil	1
				14	AR-9833	Body and bushing (211929)	1
1	AR-09834	Pump, lubricating oil	1	14	3014783	Gear, lubricating oil	1
2	69521	Bushing	2	11	3014965	Gear and bushing (3014784)	1
3	3022590	Capscrew, captive	6	12	68365	Bushing	2
4	S-103	Capscrew (5/16 - 18 x 2-1/4)	1		ADD:		
5	S-109	Capscrew (3/8 - 16 x 7/8)	1		AR-12341	Pump, lubricating oil	1
6	S-111	Capscrew (5/16 - 18 x 1-1/2)	1	1	AR-11065	Body and bushing (215348)	1
7	AR-04258	Cover and bushing (177414)	1	14	3014785	Gear, lubricating oil	1
8	69521	Bushing	1	11	3014966	Gear and bushing (3014786)	1
9	69519	Dowel	1	12	199586	Bushing	2
10	203145	Gasket, cover	1				
11	3014965	Gear and bushing (3014784)	1				
12	68365	Bushing	2				
13	143190	Gear, lubricating pump drive	1				
14	3014783	Gear, lubricating pump	1				
15	S-605	Lockwasher (5/16)	2				
16	109319	Lockplate	1				
18	3008469	Plug, pipe	2				
19	134596	Plug, by-pass valve	1				
20	109333	Plunger, pressure regulator	1				
21	177417	Shaft, pump drive	1				
22	177419	Shaft, pump idler	1				
23	211939	Spring, by-pass valve	1				
25	126304	Yoke, retaining	1				
26	S-119-C	Capscrew (7/16 - 20 x 3-1/4)	1				
27	3012479	Capscrew, captive	2				
29	S-140-C	Capscrew	1				
31	3031434	Gasket, lub oil pump	1				
30	S-610	Lockwasher (7/16)	2				

PARTS INDENTED ARE INCLUDED IN THE PART UNDER WHICH THEY ARE INDENTED



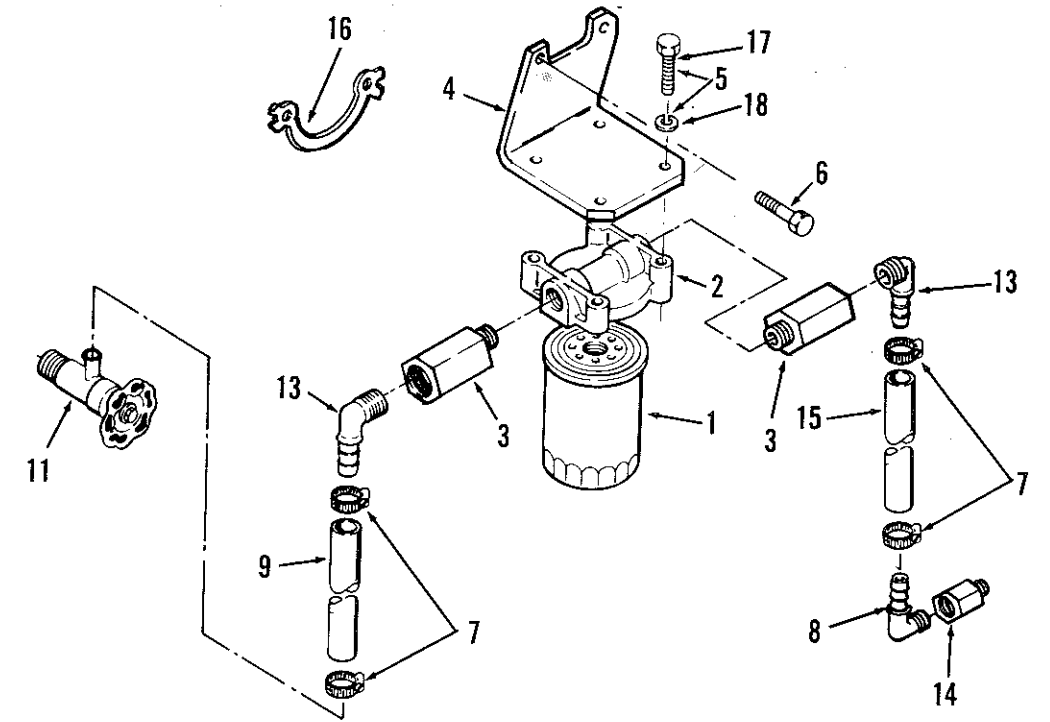
REF. NO.	PART NUMBER	PART NAME	NO. REQ'D.	REF. NO.	PART NUMBER	PART NAME	NO. REQ'D.
		WATER PUMP AND IDLER N-855-C235, N-855-L235, N-855-P235, NT-855-C250, NT-855-C280, NT-855-P280				WATER INLET CONNECTION N-855-C235, NT-855-C250, NT-855-C280, NT-855-C310, NT-855-C335, NTA-855-C360, NTA-855-C400, N-855-L235, NT-855-L335, NTA-855-L400	
	3004924	Assembly, water pump and idler	1				
	3004923	Assembly, water pump	1				
1	3010150	Bearing, ball	2	35	3010595	Capscrew, captive	4
2	218274	Body, water pump	1	36	3016256	Connection, water transfer	1
4	S-911-B	Plug, pipe	2	37	3024960	Gasket, connection	1
5	3002617	Impeller	1	38	3008468	Plug, pipe	1
6	3028294	Seat and seal assembly	1	39	3008470	Plug, pipe	1
7	3013786	Plug, pipe	1				
8	3025935	Pulley, water pump (3005507)	1				
9	203097	Sleeve, wear	1				
10	S-16255	Ring, snap	1				
11	112302	Ring, snap	1				
12	203100	Seal, oil	1	OMIT:			
13	203101	Seal, oil	1	36	3016256	Connection, water transfer	1
15	3000889	Shaft, water pump	1	ADD:			
16	196844	Spacer, water pump bearing	1	36	3028280	Connection, water transfer	1
	AR-45189	Idler, water pump	1				
22	3010150	Bearing, ball	1				
24	S-201	Nut	1				
25	145506	O-ring	1				
26	215397	Pulley, idler	1				
27	S-16255	Ring, snap	1				
29	203101	Seal, oil	1				
30	208119	Shaft, idler	1				
31	208120	Spacer, idler	1				
32	213082	Washer	1				
23	S-965-E	Plug, pipe	1				
28	182706	Screw, adjusting	1				
		MOUNTING PARTS All Models					
	217638	Belt, water pump	2				
18	3012468	Capscrew, captive	5				
19	3012469	Capscrew, captive	2				
20	3002385	Gasket	1				
		WATER PUMP AND IDLER NT-855-C310, NT-855-C335, NTA-855-C360, NTA-855-C400, NT-855-L335, NTA-855-L400, NT-855-P335, NTA-855-P360, NTA-855-P400					
		Same as above except:					
	OMIT:						
	3004924	Assembly, water pump and idler	1				
	3004923	Assembly, water pump	1				
5	3002617	Impeller, water pump	1				
	ADD:						
	AR-45217	Assembly, water pump and idler	1				
	AR-45184	Assembly, water pump	1				
5	3000888	Impeller, water pump	1				



00990A

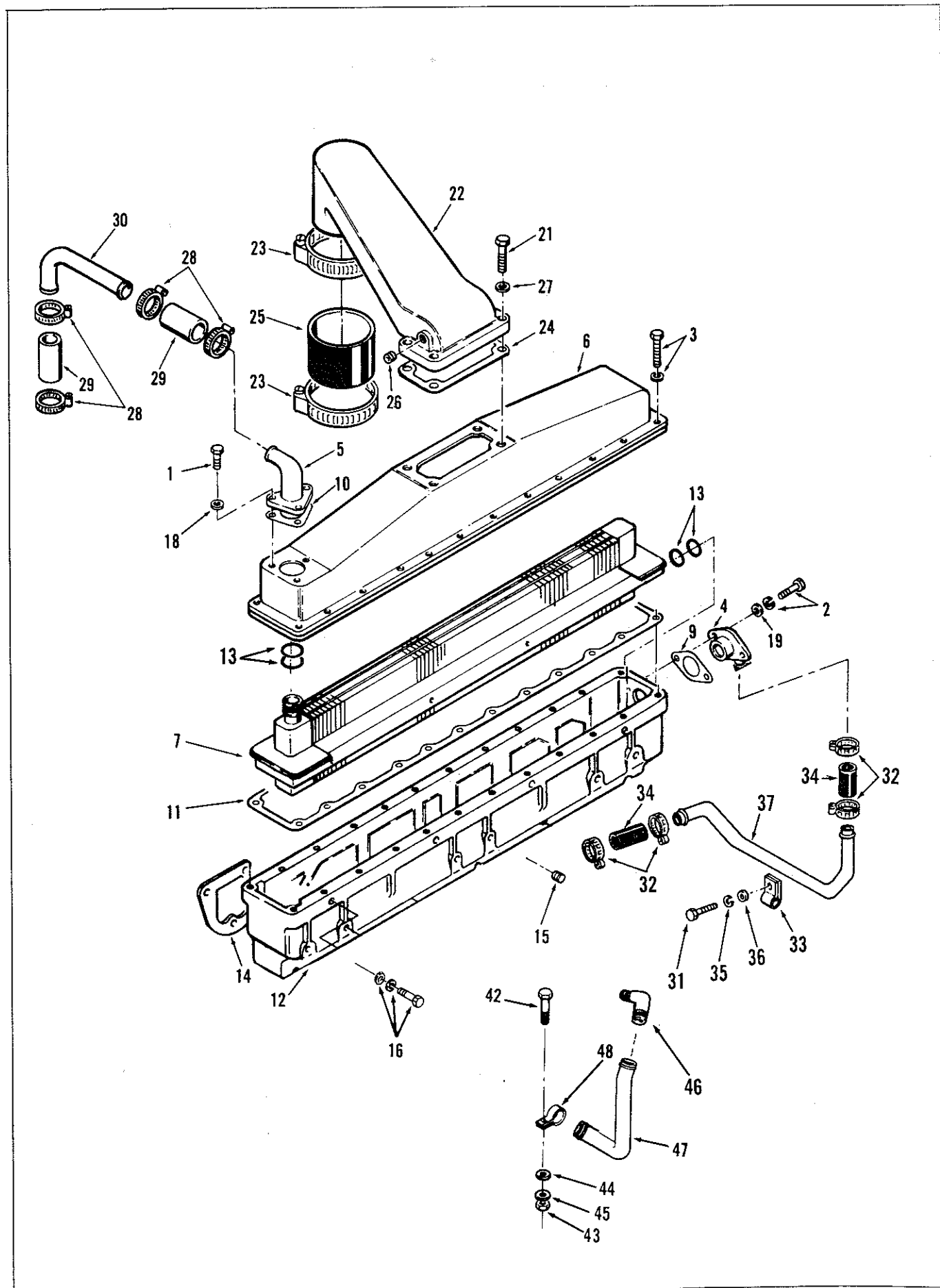
REF. NO.	PART NUMBER	PART NAME	NO. REQ'D.	REF. NO.	PART NUMBER	PART NAME	NO. REQ'D.
		WATER MANIFOLD N-855-C235, N-855-L235, N-855-P235, NT-855-C250, NT-855-C280, NT-855-C310, NT-855-C335, NT-855-P335, NT-855-L335, NT-855-P280		19	3010595	Capscrew, captive	2
				20	3018764	Connection, water outlet	1
				21	3019158	Gasket, water outlet	1
1	3015114	Manifold, water (front)	1				
2	130118	Manifold, water (center)	1				
3	3013001	Manifold, water (rear)	1				
4	3010596	Capscrew	12	22	3022589	Capscrew	1
5	130394	Coupling, manifold	2	23	43828-B	Clamp, hose	2
6	S-962-E	Cock, drain	1	24	3034202	Hose	1
8	70624	O-ring, coupling	4	25	43463-A	O-ring	1
9	3008468	Plug, pipe	3	26	213485	Pipe, water bypass	1
10	3008469	Plug, pipe	1	32	214617	Clamp, tube	1
11	3024709	Ring, sealing	6				
		NTA-855-C360, NTA-855-C400, NTA-855-P360, NTA-855-P400, NTA-855-L400		32	158416	Bracket, water	1
		Same as above except:		27	S-626	Washer, plain	1
				28	3022589	Capscrew, captive	1
				29	212161	O-ring	2
31	3015115	Manifold, water (front)	1	30	3024666	Tube, water transfer	1
		THERMOSTAT HOUSING All Models					
12	3010597	Capscrew, captive	4				
13	208128	Gasket, housing	1				
	AR-10124	Housing, thermostat	1				
14	3013612	Housing	1				
15	186780	Seal, housing	1				
17	3013786	Plug, pipe	1				
18	201737	Thermostat	1				
		WATER OUTLET CONNECTION All Models					
		FRONT WATER BYPASS All Models					
		WATER TRANSFER TUBE All Models					

PARTS INDENTED ARE INCLUDED IN THE PART UNDER WHICH THEY ARE INDENTED



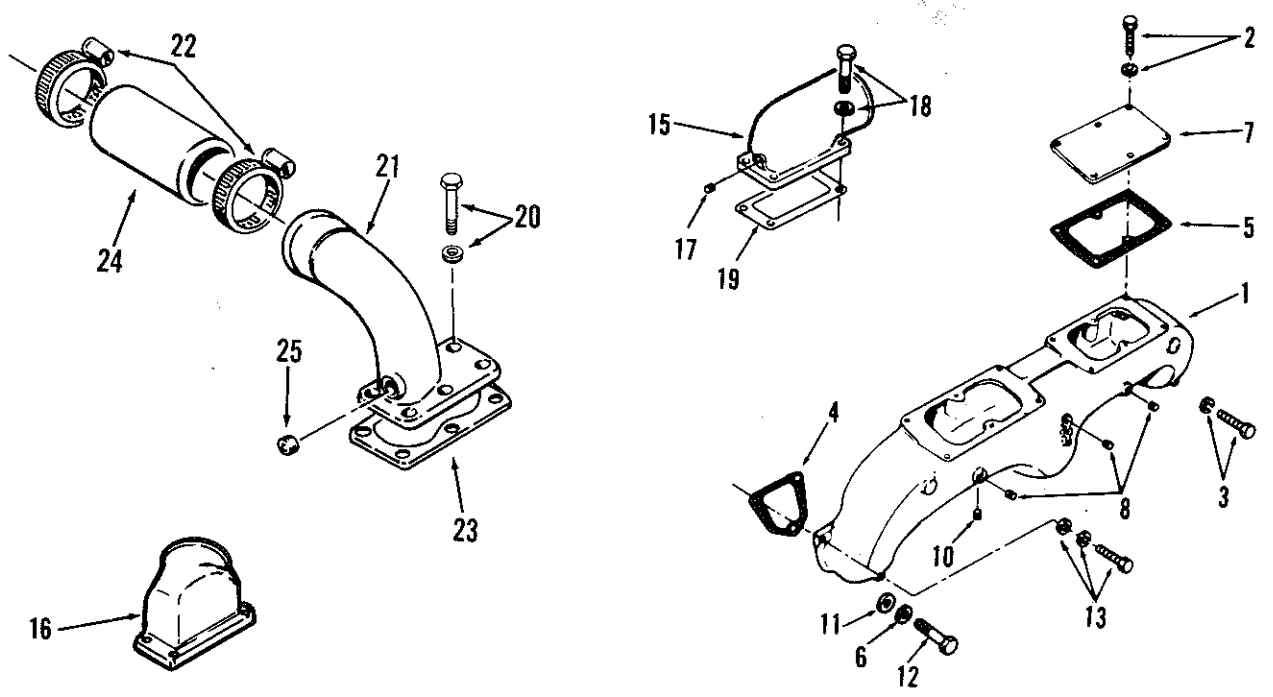
REF. NO.	PART NUMBER	PART NAME	NO. REQ'D.	REF. NO.	PART NUMBER	PART NAME	NO. REQ'D.
		WATER FILTER N-855-C235, NT-855-C250, NT-855-C280, NT-855-C310, NT-855-C335, NTA-855-C360, NTA-855-C400, N-855-L235, NT-855-L335, NTA-855-L400					
		Same as above except:					
		OMIT:					
				5	3010596	Capscrew	4
1	258265	Filter, water assembly	1	8	70470	Elbow	1
2	3305371	Element	1	9	3016187	Hose, plain	1
13	204163	Head	1	11	179901	Valve, shutoff	2
				13	179903	Coupling, elbow hose	2
				15	3017408	Hose, plain	1
		MOUNTING PARTS All Models					
		ADD:					
3	187317	Adapter	3	17	S-103-D	Capscrew (3/8 - 16 x 1-1/4)	4
4	211448	Bracket	1	18	S-604	Lockwasher (3/8)	4
5	3010596	Capscrew, captive (3/8 - 16 x 1-1/4)	4	8	S-1005-A	Elbow, male adapter	1
6	200908	Capscrew (7/16 - 14 x 4-1/8)	2	9	3008792	Tube	1
7	3016190	Clamp, hose	4	11	3008760	Valve, inlet - outlet	2
8	70470	Elbow	4	13	S-1005-A	Elbow, male adapter	2
9	3016187	Hose, plain	1	15	3008794	Tube	1
11	179901	Valve, shutoff	2				
14	180221	Adapter, plain pipe	1				
15	3017408	Hose, plain	1				
16	116982	Lockplate	1				
		WATER FILTER N-855-P235, NT-855-P280, NT-855-P335, NTA-855-P360, NTA-855-P400					

PARTS INDENTED ARE INCLUDED IN THE PART UNDER WHICH THEY ARE INDENTED



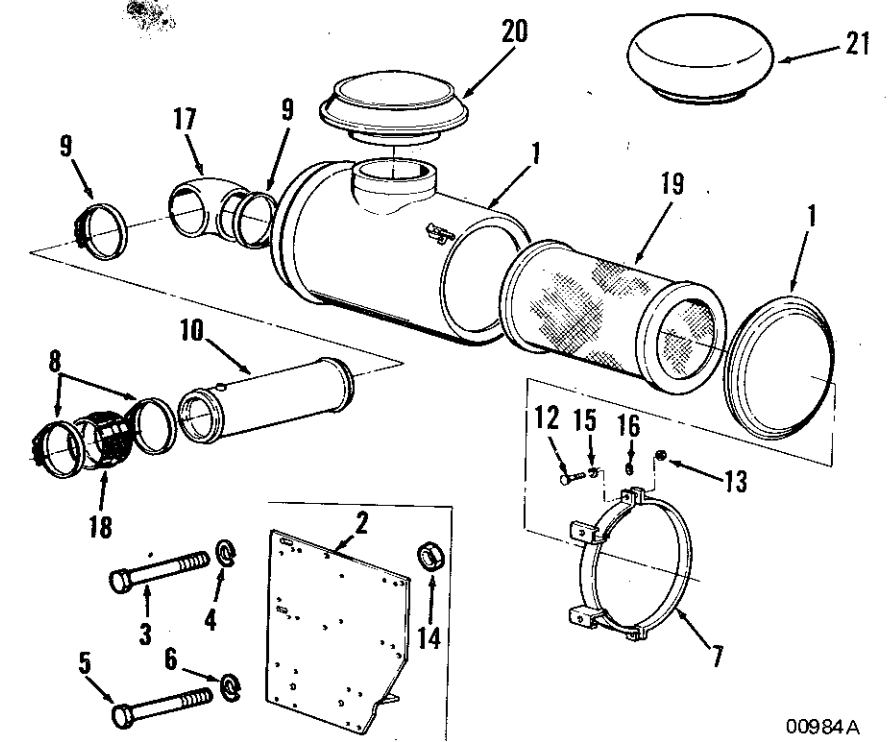
REF. NO.	PART NUMBER	PART NAME	NO. REQ'D.	REF. NO.	PART NUMBER	PART NAME	NO. REQ'D.
AFTERCOOLER AND INTAKE MANIFOLD NTA-855-C360, NTA-855-C400, NTA-855-L400, NTA-855-P360, NTA-855-P400				WATER CROSSOVER TUBE NTA-855-C360, NTA-855-C400, NTA-855-L400, NTA-855-P360, NTA-855-P400			
1	S-102	Capscrew (5/16 - 18 x 1)	3	28	3010518	Clamp, hose	4
2	3010596	Capscrew, captive (3/8 - 16 x 1-1/4)	2	29	3025874	Hose, plain	2
3	3005508	Capscrew, captive	24	30	215041	Tube, water transfer	1
4	3015835	Connection, water inlet	1	REAR WATER TRANSFER TUBE NTA-855-C360, NTA-855-C400, NTA-855-L400, NTA-855-P360, NTA-855-P400			
5	3013295	Connection, water outlet	1	MANIFOLD PRESSURE TUBE NTA-855-C360, NTA-855-C400, NTA-855-L400, NTA-855-P360, NTA-855-P400			
6	214154	Cover, aftercooler	1	MANIFOLD PRESSURE TUBE NTA-855-C360, NTA-855-C400, NTA-855-L400, NTA-855-P360, NTA-855-P400			
7	3028997	Core, aftercooler	1	MANIFOLD PRESSURE TUBE NTA-855-C360, NTA-855-C400, NTA-855-L400, NTA-855-P360, NTA-855-P400			
9	188221	Gasket, water inlet connection	2	31	S-190	Capscrew (5/8 - 18 x 1)	1
10	215044	Gasket, water outlet connection	1	32	3010550	Clamp, hose	4
11	216486	Gasket, aftercooler cover	1	33	204263	Clip	1
12	3008425	Manifold, air intake	1	34	3025874	Hose	2
13	195952	O-ring	4	35	S-603	Lockwasher (5/8)	1
14	3008591	Gasket, intake manifold	3	36	S-658	Washer, plain (5/8)	1
15	70295	Plug, pipe (1/8)	1	37	3001169	Tube, water transfer	1
16	3028967	Capscrew, captive (3/8 - 16 x 5-7/32)	6	MANIFOLD PRESSURE TUBE NTA-855-C360, NTA-855-C400, NTA-855-L400, NTA-855-P360, NTA-855-P400			
18	S-684	Washer, plain	3	MANIFOLD PRESSURE TUBE NTA-855-C360, NTA-855-C400, NTA-855-L400, NTA-855-P360, NTA-855-P400			
19	S-679	Washer (25/64)	4	MANIFOLD PRESSURE TUBE NTA-855-C360, NTA-855-C400, NTA-855-L400, NTA-855-P360, NTA-855-P400			
AIR CROSSOVER CONNECTION NTA-855-C360, NTA-855-C400, NTA-855-L400, NTA-855-P360, NTA-855-P400				42	S-121	Capscrew (1/4 - 28 x 5/8)	1
21	S-103-D	Capscrew (3/8 - 16 x 1-1/4)	4	43	S-251	Nut	1
22	211657	Connection, air crossover	1	44	S-600	Lockwasher (1/4)	1
23	208326	Clamp, hose	2	45	S-631	Washer, plain (9/32)	1
24	216487	Gasket	1	46	68139	Elbow, male adapter	1
25	202994	Hose	1	47	3018279	Tube, manifold pressure	1
26	70295	Plug, pipe (1/8)	1	48	3031618	Clip	1
27	S-679	Washer, plain (25/64)	4				

PARTS INDENTED ARE INCLUDED IN THE PART UNDER WHICH THEY ARE INDENTED



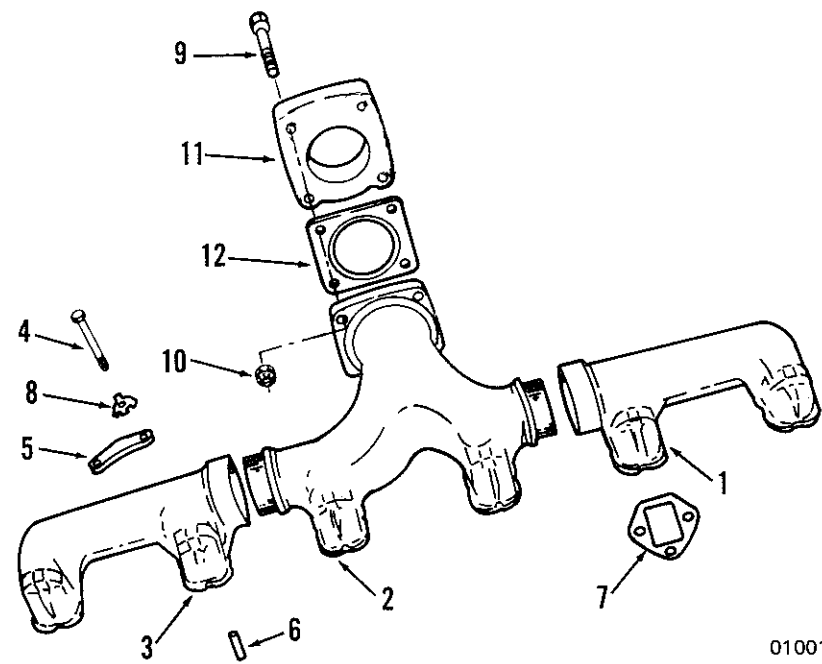
REF. NO.	PART NUMBER	PART NAME	NO. REQ'D.	REF. NO.	PART NUMBER	PART NAME	NO. REQ'D.
1	141761	AIR INTAKE MANIFOLD N-855-C235, NT-855-C250, NT-855-C280, NT-855-C310, NT-855-C335, N-855-L235, NT-855-L335, N-855-P235, NT-855-P280, NT-855-P335	1	15	135893	AIR INTAKE CONNECTION N-855-C235, N-855-L235	1
		Manifold, air intake		16	155250	AIR INTAKE CONNECTION N-855-P235	1
		MOUNTING PARTS				MOUNTING PARTS N-855-C235, N-855-L235, N-855-P235	
2	3010595	Capscrew, captive	6	17	3008470	Plug, pipe	1
3	3011716	Capscrew, captive	2	18	3011715	Capscrew, captive	4
4	3008591	Gasket, intake manifold	3	19	3012972	Gasket, intake manifold	1
5	3019227	Gasket, intake manifold	2			AIR CROSSOVER CONNECTION NT-855-C250, NT-855-C280, NT-855-C310, NT-855-C335, NT-855-L335, NT-855-P280, NT-855-P335	
6	S-604	Lockwasher (3/8)	1	20	3011715	Capscrew, captive	6
7	144257	Plate, manifold cover	1	21	3026528	Connection, air crossover	1
8	3008466	Plug, pipe	3	22	208326	Clamp, hose	2
10	3008470	Plug, pipe	1	23	3019227	Gasket	1
11	63842	Washer, plain	1	24	3020996	Hose	1
12	69047-A	Capscrew, socket head	1	25	70295	Plug, pipe	1
13	3011715	Capscrew, captive	6				

PARTS INDENTED ARE INCLUDED IN THE PART UNDER WHICH THEY ARE INDENTED



REF. NO.	PART NUMBER	PART NAME	NO. REQ'D.	REF. NO.	PART NUMBER	PART NAME	NO. REQ'D.
		AIR CLEANER NT-855-P280, NT-855-P335, NTA-855-P360, NTA-855-P400				AIR CLEANER N-855-P235	
1	3021645	Cleaner, air	1	1	3021643	Cleaner, air	1
19	3022209	Element	1	19	3022211	Element	1
20	3013238	Cap, air cleaner	1	21	195873	Cap, air cleaner	1
		MOUNTING PARTS				MOUNTING PARTS Same as above except	
2	3022585	Bracket, air cleaner	1		OMIT		
3	S-186-A	Capscrew (5/8 - 18 x 1-1/4)	2	7	112196	Strap, air cleaner	2
4	S-603	Lockwasher (3/8)	2	12	S-112	Capscrew	4
5	108605	Capscrew (1/2 - 13 x 5-1/2)	2	10	3000302	Tube, air inlet	1
6	127316	Washer, plain	2	15	S-605	Lockwasher	2
7	112196	Strap, air cleaner	2		ADD		
8	125741	Clamp, tee bolt	2	7	105916	Strap, air cleaner	2
9	140313	Clamp, tee bolt	2	12	3010595	Capscrew, captive	4
10	3000302	Tube, air inlet	1	10	3000224	Tube, air inlet	1
12	S-112	Capscrew (3/8 - 16 x 1)	4				
13	S-221	Nut (5/16)	2				
14	S-223	Nut (3/8)	4				
15	S-605	Lockwasher (5/16)	2				
16	203310	Washer, plain	2				
17	3030772	Hose, elbow	1				
18	3030790	Hose, hump	1				

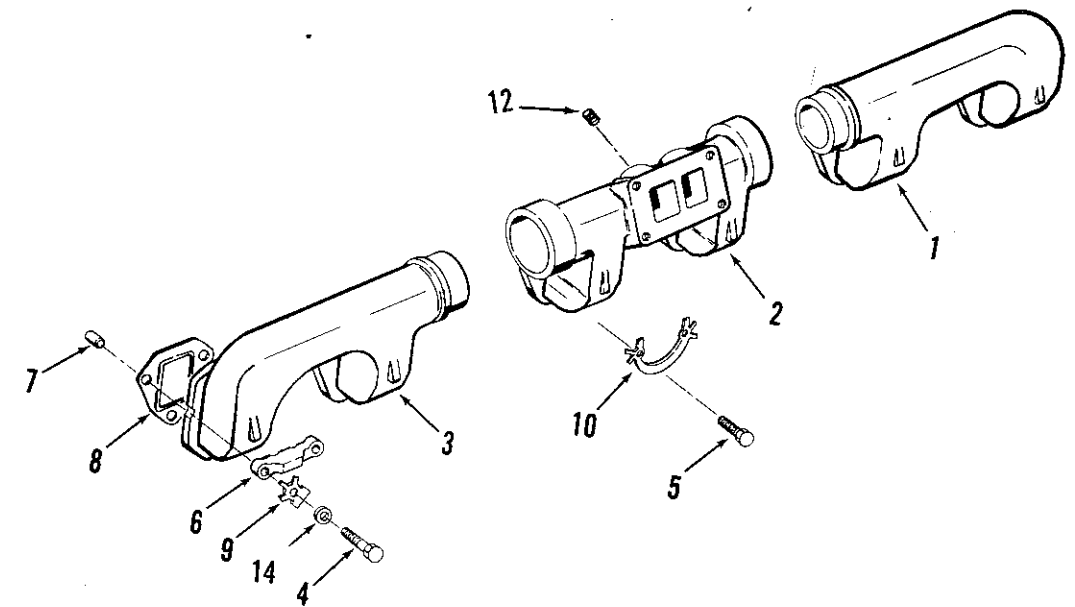
PARTS INDENTED ARE INCLUDED IN THE PART UNDER WHICH THEY ARE INDENTED



01001A

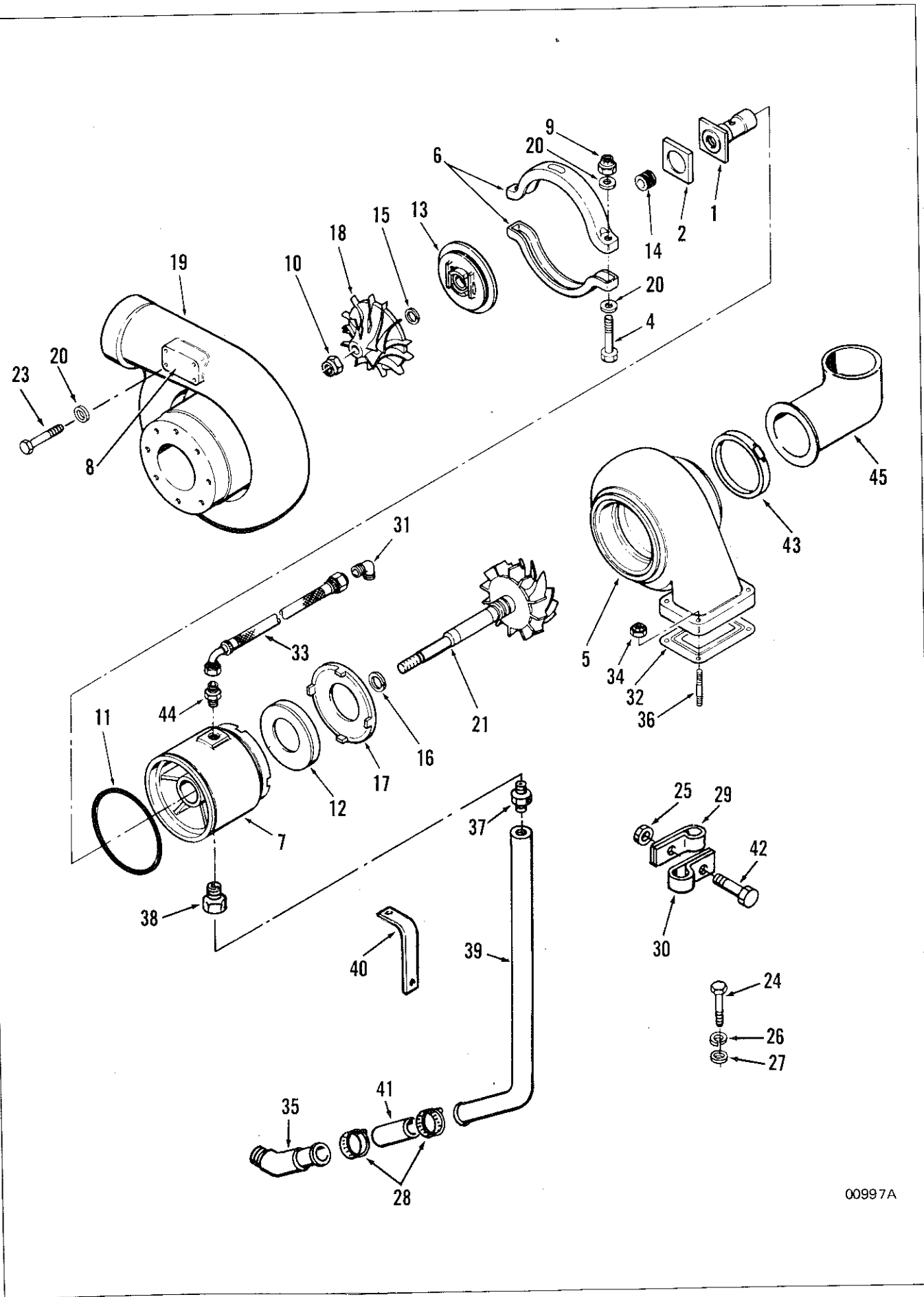
REF. NO.	PART NUMBER	PART NAME	NO. REQ'D.	REF. NO.	PART NUMBER	PART NAME	NO. REQ'D.
		EXHAUST MANIFOLD N-855-C235, N-855-L235, N-855-P235				EXHAUST FLANGE N-855-C235, N-855-L235, N-855-P235	
1	213317	Manifold, exhaust (front)	1	9	S-160-B	Capscrew (1/2 - 20 x 2-1/2)	4
2	133027	Manifold, exhaust (center)	1	10	S-267	Nut (1/2)	4
3	194925	Manifold, exhaust (rear)	1	11	62543	Flange, exhaust manifold	1
4	200908	Capscrew	12	12	139266	Gasket, exh. out connection	1
5	200919	Clamp	6				
6	105199	Dowel	6				
7	142234	Gasket	6				
8	114638	Lockplate	12				

PARTS INDENTED ARE INCLUDED IN THE PART UNDER WHICH THEY ARE INDENTED



REF. NO.	PART NUMBER	PART NAME	NO. REQ'D.	REF. NO.	PART NUMBER	PART NAME	NO. REQ'D.
		EXHAUST MANIFOLD NT-855-C250, NT-855-C280, NT-855-C310, NT-855-C335, NTA-855-C360, NTA-855-C400, NT-855-L335, NTA-855-L400, NT-855-P280, NT-855-P335, NTA-855-P360, NTA-855-P400					
1	151478	Manifold, front	1				
2	200566	Manifold, center	1				
3	151489	Manifold, rear	1				
		MOUNTING PARTS					
4	S-155	Capscrew	6				
5	110266	Capscrew, hexagon head	4				
6	200919	Clamp, manifold	2				
7	105199	Dowel	6				
8	142234	Gasket, exhaust manifold	6				
9	114638	Lockplate	4				
10	116982	Lockplate	4				
12	S-901	Plug, pipe	2				
14	109594	Washer	8				

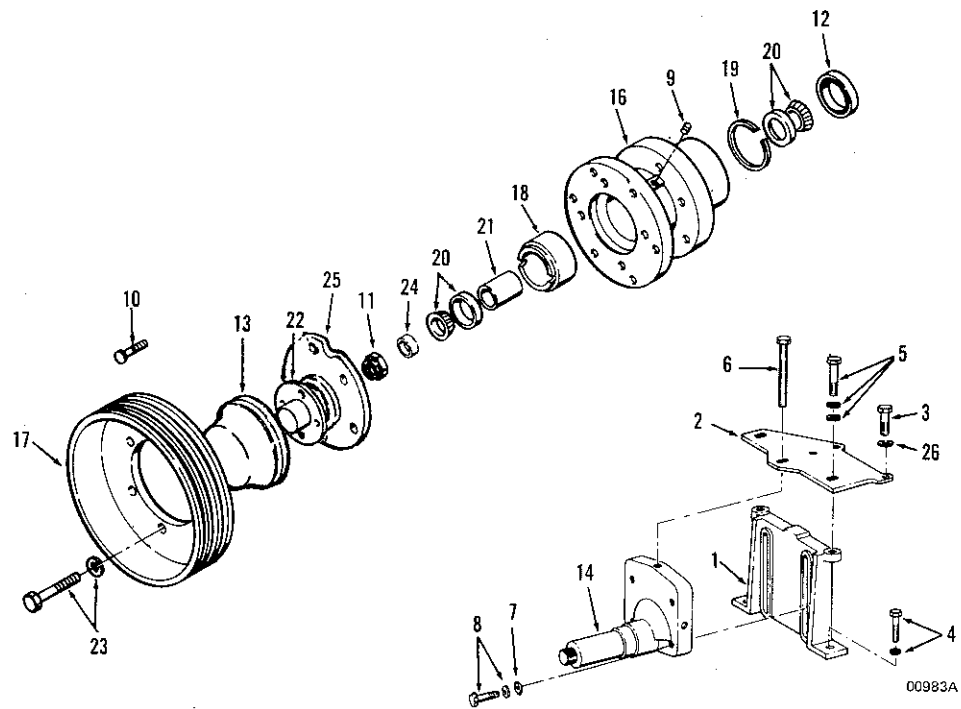
PARTS INDENTED ARE INCLUDED IN THE PART UNDER WHICH THEY ARE INDENTED



00997A

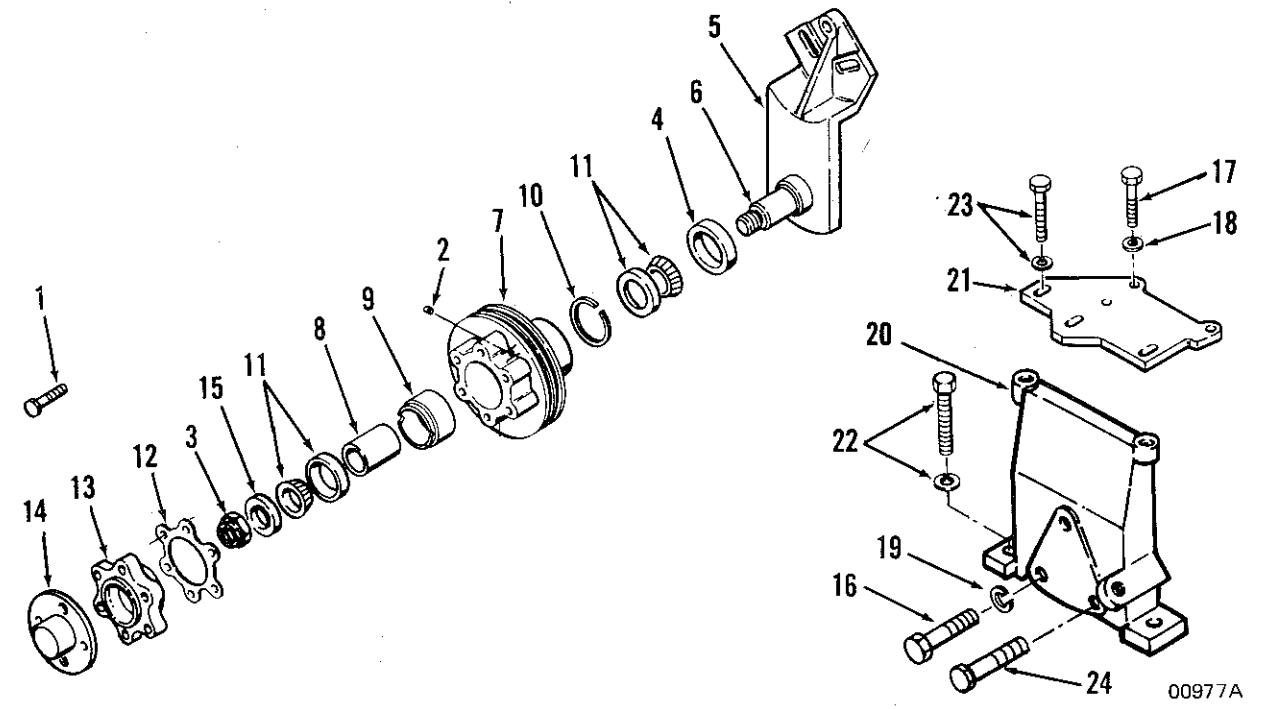
REF. NO.	PART NUMBER	PART NAME	NO. REQ'D.	REF. NO.	PART NUMBER	PART NAME	NO. REQ'D.
		TURBOCHARGER NT-855-C250, NT-855-C280, NT-855-C310, NT-855-C335, NT-855-L400, NT-855-P280, NT-855-P335				MOUNTING PARTS NT-855-C250, NT-855-C280, NT-855-C310, NT-855-C335, NTA-855-C360, NT-855-L335, NT-855-P280, NT-855-P335, NTA-855-P360	
	3026924	Turbocharger assembly	1				
1	156240	Bearing	1	24	S-107	Capscrew (5/16 - 18 x 3/4)	3
2	170510	Bearing insert	2	25	S-221	Nut (5/16)	2
4	194010	Capscrew	2	26	S-605	Lockwasher (7/32)	3
5	190227	Housing, turbine	1	27	S-626	Washer, plain	3
6	3034720	Clamp, V-band	1	28	43828-A	Clamp, hose	2
7	202376	Housing, bearing	1	29	69465	Clip	1
8	3011088	Nameplate	1	30	108722	Clip	2
9	167299	Nut, clamp	2	31	142429	Elbow, male adapter	1
10	3034304	Nut	1	32	190849	Gasket, exh collector	1
11	202456	O-ring	1	33	209958	Hose, flexible	1
12	202377	Packing, insulation	1	34	219138	Nut	4
13	216804	Support	1	35	3003536	Elbow, turbo oil return	1
14	216802	Sleeve	1	36	3006289	Stud	4
23	S-2286	Screw, nameplate	4	37	3014354	Connector, male	1
15	156444	Seal	1	38	3022865	Connector, female	1
16	3034736	Seal, ring	1	39	3022867	Tube, tur oil drain	1
17	171570	Shield, heat	1	40	3028616	Brace, hose	1
18	3012993	Impeller	1	41	3035174	Hose, flexible	1
19	3018064	Housing, compressor	1				
20	S-631	Washer, plain	4				
21	3025390	Wheel and shaft	1				
		NTA-855-C360, NTA-855-P360					
		Same as above except:					
	DELETE:				OMIT:		
18	3026924	Turbocharger assembly	1	24	S-107	Capscrew	3
19	3012993	Impeller	1	25	S-221	Nut	2
19	3018064	Housing, compressor	1	26	S-605	Lockwasher	3
21	3025390	Wheel and shaft	1	27	S-626	Washer, plain	3
				40	3028616	Brace, hose	1
					ADD:		
18	3018068	Turbocharger assembly	1	24	S-114	Capscrew (1/4 - 20 x 3/4)	1
19	3007755	Impeller	1	25	S-205	Nut (3/8)	2
19	3018063	Housing, compressor	1	26	S-604	Lockwasher (3/8)	2
21	214086	Wheel and shaft	1	27	S-631	Washer, plain	1
				42	69793	Capscrew	2
		NTA-855-C400, NTA-855-L400, NTA-855-P400					
		Same as above except:					
	DELETE:						
5	3026924	Turbocharger assembly	1				
18	190227	Housing, turbine	1	43	186917	Clamp, V band	1
18	3012993	Impeller	1	44	186918	Adapter, exh manifold	1
19	3018064	Housing, compressor	1				
21	3025390	Wheel and shaft	1				
					ADD:		
5	3032062	Turbocharger assembly	1	43	186917	Clamp, V band	1
5	204244	Housing, turbine	1	45	190351	Adapter, exhaust	1
18	3011262	Impeller	1				
19	3027306	Housing, compressor	1				
21	214086	Wheel and shaft	1				
						EXHAUST OUTLET CONNECTION NT-855-C250, NT-855-C280, NT-855-C310, NT-855-C335, NTA-855-C360, NTA-855-C400, NTA-855-L335, NTA-855-L400	
						EXHAUST ELBOW	

PARTS INDENTED ARE INCLUDED IN THE PART UNDER WHICH THEY ARE INDENTED



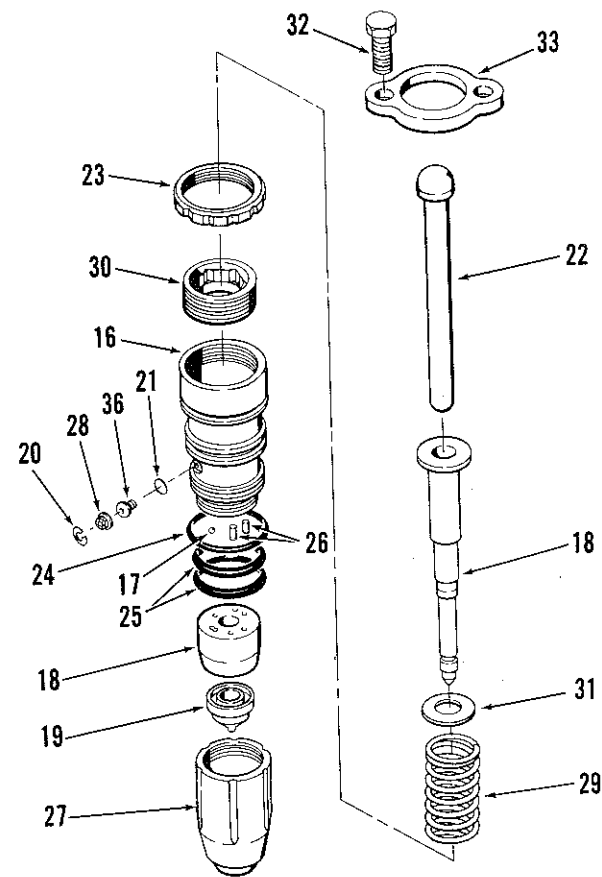
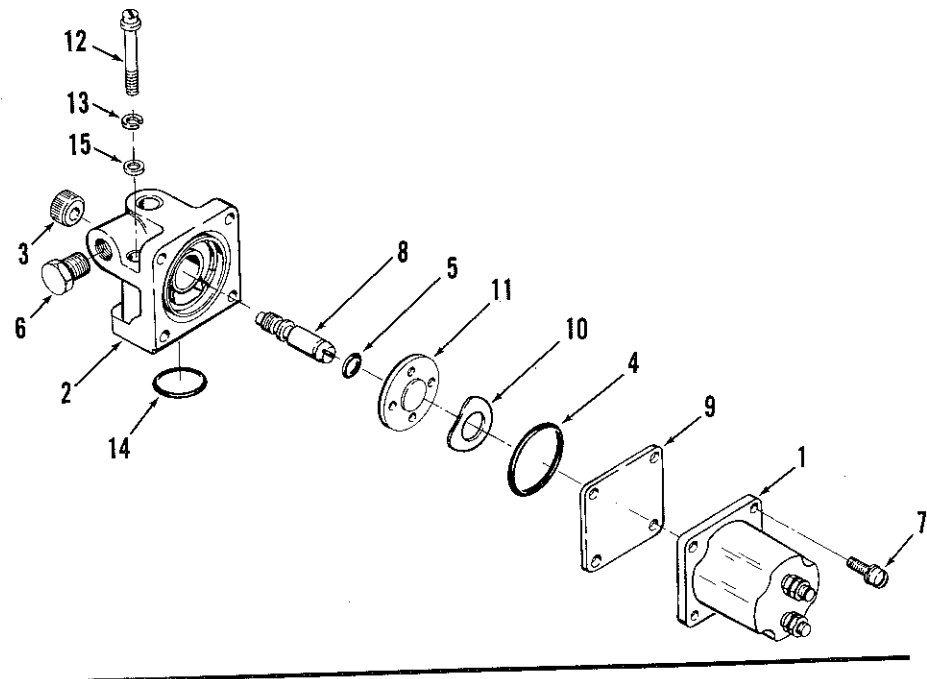
REF. NO.	PART NUMBER	PART NAME	NO. REQ'D.	REF. NO.	PART NUMBER	PART NAME	NO. REQ'D.
		FAN BRACKET N-855-C235, NT-855-C250, NT-855-C280, NT-855-C310, NT-855-C335, NTA-855-C360, NTA-855-C400, N-855-L235, NT-855-L335, NTA-855-L400				FAN HUB N-855-C235, NT-855-C250, NT-855-C280, NT-855-C310, NT-855-C335, NTA-855-C360, NTA-855-C400, N-855-L235, NT-855-L335, NTA-855-L400	
1	210235	Bracket, fan	1	3012665	Hub, fan	1	
2	217034	Brace, fan	1	9 S-911-B	Plug, pipe (1/8)	2	
3	S-176	Capscrew (1/2 - 13 x 5)	2	10 70896	Capscrew (1/2 - 13 x 3/4)	2	
4	3015282	Capscrew, captive	2	11 142176	Nut, lock	1	
5	3019574	Capscrew, captive	2	12 200307	Seal, oil	1	
6	66912-1-A	Capscrew	1	13 200310	Cover, fan hub	1	
7	117267	Washer, counterweight	4	14 201620	Shaft, fan hub	1	
8	3012483	Capscrew, captive	4	16 212485	Hub, fan	1	
26	S-608	Lockwasher (1/2)	2	17 212488	Pulley, fan	1	
				18 217007	Spacer, bearing	1	
				19 3001280	Ring, retaining	1	
				20 3001281	Bearing, roller	2	
				21 3002129	Spacer, bearing	1	
				22 3008883	Cover, protective shipping	1	
				23 3010596	Capscrew, captive	6	
				24 3012467	Washer, plain	1	
				25 208081	Pilot, fan hub	1	

PARTS INDENTED ARE INCLUDED IN THE PART UNDER WHICH THEY ARE INDENTED



REF. NO.	PART NUMBER	PART NAME	NO. REQ'D.	REF. NO.	PART NUMBER	PART NAME	NO. REQ'D.
		FAN HUB N-855-P235, NT-855-P280, NT-855-P335, NTA-855-P360, NTA-855-P400				FAN BRACKET SUPPORT N-855-P235, NT-855-P280, NT-855-P335, NTA-855-P360, NTA-855-P400	
	3013362	Assembly, fan hub	1	16 S-172-A	Capscrew (1/2 - 20 x 1-3/4)	3	
1	S-117	Capscrew (3/8 - 16 x 3/4)	2	17 S-176	Capscrew (1/2 - 13 x 5)	2	
2	S-911-B	Plug, pipe	2	18 S-608	Lockwasher (1/2)	3	
3	142176	Nut, lock	1	19 117267	Washer, counterweight	3	
4	200307	Seal, oil	1	20 208829	Bracket, fan	1	
5	211857	Spindle, fan	1	21 217034	Brace, fan	1	
6	201146	Shaft, fan hub	1	22 3015282	Capscrew, captive (7/16 - 14 x 1-3/16)	2	
7	211866	Pulley, fan	1	23 3019574	Capscrew, captive (1/2 - 20 x 1-1/2)	2	
	3005369	Bearing, fan hub	1	24 166777	Capscrew	1	
8	217008	Spacer, bearing	1				
9	217011	Spacer, bearing	1				
10	3001280	Ring, retaining	1				
11	3001281	Bearing, roller	2				
12	3005592	Gasket, fan spacer	1				
13	3005588	Spacer, fan pilot	1				
14	3008883	Cover, protective shipping	1				
15	3012467	Washer, plain	1				

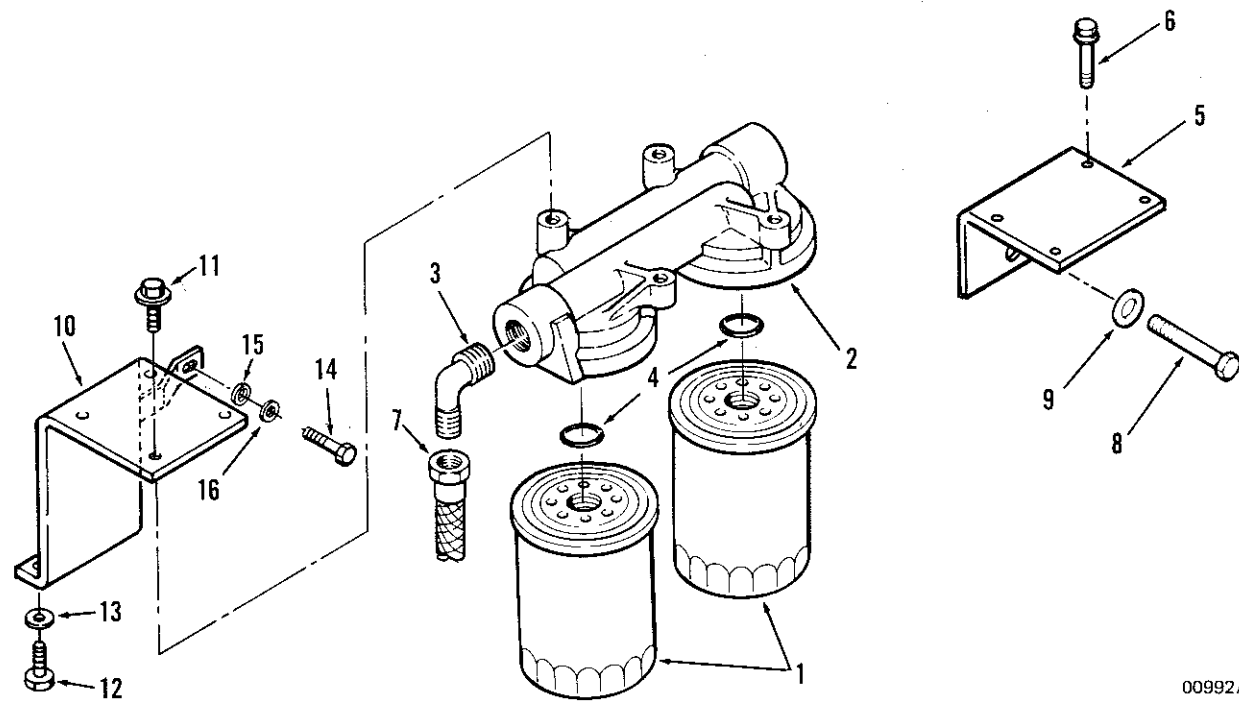
PARTS INDENTED ARE INCLUDED IN THE PART UNDER WHICH THEY ARE INDENTED



00/288

REF. NO.	PART NUMBER	PART NAME	NO. REQ'D.	REF. NO.	PART NUMBER	PART NAME	NO. REQ'D.	
	AR-05535	SHUTDOWN VALVE All Models				NT-855-C250, NT-855-C280, NT-855-P280, NT-855-C310, NT-855-C335, NT-855-L400, NT-855-P335		
1	134074	Valve, assembly, shutdown (12 volt)	1			Same as above except:		
2	129826	Coil	1					
3	129838	Housing, valve	1					
5	190876	Knob, override	1					
4	129888	O-ring	1			OMIT:		
6	70295	O-ring	1	19	3019932	Injector assembly	6	
7	187556	Plug, pipe	1		3018813	Cup, injector	6	
8	3000266	Stem, fillister head	4			ADD:		
9	129839	Shaft, override	1			3018566	Injector assembly	6
10	129768	Shield, fuel	1	19	3012536	Cup, injector	6	
11	3030970	Spring	1					
12	S-189-C	Valve	1					
13	181466	Cap screw	2			NTA-855-C360, NTA-855-P360		
14	154087	Lockwasher	2			OMIT:		
15	67684	Ring, sealing	1	19	3019932	Injector assembly	6	
		Washer, plain	2	19	3018813	Cup, injector	6	
		INJECTOR N-855-C235, N-855-L235, N-855-P235				ADD:		
	3019932	Injector assembly	6			3018566	Injector assembly	6
22	191916	Link, injector	6	19	3012536	Cup, injector	6	
	3007476	Injector (less link)	6					
16	185139	Adapter, injector	6					
17	167157	Ball, check	12			OMIT:		
19	3018813	Cup, injector	6	19	3019932	Injector assembly	6	
20	174299	Clip, filter screen	6	19	3018813	Cup, injector	6	
21	173086	Gasket, orifice	6	18	3018325	Barrel and plunger	12	
24	101754	O-ring	6			ADD:		
25	193736	O-ring	6			3013729	Injector assembly	6
26	203426	Pin, spirol	12	19	3012538	Cup, injector	6	
27	185138	Retainer, cup	6	18	3013981	Barrel and plunger	12	
28	3008706	Screen, filter	6					
29	166009	Spring, injector	6					
18	3018325	Plunger and barrel	12					
32	3028279	Cap screw	12					
33	3031137	Clamp, injector	6					

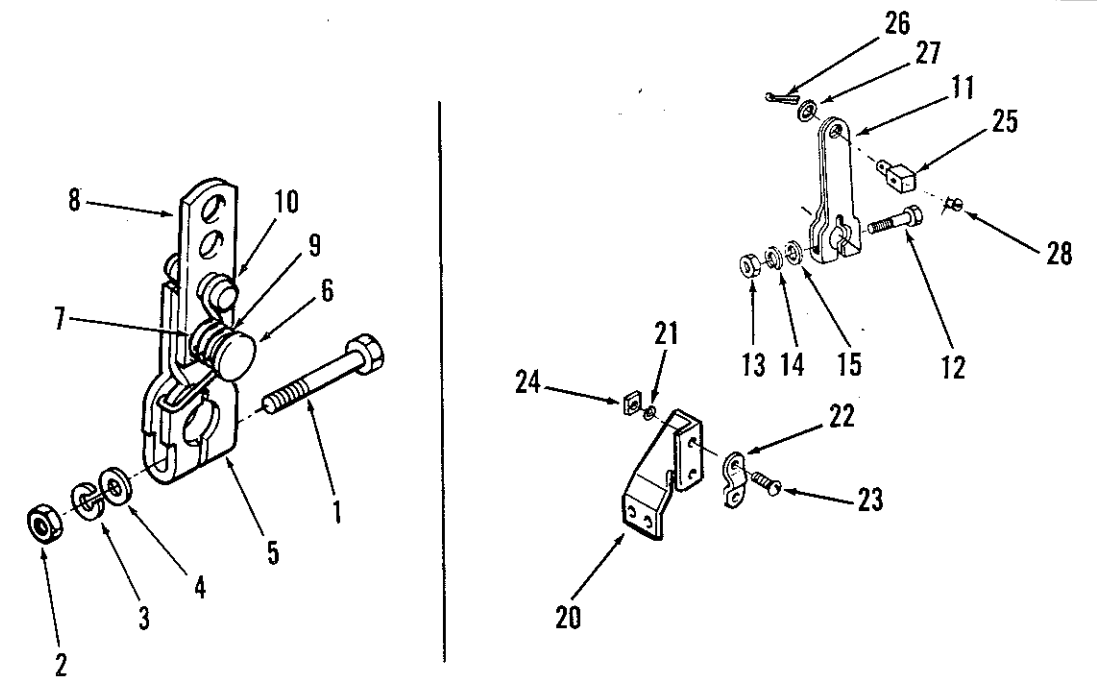
PARTS INDENTED ARE INCLUDED IN THE PART UNDER WHICH THEY ARE INDENTED



00992A

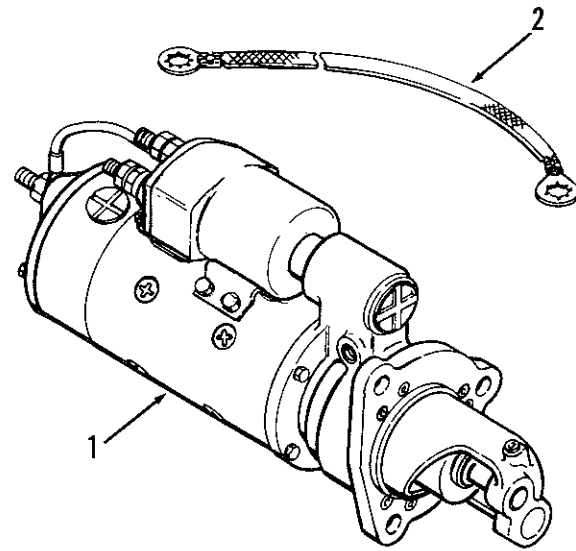
REF. NO.	PART NUMBER	PART NAME	NO. REQ'D.	REF. NO.	PART NUMBER	PART NAME	NO. REQ'D.
		FUEL FILTER All Models					
1	156172	Element	2				
2	212013	Head, filter	1				
3	129859	Elbow, male	2				
4	255622	Seal, element	2				
		MOUNTING PARTS N-855-C235, NT-855-C250, NT-855-C280, NT-855-C310, NT-855-C335, NTA-855-C360, NTA-855-C400, N-855-L235, NT-855-L335, NTA-855-L400					
5	3003749	Bracket, filter	1				
6	3010595	Capscrew, captive	4				
7	AS1002000SS	Hose	1				
8	S-151-C	Capscrew (9/16 - 18 x 1)	2				
9	S-609	Lockwasher (9/16)	2				
		MOUNTING PARTS N-855-P235, NT-855-P280, NT-855-P335, NTA-855-P360, NTA-855-P400					
10	3011380	Bracket, filter	1				
11	3010596	Capscrew, captive	4				
12	S-108-A	Capscrew (7/16 - 20 x 1-3/4)	2				
13	S-610	Lockwasher (7/16)	2				
7	AS1002200SS	Hose	1				
14	S-120-A	Capscrew (3/8 - 24 x 7/8)	1				
15	S-602	Washer, plain (13/32)	1				
16	108350	Washer, plain					

PARTS INDENTED ARE INCLUDED IN THE PART UNDER WHICH THEY ARE INDENTED



REF. NO.	PART NUMBER	PART NAME	NO. REQ'D.	REF. NO.	PART NUMBER	PART NAME	NO. REQ'D.
		THROTTLE LEVER N-855-C235, NT-855-C250, NT-855-C280, NT-855-C310, NT-855-C335, NTA-855-C360, NTA-855-C400, N-855-L235, NT-855-L335, NTA-855-L400					
	AR-3034	Assembly, throttle lever	1	11	102477	Lever, throttle	1
1	S-159-B	Screw, hexagon head cap	1	12	S-159-B	Capscrew (1/4 - 28 x 1-1/2)	1
2	S-251	Nut, regular hexagon jam	1	13	S-251	Nut	1
3	S-600	Lockwasher	1	14	S-600	Lockwasher (1/4)	3
4	70704	Washer, plain	1	15	70704	Washer, plain	4
	173718	Assembly, throttle lever	1	20	102475	Bracket, cable	1
5	166485	Pin, throttle lever pivot	1	21	S-606	Lockwasher (7/32)	2
6	166488	Washer, plain	1	22	7614	Clamp, drain manifold	1
7	173708	Lever, throttle	1	23	70781	Screw, round head (12-24NC-2A)	2
8	173709	Link, throttle lever	1	24	102740	Nut, square (12-24NC-2)	2
9	173717	Spring torsion	1	25	102483	Block, swivel	1
10	179796	Stop, throttle lever	1	26	S-511	Pin, Cotter	1
				27	S-631	Washer, Plain (9/32)	2
				28	70208	Capscrew	1

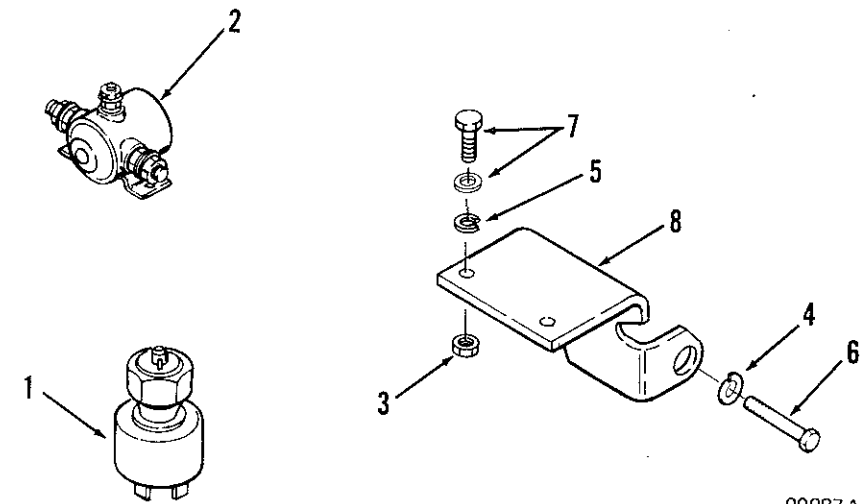
PARTS INDENTED ARE INCLUDED IN THE PART UNDER WHICH THEY ARE INDENTED



00976A

REF. NO.	PART NUMBER	PART NAME	NO. REQ'D.	REF. NO.	PART NUMBER	PART NAME	NO. REQ'D.
		ELECTRICAL EQUIPMENT					
		Electrical equipment is not manufactured by the Cummins Engine Company, Inc. Complete service for electrical equipment may be obtained from the manufacturers: The Delco-Remy Company, at Anderson, Indiana; The Leece-Neville Company, at Cleveland, Ohio; or from their service stations. Address of nearest service station may be obtained from the manufacturer.					
		STARTER					
		All Models					
1	3021036	Motor, starting	1				
2	3018924	Wire, ground	1				

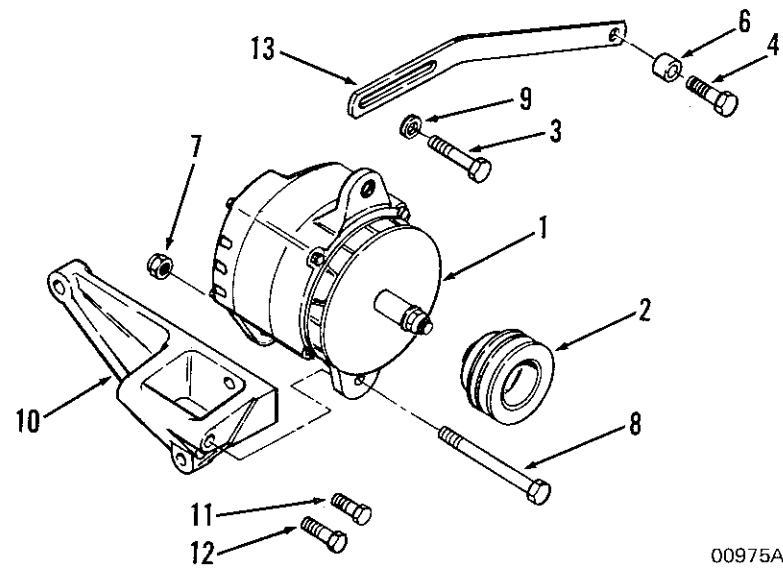
PARTS INDENTED ARE INCLUDED IN THE PART UNDER WHICH THEY ARE INDENTED



00987A

REF. NO.	PART NUMBER	PART NAME	NO. REQ'D.	REF. NO.	PART NUMBER	PART NAME	NO. REQ'D.
		SIGNAL GENERATOR					
		N-855-P235, NT-855-P280, NT-855-P335, NTA-855-P360, NTA-855-P400					
1	3011575	Unit, sending	1				
		MAGNETIC SWITCH					
		N-855-P235, NT-855-P280, NT-855-P335, NTA-855-P360, NTA-855-P400					
2	216537	Switch, magnetic	1				
3	S-258	Nut (1/4 - 20 x 1/2)	2				
4	S-603	Lockwasher (5/8)	1				
5	S-691	Lockwasher	2				
6	153582	Cap screw	1				
7	3013904	Cap screw, captive	2				
8	3015216	Bracket, magnetic switch	1				

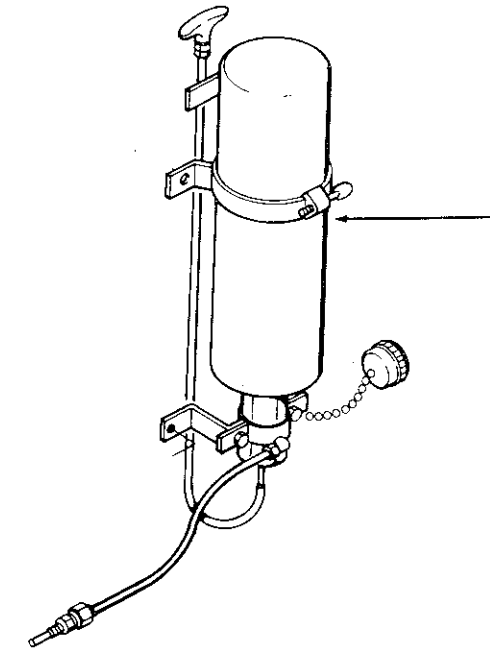
PARTS INDENTED ARE INCLUDED IN THE PART UNDER WHICH THEY ARE INDENTED



00975A

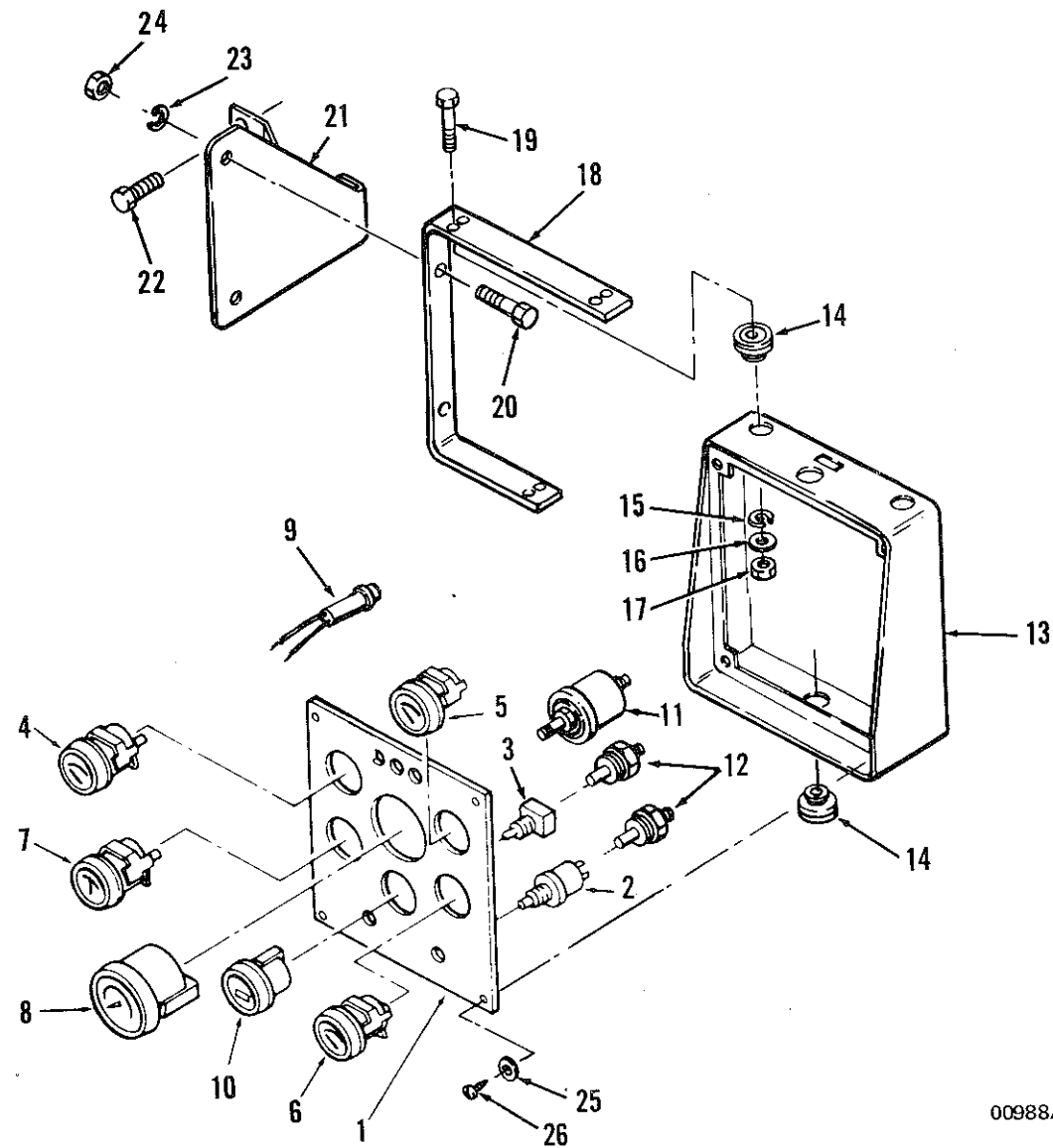
REF. NO.	PART NUMBER	PART NAME	NO. REQ'D.	REF. NO.	PART NUMBER	PART NAME	NO. REQ'D.
		ALTERNATOR					
		All Models					
1	3016627	Alternator	1				
2	213326	Pulley, alternator	1				
		ALTERNATOR MOUNTING					
3	S-116-C	Capscrew (7/16-20 x 3-1/2)	1				
4	S-125	Capscrew (1/2-13 x 2)	1				
6	66945	Spacer, throttle lever	1				
7	70897	Nut, hug lock (1/2-20)	1				
8	70111	Capscrew (1/2-20 x 6-1/2)	1				
9	203760	Washer, plain	1				
10	218505	Support, alternator	1				
11	3012471	Capscrew, captive (3/8-16 x 1-1/8)	1				
12	3012472	Capscrew, captive (3/8-16 x 1-1/2)	1				
13	3029085	Link, adjusting	1				

PARTS INDENTED ARE INCLUDED IN THE PART UNDER WHICH THEY ARE INDENTED



REF. NO.	PART NUMBER	PART NAME	NO. REQ'D.	REF. NO.	PART NUMBER	PART NAME	NO. REQ'D.
		COLD START					
		NT-855-C250, NT-855-C280,					
		NT-855-C310, NT-855-C335,					
		NTA-855-C360, NTA-855-C400,					
		NT-855-L335, NTA-855-400					
1	259372	Aid, starting	1				

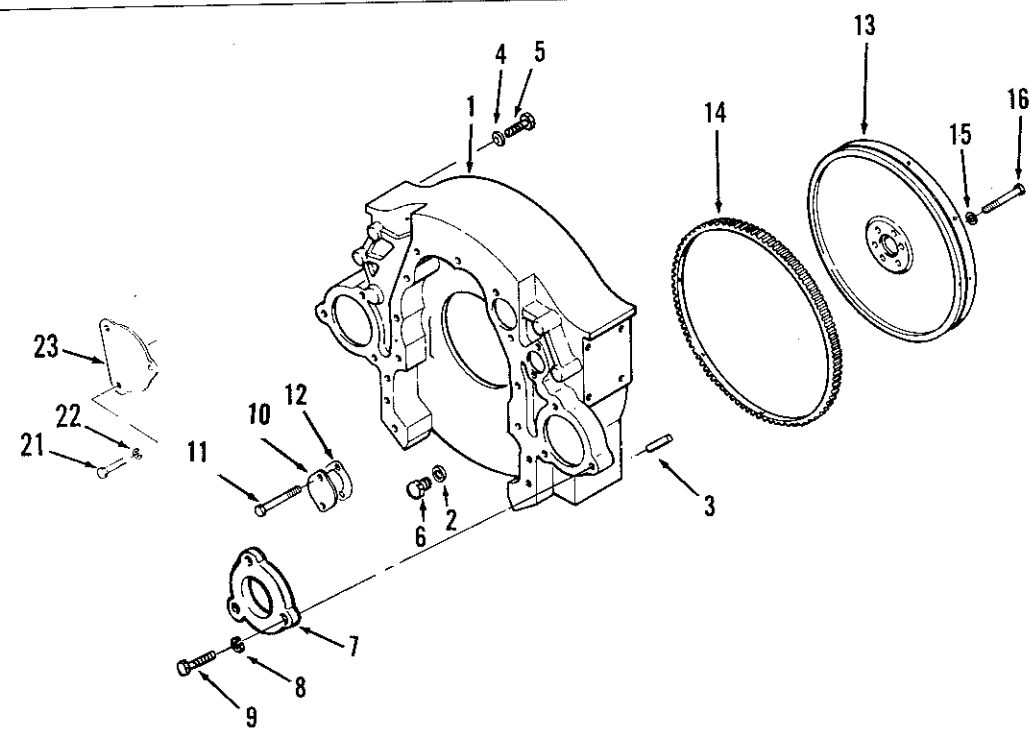
PARTS INDENTED ARE INCLUDED IN THE PART UNDER WHICH THEY ARE INDENTED



00988A

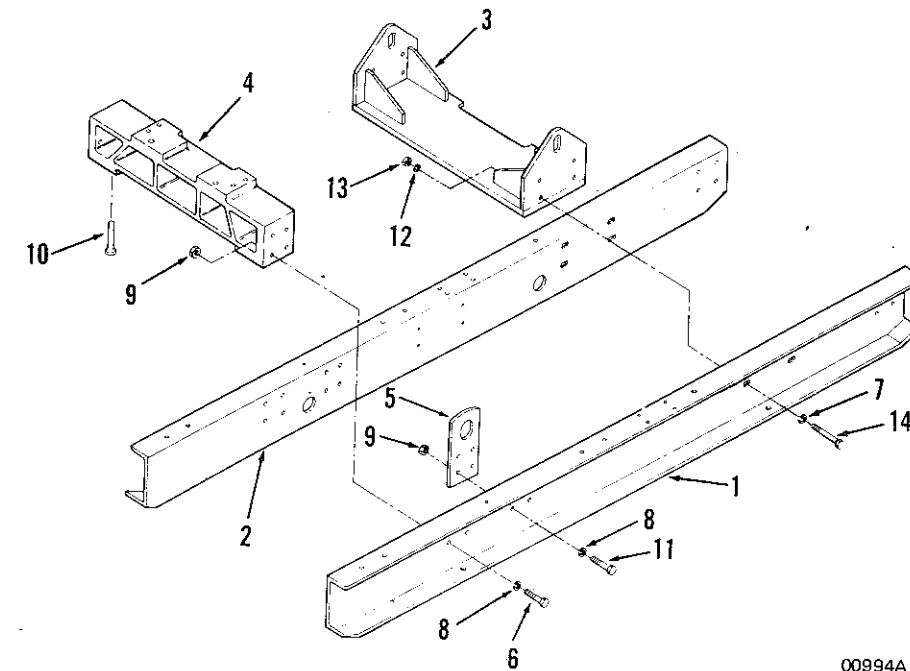
REF. NO.	PART NUMBER	PART NAME	NO. REQ'D.	REF. NO.	PART NUMBER	PART NAME	NO. REQ'D.
		INSTRUMENT PANEL					
		N-855-P235, NT-855-P280,					
		NT-855-P335, NTA-855-P360,					
		NTA-855-P400					
	3025236	Panel, instrument assembly	1				
1	3025233	Panel, instrument	1				
2	66501	Switch, starting	1				
3	113527	Switch, toggle	1				
4	3015232	Gauge, pressure	1				
5	3015233	Gauge, temperature	1				
6	3015234	Gauge, temperature	1				
7	3015235	Voltmeter	1				
8	3019795	Tachometer	1				
9	3022279	Light, indicator	1				
10	3035766	Hourmeter	1				
11	3015237	Transducer	1				
12	3015238	Transducer	2				
		INSTRUMENT CABINET					
		N-855-P235, NT-855-P280,					
		NT-855-P335, NTA-855-P360,					
		NTA-855-P400					
13	3018486	Cabinet, instrument	1				
14	3021895	Isolator, vibration	3				
15	S-600	Lockwasher	3				
16	217946	Washer, plain	3				
17	S-224	Nut	3				
18	3021125	Bracket	1				
19	S-156-B	Capscrew	3				
20	S-172-B	Capscrew	2				
21	3022181	Bracket	1				
22	S-151-C	Capscrew	4				
23	S-604	Lockwasher	2				
24	S-223	Nut	2				
25	S-609	Lockwasher	4				
26	3016086	Capscrew	4				

PARTS INDENTED ARE INCLUDED IN THE PART UNDER WHICH THEY ARE INDENTED



REF. NO.	PART NUMBER	PART NAME	NO. REQ'D.	REF. NO.	PART NUMBER	PART NAME	NO. REQ'D.
		FLYWHEEL HOUSING N-855-C235, NT-855-C250, NT-855-C280, NT-855-C310, NT-855-C335, NTA-855-C360, NTA-855-C400, N-855-L235, NT-855-L335, NTA-855-L400		10	70657	INDEX HOLE COVER All Models	
				11	3001646	Cover, flywheel index hole	1
				12	3021735	Screw	2
						Gasket, flywheel housing	1
1	3005545	Housing, flywheel	1			FLYWHEEL N-855-P235, NT-855-P280, NT-855-P335, NTA-855-P360, NT-855-P400	
2	8265	Washer, plain	1			Flywheel (2965)	1
3	60408	Dowel, pin	2	13	3023510	Gear, flywheel ring	1
4	127316	Washer, plain	9	14	4851		1
5	138042	Capscrew	9			N-855-C235, NT-855-C250, NT-855-C280, NT-855-C310, NT-855-C335, NTA-855-C360, NTA-855-C400, N-855-L235, NT-855-L335, NTA-855-L400	
6	163086	Plug, oil drain (5/8)	1			Flywheel (135597)	1
		Same as above except:				Gear, flywheel ring	1
1	OMIT: 3005545	Housing, flywheel	1	13	3021727		
				14	4851		
1	ADD: 3005557	Housing, flywheel	1			MOUNTING PARTS All Models	
				15	200861	Washer, plain	6
		STARTING MOTOR SPACER All Models		16	204165	Capscrew	6
7	9245	Spacer, starting motor	1			STARTER HOLE COVER	
				21	S-181	Capscrew (5/8-11 x 1-1/4)	3
8	S-603	Lockwasher	3	22	S-603	Lockwasher (5/8)	3
9	153581	Capscrew	3	23	62182	Cover, starter flange	1

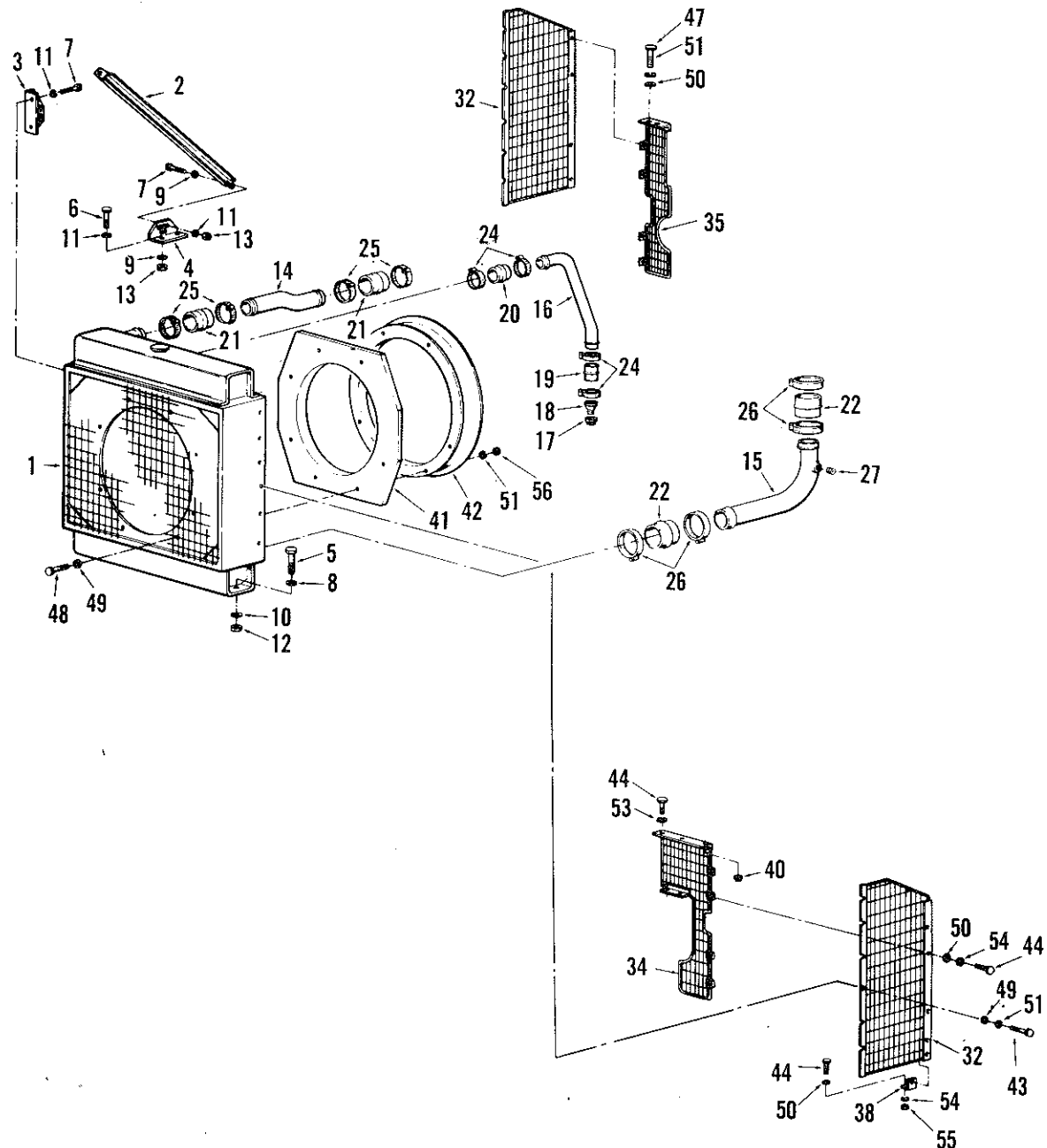
PARTS INDENTED ARE INCLUDED IN THE PART UNDER WHICH THEY ARE INDENTED



00994A

REF. NO.	PART NUMBER	PART NAME	NO. REQ'D.	REF. NO.	PART NUMBER	PART NAME	NO. REQ'D.
		BASE RAILS (WITH RADIATOR) N-855-P235, NT-855-P280, NT-855-P335, NTA-855-P360, NTA-855-P400					
1	3010005	Rail, base (fuel pump side)	1				
2	3010004	Rail, base (exhaust side)	1				
3	3000249	Support, rear	2				
4	3013095	Crossmember, front	1				
5	3000248	Bracket, lifting	4				
6	S-106	Capcrew (1/2-13 x 1-3/4)	16				
7	203310	Washer, plain	8				
8	S-608	Lockwasher (1/2)	16				
9	S-200	Nut (1/2)					
10	S-133	Capscrew (5/8-11 x 3-1/4)	2				
11	S-113	Capscrew (1/2-13 x 1-1/2)	8				
12	S-603	Lockwasher (5/8)	12				
13	S-201	Nut	2				
14	S-103-A	Capscrew (5/8-11 x 2)	10				

PARTS INDENTED ARE INCLUDED IN THE PART UNDER WHICH THEY ARE INDENTED



01000A

REF. NO.	PART NUMBER	PART NAME	NO. REQ'D.	REF. NO.	PART NUMBER	PART NAME	NO. REQ'D.
		RADIATOR				MOUNTING PARTS	
		N-855-P235, NT-855-P280, NT-855-P335		43	S-112	Capscrew (3/8-16 x 1)	6
				44	S-114	Capscrew (1/4-20 x 3/4)	12
1	3000277	Assembly, radiator	1	47	S-102	Capscrew	2
2	3000256	Support, radiator	2	48	S-109	Capscrew (3/8-16 x 7/8)	8
3	3000257	Bracket, upper radiator support	2	49	S-602	Washer, plain (13/32)	8
4	3000258	Bracket, lower radiator support	2	50	S-626	Washer, plain	2
				51	S-604	Lockwasher (3/8)	6
				53	S-608	Lockwasher (1/2)	2
		NTA-855-P360, NTA-855-P400		54	S-605	Lockwasher	2
		Same as above except:		55	S-221	Nut	2
		OMIT:		56	S-223	Nut (3/8)	8
	3000277	Assembly, radiator	1				
		ADD:				FAN	
	3000235	Assembly, radiator	1			N-855-P235	
				203646		Fan, engine	1
		MOUNTING PARTS				NT-855-P280, NT-855-P335, NTA-855-P360, NTA-855-P400	
5	S-113	Capscrew (1/2-13 x 1-1/2)	4			Fan, engine	1
6	S-103-D	Capscrew (3/8-16 x 1-1/4)	4	3026854			
7	S-112	Capscrew (3/8-16 x 1)	12				
8	108330	Washer, plain	4			FAN SPACER	
9	S-602	Washer, plain (13/32)	2			All Models	
10	S-608	Lockwasher (1/2)	4			Spacer, fan	1
11	S-604	Lockwasher (3/8)	18	3035776			
12	S-200	Nut (1/2)	4				
13	S-223	Nut (3/8)	6			N-855-P235	
		WATER TUBES		3005590		Spacer, fan pilot	1
		All Models		3005592		Gasket, fan pilot	1
14	3000285	Tube, water outlet	1			NT-855-P280, NT-855-P335, NTA-855-P360, NTA-855-P400	
15	3000260	Assembly, water inlet tube	1			Spacer, fan pilot	1
16	3028994	Tube, water make up	1	3005588		Gasket, fan pilot	1
		MOUNTING PARTS		3005592			
17	152538	Bushing, pipe	1				
18	153408	Nipple, pipe	1				
19	3034201	Hose	1				
20	200517	Hose	1				
21	67185	Hose	2				
22	3024128	Hose	2				
	AS0502600SS	Hose	1				
24	43828-F	Clamp, hose	4				
25	43828-D	Clamp, hose	4				
26	43828-A	Clamp, hose	4				
27	3008470	Plug, pipe	1				
	120437	Elbow	1				
	143950	Adapter, flexible hose	1				
	201351	Strap, binding	1				
	3007600	Tag, warning	1				
	107947	Draincock	1				
		FAN GUARD					
		All Models					
32	3011301	Guard, fan (fuel pump and exhaust)	2				
34	3011303	Guard, rear fan (fuel pump side)	1				
35	3011302	Guard, rear fan (exhaust side)	1				
40	3001171	Nut, spotweld	6				
42	3000229	Ring, fan (NT, NTA-855)	1				
41	212294	Shroud, fan (N-855-P235)	1				

PARTS INDENTED ARE INCLUDED IN THE PART UNDER WHICH THEY ARE INDENTED

REF. NO.	PART NUMBER	PART NAME	NO. REQ'D.	REF. NO.	PART NUMBER	PART NAME	NO. REQ'D.
		FUEL TUBING				GASKET SETS	
		The fuel tubing on Cummins engines is designed to adapt the engine to various applications and installations. For this reason, fuel tubing part numbers are shown in this catalog.			3801051	Engine, gasket set (All Models)	1
					3004673	Cylinder head, gasket set (N, NT)	1
					3801350	Cylinder head, gasket set (NTA)	1
					3010242	Gasket set (Fuel Pump	1.
		Please contact your Cummins Distributor or Dealer for the correct fuel tubing part numbers on your engine.					

PARTS INDENTED ARE INCLUDED IN THE PART UNDER WHICH THEY ARE INDENTED

Cummins Engine Company, Inc.
Box 4005
Columbus, Indiana, U.S.A. 47201
Cable: CUMDEX COLUMBUS

Registered Office:
Cummins Engine Company, Ltd.
George House, St. George's Square
New Malden, England
Cable: INGUMCON MALDEN
Registration No. 673951 England

Copyright
Cummins Engine Company, Inc. 1982



NT-855 Series

Big Cam - Great Performance and Economy

