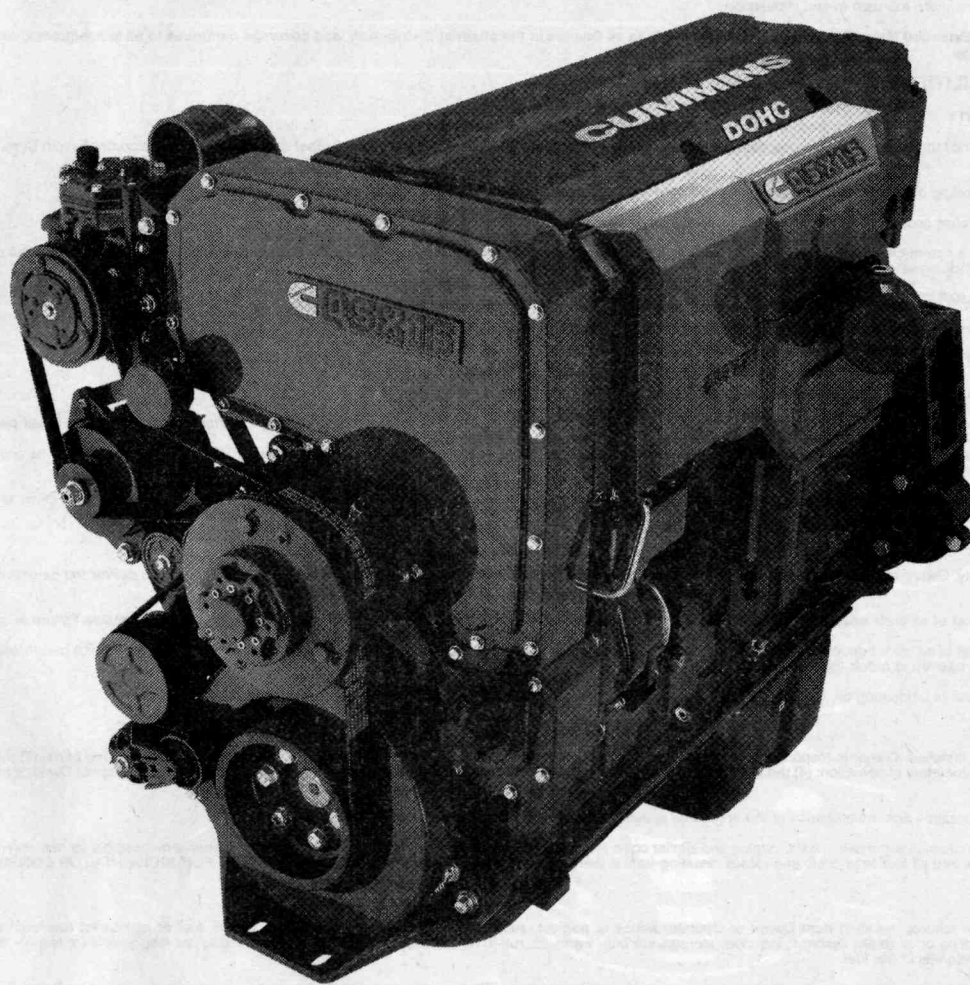




Parts Catalog

QSX15

Industrial





Parts Catalog

QSX15

Industrial

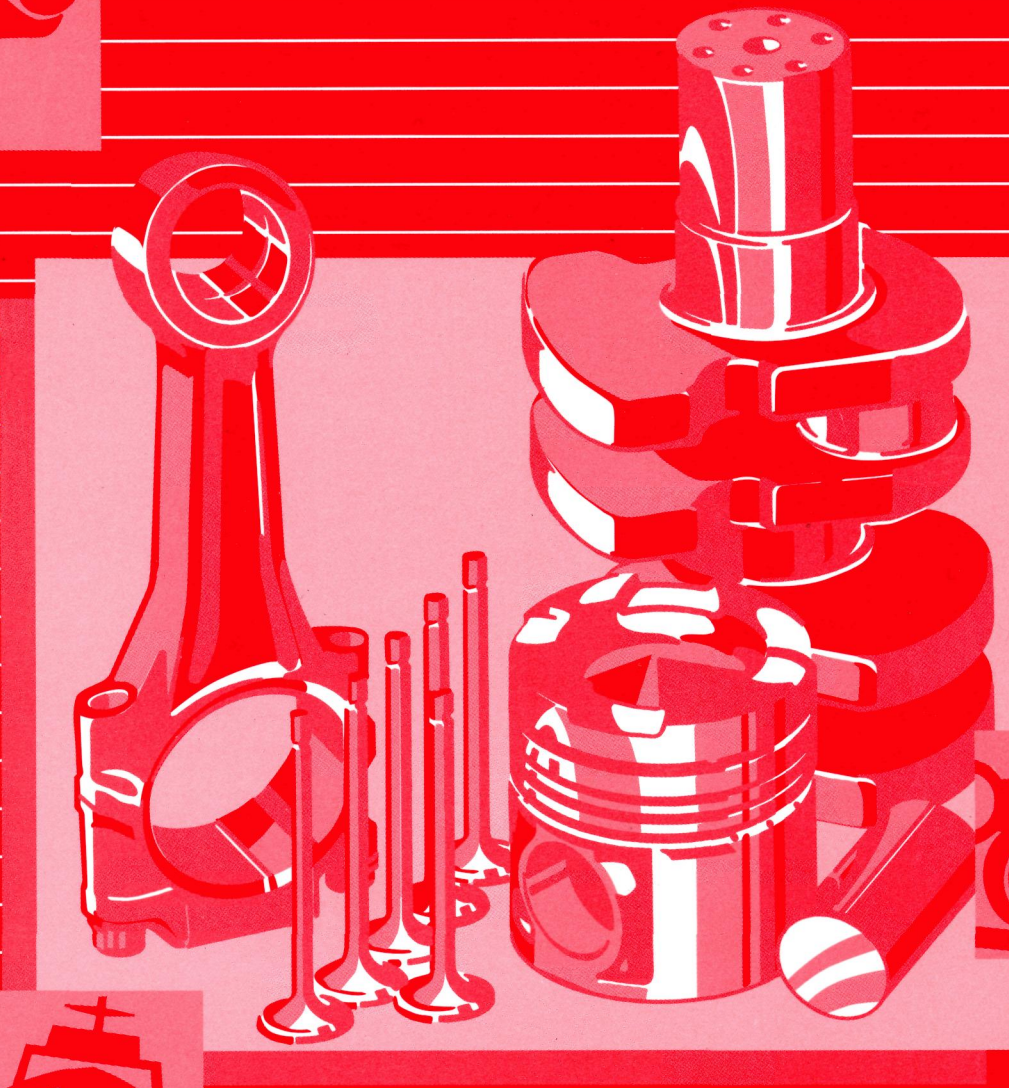
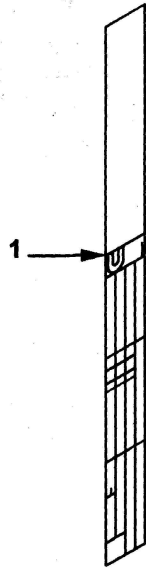


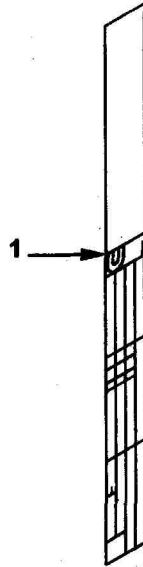
Table of Contents

	Page No.	Page No.
Agency Approval	2, 3	
Air Intake Connection	78, 79	
Air Transfer Connection	80, 81	
Alternator	42	
Alternator Drive	46, 47	
Alternator Mounting	45	
Camshaft	104, 110	
Coo Heater Starting Aid	34, 35	
Corrosion Resistor	142	
Cover Plate	7, 17	
Crankcase Breather	24, 27	
Crankshaft	9, 19	
Cylinder Block	5, 15	
Cylinder Head	103, 117	
Cylinder Liner Kit	6, 16	
Electronic Control Module	97	
Engine Barring Drive	29, 30	
Engine Brake	40	
Engine Oil Cooler	83	
Engine Piston	101, 123	
Exhaust Outlet Connection	152	
Fan Drive	51, 53	
Flywheel	72	
Flywheel Housing	57, 59	
Front Engine Support	48	
Front Gear Cover	75, 77	
Front Gear Train Accessory	39	
Fuel Filter	54	
Fuel Pump	61, 67	
Full Flow Oil Filter	84	
Gear Cover Noise Panel	109, 119	
Gear Housing Brace	12, 23	
Gear Housing/Idler Gears	11, 21	
Injector	107, 113	
Kits & Sets	155	
Oil Fill Arrangement	93	
Oil Filler Arrangement	91	
Oil Level Gauge	87, 89	
Oil Pan	95	
Piston Cooling Nozzle	98, 120	
Ref Compressor Mounting	33	
Rocker Lever	127	
Starting Motor	132	
Starting Motor Mounting	130, 131	
Thermostat	41	
Thermostat Housing	137	
Turbocharger	115, 124	
Turbocharger Arrangement	133, 135	
Turbocharger Plumbing	139	
Valve Cover	141	
Vibration Damper	36, 37	
Water Inlet Connection	145	
Water Outlet Connection	146, 147	
Water Pump	149, 151	
Option Number Index	A-1	
Part Number Index	B-1	



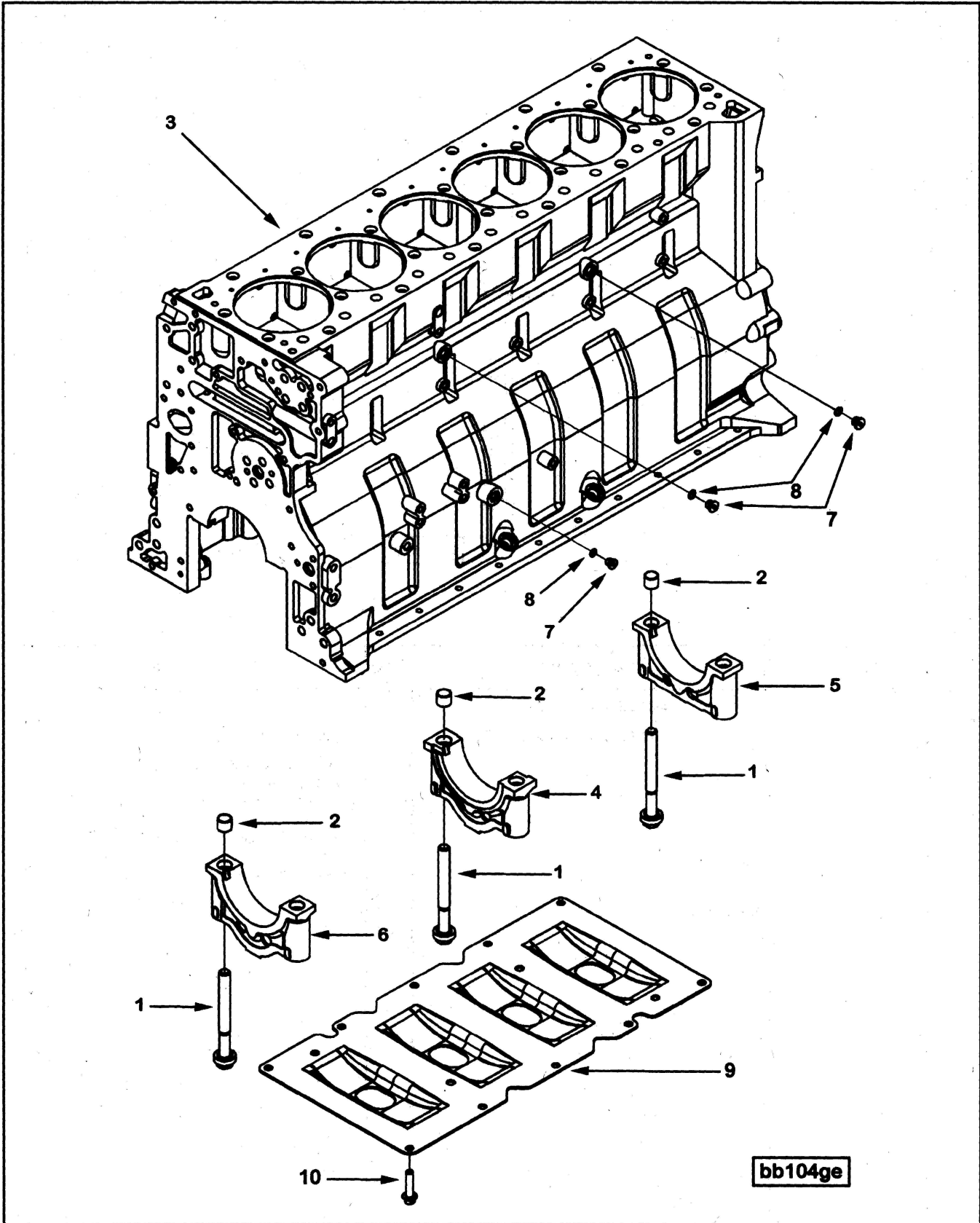
ap100gl

Ref No.	Part Number	Part Name	Req	Remarks
1	3412326	<p style="text-align: center;">AGENCY APPROVAL OPTION AP1030</p> <p>Dataplate</p>	1	<p>Agency Approval Certified By: EPA, CARB Nonroad Certification Level: Tier 1.</p>

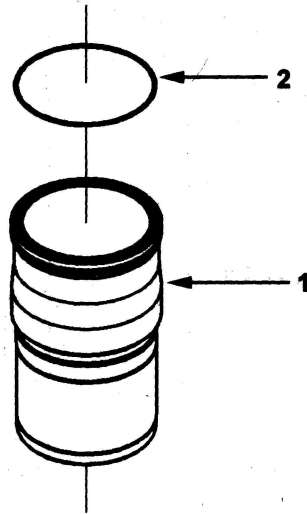


ap100gl

Ref No.	Part Number	Part Name	Req	Remarks
1	3100447 (4905219)	<p style="text-align: center;">AGENCY APPROVAL OPTION AP1045</p> <p>Dataplate Tape</p>	1 1	<p>Agency Approval Certified By: EPA, CARB, EU, JMLT Application: Nonroad Cert Level: Tier 2, Tier 2, Stage 2, Step 2 Special Allowance: NA Cert Agent: EPA, CARB, VCA, JMLT Comments: Fuel Type: Diesel</p>

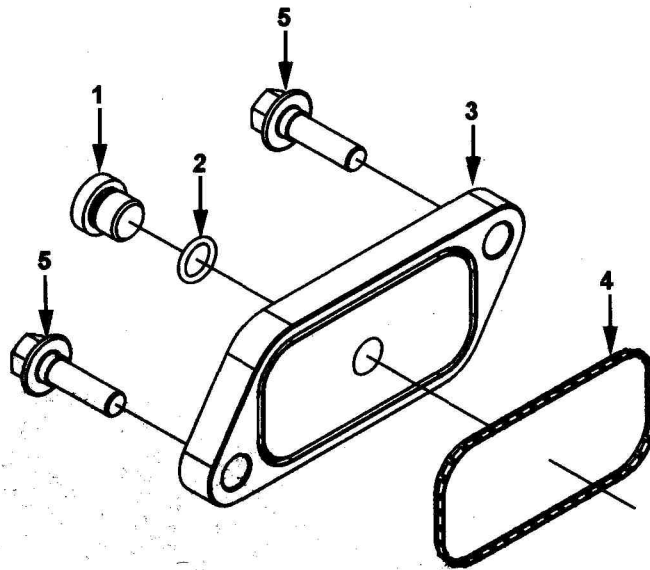


Ref No.	Part Number	Part Name	Req	Remarks
		CYLINDER BLOCK OPTION BB1725		Cylinder Block Application: Industrial CPL Family: ISX2 or ISX3 Gear Housing Accessory Mounting Hole Size: 6mm Lower Idler Gear: Scissors Type Cast Iron Gear Cover Mounting Provision: Yes Thermostat Housing Compatible Dual Thermostat Cylinder Block Plumbing Hardware Structured: In Cylinder Block Option
	4955502	Kit, Cylinder Block		
	(3683646)	Block, Cylinder	1	Serviced as mult kits.
1	3678506	Screw, Hex Flange Head Cap	14	
2	3678507	Dowel, Ring	14	
3	(3683645)	Block, Cylinder	1	
4	(3680246)	Cap, Main Bearing	1	
5	3688547	Cap, Main Bearing	1	#1
6	3688549	Cap, Main Bearing	5	#'s 2,3,5,6,7
7	3678921	Plug, Threaded	3	
8	3678912	Seal, O Ring	1	
9	3680425	Plate, Cyl Blk Stiffening	1	
10	3680781	Screw, Hex Flange Head Cap	10	



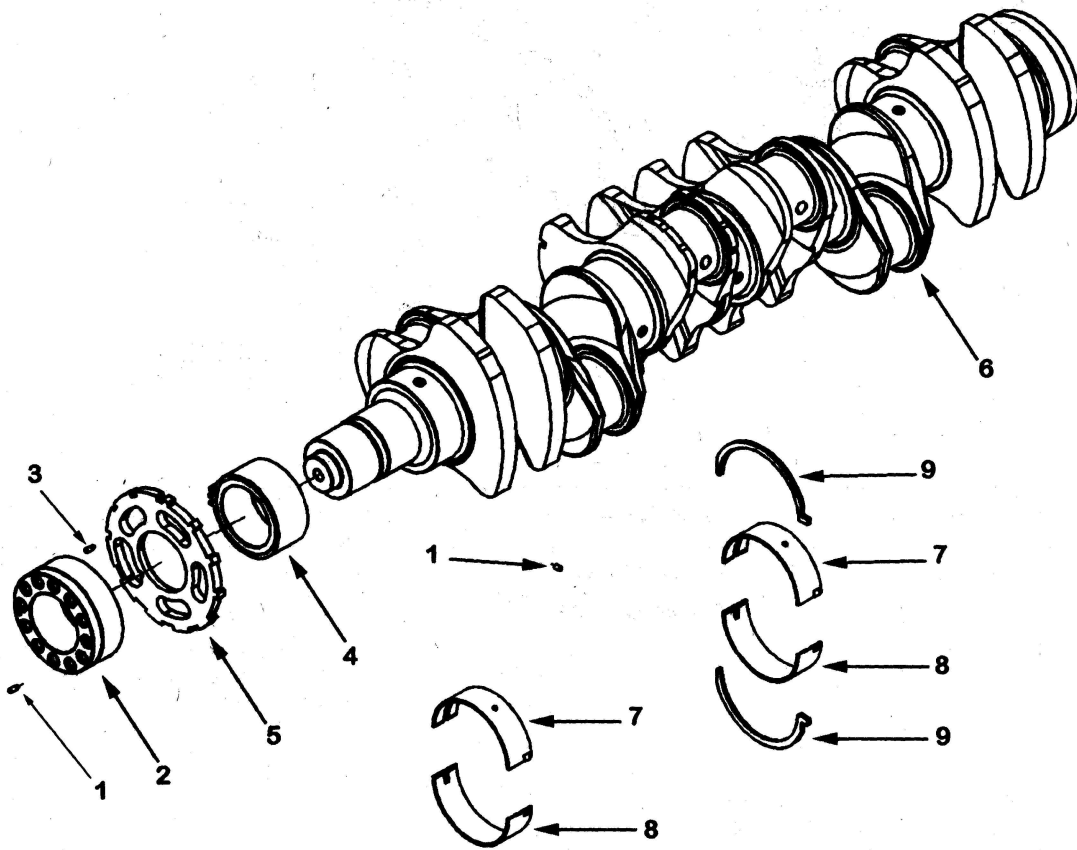
bb103go

Ref No.	Part Number	Part Name	Req	Remarks
1 2	4089153 (4101507) 3678738	<p align="center">CYLINDER LINER KIT OPTION BB1725</p> <p>Kit, Cylinder Liner Liner, Cylinder Seal, O Ring</p>	1 6 6	Cylinder Liner Kit



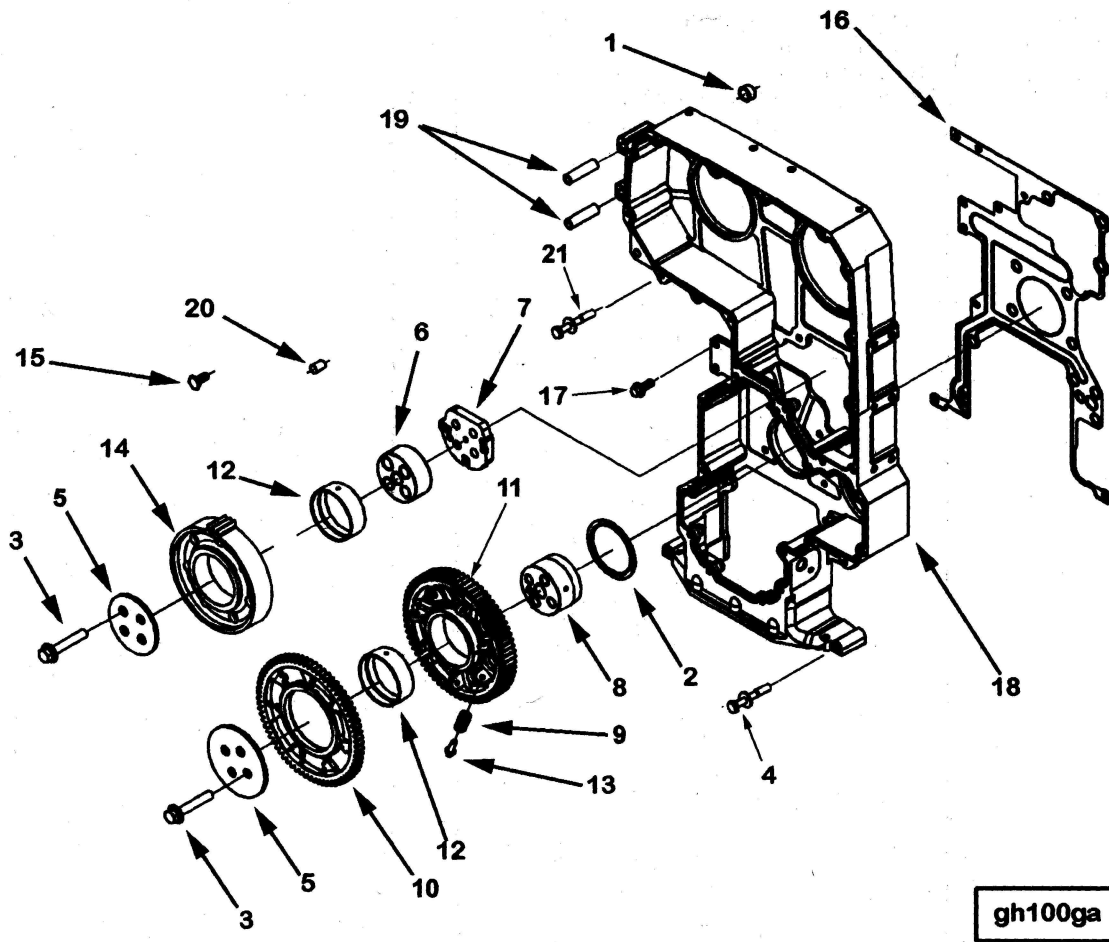
bb104gb

Ref No.	Part Number	Part Name	Req	Remarks
		COVER PLATE OPTION BB1725		Cover Plate If Engine is Pre'07, Must Also Order: Cover Plate 3684350 (1) PC Water Seal 3683607 (1) PC Threaded Plug 3678921 (1) PC Capscrew 3903112 (2) PCS
1	3678921 (3678922)	Plug, Threaded Plug, Threaded	1 1	
2	3678912	Seal, O Ring	1	
3	3684350	Plate, Cover	1	
4	3683607	Seal, Water	1	
5	3903112	Screw, Hex Flange Head Cap	2	M10 x 1.50 x 30

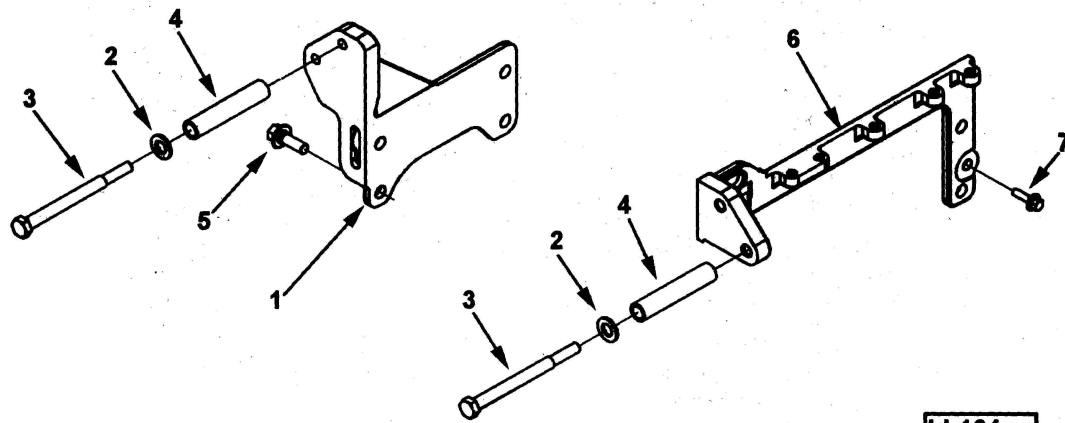


bb102gn

Ref No.	Part Number	Part Name	Req	Remarks
		CRANKSHAFT OPTION BB1725		Crankshaft
	4925762	Crankshaft, Engine	1	
1	3068935	Dowel, Pin	2	
2	3680503	Adapter, Crankshaft	1	
3	3681054	Dowel, Pin	1	
4	3680542	Gear, Crankshaft	1	
5	3681194	Ring, Speed Indicator	1	
6	(4925761)	Crankshaft, Engine	1	
	3800298	Set, Main Bearing (std)		
7	(3678555)	Bearing, Main	7	
8	(3678556)	Bearing, Main	7	
9	(3680202)	Bearing, Crankshaft Thrust	4	

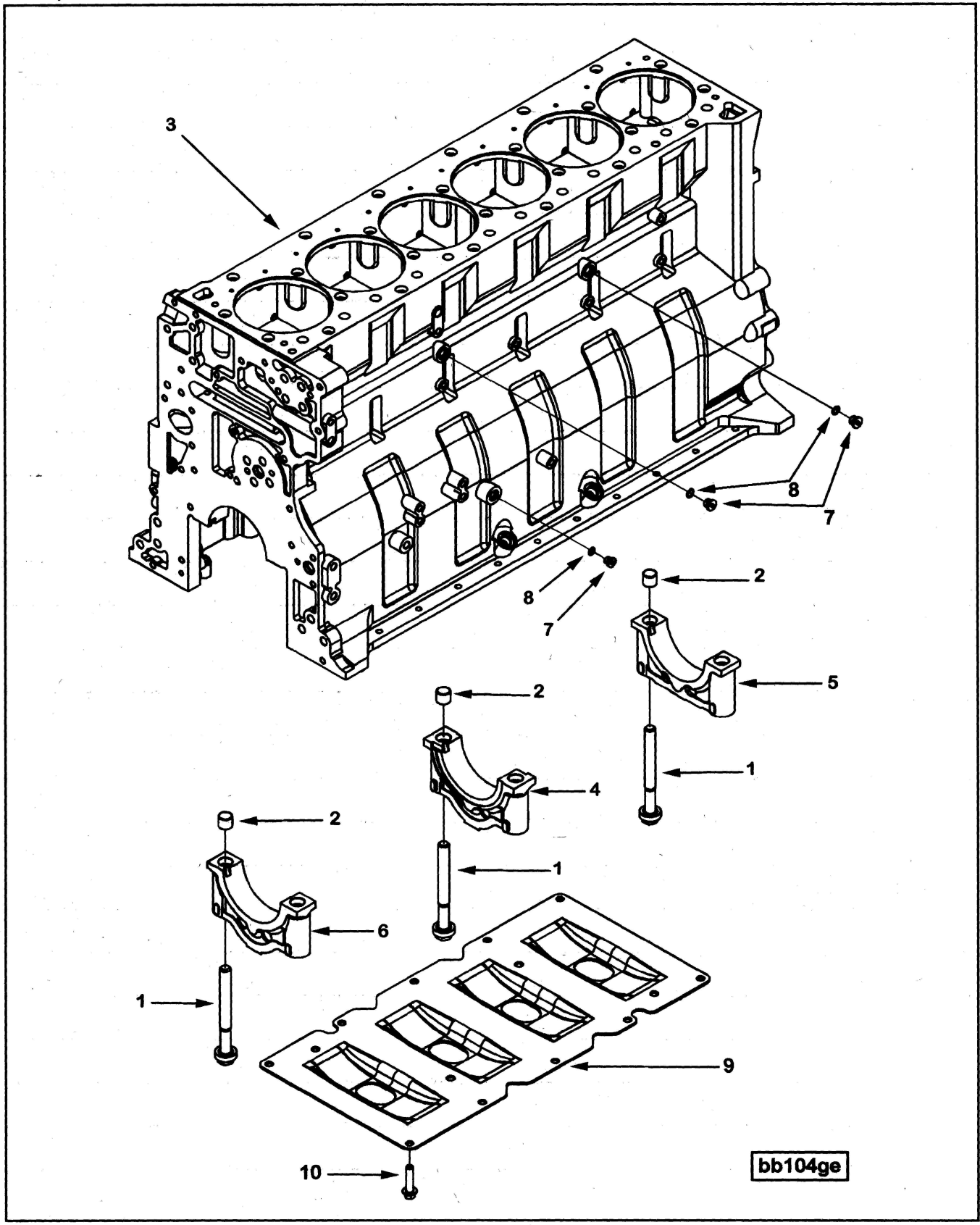


Ref No.	Part Number	Part Name	Req	Remarks
		GEAR HOUSING/IDLER GEARS OPTION BB1725		Gear Housing/Idler Gears
1	3678871	Dowel, Ring	2	
2	3681149	Bearing, Thrust	1	
3	3681174	Screw, Hex Flange Head Cap	8	
4	3412921	Screw, Hex Flange Head Cap	3	
5	3681273	Retainer, Gear	2	
6	3680239	Shaft, Idler	1	
7	3680240	Spacer, Mounting	1	
8	3680260	Shaft, Idler	1	
	3680546	Gear, Idler		
9	3680212	Spring, Compression	7	
10	3680544	Gear, Idler	1	
12	3680201	Bushing	1	
13	3900631	Screw, Hex Flange Head Cap	7	M8 x 1.25 x 25
	3681144	Gear, Idler		
12	3680201	Bushing	1	
14	(3681143)	Gear, Idler	1	
15	3680866	Screw, Hex Flange Head Cap	1	
16	4089757	Gasket, Gear Housing	1	
17	3680882	Screw, Captive Washer Cap	15	
	4059396	Housing, Gear		
18	(4059386)	Housing, Gear	1	
19	3680086	Spacer, Mounting	2	
20	3900257	Dowel, Pin	4	
21	3681268	Screw, Captive Washer Cap	1	



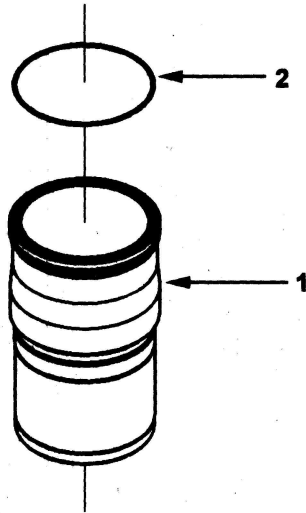
bb104gc

Ref No.	Part Number	Part Name	Req	Remarks
		GEAR HOUSING BRACE OPTION BB1725		Gear Housing Brace
1	4972810	Brace, Gear Housing	1	
2	3035806	Washer, Plain	4	M12
3	3093773	Screw, Hexagon Head Cap	4	
4	3681584	Spacer, Mounting	4	
5	3900637	Screw, Hex Flange Head Cap	1	M12 X 1.75 X 35.
6	3100196	Brace, Gear Housing	1	
7	3902460	Screw, Hex Flange Head Cap	2	M10 x 1.50 x 25



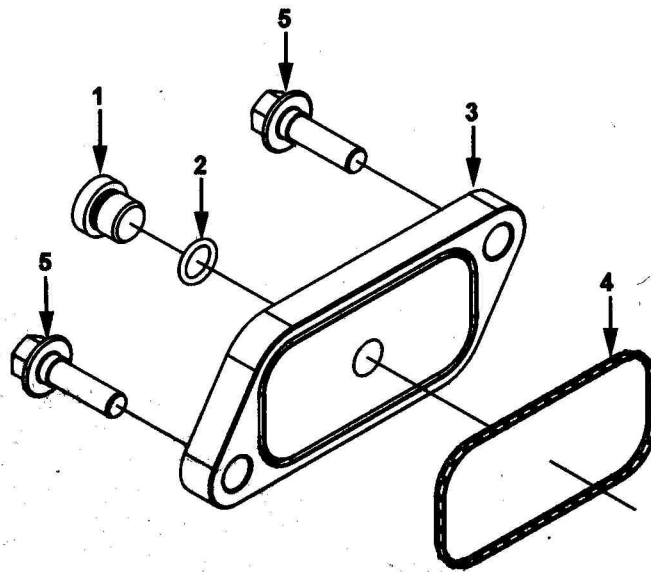
bb104ge

Ref No.	Part Number	Part Name	Req	Remarks
		CYLINDER BLOCK OPTION BB1836		Cylinder Block Application: Industrial CPL Family: ISX2 or ISX3 Gear Housing Accessory Mounting Hole Size: 10mm Lower Idler Gear: Scissors Type Cast Iron Gear Cover Mounting Provision: No Thermostat Housing Compatible: Dual Thermostat Cylinder Block Plumbing Hardware Structured: In Cylinder Block Plumbing Option Gear Housing Support Bracket (Intake Side): Fabricated Customer Accessory Bracket: None
	4955502 (3683646)	Kit, Cylinder Block Block, Cylinder	1	Serviced as mult kits.
1	3678506	Screw, Hex Flange Head Cap	14	
2	3678507	Dowel, Ring	14	
3	(3683645)	Block, Cylinder	1	
4	(3680246)	Cap, Main Bearing	1	
5	3688547	Cap, Main Bearing	1	#1
6	3688549	Cap, Main Bearing	5	#'s 2,3,5,6,7
7	3678921	Plug, Threaded	3	
8	3678912	Seal, O Ring	1	
9	3680425	Plate, Cyl Blk Stiffening	1	
10	3680781	Screw, Hex Flange Head Cap	10	



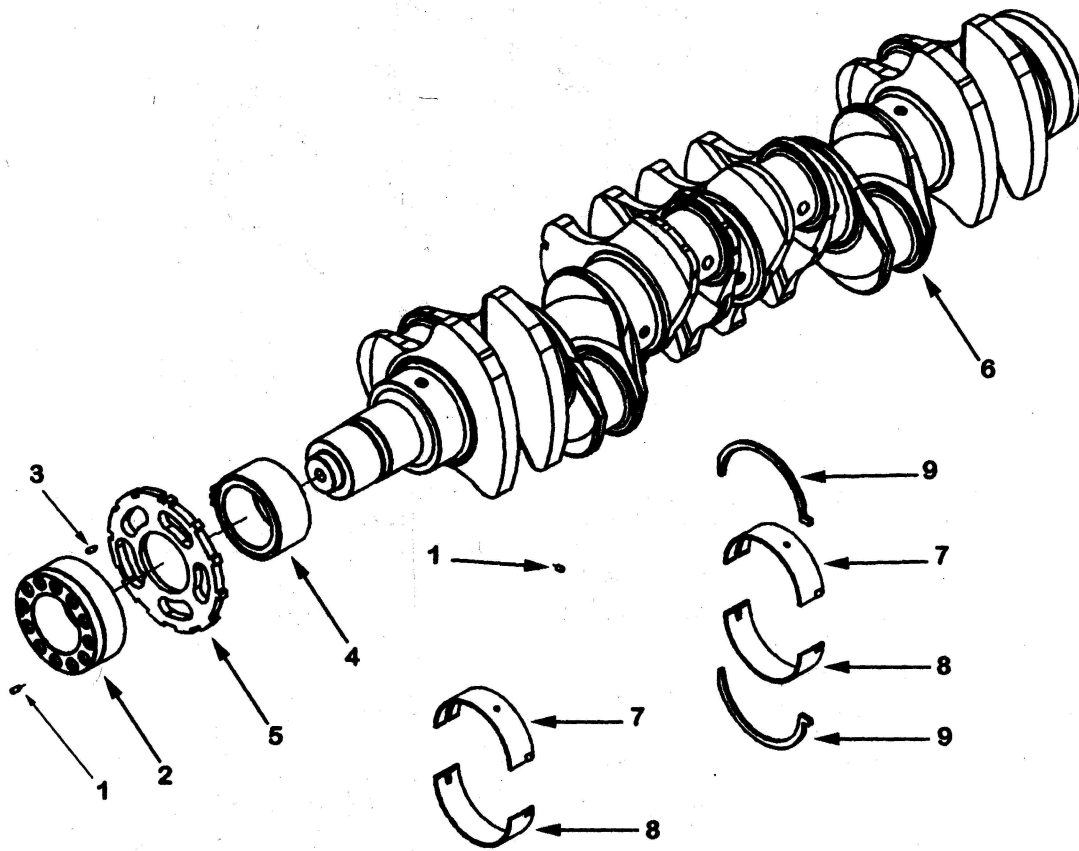
bb103go

Ref No.	Part Number	Part Name	Req	Remarks
1 2	4089153 (4101507) 3678738	<p align="center">CYLINDER LINER KIT OPTION BB1836</p> <p>Kit, Cylinder Liner Liner, Cylinder Seal, O Ring</p>	1 6 6	Cylinder Liner Kit



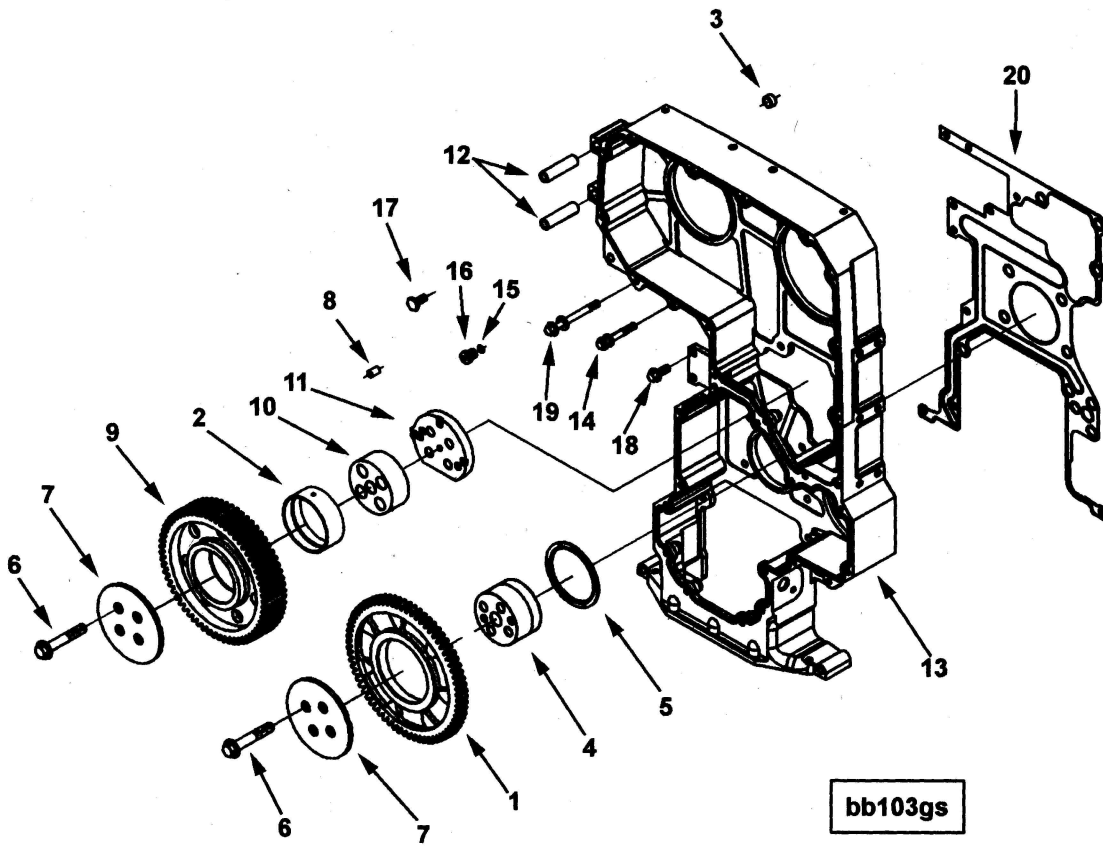
bb104gb

Ref No.	Part Number	Part Name	Req	Remarks
COVER PLATE				
OPTION BB1836				
				Cover Plate
1	3678921 (3678922)	Plug, Threaded	1	
2	3678912	Plug, Threaded	1	
3	3684350	Seal, O Ring	1	
4	3683607	Plate, Cover	1	
5	3903112	Seal, Water	1	
		Screw, Hex Flange Head Cap	2	M10 x 1.50 x 30

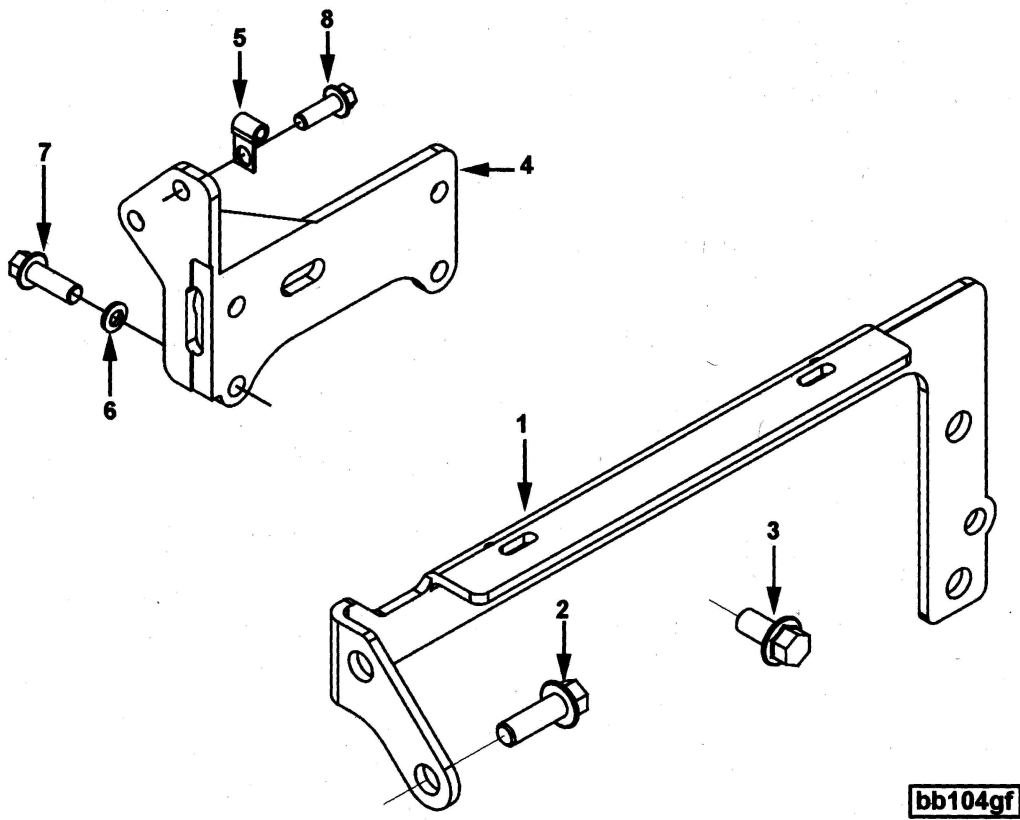


bb102gn

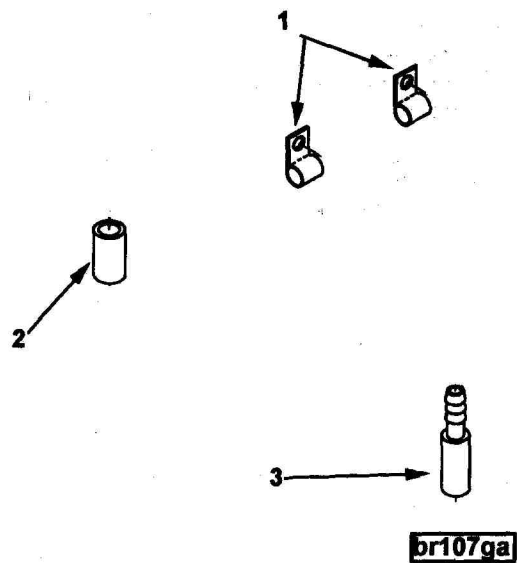
Ref No.	Part Number	Part Name	Req	Remarks
		CRANKSHAFT OPTION BB1836		Crankshaft
	4925762	Crankshaft, Engine	1	
1	3068935	Dowel, Pin	2	
2	3680503	Adapter, Crankshaft	1	
3	3681054	Dowel, Pin	1	
4	3680542	Gear, Crankshaft	1	
5	3681194	Ring, Speed Indicator	1	
6	(4925761)	Crankshaft, Engine	1	
	3800298	Set, Main Bearing (std)		
7	(3678555)	Bearing, Main	7	
8	(3678556)	Bearing, Main	7	
9	(3680202)	Bearing, Crankshaft Thrust	4	



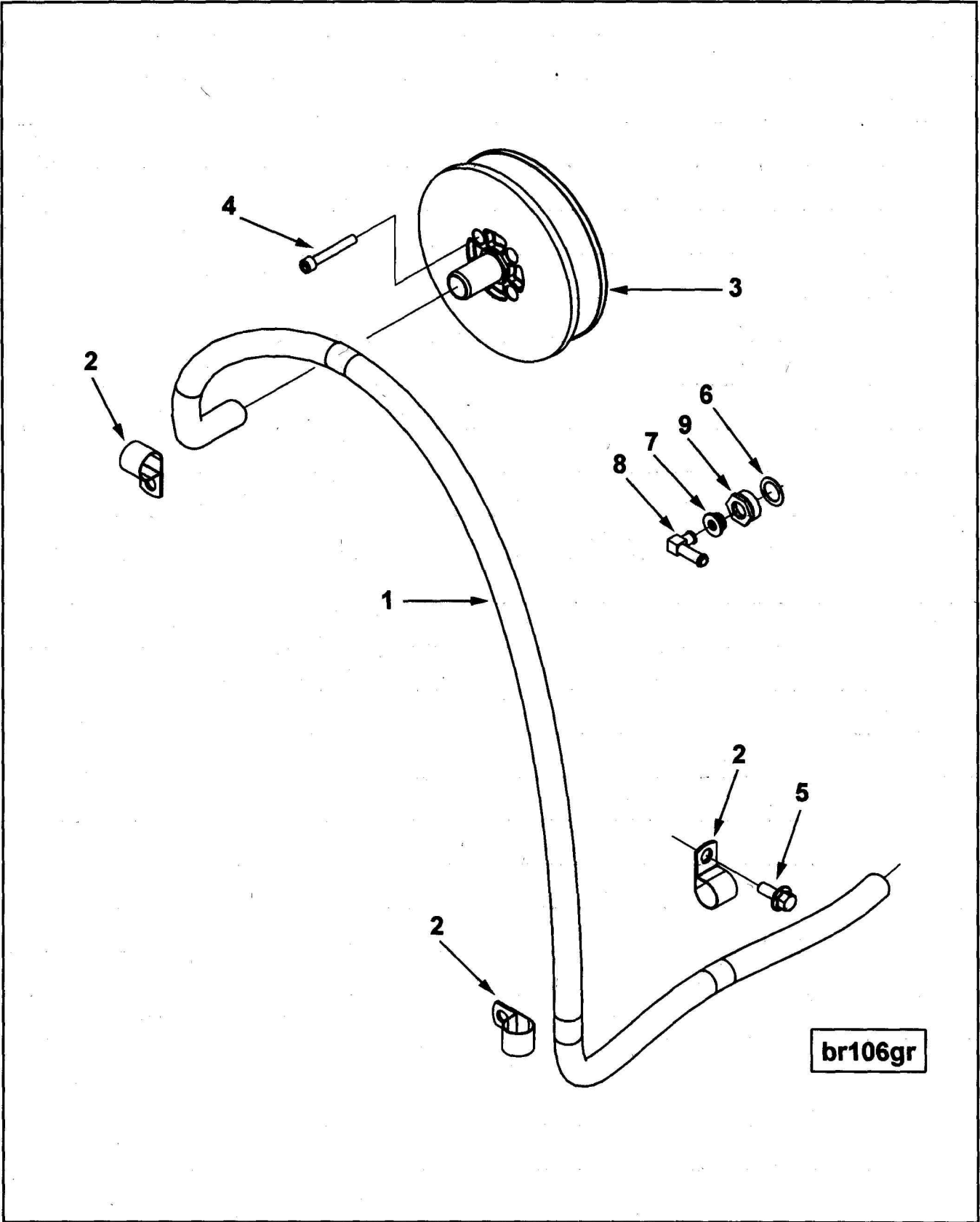
Ref No.	Part Number	Part Name	Req	Remarks
		GEAR HOUSING/IDLER GEARS OPTION BB1836		Gear Housing/Idler Gears
1	3680546	Gear, Idler	1	
3	3678871	Dowel, Ring	2	
4	3680260	Shaft, Idler	1	
5	3681149	Bearing, Thrust	1	
6	3681174	Screw, Hex Flange Head Cap	8	
7	3681273	Retainer, Gear	2	
8	3900257	Dowel, Pin	4	
	3681144	Gear, Idler	1	
2	3680201	Bushing	1	
9	(3681143)	Gear, Idler	1	
10	3680239	Shaft, Idler	1	
11	3680240	Spacer, Mounting	1	
	(4059383)	Housing, Gear	1	
12	3680086	Spacer, Mounting	2	
13	(4059255)	Housing, Gear	1	
14	3412921	Screw, Hex Flange Head Cap	3	
	3678873	Plug, Threaded	2	
15	3678786	Seal, O Ring	2	
16	(3678791)	Plug, Threaded	2	
17	3680866	Screw, Hex Flange Head Cap	1	
18	3680882	Screw, Captive Washer Cap	15	
19	3681268	Screw, Captive Washer Cap	1	
20	4089757	Gasket, Gear Housing	1	
	3910495	Screw, Hex Flange Head Cap	1	M12 X 1.75 X 30



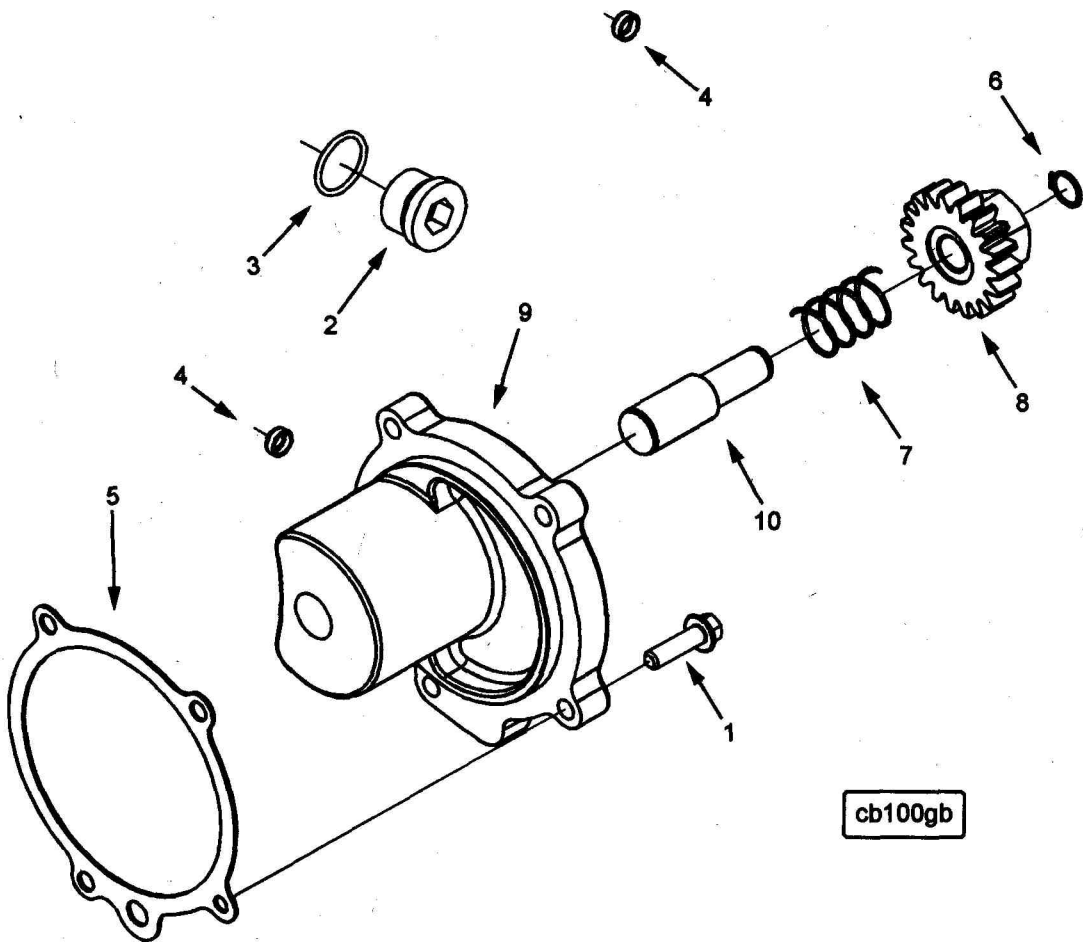
Ref No.	Part Number	Part Name	Req	Remarks
		GEAR HOUSING BRACE OPTION BB1836		Gear Housing Brace
1	3104026	Brace, Gear Housing	1	
2	3093931	Screw, Hex Flange Head Cap	2	
3	3093931	Screw, Hex Flange Head Cap	2	
4	4972808	Brace, Gear Housing	1	
5	180372	Clip	1	
6	3036460	Washer, Spring	1	
7	3900637	Screw, Hex Flange Head Cap	1	M12 X 1.75 X 35.
8	3903112	Screw, Hex Flange Head Cap	2	M10 x 1.50 x 30



Ref No.	Part Number	Part Name	Req	Remarks
		CRANKCASE BREATHER OPTION BR1242		<p>Crankcase Breather Plumbing</p> <p>Breather System: Open Breather Location: Internal Vent Location: Front Vent Tube Routing: Front/Left Side Vent Tube End Location: 1384.3mm (54.5 in) below pan rail on left side. Mounting for use with customer supplied or crank mounted fan drive. Limited to 28 degrees front down for operation exceeding 20 sec at a time or 45 degrees front down for operation of less than 20 sec at a time. See OP option for additional angularity restrictions.</p>
1	107460	Clip	2	
2	3255337	Hose, Plain	1	
3	3819475	Tube, Breather	1	

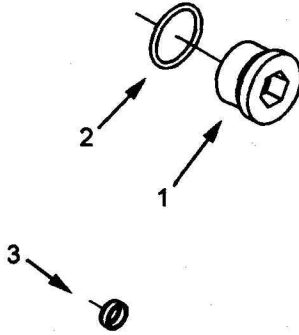


Ref No.	Part Number	Part Name	Req	Remarks
		CRANKCASE BREATHER OPTION BR1252		Crankcase Breather Plumbing Breather System: Open Breather Location: Internal Vent Location: Front Vent Tube Routing: Front/Left Side Vent Tube End Location: 1016mm (40 in) Below Pan Rail on Left Side Mounting for Use with Belt Driven Fan Drive See OP option for angularity restrictions.
1	64998 C	Hose, Plain	1	
2	107460	Clip	4	
3	3102738	Breather, Crankcase	1	
4	3102743	Screw, Socket Head Cap	4	
5	3901249	Screw, Hex Flange Head Cap	1	M12 x 1.75 x 25
6	3102800	Seal, Oil	1	
	(3103416)	Retainer, Seal	1	
7	3042401	Seal, Grommet	1	
8	3047134	Tube, Breather	1	
9	3102893	Retainer, Seal	1	



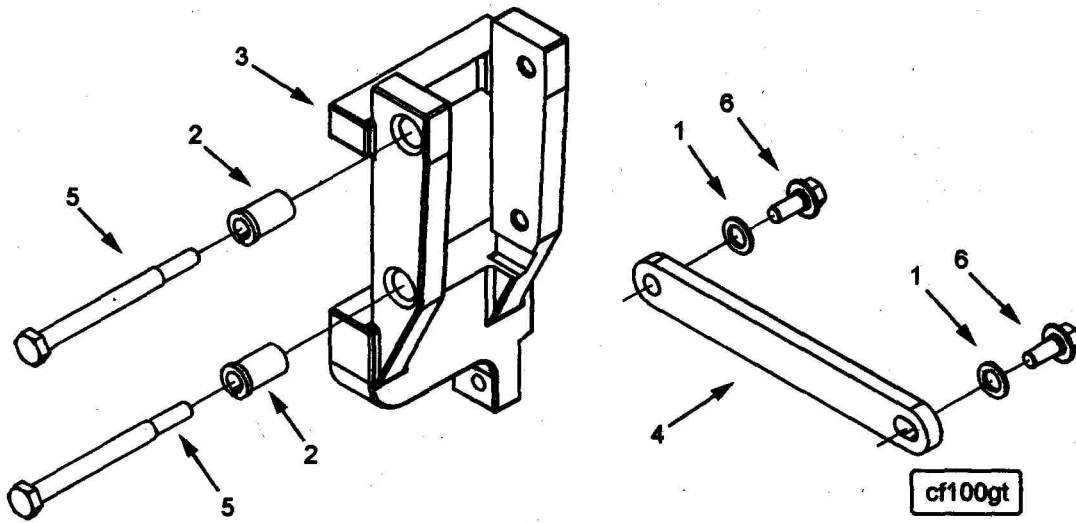
cb100gb

Ref No.	Part Number	Part Name	Req	Remarks
		ENGINE BARRING DRIVE OPTION CB1704		<p>Engine Barring Drive</p> <p>Provides an engine barring device and 3 plugs are added in the absence of an air compressor or hydraulic drive. The barring device is provided in the accessory drive location on the backside of the gear housing left side of engine.</p> <p>Approximate Coordinate Location from Horizontal Centerline of Crankshaft: 166mm From Vertical Centerline of Crankshaft: 224mm From Front Face of Block: 0mm</p> <p>The barring device is a 2:1 reduction and requires a 1.5 inch (38.1mm) standard drive socket.</p>
1	3903464 3678838	Screw, Hex Flange Head Cap Plug, Threaded	4 1	M10 x 1.50 x 40
2	(3678845)	Plug, Threaded	1	
3	3678846	Seal, O Ring	1	
4	3679334	Plug, Expansion	2	
5	3680443	Gasket, Acc Drive Support	1	
	3681704	Device, Engine Barring	1	
6	102243	Ring, Retaining	1	
7	3681425	Spring, Compression	1	
8	3681702	Gear, Engine Barring	1	
	3681703	Housing, Engine Barring	1	
9	3681698	Housing, Engine Barring	1	
10	3681701	Shaft, Barring	1	

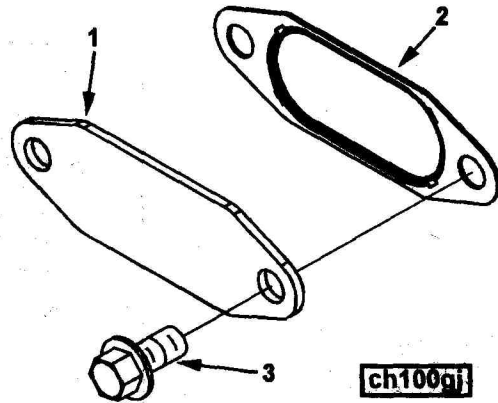


cb100gc

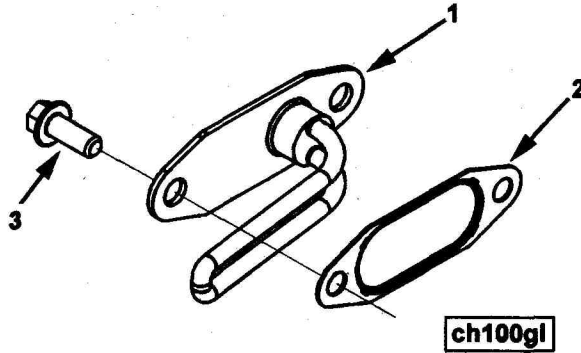
Ref No.	Part Number	Part Name	Req	Remarks
		ENGINE BARRING DRIVE OPTION CB1705		Engine Barring Drive
1	3678838 (3678845)	Plug, Threaded	1	3 plugs are added in the absence of an air compressor. The barring device is the hydraulic drive adapter gear that requires a 19.1mm (3/4in) drive and is accessed through the lower gear cover.
2	3678846	Plug, Threaded	1	
3	3679334	Seal, O Ring	1	
		Plug, Expansion	2	



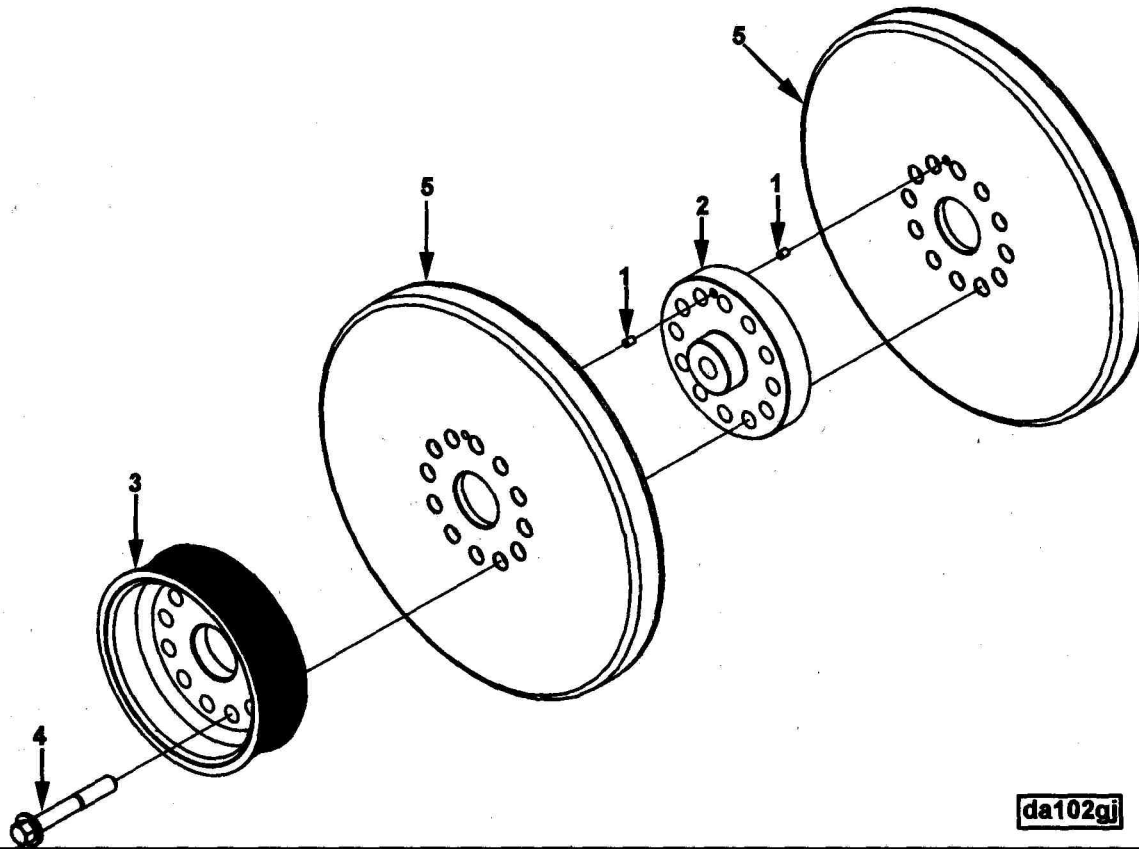
Ref No.	Part Number	Part Name	Req	Remarks
		REF COMPRESSOR MOUNTING OPTION CF1032		Refrigerant Compressor Belt Supplied: Cummins CPR Mounting Bracket Provision: Customer supplied Sanden Pad Mount Reference Compressor Model SD7H15 Drive Belt: Poly Vee 6 Rib "K" Drive Pulley Rotation: Same as Engine Crankshaft Drive Ratios: 1.36:1 for CPR Pulley Dia 153mm (6.02 in) 1.24:1 for CPR Pulley Dia 139mm (5.45 in) Belt Tensioner: Automatic Pulley Groove Location: 133.16 mm (5.24 in) from FFOB Distance from Centerline of Front Pad to First Groove is 40.14 MM (1.58 in)
1	69324	Washer, Plain	2	3/8 inch
	3101145	Support, Ref Compressor	1	
2	3679266	Spacer, Mounting	2	
3	3681642	Support, Ref Compressor	1	
4	3679684	Link, Adjusting	1	
5	3900469	Screw, Hexagon Head Cap	2	M10 X 1.50 X 110.
6	3903990	Screw, Hex Flange Head Cap	2	M10 x 1.50 x 20



Ref No.	Part Number	Part Name	Req	Remarks
		COO HEATER STARTING AID OPTION CH1011		Coolant Heater Starting Aid Heater Element Supplier: None
1	3684351	Plate, Cover	1	
2	3684337	Gasket, Heater	1	
3	3093957	Screw, Hex Flange Head Cap	2	

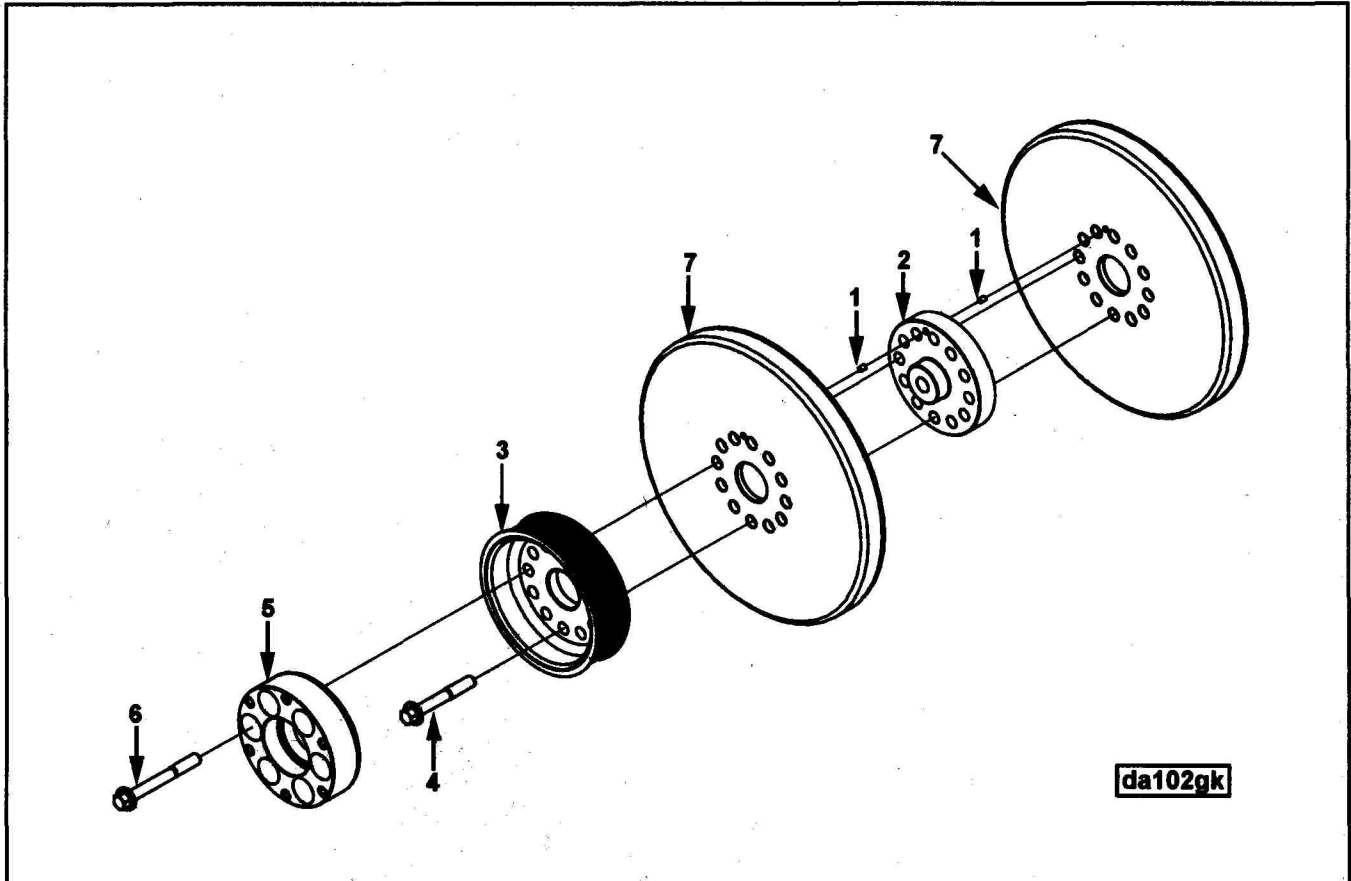


Ref No.	Part Number	Part Name	Req	Remarks
COO HEATER STARTING AID OPTION CH1014				
Coolant Heater Starting Aid Heater Element Supplier: Cummins Volts: 120 Watts: 1500 Cord Provided: No Heating Element Mounting Style: Integrated Into Flat Plate				
1	3684477	Heater, Engine	1	
2	3684337	Gasket, Heater	1	
3	3093957	Screw, Hex Flange Head Cap	2	



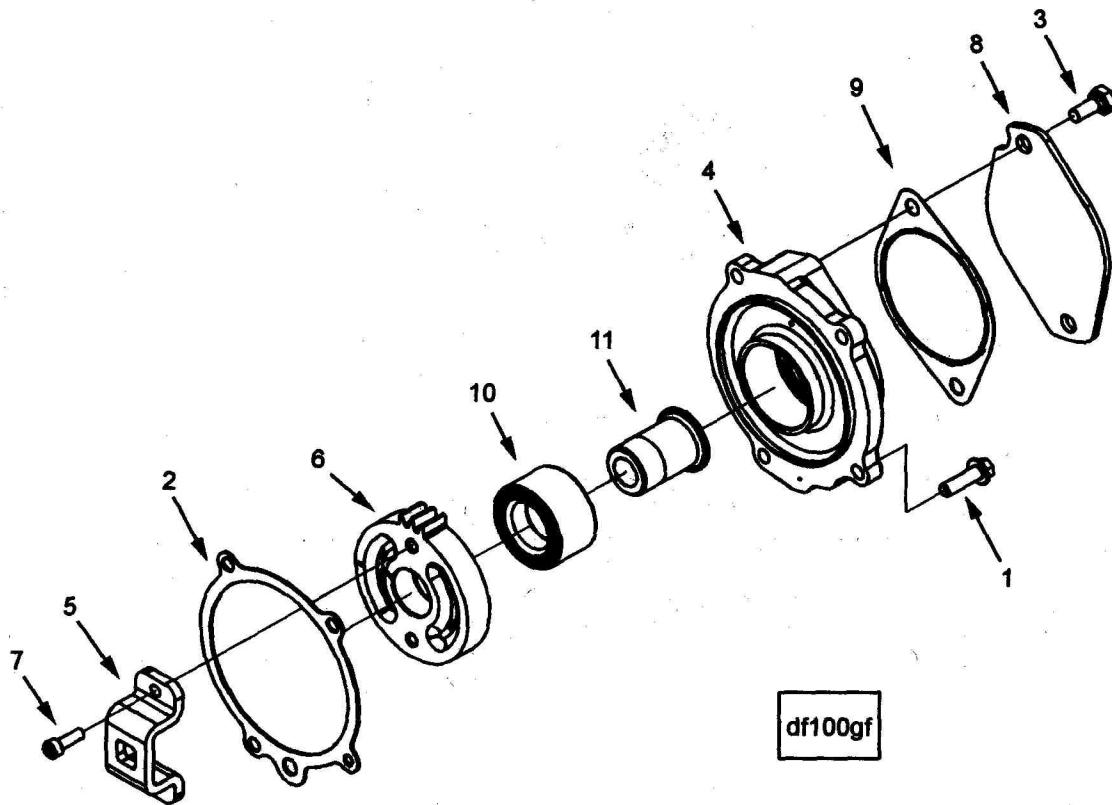
da102gj

Ref No.	Part Number	Part Name	Req	Remarks
		VIBRATION DAMPER OPTION DA1229		Vibration Damper Intended Drive: Belt Driven Fan or Off Engine Customer Driven Fan Includes Two Viscous Vibration Dampers and Crankshaft Pulley with no front PTO provision. Crank Pulley Diameter: 186.23 mm (7.33 in) Crank Pulley Groove Type: Poly Vee 12 Rib "K". Crank Pulley Groove Location: 190.95 mm (7.51 in) Vibration Damper Quantity: Two 50 HP Maximum
1	3068935	Dowel, Pin	2	
2	3681595	Spacer, Mounting	1	
3	3101376	Pulley, Crankshaft	1	
4	3681583	Screw, Hexagon Head Cap	12	
5	4101884	Damper, Vibration	2	

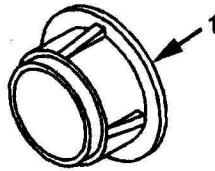


da102gk

Ref No.	Part Number	Part Name	Req	Remarks
		VIBRATION DAMPER OPTION DA1230		Vibration Damper Intended Drive: Front PTO Provision For Non Belt-Driven Fan PTO Supplier: N/A Vibration Damper Quantity: Two Crank Pulley Diameter: 186.23mm (7.33 in) Crank Pulley Groove Type: Poly Vee 12 Rib "K" Crank Pulley Groove Location: 190.95mm (7.51 in) PTO adapter has 6 equally spaced M12 x 1.75 x 6 H thread tapped holes (21mm minimum thread) on a 139.7mm bolt circle for a viscous fan clutch. 50 HP maximum.
1	3068935	Dowel, Pin	2	
2	3681595	Spacer, Mounting	1	
3	3101376	Pulley, Crankshaft	1	
4	3681583	Screw, Hexagon Head Cap	6	
5	3681609	Adapter, Crankshaft	1	
6	3681610	Screw, Hex Flange Head Cap	6	
7	4101884	Damper, Vibration	2	

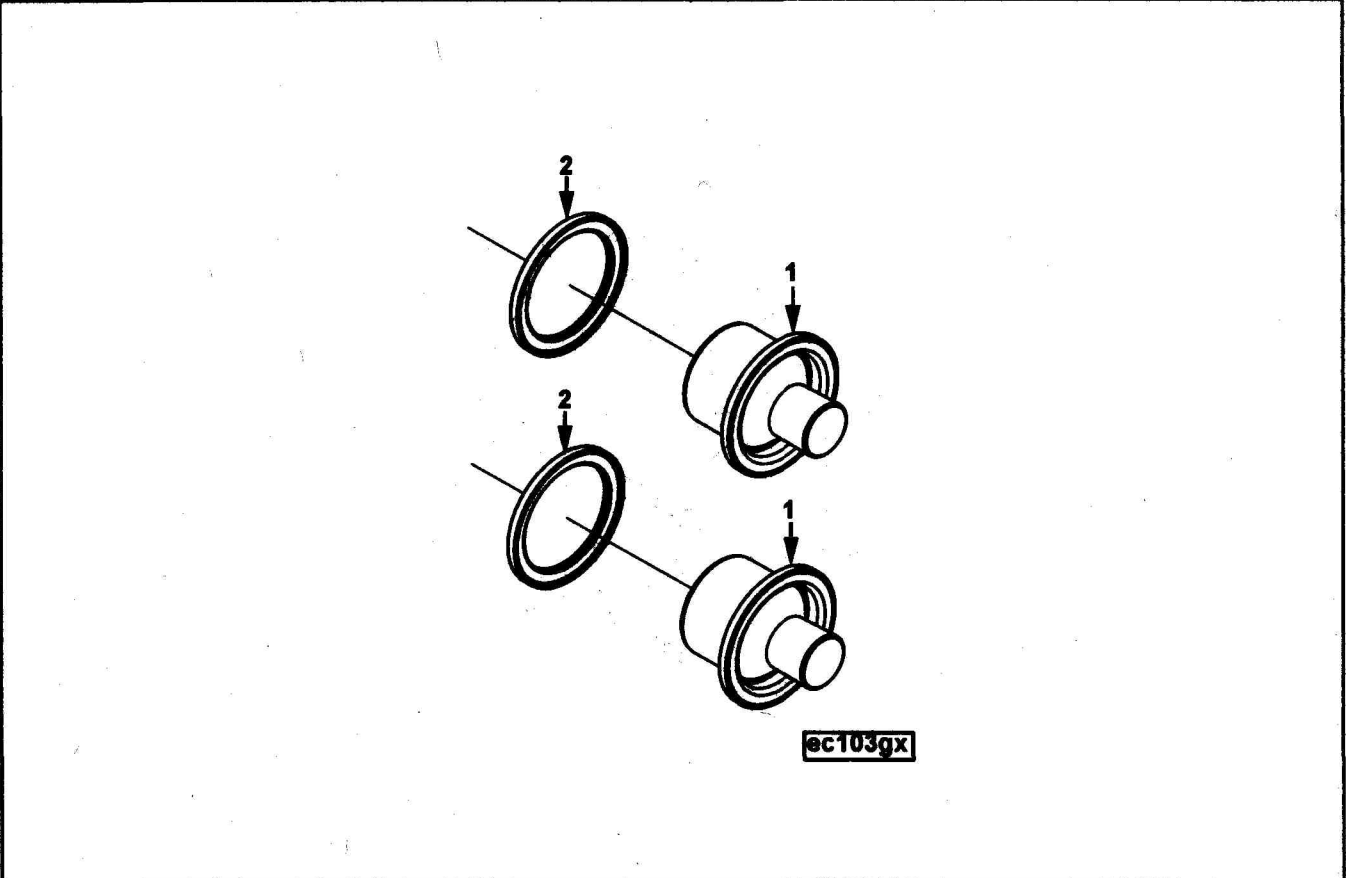


Ref No.	Part Number	Part Name	Req	Remarks
		FRONT GEAR TRAIN ACCESSORY OPTION DF1044		<p>Front Gear Train Accessory Drive</p> <p>Provides an SAE-B flange, 13- tooth splined hydraulic pump drive in the accessory drive location on the back side of the gear housing left side of engine.</p> <p>Approximate Coordinate Location from Horizontal Centerline of Crankshaft: 166mm From Vertical Centerline of Crankshaft: 224mm From Front Face of Block: 0mm</p> <p>The pump drive flange is oriented at an 18 degree angle vertical towards engine. Pump drive turns in clockwise direction as looking at pump input shaft and at the same RPM as the engine. Pump drive maximum torque capacity is 150 FT lbs. Pumps weighing more than 30 lbs must be supported by a customer supplied bracket which must be approved by Cummins engineering. Pumps with total length of 16.5 inches or greater must use a remote mounted fuel filter.</p> <p>This option does not supply a hydraulic pump.</p>
1	4083245	Screw, Captive Washer Cap	4	
2	3680443	Gasket, Acc Drive Support	1	
	3681382	Adapter, Hydraulic Pump	1	
3	3033043	Screw, Hexagon Head Cap	2	M12 x 1.75 x 25
4	3681379	Adapter, Hydraulic Pump	1	
5	3681612	Adapter, Barring	1	
6	3681663	Gear, Accessory Drive	1	
7	3681898	Screw, Socket Head Cap	2	
8	3100424	Plate, Cover	1	
9	3929751	Gasket, Acc Drive Cover	1	
10	3935644	Bearing, Roller	1	
11	3935645	Shaft, Accessory Drive	1	

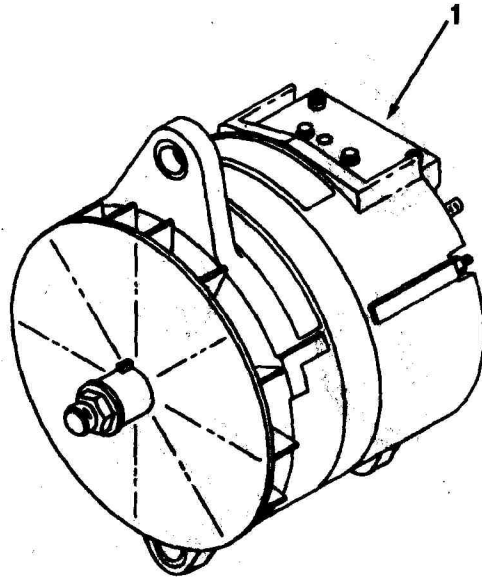


eb102gf

Ref No.	Part Number	Part Name	Req	Remarks
1	3412893	Cover, Protective	1	<p>ENGINE BRAKE OPTION EB1203</p> <p>Engine Brake Brake Supplier: None Application: Non Automotive Use Only To be selected when customer does not want an engine brake. Protective cover plugs into 8-way engine brake connector on base engine harness.</p>



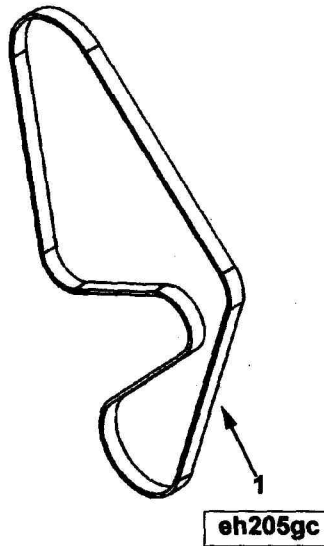
Ref No.	Part Number	Part Name	Req	Remarks
THERMOSTAT OPTION EC1722				
1	3335550 (3335549)	Thermostat	2	Thermostat
2	3335548	Thermostat Seal, Thermostat	1 1	Operating Range: 180 degrees (open) .435" stroke. Number of Thermostats: 2



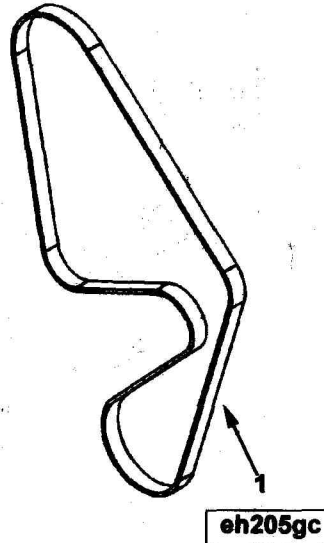
ee101gz

Ref No.	Part Number	Part Name	Req	Remarks
1	4000590	<p>ALTERNATOR OPTION EE1240</p> <p>Alternator</p>	1	<p>Alternator Quantity: One Manufacturer/Model/Type: Delco Remy: 33si 450 Volts: 24 Amps: 75 Grounding Method: Negative Insulation Provision: No Sealing Provision: No Built-in Voltage Regulator: Yes Ground Wire Supplier: Customer Alternator Length: 210mm (8.27 in.) Unique Characteristics: Spool Mount and Marine Corrosion Resistant Charging System: Standard Battery Terminal: 1/4 - 28 R Terminal: 10 - 24</p>

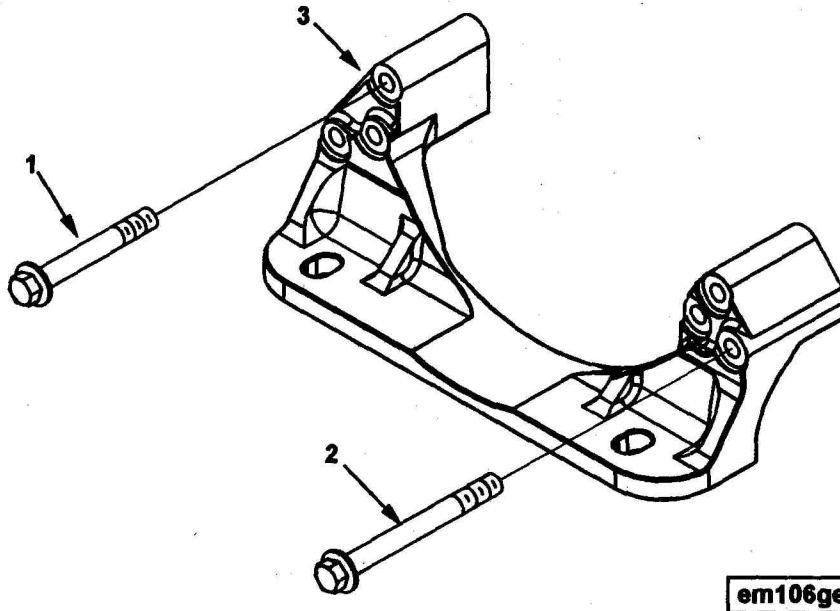
Ref No.	Part Number	Part Name	Req	Remarks
		ALTERNATOR MOUNTING OPTION EH1083		<p>Alternator Mounting</p> <p>Alternator Quantity: One For Use With: Alternators with Body Diameters Less Than 152.4mm (6.0 inch) Such as Bosch N1, Delco 20Si, or Delco 22Si and 24Si Maximum Alternator Output: Bosch N1, Delco 20Si, or Delco 22Si: 135 Amps/12V or 70 Amps/24V Delco 24Si: 160 Amps/12V or 70 Amps/24V Mtg. Location: Right Side Drive Location: Water Pump Pulley Alternator Pulley Supplied: On Engine Alt. Pulley Diameter: 67.99mm (2.68 in) Alt. Pulley Groove: Poly V Rib "K" Belt Tensioner: Automatic Required Drive Pulley Dia: 103.63mm (4.08 in) Bracket Attachment Method: Spool Horizontal Attachment Point: 322mm (12.68 in) Vertical Attachment Point: 210mm (8.27 in) FFOB to First Groove: 133.16mm (5.24 in) Belt Supplied: Yes Drive Ratio: 3.06:1 Additional Information: For use with Sanden Refrigerant Compressor Model SD7H15</p>
1	70897	Nut, Lock	1	1/2 - 20 UNF.
2	4022822	Screw, Hexagon Head Cap	1	1/2 - 20 x 6 1/2 inch
3	3895517	Washer, Plain	2	1 inch
4	3063567	Screw, Captive Washer Cap	1	1/2 - 13 X 1 1/4 Inch.
5	3104027	Tensioner, Belt	1	
6	3680082 (3680196)	Pulley, Alternator Pulley, Idler TLA	1 1	Recon equivalent 3680196 NX
7	S 107	Screw, Hexagon Head Cap	1	5/16 - 18 x 3/4 inch
8	S 16255	Ring, Retaining	1	
9	145551	Seal, O Ring	1	
10	3064404	Cover, Idler Pulley	1	
11	3064406	Bearing, Ball	1	
12	3070458	Washer, Plain	1	1/4 Inch.
13	3074482	Seal, Oil	1	
14	3680195	Pulley, Idler	1	
15	3680283	Shaft, Idler	1	
16	3681826	Link, Adjusting	1	
17	3681827	Support, Belt Tensioner	1	
18	3896408	Screw, Hex Flange Head Cap	1	M10 x 1.50 x 80
19	3902460	Screw, Hex Flange Head Cap	2	M10 x 1.50 x 25
20	3903210	Nut, Hexagon Flange	1	M12 x 1.75
21	3904446	Screw, Hex Flange Head Cap	2	M10 x 1.50 x 70
22	3035806	Washer, Plain	1	M12.



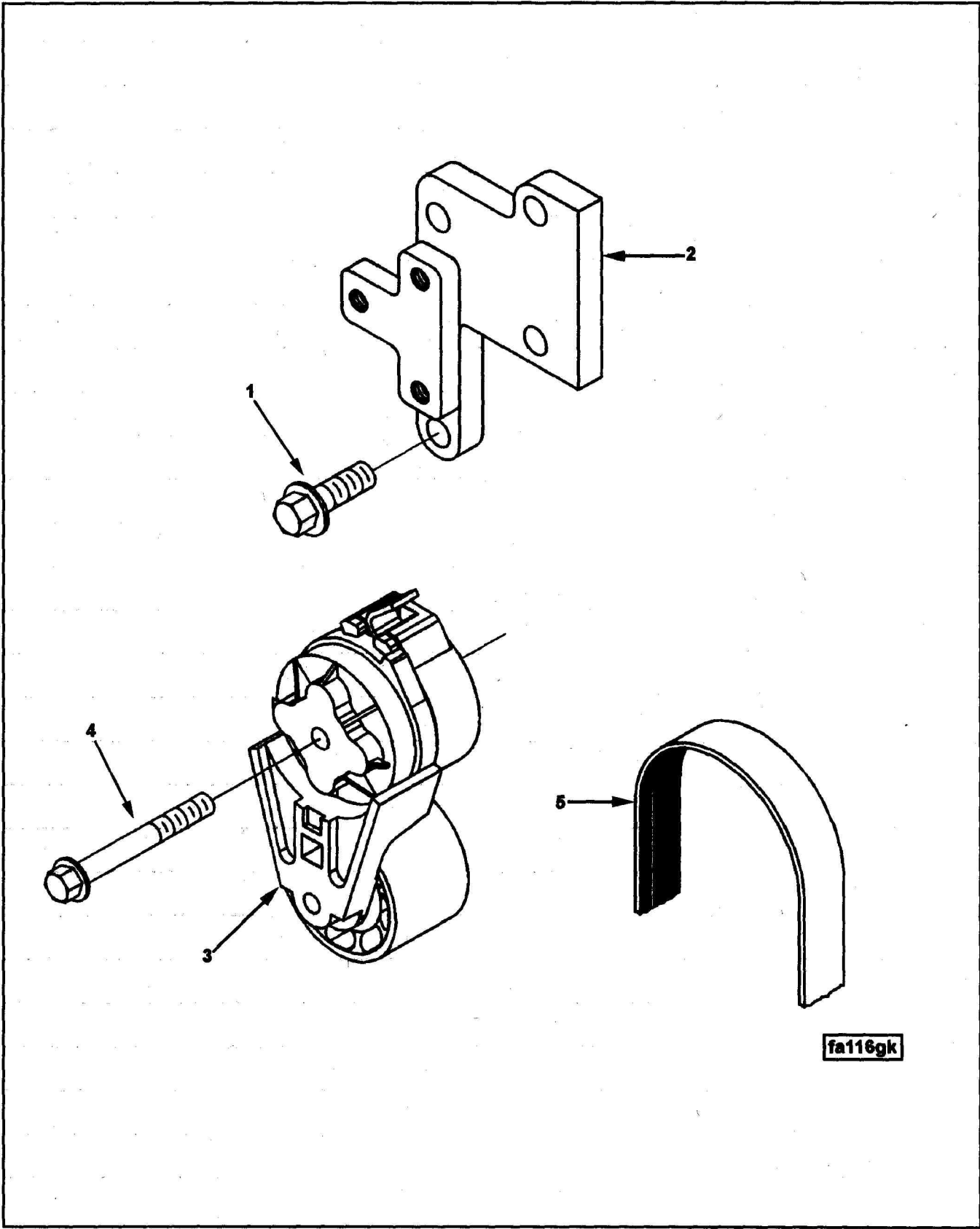
Ref No.	Part Number	Part Name	Req	Remarks
1	3103233	Belt, V Ribbed	1	<p>ALTERNATOR DRIVE OPTION EH1721</p> <p>Alternator Drive Effective Belt Length: 1589.77mm (62.59 in) Alternator Belt Supplied: On Engine Additional Information: For Use with Dual Alternators Without Refrigerant Compressors or with Single Alternator with Refrigerant Compressor</p>



Ref No.	Part Number	Part Name	Req	Remarks
1	3100141	<p style="text-align: center;">ALTERNATOR DRIVE OPTION EH1723</p> <p>Belt, V Ribbed</p>	1	<p>Alternator Drive Effective Belt Length: 1144.78mm (45.07 in) Alternator Belt Supplied: On Engine Additional Information: For Use with Single Alternator Without Refrigerant Compressor</p>

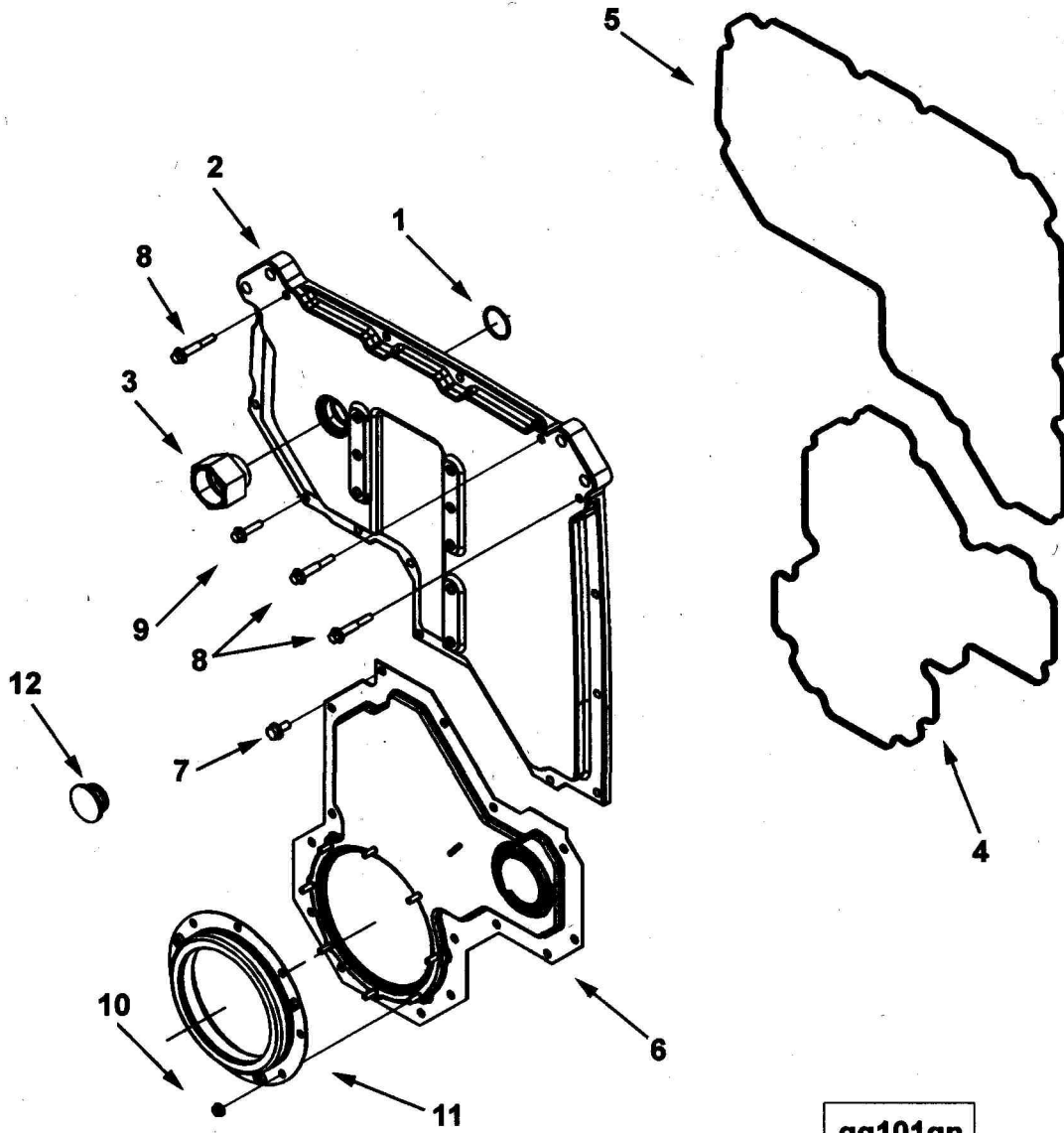


Ref No.	Part Number	Part Name	Req	Remarks
FRONT ENGINE SUPPORT				
OPTION EM1343				
				Front Engine Support Support Type: Two Hole Material: Ductile Cast Iron Engine Position: Vertical Standard Fan Drive Supplier: Cummins or Customer
1	3681056	Screw, Hex Flange Head Cap	3	
2	3681057	Screw, Hex Flange Head Cap	3	
3	3681723	Support, Front Engine	1	



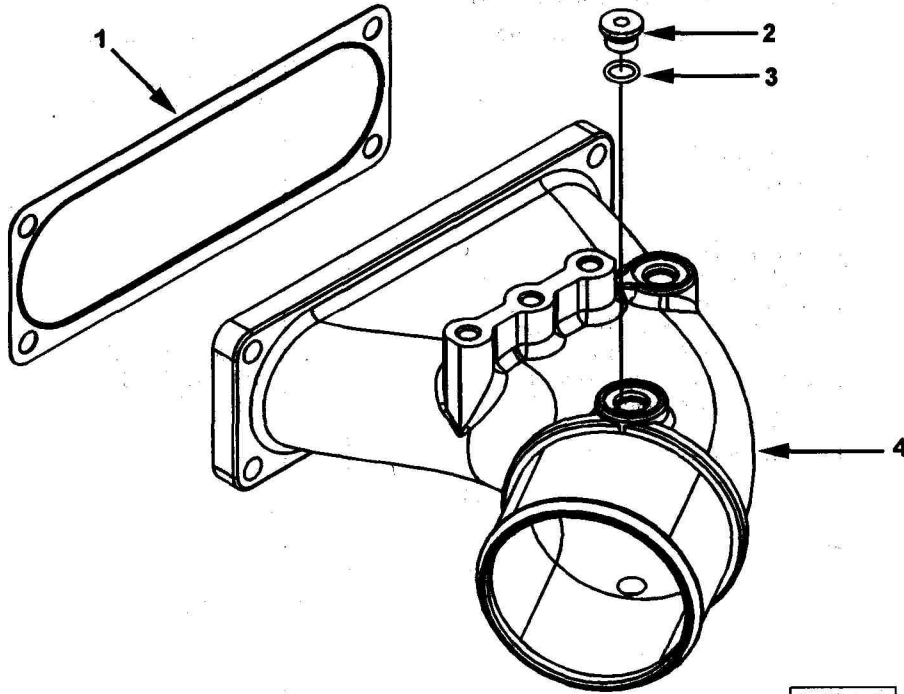
fa116gk

Ref No.	Part Number	Part Name	Req	Remarks
		FAN DRIVE OPTION FA1464		Fan Drive For Customer Supplied Fan Drive Pulley Groove Type: Poly Vee 12 Rib "K" Unique Characteristics: Includes Backside Tensioner for Belt Driven Water Pump Belt Supplied: Yes
1	3093939	Screw, Hex Flange Head Cap	4	
2	3681448	Spacer, Mounting	1	
3	3104028	Tensioner, Belt	1	
4	3896408	Screw, Hex Flange Head Cap	1	
5	3104860	Belt, V Ribbed	1	



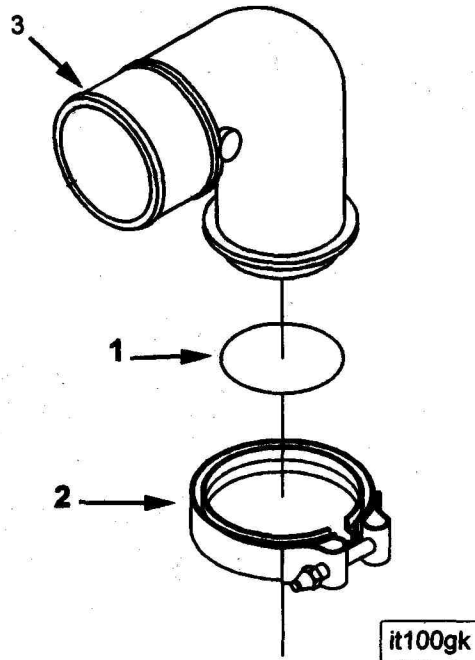
gg101gn

Ref No.	Part Number	Part Name	Req	Remarks
		FAN DRIVE OPTION FA1480		Fan Drive Fan Drive Supplier: Cummins Fan Center Location: 406.4mm (17.0 in) Fan Drive Ratio: .55:1 Fan Center Style: Fixed Driven from Crankshaft Fan Hub Pilot Diameter: 76.2mm (3.0 in) Pulley Groove Type: Poly Vee 12 Rib "K" Fan Pulley Diameter: 340.258mm (13.40 in) Fan Drive Groove Location: 190.95mm (7.52 in) Front Face of Block to First Groove Belt Tensioning Method: Automatic Fan Bracket Mounting Location: Front of Head/Block Fan Mounting Surface Location: 278.3mm (10.9 in) Front Face of Block to Fan Mounting Surface Maximum Fan Torque Capability: 364NM (273-LB- FT) Maximum Fan Inertia: 5.649 NM-SEC2 (50 IN-LB-SEC2) Maximum Bending Moment: 62.2NM (550 IN-LB) Maximum Fan Weight: 49.9 KG (110 LB) Maximum Fan Spacer Thickness: 127mm (5 in) Water Pump Dust Shield Required: No Fan Belt Tensioner Mtg Location: Front Engine Support
1	S 113	Screw, Hexagon Head Cap	6	1/2 - 13 x 1 1/2 inch
2	3895517	Washer, Plain	6	1 inch
3	3026269	Washer, Plain	1	1/2 inch
4	3093940	Screw, Hex Flange Head Cap	4	
5	3093936	Screw, Hex Flange Head Cap	1	
6	3093939	Screw, Hex Flange Head Cap	4	
7	3095219	Pulley, Fan	1	
8	70760	Dowel, Pin	1	
9	3681715	Adapter, Pilot	1	
10	3681129	Support, Belt Tensioner	1	
11	3681130	Bracket, Fan	1	
12	3104029	Tensioner, Belt	1	
13	3681587	Pulley, Idler	1	
14	3100269 (3681793)	Belt, V Ribbed Hub, Fan	1 1	
15	142176	Nut, Lock	1	1 1/8 - 12 UNF.
16	200307	Seal, Oil	1	
17	3012467	Washer, Plain	1	1 1/8 Inch.
18	3063844	Cover, Fan Hub	1	
19	3081164	Bearing, Roller	1	
20	3095221	Hub, Fan	1	
21	3681705	Spindle, Fan	1	
22	3902460	Screw, Hex Flange Head Cap	1	M10 x 1.50 x 25
23	3903112	Screw, Hex Flange Head Cap	12	M10 x 1.50 x 30
24	3914407	Screw, Hex Flange Head Cap	1	M10 x 1.50 x 100
25	3935013	Shield, Dust	1	



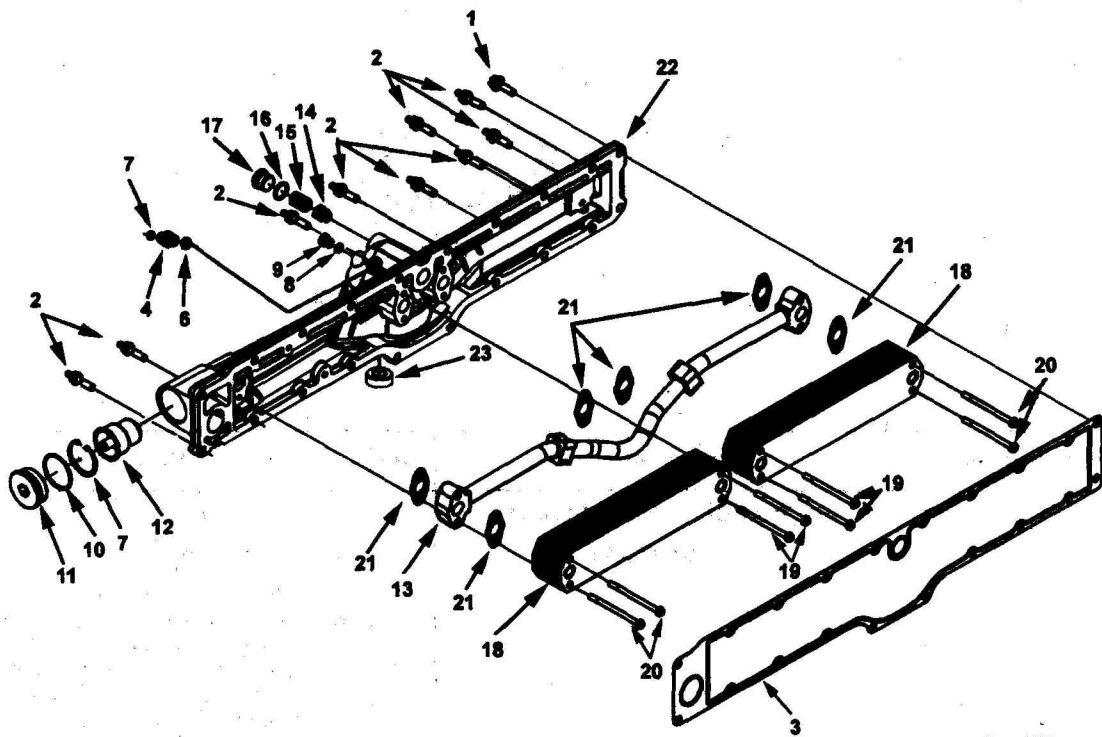
ic101gh

Ref No.	Part Number	Part Name	Req	Remarks
		AIR INTAKE CONNECTION OPTION IC1056		Air Intake Connection Air Intake Connector Angle (Deg): 60 Air Intake Connector Direction: Forward Air Intake Angle Upward from Horizontal (Deg): 0 Air Intake Connector O.D. (in.): 4.0
1	3102173 4026516 3678921	Gasket, Connection Connection, Air Intake	1	
2	(3678922)	Plug, Threaded	2	
3	3678912	Seal, O Ring	1	
4	(3680742)	Connection, Air Intake	1	



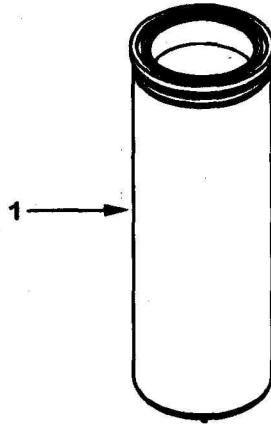
Ref No.	Part Number	Part Name	Req	Remarks
AIR TRANSFER CONNECTION				
OPTION IT1014				
		Air Transfer Connection		Turbo Compressor Outlet Type: Short 90 Degree Rotatable Elbow Turbo Compressor Outlet Conn O.D.: 101.6mm (4 in) Intake Air Pressure Compuchek Fitting Inc: No Turbo Cpr Outlet Conn Supplier: Cummins Engine Aspiration: Charged Air Cooled
1	3682177	Seal, O Ring	1	
2	3067979	Clamp, V Band	1	
3	3682674	Connection, Air Transfer	1	

Ref No.	Part Number	Part Name	Req	Remarks
		FLYWHEEL HOUSING OPTION FH11089		<p>Flywheel Housing</p> <p>Flywheel Housing SAE Size Or Type: 1 Flywheel Housing Material: Cast Iron Engine Mount Type: High And Low Vertical Pad Transmission Mounting Hole Nomenclature: SAE Starting Motor Mounting Screws: SAE Starter Center Distance: 275.6mm (10.85 in) Clutch Type Provision: Dry Sensor Mounting Hole Nomenclature: Quad 1, 3/4 - 16 Quad 4, 5/8 - 20 Rear Gear Drive: No Transmission Mounting Face to Rear Face of Block: 156 m (6.142 in) Starter Location: 2nd and 3rd Quadrant Sensor Mounting Hole Count: Two</p>
	4026662	Housing, Flywheel		
1	3026134	Gasket, Cover Plate	1	
2	3026135	Cover, Access Hole	1	
3	3918108	Screw, Hex Flange Head Cap	2	M8 x 1.25 x 16
4	(3102152)	Housing, Flywheel	1	
5	3022148	Screw, Hexagon Head Cap	14	M16 x 2.00 x 55
6	3878871	Dowel, Ring	2	
	4965569	Kit, Seal & Spacer	1	
7	(4962603)	Seal, Oil	1	
	(4918688)	Spacer	1	
8	4026695	Gasket, Flywheel Housing	1	
9	3042004	Plug, Threaded	1	3/4-16 UNF
10	4026918	Plug, Threaded	1	
11	127316	Washer, Plain	14	5/8 inch
	(4965574)	If No Flyw Use 3102508		



lc106gn

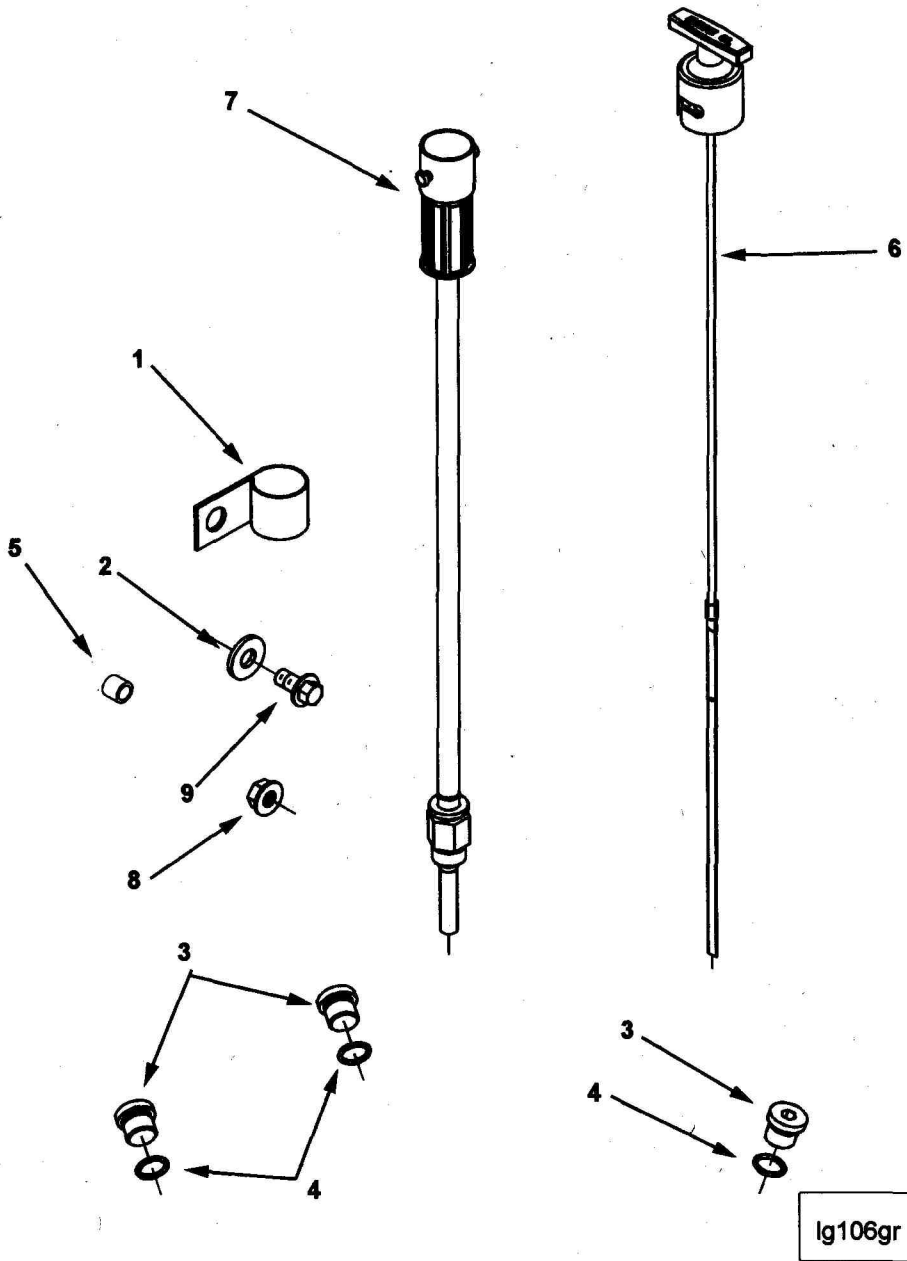
Ref No.	Part Number	Part Name	Req	Remarks
		FLYWHEEL HOUSING OPTION FH11093		Flywheel Housing Flywheel Housing SAE Size Or Type: 1 Flywheel Housing Material: Cast Iron Engine Mount Type: High Vertical Arms Starting Motor Mounting Screws: SAE Starter Center Distance: 265.1mm (10.437 in) Clutch Type Provision: None Sensor Mounting Hole Nomenclature: N/A Rear Gear Drive: No Transmission Mounting Face to Rear Face of Block: N/A Starter Location: 3rd Quadrant Sensor Mounting Hole Count: None
1	3022148	Screw, Hexagon Head Cap	14	M16 X 2.00 X 55.
2	3678871	Dowel, Ring	2	
	4965569	Kit, Seal & Spacer	1	
3	(4962603)	Seal, Oil	1	
	(4918688)	Spacer	1	
4	4026695	Gasket, Flywheel Housing	1	
5	3103576	Support, Engine	1	
6	127316	Washer, Plain	14	



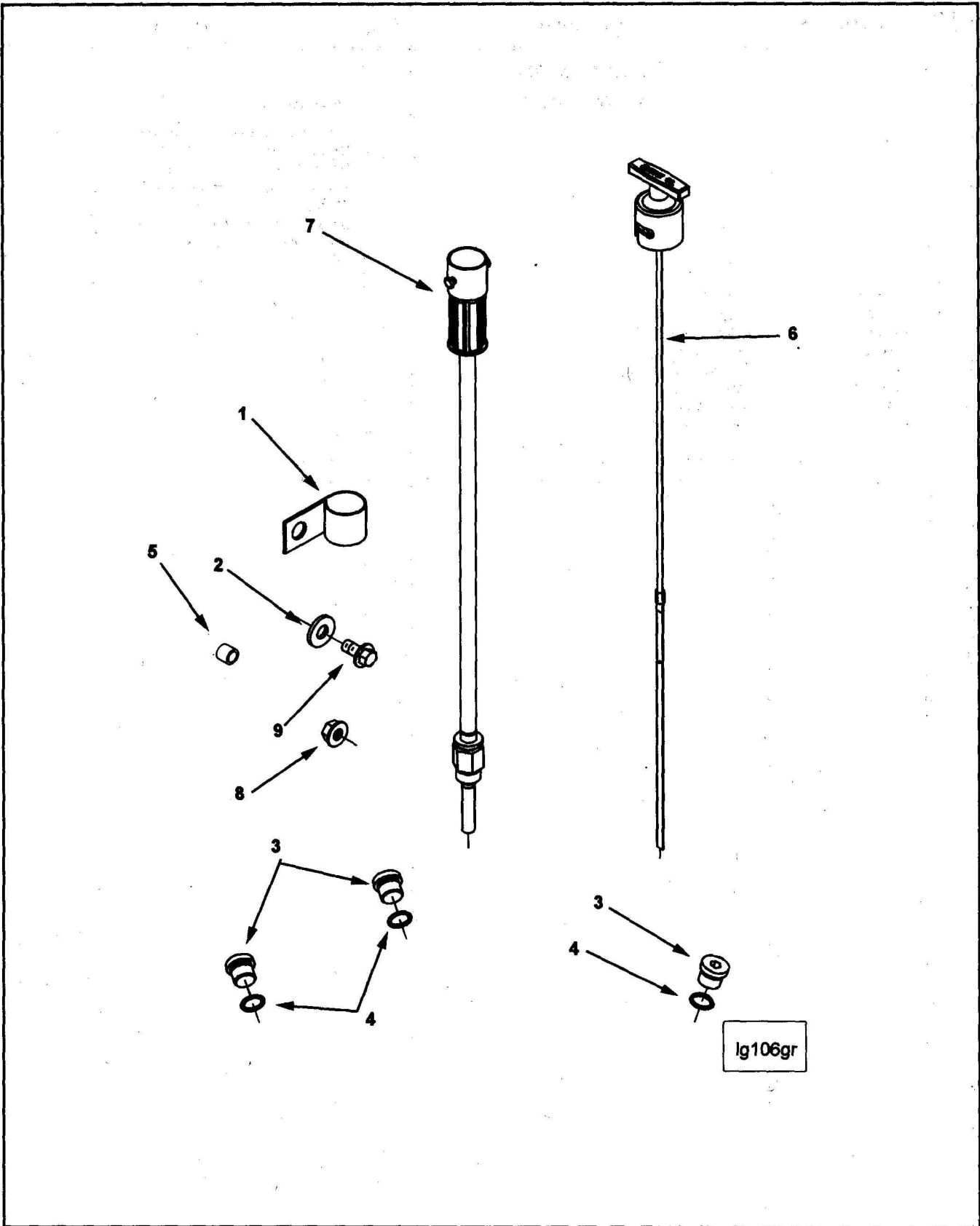
If101gq

Ref No.	Part Number	Part Name	Req	Remarks
1	3101868	<p style="text-align: center;">FULL FLOW OIL FILTER OPTION LF1210</p> <p>Filter, Lubricating Oil</p>	1	<p>Full Flow Oil Filter One Combo Spin-on Element Mounted to the Lube Cooler Filter Model: LF9000 Capacity: 3.8 l (one US gallon) Buy from Cummins Filtration</p>

Ref No.	Part Number	Part Name	Req	Remarks
		FUEL PUMP OPTION FP11056		Fuel Pump Fuel Filter: Fuel Pump Mounted Fuel Solenoid: 12 or 24V, Single Post Inlet Fitting Size: #10 Outlet Fitting Size: #10 Seat: 45 Degrees Drainline Check Valve Fitting: Without Priming Pump: None UFD Sensor: Yes
1	3900679	Screw, Hex Flange Head Cap	2	M10 x 1.50 x 80
2	3903464	Screw, Hex Flange Head Cap	3	M10 x 1.50 x 40
3	3348526	Gasket, Ful Cnt Housing	1	
4	4076599	Plug, Orifice	1	
	4010223	Module, Fuel Control	1	
5	4076585	Plate, Cover	1	
6	4076586	Gasket, Fuel Pump	1	
7	70700	Spring, Compression	1	
8	70704	Washer, Plain	2	1/4 Inch.
9	100099	Seal, Rectangular Ring	2	
10	(4076572)	Housing, Fuel Control	1	
11	129768	Spring, Valve	1	
12	129839	Shield, Shutoff Valve	1	
13	129888	Seal, Rectangular Ring	2	
14	139988	Seal, Rectangular Ring	2	
15	151900	Seal, Rectangular Ring	2	
16	160514	Washer, Plain	2	1 11/16 Inch.
17	196057	Disc, Valve	1	
18	202897	Diaphragm, Ful Pump Damper	2	
19	3014575	Cap, Fuel Pump Filter	1	
20	3021123	Seal, O Ring	1	
21	3025806	Screw, Socket Head Cap	3	M8 X 1.25 X 30.
22	3034451	Housing, Actuator	1	
23	3034452	Disc, Actuator	1	
	3042619	Nipple, Coupling	2	
24	3037537	Seal, O Ring	1	
25	3042620	Nipple, Coupling	1	
26	3044297	Seal, O Ring	12	
27	3045986	Seal, O Ring	4	
28	3090769	Screen, Filter	1	
29	3330019	Screw, Socket Head Cap	1	
30	3330022	Screw, Socket Head Cap	4	
31	3330069	Screw, Socket Head Cap	14	
32	3330651	Cover, Fuel Pump Damper	2	
33	3330652	Body, Fuel Pump Damper	2	
34	3330719	Plate, Thrust Bearing	1	
35	3330720	Shaft, Idler	1	
36	(3408421)	Solenoid	1	
37	3331275	Retainer, Shaft	1	
38	3330753	Screw, Socket Head Cap	4	
	3348322	Valve, Pressure Regulator	1	
39	3867640	Seal, O Ring	1	
40	(3348323)	Valve, Pressure Regulator	1	
41	3348703	Seal, O Ring	1	
42	3397506	Screw, Hex Flange Head Cap	4	
	3408377	Sensor, Pressure	1	Recon equivalent 3408377 NX
43	3330202	Seal, O Ring	1	



Ref No.	Part Number	Part Name	Req	Remarks
44	(3408378)	Sensor, Pressure	1	
	3678921	Plug, Threaded	6	
45	(3678922)	Plug, Threaded	1	
46	3678912	Seal, O Ring	1	
47	(3867093)	Gear, Idler	1	
	(3330639)	Bushing	1	
	(3867094)	Gear, Idler	1	
48	3867481	Seal, O Ring	1	
	4001926	Valve, Pressure Regulator	1	
49	(4001925)	Valve, Pressure Regulator	1	
50	3330478	Seal, O Ring	1	
51	3867641	Seal, O Ring	1	
52	(4002070)	Actuator, Timing	2	
53	(4002071)	Actuator, Metering	2	
	4010077	Valve, Check	2	
54	(4010078)	Valve, Check	1	
55	3089240	Seal, O Ring	1	
	4010349	Plug, Threaded	3	
56	(4010348)	Plug, Threaded	1	
57	3678786	Seal, O Ring	1	
58	4062005	Gasket, Support	1	
59	4076574	Pump, Gear Fuel	1	
	4076593	Valve, Check	1	
60	3678925	Seal, O Ring	1	M10 x 1.00
61	(4076594)	Valve, Check	1	
	3330527	Sensor, Pressure	2	
43	3330202	Seal, O Ring	1	
62	(3330528)	Sensor, Pressure	1	
	3417138	Elbow, Male Adapter	1	
63	(3417139)	Elbow, Male Adapter	1	
64	3679139	Seal, O Ring	1	
65	S 2286	Screw, Drive	2	
66	105375	Nameplate	1	
	4025255	Kit, IFSM Service/Repair		
	S 2286	Screw, Drive	2	
	105375	Nameplate	1	
	129888	Seal, Rectangular Ring	2	
	151900	Seal, Rectangular Ring	2	
	3021123	Seal, O Ring	1	
	3025806	Screw, Socket Head Cap	3	M8 X 1.25 X 30.
	3037537	Seal, O Ring	2	
	3042543	Seal, O Ring	1	
	3044297	Seal, O Ring	13	
	3045986	Seal, O Ring	4	
	3084539	Seal, O Ring	1	
	3089240	Seal, O Ring	2	
	3089392	Seal, O Ring	1	
	3330202	Seal, O Ring	3	
	3330478	Seal, O Ring	1	
	3347832	Seal, Grommet	4	
	3348703	Seal, O Ring	1	
	3678786	Seal, O Ring	3	
	3678846	Seal, O Ring	2	
	3678912	Seal, O Ring	6	
	3679139	Seal, O Ring	1	
	3867481	Seal, O Ring	1	
	3867640	Seal, O Ring	1	
	3867641	Seal, O Ring	1	
	3918190	Washer, Sealing	2	
	3922794	Seal, O Ring	2	
	4062005	Gasket, Support	1	
	4076585	Plate, Cover	1	

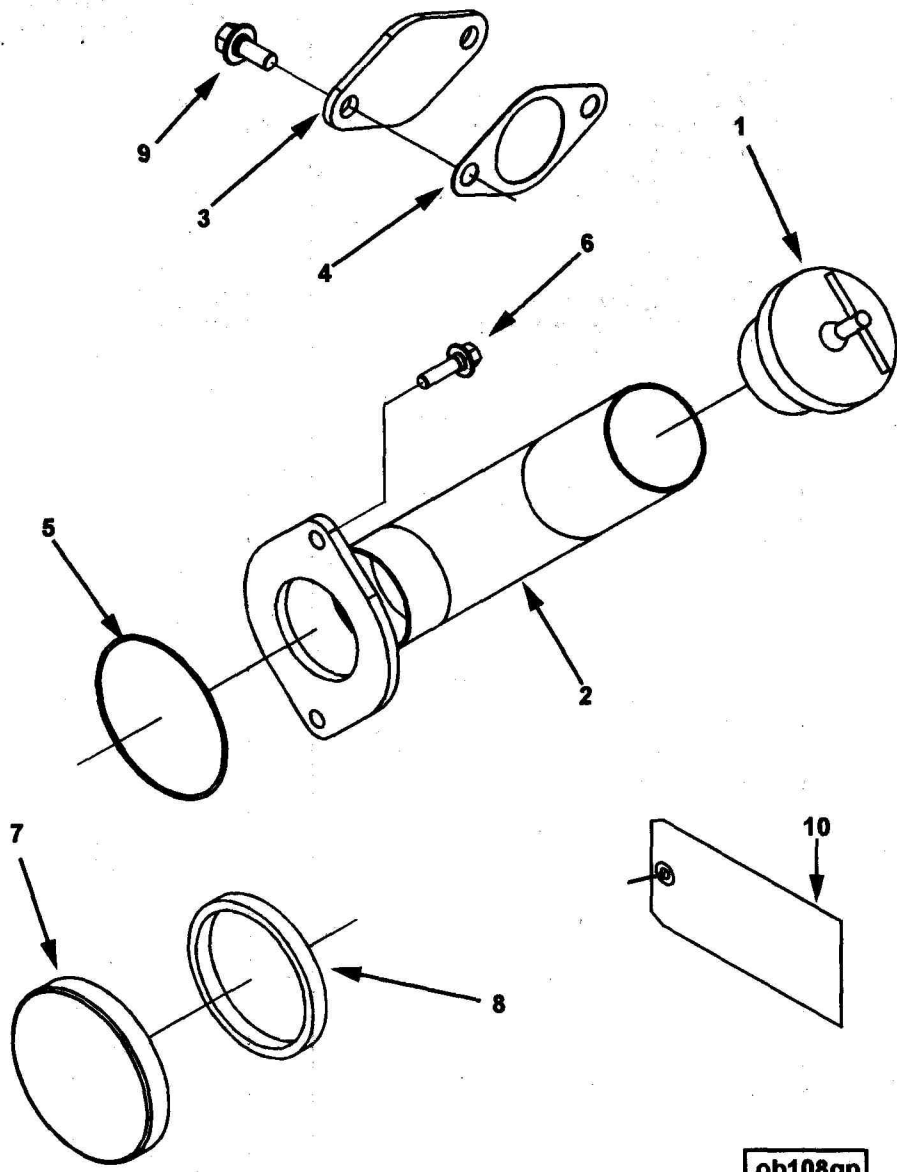


Group No. 05.01

Fuel Pump

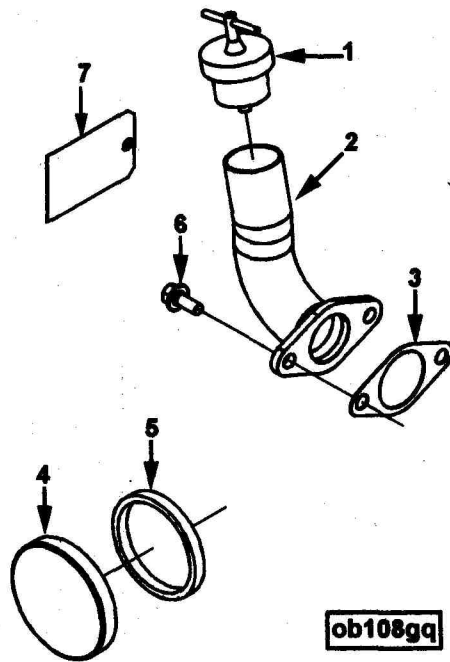
Option No. FP11056

Ref No.	Part Number	Part Name	Req	Remarks
	4076586	Gasket, Fuel Pump	1	
	4076587	Gasket, Ful Cnt Housing	1	
	4076597	Housing, Fuel control	1	
	4024808	Kit, Fuel Solenoid		
13	129888	Seal, Rectangular Ring	2	
36	(3408421)	Solenoid	1	
	4089541	Kit, Actuator		
26	3044297	Seal, O Ring	1	
27	3045986	Seal, O Ring	1	
52	(4002070)	Actuator, Timing	1	
	4089539	Kit, Actuator		
26	3044297	Seal, O Ring	1	
27	3045986	Seal, O Ring	1	
53	(4002071)	Actuator, Metering	1	

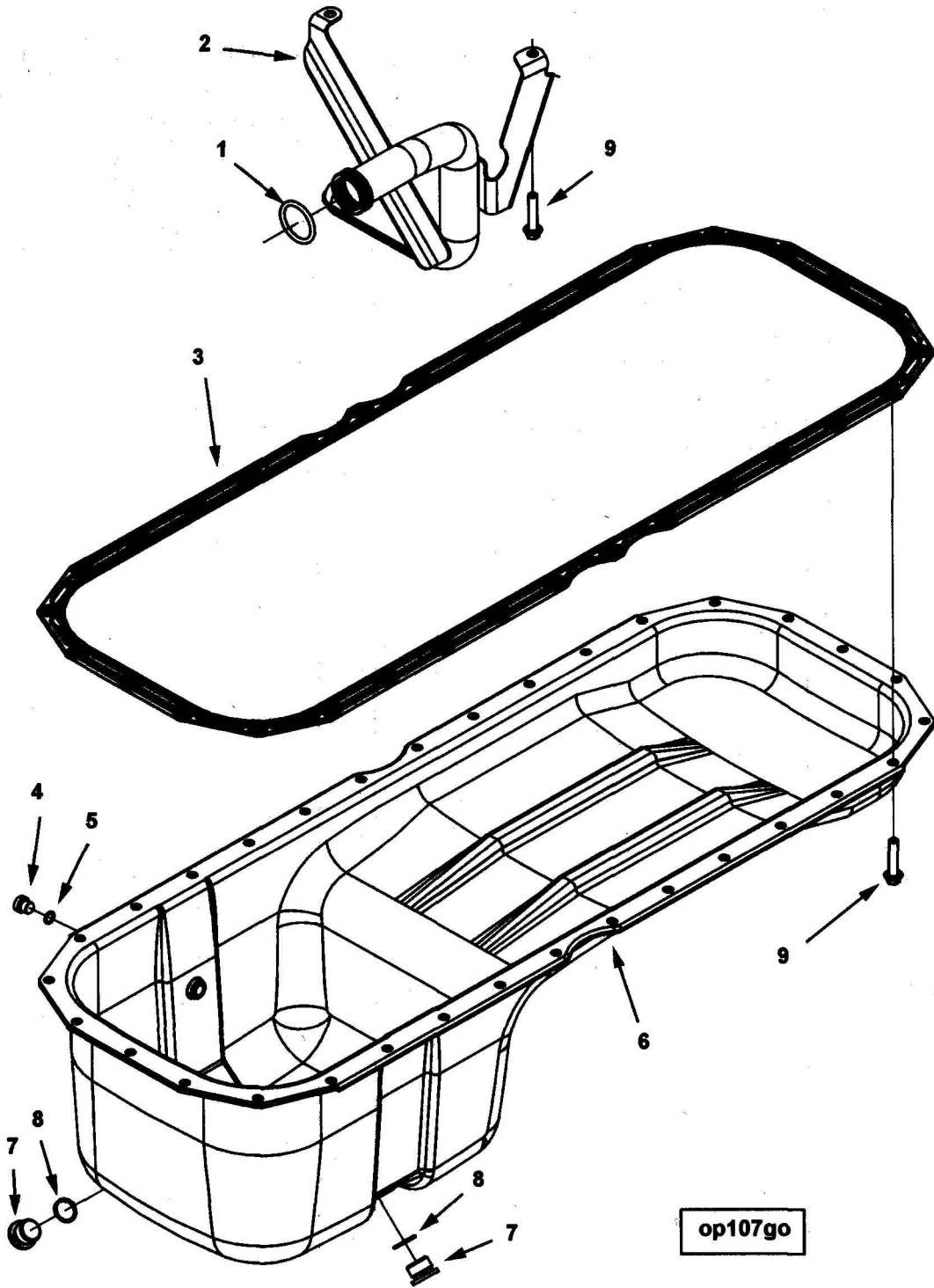


ob108gp

Ref No.	Part Number	Part Name	Req	Remarks
		FUEL PUMP OPTION FP11061		Fuel Pump Fuel Filter: Fuel Pump Mounted Fuel Solenoid: 12 Volt or 24 Volt Single Post Inlet Fitting Size: #10 Outlet Fitting Size: #10 Seat: 45 Degrees Drainline Check Valve Fitting: With Priming Pump: 12V Electric
1	3896408	Screw, Hex Flange Head Cap	2	
2	3903464	Screw, Hex Flange Head Cap	3	M10 x 1.50 x 40
	4025634	Housing, Filter	1	
	(4076588)	Housing, Filter	1	
3	3678846	Seal, O Ring	1	
4	(4076589)	Housing, Filter	1	
	4076598	Screen, Filter	1	
3	3678846	Seal, O Ring	1	
5	(4076591)	Screen, Filter	1	
6	4076587	Gasket, Ful Cnt Housing	1	
	(4077087)	Module, Fuel Control	1	
7	70700	Spring, Compression	1	
8	70704	Washer, Plain	2	1/4 Inch.
	3093946	Nut, Regular Hexagon	2	Item not shown on art.
9	100099	Seal, Rectangular Ring	2	
10	129768	Spring, Valve	1	
11	129839	Shield, Shutoff Valve	1	
12	129888	Seal, Rectangular Ring	2	
13	139988	Seal, Rectangular Ring	2	
14	151900	Seal, Rectangular Ring	2	
15	160514	Washer, Plain	2	1 11/16 Inch.
16	196057	Disc, Valve	1	
17	202897	Diaphragm, Ful Pump Damper	2	
18	3014575	Cap, Fuel Pump Filter	1	119 3021123 Seal, O Ring 1
20	3025806	Screw, Socket Head Cap	3	M8 X 1.25 X 30.
	3042619	Nipple, Coupling	2	
21	3037537	Seal, O Ring	2	
22	3042620	Nipple, Coupling	2	
23	3044297	Seal, O Ring	12	
24	3045986	Seal, O Ring	4	
	3047575	Washer, Plain	12	M6 Item not shown on art.
25	3090769	Screen, Filter	1	
26	3330019	Screw, Socket Head Cap	1	
27	3330022	Screw, Socket Head Cap	4	
28	3348182	Screw, Socket Head Cap	12	
29	3330651	Cover, Fuel Pump Damper	2	
30	3330652	Body, Fuel Pump Damper	2	
31	3330719	Plate, Thrust Bearing	1	
32	3330720	Shaft, Idler	1	
33	4076471	Screw, Socket Head Cap	4	
34	3331275	Retainer, Shaft	1	
	3348322	Valve, Pressure Regulator	1	
35	(3348323)	Valve, Pressure Regulator	1	
36	3348703	Seal, O Ring	1	
37	3867640	Seal, O Ring	1	
38	3902023	Screw, Hex Flange Head Cap	2	M6 X 1.00 X 25
	4921499	Sensor, Pressure	1	

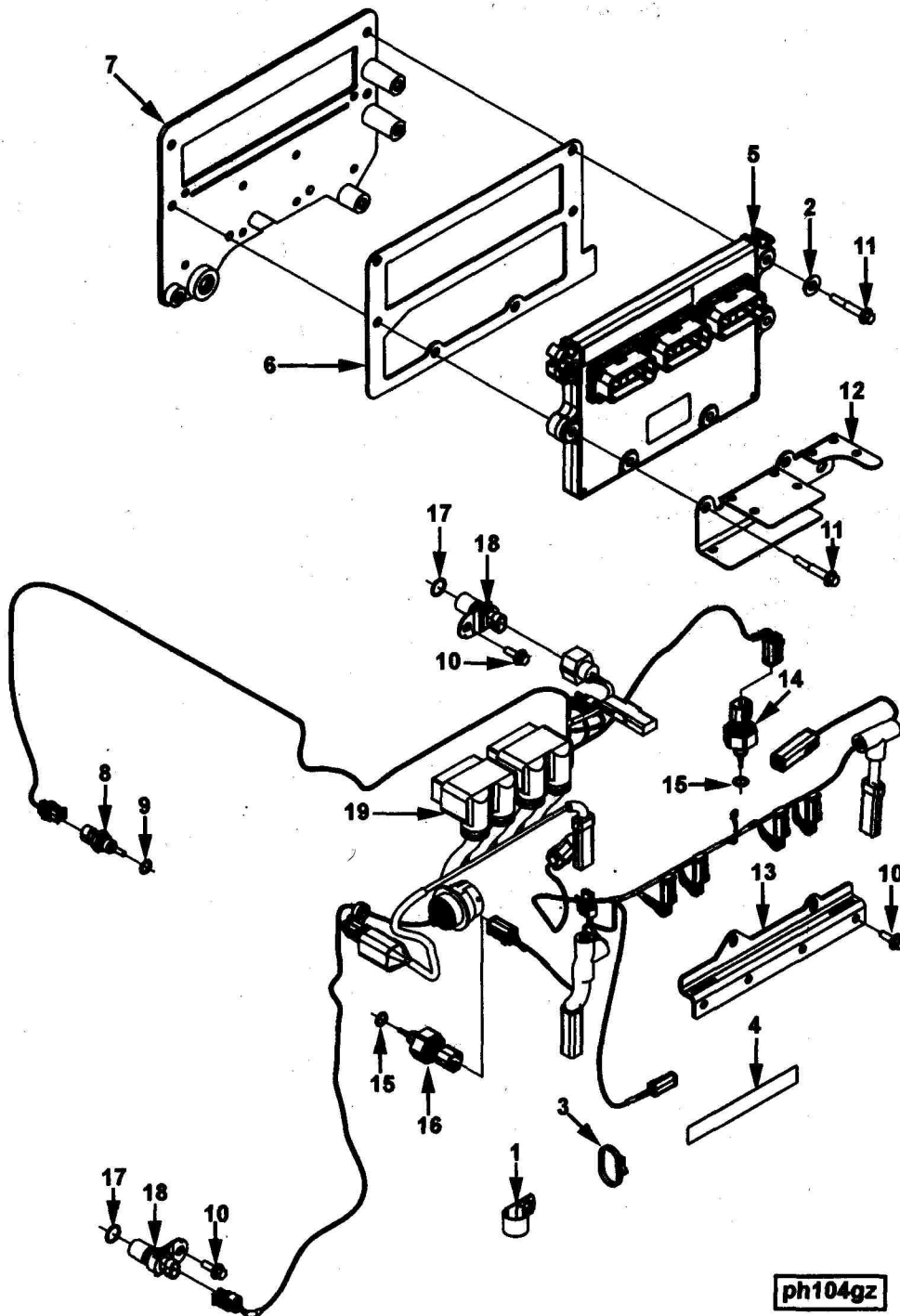


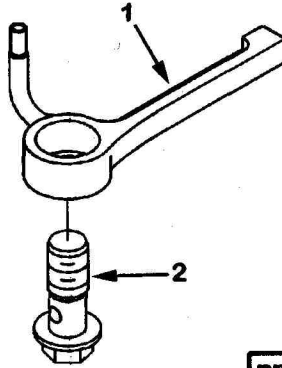
Ref No.	Part Number	Part Name	Req	Remarks
	4010519	Seal, O Ring	1	
40	(3408378)	Sensor, Pressure	1	
41	(3408421)	Solenoid	1	
	3417138	Elbow, Male Adapter	1	
42	(3417139)	Elbow, Male Adapter	1	
43	3679139	Seal, O Ring	1	
	4088806	Plug, Threaded	6	
44	3678912	Seal, O Ring	6	
45	(4088802)	Plug, Threaded	6	
	(3867093)	Gear, Idler	1	
46	(3330639)	Bushing	1	
47	(3867094)	Gear, Idler	1	
48	3867481	Seal, O Ring	1	
	4001926	Valve, Pressure Regulator	1	
49	3330478	Seal, O Ring	1	
50	3867641	Seal, O Ring	1	
51	(4001925)	Valve, Pressure Regulator	1	
52	(4902738)	Actuator, Timing	2	Serviced as 4089540.
53	4902904	Actuator, Metering	2	Serviced as 4089980.
	4010077	Valve, Check	2	
54	3089240	Seal, O Ring	1	
55	(4010078)	Valve, Check	1	
	4088807	Plug, Threaded	3	
56	3678786	Seal, O Ring	3	
57	(4088803)	Plug, Threaded	3	
58	4062005	Gasket, Support	1	
59	(4076572)	Housing, Fuel Control	1	
60	(4088848)	Pump, Gear Fuel	1	Serviced as 4089431.
61	4076580	Pump, Fuel	1	
62	4076586	Gasket, Fuel Pump	1	
	4076593	Valve, Check	1	
63	3678925	Seal, O Ring	1	M10 x 1.00
64	(4076594)	Valve, Check	1	
65	4076599	Plug, Orifice	1	
66	4088863	Housing, Actuator	1	
67	4088274	Disc, Actuator	1	
	4025255	Kit, Ifsm Service/Repair	1	
	S 2286	Screw, Drive	2	
	105375	Nameplate	1	
	129888	Seal, Rectangular Ring	2	
	151900	Seal, Rectangular Ring	2	
	3021123	Seal, O Ring	1	
	3025806	Screw, Socket Head Cap	3	M8 X 1.25 X 30.
	3037537	Seal, O Ring	2	
	3042543	Seal, O Ring	1	
	3044297	Seal, O Ring	13	
	3045986	Seal, O Ring	4	
	3084539	Seal, O Ring	1	
	3089240	Seal, O Ring	2	
	3089392	Seal, O Ring	1	
	3330202	Seal, O Ring	3	
	3330478	Seal, O Ring	1	
	3347832	Seal, Grommet	4	
	3348703	Seal, O Ring	1	
	3678786	Seal, O Ring	3	
	3678846	Seal, O Ring	2	
	3678912	Seal, O Ring	6	
	3679139	Seal, O Ring	1	
	3867481	Seal, O Ring	1	
	3867640	Seal, O Ring	1	
	3867641	Seal, O Ring	1	
	3918190	Washer, Sealing	2	M8



op107go

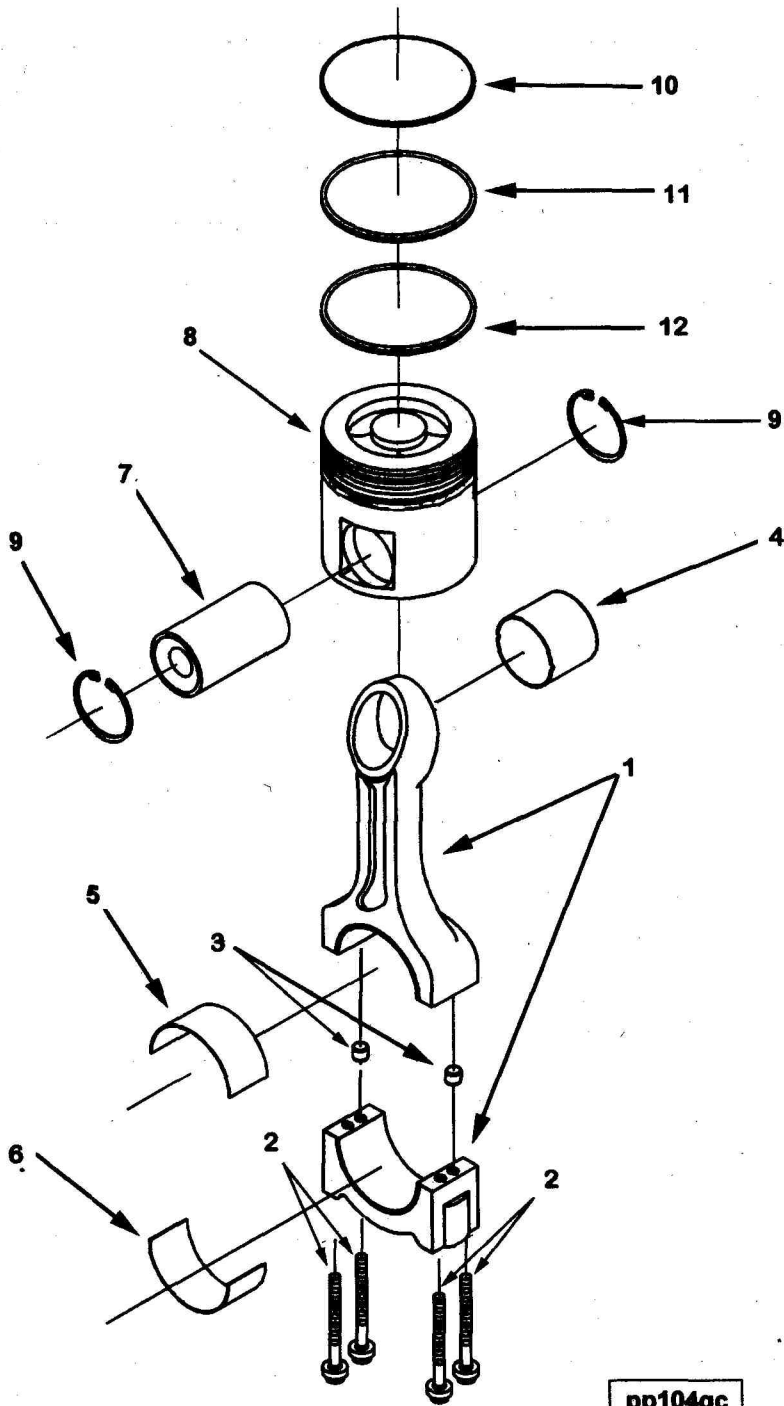
Ref No.	Part Number	Part Name	Req	Remarks
	3922794	Seal, O Ring	2	
	4062005	Gasket, Support	1	
	4076585	Plate, Cover	1	
	4076586	Gasket, Fuel Pump	1	
	4076587	Gasket, Ful Cnt Housing	1	
	4076597	Housing, Fuel Control	1	
	4024808	Kit, Fuel Solenoid		
12	129888	Seal, Rectangular Ring	2	
41	(3408421)	Solenoid	1	
	4089541	Kit, Actuator		
26	3044297	Seal, O Ring	1	
27	3045986	Seal, O Ring	1	
53	(4002070)	Actuator, Timing	1	
	4089539	Kit, Actuator		
26	3044297	Seal, O Ring	1	
27	3045986	Seal, O Ring	1	
54	(4002071)	Actuator, Metering	1	





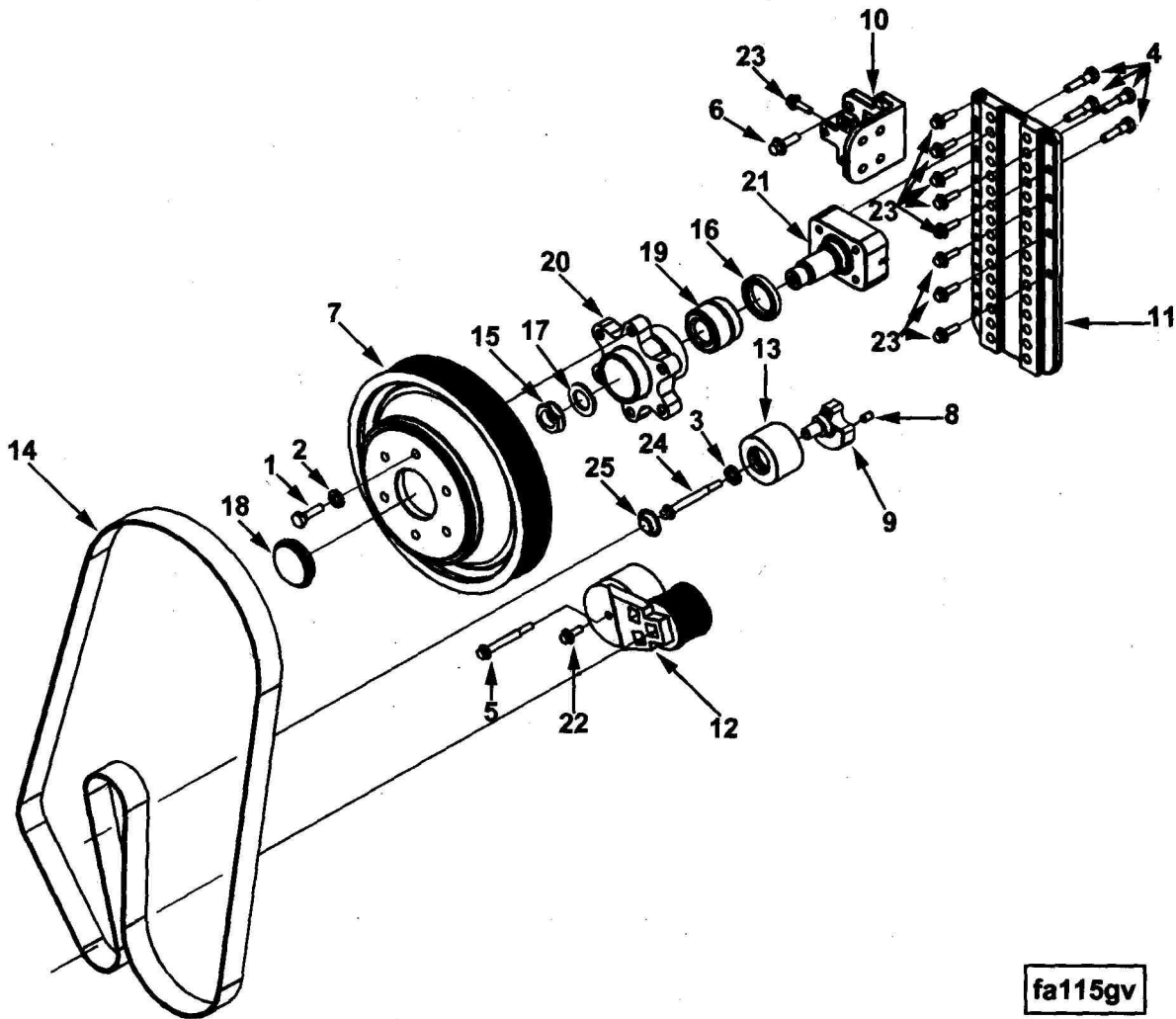
Ref No.	Part Number	Part Name	Req	Remarks
PISTON COOLING NOZZLE OPTION PP2627				
1	3412860	Nozzle, Piston Cooling	6	Piston Cooling Nozzle
2	3679037	Screw, Hex Flange Head Cap	6	

Ref No.	Part Number	Part Name	Req	Remarks
		FRONT GEAR COVER OPTION GG1725		Front Gear Cover Belt Driven Fan
1	3100979	Plate, Clamping	1	
2	3101569	Gasket, Gear Cover	1	
3	3681677	Cover, Gear	1	
4	3681907	Plug, Gear Cover	1	
5	3821783	Screw, Captive Washer Cap	15	M8 x 1.25 x 20
6	3883222	Spacer, Mounting	16	
7	3883223	Isolator, Noise	16	
8	3900269	Washer, Plain	16	M12
9	3900678	Screw, Hex Flange Head Cap	16	M8 X 1.25 X 40
10	3906216	Nut, Hexagon Flange	8	M6 x 1.00
	4026489	Seal, Oil	1	
11	4026488	Seal, Oil	1	
12	4026490	Seal, O Ring	1	
13	4059182	Seal, Diamond Strip	1	
	4059426	Cover, Gear	1	
14	3042401	Seal, Grommet	1	For gear cover 3892697 use plug 3892666
15	4059424	Cover, Gear	1	
16	3101568	Plate, Clamping	1	For QSX 15 industrial "step 3" gear cover contact npcc of Jeff Bowman for support

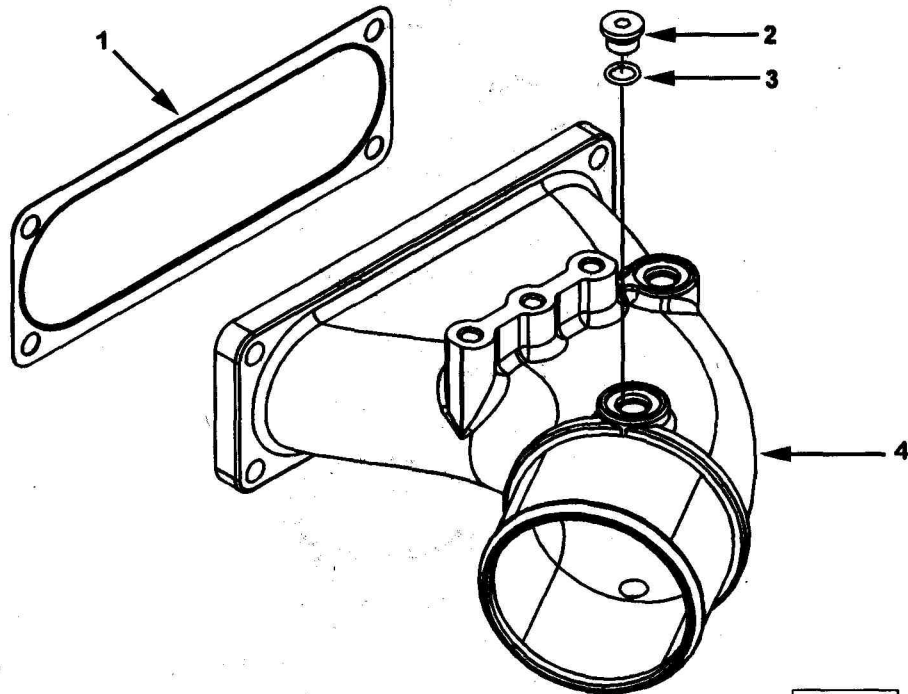


pp104gc

Ref No.	Part Number	Part Name	Req	Remarks
		FRONT GEAR COVER OPTION GG1727		Front Gear Cover Belt Driven Fan Drive For use with rotating breather.
	(3102744)	Assembly, Gear Cover	1	
1	3081494	Seal, O Ring	1	
2	3681128	Cover, Gear	1	
3	3102892	Carrier, Seal	1	
4	4962721	Seal, Rectangular Strip	1	
5	4962722	Seal, Rectangular Strip	1	
6	4973081	Cover, Gear	1	
7	4101451	Screw, Hex Flange Head Cap	15	
8	3900633	Screw, Hex Flange Head Cap	5	M8 X 1.25 X 50
9	3902114	Screw, Hex Flange Head Cap	11	M8 x 1.25 x 30
10	3906216	Nut, Hexagon Flange	8	M6 x 1.00
11	3104263	Seal, Oil	1	
12	4082974	Plug, Gear Cover	1	

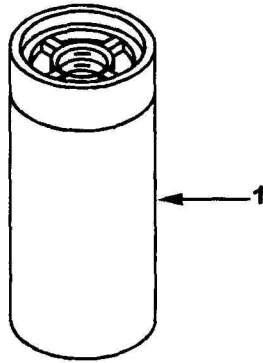


fa115gv



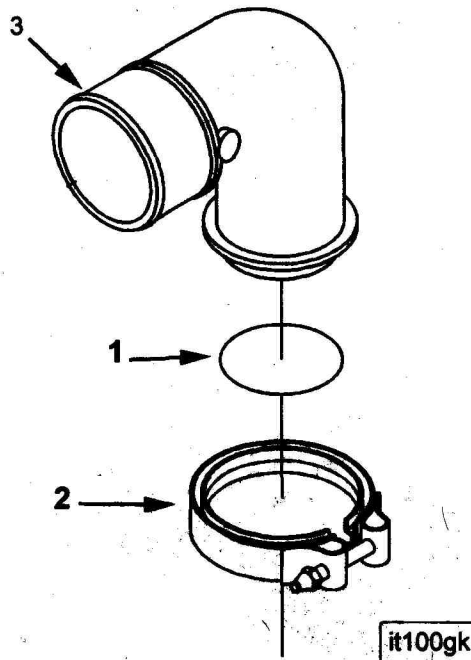
ic101gh

Ref No.	Part Number	Part Name	Req	Remarks
		AIR INTAKE CONNECTION OPTION IC1065		Air Intake Connection Air Intake Connector Angle (Deg): 90 Air Intake Connector Direction: Forward Air Intake Angle Upward from Horizontal (Deg): 0 Air Intake Connector O.D. (In.): 4.0
1	3102173	Gasket, Connection	1	
	4026519	Connection, Air Intake	1	
	3678921	Plug, Threaded	2	
2	(3678922)	Plug, Threaded	1	
3	3678912	Seal, O Ring	1	
4	(3681391)	Connection, Air Intake	1	

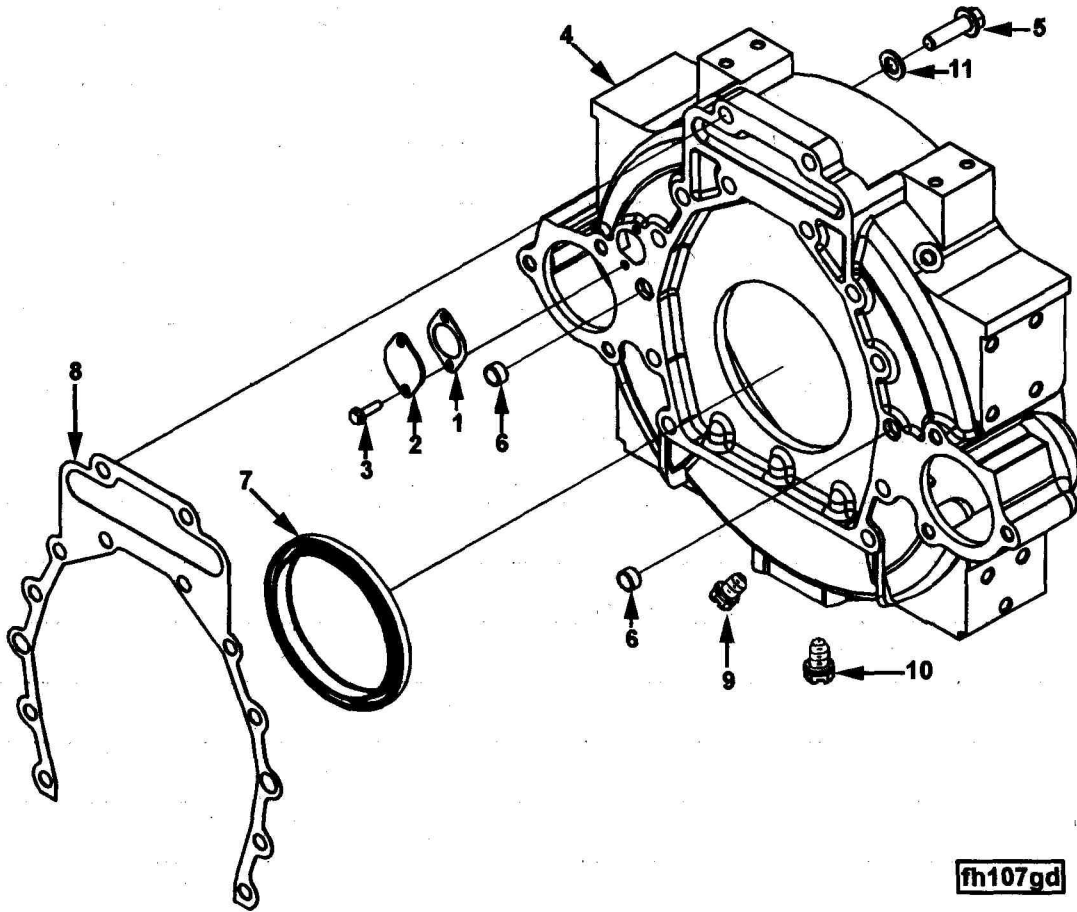


ff104gy

Ref No.	Part Number	Part Name	Req	Remarks
1	(3101872)	<p style="text-align: center;">FUEL FILTER OPTION FF1254</p> <p>Filter, Fuel</p>	1	<p>Fuel Filter Water in Fuel Sensor: Yes Fuel Filter Type: Water Separator with Drain (FS1040) Fuel Filter Mounting: Fuel Pump Mounted Buy from Cummins Filtration</p>

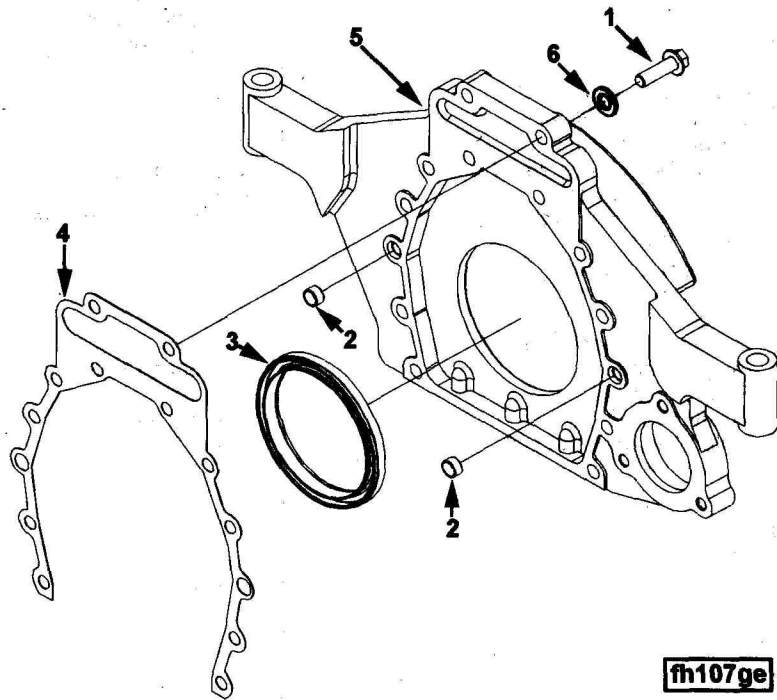


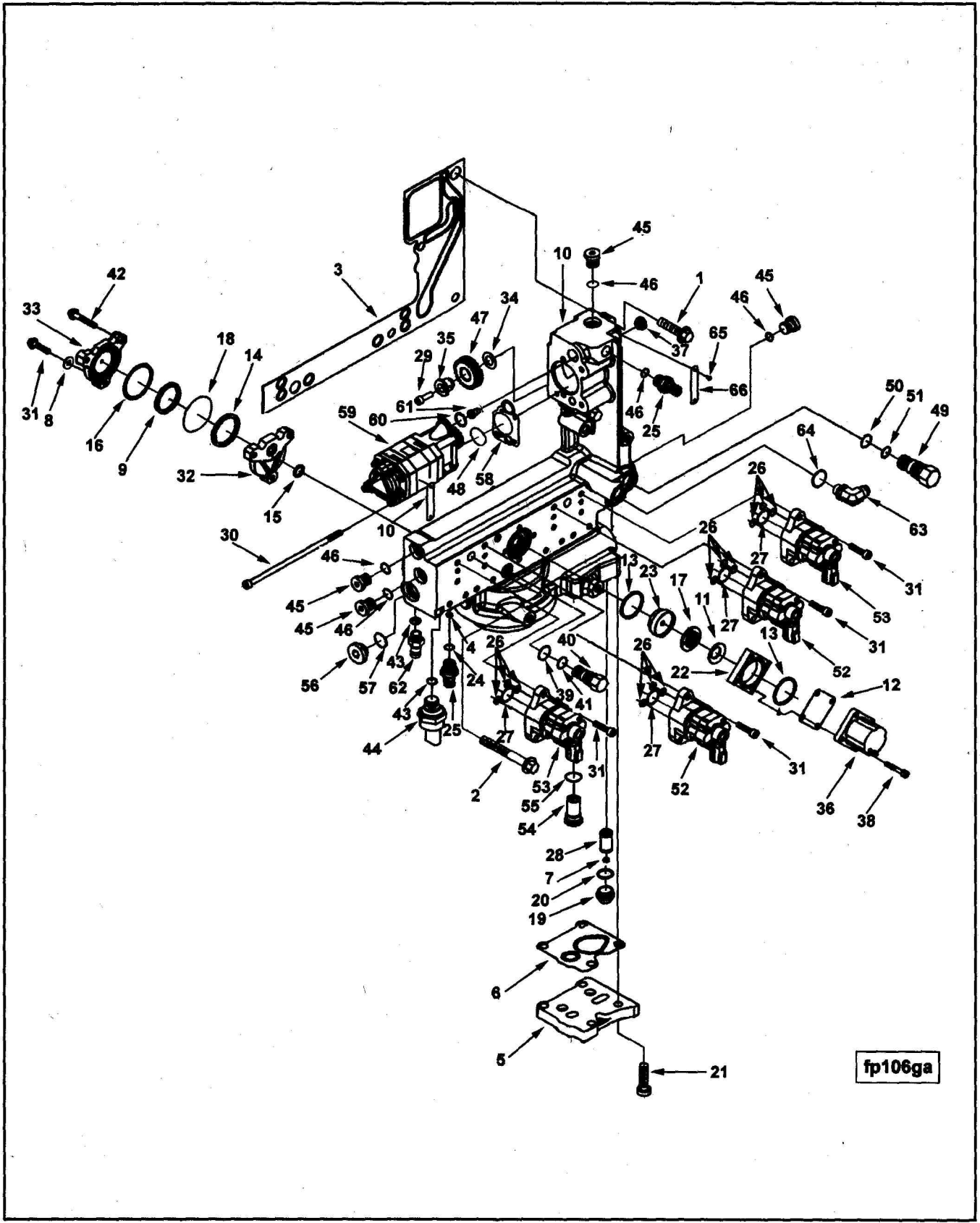
Ref No.	Part Number	Part Name	Req	Remarks
		AIR TRANSFER CONNECTION OPTION IT1021		Air Transfer Connection Turbocharger Compressor Outlet Connection Type: Tall 90 Degree Rotatable Elbow Turbocharger Compressor Outlet Connection Outside Diameter: 101.6mm (4 in) Intake Air Pressure Compuchek Fitting Inc: No Turbocharger Cpr Outlet Connection Supplier: Cummins Engine Aspiration Charged Air Cooled
1	3682177	Seal, O Ring	1	
2	3067979	Clamp, V Band	1	
3	3681419	Connection, Air Transfer	1	



fh107gd

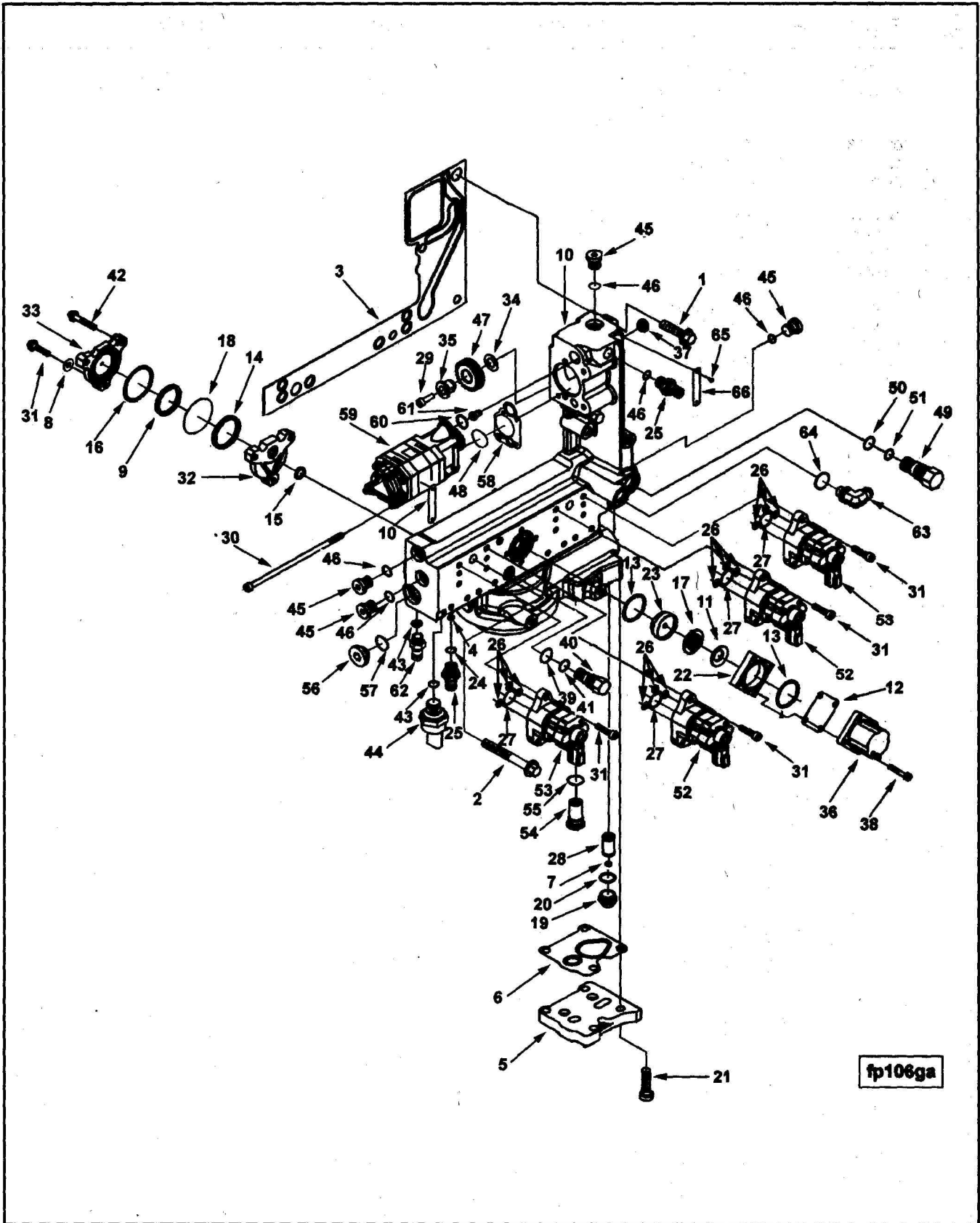
Ref No.	Part Number	Part Name	Req	Remarks
		ENGINE OIL COOLER OPTION LC1734		<p>Engine Oil Cooler</p> <p>Oil Filter Location: Direct To Filter Head Oil Flow Control Thermostat: Yes (Industrial Low Temperature Thermostat 218-237 Degrees F) Lube Cooler Quantity: Two Oil Filter Type: Combination Full Flow/Bypass</p> <p>This option provides studded capscrews for mounting OEM supplied items. Six studded screws are located in the oil cooler mounting holes.</p> <p>OEM mounted items should be flush with the outboard screw hexagon face. The maximum weight attached to each capscrew should not exceed 11 n (2.5 lbf).</p>
1	3417474	Screw, Captive Washer Cap	15	M10 x 1.50 x 40
2	3681927	Screw, Captive Washer Cap	5	
3	3104232	Gasket, Lub Oil Clr Hsg	1	
	4952506	Head, Oil Filter Cooler		
	3090400	Union, Male	1	
4	3090419	Union, Male	1	
5	3679139	Seal, O Ring	1	
6	3922794	Seal, O Ring	1	
7	3411881	Ring, Retaining	1	
	3678921	Plug, Threaded	3	
8	3678912	Seal, O Ring	1	
9	(3678922)	Plug, Threaded	1	
	3679880	Plug, Threaded	1	
10	3089025	Seal, O Ring	1	
11	(3679881)	Plug, Threaded	1	
12	4952631	Thermostat	1	
13	3681557	Tube, Oil Cooler	1	
14	3820320	Plunger, Bypass Valve	1	
15	3882586	Spring, Compression	1	
	4952760	Plug, Threaded	1	
16	3678606	Seal, O Ring	1	M27 x 2.00
17	(4952759)	Plug, Threaded	1	
18	4965870	Core, Cooler	2	
19	4101867	Screw, Twelve Point Cap	4	
20	4107868	Screw, Twelve Point Cap	4	
21	4101869	Gasket, Oil Cooler Core	6	
22	4952507	Head, Oil Filter Cooler	1	
23	(3681508)	Insert, Filter Head	1	
	4089197	Kit, Lub Oil Clr Hsg Gaske		
	(3682789)	Gasket, Lub Oil Clr Hsg	1	
	4026420	Cover, Protective	1	
	4058956	Cover, Protective	1	



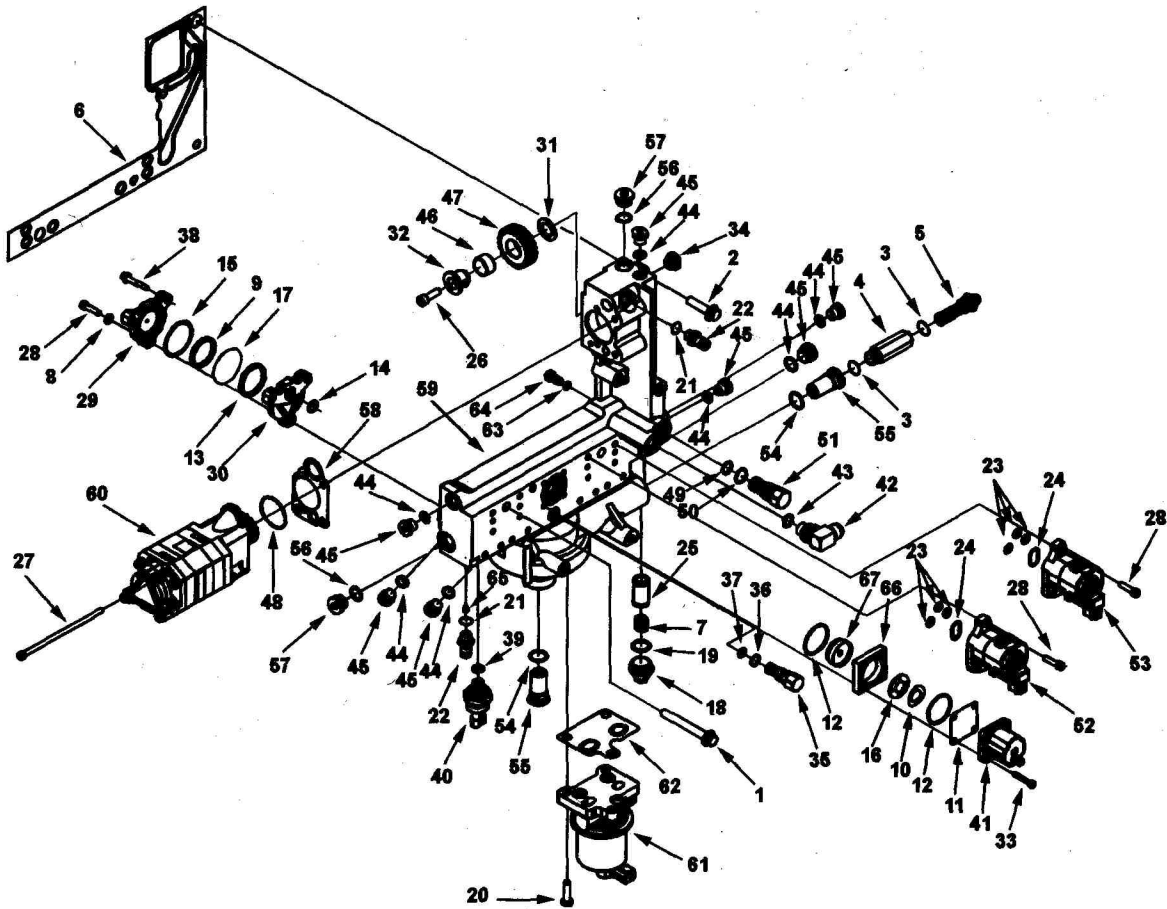


Ref No.	Part Number	Part Name	Req	Remarks
		OIL LEVEL GAUGE OPTION LG1037		Oil Level Gauge Dipstick Supplier: Cummins Dipstick Location: Left Side Front Sump Location: Front For Use With Sump Capacities: 45.4 L (12 Gallons) High 37.9 L (10 Gallons) Low Power Angle (Deg): 0 Tilt Angle (Deg): 0
1	4026589	Clip	1	
2	146161	Washer, Plain	1	3/8 inch
3	3678873	Plug, Threaded	3	
4	3678786	Seal, O Ring	1	
5	4026798	Spacer, Mounting	1	
	4026893	Dipstick	1	
	4920408	Grommet	1	
6	4026888	Cap, Dipstick	1	
7	4059199	Tube, Oil Gauge	1	
8	3900589	Nut, Hexagon Flange	1	M8 x 1.25
9	3903096	Screw, Hex Flange Head Cap	1	M8 x 1.25 x 70

Ref No.	Part Number	Part Name	Req	Remarks
		OIL LEVEL GAUGE OPTION LG1088		Oil Level Gauge (Long) For use with full sump oil pan. Gauge located on intake side of engine to the rear. Sump capacity: 83.3 L (22 Gallons) High 72.0 L (19 Gallons) Low Power Angle: 0 Degree
1	4026589	Clip	1	
2	146161	Washer, Plain	1	3/8 inch
3	3678873	Plug, Threaded	3	
4	3678786	Seal, O Ring	1	
5	4026798	Spacer, Mounting	1	
	4026893	Dipstick	1	
	4920408	Grommet	1	
6	4026888	Cap, Dipstick	1	
7	4059199	Tube, Oil Gauge	1	
8	3900589	Nut, Hexagon Flange	1	M8 x 1.25
9	3903096	Screw, Hex Flange Head Cap	1	M8 x 1.25 x 70

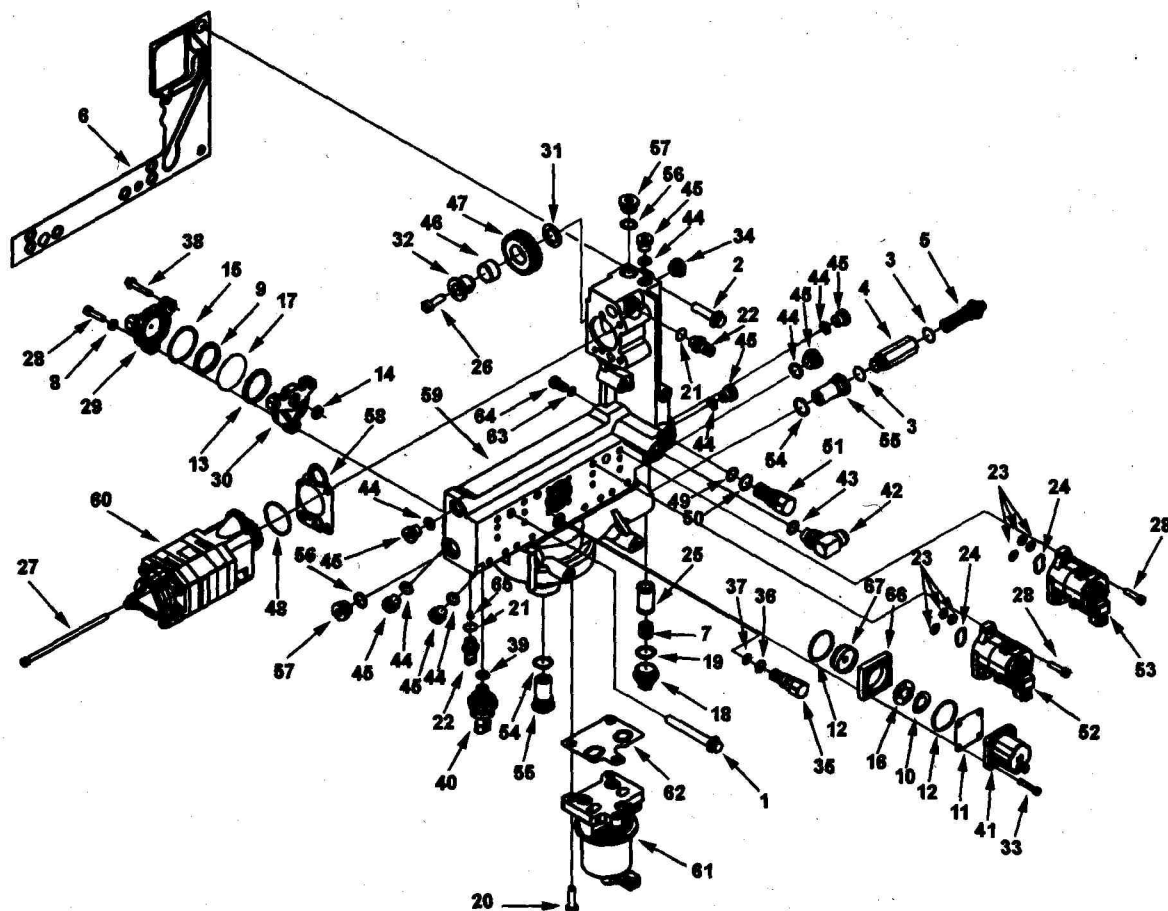


Ref No.	Part Number	Part Name	Req	Remarks
		OIL FILLER ARRANGEMENT OPTION OB1397		Oil Fill Arrangement Oil Fill Supplier: Cummins Oil Fill Location: Left Side Back of Gear Housing Fill Tube C/L from FFOB: 31mm (1.22 In) Fill Tube Vertical Position from C/L of Crank: 224mm (8.82 In) Fill Tube Position Horizontal from Engine C/L: 166mm (6.54 In) Addition Information: For Use Without Air Compressor or Hydraulic Drive
	3100846	Assembly, Oil Fill	1	
1	107981	Cap, Filler	1	
2	3681726	Tube, Oil Filler	1	
3	3680371	Plate, Cover	1	
4	3104119	Gasket, Cover Plate	1	
5	3202179	Seal, O Ring	1	
6	3900631	Screw, Hex Flange Head Cap	2	M8 x 1.25 x 25
7	3903463	Cover, Access Hole	1	
8	4962609	Seal, Rectangular Ring	1	
9	3903990	Screw, Hex Flange Head Cap	2	M10 x 1.50 x 20
10	3892253	Tag, Instruction	1	



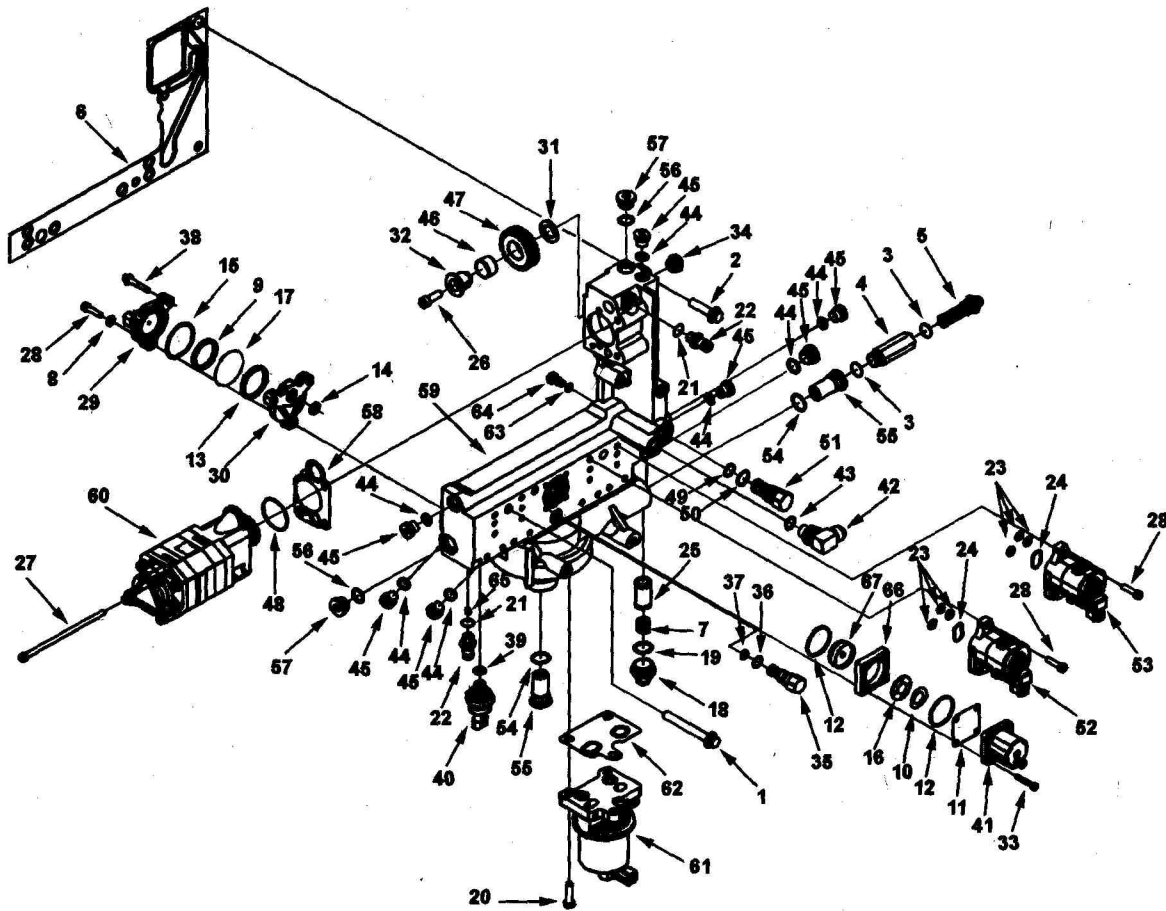
fp106gc

Ref No.	Part Number	Part Name	Req	Remarks
		OIL FILL ARRANGEMENT OPTION OB1401		Oil Fill Arrangement Oil Fill Supplier: Cummins Supplied Oil Fill Location: Right Side Rear Fill Tube Centerline from Front Face of Block: 778mm (30.63 in) Fill Tube Vert Position from Centerline of Crank: 23mm (0.906 in) Fill Tube Position Horiz from Engine Centerline: 282.1mm (11.1 in) Additional Information: For Use With Only Left Hand Starters
	3100789	Assembly, Oil Fill	1	
1	3101401	Cap, Filler	1	
2	3100488	Tube, Oil Filler	1	
3	3104119	Gasket, Cover Plate	1	
4	3903483	Cover, Access Hole	1	
5	4962609	Seal, Rectangular Ring	1	
6	3903990	Screw, Hex Flange Head Cap	2	M10 x 1.50 x 20
7	3892253	Tag, Instruction	1	



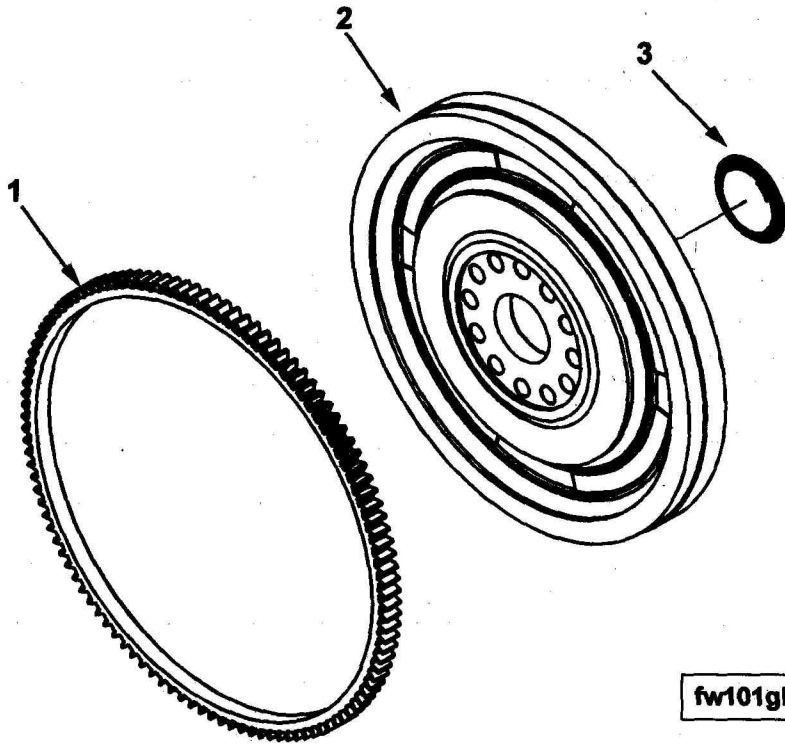
fp106gc

Ref No.	Part Number	Part Name	Req	Remarks
		OIL PAN OPTION OP1491		Oil Pan Sump Location: Front Material: Stamped Steel High Oil Pan Capacity: 45.4 L (12.0 Gallons) Low Oil Pan Capacity: 37.9 L (10.0 Gallons) Engine Capacity: 53 L (14 Gallons) Angularity Limits: 45 Degrees Front Down 45 Degrees Rear Down 45 Degrees Fuel Pump Down 24 Degrees Exhaust Down Drain Location (M27 x 2 Straight Thread O Ring): Side See BR option for additional angularity restrictions.
1	3678756	Seal, O Ring	1	
2	4918022	Connection, Oil Suction	1	
3	4026684	Gasket, Oil Pan	1	
	4952540	Pan, Oil TLA	1	
	3680420	Plug, Threaded	1	
4	(3680419)	Plug, Threaded	1	
5	3678912	Seal, O Ring	1	
6	(4952541)	Pan, Oil	1	
	4926565	Plug, Threaded	2	
7	(4926564)	Plug, Threaded	1	
8	3678606	Seal, O Ring	1	M27 x 2.00
9	3903112	Screw, Hex Flange Head Cap	34	M10 x 1.50 x 30.

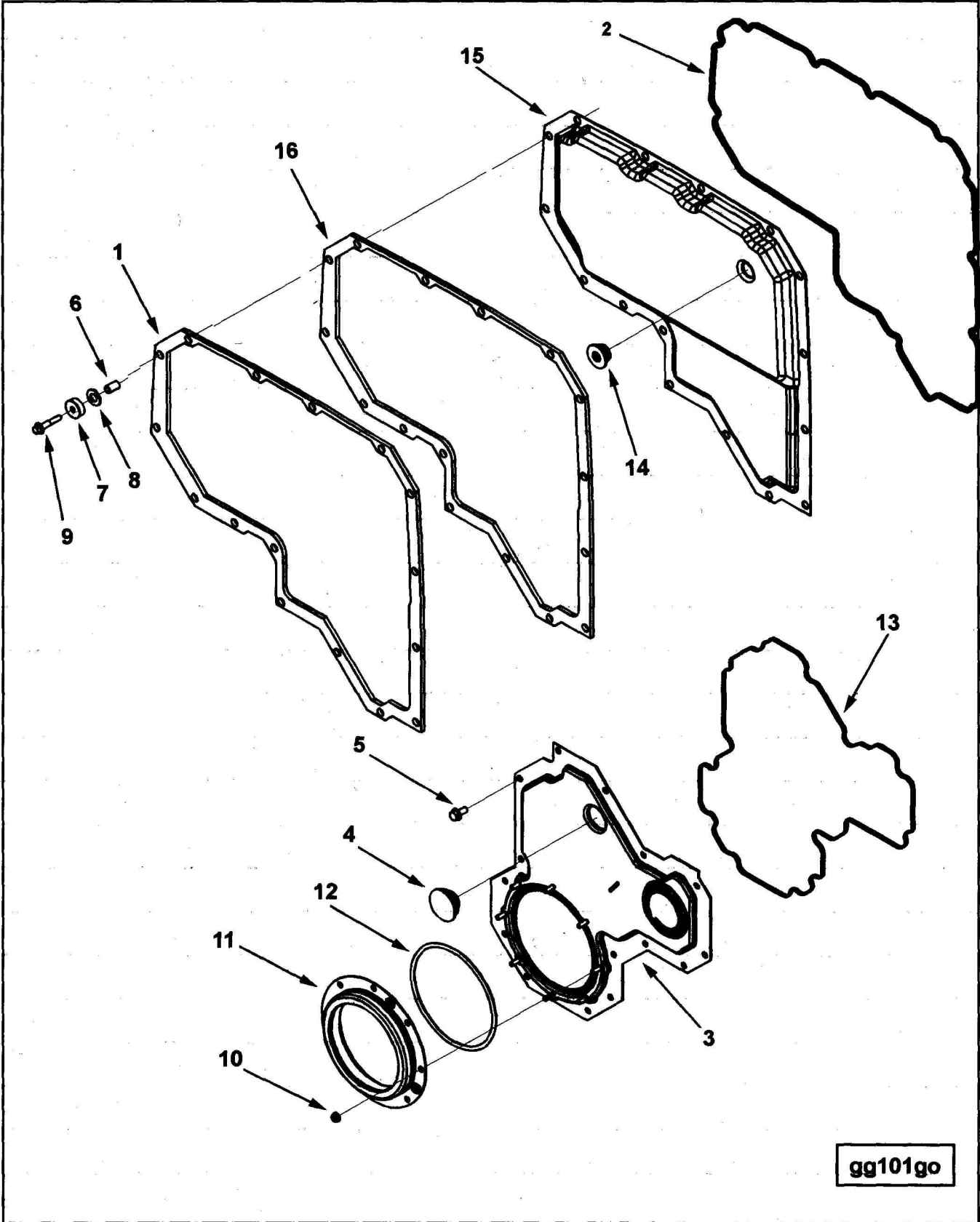


fp106gc

Ref No.	Part Number	Part Name	Req	Remarks
		ELECTRONIC CONTROL MODULE OPTION PH1763		Electronic Control Module Engine Control System: API ECM Version: DCM 570 Motorola Module Location: Upper Left Side Front Ambient Air Pressure Sensor Included: Yes Intake Mfid Temp Sensor Manufacturer: Kaylico with Industrial Customer Accessory Brackets Application: Industrial
1	69465	Clip	1	
2	146161	Washer, Plain	4	3/8 Inch.
3	3076301	Clamp, Wire Tie	6	
4	3161910	Dataplate	1	
	(3408504)	Module, Electronic Control	1	
5	(3408501)	Module, Electronic Control	1	Recon equivalent 3408501 N
	(3409000)	Data, Bootloader	1	
	(3681484)	Data, Nonvolatile Memory	1	
6	3680284	Gasket, Etr Control Module	1	
7	3681059	Plate, Cooler	1	
8	3865346	Sensor, Temperature	1	Coolant tepmerature sensor.
9	(4921574)	Seal, O Ring	1	
10	3900630	Screw, Hex Flange Head Cap	4	M8 x 1.25 x 20
11	3925402	Screw, Hex Flange Head Cap	6	M8 x 1.25 x 50.
12	4026680	Brace, Wiring	1	
13	4059191	Bracket, Cus Accessory	1	
14	4921473	Sensor, Prs Temperature	1	Boost/Prs/Temp
15	4010519	Seal, O Ring	1	
16	4921475	Sensor, Prs Temperature	1	Oil/Prs/Temp
15	4010519	Seal, O Ring	1	
18	4921599	Sensor, Position	2	
17	4010600	Seal, O Ring	1	
19	4952742	Harness, Wiring	1	
	3865346	Sensor, Temperature		Coolant tepmerature sensor.
	4921473	Sensor, Prs Temperature		Boost/Prs/Temp
	4921475	Sensor, Prs Temperature		Oil/Prs/Temp
	3331044	Sensor, Pressure		Ambient/Pressure
	4921599	Sensor, Position		
				Note: The information below should provide assistance in type/function of sensors.

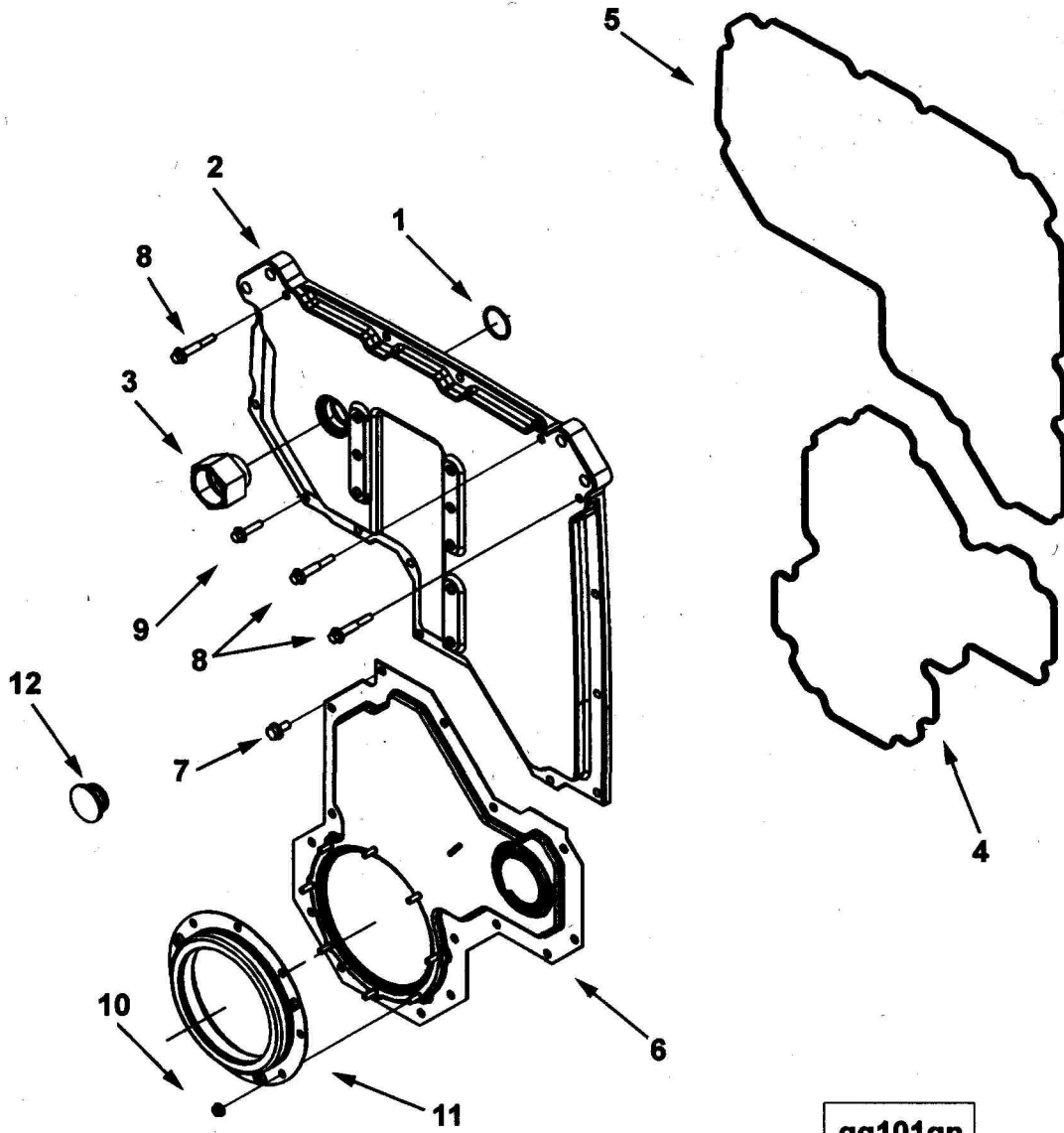


Ref No.	Part Number	Part Name	Req	Remarks
		FLYWHEEL OPTION FW1020		Flywheel Type: Flywheel Intended Housing SAE: 1 Starter Center Distance: 265.1mm (10.437 in) Clutch Bearing Pilot Bore Diameter: 72.00mm (2.84 in) Clutch Size: 393.7mm (15.5 in) Clutch Plate Type: Single Plate Clutch Plate Material: Ceramic Disc Rear Gear Drive: No Intended Drive Hardware: Spicer Transmission Mounting Face to Rear Face of Block: 92.29mm (3.791 in) Additional Information: 113 Tooth Ring Gear Flywheel Mounting Web Thickness: 16mm Ring Gear Supplier: Cummins
1	3680922	Flywheel	1	
2	3680913	Gear, Flywheel Ring	1	
3	(3680921)	Flywheel	1	
	4026528	Spacer, Bearing	1	



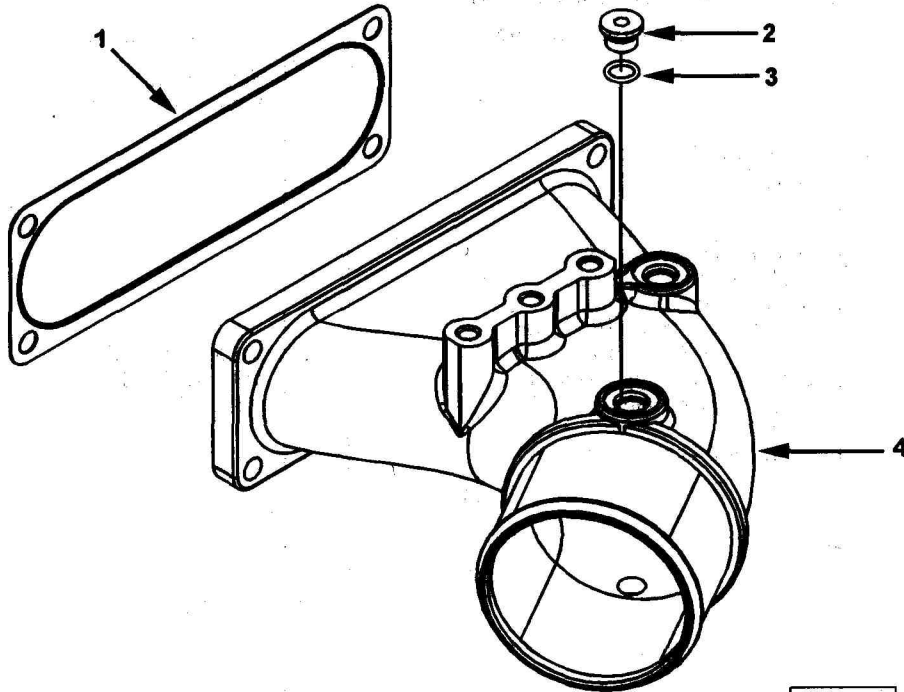
gg101go

Ref No.	Part Number	Part Name	Req	Remarks
		ENGINE PISTON OPTION PP2627		Engine Piston Certified Model Name: STA-15 Timing Gear Code: 46 CPL: 2627 Certified By: EPA,CARB AFC: N/A ASA: N/A EFC: N/A ETC: Yes Manifold Type: Dry Engine Aspiration: Turbocharged/Aftercooled Engine Control System: API Application: Nonroad Power Turbine: N/A Design Phase: API Rating: ISX Certification Level: Tier 1 Unique Characteristics: Injector Wedge Angle: 4 Degrees Valve Wedge Angle: 6 Degrees A noise isolator is included.
	(4059429)	Rod, Engine Connecting	6	Recon equivalent 4059429 NX
1	(4059449)	Rod, Engine Connecting	6	
2	3678574	Screw, Connecting Rod Cap	24	
3	3678739	Dowel, Ring	12	
4	(4059448)	Bushing	6	
	4089405	Set,Rod Bearing (STD)		
5	4059447	Bearing, connecting Rod	1	
6	3682166	Bearing, Connecting Rod	1	
7	4059363	Pin, Piston	6	
	4089411	Kit, Engine Piston	6	
8	4101478	Piston, Engine	1	
9	3064305	Ring, Retaining	2	
	4089406	Set, Piston Ring	6	
10	3683008	Ring, Compression Piston	1	
11	(3681078)	Ring, Compression Piston	1	
12	(3682398)	Ring, Oil Piston	1	
	4089411	Kit, Engine Piston		
	3064305	Ring, Retaining	2	
	4059363	Pin, Piston	1	
	4089406	Set, Piston Ring	1	
	(3681078)	Ring, Compression Piston	1	
	(3682398)	Ring, Oil Piston	1	
	3683008	Ring, Compression Piston	1	
	4101478	Piston, Engine	1	



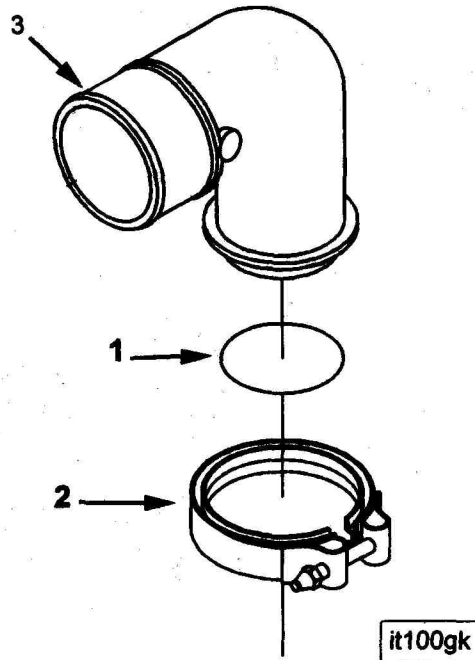
gg101gn

Ref No.	Part Number	Part Name	Req	Remarks
		CYLINDER HEAD OPTION PP2627		Cylinder Head
	4059238	Head, Cylinder		
1	4026660	Seal, Valve Stem	12	
1	4026791	Seal, Valve Stem	12	
2	3678611	Plug, Threaded	3	
3	3678606	Seal, O Ring	1	M27 x 2.00
4	3679354	Plug, Threaded	6	
5	3678603	Seal, O Ring	1	
6	3679122	Seal, O Ring	1	
7	3679551	Spring, Valve	24	
8	3679537	Insert, Valve	12	Exhaust
9	4059215	Insert, Valve	12	Intake
10	3680883	Collet, Valve	48	
11	3680884	Retainer, Valve Spring	48	
12	3680318	Guide, Valve Spring	24	
13	3680656	Bracket, Lifting	2	
14	4059326	Valve, Intake	12	
15	4059327	Valve, Exhaust	12	
16	(4059248)	Head, Cylinder	1	
17	3015865	Plug, Expansion	7	
18	3678536	Seal, Rectangular Ring	6	
19	(4061685)	Sleeve, Injector	6	
20	4026657	Guide, Valve Stem	24	
21	4026423	Bushing	7	
22	3680580	Bushing	4	
23	3680581	Bushing	3	
24	3813247	Plug, Expansion	20	
25	3910495	Screw, Hex Flange Head Cap	6	M12 x 1.75 x 30
26	3911678	Dowel, Ring	2	
27	3678506	Screw, Hex Flange Head Cap	22	
28	3678804	Screw, Hex Flange Head Cap	4	
29	4059350	Gasket, Cylinder Head	1	
30	3901846	Dowel, Pin	2	



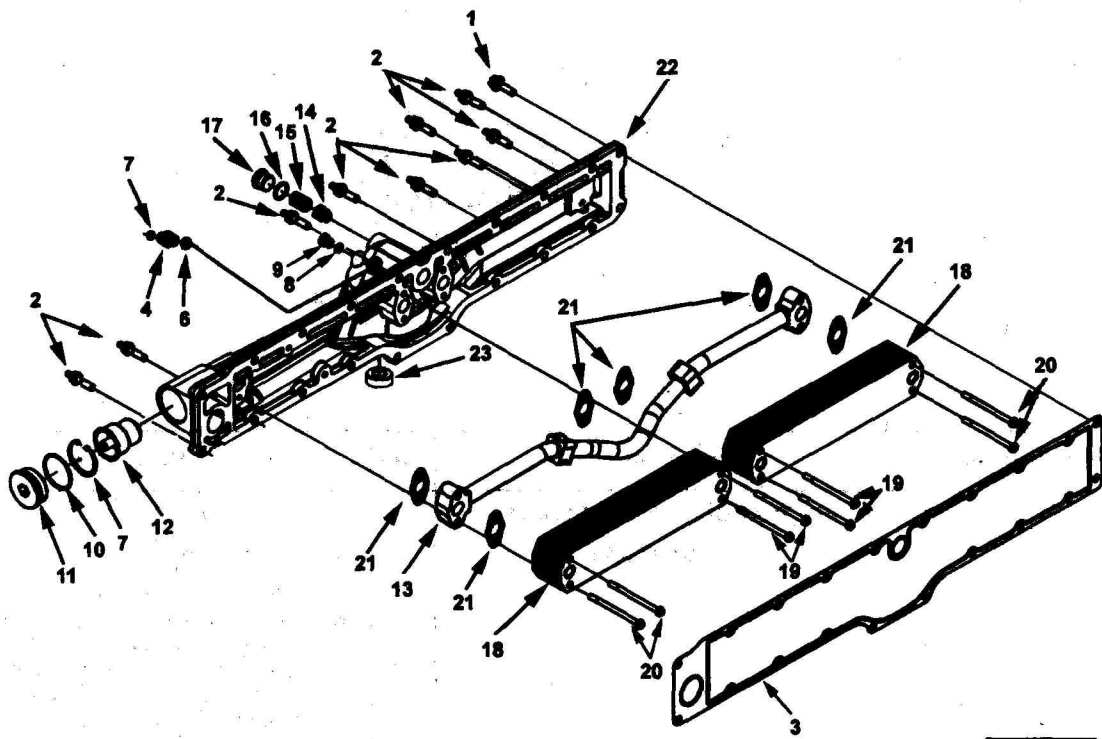
ic101gh

Ref No.	Part Number	Part Name	Req	Remarks
		AIR INTAKE CONNECTION OPTION IC1056		Air Intake Connection Air Intake Connector Angle (Deg): 60 Air Intake Connector Direction: Forward Air Intake Angle Upward from Horizontal (Deg): 0 Air Intake Connector O.D. (in.): 4.0
1	3102173 4026516 3678921	Gasket, Connection Connection, Air Intake	1	
2	(3678922)	Plug, Threaded	2	
3	3678912	Seal, O Ring	1	
4	(3680742)	Connection, Air Intake	1	



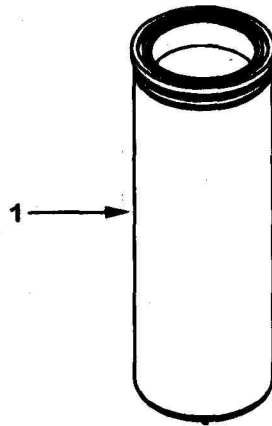
Ref No.	Part Number	Part Name	Req	Remarks
AIR TRANSFER CONNECTION				
OPTION IT1014				
		Air Transfer Connection		Turbo Compressor Outlet Type: Short 90 Degree Rotatable Elbow Turbo Compressor Outlet Conn O.D.: 101.6mm (4 in) Intake Air Pressure Compuchek Fitting Inc: No Turbo Cpr Outlet Conn Supplier: Cummins Engine Aspiration: Charged Air Cooled
1	3682177	Seal, O Ring	1	
2	3067979	Clamp, V Band	1	
3	3682674	Connection, Air Transfer	1	

Ref No.	Part Number	Part Name	Req	Remarks
		INJECTOR OPTION PP2627		Injector
1	4062568	Injector	6	
2	3347937	Seal, O Ring	6	Green
3	3347939	Seal, O Ring	6	Black
4	4009692	Screen, Filter	6	
5	3330537	Seal, O Ring	6	
6	3330538	Seal, O Ring	6	
	3347867	Link, Injector Plunger	6	
7	(3330607)	Link, Injector Plunger	6	
8	3867742	Retainer, Injector Link	6	
9	4010231	Clamp, Injector	6	
10	3679102	Screw, Twelve Point Cap	6	
11	3087316	Screen, Filter	6	



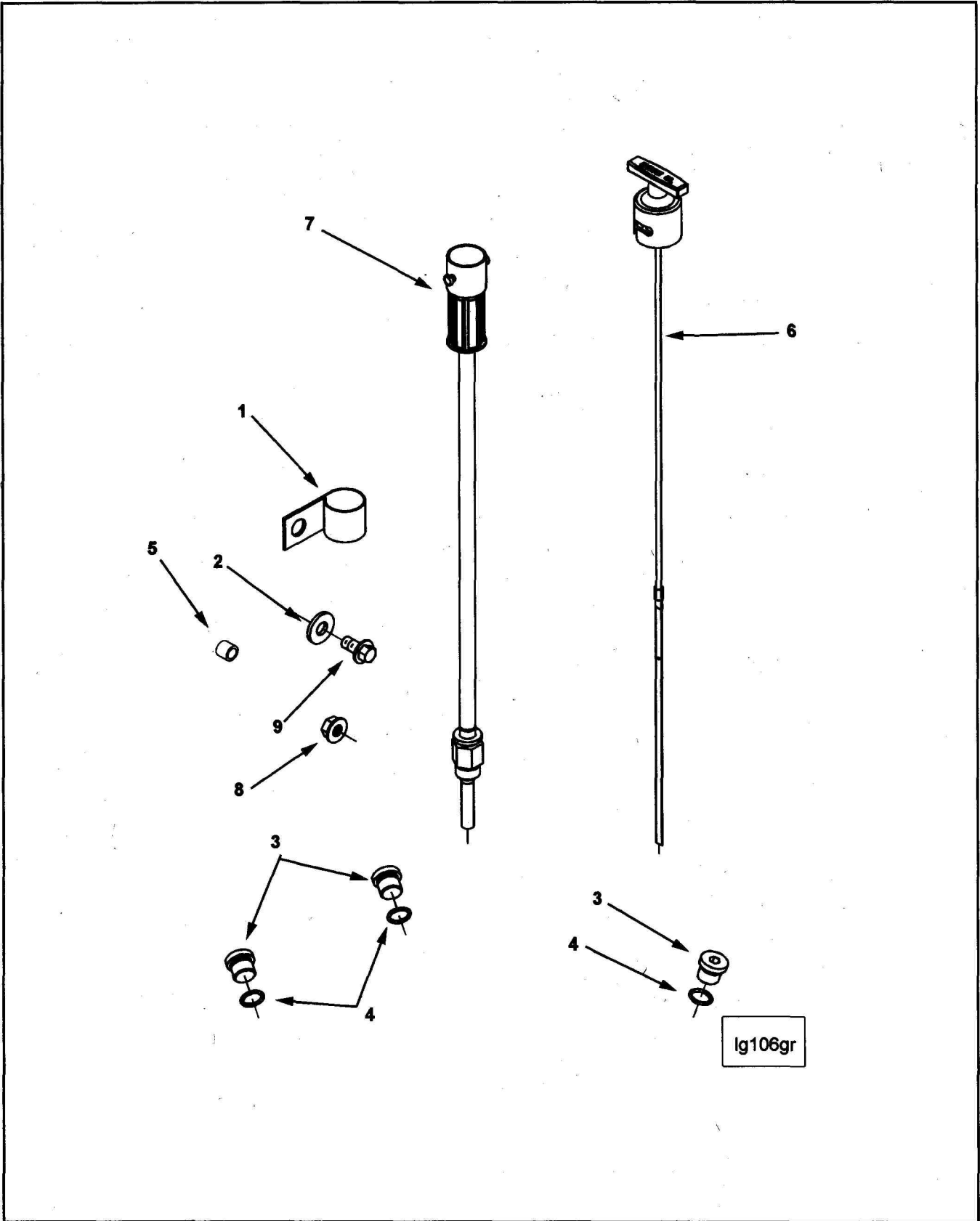
lc106gn

Ref No.	Part Number	Part Name	Req	Remarks
1	3681792	GEAR COVER NOISE PANEL OPTION PP2627 Isolator, Noise	1	Gear Cover Noise Panel Noise reduction device used between gear housing and cylinder head.



If101gq

Ref No.	Part Number	Part Name	Req	Remarks
1	3101868	<p style="text-align: center;">FULL FLOW OIL FILTER OPTION LF1210</p> <p>Filter, Lubricating Oil</p>	1	<p>Full Flow Oil Filter One Combo Spin-on Element Mounted to the Lube Cooler Filter Model: LF9000 Capacity: 3.8 l (one US gallon) Buy from Cummins Filtration</p>

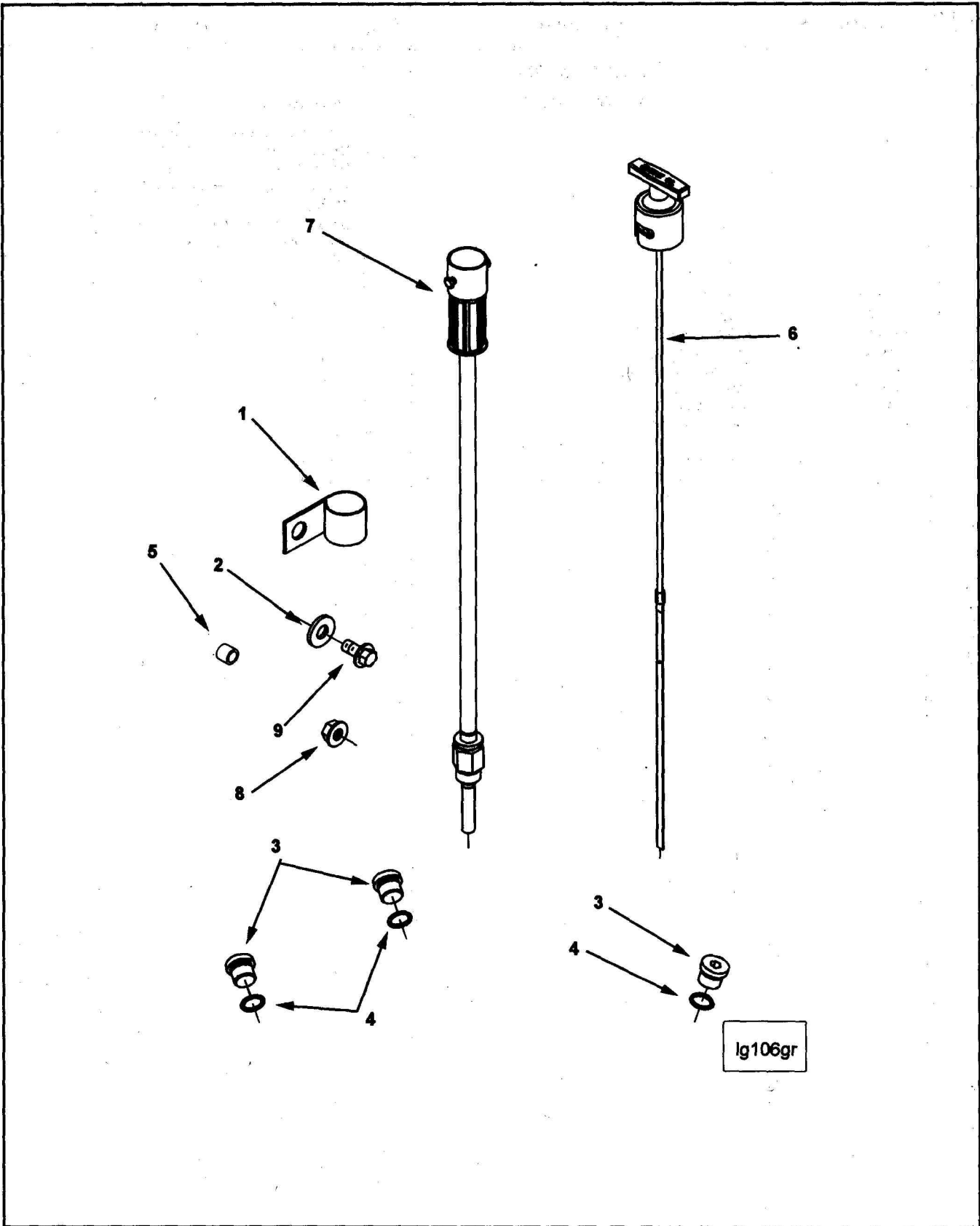


Group No. 06.01

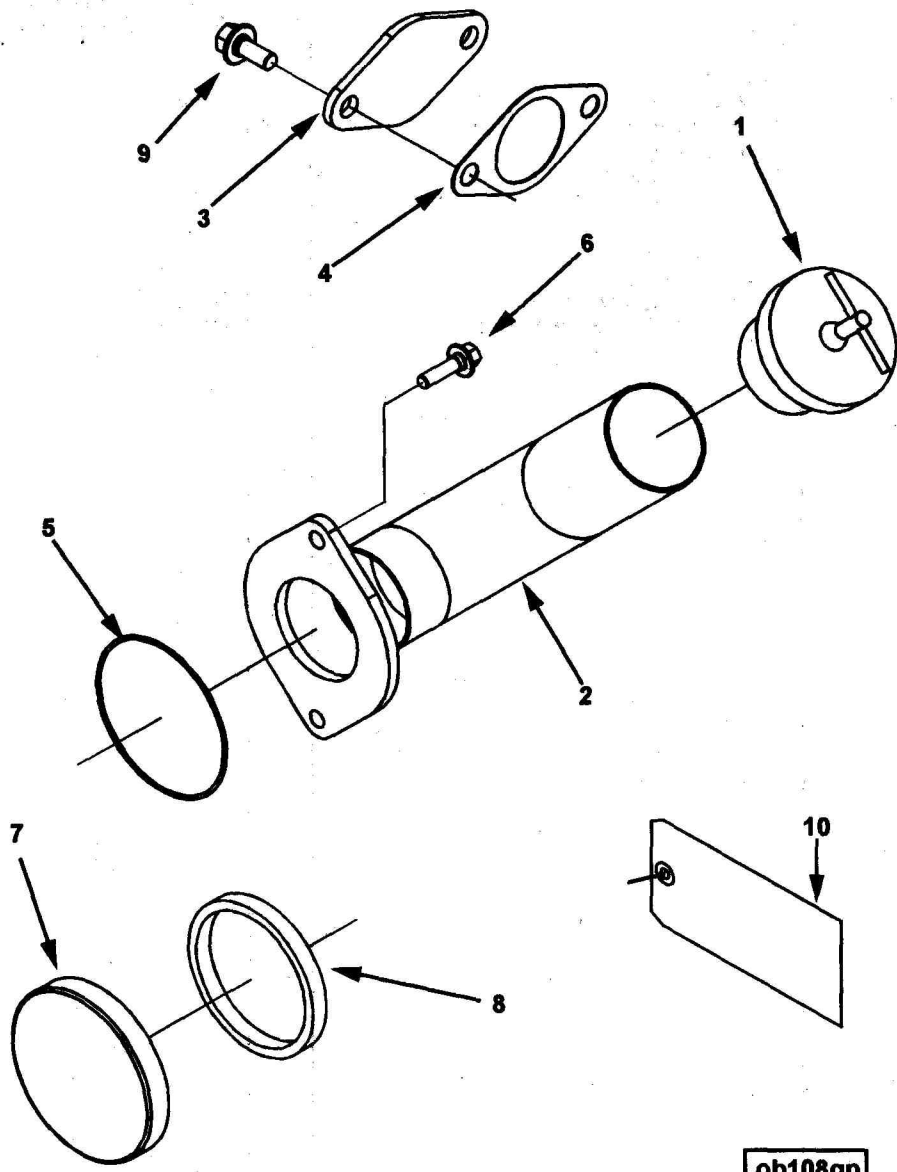
Injector

Option No. PP2825

Ref No.	Part Number	Part Name	Req	Remarks
		INJECTOR OPTION PP2825		Injector
1	4062569	Injector	6	
2	3347937	Seal, O Ring	6	Green
3	3347939	Seal, O Ring	6	Black
4	4009692	Screen, Filter	6	
5	3330537	Seal, O Ring	6	
6	3330538	Seal, O Ring	6	
	3347867	Link, Injector Plunger	6	
7	(3330607)	Link, Injector Plunger	6	
8	3867742	Retainer, Injector Link	6	
9	4010231	Clamp, Injector	6	
10	3679102	Screw, Twelve Point Cap	6	
11	3087316	Screen, Filter	6	

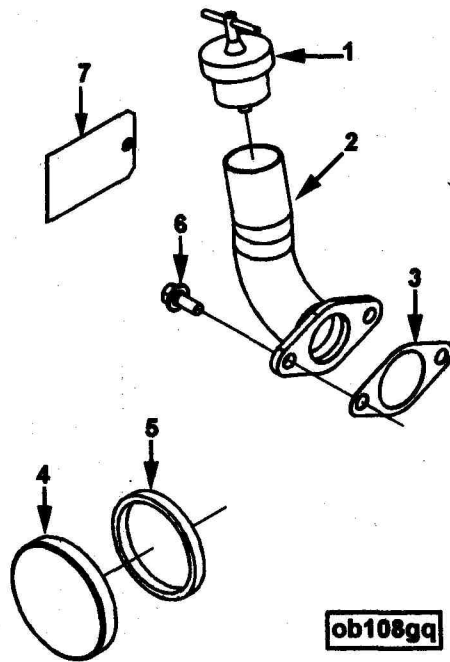


Ref No.	Part Number	Part Name	Req	Remarks
		TURBOCHARGER OPTION PP10169		Turbocharger Turbocharger Location: Mid Mount Exhaust Outlet Location: Rear Out HX60 W D1292 J/WC22 V1 Application: Nonroad Crankcase Breather Type: Open Non-Watercooled Bearing Housing CPL: 2825, 8469, 8489
1	4965730	Stud	4	
2	(3598762)	Turbocharger	1	
3	3680324	Gasket, Flange	1	
4	3171368	Gasket, Turbocharger	1	
5	3818824	Nut, Hexagon Flange	4	M10 x 1.50
	4089298	Kit, Turbocharger		
	3011876	Gasket, Turbocharger	1	
	3066211	Seal, O Ring	1	
	3171368	Gasket, Turbocharger	1	
	(3598762)	Turbocharger	1	
	3679139	Seal, O Ring	1	
	3680324	Gasket, Flange	1	
	3922794	Seal, O Ring	1	



ob108gp

Ref No.	Part Number	Part Name	Req	Remarks
		CYLINDER HEAD OPTION PP10200		Cylinder Head
	4962732	Head, Cylinder	1	Recon equivalent 4962732 RX
1	4026791	Seal, Valve Stem	24	
2	3678611	Plug, Threaded	3	
3	3678606	Seal, O Ring	1	
4	4920470	Plug, Threaded	6	
5	3678603	Seal, O Ring	1	
6	(4920469)	Plug, Threaded	1	
7	4965891	Spring, Valve	24	
8	3683349	Insert, Valve	12	
9	3104445	Insert, Valve	12	
10	3680883	Collet, Valve	48	
11	3680884	Retainer, Valve Spring	24	
12	3680318	Guide, Valve Spring	24	
13	3911678	Dowel, Ring	2	
14	4101454	Valve, Exhaust	12	
15	4965868	Valve, Intake	12	Intake
16	(4962731)	Head, Cylinder	1	
17	3015865	Plug, Expansion	7	
18	3678536	Seal, Rectangular Ring	6	
19	3412352	Sleeve, Injector	6	
20	4026657	Guide, Valve Stem	24	
21	4026423	Bushing	7	
22	3680580	Bushing	4	
23	3680581	Bushing	3	
24	3813247	Plug, Expansion	21	
25	4926316	Gasket, Cylinder Head	1	
26	3901846	Pin, Dowel	2	
27	3678506	Screw, Hex Flange Head Cap	22	
28	3678804	Screw, Hex Flange Head Cap	4	

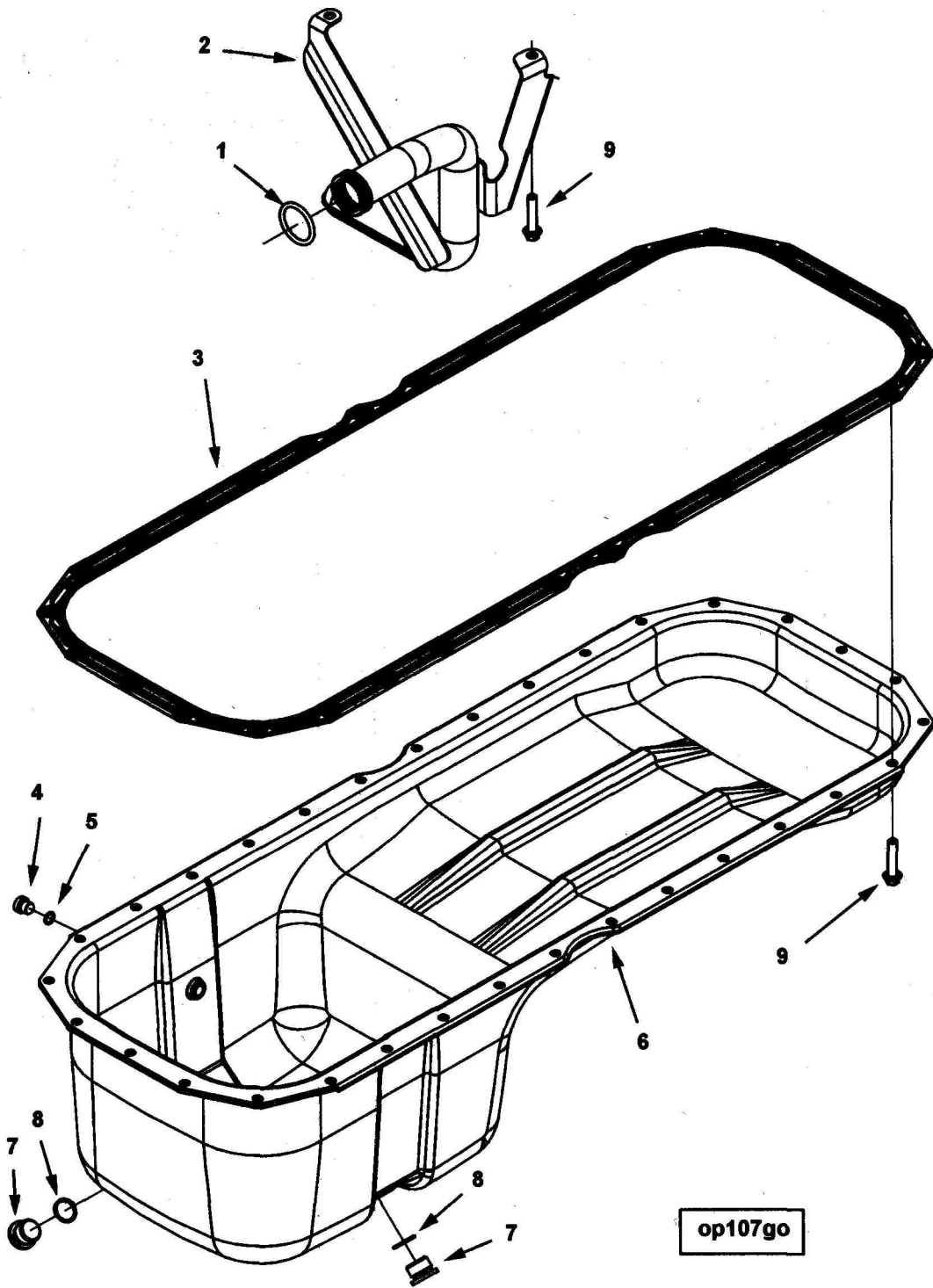


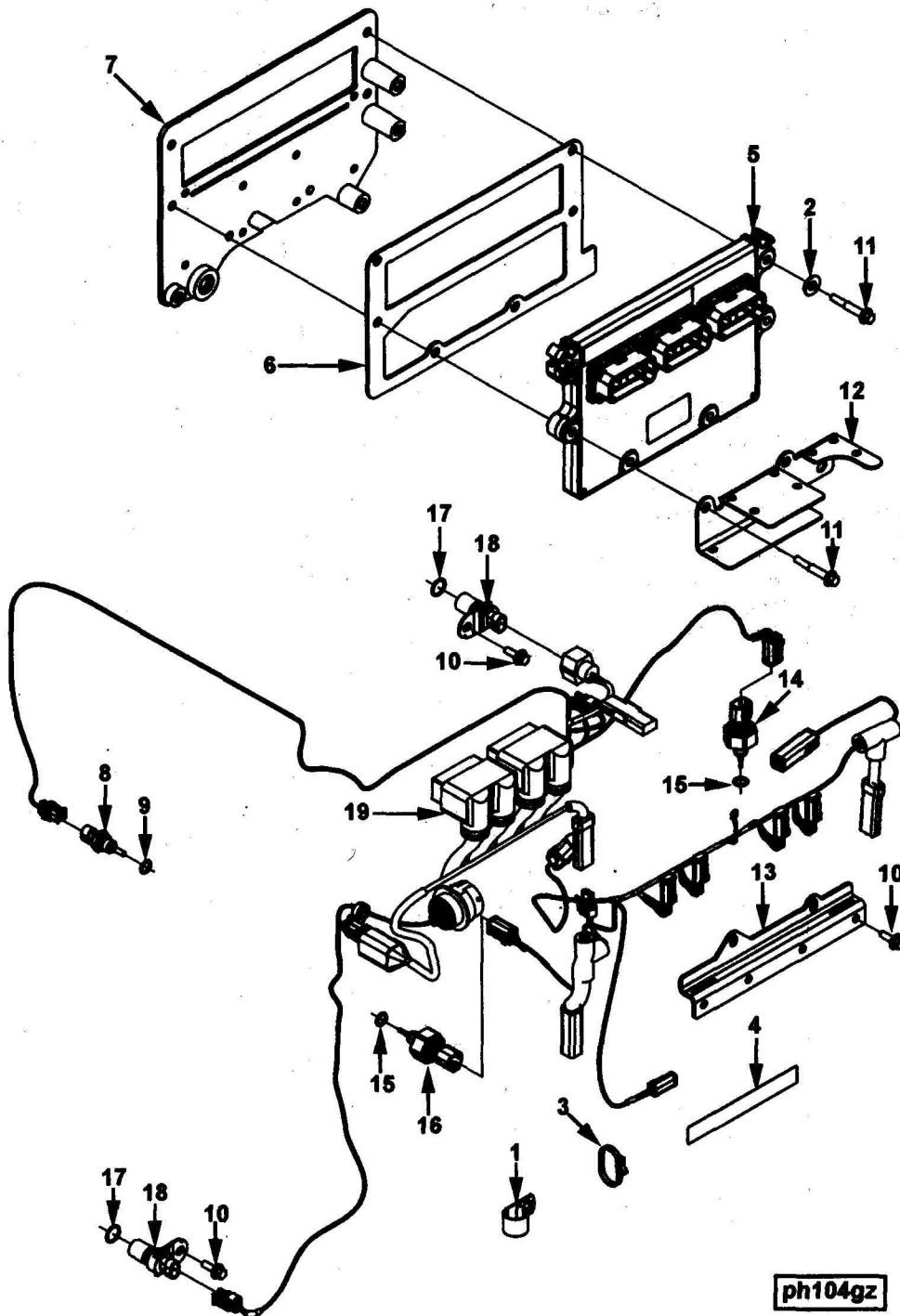
Group No. 17.07

Gear Cover Noise Panel

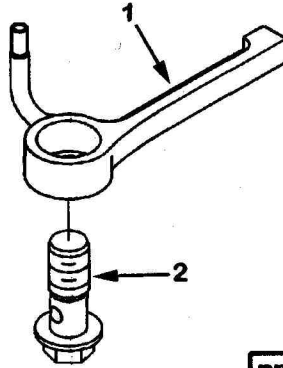
Option No. PP10200

Ref No.	Part Number	Part Name	Req	Remarks
1	3681792	GEAR COVER NOISE PANEL OPTION PP10200 Isolator, Noise	1	Gear Cover Noise Panel Noise reduction device used between gear housing and cylinder head.

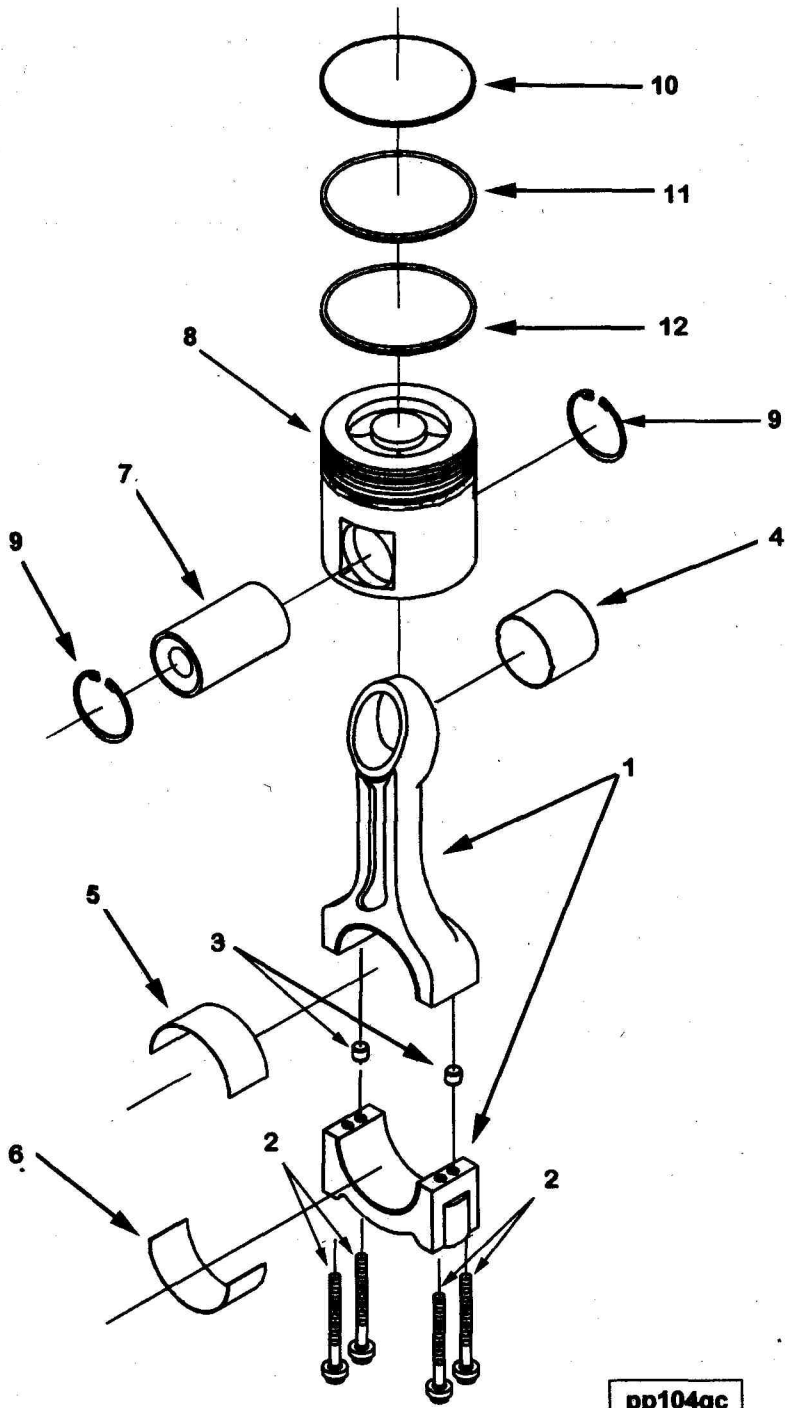




Ref No.	Part Number	Part Name	Req	Remarks
		ENGINE PISTON OPTION PP10224		Engine Piston CPL: 2825, 8081, 8142, 8469, 8571, 8587, 8588.
1	(4059429)	Rod, Engine Connecting	6	Recon equivalent 4059429 NX
2	(4059449)	Rod, Engine Connecting	6	
3	3678574	Screw, Connecting Rod Cap	4	
4	3678739	Dowel, Ring	2	
5	(4059448)	Bushing	1	
6	(4925971)	Bearing, Connecting Rod	6	Serviced as 4089405.
7	(4925975)	Bearing, Connecting Rod	6	Serviced as 4089405.
8	4923748	Pin, Piston	6	
9	(4923744)	Piston, Engine	6	
10	3064305	Ring, Retaining	12	
11	3684010	Ring, Compression Piston	6	
12	(3681078)	Ring, Compression Piston	6	
	(3682398)	Ring, Oil Piston	6	
	4089405	Set, Rod Bearing (STD)	6	
	4925971	Bearing, Connecting Rod	6	
	4925975	Bearing, Connecting Rod	6	
	4089406	Set, Piston Ring	6	
	(3682398)	Ring, Oil Piston	1	
	3683008	Ring, Compression Piston	1	
	(3681078)	Ring, Compression Piston	1	
	4089895	Kit, Engine Piston	6	
	3064305	Ring, Retaining	2	
	(4923744)	Piston, Engine	1	
	4923748	Pin, Piston	1	
	4089406	Set, Piston Ring	1	

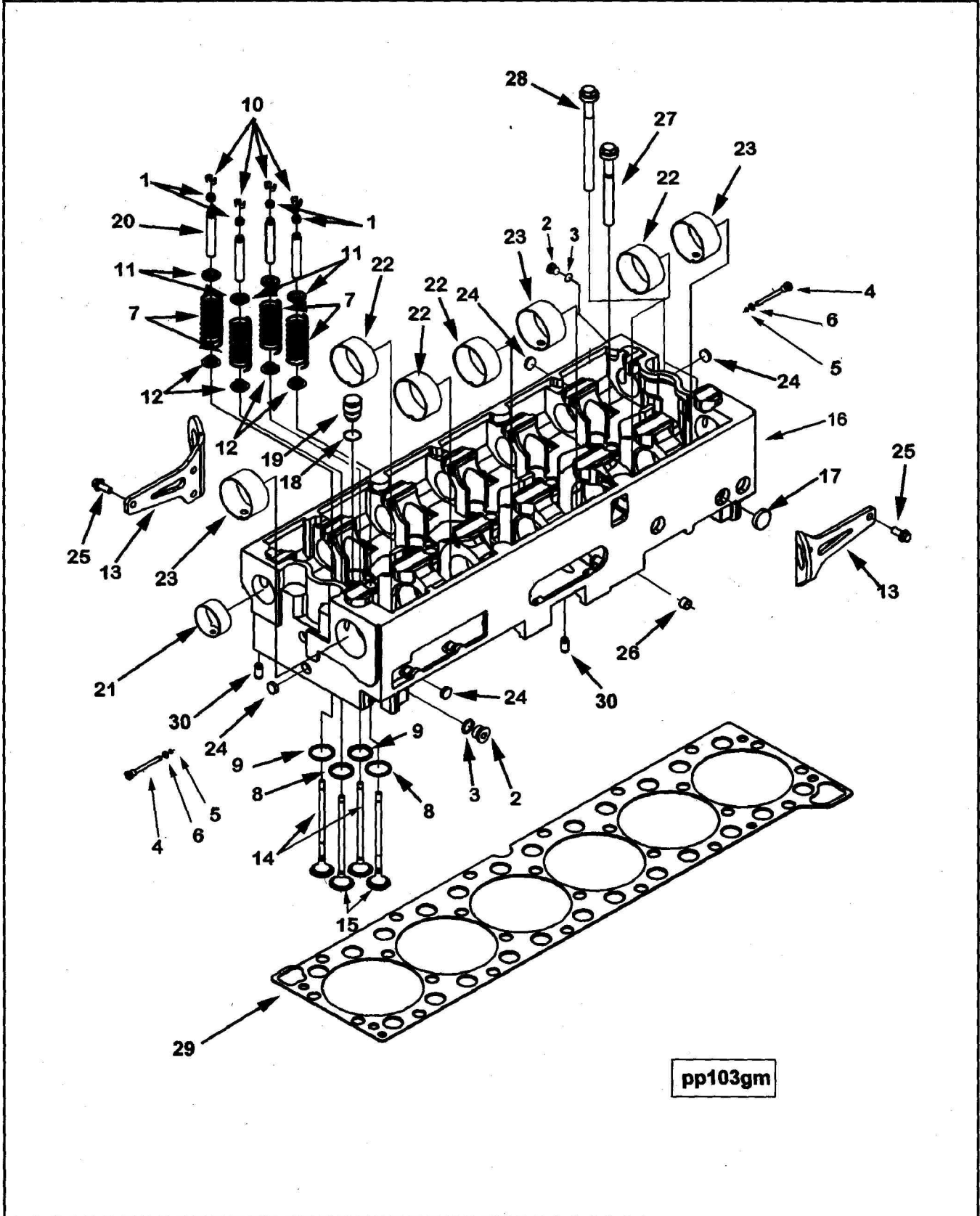


Ref No.	Part Number	Part Name	Req	Remarks
PISTON COOLING NOZZLE OPTION PP2627				
1	3412860	Nozzle, Piston Cooling	6	Piston Cooling Nozzle
2	3679037	Screw, Hex Flange Head Cap	6	

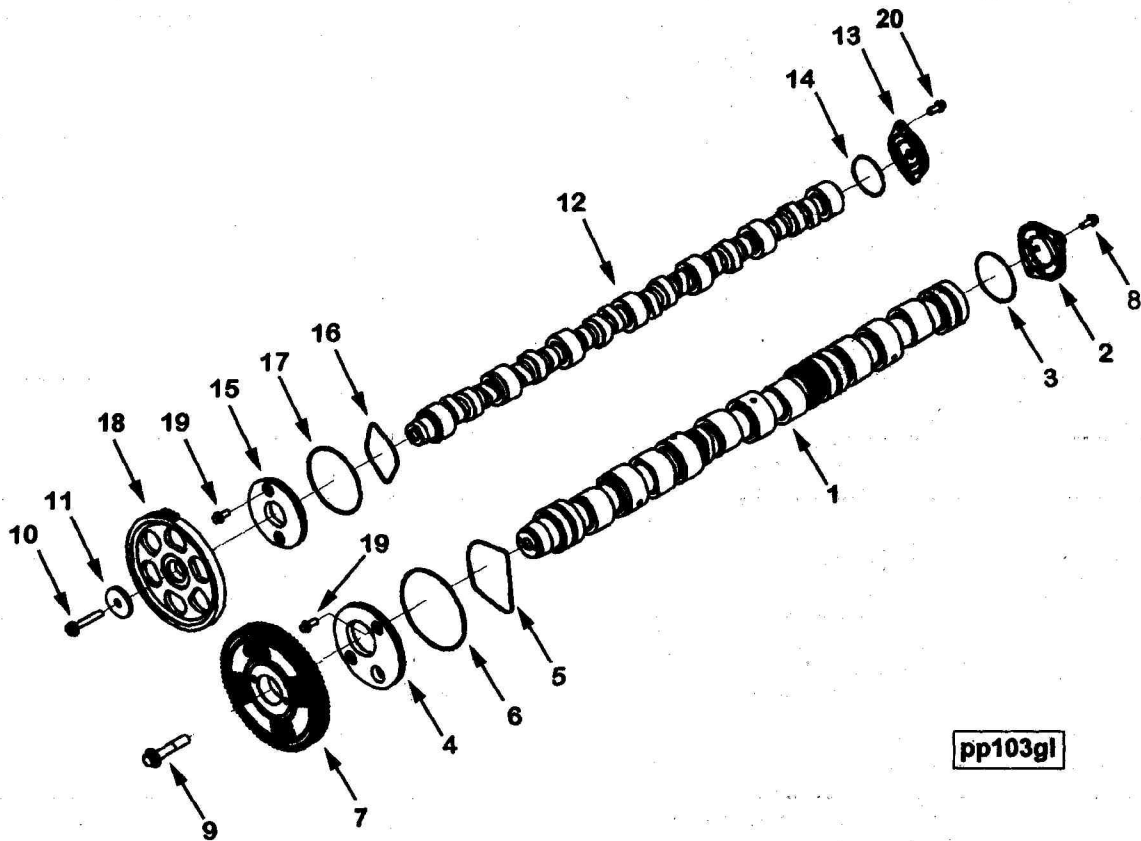


pp104gc

Ref No.	Part Number	Part Name	Req	Remarks
		ROCKER LEVER OPTION RL1732		Rocker Lever Use on industrial engines without engine brake (with high microfinish cam roller).
	3100776	Lever, Rocker	6	
	3100777	Lever, Rocker	6	
1	3067941	Plug, Ball	6	
2	3100778	Roller, Cam Follower	6	
3	(3679504)	Pin, Roll	6	
4	(3679869)	Pin, Cam Follower Roller	6	
5	(3679870)	Bushing	6	
6	(3680167)	Lever, Rocker	6	
7	3680057	Nut, Regular Hexagon Jam	6	
8	3680058	Screw, Rkr Lever Adjusting	6	
	3679418	Shaft, Rocker Lever	6	Injector
9	(3417768)	Plug, Drive	12	
10	(3679417)	Shaft, Rocker Lever	6	
11	4059197	Spacer, Thrust Ring	36	
12	3679427	Clamp, Retaining	12	
13	3680732	Plug, Expansion	1	
14	3679561	Spacer, Thrust Ring	6	
	4059410	Lever, Rocker	3	
15	4059377	Screw, Rkr Lever Adjusting	3	
16	3679694	Nut, Regular Hexagon Jam	3	
	4059295	Lever, Rocker	3	
1	3067941	Plug, Ball	3	
17	(4059322)	Roller, Cam Follower	3	
18	4059294	Lever, Rocker	3	
19	(4026779)	Pin, Cam Follower Roller	3	
20	4059282	Bushing	3	
3	(3679504)	Pin, Roll	3	
	4059412	Lever, Rocker	3	
15	4059377	Screw, Rkr Lever Adjusting	3	
16	3679694	Nut, Regular Hexagon Jam	3	
	4059352	Lever, Rocker	3	
1	3067941	Plug, Ball	3	
17	(4059322)	Roller, Cam Follower	3	
19	4026780	Pin, Cam Follower Roller	3	
20	4059282	Bushing	3	
3	(3679504)	Pin, Roll	3	
21	4059351	Lever, Rocker	3	
	4059283	Shaft, Rocker Lever	1	
22	4059284	Shaft, Rocker Lever	1	
23	(3680954)	Plug, Drive	2	
	4059411	Lever, Rocker	3	
15	4059377	Screw, Rkr Lever Adjusting	3	
16	3679694	Nut, Regular Hexagon Jam	3	
	4059298	Lever, Rocker	3	
1	3067941	Plug, Ball	3	
17	(4059322)	Roller, Cam Follower	3	
24	4059297	Lever, Rocker	3	
19	4026780	Pin, Cam Follower Roller	3	
20	4059282	Bushing	3	
3	(3679504)	Pin, Roll	3	
	4059413	Lever, Rocker	3	
15	4059377	Screw, Rkr Lever Adjusting	3	
16	3679694	Nut, Regular Hexagon Jam	3	
	4059354	Lever, Rocker	3	
1	3067941	Plug, Ball	3	

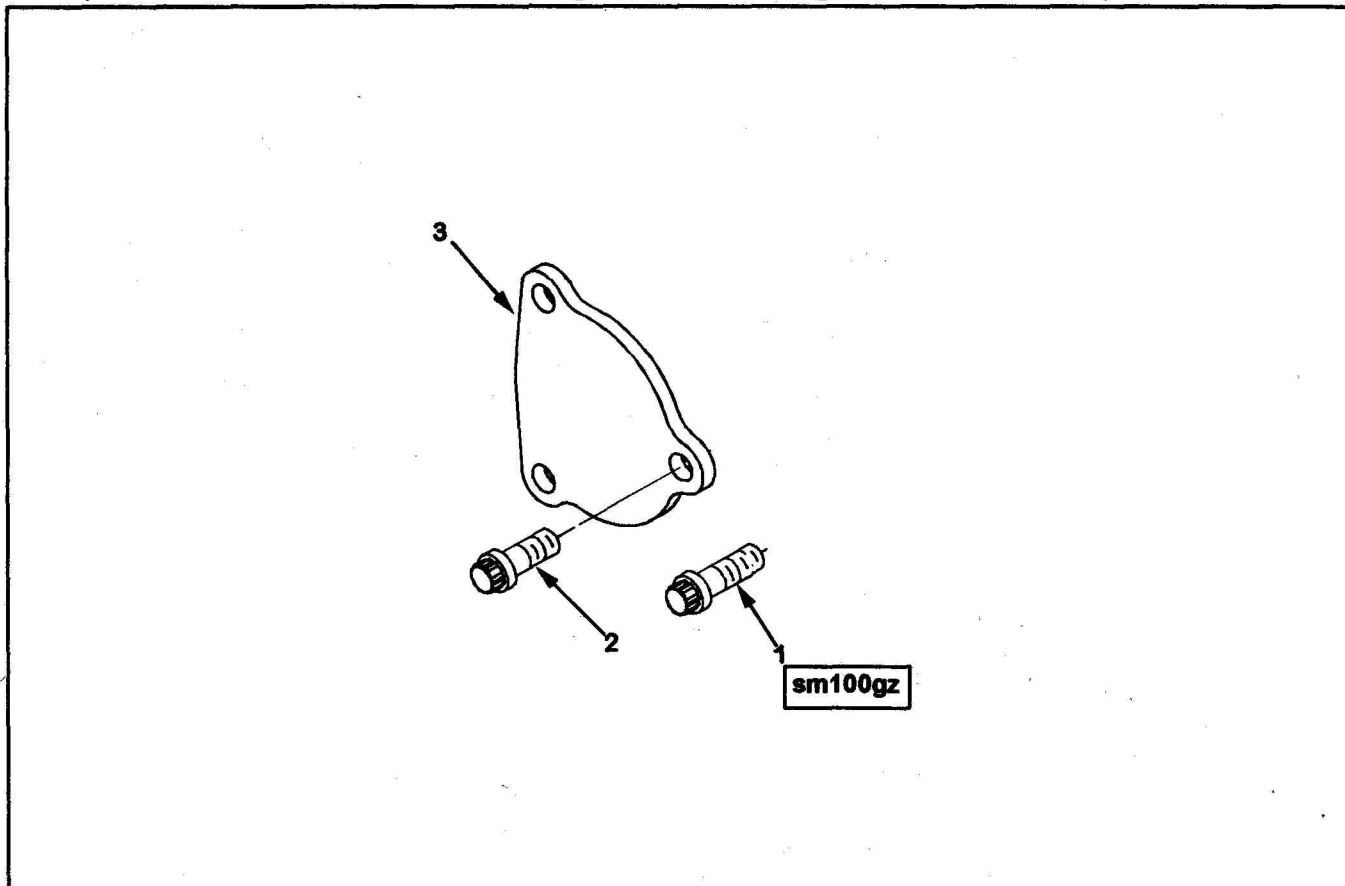


Ref No.	Part Number	Part Name	Req	Remarks
17	(4059322)	Roller, Cam Follower	3	
19	(4026779)	Pin, Cam Follower Roller	3	
20	4059282	Bushing	3	
3	(3679504)	Pin, Roll	3	
25	4059353	Lever, Rocker	3	
	4059288	Shaft, Rocker Lever	1	
26	4059289	Shaft, Rocker Lever	1	
23	(3680954)	Plug, Drive	2	
27	3681221	Screw, Hex Flange Head Cap	24	
28	4059342	Crosshead, Valve	12	

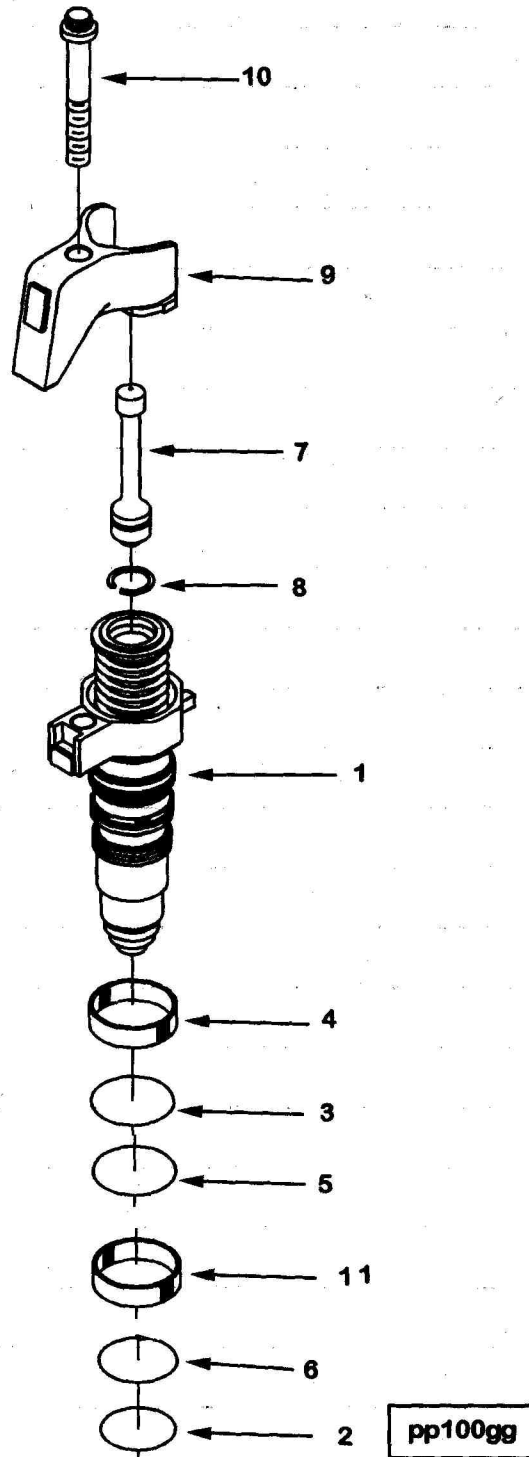


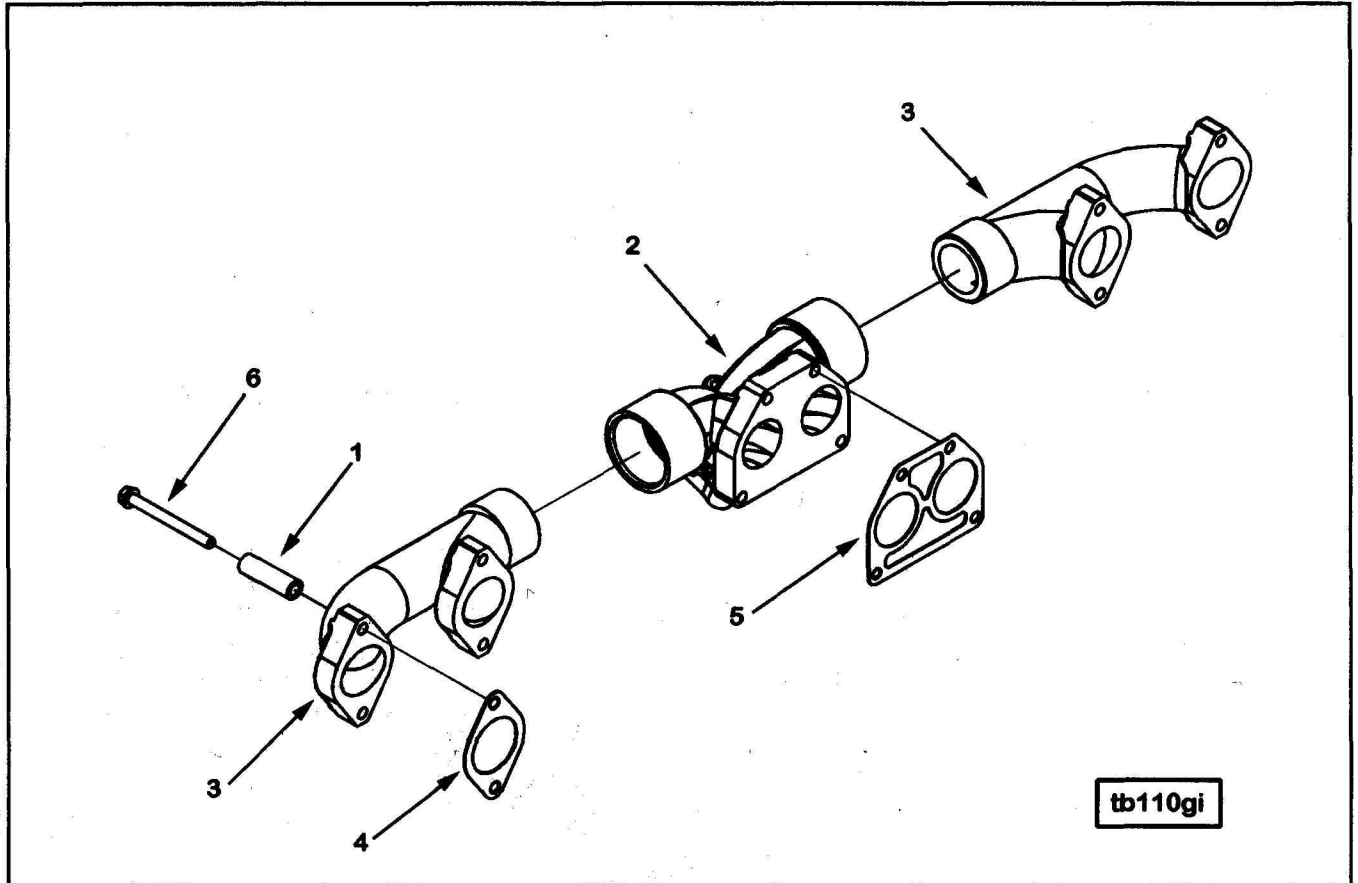
pp103gl

Ref No.	Part Number	Part Name	Req	Remarks
		CAMSHAFT OPTION PP2627		
				Camshaft
1	3100840	Camshaft	1	
2	4026588	Cover, Camshaft	1	
3	4026523	Seal, Rectangular Ring		
4	3679929	Support, Camshaft Thrust	1	
5	3679931	Gasket, Camshaft Cover	1	
6	3679933	Seal, O Ring	1	
7	3680520	Gear, Camshaft	1	Injector
8	3681041	Screw, Socket Head Cap	4	
9	3680817	Screw, Hex Flange Head Cap	1	
10	3678882	Screw, Hex Flange Head Cap	1	
11	3680802	Washer, Plain	1	
12	4059333	Camshaft	1	
13	4026587	Cover, Camshaft	1	
14	4026522	Seal, Rectangular Ring		
15	3679930	Support, Camshaft Thrust	1	
16	3679932	Gasket, Camshaft Cover	1	
17	3679934	Seal, O Ring	1	
18	3680522	Gear, Camshaft	1	
19	3902460	Screw, Hex Flange Head Cap	4	M10 x 1.50 x 25

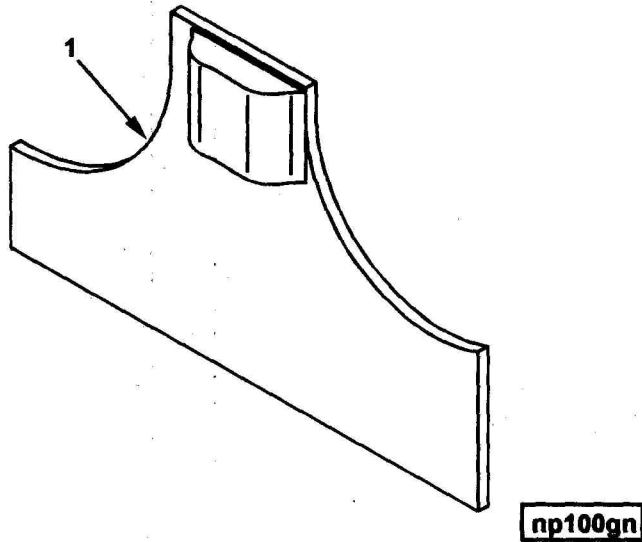


Ref No.	Part Number	Part Name	Req	Remarks
STARTING MOTOR MOUNTING				
OPTION SM1742				
				Starter Motor Mounting Cummins Supplied Mounting Screws: English (in) Clutch Provision: Dry For use with Cummins or customer supplied single starting motor on cast iron flywheel housing with dual starter provision. (Includes Cover Plate)
1	3103423	Screw, Twelve Point Cap	3	
2	206332	Screw, Twelve Point Cap	3	5/8 - 11 x 1 1/4 inch
3	206389	Cover, Starter Flange	1	

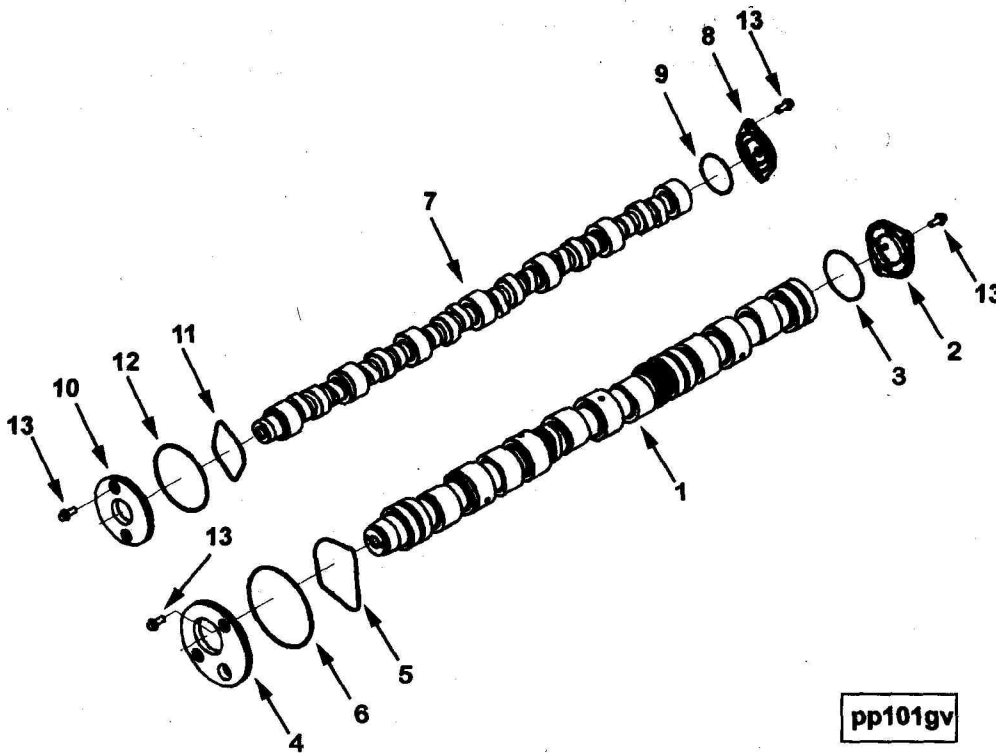




Ref No.	Part Number	Part Name	Req	Remarks
		TURBOCHARGER ARRANGEMENT OPTION TB1374		Turbocharger Arrangement Turbocharger Location: Mid Engine Exhaust Direction: Rear Out Turbocharger Orientation: Compressor Outlet Pointed Upward, Adjustable Holset Turbocharger Models: HX55, HX55 WG, and HX60 WG.
1	4965512	Spacer, Mounting	12	
2	3680199	Manifold, Exhaust	1	
3	3680200	Manifold, Exhaust	2	
4	4907447	Gasket, Exhaust Manifold	4	
5	4907448	Gasket, Exhaust Manifold	1	
6	4965698	Screw, Hex Flange Head Cap	12	



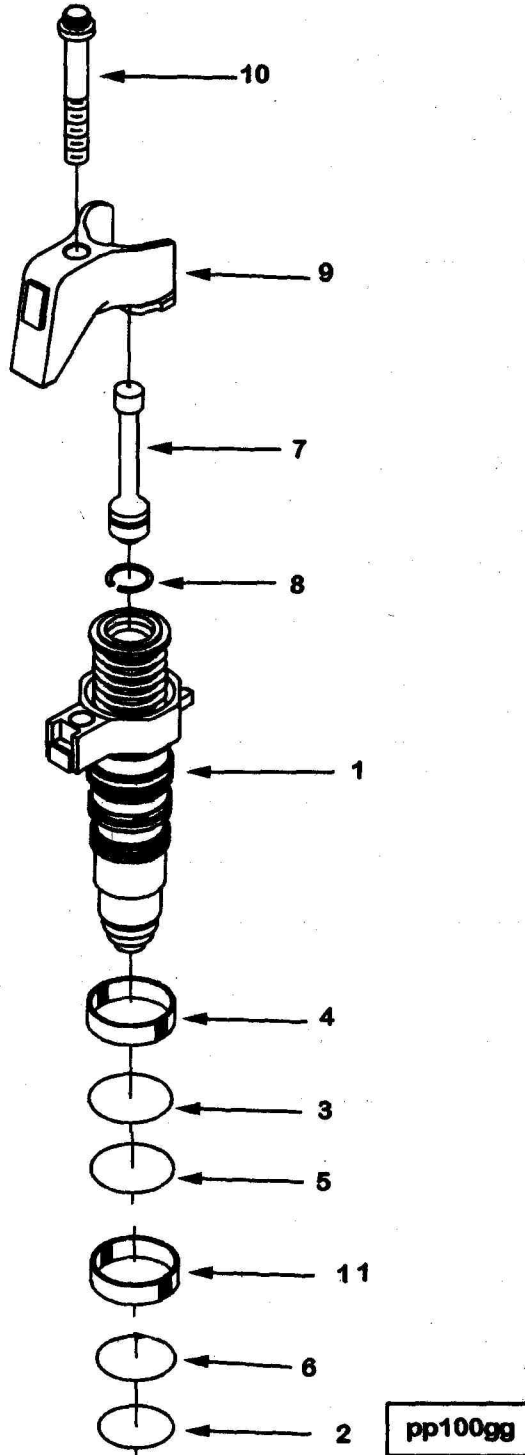
Ref No.	Part Number	Part Name	Req	Remarks
		TURBOCHARGER ARRANGEMENT OPTION TB1411		Turbocharger Arrangement Engine Aspiration: Charged Air Cooled Turbocharger Location: Mid Mount Exhaust Outlet Location: Rear Out Exhaust Outlet Size: 88mm (3.46 in) Turbocharger Model: HX60 W Turbocharger Compressor Housing Style: Rotatable Turbocharger Centerline Vertically from Crank Centerline: 585.4mm (23.05 in) Turbocharger Centerline Horizontally from Crank Centerline: 404.55mm (15.93 in) Range of Rotation: 120 Degrees Total from 30 Degrees to 150 Degrees Rotation Reference: Centerline of Compressor Outlet is at Zero When Pointing Horizontal Out from Engine and at 90 Degrees When Pointing Straight Up Exhaust Outlet Flange Type: V-Band Marmon Turbocharger Oil Supply Line Type: O Ring Face Seal Int. Man. Compuchek Fitting Included: No
1	3680199	Manifold, Exhaust	1	
2	3680200	Manifold, Exhaust	2	
3	4907447	Gasket, Exhaust Manifold	4	
4	4907448	Gasket, Exhaust Manifold	1	
5	(4923998)	Clamp, T Bolt	2	
6	(4952429)	Seal, Exhaust Manifold	2	
7	4965512	Spacer, Mounting	12	
8	4965698	Screw, Hex Flange Head Cap	12	



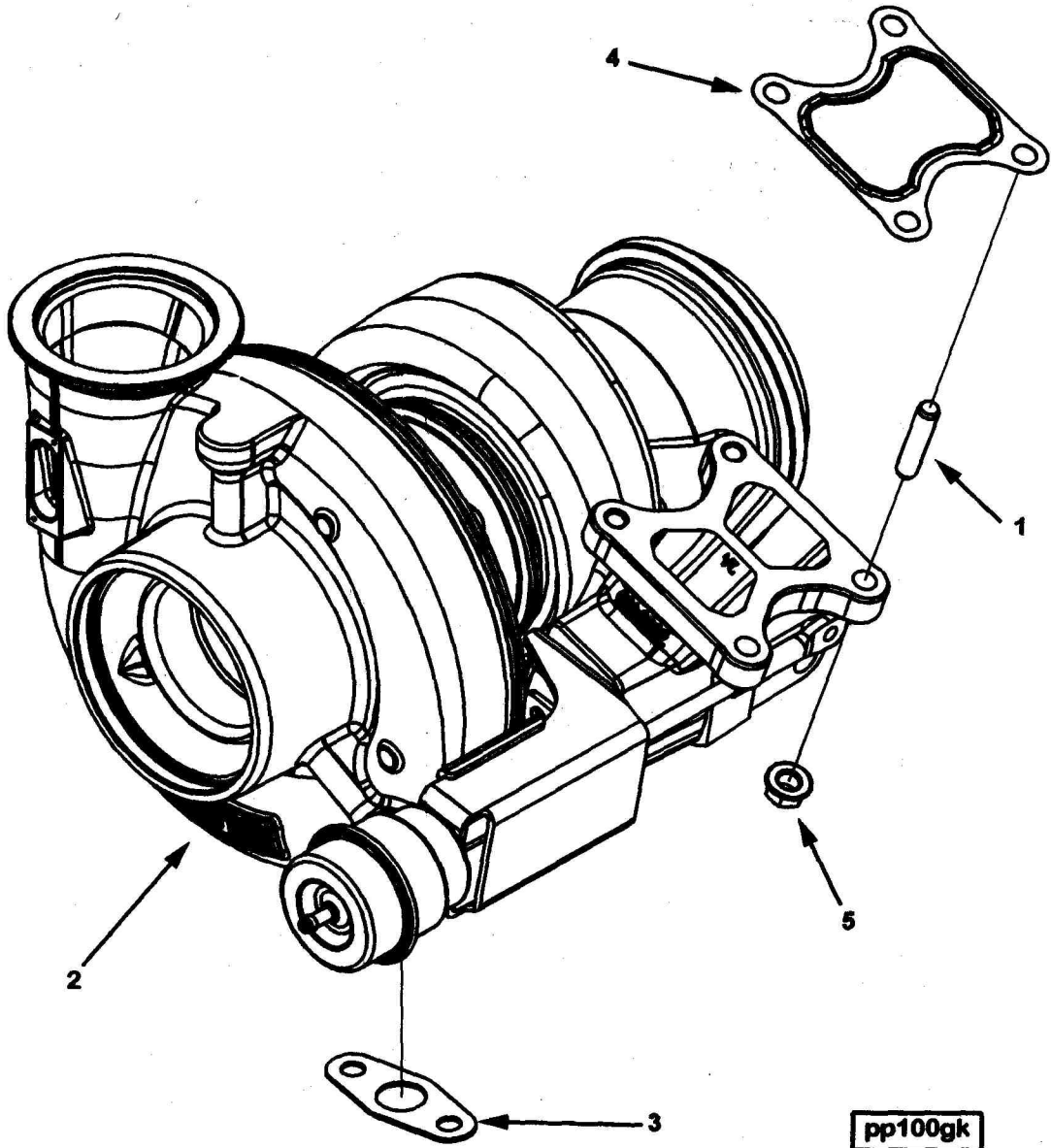
pp101gv

Ref No.	Part Number	Part Name	Req	Remarks
		CAMSHAFT OPTION PP2825		
				Camshaft
1	3100363	Camshaft	1	
2	4026588	Cover, Camshaft	1	
3	4101882	Seal, Rectangular Ring	1	
4	3679929	Support, Camshaft Thrust	1	
5	3679931	Gasket, Camshaft Cover	1	
6	3679933	Seal, O Ring	1	
7	4059331	Camshaft	1	Valve
8	4026587	Cover, Camshaft	1	
9	4101881	Seal, Rectangular Ring	1	
10	3679930	Support, Camshaft Thrust	1	
11	3679932	Gasket, Camshaft Cover	1	
12	3679934	Seal, O Ring	1	
13	3902460	Screw, Hex Flange Head Cap	8	M10 x 1.50 x 25

Ref No.	Part Number	Part Name	Req	Remarks
		THERMOSTAT HOUSING OPTION TH1160		Thermostat Housing With vertical vent cast iron thermostat housing and cover. One thermostat housing with two thermostats. Thermostat cover has two provisions for Water outlet connection attachments.
1	3684336	Gasket, Thermostat Housing	1	
2	3680602	Gasket, Thm Housing Cover	1	
	3681408	Housing, Thermostat	1	
	3678611	Plug, Threaded	2	
3	3678605	Plug, Threaded	1	
4	3678606	Seal, O Ring	1	
	3678610	Plug, Threaded	2	
6	3678602	Plug, Threaded	1	
7	3678603	Seal, O Ring	1	
	3100125	Cover, Thermostat Housing	1	
8	3084879	Seal, Thermostat	2	
9	3100124	Cover, Thermostat Housing	1	
	3681195	Housing, Thermostat	1	
10	3904446	Screw, Hex Flange Head Cap	4	M10 X 1.50 X 70.
11	3904987	Screw, Hex Flange Head Cap	2	M10 X 1.50 X 150.
12				Item not on this Version.



Ref No.	Part Number	Part Name	Req	Remarks
		TURBOCHARGER PLUMBING OPTION TP1750		Turbocharger Plumbing For use with Wastegated Turbocharger Oil Supply and Drain Lines Turbocharger: HX55-WG Horsepower Rating: 460 HP Turbocharger Orientation: Compressor Outlet Pointed Upward or Downward, Adjustable.
1	3025802	Screw, Hexagon Head Cap	2	M8 X 1.25 X 20.
2	3412353	Tube, Tur Oil Drain	1	
3	3678762	Seal, Grommet	1	
4	3680324	Gasket, Flange	1	
5	3680745	Hose, Plain	1	
6	3681718	Tube, Tur Oil Supply	1	
	3681771	Valve, Air Control	1	
7	174299	Retainer, Screen	1	
8	3008706	Screen, Filter	1	
9	3678925	Seal, O Ring	1	
10	3681770	Valve, Air Control	1	
11	3914420	Clamp, Hose	1	10.5 - 13mm.
	4905241	Turbo Oil Supply Fitting	1	
12	3090400	Union, Male	1	
	4906799	Wastegate Hose Mtg	1	
11	3914420	Clamp, Hose	1	10.5 - 13mm.
	4965791	Wire Tie Wastegate Hose	1	
13	3062329	Clamp, Wire Tie	1	

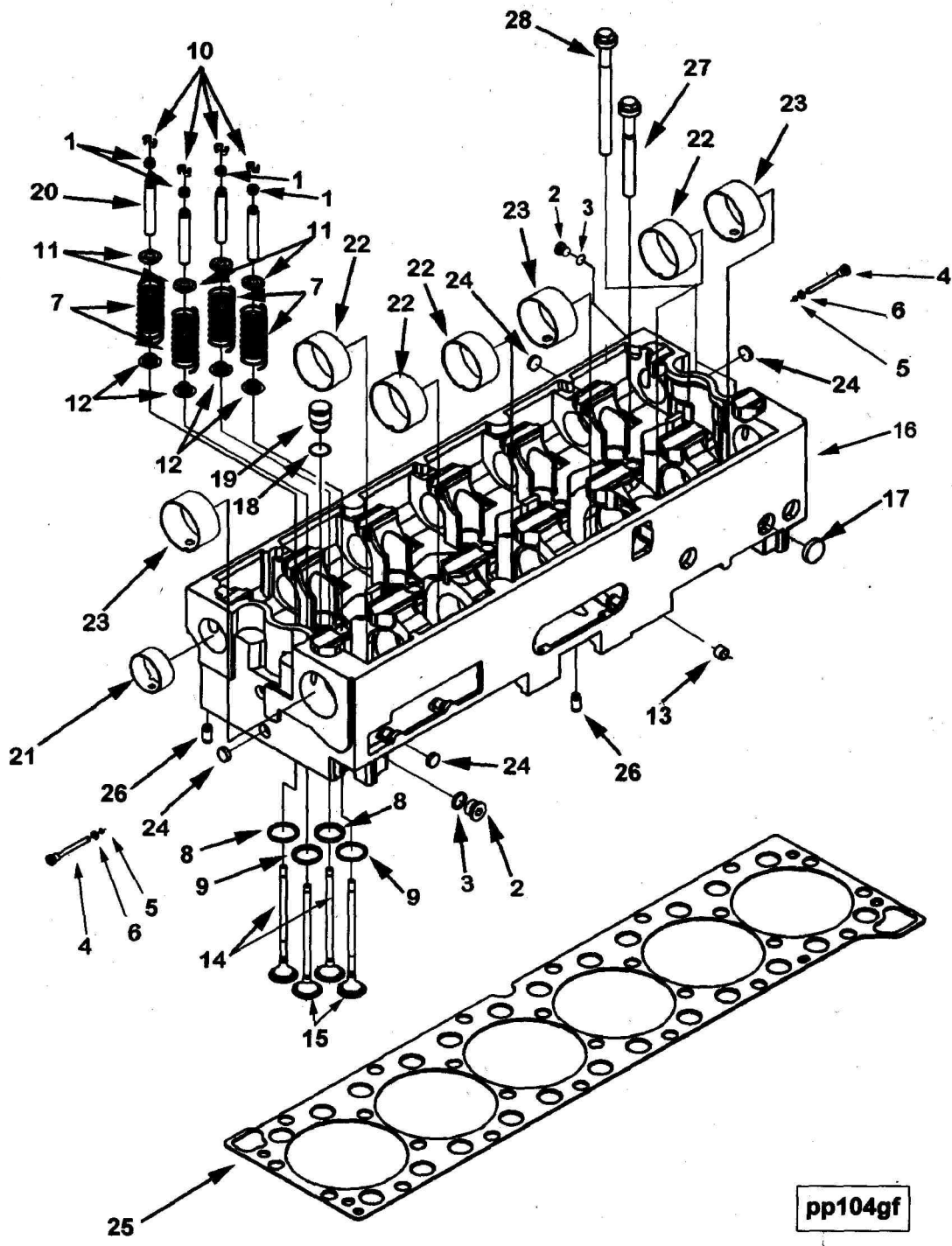


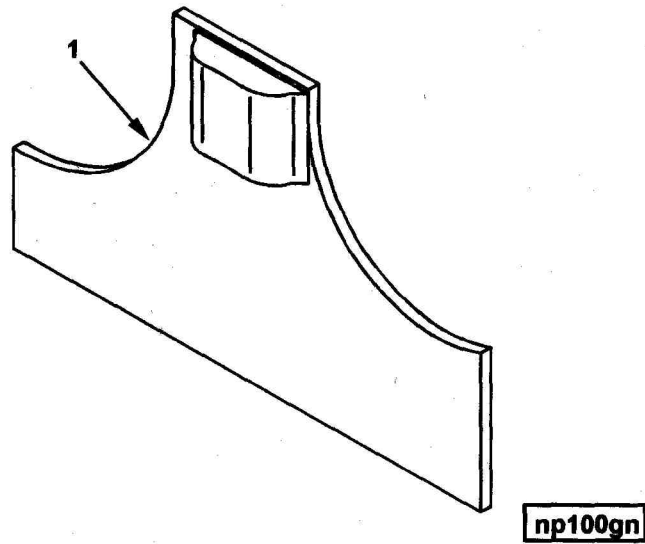
Group No. 03.01.1

Valve Cover

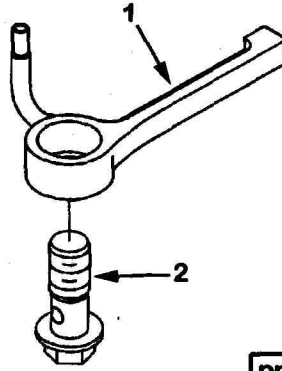
Option No. VC1072

Ref No.	Part Number	Part Name	Req	Remarks
		VALVE COVER OPTION VC1072		Valve Cover Material: Plastic Oil Filler: No Unique Characteristics: Without Gasket Groove Use with Carrier-Type Gasket
1	3104387	Cover, Valve	1	
2	3104392	Gasket, Valve Cover	1	
2	(3104391)	Cover, Valve	1	
3	3104388	Isolator, Vibration	8	



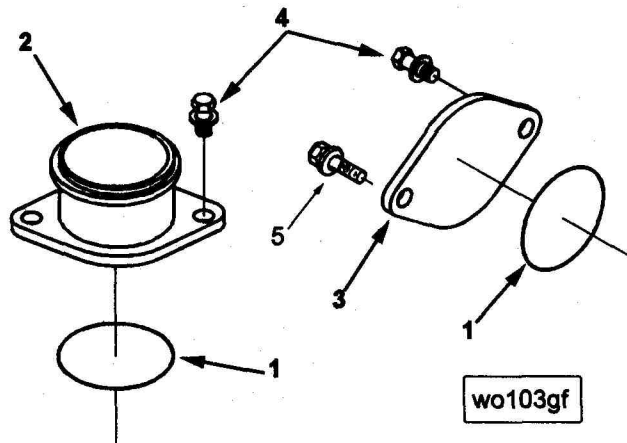


Ref No.	Part Number	Part Name	Req	Remarks
		WATER INLET CONNECTION OPTION WI1087		Water Inlet Connection Cast iron 63.5mm (2.5 in.) outside diameter connection mounted pointing down.
1	3684338	Gasket, Connection	1	
	3681322	Connection, Water Inlet	1	
2	3062100	Washer, Plain	1	1/4 Inch.
3	3412920	Shaft, Shutoff Valve	1	
	3678611	Plug, Threaded	3	
4	(3678605)	Plug, Threaded	1	
5	3678606	Seal, O Ring	1	M27 x 2.00
6	3680293	Adapter, Filter Head	1	
7	4059172	Seal, O Ring	1	Water pump inlet connection
8	(3681321)	Connection, Water Inlet	1	
9	3966716	Seal, O Ring	1	
10	3900626	Screw, Hex Flange Head Cap	1	M6 x 1.00 x 12
	3678838	Plug, Threaded	1	
11	(3678845)	Plug, Threaded	1	
12	3678846	Seal, O Ring	1	
13	3093936	Screw, Hex Flange Head Cap	4	

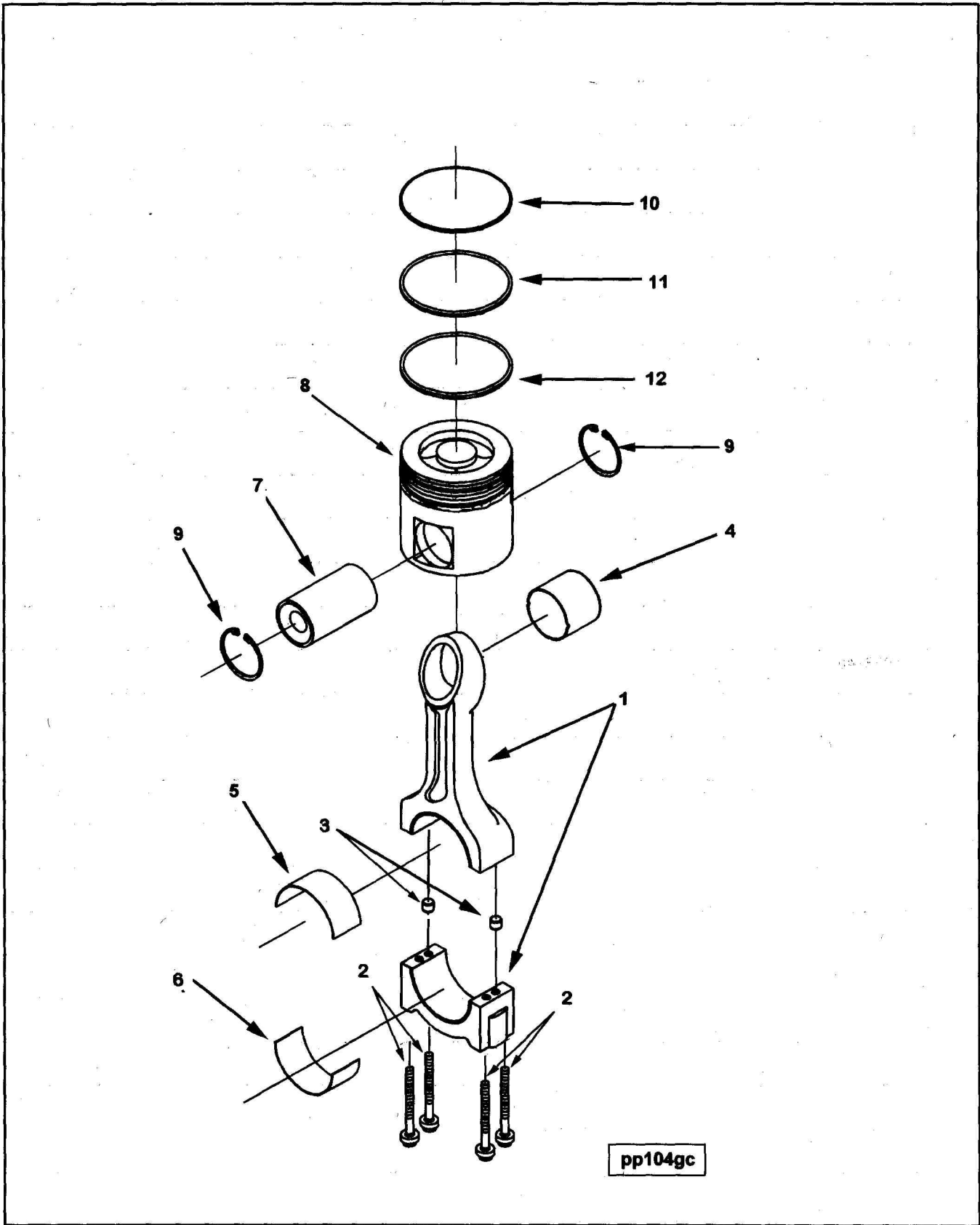


pp100gd

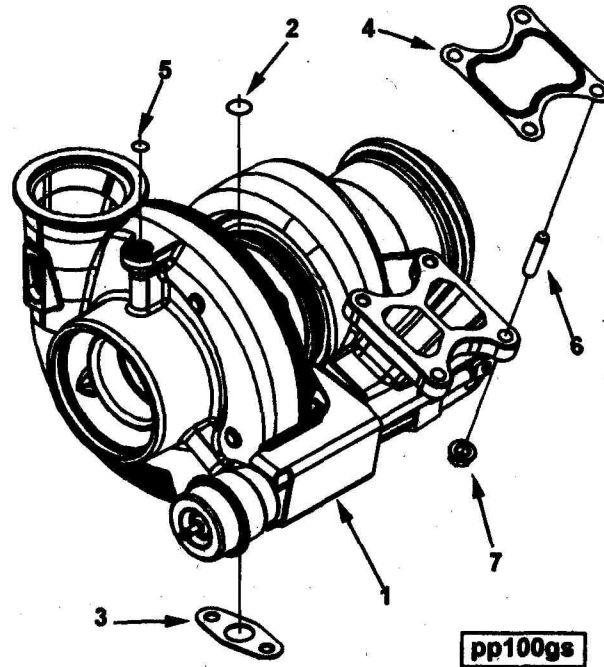
Ref No.	Part Number	Part Name	Req	Remarks
		PISTON COOLING NOZZLE OPTION PP10224		
1	3412860	Nozzle, Piston Cooling	6	Piston Cooling Nozzle
2	3679037	Screw, Hex Flange Head Cap	6	



Ref No.	Part Number	Part Name	Req	Remarks
		WATER OUTLET CONNECTION OPTION WO1123		Water Outlet Connection Outlet Outside Diameter: 63.5mm (2.5 in.) Mounting Location: Thermostat Housing Direction of Outlet Connection: Pointing Up Provides a studded capscrew located in the thermostat housing cover. The stud is a M8 x 1.25 x 20.
1	3081695	Seal, O Ring	2	
2	3086030	Connection, Water Outlet	1	
3	3681197	Plate, Cover	1	
4	3900630	Screw, Hex Flange Head Cap	3	M8 x 1.25 x 20
5	3941976	Screw, Hex Flange Head Cap	1	M8x1.25x28 - M8x1.25x22

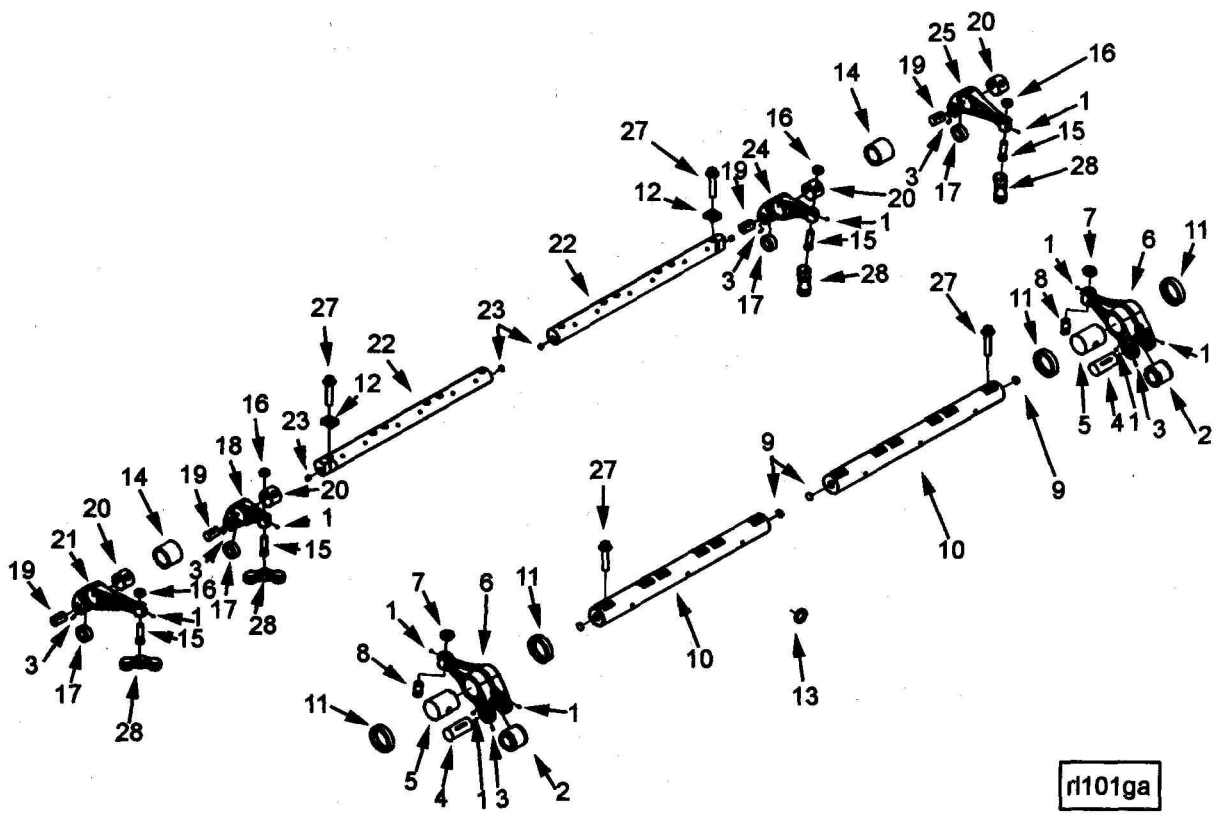


Ref No.	Part Number	Part Name	Req	Remarks
		WATER PUMP OPTION WP1730		Water Pump Unique Characteristics: High Flow for Belt Drive Fan Drives Does Not Include Dust Shield
1	3678724	Seal, O Ring	1	Water pump to block
2	(4920464)	Pump, Water	1	Serviced as 4089909.
3	3681191	Bracket, Belt Tensioner	1	
4	3896408	Screw, Hex Flange Head Cap	2	
5	3681390	Screw, Hex Flange Head Cap	1	M10 X 1.50 X 150.
6	3093936	Screw, Hex Flange Head Cap	2	
7	3009330	Washer, Plain	1	M10
	4089909 (4920464)	Pump, Water	1	Recon equivalent 4089909 NX
	3678724	Pump, Water	1	Serviced as 4089909.
	4059172	Seal, O Ring	1	Water pump to block
	4090022	Seal, O Ring	1	
	4059172	Kit, Water Repair	1	Water pump inlet connection
	3678724	Seal, O Ring	1	Water pump to block
	3679751	Seal, O Ring	1	Water pump cover plate
	3680737	Ring, Retaining	1	
	3680410	Cover, Water Pump	1	



Ref No.	Part Number	Part Name	Req	Remarks
		TURBOCHARGER OPTION PP10252		Turbocharger HX55 W for ISX2 Model Application: Automotive Crankcase Breather Type: Open Attitude Settings (DEGREES): COMP = 270 TURB = 160 VCA = 305 VTA = 315 Setting/Checking Pressure 1.0 Bar Setting Act Rod Movement 0.66 - 0.91mm
1	4090042 (4040844)	Kit, Turbocharger Turbocharger	1 1	Recon equivalent 4090042 RX Served as 4090042.
2	3679139	Seal, O Ring	1	
3	3680324	Gasket, Flange	1	
4	4026884	Gasket, Turbocharger	1	
5	3883963	Seal, O Ring	1	
6	4965730	Stud	4	
7	3818824	Nut, Hexagon Flange	4	M10 x 1.50

Ref No.	Part Number	Part Name	Req	Remarks
		WATER PUMP OPTION WP1733		Water Pump Unique Characteristics: High Flow for Customer Supplied or Crank Mounted Fan Drives Does Not Include Dust Shield
1	3678724	Seal, O Ring	1	Water pump to block
2	(4920464)	Pump, Water	1	Serviced as 4089909.
3	3896408	Screw, Hex Flange Head Cap	5	
	4089909	Pump, Water	1	Recon equivalent 4089909 NX
	(4920464)	Pump, Water	1	Serviced as 4089909.
	3678724	Seal, O Ring	1	Water pump to block
	4059172	Seal, O Ring	1	Water pump inlet connection
	4090022	Kit, Water Repair	1	
	4059172	Seal, O Ring	1	Water pump inlet connection
	3678724	Seal, O Ring	1	Water pump to block
	3679751	Seal, O Ring	1	Water pump cover plate
	3680737	Ring, Retaining	1	
	3680410	Cover, Water Pump	1	



Ref No.	Part Number	Part Name	Req	Remarks
		GASKET SET		
	4955590	Set, Lower Engine Gskt	1	
	3102109	Seal, O Ring	2	
	3103015	Seal, Grommet	2	
	3104232	Gasket, Lub Oil Clr Hsg	1	
	3678606	Seal, O Ring	1	
	3678724	Seal, O Ring	1	
	3678756	Seal, O Ring	1	
	3678846	Seal, O Ring	1	
	3678912	Seal, O Ring	1	
	3680443	Gasket, Acc Drive Support	1	
	3684338	Gasket, Connection	1	
	4026684	Gasket, Oil Pan	1	
	4026695	Gasket, Flywheel Housing	1	
	4059172	Seal, O Ring	1	Water pump inlet connection
	4089757	Gasket, Gear Housing	1	
	4955383	Kit, Front Crank Seal	1	
	4962722	Seal, Rectangular Strip	1	
	4965569	Kit, Seal & Spacer	1	

Group No. 17.02

Kits & Sets

Ref No.	Part Number	Part Name	Req	Remarks
		KITS & SETS		
	4089153	Kit, Liner		
	3800298	Set, Main Brg		
	4089406	Set, Piston Ring		
	4955594	Set, Upper Engine Gasket		
	4955590	Set, Lower Engine Gasket		
	4089895	Kit, Engine Piston		
	4089411	Kit, Engine Piston		
	4090022	Kit, Water Repair		

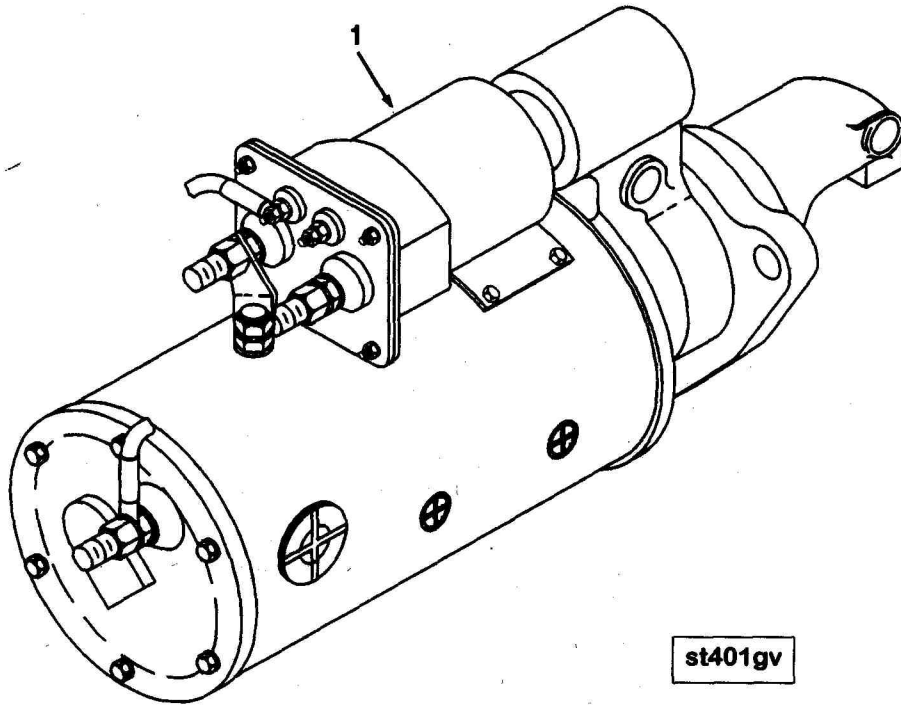


sm100gg

Ref No.	Part Number	Part Name	Req	Remarks
1	3103423	<p style="text-align: center;">STARTING MOTOR MOUNTING OPTION SM1732</p> <p>Screw, Twelve Point Cap</p>	3	<p>Starting Motor Mounting Cummins Supplied Mounting Screws: English (in) Clutch Provision: Dry</p>

Option Index

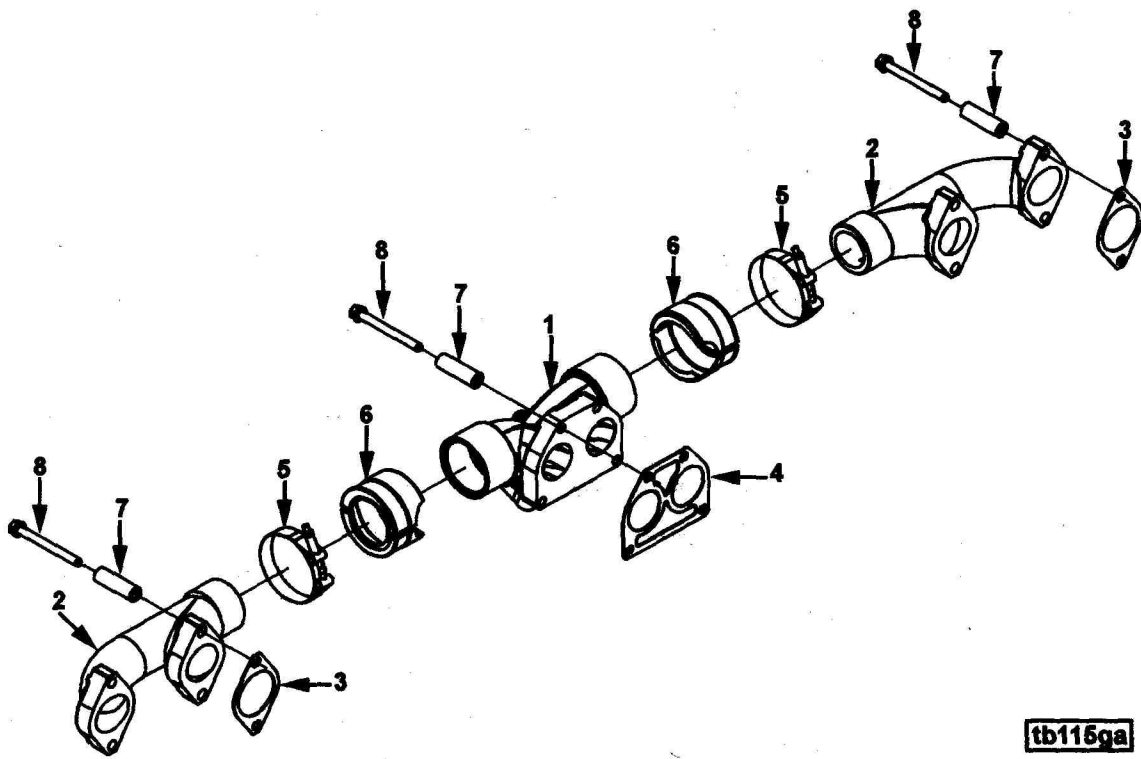
Option No.	Description	Page No.
AP1030	Agency Approval	2
AP1045	Agency Approval	3
BB1725	Cover Plate	7
	Crankshaft	9
	Cylinder Block	5
	Cylinder Liner Kit	6
	Gear Housing Brace	12
	Gear Housing/Idler Gears	11
BB1836	Cover Plate	17
	Crankshaft	19
	Cylinder Block	15
	Cylinder Liner Kit	16
	Gear Housing Brace	23
	Gear Housing/Idler Gears	21
BR1242	Crankcase Breather	24
BR1252	Crankcase Breather	27
CB1704	Engine Barring Drive	29
CB1705	Engine Barring Drive	30
CF1032	Ref Compressor Mounting	33
CH1011	Coo Heater Starting Aid	34
CH1014	Coo Heater Starting Aid	35
DA1229	Vibration Damper	36
DA1230	Vibration Damper	37
DF1044	Front Gear Train Accessory	39
EB1203	Engine Brake	40
EC1722	Thermostat	41
EE1240	Alternator	42
EH1083	Alternator Mounting	45
EH1721	Alternator Drive	46
EH1723	Alternator Drive	47
EM1343	Front Engine Support	48
FA1464	Fan Drive	51
FA1480	Fan Drive	53
FF1254	Fuel Filter	54
FH11089	Flywheel Housing	57
FH11093	Flywheel Housing	59
FP11056	Fuel Pump	61
FP11061	Fuel Pump	67
FW1020	Flywheel	72
GG1725	Front Gear Cover	75
GG1727	Front Gear Cover	77
IC1058	Air Intake Connection	78
IC1065	Air Intake Connection	79
IT1014	Air Transfer Connection	80
IT1021	Air Transfer Connection	81
LC1734	Engine Oil Cooler	83
LF1210	Full Flow Oil Filter	84
LG1037	Oil Level Gauge	87
LG1088	Oil Level Gauge	89
OB1397	Oil Filler Arrangement	91
OB1401	Oil Fill Arrangement	93
OP1491	Oil Pan	95
PH1763	Electronic Control Module	97
PP2627	Camshaft	104
	Cylinder Head	103



Ref No.	Part Number	Part Name	Req	Remarks
1	4906784	<p>STARTING MOTOR OPTION ST1361</p> <p>Motor, Starting</p>	1	<p>Starting Motor Manufacturer: Delco Remy Model: DR50 MT400 Voltage: 24 Rotation: Right Hand Solenoid Angle (Degrees): 67.5 Length: 415.54mm (16.36 in) Power Supply: Electric Starter Location: Engine Left</p>

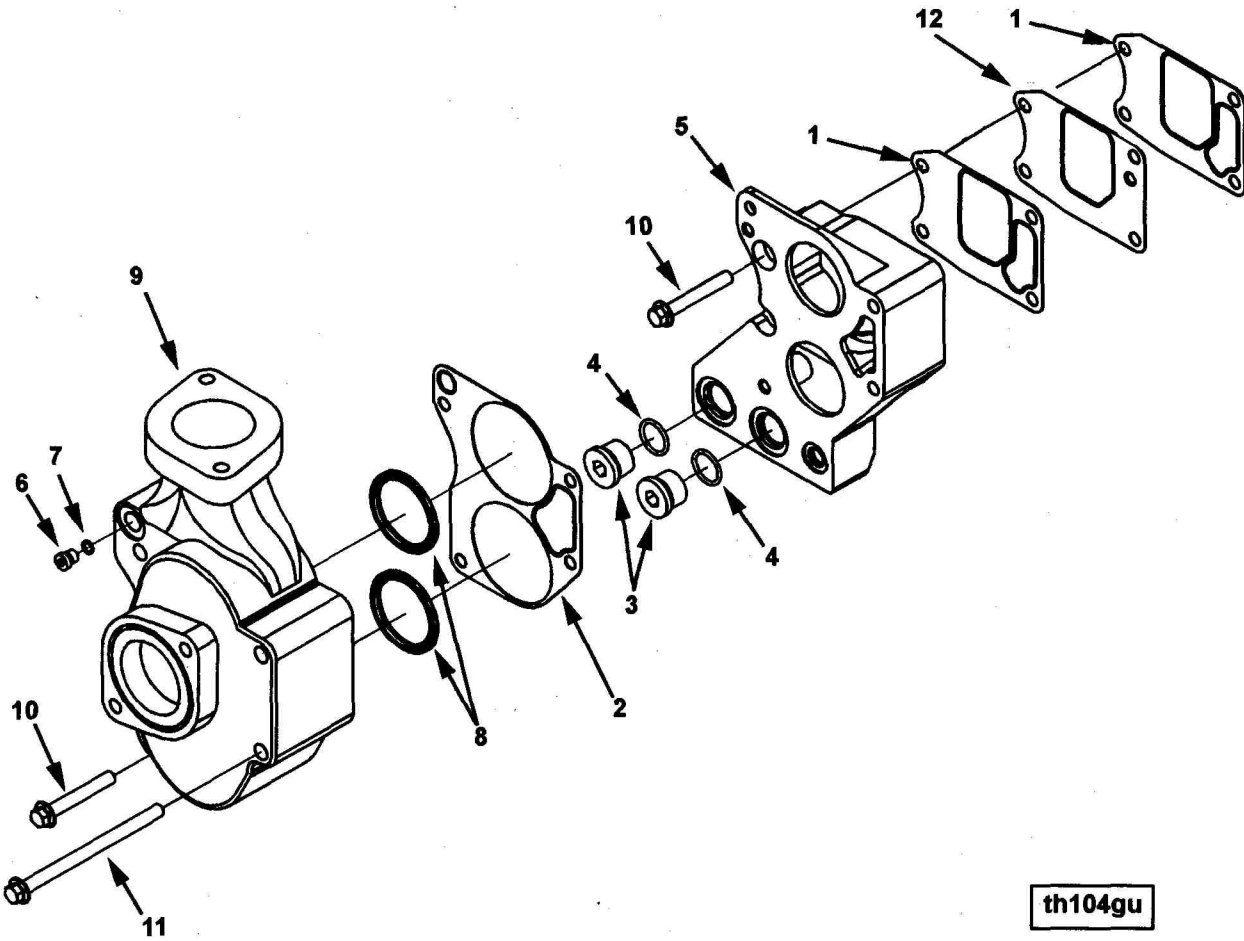
INDEX

Part No.	Description	Page No.	Part No.	Description	Page No.
S 107	Screw, Hexagon Head Cap	45	3062329	Clamp, Wire Tie	139
S 113	Screw, Hexagon Head Cap	53	3063567	Screw, Captive Washer Cap	45
S 16255	Ring, Retaining	45	3063844	Cover, Fan Hub	53
64998 C	Hose, Plain	27	3064305	Ring, Retaining	101, 123
69324	Washer, Plain	33	3064404	Cover, Idler Pulley	45
69465	Clip	97	3064406	Bearing, Ball	45
70700	Spring, Compression	61, 67	3066211	Seal, O Ring	115
70704	Washer, Plain	61, 67	3067941	Plug, Ball	127
70760	Dowel, Pin	53	3067979	Clamp, V Band	80, 81
70897	Nut, Lock	45	3068935	Dowel, Pin	9, 19, 36, 37
100099	Seal, Rectangular Ring	61, 67	3070458	Washer, Plain	45
102243	Ring, Retaining	29	3074482	Seal, Oil	45
105375	Nameplate	63, 69	3076301	Clamp, Wire Tie	97
107460	Clip	24, 27	3081164	Bearing, Roller	53
107981	Cap, Filler	91	3081494	Seal, O Ring	77
127316	Washer, Plain	57, 59	3081695	Seal, O Ring	146, 147
129768	Spring, Valve	61, 67	3084539	Seal, O Ring	63, 69
129839	Shield, Shutoff Valve	61, 67	3084879	Seal, Thermostat	137
129888	Seal, Rectangular Ring	61, 63, 65, 67, 69, 71	3086030	Connection, Water Outlet	147
			3087316	Screen, Filter	107, 113
139988	Seal, Rectangular Ring	61, 67	3089025	Seal, O Ring	83
142176	Nut, Lock	53	3089240	Seal, O Ring	63, 69
145551	Seal, O Ring	45	3089392	Seal, O Ring	63, 69
146161	Washer, Plain	87, 89, 97	3090400	Union, Male	83, 139
151900	Seal, Rectangular Ring	61, 63, 67, 69	3090419	Union, Male	83
160514	Washer, Plain	61, 67	3090769	Screen, Filter	61, 67
174299	Retainer, Screen	139	3093773	Screw, Hexagon Head Cap	12
180372	Clip	23	3093931	Screw, Hex Flange Head Cap	23
186917	Clamp, V Band	152		Screw, Hex Flange Head Cap	53, 145, 149
196057	Disc, Valve	61, 67	3093936	Screw, Hex Flange Head Cap	51, 53
200307	Seal, Oil	53		Screw, Hex Flange Head Cap	53
202897	Diaphragm, Fuel Pump Damper	61, 67	3093939	Screw, Hex Flange Head Cap	67
			3093940	Screw, Hex Flange Head Cap	34, 35
206332	Screw, Twelve Point Cap	131		Screw, Twelve Point Cap	152
206389	Cover, Starter Flange	131	3093946	Pulley, Fan	53
3008706	Screen, Filter	139	3093957	Hub, Fan	53
3009330	Washer, Plain	149		Cover, Thermostat Housing	137
3011876	Gasket, Turbocharger	115, 152	3094731	Cover, Thermostat Housing	137
3012467	Washer, Plain	53	3095219	Belt, V Ribbed	47
3014575	Cap, Fuel Pump Filter	61, 67	3095221	Brace, Gear Housing	12
3015865	Plug, Expansion	103, 117	3100124	Belt, V Ribbed	53
3021123	Seal, O Ring	61, 63, 69	3100125	Connection, Water Outlet	146
3022148	Screw, Hexagon Head Cap	57, 59	3100141	Camshaft	110
3025802	Screw, Hexagon Head Cap	139	3100196	Plate, Cover	39
3025806	Screw, Socket Head Cap	61, 63, 67, 69	3100269	Dataplate	3
3026134	Gasket, Cover Plate	57	3100363	Tube, Oil Filler	93
3026135	Cover, Access Hole	57	3100424	Lever, Rocker	127
3026269	Washer, Plain	53	3100447	Lever, Rocker	127
3033043	Screw, Hexagon Head Cap	39	3100468	Roller, Cam Follower	127
3034451	Housing, Actuator	61	3100776	Assembly, Oil Fill	93
3034452	Disc, Actuator	61	3100777	Camshaft	104
3035806	Washer, Plain	12, 45	3100778	Assembly, Oil Fill	91
3036460	Washer, Spring	23	3100789	Plate, Clamping	75
3037537	Seal, O Ring	61, 63, 67, 69	3100840	Support, Ref Compressor	33
3042004	Plug, Threaded	57	3100846	Pulley, Crankshaft	36, 37
3042401	Seal, Grommet	27, 75	3100979	Cap, Filler	93
3042543	Seal, O Ring	63, 69	3101145	Plate, Clamping	75
3042544	Seal, O Ring	154	3101376	Gasket, Gear Cover	75
3042619	Nipple, Coupling	61, 67	3101401	Filter, Lubricating Oil	84
3042620	Nipple, Coupling	61, 67	3101568	Filter, Fuel	54
3044297	Seal, O Ring	61, 63, 65, 67, 69, 71	3101569	Seal, O Ring	153
			3101868	Housing, Flywheel	57
3045986	Seal, O Ring	61, 63, 65, 67, 69, 71	3101872		
			3102109		
3047134	Tube, Breather	27	3102152		
3047575	Washer, Plain	67			
3062100	Washer, Plain	145			



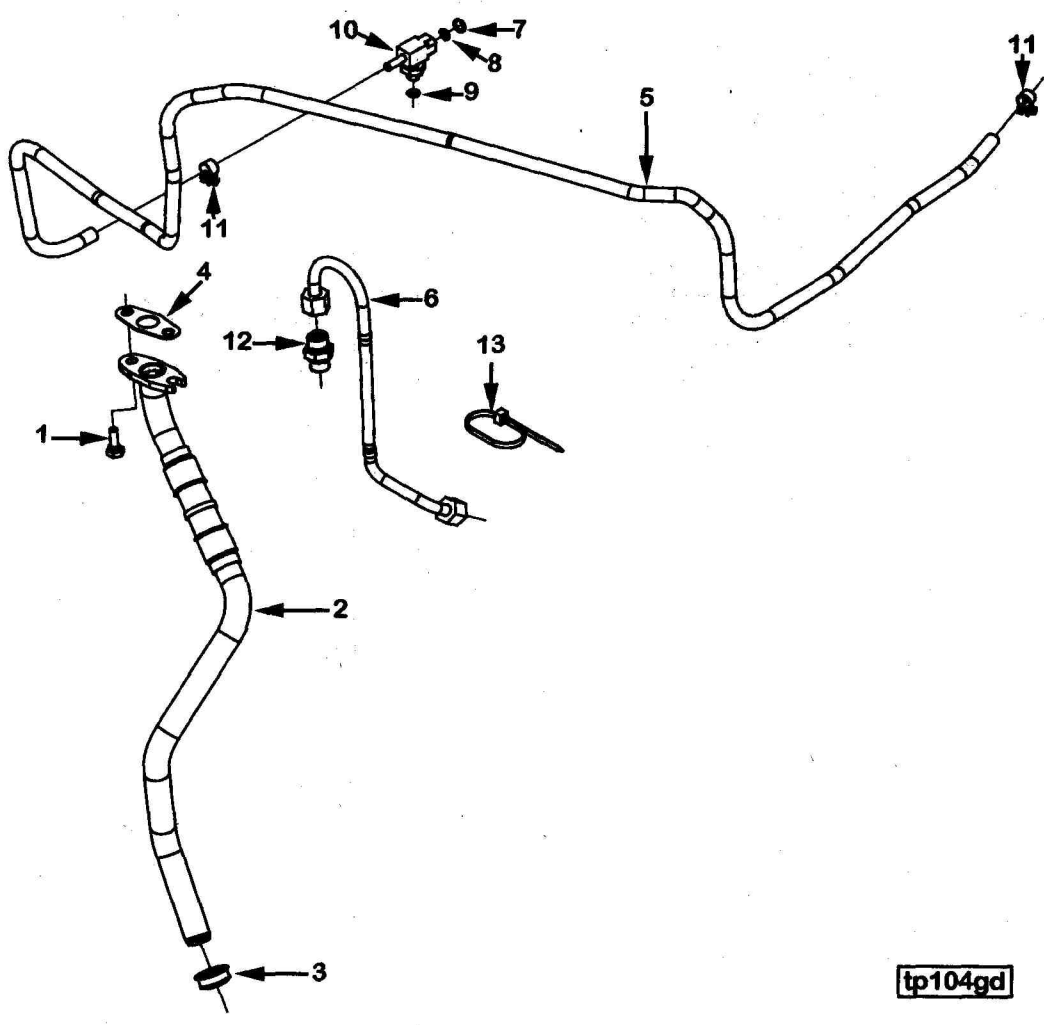
INDEX

Part No.	Description	Page No.	Part No.	Description	Page No.
3679139	Seal, O Ring	63, 69, 83, 115,	3680781	Screw, Hex Flange Head	
		124		Cap	5, 15
3679266	Spacer, Mounting	33	3680802	Washer, Plain	104
3679334	Plug, Expansion	29, 30	3680817	Screw, Hex Flange Head	
3679354	Plug, Threaded	103		Cap	104
3679417	Shaft, Rocker Lever	127	3680866	Screw, Hex Flange Head	
3679418	Shaft, Rocker Lever	127		Cap	11, 21
3679427	Clamp, Retaining	127	3680882	Screw, Captive Washer Cap	11, 21
3679504	Pin, Roll	127, 129	3680883	Collet, Valve	103, 117
3679537	Insert, Valve	103	3680884	Retainer, Valve Spring	103, 117
3679551	Spring, Valve	103	3680913	Gear, Flywheel Ring	72
3679561	Spacer, Thrust Ring	127	3680921	Flywheel	72
3679684	Link, Adjusting	33	3680922	Flywheel	72
3679694	Nut, Regular Hexagon Jam	127	3680954	Plug, Drive	127, 129
3679751	Seal, O Ring	149, 151	3681041	Screw, Socket Head Cap	104
3679869	Pin, Cam Follower Roller	127	3681054	Dowel, Pin	9, 19
3679870	Bushing	127	3681056	Screw, Hex Flange Head	
3679880	Plug, Threaded	83		Cap	48
3679881	Plug, Threaded	83	3681057	Screw, Hex Flange Head	
3679929	Support, Camshaft Thrust	104, 110		Cap	48
3679930	Support, Camshaft Thrust	104, 110	3681059	Plate, Cooler	97
3679931	Gasket, Camshaft Cover	104, 110, 154	3681078	Ring, Compression Piston	101, 123
3679932	Gasket, Camshaft Cover	104, 110, 154	3681128	Cover, Gear	77
3679933	Seal, O Ring	104, 110, 154	3681129	Support, Belt Tensioner	53
3679934	Seal, O Ring	104, 110, 154	3681130	Bracket, Fan	53
3680057	Nut, Regular Hexagon Jam	127	3681143	Gear, Idler	11, 21
3680058	Screw, Rkr Lever Adjusting	127	3681144	Gear, Idler	11, 21
3680082	Pulley, Alternator	45	3681149	Bearing, Thrust	11, 21
3680086	Spacer, Mounting	11, 21	3681174	Screw, Hex Flange Head	
3680167	Lever, Rocker	127		Cap	11, 21
3680195	Pulley, Idler	45	3681191	Bracket, Belt Tensioner	149
3680196	Pulley, Idler TLA	45	3681194	Ring, Speed Indicator	9, 19
3680199	Manifold, Exhaust	133, 135	3681195	Housing, Thermostat	137
3680200	Manifold, Exhaust	133, 135	3681197	Plate, Cover	146, 147
3680201	Bushing	11, 21	3681221	Screw, Hex Flange Head	
3680202	Bearing, Crankshaft Thrust	9, 19		Cap	129
3680212	Spring, Compression	11	3681268	Screw, Captive Washer Cap	11, 21
3680239	Shaft, Idler	11, 21	3681273	Retainer, Gear	11, 21
3680240	Spacer, Mounting	11, 21	3681321	Connection, Water Inlet	145
3680246	Cap, Main Bearing	5, 15	3681322	Connection, Water Inlet	145
3680260	Shaft, Idler	11, 21	3681379	Adapter, Hydraulic Pump	39
3680283	Shaft, Idler	45	3681382	Adapter, Hydraulic Pump	39
3680284	Gasket, Etr Control Module	97, 154	3681390	Screw, Hex Flange Head	
3680293	Adapter, Filter Head	145		Cap	149
3680318	Guide, Valve Spring	103, 117	3681391	Connection, Air Intake	79
3680324	Gasket, Flange	115, 124, 139,	3681408	Housing, Thermostat	137
		154	3681419	Connection, Air Transfer	81
3680371	Plate, Cover	91	3681425	Spring, Compression	29
3680410	Cover, Water Pump	149, 151	3681448	Spacer, Mounting	51
3680419	Plug, Threaded	95	3681484	Data, Nonvolatile Memory	97
3680420	Plug, Threaded	95	3681508	Insert, Filter Head	83
3680425	Plate, Cyl Bik Stiffening	5, 15	3681557	Tube, Oil Cooler	83
3680443	Gasket, Acc Drive Support	29, 39, 153	3681583	Screw, Hexagon Head Cap	36, 37
3680503	Adapter, Crankshaft	9, 19	3681584	Spacer, Mounting	12
3680520	Gear, Camshaft	104	3681587	Pulley, Idler	53
3680522	Gear, Camshaft	104	3681595	Spacer, Mounting	36, 37
3680542	Gear, Crankshaft	9, 19	3681609	Adapter, Crankshaft	37
3680544	Gear, Idler	11	3681610	Screw, Hex Flange Head	
3680546	Gear, Idler	11, 21		Cap	37
3680580	Bushing	103, 117	3681612	Adapter, Barring	39
3680581	Bushing	103, 117	3681642	Support, Ref Compressor	33
3680602	Gasket, Thm Housing Cover	137, 154	3681663	Gear, Accessory Drive	39
3680656	Bracket, Lifting	103	3681677	Cover, Gear	75
3680732	Plug, Expansion	127	3681698	Housing, Engine Barring	29
3680737	Ring, Retaining	149, 151	3681701	Shaft, Barring	29
3680742	Connection, Air Intake	78	3681702	Gear, Engine Barring	29
3680745	Hose, Plain	139	3681703	Housing, Engine Barring	29

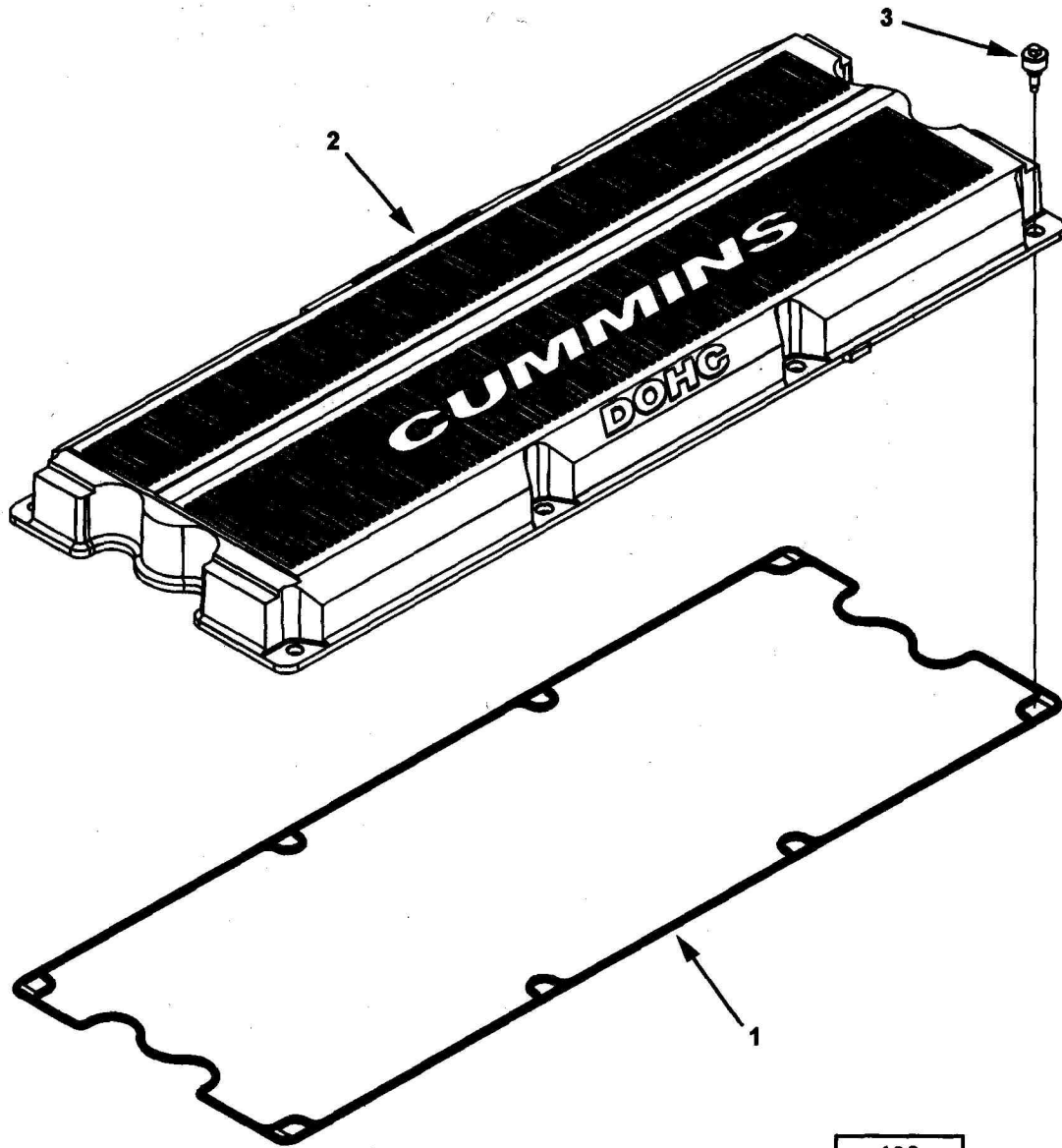


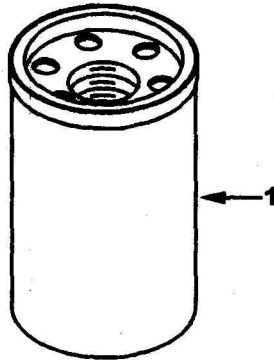
INDEX

Part No.	Description	Page No.	Part No.	Description	Page No.
4022822	Screw, Hexagon Head Cap	45	4059386	Housing, Gear	11
4024808	Kit, Fuel Solenoid	65, 71	4059396	Housing, Gear	11
4025255	Kit, IFSM Service/Repair	63, 69	4059410	Lever, Rocker	127
4025634	Housing, Filter	67	4059411	Lever, Rocker	127
4026420	Cover, Protective	83	4059412	Lever, Rocker	127
4026423	Bushing	103, 117	4059413	Lever, Rocker	127
4026488	Seal, Oil	75	4059424	Cover, Gear	75
4026489	Seal, Oil	75	4059426	Cover, Gear	75
4026490	Seal, O Ring	75	4059429	Rod, Engine Connecting	101, 123
4026516	Connection, Air Intake	78	4059447	Bearing, connecting Rod	101
4026519	Connection, Air Intake	79	4059448	Bushing	101, 123
4026522	Seal, Rectangular Ring	104	4059449	Rod, Engine Connecting	101, 123
4026523	Seal, Rectangular Ring	104	4061685	Sleeve, Injector	103
4026528	Spacer, Bearing	72	4062005	Gasket, Support	63, 69, 71
4026587	Cover, Camshaft	104, 110	4062568	Injector	107
4026588	Cover, Camshaft	104, 110	4062569	Injector	113
4026589	Clip	87, 89	4076471	Screw, Socket Head Cap	67
4026657	Guide, Valve Stem	103, 117	4076572	Housing, Fuel Control	61, 69
4026660	Seal, Valve Stem	103	4076574	Pump, Gear Fuel	63
4026662	Housing, Flywheel	57	4076580	Pump, Fuel	69
4026680	Brace, Wiring	97	4076585	Plate, Cover	61, 63, 71
4026684	Gasket, Oil Pan	95, 153	4076586	Gasket, Fuel Pump	61, 65, 69, 71
4026695	Gasket, Flywheel Housing	57, 59, 153	4076587	Gasket, Ful Cnt Housing	65, 67, 71, 154
4026779	Pin, Cam Follower Roller	127, 129	4076588	Housing, Filter	67
4026780	Pin, Cam Follower Roller	127	4076589	Housing, Filter	67
4026791	Seal, Valve Stem	103, 117	4076591	Screen, Filter	67
4026798	Spacer, Mounting	87, 89	4076593	Valve, Check	63, 69
4026884	Gasket, Turbocharger	124, 154	4076594	Valve, Check	63, 69
4026888	Cap, Dipstick	87, 89	4076597	Housing, Fuel control	65, 71
4026893	Dipstick	87, 89	4076598	Screen, Filter	67
4026918	Plug, Threaded	57	4076599	Plug, Orifice	61, 69
4040844	Turbocharger	124	4077087	Module, Fuel Control	67
4058956	Cover, Protective	83	4082974	Plug, Gear Cover	77
4059172	Seal, O Ring	145, 149, 151, 153	4083245	Screw, Captive Washer Cap	39
			4088274	Disc, Actuator	69
4059182	Seal, Diamond Strip	75	4088802	Plug, Threaded	69
4059190	Gasket, Cylinder Head	154	4088803	Plug, Threaded	69
4059191	Bracket, Cus Accessory	97	4088806	Plug, Threaded	69
4059197	Spacer, Thrust Ring	127	4088807	Plug, Threaded	69
4059199	Tube, Oil Gauge	87, 89	4088848	Pump, Gear Fuel	69
4059215	Insert, Valve	103	4088863	Housing, Actuator	69
4059238	Head, Cylinder	103	4089153	Kit, Cylinder Liner	6, 16, 155
4059248	Head, Cylinder	103	4089197	Kit, Lub Oil Clr Hsg Gaske	83
4059255	Housing, Gear	21	4089255	Plug, Cavity	154
4059282	Bushing	127, 129	4089298	Kit, Turbocharger	115
4059283	Shaft, Rocker Lever	127	4089405	Set, Rod Bearing (STD)	101, 123
4059284	Shaft, Rocker Lever	127	4089406	Set, Piston Ring	101, 123, 155
4059288	Shaft, Rocker Lever	129	4089411	Kit, Engine Piston	101, 155
4059289	Shaft, Rocker Lever	129	4089539	Kit, Actuator	65, 71
4059294	Lever, Rocker	127	4089541	Kit, Actuator	65, 71
4059295	Lever, Rocker	127	4089757	Gasket, Gear Housing	11, 21, 153
4059297	Lever, Rocker	127	4089895	Kit, Engine Piston	123, 155
4059298	Lever, Rocker	127	4089909	Pump, Water	149, 151
4059322	Roller, Cam Follower	127, 129	4090022	Kit, Water Repair	149, 151, 155
4059326	Valve, Intake	103	4090042	Kit, Turbocharger	124
4059327	Valve, Exhaust	103	4101451	Screw, Hex Flange Head Cap	77
4059331	Camshaft	110			
4059333	Camshaft	104	4101454	Valve, Exhaust	117
4059342	Crosshead, Valve	129	4101478	Piston, Engine	101
4059350	Gasket, Cylinder Head	103	4101507	Liner, Cylinder	6, 16
4059351	Lever, Rocker	127	4101867	Screw, Twelve Point Cap	83
4059352	Lever, Rocker	127	4101869	Gasket, Oil Cooler Core	83
4059353	Lever, Rocker	129	4101881	Seal, Rectangular Ring	110, 154
4059354	Lever, Rocker	127	4101882	Seal, Rectangular Ring	110, 154
4059363	Pin, Piston	101	4101884	Damper, Vibration	36, 37
4059377	Screw, Rkr Lever Adjusting	127	4107868	Screw, Twelve Point Cap	83
4059383	Housing, Gear	21	4902738	Actuator, Timing	69



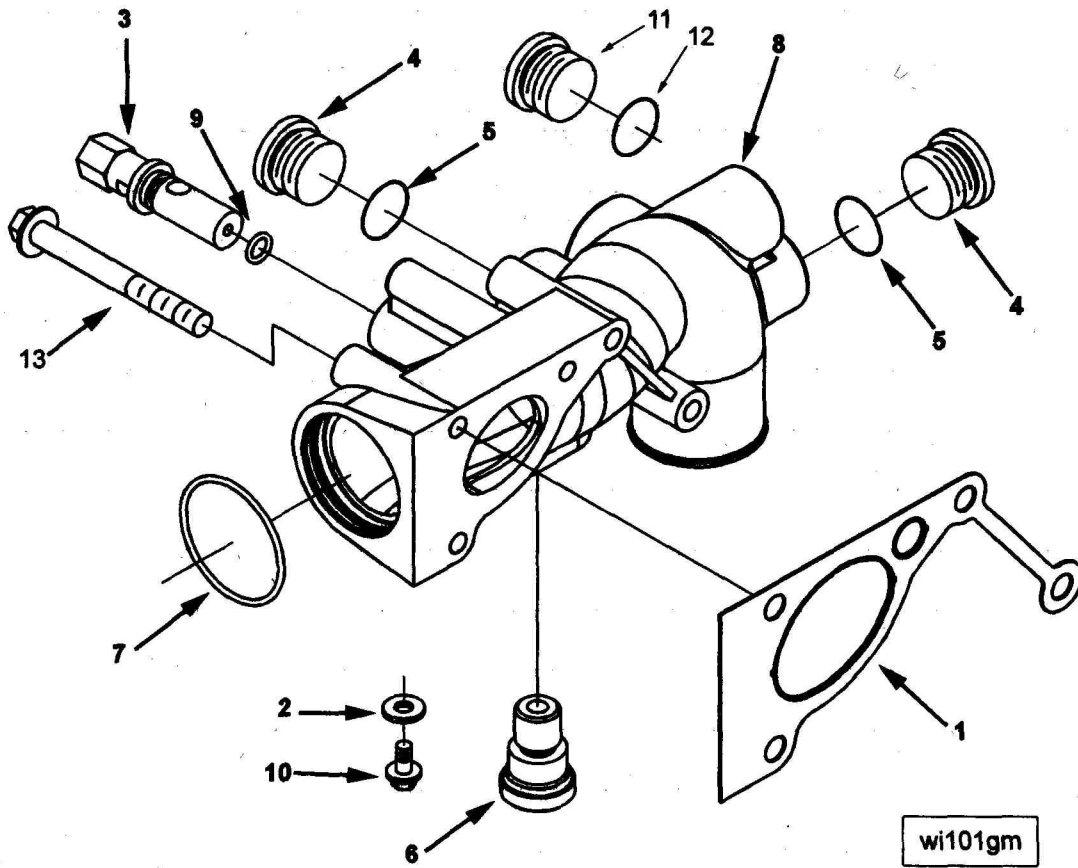
tp104gd

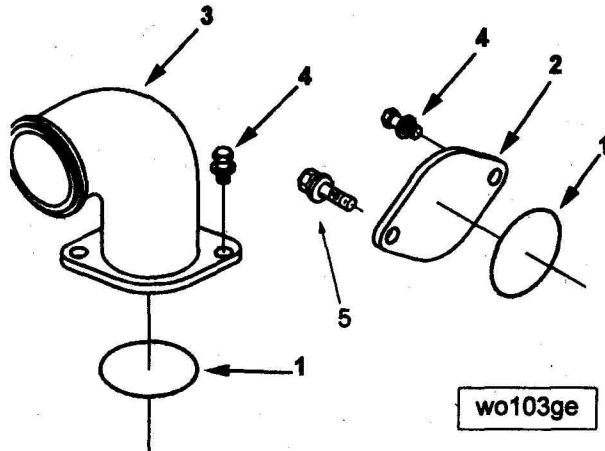




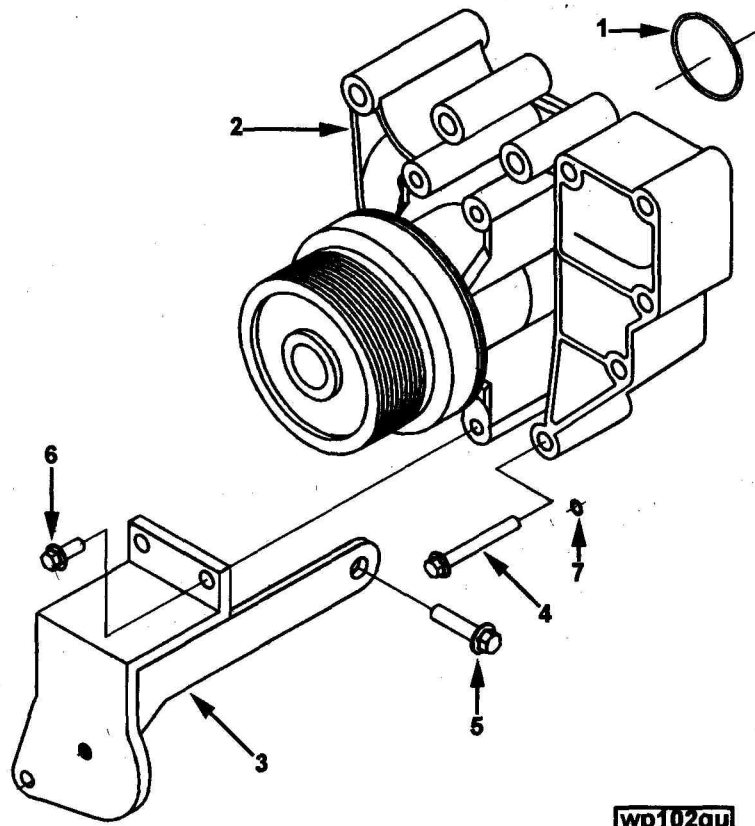
wf103gf

Ref No.	Part Number	Part Name	Req	Remarks
1	4907485	Resistor, Corrosion	1	<p>Corrosion Resistor</p> <p>Buy from Cummins Filtration.</p> <p>For use with fully formulated coolants (with additives) meeting TMC RP329 or 330. TMC RP302 low silicate coolants requires RP328 additives.</p> <p>Suitable for 50,000 mile/ 4000 hr service interval</p>

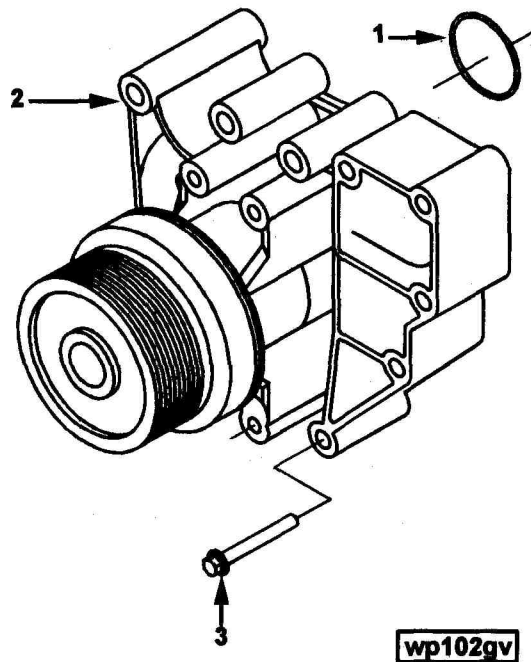


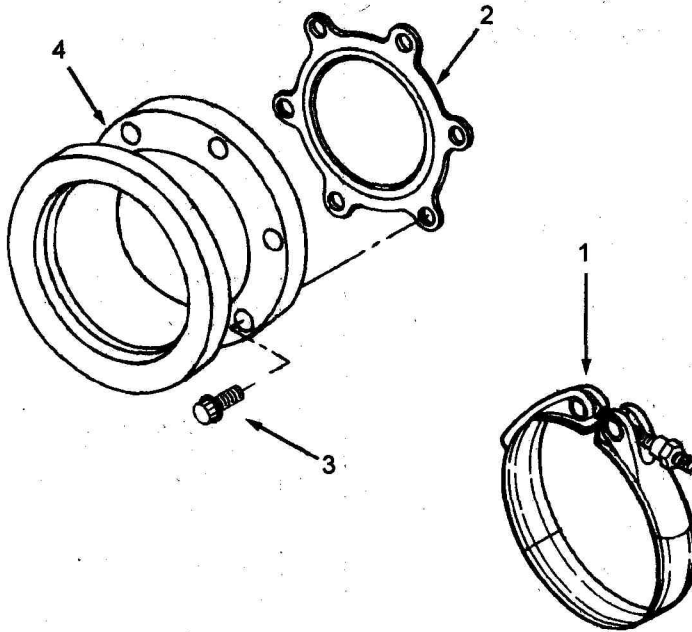


Ref No.	Part Number	Part Name	Req	Remarks
		WATER OUTLET CONNECTION OPTION WO1121		<p>Water Outlet Connection</p> <p>Outlet Outside Diameter: 63.5mm (2.5 in.) Mounting Location: Thermostat Housing Centerline Of Outlet Located: 798.8mm (31.44in) Above the Centerline of the Crankshaft, Outboard 244mm (9.61 in) from the Centerline of the Engine, Turbocharger Side, and Terminates at the Front Face of Block Plane. Direction of Outlet Connection: Centerline of Water Outlet Parallel to Horizontal Centerline of Crankshaft. Provides a Studded Capscrew Located in the Thermostat Housing Cover. The Stud is a M8 x 1.25 x 20.</p>
1	3081695	Seal, O Ring	2	
2	3681197	Plate, Cover	1	
3	3100299	Connection, Water Outlet	1	
4	3900630	Screw, Hex Flange Head Cap	3	M8 x 1.25 x 20
5	3941976	Screw, Hex Flange Head Cap	1	



wp102gu





xs101gd

Ref No.	Part Number	Part Name	Req	Remarks
		EXHAUST OUTLET CONNECTION OPTION XS1060		Exhaust Outlet Connection Outlet Connection Type: Straight Turbocharger Outlet Connection Outside Diameter: 122.9mm (4.84 in) Outlet Connection Length: 76.2mm (3 in) Outlet Connection Clamp Qty: One Outlet Connection Clamp Diameter: 146.1mm (5.75 in) Outlet Connection Clamp Type: V-Band Marmon Outlet Connection Clamp Supplied: N/A Outlet Connection Type: Full Marmon 127mm (5 in) Marmon Type V-Band Clamp, for use with Customer Supplied Exhaust Outlet Connection Bolt on Exhaust Outlet Connection: Yes
1	186917	Clamp, V Band	1	
2	3011876	Gasket, Turbocharger	1	
3	3094731	Screw, Twelve Point Cap	6	
4	3250510	Connection, Exhaust Outlet	1	

Group No. 17.02

Gasket Set

Ref No.	Part Number	Part Name	Req	Remarks
		GASKET SET		
	4955594	Set, Upper Engine Gasket		
	3042544	Seal, O Ring	1	
	3330537	Seal, O Ring	6	
	3330538	Seal, O Ring	6	
	3347937	Seal, O Ring	6	Green
	3347939	Seal, O Ring	6	Black
	(3412426)	Seal, Secondary Combustion	6	
	(3678751)	Seal, Combustion	6	
	3678762	Seal, Grommet	1	
	3678770	Gasket, Connection	1	
	3679931	Gasket, Camshaft Cover	1	
	3679932	Gasket, Camshaft Cover	1	
	3679933	Seal, O Ring	1	
	3679934	Seal, O Ring	1	
	3680284	Gasket, Etr Control Module	1	
	3680324	Gasket, Flange	1	
	3680602	Gasket, Thm Housing Cover	1	
	3684336	Gasket, Thermostat Housing	1	
	4026884	Gasket, Turbocharger	1	
	(4059190)	Gasket, Cylinder Head	1	Serviced as 4025287.
	4076587	Gasket, Ful Cnt Housing	1	
	4089255	Plug, Cavity	4	
	4101881	Seal, Rectangular Ring	1	
	4101882	Seal, Rectangular Ring	1	
	4907446	Gasket, Exhaust Manifold	1	
	4907447	Gasket, Exhaust Manifold	4	
	4907448	Gasket, Exhaust Manifold	1	
	4962721	Seal, Rectangular Strip	1	

Option No.	Description	Page No.
.....	Engine Piston	101
.....	Gear Cover Noise Panel	109
.....	Injector	107
.....	Piston Cooling Nozzle	98
PP2825	Camshaft	110
.....	Injector	113
PP10169	Turbocharger	115
PP10200	Cylinder Head	117
.....	Gear Cover Noise Panel	119
PP10224	Engine Piston	123
.....	Piston Cooling Nozzle	120
PP10252	Turbocharger	124
RL1732	Rocker Lever	127
SM1732	Starting Motor Mounting	130
SM1742	Starting Motor Mounting	131
ST1361	Starting Motor	132
TB1374	Turbocharger Arrangement	133
TB1411	Turbocharger Arrangement	135
TH1160	Thermostat Housing	137
TP1750	Turbocharger Plumbing	139
VC1072	Valve Cover	141
WF1241	Corrosion Resistor	142
WI1087	Water Inlet Connection	145
WO1121	Water Outlet Connection	146
WO1123	Water Outlet Connection	147
WP1730	Water Pump	149
WP1733	Water Pump	151
XS1060	Exhaust Outlet Connection	152

INDEX

Part No.	Description	Page No.	Part No.	Description	Page No.
3102173	Gasket, Connection	78, 79	3409000	Data, Bootloader	97
3102738	Breather, Crankcase	27	3411881	Ring, Retaining	83
3102743	Screw, Socket Head Cap	27	3412326	Dataplate	2
3102744	Assembly, Gear Cover	77	3412352	Sleeve, Injector	117
3102800	Seal, Oil	27	3412353	Tube, Tur Oil Drain	139
3102892	Carrier, Seal	77	3412426	Seal, Secondary Combustion	154
3102893	Retainer, Seal	27	3412860	Nozzle, Piston Cooling	98, 120
3103015	Seal, Grommet	153	3412893	Cover, Protective	40
3103233	Belt, V Ribbed	46	3412920	Shaft, Shutoff Valve	145
3103416	Retainer, Seal	27	3412921	Screw, Hex Flange Head Cap	11, 21
3103423	Screw, Twelve Point Cap	130, 131	3417138	Elbow, Male Adapter	63, 69
3103576	Support, Engine	59	3417139	Elbow, Male Adapter	63, 69
3104026	Brace, Gear Housing	23	3417474	Screw, Captive Washer Cap	83
3104027	Tensioner, Belt	45	3417768	Plug, Drive	127
3104028	Tensioner, Belt	51	3598762	Turbocharger	115
3104029	Tensioner, Belt	53	3678506	Screw, Hex Flange Head Cap	5, 15, 103, 117
3104119	Gasket, Cover Plate	91, 93	3678507	Dowel, Ring	5, 15
3104232	Gasket, Lub Oil Clr Hsg	83, 153	3678536	Seal, Rectangular Ring	103, 117
3104263	Seal, Oil	77	3678555	Bearing, Main	9, 19
3104387	Cover, Valve	141	3678556	Bearing, Main	9, 19
3104388	Isolator, Vibration	141	3678574	Screw, Connecting Rod Cap	101, 123
3104391	Cover, Valve	141	3678602	Plug, Threaded	137
3104392	Gasket, Valve Cover	141	3678603	Seal, O Ring	103, 117, 137
3104445	Insert, Valve	117	3678605	Plug, Threaded	137
3104860	Belt, V Ribbed	51	3678605	Plug, Threaded	145
3161910	Dataplate	97	3678606	Seal, O Ring	83, 95, 103, 117, 137, 145, 153
3171368	Gasket, Turbocharger	115	3678610	Plug, Threaded	137
3202179	Seal, O Ring	91	3678611	Plug, Threaded	103, 117, 137, 145
3250510	Connection, Exhaust Outlet	152	3678724	Seal, O Ring	149, 151, 153
3255337	Hose, Plain	24	3678738	Seal, O Ring	6, 16
3330019	Screw, Socket Head Cap	61, 67	3678739	Dowel, Ring	101, 123
3330022	Screw, Socket Head Cap	61, 67	3678751	Seal, Combustion	154
3330069	Screw, Socket Head Cap	61	3678756	Seal, O Ring	95, 153
3330202	Seal, O Ring	61, 63, 69	3678762	Seal, Grommet	139, 154
3330478	Seal, O Ring	63, 69	3678770	Gasket, Connection	154
3330527	Sensor, Pressure	63	3678786	Seal, O Ring	21, 63, 69, 87, 89
3330528	Sensor, Pressure	63	3678791	Plug, Threaded	21
3330537	Seal, O Ring	107, 113, 154	3678804	Screw, Hex Flange Head Cap	103, 117
3330538	Seal, O Ring	107, 113, 154	3678838	Plug, Threaded	29, 30, 145
3330607	Link, Injector Plunger	107, 113	3678845	Plug, Threaded	29, 30, 145
3330639	Bushing	63, 69	3678846	Seal, O Ring	29, 30, 63, 67, 69, 145, 153
3330651	Cover, Fuel Pump Damper	61, 67	3678871	Dowel, Ring	11, 21, 57, 59
3330652	Body, Fuel Pump Damper	61, 67	3678873	Plug, Threaded	21, 87, 89
3330719	Plate, Thrust Bearing	61, 67	3678882	Screw, Hex Flange Head Cap	104
3330720	Shaft, Idler	61, 67	3678912	Seal, O Ring	5, 7, 15, 17, 63, 69, 78, 79, 83, 95, 153
3330753	Screw, Socket Head Cap	61	3678921	Plug, Threaded	5, 7, 15, 17, 63, 78, 79, 83
3331044	Sensor, Pressure	97	3678922	Plug, Threaded	7, 17, 63, 78, 79, 83
3331275	Retainer, Shaft	61, 67	3678925	Seal, O Ring	63, 69, 139
3335548	Seal, Thermostat	41	3679037	Screw, Hex Flange Head Cap	98, 120
3335549	Thermostat	41	3679102	Screw, Twelve Point Cap	107, 113
3335550	Thermostat	41	3679122	Seal, O Ring	103
3347832	Seal, Grommet	63, 69			
3347867	Link, Injector Plunger	107, 113			
3347937	Seal, O Ring	107, 113, 154			
3347939	Seal, O Ring	107, 113, 154			
3348182	Screw, Socket Head Cap	67			
3348322	Valve, Pressure Regulator	61, 67			
3348323	Valve, Pressure Regulator	61, 67			
3348526	Gasket, Ful Cnt Housing	61			
3348703	Seal, O Ring	61, 63, 67, 69			
3397506	Screw, Hex Flange Head Cap	61			
3408377	Sensor, Pressure	61			
3408378	Sensor, Pressure	63, 69			
3408421	Solenoid	61, 65, 69, 71			
3408501	Module, Electronic Control	97			
3408504	Module, Electronic Control	97			

INDEX

Part No.	Description	Page No.	Part No.	Description	Page No.
3681704	Device, Engine Barring	29	3900633	Screw, Hex Flange Head	
3681705	Spindle, Fan	53		Cap	77
3681715	Adapter, Pilot	53	3900637	Screw, Hex Flange Head	
3681718	Tube, Tur Oil Supply	139		Cap	12, 23
3681723	Support, Front Engine	48	3900678	Screw, Hex Flange Head	
3681726	Tube, Oil Filler	91		Cap	75
3681770	Valve, Air Control	139	3900679	Screw, Hex Flange Head	
3681771	Valve, Air Control	139		Cap	61
3681792	Isolator, Noise	109, 119	3901249	Screw, Hex Flange Head	
3681793	Hub, Fan	53		Cap	27
3681826	Link, Adjusting	45	3901846	Dowel, Pin	103, 117
3681827	Support, Belt Tensioner	45	3902023	Screw, Hex Flange Head	
3681898	Screw, Socket Head Cap	39		Cap	67
3681907	Plug, Gear Cover	75	3902114	Screw, Hex Flange Head	
3681927	Screw, Captive Washer Cap	83		Cap	77
3682166	Bearing, Connecting Rod	101	3902460	Screw, Hex Flange Head	
3682177	Seal, O Ring	80, 81		Cap	12, 45, 53, 104, 110
3682398	Ring, Oil Piston	101, 123	3903096	Screw, Hex Flange Head	
3682674	Connection, Air Transfer	80		Cap	87, 89
3682789	Gasket, Lub Oil Cir Hsg	83	3903112	Screw, Hex Flange Head	
3683008	Ring, Compression Piston	101, 123		Cap	7, 17, 23, 53, 95
3683349	Insert, Valve	117	3903210	Nut, Hexagon Flange	45
3683607	Seal, Water	7, 17	3903463	Cover, Access Hole	91, 93
3683645	Block, Cylinder	5, 15	3903464	Screw, Hex Flange Head	
3683646	Block, Cylinder	5, 15		Cap	29, 61, 67
3684010	Ring, Compression Piston	123	3903990	Screw, Hex Flange Head	
3684336	Gasket, Thermostat Housing	137, 154		Cap	33, 91, 93
3684337	Gasket, Heater	34, 35	3904446	Screw, Hex Flange Head	
3684338	Gasket, Connection	145, 153		Cap	45, 137
3684350	Plate, Cover	7, 17	3904987	Screw, Hex Flange Head	
3684351	Plate, Cover	34		Cap	137
3684477	Heater, Engine	35	3906216	Nut, Hexagon Flange	75, 77
3688547	Cap, Main Bearing	5, 15	3910495	Screw, Hex Flange Head	
3688549	Cap, Main Bearing	5, 15		Cap	21, 103
3800298	Set, Main Bearing (std)	9, 19, 155	3911678	Dowel, Ring	103, 117
3813247	Plug, Expansion	103, 117	3914407	Screw, Hex Flange Head	
3818824	Nut, Hexagon Flange	115, 124		Cap	53
3819475	Tube, Breather	24	3914420	Clamp, Hose	139
3820320	Plunger, Bypass Valve	83	3918108	Screw, Hex Flange Head	
3821783	Screw, Captive Washer Cap	75		Cap	57
3865346	Sensor, Temperature	97	3918190	Washer, Sealing	63, 69
3867093	Gear, Idler	63, 69	3922794	Seal, O Ring	63, 71, 83, 115
3867094	Gear, Idler	63, 69	3925402	Screw, Hex Flange Head	
3867481	Seal, O Ring	63, 69		Cap	97
3867640	Seal, O Ring	61, 63, 67, 69	3929751	Gasket, Acc Drive Cover	39
3867641	Seal, O Ring	63, 69	3935013	Shield, Dust	53
3867742	Retainer, Injector Link	107, 113	3935644	Bearing, Roller	39
3882586	Spring, Compression	83	3935645	Shaft, Accessory Drive	39
3883222	Spacer, Mounting	75	3941976	Screw, Hex Flange Head	
3883223	Isolator, Noise	75		Cap	146, 147
3883963	Seal, O Ring	124	3966716	Seal, O Ring	145
3892253	Tag, Instruction	91, 93	4000590	Alternator	42
3895517	Washer, Plain	45, 53	4001925	Valve, Pressure Regulator	63, 69
3896408	Screw, Hex Flange Head		4001926	Valve, Pressure Regulator	63, 69
	Cap	45, 51, 67, 149, 151	4002070	Actuator, Timing	63, 65, 71
3900257	Dowel, Pin	11, 21	4002071	Actuator, Metering	63, 65, 71
3900269	Washer, Plain	75	4009692	Screen, Filter	107, 113
3900469	Screw, Hexagon Head Cap	33	4010077	Valve, Check	63, 69
3900589	Nut, Hexagon Flange	87, 89	4010078	Valve, Check	63, 69
3900626	Screw, Hex Flange Head		4010223	Module, Fuel Control	61
	Cap	145	4010231	Clamp, Injector	107, 113
3900630	Screw, Hex Flange Head		4010348	Plug, Threaded	63
	Cap	97, 146, 147	4010349	Plug, Threaded	63
3900631	Screw, Hex Flange Head		4010519	Seal, O Ring	69, 97
	Cap	11, 91	4010600	Seal, O Ring	97

INDEX

Part No.	Description	Page No.	Part No.	Description	Page No.
4902904	Actuator, Metering	69			
4905219	Tape	3			
4905241	Turbo Oil Supply Fitting	139			
4906784	Motor, Starting	132			
4906799	Wastegate Hose Mtg	139			
4907446	Gasket, Exhaust Manifold	154			
4907447	Gasket, Exhaust Manifold	133, 135, 154			
4907448	Gasket, Exhaust Manifold	133, 135, 154			
4907485	Resistor, Corrosion	142			
4918022	Connection, Oil Suction	95			
4918688	Spacer	57, 59			
4920408	Grommet	87, 89			
4920464	Pump, Water	149, 151			
4920469	Plug, Threaded	117			
4920470	Plug, Threaded	117			
4921473	Sensor, Prs Temperature	97			
4921475	Sensor, Prs Temperature	97			
4921499	Sensor, Pressure	67			
4921574	Seal, O Ring	97			
4921599	Sensor, Position	97			
4923744	Piston, Engine	123			
4923748	Pin, Piston	123			
4923998	Clamp, T Bolt	135			
4925761	Crankshaft, Engine	9, 19			
4925762	Crankshaft, Engine	9, 19			
4925971	Bearing, Connecting Rod	123			
4925971	Bearing, Connecting Rod	123			
4925975	Bearing, Connecting Rod	123			
4925975	Bearing, Connecting Rod	123			
4926316	Gasket, Cylinder Head	117			
4926564	Plug, Threaded	95			
4926565	Plug, Threaded	95			
4952429	Seal, Exhaust Manifold	135			
4952506	Head, Oil Filter Cooler	83			
4952507	Head, Oil Filter Cooler	83			
4952540	Pan, Oil TLA	95			
4952541	Pan, Oil	95			
4952631	Thermostat	83			
4952742	Harness, Wiring	97			
4952759	Plug, Threaded	83			
4952760	Plug, Threaded	83			
4955383	Kit, Front Crank Seal	153			
4955502	Kit, Cylinder Block	5, 15			
4955590	Set, Lower Engine Gskt	153, 155			
4955594	Set, Upper Engine Gasket	154, 155			
4962603	Seal, Oil	57, 59			
4962609	Seal, Rectangular Ring	91, 93			
4962721	Seal, Rectangular Strip	77, 154			
4962722	Seal, Rectangular Strip	77, 153			
4962731	Head, Cylinder	117			
4962732	Head, Cylinder	117			
4965512	Spacer, Mounting	133, 135			
4965569	Kit, Seal & Spacer	57, 59, 153			
4965574	If No Flyw Use 3102508	57			
4965698	Screw, Hex Flange Head				
	Cap	133, 135			
4965730	Stud	115, 124			
4965791	Wire Tie Wastegate Hose	139			
4965868	Valve, Intake	117			
4965870	Core, Cooler	83			
4965891	Spring, Valve	117			
4972808	Brace, Gear Housing	23			
4972810	Brace, Gear Housing	12			
4973081	Cover, Gear	77			