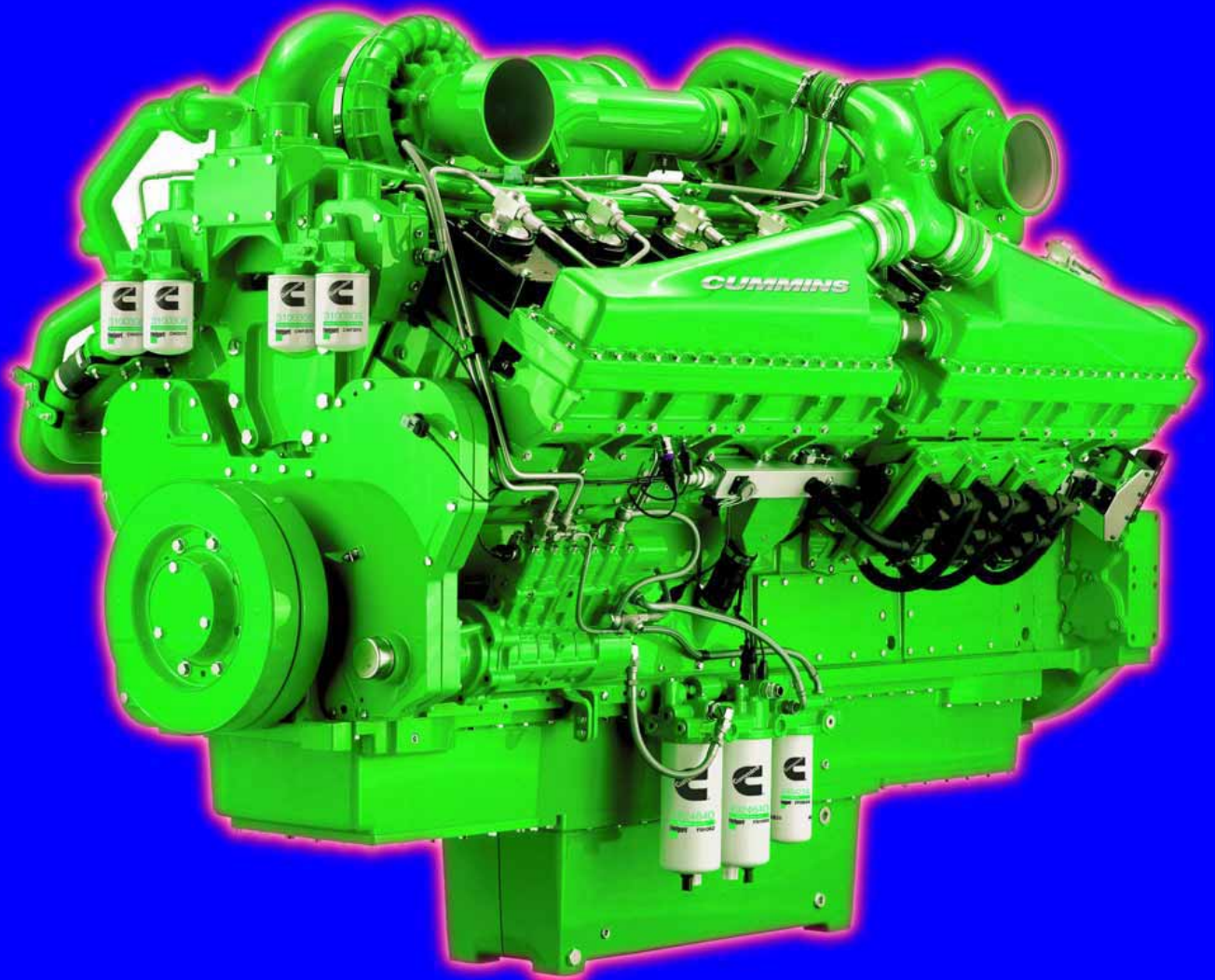


Part Catalog

QSK 50 – EX 2500-6



Design By
Rudy Eka Jaya



Parts Catalog - Option List

Content For Engine Serial Number (ESN): 33171373

Option Information (ORIGINAL)		
Option	Spc Group	Group Name
4089200	17.02	Set,Quadrant Cyl Hd Gskt
4955370	17.02	Set,Quadrant Cyl Hd Gskt
4956000	17.02	Set,Hhp Ovhl Oil Pan Gsk
4956003	17.02	Set,Hhp Ovhl Lw Block Gsk
ad6016-01	09.03	Accessory Drive Pulley
ap6128	01.06.1	Approval,Agency
bb6708-02	01.01.4	Cylinder Block Plumbing
bb6716-17	01.01	Block,Cylinder
bb6716-04	04.01	Cam Follower Lever
bb6716-04	01.02	Crankshaft Assembly
bb6716-04	01.09	Gear Housing
bb6716-02	01.07.1	Idler Gear
br6761-03	03.02	Breather,Crankcase
cb6701-03	16.01	Engine Barring Drive
cm6719-04	04.03	Cam Follower Cover
co6704	07.03	Oil Rep System Plumbing
da6167	01.02.2	Damper,Vibration
df6003-07	09.04	Front Gear Train Accessory Drive
do6211	99.01	Software,Cus Interface
dp6702-05	09.01	Fuel Pump Drive
ea6711-03	13.11	Electric Starting Accessories
ee6066-02	13.02	Alternator
eh6005-04	13.02.3	Alternator Mounting
eh6702-03	13.02.2	Alternator Drive
em6080-06	16.03	Front Engine Support
fa6224-01	08.03	Drive,Fan
fcbl83	99.01	Calibration,Fuel Pump
ff6075-05	06.04	Filter,Fuel
ff6765-02	06.04.1	Fuel Filter Plumbing
fh6048-08	16.01	Flywheel Housing
fh6708-05	16.01.1	Flywheel Housing Plumbing
fp6864-03	05.01.4	Fuel Pump
fp6869	09.01	Coupling,Fuel Pump
fr6438	99.01	Rating,Fuel
ft60820	06.03	Plumbing,Fuel
fw6064	16.02	Flywheel
gg6712-06	01.06	Cover,Front Gear
la6706-03	17.06	Bracket,Lifting
lc6702-01	07.05	Cooler,Engine Oil
lf6068-07	07.03	Filter,Lubricating Oil
lg6028-02	07.02	Oil Level Gauge Location

Part Catalog
QSK 50 EX 2500-6**Design By**
Rudy Eka Jaya

lp6704-11	07.06	Lube Oil Pump
ob67060-02	07.02	Cover,Hand Hole
op6096-03	07.01	Oil Pan
ph6722-04	06.03	Fuel Supply Tube
ph6752	05.06.1	Speed Sensor
ph6798	05.06.1	Module,Engine Control
pp6778-09	06.01.2	Injector Plumbing
pp6824-01	10.06	Turbocharger
pp8617	01.07	Camshaft
pp8617-01	01.04	Connecting Rod & Piston
pp8617	02.01	Cylinder Head
pp8617	06.01	Injector
pu6701-03	09.03	Accessory Drive Pulley
re6013-02	16.03	Rear Engine Support
rl6712-01	03.01	Lever,Rocker
rp6001-02	08.13.1	Radiator Plumbing
sb6002-02	13.11	Electric Starting Accessories
sc60134	99.01	Software,Calibration
sg6040-04	13.02.3	Alternator Guard
sk6703	16.03	Bracket, Shipping
sm6702-03	13.05.1	Starting Motor Mounting
ss6072	03.01	Paint
st6061-04	13.05	Motor,Starting
tb6021-10	10.06.1	Turbocharger Arrangement
tb6731-04	10.06.1	Exhaust Manifold
tb6752-07	10.01	Aftercooler
tb6767-03	10.06.1	Auxiliary Cooling System
th6731-01	08.07	Housing,Thermostat
tp6781-01	10.06.2	Plumbing,Turbocharger Oil
vc6015-01	03.01.1	Valve Cover
wa6727-02	10.01.1	Aftercooler Water Plumbing
wf6048	08.08	Resistor,Corrosion
wh6702-04	08.07.1	Oil Cooler Water Plumbing
wi6016-04	08.07.1	Connection,Water Inlet
wm6718-02	08.06	Manifold,Water
wp6012-14	08.01	Pump,Water
xs6021	11.01.1	Connection,Exhaust Outlet

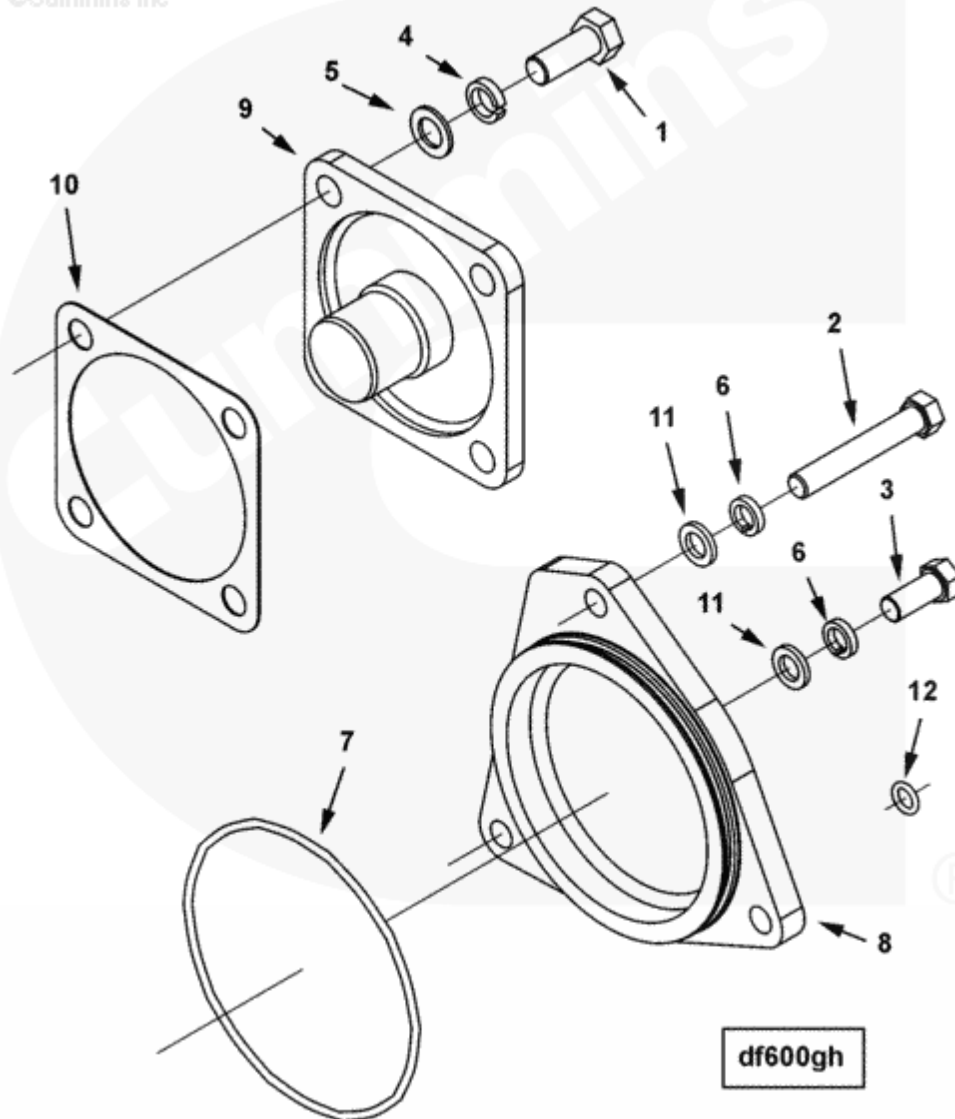


Parts Catalog - Option Detail

Content For Engine Serial Number (ESN): 33171379

Electronic Parts Catalog - Option Detail				
Option	Group	Graphic	Film Card	Date
DF6009	09.04	df600gh	K50	01-SEP-03
Engines	G50, K50, GTA50, QSK50 MCRS, G38, G50, GTA50			

©Cummins Inc



SMALL | MEDIUM | LARGE

Ref No	Part Number	For-Sale	Shopping Cart	Part Name	Required	Remarks
	DF6009	NO		Drive, Fro Ger Tra Acc		Front gear train accessory

Part Catalog
QSK 50 EX 2500-6Design By
Rudy Eka Jaya

						drive
						Engine Family: Qsk50 drive
						supplier: Customer drive
						location (mm): From engine
						centerline: 340 (13.375in)
						from crankshaft centerline:
						159 (6.26in) front face of
						block: 42 (1.65in).
1	S 145	YES	ADD	Screw, Hexagon Head Cap	4	1/2 - 13 X 1 1/4 Inch.
2	S 162 A	YES	ADD	Screw, Hexagon Head Cap	2	7/16 - 14 X 2 3/4 Inch.
3	103023	YES	ADD	Screw, Hexagon Head Cap	1	7/16 - 14 X 1 Inch.
4	111445	YES	ADD	Lckwshr	4	
5	127571	YES	ADD	Washer, Plain	4	1/2 Inch.
6	135783	YES	ADD	Washer, Lock	3	7/16 Inch.
7	145600	YES	ADD	Seal, O Ring	1	
8	206158	YES	ADD	Cover, Hyd Pump Flange	1	
9	206406	YES	ADD	Flange	1	
10	206407	YES	ADD	Gasket, Hand Hole	1	
11	3175027	YES	ADD	Washer, Plain	3	
12	3818885	YES	ADD	Seal, O Ring	1	

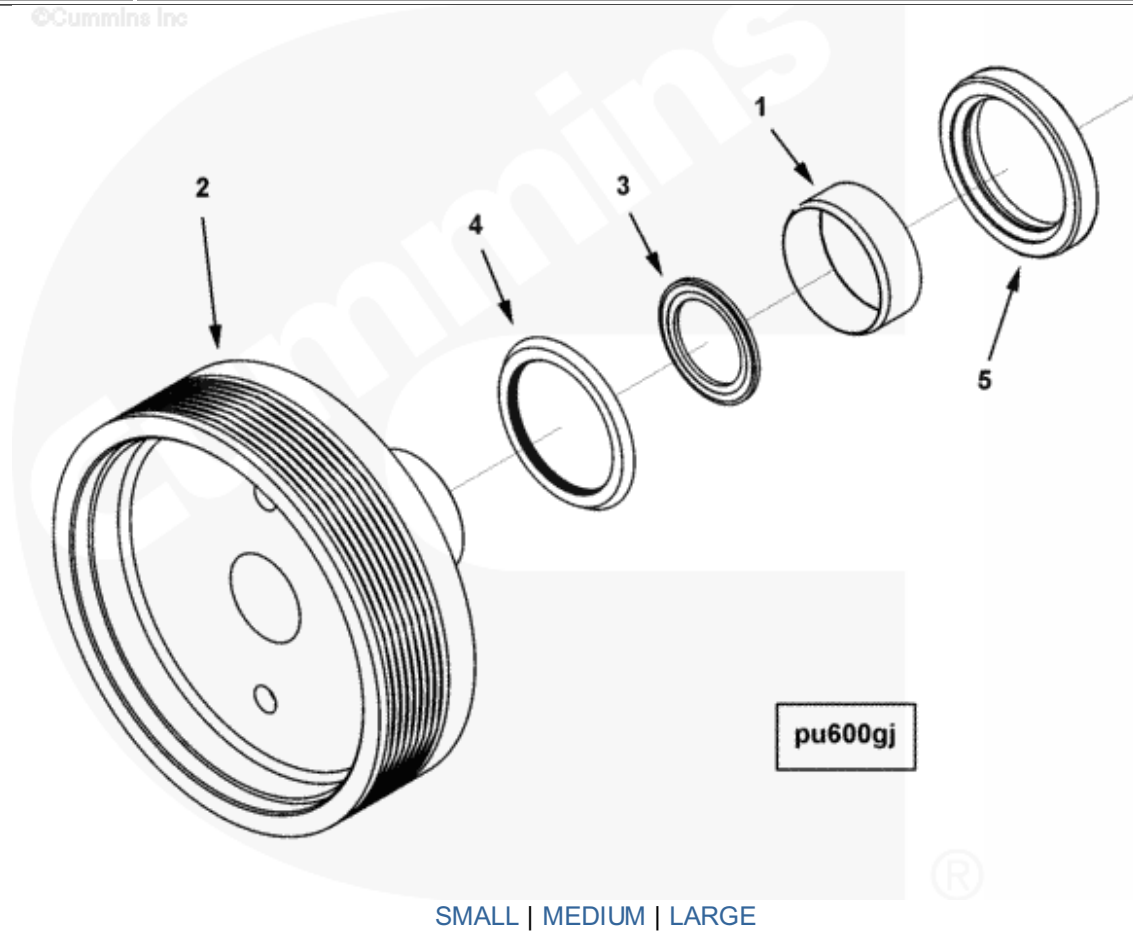


Parts Catalog - Option Detail

Content For Engine Serial Number (ESN): 33171379

Electronic Parts Catalog - Option Detail				
Option	Group	Graphic	Film Card	Date
PU6708	09.03	pu600gj	K50	01-SEP-03
Engines	G50, K50, GTA50, QSK50 MCRS, G38, G50, GTA50			

©Cummins Inc



Ref No	Part Number	For-Sale	Shopping Cart	Part Name	Required	Remarks
	PU6708	NO		Pulley,Accessory Drive		
	3045970	YES	ADD	Pulley, Accessory Drive	1	

Part Catalog
QSK 50 EX 2500-6**Design By**
Rudy Eka Jaya

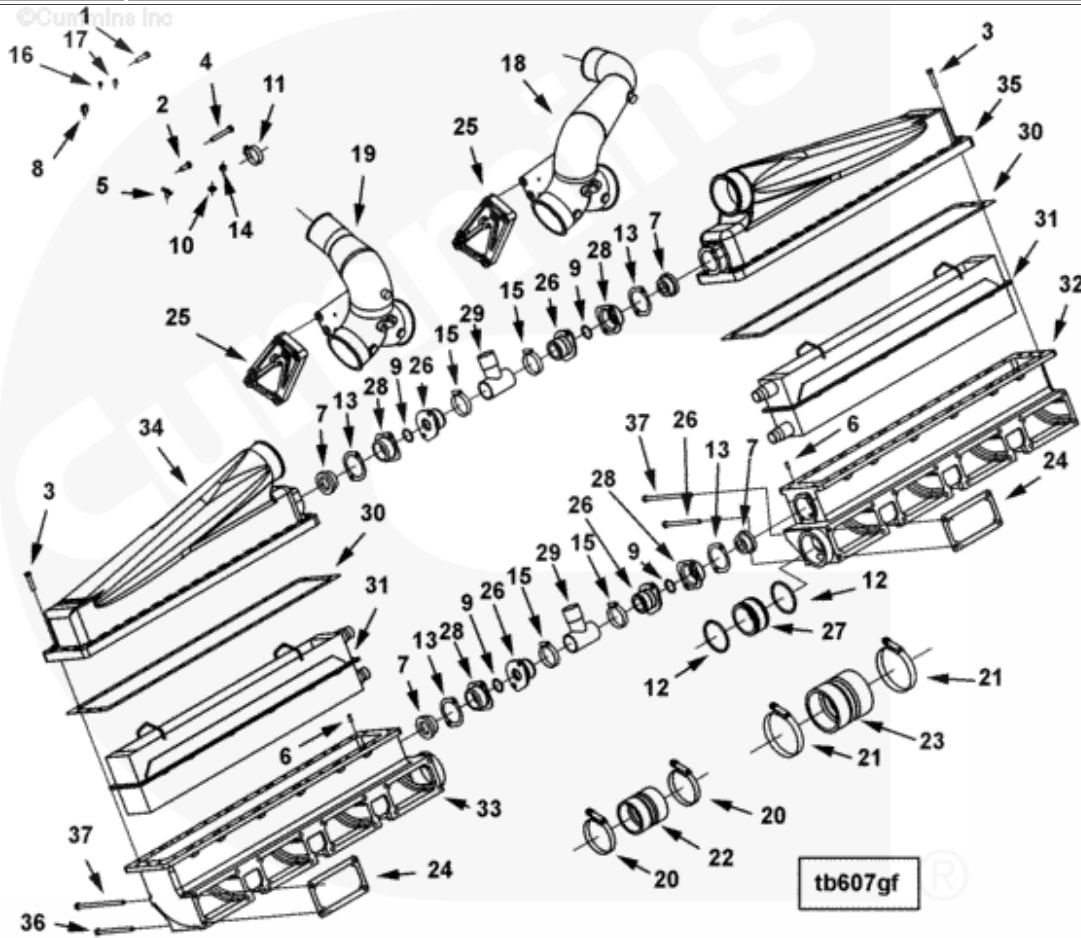
1	190397	YES	ADD	Sleeve, Wear	1	
2	3628937	NO		Pulley, Accessory Drive	1	
3	3200287	YES	ADD	Seal, Keyway	1	
4	3628894	NO		Seal, Dust	1	
5	3628895	YES	ADD	Seal, Oil	1	
	3803852	YES	ADD	Kit, Kv Pose Seal	1	
	190397	YES	ADD	Sleeve, Wear	1	
	3200287	YES	ADD	Seal, Keyway	1	
	3628894	NO		Seal, Dust	1	
	3628895	YES	ADD	Seal, Oil	1	



Parts Catalog - Option Detail

Content For Engine Serial Number (ESN): 33171379

Electronic Parts Catalog - Option Detail				
Option	Group	Graphic	Film Card	Date
TB6814-03	10.01	tb607gf	K50	26-JUN-07
Engines	G50, K50, GTA50, QSK50 MCRS, G38, G50, GTA50			



[SMALL](#) | [MEDIUM](#) | [LARGE](#)

Ref No	Part Number	For-Sale	Shopping Cart	Part Name	Required	Remarks
	TB6814-03	NO		Aftercooler		

Part Catalog
QSK 50 EX 2500-6Design By
Rudy Eka Jaya

1	S 103 D	YES	ADD	Screw, Hexagon Head Cap	16	3/8 - 16 X 1 1/4 Inch.
2	S 112	YES	ADD	Screw, Hexagon Head Cap	48	3/8 - 16 X 1 Inch.
3	S 120	YES	ADD	Screw, Hexagon Head Cap	162	3/8 - 16 X 1 3/4 Inch.
4	S 121 B	YES	ADD	Screw, Hexagon Head Cap	6	7/16 - 14 X 2 1/2 Inch.
5	3638582	YES	ADD	Draincock	1	
6	131584	YES	ADD	Pin, Roll	16	
7	206808	YES	ADD	Seal, Grommet	8	
8	553044	YES	ADD	Adapter, Plain Pipe	1	
9	3035026	YES	ADD	Seal, O Ring	8	
10	3042329	YES	ADD	Washer, Plain	290	3/8 Inch.
11	3043487	YES	ADD	Clamp, Hose	4	1 1/16 - 2 Inch.
12	3082358	YES	ADD	Seal, O Ring	4	
13	3171287	YES	ADD	Gasket, Connection	8	
14	S 217	YES	ADD	Nut, Heavy Hexagon	6	7/16 - 14 UNC.
15	3254315	YES	ADD	Clamp, Hose	8	1 9/16 - 2 1/2 Inch.
16	3628604	YES	ADD	Plug, Pipe	5	
17	3628605	YES	ADD	Plug, Pipe	4	
18	3636656	YES	ADD	Connection, Air Crossover	1	
19	3636658	YES	ADD	Connection, Air Crossover	1	
20	3637289	YES	ADD	Clamp, Hose	4	
21	3637290	YES	ADD	Clamp, Hose	8	
22	3635366	YES	ADD	Hose, Hump	2	
23	3635339	YES	ADD	Hose, Hump	4	
24	3637396	YES	ADD	Gasket, Intake Manifold	16	

Part Catalog
QSK 50 EX 2500-6
Design By
Rudy Eka Jaya

25	3638144	YES	ADD	Support, Connection	2	
26	4017163	YES	ADD	Flange, Connection	8	
27	4017508	YES	ADD	Tube, Air Balance	2	
28	4066129	YES	ADD	Retainer, Seal	8	
29	4066276	YES	ADD	Connection, Water Transfer	4	
30	4080573	YES	ADD	Gasket, Aftercooler Cover	4	
31	4101030	YES	ADD	Core, Aftercooler	4	Service topic number 04t8-16
32	4924593	YES	ADD	Manifold, Air Intake	2	
33	4924595	YES	ADD	Manifold, Air Intake	2	
34	4924597	YES	ADD	Cover, Aftercooler	2	
35	4924599	YES	ADD	Cover, Aftercooler	2	
36	4924724	YES	ADD	Screw, Hexagon Head Cap	32	
37	3081735	YES	ADD	Screw, Hexagon Head Cap	32	

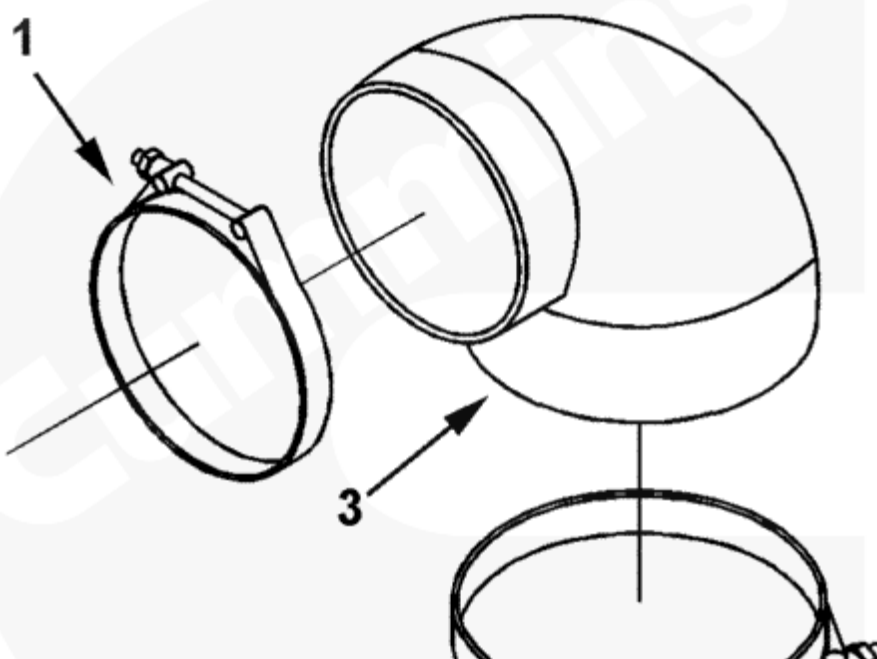


Parts Catalog - Option Detail

Content For Engine Serial Number (ESN): 33171379

Electronic Parts Catalog - Option Detail				
Option	Group	Graphic	Film Card	Date
CA6004	10.04.2	ca600go	K50	26-SEP-05
Engines	G50, K50, GTA50, QSK50 MCRS, G38, G50, GTA50			

©Cummins Inc



SMALL | MEDIUM | LARGE

Ref No	Part Number	For-Sale	Shopping Cart	Part Name	Required	Remarks
	CA6004	NO		Air Cleaner Plumbing		Plumbing, air cleaner
						two 90 degree elbows 7.0 inch

Part Catalog
QSK 50 EX 2500-6

Design By
Rudy Eka Jaya

						(178mm) to 5.5 inch (140mm)
						inside diameter reducer hose
						and four tee bolt clamps
						Supplied in kit.
						Suitable for high temperture
						applications.
1	125741	YES	ADD	Clamp, T Bolt	2	6 Inch.
2	125742	YES	ADD	Clamp, T Bolt	2	7 1/2 Inch.
3	3171156	YES	ADD	Hose, Elbow	2	

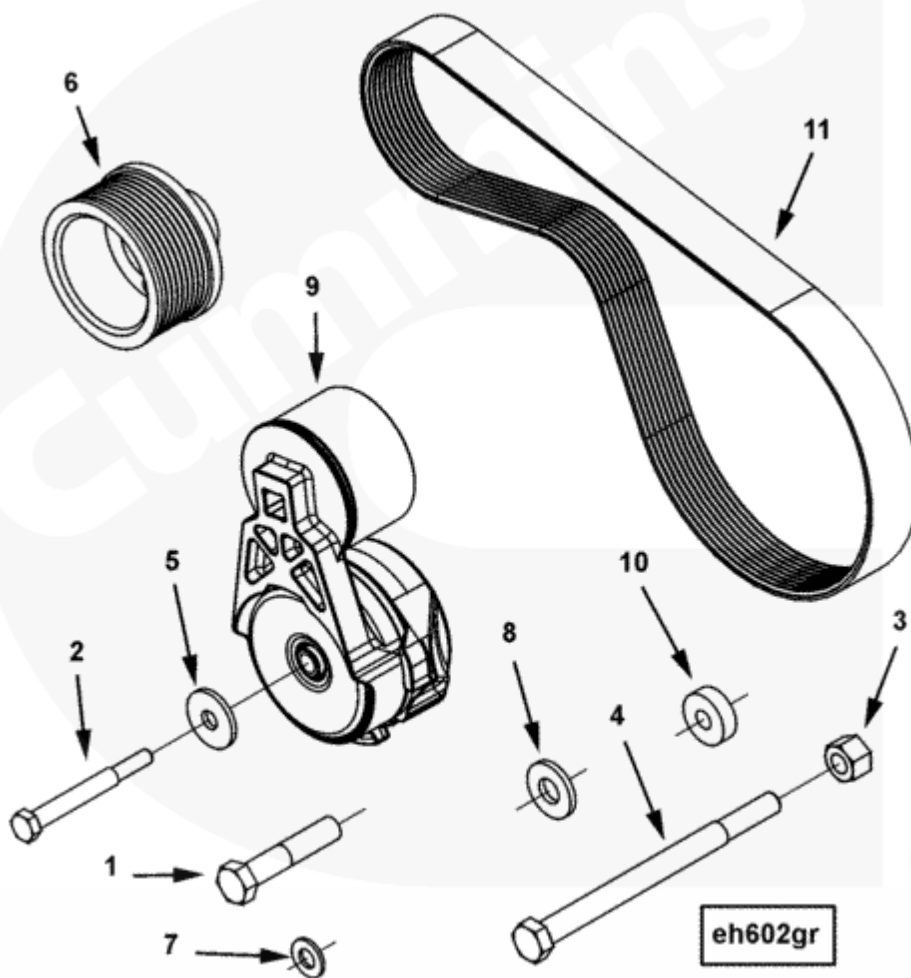


Parts Catalog - Option Detail

Content For Engine Serial Number (ESN): 33171379

Electronic Parts Catalog - Option Detail				
Option	Group	Graphic	Film Card	Date
EH6747	13.02.3	eh602gr	K50	18-DEC-06
Engines	G50, K50, GTA50, QSK50 MCRS, G38, G50, GTA50			

©Cummins Inc



SMALL | MEDIUM | LARGE

Ref No	Part Number	For-Sale	Shopping Cart	Part Name	Required	Remarks
	EH6747	NO		Drive,Alternator		Alternator drive
						Engine Family: Qsk38, Qsk50
						alternator

Part Catalog
QSK 50 EX 2500-6Design By
Rudy Eka Jaya

						manufacturer/model:
						Prestolite 8 SC3017 va
						PrestoliteBld3314
						Prestolite 8 SC3009 z alt
						drive ratio: 3.56 x engine
						speed alt pulley location
						front face of block to
						centerline of first pulley
						groove(mm): 181.63 (7.15
						Pulley Groove Profile: 9
						Groove alt pulley supplied:
						Mounted alt pulley
						diameter(mm): 83.82 (3.3in)
						over 2.92 (.115in) rods belt
						description: K section v
						ribbed
						Belt Supplied: Mounted
						alternator guard mounting
						provision: None.
1	S 150	YES	ADD	Screw, Hexagon Head Cap	1	1/2 - 13 X 2 1/2 Inch.
2	S 163	YES	ADD	Screw, Hexagon Head Cap	1	3/8 - 16 X 3 1/4 Inch.
3	70897	YES	ADD	Nut, Lock	1	1/2 - 20 UNF.
4	158829	YES	ADD	Screw, Hexagon Head Cap	1	1/2 - 20 X 6 1/2 Inch.

Part Catalog
QSK 50 EX 2500-6**Design By**
Rudy Eka Jaya

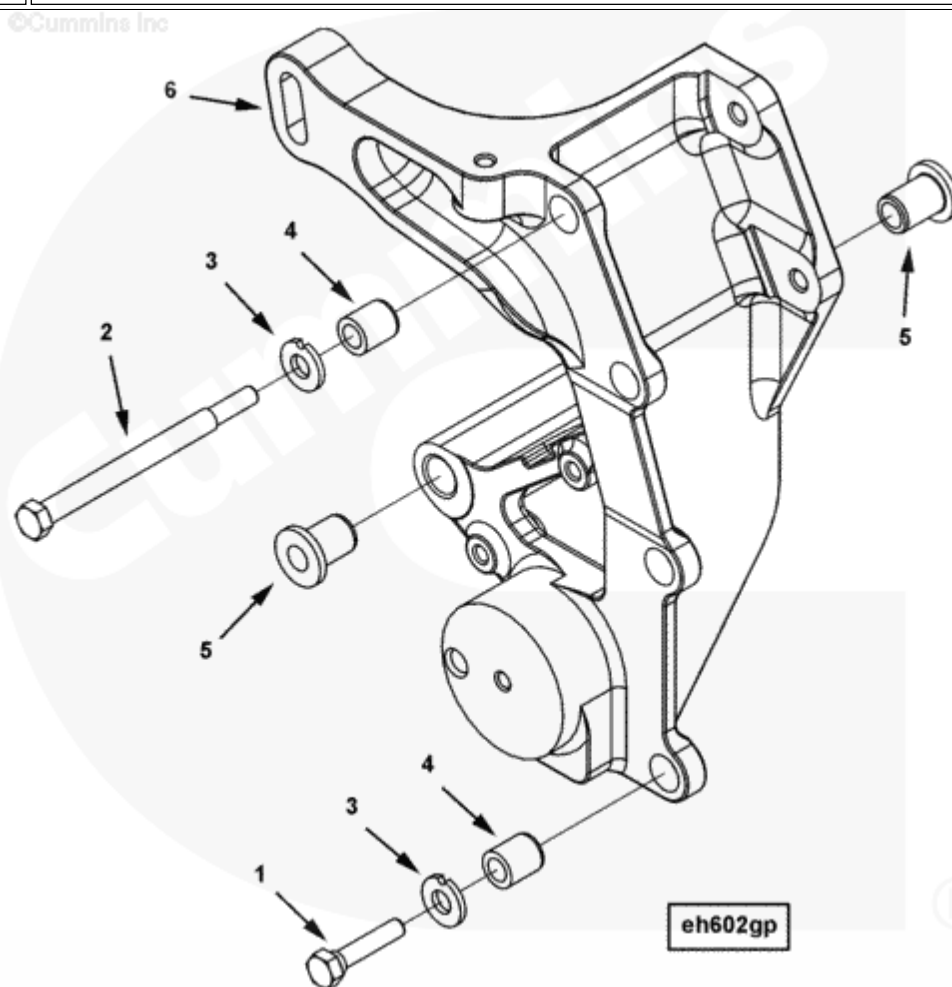
5	170664	YES	ADD	Washer, Plain	1	3/8 Inch.
6	3014711	YES	ADD	Pulley, Alternator	1	
7	3036900	YES	ADD	Washer, Plain	1	1/2 Inch.
8	3067344	YES	ADD	Washer, Plain	2	1/2 Inch.
9	3639118	YES	ADD	Tensioner, Belt	1	
10	3639230	YES	ADD	Spacer, Mounting	1	
11	3639279	YES	ADD	Belt, V Ribbed	1	



Parts Catalog - Option Detail

Content For Engine Serial Number (ESN): 33171379

Electronic Parts Catalog - Option Detail				
Option	Group	Graphic	Film Card	Date
EH6035	13.02.3	eh602gp	K50	18-DEC-06
Engines	G50, K50, GTA50, QSK50 MCRS, G38, G50, GTA50			



SMALL | MEDIUM | LARGE

Ref No	Part Number	For-Sale	Shopping Cart	Part Name	Required	Remarks
	EH6035	NO		Alternator Mounting		Alternator mounting
						Engine Family: Qsk38, Qsk50
						alternator

Part Catalog
QSK 50 EX 2500-6

Design By
Rudy Eka Jaya

						manufacturer/model:
						Prestolite 8 SC3017 va
						Prestolite bld3314
						Prestolite 8 SC3009 z support
						interface type (mm): Spool
						101.54 (4.0in)
						Alternator Mounting Location:
						From engine centerline (mm):
						-577.711 (-22.74in) from
						crank centerline (mm): 39.97
						(1.58in) from front face of
						block (mm): 82.81 (3.26in)
						alternator pulley diameter
						(mm): 82.94 (3.266in) over
						2.92 (.115in) rods alternator
						pulley location front face of
						block to centerline 1 ST
						pulley groove (mm): 181.63
						(7.15in) alt pulley groove
						profile: 9rib belt
						description: K section v
						ribbed alternator drive
						location: Right side

Part Catalog
QSK 50 EX 2500-6

Design By
Rudy Eka Jaya

						alternator drive ratio: 3.56
						x engine speed reqrd drive
						pulley diameter (mm): 173.11
						(6.8in) over 2.92 (.115in)
						rods
1	S 140	YES	ADD	Screw, Hexagon Head Cap	2	7/16 - 14 X 1 3/4 Inch.
2	S 167 B	YES	ADD	Screw, Hexagon Head Cap	2	7/16 - 14 X 5 1/2 Inch.
3	203760	YES	ADD	Washer, Plain	4	7/16 Inch.
4	207509	YES	ADD	Sleeve	4	
5	3627588	YES	ADD	Sleeve	2	
6	3639556	YES	ADD	Bracket, Alternator	1	

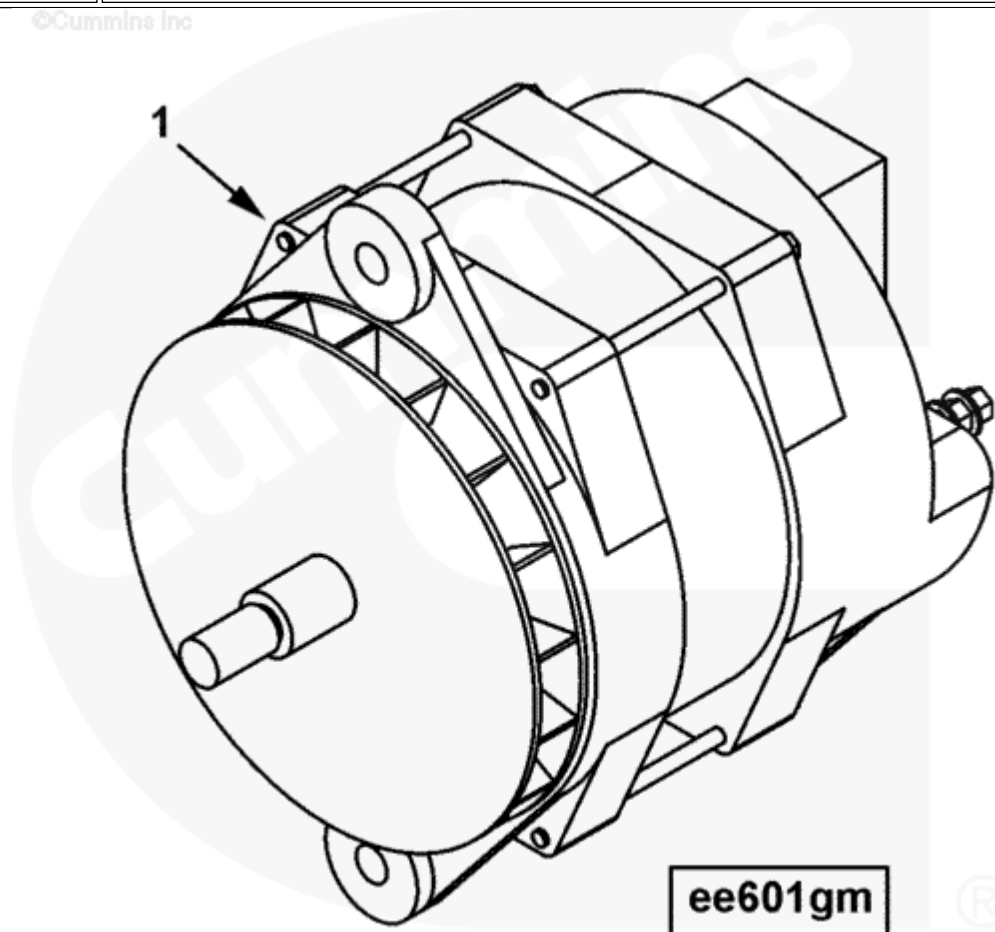


Parts Catalog - Option Detail

Content For Engine Serial Number (ESN): 33171379

Electronic Parts Catalog - Option Detail				
Option	Group	Graphic	Film Card	Date
EE6074	13.02	ee601gm	K50	06-MAR-06
Engines	G50, K50, GTA50, QSK50 MCRCs, G38, G50, GTA50			

©Cummins Inc



SMALL | MEDIUM | LARGE

Ref No	Part Number	For-Sale	Shopping Cart	Part Name	Required	Remarks
	EE6074	NO		Alternator		Alternator
						manufacturer/model:
						Prestolite bld 3314
						Voltage: 24

Part Catalog
QSK 50 EX 2500-6

Design By
Rudy Eka Jaya

						Amperage: 140
						Alternator Mounting Type:.
						Lugs 100 EE0607400 in) apart
						support bracket interface
						(mm): 101.54 (4.0in) spool
						alternator length (mm):
						279.1 (10.99in) Cummins
						branded: Yes ground type:
						Negative insulated: No
						ground straps included: No
						cooling fan included: Yes
						built in voltage regulator:
						Yes brushless: Yes.
1	3975140	YES	ADD	Alternator	1	

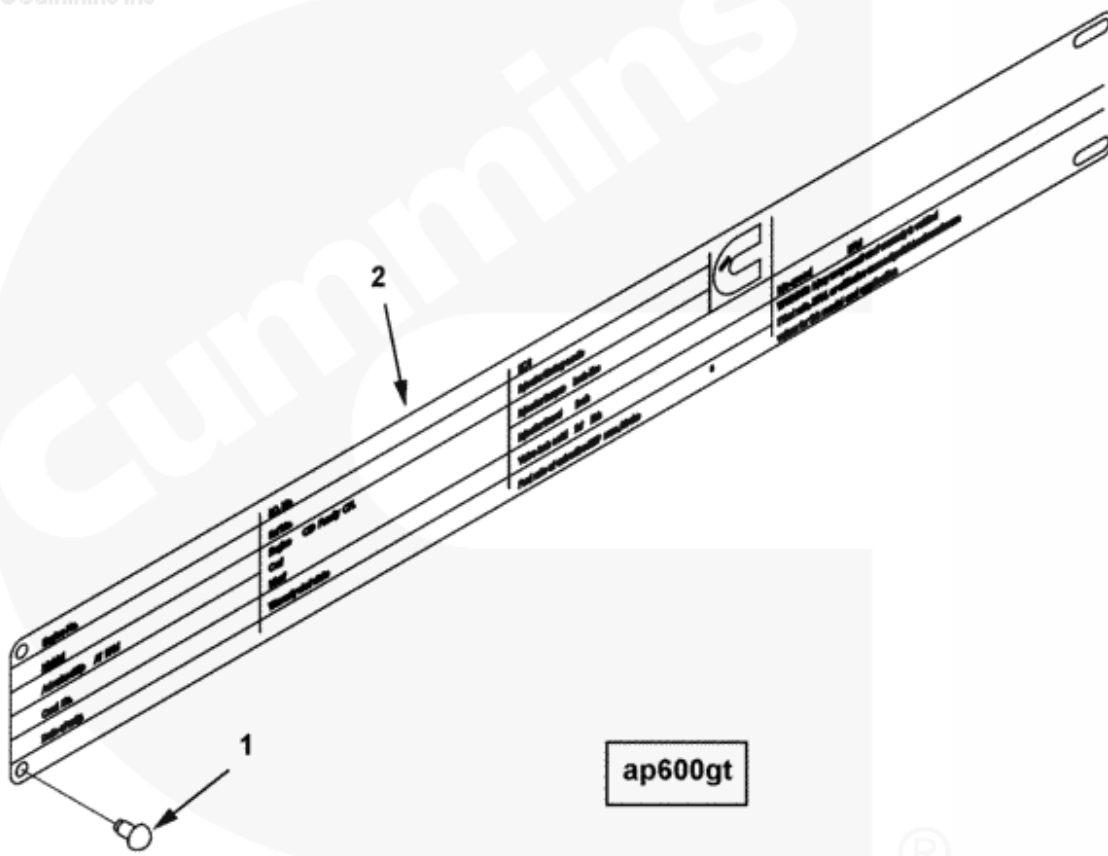


Parts Catalog - Option Detail

Content For Engine Serial Number (ESN): 33171379

Electronic Parts Catalog - Option Detail				
Option	Group	Graphic	Film Card	Date
AP6065-01	01.06.1	ap600gt	K50	19-DEC-06
Engines	G50, K50, GTA50, QSK50 MCRS, G38, G50, GTA50			

©Cummins Inc



SMALL | MEDIUM | LARGE

Ref No	Part Number	For-Sale	Shopping Cart	Part Name	Required	Remarks
	AP6065-01	NO		Approval, Agency		Agency approval
						Certified By: EPA, CARB

Part Catalog
QSK 50 EX 2500-6

Design By
Rudy Eka Jaya

						Application: Nonroad cert
						level: Tier 2,tier 2 special
						allowance: N/A cert agent:
						EPA ,CARB comment: Non
						centinel
						Fuel Type: Diesel
						manufacturer of record:
						Cummins
						Engine Family: Qsk38, Qsk50.
1	3633720	YES	ADD	Screw, Drive	4	
2	4970362	YES	ADD	Dataplate	1	

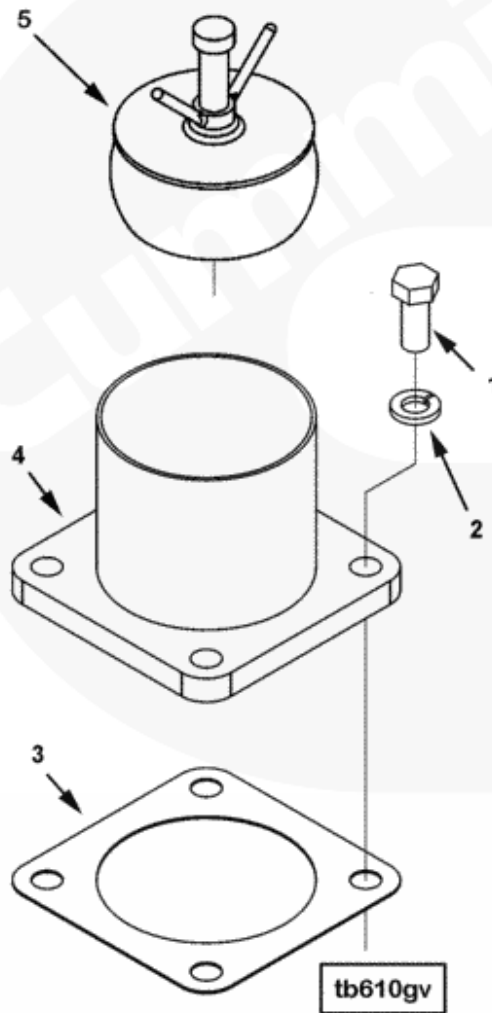


Parts Catalog - Option Detail

Content For Engine Serial Number (ESN): 33171379

Electronic Parts Catalog - Option Detail				
Option	Group	Graphic	Film Card	Date
TB6068-01	10.06.1	tb610gv	K50	30-OCT-06
Engines	G50, K50, GTA50, QSK50 MCRS, G38, G50, GTA50			

©Cummins Inc



SMALL | MEDIUM | LARGE

Ref No	Part Number	For-Sale	Shopping Cart	Part Name	Required	Remarks

Ref. QSOL

Part Catalog
QSK 50 EX 2500-6

Design By
Rudy Eka Jaya

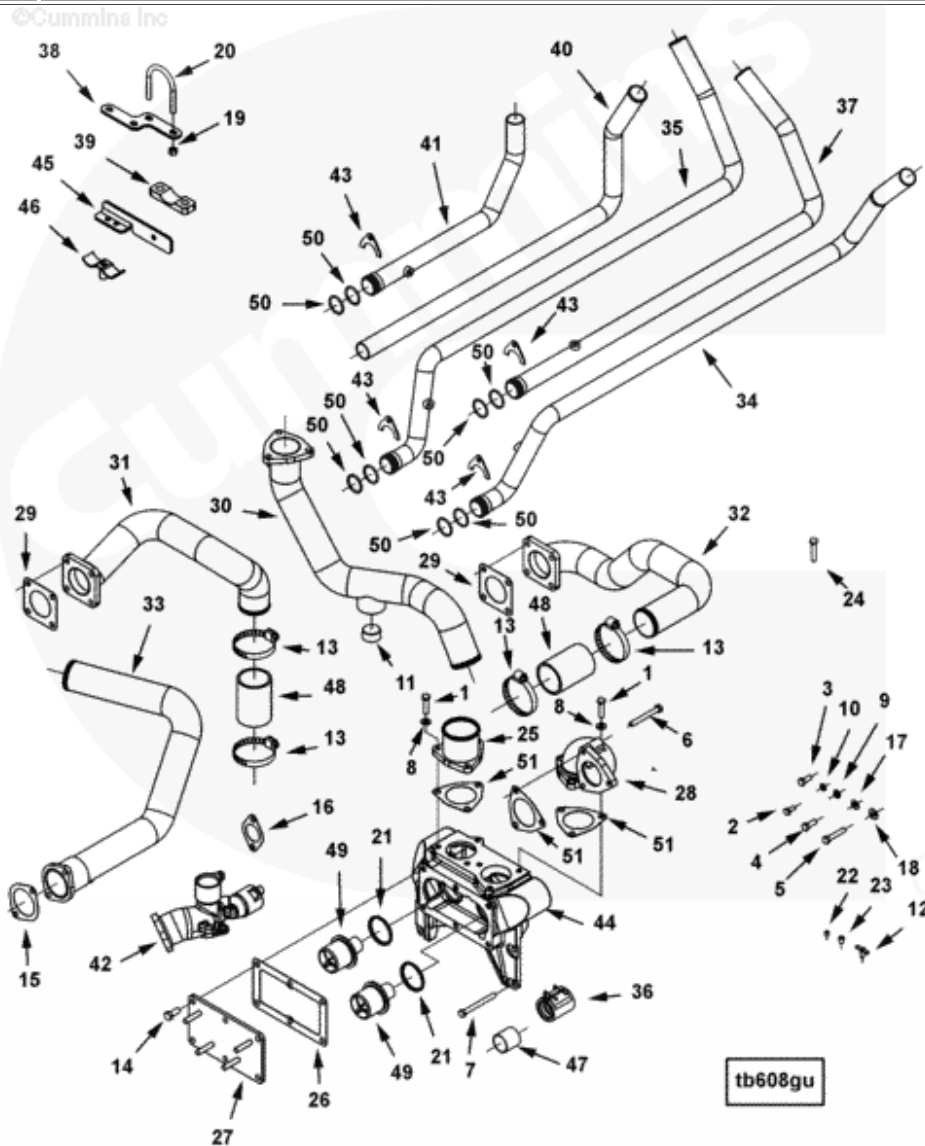
	TB6068-01	NO		Connection,Aux Clg Inlet		Auxiliary cooling inlet
						connection
						Engine Family: Qsk38, Qsk50
						LTA water inlet type:
						Straight inlet outside
						diameter(mm): 76.2 (3.0in)
						customer interface connection
						type: Beaded hose inlet
						location: From engine
						centerline (mm): 363
						(14.3in) from crankshaft
						centerline (mm): -250 (-
						9.8in) front face of block
						(mm): -156 (-6.1in).
1	S 109	YES	ADD	Screw, Hexagon Head Cap	4	3/8 - 16 X 7/8 Inch.
2	S 604	YES	ADD	Washer, Lock	4	3/8 Inch.
3	4006795	YES	ADD	Gasket, Connection	1	
4	4928144	YES	ADD	Connection, Water Inlet	1	
5	3637979	NO		Plug, Orifice	1	



Parts Catalog - Option Detail

Content For Engine Serial Number (ESN): 33171379

Electronic Parts Catalog - Option Detail				
Option	Group	Graphic	Film Card	Date
TB6817-04	10.06.1	tb608gu	K50	11-JUN-07
Engines	G50, K50, GTA50, QSK50 MCRS, G38, G50, GTA50			



SMALL | MEDIUM | LARGE

Part Catalog
QSK 50 EX 2500-6Design By
Rudy Eka Jaya

Ref No	Part Number	For-Sale	Shopping Cart	Part Name	Required	Remarks
	TB6817-04	NO		System,Auxilairy Cooling		
1	S 103 D	YES	ADD	Screw, Hexagon Head Cap	15	3/8 - 16 X 1 1/4 Inch.
2	S 107	YES	ADD	Screw, Hexagon Head Cap	4	5/16 - 18 X 3/4 Inch.
3	S 109	YES	ADD	Screw, Hexagon Head Cap	14	3/8 - 16 X 7/8 Inch.
4	205354	YES	ADD	Screw, Twelve Point Cap	1	3/8 - 16 X 1 Inch.
5	172640	YES	ADD	Screw, Twelve Point Cap	1	3/8 - 16 X 2 Inch.
6	S 163	YES	ADD	Screw, Hexagon Head Cap	2	3/8 - 16 X 3 1/4 Inch.
7	S 199 B	YES	ADD	Screw, Hexagon Head Cap	4	3/8 - 16 3 3/4 Inch.
8	S 602	YES	ADD	Washer, Plain	16	3/8 Inch.
9	S 604	YES	ADD	Washer, Lock	14	3/8 Inch.
10	S 605	YES	ADD	Washer, Lock	4	5/16 Inch.
11	S 907 A	YES	ADD	Plug, Pipe	1	1 1/4 NPT.
12	3638582	YES	ADD	Draincock	2	
13	43828 D	YES	ADD	Clamp, Hose	4	2 1/16 - 3 Inch.
14	103023	YES	ADD	Screw, Hexagon Head Cap	6	7/16 - 14 X 1 Inch.
15	207515	YES	ADD	Gasket, Connection	1	
16	207535	YES	ADD	Gasket, Wtr Trf Connection	1	
17	3042329	YES	ADD	Washer, Plain	23	3/8 Inch.
18	3042330	YES	ADD	Washer, Plain	6	3/8 Inch.
19	3175239	YES	ADD	Nut, Lock	16	
20	3250934	YES	ADD	Clamp, U Bolt	8	
21	3627961	YES	ADD	Seal, Thermostat	2	

Part Catalog
QSK 50 EX 2500-6Design By
Rudy Eka Jaya

22	3628604	YES	ADD	Plug, Pipe	2	
23	3628605	YES	ADD	Plug, Pipe	1	
24	69047 A	YES	ADD	Screw, Socket Head Cap	2	3/8 - 16 X 1 1/2 Inch.
25	3630248	YES	ADD	Connection, Water Outlet	1	
26	3635158	YES	ADD	Gasket, Thm Housing Cover	1	
27	3635160	YES	ADD	Cover, Thermostat Housing	1	
28	4956317	YES	ADD	Connection, Water Outlet	1	
29	3635395	YES	ADD	Gasket, Wtr Trf Connection	2	
30	3635396	YES	ADD	Tube, Water Bypass	1	
31	3635397	YES	ADD	Tube, Water Bypass	1	
32	3635398	YES	ADD	Tube, Water Transfer	1	
33	3635399	YES	ADD	Tube, Water Transfer	1	
34	3635405	YES	ADD	Tube, Water Transfer	1	
35	3635407	YES	ADD	Tube, Water Transfer	1	
36	3635519	YES	ADD	Connection, Water Transfer	1	
37	3635573	YES	ADD	Tube, Water Transfer	1	
38	3635581	YES	ADD	Bracket, Water Tube	4	
39	3636628	YES	ADD	Pad, Wear	8	
40	3636668	YES	ADD	Tube, Water Transfer	1	
41	3636669	YES	ADD	Tube, Water Transfer	1	
42	3637332	YES	ADD	Connection, Water Transfer	1	

Part Catalog
QSK 50 EX 2500-6**Design By**
Rudy Eka Jaya

43	3637345	YES	ADD	Clamp, Retaining	4	
44	3637346	YES	ADD	Housing, Thermostat	1	
45	3638279	YES	ADD	Bracket, Water Tube	4	
46	3637398	YES	ADD	Clamp, Retaining	6	
47	3637402	YES	ADD	Sleeve, Wear	12	
48	4007416	YES	ADD	Hose, Plain	2	
49	4065566	YES	ADD	Thermostat	2	
50	4066112	YES	ADD	Seal, O Ring	8	
51	4101150	YES	ADD	Gasket, Connection	3	

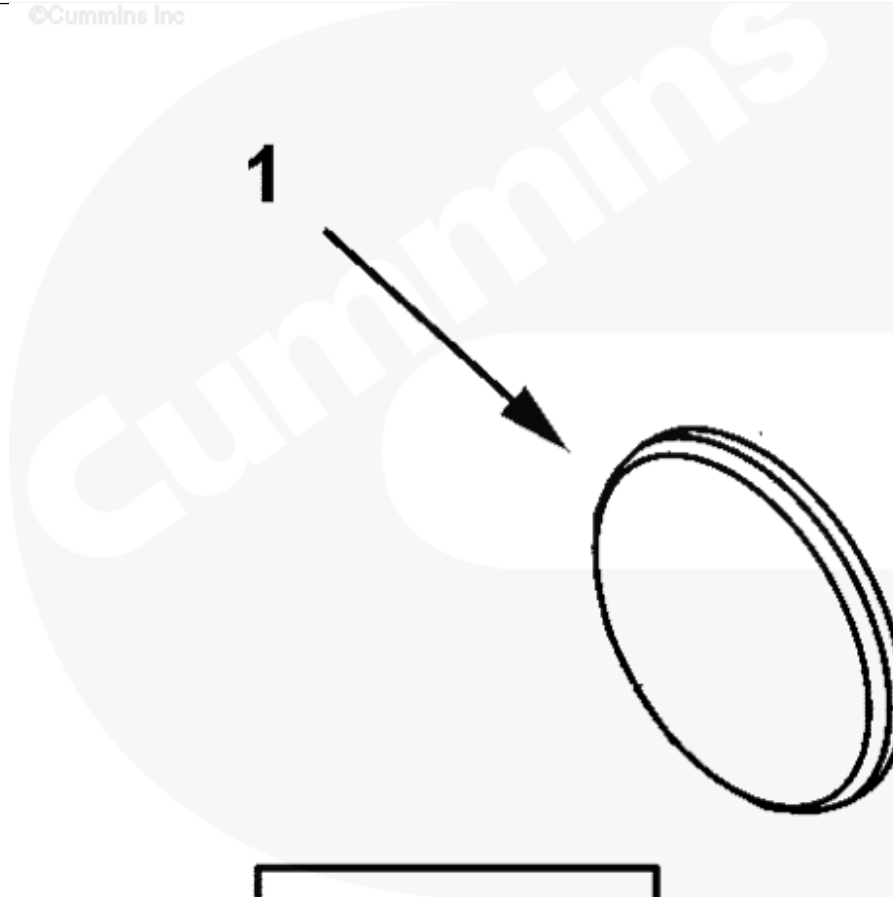


Parts Catalog - Option Detail

Content For Engine Serial Number (ESN): 33171379

Electronic Parts Catalog - Option Detail				
Option	Group	Graphic	Film Card	Date
HC6007	08.13.1	hc600ge	K50	27-OCT-03
Engines	G50, K50, GTA50, QSK50 MCRS, G38, G50, GTA50			

©Cummins Inc



hc600ge

[SMALL](#) | [MEDIUM](#) | [LARGE](#)

Ref No	Part Number	For-Sale	Shopping Cart	Part Name	Required	Remarks
	HC6007	NO		Plumbing,Cabin Heater		Cabin heater plumbing
						Engine Family: Qsk38, Qsk50

Part Catalog
QSK 50 EX 2500-6

Design By
Rudy Eka Jaya

						Water Supply Port Location:
						None.
1	4066185	YES	ADD	Plug, Expansion	2	



Parts Catalog - Option Detail

Content For Engine Serial Number (ESN): 33171379

Electronic Parts Catalog - Option Detail				
Option	Group	Graphic	Film Card	Date
SC60352	99.01	null	K50	01-APR-08
Engines	G50, K50, GTA50, QSK50 MCRS, G38, G50, GTA50			

Ref No	Part Number	For-Sale	Shopping Cart	Part Name	Required	Remarks
	SC60352	NO		SOFTWARE,CALIBRATION		Calibration software
						CPL: 2761
						Engine Control System: Aan
						rated power: 1400 BHP at
						1800 RPM
						Peak torque: 4705 FT LB at
						1300 RPM
						Governed Power: 0000 BHP At
						0000 RPM
						Governed Torque: 0000
						Certified By: EPA ,CARB
						Application: Nonroad cal
						restr: C2.2 injectors only
						Power Rating: N/A
						Calibration Voltage: 24
						speed input: 60-2 crank,
						24+1 cam comment: Non
						centinel cert level: Tier
						2,tier 2 software phase:
						19.00.00.13 manufacturer of
						record: Cummins do option:
						Do 6511.

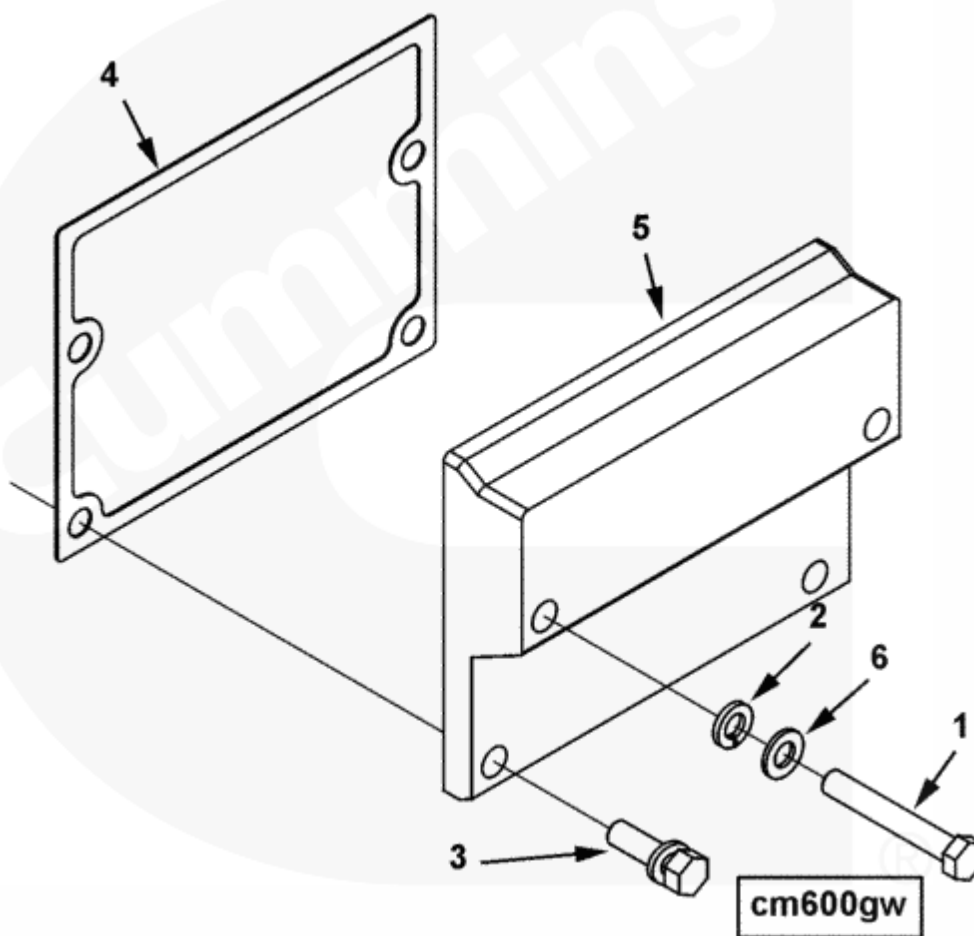


Parts Catalog - Option Detail

Content For Engine Serial Number (ESN): 33171379

Electronic Parts Catalog - Option Detail				
Option	Group	Graphic	Film Card	Date
CM6721	04.03	cm600gw	K50	20-DEC-04
Engines	G50, K50, GTA50, QSK50 MCRCs, G38, G50, GTA50			

©Cummins Inc



SMALL | MEDIUM | LARGE

Ref No	Part Number	For-Sale	Shopping Cart	Part Name	Required	Remarks
	CM6721	NO		Cover, Cam Follower		
1	S 126	YES	ADD	Screw, Hexagon Head Cap	24	3/8 - 16 X 2 1/2 Inch.
2	S 604	YES	ADD	Washer, Lock	24	3/8 Inch.

Part Catalog
QSK 50 EX 2500-6**Design By**
Rudy Eka Jaya

3	3010596	YES	ADD	Screw, Captive Washer Cap	32	3/8 - 16 X 1 1/4 Inch.
4	3040721	YES	ADD	Gasket, Cam Fol Housing	16	
5	3628755	YES	ADD	Cover, Camshaft	16	
6	3628902	YES	ADD	Washer, Plain	56	

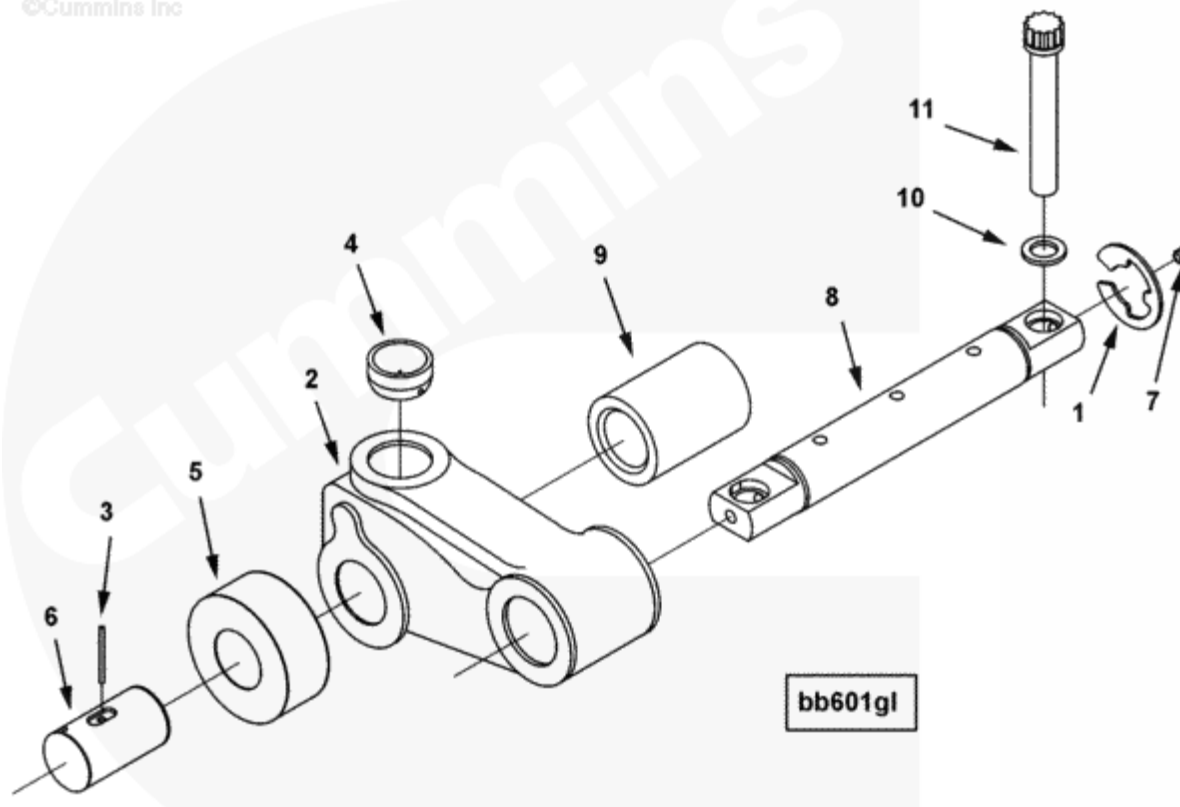


Parts Catalog - Option Detail

Content For Engine Serial Number (ESN): 33171379

Electronic Parts Catalog - Option Detail				
Option	Group	Graphic	Film Card	Date
BB6733	04.01	bb601gl	K50	31-JAN-05
Engines	G50, K50, GTA50, QSK50 MCRS, G38, G50, GTA50			

©Cummins Inc



SMALL | MEDIUM | LARGE

Ref No	Part Number	For-Sale	Shopping Cart	Part Name	Required	Remarks
	BB6733	NO		Cam Follower		
1	205439	YES	ADD	Ring, Retaining	32	
	3039164	YES	ADD	Lever, Cam Follower	32	
2	205069	NO		Lever, Cam Follower	1	
3	205438	YES	ADD	Lockwire, Tpt Roller Pin	1	
4	213559	YES	ADD	Socket, Cam Follower	1	
5	3016826	YES	ADD	Roller, Cam Follower	1	
6	4009248	YES	ADD	Pin, Cam Follower Roller	1	
	3078218	YES	ADD	Shaft, Cam Follower	16	
7	205227	YES	ADD	Plug, Expansion	2	

Part Catalog
QSK 50 EX 2500-6**Design By**
Rudy Eka Jaya

8	3077538	NO		Shaft, Cam Follower	1	
9	4090196	YES	ADD	Spacer, Cam Follower Lever	16	
10	127362	YES	ADD	Washer, Plain	32	3/8 Inch.
11	3627945	YES	ADD	Screw, Twelve Point Cap	32	

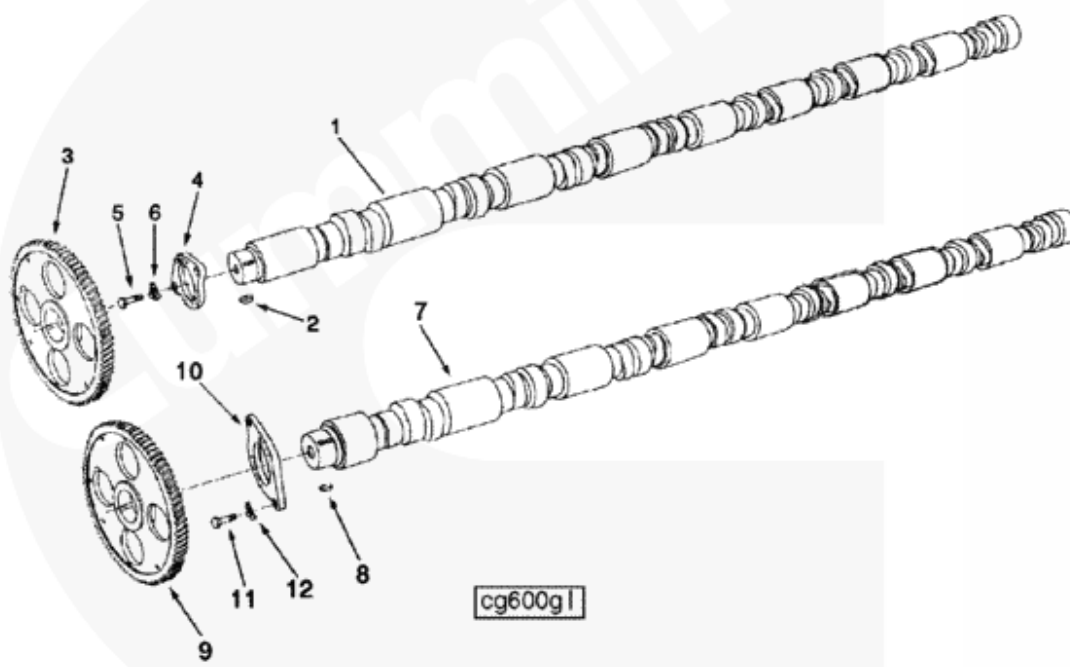


Parts Catalog - Option Detail

Content For Engine Serial Number (ESN): 33171379

Electronic Parts Catalog - Option Detail				
Option	Group	Graphic	Film Card	Date
PP42761	01.07	cg600gl	K50	06-AUG-07
Engines	G50, K50, GTA50, QSK50 MCRS, G38, G50, GTA50			

©Cummins Inc



SMALL | MEDIUM | LARGE

Ref No	Part Number	For-Sale	Shopping Cart	Part Name	Required	Remarks
	PP42761	NO		Camshaft And Gear		
				\$CAMSHAFT And GEAR RB		
1	3098596	YES	ADD	Camshaft	1	
2	S 302	YES	ADD	Key, Offset Woodruff	1	

Part Catalog
QSK 50 EX 2500-6**Design By**
Rudy Eka Jaya

3	206747	YES	ADD	Gear, Camshaft	1	
4	3007971	YES	ADD	Bearing, Camshaft Thrust	1	
5	S 112	YES	ADD	Screw, Hexagon Head Cap	2	3/8 - 16 X 1 Inch.
6	68908	YES	ADD	Lockplate	2	
				\$CAMSHAFT And GEAR LB		
7	3098597	YES	ADD	Camshaft	1	
8	S 302	YES	ADD	Key, Offset Woodruff	1	
9	4916771	YES	ADD	Gear, Camshaft	1	
10	3007971	YES	ADD	Bearing, Camshaft Thrust	1	
11	S 112	YES	ADD	Screw, Hexagon Head Cap	2	3/8 - 16 X 1 Inch.
12	68908	YES	ADD	Lockplate	2	

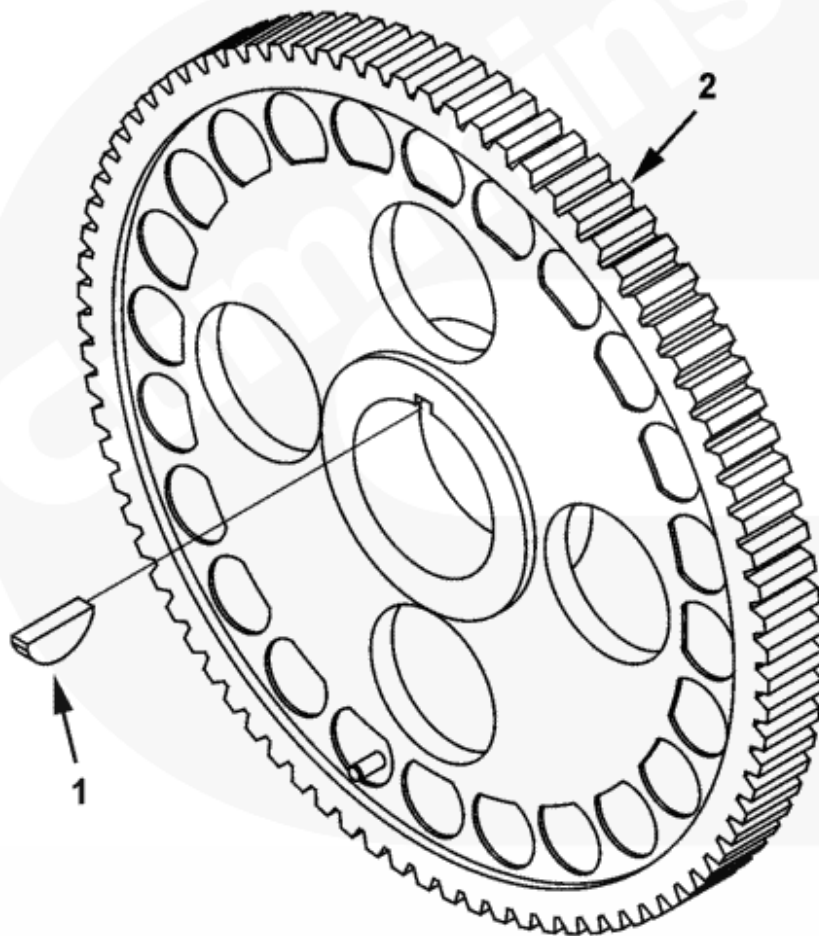


Parts Catalog - Option Detail

Content For Engine Serial Number (ESN): 33171379

Electronic Parts Catalog - Option Detail				
Option	Group	Graphic	Film Card	Date
PP6885	01.04	pp606gv	K50	19-JUN-06
Engines	G50, K50, GTA50, QSK50 MCRS, G38, G50, GTA50			

©Cummins Inc



pp606gv

SMALL | MEDIUM | LARGE

Ref No	Part Number	For-Sale	Shopping Cart	Part Name	Required	Remarks
--------	-------------	----------	---------------	-----------	----------	---------

Ref. QSOL

Part Catalog
QSK 50 EX 2500-6**Design By**
Rudy Eka Jaya

	PP6885	NO		Gear,Camshaft		
1	S 302	YES	ADD	Key, Plain Woodruff	1	
2	4916771	YES	ADD	Gear, Camshaft	1	

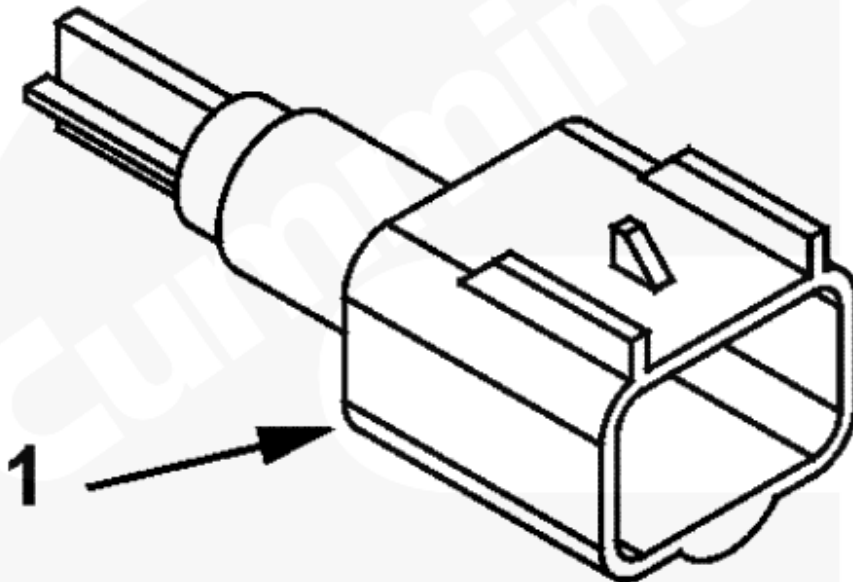


Parts Catalog - Option Detail

Content For Engine Serial Number (ESN): 33171379

Electronic Parts Catalog - Option Detail				
Option	Group	Graphic	Film Card	Date
SD6019-01	15.05	sd600gj	K50	01-MAY-06
Engines	G50, K50, GTA50, QSK50 MCRC, G38, G50, GTA50			

©Cummins Inc



sd600gj

SMALL | MEDIUM | LARGE

Ref No	Part Number	For-Sale	Shopping Cart	Part Name	Required	Remarks
	SD6019-01	NO		Sensor, Coolant Level		

Part Catalog
QSK 50 EX 2500-6

Design By
Rudy Eka Jaya

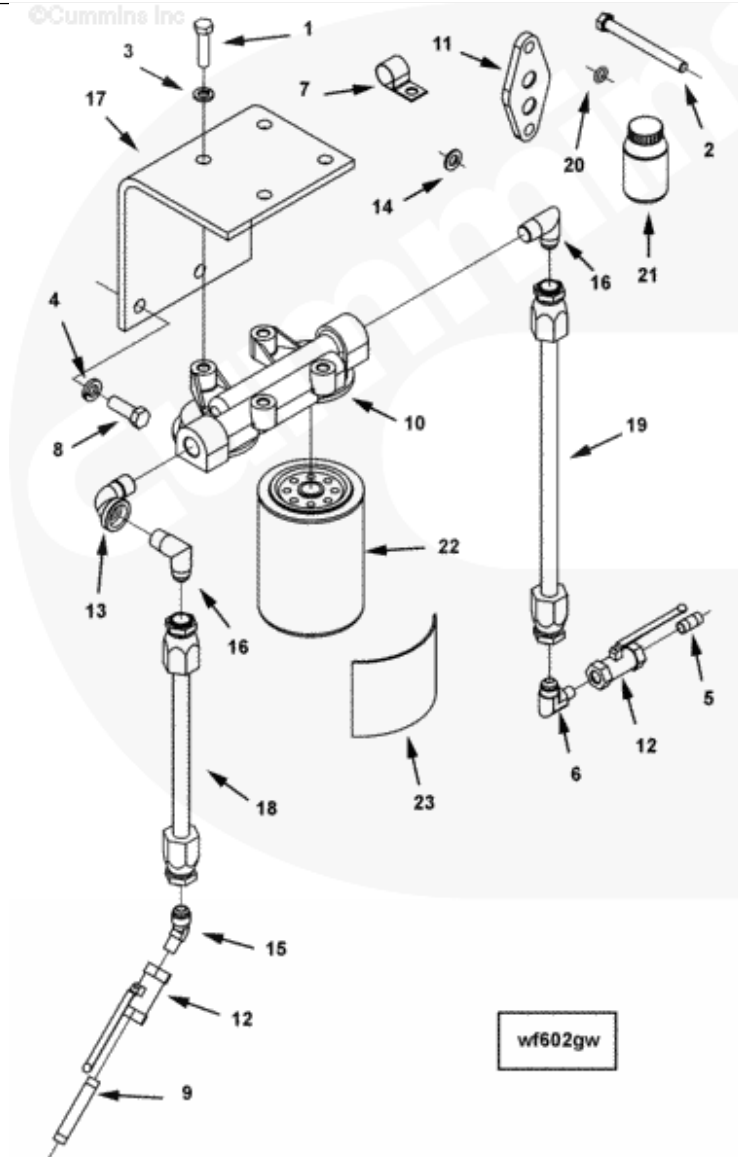
1	4928568	YES	ADD	Sensor, Fluid Level	1	Coolant.
---	-------------------------	-----	---------------------	---------------------	---	----------



Parts Catalog - Option Detail

Content For Engine Serial Number (ESN): 33171379

Electronic Parts Catalog - Option Detail				
Option	Group	Graphic	Film Card	Date
WF6044-01	08.08	wf602gw	K50	13-FEB-06
Engines	G50, K50, GTA50, QSK50 MCRS, G38, G50, GTA50			



SMALL | MEDIUM | LARGE

Ref No	Part Number	For-Sale	Shopping Cart	Part Name	Required	Remarks
--------	-------------	----------	---------------	-----------	----------	---------

Part Catalog
QSK 50 EX 2500-6
Design By
Rudy Eka Jaya

	WF6044-01	NO		Resistor,Corrosion		Corrosion resistor
						Engine Family: Qsk50 type of
						element: Replacable spin-on
						mounting location: Pan rail
						right bank
						Number Of Filter Heads: 1
						Number Of Filter Elements: 2
						corrosion inhibitor included:
						In filter: 46 units in kit:
						240 units cartridge length
						(mm): 137.5 (5.4in) coolant
						system capacity (liters): 38
						- 720 (100 - 190gallons) if
						50% antifreeze is used.
						Reference service bulletin
						366610 if antifreeze not
						available.
1	S 103 D	YES	ADD	Screw, Hexagon Head Cap	4	3/8 - 16 X 1 1/4 Inch.
2	S 199 B	YES	ADD	Screw, Hexagon Head Cap	4	3/8 - 16 3 3/4 Inch.
3	S 604	YES	ADD	Washer, Lock	8	3/8 Inch.
4	S 610	YES	ADD	Washer, Lock	2	7/16 Inch.
5	S 946	YES	ADD	Nipple, Plain Pipe	1	
6	S 1040 A	YES	ADD	Elbow, Male Adapter	1	
7	69911 A	YES	ADD	Clip	1	
8	103009	YES	ADD	Screw, Hexagon Head Cap	2	7/16 - 14 X 1 1/4 Inch.
9	109660	YES	ADD	Nipple, Plain Pipe	1	
10	215617	YES	ADD	Head, Corrosion Resistor	1	
11	3003379	YES	ADD	Plate, Cover	2	
12	3178837	YES	ADD	Valve, Shutoff	2	
13	3178838	YES	ADD	Elbow, Plain Street Pipe	1	
14	3628902	YES	ADD	Washer, Plain	1	
15	3629494	YES	ADD	Elbow, Male Adapter	1	
16	3629496	YES	ADD	Elbow, Male Adapter	2	

Ref. QSOL

Part Catalog
QSK 50 EX 2500-6**Design By**
Rudy Eka Jaya

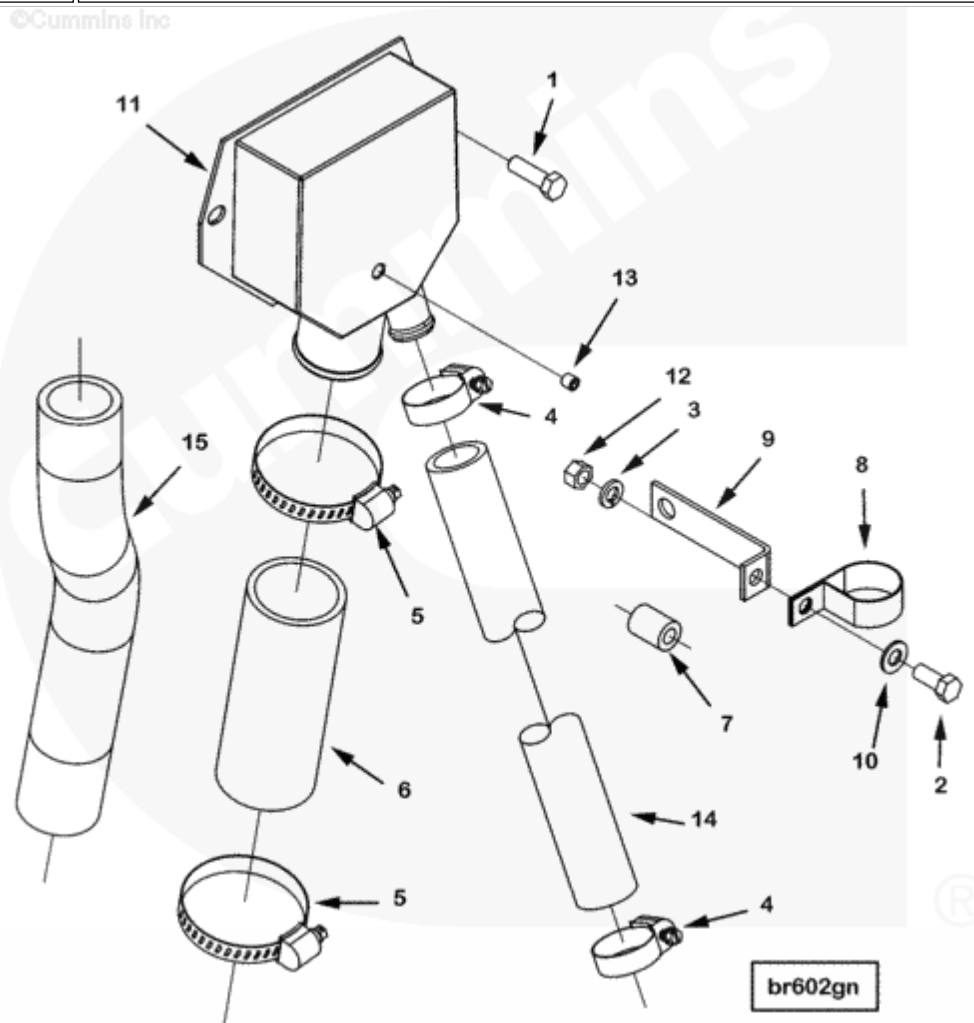
17	3630327	YES	ADD	Bracket, Crn Resistor	1	
18	3634299	YES	ADD	Hose, Flexible	1	
19	3634301	YES	ADD	Hose, Flexible	1	
20	3818885	YES	ADD	Seal, O Ring	4	
21	3888312	YES	ADD	Inhibitor, Corrosion	12	Buy from Cummins Filtration
22	4058965	YES	ADD	Resistor, Corrosion	2	
23	4080529	NO		Decal	2	



Parts Catalog - Option Detail

Content For Engine Serial Number (ESN): 33171379

Electronic Parts Catalog - Option Detail				
Option	Group	Graphic	Film Card	Date
BR6766-03	03.02	br602gn	K50	02-JUL-07
Engines	G50, K50, GTA50, QSK50 MCRS, G38, G50, GTA50			



SMALL | MEDIUM | LARGE

Ref No	Part Number	For-Sale	Shopping Cart	Part Name	Required	Remarks
	BR6766-03	NO		Breather,Crankcase		Crankcase breather
						Engine Family: Qsk50
						Breather Type: Open breather
						inlet location: Right bank

Part Catalog
QSK 50 EX 2500-6
Design By
Rudy Eka Jaya

						#4 cylinder left bank #5
						cylinder oil drain location:
						Hand hole cover #4 RB
						Hand hole cover #5 LB
						Oil Fill Provision: None
						vent hose total length (mm):
						609(24.0in) vent limitations:
						Front up engine angularity
						(deg): 15 front down engine
						angularity (deg): 15 side to
						side engine angularity (deg):
						15 exhaust gas temp sensors
						supplied by Cummins: No.
1	S 104	YES	ADD	Screw, Hexagon Head Cap	2	3/8 - 16 X 2 1/4 Inch.
2	S 109	YES	ADD	Screw, Hexagon Head Cap	2	3/8 - 16 X 7/8 Inch.
3	S 604	YES	ADD	Washer, Lock	4	3/8 Inch.
4	43828 A	YES	ADD	Clamp, Hose	2	11 16 - 1 1/2 Inch.
5	43828 D	YES	ADD	Clamp, Hose	4	2 1/16 - 3 Inch.
6	63241 C	YES	ADD	Hose, Plain	1	
7	64709	YES	ADD	Spacer, Mounting	2	
8	68189	YES	ADD	Clip	2	
9	114307	YES	ADD	Brace, Tube	2	
10	3042329	YES	ADD	Washer, Plain	4	3/8 Inch.
11	3176609	YES	ADD	Breather, Crankcase	2	
12	3201128	YES	ADD	Nut, Regular Hexagon	2	3/8 - 16 UNC.
13	3628604	YES	ADD	Plug, Pipe	2	
14	3633076	YES	ADD	Hose, Plain	2	
15	4924673	YES	ADD	Hose, Molded	1	

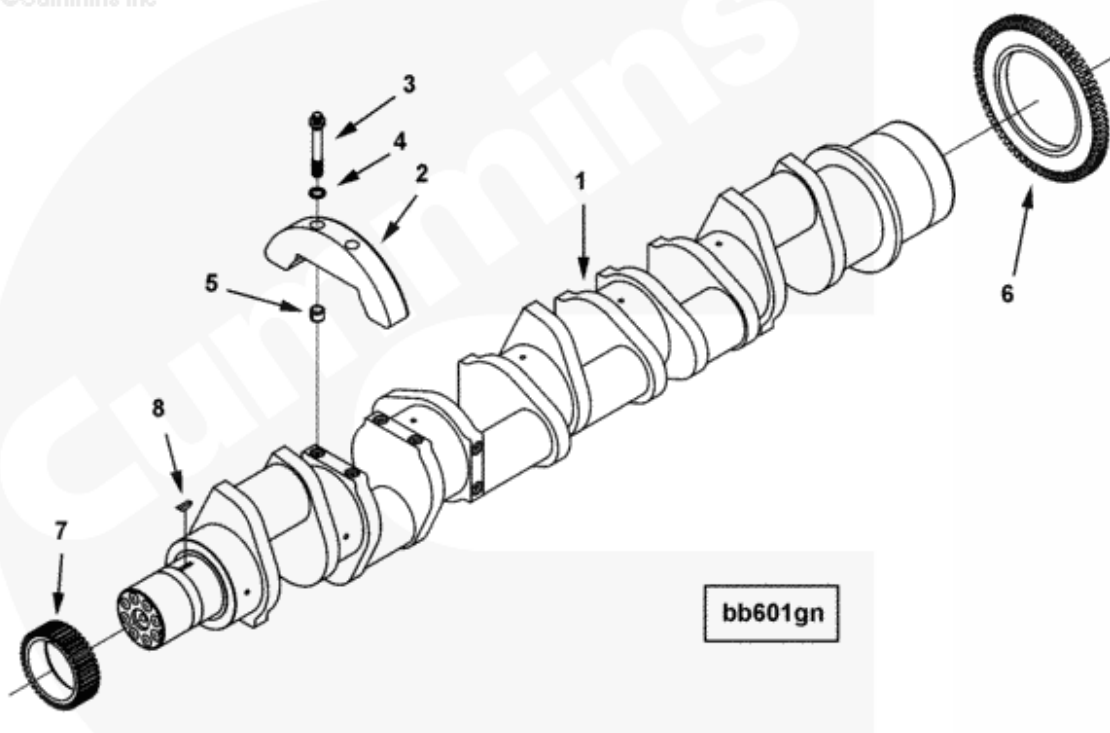


Parts Catalog - Option Detail

Content For Engine Serial Number (ESN): 33171379

Electronic Parts Catalog - Option Detail				
Option	Group	Graphic	Film Card	Date
BB6733	01.02	bb601gn	K50	31-JAN-05
Engines	G50, K50, GTA50, QSK50 MCRS, G38, G50, GTA50			

©Cummins Inc



SMALL | MEDIUM | LARGE

Ref No	Part Number	For-Sale	Shopping Cart	Part Name	Required	Remarks
	BB6733	NO		Crankshaft		
	4098998	YES	ADD	Crankshaft, Engine	1	
1	4098997	YES	ADD	Crankshaft, Engine	1	
2	3176216	YES	ADD	Weight, Crankshaft Counter	8	
3	219153	YES	ADD	Bolt, Connecting Rod	16	

Part Catalog
QSK 50 EX 2500-6**Design By**
Rudy Eka Jaya

4	205126	YES	ADD	Washer, Plain	16	5/8 Inch.
5	3176218	YES	ADD	Dowel, Ring	16	
6	3175255	YES	ADD	Gear, Crankshaft	1	
7	3628798	YES	ADD	Gear, Crankshaft	1	
8	206904	YES	ADD	Key, Plain Woodruff	1	



Parts Catalog - Option Detail

Content For Engine Serial Number (ESN): 33171379

Electronic Parts Catalog - Option Detail				
Option	Group	Graphic	Film Card	Date
DO6511	99.01	null	K50	09-MAY-09
Engines	G50, K50, GTA50, QSK50 MCRS, G38, G50, GTA50			

Ref No	Part Number	For-Sale	Shopping Cart	Part Name	Required	Remarks
	DO6511	NO		SOFTWARE,CUS INTERFACE		Customer interface software
						Engine Control System: Aan
						Transmission:
						Hydraulic Pump
						Commun Support: J1939
						OEM Name: Hitachi
						OEM Model: EX2500
						oemcomment: Excavator
						Remote Throttle: N
						High Idle: 2050 RPM
						Low Idle: 0800 RPM ISC
						enable: On
						ISC Validation: N/A switch
						speed input: No
						Torque Curve Selection: No
						ASG/axg/min/max: ASG
						governor droop: 5 % idle
						validation: No
						Multiple Unit
						Synchronization: No
						Output Driver Setup: No
						Calibration Voltage: 24
						Throttle Type: Nihon Seiki

Part Catalog
QSK 50 EX 2500-6

Design By
Rudy Eka Jaya

						comment: Software
						19.00.00.13 powermatch: N/A
						guid: N/A sentinel: No.

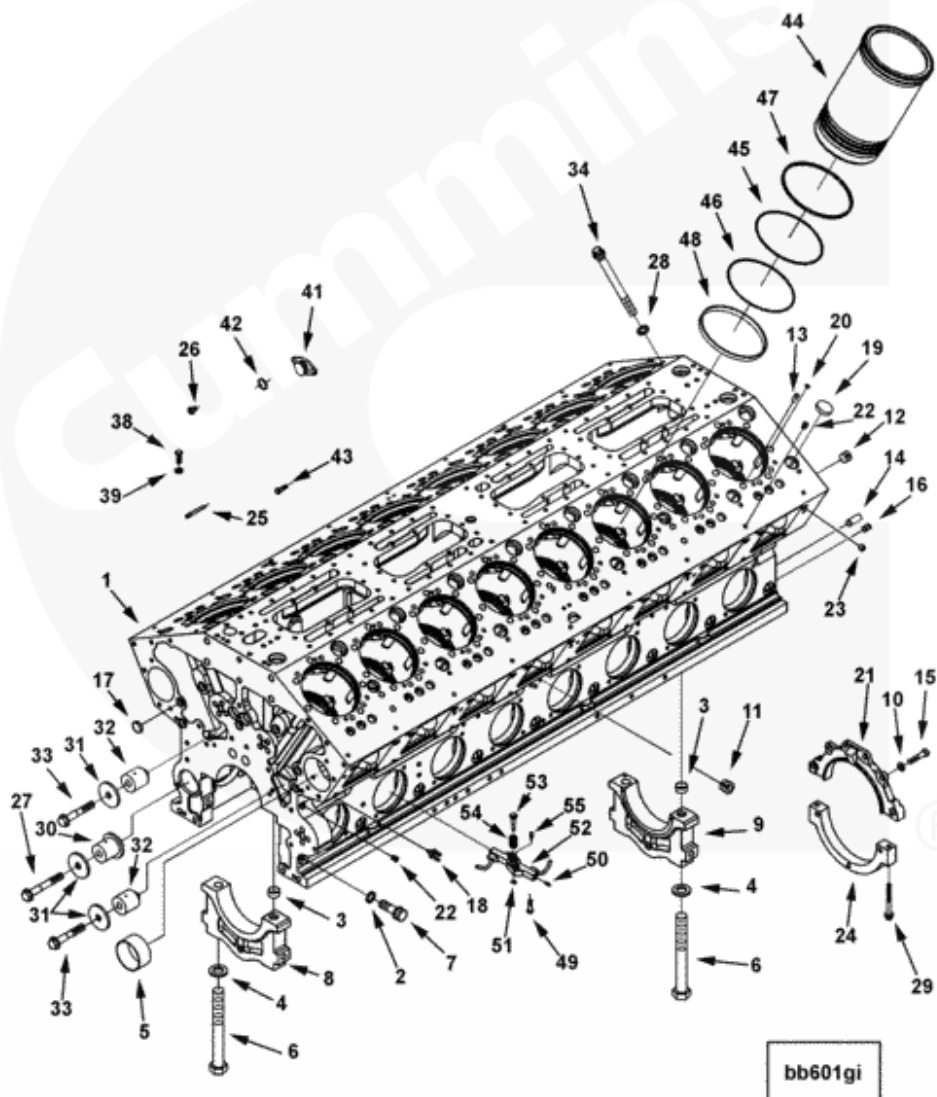


Parts Catalog - Option Detail

Content For Engine Serial Number (ESN): 33171379

Electronic Parts Catalog - Option Detail				
Option	Group	Graphic	Film Card	Date
BB6733-04	01.01	bb601gi	K50	10-SEP-07
Engines	G50, K50, GTA50, QSK50 MCRS, G38, G50, GTA50			

©Cummins Inc



SMALL | MEDIUM | LARGE

Part Catalog
QSK 50 EX 2500-6Design By
Rudy Eka Jaya

Ref No	Part Number	For-Sale	Shopping Cart	Part Name	Required	Remarks
	BB6733-04	NO		Cylinder,Block		Block,Cylinder
						Engine family: QSK50
						Engine cylinders: 16
						Cylinder arrangement: VEE
1	3178803	YES	ADD	Block, Cylinder	1	
2	139990	YES	ADD	Washer, Plain	18	3/4 Inch.
3	3176857	YES	ADD	Dowel, Ring	9	
4	3025485	YES	ADD	Washer, Plain	18	
5	205230	YES	ADD	Bushing	34	
6	3628452	YES	ADD	Screw, Hexagon Head Cap	18	
7	205584	YES	ADD	Screw, Twelve Point Cap	18	3/4 - 10 X 2 1/4 Inch.
8	206587	YES	ADD	Cap, Main Bearing	7	
9	206588	YES	ADD	Cap, Main Bearing	2	
10	S 610	YES	ADD	Washer, Lock	10	7/16 Inch.
11	3628608	YES	ADD	Plug, Pipe	4	
12	3628607	YES	ADD	Plug, Pipe	1	3/4 - 14
13	4016364	YES	ADD	Dowel, Pin	32	
14	70662	YES	ADD	Dowel, Pin	2	
15	106069	YES	ADD	Screw, Hexagon Head Cap	6	7/16 - 14 X 2 Inch.
16	148582	YES	ADD	Dowel, Pin	2	
17	175830	YES	ADD	Plug, Expansion	12	
18	3629497	YES	ADD	Draincock	4	

Part Catalog
QSK 50 EX 2500-6Design By
Rudy Eka Jaya

19	4017621	YES	ADD	Plug, Expansion	21	
20	206742	YES	ADD	Plug, Expansion	16	
21	3000138	YES	ADD	Support, Bearing	1	
22	3628605	YES	ADD	Plug, Pipe	18	
23	3002993	YES	ADD	Dowel, Ring	32	
24	3175281	YES	ADD	Support, Bearing	1	
25	3176649	YES	ADD	Seal, Tamper Proof	16	
26	S 955	YES	ADD	Bushing, Reducing Pipe	1	
27	3177443	YES	ADD	Screw, Hex Flange Head Cap	1	5/8 - 18 X 4 1/2 Inch.
28	205059	YES	ADD	Washer, Plain	96	3/4 Inch.
29	205199	YES	ADD	Screw, Twelve Point Cap	2	3/8 - 16 X 3 1/2 Inch.
30	3178450	YES	ADD	Shaft, Idler	1	
31	3178457	YES	ADD	Washer, Plain	3	5/8 Inch.
32	3033853	YES	ADD	Shaft, Idler	2	
33	3177945	YES	ADD	Screw, Hex Flange Head Cap	2	5/8 - 18 X 3 3/4 Inch.
34	3032633	YES	ADD	Screw, Twelve Point Cap	96	3/4 - 16 X 8 Inch.
38	S 112	YES	ADD	Screw, Hexagon Head Cap	12	3/8 - 16 X 1 Inch.
39	S 604	YES	ADD	Washer, Lock	12	3/8 Inch.
41	3631471	YES	ADD	Adapter, O Ring	6	
42	3631474	YES	ADD	Seal, O Ring	6	
43	S 186	YES	ADD	Screw, Hexagon Head Cap	16	5/16 - 24 X 1 Inch.
	4955328	YES	ADD	Kit, Liner	16	
44	4916452	YES	ADD	Liner, Cylinder	1	
45	3014668	YES	ADD	Seal, D Ring	1	
46	3011076	YES	ADD	Seal, D Ring	1	
47	3081489	YES	ADD	Seal, Oil	1	

Ref. QSOL

Part Catalog
QSK 50 EX 2500-6
Design By
Rudy Eka Jaya

48	3011884	YES	ADD	Insert, Liner	1	
	3019150	YES	ADD	Insert, Liner	A/R	
	3021148	YES	ADD	Insert, Liner	A/R	
				\$LINER SHIMS		
	205741	YES	ADD	Shim	A/R	
	205742	YES	ADD	Shim	A/R	
	205743	YES	ADD	Shim	A/R	
	205744	YES	ADD	Shim	A/R	
	205745	YES	ADD	Shim	A/R	
				\$PISTON COOLING NOZZLE		
49	3178947	YES	ADD	Screw, Hexagon Head Cap	16	5/16 - 18 X 1 1/4 Inch.
	4099041	YES	ADD	Valve, Piston Cooling	8	
50	3176552	YES	ADD	Seal, Tamper Proof	2	
51	69204 D	YES	ADD	Ring, Retaining	1	
52	4916821	NO		Body, Piston Cooling Valve	1	
53	3058423	YES	ADD	Plunger, Oil Control Valve	1	
54	3058424	YES	ADD	Spring, Compression	1	
55	3179000	YES	ADD	Dowel, Pin	2	

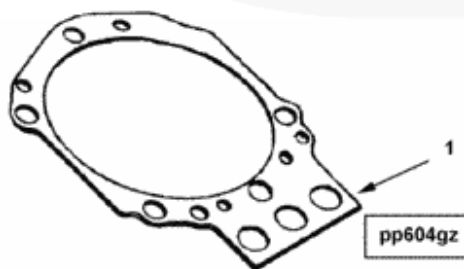
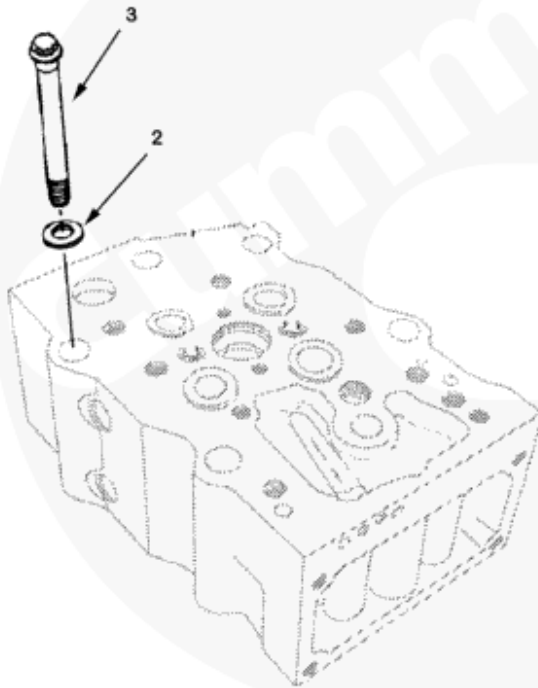


Parts Catalog - Option Detail

Content For Engine Serial Number (ESN): 33171379

Electronic Parts Catalog - Option Detail				
Option	Group	Graphic	Film Card	Date
PP42761	02.01.1	pp604gz	K50	06-AUG-07
Engines	G50, K50, GTA50, QSK50 MCRS, G38, G50, GTA50			

©Cummins Inc



SMALL | MEDIUM | LARGE

Ref No	Part Number	For-Sale	Shopping Cart	Part Name	Required	Remarks
--------	-------------	----------	---------------	-----------	----------	---------

Ref. QSOL

Part Catalog
QSK 50 EX 2500-6**Design By**
Rudy Eka Jaya

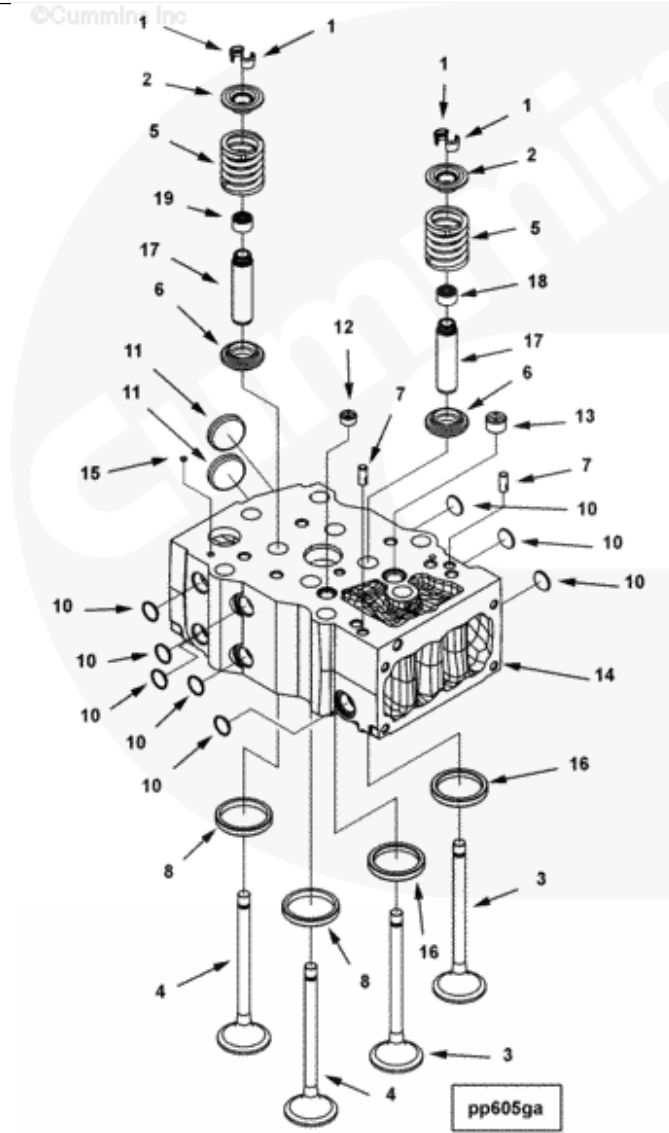
	PP42761	NO		Cylinder Head		
1	3634664	YES	ADD	Gasket, Cylinder Head	16	
2	3629962	YES	ADD	Washer, Plain	96	
3	3032633	YES	ADD	Screw, Twelve Point Cap	96	3/4 - 16 X 8 Inch.



Parts Catalog - Option Detail

Content For Engine Serial Number (ESN): 33171379

Electronic Parts Catalog - Option Detail				
Option	Group	Graphic	Film Card	Date
PP42761	02.01	pp605ga	K50	06-AUG-07
Engines	G50, K50, GTA50, QSK50 MCRS, G38, G50, GTA50			



SMALL | MEDIUM | LARGE

Ref No	Part Number	For-Sale	Shopping Cart	Part Name	Required	Remarks
--------	-------------	----------	---------------	-----------	----------	---------

Part Catalog
QSK 50 EX 2500-6
Design By
Rudy Eka Jaya

	PP42761	NO		Cylinder Head		
	3640319	YES	ADD	Head, Cylinder	16	
1	205091	YES	ADD	Collet, Valve	8	
2	205094	YES	ADD	Retainer, Valve Spring	4	
3	3631950	NO		Valve, Intake	2	Serviced as 4955734.
4	3088389	NO		Valve, Exhaust	2	Serviced as 3803528.
5	3633840	YES	ADD	Spring, Valve	4	
6	3640315	YES	ADD	Rotator, Valve	4	
7	3635250	YES	ADD	Pin, Groove	2	
8	3086192	YES	ADD	Insert, Valve	2	
10	205401	YES	ADD	Plug, Expansion	8	
11	206224	YES	ADD	Plug, Expansion	2	
12	67622	YES	ADD	Plug, Pipe	1	3/8 NPT.
13	S 915 A	YES	ADD	Plug, Pipe	1	1/2 NPT.
14	4916447	NO		Head, Cylinder	1	
15	203933	YES	ADD	Plug, Expansion	1	
16	3086193	YES	ADD	Insert, Valve	2	
17	4099096	YES	ADD	Guide, Valve Stem	4	
18	4099092	YES	ADD	Seal, Valve Stem	2	
19	4099093	YES	ADD	Seal, Valve Stem	2	
	4955734	YES	ADD	Kit, Intake	1	
1	205091	YES	ADD	Collet, Valve	2	
3	3631950	NO		Valve, Intake	1	Serviced as 4955734.
	3803528	YES	ADD	Valve, Exhaust	1	
1	205091	YES	ADD	Collet, Valve	2	
4	3088389	NO		Valve, Exhaust	2	Serviced as 3803528.

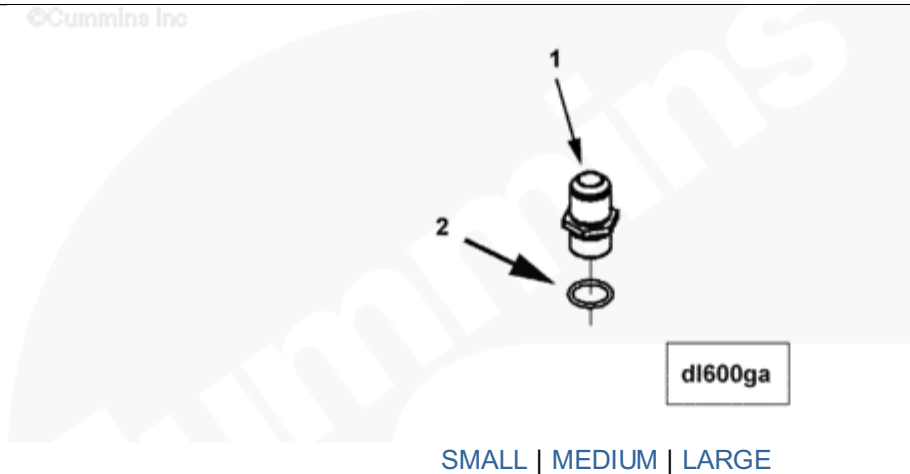


Parts Catalog - Option Detail

Content For Engine Serial Number (ESN): 33171379

Electronic Parts Catalog - Option Detail				
Option	Group	Graphic	Film Card	Date
DL6043	06.07	dl600ga	K50	15-APR-06
Engines	G50, K50, GTA50, QSK50 MCRS, G38, G50, GTA50			

©Cummins Inc



Ref No	Part Number	For-Sale	Shopping Cart	Part Name	Required	Remarks
	DL6043	NO		Location, Drain		
	3099698	YES	ADD	Union, Male	1	
1	3099697	YES	ADD	Union, Male	1	
2	3678606	YES	ADD	Seal, O Ring	1	

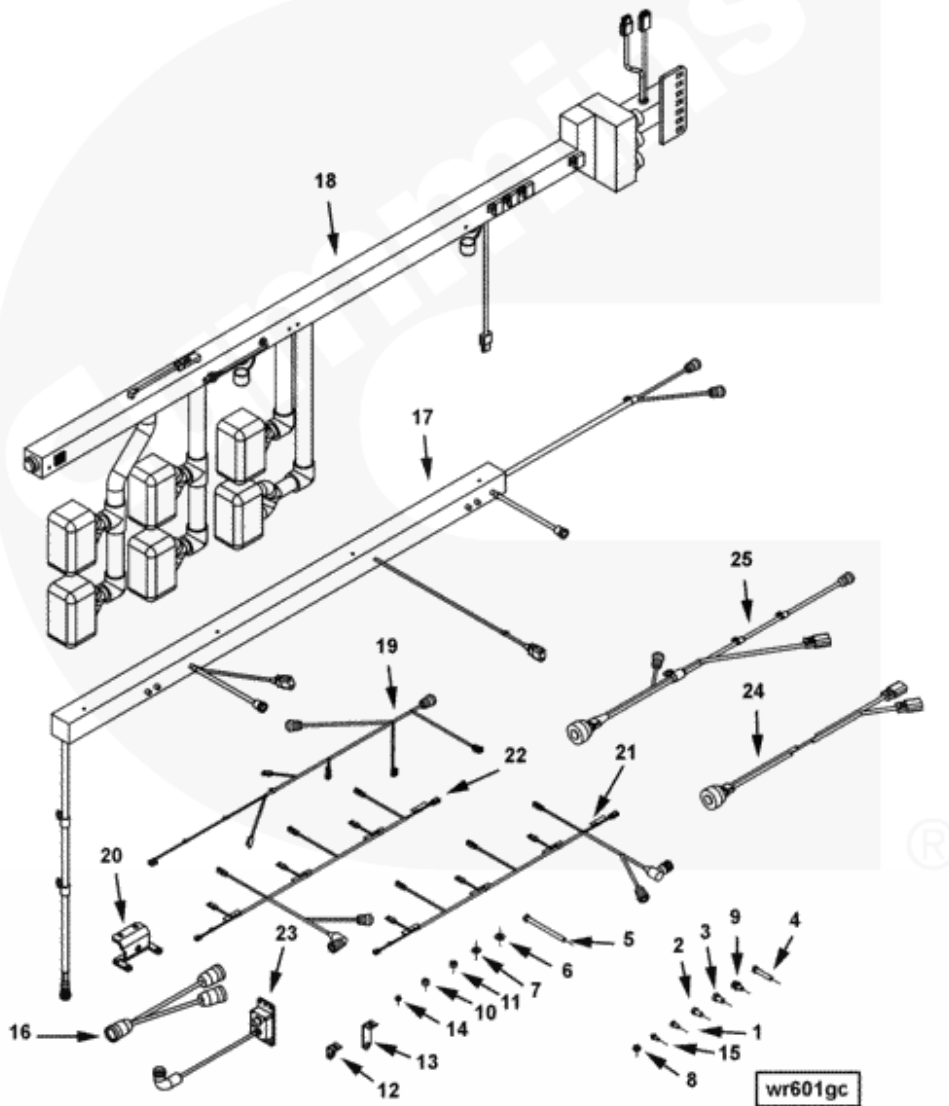


Parts Catalog - Option Detail

Content For Engine Serial Number (ESN): 33171379

Electronic Parts Catalog - Option Detail				
Option	Group	Graphic	Film Card	Date
WR6738	05.06.1	wr601gc	K50	31-JUL-06
Engines	G50, K50, GTA50, QSK50 MCRS, G38, G50, GTA50			

©Cummins Inc



SMALL | MEDIUM | LARGE

Ref No	Part Number	For-Sale	Shopping Cart	Part Name	Required	Remarks
--------	-------------	----------	---------------	-----------	----------	---------

Part Catalog
QSK 50 EX 2500-6
Design By
Rudy Eka Jaya

	WR6738	NO		Harness,Etr Cnt Mdl Wrg		
1	S 110	YES	ADD	Screw, Hexagon Head Cap	20	5/16 - 18 X 5/8 Inch.
2	S 117	YES	ADD	Screw, Hexagon Head Cap	1	3/8 - 16 X 3/4 Inch.
3	S 118	YES	ADD	Screw, Hexagon Head Cap	2	7/16 - 14 X 3/4 Inch.
4	S 137	YES	ADD	Screw, Hexagon Head Cap	8	3/8 - 16 X 2 Inch.
5	S 149 A	YES	ADD	Screw, Hexagon Head Cap	8	3/8 - 16 X 5 Inch.
6	108330	YES	ADD	Washer, Plain	8	3/8 Inch.
7	3042329	YES	ADD	Washer, Plain	24	3/8 Inch.
8	3063556	YES	ADD	Nut, Hexagon Flange	1	5/16 - 18 UNC.
9	3064321	YES	ADD	Screw, Captive Washer Cap	16	3/8 - 16 X 7/8 Inch.
10	3175239	YES	ADD	Nut, Lock	16	
11	3201128	YES	ADD	Nut, Regular Hexagon	1	3/8 - 16 UNC.
12	3628553	YES	ADD	Brace, Tube	1	
13	3628554	YES	ADD	Brace, Tube	16	
14	3906216	YES	ADD	Nut, Hexagon Flange	16	M6 x 1.00
15	3913638	YES	ADD	Screw, Hex Flange Head Cap	16	M6 x 1.00 x 16
16	4918064	YES	ADD	Harness, Etr Cnt Mdl Wrg	1	QSK50 T2 Oil Press Harness
17	4924742	YES	ADD	Harness, Etr Cnt Mdl Wrg	1	QSK50 T2 Right Bank Harness
18	4951878	YES	ADD	Harness, Etr Cnt Mdl Wrg	1	QSK50 T2 Left Bank Harness
19	4951879	YES	ADD	Harness, Etr Cnt Mdl Wrg	1	
20	4951940	YES	ADD	Brace, Wiring	4	
21	4951964	YES	ADD	Harness, Etr Cnt Mdl Wrg	2	
22	4951967	YES	ADD	Harness, Etr Cnt Mdl Wrg	2	
23	4964126	YES	ADD	Module, Eng Cnt Interface	4	
24	4964183	YES	ADD	Harness, Wiring	1	T2 Wif & Liftpump Harness
25	4964187	YES	ADD	Harness, Etr Cnt Mdl Wrg	1	GSK50 T2 Fuel Filter Harness

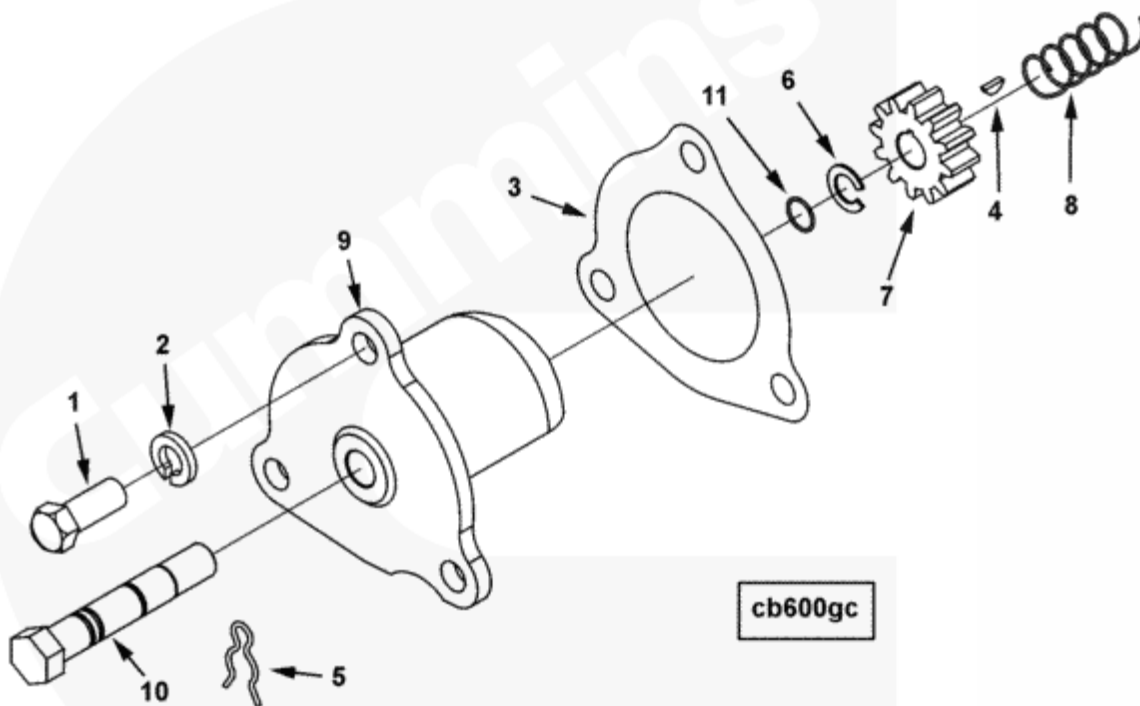


Parts Catalog - Option Detail

Content For Engine Serial Number (ESN): 33171379

Electronic Parts Catalog - Option Detail				
Option	Group	Graphic	Film Card	Date
CB6708	16.01	cb600gc	K50	05-SEP-05
Engines	G50, K50, GTA50, QSK50 MCRS, G38, G50, GTA50			

©Cummins Inc



SMALL | MEDIUM | LARGE

Ref No	Part Number	For-Sale	Shopping Cart	Part Name	Required	Remarks
	CB6708	NO		Drive,Engine Barring		Engine barring drive
						Engine Family: Qsk38, Qsk50
						drive type: Mechanical
						pinion diametral pitch: 6/8
						pinion gear outside

Part Catalog
QSK 50 EX 2500-6Design By
Rudy Eka Jaya

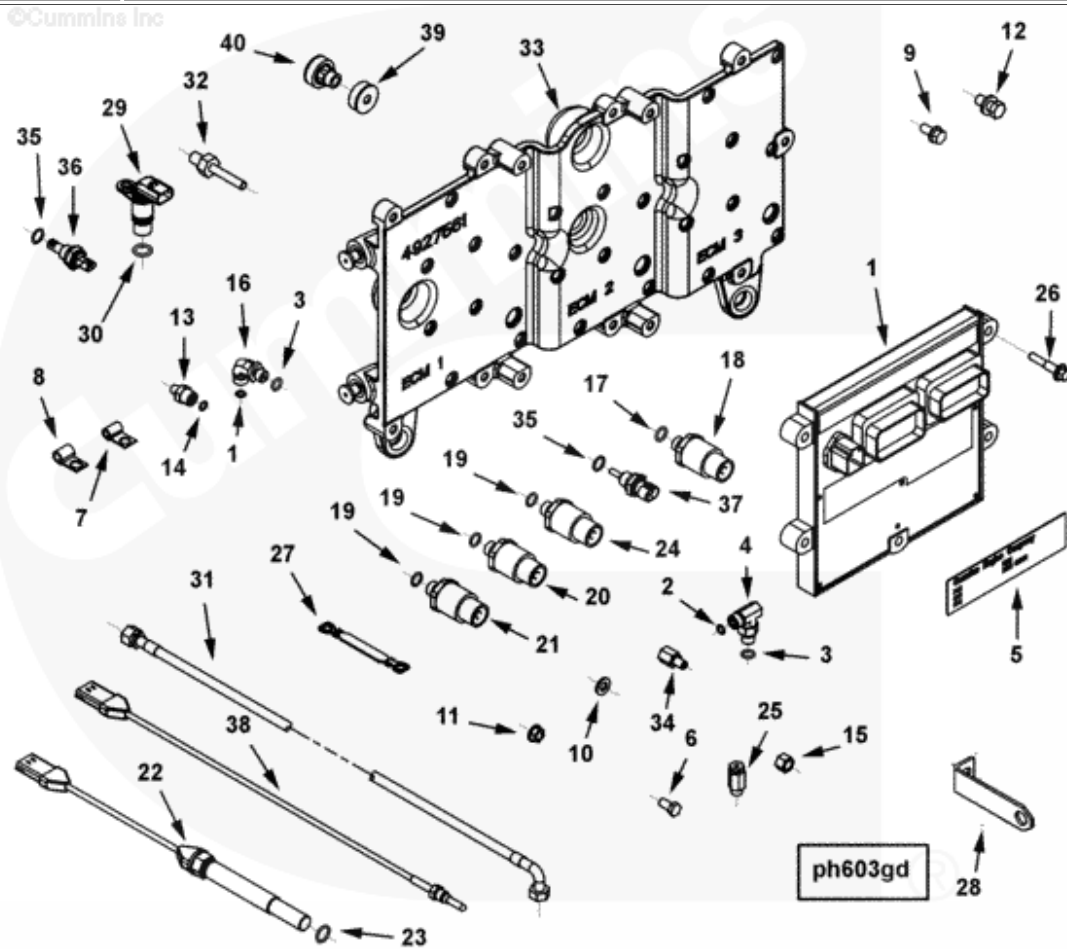
						diameter(mm): 36.8 (2.25in)
						mounting flange type: SAE #3
						(3 bolt x 120 degrees)
						mounting location: Fly
						housing - quad 2
						Intended Fly Housing Type:
						Wet
						Unique characteristics
						structure strategy under
						common model.
1	S 116	YES	ADD	Screw, Hexagon Head Cap	3	5/8 - 11 X 1 1/2 Inch.
2	S 603	YES	ADD	Washer, Lock	3	5/8 Inch.
3	3031007	YES	ADD	Gasket, Starter	1	
	3201740	YES	ADD	Drive, Engine Barring	1	
4	S 306	YES	ADD	Key, Plain Woodruff	1	
5	169834	YES	ADD	Clip	1	
6	206090	YES	ADD	Ring, Retaining	1	
7	206091	YES	ADD	Gear, Engine Barring	1	
8	206092	YES	ADD	Spring, Compression	1	
9	206093	YES	ADD	Housing, Engine Barring	1	
10	3201739	YES	ADD	Shaft, Barring	1	
11	3913994	YES	ADD	Seal, O Ring	1	



Parts Catalog - Option Detail

Content For Engine Serial Number (ESN): 33171379

Electronic Parts Catalog - Option Detail				
Option	Group	Graphic	Film Card	Date
PH6815-06	05.06.1	ph603gd	K50	16-JUL-07
Engines	G50, K50, GTA50, QSK50 MCRS, G38, G50, GTA50			



SMALL | MEDIUM | LARGE

Ref No	Part Number	For-Sale	Shopping Cart	Part Name	Required	Remarks
	PH6815-06	NO		Module,Engine Control		

Part Catalog
QSK 50 EX 2500-6Design By
Rudy Eka Jaya

1	4921776	YES	ADD	Module, Electronic Control	1	
	4924727	YES	ADD	Tee, Plain Adapter	2	
2	3089392	YES	ADD	Seal, O Ring	1	
3	3678603	YES	ADD	Seal, O Ring	1	
4	4924728	NO		Tee, Plain Adapter	1	
5	3066855	YES	ADD	Dataplate	1	
6	S 110	YES	ADD	Screw, Hexagon Head Cap	16	5/16 - 18 X 5/8 Inch.
7	180371	YES	ADD	Clip	16	
8	180372	YES	ADD	Clip	21	
9	3015283	YES	ADD	Screw, Captive Washer Cap	17	5/16 - 18 X 3/4 Inch.
10	3042328	YES	ADD	Washer, Plain	16	1/4 in.
11	3063556	YES	ADD	Nut, Hexagon Flange	4	5/16 - 18 UNC
12	3064321	YES	ADD	Screw, Captive Washer Cap	16	3/8 - 16 X 7/8"
	3170812	YES	ADD	Connector, Male	3	
13	3397525	NO		Connector, Male	1	
14	3865251	YES	ADD	Seal, O Ring	1	
15	3175239	YES	ADD	Nut, Lock	16	
	3393834	YES	ADD	Elbow, Male Union	2	
2	3089392	YES	ADD	Seal, O Ring	1	
16	3393835	NO		Elbow, Male Union	1	
3	3678603	YES	ADD	Seal, O Ring	1	
	3408533	YES	ADD	Sensor, Pressure	2	Crankcase.
17	3330202	YES	ADD	Seal, O Ring	1	
18	3408534	NO		Sensor, Pressure	1	
	3408600	YES	ADD	Sensor, Pressure	4	Intake manifold or coolant **
19	3330159	YES	ADD	Seal, O Ring	1	
20	3408601	NO		Sensor, Pressure	1	

Ref. QSOL

Part Catalog
QSK 50 EX 2500-6Design By
Rudy Eka Jaya

	3408602	YES	ADD	Sensor, Pressure	2	Oil.
19	3330159	YES	ADD	Seal, O Ring	1	
21	3408603	NO		Sensor, Pressure	1	
	3408647	YES	ADD	Sensor, Position	2	Crank.
22	3408650	NO		Sensor, Position	1	
23	4903568	YES	ADD	Seal, O Ring	1	
	3408651	YES	ADD	Sensor, Pressure	2	Oil.
19	3330159	YES	ADD	Seal, O Ring	1	
24	3408652	NO		Sensor, Pressure	1	
25	3638582	YES	ADD	Draincock	1	
26	3900678	YES	ADD	Screw, Hex Flange Head Cap	5	M8 x 1.25 x 40
27	3954204	YES	ADD	Wire, Ground	1	
28	4071258	YES	ADD	Brace, Tube	16	
	4921686	YES	ADD	Sensor, Position	2	Cam position sensor.
29	4921687	NO		Sensor, Position	1	
30	4928599	YES	ADD	Seal, O Ring	1	
31	4924674	YES	ADD	Hose, Flexible	3	
32	4924726	YES	ADD	Screw, Hexagon Head Cap	4	
	4927561	YES	ADD	Cooler, Electronic Control	1	
33	4927562	NO		Cooler, Electronic Control	1	
34	553044	YES	ADD	Adapter, Plain Pipe	2	
	3085185	YES	ADD	Sensor, Temperature	4	Intake manifold *.
35	3037537	YES	ADD	Seal, O Ring	1	
36	3085198	NO		Sensor, Temperature	1	Intake manifold *.
	3865312	YES	ADD	Sensor, Temperature	2	Coolant or oil *.

Part Catalog
QSK 50 EX 2500-6**Design By**
Rudy Eka Jaya

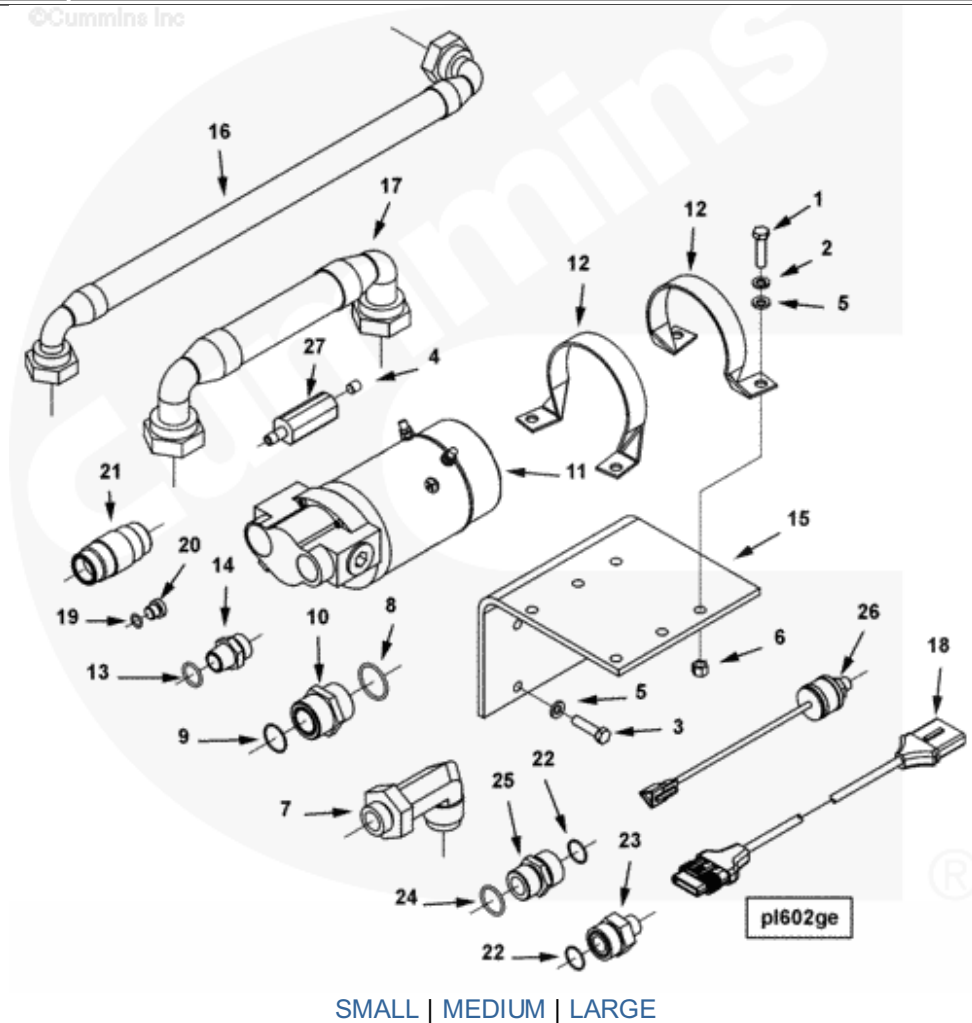
35	3037537	YES	ADD	Seal, O Ring	1	
37	3865323	NO		Sensor, Temperature	1	Coolant or oil *.
38	4951941	YES	ADD	Sensor, Temperature	16	Exhaust gas.
39	3955219	YES	ADD	Isolator, Vibration	4	
40	3955220	YES	ADD	Isolator, Vibration	4	



Parts Catalog - Option Detail

Content For Engine Serial Number (ESN): 33171379

Electronic Parts Catalog - Option Detail				
Option	Group	Graphic	Film Card	Date
PL6774-01	07.06.1	pl602ge	K50	06-MAR-06
Engines	G50, K50, GTA50, QSK50 MCRS, G38, G50, GTA50			



Ref No	Part Number	For-Sale	Shopping Cart	Part Name	Required	Remarks
	PL6774-01	NO		Engine Lube Primer		Engine lubricating primer

Part Catalog
QSK 50 EX 2500-6Design By
Rudy Eka Jaya

						Engine Family: Qsk50
						manufacturer/model: RPM
						Industries/p4 k40
						Voltage: 24 mounting
						location: On engine left
						bank engine pre-lube plumbing
						provision: 1 5/16-12 UNF
						required oil supply port
						engine location:
						Oil pan sump or oil pan cover
						required oil return port
						engine location: Lube oil
						transfer cover required
						centinel oil pressure switch
						Location: None.
1	S 103 D	YES	ADD	Screw, Hexagon Head Cap	4	3/8 - 16 X 1 1/4 Inch.
2	S 604	YES	ADD	Washer, Lock	4	3/8 Inch.
3	108707	YES	ADD	Screw, Hexagon Head Cap	4	3/8 - 16 X 1 1/2 Inch.
4	3008466	YES	ADD	Plug, Pipe	1	1/4 NPT.
5	3036460	YES	ADD	Washer, Spring	8	
6	3175239	YES	ADD	Nut, Lock	4	

Part Catalog
QSK 50 EX 2500-6Design By
Rudy Eka Jaya

7	3628963	YES	ADD	Elbow, Male Union	1	
	3634686	YES	ADD	Union, Male	1	
8	3063166	YES	ADD	Seal, O Ring	1	
9	3332160	YES	ADD	Seal, O Ring	1	
10	3634688	YES	ADD	Union, Male	1	
11	3637969	YES	ADD	Primer, Engine Lubricating	1	
12	3637970	YES	ADD	Bracket, Pump	2	
	3638113	YES	ADD	Connector, Male	1	
13	3046943	YES	ADD	Seal, O Ring	1	
14	3638114	YES	ADD	Union, Male	1	
15	3638122	YES	ADD	Bracket, Pump	1	
16	3638126	YES	ADD	Hose, Flexible	1	
17	3638127	YES	ADD	Hose, Flexible	1	
18	3638161	YES	ADD	Accessories, Elc Set	1	Buy as individual componets
						only.
	3678921	YES	ADD	Plug, Threaded	1	M14 x 1.50.
19	3678912	YES	ADD	Seal, O Ring	1	
20	3678922	NO		Plug, Threaded	1	M14 x 1.5.
21	4007204	YES	ADD	Valve, Check	1	
	4007207	YES	ADD	Connector, Male	1	
22	3075658	YES	ADD	Seal, O Ring	1	
23	4007208	NO		Union, Male	1	
	4058079	YES	ADD	Union, Male	1	
22	3075658	YES	ADD	Seal, O Ring	1	

Part Catalog
QSK 50 EX 2500-6**Design By**
Rudy Eka Jaya

24	3201585	YES	ADD	Seal, O Ring	1	
25	4058077	NO		Union, Male	1	Sold at higher level.
26	4924925	YES	ADD	Switch, Pressure	1	
27	4951896	YES	ADD	Cross, Adapter	1	

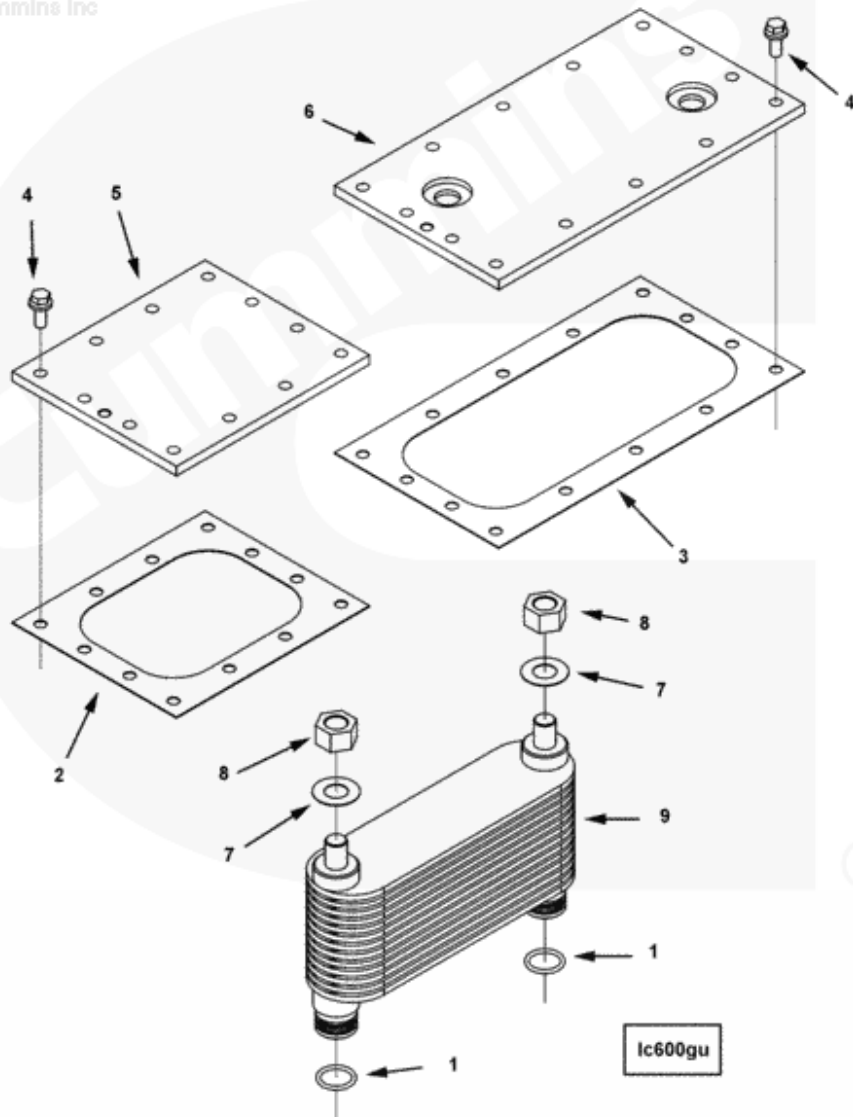


Parts Catalog - Option Detail

Content For Engine Serial Number (ESN): 33171379

Electronic Parts Catalog - Option Detail				
Option	Group	Graphic	Film Card	Date
LC6704-01	07.05	lc600gu	K50	06-MAR-06
Engines	G50, K50, GTA50, QSK50 MCRS, G38, G50, GTA50			

©Cummins Inc



SMALL | MEDIUM | LARGE

Ref No	Part Number	For-Sale	Shopping Cart	Part Name	Required	Remarks
	LC6704-01	NO		Cooler,Engine Oil		

Part Catalog
QSK 50 EX 2500-6**Design By**
Rudy Eka Jaya

1	212161	YES	ADD	Seal, O Ring	16	
2	3009323	YES	ADD	Gasket, Water Header Cover	1	
3	3009324	YES	ADD	Gasket, Water Header Cover	4	
4	3014766	YES	ADD	Screw, Captive Washer Cap	68	3/8 - 16 X 1 3/64 Inch.
5	3629065	YES	ADD	Cover, Water Header	1	
6	3629066	YES	ADD	Cover, Water Header	4	
7	3630969	YES	ADD	Gasket, Lub Oil Clr Cover	8	
8	3633479	YES	ADD	Nut, Lock	8	
9	4916621	YES	ADD	Core, Cooler	4	

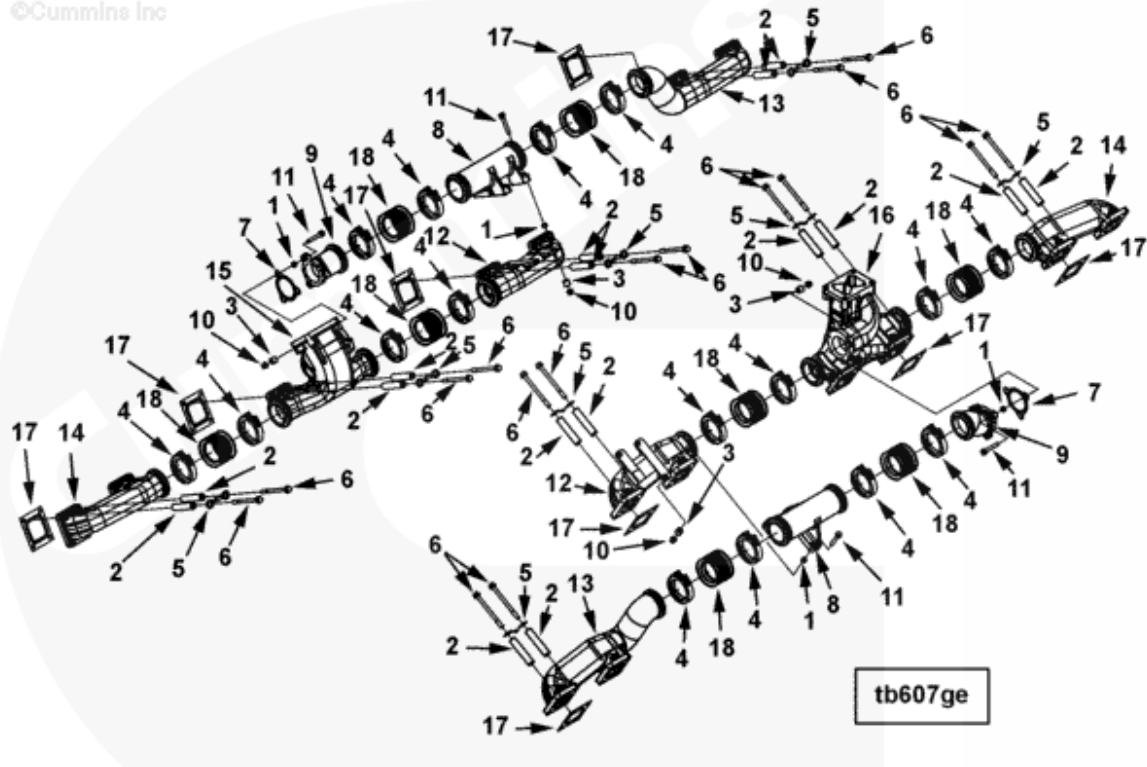


Parts Catalog - Option Detail

Content For Engine Serial Number (ESN): 33171379

Electronic Parts Catalog - Option Detail				
Option	Group	Graphic	Film Card	Date
TB6813-02	10.06.1	tb607ge	K50	30-OCT-06
Engines	G50, K50, GTA50, QSK50 MCRS, G38, G50, GTA50			

©Cummins Inc



SMALL | MEDIUM | LARGE

Ref No	Part Number	For-Sale	Shopping Cart	Part Name	Required	Remarks
	TB6813-02	NO		Manifold,Exhaust		
1	205129	YES	ADD	Dowel, Ring	8	
2	3046287	YES	ADD	Spacer, Mounting	64	
3	3089321	YES	ADD	Spacer, Mounting	12	
4	3089765	YES	ADD	Clamp, V Band	16	
5	3628969	YES	ADD	Lockplate	32	
6	3631163	YES	ADD	Screw, Hex Flange Head Cap	64	
7	3631230	YES	ADD	Gasket, Adapter	2	

Part Catalog
QSK 50 EX 2500-6**Design By**
Rudy Eka Jaya

8	3632210	YES	ADD	Connection, Exh Transfer	2	
9	3632211	YES	ADD	Adapter, Exhaust Outlet	2	
10	3632305	YES	ADD	Nut, Hexagon Flange	12	
11	3632306	YES	ADD	Screw, Hexagon Head Cap	12	
12	3632207	YES	ADD	Manifold, Exhaust	2	
13	3632209	YES	ADD	Manifold, Exhaust	2	
14	3630952	YES	ADD	Manifold, Exhaust	2	
15	3638160	YES	ADD	Manifold, Exhaust	1	
16	3638159	YES	ADD	Manifold, Exhaust	1	
17	3966349	YES	ADD	Gasket, Exhaust Manifold	16	
18	4080141	YES	ADD	Bellows	8	

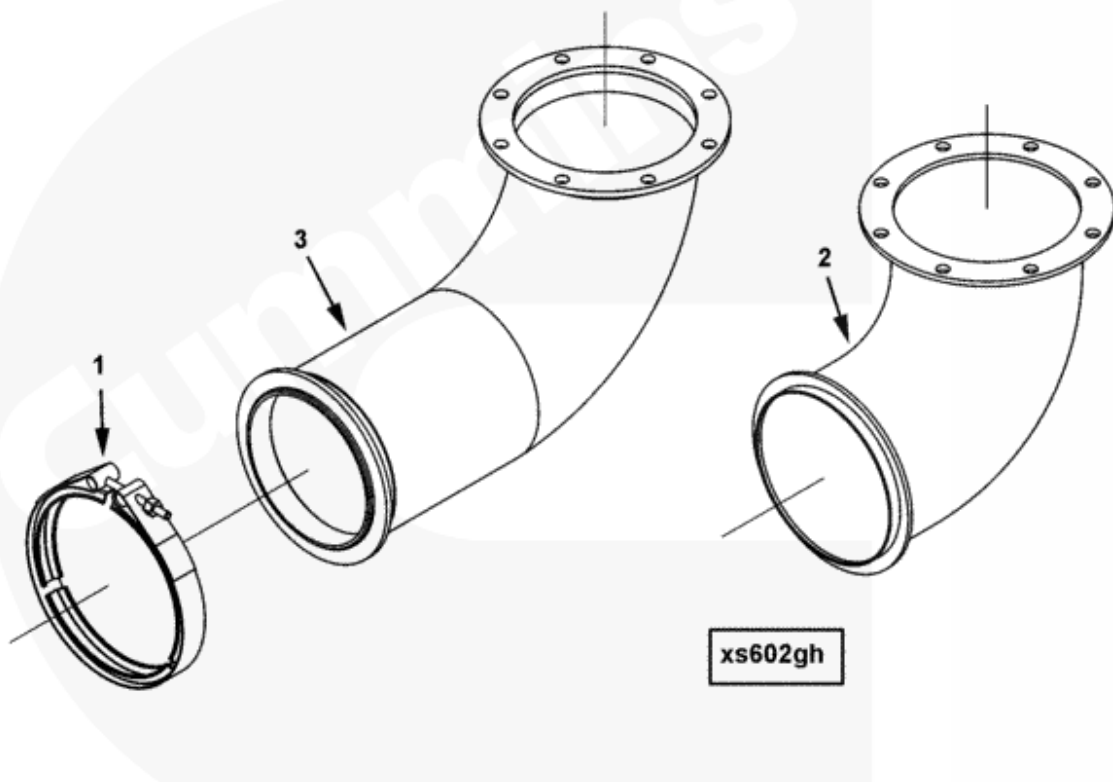


Parts Catalog - Option Detail

Content For Engine Serial Number (ESN): 33171379

Electronic Parts Catalog - Option Detail				
Option	Group	Graphic	Film Card	Date
XS6068	11.01.1	xs602gh	K50	03-APR-06
Engines	G50, K50, GTA50, QSK50 MCERS, G38, G50, GTA50			

©Cummins Inc



SMALL | MEDIUM | LARGE

Ref No	Part Number	For-Sale	Shopping Cart	Part Name	Required	Remarks
	XS6068	NO		Connection, Exhaust Outlet		Exhaust outlet connection
						item(s) supplied: 1 x 90
						degrees elbow connection 1 x

Part Catalog
QSK 50 EX 2500-6

Design By
Rudy Eka Jaya

						90 degrees extended elbow
						connection 2 x Marmon clamp
						supply method: Mounted
						OEM Interface Connection
						Type: Bolted Flange
						OEM Connection Outlet Flange
						Outside Diameter (mm): 203.0
						(8.0in)
						OEM Connection Outlet Bolt
						Hole Pattern: 8 x 7/16
						diameter thru on 182.63mm
						(7.19in) BC
						Connection Material: Steel
						clamp type: Marmon v band
						clamp engine interface flange
						type: Half Marmon engine
						interface flange diameter
						(mm): 170.69 (6.7in).
1	3016306	YES	ADD	Clamp, V Band	2	

Part Catalog
QSK 50 EX 2500-6

Design By
Rudy Eka Jaya

2	3026236	YES	ADD	Connection, Exhaust Outlet	1	
3	3638646	YES	ADD	Connection, Exhaust Outlet	1	

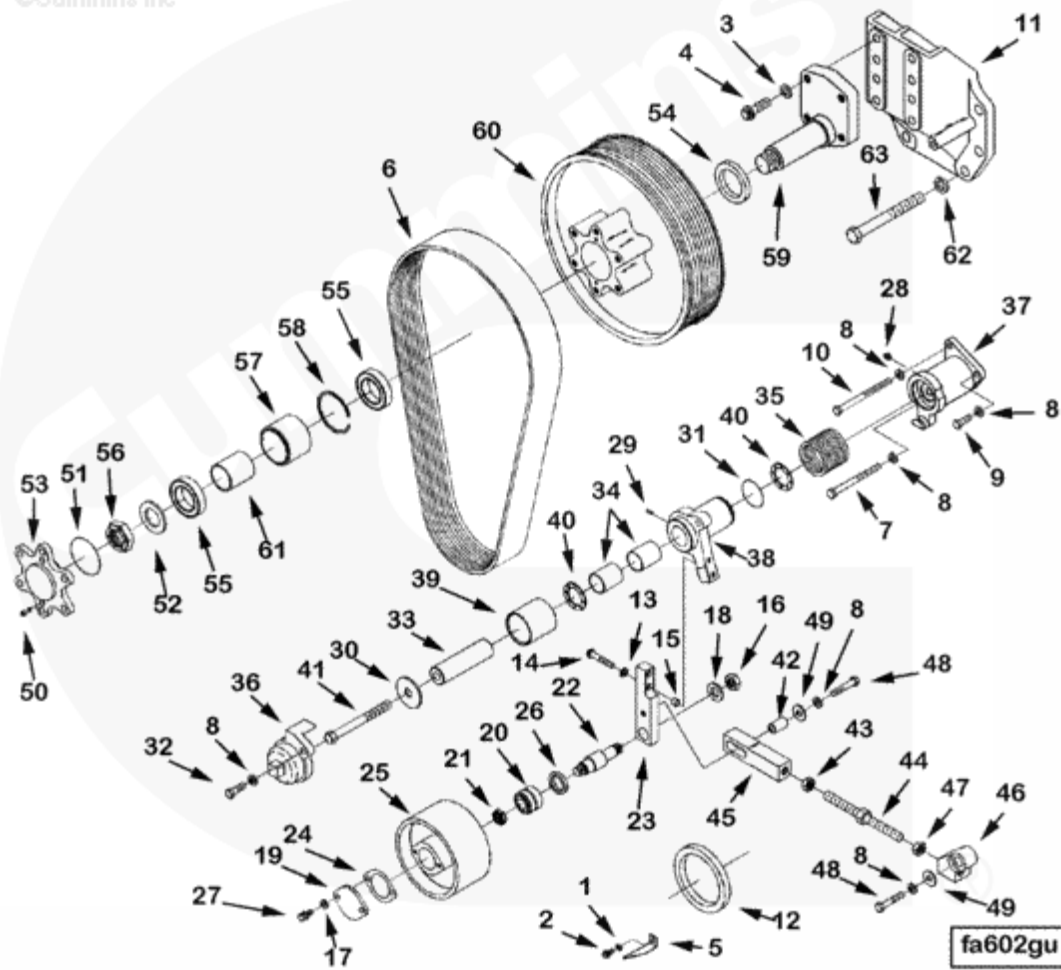


Parts Catalog - Option Detail

Content For Engine Serial Number (ESN): 33171379

Electronic Parts Catalog - Option Detail				
Option	Group	Graphic	Film Card	Date
FA6205	08.03	fa602gu	K50	20-JUN-05
Engines	G50, K50, GTA50, QSK50 MCRS, G38, G50, GTA50			

©Cummins Inc



SMALL | MEDIUM | LARGE

Ref No	Part Number	For-Sale	Shopping Cart	Part Name	Required	Remarks
	FA6205	NO		DRIVE,FAN		Fan drive
						Engine Family: Qsk50 fan
						drive:
						Cummins supplied fan ratio:
						0.5:1

Part Catalog
QSK 50 EX 2500-6
Design By
Rudy Eka Jaya

						Fan Center (mm): 609.6
						(24in)
						Fan Hub Type:
						Continuous Drive
						Fan Pulley Diameter (mm): 40
						(6.10in) over 2.92 (.11in)
						rods
						Fan Pulley Material: 40001
						Fan Pulley Location (mm):
						Front face of block to
						centerline of first grv: 326
						(12.83in) tensioner method:
						Automatic
						Pulley Groove Profile: 23
						Groove K Section fan spacer
						pilot diameter (mm): 76.25
						(3.0in)
						Drive Hardware Supplied: Fan
						hub, pulley, drive belt
						Unique Characteristics: Fan
						horsepower and inertia limits
						to comply with AEB 93.18.
						First used by Hitachi
						excavator.
1	S 605	YES	ADD	Washer, Lock	1	5/16 Inch.
2	206527	YES	ADD	Screw, Twelve Point Cap	1	5/16 - 18 X 5/8 Inch.
3	S 603	YES	ADD	Washer, Lock	4	5/8 Inch.
4	153581	YES	ADD	Screw, Twelve Point Cap	4	5/8 - 11 X 2 Inch.
5	206526	YES	ADD	Pointer, Timing	1	
6	3003343	YES	ADD	Belt, V Ribbed	1	
7	S 153	YES	ADD	Screw, Hexagon Head Cap	1	7/16 - 14 X 5 Inch.
8	S 610	YES	ADD	Washer, Lock	6	7/16 Inch.

Ref. QSOL

Part Catalog
QSK 50 EX 2500-6Design By
Rudy Eka Jaya

9	103009	YES	ADD	Screw, Hexagon Head Cap	1	7/16 - 14 X 1 1/4 Inch.
10	3176465	YES	ADD	Screw, Hexagon Head Cap	2	7/16 - 14 X 5 1/2 Inch.
11	3012281	YES	ADD	Support, Fan	1	
12	3016787	YES	ADD	Seal, Oil	1	
	3017670	YES	ADD	Fan Idler Assem.	1	
13	S 604	YES	ADD	Washer, Lock	2	3/8 Inch.
14	205375	YES	ADD	Screw, Twelve Point Cap	2	3/8 - 16 X 2 1/4 Inch.
15	3002993	YES	ADD	Dowel, Ring	2	
	3009480	YES	ADD	Pulley, Idler	1	
16	S 249	YES	ADD	Nut, Regular Hexagon Jam	1	3/4 - 16 UNF.
17	S 626	YES	ADD	Washer, Plain	2	5/16"
18	S 640	YES	ADD	Washer, Plain	1	3/4 Inch.
19	207603	YES	ADD	Cover, Water Conn	1	
20	3003354	YES	ADD	Bearing, Roller	1	
21	3004057	YES	ADD	Nut, Lock	1	3/4 - 16 UNF.
22	3009481	YES	ADD	Shaft, Idler	1	
23	3009482	YES	ADD	Bracket, Idler Pulley	1	
24	3014449	YES	ADD	Gasket, Flange	1	
	3016766	YES	ADD	Pulley, Idler	1	
25	3009483	YES	ADD	Pulley, Idler	1	
26	3065830	YES	ADD	Seal, Oil	1	
27	3021470	YES	ADD	Screw, Captive Washer Cap	2	5/16 - 18 X 3/4 Inch.
	4101093	YES	ADD	Lever, Idler	1	
8	S 610	YES	ADD	Washer, Lock	1	7/16 Inch.
28	S 2268	YES	ADD	Fitting, Grease	1	
29	68171	YES	ADD	Pin, Roll	2	
30	127454	YES	ADD	Washer, Plain	1	5/8 Inch.
31	145581	YES	ADD	Seal, O Ring	1	
32	185804	YES	ADD	Screw, Hexagon Head Cap	1	7/16 - 14 X 1 3/8 Inch.
33	3009475	YES	ADD	Shaft, Pivot	1	
34	3009477	YES	ADD	Sleeve	2	
35	3019416	YES	ADD	Spring, Torsion	1	
36	3023499	YES	ADD	Cap, Idler Lever	1	
37	3177126	YES	ADD	Support, Pivot Shaft	1	

Part Catalog
QSK 50 EX 2500-6
Design By
Rudy Eka Jaya

38	4101094	YES	ADD	Lever, Idler	1	
39	3177128	YES	ADD	Sleeve, Wear	1	
40	3177129	YES	ADD	Bearing, Thrust	2	
41	3628104	YES	ADD	Screw, Hexagon Head Cap	1	
42	3027728	YES	ADD	Spacer, Mounting	2	
	3031470	YES	ADD	Rod, Control	1	
43	S 213 A	YES	ADD	Nut, Regular Hexagon Jam	1	5/8 - 18 UNF.
44	3030990	YES	ADD	Rod, Control	1	
45	3030991	YES	ADD	End, Control Rod	1	
46	3030992	YES	ADD	End, Control Rod	1	
47	3030993	YES	ADD	Nut, Regular Hexagon Jam	1	5/8 - 18 UNF.
48	3035697	YES	ADD	Screw, Hexagon Head Cap	2	7/16 - 14 X 2 1/4 Inch.
49	3177045	YES	ADD	Washer, Plain	4	
	3031519	YES	ADD	Hub, Fan	1	
50	69771	YES	ADD	Screw, Socket Head Cap	2	1/4 - 20 X 5/8 Inch.
51	145586	YES	ADD	Seal, O Ring	1	
52	205168	YES	ADD	Washer, Plain	1	1 1/2 Inch.
53	206507	YES	ADD	Pilot, Fan	1	
54	185747	YES	ADD	Seal, Oil	1	
55	206505	YES	ADD	Bearing, Roller	2	
56	206506	YES	ADD	Nut, Lock	1	
57	206519	YES	ADD	Spacer, Bearing	1	
58	206520	YES	ADD	Ring, Retaining	1	
59	3031518	YES	ADD	Shaft, Fan Hub	1	
60	3178563	YES	ADD	Pulley, Fan	1	
61	3627682	YES	ADD	Spacer, Bearing	1	
62	S 611	YES	ADD	Washer, Lock	6	3/4 Inch.
63	3630787	YES	ADD	Screw, Hexagon Head Cap	6	

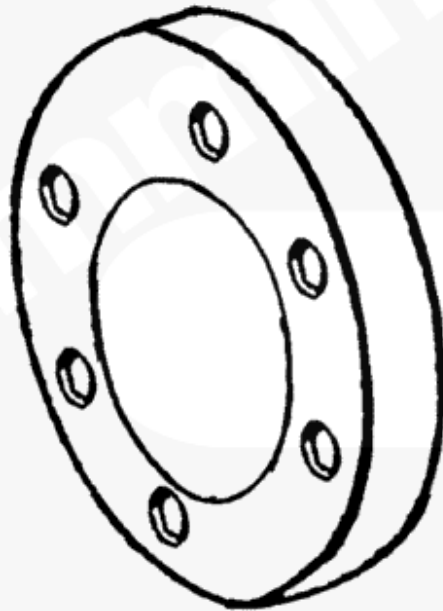


Parts Catalog - Option Detail

Content For Engine Serial Number (ESN): 33171379

Electronic Parts Catalog - Option Detail				
Option	Group	Graphic	Film Card	Date
SP6038	08.05	sp400gd	K50	02-MAY-05
Engines	G50, K50, GTA50, QSK50 MCRS, G38, G50, GTA50			

©Cummins Inc



sp400gd

SMALL | MEDIUM | LARGE

Ref No	Part Number	For-Sale	Shopping Cart	Part Name	Required	Remarks
	SP6038	NO		Spacer, Fan Pilot		Fan pilot spacer
						fan spacing(mm): 76 (3.0in)

Part Catalog
QSK 50 EX 2500-6

Design By
Rudy Eka Jaya

						fan hub diameter (mm):
						168.1mm (6.62in) pilot bore
						diameter (mm): 76.25 (3.0in)
						mounting holes: 6 x diameter
						14.3 (.563in) bolt
						center(mm): 140 (5.5in)
						supplied: Kitted.
	218792	YES	ADD	Spacer, Fan Pilot	1	

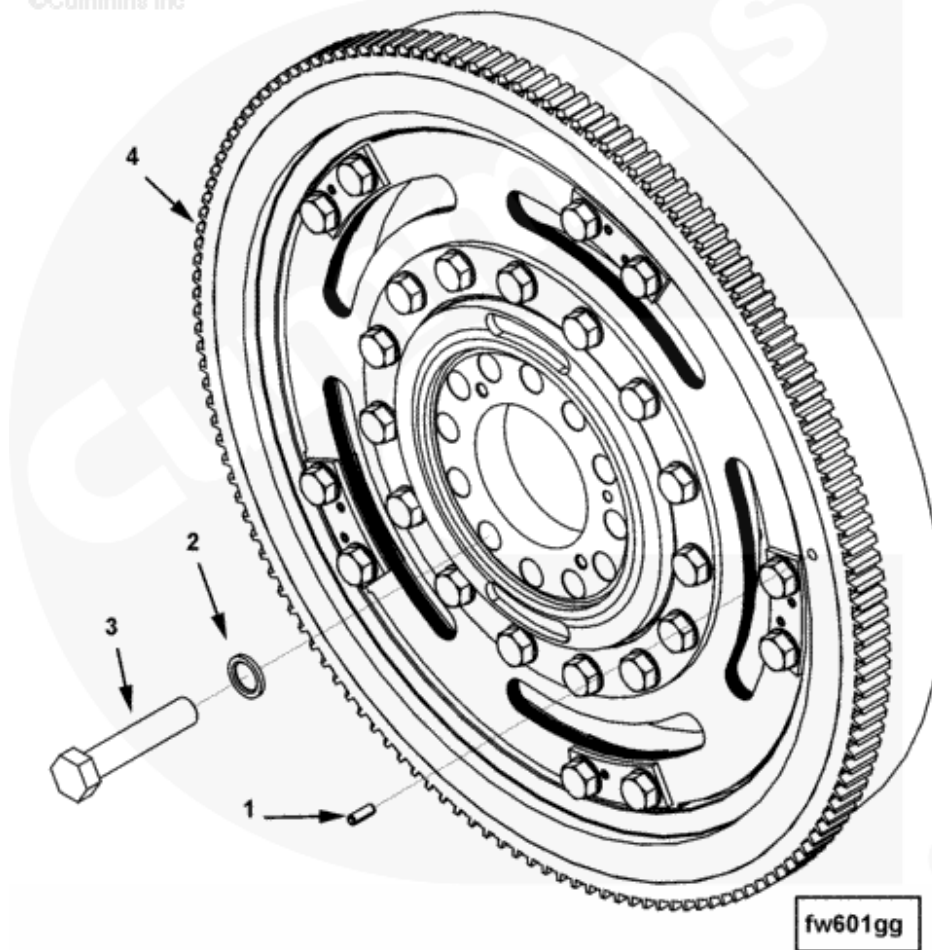


Parts Catalog - Option Detail

Content For Engine Serial Number (ESN): 33171379

Electronic Parts Catalog - Option Detail				
Option	Group	Graphic	Film Card	Date
FW6085-01	16.02	fw601gg	K50	07-MAY-07
Engines	G50, K50, GTA50, QSK50 MCRS, G38, G50, GTA50			

©Cummins Inc



SMALL | MEDIUM | LARGE

Ref No	Part Number	For-Sale	Shopping Cart	Part Name	Required	Remarks
	FW6085-01	NO		Flexplate		Flexplate
						Engine Family: Qsk50
						Intended Fly Housing SAE: 0

Part Catalog
QSK 50 EX 2500-6

Design By
Rudy Eka Jaya

						ring gear diametral pitch:
						6/8 crank position sensor
						provision: Yes clutch/t. C.
						mounting bolt circle:
						Single clutch/t. C. mounting
						hole count: 12 clutch/t. C.
						mounting bolt circle diameter
						(mm): 514.35 (20.25in)
						clutch/t. C. mounting hole
						spacing: Equal clutch/t. C.
						mounting hole size: M16 x 2
						speed limitations NTE: 2100
						RPM
						First used on Hitachi EX2250
						and EX5500.
1	131584	YES	ADD	Pin, Roll	1	
2	205059	YES	ADD	Washer, Plain	12	3/4 Inch.
3	3023536	YES	ADD	Screw, Hexagon Head Cap	12	3/4 - 16 X 3 3/4 Inch.
4	4951822	YES	ADD	Flexplate	1	

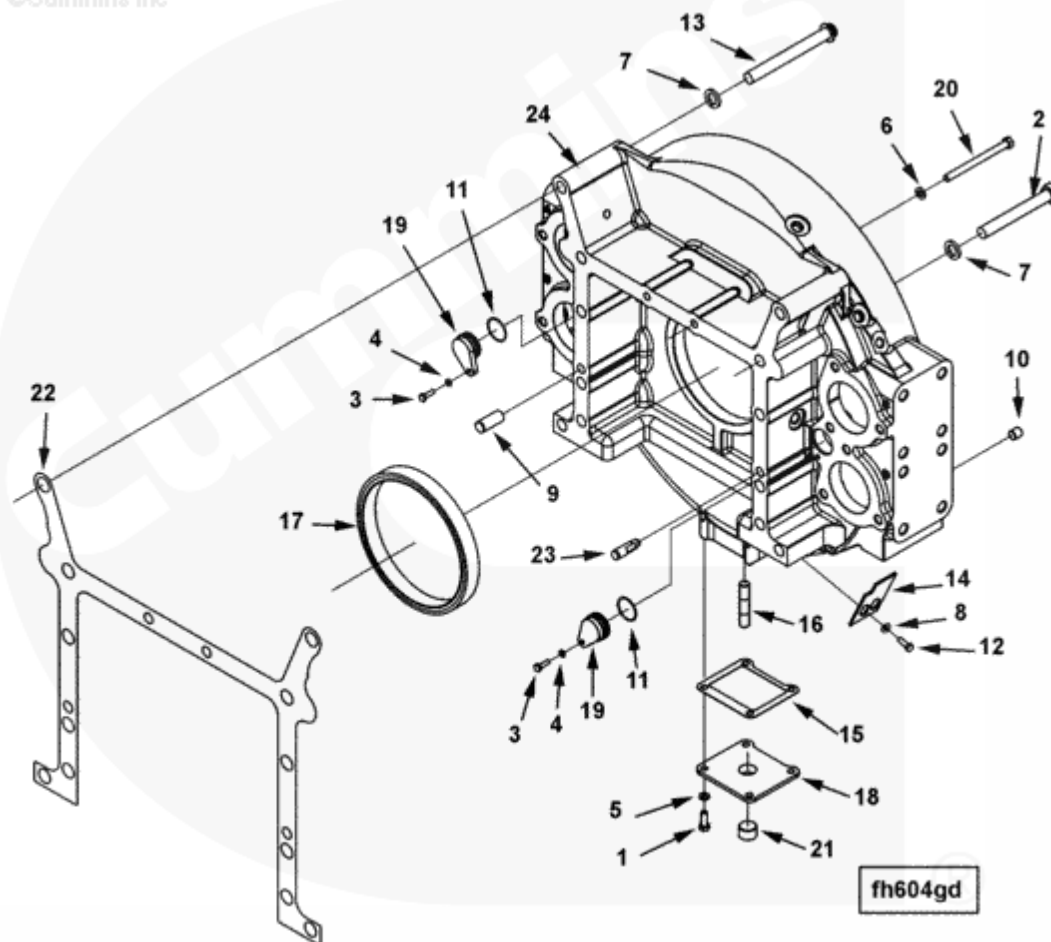


Parts Catalog - Option Detail

Content For Engine Serial Number (ESN): 33171379

Electronic Parts Catalog - Option Detail				
Option	Group	Graphic	Film Card	Date
FH6086	16.01	fh604gd	K50	06-FEB-06
Engines	G50, K50, GTA50, QSK50 MCRS, G38, G50, GTA50			

©Cummins Inc



SMALL | MEDIUM | LARGE

Ref No	Part Number	For-Sale	Shopping Cart	Part Name	Required	Remarks
	FH6086	NO		Housing, Flywheel		Flywheel housing
						Engine Family: Qsk50

Part Catalog
QSK 50 EX 2500-6Design By
Rudy Eka Jaya

						Item Supplied: Fly Housing
						Flywheel Housing SAE Size: 0
						Material: Ductile Cast Iron
						Clutch Type: Wet starter
						motor flange type: SAE #3 (3
						bolt x 120 degrees) no. of
						starter positions: 4
						Starter mounting hole thread
						size: 5/8-11 UNC-2 b
						Tachometer sensor mounting
						hole count: 3
						Tachometer sensor mounting
						hole size: 2 x 3/4-16 UNF-2
						b 1 x 5/8-11 UNF-2 b trans
						mounting hole count/thread
						description: 16 x 1/2-13
						UNC-2 b on 679.5 (26.75in) BC
						oil baffle included: Yes.
1	S 112	YES	ADD	Screw, Hexagon Head Cap	4	3/8 - 16 X 1 Inch.

Part Catalog
QSK 50 EX 2500-6Design By
Rudy Eka Jaya

2	S 150 A	YES	ADD	Screw, Hexagon Head Cap	10	3/4 - 10 X 6 Inch.
3	S 167 A	YES	ADD	Screw, Hexagon Head Cap	2	1/4 - 20 X 7/8 Inch.
4	S 600	YES	ADD	Washer, Lock	2	1/4 Inch.
5	S 604	YES	ADD	Washer, Lock	4	3/8 Inch.
6	S 610	YES	ADD	Washer, Lock	2	7/16 Inch.
7	S 611	YES	ADD	Washer, Lock	12	3/4 Inch.
8	S 631	YES	ADD	Washer, Plain	2	1/4 Inch.
9	70662	YES	ADD	Dowel, Pin	1	
10	135882	YES	ADD	Screw, Socket Set	1	
11	145539	YES	ADD	Seal, O Ring	2	
12	205409	YES	ADD	Screw, Hexagon Head Cap	2	1/4 - 20 X 5/8 Inch.
13	205565	YES	ADD	Screw, Twelve Point Cap	2	3/4 - 10 X 7 Inch.
14	207374	YES	ADD	Baffle, Oil	1	
15	207376	YES	ADD	Gasket, Oil Drain	1	
16	207555	YES	ADD	Stud	4	
17	3001771	YES	ADD	Seal, Oil	1	
18	3006485	YES	ADD	Cover, Flywheel Housing	1	
19	3010410	YES	ADD	Cover, Access Hole	2	
20	3176465	YES	ADD	Screw, Hexagon Head Cap	2	7/16 - 14 X 5 1/2 Inch.
21	3628608	YES	ADD	Plug, Pipe	1	
22	3630874	YES	ADD	Gasket, Flywheel Housing	1	
23	3634269	YES	ADD	Dowel, Diamond	1	
24	4951813	YES	ADD	Housing, Flywheel	1	

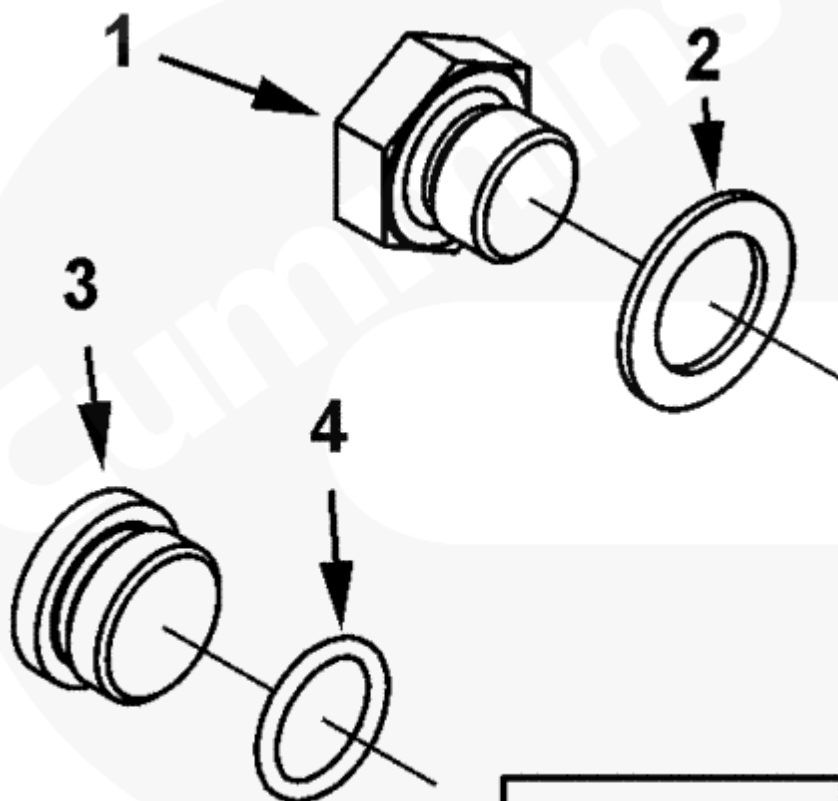


Parts Catalog - Option Detail

Content For Engine Serial Number (ESN): 33171379

Electronic Parts Catalog - Option Detail				
Option	Group	Graphic	Film Card	Date
FH6723	16.01.1	fh603gs	K50	11-APR-05
Engines	G50, K50, GTA50, QSK50 MCRS, G38, G50, GTA50			

©Cummins Inc



fh603gs

SMALL | MEDIUM | LARGE

Ref No	Part Number	For-Sale	Shopping Cart	Part Name	Required	Remarks
	FH6723	NO		PLUMBING, FLYWHEEL HOUSING		Flywheel housing plumbing
						3/4-16 plugs: 1 5/8-18

Part Catalog
QSK 50 EX 2500-6**Design By**
Rudy Eka Jaya

						plugs: 1 mag pick up
						mounting provision: Yes.
1	8265	YES	ADD	Washer, Plain	1	5/8 Inch.
2	163086	YES	ADD	Plug, Threaded	1	
	3046202	YES	ADD	Plug, Threaded	1	3/4 - 16 UNF.
3	3040810	YES	ADD	Plug, Threaded	1	
4	3046201	YES	ADD	Seal, O Ring	1	

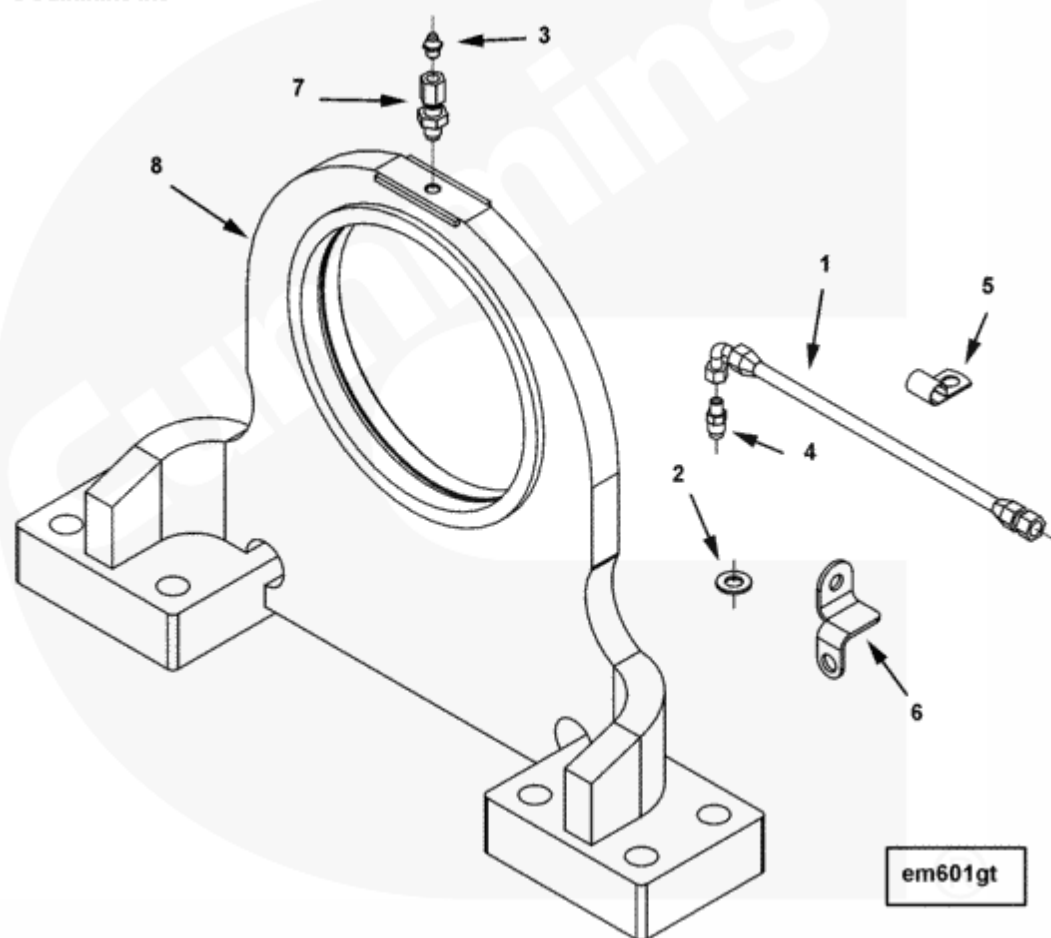


Parts Catalog - Option Detail

Content For Engine Serial Number (ESN): 33171379

Electronic Parts Catalog - Option Detail				
Option	Group	Graphic	Film Card	Date
EM6095	16.03	em601gt	K50	24-APR-06
Engines	G50, K50, GTA50, QSK50 MCRS, G38, G50, GTA50			

©Cummins Inc



SMALL | MEDIUM | LARGE

Ref No	Part Number	For-Sale	Shopping Cart	Part Name	Required	Remarks
	EM6095	NO		Support,Front Engine		
1	AS4020S L	YES	ADD	Hose,Flexible	1	
2	S 622	YES	ADD	Washer, Plain	1	3/8 Inch.
3	S 2268	YES	ADD	Fitting, Grease	1	

Part Catalog
QSK 50 EX 2500-6**Design By**
Rudy Eka Jaya

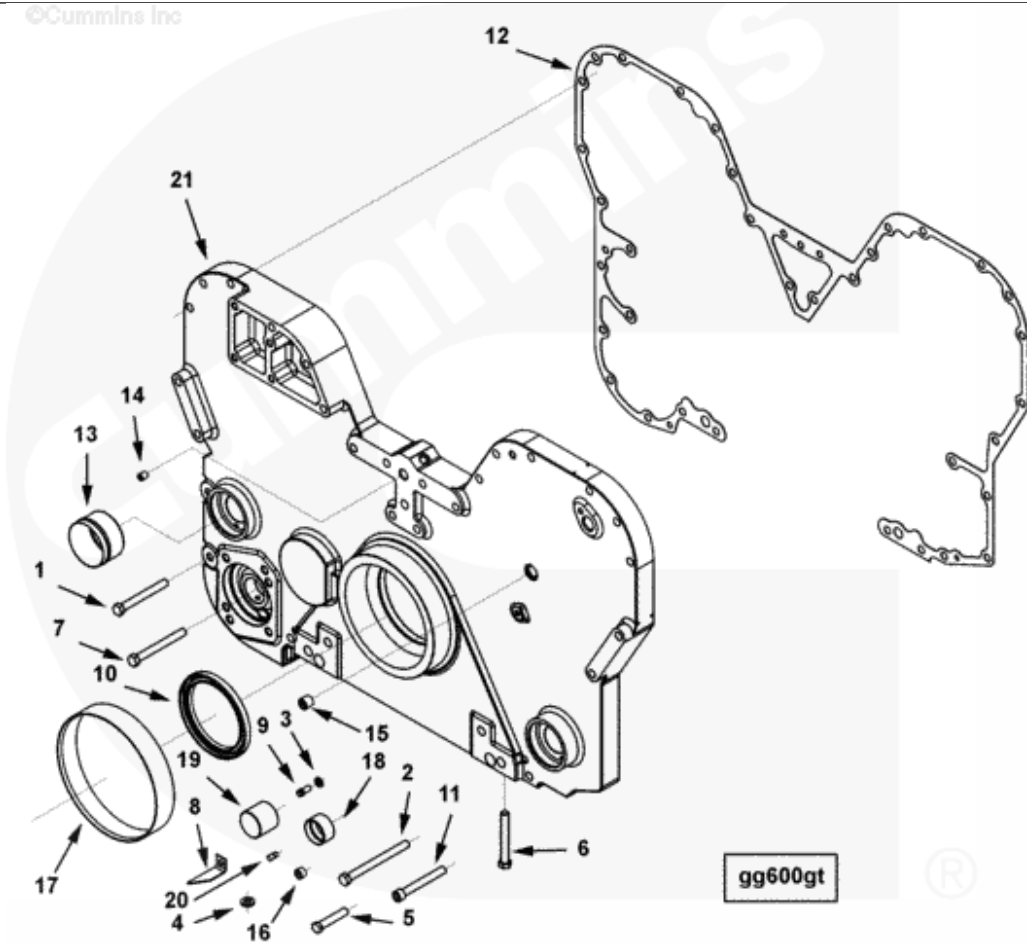
4	68138	YES	ADD	Connector, Male	1	
5	68152 A	YES	ADD	Clip	1	
6	3634008	YES	ADD	Bracket, Connection	1	
7	3634057	YES	ADD	Adapter, Plain Pipe	1	
8	4964084	YES	ADD	Support, Front Engine	1	



Parts Catalog - Option Detail

Content For Engine Serial Number (ESN): 33171379

Electronic Parts Catalog - Option Detail				
Option	Group	Graphic	Film Card	Date
GG6728-02	01.06	gg600gt	K50	22-AUG-05
Engines	G50, K50, GTA50, QSK50 MCRS, G38, G50, GTA50			



SMALL | MEDIUM | LARGE

Ref No	Part Number	For-Sale	Shopping Cart	Part Name	Required	Remarks
	GG6728-02	NO		Cover,Front Gear		Front gear cover

Part Catalog
QSK 50 EX 2500-6Design By
Rudy Eka Jaya

						Engine Family: Qsk38/50 left
						side accy dri mounting
						provision: No right side
						accy dri mounting provision:
						Yes.
1	S 127	YES	ADD	Screw, Hexagon Head Cap	2	7/16 - 14 X 3 3/4 Inch.
2	S 153	YES	ADD	Screw, Hexagon Head Cap	1	7/16 - 14 X 5 Inch.
3	S 605	YES	ADD	Washer, Lock	1	5/16 Inch.
4	S 610	YES	ADD	Washer, Lock	21	7/16 Inch.
5	102020	YES	ADD	Screw, Hexagon Head Cap	7	7/16 - 14 X 2 1/4 Inch.
6	108767	YES	ADD	Screw, Hexagon Head Cap	3	7/16 - 14 X 3 1/2 Inch.
7	110266	YES	ADD	Screw, Hexagon Head Cap	6	7/16 - 14 X 4 Inch.
8	206526	YES	ADD	Pointer, Timing	1	
9	206527	YES	ADD	Screw, Twelve Point Cap	1	5/16 - 18 X 5/8 Inch.
10	3016787	NO		Seal, Oil	1	
11	3069026	YES	ADD	Screw, Socket Head Cap	2	7/16 - 14 X 3 1/2 Inch.
12	3177160	YES	ADD	Gasket, Gear Cover	1	
13	3332255	YES	ADD	Plug, Gear Cover	1	
14	3628605	YES	ADD	Plug, Pipe	2	
15	3628606	YES	ADD	Plug, Pipe	1	
16	3628609	YES	ADD	Plug, Pipe	1	
	4916778	YES	ADD	Cover, Gear	1	

Ref. QSOL

Part Catalog
QSK 50 EX 2500-6**Design By**
Rudy Eka Jaya

17	205683	YES	ADD	Bushing	1	
18	3177509	YES	ADD	Bushing	1	
19	3177510	YES	ADD	Bushing	1	
	4916777	NO		Cover, Gear	1	
20	3176649	YES	ADD	Seal, Tamper Proof	5	
21	4916773	NO		Cover, Gear	1	

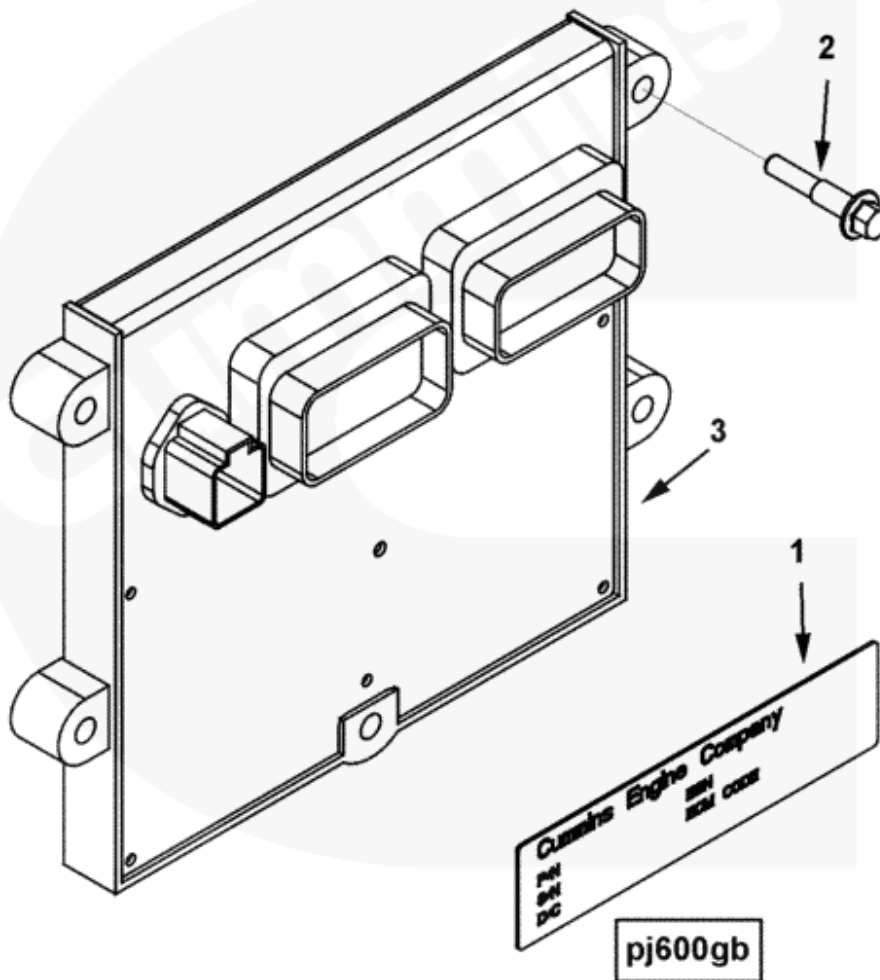


Parts Catalog - Option Detail

Content For Engine Serial Number (ESN): 33171379

Electronic Parts Catalog - Option Detail				
Option	Group	Graphic	Film Card	Date
PJ6866	05.06.1	pj600gb	K50	07-JAN-08
Engines	G50, K50, GTA50, QSK50 MCERS, G38, G50, GTA50			

©Cummins Inc



SMALL | MEDIUM | LARGE

Ref No	Part Number	For-Sale	Shopping Cart	Part Name	Required	Remarks
--------	-------------	----------	---------------	-----------	----------	---------

Part Catalog
QSK 50 EX 2500-6

Design By
Rudy Eka Jaya

	PJ6866	NO		Module, Fuel Control		Engine subsystem: ECM
						instance 3 parity yes
						Engine Control System: Aao
						ECM version: CM850 module
						location (mm): N/A
						environment: TBD ambient air
						pressure sensor included:
						Yes can a data link included:
						N/A can b data link included:
						N/A j1708 data link included:
						N/A
						Calibration Voltage: 24
						Engine Model: Qskta50-Ce
						Number Of Cylinders: 16
						CPL: 2761 emission level:
						Tier 2 cal restr: C2.2
						injectors only software
						phase: 18.08.02 comment:
						Secondary 2 (ECM 1) CPL cont:
						Primary Engine Control

Part Catalog
QSK 50 EX 2500-6

Design By
Rudy Eka Jaya

						System: Aan rated power:
						1400 BHP at 1800 RPM
						Peak torque: 4705 FT LB at
						1300 RPM.
1	3066855	YES	ADD	Dataplate	1	
2	3900678	YES	ADD	Screw, Hex Flange Head Cap	4	M8 X 1.25 X 40.
3	4921797	YES	ADD	Module, Electronic Control	1	Purchase Recon 4921776

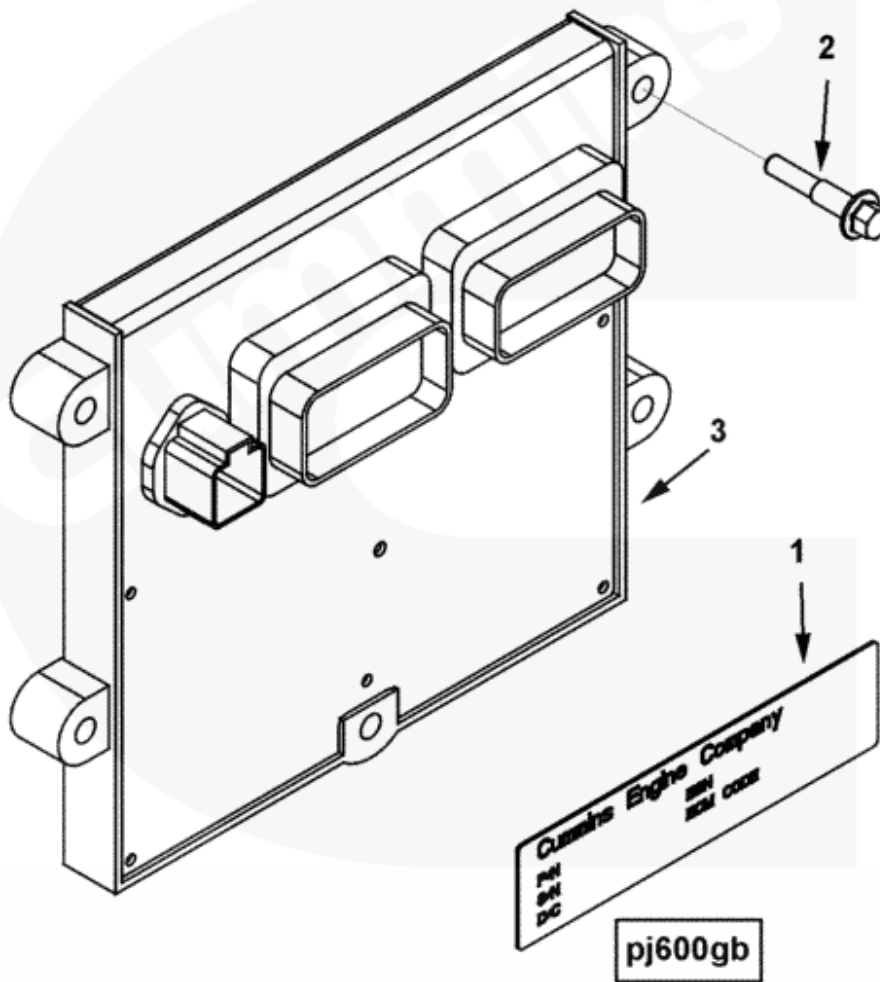


Parts Catalog - Option Detail

Content For Engine Serial Number (ESN): 33171379

Electronic Parts Catalog - Option Detail				
Option	Group	Graphic	Film Card	Date
PJ6865	05.06.1	pj600gb	K50	07-JAN-08
Engines	G50, K50, GTA50, QSK50 MCERS, G38, G50, GTA50			

©Cummins Inc



[SMALL](#) | [MEDIUM](#) | [LARGE](#)

Ref No	Part Number	For-Sale	Shopping Cart	Part Name	Required	Remarks

Part Catalog
QSK 50 EX 2500-6

Design By
Rudy Eka Jaya

	PJ6865	NO		Module, Fuel Control		Engine subsystem: ECM
						instance 2 parity yes
						Engine Control System: Aao
						ECM version: CM850 module
						location (mm): N/A
						environment: TBD ambient air
						pressure sensor included:
						Yes can a data link included:
						N/A can b data link included:
						N/A j1708 data link included:
						N/A
						Calibration Voltage: 24
						Engine Model: Qskta50-Ce
						Number Of Cylinders: 16
						CPL: 2761 emission level:
						Tier 2 cal restr: C2.2
						injectors only software
						phase: 18.08.02 comment:
						Secondary 1 (ECM 2) CPL cont:
						Primary Engine Control

Ref. QSOL

Part Catalog
QSK 50 EX 2500-6**Design By**
Rudy Eka Jaya

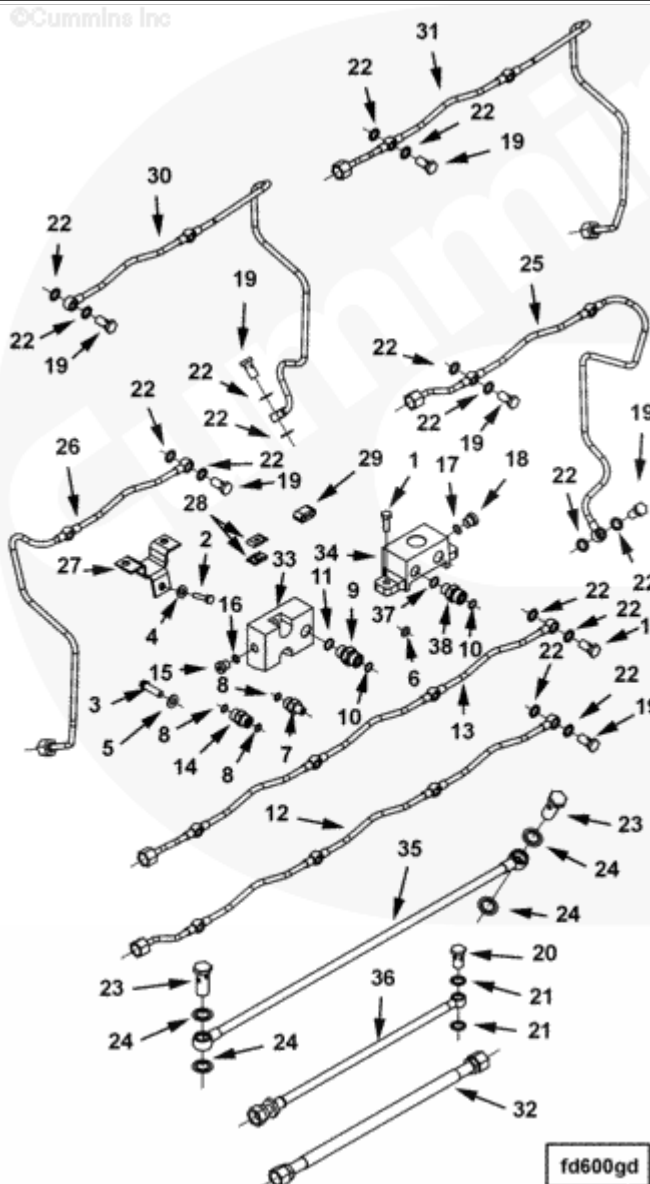
						System: Aan rated power:
						1400 BHP at 1800 RPM
						Peak torque: 4705 FT LB at
						1300 RPM.
1	3066855	YES	ADD	Dataplate	1	
2	3900678	YES	ADD	Screw, Hex Flange Head Cap	4	M8 X 1.25 X 40.
3	4921797	YES	ADD	Module, Electronic Control	1	Purchase Recon 4921776



Parts Catalog - Option Detail

Content For Engine Serial Number (ESN): 33171379

Electronic Parts Catalog - Option Detail				
Option	Group	Graphic	Film Card	Date
FD6707	17.05	fd600gd	K50	02-OCT-06
Engines	G50, K50, GTA50, QSK50 MCRS, G38, G50, GTA50			



SMALL | MEDIUM | LARGE

Ref No	Part Number	For-Sale	Shopping Cart	Part Name	Required	Remarks
	FD6707	NO		Plumbing,Fuel Drain		Fuel drain plumbing
						Engine Family: Qsk50 fuel

Part Catalog
QSK 50 EX 2500-6Design By
Rudy Eka Jaya

						control system: Cummins mcrs
						Fuel Drain Thread Size: M27
						X 2
						Fuel Drain Location: From
						engine centerline (mm):
						639.34 (27.17in) from crank
						centerline (mm): 297.34
						(11.71in) from front face of
						block (mm): -573.11 (-
						22.56in) centinel burn oil
						return location: None
						Unique Characteristics: Less
						drain line check valve.
1	S 102	YES	ADD	Screw, Hexagon Head Cap	2	5/16 - 18 X 1 Inch.
2	S 105 C	YES	ADD	Screw, Hexagon Head Cap	2	1/4 - 20 X 1 1/4 Inch.
3	191772	YES	ADD	Screw, Twelve Point Cap	2	3/8 - 16 X 1 1/4 Inch.
4	3042328	YES	ADD	Washer, Plain	2	1/4 Inch.
5	3042329	YES	ADD	Washer, Plain	2	3/8 Inch.
6	3066938	YES	ADD	Seal, O Ring	2	
	3095293	YES	ADD	Union, Male	2	
7	3627697	YES	ADD	Union, Male	1	
8	3922794	YES	ADD	Seal, O Ring	1	
	3331873	YES	ADD	Union, Male	2	
9	3331838	NO		Union, Male	1	
10	3627695	YES	ADD	Seal, O Ring	1	
11	3678786	YES	ADD	Seal, O Ring	1	
12	3635332	YES	ADD	Tube, Fuel Drain	1	
13	3635335	YES	ADD	Tube, Fuel Drain	1	
	3635491	YES	ADD	Union, Male	2	
14	3635365	YES	ADD	Union, Male	1	
8	3922794	YES	ADD	Seal, O Ring	2	
	3678610	YES	ADD	Plug, Threaded	1	
15	3678602	YES	ADD	Plug, Threaded	1	
16	3678603	YES	ADD	Seal, O Ring	1	

Part Catalog
QSK 50 EX 2500-6
Design By
Rudy Eka Jaya

	3678921	YES	ADD	Plug, Threaded	1	
17	3678912	YES	ADD	Seal, O Ring	1	
18	3678922	YES	ADD	Plug, Threaded	1	
19	3903035	YES	ADD	Screw, Banjo Connector	18	
20	3924725	YES	ADD	Screw, Banjo Connector	1	
21	3963988	YES	ADD	Washer, Sealing	2	
22	3963990	YES	ADD	Washer, Sealing	36	
23	4098548	YES	ADD	Screw, Banjo Connector	2	
24	4098549	YES	ADD	Washer, Sealing	4	
25	4918033	YES	ADD	Tube, Fuel Drain	1	
26	4918034	YES	ADD	Tube, Fuel Drain	1	
27	4918044	YES	ADD	Bracket, Fuel Plumbing	2	
28	4918047	YES	ADD	Plate, Clamping	4	
29	4918048	YES	ADD	Clamp, Tube	2	
30	4924159	YES	ADD	Tube, Fuel Drain	1	
31	4924160	YES	ADD	Tube, Fuel Drain	1	
32	4924275	YES	ADD	Hose, Flexible	1	
33	4924662	YES	ADD	Connection, Fuel Block	1	
34	4924663	YES	ADD	Manifold, Fuel	1	
35	4924664	YES	ADD	Hose, Flexible	1	
36	4927608	YES	ADD	Hose, Flexible	1	
	4928063	YES	ADD	Valve, Check	1	
10	3627695	YES	ADD	Seal, O Ring	1	
37	3679139	YES	ADD	Seal, O Ring	1	
38	4928064	NO		Valve, Check	1	

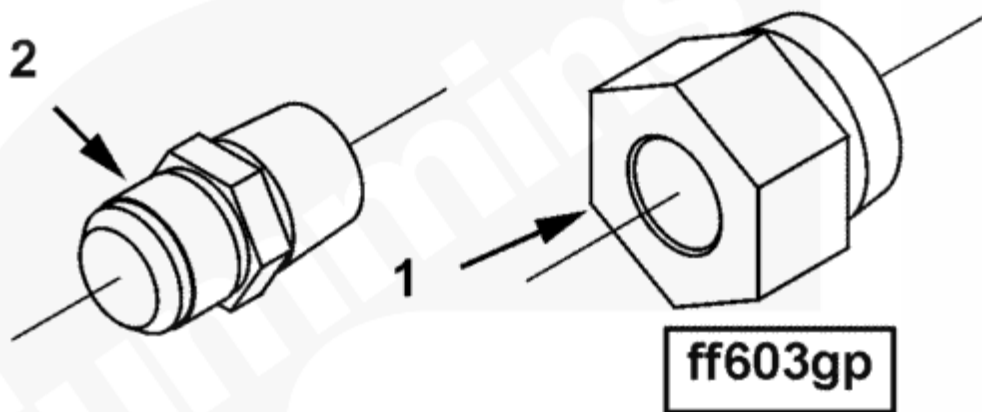


Parts Catalog - Option Detail

Content For Engine Serial Number (ESN): 33171379

Electronic Parts Catalog - Option Detail				
Option	Group	Graphic	Film Card	Date
FF6778	06.04.1	ff603gp	K50	15-APR-06
Engines	G50, K50, GTA50, QSK50 MCRS, G38, G50, GTA50			

©Cummins Inc



SMALL | MEDIUM | LARGE

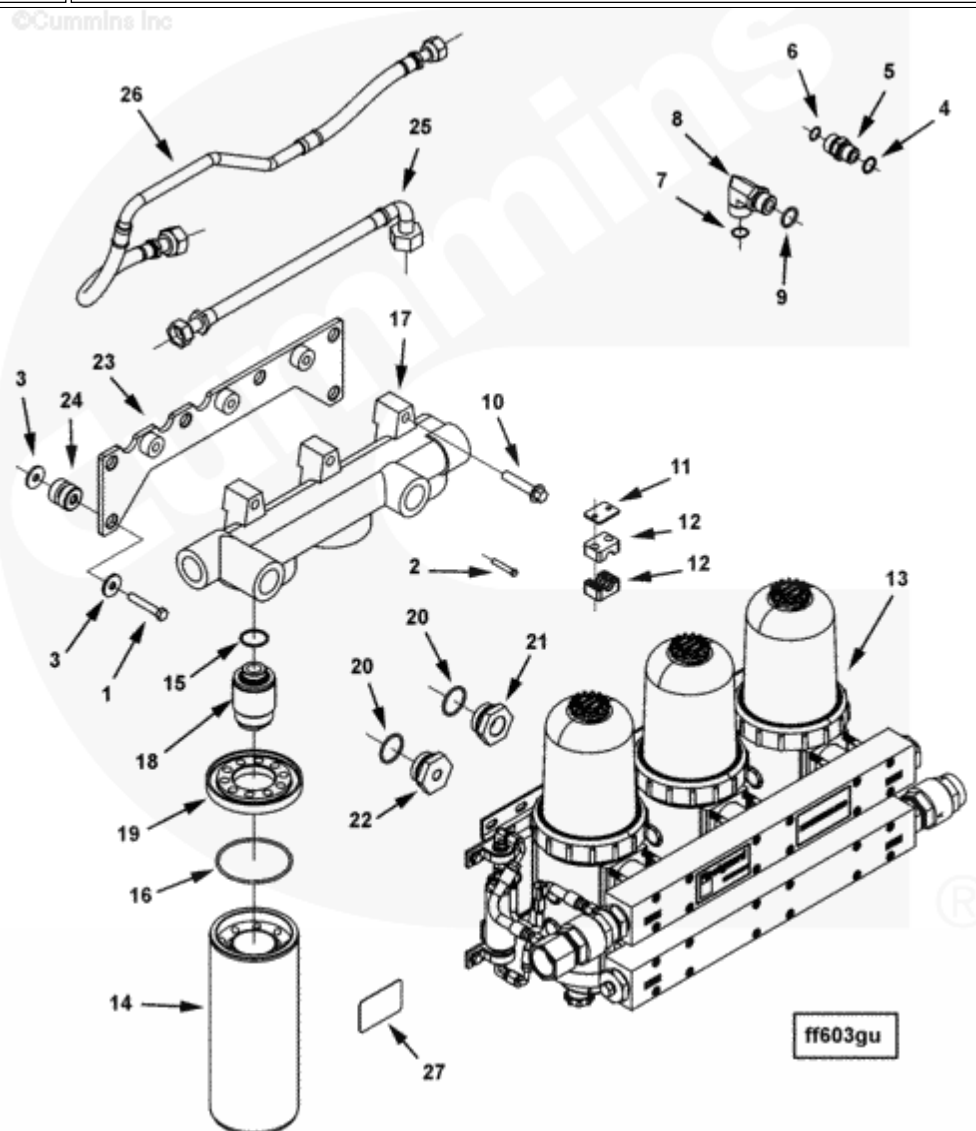
Ref No	Part Number	For-Sale	Shopping Cart	Part Name	Required	Remarks
	FF6778	NO		Plumbing, Fuel Filter		
1	4964178	YES	ADD	Adapter, Reducing	1	
2	4964180	YES	ADD	Union, Male	1	



Parts Catalog - Option Detail

Content For Engine Serial Number (ESN): 33171379

Electronic Parts Catalog - Option Detail				
Option	Group	Graphic	Film Card	Date
FF6101-02	06.04	ff603gu	K50	15-JAN-07
Engines	G50, K50, GTA50, QSK50 MCRS, G38, G50, GTA50			



SMALL | MEDIUM | LARGE

Ref No	Part Number	For-Sale	Shopping Cart	Part Name	Required	Remarks
	FF6101-02	NO		Filter,Fuel		

Part Catalog
QSK 50 EX 2500-6Design By
Rudy Eka Jaya

1	S 104	YES	ADD	Screw, Hexagon Head Cap	6	3/8 - 16 X 2 1/4 Inch.
2	S 156 B	YES	ADD	Screw, Hexagon Head Cap	4	1/4 - 20 X 1 1/2 Inch.
3	170664	YES	ADD	Washer, Plain	12	3/8 Inch.
	3171818	YES	ADD	Union, Male	2	
4	3089240	YES	ADD	Seal, O Ring	1	
5	3171819	YES	ADD	Union, Male	1	
6	3630740	YES	ADD	Seal, O Ring	1	
	3331818	YES	ADD	Elbow, Male Union	2	
7	3085709	YES	ADD	Seal, O Ring	1	
8	3331819	YES	ADD	Elbow, Male Union	1	
9	3678606	YES	ADD	Seal, O Ring	1	
10	3905372	YES	ADD	Screw, Hex Flange Head Cap	3	M12 X 1.75 X 60.
11	4928113	YES	ADD	Plate, Cover	2	
12	4928114	YES	ADD	Clamp, Tube	4	
13	4964099	YES	ADD	Filter, Fuel	1	Buy from Cummins Filtration
14	4964234	YES	ADD	Filter, Fuel	3	
	4969133	YES	ADD	Head, Fuel Filter	1	
15	145536	YES	ADD	Seal, O Ring	3	
16	3899283	YES	ADD	Seal, O Ring	3	
17	4916702	YES	ADD	Head, Fuel Filter	1	
18	4964103	YES	ADD	Adapter, Filter Head	3	
19	4964120	YES	ADD	Adapter, Filter Head	3	
	4964129	YES	ADD	Adapter, Reducing	2	
20	3089019	YES	ADD	Seal, O Ring	1	

Part Catalog
QSK 50 EX 2500-6**Design By**
Rudy Eka Jaya

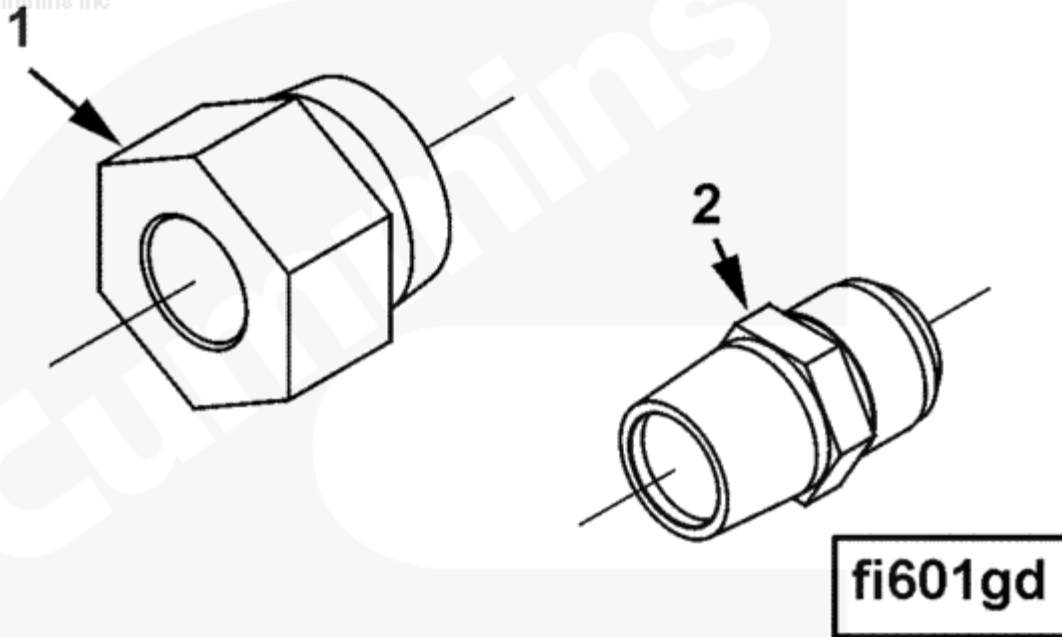
21	4964128	YES	ADD	Adapter, Reducing	1	
	4964131	YES	ADD	Adapter, Reducing	2	
20	3089019	YES	ADD	Seal, O Ring	1	
22	4964130	YES	ADD	Adapter, Reducing	1	
23	4964141	YES	ADD	Bracket, Filter	1	
24	4964142	YES	ADD	Isolator, Vibration	6	
25	4964145	YES	ADD	Hose, Flexible	1	
26	4964148	YES	ADD	Hose, Flexible	1	
27	4964158	NO		Decal	3	



Parts Catalog - Option Detail

Content For Engine Serial Number (ESN): 33171379

Electronic Parts Catalog - Option Detail				
Option	Group	Graphic	Film Card	Date
FI6008	06.02	fi601gd	K50	15-APR-06
Engines	G50, K50, GTA50, QSK50 MCRS, G38, G50, GTA50			



SMALL | MEDIUM | LARGE

Ref No	Part Number	For-Sale	Shopping Cart	Part Name	Required	Remarks
	FI6008	NO		Fitting,Fuel Inlet		
1	4964178	YES	ADD	Adapter, Reducing	1	
2	4964180	YES	ADD	Union, Male	1	

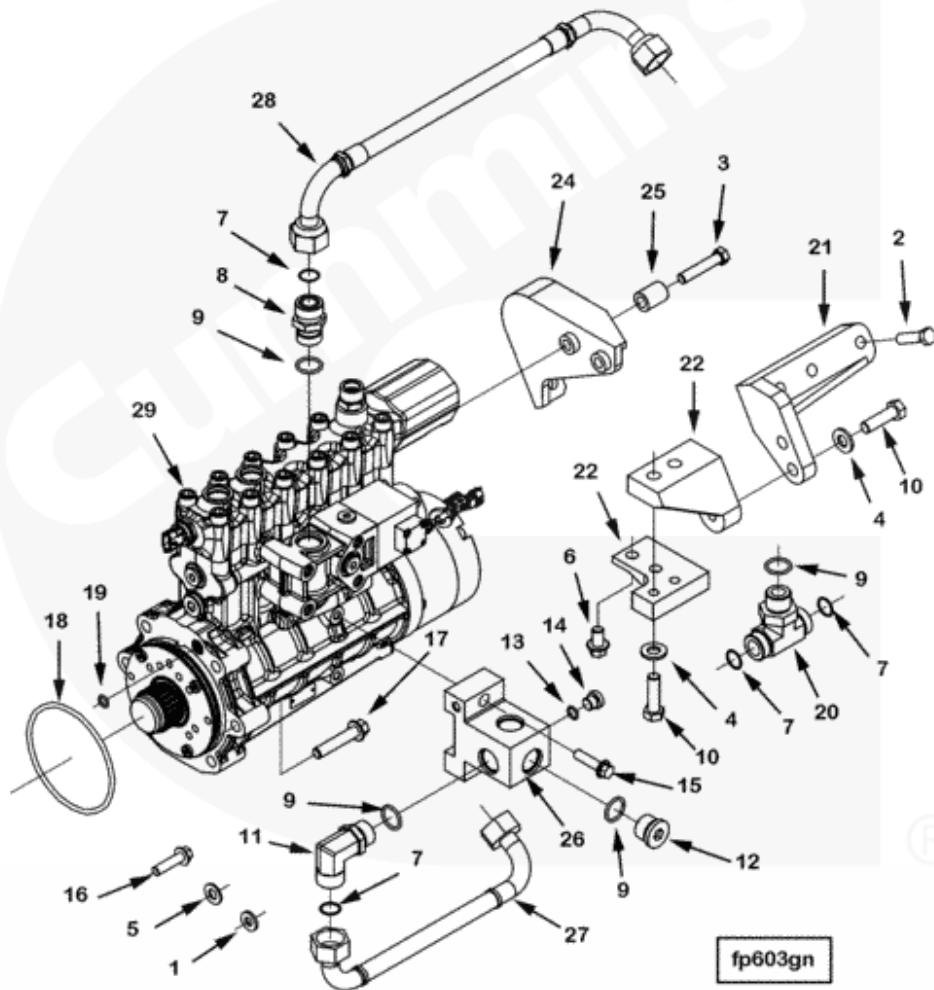


Parts Catalog - Option Detail

Content For Engine Serial Number (ESN): 33171379

Electronic Parts Catalog - Option Detail				
Option	Group	Graphic	Film Card	Date
FP6880-02	05.01	fp603gn	K50	10-SEP-07
Engines	G50, K50, GTA50, QSK50 MCRS, G38, G50, GTA50			

©Cummins Inc



SMALL | MEDIUM | LARGE

Ref No	Part Number	For-Sale	Shopping Cart	Part Name	Required	Remarks
	FP6880-02	NO		Pump,Fuel		Fuel pump
						Engine Family: Qsk50 fuel

Part Catalog
QSK 50 EX 2500-6
Design By
Rudy Eka Jaya

						control system: Cummins mcrs
						fuel pump manufacturer:
						Robert Bosch
						Fuel Inlet Fitting Thread
						Size: M27 x 2-6 h stor
						Fuel Inlet Fitting Location:
						From engine centerline (mm):
						446.87 (17.60in.) from
						crankc/l (mm): -168.85 (-
						6.65in.) from front face of
						block (mm): -301.74 (-
						11.90in.).
1	108330	YES	ADD	Washer, Plain	2	3/8"
2	204736	YES	ADD	Screw, Hexagon Head Cap	3	7/16 - 14 X 1 3/4 Inch.
3	3035697	YES	ADD	Screw, Hexagon Head Cap	2	7/16 - 14 X 2 1/4 Inch.
4	3036900	YES	ADD	Washer, Plain	4	1/2 Inch.
5	3042330	YES	ADD	Washer, Plain	3	3/8"
6	3093937	YES	ADD	Screw, Hex Flange Head Cap	2	
	3171722	YES	ADD	Union, Male	1	
7	3085709	YES	ADD	Seal, O Ring	1	
8	3171723	NO		Union, Male	1	
9	3678606	YES	ADD	Seal, O Ring	1	
10	3202222	YES	ADD	Screw, Hexagon Head Cap	4	1/2 - 13 x 1 3/4 in.
	3331818	YES	ADD	Elbow, Male Union	1	
7	3085709	YES	ADD	Seal, O Ring	1	
11	3331819	NO		Elbow, Male Union	1	
9	3678606	YES	ADD	Seal, O Ring	1	
	3678611	YES	ADD	Plug, Threaded	1	
12	3678605	NO		Plug, Threaded	1	
9	3678606	YES	ADD	Seal, O Ring	1	
	3678921	YES	ADD	Plug, Threaded	1	M14 X 1.50
13	3678912	YES	ADD	Seal, O Ring	1	M14 X 1.50
14	3678922	NO		Plug, Threaded	1	M14 X 1.50

Ref. QSOL

Part Catalog
QSK 50 EX 2500-6
Design By
Rudy Eka Jaya

15	3903464	YES	ADD	Screw, Hex Flange Head Cap	2	M10 X 1.50 X 40.
16	3925437	YES	ADD	Screw, Hex Flange Head Cap	2	M10 x 1.50 x 40
17	3937692	YES	ADD	Screw, Hex Flange Head Cap	6	
18	4916449	YES	ADD	Seal, O Ring	1	
19	4916450	YES	ADD	Seal, O Ring	1	
	4924683	YES	ADD	Tee, Male Union	1	
7	3085709	YES	ADD	Seal, O Ring	2	
9	3678606	YES	ADD	Seal, O Ring	1	
20	4924682	NO		Tee, Male Union	1	
21	4924691	YES	ADD	Brace, Fuel Pump	1	
22	4924692	YES	ADD	Brace, Fuel Pump	1	
23	4924693	YES	ADD	Brace, Fuel Pump	1	
24	4951865	YES	ADD	Brace, Fuel Pump	1	
25	4951877	YES	ADD	Spacer, Mounting	2	
26	4964144	YES	ADD	Manifold, Fuel	1	
27	4964155	YES	ADD	Hose, Flexible	1	
28	4964200	YES	ADD	Hose, Flexible	1	
29	4964216	YES	ADD	Pump, Fuel Injection	1	



Parts Catalog - Option Detail

Content For Engine Serial Number (ESN): 33171379

Electronic Parts Catalog - Option Detail				
Option	Group	Graphic	Film Card	Date
FCBS15	99.01	null	K50	09-MAY-09
Engines	G50, K50, GTA50, QSK50 MCRS, G38, G50, GTA50			

Ref No	Part Number	For-Sale	Shopping Cart	Part Name	Required	Remarks
	FCBS15	NO		CALIBRATION,FUEL PUMP		Fuel pump calibration
						adv/rated power: 1400 BHP at
						1800 RPM
						Peak torque: 4705 FT LB at
						1300 RPM
						Governed Power: 0000 BHP At
						0000 RPM
						CPL: 2761
						Certified By: EPA ,CARB cal
						restr: C2.2 injectors only
						Power Rating: N/A
						Engine Control System: Aan
						Application: Nonroad cert
						level: Tier 2,tier 2

Part Catalog
QSK 50 EX 2500-6

Design By
Rudy Eka Jaya

						manufacturer of record:
						Cummins fuel rating: FR6615.

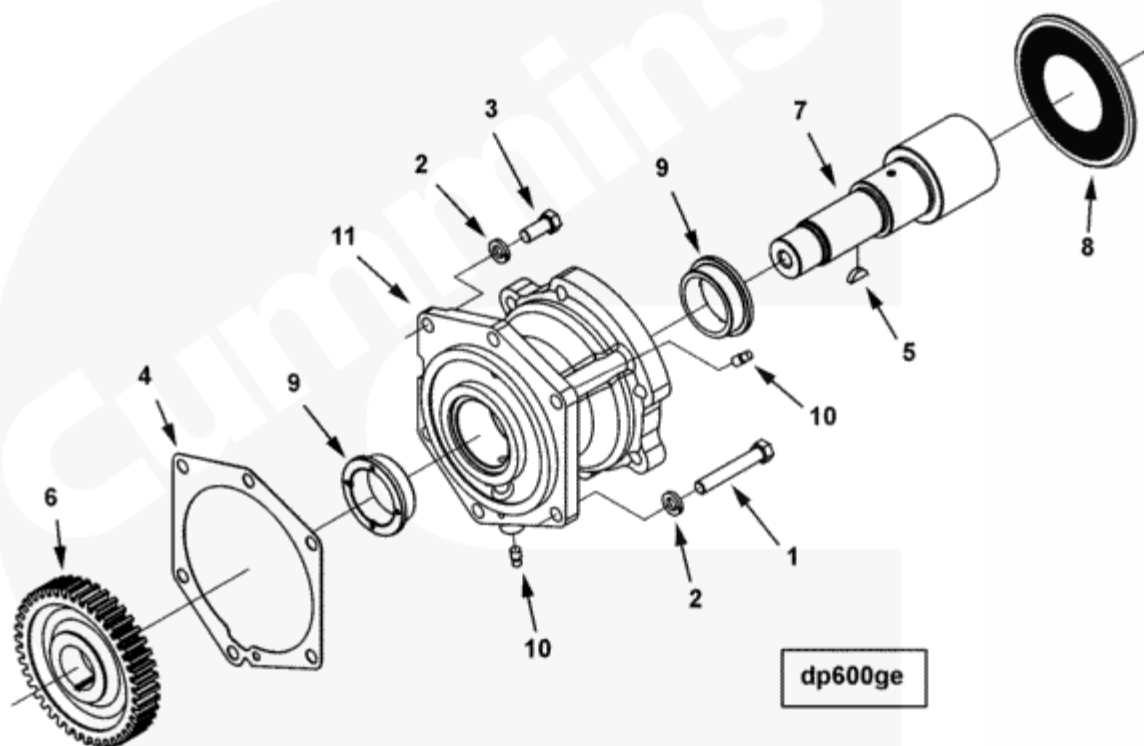


Parts Catalog - Option Detail

Content For Engine Serial Number (ESN): 33171379

Electronic Parts Catalog - Option Detail				
Option	Group	Graphic	Film Card	Date
DP6705-02	09.01	dp600ge	K50	26-JUN-06
Engines	G50, K50, GTA50, QSK50 MCRS, G38, G50, GTA50			

©Cummins Inc



SMALL | MEDIUM | LARGE

Ref No	Part Number	For-Sale	Shopping Cart	Part Name	Required	Remarks
	DP6705-02	NO		Drive, Fuel Pump		
1	S 162 A	YES	ADD	Screw, Hexagon Head Cap	4	7/16 - 14 X 2 3/4 Inch.
2	S 610	YES	ADD	Washer, Lock	6	7/16 Inch.
3	103023	YES	ADD	Screw, Hexagon Head Cap	2	7/16 - 14 X 1 Inch.

Part Catalog
QSK 50 EX 2500-6**Design By**
Rudy Eka Jaya

4	3046852	YES	ADD	Gasket, Acc Drive Support	1	
	4924764	YES	ADD	Support, Accessory Drive	1	
5	S 316	YES	ADD	Key, Plain Woodruff	1	
6	4952020	YES	ADD	Gear, Accessory Drive	1	
7	4924765	YES	ADD	Shaft, Accessory Drive	1	
8	4916427	YES	ADD	Screen, Filter	1	
	4924271	YES	ADD	Support, Accessory Drive	1	
9	3089409	YES	ADD	Bushing	2	
10	3176649	YES	ADD	Seal, Tamper Proof	2	
11	4924272	YES	ADD	Support, Accessory Drive	1	

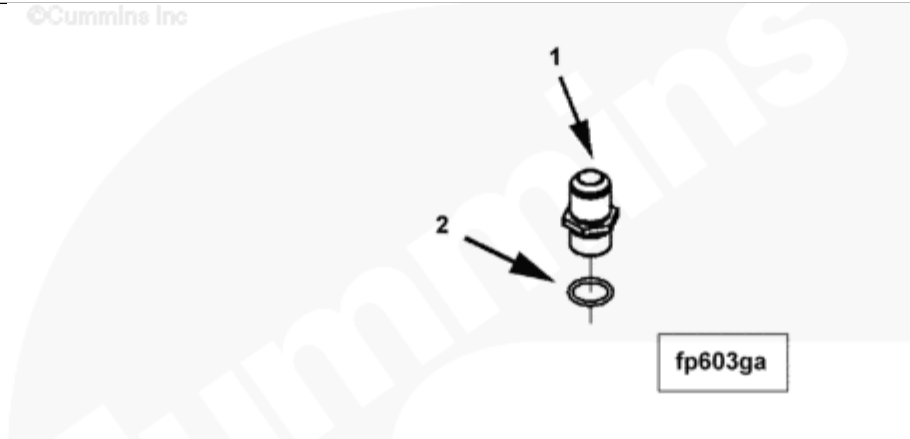


Parts Catalog - Option Detail

Content For Engine Serial Number (ESN): 33171379

Electronic Parts Catalog - Option Detail				
Option	Group	Graphic	Film Card	Date
FP6881	05.01	fp603ga	K50	15-APR-06
Engines	G50, K50, GTA50, QSK50 MCRS, G38, G50, GTA50			

©Cummins Inc



SMALL | MEDIUM | LARGE

Ref No	Part Number	For-Sale	Shopping Cart	Part Name	Required	Remarks
	FP6881	NO		Plumbing,Fuel Pump		
	3099698	YES	ADD	Union, Male	1	
1	3099697	NO		Union, Male	1	
2	3678606	YES	ADD	Seal, O Ring	1	

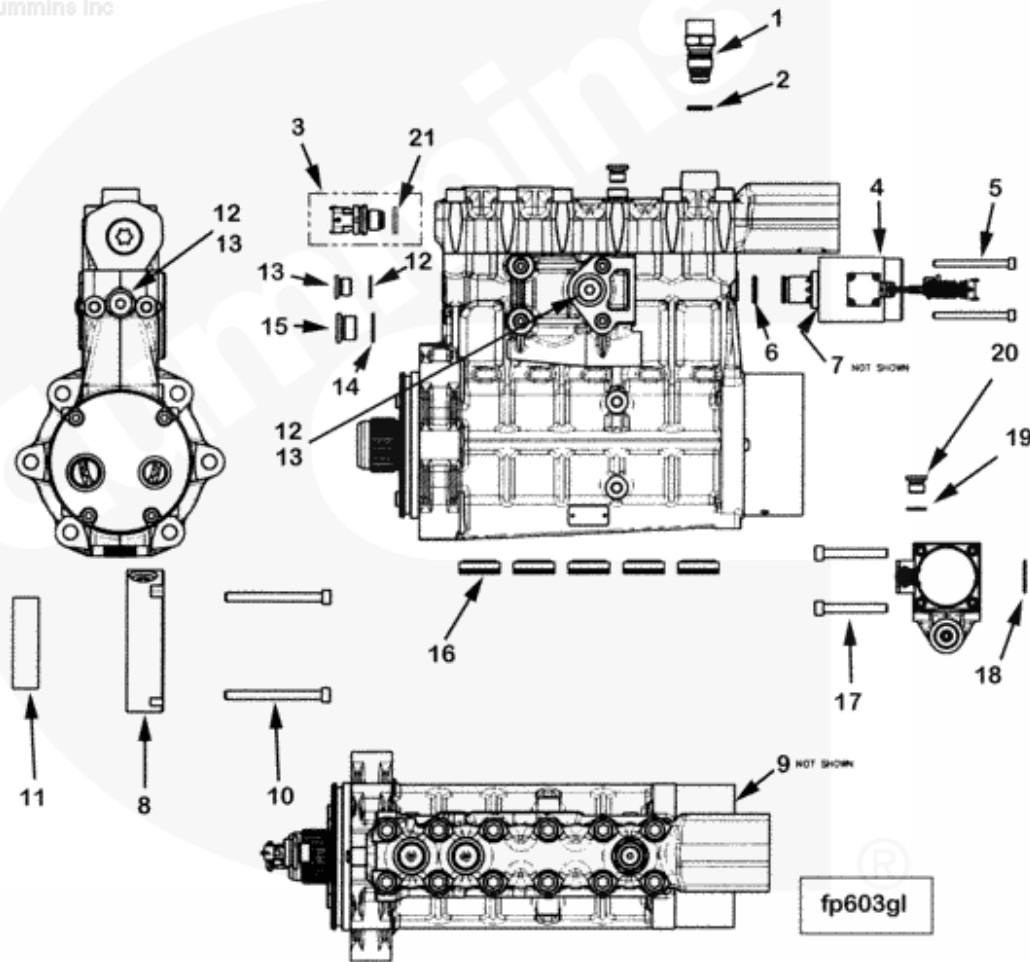


Parts Catalog - Option Detail

Content For Engine Serial Number (ESN): 33171379

Electronic Parts Catalog - Option Detail				
Option	Group	Graphic	Film Card	Date
FP6880	05.01.1	fp603gl	K50	10-SEP-07
Engines	G50, K50, GTA50, QSK50 MCRS, G38, G50, GTA50			

©Cummins Inc



SMALL | MEDIUM | LARGE

Ref No	Part Number	For-Sale	Shopping Cart	Part Name	Required	Remarks
	FP6880	NO		Pump,Fuel		Fuel pump
	4964216	YES	ADD	Pump, Fuel Injection	1	
1	4924613	YES	ADD	Valve, Pressure Relief	1	
2	4924709	YES	ADD	Seal, Oring	1	

Part Catalog
QSK 50 EX 2500-6**Design By**
Rudy Eka Jaya

3	4964102	YES	ADD	Sensor, Pressure	1	Fuel.
4	4917540	YES	ADD	Acuator, Etr Fuel Conrol	1	
5	4924714	YES	ADD	Screw, Socket Head Cap	4	
6	4924715	YES	ADD	Seal, Oring	1	
7	4924716	YES	ADD	Seal, Oring	1	
8	4924717	NO		Cover, Fuel Pump	1	
9	4924718	NO		Seal, Oring	1	
10	4924719	NO		Screw, Socket Head Cap	4	
11	4924720	YES	ADD	Gear, Fuel Pump	1	
12	4927979	YES	ADD	Washer, Copper	3	
13	4927980	YES	ADD	Plug, Threaded	3	
14	4927981	YES	ADD	Washer, Copper	1	
15	4927982	YES	ADD	Plug, Threaded	1	
16	4927983	YES	ADD	Plug, Expansion	5	
17	4927987	YES	ADD	Screw, Socket Head Cap	4	
18	4927988	YES	ADD	Seal, Oring	1	
19	4927989	YES	ADD	Washer, Copper	1	
20	4927990	YES	ADD	Plug, Adapter	1	
21	4928107	YES	ADD	Seal, Sensor	1	



Parts Catalog - Option Detail

Content For Engine Serial Number (ESN): 33171379

Electronic Parts Catalog - Option Detail				
Option	Group	Graphic	Film Card	Date
FR6615	99.01	null	K50	09-MAY-09
Engines	G50, K50, GTA50, QSK50 MCRS, G38, G50, GTA50			

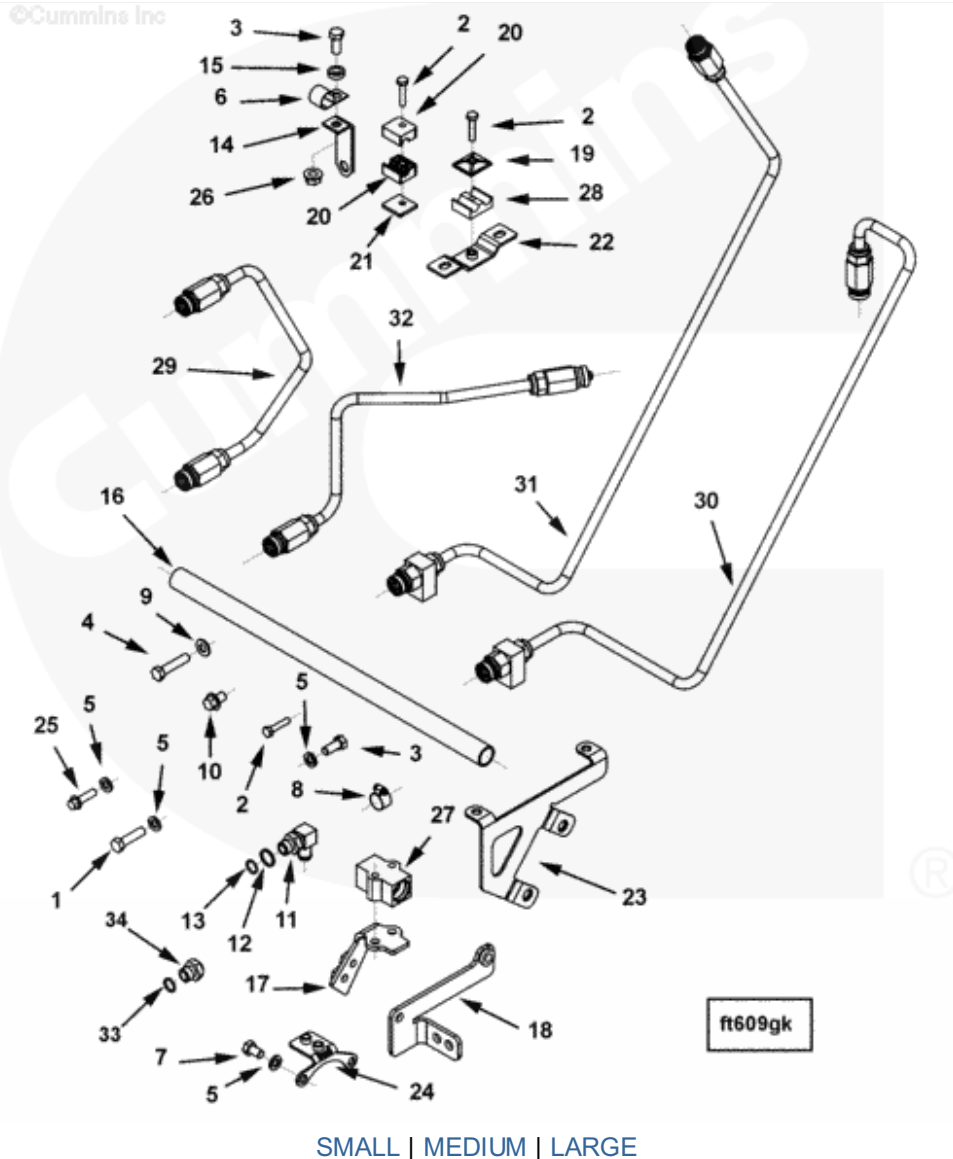
Ref No	Part Number	For-Sale	Shopping Cart	Part Name	Required	Remarks
	FR6615	NO		RATING,FUEL		Fuel rating
						rated power: 1400 BHP at
						1800 RPM
						Peak torque: 4705 FT LB at
						1300 RPM
						Governed Power: 0000 BHP At
						0000 RPM
						CPL: 2761
						Certified By: EPA ,CARB cal
						restr: None
						Power Rating: N/A
						Engine Control System: Aan
						Application: Nonroad cert
						level: Tier 2,tier 2.



Parts Catalog - Option Detail

Content For Engine Serial Number (ESN): 33171379

Electronic Parts Catalog - Option Detail				
Option	Group	Graphic	Film Card	Date
FT60821-02	06.03	ft609gk	K50	13-AUG-07
Engines	G50, K50, GTA50, QSK50 MCRS, G38, G50, GTA50			



SMALL | MEDIUM | LARGE

Ref No	Part Number	For-Sale	Shopping Cart	Part Name	Required	Remarks
	FT60821-02	NO		Plumbing,Fuel Supply		

Part Catalog
QSK 50 EX 2500-6
Design By
Rudy Eka Jaya

1	S 103 D	YES	ADD	Screw, Hexagon Head Cap	2	3/8 - 16 X 1 1/4 Inch.
2	S 105 C	YES	ADD	Screw, Hexagon Head Cap	2	1/4 - 20 X 1 1/4 Inch.
3	S 109	YES	ADD	Screw, Hexagon Head Cap	2	3/8 - 16 X 7/8 Inch.
4	S 120	YES	ADD	Screw, Hexagon Head Cap	2	3/8 - 16 X 1 3/4 Inch.
5	S 604	YES	ADD	Washer, Lock	6	3/8 Inch.
6	69911 A	YES	ADD	Clip	2	
7	137795	YES	ADD	Screw, Hexagon Head Cap	2	3/8 - 16 X 5/8 Inch.
8	179904	YES	ADD	Clamp, Hose	2	3/8 - 7/8 Inch.
9	3042329	YES	ADD	Washer, Plain	2	3/8 Inch.
10	3093957	YES	ADD	Screw, Hex Flange Head Cap	2	
	3285406	YES	ADD	Coupling, Elbow Hose	2	
11	3285368	NO		Coupling, Elbow Hose	1	
12	3400817	YES	ADD	Ring, Retaining	1	
13	3679139	YES	ADD	Seal, O Ring	1	
14	3628554	YES	ADD	Brace, Tube	1	
15	3632879	YES	ADD	Spacer, Mounting	1	
16	3633950	YES	ADD	Hose, Plain	2	
17	3635859	YES	ADD	Bracket, Fuel Plumbing	1	
18	3635861	YES	ADD	Bracket, Fuel Plumbing	1	
19	3635894	YES	ADD	Clamp, Retaining	1	
20	3636637	YES	ADD	Clamp, Retaining	2	
21	3636638	YES	ADD	Clamp, Retaining	1	
22	3636672	YES	ADD	Bracket, Fuel Plumbing	1	
23	3637140	YES	ADD	Bracket, Fuel Plumbing	1	
24	3637334	YES	ADD	Bracket, Fuel Plumbing	1	
25	3900630	YES	ADD	Screw, Hex Flange Head Cap	2	M8 X 1.25 X 20.
26	3902662	YES	ADD	Nut, Hexagon Flange	2	M10 X 1.50.
27	4916469	YES	ADD	Connector, Female	1	
28	4917414	YES	ADD	Clamp, Tube	2	
29	4924626	YES	ADD	Tube, Injector Fuel Supply	14	
30	4927491	YES	ADD	Tube, Injector Fuel Supply	1	
31	4927495	YES	ADD	Tube, Injector Fuel Supply	1	
32	4927499	YES	ADD	Tube, Injector Fuel Supply	1	
	4924237	YES	ADD	Plug, Threaded	2	
33	3331089	YES	ADD	Seal, O Ring	1	

Part Catalog
QSK 50 EX 2500-6

Design By
Rudy Eka Jaya

34	4924238	NO		Plug, Threaded	1	
----	-------------------------	----	--	----------------	---	--

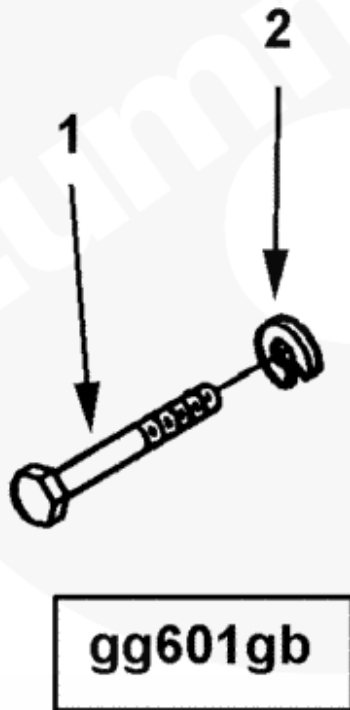


Parts Catalog - Option Detail

Content For Engine Serial Number (ESN): 33171379

Electronic Parts Catalog - Option Detail				
Option	Group	Graphic	Film Card	Date
GG6741	01.06	gg601gb	K50	08-AUG-05
Engines	G50, K50, GTA50, QSK50 MCRC, G38, G50, GTA50			

©Cummins Inc



[SMALL](#) | [MEDIUM](#) | [LARGE](#)

Ref No	Part Number	For-Sale	Shopping Cart	Part Name	Required	Remarks
--------	-------------	----------	---------------	-----------	----------	---------

Ref. QSOL

Part Catalog
QSK 50 EX 2500-6
Design By
Rudy Eka Jaya

	GG6741	NO		Mounting, Gear Cover		Gear cover mounting
						Engine Family: Qsk38, Qsk50
						freon comp bracket mounting
						provision: No alternator
						bracket mounting provision:
						Yes fan idler mounting
						provision: Yes.
1	108767	YES	ADD	Screw, Hexagon Head Cap	2	7/16 - 14 X 3 1/2 Inch.
2	S 610	YES	ADD	Washer, Lock	2	7/16 Inch.

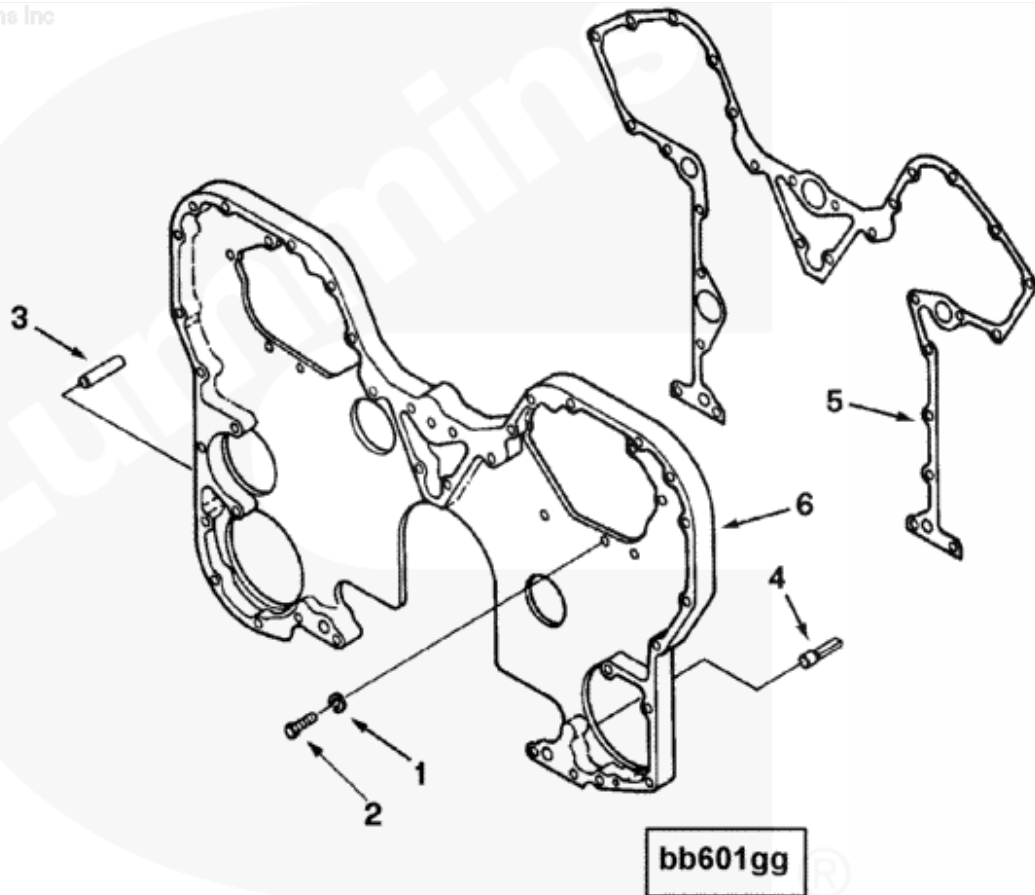


Parts Catalog - Option Detail

Content For Engine Serial Number (ESN): 33171379

Electronic Parts Catalog - Option Detail				
Option	Group	Graphic	Film Card	Date
BB6733	01.06.1	bb601gg	K50	31-JAN-05
Engines	G50, K50, GTA50, QSK50 MCRS, G38, G50, GTA50			

©Cummins Inc



SMALL | MEDIUM | LARGE

Ref No	Part Number	For-Sale	Shopping Cart	Part Name	Required	Remarks
	BB6733	NO		Gear Housing		
1	S 610	YES	ADD	Washer, Lock	15	7/16 Inch.
2	103009	YES	ADD	Screw, Hexagon Head Cap	15	7/16 - 14 X 1 1/4 Inch.
3	138912	YES	ADD	Dowel, Pin	1	

Part Catalog
QSK 50 EX 2500-6**Design By**
Rudy Eka Jaya

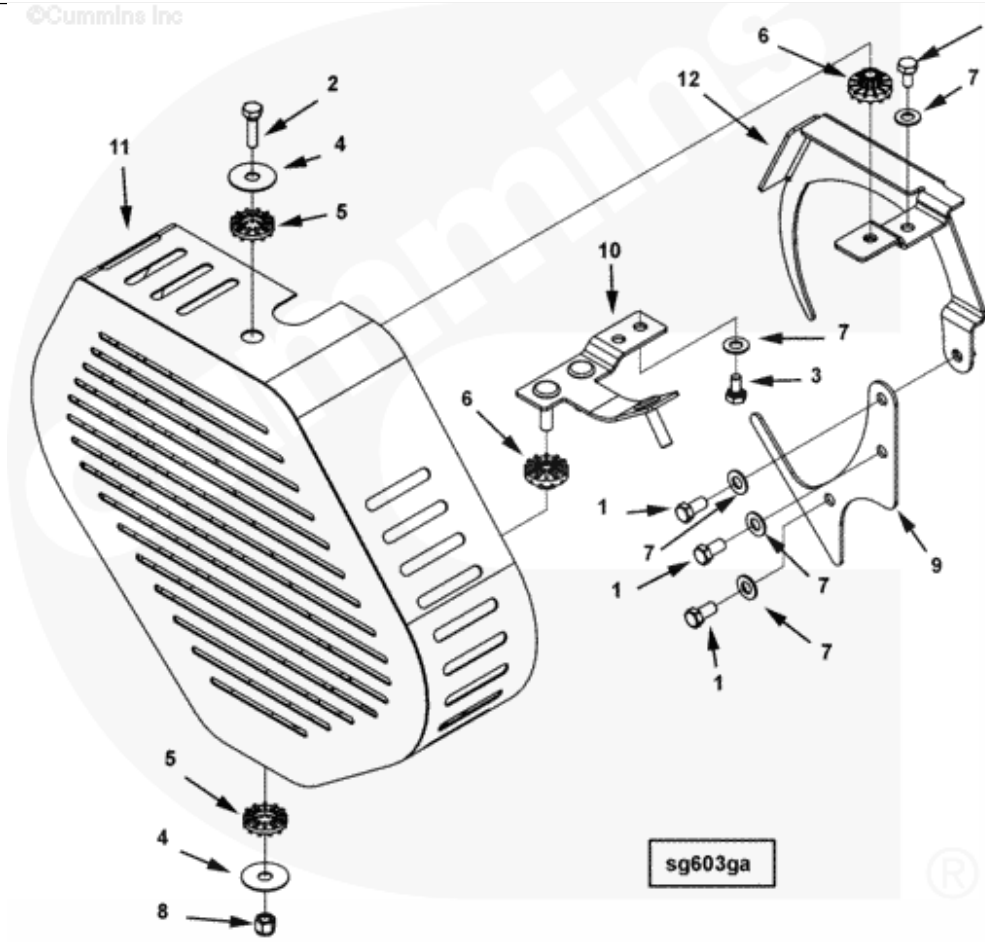
4	3176618	YES	ADD	Dowel, Diamond	1	
5	3178076	YES	ADD	Gasket, Gear Housing	1	
6	3176918	YES	ADD	Housing, Gear	1	



Parts Catalog - Option Detail

Content For Engine Serial Number (ESN): 33171379

Electronic Parts Catalog - Option Detail				
Option	Group	Graphic	Film Card	Date
SG6748	15.03	sg603ga	K50	18-DEC-06
Engines	G50, K50, GTA50, QSK50 MCRS, G38, G50, GTA50			



SMALL | MEDIUM | LARGE

Ref No	Part Number	For-Sale	Shopping Cart	Part Name	Required	Remarks
	SG6748	NO		Package, Guard		Guard package
						Engine Family: Qsk38, Qsk50
						guard provision: Right side

Part Catalog
QSK 50 EX 2500-6
Design By
Rudy Eka Jaya

						driven items items guarded:
						Right side accessory drive
						alternator
						manufacturing/model:
						Prestolite 8 SC3017 va
						Prestolite bld3314
						Prestolite 8 SC3009 z right
						side (alternator) guard
						supplied: Mounted.
1	S 117	YES	ADD	Screw, Hexagon Head Cap	3	3/8 - 16 X 3/4 Inch.
2	70213	YES	ADD	Screw, Hexagon Head Cap	1	3/8 - 16 X 1 1/4 Inch.
3	137795	YES	ADD	Screw, Hexagon Head Cap	3	3/8 - 16 X 5/8 Inch.
4	3033800	YES	ADD	Washer, Plain	4	3/8 Inch.
5	3035083	YES	ADD	Isolator, Vibration	4	
6	3035084	YES	ADD	Isolator, Vibration	4	
7	3042329	YES	ADD	Washer, Plain	6	3/8 Inch.
8	3175239	YES	ADD	Nut, Lock	3	
9	3639235	YES	ADD	Guard, Alternator	1	
10	3639534	YES	ADD	Bracket, Vib Isolator	1	
11	3639536	YES	ADD	Guard, Alternator	1	
12	3639544	YES	ADD	Guard, Alternator	1	

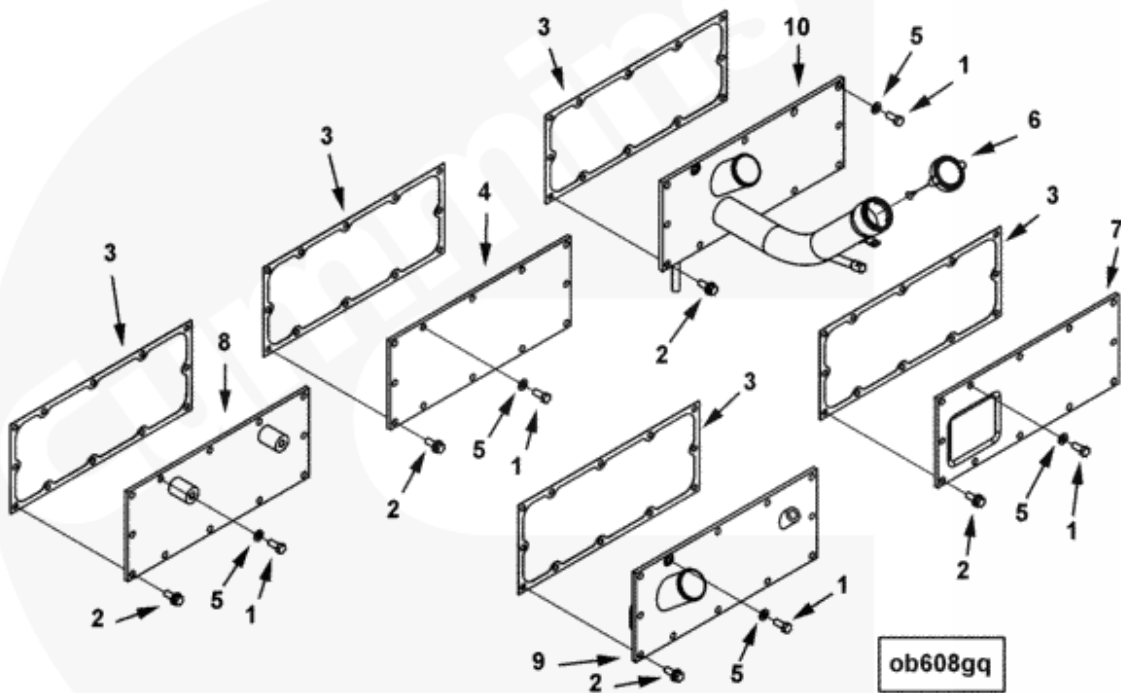


Parts Catalog - Option Detail

Content For Engine Serial Number (ESN): 33171379

Electronic Parts Catalog - Option Detail				
Option	Group	Graphic	Film Card	Date
OB67074-02	07.02	ob608gq	K50	25-SEP-06
Engines	G50, K50, GTA50, QSK50 MCRS, G38, G50, GTA50			

©Cummins Inc



SMALL | MEDIUM | LARGE

Ref No	Part Number	For-Sale	Shopping Cart	Part Name	Required	Remarks
	OB67074-02	NO		Cover,Hand Hole		Hand hole cover
						Engine Family: Qsk50
						Oil Fill Location: Left Bank
						#5 Cylinder from engine

Part Catalog
QSK 50 EX 2500-6

Design By
Rudy Eka Jaya

						centerline (mm): 588.03
						(23.15in) from crank
						centerline (mm): 65.5
						(2.58in) from front face of
						block (mm) -1203.49 (-
						47.38in)
						Dipstick Location: Left Bank
						#5 Cylinder from engine
						centerline (mm): 555.23
						(21.86in) from crank
						centerline (mm): -59.65
						(2.35in) from front face of
						block (mm) -1203.49 (-
						47.38in)
						Dipstick Tube Dev Length
						(mm): 604.7 (23.81in)
						breather location: Right
						bank #4 cylinder left bank #5
						cylinder crankcase pressure

Part Catalog
QSK 50 EX 2500-6
Design By
Rudy Eka Jaya

						sensor location: Right bank
						#3 cylinder oil drain
						location: None ECM cooler
						mounting provision: Left
						bank #3/4 cylinder fuel
						filter plumbing mounting
						provision: Left bank #4
						cylinder fuel pump mounting
						provision: Left bank #1
						cylinder.
1	S 109	YES	ADD	Screw, Hexagon Head Cap	8	3/8 - 16 X 7/8 Inch.
2	3014766	YES	ADD	Screw, Captive Washer Cap	88	3/8 - 16 X 1 3/64 Inch.
3	3175856	YES	ADD	Gasket, Hand Hole	8	
4	3628229	YES	ADD	Cover, Hand Hole	4	
5	3628902	YES	ADD	Washer, Plain	8	
6	3629112	YES	ADD	Cap, Filler	1	
7	4951869	YES	ADD	Cover, Hand Hole	1	
8	4928126	YES	ADD	Cover, Hand Hole	1	
9	4924775	YES	ADD	Cover, Hand Hole	1	
10	4927405	YES	ADD	Cover, Hand Hole	1	

Ref. QSOL

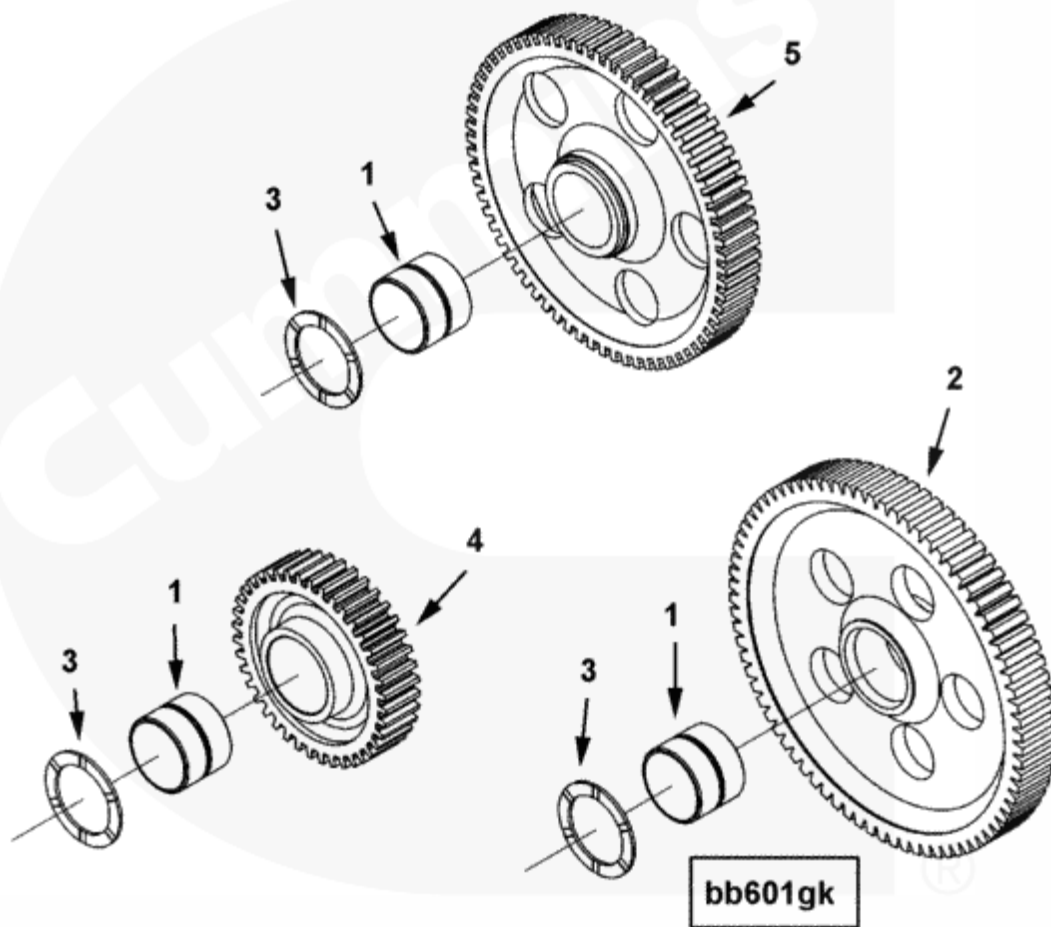


Parts Catalog - Option Detail

Content For Engine Serial Number (ESN): 33171379

Electronic Parts Catalog - Option Detail				
Option	Group	Graphic	Film Card	Date
BB6733	01.07.1	bb601gk	K50	31-JAN-05
Engines	G50, K50, GTA50, QSK50 MCRS, G38, G50, GTA50			

©Cummins Inc



SMALL | MEDIUM | LARGE

Ref No	Part Number	For-Sale	Shopping Cart	Part Name	Required	Remarks
	BB6733	NO		Idler Gears		
	3628822	YES	ADD	Gear, Idler	1	
1	3004686	YES	ADD	Bushing	1	
2	3632363	NO		Gear, Idler	1	
3	130083	YES	ADD	Bearing, Thrust	2	

Part Catalog
QSK 50 EX 2500-6
Design By
Rudy Eka Jaya

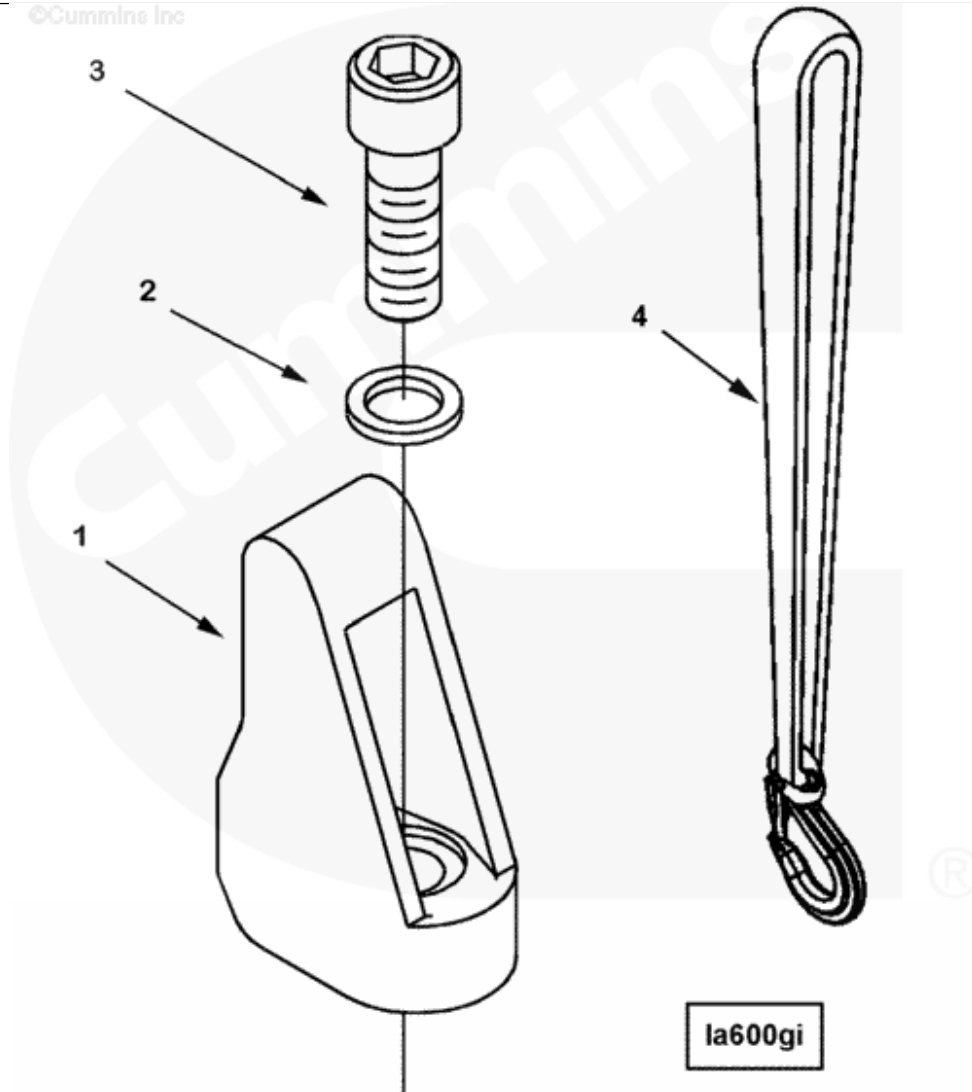
	130081	YES	ADD	Bearing, Thrust	A/R	
	130080	YES	ADD	Bearing, Thrust	A/R	
	130082	YES	ADD	Bearing, Thrust	A/R	
	3004683	YES	ADD	Gear, Idler	1	
1	3004686	YES	ADD	Bushing	1	
4	3004594	NO		Gear, Idler	1	
3	130083	YES	ADD	Bearing, Thrust	2	
	130081	YES	ADD	Bearing, Thrust	A/R	
	130080	YES	ADD	Bearing, Thrust	A/R	
	130082	YES	ADD	Bearing, Thrust	A/R	
	3628823	YES	ADD	Gear, Idler	1	
1	3004686	YES	ADD	Bushing	1	
5	3628799	YES	ADD	Gear, Idler	1	
3	130083	YES	ADD	Bearing, Thrust	2	
	130081	YES	ADD	Bearing, Thrust	A/R	
	130080	YES	ADD	Bearing, Thrust	A/R	
	130082	YES	ADD	Bearing, Thrust	A/R	



Parts Catalog - Option Detail

Content For Engine Serial Number (ESN): 33171379

Electronic Parts Catalog - Option Detail				
Option	Group	Graphic	Film Card	Date
LA6709-01	17.06	la600gi	K50	31-JUL-06
Engines	G50, K50, GTA50, QSK50 MCRS, G38, G50, GTA50			



SMALL | MEDIUM | LARGE

Ref No	Part Number	For-Sale	Shopping Cart	Part Name	Required	Remarks
	LA6709-01	NO		Arrangement,Lifting		

Part Catalog
QSK 50 EX 2500-6**Design By**
Rudy Eka Jaya

1	205684	YES	ADD	Bracket, Lifting	4	
2	3629962	YES	ADD	Washer, Plain	4	
3	206028	YES	ADD	Screw, Socket Head Cap	4	3/4 - 10 X 2 1/4 Inch.
4	3411202	YES	ADD	Cable	4	

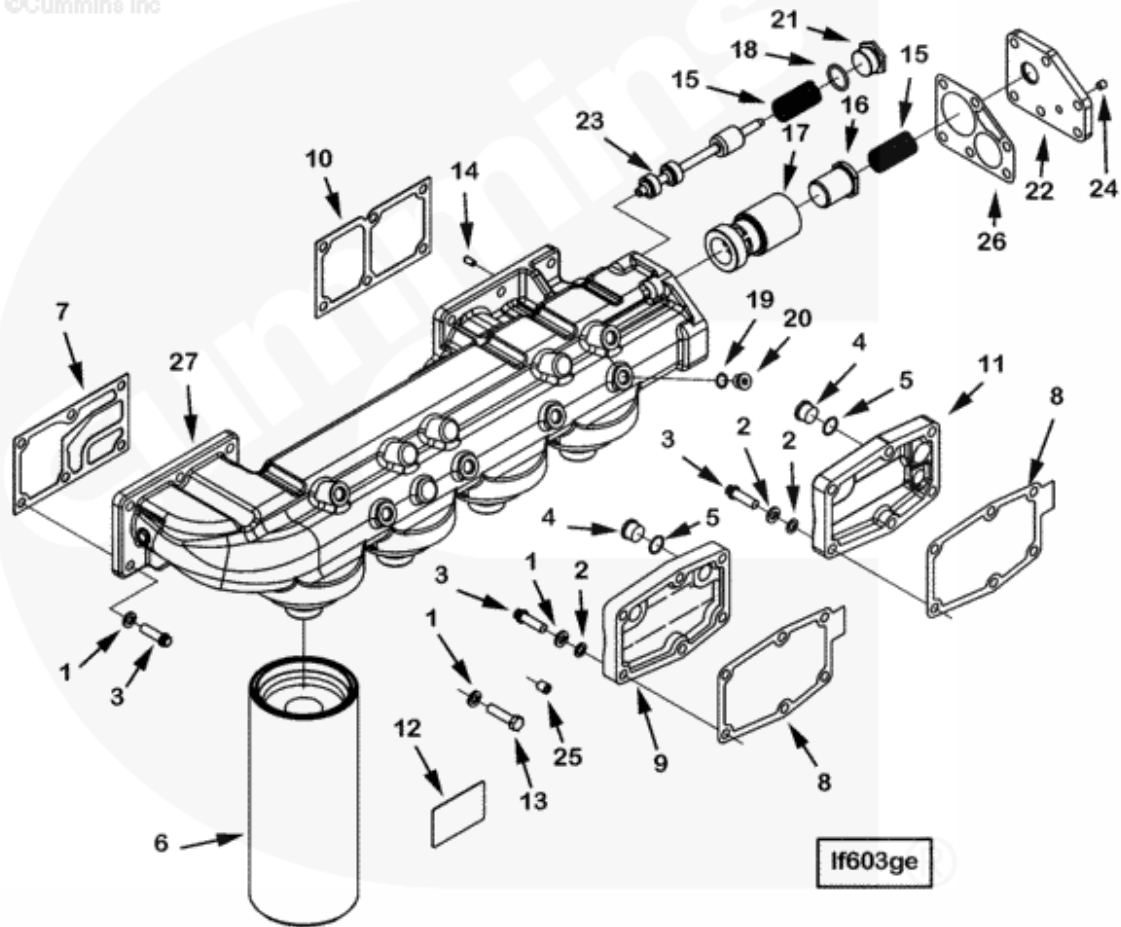


Parts Catalog - Option Detail

Content For Engine Serial Number (ESN): 33171379

Electronic Parts Catalog - Option Detail				
Option	Group	Graphic	Film Card	Date
LF6079-03	07.03	lf603ge	K50	10-JUL-06
Engines	G50, K50, GTA50, QSK50 MCRS, G38, G50, GTA50			

©Cummins Inc



SMALL | MEDIUM | LARGE

Ref No	Part Number	For-Sale	Shopping Cart	Part Name	Required	Remarks
	LF6079-03	NO		Filter,Lubricating Oil		Lubricating oil filter

Part Catalog
QSK 50 EX 2500-6Design By
Rudy Eka Jaya

						Engine Family: Qsk50 filter
						manufacturing/model:
						Fleetguard LF9024 element
						quantity: 4 cartridge type:
						Venturi spin-on
						Oil Filter Head Location:
						Right bank over cylinders #6
						thru #8
						Oil Filter Element Location:
						Right bank over cylinders #7
						thru #8
						Oil Fill Provision: No oil
						return port engine provision:
						Lube oil transfer cover left
						bank.
1	S 604	YES	ADD	Washer, Lock	12	3/8 Inch.
2	127362	YES	ADD	Washer, Plain	12	3/8 Inch.
3	191772	YES	ADD	Screw, Twelve Point Cap	24	3/8 - 16 X 1 1/4 Inch.
	3046202	YES	ADD	Plug, Threaded	3	3/4 - 16 UNF.
4	3040810	YES	ADD	Plug, Threaded	1	
5	3046201	YES	ADD	Seal, O Ring	1	
6	3101870	YES	ADD	Filter, Lubricating Oil	4	Buy from Cummins filtration
7	3177108	YES	ADD	Gasket, Filter Head	1	

Ref. QSOL

Part Catalog
QSK 50 EX 2500-6Design By
Rudy Eka Jaya

8	3627938	YES	ADD	Gasket, Cover Plate	2	
9	3629146	YES	ADD	Connection, Oil Transfer	1	
10	3629387	YES	ADD	Gasket, Filter Head	1	
11	3638576	YES	ADD	Connection, Oil Transfer	1	
12	3638630	YES	ADD	Decal	4	
	4928015	YES	ADD	Head, Lub Oil Filter TLA	1	
13	S 103 D	YES	ADD	Screw, Hexagon Head Cap	6	3/8 - 16 X 1 1/4 Inch.
1	S 604	YES	ADD	Washer, Lock	6	3/8 Inch.
14	69558	YES	ADD	Dowel, Pin	1	
15	205659	YES	ADD	Spring, Compression	2	
16	3021618	YES	ADD	Plunger, Prs Regulator	1	
17	3028552	YES	ADD	Body, Bypass Valve	1	
18	3035228	YES	ADD	Seal, O Ring	1	
	3037536	YES	ADD	Plug, Threaded	4	9/16 - 18 UNF.
19	3037537	YES	ADD	Seal, O Ring	1	
20	3040813	YES	ADD	Plug, Threaded	4	
	3040818	YES	ADD	Plug, Threaded	1	1 3/16 - 12 un.
18	3035228	YES	ADD	Seal, O Ring	1	
21	3040819	YES	ADD	Plug, Threaded	1	
22	3177433	YES	ADD	Plate, Cover	1	
23	3627927	YES	ADD	Plunger, Prs Regulator	1	
24	3628604	YES	ADD	Plug, Pipe	2	
25	3628605	YES	ADD	Plug, Pipe	1	
26	3629141	YES	ADD	Gasket, Lub Oil Fil Cover	1	

Ref. QSOL

Part Catalog
QSK 50 EX 2500-6

Design By
Rudy Eka Jaya

27	4927957	YES	ADD	Head, Lub Oil Filter	1	
----	---------	-----	-----	----------------------	---	--

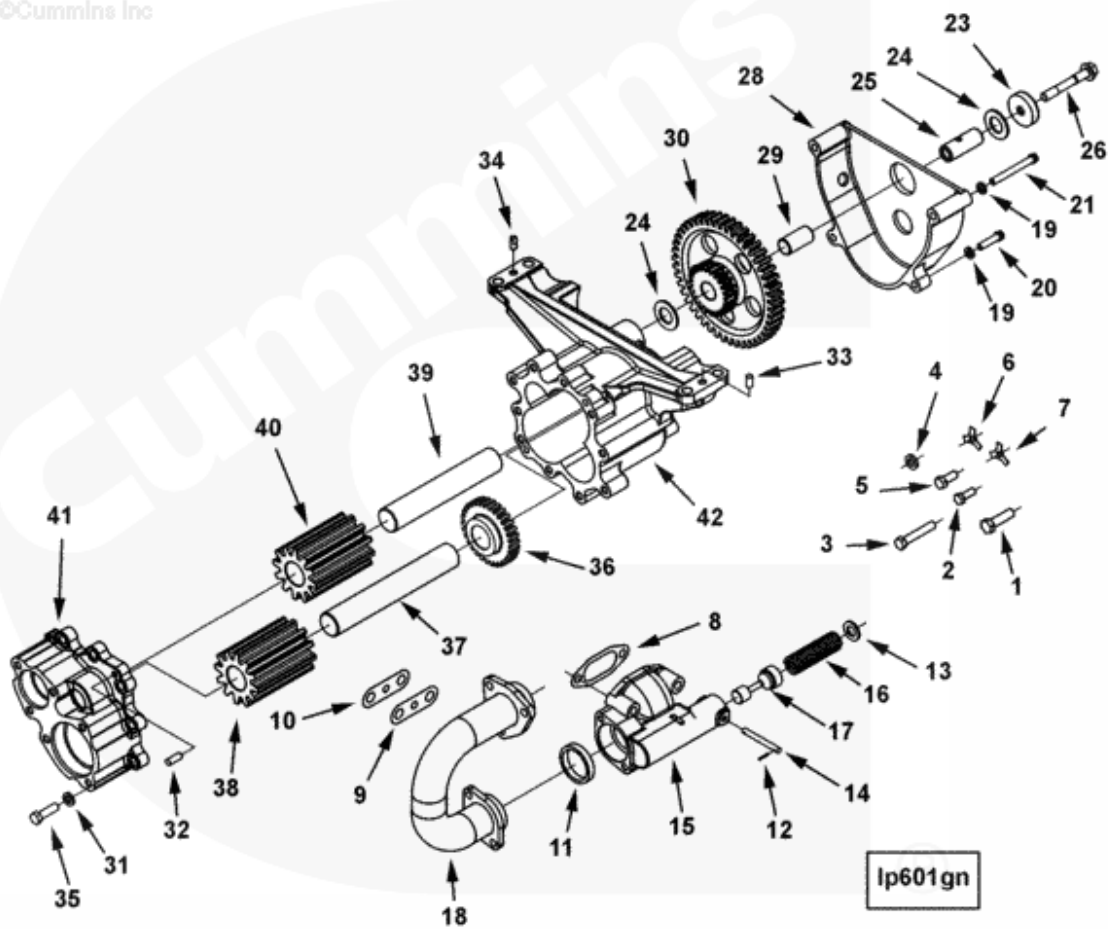


Parts Catalog - Option Detail

Content For Engine Serial Number (ESN): 33171379

Electronic Parts Catalog - Option Detail				
Option	Group	Graphic	Film Card	Date
LP6706-02	07.06	lp601gn	K50	11-APR-05
Engines	G50, K50, GTA50, QSK50 MCRS, G38, G50, GTA50			

©Cummins Inc



SMALL | MEDIUM | LARGE

Ref No	Part Number	For-Sale	Shopping Cart	Part Name	Required	Remarks
	LP6706-02	NO		Pump,Lubricating Oil		

Part Catalog
QSK 50 EX 2500-6Design By
Rudy Eka Jaya

1	S 113	YES	ADD	Screw, Hexagon Head Cap	4	1/2 - 13 X 1 1/2 Inch.
2	S 112	YES	ADD	Screw, Hexagon Head Cap	2	3/8 - 16 X 1 Inch.
3	S 121 B	YES	ADD	Screw, Hexagon Head Cap	2	7/16 - 14 X 2 1/2 Inch.
4	S 608	YES	ADD	Washer, Lock	4	1/2 Inch.
5	103023	YES	ADD	Screw, Hexagon Head Cap	3	7/16 - 14 X 1 Inch.
6	109319	YES	ADD	Lockplate	2	
7	151355	YES	ADD	Lockplate	5	
8	3000632	YES	ADD	Gasket, Connection	1	
9	3026312	YES	ADD	Shim	2	
10	3026313	YES	ADD	Shim	2	
11	3026392	YES	ADD	Seal, Rectangular Ring	2	
	4924730	YES	ADD	Valve, Pressure Relief	1	
12	107695	YES	ADD	Pin, Roll	2	
13	127316	YES	ADD	Washer, Plain	1	5/8 Inch.
14	3001719	YES	ADD	Pin, Straight	1	
15	3026925	YES	ADD	Connection, Oil Transfer	1	
16	4924731	YES	ADD	Spring, Compression	1	
17	3026927	YES	ADD	Plunger, Prs Regulator	1	
18	4924535	YES	ADD	Tube, Lub Oil Transfer	1	
	4924739	YES	ADD	Pump, Lubricating Oil	1	
19	S 604	YES	ADD	Washer, Lock	4	3/8 Inch.
20	199919	YES	ADD	Screw, Twelve Point Cap	2	3/8 - 16 X 1 1/2 Inch.
21	205377	YES	ADD	Screw, Twelve Point Cap	2	3/8 - 16 X 3 1/4 Inch.

Ref. QSOL

Part Catalog
QSK 50 EX 2500-6Design By
Rudy Eka Jaya

23	3029701	YES	ADD	Retainer, Shaft	1	
24	3029702	YES	ADD	Bearing, Thrust	2	
25	3029708	YES	ADD	Shaft, Idler	1	
26	3030518	YES	ADD	Screw, Hex Flange Head Cap	1	1/2 - 13 X 3 9/16 Inch.
28	3627912	YES	ADD	Cover, Lub Oil Pump	1	
	3633331	YES	ADD	Gear, Lubricating Oil Pump	1	
29	3029700	YES	ADD	Bushing	1	
30	3633330	NO		Gear, Lubricating Oil Pump	1	
	4924738	YES	ADD	Pump, Lubricating Oil	1	
31	S 610	YES	ADD	Washer, Lock	10	7/16 Inch.
32	64816 A	YES	ADD	Dowel, Pin	1	
33	69519	YES	ADD	Dowel, Pin	1	
34	107948	YES	ADD	Dowel, Diamond	1	
35	197032	YES	ADD	Screw, Hexagon Head Cap	5	7/16 - 14 X 1 1/2 Inch.
36	3627834	YES	ADD	Gear, Lubricating Oil Pump	1	
	4099225	YES	ADD	Gear & Shaft	1	
37	4099226	NO		Shaft, Lub Oil Pump	1	
38	4099227	NO		Gear, Lub Oil Pumping	1	
	4099228	YES	ADD	Gear & Shaft	1	
39	4099229	NO		Shaft, Lub Oil Pump	1	
40	4099230	NO		Gear, Lub Oil Pumping	1	
	4924737	YES	ADD	Pump, Lubricating Oil	1	
41	4924734	YES	ADD	Cover, Lub Oil Pump	1	

Ref. QSOL

Part Catalog
QSK 50 EX 2500-6

Design By
Rudy Eka Jaya

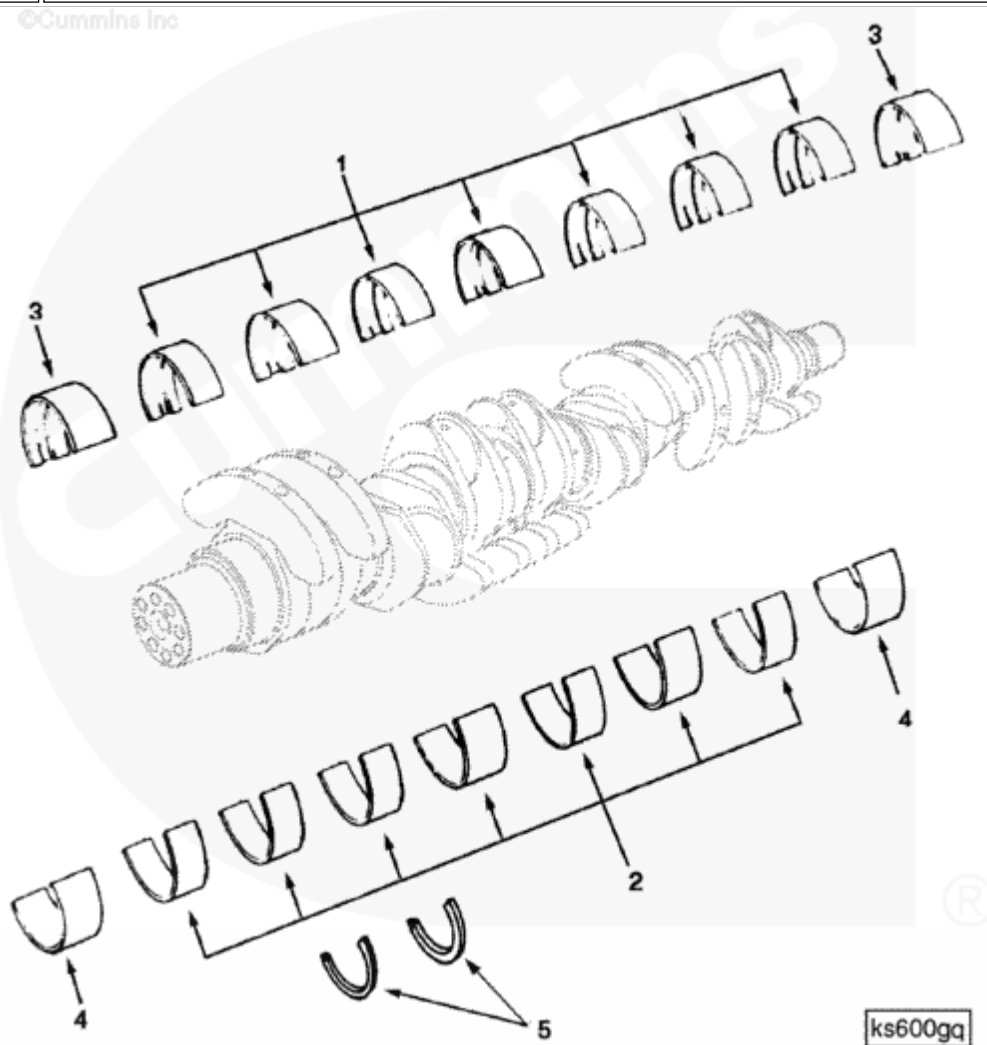
42	4924736	YES	ADD	Body, Lubricating Oil Pump	1	
----	---------	-----	-----	----------------------------	---	--



Parts Catalog - Option Detail

Content For Engine Serial Number (ESN): 33171379

Electronic Parts Catalog - Option Detail				
Option	Group	Graphic	Film Card	Date
BB6733	01.02.1	ks600gq	K50	31-JAN-05
Engines	G50, K50, GTA50, QSK50 MCRS, G38, G50, GTA50			



SMALL | MEDIUM | LARGE

Ref No	Part Number	For-Sale	Shopping Cart	Part Name	Required	Remarks
	BB6733	NO		Main Bearing Shell		
	3018210	YES	ADD	Set, Main Bearing	1	Standard
1	206580	YES	ADD	Bearing, Main	7	
2	206590	YES	ADD	Bearing, Main	7	

Part Catalog
QSK 50 EX 2500-6
Design By
Rudy Eka Jaya

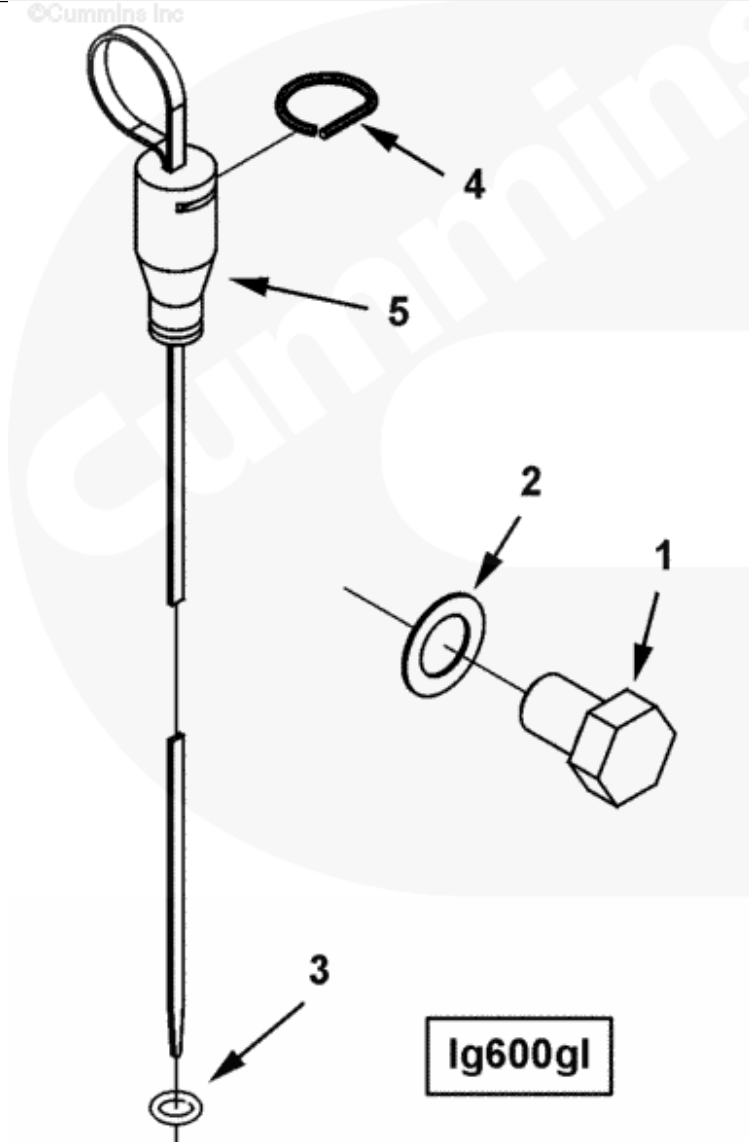
3	206600	YES	ADD	Bearing, Main	2	
4	206610	YES	ADD	Bearing, Main	2	
5	3000139	YES	ADD	Bearing, Thrust	2	
	3018211	YES	ADD	Set, Main Bearing	A/R	.010 Inch Undersize
1	206581	YES	ADD	Bearing, Main	A/R	
2	206591	YES	ADD	Bearing, Main	A/R	
3	206601	YES	ADD	Bearing, Main	A/R	
4	206611	YES	ADD	Bearing, Main	A/R	
5	3001708	YES	ADD	Bearing, Thrust	A/R	
	3018212	YES	ADD	Set, Main Bearing	A/R	.020 Inch Undersize
1	206582	YES	ADD	Bearing, Main	A/R	
2	206592	YES	ADD	Bearing, Main	A/R	
3	206602	YES	ADD	Bearing, Main	A/R	
4	206612	YES	ADD	Bearing, Main	A/R	
5	3001709	YES	ADD	Bearing, Thrust	A/R	
	3018213	YES	ADD	Set, Main Bearing .030	A/R	.030 Inch Undersize
1	206583	YES	ADD	Bearing, Main	A/R	
2	206593	YES	ADD	Bearing, Main	A/R	
3	206603	YES	ADD	Bearing, Main	A/R	
4	206613	YES	ADD	Bearing, Main	A/R	
5	3034075	YES	ADD	Bearing, Thrust	A/R	
	3018214	YES	ADD	Set, Main Bearing .040	A/R	.040 Inch Undersize
1	206584	YES	ADD	Bearing, Main	A/R	
2	206594	YES	ADD	Bearing, Main	A/R	
3	206604	YES	ADD	Bearing, Main	A/R	
4	206614	YES	ADD	Bearing, Main	A/R	
5	3034076	YES	ADD	Bearing, Thrust	A/R	



Parts Catalog - Option Detail

Content For Engine Serial Number (ESN): 33171379

Electronic Parts Catalog - Option Detail				
Option	Group	Graphic	Film Card	Date
LG6062-01	07.02	lg600gl	K50	15-MAY-06
Engines	G50, K50, GTA50, QSK50 MCRS, G38, G50, GTA50			



SMALL | MEDIUM | LARGE

Ref No	Part Number	For-Sale	Shopping Cart	Part Name	Required	Remarks
--------	-------------	----------	---------------	-----------	----------	---------

Ref. QSOL

Part Catalog
QSK 50 EX 2500-6**Design By**
Rudy Eka Jaya

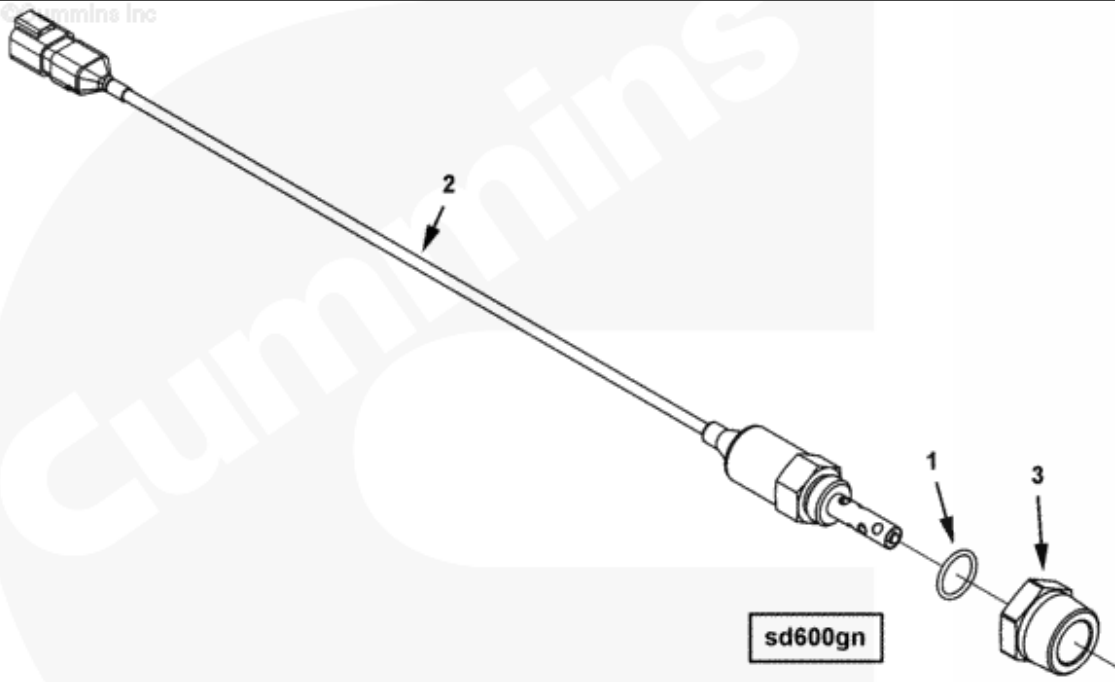
	LG6062-01	NO		Location, Oil Level Gauge		
1	S 181 C	YES	ADD	Screw, Hexagon Head Cap	4	1/2 - 20 X 3/4 Inch.
2	3000204	YES	ADD	Washer, Copper	4	
3	131026	YES	ADD	Seal, O Ring	1	
4	3030207	YES	ADD	Retainer, Dipstick	1	
5	3178858	NO		Dipstick	1	



Parts Catalog - Option Detail

Content For Engine Serial Number (ESN): 33171379

Electronic Parts Catalog - Option Detail				
Option	Group	Graphic	Film Card	Date
SD6027-01	05.06	sd600gn	K50	08-OCT-07
Engines	G50, K50, GTA50, QSK50 MCRS, G38, G50, GTA50			



SMALL | MEDIUM | LARGE

Ref No	Part Number	For-Sale	Shopping Cart	Part Name	Required	Remarks
	SD6027-01	NO		Sensor, Oil Level		Oil level sensor
						Engine Family: Qsk38/50
						Oil Level Sensor Thread Size:
						M22 x 1.5-6 stor stud engine

Part Catalog
QSK 50 EX 2500-6

Design By
Rudy Eka Jaya

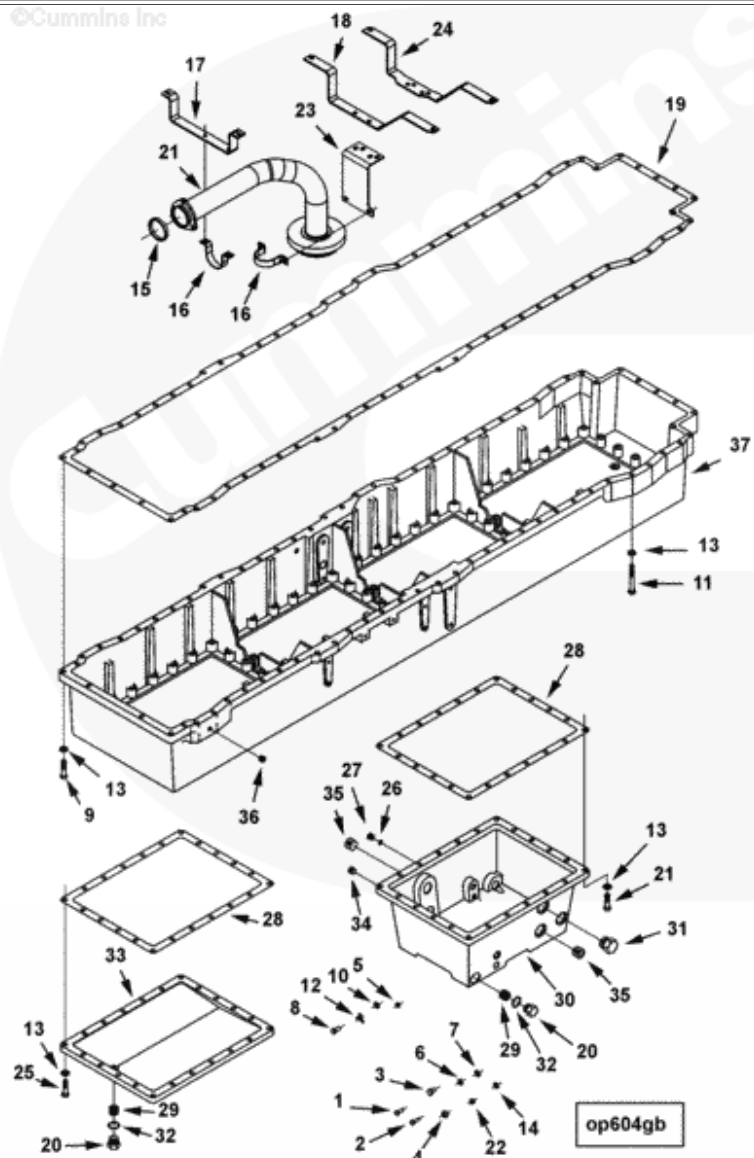
						interface thread size: 1-11
						1/2 NPTF supplied: Mounted
						mounting location: Right
						bank of oil pan adapter
						sensor wiring:
						Customer supplied.
	3408653	YES	ADD	Sensor, Fluid Level	1	Oil.
1	3089240	YES	ADD	Seal, O Ring	1	
2	3408654	YES	ADD	Sensor, Fluid Level	1	Oil.
3	3640554	YES	ADD	Adapter, Sensor	1	



Parts Catalog - Option Detail

Content For Engine Serial Number (ESN): 33171379

Electronic Parts Catalog - Option Detail				
Option	Group	Graphic	Film Card	Date
OP6105-04	07.01	op604gb	K50	19-FEB-07
Engines	G50, K50, GTA50, QSK50 MCRS, G38, G50, GTA50			



SMALL | MEDIUM | LARGE

Part Catalog
QSK 50 EX 2500-6Design By
Rudy Eka Jaya

Ref No	Part Number	For-Sale	Shopping Cart	Part Name	Required	Remarks
	OP6105-04	NO		Pan,Oil		
1	S 112	YES	ADD	Screw, Hexagon Head Cap	1	3/8 - 16 X 1 Inch.
2	S 172 B	YES	ADD	Screw, Hexagon Head Cap	1	3/8 - 16 X 1 1/8 Inch.
3	S 181 C	YES	ADD	Screw, Hexagon Head Cap	4	1/2 - 20 X 3/4 Inch.
4	S 217	YES	ADD	Nut, Heavy Hexagon	2	7/16 - 14 UNC.
5	S 604	YES	ADD	Washer, Lock	4	3/8 Inch.
6	S 610	YES	ADD	Washer, Lock	2	7/16 Inch.
7	S 622	YES	ADD	Washer, Plain	2	3/8 Inch.
8	103023	YES	ADD	Screw, Hexagon Head Cap	5	7/16 - 14 X 1 Inch.
9	106069	YES	ADD	Screw, Hexagon Head Cap	46	7/16 - 14 X 2 Inch.
10	108330	YES	ADD	Washer, Plain	7	3/8 Inch.
11	108767	YES	ADD	Screw, Hexagon Head Cap	28	7/16 - 14 X 3 1/2 Inch.
12	151355	YES	ADD	Lockplate	3	
13	3000082	YES	ADD	Washer, Plain	162	15/32 Inch.
14	3000204	YES	ADD	Washer, Copper	4	
15	3031544	YES	ADD	Seal, Rectangular Ring	1	
16	3031989	YES	ADD	Clamp, Tube	2	
17	3031998	YES	ADD	Bracket, Oil Tube	1	
18	3033929	YES	ADD	Bracket, Oil Tube	1	
19	3043213	YES	ADD	Gasket, Oil Pan	1	
20	3055069	YES	ADD	Plug, Threaded	5	1 - 18 UNS.
21	3032397	YES	ADD	Tube, Lub Oil Suction	1	
22	3201128	YES	ADD	Nut, Regular Hexagon	4	3/8 - 16 UNC.

Part Catalog
QSK 50 EX 2500-6Design By
Rudy Eka Jaya

23	3628402	YES	ADD	Bracket, Oil Tube	1	
24	4916288	YES	ADD	Bracket, Oil Tube	1	
25	S 140	YES	ADD	Screw, Hexagon Head Cap	88	7/16 - 14 X 1 3/4 Inch.
	3037536	YES	ADD	Plug, Threaded	2	9/16 - 18 UNF.
26	3037537	YES	ADD	Seal, O Ring	1	
27	3040813	NO		Plug, Threaded	2	
28	3043211	YES	ADD	Gasket, Oil Pan	4	
	3088854	YES	ADD	Pan, Oil	1	
29	200845	YES	ADD	Insert, Threaded	2	
30	3629988	NO		Pan, Oil	1	
31	3032629	YES	ADD	Plug, Threaded	2	1 5/16 - 12 UNF.
32	67946	YES	ADD	Washer, Plain	3	1 1/32 Inch.
	3028696	NO		Cover, Oil Pan	3	
29	200845	YES	ADD	Insert, Threaded	1	
33	206099	NO		Cover, Oil Pan	1	
34	3628606	YES	ADD	Plug, Pipe	2	1/2 - 14
35	3628608	YES	ADD	Plug, Pipe	4	
36	3628609	YES	ADD	Plug, Pipe	1	
37	4924644	YES	ADD	Adapter, Oil Pan	1	

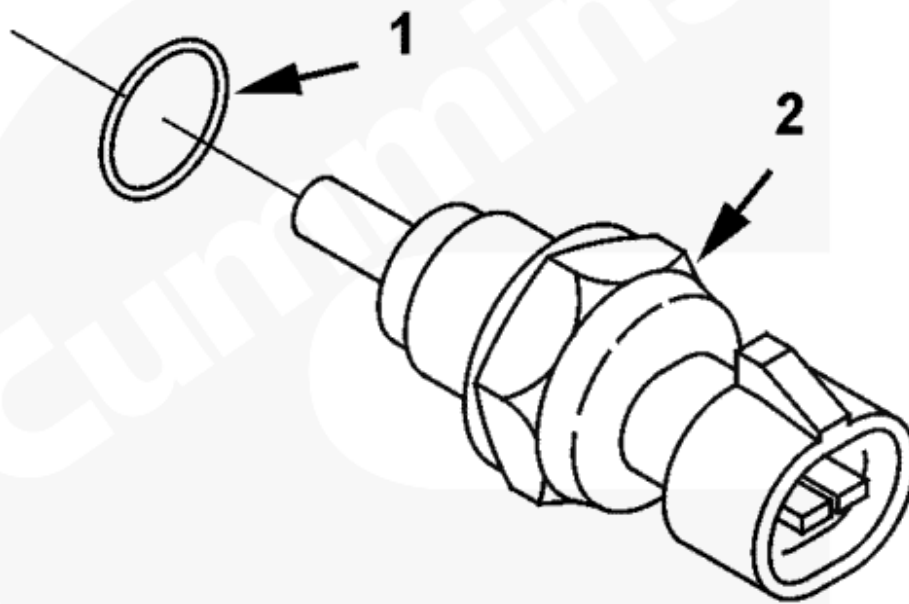


Parts Catalog - Option Detail

Content For Engine Serial Number (ESN): 33171379

Electronic Parts Catalog - Option Detail				
Option	Group	Graphic	Film Card	Date
PH6834	15.01	ph603go	K50	26-FEB-07
Engines	G50, K50, GTA50, QSK50 MCRS, G38, G50, GTA50			

©Cummins Inc



ph603go



SMALL | MEDIUM | LARGE

Ref No	Part Number	For-Sale	Shopping Cart	Part Name	Required	Remarks
	PH6834	NO		Location,Oil Tem Sensor		Oil tem sensor location
						Engine Family: Qsk38, Qsk50
						oil temperature sensor
						location: Oil pan adapter.

Ref. QSOL

Part Catalog
QSK 50 EX 2500-6**Design By**
Rudy Eka Jaya

	3865312	YES	ADD	Sensor, Temperature	1	Coolant or oil.
1	3037537	YES	ADD	Seal, O Ring	1	
2	3865323	YES	ADD	Sensor, Temperature	1	Coolant or oil.

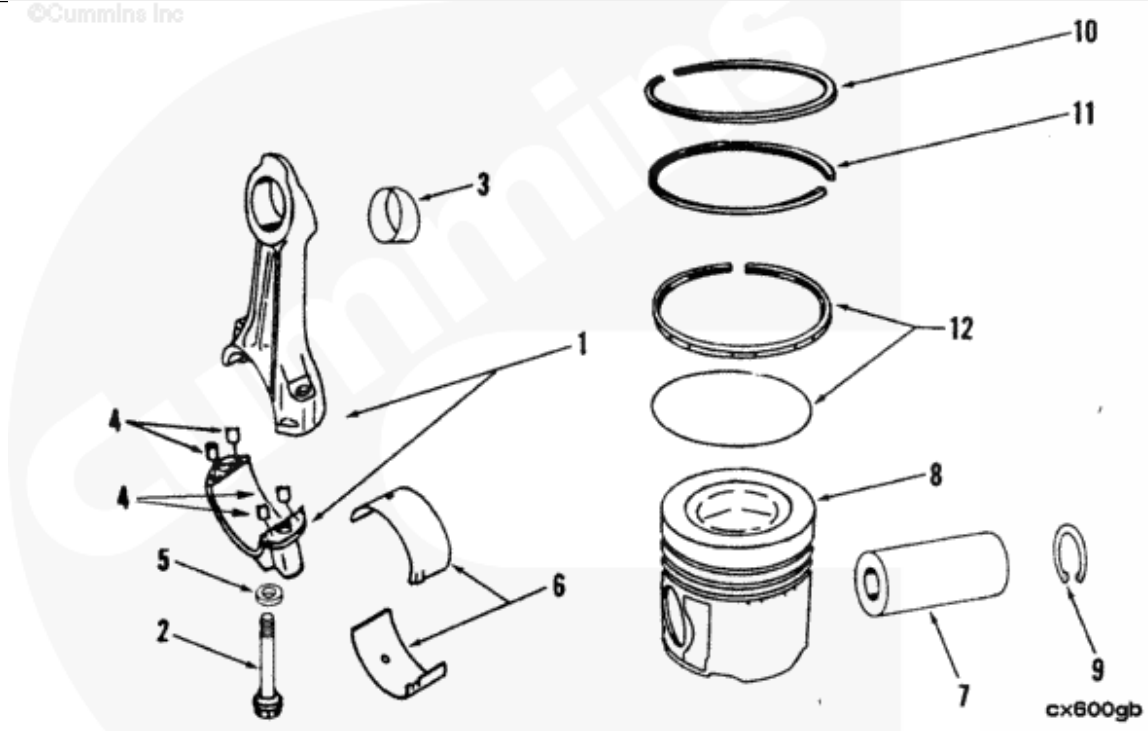


Parts Catalog - Option Detail

Content For Engine Serial Number (ESN): 33171379

Electronic Parts Catalog - Option Detail				
Option	Group	Graphic	Film Card	Date
PP42761	01.04	cx600gb	K50	06-AUG-07
Engines	G50, K50, GTA50, QSK50 MCRS, G38, G50, GTA50			

©Cummins Inc



SMALL | MEDIUM | LARGE

Ref No	Part Number	For-Sale	Shopping Cart	Part Name	Required	Remarks
	PP42761	NO		Parts,Performance		Performance parts
						Certified Model Name:
						Qskta50-Ce timing gear code:
						Ku
						CPL: 2761
						Certified By: EPA ,CARB
						AFC: N/A

Part Catalog
QSK 50 EX 2500-6
Design By
Rudy Eka Jaya

						ASA: N/A
						EFC: N/A ETC: N/A
						Manifold Type: Dry
						Engine Aspiration: Single
						Stage LTA
						Engine Control System: Aan
						Application: Nonroad
						Power Turbine: No
						Design Phase: Qsk50-E
						Power Rating: N/A ECM
						version: CM850 centinel
						provision: N/A
						Unique Characteristics: With
						nitrided intake valves.
1	3632225	YES	ADD	Rod, Engine Connecting	16	Recon equivalent 3632225 RX
	3632169	NO		Rod, Engine Connecting	1	
2	3013266	YES	ADD	Screw, Connecting Rod Cap	2	
3	3043909	YES	ADD	Bushing	1	
4	69558	YES	ADD	Dowel, Pin	4	
5	205126	YES	ADD	Washer, Plain	2	5/8 Inch.
6	3047390	YES	ADD	Bearing, Connecting Rod	2	Standard
	3047391	YES	ADD	Bearing, Connecting Rod	A/R	.010 Inch Undersize
	3047392	YES	ADD	Bearing, Connecting Rod	A/R	.020 Inch Undersize
	3047393	YES	ADD	Bearing, Connecting Rod	A/R	.030 Inch Undersize
	3047394	YES	ADD	Bearing, Connecting Rod	A/R	.040 Inch Undersize
				\$PISTON, PIN, AND RINGS		
	4955325	YES	ADD	Kit, Engine Piston	16	
7	4910289	YES	ADD	Pin, Piston	1	
8	4910465	NO		Piston, Engine	1	Serviced as mult kits.
9	205269	YES	ADD	Ring, Retaining	2	
	4090028	YES	ADD	Set, Piston Ring	16	
10	4910253	NO		Ring, Compression Piston	1	Serviced as 4090028.
11	4924584	YES	ADD	Ring, Compression Piston	1	Serviced as 4090028.

Ref. QSOL

Part Catalog
QSK 50 EX 2500-6

Design By
Rudy Eka Jaya

12	3090450	NO		Ring, Oil Piston	1	Serviced as mult kits.
----	-------------------------	----	--	------------------	---	------------------------

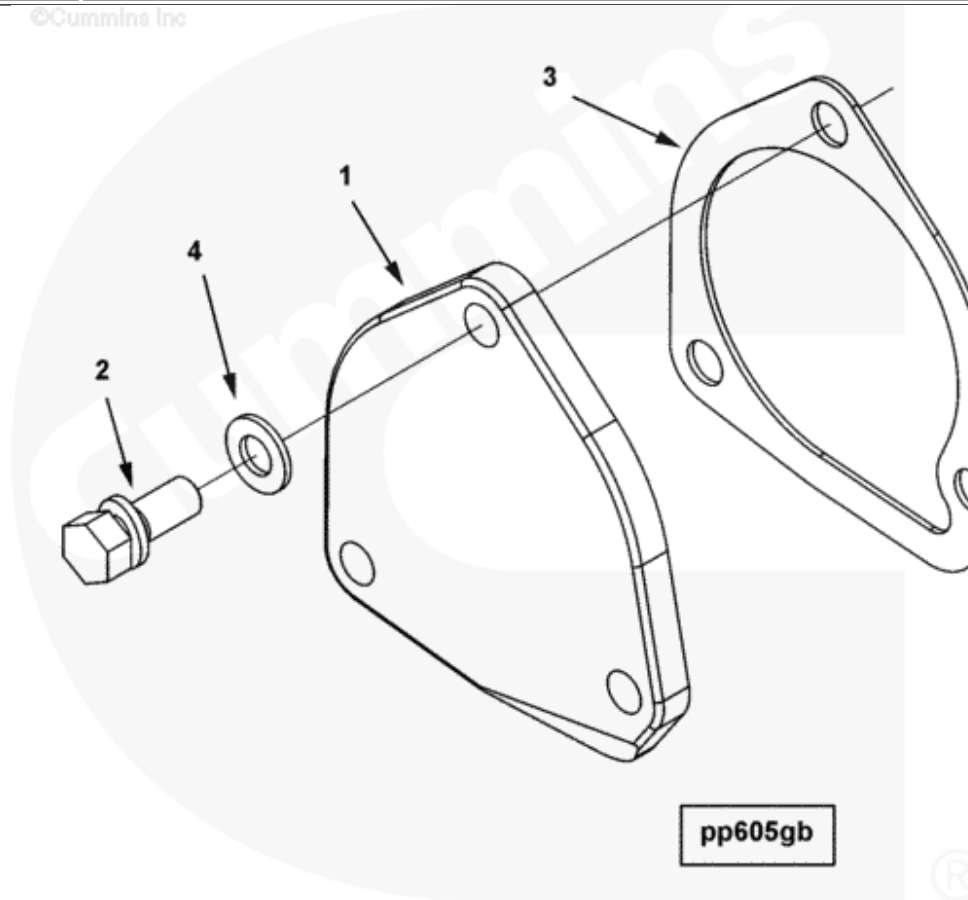


Parts Catalog - Option Detail

Content For Engine Serial Number (ESN): 33171379

Electronic Parts Catalog - Option Detail				
Option	Group	Graphic	Film Card	Date
PP42761	01.07.1	pp605gb	K50	06-AUG-07
Engines	G50, K50, GTA50, QSK50 MCRS, G38, G50, GTA50			

©Cummins Inc



SMALL | MEDIUM | LARGE

Ref No	Part Number	For-Sale	Shopping Cart	Part Name	Required	Remarks
	PP42761	NO		Parts,Performance		
1	207373	YES	ADD	Cover, Camshaft	2	

Part Catalog
QSK 50 EX 2500-6

Design By
Rudy Eka Jaya

2	3010595	YES	ADD	Screw, Captive Washer Cap	6	3/8 - 16 X 1 Inch.
3	3040722	YES	ADD	Gasket, Camshaft Cover	2	
4	3628902	YES	ADD	Washer, Plain	6	

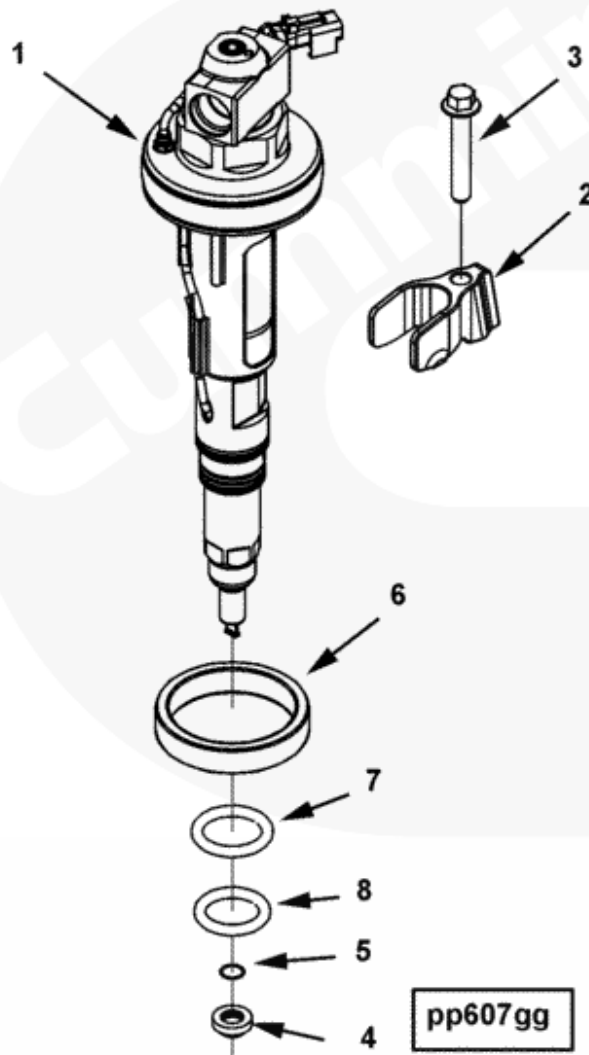


Parts Catalog - Option Detail

Content For Engine Serial Number (ESN): 33171379

Electronic Parts Catalog - Option Detail				
Option	Group	Graphic	Film Card	Date
PP42761	06.01	pp607gg	K50	06-AUG-07
Engines	G50, K50, GTA50, QSK50 MCRS, G38, G50, GTA50			

©Cummins Inc



SMALL | MEDIUM | LARGE

Ref No	Part Number	For-Sale	Shopping Cart	Part Name	Required	Remarks
--------	-------------	----------	---------------	-----------	----------	---------

Part Catalog
QSK 50 EX 2500-6
Design By
Rudy Eka Jaya

	PP42761	NO		Parts,Performance		
1	4964172	NO		Injector	16	4955526 Kit,Injector
2	4917436	YES	ADD	Clamp, Injector	16	
3	3102651	YES	ADD	Screw, Hex Flange Head Cap	16	
4	4918068	YES	ADD	Seal, Injector	16	
5	4098956	YES	ADD	Seal, O Ring	16	
6	4917500	YES	ADD	Isolator, Vibration	16	
7	4916742	YES	ADD	Seal, O Ring	16	
				Large diameter		
8	4916741	YES	ADD	Seal, O Ring	16	
				Small diameter		

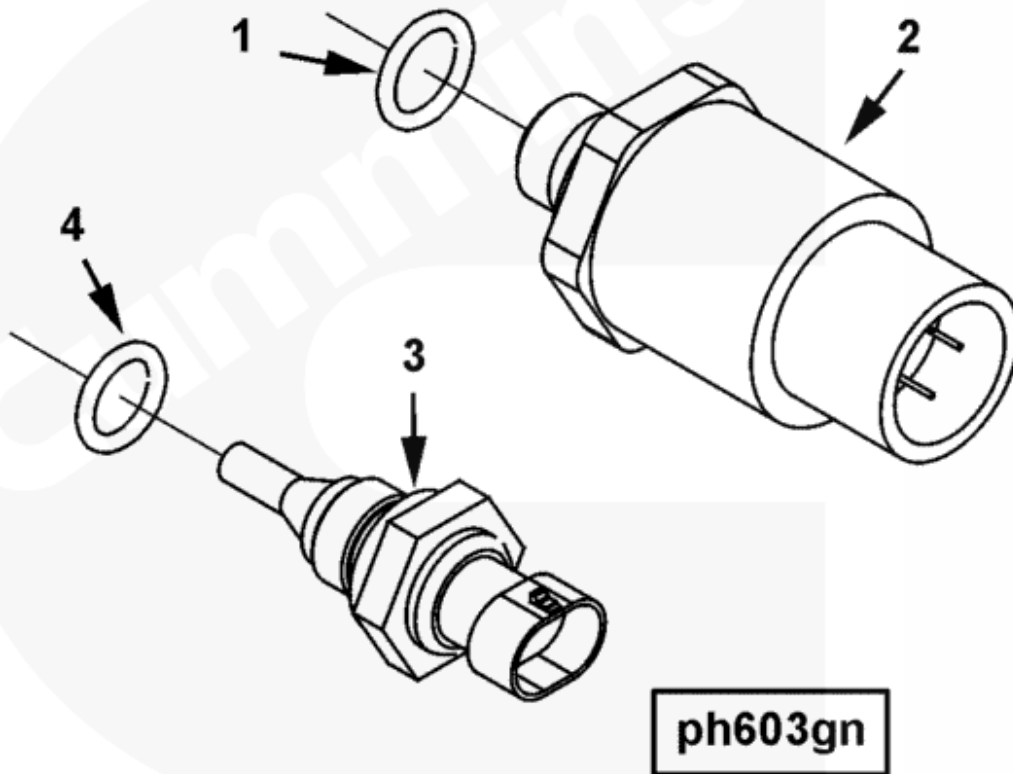


Parts Catalog - Option Detail

Content For Engine Serial Number (ESN): 33171379

Electronic Parts Catalog - Option Detail				
Option	Group	Graphic	Film Card	Date
PH6828-01	15.01	ph603gn	K50	12-NOV-07
Engines	G50, K50, GTA50, QSK50 MCRS, G38, G50, GTA50			

©Cummins Inc



SMALL | MEDIUM | LARGE

Ref No	Part Number	For-Sale	Shopping Cart	Part Name	Required	Remarks
	PH6828-01	NO		Senso,Prs Temperature		Prs temperature sensor
						Engine Family: Qsk38; Qsk50
						engine module location: Left
						bank fuel temperature and

Part Catalog
QSK 50 EX 2500-6

Design By
Rudy Eka Jaya

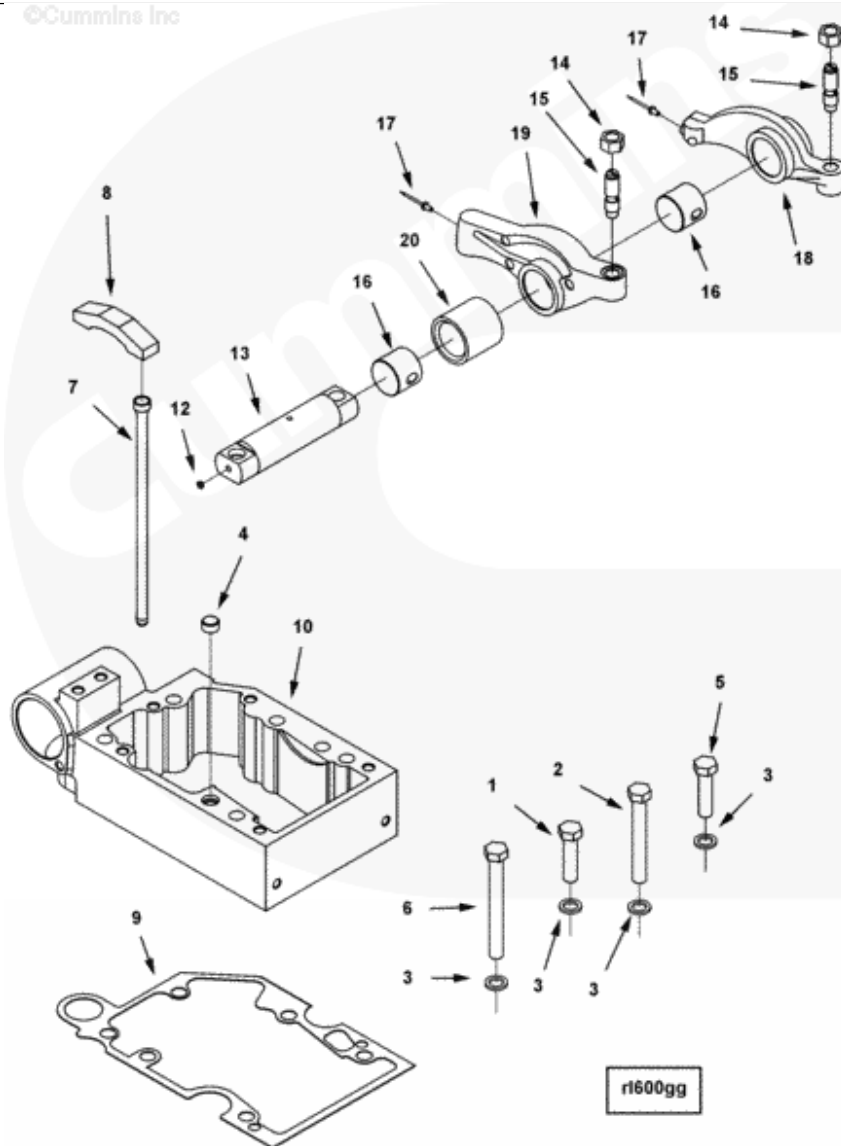
						pressure sensor
						Location: Fuel Filter Head.
	3408562	YES	ADD	Sensor, Pressure	1	Fuel Rail
1	3330202	YES	ADD	Seal, O Ring	1	
2	3408563	NO		Sensor, Pressure	1	
3	4954905	YES	ADD	Sensor, Temperature	1	Coolant or oil.
4	4010519	YES	ADD	Seal, O Ring	1	



Parts Catalog - Option Detail

Content For Engine Serial Number (ESN): 33171379

Electronic Parts Catalog - Option Detail				
Option	Group	Graphic	Film Card	Date
RL6718-02	03.01	r1600gg	K50	29-NOV-06
Engines	G50, K50, GTA50, QSK50 MCRS, G38, G50, GTA50			



SMALL | MEDIUM | LARGE

Ref No	Part Number	For-Sale	Shopping Cart	Part Name	Required	Remarks
--------	-------------	----------	---------------	-----------	----------	---------

Part Catalog
QSK 50 EX 2500-6
Design By
Rudy Eka Jaya

	RL6718-02	NO		Lever,Rocker		
1	S 125	YES	ADD	Screw, Hexagon Head Cap	16	1/2 - 13 X 2 Inch.
2	108602	YES	ADD	Screw, Hexagon Head Cap	80	1/2 - 13 X 3 3/4 Inch.
3	205128	YES	ADD	Washer, Plain	128	1/2 Inch.
4	205129	YES	ADD	Dowel, Ring	16	
5	205393	YES	ADD	Screw, Twelve Point Cap	16	1/2 - 13 X 2 Inch.
6	205394	YES	ADD	Screw, Twelve Point Cap	16	1/2 - 13 X 4 1/2 Inch.
7	3057139	YES	ADD	Rod, Push	32	
8	3086362	YES	ADD	Crosshead, Valve	32	
9	3630839	YES	ADD	Gasket, Rkr Lever Housing	16	
10	4924293	YES	ADD	Housing, Rocker Lever	16	
	3176772	YES	ADD	Shaft, Rocker Lever	16	
12	203933	YES	ADD	Plug, Expansion	1	
13	3049164	YES	ADD	Shaft, Rocker Lever	1	
14	S 212	YES	ADD	Nut, Regular Hexagon	32	1/2 - 20 UNF.
15	168306	YES	ADD	Screw, Slotted Set	32	
	3053476	YES	ADD	Lever, Rocker	16	
16	207344	YES	ADD	Bushing	1	
17	208084	YES	ADD	Rivet	1	
18	3049438	YES	ADD	Lever, Rocker	1	
	3053477	YES	ADD	Lever, Rocker	16	
19	207344	YES	ADD	Bushing	1	
17	208084	YES	ADD	Rivet	1	
20	3049432	YES	ADD	Lever, Rocker	1	
21	4924611	YES	ADD	Spacer, Rocker Lever	16	



Parts Catalog - Option Detail

Content For Engine Serial Number (ESN): 33171379

Electronic Parts Catalog - Option Detail				
Option	Group	Graphic	Film Card	Date
3804300	17.02	null	K50	30-SEP-89
Engines	G50, K50, GTA50, QSK50 MCRS, G38, G50, GTA50			

Ref No	Part Number	For-Sale	Shopping Cart	Part Name	Required	Remarks
				\$Set, Lower Engine Gasket		
	3804300	YES	ADD	Set, Lower Engine Gasket	1	
	S 1003 A	YES	ADD	Seal, Grommet	4	
	43696 A	YES	ADD	Seal, O Ring	2	
	67946	YES	ADD	Washer, Plain	4	1 1/32 Inch.
	68908	YES	ADD	Lockplate	14	
	70415	YES	ADD	Seal, O Ring	2	
	108172	YES	ADD	Seal, O Ring	1	
	145507	YES	ADD	Seal, O Ring	2	
	145528	YES	ADD	Seal, O Ring	2	
	145529	YES	ADD	Seal, O Ring	1	
	145530	YES	ADD	Seal, O Ring	1	
	145550	YES	ADD	Seal, O Ring	2	
	145581	YES	ADD	Seal, O Ring	1	
	145586	YES	ADD	Seal, O Ring	1	
	145600	YES	ADD	Seal, O Ring	1	
	145613	YES	ADD	Seal, O Ring	1	
	151355	YES	ADD	Lockplate	2	
	205571	YES	ADD	Gasket, Oil Slinger	1	
	206193	YES	ADD	Gasket, Water Pump	1	
	206407	YES	ADD	Gasket, Hand Hole	1	
	206416	YES	ADD	Gasket, Support	1	
	206421	YES	ADD	Gasket, Gear Housing	1	

Part Catalog
QSK 50 EX 2500-6**Design By**
Rudy Eka Jaya

	206455	YES	ADD	Gasket, Water Pump	1	
	206457	YES	ADD	Seal, O Ring	1	
	207551	YES	ADD	Seal, O Ring	1	
	212161	YES	ADD	Seal, O Ring	16	
	3007441	YES	ADD	Seal, O Ring	16	
	3000632	YES	ADD	Gasket, Connection	1	
	3005939	YES	ADD	Gasket, Cover Plate	1	
	3005940	YES	ADD	Gasket, Gear Housing	1	
	3007512	YES	ADD	Seal, O Ring	1	
	3008921	YES	ADD	Gasket, Prs Rlf Valve Body	1	
	3009323	YES	ADD	Gasket, Water Header Cover	1	
	3009324	YES	ADD	Gasket, Water Header Cover	4	
	3014449	YES	ADD	Gasket, Flange	1	
	3016792	YES	ADD	Seal, Oil	1	
	3026391	YES	ADD	Seal, Rectangular Ring	1	
	3026392	YES	ADD	Seal, Rectangular Ring	2	
	3031544	YES	ADD	Seal, Rectangular Ring	1	
	3040721	YES	ADD	Gasket, Cam Fol Housing	16	
	3040722	YES	ADD	Gasket, Camshaft Cover	2	
	3043211	YES	ADD	Gasket, Oil Pan	4	
	3043213	YES	ADD	Gasket, Oil Pan	1	
	3046852	YES	ADD	Gasket, Acc Drive Support	1	
	3069102	YES	ADD	Gasket, Air Compressor	1	
	4026171	YES	ADD	Gasket, Fuel Pump	1	
	3160924	YES	ADD	Seal, Dust	1	
	3175032	YES	ADD	Gasket, Crankcase Breather	2	
	3175856	YES	ADD	Gasket, Hand Hole	8	
	3177108	YES	ADD	Gasket, Filter Head	2	
	3177160	YES	ADD	Gasket, Gear Cover	1	
	3178076	YES	ADD	Gasket, Gear Housing	1	
	3179035	YES	ADD	Gasket, Wtr Trf Connection	1	
	3200287	YES	ADD	Seal, Keyway	2	
	3201125	YES	ADD	Seal, O Ring	2	
	3331663	YES	ADD	Seal, Dust	1	
	3628894	NO		Seal, Dust	1	

Ref. QSOL

Part Catalog
QSK 50 EX 2500-6**Design By**
Rudy Eka Jaya

	3628895	YES	ADD	Seal, Oil	1	
	3628973	YES	ADD	Gasket, Cover Plate	1	
	3629141	YES	ADD	Gasket, Lub Oil Fil Cover	1	



Parts Catalog - Option Detail

Content For Engine Serial Number (ESN): 33171379

Electronic Parts Catalog - Option Detail				
Option	Group	Graphic	Film Card	Date
3800731	17.02	null	K50	30-SEP-89
Engines	G50, K50, GTA50, QSK50 MCRS, G38, G50, GTA50			

Ref No	Part Number	For-Sale	Shopping Cart	Part Name	Required	Remarks
				\$Set, Upper Engine Gasket		
	3800731	YES	ADD	Set, Upper Engine Gasket	1	
	131026	YES	ADD	Seal, O Ring	10	
	201048	YES	ADD	Gasket, Connection	4	
	201049	YES	ADD	Gasket, Connection	2	
	206277	YES	ADD	Gasket, Intake Manifold	16	
	206443	YES	ADD	Gasket, Thermostat Housing	2	
	206460	YES	ADD	Gasket, Connection	1	
	207515	YES	ADD	Gasket, Connection	1	
	216187	YES	ADD	Seal, O Ring	2	
	3001340	YES	ADD	Seal, O Ring	32	
	3003016	YES	ADD	Seal, O Ring	10	
	3008710	YES	ADD	Seal, Rectangular Ring	8	
	3011580	YES	ADD	Gasket, Aftercooler Cover	4	

Part Catalog
QSK 50 EX 2500-6**Design By**
Rudy Eka Jaya

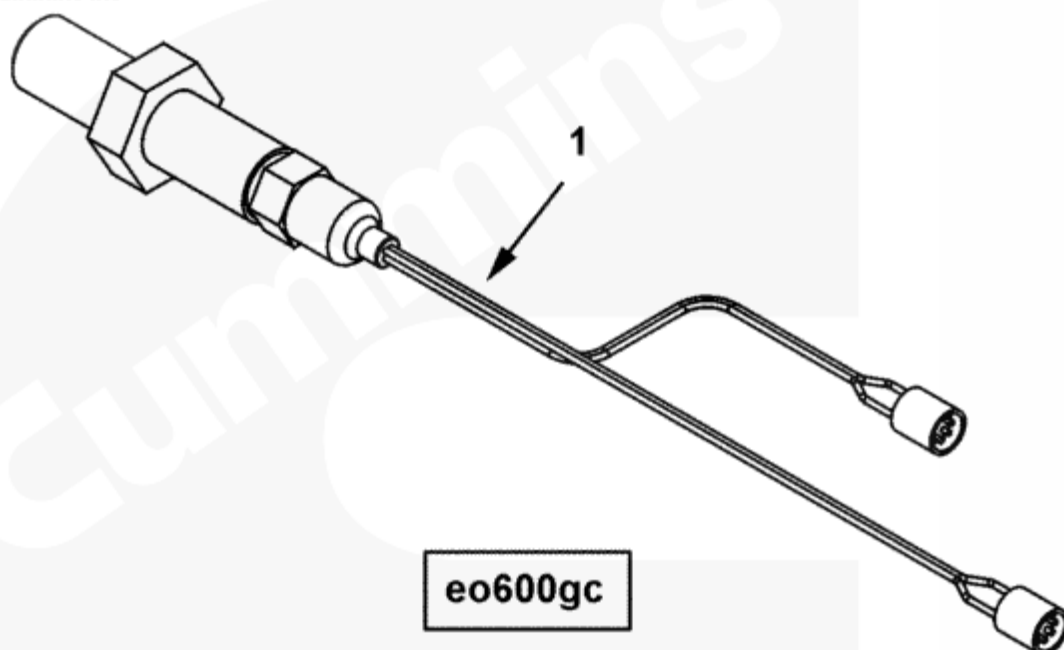
	3014304	YES	ADD	Seal, Rectangular Ring	32	
	3014449	YES	ADD	Gasket, Flange	4	
	3023066	YES	ADD	Seal, O Ring	4	
	3023129	YES	ADD	Seal, Dust		
	3023130	YES	ADD	Seal, Dust	4	
	3026421	YES	ADD	Seal, O Ring	8	
	3028291	YES	ADD	Seal, O Ring	32	
	3037821	YES	ADD	Gasket, Exhaust Manifold	16	
	3084539	YES	ADD	Seal, O Ring	32	
	3634664	YES	ADD	Gasket, Cylinder Head	16	
	3175517	YES	ADD	Gasket, Flange	1	
	3175545	YES	ADD	Seal, O Ring	6	
	3175705	YES	ADD	Seal, Ferrule	24	
	3171368	YES	ADD	Gasket, Turbocharger	2	
	3179026	YES	ADD	Gasket, Connection	4	
	3179027	YES	ADD	Gasket, Connection	8	
	3627961	YES	ADD	Seal, Thermostat	4	
	3629140	YES	ADD	Gasket, Rocker Lever Cover	16	
	3630839	YES	ADD	Gasket, Rkr Lever Housing	16	
	3818885	YES	ADD	Seal, O Ring	2	
	4066112	YES	ADD	Seal, O Ring	6	



Parts Catalog - Option Detail

Content For Engine Serial Number (ESN): 33171379

Electronic Parts Catalog - Option Detail				
Option	Group	Graphic	Film Card	Date
EO6007	15.01	eo600gc	K50	11-APR-05
Engines	G50, K50, GTA50, QSK50 MCRS, G38, G50, GTA50			



SMALL | MEDIUM | LARGE

Ref No	Part Number	For-Sale	Shopping Cart	Part Name	Required	Remarks
	EO6007	NO		DEVICE, SIGNAL GENERATING		Signal generating device
						Application: Mag Pick Up
						thread size: 3/4-16 UNF
						type: Plug in output
						voltage: Dual mounting
						location:
						Flywheel housing required
						flywheel housing SAE size:
						SAE 0 or 00 engine wiring

Part Catalog
QSK 50 EX 2500-6**Design By**
Rudy Eka Jaya

						harness connection supplied:
						Yes.
1	3079604	YES	ADD	Sensor, Speed	1	Flywheel.

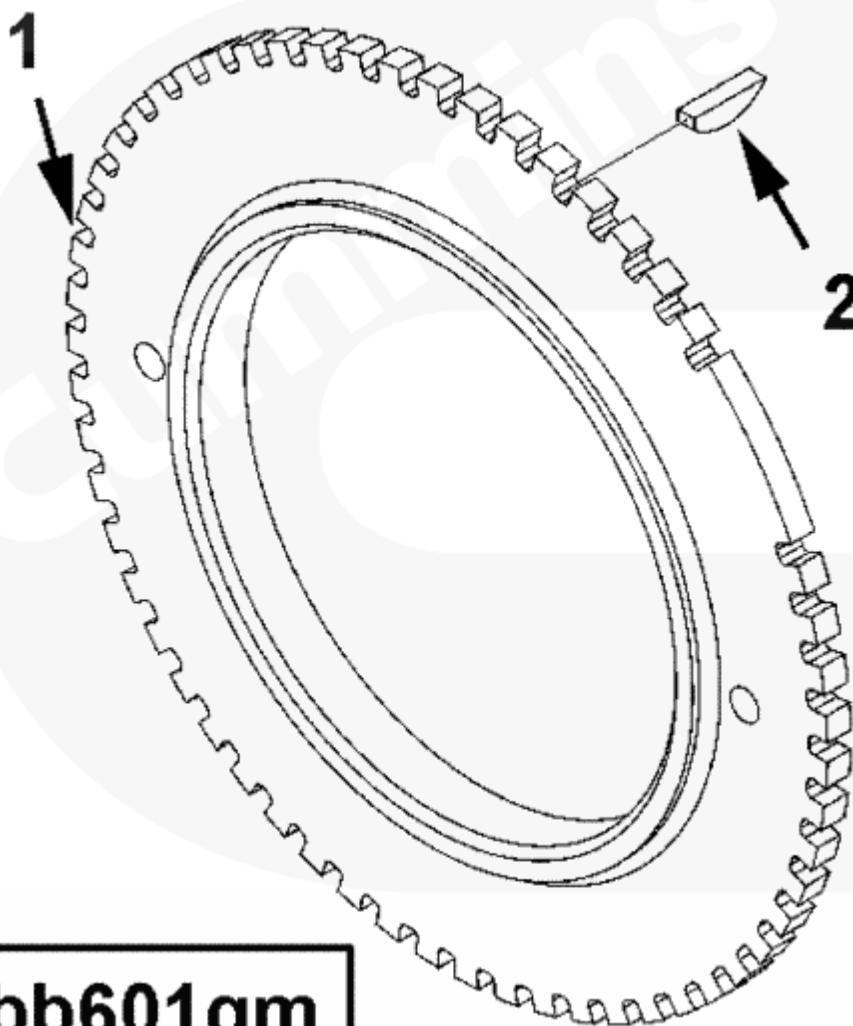


Parts Catalog - Option Detail

Content For Engine Serial Number (ESN): 33171379

Electronic Parts Catalog - Option Detail				
Option	Group	Graphic	Film Card	Date
BB6733	01.02.2	bb601gm	K50	31-JAN-05
Engines	G50, K50, GTA50, QSK50 MCRS, G38, G50, GTA50			

©Cummins Inc



bb601gm

SMALL | MEDIUM | LARGE

Ref No	Part Number	For-Sale	Shopping Cart	Part Name	Required	Remarks
	BB6733	NO		Ring, Speed Indicator		

Part Catalog
QSK 50 EX 2500-6

Design By
Rudy Eka Jaya

1	4917503	YES	ADD	Ring, Speed Indicator	1	
2	206904	YES	ADD	Key, Plain Woodruff	1	

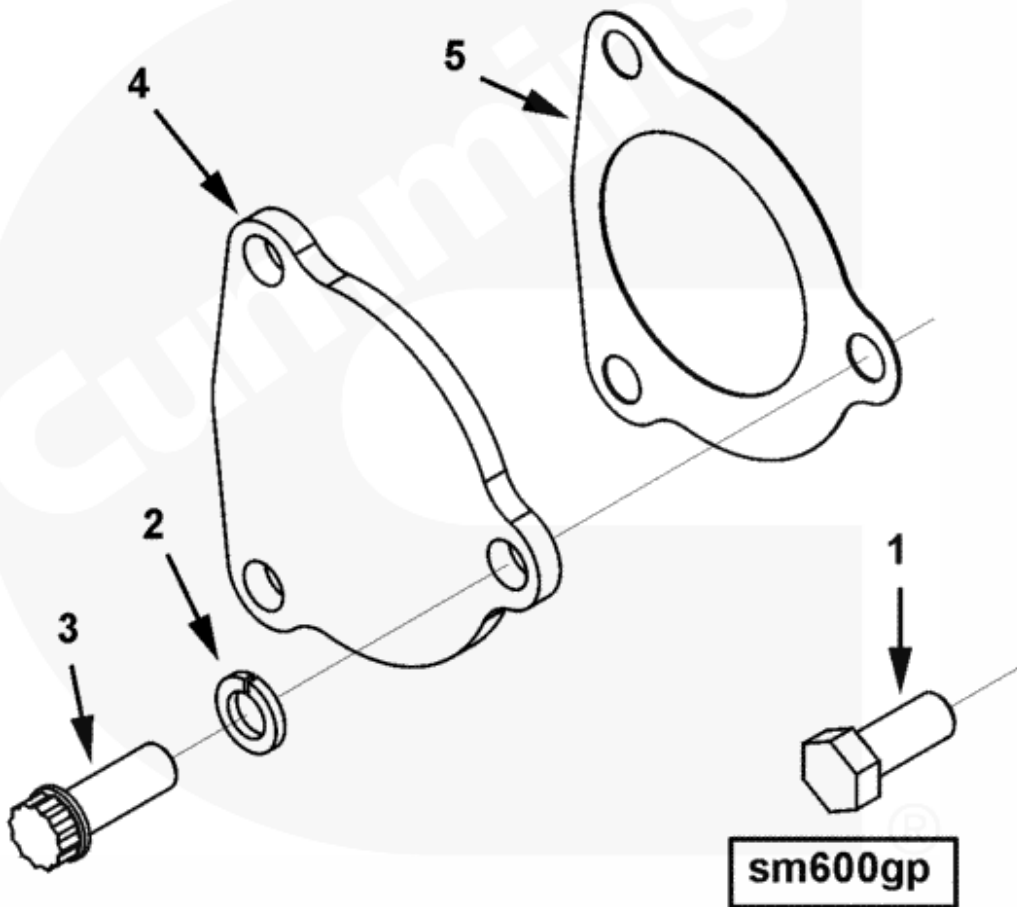


Parts Catalog - Option Detail

Content For Engine Serial Number (ESN): 33171379

Electronic Parts Catalog - Option Detail				
Option	Group	Graphic	Film Card	Date
SM6731	13.05.1	sm600gp	K50	31-JUL-06
Engines	G50, K50, GTA50, QSK50 MCRS, G38, G50, GTA50			

©Cummins Inc



SMALL | MEDIUM | LARGE

Ref No	Part Number	For-Sale	Shopping Cart	Part Name	Required	Remarks
	SM6731	NO		Mounting, Starting Motor		Starting motor mounting
						Engine Family: Qsk38, Qsk50
						Starting Motor Count: 2

Part Catalog
QSK 50 EX 2500-6
Design By
Rudy Eka Jaya

						starter flange cover count:
						1 starter flange cover type:
						SAE #3 (3 bolt x 120 degrees)
						starter motor mounting
						location: LB quad 3, LB quad
						4 starter flange cover
						location: RB quad 1
						Starter mounting thread size:
						5/8-11 UNC-2 b starter flange
						cover thickness (mm): 9.52
						(.375in)
						Intended Clutch Type
						Provision: Wet.
1	S 116	YES	ADD	Screw, Hexagon Head Cap	3	5/8 - 11 X 1 1/2 Inch.
2	S 603	YES	ADD	Washer, Lock	9	5/8 Inch.
3	158250	YES	ADD	Screw, Twelve Point Cap	6	5/8 - 11 X 1 3/4 Inch.
4	206389	YES	ADD	Cover, Starter Flange	1	
5	3031007	YES	ADD	Gasket, Starter	3	

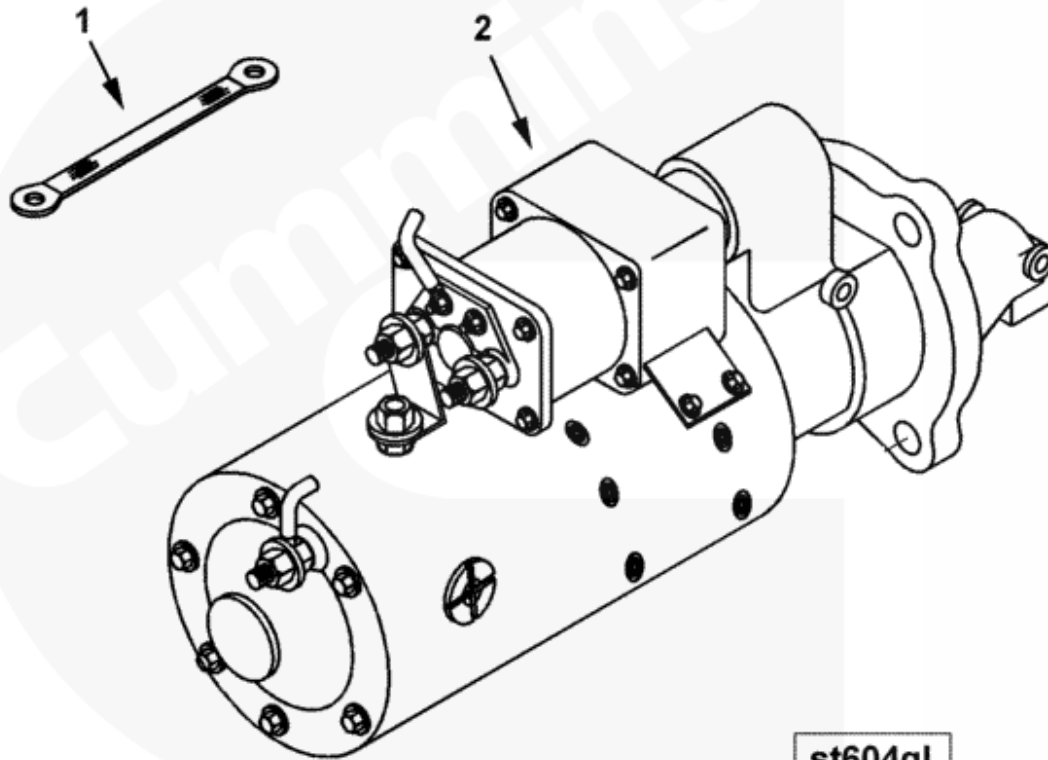


Parts Catalog - Option Detail

Content For Engine Serial Number (ESN): 33171379

Electronic Parts Catalog - Option Detail				
Option	Group	Graphic	Film Card	Date
ST6160-01	13.05	st604gl	K50	20-NOV-06
Engines	G50, K50, GTA50, QSK50 MCRS, G38, G50, GTA50			

©Cummins Inc



SMALL | MEDIUM | LARGE

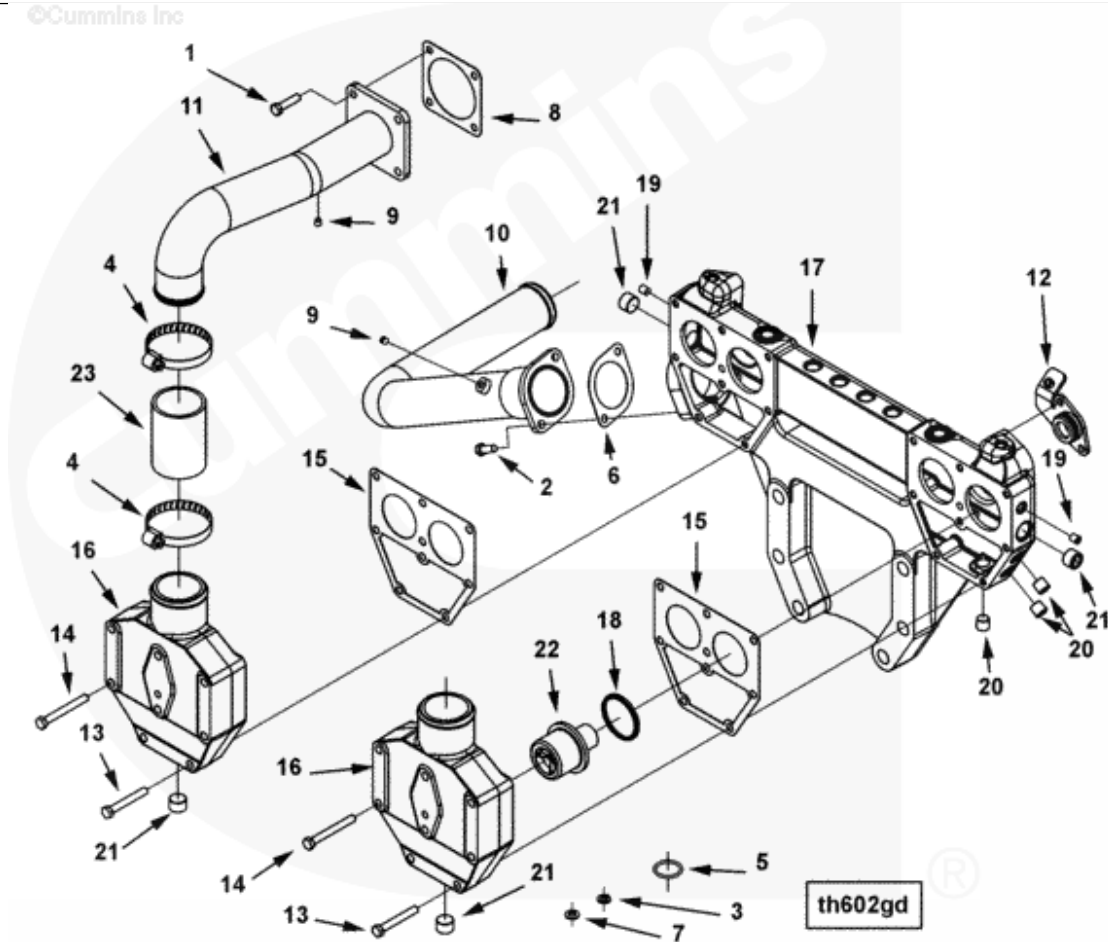
Ref No	Part Number	For-Sale	Shopping Cart	Part Name	Required	Remarks
	ST6160-01	NO		Motor, Starting		
1	3018924	YES	ADD	Wire, Ground	2	
2	3636820	YES	ADD	Motor, Starting	2	



Parts Catalog - Option Detail

Content For Engine Serial Number (ESN): 33171379

Electronic Parts Catalog - Option Detail				
Option	Group	Graphic	Film Card	Date
TH6728-01	08.07	th602gd	K50	04-OCT-05
Engines	G50, K50, GTA50, QSK50 MCRS, G38, G50, GTA50			



SMALL | MEDIUM | LARGE

Ref No	Part Number	For-Sale	Shopping Cart	Part Name	Required	Remarks
	TH6728-01	NO		Housing, Thermostat		
1	S 103 D	YES	ADD	Screw, Hexagon Head Cap	6	3/8 - 16 X 1 1/4 Inch.
2	S 112	YES	ADD	Screw, Hexagon Head Cap	2	3/8 - 16 X 1 Inch.
3	S 604	YES	ADD	Washer, Lock	10	3/8 Inch.

Part Catalog
QSK 50 EX 2500-6
Design By
Rudy Eka Jaya

4	43828 D	YES	ADD	Clamp, Hose	2	2 1/16 - 3 Inch.
5	163654	YES	ADD	Seal, O Ring	1	
6	207515	YES	ADD	Gasket, Connection	1	
7	3036460	YES	ADD	Washer, Spring	6	
8	3050944	YES	ADD	Gasket, Flange	1	
9	3628604	YES	ADD	Plug, Pipe	2	
10	3635512	YES	ADD	Tube, Water Bypass	1	
11	3635513	YES	ADD	Tube, Water Bypass	1	
12	3637347	YES	ADD	Cover, Thermostat Housing	1	
13	S 141	YES	ADD	Screw, Hexagon Head Cap	4	3/8 - 16 X 2 3/4 Inch.
14	S 163	YES	ADD	Screw, Hexagon Head Cap	4	3/8 - 16 X 3 1/4 Inch.
15	206443	YES	ADD	Gasket, Thermostat Housing	2	
16	3035844	YES	ADD	Housing, Thermostat	2	
17	3627808	YES	ADD	Support, Thm Housing	1	
18	3627961	YES	ADD	Seal, Thermostat	4	
19	3628605	YES	ADD	Plug, Pipe	4	
20	3628606	YES	ADD	Plug, Pipe	9	1/2 - 14
21	3628607	YES	ADD	Plug, Pipe	2	3/4 - 14
22	3629205	YES	ADD	Thermostat	4	
23	4007416	YES	ADD	Hose, Plain	1	



Parts Catalog - Option Detail

Content For Engine Serial Number (ESN): 33171379

Electronic Parts Catalog - Option Detail				
Option	Group	Graphic	Film Card	Date
TB6055	99.01	null	K50	09-MAY-09
Engines	G50, K50, GTA50, QSK50 MCRS, G38, G50, GTA50			

Ref No	Part Number	For-Sale	Shopping Cart	Part Name	Required	Remarks
	TB6055	NO		ARRANGEMENT,TURBOCHARGER		Turbocharger arrangement
						Engine Family: Qsk50
						Aspiration: Single stage low
						temp aftercooled
						Exhaust Outlet Orientation:
						Rear Out
						Exhaust Outlet Location:
						Left bank from engine
						centerline (mm): 163.5
						(6.43in) from crank
						centerline (mm): 933.5
						(36.8in) from front face of
						block (mm): -1315.2 (-51.8in)
						right bank from engine
						centerline (mm): -118.7 (-
						4.7in) from crank centerline
						(mm): 986.1 (38.5in) from

Part Catalog
QSK 50 EX 2500-6

Design By
Rudy Eka Jaya

						front face of block (mm): -
						940.6 (-37.0in)
						Exhaust Outlet Outer Diameter
						(mm): 170.69 (6.7in)
						Exhaust Outlet Flange Type:
						Half Marmon
						Turbocharger mounting flange
						type: Monarch 4 bolt intake
						air connection flange type:
						Hose bead intake air
						connection outside diameter
						(mm): 139 (5.5in).

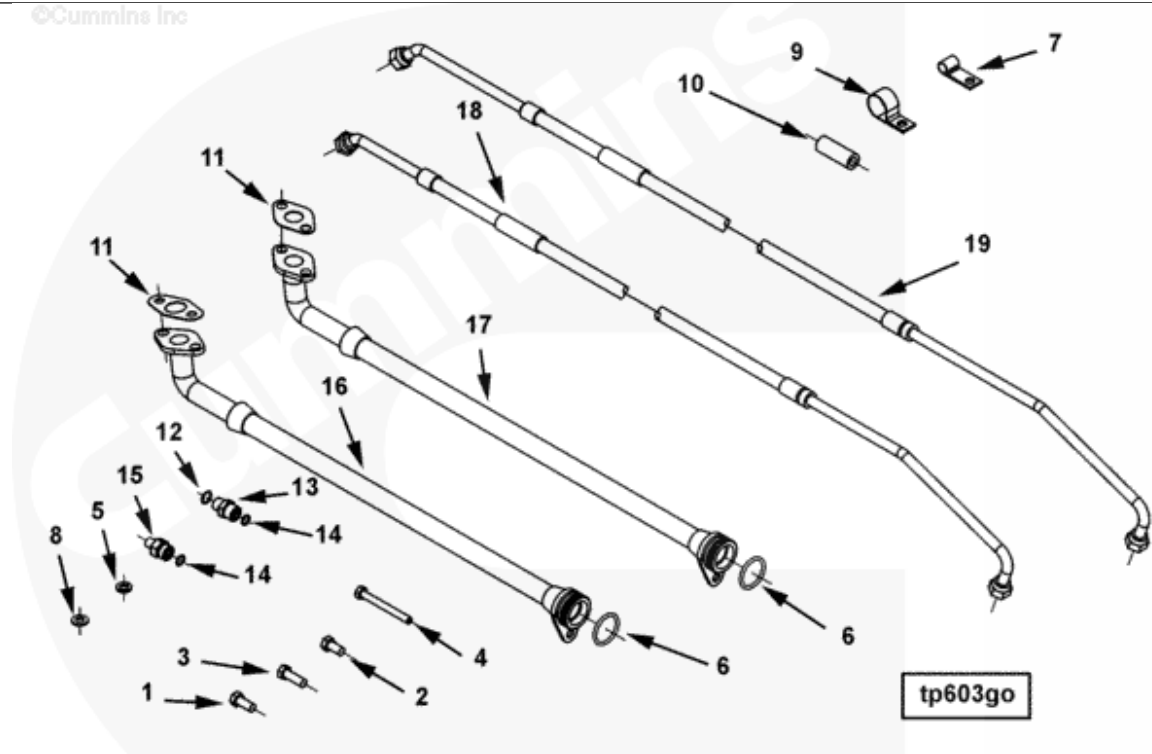


Parts Catalog - Option Detail

Content For Engine Serial Number (ESN): 33171379

Electronic Parts Catalog - Option Detail				
Option	Group	Graphic	Film Card	Date
TP6761-02	10.06.2	tp603go	K50	23-JAN-06
Engines	G50, K50, GTA50, QSK50 MCRS, G38, G50, GTA50			

©Cummins Inc



SMALL | MEDIUM | LARGE

Ref No	Part Number	For-Sale	Shopping Cart	Part Name	Required	Remarks
	TP6761-02	NO		Plumbing, Turbocharger Oil		Turbocharger oil plumbing
						Engine Family: Qsk50
						Aspiration: Single Stage Low

Part Catalog
QSK 50 EX 2500-6Design By
Rudy Eka Jaya

						Temp Aftercooled
						Turbocharger Qty: 2
						Turbocharger Model: HX83-
						j5153 BR/as41 ha27
						Exhaust Outlet Location:
						Rear Out.
1	S 109	YES	ADD	Screw, Hexagon Head Cap	4	3/8 - 16 X 7/8 Inch.
2	S 117	YES	ADD	Screw, Hexagon Head Cap	2	3/8 - 16 X 3/4 Inch.
3	S 172 B	YES	ADD	Screw, Hexagon Head Cap	4	3/8 - 16 X 1 1/8 Inch.
4	S 185 A	YES	ADD	Screw, Hexagon Head Cap	3	5/16 - 18 X 3 Inch.
5	S 604	YES	ADD	Washer, Lock	13	3/8 Inch.
6	216187	YES	ADD	Seal, O Ring	2	
7	3175058	YES	ADD	Clip	5	
8	3628902	YES	ADD	Washer, Plain	9	
9	3629451	YES	ADD	Clip	2	
10	3629762	YES	ADD	Spacer, Mounting	3	
11	3630742	YES	ADD	Gasket, Connection	2	
	3634685	YES	ADD	Union, Male	2	
12	3037537	YES	ADD	Seal, O Ring	1	
13	3634687	YES	ADD	Union, Male	1	
14	3922794	YES	ADD	Seal, O Ring	1	
	3634690	YES	ADD	Union, Male	2	
15	3634692	YES	ADD	Union, Male	1	
14	3922794	YES	ADD	Seal, O Ring	1	

Part Catalog
QSK 50 EX 2500-6**Design By**
Rudy Eka Jaya

16	3637767	YES	ADD	Hose, Flexible	1	
17	3637770	YES	ADD	Hose, Flexible	1	
18	3638761	YES	ADD	Hose, Flexible	1	
19	3638762	YES	ADD	Hose, Flexible	1	

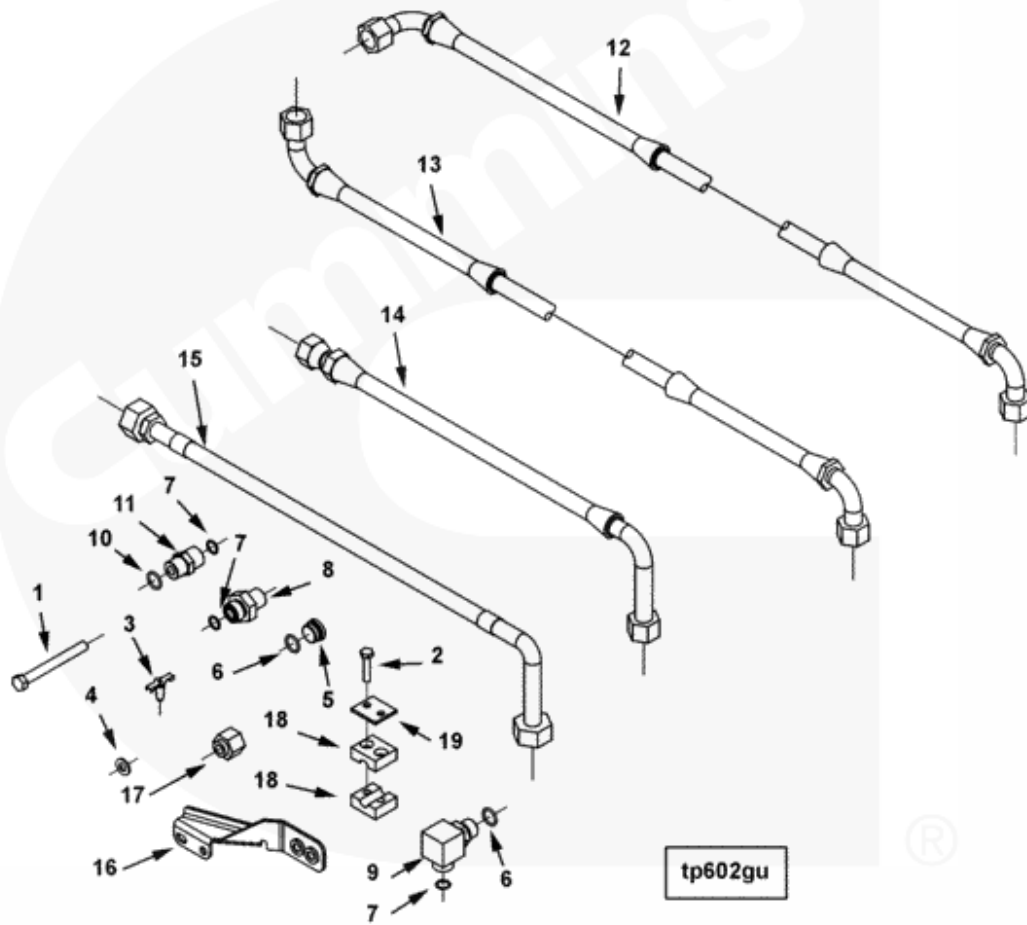


Parts Catalog - Option Detail

Content For Engine Serial Number (ESN): 33171379

Electronic Parts Catalog - Option Detail				
Option	Group	Graphic	Film Card	Date
TP6790-01	10.06.2	tp602gu	K50	20-FEB-06
Engines	G50, K50, GTA50, QSK50 MCRS, G38, G50, GTA50			

©Cummins Inc



SMALL | MEDIUM | LARGE

Ref No	Part Number	For-Sale	Shopping Cart	Part Name	Required	Remarks
	TP6790-01	NO		Plumbing, Tur Coolant		Turbocharger coolant plumbing
						Engine Family: Qsk50
						Aspiration: Single Stage Low

Part Catalog
QSK 50 EX 2500-6
Design By
Rudy Eka Jaya

						Temp Aftercooled
						Turbocharger Qty: 2
						Turbocharger Model: HX83-
						j5153 BR/as41 ha27
						Exhaust Outlet Location:
						Rear Out.
1	S 105	YES	ADD	Screw, Hexagon Head Cap	8	3/8 - 16 X 3 1/2 Inch.
2	S 115	YES	ADD	Screw, Hexagon Head Cap	8	5/16 - 18 X 7/8 Inch.
3	3638582	YES	ADD	Draincock	2	
4	3042328	YES	ADD	Washer, Plain	8	1/4 Inch.
	3046202	YES	ADD	Plug, Threaded	2	3/4 - 16 UNF.
5	3040810	YES	ADD	Plug, Threaded	1	
6	3046201	YES	ADD	Seal, O Ring	1	
	3095295	YES	ADD	Union, Male Adapter	2	
7	3627695	YES	ADD	Seal, O Ring	1	
8	3627699	YES	ADD	Union, Male	1	
	3630738	YES	ADD	Elbow, Male Union	2	
6	3046201	YES	ADD	Seal, O Ring	1	
7	3627695	YES	ADD	Seal, O Ring	1	
9	3630739	YES	ADD	Elbow, Male Adapter	1	
	3634662	YES	ADD	Union, Male Adapter	6	
10	3348871	YES	ADD	Seal, O Ring	1	
7	3627695	YES	ADD	Seal, O Ring	1	
11	3634663	YES	ADD	Union, Male	1	
12	3638743	YES	ADD	Hose, Flexible	1	
13	3638745	YES	ADD	Hose, Flexible	1	
14	3637761	YES	ADD	Hose, Flexible	1	
15	3637764	YES	ADD	Hose, Flexible	1	
16	3637842	YES	ADD	Bracket, Water Tube	4	
17	4016444	YES	ADD	Adapter, Reducing	2	
18	4917415	YES	ADD	Clamp, Tube	8	
19	4917564	YES	ADD	Plate, Cover	4	

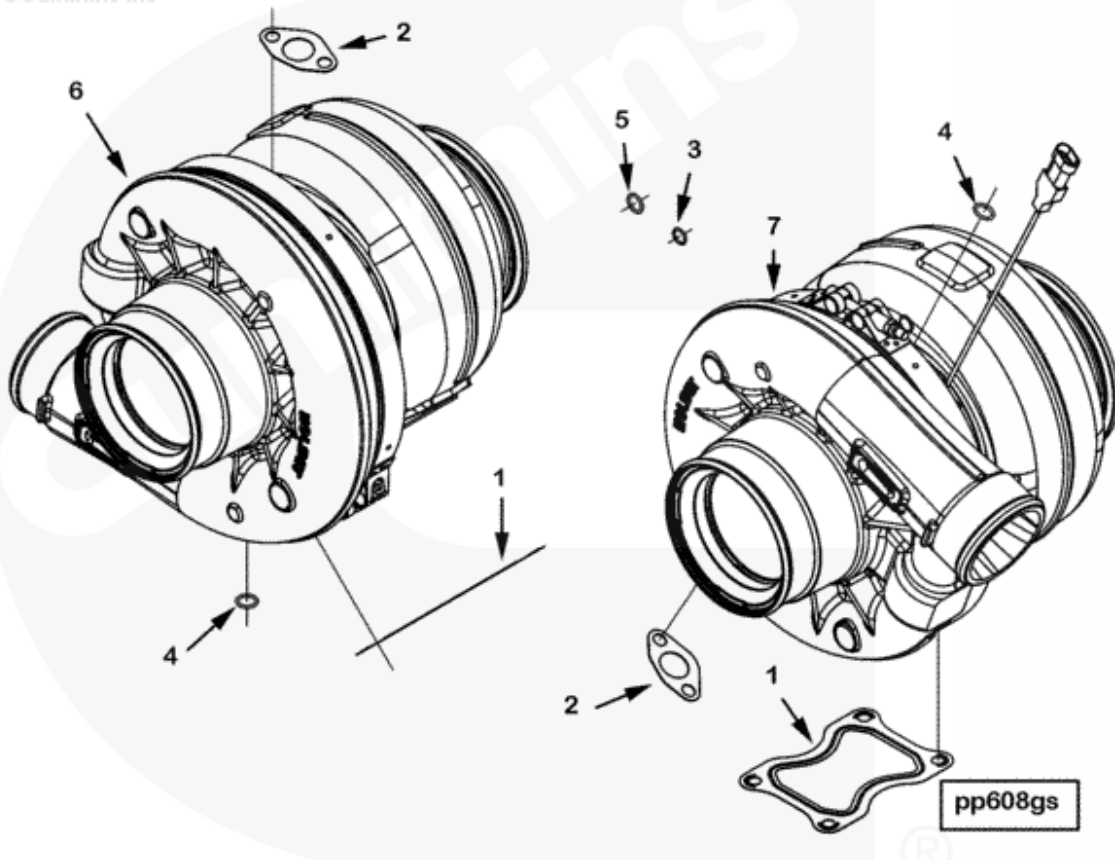


Parts Catalog - Option Detail

Content For Engine Serial Number (ESN): 33171379

Electronic Parts Catalog - Option Detail				
Option	Group	Graphic	Film Card	Date
PP6858-01	10.06	pp608gs	K50	13-JUN-06
Engines	G50, K50, GTA50, QSK50 MCRS, G38, G50, GTA50			

©Cummins Inc



SMALL | MEDIUM | LARGE

Ref No	Part Number	For-Sale	Shopping Cart	Part Name	Required	Remarks
	PP6858-01	NO		Turbocharger		
	4955504	NO		Kit, Turbocharger	1	495550400nx Recon Version
1	3081824	YES	ADD	Gasket, Turbocharger	1	
2	3089955	YES	ADD	Gasket, Connection	1	
3	3627695	YES	ADD	Seal, O Ring	2	
4	3678786	YES	ADD	Seal, O Ring	4	

Ref. QSOL

Part Catalog
QSK 50 EX 2500-6**Design By**
Rudy Eka Jaya

5	3679139	YES	ADD	Seal, O Ring	1	
6	4044772	NO		Turbocharger	1	
	4955473	NO		Kit, Turbocharger	1	495547300nx Recon Version
1	3081824	YES	ADD	Gasket, Turbocharger	1	
2	3089955	YES	ADD	Gasket, Connection	1	
3	3627695	YES	ADD	Seal, O Ring	2	
4	3678786	YES	ADD	Seal, O Ring	4	
5	3679139	YES	ADD	Seal, O Ring	1	
7	4044773	NO		Turbocharger	1	

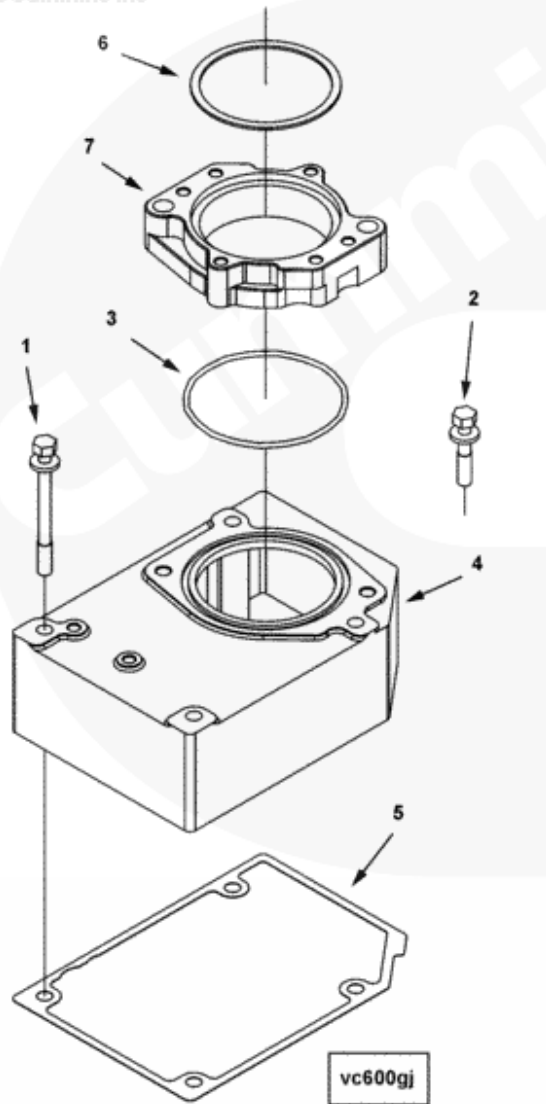


Parts Catalog - Option Detail

Content For Engine Serial Number (ESN): 33171379

Electronic Parts Catalog - Option Detail				
Option	Group	Graphic	Film Card	Date
VC6720	03.01.1	vc600gj	K50	06-DEC-04
Engines	G50, K50, GTA50, QSK50 MCRS, G38, G50, GTA50			

©Cummins Inc



SMALL | MEDIUM | LARGE

Ref No	Part Number	For-Sale	Shopping Cart	Part Name	Required	Remarks
--------	-------------	----------	---------------	-----------	----------	---------

Part Catalog
QSK 50 EX 2500-6**Design By**
Rudy Eka Jaya

	VC6720	NO		Cover, Valve		
1	3042890	YES	ADD	Screw, Captive Washer Cap	64	3/8 - 16 X 4 Inch.
2	3044413	YES	ADD	Screw, Captive Washer Cap	32	3/8 - 16 X 2 Inch.
3	4097510	YES	ADD	Seal, O Ring	16	
4	4917449	YES	ADD	Cover, Valve	16	
5	4917451	YES	ADD	Gasket, Valve Cover	16	
6	4918075	YES	ADD	Seal, Dust	16	
7	4924223	YES	ADD	Plate, Cover	16	

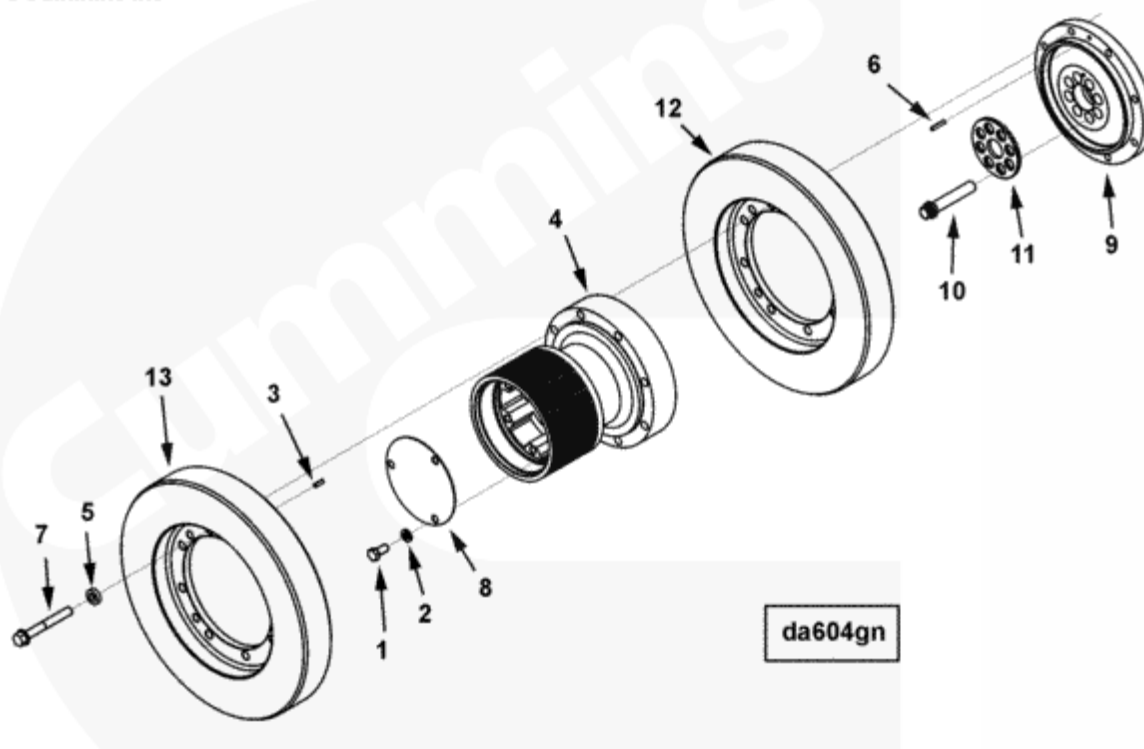


Parts Catalog - Option Detail

Content For Engine Serial Number (ESN): 33171379

Electronic Parts Catalog - Option Detail				
Option	Group	Graphic	Film Card	Date
DA6704-01	01.02.2	da604gn	K50	30-JAN-06
Engines	G50, K50, GTA50, QSK50 MCRS, G38, G50, GTA50			

©Cummins Inc



SMALL | MEDIUM | LARGE

Ref No	Part Number	For-Sale	Shopping Cart	Part Name	Required	Remarks
	DA6704-01	NO		Damper, Vibration		Vibration damper
						Engine Family: Q50 damper
						diameter (mm): 458.2
						(18.04in)
						Damper Type: Viscous

Part Catalog
QSK 50 EX 2500-6Design By
Rudy Eka Jaya

						Damper RPM Limitation: 3500
						damper qty: 2 drive pulley
						diameter (mm): 206.02
						(8.11in) over 2.92 (.11in)
						rods drive pulley groove
						profile: 23rib k section
						drive pul first groove
						centerline loc front face of
						block (mm): 326 (12.83in)
						PTO Provision:
						PTO Flange
						PTO Mounting Bolt Circle: 6
						X 241.3 (9.50in)
						PTO Mounting Thread: 1/2-13
						UNC-2 B.
1	S 169	YES	ADD	Screw, Hexagon Head Cap	3	1/2 - 13 X 1 Inch.
2	S 608	YES	ADD	Washer, Lock	3	1/2 Inch.
3	131584	YES	ADD	Pin, Roll	1	
4	3031737	YES	ADD	Pulley, Crankshaft	1	
5	3033627	YES	ADD	Washer, Plain	8	1/2 Inch.
6	3033629	YES	ADD	Pin, Roll	1	

Part Catalog
QSK 50 EX 2500-6**Design By**
Rudy Eka Jaya

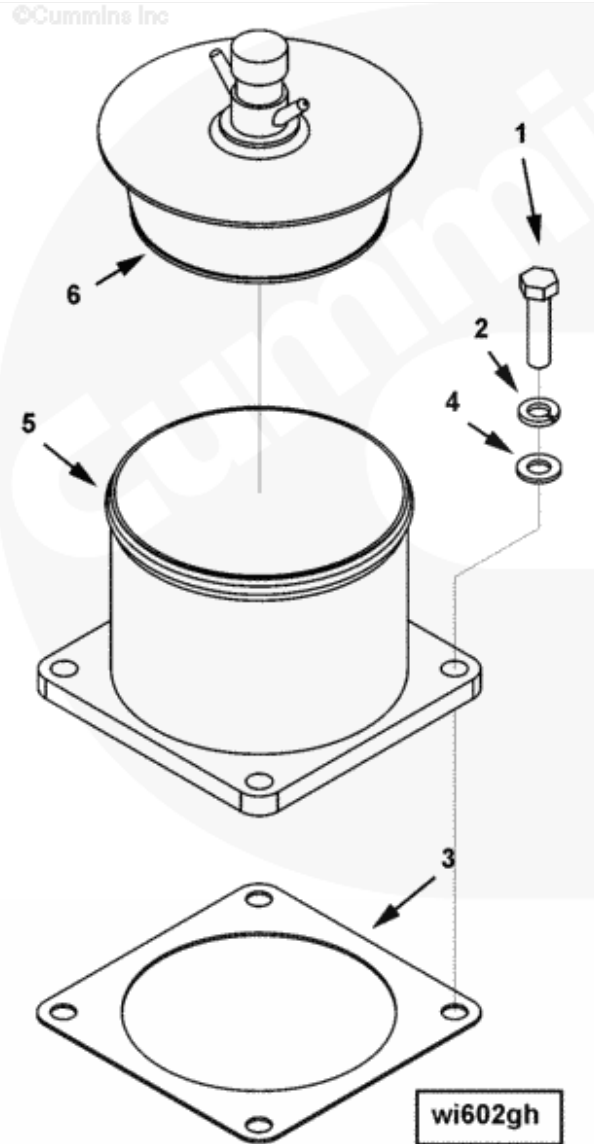
7	3033630	YES	ADD	Screw, Hex Flange Head Cap	8	9/16 - 18 X 4 7/16 Inch.
8	3036115	YES	ADD	Cover, Protective	1	
9	3069776	YES	ADD	Adapter, Crankshaft	1	
10	3069779	YES	ADD	Screw, Twelve Point Cap	8	3/4 - 16 X 4 Inch.
11	3069781	YES	ADD	Spacer, Crankshaft	1	
12	3628649	YES	ADD	Damper, Vibration	1	Yellow new improved 12 pad
13	3628650	YES	ADD	Damper, Vibration	1	Blue new improved 12 pad



Parts Catalog - Option Detail

Content For Engine Serial Number (ESN): 33171379

Electronic Parts Catalog - Option Detail				
Option	Group	Graphic	Film Card	Date
WI6042	08.07.1	wi602gh	K50	25-SEP-06
Engines	G50, K50, GTA50, QSK50 MCRS, G38, G50, GTA50			



SMALL | MEDIUM | LARGE

Ref No	Part Number	For-Sale	Shopping Cart	Part Name	Required	Remarks

Part Catalog
QSK 50 EX 2500-6
Design By
Rudy Eka Jaya

	WI6042	NO		Connection, Water Inlet		Water inlet connection
						Engine Family: Qsk38; Qsk50
						direction of water
						connection: Straight
						Water Inlet Outside Diameter
						(mm): 127 (5.0in)
						Water Inlet ID (mm): 117.35
						(4.62in)
						OEM Interface Connection
						Type: Hose Bead
						Inlet Connection Location:
						Temporarily mounted to water
						pump water transfer cover
						plumbing provision ports:
						None.
1	S 103 D	YES	ADD	Screw, Hexagon Head Cap	4	3/8 - 16 X 1 1/4 Inch.
2	S 604	YES	ADD	Washer, Lock	4	3/8 Inch.
3	3179035	YES	ADD	Gasket, Wtr Trf Connection	1	
4	3628902	YES	ADD	Washer, Plain	4	
5	4017461	YES	ADD	Connection, Water Inlet	1	
6	4100771	YES	ADD	Plug, Orifice	1	

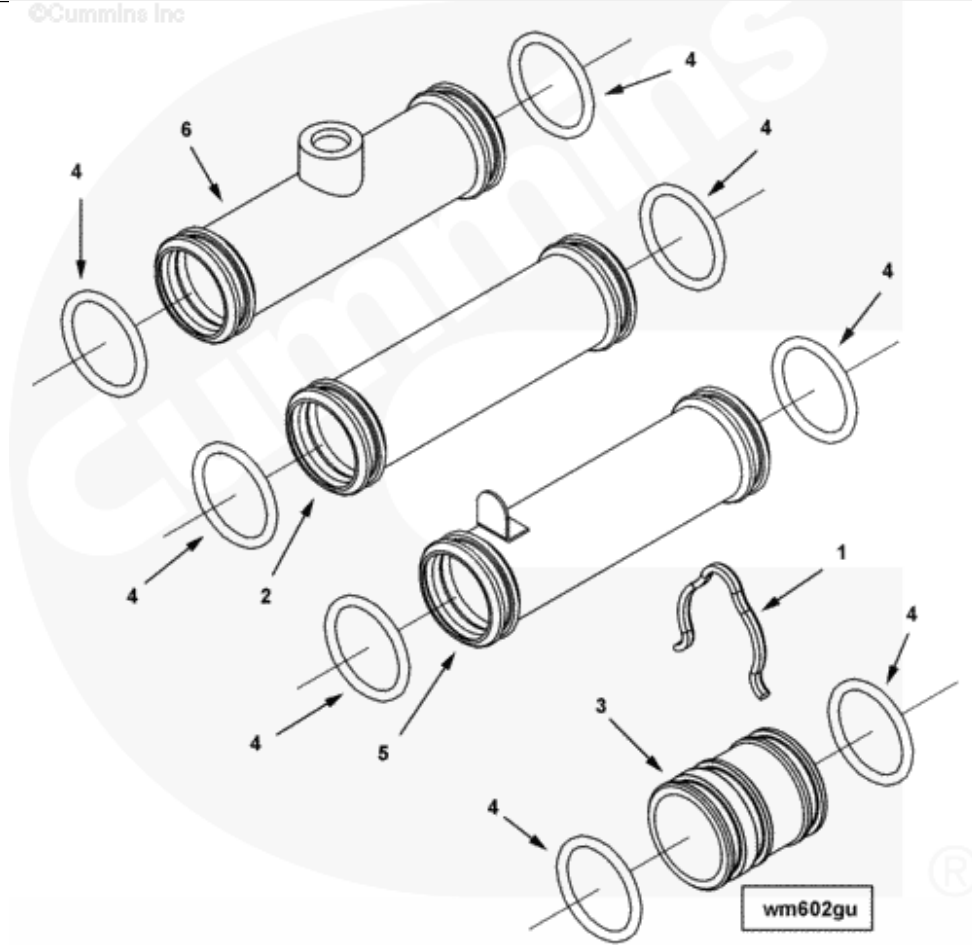


Parts Catalog - Option Detail

Content For Engine Serial Number (ESN): 33171379

Electronic Parts Catalog - Option Detail				
Option	Group	Graphic	Film Card	Date
WM6733	08.06	wm602gu	K50	01-AUG-05
Engines	G50, K50, GTA50, QSK50 MCERS, G38, G50, GTA50			

©Cummins Inc



SMALL | MEDIUM | LARGE

Ref No	Part Number	For-Sale	Shopping Cart	Part Name	Required	Remarks
	WM6733	NO		MANIFOLD,WATER		Water manifold
						Engine Family: Qsk50
						Turbocharger coolant plumbing
						provision: Left bank #7

Part Catalog
QSK 50 EX 2500-6

Design By
Rudy Eka Jaya

						(3/4-16 UNF) right bank #5
						(3/4-16 UNF)
						Turbocharger exhaust outlet
						location: Dual rear out.
1	205976	YES	ADD	Ring, Retaining	1	
2	206709	YES	ADD	Tube, Water Transfer	12	
3	3002956	YES	ADD	Tube, Wtr Transfer Lb	1	
4	3028291	YES	ADD	Seal, O Ring	32	
5	3040710	YES	ADD	Tube, Water Transfer	1	
6	3630575	YES	ADD	Tube, Water Transfer	2	

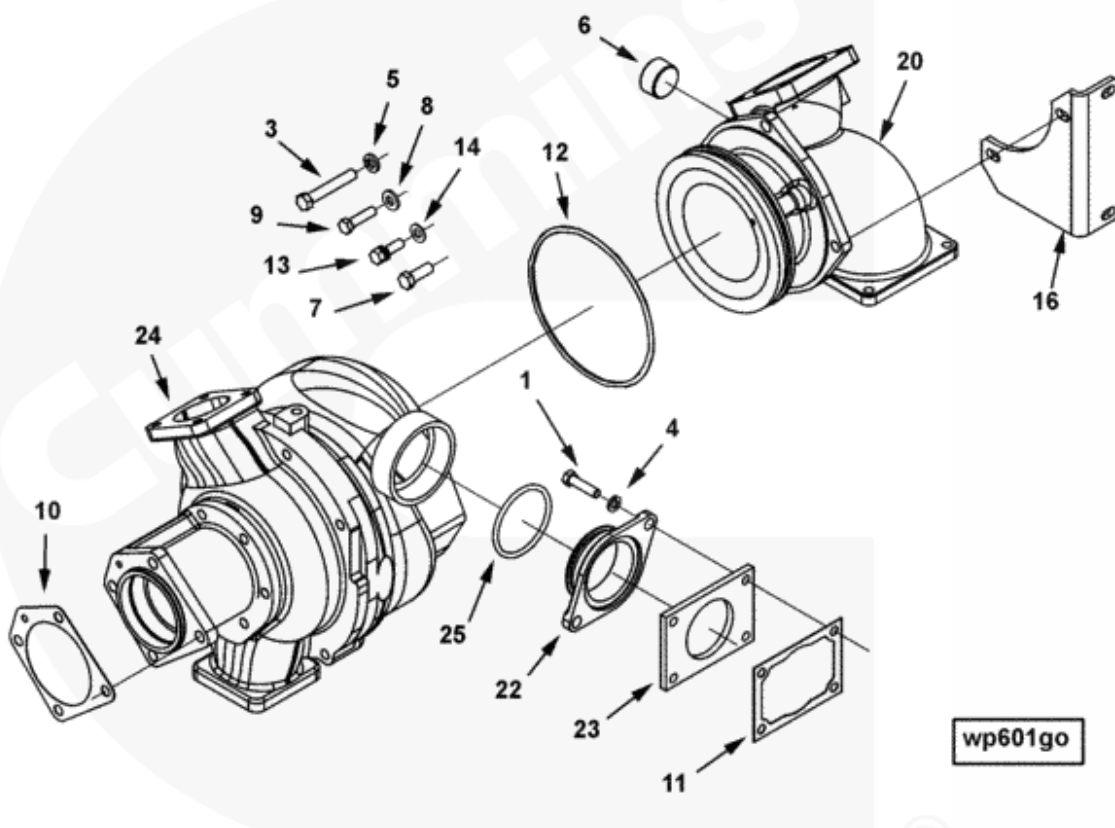


Parts Catalog - Option Detail

Content For Engine Serial Number (ESN): 33171379

Electronic Parts Catalog - Option Detail				
Option	Group	Graphic	Film Card	Date
WP6704-03	08.01	wp601go	K50	02-NOV-06
Engines	G50, K50, GTA50, QSK50 MCRS, G38, G50, GTA50			

©Cummins Inc



SMALL | MEDIUM | LARGE

Ref No	Part Number	For-Sale	Shopping Cart	Part Name	Required	Remarks
	WP6704-03	NO		Pump,Water		
1	S 103 D	YES	ADD	Screw, Hexagon Head Cap	2	3/8 - 16 X 1 1/4 Inch.
3	S 162 A	YES	ADD	Screw, Hexagon Head Cap	3	7/16 - 14 X 2 3/4 Inch.

Part Catalog
QSK 50 EX 2500-6Design By
Rudy Eka Jaya

4	S 604	YES	ADD	Washer, Lock	6	3/8 Inch.
5	S 610	YES	ADD	Washer, Lock	4	7/16 Inch.
6	S 907 A	YES	ADD	Plug, Pipe	1	1 1/4 NPT.
7	103009	YES	ADD	Screw, Hexagon Head Cap	1	7/16 - 14 X 1 1/4 Inch.
8	108330	YES	ADD	Washer, Plain	4	3/8 Inch.
9	108707	YES	ADD	Screw, Hexagon Head Cap	4	3/8 - 16 X 1 1/2 Inch.
10	206416	YES	ADD	Gasket, Support	1	
11	206455	YES	ADD	Gasket, Water Pump	1	
12	206457	YES	ADD	Seal, O Ring	1	
13	3010596	YES	ADD	Screw, Captive Washer Cap	4	3/8 - 16 X 1 1/4 Inch.
14	3042329	YES	ADD	Washer, Plain	4	3/8 Inch.
16	3175857	YES	ADD	Support, Water Pump	1	
	3630493	YES	ADD	Connection, Water Inlet	1	
20	3050945	YES	ADD	Connection, Water Inlet	1	
22	4951852	YES	ADD	Adapter, O Ring	1	
23	3636336	YES	ADD	Connection, Adapter	1	
24	4964058	YES	ADD	Pump, Water	1	
25	3975774	YES	ADD	Seal, O Ring	2	

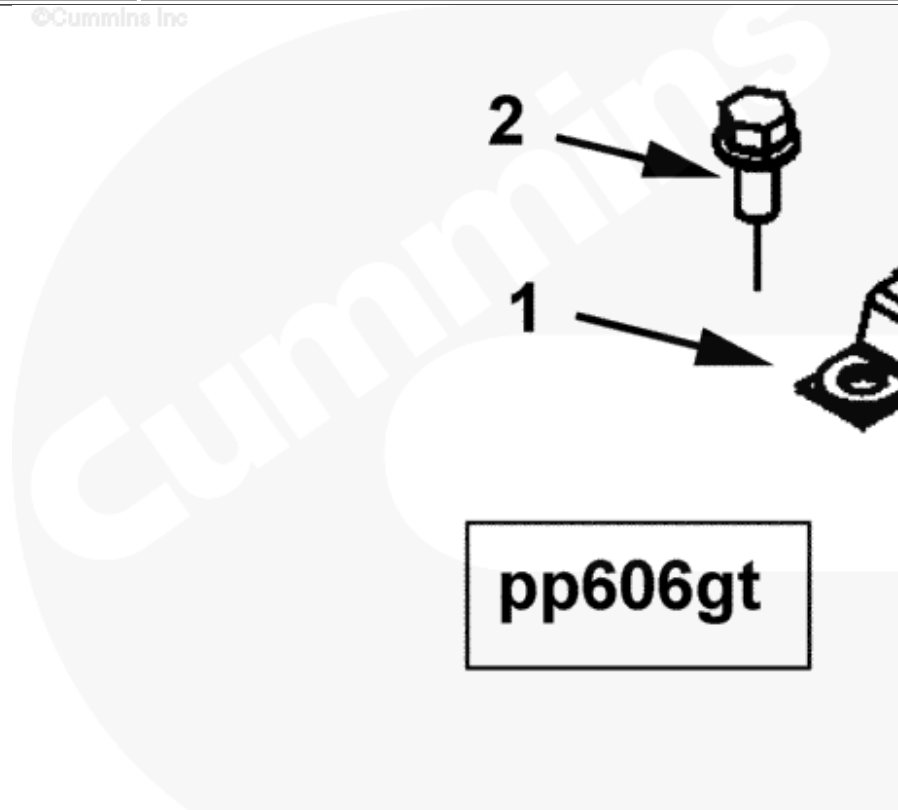


Parts Catalog - Option Detail

Content For Engine Serial Number (ESN): 33171379

Electronic Parts Catalog - Option Detail				
Option	Group	Graphic	Film Card	Date
PP42761	06.04	pp606gt	K50	06-AUG-07
Engines	G50, K50, GTA50, QSK50 MCERS, G38, G50, GTA50			

©Cummins Inc



SMALL | MEDIUM | LARGE

Ref No	Part Number	For-Sale	Shopping Cart	Part Name	Required	Remarks
	PP42761	NO		Bracket, Wiring Retainer		
1	4918076	YES	ADD	Bracket, Wiring Retainer	16	
2	3015283	YES	ADD	Screw, Captive Washer Cap	16	5/16 - 18 X 3/4 Inch.

