

Parts Ordering for: V-378 Series

Genuine Cummins Parts and service facilities are worldwide. There are more than 2700 Cummins Sales and Service locations in the principal cities of the United States and Canada, and more than 500 Sales and Service locations situated elsewhere throughout the free world. Each distribution outlet is thoroughly equipped with technical data, factory-trained mechanics, modern equipment and a full, adequate stock of Genuine Cummins Parts.

For quicker and better service, your parts requirements should be ordered from your nearest Cummins Distributor or Dealer. At any of the locations prompt, intelligent, courteous service is a basic trademark. Each is ready and eager to help in every possible way through personal contact or through the mail — at your convenience.

The satisfactory ordering and receiving of parts by the purchaser is greatly dependent upon the proper use of available information. In order that all avoidable errors may be eliminated, the following instructions are offered as the purchaser's guide:

Write your order clearly, using a typewriter if possible.

Be sure to list the correct part number. If in doubt as to the correct part number, state the model and serial number of the engine on which the part is to be used. Part numbers are usually located in various places on the part itself.

When possible, arrange your purchase order in part number numerical sequence.

Always specify shipping instructions — "Best Way" is satisfactory if you have no preference.

State your company name and shipping address clearly.

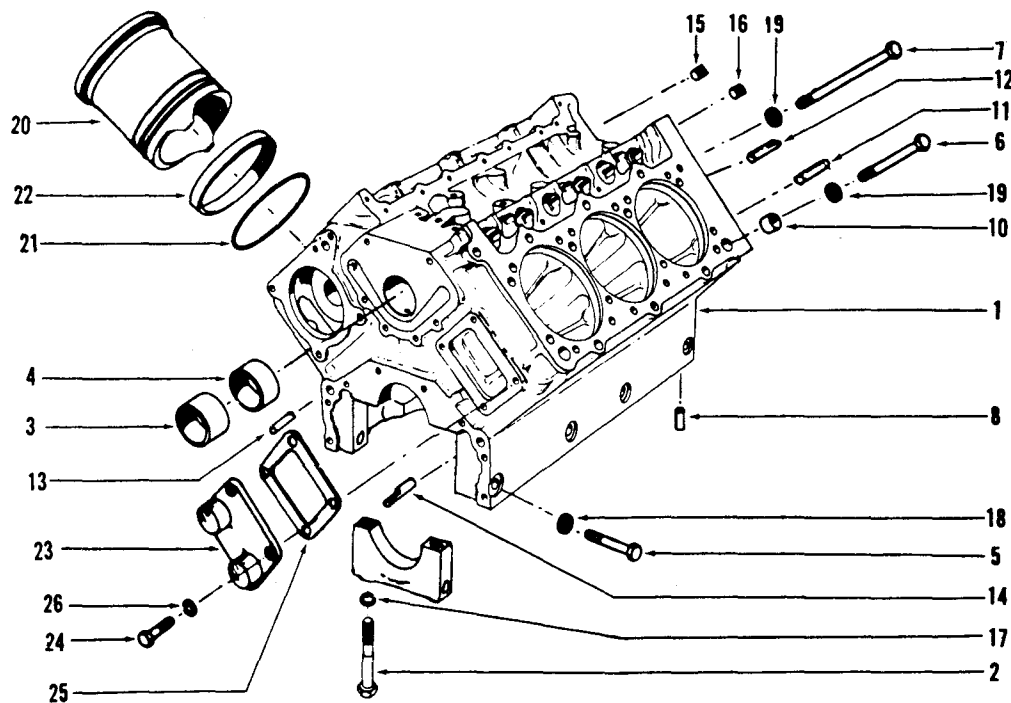
Genuine Cummins Parts mean **QUALITY!** They're designed and engineered to fit best in your Cummins Diesel. Each part is made of the highest quality material — on the most accurate of machines — by the top craftsmen of the trade.

You can be sure a Genuine Cummins Part will fit better — do the job better — lessen the chances of costly breakdown. When you buy replacement parts, buy quality. Buy Genuine Cummins Parts!

YOU OWN THE BEST . . . REPAIR WITH THE BEST

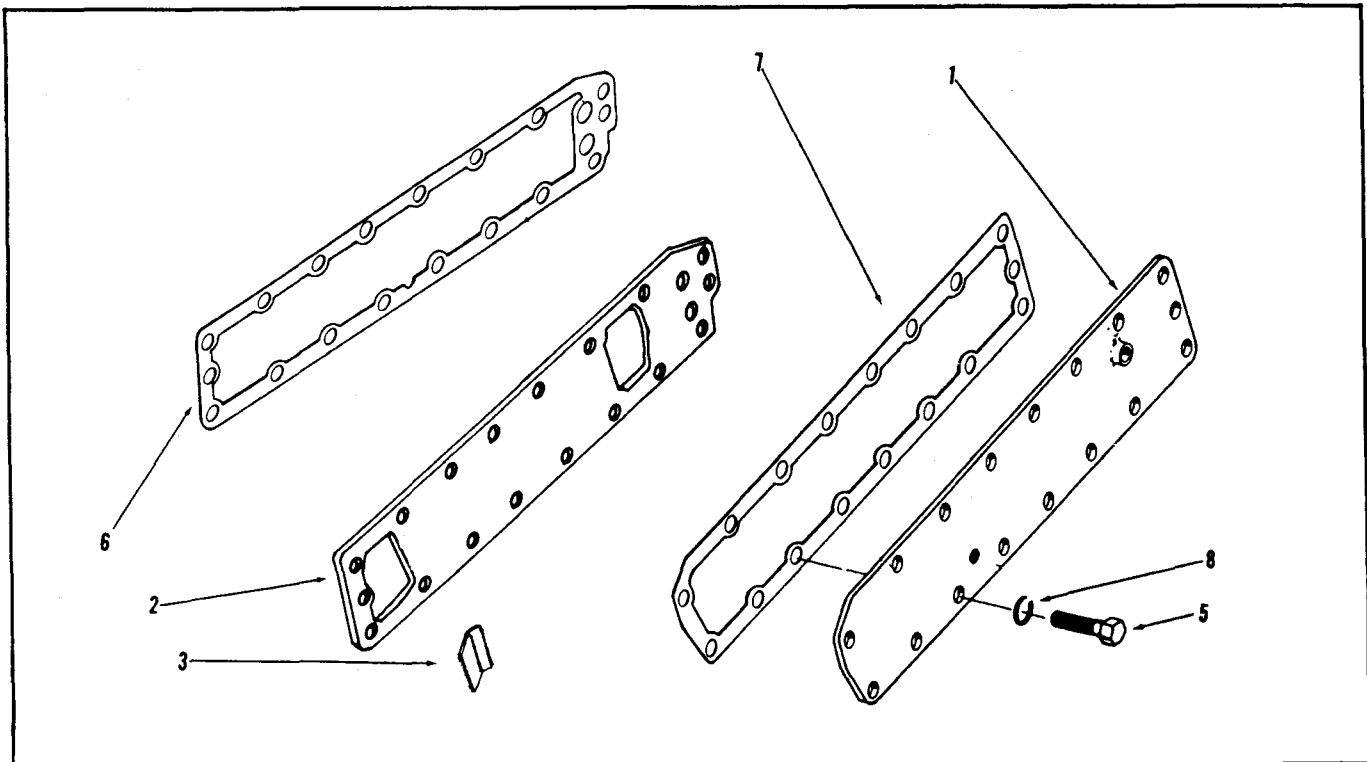
TABLE OF CONTENTS

	Page	
Air Compressor — Cummins Compact	24 & 25	Fuel Pump
Air Intake Manifold	22	Fuel Tubing
Air Cleaner	23	Gasket Sets
Alternator	31	Gear Housing and Cover
Camshaft and Cover	6	Injector
Camshaft Bushings	1	Instrument Panel
Connecting Rod	4	Lubricating Oil Cooler
Corrosion Resistor	19	Lubricating Oil Filter
Crankshaft	3	Lubricating Oil By-Pass Filter
Cylinder Block	1	Lubricating Oil Pump
Cylinder Head and Gasket	9	Main Bearing Shells
Cylinder Head Cover	10	Oil Pan
Cylinder Liner	1	Pistons
Dipstick and Tube	13	Piston Rings
Electrical Equipment	32	Push Rods
Exhaust Manifold	26	Radiator
Fan Hub	18	Rocker Levers
Flywheel Housing	33	Shutdown Valve
Flywheel and Ring Gear	33	Starting Motor
Front Cover	5	Thermostat and Housing
Front Engine Support	5	Tappets
Front Water Header Cover	1	Vibration Damper
Fuel Filter	28 & 29	Water Header Cover
Fuel Gear Pump	28 & 29	Water Pump and Pulley
Fuel Pump Drive	27	Water Pump Repair Kit
Fuel Pump Damper	28 & 29	



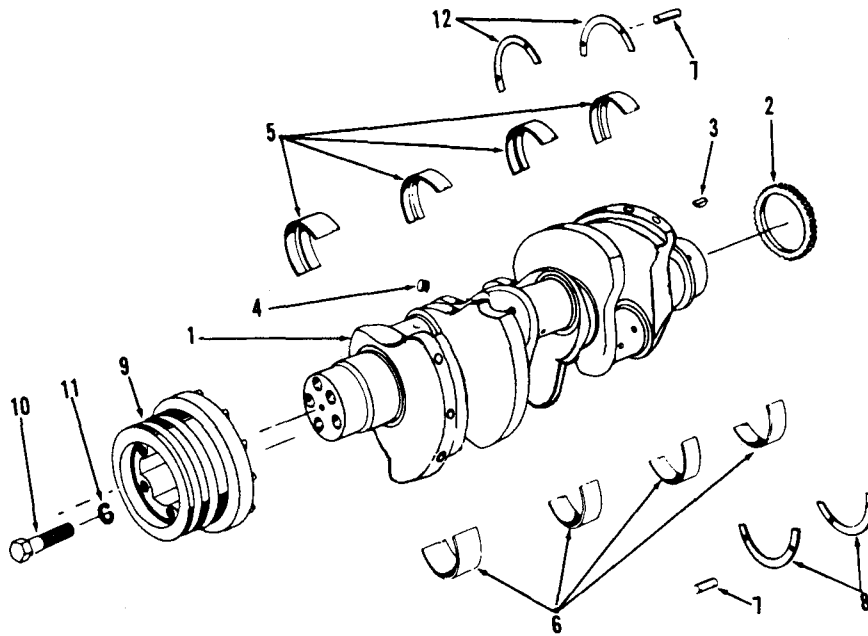
PART NUMBER	PART NAME	NO. REQ'D.	REF. NO.	PART NUMBER	PART NAME	NO. REQ'D.	REF. NO.
	CYLINDER BLOCK				MOUNTING PARTS		
	All Applications			AR-60170	Kit, cylinder liner	6	
AR-60778	Block, cylinder (553590)	1	1	554311	Liner, cylinder	6	20
180676	Bolt, main bearing	8	2	216234	Packing, cylinder liner	6	21
554003	Bushing, cam (1 & 4)	2	3	216283	Seal, crevice	6	22
554004	Bushing, cam (2 & 3)	2	4				
188395	Capscrew, main bearing side locking	8	5				
162182	Capscrew, cylinder head - short	20	6		FRONT WATER HEADER COVER		
162183	Capscrew, cylinder head - long	8	7	551455	Cover, water header (Auto & C Application)	1	23
148547	Dowel ring main bearing cap (Diamond)	2	8	183307	Cover, water header (P. Application)	1	23
100973	Dowel ring, cylinder head to block	4	10	S-112	Capscrew (Auto & C Application)	4	24
69562	Dowel ring, cylinder head to block (Master)	2	11	S-172-B	Capscrew (P Application only)	4	24
102957	Dowel ring, cylinder head to block (Diamond)	2	12	167802	Gasket cover	1	25
70645	Dowel, front cover to block	1	13	S-604	Lockwasher	4	26
68568	Dowel, front cover to block	1	14				
161825	Plug, expansion	2	15		OVERSIZE FOR SERVICE		
217632	Plug, pipe	3	16	171786	Shim, liner (0.007)	A/R	
553451	Washer, main bearing cap	8	17	171787	Shim, liner (0.010)	A/R	
188394	Washer, main bearing side locking	8	18	171788	Shim, liner (0.012)	A/R	
153411	Washer, cylinder head capscrew	28	19	171789	Shim, liner (0.014)	A/R	
				171790	Shim, liner (0.021)	A/R	

PARTS INDENTED ARE INCLUDED IN THE PART UNDER WHICH THEY ARE INDENTED



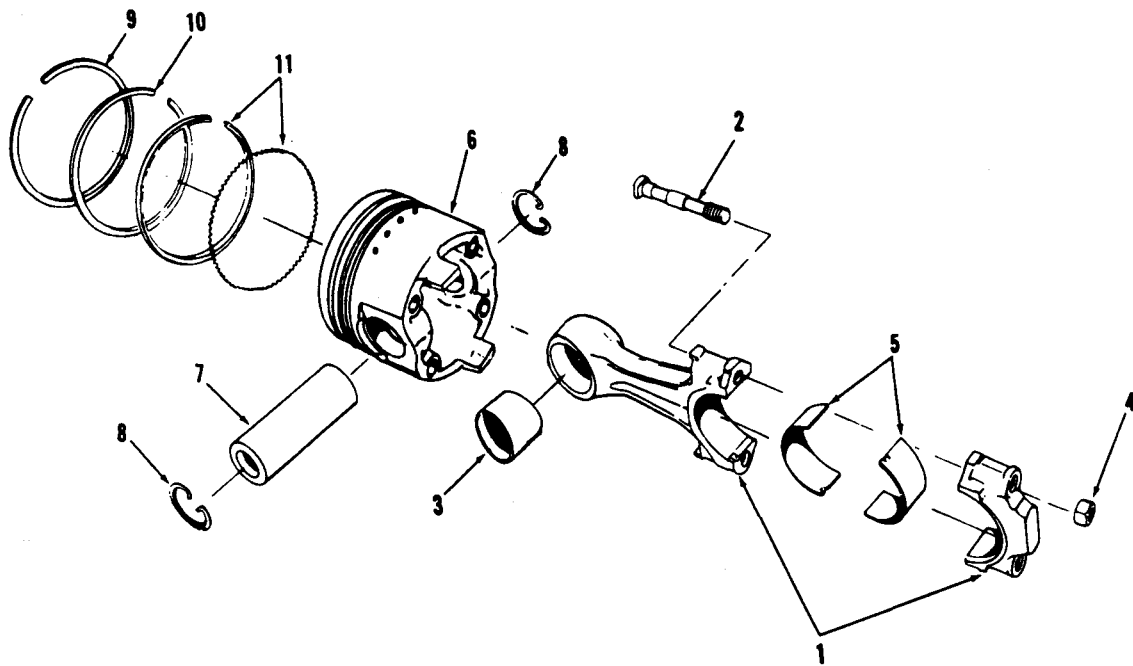
PART NUMBER	PART NAME	NO. REQ'D.	REF. NO.	PART NUMBER	PART NAME	NO. REQ'D.	REF. NO.
	WATER HEADER COVER				MOUNTING PARTS		
	All Applications			S-109	Capscrew	27	5
167779	Cover, water header (L.B.)	1	1	176597	Gasket, water header (R.B.)	1	6
AR-61629	Cover and baffle (R.B.)	1		167778	Gasket, water header cover (L.B.)	1	7
553813	Cover, water header	1	2	S-604	Lockwasher	27	8
175428	Baffle	1	3	S-962-E	Cock, drain	1	

PARTS INDENTED ARE INCLUDED IN THE PART UNDER WHICH THEY ARE INDENTED



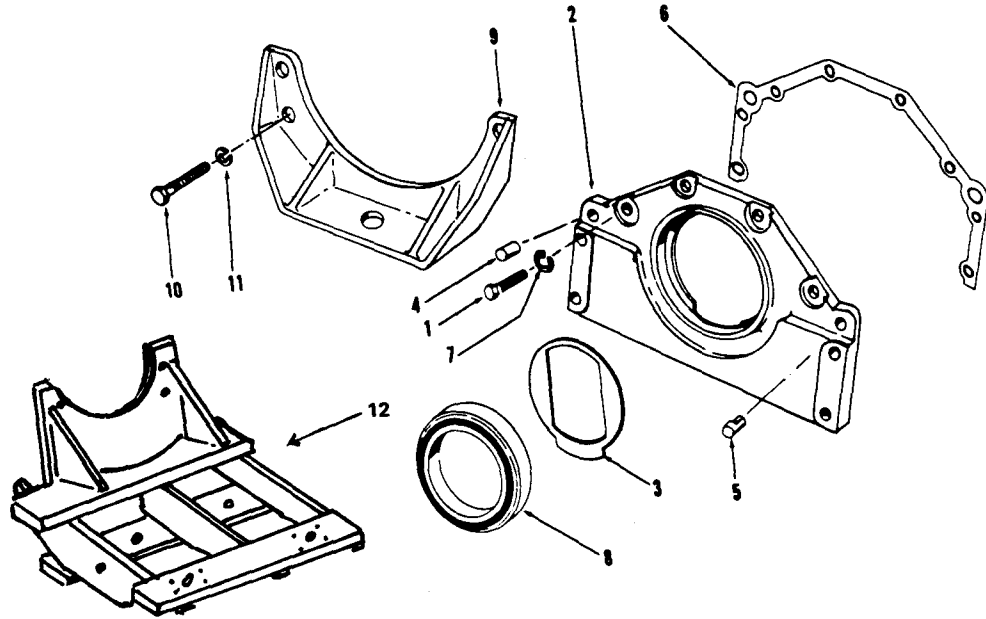
PART NUMBER	PART NAME	NO. REQ'D.	REF. NO.	PART NUMBER	PART NAME	NO. REQ'D.	REF. NO.
	CRANKSHAFT						
	All Applications						
AR-60774	Crankshaft assembly	1					
195240	Crankshaft	1	1				
177086	Gear	1	2				
144131	Key	1	3				
S-911-B	Plug, pipe	3	4				
	MAIN BEARING SET						
	All Applications						
BM-99830 *	Bearing set, main (Std)	1					
182320	Main bearing (upper 1 & 5)	2	5				
182400	Main bearing (upper 2, 3, 4)	2	5				
182200	Main bearing (lower 1 & 5)	2	6				
182210	Main bearing (lower 2, 3, 4)	2	6				
148547	Dowel	2	7				
173640	Ring, half thrust (lower)	2	8				
553670	Ring, half thrust (upper)	2	12				
	VIBRATION DAMPER						
	All Applications						
AR-73247	Damper, vibration	1	9				
214398	Capscrew	5	10				
153411	Lockwasher	5	11				
	* Main bearings may be purchased in 0.010", 0.020" and 0.030" undersize.						

PARTS INDENTED ARE INCLUDED IN THE PART UNDER WHICH THEY ARE INDENTED



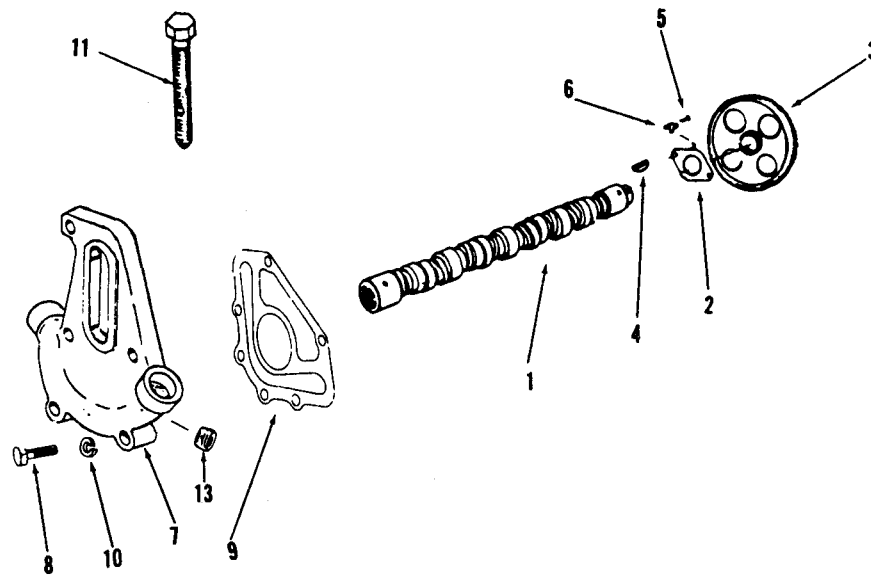
PART NUMBER	PART NAME	NO. REQ'D.	REF. NO.	PART NUMBER	PART NAME	NO. REQ'D.	REF. NO.
	CONNECTING ROD				PISTON		
	All Applications				All Applications		
AR-60905	Rod, connecting (166452)	6	1	AR-60740	Piston, assembly (Std)	6	
551143	Bolt, connecting rod	12	2	200800	Piston	6	6
551417	Bushing, piston pin	6	3	151700	Pin, piston	6	7
152838	Nut, connecting rod bolt	12	4	157978	Ring, snap	12	8
157620	* Bearing, connecting rod (Std)	12	5				
	* Connecting rod bearing shells may be purchased in 0.010", 0.020" and 0.030" undersize.						
					RINGS		
					All Applications		
				AR-61500	Ring set, piston (Std)	6	
				201650	Ring, compression (Top)	6	9
				208990	Ring, compression	6	10
				201645	Ring, oil	6	11

PARTS INDENTED ARE INCLUDED IN THE PART UNDER WHICH THEY ARE INDENTED



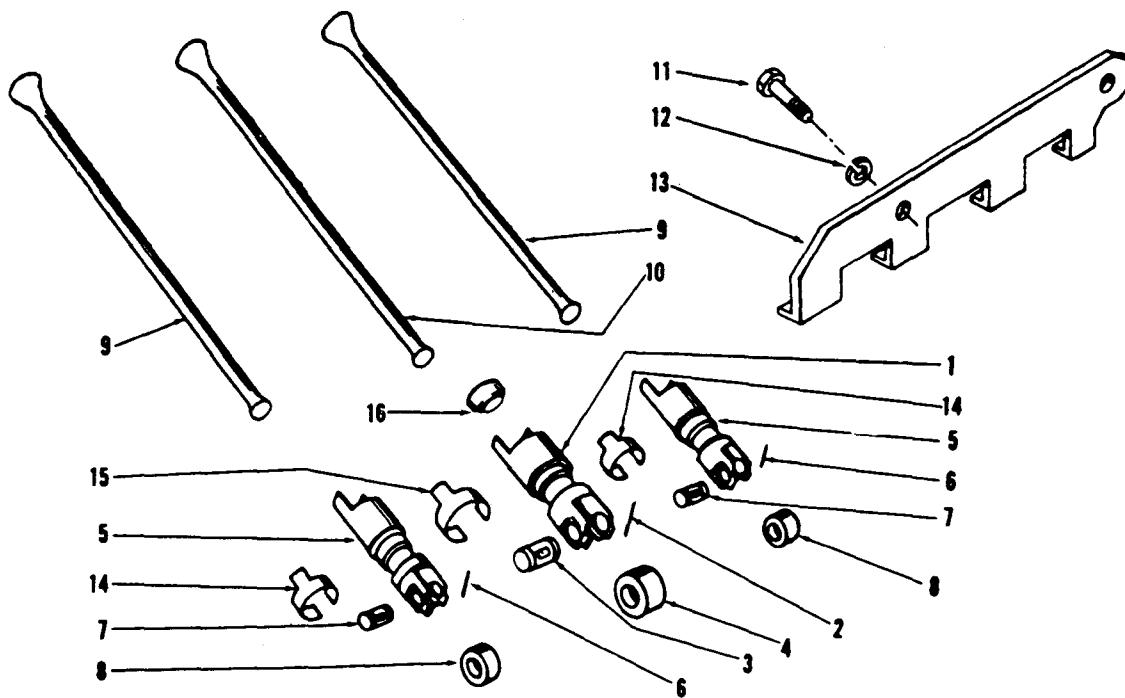
PART NUMBER	PART NAME	NO. REQ'D.	REF. NO.	PART NUMBER	PART NAME	NO. REQ'D.	REF. NO.
	FRONT COVER				FRONT SUPPORT		
	All Applications				Support, engine front (P)	1	12
S-109	Capscrew	4	1	553640	Support, engine front (Auto & C)	1	9
188393	Cover, front	1	2	188397	Capscrew	4	10
173090	Deflector, oil	1	3	106289	Washer	4	11
70645	Dowel (Master)	1	4	S-608			
68568	Dowel (Diamond)	1	5				
188396	Gasket, cover	1	6				
S-604	Lockwasher	4	7				
3010457	Seal, crankshaft	1	8				

PARTS INDENTED ARE INCLUDED IN THE PART UNDER WHICH THEY ARE INDENTED



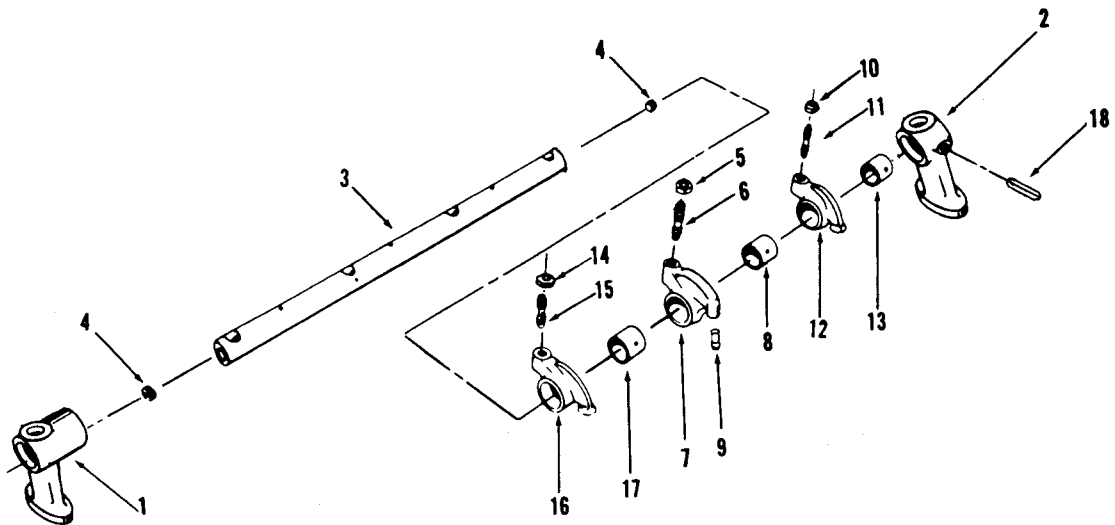
PART NUMBER	PART NAME	NO. REQ'D.	REF. NO.	PART NUMBER	PART NAME	NO. REQ'D.	REF. NO.
	CAMSHAFT				CAMSHAFT COVER		
	All Applications				All Applications		
201060	Camshaft	1	1	556493	* Cover, cam (fan bracket, water crossover)	1	7
167305	Bearing, camshaft thrust	1	2		Capscrew	2	8
187649	Gear, camshaft	1	3	108707	Capscrew	2	8
S-313	Key, camshaft	1	4	S-103-D	Capscrew	2	8
				S-104	Connection, water transfer	2	
				555195	Gasket, cover	1	9
				550164	Lockwasher	6	10
				S-604	"O" ring, connection	4	
S-107	Capscrew, thrust bearing	2	5	555198	Screw, fan adjusting	1	11
68908-A	Lockplate, thrust bearing	2	6	62981	Plug, pipe	1	13
				69901			
	CAMSHAFT KEYS						
	All Applications				* Note: Also listed on Page 18 & 21.		
200715	Key, camshaft 0.006 offset	A/R					
200716	Key, camshaft 0.012 offset	A/R					
200717	Key, camshaft 0.018 offset	A/R					
200718	Key, camshaft 0.024 offset	A/R					
200719	Key, camshaft 0.030 offset	A/R					
200721	Key, camshaft 0.036 offset	A/R					

PARTS INDENTED ARE INCLUDED IN THE PART UNDER WHICH THEY ARE INDENTED



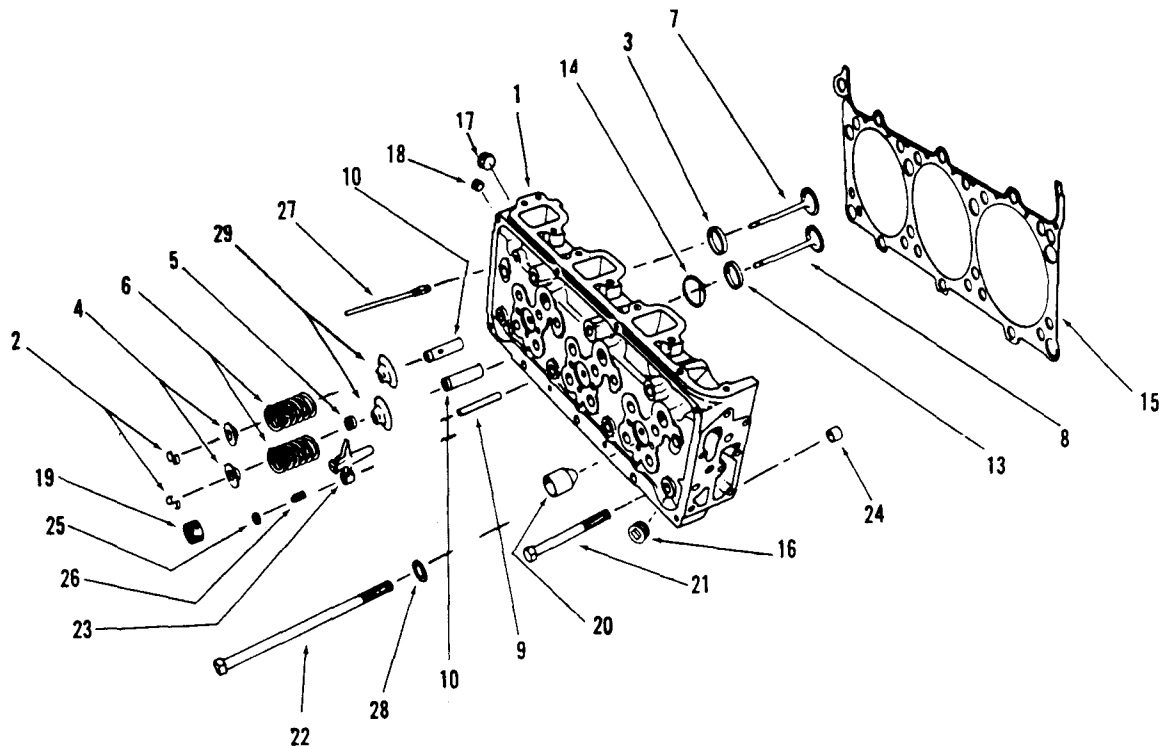
PART NUMBER	PART NAME	NO. REQ'D.	REF. NO.	PART NUMBER	PART NAME	NO. REQ'D.	REF. NO.
	PUSH RODS AND TAPPETS						
	All Applications						
BM-94016	Tappet, injector (171936)	6	1				
111272	Lockwire, tappet	6	2				
114223	Pin, injector tappet roller	6	3				
154571	Roller, injector tappet	6	4				
107738	Socket, cam follower	6	16				
BM-94014	Tappet, valve (171937)	12	5				
108186	Lockwire, tappet	12	6				
169154	Pin, valve tappet roller	12	7				
153679	Roller, valve tappet	12	8				
168209	Rod, valve push	12	9				
170326	Rod, injector push	6	10				
	MOUNTING PARTS						
S-110	Capscrew, tappet guide plate	12	11				
S-605	Lockwasher	12	12				
551084	Plate, tappet guide	6	13				
156438	Spring, valve tappet	12	14				
156439	Spring, injector tappet	6	15				

PARTS INDENTED ARE INCLUDED IN THE PART UNDER WHICH THEY ARE INDENTED



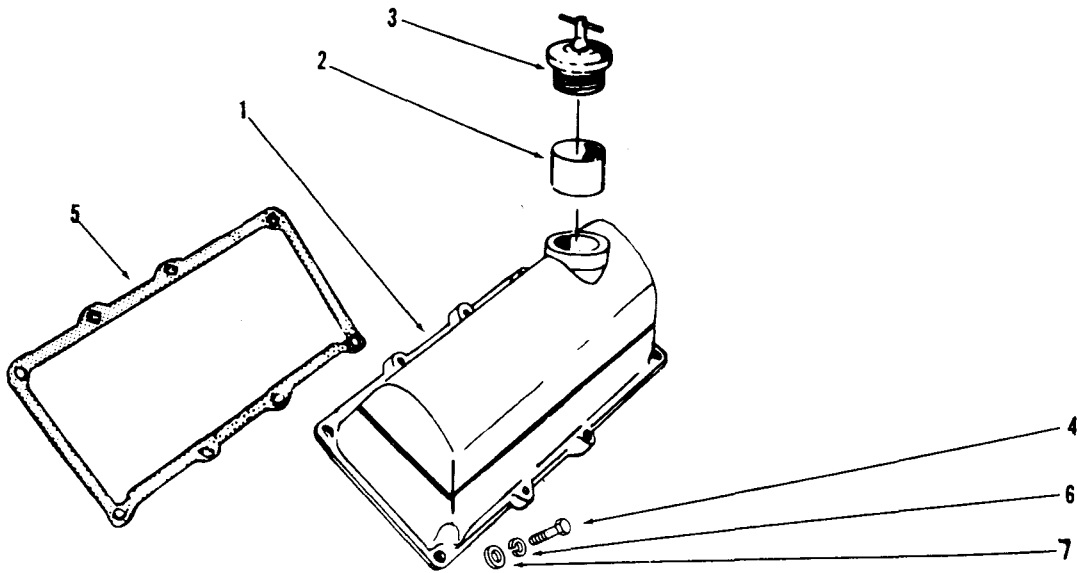
PART NUMBER	PART NAME	NO. REQ'D.	REF. NO.	PART NUMBER	PART NAME	NO. REQ'D.	REF. NO.
ROCKER LEVERS							
All Applications							
154109	Bracket, rocker lever shaft	6	1				
551608	Bracket, rocker lever shaft	2	2				
AR-60595	Shaft, rocker lever (551606)	2	3				
161825	Plug	4	4				
BM-99987	Lever, injector rocker (194038)	6	5				
S-212	Nut, adjusting screw	6	6				
168306	Screw, adjusting	6	7				
BM-99986	Lever and bushing	6	8				
152936	Bushing, injector rocker lever	6	9				
194037	Socket, injector link	6	10				
BM-79725	Lever, intake rocker (168255)	6	11				
S-212	Nut, adjusting screw	6	12				
168306	Screw, adjusting	6	13				
BM-79724	Lever and bushing	6	14				
152937	Bushing, valve rocker lever	6	15				
BM-79723	Lever, exhaust valve rocker (168285)	6	16				
S-212	Nut, adjusting screw	6	17				
168306	Screw, adjusting	6	18				
BM-79722	Lever and bushing	6					
152937	Bushing, valve rocker lever	6					
551609	Pin, rocker shaft locating	2					

PARTS INDENTED ARE INCLUDED IN THE PART UNDER WHICH THEY ARE INDENTED



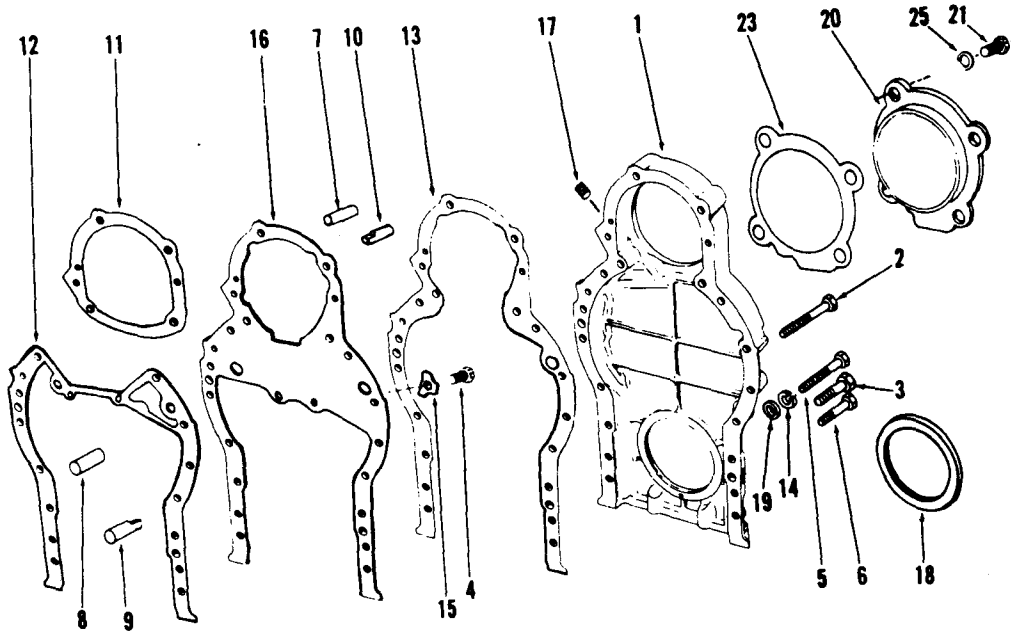
PART NUMBER	PART NAME	NO. REQ'D.	REF. NO.	PART NUMBER	PART NAME	NO. REQ'D.	REF. NO.
	CYLINDER HEAD				CYLINDER HEAD GASKET		
	All Applications				All Applications		
AR-60776	Head assembly, cylinder (152143)	2	1	AR-63070	Gasket, cylinder (556857)	2	15
3275354	Collet, valve half	48	2	556858	Gasket	2	
155441	Retainer, valve spring	24	4	214731	Gasket, end cap	4	
156541	Seal, intake valve	12	5	553019	"O" ring	4	
163037	Spring, valve	24	6				
3275256	Valve, intake & exhaust	24	8				
553811	Wearplate, valve spring	24	29				
AR-60777	Head, cylinder (less valves)	2			SERVICE OPTIONAL		
154220	Guide Crosshead	12	9	AR-62077	Gasket, cylinder head (0.010)	A/R	
154946	Guide, valve intake & exhaust	24	10	AR-62078	Gasket, cylinder head (0.020)	A/R	
195000	Insert, intake valve seat	12	13				
196641	"O" ring	6					
553461	Plate, swirl	12	14				
551475	Plug, cup	6	19				
554416	Plug, pipe	18	16				
S-910-B	Plug, pipe	2	17				
217632	Plug, pipe	2	18				
169630	Sleeve, injector	6	20				
154390	Insert, exhaust valve seat	12	3				
	MOUNTING PARTS						
162182	Capscrew, cylinder head (short)	20	21				
162183	Capscrew, cylinder head (long)	8	22				
156879	Crosshead, valve	12	23				
100973	Dowel, ring cylinder head to block	4	24				
S-273	Nut, crosshead adjusting	12	25				
147389	Screw, crosshead adjusting	12	26				
3275545	Tube, vent (3275131)	2	27				
S-1003-1	Connector, tubing	2					
S-1002-A	Nut, tube	2					
153411	Washer, cylinder head	28	28				

PARTS INDENTED ARE INCLUDED IN THE PART UNDER WHICH THEY ARE INDENTED



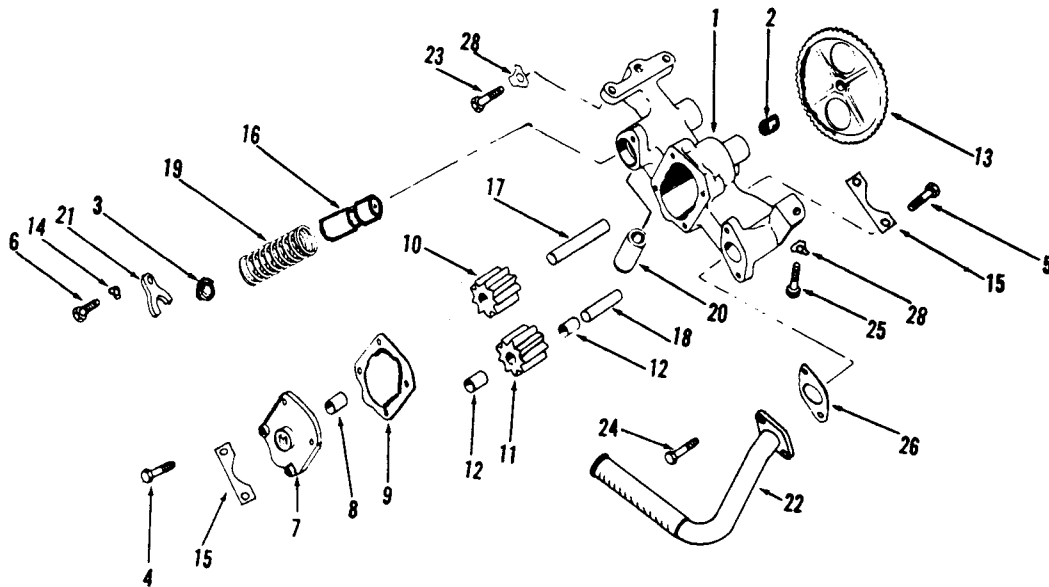
PART NUMBER	PART NAME	NO. REQ'D.	REF. NO.	PART NUMBER	PART NAME	NO. REQ'D.	REF. NO.
	CYLINDER HEAD COVER						
	All Applications						
AR-60691	Cover, valve (R.B.)	1					
552384	Cover, valve (R.B.)	1	1				
550113	Tube, filler (R.B.)	1	2				
553521	Cover, valve (L.B.)	1					
101322	Cap, filler	1	3				
	MOUNTING PARTS						
108707	Capscrew	16	4				
154019	Gasket, valve cover	2	5				
S-604	Lockwasher	16	6				
S-602	Washer, plain	16	7				
554833	Nameplate label	2					

PARTS INDENTED ARE INCLUDED IN THE PART UNDER WHICH THEY ARE INDENTED



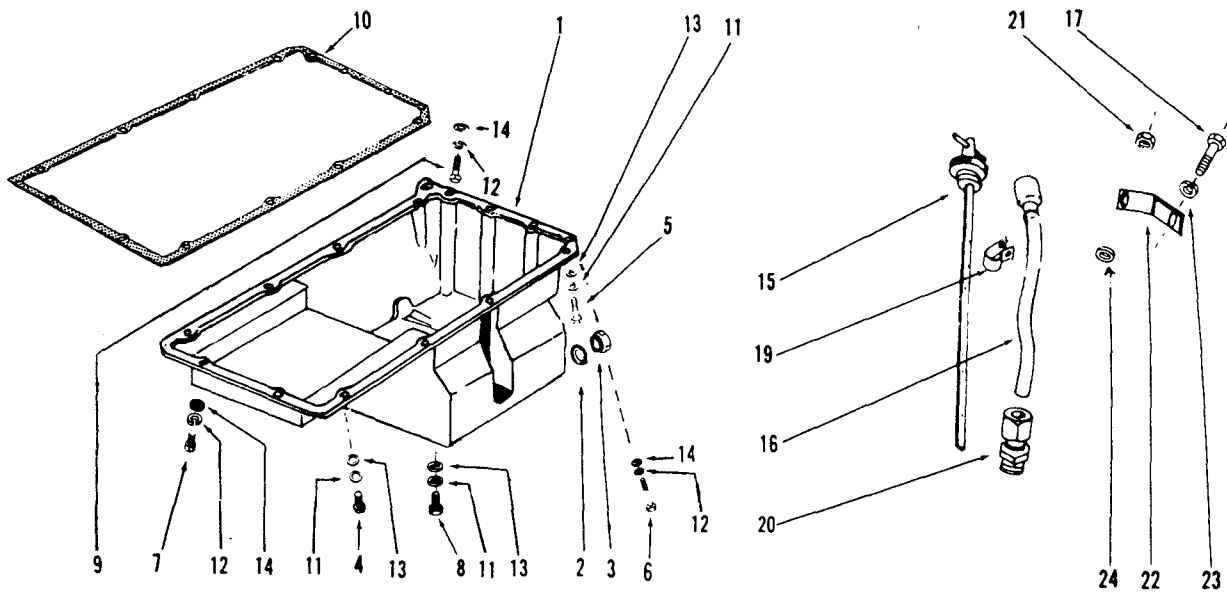
PART NUMBER	PART NAME	NO. REQ'D.	REF. NO.	PART NUMBER	PART NAME	NO. REQ'D.	REF. NO.
	GEAR HOUSING				C & IP Applications		
	Auto Application				Same as Auto except:		
168644	Housing, gear	1	1	3275470	Housing, gear (C)	1	1
S-109	Cap screw	2	4	171627	Housing, gear (P)	1	1
108707	Cap screw	6	6				
S-126	Cap screw	2	5				
S-102-D	Cap screw	1	2	OMIT:			
S-104	Cap screw	6	3	S-602	Washer, plain	14	19
9089	Dowel (Master)	1	7				
69562	Dowel (Master)	1	8				
102957	Dowel (Diamond)	1	9				
153807	Dowel (Diamond)	1	10				
168649	Gasket, plate to block	1	12		GEAR HOUSING COVER		
168650	Gasket, gear housing	1	13		Auto Application Only		
167993	Gasket, compressor support	1	11				
S-604	Lockwasher	14	14	555245	Cover, gear housing	1	20
175282	Lockplate	2	15	S-105	Cap screw	4	21
551467	Plate, gear housing	1	16	153433	Gasket, support	1	23
69901	Plug, pipe	2	17	S-604	Lockwasher	4	25
3010459	Seal, rear crankshaft	1	18				
S-602	Washer, plain	14	19				
217631	Plug, pipe	1					

PARTS INDENTED ARE INCLUDED IN THE PART UNDER WHICH THEY ARE INDENTED



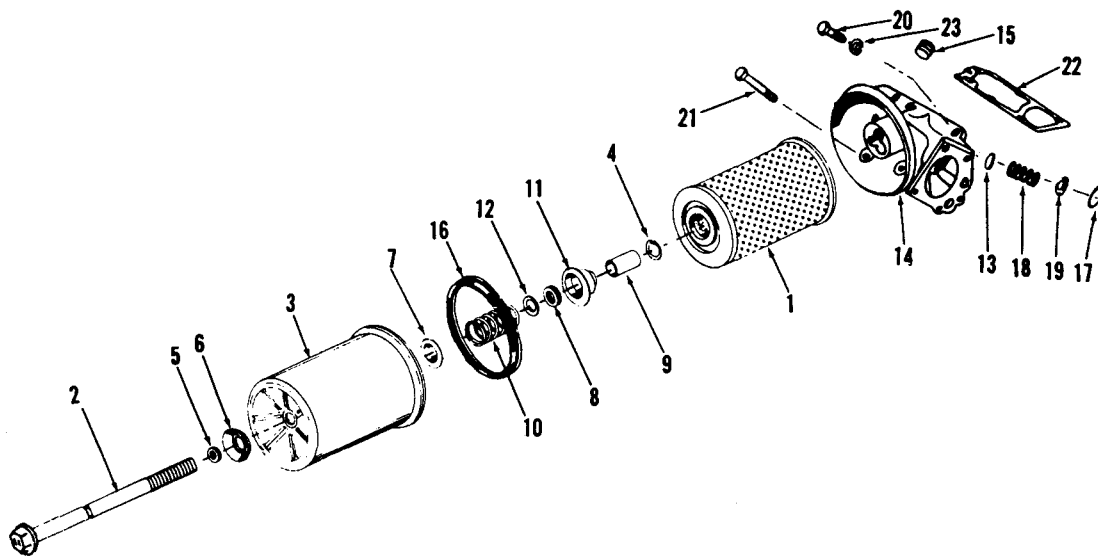
PART NUMBER	PART NAME	NO. REQ'D.	REF. NO.	PART NUMBER	PART NAME	NO. REQ'D.	REF. NO.
	LUBRICATING OIL PUMP				MOUNTING PARTS		
	All Applications						
AR-60801	Pump, lubricating oil	1		S-103-D	Capscrew, pump to block	2	23
AR-60089	Body and bushing (187011)	1	1	557066	Capscrew, tube to pump	2	24
68586	Bushing	1	2	S-112	Capscrew, pump to block	1	25
175805	Cap, by-pass spring	1	3	164916	Gasket, tube to pump	1	26
S-107	Capscrew, cover to body	2	4	175282	Lockplate, pump to block	3	28
S-155-A	Capscrew, cover to body	2	5				
S-109	Capscrew, regulator	1	6				
AR-60092	Cover and bushing (181165)	1	7				
68586	Bushing	1	8				
178283	Gasket, cover	1	9				
187012	Gear, idler drive	1	10				
AR-60090	Gear, idler (187013)	1	11				
68586	Bushing	2	12				
184044	Gear, main drive	1	13				
109319	Lockplate, regulator	1	14				
551117	Lockplate, cover to body	2	15				
183014	Plunger, pressure regulator	1	16				
178284	Shaft, drive	1	17				
190138	Shaft, idler	1	18				
551079	Spring, regulator	1	19				
126304	Yoke, pressure regulator	1	21				
3010620	Tube, suction assembly	1	22				

PARTS INDENTED ARE INCLUDED IN THE PART UNDER WHICH THEY ARE INDENTED



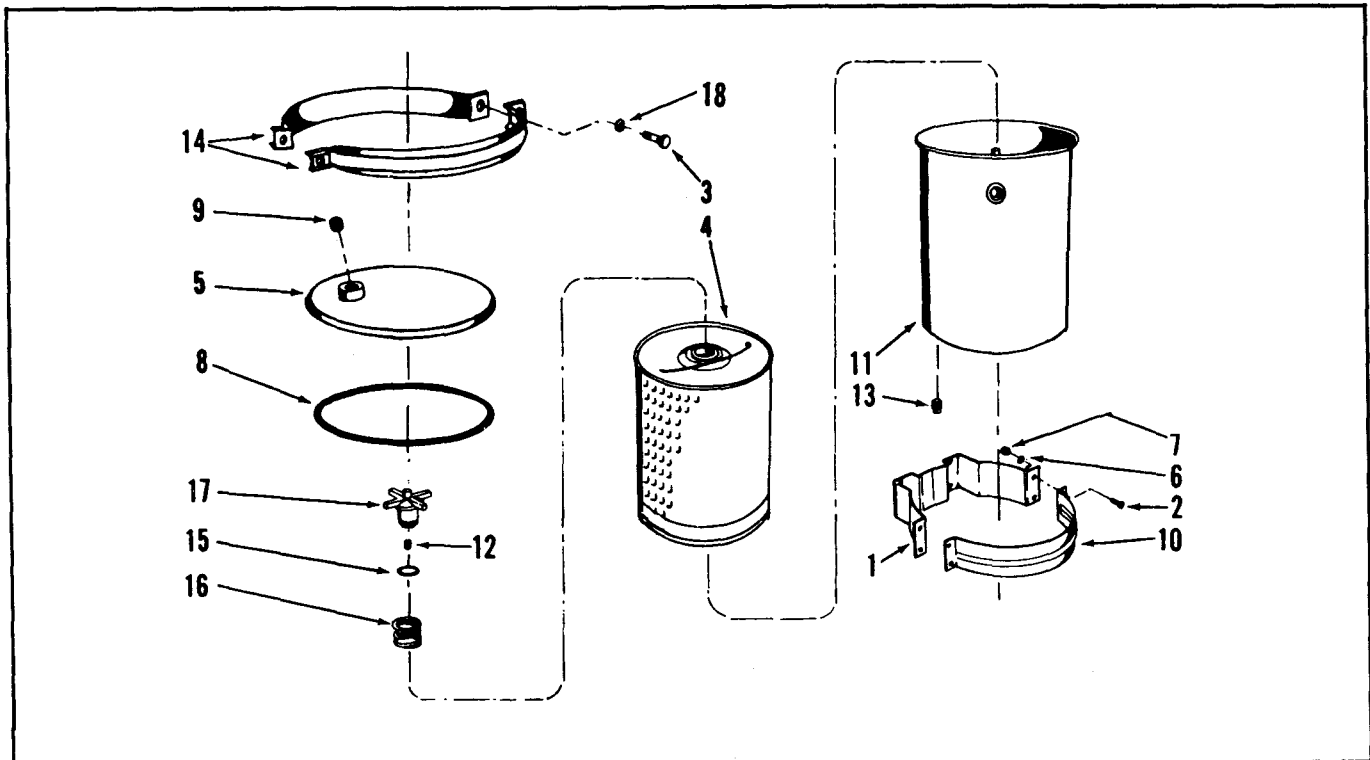
PART NUMBER	PART NAME	NO. REQ'D.	REF. NO.	PART NUMBER	PART NAME	NO. REQ'D.	REF. NO.
	OIL PAN				DIPSTICK AND TUBE		
	All Applications				CI and IP Applications		
3012976	Pan oil, rear sump (553261)	1	1	553933	Dipstick	1	15
553856	Gasket, oil drain	1	2	171634	Tube, dipstick	1	16
553855	Plug, oil drain	1	3	S-109	Capscrew	1	17
S-103-D	Capscrew	6	4	554013	Clamp	1	19
S-199-A	Capscrew	2	5	3275184	Connector, dipstick tube	1	20
67959	Capscrew	2	6	S-604	Lockwasher	1	23
S-119	Capscrew	2	7	S-223	Nut	1	21
S-117	Capscrew	2	9	172036	Support, oil gauge tube	1	22
175726	Gasket, oil pan	1	10	S-602	Washer, plain	1	24
S-604	Lockwasher	8	11				
S-605	Lockwasher	6	12				
S-602	Washer, plain	8	13				
S-626	Washer, plain	6	14	554183	Dipstick	1	15
69901	Plug, hex	1		168978	Tube, dipstick	1	16
161704	Plug, pipe	1		S-188-C	Capscrew	1	17
555601	Plug, pipe	1		S-224	Nut	1	21
553854	Insert, drain plug hole	1		554013	Clamp	1	19
S-186-C	Capscrew	2	8	3275184	Connector, dipstick tube	1	20
109319	Lockplate	2		S-600	Lockwasher	1	
				168979	Support, oil gauge tube	1	22
				146159	Washer	1	24
				108707	Capscrew	1	
				S-602	Washer	1	

PARTS INDENTED ARE INCLUDED IN THE PART UNDER WHICH THEY ARE INDENTED



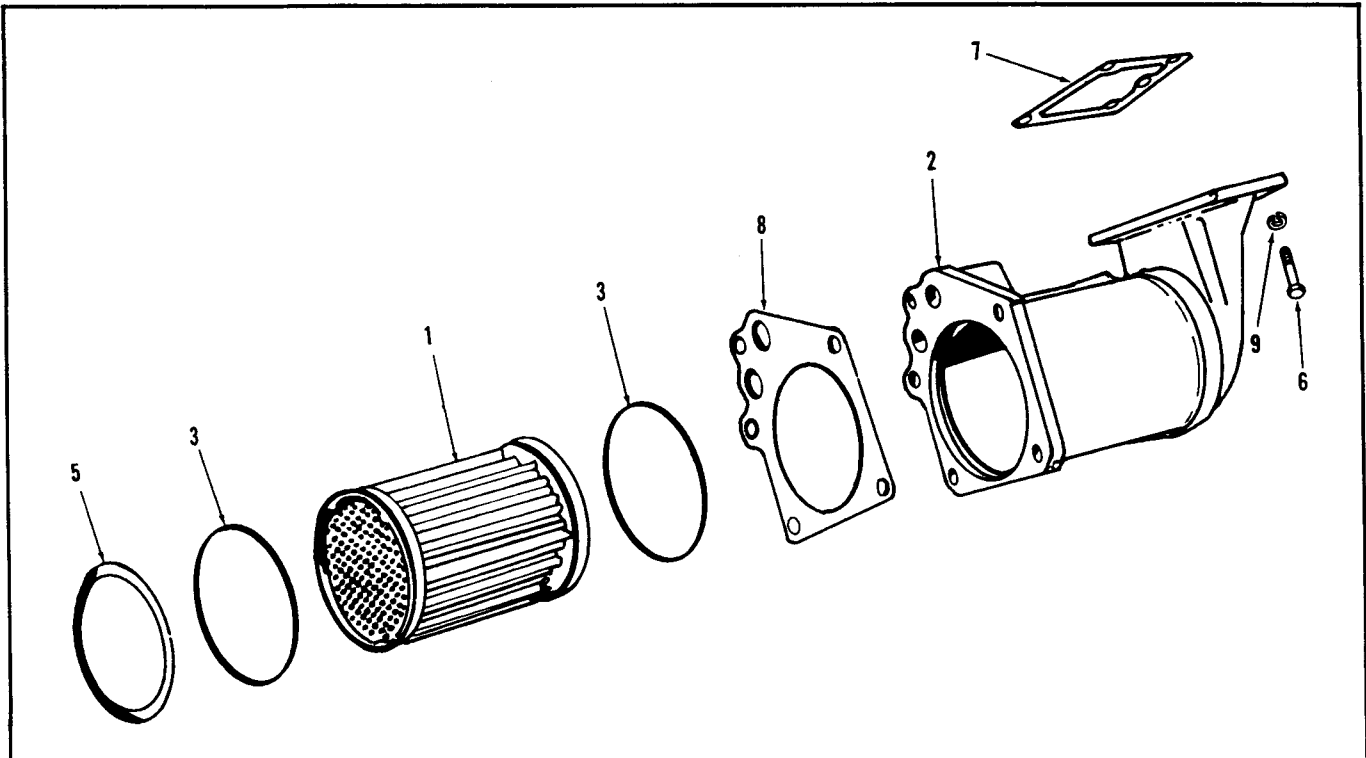
PART NUMBER	PART NAME	NO. REQ'D.	REF. NO.	PART NUMBER	PART NAME	NO. REQ'D.	REF. NO.
	LUBRICATING OIL FILTER				MOUNTING PARTS		
	All Applications			108707	Capscrew	5	20
AR-60253	Filter, lubricating oil	1		S-126	Capscrew	2	21
173174	Cartridge (LF-613)	1	1	176924	Gasket	1	22
555378	Shell assembly, filter	1		S-604	Lockwasher	7	23
556507	Bolt, center	1	2				
551681	Can, filter	1	3				
556506	Circlip	1	4				
554374	Plate	1	6				
554375	Retainer, seal ring	1	7				
551685	Seal, bolt	2	8				
551683	Spring, cartridge	1	10				
554376	Support, cartridge	1	11				
551684	Washer, bolt seal	2	12				
200819	Disc, by-pass	1	13				
175623	Head, filter	1	14				
555601	Plug, pipe	1	15				
193302	Ring, sealing, head	1	16				
156676	Ring, snap disc	1	17				
3275423	Spring, by-pass	1	18				
S-689	Washer, disc	1	19				

PARTS INDENTED ARE INCLUDED IN THE PART UNDER WHICH THEY ARE INDENTED



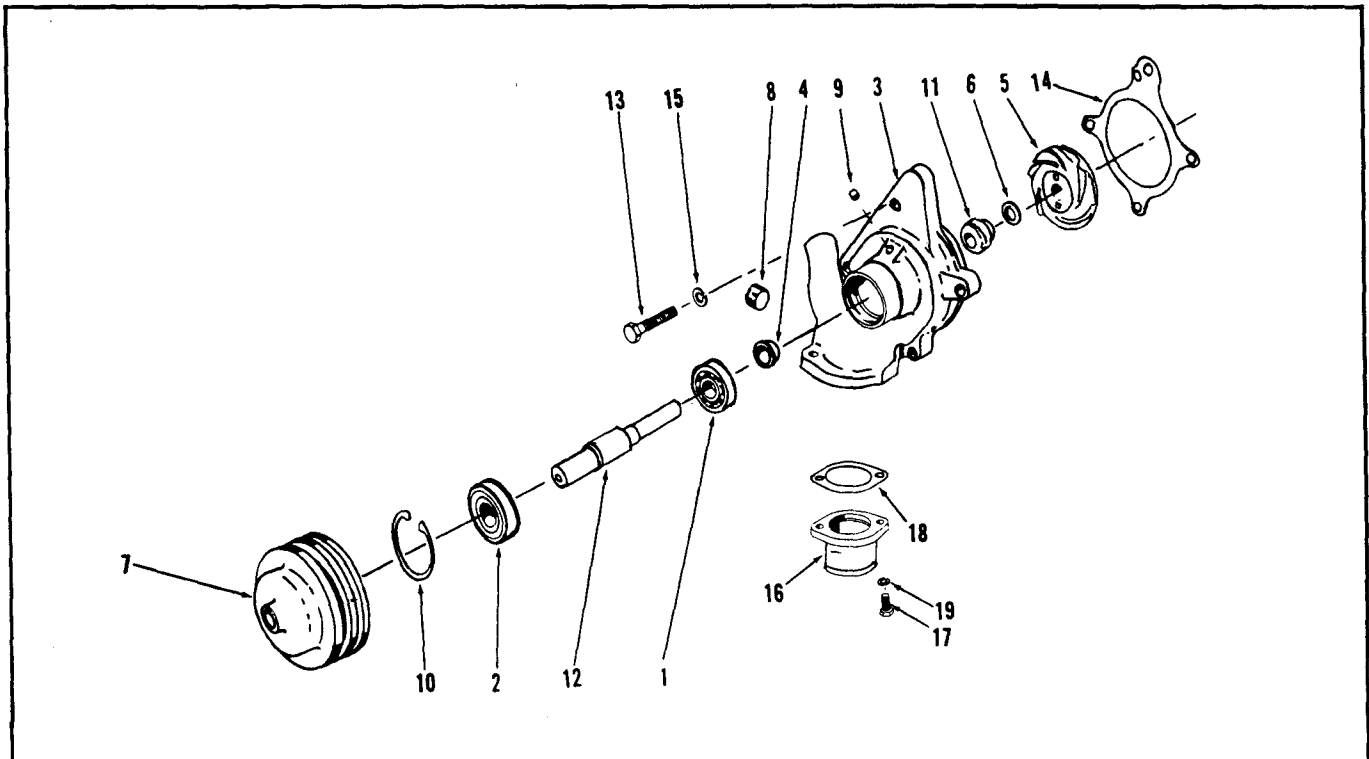
PART NUMBER	PART NAME	NO. REQ'D.	REF. NO.	PART NUMBER	PART NAME	NO. REQ'D.	REF. NO.
	LUBRICATING OIL BY-PASS FILTER				MOUNTING PARTS		
	(C & P Applications Only)				P Applications Only		
159707	Filter, lubricating oil by-pass	1		AS0802400MS	Hose	1	
145664	Bracket, filter	2	1	AS0806000SS	Hose	1	
70188	Capscrew, coupling half	8	2	S-117	Capscrew	3	
70449	Capscrew	2	3	S-129	Capscrew	4	
256839	Cartridge (LF-500)	1	4	S-145	Capscrew	4	
3300947	Coupling, half with nuts	1	14	S-205	Nut	4	
3300946	Coupling, half	1	18	S-223	Nut	3	
159667	Cover	1	5	S-604	Lockwasher	7	
70189	Lockwasher, bracket	8	5	S-608	Lockwasher	4	
70194	Lockwasher, coupling half	2	19	43765	Connection	3	
70299	Nut, mounting bracket	8	7	69911-A	Clamp	4	
164159	"O" ring, cover	1	8	161748	Cooling tube, bracket	2	
S-908	Plug, cover	1	9	650335	Bracket, by-pass filter	1	
145665	Strap, mounting	2	10				
257221	Shell, filter	1	11				
157151	Decal, filter	1					
131911	Orifice plug (No. 6)	1	12				
139090	Plug, drain	1	13				
257218	Support, upper	1					
116029	"O" ring, support	1	15				
150037	Spring, hold down	1	16				
257216	Support, upper	1	17				

PARTS INDENTED ARE INCLUDED IN THE PART UNDER WHICH THEY ARE INDENTED



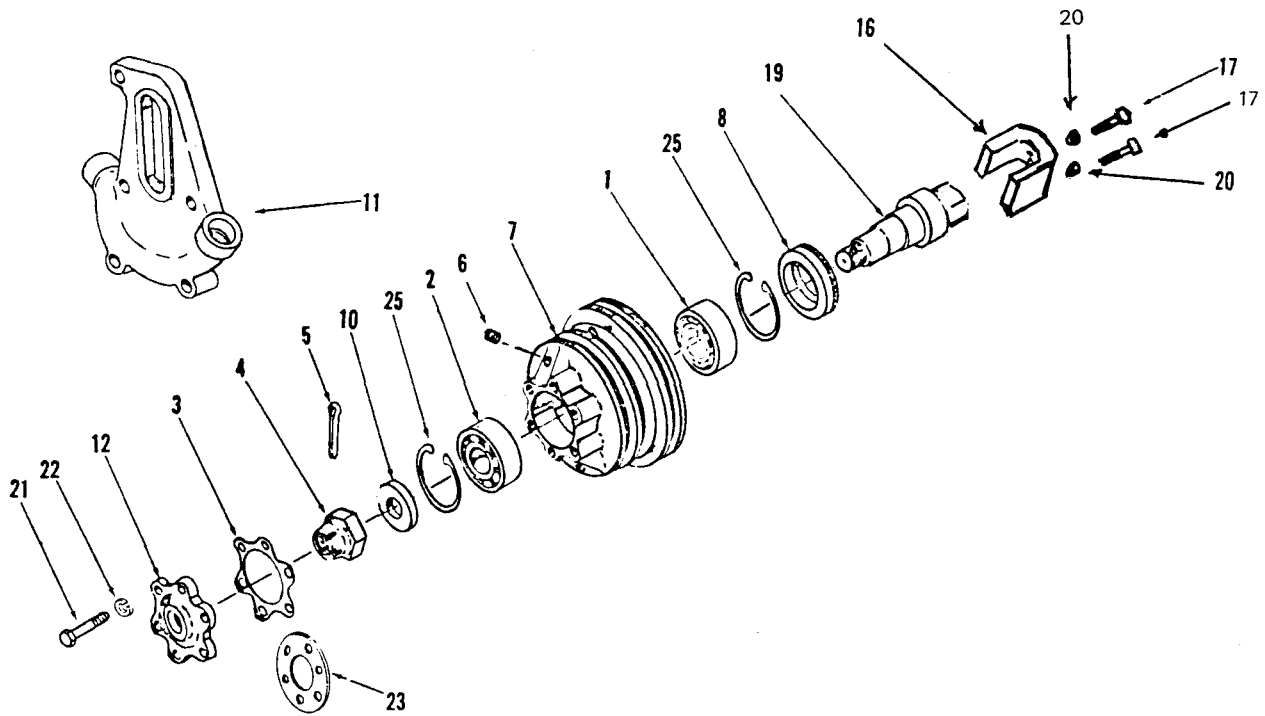
PART NUMBER	PART NAME	NO. REQ'D.	REF. NO.	PART NUMBER	PART NAME	NO. REQ'D.	REF. NO.
	LUBRICATING OIL COOLER						
	All Applications						
BM-91604	Cooler, lubricating oil	1					
110848	Element	1	1				
166401	Housing	1	2				
148293	"O" ring	2	3				
S-923-E	Cock, drain	1					
110827	Retainer, element	1	5				
	MOUNTING PARTS						
S-103-D	Capscrew, mounting	9	6				
165153	Gasket, housing to block	1	7				
166407	Gasket, cooler to filter	1	8				
S-604	Lockwasher	9	9				

PARTS INDENTED ARE INCLUDED IN THE PART UNDER WHICH THEY ARE INDENTED



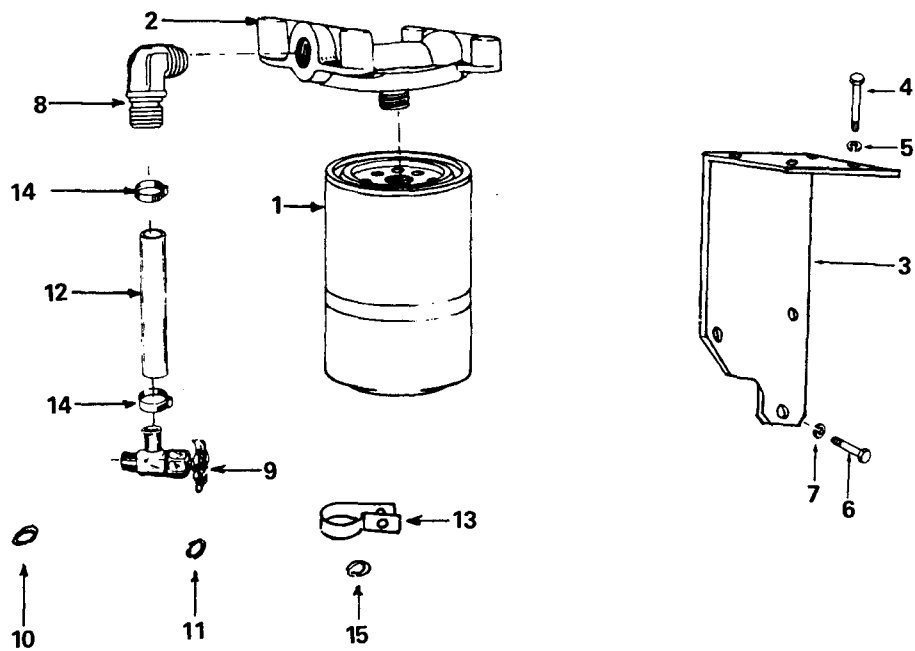
PART NUMBER	PART NAME	NO. REQ'D.	REF. NO.	PART NUMBER	PART NAME	NO. REQ'D.	REF. NO.
	WATER PUMP				WATER PUMP REPAIR KIT		
	All Applications				All Applications		
AR-61788	Pump, water	1		AR-62494	Kit, water pump repair	1	
177596	Bearing, ball	1	1	552335	Bearing, ball	1	2
552335	Bearing, ball	1	2	177596	Bearing, ball	1	1
555260	Body, water pump	1	3	554438	Impeller, water	1	5
107776	Flinger, water pump	1	4	AR-12732	Seal and seat	1	11
554438	Impeller, water pump	1	5	169042	Gasket, water pump	1	14
AR-12732	Seal, and seat	1	11	107776	Flinger, water pump	1	4
553093	Pulley, water pump	1	7	160586	Ring, retaining	1	10
S-995	Plug, pipe	1	8				
S-915-A	Plug, pipe	1					
217632	Plug, pipe	1	9				
160586	Ring, retaining	1	10				
553090	Shaft, water pump	1	12				
	MOUNTING PARTS				WATER INLET CONNECTION		
					All Applications		
178685	Belt, water pump	2		68270	Connection, water	1	16
108707	Capscrew, water pump to block	4	13	S-112	Capscrew, connection	2	17
169042	Gasket, water pump to block	1	14	9221	Gasket, connection	1	18
S-604	Lockwasher	4	15	S-604	Lockwasher	2	19

PARTS INDENTED ARE INCLUDED IN THE PART UNDER WHICH THEY ARE INDENTED



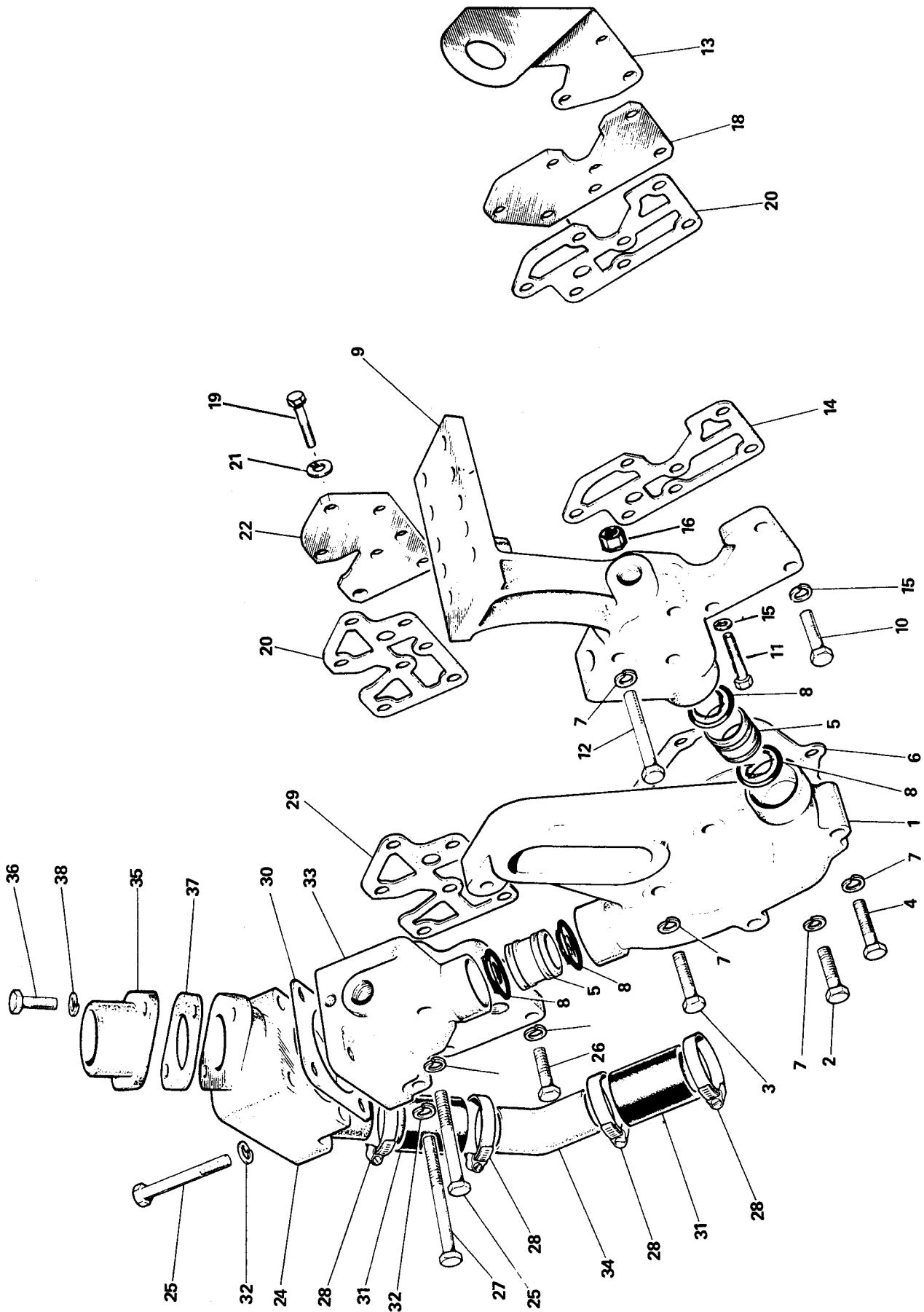
PART NUMBER	PART NAME	NO. REQ'D.	REF. NO.	PART NUMBER	PART NAME	NO. REQ'D.	REF. NO.
HIGH FAN MOUNT							
AR-62215	Hub, fan	1					
S-181-B	Capscrew	2					
553712	Bearing, tapered roller	1	1				
3001281	Bearing, tapered roller	1	2				
556457	Gasket	1	3				
553817	Locknut, slotted hex	1	4				
S-507	Pin, cotter	1	5				
555932	Pulley, fan hub	1	7				
69901	Plug, hex	2	6				
553714	Retainer, fan hub	2	25				
200307	Seal, oil	1	8				
554214	Shaft, fan hub	1	19				
551498	Washer, clamp	1	10				
153411	Washer, clamp	2	20				
556493	Cover, cam/bracket, fan/crossover water	1	11				
556454	Pilot, fan (P Application)	1	12				
182707	Clamp, fan hub	1	16				
554316	Capscrew	2	17				
S-602	Washer	2					
MOUNTING PARTS							
178685	Belt	2					
S-199-A	Capscrew, fan mounting (P)	6	21				
S-604	Lockwasher	6	22				
556865	Spacer, fan (P)	1	23				
S-120	Capscrew, fan mounting (Auto & C)	6	21				
556452	Pilot, fan (Auto & C)	1	12				

PARTS INDENTED ARE INCLUDED IN THE PART UNDER WHICH THEY ARE INDENTED



PART NUMBER	PART NAME	NO. REQ'D.	REF. NO.	PART NUMBER	PART NAME	NO. REQ'D.	REF. NO.
	CORROSION RESISTOR (SPIN-ON TYPE)						
	All Applications						
258859	Resistor, corrosion	1					
299082	Element (WF-2012) Pre-charge	1	1				
299080	Element (WF-2010) Service	1	1				
204163	Head	1	2				
	MOUNTING PARTS						
556561	Bracket	1	3				
S-103-D	Capscrew	4	4				
S-604	Lockwasher	4	5				
S-111	Capscrew	3	6				
S-605	Lockwasher	3	7				
179903	Connector	2	8				
179901	Valve, water shut-off	2	9				
3275037	Spacer	2	10				
179914	Hose, to thermo. housing support	1	12				
179913	Hose, thermo. hsg. to resistor	1	12				
550692	Clip	2	13				
S-103-D	Capscrew	1					
S-604	Lockwasher	1					
551554	Hose, clamp	4	14				
68368-B	Spacer	2	15				

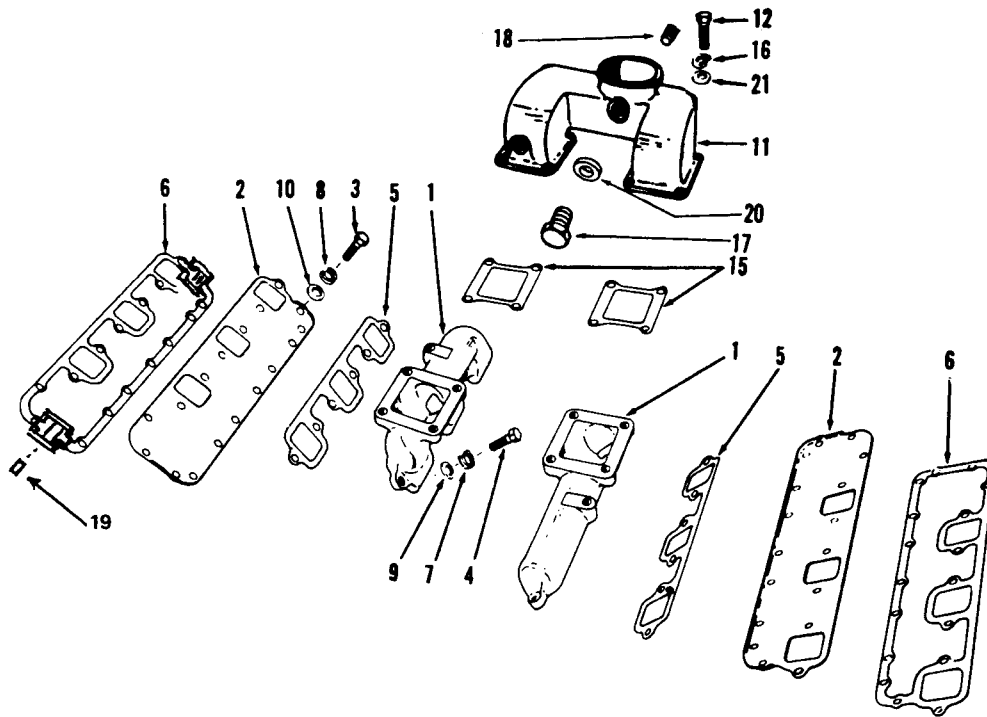
PARTS INDENTED ARE INCLUDED IN THE PART UNDER WHICH THEY ARE INDENTED



THERMOSTAT HOUSING AND WATER CONNECTIONS

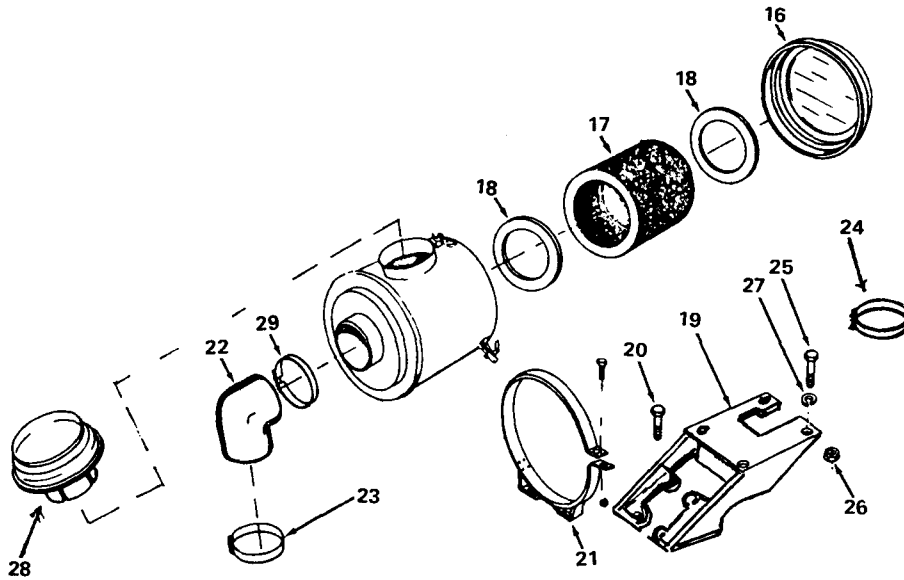
PART NUMBER	PART NAME	NO. REQ'D.	REF. NO.	PART NUMBER	PART NAME	NO. REQ'D.	REF. NO.
	WATER CROSSOVER				THERMOSTAT HOUSING		
556493	Crossover, water (cam cover)	1	1	AR-61692	Housing, thermostat	1	
108707	Capscrew, cover to block	2	2	186780	Seal	1	
S-103-D	Capscrew, cover to block	2	3	555256	Housing, thermostat	1	24
S-104	Capscrew, cover to block	2	4	S-163	Capscrew	5	25
555195	Connection, water transfer	2	5	S-103-D	Capscrew	5	26
550164	Gasket, cover	1	6	S-199-A	Capscrew	1	27
S-604	Lockwasher, cover to block	6	7	550547	Clamp, hose	2	28
555198	"O" ring, sealing	4	8	157290	Gasket, thermostat support	1	29
62981	Screw, fan adjusting	1		553916	Gasket, housing to support	1	30
69901	Plug, pipe	1		3275390	Hose (Moulded)	1	31
650864	Bracket, lifting (P)	1		S-604	Lockwasher	11	32
S-103-D	Capscrew (P)	3		S-908	Plug, pipe (3/8" NPTF)	3	
S-109	Capscrew (P)	4		S-915-A	Plug, pipe (1/8" NPTF)	1	
	Left Bank Front			555199	Support, thermostat housing	1	33
				204586	Thermostat	1	
				108707	Capscrew	4	
				69901	Plug, hex	1	
555189	Cover, cylinder head alt. support	1	9				
168919	Bracket, engine lifting (Auto & C Applications)	1	13				
S-103-D	Capscrew, cover lifting bracket (Auto & C Application)	1	10				
108707	Capscrew (Auto & C Application)	3	11		CONNECTION WATER OUTLET		
S-126	Capscrew, cover to cylinder head (Auto & C Application)	3	12	555348	Connection, water outlet (Auto & C)	1	35
157290	Gasket, cylinder head cover	1	14	S-112	Capscrew	2	36
S-604	Lockwasher	7	15	9221	Gasket	1	37
S-915-A	Plug, pipe	2	16	S-604	Lockwasher	2	38
S-962-E	Drain tap	1		550494	Connection, water outlet (P)	1	35
554500	Plate, alternator steadying	1					
555702	Bolt, shouldered	1					
550830	Bushing, rubber	2					
S-670	Washer	1					
556045	Spacer alt. support	1					
69901	Plug, pipe	1					
	Right Bank Rear						
153298	Plate, cylinder head cover (C & P Applications)	1	18				
553513	Plate, cylinder head cover (Auto)	1	18				
168919	Bracket, engine lifting (Auto & C Applications)	1	13				
S-109	Capscrew (Auto & C Application)	7	19				
157290	Gasket	1	20				
S-604	Lockwasher	7	21				
S-1005-A	Elbow (Auto)	1					
	Left Bank Rear						
152398	Plate, cylinder head cover	1	22				
S-109	Capscrew (Auto & C Applications)	7	19				
157290	Gasket	1	20				
S-604	Lockwasher	7	21				
650864	Bracket, lifting (P)	1					
S-103-D	Capscrew (P)	3	19				
S-109	Capscrew (P)	4	19				

PARTS INDENTED ARE INCLUDED IN THE PART UNDER WHICH THEY ARE INDENTED



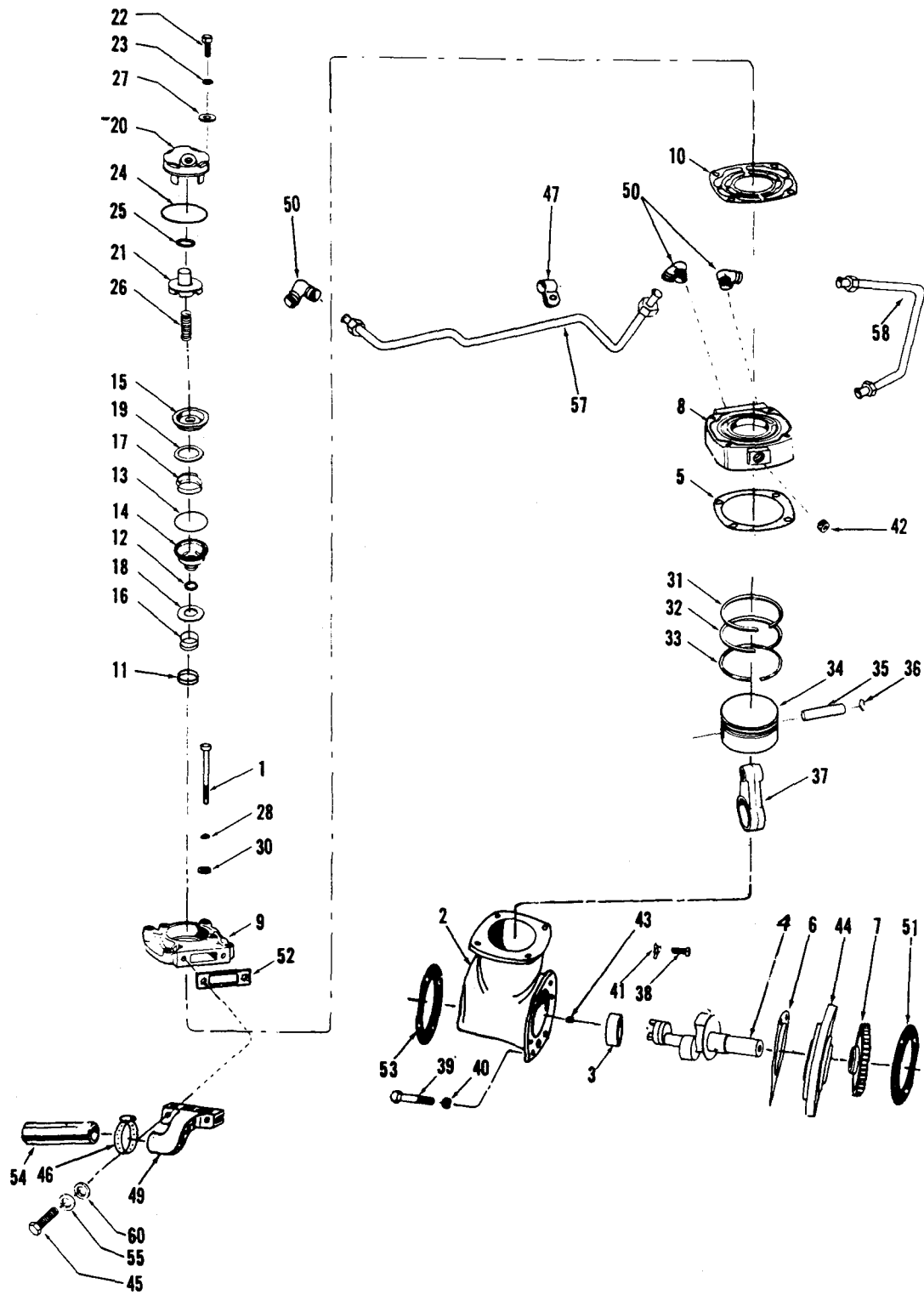
PART NUMBER	PART NAME	NO. REQ'D.	REF. NO.	PART NUMBER	PART NAME	NO. REQ'D.	REF. NO.
	AIR INTAKE MANIFOLD				CONNECTION AIR CROSSOVER		
	All Applications				All Applications		
168066	Manifold, air intake	2	1	168068	Connection, air crossover	1	11
160509	Plate, push tube cover	2	2				
	MOUNTING PARTS				MOUNTING PARTS		
S-110	Capscrew, plate to block	19	3	S-103-D	Capscrew, connection	8	12
S-103-D	Capscrew, manifold to plate	12	4	168069	Gasket, connection	2	15
154415	Gasket, intake manifold	2	5	S-604	Lockwasher, connection	8	16
AR-62293	Gasket, push tube cover	2		66030	Plug, pipe	1	17
555959	Gasket, push tube cover	2		69901	Plug, pipe	1	18
556371	Insert, push tube cover	4	19	66292	Washer, copper	1	20
S-604	Lockwasher, manifold	12	7	S-602	Washer, plain	8	21
S-605	Lockwasher, cover plate	22	8	S-910-B	Plug, pipe	1	
S-602	Washer plain, manifold	12	9	S-932-B	Nipple (Auto only)	1	
S-626	Washer, cover plate	22	10				

PARTS INDENTED ARE INCLUDED IN THE PART UNDER WHICH THEY ARE INDENTED



PART NUMBER	PART NAME	NO. REQ'D.	REF. NO.	PART NUMBER	PART NAME	NO. REQ'D.	REF. NO.
	AIR CLEANER						
	P Application Only						
650051	Cleaner, air	1					
650056	Cover	1	16				
650055	Element (AF-265)	1	17				
650058	Seal	2	18				
	MOUNTING PARTS						
650667	Air cleaner bracket	1	19				
108707	Capscrew	4	20				
650041	Strap air cleaner	2	21				
650356	Elbow	1	22				
125740	Tee bolt, hose clamp	1	23				
140311	Hose clamp	1	24				
S-129	Capscrew	4	25				
S-205	Nut	4	26				
S-604	Lockwasher	4	27				
650059	Stack cap	1	28				
140312	T-Bolt, clamp	1	29				

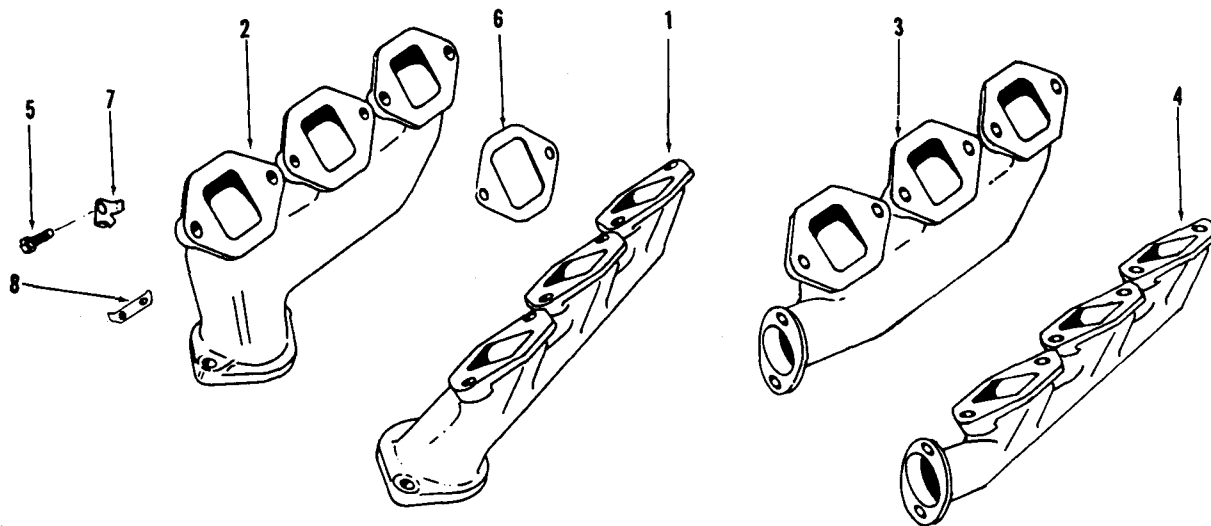
PARTS INDENTED ARE INCLUDED IN THE PART UNDER WHICH THEY ARE INDENTED



CUMMINS COMPACT AIR COMPRESSOR

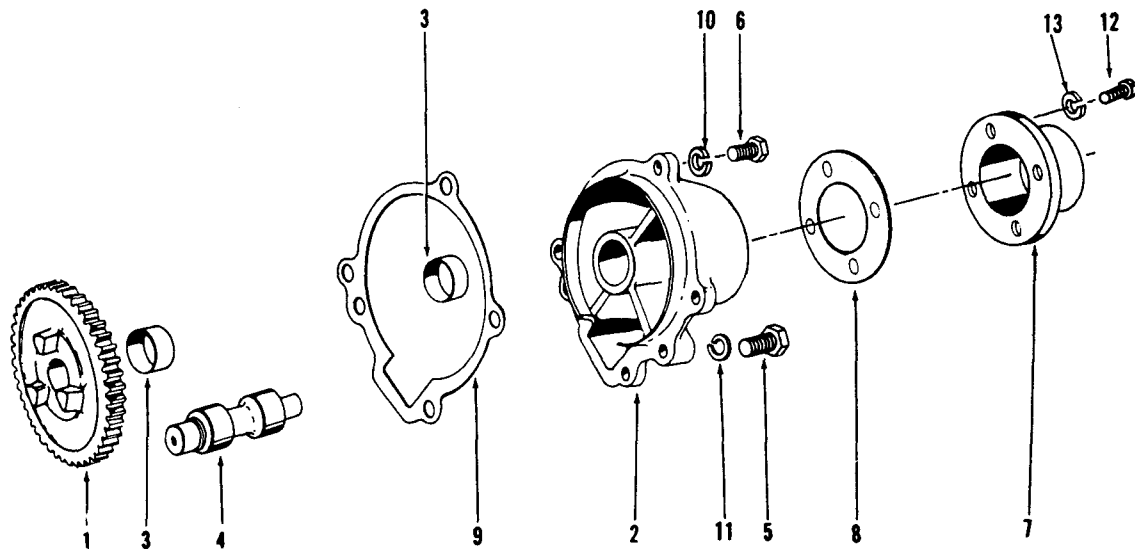
PART NUMBER	PART NAME	NO. REQ'D.	REF. NO.	PART NUMBER	PART NAME	NO. REQ'D.	REF. NO.
	AIR COMPRESSOR				MOUNTING PARTS		
	Auto Only						
AR-73658	Compressor, air	1		S-111	Capscrew, air connection	2	45
S-155-A	Capscrew, head to crankcase	4	1	550788	Clamp, hose	2	46
BM-98685	Crankcase, compressor (176025)	1	2	176038	Connection, air	1	49
147610	Bushing, crankshaft	1	3	S-1005-A	Elbow, flexible hose	3	50
202780	Crankshaft, compressor	1	4	167993	Gasket, support	1	51
154018	Gasket, head to crankcase	1	5	157911	Gasket, air connection	1	52
176027	Gasket, support	1	6	200817	Gasket, fuel pump to compressor	1	53
554645	Gear, compressor drive	1	7	179124	Hose	1	54
AR-73074	Head assembly	1		S-605	Lockwasher	2	55
218793	Head, air compressor	1	8	S-1002-A	Connection, straigh	1	
153964	Cover, air compressor head	1	9	553512	Tube, water inlet	1	57
154996	Gasket	1	10	S-1004-A	Nut	2	
183429	Wearplate	1	11	S-1003-A	Sleeve	2	
AR-73075	Intake and exhaust valve assembly	1		553514	Tube, water outlet	1	58
128085	"O" ring	1	12	S-1004-A	Nut	2	
128086	"O" ring	1	13	S-1003-A	Sleeve	2	
144714	Seat, exhaust valve	1	14	S-626	Washer, plain	2	60
145028	Seat, intake valve	1	15	3005584	Bracket, fuel pump to compressor	1	
128080	Spring, exhaust valve	1	16	S-112	Capscrew	2	
190334	Spring, intake valve	1	17	S-602	Washer	2	
127940	Valve, exhaust	1	18	S-604	Lockwasher	2	
144948	Valve, intake	1	19	554613	Capscrew (compressor to bracket)	1	
AR-73076	Unloading valve assembly	1					
153966	Body, unloader valve	1	20				
191037	Cap, unloader	1	21		GASKET SET		
S-107	Capscrew	2	22	AR-73308	Gasket, set air compressor	1	
S-605	Lockwasher	2	23				
211315	"O" ring	1	24				
127936	Seal, plunger	1	25				
217557	Spring, unloader valve	1	26				
109557	Washer	2	27				
S-605	Lockwasher, head to crankcase	4	28				
105375	Nameplate, serial number	1					
S-2267	Screw, nameplate	2					
S-626	Washer, plain	4	30				
AR-73350	Ring set, compression (Std)	1					
650330	Ring	1	31				
187350	Ring, compression	1	32				
180810	Ring, oil	1	33				
BM-77410	Piston assembly (Std)	1					
165430	Piston, air compressor	1	34				
119810	Pin, piston	1	35				
119859	Ring, snap	2	36				
176023	Rod, connecting	1	37				
S-112	Capscrew	4	38				
S-103-D	Capscrew	2	39				
S-604	Lockwasher	2	40				
550720	Lockplate	4	41				
S-915-A	Plug, pipe	1	42				
217631	Plug, pipe	1	43				
680187	Support	1	44				
650792	Plug, pipe (crankshaft)	1					

PARTS INDENTED ARE INCLUDED IN THE PART UNDER WHICH THEY ARE INDENTED



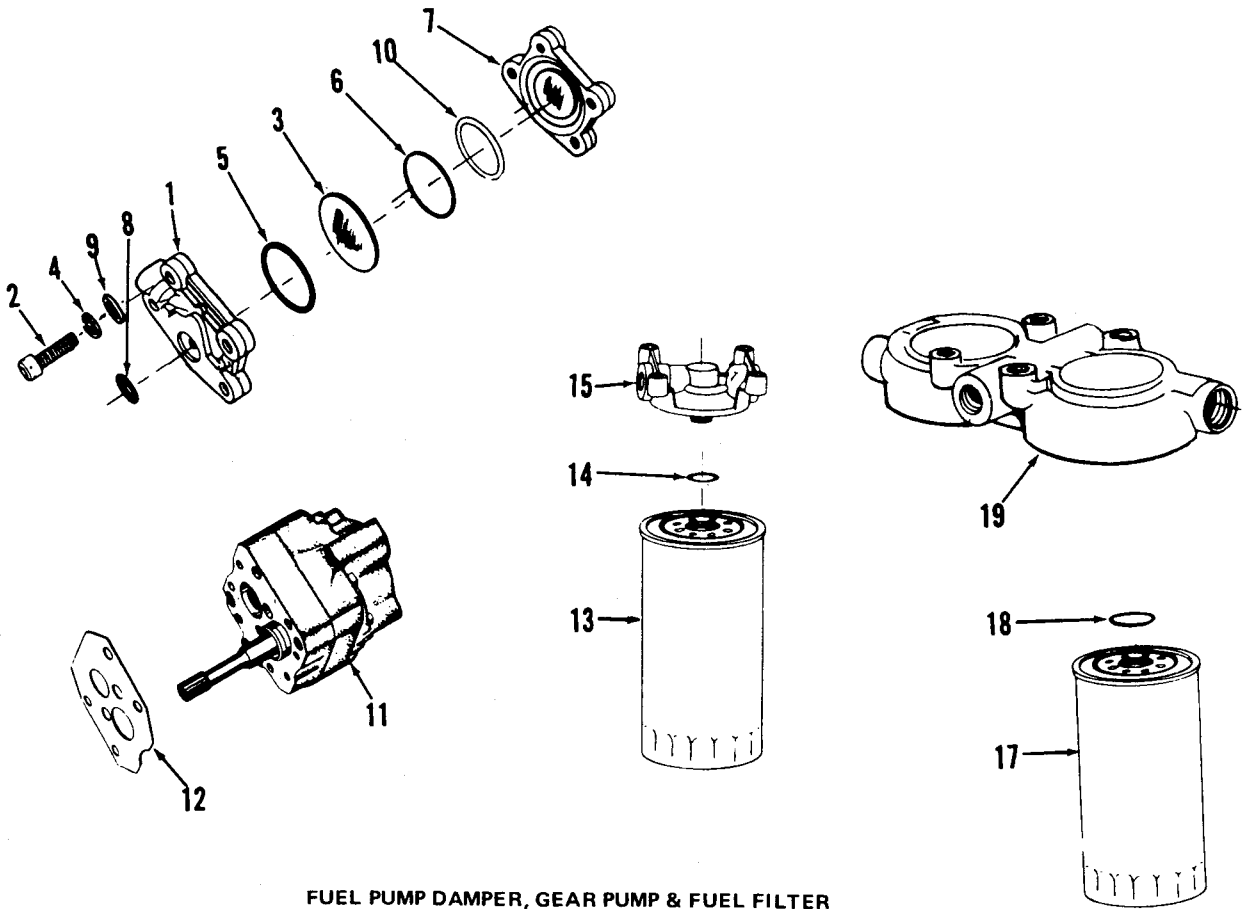
PART NUMBER	PART NAME	NO. REQ'D.	REF. NO.	PART NUMBER	PART NAME	NO. REQ'D.	REF. NO.
	EXHAUST MANIFOLD				MOUNTING PARTS		
168001	Manifold, exhaust (L.B.) (Auto)	1	1	108707	Capscrew, manifold	12	5
550336	Manifold, exhaust (R.B.) (Auto)	1	2	556356	Gasket, manifold	2	6
171629	Manifold, exhaust (L.B.) (C & P)	1	3	556711	Lockplate	4	7
171628	Manifold, exhaust (R.B.) (C & P)	1	4	551108	Lockplate	4	8
				556710	Spacer	12	
				168005	Exhaust flange (P)	2	
				168004	Gasket, exhaust outlet (P)	2	
				108707	Capscrew, flange (P)	4	
				175282	Lockplate, flange (P)	4	
				S-254	Nut, flange (P)	4	

PARTS INDENTED ARE INCLUDED IN THE PART UNDER WHICH THEY ARE INDENTED

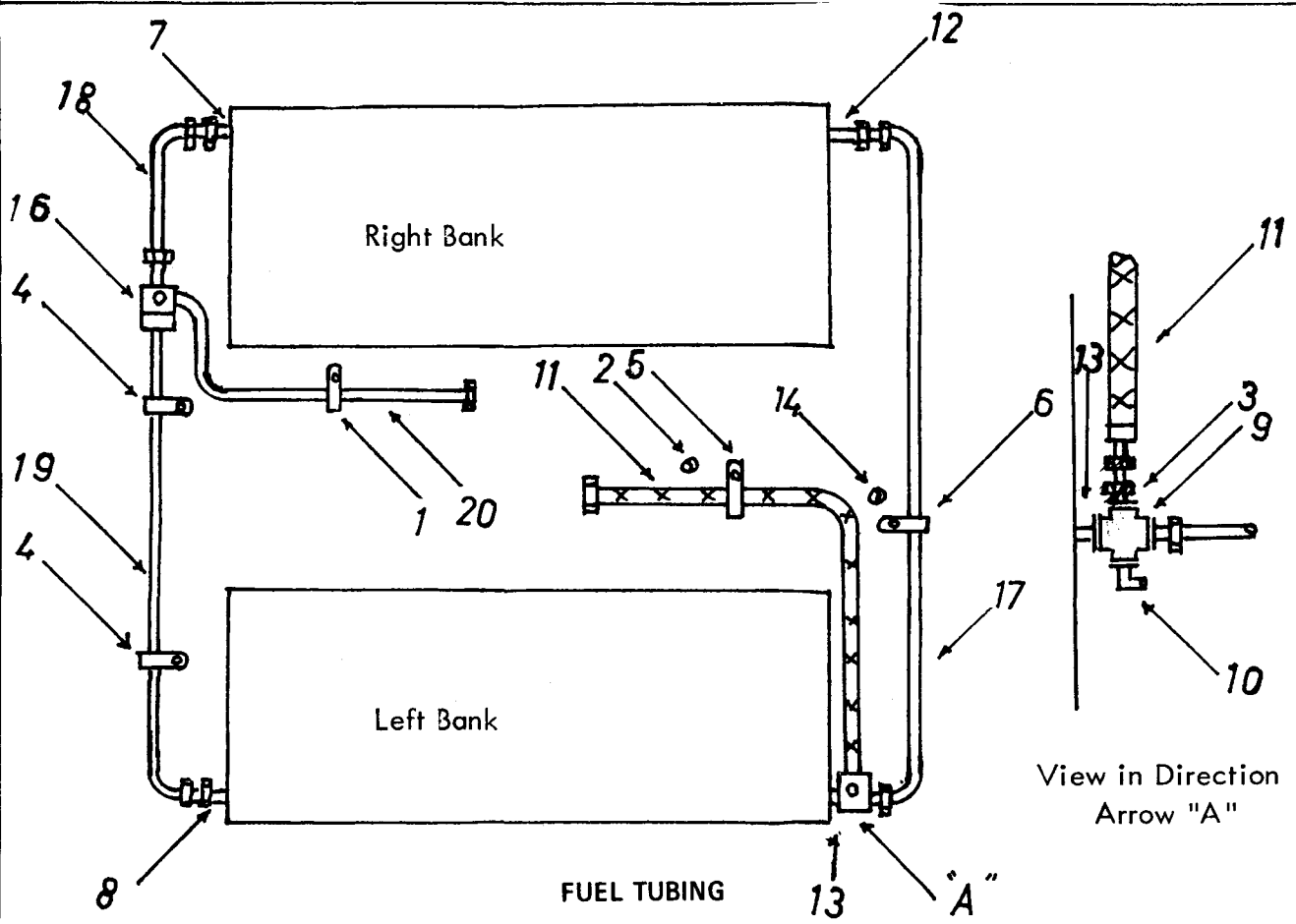


PART NUMBER	PART NAME	NO. REQ'D.	REF. NO.	PART NUMBER	PART NAME	NO. REQ'D.	REF. NO.
	FUEL PUMP DRIVE				FUEL PUMP DRIVE		
	P Application				C Application		
BM-93760	Drive, fuel pump	1		AR-61319	Cover, gear housing	1	
177097	Gear, drive	1	1	554002	Gear, housing cover	1	
BM-93759	Housing, drive (171635)	1	2	202840	Bushing, shaft	1	
147610	Bushing, shaft	2	3	AR-61040	Access driveshaft	1	
171636	Shaft, drive	1	4	553024	Support, fuel pump	1	
				217631	Plug, pipe	1	
				203391	Shaft, access drive	1	
				554645	Gear	1	
	MOUNTING PARTS				MOUNTING PARTS		
S-105-A	Capscrew, drive	2	5				
S-105	Capscrew, drive	2	6				
551160	Cover, drive shaft	1	7				
164059	Gasket, cover	1	8	153433	Gasket	1	
153433	Gasket, support	1	9	S-163	Capscrew	4	
S-604	Lockwasher, drive	2	10	S-604	Washer, spring lock	4	
S-610	Lockwasher, drive	2	11	S-602	Washer	4	
131449	Screw, cover	4	12	200817	Gasket	1	
S-607	Washer, cover	4	13				
200817	Gasket	1					

PARTS INDENTED ARE INCLUDED IN THE PART UNDER WHICH THEY ARE INDENTED

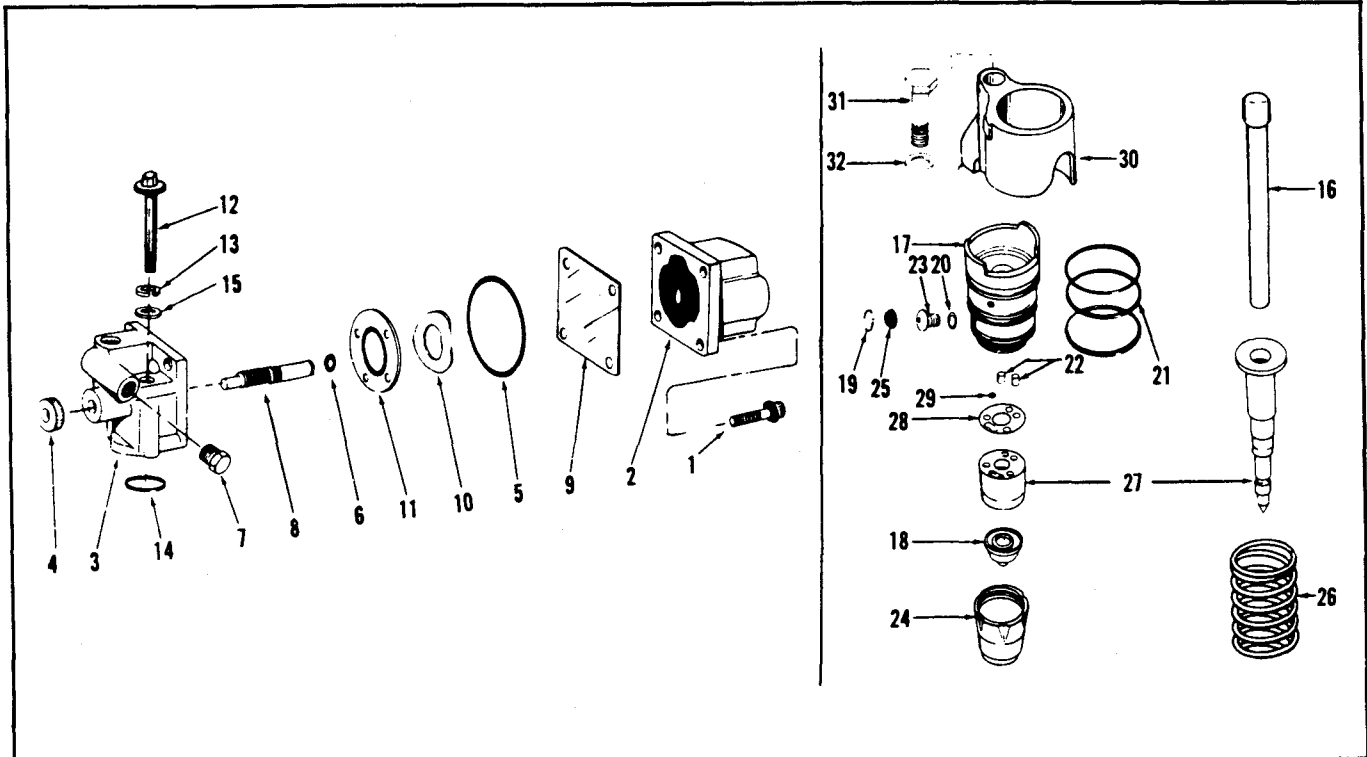


FUEL PUMP DAMPER, GEAR PUMP & FUEL FILTER



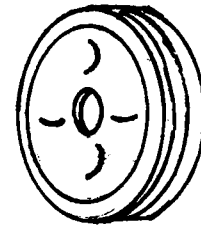
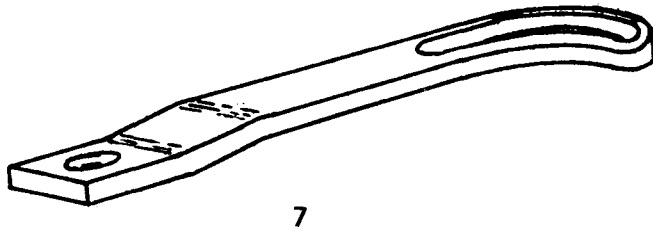
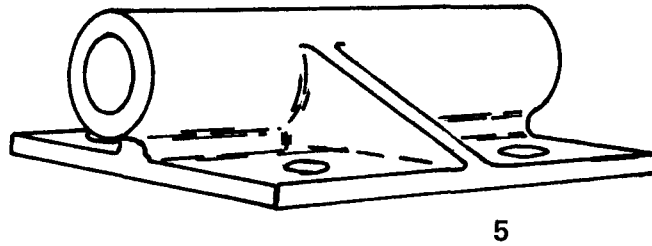
PART NUMBER	PART NAME	NO. REQ'D.	REF. NO.	PART NUMBER	PART NAME	NO. REQ'D.	REF. NO.		
PT FUEL PUMP SYSTEM				MOUNTING FUEL FILTER					
<p>Each Cummins PT Fuel Pump is calibrated to obtain the best performance and fuel economy for your engine. Your Cummins Distributor or Dealer has the special tools required for complete rebuild and calibration.</p> <p>Caution: Do not disturb the fuel pressure settings or the throttle screw settings, as serious damage to your engine may result.</p> <p>Only PT Fuel System parts which can be replaced without pump calibration are listed here. Your Cummins Distributor will record the specific part number of your complete PT Fuel Pump in the front of this catalog.</p>				<p>AS1003300SS 556480 S-120 S-604 S-103-D 3006640 68368-B</p>				<p>Hose, fuel filter 1 Bracket 1 Capscrew 3 Lockwasher 7 Capscrew 4 Clip, hose 2 Spacer 1</p>	
<p>FUEL PUMP DAMPER</p> <p>All Applications</p>				<p>IP Application</p>					
				156171	Filter, fuel	1			
				FF-105-D	Cartridge (156172)	1	13		
				255622	Gasket, cover	1	14		
				142784	Head	1	15		
				129859	Elbow	2			
				MOUNTING FUEL FILTER					
				555067	Bracket	1			
				103023	Capscrew	3			
				S-112	Capscrew	4			
				S-604	Lockwasher	4			
				AS1003600SS	Hose	1			
				3006640	Clamp	1			
				S-610	Lockwasher	3			
				FUEL TUBING					
				551394	Clip, assembly	1	1		
				65297	Spacer	1	2		
				112105	Elbow	1	3		
				556539	Clip, assembly	2	4		
				554013	Clip, assembly	1	5		
				555079	Clip, assembly	1	6		
				S-1003-1	Connector (R.B.)	1	7		
				S-1003-1	Connector (L.B.)	1	8		
				554011	Cross-piece	1	9		
				43765-A	Elbow, drain (L.B. rear)	1	10		
				AS0403000SS	Hose, flex (Auto only)	1	11		
				AS0402400SS	Hose, flex (C & P Application)	1	11		
				553057	Connector, male	1	12		
				69187	Nipple, male	1	13		
				62087	Spacer, clip assembly	1	14		
				S-1006-1	"T" piece	1	16		
				554009	Tube, fuel	1	17		
				553308	Tube, fuel	1	18		
				556236	Tube, assembly	1	19		
				555142	Tube, fuel (Auto only)	1	20		
				554348	Tube, fuel (C only)	1	20		
				556899	Tube, fuel (P only)	1	20		
				FUEL FILTER					
				554241	Bracket	1			
				S-604	Lockwasher	7			
				S-103-D	Capscrew	4			
				AS1001800SS	Hose	1			
				S-112	Capscrew	3			
				C Application					
				AR-13274	Filter, fuel	1			
				FF-105-D	Cartridge (156172)	2	17		
				255622	"O" ring, element	2	18		
				212013	Head, fuel filter	1	19		
				129859	Elbow	2			

PARTS INDENTED ARE INCLUDED IN THE PART UNDER WHICH THEY ARE INDENTED



PART NUMBER	PART NAME	NO. REQ'D.	REF. NO.	PART NUMBER	PART NAME	NO. REQ'D.	REF. NO.
	SHUTDOWN VALVE				INJECTOR		
	Auto Application				All Applications		
BM-69973	Valve, shutdown (12V, 1 pole)	1		3275273	Injector PT (type D)	6	
187556	Capscrew, coil to housing	4	1	194041	Link, injector	6	16
134072	Coil assembly	1	2	3275539	Injector, less link	6	
129826	Housing, valve	1	3	AR-73354	Adapter and pin	6	
129838	Knob, manual override	1	4	(556895)	Adapter	6	17
129888	"O" ring, coil to housing	1	5	165296	Pin, roll	12	22
190876	"O" ring, shaft	1	6	3275266	Cup, injector	6	18
70295	Plug, pipe	1	7	174299	Clip, filter screen	6	19
3000266	Shaft, manual override	1	8	173086	Gasket, orifice	6	20
129839	Shield, fuel	1	9	101754	"O" ring	18	21
129768	Spring	1	10	173085	* Plug, orifice	6	23
129827	Valve	1	11	556894	Retainer, cup	6	24
S-607	Lockwasher	4		174298	Screen, filter	6	25
				166009	Spring, injector	6	26
				AR-40063	Barrel and plunger (187326)	6	27
				185782	Gasket	6	28
				167157	Ball, check	6	24
	MOUNTING PARTS				* Reference only		
S-189-C	Capscrew, valve to housing	2	12				
181466	Lockwasher	2	13				
154087	"O" ring	1	14				
67684	Washer, plain	2	15				
S-1004-1	Elbow	1					
	SHUTDOWN VALVE AND MOUNTING PARTS			552458	Clamp, injector	6	30
	P Applications			166392	Capscrew, hex head	6	31
	Same as above except:			69280	Washer, plain	6	32
OMIT:							
BM-69973	Valve, shutdown	1					
134072	Coil, assembly	1	2				
ADD:							
AR-05535	Valve, shutdown	1					
134074	Coil, assembly	1	2				

PARTS INDENTED ARE INCLUDED IN THE PART UNDER WHICH THEY ARE INDENTED

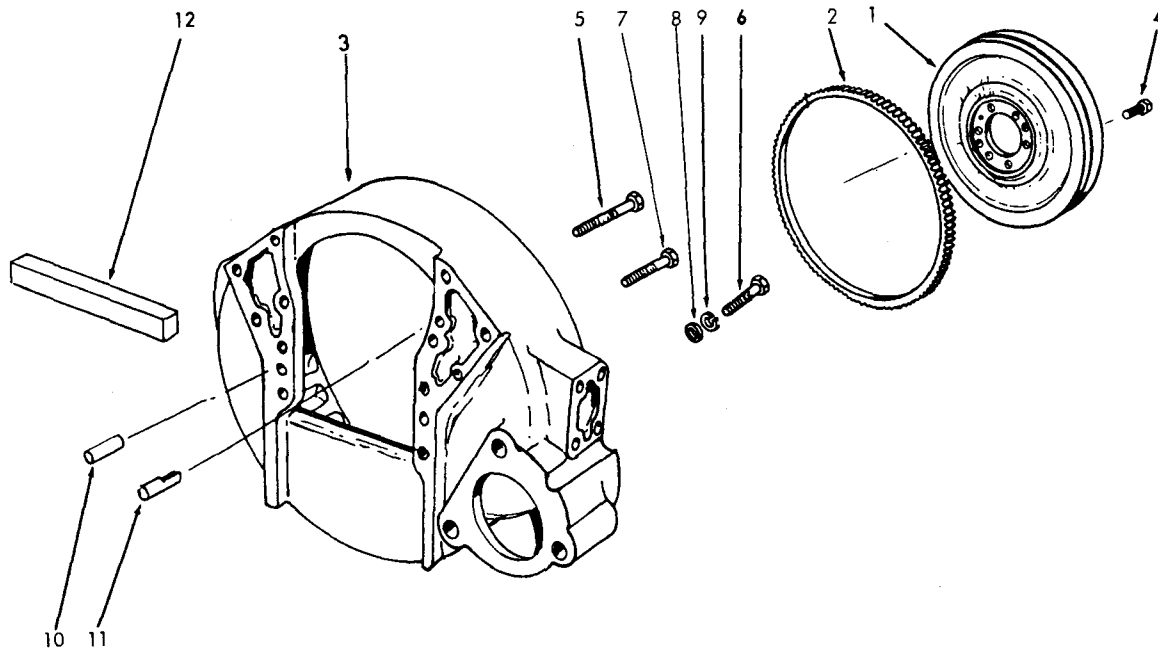


PART NUMBER	PART NAME	NO. REQ'D.	REF. NO.	PART NUMBER	PART NAME	NO. REQ'D.	REF. NO.
	ELECTRICAL EQUIPMENT				STARTING MOTOR		
204559	Alternator (C & P Only)	1			C & P Application		
AR-02336	Connector, regulator (C only)	1					
554999	Pulley, alternator (P & C only)	1	2	3011895	Motor, starting	1	
204561	Regulator (C only)	1		S-106	Capscrew, motor	3	
104597	Plate, instruction	1		S-608	Lockwasher, motor	3	
	MOUNTING PARTS				C Application		
				ADD:			
556116	Bracket, alternator	1	5	114123	Gasket, motor	1	
556126	Link, alternator	1	7				
S-112	Capscrew	4					
S-604	Lockwasher	4					
S-103-D	Capscrew, alternator bracket	1					
553604	Washer, hardened steel	1					
S-158-C	Capscrew	1					
554194	Washer, hardened steel	2					
555500	Nut, hug lock	1					
S-145	Capscrew	1					
554194	Washer, hardened steel	2					
178447	Belt (C & P)	2					

PARTS INDENTED ARE INCLUDED IN THE PART UNDER WHICH THEY ARE INDENTED

PART NUMBER	PART NAME	NO. REQ'D.	REF. NO.	PART NUMBER	PART NAME	NO. REQ'D.	REF. NO.
	RADIATOR				MOTOR TIE ROD		
	P Application only						
3276090	Radiator			554647	Tie rod	2	
				S-201	Nut	8	
				S-603	Washer, springlock	4	
	MOUNTING PARTS				REAR SUPPORT		
550844	Bracket	1					
116935	Adapter	2		553627	Support, rear	1	
650814	Adapter	1		S-145	Capscrew	4	
3276085	Bushing	2		S-608	Spring, lockwasher	4	
S-109	Capscrew	2					
S-194	Capscrew	8					
S-115-C	Capscrew	8					
S-144	Capscrew	2					
43828-D	Clamp	6		555046	Instrument panel	1	
43828-A	Clamp	2		701213	Ammeter	1	
67950	Clip	3		554646	Bracket, instrument panel	1	
102234	Hose	1		556393	Back plate	1	
69972	Hose	2		554216	Block and terminal	2	
AS0502660SS	Hose	1		650427	Case, instrument	1	
554947	Hose	1		S-159-B	Capscrew	4	
S-604	Lockwasher	4		S-109	Capscrew	2	
S-603	Lockwasher	2		S-115-C	Capscrew	2	
S-600	Lockwasher	8		68138	Connection	2	
S-201	Nut	2		S-1059	Coupling	1	
S-276	Nut	26		556347	Gauge, water temperature	1	
S-205	Nut	12		705066	Gauge, pressure	1	
S-223	Nut	2		650525	Hourmeter	1	
650385	Pipe	1		650442	Mounting	4	
3276062	Spacer	1		S-270	Nut	4	
554591	Stay, radiator (R.B.)	1		S-223	Nut	2	
554590	Stay, radiator (L.B.)	1		S-251	Nut	4	
179901	Valve, shut-off	1		S-256	Nut	2	
650387	Vibration, isolator	2		118367	Plate, indicator	1	
S-602	Washer	14		162201	Regulator	1	
S-658	Washer	4		153030	Relay	1	
				S-1334	Screw, machine	4	
				131678	Screw, machine	2	
	RADIATOR FAN GUARD			S-600	Spring, lockwasher	12	
				66501	Switch	1	
S-195-A	Capscrew	8		102057	Start switch	1	
651069	Fan, sucker	1		70427	Washer	4	
650406	Guard, fan	1		150348	Shock mounting assembly	1	
S-600	Washer, lock	8		69274	Elbow	1	
146159	Washer	8		504013	Clip	3	
				S-604	Washer, spring lock	4	
				650529	Support Throttle cvr.	1	
				S-117	Capscrew	2	
	RESTRICTOR INDICATOR						
558292	Adapter	1		AS0404200SS	Hose	1	
S-171-C	Capscrew	2		187734	Throttle control	1	
550465	Clip	2					
650817	Flange	1					
173214	Indicator	1					
650819	Insert	1					
S-600	Lockwasher	2					
S-224	Nut	2					
650818	Tap	1					
555663	Tube, nylon	1					
	WIRING HARNESS						
555595	Wiring harness	1					

PARTS INDENTED ARE INCLUDED IN THE PART UNDER WHICH THEY ARE INDENTED



FLYWHEEL, RING GEAR & HOUSING

PART NUMBER	PART NAME	NO. REQ'D.	REF. NO.	PART NUMBER	PART NAME	NO. REQ'D.	REF. NO.
	STANDARD FLYWHEEL, RING GEAR AND HOUSING				MOUNTING PARTS		
					C Application		
BM-99705	Flywheel & Ring Gear Assembly (P & C)	1		554316	Cap screw, flywheel mounting	8	4
185539	Flywheel (P & C)	1	1	S-187	Cap screw	4	
154849	Ring gear, flywheel (P & C)	1	2	108601	Cap screw	2	
BM-99688	Flywheel & ring gear assembly (Auto only)	1		S-106	Cap screw	4	5
182853	Flywheel (Auto only)	1		106289	Cap screw	7	7
154849	Ring gear flywheel (Auto only)	1		S-608	Lockwasher	13	9
168643	Flywheel housing (Auto)	1	3	69562	Master, Dowel	2	10
172647	Flywheel housing (C)	1		556346	Dust, seal	1	12
551462	Flywheel housing (P)	1	3	145601	"O" ring	1	
				3275255	Ring, rect sealing	11	
	MOUNTING PARTS				GASKET SETS		
	Auto & P Application						
108601	Cap screw	2		AR-62508	Gasket, set engine	1	
S-106	Cap screw	4	5	AR-63506	Gasket, set cylinder head	1	
106289	Cap screw	9	7	BM-68356	Gasket, set fuel pump	1	
203310	Washer	13	8	AR-40445	Gasket, set fuel pump VS	1	
S-608	Lockwasher	13	9	AR-73308	Gasket, set air compressor	1	
69562	Master dowel	2	10				
556346	Dust seal	1	12				
554316	Cap screw, flywheel mounting	8	4				
S-136	Cap screw	2					
S-187	Cap screw	4					

PARTS INDENTED ARE INCLUDED IN THE PART UNDER WHICH THEY ARE INDENTED