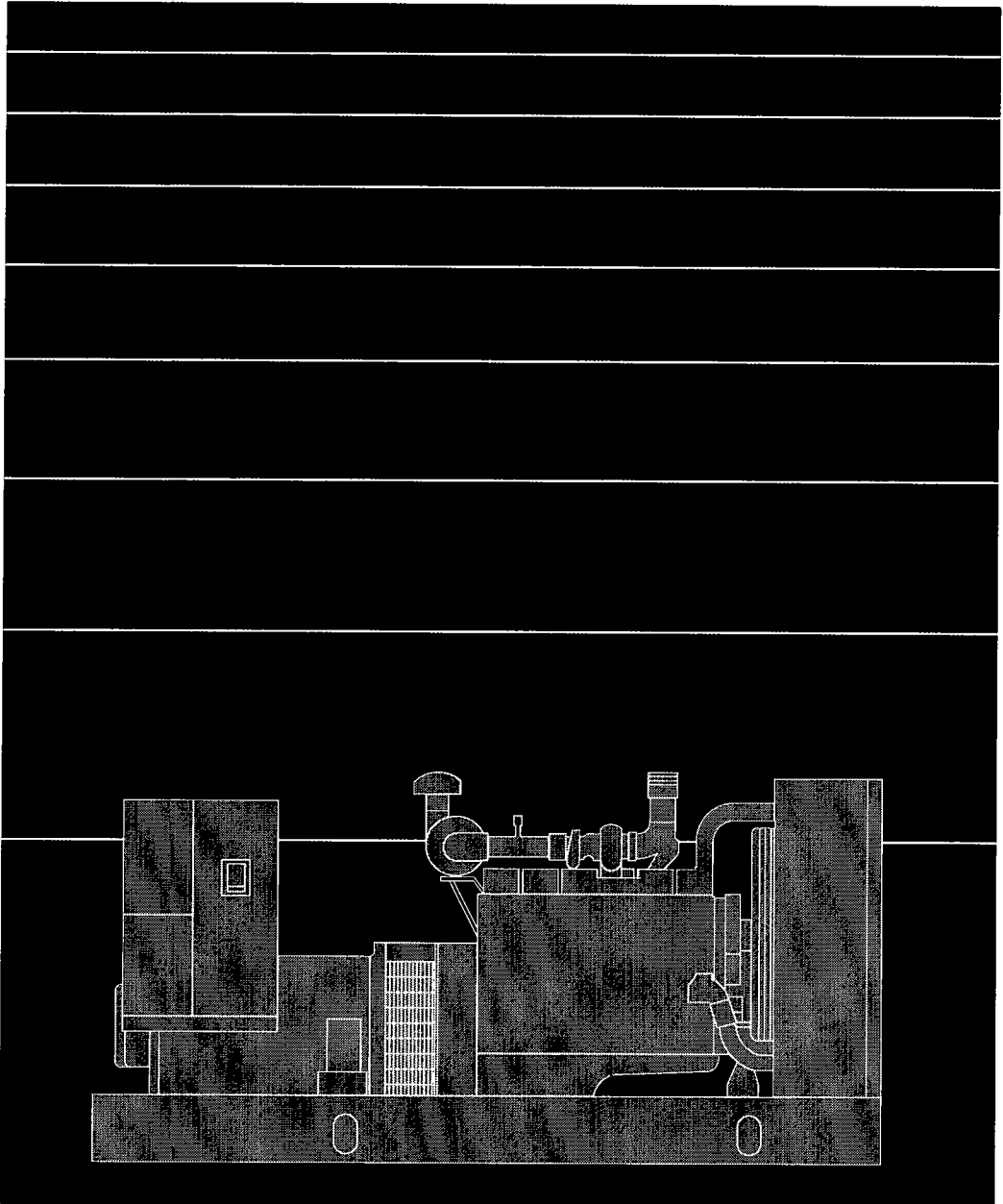




Parts Catalog

DGDA
DGDB
GENERATOR SET



Introduction

This catalog applies to the standard generator models DGDA and DGDB as listed in the Generator Set Data Table. Parts are arranged in groups of related items and each illustrated part is identified by a reference number corresponding to the same reference number in the parts list. Parts illustrations are typical. Unless otherwise mentioned in the description or page heading, parts are interchangeable between models. Throughout this catalog left and right sides are determined by facing the engine end (front) of the set.

Engine parts that have been modified or added by Onan are identified in this catalog. All other engine replacement parts must be ordered from the engine manufacturer by referring to the engine manufacturer's nameplate and supplying all available information. Contact your nearest engine parts distributor for assistance in ordering replacement parts.

Replacement Engine

Onan/Cummins Generator Model	Cummins Engine Model
DGDA DGDB	6BT 5.9-G2 Spec No. SES1695 6BT 5.9-G2 Spec No. SES1695

Replacement engines cannot be ordered from Onan.
Order from your nearest Cummins distributor.

Generator Set Data Table

Model Specification	Electrical Data					Battery Voltage
	Watts	Volts	Hertz	Wire	Phase	
65DGDA *	65,000	#	50	4,6,12	1 or 3	24 VDC
80DGDA *	80,000	#	60	4,6,12	1 or 3	24 VDC
85DGDB *	85,000	#	50	4,6,12	1 or 3	24 VDC
100DGDB *	100,000	#	60	4,6,12	1 or 3	24 VDC

* – The specification number denotes customer requested options or deviations from the standard model. The specification letter advances (K to L, L to M, etc.) with major manufacturing changes.

– Broad Range Reconnectible

Index

- Actuator, Electronic Governor, **25**
- Adapter, Exhaust, **26**
- Adapter, Generator, **49**
- Adapter, Generator Stator, **49**
- Alarm, Audible, **68**
- Alarm, Bell – Circuit Breaker – Non–UL Approved, **77**
- Alarm, Common, **62**
- Alarm, Low Fuel, **9**
- Alternator, Engine, **39**
- Ammeter – AC Control Door, **58**
- Ammeter – Blank Scale – Emergency Stop Switch, **74**
- Ammeter – Blank Scale – Oil Temperature Gauge, **73**
- Ammeter – Blank Scale – Tachometer, **72**

- Band, Mounting – Air Cleaner, **8**
- Base, Auxiliary Terminal Block, **43**
- Base, Relay – Low Battery Voltage, **67**
- Basin, Rupture, **23**
- Bearing, Ball – Generator, **49**
- Bell, End, **49**
- Block, Terminal – Auxiliary, **43**
- Block, Terminal – Control Box, **57**
- Block, Terminal – Generator Heater, **45**
- Board, Printed Circuit – Alarm Relay, **61**
- Board, Printed Circuit – Common Alarm, **62**
- Board, Printed Circuit – Electronic Overspeed, **63**
- Board, Printed Circuit – Engine Monitor, **57**
- Board, Printed Circuit – Fuel Tank Control, **22**
- Board, Printed Circuit – Isolation Transformer, **60**
- Board, Printed Circuit – Over/Under Voltage Relay, **64**
- Board, Printed Circuit – Time Delay Start/Stop, **65**
- Board, Printed Circuit – Voltage Regulator, **60**
- Box, Control, **57**
- Box, Control – Fuel Tank, **22**
- Box, Entrance, **41**
- Box, Mounting – Circuit Breaker – Non–UL Approved, **77**
- Box, Mounting – Circuit Breaker – UL Approved, **78**
- Box, Mounting – Control Housing, **40**
- Box, Terminal – Generator Heater, **45**
- Bracket, Mounting – Air Cleaner, **8**
- Bracket, Mounting – Day Tank – With Control, **17**
- Bracket, Mounting – Day Tank – With Fuel Tank Pump and Control, **19**
- Bracket, Mounting – Day Tank – Without Fuel Tank Pump or Control, **15**
- Bracket, Mounting – Electronic Governor Control, **25**
- Bracket, Mounting – Float Switch, **24**
- Bracket, Mounting – Fuel Tank Pump – Day Tank – With Fuel Tank Pump and Control, **19**
- Bracket, Mounting – Fuel Tank Pump – Subbase Fuel Tank Control, **21**
- Bracket, Mounting – Generator Foot, **49**
- Bracket, Mounting – Over/Under Frequency Relay, **66**
- Bracket, Mounting – Overspeed Switch, **47**
- Bracket, Mounting – Remote Radiator, **31**
- Bracket, Mounting – Transformer – Auxiliary Terminal Block, **43**

- Bracket, Mounting – Watts Transducer, **69**
- Bracket, Retainer – Battery, **37**
- Breaker, Circuit – AC – AC Control Door, **70**
- Breaker, Circuit – AC – Fuel Tank Control, **22**
- Breaker, Circuit – DC – Fuel Tank Control, **22**
- Breaker, Circuit – Non–UL Approved, **77**
- Breaker, Circuit – UL Approved, **79**
- Bulb, Replacement – Emergency Stop Switch, **74**

- Cable, Battery, **7**
- Cable, Control Heater, **55**
- Cable, Oil Heater, **42**
- Cable, Shielded – Potentiometer – Speed Adjusting, **71**
- Cap, End – Subbase Fuel Tank – Dual Wall – 12 or 24 Hour, **13**
- Cap, End – Subbase Fuel Tank – Single Wall – 24 Hour, **11**
- Cap, Fuel – Day Tank – With Control, **17**
- Cap, Fuel – Day Tank – With Fuel Tank Pump and Control, **19**
- Cap, Fuel – Day Tank – Without Fuel Tank Pump or Control, **15**
- Cap, Fuel – Subbase Fuel Tank – Dual Wall – 12 or 24 Hour, **13**
- Cap, Fuel – Subbase Fuel Tank – Single Wall – 24 Hour, **11**
- Cap, Radiator, **33**
- Cap, Rain – Muffler, **27**
- Cap, Vent – Subbase Fuel Tank – Dual Wall – 12 or 24 Hour, **13**
- Capacitor, Voltmeter, **58**
- Cartridge, Generator Heater, **45**
- Cleaner, Air, **8**
- Cock, Drain – Radiator, **33**
- Contact, Auxiliary – Circuit Breaker – Non–UL Approved, **77**
- Control, Electronic Governor, **25**
- Control, Fuel Tank – Components, **22**
- Control, Fuel Tank – Day Tank – With Control, **17**
- Control, Fuel Tank – Day Tank – With Fuel Tank Pump and Control, **19**
- Control, Fuel Tank – Subbase Fuel Tank Control, **21**
- Cover, Belt Guard – Remote Radiator, **31**
- Cover, Box – Circuit Breaker – Non–UL Approved, **77**
- Cover, Box – Circuit Breaker – UL Approved, **78**
- Cover, Box – Fuel Tank Control, **22**
- Cover, End Bell – Overspeed Switch, **47**
- Cover, End Bell – Permanent Magnet Exciter, **46**
- Cover, Entrance Box, **41**
- Cover, Stator – Generator, **49**
- Cover, Terminal Box – Generator Heater, **45**
- Cushion, Vibration – Engine End, **37**
- Cushion, Vibration – Generator End, **37**
- Cutout, Cover – Circuit Breaker – UL Approved, **78**

- Dial, Wattmeter, **69**
- Diode – Low Coolant Level Sender – With Continuously Monitored Low Coolant Level – 12 Light Indicator Controls, **29**
- Disc, Drive – Generator, **49**
- Door, Control – AC, **58**
- Door, Control – DC, **59**

Index

- Door, Housing, **35**
- Element, Air Cleaner, **8**
- Exciter, Permanent Magnet, **46**
- Fan, Alternator – Engine, **39**
- Fan, Radiator, **33**
- Fuse – Engine Monitor Board, **57**
- Gasket, Float Valve – Day Tank – Without Fuel Tank Pump or Control, **15**
- Gauge, Liquid Level – Day Tank – With Control, **17**
- Gauge, Liquid Level – Day Tank – With Fuel Tank Pump and Control, **19**
- Gauge, Liquid Level – Subbase Fuel Tank – Dual Wall – 12 or 24 Hour, **13**
- Gauge, Liquid Level – Subbase Fuel Tank – Single Wall – 24 Hour, **11**
- Gauge, Oil Pressure, **59**
- Gauge, Oil Temperature, **73**
- Gauge, Water Temperature, **59**
- Generator, **48, 49, 50**
- Governor, Electronic, **25**
- Grille, Housing, **35**
- Grille, Radiator, **33**
- Guard, Belt – Radiator, **33**
- Guard, Belt – Remote Radiator, **31**
- Guard, Fan – Generator, **49**
- Guard, Fan – Radiator, **33**
- Guard, Radiator, **33**
- Harness, Wiring – AC Control Door, **57**
- Harness, Wiring – Alarm Relay Board, **61**
- Harness, Wiring – Auxiliary Terminal Block, **43**
- Harness, Wiring – Common Alarm, **62**
- Harness, Wiring – Current Transformer, **75**
- Harness, Wiring – Day Tank – With Control, **17**
- Harness, Wiring – Day Tank – With Fuel Tank Pump and Control, **19**
- Harness, Wiring – DC Control Door, **57**
- Harness, Wiring – Electronic Overspeed, **63**
- Harness, Wiring – Engine Coolant Heater, **30**
- Harness, Wiring – Engine to Control, **57**
- Harness, Wiring – Fuel Tank Control, **22**
- Harness, Wiring – Low Battery Voltage, **67**
- Harness, Wiring – Low Coolant Level Sender – With Continuously Monitored Low Coolant Level – 12 Light Indicator Controls, **29**
- Harness, Wiring – Low Coolant Level Sender – Without Continuously Monitored Low Coolant Level, **28**
- Harness, Wiring – Over/Under Frequency Relay, **66**
- Harness, Wiring – Over/Under Voltage Relay, **64**
- Harness, Wiring – Permanent Magnet Exciter, **46**
- Harness, Wiring – Subbase Fuel Tank Control, **21**
- Harness, Wiring – Time Delay Start/Stop, **65**
- Harness, Wiring – Wattmeter, **69**
- Heater Assembly, Control, **55**
- Heater, Engine Coolant, **30**
- Heater, Generator, **45**
- Heater, Oil, **42**
- Hood, Air Inlet – Air Cleaner, **8**
- Hose, Air Inlet, **8**
- Hose, Fuel – Day Tank – With Fuel Tank Pump and Control, **19**
- Hose, Fuel – Subbase Fuel Tank Control, **21**
- Hose, Oil Drain, **7**
- Hose, Radiator, **33**
- Housing, Control, **40**
- Housing, Generator Set, **35**
- Hub, Drive – Generator, **49**
- Indicator, Service – Air Cleaner, **8**
- Isolator, Vibration – Control Box Mounting, **57**
- Kit, Heater – Engine Coolant Heater, **30**
- Kit, Repair – Fuel Tank Pump – Subbase Fuel Tank Control, **21**
- Lamp, Indicator – Replacement – Fuel Tank Control, **22**
- Latch, Housing Door, **35**
- Lead – Low Coolant Level Sender – With Continuously Monitored Low Coolant Level – 12 Light Indicator Controls, **29**
- Lead, Circuit Breaker – Non-UL Approved, **77**
- Lead, Circuit Breaker – UL Approved, **78**
- Lens, Indicator Light – Basin Alarm Switch, **10**
- Lens, Indicator Light – Low Battery Voltage, **67**
- Lens, Indicator Light – Low Coolant Level Sender – With Continuously Monitored Low Coolant Level – 12 Light Indicator Controls, **29**
- Lens, Indicator Light – Over/Under Voltage Relay, **64**
- Light Assembly, Indicator – DC Control Door, **59**
- Light Assembly, Indicator – Fuel Tank Control, **22**
- Light, Indicator – Over/Under Frequency Relay, **66**
- Light, Indicator – Upper/Lower Scale, **58**
- Light, Panel – DC Control Door, **59**
- Line, Fuel – Day Tank – With Control, **17**
- Line, Fuel – Day Tank – With Fuel Tank Pump and Control, **19**
- Line, Fuel – Day Tank – Without Fuel Tank Pump or Control, **15**
- Line, Fuel – Fuel In – Sets Without Subbase Fuel Tank, **7**
- Line, Fuel – Fuel Out – Sets Without Subbase Fuel Tank, **7**
- Line, Fuel – Subbase Fuel Tank – Dual Wall – 12 or 24 Hour, **13**
- Line, Fuel – Subbase Fuel Tank – Single Wall – 24 Hour, **11**
- Lug Set – Circuit Breaker – Non-UL Approved, **77**
- Lug, Solderless – Skid, **37**
- Meter, Frequency, **58**
- Meter, Time Totalizing, **59**
- Motor – Fuel Tank Pump – Day Tank – With Fuel Tank Pump and Control, **19**
- Motor – Fuel Tank Pump – Subbase Fuel Tank Control, **21**
- Mount, Shock – Over/Under Frequency Relay, **66**
- Mount, Shock – Watts Transducer, **69**
- Muffler, **27**
- Overspeed, Electronic, **63**

Index

- Package, Mounting – Actuator to Injection Pump, **25**
- Paint, **5**
- Panel, Box – Circuit Breaker – Non–UL Approved, **77**
- Panel, Control Housing, **40**
- Panel, Side – Housing, **35**
- Pipe, Fuel – Day Tank – With Control, **17**
- Pipe, Fuel – Day Tank – With Fuel Tank Pump and Control, **19**
- Pipe, Fuel – Fuel Supply – Day Tank – Without Fuel Tank Pump or Control, **15**
- Plate, Mounting – Audible Alarm, **68**
- Plate, Mounting – Electronic Overspeed, **63**
- Plate, Mounting – Over/Under Frequency Relay, **66**
- Plate, Mounting – Voltage Regulator, **60**
- Point, Overspeed, **47**
- Post, Housing, **35**
- Potentiometer – Speed Adjusting, **71**
- Potentiometer – Voltage Regulator, **60**
- Pump, Fuel Tank – Day Tank – With Fuel Tank Pump and Control, **19**
- Pump, Fuel Tank – Subbase Fuel Tank Control, **21**

- Radiator, **33**
- Rectifier – Control Heater, **55**
- Regulator, Voltage – Control, **60**
- Regulator, Voltage – Engine Alternator, **39**
- Relay – Alarm Relay Board, **61**
- Relay – Fuel Pump – Fuel Tank Control, **22**
- Relay – Over/Under Frequency, **66**
- Relay – Over/Under Voltage, **64**
- Remote, Radiator, **31**
- Resistor – Oil Temperature Gauge, **73**
- Resistor – Voltage Regulator, **60**
- Rotor – Permanent Magnet Exciter, **46**
- Rotor, Exciter, **49**
- Rotor, Generator, **49**

- Sealant, Thread, **5**
- Sender, Low Coolant Level – With Continuously Monitored Low Coolant Level – 12 Light Indicator Controls, **29**
- Sender, Low Coolant Level – Without Continuously Monitored Low Coolant Level, **28**
- Sender, Oil Pressure, **7**
- Sender, Oil Temperature, **73**
- Sender, Water Temperature, **7**
- Sensor – Low Battery Voltage, **67**
- Shroud, Fan – Radiator, **33**
- Skid, **37**
- Solenoid, Pre–Heat – Glow Plugs, **57**
- Spacer, Fan – Radiator, **33**
- Spacer, Mounting – End Bell – Permanent Magnet Exciter, **46**
- Stand, Control Box – Subbase Fuel Tank Control, **21**
- Standoff, Insulator – Circuit Breaker Lead – Non–UL Approved, **77**
- Standoff, Insulator – Circuit Breaker Lead – UL Approved, **79**

- Standoff, Insulator – Entrance Box, **41**
- Starter, **38**
- Stator, Exciter, **49**
- Stator, Generator – DGDA, **52**
- Stator, Generator – DGDB, **53**
- Stator, Permanent Magnet Exciter, **46**
- Strap, Ground – Control Box, **57**
- Strap, Ground – Skid, **37**
- Support, Engine, **37**
- Support, Grille – Radiator, **33**
- Switch – Blank – Emergency Stop Switch, **74**
- Switch – Blank – Oil Temperature Gauge, **73**
- Switch – Blank – Tachometer, **72**
- Switch, Basin – Low Fuel Alarm, **9**
- Switch, Basin Alarm – Subbase Fuel Tank – 12 and 24 Hour, **10**
- Switch, Float – Basin, **24**
- Switch, Fuel – Day Tank – With Control, **17**
- Switch, Fuel – Day Tank – With Fuel Tank Pump and Control, **19**
- Switch, Fuel – Subbase Fuel Tank Control, **21**
- Switch, Oil Pressure, **7**
- Switch, Overspeed, **47**
- Switch, Pushbutton – Emergency Stop, **74**
- Switch, Rocker – DC Control Door, **59**
- Switch, Rocker – Fuel Tank Control, **22**
- Switch, Rotary – Voltmeter/Ammeter, **58**
- Switch, Temperature – High Engine Coolant, **7**
- Switch, Temperature – Low Engine Coolant, **7**

- Tachometer, **72**
- Tank, Day – With Control, **17**
- Tank, Day – With Fuel Tank Pump and Control, **19**
- Tank, Day – Without Fuel Tank Pump or Control, **15**
- Tank, Fuel – Subbase – Single Wall – 24 Hour, **11**
- Tank, Fuel – Subbase Fuel Tank – Dual Wall – 12 or 24 Hour, **13**
- Thermostat – Engine Coolant Heater, **30**
- Top, Housing, **35**
- Transducer, Watts, **69**
- Transformer – Auxiliary Terminal Block, **43**
- Transformer, Current, **75**
- Trip, Shunt – Circuit Breaker – Non–UL Approved, **77**
- Tube, Air Inlet, **8**

- Valve, Float – Day Tank – Without Fuel Tank Pump or Control, **15**
- Valve, Shutoff – Oil Drain, **7**
- Voltage, Low Battery, **67**
- Voltmeter – AC, **58**
- Voltmeter – DC, **59**

- Wattmeter, **69**
- Well, Thermostat – Engine Coolant Heater, **30**
- Wrapper, Fan Shroud – Radiator, **33**
- Wrapper, Fuel Tank – Subbase Fuel Tank – Single Wall – 24 Hour, **11**

Abbreviations

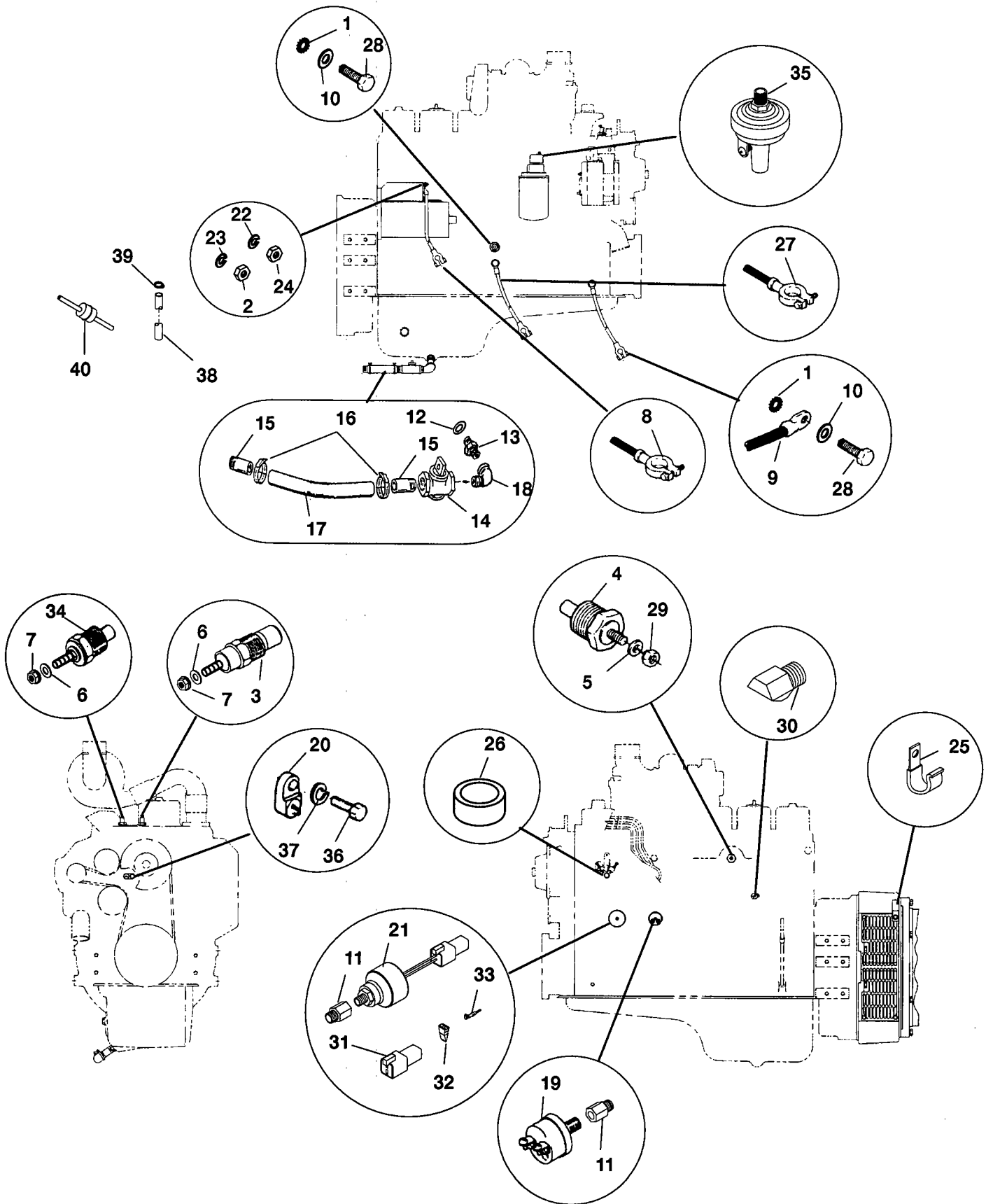
Some of the following abbreviations may be used throughout this Parts Catalog;

Alternating Current	AC	Not For Sale	NFS
Ampere	Amp	Nominal Pipe Thread	NPT
As Required	A/R	Outside Diameter	OD
Automatic Voltage Regulator	AVR	Ounce	oz.
American Wire Gauge	AWG	Permanent Magnet Exciter	PMG
Degree	Deg	Phase	Ph
Direct Current	DC	Printed Circuit	PC
External Tooth	ET	Radio Frequency Interference	RFI
External/Internal Tooth	EIT	Right	RT
Ground Fault Interrupter	GFI	Specification	Spec
Inside Diameter	ID	Thick	Thk
Internal Tooth	IT	Underwriters Laboratories Inc.	UL
Kilowatt	kW	Union National Coarse	UNC
Liquid Petroleum Gas	LPG	Union National Fine	UNF
Left	LT	Volts Alternating Current	VAC
Meter	M(meter Number)	Volts Direct Current	VDC
Millimeter	mm	With	W/(ET, IT, EIT)

Paint and Thread Sealant

REF NO.	PART NO.	QTY USED	PART DESCRIPTION	REF NO.	PART NO.	QTY USED	PART DESCRIPTION
			Onan Green Enamel (Non-Metallic)				Cummins Beige Enamel
	525-0305	-	13 oz. Pressurized Spray Can	525-0551-02	-	-	13 oz. Pressurized Spray Can
	525-0306	-	Quart Can	525-0551-03	-	-	Quart Can
	525-0304	-	Gallon Can	525-0551-04	-	-	Gallon Can
				518-0601	-	-	Sealant, Thread (6 ml Tube)

External Engine Parts



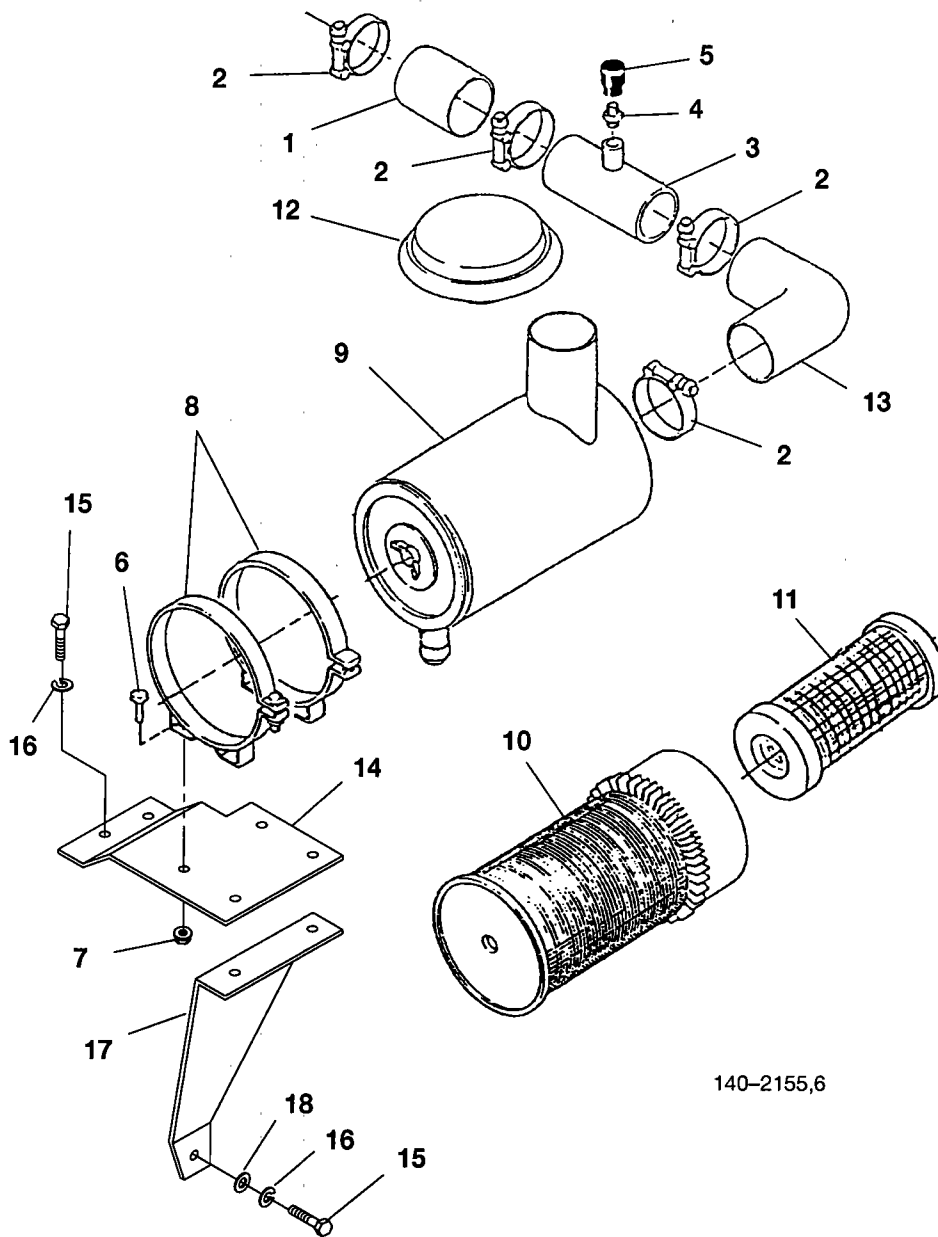
100-2703

External Engine Parts

REF NO.	PART NO.	QTY USED	PART DESCRIPTION	REF NO.	PART NO.	QTY USED	PART DESCRIPTION
1	856-0013	2	Washer, Lock - W/EIT (1/2")	25	332-3196	1	Clamp, "J"
2	860-2006	1	Nut, Hex (M5)	26	147-0779	1	Sleeve, Fuel Pump
3	309-0554	1	Switch, Temperature - High Engine Coolant (Opens at 205 Deg F, Closes at 230 Deg F) (S2)	27	416-0446	1	Cable, Battery (12-1/2")
4	193-0375	1	Sender, Water Temperature (E2)	28	800-2111	2	Screw, Cap - Hex Head (M12 x 25mm)
5	526-0008	1	Washer, Flat (#10)	29	870-0131	1	Nut, Hex - W/ET (#10-32)
6	526-0003	2	Washer, Flat (#8)	30	502-0199	1	Elbow, Male - Inverted - 45 Deg
7	870-0221	2	Nut, Hex - Locking (#8-32)	31	323-1549	1	*Connector, Receptacle - 4 Place
8	416-0921-01	1	Cable, Battery (24")	32	323-1548	1	*Wedge, Receptacle
9	416-0893	1	Cable, Battery (10")	33	323-1492	4	*Socket, Contact
10	526-2140	2	Washer, Flat (M12)	34	309-0553	1	Switch, Temperature - High Engine Coolant (Opens at 195 Deg F, Closes at 220 Deg F) (S6 - Pre-Alarm)
11	505-1503	2	Adapter, Pipe (1/8")	35	309-0641-07	1	Switch, Oil Pressure - 20 PSI (S5 - Pre-Alarm)
12	102-1356	1	Gasket, Oil Drain	36	800-2058	1	Screw, Cap - Hex Head (M8 x 25mm)
13	102-1237	1	Adapter, Oil Drain	37	850-2008	1	Washer, Lock - Spring (M8)
14	504-0011	1	Valve, Shutoff (1/2")	38	501-0502	1	Line, Fuel - Flexible (60") (Fuel Out) (Sets Without Subbase Fuel Tank)
15	505-0185	2	Nipple, Pipe - Half (1/2" x 1-1/2")	39	503-0685	1	Clamp, Hose (Sets Without Subbase Fuel Tank)
16	503-0197	2	Clamp, Hose	40	501-0627-03	1	Line, Fuel - Flexible (40") (Fuel In) (Sets Without Subbase Fuel Tank)
17	503-1195	1	Hose, Oil Drain				
18	505-0050	1	Elbow, Street - 90 Deg (1/2")				
19	309-0641-03	1	Switch, Oil Pressure - 14 PSI (S1)				
20	309-0269	1	Switch, Temperature - Low Engine Coolant (S4)				
21	193-0448	1	Sender, Oil Pressure (Includes Parts Marked *) (E1)				
22	850-0030	1	Washer, Lock - Spring (#10)				
23	850-2010	1	Washer, Lock - Spring (M10)				
24	860-2009	1	Nut, Hex (M10)				

* - Parts Included in 193-0448 Oil Pressure Sender

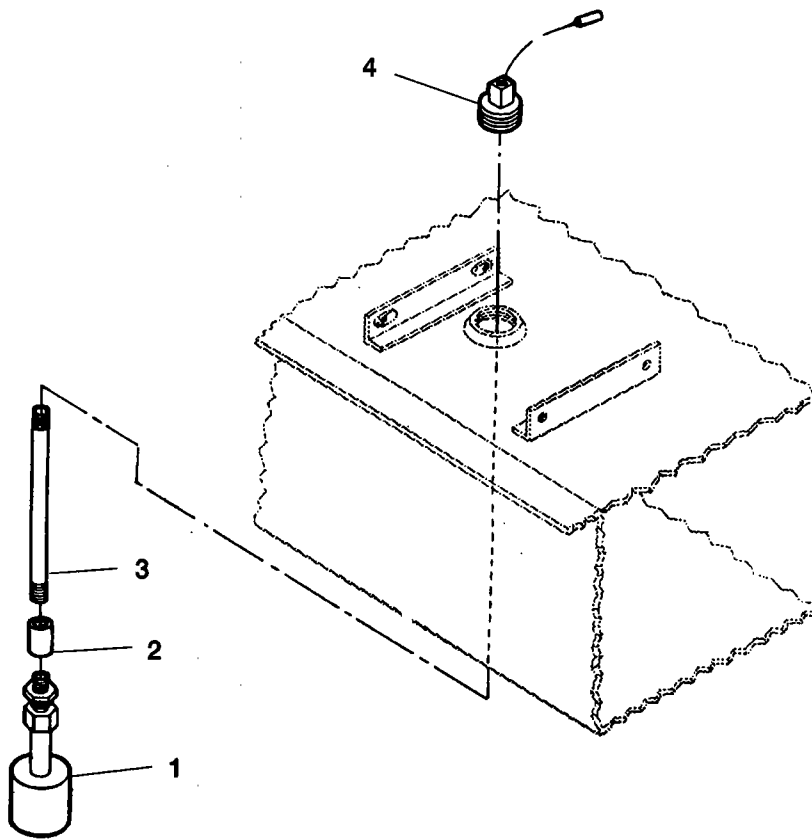
Air Cleaner



140-2155,6

REF NO.	PART NO.	QTY USED	PART DESCRIPTION	REF NO.	PART NO.	QTY USED	PART DESCRIPTION
1	503-1460	1	Hose, Air Inlet	10	140-2148	1	Element, Air Cleaner – Standard and Heavy Duty Air Cleaner (Outer)
2	503-1870-05	4	Clamp, Hose	11	140-2150	1	Element, Air Cleaner – Heavy Duty Air Cleaner (Inner)
3	140-2152	1	Tube, Air Inlet	12	140-1435	1	Hood, Air Inlet (Unhoused Sets)
4	140-1260	1	Adapter, Indicator	13	140-1467	1	Elbow
5	140-1548	1	Indicator, Service	14	140-2153	1	Bracket, Mounting
6	821-0029	4	Screw, Self-Locking – Hex Washer Head (3/8-16 x 3/4")	15	800-2110	3	Screw, Cap – Hex Head (M12 x 20mm)
7	870-0281	4	Nut, Locking – Flange (3/8-16)	16	850-2012	3	Washer, Lock – Spring (M12)
8	140-1599	2	Band, Mounting	17	140-2154	1	Bracket, Mounting
9			Cleaner, Air – Includes Element(s)	18	526-2140	1	Washer, Flat (M12)
	140-2147	1	Standard Air Cleaner (One Element)				
	140-2149	1	Heavy Duty Air Cleaner (Two Elements)				

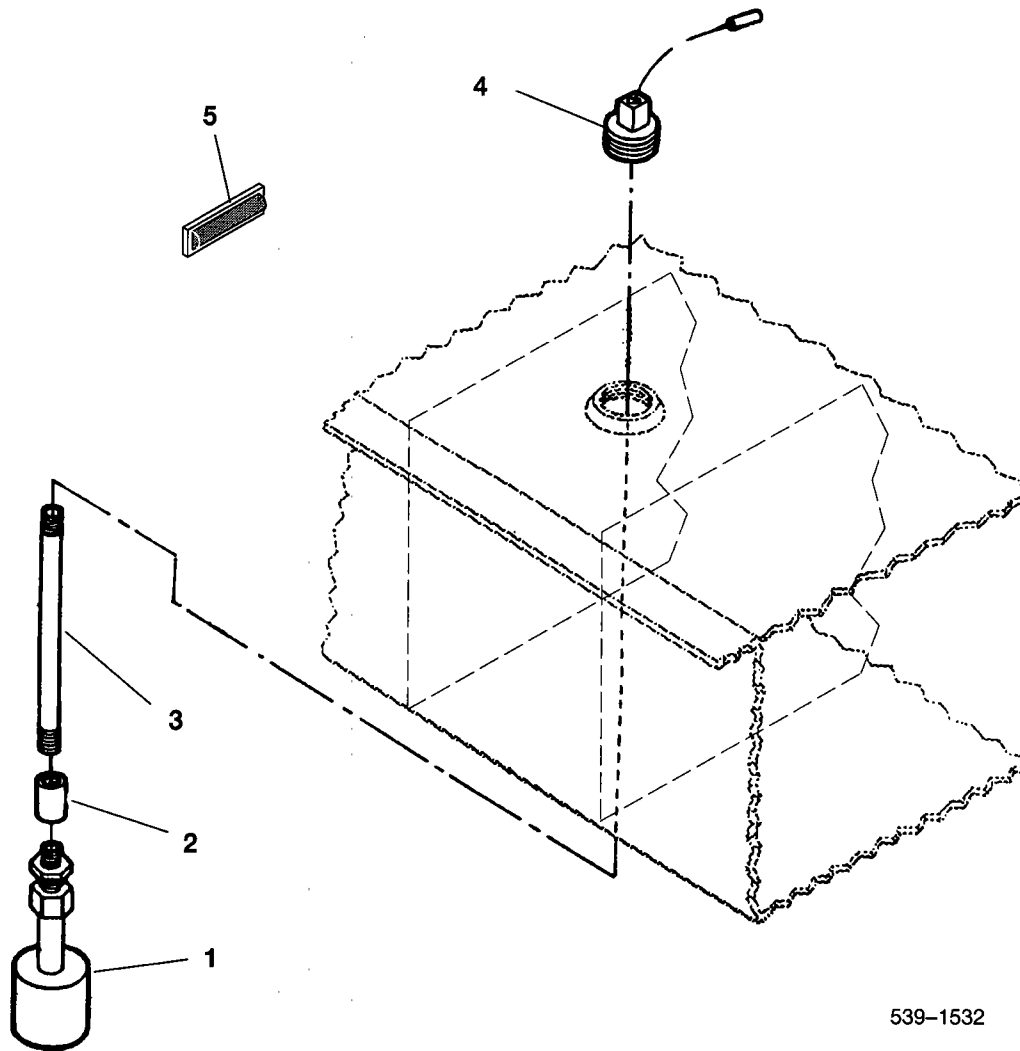
Low Fuel Alarm



539-1287-02,04

REF NO.	PART NO.	QTY USED	PART DESCRIPTION	REF NO.	PART NO.	QTY USED	PART DESCRIPTION
1	308-0963-01	1	Switch, Basin	4	505-1050	1	Plug, Pipe - Square Head (1-1/4")
2	505-0026	1	Coupling, Pipe (1/8")				
3			Nipple, Pipe (1/8")				
	505-1458-04	1	5-11/16" - 12 Hour Subbase Fuel Tank				
	505-1458-02	1	12-7/8" - 24 Hour Subbase Fuel Tank				

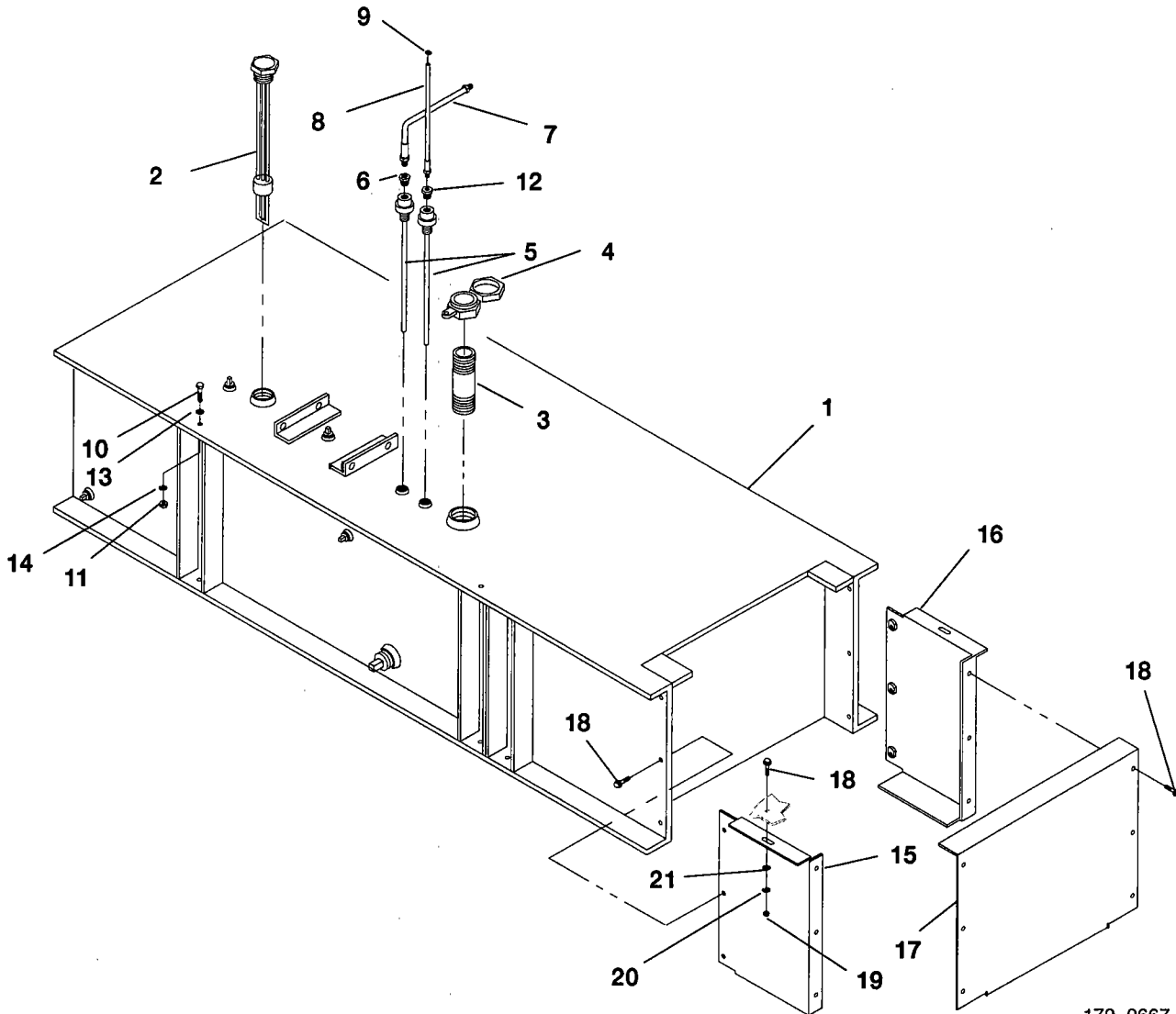
Basin Alarm Switch 12 Hour and 24 Hour Subbase Fuel Tanks



539-1532

REF NO.	PART NO.	QTY USED	PART DESCRIPTION	REF NO.	PART NO.	QTY USED	PART DESCRIPTION
1	308-0916-01	1	Switch, Basin Alarm	4	505-1050	1	Plug, Pipe – Square Head (1-1/4")
2	505-0026	1	Coupling, Pipe (1/8")	5	322-0463-06	1	Lens, Indicator Light – Marked "Basin"
3	505-1458-08	1	Nipple, Pipe (1/8")				
	505-1458-08	1	12 Hour Subbase Fuel Tank (7-1/2")				
	505-1419	1	24 Hour Subbase Fuel Tank (17")				

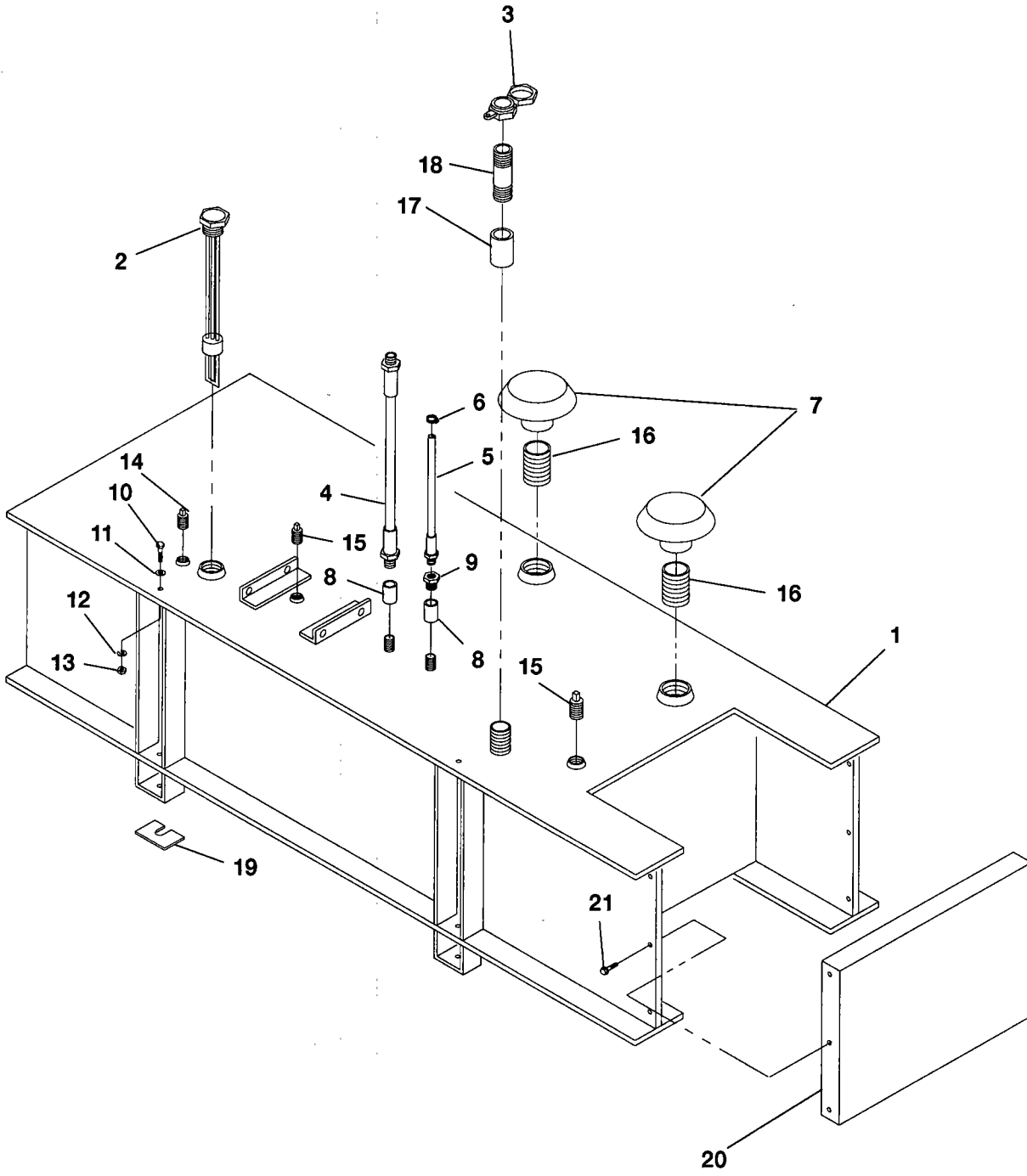
Subbase Fuel Tank Single Wall 24 Hour



179-0667

REF NO.	PART NO.	QTY USED	PART DESCRIPTION	REF NO.	PART NO.	QTY USED	PART DESCRIPTION
1	159-1181	1	Tank, Fuel - Single Wall (150 Gallon)	11	862-0008	4	Nut, Hex (3/4-10)
2	415-0565-02	1	Gauge, Liquid Level	12	505-0151	1	Bushing, Reducer (1/2" to 1/8")
3	505-0748	1	Nipple, Pipe (2" x 9")	13	526-0238	4	Washer, Flat (3/4")
4	159-1208-01	1	Cap, Fuel	14	850-0079	4	Washer, Lock - Spring (3/4")
5	415-0566-02	2	Pipe, Fuel	15	159-1309-03	1	Wrapper, Fuel Tank (Right Side)
6	505-0018	1	Bushing, Reducer (1/2" to 1/4")	16	159-1309-04	1	Wrapper, Fuel Tank (Left Side)
7	501-0441	1	Line, Fuel - Flexible (40")	17	159-1310	1	Cap, End - Fuel Tank
8	501-0502	1	Line, Fuel - Flexible (60")	18	821-5003-01	14	Screw, Self-Locking - Hex Washer Head (5/16-18 x 1/2")
9	503-0685	1	Clamp, Hose	19	870-0550-07	2	Nut, Hex - Flange (5/16-18)
10	800-0156	4	Screw, Cap - Hex Head (3/4-10 x 2-1/4")	20	850-0114-06	2	Washer, Lock - Spring (5/16")
				21	526-0399-16	2	Washer, Flat (5/16")

**Subbase Fuel Tank
Dual Wall
12 or 24 Hour**

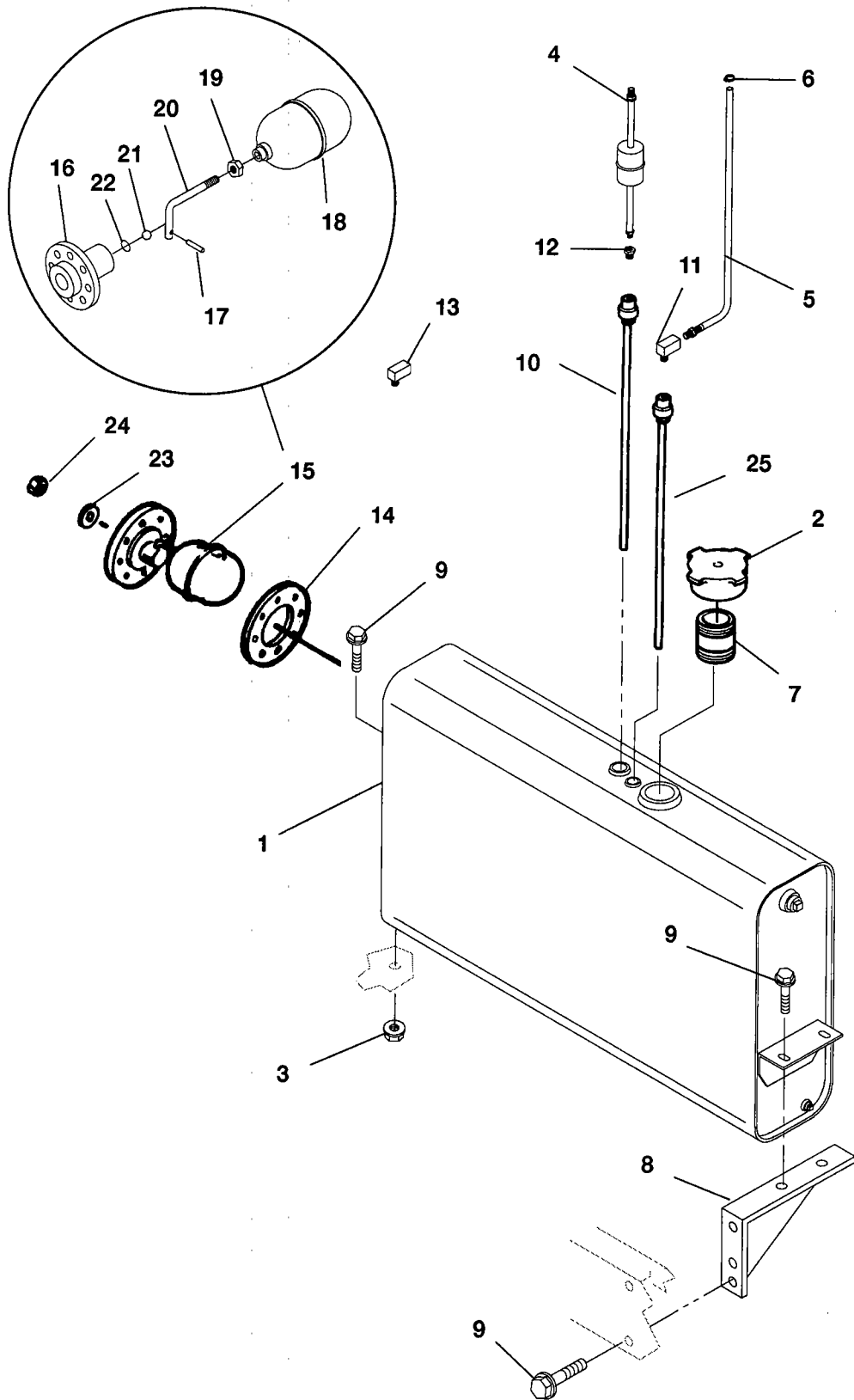


179-0696

**Subbase Fuel Tank
Dual Wall
12 or 24 Hour**

REF NO.	PART NO.	QTY USED	PART DESCRIPTION	REF NO.	PART NO.	QTY USED	PART DESCRIPTION
1			Tank, Fuel – Dual Wall	12	850-0079	4	Washer, Lock – Spring (3/4")
	159-1361	1	90 Gallon (12-1/2" High)	13	862-0008	4	Nut, Hex (3/4-10)
	159-1362	1	180 Gallon (22" High)	14	505-0110	1	Plug, Pipe (3/8")
2			Gauge, Liquid Level	15	505-0359	2	Plug, Pipe (1-1/4")
	415-0565-09	1	90 Gallon Tank	16			Nipple, Pipe – Close
	415-0565-07	1	180 Gallon Tank		505-0172	2	90 Gallon Tank (2" ID x 2")
3	415-0043	1	Cap, Fuel		505-0382	2	180 Gallon Tank (3" ID x 2-5/8")
4	501-0441	1	Line, Fuel – Flexible (40")				Coupling, Pipe (2" ID)
5	501-0502	1	Line, Fuel – Flexible (60")	17	505-0203	1	Nipple, Pipe (2" ID x 6")
6	503-0685	1	Clamp, Hose	18	505-0401	1	Shim, Fuel Tank
7			Cap, Vent	19	159-1378	8	Cap, End – Fuel Tank
	159-1371-03	2	90 Gallon Tank (2" ID)	20			90 Gallon Tank
	159-1371-05	2	180 Gallon Tank (3" ID)		159-1367	1	180 Gallon Tank
8	505-0027	2	Coupling, Pipe (1/4")		159-1368	1	Screw, Self-Locking – Hex Washer Head (5/16-18 x 1/2")
9	505-0007	1	Bushing, Reducer (1/4" to 1/8")	21			90 Gallon Tank
10	800-0156	4	Screw, Cap – Hex Head (3/4-10 x 2-1/4")		821-0014	6	180 Gallon Tank
11	526-0238	4	Washer, Flat (3/4")		821-0014	8	

Day Tank Without Fuel Tank Pump or Control



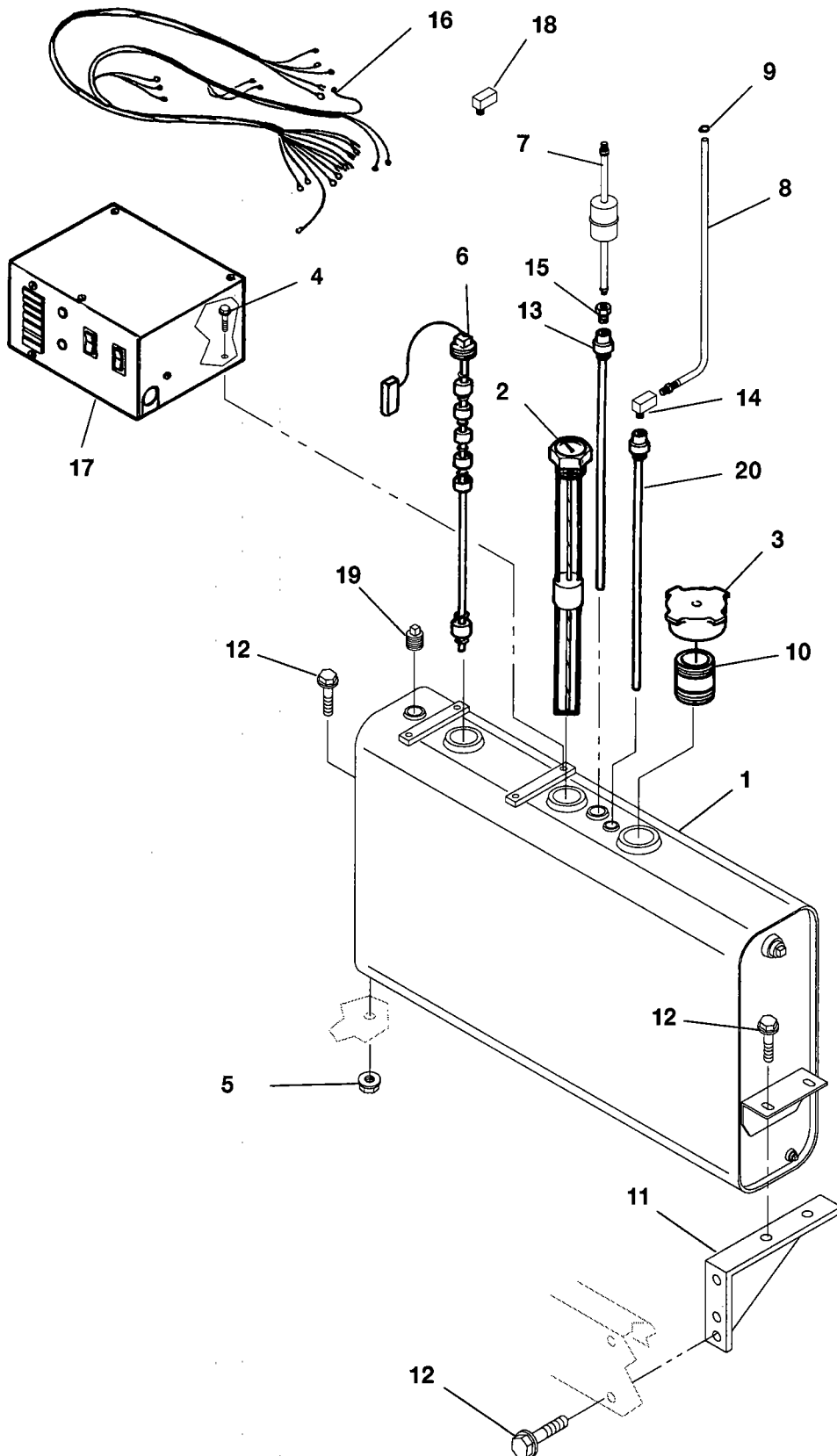
539-1169-02

**Day Tank
Without Fuel Tank Pump or Control**

REF NO.	PART NO.	QTY USED	PART DESCRIPTION	REF NO.	PART NO.	QTY USED	PART DESCRIPTION
1	415-0648	1	Tank, Day (11.8 Gallons)	14	415-0660	1	Gasket
2	159-1208-01	1	Cap, Fuel	15	415-0657	1	Valve Assembly, Float (Includes Parts Marked *)
3	870-0550-05	2	Nut, Locking - Flange Head (1/4-20)	16	415-0650-01	1	*Body
4	501-0627-01	1	Line, Fuel - Flexible - Tank to Engine (With Filter) (21")	17	415-0651-19	1	*Pin, Roll
5	501-0502-02	1	Line, Fuel - Flexible - Engine to Tank (20")	18	415-0652	1	*Ball, Float
6	503-0685	1	Clamp, Hose	19	864-0011	1	*Nut, Jam (1/4-20)
7	505-0172	1	Nipple, Pipe - Close (2")	20	415-0654	1	*Arm
8	159-1206	1	Bracket, Mounting - Fuel Tank	21	415-0655	1	*Ball, Steel
9	821-0018	6	Screw, Self-Locking - Hex Washer Head (1/4-20 x 5/8")	22	415-0656-21	1	*Seal, Ring
10	415-0566-04	1	Pipe, Fuel (Fuel Supply)	23	526-0008	8	Washer, Flat (#10)
11	505-0049	1	Elbow, Pipe - Street (1/8")	24	870-0131	8	Nut, Hex - Locking - W/ET (#10-32)
12	505-0018	1	Bushing, Reducer (1/2" to 1/4")	25	415-0752-01	1	Pipe, Fuel (Fuel Return)
13	502-0053	1	Elbow, Brass - Street (1/8") Low Oil Pressure Switch				

* - Parts Included In 415-0657 Float Valve Assembly

Day Tank With Control

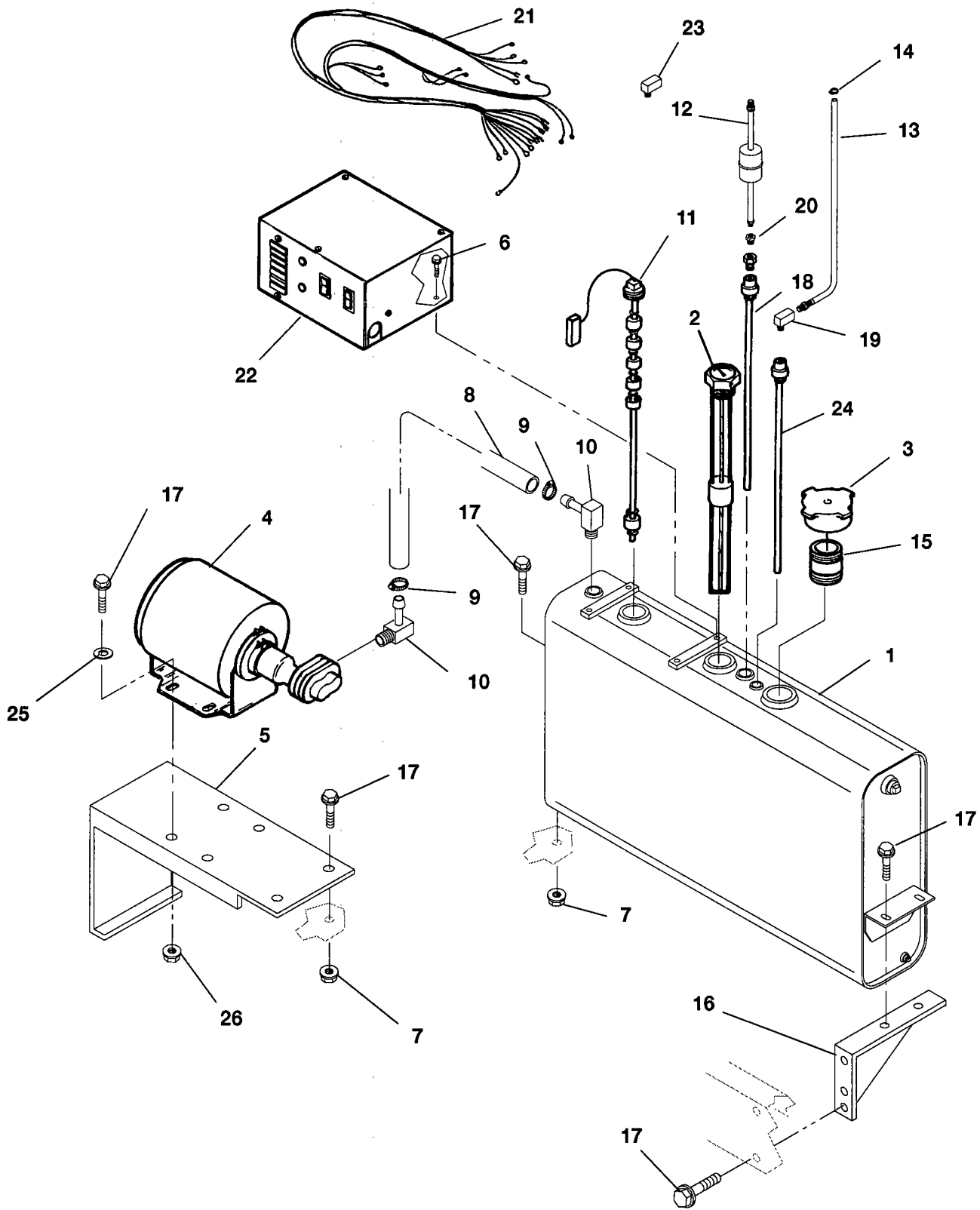


539-1168-02

Day Tank With Control

REF NO.	PART NO.	QTY USED	PART DESCRIPTION	REF NO.	PART NO.	QTY USED	PART DESCRIPTION
1	415-0575	1	Tank, Day (11.8 Gallons)	13	415-0566-04	1	Pipe, Fuel (Fuel Supply)
2	415-0565-04	1	Gauge, Fuel (Liquid Level)	14	505-0049	1	Elbow, Pipe - Street (1/8")
3	159-1208-01	1	Cap, Fuel	15	505-0018	1	Bushing, Reducer (1/2" to 1/4")
4	821-5002-03	4	Screw, Self-Locking - Hex Washer Head (1/4-20 x 1/2")	16	338-2398	1	Harness, Wiring - Fuel Tank Control Box Printed Circuit Board TB1 to S1+ and Ground (2 Wire) (84")
5	870-0550-05	2	Nut, Locking - Flange Head (1/4-20)	17	625-2141-01	1	Control, Fuel Tank (See Separate Page For Components)
6	308-0913	1	Switch, Fuel - 5 Float	18	502-0053	1	Elbow, Brass - Street - Low Oil Pressure Switch (1/8")
7	501-0627-01	1	Line, Fuel - Flexible - Tank to Engine (With Filter) (21")	19	505-0266	1	Plug, Pipe - Square - Countersunk (3/8")
8	501-0502-02	1	Line, Fuel - Flexible - Engine to Tank (20")	20	415-0752-01	1	Pipe, Fuel (Fuel Return)
9	503-0685	1	Clamp, Hose				
10	505-0172	1	Nipple, Pipe - Close (2")				
11	159-1206	1	Bracket, Mounting - Fuel Tank				
12	821-0018	6	Screw, Self-Locking - Hex Washer Head (1/4-20 x 5/8")				

Day Tank With Fuel Tank Pump and Control

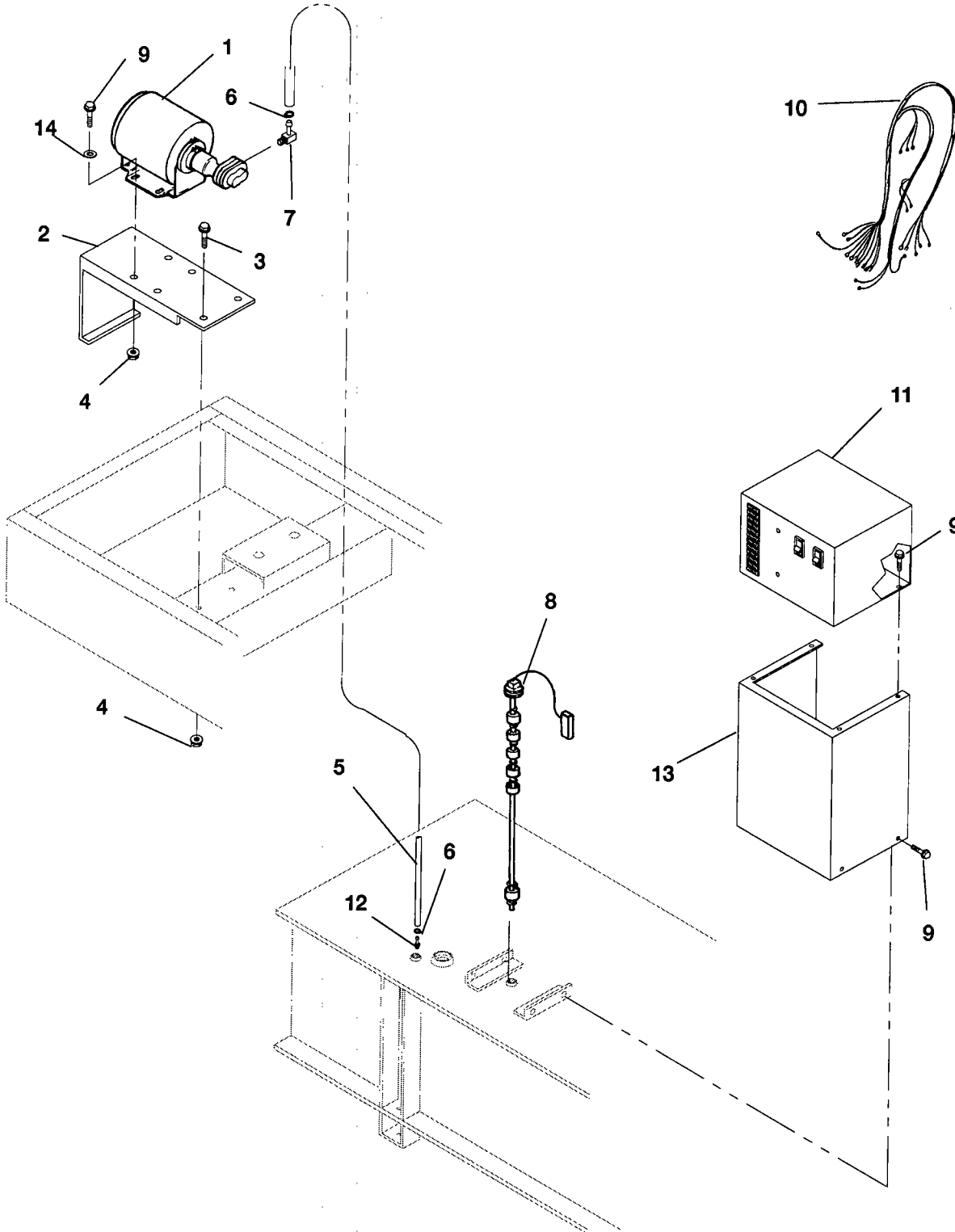


539-1043-02

Day Tank With Fuel Tank Pump and Control

REF NO.	PART NO.	QTY USED	PART DESCRIPTION	REF NO.	PART NO.	QTY USED	PART DESCRIPTION
1	415-0575	1	Tank, Day (11.8 Gallons)	14	503-0685	1	Clamp, Hose
2	415-0565-04	1	Gauge, Fuel (Liquid Level)	15	505-0172	1	Nipple, Pipe - Close (2")
3	159-1208-01	1	Cap, Fuel	16	159-1206	1	Bracket, Mounting - Fuel Tank
4	399-0117-01	1	Pump, Fuel Tank (P103)	17	821-0018	12	Screw, Self-Locking - Hex Washer Head (1/4-20 x 5/8")
	399-0121	1	Kit, Repair - Fuel Tank Pump (Includes Lip Seal, Bearings, Gasket, Drive Gear, Idle Gear and Coupler) (Not Illustrated)	18	415-0566-04	1	Pipe, Fuel (Fuel Supply)
				19	505-0049	1	Elbow, Pipe - Street (1/8")
	399-0122	1	Coupler, Pump (Drive Piece Between Motor and Pump) (Not Illustrated)	20	505-0018	1	Bushing, Reducer (1/2" to 1/4")
				21	338-2397	1	Harness, Wiring Fuel Tank Control Box Printed Circuit Board TB1 to Fuel Tank Pump P103 (5 Wire (40"))
	399-0123	1	Pump (Not Illustrated)				
	399-0124	1	Motor (Not Illustrated)				
5	159-1207	1	Bracket, Mounting - Pump		338-2398	1	Fuel Tank Control Box Printed Circuit Board TB1 to S1+ and Ground (2 Wire) (84")
6	821-5002-03	4	Screw, Self-Locking - Hex Washer Head (1/4-20 x 1/2")				
7	870-0550-05	4	Nut, Locking - Flange Head (1/4-20)	22	625-2141-01	1	Control, Fuel Tank (See Separate Page For Components)
8	503-1660-01	1	Hose, Fuel - Pump to Tank (12")				
9	503-0183	2	Clamp, Hose	23	502-0053	1	Elbow, Brass - Street - Low Oil Pressure Switch (1/8")
10	502-0942	2	Elbow, Brass - 90 Deg (1/2" Hose to 3/8" Pipe)				
11	308-0913	1	Switch, Fuel - 5 Float	24	415-0752-01	1	Pipe, Fuel (Fuel Return)
12	501-0627-01	1	Line, Fuel - Flexible - Tank to Engine (With Filter) (21")	25	526-0018	4	Washer, Flat (1/4")
				26	870-0212	4	Nut, Self-Locking - Hex Flange Head (1/4")
13	501-0502-02	1	Line, Fuel - Flexible - Engine to Tank (20")				

Subbase Fuel Tank Control

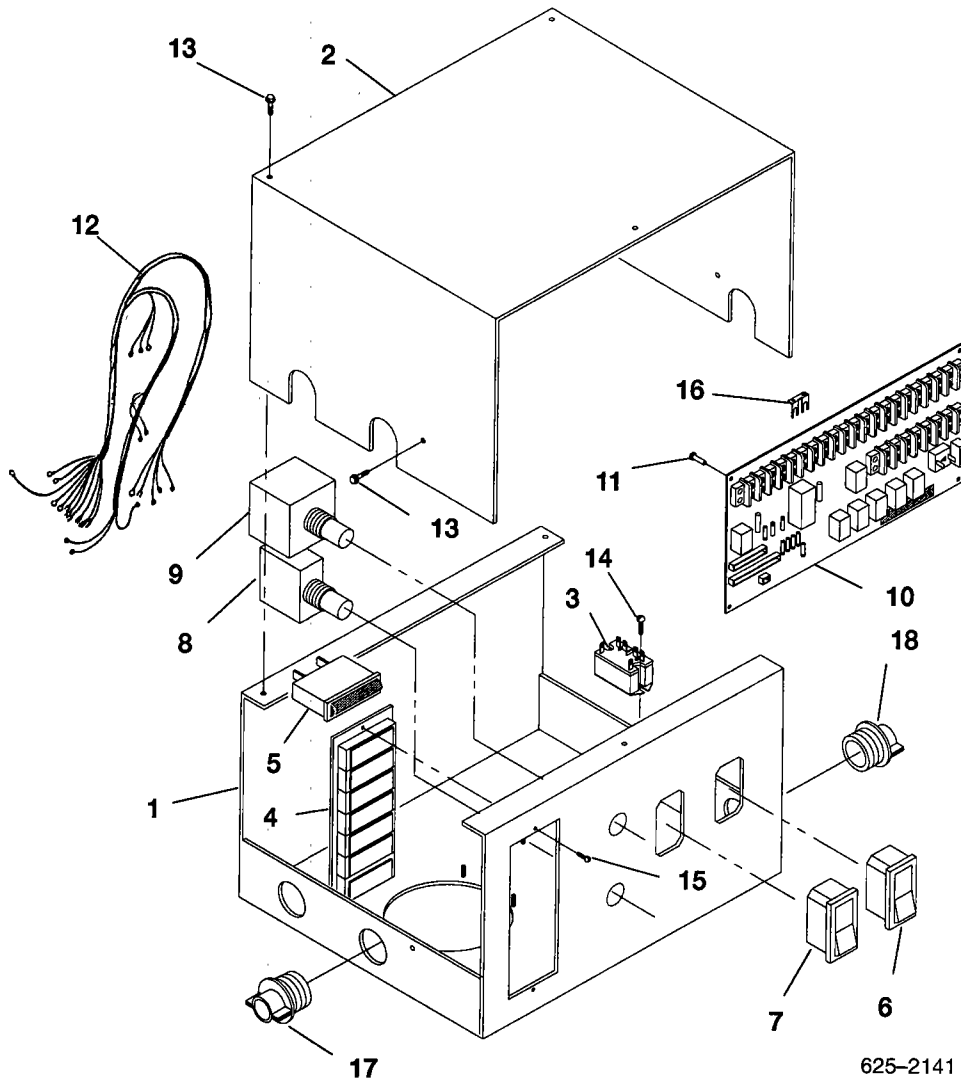


539-1533-03

Subbase Fuel Tank Control

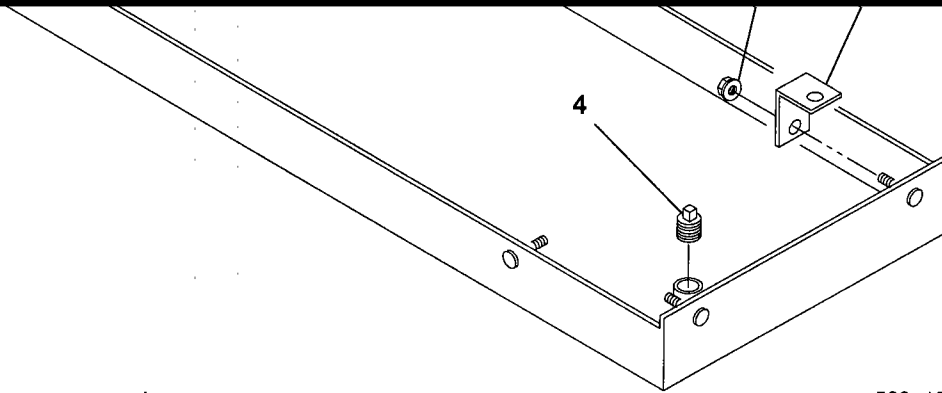
REF NO.	PART NO.	QTY USED	PART DESCRIPTION	REF NO.	PART NO.	QTY USED	PART DESCRIPTION
1	399-0117	1	Pump, Fuel Tank (P103)	9	821-0018	12	Screw, Self-Locking – Hex Washer Head (1/4–20 x 5/8")
	399-0121	1	Kit, Repair – Fuel Tank Pump (Includes Lip Seal, Bearings, Gasket, Drive Gear, Idle Gear and Coupler) (Not Illustrated)	10			Harness, Wiring
					338-2397	1	Fuel Tank Control Box Printed Circuit Board TB1 to Fuel Tank Pump P103 (5 Wire) (40")
	399-0122	1	Coupler, Pump (Drive Piece Between Motor and Pump) (Not Illustrated)		338-2398	1	Fuel Tank Control Box Printed Circuit Board TB1 to S1+ and Ground (2 Wire) (84")
	399-0123	1	Pump (Not Illustrated)				
	399-0124	1	Motor (Not Illustrated)				
2	159-1207	1	Bracket, Mounting – Pump	11	625-2141-01	1	Control, Fuel Tank (See Separate Page for Components)
3	821-0010	2	Screw, Self-Locking – Hex Washer Head (1/4–20 x 1/2")	12	502-0943	1	Connector, Hose (3/8" Pipe to 1/2" Hose)
4	870-0212	6	Nut, Hex – Flange (1/4–20)	13	319-0863-01	1	Stand, Control Box
5	503-1660-04	1	Hose, Fuel (18")	14	526-0018	4	Washer, Flat (1/4")
6	503-0183	2	Clamp, Hose				
7	502-0942	1	Elbow, Hose – 90 Deg (3/8" Pipe to 1/2" Hose)				
8			Switch, Fuel – 5 Float				
	308-0913-04	1	12 Hour Subbase Fuel Tank				
	308-0913-02	1	24 Hour Subbase Fuel Tank				

Fuel Tank Control



625-2141

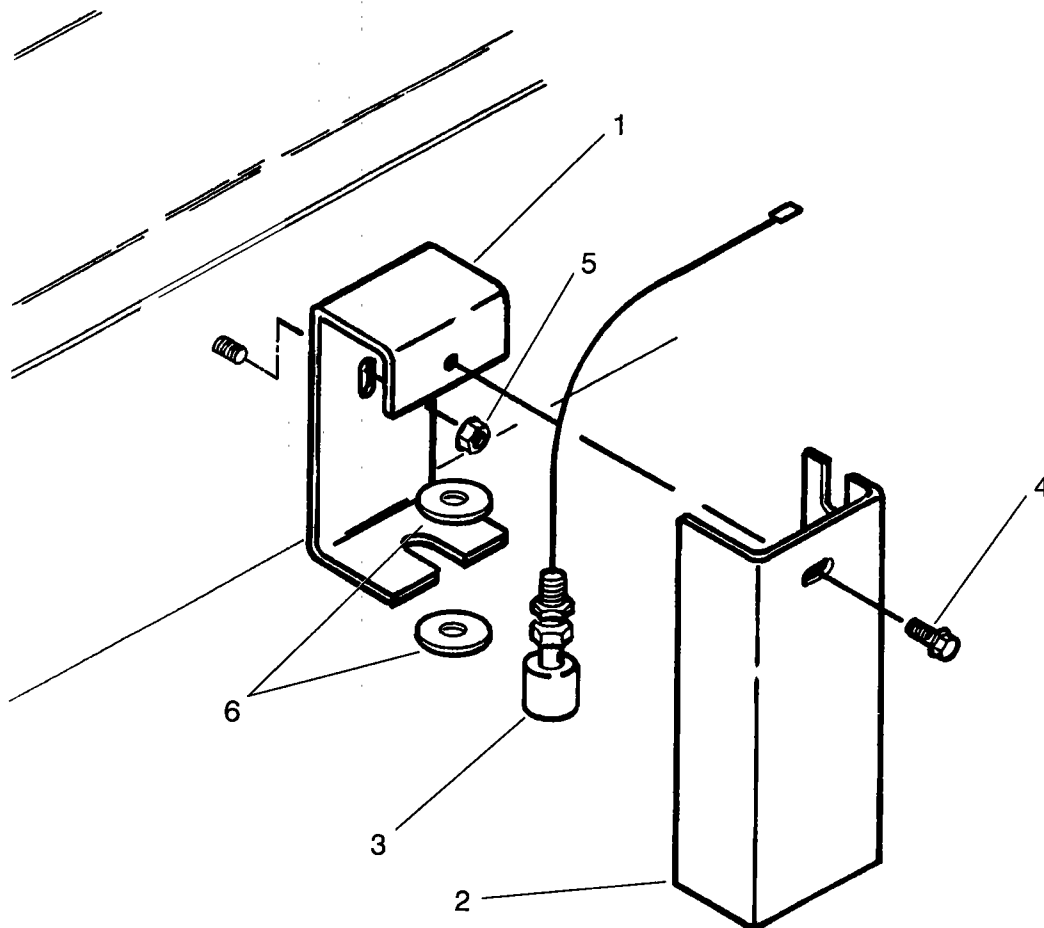
REF NO.	PART NO.	QTY USED	PART DESCRIPTION	REF NO.	PART NO.	QTY USED	PART DESCRIPTION
	625-2141-01	1	Control, Fuel Tank – Complete (Includes Parts Listed Below)	9	320-1654	1	Breaker, Circuit – AC (Double Pole) (CB101)
1	319-0486	1	Box, Control	10	300-3464	1	Board, Printed Circuit
2	319-0485	1	Cover, Box	11	870-0458	4	Spacer, Board – Printed Circuit
3	307-2677-02	1	Relay, Pump (K130)	12	338-2382	1	Harness, Wiring – Control Box
4	322-0403-02	1	Light, Assembly, Indicator – 7 Light (Includes Wiring Harness)	13	815-0350	5	Screw, Self-Tapping – Slotted Hex Washer Head (#10-32 x 3/8")
5	322-0369-02	1	Lamp, Indicator – Replacement	14	812-0075	2	Screw, Machine – Round Head (#8-32 x 1/4")
6	308-0912	1	Switch, Rocker (On/Off/ Emergency Run) (S102)	15	815-0385	2	Screw, Machine – Round Head (#6-32 x 1/2")
7	308-0852	1	Switch, Rocker (Reset/Off/Test) (S111)	16	332-2605	2	Jumper, Terminal
8	320-1653	1	Breaker, Circuit – DC (Single Pole) (CB107)	17	331-0027	2	Connector, Romex
				18	331-0042	1	Connector, Knockout



539-1296

REF NO.	PART NO.	QTY USED	PART DESCRIPTION	REF NO.	PART NO.	QTY USED	PART DESCRIPTION
1	159-1290	1	Basin, Rupture	3	159-1268	3	Hanger, Rupture Basin
2	870-0257	3	Nut, Hex - Self-Locking (5/16-18)	4	505-0055	1	Plug, Pipe - Square Head (1/4")

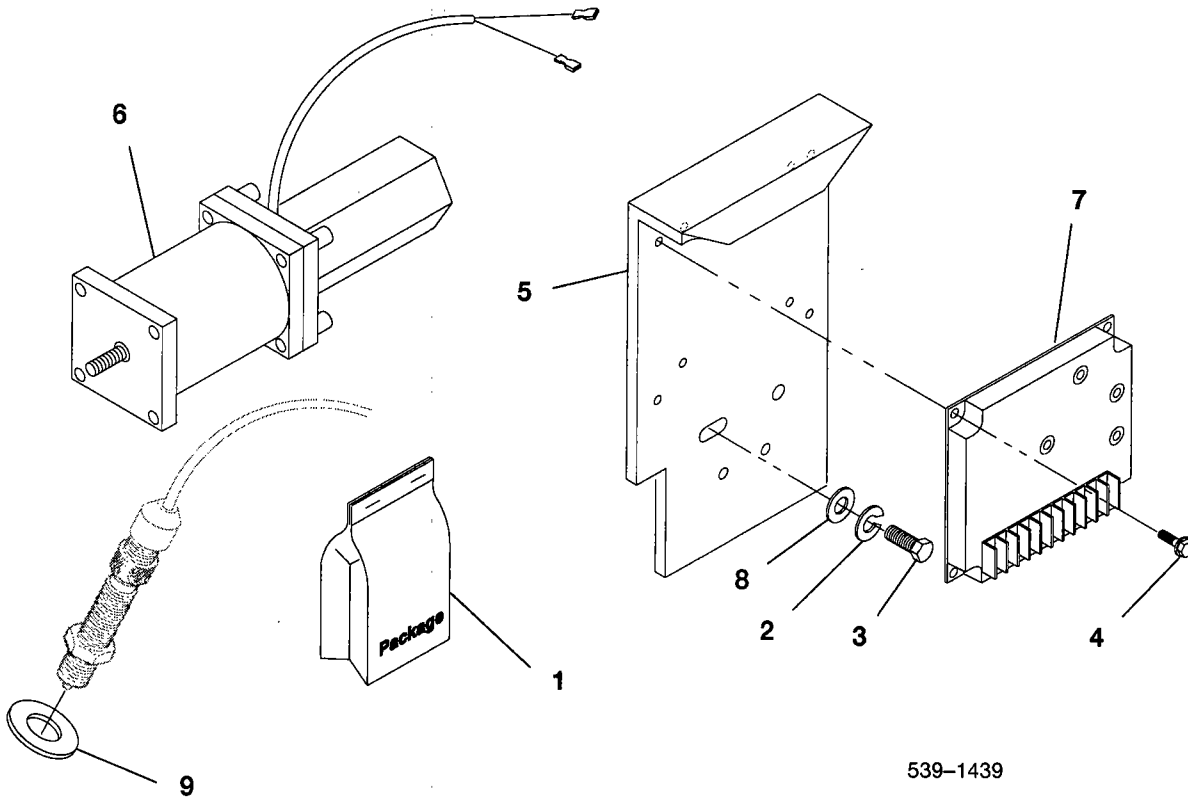
Float Switch



539-1286

REF NO.	PART NO.	QTY USED	PART DESCRIPTION	REF NO.	PART NO.	QTY USED	PART DESCRIPTION
1	319-0490	1	Bracket, Mounting	5	870-0257	1	Nut, Locking -- Hex Flange (5/16-18)
2	319-0489	1	Cover, Switch	6	526-0029	2	Washer, Flat (3/8")
3	308-0916-01	1	Switch, Float - Basin				
4	821-5002-03	1	Screw, Self-Locking - Hex Washer Head (1/4-20 x 1/2")				

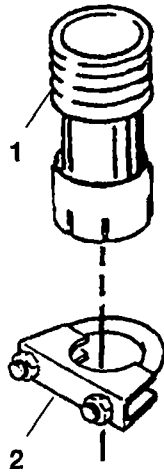
Electronic Governor



539-1439

REF NO.	PART NO.	QTY USED	PART DESCRIPTION	REF NO.	PART NO.	QTY USED	PART DESCRIPTION
1	150-2578	1	Package, Mounting – Actuator to Injection Pump (Includes Actuator Mounting Bracket, Actuator Shaft Clevis, Clevis Jam Nut, Male and Female Rod End Bearings, Magnetic Pickup, Wire Lugs, Mounting Hardware and Instruction Bulletin)	4	821-0005	4	Screw, Self-Locking – Hex Washer Head (#10-32 x 3/8")
2	850-2012	2	Washer, Lock – Spring (M12)	5	149-2309	1	Bracket, Mounting – Governor Control
3	800-2110	2	Screw, Cap – Hex Head (M12 x 20mm)	6	150-2331-01	1	Actuator, Governor
				7	151-0715-02	1	Control, Governor (A16)
				8	526-2140	2	Washer, Flat (M12)
				9	526-0425	1	Washer, Flat (13/16" ID x 1-1/4" OD x 1/8" Thk)

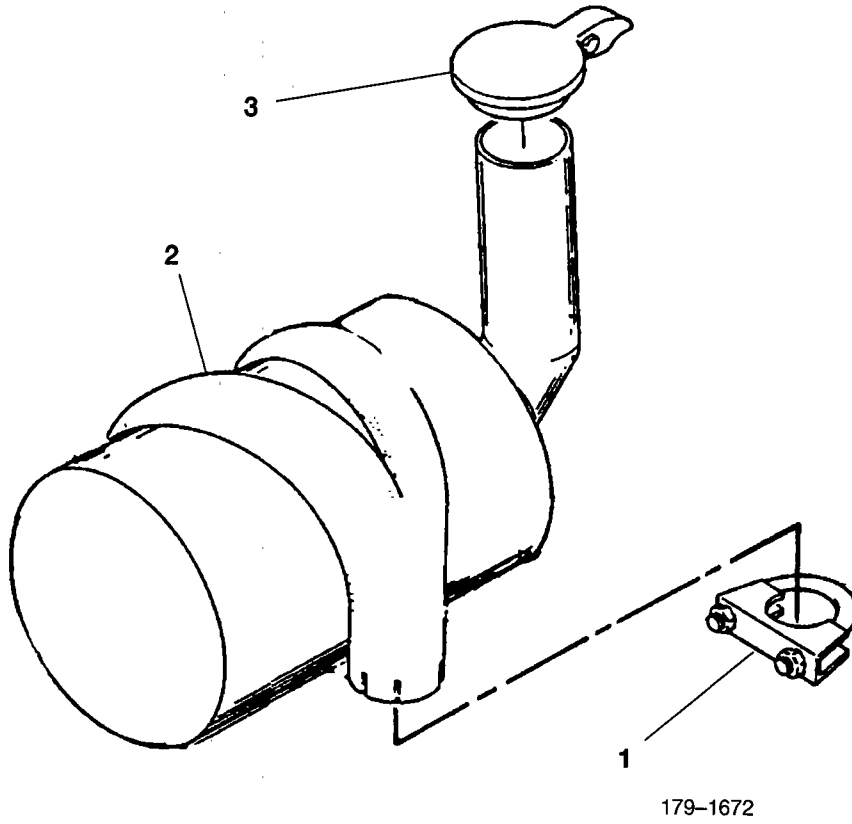
Exhaust Adapter



179-1671

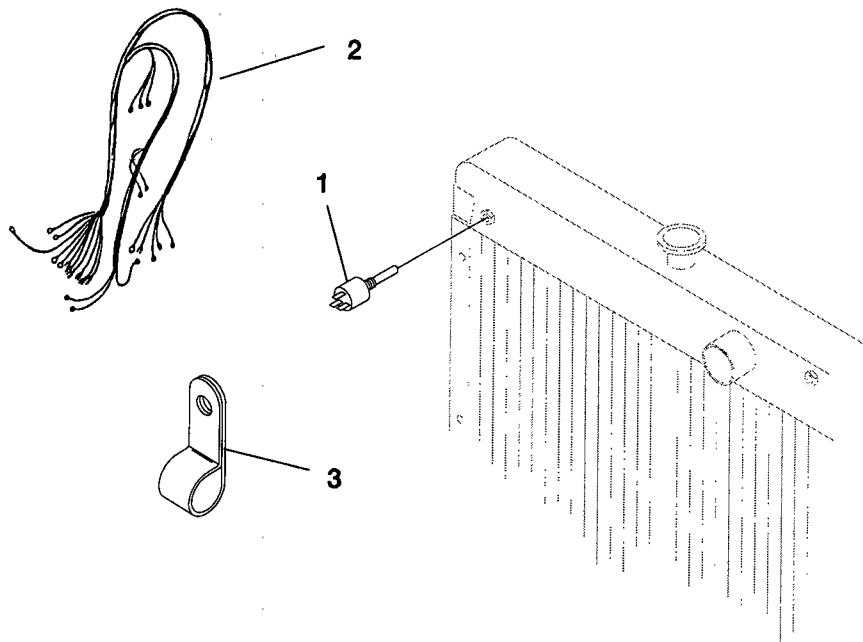
REF NO.	PART NO.	QTY USED	PART DESCRIPTION	REF NO.	PART NO.	QTY USED	PART DESCRIPTION
1	155-2253	1	Adapter, Exhaust	2	155-2175	1	Clamp, Muffler

Muffler



REF NO.	PART NO.	QTY USED	PART DESCRIPTION	REF NO.	PART NO.	QTY USED	PART DESCRIPTION
1	155-2175	1	Clamp, Muffler	3	155-2062-03	1	Cap, Rain
2	155-2251	1	Muffler				

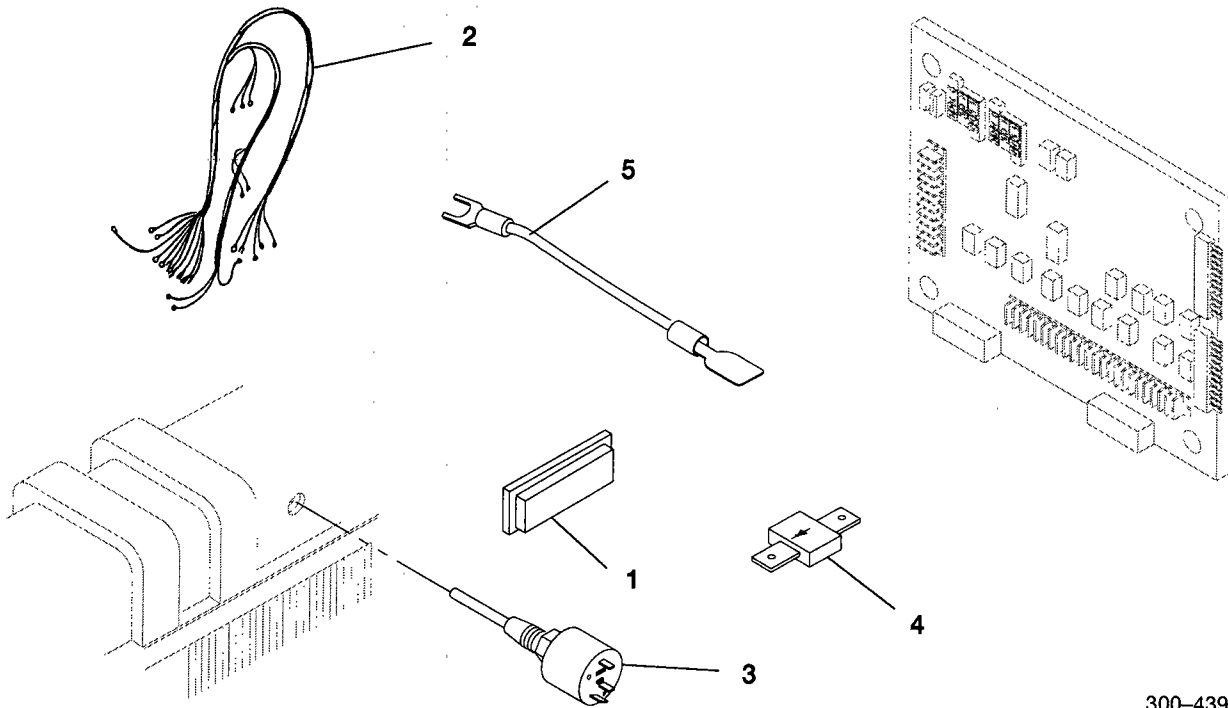
Low Coolant Level Sender Without Continuously Monitored Low Coolant Level



179-2688-01,02

REF NO.	PART NO.	QTY USED	PART DESCRIPTION	REF NO.	PART NO.	QTY USED	PART DESCRIPTION
1	193-0322	1	Sender, Low Coolant Level (S7)	3	518-0548-15	1	Clip, Retaining – Insulated
2	338-2871	1	Harness, Wiring – Shutdown and Warning (3 Wire) (32")				

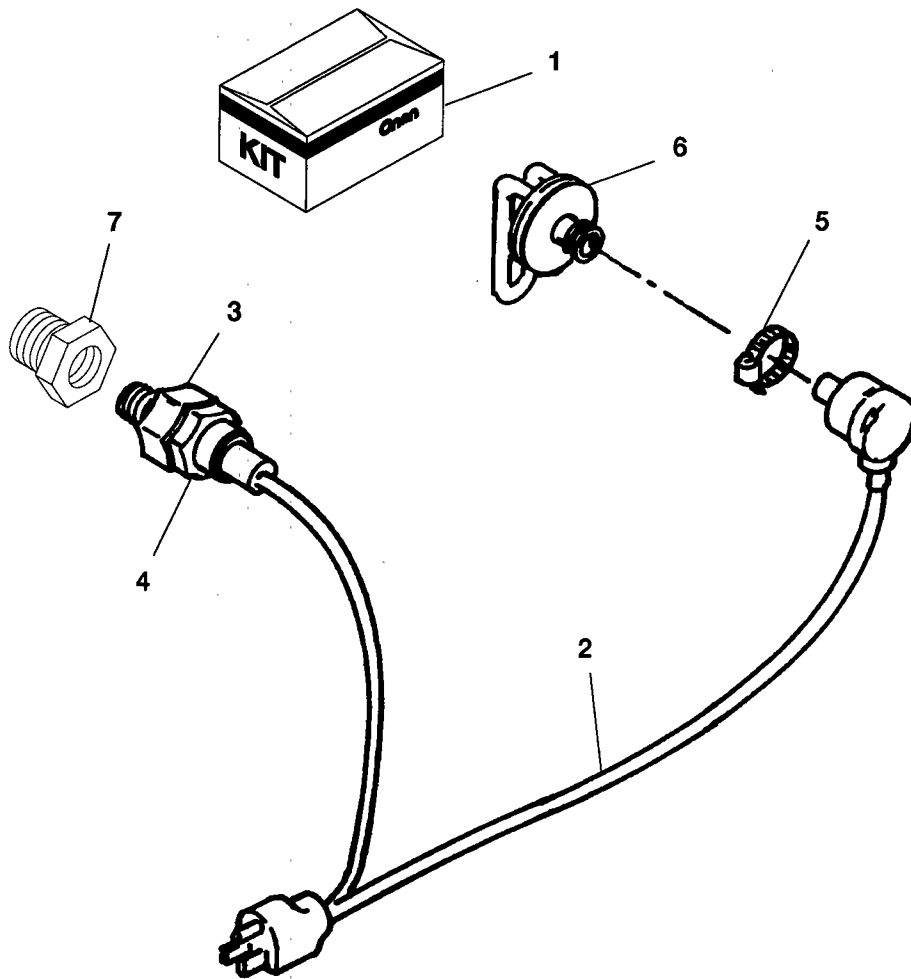
**Low Coolant Level Sender
With Continuously Monitored Low Coolant Level
12 Light Indicator Controls**



300-4396

REF NO.	PART NO.	QTY USED	PART DESCRIPTION	REF NO.	PART NO.	QTY USED	PART DESCRIPTION
1	322-0463-07	1	Lens, Indicator Light (Marked "Coolant Lo")	4	357-0030	1	Diode (6 Amp)
2	338-3035-01	1	Harness, Wiring (3 Wire) (138") (S7 to A11)	5	226-4661-02	2	Lead (4") (No Markings) (A11TB2-1 to Diode and A11TB2-16 to Diode)
3	193-0322	1	Sender, Low Coolant Level (S7)				

Engine Coolant Heater

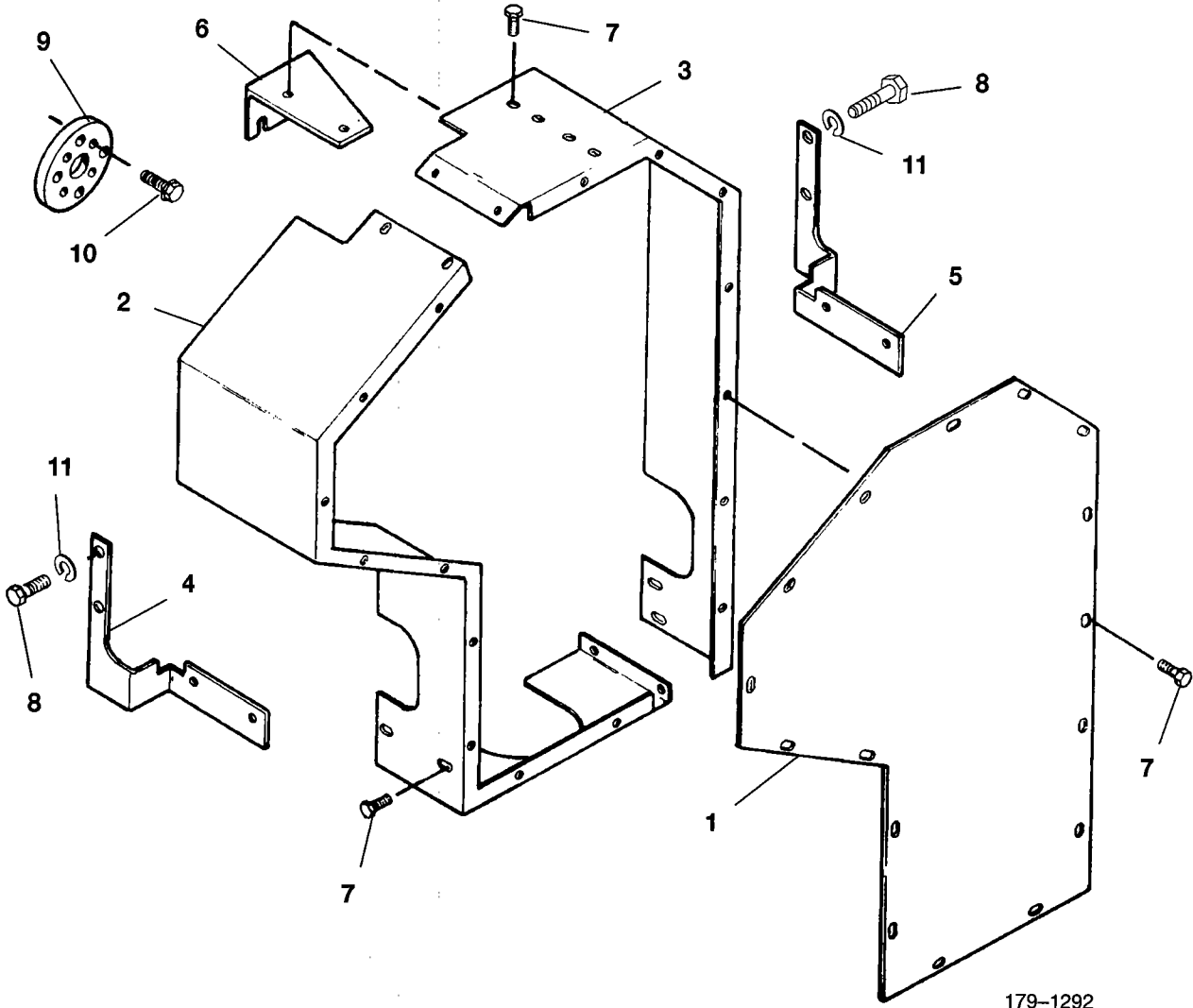


179-2237

REF NO.	PART NO.	QTY USED	PART DESCRIPTION	REF NO.	PART NO.	QTY USED	PART DESCRIPTION
1			Kit, Heater – Engine Coolant (1000 Watt)	4	333-0478	1	*#Thermostat
	333-0532-01	1	120 Volt (Includes Parts Marked *)	5	503-1139	1	*#Clamp
	333-0532-02	1	240 Volt (Includes Parts Marked #)	6			Heater
					333-0557-01	1	* 120 Volt
					333-0557-02	1	# 240 Volt
2			Harness, Wiring	7	505-0021	1	*#Bushing, Reducer (3/4" to 1/2")
	333-0475	1	* 120 Volt				
	333-0476	1	# 240 Volt				
3	333-0511	1	*#Well, Thermostat				

* – Parts Included in 333-0532-01 Engine Coolant Heater Kit
 # – Parts Included in 333-0532-02 Engine Coolant Heater Kit

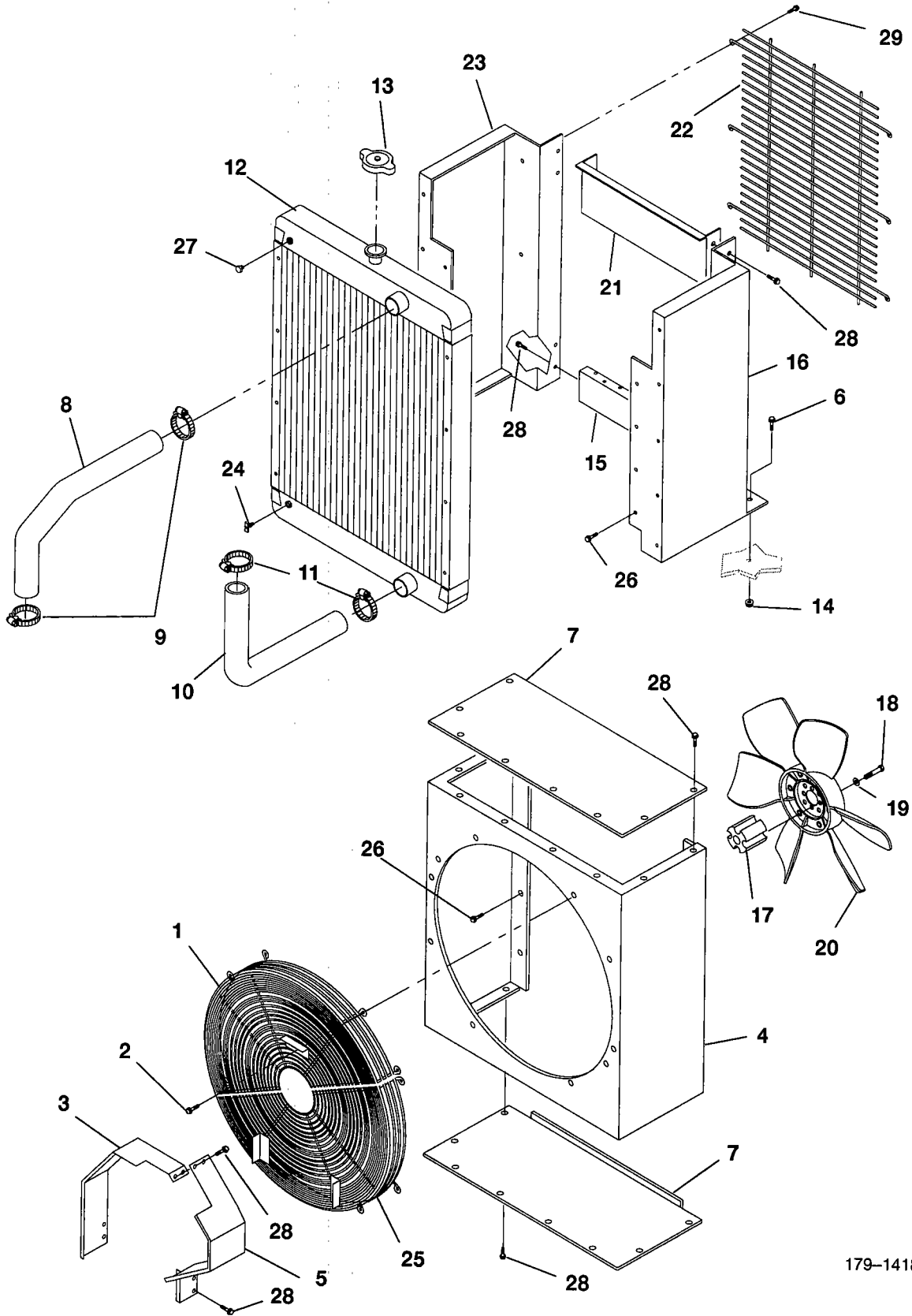
Remote Radiator



179-1292

REF NO.	PART NO.	QTY USED	PART DESCRIPTION	REF NO.	PART NO.	QTY USED	PART DESCRIPTION
1	130-3168	1	Cover, Belt Guard	8	800-2110	4	Screw, Cap - Hex Head (M12 x 20mm)
2	130-3169	1	Guard, Belt - Left Side	9	130-3582	1	Plate, Clamping
3	130-3170	1	Guard, Belt - Right Side	10	718-1812	4	Screw, Cap - Hex Head Flange (M8 x 25mm)
4	130-3171-01	1	Bracket, Mounting - Left Side	11	850-2012	4	Washer, Lock - Spring (M12)
5	130-3171-02	1	Bracket, Mounting - Right Side				
6	130-3172	1	Bracket, Mounting				
7	821-5002-03	24	Screw, Self-Locking - Hex Washer Head (1/4-20 x 1/2")				

Radiator

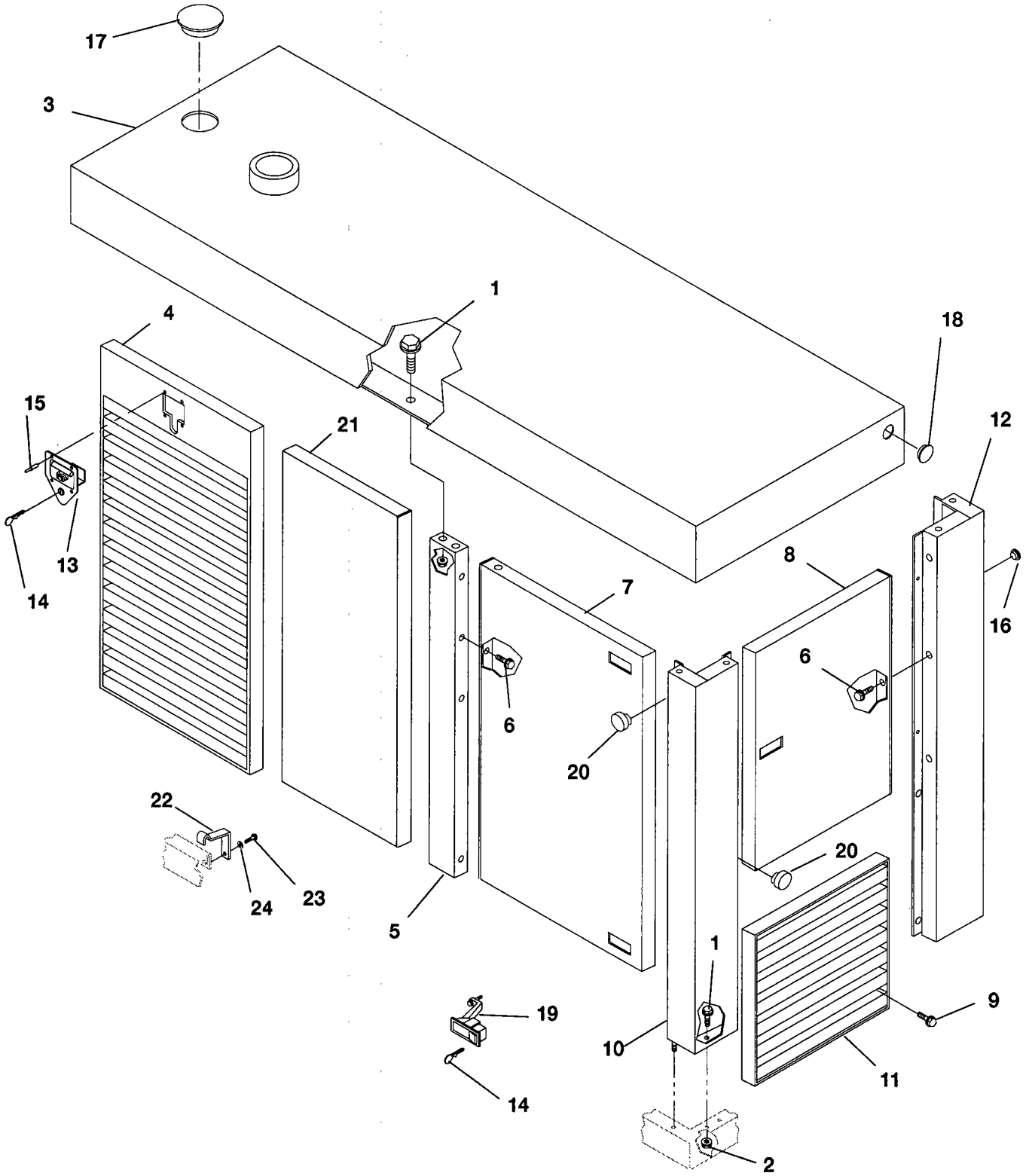


179-1418

Radiator

REF NO.	PART NO.	QTY USED	PART DESCRIPTION	REF NO.	PART NO.	QTY USED	PART DESCRIPTION
1	130-3069-01	1	Guard, Fan – Right Side (Top)	17	130-3082	1	Spacer, Fan
2	821-5002-04	10	Screw, Self-Locking – Hex Washer Head (1/4–20 x 5/8")	18	800-2068	4	Screw, Cap – Hex Head (M8 x 75mm)
3	130-3085	1	Guard, Belt – Right Side	19	526-2100	4	Washer, Flat (M8)
4	130-3091	1	Wrapper, Fan Shroud	20	130-3080	1	Fan, Radiator (6 Blade)
5	130-3086	1	Guard, Belt – Left Side	21	130-3089	1	Support, Grille – Upper
6	821-5004-02	6	Screw, Self-Locking – Hex Washer Head (3/8–16 x 3/4")	22	130-4452	1	Grille
7	130-3092	2	Shroud, Fan	23	130-4454-01	1	Guard, Radiator – Right Side
8	503-1928	1	Hose, Radiator – Upper	24	504-0028	1	Cock, Drain (3/8")
9	503-0365	2	Clamp, Hose	25	130-3069-02	1	Guard, Fan – Left Side (Bottom)
10	503-1929	1	Hose, Radiator – Lower	26	821-5004-01	18	Screw, Self-Locking – Hex Washer Head (3/8–16 x 1/2")
11	503-0465	2	Clamp, Hose	27	502-0153	1	Plug, Brass – Hex Head (1/4")
12	130-4357	1	Radiator (Includes Cap)	28	821-5002-03	32	Screw, Self-Locking – Hex Washer Head (1/4–20 x 1/2")
13	130-1788	1	Cap, Radiator	29	821-5003-03	6	Screw, Self-Locking – Hex Washer Head (5/16–18 x 3/4")
14	870-0281	6	Nut, Hex – Locking (3/8–16)				
15	130-3090	1	Support, Grille – Lower				
16	130-4454-02	1	Guard, Radiator – Left Side				

Housing

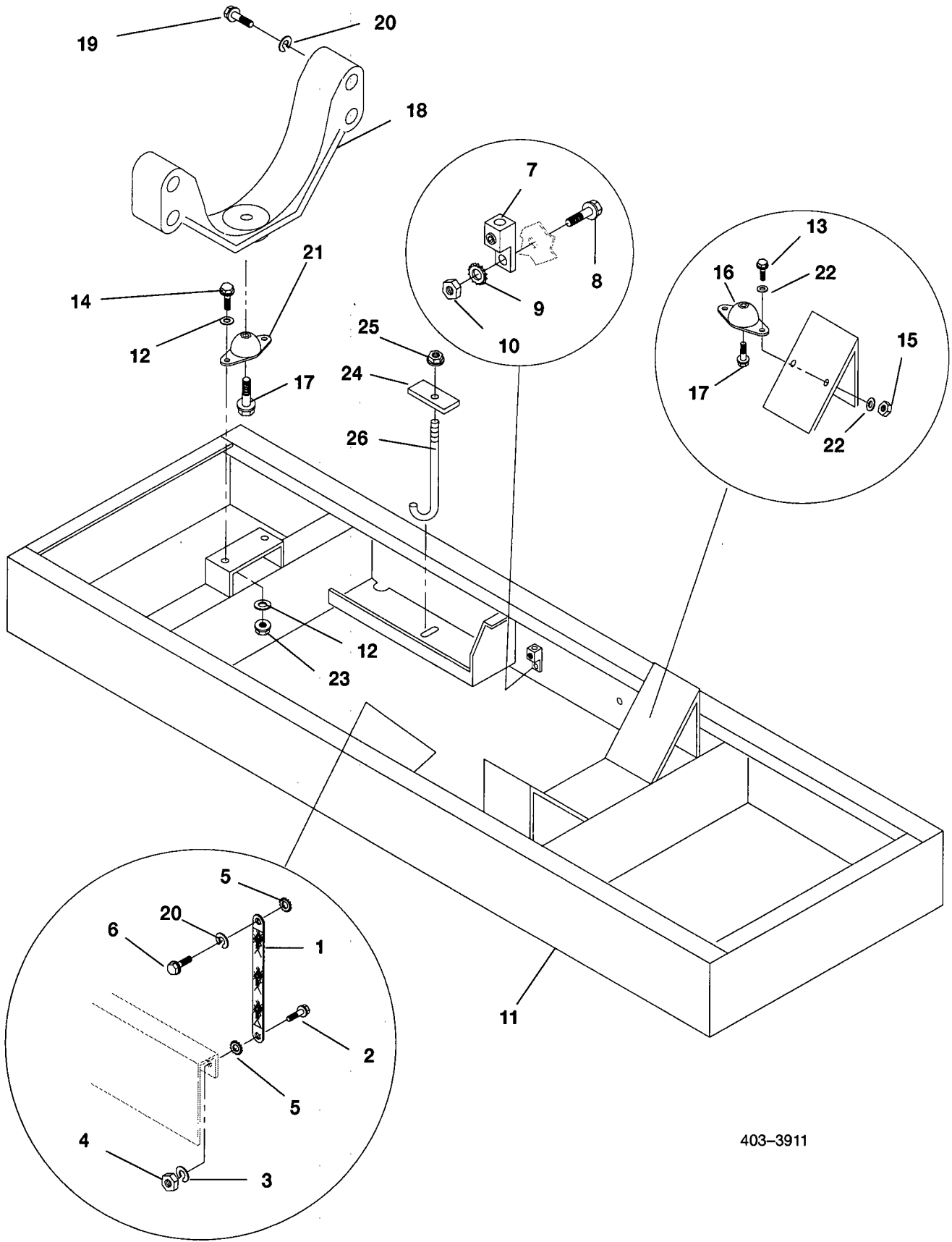


405-5348

Housing

REF NO.	PART NO.	QTY USED	PART DESCRIPTION	REF NO.	PART NO.	QTY USED	PART DESCRIPTION
1	821-5004-02	20	Screw, Self-Locking – Hex Washer Head (3/8-16 x 3/4")	12	405-5352	1	Post, Housing – Rear – Left Side
2	870-0281	22	Nut, Hex – Locking (3/8-16)	13	406-0807	2	Latch (Includes Key)
3	405-5359	1	Top	14	406-0782	7	Key, Latch
4	405-3841	2	Door, Grille	15	818-0231-02	8	Rivet
5	405-5364	2	Post, Housing – Center	16	508-0231	2	Bumper, Door
6	815-0137	13	Screw, Hex Head – Thread Forming (1/4-20 x 5/8")	17	517-0138-09	1	Plug, Hole (Fits 2-1/2" Hole)
7	405-5355	2	Door, Control – Side	18	517-0135	2	Plug, Hole (Fits 5/8" Hole)
8	405-5370	1	Door, Control – Rear	19	406-0765-01	5	Latch (Includes Key)
9	821-5003-01	4	Screw, Self-Locking – Hex Washer Head (5/16-18 x 1/2")	20	405-4932	6	Bumper, Door
10	405-5351	1	Post, Housing – Rear – Right Side	21	405-3837	2	Panel, Housing – Side
11	405-5386	1	Grille, Rear	22	406-0574	4	Hinge, Door
				23	815-0236	4	Screw, Hex Head – Thread Forming (5/16-18 x 5/8")
				24	526-0115	4	Washer, Flat (5/16")

Skid

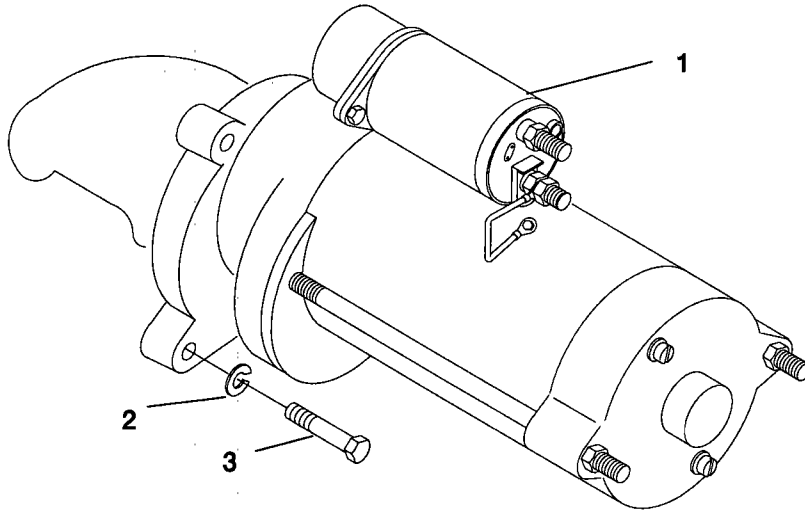


403-3911

Skid

REF NO.	PART NO.	QTY USED	PART DESCRIPTION	REF NO.	PART NO.	QTY USED	PART DESCRIPTION
1	337-0090	1	Strap, Ground	15	870-0531-03	4	Nut, Hex - Locking (7/16-14)
2	800-0091	1	Screw, Cap - Hex Head (1/2-13 x 1-1/4")	16	402-0568	2	Cushion, Vibration - Generator End
3	850-0060	1	Washer, Lock - Spring (1/2")	17	800-0520	3	Screw, Cap - Hex Head (3/4-10 x 1")
4	862-0016	1	Nut, Hex (1/2-13)	18	403-2567	1	Support, Engine
5	856-0013	2	Washer, Lock - W/EIT (1/2")	19	800-2121	4	Screw, Cap - Hex Head (M12 x 25mm)
6	800-2111	1	Screw, Cap - Hex Head (M12 x 25mm)	20	850-2012	5	Washer, Lock - Spring (M12)
7	332-1473	1	Lug, Solderless	21	402-0030	1	Cushion, Vibration - Engine End
8	800-0026	1	Screw, Cap - Hex Head (5/16-18 x 3/4")	22	526-0249	8	Washer, Flat (7/16")
9	856-0008	1	Washer, Lock - W/EIT (5/16")	23	870-0531-04	2	Nut, Hex - Locking (1/2-13)
10	870-0257	1	Nut, Hex - Locking (5/16-18)	24	416-0975-01	1	Bracket, Retainer - Battery
11	403-3903	1	Skid	25	870-0212	1	Nut, Locking - Hex Flange Head (1/4-20)
12	526-0219	4	Washer, Flat (17/32")	26	416-0853	1	Holddown, Battery
13	800-0605	4	Screw, Cap - Hex Head (7/16-14 x 1-1/4")				
14	800-0558	2	Screw, Cap - Hex Head (1/2-13 x 1-1/2")				

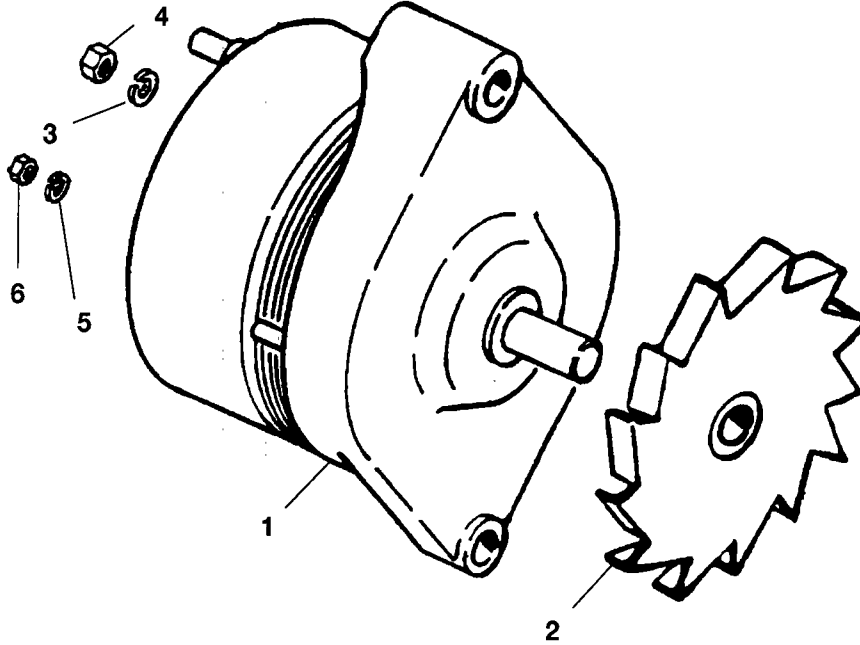
Starter



179-2629-05

REF NO.	PART NO.	QTY USED	PART DESCRIPTION	REF NO.	PART NO.	QTY USED	PART DESCRIPTION
1	191-2103	1	Starter - 24 VDC	3	800-2088	3	Screw, Cap - Hex Head (M10 x 35mm)
2	850-2010	3	Washer, Lock - Spring (M10)				

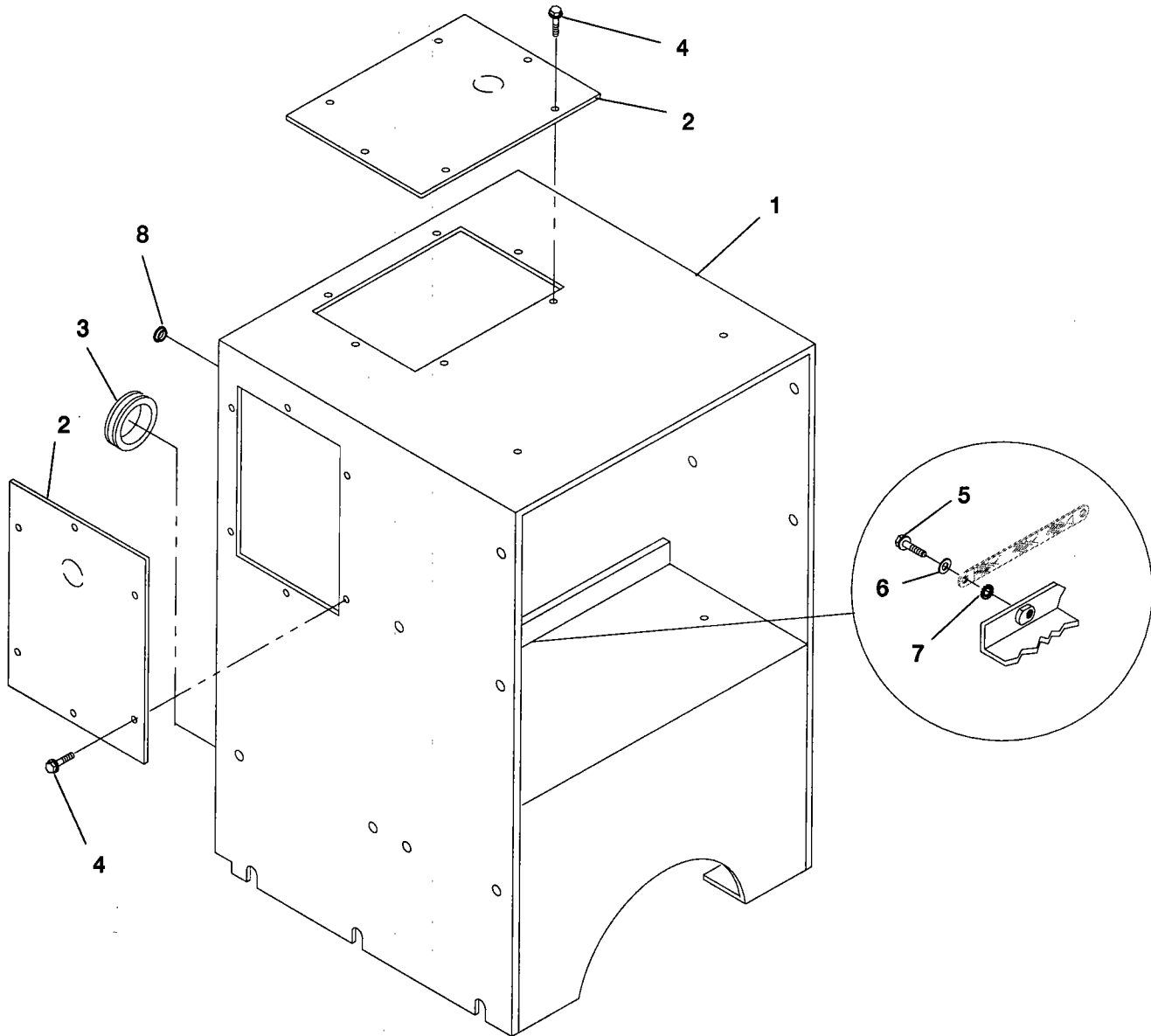
Alternator



179-2644-02

REF NO.	PART NO.	QTY USED	PART DESCRIPTION	REF NO.	PART NO.	QTY USED	PART DESCRIPTION
1	191-1983-02	1	Alternator - 24 VDC	3	850-2008	1	Washer, Lock - Spring (M8)
	191-2121	1	Regulator, Voltage - Alternator (Included With Alternator) (Not Illustrated)	4	860-2008	1	Nut, Hex (M8)
2	191-1981	1	Fan, Alternator	5	850-2005	2	Washer, Lock - Spring (M5)
				6	860-2006	2	Nut, Hex (M5)

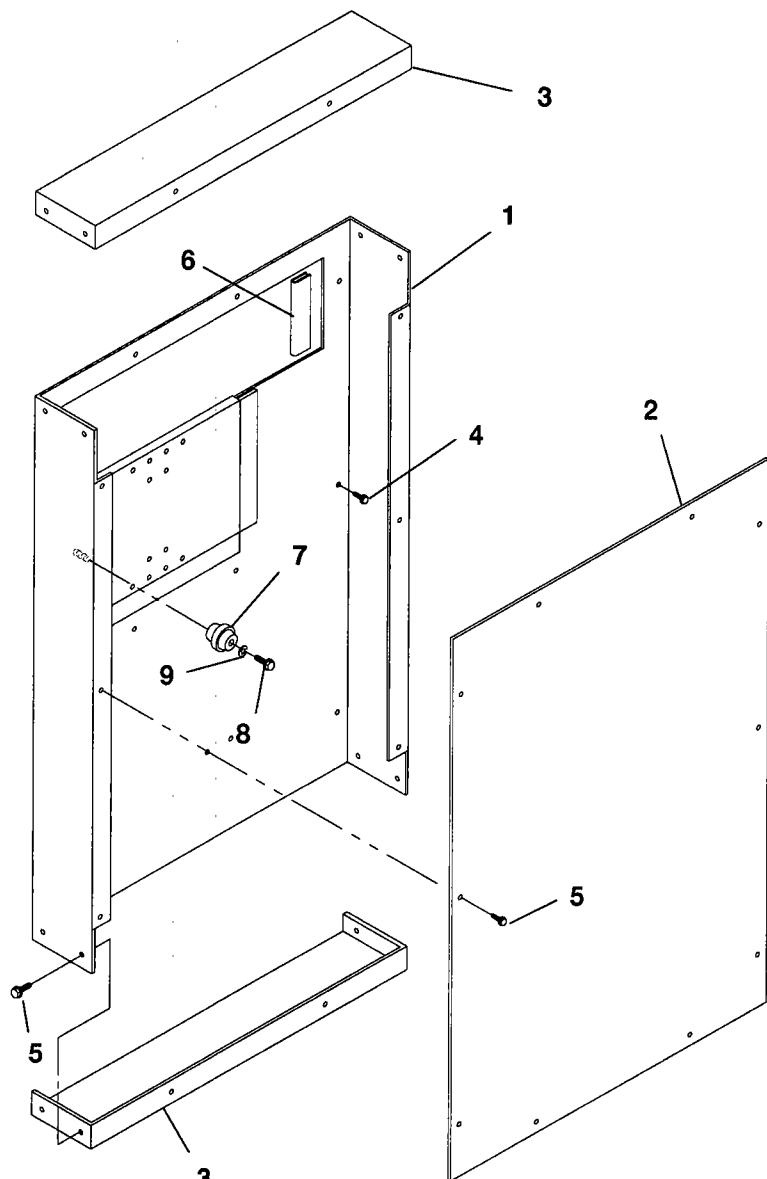
Control Housing



300-3873

REF NO.	PART NO.	QTY USED	PART DESCRIPTION	REF NO.	PART NO.	QTY USED	PART DESCRIPTION
1	319-1193	1	Box, Mounting	5	821-0018	1	Screw, Self-Locking – Hex Washer Head (1/4-20 x 5/8")
2	319-0077	3	Panel	6	526-0018	1	Washer, Flat (1/4")
3	508-1057	1	Grommet	7	856-0006	1	Washer, Lock – EIT (1/4")
4	815-0350	18	Screw, Self-Locking – Hex Washer Head – Slotted (#10-32 x 3/8")	8	517-0135	1	Plug, Hole (Fits 5/8" Hole)

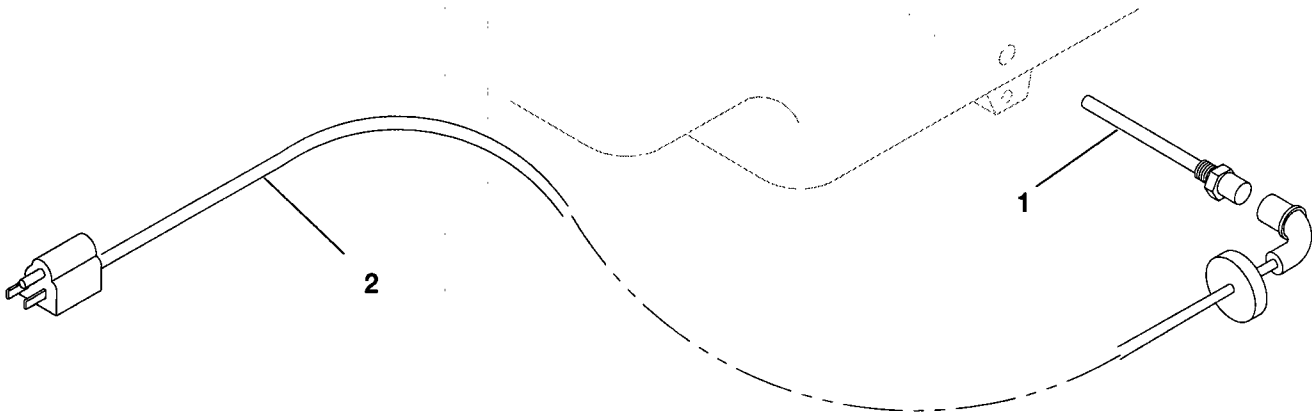
Entrance Box



319-2819

REF NO.	PART NO.	QTY USED	PART DESCRIPTION	REF NO.	PART NO.	QTY USED	PART DESCRIPTION
1	319-2422	1	Box, Entrance	6	508-0305-02	-	Edging - Bulk (Order By The Foot - 1 Foot Required)
2	319-2425-01	1	Cover, Box	7	332-2744-07	1	Standoff, Insulator
3	319-2426	2	Cover, Box	8	800-0047	1	Screw, Cap - Hex Head (3/8-16 x 5/8")
4	821-0040	8	Screw, Self-Locking - Hex Washer Head (#10-32 x 5/16")	9	850-0050	1	Washer, Lock - Spring (3/8")
5	821-0010	20	Screw, Self-Locking - Hex Washer Head (1/4-20 x 1/2")				

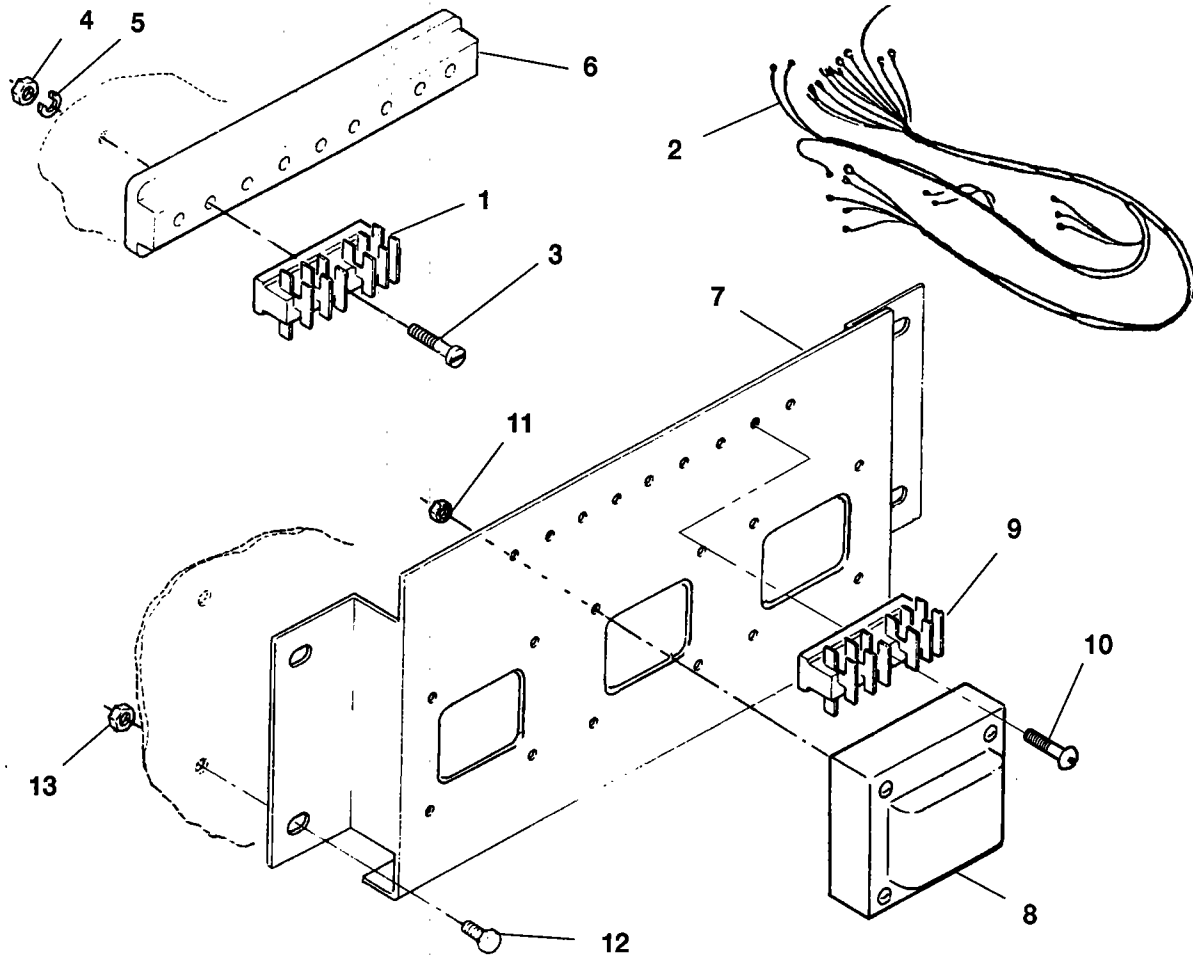
Oil Heater



179-2283

REF NO.	PART NO.	QTY USED	PART DESCRIPTION	REF NO.	PART NO.	QTY USED	PART DESCRIPTION
1			Heater, Oil (150 Watt)	2			Cable, Oil Heater (72")
	333-0429-01	1	120 Volt		335-0168-01	1	120 Volt
	333-0429-02	1	240 Volt		335-0168-02	1	240 Volt

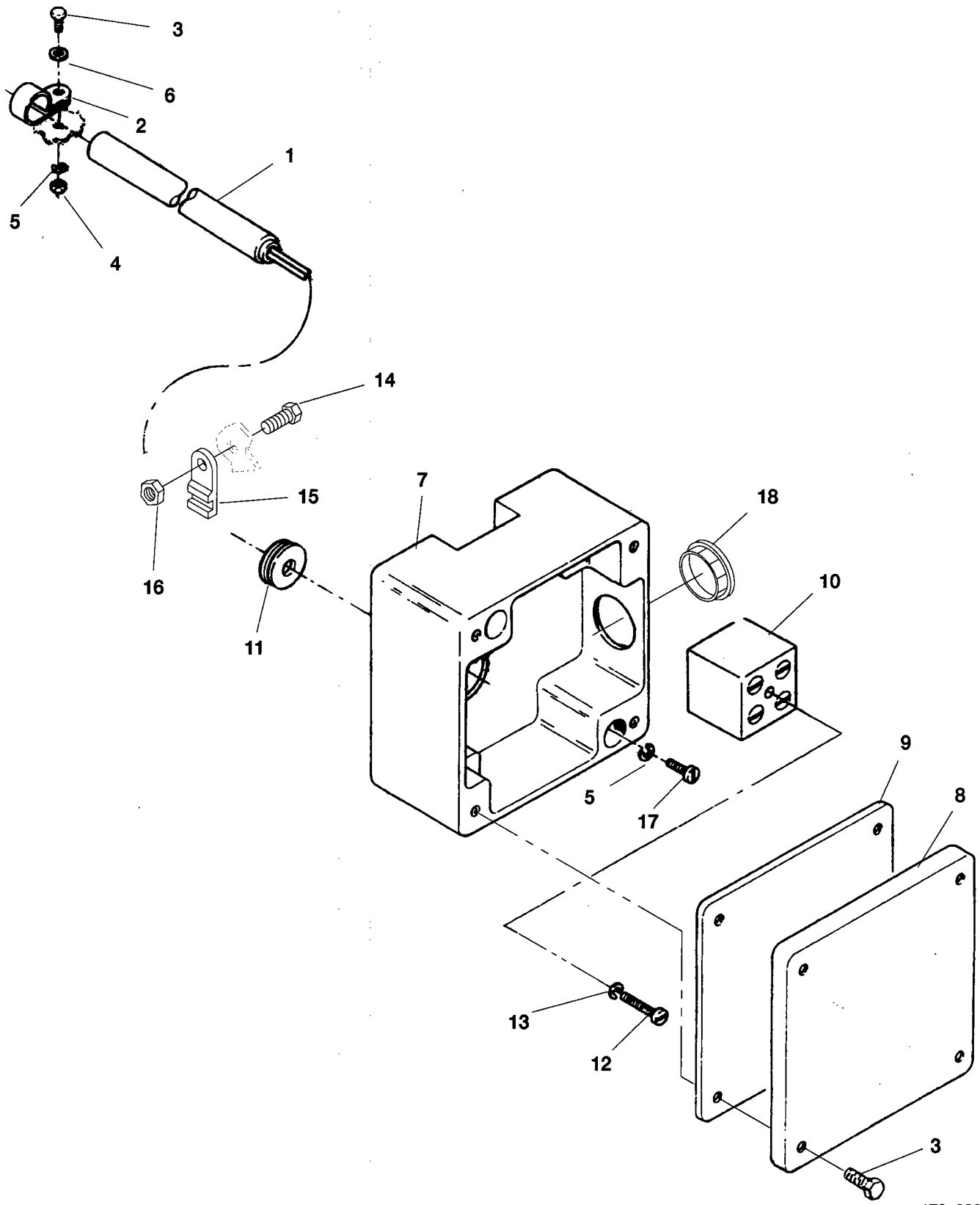
Auxiliary Terminal Block



539-1075

REF NO.	PART NO.	QTY USED	PART DESCRIPTION	REF NO.	PART NO.	QTY USED	PART DESCRIPTION
1	332-3007	3	Block, Terminal	9	332-3007	3	*Block, Terminal
2	338-2506	1	Harness, Wiring 190-240, 380-480 Volt, 12 Lead Reconnectable Generator	10	812-0079	2	*Screw, Machine - Round Head (#8-32 x 1/2")
	338-2796	1	240-480 DELTA, 600 Volt WYE Generator	11	870-0221	12	*Nut, Hex - W/ET (#8-32)
3	812-0085	3	Screw, Machine - Round Head (#8-32 x 1-1/8")	12	821-0016	4	Screw, Self-Locking - Hex Washer Head (5/16-18 x 3/4")
4	870-0221	3	Nut, Hex - W/ET (#8-32)	13	870-0257	4	Nut, Self-Locking - Hex Washer Head (5/16-18)
5	850-0025	3	Washer, Lock - Spring (#8)	* - Parts Not Used on 190-240, 380-480 Volt, 12 Lead Reconnectable Generator Application			
6	232-3536	1	Base, Terminal Block				
7	319-1498	1	*Bracket, Mounting - Transformer				
8			*Transformer (PTW,PTV,PTU) 240/480 Volt DELTA				
	315-0717-01	2	PTW, PTU Position				
	315-0717	1	PTV Position				
	315-0717	3	600 Volt WYE				

Generator Heater

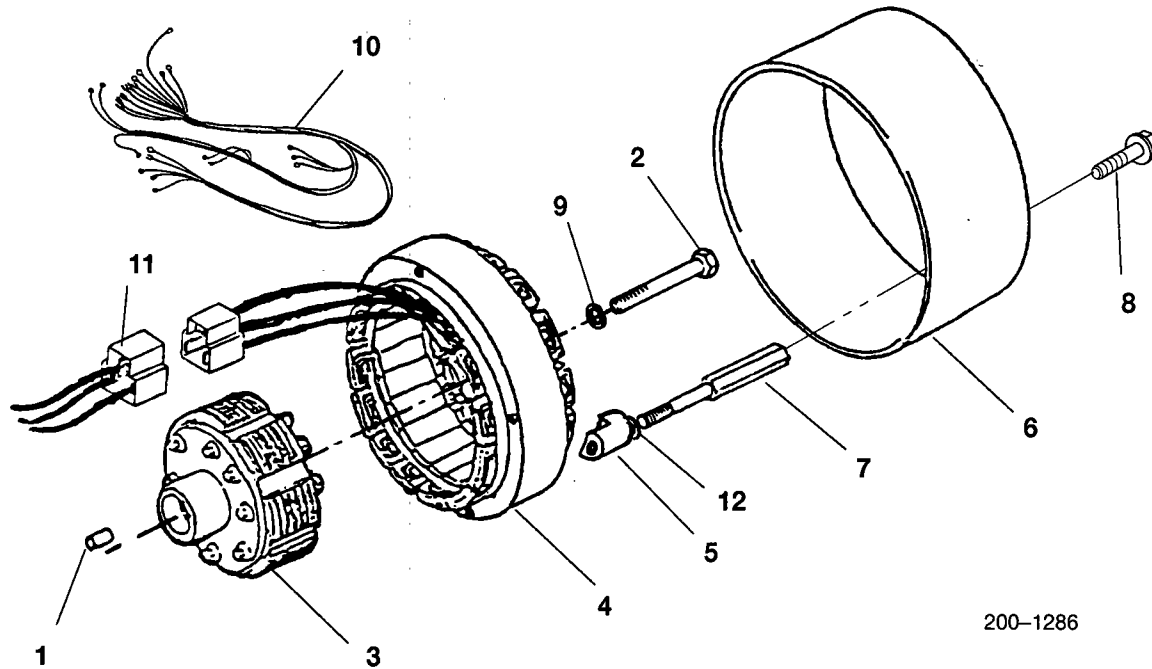


179-2286

Generator Heater

REF NO.	PART NO.	QTY USED	PART DESCRIPTION	REF NO.	PART NO.	QTY USED	PART DESCRIPTION
1			Cartridge, Heater	10	332-3023	1	Block, Terminal
	333-0438-07	1	120 Volt	11	508-0228	1	Grommet
	333-0438-08	1	240 Volt	12	822-3047	1	Screw, Machine - Pan Head (M3 x 20mm)
2	332-3024-11	2	Clamp, Loop	13	850-2003	1	Washer, Lock - Spring (M3)
3	822-3075	6	Screw, Machine - Pan Head (M4 x 16mm)	14	800-3034	1	Screw, Cap - Hex Head (M4 x 12mm)
4	860-2005	2	Nut, Hex (M4)	15	332-3228	1	Mount, Cable Tie
5	850-2004	4	Washer, Lock - Spring (M4)	16	870-2064-01	1	Nut, Hex (M4)
6	526-2050	2	Washer, Flat (M4)	17	815-0792-04	2	Screw, Pan Head (M4 x 12mm)
7	330-0142	1	Box, Terminal	18	517-0021	1	Plug, Dot Button
8	330-0141-03	1	Cover, Terminal Box				
9	330-0141-04	1	Gasket, Terminal Box				

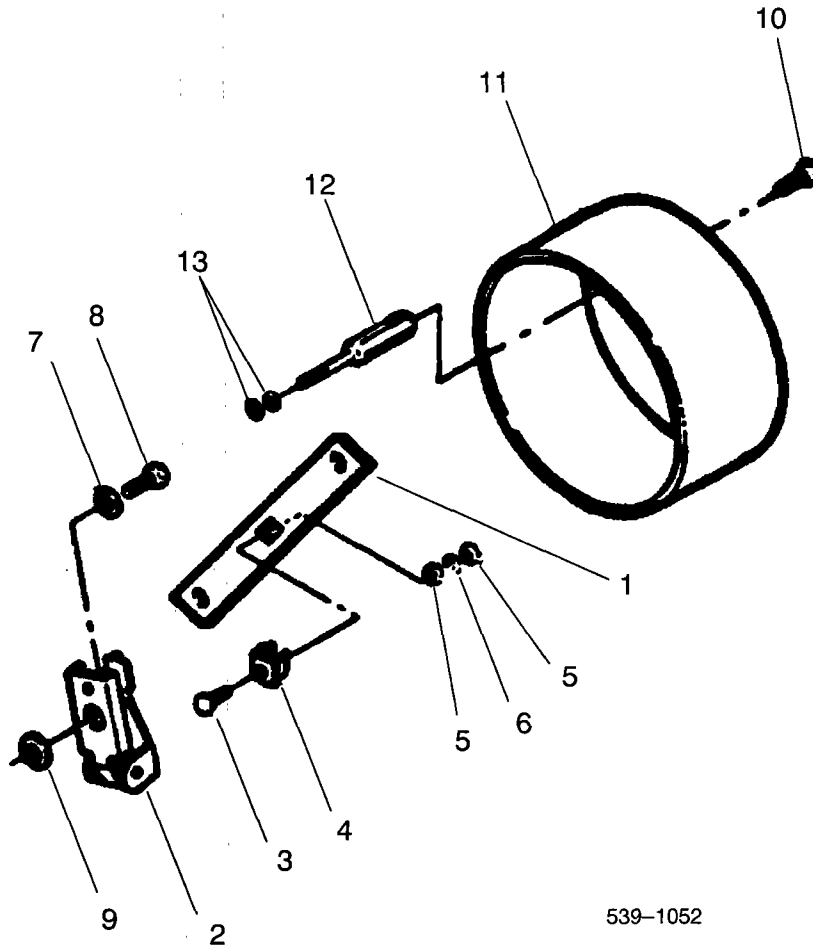
Permanent Magnet Exciter



200-1286

REF NO.	PART NO.	QTY USED	PART DESCRIPTION	REF NO.	PART NO.	QTY USED	PART DESCRIPTION
1	775-0049	1	Pin, Dowel	9	850-2010	1	Washer, Lock - Spring (M10)
2	815-0761-01	1	Bolt, Hex Head (M10 x 90mm)	10	338-3149	1	Harness, Wiring (AUX-P2,P3,P4 to VR21-P2,P3,P4) (3 Wire) (40")
3	201-3446	1	Rotor	11	338-3265	1	Harness, Wiring (P2,P3,P4 to P2,P3,P4) (3 Wire) (30")
4	220-4233	1	Stator	12	850-2006	4	Washer, Lock - Spring (M6)
5	232-3511	4	Clamp				
6	234-0875-02	1	Cover, End Bell				
7	232-3462-02	4	Spacer				
8	821-2020	4	Screw, Self-Locking - Hex Washer Head (M5 x 10mm)				

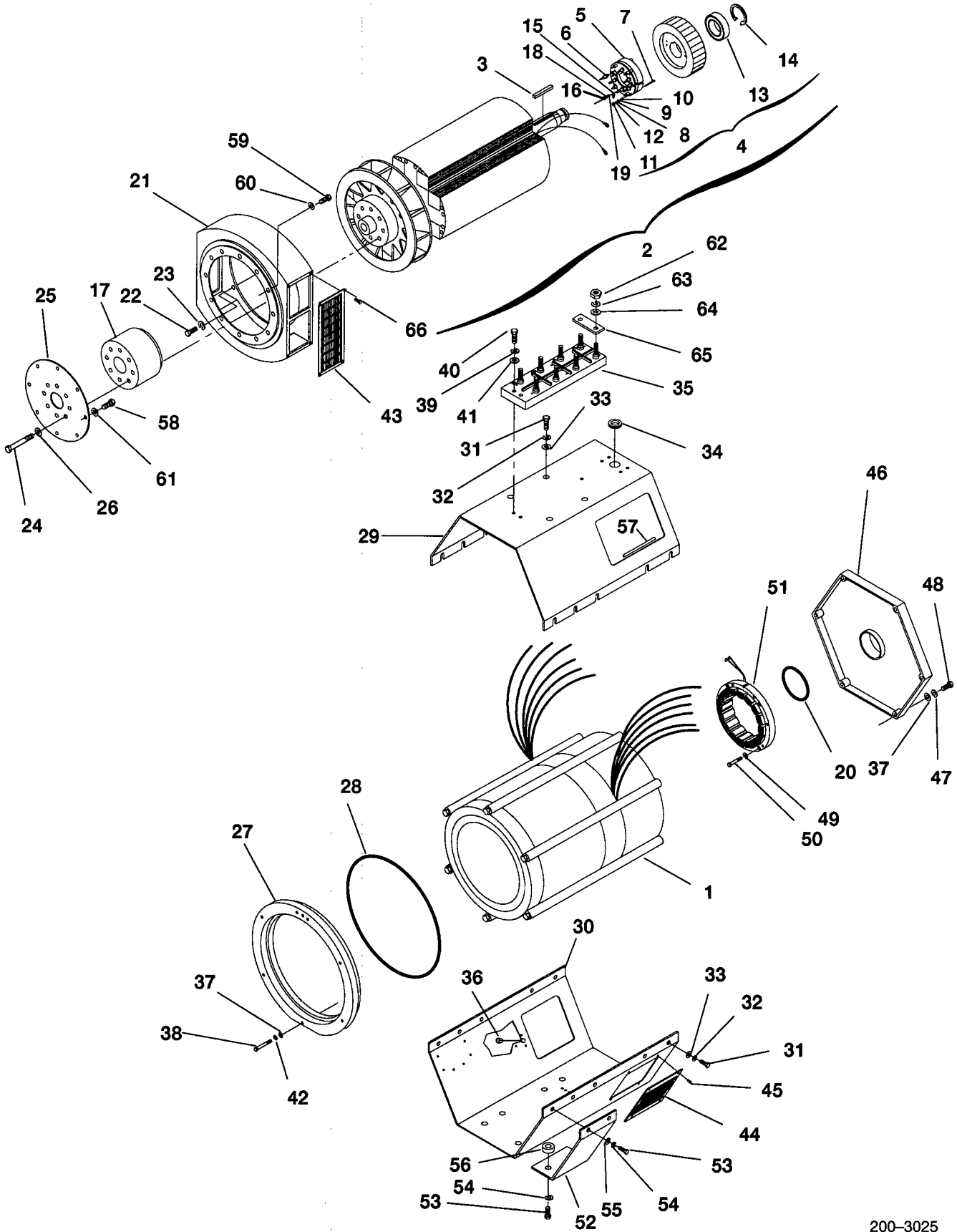
Overspeed Switch



539-1052

REF NO.	PART NO.	QTY USED	PART DESCRIPTION	REF NO.	PART NO.	QTY USED	PART DESCRIPTION
1	150-2309	1	Bracket, Mounting - Overspeed	9	526-0240	1	Washer, Flat (13/32" ID x 1-1/2" OD x 1/8" Thk)
2	150-0956	1	Switch, Overspeed (S3)	10	821-2020	4	Screw, Self-Locking - Hex Washer Head (M5 x 10mm)
3	150-0723	1	Point, Overspeed	11	234-0875-01	1	Cover, End Bell
4	870-0250	1	Nut, Insulated	12	232-3462-01	4	Spacer, Cover
5	862-0001	2	Nut, Hex (1/4-20)	13	526-2080	4	Washer, Flat (M6)
6	853-0013	1	Washer, Lock - W/ET (1/4")				
7	856-0010	1	Washer, Lock - W/EIT (3/8")				
8	800-2088	1	Screw, Cap - Hex Head (M10 x 35mm)				

Generator



200-3025

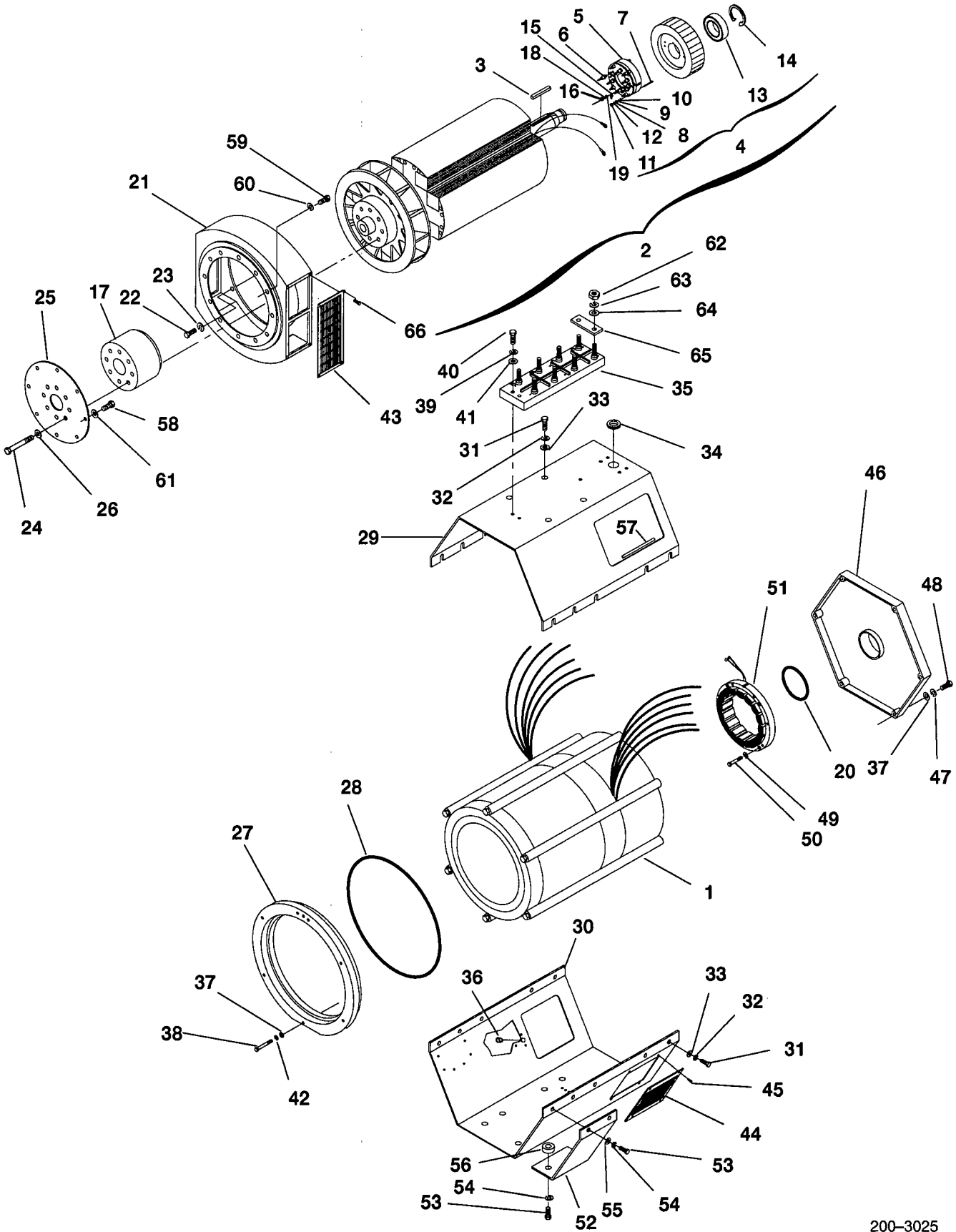
Generator

REF NO.	PART NO.	QTY USED	PART DESCRIPTION	REF NO.	PART NO.	QTY USED	PART DESCRIPTION
1	-	1	Stator, Generator (See Separate Page for Part Numbers)	28	508-0139	-	Seal, Edging - Bulk (Order By The Foot - 3 Feet Required)
2			Rotor Assembly, Generator (Includes Parts Marked *)	29			Cover, Stator - Top
	201-3497-01	1	165mm Stack Length		234-0937-01	1	165, 190mm Stack Length
	201-3497-02	1	190mm Stack Length		234-0937-02	1	230, 285mm Stack Length
	201-3497-03	1	230mm Stack Length		234-0937-03	1	335mm Stack Length
	201-3497-04	1	285mm Stack Length		234-0937-04	1	375mm Stack Length
	201-3497-05	1	335mm Stack Length	30			Cover, Stator - Bottom
	201-3497-06	1	375mm Stack Length		232-3820-01	1	165, 190mm Stack Length
3			*Key, Exciter Rotor		232-3820-02	1	230, 285mm Stack Length
	515-0298-02	1	165, 190mm Stack Length		232-3820-03	1	335mm Stack Length
	515-0298-03	1	230, 285, 335, 375mm Stack Length		232-3820-04	1	375mm Stack Length
4			*Rotor Assembly, Exciter (Includes Parts Marked #)	31	800-3017-54	10	Screw, Cap - Hex Head (M12 x 30mm)
	201-3434-02	1	165, 190mm Stack Length	32	850-0114-56	10	Washer, Lock - Spring (M12)
	201-3434-03	1	230, 285, 335, 375mm Stack Length	33	526-0399-64	10	Washer, Flat (M12)
5			*#Rectifier Assembly (Includes Parts Marked +)	34	508-1057	1	Grommet
	357-0091	1	Forward (With Positive Diode)	35	232-3421	1	Block, Terminal
	357-0092	1	Reverse (With Negative Diode)	36	517-0135	1	Plug, Hole
6			*#+ Diode	37	526-0423	12	Washer, Flat (13/32" ID x 1-1/4" OD x 1/4" Thk)
	358-0135-01	3	Positive	38	800-3017-38	6	Screw, Cap - Hex Head (M10 x 30mm)
	358-0135-02	3	Negative	39	850-2008	3	Washer, Lock - Spring (M8)
7	800-3009	3	*#+ Screw, Cap - Hex Head (M4 x 35mm) (CR1,2,3,4,5,6)	40	800-2060	3	Screw, Cap - Hex Head (M8 x 35mm)
8	860-2005	3	*#+ Nut, Hex (M4)	41	526-2100	3	Washer, Flat (M8)
9	850-2004	3	*#+ Washer, Lock - Spring (M4)	42	850-0114-55	6	Washer, Lock - Spring (M10)
10	526-2050	3	*#+ Washer, Flat (M4)	43	234-0867	2	Guard, Fan - Generator
11	870-2064-01	6	*#Nut, Locking - Nylon (M4)	44	234-0879	2	Screen, Air Inlet
12	526-2050	6	*#Washer, Flat (M4)	45	821-6001-02	8	Screw, Self-Locking - Hex Washer Head (M5 x 12mm)
13	510-0164	1	*Bearing, Ball	46	211-0423	1	Bell, End
14	518-0083	1	*Ring, Retaining	47	850-0114-55	6	Washer, Lock - Spring (M10)
15	304-0807	1	*Varistor	48	800-3017-38	6	Screw, Cap - Hex Head (M10 x 30mm)
16	860-2006	2	*Nut, Hex (M5)	49	850-2006	4	Washer, Lock - Spring (M6)
17	232-3695	1	*Hub, Drive - Generator	50			Screw, Cap - Hex Head (M6 x 60mm)
18	850-2005	2	*Washer, Lock - Spring (M5)		800-2042	4	M6 x 80mm
19	526-2060	2	*Washer, Flat (M5)		800-2046	4	M6 x 80mm
20	509-0266-02	1	O-Ring	51			Stator, Exciter
21	231-0325	1	Adapter, Generator		220-4293-04	1	165, 190mm Stack Length
22			Screw, Cap - Hex Head		220-4293-06	1	230, 285, 335, 375mm Stack Length
	800-3017-42	5	M10 x 50mm	52	232-3454	2	Bracket, Mounting - Generator Foot
	800-3017-44	1	M10 x 60mm (12 O'Clock Position)				
23	850-0114-55	6	Washer, Lock - Spring (M10)				
24	720-1119	8	Screw, Cap - Hex Head (M16 x 40mm)				
25	232-3699	3	Disc, Drive - Generator				
26	526-0259	8	Washer, Flat (5/8") Hardened				
27	231-0319	1	Adapter, Generator Stator				

* - Parts Included in Generator Rotor Assemblies
 # - Parts Included in Exciter Rotor Assemblies
 + - Parts Included in Rectifier Assemblies

Continued...

Generator

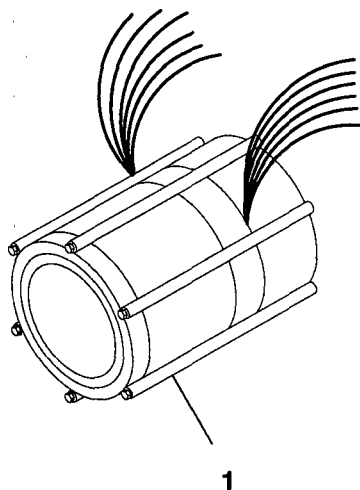


200-3025

Generator

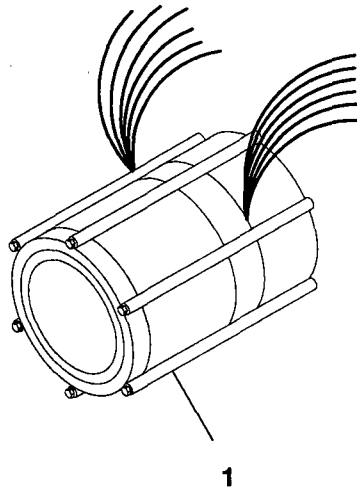
REF NO.	PART NO.	QTY USED	PART DESCRIPTION	REF NO.	PART NO.	QTY USED	PART DESCRIPTION
Continued...				59	800-2088	12	Screw, Cap – Hex Head (M10 x 35mm)
53	800-3017-55	8	Screw, Cap – Hex Head (M12 x 35mm)	60	850-2010	12	Washer, Lock – Spring (M10)
54	850-0114-56	8	Washer, Lock – Spring (M12)	61	526-0174	8	Washer, Flat (3/8")
55	526-0399-64	4	Washer, Flat (M12)	62	860-2009	8	Nut, Hex (M10)
56	232-3730-04	4	Spacer, Mounting Foot	63	850-2010	8	Washer, Lock – Spring (M10)
57	508-0305-02	-	Edging – Bulk (Order By The Foot – 5 Feet Required)	64	526-2120	8	Washer, Flat (M10)
58	805-0018	8	Bolt, Place (3/8-16 x 1")	65	332-2987	4	Link, Terminal
				66	821-6001-01	8	Screw, Self-Locking – Hex Washer Head (M5 x 10mm)

Generator Stator DGDA



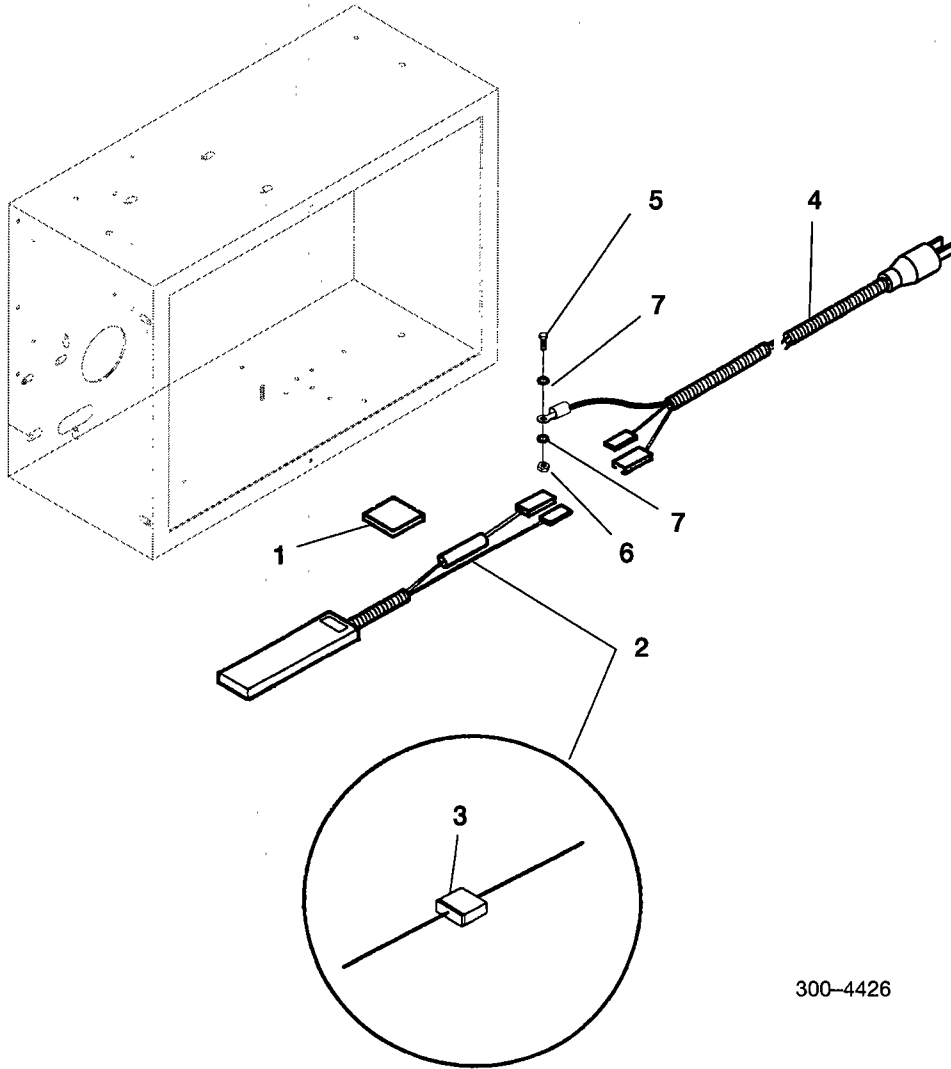
REF NO.	PART NO.	QTY USED	PART DESCRIPTION
1			Stator, Generator
			4 Lead, Single Phase, Non-Reconnectible
	220-4448-01	1	165mm Stack Length, 125 Deg C, 50 Hertz
	220-4448-07	1	165mm Stack Length, 125 Deg C, 60 Hertz
	220-4448-02	1	190mm Stack Length, 105 Deg C, 50 Hertz
	220-4448-08	1	190mm Stack Length, 105 Deg C, 60 Hertz
	220-4448-03	1	230mm Stack Length, 80 Deg C, 50 Hertz
	220-4448-09	1	230mm Stack Length, 80 Deg C, 60 Hertz
			6 Lead, Three Phase, Reconnectible
	220-4448-31	1	165mm Stack Length, 105 Deg C
	220-4448-31	1	165mm Stack Length, 125 Deg C
	220-4448-32	1	190mm Stack Length, 80 Deg C
			12 Lead
			Three Phase, Non-Reconnectible
	220-4448-25	1	165mm Stack Length, 105 Deg C
	220-4448-25	1	165mm Stack Length, 125 Deg C
	220-4448-26	1	190mm Stack Length, 80 Deg C
			Single or Three Phase, Reconnectible
	220-4448-13	1	165mm Stack Length, 105 Deg C, 50 Hertz
	220-4448-13	1	165mm Stack Length, 105 Deg C, 60 Hertz
	220-4448-13	1	165mm Stack Length, 105 Deg C, 60 Hertz, Broad Range
	220-4448-13	1	165mm Stack Length, 125 Deg C, 50 Hertz, Broad Range
	220-4448-19	1	165mm Stack Length, 105 Deg C, 60 Hertz, Low Range
	220-4448-19	1	165mm Stack Length, 125 Deg C, 60 Hertz, Low Range
	220-4448-14	1	190mm Stack Length, 80 Deg C
	220-4448-14	1	190mm Stack Length, 80 Deg C, 50 Hertz, Broad Range
	220-4448-14	1	190mm Stack Length, 125 Deg C, Full Output on Single Phase
	220-4448-20	1	190mm Stack Length, 80 Deg C, 60 Hertz, Low Range
	220-4448-15	1	230mm Stack Length, 80 Deg C, 50 Hertz, Full Output on Single Phase
	220-4448-15	1	230mm Stack Length, 105 Deg C, 50 Hertz, Full Output on Single Phase
	220-4448-15	1	230mm Stack Length, 105 Deg C, 60 Hertz, Full Output on Single Phase
	220-4448-15	1	230mm Stack Length, 125 Deg C, 60 Hertz, Full Output on Single Phase
	220-4448-16	1	285mm Stack Length, 80 Deg C, Full Output on Single Phase

Generator Stator DGDB



REF NO.	PART NO.	QTY USED	PART DESCRIPTION
1			Stator, Generator
	220-4448-09	1	4 Lead, Single Phase, Non-Reconnectible 230mm Stack Length, 105 Deg C, 60 Hertz
	220-4448-03	1	230mm Stack Length, 125 Deg C, 50 Hertz
	220-4448-09	1	230mm Stack Length, 125 Deg C, 60 Hertz
	220-4448-10	1	285mm Stack Length, 80 Deg C, 60 Hertz
	220-4448-04	1	285mm Stack Length, 105 Deg C, 50 Hertz
	220-4448-05	1	335mm Stack Length, 80 Deg C, 50 Hertz
	220-4448-31	1	6 Lead, Three Phase, Reconnectible 165mm Stack Length, 125 Deg C
	220-4448-32	1	190mm Stack Length, 105 Deg C
	220-4448-33	1	230mm Stack Length, 80 Deg C
			12 Lead
	220-4448-26	1	Three Phase, Non-Reconnectible 190mm Stack Length, 105 Deg C
	220-4448-26	1	190mm Stack Length, 125 Deg C
	220-4448-28	1	285mm Stack Length, 80 Deg C
			Single or Three Phase, Reconnectible
	220-4448-19	1	165mm Stack Length, 125 Deg C, 60 Hertz, Low Range
	220-4448-14	1	190mm Stack Length, 105 Deg C, 60 Hertz, Broad Range
	220-4448-20	1	190mm Stack Length, 105 Deg C, 60 Hertz, Low Range
	220-4448-14	1	190mm Stack Length, 125 Deg C, 50 Hertz, Broad Range
	220-4448-14	1	190mm Stack Length, 125 Deg C, 60 Hertz, Broad Range
	220-4448-21	1	230mm Stack Length, 80 Deg C, 60 Hertz, Low Range
	220-4448-15	1	230mm Stack Length, 105 Deg C
	220-4448-15	1	230mm Stack Length, 125 Deg C, Full Output on Single Phase
	220-4448-16	1	285mm Stack Length, 80 Deg C
	220-4448-16	1	285mm Stack Length, 80 Deg C, 50 Hertz, Broad Range
	220-4448-16	1	285mm Stack Length, 105 Deg C, 50 Hertz, Full Output on Single Phase
	220-4448-16	1	285mm Stack Length, 105 Deg C, 60 Hertz, Full Output on Single Phase
	220-4448-16	1	285mm Stack Length, 125 Deg C, Full Output on Single Phase
	220-4448-17	1	335mm Stack Length, 80 Deg C, Full Output on Single Phase
	220-4448-18	1	375mm Stack Length, 80 Deg C, Full Output on Single Phase

Control Heater

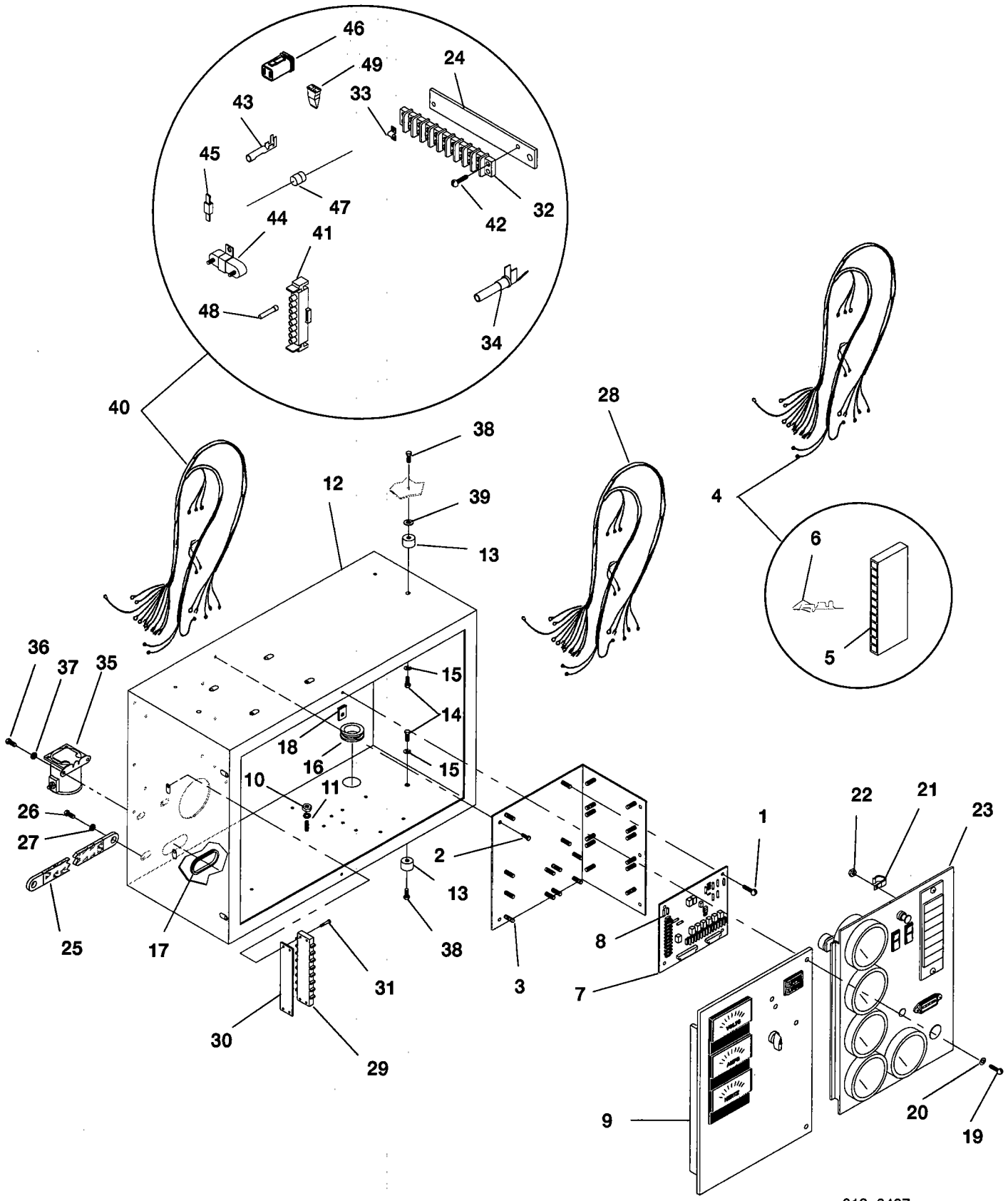


300-4426

REF NO.	PART NO.	QTY USED	PART DESCRIPTION	REF NO.	PART NO.	QTY USED	PART DESCRIPTION
1	332-3338	2	*#Mount, Cable	6	870-0257	1	*Nut, Locking - Hex (5/16-18)
2			Heater Assembly, Control - 100 Watt (Includes Rectifier)	7	856-0008	2	*Washer, Lock - W/EIT (5/16")
	300-4515-01	1	* 120 Volt				
	300-4515-02	1	# 240 Volt				
3	357-0114	1	*#Rectifier (3 Amp)				
4	335-0173	1	*Cable, Heater (7')				
5	800-0024	1	*Screw, Cap - Hex Head (5/16-18 x 3/4")				

* - Parts Used in 120 Volt Control Heater Application
 # - Parts Used in 240 Volt Control Heater Application

Control

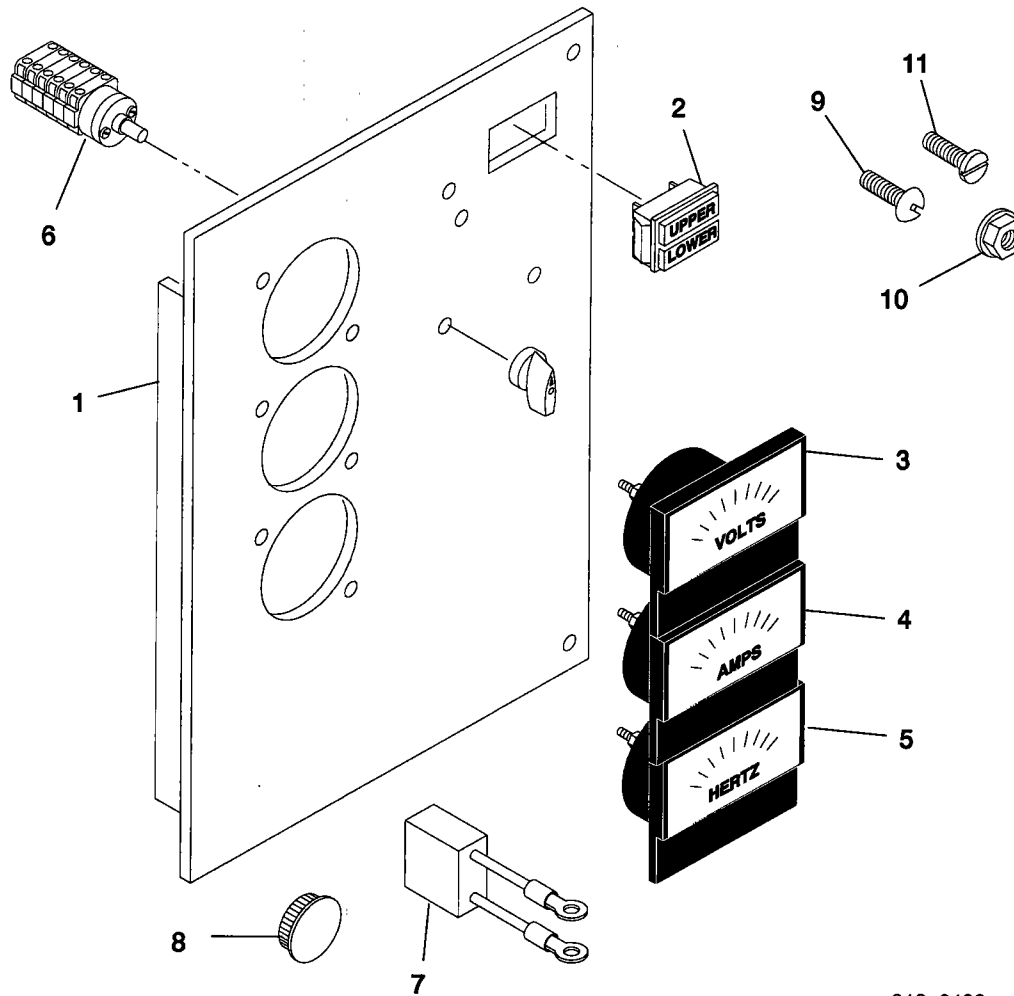


612-6487

Control

REF NO.	PART NO.	QTY USED	PART DESCRIPTION	REF NO.	PART NO.	QTY USED	PART DESCRIPTION
1	815-0544	4	Screw, Machine – Round Head – Cross Recessed W/IT (#6-32 x 1/2")	25	337-0049	3	Strap, Ground
2	821-0004	8	Screw, Self-Locking – Hex Washer Head (#10-32 x 5/16")	26	800-0024	3	Screw, Cap – Hex Head (5/16-18 x 1/2")
3	301-8851	1	Bracket, Mounting	27	856-0008	3	Washer, Lock – W/EIT (5/16")
4	338-3252	1	Harness, Wiring – DC Control Door Assembly to Engine Monitor Board (Includes Connector Housing and Contact Pins)	28	338-2278	1	Harness, Wiring – AC Control Door Assembly to TB21 Terminal Block (Includes TB21 Terminal Block)
5	323-1308	1	Housing, Connector (12 Place) (J4)	29	332-0607	1	Block, Terminal – 12 Place (TB21)
6	323-1302	11	Pin, Contact	30	332-2723	1	Strip, Marker
7			Board Assembly, Printed Circuit – Engine Monitor (Includes Fuses) (A11)	31	812-0065	2	Screw, Machine – Hex Head (#6-32 x 5/8")
	300-4295	1	7 Light Control	32	332-0604	1	*Block, Terminal – 12 Place (T26)
	300-4297	1	12 Light Control	33	332-1043	4	*Jumper
8			Fuse	34	323-1492	3	*Socket, Contact
	321-0307-03	2	5 Amp (Tan) (F4, F5)	35	307-2167	1	Solenoid, Pre-Heat – Glow Plugs (K2)
	321-0307-06	1	15 Amp (Light Blue) (F3)	36	821-0010	2	Screw, Self-Locking – Hex Washer Head (1/4-20 x 1/2")
	321-0307-07	2	20 Amp (Yellow) (F1, F2)	37	856-0006	1	Washer, Locking – W/EIT (1/4")
9	-	-	Door Assembly – Control – AC (See Separate Page For Components)	38	821-0014	4	Screw, Self-Locking – Hex Washer Head (5/16-18 x 1/2")
10	871-0015	1	Nut, Hex (1/4-20)	39	526-0013	2	Washer, Flat (25/64")
11	853-0013	1	Washer, Lock – W/ET (1/4")	40	338-3297	1	Harness, Wiring – Engine to Control (Includes Parts Marked *)
12	301-8065	1	Box, Control	41			Housing, Connector
13	402-0527	4	Isolator, Vibration		323-1306	1	* 8 Place (J1)
14	800-0045	4	Screw, Cap – Hex Head (5/16-18 x 3/8")		323-1304	1	* 6 Place (J2)
15	850-0045	4	Washer, Lock – Spring (5/16")	42	815-0538	2	*Screw, Machine – Round Head – Cross Recessed W/IT (#8-32 x 1/2")
16	508-0001	1	Grommet (Fits 1-1/16" Hole)	43	323-1200	12	*Socket, Contact
17	508-0051	1	Grommet (Fits 2" Hole)	44	353-0094-01	1	*Resistor (R1)
18	406-0332	2	Receptacle, Fastener	45	357-0030	1	*Rectifier (CR1)
19	406-0333	2	Stud, Fastener	46	323-1546	1	*Plug, Connector – 4 Place (E1)
20	406-0334	2	Washer, Stud Retainer	47	359-0051	1	*Diode (CR2)
21	332-0052	2	Clip, Wire	48	323-1591	1	*Plug, Connector
22	870-0131	6	Nut, Hex – W/ET (#10-32)	49	323-1548	1	*Wedge, Plug
23	-	-	Door, Assembly – Control – DC (See Separate Page For Components)				
24	319-2006-01	1	*Bracket, Mounting – Terminal Block				* – Parts Included in 338-3297 Engine Wiring Harness

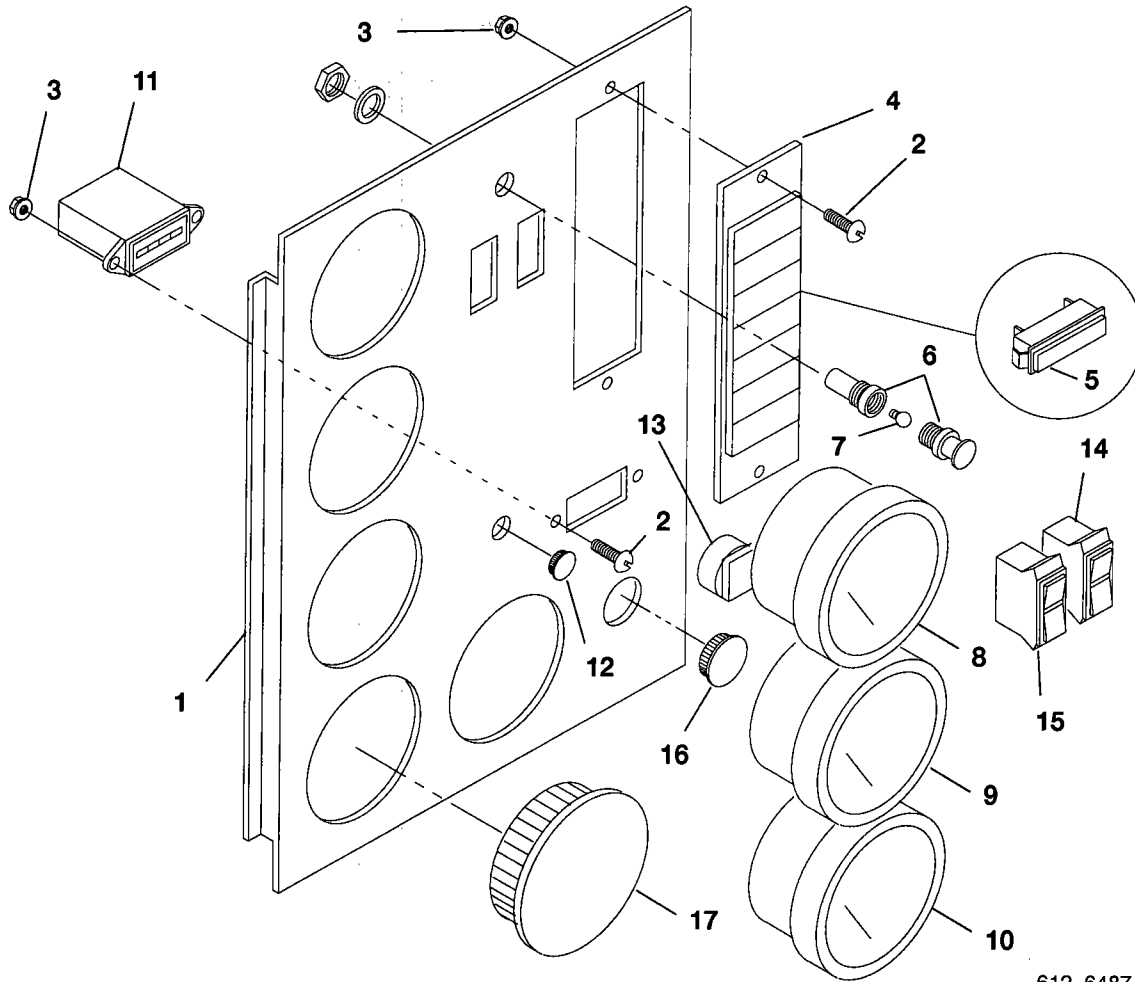
AC Control Door Assembly



612-6489

REF NO.	PART NO.	QTY USED	PART DESCRIPTION	REF NO.	PART NO.	QTY USED	PART DESCRIPTION
1	301-9054-03	1	Door, Control - AC Without Meter Holes	5	302-1968	1	Meter, Frequency (M23)
	301-9054-01	1	With Four Meter Holes	6	308-1052	1	Switch, Rotary - Voltmeter/ Ammeter (S21)
	301-9054-04	1	With Six Meter Holes	7	355-0189	1	Capacitor - Voltmeter (.1 Mfd., 500 WVDC) (C21)
2	322-0363	1	Light, Indicator - Upper/ Lower Scale (DS21, DS22)	8	517-0302	1	Plug, Hole (Fits 2-1/4" Hole)
3			Voltmeter (M21)	9	815-0385	2	Screw, Machine - Round Head (#6-32 x 1/2")
	302-1148	1	Scale Reads 0-300/600	10	870-0183	2	Nut, Hex - W/ET (#6-32)
	302-1753	1	Scale Reads 0-750	11	815-0875-02	3	Screw, Machine - Pan Head - Cross Recessed (M4 x 8mm)
4			Ammeter (M22)				
	302-1684	1	Scale Reads 0-150/300				
	302-1685	1	Scale Reads 0-200/400				
	302-1724	1	Scale Reads 0-250/500				
	302-1725	1	Scale Reads 0-375/750				

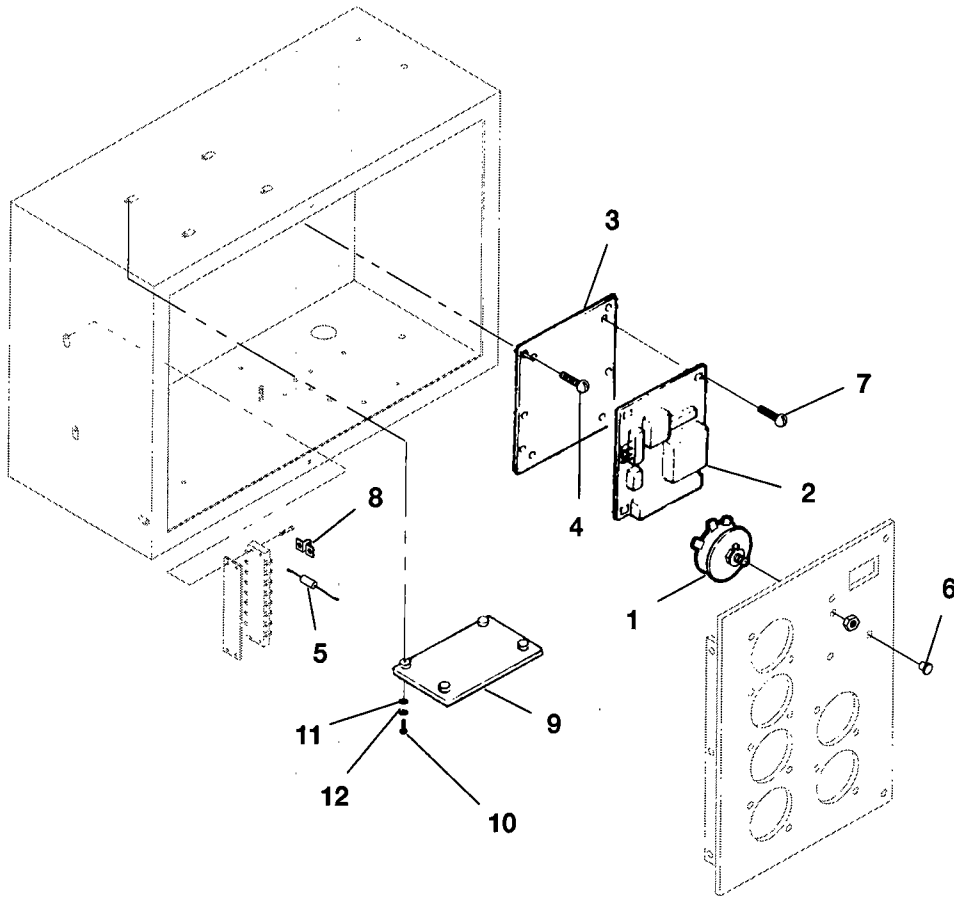
DC Control Door Assembly



612-6487

REF NO.	PART NO.	QTY USED	PART DESCRIPTION	REF NO.	PART NO.	QTY USED	PART DESCRIPTION
1	301-9055-01	1	Door, Control - DC	10	302-1642	1	Voltmeter (M13)
2	815-0385	4	Screw, Machine - Round Head (#6-32 x 1/2")	11	302-0885	1	Meter, Time Totalizing (M14)
3	870-0183	4	Nut, Hex - W/ET (#6-32)	12	517-0131	1	Plug, Hole (Fits 3/8" Hole)
4			Light Assembly, Indicator (Includes Wiring Harness and Connector Housing) (A12)	13	193-0250	2	Resistor (Mounted on Oil Pressure and Water Temperature Gauges) (R12, R13)
	322-0359-02	1	7 Light Assembly	14	308-1010	1	Switch, Rocker - Lamp Test/Reset Panel Lamp - Preheat (S11)
	322-0360-02	1	12 Light Assembly	15	308-1011	1	Switch, Rocker - Run/Stop/Remote (S12)
5	322-0369-02	1	Light, Indicator - Replacement	16	517-0137	1	Plug, Hole (Fits 7/8" Hole)
6	322-0361	1	Light, Panel (DS11)	17	517-0301	2	Plug, Hole (Fits 2" Hole)
7	322-0017	1	Bulb, Panel Light - Replacement				
8	193-0466	1	Gauge, Oil Pressure (M11)				
9	193-0351	1	Gauge, Water Temperature (M12)				

Voltage Regulator



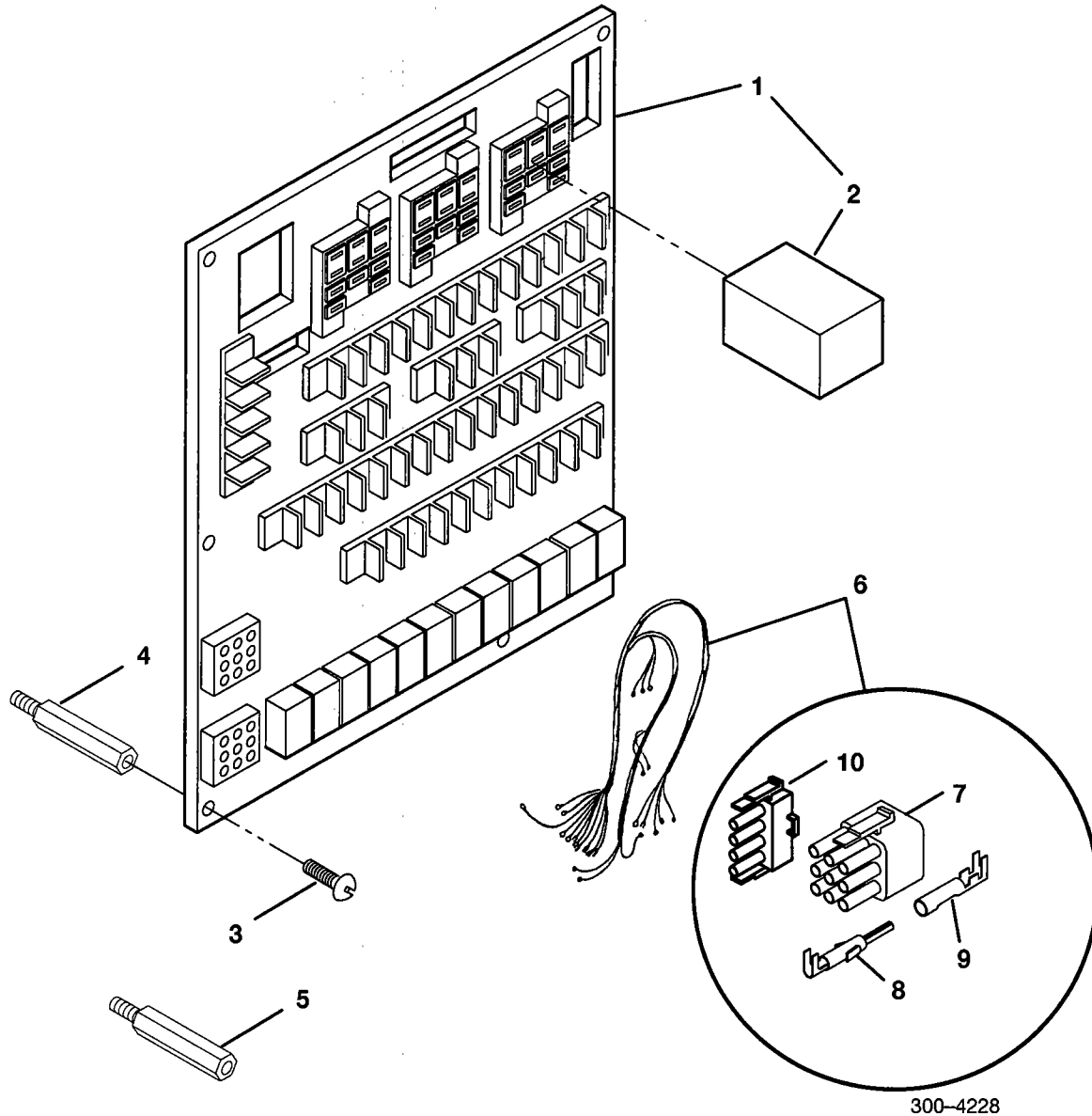
300-3606/7

REF NO.	PART NO.	QTY USED	PART DESCRIPTION	REF NO.	PART NO.	QTY USED	PART DESCRIPTION
1	303-0261	1	Potentiometer (R21) * 1.5K Ohms (Used With Model SX440 Voltage Regulator)	6	517-0131	1	*#Plug, Hole (Fits 3/8" Hole)
	303-0285	1	# 5K Ohms (Used With Model MX321 Voltage Regulator)	7	812-0084	4	*#Screw, Machine - Round Head (#8-32 x 1")
2			Board, Printed Circuit - Voltage Regulator (VR21)	8	332-1043	1	*#Jumper (Used on TB21)
	305-0824	1	* Model SX440	9	305-0868	1	#Board, Printed Circuit - Isolation Transformer (T30)
	305-0823	1	# Model MX321	10	813-0108	4	#Screw, Machine - Round Head (#10-32 x 1-1/2")
3	319-0652	1	#Plate, Mounting (Used With MX321 Voltage Regulator)	11	526-0008	4	#Washer, Flat (#10)
4	815-0544	6	#Screw, Machine - Round Head - Cross Recessed W/IT (#6-32 x 1/2") (Used With MX321 Voltage Regulator)	12	850-0030	4	#Washer, Lock - Spring (#10)
5	350-1222	1	*#Resistor (1.5K Ohms) (Used on TB21)				

* - Parts Used on Generators Without Permanent Magnet Exciter

- Parts Used on Generators With Permanent Magnet Exciter

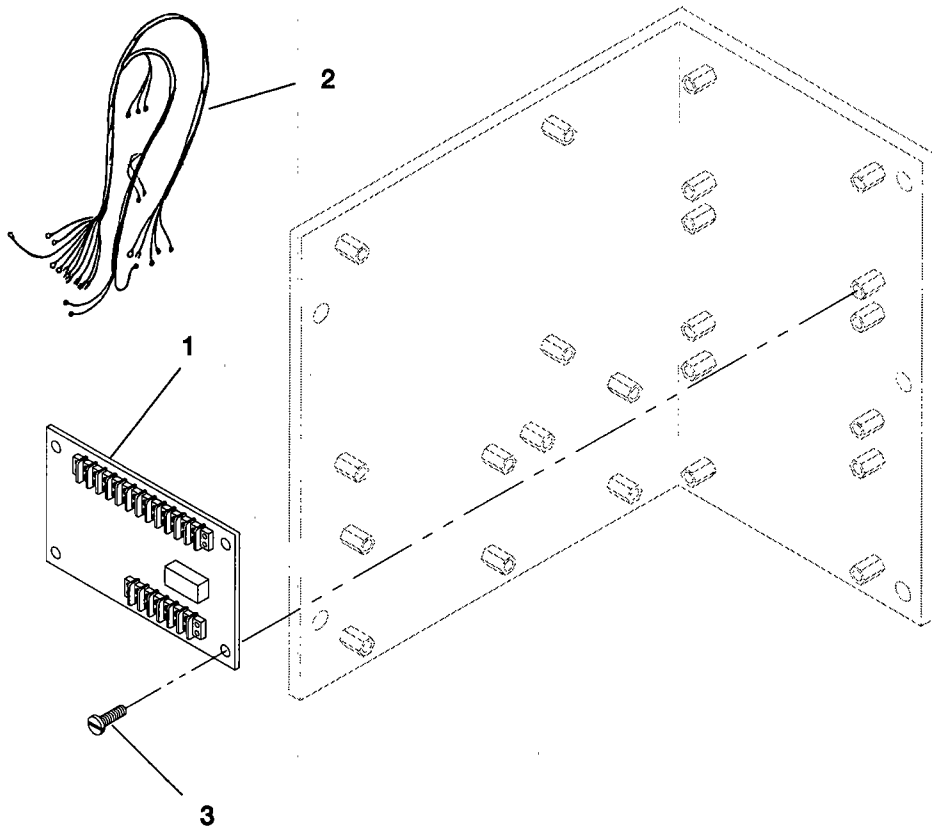
Alarm Relay Board



REF NO.	PART NO.	QTY USED	PART DESCRIPTION	REF NO.	PART NO.	QTY USED	PART DESCRIPTION
1			Board, Printed Circuit – Alarm Relay (Includes K1 Relay)	6	338-2875	1	Harness, Wiring (Includes Parts Marked *) (A11-TB1 and TB2 to Alarm Relay Board)
	300-4111-02	1	Without Form C Relays	7	323-1291	2	*Plug – 9 Place (P1,P2)
	300-4111-04	1	With Form C Relays	8	323-1199	9	*Pin, Contact
2	307-1056	1	Relay (Quantity Used as Required) (K1,K2,K3)	9	323-1200	12	*Socket, Contact
3	815-0544	6	Screw, Machine – Round Head – Cross Recessed W/IT (#6-32 x 1/2")	10	323-1292	1	*Plug – 4 Place (P3)
4	870-0517-01	4	Standoff (Clear) (1-7/8")				
5	870-0517-02	2	Standoff (Yellow) (2")				

* – Parts Included in 338-2875 Wiring Harness

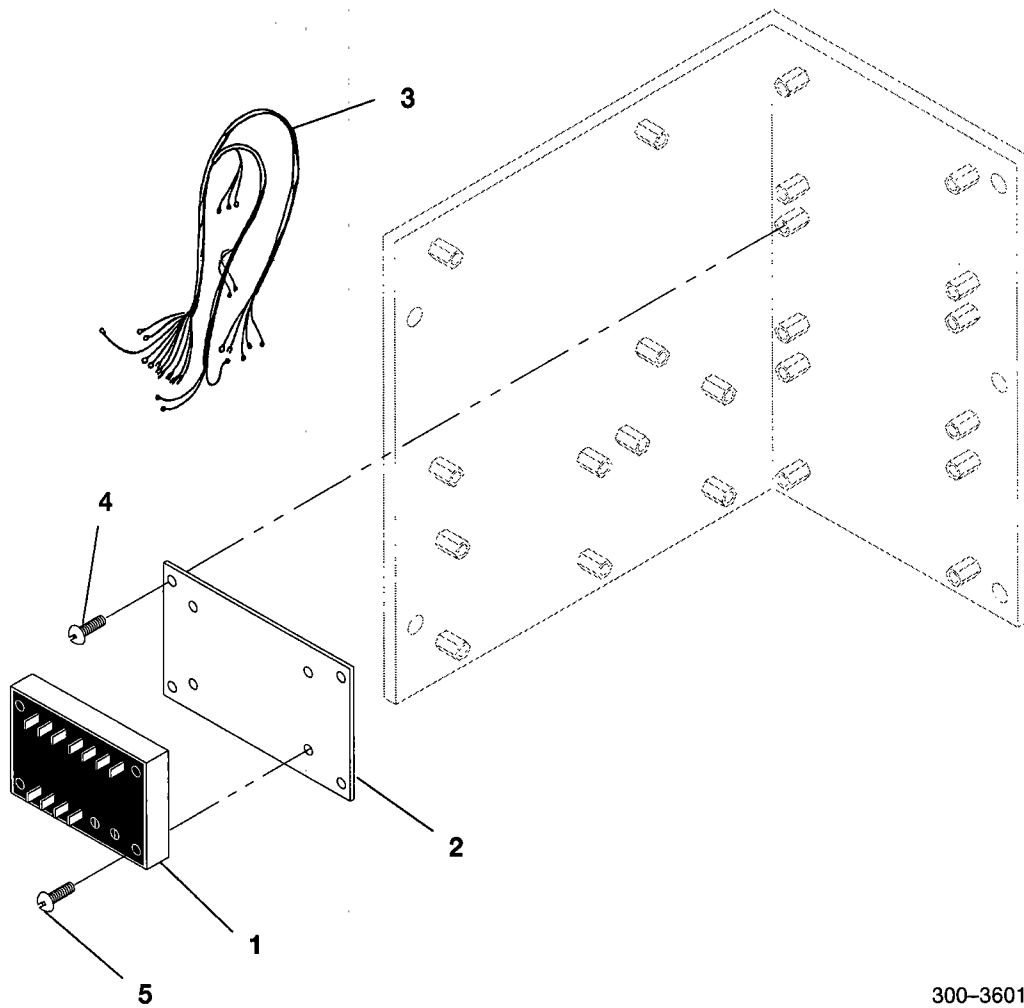
Common Alarm



300-4394-02

REF NO.	PART NO.	QTY USED	PART DESCRIPTION	REF NO.	PART NO.	QTY USED	PART DESCRIPTION
1	300-4218-02	1	Board, Printed Circuit – Common Alarm (A27)	3	812-0063	4	Screw, Machine – Round Head (#6-32 x 1/2")
2	338-3033	1	Harness, Wiring (12 Wire) (A27 to A11)				

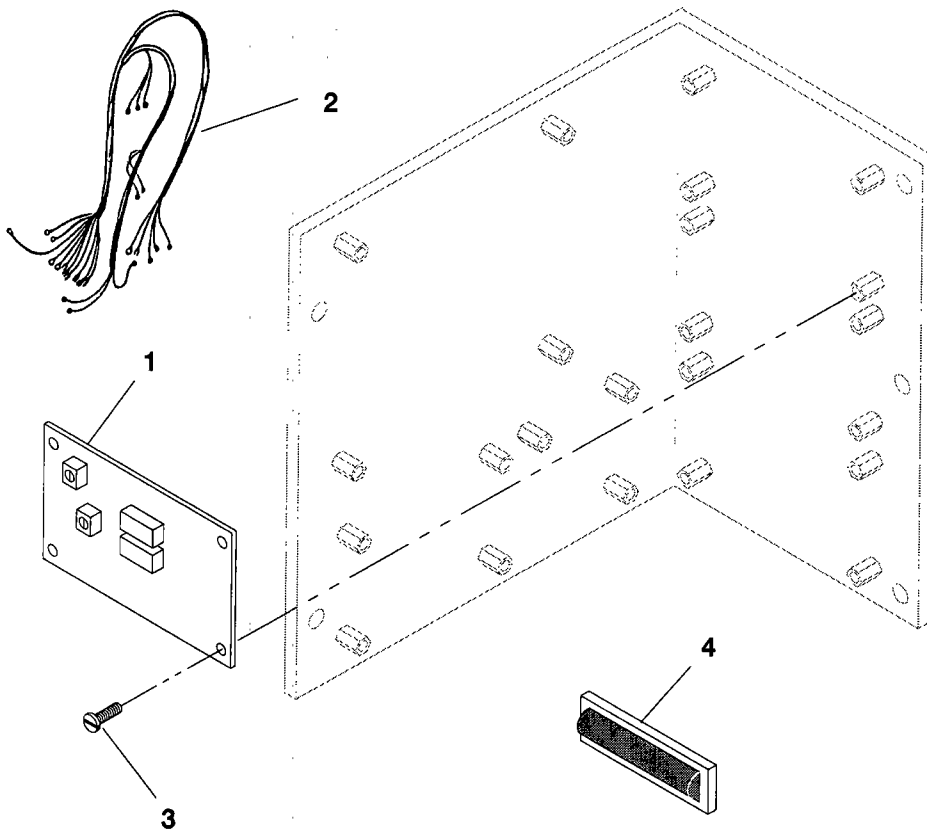
Electronic Overspeed



300-3601

REF NO.	PART NO.	QTY USED	PART DESCRIPTION	REF NO.	PART NO.	QTY USED	PART DESCRIPTION
1	305-0902-02	1	Board, Printed Circuit – Electronic Overspeed (A16)	4	815-0544	4	Screw, Machine – Round Head – Cross Recessed W/IT (#6-32 x 1/2")
2	319-0754	1	Plate, Mounting	5	812-0082	4	Screw, Machine – Round Head (#8-32 x 3/4")
3	338-2493	1	Harness, Wiring (A16 to A11, AUX) (5 Wire) (44")				

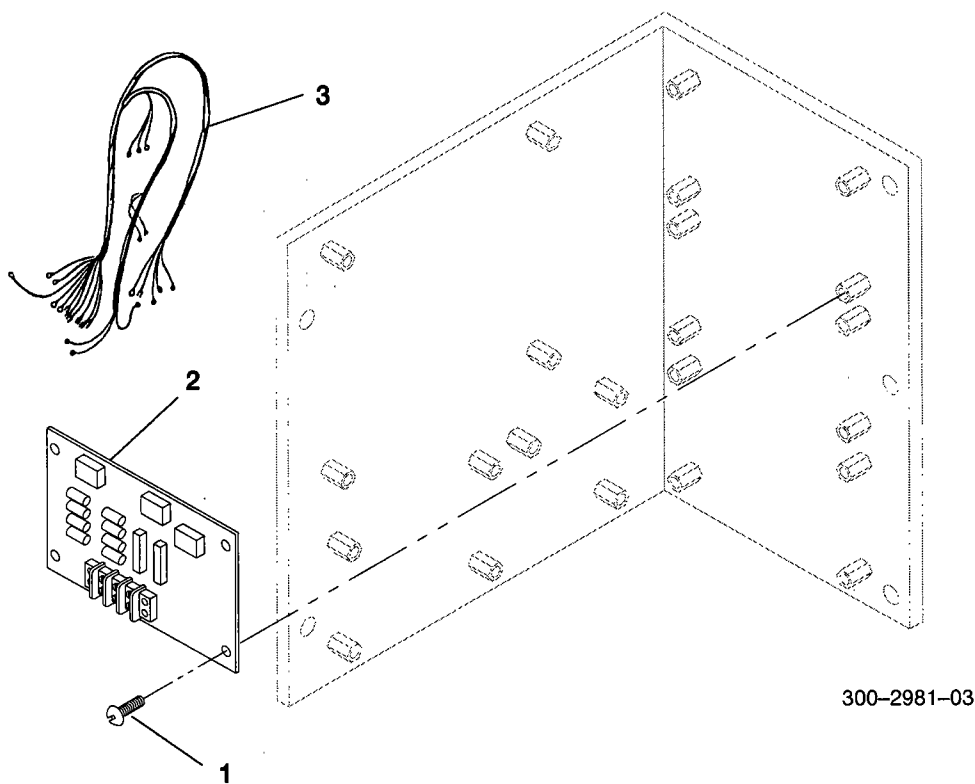
Over/Under Voltage Relay



300-4697-01

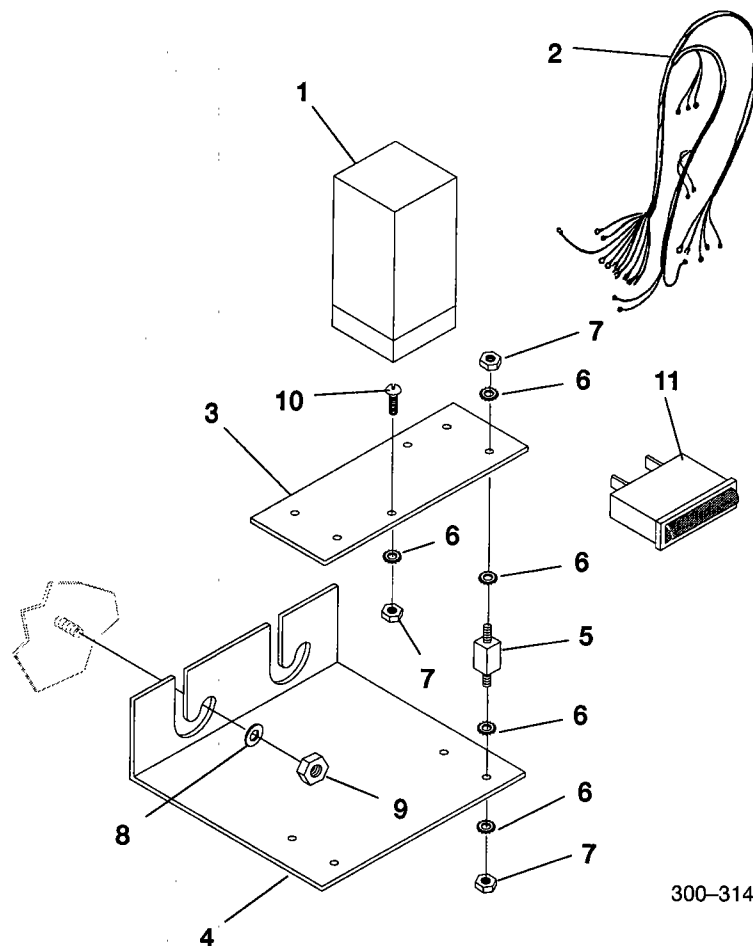
REF NO.	PART NO.	QTY USED	PART DESCRIPTION	REF NO.	PART NO.	QTY USED	PART DESCRIPTION
1	307-2868	1	Board, Printed Circuit – Over/Under Voltage Relay (A17)	4	322-0463-03	1	Lens, Indicator Light (Marked "O/U VOLT")
2	338-3366	1	Harness, Wiring (6 Wire) (30")				
3	815-0550	4	Screw, Machine – Pan Head – Cross Recessed W/ET (#6-32 x 3/8")				

Time Delay Start/Stop



REF NO.	PART NO.	QTY USED	PART DESCRIPTION	REF NO.	PART NO.	QTY USED	PART DESCRIPTION
1	815-0544	4	Screw, Machine – Round Head – Cross Recessed W/IT (#6-32 x 1/2")	3	338-1904	1	Harness, Wiring (5 Wire) (21-1/2")
2	300-2899	1	Board, Printed Circuit – Time Delay (A15)				

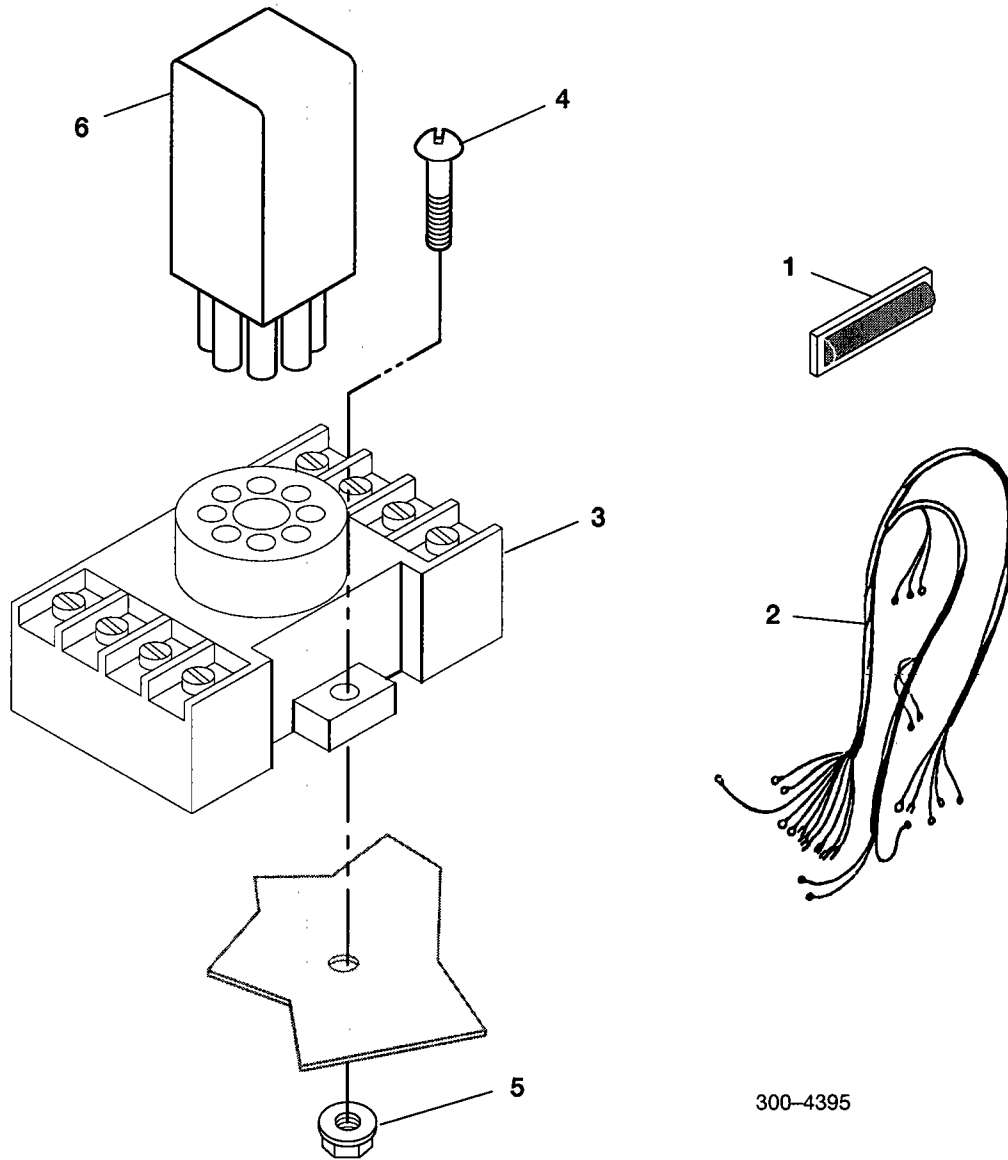
Over/Under Frequency Relay



300-3141

REF NO.	PART NO.	QTY USED	PART DESCRIPTION	REF NO.	PART NO.	QTY USED	PART DESCRIPTION
1	307-2553	1	Relay (A19)	6	856-0002	18	Washer, Lock - W/EIT (#8)
	307-2709	1	50 Hertz	7	860-0008	10	Nut, Hex (#8-32)
		1	60 Hertz	8	526-0115	2	Washer, Flat (5/16")
2	338-2347	1	Harness, Wiring (TB21, A11, GRD to A19)	9	870-0048	2	Nut, Hex - Locking (5/16-18)
3	301-9941	1	Plate, Mounting	10	812-0082	2	Screw, Machine - Round Head (#8-32 x 3/4")
4	301-6987	1	Bracket, Mounting	11	322-0463-04	1	Light, Indicator (Marked "O/U HZ") (DS20)
5	402-0354	4	Mount, Shock				

Low Battery Voltage

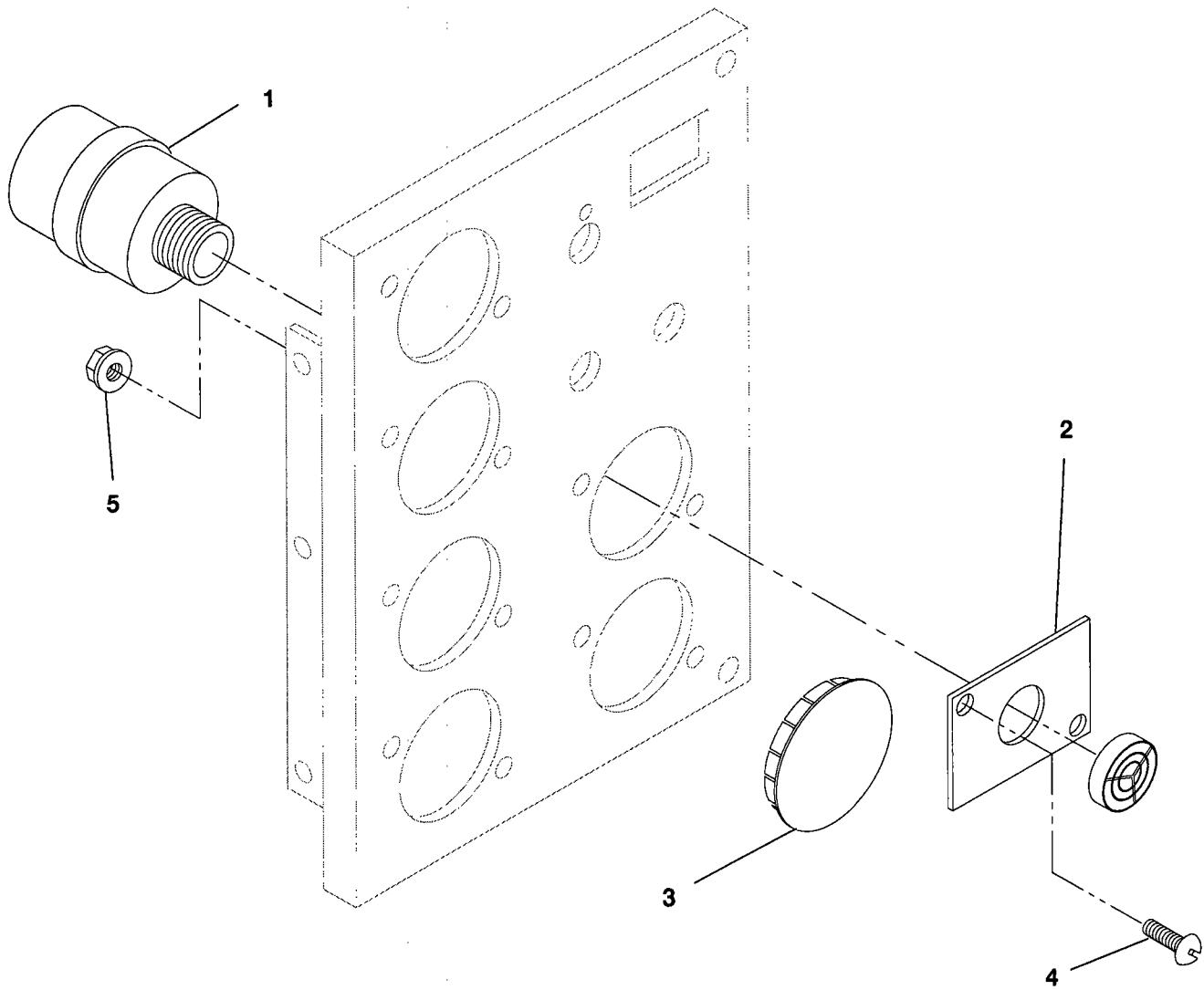


300-4395

REF NO.	PART NO.	QTY USED	PART DESCRIPTION	REF NO.	PART NO.	QTY USED	PART DESCRIPTION
1	322-0463-08	1	Lens, Indicator Light (Marked "Lo Battery")	5	870-1221	2	*Nut, Hex - W/ET (#8-32)
2	338-3034	1	*Harness, Wiring (4 Wire) (36") (K15 to A11)	6	305-0901	1	*Sensor - Low Battery Voltage (K15)
3	323-1410-03	1	*Base, Relay				
4	812-0084	2	*Screw, Machine - Round Head (#8-32 x 1")				

* - Not Used on All Models

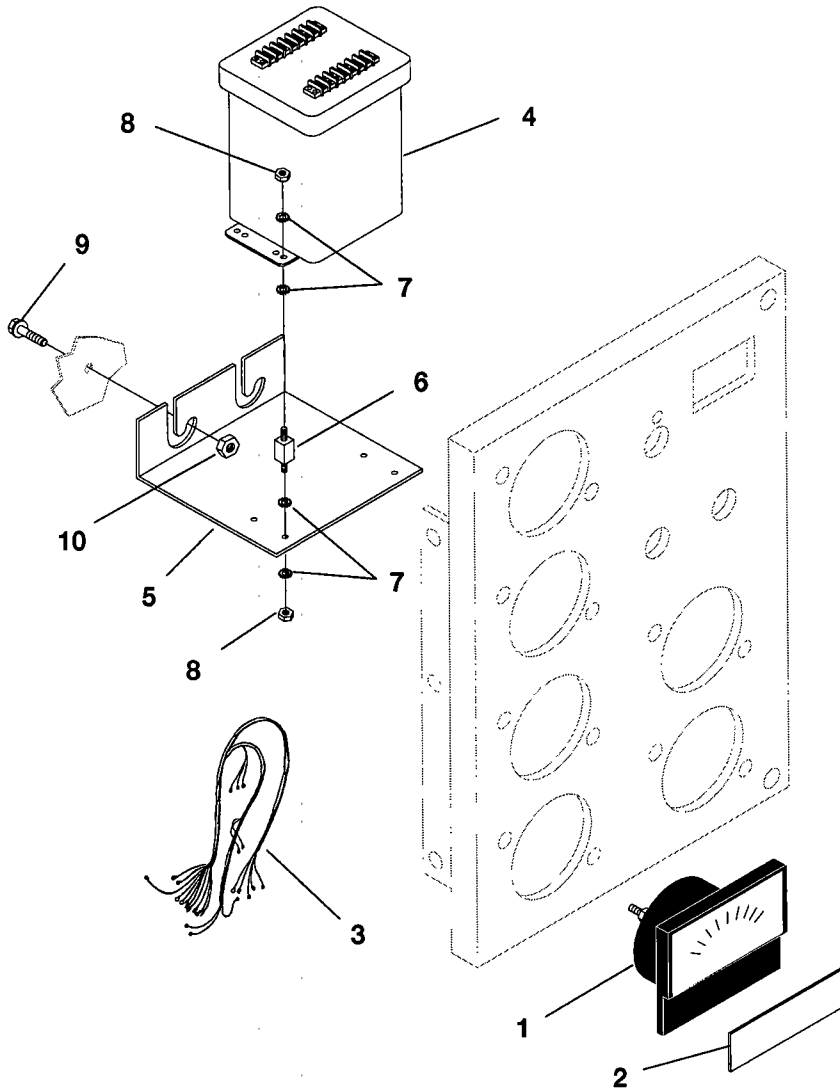
Audible Alarm



300-3729

REF NO.	PART NO.	QTY USED	PART DESCRIPTION	REF NO.	PART NO.	QTY USED	PART DESCRIPTION
1	333-0133	1	Alarm, Audible (DS2)	4	815-0385	2	Screw, Machine – Round Head (#6-32 x 1/2")
2	319-0898	1	Plate, Mounting	5	870-0183	2	Nut, Hex – W/ET (#6-32)
3	517-0302	1	Plug, Hole				

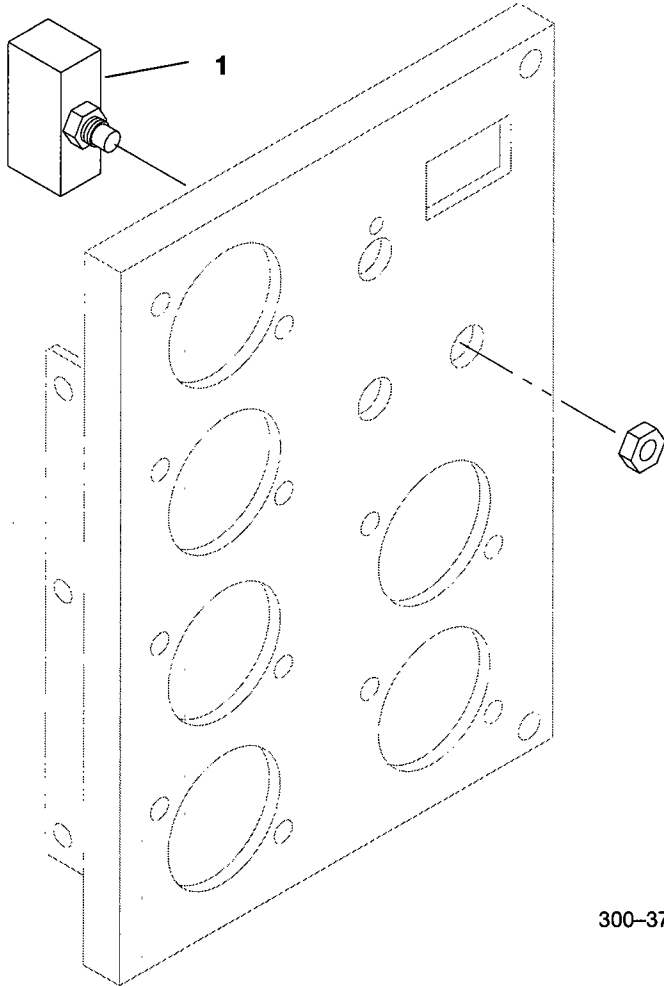
Wattmeter



300-4736

REF NO.	PART NO.	QTY USED	PART DESCRIPTION	REF NO.	PART NO.	QTY USED	PART DESCRIPTION
1	302-1722	1	Wattmeter (Dial Not Included) (M24)	4	302-1982-09	1	Transducer, Watts (A21)
2			Dial, Wattmeter				2 Element Watt, Single Phase, 120/240 Volt
	302-1721-04	1	0-90 kW Rating		302-1982-10	1	3 Element Watt, Three Phase, Reconnectable WYE
	302-1721-05	1	0-115 kW Rating		302-1982-11	1	3 Element Watt, Three Phase, 120/240 Volt DELTA
	302-1721-06	1	0-160 kW Rating				
	302-1721-08	1	0-200 kW Rating	5	301-6987	1	Bracket, Mounting
3			Harness, Wiring	6	402-0354	4	Mount, Shock
	338-3310	1	Single Phase, 120/240 Volt	7	856-0002	16	Washer, Lock - W/ET (#8)
	338-3309	1	Three Phase, 120/240 Volt DELTA and Reconnectable WYE	8	860-0008	8	Nut, Hex (#8-32)
				9	821-0017	2	Screw, Self-Locking - Hex Washer Head (5/16-18 x 1/2")
				10	870-0257	2	Nut, Locking - Hex (5/16-18)

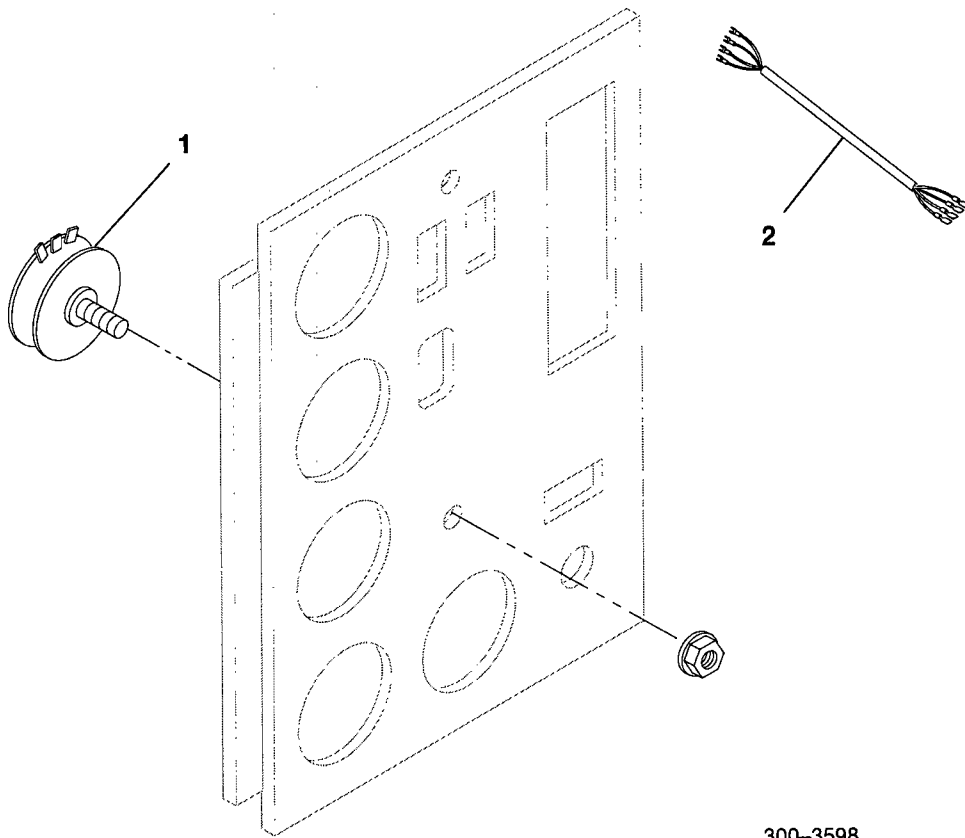
Circuit Breaker AC Control Door



300-3765-01

REF NO.	PART NO.	QTY USED	PART DESCRIPTION	REF NO.	PART NO.	QTY USED	PART DESCRIPTION
1	320-1688-01	1	Breaker, Circuit (CB21)				

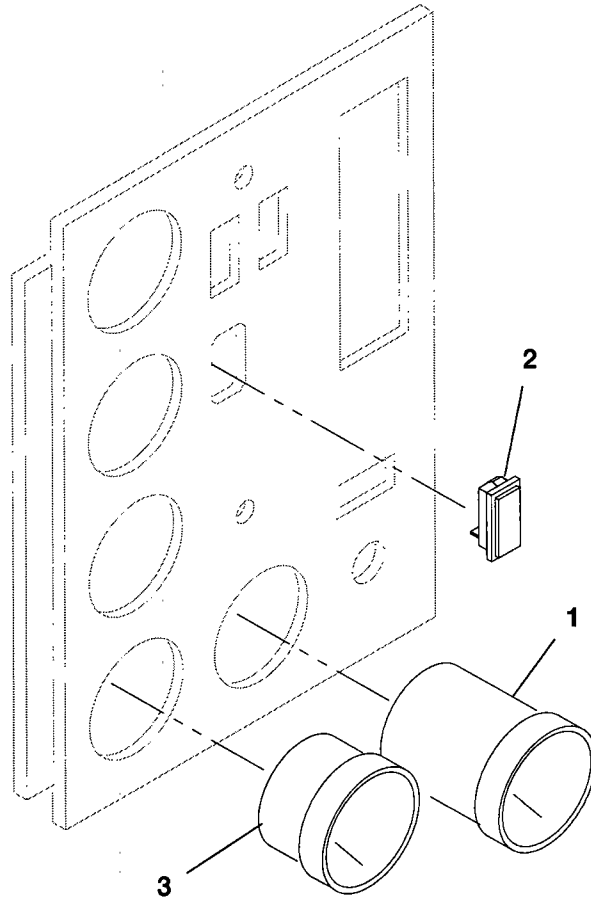
Potentiometer Speed Adjust



300-3598

REF NO.	PART NO.	QTY USED	PART DESCRIPTION	REF NO.	PART NO.	QTY USED	PART DESCRIPTION
1	151-0402	1	Potentiometer, Speed Adjusting	2	334-0116	1	Cable, Shielded (6-1/2')

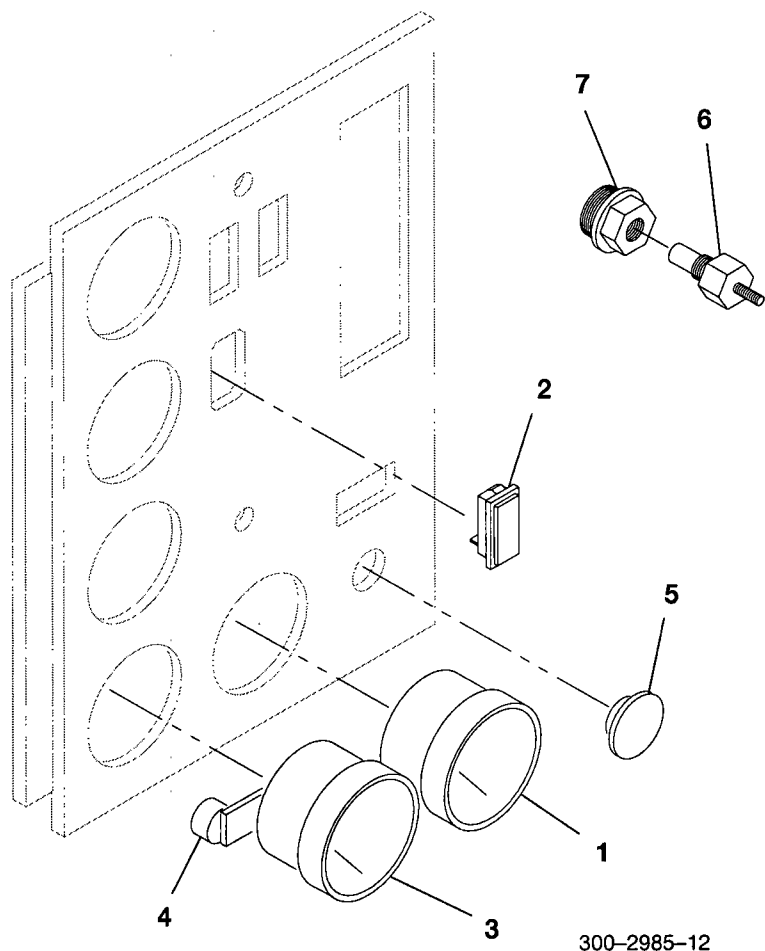
Tachometer



300-3350

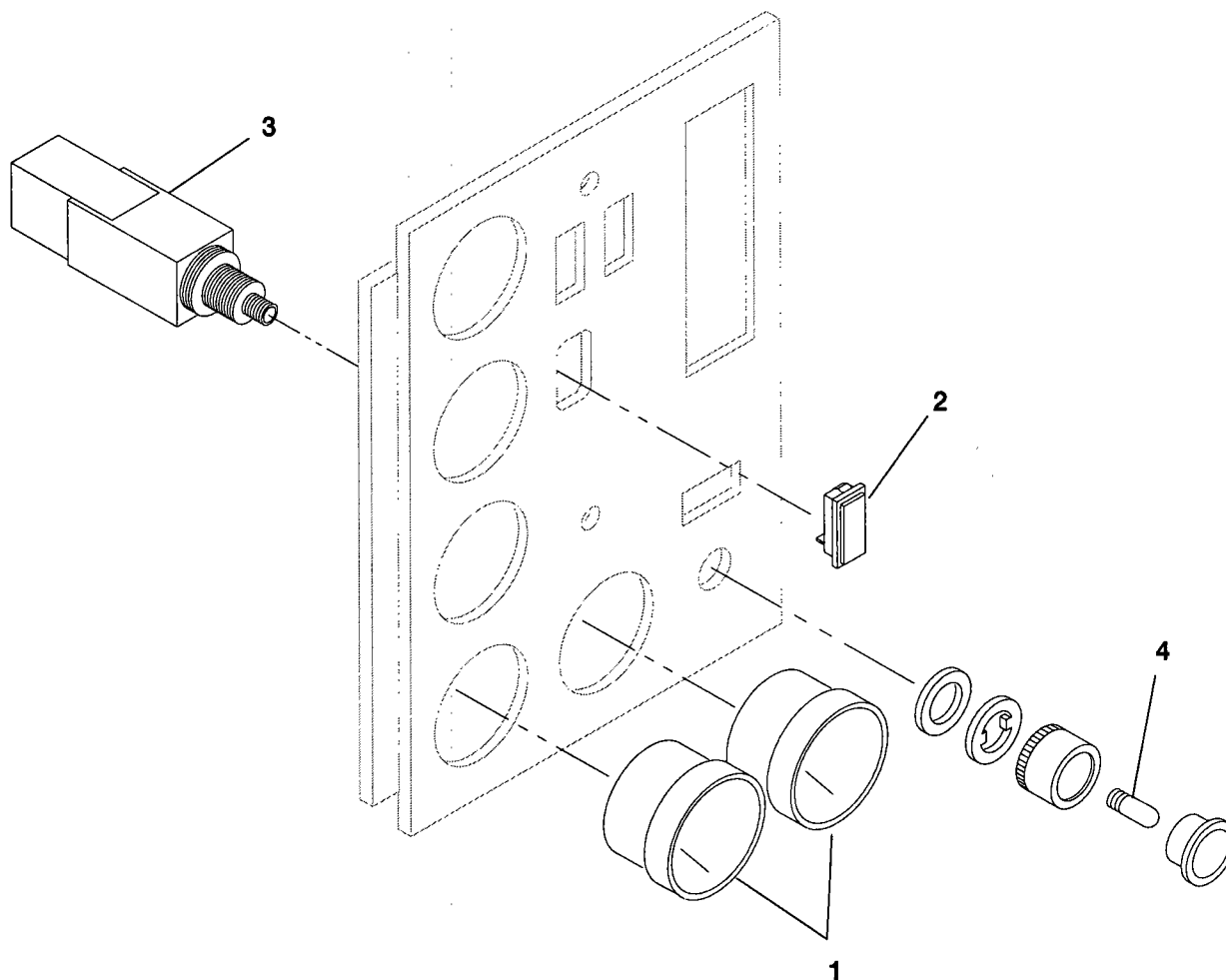
REF NO.	PART NO.	QTY USED	PART DESCRIPTION	REF NO.	PART NO.	QTY USED	PART DESCRIPTION
1	302-1873-01	1	Tachometer (0-4000 RPM) (M16)	2	301-6257	1	Switch - Blank
				3	302-1723	1	Ammeter - Blank Scale

Oil Temperature Gauge



REF NO.	PART NO.	QTY USED	PART DESCRIPTION	REF NO.	PART NO.	QTY USED	PART DESCRIPTION
1	302-1723	1	Ammeter - Blank Scale	5	517-0137	1	Plug, Hole
2	301-6257	1	Switch - Blank	6	193-0388	1	Sender, Oil Temperature (E4)
3	193-0435	1	Gauge, Oil Temperature (M15)	7	505-1373	1	Bushing, Reducer
4	193-0250	1	Resistor (R13)				

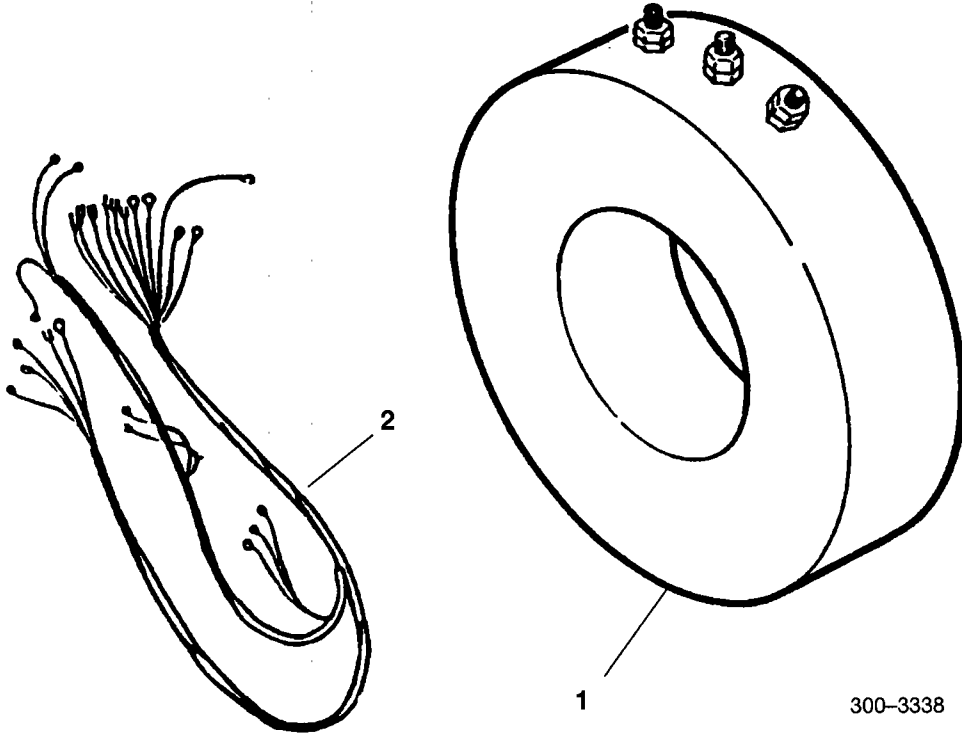
Emergency Stop Switch



300-3127

REF NO.	PART NO.	QTY USED	PART DESCRIPTION	REF NO.	PART NO.	QTY USED	PART DESCRIPTION
1	302-1723	2	Ammeter – Blank Scale	4	322-0394	1	Bulb, Replacement
2	301-6257	1	Switch – Blank				
3	308-0853	1	Switch, Pushbutton – Emergency Stop (Includes Bulb) (S14)				

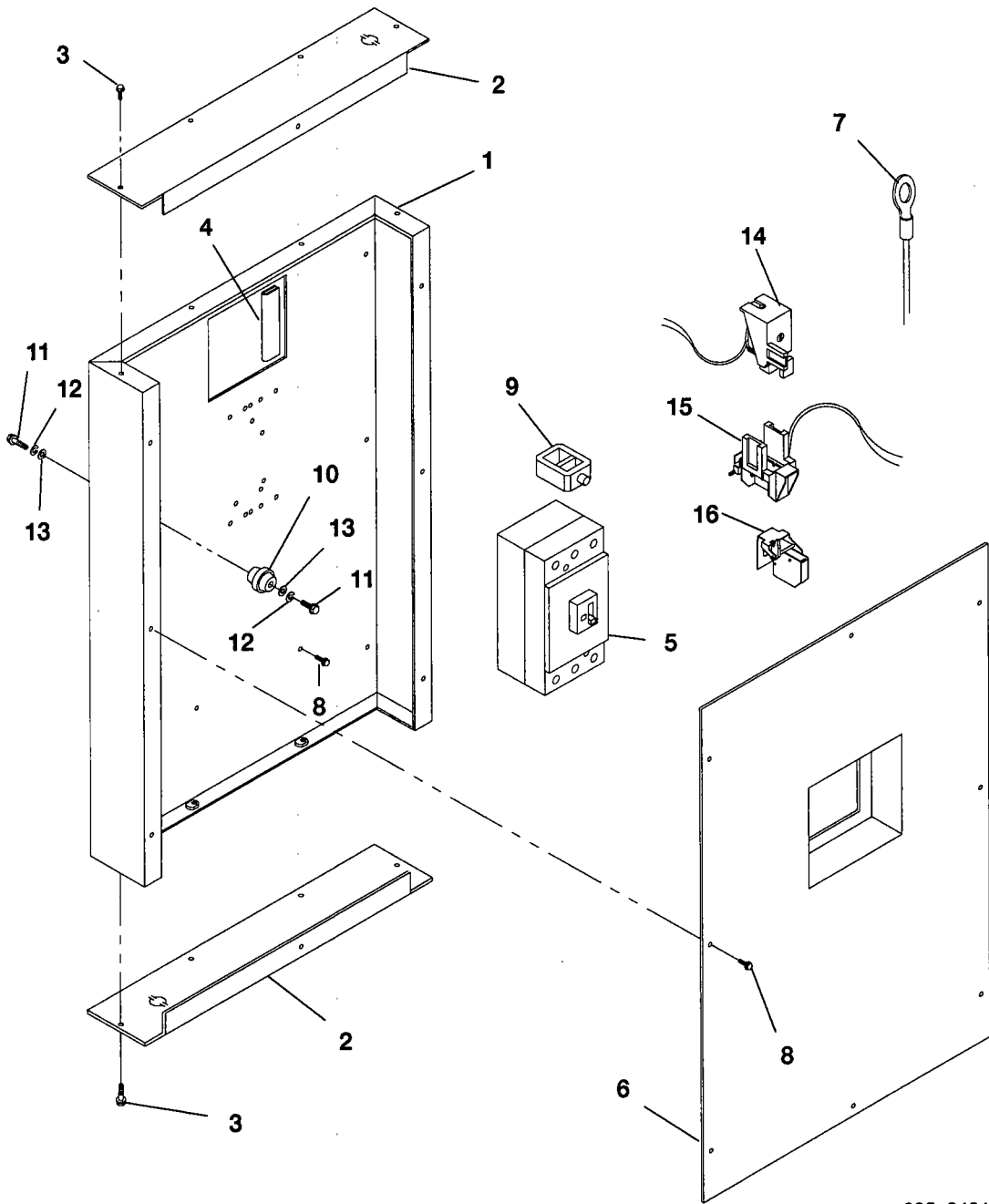
Current Transformer



REF NO.	PART NO.	QTY USED	PART DESCRIPTION
1			Transformer, Current (CT21, CT22, CT23)
	302-1845-05	3	Ratio 150/5 or 300/5
	302-1845-06	3	Ratio 200/5 or 400/5
	302-1845-07	3	Ratio 250/5 or 500/5
	302-1845-08	3	Ratio 375/5 or 750/5

REF NO.	PART NO.	QTY USED	PART DESCRIPTION
2	338-2229	1	Harness, Wiring

Circuit Breaker Non-UL Approved



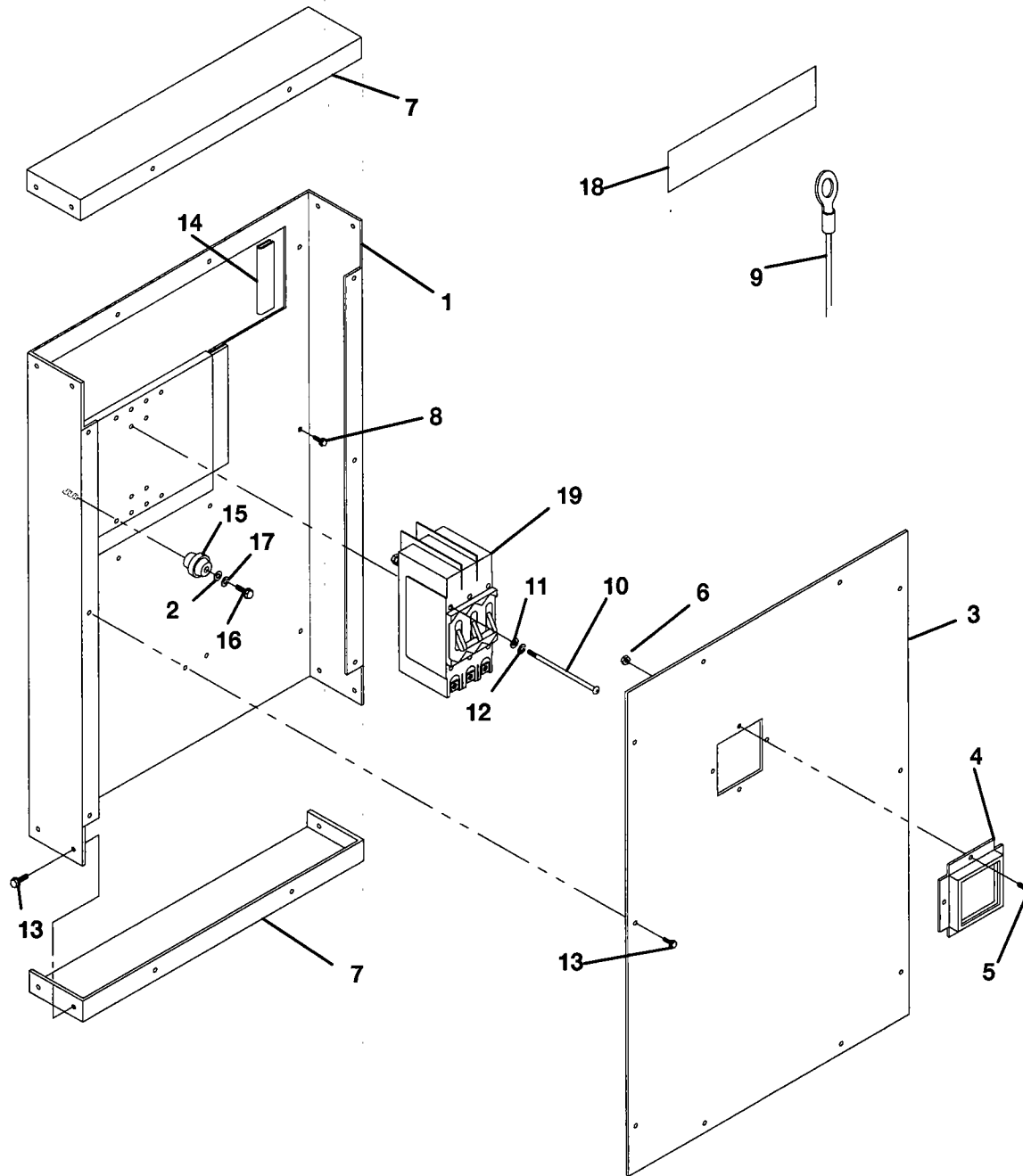
625-2431

Circuit Breaker Non-UL Approved

REF NO.	PART NO.	QTY USED	PART DESCRIPTION	REF NO.	PART NO.	QTY USED	PART DESCRIPTION
1	319-1332	1	Box, Mounting - Circuit Breaker	7			Lead - Circuit Breaker (Quantity Used As Required)
2	319-1333	2	Panel, Box				No Markings
3	821-5002-03	8	Screw, Self-Locking - Hex Washer Head (1/4-20 x 1/2")		226-3649	1	28"
4	508-0239	-	Edging - Bulk (Order By The Foot - 2 Feet Required)		226-0893	1	33"
5			Breaker, Circuit (Includes Mounting Screws) (Circuit Breaker Lugs Not Included) (CB21)		226-3505-04	1	Marked "LO" 3 Pole Breakers (30")
					226-1587	1	4 Pole Breakers (33")
				8	821-0010	13	Screw, Self-Locking - Hex Washer Head (1/4-20 x 1/2")
			Three Pole Breakers	9			Lug Set - Circuit Breaker (Packaged in Sets - Two Lugs Per Set) (Quantity Used As Required)
	320-1725-04	1	100 Amp				160 Amp Breakers
	320-1725-05	1	125 Amp		320-1755-11	1	200, 250 Amp Breakers
	320-1725-06	1	160 Amp		320-1755-12	1	320, 400 Amp Breakers
	320-1726-06	1	200 Amp		320-1755-13	1	500, 630 Amp Breakers
	320-1726-07	1	250 Amp		320-1755-14	1	
	320-1727-02	1	320 Amp	10	332-2744-07	1	*Standoff, Insulator
	320-1727-03	1	400 Amp	11	800-0048	2	*Screw, Cap - Hex Head (3/8-16 x 3/4")
	320-1728-02	1	500 Amp	12	850-0050	2	*Washer, Lock - Spring (3/8")
	320-1728-03	1	630 Amp	13	526-0029	2	*Washer, Flat (25/64" ID)
			Four Pole Breakers	14			Trip, Shunt
	320-1725-10	1	100 Amp		320-1749-02	1	160-250 Amp Breakers
	320-1725-11	1	125 Amp		320-1749-03	1	400-630 Amp Breakers
	320-1725-12	1	160 Amp	15			Alarm, Bell
	320-1726-13	1	200 Amp		320-1748-02	1	160-250 Amp Breakers
	320-1726-14	1	250 Amp		320-1748-03	1	400-630 Amp Breakers
	320-1727-05	1	320 Amp	16			Contact, Auxiliary
	320-1727-06	1	400 Amp		320-1747-03	1	160-250 Amp Breakers
	320-1728-05	1	500 Amp		320-1747-05	1	400-630 Amp Breakers
	320-1728-06	1	630 Amp				
6			Cover, Box				
	319-1335	1	100, 125, 160, 200, 250 Amp Breakers				
	319-1330	1	320, 400 Amp Breakers				
	319-1331	1	500, 630 Amp Breakers				

* - Parts Used for Three Pole Circuit Breaker Application

Circuit Breaker UL Approved



REF NO.	PART NO.	QTY USED	PART DESCRIPTION
1	319-2422	1	Box, Mounting - Circuit Breaker
2	526-0029	1	Washer, Flat (3/8")
3	319-2425	1	Cover, Box
4	301-9650	1	General Electric "E" Frame Circuit Breakers (1-1/4" x 3" Opening)
	301-9891	1	General Electric "J", "TFJ" or "Q" Frame Circuit Breakers (2-7/8" x 3-5/8" Opening)
5	813-0100	4	Screw, Machine - Round Head (#10-32 x 1/2")
6	870-0131	4	Nut, Hex - W/ET (#10-32)

REF NO.	PART NO.	QTY USED	PART DESCRIPTION
7	319-2426	2	Cover, Box
8	821-5000-05	8	Screw, Self-Locking - Hex Washer Head (#10-32 x 1/2")
9			Lead - Circuit Breaker (Quantity Used As Required)
	226-3649	1	No Marking 28" (#2 Wire)
	226-3505-01	1	30" (#4 Wire)
	226-0893	1	33" (#1 Wire)
			Marked "LO" (30")
	226-3505-03	1	#4 Wire
	226-3505-04	1	#1 Wire

625-3022

Circuit Breaker UL Approved

REF NO.	PART NO.	QTY USED	PART DESCRIPTION	REF NO.	PART NO.	QTY USED	PART DESCRIPTION
10			Screw, Machine – Round Head	320-1460-10	1	*	450 Amp
	812-0093	4	#8-32 x 3"	320-1460-11	1	*	500 Amp
	813-0190	4	#10-32 x 4"	320-1460-12	1	*	600 Amp
	812-0157	4	1/4-20 x 1-3/4"				With Auxiliary Contacts
11	526-0008	4	Washer, Flat (#10)	320-1462-44	1		90 Amp
12			Washer, Lock	320-1462-45	1		100 Amp
	850-0025	4	#8 – Spring				125 Amp
	850-0030	4	#10 – Spring	320-1462-30	1		480 Volt
	854-0014	4	1/4" – W/IT	320-1462-47	1		600 Volt
13	821-5002-03	20	Screw, Self-Locking – Hex				150 Amp
			Washer Head (1/4-20 x 1/2")	320-1462-31	1		480 Volt
14	508-0239	-	Edging – Bulk (Order By The	320-1462-48	1		600 Volt
			Foot – 2 Feet Required)	320-1463-08	1		175 Amp
15	332-2744-07	1	Standoff, Insulator	320-1463-09	1		200 Amp
16	800-0047	1	Screw, Cap – Hex Head	320-1463-10	1		225 Amp
			(3/8-16 x 5/8")				250 Amp
17	850-0050	1	Washer, Lock – Spring (3/8")	320-1556-15	1		240 Volt
18	091-0002	1	Strip, Copper (Used for	320-1464-06	1		600 Volt
			wrapping ends of leads before				300 Amp
			securing to circuit breakers)	320-1556-16	1		240 Volt
			(Quantity Used As Required)	320-1464-07	1		600 Volt
19			Breaker, Circuit (Includes Lugs)				350 Amp
			(CB21)	320-1556-17	1		240 Volt
			Two Pole Breakers	320-1464-08	1		600 Volt
			Standard	320-1556-18	1		400 Amp
	320-1555-14	1	400 Amp	320-1464-10	1	*	450 Amp
	320-1513-10	1	* 450 Amp	320-1464-11	1	*	500 Amp
	320-1513-11	1	* 500 Amp	320-1464-12	1	*	600 Amp
	320-1513-12	1	* 600 Amp				With Shunt Trip
			With Auxiliary Contacts	320-1470-45	1		100 Amp
	320-1556-14	1	400 Amp	320-1470-30	1		125 Amp
	320-1516-10	1	* 450 Amp	320-1470-31	1		150 Amp
	320-1516-11	1	* 500 Amp	320-1471-08	1		175 Amp
	320-1516-12	1	* 600 Amp	320-1471-09	1		200 Amp
	320-1537-12	1	* With Auxiliary Contacts and	320-1471-10	1		225 Amp
			Shunt Trip – 600 Amp	320-1472-06	1		250 Amp
			Three Pole Breakers	320-1472-07	1		300 Amp
			Standard				350 Amp
	320-1458-44	1	90 Amp	320-1557-65	1		240 Volt
	320-1458-45	1	100 Amp	320-1472-08	1		600 Volt
			125 Amp	320-1557-66	1		400 Amp
	320-1458-30	1	480 Volt	320-1472-10	1	*	450 Amp
	320-1458-47	1	600 Volt	320-1472-11	1	*	500 Amp
			150 Amp	320-1472-12	1	*	600 Amp
	320-1458-31	1	480 Volt				With Auxiliary Contacts and
	320-1458-48	1	600 Volt				Shunt Trip
	320-1459-08	1	175 Amp	320-1490-30	1		125 Amp
	320-1459-09	1	200 Amp	320-1490-31	1		150 Amp
	320-1459-10	1	225 Amp	320-1491-08	1		175 Amp
			250 Amp	320-1491-09	1		200 Amp
	320-1555-15	1	240 Volt	320-1491-10	1		225 Amp
	320-1460-06	1	600 Volt	320-1492-06	1		250 Amp
			300 Amp	320-1492-08	1		350 Amp
	320-1555-16	1	240 Volt	320-1492-10	1	*	450 Amp
	320-1460-07	1	600 Volt	320-1492-12	1	*	600 Amp
			350 Amp				
	320-1555-17	1	240 Volt				
	320-1460-08	1	600 Volt				
	320-1555-18	1	400 Amp				

* – Circuit Breakers With Interchangeable Trip

Numerical Index

<u>Part No.</u>	<u>Page</u>	<u>Part No.</u>	<u>Page</u>	<u>Part No.</u>	<u>Page</u>	<u>Part No.</u>	<u>Page</u>
091-0002, 79		150-2578, 25		201-3497-06, 49		232-3536, 43	
102-1237, 7		151-0402, 71		211-0423, 49		232-3695, 49	
102-1356, 7		151-0715-02, 25		220-4233, 46		232-3699, 49	
130-1788, 33		155-2062-03, 27		220-4293-04, 49		232-3730-04, 51	
130-3069-01, 33		155-2175, 26, 27		220-4293-06, 49		232-3820-01, 49	
130-3069-02, 33		155-2251, 27		220-4448-01, 52		232-3820-02, 49	
130-3080, 33		155-2253, 26		220-4448-02, 52		232-3820-03, 49	
130-3082, 33		159-1181, 11		220-4448-03, 52, 53		232-3820-04, 49	
130-3085, 33		159-1206, 15, 17, 19		220-4448-04, 53		234-0867, 49	
130-3086, 33		159-1207, 19, 21		220-4448-05, 53		234-0875-01, 47	
130-3089, 33		159-1208-01, 11, 15, 17, 19		220-4448-07, 52		234-0875-02, 46	
130-3090, 33		159-1268, 23		220-4448-08, 52		234-0879, 49	
130-3091, 33		159-1290, 23		220-4448-09, 52, 53		234-0937-01, 49	
130-3092, 33		159-1309-03, 11		220-4448-10, 53		234-0937-02, 49	
130-3168, 31		159-1309-04, 11		220-4448-13, 52		234-0937-03, 49	
130-3169, 31		159-1310, 11		220-4448-14, 52, 53		234-0937-04, 49	
130-3170, 31		159-1361, 13		220-4448-15, 52, 53		300-2899, 65	
130-3171-01, 31		159-1362, 13		220-4448-16, 52, 53		300-3464, 22	
130-3171-02, 31		159-1367, 13		220-4448-17, 53		300-4111-02, 61	
130-3172, 31		159-1368, 13		220-4448-18, 53		300-4111-04, 61	
130-3582, 31		159-1371-03, 13		220-4448-19, 52, 53		300-4218-02, 62	
130-4357, 33		159-1371-05, 13		220-4448-20, 52, 53		300-4295, 57	
130-4452, 33		159-1378, 13		220-4448-21, 53		300-4297, 57	
130-4454-01, 33		191-1981, 39		220-4448-25, 52		300-4515-01, 55	
130-4454-02, 33		191-1983-02, 39		220-4448-26, 52, 53		300-4515-02, 55	
140-1260, 8		191-2103, 38		220-4448-28, 53		301-6257, 72, 73, 74	
140-1435, 8		191-2121, 39		220-4448-31, 52, 53		301-6987, 66, 69	
140-1467, 8		193-0250, 59, 73		220-4448-32, 52, 53		301-8065, 57	
140-1548, 8		193-0322, 28, 29		220-4448-33, 53		301-8851, 57	
140-1599, 8		193-0351, 59		226-0893, 77, 78		301-9054-01, 58	
140-2147, 8		193-0375, 7		226-1587, 77		301-9054-03, 58	
140-2148, 8		193-0388, 73		226-3505-01, 78		301-9054-04, 58	
140-2149, 8		193-0435, 73		226-3505-03, 78		301-9055-01, 59	
140-2150, 8		193-0448, 7		226-3505-04, 77, 78		301-9650, 78	
140-2152, 8		193-0466, 59		226-3649, 77, 78		301-9891, 78	
140-2153, 8		201-3434-02, 49		226-4661-02, 29		301-9941, 66	
140-2154, 8		201-3434-03, 49		231-0319, 49		302-0885, 59	
147-0779, 7		201-3446, 46		231-0325, 49		302-1148, 58	
149-2309, 25		201-3497-01, 49		232-3421, 49		302-1642, 59	
150-0723, 47		201-3497-02, 49		232-3454, 49		302-1684, 58	
150-0956, 47		201-3497-03, 49		232-3462-01, 47		302-1685, 58	
150-2309, 47		201-3497-04, 49		232-3462-02, 46		302-1721-04, 69	
150-2331-01, 25		201-3497-05, 49		232-3511, 46		302-1721-05, 69	

Numerical Index

<u>Part No.</u>	<u>Page</u>	<u>Part No.</u>	<u>Page</u>	<u>Part No.</u>	<u>Page</u>	<u>Part No.</u>	<u>Page</u>
302-1721-06,	69	309-0554,	7	320-1462-44,	79	320-1555-16,	79
302-1721-08,	69	309-0641-03,	7	320-1462-45,	79	320-1555-17,	79
302-1722,	69	309-0641-07,	7	320-1462-47,	79	320-1555-18,	79
302-1723,	72, 73, 74	315-0717,	43	320-1462-48,	79	320-1556-14,	79
302-1724,	58	315-0717-01,	43	320-1463-08,	79	320-1556-15,	79
302-1725,	58	319-0077,	40	320-1463-09,	79	320-1556-16,	79
302-1753,	58	319-0485,	22	320-1463-10,	79	320-1556-17,	79
302-1845-05,	75	319-0486,	22	320-1464-06,	79	320-1556-18,	79
302-1845-06,	75	319-0489,	24	320-1464-07,	79	320-1557-65,	79
302-1845-07,	75	319-0490,	24	320-1464-08,	79	320-1557-66,	79
302-1845-08,	75	319-0652,	60	320-1464-10,	79	320-1653,	22
302-1873-01,	72	319-0754,	63	320-1464-11,	79	320-1654,	22
302-1968,	58	319-0863-01,	21	320-1464-12,	79	320-1688-01,	70
302-1982-09,	69	319-0898,	68	320-1470-30,	79	320-1725-04,	77
302-1982-10,	69	319-1193,	40	320-1470-31,	79	320-1725-05,	77
302-1982-11,	69	319-1330,	77	320-1470-45,	79	320-1725-06,	77
303-0261,	60	319-1331,	77	320-1471-08,	79	320-1725-10,	77
303-0285,	60	319-1332,	77	320-1471-09,	79	320-1725-11,	77
304-0807,	49	319-1333,	77	320-1471-10,	79	320-1725-12,	77
305-0823,	60	319-1335,	77	320-1472-06,	79	320-1726-06,	77
305-0824,	60	319-1498,	43	320-1472-07,	79	320-1726-07,	77
305-0868,	60	319-2006-01,	57	320-1472-08,	79	320-1726-13,	77
305-0901,	67	319-2422,	41, 78	320-1472-10,	79	320-1726-14,	77
305-0902-02,	63	319-2425,	78	320-1472-11,	79	320-1727-02,	77
307-1056,	61	319-2425-01,	41	320-1472-12,	79	320-1727-03,	77
307-2167,	57	319-2426,	41, 78	320-1490-30,	79	320-1727-05,	77
307-2553,	66	320-1458-30,	79	320-1490-31,	79	320-1727-06,	77
307-2677-02,	22	320-1458-31,	79	320-1491-08,	79	320-1728-02,	77
307-2709,	66	320-1458-44,	79	320-1491-09,	79	320-1728-03,	77
307-2868,	64	320-1458-45,	79	320-1491-10,	79	320-1728-05,	77
308-0852,	22	320-1458-47,	79	320-1492-06,	79	320-1728-06,	77
308-0853,	74	320-1458-48,	79	320-1492-08,	79	320-1747-03,	77
308-0912,	22	320-1459-08,	79	320-1492-10,	79	320-1747-05,	77
308-0913,	17, 19	320-1459-09,	79	320-1492-12,	79	320-1748-02,	77
308-0913-02,	21	320-1459-10,	79	320-1513-10,	79	320-1748-03,	77
308-0913-04,	21	320-1460-06,	79	320-1513-11,	79	320-1749-02,	77
308-0916-01,	10, 24	320-1460-07,	79	320-1513-12,	79	320-1749-03,	77
308-0963-01,	9	320-1460-08,	79	320-1516-10,	79	320-1755-11,	77
308-1010,	59	320-1460-10,	79	320-1516-11,	79	320-1755-12,	77
308-1011,	59	320-1460-11,	79	320-1516-12,	79	320-1755-13,	77
308-1052,	58	320-1460-12,	79	320-1537-12,	79	320-1755-14,	77
309-0269,	7	320-1462-30,	79	320-1555-14,	79	321-0307-03,	57
309-0553,	7	320-1462-31,	79	320-1555-15,	79	321-0307-06,	57

Numerical Index

<u>Part No.</u>	<u>Page</u>	<u>Part No.</u>	<u>Page</u>	<u>Part No.</u>	<u>Page</u>	<u>Part No.</u>	<u>Page</u>
321-0307-07,	57	332-3023,	45	338-3309,	69	415-0565-02,	11
322-0017,	59	332-3024-11,	45	338-3310,	69	415-0565-04,	17, 19
322-0359-02,	59	332-3196,	7	338-3366,	64	415-0565-07,	13
322-0360-02,	59	332-3228,	45	350-1222,	60	415-0565-09,	13
322-0361,	59	332-3338,	55	353-0094-01,	57	415-0566-02,	11
322-0363,	58	333-0133,	68	355-0189,	58	415-0566-04,	15, 17, 19
322-0369-02,	22, 59	333-0429-01,	42	357-0030,	29, 57	415-0575,	17, 19
322-0394,	74	333-0429-02,	42	357-0091,	49	415-0648,	15
322-0403-02,	22	333-0438-07,	45	357-0092,	49	415-0650-01,	15
322-0463-03,	64	333-0438-08,	45	357-0114,	55	415-0651-19,	15
322-0463-04,	66	333-0475,	30	358-0135-01,	49	415-0652,	15
322-0463-06,	10	333-0476,	30	358-0135-02,	49	415-0654,	15
322-0463-07,	29	333-0478,	30	359-0051,	57	415-0655,	15
322-0463-08,	67	333-0511,	30	399-0117,	21	415-0656-21,	15
323-1199,	61	333-0532-01,	30	399-0117-01,	19	415-0657,	15
323-1200,	57, 61	333-0532-02,	30	399-0121,	19, 21	415-0660,	15
323-1291,	61	333-0557-01,	30	399-0122,	19, 21	415-0752-01,	15, 17, 19
323-1292,	61	333-0557-02,	30	399-0123,	19, 21	416-0446,	7
323-1302,	57	334-0116,	71	399-0124,	19, 21	416-0853,	37
323-1304,	57	335-0168-01,	42	402-0030,	37	416-0893,	7
323-1306,	57	335-0168-02,	42	402-0354,	66, 69	416-0921-01,	7
323-1308,	57	335-0173,	55	402-0527,	57	416-0975-01,	37
323-1410-03,	67	337-0049,	57	402-0568,	37	501-0441,	11, 13
323-1492,	7, 57	337-0090,	37	403-2567,	37	501-0502,	7, 11, 13
323-1546,	57	338-1904,	65	403-3903,	37	501-0502-02,	15, 17, 19
323-1548,	7, 57	338-2229,	75	405-3837,	35	501-0627-01,	15, 17, 19
323-1549,	7	338-2278,	57	405-3841,	35	501-0627-03,	7
323-1591,	57	338-2347,	66	405-4932,	35	502-0053,	15, 17, 19
330-0141-03,	45	338-2382,	22	405-5351,	35	502-0153,	33
330-0141-04,	45	338-2397,	19, 21	405-5352,	35	502-0199,	7
330-0142,	45	338-2398,	17, 19, 21	405-5355,	35	502-0942,	19, 21
331-0027,	22	338-2493,	63	405-5359,	35	502-0943,	21
331-0042,	22	338-2506,	43	405-5364,	35	503-0183,	19, 21
332-0052,	57	338-2796,	43	405-5370,	35	503-0197,	7
332-0604,	57	338-2871,	28	405-5386,	35	503-0365,	33
332-0607,	57	338-2875,	61	406-0332,	57	503-0465,	33
332-1043,	57, 60	338-3033,	62	406-0333,	57	503-0685,	7, 11, 13, 15, 17, 19
332-1473,	37	338-3034,	67	406-0334,	57	503-1139,	30
332-2605,	22	338-3035-01,	29	406-0574,	35	503-1195,	7
332-2723,	57	338-3149,	46	406-0765-01,	35	503-1460,	8
332-2744-07,	41, 77, 79	338-3252,	57	406-0782,	35	503-1660-01,	19
332-2987,	51	338-3265,	46	406-0807,	35	503-1660-04,	21
332-3007,	43	338-3297,	57	415-0043,	13		

Numerical Index

<u>Part No.</u>	<u>Page</u>	<u>Part No.</u>	<u>Page</u>	<u>Part No.</u>	<u>Page</u>	<u>Part No.</u>	<u>Page</u>
503-1870-05, 8		517-0131, 59, 60		800-0045, 57		815-0550, 64	
503-1928, 33		517-0135, 35, 40, 49		800-0047, 41, 79		815-0761-01, 46	
503-1929, 33		517-0137, 59, 73		800-0048, 77		815-0792-04, 45	
504-0011, 7		517-0138-09, 35		800-0091, 37		815-0875-02, 58	
504-0028, 33		517-0301, 59		800-0156, 11, 13		818-0231-02, 35	
505-0007, 13		517-0302, 58, 68		800-0520, 37		821-0004, 57	
505-0018, 11, 15, 17, 19		518-0083, 49		800-0558, 37		821-0005, 25	
505-0021, 30		518-0548-15, 28		800-0605, 37		821-0010, 21, 41, 57, 77	
505-0026, 9, 10		518-0601, 5		800-2042, 49		821-0014, 13, 57	
505-0027, 13		525-0304, 5		800-2046, 49		821-0016, 43	
505-0049, 15, 17, 19		525-0305, 5		800-2058, 7		821-0017, 69	
505-0050, 7		525-0306, 5		800-2060, 49		821-0018, 15, 17, 19, 21, 40	
505-0055, 23		525-0551-02, 5		800-2068, 33		821-0029, 8	
505-0110, 13		525-0551-03, 5		800-2088, 38, 47, 51		821-0040, 41	
505-0151, 11		525-0551-04, 5		800-2110, 8, 25, 31		821-2020, 46, 47	
505-0172, 13, 15, 17, 19		526-0003, 7		800-2111, 7, 37		821-5000-05, 78	
505-0185, 7		526-0008, 7, 15, 60, 79		800-2121, 37		821-5002-03, 17, 19, 24, 31, 33, 77, 79	
505-0203, 13		526-0013, 57		800-3009, 49		821-5002-04, 33	
505-0266, 17		526-0018, 19, 21, 40		800-3017-38, 49		821-5003-01, 11, 35	
505-0359, 13		526-0029, 24, 77, 78		800-3017-42, 49		821-5003-03, 33	
505-0382, 13		526-0115, 35, 66		800-3017-44, 49		821-5004-01, 33	
505-0401, 13		526-0174, 51		800-3017-54, 49		821-5004-02, 33, 35	
505-0748, 11		526-0219, 37		800-3017-55, 51		821-6001-01, 51	
505-1050, 9, 10		526-0238, 11, 13		800-3034, 45		821-6001-02, 49	
505-1373, 73		526-0240, 47		805-0018, 51		822-3047, 45	
505-1419, 10		526-0249, 37		812-0063, 62		822-3075, 45	
505-1458-02, 9		526-0259, 49		812-0065, 57		850-0025, 43, 79	
505-1458-04, 9		526-0399-16, 11		812-0075, 22		850-0030, 7, 60, 79	
505-1458-08, 10		526-0399-64, 49, 51		812-0079, 43		850-0045, 57	
505-1503, 7		526-0423, 49		812-0082, 63, 66		850-0050, 41, 77, 79	
508-0001, 57		526-0425, 25		812-0084, 60, 67		850-0060, 37	
508-0051, 57		526-2050, 45, 49		812-0085, 43		850-0079, 11, 13	
508-0139, 49		526-2060, 49		812-0093, 79		850-0114-06, 11	
508-0228, 45		526-2080, 47		812-0157, 79		850-0114-55, 49	
508-0231, 35		526-2100, 33, 49		813-0100, 78		850-0114-56, 49, 51	
508-0239, 77, 79		526-2120, 51		813-0108, 60		850-2003, 45	
508-0305-02, 41, 51		526-2140, 7, 8, 25		813-0190, 79		850-2004, 45, 49	
508-1057, 40, 49		625-2141-01, 17, 19, 21, 22		815-0137, 35		850-2005, 39, 49	
509-0266-02, 49		718-1812, 31		815-0236, 35		850-2006, 46, 49	
510-0164, 49		720-1119, 49		815-0350, 22, 40		850-2008, 7, 39, 49	
515-0298-02, 49		775-0049, 46		815-0385, 22, 58, 59, 68		850-2010, 7, 38, 46, 51	
515-0298-03, 49		800-0024, 55, 57		815-0538, 57		850-2012, 8, 25, 31, 37	
517-0021, 45		800-0026, 37		815-0544, 57, 60, 61, 63, 65			

Numerical Index

<u>Part No.</u>	<u>Page</u>	<u>Part No.</u>	<u>Page</u>	<u>Part No.</u>	<u>Page</u>	<u>Part No.</u>	<u>Page</u>
853-0013,	47, 57	860-2006,	7, 39, 49	870-0183,	58, 59, 68	870-0517-02,	61
854-0014,	79	860-2008,	39	870-0212,	19, 21, 37	870-0531-03,	37
856-0002,	66, 69	860-2009,	7, 51	870-0221,	7, 43	870-0531-04,	37
856-0006,	40, 57	862-0001,	47	870-0250,	47	870-0550-05,	15, 17, 19
856-0008,	37, 55, 57	862-0008,	11, 13	870-0257,	23, 24, 37, 43, 55, 69	870-0550-07,	11
856-0010,	47	862-0016,	37	870-0281,	8, 33, 35	870-1221,	67
856-0013,	7, 37	864-0011,	15	870-0458,	22	870-2064-01,	45, 49
860-0008,	66, 69	870-0048,	66	870-0517-01,	61	871-0015,	57
860-2005,	45, 49	870-0131,	7, 15, 57, 78				