



Parts Catalog

KTA-38-G2-I

G-DRIVE

R / SB / PC3.3

Bulletin No. 5276656
SO No. SO37287

Parts Ordering Guidelines :

Genuine Cummins Parts and service facilities are available all over India. There are more than 100 Cummins sales and service locations giving service support to the engines owned by you. Each distribution outlet is thoroughly equipped with technical data, factory trained mechanics, modern equipments and a full adequate stock of Genuine Cummins Parts.

For quicker and better service, your parts requirements should be ordered from your nearest Cummins Distributer or Dealer. At any of the locations prompt, intelligent, courteous service is a basic trademark. Each is ready and eager to help in every possible way through personal contact or through the mail-at your convenience.

The satisfactory ordering and receiving of parts by the purchase is greatly dependent upon the proper use of available information. In order that all avoidable errors may be eliminated, the following instructions are offered as the purchaser's guide:

1. Write your order clearly, using a typewriter if possible.
2. Be sure to list the correct part number. If in doubt as to the correct part number, state the model and serial number of the

engine on which the part is to be used. Part numbers are usually located in various places on the part itself.

3. When possible, arrange your purchase order in part number numerical sequence.

4. Please specify shipping instructions, if any, preferable to you.

5. State your company name and shipping address clearly.

Genuine Cummins Parts mean **QUALITY** : They're designed and engineered to fit best in your Cummins Diesel. Each part is made of the highest quality and accuracy-by the top craftsman of the trade.

You can be sure a Genuine Cummins Part will fit better-do the job better-lesser the chances of costly breakdown. When you buy replacement parts, buy quality. Buy Genuine Cummins Parts. **YOU OWN BEST...REPAIR WITH THE BEST**

No part of this manual may be copied, photocopied, reproduced, translated or stored in a retrieval system by any means electronic, mechanical or otherwise without prior permission in writing of Cummins India Limited, Kothrud, Pune 411038.

Visit us at :

www.cumminsindia.com

CUSTOMER SERVICE INFORMATION

This parts catalog contains parts information.

Part numbers appearing in () against production part no. are available service part nos. Please place order for service replacement parts on bracketed part numbers only.

Parts /AR/BMs marked with asterisk (*) are not available for service. Only assemblies under which they are indented are available for service.

Items marked with @ are not available for service. Please order on individual parts shown under these items.

Engine Model _____ Engine Serial No. _____

MFG Make _____ Model _____ Chassis No. _____

Fuel Pump Assembly No. _____ Injector No. _____

Belt, Fan _____ Belt, Water Pump _____ Belt, Gen _____

Element, Fuel Filter _____ Full Flow Lub. Filter _____

Air Cleaner _____ By-Pass Lub. Filter _____

Special Equipment _____

Cummins Distributor _____

**Since improvements are made from time to time contents
in the parts catalog are subject to change without notice**

ABOUT PART INDENTATION USED IN THE PARTS CATALOG

The subject parts catalog uses parts indentation method to break sub level parts under their corresponding top assembly.

By placing an order on corresponding top level assemblies / Bills of material the individual parts under that top assemblies / Bills of material can be obtained

Indentation can be explained as under -

Example :-

Level	Part No	Description
-----	-----	-----
1	3920037	Block Cylinder
2	3815812	Block Cylinder
3	3901685	Bushing
3	3916369	Screw hex. head
3	3917313	Cap main bearing
3	3919917	Block Cylinder
2	3813247	Plug expansion
2	3004258	Plug expansion
2	3027646	Plug expansion
2	3812090	Plug expansion
2	3813243	Plug expansion

Level '1' assembly 3920037 in above example is a top Bill of Material / Assembly. Level '2' items namely 3815812, 3813247, 3004258, 3027646, 3812090, & 3813243 are included in 3920037. Hence these items are shifted to the right of 3920037 by one space.

3815812 is also a Bill of Material which includes parts, namely 3901685, 3916369, 3917313, 3919917. As 3815812 is of level '2' here, these parts are of level '3'. Hence these are shifted to the right of 3815812 by one space.

In above example if you order on Block assembly 3920037 of level '1', you will receive all the parts of level '2' & level '3'.

If you order on sub assembly 3815812 of level '2', you will receive all the parts of level '3' listed below this level '2' subassembly.

If required, parts of level '2' & level '3' can be ordered individually.

TABLE OF CONTENTS

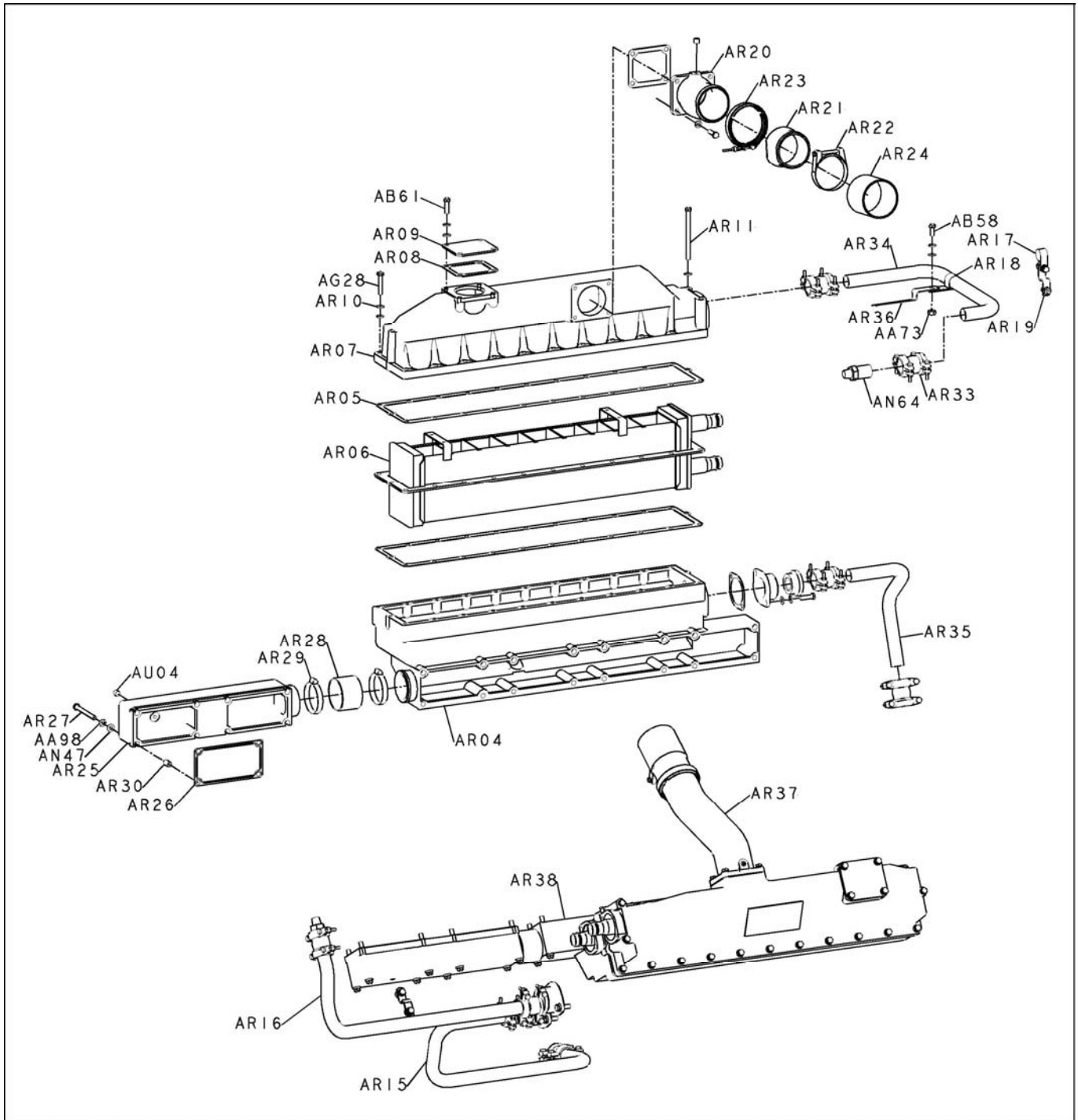
GROUPS/OPTIONS.

S NO.	DESCRIPTION	GROUP NO.
1	AFTERCOOLER	GR_10_01_00_032
2	ALTERNATOR	GR_13_10_00_068
3	BLOCK CYLINDER	GR_01_01_00_006
4	BREATHER	GR_03_02_00_032
5	CAMSHAFT	GR_01_07_00_006
6	CLEANER AIR	GR_10_04_01_001
7	CONN. BLOCK FUEL	GR_05_19_00_010
8	CONNECTION TURBO EXHAUST	GR_11_02_01_006
9	COOLER LUB OIL	GR_07_05_00_006
10	COUPLING FLEXIBLE	GR_16_05_00_006
11	COVER HYDRAULIC PUMP	GR_12_04_00_006
12	COVER,HAND HOLE	GR_01_08_00_032
13	CRANKSHAFT	GR_01_02_00_032
14	DAMPER VIBRATION	GR_01_02_01_047
15	DRIVE ACCESSORY	GR_09_01_00_006
16	FAN IDLER ASSEMBLY MOUNTING	GR_08_03_00_050
17	FILTER FUEL	GR_06_04_00_006
18	FILTER LUB OIL BYPASS	GR_07_03_01_006
19	FILTER LUBRICATING OIL	GR_07_03_00_006
20	FOLLOWER, CAM	GR_04_01_00_050
21	FUEL PUMP	GR_05_01_00_092
22	HEAD,CYLINDER	GR_02_01_00_074
23	HOSE,BREATHER VENT	GR_03_02_01_038
24	HOUSING FLYWHEEL & FLYWHEEL	GR_16_01_00_015
25	HOUSING GEAR & COVER FRONT	GR_01_09_00_032
26	HOUSING, ROCKER ARM	GR_03_01_00_006
27	INHIBITOR, CORROSION	GR_08_08_00_011
28	INJECTOR	GR_06_01_00_006
29	ISOLATOR,VIBRATION	GR_16_03_00_008
30	KIT,FLEXIBLE EXHAUST	GR_11_02_00_007

TABLE OF CONTENTS**GROUPS/OPTIONS.**

S NO.	DESCRIPTION	GROUP NO.
31	MANIFOLD EXHAUST	GR_11_01_00_006
32	MANIFOLD FUEL	GR_05_19_01_006
33	MISCELLANEOUS	GR_17_00_02_056
34	MOTOR STARTING	GR_13_15_00_050
35	MOUNTING,ALTERNATOR MAIN	GR_16_01_01_010
36	MOUNTING,PRIMER	GR_07_06_01_007
37	MTG ALTERNATOR BRACKET	GR_13_10_00_042
38	PAN OIL	GR_07_01_00_006
39	PISTON & CONNECTING ROD	GR_01_05_00_056
40	PLATE,COVER	GR_01_01_01_032
41	PLUMBING, FUEL SUPPLY	GR_05_01_00_009
42	PUMP, WATER	GR_08_01_00_055
43	PUMP,LUBRICATING OIL	GR_07_06_00_032
44	RADIATOR	GR_08_13_00_055
45	SUPPORT, WATER PUMP	GR_08_01_01_030
46	SUPPORT,FRONT ENGINE	GR_16_01_01_001
47	THERMOSTAT	GR_08_07_01_029
48	TUBE WATER TRANSFER	GR_03_01_00_010
49	TURBOCHARGER	GR_10_06_00_094
50	WATER SEPERATOR	GR_06_04_01_023

AFTERCOOLER

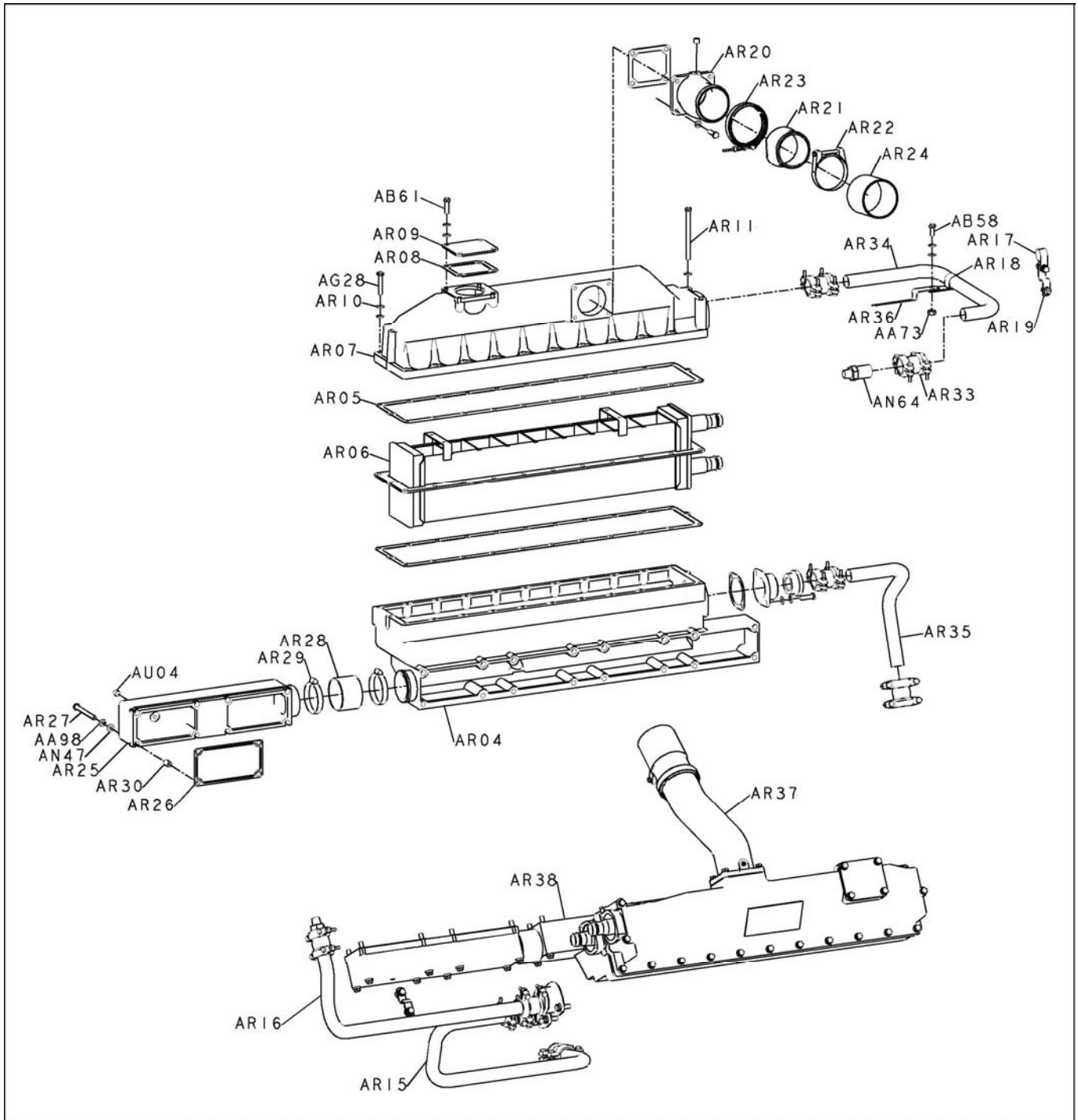


Details of Group Number: GR_10_01_00_032

AFTERCOOLER

S No	Ref No	Part No	Description	Qty	serviceable	Remarks
			MANIFOLD AIR INTAKE			
1	-	3414740	MANIFOLD AIR INTAKE	2	N	
2	AR25	3414526	MANIFOLD,AIR INTAKE	1	Y	
3	AR26	206277	GASKET,INTAKE MANIFOLD	2	Y	
4	AN47	3628902	WASHER,PLAIN	8	Y	
5	AA98	S 604	WASHER, LOCK	8	Y	
6	AR27	S 199A	SCREW, HEXAGON HEAD CAP	8	Y	
7	AR28	3414611	HOSE,PLAIN	1	Y	
8	AR29	43828F	CLAMP HOSE	2	Y	
9	AU04	S 910B	PLUG PIPE	1	Y	
10	AR30	3014304	SEAL,RECTANGULAR RING	8	Y	
			AFTERCOOLER (RH)			
11	-	4105119	AFTERCOOLER (RH)	1	N	
12	AR38	3414525	HOUSING,AFTERCOOLER	1	Y	
13	AR06	3001299	CORE,AFTERCOOLER	1	Y	PART NO. FOR SERVICE 4910355
14	-	3414935	COVER,AFTERCOOLER	1	Y	
15	-	3070889	COVER,AFTERCOOLER	1	Y	
16	AR07	3068725	COVER,AFTERCOOLER	1	Y	
17	CL30	3008664	INSERT,THREADED	4	N	
18	AR05	3001304	GASKET,AFT HOUSING	2	Y	
19	AR08	3032161	GASKET,CONNECTION	1	Y	
20	AR09	3200783	PLATE,COVER	1	Y	
21	AR10	203518	WASHER,PLAIN	25	Y	
22	AA98	S 604	WASHER, LOCK	28	Y	
23	AB61	S 103D	SCREW, HEXAGON HEAD CAP	4	Y	
24	AG28	S 137	SCREW, HEXAGON HEAD CAP	21	Y	
25	AR11	S 149A	SCREW, HEXAGON HEAD CAP	3	Y	
26	AU04	S 910B	PLUG PIPE	2	Y	
			AFTERCOOLER (LH)			
27	-	4105118	AFTERCOOLER (LH)	1	N	
28	AR04	3414524	HOUSING,AFTERCOOLER	1	Y	
29	AR06	3001299	CORE,AFTERCOOLER	1	Y	PART NO. FOR SERVICE 4910355
30	-	3414935	COVER,AFTERCOOLER	1	Y	
31	-	3070889	COVER,AFTERCOOLER	1	Y	
32	AR07	3068725	COVER,AFTERCOOLER	1	Y	
33	CL30	3008664	INSERT,THREADED	4	N	
34	AR05	3001304	GASKET,AFT HOUSING	2	Y	
35	AR08	3032161	GASKET,CONNECTION	1	Y	
36	AR09	3200783	PLATE,COVER	1	Y	
37	AR10	203518	WASHER,PLAIN	25	Y	
38	AA98	S 604	WASHER, LOCK	28	Y	
39	AB61	S 103D	SCREW, HEXAGON HEAD CAP	4	Y	
40	AG28	S 137	SCREW, HEXAGON HEAD CAP	21	Y	

AFTERCOOLER

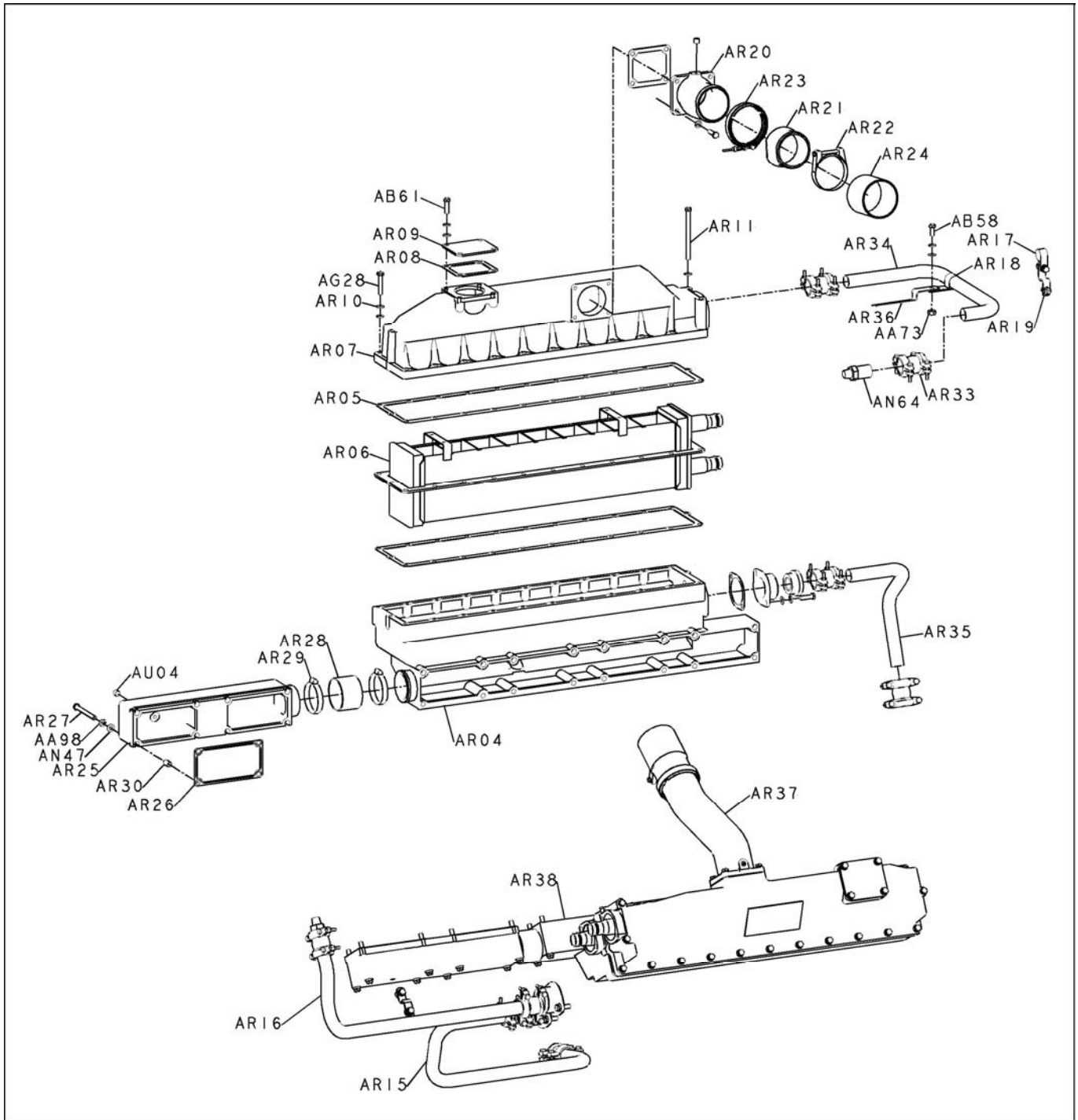


Details of Group Number: GR_10_01_00_032

AFTERCOOLER

S No	Ref No	Part No	Description	Qty	serviceable	Remarks
41	AR11	S 149A	SCREW, HEXAGON HEAD CAP	3	Y	
42	AU04	S 910B	PLUG PIPE	2	Y	
			MOUNTING, AFTERCOOLER			
43	-	3414739	MOUNTING, AFTERCOOLER	1	N	
44	AR30	3014304	SEAL,RECTANGULAR RING	8	Y	
45	AN47	3628902	WASHER,PLAIN	16	Y	
46	AA98	S 604	WASHER, LOCK	16	Y	
47	AR27	S 199A	SCREW, HEXAGON HEAD CAP	9	Y	
48	AQ21	69102	SCREW,HEXAGON HEAD CAP	7	Y	
49	AR26	206277	GASKET,INTAKE MANIFOLD	4	Y	
			CONNECTION,AIR CROSSOVER			
50	-	4084429	CONNECTION,AIR CROSSOVER	1	N	
51	AR08	3032161	GASKET,CONNECTION	1	Y	
52	AR20	4084052	CONNECTION,AIR CROSSOVER	1	Y	
53	AA98	S 604	WASHER, LOCK	4	Y	
54	AB61	S 103D	SCREW, HEXAGON HEAD CAP	4	Y	
55	AR21	4084051	ADAPTER,AIR INLET	1	Y	
56	AR22	135144	CLAMP, T BOLT	1	Y	
57	AR23	3089766	CLAMP,V BAND	1	Y	
58	AR24	3016142	HOSE,PLAIN	1	Y	
59	AU04	S 910B	PLUG PIPE	1	Y	
			CONNECTION,AIR CROSSOVER			
60	-	4084424	CONNECTION,AIR CROSSOVER	1	N	
61	AR08	3032161	GASKET,CONNECTION	1	Y	
62	AR37	4084053	CONNECTION,AIR CROSSOVER	1	Y	
63	AR21	4084051	ADAPTER,AIR INLET	1	Y	
64	AR23	3089766	CLAMP,V BAND	1	Y	
65	AR22	135144	CLAMP, T BOLT	1	Y	
66	AR24	3016142	HOSE,PLAIN	1	Y	
67	AU04	S 910B	PLUG PIPE	1	Y	
68	AA98	S 604	WASHER, LOCK	4	Y	
69	AB61	S 103D	SCREW, HEXAGON HEAD CAP	4	Y	
			CONNECTION,WATER			
70	-	4084423	CONNECTION,WATER	1	N	
71	-	MP45130	SEAL,WATER CONNECTION	2	Y	
72	AR12	3001301	RETAINER,SEAL	2	Y	
73	AR13	3001305	GASKET,CONNECTION	2	Y	
74	AR14	206808	SEAL,GROMMET	2	Y	
75	AN47	3628902	WASHER,PLAIN	4	Y	
76	AA98	S 604	WASHER, LOCK	4	Y	
77	AB61	S 103D	SCREW, HEXAGON HEAD CAP	4	Y	
78	AR33	3872252	COUPLING,FLEXIBLE PIPE	4	Y	
79	AR15	4084080	TUBE,WATER TRANSFER	1	Y	
80	AR16	4084082	TUBE,WATER TRANSFER	1	Y	

AFTERCOOLER

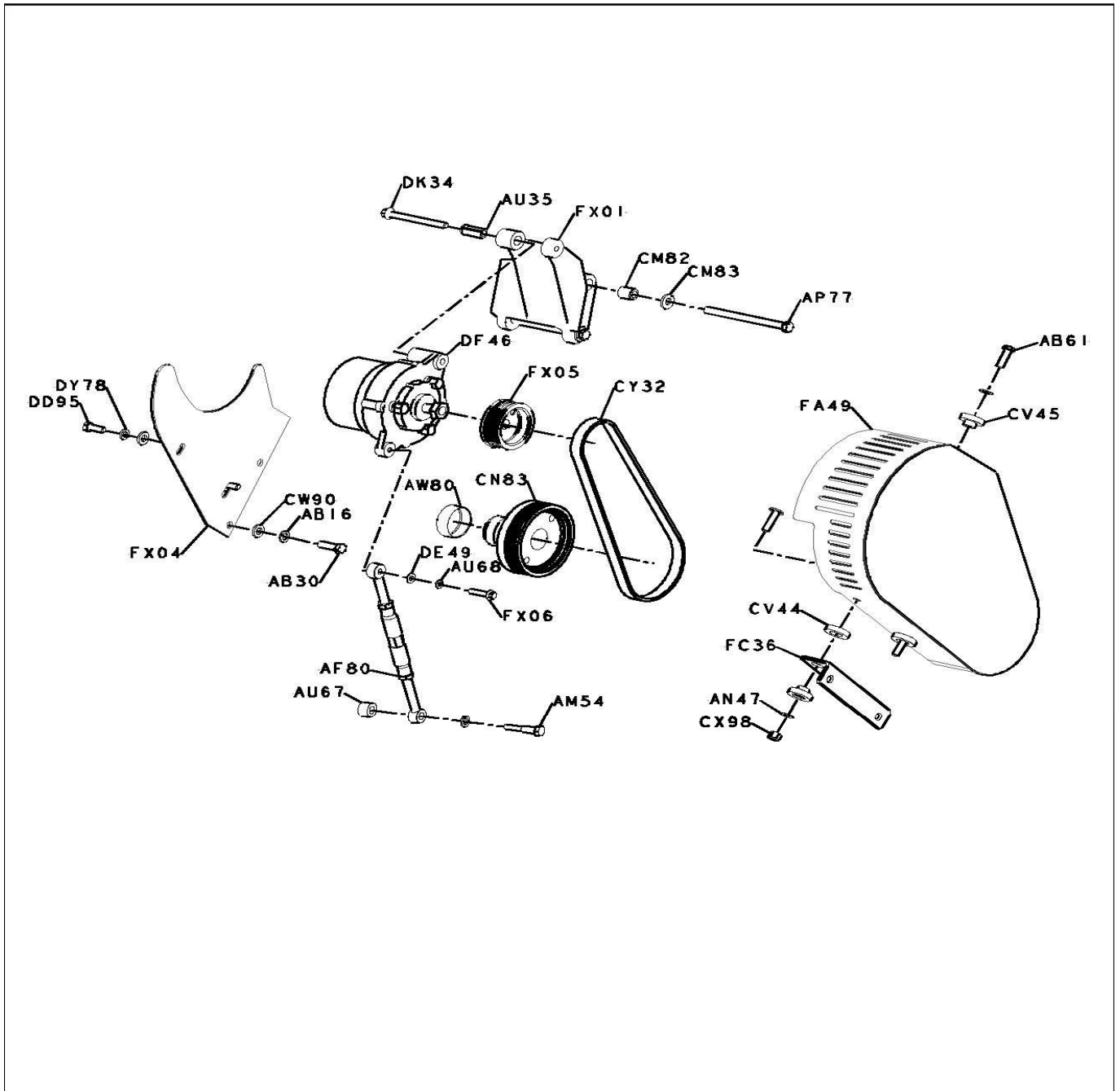


Details of Group Number: GR_10_01_00_032

AFTERCOOLER

S No	Ref No	Part No	Description	Qty	serviceable	Remarks
81	AN64	3413263	CONNECTION,WATER INLET	1	Y	
82	AR17	67950	CLAMP, TUBE	4	Y	
83	AR18	3178499	CLIP	1	Y	
84	AR19	109489	SUPPORT OIL GAUGE TUBE	3	Y	
85	AN47	3628902	WASHER,PLAIN	6	Y	
86	AA98	S 604	WASHER, LOCK	6	Y	
87	AB58	S 109	SCREW, HEXAGON HEAD CAP	6	Y	
88	AA73	S 223	NUT, HEAVY HEXAGON	6	Y	
			CONNECTION,WATER			
89	-	4084428	CONNECTION,WATER	1	N	
90	-	MP45130	SEAL,WATER CONNECTION	2	Y	
91	AR12	3001301	RETAINER,SEAL	2	Y	
92	AR13	3001305	GASKET,CONNECTION	2	Y	
93	AR14	206808	SEAL,GROMMET	2	Y	
94	AN47	3628902	WASHER,PLAIN	4	Y	
95	AA98	S 604	WASHER, LOCK	4	Y	
96	AB61	S 103D	SCREW, HEXAGON HEAD CAP	4	Y	
97	AR33	3872252	COUPLING,FLEXIBLE PIPE	4	Y	
98	AR34	4084081	TUBE,WATER TRANSFER	1	Y	
99	AR35	4084083	TUBE,WATER TRANSFER	1	Y	
100	AR17	67950	CLAMP, TUBE	3	Y	
101	AR19	109489	SUPPORT OIL GAUGE TUBE	2	Y	
102	AN64	3413263	CONNECTION,WATER INLET	1	Y	
103	AR18	3178499	CLIP	1	Y	
104	AN47	3628902	WASHER,PLAIN	5	Y	
105	AR36	4056214	BRACE,TUBE	1	Y	
106	AA98	S 604	WASHER, LOCK	5	Y	
107	AB58	S 109	SCREW, HEXAGON HEAD CAP	5	Y	
108	AA73	S 223	NUT, HEAVY HEXAGON	5	Y	

ALTERNATOR

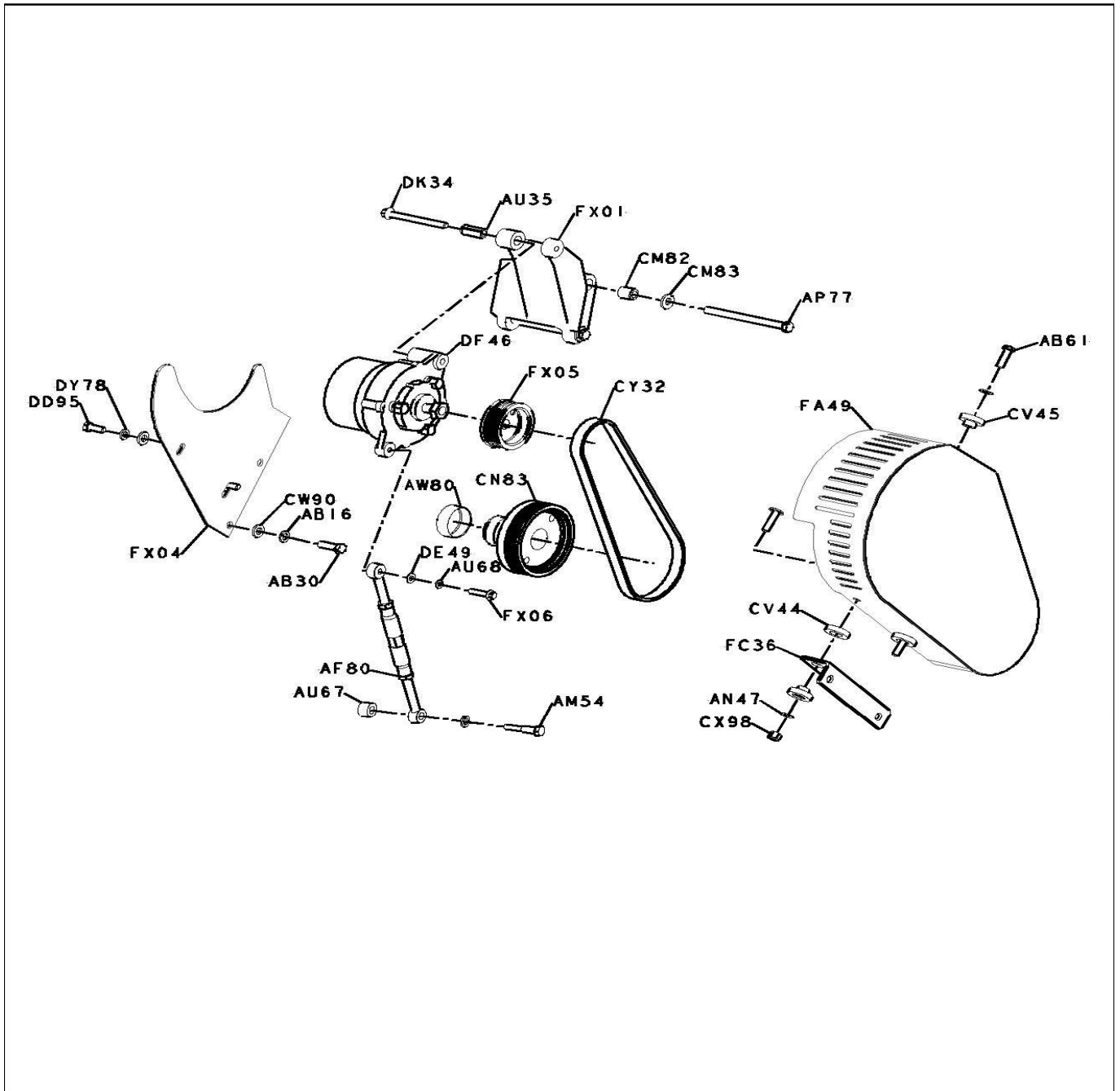


Details of Group Number: GR_13_10_00_068

ALTERNATOR

S No	Ref No	Part No	Description	Qty	serviceable	Remarks
			ALTERNATOR MTG			
1	-	2865523	ALTERNATOR MTG	1	N	
2	FX01	2865522	SUPPORT,ALTER	1	Y	
3	CM82	207509	SLEEVE	2	Y	
4	CM83	203760	WASHER,PLAIN	2	Y	
5	AP77	S 167B	SCREW,HEXAGON HEAD CAP	2	Y	
6	AU35	3902469	SPACER, MOUNTING	1	Y	
7	CD13	3914407	SCREW,HEX FLANGE HEAD CAP	1	Y	
8	DF46	4971861	ALTERNATOR	1	Y	
9	CY32	4958411	BELT	1	Y	
10	FX05	2865525	PULLEY,ALTERNATOR	1	Y	
			GUARD,ALTERNATOR			
11	-	2865542	GUARD,ALTERNATOR	1	N	
12	CV44	3035083	ISOLATOR,VIBRATION	3	Y	
13	FA49	3627463	GUARD,BELT	1	Y	
14	-	3627464	PIECE	1	N	
15	-	3627465	PIECE	1	N	
16	-	3627468	PIECE	1	N	
17	-	3038701	STUD,WELD	2	Y	
18	-	3627466	PIECE	1	N	
19	-	3627467	PIECE	4	N	
20	CV45	3035084	ISOLATOR,VIBRATION	3	Y	
21	FC36	3627469	BRACKET,VIB ISOLATOR	1	Y	
22	-	3627470	PIECE	1	N	
23	-	214718	NUT,WELD	2	Y	
24	AN47	3628902	WASHER,PLAIN	3	Y	
25	CX98	3175239	NUT,LOCK	2	Y	
26	AB61	S 103D	SCREW, HEXAGON HEAD CAP	1	Y	
27	FX04	2865524	PIECE	1	N	
28	AP76	3000082	WASHER,PLAIN	3	Y	
29	DD63	S 610	WASHER, PLAIN	1	Y	
30	AB30	103009	SCREW, HEXAGON HEAD CAP	1	Y	
31	AA98	S 604	WASHER, LOCK	2	Y	
32	DD95	S 112	SCREW, HEXAGON	2	Y	
			LNK,ADJUSTING			
33	-	2865541	LNK,ADJUSTING	1	N	
34	-	2865526	LINK,ADJUSTING	1	Y	
35	FX13	3201185	BOLT,EYE	1	Y	
36	FX14	3201187	LINK,ADJUSTING	1	Y	
37	FX15	4913131	BOLT,EYE	1	Y	
38	BU09	206202	NUT,REGULAR HEXAGON	1	Y	
39	AF80	S 253	NUT, REGULAR HEXAGON JAM	1	Y	
40	DE49	S 626	WASHER,PLAIN	1	Y	

ALTERNATOR

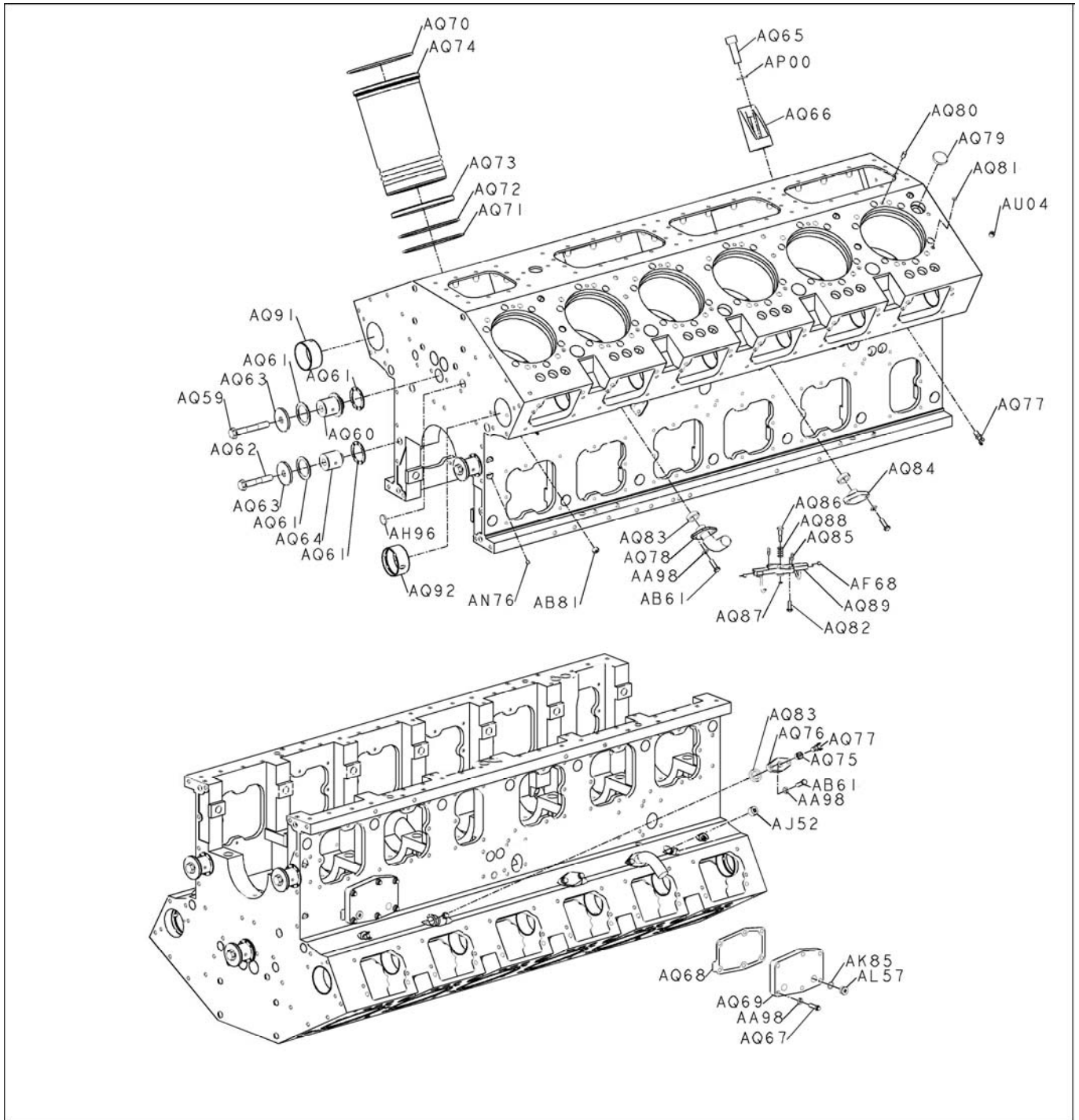


Details of Group Number: GR_13_10_00_068

ALTERNATOR

S No	Ref No	Part No	Description	Qty	serviceable	Remarks
41	AU68	3235457	WASHER,LOCK	1	Y	
42	FX06	3280899	SCREW,HEX FLANGE HEAD CAP	1	Y	
43	DD63	S 610	WASHER, PLAIN	1	Y	
44	AM54	106069	SCREW, HEXAGON HEAD CAP	1	Y	
45	AU67	3812312	SPACER MOUNTING	1	Y	
			PULLEY,ACCESSORY DRIVE			
46	-	3179944	PULLEY,ACCESSORY DRIVE	1	Y	
47	CN83	3628939	PULLEY,ACCESSORY DRIVE	1	Y	
48	AW80	190397	SLEEVE ,WEAR	1	Y	

BLOCK CYLINDER

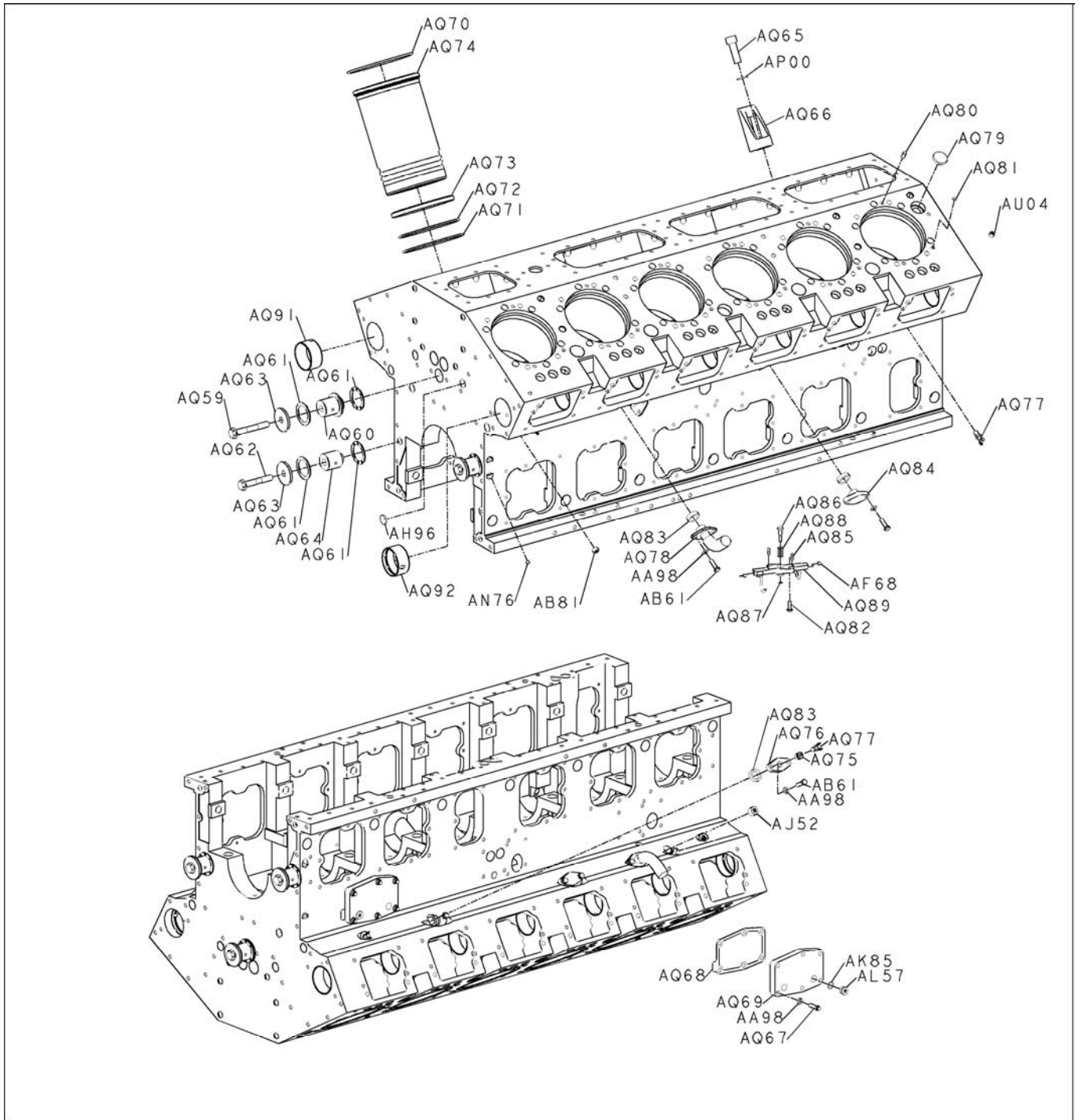


Details of Group Number: GR_01_01_00_006

BLOCK CYLINDER

S No	Ref No	Part No	Description	Qty	serviceable	Remarks
			BLOCK CYLINDER			
1	-	3414745	BLOCK CYLINDER	1	N	
2	AQ75	S 964	BUSHING,REDUCING PIPE	1	Y	
3	AU04	S 910B	PLUG PIPE	1	Y	
4	-	3177638	BLOCK CYLINDER	1	Y	
5	-	3628561	BLOCK, CYLINDER	1	N	
6	AQ99	3052563	BLOCK,CYLINDER	1	N	
7	AQ98	3176857	DOWEL,RING	7	Y	
8	AQ97	206588	CAP,MAIN BEARING	2	Y	
9	AQ96	3025485	WASHER,PLAIN	14	Y	
10	AQ95	206587	CAP,MAIN BEARING	5	Y	
11	AQ94	3628452	SCREW,HEXAGON HEAD CAP	14	Y	
12	AQ93	139990	WASHER,PLAIN	14	Y	
13	AQ90	205584	SCREW,TWELVE POINT CAP	14	Y	
14	AQ92	205230	BUSHING	2	Y	
15	AQ91	3175805	BUSHING	24	N	PART NO. FOR SERVICE 205230
16	AN76	3176649	SEAL TAMPER PROF	12	Y	
17	-	3879479	VALVE,PISTON COOLING	6	N	
18	AQ89	3873869	BODY, PISTON COOLING VALVE	1	Y	PART NO. FOR SERVICE 3879479
19	AQ88	3058424	SPRING,COMPRESSION	1	Y	
20	AQ87	3873801	RING,RETAINING	1	Y	
21	AQ86	3873802	PLUNGER,OIL CONTROL VALVE	1	Y	
22	AF68	S 965E	PLUG PIPE	2	Y	
23	AQ85	3179000	DOWEL,PIN	2	Y	
24	AH96	175830	PLUG EXPANSION	8	Y	
25	AQ84	3872334	CONNECTION,WATER TRANSFER	3	Y	
26	-	3248952	MOUNTING PLATE	6	N	
27	AQ83	3177556	SEAL,RECTANGULAR RING	1	Y	
28	AA98	S 604	WASHER, LOCK	2	Y	
29	AB61	S 103D	SCREW, HEXAGON HEAD CAP	2	Y	
30	AQ82	3178947	SCREW,HEXAGON HEAD CAP	12	Y	
31	AQ81	206742	PLUG,EXPANSION	12	Y	
32	AQ80	4016364	DOWEL,PIN	24	Y	
33	AQ79	4017621	PLUG,EXPANSION	15	Y	
34	AB81	67622	PLUG PIPE	1	Y	
35	AQ78	3414404	TUBE,WATER TRANSFER	2	Y	
36	AJ52	S 995	PLUG PIPE	2	Y	
37	AQ77	176307	DRAINCOCK	4	Y	
38	AQ76	3872333	CONNECTION,WATER TRANSFER	1	Y	
			LINER,CYLINDER			
39	-	3006089	LINER,CYLINDER	12	N	
40	AQ74	3022157	LINER,CYLINDER	1	Y	PART NO. FOR SERVICE 3006089

BLOCK CYLINDER

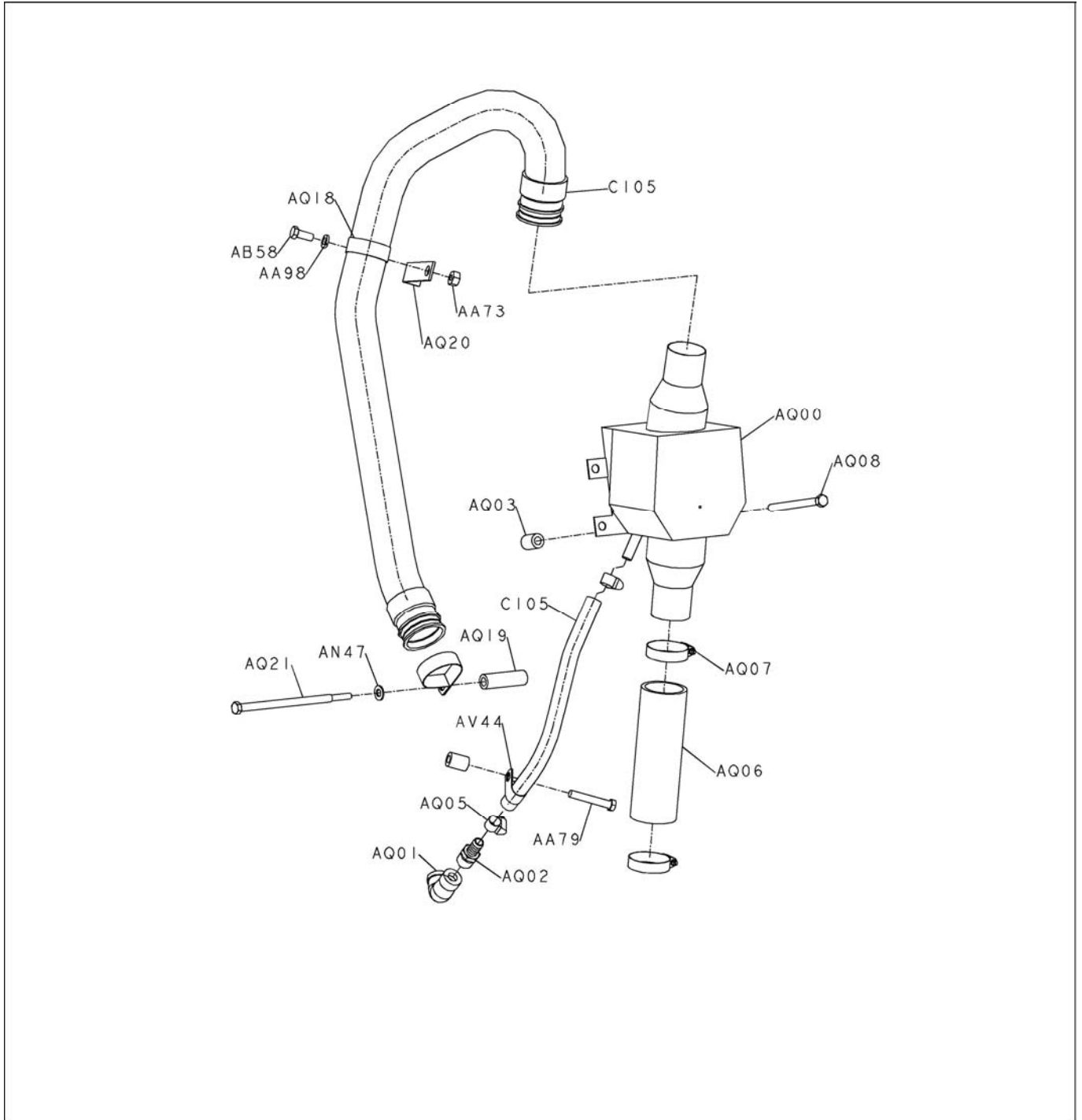


Details of Group Number: GR_01_01_00_006

BLOCK CYLINDER

S No	Ref No	Part No	Description	Qty	serviceable	Remarks
41	AQ73	3081489	SEAL,OIL	1	Y	
42	AQ72	3011076	SEAL,D RING	1	Y	
43	AQ71	3014668	SEAL,D RING	1	Y	
44	AQ70	3011884	INSERT,LINER	1	Y	
			CONNECTION,OIL TRANSFER			
45	-	3628228	CONNECTION,OIL TRANSFER	1	N	
46	AQ69	3629146	CONNECTION,OIL TRANSFER	2	Y	
47	AQ68	3627938	GASKET,COVER PLATE	2	Y	
48	-	3046202	PLUG THREADED	3	Y	
49	AL57	3040810	PLUG	1	Y	
50	CN55	3046201	SEAL O RING	1	Y	
51	AA98	S 604	WASHER, LOCK	12	Y	
52	AQ67	191772	SCREW,TWELVE POINT CAP	12	Y	
			BRACKET,LIFTING			
53	-	3167149	BRACKET,LIFTING	4	N	
54	AQ66	205684	BRACKET,LIFTING	1	Y	
55	AP00	205059	WASHER,PLAIN	1	Y	
56	AQ65	206028	SCREW, SOCKET HEAD CAP	1	Y	
			GEAR,CAM IDLER MTG			
57	-	3011512	GEAR,CAM IDLER MTG	2	N	
58	AQ64	3033853	SHAFT,IDLER	1	Y	
59	AQ63	3178457	WASHER,PLAIN	1	Y	
60	AQ62	3177945	SCREW,HEX FLANGE HEAD CAP	1	Y	
61	AQ61	130083	BEARING,THRUST	2	Y	
			GEAR,IDLER MTG			
62	-	MP5474	GEAR,IDLER MTG	1	Y	
63	AQ60	3178450	SHAFT,IDLER	1	Y	
64	AQ63	3178457	WASHER,PLAIN	1	Y	
65	AQ59	3177443	SCREW,HEX FLANGE HEAD CAP	1	Y	
66	AQ61	130083	BEARING,THRUST	2	Y	

BREATHER

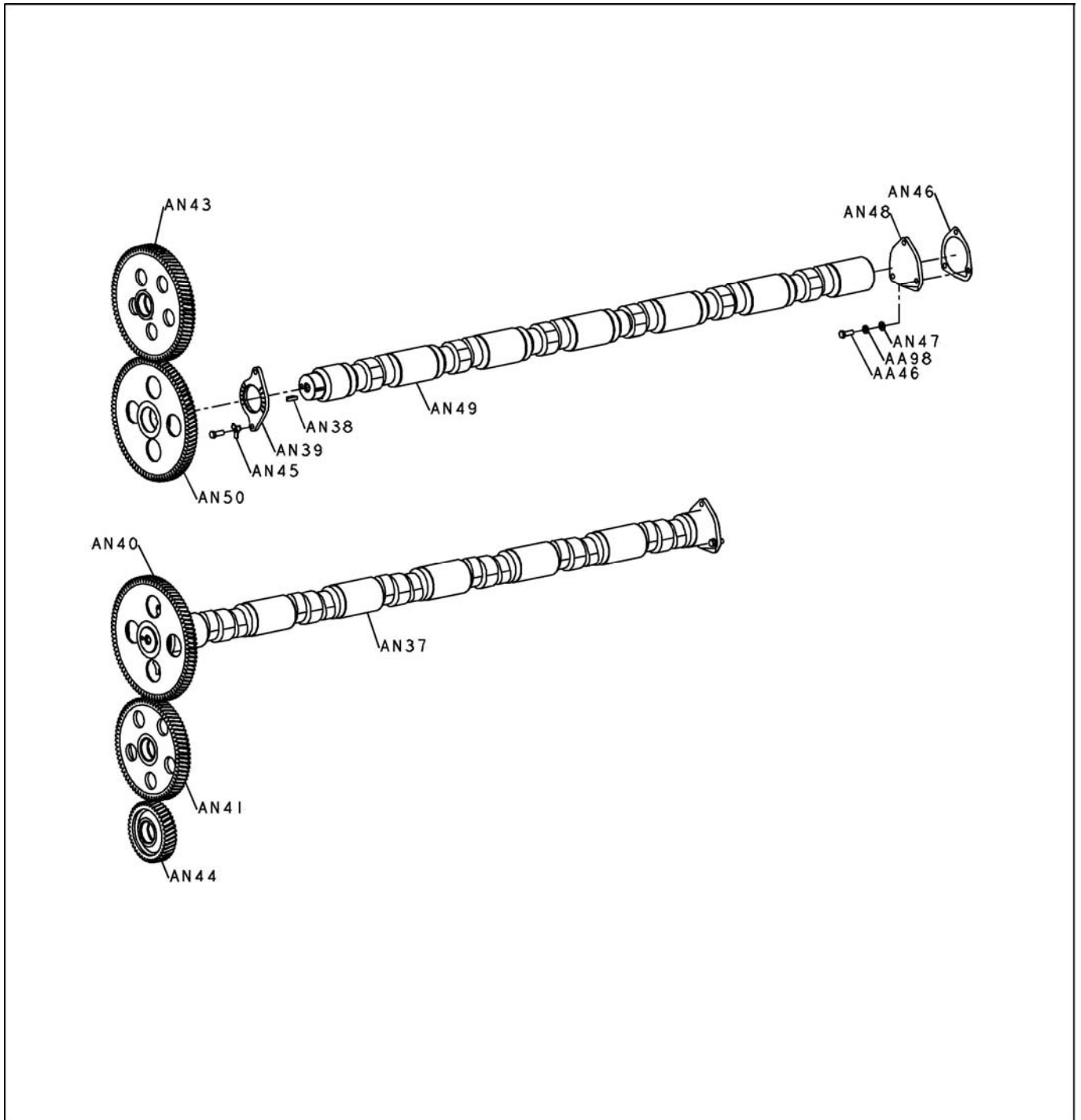


Details of Group Number: GR_03_02_00_032

BREATHER

S No	Ref No	Part No	Description	Qty	serviceable	Remarks
1	AQ00	3631539	BREATHER,CRANKCASE	1	Y	
			MOUNTING,BREATHER			
2	-	4104371	MOUNTING,BREATHER	1	N	
3	AQ06	3631578	HOSE,PLAIN	1	Y	
4	AQ07	43828C	CLAMP, HOSE	2	Y	
5	AQ08	S 169A	SCREW,HEXAGON HEAD CAP	2	Y	
6	AQ03	64709	SPACER,MOUNTING	2	Y	
			HOSE,BREATHER OIL DRAIN			
7	-	4104366	HOSE,BREATHER OIL DRAIN	1	N	
8	AQ04	3632449	HOSE,PLAIN	1	Y	
9	AQ05	179904	CLAMP,HOSE	2	Y	
10	AQ01	3178838	ELBOW,PLAIN STREET PIPE	1	Y	
11	AQ02	3630986	COUPLING, PLAIN HOSE	1	Y	
12	AV44	69911	CLIP	1	N	PART NO. FOR SERVICE 69911 A
13	AQ03	64709	SPACER,MOUNTING	1	Y	
14	AA79	S 104	SCREW,HEXAGON HEAD CAP	1	Y	
			HOSE,BREATHER VENT			
15	-	4104367	HOSE,BREATHER VENT	1	N	
16	AQ17	3631572	HOSE,MOLDED	1	Y	
17	BM93	43828	CLAMP, HOSE	1	Y	
18	AQ18	172558	CLIP	2	Y	
19	AQ19	3202032	SPACER,MOUNTING	2	Y	
20	AN47	3628902	WASHER,PLAIN	1	Y	
21	AQ21	69102	SCREW,HEXAGON HEAD CAP	1	Y	
22	AQ20	114307	BRACE,TUBE	1	Y	
23	AA98	S 604	WASHER, LOCK	1	Y	
24	AB58	S 109	SCREW, HEXAGON HEAD CAP	1	Y	
25	AA73	S 223	NUT, HEAVY HEXAGON	1	Y	

CAMSHAFT

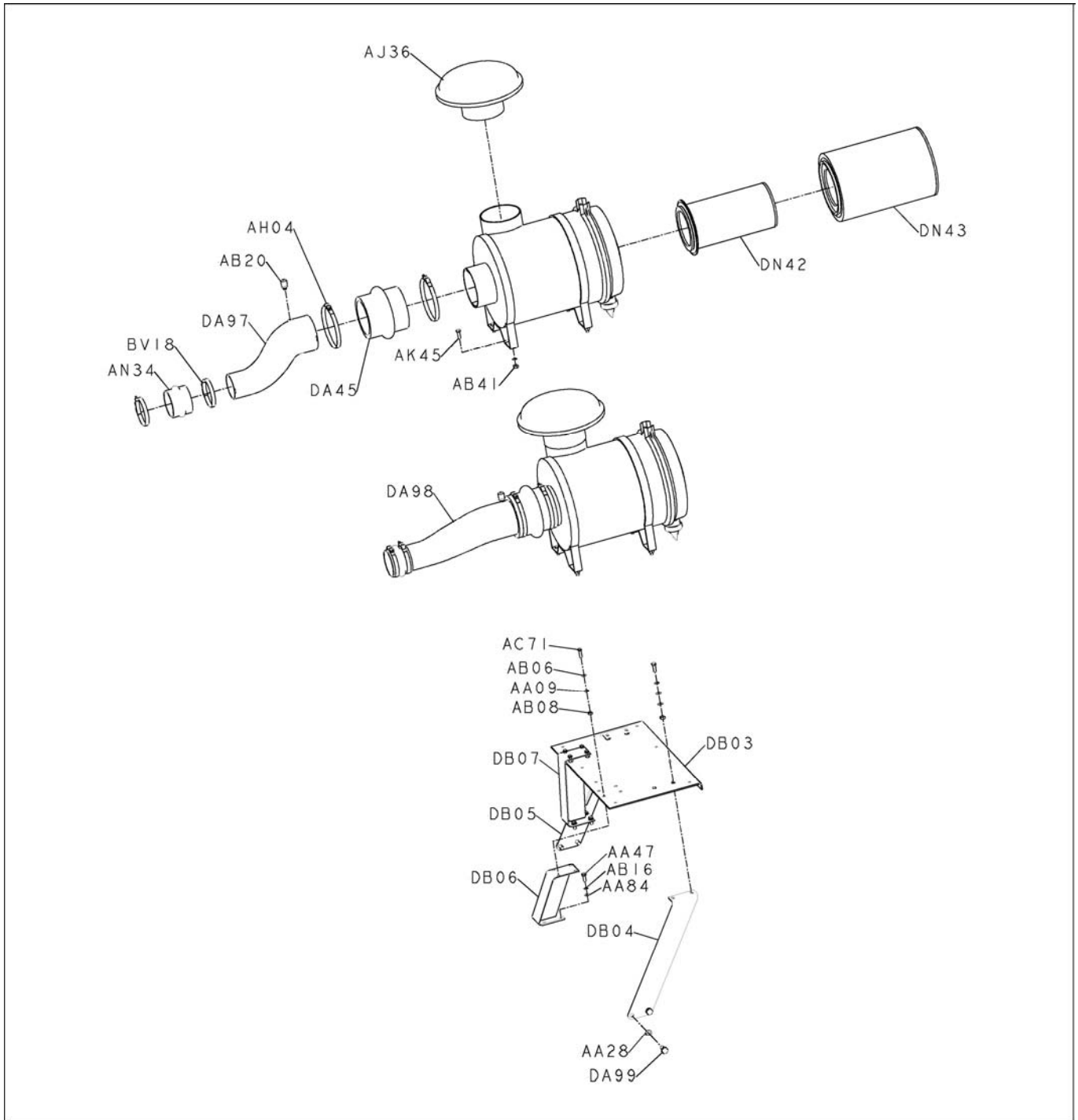


Details of Group Number: GR_01_07_00_006

CAMSHAFT

S No	Ref No	Part No	Description	Qty	serviceable	Remarks
			CAMSHAFT R.B.			
1	-	AR12404	CAMSHAFT R.B.	1	N	
2	AN37	3066884	CAMSHAFT	1	Y	
3	AN38	S 302	KEY,PLAIN WOODRUFF	1	Y	
4	AN39	3007971	BEARING,CAMSHAFT THRUST	1	Y	
5	AN40	206747	GEAR,CAMSHAFT	1	Y	
			CAMSHAFT L.B.			
6	-	AR12405	CAMSHAFT L.B.	1	N	
7	AN49	3066885	CAMSHAFT	1	Y	
8	AN38	S 302	KEY,PLAIN WOODRUFF	1	Y	
9	AN39	3007971	BEARING,CAMSHAFT THRUST	1	Y	
10	AN50	207248	GEAR,CAMSHAFT	1	Y	
			GEAR IDLER			
11	-	3628823	GEAR IDLER	1	Y	
12	AN41	3632362	GEAR,IDLER	1	Y	PART NO. FOR SERVICE 3628823
13	AN42	3004686	BUSHING	1	Y	
			GEAR IDLER			
14	-	3628822	GEAR IDLER	1	Y	
15	AN43	3632363	GEAR,IDLER	1	Y	PART NO. FOR SERVICE 3628822
16	AN42	3004686	BUSHING	1	Y	
			GEAR IDLER			
17	-	3004683	GEAR IDLER	1	Y	
18	AN44	3004594	GEAR,IDLER	1	N	PART NO. FOR SERVICE 3004683
19	AN42	3004686	BUSHING	1	Y	
			CAMSHAFT MTG			
20	-	MP4970	CAMSHAFT MTG	2	N	
21	AN45	109319	LOCKPLATE	2	Y	
22	AA46	S 112	SCREW, HEX HEAD CAP	2	Y	
			COVER CAMSHAFT MOUNTING			
23	-	4021016	COVER CAMSHAFT MOUNTING	2	N	
24	AN46	205236	GASKET CAMSHAFT COVER	1	Y	PART NO. FOR SERVICE 3040722
25	AN47	3628902	WASHER,PLAIN	3	Y	
26	AA98	S 604	WASHER, LOCK	3	Y	
27	AA46	S 112	SCREW, HEX HEAD CAP	3	Y	
28	AN48	207373	COVER,CAMSHAFT	2	Y	PART NO. FOR SERVICE- 3175210

CLEANER AIR

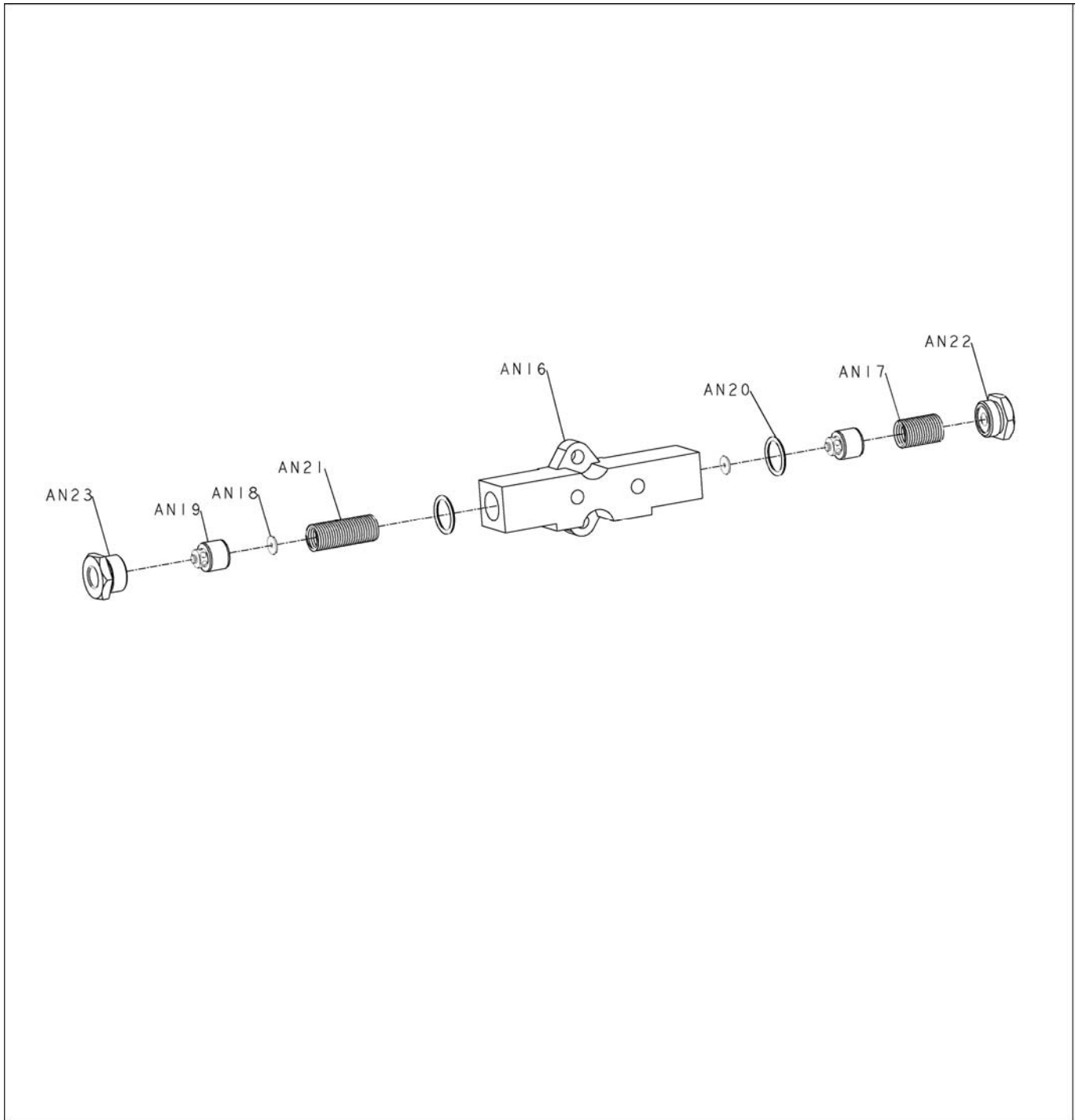


Details of Group Number: GR_10_04_01_001

CLEANER AIR

S No	Ref No	Part No	Description	Qty	serviceable	Remarks
			CLEANER,AIR			
1	-	4912871	CLEANER,AIR	1	Y	
2	-	4912872	MTG & PLUMBING AIR CLEANER	1	Y	
3	DB03	4950006	BRACKET,AIR CLEANER	1	Y	
4	DB04	4949818	BRACKET,AIR CLEANER	1	Y	
5	-	4949845	PIECE	1	N	
6	-	4949846	PIECE	1	N	
7	DB05	4913477	BRACKET,AIR CLEANER	1	Y	
8	-	4949844	PIECE	1	N	
9	-	4949846	PIECE	1	N	
10	DB06	4913475	BRACKET,AIR CLEANER	1	Y	
11	-	4949842	PIECE	1	N	
12	-	4949843	PIECE	1	N	
13	DB07	4913476	BRACKET,AIR CLEANER	1	Y	
14	-	4949841	PIECE	1	N	
15	-	4949843 1	PIECE	1	N	
16	CP92	3878566	HOSE, REDUSING	2	Y	
17	DA97	4950005	PIPE,AIR INLET	1	Y	
18	DA98	4950004	PIPE,AIR INLET	1	Y	
19	AN34	4056441	HOSE,HUMP	2	Y	
20	BV18	149437	CLAMP,T BOLT	4	Y	
21	AH04	100835	CLAMP, T BOLT	4	Y	
22	AB20	3872813	INDICATOR,RESTRICTION	2	Y	
23	AA84	S 670	WASHER, PLAIN	16	Y	
24	AA28	S 611	WASHER LOCK	4	Y	
25	DA99	S-111-B	SCREW,HEXAGON HEAD CAP	4	Y	
26	AC71	S 155	SCREW, HEXAGON HEAD CAP	8	Y	
27	AA09	S 608	WASHER, LOCK	20	Y	
28	AB08	S 217	NUT, HEAVY HEXAGON	8	Y	
29	AK45	S 113	SCREW , HEXAGON HEAD CAP	12	Y	
30	AB41	S 200	NUT,HEAVY HEXAGON	12	Y	
31	AB06	S 622	WASHER, PLAIN	8	Y	
32	AB16	S 610	WASHER, LOCK	8	Y	
33	AA47	S 145	SCREW, HEXAGON HEAD CAP	8	Y	
34	ZA13	4020943	CLEANER, AIR	2	Y	
35	DN43	4020551	ELEMENT AIR CLEANER	1	Y	
36	DN42	4020552	ELEMENT AIR CLEANER	1	Y	
37	AJ36	3414753	CAP,AIR CLEANER	2	Y	

CONN. BLOCK FUEL

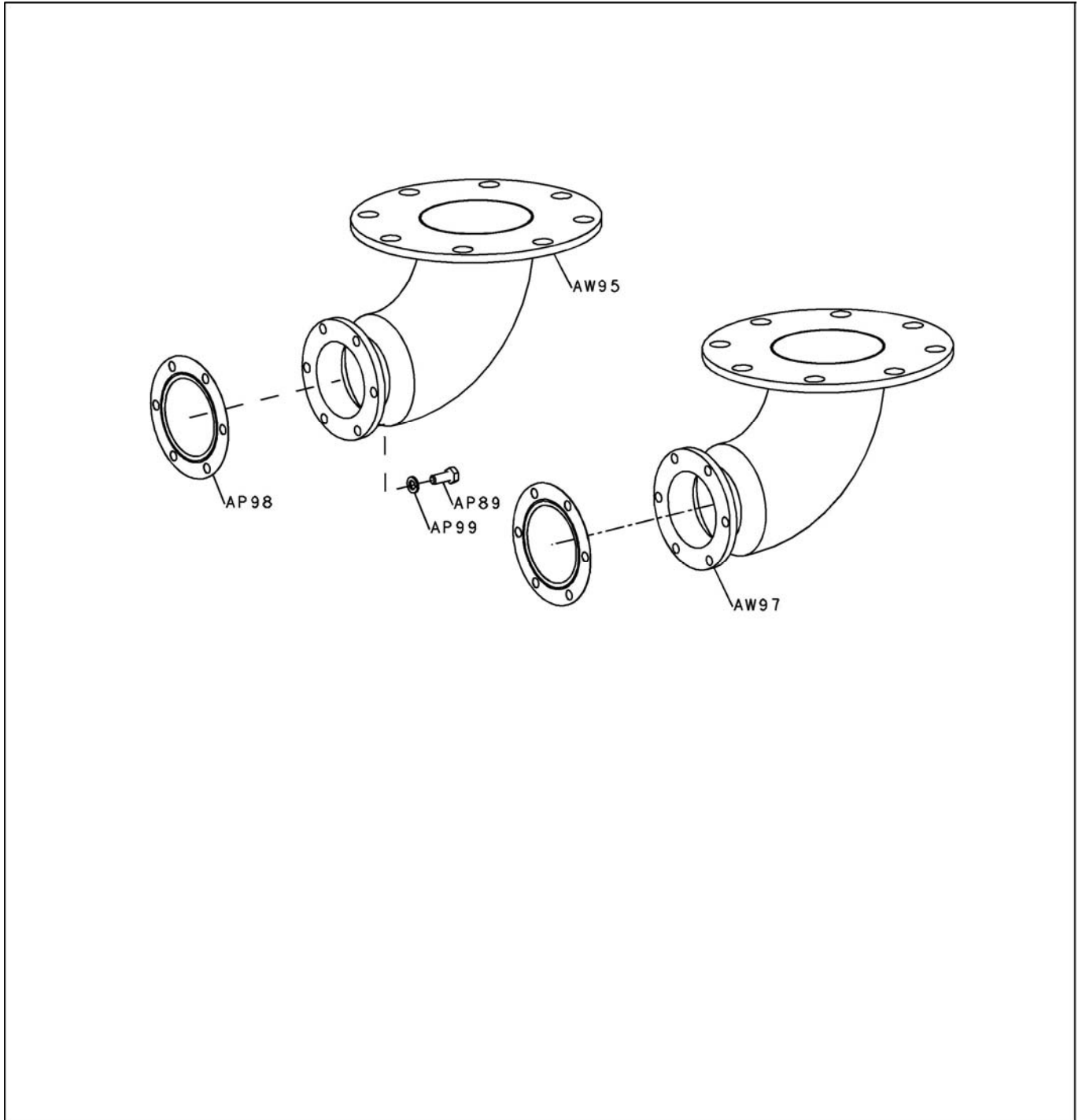


Details of Group Number: GR_05_19_00_010

CONN. BLOCK FUEL

S No	Ref No	Part No	Description	Qty	serviceable	Remarks
			CONNECTION FUEL BLOCK			
1	-	3629408	CONNECTION FUEL BLOCK	1	Y	
2	AN16	3629409	CONNECTION,FUEL BLOCK	1	Y	
3	AN21	3277045	SPRING,COMPRESSION	1	Y	
4	AN19	650826	PLUNGER,FUEL CONTROL	2	Y	
5	AN18	651045	SEAL,GROMMET	2	Y	
6	AN22	3629410	RETAINER,SPRING	1	Y	
7	AN20	3046943	SEAL,O RING	2	Y	
8	AN17	650829	SPRING,COMPRESSION	1	Y	
9	AN23	3629411	SEAT,PRS REGULATOR VALVE	1	Y	
10	BW17	68138	CONNECTOR,MALE	2	Y	

CONNECTION TURBO EXHAUST

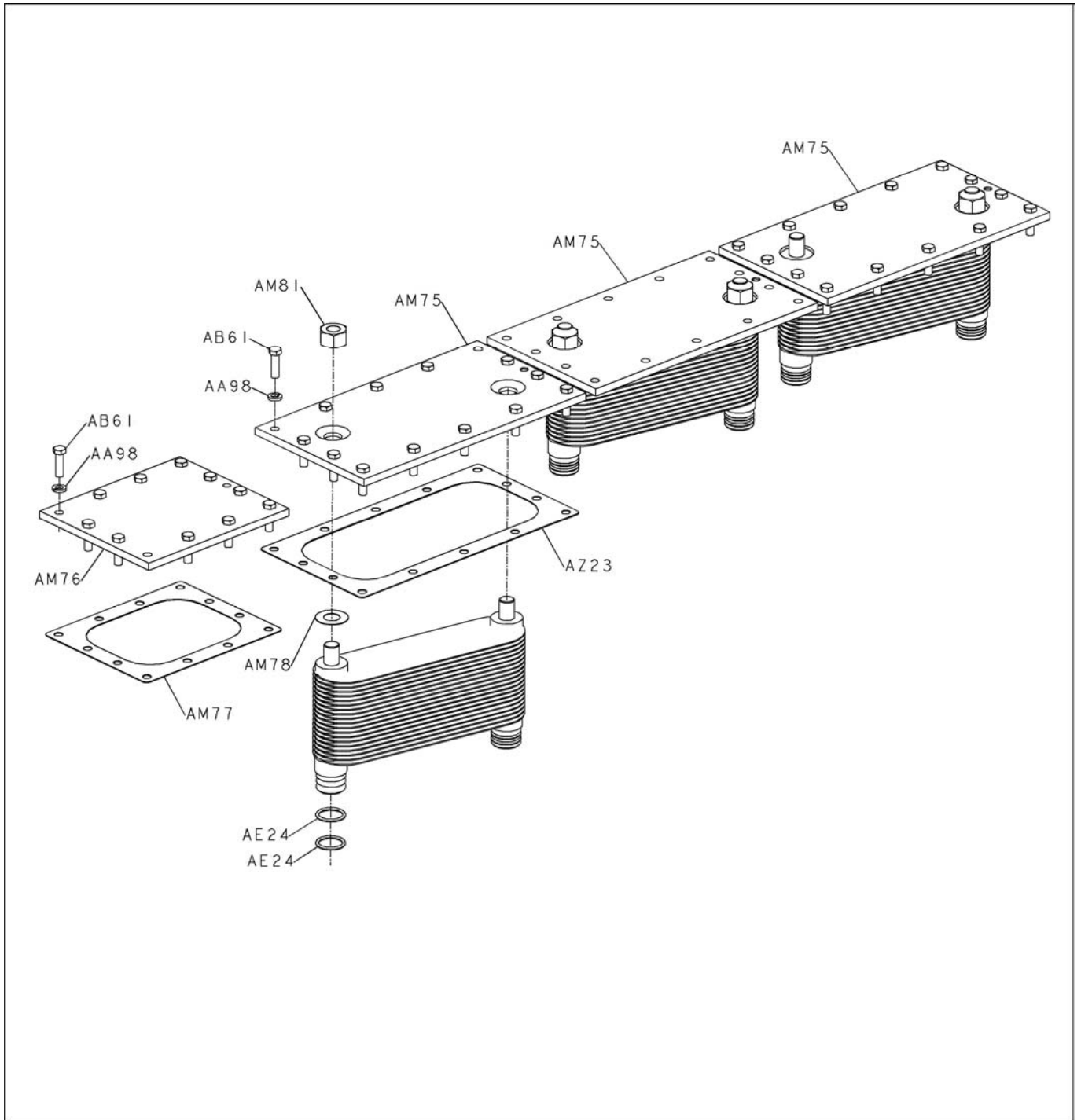


Details of Group Number: GR_11_02_01_006

CONNECTION TURBO EXHAUST

S No	Ref No	Part No	Description	Qty	serviceable	Remarks
			CONNECTION TURBO EXHAUST			
1	-	4084426	CONNECTION TURBO EXHAUST	1	N	
2	AW95	4084055	CONNECTION TURBO EXHAUST	1	Y	
3	AP98	3229096	GASKET,EXH OUT CONNECTION	1	Y	
4	AP99	3235458	WASHER,LOCK	6	Y	
5	AP89	3230131	SCREW,HEXAGON HEAD CAP	6	Y	
			CONNECTION TURBO EXHAUST			
6	-	4084425	CONNECTION TURBO EXHAUST	1	N	
7	AW97	4084054	CONNECTION TURBO EXHAUST	1	Y	
8	AP98	3229096	GASKET,EXH OUT CONNECTION	1	Y	
9	AP99	3235458	WASHER,LOCK	6	Y	
10	AP89	3230131	SCREW,HEXAGON HEAD CAP	6	Y	

COOLER LUB OIL

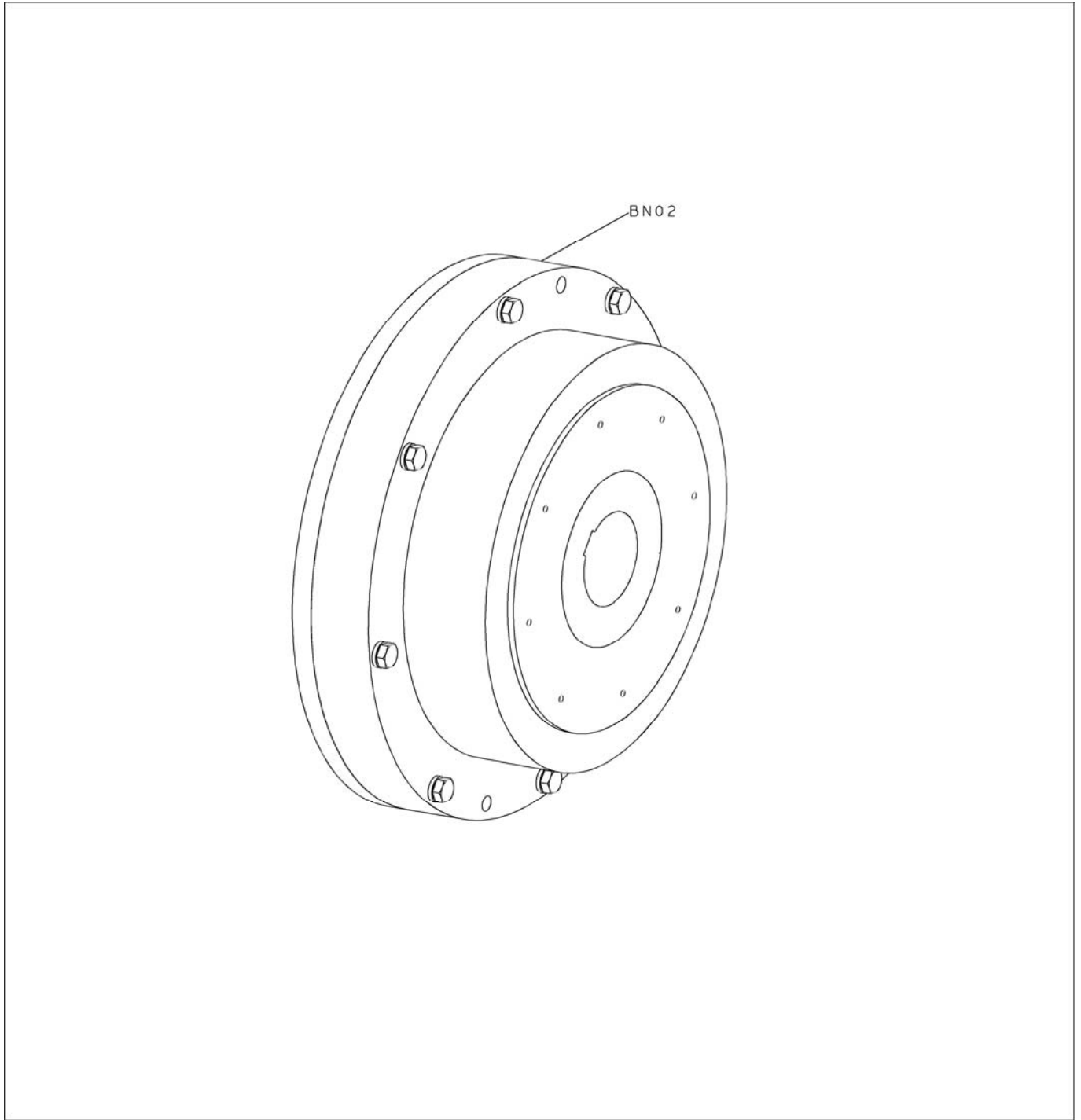


Details of Group Number: GR_07_05_00_006

COOLER LUB OIL

S No	Ref No	Part No	Description	Qty	serviceable	Remarks
			MTG, COVER WTR HEADER			
1	-	3011417	MTG, COVER WTR HEADER	1	N	
2	AM77	3009323	GASKET,WATER HEADER COVER	1	Y	
3	-	3011715	SCREW, CAPTIVE WASHER CAP	12	Y	
4	AA98	S 604	WASHER, LOCK	1	Y	
5	AB61	S 103D	SCREW, HEXAGON HEAD CAP	1	Y	
			MTG, COVER, OIL COOLER			
6	-	3011416	MTG, COVER, OIL COOLER	3	N	
7	AZ23	3009324	GASKET,WATER HEADER COVER	1	Y	
8	-	3011715	SCREW, CAPTIVE WASHER CAP	14	Y	
9	AA98	S 604	WASHER, LOCK	1	Y	
10	AB61	S 103D	SCREW, HEXAGON HEAD CAP	1	Y	
11	AM76	3629065	COVER,WATER HEADER	1	Y	
12	AM75	3629066	COVER,WATER HEADER	3	Y	
			COOLER,LUB OIL			
13	-	3635564	COOLER,LUB OIL	3	N	
14	-	3635563	COOLER,LUB OIL	1	N	
15	CT69	3635074	CORE,COOLER	1	Y	
16	AE24	212161	SEAL 'O' RING	4	Y	
17	AM81	3633479	NUT,LOCK	2	Y	
18	AM78	3630969	GASKET,LUB OIL CLR COVER	2	Y	

COUPLING FLEXIBLE

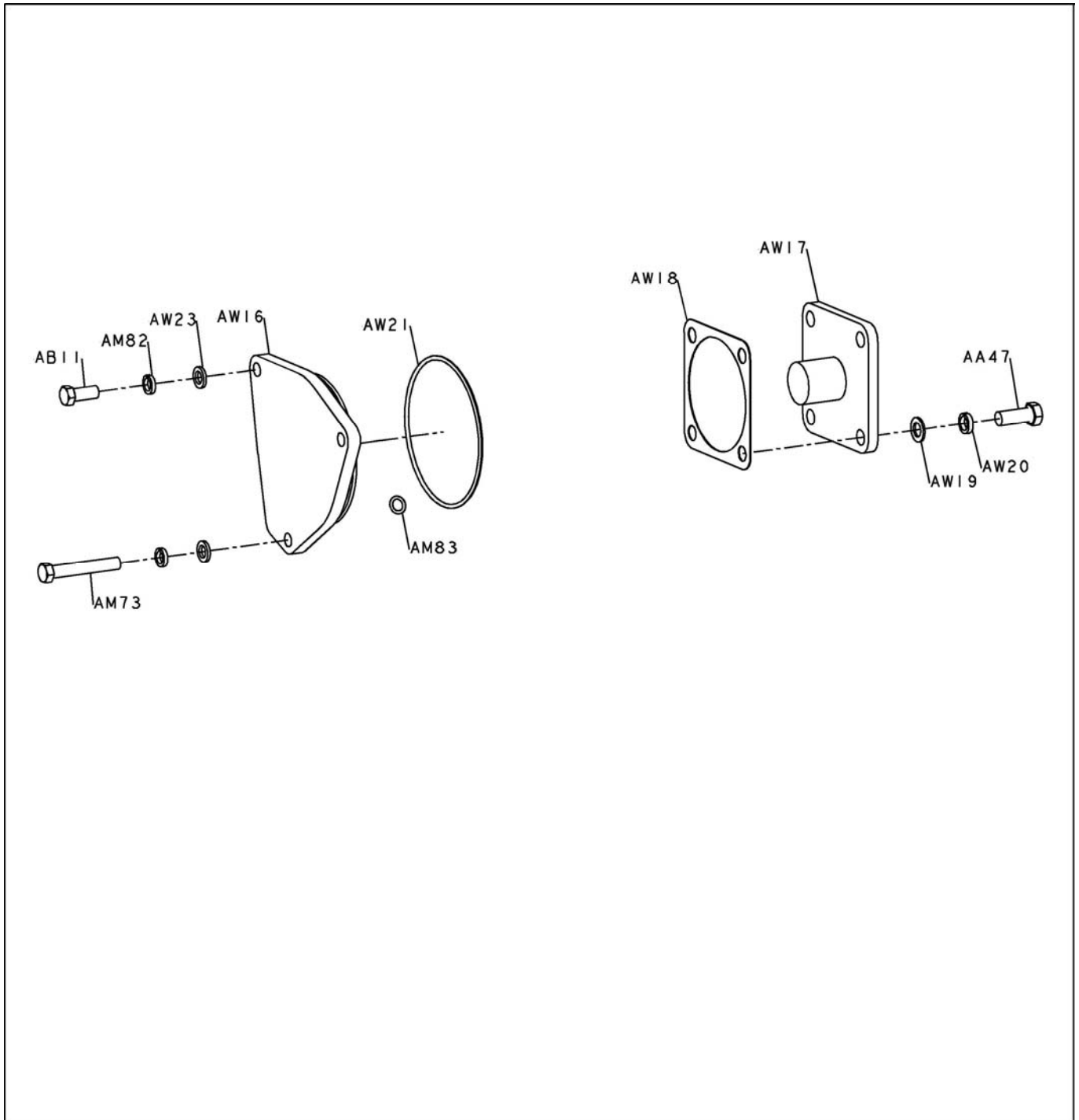


Details of Group Number: GR_16_05_00_006

COUPLING FLEXIBLE

S No	Ref No	Part No	Description	Qty	serviceable	Remarks
			COUPLING,FLEXIBLE			
1	-	3414733	COUPLING,FLEXIBLE	1	N	
2	BN02	3414553	COUPLING,FLEXIBLE	1	Y	
3	AA09	S 608	WASHER, LOCK	8	Y	
4	AN11	106289	SCREW HEXAGON HEAD CAP	8	Y	

COVER HYDRAULIC PUMP

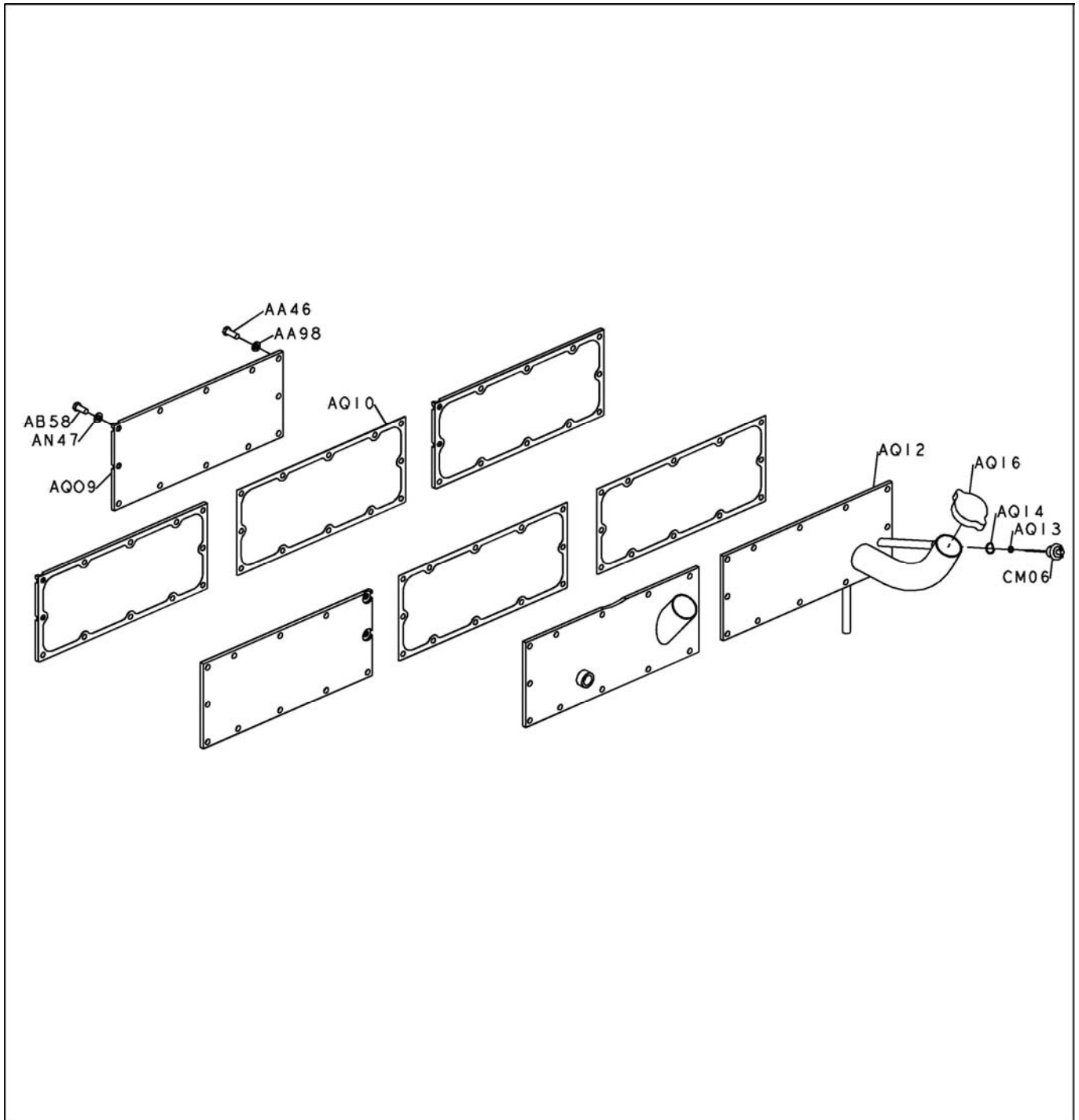


Details of Group Number: GR_12_04_00_006

COVER HYDRAULIC PUMP

S No	Ref No	Part No	Description	Qty	serviceable	Remarks
1	AW16	206158	COVER,HYD PUMP FLANGE	1	Y	
2	AW17	206406	FLANGE	1	Y	
			FLANGE, BLIND PLUG MTG			
3	-	MP5276	FLANGE, BLIND PLUG MTG	1	N	
4	AW18	206407	GASKET,HAND HOLE	1	Y	
5	AW19	127571	WASHER,PLAIN	4	Y	
6	AW20	111445	LOCKWIRE	4	Y	PART NO. FOR SERVICE S 608
7	AA47	S 145	SCREW, HEXAGON HEAD CAP	4	Y	
			COVER REAR HYD HOLE MTG			
8	-	MP5275	COVER REAR HYD HOLE MTG	1	N	
9	AW21	145600	SEAL,O RING	1	Y	
10	AW23	3175027	WASHER,PLAIN	3	Y	
11	AM82	135783	WASHER,LOCK	3	Y	
12	AM73	S 162A	SCREW,HEXAGON HEAD CAP	2	Y	
13	AB11	103023	SCREW HEXAGON HEAD CAP	1	Y	
14	AM83	3818885	SEAL,O RING	1	Y	

COVER,HAND HOLE

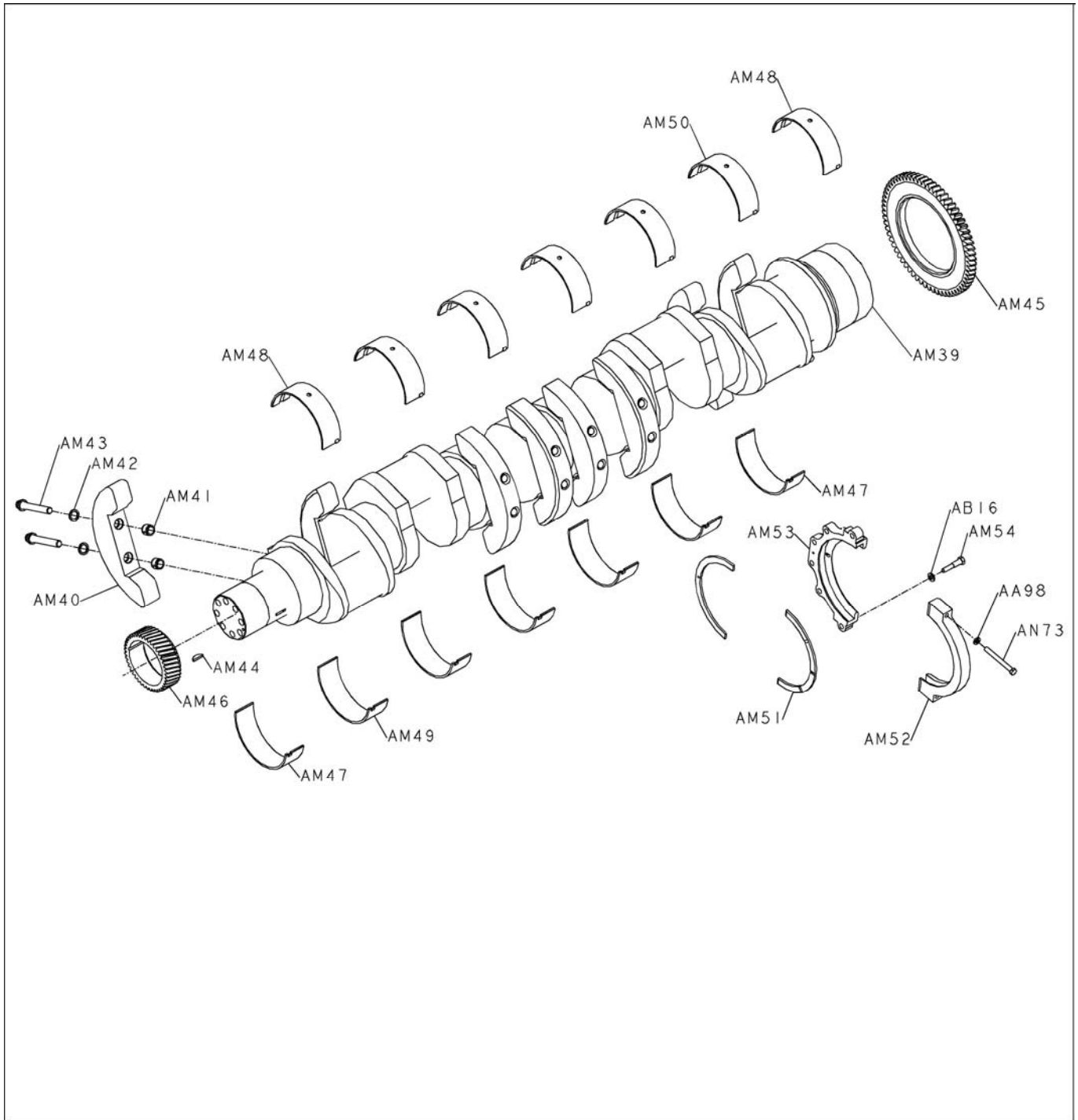


Details of Group Number: GR_01_08_00_032

COVER,HAND HOLE

S No	Ref No	Part No	Description	Qty	serviceable	Remarks
			MOUNTING,COVER HAND HOLE			
1	-	3167139	MOUNTING,COVER HAND HOLE	4	N	
2	AQ10	3175856	GASKET,HAND HOLE	1	Y	
3	AN47	3628902	WASHER,PLAIN	2	Y	
4	AA98	S 604	WASHER, LOCK	10	Y	
5	AB58	S 109	SCREW, HEXAGON HEAD CAP	2	Y	
6	AA46	S 112	SCREW, HEX HEAD CAP	10	Y	
			COVER,HAND HOLE MTG			
7	-	MP5264	COVER,HAND HOLE MTG	2	Y	
8	AB58	S 109	SCREW, HEXAGON HEAD CAP	2	Y	
9	-	3014766	SCREW,CAPTIVE WASHER CAP	10	Y	
10	AA46	S 112	SCREW, HEX HEAD CAP	1	Y	
11	AA98	S 604	WASHER, LOCK	1	Y	
12	AQ10	3175856	GASKET,HAND HOLE	1	Y	
13	AN47	3628902	WASHER,PLAIN	2	Y	
14	AQ12	3178785	COVER,HAND HOLE	1	Y	
15	AW53	3633932	COVER,HAND HOLE	1	N	
16	AQ09	3628229	COVER,HAND HOLE	4	Y	
17	AQ14	3030207	RETAINER,DIPSTICK	1	Y	
18	AQ13	131026	SEAL, O RING	1	Y	
19	AQ15	3178857	DIPSTICK	1	N	PART NO. FOR SERVICE 3201793
20	AQ16	3629112	CAP,FILLER	1	Y	

CRANKSHAFT

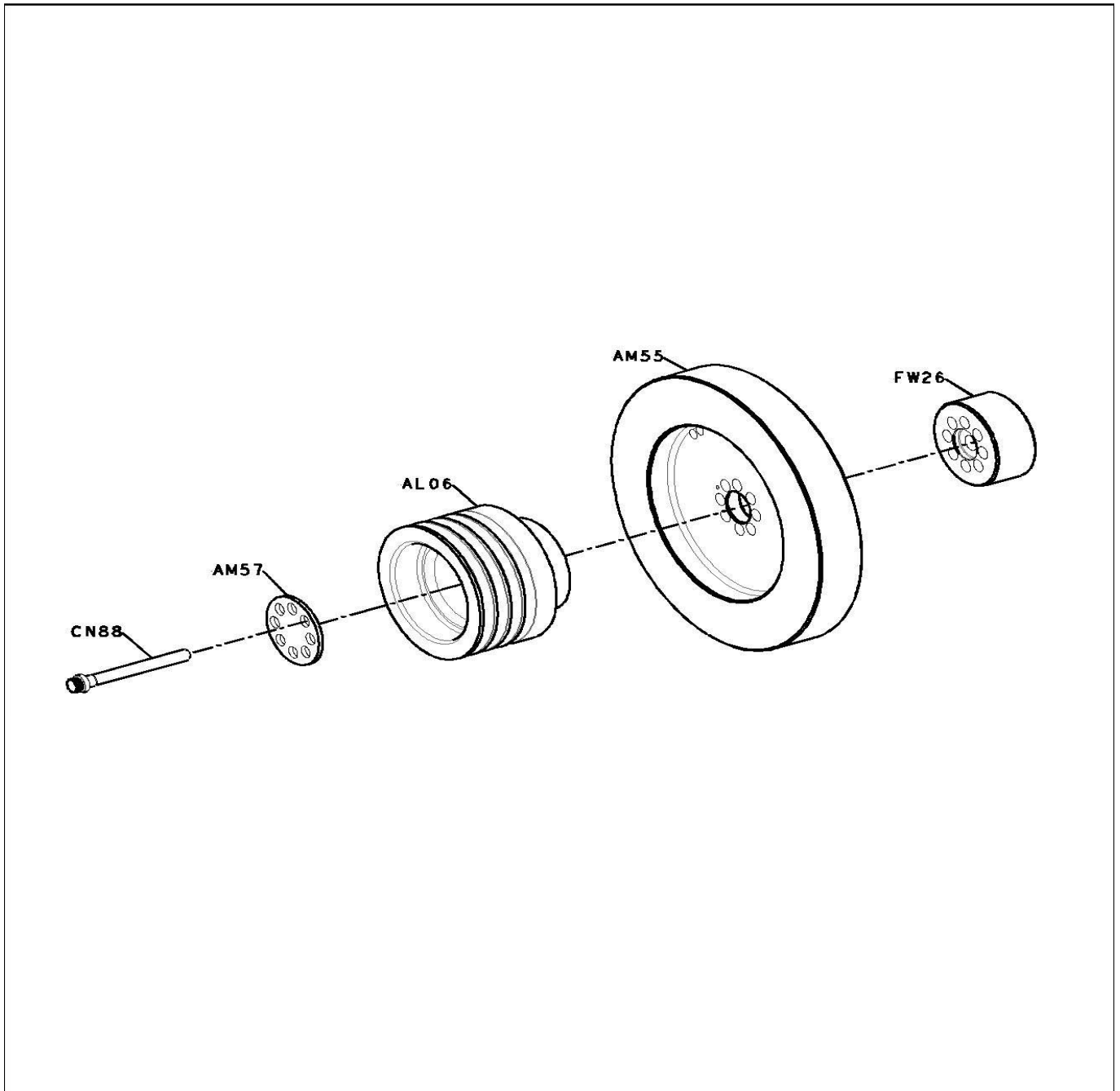


Details of Group Number: GR_01_02_00_032

CRANKSHAFT

S No	Ref No	Part No	Description	Qty	serviceable	Remarks
			ASSLY CRANKSHAFT			
1	-	3630157	ASSLY CRANKSHAFT	1	N	
2	-	3630075	CRANKSHAFT ENGINE ASSY	1	Y	
3	AM39	3630072	CRANKSHAFT,ENGINE	1	N	
4	AM40	3176216	WEIGHT CRANKSHAFT COUNTER	8	Y	
5	AM41	3176218	DOWEL RING	16	Y	
6	AM42	205126	WASHER, PLAIN	16	Y	
7	AM43	219153	BOLT CONNECTING ROD	16	Y	
8	AM44	206904	KEY,PLAIN WOODRUFF	1	Y	
9	AM45	3175255	GEAR CRANKSHAFT	1	N	
10	AM46	3628798	GEAR CRANKSHAFT	1	Y	
			SHELL MAIN BEARING			
11	-	AR45264	SHELL MAIN BEARING	1	N	
12	-	3014054	SET MAIN BEARING. STD.	1	N	
13	AM47	206610	BEARING,MAIN	2	Y	PART NO. FOR SERVICE AR12250
14	AM48	206600	BEARING,MAIN	2	Y	PART NO. FOR SERVICE AR12250
15	AM49	206590	BEARING,MAIN	5	Y	PART NO. FOR SERVICE AR12250
16	AM50	206580	BEARING,MAIN	5	Y	PART NO. FOR SERVICE AR12250
17	AM51	3000139	BEARING,THRUST	2	Y	
18	AM52	3175281	SUPPORT,BEARING	1	Y	
19	AA98	S 604	WASHER, LOCK	2	Y	
20	AN73	S 105	SCREW, HEXAGON HEAD CAP	2	Y	
			RETAINER, THRUST MTG			
21	-	3034627	RETAINER, THRUST MTG	1	N	
22	AM53	3000138	SUPPORT,BEARING	1	Y	
23	AB16	S 610	WASHER, LOCK	6	Y	
24	AM54	106069	SCREW, HEXAGON HEAD CAP	6	Y	

DAMPER VIBRATION

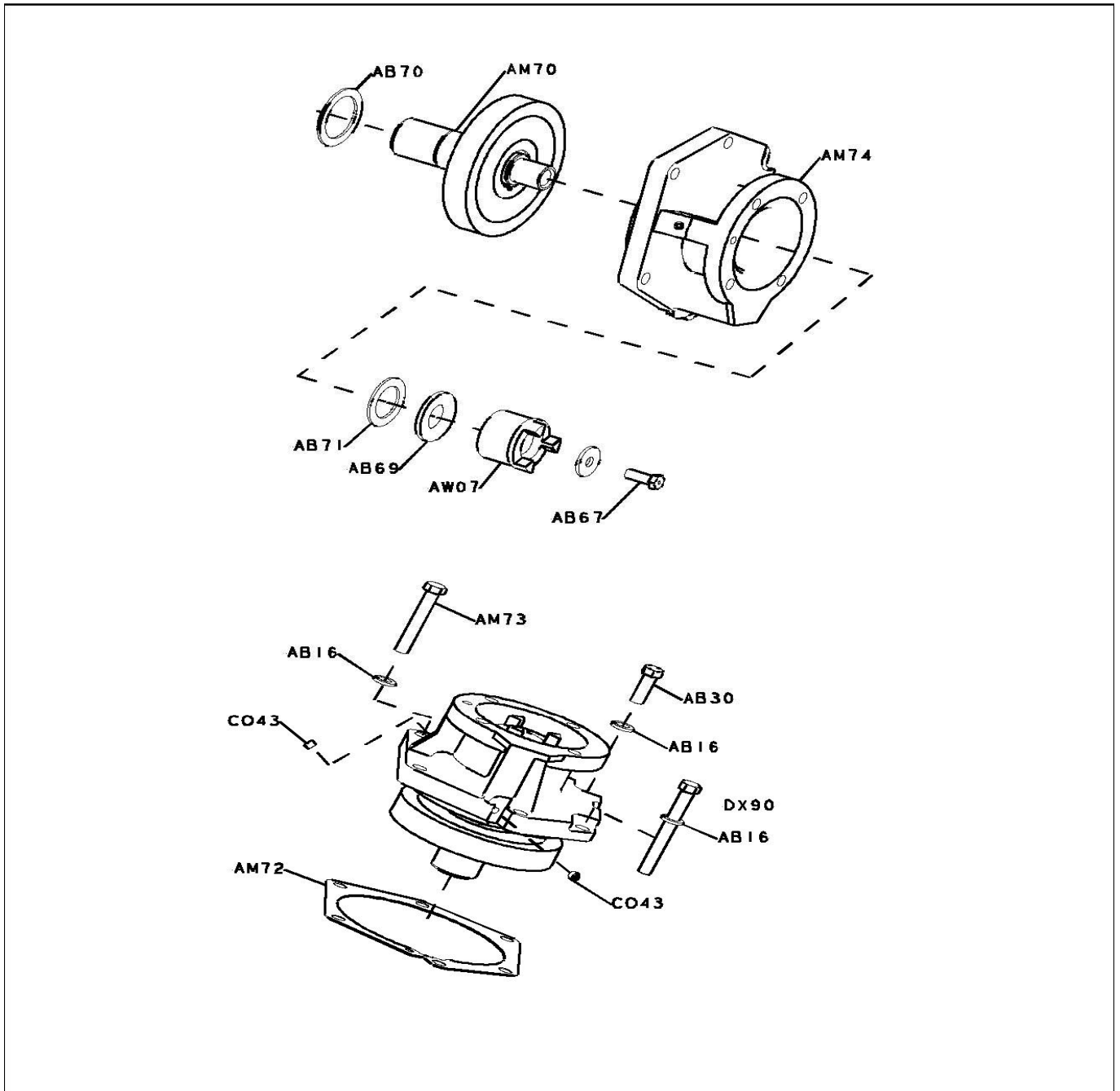


Details of Group Number: GR_01_02_01_047

DAMPER VIBRATION

S No	Ref No	Part No	Description	Qty	serviceable	Remarks
1	AM55	3873893	DAMPER VIBRATION	1	Y	
2	AL06	3873892	PULLEY,CRANKSHAFT	1	Y	
			MOUNTING,PULLEYCRANK			
3		2865189	MOUNTING,PULLEYCRANK	1	N	
4	FW26	2865178	SPACER , CRANKSHAFT	1	Y	
5	AM57	3069781	SPACER , CRANKSHAFT	1	Y	
6	CN88	3228511	SCREW,TWELVE POINT CAP	8	Y	

DRIVE ACCESSORY

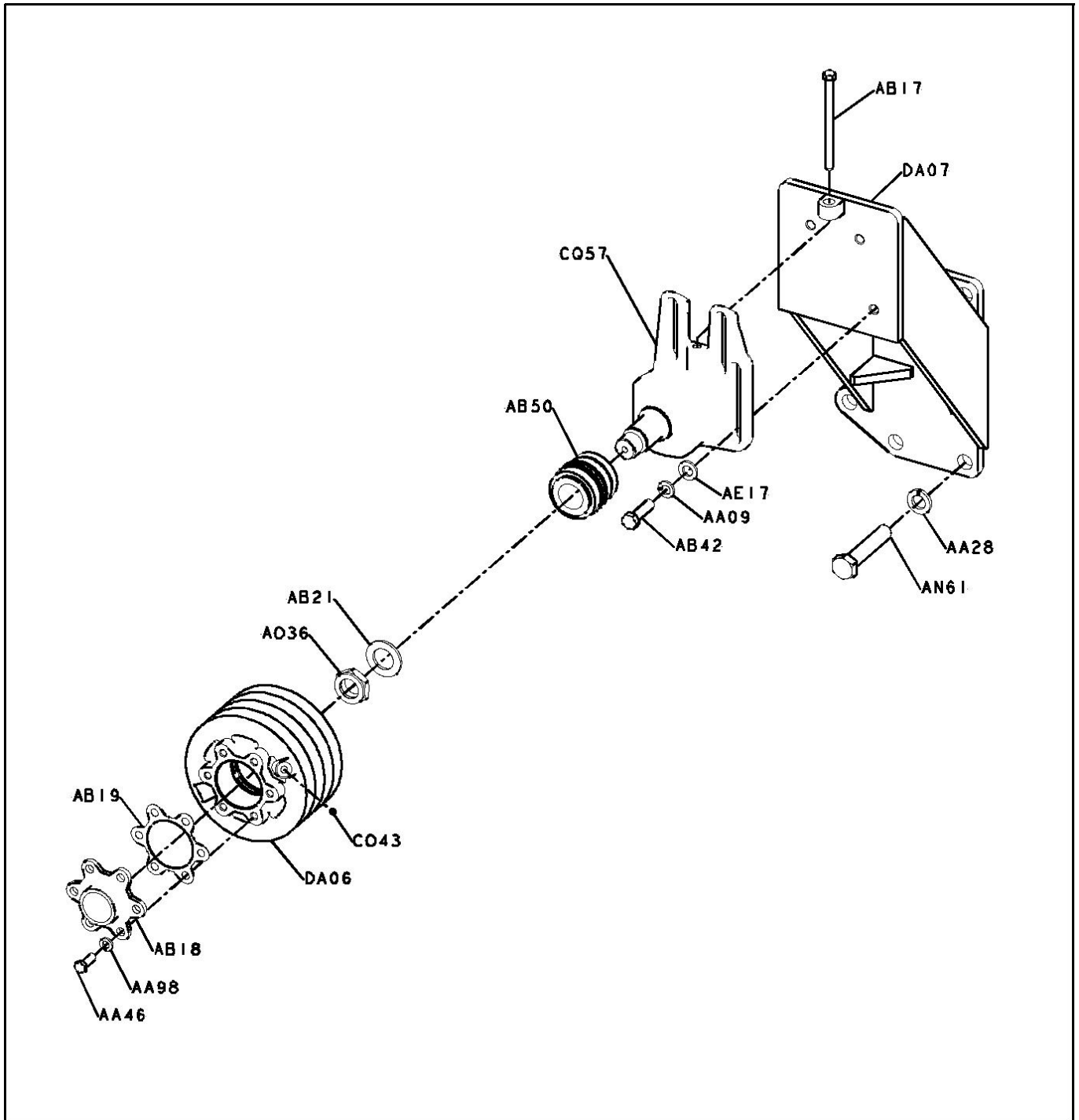


Details of Group Number: GR_09_01_00_006

DRIVE ACCESSORY

S No	Ref No	Part No	Description	Qty	serviceable	Remarks
			DRIVE ACCESSORY			
1	-	3414488	DRIVE ACCESSORY	1	N	
2	-	3880161	SUPPORT & BUSHING	1	N	
3	AM74	3875948	SUPPORT,ACCESSORY DRIVE	1	Y	
4	AB73	116391	BUSHING	1	Y	
5	AM70	3414487	SHAFT,ACCESSORY DRIVE	1	Y	
6	AB69	3014103	WASHER,PLAIN	1	Y	
7	AW07	3000175	HUB, JAW COUPLING	1	Y	
8	AB66	3236075	WASHER, PLAIN	1	Y	
9	AB67	3000173	SCREW,HEXAGON HEAD CAP	1	Y	
10	AB70	3026556	BEARING ,THRUST	1	Y	
11	AB71	3026557	BEARING ,THRUST	1	Y	
12	AM71	207253	GEAR,ACCESSORY DRIVE	1	Y	
13	CO43	S 911B	PLUG, PIPE	2	Y	
			MTG,DRIVE ACCESSORY			
14	-	3167103	MTG,DRIVE ACCESSORY	1	N	
15	AM72	3046852	GASKET,ACC DRIVE SUPPORT	1	Y	
16	AB16	S 610	WASHER, LOCK	6	Y	
17	AB30	103009	SCREW, HEXAGON HEAD CAP	1	Y	
18	AB11	103023	SCREW HEXAGON HEAD CAP	1	Y	
19	AM73	S 162A	SCREW,HEXAGON HEAD CAP	4	Y	

FAN IDLER ASSEMBLY MOUNTING

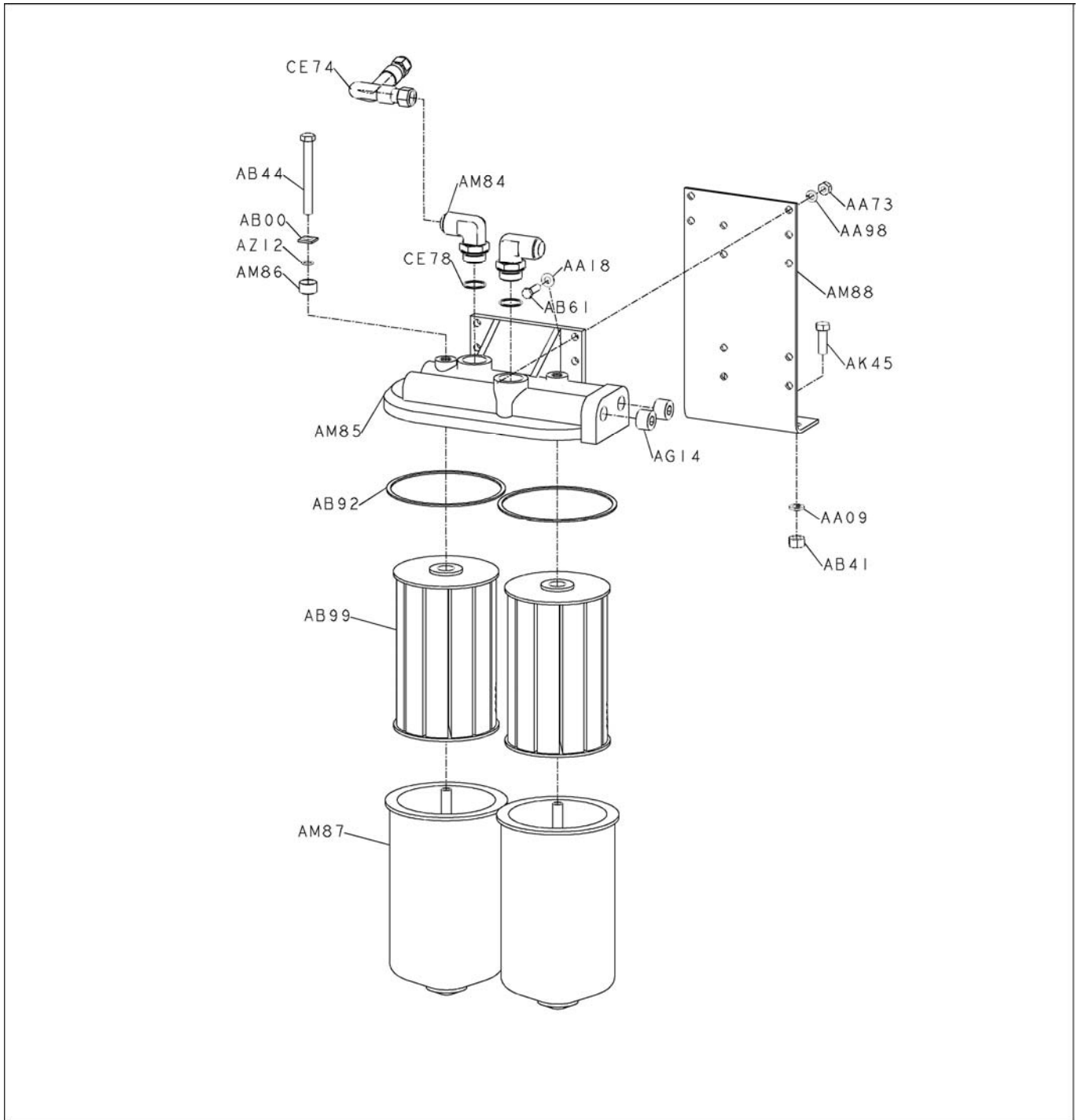


Details of Group Number: GR_08_03_00_050

FAN IDLER ASSEMBLY MOUNTING

S No	Ref No	Part No	Description	Qty	serviceable	Remarks
			ASSEMBLY,FAN IDLER			
1		4950082	ASSEMBLY,FAN IDLER	1	N	
2	CQ57	4912102	SHAFT,FAN HUB	1	N	
3	AB50	200307	SEAL OIL	1	Y	
4	AW67	201123	BEARING,ROLLER	1	Y	
5	AO36	142176	NUT,LOCK	1	Y	
6	AB21	3012467	WASHER,PLAIN	1	Y	
7	BU02	3229665	PULLEY, IDLER	1	Y	
8	AB19	3005592	GASKET, FAN SPACER	1	Y	
9	AB18	3005588	SPACER, FAN PILOT	1	Y	
10	CO43	S 911B	PLUG, PIPE	2	Y	
11	AA98	S 604	WASHER, LOCK	6	Y	
12	AA46	S 112	SCREW, HEX HEAD CAP	6	Y	
			FAN IDLER ASSEMBLY MOUNTING			
13	-	3005231	FAN IDLER ASSEMBLY MOUNTING	1	N	
14	AE17	203310	WASHER,PLAIN	3	Y	
15	AA09	S 608	WASHER, LOCK	3	Y	
16	AB42	S 106	SCREW, HEXAGON HEAD CAP	3	Y	
17	AB17	66650	SCREW,HEXAGON HEAD CAP	1	Y	
			SUPPORT IDLER BRACKET			
18	-	3246827	SUPPORT IDLER BRACKET	1	N	
19	AW66	3229666	BRACKET, IDLER PULLEY	1	Y	PART NO. FOR SERVICE 4971613
20	AA28	S 611	WASHER LOCK	6	Y	
21	AN61	S 189	SCREW HEXAGON HEAD CAP	6	Y	

FILTER FUEL

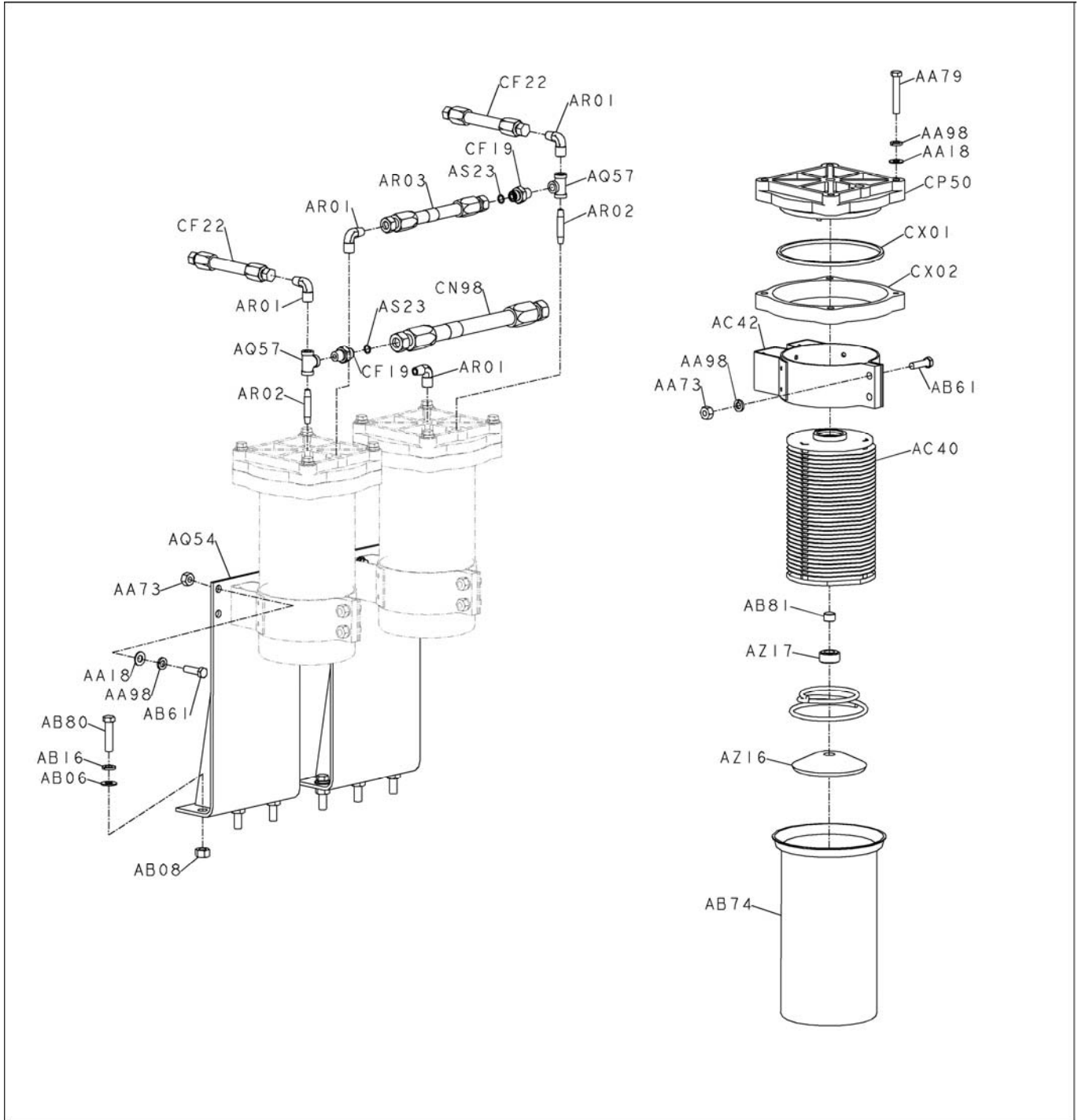


Details of Group Number: GR_06_04_00_006

FILTER FUEL

S No	Ref No	Part No	Description	Qty	serviceable	Remarks
			FILTER FUEL			
1	-	4084701	FILTER FUEL	1	Y	
2	-	4084702	FILTER FUEL	1	Y	
3	AM85	3235431	HEAD,FUEL FILTER	1	Y	
4	AM86	4105092	DOWEL,RING	2	N	
5	AB92	151881	GASKET,FUEL FILTER COVER	2	Y	
6	AB99	4084133	ELEMENT ,FUEL FILTER	2	Y	
7	AZ12	3010937	SEAL,O RING	2	Y	
8	AB00	251081	WASHER	2	Y	
9	AB44	108604	SCREW, HEXAGON HEAD CAP	2	Y	
10	AM87	3235628	FILTER,FUEL	2	Y	
11	AG14	S 962	PLUG PIPE	2	Y	
12	AM84	3234779	ELBOW,MALE UNION	2	Y	
13	CE78	3235586	SEAL,O RING	2	Y	
			BRACKET FUEL FILTER			
14	-	3248154	BRACKET FUEL FILTER	1	N	
15	AM88	3234473	BRACKET FUEL FILTER	1	Y	
16	AK45	S 113	SCREW , HEXAGON HEAD CAP	3	Y	
17	AA09	S 608	WASHER, LOCK	3	Y	
18	AB41	S 200	NUT,HEAVY HEXAGON	3	Y	
19	AB61	S 103D	SCREW, HEXAGON HEAD CAP	4	Y	
20	AA18	S 602	WASHER, PLAIN	4	Y	
21	AA98	S 604	WASHER, LOCK	4	Y	
22	AA73	S 223	NUT, HEAVY HEXAGON	4	Y	
23	CO49	AK1602OSS	COUPLING PLAIN HOSE	3	Y	
24	CE74	AK10065MS	HOSE, FLEXIBLE	1	Y	

FILTER LUB OIL BYPASS

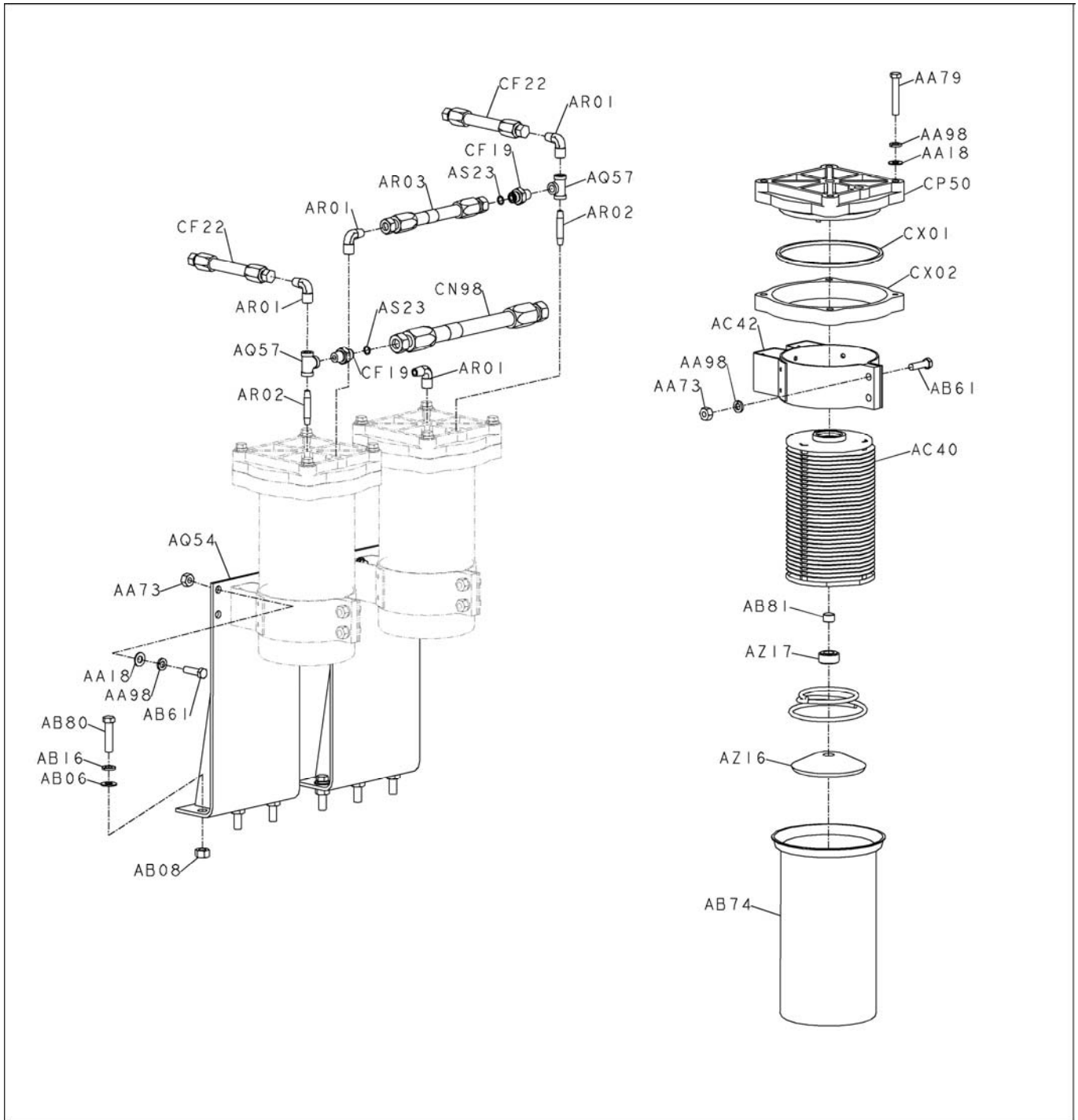


Details of Group Number: GR_07_03_01_006

FILTER LUB OIL BYPASS

S No	Ref No	Part No	Description	Qty	serviceable	Remarks
			FILTER LUB OIL BYPASS			
1	-	3414934	FILTER LUB OIL BYPASS	2	N	
2	CP50	3414814	FILTER LO BYPASS	1	Y	
3	AB82	3873573	HEAD, LUB OIL FILTER	1	Y	
4	AC41	3167229	SEAL,O RING	1	Y	
5	AC45	3873681	CLAMP,RETAINING	1	Y	
6	AC40	3873576	ELEMENT, OIL BYPASS FILTER	1	Y	
7	AB88	3874764	SPRING	1	Y	
8	-	3414812	SHELL, FILTER	1	Y	
9	AB74	3873922	SHELL, FILTER	1	Y	
10	-	3873921	BOSS	1	Y	
11	AZ16	3414811	PLATE,CLAMPING	1	N	
12	AB81	67622	PLUG PIPE	1	Y	
13	AA98	S 604	WASHER, LOCK	5	Y	
14	AA18	S 602	WASHER, PLAIN	4	Y	
15	AA79	S 104	SCREW,HEXAGON HEAD CAP	4	Y	
16	AC42	3873649	CLAMP FILTER	1	Y	
17	AB61	S 103D	SCREW, HEXAGON HEAD CAP	2	Y	
18	AA98	S 604	WASHER, LOCK	2	Y	
19	AA73	S 223	NUT, HEAVY HEXAGON	2	Y	
			MTG.SUPER BYPASS FILTER			
20	-	4085706	MTG.SUPER BYPASS FILTER	1	N	
21	AQ54	3873665	BRACKET,FILTER BYPASS	2	Y	
22	AR02	102780	NIPPLE	2	Y	
23	AQ57	S 933E	TEE,FEMALE PIPE	2	Y	
24	-	4083898	CONNECTOR, MALE	2	Y	
25	CF19	4083897	CONNECTOR,MALE	1	Y	
26	AS23	3922794	SEAL O RING	1	N	
27	AR01	4056345	ELBOW, MALE ADAPTER	5	Y	
28	-	4056344	ELBOW,MALE ADAPTER	1	Y	
29	AS23	3922794	SEAL O RING	1	N	
30	CF22	4071908	HOSE FLEXIBLE	2	Y	
31	AR00	4071909	HOSE,FLEXIBLE	1	Y	
32	CN98	4071913	HOSE FLEXIBLE	1	Y	
33	-	4085704	CONNECTOR,MALE	1	Y	
34	CF21	4085351	CONNECTOR,MALE	1	Y	
35	CN55	3046201	SEAL O RING	1	Y	
36	AS23	3922794	SEAL O RING	1	N	
37	AA18	S 602	WASHER, PLAIN	8	Y	
38	AA98	S 604	WASHER, LOCK	8	Y	
39	AB61	S 103D	SCREW, HEXAGON HEAD CAP	8	Y	
40	AZ19	S 921D	BUSHING, REDUCING PIPE	1	Y	

FILTER LUB OIL BYPASS

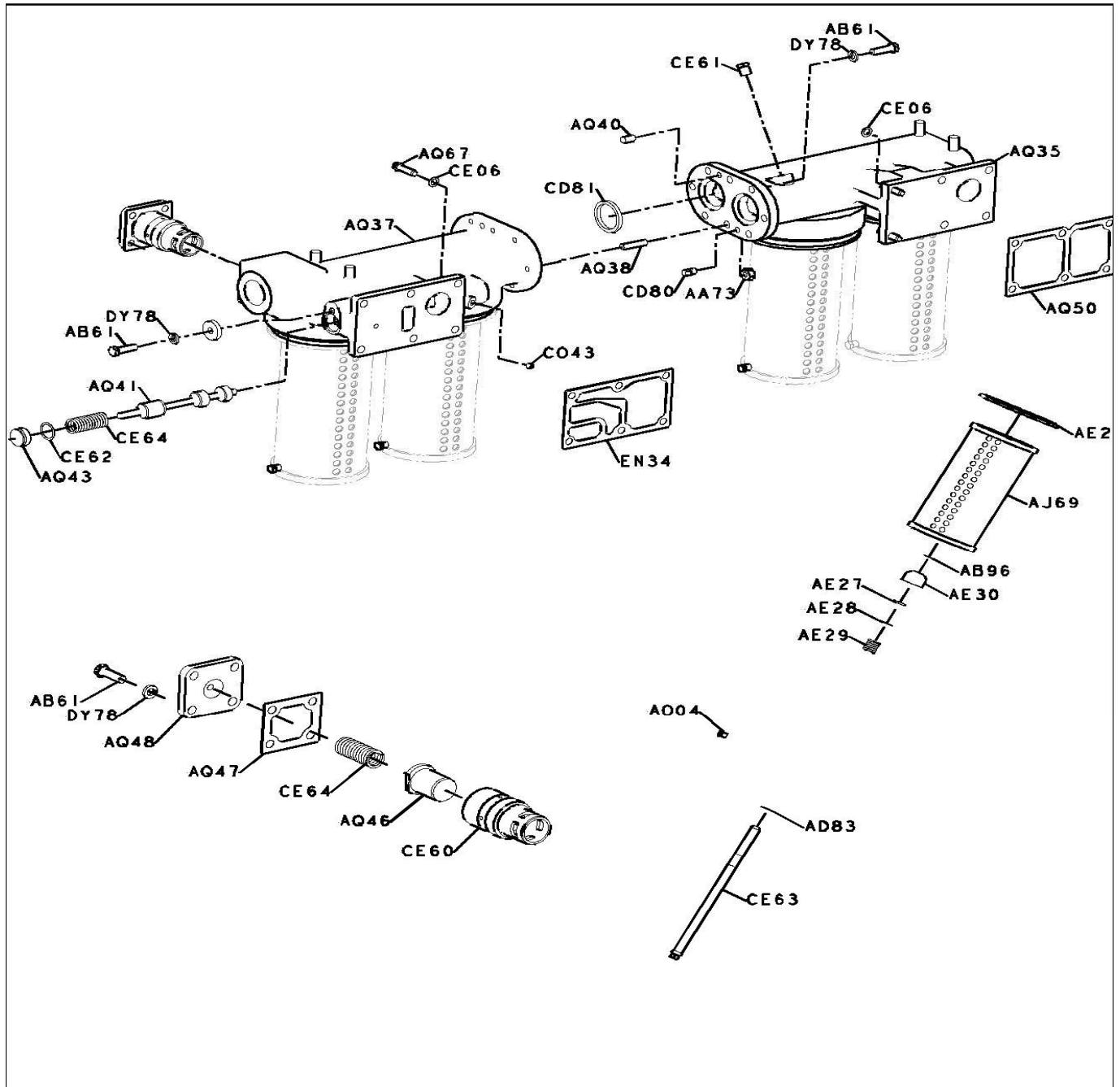


Details of Group Number: GR_07_03_01_006

FILTER LUB OIL BYPASS

S No	Ref No	Part No	Description	Qty	serviceable	Remarks
41	AA73	S 223	NUT, HEAVY HEXAGON	8	Y	
42	AB06	S 622	WASHER, PLAIN	6	Y	
43	AB16	S 610	WASHER, LOCK	6	Y	
44	AB80	S 140	SCREW HEXAGON HEAD CAP	6	Y	
45	AB08	S 217	NUT, HEAVY HEXAGON	6	Y	

FILTER LUBRICATING OIL



Details of Group Number: GR_07_03_00_006

FILTER LUBRICATING OIL

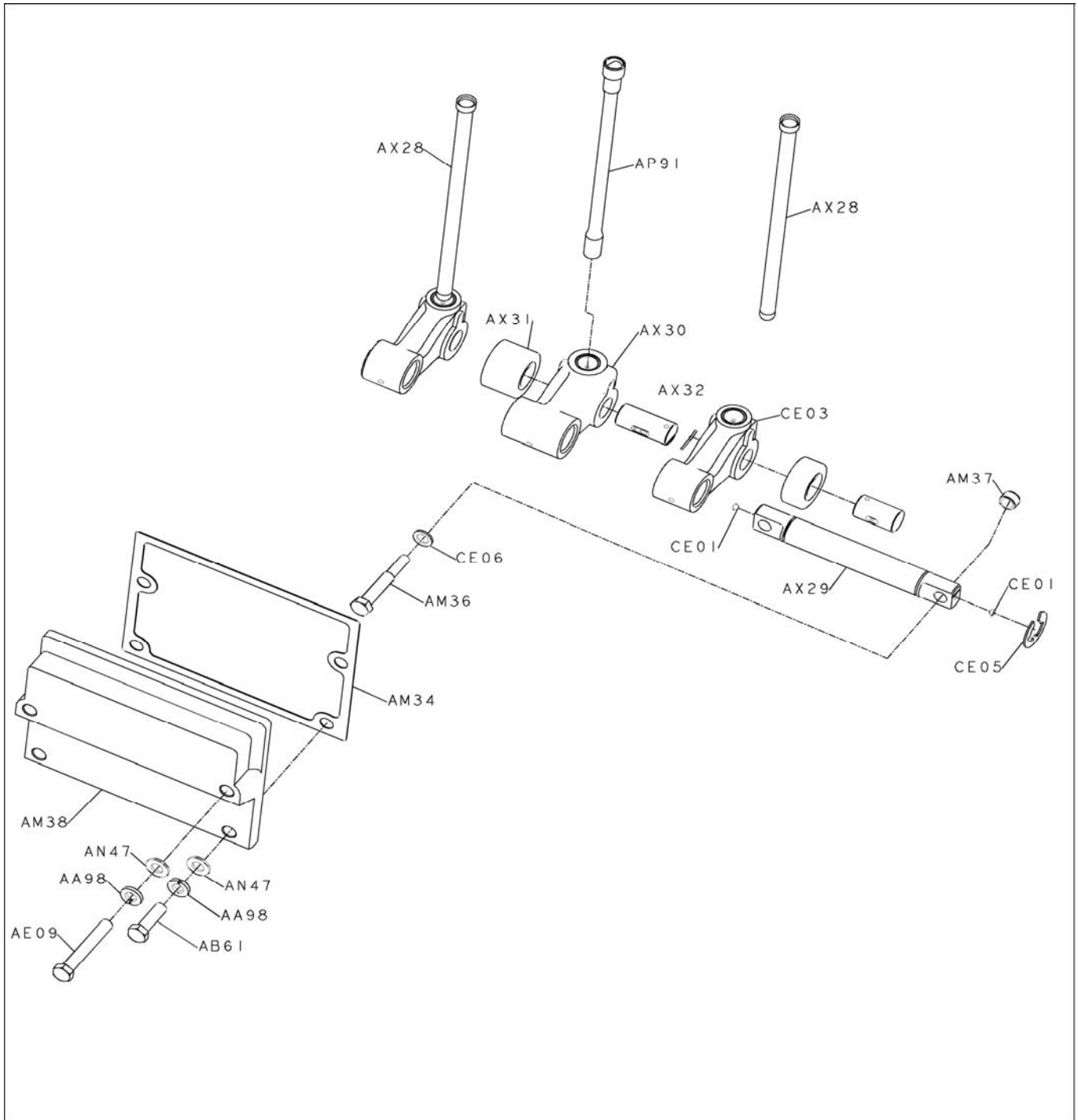
S No	Ref No	Part No	Description	Qty	serviceable	Remarks
			HEAD,LUB OIL FILTER			
1	-	3872549	HEAD,LUB OIL FILTER	1	Y	
2	-	3879267	HEAD,LUB OIL FILTER	1	N	
3	AQ35	3872551	HEAD,LUB OIL FILTER	1	N	
4	AQ36	207135	SEAL,RECTANGULAR RING	2	Y	
5	AQ37	3230447	HEAD,LUB OIL FILTER	1	Y	SOTL
6	AA98	S 604	WASHER, LOCK	8	Y	
7	AA73	S 223	NUT, HEAVY HEXAGON	1	Y	
8	AQ38	61900	STUD SUPERCHARGER	1	Y	
9	AB61	S 103D	SCREW, HEXAGON HEAD CAP	7	Y	
10	AQ39	112076	PLUG,PIPE	1	Y	PART NO. FOR SERVICE S 910 B
11	CD80	107948	DOWEL,DIAMOND	1	Y	
12	AQ40	69519	DOWEL,PIN	1	Y	
13	AA49	S 966E	PLUG PIPE	1	Y	
14	-	3247254	VALVE,PRESSURE REGULATOR	1	N	
15	AQ41	3028888	PLUNGER,PRS REGULATOR	1	Y	
16	AQ42	205659	SPRING, COMPRESSION	1	Y	
17	AQ43	3000911	PLUG,PANEL	1	Y	
18	AB66	3236075	WASHER, PLAIN	1	Y	
19	AA98	S 604	WASHER, LOCK	1	Y	
20	AB61	S 103D	SCREW, HEXAGON HEAD CAP	1	Y	
21	AQ44	145529	SEAL,O RING	1	Y	
22	CO43	S 911B	PLUG, PIPE	1	Y	
23	-	AR11472	VALVE, FILTER BYPASS	1	Y	
24	AQ45	205666	BODY,BYPASS VALVE	1	Y	
25	AQ46	3021618	PLUNGER,PRS REGULATOR	1	Y	
26	AQ42	205659	SPRING, COMPRESSION	1	Y	
27	AQ47	205661	GASKET,BYPASS VALVE COVER	1	Y	
28	AQ48	3876949	COVER,LUB OIL FILTER	1	Y	
29	AA98	S 604	WASHER, LOCK	4	Y	
30	AB61	S 103D	SCREW, HEXAGON HEAD CAP	4	Y	
			FILTER,LUBRICATING OIL			
31	-	AR95996	FILTER,LUBRICATING OIL	4	Y	
32	-	AR95995	SHELL & BOLT ASSEMBLY	1	Y	
33	-	AR96295	SHELL, FILTER	1	Y	
34	AL31	184385	SHELL LUB OIL	1	Y	PART NO. FOR SERVICE AR96295
35	-	250099	BOSS	1	N	
36	-	3301218	PLATE, CLAMPING	1	Y	
37	AE31	173179	PLATE, CLAMPING	1	Y	
38	AE29	173176	SPRING,COMPRESSION	1	Y	
39	AE28	153520	WASHER , PLAIN	1	Y	
40	AE27	153518	SEAL RECTANGULAR RING	1	Y	

Details of Group Number: GR_07_03_00_006

FILTER LUBRICATING OIL

S No	Ref No	Part No	Description	Qty	serviceable	Remarks
41	AE30	183342	SUPPORT, FILTER	1	Y	
42	AJ69	3166554	ELEMENT LUB, OIL FILTER	1	Y	
43	AD83	8265	WASHER,PLAIN	1	Y	
44	AQ49	173321	SCREW,FILTER SHELL	1	Y	
45	AB96	250843	RING,RETAINING	1	Y	
46	-	69901	PLUG, PIPE	1	Y	
47	AE26	173368	SEAL,RECTANGULAR RING	1	Y	
			LUB OIL, FILTER HEAD MTG			
48	-	3012565	LUB OIL, FILTER HEAD MTG	1	N	
49	AQ50	3629387	GASKET,FILTER HEAD	2	Y	
50	CE06	127362	WASHER,PLAIN	12	Y	
51	AQ67	191772	SCREW,TWELVE POINT CAP	12	Y	

FOLLOWER, CAM

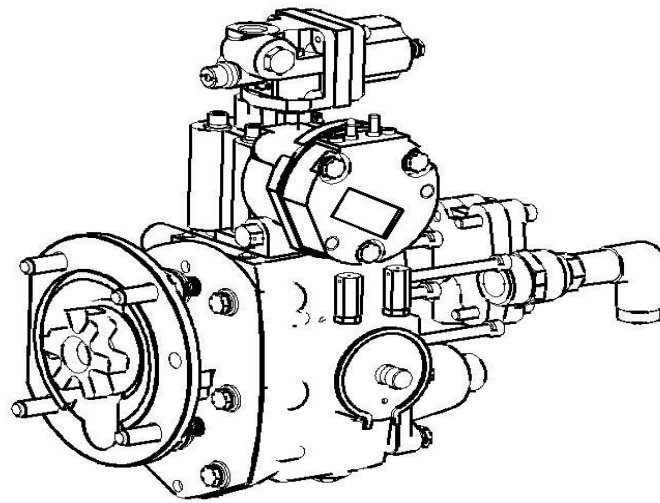


Details of Group Number: GR_04_01_00_050

FOLLOWER, CAM

S No	Ref No	Part No	Description	Qty	serviceable	Remarks
			FOLLOWER, CAMSHAFT			
1	-	3078180	FOLLOWER, CAMSHAFT	12	Y	
2	-	3078218	SHAFT CAM ,FOLLOWER	1	Y	
3	AX29	3077538	SHAFT,CAM FOLLOWER	1	Y	
4	CE01	205227	PLUG,EXPANSION	2	Y	
5	CE03	3039164	LEVER,CAM FOLLOWER	2	Y	
6	EH35	205069	LEVER,CAM FOLLOWER	1	N	PART NO. FOR SERVICE 3039164
7	EH36	4009248	PIN, CAM FOLLOWER ROLLER	1	Y	
8	-	213559	SOCKET,CAM FOLLOWER	1	Y	
9	EH37	3016826	ROLLER, CAM FOLLOWER	1	Y	
10	EH38	205438	LOCKWIRE,TPT ROLLER PIN	1	Y	
11	-	3081413	LEVER CANFOLLOWER	1	Y	
12	AX30	3081411	LEVER,CAM FOLLOWER	1	N	
13	AX31	3062141	ROLLER,CAM FOLLOWER	1	Y	
14	AX32	4009479	PIN,CAM FOLLOWER ROLLER	1	Y	
15	-	213559	SOCKET,CAM FOLLOWER	1	Y	
16	EH38	205438	LOCKWIRE,TPT ROLLER PIN	1	Y	
17	CE05	205439	RING, RETAINING	2	Y	
			FOLLOWER,CAMSHAFT MTG.			
18	-	3058508	FOLLOWER,CAMSHAFT MTG.	12	N	
19	CE06	127362	WASHER,PLAIN	2	Y	
20	AM36	3177760	SCREW, HEXAGON HEAD CAP	2	Y	
21	AM37	3002993	DOWEL, RING	2	Y	
			MTG COVER CAM FOLLOWER			
22	-	3882075	MTG COVER CAM FOLLOWER	1	N	
23	AM34	3040721	GASKET, CAM FOL HOUSING	12	Y	
24	AN47	3628902	WASHER,PLAIN	44	Y	
25	AA98	S 604	WASHER, LOCK	44	Y	
26	AB61	S 103D	SCREW, HEXAGON HEAD CAP	20	Y	
27	AE09	S 126	SCREW HEXAGON HEAD CAP	24	Y	
28	AM38	3628755	COVER, CAM SHAFT	12	Y	
			ROD, PUSH			
29	AP91	3017961	ROD, PUSH	12	Y	
30	-	3018079	ROD,PUSH	1	N	
31	-	119391	END,PUSH ROD	1	N	
32	AX28	3057139	PUSH ROD	24	Y	

FUEL PUMP

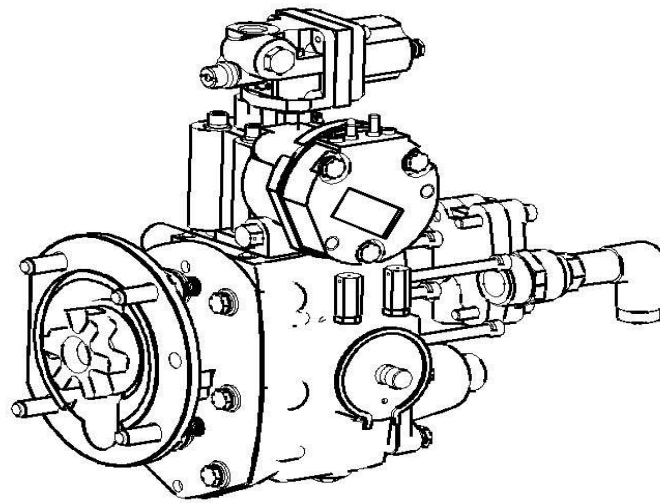


Details of Group Number: GR_05_01_00_092

FUEL PUMP

S No	Ref No	Part No	Description	Qty	serviceable	Remarks
			PUMP,FUEL			
1	-	2879740	PUMP,FUEL	1	N	
2	-	2879737	PUMP, FUEL	1	N	
3	-	2879736	PUMP,FUEL	1	N	
4	ZA38	4072863	BODY FUEL PUMP	1	N	
5	ZA35	177761	HOUSING,FUEL PUMP	1	Y	
6	BV07	148977	COVER, FUEL CONTROL	1	Y	
7	AE56	S 16206	SNAP RING	1	Y	
8	AE57	139473	PLUG	1	Y	
9	AE58	43696A	O RING	1	Y	
10	AE41	149030	SHAFT, THROTTLE	1	Y	PART NO. FOR SERVICE AR12530
11	AW83	109915	SCREW, SLOTTED SET	2	Y	
12	AE60	S 251	NUT, REGULAR HEXAGON JAM	2	Y	
13	CE73	3034221	PUMP GEAR FUEL	1	Y	
14	ZA39	4104949	COVER AND GOVERNOR	1	Y	
15	ZA36	139668	COVER, FUEL PUMP	1	Y	PART NO. FOR SERVICE- BM53139
16	AD64	100764	GASKET FRONT COVER	1	Y	
17	AD68	103089	WASHER	1	Y	
18	AF18	70704	WASHER, PLAIN	7	Y	
19	AD67	S 606	WASHER LOCK	3	Y	
20	AA64	S 600	WASHER, LOCK	5	Y	
21	AD65	118226	CAPSCREW	1	Y	
22	AD66	S 105C	SCREW, HEXAGON HEAD CAP	7	Y	
23	-	AR12112	DAMPER, FUEL PUMP & MTG.	1	Y	
24	-	BM69889	PACK,IDLE SPRING	1	Y	
25	-	3038218		1	N	
26	CR95	3036473	GUIDE,IDLE SPRING PLUNGER	1	Y	
27	CR96	3032014	SPRING,COMPRESSION	1	Y	
28	CV48	70715	WASHER	1	Y	
29	CR93	144195	SPRING,COMPRESSION	1	Y	
30	CR94	70716	SCREW,KNURLED	1	Y	
31	-	3033742	PLUG, THREADED	1	Y	
32	AK70	3079584	PLUG, THREADED	1	N	PART NO. FOR SERVICE 4903442
33	AK71	3034412	SEAL O RING	1	Y	
34	-	3065383	PLUG,THREADED	1	Y	
35	AK41	3065382	PLUG,THREADED	1	Y	
36	AK71	3034412	SEAL O RING	1	Y	
37	AF16	3072817	GASKET	1	Y	
38	AK37	3065376	COVER,SPRING PACK	1	Y	
39	AD64	100764	GASKET FRONT COVER	1	Y	
40	BV07	148977	COVER, FUEL CONTROL	1	Y	

FUEL PUMP

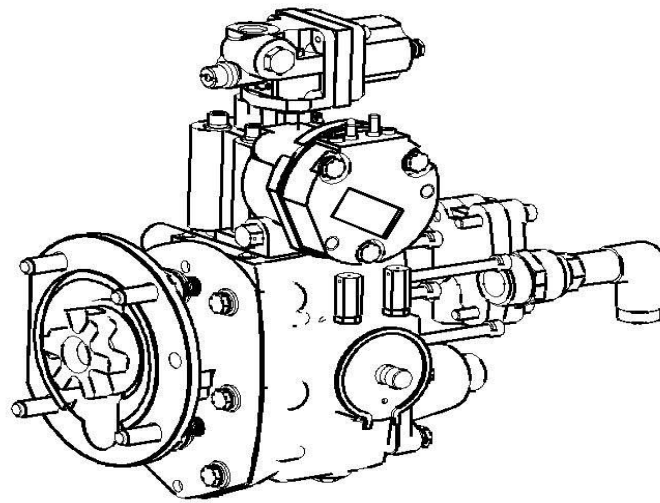


Details of Group Number: GR_05_01_00_092

FUEL PUMP

S No	Ref No	Part No	Description	Qty	serviceable	Remarks
41	CR63	3096077	GASKET,FUEL PUMP	1	Y	
42	AE53	105375	NAME PLATE	1	Y	
43	BU04	500285	WASHER	2	Y	
44	AW83	109915	SCREW, SLOTTED SET	2	Y	
45	GQ63	146483 KMCS PARTIAL	SCREEN,FILTER	1	Y	
46	AF19	100129	SCREW,SOCKET HEAD CAP	4	Y	
47	AF18	70704	WASHER, PLAIN	4	Y	
48	AA64	S 600	WASHER, LOCK	10	Y	
49	CN45	70700	SPRING,COMPRESSION	1	Y	
50	AF15	S 16240	RING SNAP	1	Y	
51	C013	154088	SEAL,RECTANGULAR RING	1	Y	
52	-	157088	CAP, FUEL PUMP FILTER	1	Y	
53	AE54	S 2267	SCREW, DRIVE	2	Y	
54	AE56	S 16206	SNAP RING	1	Y	
55	AE60	S 251	NUT, REGULAR HEXAGON JAM	2	Y	
56	CD93	3875552	NUT,FUEL PUMP ADJUSTING	2	Y	
57	CV47	70713	RETAINER SPRING	1	Y	
58	CR65	203619	SCREW,HEXAGON HEAD CAP	1	Y	
59	AD68	103089	WASHER	2	Y	
60	AD66	S 105C	SCREW, HEXAGON HEAD CAP	12	Y	
61	AE57	139473	PLUG	1	Y	
62	AE58	43696A	O RING	1	Y	
63	FV85	S 631	WASHER, PLAIN	6	Y	
64	AB38	181466	WASHER, LOCK	4	Y	
65	AU04	S 910B	PLUG PIPE	1	Y	
66	AD65	118226	CAPSCREW	1	Y	
67	AW02	3166630	HOUSING,ACTUATOR	1	Y	
68	AT96	3408326	ACTUATOR,ETR FUEL CONTROL	1	Y	
69	-	3881860	MOUNTING ACTUATOR	1	N	
70	AF19	100129	SCREW,SOCKET HEAD CAP	4	Y	
71	AB38	181466	WASHER, LOCK	4	Y	
72	AF18	70704	WASHER, PLAIN	4	Y	
73	-	3017993	VALVE, SHUT OFF	1	Y	
74	-	3013642	BODY,FUEL SHUTOFF VALVE	1	N	
75	AB27	129838	KNOB	1	Y	
76	CR53	3013036	SHAFT, SHUTOFF VALVE	1	Y	
77	AW03	3014010	BODY SHUT OFF VALVE	1	Y	
78	CR54	3279794	SEAL,O RING	1	Y	
79	AW06	3034451	HOUSING ACTUATOR	1	Y	
80	CR55	3034452	DISC,ACTUATOR	1	Y	

FUEL PUMP

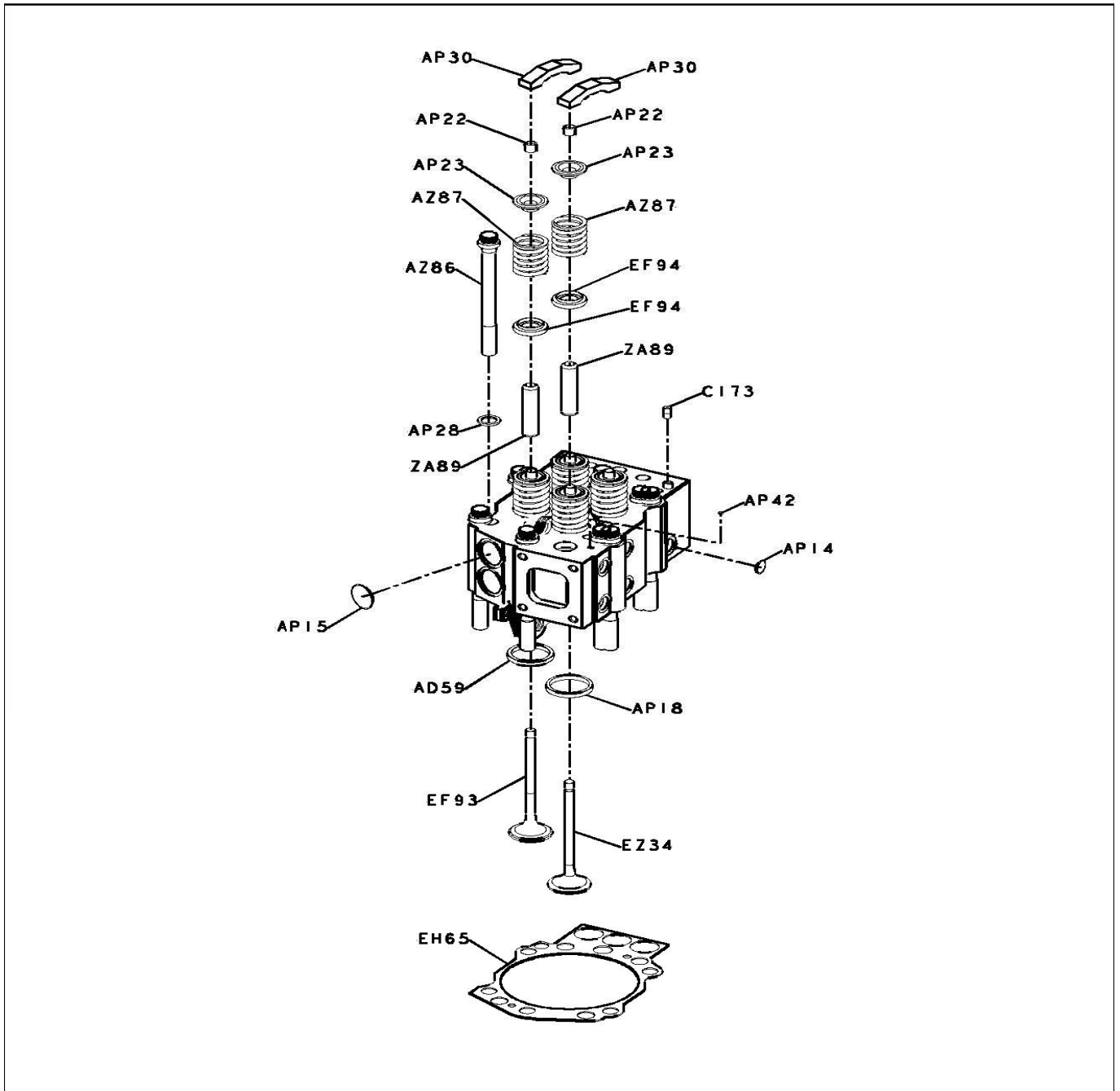


Details of Group Number: GR_05_01_00_092

FUEL PUMP

S No	Ref No	Part No	Description	Qty	serviceable	Remarks
81	BW26	196057	DISC,VALVE	1	Y	
82	-	195265	PLUG PIPE	1	Y	
83	AB25	129888	SEAL RECTANGULAR RING	1	Y	
84	AB24	129839	SHILDSHIELD,SHUTOFF VALVE	1	Y	
85	AI35	3054609	SOLENOID	1	Y	
86	AG71	S 607	WASHER, LOCK	3	Y	
87	CR51	3018047	SCREW,FILLISTER HEAD CAP	3	Y	
88	-	MP1356	MTG, FUEL SHUTOFF VALVE	1	N	
89	AB37	67684	WASHER, PLAIN	2	Y	
90	AB38	181466	WASHER, LOCK	2	Y	
91	-	S 189C	SCREW SOCKET HEAD CAP	2	Y	
92	AB39	154087	SEAL,RECTANGULAR RING	1	Y	
			MOUNTING,FUEL PUMP			
93	AW86	4021021	MOUNTING,FUEL PUMP	1	N	
94	AW64	3069103	GASKET,FUEL PUMP & COPR.	1	Y	PART NO. FOR SERVICE 4026171
95	AB06	S 622	WASHER, PLAIN	4	Y	
96	AD69	3046200	SPIDER,JAW COUPLING	1	Y	
97	AW81	206326	SCREW TWELVE POINT CAP	4	Y	
98	AB16	S 610	WASHER, LOCK	4	Y	
99	CN38	3232992	ADAPTER FUEL	1	Y	
			ELBOW, MALE UNION			
100	-	4054867	ELBOW, MALE UNION	1	N	
101	AW63	4054843	ELBOW MALE UNION	1	N	
102	CN55	3046201	SEAL O RING	1	Y	

HEAD,CYLINDER

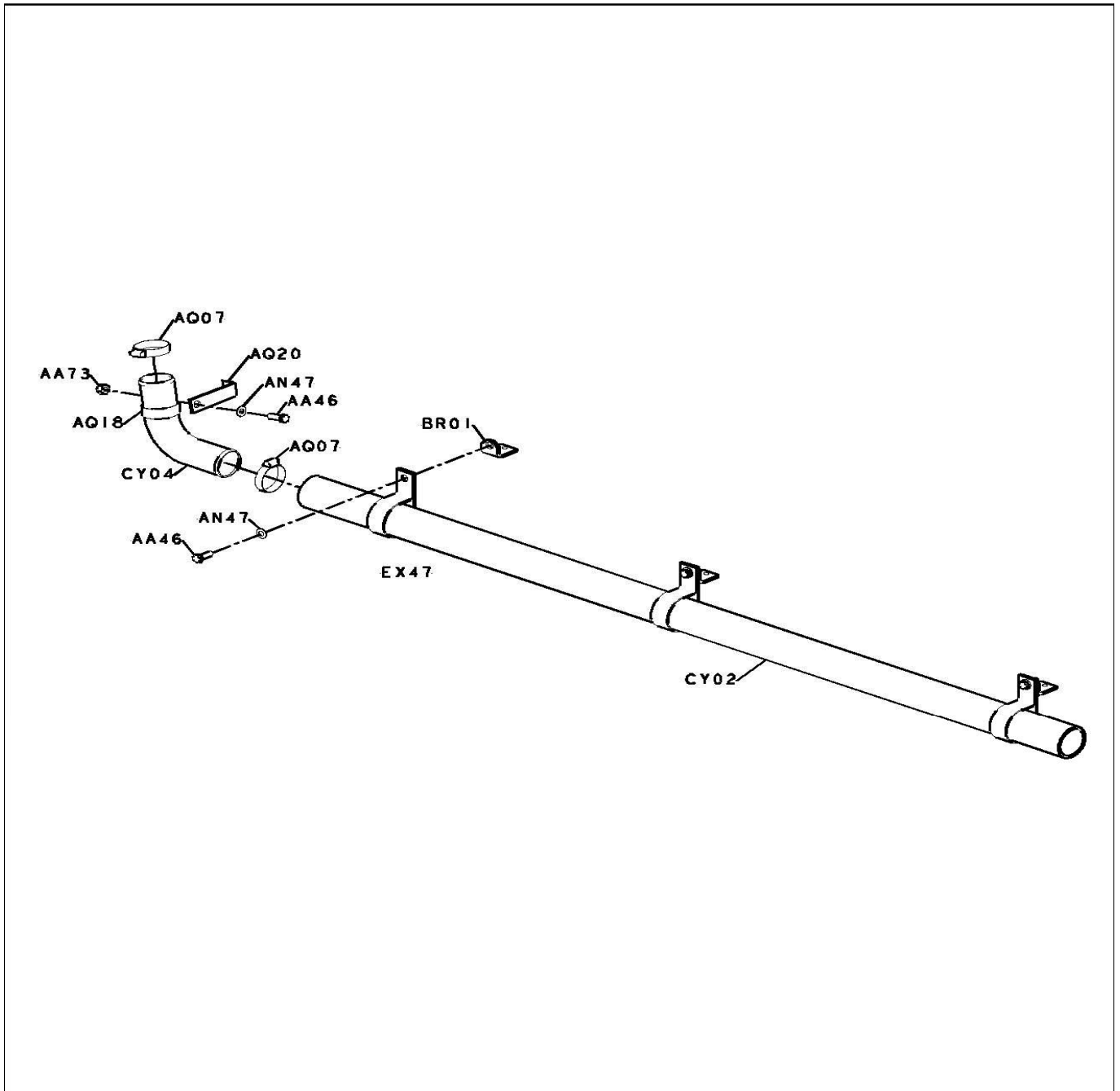


Details of Group Number: GR_02_01_00_074

HEAD,CYLINDER

S No	Ref No	Part No	Description	Qty	serviceable	Remarks
			HEAD,CYLINDER			
1	-	3640318	HEAD,CYLINDER	12	N	
2	-	3811981	HEAD CYLINDER	1	N	
3	-	3081065	HEAD CYLINDER	1	N	
4	AP13	3081064	HEAD,CYLINDER	1	Y	
5	AP14	205401	PLUG,EXPANSION	8	Y	
6	CO43	S 911B	PLUG, PIPE	1	Y	
7	AE79	S 915A	PLUG, PIPE	1	Y	
8	AP42	203933	PLUG,EXPANSION	1	Y	
9	AP15	206224	PLUG,EXPANSION	2	Y	
10	AD59	3086193	INSERT,VALVE	2	Y	
11	CI73	68445	PIN,GROOVE	2	Y	
12	ZA89	3202210	GUIDE,VALVE STEM	4	Y	
13	AP18	3086192	INSERT,VALVE	2	Y	
14	EF94	3640315	ROTATOR,VALVE	4	Y	
15	-	3640315 1	ROTATOR,VALVE	1	N	
16	-	3640315 2	ROTATOR,VALVE	1	N	
17	-	3640315 3	ROTATOR,VALVE	1	N	
18	AZ87	3633840	SPRING,VALVE	4	Y	
19	FC27	205094	RETAINER,VALVE SPRING	4	Y	
20	AP22	205091	COLLET,VALVE	4	Y	
21	EF93	3088389	VALVE,EXHAUST	2	Y	
22	-	3088395	PIECE	1	N	
23	-	3088394	PIECE	1	N	
24	EZ34	3631950	VALVE,INTAKE	2	Y	
25	EH65	4959089	GASKET,CYLINDER HEAD	12	N	PART NO. FOR SERVICE- 3022340
26	AP30	3086362	CROSSHEAD	24	Y	
			CYLINDER, HEAD MOUNTING			
27	-	4084132	CYLINDER, HEAD MOUNTING	12	N	
28	AP28	3629962	WASHER,PLAIN	6	Y	
29	AP29	3007238	SCREW,TWELVE POINT CAP	6	Y	

HOSE,BREATHER VENT

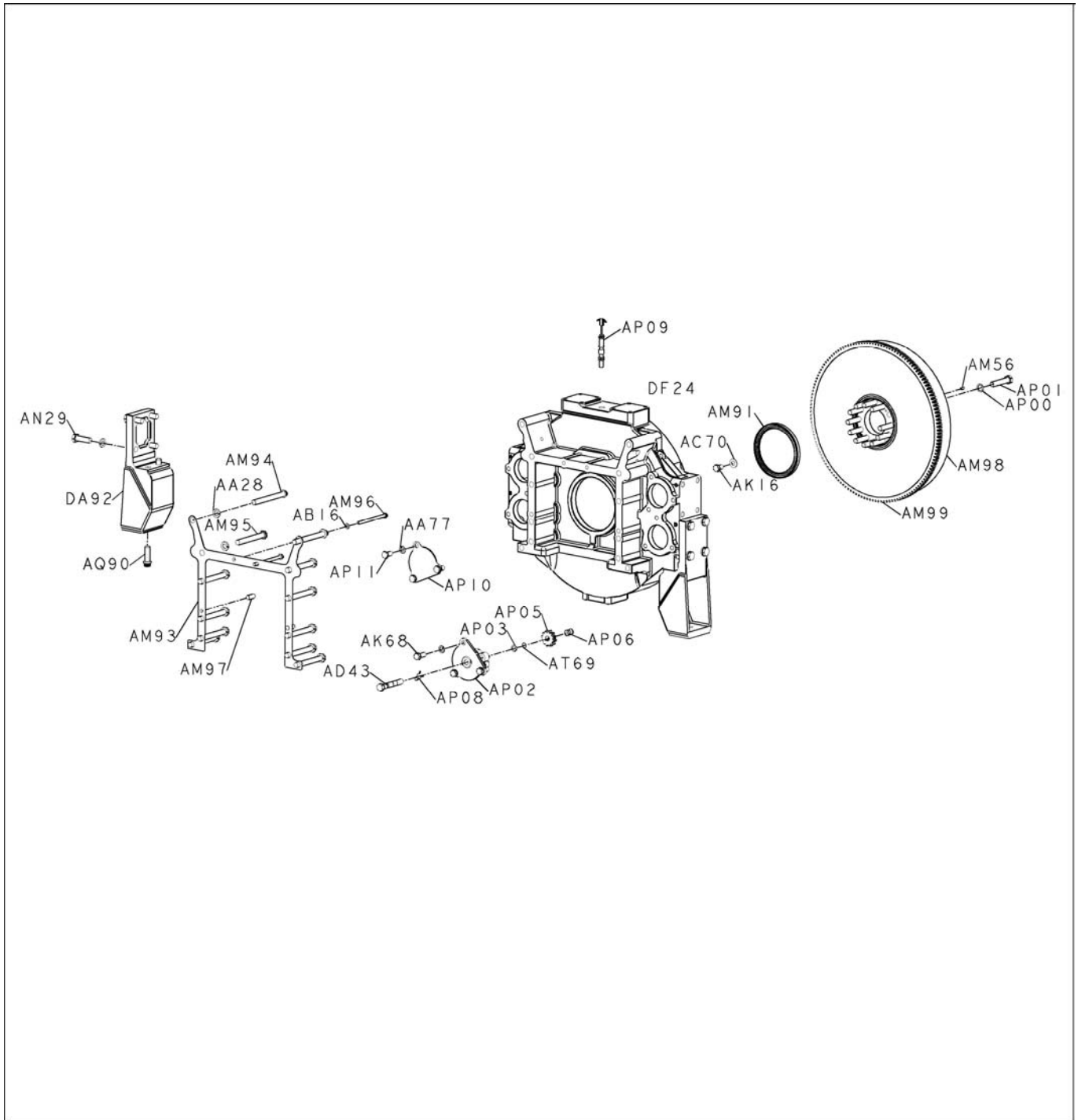


Details of Group Number: GR_03_02_01_038

HOSE,BREATHER VENT

S No	Ref No	Part No	Description	Qty	serviceable	Remarks
			HOSE,BREATHER VENT			
1	-	4911727	HOSE,BREATHER VENT	1	N	
2	CY04	4911726	TUBE,BREATHER	1	Y	
3	CY02	4911725	HOSE,PLAIN	1	Y	
4	AQ07	43828C	CLAMP, HOSE	2	Y	
5	CY03	3282250	CLIP	3	Y	
6	BR01	101476	BRACE, TUBE	3	Y	
7	AQ18	172558	CLIP	2	Y	
8	AQ20	114307	BRACE,TUBE	1	Y	
9	AN47	3628902	WASHER,PLAIN	4	Y	
10	AA46	S 112	SCREW, HEX HEAD CAP	4	Y	
11	AA73	S 223	NUT, HEAVY HEXAGON	1	Y	

HOUSING FLYWHEEL & FLYWHEEL

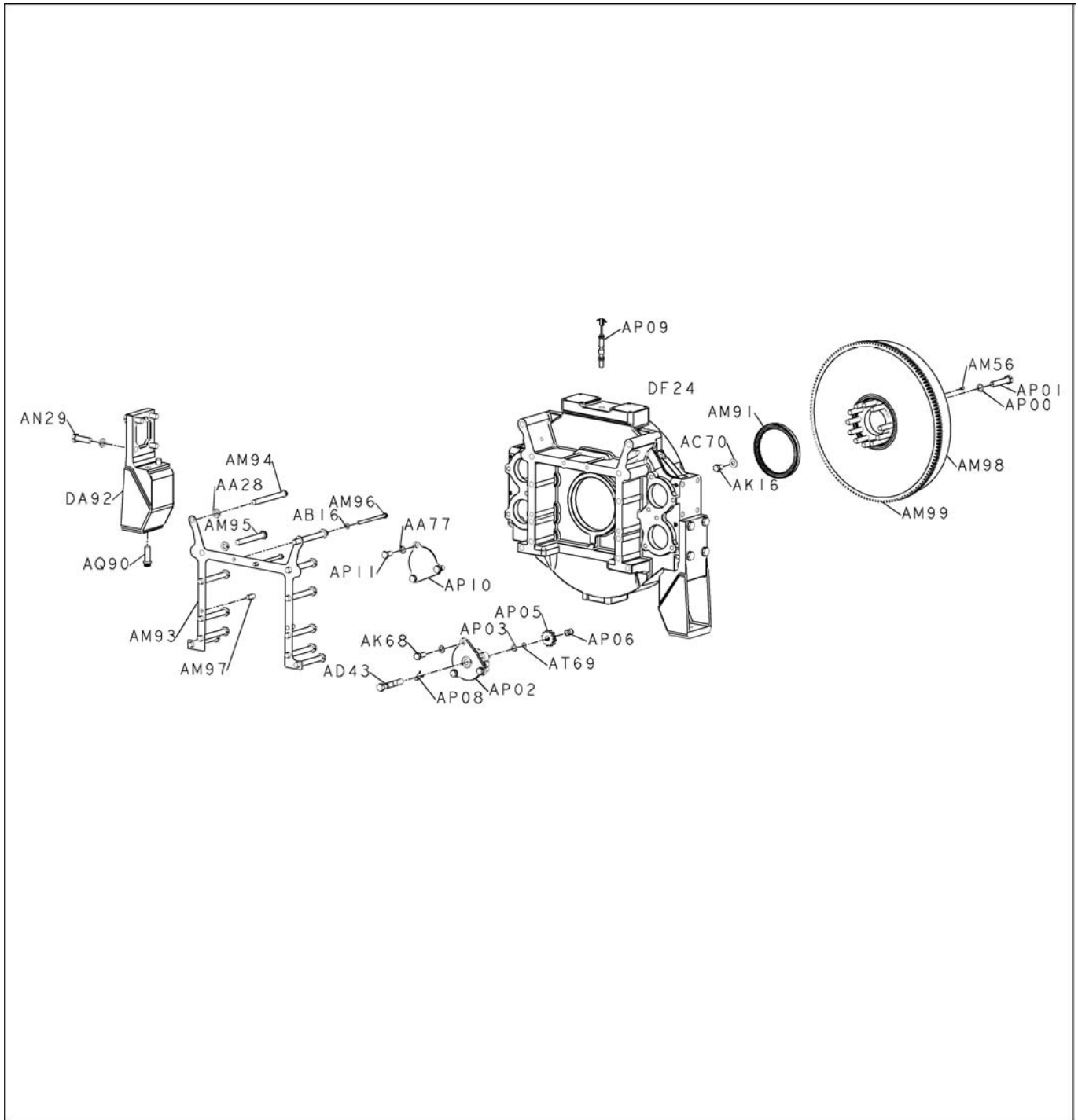


Details of Group Number: GR_16_01_00_015

HOUSING FLYWHEEL & FLYWHEEL

S No	Ref No	Part No	Description	Qty	serviceable	Remarks
			FLYWHEEL			
1	-	3166799	FLYWHEEL	1	Y	
2	AM98	3231869	FLYWHEEL	1	N	
3	AM99	124507	GEAR,FLYWHEEL RING	1	Y	
			HOUSING, FLYWHEEL MTG.			
4	-	3177397	HOUSING, FLYWHEEL MTG.	1	N	
5	AM93	3630874	GASKET,FLYWHEEL HOUSING	1	Y	
6	AA28	S 611	WASHER LOCK	12	Y	
7	AM95	S 150A	SCREW,HEXAGON HEAD CAP	10	Y	
8	AM97	70662	DOWEL,PIN	1	Y	
9	CE84	3634269	DOWEL,DIAMOND	1	Y	
10	AM94	205565	SCREW,TWELVE POINT CAP	2	Y	SEE NOTE#2
11	AM96	3176465	SCREW,HEXAGON HEAD CAP	2	Y	
12	AB16	S 610	WASHER, LOCK	2	Y	
			FLEXPLATE, MTG			
13	-	MP5486	FLEXPLATE, MTG	1	N	
14	AP00	205059	WASHER,PLAIN	12	Y	
15	AP01	3023536	SCREW,HEXAGON HEAD CAP	12	Y	
16	AM56	131584	PIN ROLL	1	Y	
			DRIVE, ENGINE BARRING			
17	-	3201740	DRIVE, ENGINE BARRING	1	Y	
18	AP02	206093	HOUSING,ENGINE BARRING	1	Y	
19	AD43	3201739	SHAFT,BARRING	1	Y	
20	AP03	206090	RING,RETAINING	1	Y	
21	AP04	S 306	KEY,PLAIN WOODRUFF	1	Y	
22	AP05	206091	GEAR,ENGINE BARRING	1	Y	
23	AP06	206092	SPRING,COMPRESSION	1	Y	
24	AT69	3913994	SEAL,O RING	1	Y	
25	AP08	169834	CLIP	1	Y	
			COVER, STARTER HOLE			
26	-	MP5044	COVER, STARTER HOLE	1	N	
27	AP10	3628411	COVER,STARTER FLANGE	1	Y	
28	AA77	S 603	WASHER, LOCK	3	Y	
29	AP11	S 181	SCREW HEXAGON HEAD CAP	3	Y	
			MECHANISM, BARRING MTG			
30	-	3041271	MECHANISM, BARRING MTG	1	N	
31	AA77	S 603	WASHER, LOCK	3	Y	
32	AK68	S 116	SCREW, HEXAGON HEAD CAP	3	Y	
33	AP09	4085824	PICKUP,MAGNETIC	1	Y	
			COVER, MAGNETIC HOLE MTG.			
34	-	3007770	COVER, MAGNETIC HOLE MTG.	1	N	
35	AC70	S 658	WASHER PLAIN	1	Y	
36	AK16	S 190	SCREW, HEXAGON HEAD CAP	1	Y	
			SUPPORT,FLYWHEEL HOUSING			
37	DA92	4912592	SUPPORT,FLYWHEEL HOUSING	2	Y	
			SUPPORT, REAR ENG MTG.			
38	-	3004434	SUPPORT, REAR ENG MTG.	2	N	
39	AA28	S 611	WASHER LOCK	6	Y	
40	AN29	S 123	SCREW,HEXAGON HEAD CAP	4	Y	

HOUSING FLYWHEEL & FLYWHEEL



Details of Group Number: GR_16_01_00_015

HOUSING FLYWHEEL & FLYWHEEL

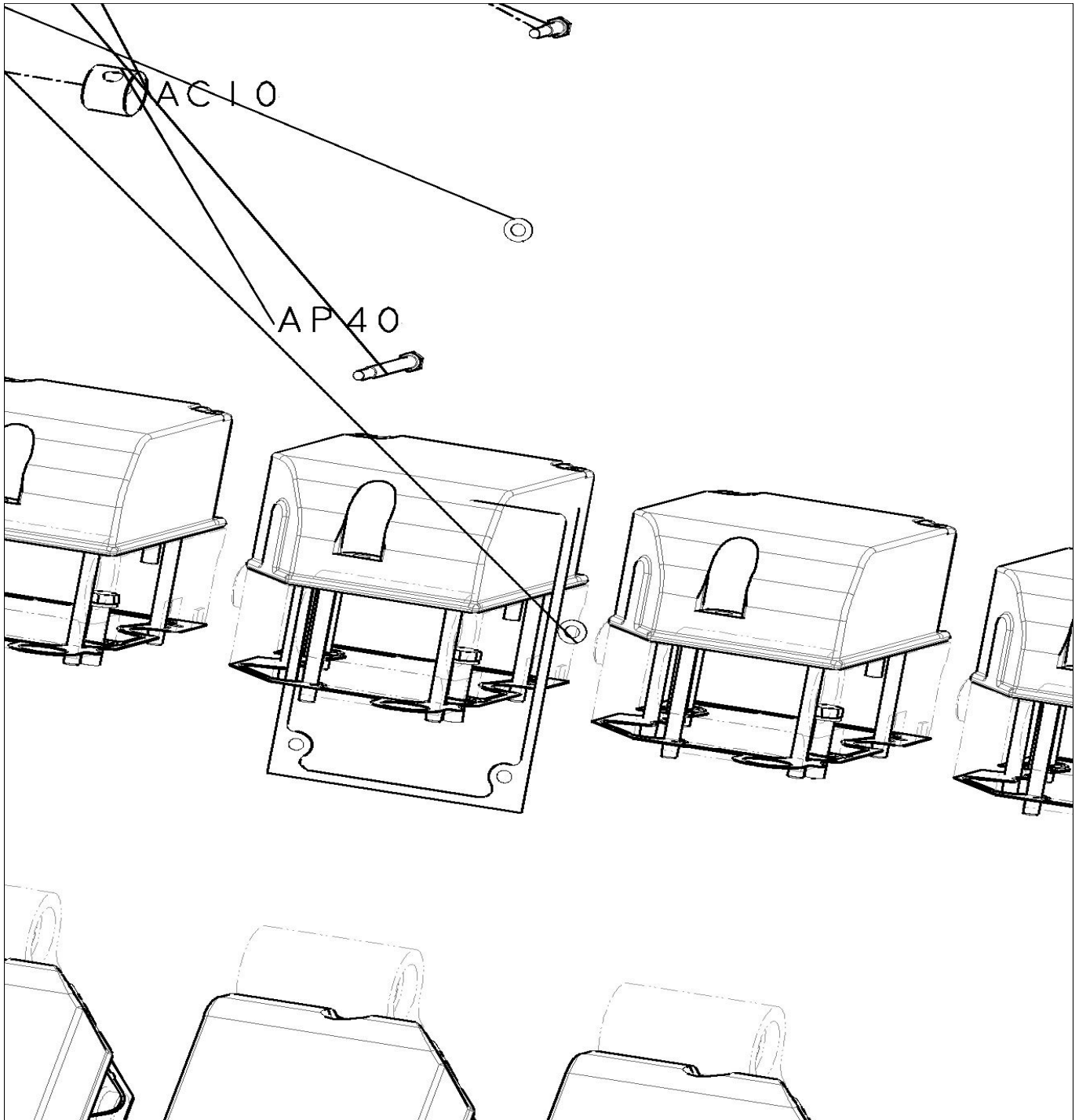
S No	Ref No	Part No	Description	Qty	serviceable	Remarks
41	AQ90	205584	SCREW,TWELVE POINT CAP	2	Y	
			HOUSING,FLYWHEEL			
42	-	4021226	HOUSING,FLYWHEEL	1	Y	
43	CE80	3414620	HOUSING,FLYWHEEL	1	Y	
44	AM91	3082142	SEAL,OIL	1	Y	PART NO. FOR SERVICE 3630681

Details of Group Number: GR_01_09_00_032

HOUSING GEAR & COVER FRONT

S No	Ref No	Part No	Description	Qty	serviceable	Remarks
			COVER,FRONT GEAR MTG			
1	-	3015275	COVER,FRONT GEAR MTG	1	N	
2	AN77	3177160	GASKET,GEAR COVER	1	Y	
3	AB16	S 610	WASHER, LOCK	27	Y	
4	AN78	110266	SCREW,HEXAGON HEAD CAP	6	Y	PART NO. FOR SERVICE 200908
5	AN79	102020	SCREW,HEXAGON HEAD CAP	7	Y	
6	AA56	137890	CAPSCREW	2	Y	
7	AB08	S 217	NUT, HEAVY HEXAGON	2	Y	
8	AZ25	108767	SCREW,HEXAGON HEAD CAP	5	Y	
9	AN80	3069026	SCREW,SOCKET HEAD CAP	2	Y	
10	AN81	S 127	SCREW,HEXAGON HEAD CAP	2	Y	
11	AB80	S 140	SCREW HEXAGON HEAD CAP	3	Y	
			HOUSING GEAR			
12	-	3630010	HOUSING GEAR	1	Y	
13	AN82	3176918	HOUSING,GEAR	1	Y	PART NO. FOR SERVICE 3881164
			HOUSING FRONT GEAR MTG			
14	-	MP5271	HOUSING FRONT GEAR MTG	1	Y	
15	AN83	3178076	GASKET,GEAR HOUSING	1	Y	
16	AB16	S 610	WASHER, LOCK	15	Y	
17	AB30	103009	SCREW, HEXAGON HEAD CAP	15	Y	
18	AN86	138912	DOWEL,PIN	1	Y	
19	BW71	3176618	DOWEL,DIAMOND	1	Y	
20	CW11	3332255	PLUG,GEAR COVER	1	Y	
21	AN88	3016787	SEAL,OIL	1	Y	
22	CM07	206526	POINTER,TIMING	1	Y	
			POINTER MTG			
23	-	MP5266	POINTER MTG	1	Y	
24	AC74	S 605	WASHER, LOCK	1	Y	
25	AN85	206527	SCREW,TWELVE POINT CAP	1	Y	
			COVER,GEAR			
26	-	3069028	COVER,GEAR	1	Y	
27	-	3627026	COVER,GEAR	1	Y	
28	AN75	3069025	COVER,GEAR	1	Y	PART NO. FOR SERVICE 3069027
29	AN76	3176649	SEAL TAMPER PROF	6	Y	
30	-	3069027	COVER,GEAR	1	Y	
31	BW67	205683	BUSHING	1	Y	
32	BW68	3177510	BUSHING	2	Y	
33	BW69	3177509	BUSHING	1	Y	
34	-	3201700	GEAR COVER MOUNTING	1	N	
35	AN09	3628605	PLUG, PIPE	2	Y	PART NO. FOR SERVICE S 910 B
36	BC59	3628606	PLUG,PIPE	1	Y	
37	CO77	3628609	PLUG,PIPE	1	Y	

HOUSING, ROCKER ARM



Details of Group Number: GR_03_01_00_006

HOUSING, ROCKER ARM

S No	Ref No	Part No	Description	Qty	serviceable	Remarks
			HOUSING, ROCKER LEVER			
1	-	3175475	HOUSING, ROCKER LEVER	1	N	
2	AP31	3629537	HOUSING,ROCKER LEVER	1	Y	
3	AP35	205129	DOWEL,RING	1	Y	
4	AJ52	S 995	PLUG PIPE	1	Y	
			HOUSING, ROCKER			
5	-	3200489	HOUSING, ROCKER	1	N	
6	AP32	3202197	HOUSING,ROCKER LEVER	1	Y	
7	AP35	205129	DOWEL,RING	1	Y	
8	AP33	3628607	PLUG,PIPE	1	Y	
			HOUSING, ROCKER			
9	-	3200499	HOUSING, ROCKER	10	N	
10	AP34	3202193	HOUSING,ROCKER LEVER	1	Y	
11	AP35	205129	DOWEL,RING	1	Y	
			HSG. RKR ARM MOUNTING			
12	-	3881696	HSG. RKR ARM MOUNTING	12	N	
13	AP36	3630839	GASKET,RKR LEVER HOUSING	1	Y	
14	AP37	205128	WASHER,PLAIN	6	Y	
15	AP38	108602	SCREW,HEXAGON HEAD CAP	5	Y	
16	AE97	S 125	SCREW, HEXAGON HEAD CAP	1	Y	
			ASSY, ROCKER LEVER			
17	-	3176363	ASSY, ROCKER LEVER	12	N	
18	-	3053479	LEVER, ROCKER	1	Y	
19	AP39	3049432	LEVER,ROCKER	1	Y	
20	AP40	207344	BUSHING	1	Y	
21	-	3176772	SHAFT, ROCKER LEVER	1	Y	
22	AP41	3049164	SHAFT,ROCKER LEVER	1	Y	PART NO. FOR SERVICE 3176772
23	AP42	203933	PLUG,EXPANSION	1	Y	
24	-	3053478	LEVER, ROCKER	1	Y	
25	AP43	3049437	LEVER,ROCKER	1	Y	
26	AP44	207226	BUSHING	1	Y	
27	AC12	194037	SOCKET,ROCKER LEVER	1	Y	
28	AC16	208084	RIVET	1	N	
29	-	3053476	LEVER, ROCKER	1	Y	
30	AP45	3049438	LEVER,ROCKER	1	Y	PART NO. FOR SERVICE 3053476
31	AP40	207344	BUSHING	1	Y	
32	AC16	208084	RIVET	1	N	
33	AC10	168306	SCREW, SLOTTED SET	3	Y	
34	AC11	S 212	NUT REGULAR HEXAGON	3	Y	
35	AP37	205128	WASHER,PLAIN	2	Y	
36	AP46	205393	SCREW,TWELVE POINT CAP	1	Y	
37	AP47	205394	SCREW,TWELVE POINT CAP	1	Y	
			MTG, COVER PLATE			
38	-	3882076	MTG, COVER PLATE	12	N	
39	FF73	4920076	GASKET,ROCKER LEVER COVER	1	Y	
40	AN47	3628902	WASHER,PLAIN	3	Y	
41	AP49	3628194	SCREW,HEXAGON HEAD CAP	2	Y	
42	AP50	3628196	SCREW,HEXAGON HEAD CAP	1	Y	
43	AP51	3010388	COVER,ROCKER LEVER	12	N	

INHIBITOR, CORROSION

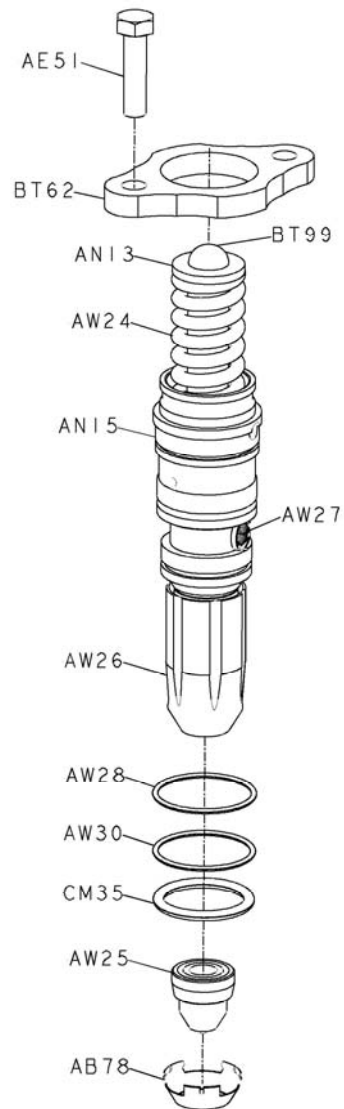
THIS PAGE IS INTENTIONALLY KEPT BLANK

Details of Group Number: GR_08_08_00_011

INHIBITOR, CORROSION

S No	Ref No	Part No	Description	Qty	serviceable	Remarks
			INHIBITOR , CORROSION			
1	-	3413645	INHIBITOR , CORROSION	1	N	
2	-	3167217	INHIBITOR CORROSION	1	Y	
3	-	3167218	INHIBITOR,CORROSION	2	Y	
4	-	3167226	KIT TEST	1	Y	
5	-	3167222	INHIBITOR,CORROSION	1	Y	

INJECTOR

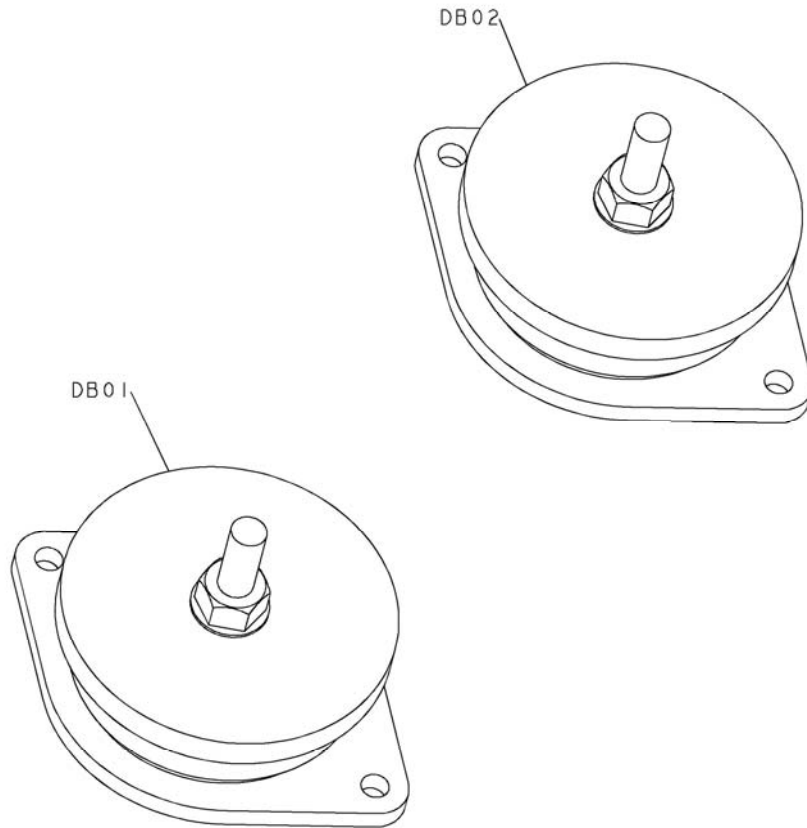


Details of Group Number: GR_06_01_00_006

INJECTOR

S No	Ref No	Part No	Description	Qty	serviceable	Remarks
			INJECTOR			
1	-	3016676	INJECTOR	12	Y	
2	-	3016671	BARREL & PLUNGER	1	Y	
3	AN13	205466	PLUNGER INJECTOR	1	Y	
4	AN14	3022498	BARREL,INJECTOR	1	N	PART NO. FOR SERVICE 3016671
5	AF25	173085	PLUG, THREADED	1	Y	
6	AD71	167157	BALL CHECK	1	Y	
7	AN15	205463	ADAPTER,INJECTOR	1	Y	
8	AD76	203426	PIN,ROLL	1	Y	
9	AW24	205464	SPRING COMPRESSION	1	Y	
10	AW25	3001314	CUP,INJECTOR	1	Y	
11	AW26	207245	RETAINER,INJECTOR CUP	1	Y	
12	AD72	173086	GASKET INJECTOR	1	Y	
13	AW27	3024914	PLUG,INJECTOR ORIFICE	1	N	PART NO. FOR SERVICE 3045047
14	AW28	3010510	SEAL,O RING	1	Y	
15	AW30	205216	SEAL,O RING	1	N	
16	CM35	193736	SEAL 'O' RING	1	Y	
17	AD73	174299	RETAINER,SCREEN	1	Y	
18	AJ22	3054999	SCREEN FILTER	1	Y	
			INJECTOR,MTG			
19	-	MP4991	INJECTOR,MTG	12	Y	
20	BT99	205462	LINK,INJECTOR PLUNGER	1	Y	
21	BT62	3006696	CLAMP,INJECTOR	1	Y	
22	AB78	207244	SEAL,INJECTOR	1	Y	
23	AE51	165006	SCREW,HEXAGON HEAD CAP	2	Y	

ISOLATOR,VIBRATION

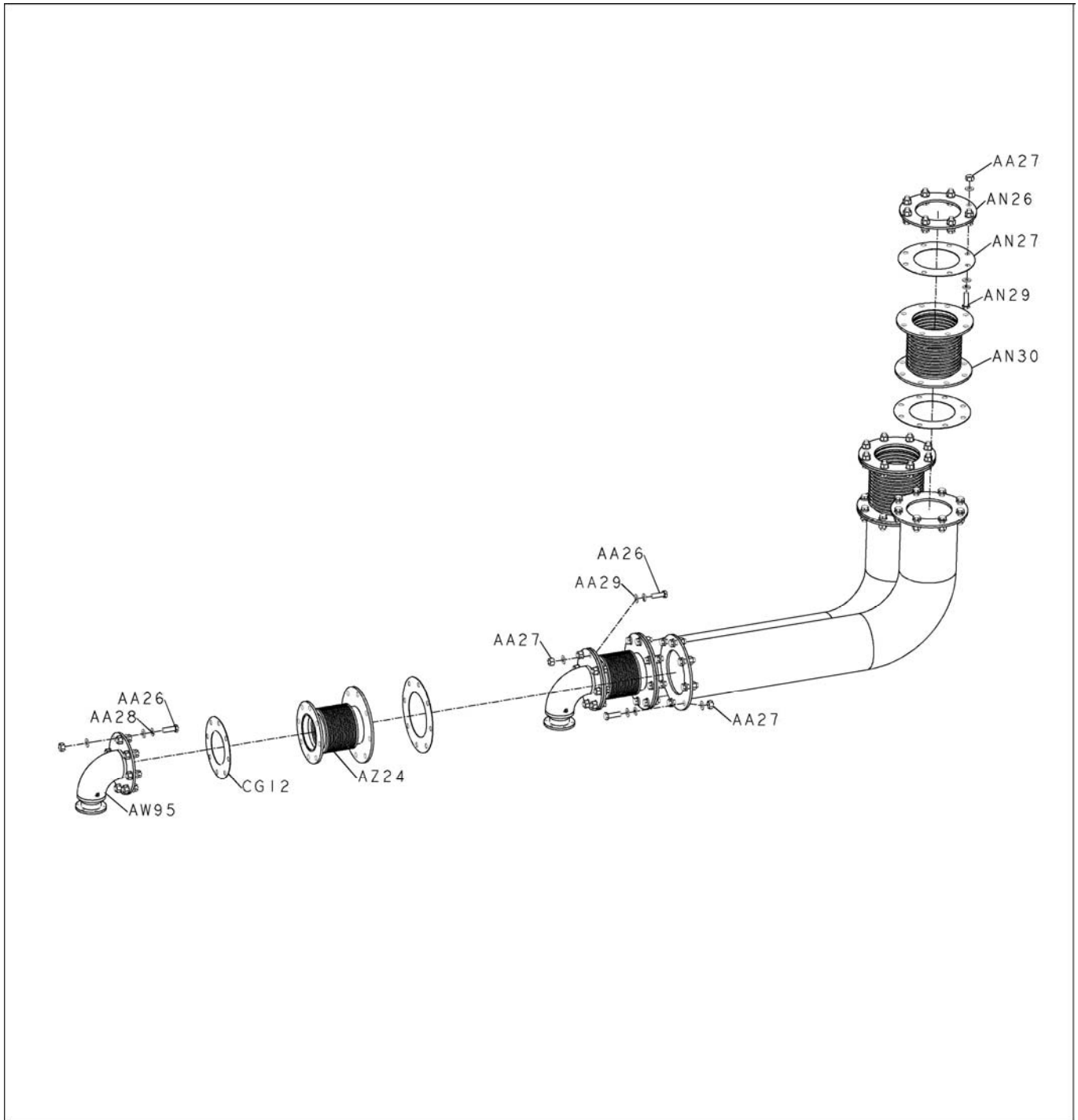


Details of Group Number: GR_16_03_00_008

ISOLATOR,VIBRATION

S No	Ref No	Part No	Description	Qty	serviceable	Remarks
1	DB01	4949782	ISOLATOR,VIBRATION	4	Y	
2	DB02	4949783	ISOLATOR,VIBRATION	4	Y	

KIT,FLEXIBLE EXHAUST

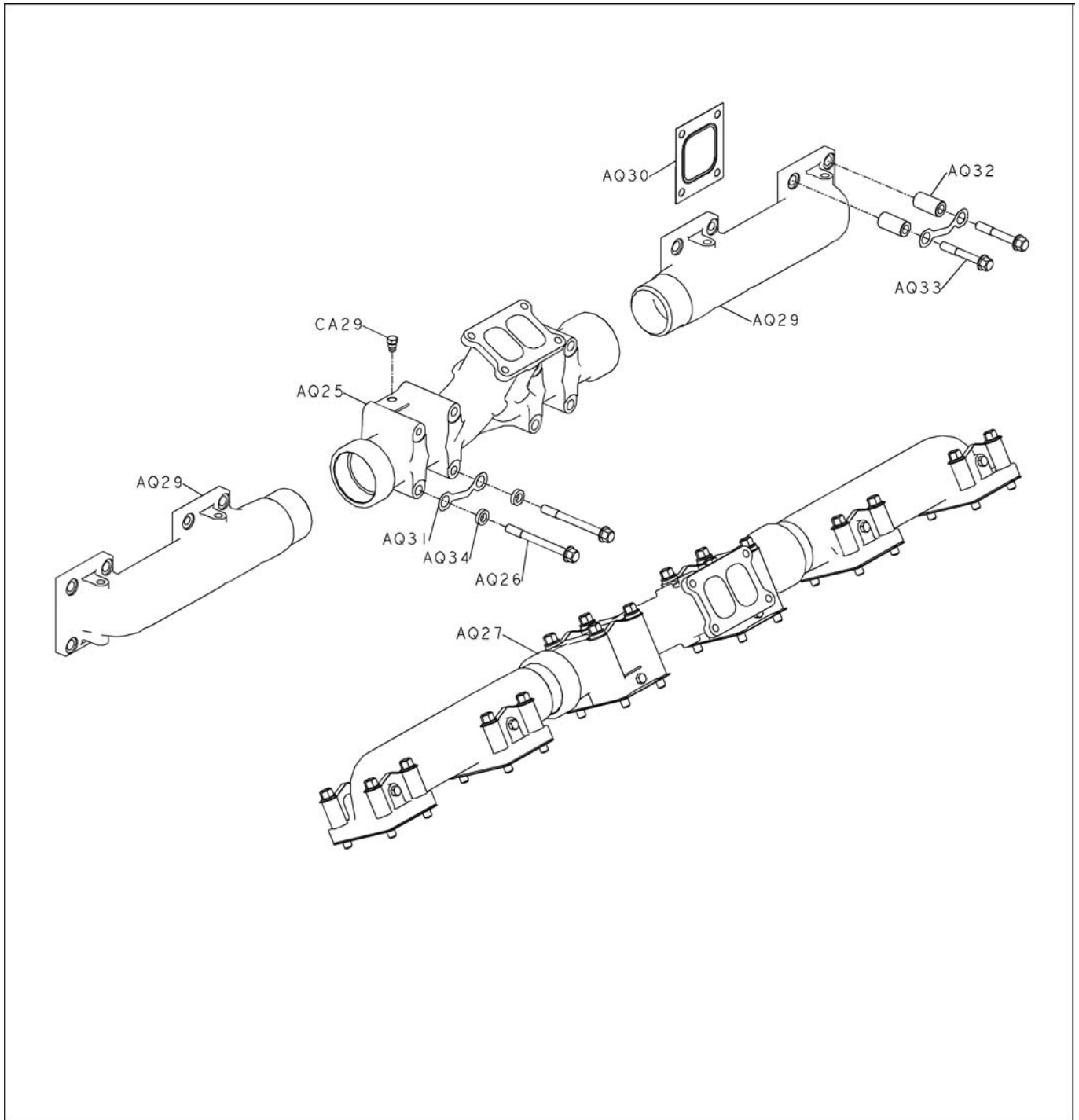


Details of Group Number: GR_11_02_00_007

KIT,FLEXIBLE EXHAUST

S No	Ref No	Part No	Description	Qty	serviceable	Remarks
			KIT,FLEXIBLE EXHAUST			
1	-	4950475	KIT,FLEXIBLE EXHAUST	1	N	
2	AW95	4084055	CONNECTION TURBO EXHAUST	2	Y	
3	AN28	3231027	GASKET,EXH OUT CONNECTION	2	Y	
4	AZ24	3878278	CONNECTION,EXHAUST OUTLET	2	Y	
5	AN27	3229946	GASKET,EXH OUT CONNECTION	6	Y	
6	AN26	3229475	FLANGE	6	Y	
7	-	ELBOW PIPE	CONNECTION,EXHAUST OUTLET	2	N	
8	AN30	4055963	CONNECTION,EXHAUST OUTLET	2	Y	
9	AA29	S 640	WASHER PLAIN	128	Y	
10	AA28	S 611	WASHER LOCK	64	Y	
11	AA26	S 112C	SCREW HEXAGON HEAD CAP	16	Y	
12	AN29	S 123	SCREW,HEXAGON HEAD CAP	48	Y	
13	AA27	S 204	NUT, HEAVY HEXAGON	64	Y	

MANIFOLD EXHAUST

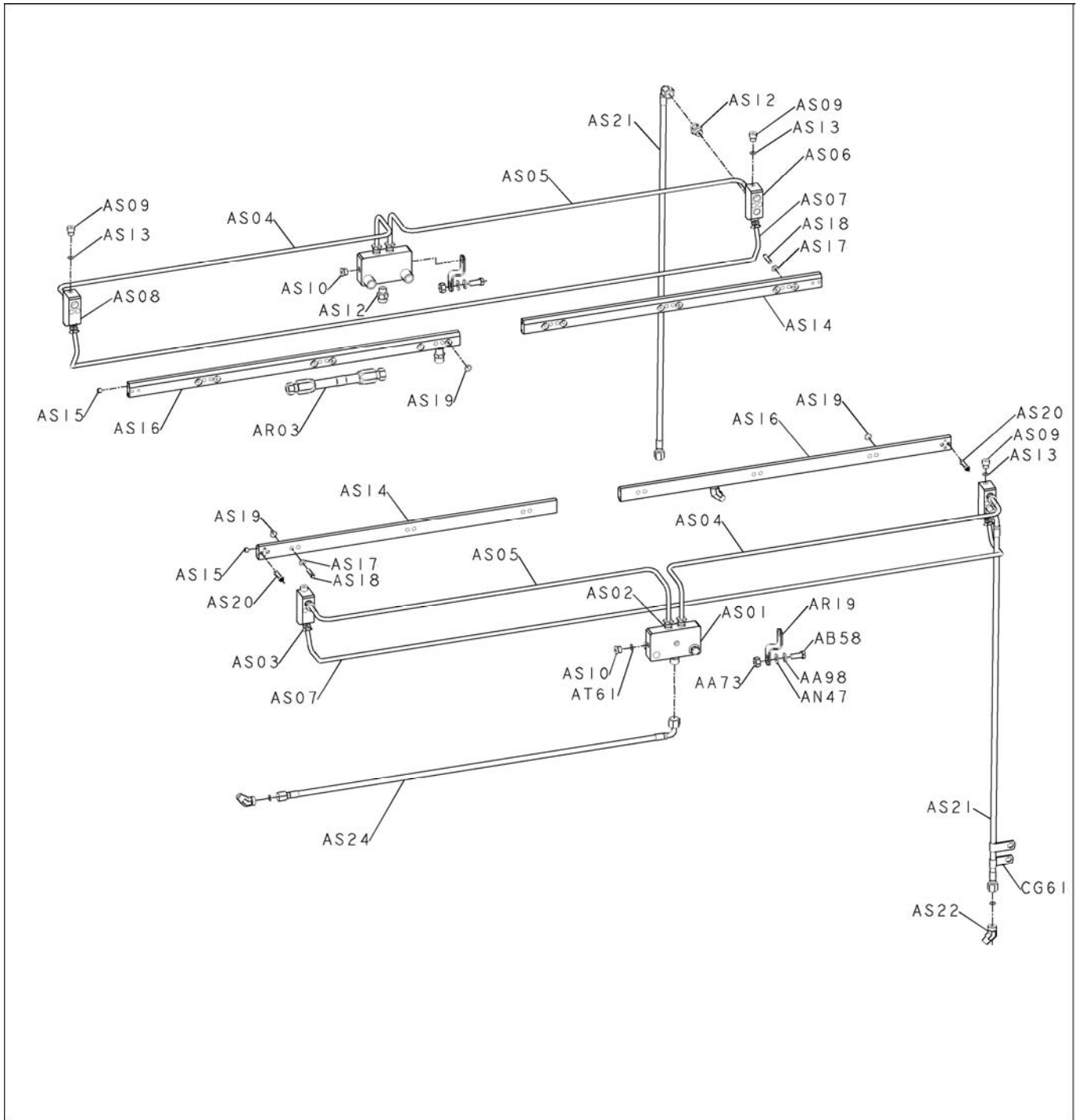


Details of Group Number: GR_11_01_00_006

MANIFOLD EXHAUST

S No	Ref No	Part No	Description	Qty	serviceable	Remarks
			MANIFOLD,EXHAUST			
1	-	3630551	MANIFOLD,EXHAUST	1	Y	
2	AQ25	3630257	MANIFOLD,EXHAUST	1	Y	
3	CA29	3630164	PLUG,THREADED	2	Y	
			MANIFOLD,EXHAUST			
4	-	3630552	MANIFOLD,EXHAUST	1	Y	
5	AQ27	3630258	MANIFOLD,EXHAUST	1	Y	
6	CA29	3630164	PLUG,THREADED	2	Y	
			MANIFOLD,EXHAUST			
7	-	3630553	MANIFOLD,EXHAUST	2	Y	
8	AQ28	3630260	MANIFOLD,EXHAUST	1	Y	
9	CA29	3630164	PLUG,THREADED	2	Y	
			MANIFOLD,EXHAUST			
10	-	3630554	MANIFOLD,EXHAUST	2	Y	
11	AQ29	3630261	MANIFOLD,EXHAUST	1	Y	
12	CA29	3630164	PLUG,THREADED	2	Y	
			MANIFOLD,EXHAUST MTG			
13	-	3046320	MANIFOLD,EXHAUST MTG	4	N	
14	AQ30	3037821	GASKET,EXHAUST MANIFOLD	2	Y	
15	AQ31	3628969	LOCKPLATE	4	Y	
16	AQ32	3046286	SPACER,MOUNTING	8	Y	
17	AQ33	3066498	SCREW,HEX FLANGE HEAD CAP	8	Y	
			MANIFOLD,EXHAUST MTG			
18	-	3046321	MANIFOLD,EXHAUST MTG	2	N	
19	AQ34	3627372	WASHER,PLAIN	8	Y	
20	AQ31	3628969	LOCKPLATE	4	Y	
21	AQ26	3066499	SCREW,HEX FLANGE HEAD CAP	8	Y	
22	AQ30	3037821	GASKET,EXHAUST MANIFOLD	2	Y	

MANIFOLD FUEL

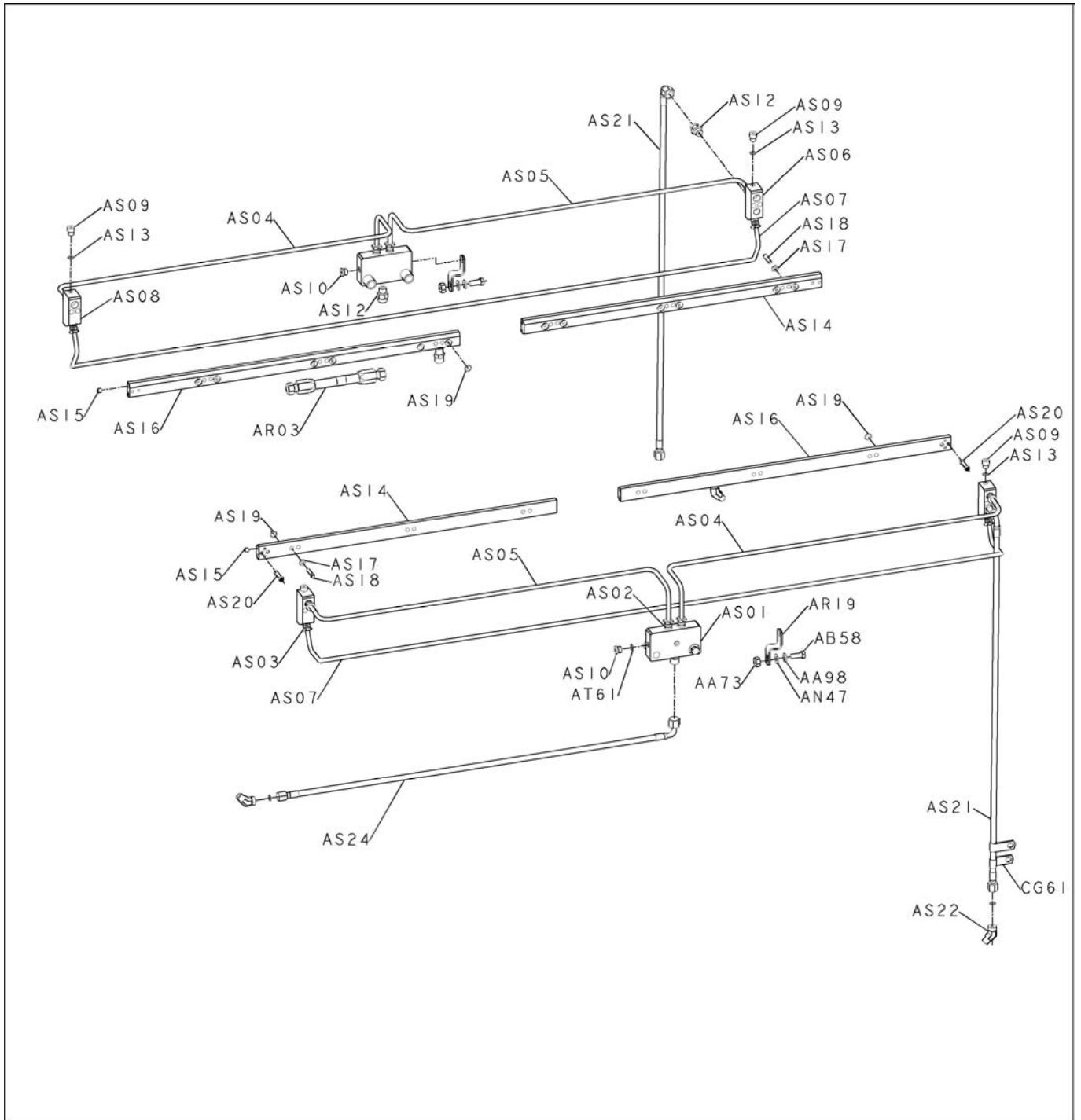


Details of Group Number: GR_05_19_01_006

MANIFOLD FUEL

S No	Ref No	Part No	Description	Qty	serviceable	Remarks
			MANIFOLD FUEL			
1	-	4104370	MANIFOLD FUEL	1	N	
2	-	3414747	CONNECTION FUEL BLOCK	1	N	
3	-	3630364	CONNECTION,FUEL BLOCK	1	Y	
4	AS01	3630358	CONNECTION,FUEL BLOCK	1	Y	
5	-	3633045	CONNECTOR TUBE	6	N	
6	AS02	3633046	SEAL FERRULE	1	N	
7	AS03	3633047	NUT,TUBE	1	N	
8	AS04	3414513	TUBE,FUEL SUPPLY	1	Y	
9	AS05	3414512	TUBE,FUEL SUPPLY	1	Y	
10	AS06	3628517	CONNECTION,FUEL BLOCK	1	Y	
11	AS07	3414514	TUBE,FUEL TRANSFER	1	Y	
12	AS08	3628518	CONNECTION,FUEL BLOCK	1	Y	
13	-	3023217	PLUG,THREADED	2	Y	
14	AS09	3630034	PLUG,THREADED	1	Y	
15	AS13	3036666	SEAL, O RING	1	Y	
16	-	3067424	PLUG,THREADED	2	Y	
17	AS10	3067347	PLUG,THREADED	1	N	PART NO. FOR SERVICE 3067424
18	AT61	3037236	SEAL,O RING	1	Y	
19	AS12	3627693	UNION MALE	1	N	PART NO. FOR SERVICE 3081950
20	-	3414748	CONNECTION FUEL BALANCE	1	N	
21	-	3630364	CONNECTION,FUEL BLOCK	1	Y	
22	AS01	3630358	CONNECTION,FUEL BLOCK	1	Y	
23	-	3633045	CONNECTOR TUBE	6	N	
24	AS02	3633046	SEAL FERRULE	1	N	
25	AS03	3633047	NUT,TUBE	1	N	
26	AS04	3414513	TUBE,FUEL SUPPLY	1	Y	
27	AS05	3414512	TUBE,FUEL SUPPLY	1	Y	
28	AS06	3628517	CONNECTION,FUEL BLOCK	1	Y	
29	AS07	3414514	TUBE,FUEL TRANSFER	1	Y	
30	AS08	3628518	CONNECTION,FUEL BLOCK	1	Y	
31	-	3023217	PLUG,THREADED	2	Y	
32	AS09	3630034	PLUG,THREADED	1	Y	
33	AS13	3036666	SEAL, O RING	1	Y	
34	-	3067424	PLUG,THREADED	1	Y	
35	AS10	3067347	PLUG,THREADED	1	N	PART NO. FOR SERVICE 3067424
36	AT61	3037236	SEAL,O RING	1	Y	
37	AS12	3627693	UNION MALE	2	N	PART NO. FOR SERVICE 3081950
38	-	4104368	MANIFOLD,FUEL	1	N	
39	AQ13	131026	SEAL, O RING	4	Y	
40	-	3019582	MANIFOLD,FUEL RH	1	N	

MANIFOLD FUEL

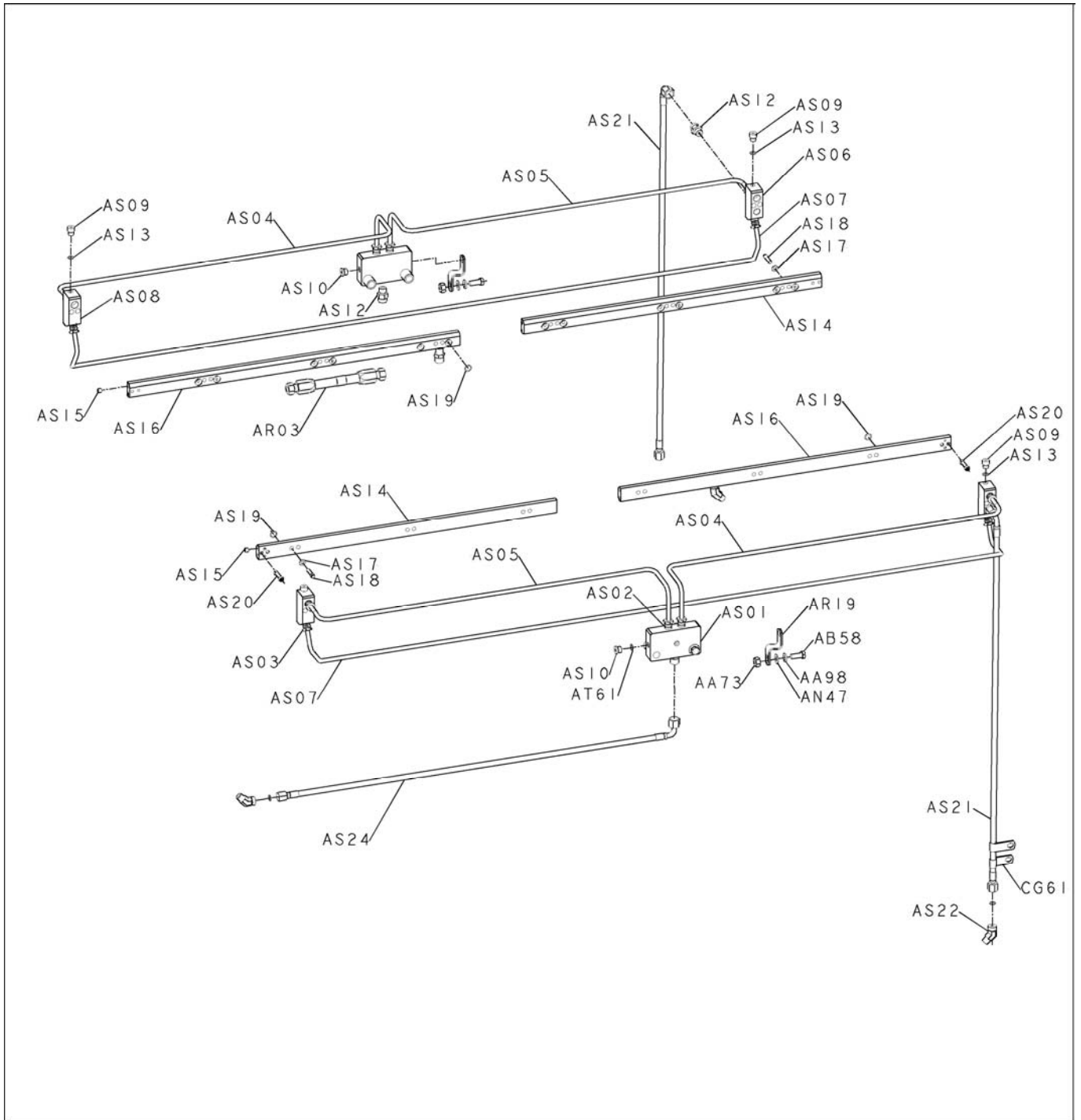


Details of Group Number: GR_05_19_01_006

MANIFOLD FUEL

S No	Ref No	Part No	Description	Qty	serviceable	Remarks
41	AS14	3017244	MANIFOLD,FUEL	1	N	
42	AS15	3628610	PLUG,PIPE	4	Y	
43	-	3019581	MANIFOLD,FUEL LH	1	N	
44	AS16	3017243	MANIFOLD,FUEL	1	N	
45	AS15	3628610	PLUG,PIPE	4	Y	
46	AS17	127018	WASHER,PLAIN	12	Y	
47	AS18	3001811	SCREW,TWELVE POINT CAP	12	Y	
48	AS19	3001340	SEAL,O RING	12	Y	
49	AS20	3175074	SCREW,SOCKET HEAD CAP	4	Y	
50	AS21	3634396	HOSE,FLEXIBLE	1	Y	
51	-	3630968	FUEL BLOCK ELBOWS	2	N	
52	-	3095292	ELBOW,MALE ADAPTER	1	Y	
53	AS22	3628633	ELBOW,MALE ADAPTER	1	N	
54	AS23	3922794	SEAL O RING	1	N	
55	AS24	3634393	HOSE,FLEXIBLE	1	Y	
56	-	4104369	MANIFOLD,FUEL	1	N	
57	AQ13	131026	SEAL, O RING	4	Y	
58	-	3019582	MANIFOLD,FUEL RH	1	N	
59	AS14	3017244	MANIFOLD,FUEL	1	N	
60	AS15	3628610	PLUG,PIPE	4	Y	
61	-	3019581	MANIFOLD,FUEL LH	1	N	
62	AS16	3017243	MANIFOLD,FUEL	1	N	
63	AS15	3628610	PLUG,PIPE	4	Y	
64	AS17	127018	WASHER,PLAIN	12	Y	
65	AS18	3001811	SCREW,TWELVE POINT CAP	12	Y	
66	AS19	3001340	SEAL,O RING	12	Y	
67	AS20	3175074	SCREW,SOCKET HEAD CAP	4	Y	
68	AS21	3634396	HOSE,FLEXIBLE	1	Y	
69	-	3630968	FUEL BLOCK ELBOWS	2	N	
70	-	3095292	ELBOW,MALE ADAPTER	1	Y	
71	AS22	3628633	ELBOW,MALE ADAPTER	1	N	
72	AS23	3922794	SEAL O RING	1	N	
73	AR00	4071909	HOSE,FLEXIBLE	1	Y	
74	AS25	3627412	CLIP	2	Y	
75	-	3630052	MTG,FUEL BLOCK LB	1	N	
76	AD55	108330	WASHER, PLAIN	2	Y	
77	AQ08	S 169A	SCREW,HEXAGON HEAD CAP	2	Y	
78	-	3630053	MTG,FUEL BLOCK RB	1	N	
79	AD55	108330	WASHER, PLAIN	2	Y	
80	AQ08	S 169A	SCREW,HEXAGON HEAD CAP	2	Y	

MANIFOLD FUEL

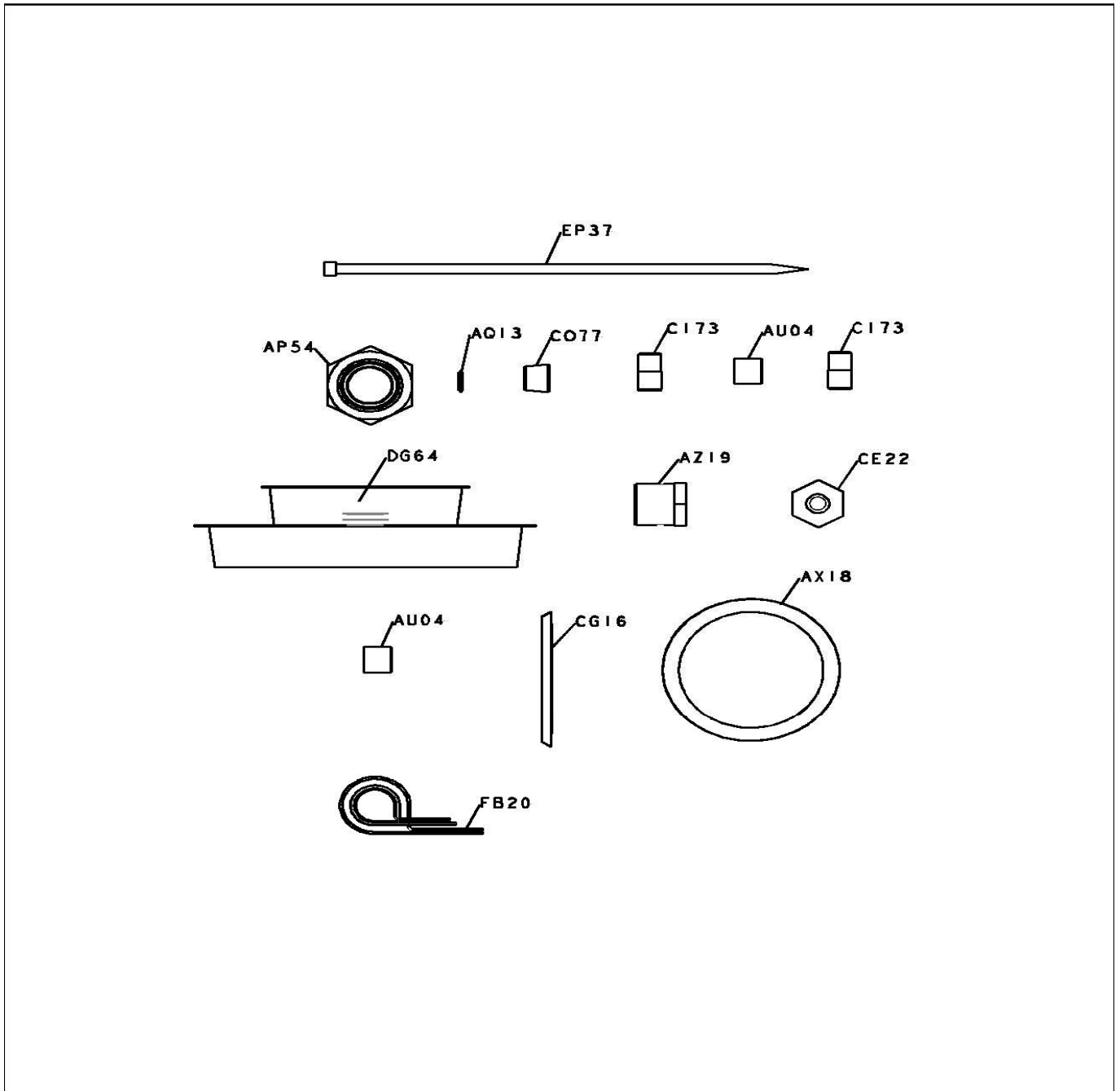


Details of Group Number: GR_05_19_01_006

MANIFOLD FUEL

S No	Ref No	Part No	Description	Qty	serviceable	Remarks
81	AR19	109489	SUPPORT OIL GAUGE TUBE	2	Y	
82	AN47	3628902	WASHER,PLAIN	2	Y	
83	AA98	S 604	WASHER, LOCK	2	Y	
84	AB58	S 109	SCREW, HEXAGON HEAD CAP	2	Y	
85	AA73	S 223	NUT, HEAVY HEXAGON	2	Y	

MISCELLANEOUS

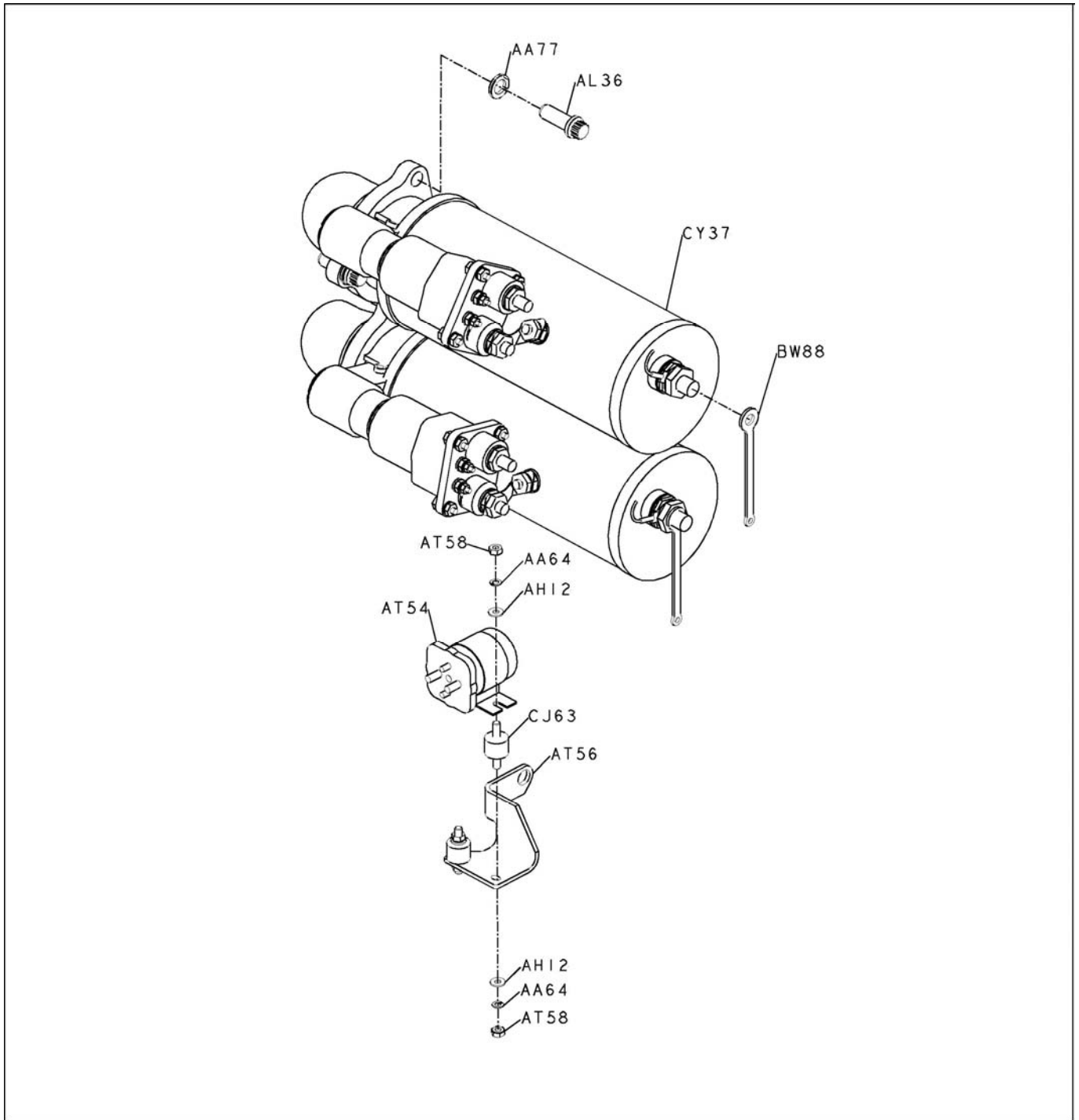


Details of Group Number: GR_17_00_02_056

MISCELLANEOUS

S No	Ref No	Part No	Description	Qty	serviceable	Remarks
1	AP54	119984	CONNECTOR,MALE	1	Y	
2	AQ13	131026	SEAL, O RING	1	Y	
			COVER, PROTECTIVE			
3		3014696	COVER, PROTECTIVE	1	N	
4	-	44092	COVER,PROTECTIVE	1	Y	
5	-	3175400	COVER,PROTECTIVE	1	Y	
6	-	3175547	COVER,PROTECTIVE	1	Y	
7	-	3175549	COVER,PROTECTIVE	1	Y	
8	-	3175550	COVER,PROTECTIVE	1	Y	
9	DG62	3175552	COVER,PROTECTIVE	1	Y	
10	DG63	3175553	COVER,PROTECTIVE	1	Y	
11	DG64	3175554	COVER,PROTECTIVE	1	Y	
12	DG65	3175555	COVER,PROTECTIVE	1	Y	
13	-	3175607	COVER,PROTECTIVE	1	Y	
14	-	3175608	COVER,PROTECTIVE	1	Y	
15	DG68	3177018	COVER,PROTECTIVE	1	Y	
16	CO77	3628609	PLUG,PIPE	1	Y	
17	-	4054632	CLAMP,WIRE TIE	10	Y	
18	CI73	68445	PIN,GROOVE	24	Y	
19	AU04	S 910B	PLUG PIPE	2	Y	
20	AZ19	S 921D	BUSHING, REDUCING PIPE	4	Y	
21	CE22	S 955	BUSHING,REDUCING PIPE	1	Y	
22	CG16	3628894	SEAL,DUST	1	Y	PART NO. FOR SERVICE 3803852
23	AX18	3628895	SEAL OIL	1	Y	
			MOUNTING HARNESS			
24	-	3413953	MOUNTING HARNESS	1	N	
25	AL88	107460	CLIP	1	Y	
26	AH16	68425	CLIP	1	Y	
27	BM96	69911A	CLIP	1	Y	
28	-	5276437	KIT,GENSETCONTROL	1	N	
29		5276432	KITGENSETCONTROL	1	N	

MOTOR STARTING

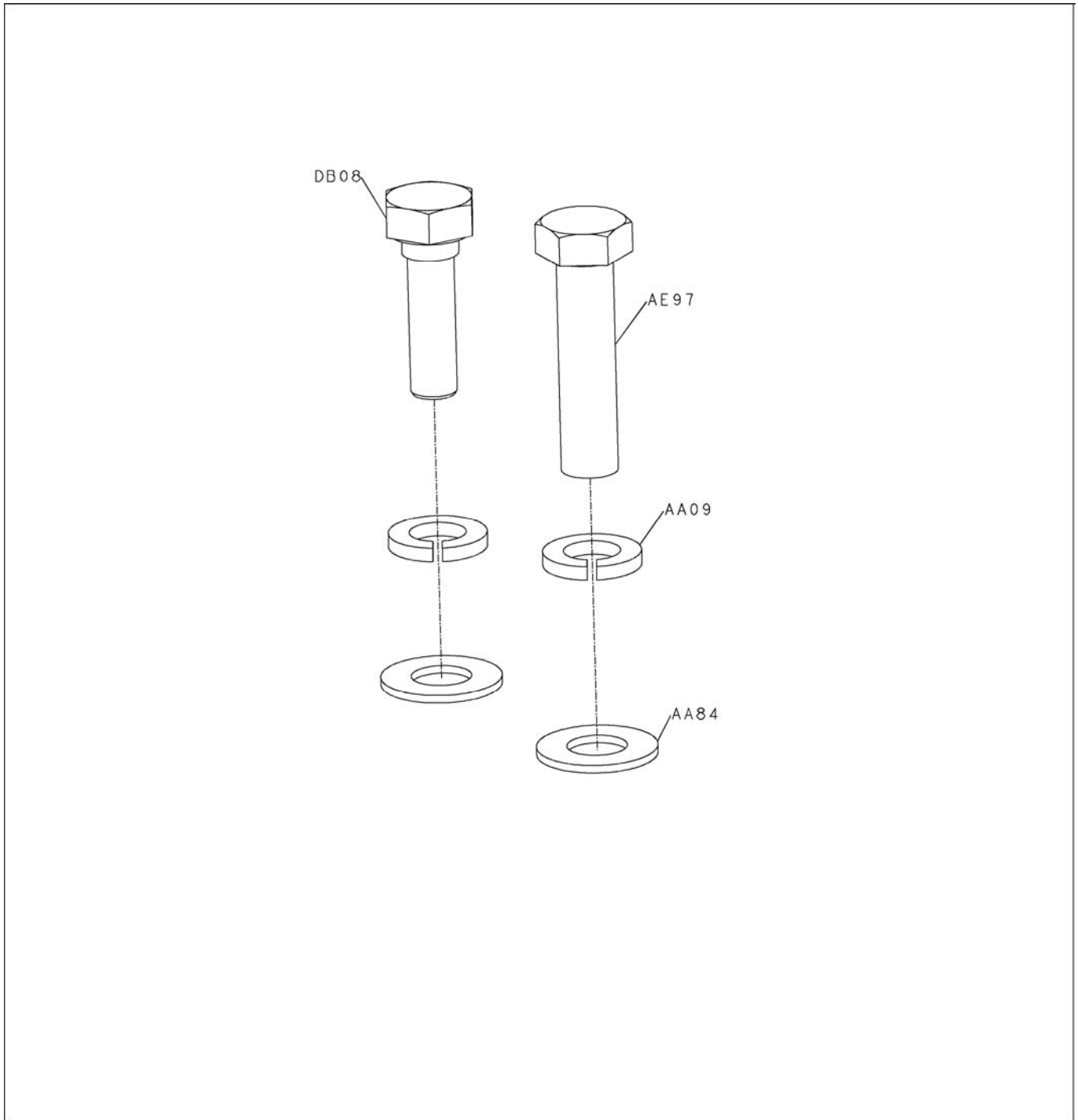


Details of Group Number: GR_13_15_00_050

MOTOR STARTING

S No	Ref No	Part No	Description	Qty	serviceable	Remarks
1	CY37	4912940	MOTOR,STARTING	2	N	
			MOUNTING,MAGNETIC SWITCH			
2	-	3627325	MOUNTING,MAGNETIC SWITCH	1	N	
3	AT55	3408250	ISOLATOR,VIBRATION	2	Y	
4	AT56	3627324	BRACKET,MAGNETIC SWITCH	1	Y	
5	AH12	S 631	WASHER, PLAIN	4	Y	
6	AA64	S 600	WASHER, LOCK	4	Y	
7	AT58	S 224	NUT,HEAVY HEXAGON	4	Y	
8	AT54	3050692	SWITCH,MAGNETIC	1	Y	
9	-	3166997	CABLE ELECTRICAL	1	Y	
10	BW88	3018924	WIRE,GROUND	2	Y	
			MOUNTING ,STARTER MOTOR			
11	-	MP5554	MOUNTING ,STARTER MOTOR	2	N	
12	AA77	S 603	WASHER, LOCK	3	Y	
13	AL36	158250	SCREW, TWELVE POINT CAP	3	Y	

MOUNTING,ALTERNATOR MAIN

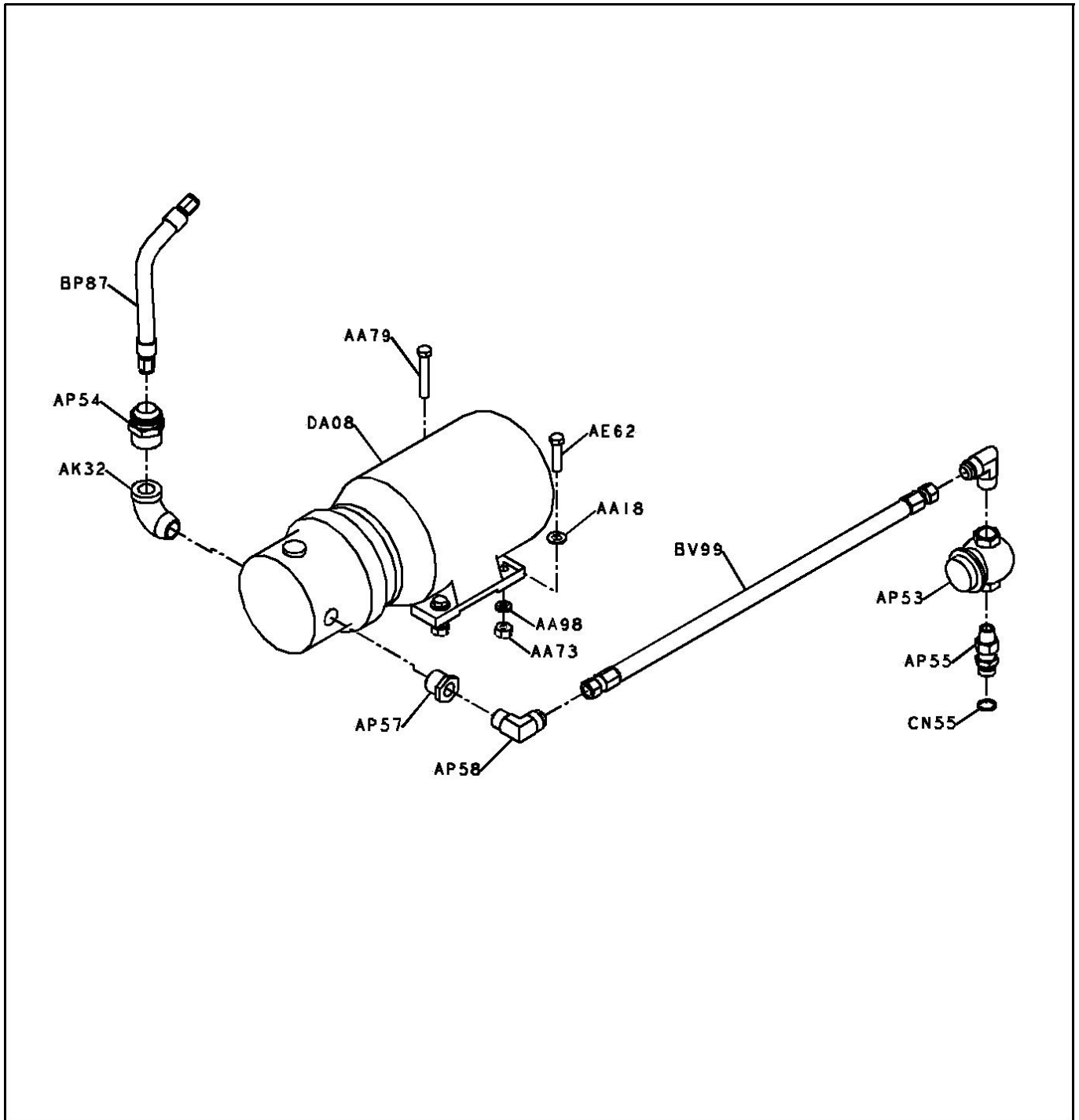


Details of Group Number: GR_16_01_01_010

MOUNTING,ALTERNATOR MAIN

S No	Ref No	Part No	Description	Qty	serviceable	Remarks
			MOUNTING,ALTERNATOR MAIN			
1	-	4912893	MOUNTING,ALTERNATOR MAIN	1	Y	
2	AE97	S 125	SCREW, HEXAGON HEAD CAP	16	Y	
3	AA09	S 608	WASHER, LOCK	24	Y	
4	AA84	S 670	WASHER, PLAIN	24	Y	
5	DB08	213364	SCREW,HEXAGON HEAD CAP	8	Y	

MOUNTING,PRIMER

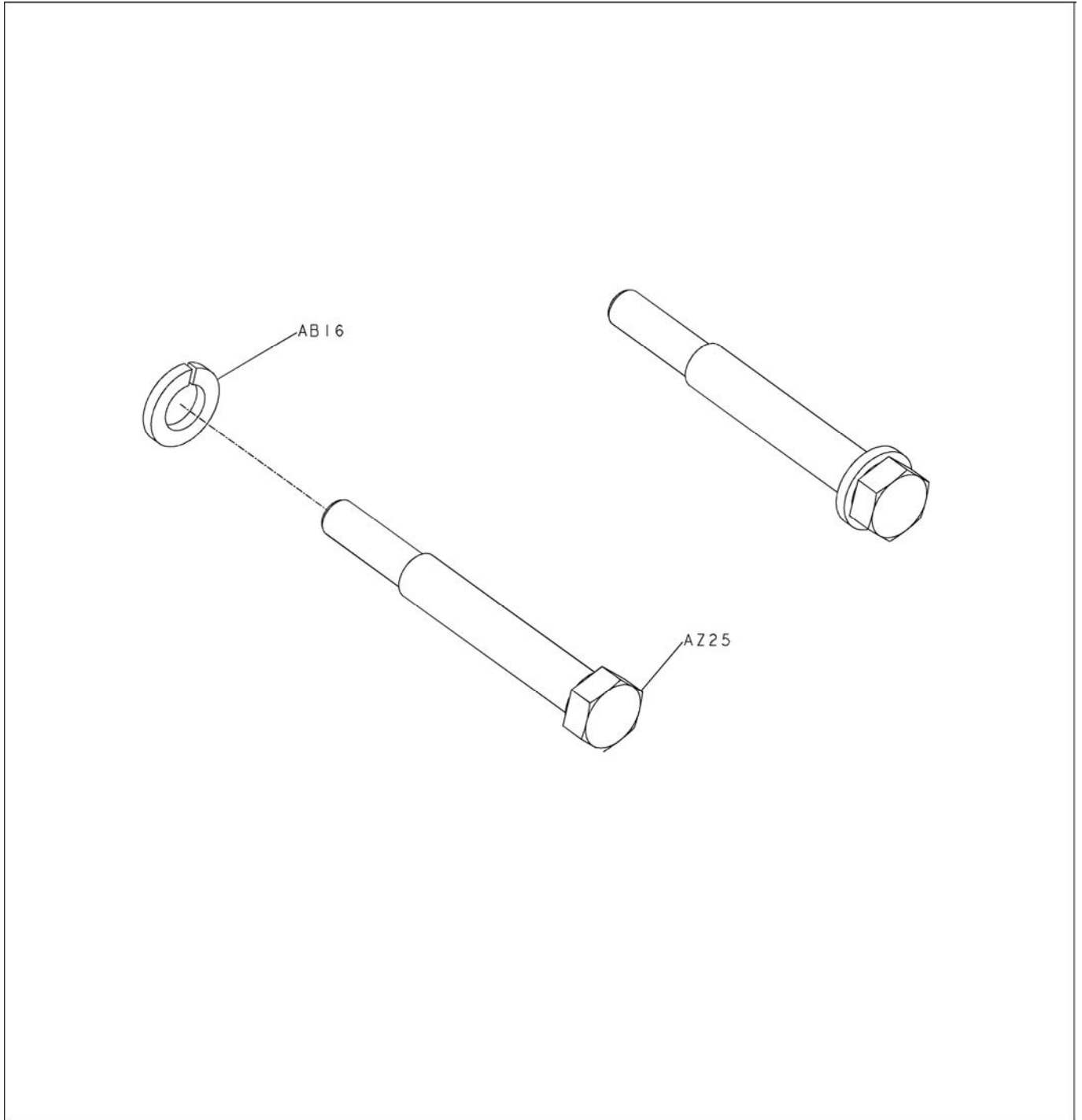


Details of Group Number: GR_07_06_01_007

MOUNTING,PRIMER

S No	Ref No	Part No	Description	Qty	serviceable	Remarks
			MOUNTING,PRIMER			
1	-	4105810	MOUNTING,PRIMER	1	N	
2	AE62	108707	SCREW, HEXAGON HEAD CAP	2	Y	
3	AA79	S 104	SCREW,HEXAGON HEAD CAP	2	Y	
4	AA73	S 223	NUT, HEAVY HEXAGON	4	Y	
5	AA98	S 604	WASHER, LOCK	4	Y	
6	AA18	S 602	WASHER, PLAIN	4	Y	
7	AK32	S 988	ELBOW,PLAIN STREET PIPE	1	Y	
8	AP54	119984	CONNECTOR,MALE	1	Y	
9	BP87	AK16030MS	HOSE FLEXIBLE	1	Y	
10	AP57	S 982	BUSHING, REDUCING PIPE	1	Y	
11	AP58	100501	ELBOW, MALE ADAPTER	2	Y	
12	BV99	AK10030SS	COUPLING PLAIN HOSE	1	Y	
13	AP53	3233694	VALVE,CHECK	1	Y	
14	-	4105799	CONNECTOR, MALE	1	Y	
15	AP55	4105681	CONNECTOR,MALE	1	Y	PART NO. FOR SERVICE 4105799
16	CN55	3046201	SEAL O RING	1	Y	
			PRIMER,ENGINE LUBRICATING			
17	DA08	4971836	PRIMER,ENGINE LUBRICATING	1	Y	
18	-	4971841	PRIMER,ENGINE LUBRICATING	1	Y	
19		4971840	OIL SEAL	1	Y	
20		4971839	OIL SEAL	1	Y	
21		4971838	SEAL,O RING	1	Y	
22		4971837	SEAL,O RING	1	Y	

MTG ALTERNATOR BRACKET

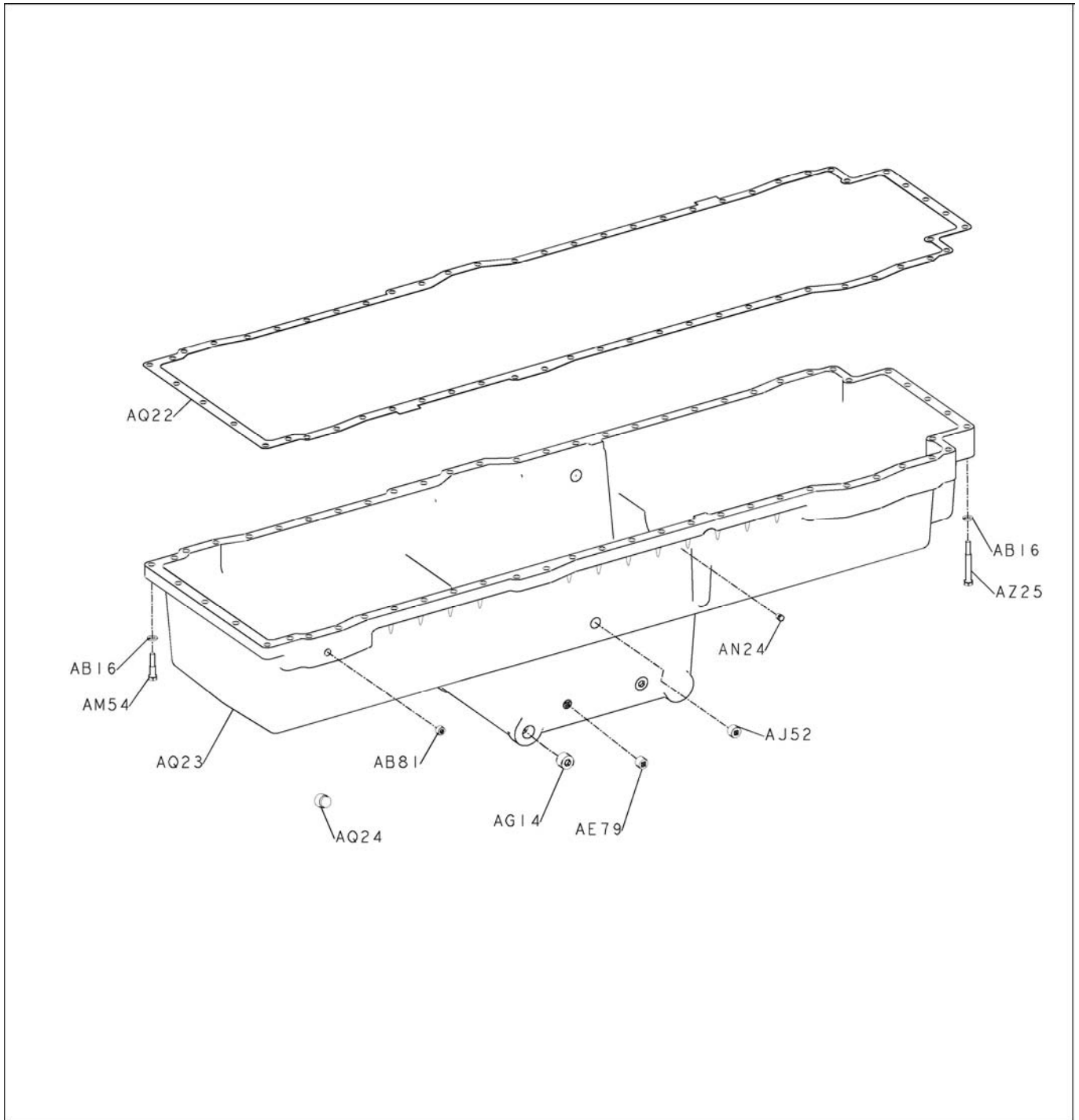


Details of Group Number: GR_13_10_00_042

MTG ALTERNATOR BRACKET

S No	Ref No	Part No	Description	Qty	serviceable	Remarks
			MTG ALTERNATOR BRACKET			
1	-	3015278	MTG ALTERNATOR BRACKET	1	N	
2	AZ25	108767	SCREW,HEXAGON HEAD CAP	2	Y	
3	AB16	S 610	WASHER, LOCK	2	Y	

PAN OIL

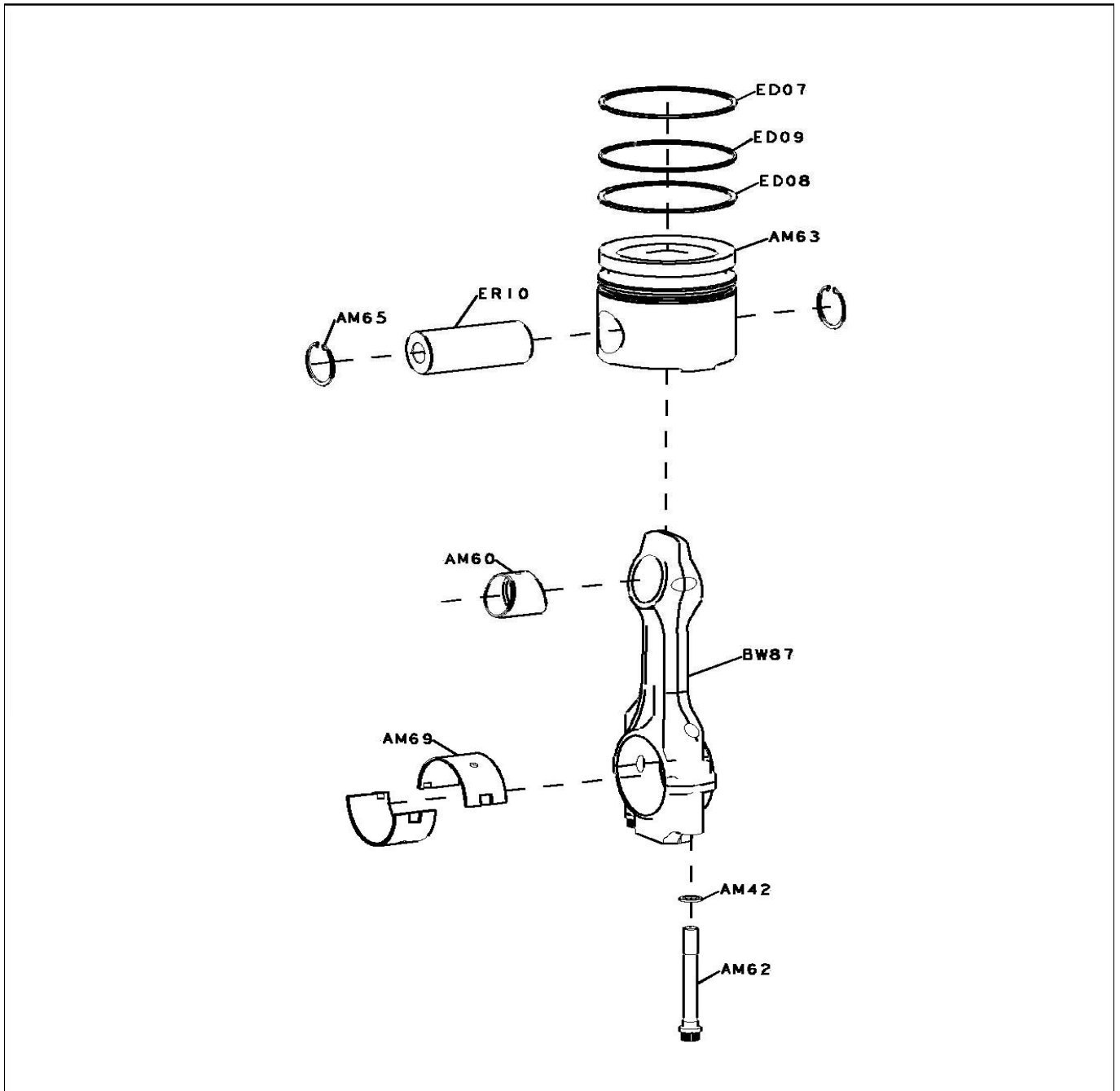


Details of Group Number: GR_07_01_00_006

PAN OIL

S No	Ref No	Part No	Description	Qty	serviceable	Remarks
			PAN OIL			
1	-	3880956	PAN OIL	1	N	
2	-	3239232	PAN,OIL	1	N	
3	AQ23	3233281	PAN,OIL	1	Y	
4	AE79	S 915A	PLUG, PIPE	2	Y	
5	AB81	67622	PLUG PIPE	1	Y	
6	AN24	3631805	PLUG,PIPE	2	Y	
7	AQ24	501390	PLUG,THREADED	2	Y	
8	AG14	S 962	PLUG PIPE	4	Y	
9	AJ52	S 995	PLUG PIPE	1	Y	
			ADAPTER,OIL PAN			
10	-	3248433	ADAPTER,OIL PAN	1	N	
11	AQ22	3043212	GASKET,OIL PAN	1	Y	
12	AB16	S 610	WASHER, LOCK	60	Y	
13	AM54	106069	SCREW, HEXAGON HEAD CAP	31	Y	
14	AZ25	108767	SCREW,HEXAGON HEAD CAP	29	Y	

PISTON & CONNECTING ROD

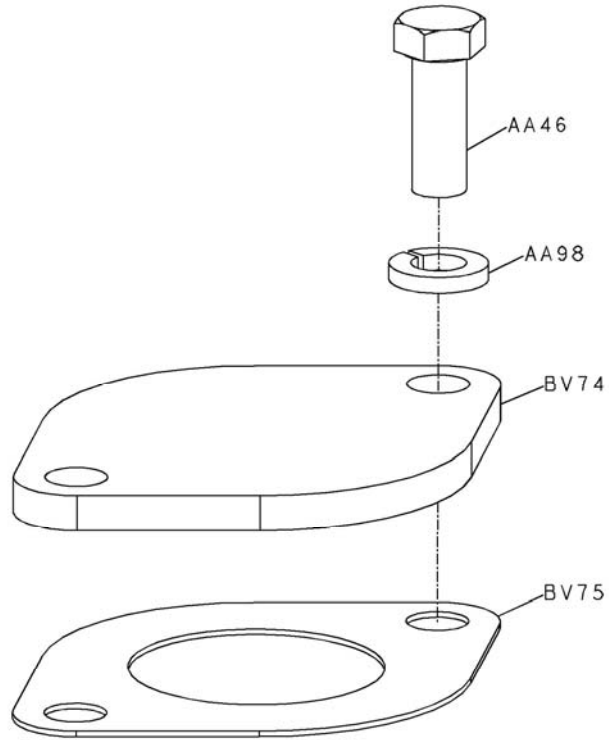


Details of Group Number: GR_01_05_00_056

PISTON & CONNECTING ROD

S No	Ref No	Part No	Description	Qty	serviceable	Remarks
			PISTON & CONN ROD			
1	-	2865802	PISTON & CONN ROD	12	N	
2	-	3632225	ROD ENGINE CONNECTING	1	Y	
3	BW87	3632169	ROD,ENGINE CONNECTING	1	N	
4	AM60	3043909	BUSHING	1	Y	
5	AM61	69558	DOWEL,PIN	4	Y	
6	AM42	205126	WASHER, PLAIN	2	Y	
7	AM62	3013266	SCREW,CONNECTING ROD CAP	2	Y	
8	ER10	4095009	PIN,PISTON	1	Y	
9	AM63	3096682	PISTON,ENGINE	1	Y	PART NO. FOR SERVICE 3238535
10	AM65	205269	RING,RETAINING	2	Y	
11	AM69	3047390	BEARING,CONNECTING ROD	2	Y	
12	ED09	4958914	RING,OIL PISTON	1	Y	
13	ED08	4958912	RING COMPRESSION PISTON	1	Y	
14	ED07	4958913	RING,COMPRESSION PISTON	1	Y	

PLATE,COVER



Details of Group Number: GR_01_01_01_032

PLATE,COVER

S No	Ref No	Part No	Description	Qty	serviceable	Remarks
1	BV74	3175522	PLATE,COVER	1	Y	
			COVER,WATER CONN MTG			
2	-	3013519	COVER,WATER CONN MTG	1	N	
3	BV74	3175522	PLATE,COVER	1	Y	
4	BV75	3175517	GASKET,FLANGE	1	Y	
5	-	3014766	SCREW,CAPTIVE WASHER CAP	2	Y	
6	AA46	S 112	SCREW, HEX HEAD CAP	1	Y	
7	AA98	S 604	WASHER, LOCK	1	Y	

PLUMBING, FUEL SUPPLY

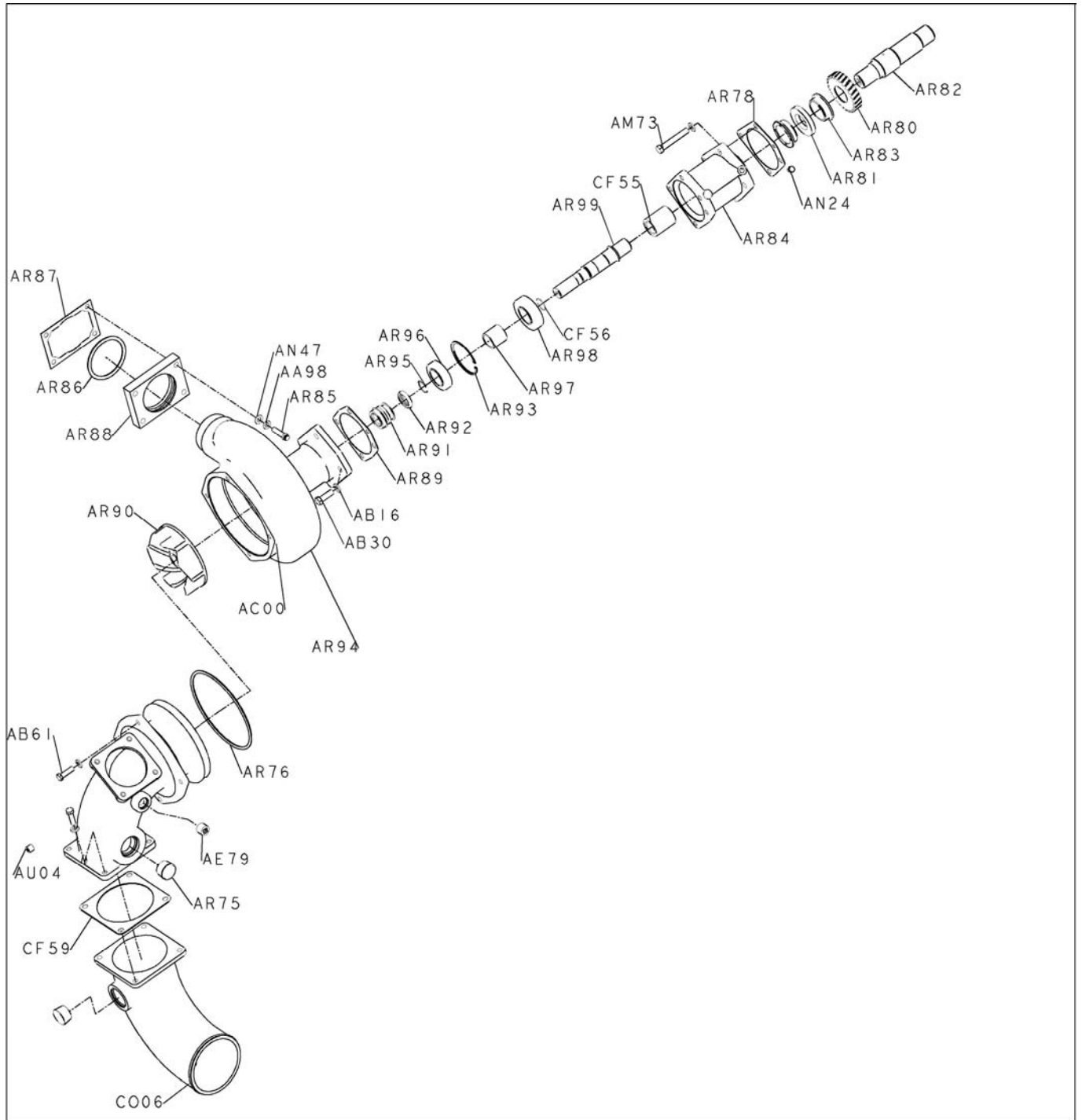
THIS PAGE IS KEPT INTENTIONALLY KEPT BLANK

Details of Group Number: GR_05_01_00_009

PLUMBING, FUEL SUPPLY

S No	Ref No	Part No	Description	Qty	serviceable	Remarks
			PLUMBING, FUEL SUPPLY			
1	-	4968488	PLUMBING, FUEL SUPPLY	1	N	
2	CR07	3414599	ELBOW, MALE ADAPTER	1	Y	PART NO. FOR SERVICE 4020850
3	AS23	3922794	SEAL O RING	1	N	
4	-	4056344	ELBOW,MALE ADAPTER	1	Y	
5	AQ58	4071906	HOSE,FLEXIBLE	1	Y	

PUMP, WATER

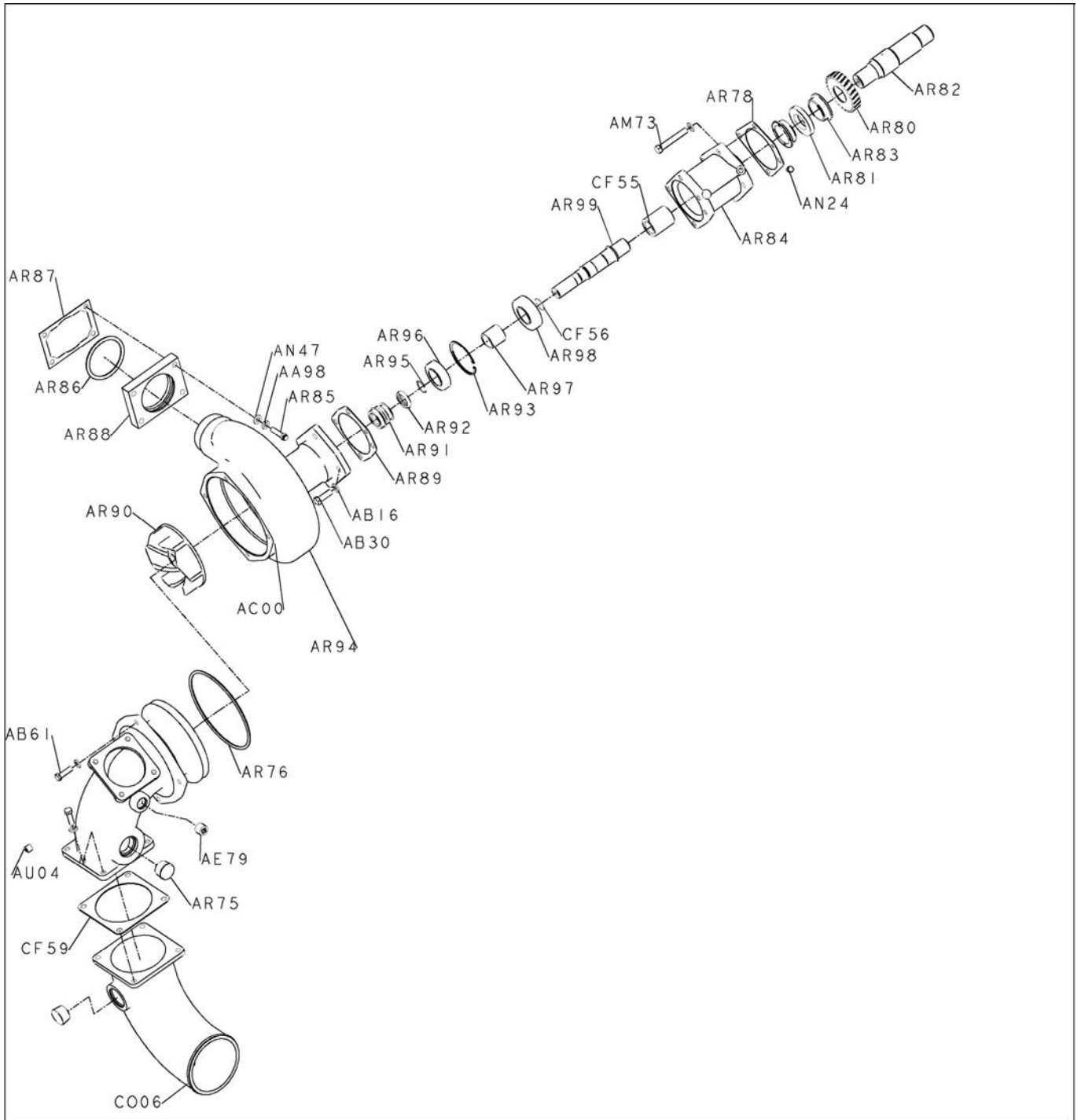


Details of Group Number: GR_08_01_00_055

PUMP, WATER

S No	Ref No	Part No	Description	Qty	serviceable	Remarks
			PUMP, WATER			
1	-	3634028	PUMP, WATER	1	N	
2	-	3634029	PUMP, WATER	1	Y	
3	-	3634030	PUMP,WATER	1	Y	
4	AR99	3634049	SHAFT,WATER PUMP	1	Y	
5	AR98	S 16069	BEARING,BALL	1	Y	
6	AR97	3030487	SPACER,BEARING	1	Y	
7	AR96	S 16054	BEARING,BALL	1	Y	
8	AR95	3175573	RING,RETAINING	1	Y	
9	AR94	3634031	BODY,WATER PUMP	1	Y	
10	AR93	70183	RING,RETAINING	1	Y	
11	AR92	3634146	SEAL,OIL	1	Y	
12	AR91	3634007	SEAL,WATER PUMP	1	Y	
13	AR90	3050453	IMPELLER,WATER PUMP	1	Y	
14	AC00	S 962E	DRAINCOCK	1	Y	
15	-	3018898	COUPLING & SNAP RING	1	N	
16	CF55	206195	SLEEVE,SPLINE COUPLING	1	Y	
17	-	206196	WIRE,ELECTRICAL	1	Y	
			PUMP WATER MOUNTING			
18	-	3176033	PUMP WATER MOUNTING	1	N	
19	AR89	206193	GASKET,WATER PUMP	1	Y	
20	AR88	3008494	ADAPTER,O RING	1	Y	
21	AR87	206455	GASKET,WATER PUMP	1	Y	
22	AR86	3007512	SEAL,O RING	1	Y	
23	AB16	S 610	WASHER, LOCK	4	Y	
24	AB30	103009	SCREW, HEXAGON HEAD CAP	5	Y	
25	AN47	3628902	WASHER,PLAIN	2	Y	
26	AA98	S 604	WASHER, LOCK	6	Y	
27	AR85	199919	SCREW,TWELVE POINT CAP	4	Y	
			SUPPORT, WATER PUMP			
28	-	3634065	SUPPORT, WATER PUMP	1	Y	
29	-	3634066	SUPPORT, WATER PUMP	1	Y	
30	AR84	3634067	SUPPORT,WATER PUMP	1	N	PART NO. FOR SERVICE 3634065
31	AR83	3629855	BUSHING	2	Y	
32	AN24	3631805	PLUG,PIPE	1	Y	
33	-	3628639	SHAFT, WATER PUMP	1	Y	
34	AR82	3628187	SHAFT,WATER PUMP	1	N	PART NO. FOR SERVICE 3628639
35	AR81	3627723	RETAINER,SHAFT	1	N	PART NO. FOR SERVICE 3628639
36	AR80	207251	GEAR,WATER PUMP	1	Y	
37	AD85	68193	PLUG PIPE	1	Y	
38	AR79	3634019	PLUG,EXPANSION	1	Y	
			SUPPORT WATER PUMP MTG			
39	-	MP5273	SUPPORT WATER PUMP MTG	1	Y	
40	AR78	206416	GASKET,SUPPORT	1	Y	

PUMP, WATER

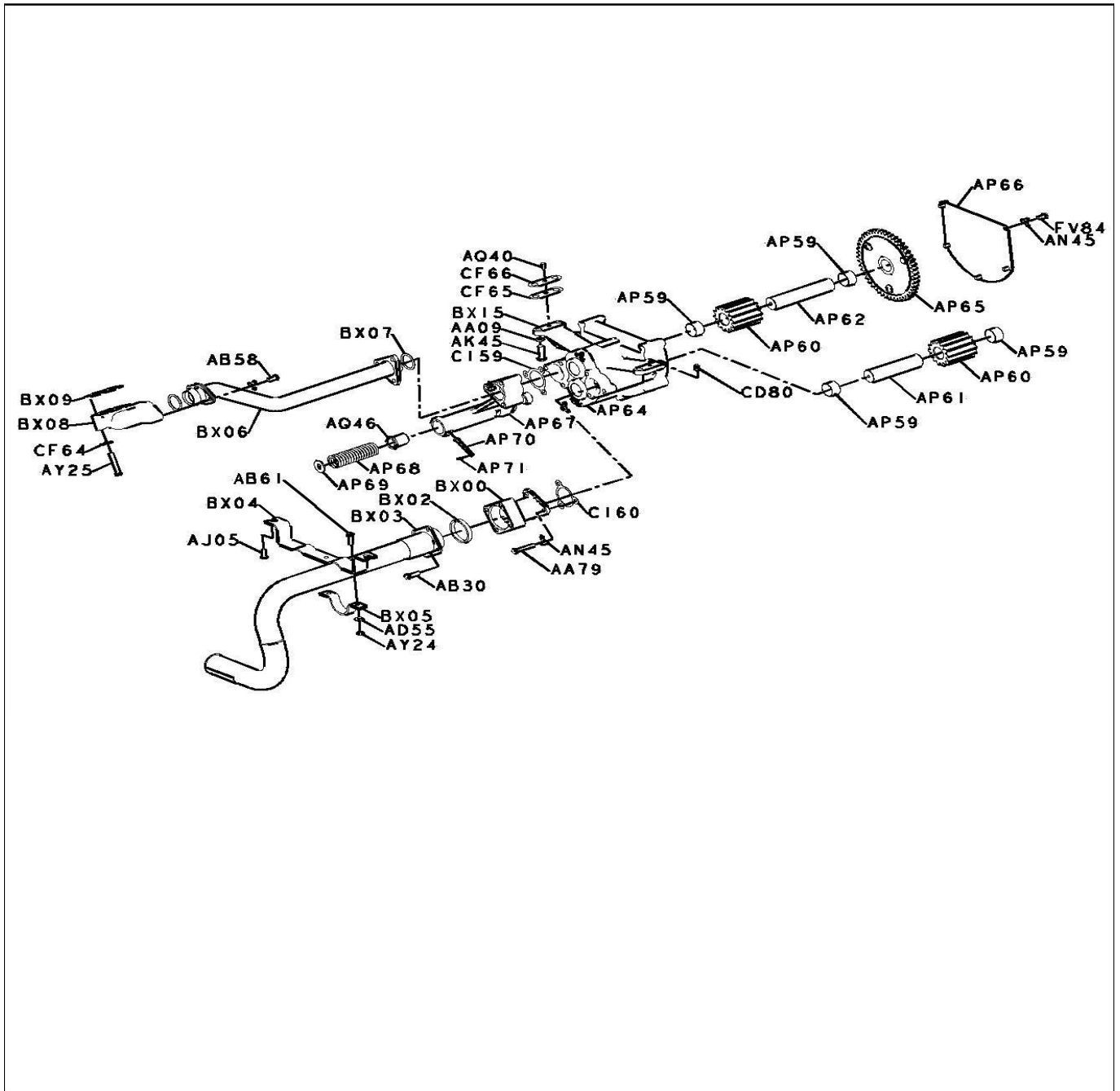


Details of Group Number: GR_08_01_00_055

PUMP, WATER

S No	Ref No	Part No	Description	Qty	serviceable	Remarks
41	AB16	S 610	WASHER, LOCK	4	Y	
42	AB30	103009	SCREW, HEXAGON HEAD CAP	1	Y	
43	AM73	S 162A	SCREW,HEXAGON HEAD CAP	3	Y	
44	AR77	3045568	CONNECTION,WATER INLET	1	Y	
			MTG,CONNECTION WATER PUMP			
45	-	3176034	MTG,CONNECTION WATER PUMP	1	N	
46	AA18	S 602	WASHER, PLAIN	4	Y	
47	AA98	S 604	WASHER, LOCK	6	Y	
48	AB61	S 103D	SCREW, HEXAGON HEAD CAP	4	Y	
49	AE62	108707	SCREW, HEXAGON HEAD CAP	2	Y	
50	AR76	206457	SEAL,O RING	1	Y	
51	AR75	S 907A	PLUG,PIPE	1	Y	
52	AE79	S 915A	PLUG, PIPE	1	Y	
53	AU04	S 910B	PLUG PIPE	2	Y	
			CONNECTION, WATER			
54	-	MP5494	CONNECTION, WATER	1	Y	
55	AR70	3179035	GASKET,WTR TRF CONNECTION	1	Y	
56	AA98	S 604	WASHER, LOCK	4	Y	
57	AB61	S 103D	SCREW, HEXAGON HEAD CAP	4	Y	
58	CO06	207538	CONNECTION,WATER INLET	1	Y	
59	AR75	S 907A	PLUG,PIPE	1	Y	

PUMP,LUBRICATING OIL

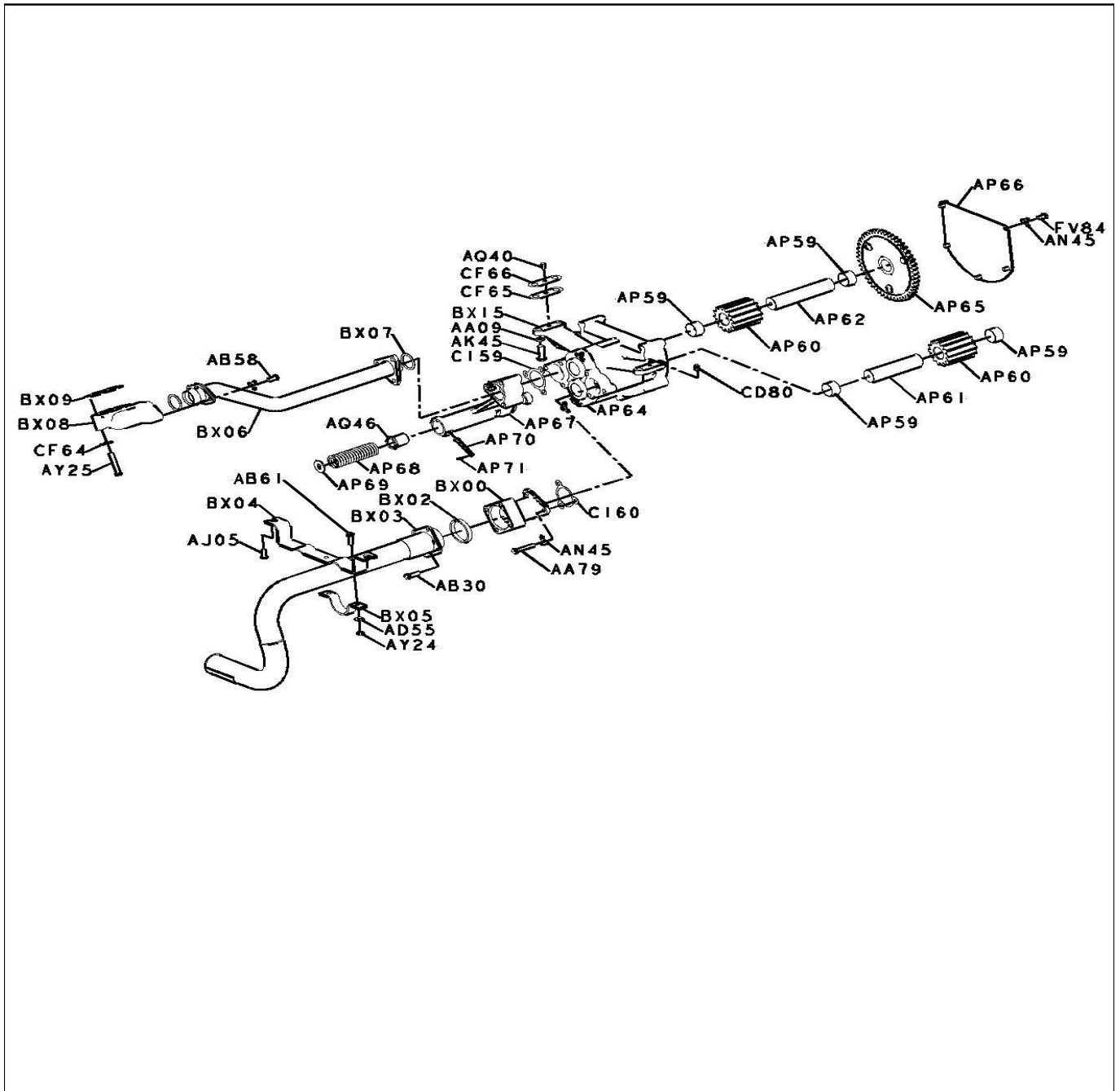


Details of Group Number: GR_07_06_00_032

PUMP,LUBRICATING OIL

S No	Ref No	Part No	Description	Qty	serviceable	Remarks
			PUMP,LUBRICATING OIL			
1	-	3634640	PUMP,LUBRICATING OIL	1	Y	
2	-	3634639	BODY,LUBRICATING OIL PUMP	1	Y	
3	AP56	3634638	BODY,LUBRICATING OIL PUMP	1	Y	
4	AP59	205548	BUSHING	2	Y	
5	-	AR12386	SHAFT, LUB OIL PUMP DRIVE	1	Y	
6	AP60	205547	GEAR,LUBRICATING OIL PUMP	1	N	
7	AP62	205544	SHAFT,LUB OIL PUMP	1	Y	
8	-	AR11461	SHAFT, LUB OIL PUMP DRIVE	1	Y	
9	AP60	205547	GEAR,LUBRICATING OIL PUMP	1	N	
10	AP61	205545	SHAFT,LUB OIL PUMP	1	Y	
11	AP65	206756	GEAR,LUBRICATING OIL PUMP	1	Y	
12	AP66	205546	COVER,LUB OIL PUMP	1	Y	
13	AN45	109319	LOCKPLATE	7	Y	
14	AK40	S 117	SCREW, HEXAGON HEAD CAP	5	Y	
15	CD80	107948	DOWEL,DIAMOND	2	Y	
16	AQ40	69519	DOWEL,PIN	2	Y	
17	AP63	205532	GASKET,LUB OIL PUMP	1	Y	
18	-	205549	COVER,LUB OIL PUMP	1	Y	
19	AP64	206946	COVER,LUB OIL PUMP	1	N	
20	AP59	205548	BUSHING	2	Y	
21	AW05	S 174B	SCREW, HEXAGON HEAD CAP	2	Y	
			ASSEMBLY, OIL SUCTION			
22	-	3880505	ASSEMBLY, OIL SUCTION	1	N	
23	-	3880502	TUBE,LUB OIL SUCTION	1	N	
24	BX03	3877071	TUBE,LUB OIL SUCTION	1	Y	
25	BX02	3026391	SEAL,RECTANGULAR RING	1	Y	
26	BS78	68908	LOCKPLATE	4	Y	
27	AB30	103009	SCREW, HEXAGON HEAD CAP	4	Y	
28	-	3880503	ADAPTER,SUCTION TUBE	1	N	
29	BX00	3877066	CONNECTION,ADAPTER	1	Y	
30	BX01	206013	GASKET,FLANGE	1	Y	
31	AN45	109319	LOCKPLATE	3	Y	
32	AA79	S 104	SCREW,HEXAGON HEAD CAP	3	Y	
33	-	3880504	BRACKET,OIL SUCTION	1	N	
34	BX04	3877070	BRACKET,OIL TUBE	1	Y	
35	BX05	3877069	CLAMP,TUBE	1	Y	
36	AB61	S 103D	SCREW, HEXAGON HEAD CAP	2	Y	
37	AD55	108330	WASHER, PLAIN	2	Y	
38	AY24	70168	NUT,LOCK	2	Y	
39	AJ05	129510	SCREW, HEXAGON HEAD CAP	2	Y	
			VALVE,PRESSURE RELIEF			
40	-	3175450	VALVE,PRESSURE RELIEF	1	N	

PUMP,LUBRICATING OIL

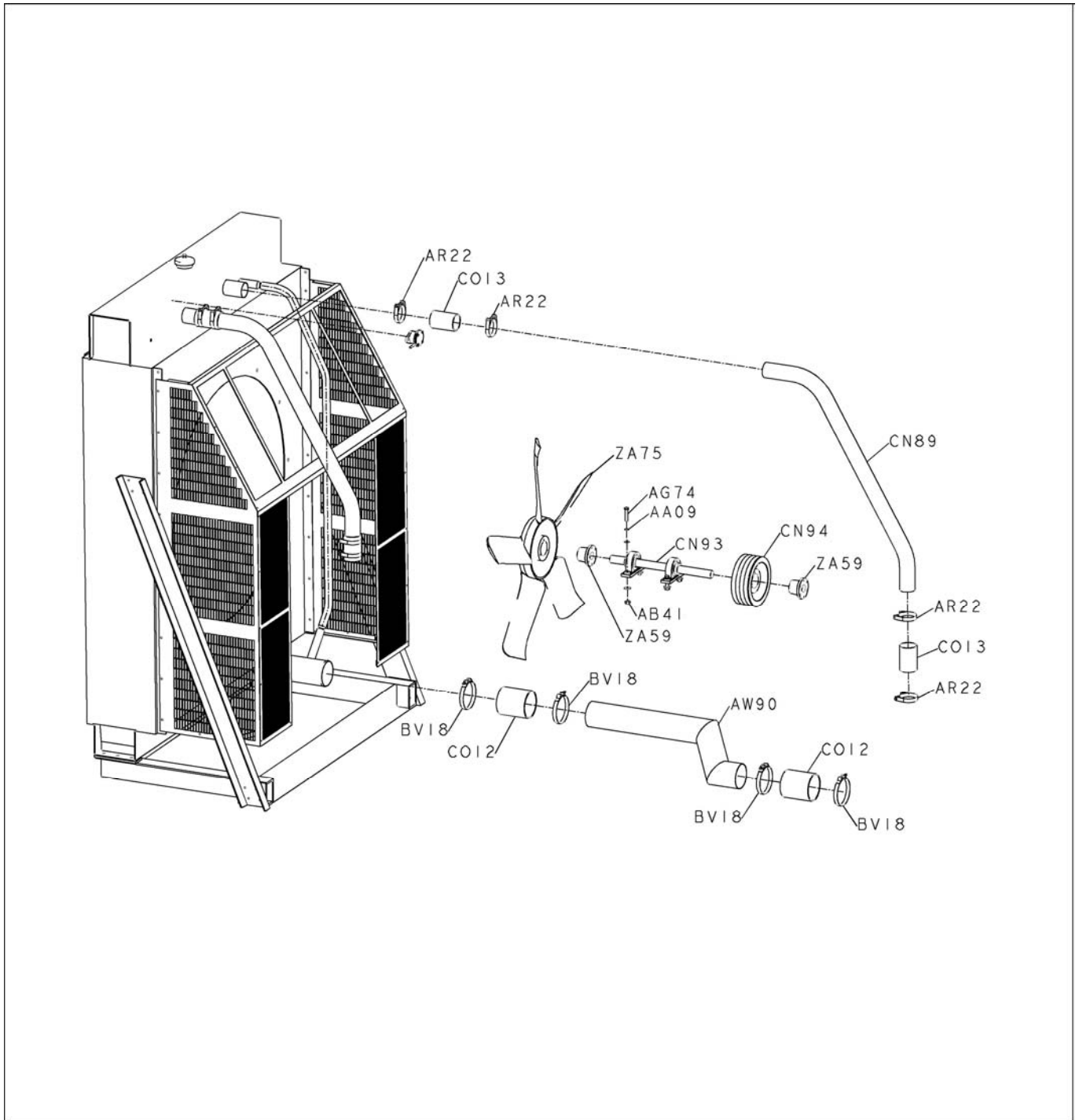


Details of Group Number: GR_07_06_00_032

PUMP,LUBRICATING OIL

S No	Ref No	Part No	Description	Qty	serviceable	Remarks
41	CI59	206177	GASKET, PRS RLF VALVE BODY	1	Y	
42	AQ08	S 169A	SCREW,HEXAGON HEAD CAP	3	Y	
			VALVE, PRESSURE RELIEF			
43	-	AR11475	VALVE, PRESSURE RELIEF	1	Y	
44	AP67	3001718	BODY,PRS RELIEF VALVE	1	Y	
45	AQ46	3021618	PLUNGER,PRS REGULATOR	1	Y	
46	AP68	205607	SPRING,PRESSURE REGULATOR	1	Y	
47	AP69	3177093	WASHER,PLAIN	1	Y	
48	AP70	3001719	PIN,STRAIGHT	1	Y	
49	AP71	107695	PIN,ROLL	2	Y	
50	AJ52	S 995	PLUG PIPE	1	Y	
			TUBE,LUB OIL TRANSFER			
51	-	3240945	TUBE,LUB OIL TRANSFER	1	N	
52	BX08	3176713	CONNECTION,OIL TRANSFER	1	Y	
53	BX06	3026705	TUBE,LUB OIL TRANSFER	1	Y	
			TUBE,OIL TRANSFER			
54	-	3176025	TUBE,OIL TRANSFER	1	N	
55	BX09	3000632	GASKET,CONNECTION	1	Y	
56	BX07	3026393	SEAL,O RING	2	Y	
57	CF64	151355	LOCKPLATE	2	Y	
58	AY25	S 121B	SCREW, HEXAGON HEAD CAP	2	Y	
59	BS78	68908	LOCKPLATE	3	Y	
60	AB58	S 109	SCREW, HEXAGON HEAD CAP	2	Y	
61	AN45	109319	LOCKPLATE	2	Y	
			LUBE OIL PUMP MTG			
62	-	3634561	LUBE OIL PUMP MTG	1	N	
63	AA09	S 608	WASHER, LOCK	4	Y	
64	CF65	3026312	SHIM	2	Y	
65	CF66	3026313	SHIM	2	Y	
66	AK45	S 113	SCREW , HEXAGON HEAD CAP	4	Y	

RADIATOR

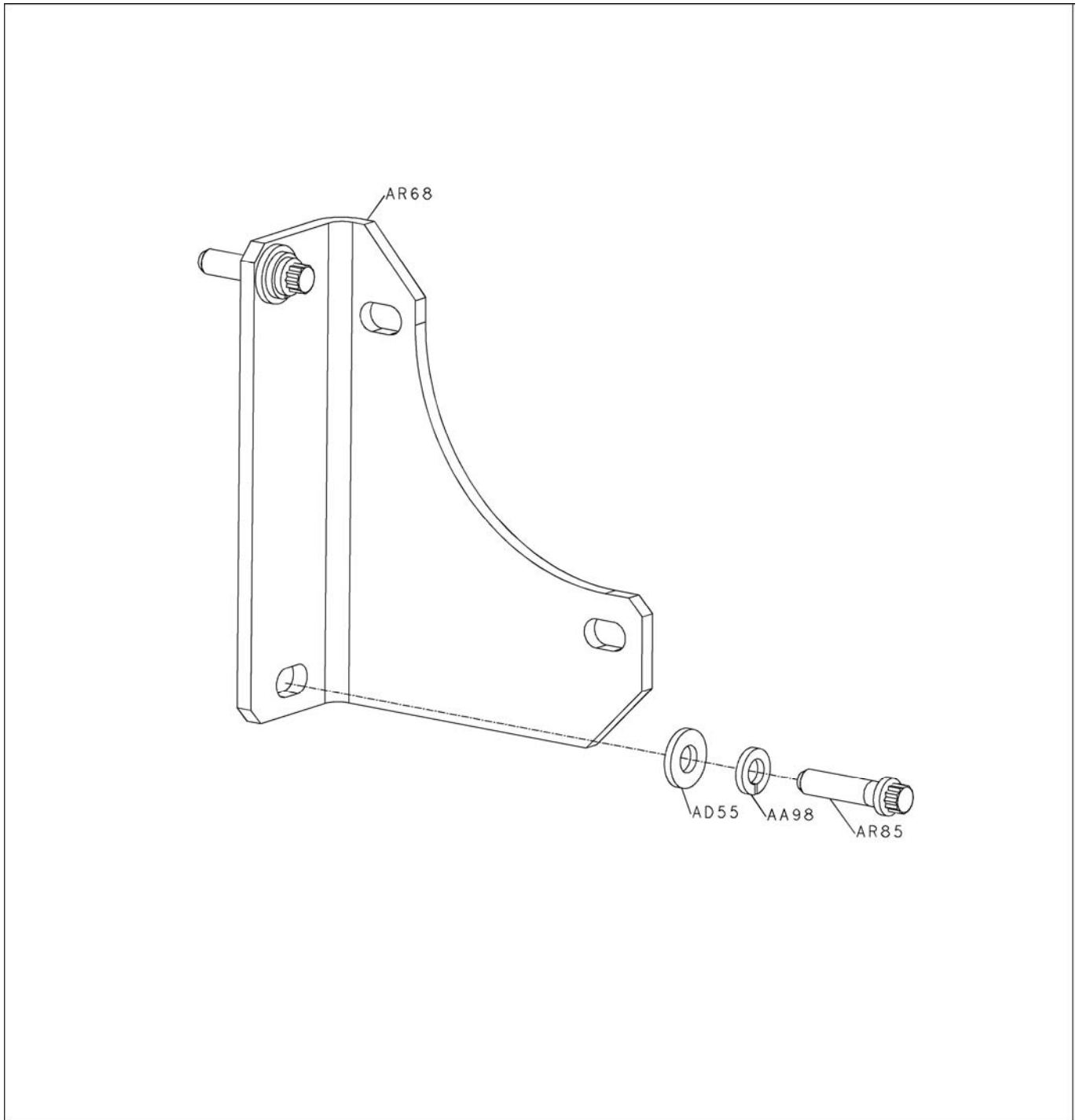


Details of Group Number: GR_08_13_00_055

RADIATOR

S No	Ref No	Part No	Description	Qty	serviceable	Remarks
			KIT,RADIATOR PARTS			
1		4105242	KIT,RADIATOR PARTS	1	N	
2	-	3167490	RADIATOR	1	Y	
3	-	3166797	RADIATOR	1	Y	
4	-	3414431	RADIATOR	1	N	
5	-	3166796	RADIATOR	1	Y	PART NO. FOR SERVICES- 3167490
6	-	3229999	BRACE,RADIATOR	1	Y	
7	-	3229998	BRACE,RADIATOR	1	Y	
8	-	3229996	SUPPORT,RADIATOR	1	N	
9	AA84	S 670	WASHER, PLAIN	4	Y	
10	AA09	S 608	WASHER, LOCK	4	Y	
11	AG74	S 150	SCREW,HEXAGON HEAD CAP	4	Y	
12	AB41	S 200	NUT,HEAVY HEXAGON	4	Y	
13	-	S 696	WASHER,PLAIN	4	Y	
14	CN93	3229896	SHAFT,FAN HUB	1	Y	
15	-	3166896	FAN,ENGINE	1	N	
16	ZA75	3230065	FAN,ENGINE	1	Y	
17	ZA59	3229047	SLEEVE	1	Y	
18	AA98	S 604	WASHER, LOCK	3	Y	
19	AE62	108707	SCREW, HEXAGON HEAD CAP	3	Y	
20	ZA76	218008	BEARING, PILLOW BLOCK	2	Y	
21	CN94	3229995	PULLEY,FAN DRIVE	1	Y	
22	ZA59	3229047	SLEEVE	1	Y	
23	AU04	S 910B	PLUG PIPE	1	Y	
24	BS55	3167420	PANEL,FAN GUARD	1	Y	
25	-	3167421	PANEL,FAN GUARD	1	Y	
26	-	3167422	PANEL,FAN GUARD	1	Y	
27	-	3167423	PANEL,FAN GUARD	1	Y	
28	-	3167606	BRACE,FAN GUARD	2	Y	
29	-	3235129	VALVE PRESSURE	1	Y	
30	BS56	3167424	PANEL,FAN GUARD	1	Y	
31		4105461	CONNECITON,RADIATOR	1	N	
32	AW99	3230134	BELT,V	1	Y	
33	BP00	3008837	GAUGE,SIGHT	1	Y	
34	-	4084762	SWITCH,COOLANT LEVEL	1	Y	

SUPPORT, WATER PUMP

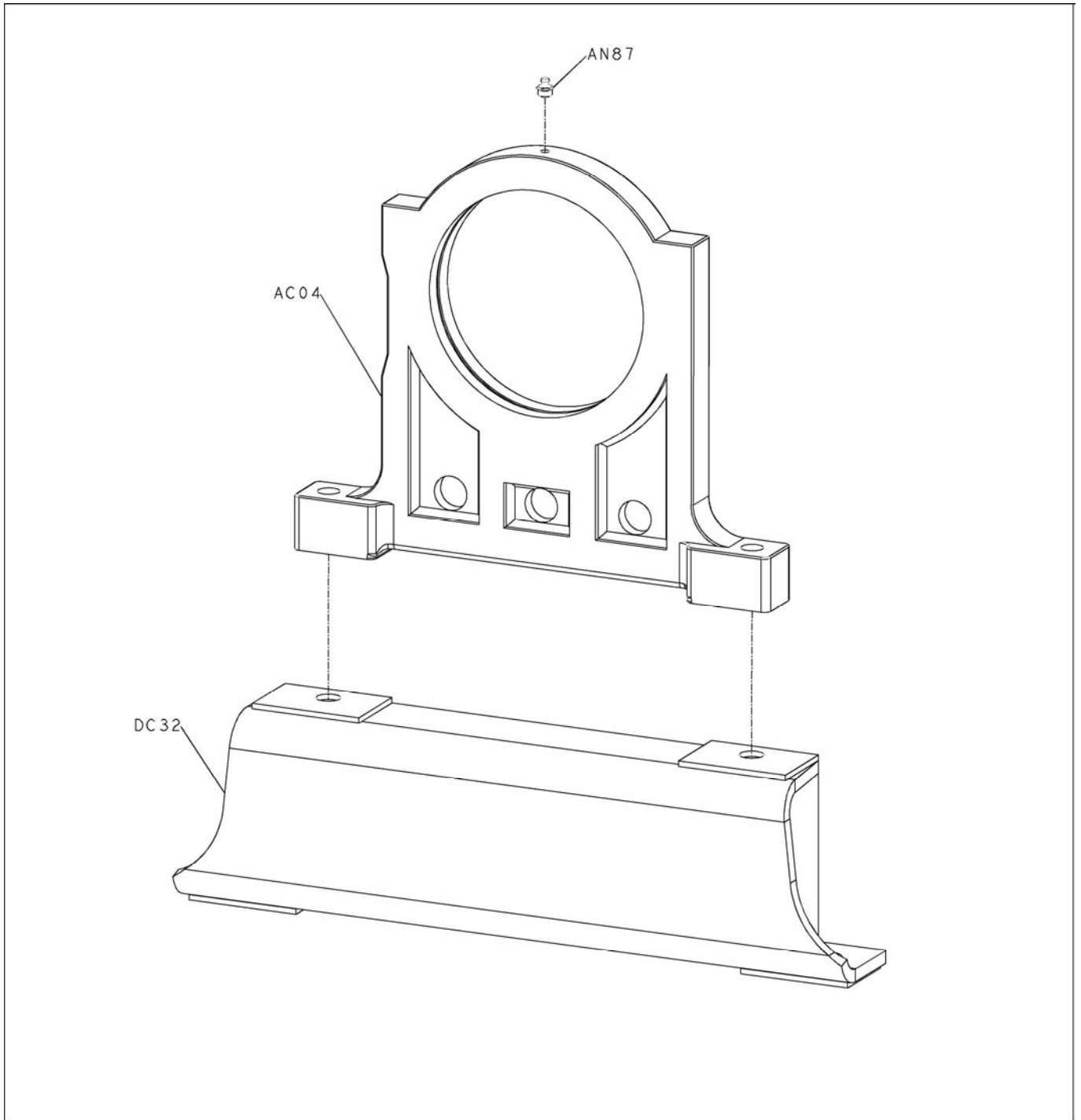


Details of Group Number: GR_08_01_01_030

SUPPORT, WATER PUMP

S No	Ref No	Part No	Description	Qty	serviceable	Remarks
1	AR68	3175857	SUPPORT,WATER PUMP	1	Y	
			SUPPORT,WATER PUMP			
2	-	3175383	SUPPORT,WATER PUMP	1	N	
3	AD55	108330	WASHER, PLAIN	2	Y	
4	AA98	S 604	WASHER, LOCK	2	Y	
5	AR85	199919	SCREW,TWELVE POINT CAP	2	Y	

SUPPORT,FRONT ENGINE

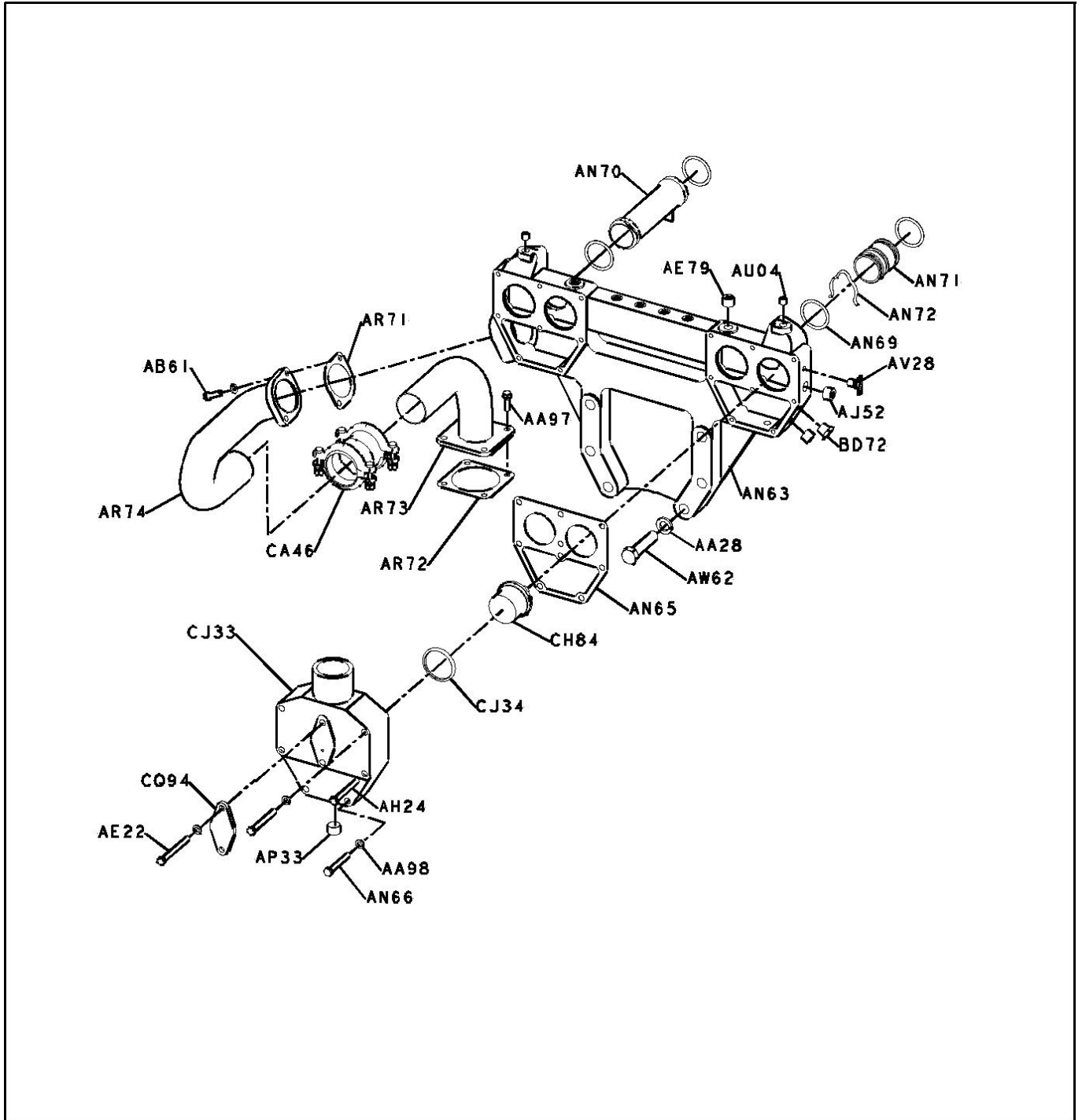


Details of Group Number: GR_16_01_01_001

SUPPORT,FRONT ENGINE

S No	Ref No	Part No	Description	Qty	serviceable	Remarks
1	DC32	4912593	SUPPORT,FRONT ENGINE	1	Y	
			SUPPORT FRONT ENGINE			
2	-	3240186	SUPPORT FRONT ENGINE	1	N	
3	AC04	3177812	SUPPORT,FRONT ENGINE	1	Y	
4	AN87	S 2268	FITTING,GREASE	1	Y	

THERMOSTAT

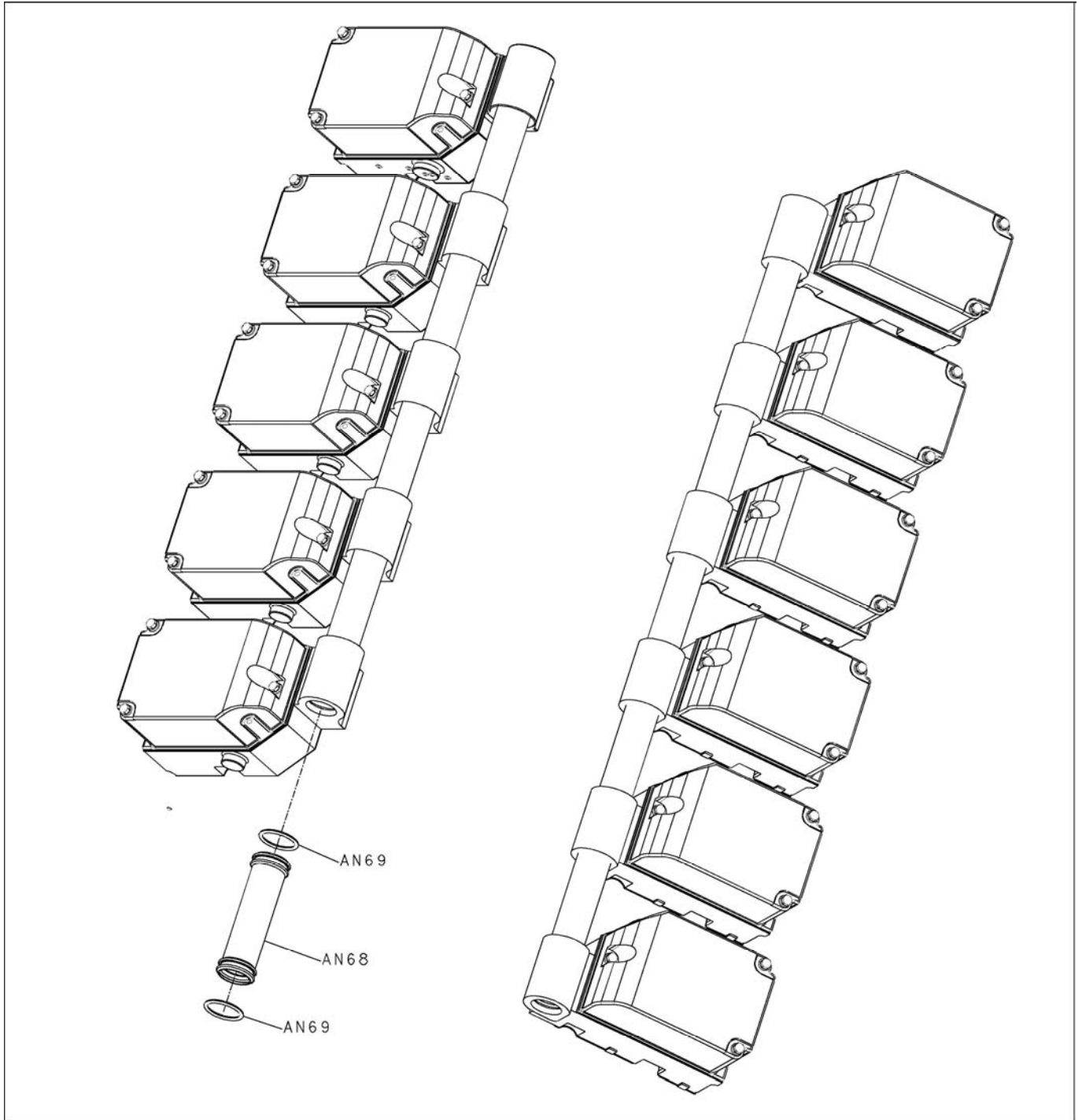


Details of Group Number: GR_08_07_01_029

THERMOSTAT

S No	Ref No	Part No	Description	Qty	serviceable	Remarks
			SUPPORT THERMOSTAT			
1	-	4020982	SUPPORT THERMOSTAT	1	N	
2	AN63	3627808	SUPPORT,THM HOUSING	1	Y	
3	AJ52	S 995	PLUG PIPE	2	Y	
4	AV28	S 923E	DRAIN COCK	2	Y	1/4 NPTF
5	AU04	S 910B	PLUG PIPE	2	Y	
6	AE79	S 915A	PLUG, PIPE	7	Y	
			HOUSING,THERMOSTAT			
7	-	3036555	HOUSING,THERMOSTAT	2	N	
8	-	AR11501	HSG.THERMOSTAT	1	Y	
9	CJ33	3035844	HOUSING,THERMOSTAT	1	Y	
10	CJ34	3627961	SEAL,THERMOSTAT	2	Y	
11	CH84	3629205	THERMOSTAT	2	Y	
12	AN65	206443	GASKET,THERMOSTAT HOUSING	1	Y	
13	AP33	3628607	PLUG,PIPE	1	Y	
14	AA98	S 604	WASHER, LOCK	6	Y	
15	AN66	S 141	SCREW HEXAGON HEAD CAP	2	Y	
16	AH24	S 163	SCREW,HEXAGON HEAD CAP	4	Y	
			TUBE,WTR TRANSFER LB			
17	-	3005118	TUBE,WTR TRANSFER LB	1	N	
18	AN71	3002956	TUBE,WATER TRANSFER	1	Y	
19	AN72	205976	RING,RETAINING	1	Y	
20	AN69	3028291	SEAL,O RING	2	Y	
			TUBE WATER TRANSFER			
21	-	3040881	TUBE WATER TRANSFER	1	N	
22	AN70	3040710	TUBE,WATER TRANSFER	1	Y	
23	AN69	3028291	SEAL,O RING	2	Y	
			HOUSING, SUPPORT MOUNTING			
24	-	MP5492	HOUSING, SUPPORT MOUNTING	1	N	
25	AA28	S 611	WASHER LOCK	6	Y	
26	AW62	S 195B	SCREW, HEXAGON HEAD CAP	6	Y	
			PLATE, COVER			
27	-	3012148	PLATE, COVER	2	N	
28	CQ94	3003379	PLATE,COVER	1	Y	
29	AA98	S 604	WASHER, LOCK	2	Y	
30	AE22	S 199B	SCREW, HEX HEAD CAP	2	Y	
31	AM83	3818885	SEAL,O RING	2	Y	
			TUBE,WATER BYPASS			
32	-	3240967	TUBE,WATER BYPASS	1	N	
33	CA46	3872294	COUPLING,FLEXIBLE PIPE	1	Y	
34	AR74	4072508	TUBE,WATER BYPASS	1	N	
35	AR73	4072505	TUBE,WATER BYPASS	1	N	
36	AR72	3050944	GASKET,FLANGE	1	Y	
37	AR71	206460	GASKET,CONNECTION	1	Y	
38	AA98	S 604	WASHER, LOCK	2	Y	
39	AB61	S 103D	SCREW, HEXAGON HEAD CAP	2	Y	
40	AA97	3010596	SCREW, CAPTIVE WASHER CAP	4	Y	MULTIREPLACED
41	BD72	4053490	ADAPTER O RING	1	Y	

TUBE WATER TRANSFER

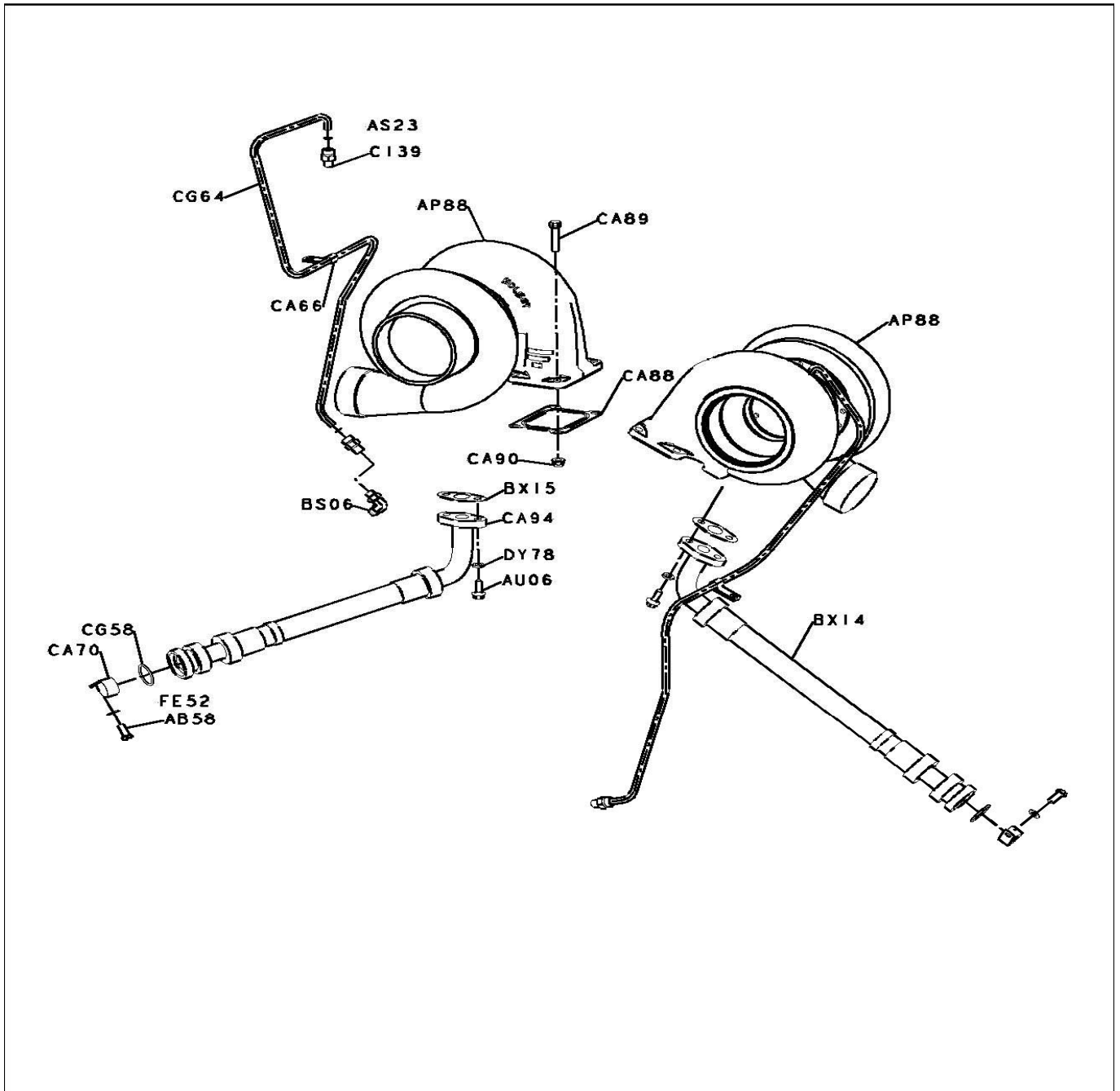


Details of Group Number: GR_03_01_00_010

TUBE WATER TRANSFER

S No	Ref No	Part No	Description	Qty	serviceable	Remarks
			TUBE WATER TRANSFER			
1	-	AR12428	TUBE WATER TRANSFER	10	Y	
2	AN68	206709	TUBE,WATER TRANSFER	1	Y	
3	AN69	3028291	SEAL,O RING	2	Y	

TURBOCHARGER

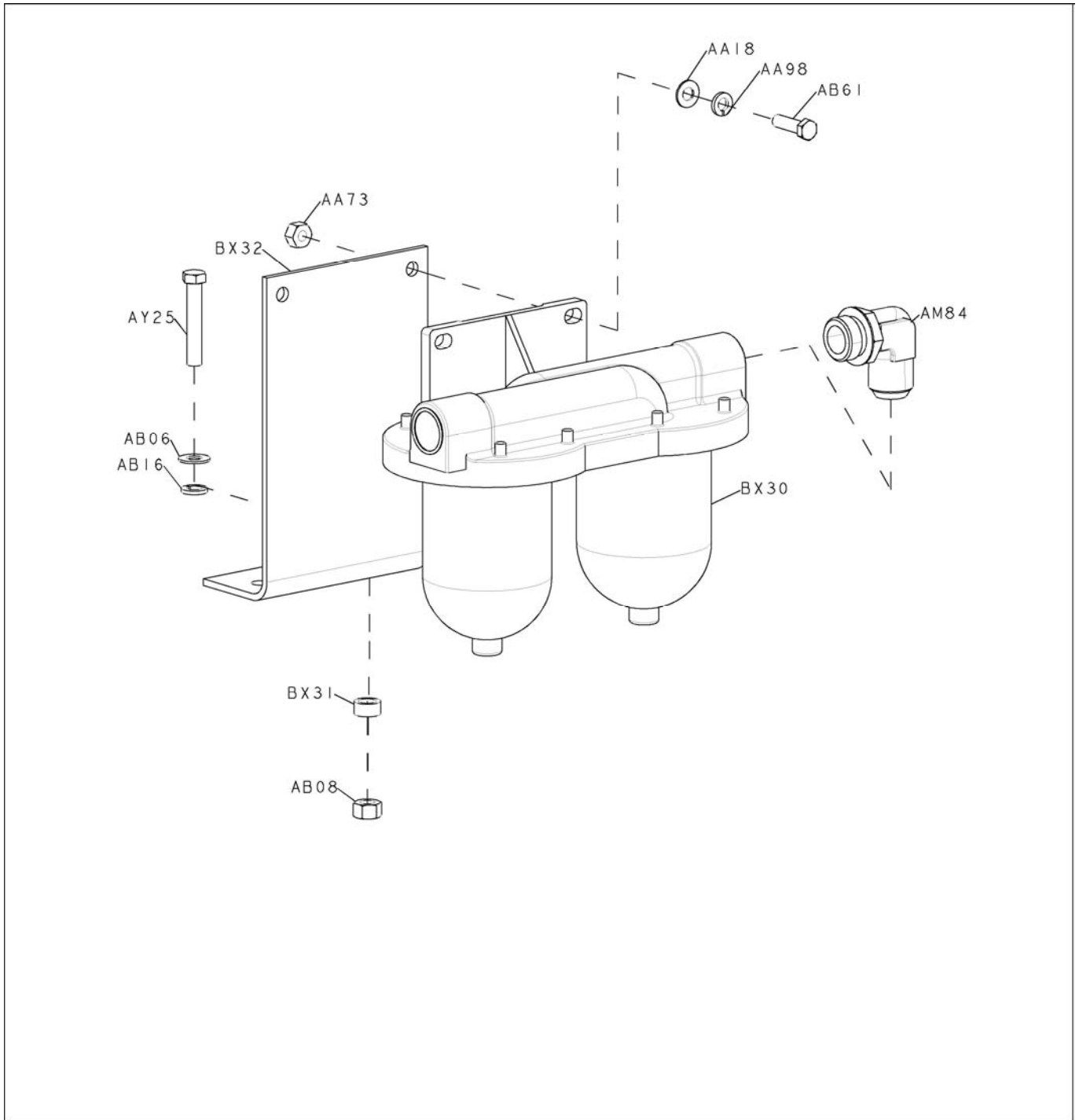


Details of Group Number: GR_10_06_00_094

TURBOCHARGER

S No	Ref No	Part No	Description	Qty	serviceable	Remarks
			TURBOCHARGER			
1	-	2843510	TURBOCHARGER	1	N	
2	AP88	3537945	TURBOCHARGER	1	N	
3	-	3594555	HOUSING,TUR BEARING	1	Y	
4	-	3597942	HOUSING, TURBINE	1	Y	
5	-	3527369	HOUSING,COMPRESSOR	1	Y	
			TURBOCHARGER			
6	-	2843511	TURBOCHARGER	1	N	
7	AP88	3537945	TURBOCHARGER	1	N	
8	-	3594555	HOUSING,TUR BEARING	1	Y	
9	-	3597942	HOUSING, TURBINE	1	Y	
10	-	3527369	HOUSING,COMPRESSOR	1	Y	
			TURBOCHARGER,MOUNTING			
11	-	3881650	TURBOCHARGER,MOUNTING	2	N	
12	CA88	3171368	GASKET,TURBOCHARGER	1	Y	
13	CA89	3176570	SCREW,HEX FLANGE HEAD CAP	4	Y	
14	CA90	3626804	NUT,LOCK	4	Y	PART NO. FOR SERVICE 3016182
			HOSE,OIL SUPPLY			
15	-	4084420	HOSE,OIL SUPPLY	2	N	
16	CG64	3632018	HOSE,FLEXIBLE	1	Y	PART NO. FOR SERVICE 3635032
17	-	3095293	UNION,MALE	2	Y	
18	CI39	3627697	UNION,MALE	1	Y	
19	AS23	3922794	SEAL O RING	1	N	
20	CA66	3175058	CLIP	3	Y	
			HOSE,TURBO OIL DRAIN			
21	-	4084421	HOSE,TURBO OIL DRAIN	1	N	
22	CA94	3632334	HOSE,FLEXIBLE	1	Y	
23	BX15	3630742	GASKET,CONNECTION	1	Y	
24	AA98	S 604	WASHER, LOCK	2	Y	
25	AU06	3902460	SCREW,HEX FLANGE HEAD CAP	2	Y	M10 X 1.5 X 25
26	CA70	3629451	CLIP	1	Y	
27	CA69	216187	SEAL,O RING	1	Y	
28	AN47	3628902	WASHER,PLAIN	1	Y	
29	AB58	S 109	SCREW, HEXAGON HEAD CAP	1	Y	
			HOSE,TURBO OIL DRAIN			
30	-	4084422	HOSE,TURBO OIL DRAIN	1	N	
31	BX14	3632339	HOSE,FLEXIBLE	1	Y	
32	BX15	3630742	GASKET,CONNECTION	1	Y	
33	AA98	S 604	WASHER, LOCK	2	Y	
34	AU06	3902460	SCREW,HEX FLANGE HEAD CAP	2	Y	M10 X 1.5 X 25
35	CA70	3629451	CLIP	1	Y	
36	CA69	216187	SEAL,O RING	1	Y	
37	AN47	3628902	WASHER,PLAIN	1	Y	
38	AB58	S 109	SCREW, HEXAGON HEAD CAP	1	Y	
39	BS06	118347	ELBOW,MALE UNION	1	Y	

WATER SEPERATOR



Details of Group Number: GR_06_04_01_023

WATER SEPERATOR

S No	Ref No	Part No	Description	Qty	serviceable	Remarks
			WATER SEPERATOR			
1	-	3879394	WATER SEPERATOR	1	N	
2	BX30	3873233	WATER SEPERATOR	1	Y	
3	AM84	3234779	ELBOW,MALE UNION	2	Y	
			MTG WATER SEPARATOR			
4	-	3881869	MTG WATER SEPARATOR	1	N	
5	BX32	3874386	BRACKET WATER SEPERATOR	1	Y	
6	AB06	S 622	WASHER, PLAIN	2	Y	
7	AB16	S 610	WASHER, LOCK	2	Y	
8	AY25	S 121B	SCREW, HEXAGON HEAD CAP	2	Y	
9	BX31	501866	SPACER	2	Y	
10	AB08	S 217	NUT, HEAVY HEXAGON	2	Y	
11	AA18	S 602	WASHER, PLAIN	2	Y	
12	AA98	S 604	WASHER, LOCK	2	Y	
13	AB61	S 103D	SCREW, HEXAGON HEAD CAP	2	Y	
14	AA73	S 223	NUT, HEAVY HEXAGON	2	Y	

Cummins India Limited
Registered Office : Kothrud, Pune - 411 038 (India)