



Parts Catalog

4BTAA-3.9-C

SOIL COMPACTOR

Bulletin No. 4314961 (Jan-2011)
SO No. SO47004

Parts Ordering Guidelines :

Genuine Cummins Parts and service facilities are available all over India. There are more than 100 Cummins sales and service locations giving service support to the engines owned by you. Each distribution outlet is thoroughly equipped with technical data, factory trained mechanics, modern equipments and a full adequate stock of Genuine Cummins Parts.

For quicker and better service, your parts requirements should be ordered from your nearest Cummins Distributer or Dealer. At any of the locations prompt, intelligent, courteous service is a basic trademark. Each is ready and eager to help in every possible way through personal contact or through the mail-at your convenience.

The satisfactory ordering and receiving of parts by the purchase is greatly dependent upon the proper use of available information. In order that all avoidable errors may be eliminated, the following instructions are offered as the purchaser's guide:

1. Write your order clearly, using a typewriter if possible.
2. Be sure to list the correct part number. If in doubt as to the correct part number, state the model and serial number of the

engine on which the part is to be used. Part numbers are usually located in various places on the part itself.

3. When possible, arrange your purchase order in part number numerical sequence.
4. Please specify shipping instructions, if any, preferable to you.
5. State your company name and shipping address clearly.

Genuine Cummins Parts mean **QUALITY** : They're designed and engineered to fit best in your Cummins Diesel. Each part is made of the highest quality and accuracy-by the top craftsman of the trade.

You can be sure a Genuine Cummins Part will fit better-do the job better-lessen the chances of costly breakdown. When you buy replacement parts, buy quality. Buy Genuine Cummins Parts. **YOU OWN BEST...REPAIR WITH THE BEST**

No part of this manual may be copied, photocopied, reproduced, translated or stored in a retrieval system by any means electronic, mechanical or otherwise without prior permission in writing of Cummins India Limited, Kothrud, Pune 411038.

Visit us at :

www.cumminsindia.com

CUSTOMER SERVICE INFORMATION

This parts catalog contains parts information.

Part numbers appearing in () against production part no. are available service part nos. Please place order for service replacement parts on bracketed part numbers only.

Parts /AR/BMs marked with asterisk (*) are not available for service. Only assemblies under which they are indented are available for service.

Items marked with @ are not available for service. Please order on individual parts shown under these items.

Engine Model _____ Engine Serial No. _____

MFG Make _____ Model _____ Chassis No. _____

Fuel Pump Assembly No. _____ Injector No. _____

Belt, Fan _____ Belt, Water Pump _____ Belt, Gen _____

Element, Fuel Filter _____ Full Flow Lub. Filter _____

Air Cleaner _____ By-Pass Lub. Filter _____

Special Equipment _____

Cummins Distributor _____

**Since improvements are made from time to time contents
in the parts catalog are subject to change without notice**

ABOUT PART INDENTATION USED IN THE PARTS CATALOG

The subject parts catalog uses parts indentation method to break sub level parts under their corresponding top assembly.

By placing an order on corresponding top level assemblies / Bills of material the individual parts under that top assemblies / Bills of material can be obtained

Indentation can be explained as under -

Example :-

Level	Part No	Description
-----	-----	-----
1	3920037	Block Cylinder
2	3815812	Block Cylinder
3	3901685	Bushing
3	3916369	Screw hex. head
3	3917313	Cap main bearing
3	3919917	Block Cylinder
2	3813247	Plug expansion
2	3004258	Plug expansion
2	3027646	Plug expansion
2	3812090	Plug expansion
2	3813243	Plug expansion

Level '1' assembly 3920037 in above example is a top Bill of Material / Assembly. Level '2' items namely 3815812, 3813247, 3004258, 3027646, 3812090, & 3813243 are included in 3920037. Hence these items are shifted to the right of 3920037 by one space.

3815812 is also a Bill of Material which includes parts, namely 3901685, 3916369, 3917313, 3919917. As 3815812 is of level '2' here, these parts are of level '3'. Hence these are shifted to the right of 3815812 by one space.

In above example if you order on Block assembly 3920037 of level '1', you will receive all the parts of level '2' & level '3'.

If you order on sub assembly 3815812 of level '2', you will receive all the parts of level '3' listed below this level '2' subassembly.

If required, parts of level '2' & level '3' can be ordered individually.

TABLE OF CONTENTS

GROUPS / OPTIONS

S. NO.	DESCRIPTION	GROUPNO	REMARKS
1	CYLINDER BLOCK	BB9157	
2	CRANKSHAFT AND BEARINGS	BB9157	
3	VALVE TAPPET	BB9157	
4	FRONT GEAR HOUSING	BB9776	
5	TIMING PIN HOUSING	BB9776	
6	CRANKCASE BREATHER	BR9121	
7	COOLANT HEATER STARTING	CH9071	
8	CAM FOLLOWER COVER	CM9710	
9	VIBRATION DAMPER	DA9734	
10	FRONT GEAR TRAIN ACCESSORY	DF9713	
11	THERMOSTAT	EC9706	
12	ALTERNATOR	EE9242	
13	MOUNTING,ALTERNATOR	EH9455	
14	FRONT ENGINE SUPPORT	EM9198	
15	FAN DRIVE	FA9336	
16	FAN DRIVE MOUNTING	FA9739	
17	AIR FUEL CONTROL PLUMBING	FE9949	
18	FUEL FILTER	FF9413	
19	FUEL FILTER PLUMBING	FF9414	
20	FLYWHEEL HOUSING	FH9343	
21	FUEL INLET FITTING	FI9018	
22	FUEL PUMP	FP9087	
23	FUEL PUMP MOUNTING	FP99110	
24	FUEL TRANSFER PUMP	FS9752	
25	FUEL PLUMBING	FT9023	
26	FLYWHEEL	FW9581	
27	FLYWHEEL MOUNTING	FW9934	
28	COVER,FRONT GEAR	GG9785	
29	CABIN HEATER PLUMBING	HC9035	
30	AIR INTAKE CONNECTION	IC9307	

TABLE OF CONTENTS

GROUPS / OPTIONS

S. NO.	DESCRIPTION	GROUPNO	REMARKS
31	AIR INTAKE CONNECTION MTG	IC9733	
32	AIR INTAKE MANIFOLD	IM9715	
33	AIR TRANSFER CONNECTION	IT9056	
34	LIFTING ARRANGEMENT	LA9082	
35	COOLER,ENGINE OIL	LC9732	
36	LUBRICATING OIL FILTER	LF9100	
37	OIL LEVEL GAUGE	LG9666	
38	OIL LEVEL GAUGE	LG9762	
39	LUBE OIL PUMP	LP9728	
40	OIL FILLER ARRANGEMENT	OB9292	
41	HAND HOLE COVER	OB9721	
42	OIL PAN	OP9325	
43	OIL PAN MOUNTING	OP9736	
44	CAMSHAFT	PP8039	
45	CONNECTING ROD AND PISTON	PP8039	
46	INJECTOR	PP8039	
47	CYLINDER HEAD	PP98347	
48	PLUMBING,INJECTOR	PP98369	
49	TURBOCHARGER	PP98479	
50	ROCKER LEVER	RL9740	
51	ENGINE COOLANT VENT	RP9041	
52	MOUNTING,STARTING MOTOR	SM9790	
53	FAN PILOT SPACER	SP9082	
54	STARTING MOTOR	ST9323	
55	EXHAUST MANIFOLD MOUNTING	TB97053	
56	EXHAUST MANIFOLD	TB97060	
57	THERMOSTAT HOUSING	TH9701	
58	TURBOCHARGER PLUMBING	TP97180	
59	VALVE COVER	VC9763	
60	WATER INLET CONNECTION	WI9177	

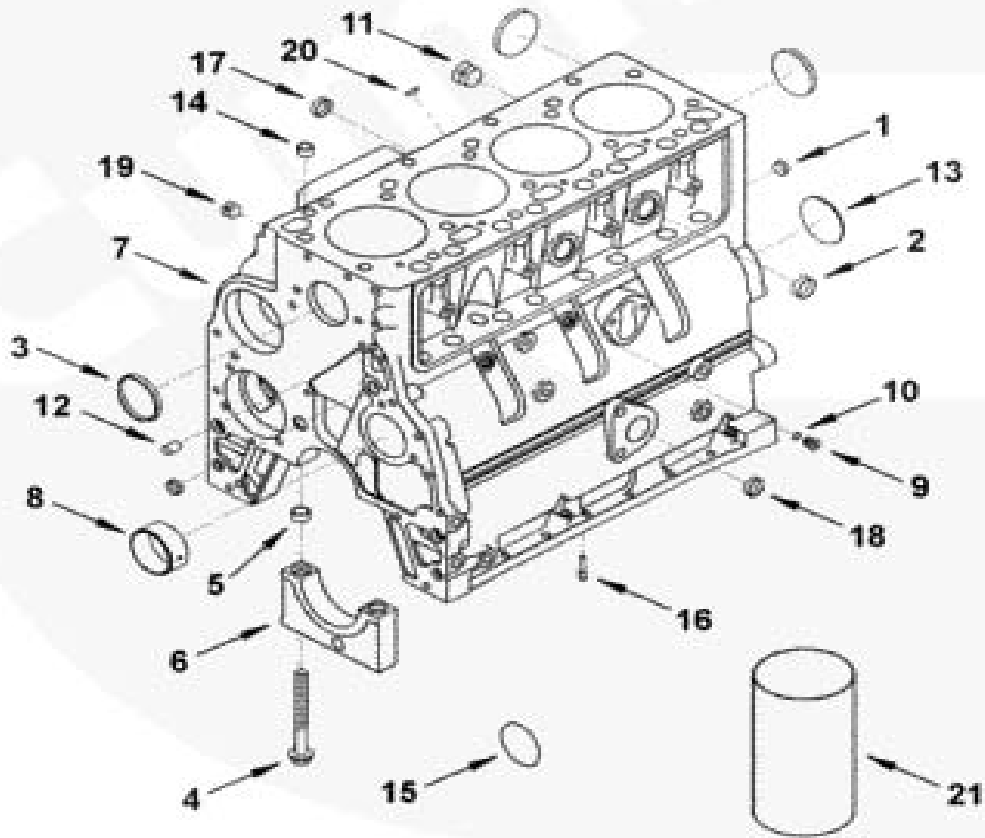
TABLE OF CONTENTS

GROUPS / OPTIONS

S. NO.	DESCRIPTION	GROUPNO	REMARKS
61	WATER PUMP	WP9927	
62	WATER PUMP DRIVE	WP9947	
63	BELT TENSIONER	WP9949	
64	EXHAUST OUTLET CONNECTION	XS9254	
65	MISCELLANEOUS	GR_07_00_00_050	
66	CLEANER,AIR	GR_10_04_01_069	
67	CONNECTION,AIR INTAKE	GR_08_13_03_020	
68	DRIVE,FRO GER TRA ACC	GR_01_06_00_039	
69	FUEL FILTER	GR_06_04_00_093	
70	MOUNTING,OIL FILLER	GR_09_02_00_002	

Cylinder Block

©Cummins Inc



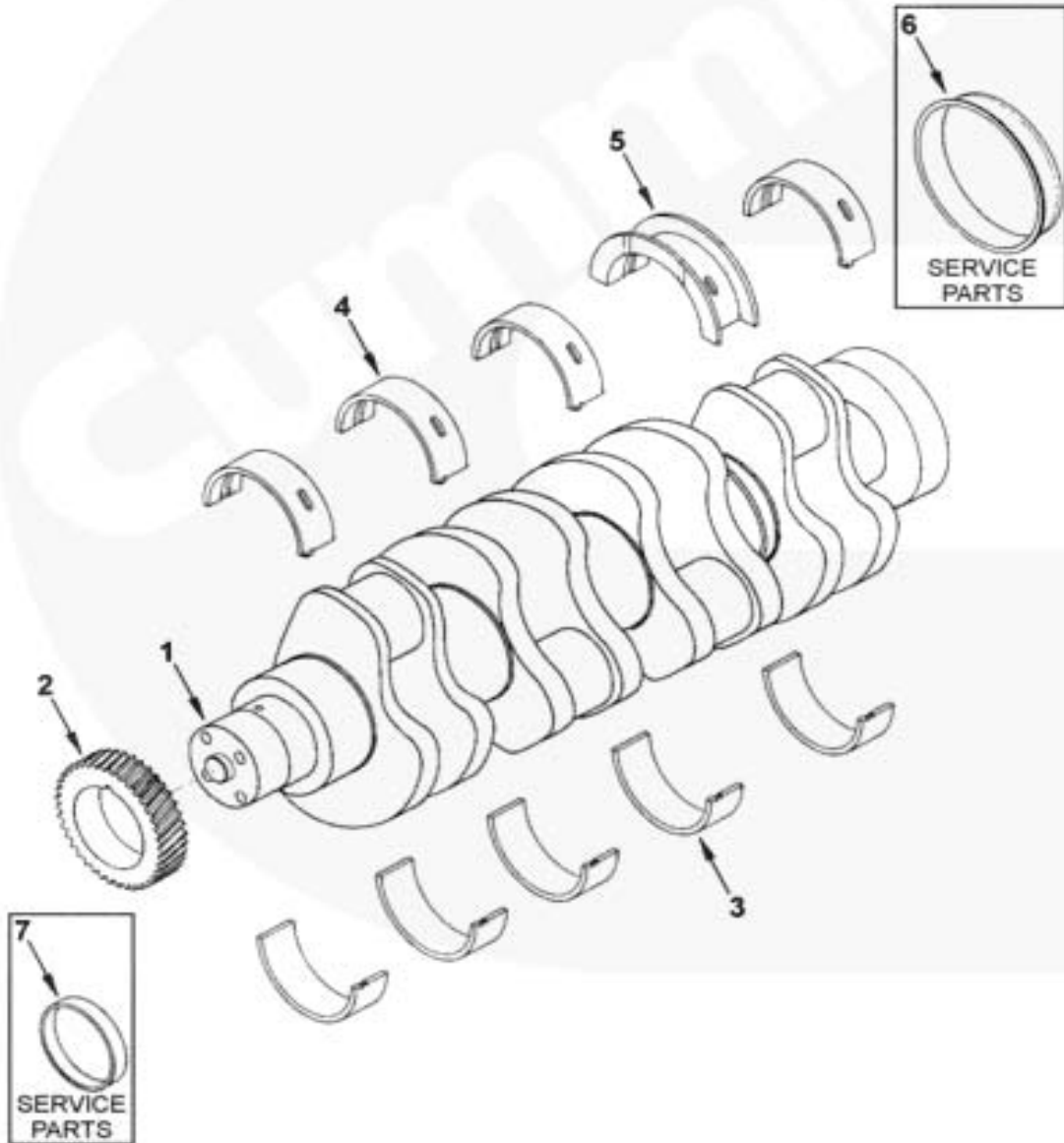
bb903gc

Cylinder Block

Ref No.	Part Number	Part Name	Qty	Servicable	Remarks
	BB9157	Cylinder Block		N	Cylinder Block
	4089546	Kit, Cylinder Block	1	Y	
	3938366	Block, Cylinder	1	N	Serviced as 4089546
1	3900956	Plug, Expansion	3	Y	
2	3007635	Plug, Expansion	2	Y	
3	3900965	Plug, Expansion	3	Y	
4	3927948	Screw, Hex Flange Head Cap	10	Y	
	3936791	Cap, Main Bearing	5	Y	
5	3900068	Dowel, Ring	2	Y	
6	3936057	Cap, Main Bearing	1	Y	
7	3938364	Block, Cylinder	1	N	
8	3940059	Bushing	1	Y	
	3933224	Kit, Cyl Block Hardware	1	Y	For 1991 and Later 4B Engines
5	3900068	Dowel, Ring	2	Y	
	3678923	Plug, Threaded	2	Y	M10 X 1 X 13.5
9	3678924	Plug, Threaded	1	N	M10 X 1 X 13.5
10	3678925	Seal, O Ring	1	Y	M10 X 1.00
10	3678925	Seal, O Ring	1	Y	M10 X 1.00
11	3008469	Plug, Pipe	1	Y	3/4 NPT
12	3900257	Dowel, Pin	2	Y	
13	3900687	Plug, Expansion	1	Y	
14	3902343	Dowel, Ring	2	Y	
15	3926047	Seal, O Ring	1	Y	
16	3937214	Nozzle, Piston Cooling	6	Y	
17	3900955	Plug, Expansion	2	Y	
18	3900958	Plug, Expansion	1	Y	
19	3008468	Plug, Pipe	1	Y	1/2 NPT
20	3920706	Plug, Expansion	2	Y	
21	3904166	Sleeve, Salvage	A/R	Y	

Crankshaft and Bearings

©Cummins Inc



bb904gq

Crankshaft and Bearings

Ref No.	Part Number	Part Name	Qty	Servicable	Remarks
	BB9157	Crankshaft and Bearings		N	Crankshaft and Bearings
1	3929036	Crankshaft,, Eng	1	N	as
2	3929027	Gear, Crankshaft	1	Y	
3	3929021	Bearing,main	5	Y	Standard
4	3929016	Bearing, Main	4	Y	Standard
5	3927772	Bearing, Crankshaft Thrust	1	Y	Standard
	3802011	Set, Main Bearing	A/R	Y	0.25 mm Oversize
3	3929022	Bearing, Main	5	Y	0.25 mm Oversize
4	3929017	Bearing, Main	4	Y	0.25 mm Oversize
5	3283065	Bearing, Crankshaft Thrust	1	Y	0.25 mm Oversize
	3802012	Set, Main Bearing	A/R	Y	0.50 mm Oversize
3	3929023	Bearing, Main	5	Y	0.50 mm Oversize
4	3929018	Bearing, Main	4	Y	0.50 mm Oversize
5	3283066	Bearing, Crankshaft Thrust	1	Y	
	3802013	Set, Main Bearing	A/R	Y	0.75 mm Oversize
3	3929024	Bearing, Main	5	Y	0.75 mm Oversize
4	3929019	Bearing, Main	4	Y	0.75 mm Oversize
5	3283067	Bearing, Crankshaft Thrust	1	Y	0.75 mm Oversize
	3802014	Set, Main Bearing	A/R	Y	1.00 mm Oversize
3	3929025	Bearing, Main	5	Y	1.00 mm Oversize
4	3929020	Bearing, Main	4	Y	1.00 mm Oversize
5	3283068	Bearing, Crankshaft Thrust	1	Y	1.00 mm Oversize
	3802551	Bearing, Main	A/R	Y	0.25 mm Oversize
3	3929022	Bearing, Main	1	Y	0.25 mm Oversize
4	3929017	Bearing, Main	1	Y	0.25 mm Oversize
	3802553	Bearing, Main	A/R	Y	
3	3929024	Bearing, Main	1	Y	0.75 mm Oversize
4	3929019	Bearing, Main	1	Y	0.75 mm Oversize
6	3926126	Rear Seal, Wear Sleeve Kit	A/R	Y	Rear
7	3802820	Front Seal, Wearsleeve Kit	A/R	Y	Front

Valve Tappet

©Cummins Inc



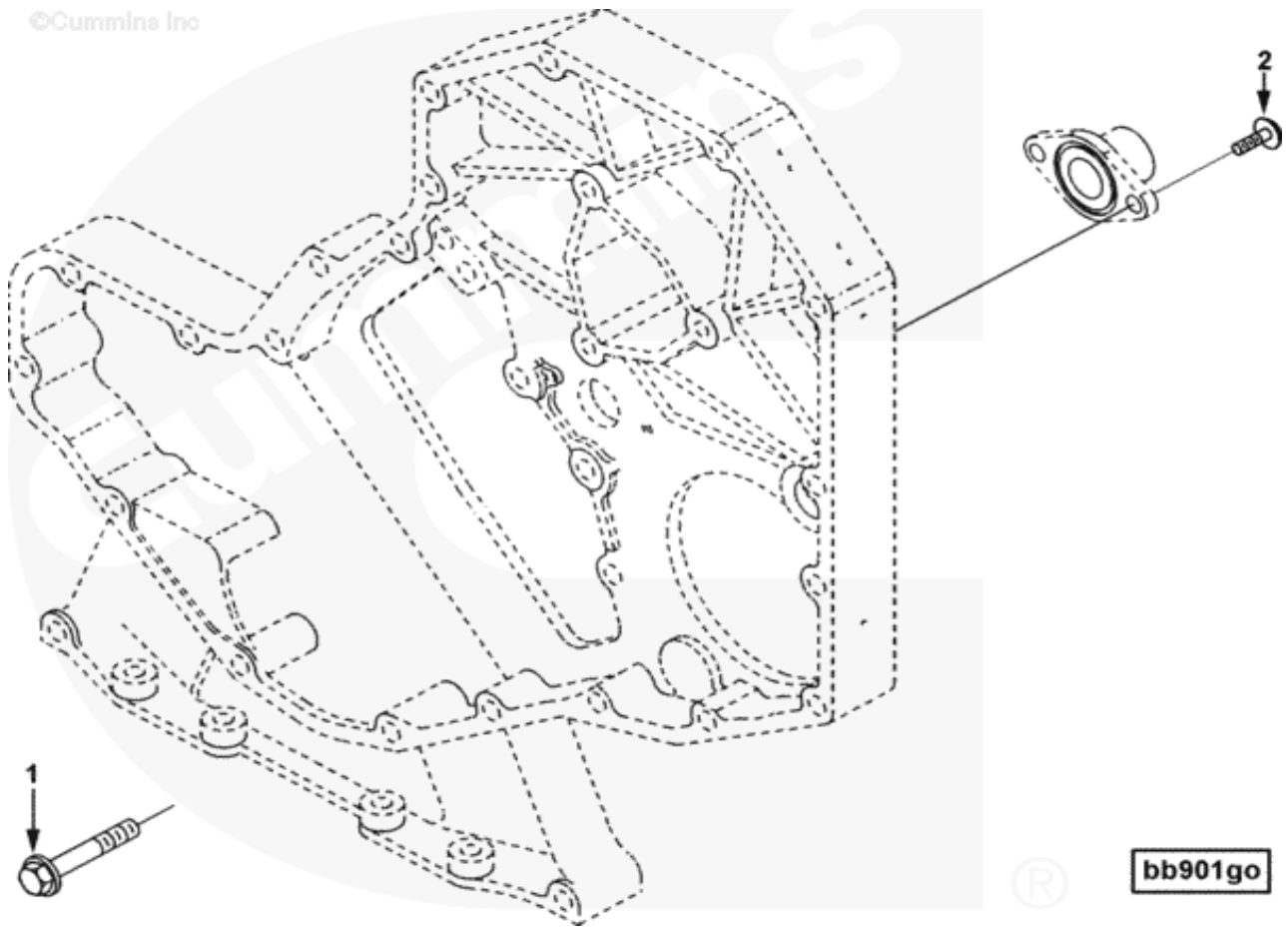
bp952gh

Valve Tappet

Ref No.	Part Number	Part Name	Qty	Servicable	Remarks
	BB9157	Valve Tappet		N	Valve Tappet
1	3931623	Tappet, Valve	8	Y	

Front Gear Housing

©Cummins Inc

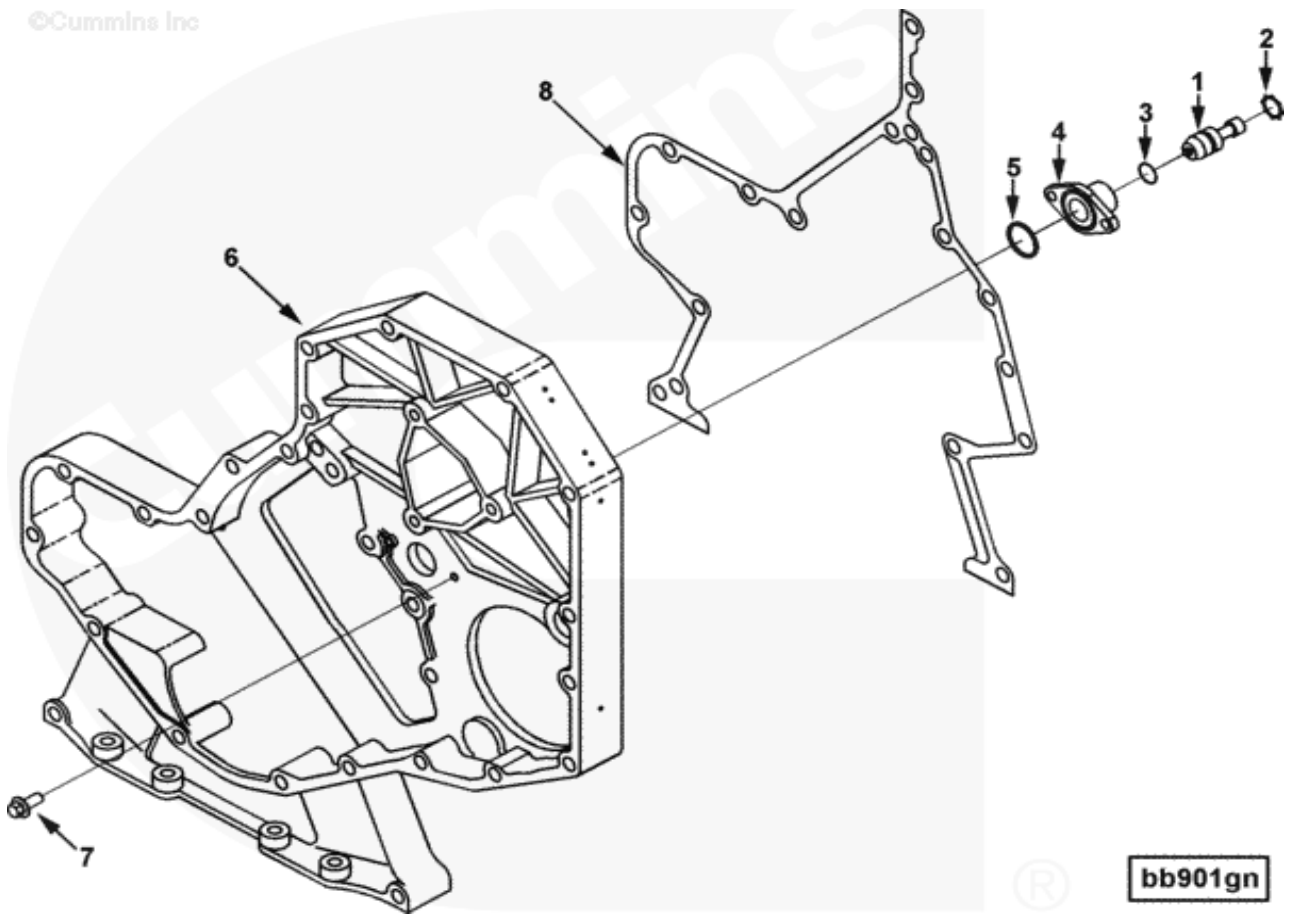


Front Gear Housing

Ref No.	Part Number	Part Name	Qty	Servicable	Remarks
	BB9776	Front Gear Housing		N	Front Gear Housing
1	3900633	Screw, Hex Flang 2	2	Y	M8 X 1.25 X 50
2	3907998	Screw, Round Head Cap	2	Y	M5 X 0.80 X 17

Timing Pin Housing

©Cummins Inc



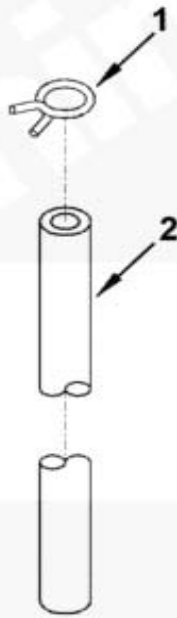
bb901gn

Timing Pin Housing

Ref No.	Part Number	Part Name	Qty	Servicable	Remarks
	BB9776	Timing Pin Housing		N	
	3913995	Housing, Timing Pin	1	Y	
1	3903924	Pin, Timing	1	Y	
2	3904849	Ring, Retaining	1	Y	
3	3913994	Seal, O Ring	1	Y	
4	3919683	Housing, Timing Pin	1	Y	
5	3915772	Seal, Rectangular Ring	1	Y	
6	3920758	Housing, Gear	1	Y	Serviced as 3802350
7	3926846	Screw, Hex Flange Head Cap	5	Y	M8 X 1.25 X 20
8	3938156	Gasket, Gear Housing	1	Y	

Crankcase Breather

©Cummins Inc



br951gn

Crankcase Breather

Ref No.	Part Number	Part Name	Qty	Servicable	Remarks
	BR9121	Crankcase Breather		N	Crankcase Breather
1	3904230	Clamp, Spring Hose	1	Y	1"
2	3918612	Hose, Plain	1	Y	

Coolant Heater Starting

©Cummins Inc



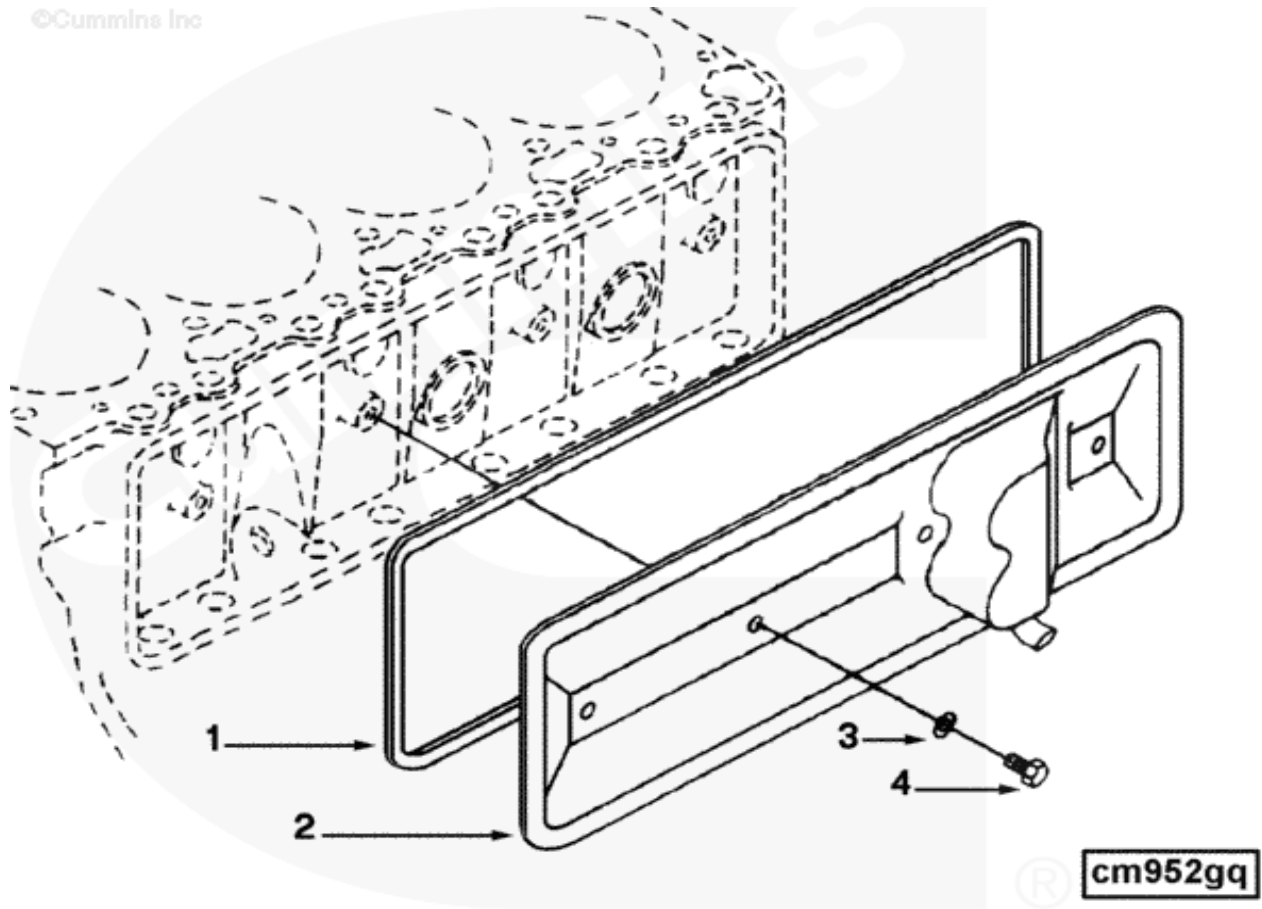
ch900zc

Coolant Heater Starting

Ref No.	Part Number	Part Name	Qty	Servicable	Remarks
	CH9071	Coolant Heater Starting		N	Coolant Heater
1	3008469	Plug, Pipe	1	Y	3/4 NPT

Cam Follower Cover

©Cummins Inc

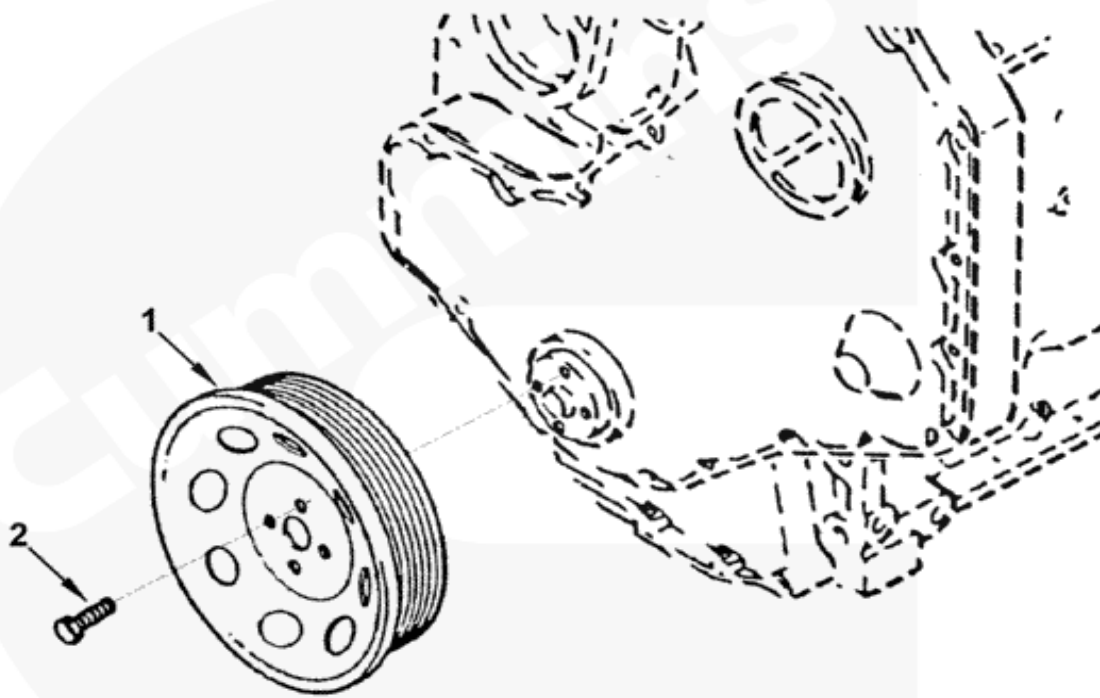


Cam Follower Cover

Ref No.	Part Number	Part Name	Qty	Servicable	Remarks
	CM9710	Cam Follower Cover		N	MR - Cam Follower Cover
1	3283767	Gasket, Push Rod Cover	1	Y	
2	3936188	Cover, Push Rod	1	Y	
3	3928759	Seal, Grommet	4	Y	
4	3900629	Screw, Hex Flange Head Cap	4	Y	M8 X 1.25 X 16

Vibration Damper

©Cummins Inc



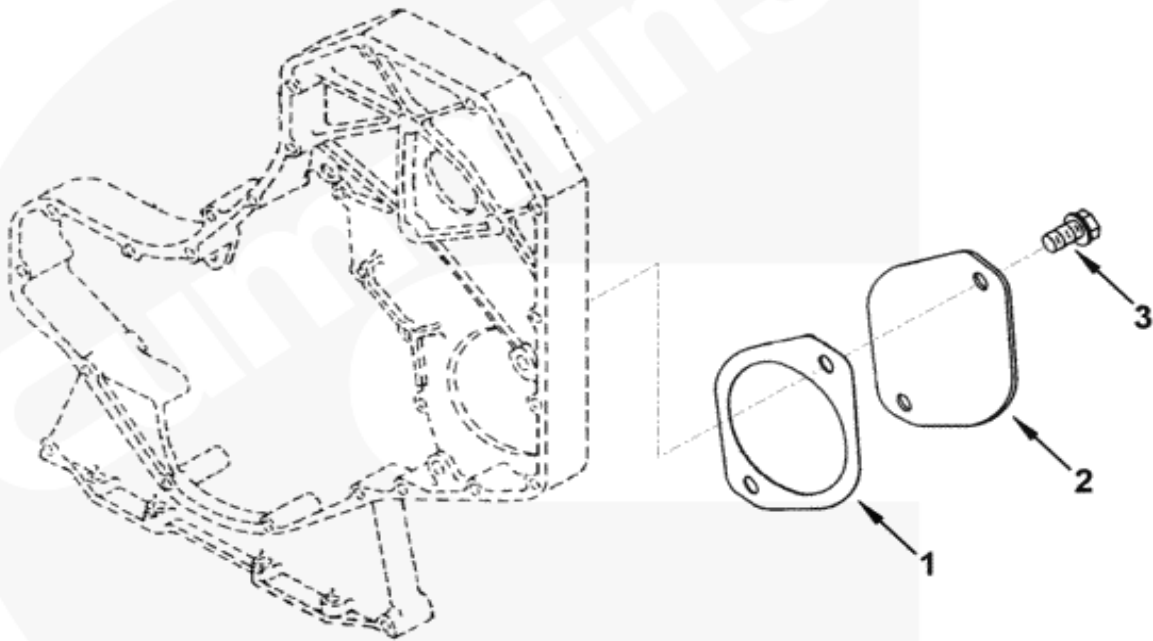
af900gk

Vibration Damper

Ref No.	Part Number	Part Name	Qty	Servicable	Remarks
	DA9734	Vibration Damper		N	MR - Vibration Damper
1	3914494	Pulley, Crankshaft	1	Y	
2	3903857	Screw, Hex Flange Head Cap	4	Y	M12 X 1.25 X 36

Front Gear Train Accessory

©Cummins Inc



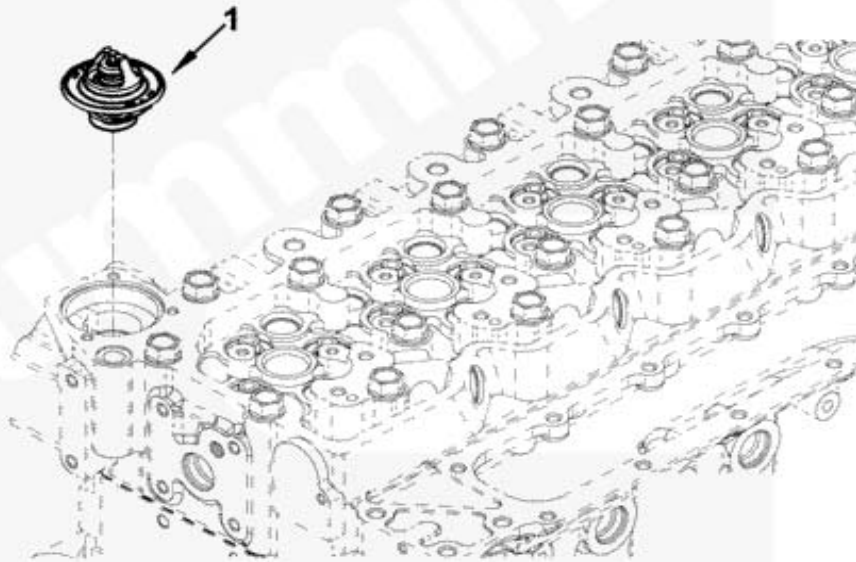
df900ga

Front Gear Train Accessory

Ref No.	Part Number	Part Name	Qty	Servicable	Remarks
	DF9713	Front Gear Train Accessory		N	MR - Front Gear Train
1	3938655	Gasket, Acc Drive Cover	1	Y	
2	3914868	Plate, Cover	1	Y	
3	3901249	Screw, Hex Flange Head Cap	2	Y	M12 X 1.75 X 25

THERMOSTAT

©Cummins Inc



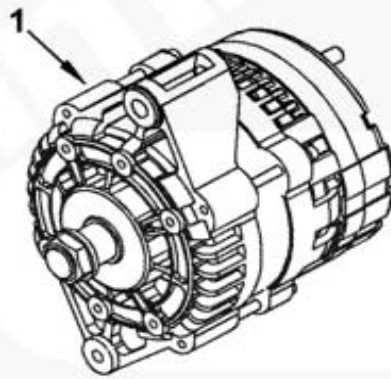
ec900za

THERMOSTAT

Ref No.	Part Number	Part Name	Qty	Servicable	Remarks
	EC9706	THERMOSTAT		N	Mr - thermostat
1	3972071	Thermostat	1	Y	

Alternator

©Cummins Inc



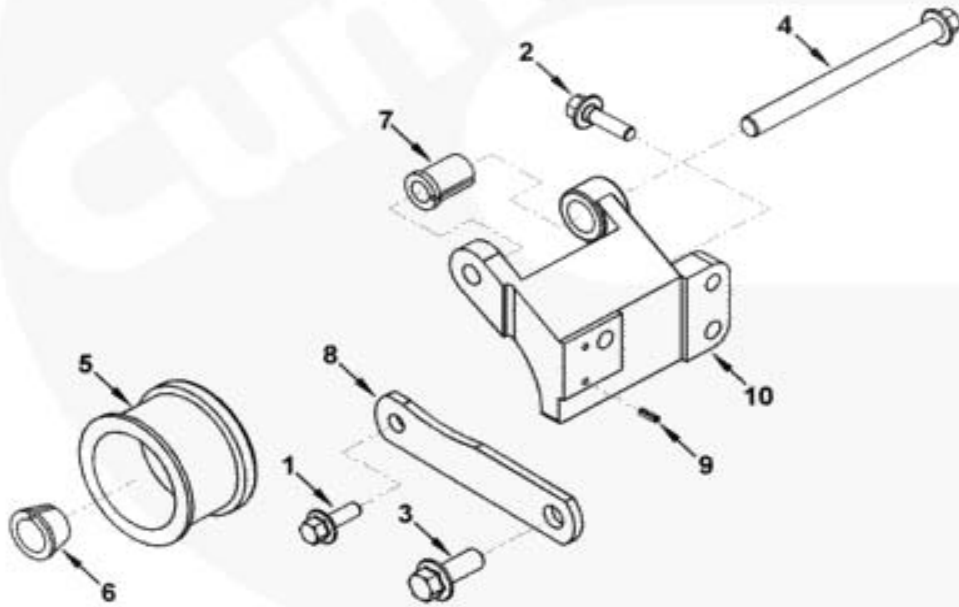
ee954gr

Alternator

Ref No.	Part Number	Part Name	Qty	Servicable	Remarks
	EE9242	Alternator		N	Alternator
1	3972730	Alternator	1	Y	

MOUNTING,ALTERNATOR

©Cummins Inc



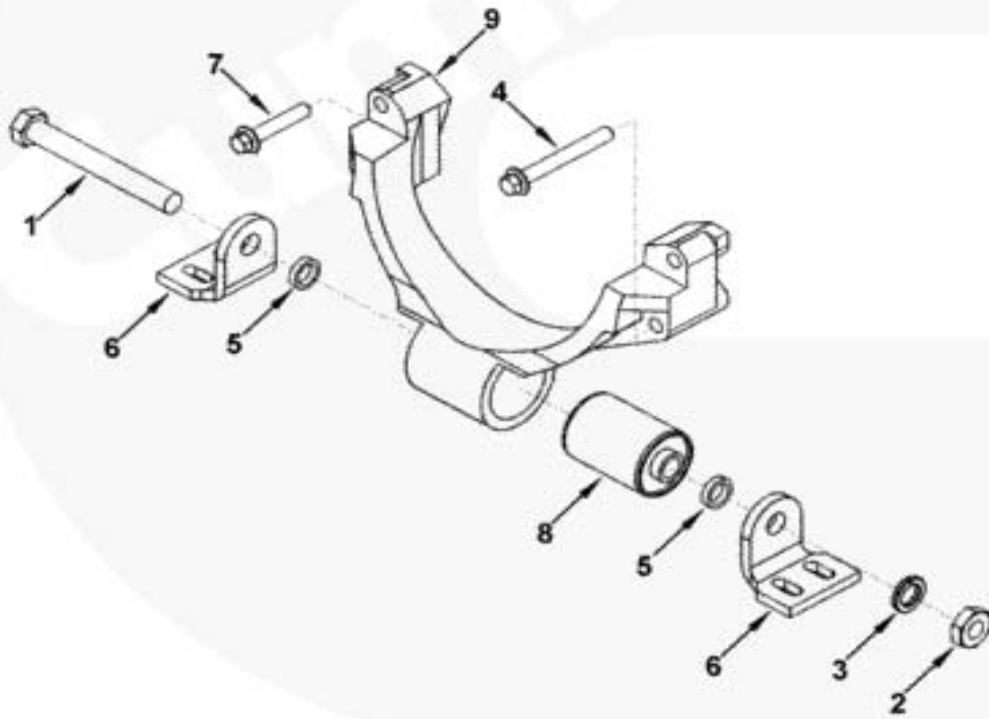
eh959gh

MOUNTING,ALTERNATOR

Ref No.	Part Number	Part Name	Qty	Servicable	Remarks
	EH9455	MOUNTING,ALTERNATOR		N	Mr - alternator mounting
1	3900630	Screw, HexScrew, Hex Flang	1	Y	M8 X 1.25 X 20
2	3900631	Screw, Hex Flange Head Cap	3	Y	M8 X 1.25 X 25
3	3902460	Screw, Hex Flange Head Cap	1	Y	M10 X 1.50 X 25
4	3908226	Screw, Hex Flange Head Cap	1	Y	M10 X 1.50 X 95
5	3908560	Pulley, Alternator	1	Y	
6	3908563	Roller, Alternator		Y	
7	3974163	Spacer, Mounting	1	Y	
8	3970453	Brace, Alternator	1	Y	
	3939874	Support, Alternator	1	Y	
9	3520815	Pin, Roll	2	Y	
10	3939870	Support, Alternator	1	N	

Front Engine Support

©Cummins Inc



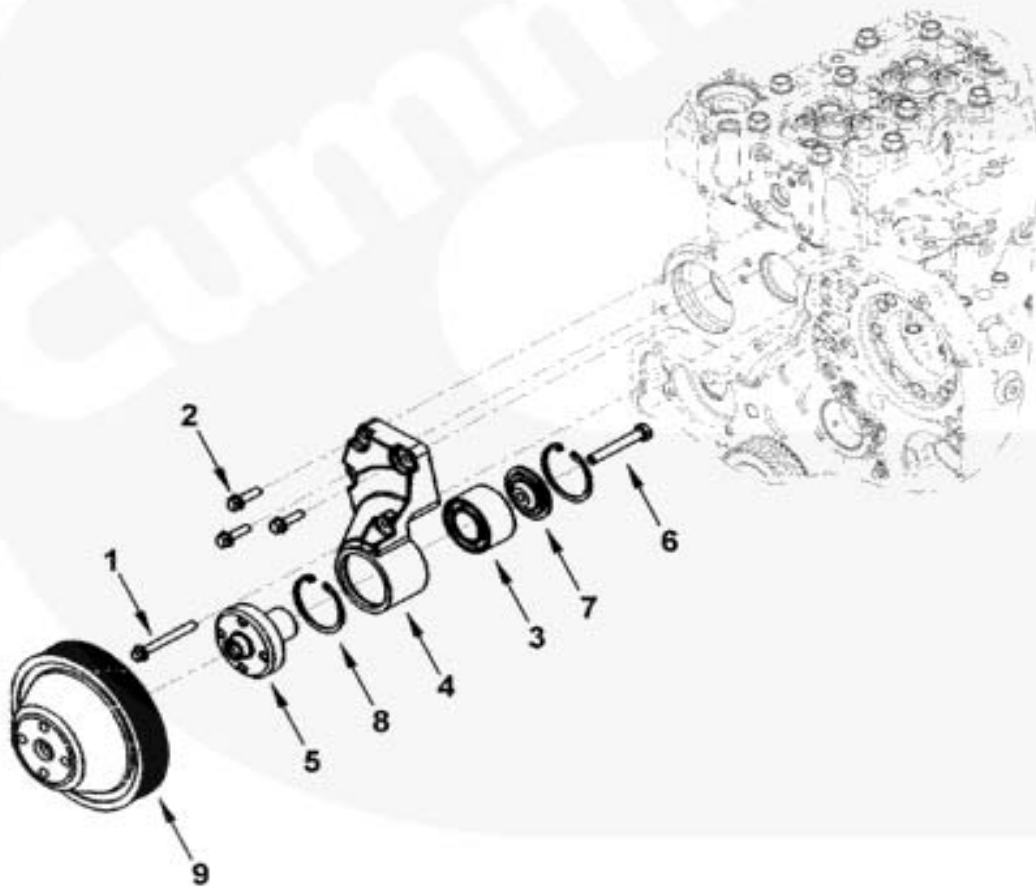
em951gc

Front Engine Support

Ref No.	Part Number	Part Name	Qty	Servicable	Remarks
	EM9198	Front Engine Support		N	MR - Front Engine Support
1	S 150 A	Screw, Hexagon Head Cap	1	Y	3/4 - 10 X 6"
2	S 279	Nut, Heavy Hexagon Jam	1	Y	3/4 - 10"
3	S 611	Washer, Lock	1	Y	3/4"
4	3902451	Screw, Hex Flange Head Cap	2	Y	M12 X 1.75 X 90
5	3918542	Spacer, Mounting	2	Y	
6	3930675	Support, Front Engine	2	Y	
7	3937692	Screw, Hex Flange Head Cap	2	Y	M12 X 1.75 X 60
	3943248	Support, Front Engine	1	Y	
8	3928900	Isolator, Vibration	1	Y	
9	3943249	Support, Front Engine	1	Y	

Fan Drive

©Cummins Inc



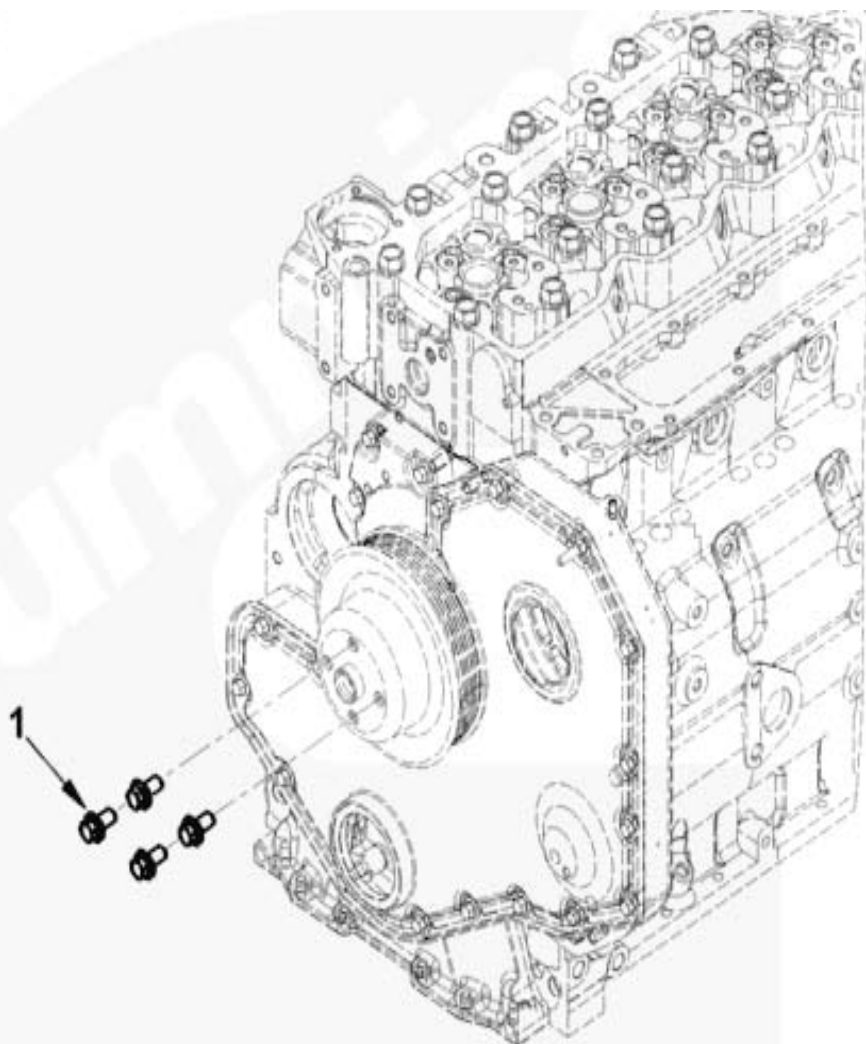
fa900zd

Fan Drive

Ref No.	Part Number	Part Name	Qty	Servicable	Remarks
	FA9336	Fan Drive		N	Fan Drive
1	3901447	Screw, Hex Flange Head Cap	1	Y	M8 X 1.25 X 75
2	3902114	Screw, Hex Flange Head Cap	3	Y	M8 X 1.25 X 30
	3285949	Support, Fan	1	Y	
3	3910739	Bearing, Ball	1	Y	
4	3285946	Support, Fan	1	N	
5	3911924	Hub, Fan	1	Y	
6	3907769	Screw, Hexagon Head Cap	1	Y	M10 X 1.75 X 70
7	3923044	Retainer, Fan Hub	1	Y	
8	3035960	Ring, Retaining	2	Y	
9	3914462	Pulley, Fan	1	Y	

Fan Drive Mounting

©Cummins Inc



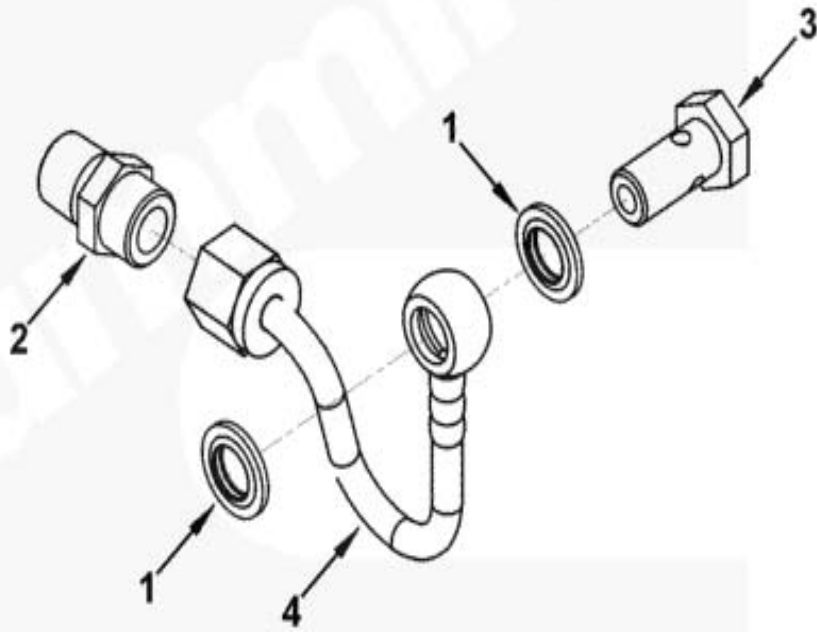
fa900zq

Fan Drive Mounting

Ref No.	Part Number	Part Name	Qty	Servicable	Remarks
	FA9739	Fan Drive Mounting		N	Fan Drive Mounting
1	3903990	Screw, Hex Flange Head Cap	4	Y	M10 X 1.50 X 20

Air Fuel Control Plumbing

©Cummins Inc



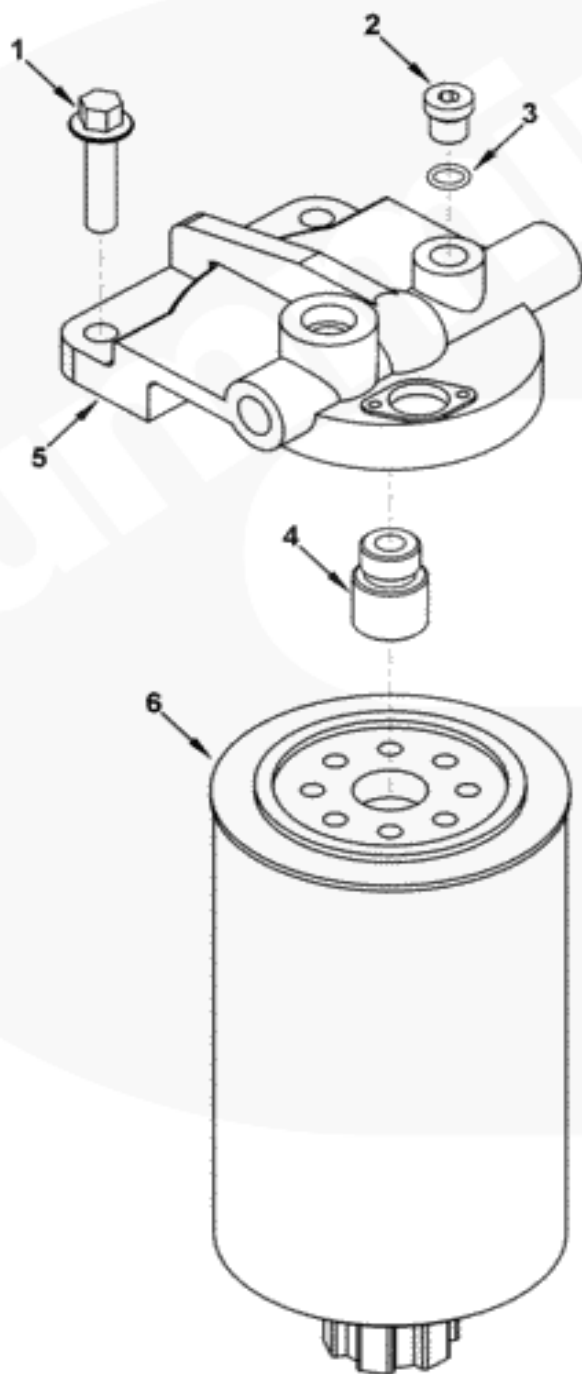
fe956ga

Air Fuel Control Plumbing

Ref No.	Part Number	Part Name	Qty	Servicable	Remarks
	FE9949	Air Fuel Control Plumbing		N	Air Fuel Control Plumbing
1	3918188	Washer,,Sealing	2	Y	
2	3909552	Connector, Male	1	Y	
3	3924724	Screw, Banjo Connector	1	Y	M8 X 1.00 X 17
4	3356940	Tube, Air Fuel Control	1	Y	

Fuel Filter

©Cummins Inc

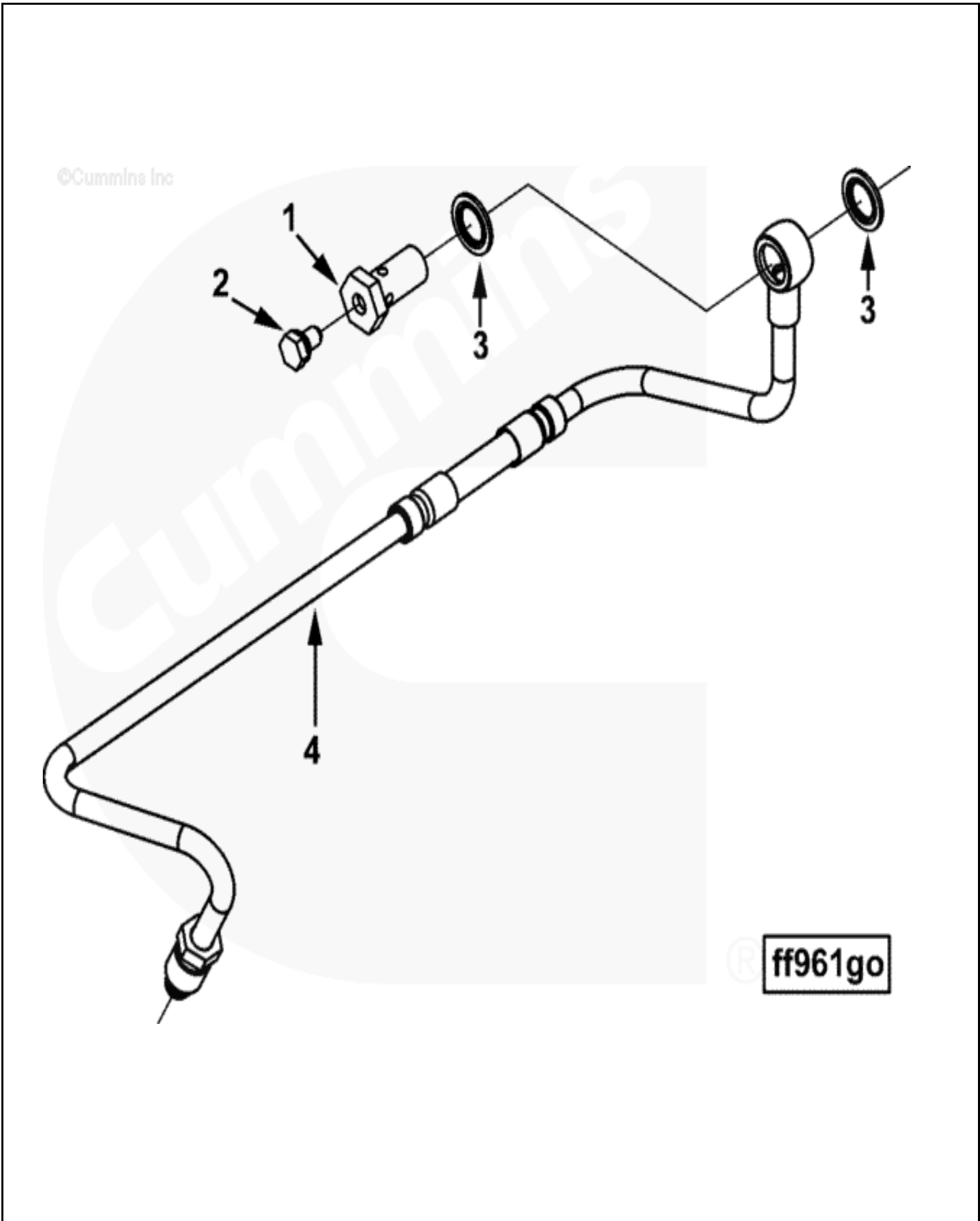


ff961gi

Fuel Filter

Ref No.	Part Number	Part Name	Qty	Servicable	Remarks
	FF9413	Fuel Filter		N	Fuel Filter
1	3900632	Screw, Hex Flange Head Cap	2	Y	M8 X 1.25 X 35
	3966139	Filter, Fuel	1	N	
	3678923	Plug, Threaded	2	Y	M10 X 1 X 13.5
2	3678924	Plug, Threaded	2	N	M10 X 1 X 13.5
3	3678925	Seal, O Ring	2	Y	M10 X 1.00
4	3942453	Adapter, Filter Head	1	Y	Purchase From Fleetguard
5	4933652	Head, Fuel Filter	1	Y	
6	3991350	Filter, Fuel	1	Y	

Fuel Filter Plumbing

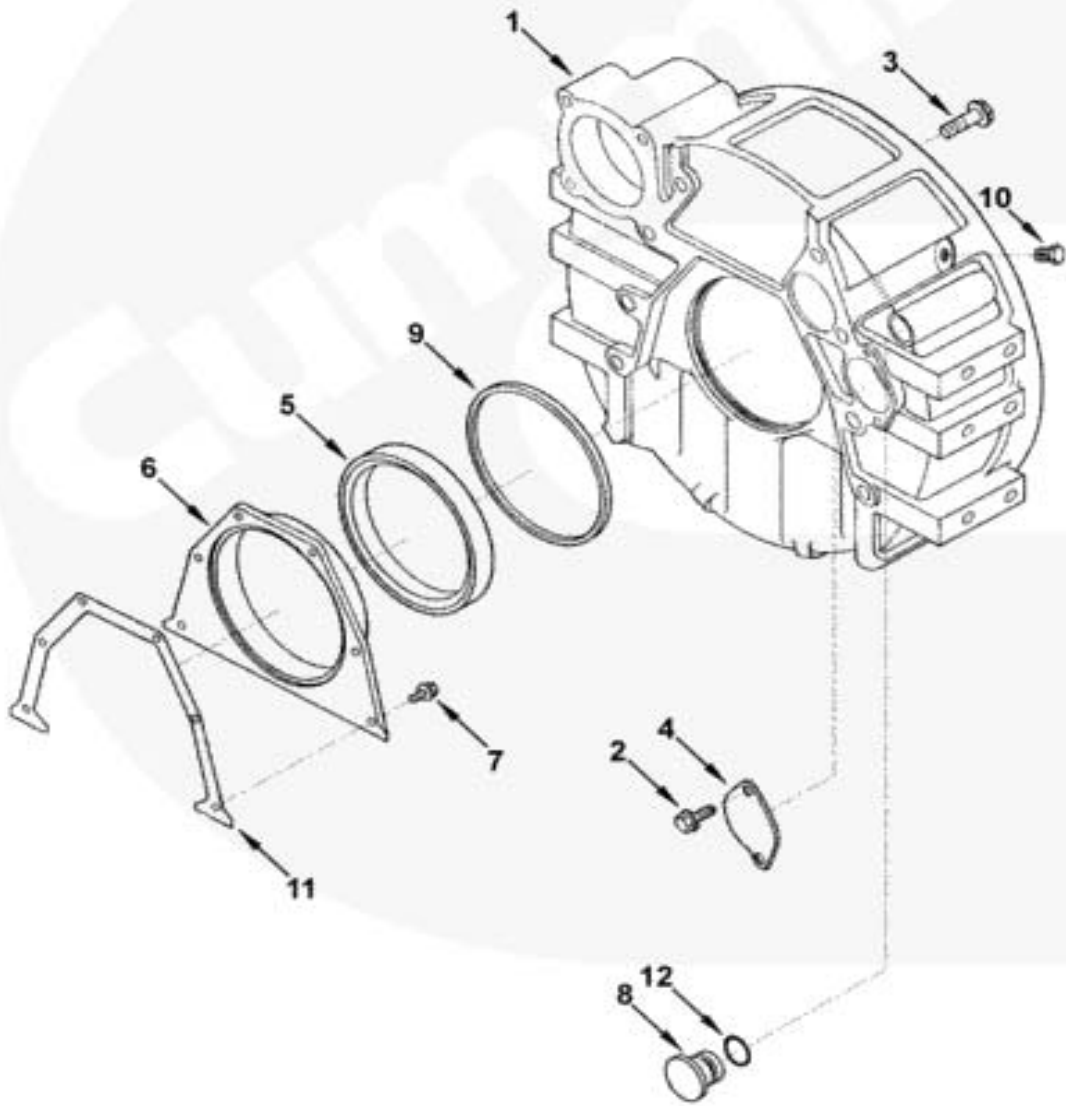


Fuel Filter Plumbing

Ref No.	Part Number	Part Name	Qty	Servicable	Remarks
	FF9414	Fuel Filter Plumbing		N	MR - Fuel Filter Plumbing
	3905860	Screw, Banjo Connector	1	Y	Order Components Individually
1	3911446	Screw, Banjo Connector	1	Y	M12 X 1.50 X 24
2	3939570	Screw, Captive Washer Cap	1	Y	M6 X 1.00 X 10
3	3963983	Washer, Sealing	2	Y	M12
4	3967674	Tube, Fuel Supply	1	Y	

Flywheel Housing

©Cummins Inc



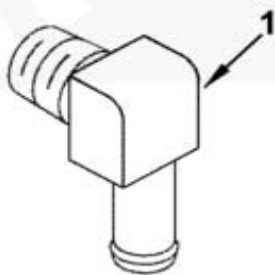
fh953gs

Flywheel Housing

Ref No.	Part Number	Part Name	Qty	Servicable	Remarks
	FH9343	Flywheel Housing		N	Flywheel Housing
1	3937426	Housing,,Flywheel	1	Y	
2	3912072	Screw, Self Tapping Metal	2	Y	M8 X 1.25 X 15
3	3920447	Screw, Hex Flange Head Cap	8	Y	M12 X 1.75 X 40
4	3925234	Plate, Cover	1	Y	
	4089342	Kit, Crankshaft Seal	1	Y	
5	3970548	Seal, Oil	1	Y	Serviced as 4089342
6	3936895	Cover, Rear	1	Y	
7	3991306	Screw, Hex Flange Head Cap	6	Y	M6 X 1.00 X 16
8	3910248	Plug, O Ring	1	Y	
9	3912473	Seal, Rectangular Ring	1	Y	
10	3904181	Plug, Threaded	1	Y	3/4 - 16 UNF
11	3938159	Gasket, Rear Cover	1	Y	
12	3910260	Seal, O Ring	1	Y	

Fuel Inlet Fitting

©Cummins Inc



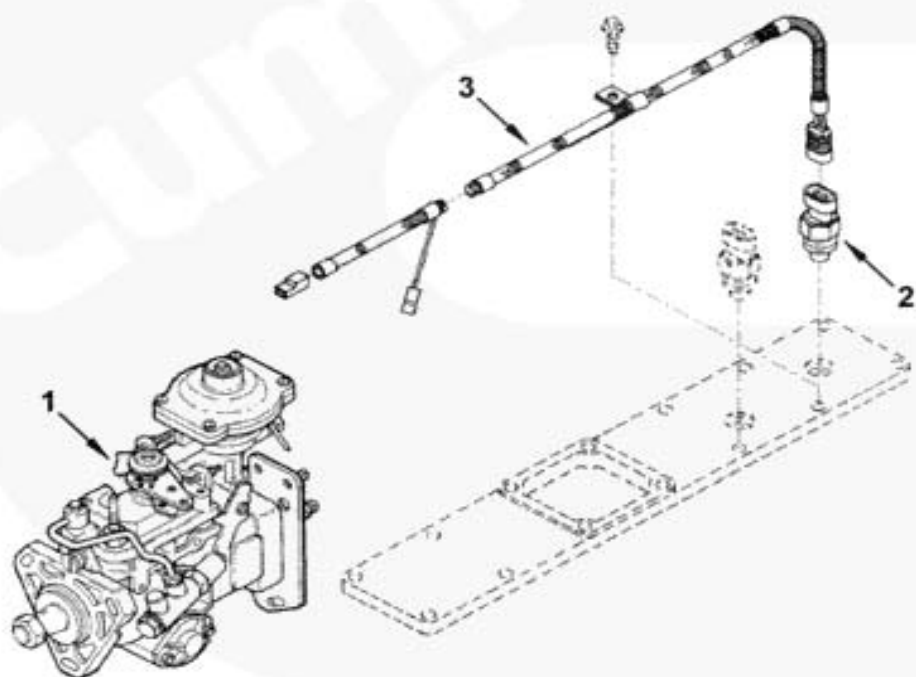
dl950gf

Fuel Inlet Fitting

Ref No.	Part Number	Part Name	Qty	Servicable	Remarks
	FI9018	Fuel Inlet Fitting		N	Mr - Fuel Inlet Fitting
1	3915488	Coupling, Elbow Hose	1	Y	

Fuel Pump

©Cummins Inc



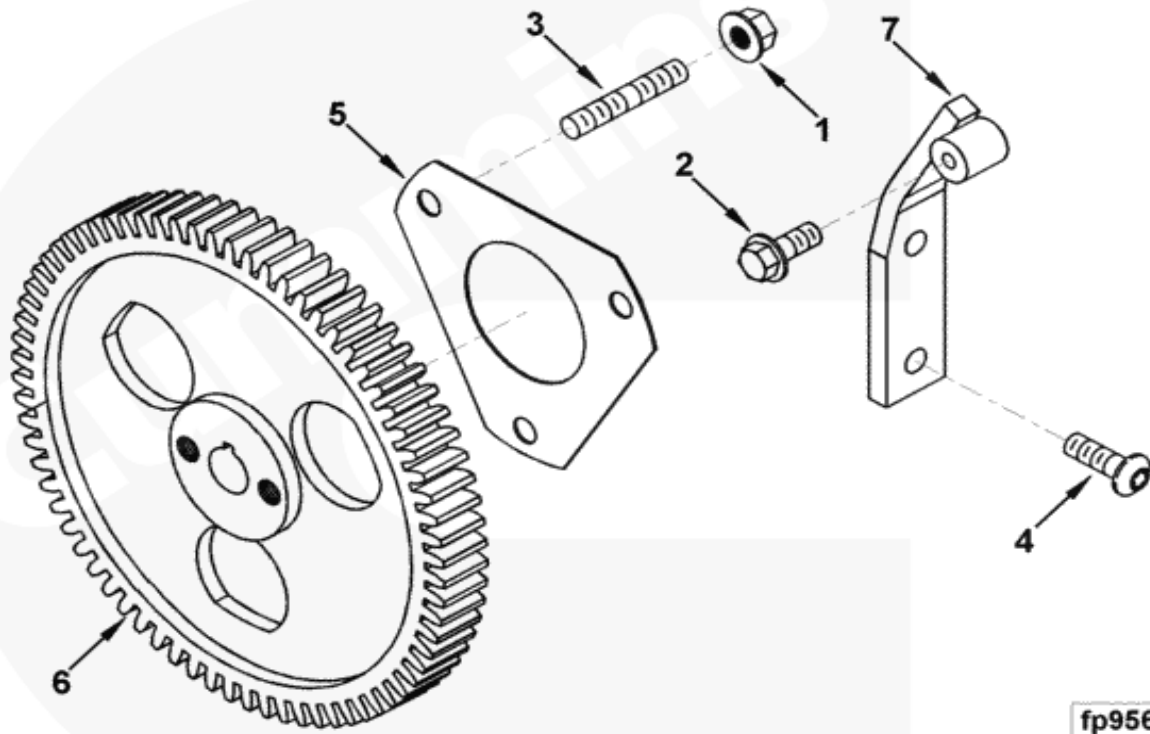
fp940gg

Fuel Pump

Ref No.	Part Number	Part Name	Qty	Servicable	Remarks
	FP9087	Fuel Pump		N	Fuel Pump
1	3963961	Pump, Fuel Injection	1	Y	
2	3408645	Switch, Thermo	1	Y	
3	3923303	Harness, Wiring	1	Y	

Fuel Pump Mounting

©Cummins Inc



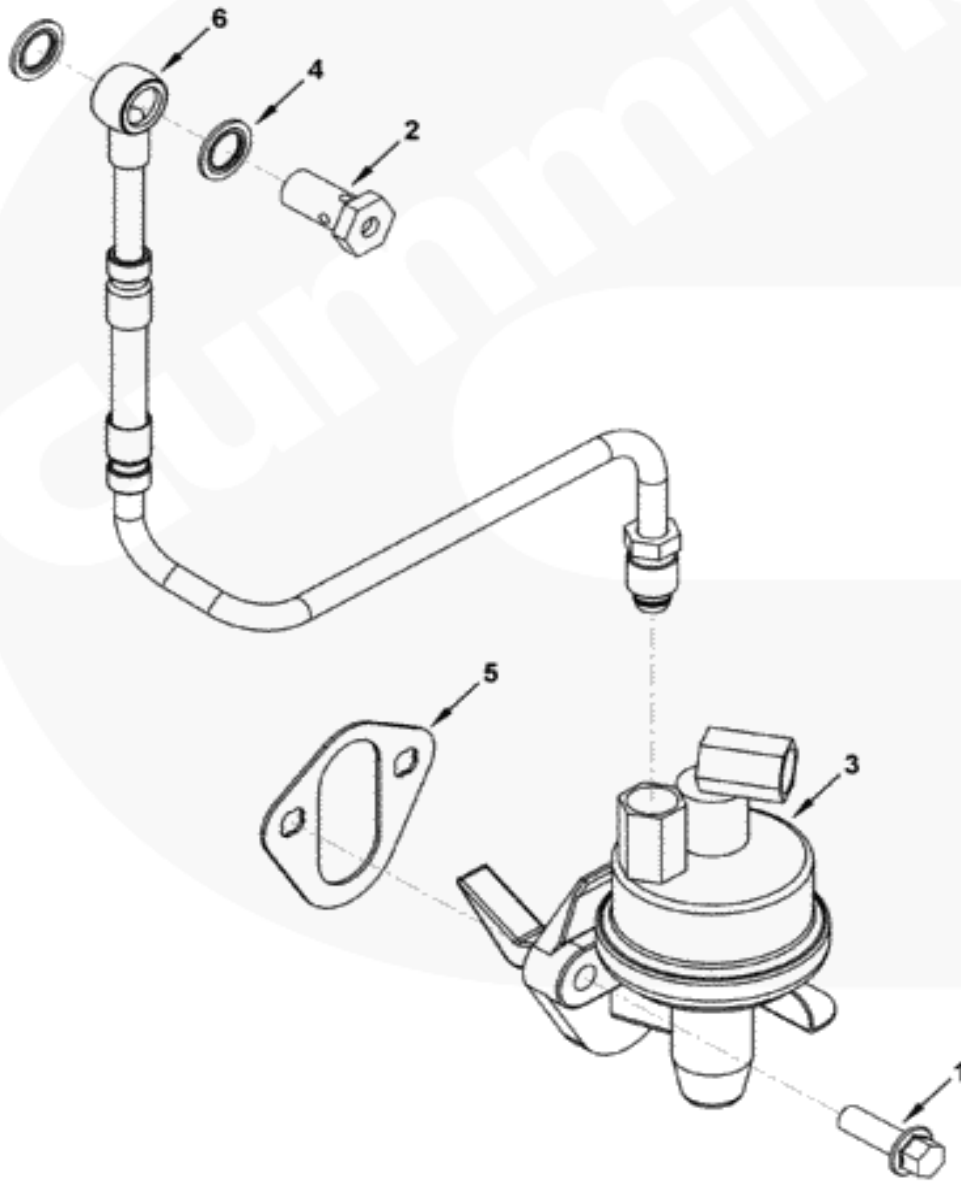
fp956go

Fuel Pump Mounting

Ref No.	Part Number	Part Name	Qty	Servicable	Remarks
	FP99110	Fuel Pump Mounting		N	Fuel Pump Mounting
1	3900589	Nut, Hexagon Flange	3	Y	M8 X 1.25 1.
2	3900630	Screw, Hex Flange Head Cap	1	Y	M8 X 1.25 X 20
3	3902501	Stud	3	Y	
4	3900631	Screw, Hex Flange Head Cap	2	Y	M8 X 1.25 X 25
5	3939355	Gasket, Fuel Pump	1	Y	
6	3936021	Gear, Fuel Pump	1	Y	
7	3905313	Brace, Fuel Pump	1	Y	

Fuel Transfer Pump

©Cummins Inc



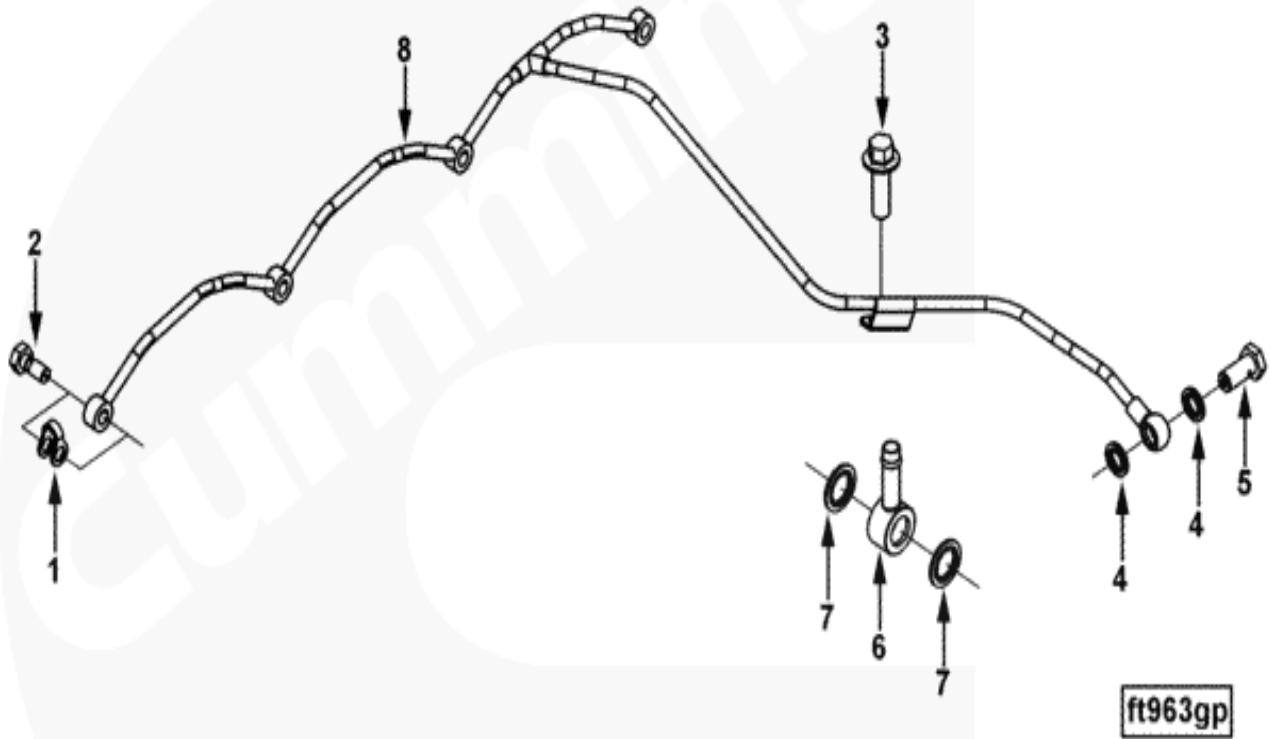
fs956gq

Fuel Transfer Pump

Ref No.	Part Number	Part Name	Qty	Servicable	Remarks
	FS9752	Fuel Transfer Pump		N	Fuel Transfer Pump
1	3900631	Screw, Hex Flange Head Cap	2	Y	M8 X 1.25 X 25 .
2	3916361	Screw, Banjo Connector	1	Y	
3	3970880	Pump, Fuel Transfer	1	Y	
4	3963983	Washer, Sealing	2	Y	
5	3939258	Gasket, Cover Plate	1	Y	
6	3964473	Tube, Fuel Supply	1	Y	

Fuel Plumbing

©Cummins Inc

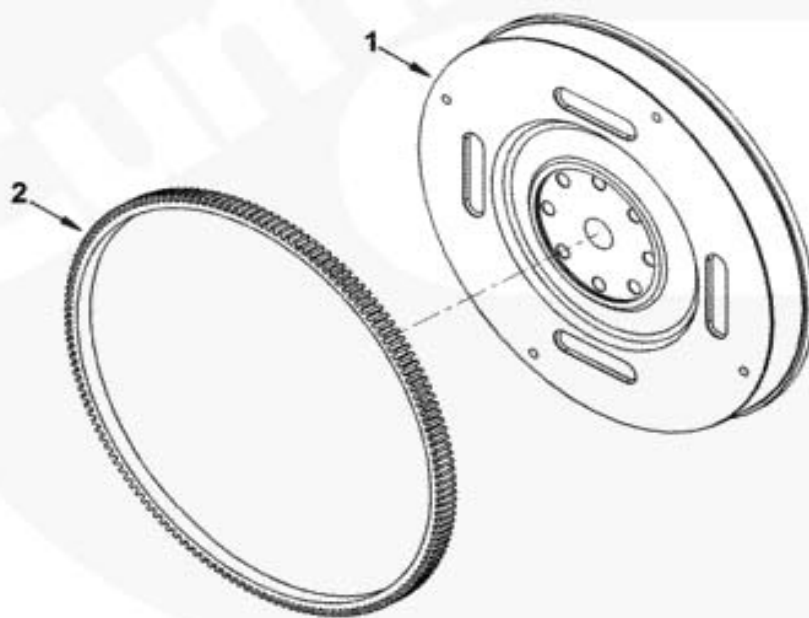


Fuel Plumbing

Ref No.	Part Number	Part Name	Qty	Servicable	Remarks
	FT9023	Fuel Plumbing		N	MR - PLUMBING, FUEL DRAIN
1	3903380	Seal, Banjo Connector	4	N	6.2mm
2	3905307	Screw, Banjo Connector	4	Y	M6 x 1.00 x 14.3
3	3918109	Screw, Hex Flange Head Cap	1	Y	M8 X 1.25 X 25
4	3918188	Washer, Sealing	2	Y	8mm
5	3924726	Valve, Check	1	Y	M8 x 1.25 x 17.5
6	3934476	Connector, Banjo	1	Y	
7	3963983	Washer, Sealing	2	Y	12mm
8	3966863	Manifold, Fuel	1	Y	

Flywheel

©Cummins Inc



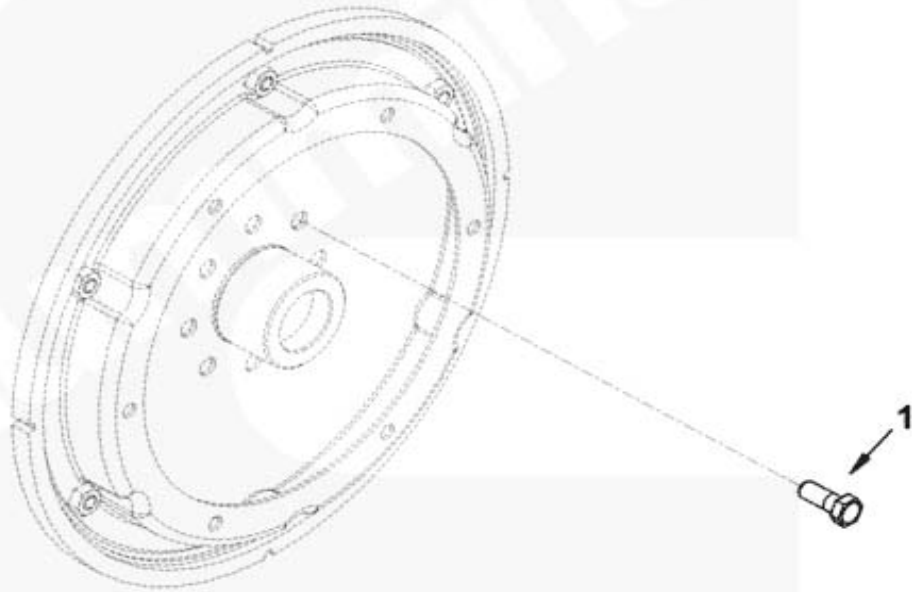
fw954gm

Flywheel

Ref No.	Part Number	Part Name	Qty	Servicable	Remarks
	FW9581	Flywheel		N	Flywheel
	3936821	Flywheel	1	Y	
1	3936820	Flywheel	1	N	
2	3901774	Gear, Flywheel Ring	1	Y	

Flywheel Mounting

©Cummins Inc



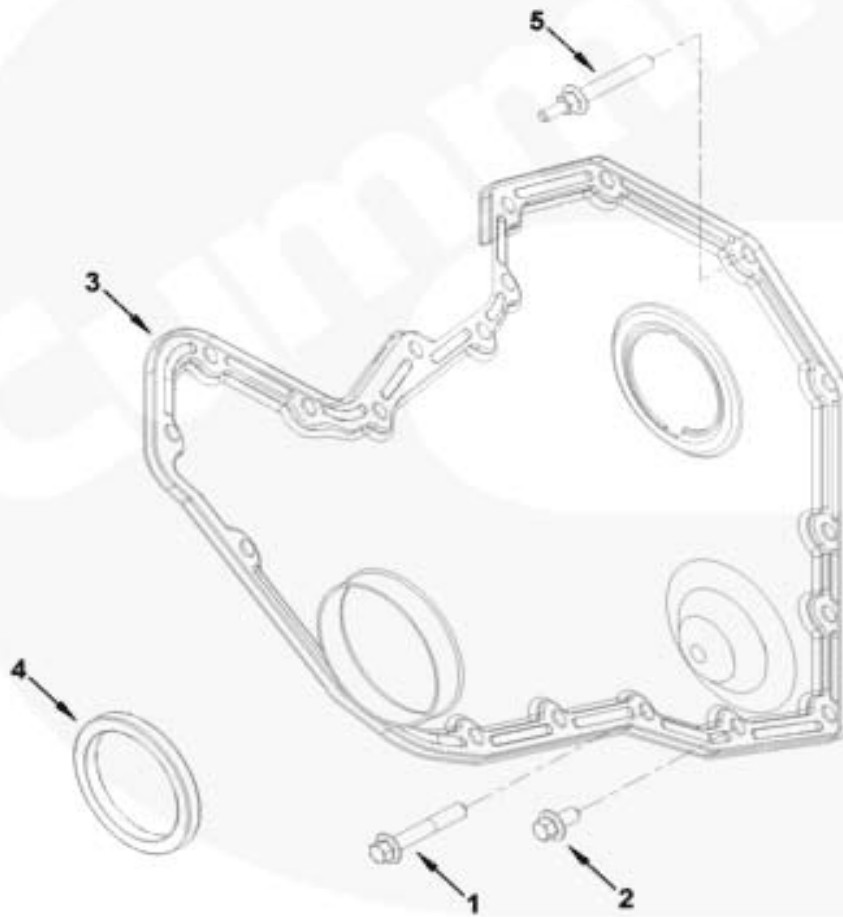
fw951zu

Flywheel Mounting

Ref No.	Part Number	Part Name	Qty	Servicable	Remarks
	FW9934	Flywheel Mounting		N	Flywheel Mounting
1	4894641	Screw, Captive Washer Cap	8	Y	

COVER,FRONT GEAR

©Cummins Inc



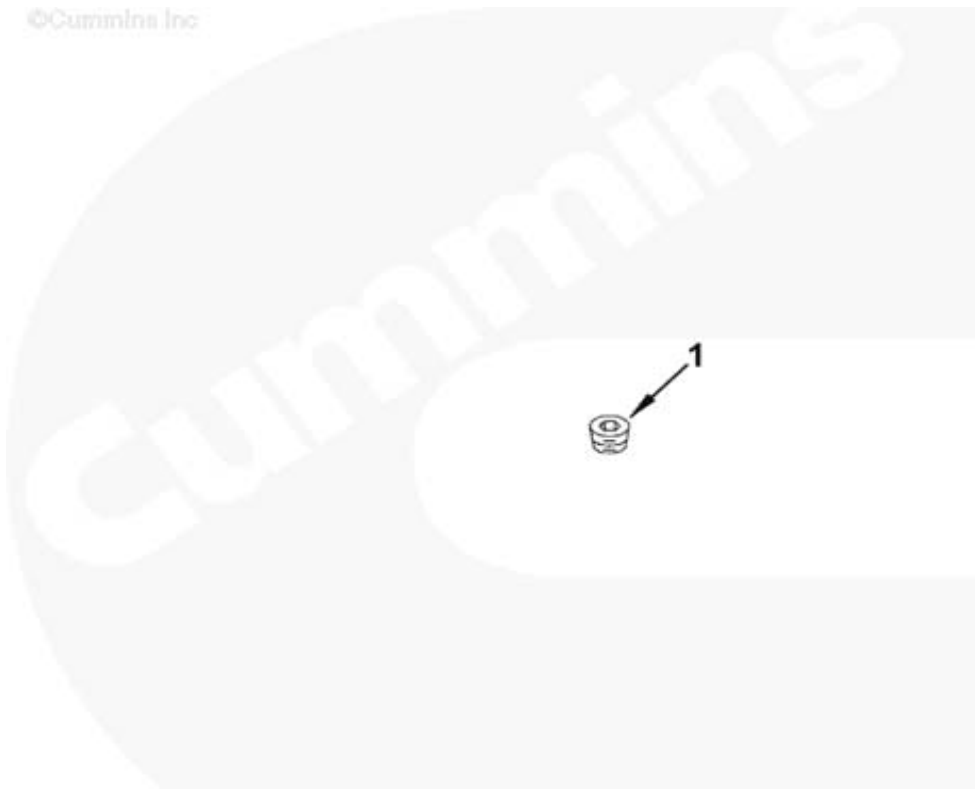
gg900zg

COVER,FRONT GEAR

Ref No.	Part Number	Part Name	Qty	Servicable	Remarks
	GG9785	COVER,FRONT GEAR		N	Mr - front gear cover
1	3900633	Screw, Hex Flange Head Cap	9	.Y	M8 X 1.25 X 50
2	3924962	Screw, Hex Flange Head Cap	9	Y	
	3969976	Cover, Gear	1	Y	
3	3286312	Cover, Gear	1	N	
4	4931561	Seal, Oil	1	Y	
5	3921816	Screw, Studded Flange Cap	2	Y	M8 X 1.25 X 45

Cabin Heater Plumbing

©Cummins Inc



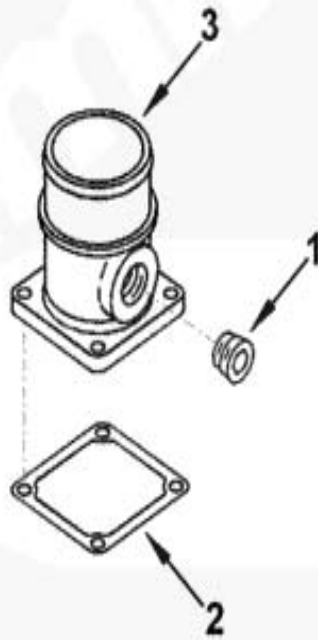
rp950ge

Cabin Heater Plumbing

Ref No.	Part Number	Part Name	Qty	Servicable	Remarks
	HC9035	Cabin Heater Plumbing		N	MR - Cabin Heater Plumbing
1	3008468	Plug, Pipe	2	Y	1/2 NPT

Air Intake Connection

©Cummins Inc



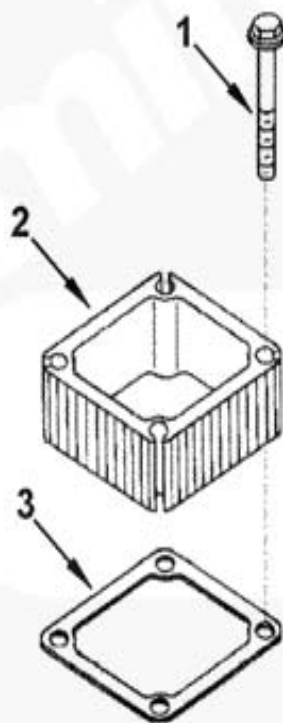
ic953gr

Air Intake Connection

Ref No.	Part Number	Part Name	Qty	Servicable	Remarks
	IC9307	Air Intake Connection		N	Air Intake Connection
1	3008469	Plug, Pipe,	1	Y	3/4 NPT
2	3969988	Gasket, Connection	1	Y	
3	2830891	Connection, Air Intake	1	Y	

Air Intake Connection MTG

©Cummins Inc



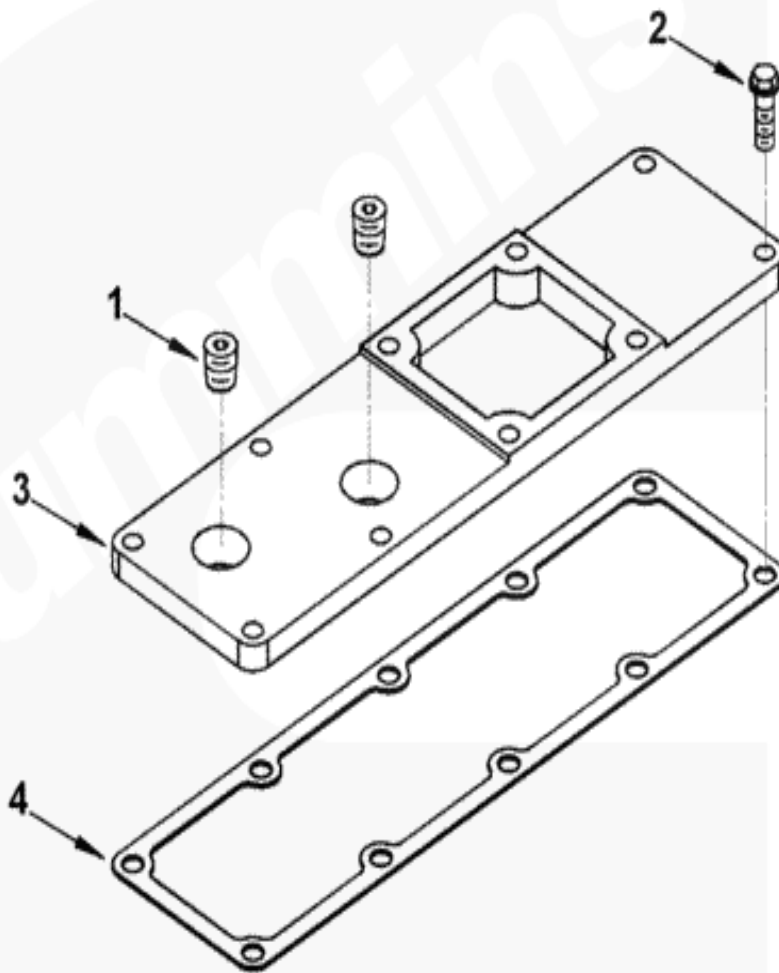
ic955gd

Air Intake Connection MTG

Ref No.	Part Number	Part Name	Qty	Servicable	Remarks
	IC9733	Air Intake Connection MTG		N	Air Intake Connection MTG
1	3919864	Screw, Hex Flange Head Cap	4	Y	M8 X 1.25 X 80
2	3922484	Connection, Spacer	1	Y	
3	3969988	Gasket, Connection	1	Y	

Air Intake Manifold

©Cummins Inc



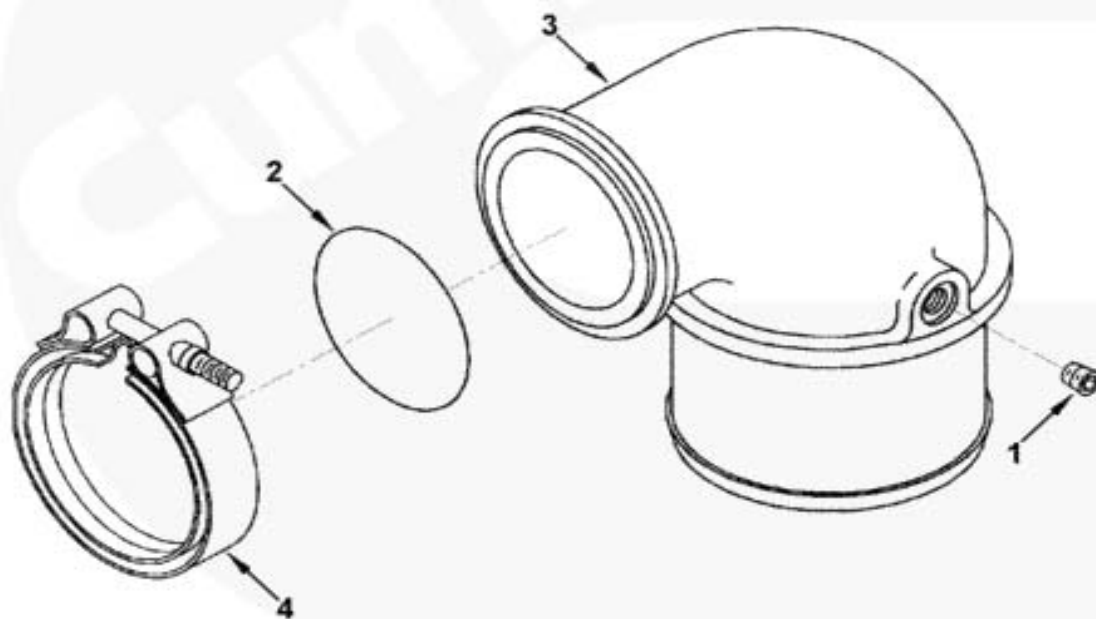
im900gj

Air Intake Manifold

Ref No.	Part Number	Part Name	Qty	Servicable	Remarks
	IM9715	Air Intake Manifold		N	MR - Air Intake Cover
1	3008468	Plug, Pipe	1	Y	1/2 NPT
2	3918109	Screw, Hex Flange Head Cap	2	Y	M8 X 1.25 X 25
3	3921500	Cover, Intake Manifold	1	Y	
4	3938153	Gasket, Int Manifold Cover	1	Y	

Air Transfer Connection

©Cummins Inc



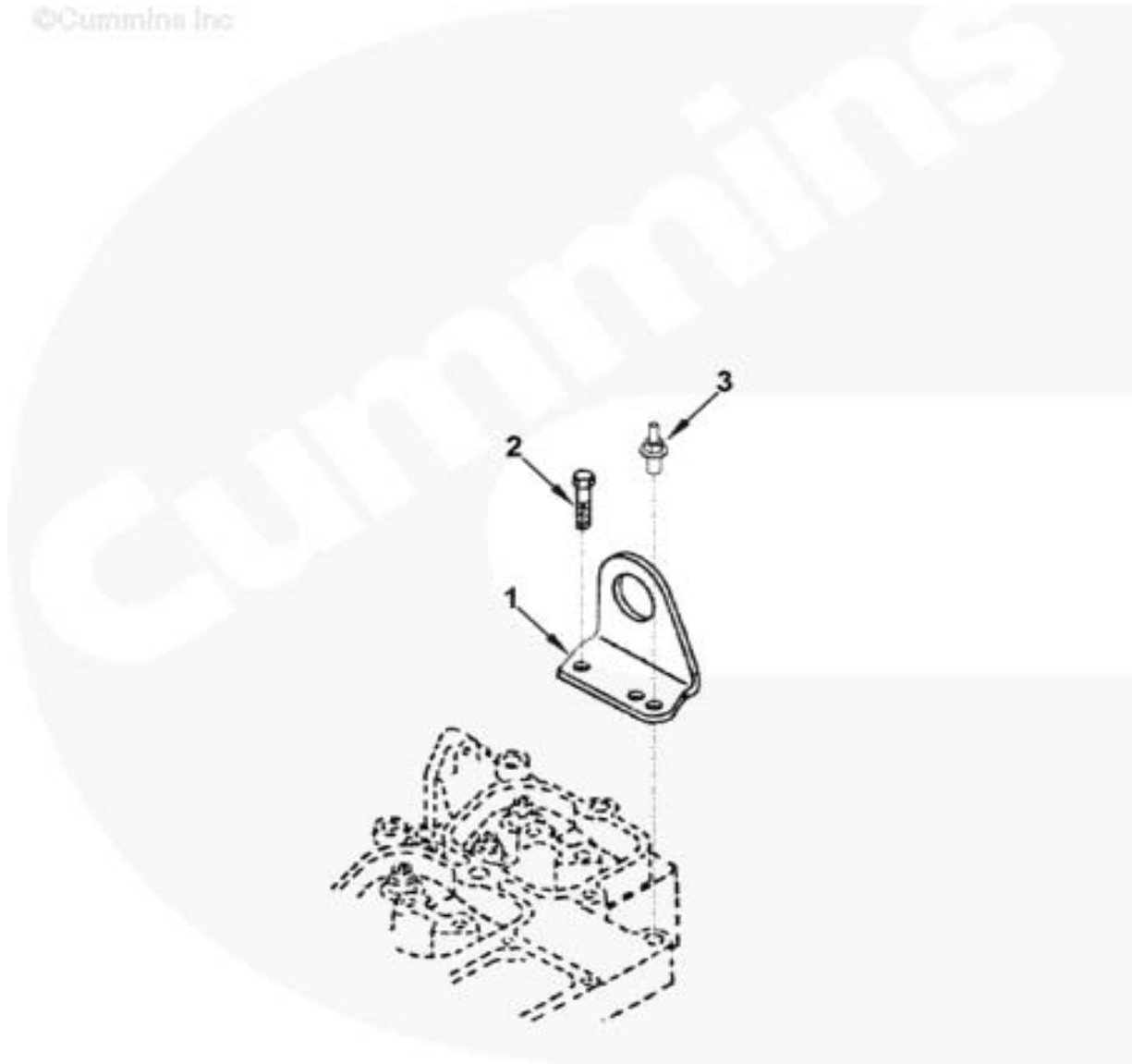
it950gg

Air Transfer Connection

Ref No.	Part Number	Part Name	Qty	Servicable	Remarks
	IT9056	Air Transfer Connection		N	Air Transfer Connection
1	3008465	Plug,,Pipe	1	Y	1/8 NPT
2	3918952	Seal, O Ring	1	Y	
3	3958958	Pipe, Air Transfer	1	Y	
4	3918951	Clamp, V Band	1	Y	

Lifting Arrangement

©Cummins Inc



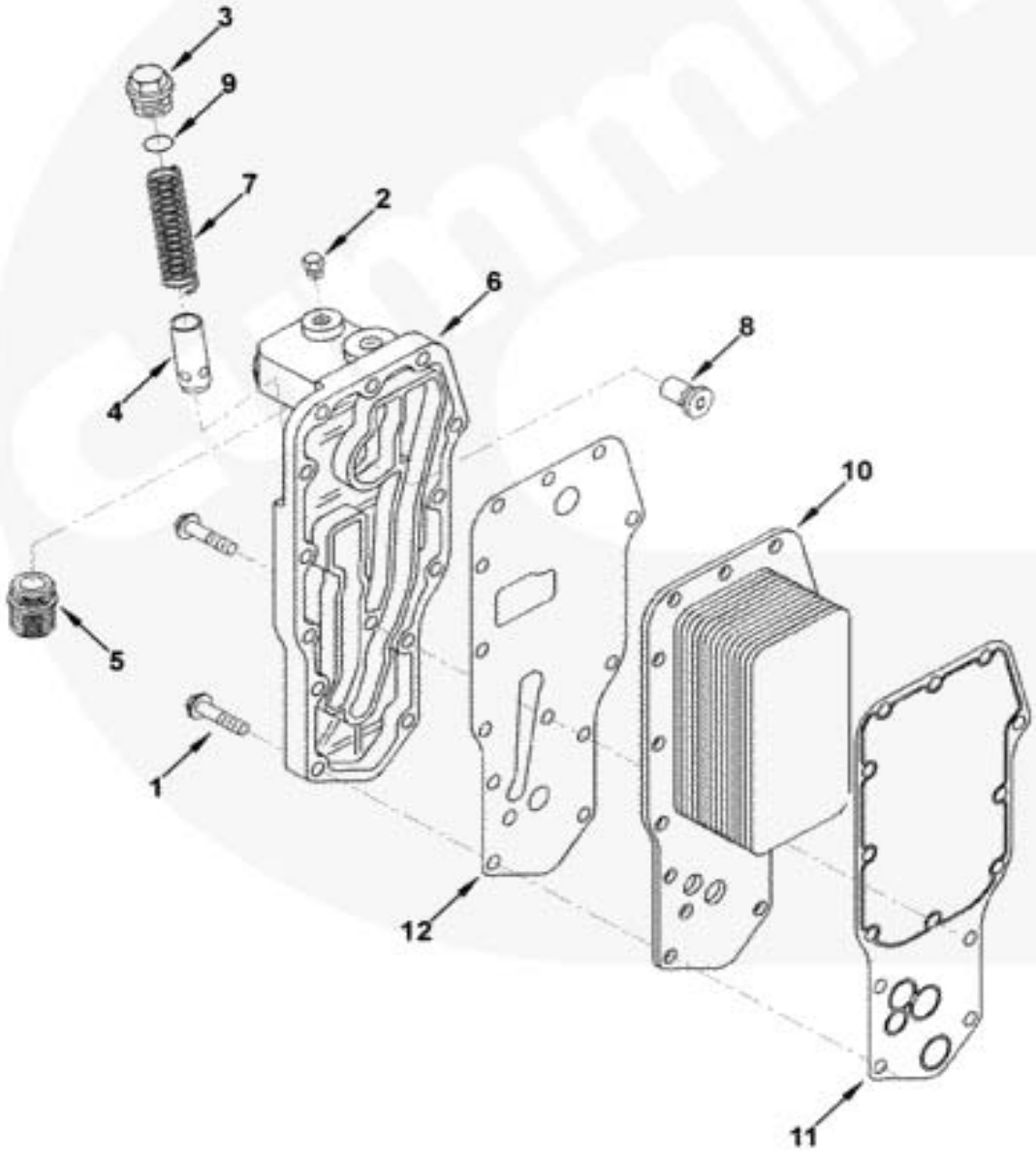
la950gw

Lifting Arrangement

Ref No.	Part Number	Part Name	Qty	Servicable	Remarks
	LA9082	Lifting Arrangement		N	MR - Engine Lifting
1	3908118	Bracket, Lifting	1	Y	
2	3910495	Screw, Hex Flange Head Cap	1	Y	M12 X 1.75 X 30
3	3944061	Screw, Hex Flange Head Cap	1	Y	M12 X 1.75 X M8 X 1.25

COOLER,ENGINE OIL

©Cummins Inc



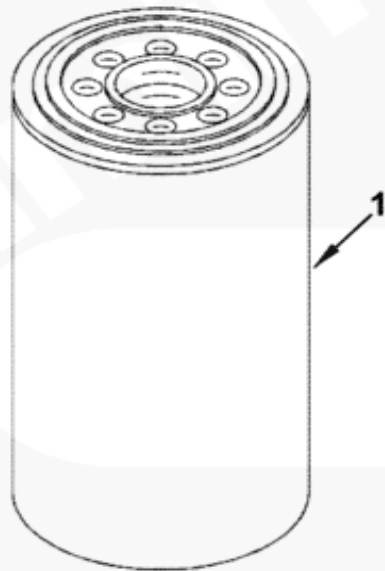
lc950gg

COOLER,ENGINE OIL

Ref No.	Part Number	Part Name	Qty	Servicable	Remarks
	LC9732	COOLER,ENGINE OIL		N	Mr - engine oil cooler
1	3900632	Screw, Hex Flange Head Cap	14	Y	M8 X 1.25 X 35
2	3906619	Plug, Pipe	1	Y	1/8 NPT
3	3915787	Plug, Threaded	1	Y	M22 X 1.50
4	3918428	Plunger, Prs Regulator	1	Y	
	3918954	Head, Lub Oil Filter	1	Y	Serviced as 4024827
5	3909355	Adapter, Filter Head	1	Y	
6	3924338	Head, Lub Oil Filter	1	Y	
7	3918427	Spring, Compression	1	Y	
8	3936365	Valve, Pressure Relief	1	Y	
9	3929457	Seal, O Ring	1	Y	
10	3957543	Core, Cooler	1	Y	
11	4932124	Gasket, Oil Cooler Core	1	Y	
12	3942915	Gasket, Filter Head	1	Y	

Lubricating Oil Filter

©Cummins Inc



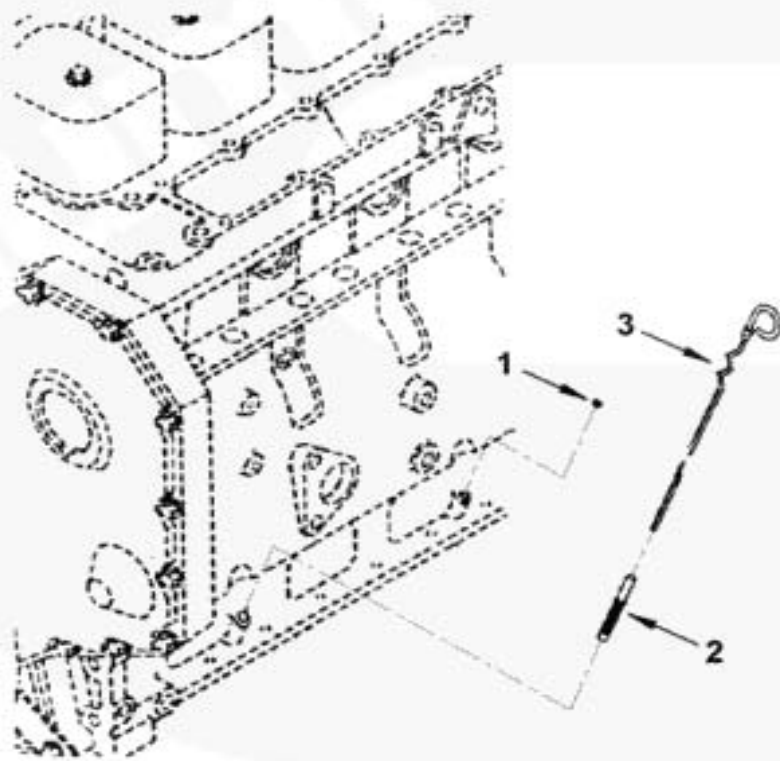
If950gg

Lubricating Oil Filter

Ref No.	Part Number	Part Name	Qty	Servicable	Remarks
	LF9100	Lubricating Oil Filter		N	Lubricating Oil Filter
1	3934429	Element, Lub Oil Filter	1	Y	

Oil Level Gauge

©Cummins Inc



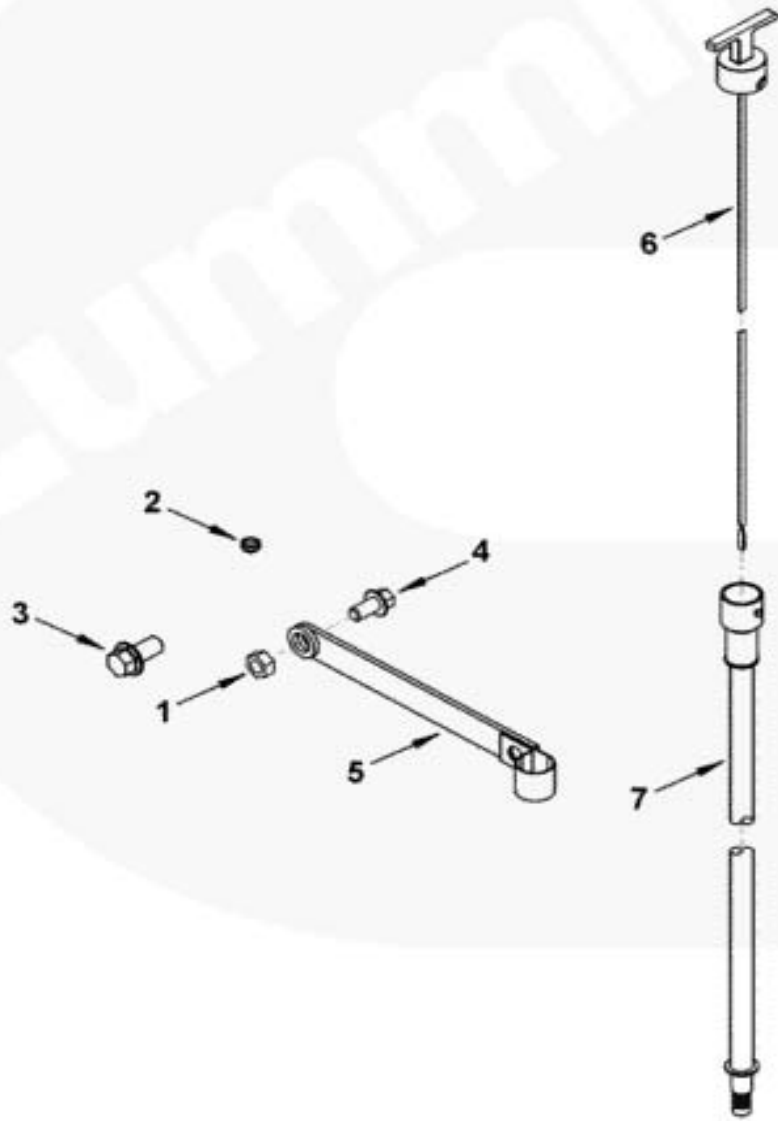
ob901gk

Oil Level Gauge

Ref No.	Part Number	Part Name	Qty	Servicable	Remarks
	LG9666	Oil Level Gauge		N	Oil Level Gauge
1	3900955	Plug, Expansion	1	Y	
2	3280885	Tube, Oil Gauge	1	Y	
3	3905782	Dipstick	1	Y	

Oil Level Gauge

©Cummins Inc



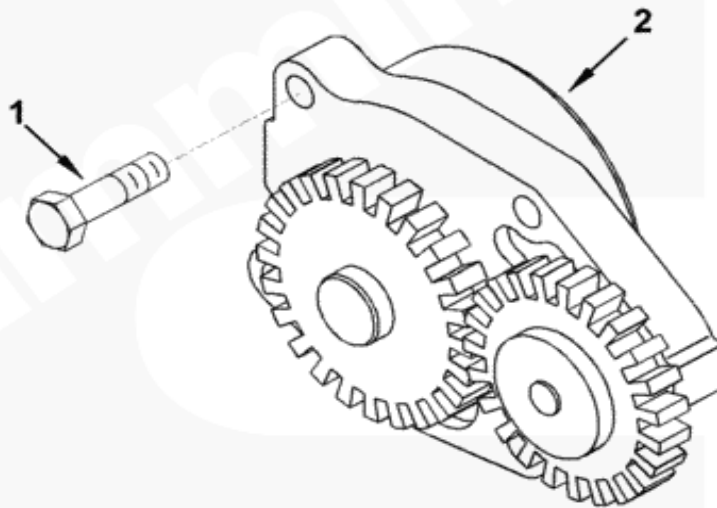
lg956gj

Oil Level Gauge

Ref No.	Part Number	Part Name	Qty	Servicable	Remarks
	LG9762	Oil Level Gauge		N	MR - Oil Level Gauge
1	3900240	Nut, Regular Hexagon	1	Y	M8 X 1.25
2	3900955	Plug, Expansion	1	Y	
3	3903990	Screw, Hex Flange Head Cap	1	Y	M10 X 1.50 X 20
4	3925883	Screw, Hex Flange Head Cap	1	Y	M8 X 1.25 X 16
5	3965085	Brace, Tube	1	Y	
	3965371	Dipstick	1	Y	
6	3965111	Dipstick	1	Y	
7	3965118	Tube, Oil Gauge	1	Y	

Lube Oil Pump

©Cummins Inc



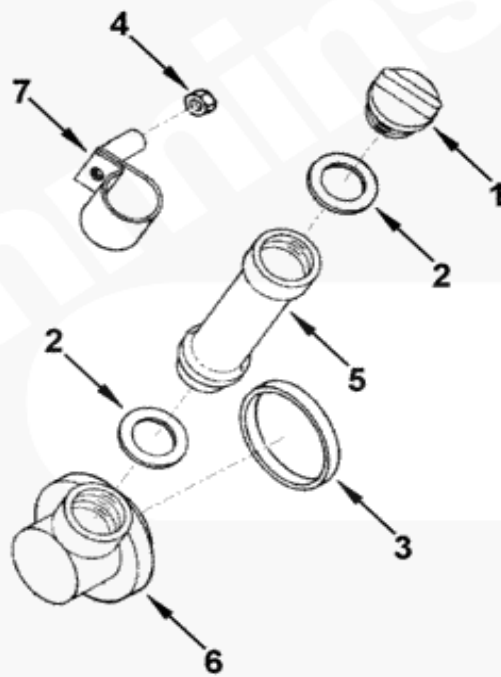
lp950gb

Lube Oil Pump

Ref No.	Part Number	Part Name	Qty	Servicable	Remarks
	LP9728	Lube Oil Pump		N	Lubrication Oil Pump
1	3900677	Screw, Hexagon Head Cap	4	Y	M8 X 1.25 X 30
2	3937027	Pump, Lubricating Oil	1	Y	

Oil Filler Arrangement

©Cummins Inc



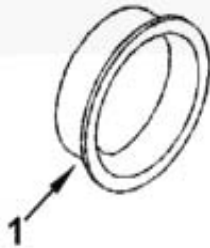
ob902gg

Oil Filler Arrangement

Ref No.	Part Number	Part Name	Qty	Servicable	Remarks
	OB9292	Oil Filler Arrangement		N	MR - Oil Fill Arrangement
1	3914136	Cap, Fjller	1	Y	
2	3936876	Seal, Rectangular Ring	2	Y	
3	3903475	Seal, Rectangular Ring	1	Y	
4	3906216	Nut, Hexagon Flange	1	Y	M6 X 1.00
5	3914738	Tube, Oil Filler	1	Y	
6	3921644	Connection, Oil Filler	1	Y	
7	3921815	Clip	1	Y	

Hand Hole Cover

©Cummins Inc



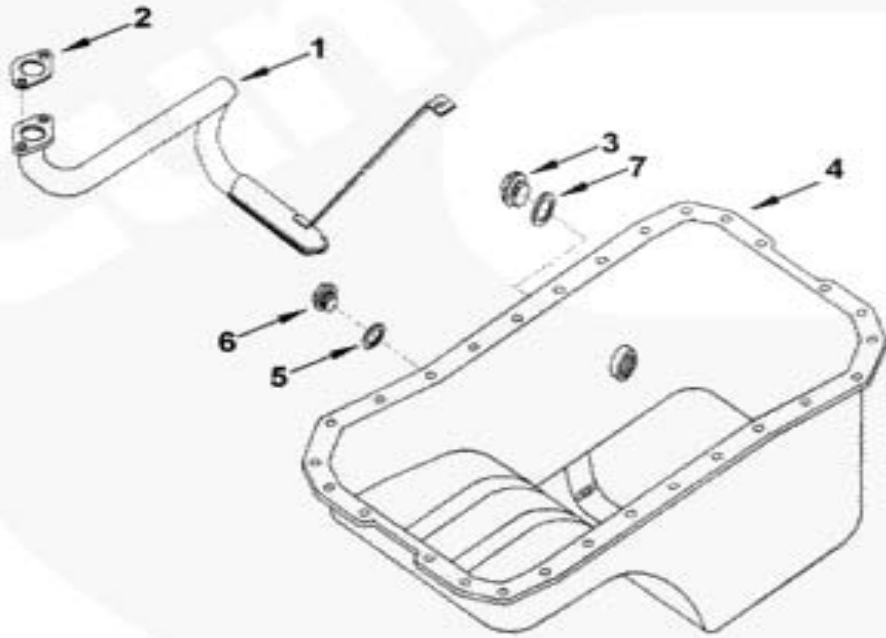
ob953gl

Hand Hole Cover

Ref No.	Part Number	Part Name	Qty	Servicable	Remarks
	OB9721	Hand Hole Cover		N	MR - Hand Hole Cover
1	3900958	Plug, Expansion	1	Y	

Oil Pan

©Cummins Inc



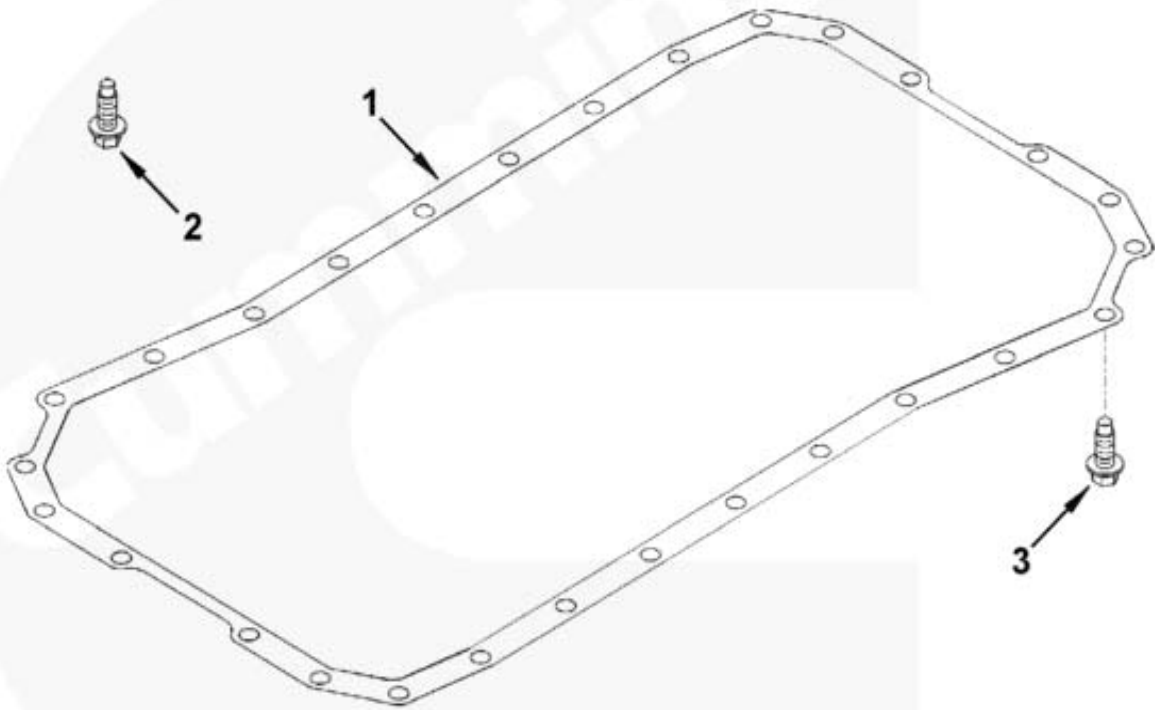
op955gx

Oil Pan

Ref No.	Part Number	Part Name	Qty	Servicable	Remarks
	OP9325	Oil Pan		N	Oil Pan
1	3920795	Connection, Oil Suction	1	Y	
2	3938157	Gasket, Flange	1	Y	
3	3924148	Plug, Threaded	1	Y	M22 X 1.50 X 14
4	3901049	Pan, Oil	1	Y	
5	3920773	Washer, Sealing	1	Y	M18
6	3924147	Plug, Threaded	1	Y	M18 X 1.50
7	3902425	Washer, Sealing	1	Y	M22

Oil Pan Mounting

©Cummins Inc



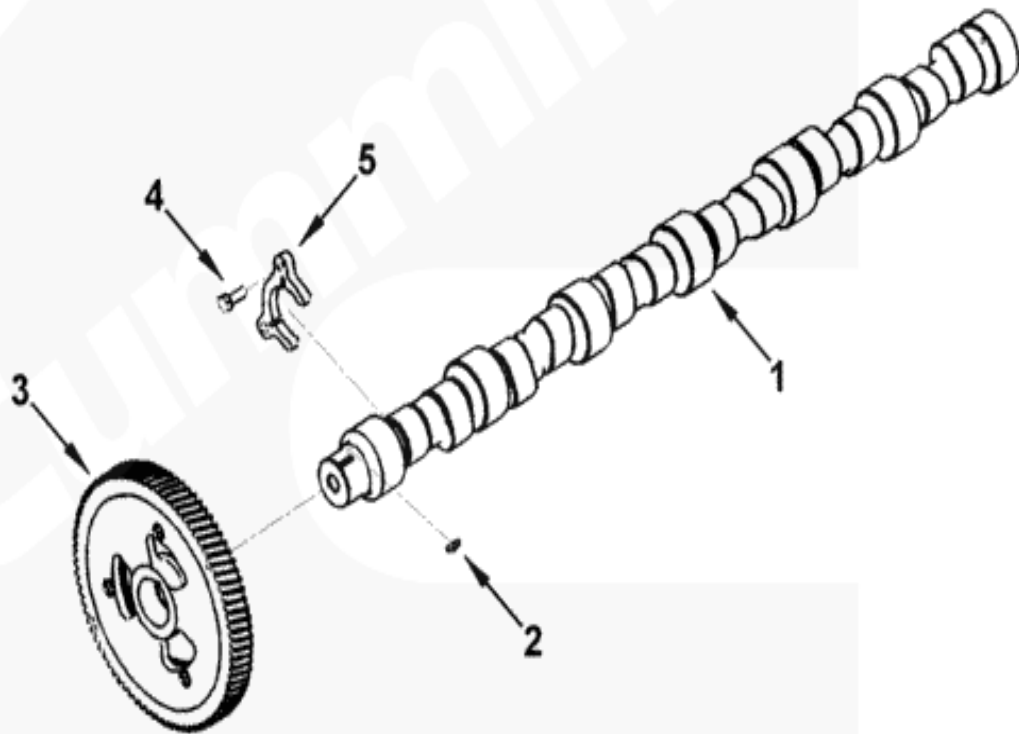
op952ge

Oil Pan Mounting

Ref No.	Part Number	Part Name	Qty	Servicable	Remarks
	OP9736	Oil Pan Mounting		N	Oil Pan Mounting
1	3938162	Gasket,,Oil Pan	1	Y	
2	3900630	Screw, Hex Flange Head Cap	3	Y	M8 X 1.25 X 20
3	3920400	Screw, Hex Flange Head Cap	28	Y	M8 X 1.25 X 21

Camshaft

©Cummins Inc



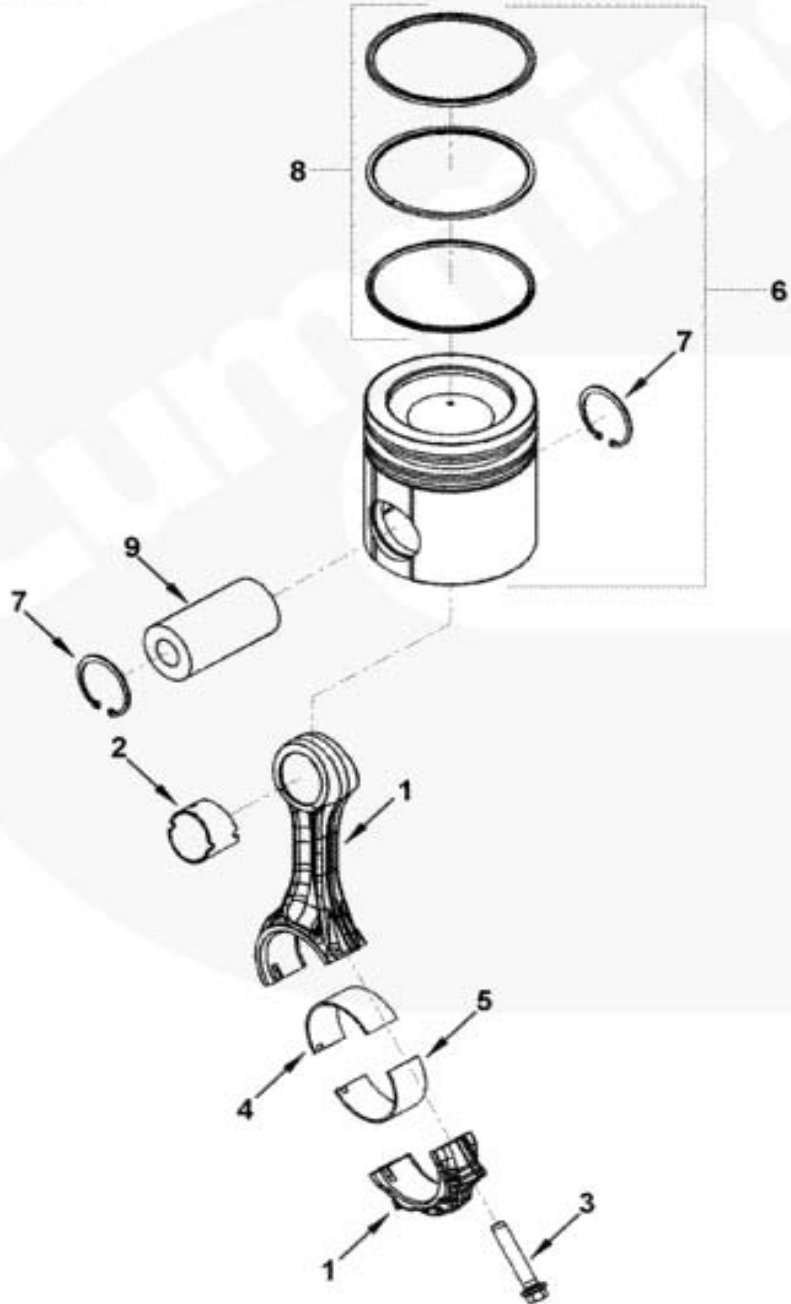
pp912zf

Camshaft

Ref No.	Part Number	Part Name	Qty	Servicable	Remarks
	PP8039	Camshaft		N	Camshaft
1	3929885	Camshaft	1	Y	
2	3902332	Key, Plain Woodruff	1	Y	4.0 mm
3	3929028	Gear, Camshaft	1	Y	
4	3900227	Screw, Hexagon Head	1	Y	M8 X 1.25 X 22
5	3927155	Support, Camshaft Thrust	1	Y	

Connecting Rod And Piston

©Cummins Inc



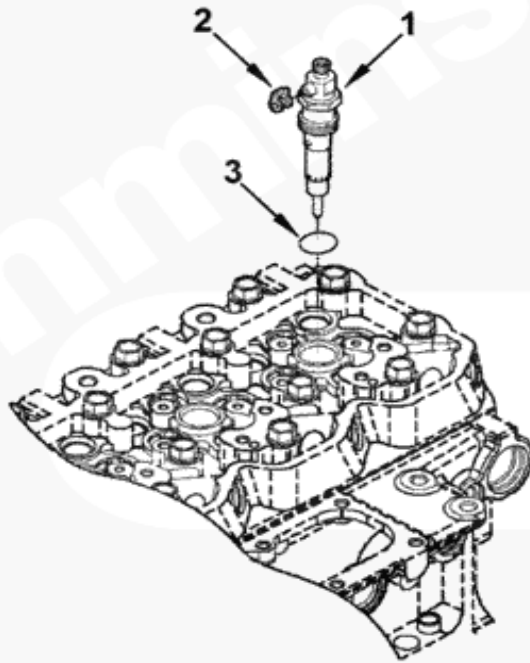
pp966gr

Connecting Rod And Piston

Ref No.	Part Number	Part Name	Qty	Servicable	Remarks
	PP8039	Connecting Rod And Piston		N	Connecting Rod And Piston
	3971212	Rod, Engine Connecting	4	N	Recon Equivalent 3971212 RX
1	3971211	Rod, Engine Connecting	1	N	
2	4891178	Bushing	1	Y	
3	4891179	Screw, Connecting Rod Cap	2	Y	
4	3901230	Bearing, Connecting Rod	4	Y	Upper
5	4893693	Bearing, Connecting Rod	4	Y	Standard
6	4089461	Kit, Engine Piston	4	Y	Grade A Piston Kit
	3957416	Piston, Engine	1	N	Serviced as 4089461
7	3920691	Ring, Retaining	8	Y	
8	4089460	Set, Piston Ring	1	Y	Standard
9	3934047	Pin, Piston	4	Y	
6	4089618	Kit, Engine Piston	4	Y	0.50 mm Oversize
	3957417	Piston, Engine	1	N	Serviced as 4089618
7	3920691	Ring, Retaining	2	Y	
8	4089614	Set, Piston Ring	1	Y	0.50 mm Oversize
6	4089619	Kit, Engine Piston	4	Y	1.00 mm Oversize
	3957418	Piston, Engine	1	N	
7	3920691	Ring, Retaining	2	Y	
8	4089615	Set, Piston Ring	1	Y	1.00 mm Oversize
4	3901171	Bearing, Connecting Rod	A/R	Y	0.25 mm Oversize
4	3901172	Bearing, Connecting Rod	A/R	Y	0.50 mm Oversize
4	3901173	Bearing, Connecting Rod	A/R	Y	0.75 mm Oversize
4	3901174	Bearing, Connecting Rod	A/R	Y	1.00 mm Oversize
5	4892795	Bearing, Connecting Rod	A/R	Y	0.25 mm Oversize
5	4892796	Bearing, Connecting Rod	A/R	Y	0.50 mm Oversize
5	4892797	Bearing, Connecting Rod	A/R	Y	0.75 mm Oversize
5	4892798	Bearing, Connecting Rod	A/R	Y	1.00 mm Oversize

Injector

©Cummins Inc



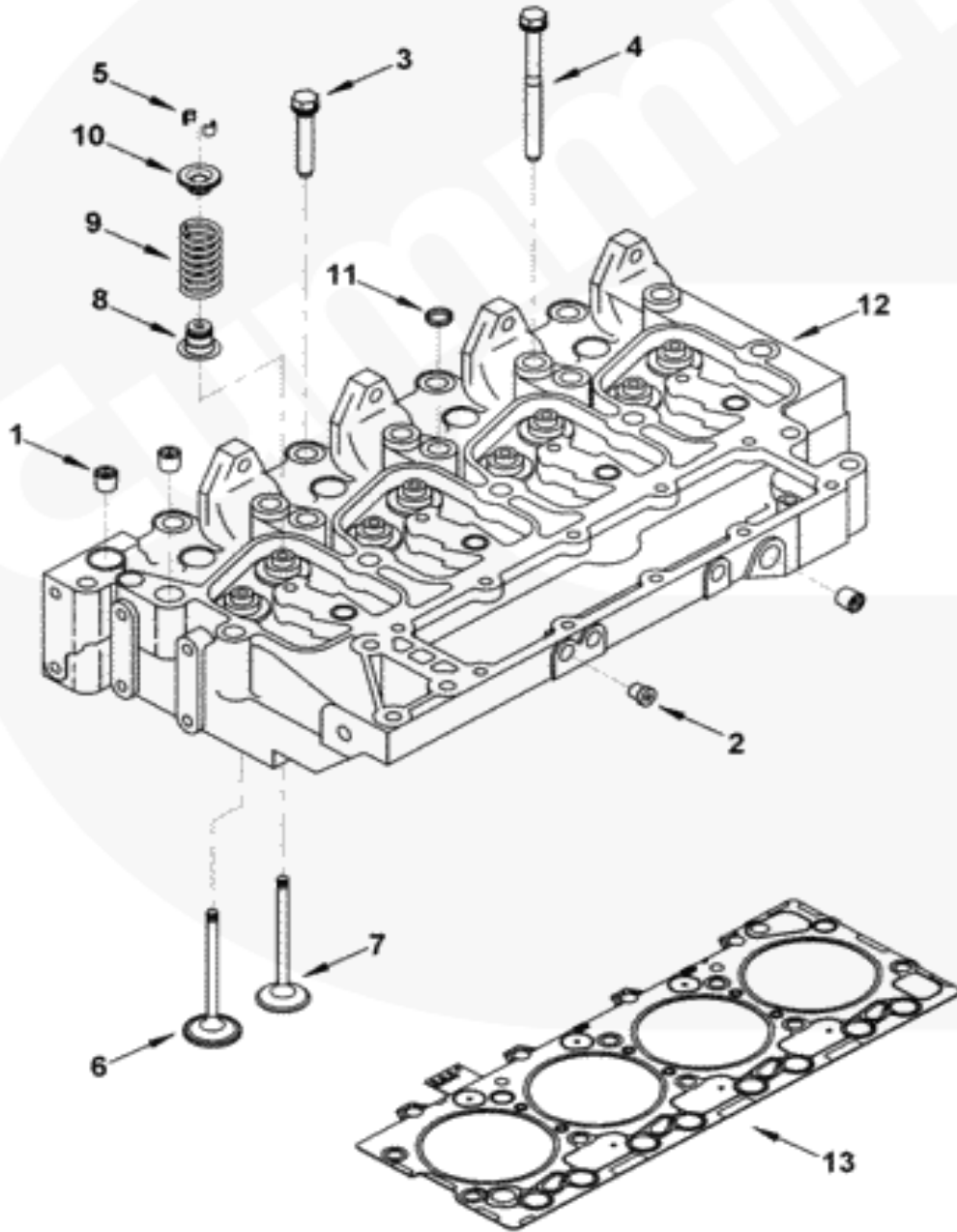
pp957go

Injector

Ref No.	Part Number	Part Name	Qty	Servicable	Remarks
	PP8039	Injector		N	Injector
	4089469	Injector, Kit	6	Y	
1	3957729	Injector	1	Y	
2	3903380	Seal, Banjo Connector	1	Y	
3	3909356	Seal, Rectangular Ring	1	Y	

Cylinder Head

©Cummins Inc



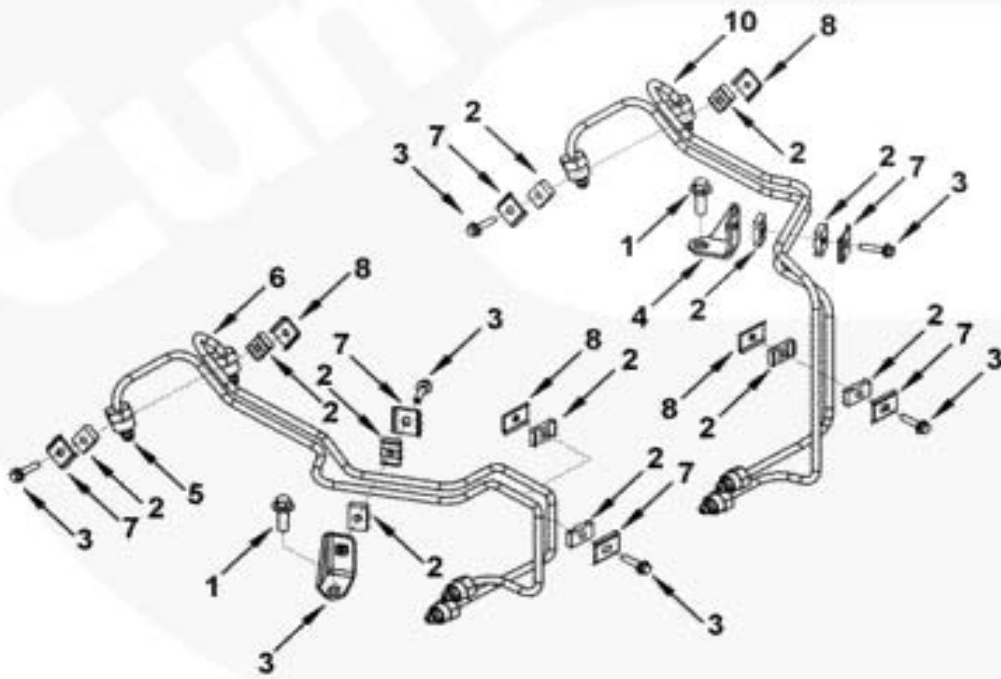
pp966gn

Cylinder Head

Ref No.	Part Number	Part Name	Qty	Servicable	Remarks
	PP98347	Cylinder Head		N	Cylinder Head
1	3008468	Plug, Pipe	2	Y	1/2 NPT
2	3906619	Plug, Pipe	1	Y	1/8 NPT
3	3920779	Screw, Hex Flange Head Cap	4	Y	
4	3920780	Screw, Hex Flange Head Cap	10	Y	
	3967460	Head, Cylinder	1	Y	
	3802355	Valve, Intake	4	Y	
5	3900250	Collet, Valve	2	Y	
6	3920867	Valve, Intake	1	Y	Serviced as 3802355
	3802356	Valve, Exhaust	4	Y	
5	3900250	Collet, Valve	2	Y	
7	3920868	Valve, Exhaust	1	Y	Serviced as 3802356
8	3957912	Seal, Valve Stem	8	Y	
9	3932453	Spring, Valve	8	Y	
10	3957913	Retainer, Valve Spring	8	Y	
	3966448	Head, Cylinder	1	Y	
11	3922073	Plug, Expansion	3	Y	
12	3966447	Head, Cylinder	1	N	
13	3283333	Gasket, Cylinder Head	1	Y	

PLUMBING, INJECTOR

©Cummins Inc



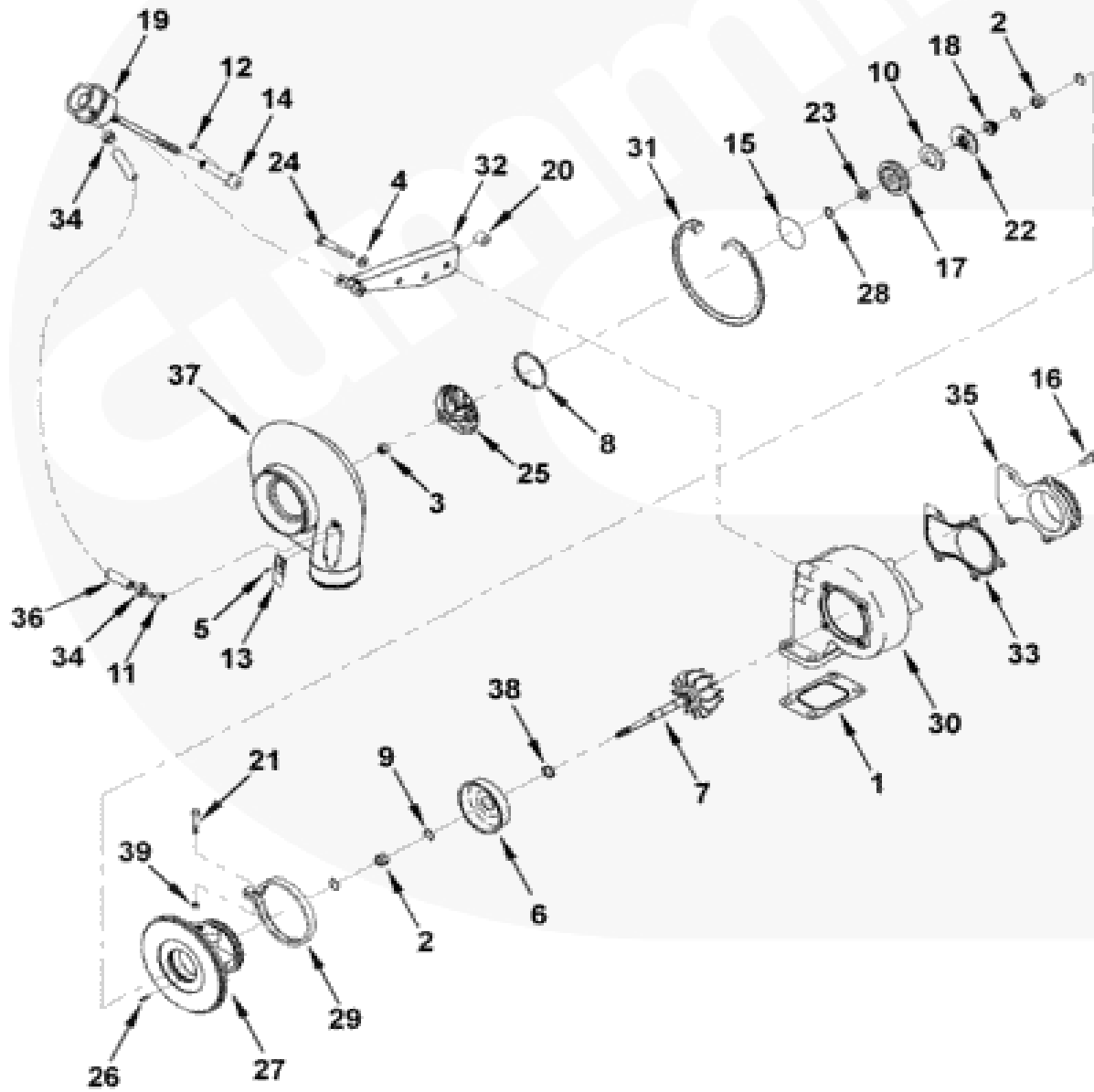
pp957gz

PLUMBING,INJECTOR

Ref No.	Part Number	Part Name	Qty	Servicable	Remarks
	PP98369	PLUMBING,INJECTOR		N	Mr - injector plumbing
1	3918109	Screw, Hex Flange Head Cap	2	Y	M8 X 1.25 X 25
	3968940	Tube, Injector Fuel Supply	1	Y	
2	3917746	Isolator, Vibration	6	Y	
3	3920854	Screw, Captive Washer Cap	3	Y	M5 X 0.80 X 20
4	3935746	Brace, Tube	1	Y	
5	3968937	Tube, Injector Fuel Supply	1	Y	#1 Cylinder
6	3968939	Tube, Injector Fuel Supply	1	Y	#2 Cylinder
7	3991276	Brace, Tube	3	Y	
8	3991277	Brace, Tube	2	Y	
	3968941	Tube, Injector Fuel Supply	1	Y	
2	3917746	Isolator, Vibration	6	Y	
3	3920854	Screw, Captive Washer Cap	3	Y	M5 X 0.80 X 20
4	3935746	Brace, Tube	1	Y	
7	3991276	Brace, Tube	3	Y	
8	3991277	Brace, Tube	2	Y	
9	3968942	Tube,Injector Fuel Supply	1	Y	#3 Cylinder
10	3968944	Tube,Injector Fuel Supply	1	Y	#4 Cylinder

Turbocharger

©Cummins Inc



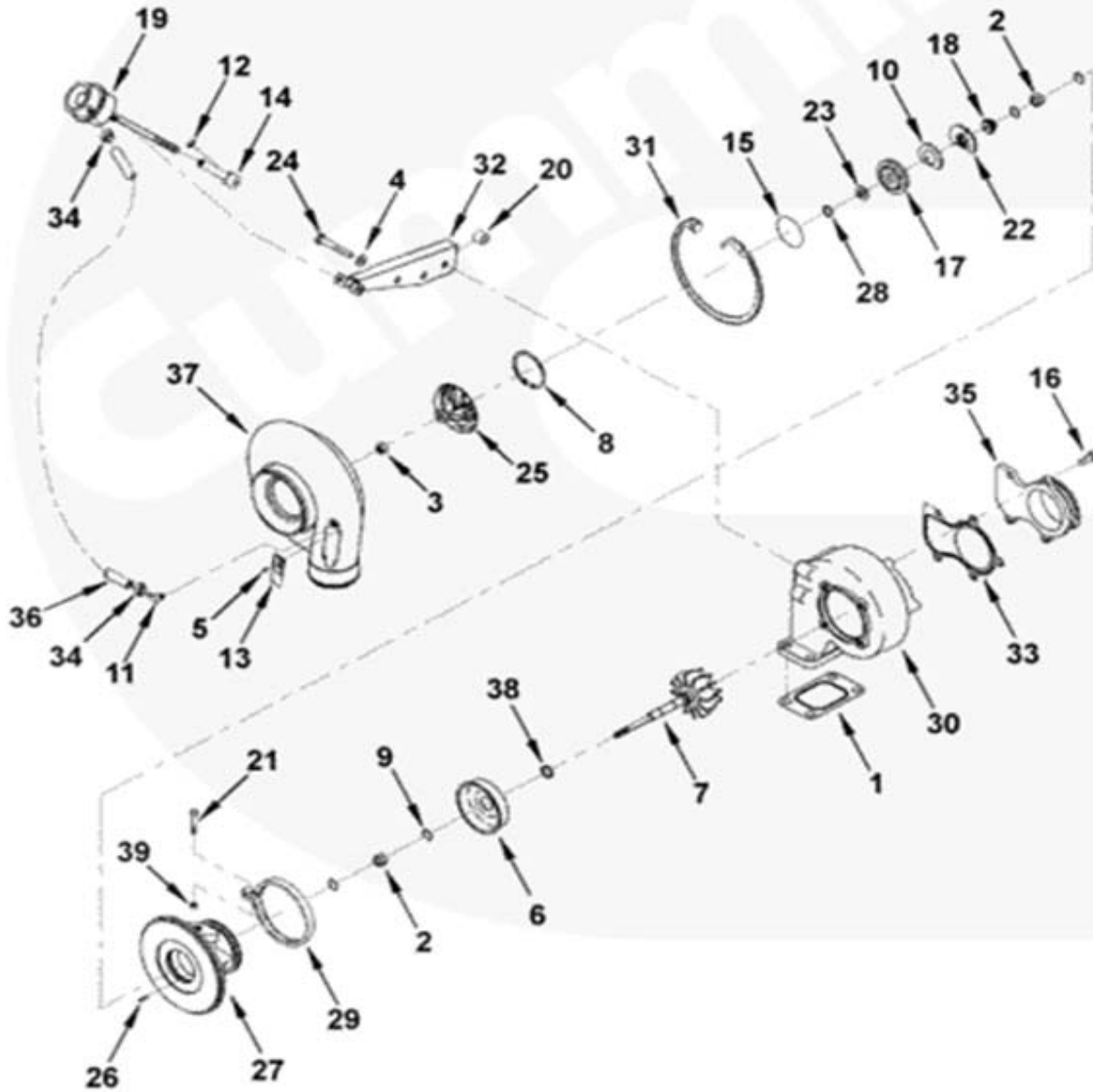
pp972gy

Turbocharger

Ref No.	Part Number	Part Name	Qty	Servicable	Remarks
	PP98479	Turbocharger		N	Turbocharger
1	3919369	Gasket,,Turbocharger	1	Y	
	4089319	Turbocharger		Y	4BTAA Tier 2B
	3598542	Turbocharger	1	N	Serviced as 4089319
2	3503100	Bearing, Turbocharger	2	Y	
3	3596402	Nut, Lock	1	Y	
4	3504967	Washer, Plain	3	Y	
5	3519163	Screw, Drive	2	Y	
6	3519304	Shield, Turbocharger Heat	1	Y	
7	3539805	Shaft & Wheel	1	Y	
8	3527566	Ring, Retaining	1	Y	
9	3762259	Ring, Retaining	4	Y	
10	3528104	Baffle, Oil	1	Y	
11	3528121	Coupling, Elbow Hose	1	Y	
12	3528221	Ring, Retaining	1	Y	
13	3527619	Dataplate	1	N	
14	3528177	End, Adjusting Link	1	N	
15	3528933	Seal, O Ring	1	Y	
16	3530556	Screw, Hexagon Head Set	7	Y	M8 X 1.25 X 20
17	3530923	Plate, Oil Seal	1	Y	
18	3530924	Slinger, Oil	1	Y	
19	3594012	Actuator, Turbocharger	1	N	
20	3532195	Spacer, Mounting	1	Y	
21	3590296	Bolt, T	1	Y	
22	3531419	Bearing, Tur Thrust	1	Y	
23	3534451	Collar, Thrust	1	Y	
24	3532940	Screw, Hexagon Head Set	1	Y	
25	3599693	Impeller, Tur Compressor	1	N	
26	3522597	Pin, Roll	2	Y	
27	4038779	Housing, Tur Bearing	1	N	
28	3758848	Seal, Split Ring	1	Y	

Turbocharger

©Cummins Inc



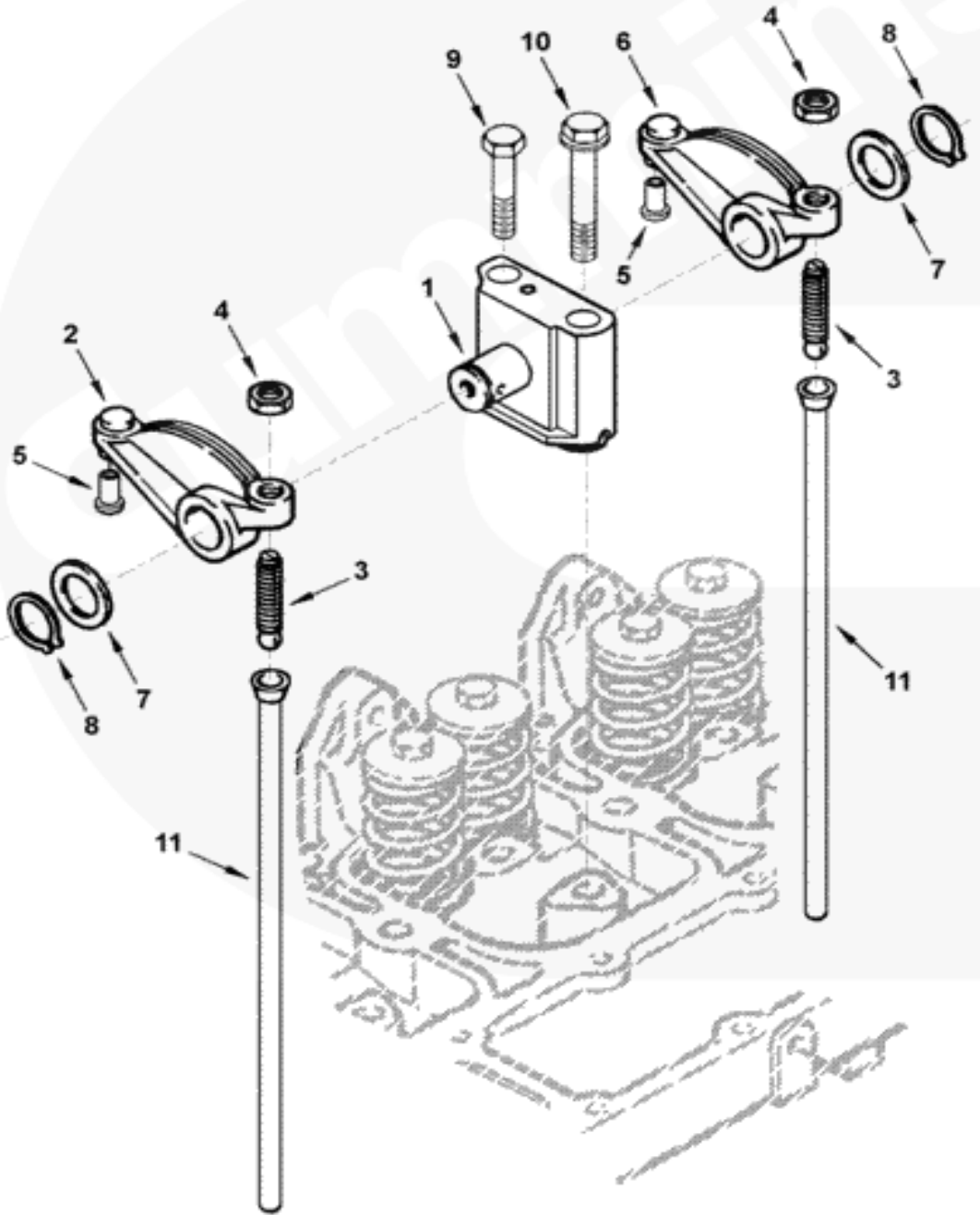
pp972gy

Turbocharger

Ref No.	Part Number	Part Name	Qty	Servicable	Remarks
29	3590606	Clamp, V Band	1	Y	
30	3535656	Housing, Turbine	1	N	
31	3535800	Ring, Retaining	1	Y	
32	3535203	Bracket, Actuator	1	Y	
33	3535001	Gasket, Adapter	1	Y	
34	3535215	Clamp, Hose	2	Y	
35	3527759	Connection, Adapter	1	Y	
36	3538468	Hose, Plain	1	Y	
37	3598667	Housing, Compressor	1	N	
38	3756754	Seal, Split Ring	1	Y	
39	3592050	Nut, Hexagon Flange	3	Y	

Rocker Lever

©Cummins Inc



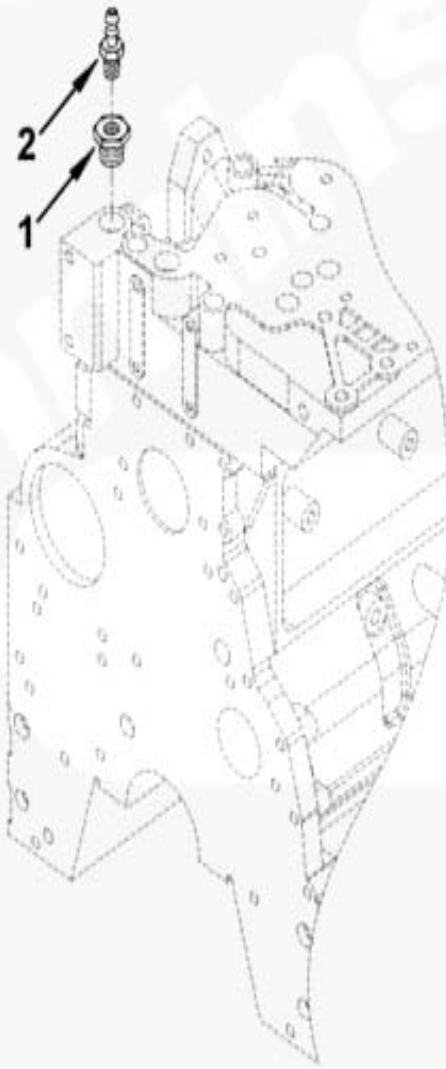
rh950ga

Rocker Lever

Ref No.	Part Number	Part Name	Qty	Servicable	Remarks
	RL9740	Rocker Lever		N	Rocker Lever
	3922488	Shaft, Rocker Lever		Y	
1	3911423	Support, Rocker Lever	1	Y	
	3922487	Shaft, Rocker Lever	1	N	
2	3910811	Lever, Rocker	4	Y	
	3910809	Lever, Rocker	1	N	
3	3937438	Screw, Rkr Lever Adjusting	1	Y	
4	3927692	Nut, Heavy Hexagon	1	Y	
5	3900705	Insert, Rocker Lever	1	Y	Purchase Higher Level
6	3910810	Lever, Rocker	4	Y	
	3910808	Lever, Rocker	1	N	
3	3937438	Screw, Rkr Lever Adjusting	1	Y	
4	3927692	Nut, Heavy Hexagon	1	Y	
5	3900705	Insert, Rocker Lever	1	Y	Purchase Higher Level
7	3900245	Washer, Plain	8	Y	M19
8	3900242	Ring, Retaining	8	Y	
9	3901221	Screw, Hexagon Head Cap	4	Y	M8 X 1.25 X 75
10	3920781	Screw, Hex Flange Head Cap	4	Y	
11	3284377	Rod, Push	8	Y	

Engine Coolant Vent

©Cummins Inc



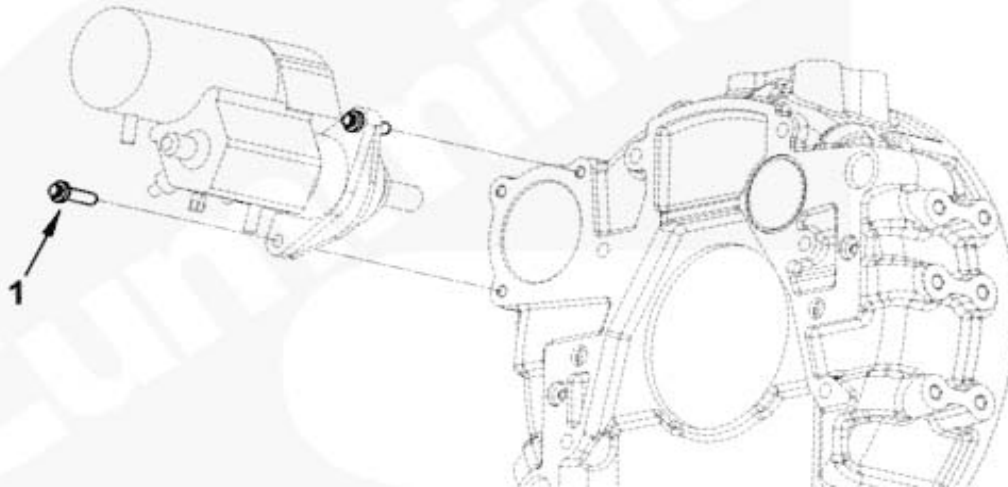
wh950gn

Engine Coolant Vent

Ref No.	Part Number	Part Name	Qty	Servicable	Remarks
	RP9041	Engine Coolant Vent		N	MR - Cooling System Vent
	3935178	Coupling, Plain Hose	1	Y	
1	3935153	Bushing, Reducing Pipe	1	Y	
2	3935151	Coupling, Plain Hose	1	Y	

MOUNTING, STARTING MOTOR

©Cummins Inc

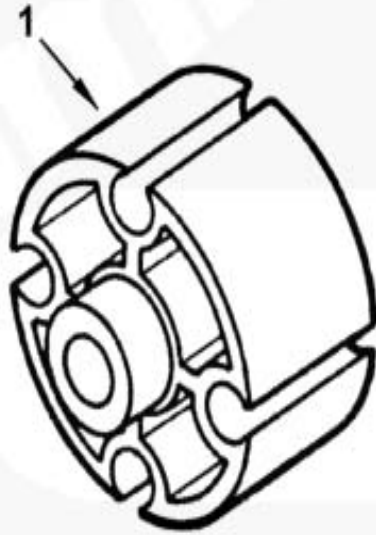


MOUNTING, STARTING MOTOR

Ref No.	Part Number	Part Name	Qty	Servicable	Remarks
	SM9790	MOUNTING, STARTING MOTOR		N	Mr - starting motor mounting
1	3968470	Screw, Twelve Point Cap	2	Y	

Fan Pilot Spacer

©Cummins Inc



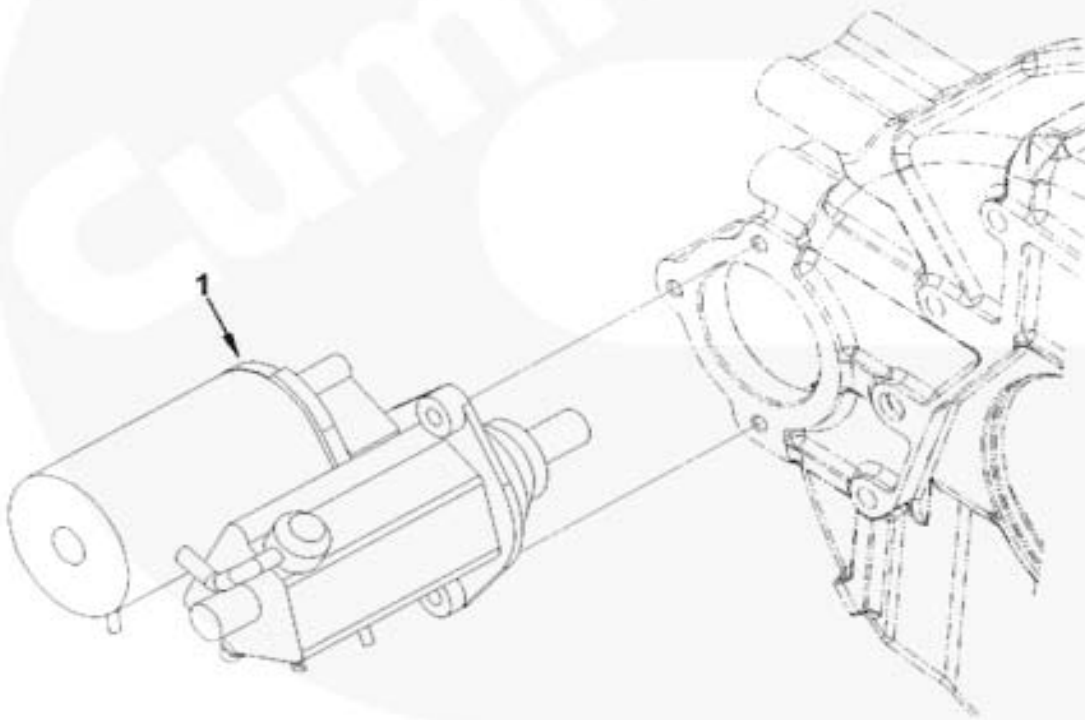
sp910gb

Fan Pilot Spacer

Ref No.	Part Number	Part Name	Qty	Servicable	Remarks
	SP9082	Fan Pilot Spacer		N	MR - Fan Pilot Spacer
1	3910130	Spacer,,Fan Pilot	1	Y	

Starting Motor

©Cummins Inc



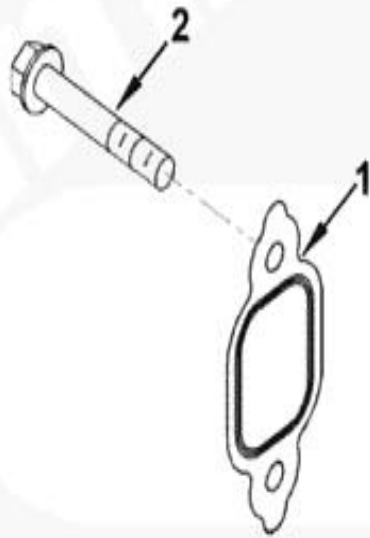
st950gc

Starting Motor

Ref No.	Part Number	Part Name	Qty	Servicable	Remarks
	ST9323	Starting Motor		N	Starting Motor
1	3964432	Motor, Starting	1	Y	

Exhaust Manifold Mounting

©Cummins Inc



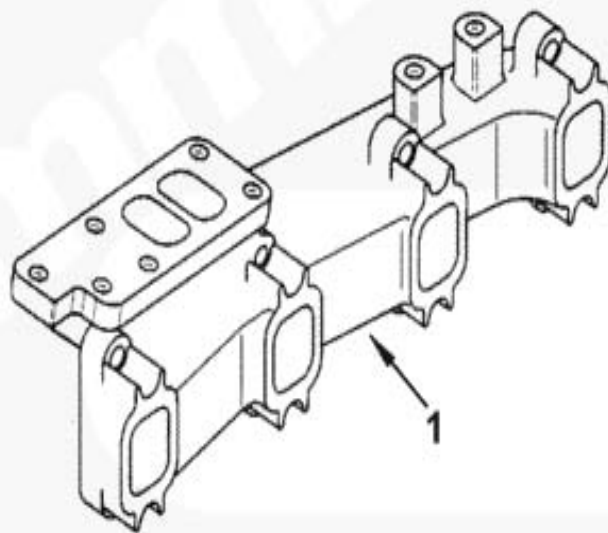
tb954gb

Exhaust Manifold Mounting

Ref No.	Part Number	Part Name	Qty	Servicable	Remarks
	TB97053	Exhaust Manifold Mounting		N	MR - Exhaust Manifold
1	3927154	Gasket, Exhaust Manifold	4	Y	
2	3930249	Screw, Hex Flange Head Cap	8	Y	M10 X 1.50 X 65

Exhaust Manifold

©Cummins Inc



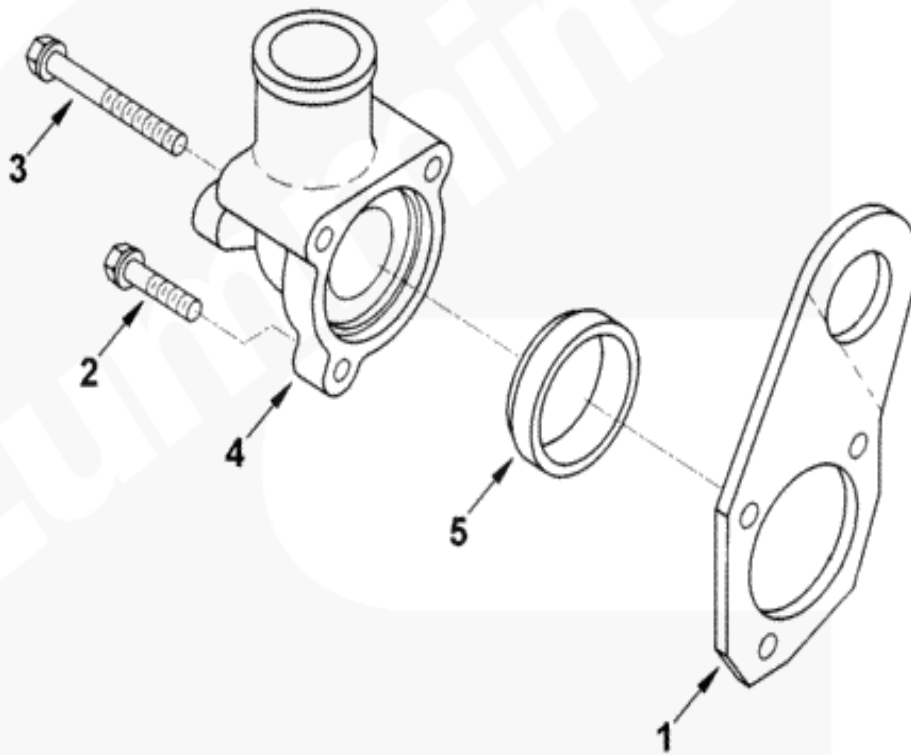
tb967gf

Exhaust Manifold

Ref No.	Part Number	Part Name	Qty	Servicable	Remarks
	TB97060	Exhaust Manifold		N	Mr-Exhaust Manifold
1	3901919	Manifold, Exhaust	1	Y	

Thermostat Housing

©Cummins Inc



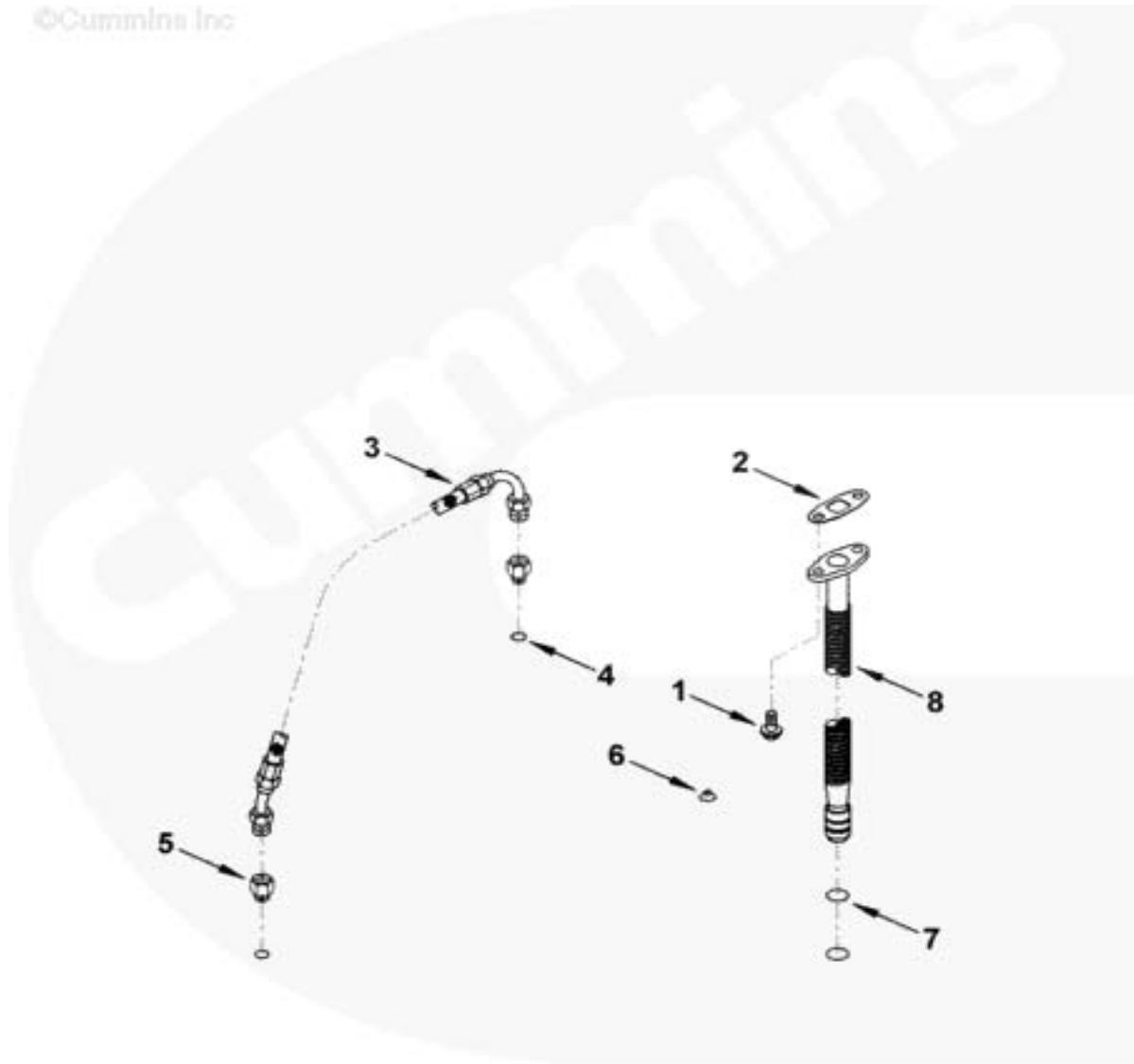
th950gh

Thermostat Housing

Ref No.	Part Number	Part Name	Qty	Servicable	Remarks
	TH9701	Thermostat Housing		N	MR - Thermostat Housing
1	3903757	Bracket, Lifting	1	Y	
2	3900632	Screw, Hex Flange Head Cap	1	Y	M8 X 1.25 X 35
3	3926972	Screw, Hex Flange Head Cap	2	Y	M8 X 1.25 X 70
4	3285102	Housing, Thermostat	1	Y	
5	3923331	Gasket, Thm Housing Cover	1	Y	

Turbocharger Plumbing

©Cummins Inc



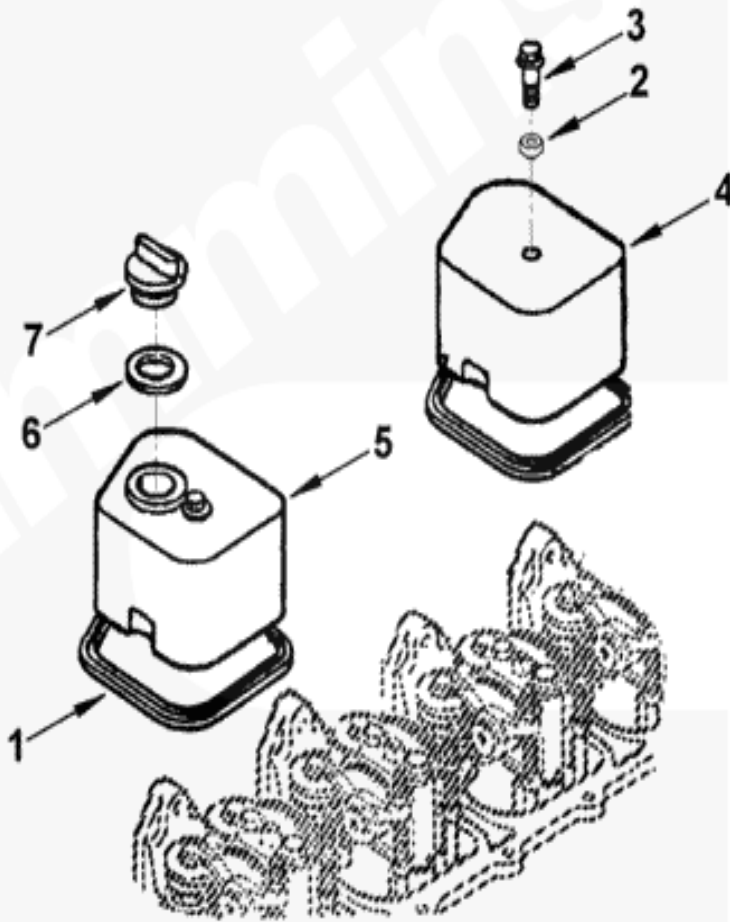
tp950gm

Turbocharger Plumbing

Ref No.	Part Number	Part Name	Qty	Servicable	Remarks
	TP97180	Turbocharger Plumbing		N	MR - Turbocharger Oil
1	3900630	Screw,,Hex Flange Head Cap	2	Y	M8 X 1.25 X 20
2	3937706	Gasket, Oil Drain	1	Y	
3	3913759	Hose, Flexible	1	Y	
	3919687	Connector, Female	2	Y	
4	3037236	Seal, O Ring	1	Y	
5	3284244	Connector, Female	1	N	
6	3924389	Washer, Sealing	2	Y	7.2 mm
	3934085	Connection, Tur Oil Drain	1	Y	
7	3928624	Seal, O Ring	2	Y	
8	3934092	Connection, Tur Oil Drain	1	N	

Valve Cover

©Cummins Inc



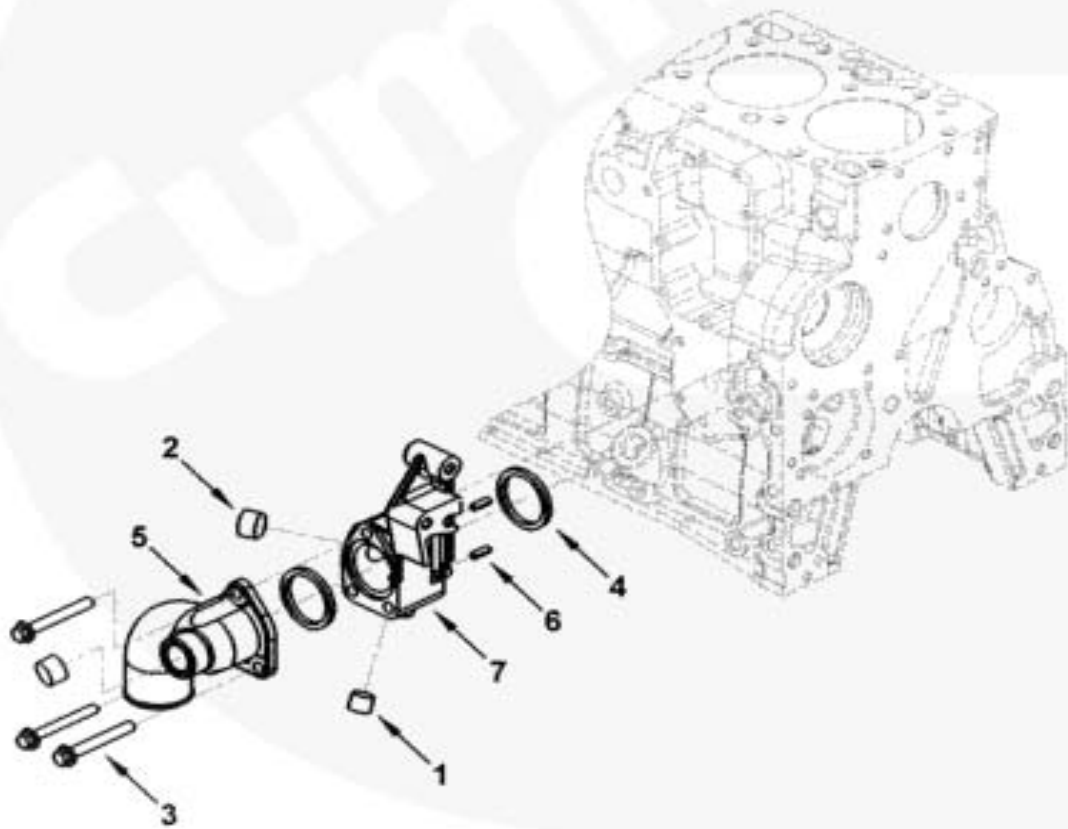
vc900gh

Valve Cover

Ref No.	Part Number	Part Name	Qty	Servicable	Remarks
	VC9763	Valve Cover		N	Valve Cover
1	3930906	Gasket,,Valve Cover	4	Y	
2	3935449	Isolator, Noise	4	Y	
3	3907049	Screw, Hex Flange Head Cap	4	Y	M8 X 1.25 X 21
4	3928404	Cover, Valve	3	Y	
5	3928405	Cover, Valve	1	Y	
6	3936876	Seal, Rectangular Ring	1	Y	
7	3901895	Cap, Filler	1	Y	

Water Inlet Connection

©Cummins Inc



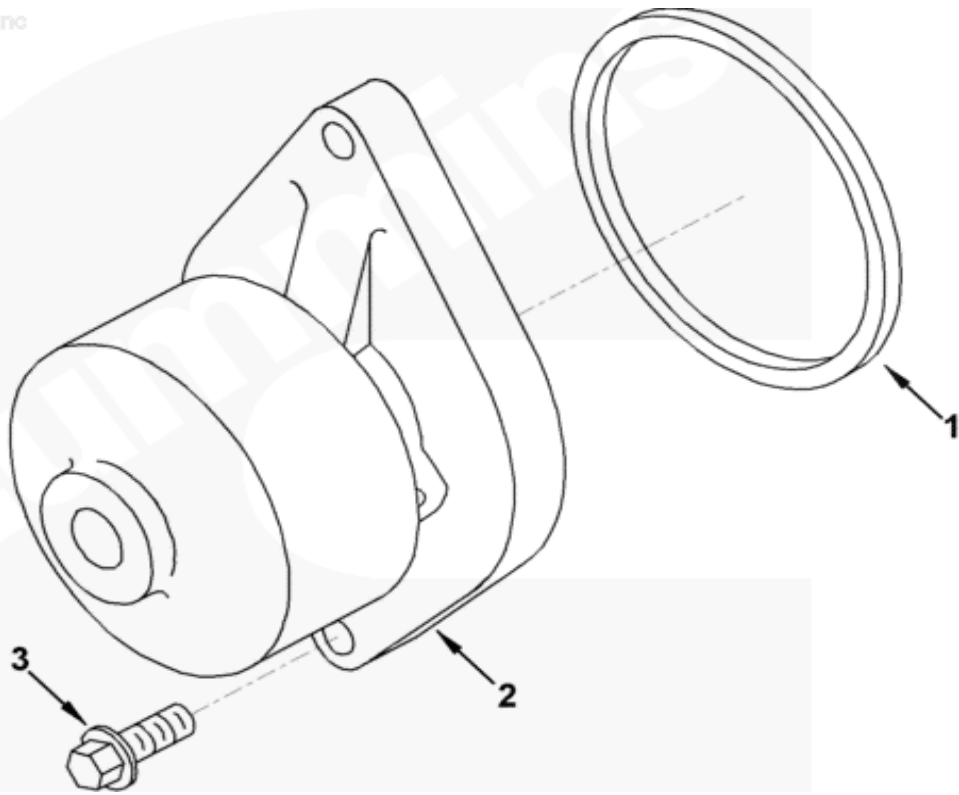
wi900zw

Water Inlet Connection

Ref No.	Part Number	Part Name	Qty	Servicable	Remarks
	WI9177	Water Inlet Connection		N	Water Inlet Connection
1	3008468	Plug, Pipe	1	Y	1/2 NPT
2	3008469	Plug, Pipe	2	Y	3/4 NPT
3	3900679	Screw, Hex Flange Head Cap	3	Y	M10 X 1.50 X 80
4	3906697	Seal, Rectangular Ring	2	Y	
5	3943149	Connection, Water Inlet	1	Y	
	3943549	Connection, Water Inlet	1	Y	
6	131584	Pin, Roll	2	Y	
7	3943550	Connection, Water Inlet	1	Y	

Water Pump

©Cummins Inc



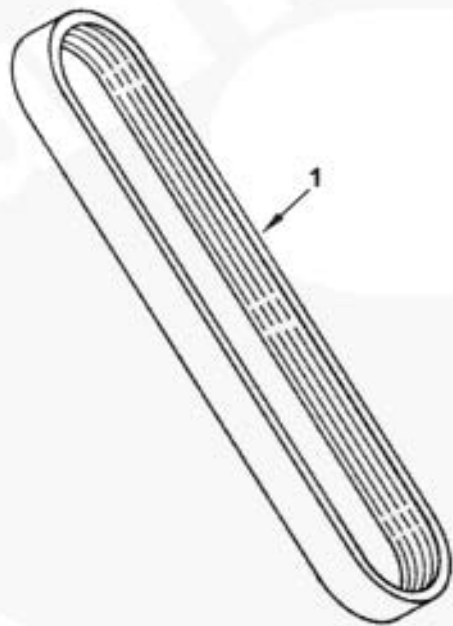
wp950ga

Water Pump

Ref No.	Part Number	Part Name	Qty	Servicable	Remarks
	WP9927	Water Pump		N	Water Pump
	3286275	Kit, Water Pump	1	Y	Recon Equivalent 3286275 RX
1	3906698	Seal, Rectangular Ring	1	Y	
2	3285410	Pump, Water	1	N	Serviced as 3286275
3	3941981	Screw, Hex Flange Head Cap	2	Y	

Water Pump Drive

©Cummins Inc



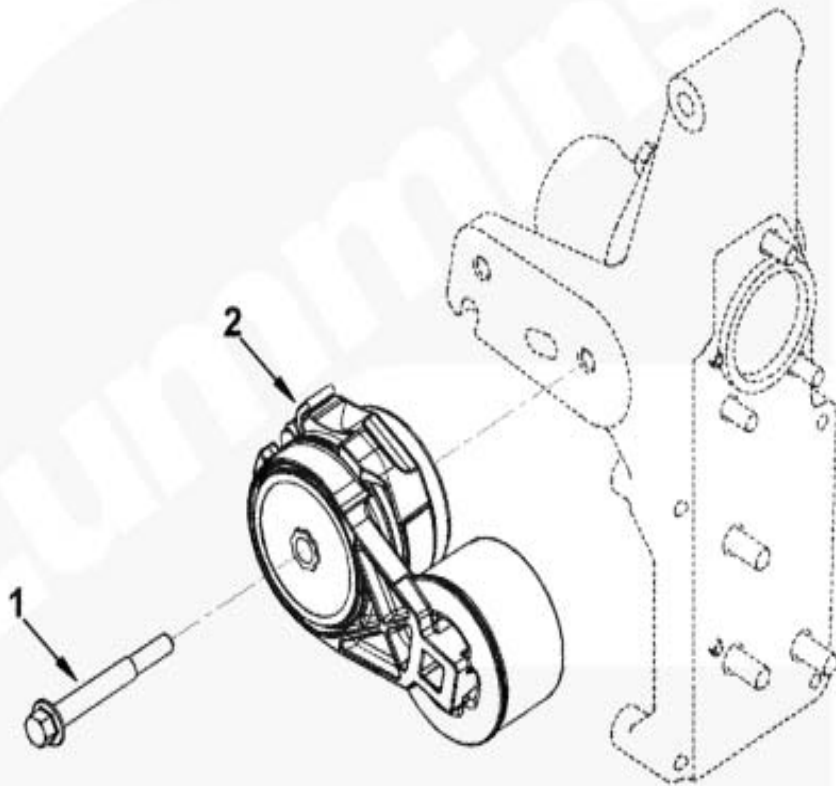
eh950gl

Water Pump Drive

Ref No.	Part Number	Part Name	Qty	Servicable	Remarks
	WP9947	Water Pump Drive		N	MR - Water Pump Drive
1	3289056	Belt, V Ribbed	1	Y	

Belt Tensioner

©Cummins Inc



wp900zc

Belt Tensioner

Ref No.	Part Number	Part Name	Qty	Servicable	Remarks
	WP9949	Belt Tensioner		N	Belt Tensioner
1	3282081	Screw,,Hex Flange Head Cap	1	Y	M10 x 1.50 x 75.
2	3976831	Tensioner, Belt	1	Y	

Exhaust Outlet Connection

©Cummins Inc

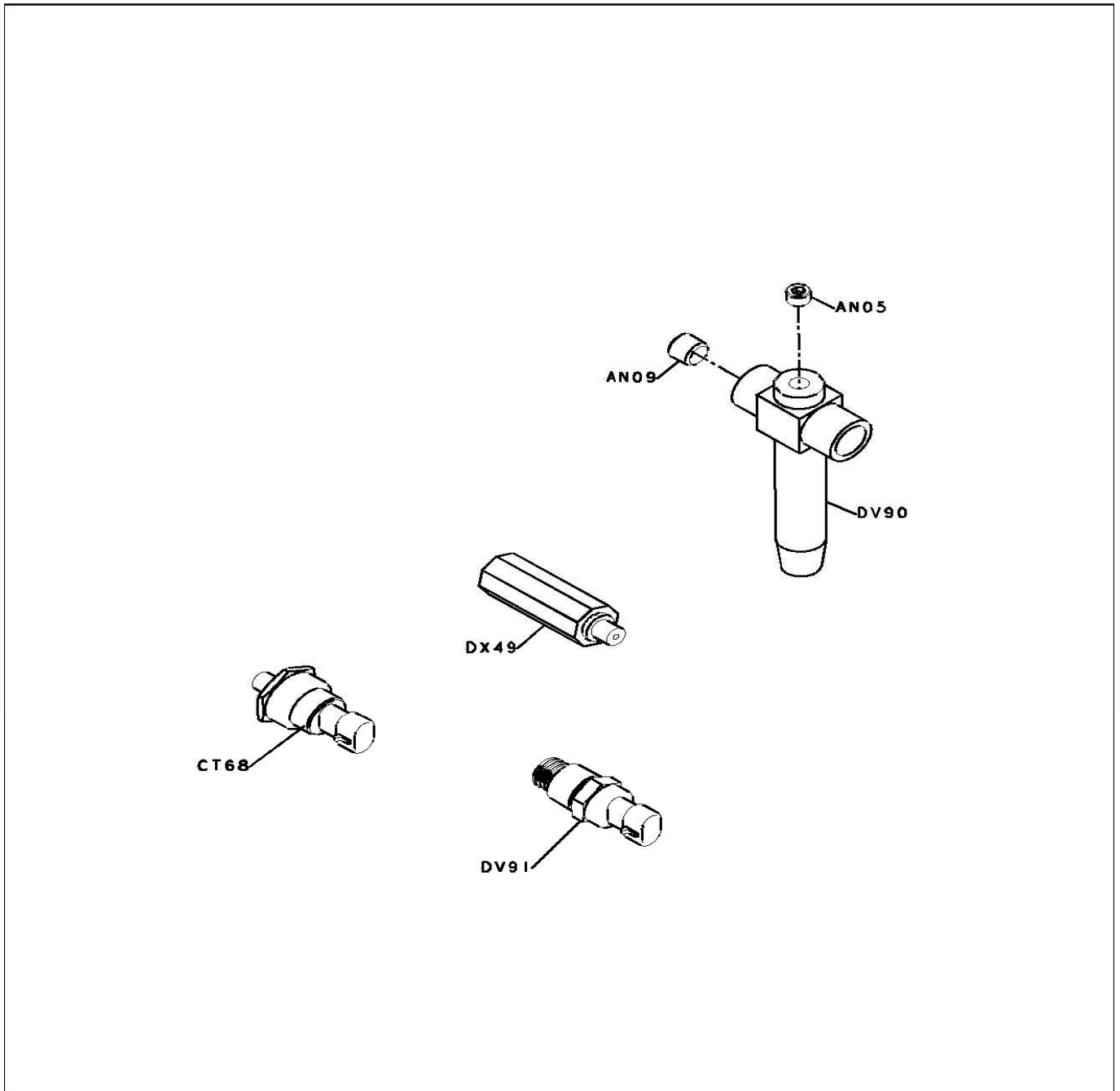


xs950gp

Exhaust Outlet Connection

Ref No.	Part Number	Part Name	Qty	Servicable	Remarks
	XS9254	Exhaust Outlet Connection		N	Exhaust Outlet Connection
1	3903652	Clamp, WBand	1	Y	

MISCELLANEOUS

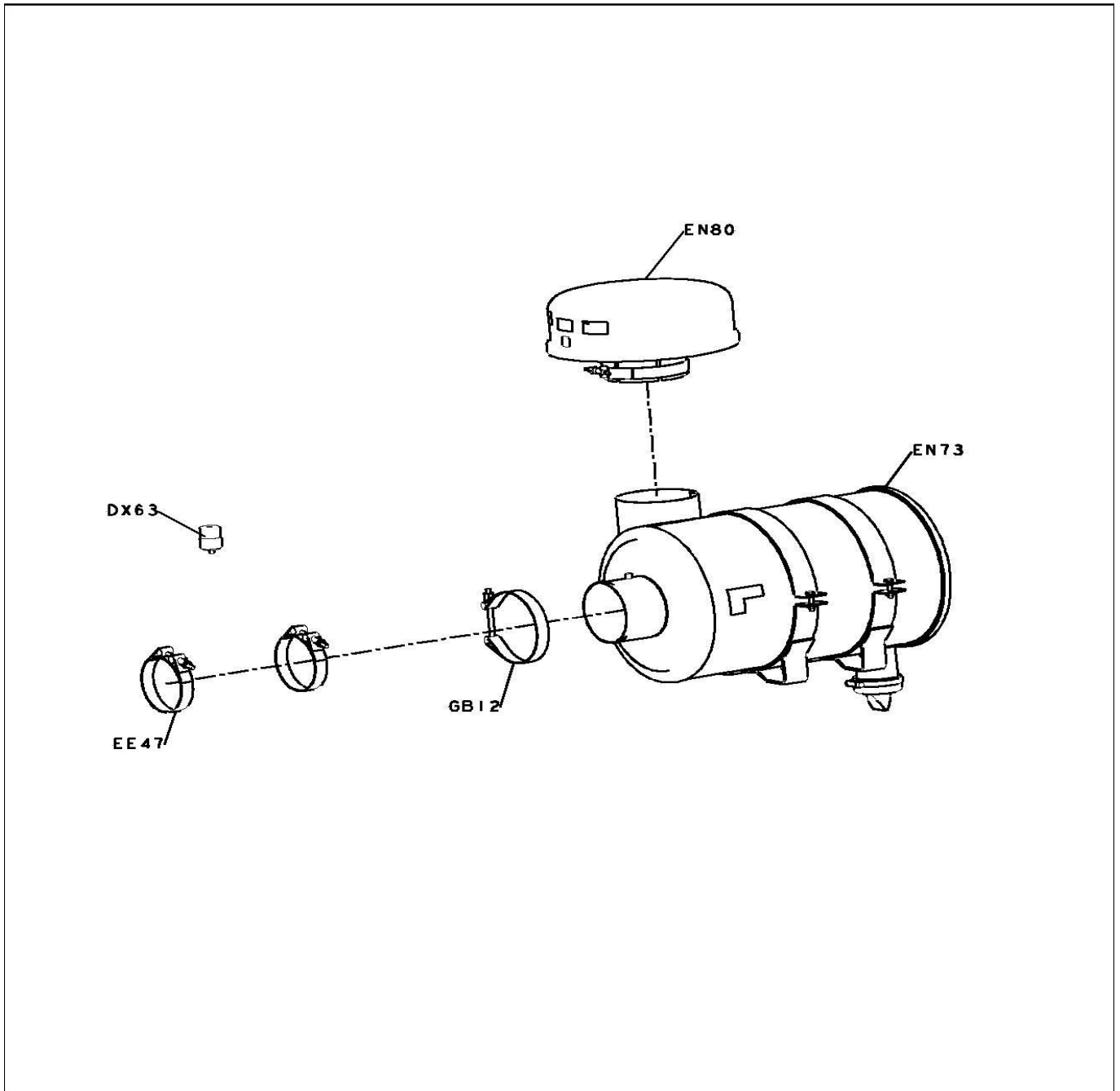


Details of Group Number: GR_07_00_00_050

MISCELLANEOUS

S No	Ref No	Part No	Description	Qty	serviceable	Remarks
1	CT68	3408607	SWITCH,PRESSURE	1	Y	
2	DX49	3815283	ADAPTER,PLAIN	1	Y	
3	DV91	3408626	SWITCH,TEMPERATURE	1	Y	
4		3814997		1	Y	
5	DV90	3815126	TEE,PLAIN ADAPTER	1	N	
6	AN09	3628605	PLUG, PIPE	1	Y	PART NO. FOR SERVICE S 910 B
7	AN05	3628604	PLUG,PIPE	1	Y	
8	DX95	4962836	INHIBITOR,CORROSION	4	Y	

CLEANER,AIR

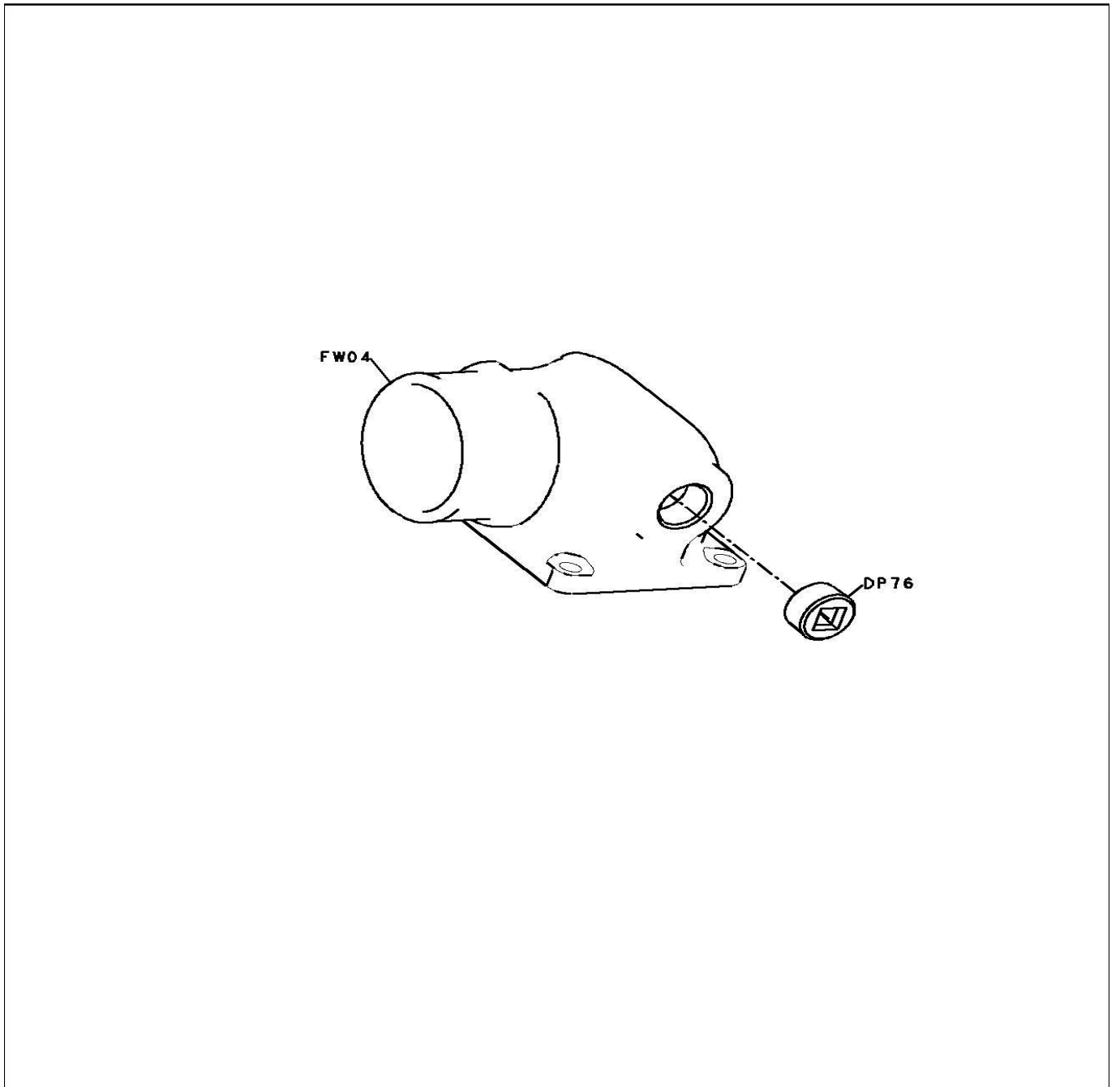


Details of Group Number: GR_10_04_01_069

CLEANER,AIR

S No	Ref No	Part No	Description	Qty	serviceable	Remarks
			CLEANER,AIR			
1	EN73	3816978	CLEANER,AIR	1	Y	
2	-	3816978	CLEANER,AIR	1	Y	
3	DQ45	3814132	ELEMENT,OUTER	1	Y	
4	DQ46	3814133	ELEMENT,INNER	1	Y	
			CAP,AIR CLEAN			
5	EN80	2867794	CAP,AIR CLEAN	1	Y	
6	-	2867794 SUPPLIER	CAP,AIR CLEAN	1	N	
7	EP35	3233194	CLAMP,T BOLT	1	Y	
8	EE47	131891	CLAMP,T BOLT	2	Y	
9	DX63	3815277	INDICATOR,RESTRICTION	1	Y	

CONNECTION,AIR INTAKE

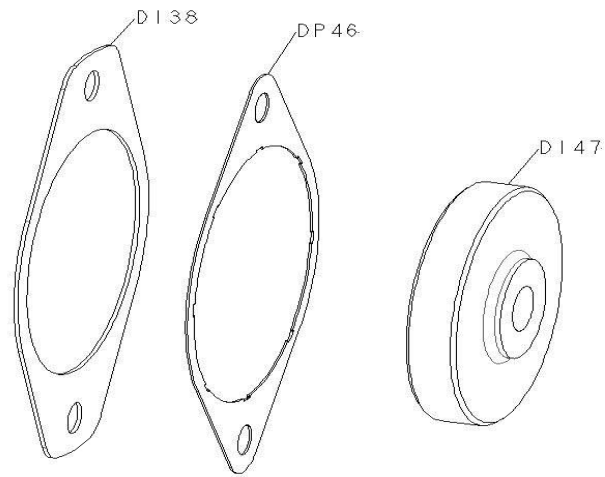


Details of Group Number: GR_08_13_03_020

CONNECTION,AIR INTAKE

S No	Ref No	Part No	Description	Qty	serviceable	Remarks
1	FW04	3924990	CONNECTION,AIR INTAKE	1	Y	
2	DP76	4933532	PLUG,PIPE	1	Y	

DRIVE,FRO GER TRA ACC

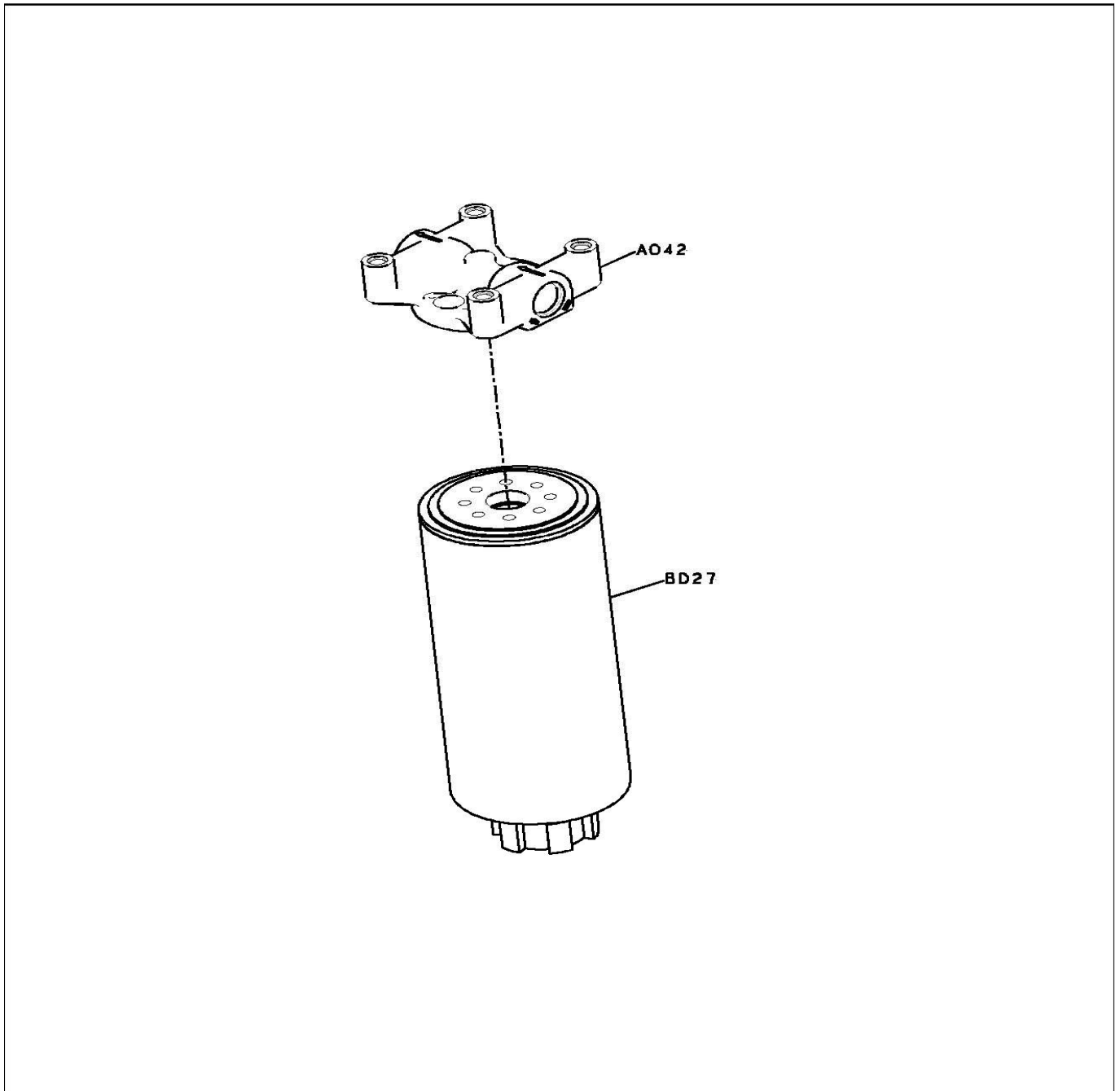


Details of Group Number: GR_01_06_00_039

DRIVE,FRO GER TRA ACC

S No	Ref No	Part No	Description	Qty	serviceable	Remarks
1	DI38	3902603	SPACER,HYDRAU	1	N	
2	DP46	3929751	GASKET,ACC DRIVE COVER	1	Y	
3	DI47	3967608	GEAR, ACCESSORY DRIVE	1	Y	

FUEL FILTER

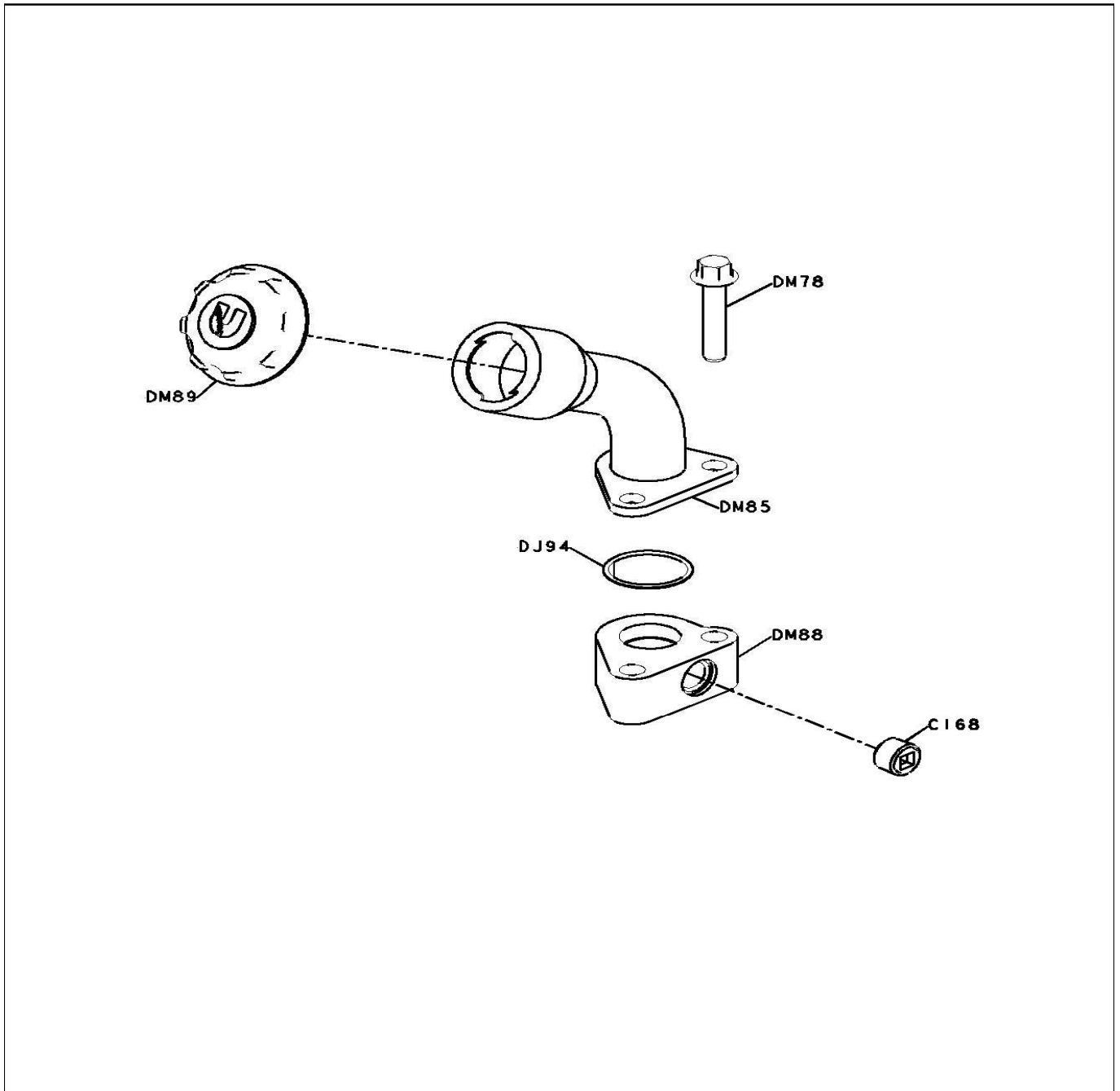


Details of Group Number: GR_06_04_00_093

FUEL FILTER

S No	Ref No	Part No	Description	Qty	serviceable	Remarks
1	AO42	142784	HEAD,FUEL FILTER	1	Y	
2	BD27	3329289	SEPERATOR FUEL WATER	1	Y	

MOUNTING,OIL FILLER



Details of Group Number: GR_09_02_00_002

MOUNTING,OIL FILLER

S No	Ref No	Part No	Description	Qty	serviceable	Remarks
			MOUNTING,OIL FILLER			
1	-	4962957	MOUNTING,OIL FILLER	1	N	
2	DM85	3815044	TUBE,OIL FILLER	1	Y	
3	DM86	3815210	PIECE	1	N	
4	DM87	3903618	FLANGE,WELD	1	Y	
5	DJ94	3906704	SEAL,O RING	1	Y	
6	DM88	3935502	CONNECTION,SPACER	1	N	
7	DM78	3905372	SCREW,HEX FLANGE HEAD CAP	2	N	
8	CI68	S-915-A	PLUG,PIPE	1	Y	
9	DM89	4962891	CAP,FILLER	1	Y	

Cummins India Limited
Registered Office : Kothrud, Pune - 411 038 (India)