



# Parts Manual

## Generator Set

**NTA855 Engine with PowerCommand<sup>®</sup> 1301, 1.1, 3100,  
3.3 Controls**

C240 D6

C275 D6

C300 D6

C350 D6

C400 D6

C300 D5

C350 D5

C400 D5

C440 D5



## Table of Contents

Description	Page
Safety Precautions .....	2
About This Manual .....	3
Quick Serve Online (QSOL) .....	4
Related Literature .....	4
Model Identification .....	5
Abbreviations .....	6
Labels .....	8
Consumables .....	10
Paint and Thread Sealant .....	10
Engine Accessories .....	12
Air Cleaner .....	15
Electric Start .....	16
Water Heater .....	17
Radiator .....	18
Alternator Installation .....	27
Fuel Tank Accessories – Rental .....	28
Skid .....	29
Skid Floor .....	31
Skid Accessories .....	32
Enclosure .....	35
Rail Enclosure – Rental .....	37
Exhaust Flexible Pipe .....	38
Muffler – 5” .....	39
Muffler – 6” .....	40
Control .....	42
PCC1301 Installation .....	43
PCC3100 Installation .....	45
PC1.1 .....	47
PC3.3 .....	49
Pedestal Installation (NH–HC4) .....	51
Pedestal Installation – PC1.1, PC 3.3 .....	53
I/O Card Aux 101 .....	56
I/O Card Aux 102 .....	57
Circuit Breaker Installation .....	60
Current Transformer .....	92
Battery Charger .....	93
Battery Charger (24VDC) .....	94
Battery .....	95
Radiator .....	96

## Safety Precautions

The following symbols are used in Cummins manuals to alert users to the potentially dangerous conditions relating to maintenance of equipment and replacement of parts. Please read and observe.



*This symbol warns of immediate hazards which will result in severe personal injury or death.*



*This symbol refers to a hazard or unsafe practice which can result in severe personal injury or death.*



*This symbol refers to a hazard or unsafe practice which can result in severe personal injury or product or property damage.*

## Product Safety Precautions

Before operating the generator set, read the manuals and become familiar with them and the equipment. Safe and efficient operation can be achieved only if the equipment is properly operated and maintained. Many accidents are caused by failure to follow fundamental rules and precautions.



**Note:**

**It is in the Operator's interest to read and understand all Health and Safety information together with all Warnings and Cautions contained within the documentation relevant to the generator set, its operation and daily maintenance.**



**Improper operation and maintenance can lead to severe personal injury or loss of life and property by fire, electrocution, mechanical breakdown or exhaust gas asphyxiation. Read and follow all safety precautions in the health and safety manual 0908–0110.**



**Service and repair of Cummins equipment must be performed by trained, experienced personnel only. Improper service, repair or replacement of parts may result in damage to equipment & property, severe personal injury or death. Do not use this catalog as a guide to servicing your equipment. Read and follow the IMPORTANT SAFETY INSTRUCTIONS in the Service Manual appropriate for the equipment you are working on.**



**Contact with USED ENGINE OILS has been identified by a United States federal agency and some USA state agencies as causing CANCER or REPRODUCTIVE TOXICITY. When checking or changing engine oils take all necessary precautions not to ingest, breathe the fumes or contact the used oil.**



**Contact with ASBESTOS has been identified by a United States federal agency and some USA state agencies as causing CANCER or REPRODUCTIVE TOXICITY. When handling engine gaskets take all necessary precautions not to ingest, breathe or contact the dust from the gaskets! Use adequate ventilation and wear protective gloves, masks and clothing!**



**Contact with BENZINE and LEAD, found in gasoline, fuel additives and solvents has been identified by a United States federal agency and some USA state agencies as causing CANCER or REPRODUCTIVE TOXICITY. When checking, draining or adding gasoline and fuel additives or using solvents take all necessary precautions not to ingest, breathe the fumes or contact the liquids. Use adequate ventilation and wear protective gloves, masks and protective clothing!**

## About This Manual

This manual applies to the generator models C240 D6, C275 D6, C300 D6, C350 D6, C400 D6, C300 D5, C350 D5, C400 D5, C440 D5. Parts illustrations are arranged in groups relating to their position and function on the generator set. Each part illustrated is identified by a reference number corresponding to the list of part numbers in the accompanying table.

Engine and alternator parts that have been modified or added by Cummins are identified in this catalog. Contact your nearest authorized distributor for assistance in ordering replacement parts. All other replacement parts must be ordered from the engine/alternator manufacturer by referring to the item nameplate and supplying all available information.

### 50Hz

Genset Model	Standby		Prime		Engine Model	Alternator	
	KVA	KW	kVA	kW		380V	WD
C300D5	300	240	273	218	NT855–G6	HC4D	WD311
C350D5	350	280	318	255	NT855–G6	HC4E	WD311
C400D5	400	320	364	291	NTA855–G4	HC4F	WD311
C440D5	440	352	400	320	NTA855–G7	HC4F	WD311

### 60Hz

Genset Model	Standby		Prime		Engine Model	Alternator		
	kW	kVA	kW	kVA		220/127V	WD	380/220V
C240D6	240	300	218	273	NT855–G6	HC4D	WD311	HC4D
C275D6	288	360	259	324	NT855–G6	HC4D	WD311	HC4D
C300D6	308	385	277	346	NTA855–G2	HC4D	WD311	HC4D
C350D6	360	450	261	327	NTA855–G3	HC4F	WD311	HC4F
C400D6	400	500	365	456	NTA855–G5	HC4F	WD311	HC4F

Replacement parts not identified in this catalogue can be ordered by contacting:

#### Alternator Parts:

Cummins Generator Technologies

Within the US: 1–763–528–7301

Outside the US: +44 (0) 1780–484744

Web: <http://www.cumminsgeneratortechnologies.com>

## **Quick Serve Online (QSOL)**

Documentation and operator manuals pertaining to the generator set are available on QuickServe Online.

QuickServe Online: <https://quickserve.cummins.com/info/index.html>

The information contained within this manual is based on information available at the time of going to print. In line with Cummins policy of continuous development and improvement, information may change at any time without notice. Make sure that the documentation is the latest information available. Contact your authorized distributor for assistance.

## **Related Literature**

The related literature that is appropriate to your generator set includes:

- Operator Manual for Generator Set – With PowerCommand 3100 (0908–0114–00)
- Operator Manual for Generator Set – With PowerCommand 1301 (0908–0115)

If further information is required, contact your authorized distributor.

## Model Identification

This manual covers generator set models produced under the Cummins brand name.

To avoid errors or delay in filling your parts order, always state the MODEL and SERIAL NUMBER from the Cummins nameplate.

Model No. <input type="text"/>			
Serial No. <input type="text"/>		Spec. <input type="text"/>	
FREQUENCY: 60 HZ			
SERVICE RATING:			
PHASE: 3PH		3PH	
RATED KW:			
POWER FACTOR: 0.8		0.8	
RATED KVA:			
12 CAPABILITY:			
CONNECTIONS:			
BATTERY: VOLTS AMPS AMPS			
VDC 2400			
2400/4160			
ROTATING SPEED: 1800RPM			
NOMINAL RATED			
FUEL:			
WIRING DIAGRAM:			

The engine serial number is located on a data tag on the engine or is stamped on the engine block.

The control software number is located on the electronic control module (ECM) or can be obtained via the digital interface if one is available.

**For reference document your generator set information in the spaces below.**

Generator Set Model Number: \_\_\_\_\_

Generator Set Serial Number: \_\_\_\_\_

Engine Serial Number: \_\_\_\_\_

Digital Control Software: \_\_\_\_\_

## Abbreviations

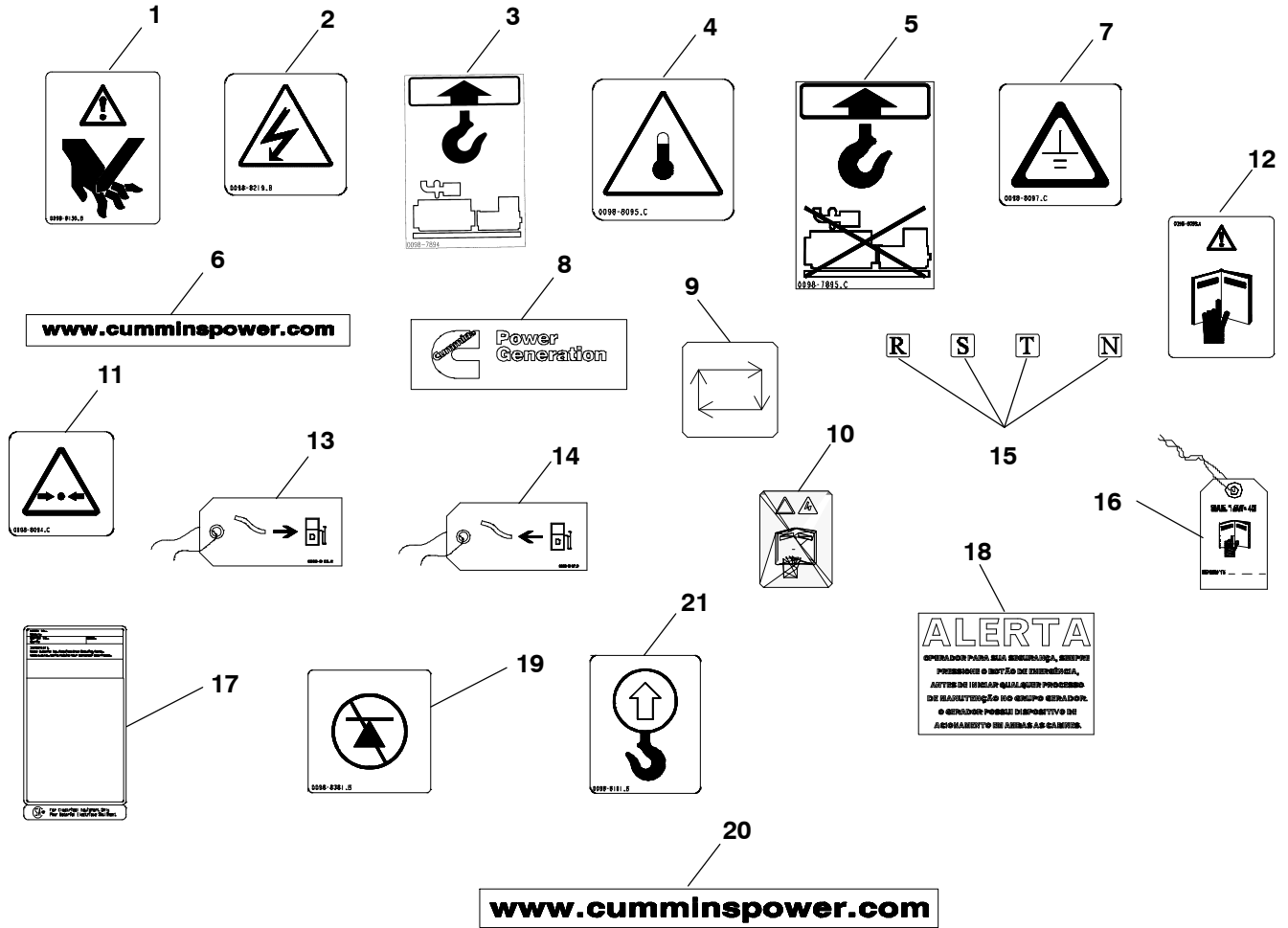
Some of the following abbreviations may be used throughout this Parts Manual:

AC	Alternating Current	LED	Light-Emitting Diode
ACB	Air Circuit Breaker	LTP	Limited Time Power Rating
ACH	Anti-Condensations Heaters	LTA	Low Temperature Aftercooling
ATS	Automatic Transfer Switch	LV	Low Voltage
Amp	Ampere	M	Meter
A/R	As Required	MCB	Miniature Circuit Breaker
AVR	Automatic Voltage Regulator	MCCB	Moulded Case Circuit Breaker
AWG	American Wire Gauge	MF	Mains Failed
BHP	Brake Horsepower	MFSS	Master First Start Sensor
BMS	Building Measurement System	mm	Millimeter
BST	Busbar Sensing Transformer	MOH	Mobile Off Highway
CAN	Controlled Area Network	MR	Mains Returned
CB	Circuit Breaker	MST	Mains Sensing Transformer
CCA	Cold Cranking Amps	MSU	Mains Sensing Unit
CHP	Combined Heat and Power	MV	Medium Voltage
COP	Continuous Power Rating	NEC	Neutral Earthing Contact
CT	Current Transformer	NFS	Not For Sale
		NPT	National Pipe Thread
dB(A)	Unit of noise level	OD	Outside Diameter
DC	Direct Current	oz.	Ounce
Deg	Degree	PC	PowerCommand 3.3
DIP	Dual In-line Package	PC	Printed Circuit
DMC	Digital Master Control	PF	Power Factor
DMSU	Demand Load Standby Unit	Ph	Phase
ECM	Engine Control Module	PFC	Power Factor Controller
EFC	Electronic Fuel Control	PLC	Programmable Logic Controller
EIT	External/Internal Tooth	PMG	Permanent Magnet Generator
EMCU	Engine Monitoring and Control Unit	PRP	Prime Power Rating
EMF	Electromotive Force	PSU	Power Supply Unit
EPROM	Erasable Programmable Read Only Memory	PT/CT	Potential Transformer/Current Transformer
EPU	Engine Protection Unit	PTC	Power Transfer Control
ET	External Tooth	QCC	Quadrature Current Control
FAE	Full Authority Engine	RFI	Radio Frequency Interference
FSS	First Start Sensor	RMS	Root Mean Square
GCP	Generator Control Panel	RPM	Revolutions Per Minute
GFI	Ground Fault Interrupter	RT	Right
GKWT	Global Kilowatt Transducer	RTD	Resistance Temperature Detector
HMI	Human/Machine Interface	Spec	Specification
HV	High Voltage	Thk	Thick
IC	Integrated Circuit	UL	Underwriters Laboratories Inc.
ID	Inside Diameter	UNC	Union National Coarse
IEC	International Electrotechnical Commission	UNF	Union National Fine
I/O	Input / Output	V	Volts
IT	Internal Tooth	VAC	Volts, Alternating Current
kVA	Apparent Power	VCB	Vacuum Circuit Breaker
kVAR	Reactive Power	VDC	Volts, Direct Current
kW	Active / Real Power (Kilowatt)	VF	Volt-free
kWh	Unit of electrical energy or work	VT	Voltage Transformer
LPG	Liquid Petroleum Gas	W/(ET, IT, EIT)	With
LT	Left		



This page is Intentionally blank.

### Labels



**Labels**

Item	Part No.	Description	Qty
1	0098-8130	Label, Caution (Rotating Parts)	2
2	0098-8219	Label, Warning (Voltage)	5
3	0098-7894	Label, Information (Lifting Eye)	4
4	0098-8095	Label, Warning (Hot Surface)	6
5	0098-7895	Label, Warning (Do Not Lift)	2
6	C230-0049	Label, Logo (Web)	2
7	0098-8097	Label, Information (Earth / Ground)	2
8		Label, Logo	
	0098-7902-03	299.2mm x 118.2mm	2
	0098-7902-05	554.2mm x 218.8mm	4
9	0098-8099	Label, Danger (Autostart)	1
10	0098-8312	Label, Instruction	2
11	0098-8094	Label, Warning (Pressurized Liquid)	1
12	0098-8098	Label, Instruction (Isolate Batteries)	1
13	0098-8103	Label, Fuel Out	1
14	0098-8102	Label, Fuel In	1
15	C230-0054	Label, Phase Information	1
16	C230-0059	Label, Information (Tag – Oil Fill)	1
17	0099-2433	Label, Information (Cummins Powergen Rating Plate)	1
18	C230-0062	Label, Warning	1
19	0098-8381	Label, Information	2
20	0098-8505-02	Label, Logo (Web)	2
21	0098-8101	Label, Information (Lifting Eye)	2

## Consumables

The following is a list of consumables associated with the generator models covered in this manual:

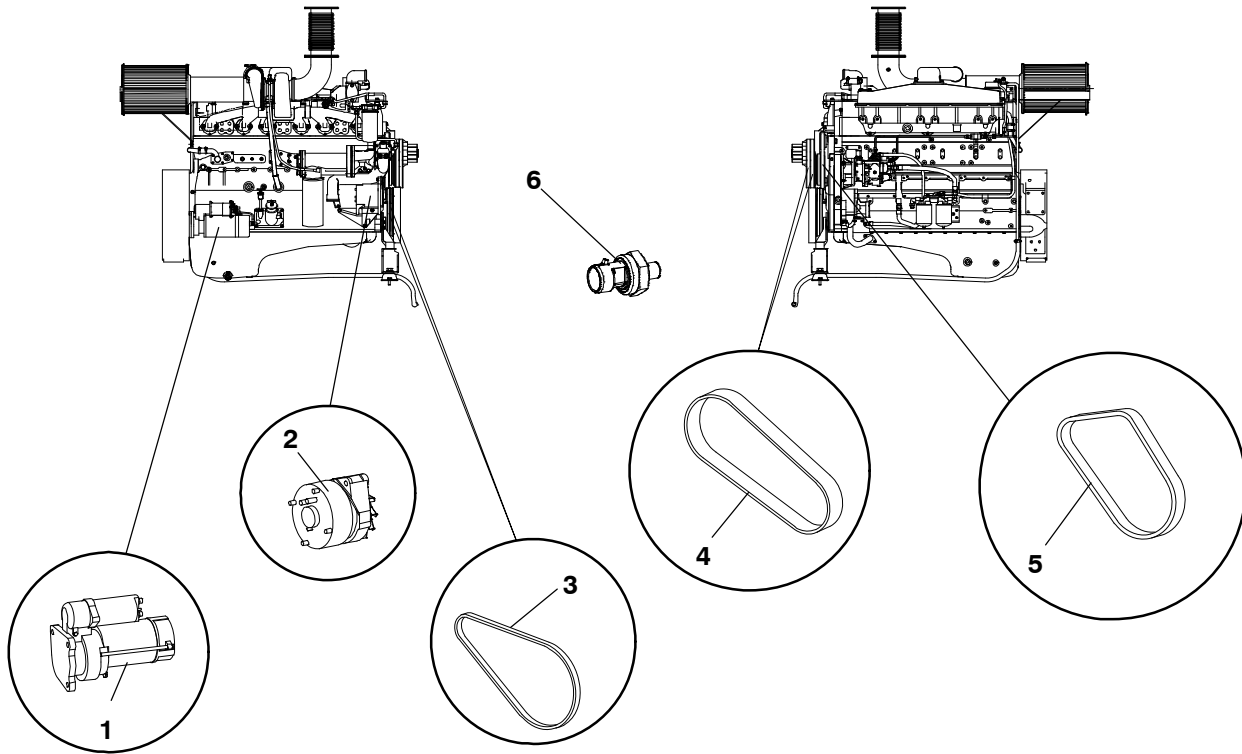
Ref. Page No.	Part No.	Description	Qty
14	C330-0021-02	Hose, Breather	1
12	3040307	Belt, Alternator	2
12	178509	Belt, Fan	2
12	217638	Belt, Water Pump	1
13	3318853 (LF3000)	Filter, Oil	1
13	3890551 (WF2176)	Filter, Water	1
13	3413084 (FS1001)	Filter, Fuel	2
13	WF2075	Service Filter, Water	1
15	AF26173A	Cleaner, Air	1

## Paint and Thread Sealant

Item	Part No.	Description	Qty
1	525-0305	Onan Green Enamel (Non-Metallic) 12 oz. Pressurized Spray Can	n/a
2	518-0601	Sealant, Thread (6 ml Tube)	n/a

This page is Intentionally blank.

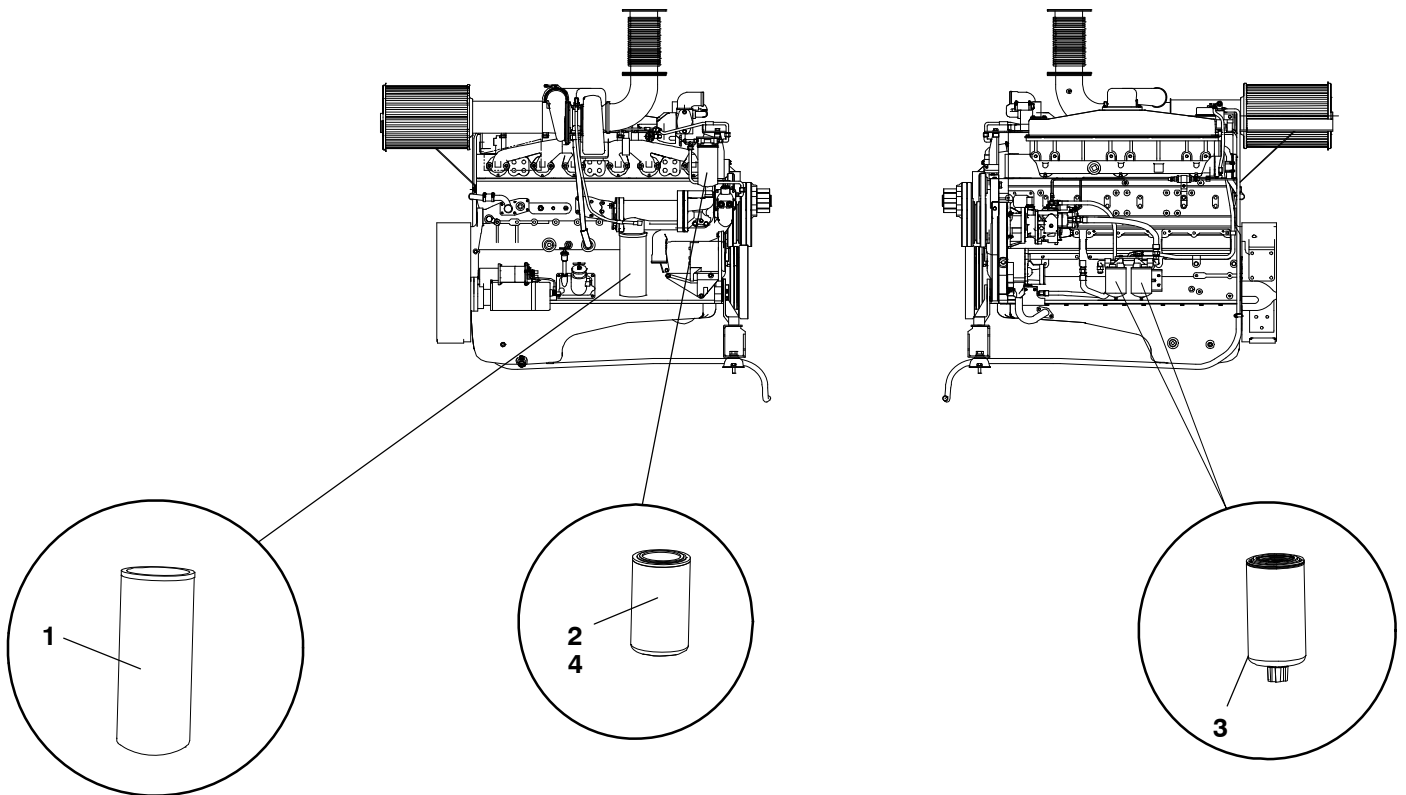
## Engine Accessories



**Illustration #1**

Item	Part No.	Description	Qty
1	4948369	Starter	1
2	4094998	Alternator, DC	1
3	3040307	Belt, Alternator	2
4	178509	Belt, Fan	2
5	217638	Belt, Water Pump	1
6	A028X493	Sender, Oil Pressure	1

## Engine Accessories



**Illustration #2**

Item	Part No.	Description	Qty
1	3318853 (LF3000)	Filter, Oil	1
2	3890551 (WF2176)	Filter, Water	1
3	3413084 (FS1001)	Filter, Fuel	2
4	WF2075	Service Filter, Water	1

## Engine Accessories

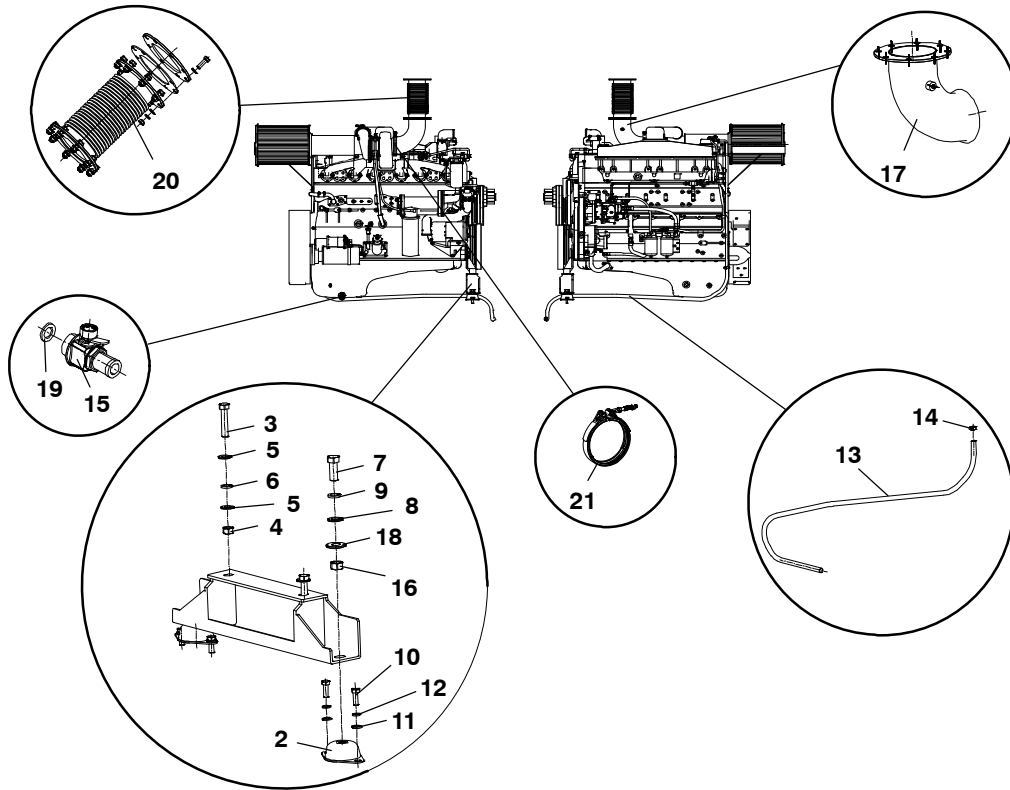
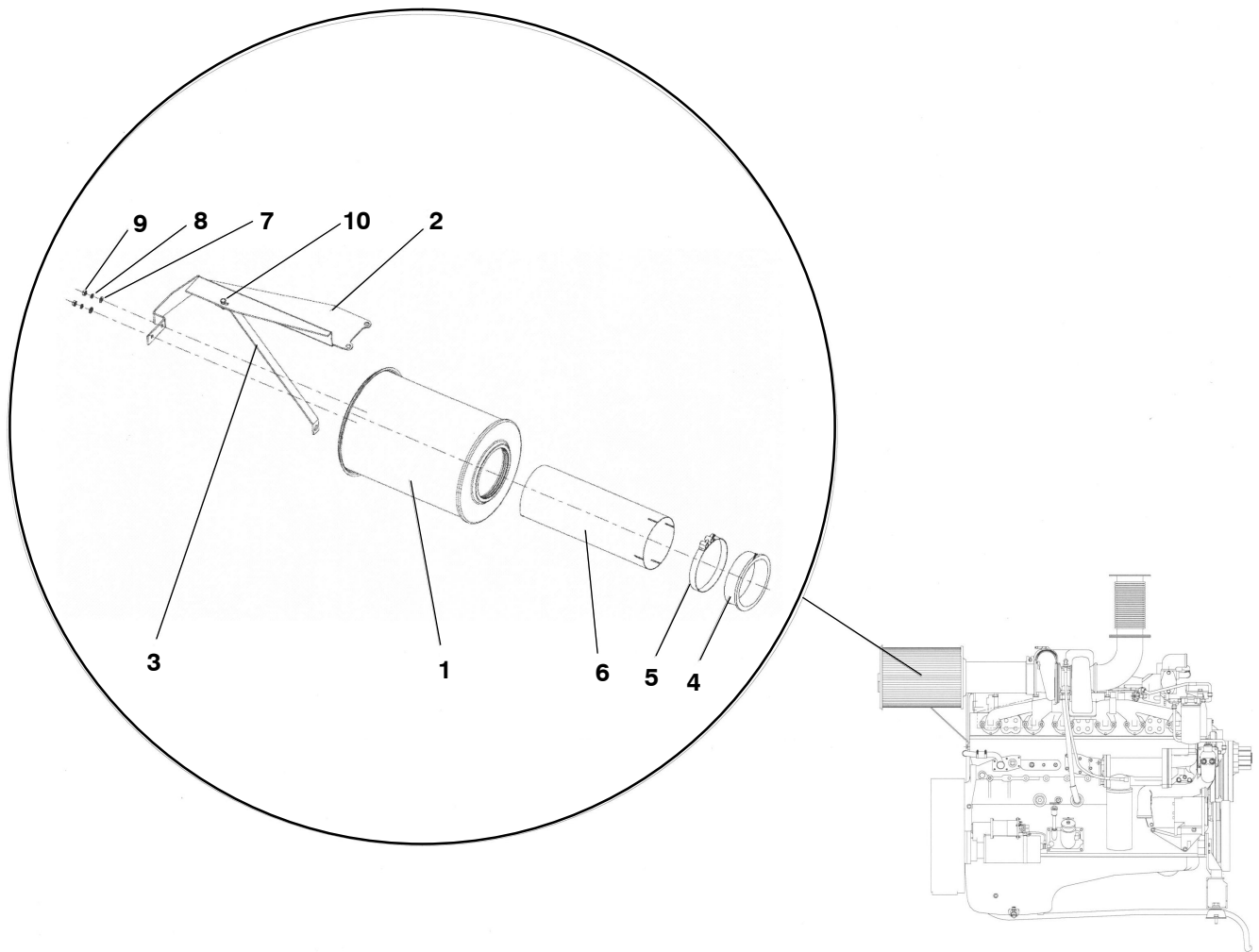


Illustration #3

Item	Part No.	Description	Qty
1	C051-0037	Bracket, Engine	1
2	0402-0779-05	Isolator, Vibration	2
3	C370-0045-09	Screw, Hex (5/8" x 3")	2
4	C380-0033	Nut, Hex (5/8")	2
5	C041-0017	Washer (5/8")	4
6	C031-0018	Washer, Lock - Spring (5/8")	2
7	C370-0046-05	Screw, Hex (3/4" x 2")	2
8	C041-0018	Washer (3/4")	2
9	C031-0019	Washer, Lock - Spring (3/4")	2
10	C370-0031-04	Screw, Hex (M12 x 35)	4
11	C041-0006	Washer (M12)	4
12	C031-0007	Washer, Lock - Spring (M12)	4
13	C330-0021-02	Hose, Breather	1
14	C071-0012-02	Clamp	1
15	C360-0052	Valve, Drain	1
16	C380-0034	Nut, Hex (3/4")	2
17	C350-0047	Connection, Exhaust Outlet	1
18	C041-0020	Washer (M20)	2
19	67946	Gasket, "O" Ring	1
20	C350-0053	Pipe, Exhaust	1
21	3633805	Clamp, Exhaust	1

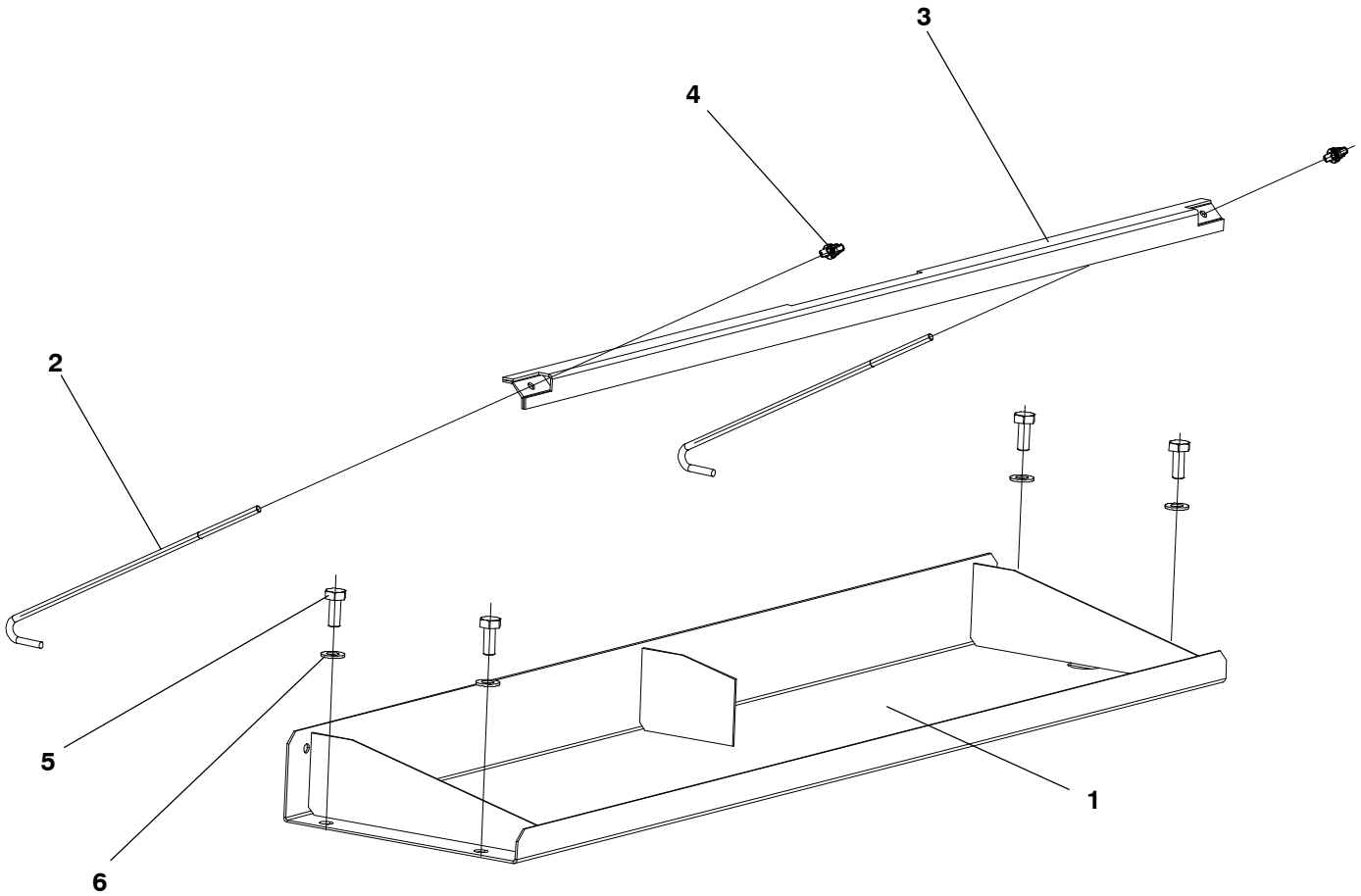


## Air Cleaner



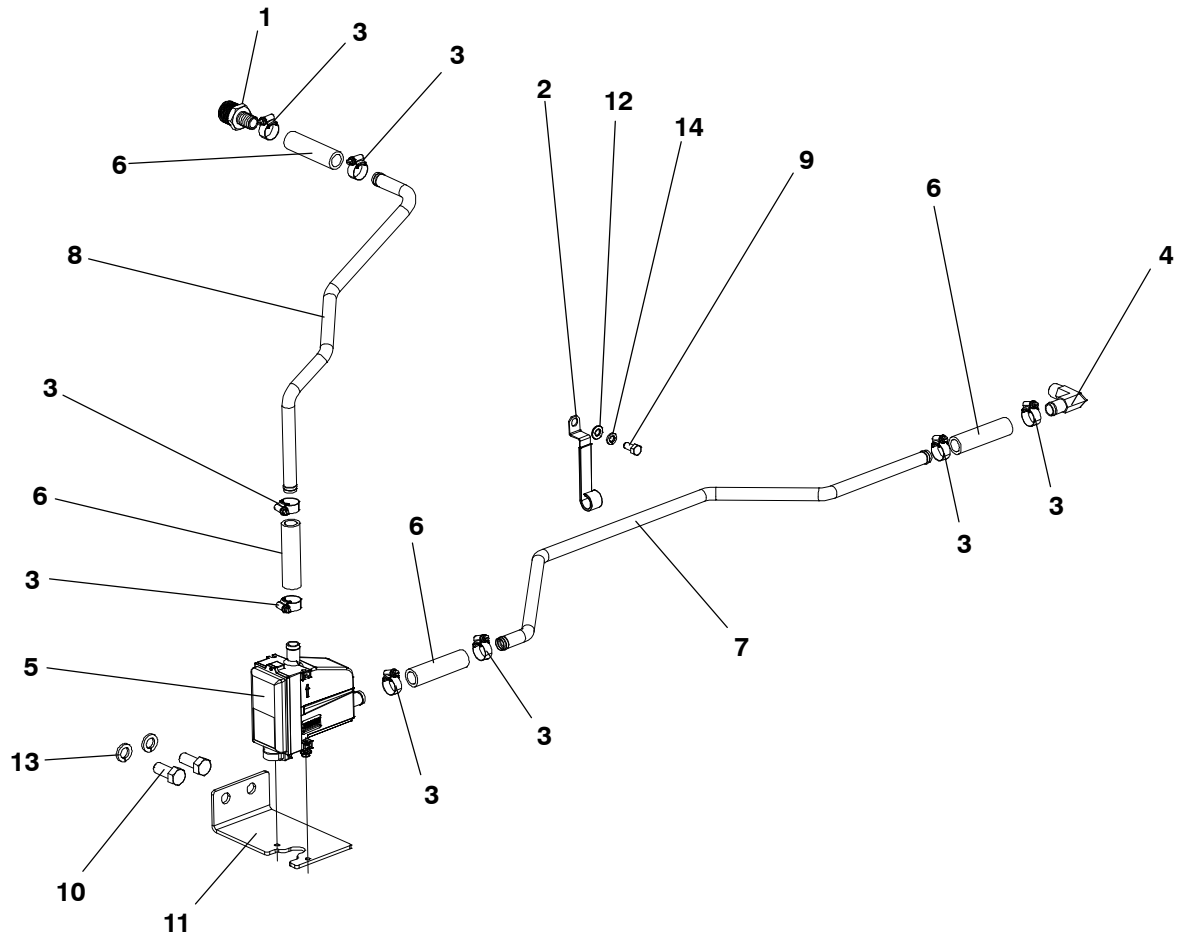
Item	Part No.	Description	Qty
1	AF26173A	Cleaner, Air (Can Also Use 4948371)	1
2	4948371	Bracket, Air Cleaner	1
3	4948394	Brace, Air Cleaner	1
4	4948396	Hose, Air Cleaner	1
5	4948395	Clamp, Air Cleaner	1
6	4948370	Pipe, Air Cleaner	1
7	C041-0004	Washer, Flat (M8)	4
8	C031-0005	Washer, Lock - Spring (M8)	4
9	C380-0019	Nut, Hex (M8)	3
10	C370-0029-04	Screw, Hex (M8 x 25)	1

## Electric Start



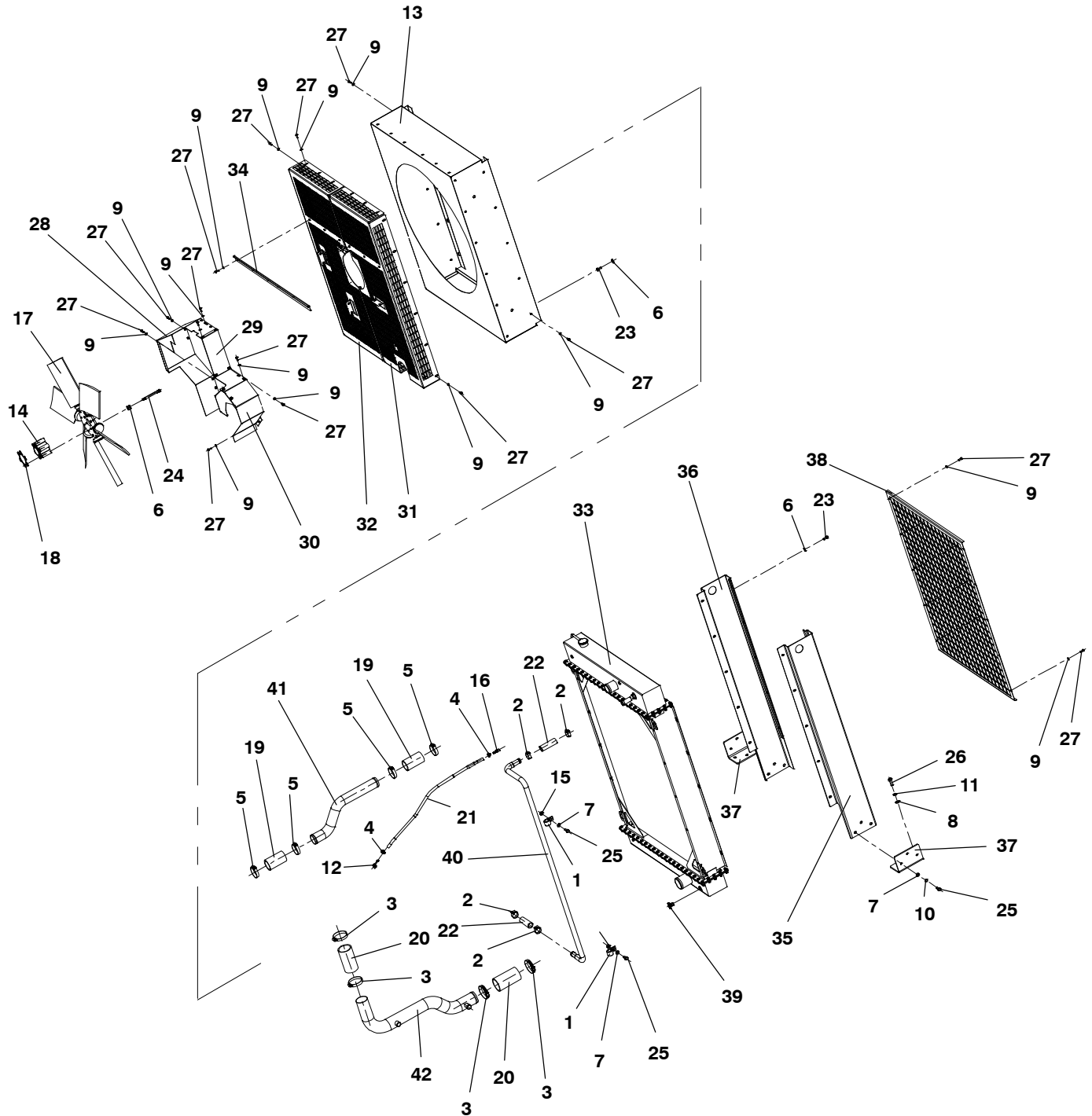
Item	Part No.	Description	Qty
1	C051-0092	Support, Battery	1
2	C370-0069	Hook, Battery Support	2
3	C051-0093	Lock, Battery Support	1
4	C380-0001-08	Nut, Wing (M6)	2
5	C370-0030-03	Screw, Hex (M10 x 25)	4
6	C041-0005	Washer (M10)	4
	C091-0031	Battery, Cable	1
	C091-0032	Cordage, Ground - Starter	1
	C370-0044-03	Screw, Hex (1/2" x 1")	1
	C031-0017	Washer, Lock - Spring (1/2")	1
	C045-0005	Washer, Toothed (1/2")	1

## Water Heater



Item	Part No.	Description	Qty
1	C360-0006	Adapter, Pipe (1" x 3/4")	1
2	C071-0009	Clamp	1
3	C071-0012-02	Clamp, Hose	8
4	C360-0014	Elbow, Adapter	1
5	C025-0004	Heater, Water (1500W-240V)	1
6	0503-1634-01	Hose – Plain	4
7	C335-0008	Pipe, Inlet Heater	1
8	C335-0007	Pipe, Outlet Heater	1
9	C370-0042-02	Screw, Hex (3/8" x 3/4")	1
10	C370-0045-03	Screw, Hex (5/8" x 1-1/2")	2
11	C025-0005	Support, Heater	1
12	C041-0014	Washer, Flat (3/8")	1
13	C031-0018	Washer, Lock – Spring (5/8")	2
14	C031-0015	Washer, Lock – Spring	1
	C480-0004	Lug, Preinsulated Tubular – Pin Type 2.5mm	3
	C390-0001	Cable Gland (M20) – Black	1

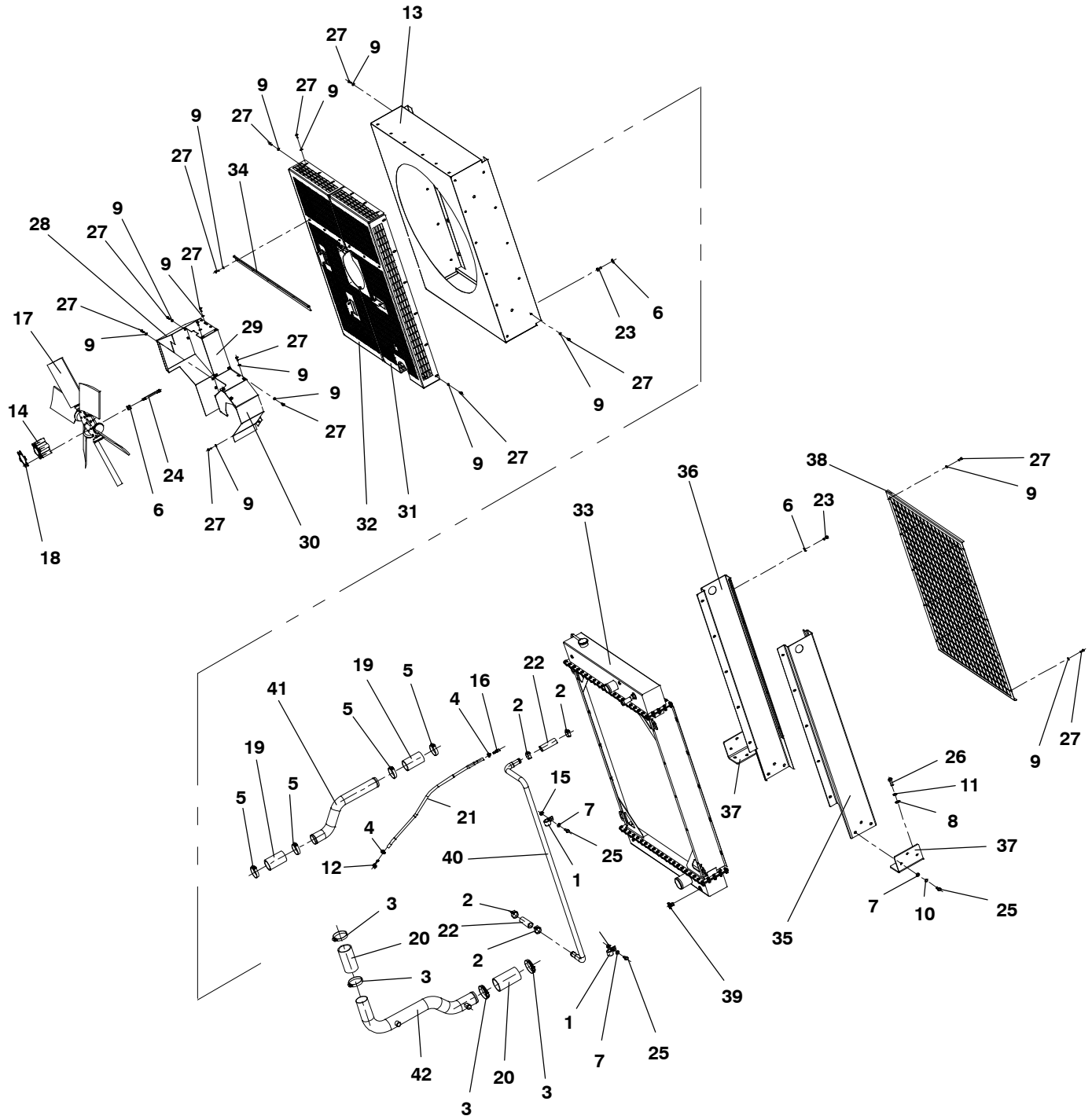
# Radiator



## Radiator – 2 Row Core

Item	Part No.	Description	Qty
1	0518-0548-20	Clamp	2
2	C071-0006-06	Clamp	4
3	C071-0006-13	Clamp	4
4	C071-0008-02	Clamp	2
5	C071-0002-11	Clamp	4
6	C041-0014	Washer, Flat (3/8")	26
7	C041-0005	Washer, Flat (M10)	8
8	C041-0006	Washer, Flat (M12)	6
9	C041-0003	Washer, Flat (M6)	61
10	C031-0006	Washer, Lock – Spring (M10)	6
11	C031-0007	Washer, Lock – Spring (M12)	6
12	C360-0016	Elbow – 45° (1/8" x 1/4")	1
13	C190-0049	Deflector, Air	1
14	130-4407-01	Spacer, Fan	1
15	C220-0002	Spacer	2
16	C360-0017	Adapter (1/4" x 1/4" Tube)	1
17	130-4534	Fan, Radiator	1
18	0130-3193	Fan Junta	1
19	0503-1379-02	Hose, Radiator	2
20	0503-1414-02	Hose, Radiator	2
21	A048Y512	Hose, Radiator – Airless	1
22	0503-1634	Hose, Radiator	2
23	C370-0042-02	Screw, Hex (3/8" x 3-3/4")	20
24	C370-0042-15	Screw, Hex (3/8" x 3-3/4")	6
25	C370-0030-03	Screw, Hex (M10 x 25)	8
26	C370-0031-04	Screw, Hex (M12 x 35)	6
27	C370-0028-03	Screw, Hex (M6 x 16)	61
28	C190-0004	Guard, Belt – LH	1
29	C190-0005	Guard, Belt	1
30	C290-0540	Guard, Belt – RH	1
31	C190-0009	Guard, Fan – RH	1
32	C190-0010	Guard, Fan – LH	1
33	0130-4355 0130-3588-02 0503-1418 0130-4362	Radiator (Includes Cap, Overflow Hose and Sight Gauge Kit) Cap, Radiator (10 PSI) Hose, Overflow Kit, Sight Gauge	1 6 FT 1 1
34	C470-0010	Guard, Fortification	1
35	C470-0007	Bracket, Radiator – RH	1
36	C470-0008	Bracket, Radiator – LH	1
37	C470-0009	Bracket, Radiator	2
38	C270-0001	Guard, Protection	1
39	0504-0028	Drain	1
40	C190-0008	Tube, Filler	1
41	C190-0007	Tube, Water Inlet	1
42	C190-0006	Tube, Water Outlet	1

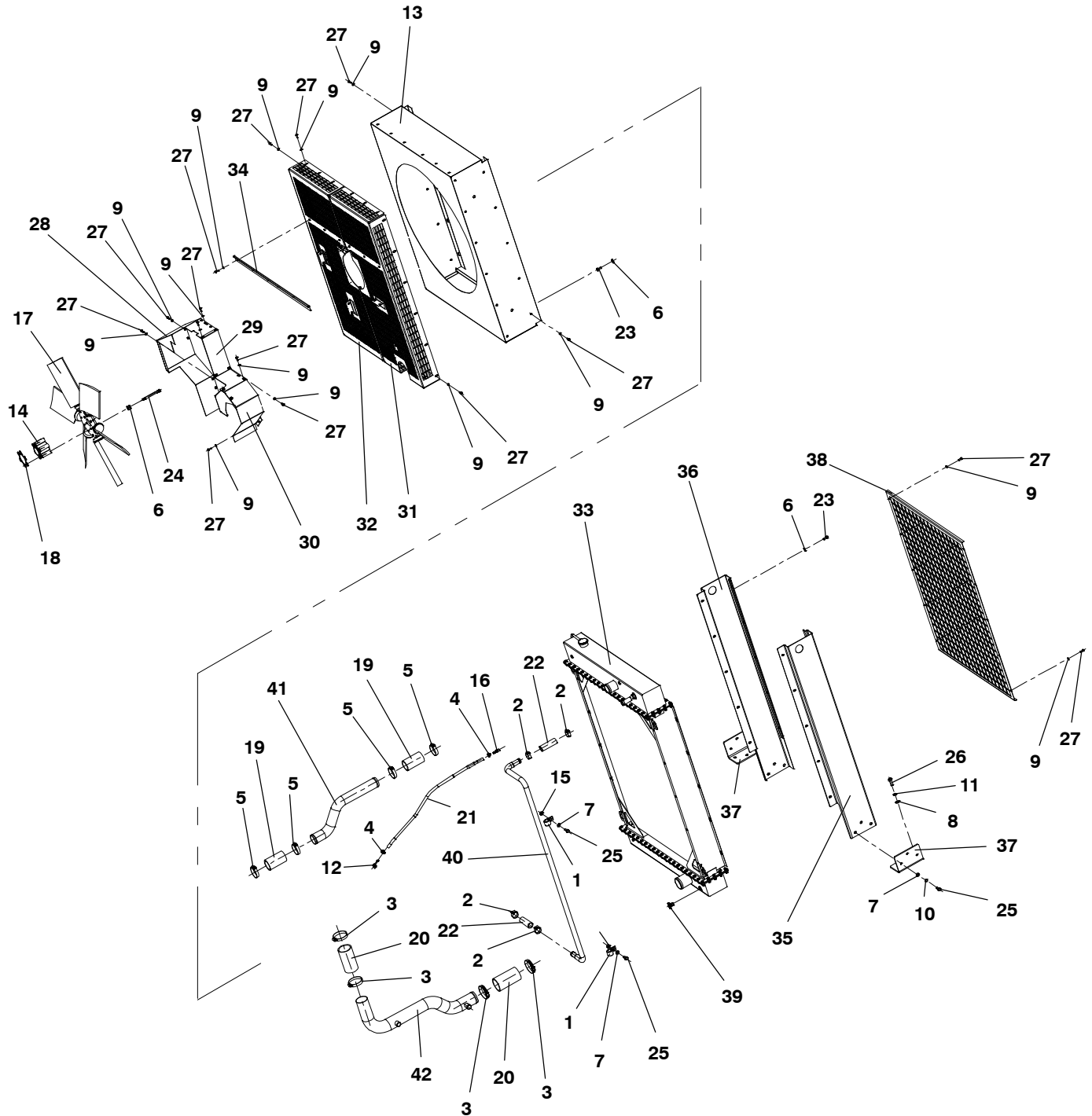
# Radiator



### Radiator – 3 Row Core

Item	Part No.	Description	Qty
1	0518-0548-20	Clamp	2
2	C071-0006-06	Clamp	4
3	C071-0006-13	Clamp	4
4	C071-0008-02	Clamp	2
5	C071-0002-11	Clamp	4
6	C041-0014	Washer, Flat (3/8")	26
7	C041-0005	Washer, Flat (M10)	8
8	C041-0006	Washer, Flat (M12)	6
9	C041-0003	Washer, Flat (M6)	61
10	C031-0006	Washer, Lock – Spring (M10)	6
11	C031-0007	Washer, Lock – Spring (M12)	6
12	C360-0016	Elbow – 45° (1/8" x 1/4")	1
13	C190-0049	Deflector, Air	1
14	130-4407-01	Spacer, Fan	1
15	C220-0002	Spacer	2
16	C360-0017	Adapter (1/4" x 1/4" Tube)	1
17	130-4534	Fan, Radiator	1
18	0130-3193	Fan Junta	1
19	0503-1379-02	Hose, Radiator	2
20	0503-1414-02	Hose, Radiator	2
21	A048Y512	Hose, Radiator – Airless	1
22	0503-1634	Hose, Radiator	2
23	C370-0042-02	Screw, Hex (3/8" x 3-3/4")	20
24	C370-0042-15	Screw, Hex (3/8" x 3-3/4")	6
25	C370-0030-03	Screw, Hex (M10 x 25)	8
26	C370-0031-04	Screw, Hex (M12 x 35)	6
27	C370-0028-03	Screw, Hex (M6 x 16)	61
28	C190-0004	Guard, Belt – LH	1
29	C190-0005	Guard, Belt	1
30	C290-0540	Guard, Belt – RH	1
31	C190-0009	Guard, Fan – RH	1
32	C190-0010	Guard, Fan – LH	1
33	0130-4355-01	Radiator (Includes Cap, Overflow Hose and Sight Gauge Kit)	1
	0130-3588-02	Cap, Radiator (10 PSI)	6 FT
	0503-1418	Hose, Overflow	1
	0130-4362	Kit, Sight Gauge	1
34	C470-0010	Guard, Fortification	1
35	C470-0007	Bracket, Radiator – RH	1
36	C470-0008	Bracket, Radiator – LH	1
37	C470-0009	Bracket, Radiator	2
38	C270-0001	Guard, Protection	1
39	0504-0028	Drain	1
40	C190-0008	Tube, Filler	1
41	C190-0007	Tube, Water Inlet	1
42	C190-0006	Tube, Water Outlet	1

# Radiator

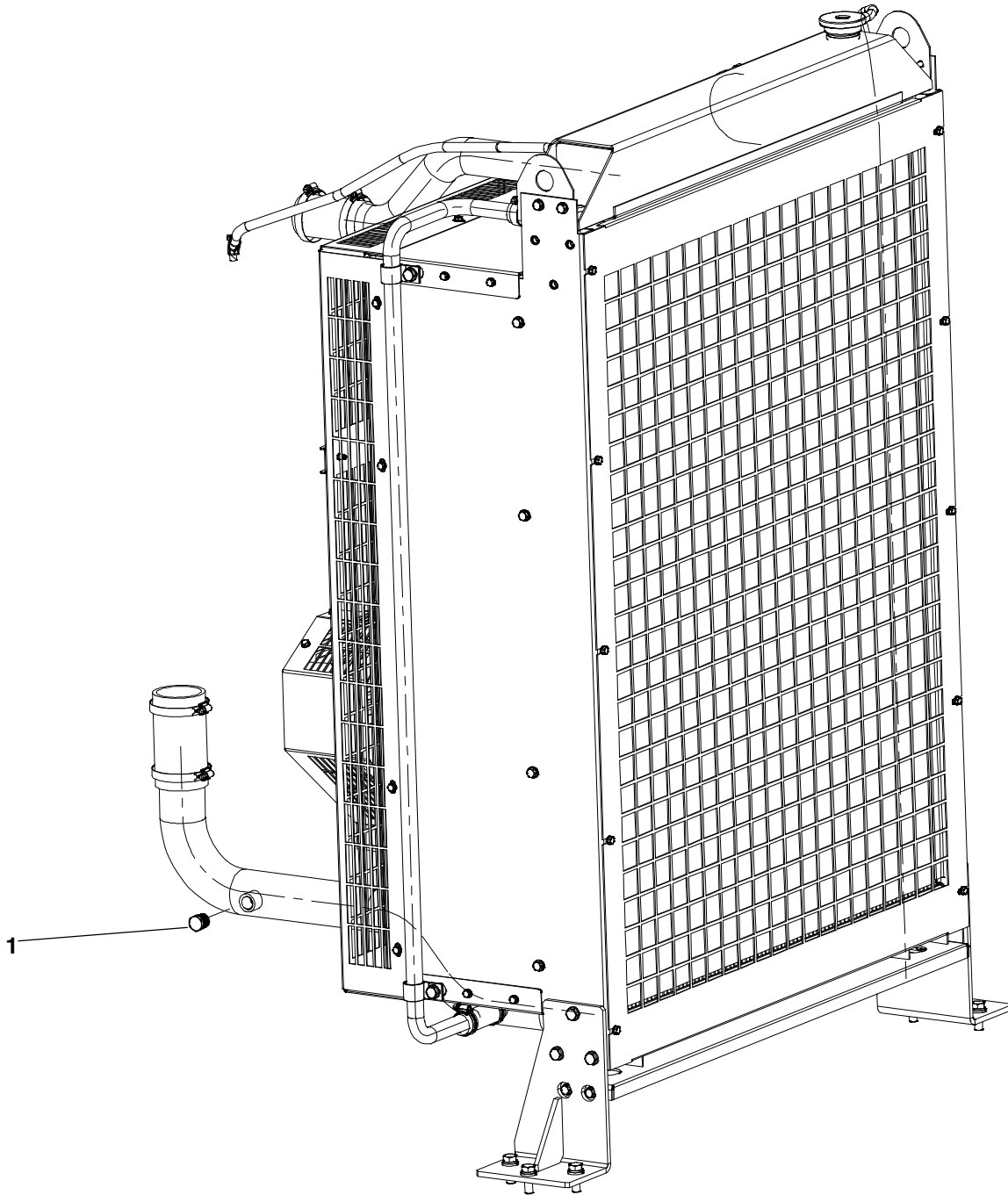




## Radiator – 4 Row Core

Item	Part No.	Description	Qty
1	0518–0548–20	Clamp	2
2	C071–0006–06	Clamp	4
3	C071–0006–13	Clamp	4
4	C071–0008–02	Clamp	2
5	C071–0002–11	Clamp	4
6	C041–0014	Washer, Flat (3/8")	26
7	C041–0005	Washer, Flat (M10)	8
8	C041–0006	Washer, Flat (M12)	6
9	C041–0003	Washer, Flat (M6)	61
10	C031–0006	Washer, Lock – Spring (M10)	6
11	C031–0007	Washer, Lock – Spring (M12)	6
12	C360–0016	Elbow – 45° (1/8" x 1/4")	1
13	C190–0050	Deflector, Air	1
14	130–4407–01	Spacer, Fan	1
15	C220–0002	Spacer	2
16	C360–0017	Adapter (1/4" x 1/4" Tube)	1
17	130–4408	Fan, Radiator	1
18	0130–3193	Fan Junta	1
19	0503–1379–02	Hose, Radiator	2
20	0503–1414–02	Hose, Radiator	2
21	A048Y512	Hose, Radiator – Airless	1
22	0503–1634	Hose, Radiator	2
23	C370–0042–02	Screw, Hex (3/8" x 3-3/4")	20
24	C370–0042–15	Screw, Hex (3/8" x 3-3/4")	6
25	C370–0030–03	Screw, Hex (M10 x 25)	8
26	C370–0031–04	Screw, Hex (M12 x 35)	6
27	C370–0028–03	Screw, Hex (M6 x 16)	61
28	C190–0004	Guard, Belt – LH	1
29	C190–0005	Guard, Belt	1
30	C290–0540	Guard, Belt – RH	1
31	C190–0011	Guard, Fan – RH	1
32	C190–0012	Guard, Fan – LH	1
33	0130–4369	Radiator (Includes Cap, Overflow Hose and Sight Gauge Kit)	1
	0130–3588–02	Cap, Radiator (10 PSI)	6 FT
	0503–1418	Hose, Overflow	1
	0130–4362	Kit, Sight Gauge	1
34	C470–0016	Guard, Fortification	1
35	C470–0014	Bracket, Radiator – RH	1
36	C470–0015	Bracket, Radiator – LH	1
37	C470–0009	Bracket, Radiator	2
38	A045X891	Guard, Protection	1
39	0504–0028	Drain	1
40	C190–0014	Tube, Filler	1
41	C190–0007	Tube, Water Inlet	1
42	C190–0006	Tube, Water Outlet	1

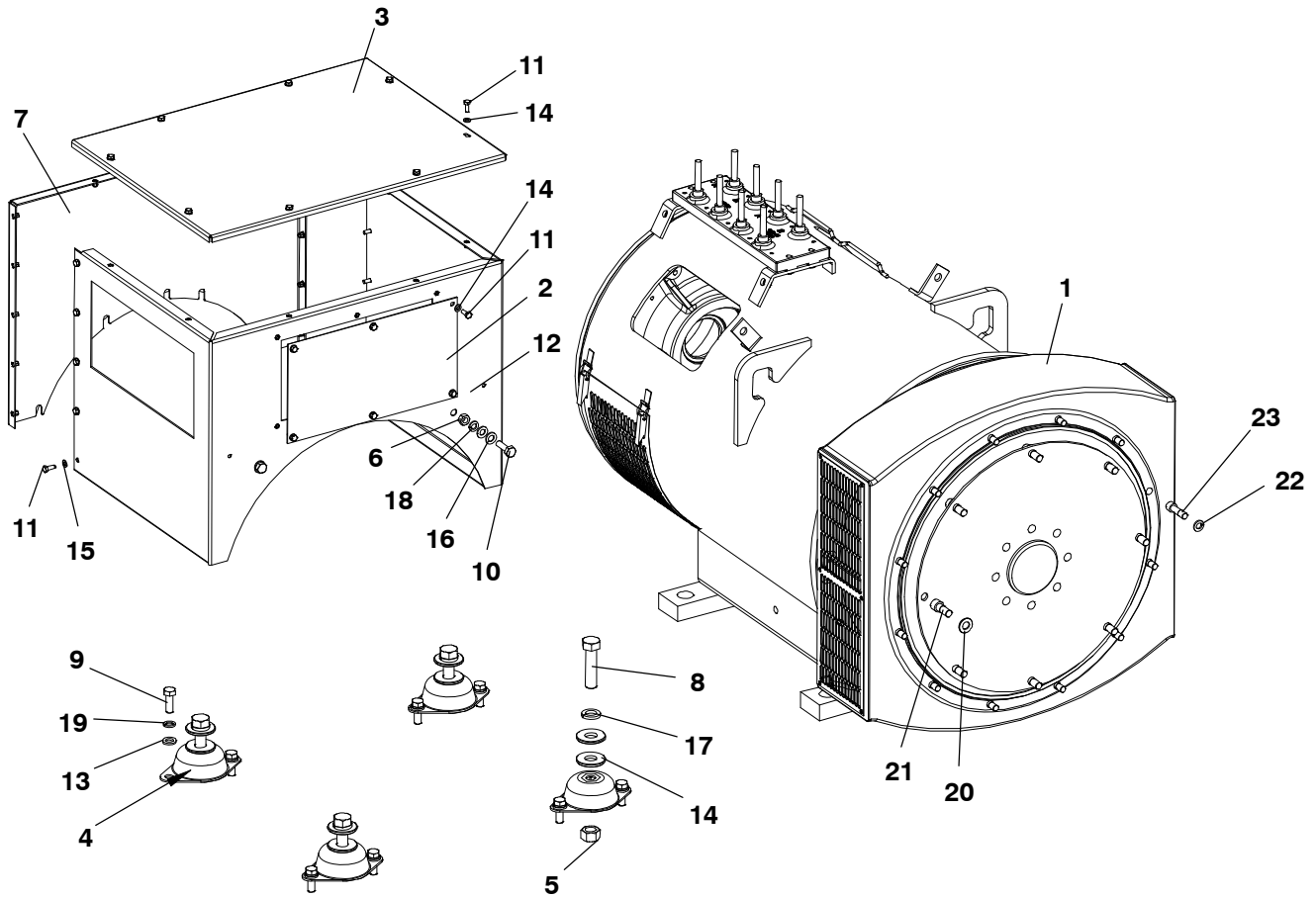
## Coolant Connection



Item	Part No.	Description	Qty
1	A051E915	Plug	1

This page is Intentionally blank.

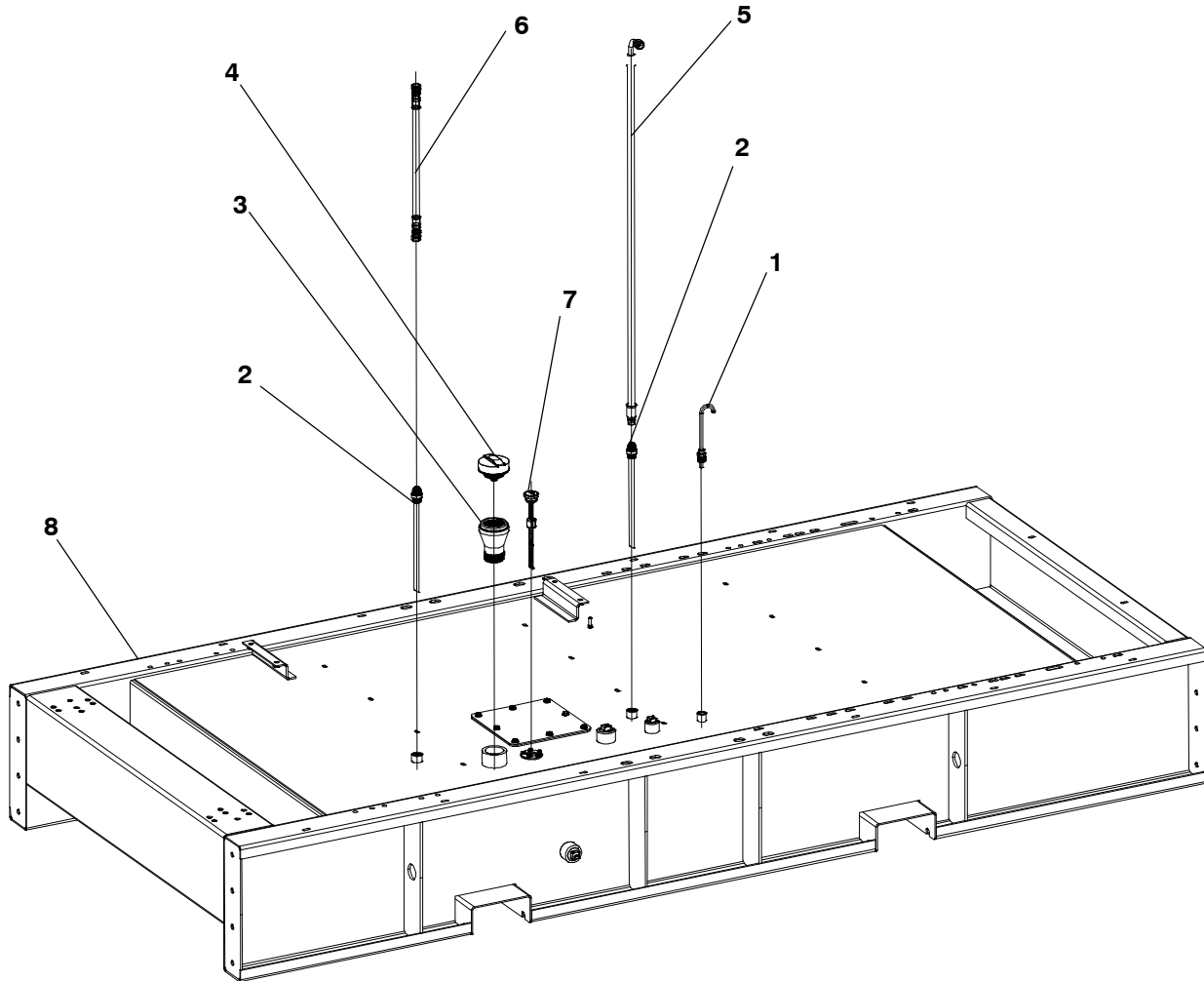
## Alternator Installation



## Alternator Installation

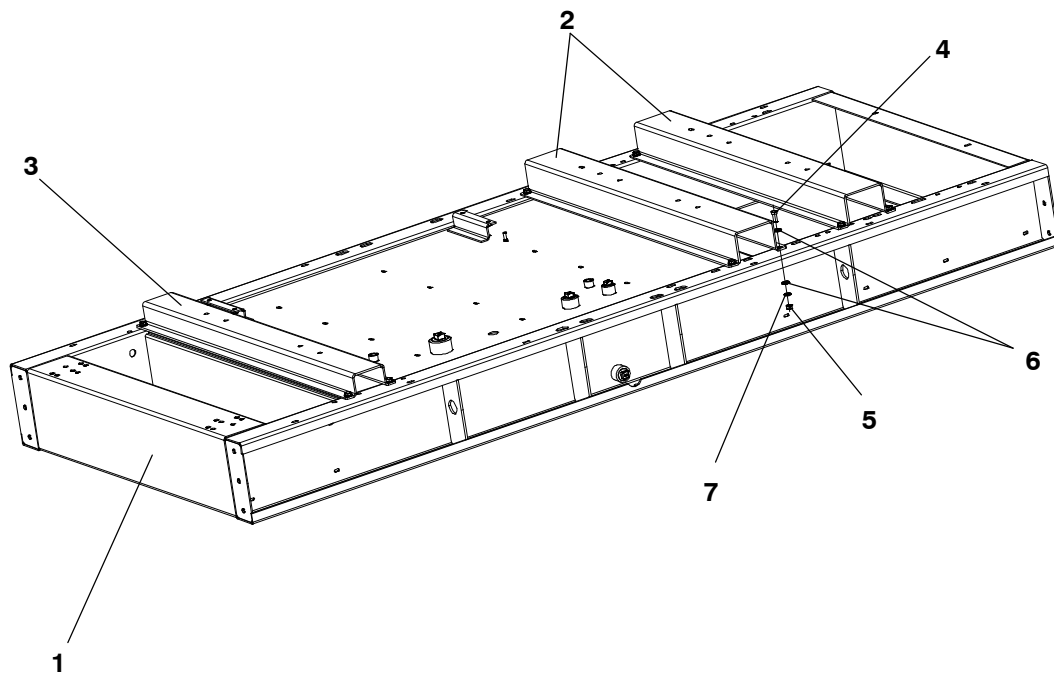
Item	Part No.	Description	Qty
1		Alternator, Main	
	0200-3136-04	HC4D – WD311	1
	0200-3136-05	HC4E – WD311	1
	0200-3136-06	HC4F – WD311	1
	0200-3217-01	HC4D – WD14	1
	0200-3224-02	HC4F – WD13	1
2	C110-0096	Cover – AVR	1
3	C470-0011	Cover , Terminal Box	1
4	0402-0779-05	Isolator, Vibration	4
5	C380-0034	Nut, Hex (3/4")	4
6	C380-0020	Nut, Hex (M10)	2
7	C470-0012	Cover , Rear – Terminal Box	1
8	C370-0046-09	Screw, Hex (3/4" x 3")	4
9	C370-0031-04	Screw, Hex (M12 x 35)	8
10	C370-0030-05	Screw, Hex (M10 x 35)	2
11	C370-0028-03	Screw, Hex (M6 x 16)	24
12	C110-0068	Box, Terminal (HC4)	1
13	C041-0006	Washer (M12)	8
14	C041-0020	Washer (M20)	8
15	C041-0003	Washer (M6)	24
16	C041-0005	Washer, Flat (M10)	4
17	C031-0019	Washer, Lock – Spring (3/4")	4
18	C031-0006	Washer, Lock – Spring (M10)	2
19	C031-0007	Washer, Lock – Spring (M12)	8
20	C041-0016	Washer (1/2")	8
21	C370-0058-04	Screw, Allen (1/2" x 1-1/4")	8
22	C031-0016	Washer, Lock – Spring (7/16")	12
23	C370-0057-05	Screw, Allen (7/16")	12

### Fuel Tank Accessories - Rental



Item	Part No.	Description	Qty
1	C360-0048	Breather, Fuel Tank	1
2	C360-0040	Connection, Fuel Outlet	2
3	C635-0001	Connection, Oil Fill	1
4	C635-0002	Cover, Oil Fill	1
5	C330-0022	Hose, Fuel Inlet	1
6	C330-0023	Hose, Fuel Outlet	1
7	C635-0011-03	Level, Indicator	1
8	C051-0083	Skid, Fuel Tank	1

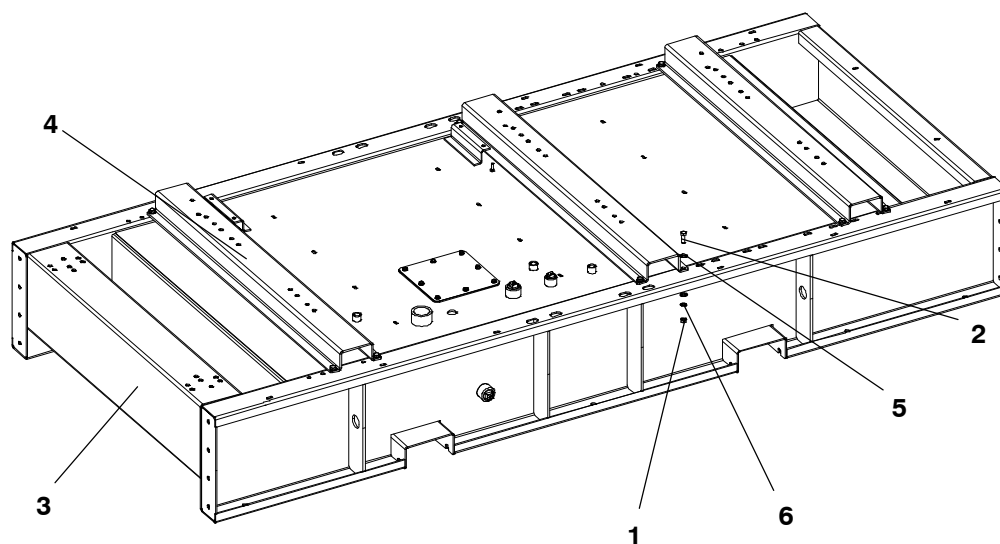
## Skid



## Skid (500L)

Item	Part No.	Description	Qty
1	C051-0068	Skid, Fuel Tank	1
2	C051-0035	Support, Alternator	2
3	C051-0036	Support, Engine	1
4	C370-0031-03	Screw, Hex (M12 x 30)	12
5	C380-0021	Nut, Hex (M12)	12
6	C041-0006	Washer (M12)	24
7	C031-0007	Washer, Lock – Spring (M12)	12

## Skid

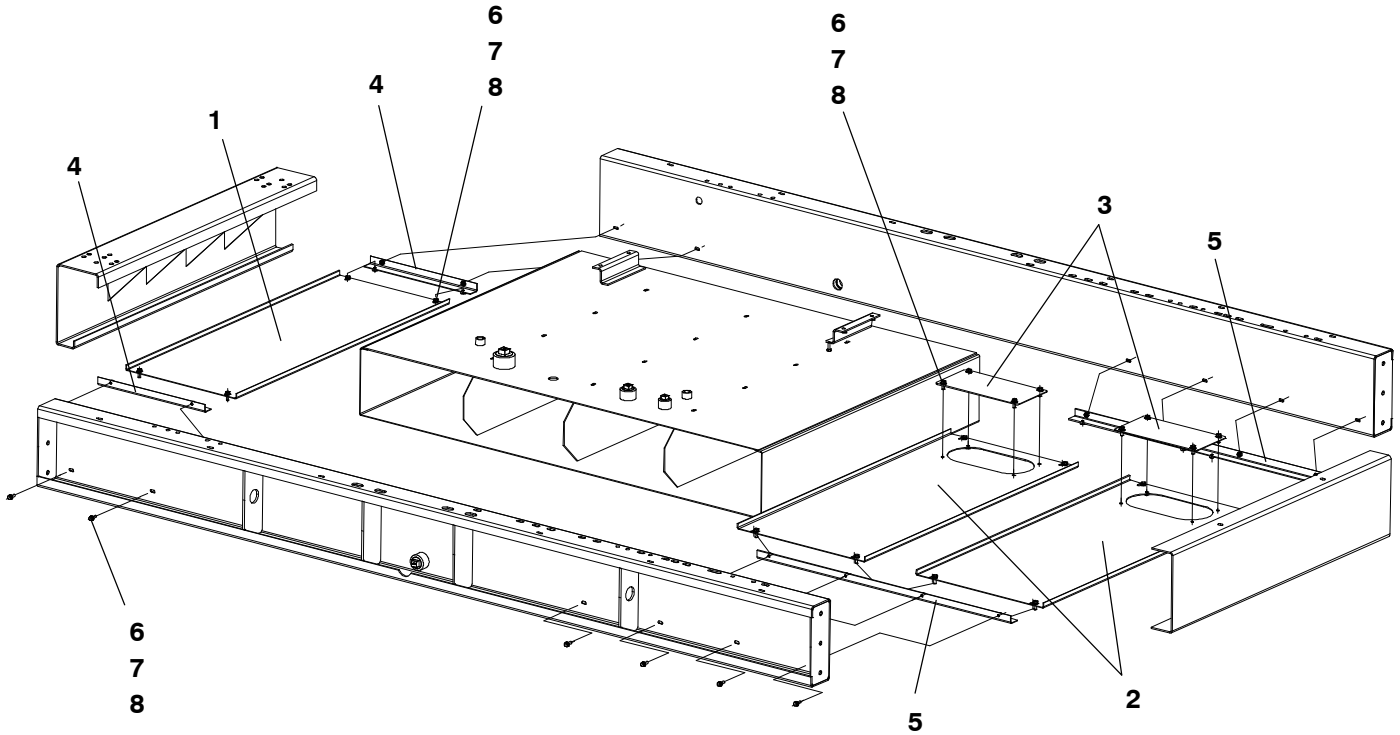


### Skid (1000L)

Item	Part No.	Description	Qty
1	C380-0021	Nut, Hex (M12)	12
2	C370-0031-04	Screw, Hex (M12 x 35)	12
3	C051-0083	Skid, Fuel Tank	1
4	C051-0071	Support, Alternator	3
5	C041-0006	Washer (M12)	24
6	C031-0007	Washer, Lock - Spring (M12)	12

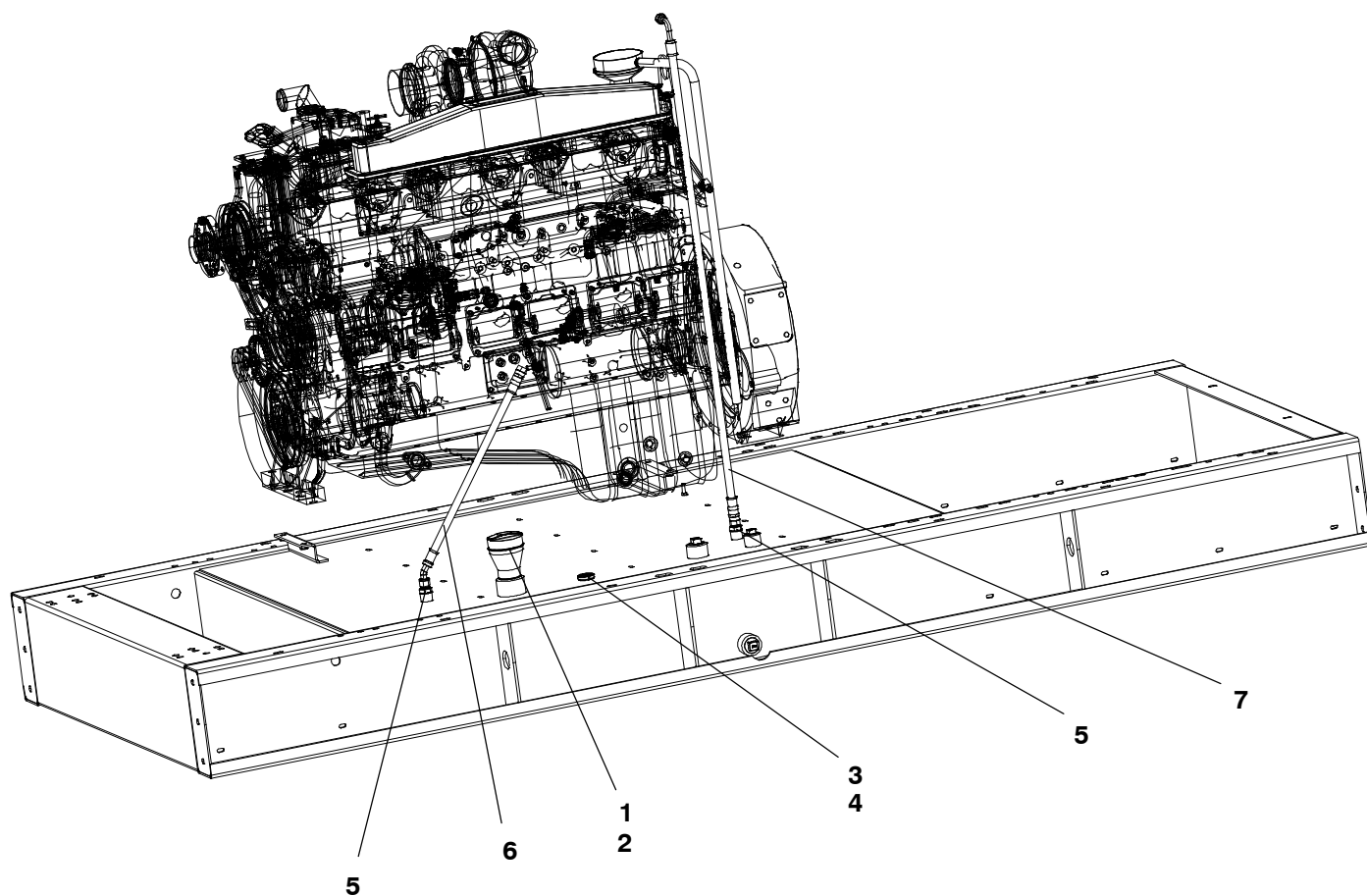


## Skid Floor



Item	Part No.	Description	Qty
1	C051-0094	Plate, Floor (Cover – Front)	1
2	C051-0095	Plate, Floor (Cover – Rear)	2
3	C051-0096	Plate, Floor (Cover – Cables)	2
4	C051-0097	Plate, Floor (Support – Front)	2
5	C051-0098	Plate, Floor (Support – Rear)	2
6	C370-0029-04	Screw, Hex (M8 x 25)	32
7	C041-0004	Washer, Flat (M8)	32
8	C031-0005	Washer, Lock – Spring (M8)	32

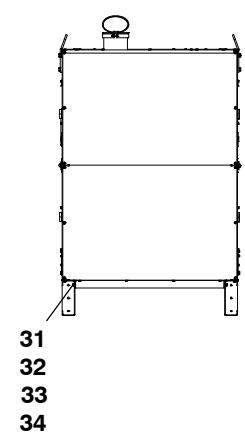
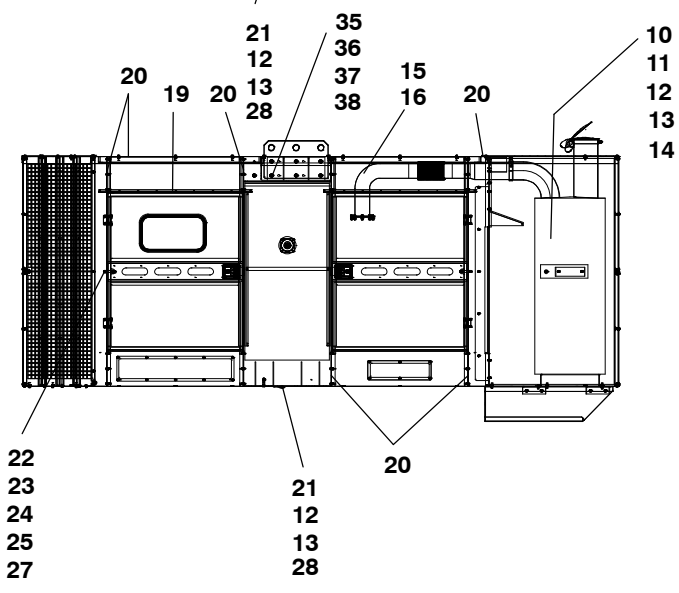
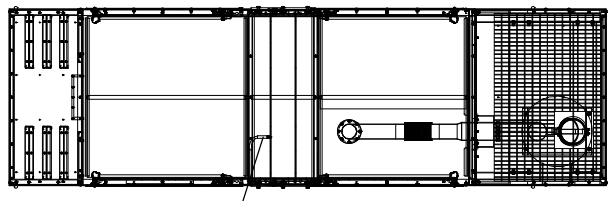
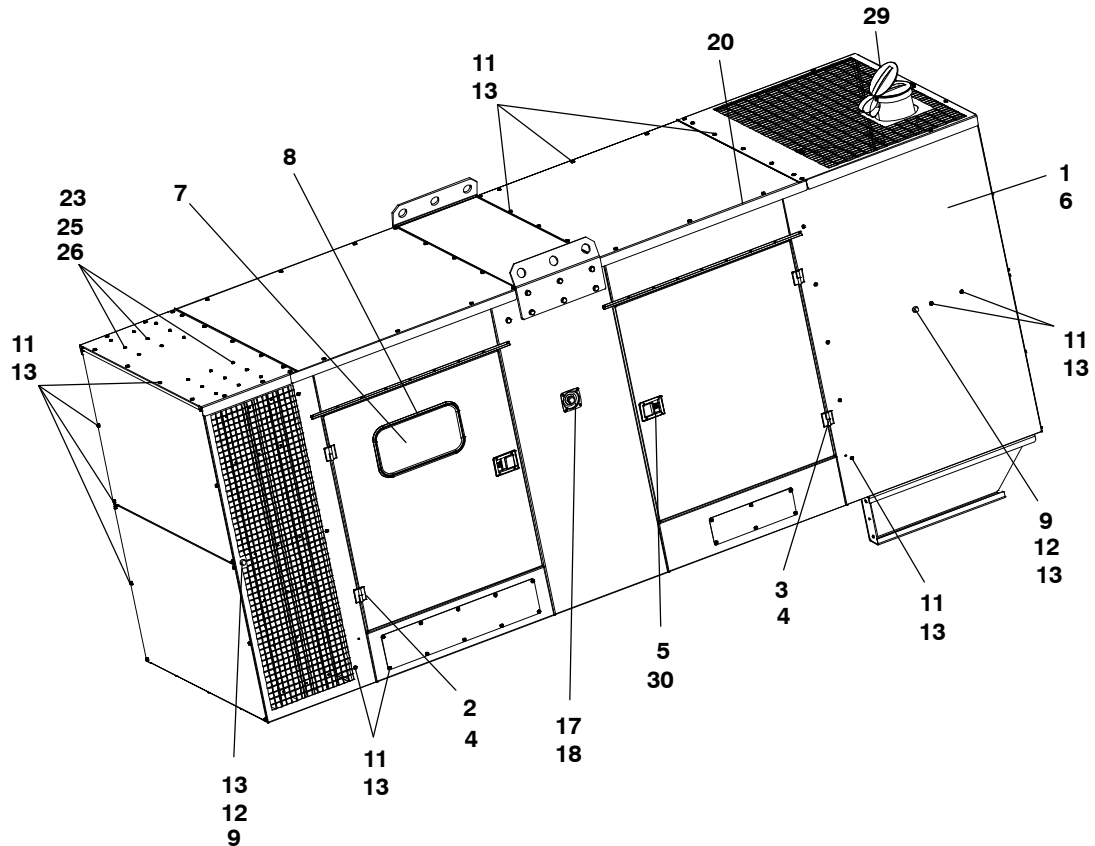
## Skid Accessories



Item	Part No.	Description	Qty
1	C635-0001	Connection, Oil Fill	1
2	C635-0002	Cover, Oil Fill	1
3	0193-5580	Gauge, Level	1
4	C635-0011-02	Indicator, Level	1
5	C360-0044	Connector, Pipe	2
6	C330-0023	Hose, Intake	1
7	C330-0022	Hose, Return	1

This page is Intentionally blank.

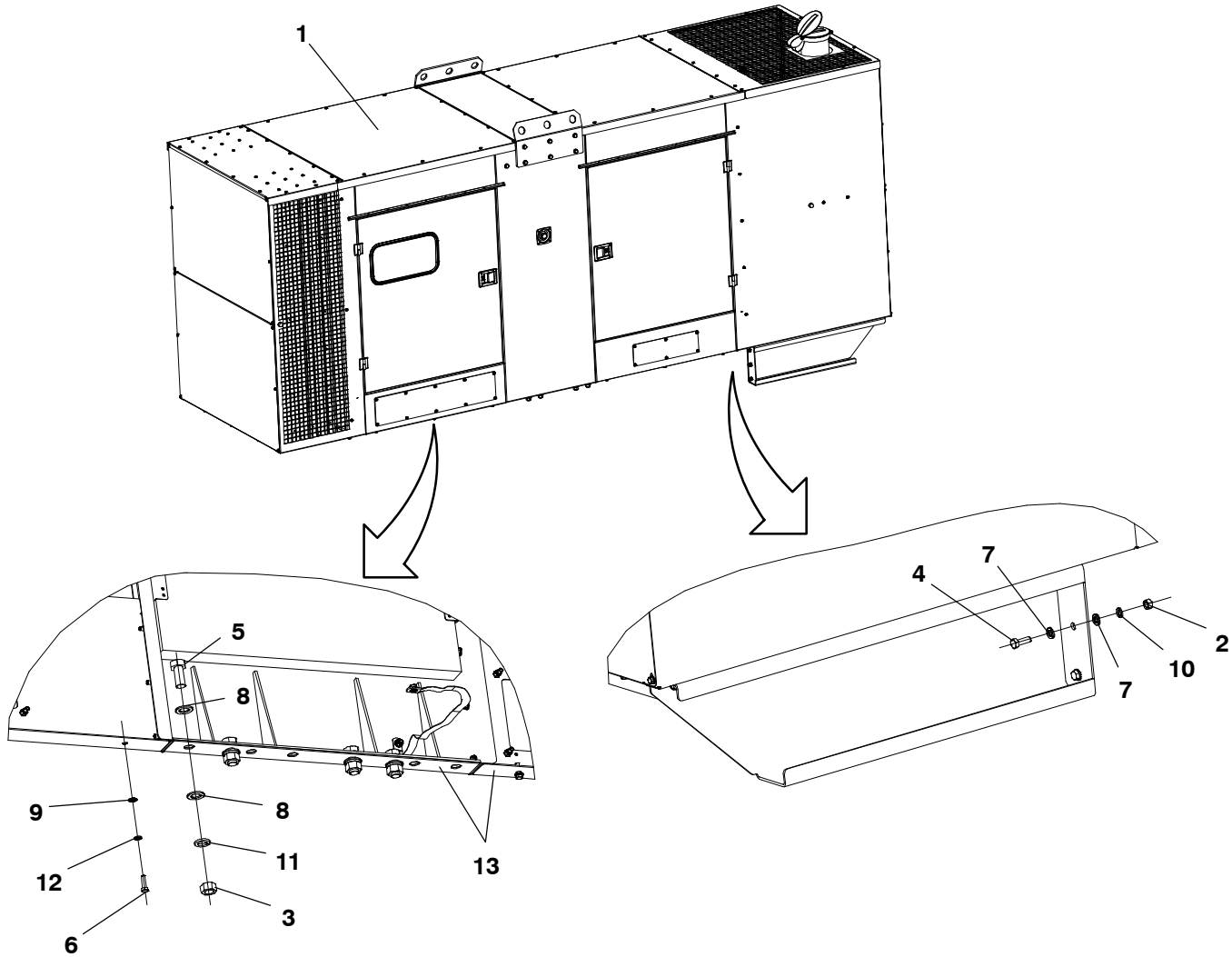
### Enclosure



## Enclosure

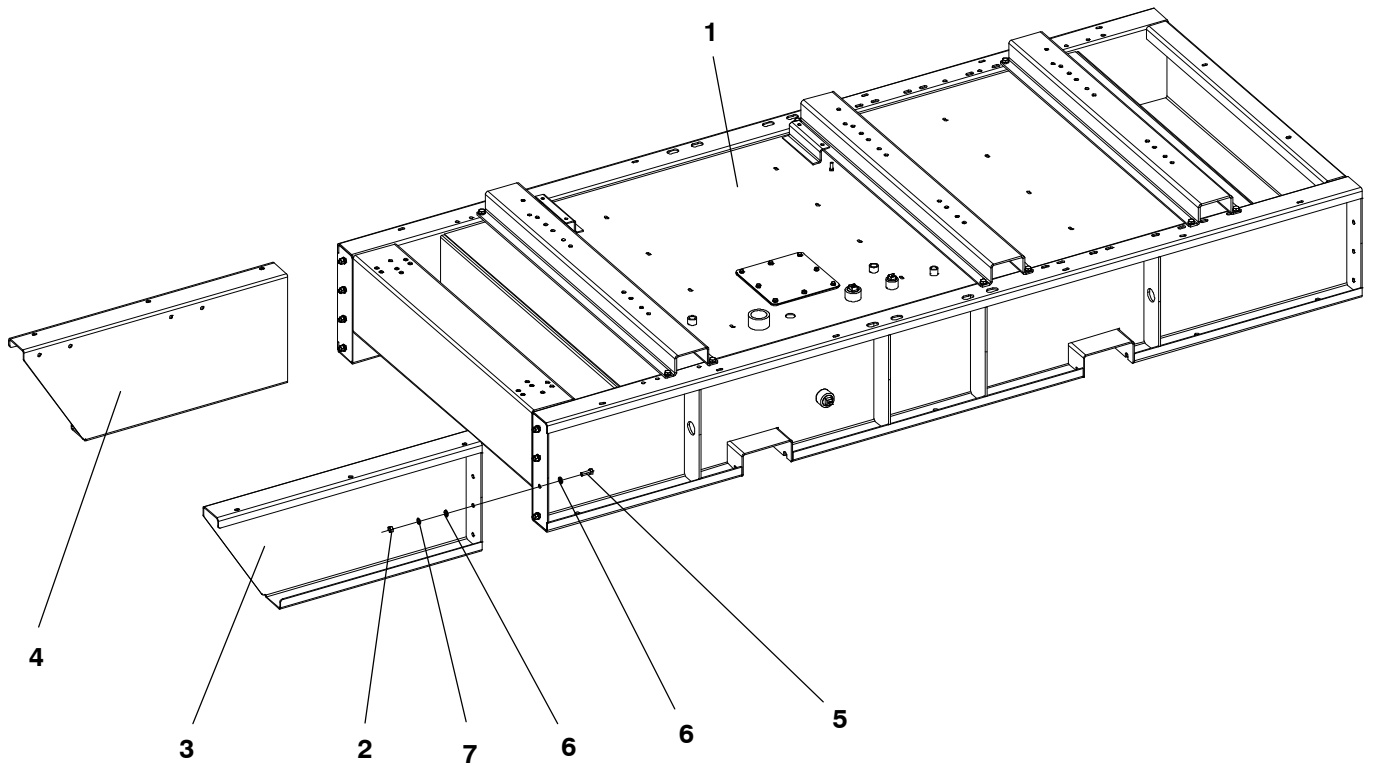
Item	Part No.	Description	Qty
1	C405-0113	Enclosure – Assembly	1
2	0406-1051	Hinge (LH)	4
3	0406-1052	Hinge (RH)	4
4	C380-0035	Nut, Hex – Parlock (M8)	32
5	0406-1059	Latch, Door	4
6	C405-0178	Insulation, Sound (Foam Kit)	1
7	C405-0135	Window – Panel	1
8	C310-0013	Seal, Window	1.56m
9	C300-0006	Stop, Rubber Door	4
10	C350-0015	Muffler	1
11	C370-0029-05	Screw, Hex (M8 x 30)	206
12	C380-0019	Nut, Hex (M8)	14
13	C041-0004	Washer, Flat (M8)	220
14	C031-0005	Washer, Lock – Spring (M8)	8
15	C350-0055	Pipe, Exhaust (Kit)	1
16	C350-0057	Thermal Protection – Exhaust	1
17	0308-1175	Switch, Push Button (E-Stop)	2
18	0319-5262	Cover, Push Button (E-Stop)	2
19	C310-0011	Rubber – Door	20m
20	C310-0012	Rubber – Gasket	25m
21	C091-0020	Strap, Ground	1
22	C091-0019	Strap, Ground	4
23	C370-0028-04	Screw, Hex (M6 x 20)	70
24	C380-0018	Nut, Hex (M6)	4
25	C041-0003	Washer, Flat (M6)	74
26	C031-0004	Washer, Lock – Spring (M6)	66
27	C045-0002	Washer, Toothed (M6)	8
28	C045-0003	Washer, Toothed (M8)	2
29	C445-0049	Cap, Rain	1
30	0406-1074	Key	4
31	C370-0031-04	Screw, Hex (M12 x 35)	8
32	C380-0021	Nut, Hex (M12)	8
33	C041-0006	Washer, Flat (M12)	16
34	C031-0007	Washer, Lock – Spring (M12)	8
35	C370-0033-06	Screw, Hex (M16 x 50)	14
36	C380-0023	Nut, Hex (M16)	14
37	C041-0008	Washer, Flat (M16)	28
38	C031-0009	Washer, Lock – Spring (M16)	14

## Enclosure Fasteners



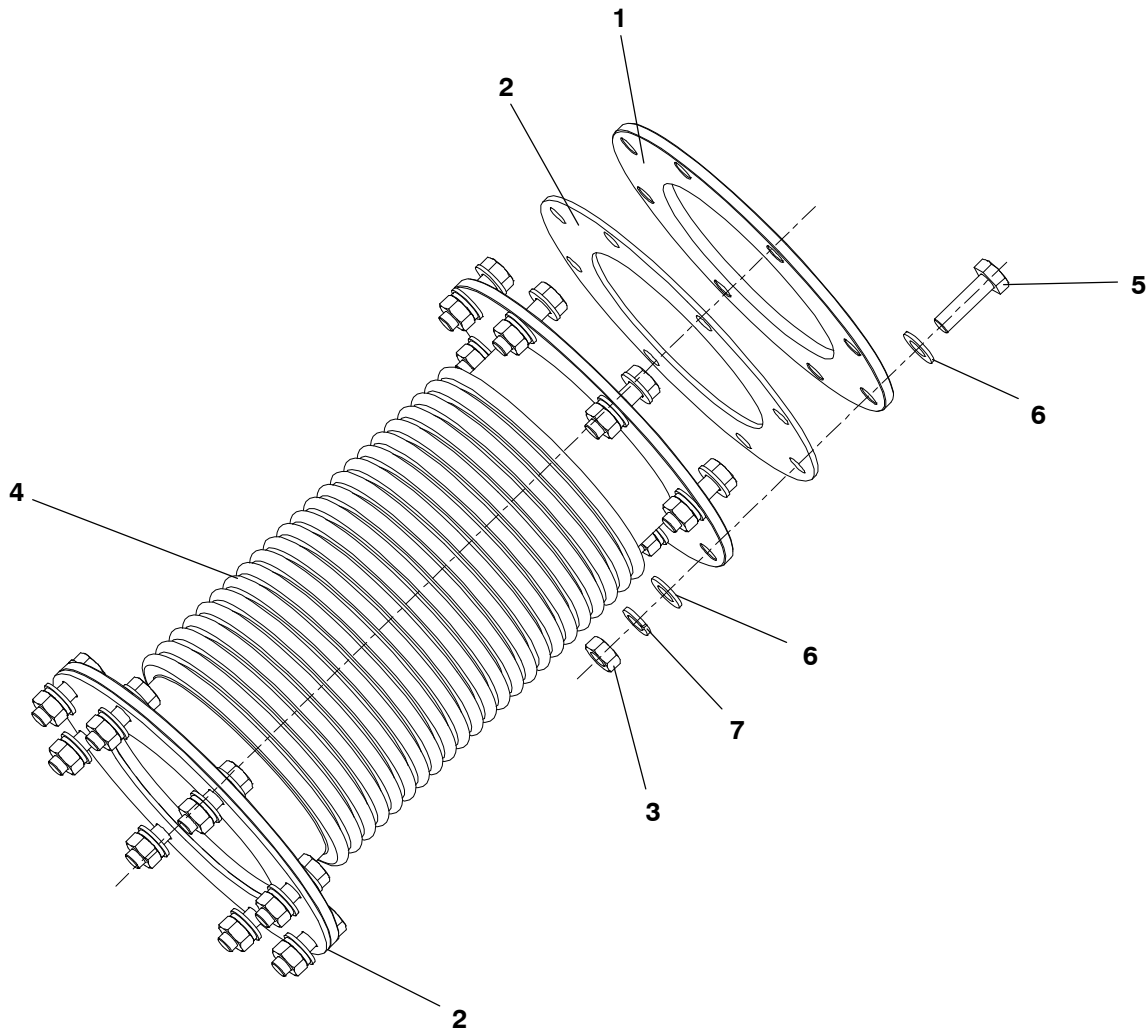
Item	Part No.	Description	Qty
1	C405-0301	Enclosure - Assembly	1
2	C380-0021	Nut, Hex (M12)	6
3	C380-0025	Nut, Hex (M20)	8
4	C370-0031-04	Screw, Hex (M12 x 35)	6
5	C370-0035-04	Screw, Hex (M20 x 45)	8
6	C370-0029-05	Screw, Hex (M8 x 30)	14
7	C041-0006	Washer, Flat (M12)	12
8	C041-0010	Washer, Flat (M20)	16
9	C041-0004	Washer, Flat (M8)	14
10	C031-0007	Washer, Lock - Spring (M12)	6
11	C031-0011	Washer, Lock - Spring (M20)	8
12	C031-0005	Washer, Lock - Spring (M8)	14
13	C310-0012	Gasket, Rubber (10m)	1

## Rail Enclosure – Rental



Item	Part No.	Description	Qty
1	C290-0735	Skid	1
2	C380-0021	Nut, Hex (M12)	8
3	C115-0119	Rail, Enclosure (LH)	1
4	C115-0120	Rail, Enclosure (RH)	1
5	C370-0031-04	Screw, Hex (M12 x 35)	8
6	C041-0006	Washer, Flat (M12)	16
7	C031-0007	Washer, Lock – Spring (M12)	8

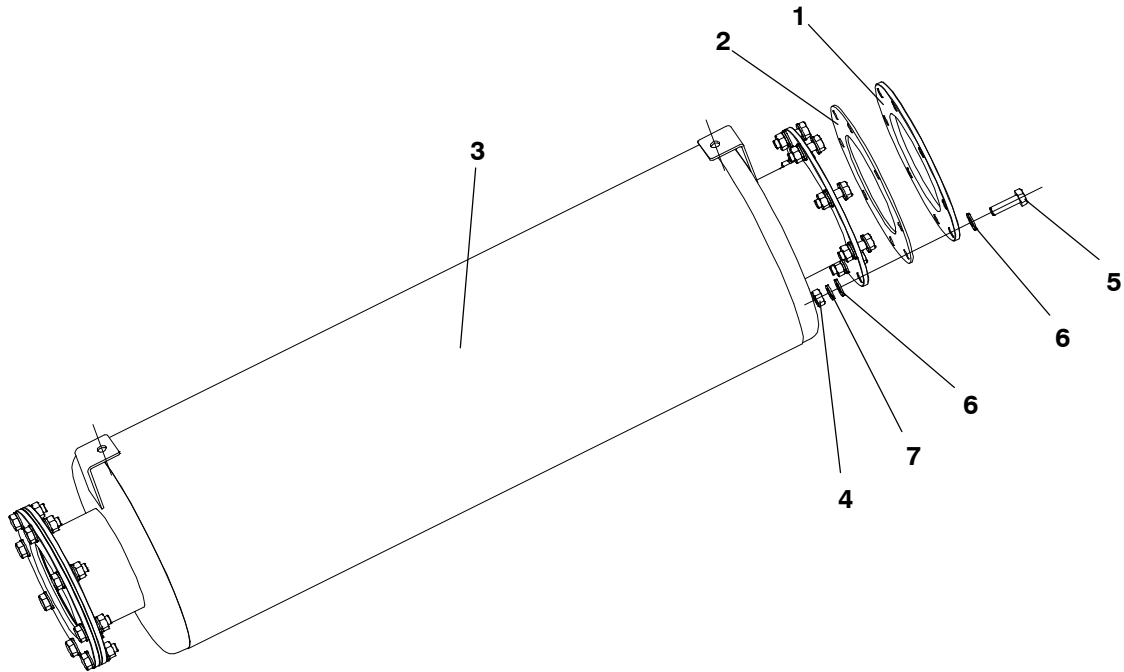
## Exhaust Flexible Pipe



Item	Part No.	Description	Qty
1	C350-0029	Flange	1
2	C350-0034	Gasket	2
3	C380-0020	Nut, Hex (M10)	16
4	C350-0049	Pipe, Exhaust	1
5	C370-0030-05	Screw, Hex (M10 x 35)	16
6	C041-0005	Washer (M10)	32
7	C031-0006	Washer, Lock - Spring (M10)	16

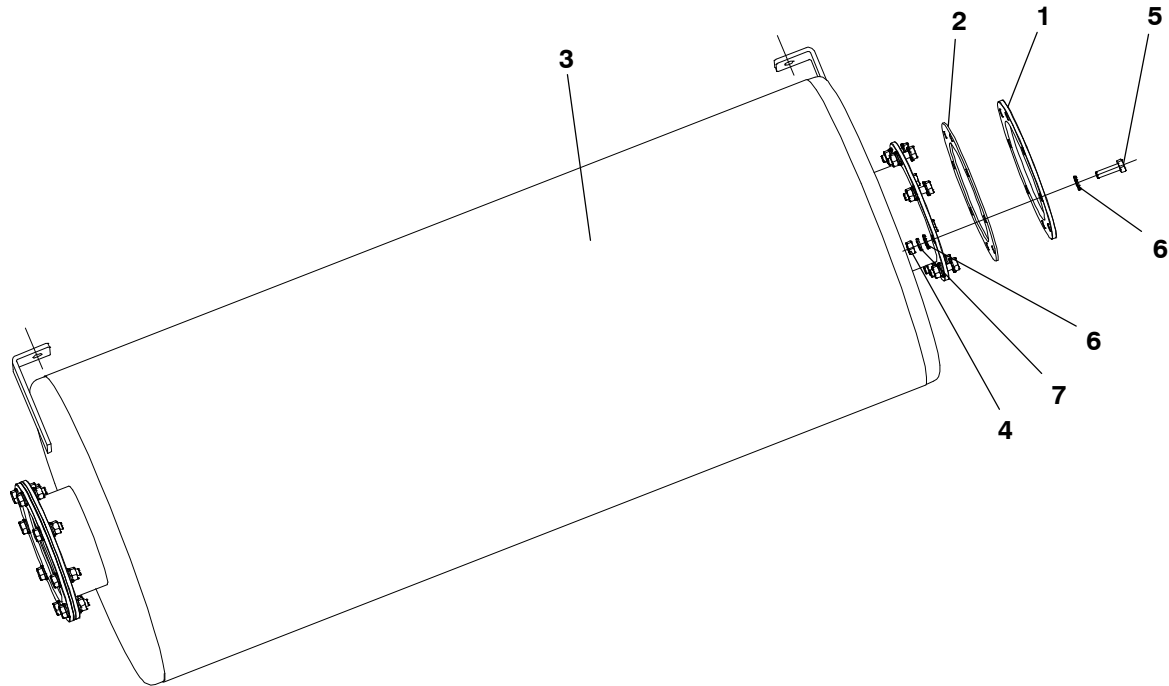


### Muffler – 5”



Item	Part No.	Description	Qty
1	C350-0029	Flange	2
2	C350-0034	Gasket	2
3	C350-0019	Muffler – 9dB	1
4	C380-0020	Nut, Hex (M10)	16
5	C370-0030-05	Screw, Hex (M10 x 35)	16
6	C041-0005	Washer (M10)	32
7	C031-0006	Washer, Lock – Spring (M10)	16

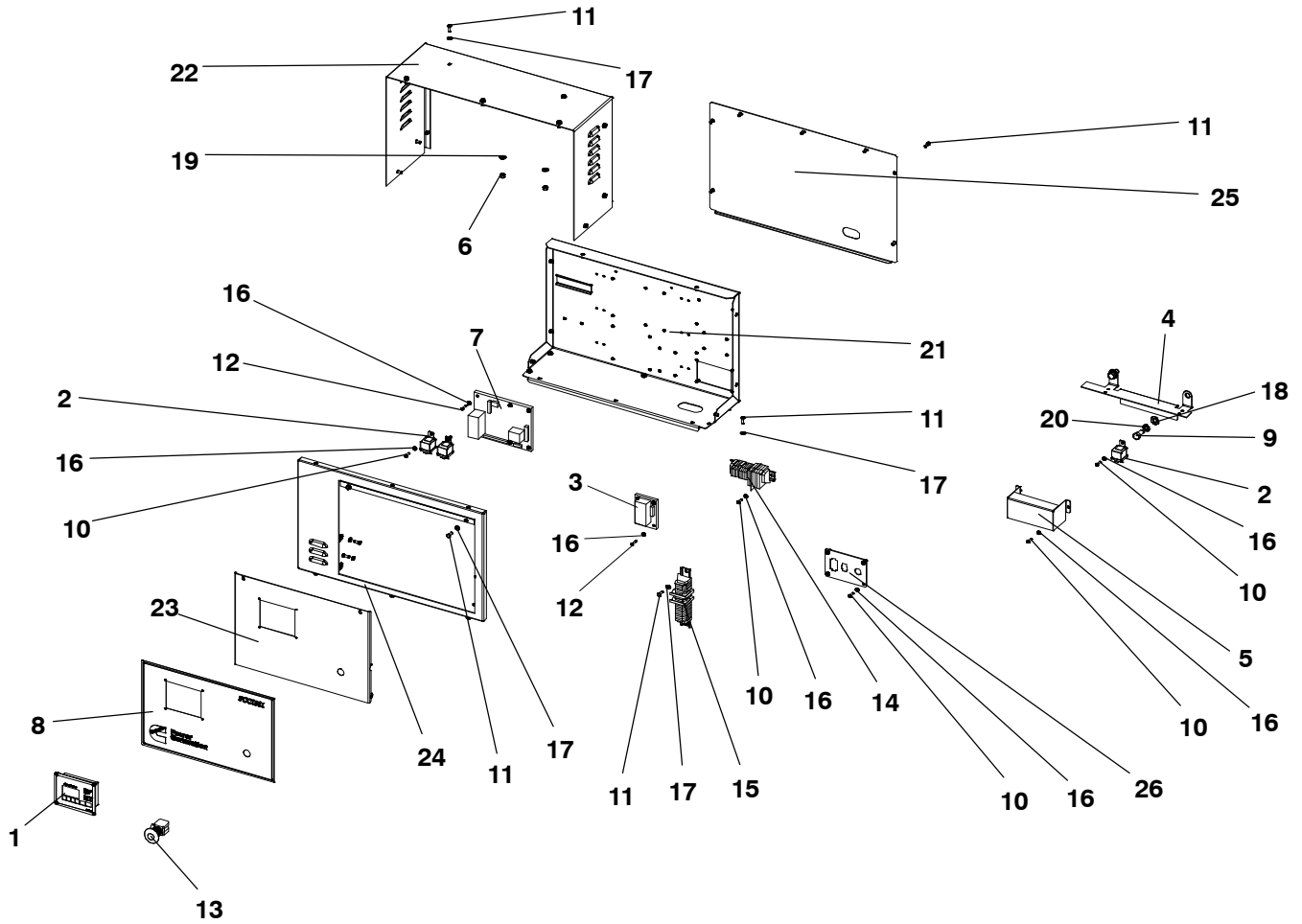
**Muffler - 6"**



Item	Part No.	Description	Qty
1	C350-0030	Flange	2
2	C350-0035	Gasket	2
3	C350-0025	Muffler - 29dB	1
4	C380-0020	Nut, Hex (M10)	16
5	C370-0030-05	Screw, Hex (M10 x 35)	16
6	C041-0005	Washer (M10)	32
7	C031-0006	Washer, Lock - Spring (M10)	16

This page is Intentionally blank.

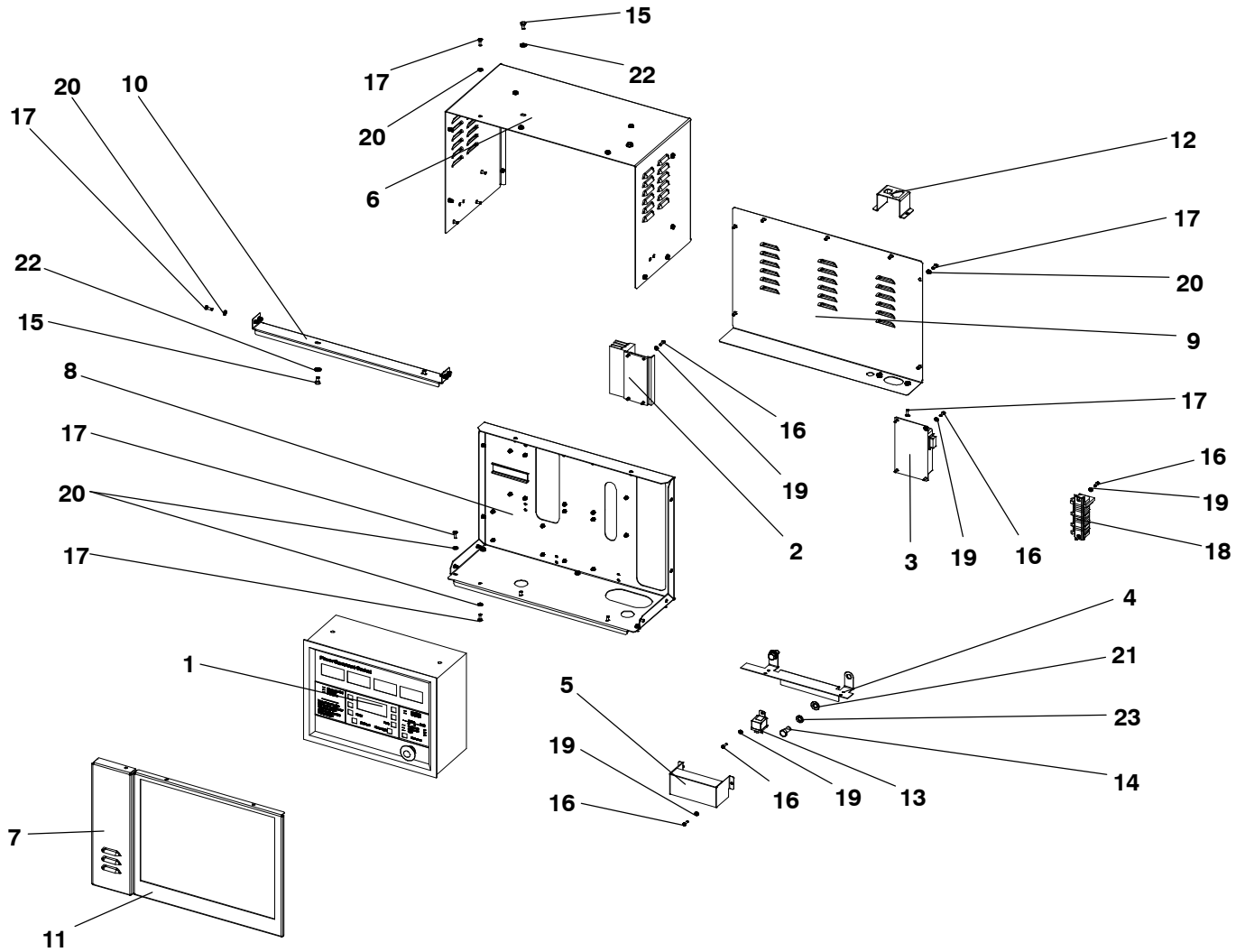
## Control



## PCC1301 Installation

Item	Part No.	Description	Qty
1	C290-0119	Display	1
2	C420-0004-02	Relay, Auxiliary (24V)	3
3	0327-1507	Card, Governor (Aux104)	1
4	C051-0032	Bracket, Relay	1
5	C110-0057	Cover, Relay	1
6	C380-0029	Nut, Hex (5/16")	2
7	0327-1513	Board, Printed Circuit – Control	1
8	C230-0044	Label	1
9	C370-0044-03	Screw, Hex (1/2" x 1")	2
10	C370-0027-03	Screw, Hex (M5 x 16)	11
11	C370-0028-03	Screw, Hex (M6 x 16)	34
12	C370-0061-05	Screw, Philips (M5 x 25)	10
13	0308-1175	Switch, Push Button (E-Stop)	1
14	C061-0008	Block, Terminal (PCC1301 P/N)	1
15	C061-0007	Block, Terminal (PCC1301 TPC)	1
16	C041-0002	Washer (M5)	21
17	C041-0003	Washer (M6)	34
18	C041-0016	Washer, Flat (1/2")	2
19	C041-0013	Washer, Flat (5/16")	2
20	C031-0017	Washer, Lock – Spring (1/2")	2
21	C110-0076	Bracket, Control	1
22	C110-0077	Cover, Control	1
23	C110-0079	Panel, Control	1
24	C110-0080	Cover, Front	1
25	C110-0088	Cover, Rear	1
26	C110-0091	Cover, Connector	1

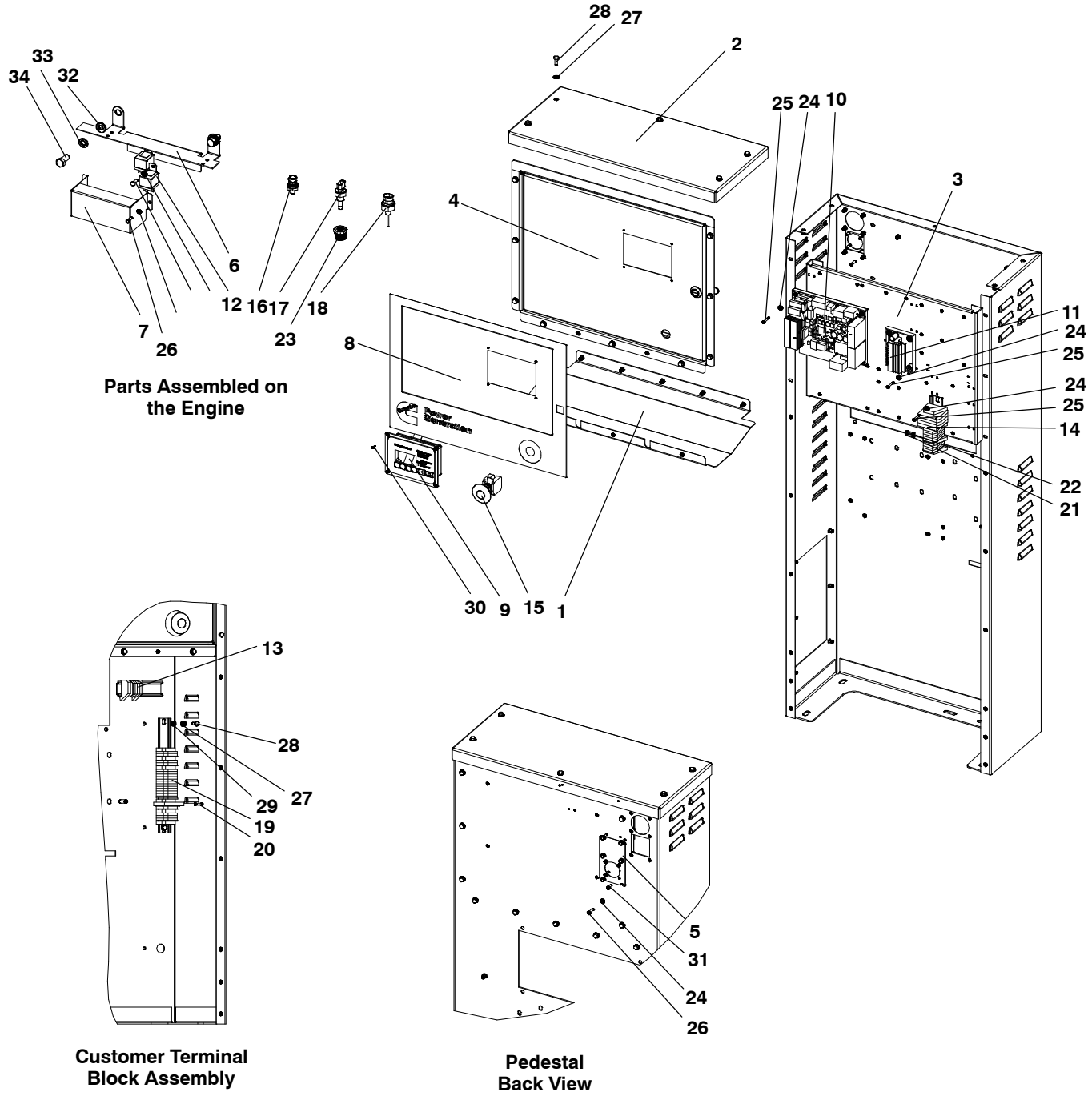
# Control



## PCC3100 Installation

Item	Part No.	Description	Qty
1	0300-4305-05	Box, Control – Assembly	1
2	0300-4306	Regulator, Auto Volt	1
3	0300-4307	Board, Printed Circuit – Governor	1
4	C051-0032	Bracket, Relay	1
5	C110-0057	Cover, Relay	1
6	C110-0078	Cover, Control	1
7	C110-0081	Cover, Front	1
8	C110-0082	Bracket, Control	1
9	C110-0093	Cover, Rear	1
10	C110-0094	Bracket, Control	1
11	C110-0095	Panel, Control	1
12	C110-0109	Cover, Connector	1
13	C420-0004-02	Relay, Auxiliary (24V)	1
14	C370-0044-03	Screw, Hex (1/2" x 1")	2
15	C370-0041-01	Screw, Hex (5/16" x 1/2")	4
16	C370-0027-03	Screw, Hex (M5 x 16)	13
17	C370-0028-03	Screw, Hex (M6 x 16)	36
18	C061-0009	Block, Terminal – Customer	1
19	C041-0002	Washer (M5)	13
20	C041-0003	Washer (M6)	37
21	C041-0016	Washer, Flat (1/2")	2
22	C041-0013	Washer, Flat (5/16")	4
23	C031-0017	Washer, Lock – Spring (1/2")	2

# Control

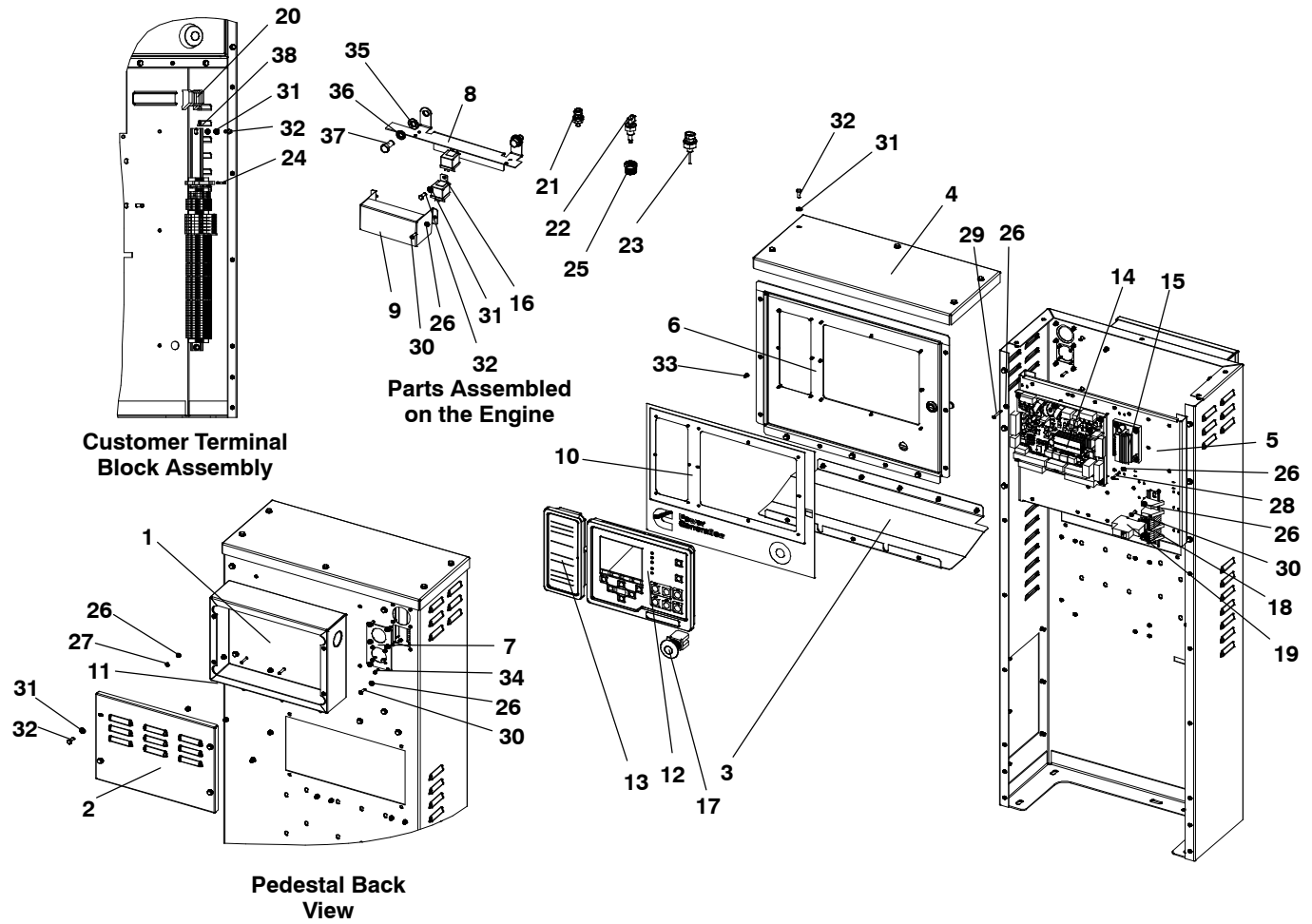




## PC1.1

Item	Part No.	Description	Qty
1	C110-0152	Cover	1
2	C110-0161	Cover, Control	1
3	C051-0077	Bracket, Control	1
4	C110-0202	Display, Cover	1
5	C110-0211	Terminal, Frame	1
6	C051-0032	Bracket, Harness	1
7	C110-0057	Plate, Relay	1
8	C230-0060	Label	1
9	0300-6014	Control, Genset (Includes Parts Marked )	1
10	0327-1617-01	Card, Control	1
11	0327-1507	Card, Governor	1
12	C420-0004-02	Relay, Auxiliary (24V)	2
13	C061-0012	Block, Terminal	1
14	C061-0018	Block, Terminal	1
15	C061-0017	Switch, Emergency	1
16	A028X493	Sender, Pressure	1
17	0193-0432	Sender, Temperature	1
18	A055G562	Sender, Coolant Level	1
19	C061-0015	Block, Terminal	1
20	C260-0002-01	Fuse – 10A	1
21	C260-0002-03	Fuse – 5A	1
22	C260-0002-05	Fuse – 20A	1
23	0505-0131	Bushing, Reducer	1
24	C041-0002	Washer, Flat (M5)	20
25	C370-0061-05	Screw, Cross Recessed (M5 x 25)	12
26	C370-0027-03	Screw, Hex (M5 x 16)	8
27	C041-0003	Washer, Flat (M6)	29
28	C370-0028-03	Screw, Hex (M6 x 16)	29
29	C380-0041	Nut, Hex	2
30	C370-0062-01	Screw, Cross Recessed (M3 x 10)	4
31	C370-0070-05	Screw, Socket Head	4
32	C041-0006	Washer, Flat	2
33	C031-0017	Washer, Lock – Spring (1/2")	2
34	C370-0044-03	Screw, Hex (1/2" x 1")	2
	C130-0119	Harness, Panel	1
	C130-0120	Harness, Alternator	1
	C130-0148	Harness, Engine	1
	C130-0121	Harness, Wiring	1
	C450-0007	Sensor, Magnetic Pickup	1
	0139-4784	*Box, Control	1
	0139-4786	*Cover, Box	1
	0823-0001-01	*Screw, Pan Head	8
	0300-5876	*Panel, Control Membrane	1
	0327-1566-04	*Card, Display	1

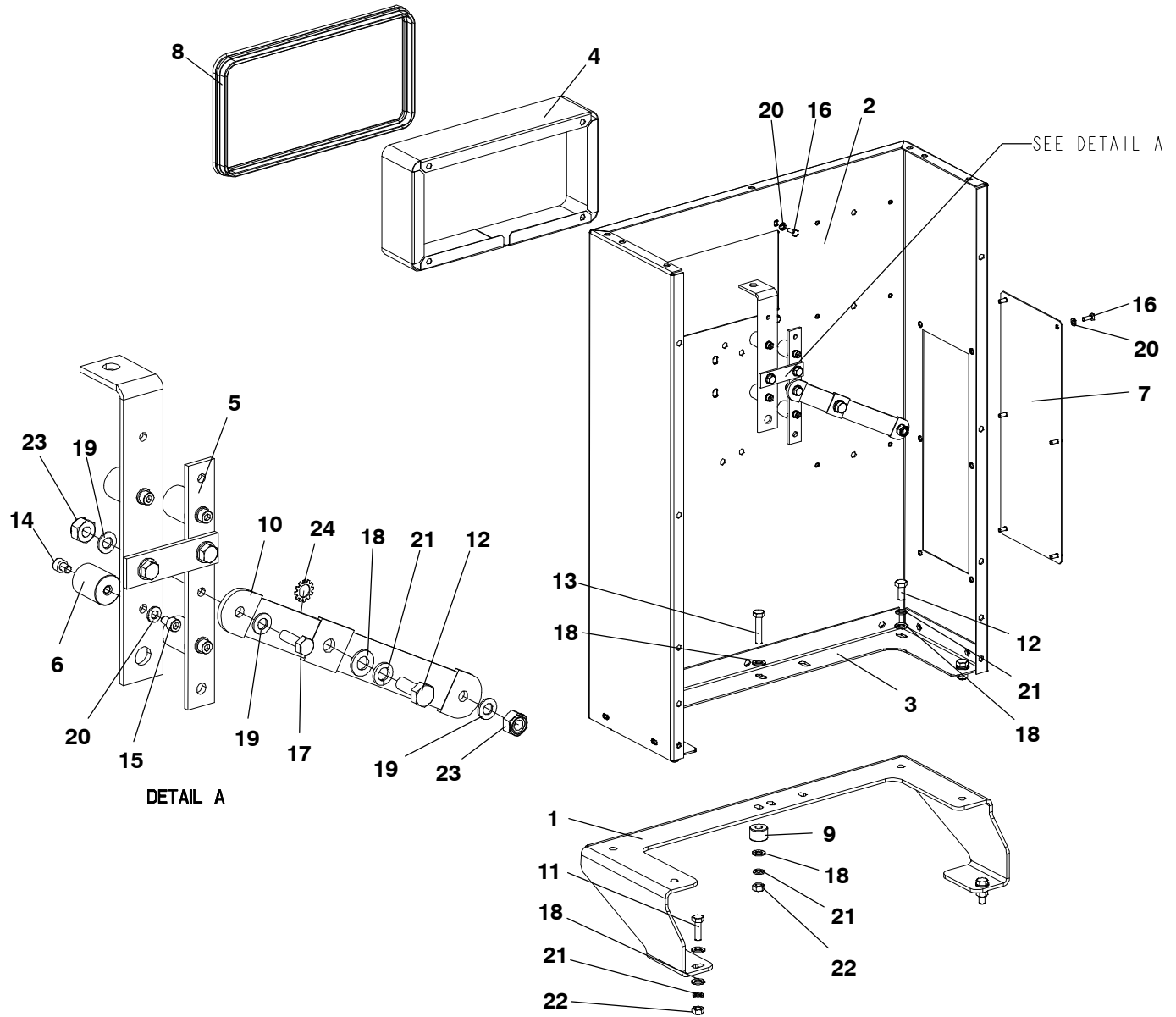
# Control



### PC3.3

Item	Part No.	Description	Qty
1	C110-0207	Box, Control	1
2	C110-0208	Cover, Control	1
3	C110-0152	Cover	1
4	C110-0161	Cover, Control	1
5	C051-0077	Bracket, Control	1
6	C110-0199	Display, Cover	1
7	C110-0210	Frame, Connector	1
8	C051-0032	Bracket, Harness	1
9	C110-0057	Plate, Relay	1
10	C230-0057	Label	1
11	A028T766	Card, Control	1
12	0300-6315-02	Display, Control	1
13	0300-6366-02	Display, Control	1
14		Card, Control	
	A054J968	Base Board, PC3.3	1
	A054J973	Base Board, PC3.3 with MLD	1
15	0327-1507	Card, Governor	1
16	C420-0004-02	Relay, Auxiliary (24V)	2
17	C061-0017	Switch, Emergency	1
18	A044E397	Block, Terminal	1
19	4320-0122	Breaker, Circuit	1
20	C061-0012	Block, Terminal	1
21	A028X493	Sender, Pressure	1
22	0193-0432	Sender, Temperature	1
23	A055G562	Sender, Coolant Level	1
24	C260-0002-01	Fuse – 10A	1
25	0505-0131	Bushing, Reducer	1
26	C041-0002	Washer, Flat (M5)	26
27	C380-0017	Nut, Hex	6
28	C370-0061-05	Screw, Cross Recessed (M5 x 25)	4
29	C370-0061-07	Screw, Cross Recessed	6
30	C370-0027-03	Screw, Hex (M5 x 16)	10
31	C041-0003	Washer, Flat (M6)	37
32	C370-0028-03	Screw, Hex (M6 x 16)	37
33	C370-0068-03	Screw, Hex	14
34	C370-0070-05	Screw, Socket Head	4
35	C041-0016	Washer, Flat	2
36	C031-0017	Washer, Lock – Spring (1/2")	2
37	C370-0044-03	Screw, Hex (1/2" x 1")	2
38	C380-0041	Nut, Hex	2
	C130-0120	Harness, Alternator	1
	C130-0125	Harness, Engine	1
	C130-0147	Harness	1
	C450-0007	Sensor, Magnetic Pickup	1
	A045D201	Harness, Engine	1
	A045D231	Harness, Control	1

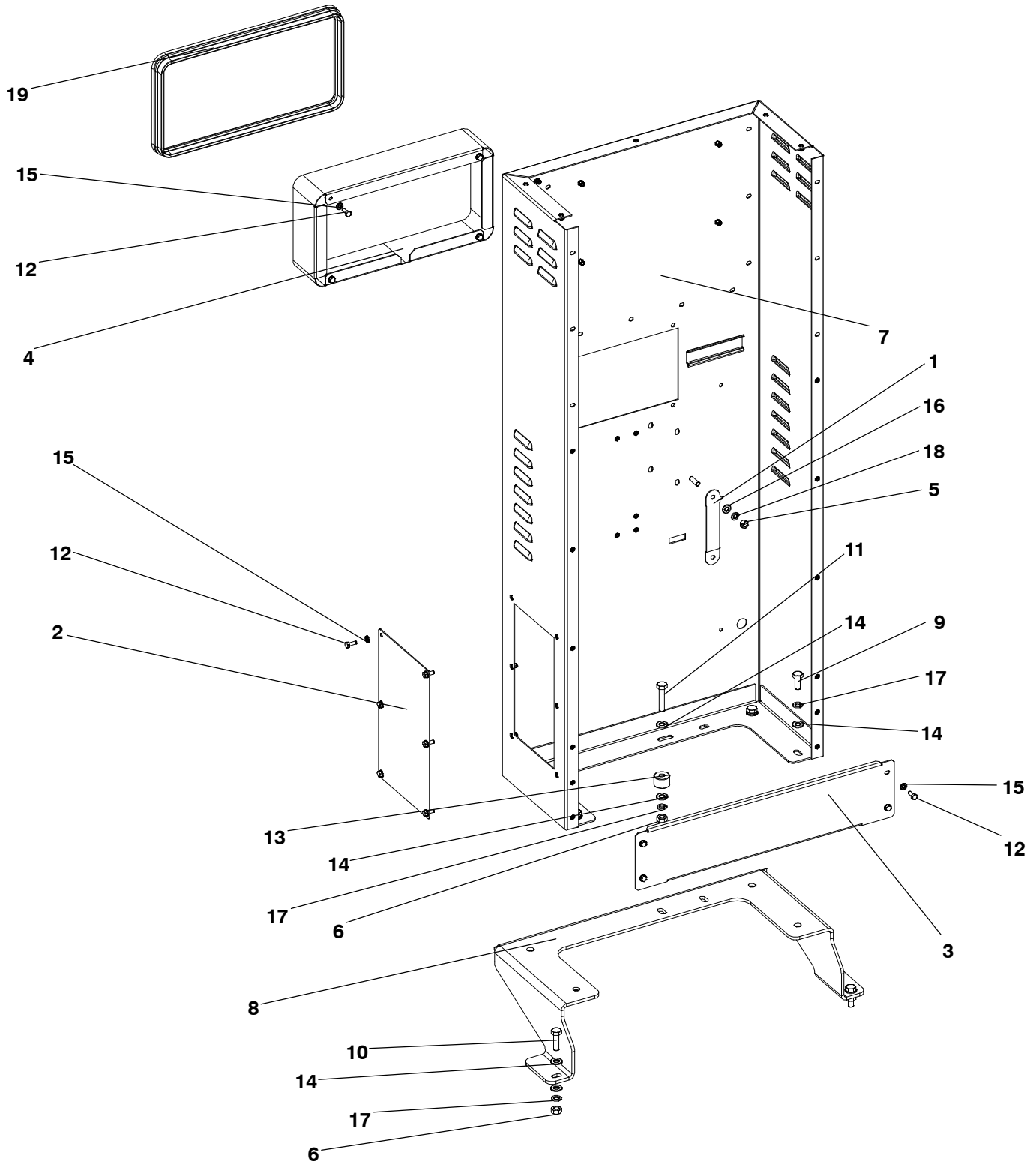
### Pedestal Installation (NH-HC4)



## Pedestal Installation (NH–HC4)

Item	Part No.	Description	Qty
1	C051–0084	Bracket, Pedestal	1
2	C110–0073	Pedestal	1
3	C051–0039	Pedestal, Support	1
4	C110–0089	Guard	1
5	C046–0005	Bar, Bus – Breaker Neutral	1
6	C048–0001	Insulator – Low Voltage	4
7	C110–0083	Cover, Side Access	1
8	C396–0002	Rubber, Garrison (1.2m)	1
9	C220–0005	Spacer, Nylon	1
10	C091–0017	Cordage	1
11	C370–0030–05	Screw, Hex (M10 x 35)	2
12	C370–0030–03	Screw, Hex (M10 x 25)	5
13	C370–0030–08	Screw, Hex (M10 x 50)	1
14	C370–0024–01	Screw, Allen (M6 x 8)	4
15	C370–0024–02	Screw, Allen (M6 x 10)	4
16	C370–0028–03	Screw, Hex (M6 x 16)	10
17	C370–0029–04	Screw, Hex (M8 x 25)	1
18	C041–0005	Washer, Flat (M10)	11
19	C041–0004	Washer, Flat (M8)	3
20	C041–0003	Washer, Flat (M6)	14
21	C031–0006	Washer, Lock – Spring (M10)	4
22	C380–0020	Nut, Hex (M10)	3
23	C380–0035	Nut, Hex – Parlock (M8)	2
24	C045–0004	Washer, Flat – Lock W/ET (M10)	1

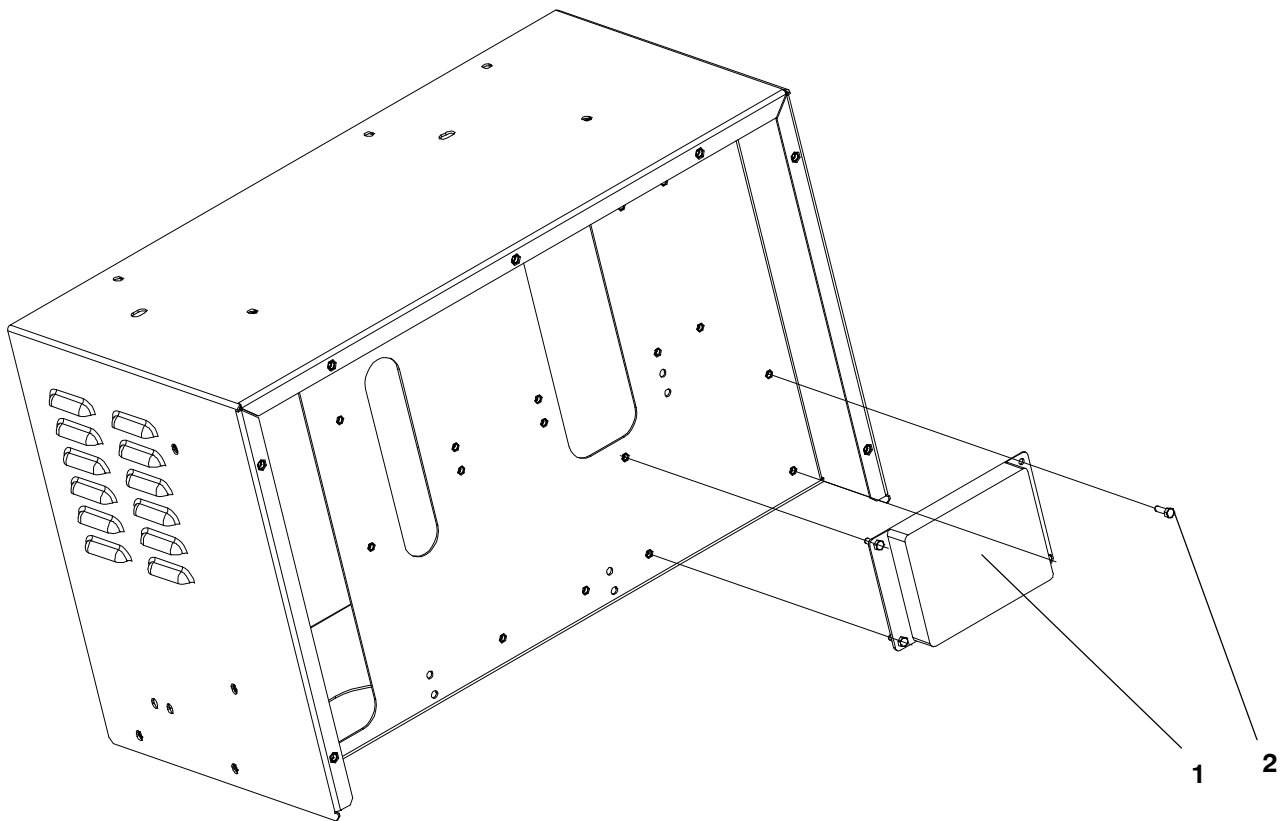
### Pedestal Installation - PC1.1, PC3.3



### Pedestal Installation – PC1.1, PC 3.3

Item	Part No.	Description	Qty
1	C091-0024	Cordage	1
2	C110-0166	Cover, Access (Lateral)	1
3	C110-0147	Cover, Access (Front)	1
4	C110-0089	Duct, Inlet	1
5	C380-0019	Nut, Hex (M8)	1
6	C380-0020	Nut, Hex (M10)	3
7	C110-0144	Pedestal	1
8	C051-0178	Bracket, Pedestal	1
9	C370-0030-03	Screw, Hex (M10 x 25)	4
10	C370-0030-05	Screw, Hex (M10 x 35)	2
11	C370-0030-08	Screw, Hex (M10 x 50)	1
12	C370-0028-03	Screw, Hex (M6 x 16)	14
13	C220-0005	Spacer, Nylon	1
14	C041-0005	Washer, Flat (M10)	10
15	C041-0003	Washer, Flat (M6)	14
16	C041-0004	Washer, Flat (M8)	1
17	C031-0006	Washer, Lock – Spring (M10)	7
18	C031-0005	Washer, Lock – Spring (M8)	1
19	C396-0002	Rubber, Garrison (1.2m)	1

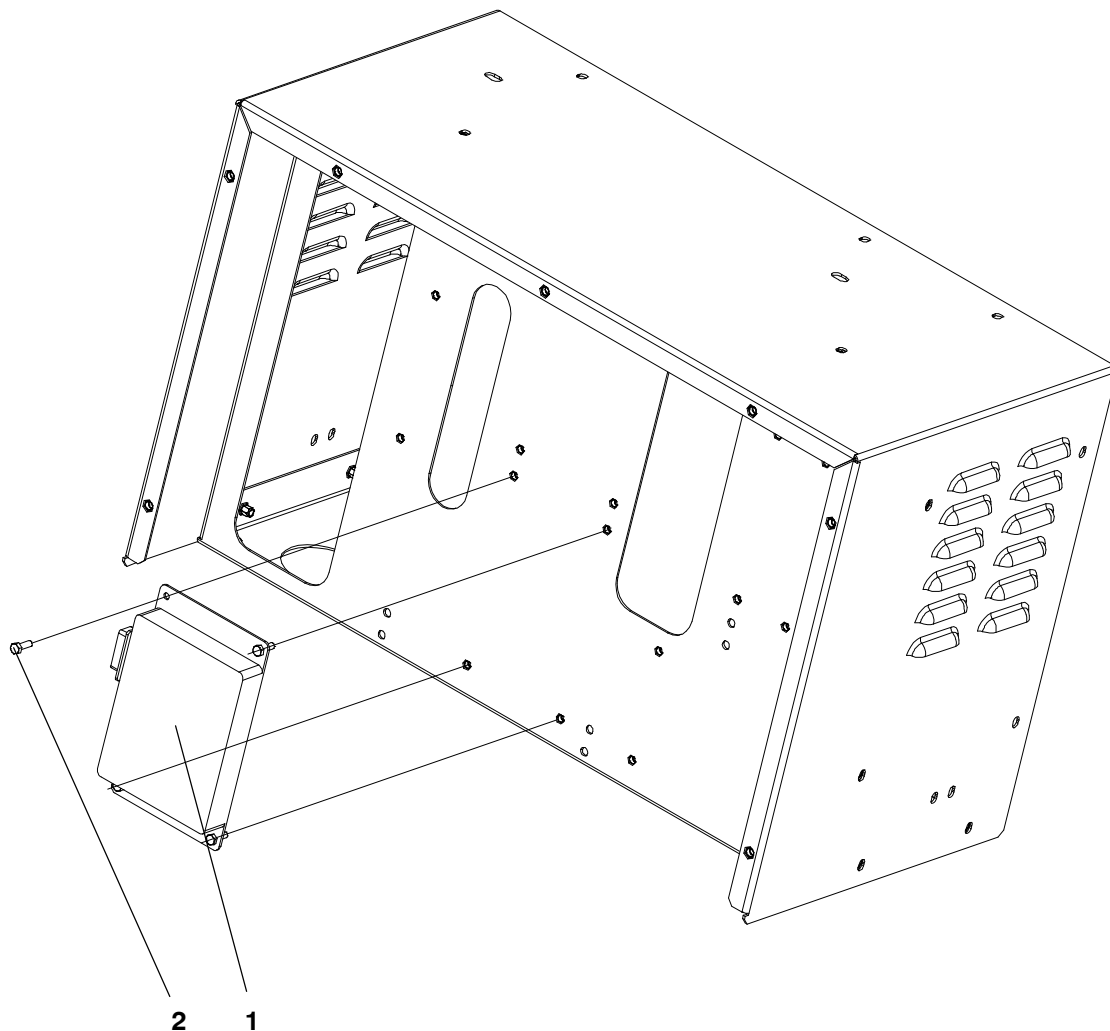
## PT/CT Installation - PCC3100



Item	Part No.	Description	Qty
1		PT/CT	
	0300-4308-01	120V	1
	0300-4308-02	240V	1
2	C370-0027-03	Screw, Hex (M5 x 16)	4

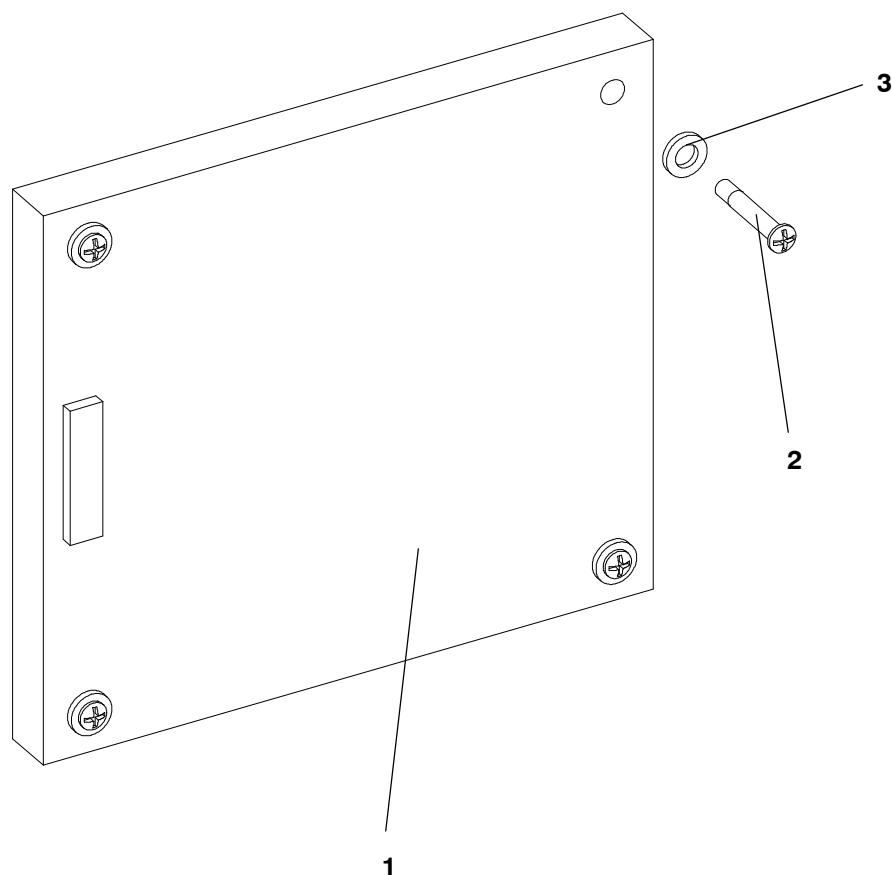


### Bus PT Installation – PCC3100



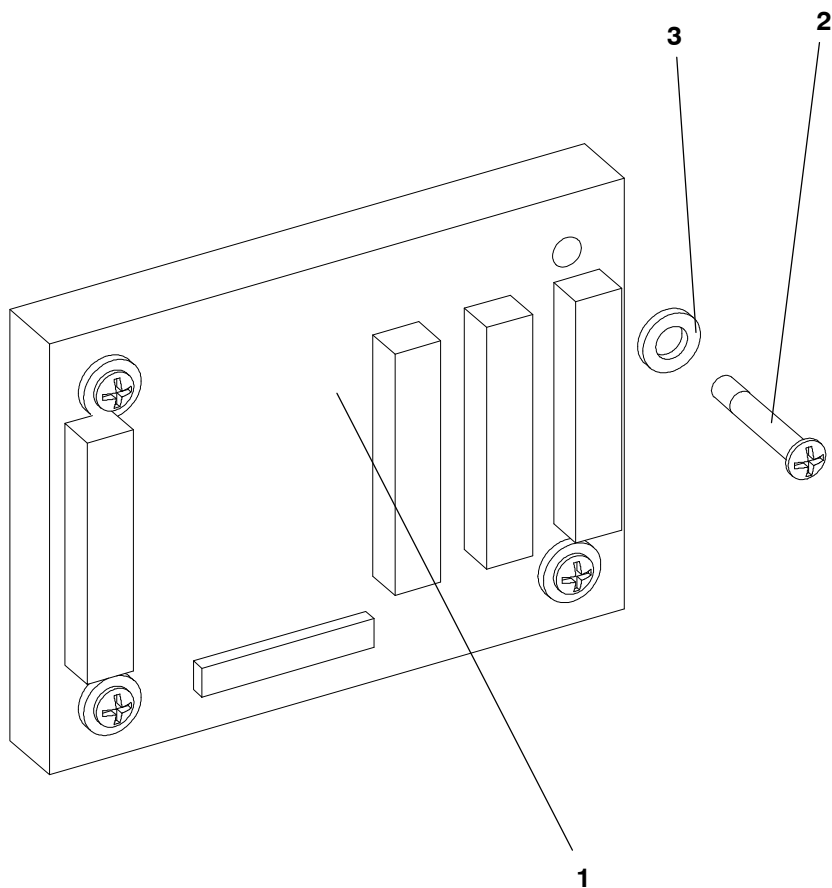
Item	Part No.	Description	Qty
1		Bus PT	
	0300-4985-01	120V	1
	0300-4985-02	240V	1
	0300-4985-03	346V	1
2	C370-0027-03	Screw, Hex (M5 x 16)	4

### I/O Card Aux 101



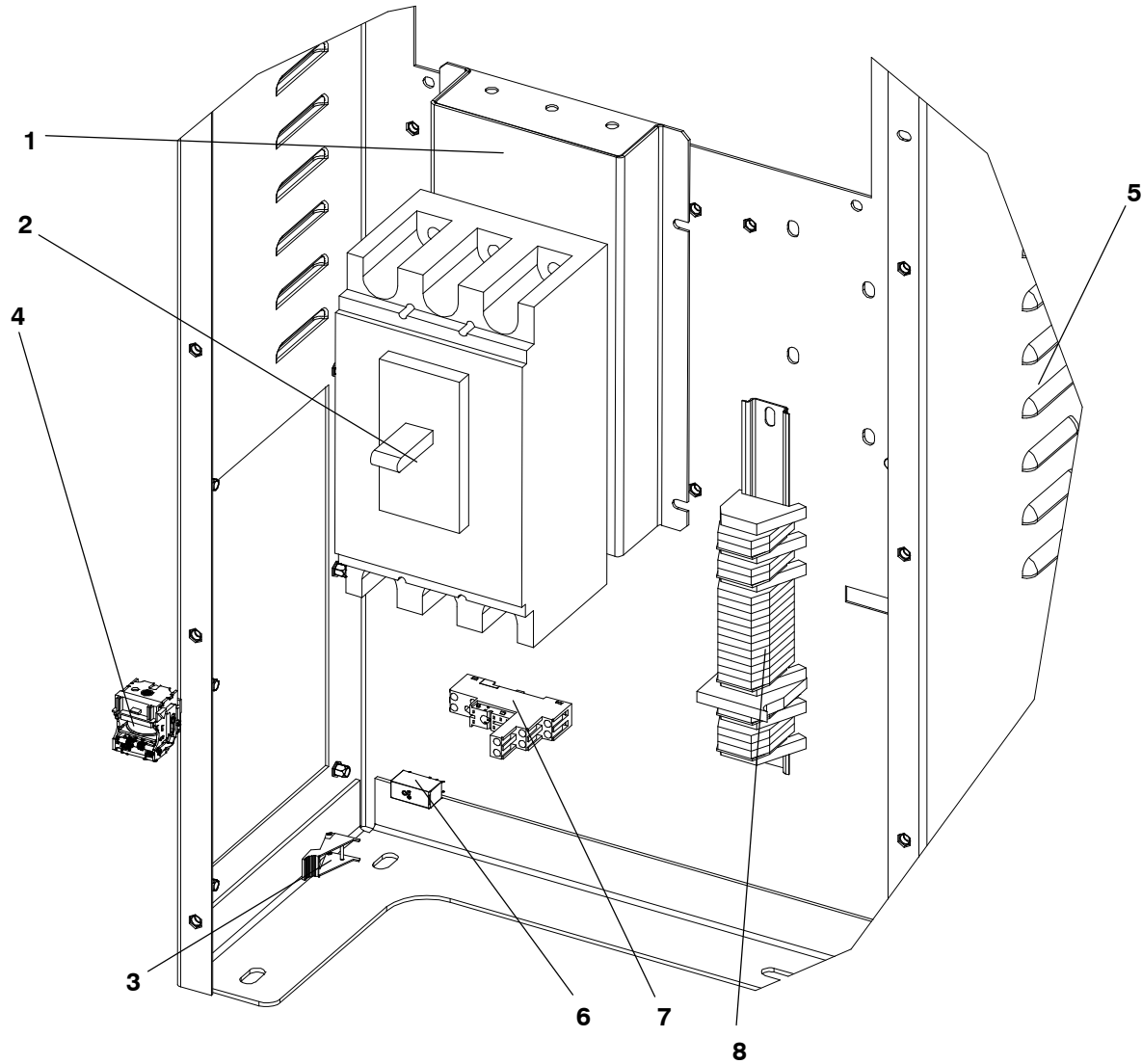
Item	Part No.	Description	Qty
1	0327-1536	Module, I/O Card - Aux 101	1
2	C370-0061-05	Screw, Phillips (M5 x 25)	4
3	C041-0002	Washer, Flat (M5)	4
	C130-0051	Harness, I/O Card	1

## I/O Card Aux 102



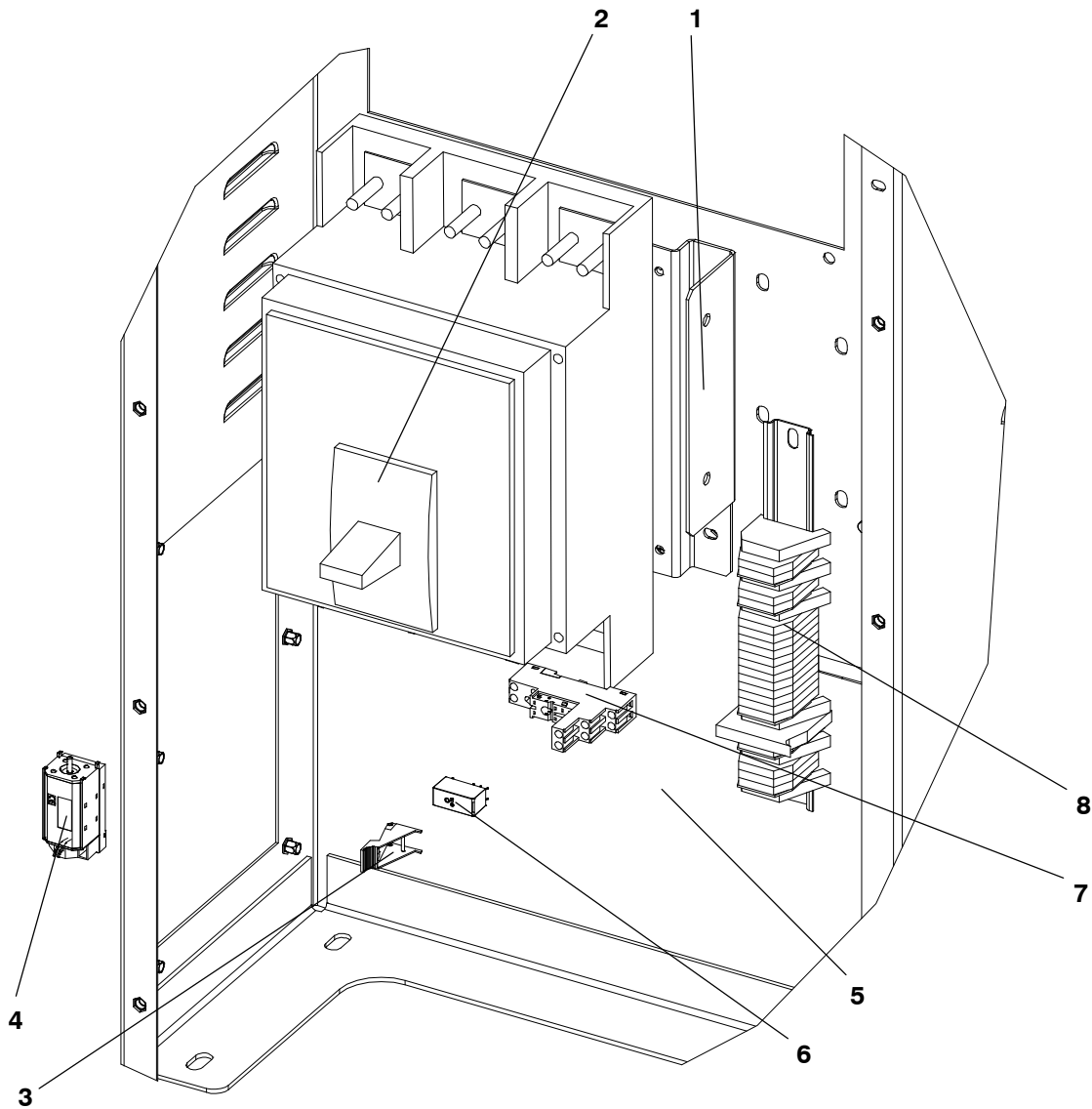
Item	Part No.	Description	Qty
1	0327-1265	Module, I/O Card – Aux 102	1
2	C370-0061-05	Screw, Phillips (M5 x 25)	4
3	C041-0002	Washer, Flat (M5)	4

### Open Coil - 630A



Item	Part No.	Description	Qty
1	C110-0175	Bracket, Breaker	1
2	C210-0020-06	Breaker, Circuit	1
3	C420-0008	Latch, Relay	1
4	C210-0029	Coil, Opening	1
5	C110-0165	Pedestal	1
6	C420-0007	Relay (24VCC)	1
7	C420-0005	Base, Relay	1
8	C061-0015	Block, Terminal - Customer	1
	C130-0102	Harness, Opening Coil	1
	C140-0004	Fastener, Self-Adhesive	1

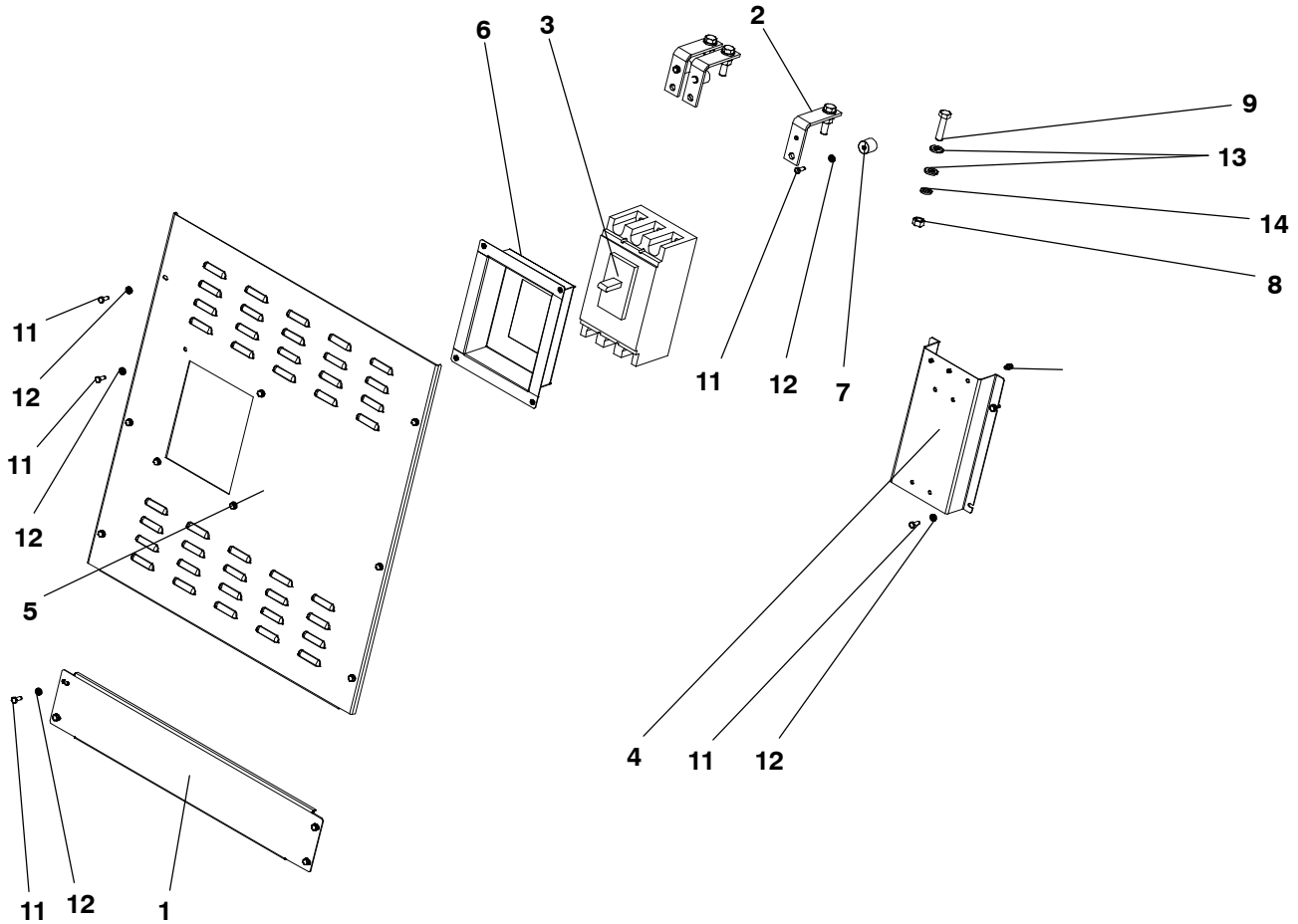
## Open Coil – 1600A



Item	Part No.	Description	Qty
1	C110-0182	Bracket, Circuit Breaker	1
2	C210-0003-01	Breaker, Circuit	1
3	C420-0008	Latch, Relay	1
4	C210-0030	Coil, Opening	1
5	C110-0165	Pedestal	1
6	C420-0007	Relay (24VCC)	1
7	C420-0005	Base, Relay	1
8	C061-0015	Block, Terminal – Customer	1
	C130-0102	Harness, Opening Coil	1
	C140-0004	Fastener, Self-Adhesive	1

## Circuit Breaker Installation

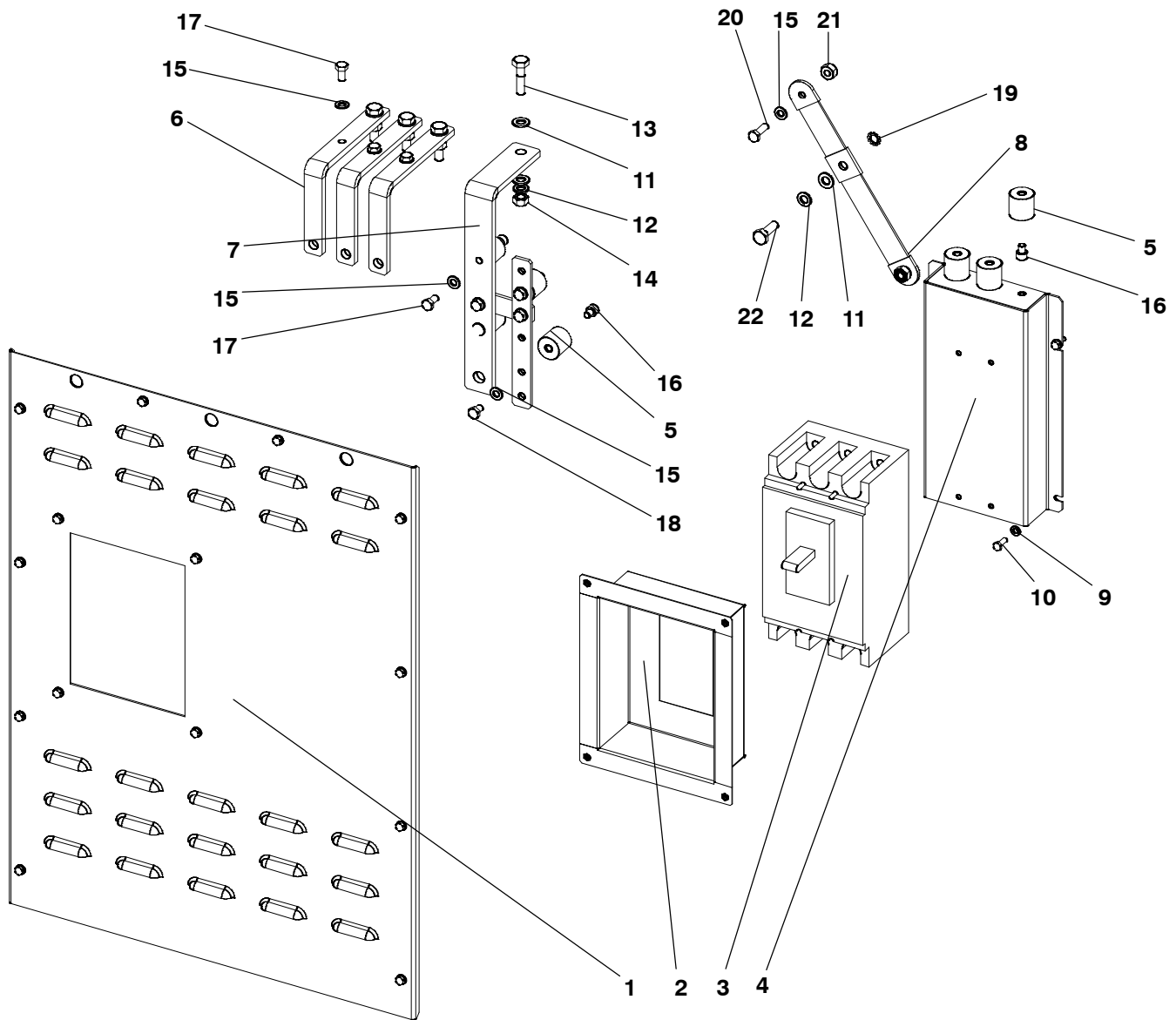
### 630A



Item	Part No.	Description	Qty
1	C110-0084	Cover, Bottom	1
2	C046-0010	Bus Bar	3
3	C210-0020-06	Breaker, Circuit (400A)	1
4	C110-0085	Bracket, Circuit Breaker	1
5	C110-0074	Cover, Access	1
6	C110-0098	Frame, Circuit Breaker	1
7	C048-0002	Insulator, Low Voltage	3
8	C380-0021	Nut, Hex (M12)	4
9	C370-0028-07	Screw, Hex (M12 x 50)	4
10	C370-0024-01	Screw, Allen (M6 x 8)	3
11	C370-0028-03	Screw, Hex (M6 x 16)	21
12	C041-0003	Washer, Flat (M6)	21
13	C041-0006	Washer, Flat (M12)	8
14	C031-0007	Washer, Lock - Spring (M12)	4
	C130-0058	Cable, Power	8

This page is Intentionally blank.

### Circuit Breaker Installation - 630A

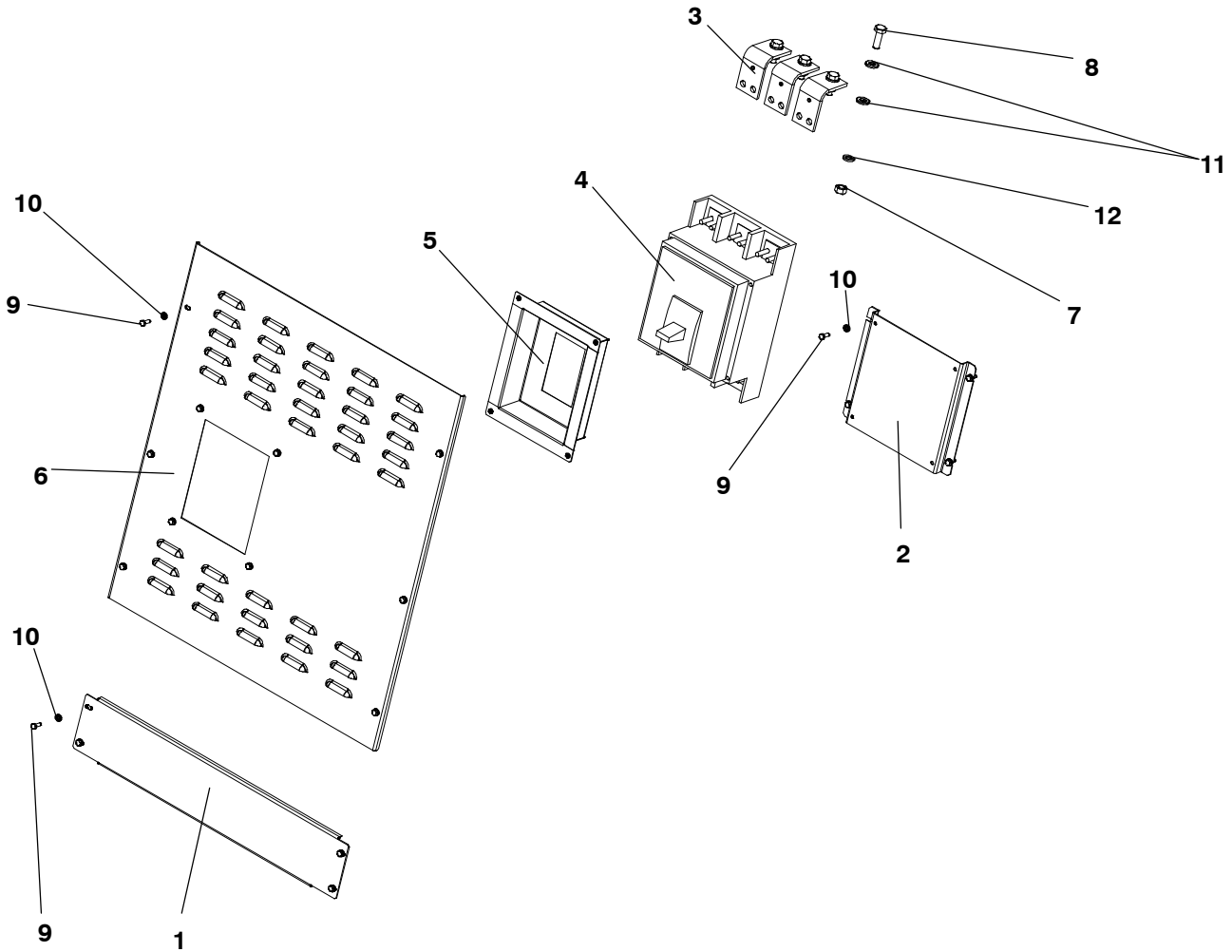




### Circuit Breaker Installation – 630A

Item	Part No.	Description	Qty
1	C110-0148	Panel, Circuit Breaker	1
2	C110-0178	Frame, Breaker	1
3	C210-0020-06	Breaker, Circuit (630A)	1
4	C110-0175	Bracket, Circuit Breaker	1
5	C048-0006	Separator, Terminal	7
6	C046-0016	Busbar, Breaker	3
7	C046-0017	Busbar, Neutral	1
8	C091-0017	Cable, Electrical	1
9	C041-0003	Washer, Flat	18
10	C370-0028-03	Screw, Hex Head	18
11	C041-0005	Washer, Flat	9
12	C031-0006	Washer, Spring	5
13	C370-0030-06	Screw, Hex Head	4
14	C380-0020	Nut, Hex	4
15	C041-0004	Washer, Flat	10
16	C370-0022-01	Screw, Socket Head	7
17	C370-0029-02	Screw, Hex Head	2
18	C370-0029-01	Screw, Hex Head	2
19	C045-0004	Washer, Lock	1
20	C370-0029-04	Screw, Hex Head	1
21	C380-0035	Nut	2
22	C370-0030-04	Screw, Hex Head	1
23	C130-0123	Cable, Power (Not Shown)	2

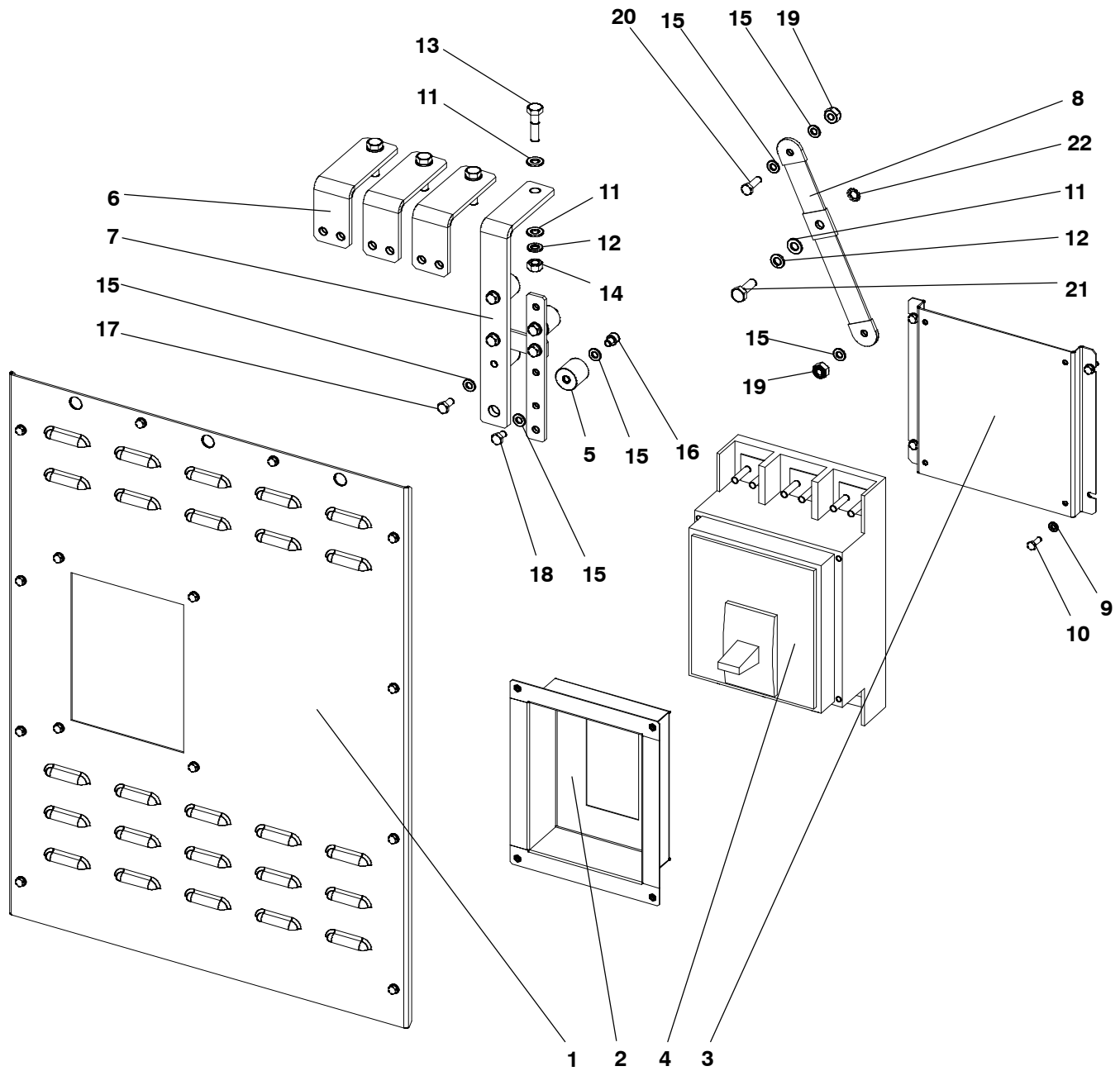
### Circuit Breaker Installation - 800A



Item	Part No.	Description	Qty
1	C110-0084	Cover, Bottom	1
2	C110-0185	Bracket, Circuit Breaker	1
3	C046-0007	Bus Bar Breaker	3
4	C210-0003-01	Breaker, Circuit (NS800 - 800A)	1
5	C110-0090	Frame, Circuit Breaker	1
6	C110-0075	Cover, Access - Front	1
7	C380-0021	Nut, Hex (M12)	4
8	C370-0031-04	Screw, Hex (M12 x 35)	4
9	C370-0028-03	Screw, Hex (M6 x 16)	18
10	C041-0003	Washer, Flat (M6)	18
11	C041-0006	Washer, Flat (M12)	8
12	C031-0007	Washer, Lock - Spring (M12)	4
	C130-0059	Cable, Power	8

This page is Intentionally blank.

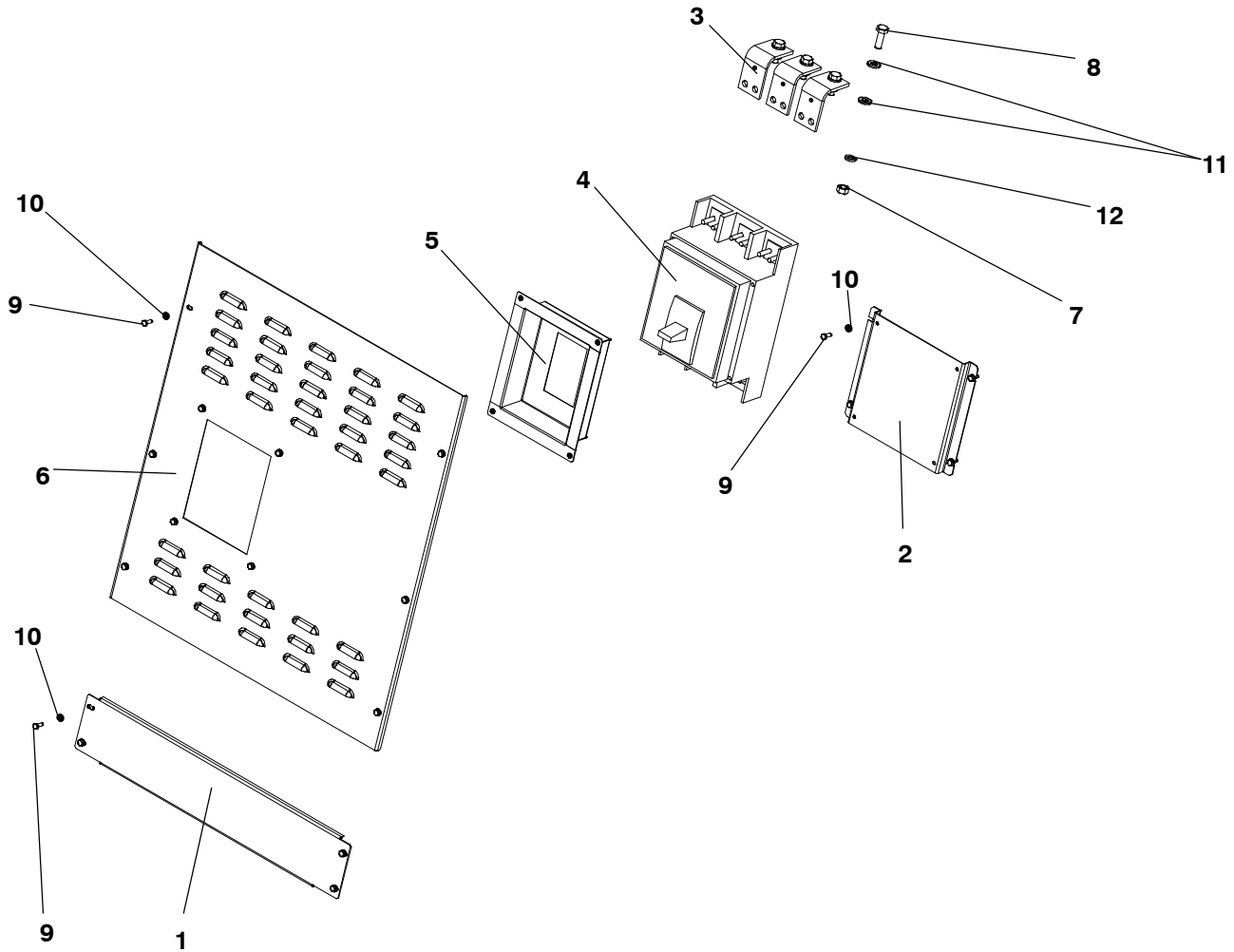
### Circuit Breaker Installation - 800A



## Circuit Breaker Installation – 800A

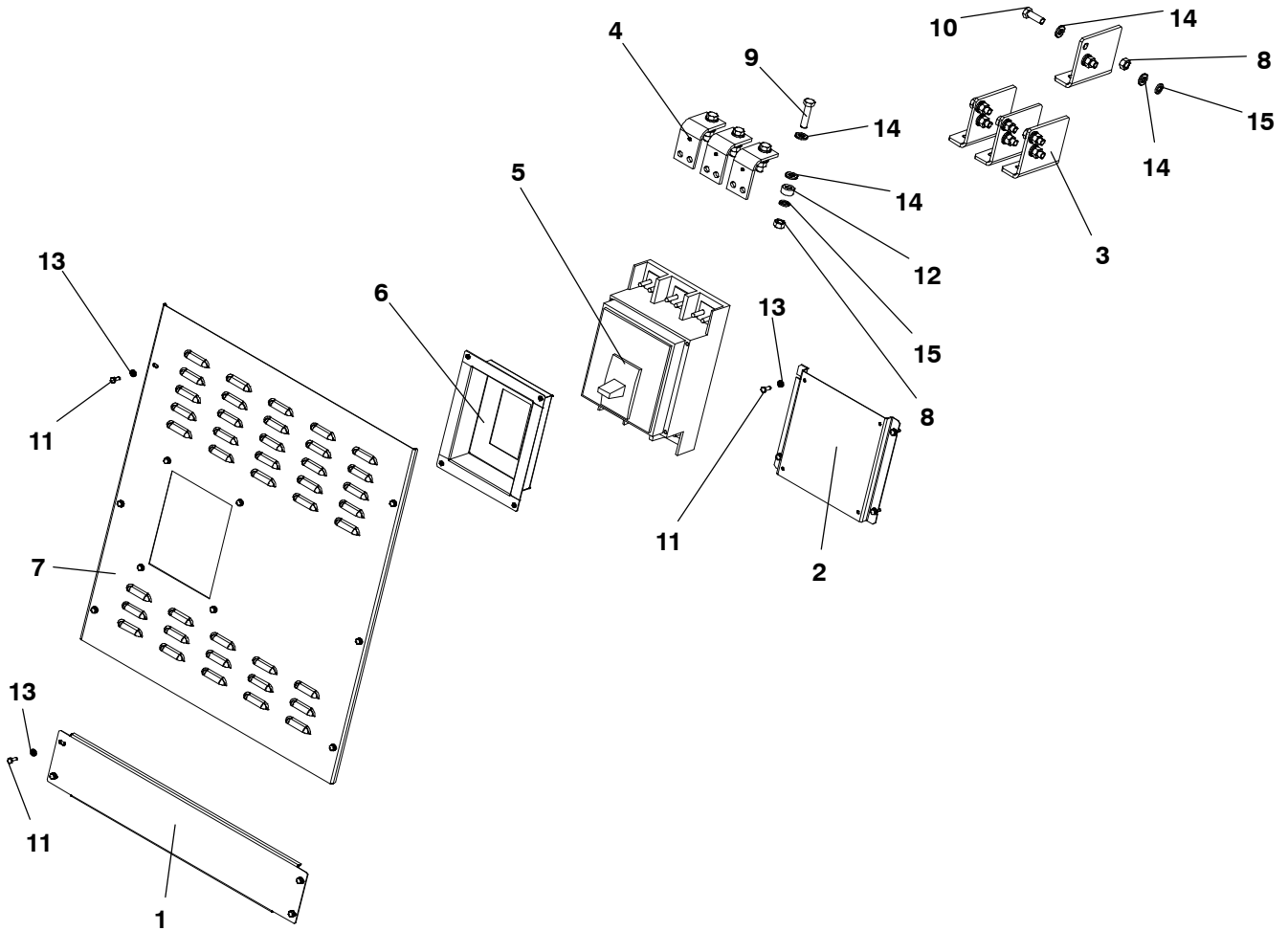
Item	Part No.	Description	Qty
1	C110-0149	Panel, Circuit Breaker	1
2	C110-0179	Frame, Breaker	1
3	C110-0185	Bracket, Circuit Breaker	1
4	C210-0003-01	Breaker, Circuit (800A)	1
5	C048-0006	Separator, Terminal	4
6	C046-0020	Busbar, Breaker	3
7	C046-0017	Busbar, Neutral	1
8	C091-0017	Cable, Electrical	1
9	C041-0003	Washer, Flat	18
10	C370-0028-03	Screw, Hex Head	18
11	C041-0005	Washer, Flat	9
12	C031-0006	Washer, Spring	5
13	C370-0030-06	Screw, Hex Head	4
14	C380-0020	Nut, Hex	4
15	C041-0004	Washer, Flat	11
16	C370-0022-01	Screw, Socket Head	4
17	C370-0029-02	Screw, Hex Head	2
18	C370-0029-01	Screw, Hex Head	2
19	C380-0035	Nut	2
20	C370-0029-04	Screw, Hex Head	1
21	C370-0030-04	Screw, Hex Head	1
22	C045-0004	Washer, Lock	1
23	C130-0123	Cable, Power (Not Shown)	2

### Circuit Breaker Installation - 1000A



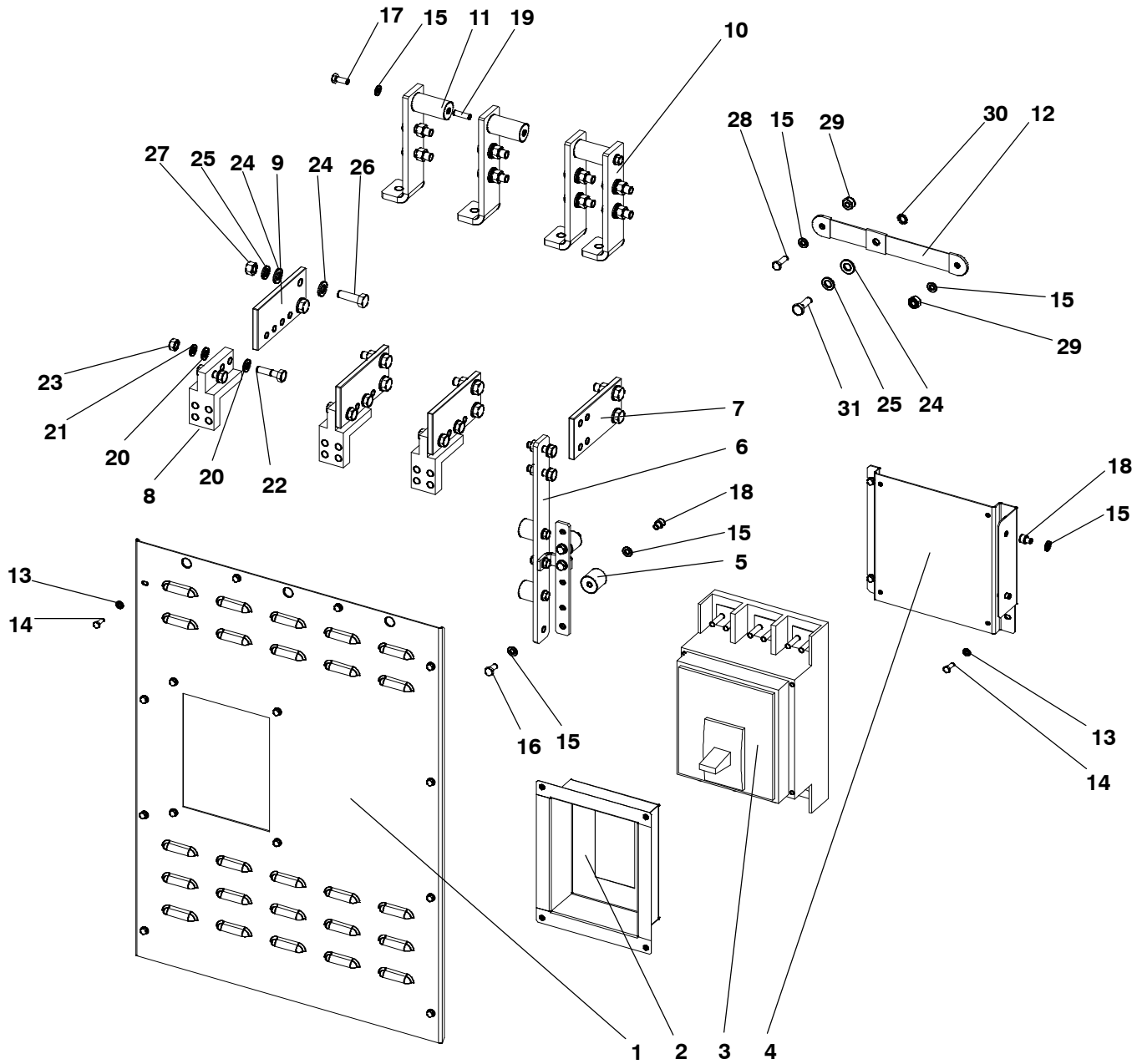
Item	Part No.	Description	Qty
1	C110-0084	Cover, Bottom	1
2	C110-0185	Bracket, Circuit Breaker	1
3	C046-0007	Bus Bar Breaker	3
4	C210-0003-02	Breaker, Circuit (NS1000 - 1000A)	1
5	C110-0090	Frame, Circuit Breaker	1
6	C110-0075	Cover, Access - Front	1
7	C380-0021	Nut, Hex (M12)	4
8	C370-0031-04	Screw, Hex (M12 x 35)	4
9	C370-0028-03	Screw, Hex (M6 x 16)	18
10	C041-0003	Washer, Flat (M6)	18
11	C041-0006	Washer, Flat (M12)	8
12	C031-0007	Washer, Lock - Spring (M12)	4
	C130-0059	Cable, Power	8

### Circuit Breaker Installation – 1250A



Item	Part No.	Description	Qty
1	C110-0084	Cover, Bottom	1
2	C110-0185	Bracket, Circuit Breaker	1
3	C046-0012	Bus Bar	4
4	C046-0007	Bus Bar Breaker	3
5	C210-0003-03	Breaker, Circuit (NS1250 – 1250A)	1
6	C110-0090	Frame, Circuit Breaker	1
7	C110-0075	Cover, Access – Front	1
8	C380-0021	Nut, Hex (M12)	12
9	C370-0031-07	Screw, Hex (M12 x 50)	4
10	C370-0031-04	Screw, Hex (M12 x 35)	8
11	C370-0028-03	Screw, Hex (M6 x 16)	18
12	C220-0006	Spacer	4
13	C041-0003	Washer, Flat (M6)	18
14	C041-0006	Washer, Flat (M12)	24
15	C031-0007	Washer, Lock – Spring (M12)	12
	C130-0059	Cable, Power	12

### Circuit Breaker Installation - 1250A

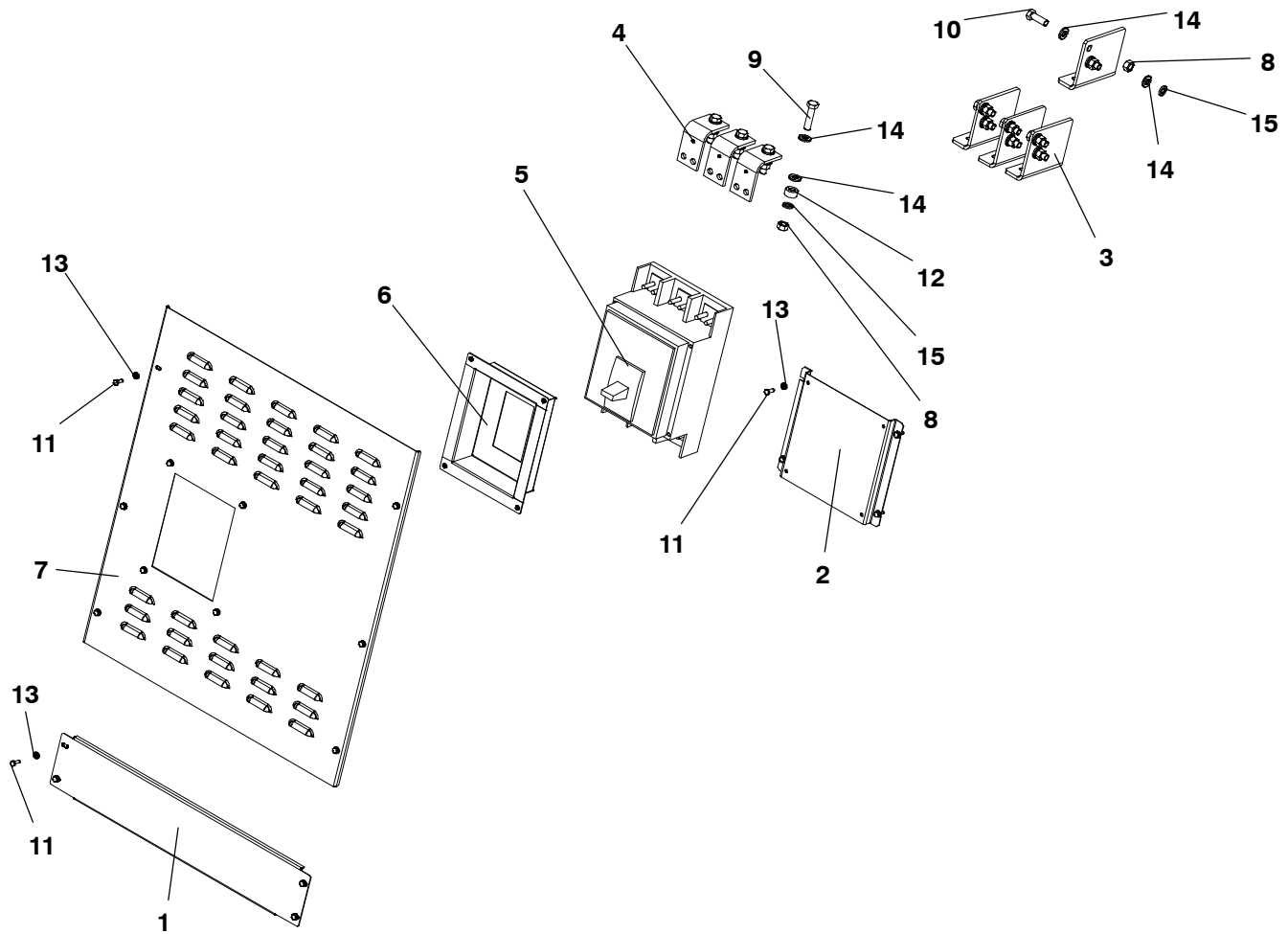




## Circuit Breaker Installation – 1250A

Item	Part No.	Description	Qty
1	C110-0149	Panel, Circuit Breaker	1
2	C110-0179	Frame, Breaker	1
3	C210-0003-03	Breaker, Circuit (1250A)	1
4	C110-0182	Bracket, Circuit Breaker	1
5	C048-0006	Separator, Terminal	4
6	C046-0021	Busbar, Neutral	1
7	C046-0022	Busbar, Neutral	1
8	0337-3738-01	Busbar, Breaker	1
9	C046-0023	Busbar, Breaker	3
10	C046-0024	Busbar, Breaker	4
11	C048-0005	Separator, Terminal	3
12	C091-0017	Cable, Electrical	1
13	C041-0003	Washer, Flat	18
14	C370-0028-03	Screw, Hex Head	18
15	C041-0004	Washer, Flat	13
16	C370-0029-02	Screw, Hex Head	2
17	C370-0029-03	Screw, Hex Head	4
18	C370-0022-01	Screw, Socket Head	4
19	C370-0067-05	Bolt	2
20	C041-0005	Washer, Flat	16
21	C031-0006	Washer, Spring	8
22	C370-0030-06	Screw, Hex Head	8
23	C380-0020	Nut, Hex	8
24	C041-0006	Washer, Flat	33
25	C031-0007	Washer, Spring	17
26	C370-0031-05	Screw, Hex Head	16
27	C380-0021	Nut, Hex	16
28	C370-0029-04	Screw, Hex Head	1
29	C380-0035	Nut	2
30	C045-0004	Washer, Lock	1
31	C370-0030-04	Screw, Hex Head	1
32	C130-0098	Cable, Power (Not Shown)	3

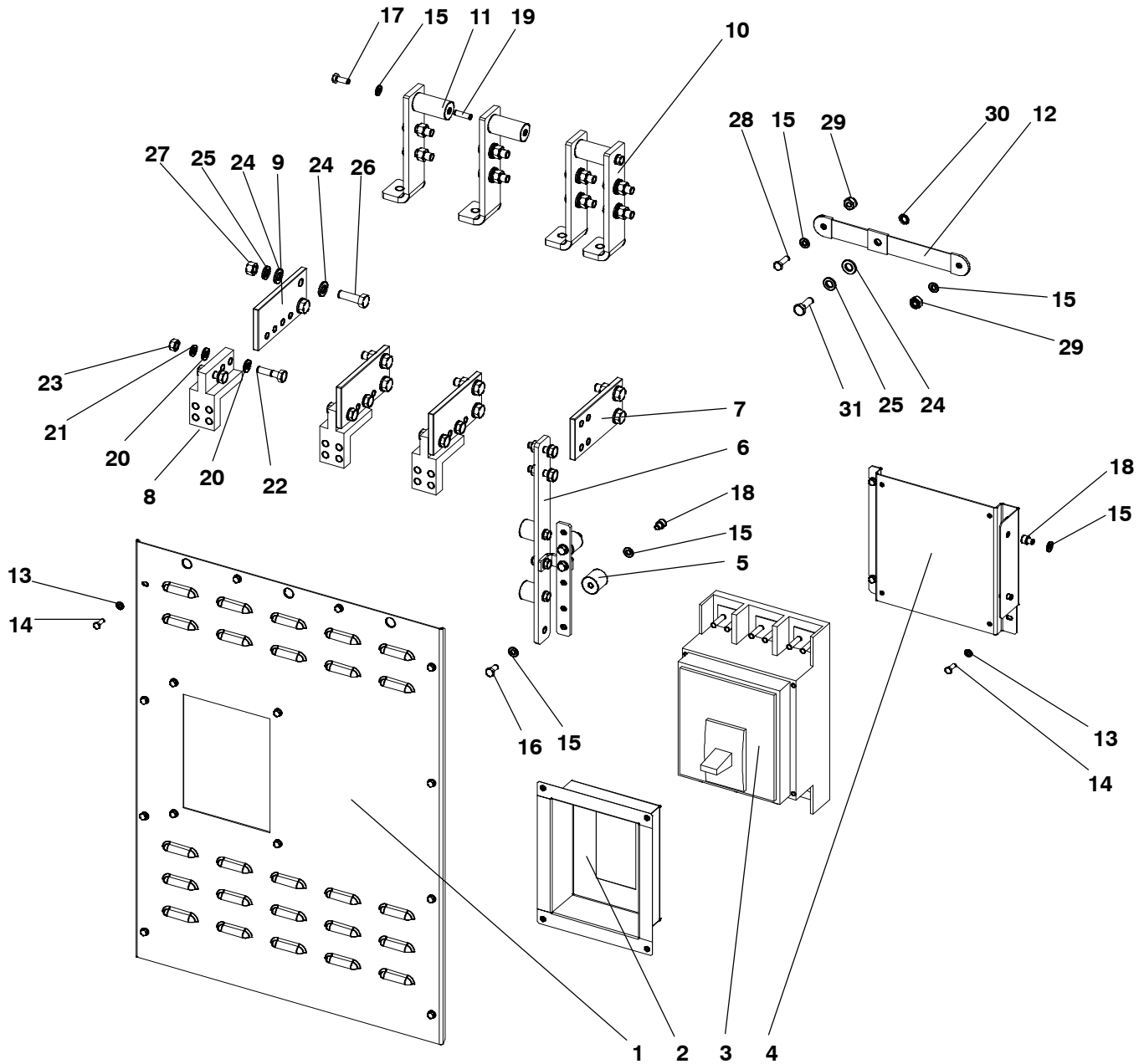
### Circuit Breaker Installation - 1600A



Item	Part No.	Description	Qty
1	C110-0084	Cover, Bottom	1
2	C110-0185	Bracket, Circuit Breaker	1
3	C046-0012	Bus Bar	4
4	C046-0007	Bus Bar Breaker	3
5	C210-0003-04	Breaker, Circuit (NS1600 - 1600A)	1
6	C110-0090	Frame, Circuit Breaker	1
7	C110-0075	Cover, Access - Front	1
8	C380-0021	Nut, Hex (M12)	12
9	C370-0031-07	Screw, Hex (M12 x 50)	4
10	C370-0031-04	Screw, Hex (M12 x 35)	8
11	C370-0028-03	Screw, Hex (M6 x 16)	18
12	C220-0006	Spacer	4
13	C041-0003	Washer, Flat (M6)	18
14	C041-0006	Washer, Flat (M12)	24
15	C031-0007	Washer, Lock - Spring (M12)	12
	C130-0059	Cable, Power	12

This page is Intentionally blank.

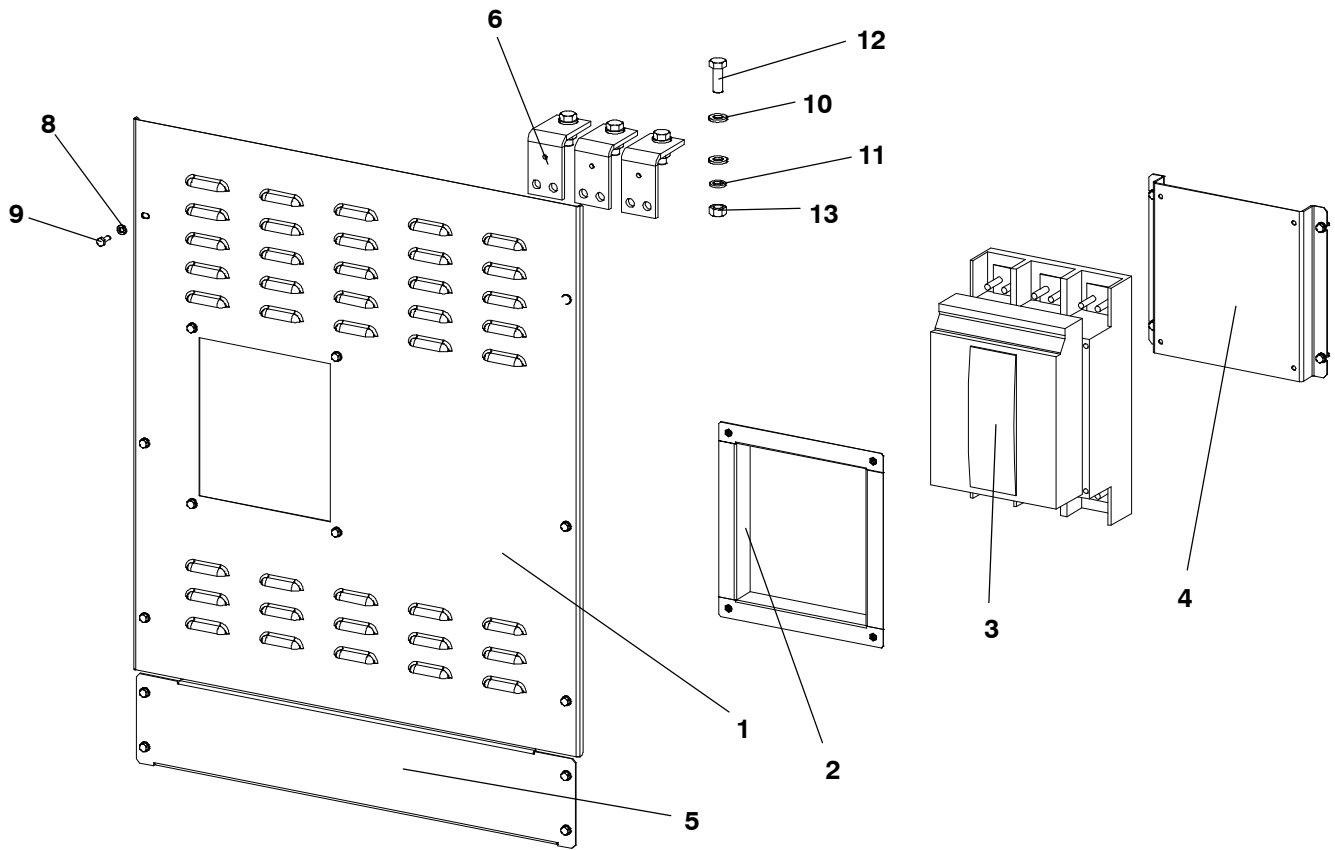
### Circuit Breaker Installation - 1600A



## Circuit Breaker Installation – 1600A

Item	Part No.	Description	Qty
1	C110-0149	Panel, Circuit Breaker	1
2	C110-0179	Frame, Breaker	1
3	C210-0003-04	Breaker, Circuit (1600A)	1
4	C110-0182	Bracket, Circuit Breaker	1
5	C048-0006	Separator, Terminal	4
6	C046-0021	Busbar, Neutral	1
7	C046-0022	Busbar, Neutral	1
8	0337-3738-01	Busbar, Breaker	1
9	C046-0023	Busbar, Breaker	3
10	C046-0024	Busbar, Breaker	4
11	C048-0005	Separator, Terminal	3
12	C091-0017	Cable, Electrical	1
13	C041-0003	Washer, Flat	18
14	C370-0028-03	Screw, Hex Head	18
15	C041-0004	Washer, Flat	13
16	C370-0029-02	Screw, Hex Head	2
17	C370-0029-03	Screw, Hex Head	4
18	C370-0022-01	Screw, Socket Head	4
19	C370-0067-05	Bolt	2
20	C041-0005	Washer, Flat	16
21	C031-0006	Washer, Spring	8
22	C370-0030-06	Screw, Hex Head	8
23	C380-0020	Nut, Hex	8
24	C041-0006	Washer, Flat	33
25	C031-0007	Washer, Spring	17
26	C370-0031-05	Screw, Hex Head	16
27	C380-0021	Nut, Hex	16
28	C370-0029-04	Screw, Hex Head	1
29	C380-0035	Nut	2
30	C045-0004	Washer, Lock	1
31	C370-0030-04	Screw, Hex Head	1
32	C130-0098	Cable, Power (Not Shown)	3

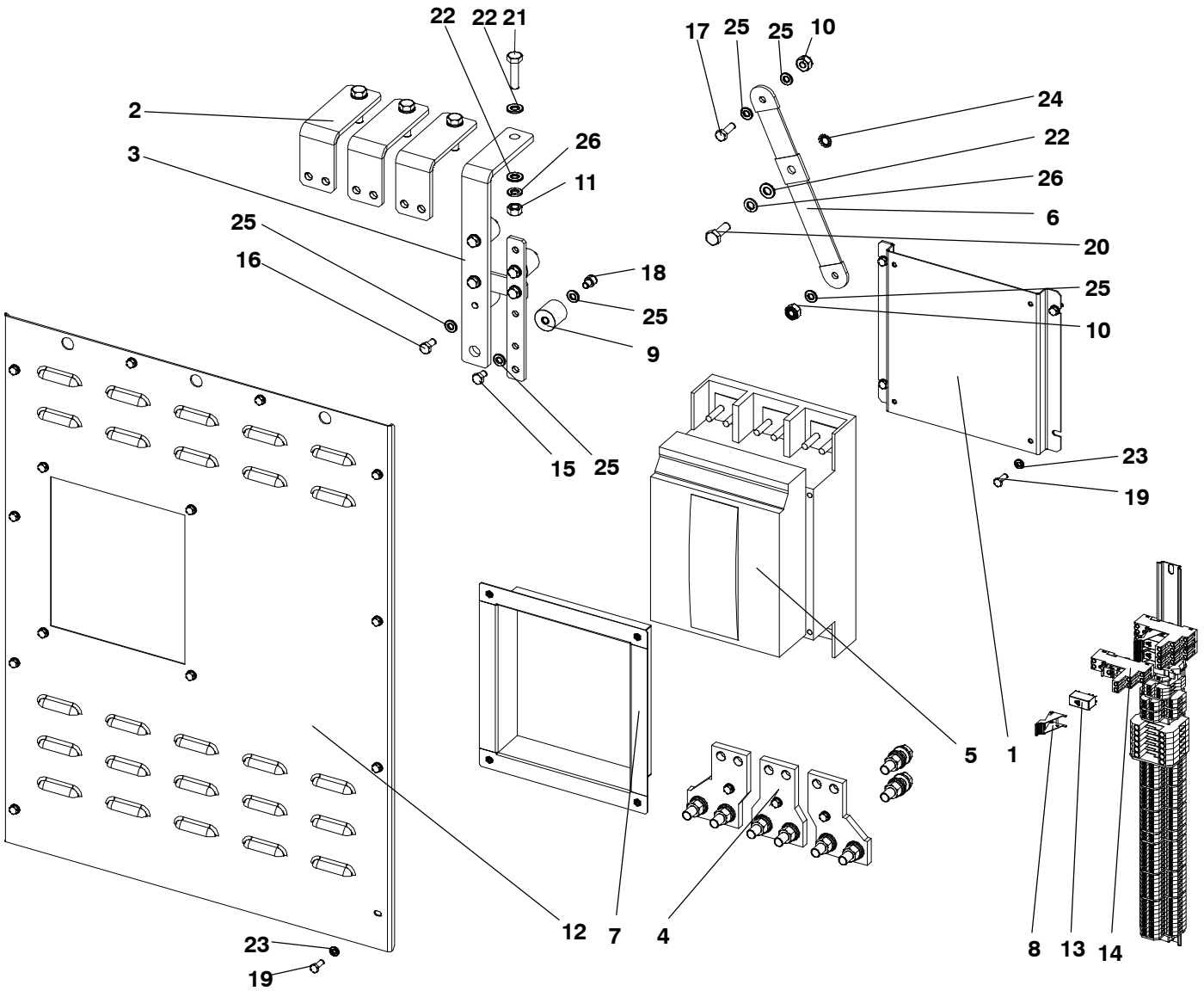
### Circuit Breaker Installation - Motorized - 800A



Item	Part No.	Description	Qty
1	C110-0205	Panel, Circuit Breaker (800/1600A)	1
2	C110-0206	Frame, Circuit Breaker	1
3	C210-0031-01	Breaker, Circuit (800A)	1
4	C110-0086	Bracket, Circuit Breaker	1
5	C110-0084	Cover, Access - Front	1
6	C046-0007	Bus Bar Breaker	3
7	C130-0059	Cable, Power	8
8	C041-0003	Washer, Flat (M6)	18
9	C370-0028-03	Screw, Hex (M6 x 16)	18
10	C041-0006	Washer, Flat (M12)	8
11	C031-0007	Washer, Lock - Spring (M12)	4
12	C370-0031-05	Screw, Hex (M12 x 40)	4
13	C380-0021	Nut, Hex (M12)	4
	C130-0142	Harness, Circuit Breaker	1
	C420-0005	Base, Relay	2
	C420-0007	Relay - 24V	2
	C420-0008	Relay - Lock	2

This page is Intentionally blank.

### Circuit Breaker Installation - Motorized - 800A

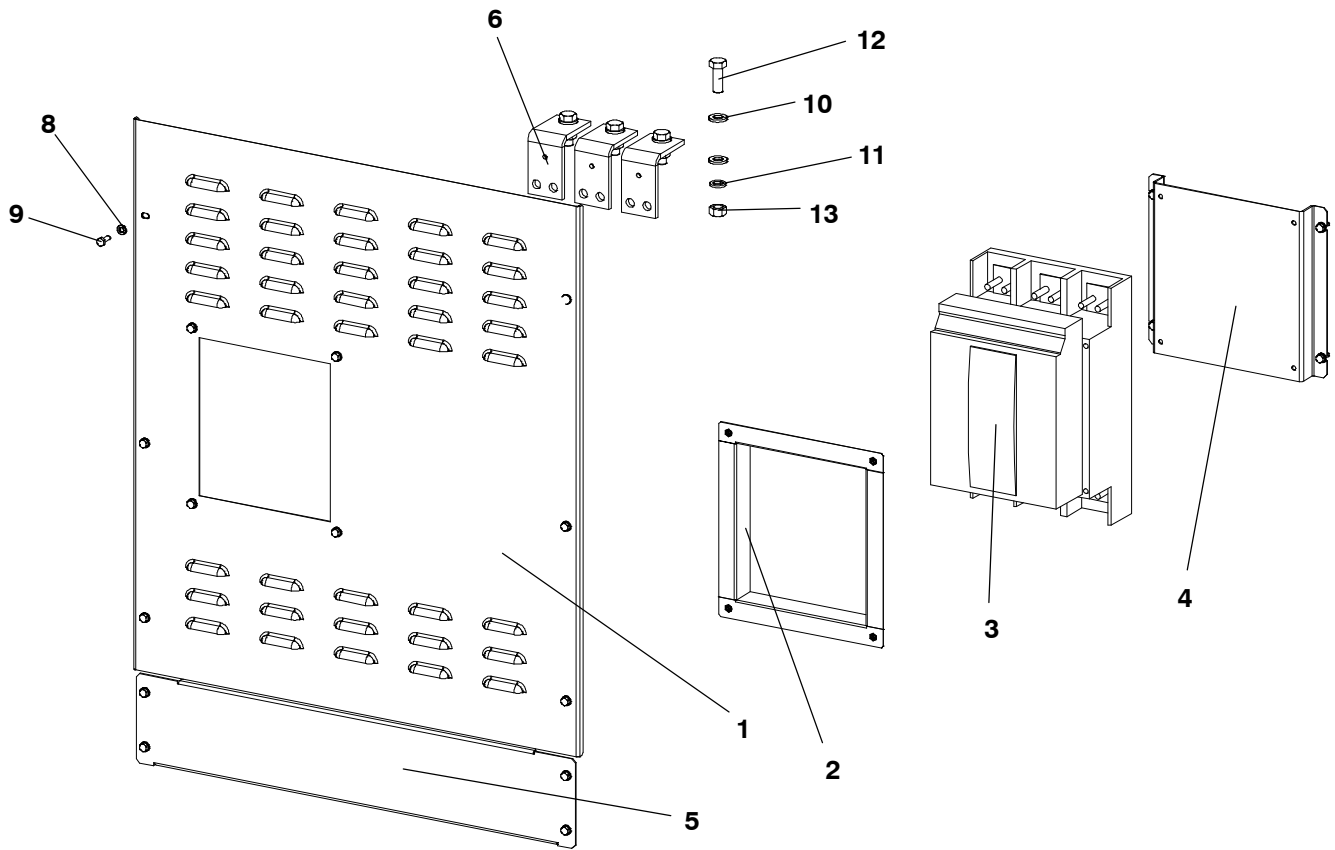




### Circuit Breaker Installation – Motorized – 800A

Item	Part No.	Description	Qty
1	C110-0185	Bracket, Circuit Breaker	1
2	C046-0020	Busbar, Breaker	3
3	C046-0017	Busbar, Neutral	1
4	C290-0782	Installation, Busbar (See Page 91 for Components)	1
5	C210-0031-01	Breaker, Circuit (800A)	1
6	C091-0017	Cable, Electrical	1
7	C110-0204	Frame, Breaker	1
8	C420-0008	Clamp	3
9	C048-0006	Separator, Terminal	4
10	C380-0035	Nut	2
11	C380-0020	Nut, Hex	4
12	C110-0203	Panel, Circuit Breaker	1
13	C420-0007	Relay – 24V	3
14	C420-0005	Socket, Relay	3
15	C370-0029-01	Screw, Hex Head	2
16	C370-0029-02	Screw, Hex Head	2
17	C370-0029-04	Screw, Hex Head	1
18	C370-0022-01	Screw, Socket Head	4
19	C370-0028-03	Screw, Hex Head (M6 x 16)	18
20	C370-0030-04	Screw, Hex Head	1
21	C370-0030-06	Screw, Hex Head	4
22	C041-0005	Washer, Flat	9
23	C041-0003	Washer, Flat (M6)	18
24	C045-0004	Washer, Lock	1
25	C041-0004	Washer, Flat	11
26	C031-0006	Washer, Spring	5
27	C130-0098	Cable, Power (Not Shown)	2
28	C130-0143	Harness, Circuit Breaker (Not Shown)	1

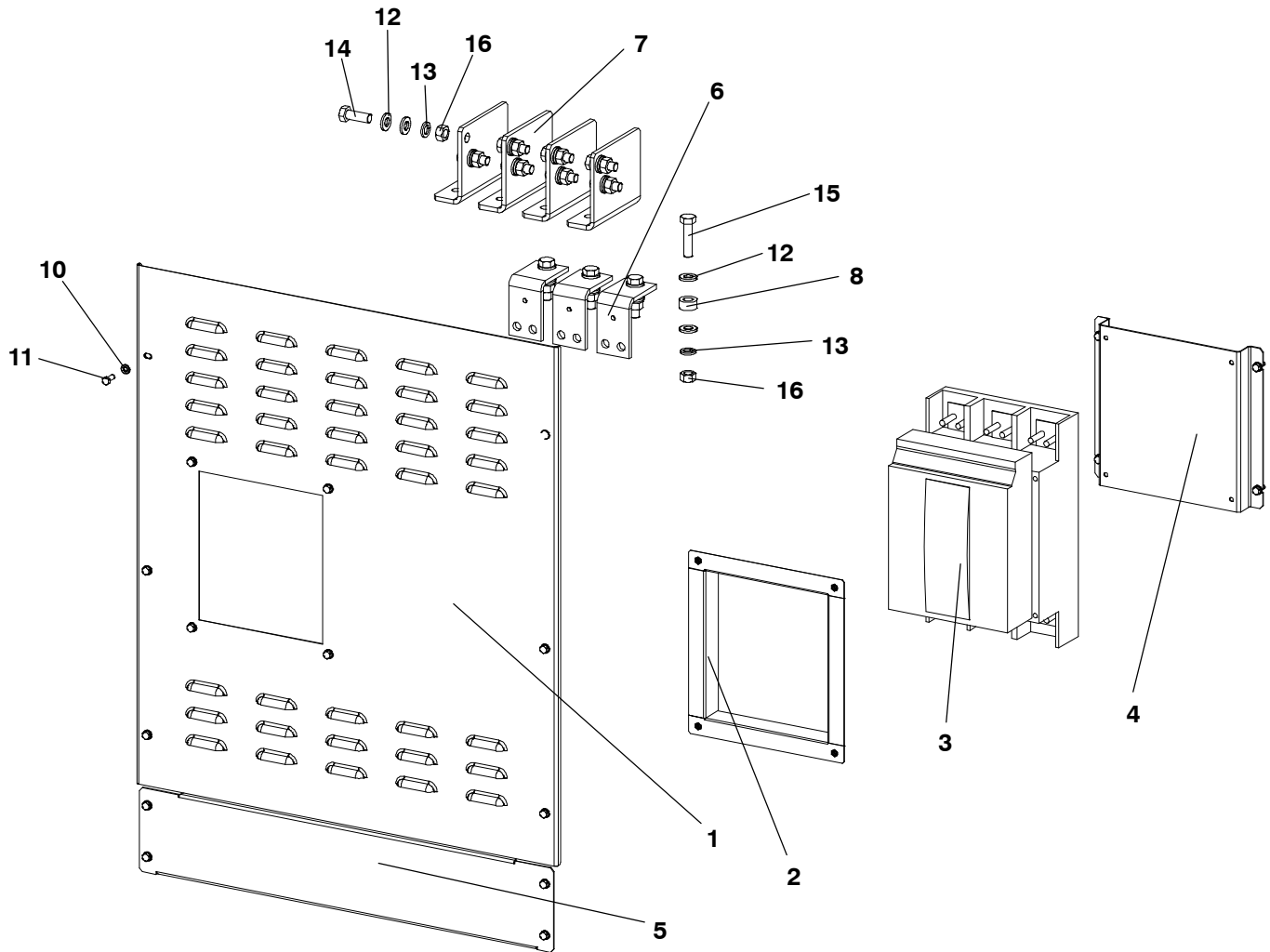
### Circuit Breaker Installation - Motorized - 1000A



Item	Part No.	Description	Qty
1	C110-0205	Panel, Circuit Breaker (800/1600A)	1
2	C110-0206	Frame, Circuit Breaker	1
3	C210-0031-02	Breaker, Circuit (1000A)	1
4	C110-0086	Bracket, Circuit Breaker	1
5	C110-0084	Cover, Access - Front	1
6	C046-0007	Bus Bar Breaker	3
7	C130-0059	Cable, Power	8
8	C041-0003	Washer, Flat (M6)	18
9	C370-0028-03	Screw, Hex (M6 x 16)	18
10	C041-0006	Washer, Flat (M12)	8
11	C031-0007	Washer, Lock - Spring (M12)	4
12	C370-0031-05	Screw, Hex (M12 x 40)	4
13	C380-0021	Nut, Hex (M12)	4
	C130-0142	Harness, Circuit Breaker	1
	C420-0005	Base, Relay	2
	C420-0007	Relay - 24V	2
	C420-0008	Relay - Lock	2

This page is Intentionally blank.

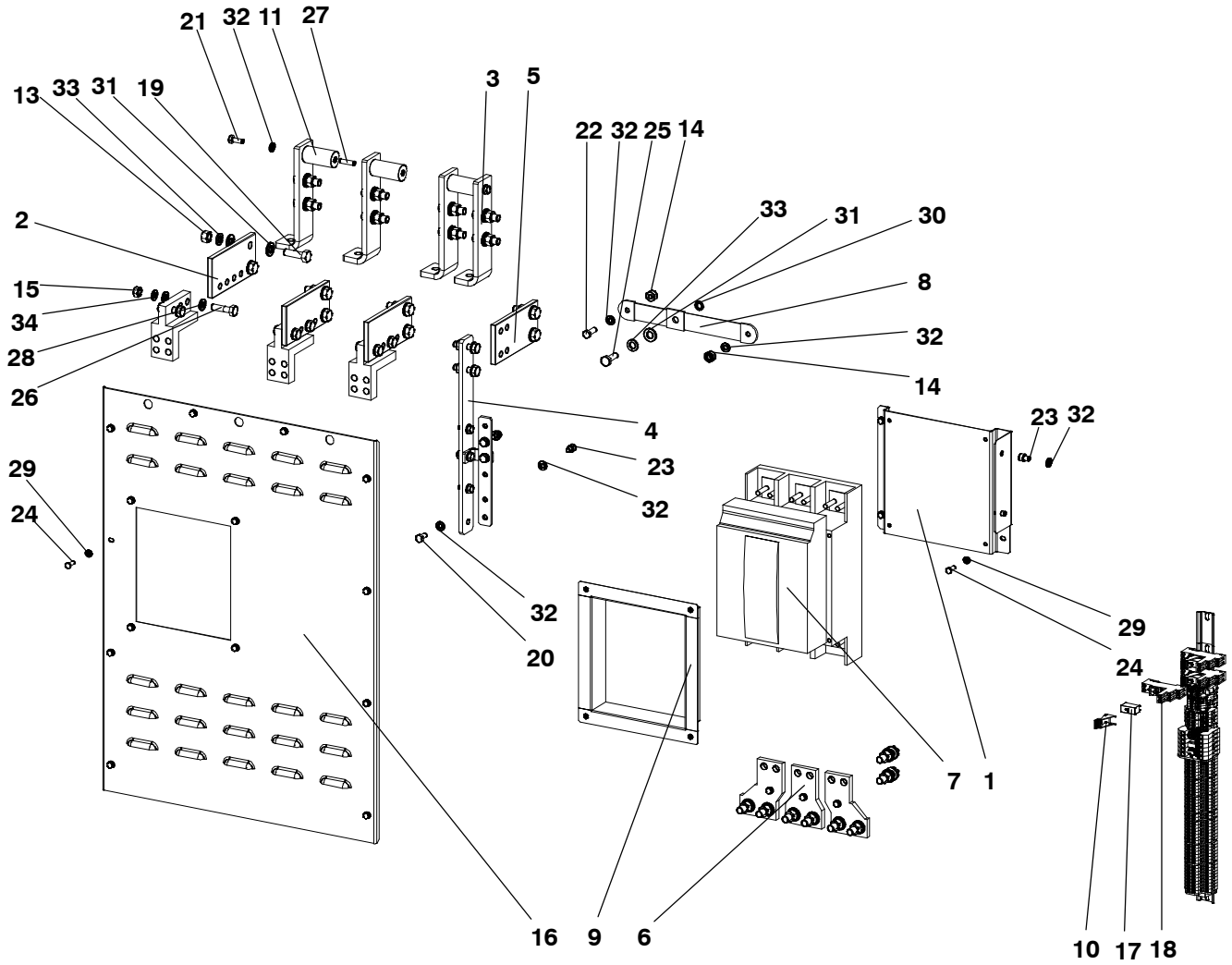
### Circuit Breaker Installation - Motorized - 1250A



### Circuit Breaker Installation – Motorized – 1250A

Item	Part No.	Description	Qty
1	C110-0205	Panel, Circuit Breaker (800/1600A)	1
2	C110-0206	Frame, Circuit Breaker	1
3	C210-0031-03	Breaker, Circuit (1250A)	1
4	C110-0086	Bracket, Circuit Breaker	1
5	C110-0084	Cover, Access – Front	1
6	C046-0007	Bus Bar Breaker	3
7	C046-0012	Bus Bar Breaker	4
8	C220-0006	Copper – Spacer	4
9	C130-0059	Cable, Power	12
10	C041-0003	Washer, Flat (M6)	18
11	C370-0028-03	Screw, Hex (M6 x 16)	18
12	C041-0006	Washer, Flat (M12)	24
13	C031-0007	Washer, Lock – Spring (M12)	12
14	C370-0031-04	Screw, Hex (M12 x 35)	8
15	C370-0031-07	Screw, Hex (M12 x 50)	4
16	C380-0021	Nut, Hex (M12)	12
	C130-0142	Harness, Circuit Breaker	1
	C420-0005	Base, Relay	2
	C420-0007	Relay – 24V	2
	C420-0008	Relay – Lock	2

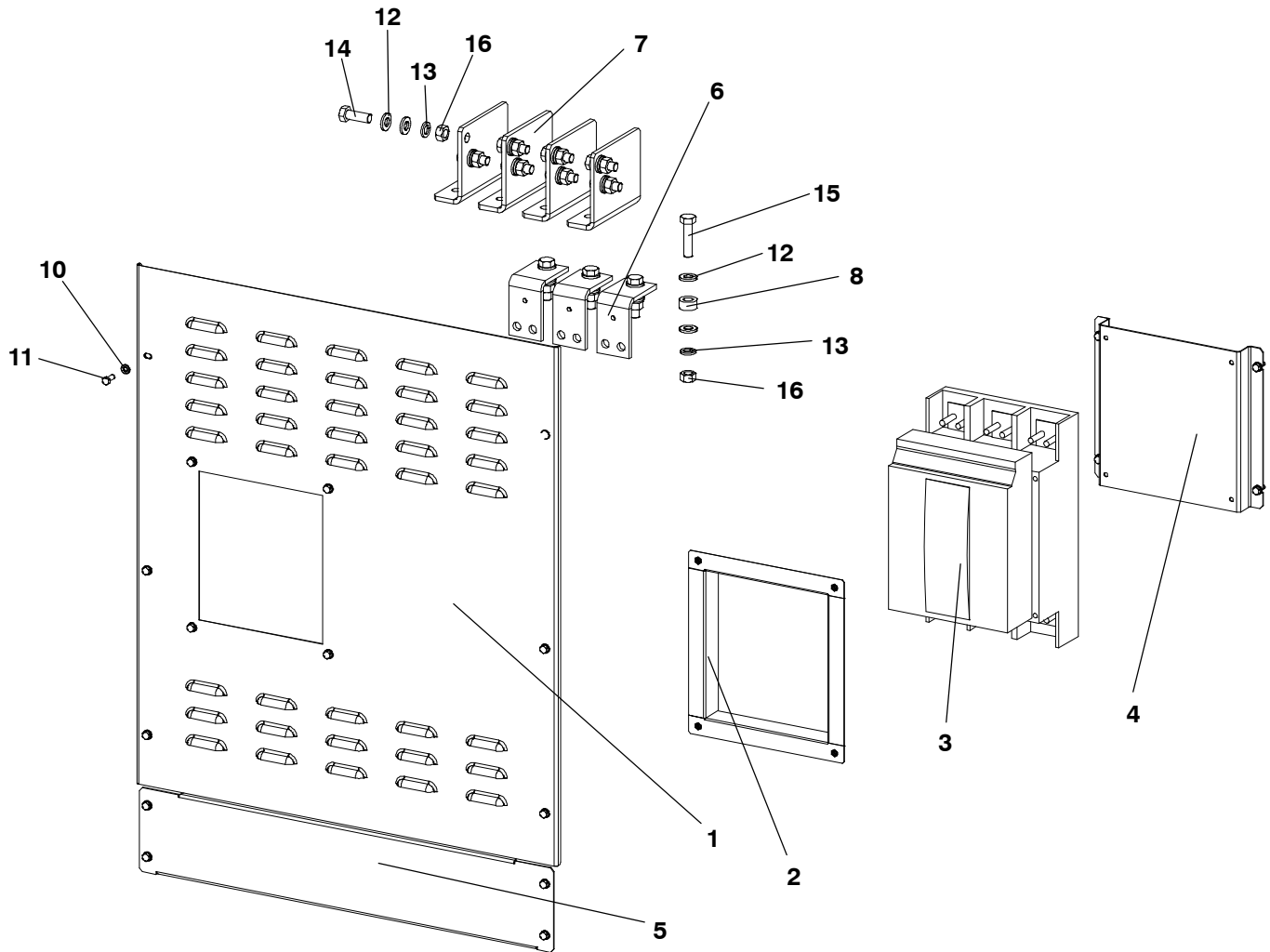
### Circuit Breaker Installation - Motorized - 1250A



## Circuit Breaker Installation – Motorized – 1250A

Item	Part No.	Description	Qty
1	C110-0185	Bracket, Circuit Breaker	1
2	C046-0023	Busbar, Breaker	3
3	C046-0024	Busbar, Breaker	4
4	C046-0021	Busbar, Neutral	1
5	C046-0022	Busbar, Neutral	1
6	C290-0782	Installation, Busbar (See Page 91 for Components)	1
7	C210-0031-03	Breaker, Circuit (1250A)	1
8	C091-0017	Cable, Electrical	1
9	C110-0204	Frame, Breaker	1
10	C420-0008	Clamp	3
11	C048-0005	Separator, Terminal	3
12	C048-0006	Separator, Terminal (Not Shown)	4
13	C380-0021	Nut, Hex	16
14	C380-0035	Nut	2
15	C380-0020	Nut, Hex	8
16	C110-0203	Panel, Circuit Breaker	1
17	C420-0007	Relay – 24V	3
18	C420-0005	Socket, Relay	3
19	C370-0031-05	Screw, Hex Head	16
20	C370-0029-02	Screw, Hex Head	2
21	C370-0029-03	Screw, Hex Head	4
22	C370-0029-04	Screw, Hex Head	1
23	C370-0022-01	Screw, Socket Head	4
24	C370-0028-03	Screw, Hex Head (M6 x 16)	18
25	C370-0030-04	Screw, Hex Head	1
26	C370-0030-06	Screw, Hex Head	8
27	C370-0067-05	Bolt	2
28	C041-0005	Washer, Flat	16
29	C041-0003	Washer, Flat (M6)	18
30	C045-0004	Washer, Lock	1
31	C041-0006	Washer, Flat	33
32	C041-0004	Washer, Flat	13
33	C031-0007	Washer, Spring	17
34	C031-0006	Washer, Spring	8
35	C130-0098	Cable, Power (Not Shown)	3
36	C130-0143	Harness, Circuit Breaker (Not Shown)	1
37	0337-3738-01	Busbar, Breaker (Not Shown)	1

### Circuit Breaker Installation - Motorized - 1600A

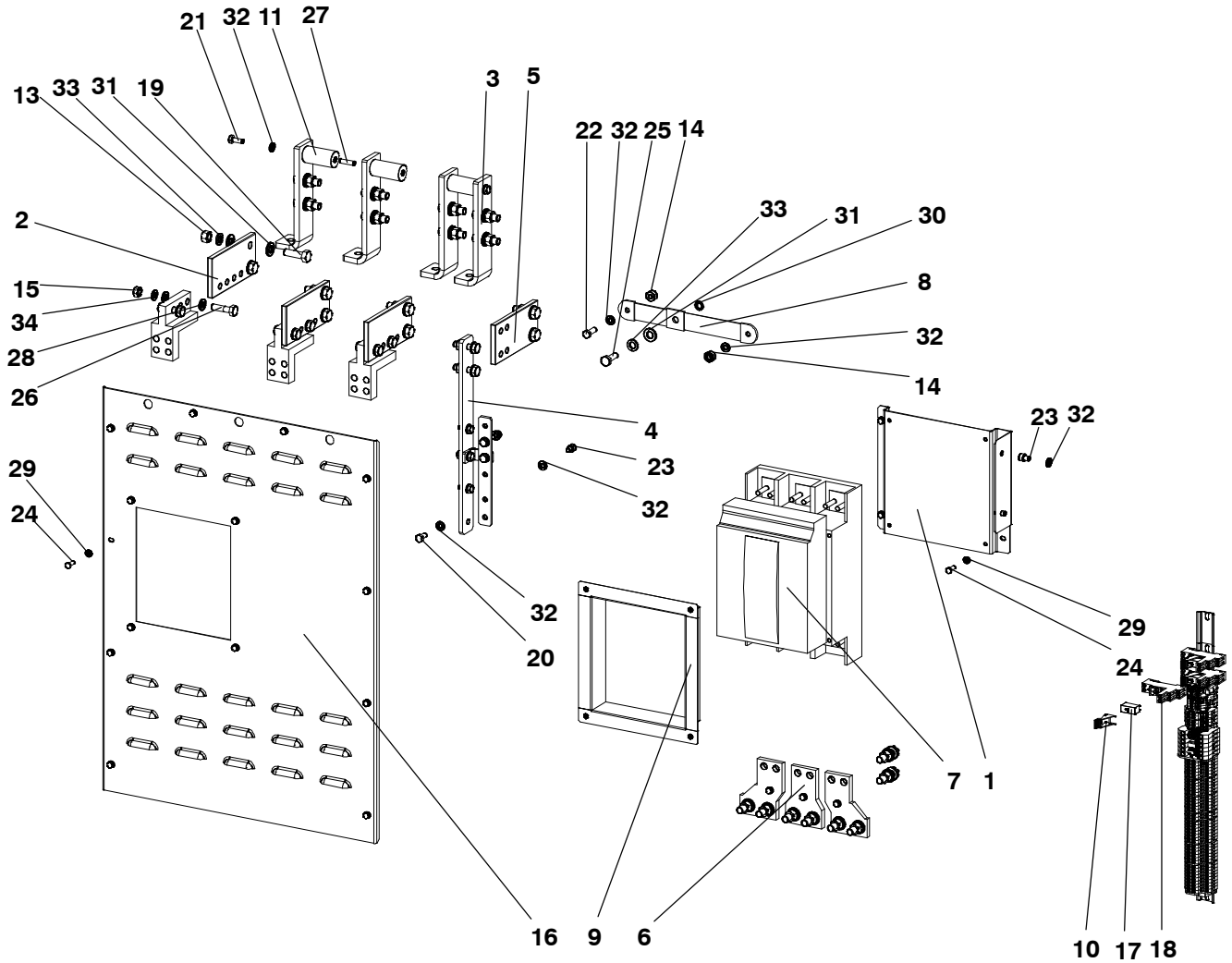




### Circuit Breaker Installation – Motorized – 1600A

Item	Part No.	Description	Qty
1	C110-0205	Panel, Circuit Breaker (800/1600A)	1
2	C110-0206	Frame, Circuit Breaker	1
3	C210-0031-04	Breaker, Circuit (1600A)	1
4	C110-0086	Bracket, Circuit Breaker	1
5	C110-0084	Cover, Access – Front	1
6	C046-0007	Bus Bar Breaker	3
7	C046-0012	Bus Bar Breaker	4
8	C220-0006	Copper – Spacer	4
9	C130-0059	Cable, Power	12
10	C041-0003	Washer, Flat (M6)	18
11	C370-0028-03	Screw, Hex (M6 x 16)	18
12	C041-0006	Washer, Flat (M12)	24
13	C031-0007	Washer, Lock – Spring (M12)	12
14	C370-0031-04	Screw, Hex (M12 x 35)	8
15	C370-0031-07	Screw, Hex (M12 x 50)	4
16	C380-0021	Nut, Hex (M12)	12
	C130-0142	Harness, Circuit Breaker	1
	C420-0005	Base, Relay	2
	C420-0007	Relay – 24V	2
	C420-0008	Relay – Lock	2

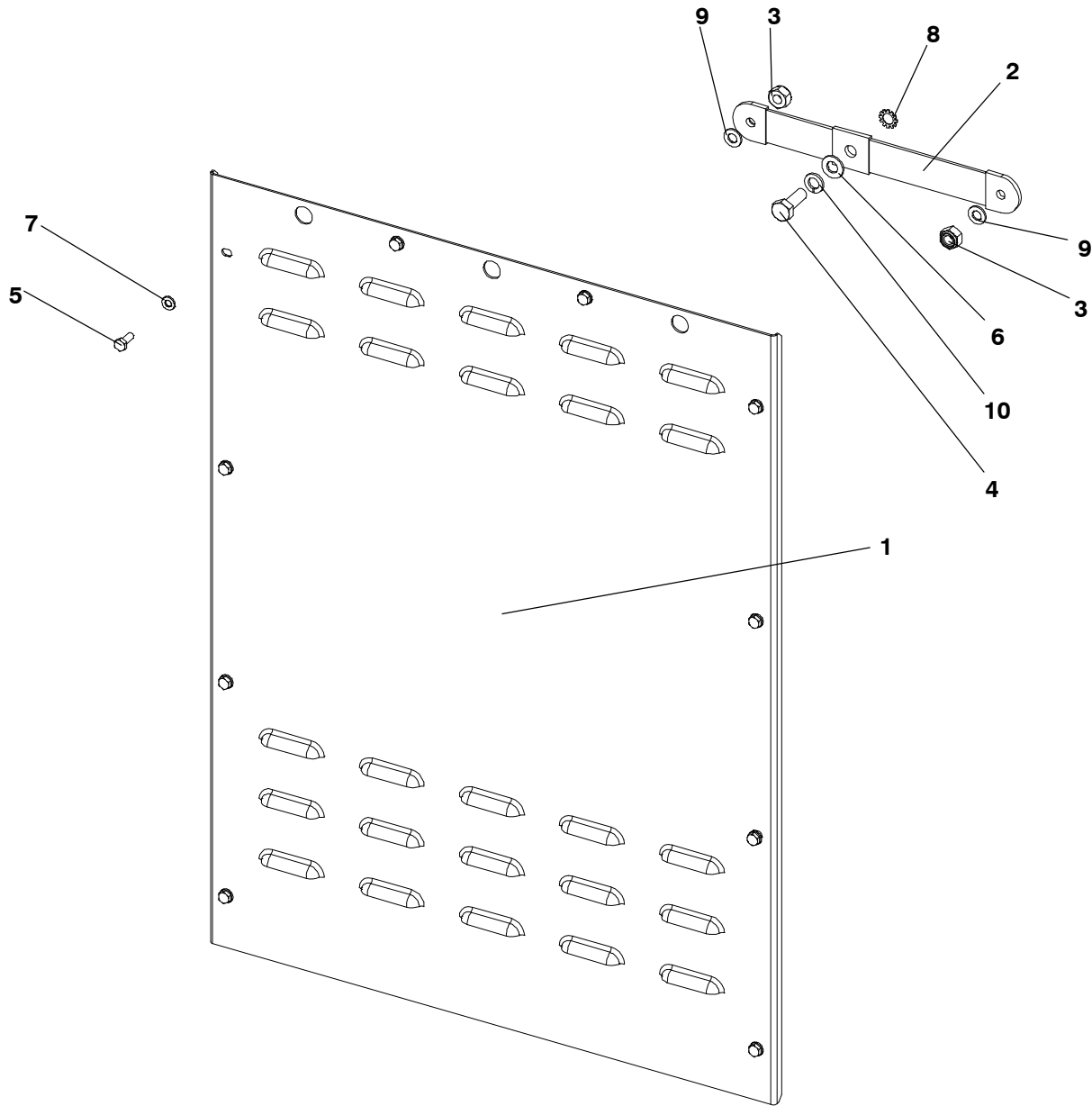
### Circuit Breaker Installation - Motorized - 1600A



## Circuit Breaker Installation – Motorized – 1600A

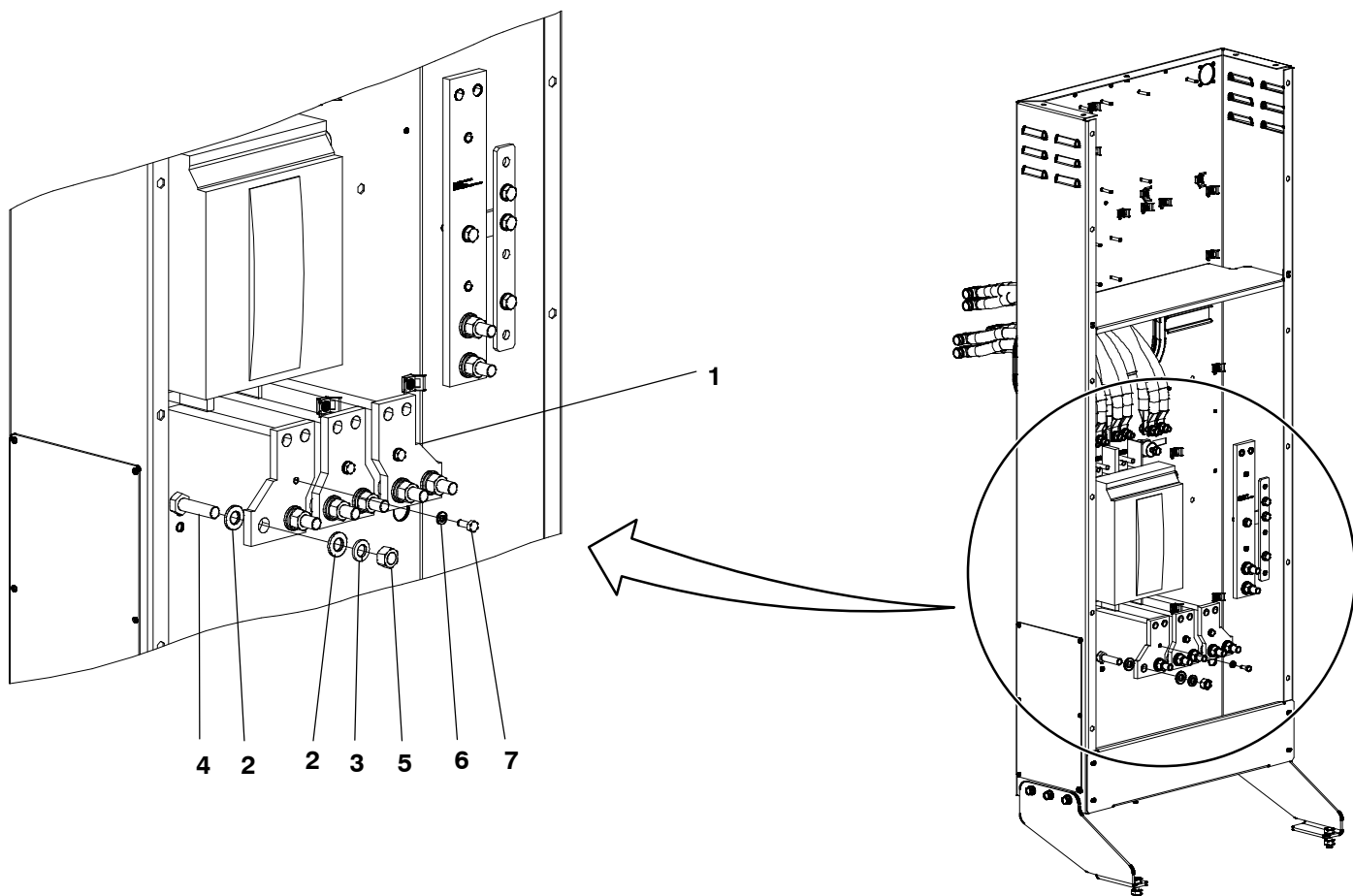
Item	Part No.	Description	Qty
1	C110-0182	Bracket, Circuit Breaker	1
2	C046-0023	Busbar, Breaker	3
3	C046-0024	Busbar, Breaker	4
4	C046-0021	Busbar, Neutral	1
5	C046-0022	Busbar, Neutral	1
6	C290-0782	Installation, Busbar (See Page 91 for Components)	1
7	C210-0031-04	Breaker, Circuit (1600A)	1
8	C091-0017	Cable, Electrical	1
9	C110-0204	Frame, Breaker	1
10	C420-0008	Clamp	3
11	C048-0005	Separator, Terminal	3
12	C048-0006	Separator, Terminal (Not Shown)	4
13	C380-0021	Nut, Hex	16
14	C380-0035	Nut	2
15	C380-0020	Nut, Hex	8
16	C110-0203	Panel, Circuit Breaker	1
17	C420-0007	Relay – 24V	3
18	C420-0005	Socket, Relay	3
19	C370-0031-05	Screw, Hex Head	16
20	C370-0029-02	Screw, Hex Head	2
21	C370-0029-03	Screw, Hex Head	4
22	C370-0029-04	Screw, Hex Head	1
23	C370-0022-01	Screw, Socket Head	4
24	C370-0028-03	Screw, Hex Head (M6 x 16)	18
25	C370-0030-04	Screw, Hex Head	1
26	C370-0030-06	Screw, Hex Head	8
27	C370-0067-05	Bolt	2
28	C041-0005	Washer, Flat	16
29	C041-0003	Washer, Flat (M6)	18
30	C045-0004	Washer, Lock	1
31	C041-0006	Washer, Flat	33
32	C041-0004	Washer, Flat	13
33	C031-0007	Washer, Spring	17
34	C031-0006	Washer, Spring	8
35	C130-0098	Cable, Power (Not Shown)	4
36	C130-0143	Harness, Circuit Breaker (Not Shown)	1
37	0337-3738-01	Busbar, Breaker (Not Shown)	1

## Blind Panel



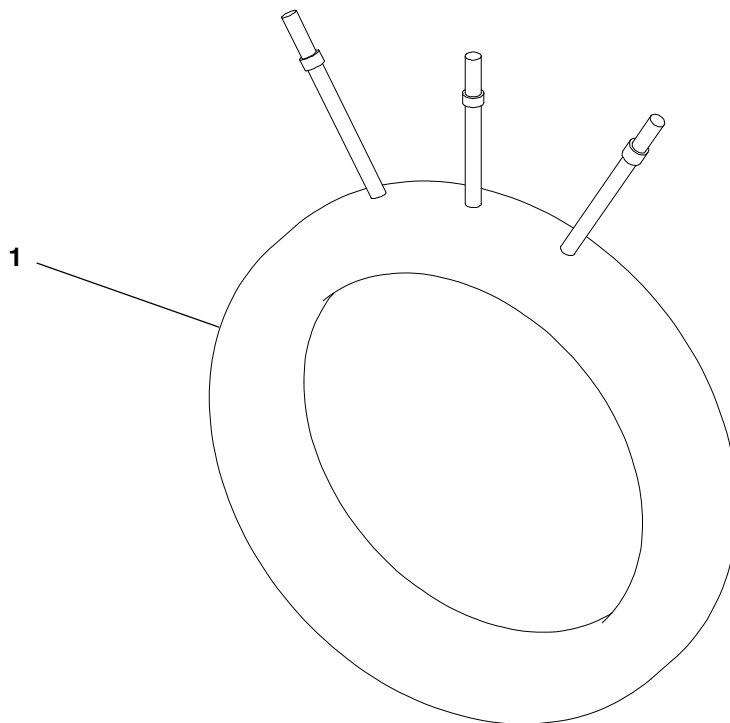
Item	Part No.	Description	Qty
1	C110-0177	Panel, Blind	1
2	C091-0017	Cordage, Ground	1
3	C380-0035	Nut, Parlock Hex (M8)	2
4	C370-0030-04	Screw, Hex Head (M10 x 30)	1
5	C370-0028-03	Screw, Hex Head (M6 x 16)	10
6	C041-0005	Washer (M10)	1
7	C041-0003	Washer (M6)	10
8	C045-0004	WasherFlat Lock - W/ET (M10)	1
9	C041-0004	Washer, Flat (M8)	3
10	C031-0006	Washer, Spring Lock (M10)	1

## Busbar



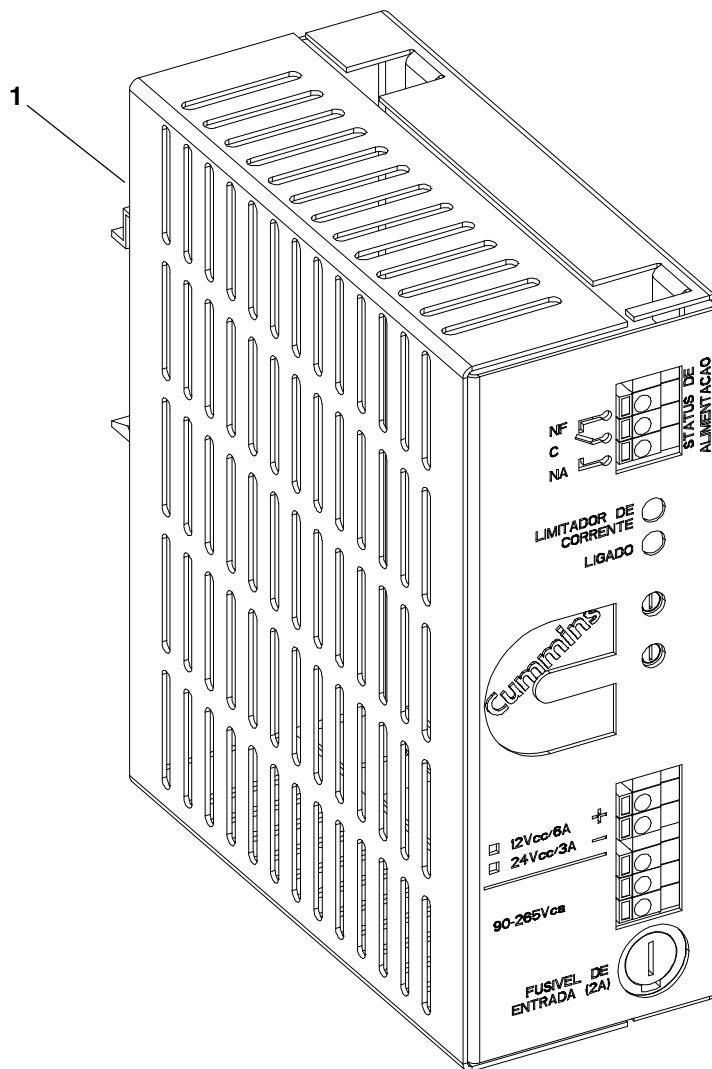
Item	Part No.	Description	Qty
1	C046-0030	Installation, Busbar	1
2	C041-0006	Washer, Flat	16
3	C031-0007	Washer, Spring Lock	8
4	C370-0031-06	Screw, Hex Head	8
5	C380-0021	Nut, Hex	8
6	C041-0003	Washer, Flat	3
7	C370-0028-03	Screw, Hex Head	3

## Current Transformer



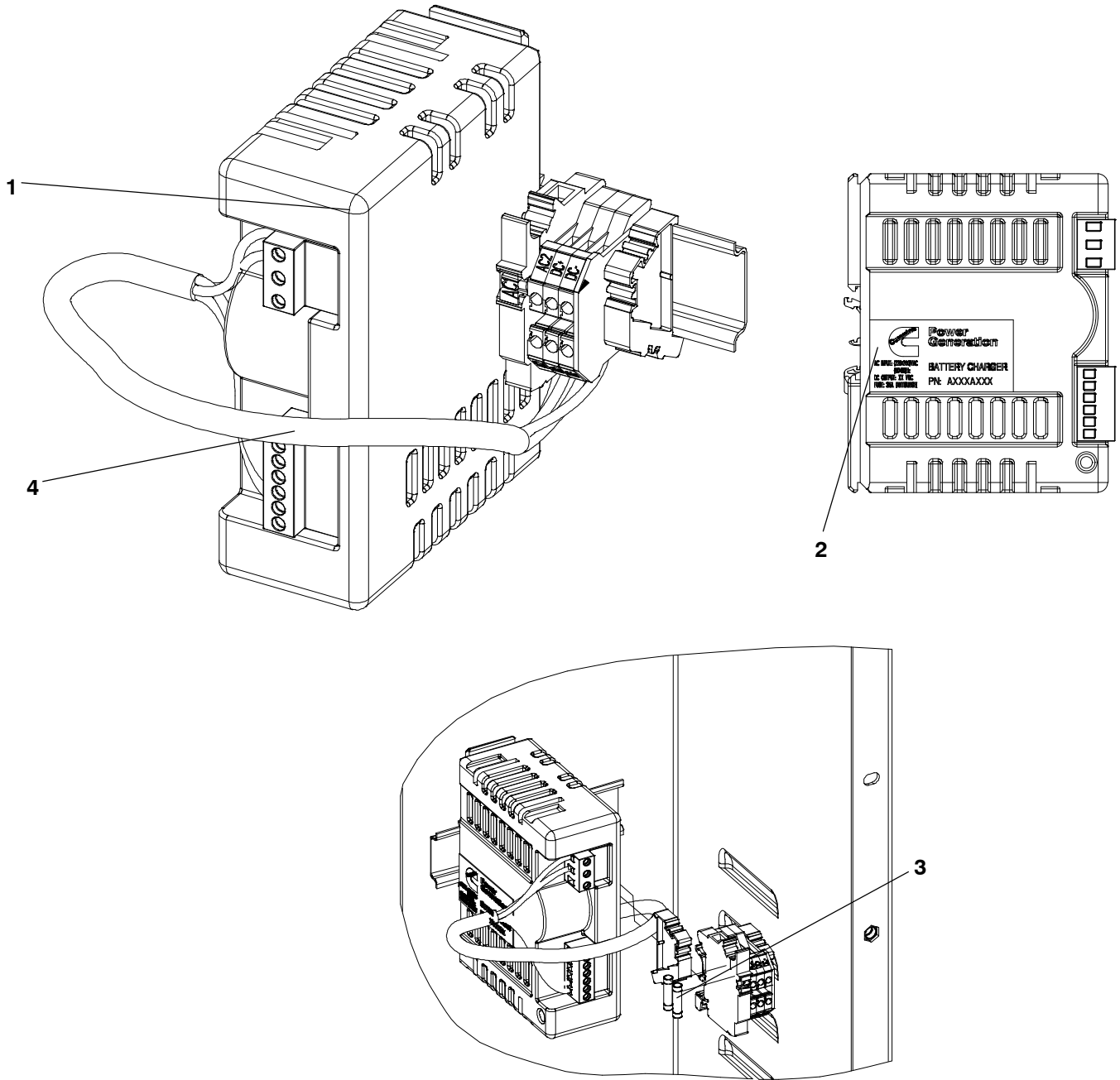
Item	Part No.	Description	Qty
1		Transformer, Current	
	C490-0023	760-1520/1A	1
	C490-0024	863-1726/1A	1
	C490-0025	946-1892/1A	1
	C490-0026	1104-2208/1A	1
	C490-0027	1262-2524/1A	1

## Battery Charger



Item	Part No.	Description	Qty
1	C250-0009	Charger, Battery	1

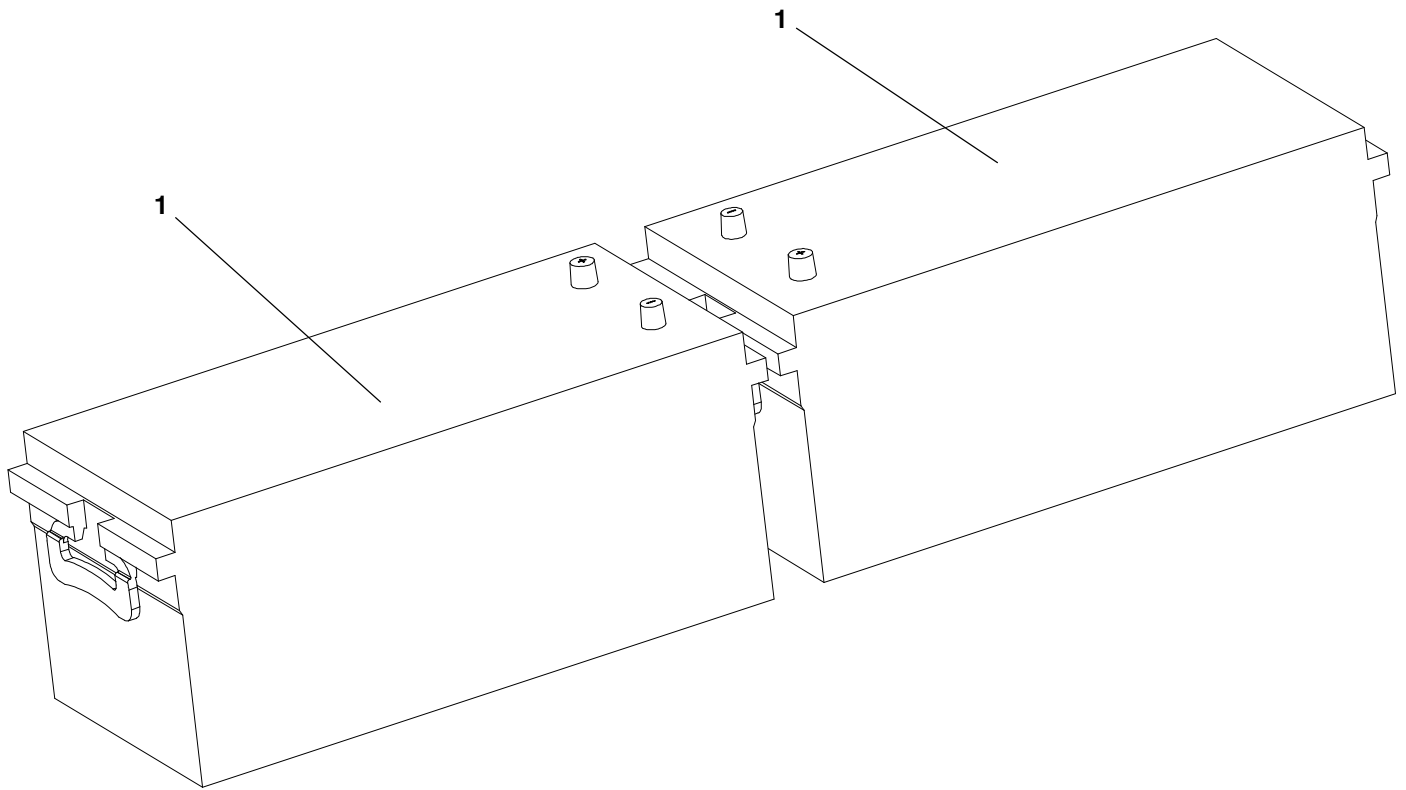
## Battery Charger (24VDC)



Item	Part No.	Description	Qty
1	A053E483	Charger, Battery	1
2	A053E481	Label, Identification	1
3	A053J381	Fuse, Anti Surge	2
4	C130-0085	Harness, Battery Charger	1

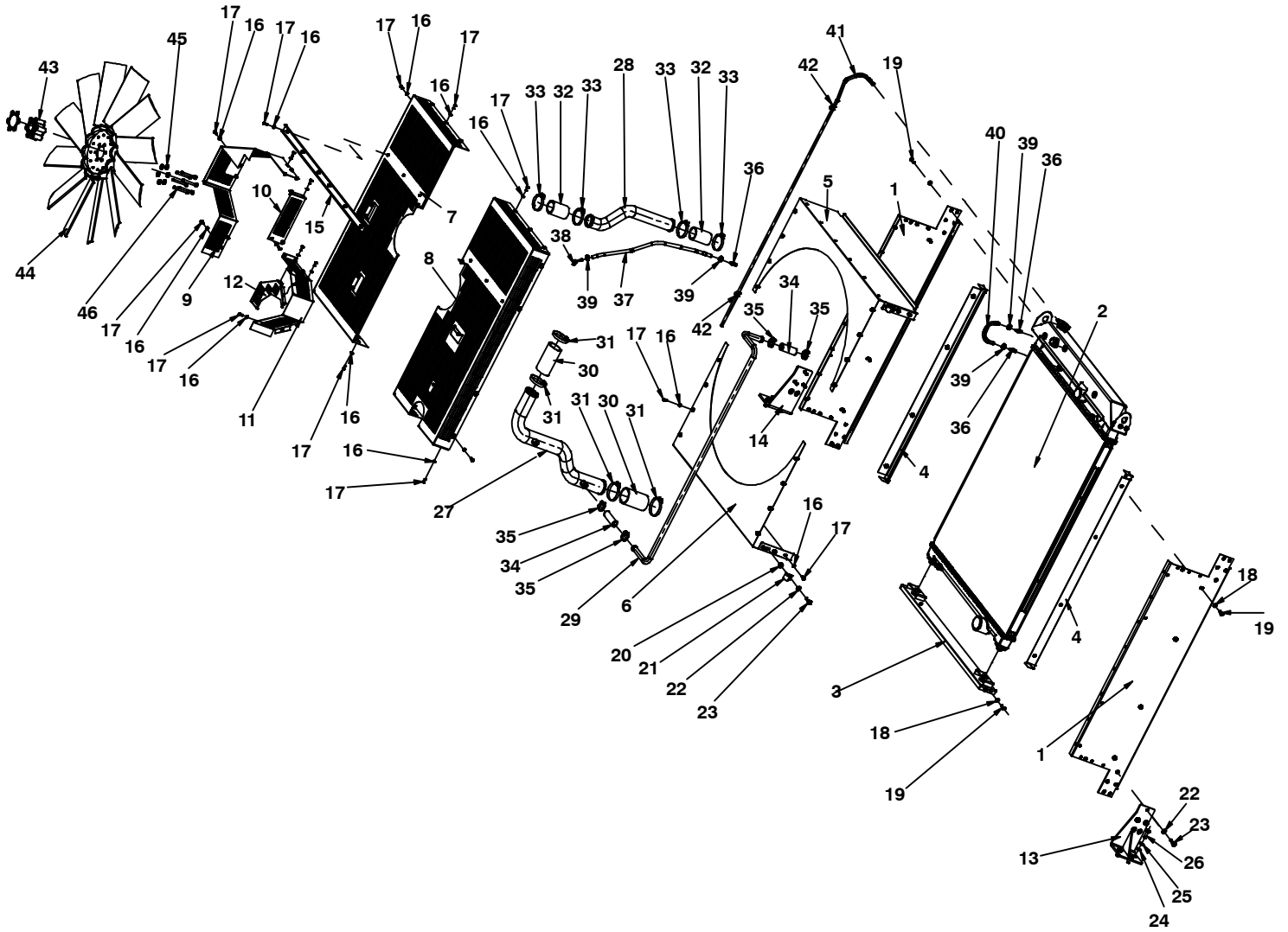


## Battery



Item	Part No.	Description	Qty
1	C250-0005	Battery	2

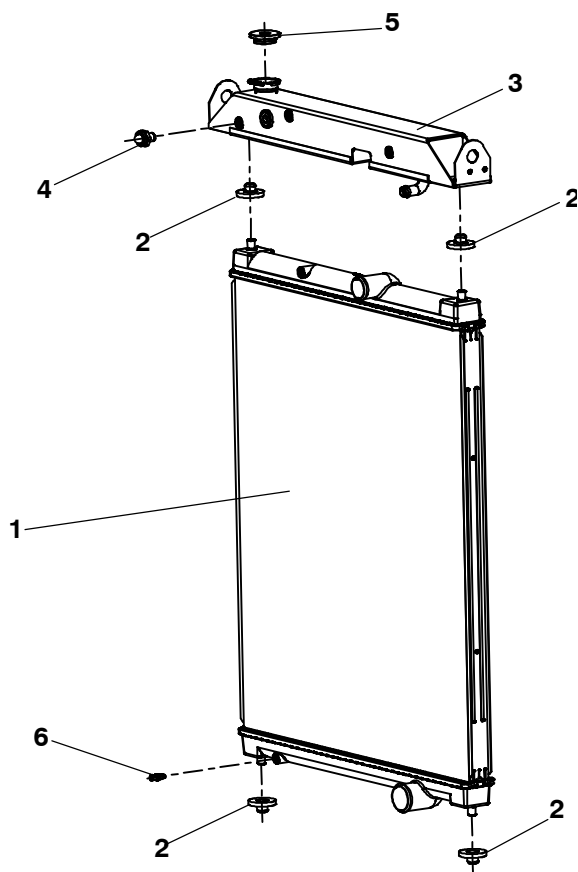
### Radiator



## Radiator – 2 Row Core

Item	Part No.	Description	Qty
1	A045U331	Cover, Side	2
2	A045V374	Installation, Radiator (See next page for child parts)	1
3	A045U114	Crossmember, Base	1
4	A045U154	Baffle, Air	2
5	A045F860	Shroud, Fan	1
6	A046N110	Shroud, Fan	1
7	A045X877	Guard, Fan	1
8	A045X875	Guard, Fan	1
9	A045X881	Guard, Pulley	1
10	A045X883	Guard, Pulley	1
11	A045X885	Guard, Charge Alternator	1
12	A045X887	Guard, Charge Alternator	1
13	A045F852	Bracket, Radiator	1
14	A045F856	Bracket, Radiator	1
15	A045X879	Bracket, Fan Guard	1
16	C041-0003	Washer, Flat	68
17	C370-0028-03	Screw, Hex Head	68
18	C041-0004	Washer, Flat	16
19	C370-0029-04	Screw, Hex Head	16
20	C220-0002	Spacer	2
21	0518-0548-20	Clamp, Hose	2
22	C041-0005	Washer, Flat	10
23	C370-0030-05	Screw, Hex Head	10
24	C041-0006	Washer, Flat	6
25	C031-0007	Washer, Spring Lock	6
26	C370-0031-04	Screw, Hex Head	6
27	A045F774	Tube, Radiator	1
28	A045F776	Tube, Radiator	1
29	A045F778	Tube, Radiator	1
30	0503-1414-02	Hose, Radiator	2
31	C071-0012-12	Clamp	4
32	0503-1379-02	Hose, Radiator	2
33	C071-0012-11	Clamp	4
34	0503-1634	Hose	2
35	C071-0012-05	Clamp	4
36	C360-0017	Connector, Straight	3
37	A048Y515	Hose, Coolant	1
38	C360-0016	Adapter, Elbow	1
39	C071-0008-02	Clamp	4
40	A048Y512	Hose, Coolant	1
41	A053A005	Hose, Radiator	1
42	C071-0020-01	Clamp, J	2
43	0130-4407-01	Spacer	1
44	0130-4408	Fan, Engine	1
45	C041-0014	Washer, Flat	6
46	C370-0042-15	Screw, Hex Head	6

## Radiator



Item	Part No.	Description	Qty
1	A040J437	Radiator	1
2	A040H133	Ring, Snubber	4
3	A040J605	Tank, Header	1
4	0130-6389	Gauge, Sight	1
5	0130-6392	Cap, Pressure	1
6	0504-0279	Valve, Gate	1

# Topical Index

## A

Alternator, **27**  
Alternator, DC, **12**  
AVR, **45**

## B

Bar, Bus – Breaker Neutral, **51**  
Base, Relay, **76 , 79 , 80 , 83 , 85 , 87 , 89**  
Battery, **95**  
Battery, Cable, **16**  
Belt, Alternator, **12**  
Belt, Fan, **12**  
Belt, Water Pump, **12**  
Block, Terminal, **43 , 45 , 47 , 49 , 58 , 59**  
Board, Printed Circuit – Control, **43**  
Board, Printed Circuit – Governor, **45**  
Box, Control, **45**  
Box, Terminal, **27**  
Bracket, Air Cleaner, **15**  
Bracket, Breaker, **58 , 59**  
Bracket, Engine, **14**  
Bracket, Pedestal, **51 , 53**  
Breaker, Circuit, **58 , 59**  
Breaker, Circuit – 1000A, **68**  
Breaker, Circuit – 1250A, **69 , 71**  
Breaker, Circuit – 1600A, **72 , 75**  
Breaker, Circuit – 630A, **60 , 63**  
Breaker, Circuit – 800A, **64 , 67**  
Breaker, Circuit – Motorized – 1000A, **80**  
Breaker, Circuit – Motorized – 1250A, **83 , 85**  
Breaker, Circuit – Motorized – 1600A, **87 , 89**  
Breaker, Circuit – Motorized – 800A, **76 , 79**  
Breaker, Compact Circuit, **64**  
Breather, Fuel Tank, **28**  
Bus Bar, **60 , 64 , 68 , 69 , 72 , 76 , 80 , 83 , 87**  
Bus PT – PCC3100, **55**  
Busbar, Breaker, **79 , 85 , 89**

Busbar, Neutral, **63 , 67 , 71 , 75 , 79 , 85 , 89**

## C

Cable, Power, **60 , 63 , 64 , 67 , 68 , 69 , 72 , 76 , 79 , 80 , 83 , 85 , 87 , 89**  
Cap, Rain, **35**  
Card, Governor (Aux104), **43**  
Charger, Battery, **93 , 94**  
Cleaner, Air, **15**  
Coil, Open – 1600A, **59**  
Coil, Open – 630A, **58**  
Connection, Exhaust Outlet, **14**  
Coolant – Connection, **24**  
Cordage, Ground – Starter, **16**  
Cover – AVR, **27**  
Cover, Access, **60 , 64 , 68 , 69 , 72 , 76 , 80 , 83 , 87**  
Cover, Oil Fill, **28 , 32**  
Cover, Rear – Terminal Box, **27**  
Cover, Relay, **43 , 45**  
Cover, Terminal Box, **27**  
Cupper – Spacer, **83 , 87**

## D

Deflector, Air, **19 , 21 , 23**  
Display, **43**

## E

Electric Start, **16**  
Enclosure, **35**  
Enclosure Fasteners, **36**  
Engine Accessories, **12**

## F

Fan, Radiator, **19 , 21 , 23**  
Filter, Fuel, **13**  
Filter, Oil, **13**  
Filter, Water, **13**

## Index (Continued)

Frame, Circuit Breaker, **60 , 63 , 64 , 67 , 68 , 69 , 71 , 72 , 75 , 76 , 79 , 80 , 83 , 85 , 87 , 89**

Fuel Tank Accessories, **28**

### G

Gasket – Muffler, **39 , 40**

Gasket, Exhaust Pipe, **38**

Gasket, O–Ring, **14**

Gauge, Level, **32**

Guard, Belt, **19 , 21 , 23**

### H

Harness, Battery Charger, **94**

Harness, Circuit Breaker, **76 , 79 , 80 , 83 , 85 , 87 , 89**

Harness, I/O Card, **56**

Harness, Opening Coil, **58 , 59**

Heater, Water, **17**

Hinge, **35**

Hose, Air Cleaner, **15**

Hose, Breather, **14**

Hose, Fuel Inlet/Outlet, **28**

Hose, Radiator, **19 , 21 , 23**

### I

Indicator, Level, **32**

Installation, Radiator, **97**

Insulation, Sound, **35**

Isolator, Vibration, **14**

### L

Labels, **9**

Latch, Door, **35**

Latch, Relay, **58 , 59**

Level, Indicator, **28**

### M

Module, I/O Card – Aux 101, **56**

Module, I/O Card – Aux 102, **57**

Muffler, **35**

Muffler – 5”, **39**

Muffler – 6”, **40**

### P

Paint and Thread Sealant, **10**

Panel, Blind, **90**

Panel, Circuit Breaker, **76 , 79 , 80 , 83 , 85 , 87 , 89**

PC1.1 Installation, **47**

PC3.3 Installation, **49**

PCC1301 Installation, **43**

PCC3100 Installation, **45**

Pedestal, **51 , 53 , 58 , 59**

Pipe, Exhaust, **14 , 38**

Plate, Floor, **31**

PT/CT – PCC3100, **54**

### R

Radiator – 2 Row Core, **19 , 97**

Radiator – 3 Row Core, **21**

Radiator – 4 Row Core, **23**

Rail Enclosure, **37**

Relay (24VCC), **58 , 59**

Relay – 24V, **76 , 79 , 80 , 83 , 85 , 87 , 89**

Relay, Auxiliary, **43 , 45 , 47 , 49**

### S

Seal, Window, **35**

Sender, Oil Pressure, **12**

Service Filter, Water, **13**

Skid, **37**

Skid – 1000L, **30**

Skid – 500L, **29**

## Index (Continued)

Skid Accessories, **32**

Skid Floor, **31**

Skid, Fuel Tank, **28 , 29 , 30**

Spacer, Fan, **19 , 21 , 23**

Starter, **12**

Strap, Ground, **35**

Support, Battery, **16**

Support, Engine/Alternator, **29 , 30**

Switch, Push Button (E–Stop), **35 , 43**

### T

Transformer, Current, **92**

### V

Valve, Drain, **14**

### W

Window, Panel, **35**

This page is Intentionally blank.



# Numerical Index

<u>Part No.</u>	<u>Page</u>	<u>Part No.</u>	<u>Page</u>	<u>Part No.</u>	<u>Page</u>	<u>Part No.</u>	<u>Page</u>
0098-7894, 9		0300-4308-02, 54		3318853, 10, 13		A046N110, 97	
0098-7895, 9		0300-4985-01, 55		3413084, 10, 13		A048Y512, 19, 21, 23, 97	
0098-7902-03, 9		0300-4985-02, 55		3633805, 14		A048Y515, 97	
0098-7902-05, 9		0300-4985-03, 55		3890551, 10, 13		A051E915, 24	
0098-8094, 9		0300-5876, 47		4094998, 12		A053A005, 97	
0098-8095, 9		0300-6014, 47		4320-0122, 49		A053E481, 94	
0098-8097, 9		0300-6315-02, 49		4948369, 12		A053E483, 94	
0098-8098, 9		0300-6366-02, 49		4948370, 15		A053J381, 94	
0098-8099, 9		0308-1175, 35, 43		4948371, 15		A054J968, 49	
0098-8101, 9		0319-5262, 35		4948394, 15		A054J973, 49	
0098-8102, 9		0327-1265, 57		4948395, 15		A055G562, 47, 49	
0098-8103, 9		0327-1507, 43, 47, 49		4948396, 15		AF26173A, 10, 15	
0098-8130, 9		0327-1513, 43		518-0601, 10		C025-0004, 17	
0098-8219, 9		0327-1536, 56		525-0305, 10		C025-0005, 17	
0098-8312, 9		0327-1566-04, 47		67946, 14		C031-0004, 35	
0098-8381, 9		0327-1617-01, 47		A028T766, 49		C031-0005, 15, 31, 35, 36, 53	
0098-8505-02, 9		0337-3738-01, 71, 75, 85, 89		A028X493, 12, 47, 49		C031-0006, 19, 21, 23, 27, 38, 39, 40, 51, 53, 63, 67, 71, 75, 79, 85, 89, 90	
0099-2433, 9		0402-0779-05, 14, 27		A040H133, 98		C031-0007, 14, 19, 21, 23, 27, 29, 30, 35, 36, 37, 60, 64, 68, 69, 71, 72, 75, 76, 80, 83, 87, 91	
0130-3193, 19, 21, 23		0406-1051, 35		A040J437, 98		C031-0009, 35	
0130-3588-02, 19, 21, 23		0406-1052, 35		A040J605, 98		C031-0011, 36	
0130-4355, 19		0406-1059, 35		A044E397, 49		C031-0015, 17	
0130-4355-01, 21		0406-1074, 35		A045D201, 49		C031-0016, 27	
0130-4362, 19, 21, 23		0503-1379-02, 19, 21, 23, 97		A045D231, 49		C031-0017, 16, 43, 45, 47, 49	
0130-4369, 23		0503-1414-02, 19, 21, 23, 97		A045F774, 97		C031-0018, 14, 17	
0130-4407-01, 97		0503-1418, 19, 21, 23		A045F776, 97		C031-0019, 14, 27	
0130-4408, 97		0503-1634, 19, 21, 23, 97		A045F778, 97		C041-0002, 43, 45, 47, 49, 56, 57	
0130-6389, 98		0503-1634-01, 17		A045F852, 97		C041-0003, 19, 21, 23, 27, 35, 43, 45, 47, 49, 51, 53, 60, 63, 64, 67, 68, 69, 71, 72, 75, 76, 79, 80, 83, 85, 87, 89, 90, 91, 97	
0130-6392, 98		0504-0028, 19, 21, 23		A045F856, 97		C041-0004, 15, 31, 35, 36, 51, 53, 63, 67, 71, 75, 79, 85, 89, 90, 97	
0139-4784, 47		0504-0279, 98		A045F860, 97		C041-0005, 16, 19, 21, 23, 38, 39, 40, 51, 53, 63, 67, 71, 75, 79, 85, 89, 90, 97	
0139-4786, 47		0505-0131, 47, 49		A045U114, 97			
0193-0432, 47, 49		0518-0548-20, 19, 21, 23, 97		A045U154, 97			
0193-5580, 32		0823-0001-01, 47		A045U331, 97			
0200-3136-04, 27		130-4407-01, 19, 21, 23		A045V374, 97			
0200-3136-05, 27		130-4408, 23		A045X875, 97			
0200-3136-06, 27		130-4534, 19, 21		A045X877, 97			
0200-3217-01, 27		178509, 10, 12		A045X879, 97			
0200-3224-02, 27		217638, 10, 12		A045X881, 97			
0300-4305-05, 45		3040307, 10, 12		A045X883, 97			
0300-4306, 45				A045X885, 97			
0300-4307, 45				A045X887, 97			
0300-4308-01, 54				A045X891, 23			

## Numerical Index (Continued)

<u>Part No.</u>	<u>Page</u>	<u>Part No.</u>	<u>Page</u>	<u>Part No.</u>	<u>Page</u>	<u>Part No.</u>	<u>Page</u>
C041-0006, 14, 19, 21, 23, 27, 29, 30, 35, 36, 37, 47, 60, 64, 68, 69, 71, 72, 75, 76, 80, 83, 85, 87, 89, 91, 97		C051-0077, 47, 49		C110-0076, 43		C110-0205, 76, 80, 83, 87	
C041-0008, 35		C051-0083, 28, 30		C110-0077, 43		C110-0206, 76, 80, 83, 87	
C041-0010, 36		C051-0084, 51		C110-0078, 45		C110-0207, 49	
C041-0013, 43, 45		C051-0092, 16		C110-0079, 43		C110-0208, 49	
C041-0014, 17, 19, 21, 23, 97		C051-0093, 16		C110-0080, 43		C110-0211, 47, 49	
C041-0016, 27, 43, 45, 49		C051-0094, 31		C110-0081, 45		C115-0119, 37	
C041-0017, 14		C051-0095, 31		C110-0082, 45		C115-0120, 37	
C041-0018, 14		C051-0096, 31		C110-0083, 51		C130-0051, 56	
C041-0020, 14, 27		C051-0097, 31		C110-0084, 60, 64, 68, 69, 72, 76, 80, 83, 87		C130-0058, 60	
C045-0002, 35		C051-0098, 31		C110-0085, 60		C130-0059, 64, 68, 69, 72, 76, 80, 83, 87	
C045-0003, 35		C051-0178, 53		C110-0086, 76, 80, 83, 87		C130-0085, 94	
C045-0004, 51, 63, 67, 71, 75, 79, 85, 89, 90		C061-0007, 43		C110-0088, 43		C130-0098, 71, 75, 79, 85, 89	
C045-0005, 16		C061-0008, 43		C110-0089, 51, 53		C130-0102, 58, 59	
C046-0005, 51		C061-0009, 45		C110-0090, 64, 68, 69, 72		C130-0119, 47	
C046-0007, 64, 68, 69, 72, 76, 80, 83, 87		C061-0012, 47, 49		C110-0091, 43		C130-0120, 47, 49	
C046-0010, 60		C061-0015, 47, 58, 59		C110-0093, 45		C130-0121, 47	
C046-0012, 69, 72, 83, 87		C061-0017, 47, 49		C110-0094, 45		C130-0123, 63, 67	
C046-0016, 63		C061-0018, 47		C110-0095, 45		C130-0125, 49	
C046-0017, 63, 67, 79		C071-0002-11, 19, 21, 23		C110-0096, 27		C130-0142, 76, 80, 83, 87	
C046-0020, 67, 79		C071-0006-06, 19, 21, 23		C110-0098, 60		C130-0143, 79, 85, 89	
C046-0021, 71, 75, 85, 89		C071-0006-13, 19, 21, 23		C110-0109, 45		C130-0147, 49	
C046-0022, 71, 75, 85, 89		C071-0008-02, 19, 21, 23, 97		C110-0144, 53		C130-0148, 47	
C046-0023, 71, 75, 85, 89		C071-0009, 17		C110-0147, 53		C140-0004, 58, 59	
C046-0024, 71, 75, 85, 89		C071-0012-02, 14		C110-0148, 63		C190-0004, 19, 21, 23	
C046-0030, 91		C071-0012-05, 97		C110-0149, 67, 71, 75		C190-0005, 19, 21, 23	
C048-0001, 51		C071-0012-11, 97		C110-0152, 47, 49		C190-0006, 19, 21, 23	
C048-0002, 60		C071-0012-12, 97		C110-0161, 47, 49		C190-0007, 19, 21, 23	
C048-0005, 71, 75, 85, 89		C071-0020-01, 97		C110-0165, 58, 59		C190-0008, 19, 21	
C048-0006, 63, 67, 71, 75, 79, 85, 89		C091-0017, 51, 63, 67, 71, 75, 79, 85, 89, 90		C110-0166, 53		C190-0009, 19, 21	
C051-0032, 43, 45		C091-0019, 35		C110-0175, 58, 63		C190-0010, 19, 21	
C051-0035, 29		C091-0020, 35		C110-0177, 90		C190-0011, 23	
C051-0036, 29		C091-0024, 53		C110-0178, 63		C190-0012, 23	
C051-0037, 14		C091-0031, 16		C110-0179, 67, 71, 75		C190-0014, 23	
C051-0039, 51		C091-0032, 16		C110-0182, 59, 71, 75, 89		C190-0049, 19, 21	
C051-0068, 29		C110-0057, 43, 45, 47, 49		C110-0185, 64, 67, 68, 69, 72, 79, 85		C190-0050, 23	
C051-0071, 30		C110-0068, 27		C110-0199, 49		C210-0003-01, 59, 64, 67	
		C110-0073, 51		C110-0202, 47		C210-0003-02, 68	
		C110-0074, 60		C110-0203, 79, 85, 89		C210-0003-03, 69, 71	
		C110-0075, 64, 68, 69, 72		C110-0204, 79, 85, 89		C210-0003-04, 72, 75	

## Numerical Index (Continued)

<u>Part No.</u>	<u>Page</u>	<u>Part No.</u>	<u>Page</u>	<u>Part No.</u>	<u>Page</u>	<u>Part No.</u>	<u>Page</u>
C210–0020–06	58 , 60 , 63	C350–0034	38 , 39	C370–0031–03	29	C380–0025	36
C210–0029	58	C350–0035	40	C370–0031–04	14 , 19 , 21 , 23 , 27 , 30 , 35 , 36 , 37 , 64 , 68 , 69 , 72 , 83 , 87 , 97	C380–0029	43
C210–0030	59	C350–0047	14			C380–0033	14
C210–0031–01	76 , 79	C350–0049	38			C380–0034	14 , 27
C210–0031–02	80	C350–0053	14	C370–0031–05	71 , 75 , 76 , 80 , 85 , 89	C380–0035	35 , 51 , 63 , 67 , 79 , 85 , 89 , 90
C210–0031–03	83 , 85	C350–0055	35	C370–0031–06	91	C380–0041	47 , 49
C210–0031–04	87 , 89	C350–0057	35	C370–0031–07	69 , 72 , 83 , 87	C390–0001	17
C220–0002	19 , 21 , 23 , 97	C360–0006	17			C396–0002	51 , 53
C220–0005	51 , 53	C360–0016	19 , 21 , 23 , 97	C370–0033–06	35	C405–0113	35
C220–0006	69 , 72 , 83 , 87	C360–0017	19 , 21 , 23 , 97	C370–0035–04	36	C405–0135	35
C230–0044	43	C360–0040	28	C370–0041–01	45	C405–0178	35
C230–0049	9	C360–0044	32	C370–0042–02	17 , 19 , 21 , 23	C405–0301	36
C230–0054	9	C360–0048	28			C420–0004–02	43 , 45 , 47 , 49
C230–0057	49	C360–0052	14	C370–0042–15	19 , 21 , 23 , 97	C420–0005	58 , 59 , 76 , 79 , 80 , 83 , 85 , 87 , 89
C230–0059	9	C370–0022–01	63 , 67 , 71 , 75 , 79 , 85 , 89	C370–0044–03	16 , 43 , 45 , 47 , 49	C420–0007	58 , 59 , 76 , 79 , 80 , 83 , 85 , 87 , 89
C230–0060	47	C370–0024–01	51 , 60	C370–0045–03	17	C420–0008	58 , 59 , 76 , 79 , 80 , 83 , 85 , 87 , 89
C230–0062	9	C370–0024–02	51	C370–0045–09	14		
C250–0005	95	C370–0027–03	43 , 45 , 47 , 49 , 54 , 55	C370–0046–05	14	C445–0049	35
C250–0009	93			C370–0046–09	27	C450–0007	47 , 49
C260–0002–01	47 , 49	C370–0028–03	19 , 21 , 23 , 27 , 43 , 45 , 47 , 49 , 51 , 53 , 60 , 63 , 64 , 67 , 68 , 69 , 71 , 72 , 75 , 76 , 79 , 80 , 83 , 85 , 87 , 89 , 90 , 91 , 97	C370–0057–05	27	C470–0007	19 , 21
C260–0002–03	47			C370–0058–04	27	C470–0008	19 , 21
C260–0002–05	47	C370–0028–04	35	C370–0061–05	43 , 47 , 49 , 56 , 57	C470–0009	19 , 21 , 23
C270–0001	19 , 21	C370–0028–07	60	C370–0061–07	49	C470–0010	19 , 21
C290–0119	43	C370–0029–01	63 , 67 , 79	C370–0062–01	47	C470–0011	27
C290–0540	19 , 21 , 23	C370–0029–02	63 , 67 , 71 , 75 , 79 , 85 , 89	C370–0067–05	71 , 75 , 85 , 89	C470–0012	27
C290–0735	37	C370–0029–03	71 , 75 , 85 , 89	C370–0068–03	49	C470–0014	23
C290–0782	79 , 85 , 89	C370–0029–04	15 , 31 , 51 , 63 , 67 , 71 , 75 , 79 , 85 , 89 , 97	C370–0069	16	C470–0015	23
C300–0006	35			C370–0070–05	47 , 49	C470–0016	23
C310–0011	35	C370–0029–05	35 , 36	C380–0001–08	16	C480–0004	17
C310–0012	35 , 36	C370–0030–03	16 , 19 , 21 , 23 , 51 , 53 , 97	C380–0017	49	C490–0023	92
C310–0013	35			C380–0018	35	C490–0024	92
C330–0021–02	10 , 14	C370–0030–04	63 , 67 , 71 , 75 , 79 , 85 , 89 , 90	C380–0019	15 , 35 , 53	C490–0025	92
C330–0022	28 , 32	C370–0030–05	27 , 38 , 39 , 40 , 51 , 53 , 97	C380–0020	27 , 38 , 39 , 40 , 51 , 53 , 63 , 67 , 71 , 75 , 79 , 85 , 89	C490–0026	92
C330–0023	28 , 32			C380–0021	29 , 30 , 35 , 36 , 37 , 60 , 64 , 68 , 69 , 71 , 72 , 75 , 76 , 80 , 83 , 85 , 87 , 89 , 91	C490–0027	92
C335–0007	17	C370–0030–06	63 , 67 , 71 , 75 , 79 , 85 , 89			C635–0001	28 , 32
C335–0008	17			C380–0023	35	C635–0002	28 , 32
C350–0015	35					C635–0011–02	32
C350–0019	39					C635–0011–03	28
C350–0025	40						
C350–0029	38 , 39						
C350–0030	40						

## Numerical Index (Continued)

<u>Part No.</u>	<u>Page</u>	<u>Part No.</u>	<u>Page</u>	<u>Part No.</u>	<u>Page</u>	<u>Part No.</u>	<u>Page</u>
-----------------	-------------	-----------------	-------------	-----------------	-------------	-----------------	-------------

WF2075, 10 , 13



[power.cummins.com](http://power.cummins.com)

Copyright © 2019 Cummins Inc. All rights reserved.

Cummins, the "C" logo, PowerCommand, AmpSentry, and InPower are trademarks of Cummins Inc.

Other company, product, or service names may be trademarks or service marks of others.

Specifications are subject to change without notice.

