

# SPARE PART CATALOG

SYSTEM/1105065\_000001



*Power. Passion. Partnership.*

Printed in Germany

© 2015 Copyright MTU Friedrichshafen GmbH

This Publication is protected by copyright and may not be used in any way whether in whole or in part without the prior written permission of MTU Friedrichshafen GmbH. This restriction also applies to copyright, distribution, translation, microfilming and storage or processing on electronic systems including data bases and online services.

This handbook is provided for use by maintenance and operating personnel in order to avoid malfunctions or damage during operation.

Subject to alterations and amendments **Business Portal Online Print 29-04-2015**

## Preface

This catalog is the basic reference document for ordering spare parts. Illustrations are provided for extensive assembly operations to assist trained personal in conducting such operations but do not claim to be complete. For better overview, even product components that are not available as spare parts are shown.

The individual components were taken from the assembly list.

### Catalog structure

The catalog is divided into Function Groups (FG) and Function Group Segments (FGS) in ascending order.

The side contain the following information:

- **MODEL:** (Product Type)
- **SERIAL NO.:**
- **FG/FGS DESIGNATION**
- **FG/FGS NO.:**
- **BOM No.:**

### Explanation of columns

- **ITEM:** Provides a cross-reference between illustration and text section.
- **PART NO.:** This is the valid number for ordering the part in question.
- **DESIGNATION:** The precise part name.
- **MODEL/TYPE** is an additional specification.
- **QTY.: (Quantity in Unit):** Indicates the quantity of this part required for the case in question. Quantities not stated are available on request.
- **UNIT:** The 3-character codes indicate: PC = Piece, KG= Kilogram, M= Meter, ROL= Roll, PAC= Pack
- **WEIGHT**
- **FN.:** (Footnote) Provides additional parts information. For clarification of footnote symbols, see Page 2.
- **DIMENSIONS:** This column contains standard-part dimensions or manufacturer designations for purchased parts.
- **STANDARD**

### Amendments service

Part No. changes and amendments which occur after publication of the catalog are not published. We therefore recommend that users make a record of amendments in their catalogs. This information is provided, for instance, in order confirmations and/or on spare parts labels.

**Footnotes: Key**

- AB** Only available complete. Repair by manufacturer only.
- AC** Not scheduled as a spare part. Availability must be checked.
- ACN** Not scheduled as a spare part. Availability must be checked. Component only available complete.
- EM** Emission-relevant part. In the case of all marine engines with IMO certification it should be noted that the identification numbers of the emission-relevant parts on the engine must match the details given in the technical file.  
When ordering, quote EM code with order no. E.g: 535 030 04 17 EM.
- EMN** Emission-relevant parts. Component only available complete.
- KD** Group balancing required
- KE** Individual part; not scheduled as a spare part.
- KF** Adjusted spare part.
- KFN** Adjusted spare part. Component only available complete.
- M** Spares-related components or parts with different repair sizes.  
Dimensions are listed in the Tolerances and Wear Limits List.
- MN** Spares-related components or parts with different repair sizes. Components only available complete.
- MUB** Spares-related components or Parts with different repair sizes. Available only as complete set.
- NN** Component is not broken down into further sub-components.
- P** List of bought-in components
- SB** Group of parts which are welded or brazed together
- UA** Indicate dimensions when ordering
- UB** Only supplied complete or as a complete set.

**Ordering Procedure**

The following information is essential for spare-part order processing:

- Engine Model
- Serial number (see engine name plate)
- FG/FGS
- Item
- Part No.
- Designation
- Model/Type
- Quantity
- Page

When ordering replacement parts for ancillary equipment such as injection pumps, fuel pumps, etc., give both model and part number of the part.

**When ordering a calibrated part** (marked by "KF", "KFN" in the "FN" column), type the following additional information in the **Comments** field:

If the calibration No. is known (see part's nameplate):

Add the calibration No., preceded by an oblique stroke, as an extension to the part number ("/xxxxx")

e.g.: 0025362810/E1234 Here, the extension "E1234" would be the part's calibration number on the nameplate.

If the calibration No. is not known:

Give a detailed description of the required part's installation location by quoting the complete Device Description code (e.g. "= 37.1.1 + A022 - F003") plus the part number extension "/77" (e.g. 5005362810/77).

In this case, the calibrated spare part will be supplied under a new part number.

The Device Description is found on the nameplate at the part's installation location, or in the corresponding Wiring Diagram.

When ordering a non-calibrated adjustable part (marked by "KF", "KFN" in the "FN" column) which should not be calibrated by the factory: Add extension "/76" to the part number (e.g. 0025362810/76).

Phone orders should be confirmed in writing to prevent errors.

**Ordering Example:**

Engine model	Serial number	FG/FGS	ITEM	Part No.	Designation	Quantity	Page
16V4000R41	527101836	031 88	5	5270300701	Crankshaft	1	33
		083 05	10	0020922801	Easy-Cange Filter	2	92
Blue Line	V4000M Waterjet	517 00	75	5185301593	Control Console	1	53

**Factory repairs**

Parts shipped to MTU for repair must be marked with the relevant engine serial number (tag or label, for example).

### **Exchange components (Reman)**

Exchange components are parts overhauled by the manufacturer. They have the same service life and quality characteristics as new parts.

Components which are included in the Reman exchange program are marked by the following letters in front of the item number:

For instance:       **E** 524 010 3520 = **New component in exchange program**

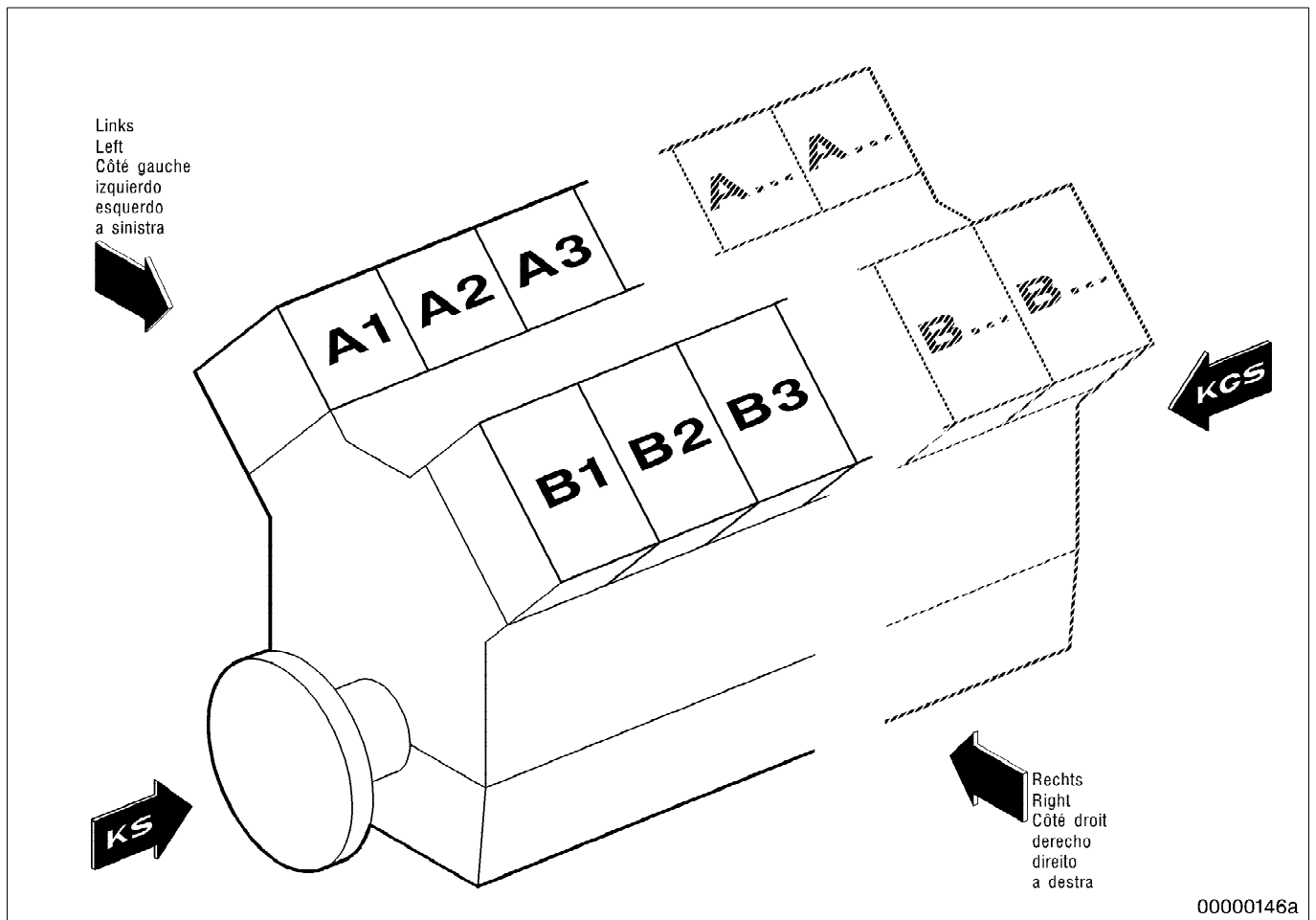
**R** 524 010 3520 = **Reman component in exchange program**

### **Exchange procedure**

With the introduction of exchange components, the so-called core deposit will also be charged for new parts. The core deposit will be indicated separately on the invoice and the respective value will be credited upon return of reusable components.

Further information upon request.

**Engine side and cylinder designations**



Engine sides / banks are always designated as viewed from the driving end (KS).  
 The left bank of cylinders is designated "A" and the right bank "B" (according to DIN ISO 1204).  
 The cylinders of each bank are numbered consecutively from the driving end, starting with No. 1.  
 Other engine components are also numbered consecutively from the driving end, starting with No. 1.

**Designations and abbreviations**

- Driving end = KS
- Free end = KGS
- Left-hand side
- Right-hand side
- Top
- Bottom
- Turbocharger = ATL





**EQUIPMENT TYPE**

PRODUCT TYPE  
SERIAL NUMBER

**Engine**

12V4000M53  
526107656

**Engine**

12V4000M53  
526107657

**Gearbox**

GEARBOX  
1105065000\_000001

**Gearbox**

GEARBOX  
1105065000\_000002

**EQUIPMENT TYPE**

PRODUCT TYPE  
SERIAL NUMBER

**Engine**

12V4000M53  
526107656

FG FG DESIGNATION  
004 LABELS AND AUXILIARY MATERIALS  
011 CRANKCASE  
014 OIL PAN  
015 ENGINE MOUNTING  
016 END HOUSING, DRIVING END AND FREE END  
018 CRANKCASE BREATHER  
024 GEARCASE, AUX PTO END  
030 RUNNING GEAR  
031 CRANKSHAFT WITH BEARINGS  
032 CRANKSHAFT, PTO ON DRIVING END  
035 CRANKSHAFT, PTO ON AUX PTO END  
036 TRANSPORT LOCK/LOCK FOR CRANKSHAFT  
037 PISTON  
038 CONNECTING ROD  
041 CYLINDER HEAD  
051 CAMSHAFT  
055 VALVE DRIVE  
073 INJECTION PUMP / HP PUMP  
075 FUEL INJECTOR  
077 INJECTION LINE / HP FUEL LINE  
080 L.P. FUEL SYSTEM; (ALSO GAS ENGINES)  
081 FUEL PIPEWORK BEFORE DELIVERY PUMP  
083 FUEL FILTER  
086 LEAK-OFF FUEL LINE / FUEL RETURN  
087 LEAK-OFF FUEL MONITORING  
101 EXHAUST TURBOCHARGER, GENERAL OR H.P. TURBOCHARGER  
111 CHARGE AIR COOLING, GENERAL, LEFT SIDE  
121 AIR FILTER  
122 AIR INTAKE SILENCER  
123 AIR SYSTEM  
124 AIR SUPPLY TO CYLINDERS  
125 AIR ROUTING BETWEEN TURBOCHARGER AND CHARGE-AIR COOLER  
141 EXHAUST SYSTEM AFTER CYLINDER HEAD  
142 CONSTANT-PRESSURE EXHAUST MANIFOLD  
143 CARRIER HOUSING  
145 EXHAUST SYSTEM AFTER TURBOCHARGER  
146 EXHAUST DUCTING AFTER ENGINE (TO END OF EXH. AFTERTREATMENT)  
172 ELECTRIC STARTING  
180 LUBRICATING OIL SYSTEM  
181 LUBE OIL PUMP AND DRIVE  
183 OIL FILTRATION/COOLING  
184 CRANKCASE-INTERNAL OIL SUPPLY  
185 TURBOCHARGER OIL SUPPLY  
188 CONNECTING HARDWARE FOR ENGINE OIL SUPPLY  
200 COOLANT SYSTEM  
202 COOLANT CIRCUIT, GENERAL, HT CIRCUIT

**FG FG DESIGNATION**

- 203 LOW-TEMPERATURE CIRCUIT
- 205 COOLANT COOLER ATTACHING H/WARE
- 206 COOLANT PIPEWORK WITH THERMOSTAT
- 207 RAW WATER PUMP WITH CONNECTIONS
- 208 COOLANT EXPANSION TANK
- 210 ELEKTRIC POWER SUPPLY, ENGINE-SIDE
- 213 GENERATOR
- 231 ENGINE MOUNTING
- 252 RUBBER COUPLING
- 293 OIL PUMP
- 301 GENERAL ACCESSORIES
- 507 WIRING, GENERAL, FOR ENGINE/GEARBOX/PLANT
- 508 ACCESSORIES FOR ENGINE GOVERNOR (ELECTRONIC) CONTROL SYSTEM

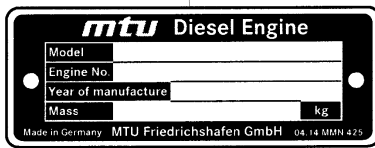
GROUP SEGMENT (FGS)

GROUP NAME

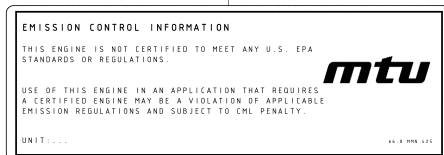
BOM-No.

05  
PLATE  
000.00899

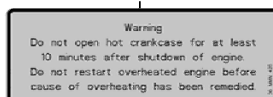
00400053a

05  
NAMEPLATE  
X00027331

00400086a

05  
NON-EPA LABEL  
XS524000.00019

00400106a

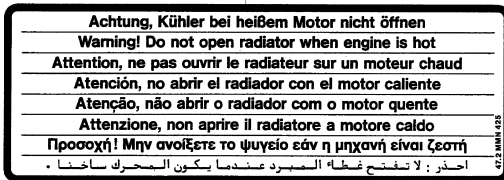
05  
PLACARD POS. EXPL: HAZARD  
XS524000.00104

00400161

GROUP SEGMENT (FGS)

GROUP NAME

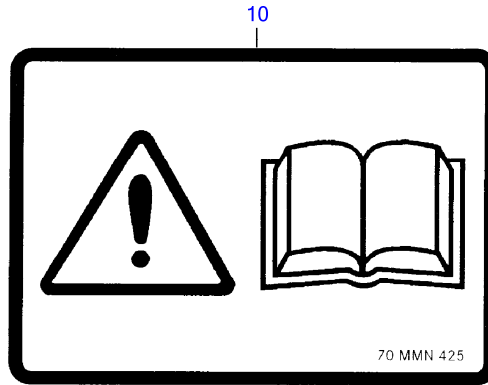
BOM-No.

05  
PLACARD  
XSD01000.00001

00400156

05  
PLACARD  
XSD01000.00002

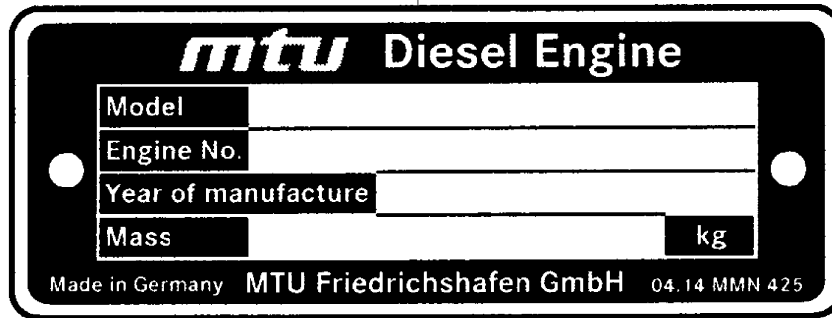
00400157



00400053a

➔	POS.	PART NO.	DESIGNATION	QTY.	UNITS	WEIGHT	MEASUREMENT	STANDARD
	10	700425000155	PLATE	1	pc	1,500 g	70	MMN425

100



200

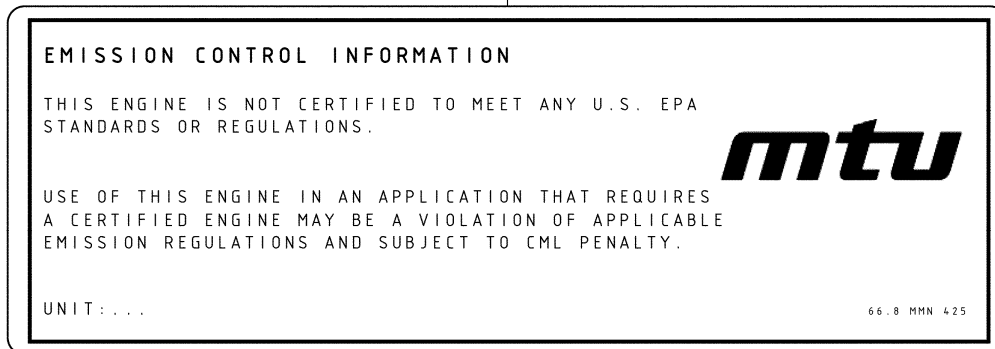


00400086a

➔	POS.	PART NO.	DESIGNATION	QTY.	UNITS	WEIGHT	FN	MEASUREMENT	STANDARD
	100	700425000169	PLATE	1	pc	3,400 g	EM	04.14	MMN425
	200	700425000170	PLATE	1	pc	2,800 g	EM	04.15	MMN425



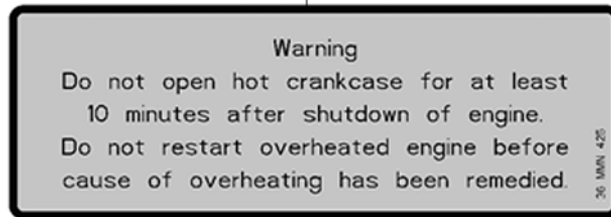
100



00400106a

➔	POS.	PART NO.	DESIGNATION	QTY.	UNITS	FN	MEASUREMENT	STANDARD
	100	700425000182	EMI-LABEL NON-EPA	1	pc	EM	66.8	MMN425

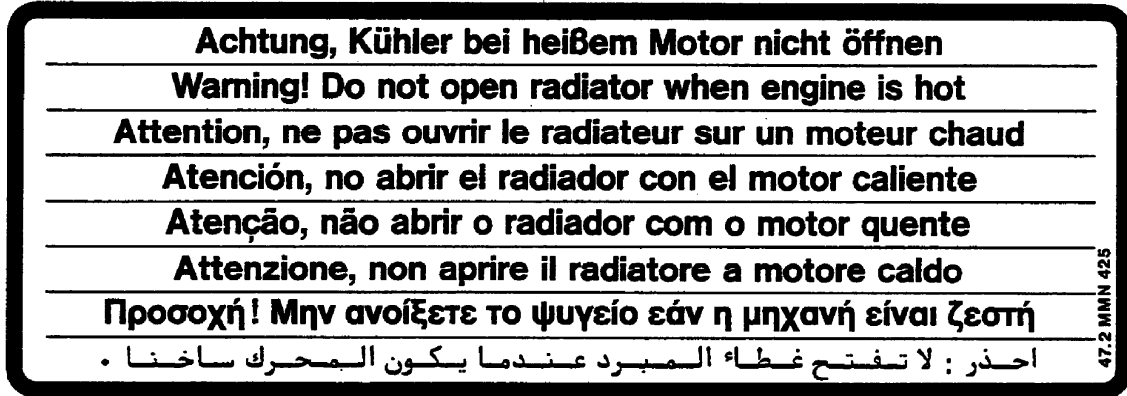
150



00400161

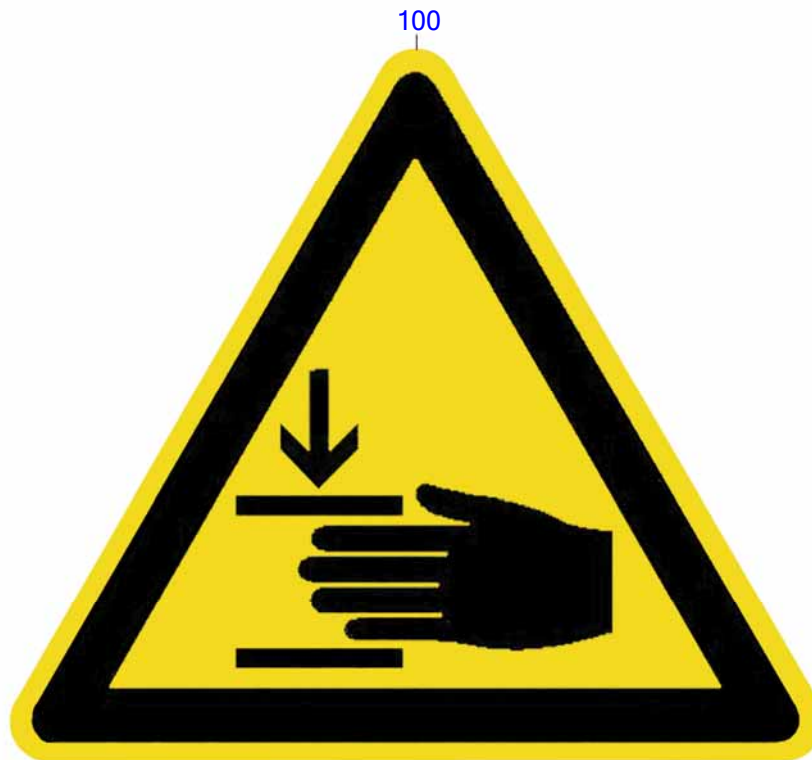
➔	POS.	PART NO.	DESIGNATION	QTY.	UNITS	WEIGHT	MEASUREMENT	STANDARD
	150	700425000039	PLATE	4	pc	2,300 g	36	MMN425

100



00400156

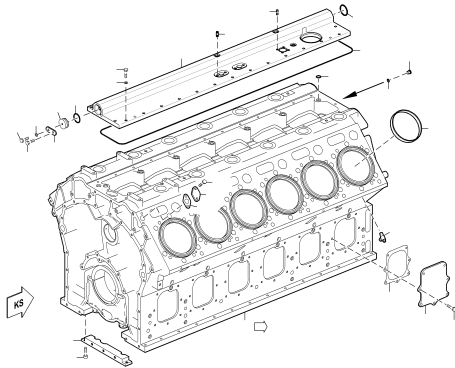
➔	POS.	PART NO.	DESIGNATION	QTY.	UNITS	WEIGHT	MEASUREMENT	STANDARD
	100	700425000112	PLATE	1	pc	2,200 g	47.2	MMN425



00400157a

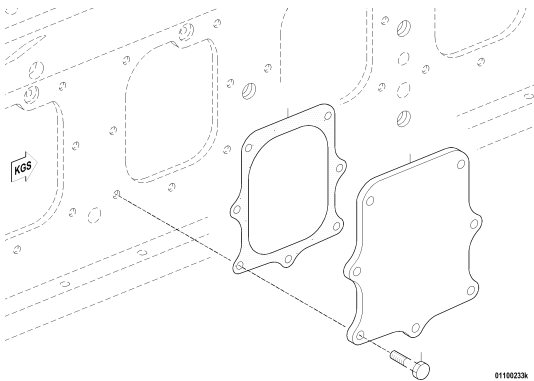
➔	POS.	PART NO.	DESIGNATION	QTY.	UNITS	WEIGHT
	100	<b>XD0000400001</b>	PLACARD CRUSHING HAZARD	2	pc	0,200 g

GROUP SEGMENT (FGS)  
GROUP NAME  
BOM-No.



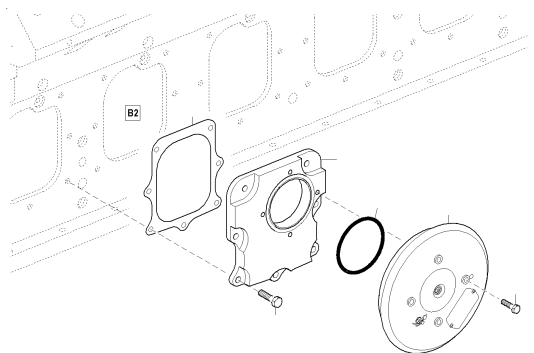
05  
CRANKCASE  
XS594010.00081

01101323



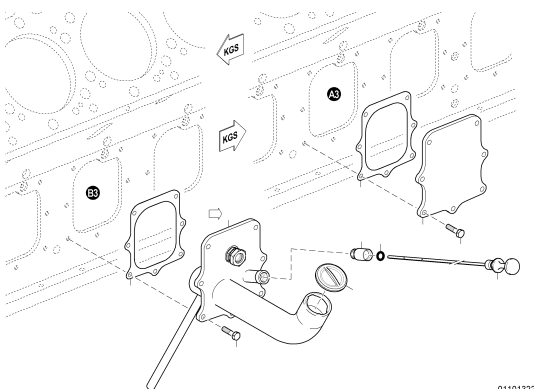
30  
INSPECT PORT COVER  
XS593010.00008

0110023k



30  
SAFETY VALVE LR ACCEPTANCE  
XS594010.00060

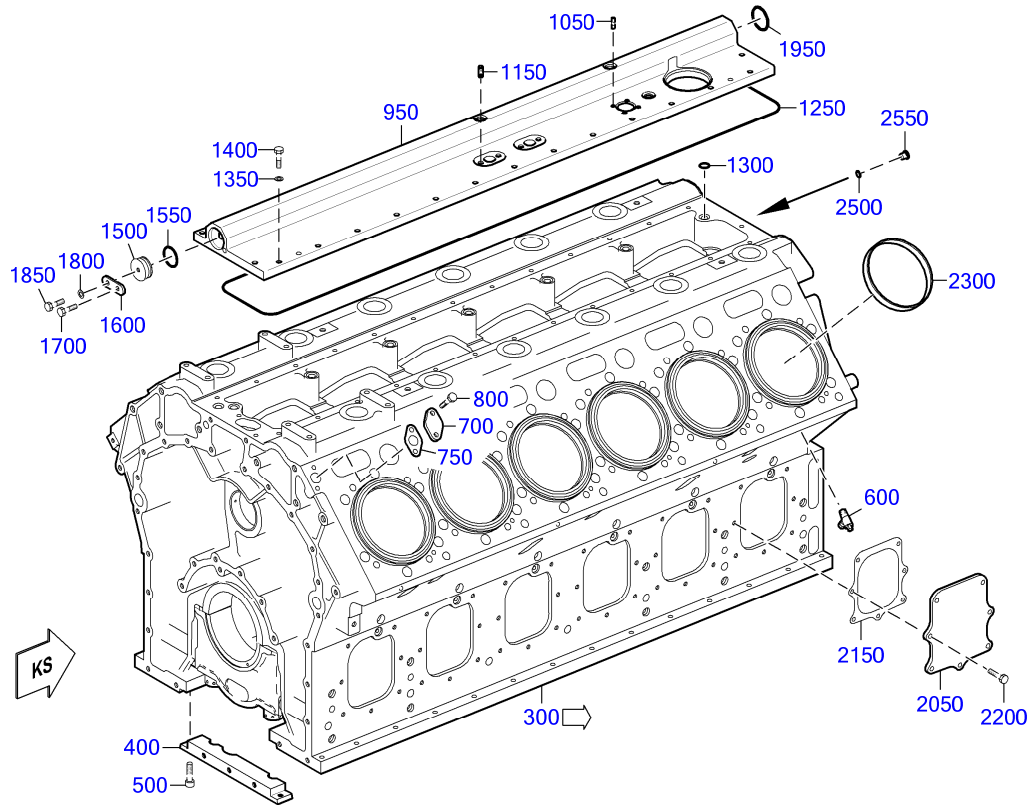
01101213b



40  
OIL FILLER NECK W OIL DIPSTICK, RGH  
XS594010.00082

01101322

## CRANKCASE



01101323

➔	POS.	PART NO.	DESIGNATION	QTY.	UNITS	WEIGHT	FN	MEASUREMENT	STANDARD
	16	300	<b>X59401100002</b>	CRANKCASE	1	pc	1.618,000	EM	
		400	<b>X52401100023</b>	STRIP	1	pc	2,800 kg		
		500	<b>000912008115</b>	BOLT HEX SOC HD	2	pc	11,400 g	M 8 X 16	DIN912
		600	<b>0049976736</b>	VALVE DRAIN	2	pc	125,000 g		
		700	<b>5240110045</b>	COVER CRANKCASE BREATHER	2	pc	170,000 g		
		750	<b>5501871280</b>	GASKET	2	pc	1,100 g		
		800	<b>000000003021</b>	HEX SCREW	4	pc	22,800 g	M 10 X 25	ISO4017
		950	<b>X52601100034</b>	CRANKCASE COVER FOR CAMSHAFT CHAMBE	1	pc	27,500 kg		
		1050	<b>000835008086</b>	STUD	4	pc	13,000 g	M 8 X 25	DIN835
		1150	<b>000835010056</b>	STUD	4	pc	22,400 g	M 10 X 25	DIN835
		1250	<b>5269970345</b>	SEAL STRIP	1	pc	138,400 g	1057X5	
		1300	<b>700429018005</b>	O-RING	8	pc	1,900 g	18 X 4	MMN429
		1350	<b>000125010524</b>	WASHER	23	pc	3,100 g	A 10,5	DIN125
		1400	<b>000000003326</b>	HEX SCREW	23	pc	27,400 g	M 10 X 35	ISO4017
		1500	<b>735084050000</b>	PLUG	1	pc	103,900 g	50	MTN5084
		1550	<b>700429042000</b>	O-RING	1	pc	6,200 g	42 X 5	MMN429
		1600	<b>5249950059</b>	STRAP	1	pc	75,000 g		
		1700	<b>000000003020</b>	HEX SCREW	1	pc	20,000 g	M 10 X 20	ISO4017
		1800	<b>007349010002</b>	WASHER	1	pc	11,000 g	10,5	DIN7349
		1850	<b>204017010004</b>	HEX SCREW	1	pc	17,900 g	M 10 X 16	ISO4017
		1950	<b>700429055001</b>	O-RING	1	pc	8,000 g	55 X 5	MMN429
		2050	<b>5240110732</b>	COVER CYL BLOCK ACCESS PORT	3	pc	2,800 kg		
		2150	<b>5240111380</b>	GASKET	3	pc	25,000 g		
		2200	<b>000000003021</b>	HEX SCREW	21	pc	22,800 g	M 10 X 25	ISO4017
		2300	<b>5240110259</b>	RING CARBON SCRAPPER	12	pc	200,000 g		

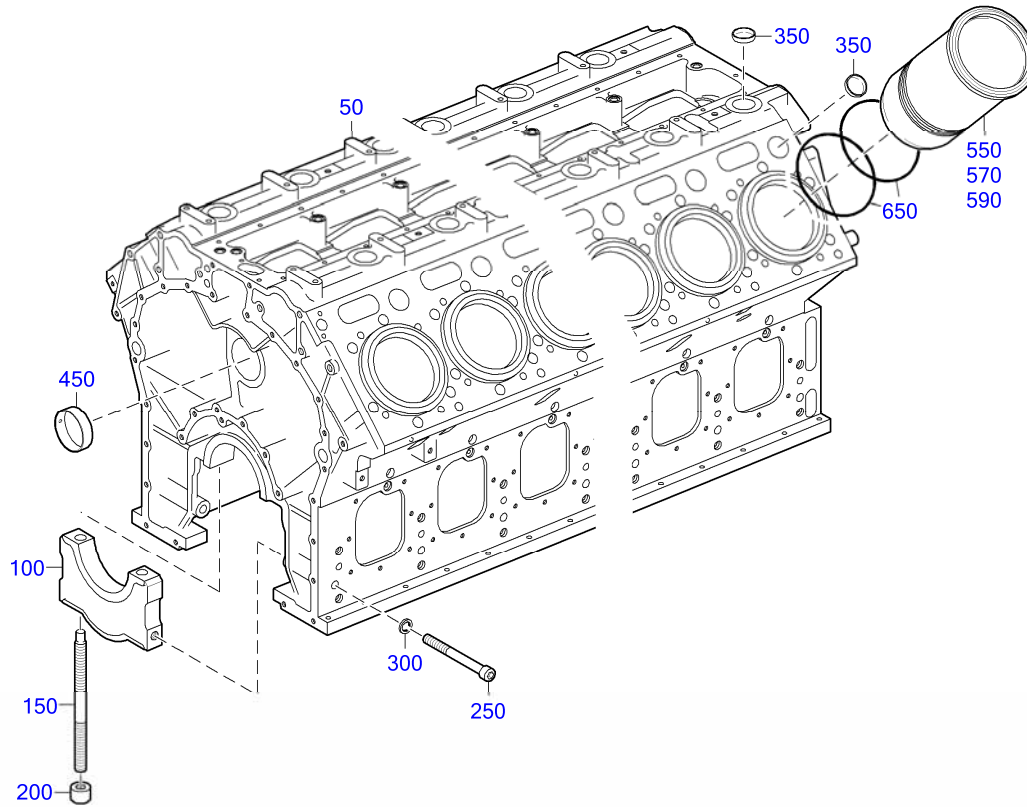
EQUI TYPE: Engine

PRODUCT TYPE: 12V4000M53  
CRANKCASE

SERIAL NUMBER: 526107656

FG/FGS: 011 05  
BOM-No.: XS594010.00081

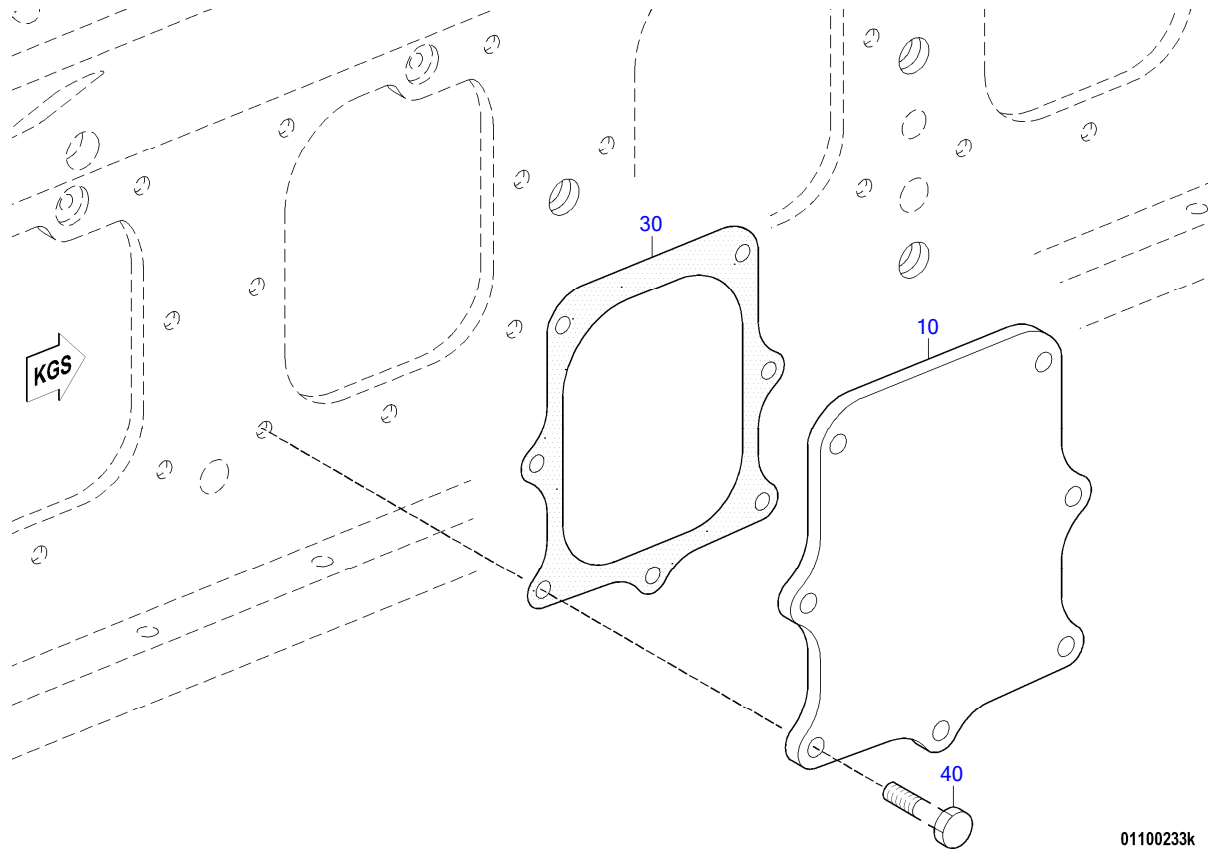
➡	POS.	PART NO.	DESIGNATION	QTY.	UNITS	WEIGHT	FN	MEASUREMENT	STANDARD
	2500	007603014102	COPPER SEALING RING	2	pc	1,000 g		A 14 X 18	DIN7603
	2550	000908014001	THREAD PLUG	2	pc	0,016 kg		M 14 X 1,5	DIN908
	3050	EX59401100002	CRANKCASE	1	pc		MN EM		



01101017b

➔	POS.	PART NO.	DESIGNATION	QTY.	UNITS	WEIGHT	FN	MEASUREMENT	STANDARD
	50	X59401100001	CRANKCASE	1	pc	1.291,000	EM		
	100	X59301100005	CRANKSHAFT BRG CAP	7	pc	12,381 kg			
	150	5240110570	STUD	14	pc	1,090 kg			
	200	5240110172	NUT	14	pc	122,600 g			
	250	X52899100040	SCREW W. INTERNAL HEX.	14	pc	448,100 g		M 20 X 180	
	300	700521020200	WASHER	14	pc	17,600 g		20,2	MMN521
	350	5249970020	SEALING CAP	24	pc	62,600 g		D 50	
	450	5240510110	BEARING CAMSHAFT STD	7	pc	136,600 g			
	550	X00027830	CYLINDER LINER SIZE 0 C23	12	pc	17,750 kg	EM		
	570	X59301300013	CYLINDER LINER SIZE 1	1	pc	18,640 kg	EM		
	590	X59301300014	CYLINDER LINER SIZE 2	1	pc	18,720 kg	EM		
	650	5550110259	SEALING RING	24	pc	24,700 g			





01100233k

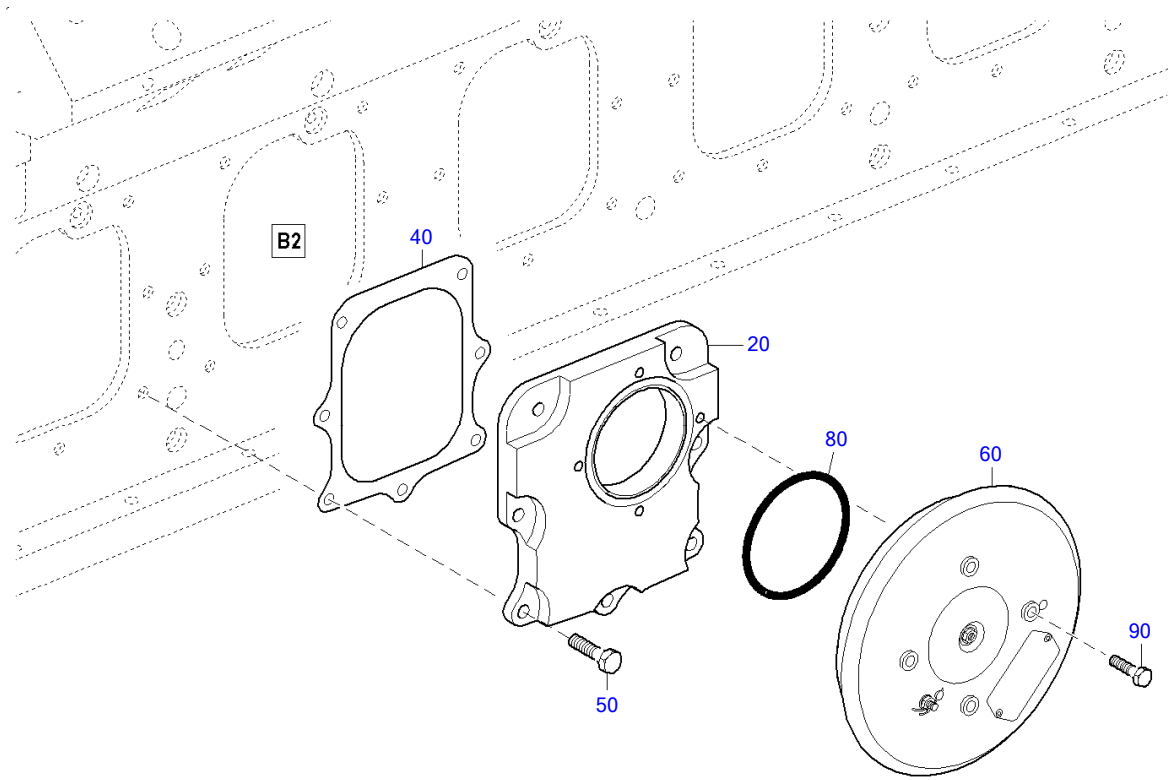
➔	POS.	PART NO.	DESIGNATION	QTY.	UNITS	WEIGHT	MEASUREMENT	STANDARD
	10	5240110732	COVER CYL BLOCK ACCESS PORT	1	pc	2,800 kg		
	30	5240111380	GASKET	1	pc	25,000 g		
	40	00000003021	HEX SCREW	7	pc	22,800 g	M 10 X 25	ISO4017

EQUI TYPE: Engine

PRODUCT TYPE: 12V4000M53  
SAFETY VALVE LR ACCEPTANCE

SERIAL NUMBER: 526107656

FG/FGS: 011 30  
BOM-No.: XS594010.00060



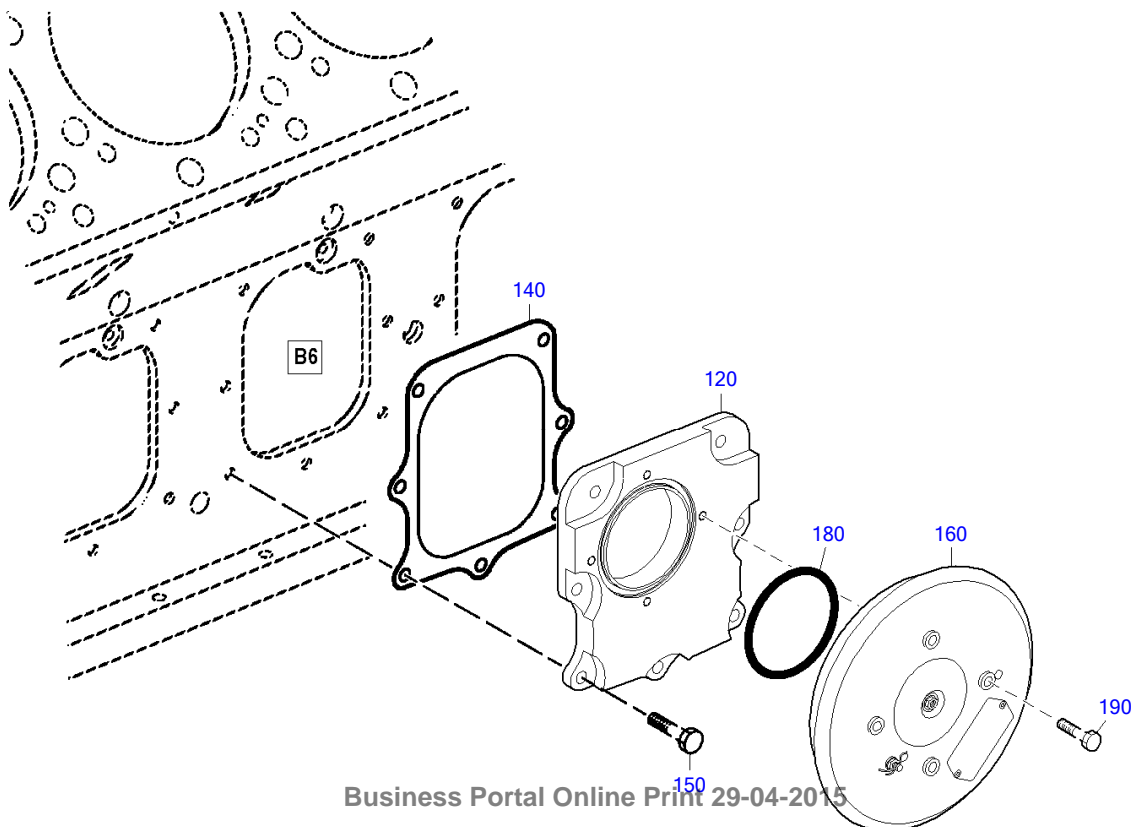
01101213b

EQUI TYPE: Engine

PRODUCT TYPE: 12V4000M53  
SAFETY VALVE LR ACCEPTANCE

SERIAL NUMBER: 526107656

FG/FGS: 011 30  
BOM-No.: XS594010.00060



Business Portal Online Print 29-04-2015

01101212b

EQUI TYPE: Engine

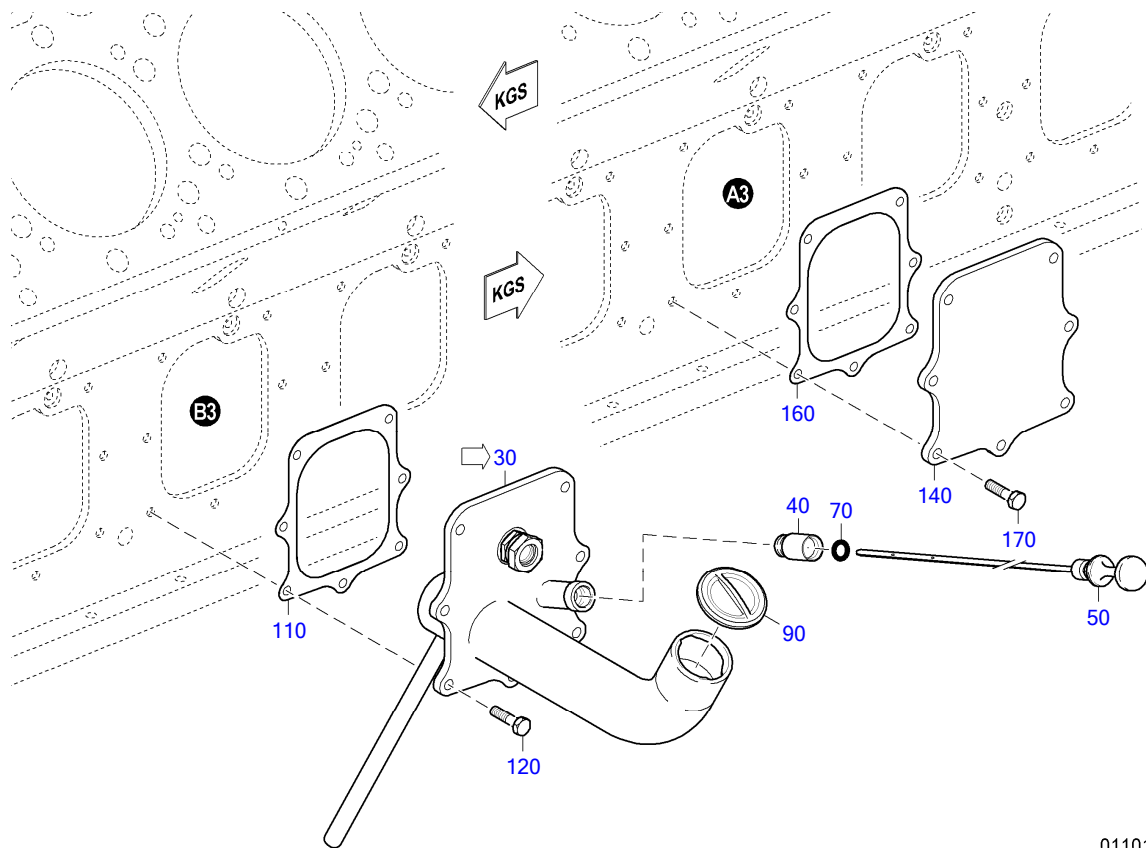
PRODUCT TYPE: 12V4000M53  
SAFETY VALVE LR ACCEPTANCE

SERIAL NUMBER: 526107656

FG/FGS: 011 30

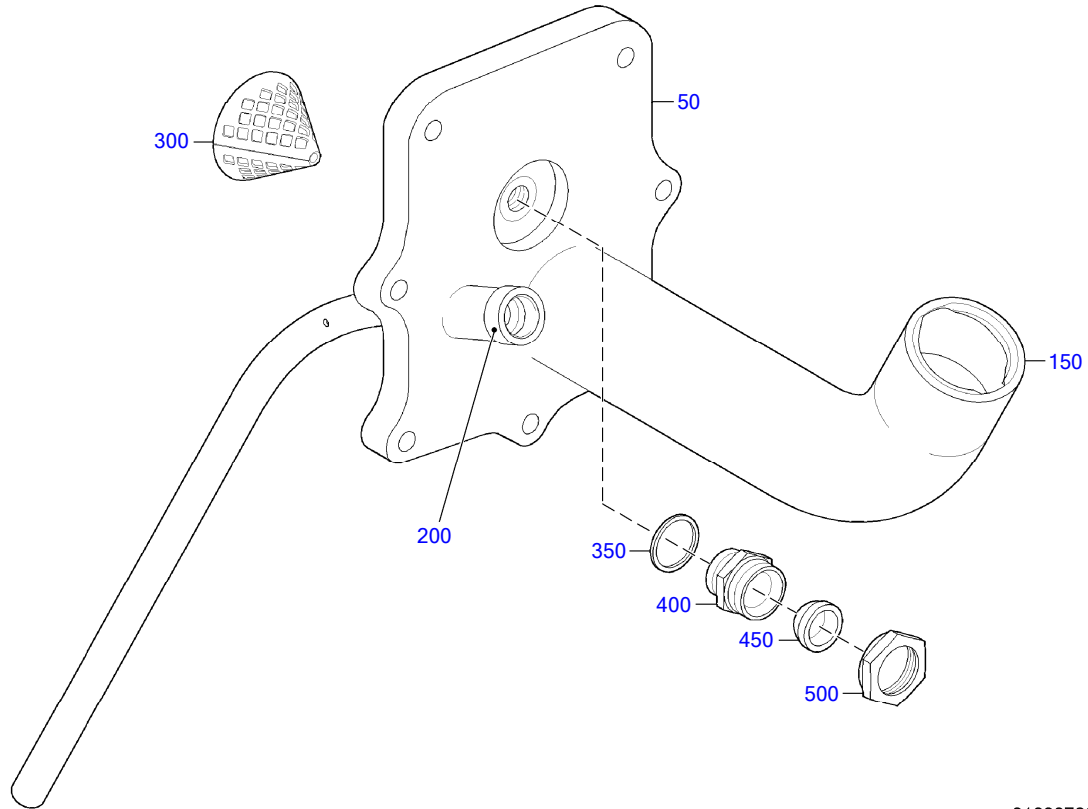
BOM-No.: XS594010.00060

➡	POS.	PART NO.	DESIGNATION	QTY.	UNITS	WEIGHT	MEASUREMENT	STANDARD
	20	X52401100005	INSPECT PORT COVER W/SAFETY VALVE	1	pc	4,563 kg		
	40	5240111380	GASKET	1	pc	25,000 g		
	50	00000003021	HEX SCREW	7	pc	22,800 g	M 10 X 25	ISO4017
	60	X58401100013/31	SAFETY VALVE LR ACCEPTANCE	1	pc	4,330 kg		
	80	700429095004	O-RING	1	pc	13,800 g	95 X 5	MMN429
	90	304017008088	HEX SCREW	4	pc	22,600 g	M 8 X 55	ISO4017
	120	X52401100006	INSPECT PORT COVER W/SAFETY VALVE	1	pc	4,610 kg		
	140	5240111380	GASKET	1	pc	25,000 g		
	150	00000003021	HEX SCREW	7	pc	22,800 g	M 10 X 25	ISO4017
	160	X58401100013/31	SAFETY VALVE LR ACCEPTANCE	1	pc	4,330 kg		
	180	700429095004	O-RING	1	pc	13,800 g	95 X 5	MMN429
	190	304017008088	HEX SCREW	4	pc	22,600 g	M 8 X 55	ISO4017



01101322

➔	POS.	PART NO.	DESIGNATION	QTY.	UNITS	WEIGHT	MEASUREMENT	STANDARD
	20	30	<b>X59401100039</b>	INSPECT PORT COVER W/OIL FILLER NECK	1	pc	4,977 kg	
		40	<b>8800180770</b>	CONNECTOR THREADED	1	pc	100,000 g	
		50	<b>5240102272</b>	OIL DIPSTICK	1	pc	208,000 g	
		70	<b>700429012002</b>	O-RING	1	pc	2,200 g	12 X 5 MMN429
		90	<b>0000181802</b>	OIL FILL CAP	1	pc	110,000 g	
		110	<b>5240111380</b>	GASKET	1	pc	25,000 g	
		120	<b>000000003021</b>	HEX SCREW	7	pc	22,800 g	M 10 X 25 ISO4017
		140	<b>5240110732</b>	COVER CYL BLOCK ACCESS PORT	1	pc	2,800 kg	
		160	<b>5240111380</b>	GASKET	1	pc	25,000 g	
		170	<b>000000003021</b>	HEX SCREW	7	pc	22,800 g	M 10 X 25 ISO4017

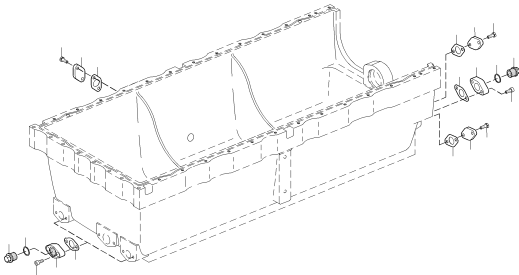


01000789

➔	POS.	PART NO.	DESIGNATION	QTY.	UNITS	WEIGHT	MEASUREMENT	STANDARD
	50	X59401100026	INSPECT PORT COVER W/OIL FILLER NECK	1	pc	2,411 kg		
	150	0000180201	OIL FILLER NECK	1	pc	85,800 g		
	200	5240180070	UNION	1	pc	281,000 g		
	300	5590180165	STRAINER	1	pc	39,900 g		
	350	007603026104	COPPER SEALING RING	1	pc	3,100 g	A 26 X 31	DIN7603
	400	915013020002	SCREW NECK	1	pc	66,700 g	20 (M30X1,5/M26X1,5)	N15013
	450	915005020001	CONE SEALING	1	pc	15,100 g	22	MBN15005
	500	915001020003	NUT	1	pc	46,900 g	20 M 30 X 1,5	N15001

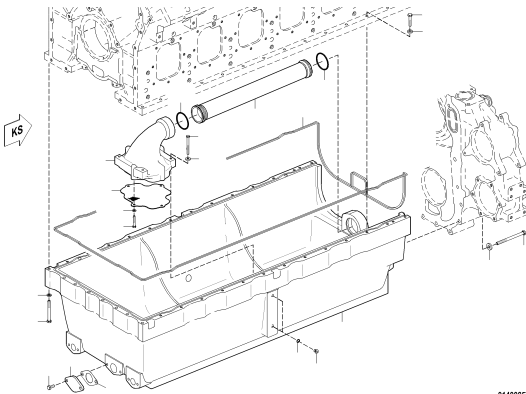
GROUP SEGMENT (FGS)  
GROUP NAME  
BOM-No.

05  
SEAL ELEM. FOR OIL PAN  
X00030760

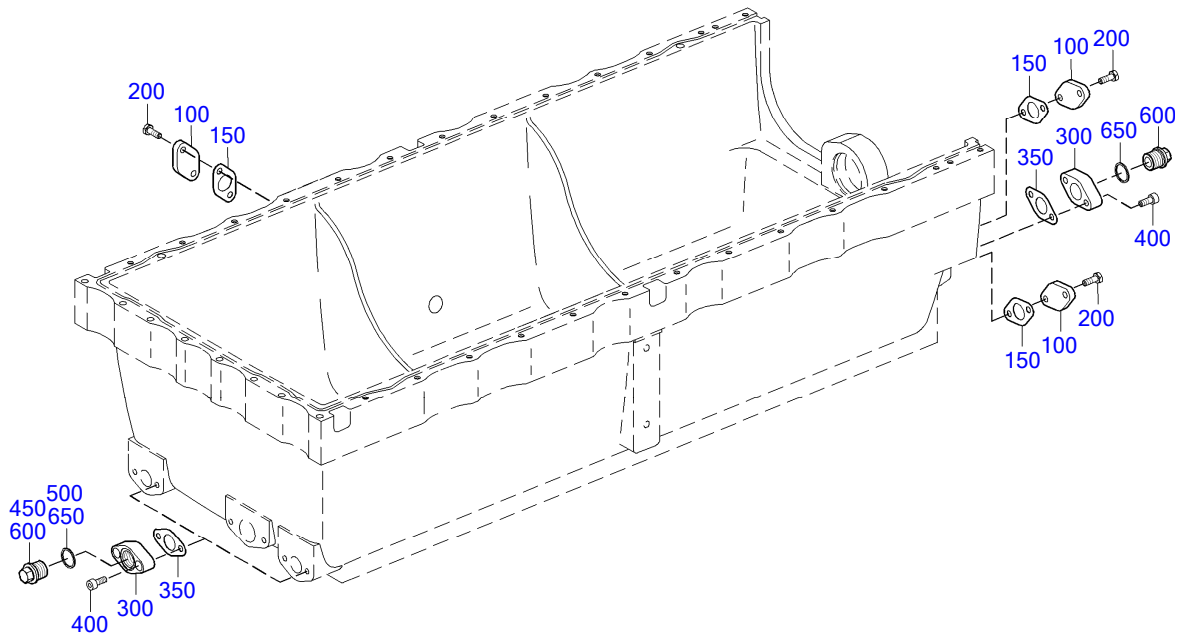


01400860d

10  
OIL PAN FOR 12V  
X00027259

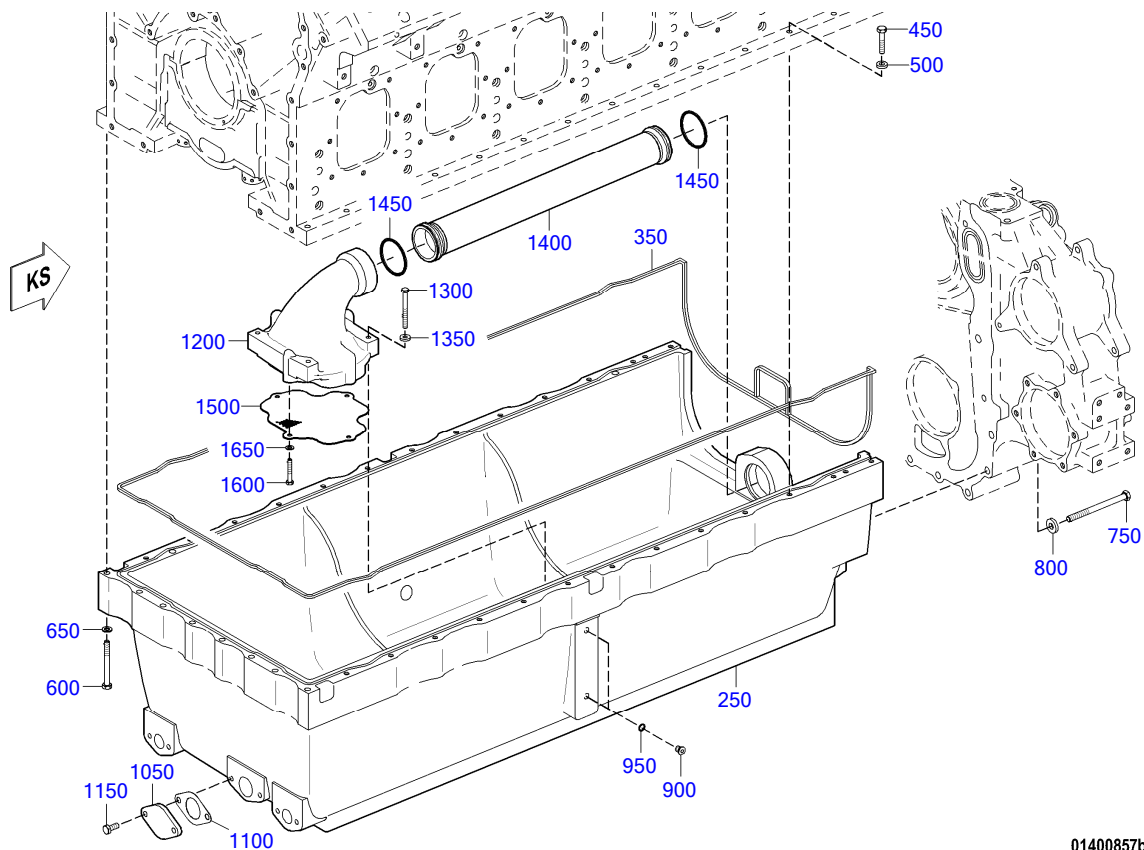


01400857b



01400860d

➔	POS.	PART NO.	DESIGNATION	QTY.	UNITS	WEIGHT	MEASUREMENT	STANDARD
	100	X00018638	FLANGE	3	pc	265,300 g		
	150	5602030280	GASKET	3	pc	2,600 g		
	200	000000001464	HEX SCREW	6	pc	24,900 g	M 10 X 30	ISO4017
	300	5500140145	FLANGE	3	pc	395,500 g		
	350	5602030280	GASKET	3	pc	2,600 g		
	400	000912010065	BOLT HEX SOC HD	6	pc	23,900 g	M 10 X 25	DIN912
	450	5379970030	PLUG	1	pc	160,000 g		
	500	007603030101	COPPER SEALING RING	1	pc	4,300 g	A 30 X 36	DIN7603
	600	5379970030	PLUG	2	pc	160,000 g		
	650	007603030101	COPPER SEALING RING	2	pc	4,300 g	A 30 X 36	DIN7603



01400857b

➔	POS.	PART NO.	DESIGNATION	MODEL/TYPE	QTY.	UNITS	WEIGHT	MEASUREMENT	STANDARD
	250	5260140102	PAN OIL CAST DUCTILE IRON GENSETS	12V4000G	1	pc	317,000 kg		
	350	5269870535	SEAL RUBBER STRIP 3629.0		1	pc	0,415 kg		
	450	000933010095	HEX SCREW		28	pc	36,100 g	M 10 X 50	DIN933
	500	735151010100	SPACER		28	pc	11,000 g	A 10,5	MTN5151
	600	000931010315	HEX SCREW		8	pc	67,800 g	M 10 X100	DIN931
	650	000125010524	WASHER		8	pc	3,100 g	A 10,5	DIN125
	750	000931012176	HEX SCREW		10	pc	138,500 g	M 12 X150	DIN931
	800	007349013002	WASHER		10	pc	24,500 g	13	DIN7349
	900	000908012003	THREAD PLUG		2	pc	11,900 g	M 12 X 1,5	DIN908
	950	007603012111	COPPER SEALING RING		2	pc	0,700 g	A 12 X 15,5	DIN7603
	1050	5240140033	COVER	BR4000	1	pc	415,000 g		
	1100	5240140080	GASKET		1	pc	5,000 g		
	1150	000933010035	HEX SCREW		2	pc	23,900 g	M 10 X 25	DIN933
	1200	X00020248	ELBOW SUMP OIL PICKUP ASM		1	pc	3,326 kg		
	1300	000931008189	HEX SCREW		4	pc	35,600 g	M 8 X 85	DIN931
	1350	007349008002	WASHER		4	pc	7,900 g	8,4	DIN7349
	1400	X00006300	TUBE ASM C23		1	pc	2,940 kg		
	1450	700429070000	O-RING		2	pc	10,300 g	70 X 5	MMN429
	1500	X00020254	STRAINER		1	pc	375,000 g		
	1600	304017008087	HEX SCREW		4	pc	21,300 g	M 8 X 50	ISO4017
	1650	000125008427	WASHER		4	pc	1,500 g	A 8,4	DIN125

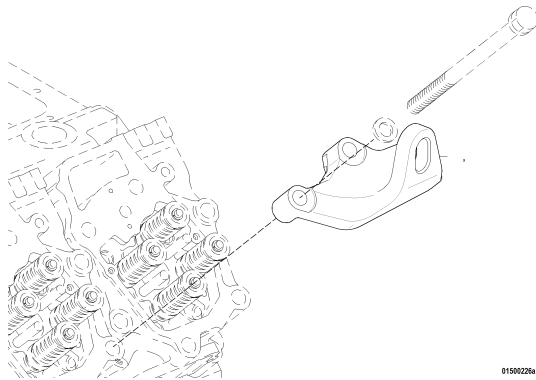


GROUP SEGMENT (FGS)

GROUP NAME

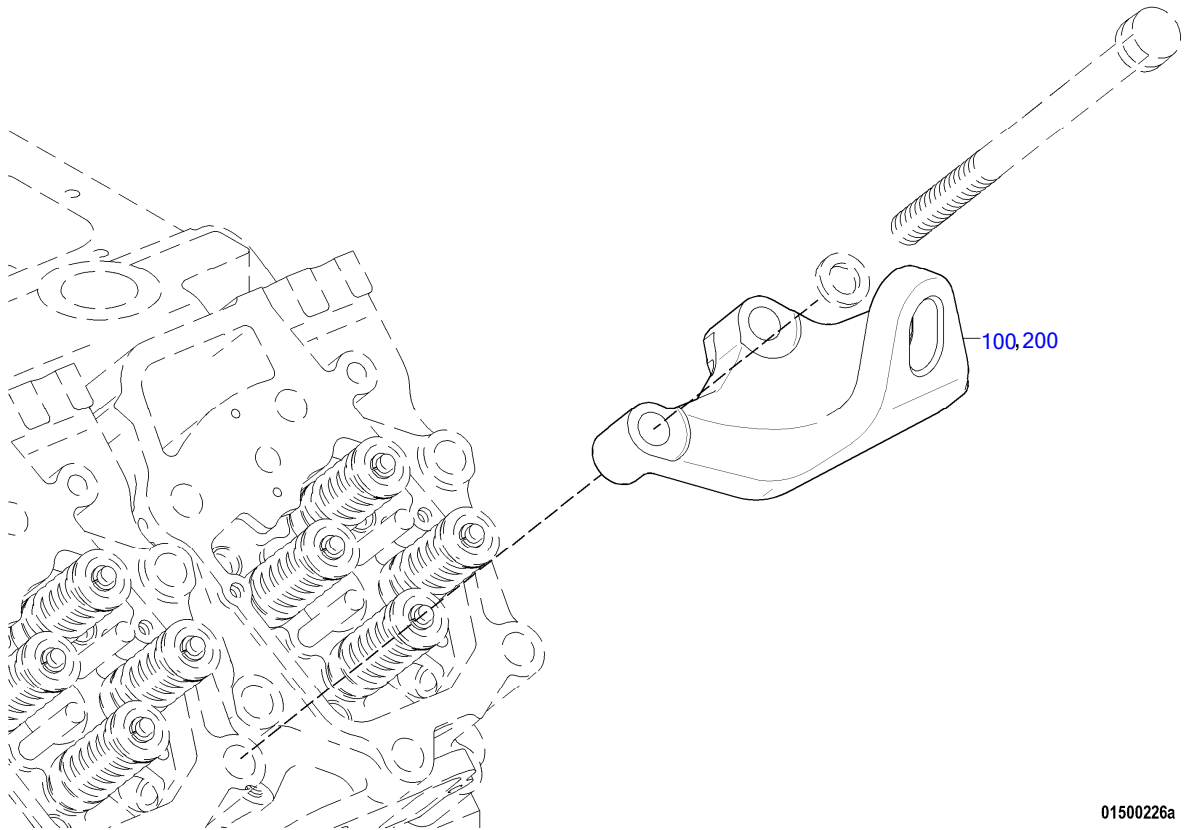
BOM-No.

---



05  
**ENGINE MOUNTING REINFORCED**  
XS596010.00036

01500226a

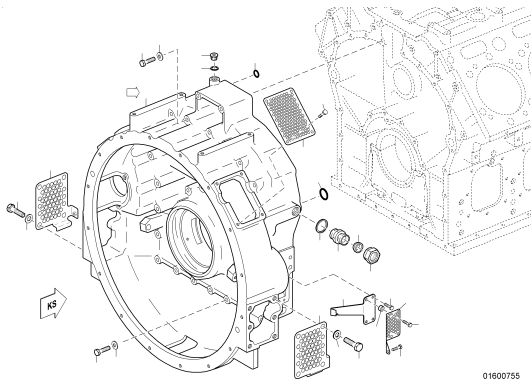


➔	POS.	PART NO.	DESIGNATION	QTY.	UNITS	WEIGHT
	100	X52801500002	LIFTING EYE	2	pc	9,500 kg
	200	X52801500002	LIFTING EYE	2	pc	9,500 kg

GROUP SEGMENT (FGS)

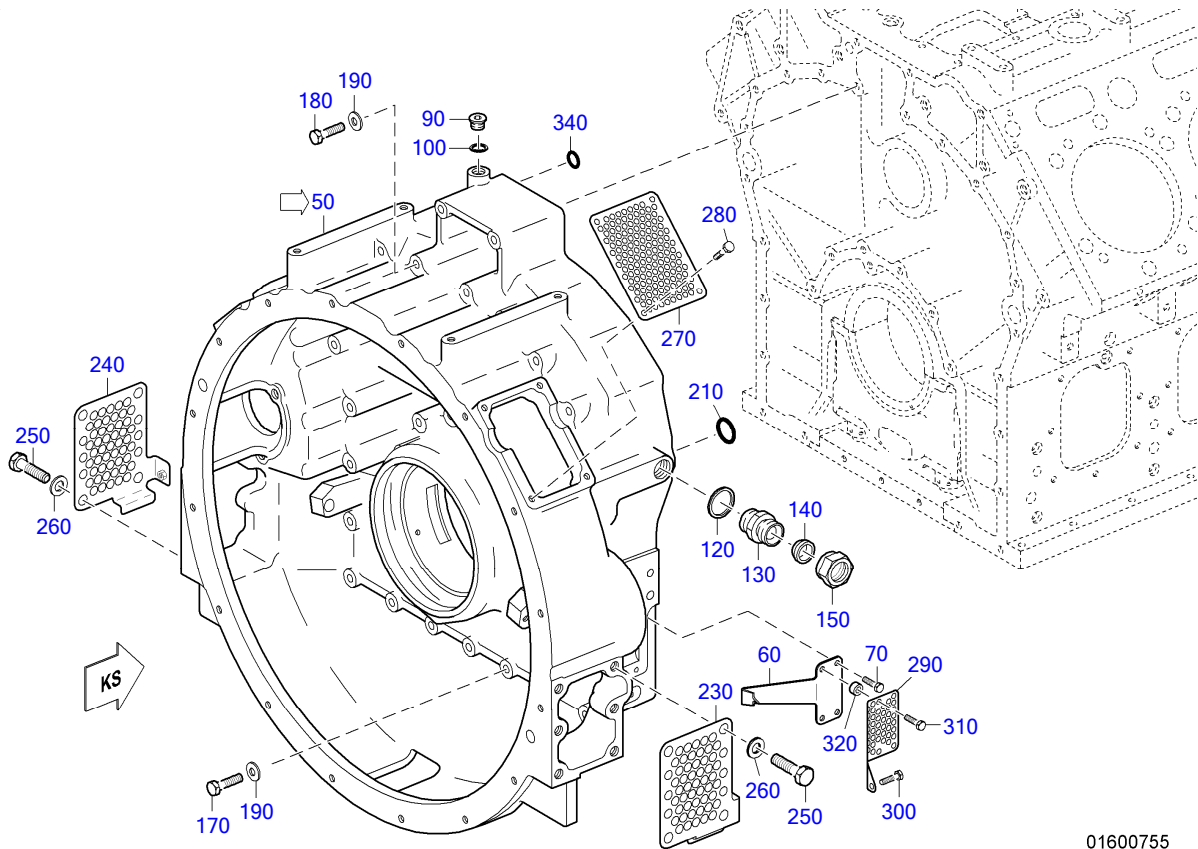
GROUP NAME

BOM-No.



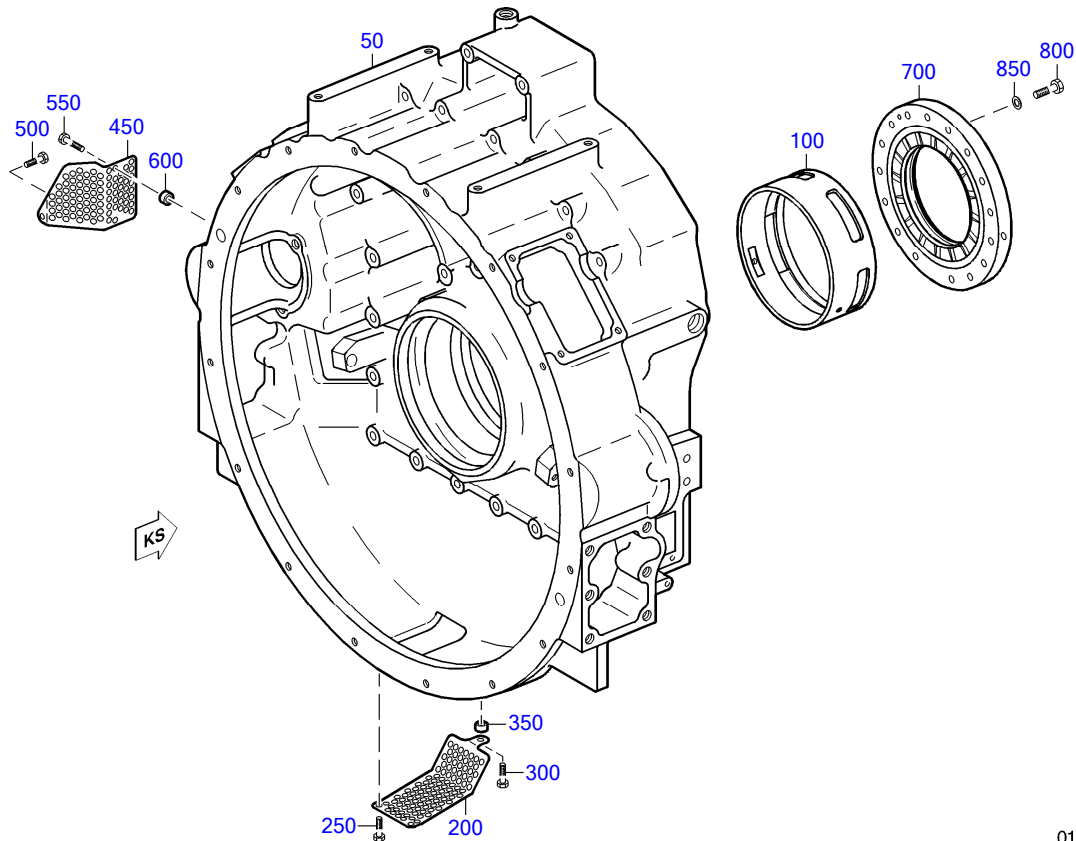
30  
**FLYWHEEL HOUSING**  
XS593010.00019

01600755



01600755

➔	POS.	PART NO.	DESIGNATION	MODEL/TYPE	QTY.	UNITS	WEIGHT	MEASUREMENT	STANDARD
	28	50	<b>X00021778</b>	F/W HSG ASM	1	pc	246,500 kg		
		60	<b>X59301600002</b>	DEAD-CENTER INDICATR	1	pc	245,000 g		
		70	<b>304017008077</b>	HEX SCREW	2	pc	10,500 g	M 8 X 16	ISO4017
		90	<b>000908026005</b>	THREAD PLUG	1	pc	0,069 kg	M 26 X 1,5	DIN908
		100	<b>007603026104</b>	COPPER SEALING RING	1	pc	3,100 g	A 26 X 31	DIN7603
		120	<b>007603030101</b>	COPPER SEALING RING	2	pc	4,300 g	A 30 X 36	DIN7603
		130	<b>915007020001</b>	CONNECTOR 20/16	2	pc	85,000 g	20 / 16 (M30X1,5/M26X1,5)	N15007
		140	<b>915005016000</b>	CONE SEALING 18	2	pc	11,500 g	18	MBN15005
		150	<b>915001016004</b>	NUT 16 M26X1.5 BL.GEOELT	2	pc	40,900 g	16 M 26 X 1,5	N15001
		170	<b>000931012215</b>	HEX SCREW	23	pc	140,300 g	M 12 X150	DIN931
		180	<b>000931012106</b>	HEX SCREW	8	pc	182,800 g	M 12 X200	DIN931
		190	<b>006796012100</b>	CONICAL SPR. WASHER	31	pc	11,500 g	12	DIN6796
		210	<b>700429033001</b>	O-RING	2	pc	5,100 g	33 X 5	MMN429
		230	<b>5240100267</b>	PLATE GUARD RIGHT	1	pc	530,000 g		
		240	<b>5240100367</b>	PLATE GUARD LEFT	1	pc	510,000 g		
		250	<b>000933016003</b>	HEX SCREW	8	pc	68,700 g	M 16 X 25	DIN933
		260	<b>000125017014</b>	WASHER	8	pc	9,700 g	A 17	DIN125
		270	<b>X00021753</b>	GUARD PLATE	2	pc	181,900 g		
		280	<b>304017008076</b>	HEX SCREW	8	pc	9,100 g	M 8 X 12	ISO4017
		290	<b>5240140515</b>	SCREEN FLYWHL HSG RT	BR 4000	1	pc	105,000 g	
		300	<b>304017008076</b>	HEX SCREW	1	pc	9,100 g	M 8 X 12	ISO4017
		310	<b>304017008081</b>	HEX SCREW	2	pc	13,400 g	M 8 X 25	ISO4017
		320	<b>5511530050</b>	SPACER BUSHING	2	pc	13,200 g	Ø18/Ø10 × 10	
		340	<b>700429020003</b>	O-RING	2	pc	2,100 g	20 X 4	MMN429



01600178a

➔	POS.	PART NO.	DESIGNATION	MODEL/TYPE	QTY.	UNITS	WEIGHT	MEASUREMENT	STANDARD
	50	X00021780	FLYWHEEL HOUSING (ONLY MACHINED)		1	pc	231,000 kg		
	100	5240332730	CRANKSHAFT BEARING DRIVING END (KS)		1	pc	2,220 kg		
	200	5240100467	GUARD PLATE BOTTOM	4000	1	pc	107,100 g		
	250	304017008076	HEX SCREW		2	pc	9,100 g	M 8 X 12	ISO4017
	300	304017008081	HEX SCREW		1	pc	13,400 g	M 8 X 25	ISO4017
	350	5511530050	SPACER BUSHING		1	pc	13,200 g	Ø18/Ø10 × 10	
	450	5240140615	SCREEN FLYWHL HSG LT	BR 4000	1	pc	105,000 g		
	500	304017008076	HEX SCREW		1	pc	9,100 g	M 8 X 12	ISO4017
	550	304017008081	HEX SCREW		2	pc	13,400 g	M 8 X 25	ISO4017
	600	5511530050	SPACER BUSHING		2	pc	13,200 g	Ø18/Ø10 × 10	
	700	5280330362	THRUST WASHER		1	pc	9,260 kg		
	800	000931010105	HEX SCREW		16	pc	43,900 g	M 10 X 60	DIN931
	850	200433010500	WASHER		16	pc	1,900 g	10,5	DIN433

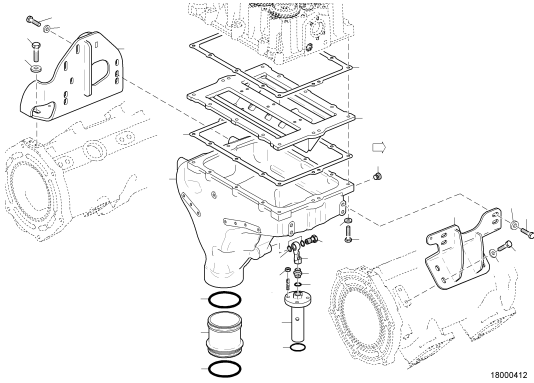
GROUP SEGMENT (FGS)

GROUP NAME

BOM-No.

---

00  
CRANKCASE BREATHER FOR 12V  
XS594010.00077



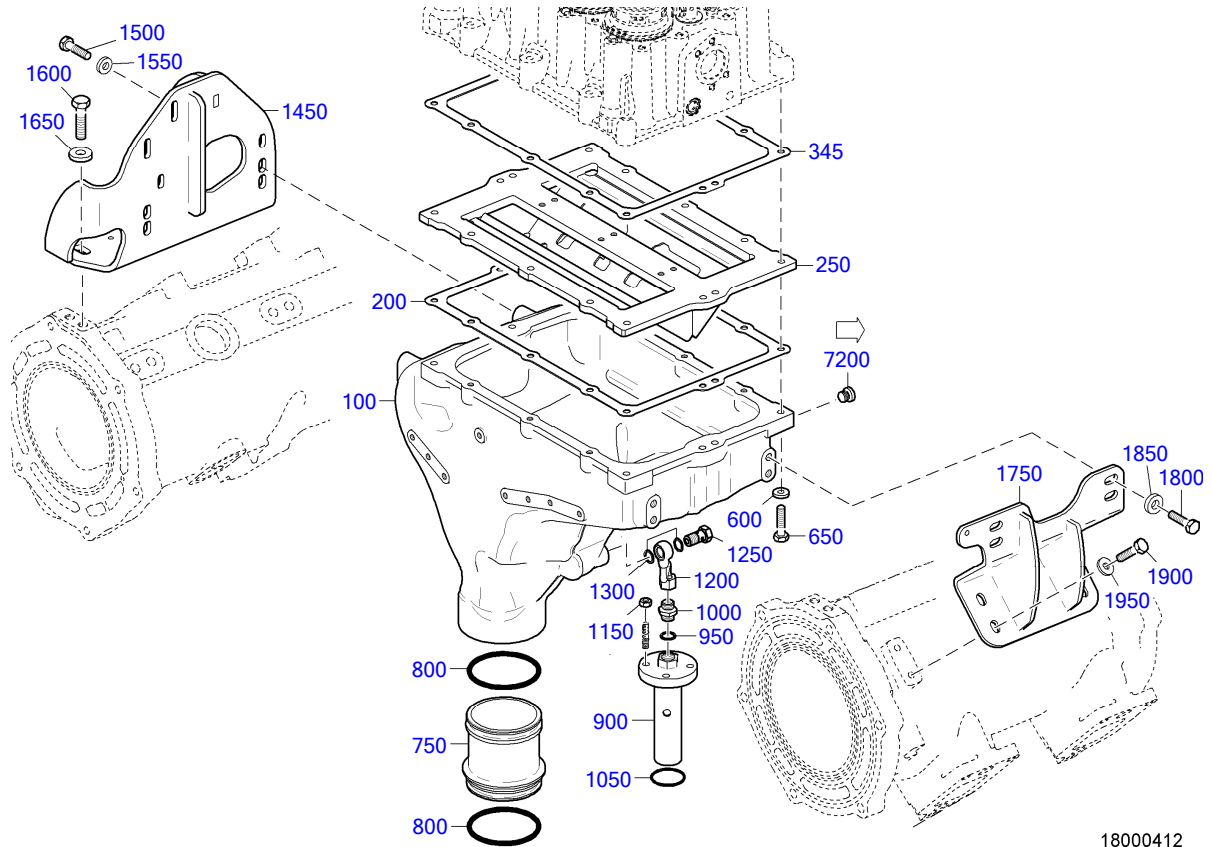
EQUI TYPE: Engine

PRODUCT TYPE: 12V4000M53  
CRANKCASE BREATHER FOR 12V

SERIAL NUMBER: 526107656

FG/FGS: 018 00

BOM-No.: XS594010.00077



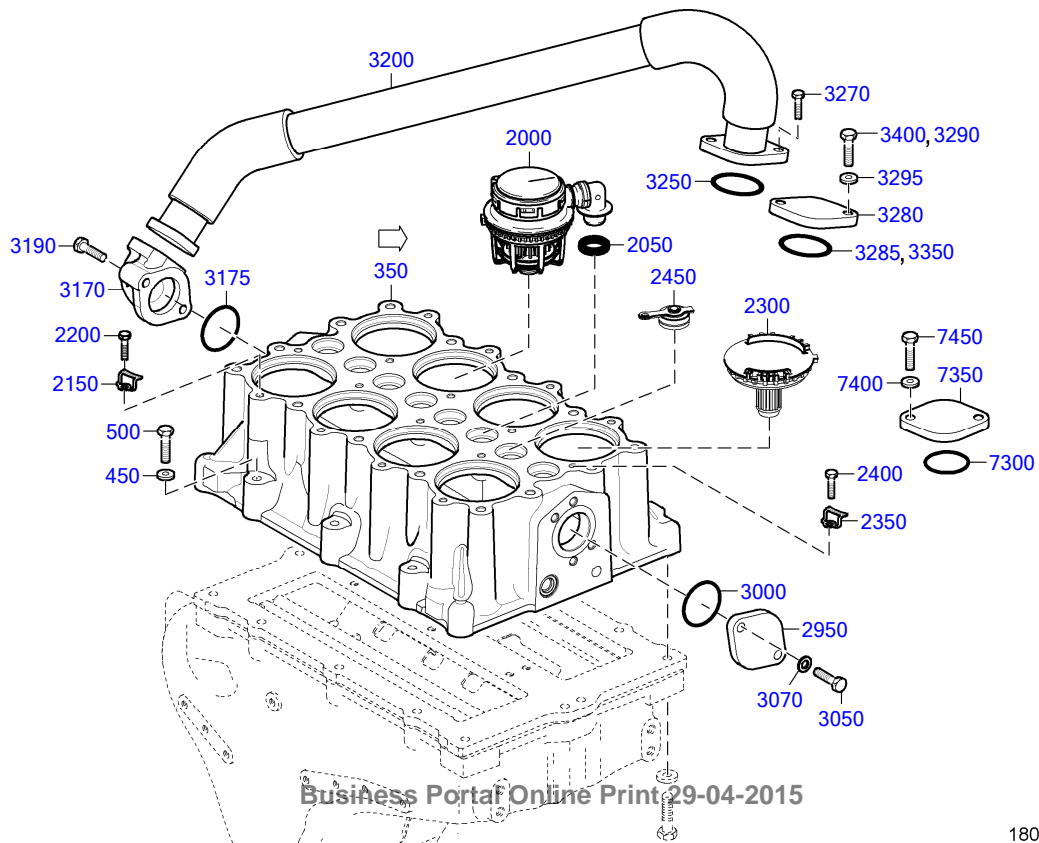
EQUI TYPE: Engine

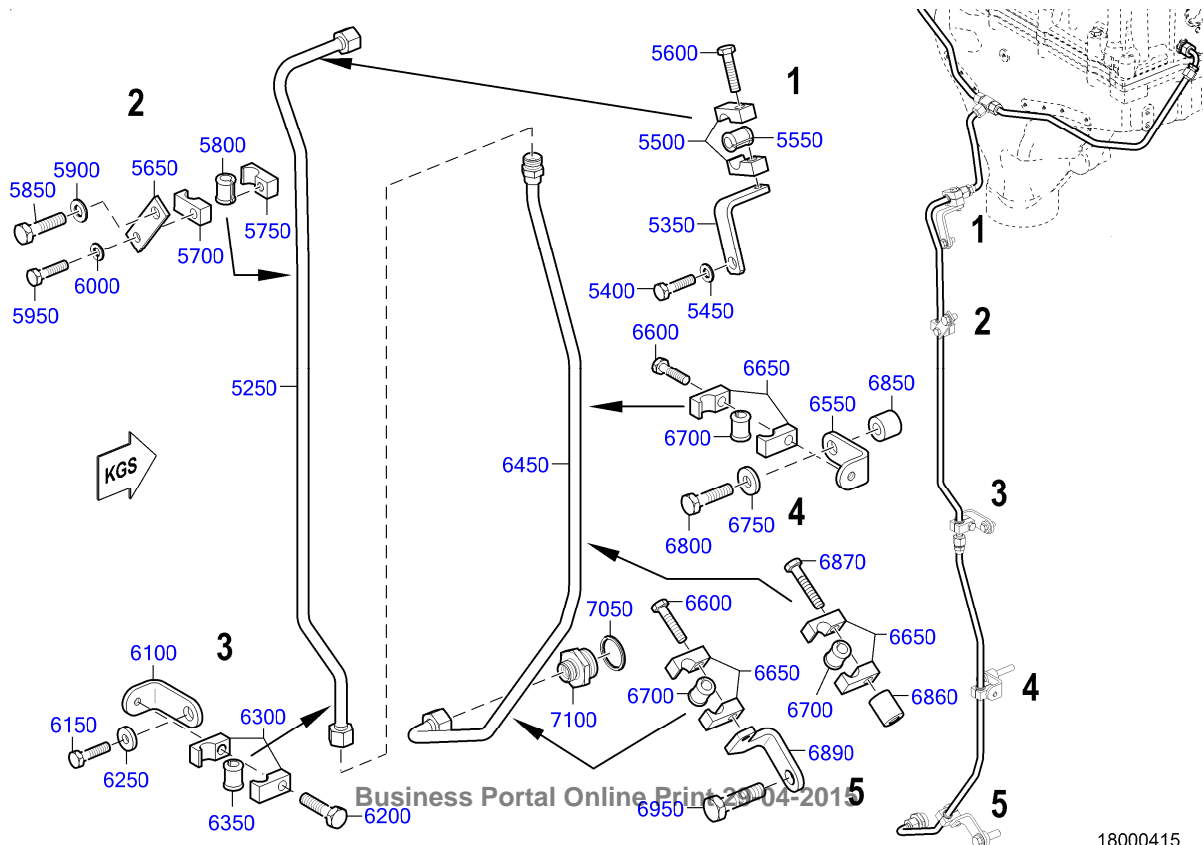
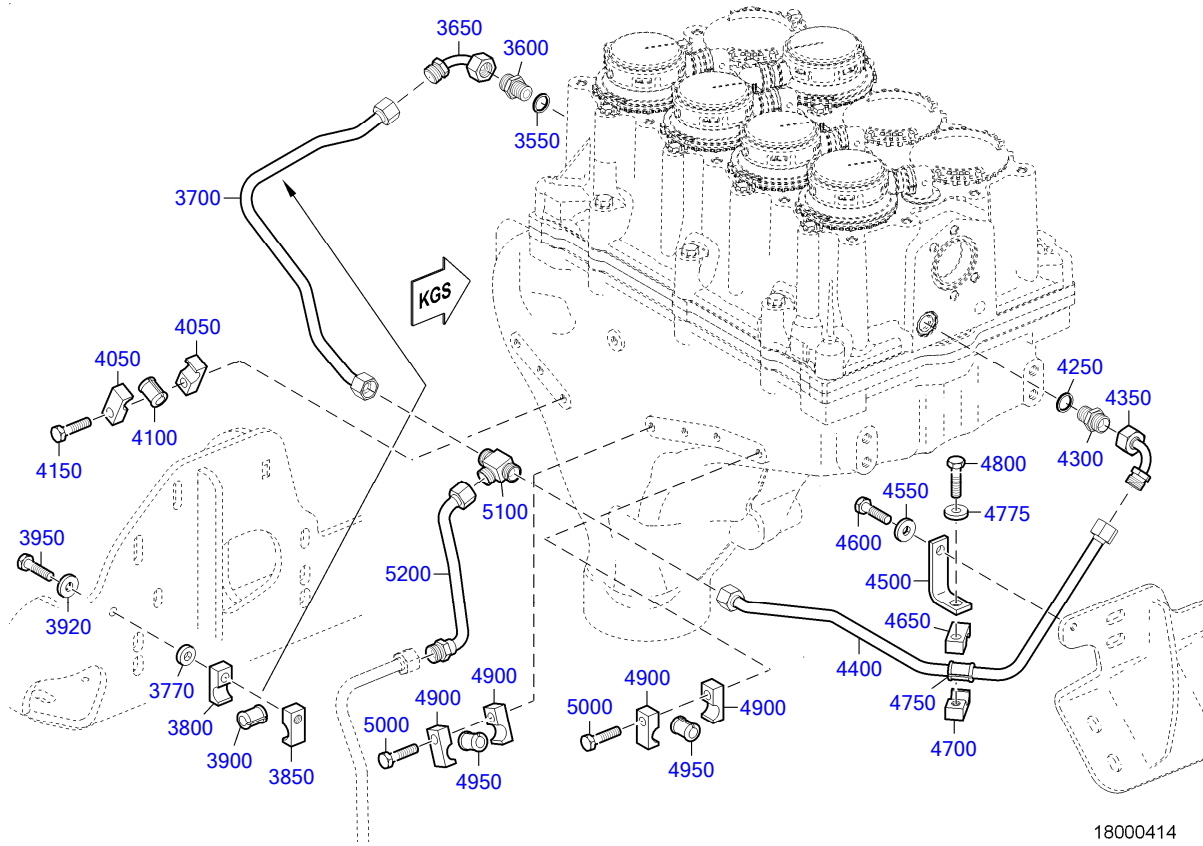
PRODUCT TYPE: 12V4000M53  
CRANKCASE BREATHER FOR 12V

SERIAL NUMBER: 526107656

FG/FGS: 018 00

BOM-No.: XS594010.00077



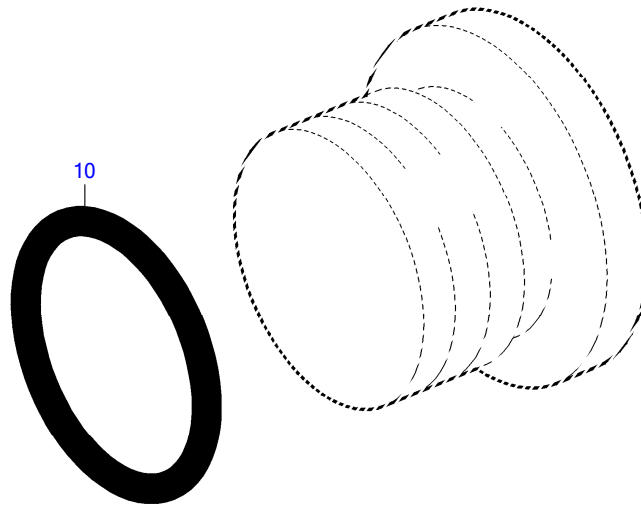




➡	POS.	PART NO.	DESIGNATION	MODEL/TYPE	QTY.	UNITS	WEIGHT	FN	MEASUREMENT	STANDARD
	100	X59401800012	VENT HOUSING		1	pc	31,000 kg	EM		
	200	X52701800027	GASKET		1	pc	46,400 g			
	250	X52701800028	OIL PRESEPARATOR		1	pc	7,800 kg	EM		
	345	X52701800027	GASKET		1	pc	46,400 g			
32	350	X59301800037	IMPAKTOR CARRIER		1	pc	10,300 kg	EM		
	450	000125008427	WASHER		6	pc	1,500 g	A 8,4		DIN125
	500	204017008032	HEX SCREW		6	pc	25,500 g	M 8 X 65		ISO4017
	600	000125008427	WASHER		8	pc	1,500 g	A 8,4		DIN125
	650	304017008087	HEX SCREW		8	pc	21,300 g	M 8 X 50		ISO4017
	750	X52701800025	PLUG-IN PIPE		1	pc	907,800 g			
	800	700429085002	O-RING		2	pc	17,500 g	85 X 6		MMN429
	900	X00036071	DRAIN PIPE		1	pc	701,500 g	SB EM		
	950	007603016105	COPPER SEALING RING		1	pc	3,000 g	A 16 X 20		DIN7603
	1000	915006008002	UNION		1	pc	29,700 g	8		N15006
	1050	700429040000	O-RING		1	pc	2,000 g	40 X 3		MMN429
	1150	304032008014	NUT HEX 8 A3C		4	pc	4,800 g	M 8		ISO4032
	1200	X52701800037	OIL LINE		1	pc	83,800 g	SB		
	1250	700223006000	BOLT BANJO A8 S2000/4000		1	pc	38,800 g	A 8		MMN223
	1300	007603014102	COPPER SEALING RING		2	pc	1,000 g	A 14 X 18		DIN7603
	1450	X59499100164	RETAINER F.CRANKC.VENT.RIGHT		1	pc	6,515 kg			
	1500	000000001464	HEX SCREW		4	pc	24,900 g	M 10 X 30		ISO4017
	1550	735151010100	SPACER		4	pc	11,000 g	A 10,5		MTN5151
	1600	204017012009	HEX SCREW		2	pc	43,800 g	MN M 12 X 40		ISO4017
	1650	007349013002	WASHER		2	pc	24,500 g	13		DIN7349
	1750	X59401800029	RETAINER F.CRANKC.VENT.LEFT		1	pc	3,000 kg			
	1800	000000003021	HEX SCREW		4	pc	22,800 g	M 10 X 25		ISO4017
	1850	735151010100	SPACER		4	pc	11,000 g	A 10,5		MTN5151
	1900	000000003021	HEX SCREW		4	pc	22,800 g	M 10 X 25		ISO4017
	1950	007349010002	WASHER		4	pc	11,000 g	10,5		DIN7349
	2000	X54701800063	OIL SEPARATOR		5	pc	164,300 g	EM		
	2050	700429020004	O-RING		5	pc	4,800 g	20 X 6		MMN429
	2150	XP57518300057	RETAINER		10	pc	3,000 g			
	2175	000125006431	WASHER		7	pc	0,800 g	A 6,4		DIN125
	2200	000933006207	HEX SCREW		10	pc	4,800 g	M 6 X 14		DIN933
	2300	X57518300050	PLUG		3	pc	65,800 g			
	2350	XP57518300057	RETAINER		6	pc	3,000 g			
	2375	000125006431	WASHER		6	pc	0,800 g	A 6,4		DIN125
	2400	000933006207	HEX SCREW		6	pc	4,800 g	M 6 X 14		DIN933
	2450	X54799100074	PLUG		3	pc	31,400 g			
	2950	X59499100174	FLANGE		1	pc	94,800 g			
	3000	700429043000	O-RING		1	pc	2,200 g	43 X 3		MMN429
	3050	304017008081	HEX SCREW		2	pc	13,400 g	M 8 X 25		ISO4017
	3070	000125008427	WASHER		2	pc	1,500 g	A 8,4		DIN125
	3170	X54701800040	CONNECTING PIECE F/CRANKCASE VENTILA	ZWEILOCHFLANSCH	1	pc	699,800 g	EM		
	3175	700429043000	O-RING		1	pc	2,200 g	43 X 3		MMN429
	3190	304017008086	HEX SCREW		2	pc	19,400 g	M 8 X 45		ISO4017
	3200	X59499100383	HOSE F/CRANKCASE VENTILA		1	pc	750,000 g			
	3250	700429043000	O-RING		1	pc	2,200 g	43 X 3		MMN429
	3270	304017008081	HEX SCREW		2	pc	13,400 g	M 8 X 25		ISO4017
	3280	X59499100174	FLANGE		1	pc	94,800 g			
	3285	700429043000	O-RING		1	pc	2,200 g	43 X 3		MMN429
	3290	304017008081	HEX SCREW		2	pc	13,400 g	M 8 X 25		ISO4017
	3295	000125008427	WASHER		2	pc	1,500 g	A 8,4		DIN125
	3350	700429043000	O-RING		1	pc	2,200 g	43 X 3		MMN429

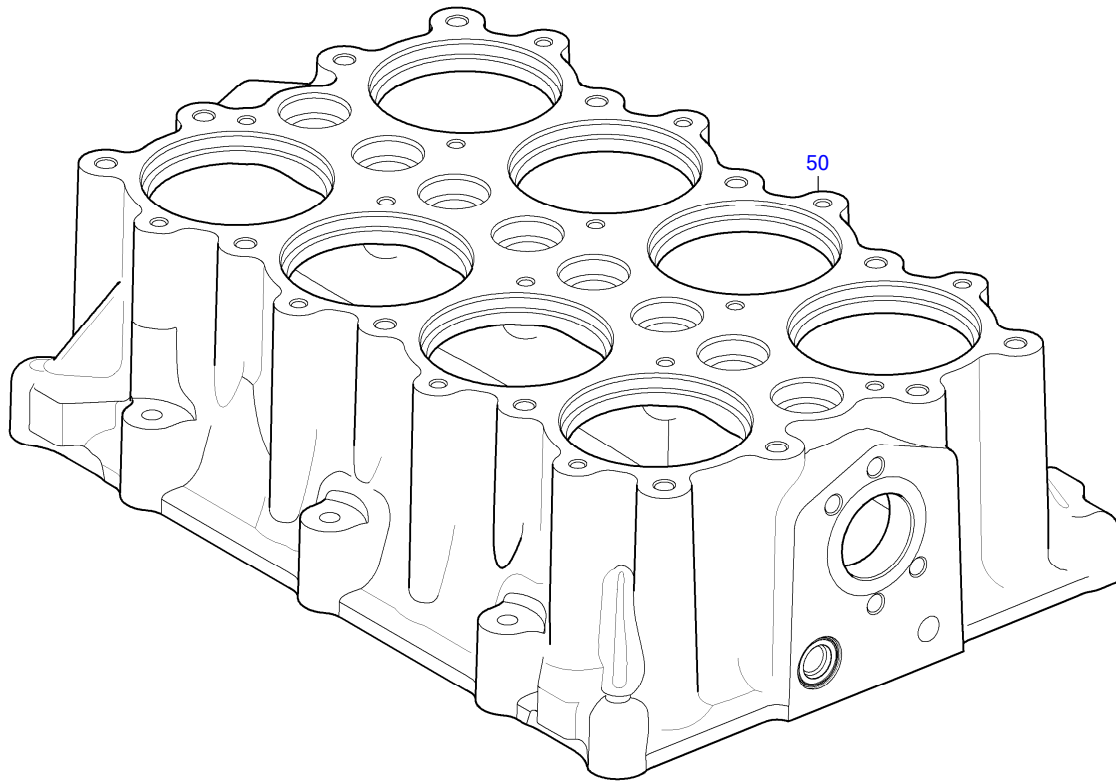
➡	POS.	PART NO.	DESIGNATION	MODEL/TYPE	QTY.	UNITS	WEIGHT	FN	MEASUREMENT	STANDARD
	3400	304017008081	HEX SCREW		2	pc	13,400 g		M 8 X 25	ISO4017
	3550	007603014102	COPPER SEALING RING		1	pc	1,000 g		A 14 X 18	DIN7603
	3600	735070008000	ADAPTER		1	pc	27,000 g		10	MTN5070
	3650	700160000008	ELBOW		1	pc	62,000 g		KR 8	MMN160
	3700	X59501800075	OIL LINE		1	pc	126,000 g	SB		
	3770	735151008200	SPACER		1	pc	13,700 g		B 8,4	MTN5151
	3800	700325015100	CLAMP HALF TUBE 1/1 D9-15		1	pc	34,000 g		1/1 D 9 - 15	MMN325
	3850	700325015200	CLAMP HALF TUBE 1/1 G8-15		1	pc	34,200 g		1/1 G 8 - 15	MMN325
	3900	700327010000	GROMMET		1	pc	2,800 g		10	MMN327
	3920	007349008002	WASHER		1	pc	7,900 g		8,4	DIN7349
	3950	304017008087	HEX SCREW		1	pc	21,300 g		M 8 X 50	ISO4017
	4050	700325015100	CLAMP HALF TUBE 1/1 D9-15		2	pc	34,000 g		1/1 D 9 - 15	MMN325
	4100	700327010000	GROMMET		1	pc	2,800 g		10	MMN327
	4150	304017008084	HEX SCREW		1	pc	16,400 g		M 8 X 35	ISO4017
	4250	007603014102	COPPER SEALING RING		1	pc	1,000 g		A 14 X 18	DIN7603
	4300	735070008000	ADAPTER		1	pc	27,000 g		10	MTN5070
	4350	700160000008	ELBOW		1	pc	62,000 g		KR 8	MMN160
	4400	X59501800074	OIL LINE		1	pc	155,000 g	SB		
	4500	5502030343	BRACKET		1	pc	56,900 g			
	4550	007349008002	WASHER		2	pc	7,900 g		8,4	DIN7349
	4600	304017008079	HEX SCREW		1	pc	11,700 g		M 8 X 20	ISO4017
	4650	700325015100	CLAMP HALF TUBE 1/1 D9-15		1	pc	34,000 g		1/1 D 9 - 15	MMN325
	4700	700325015200	CLAMP HALF TUBE 1/1 G8-15		1	pc	34,200 g		1/1 G 8 - 15	MMN325
	4750	700327010000	GROMMET		1	pc	2,800 g		10	MMN327
	4775	007349008002	WASHER		1	pc	7,900 g		8,4	DIN7349
	4800	304017008084	HEX SCREW		1	pc	16,400 g		M 8 X 35	ISO4017
	4900	700325015100	CLAMP HALF TUBE 1/1 D9-15		4	pc	34,000 g		1/1 D 9 - 15	MMN325
	4950	700327010000	GROMMET		2	pc	2,800 g		10	MMN327
	5000	304017008084	HEX SCREW		2	pc	16,400 g		M 8 X 35	ISO4017
	5100	5569970674	FITTING TEE		1	pc	61,600 g		DN 8 / M16X1,5	
	5200	X59518400002	OIL LINE		1	pc	97,600 g	SB		
	5250	X52701800034	OIL LINE		1	pc	201,000 g	SB		
	5350	5801530840	BRACKET		1	pc	69,600 g			
	5400	304017008079	HEX SCREW		1	pc	11,700 g		M 8 X 20	ISO4017
	5450	000125008427	WASHER		1	pc	1,500 g		A 8,4	DIN125
	5500	700325015100	CLAMP HALF TUBE 1/1 D9-15		2	pc	34,000 g		1/1 D 9 - 15	MMN325
	5550	700327010000	GROMMET		1	pc	2,800 g		10	MMN327
	5600	304017008083	HEX SCREW		1	pc	15,100 g		M 8 X 30	ISO4017
	5650	5500784541	BRACKET FLAT H:06		1	pc	35,200 g			
	5700	700325015100	CLAMP HALF TUBE 1/1 D9-15		1	pc	34,000 g		1/1 D 9 - 15	MMN325
	5750	700325015200	CLAMP HALF TUBE 1/1 G8-15		1	pc	34,200 g		1/1 G 8 - 15	MMN325
	5800	700327010000	GROMMET		1	pc	2,800 g		10	MMN327
	5850	00000003020	HEX SCREW		1	pc	20,000 g		M 10 X 20	ISO4017
	5900	000125010524	WASHER		1	pc	3,100 g		A 10,5	DIN125
	5950	304017008083	HEX SCREW		1	pc	15,100 g		M 8 X 30	ISO4017
	6000	000125008427	WASHER		1	pc	1,500 g		A 8,4	DIN125
	6100	5315461043	BRACKET L H:52	8V2000M90	1	pc	81,100 g			
	6150	304017008079	HEX SCREW		1	pc	11,700 g		M 8 X 20	ISO4017
	6200	304017008083	HEX SCREW		1	pc	15,100 g		M 8 X 30	ISO4017
	6250	007349008002	WASHER		1	pc	7,900 g		8,4	DIN7349
	6300	700325015100	CLAMP HALF TUBE 1/1 D9-15		2	pc	34,000 g		1/1 D 9 - 15	MMN325
	6350	700327010000	GROMMET		1	pc	2,800 g		10	MMN327
	6450	X59301800035	OIL LINE		1	pc	240,000 g	SB		
	6550	5315461043	BRACKET L H:52	8V2000M90	1	pc	81,100 g			

➡	POS.	PART NO.	DESIGNATION	MODEL/TYPE	QTY.	UNITS	WEIGHT	FN	MEASUREMENT	STANDARD
	6600	304017008083	HEX SCREW		1	pc	15,100 g		M 8 X 30	ISO4017
	6650	700325015100	CLAMP HALF TUBE 1/1 D9-15		6	pc	34,000 g		1/1 D 9 - 15	MMN325
	6700	700327010000	GROMMET		3	pc	2,800 g		10	MMN327
	6750	007349010002	WASHER		1	pc	11,000 g		10,5	DIN7349
	6800	304017010039	HEX SCREW		1	pc	44,000 g		M 10 X 70	ISO4017
	6850	X59699100034	SPACER SLEEVE		1	pc	42,000 g			
	6860	5240940253	SPACER SLEEVE	4000	1	pc	50,500 g		9MM X 20MM L=25	
	6870	00000001463	HEX SCREW		1	pc	30,500 g		M 8 X 80	ISO4017
	7050	007603026104	COPPER SEALING RING		1	pc	3,100 g		A 26 X 31	DIN7603
	7100	915007016000	CONNECTOR 16/10		1	pc	63,000 g		16 / 10 (M26X1,5/M18X1,5)	N15007
31	7200	735210014000	THREAD PLUG		1	pc	0,019 kg		M 14 X 1,5	MTN5210
	7300	700429043000	O-RING		1	pc	2,200 g		43 X 3	MMN429
	7350	X59499100174	FLANGE		1	pc	94,800 g			
	7400	000125008427	WASHER		2	pc	1,500 g		A 8,4	DIN125
	7450	304017008081	HEX SCREW		2	pc	13,400 g		M 8 X 25	ISO4017



E0005821a0

➔	POS.	PART NO.	DESIGNATION	QTY.	UNITS	WEIGHT	MEASUREMENT	STANDARD
	10	735221011000	O-RING	1	pc	0,300 g	11,3 X 2,2 - M14X1,5	MTN5221



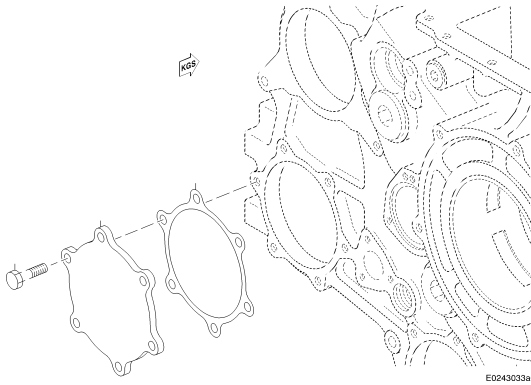
01801409

➔	POS.	PART NO.	DESIGNATION	QTY.	UNITS	WEIGHT	FN
	50	X59301800036	IMPAKTOR CARRIER	1	pc	10,454 kg	EM

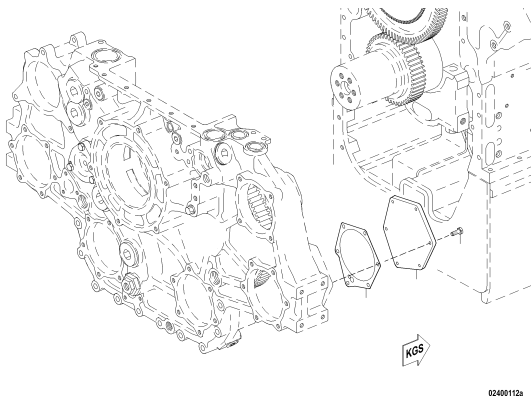
GROUP SEGMENT (FGS)

GROUP NAME

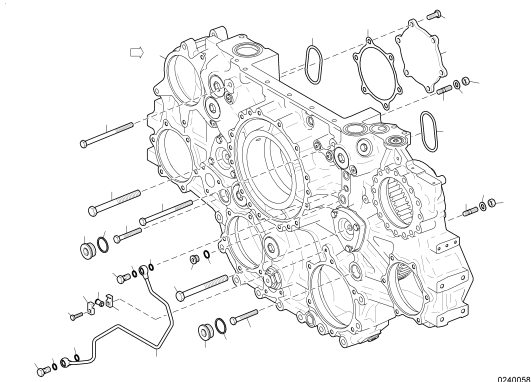
BOM-No.



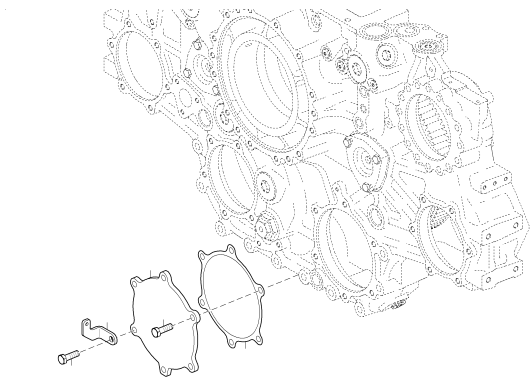
05  
**COVER FOR HYDRAULIC PUMP**  
020.00005



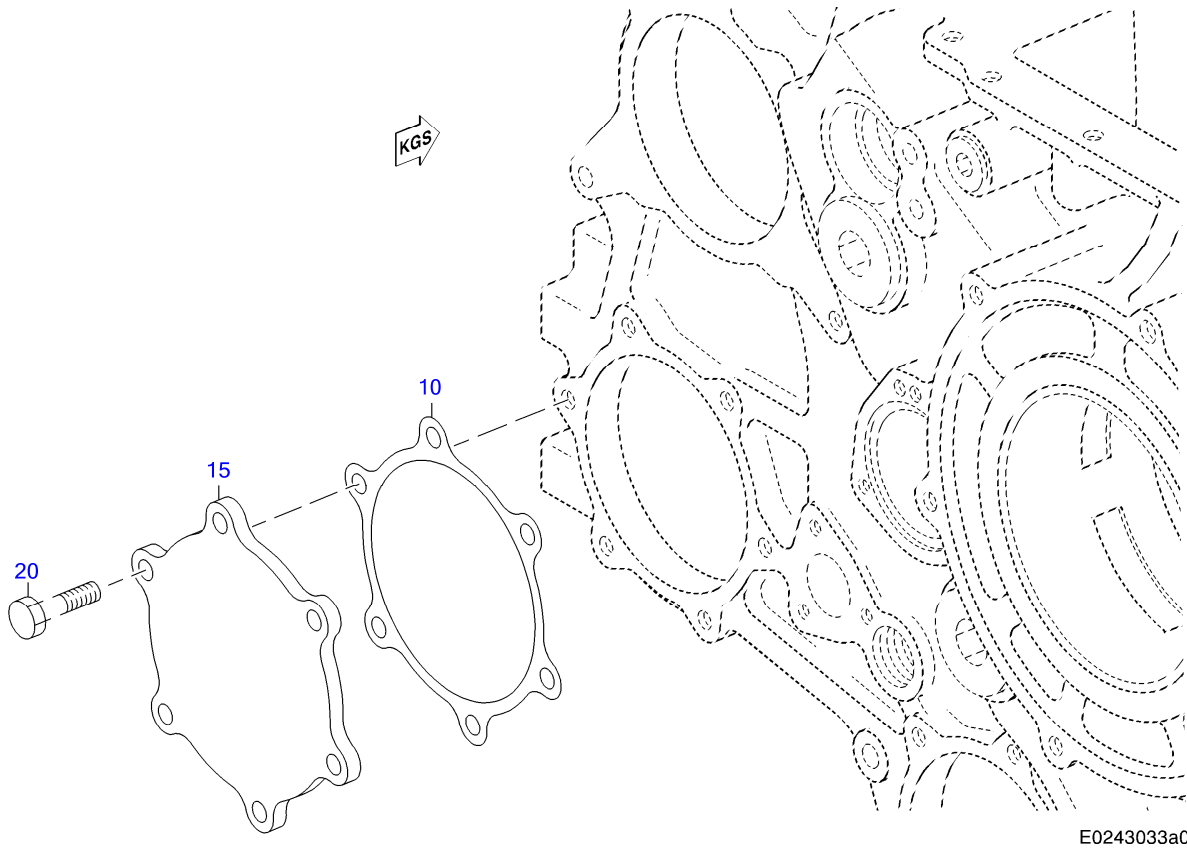
05  
**COVER FOR DDC COMPRESSOR**  
020.00060



05  
**EQUIPMENT RACK**  
XS593020.00010

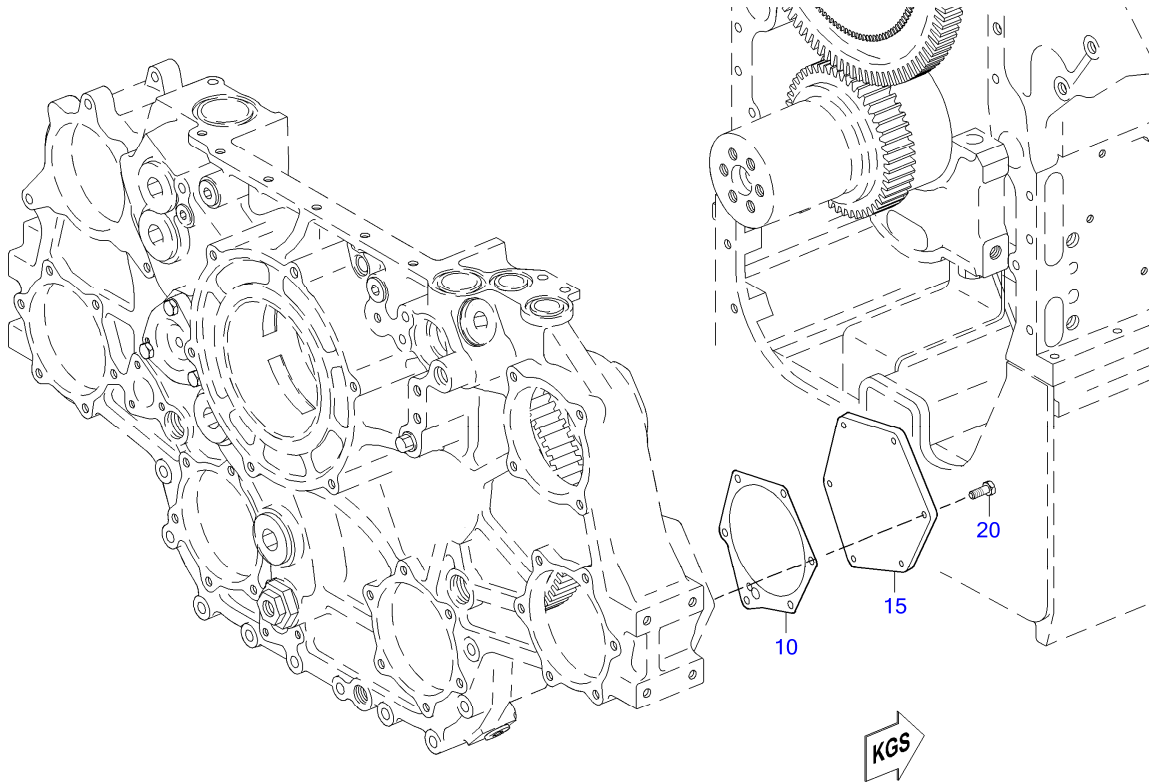


05  
**COVER**  
XS593020.00011



E0243033a0

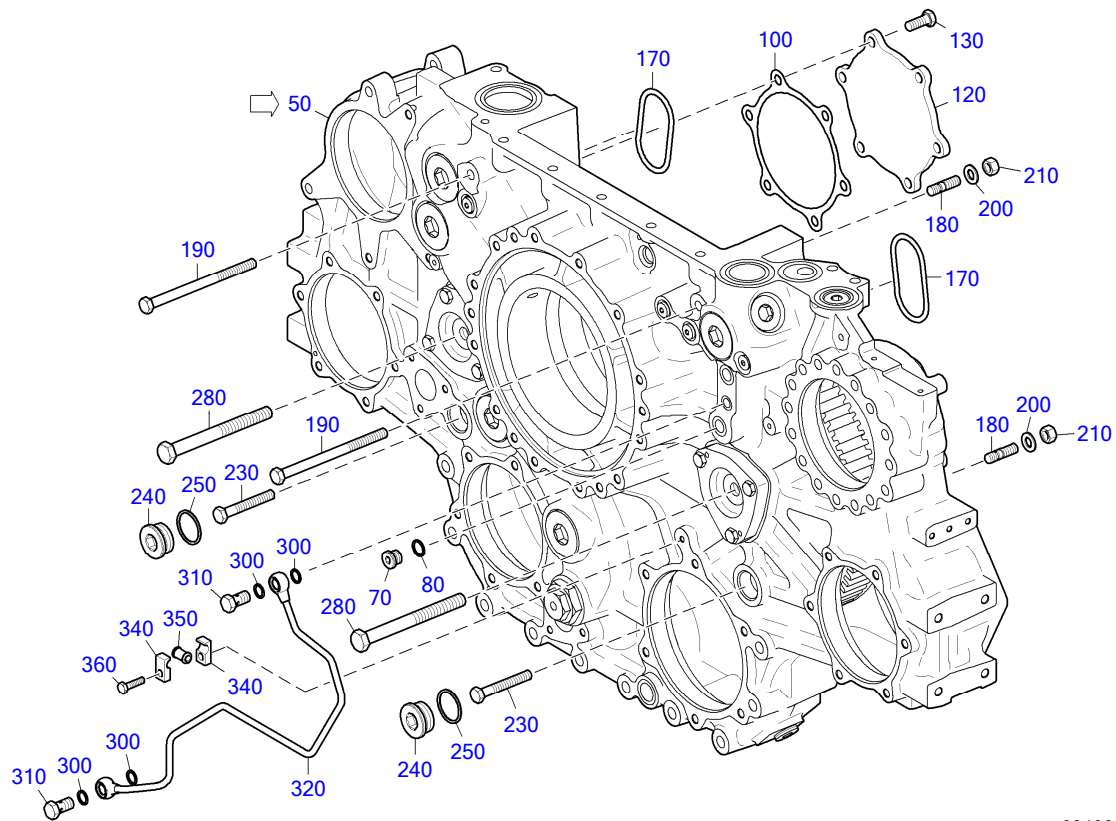
➔	POS.	PART NO.	DESIGNATION	QTY.	UNITS	WEIGHT	MEASUREMENT	STANDARD
	10	<b>5241880080</b>	GASKET	1	pc	10,600 g	1X250X250	
	15	<b>5241880102</b>	COVER	1	pc	1,900 kg		
	20	<b>000000003925</b>	HEX SCREW	6	pc	36,900 g	M 12 X 30	ISO4017



02400112a

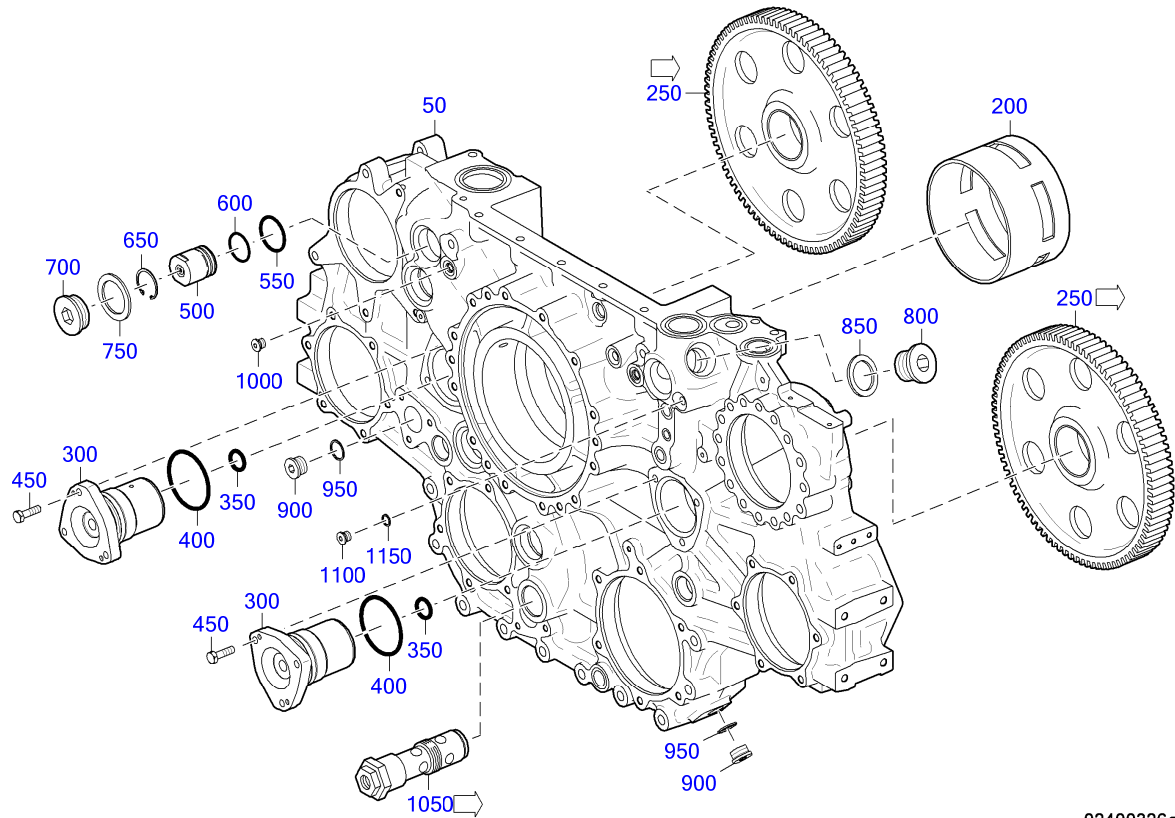
➔	POS.	PART NO.	DESIGNATION	QTY.	UNITS	WEIGHT	MEASUREMENT	STANDARD
	10	5360520080	GASKET	1	pc	6,000 g		
	15	5241880502	COVER	1	pc	2,600 kg		
	20	00000003021	HEX SCREW	6	pc	22,800 g	M 10 X 25	ISO4017





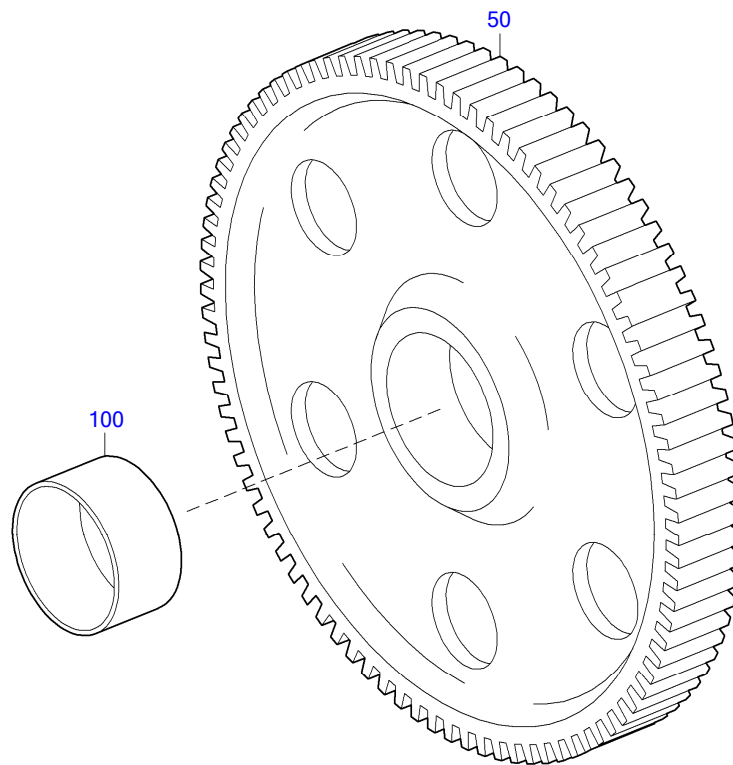
02400580

➔	POS.	PART NO.	DESIGNATION	MODEL/TYPE	QTY.	UNITS	WEIGHT	FN	MEASUREMENT	STANDARD
	37	50	<b>X59302400016</b>	EQUIPMENT RACK	1	pc	260,000 kg			
		70	<b>000908018002</b>	PLUG	1	pc	0,029 kg		M 18 X 1,5	DIN908
		80	<b>007603018101</b>	COPPER SEALING RING	1	pc	1,300 g		A 18 X 22	DIN7603
		100	<b>5241880080</b>	GASKET	1	pc	10,600 g		1X250X250	
		120	<b>5241880102</b>	COVER	1	pc	1,900 kg			
		130	<b>000000003925</b>	HEX SCREW	6	pc	36,900 g		M 12 X 30	ISO4017
		170	<b>700429083000</b>	O-RING	2	pc	11,700 g		83 X 5	MMN429
		180	<b>200939012003</b>	STUD	6	pc	32,000 g		M 12 X 30	DIN939
		190	<b>204014012008</b>	HEX SCREW	2	pc	155,000 g		M 12 X170	ISO4014
		200	<b>200433013000</b>	WASHER	6	pc	2,500 g		13	DIN433
		210	<b>204032012000</b>	NUT HEX ZNPH R5F	6	pc	14,900 g		M 12	ISO4032
		230	<b>000000000904</b>	HEX SCREW	2	pc	75,000 g		M 12 X 80	ISO4017
		240	<b>000908038000</b>	THREAD PLUG	2	pc	0,150 kg		M 38 X 1,5	DIN908
		250	<b>007603038101</b>	COPPER SEALING RING	2	pc	5,400 g		A 38 X 44	DIN7603
		280	<b>204017016000</b>	HEX SCREW	2	pc	246,200 g		M 16 X160	ISO4017
		300	<b>007603014102</b>	COPPER SEALING RING	4	pc	1,000 g		A 14 X 18	DIN7603
		310	<b>700223006000</b>	BOLT BANJO A8 S2000/4000	2	pc	38,800 g		A 8	MMN223
		320	<b>5281800519</b>	TUBE ASM OIL LINE	1	pc	200,000 g	SB		
		340	<b>700325012100</b>	CLAMP HALF TUBE 1/1 D9-12	2	pc	25,000 g		1/1 D 9 - 12	MMN325
		350	<b>700327008000</b>	GROMMET	1	pc	1,700 g		8	MMN327
		360	<b>304017008083</b>	HEX SCREW	1	pc	15,100 g		M 8 X 30	ISO4017



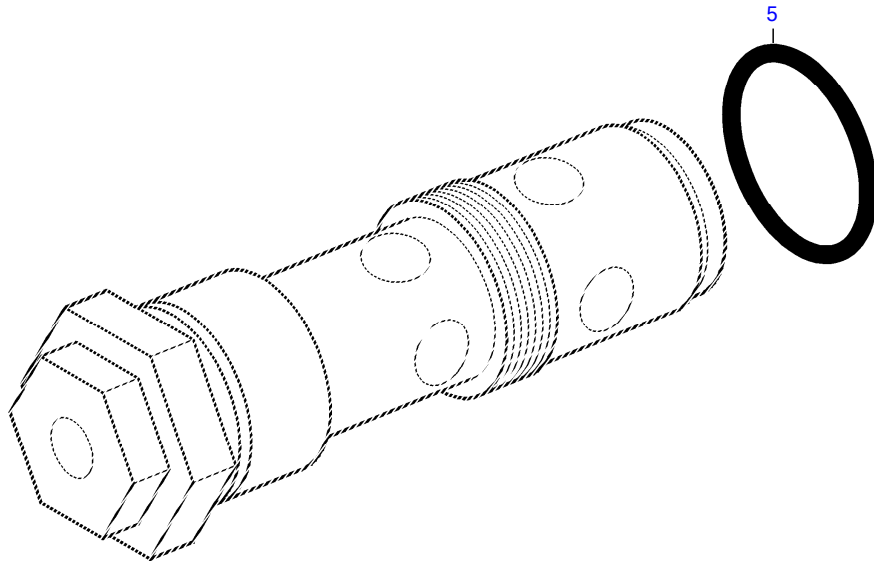
02400326a

➔	POS.	PART NO.	DESIGNATION	QTY.	UNITS	WEIGHT	MEASUREMENT	STANDARD
	50	X59302400011	EQUIPMENT RACK	1	pc	208,700 kg		
	200	5240332630	CRANKSHAFT BEARING AUX PTO END	1	pc	2,500 kg		
38	250	X59305200001	IDLER GEAR	2	pc	17,400 kg		
	300	X59302400005	AXLE	2	pc	4,694 kg		
	350	700429024000	O-RING	2	pc	3,900 g	24 X 5	MMN429
	400	700429083000	O-RING	2	pc	11,700 g	83 X 5	MMN429
	450	304017010035	HEX SCREW	6	pc	32,100 g	M 10 X 45	ISO4017
	500	5241800015	PRESSURE VALVE ASSY.	2	pc	390,000 g	2.5 BAR	
	550	700429048000	O-RING	2	pc	4,400 g	48 X 4	MMN429
	600	700429040000	O-RING	2	pc	2,000 g	40 X 3	MMN429
	650	000472048000	RING SNAP	2	pc	6,500 g	48 X 1,75	DIN472
	700	000908052003	THREAD PLUG	5	pc	0,298 kg	M 52 X 1,5	DIN908
	750	007603052101	COPPER SEALING RING	5	pc	12,500 g	A 52 X 60	DIN7603
	800	000908038000	THREAD PLUG	2	pc	0,150 kg	M 38 X 1,5	DIN908
	850	007603038101	COPPER SEALING RING	2	pc	5,400 g	A 38 X 44	DIN7603
	900	000908026005	THREAD PLUG	4	pc	0,069 kg	M 26 X 1,5	DIN908
	950	007603026104	COPPER SEALING RING	4	pc	3,100 g	A 26 X 31	DIN7603
31	1000	735210014000	THREAD PLUG	3	pc	0,019 kg	M 14 X 1,5	MTN5210
39	1050	0001800015	PRESSURE REDUCING VALVE ASSY.	1	pc	1,400 kg		
	1100	000908014001	THREAD PLUG	1	pc	0,016 kg	M 14 X 1,5	DIN908
	1150	007603014102	COPPER SEALING RING	1	pc	1,000 g	A 14 X 18	DIN7603



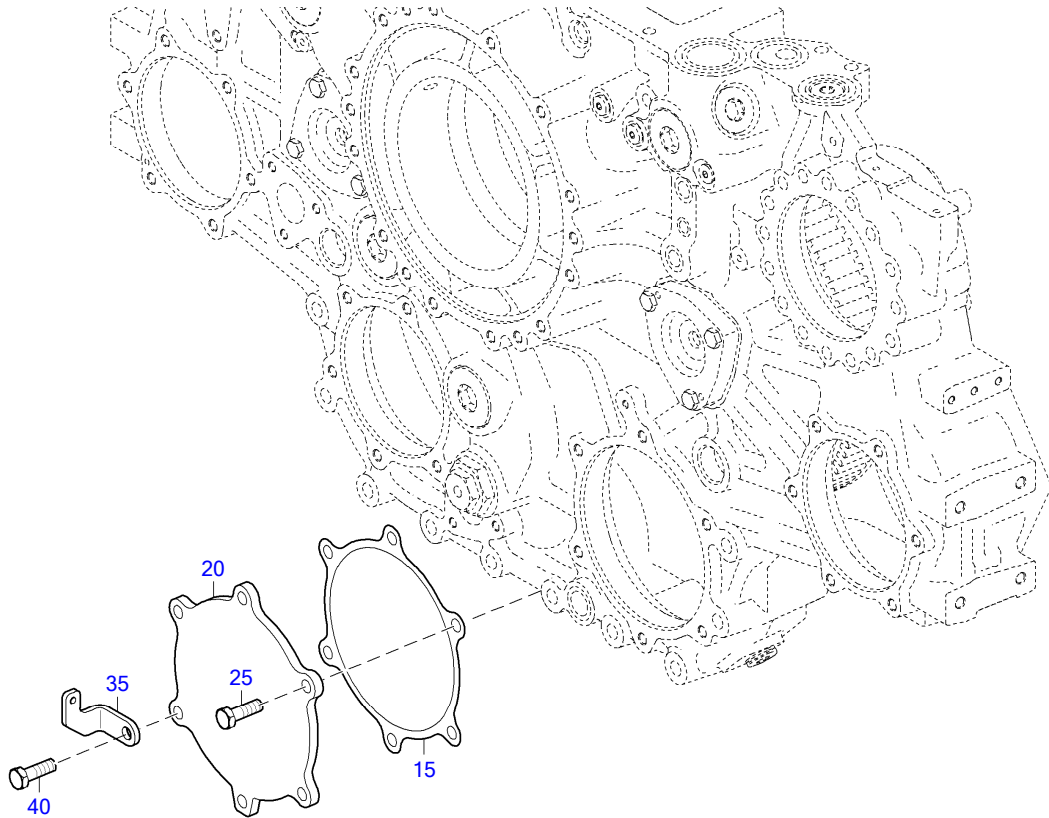
02400351b

➔	POS.	PART NO.	DESIGNATION	QTY.	UNITS	WEIGHT
	50	X59305200003	IDLER GEAR	1	pc	19,040 kg
	100	X59305200002	BUSHING	1	pc	304,200 g



024K0009a

➔	POS.	PART NO.	DESIGNATION	QTY.	UNITS	WEIGHT	MEASUREMENT	STANDARD
	5	700429037000	O-RING	1	pc	2,800 g	37,7 X 3,53	MMN429



02400439

➔	POS.	PART NO.	DESIGNATION	MODEL/TYPE	QTY.	UNITS	WEIGHT	MEASUREMENT	STANDARD
	15	<b>5281880080</b>	GASKET		1	pc	11,100 g		
	20	<b>5281880102</b>	COVER	20V4000	1	pc	2,700 kg		
	25	<b>00000003925</b>	HEX SCREW		5	pc	36,900 g	M 12 X 30	ISO4017
	35	<b>X59399100108</b>	RETAINER		1	pc	119,300 g		
	40	<b>00000003381</b>	HEX SCREW		1	pc	40,300 g	M 12 X 35	ISO4017

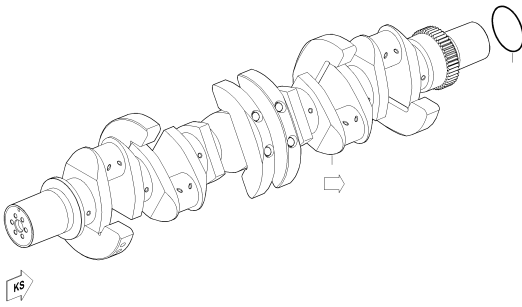
GROUP SEGMENT (FGS)

GROUP NAME

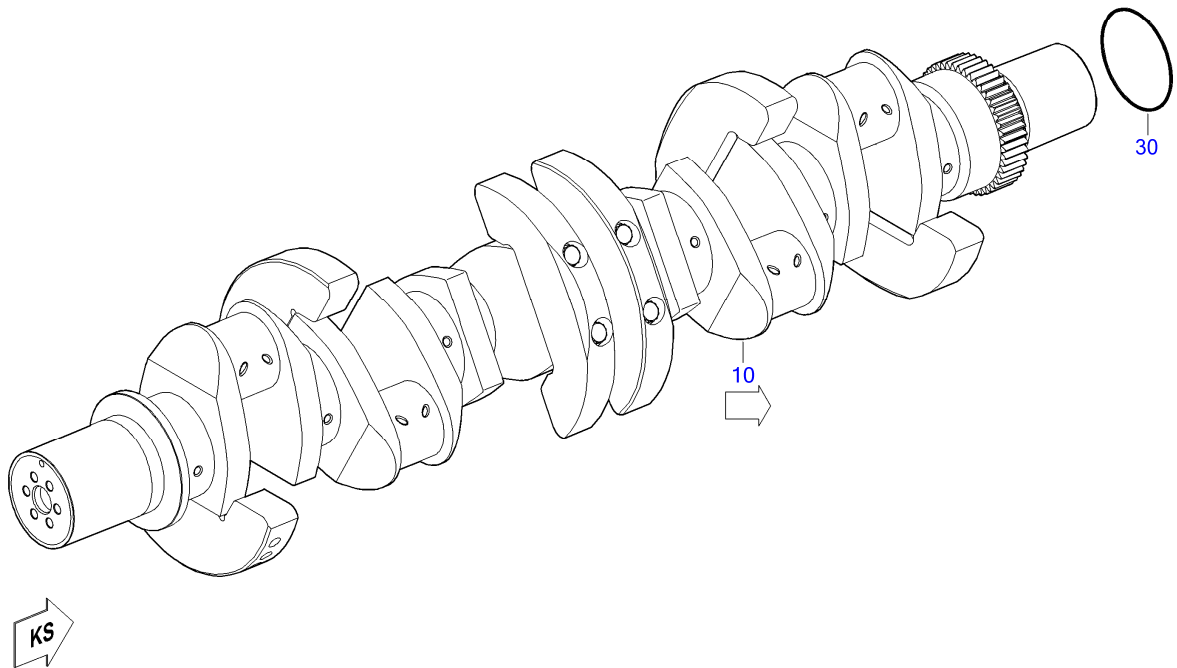
BOM-No.

---

00  
CRANKSHAFT LR ACCEPTANCE  
XS594030.00040

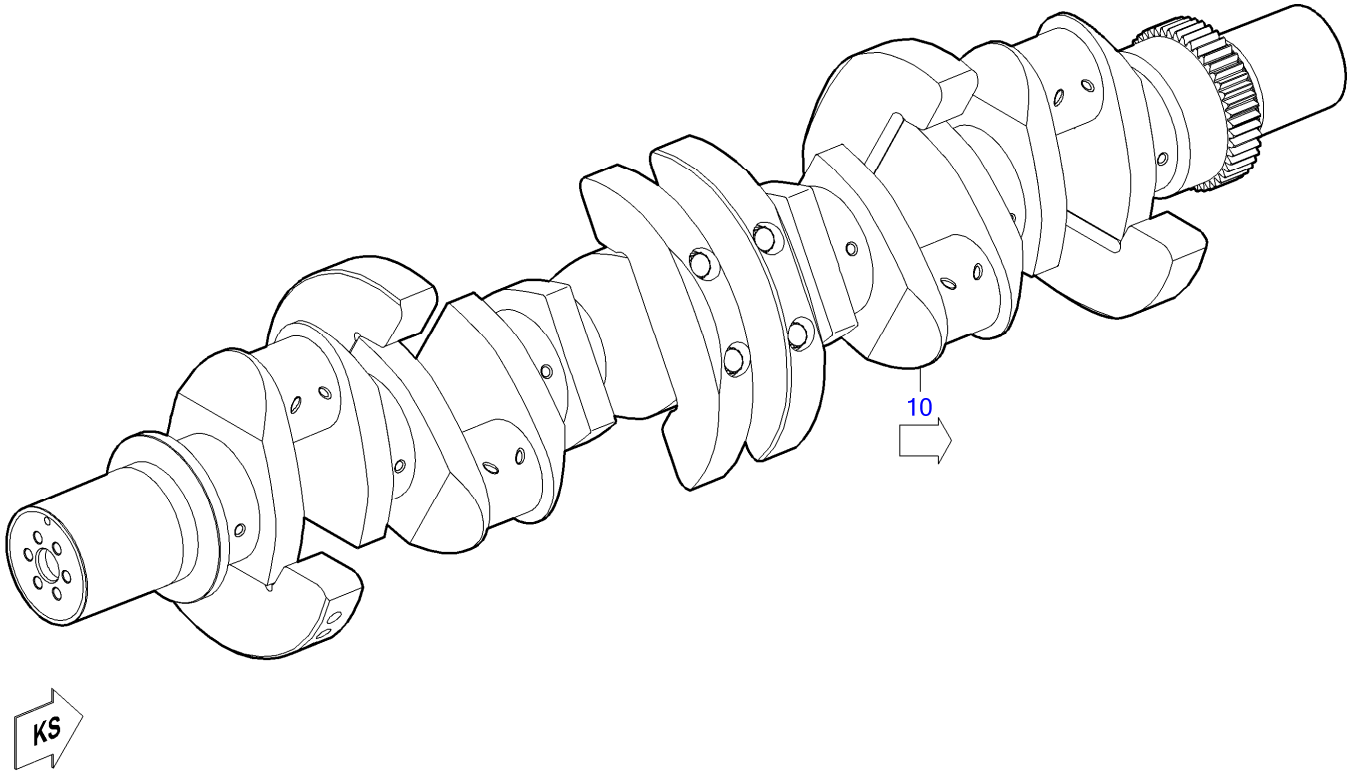


03100453a



03100453a

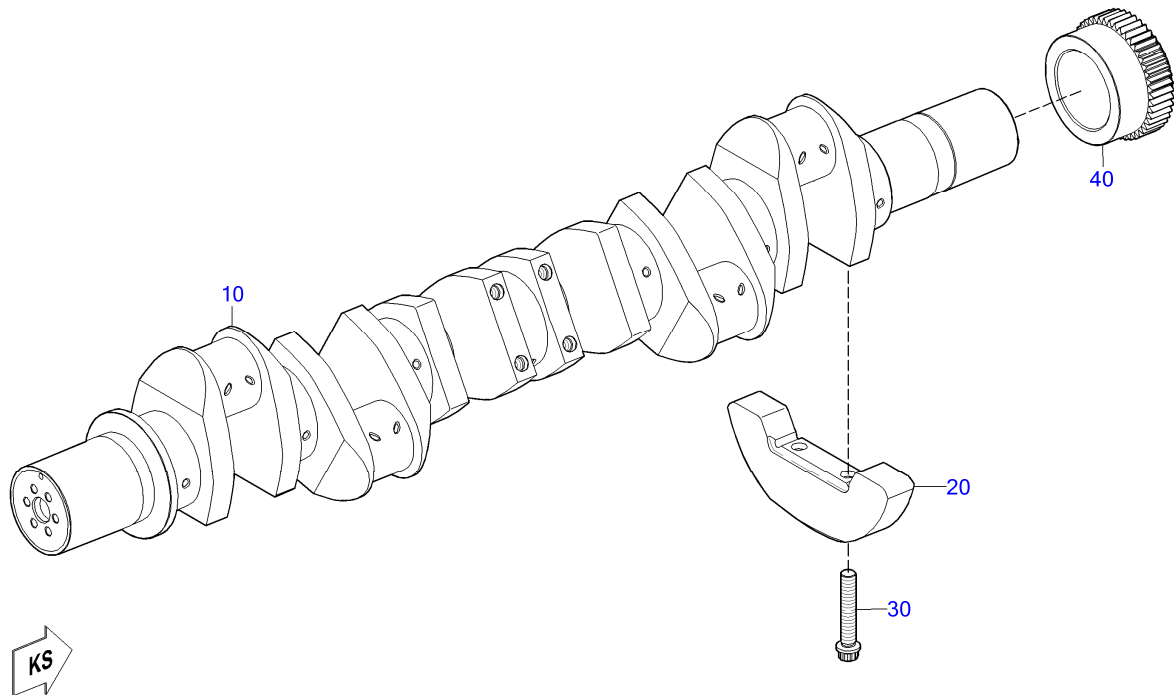
➔	POS.	PART NO.	DESIGNATION	MODEL/TYPE	QTY.	UNITS	WEIGHT	FN	MEASUREMENT	STANDARD
43	10	X59403100001/31	CRANKSHAFT LR ACCEPTANCE	12V-06CWT-STROKE210	1	pc	433,600 kg	EM		
	30	700429150000	O-RING		1	pc	12,900 g		150 X 4	MMN429



03100337a

➔	POS.	PART NO.	DESIGNATION	MODEL/TYPE	QTY.	UNITS	WEIGHT	FN
	10	<b>X59403100001</b>	CR/SHFT ASM	12V-06CWT-STROKE210	1	pc	453,000 kg	EM





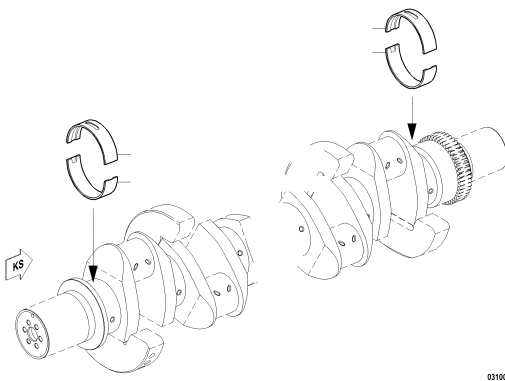
03100338c

➔	POS.	PART NO.	DESIGNATION	MODEL/TYPE	QTY.	UNITS	WEIGHT	FN	STANDARD
	10	X52603100002	CRANKSHAFT	12V4000-03 LH	1	pc	324,000 kg	EM	
	20	X52803100003	COUNTERWEIGHT	12V U. 20V M/G/C&I	6	pc	15,300 kg		
	30	5240310171	BOLT 12 PT HD		12	pc	548,600 g		
	40	5240520503	GEAR CRANKSHAFT		1	pc	12,090 kg	EM	MMN396.2

GROUP SEGMENT (FGS)

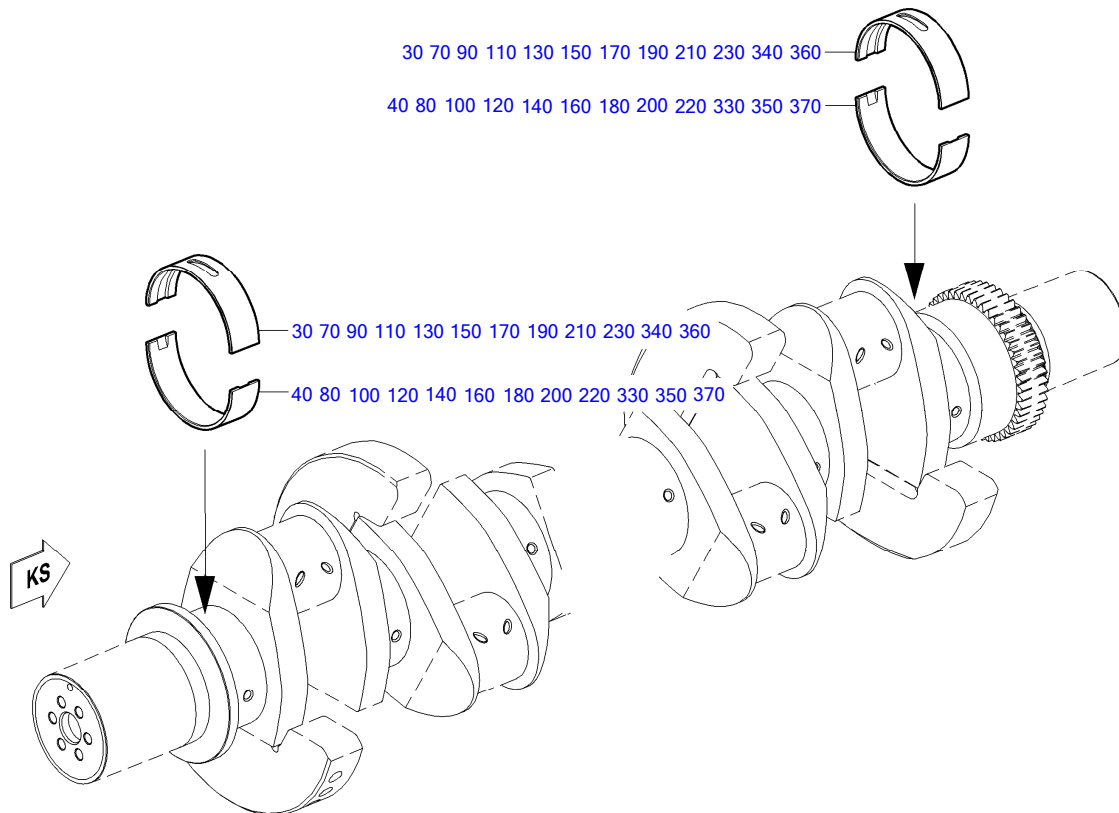
GROUP NAME

BOM-No.



10  
**MAIN BEARING**  
030.00662

0310030a



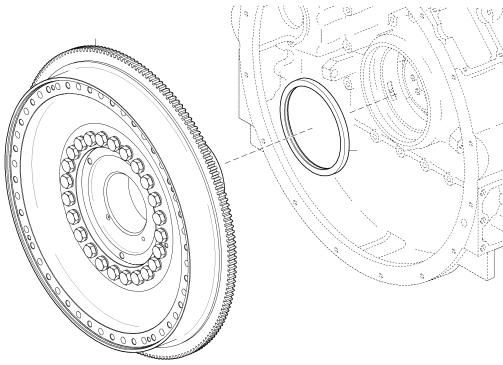
03100393a

➔	POS.	PART NO.	DESIGNATION	QTY.	UNITS	WEIGHT	FN
	30	5240336101	CRANKSHAFT BEARING UPPER HALF	7	pc	370,000 g	
	40	5240336602	CRANKSHAFT BEARING LOWER HALF	7	pc	510,000 g	
	70	5240336201	CRANKSHAFT BEARING SIZE 0-1	1	pc	44,000 g	M
	80	5240336702	CRANKSHAFT BEARING SIZE 0-1	1	pc	600,000 g	M
	90	5240336301	CRANKSHAFT BEARING SIZE 0-2	1	pc	420,000 g	M
	100	5240336802	CRANKSHAFT BEARING SIZE 0-2	1	pc	565,000 g	M
	110	5240336401	CRANKSHAFT BEARING SIZE 0-3	1	pc	425,000 g	M
	120	5240336902	CRANKSHAFT BEARING SIZE 0-3	1	pc	585,000 g	M
	130	5240336501	CRANKSHAFT BEARING SIZE 1-0	1	pc	40,000 g	M
	140	5240337002	CRANKSHAFT BEARING SIZE 1-0	1	pc	54,000 g	M
	150	5240336601	CRANKSHAFT BEARING SIZE 1-1	1	pc	400,000 g	M
	160	5240337102	CRANKSHAFT BEARING SIZE 1-1	1	pc	565,000 g	M
	170	5240336701	CRANKSHAFT BEARING SIZE 1-2	1	pc	480,000 g	M
	180	5240337202	CRANKSHAFT BEARING SIZE 1-2	1	pc	1,000 kg	M
	190	5240336801	CRANKSHAFT BEARING SIZE 1-3	1	pc	0,440 kg	M
	200	5240337302	CRANKSHAFT BEARING SIZE 1-3	1	pc	600,000 g	M
	210	5240336901	CRANKSHAFT BEARING SIZE 2-0	1	pc	420,000 g	M
	220	5240337402	CRANKSHAFT BEARING SIZE 2-0	1	pc	560,000 g	M
	230	5240337001	CRANKSHAFT BEARING SIZE 2-1	1	pc	470,000 g	M
	330	5240337502	CRANKSHAFT BEARING SIZE 2-1	1	pc	580,000 g	M
	340	5240337101	CRANKSHAFT BEARING SIZE 2-2	1	pc	580,000 g	M
	350	5240337602	CRANKSHAFT BEARING SIZE 2-2	1	pc	675,000 g	M
	360	5240337201	CRANKSHAFT BEARING SIZE 2-3	1	pc	840,000 g	M
	370	5240337702	CRANKSHAFT BEARING SIZE 2-3	1	pc	685,000 g	M

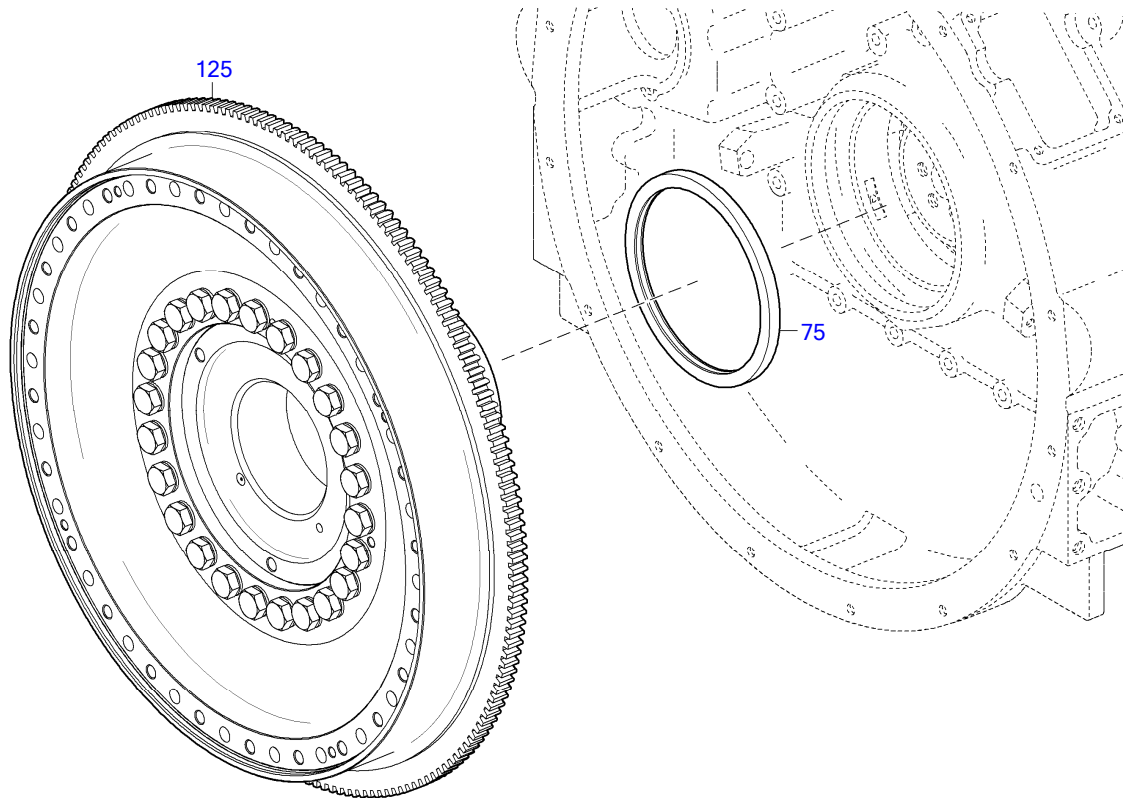
GROUP SEGMENT (FGS)

GROUP NAME

BOM-No.

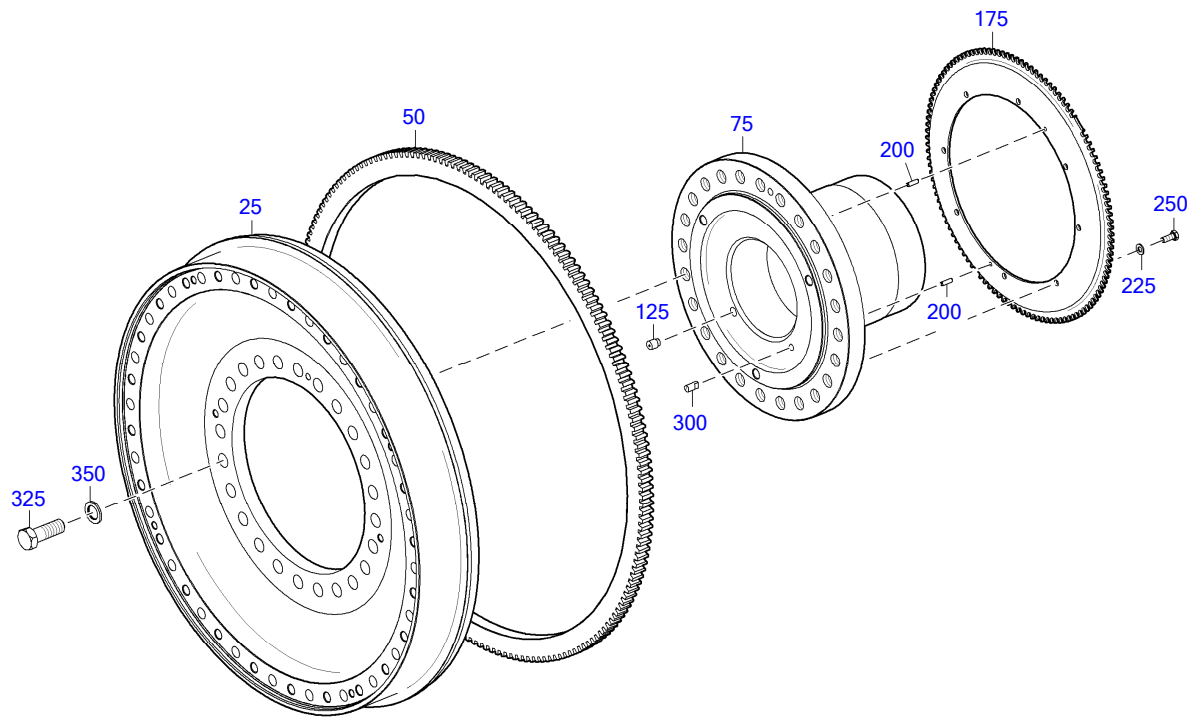


20  
FLYWHEEL TWO-PIECE  
XS594030.00069



03200252d

➔	POS.	PART NO.	DESIGNATION	MODEL/TYPE	QTY.	UNITS	WEIGHT	MEASUREMENT
	75	<b>0219976647</b>	SEAL RING CRANKSHAFT REAR	PTEF-MANSCHETTE	1	pc	160,000 g	DM 210
49	125	<b>X59403200003/42</b>	FLYWHEEL W/ACCEPT CERTIFICAT		1	pc	212,500 kg	



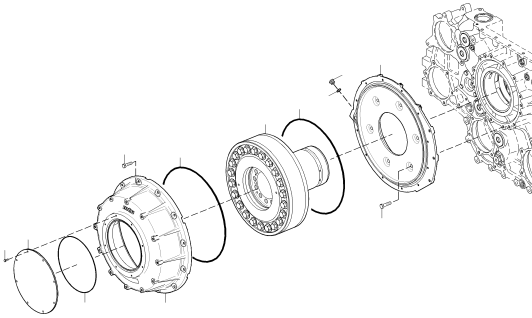
03200397

➔	POS.	PART NO.	DESIGNATION	QTY.	UNITS	WEIGHT	FN	MEASUREMENT	STANDARD
	25	X00041899/41	FLYWHEEL W/ACCEPT CERTIFICAT	1	pc	85,500 kg			
	50	5240320705	RING GEAR	1	pc	12,000 kg			
	75	X52603200006/42	PTO FLANGE W/ACCEPT CERTIFICAT	1	pc	48,980 kg			
	125	5769970219	PLUG HEX SOC HD G1/4 17.5 X 11 42CRM04	1	pc	12,000 g			
	175	5240311148	WHEEL MDEC TRS METERING CRANKSHAFT	1	pc	2,220 kg	EM		
	200	001481006004	PIN SPRING	2	pc	2,400 g		6 X 20 - N	ISO8752
	225	000125008427	WASHER	8	pc	1,500 g		A 8,4	DIN125
	250	304017008079	HEX SCREW	8	pc	11,700 g		M 8 X 20	ISO4017
	300	8809970210	DOWEL PIN	1	pc	12,000 g			
	325	000000003976	HEX SCREW	24	pc	182,700 g		M 20 X 55	ISO4017
	350	200433021000	WASHER	24	pc	10,800 g		21	DIN433

GROUP SEGMENT (FGS)

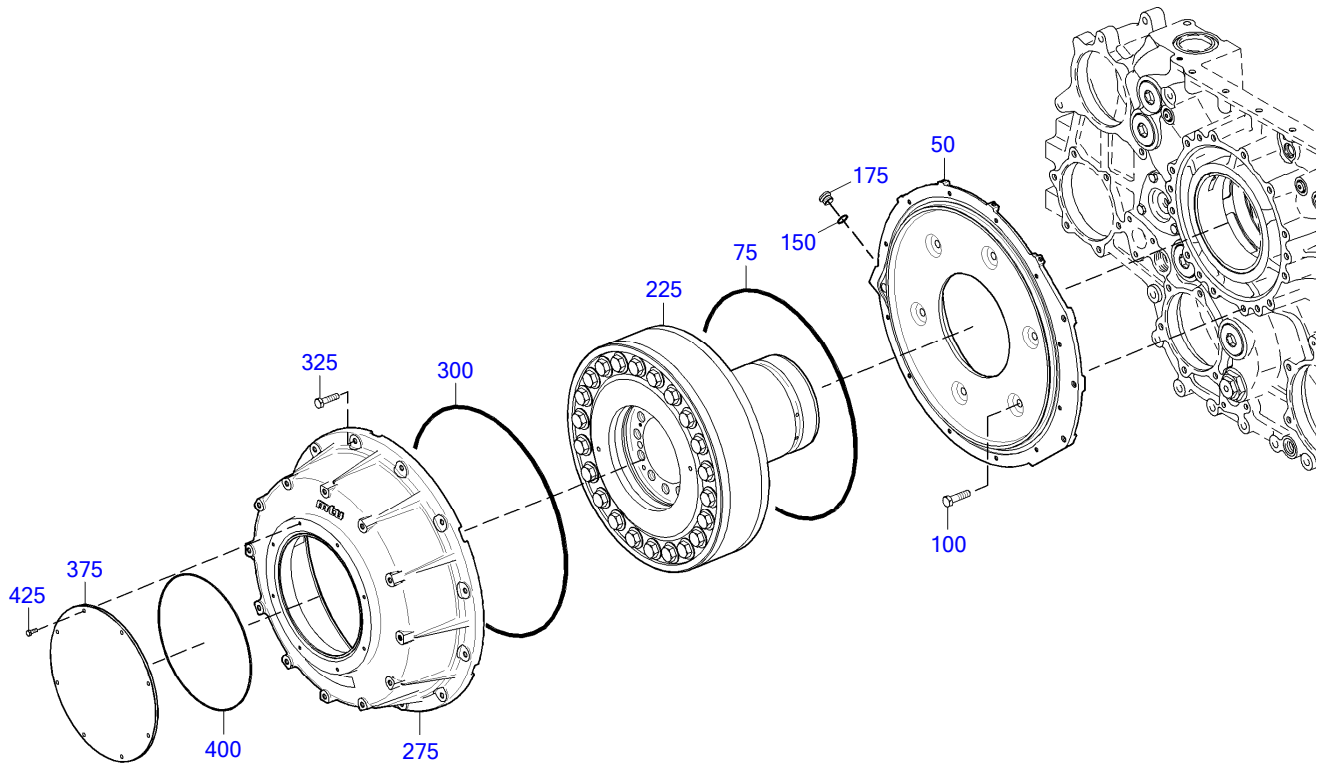
GROUP NAME

BOM-No.



05  
VIBRATION DAMPER WITHOUT AUX. PTO  
XS595030.00030

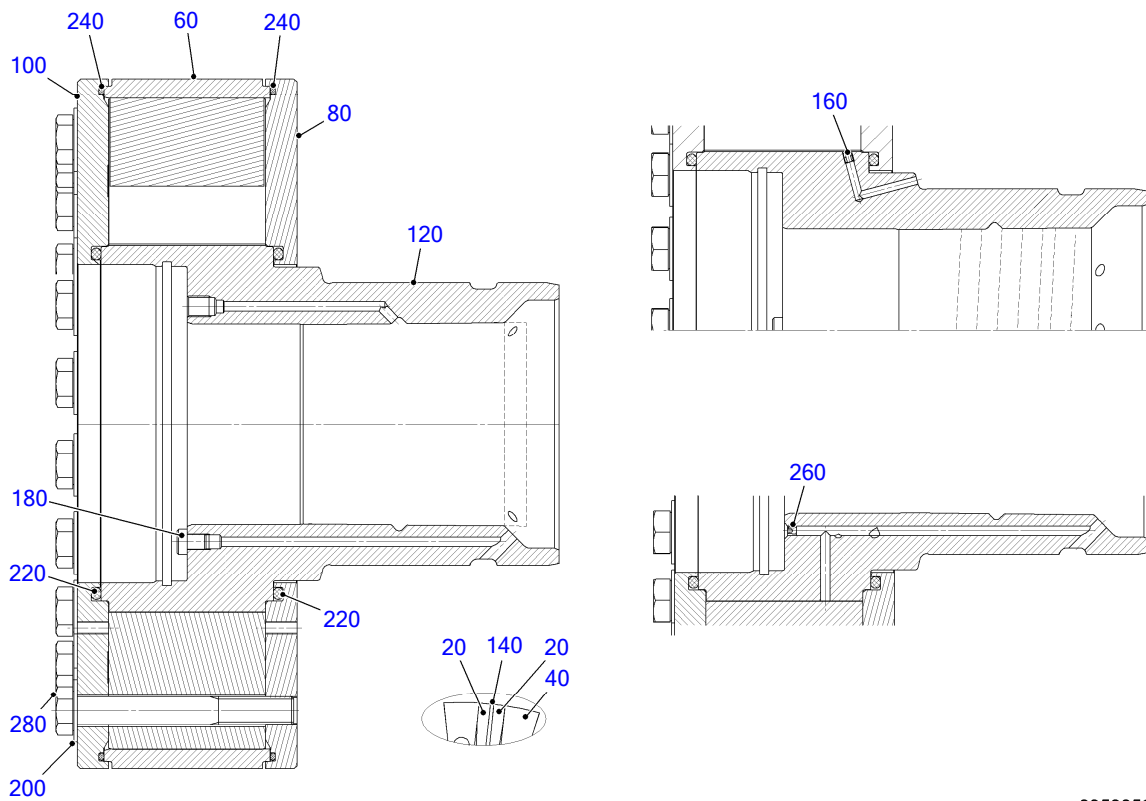
03560432a



03500433a

➔	POS.	PART NO.	DESIGNATION	MODEL/TYPE	QTY.	UNITS	WEIGHT	MEASUREMENT	STANDARD
	50	<b>X59499100480</b>	FLANGE F.VIB.DAMPER HOUSIN		1	pc	20,000 kg		
	75	<b>700429290000</b>	O-RING		1	pc	25,200 g	290 X 4	MMN429
	100	<b>304017012018</b>	HEX SCREW		6	pc	49,900 g	M 12 X 50	ISO4017
	150	<b>007603020103</b>	WASHER A COP		1	pc	2,400 g	A 20 X 26	DIN7603
	175	<b>000908020000</b>	PLUG		1	pc	0,037 kg	M 20 X 1,5	DIN908
52	225	<b>X59403500006</b>	VIBRATION DAMPER	D44/8/2	1	pc	123,870 kg		
	275	<b>X52703500001</b>	DAMPER VIBRATION HSG G73		1	pc	38,222 kg		
	300	<b>700429480000</b>	O-RING		1	pc	64,600 g	480 X 5	MMN429
	325	<b>304017008085</b>	HEX SCREW		12	pc	18,000 g	M 8 X 40	ISO4017
	375	<b>X00041483</b>	COVER F.VIB.DAMPER HOUSIN		1	pc	3,300 kg		
	400	<b>700429260001</b>	O-RING		1	pc	12,900 g	260 X 3	MMN429
	425	<b>000000003387</b>	HEX SCREW		8	pc	5,100 g	M 6 X 16	ISO4017





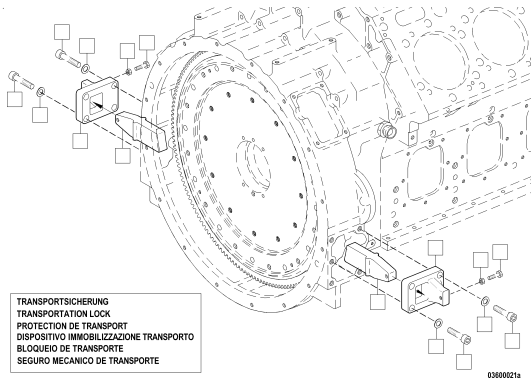
03500561

➔	POS.	PART NO.	DESIGNATION	QTY.	UNITS	WEIGHT	FN	MEASUREMENT	STANDARD
	20	XP52725100089	SPRING LEAF	44	pc				
	40	XP52725100090	INTERMEDIATE MEMBER	22	pc				
	60	XP52725100091	CLAMPING RING	1	pc				
	80	XP52825100033	FLANGE	1	pc		AC		
	100	XP52725100092	SIDE PLATE	1	pc				
	120	XP52725100093	INNER STAR	1	pc				
	140	XP52725100094	SHIM	22	pc				
	160	XP52725100095	OIL NOZZLE	4	pc			M6- D 3.0	
	180	Z=VSTI M-ED	NIPPLE	1	pc		AC	M 10 X 1	
	200	Z=40X19X2	DISC WASHER (VULKAN)	22	pc	14,700 g			
	220	X00035257	O-RING	2	pc	5,000 g		7 X 208	
	240	700429420000	O-RING	2	pc	36,700 g		420 X 4	MMN429
	260	XP52203500025	PLUG	4	pc			DICHTSTOPFEN 6	
	280	XP52725100096	HEX SCREW	22	pc			M 18 X 140	ENISO4014

GROUP SEGMENT (FGS)

GROUP NAME

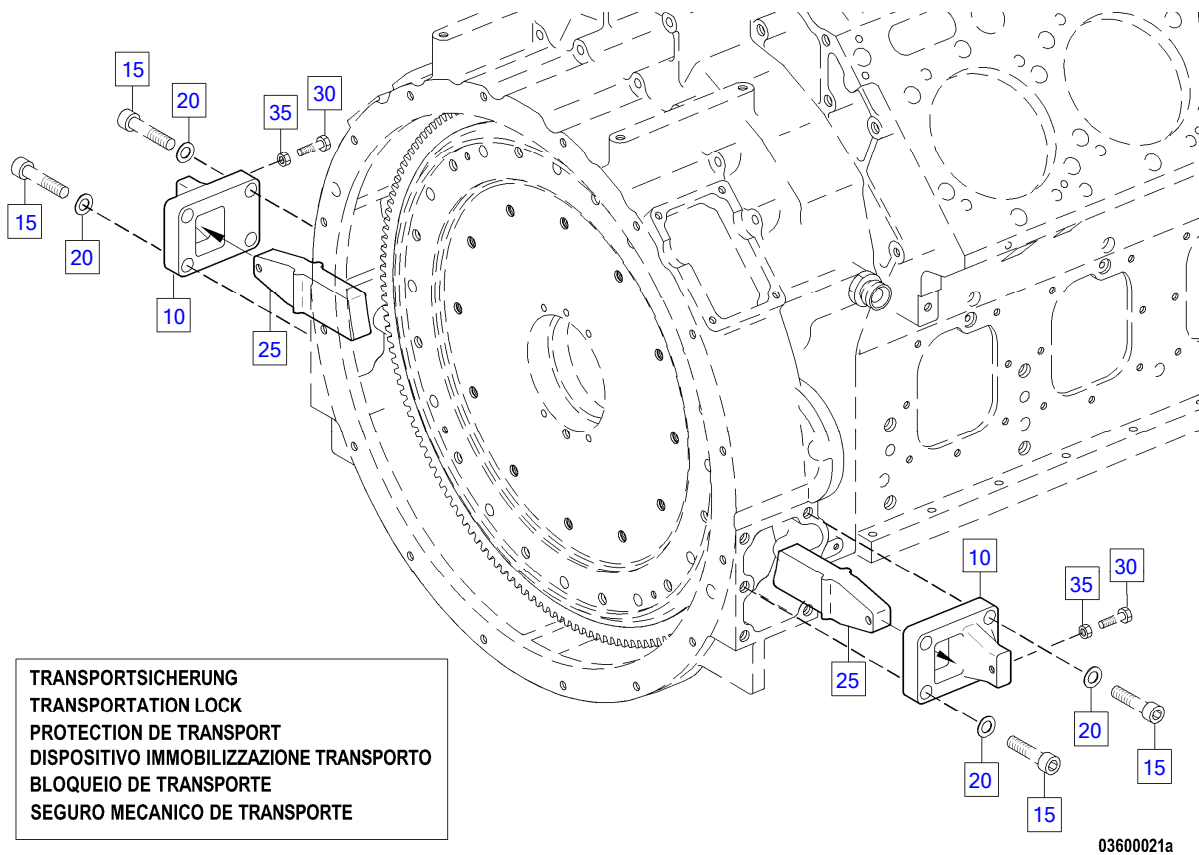
BOM-No.



05  
TRANSPORTATION LOCK  
030.00160

TRANSPORTSICHERUNG  
TRANSPORTATION LOCK  
PROTECTION DE TRANSPORT  
DISPOSITIVO IMMOBILIZZAZIONE TRANSPORTO  
BLOQUEIO DE TRANSPORTE  
SEGURO MECANICO DE TRANSPORTE

0300021a



➔	POS.	PART NO.	DESIGNATION	MODEL/TYPE	QTY.	UNITS	WEIGHT	MEASUREMENT	STANDARD
	10	5242370435	PLATE	8/12/16V4000	2	pc	3,100 kg		
	15	000912016045	BOLT HEX SOC HD		8	pc	111,800 g	M 16 X 55	DIN912
	20	000125017014	WASHER		8	pc	9,700 g	A 17	DIN125
	25	5242370940	RETAINER	8/12/16V40000	2	pc	2,690 kg		
	30	000933010144	HEX SCREW		2	pc	40,800 g	M 10 X 60	DIN933
	35	000934010007	NUT HEX		2	pc	10,300 g	M 10	DIN934

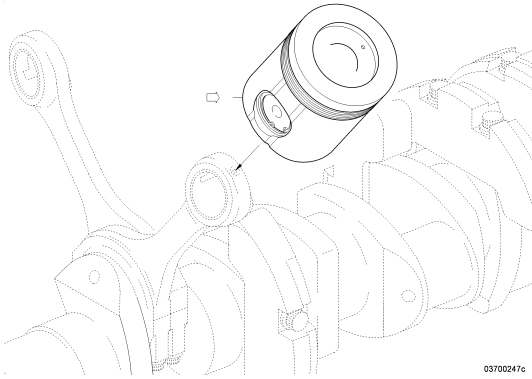
GROUP SEGMENT (FGS)

GROUP NAME

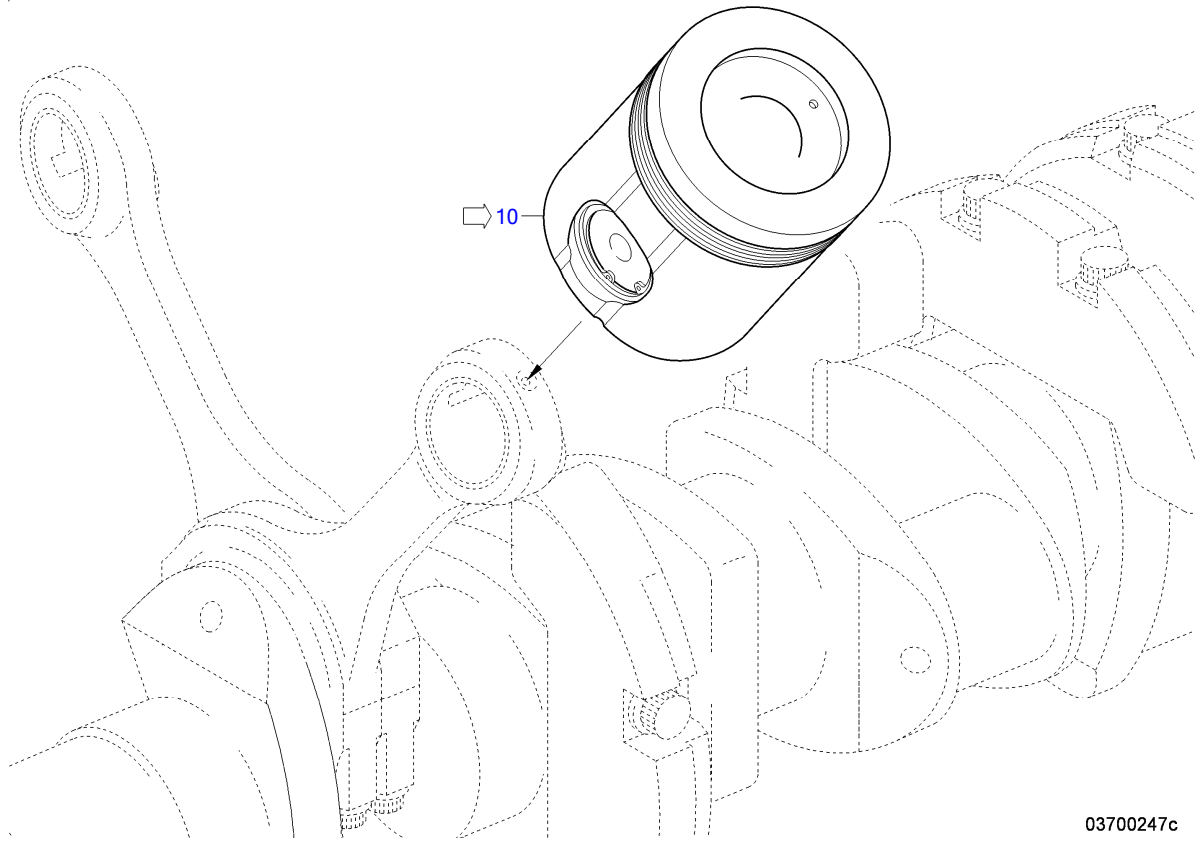
BOM-No.

---

05  
PISTON  
XS526030.00044

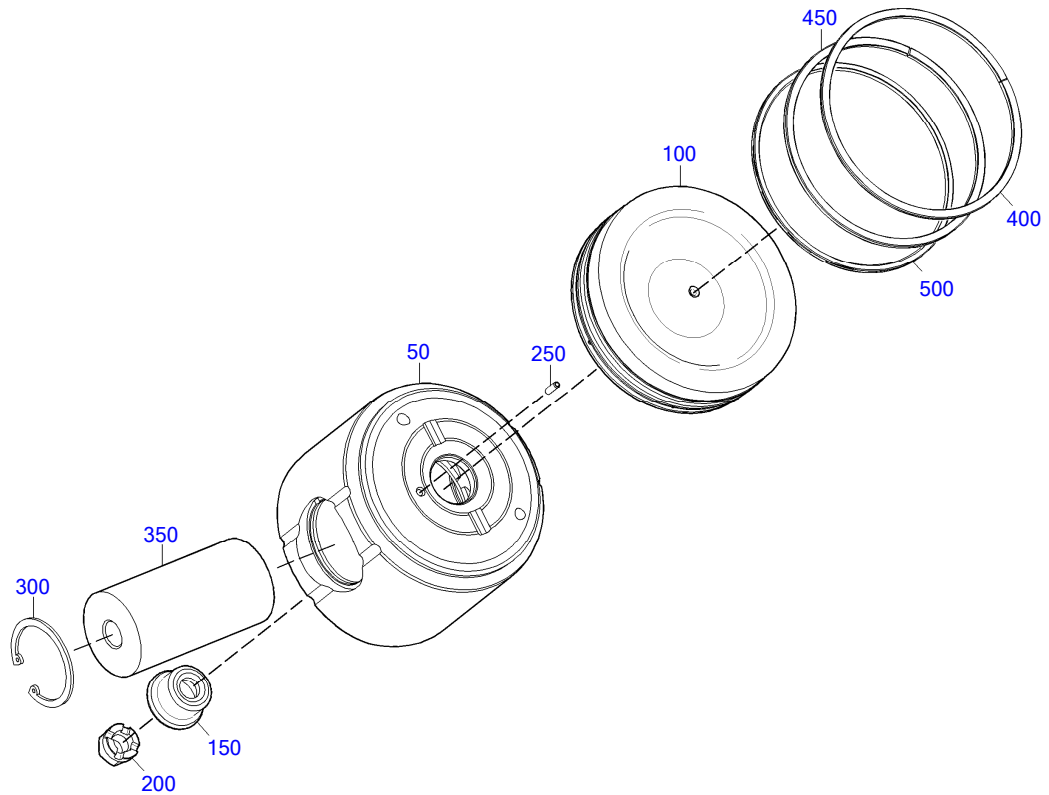


03700247c



03700247c

➔	POS.	PART NO.	DESIGNATION	MODEL/TYPE	QTY.	UNITS	WEIGHT	FN	MEASUREMENT
	10	X59303700021	PISTON	BR4000-03	12	pc	15,000 kg	EM	EPSILON 17,3



03700361b

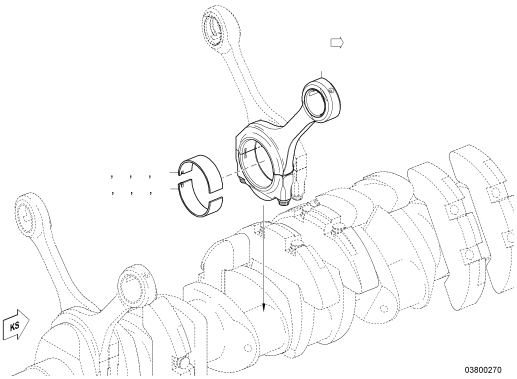
➔	POS.	PART NO.	DESIGNATION	MODEL/TYPE	QTY.	UNITS	WEIGHT	FN	MEASUREMENT	STANDARD
	50	X59403700018	PISTON SKIRT	ZU KOLBEN X59403700017	1	pc	4.036,000			
	100	X59303700023	PISTON CROWN		1	pc		EM		
	150	X00039430	EXPANSION SLEEVE		1	pc	87,800 g			
	200	X00039431	PISTON NUT		1	pc	41,000 g			
	250	001481005017	PIN SPRING		1	pc	1,400 g	5 X 16 - N		ISO8752
	300	X52403700066	SNAP RING	KOLBEN	2	pc	0,017 kg			DIN472
	350	5240370120	PISTON PIN		1	pc	3,345 kg			
	400	X00009806	RECTANGLR-SECT RING		1	pc	92,800 g	EM		
	450	0090375019	TAPER FACE COMP RING		1	pc	92,800 g			
	500	0120373618	OIL CONTROL RING		1	pc	59,000 g	EM		

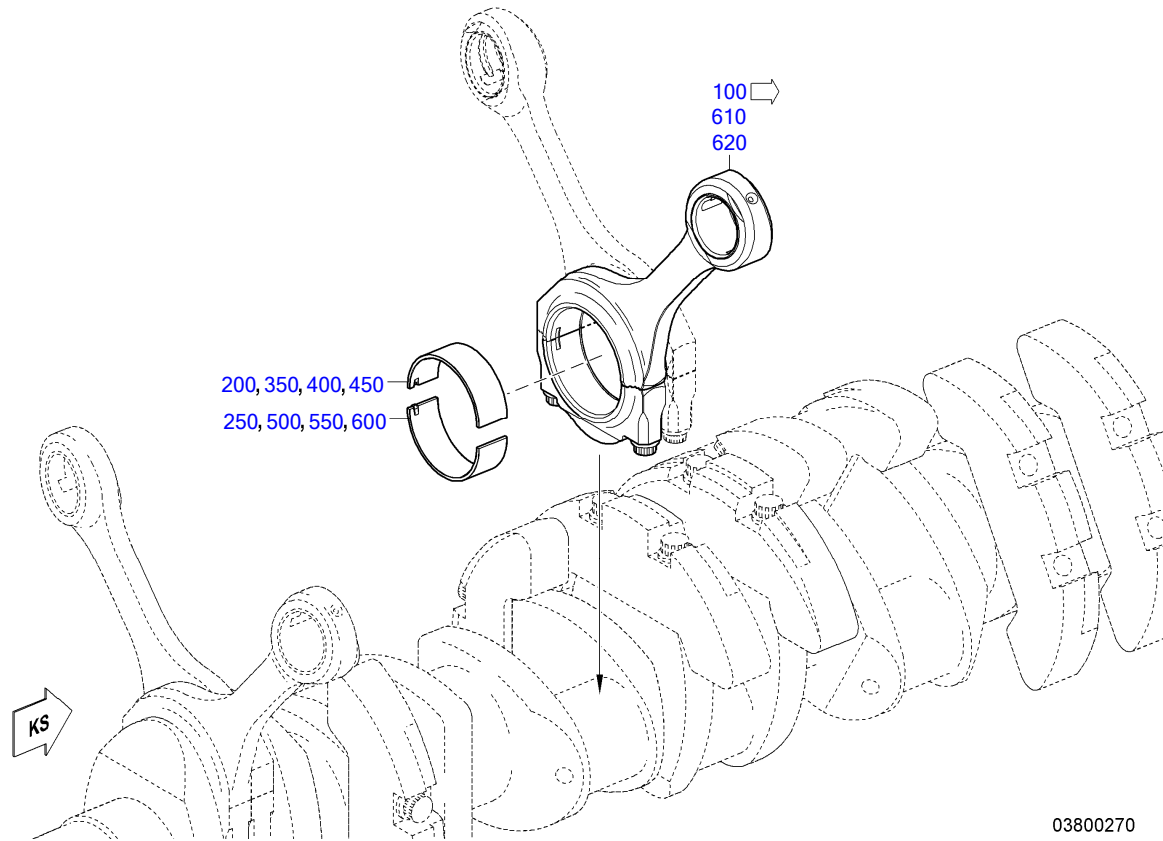
GROUP SEGMENT (FGS)

GROUP NAME

BOM-No.

05  
**CONROD FOR 12V**  
XS526030.00004

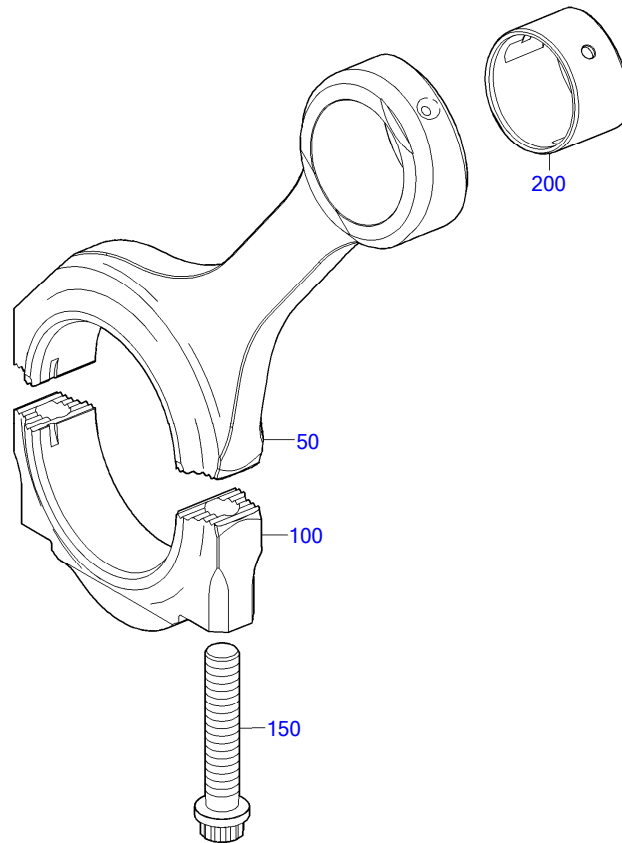




03800270

➔	POS.	PART NO.	DESIGNATION	MODEL/TYPE	QTY.	UNITS	WEIGHT	FN
60	100	<b>X52603800010/42</b>	CONROD ASM	BR4000 LANGHUB	12	pc	9,725 kg	EM
	200	<b>5240384110</b>	CONROD BEARING UPPER HALF		12	pc	280,000 g	
	250	<b>X00043218</b>	CONROD BEARING SIZE 0-0	UNTERE HAELFTE	12	pc	284,000 g	
	350	<b>5240384210</b>	CONROD BEARING SIZE 0-1		1	pc	300,000 g	M
	400	<b>5240384310</b>	CONROD BEARING SIZE 0-2	OBERE HAELFTE	1	pc	292,000 g	M
	450	<b>5240384410</b>	CONROD BEARING SIZE 0-3		1	pc	302,000 g	M
	500	<b>X00043219</b>	CONROD BEARING SIZE 0-1	UNTERE HAELFTE	1	pc	280,000 g	M
	550	<b>X00043220</b>	CONROD BEARING SIZE 0-2	UNTERE HAELFTE	1	pc	322,000 g	M
	600	<b>X00043221</b>	CONROD BEARING SIZE 0-3	UNTERE HAELFTE	1	pc	300,000 g	M
	610	<b>RX00040057/42</b>	CONROD ASM		1	pc	9,580 kg	MN EM
	620	<b>RX52603800010/42</b>	CONROD ASM		1	pc	9,580 kg	MN EM





03800045c

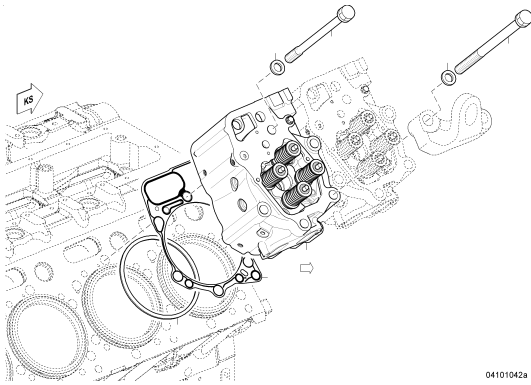
➔	POS.	PART NO.	DESIGNATION	QTY.	UNITS	WEIGHT	FN
	50	X52603800011/42	CONROD	1	pc		EM
	100	X52603800012	CONROD CAP	1	pc		M
	150	5240380471	BOLT M20 1.50 X 103.0 LG 18 CONROD	2	pc	308,000 g	
	200	5240382550	BUSHING CONROD SIZE 0	1	pc	303,000 g	M

GROUP SEGMENT (FGS)

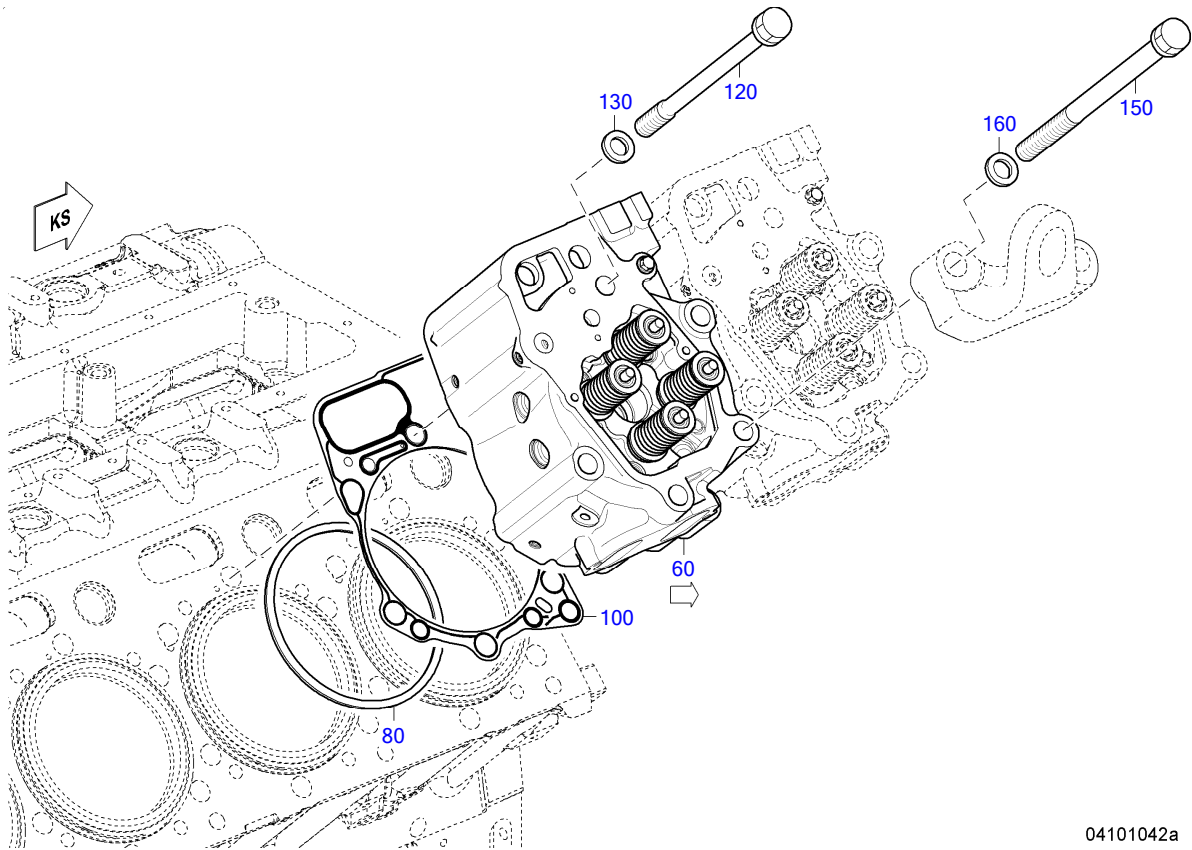
GROUP NAME

BOM-No.

---

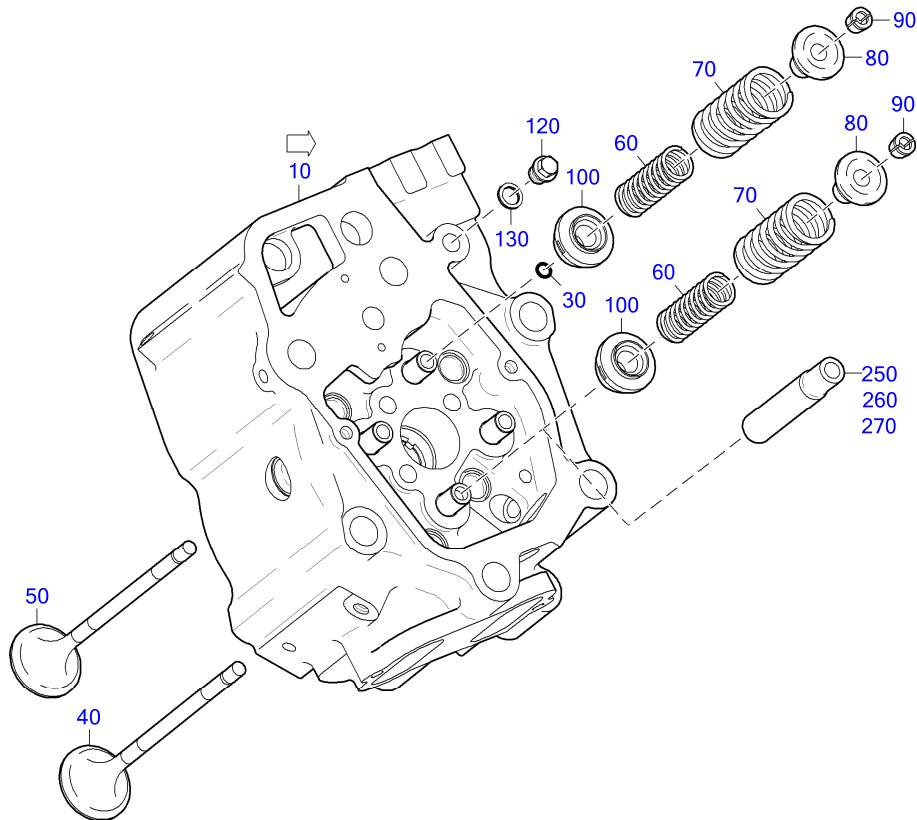


05  
CYLINDER HEAD FOR 12V  
XS594040.00013



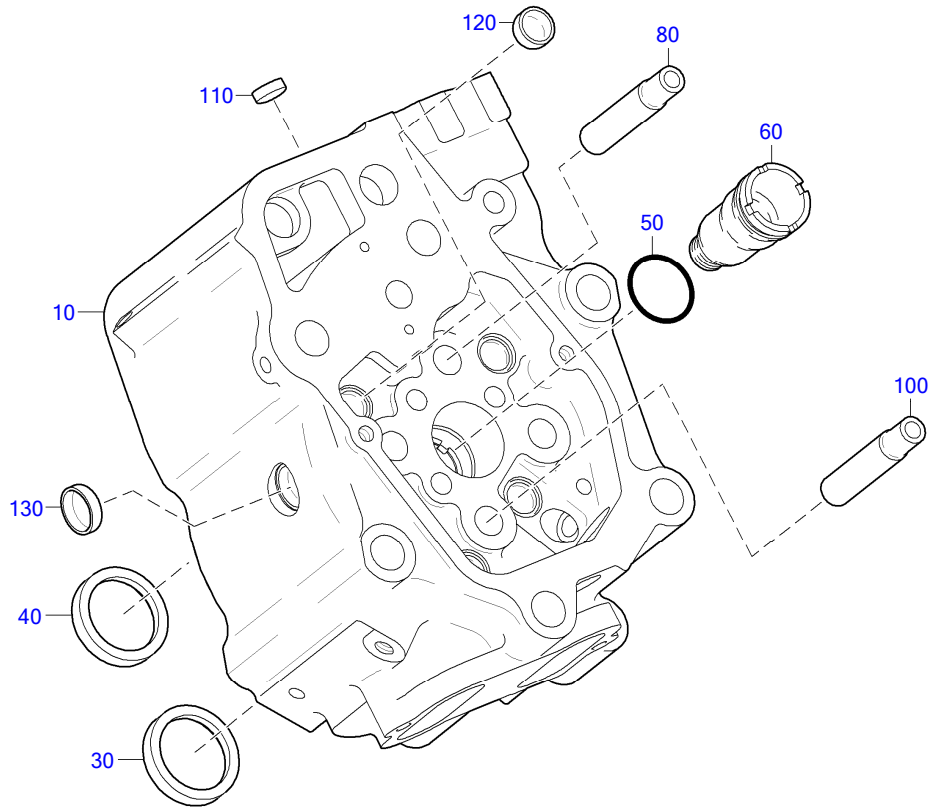
04101042a

➔	POS.	PART NO.	DESIGNATION	MODEL/TYPE	QTY.	UNITS	WEIGHT	FN	MEASUREMENT
	63	60	<b>X52404100209</b>	CYL. HEAD WITH VALVES	BR4000 MX03/PX03	12	pc	53,300 kg	EM MIT LECKAGEBOHRUNG
		80	<b>5240160319</b>	SEALING RING SIZE 0		12	pc	165,800 g	EM
		100	<b>X52404200043</b>	GASKET FOR CYLINDER HEAD		12	pc	121,300 g	
		120	<b>X52404200005</b>	SCREW		60	pc	827,700 g	
		130	<b>5240110062</b>	WASHER THRUST		60	pc	20,600 g	
		150	<b>5240160069</b>	BOLT HEX CYL HD		12	pc	1,100 kg	M22X2X333
		160	<b>5240110062</b>	WASHER THRUST		12	pc	20,600 g	



04101259

➔	POS.	PART NO.	DESIGNATION	MODEL/TYPE	QTY.	UNITS	WEIGHT	FN	MEASUREMENT	STANDARD
64	10	<b>X52404100208</b>	CYLINDER HEAD W/VALVE GUIDES		1	pc	50,000 kg	EM		
	30	<b>700429010004</b>	O-RING		2	pc	0,200 g		10,78X 1,82	MMN429
	40	<b>X00042197</b>	INLET VALVE		2	pc	335,800 g	EM		
	50	<b>5240530805</b>	EXHAUST VALVE		2	pc	340,800 g	EM		
	60	<b>5240530122</b>	VALVE SPRING INNER	4000	4	pc	60,500 g			
	70	<b>5240530120</b>	VALVE SPRING OUTER	4000	4	pc	154,900 g			
	80	<b>5240530125</b>	RETAINER VALVE SPRING		4	pc	33,800 g			
	90	<b>0000530926</b>	VALVE KEEPER WEDGE		8	pc	1,600 g			
	100	<b>0000534335</b>	VALVE ROTATOR		4	pc	108,700 g			
	120	<b>000910014004</b>	PLUG		1	pc	25,000 g		M 14 X 1,5	DIN910
	130	<b>007603014102</b>	COPPER SEALING RING		1	pc	1,000 g		A 14 X 18	DIN7603
	210	<b>X52404200008</b>	VALVE GUIDE INLET AND EXHAUST	STUFE 0 - KENNZ. 1 RILLE	1	pc	120,000 g		FERTIG BEARBEITET, 19.00 R6 H7	
	220	<b>X52404200009</b>	VALVE GUIDE INLET AND EXHAUST	STUFE 1 - KENNZ. 2 RILLEN	1	pc	0,120 kg	EM	FERTIG BEARBEITET, 19.10 R6 H7	
	230	<b>X52404200010</b>	VALVE GUIDE INLET AND EXHAUST	STUFE 2 - KENNZ. 3 RILLEN	1	pc	0,120 kg	EM	FERTIG BEARBEITET, 19.30 R6 H7	
	250	<b>5240530830</b>	VALVE GUIDE	STUFE 0 - KENNZ. 1 RILLE	1	pc	130,000 g		FERTIG BEARBEITET, 19.00 R6 H7	
	260	<b>5240530930</b>	VALVE GUIDE	STUFE 1 - KENNZ. 2 RILLEN	1	pc	130,000 g	EM	FERTIG BEARBEITET, 19.10 R6 H7	
	270	<b>5240530930</b>	VALVE GUIDE	STUFE 1 - KENNZ. 2 RILLEN	1	pc	130,000 g	EM	FERTIG BEARBEITET, 19.10 R6 H7	



04101141

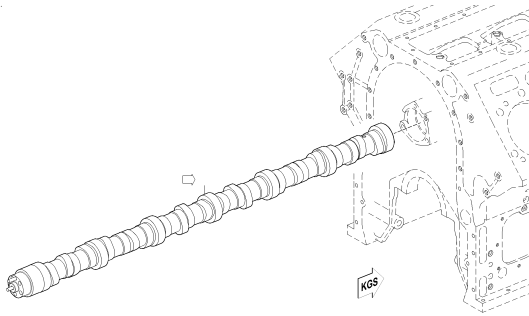
➔	POS.	PART NO.	DESIGNATION	QTY.	UNITS	WEIGHT	FN	MEASUREMENT	STANDARD
	10	X52404100207	CYLINDER HEAD (ONLY MACHINED)	1	pc	49,300 kg	EM		
	30	X52404100027	VALVE SEAT INSERT INLET	2	pc	47,700 g	EM	D 58U6	
	40	5240530032	VALVE SEAT INSERT EXHAUST	2	pc	31,100 g	EM	D 57U6	
	50	735252039000	O-RING	1	pc	1,800 g		39,2 X 3	MTN5252
	60	5240160153	TUBE INJECTOR	1	pc	188,600 g			
	80		VALVE GUIDE	2	pc	137,300 g	KE EM	D 19.3R6 / D10.6+0.05	
	100		VALVE GUIDE INSERT	2	pc	133,600 g	KE EM	D 19R6 / D10.6+0.05	
	110	5550160633	SEALING CAP	1	pc	7,200 g		D 20	
	120	5800160033	SEALING CAP	4	pc	11,000 g		D 24	
	130	5240160233	SEALING CAP	5	pc	18,200 g		D 30	

GROUP SEGMENT (FGS)

GROUP NAME

BOM-No.

---



05  
**CAMSHAFT FOR 12V**  
XS526050.00002

05100252a

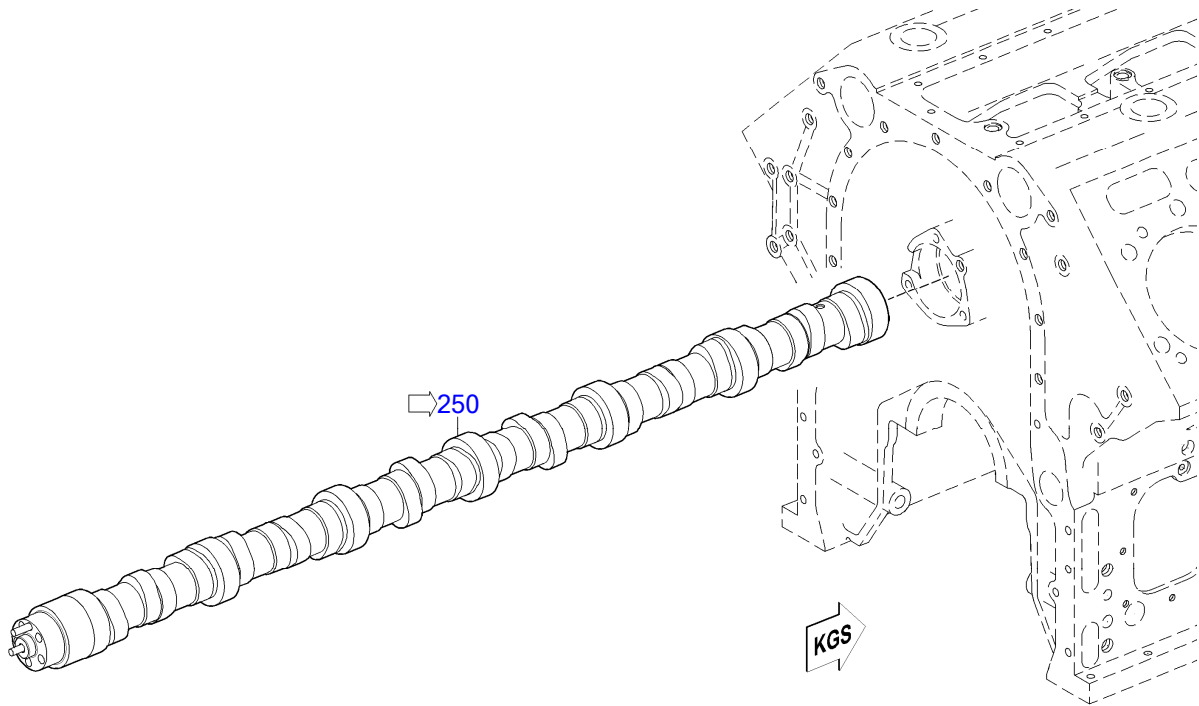
EQUI TYPE: Engine

PRODUCT TYPE: 12V4000M53  
CAMSHAFT FOR 12V

SERIAL NUMBER: 526107656

FG/FGS: 051 05

BOM-No.: XS526050.00002



05100252a

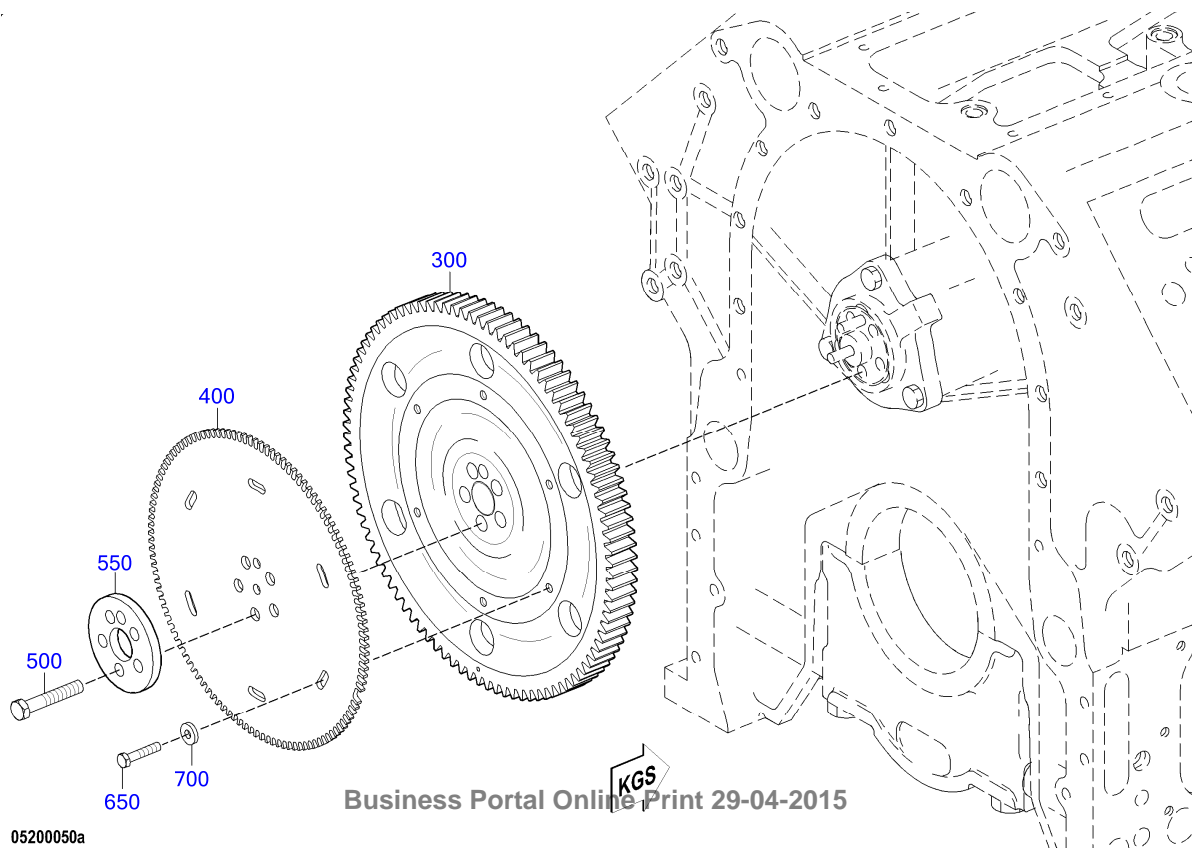
EQUI TYPE: Engine

PRODUCT TYPE: 12V4000M53  
CAMSHAFT FOR 12V

SERIAL NUMBER: 526107656

FG/FGS: 051 05

BOM-No.: XS526050.00002



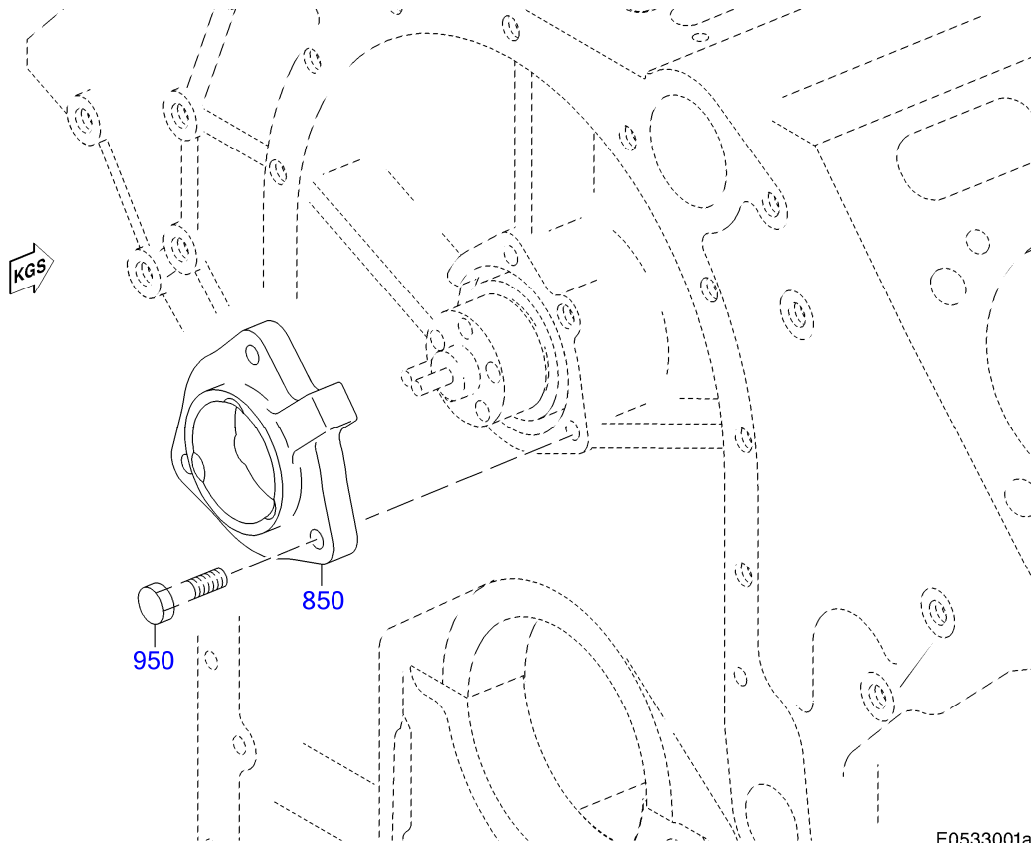
05200050a

EQUI TYPE: Engine

PRODUCT TYPE: 12V4000M53  
CAMSHAFT FOR 12V

SERIAL NUMBER: 526107656

FG/FGS: 051 05  
BOM-No.: XS526050.00002



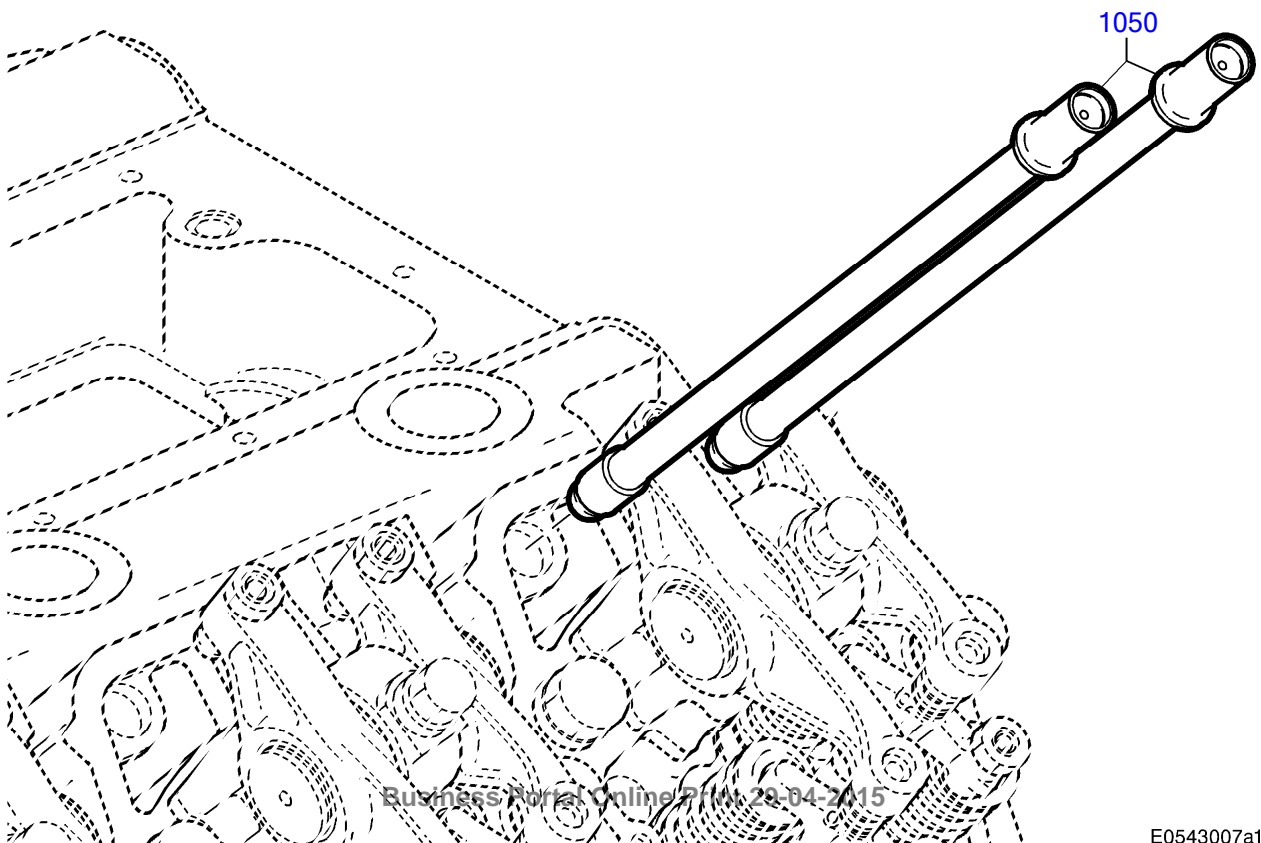
E0533001a1

EQUI TYPE: Engine

PRODUCT TYPE: 12V4000M53  
CAMSHAFT FOR 12V

SERIAL NUMBER: 526107656

FG/FGS: 051 05  
BOM-No.: XS526050.00002

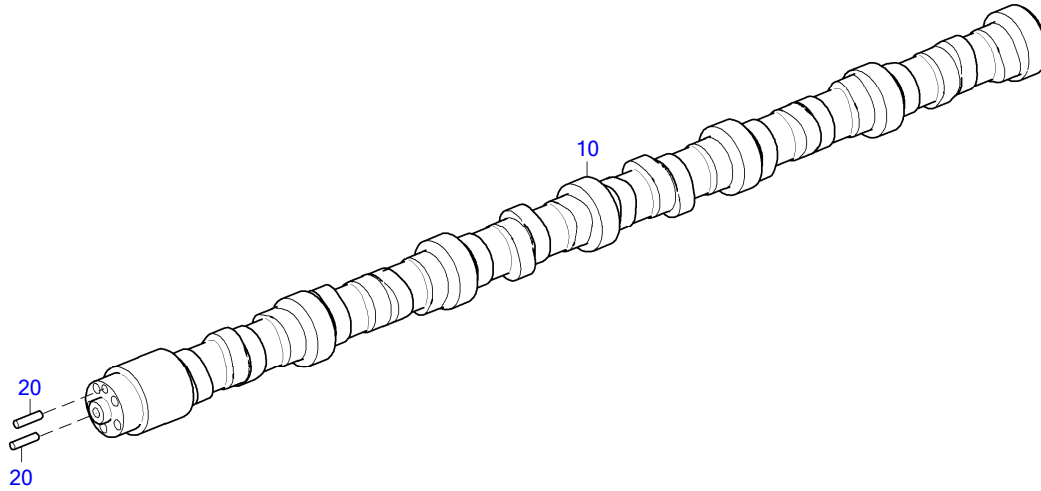


Business Portal Online Print: 29-04-2015

E0543007a1



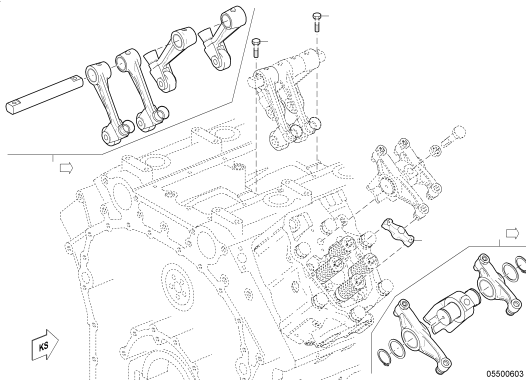
➡	POS.	PART NO.	DESIGNATION	QTY.	UNITS	WEIGHT	FN	MEASUREMENT	STANDARD
67	250	X52605100021	CAMSHAFT FOR 12V	1	pc	75,000 kg	EM		
	300	X52405200018	CAMSHAFT GEAR	1	pc	19,400 kg	EM		
	400	5240521748	WHEEL SRS ADEC	1	pc	2,900 kg	EM		
	500	000931012052	HEX SCREW	5	pc	72,190 g		M 12 X 70	DIN931
	550	5240510351	SPACER RING HOLES	1	pc	422,900 g			
	650	304017008085	HEX SCREW	6	pc	18,000 g		M 8 X 40	ISO4017
	700	007349008002	WASHER	6	pc	7,900 g		8,4	DIN7349
	850	X52405300005	THRUST BEARING FLANG FOR CAMSHAFT	1	pc	2,000 kg			
	950	000933012051	HEX SCREW	3	pc	53,200 g	MN	M 12 X 50	DIN933
	1050	X52405400013	PUSHROD	24	pc	600,200 g			



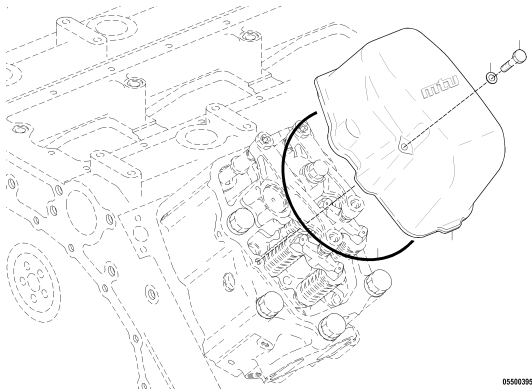
05100325

➔	POS.	PART NO.	DESIGNATION	QTY.	UNITS	WEIGHT	FN	MEASUREMENT	STANDARD
	10	X52605100020	CAMSHAFT FOR 12V	1	pc	49,566 kg	EM		
	20	000007010111	PIN DOWEL CAMSHAFT	2	pc	25,000 g		10 M6 X 40	DIN7

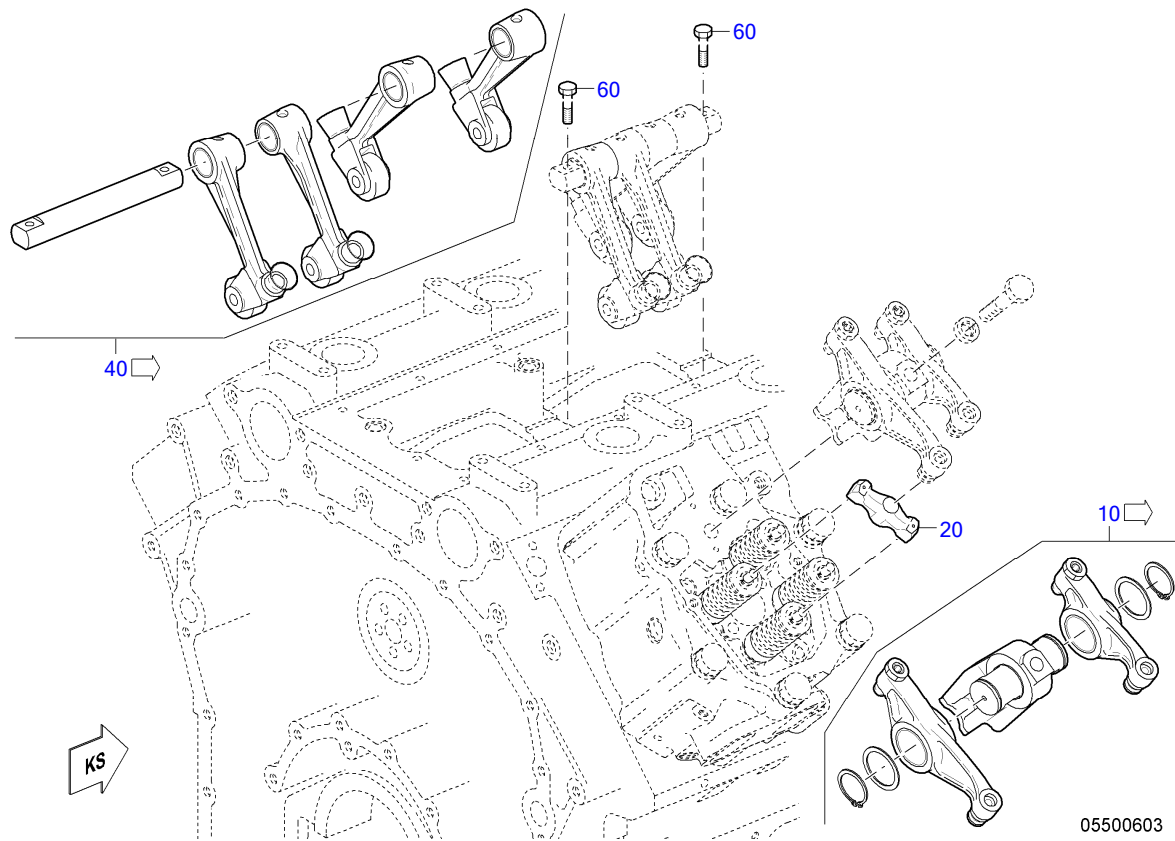
GROUP SEGMENT (FGS)  
GROUP NAME  
BOM-No.



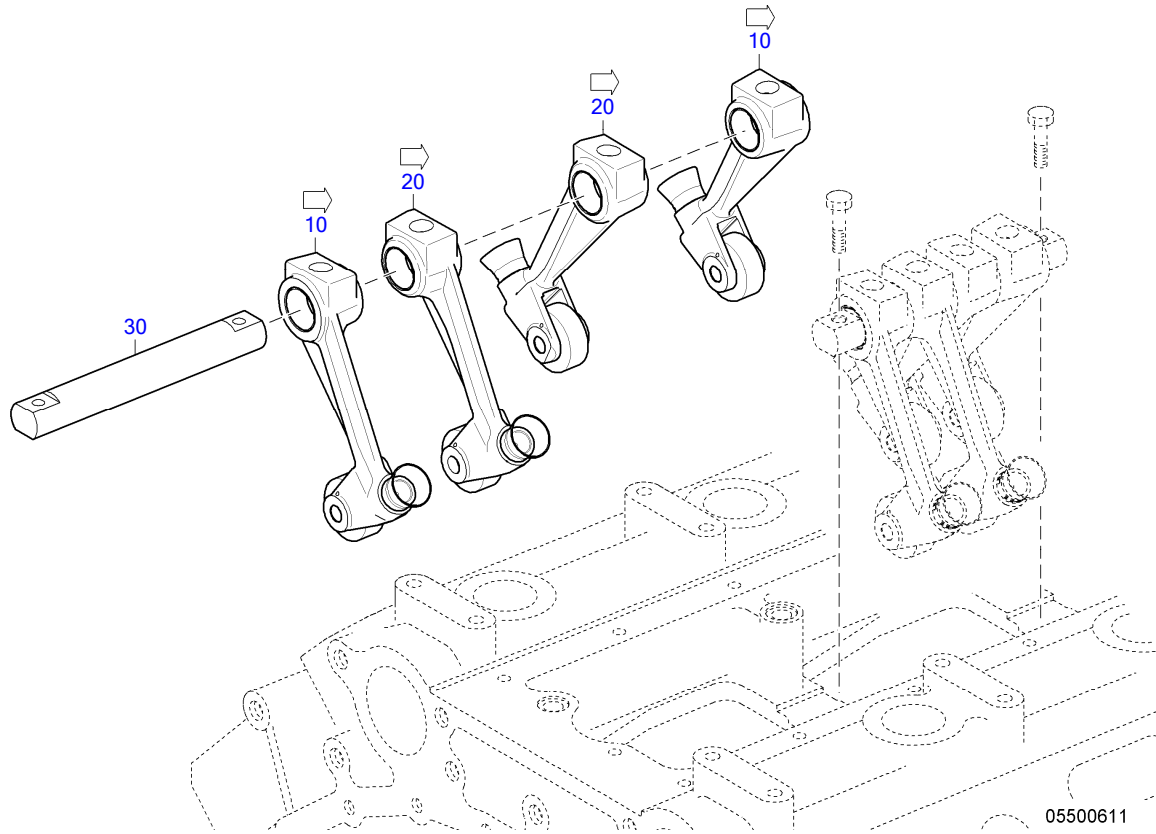
05  
VALVE GEAR FOR 12V  
XS526050.00019



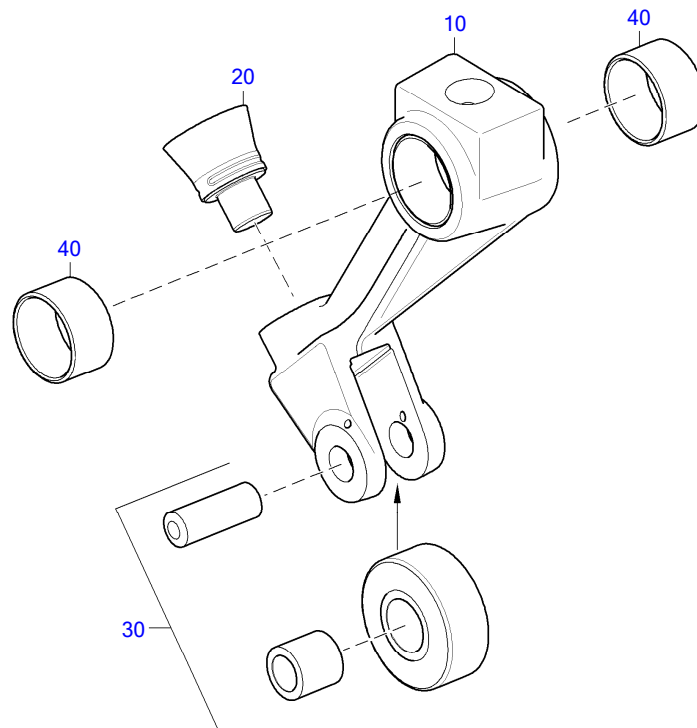
10  
CYLINDER HEAD COVER FOR 12V  
XS526010.00028



➔	POS.	PART NO.	DESIGNATION	QTY.	UNITS	WEIGHT	MEASUREMENT	STANDARD
73	10	X52405500145	ROCKER ARM	12	pc	6,560 kg		
	20	X52405500135	VALVE BRIDGE	24	pc	275,800 g		
70	40	X52405500139	SWING FOLL.	6	pc	7,940 kg		
	60	000933010194	HEX SCREW	12	pc	31,200 g	M 10 X 40	DIN933

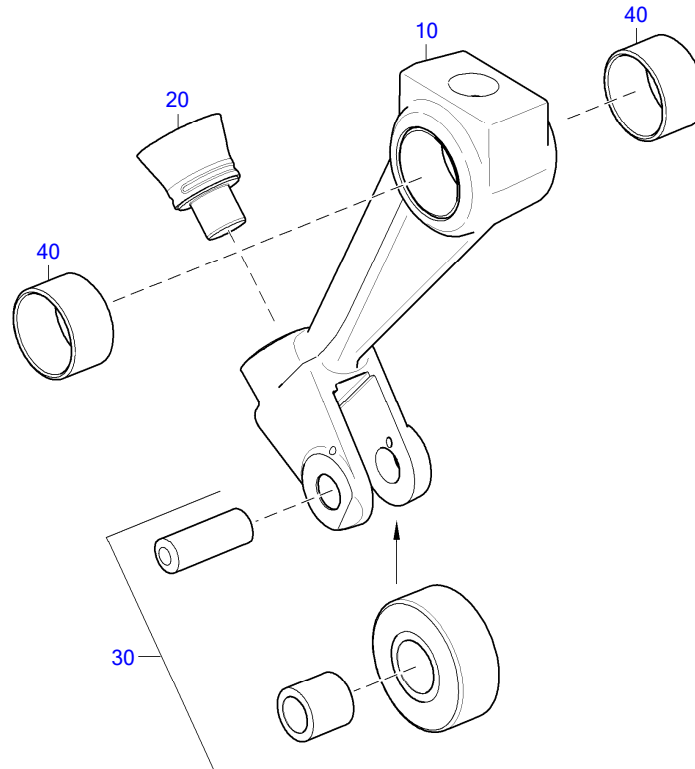


➔	POS.	PART NO.	DESIGNATION	QTY.	UNITS	WEIGHT
71	10	X52405500137	SWING FOLL. INLET	2	pc	1,761 kg
72	20	X52405500138	SWING FOLL. EXHAUST	2	pc	1,761 kg
	30	X52405500103	ROCKER SHAFT	1	pc	1,380 kg



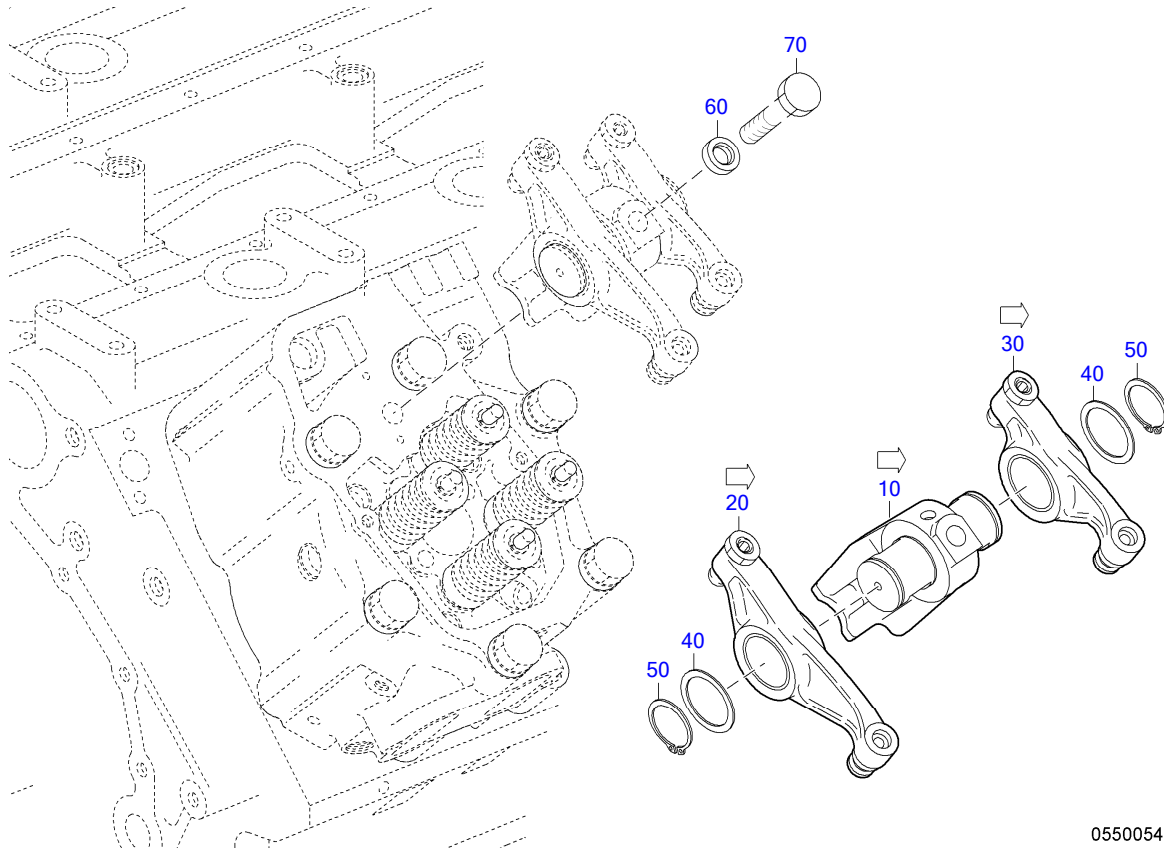
05500614

➔	POS.	PART NO.	DESIGNATION	QTY.	UNITS	WEIGHT	MEASUREMENT	STANDARD
	10	X52405500106	SWING FOLL. INLET	1	pc	1,177 kg		
	20	X52405500136	BALL SOCKET FOR ROCKER ARM	1	pc	64,500 g		
	30	X52405400022	ROLLER TAPPET REPAIR KIT	1	pc	341,000 g		
	40	000000001270	BUSHING	2	pc	36,900 g	C 32 X 36 X 20	ISO4379



05500615

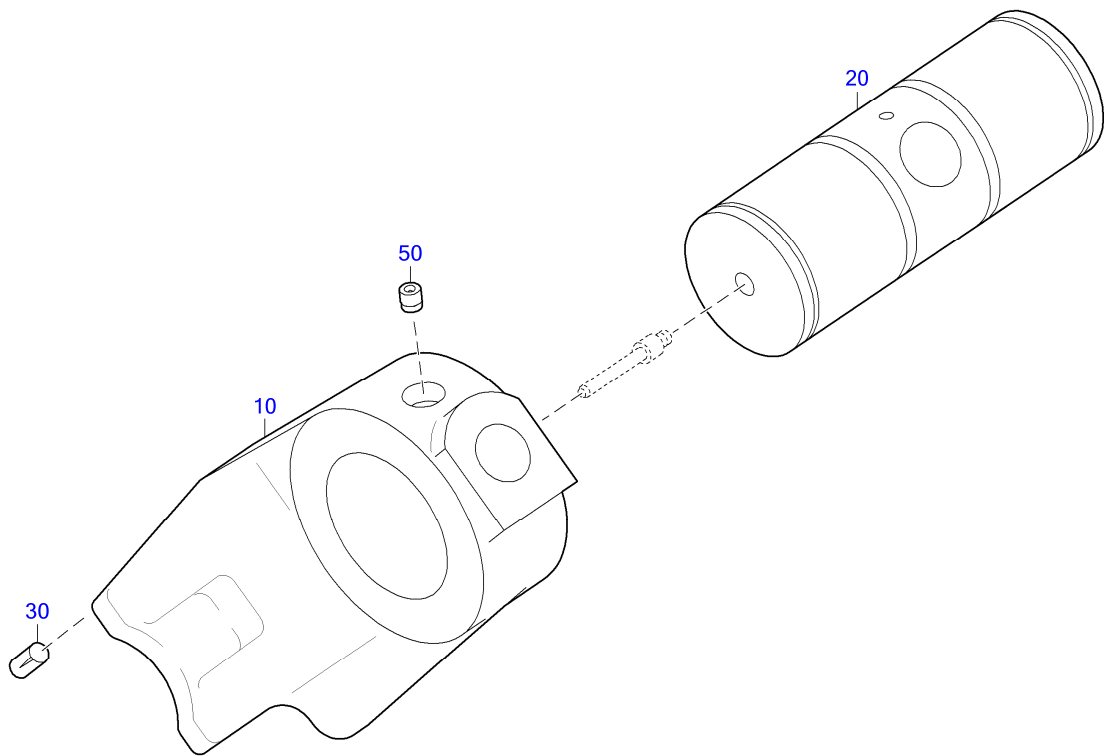
➔	POS.	PART NO.	DESIGNATION	QTY.	UNITS	WEIGHT	MEASUREMENT	STANDARD
	10	X52405500107	SWING FOLL. EXHAUST	1	pc	1,173 kg		
	20	X52405500136	BALL SOCKET FOR ROCKER ARM	1	pc	64,500 g		
	30	X52405400022	ROLLER TAPPET REPAIR KIT	1	pc	341,000 g		
	40	000000001270	BUSHING	2	pc	36,900 g	C 32 X 36 X 20	ISO4379



05500546

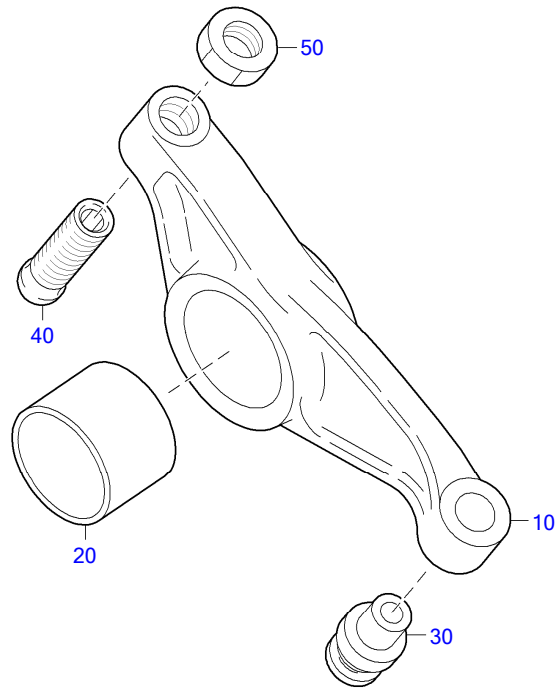
➔	POS.	PART NO.	DESIGNATION	QTY.	UNITS	WEIGHT	MEASUREMENT	STANDARD
	74	10	<b>X52405500146</b>	ROCKER SHAFT SUPPORT	1	pc	3,523 kg	
	75	20	<b>X52405500124</b>	ROCKER ARM INLET	1	pc	1,393 kg	
	76	30	<b>X52405500123</b>	ROCKER ARM EXHAUST	1	pc	1,356 kg	
		40	<b>200988045000</b>	RING SHIM	2	pc	8,600 g	45 X 55 X 1,5 DIN988
		50	<b>000471045000</b>	RING SNAP HV ZNPH R5F	2	pc	7,300 g	45 X 1,75 DIN471
		60	<b>700521016200</b>	WASHER	1	pc	11,700 g	16,2 MMN521
		70	<b>200933016002</b>	HEX SCREW	1	pc	272,000 g	M 16 X180 DIN933





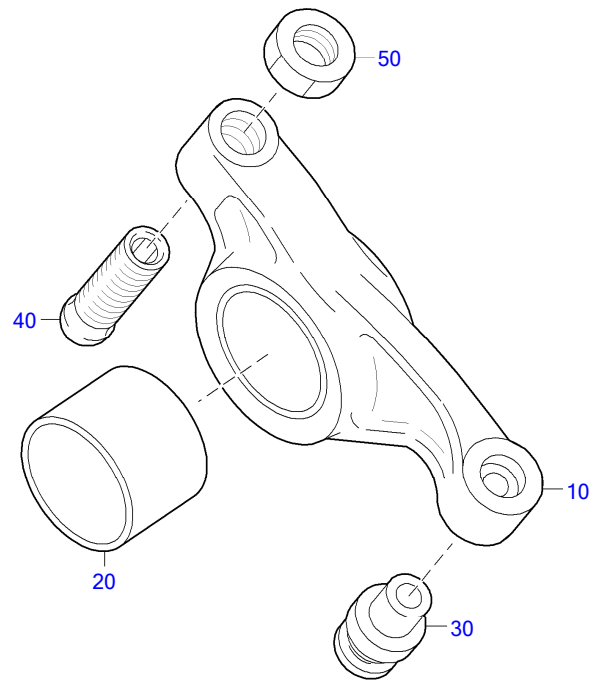
05500549

➔	POS.	PART NO.	DESIGNATION	QTY.	UNITS	WEIGHT	MEASUREMENT	STANDARD
	10	X52405500142	ROCKER SHAFT SUPPORT	1	pc	2,132 kg		
	20	X52405500097	ROCKER SHAFT	1	pc	1,383 kg		
	30	001474006000	PIN GROOVED	2	pc	2,700 g	6 X 12	DIN1474
	50	X52418300025	OIL SPRAY NOZZLE	1	pc	1,000 g		



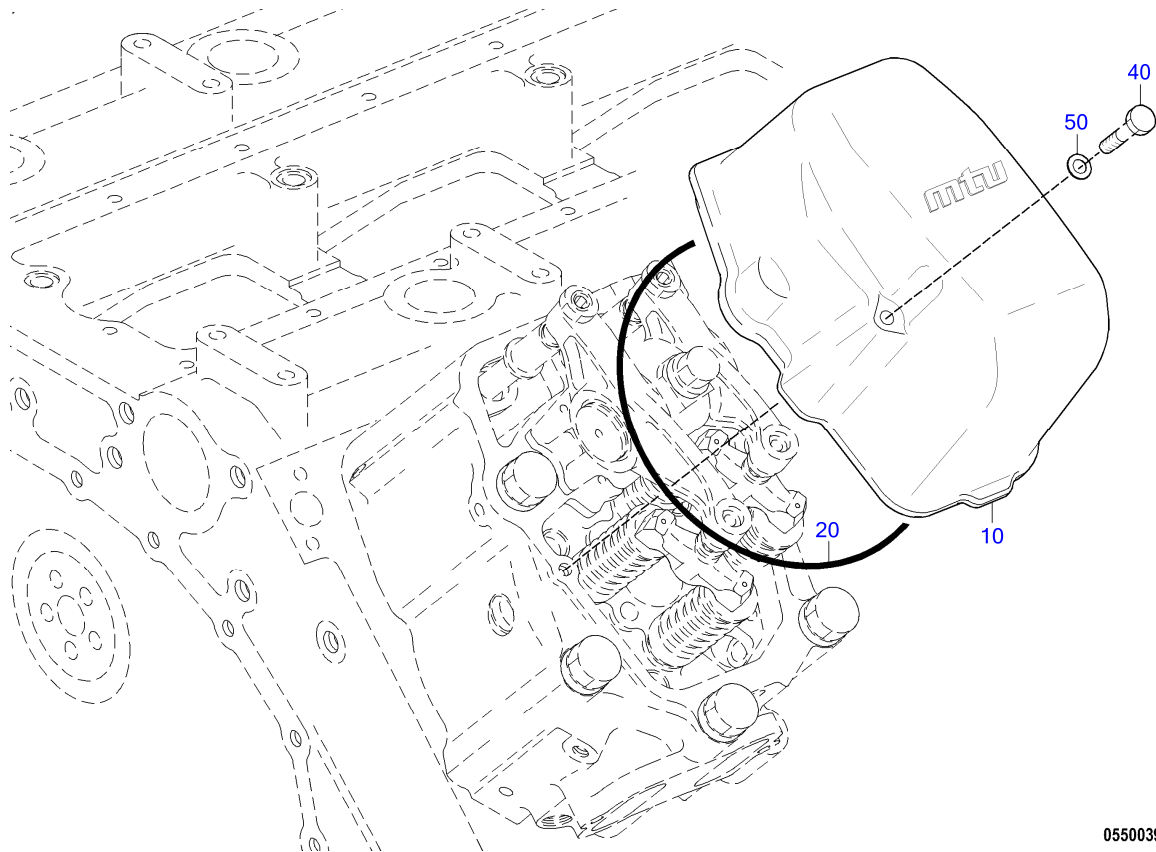
05500547

➔	POS.	PART NO.	DESIGNATION	QTY.	UNITS	WEIGHT	MEASUREMENT	STANDARD
	10	X52405500098	ROCKER ARM INLET	1	pc	1,102 kg		
	20	X52499100176	BUSHING FOR ROCKER ARM	1	pc	115,000 g		
	30	X52405200015	THRUST MEMBER FOR ROCKER ARM	1	pc	75,000 g		
	40	X52499100259	ADJUSTING SCREW FOR ROCKER ARM	1	pc	71,000 g		
	50	000000000403	NUT ADEC	1	pc	17,000 g	M 16 X 1,5	ISO8675



05500548

➔	POS.	PART NO.	DESIGNATION	QTY.	UNITS	WEIGHT	MEASUREMENT	STANDARD
	10	X52405500099	ROCKER ARM EXHAUST	1	pc	1,065 kg		
	20	X52499100176	BUSHING FOR ROCKER ARM	1	pc	115,000 g		
	30	X52405200015	THRUST MEMBER FOR ROCKER ARM	1	pc	75,000 g		
	40	X52499100259	ADJUSTING SCREW FOR ROCKER ARM	1	pc	71,000 g		
	50	000000000403	NUT ADEC	1	pc	17,000 g	M 16 X 1,5	ISO8675



05500395a

➔	POS.	PART NO.	DESIGNATION	QTY.	UNITS	WEIGHT	MEASUREMENT	STANDARD
	10	X52405500130	CYLINDER HEAD COVER	12	pc	2,400 kg		
	20	700429253000	O-RING	12	pc	22,000 g	253 X 4	MMN429
	40	000931010332	HEX SCREW	24	pc	100,000 g	M 10 X150	DIN931
	50	000125010524	WASHER	24	pc	3,100 g	A 10,5	DIN125

EQUI TYPE: Engine

PRODUCT TYPE: 12V4000M53  
INJECTION PUMP / HP PUMP

SERIAL NUMBER: 526107656  
FG/FGS: 073

---

GROUP SEGMENT (FGS)

**GROUP NAME**

BOM-No.

---

05

**HP PUMP W/ACCEPT CERTIFICAT**

XS593070.00027

EQUI TYPE: Engine

PRODUCT TYPE: 12V4000M53  
HP PUMP W/ACCEPT CERTIFICAT

SERIAL NUMBER: 526107656

FG/FGS: 073 05

BOM-No.: XS593070.00027

➡	POS.	PART NO.	DESIGNATION	QTY.	UNITS	WEIGHT	FN	MEASUREMENT	STANDARD
	20	X59407300006/87	HP PUMP W/ACCEPT CERTIFICAT	1	pc	45,000 kg	EM		
	50	000912012093	SCREW	16	pc	59,000 g		M 12 X 55	DIN912
	60	200433013001	WASHER	16	pc	2,600 g		13	DIN433

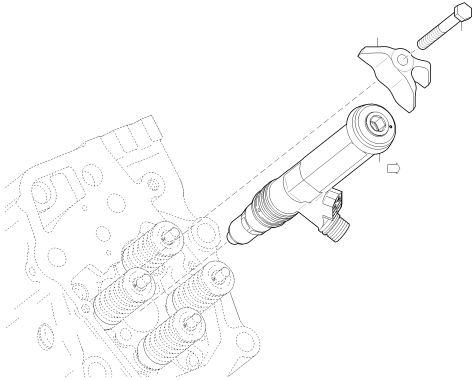
GROUP SEGMENT (FGS)

GROUP NAME

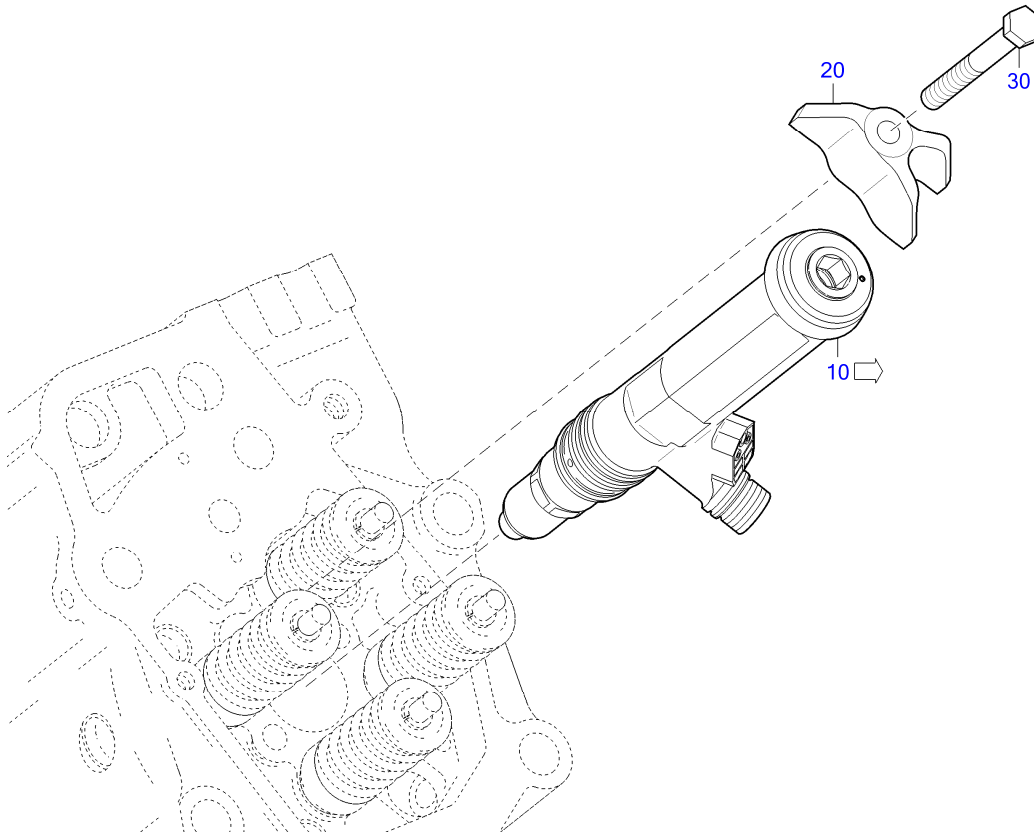
BOM-No.

---

05  
INJECTOR  
XS594070.00024



07500233a



07500233a

➔	POS.	PART NO.	DESIGNATION	QTY.	UNITS	WEIGHT	FN	MEASUREMENT
	10	X59407500016	INJECTOR	12	pc	3,500 kg	EM	
	20	5240780535	CLAMP INJECTOR HOLD-DOWN	12	pc	355,000 g		
	30	5249902101	HEX SCREW	12	pc	87,000 g		M12X100

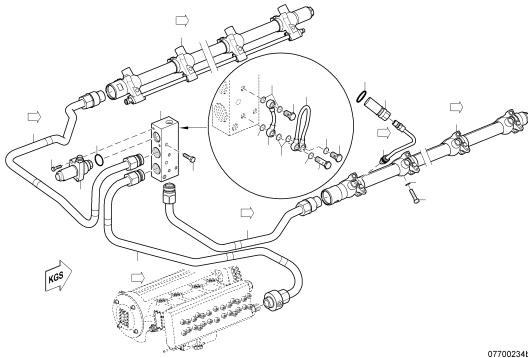


GROUP SEGMENT (FGS)

GROUP NAME

BOM-No.

05  
HP LINE JACKETED  
XS594070.00020



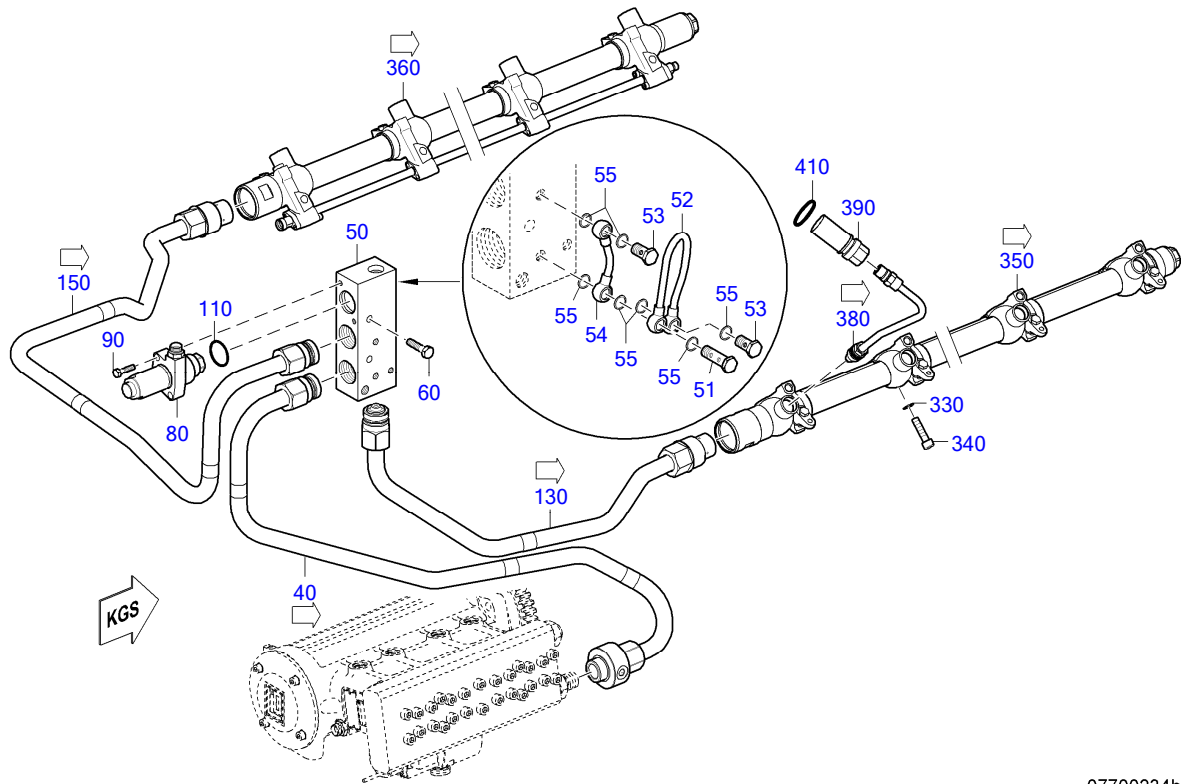
07700234b

EQUI TYPE: Engine

PRODUCT TYPE: 12V4000M53  
HP LINE JACKETED

SERIAL NUMBER: 526107656

FG/FGS: 077 05  
BOM-No.: XS594070.00020



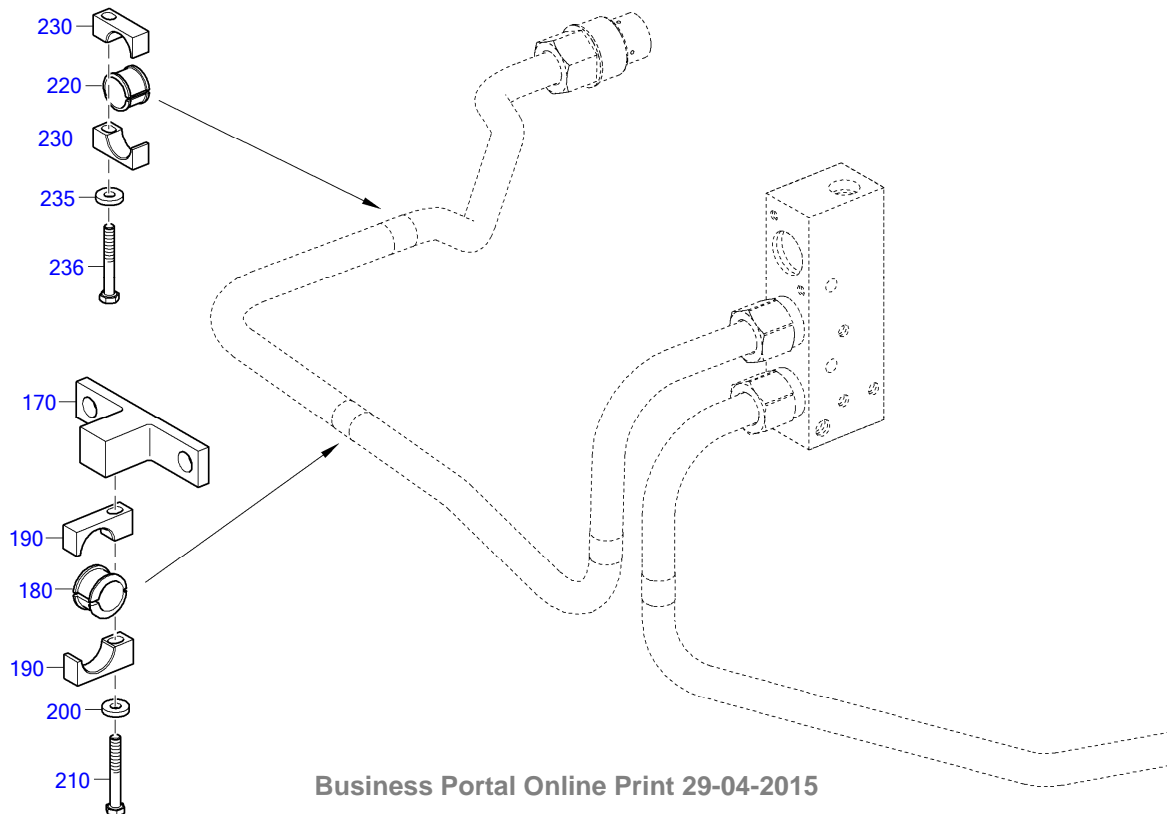
07700234b

EQUI TYPE: Engine

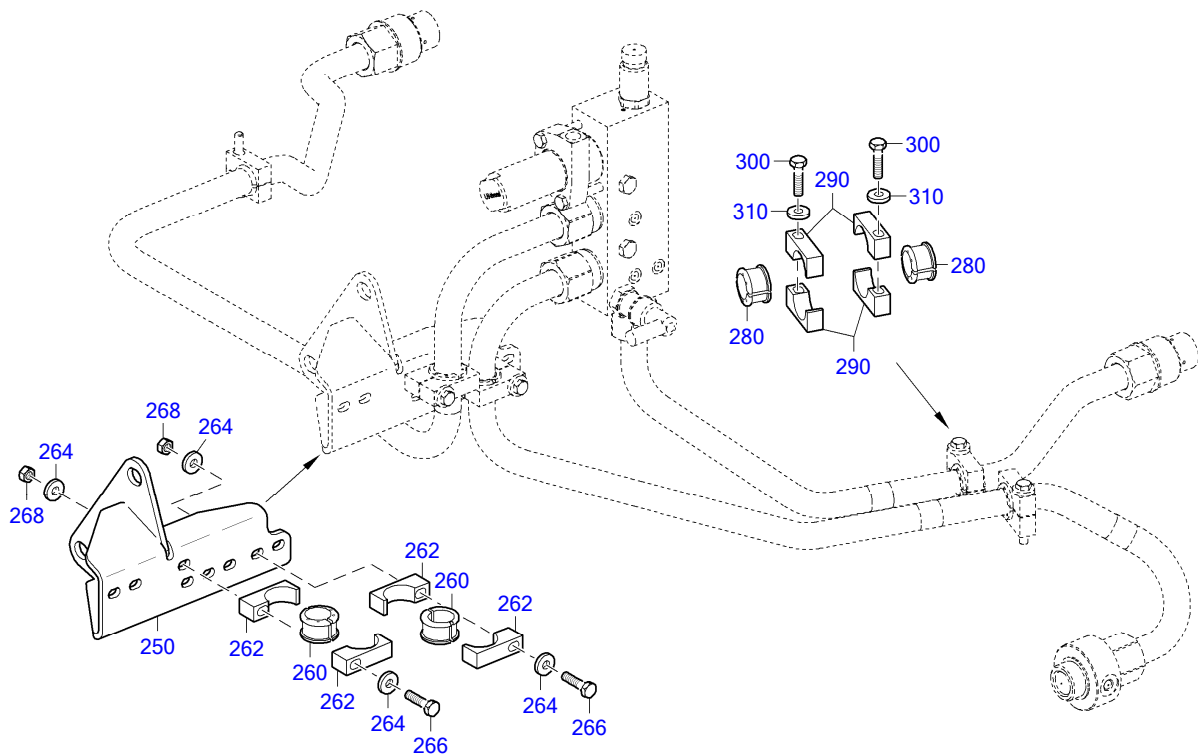
PRODUCT TYPE: 12V4000M53  
HP LINE JACKETED

SERIAL NUMBER: 526107656

FG/FGS: 077 05  
BOM-No.: XS594070.00020



07700400a



07700401a

➔	POS.	PART NO.	DESIGNATION	QTY.	UNITS	WEIGHT	FN	MEASUREMENT	STANDARD
	40	X59507700002	HP FUEL LINE	1	pc	4,956 kg	EM		
	50	X59407800006	FUEL DISTRIBUTOR	1	pc	5,100 kg	EM		
	51	915047006202	BOLT BANJO B 6 ADEC	1	pc	18,200 g	B 6		N15047
	52	X52608700006	LEAK-OFF FUEL LINE TO DISTRIBUTOR PCE	1	pc	38,000 g	SB		
	53	915011004102	BOLT BANJO A 4	2	pc	14,300 g	A 4		N15011
	54	X52608700008	LEAK-OFF FUEL LINE TO DISTRIBUTOR PCE	1	pc	23,000 g	SB		
	55	007603010110	WASHER A COP	7	pc	0,300 g	A 10 X 13,5		DIN7603
	60	304017010032	HEX SCREW	2	pc	42,300 g	M 10 X 65		ISO4017
	80	X00034966	PRESS RELIEF VALVE FOR 12V	1	pc	1,545 kg	EM		
	90	304017008091	HEX SCREW	2	pc	22,500 g	M 8 X 55		ISO4017
	110	700429036003	O-RING	1	pc	1,800 g	36,2 X 3		MMN429
	130	X59507700003	HP FUEL LINE	1	pc	3,330 kg	EM		
	150	X59507700004	HP FUEL LINE	1	pc	6,070 kg	EM		
	170	X59307800013	RETAINER	1	pc	651,000 g			
	180	X59399100008	GROMMET	1	pc	8,900 g			
	190	X59399100007	CLAMP HALF TUBE 56 XC 21X16	2	pc	82,000 g			
	200	007349008002	WASHER	1	pc	7,900 g	8,4		DIN7349
	210	000000004164	HEX SCREW	1	pc	23,500 g	M 8 X 60		ISO4017
	220	X00027974	GROMMET	1	pc	4,500 g			
	230	X59399100003	CLAMP HALF TUBE 1/1 D9-28	2	pc	51,900 g			
	235	007349008002	WASHER	1	pc	7,900 g	8,4		DIN7349
	236	304017008087	HEX SCREW	1	pc	21,300 g	M 8 X 50		ISO4017
	250	X59507800004	RETAINER	1	pc	2,200 kg			
	260	X59399100008	GROMMET	2	pc	8,900 g			
	262	X59399100007	CLAMP HALF TUBE 56 XC 21X16	4	pc	82,000 g			

EQUI TYPE: Engine

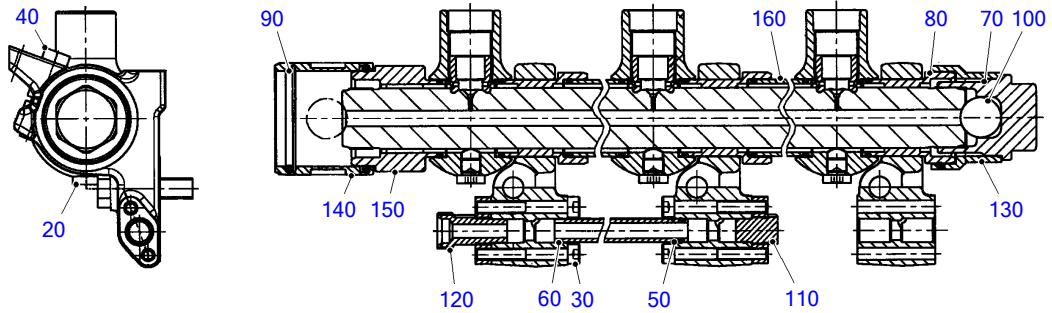
PRODUCT TYPE: 12V4000M53  
HP LINE JACKETED

SERIAL NUMBER: 526107656

FG/FGS: 077 05

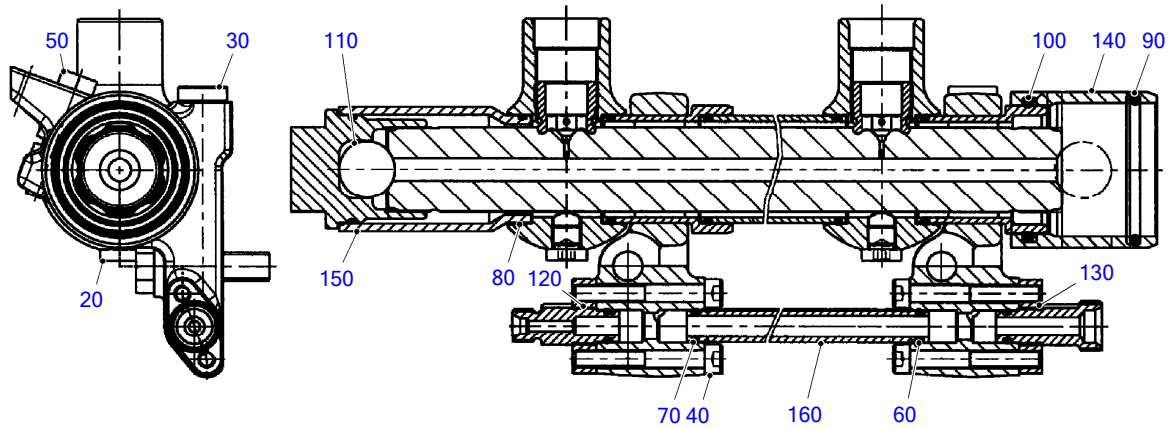
BOM-No.: XS594070.00020

➡	POS.	PART NO.	DESIGNATION	QTY.	UNITS	WEIGHT	FN	MEASUREMENT	STANDARD
	264	007349008002	WASHER	4	pc	7,900 g		8,4	DIN7349
	266	204017008032	HEX SCREW	2	pc	25,500 g		M 8 X 65	ISO4017
	268	304032008014	NUT HEX 8 A3C	2	pc	4,800 g		M 8	ISO4032
	280	X59399100008	GROMMET	2	pc	8,900 g			
	290	X59399100007	CLAMP HALF TUBE 56 XC 21X16	4	pc	82,000 g			
	300	000000004164	HEX SCREW	2	pc	23,500 g		M 8 X 60	ISO4017
	310	007349008002	WASHER	2	pc	7,900 g		8,4	DIN7349
	330	200433010500	WASHER	12	pc	1,900 g		10,5	DIN433
	340	000912010014	BOLT HEX SOC HD	12	pc	31,500 g		M 10 X 40	DIN912
84	350	X00026986	RAIL FUEL HIGH PRESS DBL WALL A-BANK	1	pc	16,000 kg	EM		
85	360	X00026987	RAIL FUEL HIGH PRESS DBL WALL B-BANK	1	pc	16,000 kg	EM		
	380	X59407700023	HP FUEL LINE	12	pc	290,000 g	EM		
86	390	X52607700009	ADAPTER JACKETED	12	pc	325,000 g	EM	DROSSEL-DURCHM0,62MM	
	410	700429024000	O-RING	12	pc	3,900 g		24 X 5	MMN429



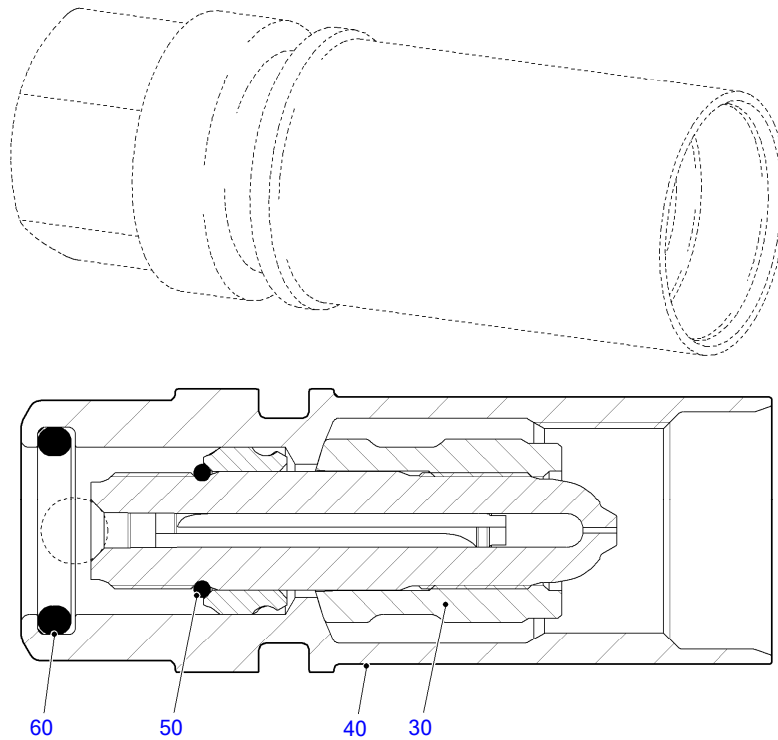
07700561

➔	POS.	PART NO.	DESIGNATION	QTY.	UNITS	WEIGHT	MEASUREMENT	STANDARD
	20	XP52707700002	PLUG	6	pc	7,000 g	M10 X 1	
	30	XP52707700003	SCREW	4	pc	0,500 kg	M6X45-12.9	ISO4762
	40	304017008085	HEX SCREW	6	pc	18,000 g	M 8 X 40	ISO4017
	50	XP52707700004	SNAP RING	10	pc	3,600 g	12 X 1	
	60	XP52707700005	O-RING	12	pc	2,000 g	9 X 2	
	70	XP52707700006	O-RING	18	pc	2,000 g	35 X 2	
	80	XP52707700007	O-RING	1	pc	1,500 g	44.12X2.62	
	90	XP52707700008	O-RING	2	pc	2,800 g	46.04X3.53	
	100	XP52707700047	BALL	1	pc		D20	
	110	XP52707700039	SEAL PLUG	1	pc			
	120	XP52707700040	FLANGE	1	pc			
	130	XP52707700041	COVER TUBE	1	pc			
	140	XP52707700043	COVER TUBE	1	pc			
	150	XP52707700045	CENTERING RING	1	pc		DA54X54.5	
	160	XP52707700046	PLUG-IN PIPE	5	pc	1,000 kg		



07700560

➔	POS.	PART NO.	DESIGNATION	QTY.	UNITS	WEIGHT	MEASUREMENT	STANDARD
	20	XP52707700002	PLUG	6	pc	7,000 g	M10 X 1	
	30	XP52707700009	PLUG	1	pc	0,015 kg		
	40	XP52707700003	SCREW	4	pc	0,500 kg	M6X45-12.9	ISO4762
	50	304017008085	HEX SCREW	6	pc	18,000 g	M 8 X 40	ISO4017
	60	XP52707700004	SNAP RING	10	pc	3,600 g	12 X 1	
	70	XP52707700005	O-RING	12	pc	2,000 g	9 X 2	
	80	XP52707700006	O-RING	18	pc	2,000 g	35 X 2	
	90	XP52707700008	O-RING	1	pc	2,800 g	46.04X3.53	
	100	XP52707700010	O-RING	1	pc	5,000 g	44.04X3.53	
	110	XP52707700047	BALL	1	pc		D20	
	120	XP52707700038	FLANGE	1	pc			
	130	XP52707700040	FLANGE	1	pc			
	140	XP52707700042	COVER TUBE	1	pc		DA55X51	
	150	XP52707700044	COVER TUBE	1	pc		DA44X49	
	160	XP52707700046	PLUG-IN PIPE	5	pc	1,000 kg		



07700641

➔	POS.	PART NO.	DESIGNATION	QTY.	UNITS	WEIGHT	MEASUREMENT
	30	XP52707700018	THRUST RING	1	pc		22X29.5
	40	XP52707700017	UNION NUT	1	pc		34X90
	50	XP52707700015	O-RING	1	pc	1,000 g	12X2
	60	8699970483	SEALING RING	1	pc	1,300 g	18,64 X 3,55

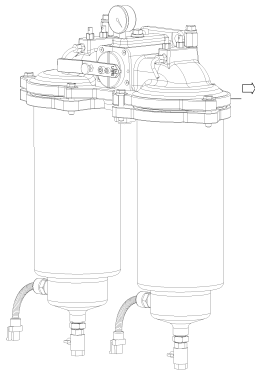
GROUP SEGMENT (FGS)

GROUP NAME

BOM-No.

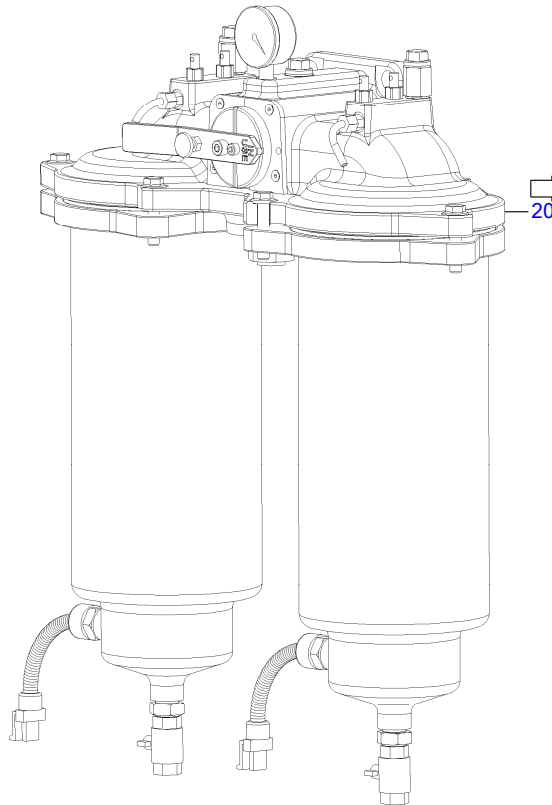
---

00  
**FUEL PREFILTER**  
XS594080.00074



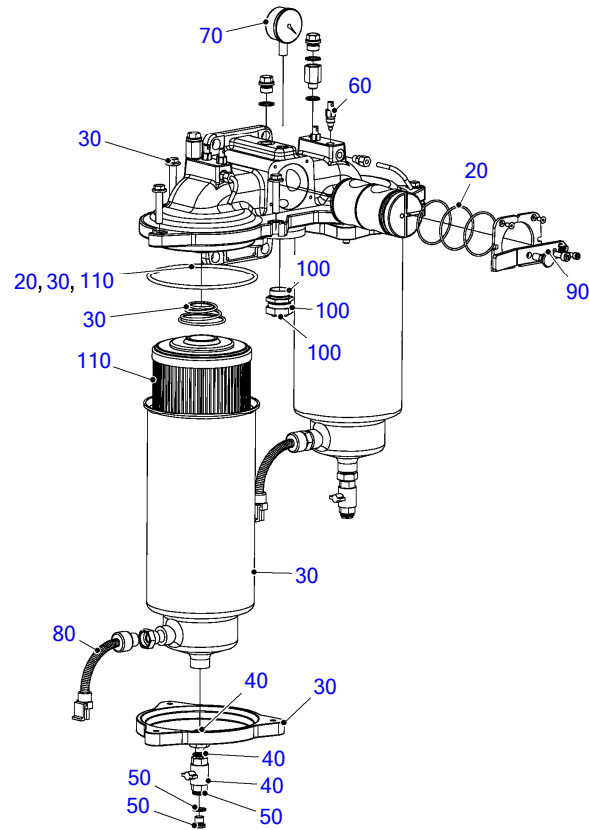
08000381





08000381

➔	POS.	PART NO.	DESIGNATION	MODEL/TYPE	QTY.	UNITS	WEIGHT
89	20	X59408300053/89	FUEL PREFILTER	RACOR DFB-14-60356 - 1 MIC	1	pc	37,500 kg



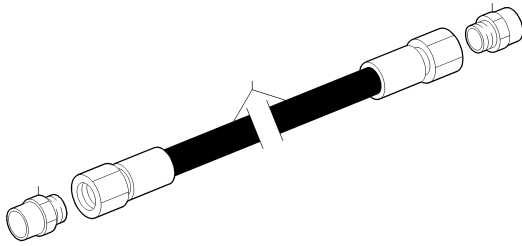
18301460

➔	POS.	PART NO.	DESIGNATION	MODEL/TYPE	QTY.	UNITS	WEIGHT	MEASUREMENT
	20	XP59400600004	GASKET KIT		1	pc	51,700 g	
	30	XP59408300061	BOWL KIT		2	pc	4,800 kg	
	40	XP59408300060	DRAIN VALVE		2	pc	21,600 g	
	50	XP59400600003	CONNECTION KIT		2	pc	21,000 g	
	60	XP59408300059	VENT VALVE		4	pc	28,000 g	
	70	XP59408300055	PRESSURE GAUGE		1	pc	107,200 g	-0,3 - 10 BAR
	80	X00E50200724	LEVEL MONITOR	RACOR WASSERSONDE	2	pc	28,500 g	WASSERSONDE, U=12 BIS 24V,
	90	XP59408300062	LOCKING DEVICE		1	pc		
	100	XP59408300063	CONNECTION		2	pc		
	110	XP59408300049	FILTER CARTRIDGE	RACOR FBO60336 1 MIC.	2	pc	9,100 kg	

GROUP SEGMENT (FGS)

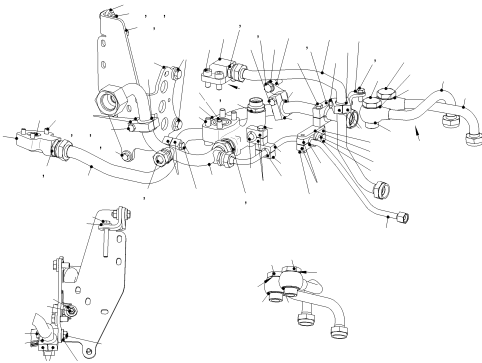
GROUP NAME

BOM-No.



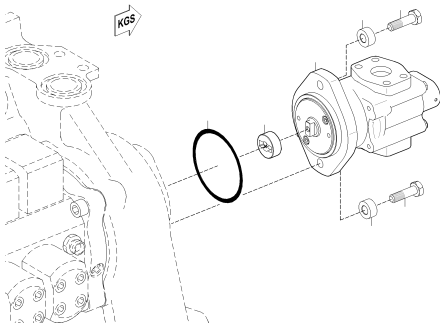
00  
**HOSE**  
XS595990.00056

20200807a



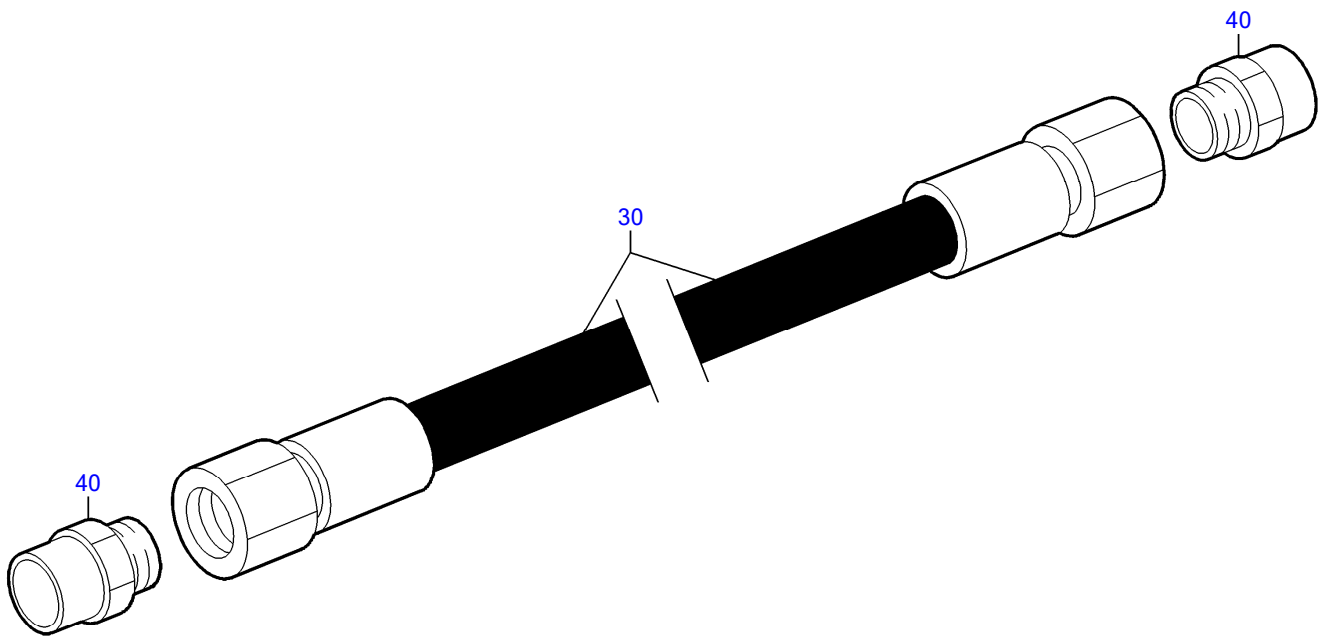
05  
**LP FUEL SYSTEM CLOSED**  
XS593080.00025

0800220a



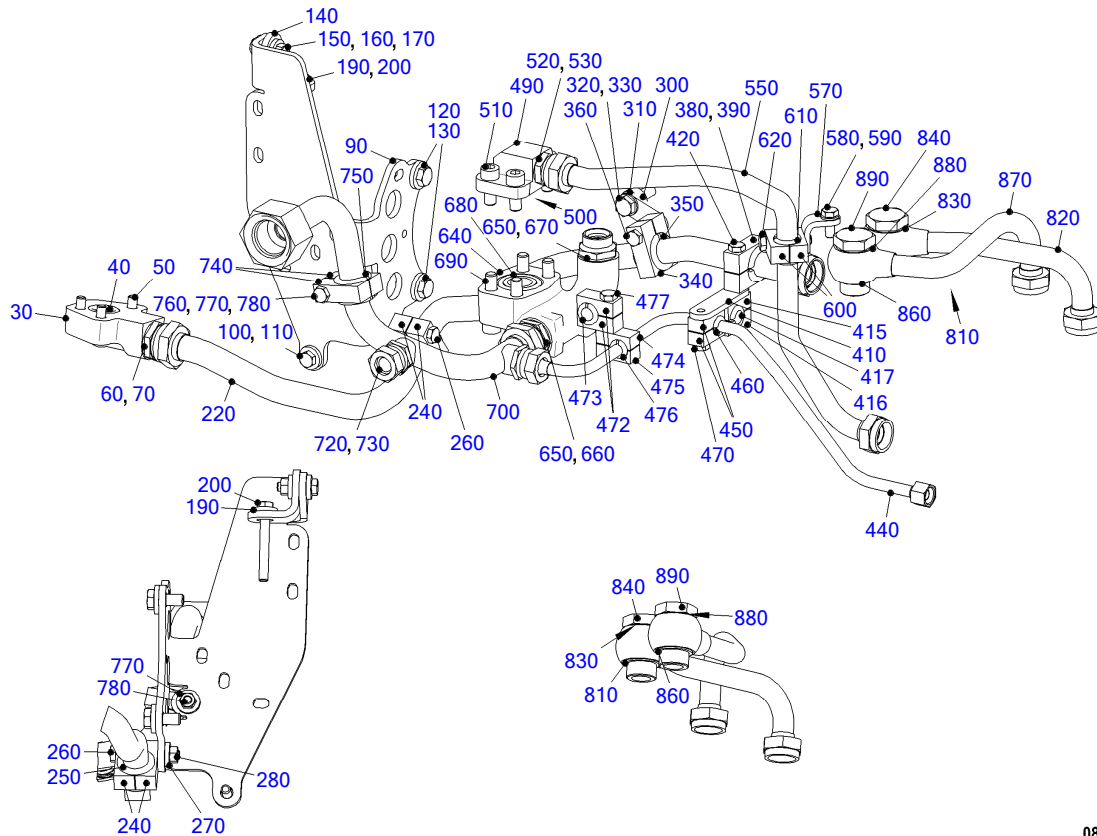
10  
**FUEL PUMP LOW PRESSURE**  
XS595080.00007

0810020a



20200807a

➔	POS.	PART NO.	DESIGNATION	MODEL/TYPE	QTY.	UNITS	WEIGHT	MEASUREMENT	STANDARD
	30	<b>X59599100145</b>	HOSE	EATON 2807-16 400 MM LANG	1	pc	395,900 g		
	40	<b>718363220003</b>	UNION		2	pc	69,100 g	22/M 30 X 1,5	MMN18363.2



08000200a

➔	POS.	PART NO.	DESIGNATION	MODEL/TYPE	QTY.	UNITS	WEIGHT	FN	MEASUREMENT	STANDARD
	30	X00032042	CONNECTING PIECE		1	pc	559,400 g	SB		
	40	700429020003	O-RING		1	pc	2,100 g		20 X 4	MMN429
	50	000912008014	SOCKET HD. S		3	pc	14,300 g		M 8 X 25	DIN912
	60	007603026101	WASHER A COP		1	pc	3,700 g		A 26 X 32	DIN7603
	70	915013020002	SCREW NECK		1	pc	66,700 g		20 (M30X1,5/M26X1,5)	N15013
	90	X59308100049	RETAINER PLATE		1	pc	1,480 kg			
	100	007349008002	WASHER		1	pc	7,900 g		8,4	DIN7349
	110	304017008081	HEX SCREW		1	pc	13,400 g		M 8 X 25	ISO4017
	120	007349010002	WASHER		2	pc	11,000 g		10,5	DIN7349
	130	00000003021	HEX SCREW		2	pc	22,800 g		M 10 X 25	ISO4017
	140	X54899100002	BRACKET		1	pc	76,000 g			
	150	007349008002	WASHER		2	pc	7,900 g		8,4	DIN7349
	160	304017008083	HEX SCREW		1	pc	15,100 g		M 8 X 30	ISO4017
	170	304032008014	NUT HEX 8 A3C		1	pc	4,800 g		M 8	ISO4032
	190	007349008002	WASHER		1	pc	7,900 g		8,4	DIN7349
	200	204017008032	HEX SCREW		1	pc	25,500 g		M 8 X 65	ISO4017
	220	X59308100005	FUEL LINE		1	pc	856,000 g	SB		
	240	700325028100	CLAMP HALF TUBE 1/1 D9-28		2	pc	55,000 g		1/1 D 9 - 28	MMN325
	250	700327022000	GROMMET		1	pc	9,000 g		22	MMN327
	260	304017008088	HEX SCREW		1	pc	22,600 g		M 8 X 55	ISO4017
	270	007349008002	WASHER		1	pc	7,900 g		8,4	DIN7349
	280	304032008014	NUT HEX 8 A3C		1	pc	4,800 g		M 8	ISO4032
	300	735151010200	SPACER S2000/4000		1	pc	22,100 g	MN	B 10,5	MTN5151
	310	5240782141	BRACKET FLAT M8 TAP D M10 HOLE BR 4000		1	pc	32,800 g			
	320	000125010524	WASHER		1	pc	3,100 g		A 10,5	DIN125

➡	POS.	PART NO.	DESIGNATION	MODEL/TYPE	QTY.	UNITS	WEIGHT	FN	MEASUREMENT	STANDARD
	330	00000001039	HEX SCREW		1	pc	29,800 g		M 10 X 40	ISO4017
	340	700325028100	CLAMP HALF TUBE 1/1 D9-28		2	pc	55,000 g		1/1 D 9 - 28	MMN325
	350	700327022000	GROMMET		1	pc	9,000 g		22	MMN327
	360	304017008085	HEX SCREW		1	pc	18,000 g		M 8 X 40	ISO4017
	380	700325028100	CLAMP HALF TUBE 1/1 D9-28		2	pc	55,000 g		1/1 D 9 - 28	MMN325
	390	700327022000	GROMMET		1	pc	9,000 g		22	MMN327
	410	8801590040	RETAINER		1	pc	54,000 g			
	415	700325018100	CLAMP HALF TUBE 1/1 D9-18		1	pc	40,000 g		1/1 D 9 - 18	MMN325
	416	700325018200	CLAMP HALF TUBE 1/1 G8-18		1	pc	40,000 g		1/1 G 8 - 18	MMN325
	417	700327012000	GROMMET		1	pc	4,600 g		12	MMN327
	420	304017008090	HEX SCREW		1	pc	27,300 g		M 8 X 70	ISO4017
	440	X59308100011	FUEL LINE		1	pc	260,000 g			
	450	700325015100	CLAMP HALF TUBE 1/1 D9-15		2	pc	34,000 g		1/1 D 9 - 15	MMN325
	460	700327010000	GROMMET		1	pc	2,800 g		10	MMN327
	470	304017008083	HEX SCREW		1	pc	15,100 g		M 8 X 30	ISO4017
	472	700325018100	CLAMP HALF TUBE 1/1 D9-18		2	pc	40,000 g		1/1 D 9 - 18	MMN325
	473	700327012000	GROMMET		1	pc	4,600 g		12	MMN327
	474	700325015100	CLAMP HALF TUBE 1/1 D9-15		1	pc	34,000 g		1/1 D 9 - 15	MMN325
	475	700325015200	CLAMP HALF TUBE 1/1 G8-15		1	pc	34,200 g		1/1 G 8 - 15	MMN325
	476	700327010000	GROMMET		1	pc	2,800 g		10	MMN327
	477	304017008087	HEX SCREW		1	pc	21,300 g		M 8 X 50	ISO4017
	490	X59308200003	CONNECTING PIECE		1	pc	302,100 g			
	500	700429030002	O-RING		1	pc	3,100 g		30 X 4	MMN429
	510	000912010065	BOLT HEX SOC HD		4	pc	23,900 g		M 10 X 25	DIN912
	520	007603022102	COPPER SEALING RING		1	pc	0,900 g		A 22 X 27	DIN7603
	530	915013016002	UNION		1	pc	53,500 g		16	N15013
	550	X59308200001	FUEL LINE		1	pc	294,100 g	SB EM		
	570	5502030043	BRACKET		1	pc	31,000 g		H023	
	580	000125008427	WASHER		1	pc	1,500 g		A 8,4	DIN125
	590	304017008079	HEX SCREW		1	pc	11,700 g		M 8 X 20	ISO4017
	600	700325022100	CLAMP HALF TUBE 1/1 D9-22		2	pc	47,800 g		1/1 D 9 - 22	MMN325
	610	700327018000	GROMMET		1	pc	5,000 g		18	MMN327
	620	304017008085	HEX SCREW		1	pc	18,000 g		M 8 X 40	ISO4017
	640	X59308100038	ELBOW		1	pc	1,230 kg	EM		
	650	007603026101	WASHER A COP		2	pc	3,700 g		A 26 X 32	DIN7603
	660	915013020002	SCREW NECK		1	pc	66,700 g		20 (M30X1,5/M26X1,5)	N15013
	670	915006016000	UNION		1	pc	73,800 g		16	N15006
	680	700429030002	O-RING		1	pc	3,100 g		30 X 4	MMN429
	690	000912010049	SCREW		4	pc	35,000 g		M 10 X 45	DIN912
	700	X59308100028	FUEL LINE		1	pc	801,300 g			
	720	915005013004	CONE SEALING 15		1	pc	9,300 g		15	MBN15005
	730	915001013003	UNION NUT M1		1	pc	30,400 g		13 M 22 X 1,5	N15001
	740	700325028100	CLAMP HALF TUBE 1/1 D9-28		2	pc	55,000 g		1/1 D 9 - 28	MMN325
	750	700327022000	GROMMET		1	pc	9,000 g		22	MMN327
	760	304017008088	HEX SCREW		1	pc	22,600 g		M 8 X 55	ISO4017
	770	007349008002	WASHER		1	pc	7,900 g		8,4	DIN7349
	780	304032008014	NUT HEX 8 A3C		1	pc	4,800 g		M 8	ISO4032
	810	007603026101	WASHER A COP		1	pc	3,700 g		A 26 X 32	DIN7603
	820	X59308100007	FUEL LINE		1	pc	326,700 g	SB		
	830	007603026101	WASHER A COP		1	pc	3,700 g		A 26 X 32	DIN7603
	840	700223016000	BOLT BANJO A18		1	pc	152,000 g		A 18	MMN223
	860	007603026101	WASHER A COP		1	pc	3,700 g		A 26 X 32	DIN7603
	870	X59308100008	FUEL LINE		1	pc	329,500 g	SB		
	880	007603026101	WASHER A COP		1	pc	3,700 g		A 26 X 32	DIN7603

EQUI TYPE: Engine

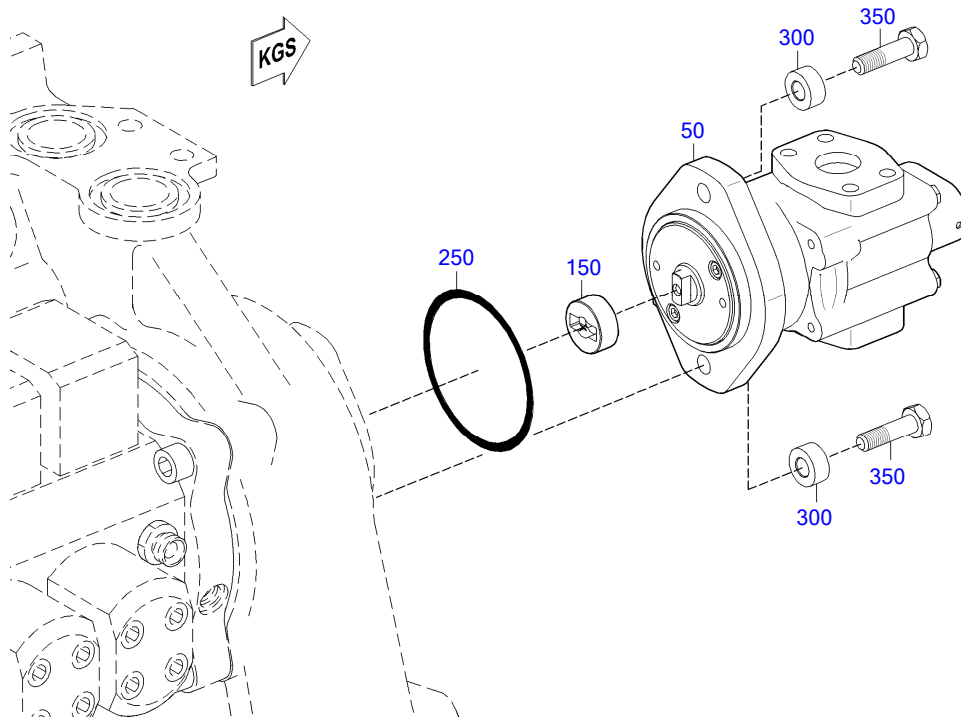
PRODUCT TYPE: 12V4000M53  
LP FUEL SYSTEM CLOSED

SERIAL NUMBER: 526107656

FG/FGS: 081 05

BOM-No.: XS593080.00025

➡	POS.	PART NO.	DESIGNATION	MODEL/TYPE	QTY.	UNITS	WEIGHT	FN	MEASUREMENT	STANDARD
	890	700223016000	BOLT BANJO A18		1	pc	152,000 g		A 18	MMN223

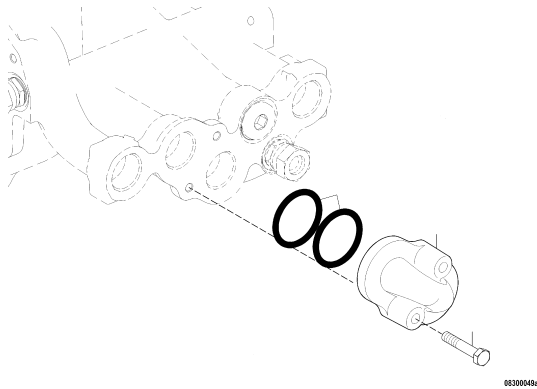


08100269a

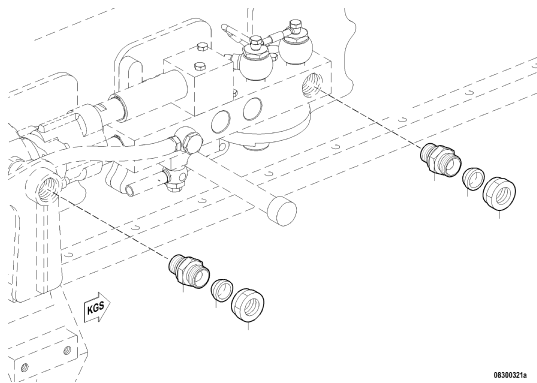
➔	POS.	PART NO.	DESIGNATION	QTY.	UNITS	WEIGHT	FN	MEASUREMENT	STANDARD
	50	X00040978	FUEL DELIVERY PUMP	1	pc	5,700 kg	EM		
	150	X52408100002	LINK	1	pc	51,700 g			
	250	700429083000	O-RING	1	pc	11,700 g		83 X 5	MMN429
	300	735151010200	SPACER S2000/4000	2	pc	22,100 g	MN	B 10,5	MTN5151
	350	000933010094	HEX SCREW	2	pc	31,500 g		M 10 X 40	DIN933



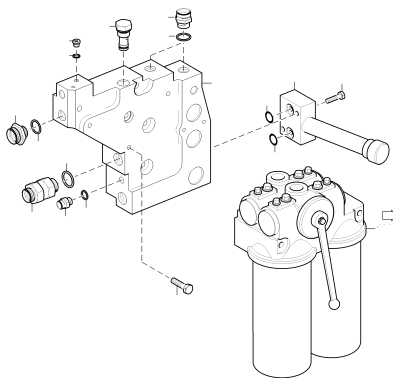
GROUP SEGMENT (FGS)  
GROUP NAME  
BOM-No.



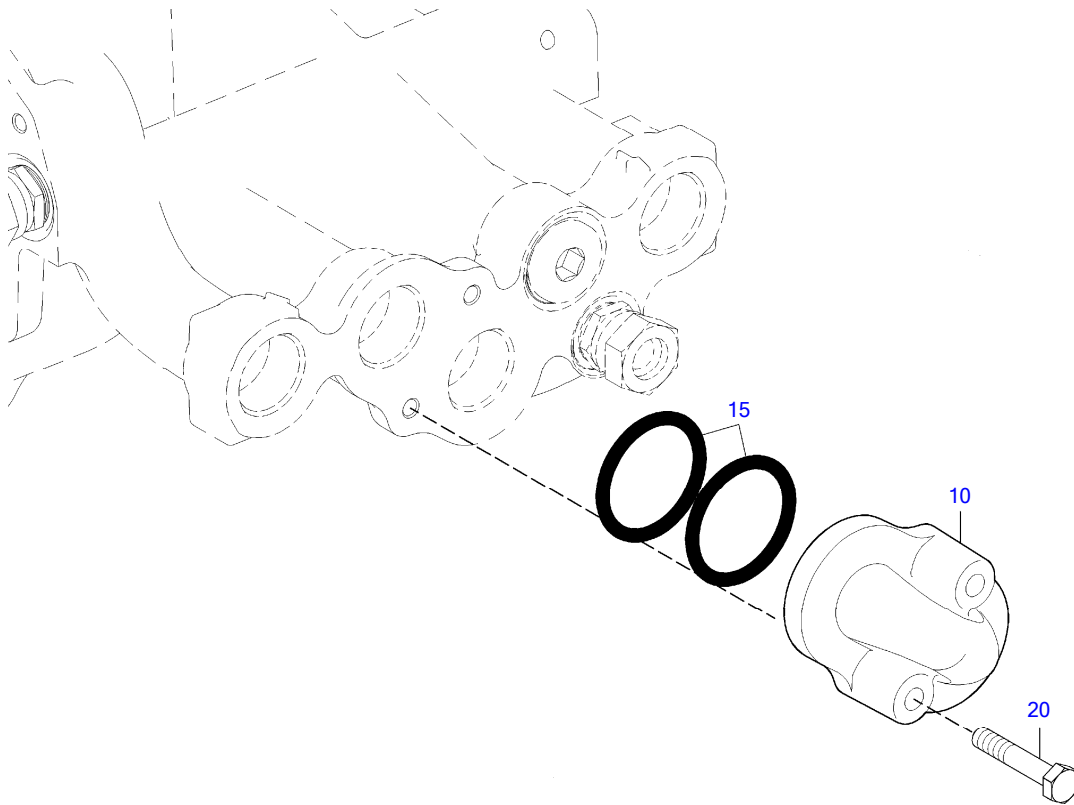
05  
SEAL ELEM.  
080.00094



05  
CONNECTING HARDWARE FOR FUEL LINE  
080.00130

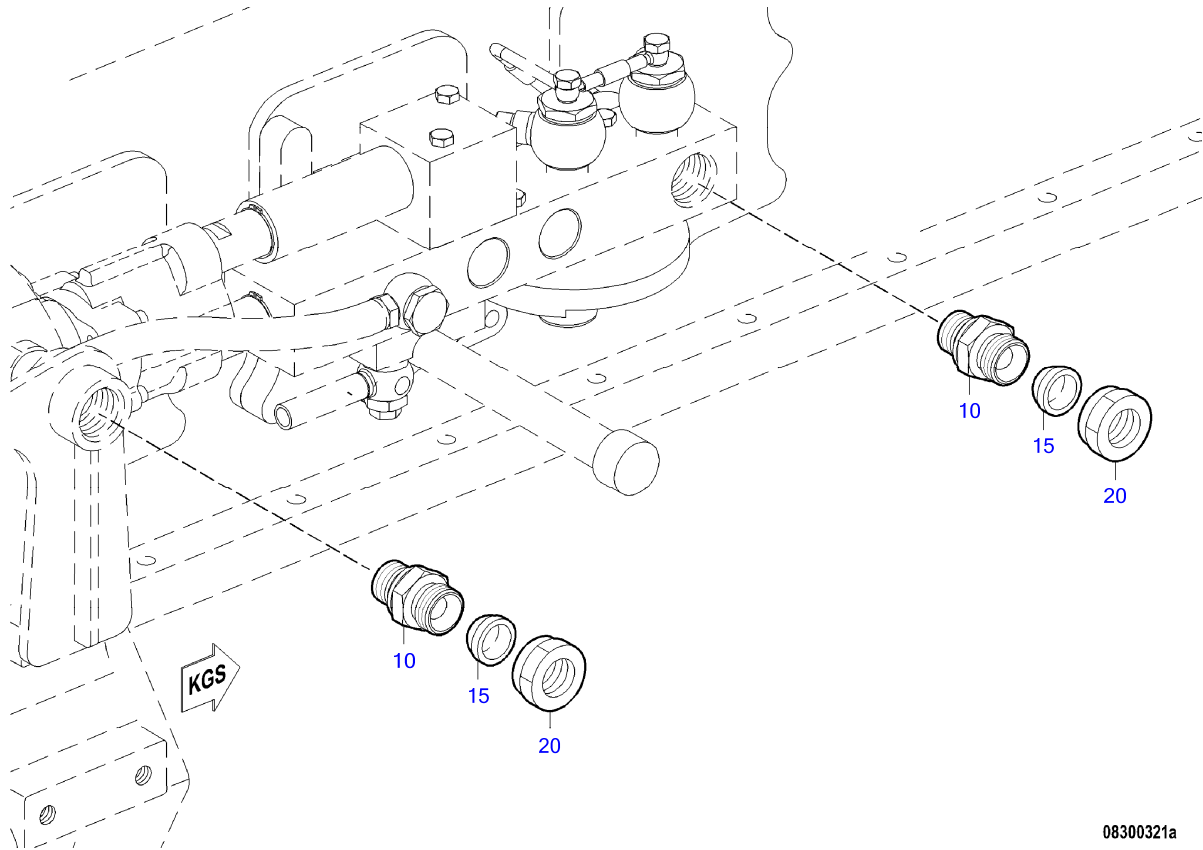


05  
FUEL FILTER  
XS596080.00009



08300049a

➔	POS.	PART NO.	DESIGNATION	QTY.	UNITS	WEIGHT	MEASUREMENT	STANDARD
	10	<b>5240920024</b>	ELBOW FOR FUEL	1	pc	665,000 g		
	15	<b>700429042000</b>	O-RING	2	pc	6,200 g	42 X 5	MMN429
	20	<b>304017008086</b>	HEX SCREW	2	pc	19,400 g	M 8 X 45	ISO4017



08300321a

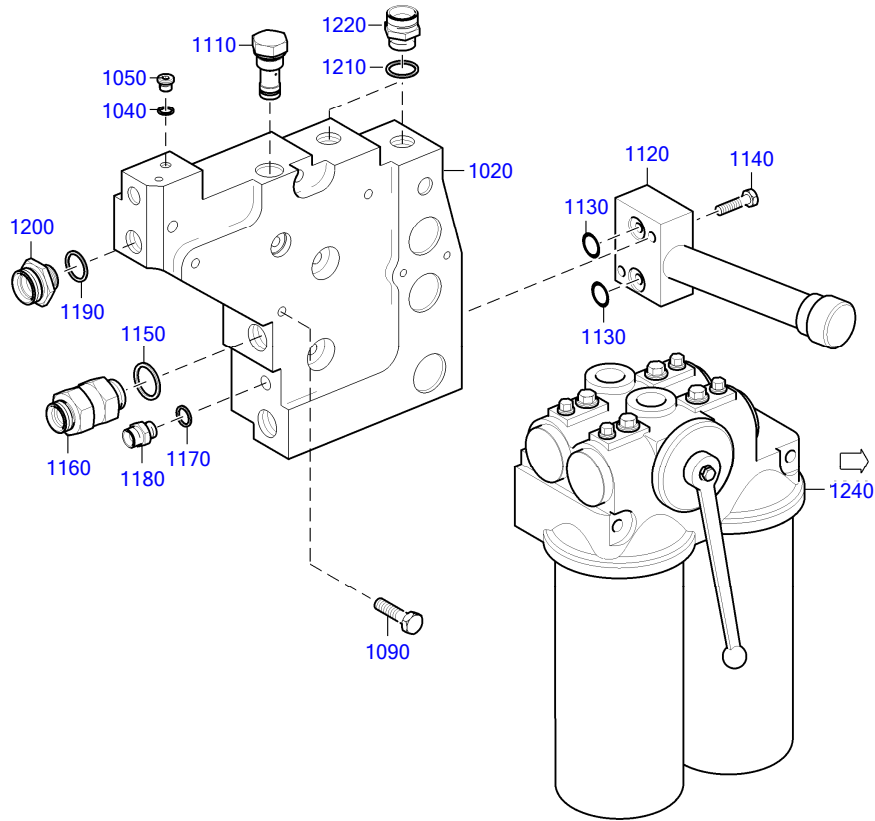
➔	POS.	PART NO.	DESIGNATION	QTY.	UNITS	WEIGHT	MEASUREMENT	STANDARD
	10	735211022001	UNION 22MM	1	pc	0,166 kg	22M 33 X 2	MTN5211
	15	915003020202	BALL-TYPE UNION	1	pc	12,800 g	B2 -22	MBN15003
	20	915001020003	NUT	1	pc	46,900 g	20 M 30 X 1,5	N15001

EQUI TYPE: Engine

PRODUCT TYPE: 12V4000M53  
FUEL FILTER

SERIAL NUMBER: 526107656

FG/FGS: 083 05  
BOM-No.: XS596080.00009



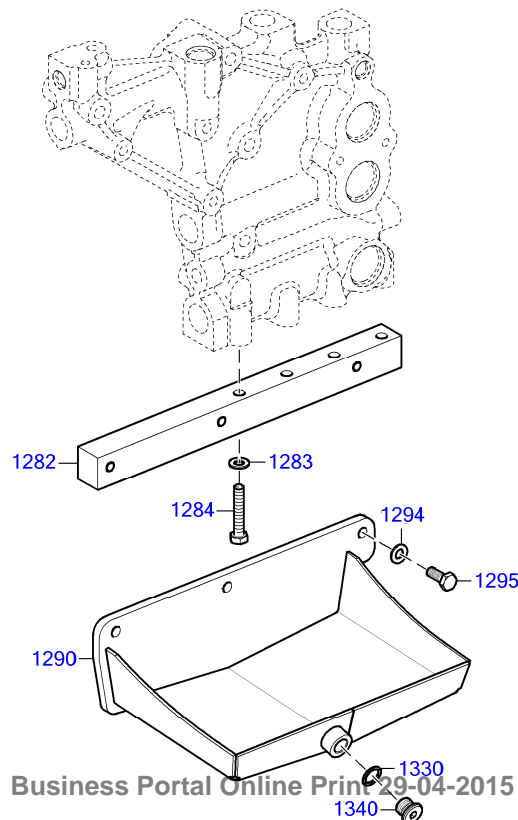
08300631

EQUI TYPE: Engine

PRODUCT TYPE: 12V4000M53  
FUEL FILTER

SERIAL NUMBER: 526107656

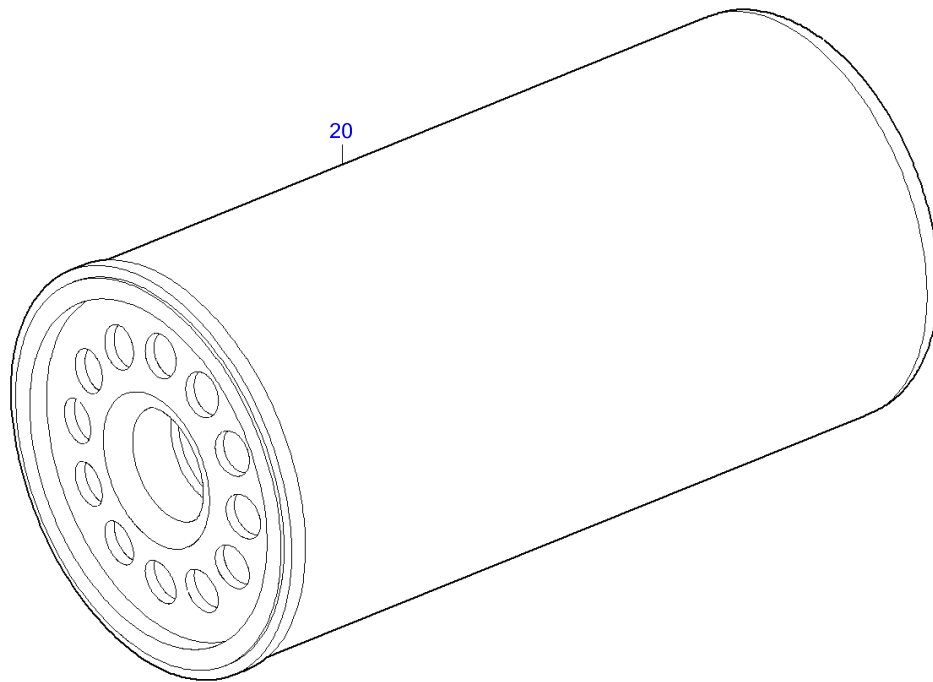
FG/FGS: 083 05  
BOM-No.: XS596080.00009



Business Portal Online Print 29-04-2015

08300632

➔	POS.	PART NO.	DESIGNATION	QTY.	UNITS	WEIGHT	FN	MEASUREMENT	STANDARD
	1020	X59308300024	RETAINER	1	pc	9,400 kg			
	1040	007603010110	WASHER A COP	5	pc	0,300 g		A 10 X 13,5	DIN7603
	1050	000908010002	SCREWED PLUG	5	pc	0,006 kg		M 10 X 1	DIN908
	1090	204017010026	HEX SCREW	4	pc	51,700 g		M 10 X 85	ISO4017
	1110	X59308300012	VALVE WITH BAFFLE	1	pc	128,900 g			
	1120	X00020266	HAND PUMP	1	pc	1,500 kg		TKZ.4090021/MOD. S.INT.VERMERK	
	1130	700429016003	O-RING	2	pc	1,000 g		16 X 3	MMN429
	1140	304017008086	HEX SCREW	2	pc	19,400 g		M 8 X 45	ISO4017
	1150	007603026101	WASHER A COP	1	pc	3,700 g		A 26 X 32	DIN7603
	1160	735080018200	VALVE CHECK 0.2 BAR RHDK 18-L 0.2	1	pc	291,400 g		RHDK 18-L 0,2	MTN5080
	1170	007603014102	COPPER SEALING RING	1	pc	1,000 g		A 14 X 18	DIN7603
	1180	915013008002	SCREW NECK	1	pc	24,000 g		8 (M16X1,5/M14X1,5)	N15013
	1190	007603022102	COPPER SEALING RING	1	pc	0,900 g		A 22 X 27	DIN7603
	1200	915007020000	ADAPTOR	1	pc	83,300 g		20 / 13 (M30X1,5/M22X1,5)	N15007
	1210	007603022102	COPPER SEALING RING	2	pc	0,900 g		A 22 X 27	DIN7603
	1220	915013016002	UNION	2	pc	53,500 g		16	N15013
98	1240	X59308300034	FUEL FILTER	1	pc	17,300 kg	EM		
	1282	X59608300027	MOUNTING PLATE	1	pc	1,800 kg			
	1283	000125008427	WASHER	4	pc	1,500 g		A 8,4	DIN125
	1284	304017008086	HEX SCREW	4	pc	19,400 g		M 8 X 45	ISO4017
	1290	X59608300026	COLLECTING TROUGH	1	pc	2,900 kg			
	1294	000125008427	WASHER	3	pc	1,500 g		A 8,4	DIN125
	1295	304017008079	HEX SCREW	3	pc	11,700 g		M 8 X 20	ISO4017
	1330	007603014102	COPPER SEALING RING	1	pc	1,000 g		A 14 X 18	DIN7603
	1340	000908014001	THREAD PLUG	1	pc	0,016 kg		M 14 X 1,5	DIN908



08300567a

➔	POS.	PART NO.	DESIGNATION	QTY.	UNITS	WEIGHT
	20	X59308300031	FUEL FILTER SPIN-ON	2	pc	1,300 kg

GROUP SEGMENT (FGS)

GROUP NAME

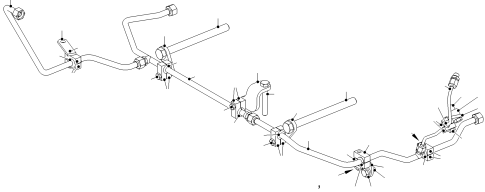
BOM-No.

---

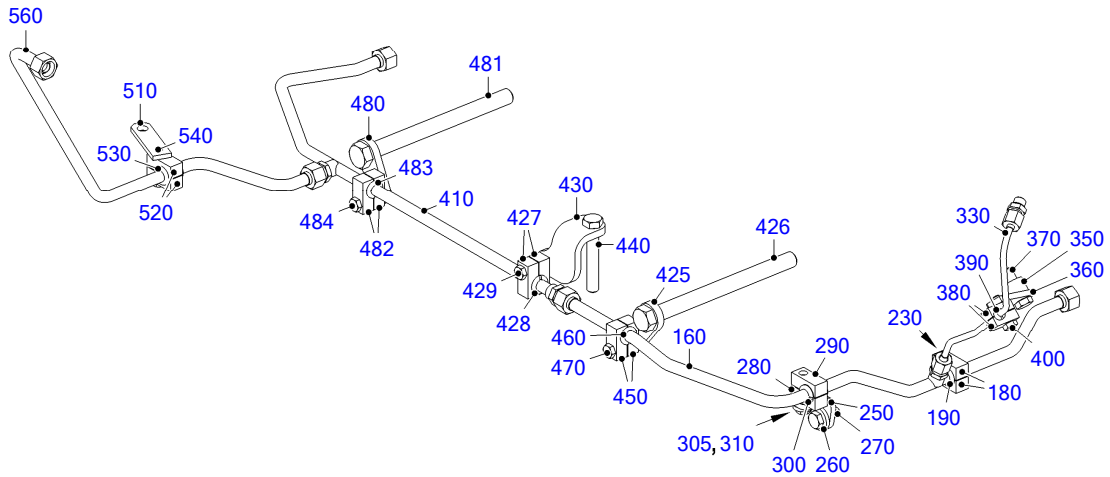
10

**FUEL RETURN CLOSED**

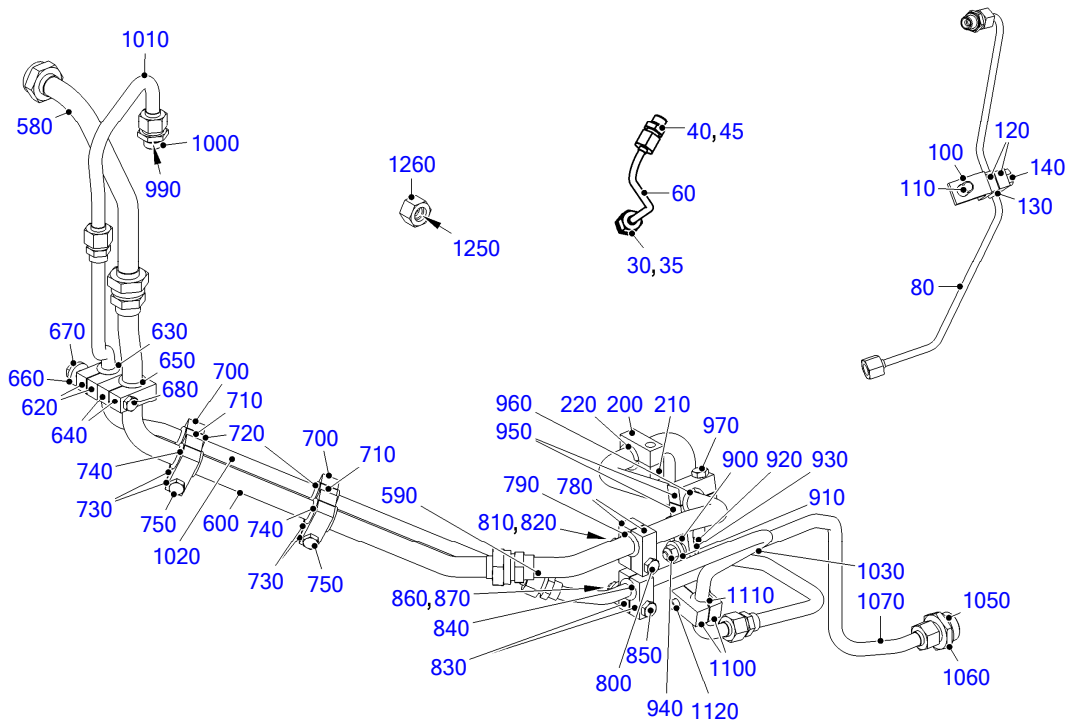
XS594080.00041



08000202a



08000202a



08000203a



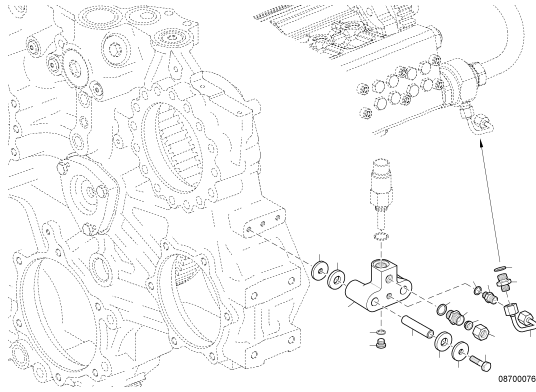
➡	POS.	PART NO.	DESIGNATION	QTY.	UNITS	WEIGHT	FN	MEASUREMENT	STANDARD
	30	007603012111	COPPER SEALING RING	10	pc	0,700 g		A 12 X 15,5	DIN7603
	35	915006004002	UNION	10	pc	19,000 g		4	N15006
	40	007603012111	COPPER SEALING RING	12	pc	0,700 g		A 12 X 15,5	DIN7603
	45	915006004002	UNION	12	pc	19,000 g		4	N15006
	60	X00034974	TUBE FUEL LOW PRESSURE RETURN	10	pc	62,500 g		SB	
	80	X00004215	TUBE FUEL RETURN LOW PRESSURE B-BANK	1	pc	90,000 g		SB	
	100	5551870640	BRACKET L H:51 S2000/4000	1	pc	54,900 g		SB	
	110	00000003021	HEX SCREW	1	pc	22,800 g		M 10 X 25	ISO4017
	120	700325010100	CLAMP HALF TUBE	2	pc	25,000 g		1/1 D 9 - 10	MMN325
	130	700327006000	GROMMET	1	pc	1,400 g		6	MMN327
	140	304017008083	HEX SCREW	1	pc	15,100 g		M 8 X 30	ISO4017
	160	X59308100053	FUEL LINE	1	pc	0,200 kg			
	180	700325018100	CLAMP HALF TUBE 1/1 D9-18	2	pc	40,000 g		1/1 D 9 - 18	MMN325
	190	700327012000	GROMMET	1	pc	4,600 g		12	MMN327
	200	700325022100	CLAMP HALF TUBE 1/1 D9-22	1	pc	47,800 g		1/1 D 9 - 22	MMN325
	210	700325022200	CLAMP HALF TUBE 1/1 G8-22	1	pc	49,000 g		1/1 G 8 - 22	MMN325
	220	700327018000	GROMMET	1	pc	5,000 g		18	MMN327
	230	304017008089	HEX SCREW	1	pc	24,200 g		M 8 X 60	ISO4017
	250	X59408100017	RETAINER FOR FUEL LINE	1	pc	64,900 g			
	260	007349010002	WASHER	1	pc	11,000 g		10,5	DIN7349
	270	00000003021	HEX SCREW	1	pc	22,800 g		M 10 X 25	ISO4017
	280	700325018100	CLAMP HALF TUBE 1/1 D9-18	1	pc	40,000 g		1/1 D 9 - 18	MMN325
	290	700325018200	CLAMP HALF TUBE 1/1 G8-18	1	pc	40,000 g		1/1 G 8 - 18	MMN325
	300	700327012000	GROMMET	1	pc	4,600 g		12	MMN327
	305	007349008002	WASHER	1	pc	7,900 g		8,4	DIN7349
	310	304017008084	HEX SCREW	1	pc	16,400 g		M 8 X 35	ISO4017
	330	X00040965	TUBE FUEL RETURN LOW PRESSURE A-BANK	1	pc	70,000 g		SB	
	350	5599920601	SPACER BUSHING	1	pc	24,000 g			
	360	135M55009/1	STRAP 75 X20	1	pc	62,100 g			
	370	00000003326	HEX SCREW	1	pc	27,400 g		M 10 X 35	ISO4017
	380	700325010100	CLAMP HALF TUBE	2	pc	25,000 g		1/1 D 9 - 10	MMN325
	390	700327006000	GROMMET	1	pc	1,400 g		6	MMN327
	400	304017008083	HEX SCREW	1	pc	15,100 g		M 8 X 30	ISO4017
	410	X59308100054	FUEL LINE	1	pc	260,400 g			
	424	X59499100107	RETAINER	1	pc	90,500 g			
	425	200433017001	WASHER	1	pc	6,500 g		17	DIN433
	426	204014016007	HEX SCREW	1	pc	320,000 g		M 16 X190	ISO4014
	427	700325018100	CLAMP HALF TUBE 1/1 D9-18	2	pc	40,000 g		1/1 D 9 - 18	MMN325
	428	700327012000	GROMMET	1	pc	4,600 g		12	MMN327
	429	304017008085	HEX SCREW	1	pc	18,000 g		M 8 X 40	ISO4017
	430	X59408100013	RETAINER	1	pc	208,000 g			
	435	200433013000	WASHER	1	pc	2,500 g		13	DIN433
	440	00000000904	HEX SCREW	1	pc	75,000 g		M 12 X 80	ISO4017
	450	700325018100	CLAMP HALF TUBE 1/1 D9-18	2	pc	40,000 g		1/1 D 9 - 18	MMN325
	460	700327012000	GROMMET	1	pc	4,600 g		12	MMN327
	470	304017008085	HEX SCREW	1	pc	18,000 g		M 8 X 40	ISO4017
	475	X59499100107	RETAINER	1	pc	90,500 g			
	480	200433017001	WASHER	1	pc	6,500 g		17	DIN433
	481	204014016007	HEX SCREW	1	pc	320,000 g		M 16 X190	ISO4014
	482	700325018100	CLAMP HALF TUBE 1/1 D9-18	2	pc	40,000 g		1/1 D 9 - 18	MMN325
	483	700327012000	GROMMET	1	pc	4,600 g		12	MMN327
	484	304017008085	HEX SCREW	1	pc	18,000 g		M 8 X 40	ISO4017
	510	8202033143	BRACKET H:79	1	pc	46,900 g			
	520	700325018100	CLAMP HALF TUBE 1/1 D9-18	2	pc	40,000 g		1/1 D 9 - 18	MMN325

➡	POS.	PART NO.	DESIGNATION	QTY.	UNITS	WEIGHT	FN	MEASUREMENT	STANDARD
	530	700327012000	GROMMET	1	pc	4,600 g		12	MMN327
	540	304017008084	HEX SCREW	1	pc	16,400 g		M 8 X 35	ISO4017
	560	X59308100056	FUEL LINE	1	pc	0,200 kg		SB	
	580	X59308100042	FUEL LINE	1	pc	247,100 g		SB	
	590	X59308100039	FUEL LINE	1	pc	480,800 g			
	600	X59308100045	FUEL LINE	1	pc	425,000 g			
	620	700325018100	CLAMP HALF TUBE 1/1 D9-18	2	pc	40,000 g		1/1 D 9 - 18	MMN325
	630	700327012000	GROMMET	1	pc	4,600 g		12	MMN327
	640	700325022100	CLAMP HALF TUBE 1/1 D9-22	2	pc	47,800 g		1/1 D 9 - 22	MMN325
	650	700327018000	GROMMET	1	pc	5,000 g		18	MMN327
	660	007349008002	WASHER	1	pc	7,900 g		8,4	DIN7349
	670	304032008014	NUT HEX 8 A3C	1	pc	4,800 g		M 8	ISO4032
	680	000000001463	HEX SCREW	1	pc	30,500 g		M 8 X 80	ISO4017
	700	700325018200	CLAMP HALF TUBE 1/1 G8-18	2	pc	40,000 g		1/1 G 8 - 18	MMN325
	710	700325018100	CLAMP HALF TUBE 1/1 D9-18	2	pc	40,000 g		1/1 D 9 - 18	MMN325
	720	700327012000	GROMMET	2	pc	4,600 g		12	MMN327
	730	700325022100	CLAMP HALF TUBE 1/1 D9-22	4	pc	47,800 g		1/1 D 9 - 22	MMN325
	740	700327018000	GROMMET	2	pc	5,000 g		18	MMN327
	750	304017008089	HEX SCREW	2	pc	24,200 g		M 8 X 60	ISO4017
	780	700325022100	CLAMP HALF TUBE 1/1 D9-22	2	pc	47,800 g		1/1 D 9 - 22	MMN325
	790	700327018000	GROMMET	1	pc	5,000 g		18	MMN327
	800	304017008087	HEX SCREW	1	pc	21,300 g		M 8 X 50	ISO4017
	810	007349008002	WASHER	1	pc	7,900 g		8,4	DIN7349
	820	304032008014	NUT HEX 8 A3C	1	pc	4,800 g		M 8	ISO4032
	830	700325018100	CLAMP HALF TUBE 1/1 D9-18	2	pc	40,000 g		1/1 D 9 - 18	MMN325
	840	700327012000	GROMMET	1	pc	4,600 g		12	MMN327
	850	304017008087	HEX SCREW	1	pc	21,300 g		M 8 X 50	ISO4017
	860	007349008002	WASHER	1	pc	7,900 g		8,4	DIN7349
	870	304032008014	NUT HEX 8 A3C	1	pc	4,800 g		M 8	ISO4032
	900	5551870640	BRACKET L H:51 S2000/4000	1	pc	54,900 g		SB	
	910	007349008002	WASHER	1	pc	7,900 g		8,4	DIN7349
	920	304017008083	HEX SCREW	1	pc	15,100 g		M 8 X 30	ISO4017
	930	007349008002	WASHER	1	pc	7,900 g		8,4	DIN7349
	940	304032008014	NUT HEX 8 A3C	1	pc	4,800 g		M 8	ISO4032
	950	700325022100	CLAMP HALF TUBE 1/1 D9-22	2	pc	47,800 g		1/1 D 9 - 22	MMN325
	960	700327018000	GROMMET	1	pc	5,000 g		18	MMN327
	970	304017008085	HEX SCREW	1	pc	18,000 g		M 8 X 40	ISO4017
	990	007603016105	COPPER SEALING RING	1	pc	3,000 g		A 16 X 20	DIN7603
	1000	915007010001	CONNECTOR 10/8	1	pc	33,100 g		10 / 8 (M18X1,5/M16X1,5)	N15007
	1010	X59308100052	FUEL LINE	1	pc	124,000 g			
	1020	X59308100051	FUEL LINE	1	pc	224,600 g			
	1030	X59308100050	FUEL LINE	1	pc	171,000 g			
	1050	007603026101	WASHER A COP	1	pc	3,700 g		A 26 X 32	DIN7603
	1060	915007016000	CONNECTOR 16/10	1	pc	63,000 g		16 / 10 (M26X1,5/M18X1,5)	N15007
	1070	X59308100044	FUEL LINE	1	pc	229,000 g			
	1100	700325018100	CLAMP HALF TUBE 1/1 D9-18	2	pc	40,000 g		1/1 D 9 - 18	MMN325
	1110	700327012000	GROMMET	1	pc	4,600 g		12	MMN327
	1120	304017008084	HEX SCREW	1	pc	16,400 g		M 8 X 35	ISO4017
	1250	915005010000	CONE SEALING 12	1	pc	5,400 g		12	MBN15005
	1260	915001010004	NUT	1	pc	20,000 g		10 M 18 X 1,5	N15001

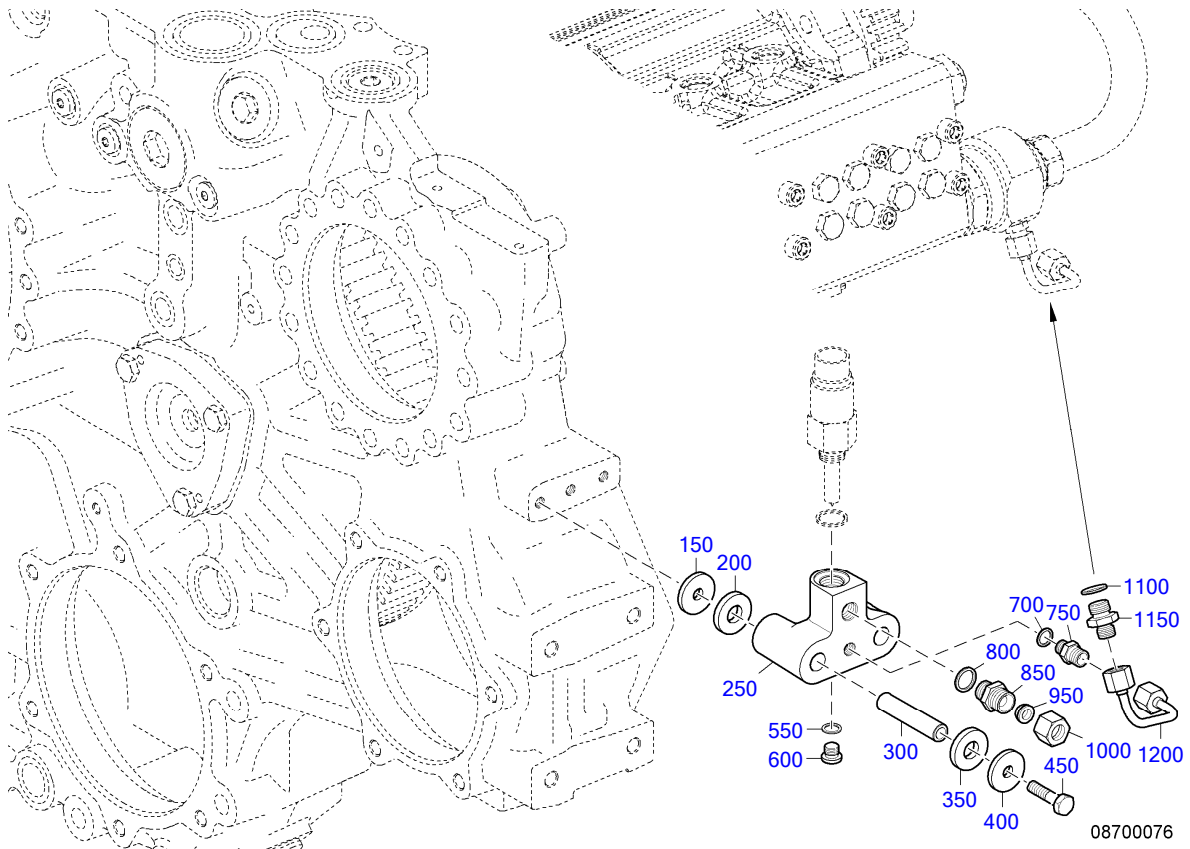
GROUP SEGMENT (FGS)

GROUP NAME

BOM-No.



05  
**FUEL LEAK MONITORING**  
XS526080.00042



➔	POS.	PART NO.	DESIGNATION	QTY.	UNITS	WEIGHT	FN	MEASUREMENT	STANDARD
	150	X59399100034	WASHER	2	pc	19,600 g			
	200	X59399100051	DAMPER ELEMENT	2	pc	3,700 g		30X13X5 90SH	
	250	X59308700006	LECKA-SENSORHOUSING	1	pc	857,300 g			
	300	X59399100036	SPACER SLEEVE	2	pc	36,400 g		8,5 X 62	
	350	X59399100051	DAMPER ELEMENT	2	pc	3,700 g		30X13X5 90SH	
	400	X59399100034	WASHER	2	pc	19,600 g			
	450	304014008032	HEX SCREW	2	pc	34,100 g		M 8 X 80	ISO4014
	550	007603010110	WASHER A COP	1	pc	0,300 g		A 10 X 13,5	DIN7603
	600	000908010002	SCREWED PLUG	1	pc	0,006 kg		M 10 X 1	DIN908
	700	007603010110	WASHER A COP	1	pc	0,300 g		A 10 X 13,5	DIN7603
	750	915013004002	UNION	1	pc	14,000 g		4	N15013
	800	007603014102	COPPER SEALING RING	1	pc	1,000 g		A 14 X 18	DIN7603
	850	915006006002	UNION	1	pc	23,100 g		6	N15006
	950	915005006000	CONE SEALING 8	1	pc	3,100 g		8	MBN15005
	1000	915001006003	NUT	1	pc	12,500 g		6 M 14 X 1,5	N15001
	1100	007603010110	WASHER A COP	1	pc	0,300 g		A 10 X 13,5	DIN7603
	1150	915013004002	UNION	1	pc	14,000 g		4	N15013
	1200	X52608700009	FUEL LINE	1	pc	53,000 g	SB		

---

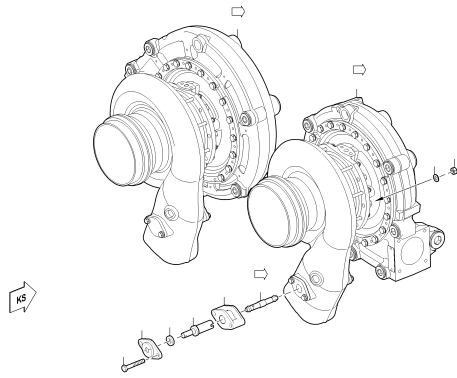
GROUP SEGMENT (FGS)

GROUP NAME

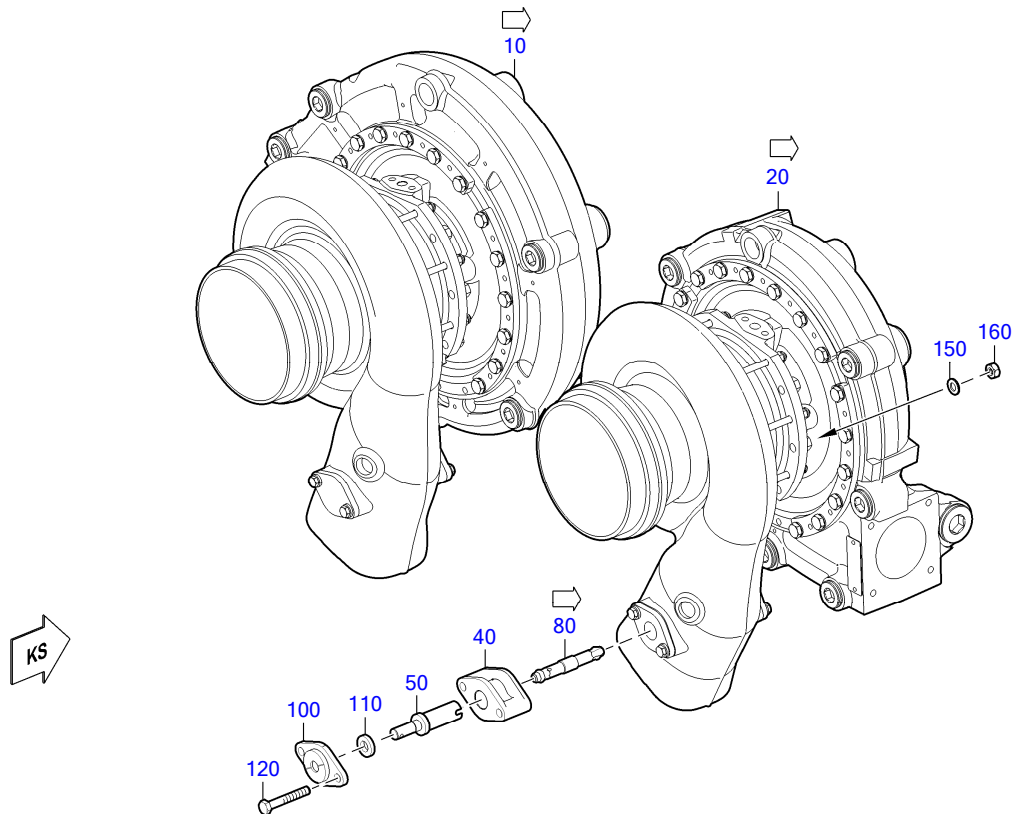
BOM-No.

---

01  
EXHAUST TURBOCHARGER  
XS594100.00025

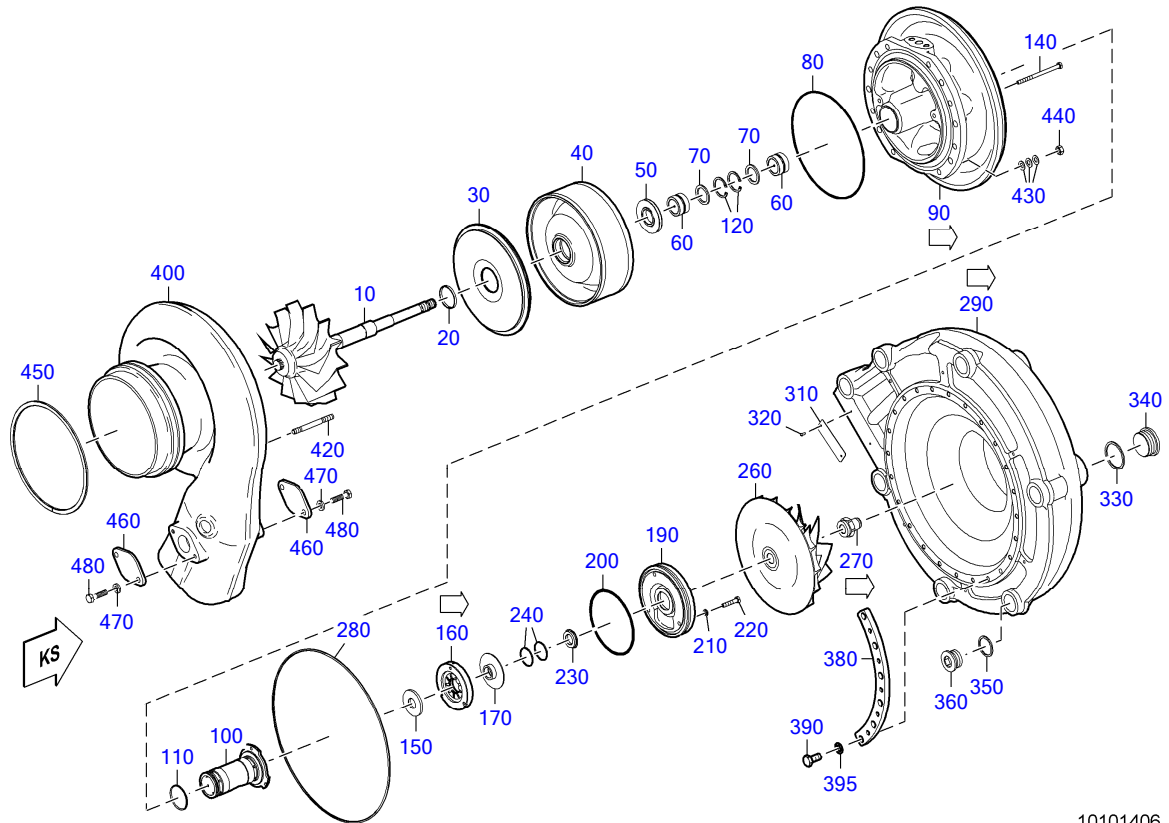


10101407



10101407

➔	POS.	PART NO.	DESIGNATION	MODEL/TYPE	QTY.	UNITS	WEIGHT	FN	MEASUREMENT	STANDARD
	105	10	<b>X59410100104</b>	EXHAUST TURBOCHARGER LEFT	ZR175	1	pc	93,252 kg	EM	
	110	20	<b>X59410100105</b>	EXHAUST TURBOCHARGER RIGHT ACTIVE	ZR175	1	pc	96,500 kg	EM	
		40	<b>5261420250</b>	BEARING BUSHING		1	pc	658,800 g		
		50	<b>5261420629</b>	SHAFT		1	pc	204,200 g		
	111	80	<b>X59610100123</b>	SHAFT		1	pc	132,000 g		
		100	<b>5261420060</b>	FLANGE SEALING		1	pc	194,500 g		
		110	<b>5591420451</b>	RING SEALING		1	pc	3,200 g		
		120	<b>304017010032</b>	HEX SCREW		2	pc	42,300 g	M 10 X 65	ISO4017
		150	<b>000125010524</b>	WASHER		12	pc	3,100 g	A 10,5	DIN125
		160	<b>000934010007</b>	NUT HEX		12	pc	10,300 g	M 10	DIN934
	180	<b>RX59410100104</b>	EXHAUST TURBOCHARGER LEFT	ZR175/093	1	pc	93,252 kg	MN EM		
	190	<b>RX59410100105</b>	EXHAUST TURBOCHARGER RIGHT	ZR175/093	1	pc	93,430 kg	MN EM		
	210	<b>EX59410100104</b>	EXHAUST TURBOCHARGER LEFT	ZR175/093	1	pc	93,252 kg	MN EM		
	220	<b>EX59410100105</b>	EXHAUST TURBOCHARGER RIGHT	ZR175/093	1	pc	93,430 kg	MN EM		

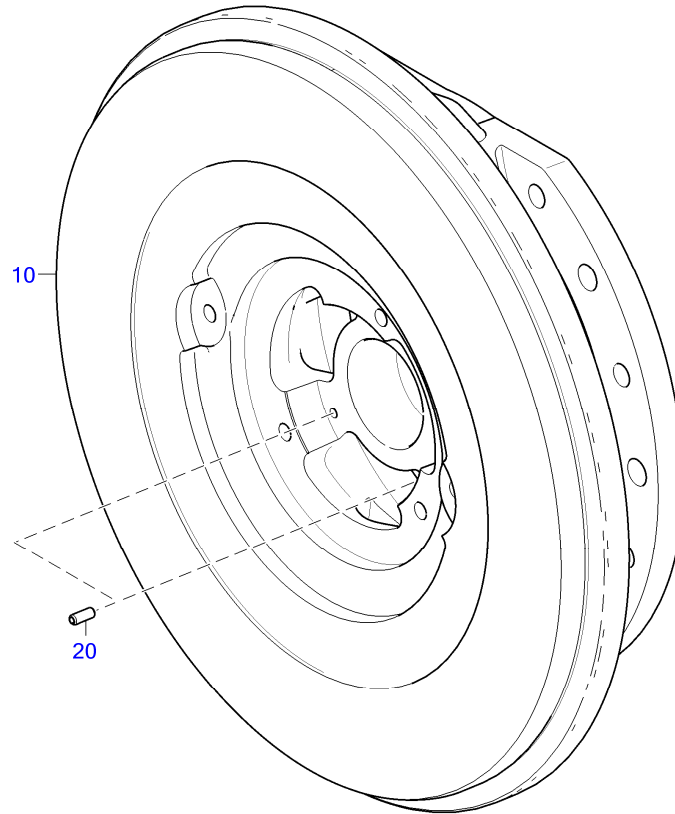


10101406

➔	POS.	PART NO.	DESIGNATION	MODEL/TYPE	QTY.	UNITS	WEIGHT	FN	MEASUREMENT	STANDARD
	10	X59410100081	TURBINE WHEEL	158/20/128	1	pc	3,900 kg	SB EM		
	20	5110850560	RING SEAL	FUER ABGASTURBOLADER	1	pc	5,700 g			
	30	5110813403	SHIELD HEAT TURBO		1	pc	1,360 kg			
	40	5110821302	HOUSING COVER		1	pc	3,779 kg			
	50	5110251976	WASHER	ZR205	1	pc	67,700 g			
	60	X00016599	BEARING BUSHING		2	pc	67,700 g			
	70	X59599100058	WASHER		2	pc	7,700 g			
	80	700429185001	O-RING		1	pc	9,100 g		185 X 3	MMN429
106	90	X59610100161	BEARING HOUSING		1	pc	14,593 kg			
	100	X59610100061	BEARING BODY		1	pc	396,300 g			
	110	700429038002	O-RING		1	pc	0,800 g		38 X 2	MMN429
	120	5119940041	RING SNAP		2	pc	2,800 g		34 X 1,5	DIN472
	140	000000001781	HEX SCREW		2	pc	20,700 g		M 6 X 90	ISO4014
	150	X00010427	WASHER		1	pc	45,700 g			
107	160	X59610100101	THRUST BEARING		1	pc	355,700 g			
	170	X00010428	WASHER		1	pc	56,400 g			
	190	X59610100232	RETAINING RING		1	pc	1,200 kg			
	200	700429105001	O-RING		1	pc	7,100 g		105 X 3,5	MMN429
	210	200433006400	WASHER		3	pc	0,600 g		6,4	DIN433
	220	000912006028	SCREW		3	pc	7,800 g		M 6 X 30	DIN912
	230	X00010426	RING CARRIER		1	pc	18,100 g			
	240	5100850060	RING SEAL		2	pc	1,800 g			
	260	X52610100008	COMPRESSOR WHEEL	ZR175	1	pc	1,898 kg	EM	111/179/9	
108	270	X00018307	MAGNETIC NUT	MM16-16L-2	1	pc	84,700 g		M16X1.5 LH	
	280	0239978348	RING SEAL		1	pc	22,300 g			

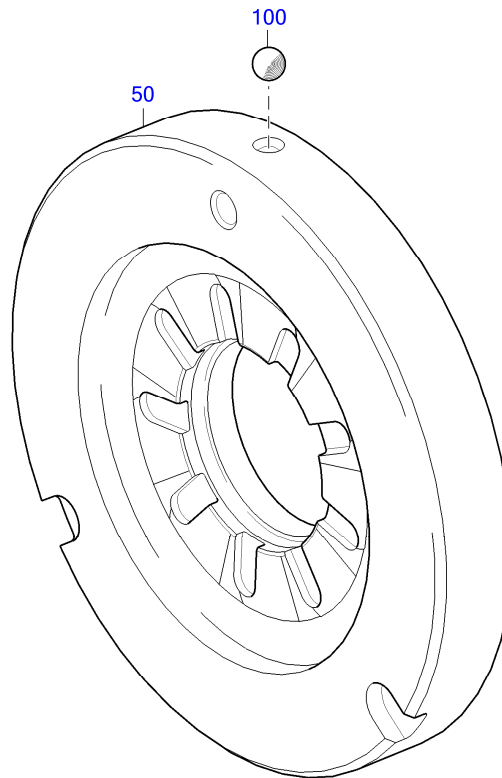
➡	POS.	PART NO.	DESIGNATION	MODEL/TYPE	QTY.	UNITS	WEIGHT	FN	MEASUREMENT	STANDARD
109	290	<b>X59410100080</b>	COMPRESSOR HOUSING	A/R=1.91CM	1	pc	40,200 kg	EM		
	310	<b>700425000049</b>	PLATE		1	pc	3,900 g		39	MMN425
	320	<b>215977003000</b>	BLIND RIVET		2	pc	1,000 g		3X8	ISO15977
	330	<b>007603042101</b>	COPPER SEALING RING		4	pc	8,000 g		A 42 X 49	DIN7603
	340	<b>000908042001</b>	THREAD PLUG		4	pc	0,179 kg		M 42 X 1,5	DIN908
	350	<b>007603030101</b>	COPPER SEALING RING		3	pc	4,300 g		A 30 X 36	DIN7603
	360	<b>000908030002</b>	THREAD PLUG		3	pc	0,085 kg		M 30 X 1,5	DIN908
	380	<b>X59610100201</b>	CLAMP FOR COMPR. HOUSING		3	pc	459,100 g			
	390	<b>000933010026</b>	HEX SCREW		18	pc	22,300 g		M 10 X 22	DIN933
	395	<b>200433010501</b>	WASHER		18	pc	2,000 g		10,5	DIN433
	400	<b>X59410100092</b>	TURBINE HOUSING	A/R=3.0CM	1	pc	23,900 kg	EM		
	420	<b>200835008006</b>	STUD		8	pc	33,000 g		M 8 X 75	DIN835
	430	<b>002093016100</b>	WASHER A16		24	pc	1,000 g		A 16	DIN2093
	440	<b>5069900251</b>	NUT		8	pc	6,400 g			
	450	<b>234110200000</b>	PISTON RING, COMP.		1	pc	108,600 g		200 X 3,5 G7 KI KA	DIN34110
	460	<b>X52810100005</b>	BLIND FLANGE		2	pc	185,500 g			
	470	<b>5379900140</b>	WASHER		4	pc	3,900 g			
	480	<b>200933008016</b>	HEX SCREW		4	pc	13,900 g		M 8 X 25	DIN933





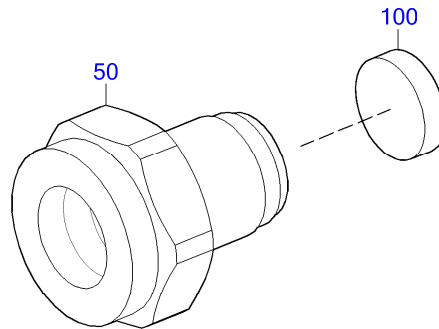
10000084a

➔	POS.	PART NO.	DESIGNATION	QTY.	UNITS	WEIGHT	MEASUREMENT	STANDARD
	10	<b>X59610100160</b>	BEARING HOUSING	1	pc	14,592 kg		
	20	<b>001481004000</b>	PIN SPRING	2	pc	0,600 g	4 X 10 - N	ISO8752



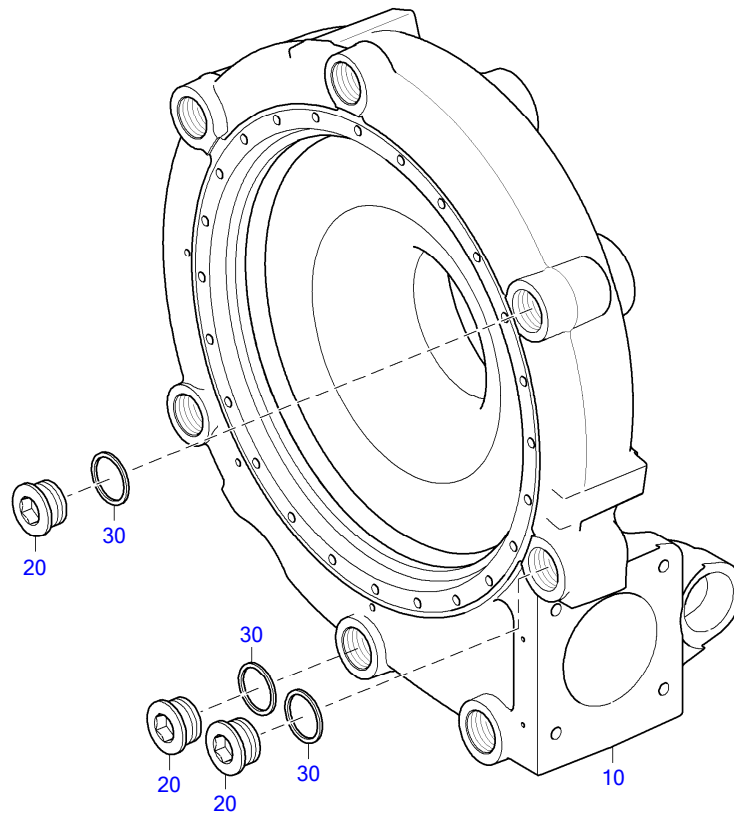
10101221a

➔	POS.	PART NO.	DESIGNATION	QTY.	UNITS	WEIGHT	MEASUREMENT	STANDARD
	50	<b>X59610100099</b>	THRUST BEARING	1	pc	0,356 kg		
	100	<b>005401304000</b>	BALL	1	pc	0,300 g	4G20	DIN5401



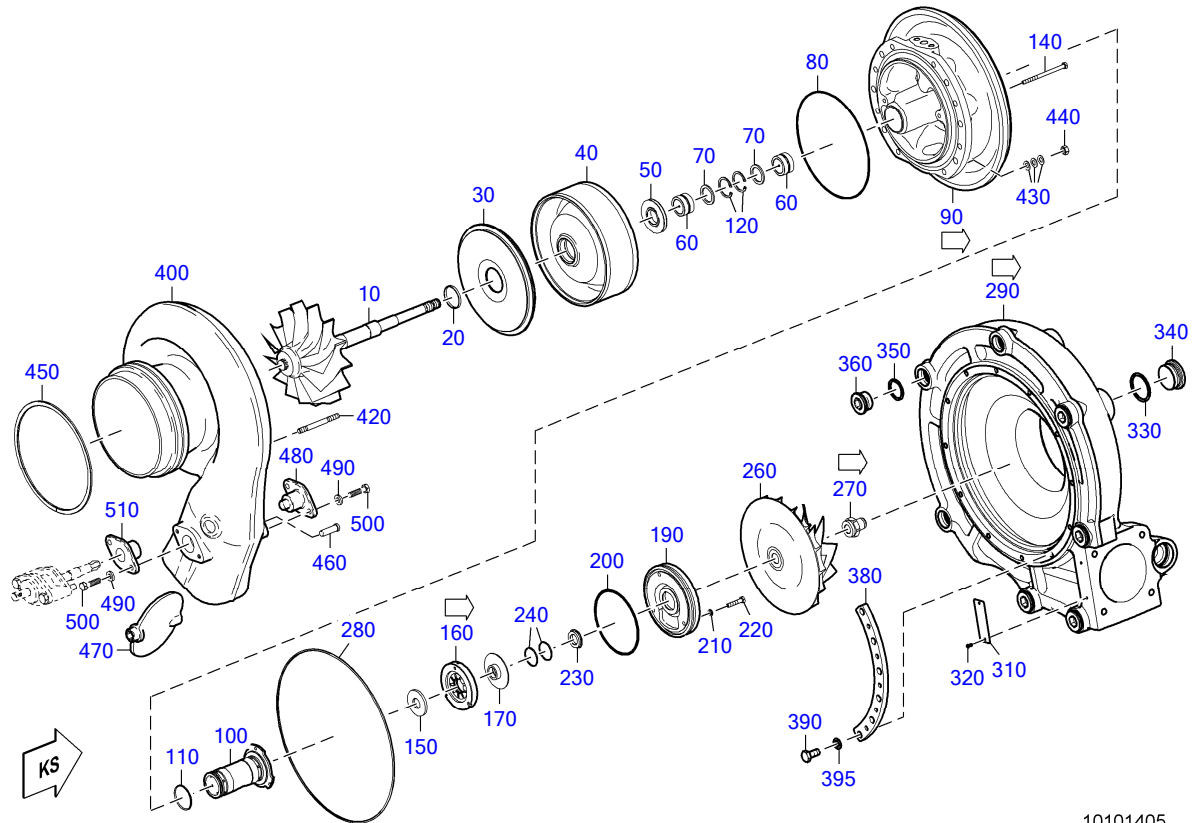
10100716b

➔	POS.	PART NO.	DESIGNATION	QTY.	UNITS	WEIGHT	MEASUREMENT
	50	X00018306	MAGNETIC NUT	1	pc	77,300 g	M16X1.5 LH
	100	0005595609	SOLENOID	1	pc	6,970 g	



10102137

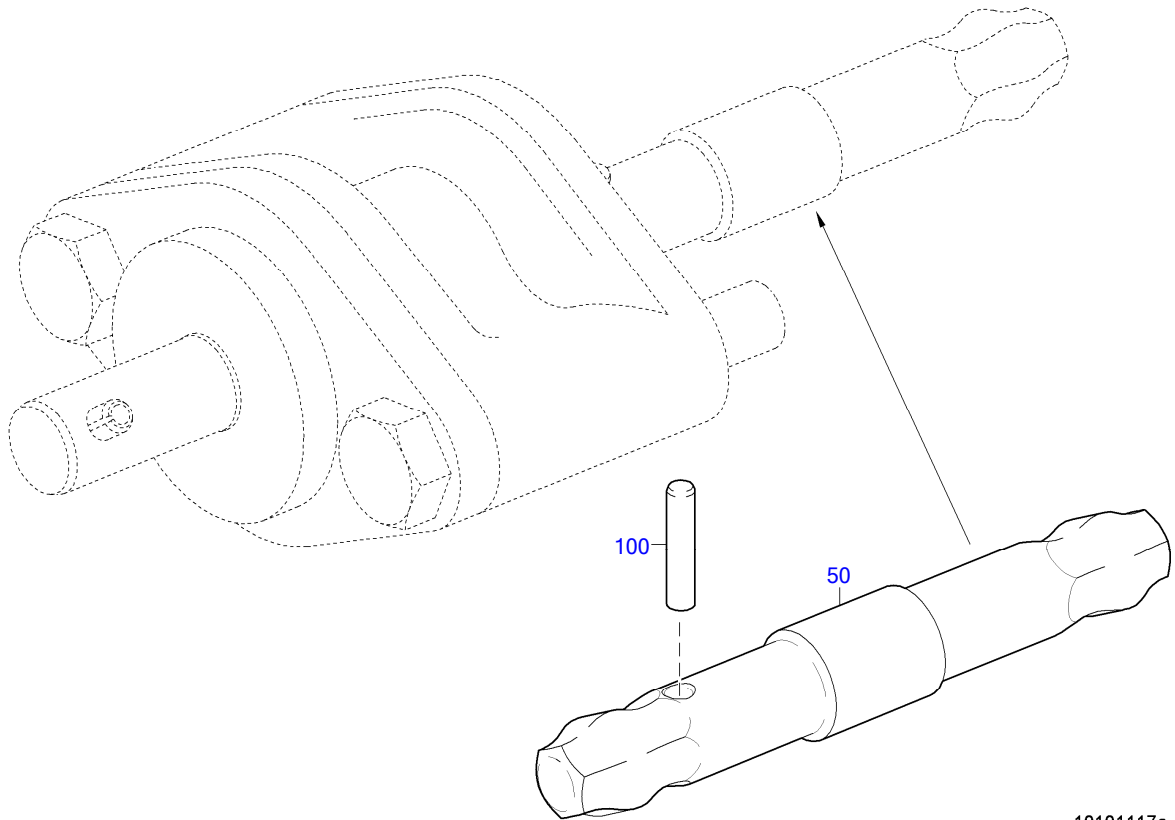
➔	POS.	PART NO.	DESIGNATION	MODEL/TYPE	QTY.	UNITS	WEIGHT	FN	MEASUREMENT	STANDARD
	10	X59410100077	COMPRESSOR HOUSING	ZR195/091	1	pc	38,364 kg	EM		
	20	000908030002	THREAD PLUG		3	pc	0,085 kg		M 30 X 1,5	DIN908
	30	007603030101	COPPER SEALING RING		3	pc	4,300 g		A 30 X 36	DIN7603



10101405

➔	POS.	PART NO.	DESIGNATION	MODEL/TYPE	QTY.	UNITS	WEIGHT	FN	MEASUREMENT	STANDARD
	10	X59410100081	TURBINE WHEEL	158/20/128	1	pc	3,900 kg	SB EM		
	20	5110850560	RING SEAL	FUER ABGASTURBOLADER	1	pc	5,700 g			
	30	5110813403	SHIELD HEAT TURBO		1	pc	1,360 kg			
	40	5110821302	HOUSING COVER		1	pc	3,779 kg			
	50	5110251976	WASHER	ZR205	1	pc	67,700 g			
	60	X00016599	BEARING BUSHING		2	pc	67,700 g			
	70	X59599100058	WASHER		2	pc	7,700 g			
	80	700429185001	O-RING		1	pc	9,100 g		185 X 3	MMN429
106	90	X59610100161	BEARING HOUSING		1	pc	14,593 kg			
	100	X59610100061	BEARING BODY		1	pc	396,300 g			
	110	700429038002	O-RING		1	pc	0,800 g		38 X 2	MMN429
	120	5119940041	RING SNAP		2	pc	2,800 g		34 X 1,5	DIN472
	140	000000001781	HEX SCREW		2	pc	20,700 g		M 6 X 90	ISO4014
	150	X00010427	WASHER		1	pc	45,700 g			
107	160	X59610100101	THRUST BEARING		1	pc	355,700 g			
	170	X00010428	WASHER		1	pc	56,400 g			
	190	X59610100232	RETAINING RING		1	pc	1,200 kg			
	200	700429105001	O-RING		1	pc	7,100 g		105 X 3,5	MMN429
	210	200433006400	WASHER		3	pc	0,600 g		6,4	DIN433
	220	000912006028	SCREW		3	pc	7,800 g		M 6 X 30	DIN912
	230	X00010426	RING CARRIER		1	pc	18,100 g			
	240	5100850060	RING SEAL		2	pc	1,800 g			
	260	X59410100043	COMPRESSOR WHEEL	ZR175	1	pc	1,200 kg	EM	111/179/9	
108	270	X00018307	MAGNETIC NUT	MM16-16L-2	1	pc	84,700 g		M16X1.5 LH	
	280	0239978348	RING SEAL		1	pc	22,300 g			

➡	POS.	PART NO.	DESIGNATION	MODEL/TYPE	QTY.	UNITS	WEIGHT	FN	MEASUREMENT	STANDARD
109	290	<b>X59410100080</b>	COMPRESSOR HOUSING	A/R=1.91CM	1	pc	40,200 kg	EM		
	310	<b>700425000049</b>	PLATE		1	pc	3,900 g		39	MMN425
	320	<b>215977003000</b>	BLIND RIVET		2	pc	1,000 g		3X8	ISO15977
	330	<b>007603042101</b>	COPPER SEALING RING		4	pc	8,000 g		A 42 X 49	DIN7603
	340	<b>000908042001</b>	THREAD PLUG		4	pc	0,179 kg		M 42 X 1,5	DIN908
	350	<b>007603030101</b>	COPPER SEALING RING		3	pc	4,300 g		A 30 X 36	DIN7603
	360	<b>000908030002</b>	THREAD PLUG		3	pc	0,085 kg		M 30 X 1,5	DIN908
	380	<b>X59610100201</b>	CLAMP FOR COMPR. HOUSING		3	pc	459,100 g			
	390	<b>000933010026</b>	HEX SCREW		18	pc	22,300 g		M 10 X 22	DIN933
	395	<b>200433010501</b>	WASHER		18	pc	2,000 g		10,5	DIN433
	400	<b>X59410100092</b>	TURBINE HOUSING	A/R=3.0CM	1	pc	23,900 kg	EM		
	420	<b>200835008006</b>	STUD		8	pc	33,000 g		M 8 X 75	DIN835
	430	<b>002093016100</b>	WASHER A16		24	pc	1,000 g		A 16	DIN2093
	440	<b>5069900251</b>	NUT		8	pc	6,400 g			
	450	<b>234110200000</b>	PISTON RING, COMP.		1	pc	108,600 g		200 X 3,5 G7 KI KA	DIN34110
	460	<b>X52810100078</b>	PIN		1	pc	23,200 g		13X35.5	
	470	<b>X59610100163</b>	EXHAUST FLAP		1	pc	697,900 g	EM		
	480	<b>X00040708</b>	BUSHING		1	pc	325,200 g			
	490	<b>5379900140</b>	WASHER		4	pc	3,900 g			
	500	<b>200933008016</b>	HEX SCREW		4	pc	13,900 g		M 8 X 25	DIN933
	510	<b>X00040711</b>	BUSHING		1	pc	203,500 g			



10101117a

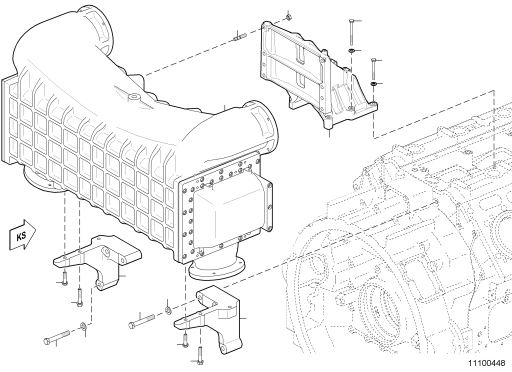
➔	POS.	PART NO.	DESIGNATION	QTY.	UNITS	WEIGHT
	50	<b>X59610100122</b>	SHAFT	1	pc	0,131 kg
	100	<b>5269970010</b>	PIN DOWEL	1	pc	4,500 g

GROUP SEGMENT (FGS)

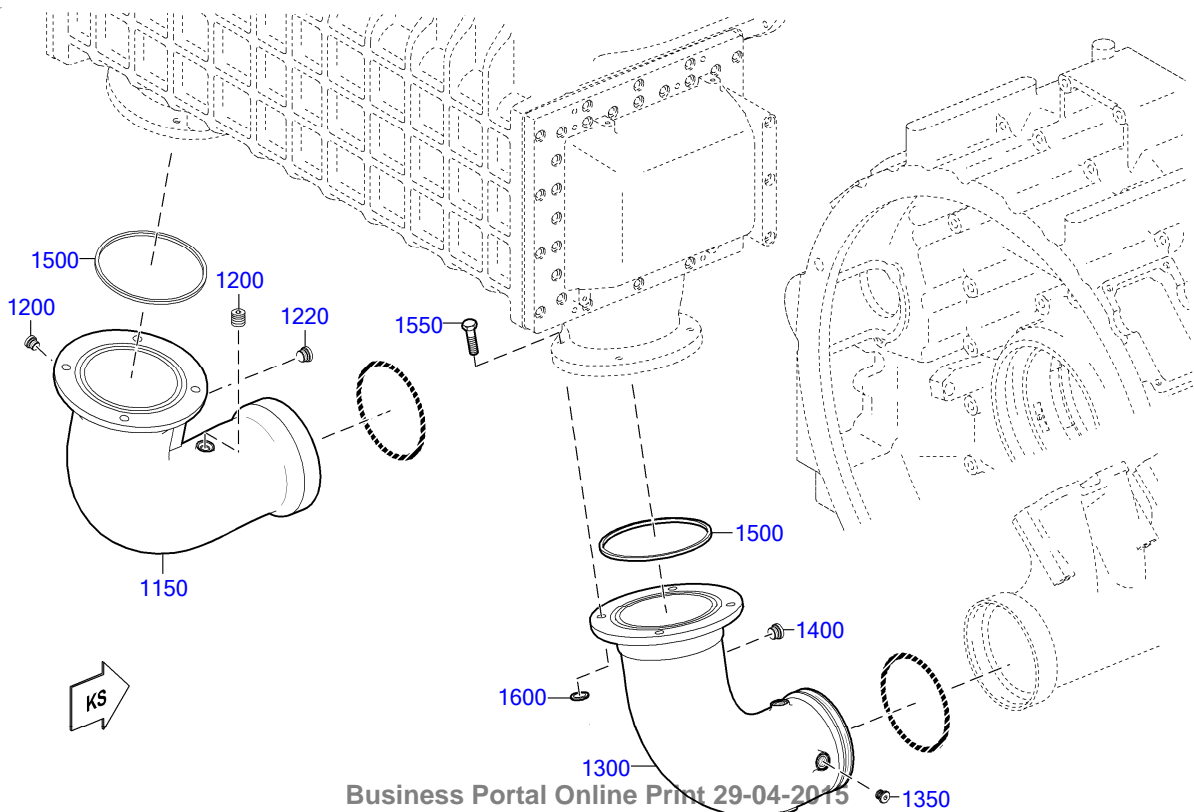
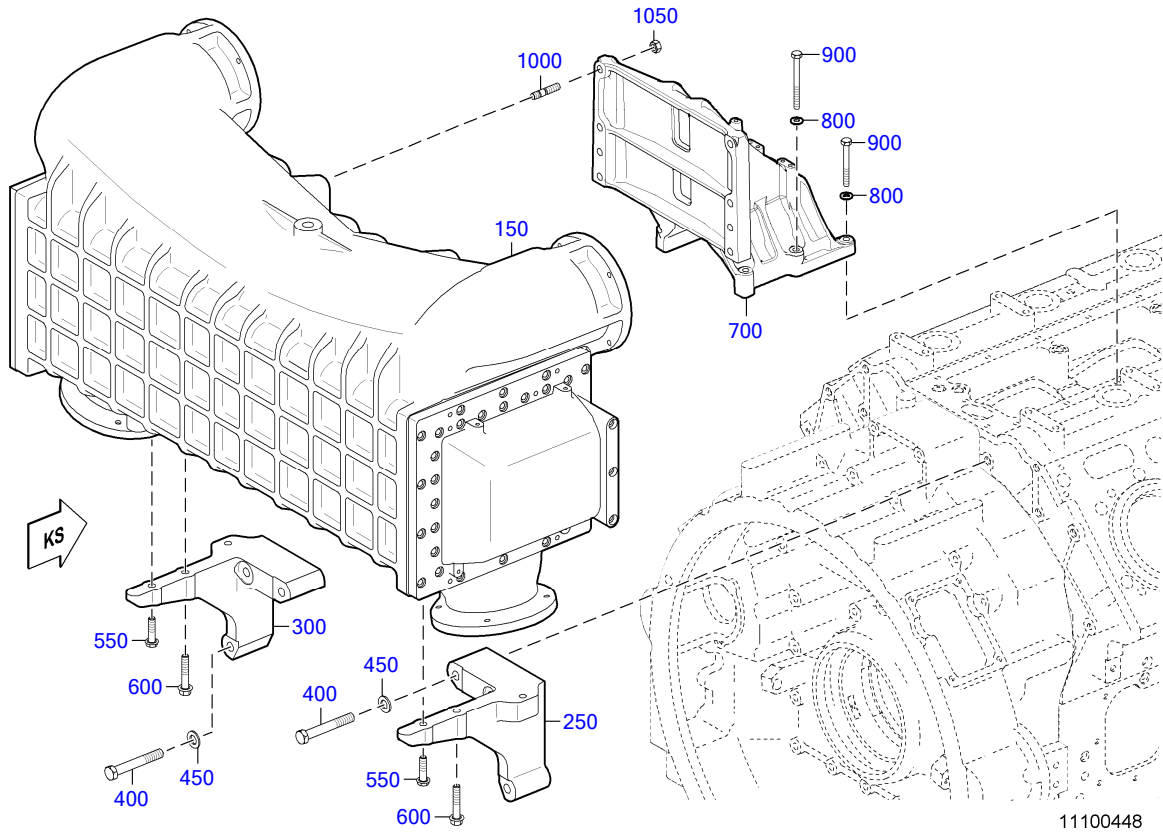
GROUP NAME

BOM-No.

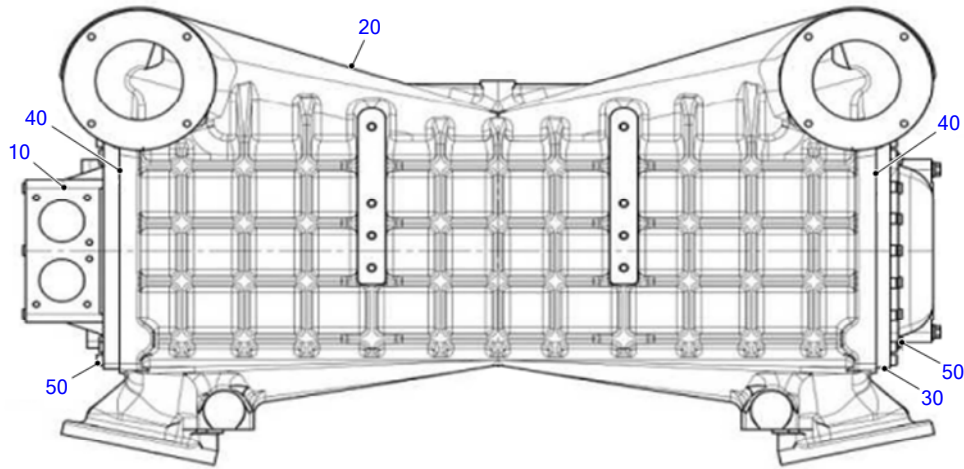
05  
INTERCOOLER LR ACCEPTANCE  
XS594110.00022





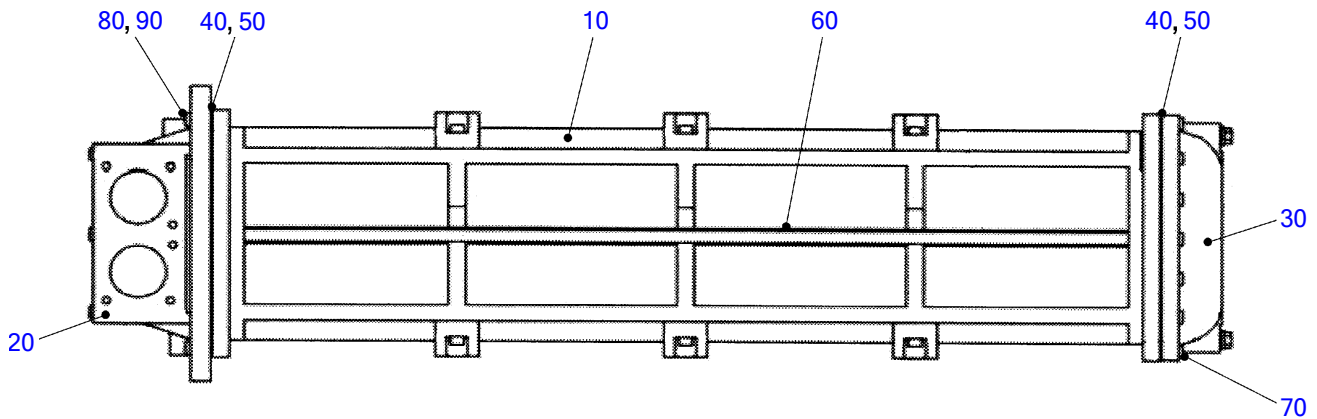


➡	POS.	PART NO.	DESIGNATION	QTY.	UNITS	WEIGHT	FN	MEASUREMENT	STANDARD
114	150	X59511400001/31	INTERCOOLER LR ACCEPTANCE	1	pc	460,000 kg	EM		
	250	5240980730	BRACKET	1	pc	11,500 kg			
	300	5240980830	BRACKET	1	pc	11,400 kg			
	400	000000002276	HEX SCREW	6	pc	180,000 g		M 16 X 110	ISO4017
	450	5249900140	WASHER	6	pc	12,400 g			
	550	5249901901	HEX SCREW	2	pc	64,000 g		M 12 X 1,75 X 47	
	600	5249900304	HEX SCREW	4	pc	79,000 g		M12 X 65	
	700	X59611400014	SUPPORT FOR INTERCOOLER	1	pc	35,500 kg			
	800	200433010501	WASHER	6	pc	2,000 g		10,5	DIN433
	900	304017010032	HEX SCREW	6	pc	42,300 g		M 10 X 65	ISO4017
	1000	000939012031	STUD	8	pc	44,200 g		M 12 X 45	DIN939
	1050	000000004744	HEX NUT	8	pc	14,300 g		M 12	ISO4032
	1150	5240983015	ELBOW	1	pc	5,800 kg	EM	KRÜMMER LINKE SEITE	
31	1200	735210014000	THREAD PLUG	2	pc	0,019 kg		M 14 X 1,5	MTN5210
	1220	735210018000	PLUG	1	pc	0,036 kg		M 18 X 1,5	MTN5210
	1300	5240983115	ELBOW	1	pc	4,400 kg	EM	KRÜMMER RECHTE SEITE	
31	1350	735210014000	THREAD PLUG	2	pc	0,019 kg		M 14 X 1,5	MTN5210
	1400	735210018000	PLUG	1	pc	0,036 kg		M 18 X 1,5	MTN5210
	1500	5269970045	SEAL RING (SQUARE CUT) CAC OUTLET	2	pc	17,000 g			
	1550	204017012009	HEX SCREW	8	pc	43,800 g	MN	M 12 X 40	ISO4017
	1600	735151012100	SPACER S2000/4000	8	pc	20,000 g		A 12,5	MTN5151



11400228a

➡	POS.	PART NO.	DESIGNATION	QTY.	UNITS	WEIGHT	FN	MEASUREMENT	STANDARD
115	10	XP52711400041	COOLER CORE	1	pc	210,000 kg	EM		
	20	XP52711400012	COOLER HOUSING	1	pc	285,500 kg			
	30	XP52711400013	FRAME	1	pc	5,900 kg			
	40	XP52711400014	O-RING	2	pc	93,300 g		DI 393.07X6.99	
	50	000912010038	SCREW	44	pc	26,600 g		M 10 X 30	DIN912



11400151b

➔	POS.	PART NO.	DESIGNATION	QTY.	UNITS	WEIGHT	MEASUREMENT	STANDARD
	10	XP52711400042	INSERT	1	pc	252,000 kg		
	20	XP52711400016	CONNECTION CHAMBER	1	pc	19,040 kg		
	30	XP52711400017	HOUSING COVER	1	pc	12,680 kg		
	40	XP52711400019	GASKET	2	pc	68,300 g		
	50	XP52611400008	GASKET	1	pc	20,900 g	1.30 M	
	60	XP52711400009	SEALING STRIP	1,000	m	214,000 g		
	70	XP53522400013	SCREW	24	pc	38,200 g	M 10X 50	EN ISO 4762
	80	000912010038	SCREW	19	pc	26,600 g	M 10 X 30	DIN912
	90	000912010082	SCREW	3	pc	91,800 g	M 10 X140	DIN912

GROUP SEGMENT (FGS)  
GROUP NAME  
BOM-No.

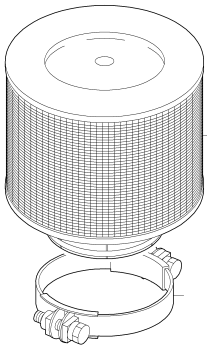
---

05  
CONTAM INDICATOR  
XS593120.00028

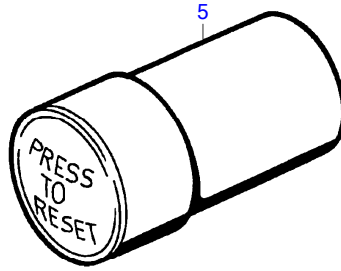


12100458

05  
AIR FILTER  
XS594120.00071

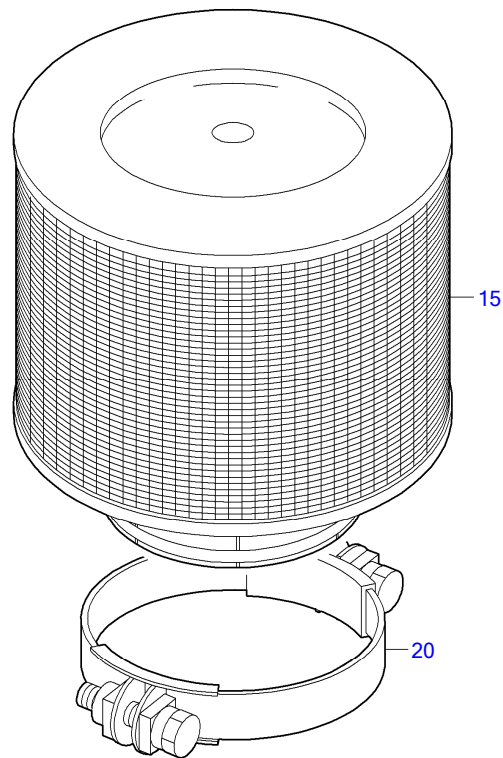


12100463



12100456

➔	POS.	PART NO.	DESIGNATION	QTY.	UNITS	WEIGHT
	5	0000943268	INDICATOR AIR FILTER RESTRISTER	1	pc	50,500 g



12100463

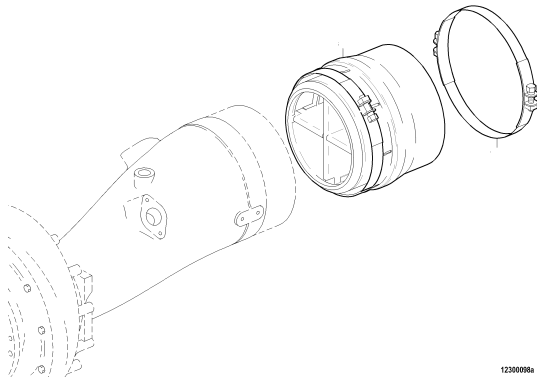
➡	POS.	PART NO.	DESIGNATION	QTY.	UNITS	WEIGHT	FN	MEASUREMENT	STANDARD
	15	0180943002	AIR FILTER	2	pc	5,500 kg	EM		
	20	900288260000	CLAMP	2	pc	349,800 g		S 260/25X1,25 SK 2T	N288A

GROUP SEGMENT (FGS)

GROUP NAME

BOM-No.

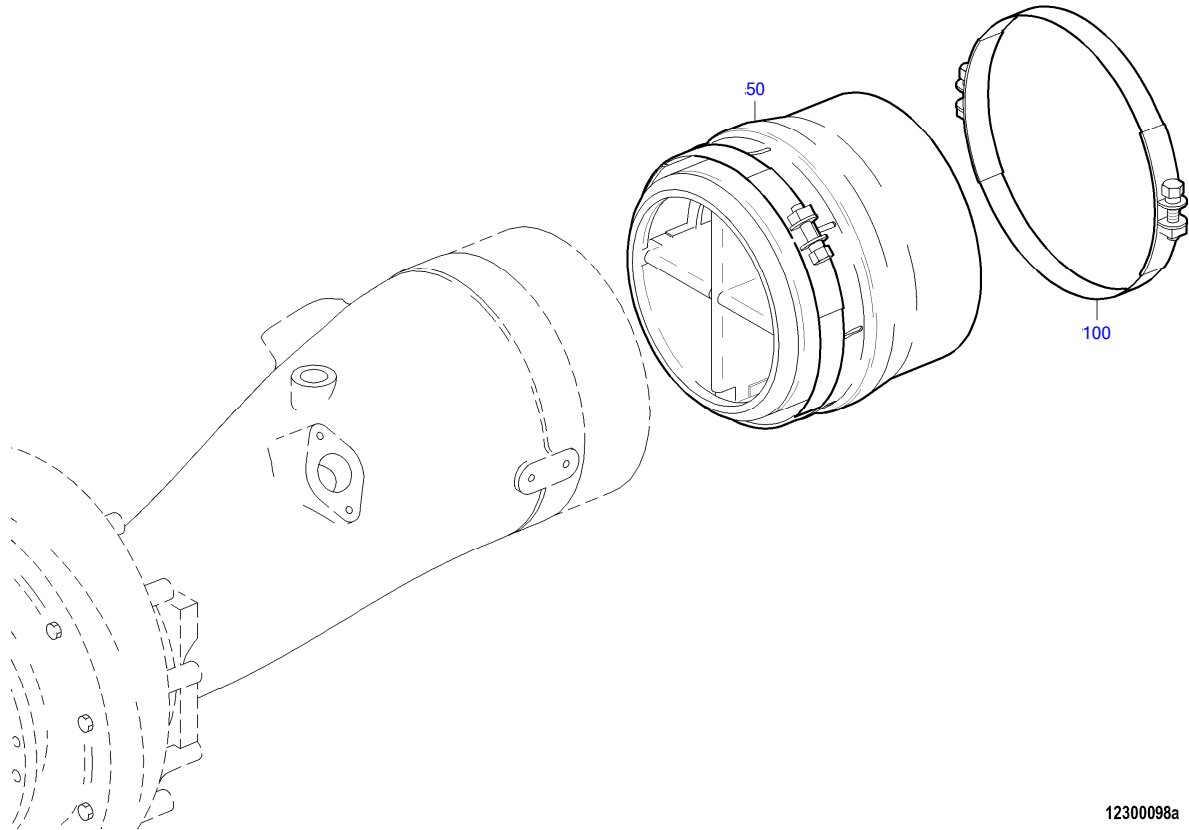
---



05  
INTAKE SILENCER  
X00010987

12300098a





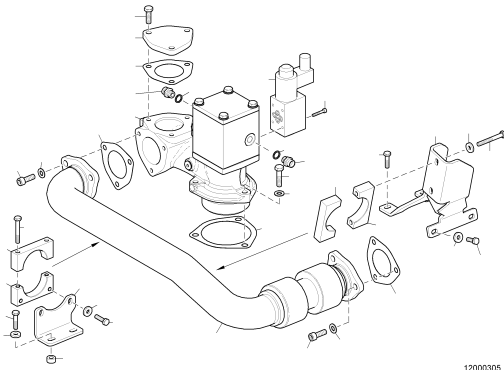
12300098a

➔	POS.	PART NO.	DESIGNATION	MODEL/TYPE	QTY.	UNITS	WEIGHT	FN	MEASUREMENT	STANDARD
	50	<b>5260900104</b>	SILENCER AIR INTAKE	12/16V4000 MAR.	2	pc	2,649 kg	EM		
	100	<b>900288254000</b>	CLAMP		2	pc	349,100 g		S 254/25X1,25 SK 2T	N288A

GROUP SEGMENT (FGS)

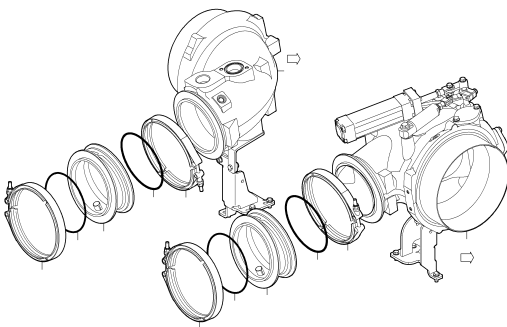
GROUP NAME

BOM-No.



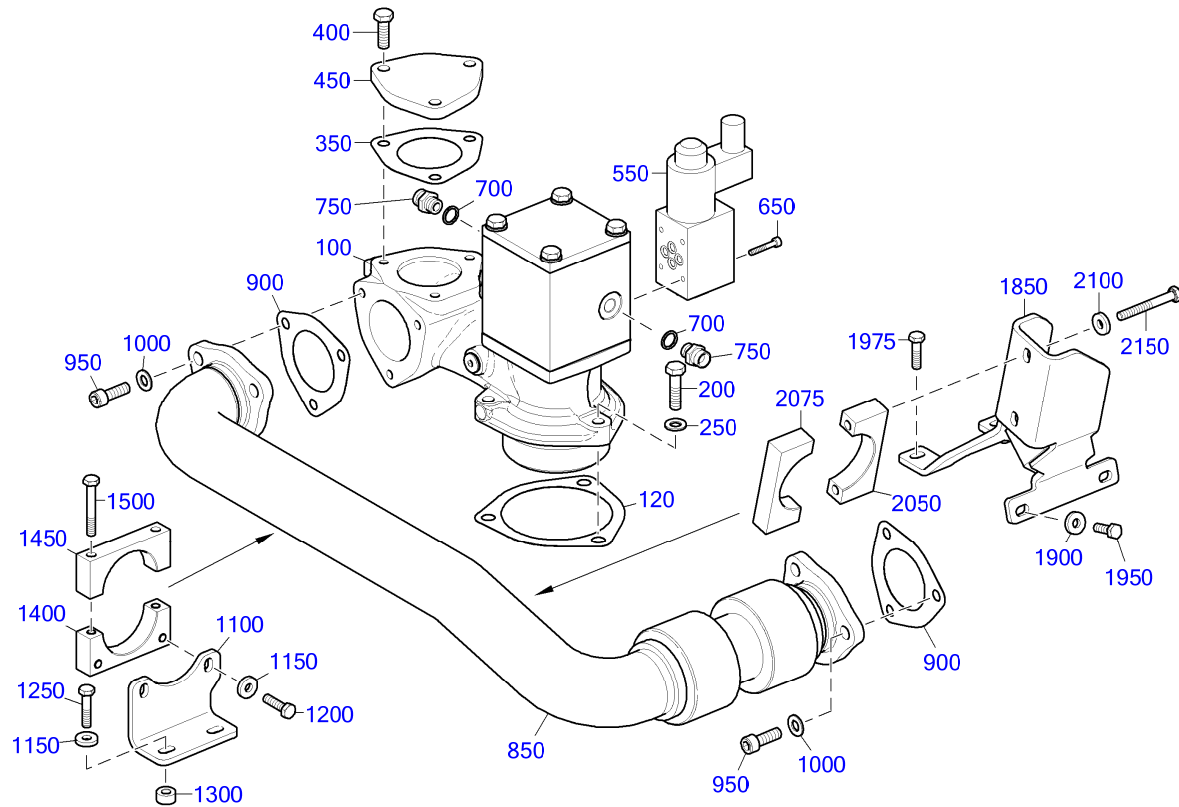
12000305

05  
**DIVERTER VALVE**  
XS595120.00043



12301005

35  
**AIR SYSTEM BEFORE TURBOCHARGER**  
XS526120.00050



12000305

➔	POS.	PART NO.	DESIGNATION	QTY.	UNITS	WEIGHT	FN	MEASUREMENT	STANDARD
	124	100	X59512300014	DIVERTER VALVE	1	pc	9,696 kg	EM	
		120	X59512500026	GASKET F/AIR TRANSFER VALV	1	pc	7,500 g		
		200	000000001039	HEX SCREW	3	pc	29,800 g	M 10 X 40	ISO4017
		250	000125010524	WASHER	3	pc	3,100 g	A 10,5	DIN125
		350	5272030080	GASKET	1	pc	6,500 g		
		400	000000001464	HEX SCREW	3	pc	24,900 g	M 10 X 30	ISO4017
		450	X52812500001	FLANGE	1	pc	691,900 g		
	123	550	X00041391	ACTUATOR VLV	1	pc	1,900 kg		
		650	000000003558	BOLT HEX SOC ZNPH R5F	4	pc	5,400 g	M 5 X 30	DIN912
		700	007603014102	COPPER SEALING RING	2	pc	1,000 g	A 14 X 18	DIN7603
		750	915013008002	SCREW NECK	2	pc	24,000 g	8 (M16X1,5/M14X1,5)	N15013
		850	X59512500033	AIR LINE F/AIR TRANSFER VALV	1	pc	4,047 kg	EM	
		900	5272030080	GASKET	2	pc	6,500 g		
		950	000000001464	HEX SCREW	6	pc	24,900 g	M 10 X 30	ISO4017
		1000	000125010524	WASHER	6	pc	3,100 g	A 10,5	DIN125
		1100	X59499100079	BRACKET	1	pc	425,700 g		
		1150	007349008002	WASHER	4	pc	7,900 g	8,4	DIN7349
		1200	304017008083	HEX SCREW	2	pc	15,100 g	M 8 X 30	ISO4017
		1250	304017008084	HEX SCREW	2	pc	16,400 g	M 8 X 35	ISO4017
		1300	735151008200	SPACER	2	pc	13,700 g	B 8,4	MTN5151
		1400	X59312500003	PIPE HALF-CLAMP	1	pc	323,100 g		
		1450	700346065200	PIPE CLAMP HALF	1	pc	307,700 g	BD 9 - 65	MMN346
		1500	304017008088	HEX SCREW	2	pc	22,600 g	M 8 X 55	ISO4017
		1850	X59599100097	RETAINER	1	pc	2,100 kg		
		1900	007349008002	WASHER	2	pc	7,900 g	8,4	DIN7349

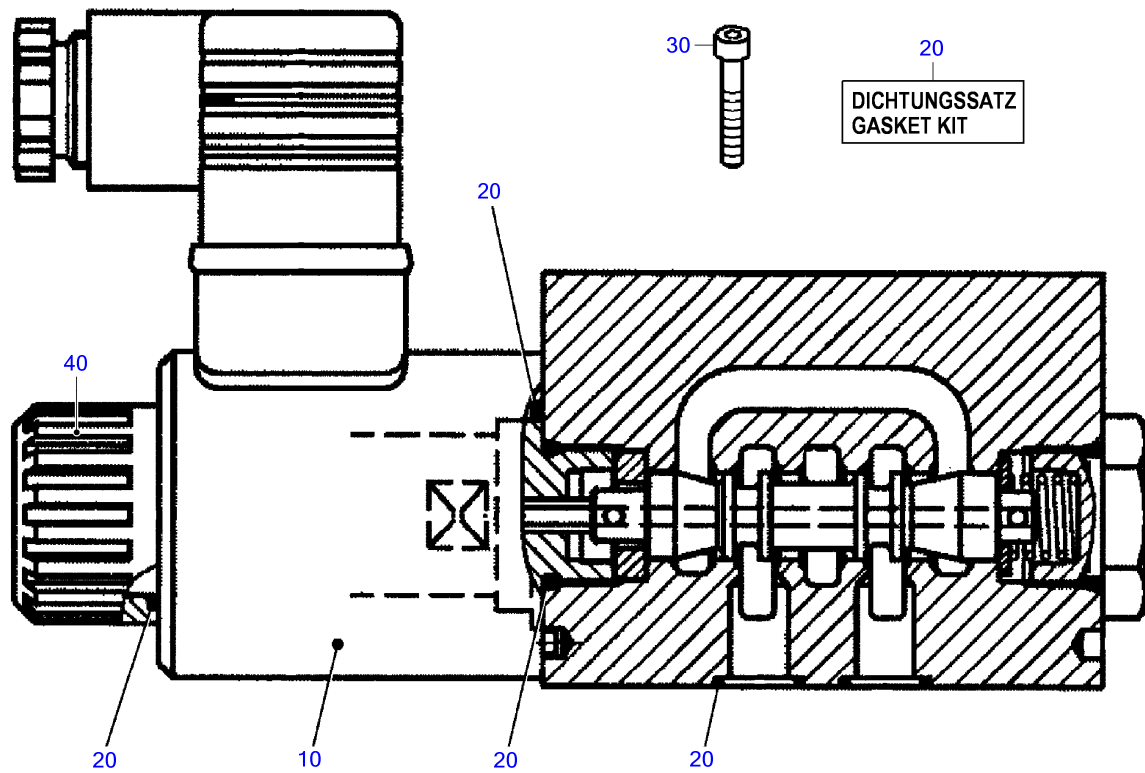
EQUI TYPE: Engine

PRODUCT TYPE: 12V4000M53  
DIVERter VALVE

SERIAL NUMBER: 526107656

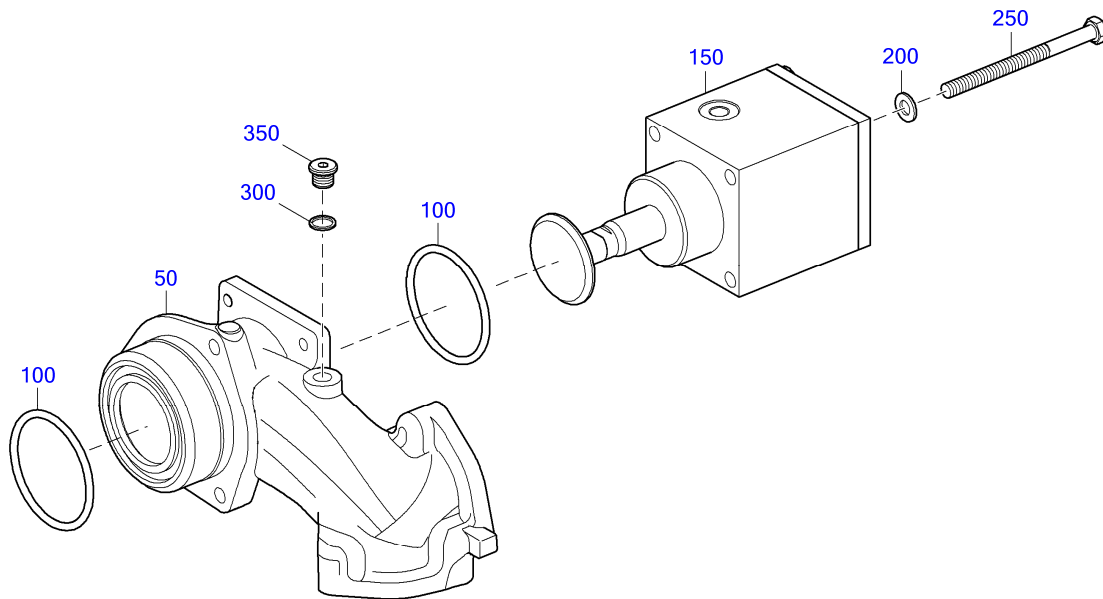
FG/FGS: 123 05  
BOM-No.: XS595120.00043

➡	POS.	PART NO.	DESIGNATION	QTY.	UNITS	WEIGHT	FN	MEASUREMENT	STANDARD
	1950	304017008081	HEX SCREW	2	pc	13,400 g		M 8 X 25	ISO4017
	1975	304017008083	HEX SCREW	2	pc	15,100 g		M 8 X 30	ISO4017
	2050	700346065200	PIPE CLAMP HALF	1	pc	307,700 g		BD 9 - 65	MMN346
	2075	700346065300	PIPE CLAMP HALF	1	pc	328,400 g		BG 8 - 65	MMN346
	2100	007349008002	WASHER	2	pc	7,900 g		8,4	DIN7349
	2150	204017008032	HEX SCREW	2	pc	25,500 g		M 8 X 65	ISO4017



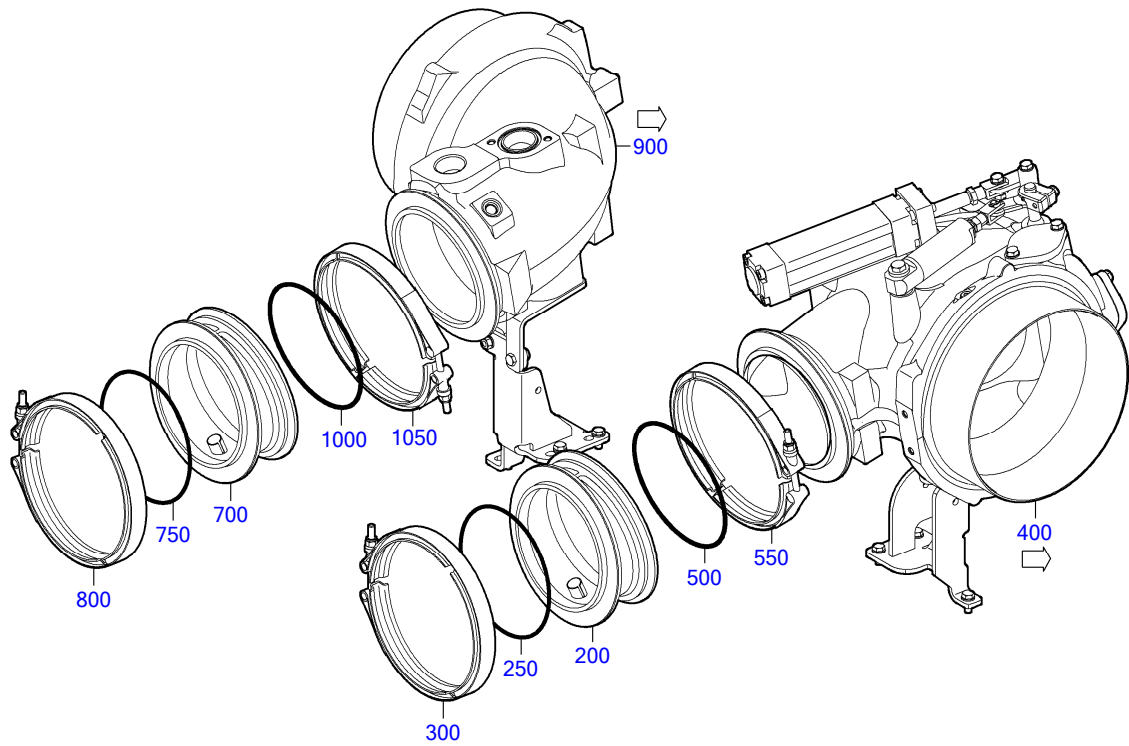
12300496a

➔	POS.	PART NO.	DESIGNATION	QTY.	UNITS	WEIGHT	MEASUREMENT	STANDARD
	10	XP52736400001	SOLENOID	1	pc	358,000 g		
	20	8495860032	SET OF SEALS	1	pc	85,000 g	INHALT SIEHE GRUNDDATENTEXT	
	30	00000003558	BOLT HEX SOC ZNPH R5F	4	pc	5,400 g	M 5 X 30	DIN912
	40	XP51699100033	NUT	1	pc	8,700 g		

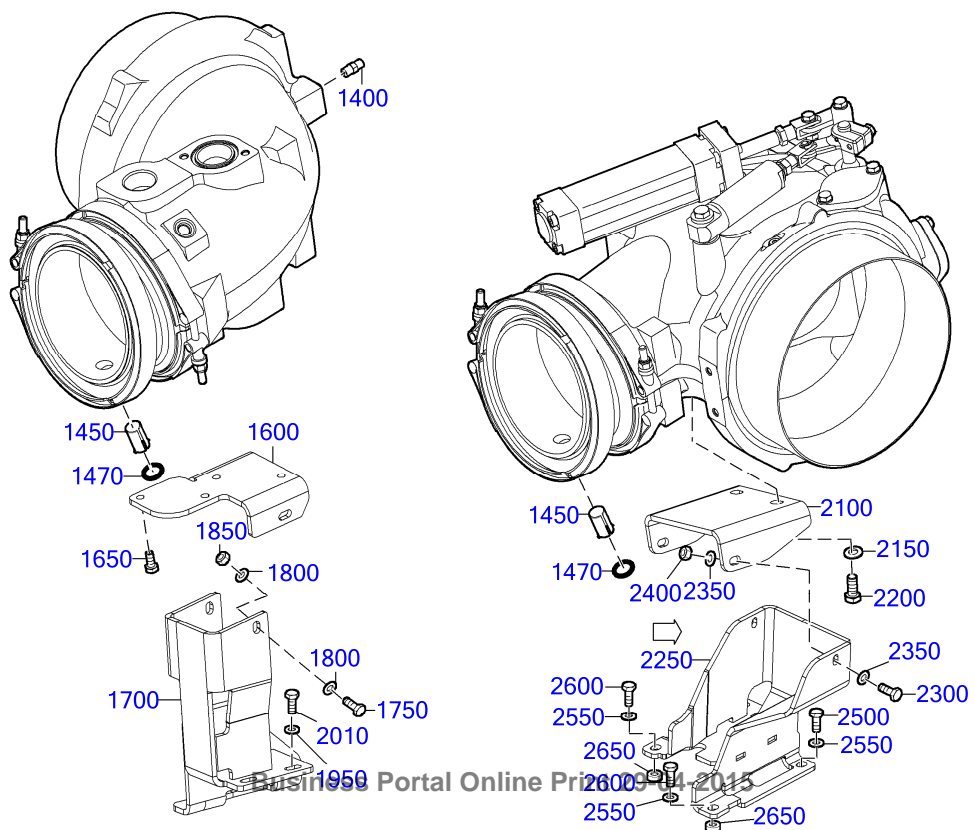


12600081a

➔	POS.	PART NO.	DESIGNATION	MODEL/TYPE	QTY.	UNITS	WEIGHT	FN	MEASUREMENT	STANDARD
	50	X59612300005	VALVE HOUSING		1	pc		EM		
	100	700429075001	O-RING		2	pc	10,600 g		75 X 5	MMN429
	150	X59612300007	CYLINDER	BR4000	1	pc	41,000 g			
	200	000125010524	WASHER		4	pc	3,100 g		A 10,5	DIN125
	250	000000004400	HEX SCREW		4	pc	84,000 g		M 10 X130	ISO4014
	300	007603014102	COPPER SEALING RING		2	pc	1,000 g		A 14 X 18	DIN7603
	350	000908014001	THREAD PLUG		2	pc	0,016 kg		M 14 X 1,5	DIN908



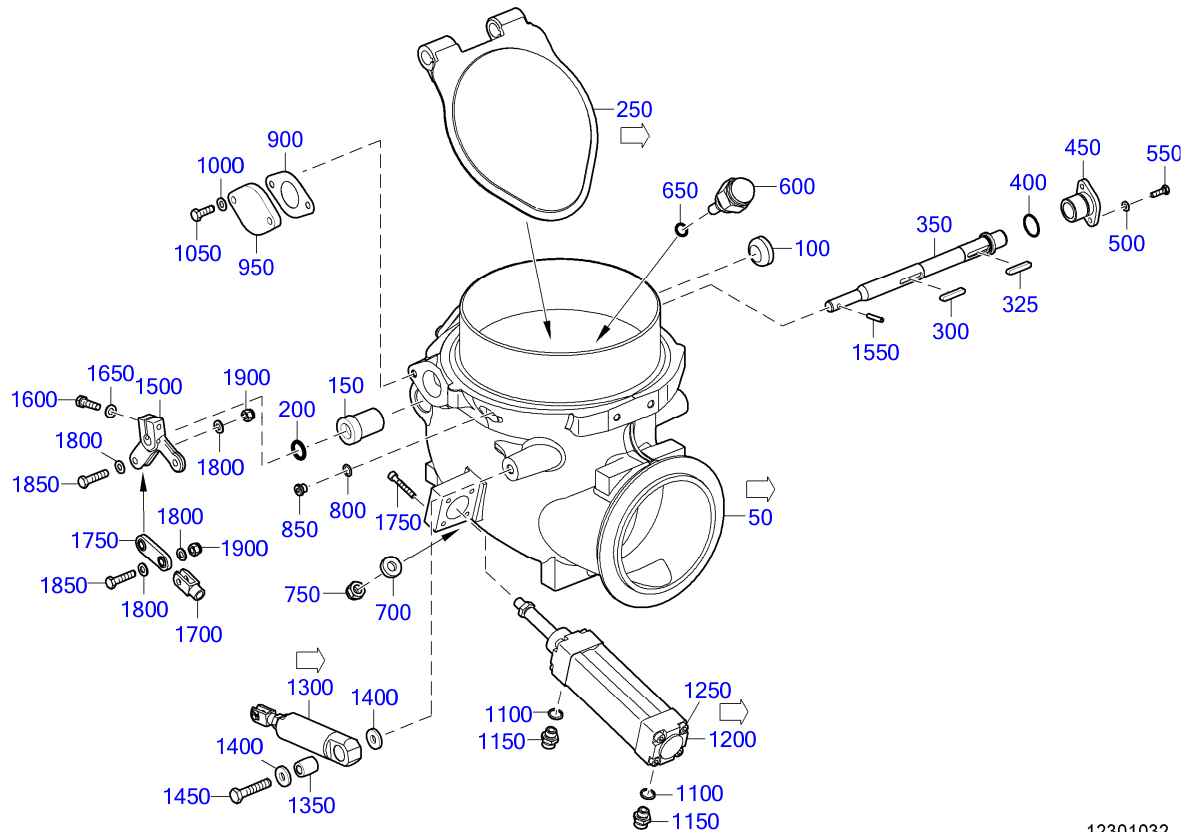
12301006



12301005

➡	POS.	PART NO.	DESIGNATION	MODEL/TYPE	QTY.	UNITS	WEIGHT	FN	MEASUREMENT	STANDARD
	200	X52612300083	REDUCER		1	pc	1,300 kg	EM		
	250	700429160001	O-RING		1	pc	13,700 g		160 X 4	MMN429
	300	0049978190	CLAMP		1	pc	615,000 g			
126	400	X52612300097	INTAKE HOUSING		1	pc	16,727 kg	EM		
	500	700429160001	O-RING		1	pc	13,700 g		160 X 4	MMN429
	550	0049978190	CLAMP		1	pc	615,000 g			
	700	X52612300083	REDUCER		1	pc	1,300 kg	EM		
	750	700429160001	O-RING		1	pc	13,700 g		160 X 4	MMN429
	800	0049978190	CLAMP		1	pc	615,000 g			
131	900	X52612300106	INTAKE HOUSING	HORIZONTAL	1	pc	8,100 kg	EM		
	1000	700429160001	O-RING		1	pc	13,700 g		160 X 4	MMN429
	1050	0049978190	CLAMP		1	pc	615,000 g			
	1400	0009973375	ADAPTER FITTING W/SINTERED FLTR		1	pc	13,400 g			
	1450	3555420273	BUSHING FOR SPEED SENSOR		2	pc	6,200 g			
	1470	700429015001	O-RING		2	pc	2,300 g		15,5 X 4,5	MMN429
	1600	X59599100100	RETAINER		1	pc	850,000 g			
	1650	204017008009	HEX SCREW		4	pc	10,900 g		M 8 X 18	ISO4017
	1700	X59599100099	RETAINER		1	pc	2,700 kg			
	1750	304017008083	HEX SCREW		2	pc	15,100 g		M 8 X 30	ISO4017
	1800	007349008002	WASHER		4	pc	7,900 g		8,4	DIN7349
	1850	304032008014	NUT HEX 8 A3C		2	pc	4,800 g		M 8	ISO4032
	1950	007349008002	WASHER		4	pc	7,900 g		8,4	DIN7349
	2010	304017008081	HEX SCREW		4	pc	13,400 g		M 8 X 25	ISO4017
	2100	X59599100101	RETAINER		1	pc	1,100 kg			
	2150	007349010002	WASHER		2	pc	11,000 g		10,5	DIN7349
	2200	000000001464	HEX SCREW		2	pc	24,900 g		M 10 X 30	ISO4017
	2250	X59599100142	RETAINER		1	pc	3,400 kg			
	2300	304017008083	HEX SCREW		2	pc	15,100 g		M 8 X 30	ISO4017
	2350	007349008002	WASHER		4	pc	7,900 g		8,4	DIN7349
	2400	304032008014	NUT HEX 8 A3C		2	pc	4,800 g		M 8	ISO4032
	2500	304017008081	HEX SCREW		3	pc	13,400 g		M 8 X 25	ISO4017
	2550	007349008002	WASHER		5	pc	7,900 g		8,4	DIN7349
	2600	304017008083	HEX SCREW		2	pc	15,100 g		M 8 X 30	ISO4017
	2650	5900942853	SPACER SLEEVE		2	pc	6,100 g			





12301032

➔	POS.	PART NO.	DESIGNATION	MODEL/TYPE	QTY.	UNITS	WEIGHT	FN	MEASUREMENT	STANDARD
	127	50	<b>X52612300096</b>	INTAKE HOUSING	1	pc	8,800 kg	EM		
		100	<b>700088036000</b>	PLUG	1	pc	16,300 g	36		MMN88
		150	<b>5350980050</b>	BUSHING	1	pc	187,600 g			
		200	<b>700429018005</b>	O-RING	1	pc	1,900 g	18 X 4		MMN429
	128	250	<b>5240900265</b>	FLAP	1	pc	1,268 kg			
		300	<b>006885006045</b>	KEY WOODRUFF A	1	pc	9,500 g	A 6 X 6 X 36		DIN6885
		325	<b>206885006000</b>	KEY	1	pc	10,700 g	A 6 X 6 X 40		DIN6885
		350	<b>X59499100582</b>	SHAFT	1	pc	595,500 g			
		400	<b>700429025001</b>	O-RING	1	pc	0,900 g	25 X 2,5		MMN429
		450	<b>5590981750</b>	FLANGE	1	pc	190,000 g			
		500	<b>000125006431</b>	WASHER	2	pc	0,800 g	A 6,4		DIN125
		550	<b>000000001444</b>	HEX SCREW	2	pc	6,000 g	M 6 X 20		ISO4017
		600	<b>X00034972</b>	STOP	1	pc	369,600 g			
		650	<b>700429012004</b>	O-RING	1	pc	0,700 g	12 X 3		MMN429
		700	<b>735151012100</b>	SPACER S2000/4000	1	pc	20,000 g	A 12,5		MTN5151
		750	<b>999900012000</b>	NUT	1	pc	17,900 g	M 12		AGGN14440
		800	<b>007603010112</b>	SEALING RING	1	pc	0,500 g	A 10 X 15		DIN7603
		850	<b>000908010002</b>	SCREWED PLUG	1	pc	0,006 kg	M 10 X 1		DIN908
		900	<b>X00014409</b>	GASKET	2	pc	3,900 g			
		950	<b>5592030286</b>	COVER	2	pc	290,500 g			
		1000	<b>000125008427</b>	WASHER	4	pc	1,500 g	A 8,4		DIN125
		1050	<b>304017008081</b>	HEX SCREW	4	pc	13,400 g	M 8 X 25		ISO4017
		1100	<b>007603014102</b>	COPPER SEALING RING	2	pc	1,000 g	A 14 X 18		DIN7603
		1150	<b>700419999021</b>	SCREW-FITTING UNION	2	pc	25,000 g	10 G 1/4 A		MMN419
	129	1200	<b>X56912300043</b>	ACTUATING CYLINDER	1	pc	1,200 kg			

EQUI TYPE: Engine

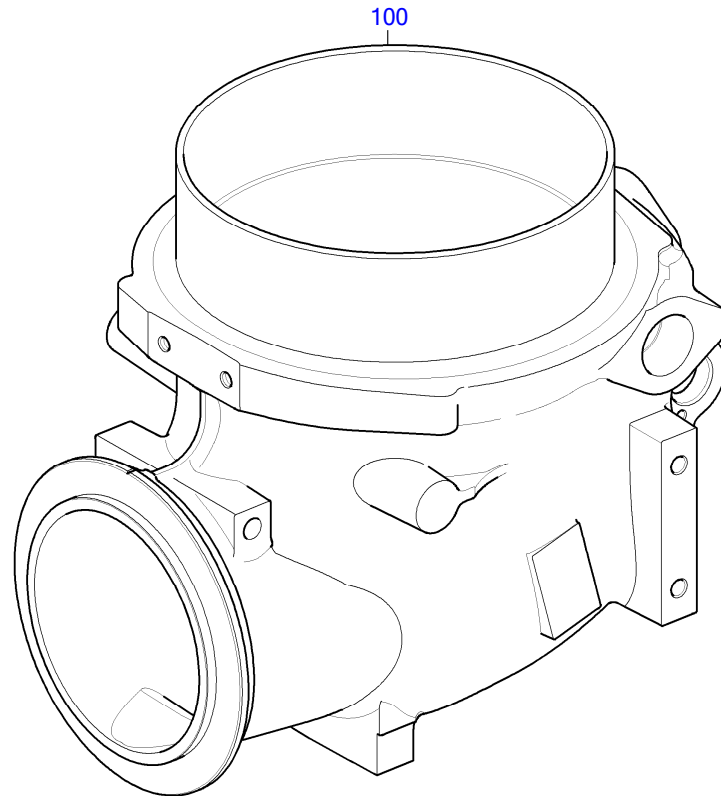
PRODUCT TYPE: 12V4000M53  
INTAKE HOUSING

SERIAL NUMBER: 526107656

FG/FGS:

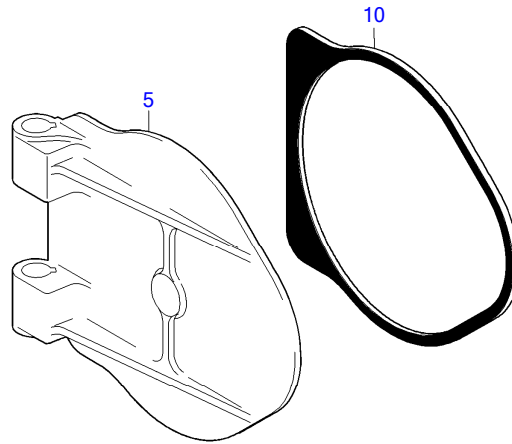
BOM-No.: X52612300097

➡	POS.	PART NO.	DESIGNATION	MODEL/TYPE	QTY.	UNITS	WEIGHT	FN	MEASUREMENT	STANDARD
	1250	000912006031	SCREW		4	pc	10,200 g		M 6 X 40	DIN912
130	1300	5260900009	CYLINDER	BR4000	1	pc	628,600 g			
	1350	5360980250	BUSHING		1	pc	43,100 g			
	1400	007349010002	WASHER		2	pc	11,000 g	10,5		DIN7349
	1450	000000003693	HEX SCREW		1	pc	34,900 g		M 10 X 50	ISO4017
	1500	X59612300026	LEVER		1	pc	255,900 g			
	1550	001481005004	SPRING PIN		1	pc	2,400 g		5 X 28 - N	ISO8752
	1600	304017008083	HEX SCREW		1	pc	15,100 g		M 8 X 30	ISO4017
	1650	000125008427	WASHER		1	pc	1,500 g		A 8,4	DIN125
	1700	X00041795	CLEVIS		1	pc	39,200 g			
	1750	5361400146	ROD		1	pc	66,300 g			
	1800	000125008427	WASHER		4	pc	1,500 g		A 8,4	DIN125
	1850	304017008084	HEX SCREW		2	pc	16,400 g		M 8 X 35	ISO4017
	1900	5069900251	NUT		2	pc	6,400 g			



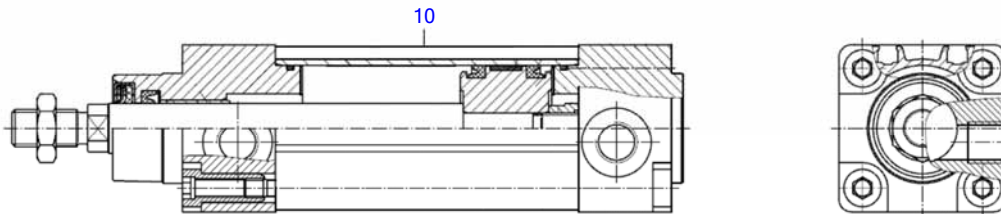
12301004

➔	POS.	PART NO.	DESIGNATION	MODEL/TYPE	QTY.	UNITS	WEIGHT	FN
	100	X52612300095	INTAKE HOUSING	HORIZONTAL/GESCHALTET	1	pc	8,800 kg	EM



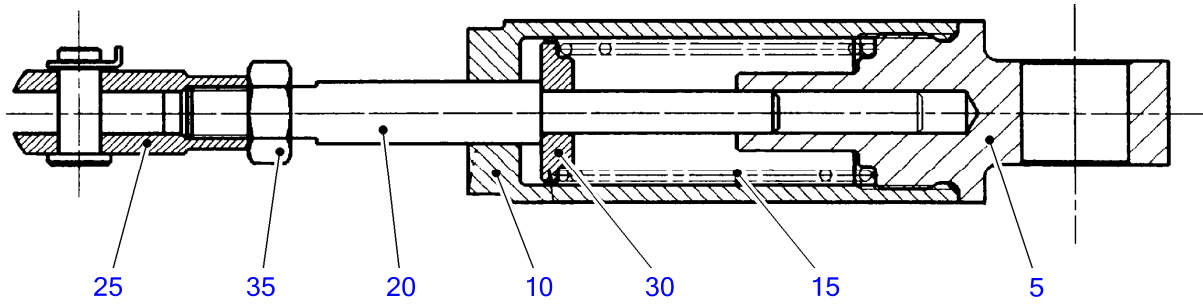
12300103a

➔	POS.	PART NO.	DESIGNATION	QTY.	UNITS	WEIGHT
	5	5240980010	FLAP	1	pc	1,288 kg
	10	5249870051	FLAP SEAL	1	pc	1,273 g



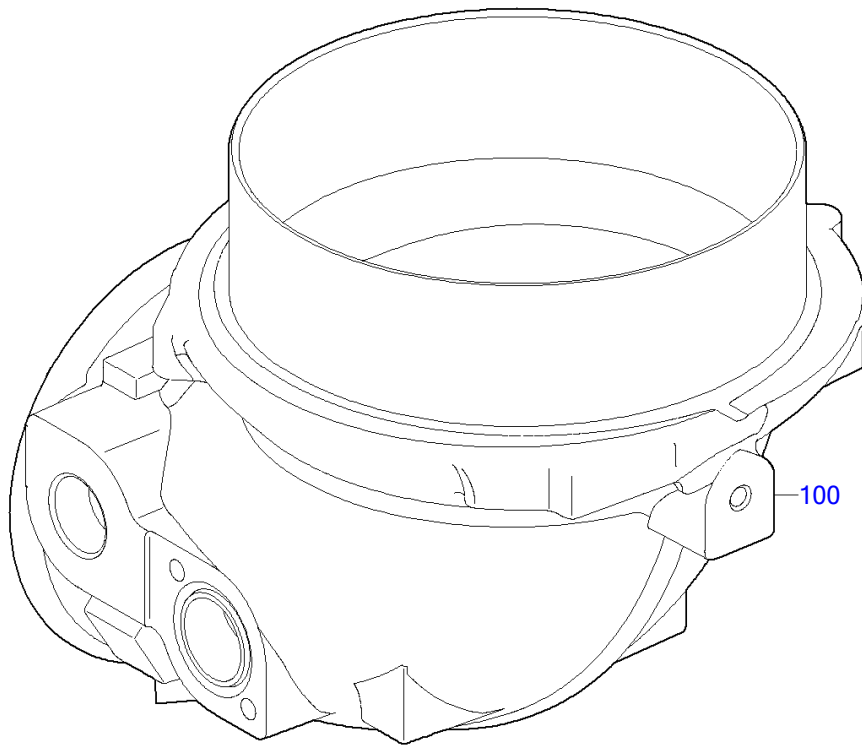
12300699

➔	POS.	PART NO.	DESIGNATION	QTY.	UNITS	WEIGHT
	10	XP56900600007	PARTS KIT	1	pc	0,002 kg



03700421a

➔	POS.	PART NO.	DESIGNATION	MODEL/TYPE	QTY.	UNITS	WEIGHT	MEASUREMENT	STANDARD
	5	5360980032	PISTON GUIDE		1	pc	236,000 g		
	10	5360980018	CYLINDER		1	pc	233,000 g		
	15	5269930101	PRESSURE SPRING	4000	1	pc	18,000 g		
	20	5360980090	ROD		1	pc	69,000 g		
	25	0009963401	CLEVIS		1	pc	45,000 g		
	30	5360980176	WASHER		1	pc	18,000 g		
	35	000934010005	NUT HEX		1	pc	10,400 g	M 10	DIN934



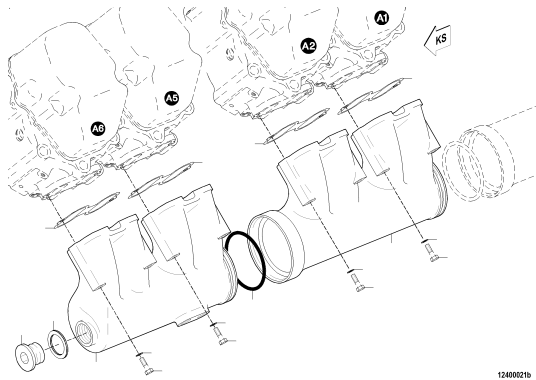
12300515a

➔	POS.	PART NO.	DESIGNATION	MODEL/TYPE	QTY.	UNITS	WEIGHT	FN
	100	X52612300105	INTAKE HOUSING	HORIZONTAL	1	pc	8,000 kg	EM

GROUP SEGMENT (FGS)

GROUP NAME

BOM-No.



05  
AIR PIPING INTERCOOLER TO CYLH  
XS594120.00019

12400021b

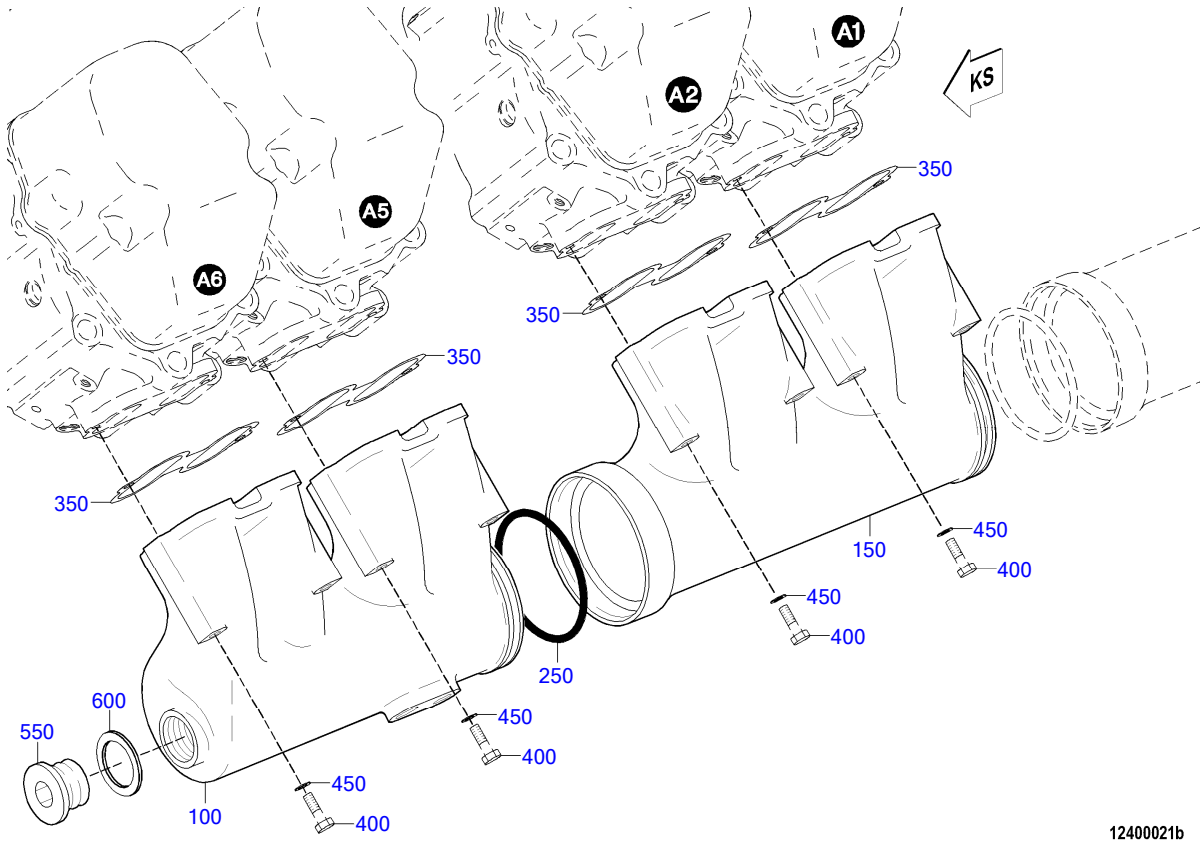


EQUI TYPE: Engine

PRODUCT TYPE: 12V4000M53  
AIR PIPING INTERCOOLER TO CYLH

SERIAL NUMBER: 526107656

FG/FGS: 124 05  
BOM-No.: XS594120.00019



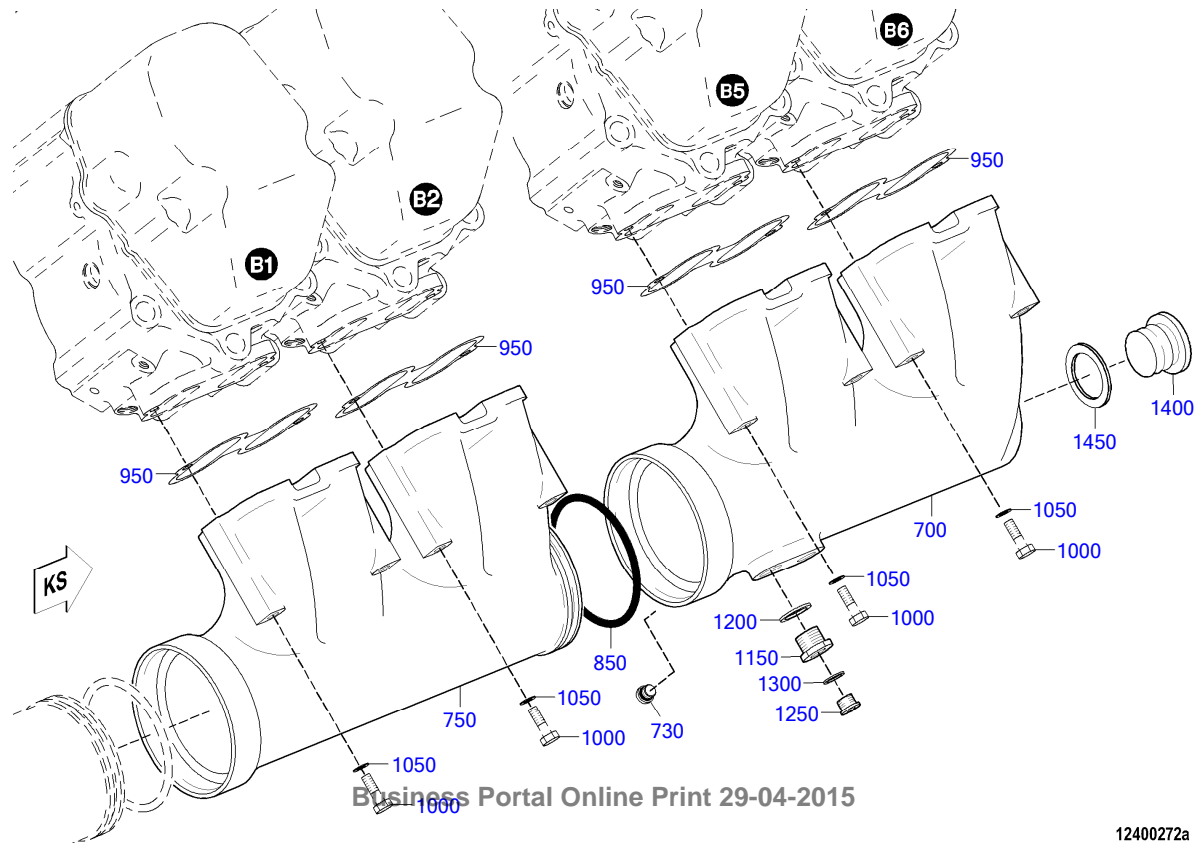
12400021b

EQUI TYPE: Engine

PRODUCT TYPE: 12V4000M53  
AIR PIPING INTERCOOLER TO CYLH

SERIAL NUMBER: 526107656

FG/FGS: 124 05  
BOM-No.: XS594120.00019



Business Portal Online Print 29-04-2015

12400272a

➡	POS.	PART NO.	DESIGNATION	MODEL/TYPE	QTY.	UNITS	WEIGHT	FN	MEASUREMENT	STANDARD
	100	5240981407	CHARGE-AIR PIPE END PIECE, LEFT		1	pc	7,700 kg	EM		
	150	5240980907	MANIFOLD INTAKE CHRГ AIR CENTER	BR4000	2	pc	8,296 kg	EM		
	250	700429140000	O-RING		3	pc	45,000 g		140 X 8	MMN429
	350	5240980680	GASKET		6	pc	14,500 g			
	400	00000001041	HEX SCREW		12	pc	90,200 g		M 10 X140	ISO4014
	450	000125010524	WASHER		6	pc	3,100 g		A 10,5	DIN125
	550	000908052003	THREAD PLUG		1	pc	0,298 kg		M 52 X 1,5	DIN908
	600	007603052101	COPPER SEALING RING		1	pc	12,500 g		A 52 X 60	DIN7603
	700	X59412400026	CHARGE-AIR PIPE END MEMBER, RIGHT		1	pc	7,928 kg	EM		
31	730	735210014000	THREAD PLUG		1	pc	0,019 kg		M 14 X 1,5	MTN5210
	750	5240980907	MANIFOLD INTAKE CHRГ AIR CENTER	BR4000	2	pc	8,296 kg	EM		
	850	700429140000	O-RING		2	pc	45,000 g		140 X 8	MMN429
	950	5240980680	GASKET		6	pc	14,500 g			
	1000	00000001041	HEX SCREW		12	pc	90,200 g		M 10 X140	ISO4014
	1050	000125010524	WASHER		6	pc	3,100 g		A 10,5	DIN125
	1150	700354014003	THREADED BUSHING		2	pc	40,000 g		M 14 X 1,5	MMN354
	1200	007603022102	COPPER SEALING RING		2	pc	0,900 g		A 22 X 27	DIN7603
	1250	000908014001	THREAD PLUG		2	pc	0,016 kg		M 14 X 1,5	DIN908
	1300	007603014102	COPPER SEALING RING		2	pc	1,000 g		A 14 X 18	DIN7603
	1400	000908052003	THREAD PLUG		1	pc	0,298 kg		M 52 X 1,5	DIN908
	1450	007603052101	COPPER SEALING RING		1	pc	12,500 g		A 52 X 60	DIN7603

AIR ROUTING BETWEEN TURBOCHARGER AND CHARGE-AIR COOLER

GROUP SEGMENT (FGS)

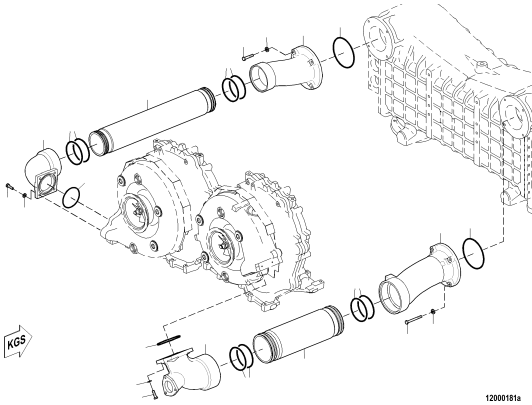
GROUP NAME

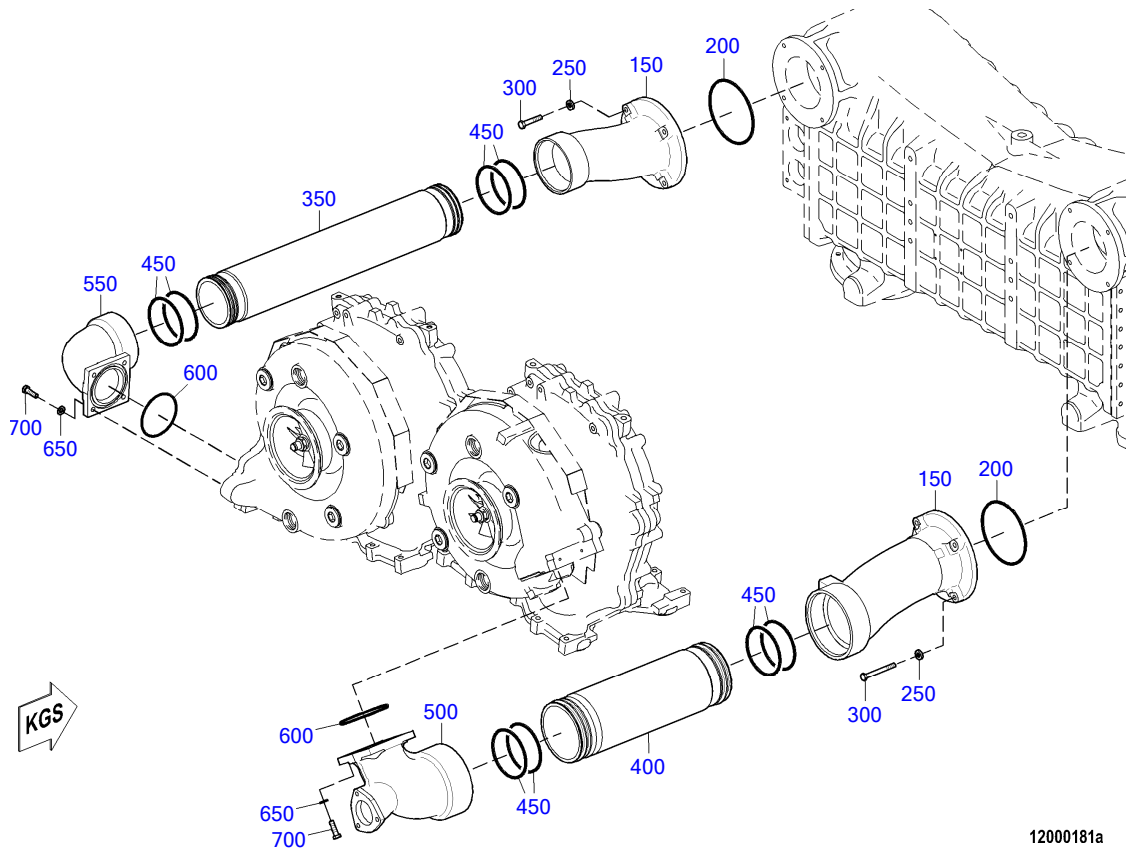
BOM-No.

05

AIR SYSTEM BEFORE INTERCOOLER

XS594120.00049





12000181a

➔	POS.	PART NO.	DESIGNATION	QTY.	UNITS	WEIGHT	FN	MEASUREMENT	STANDARD
	150	X00008876	ELBOW	2	pc	3,300 kg	EM		
	200	X59499100165	SEALING RING	2	pc	17,700 g		147 X 5	
	250	735151010100	SPACER	8	pc	11,000 g		A 10,5	MTN5151
	300	204014010001	HEX SCREW	6	pc	39,700 g		M 10 X 55	ISO4014
	325	204014010032	HEX SCREW	2	pc	42,900 g		M 10 X 60	ISO4014
	350	X59412500023	PLUG-IN PIPE TO INTERCOOLER	1	pc	3,312 kg			
	400	X59412500024	PLUG-IN PIPE TO INTERCOOLER	1	pc	4,200 kg			
	450	X00009934	O-RING	8	pc	20,000 g		110 X 6	
	500	X59412500041	ELBOW F/TURBOCHARGER, LEF	1	pc	6,900 kg	EM		
	550	X59412500025	ELBOW F/TURBOCHARGER,RIGH	1	pc	5,000 kg	EM		
	600	X59499100160	O-RING	2	pc	13,400 g		100 X 5	
	650	000125010524	WASHER	8	pc	3,100 g		A 10,5	DIN125
	700	000000003326	HEX SCREW	8	pc	27,400 g		M 10 X 35	ISO4017

GROUP SEGMENT (FGS)

GROUP NAME

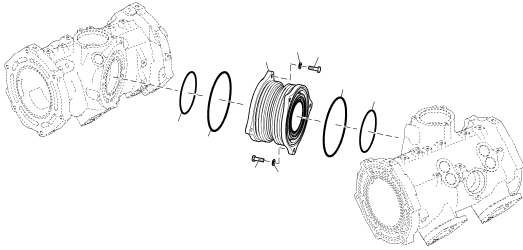
BOM-No.

---

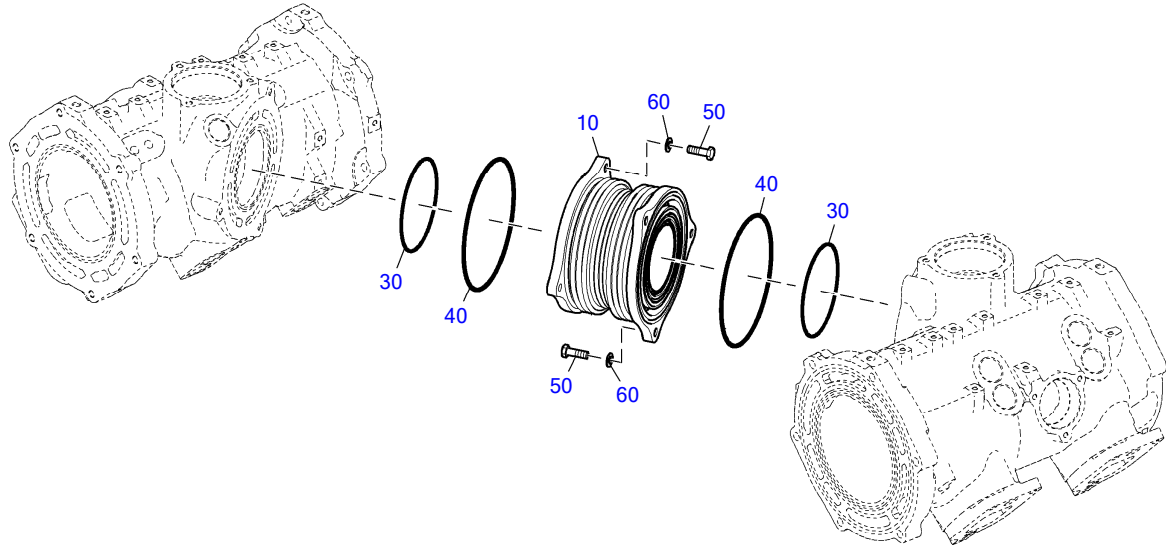
20

**EXH PIPE BELLOWS LR ACCEPTANCE**

XS594140.00014



14200300a



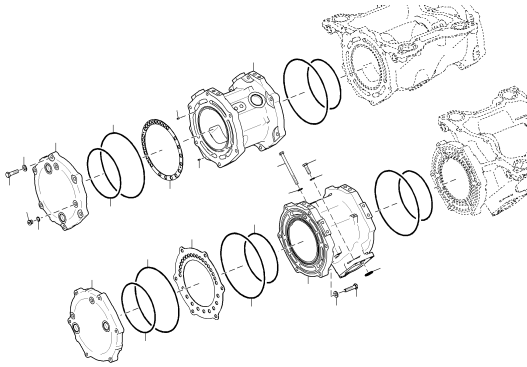
14200300a

➔	POS.	PART NO.	DESIGNATION	QTY.	UNITS	WEIGHT	MEASUREMENT	STANDARD
	10	X59499100411/31	EXH PIPE BELLOWS LR ACCEPTANCE	1	pc	6,400 kg		
	30	X59499100111	O-RING	2	pc	10,900 g	142 X 4	MMN429
	40	X59499100112	O-RING	2	pc	14,700 g	192 X 4	MMN429
	50	204017010016	HEX SCREW	6	pc	26,100 g	M 10 X 32	ISO4017
	60	000125010524	WASHER	6	pc	3,100 g	A 10,5	DIN125

GROUP SEGMENT (FGS)

GROUP NAME

BOM-No.



05  
EXHAUST SYSTEM F/CYL. TO T'CHARGER  
XS594140.00013

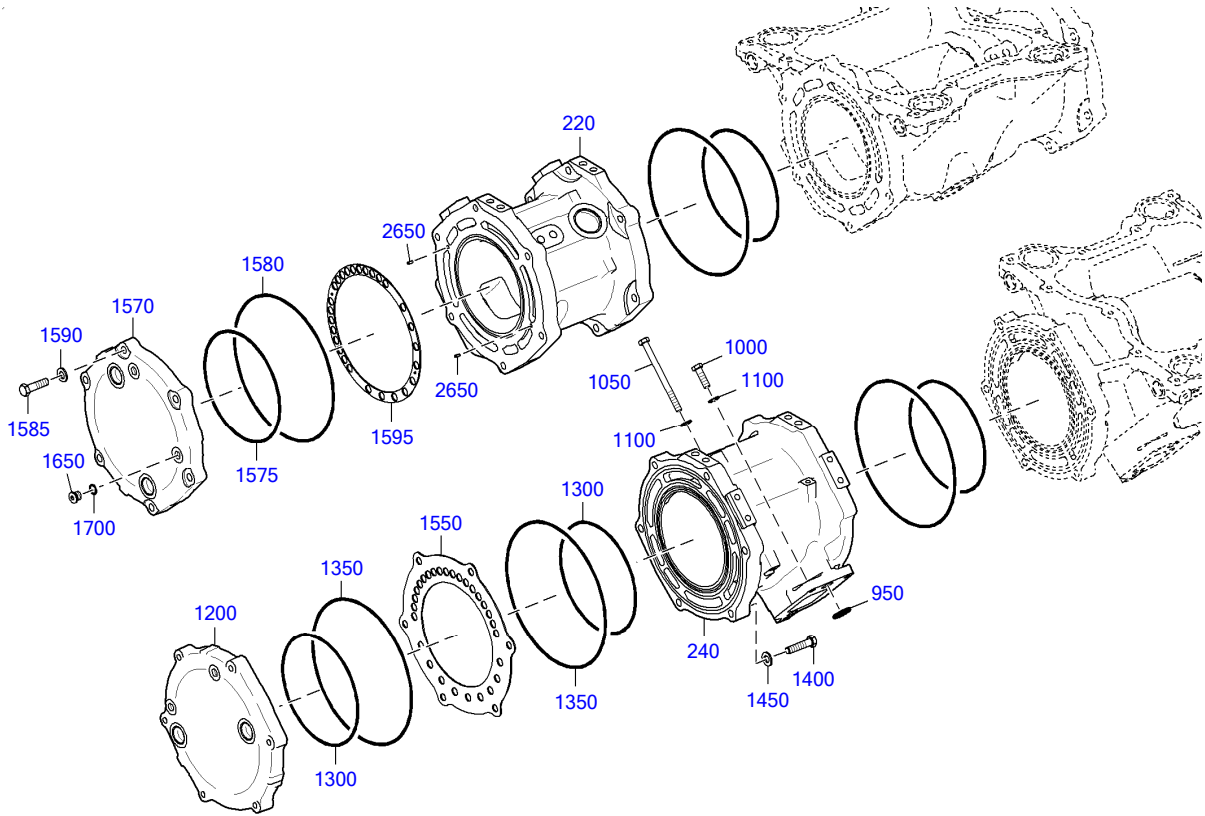
10100930b

EQUI TYPE: Engine

PRODUCT TYPE: 12V4000M53  
EXHAUST SYSTEM F/CYL. TO T'CHARGER

SERIAL NUMBER: 526107656

FG/FGS: 142 05  
BOM-No.: XS594140.00013



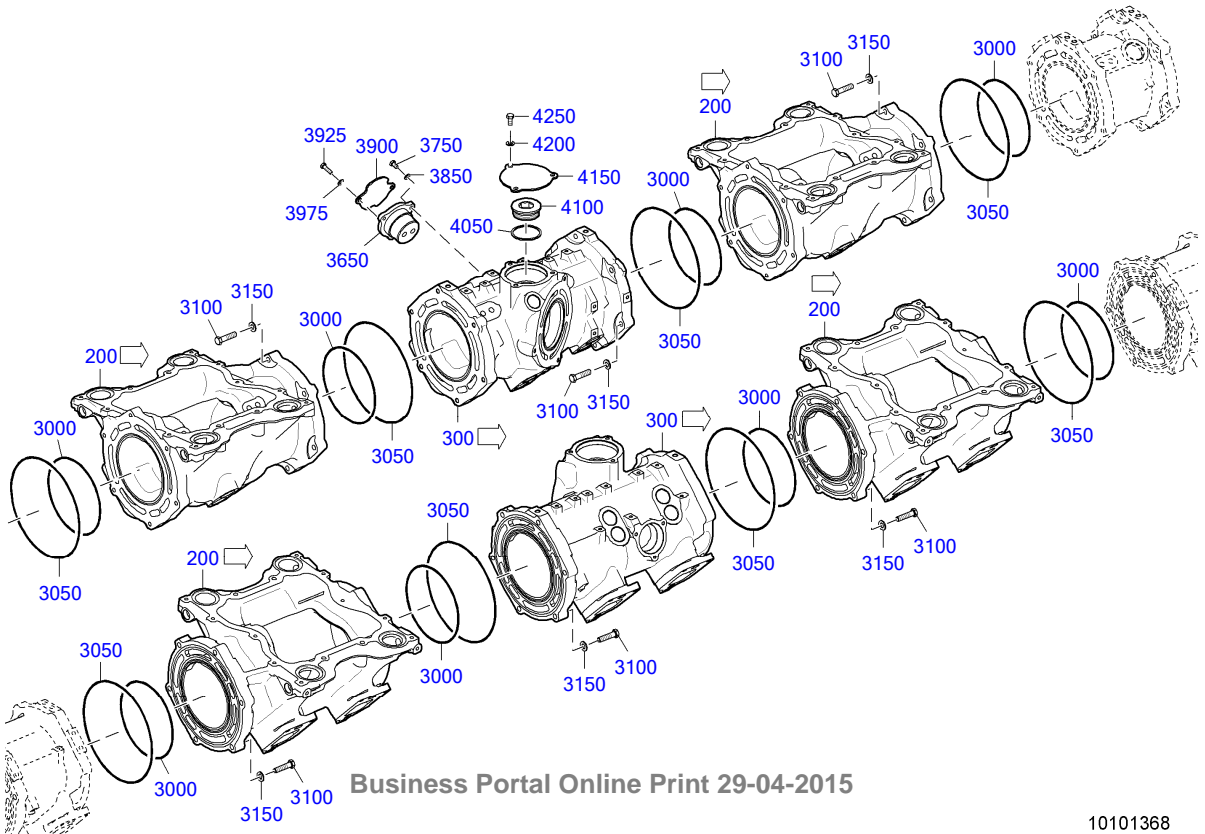
10100930b

EQUI TYPE: Engine

PRODUCT TYPE: 12V4000M53  
EXHAUST SYSTEM F/CYL. TO T'CHARGER

SERIAL NUMBER: 526107656

FG/FGS: 142 05  
BOM-No.: XS594140.00013



Business Portal Online Print 29-04-2015

10101368

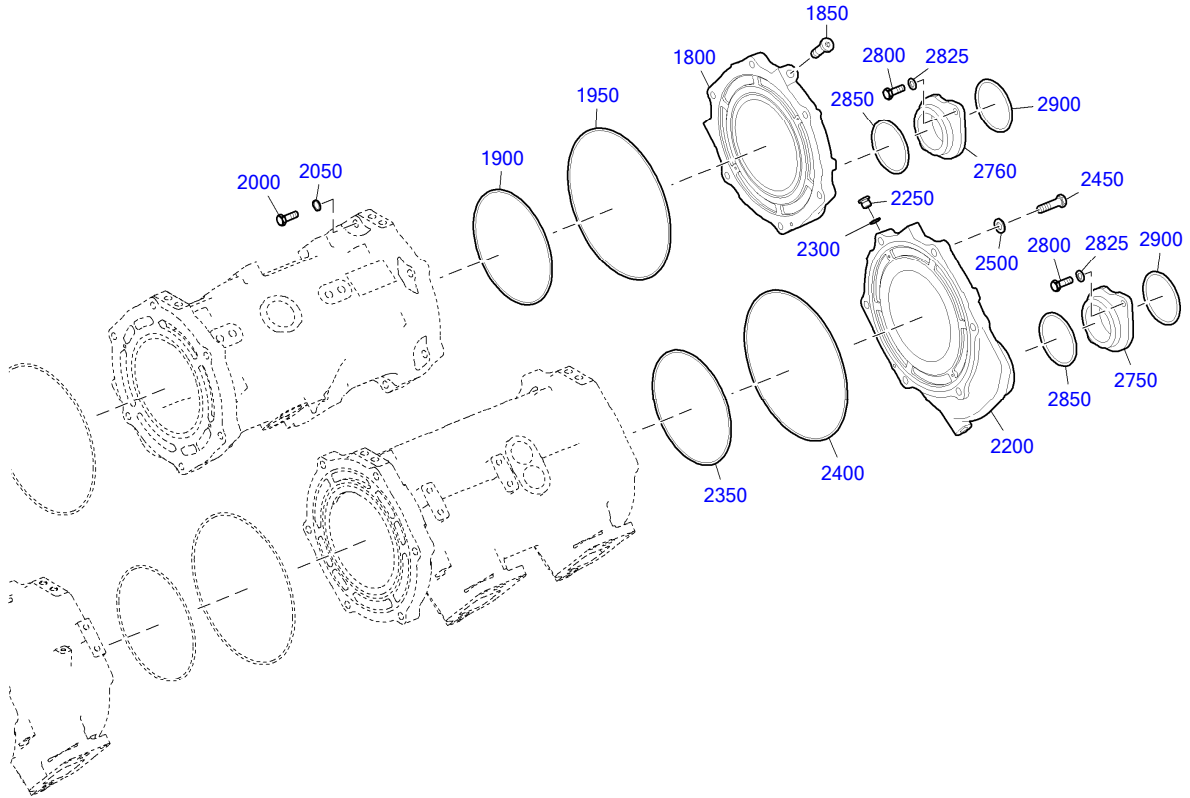


EQUI TYPE: Engine

PRODUCT TYPE: 12V4000M53  
EXHAUST SYSTEM F/CYL. TO T'CHARGER

SERIAL NUMBER: 526107656

FG/FGS: 142 05  
BOM-No.: XS594140.00013



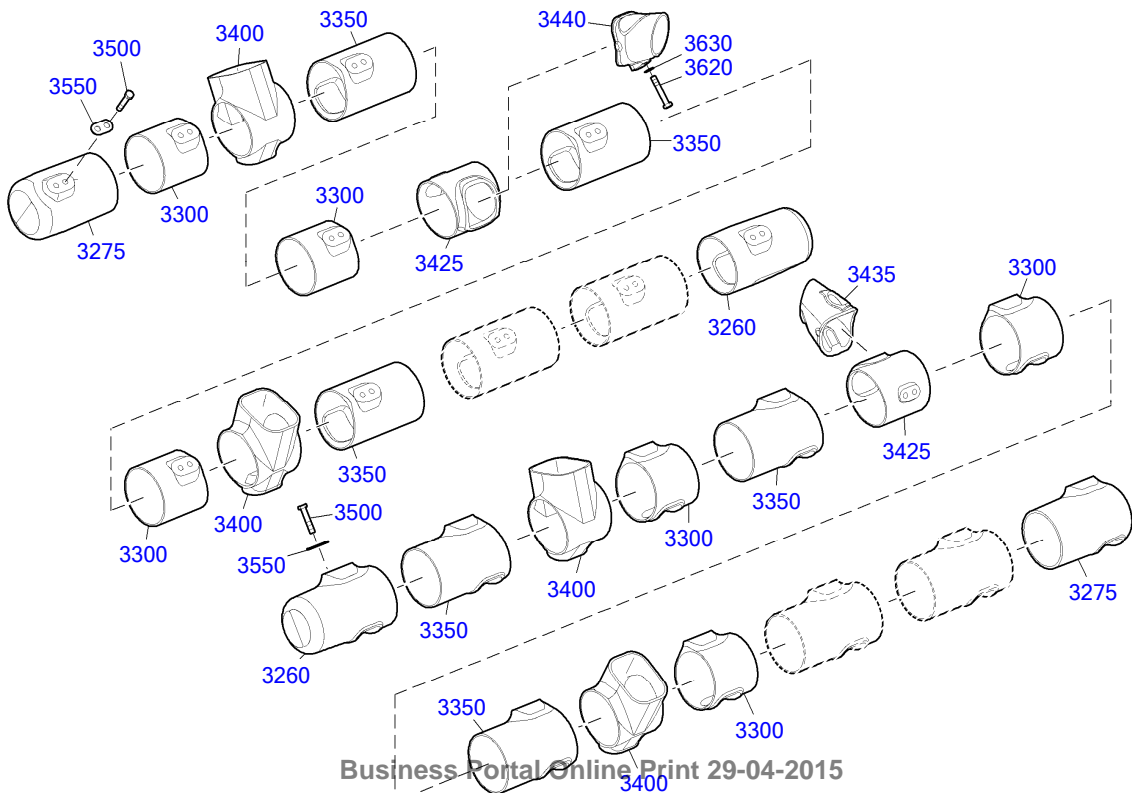
10101745

EQUI TYPE: Engine

PRODUCT TYPE: 12V4000M53  
EXHAUST SYSTEM F/CYL. TO T'CHARGER

SERIAL NUMBER: 526107656

FG/FGS: 142 05  
BOM-No.: XS594140.00013

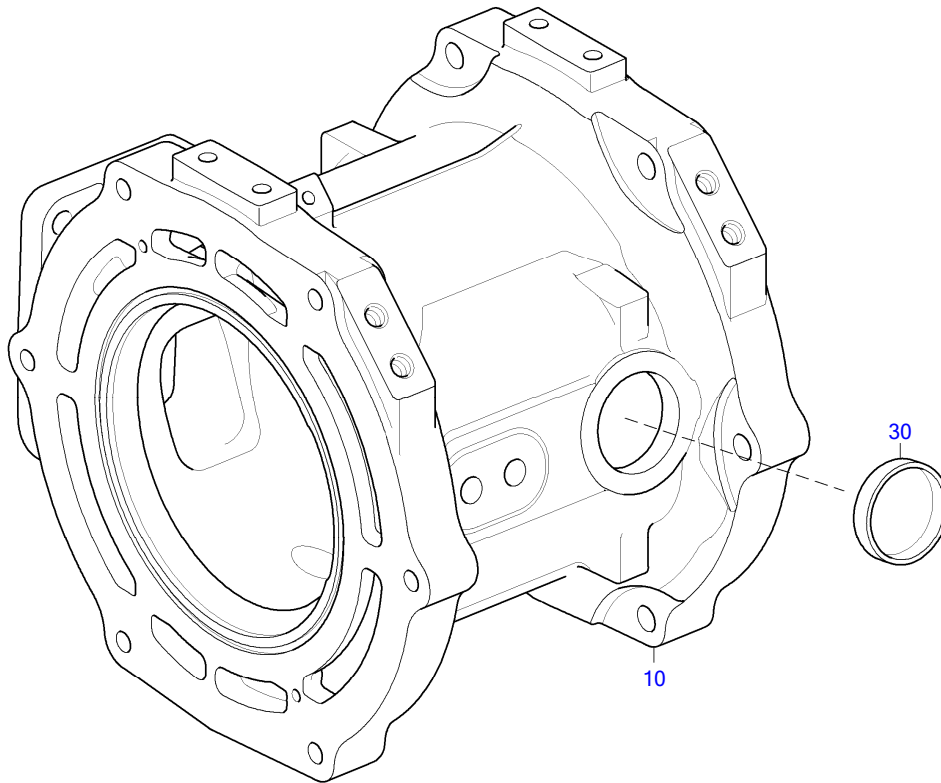


Business Portal Online Print 29-04-2015

10100975a

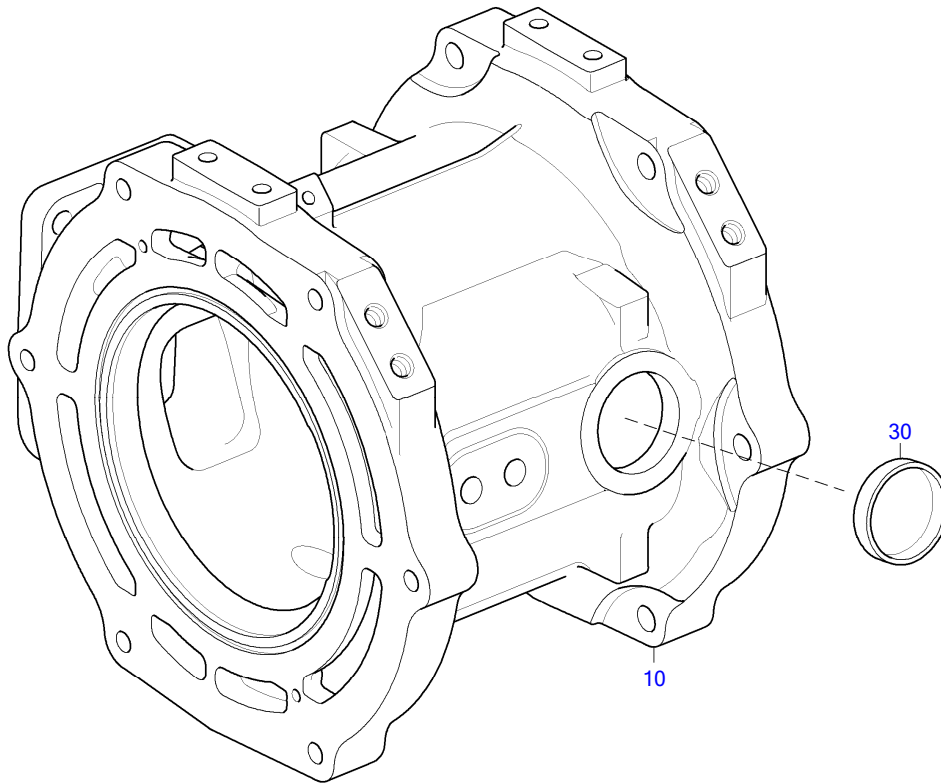
➡	POS.	PART NO.	DESIGNATION	MODEL/TYPE	QTY.	UNITS	WEIGHT	FN	MEASUREMENT	STANDARD
	200	X59414100007	EXHAUST HOUSING		2	pc	59,833 kg	SB EM		
140	220	X59414100066	EXHAUST HOUSING		2	pc	30,600 kg	EM		
141	240	X59414100067	EXHAUST HOUSING		2	pc	30,333 kg	EM		
	300	X59414100009	EXHAUST HOUSING		2	pc	62,333 kg	SB EM		
	950	700429024000	O-RING		12	pc	3,900 g		24 X 5	MMN429
	1000	000000003326	HEX SCREW		24	pc	27,400 g		M 10 X 35	ISO4017
	1050	000000004400	HEX SCREW		12	pc	84,000 g		M 10 X130	ISO4014
	1100	000125010524	WASHER		36	pc	3,100 g		A 10,5	DIN125
	1200	X59414100020	END COVER		1	pc	6,488 kg	SB		
	1300	X59499100113	O-RING		2	pc	15,000 g		194 X 4	MMN429
	1350	X59499100114	O-RING		2	pc	19,900 g		258 X 4	MMN429
	1400	000000003437	HEX SCREW		6	pc	50,800 g	M	M 12 X 50	ISO4017
	1450	000125013012	WASHER		6	pc	5,600 g		A 13	DIN125
	1550	X59414100047	RESTRICTOR		1	pc	513,700 g			
	1570	X59414100029	END COVER		1	pc	6,352 kg	SB		
	1575	X59499100113	O-RING		1	pc	15,000 g		194 X 4	MMN429
	1580	X59499100114	O-RING		1	pc	19,900 g		258 X 4	MMN429
	1585	000000004743	HEX SCREW		6	pc	47,700 g		M 12 X 45	ISO4017
	1590	000125013012	WASHER		6	pc	5,600 g		A 13	DIN125
	1595	X59414100022	RESTRICTOR		1	pc	132,900 g			
	1650	000908014001	THREAD PLUG		4	pc	0,016 kg		M 14 X 1,5	DIN908
	1700	007603014102	COPPER SEALING RING		4	pc	1,000 g		A 14 X 18	DIN7603
	1800	X59414100018	CONNECTING PIECE		1	pc	6,500 kg	SB		
	1850	735210018000	PLUG		1	pc	0,036 kg		M 18 X 1,5	MTN5210
	1900	X59499100113	O-RING		1	pc	15,000 g		194 X 4	MMN429
	1950	X59499100114	O-RING		1	pc	19,900 g		258 X 4	MMN429
	2000	000000003437	HEX SCREW		6	pc	50,800 g	M	M 12 X 50	ISO4017
	2050	000125013012	WASHER		6	pc	5,600 g		A 13	DIN125
	2200	X59414100016	CONNECTING PIECE		1	pc	7,615 kg	SB		
	2250	000908014001	THREAD PLUG		1	pc	0,016 kg		M 14 X 1,5	DIN908
	2300	007603014102	COPPER SEALING RING		1	pc	1,000 g		A 14 X 18	DIN7603
	2350	X59499100113	O-RING		1	pc	15,000 g		194 X 4	MMN429
	2400	X59499100114	O-RING		1	pc	19,900 g		258 X 4	MMN429
	2450	000000004743	HEX SCREW		6	pc	47,700 g		M 12 X 45	ISO4017
	2500	000125013012	WASHER		6	pc	5,600 g		A 13	DIN125
	2650	000000003948	PIN SPRING 18-8		3	pc	0,500 g		4 X 10 - N	ISO8752
	2750	X52620200153	FLANGE		1	pc	653,900 g			
	2760	X52620200154	FLANGE		1	pc	907,400 g			
	2800	000000003021	HEX SCREW		4	pc	22,800 g		M 10 X 25	ISO4017
	2825	000125010524	WASHER		4	pc	3,100 g		A 10,5	DIN125
	2850	700429080001	O-RING		2	pc	11,300 g		80 X 5	MMN429
	2900	700429083000	O-RING		2	pc	11,700 g		83 X 5	MMN429
	3000	X59499100113	O-RING		6	pc	15,000 g		194 X 4	MMN429
	3050	X59499100114	O-RING		6	pc	19,900 g		258 X 4	MMN429
	3100	000000003437	HEX SCREW		36	pc	50,800 g	M	M 12 X 50	ISO4017
	3150	000125013012	WASHER		36	pc	5,600 g		A 13	DIN125
	3260	X59414100027	EXHAUST LINE INNER ELEMENT		2	pc	5,734 kg	EM		
	3275	X59414100028	EXHAUST LINE INNER ELEMENT		2	pc	5,570 kg	EM		
	3300	X59414100012	EXHAUST PIPE		4	pc	3,062 kg	EM		
	3350	X59414100013	EXHAUST PIPE		4	pc	4,730 kg	EM		
	3400	X52814100016	EXHAUST PIPE TO TURBOCHARGER		2	pc	4,000 kg	EM		
	3425	X59414100015	EXHAUST LINE	BR4000	2	pc	2,700 kg	EM		
	3435	X59414100037	EXHAUST PIPE		1	pc	1,670 kg	EM		
	3440	X59414100036	EXHAUST PIPE		1	pc	1,738 kg	EM		

➡	POS.	PART NO.	DESIGNATION	MODEL/TYPE	QTY.	UNITS	WEIGHT	FN	MEASUREMENT	STANDARD
	3500	204017012032	HEX SCREW		32	pc	58,700 g		M 12 X 60	ISO4017
	3550	X59614100003	SPACER		16	pc	29,000 g			
	3620	000000001710	HEX SCREW		4	pc	68,500 g		M 12 X 70	ISO4017
	3630	8379902540	WASHER		4	pc	7,500 g			
	3650	X59414100035	RETAINER FOR EXH. PIPE		2	pc	1,700 kg			
	3750	304017008081	HEX SCREW		6	pc	13,400 g		M 8 X 25	ISO4017
	3850	000125008427	WASHER		6	pc	1,500 g		A 8,4	DIN125
	3900	X59414100038	COVER PLATE		2	pc	221,600 g			
	3925	204017008022	HEX SCREW		4	pc	10,000 g		M 8 X 14	ISO4017
	3975	000125008427	WASHER		4	pc	1,500 g		A 8,4	DIN125
	4050	007603064100	WASHER A COP		1	pc	15,000 g		A 64 X 72	DIN7603
	4100	000908064000	PLUG		1	pc	0,515 kg		M 64 X 2	DIN908
	4150	X59614100002	BLIND FLANGE		1	pc	420,900 g			
	4200	000125010524	WASHER		3	pc	3,100 g		A 10,5	DIN125
	4250	000000003020	HEX SCREW		3	pc	20,000 g		M 10 X 20	ISO4017



10102136

➔	POS.	PART NO.	DESIGNATION	QTY.	UNITS	WEIGHT	FN	MEASUREMENT
	10	X59414100063	EXHAUST HOUSING	1	pc	30,363 kg	EM	
	30	5249970020	SEALING CAP	1	pc	62,600 g		D 50



10102136

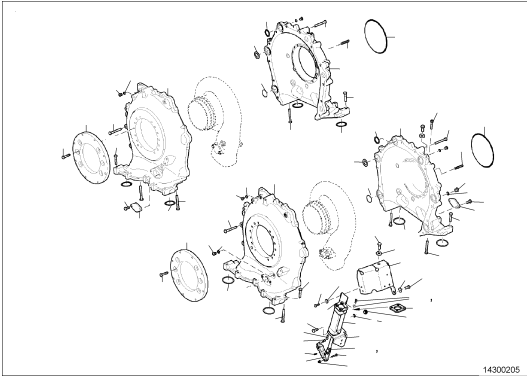
➔	POS.	PART NO.	DESIGNATION	QTY.	UNITS	WEIGHT	FN	MEASUREMENT
	10	X59414100065	EXHAUST HOUSING	1	pc	30,133 kg	EM	
	30	5249970020	SEALING CAP	1	pc	62,600 g		D 50

GROUP SEGMENT (FGS)

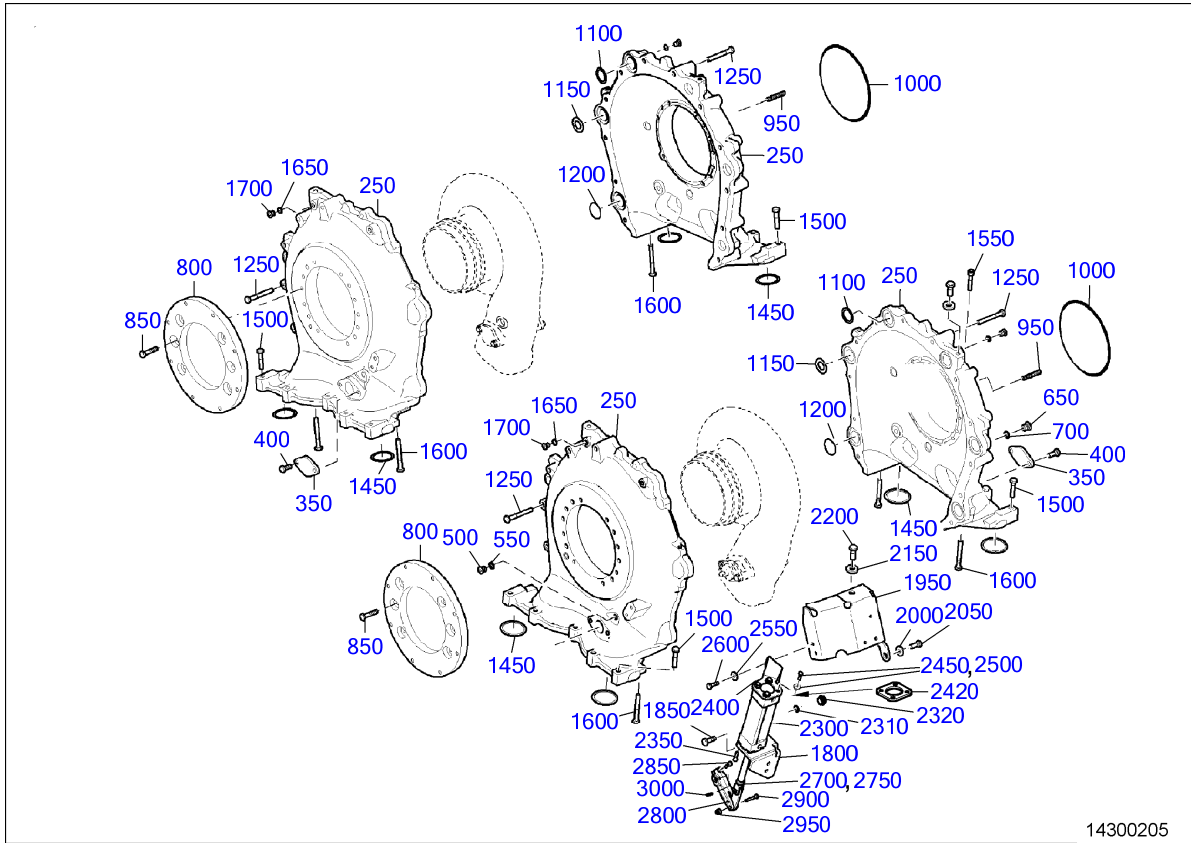
GROUP NAME

BOM-No.

---



05  
**CARRIER HOUSING F/TURBOCHARGER**  
XS594140.00040

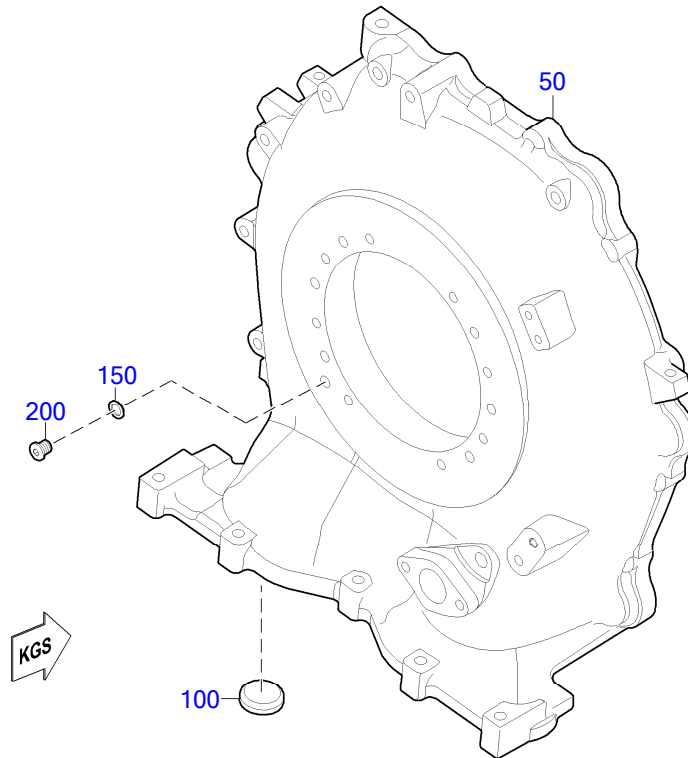


14300205

➔	POS.	PART NO.	DESIGNATION	QTY.	UNITS	WEIGHT	FN	MEASUREMENT	STANDARD
	144	250	X59414300006	CARRIER HOUSING	4	pc	42,875 kg	EM	
		350	5261420091	COVER	3	pc	195,300 g		
		400	00000003021	HEX SCREW	6	pc	22,800 g	M 10 X 25	ISO4017
		500	000908014001	THREAD PLUG	2	pc	0,016 kg	M 14 X 1,5	DIN908
		550	007603014102	COPPER SEALING RING	2	pc	1,000 g	A 14 X 18	DIN7603
		650	000908014001	THREAD PLUG	2	pc	0,016 kg	M 14 X 1,5	DIN908
		700	007603014102	COPPER SEALING RING	2	pc	1,000 g	A 14 X 18	DIN7603
		800	X52814300005	INTERMEDIATE FLANGE	2	pc	8,006 kg		
		850	304017010035	HEX SCREW	12	pc	32,100 g	M 10 X 45	ISO4017
		950	000939010115	STUD	12	pc	29,700 g	M 10 X 45	DIN939
		1000	700429200002	O-RING	2	pc	17,300 g	200 X 4	MMN429
		1100	X59420200233	RESTRICTOR	4	pc	7,400 g		
		1150	X59420200234	RESTRICTOR	4	pc	9,500 g		
		1200	X59420200235	RESTRICTOR	4	pc	12,400 g		
		1250	304017010034	HEX SCREW	22	pc	49,700 g	M 10 X 80	ISO4017
		1450	X59420200238	RESTRICTOR	8	pc	10,900 g		
		1500	00000001042	HEX SCREW	19	pc	34,600 g	M 10 X 50	ISO4017
		1550	000912010016	BOLT HEX SOC HD	1	pc	38,000 g	M 10 X 50	DIN912
		1600	000000000906	HEX SCREW	8	pc	49,400 g	M 10 X 80	ISO4017
		1650	007603012111	COPPER SEALING RING	6	pc	0,700 g	A 12 X 15,5	DIN7603
		1700	000908012003	THREAD PLUG	6	pc	11,900 g	M 12 X 1,5	DIN908
		1800	X59418500017	RETAINER F/TURBO OIL SUPPLY	1	pc	1,620 kg		
		1850	00000003021	HEX SCREW	2	pc	22,800 g	M 10 X 25	ISO4017
		1950	X59418500019	RETAINER F/TURBO OIL SUPPLY	1	pc	2,100 kg		
		2000	007349010002	WASHER	2	pc	11,000 g	10,5	DIN7349

➡	POS.	PART NO.	DESIGNATION	QTY.	UNITS	WEIGHT	FN	MEASUREMENT	STANDARD
	2050	000000003510	HEX SCREW	2	pc	60,200 g		M 10 X 90	ISO4014
	2150	007349013002	WASHER	1	pc	24,500 g		13	DIN7349
	2200	000000003925	HEX SCREW	1	pc	36,900 g		M 12 X 30	ISO4017
129	2300	X56912300043	ACTUATING CYLINDER	1	pc	1,200 kg			
	2310	705057013000	RING SEALING A13 X18 CU	2	pc	1,300 g		A 13 X 18	DIN7603
	2320	700419999021	SCREW-FITTING UNION	2	pc	25,000 g		10 G 1/4 A	MMN419
	2350	304017006063	HEX SCREW	4	pc	6,800 g		M 6 X 25	ISO4017
	2400	X59418500052	RETAINER	1	pc	815,200 g			
	2420	X59499100117	SPACER	1	pc	79,800 g			
	2450	007349006004	WASHER	4	pc	4,100 g		6,4	DIN7349
	2500	304017006065	HEX SCREW	4	pc	7,500 g		M 6 X 30	ISO4017
	2550	007349008002	WASHER	2	pc	7,900 g		8,4	DIN7349
	2600	204017008011	HEX SCREW	2	pc	12,200 g		M 8 X 22	ISO4017
	2700	X00041795	CLEVIS	1	pc	39,200 g			
	2750	X52499100007	ARTICULATED BEARING FOR FLAP CONTROL	1	pc	76,500 g	AB		
	2800	X52810100084	LEVER F/EXH FLAP CONTROL	1	pc	269,000 g			
	2850	000912006018	SCREW	1	pc	6,200 g		M 6 X 20	DIN912
	2900	304017008084	HEX SCREW	1	pc	16,400 g		M 8 X 35	ISO4017
	2950	5069900251	NUT	1	pc	6,400 g			
	3000	001481005030	PIN SPRING	1	pc	2,400 g		5 X 24 - N	ISO8752





14300141a

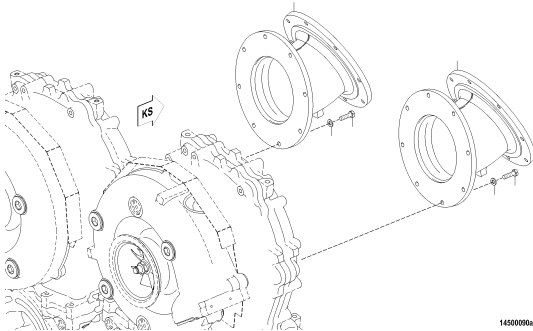
➔	POS.	PART NO.	DESIGNATION	QTY.	UNITS	WEIGHT	FN	MEASUREMENT	STANDARD
	50	<b>X59414300004</b>	CARRIER HOUSING	1	pc	40,140 kg	EM		
	100	<b>5370160233</b>	SEALING CAP	1	pc	32,000 g		D 40	
	150	<b>007603012106</b>	WASHER A COP	1	pc	1,520 g		A 12 X 18	DIN7603
	200	<b>000908012003</b>	THREAD PLUG	1	pc	11,900 g		M 12 X 1,5	DIN908

GROUP SEGMENT (FGS)

GROUP NAME

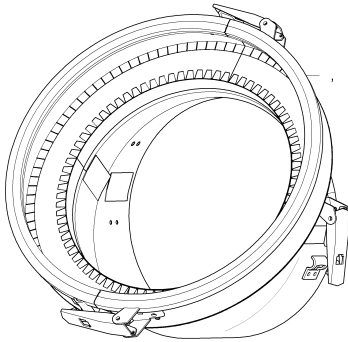
BOM-No.

05  
EXH. LINES AFTER TC 30 DEGREES HORIZONT  
XS594140.00008



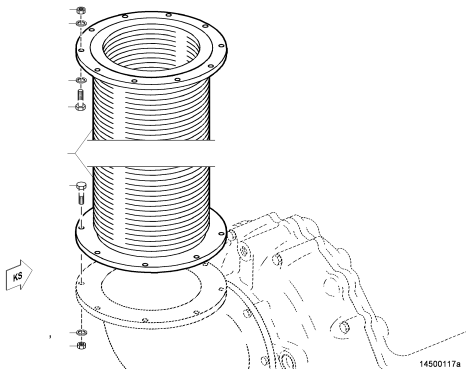
1450006a

05  
INSULATION FOR EXHAUST ELBOW  
XS594140.00012

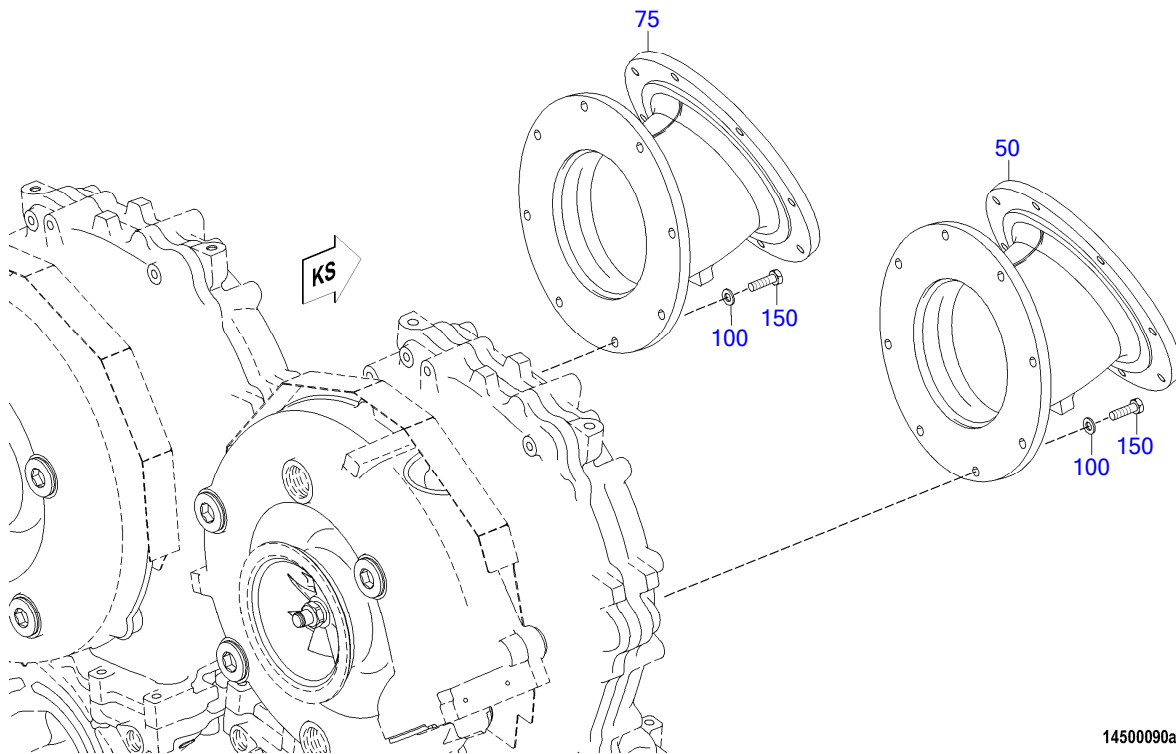


14500100a

05  
EXH PIPE BELLOWS AFTER TURBOCHARGER  
XS594140.00034

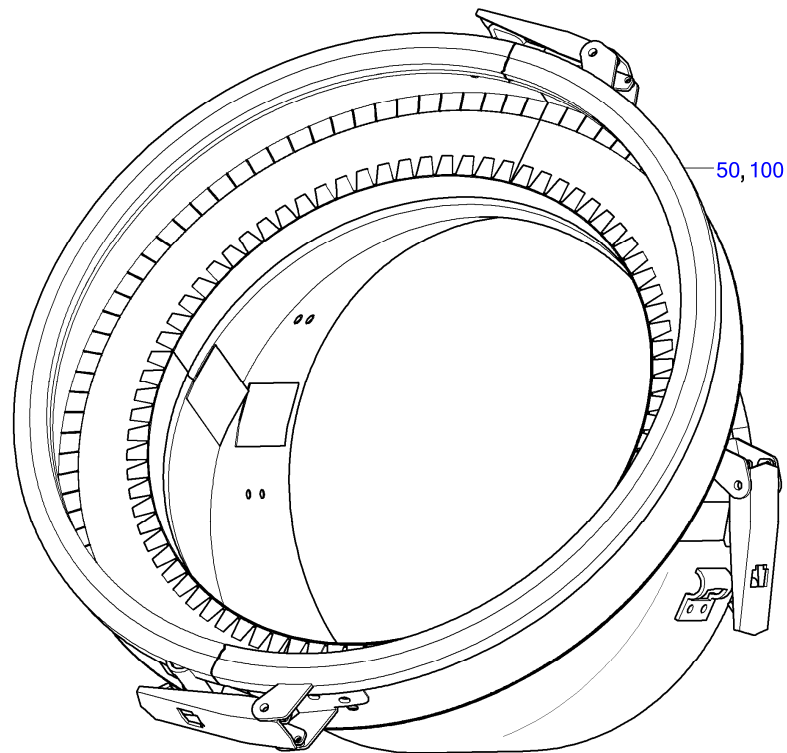


14500117a



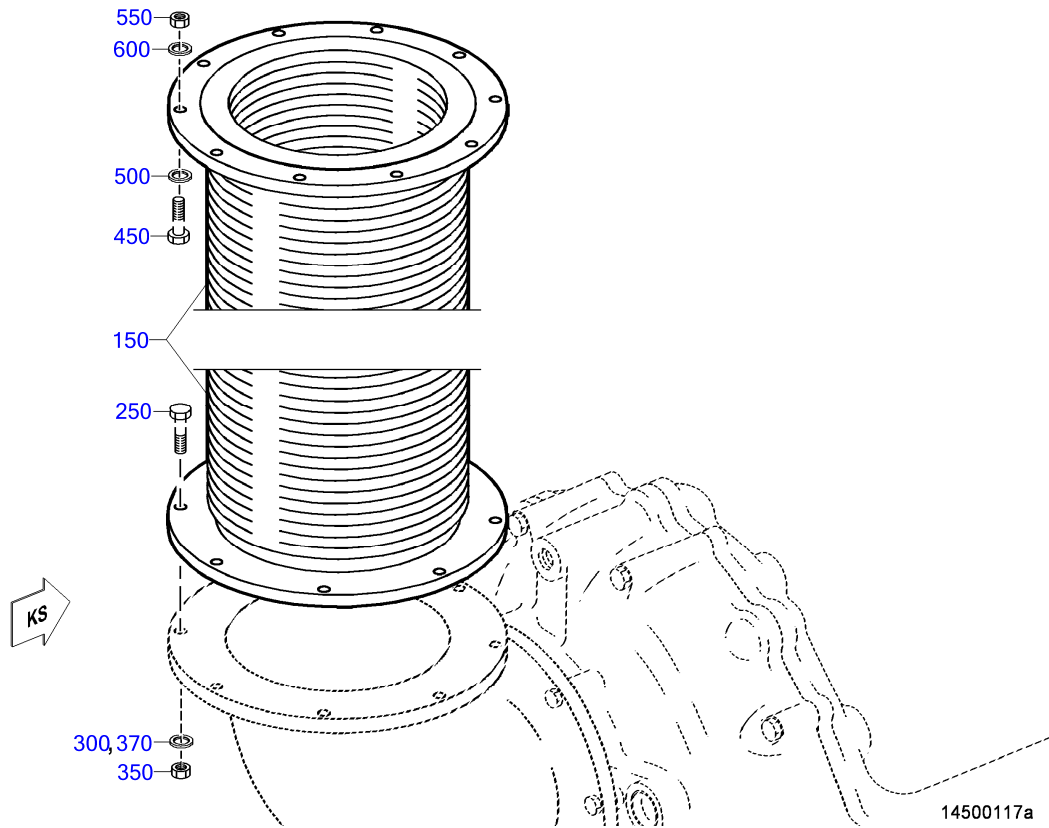
14500090a

➔	POS.	PART NO.	DESIGNATION	QTY.	UNITS	WEIGHT	FN	MEASUREMENT	STANDARD
	50	X52614500008	EXHAUST ELBOW 30GRAD HORIZONTAL	1	pc	18,300 kg	EM		
	75	X52614500009	EXHAUST ELBOW 30GRAD HORIZONTAL	1	pc	21,000 kg	EM		
	100	000125010524	WASHER	16	pc	3,100 g		A 10,5	DIN125
	150	000000003326	HEX SCREW	16	pc	27,400 g		M 10 X 35	ISO4017



14500100a

➔	POS.	PART NO.	DESIGNATION	QTY.	UNITS	WEIGHT
	50	X52614500011	INSULATION FOR EXHAUST ELBOW	1	pc	2,100 kg
	100	X52614500012	INSULATION FOR EXHAUST ELBOW	1	pc	2,600 kg

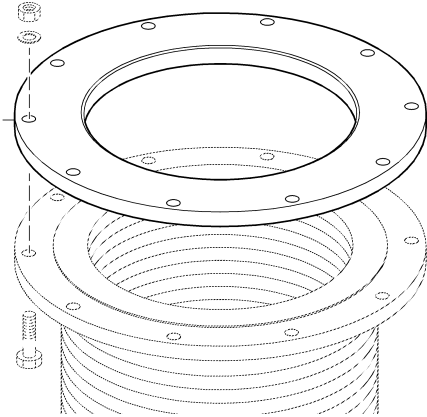


➔	POS.	PART NO.	DESIGNATION	QTY.	UNITS	WEIGHT	MEASUREMENT	STANDARD
	150	<b>X59414500018</b>	EXHAUST PIPE BELLOWS	2	pc	13,350 kg		
	250	<b>204014010004</b>	HEX SCREW	16	pc	52,900 g	M 10 X 75	ISO4014
	300	<b>200433010500</b>	WASHER	16	pc	1,900 g	10,5	DIN433
	350	<b>000000003317</b>	HEX NUT	16	pc	9,200 g	M 10	ISO4032
	370	<b>200433010500</b>	WASHER	16	pc	1,900 g	10,5	DIN433
	450	<b>204017010024</b>	HEX SCREW	20	pc	35,600 g	M 10 X 50	ISO4017
	500	<b>200433010500</b>	WASHER	20	pc	1,900 g	10,5	DIN433
	550	<b>000000003317</b>	HEX NUT	20	pc	9,200 g	M 10	ISO4032
	600	<b>200433010500</b>	WASHER	20	pc	1,900 g	10,5	DIN433

---

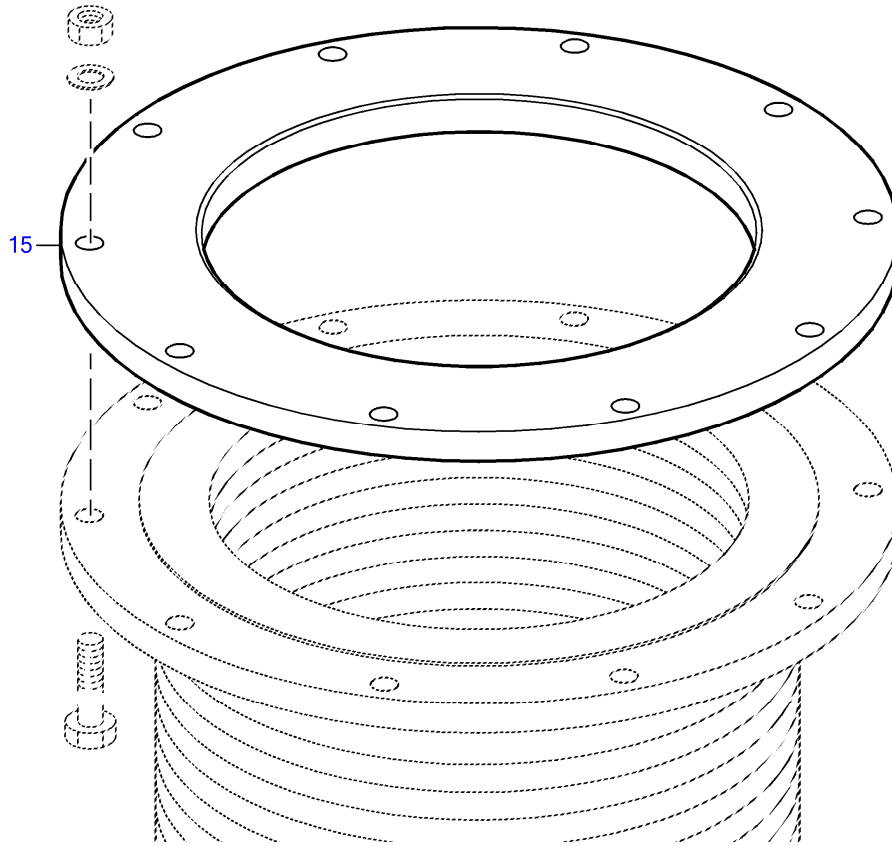
GROUP SEGMENT (FGS)  
GROUP NAME  
BOM-No.

---



05  
**FLANGE**  
140.00038

14600014a



14600014a

➔	POS.	PART NO.	DESIGNATION	QTY.	UNITS	WEIGHT
	15	5261420115	FLANGE	2	pc	4,200 kg

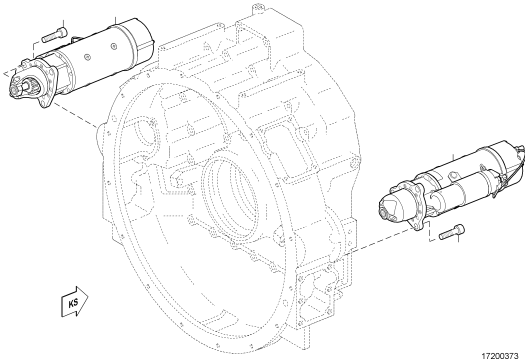
GROUP SEGMENT (FGS)

GROUP NAME

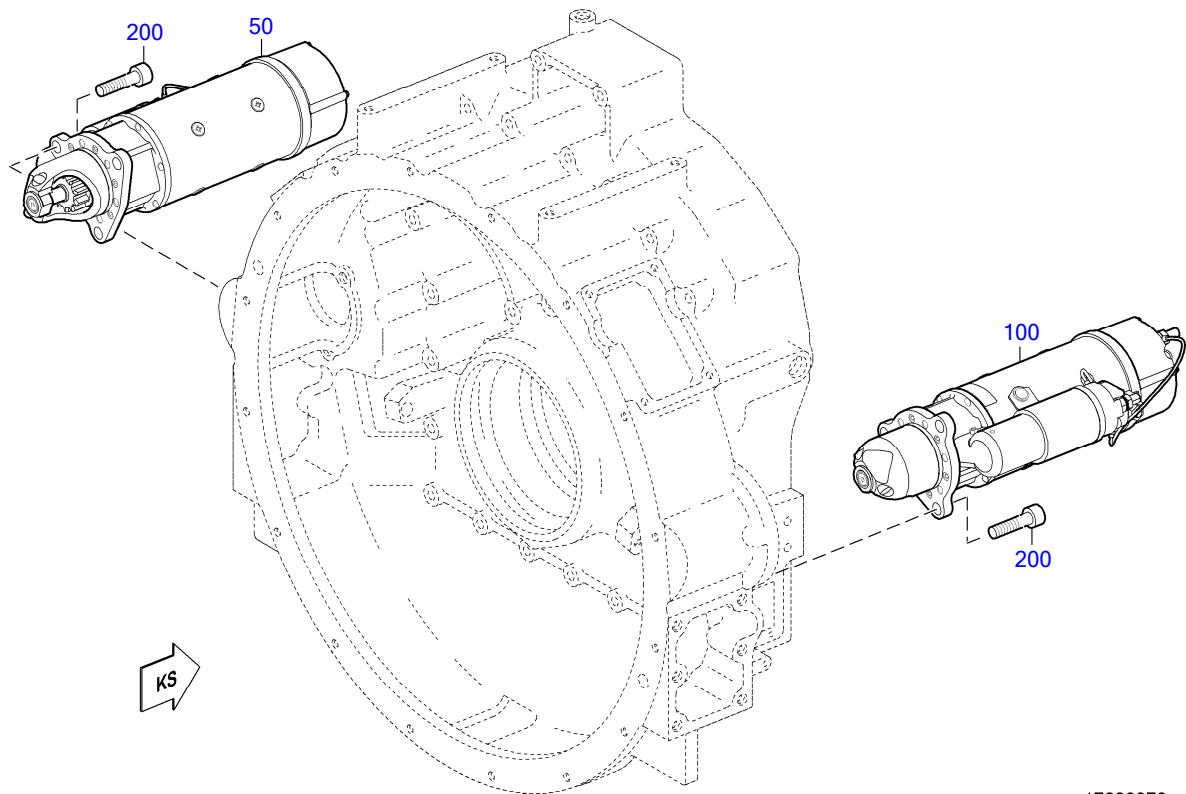
BOM-No.

---

05  
**STARTER ELECTRIC**  
XS594170.00009

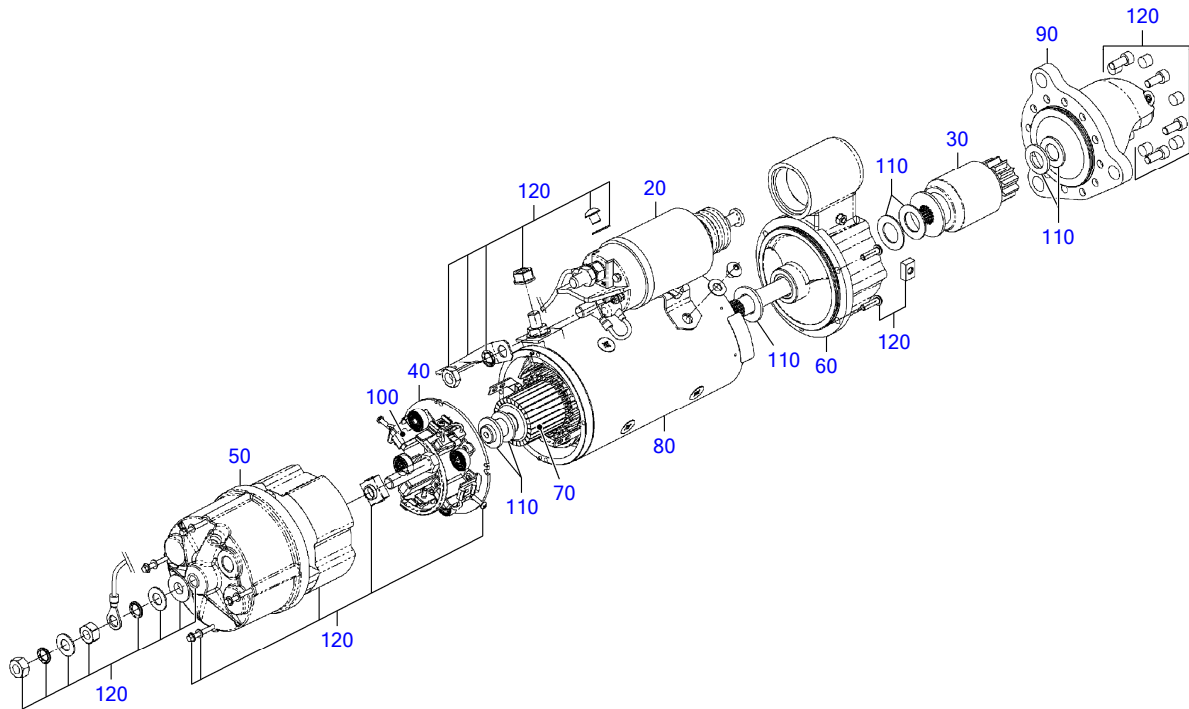






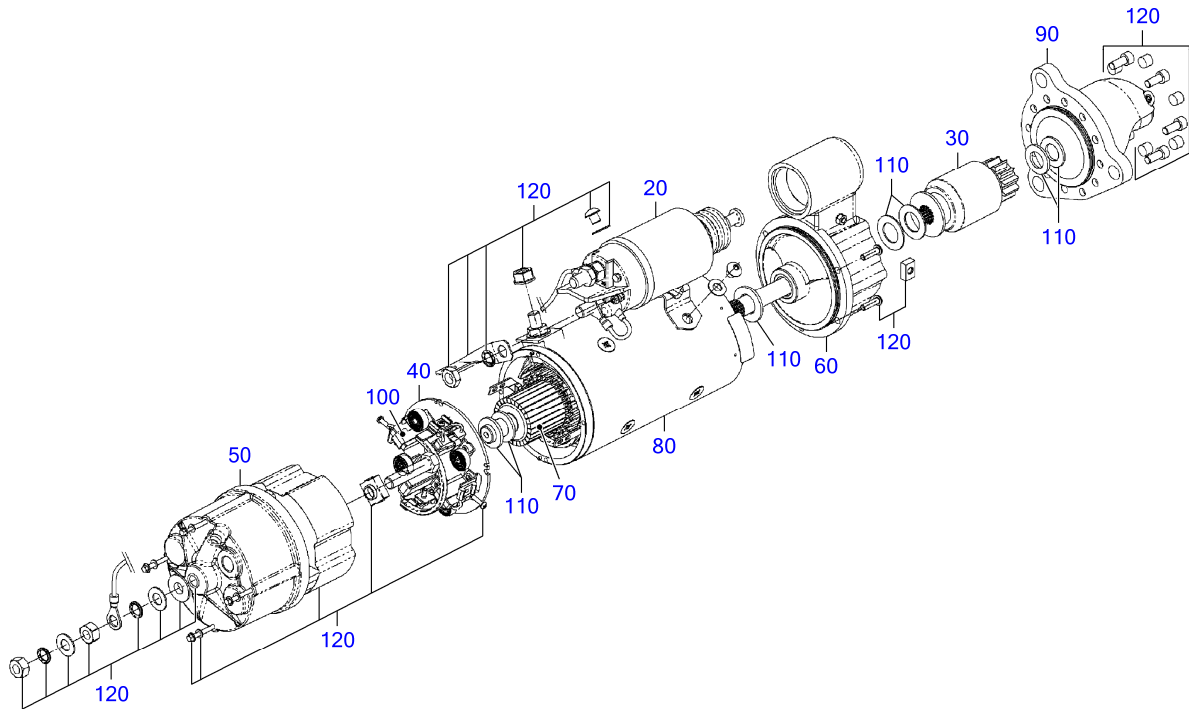
17200373

➔	POS.	PART NO.	DESIGNATION	QTY.	UNITS	WEIGHT	MEASUREMENT	STANDARD
	154	50	<b>X52417200011</b>	STARTER	1	pc	21,000 kg	
	153	100	<b>X52417200010</b>	STARTER	1	pc	28,375 kg	
		200	<b>000912016002</b>	BOLT HEX SOC HD	6	pc	90,000 g	M 16 X 40 DIN912



17200416

➔	POS.	PART NO.	DESIGNATION	MODEL/TYPE	QTY.	UNITS	WEIGHT	FN	MEASUREMENT
	20	X00038713	ENGAGEMENT RELAY	BR 4000	1	pc	2,780 kg		
	30	X00038711	GEARBOX	BR 4000	1	pc	1,205 kg	AC	
	40	X00038719	BRUSH HOLDER	BR 4000	1	pc	0,620 kg	AC	
	50	X00038720	HOUSING	BR 4000	1	pc		AC	
	60	X00038716	HOUSING	BR 4000	1	pc		AC	
	70	X00038718	MOTOR	BR 4000	1	pc	7,735 kg		
	80	X00038721	HOUSING	BR 4000	1	pc		AC	
	90	XP52417200053	HOUSING FOR STARTER	MS7-509	1	pc		AB	
	100	X00038722	BRUSH	BR 4000	1	pc	38,000 g		
	110	X00038616	THRUST WASHER	BR 4000	1	pc	16,000 g		1 SATZ = 7 STÜCK
	120	X00038611	SECURING COMPONENTS	BR 4000	1	pc	282,000 g		



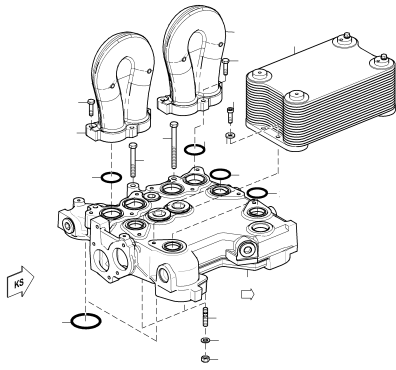
17200416

➔	POS.	PART NO.	DESIGNATION	MODEL/TYPE	QTY.	UNITS	WEIGHT	FN	MEASUREMENT
	20	X00038713	ENGAGEMENT RELAY	BR 4000	1	pc	2,780 kg		
	30	X00038711	GEARBOX	BR 4000	1	pc	1,205 kg	AC	
	40	X00038719	BRUSH HOLDER	BR 4000	1	pc	0,620 kg	AC	
	50	X00038720	HOUSING	BR 4000	1	pc		AC	
	60	X00038715	HOUSING	BR 4000	1	pc		AC	
	70	X00038718	MOTOR	BR 4000	1	pc	7,735 kg		
	80	X00038721	HOUSING	BR 4000	1	pc		AC	
	90	XP52417200054	HOUSING FOR STARTER	MS7-510	1	pc		AB	
	100	X00038722	BRUSH	BR 4000	1	pc	38,000 g		
	110	X00038616	THRUST WASHER	BR 4000	1	pc	16,000 g		1 SATZ = 7 STÜCK
	120	X00038607	SECURING COMPONENTS	BR 4000	1	pc	393,000 g		

GROUP SEGMENT (FGS)

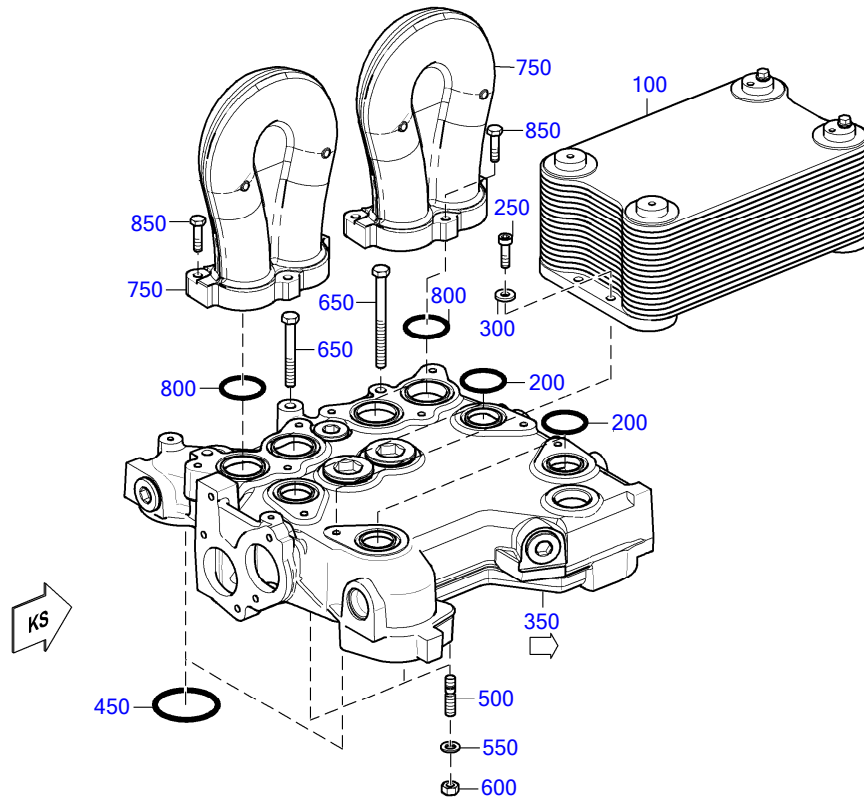
GROUP NAME

BOM-No.



00  
OIL HEAT EXCHANGER LR ACCEPTANCE  
XS594180.00098

18000645



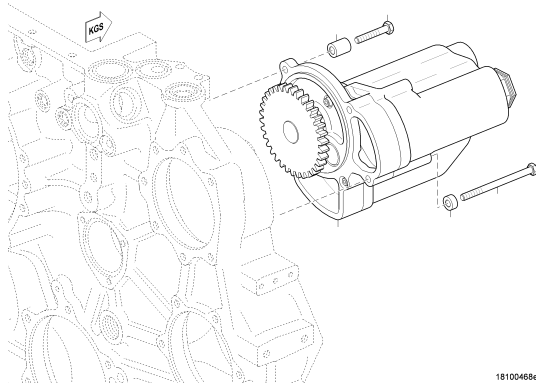
18000645

➔	POS.	PART NO.	DESIGNATION	MODEL/TYPE	QTY.	UNITS	WEIGHT	FN	MEASUREMENT	STANDARD
	100	0001803465/31	OIL HEAT EXCHANGER LR ACCEPTANCE	MIT 61 PLATTEN	1	pc	54,200 kg	EM		
	200	700429050003	O-RING		4	pc	4,600 g	50 X 4		MMN429
	250	000912010066	BOLT HEX SOC HD		4	pc	29,100 g	M 10 X 35		DIN912
	300	000125010524	WASHER		4	pc	3,100 g	A 10,5		DIN125
172	350	X59318300024	OIL. DISTR. HOUSING		1	pc	55,000 kg			
	450	700429075001	O-RING		2	pc	10,600 g	75 X 5		MMN429
	500	000939012061	STUD		3	pc	39,900 g	M 12 X 40		DIN939
	550	000125013012	WASHER		3	pc	5,600 g	A 13		DIN125
	600	000000004744	HEX NUT		3	pc	14,300 g	M 12		ISO4032
	650	000000003378	HEX SCREW		3	pc	122,100 g	M 12 X 130		ISO4014
	750	X59318300025	RETURN LOCK FOR OIL COOLER		2	pc	8,816 kg			
	800	700429060002	O-RING		4	pc	5,500 g	60 X 4		MMN429
	850	000000001039	HEX SCREW		6	pc	29,800 g	M 10 X 40		ISO4017

GROUP SEGMENT (FGS)

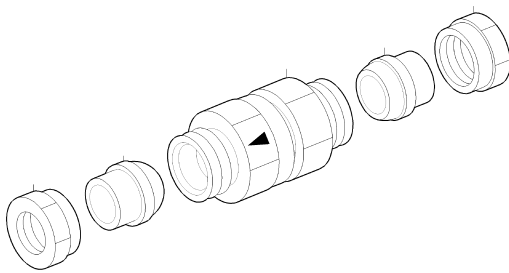
GROUP NAME

BOM-No.



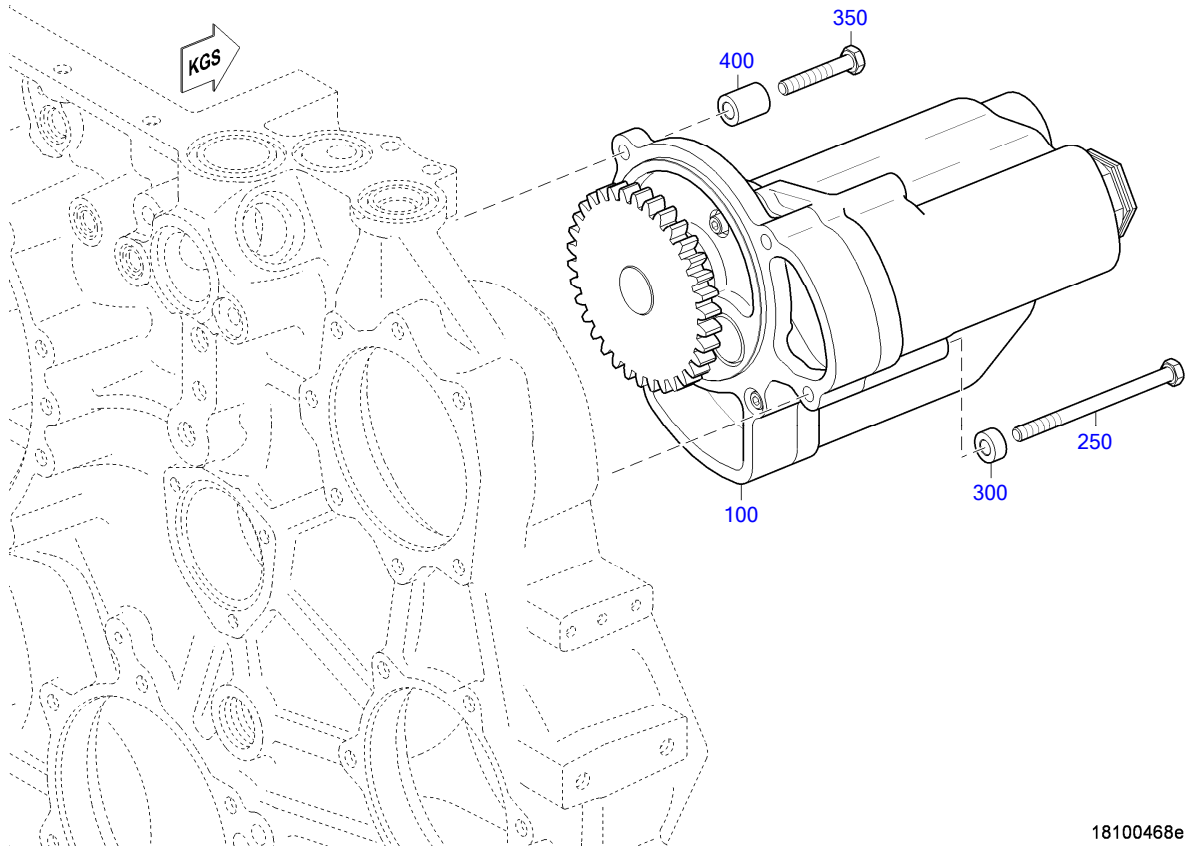
05  
**OIL PUMP**  
XS594180.00058

18100468e



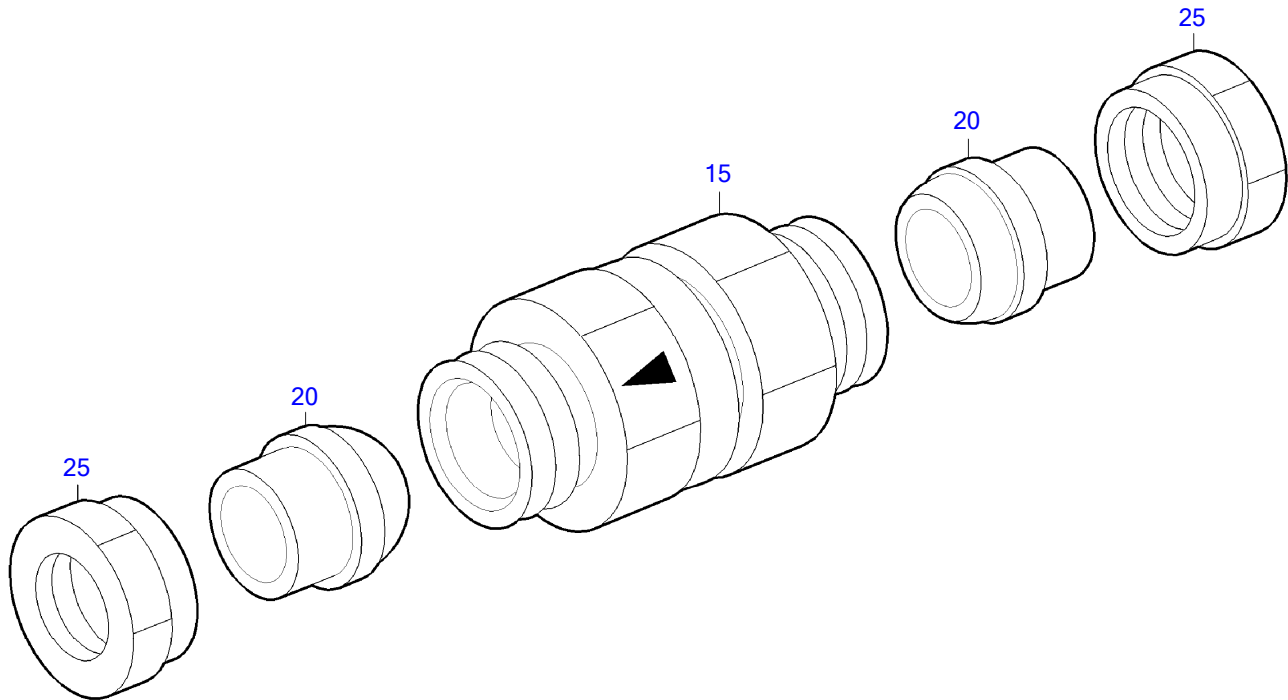
25  
**NON-RETURN VALVE FOR OIL PRIMING PUM**  
180.00443

18100211a



18100468e

➔	POS.	PART NO.	DESIGNATION	MODEL/TYPE	QTY.	UNITS	WEIGHT	FN	MEASUREMENT	STANDARD
	100	0021804101	OIL PUMP	4000	1	pc	23,500 kg	AB		
	250	304014010013	HEX SCREW		3	pc	80,700 g		M 10 X120	ISO4014
	300	735151010100	SPACER		3	pc	11,000 g		A 10,5	MTN5151
	350	304017010051	HEX SCREW		1	pc	40,200 g		M 10 X 60	ISO4017
	400	5241871853	SPACER SLEEVE	BR 4000	1	pc	65,000 g		11MM X 22MM L=28	

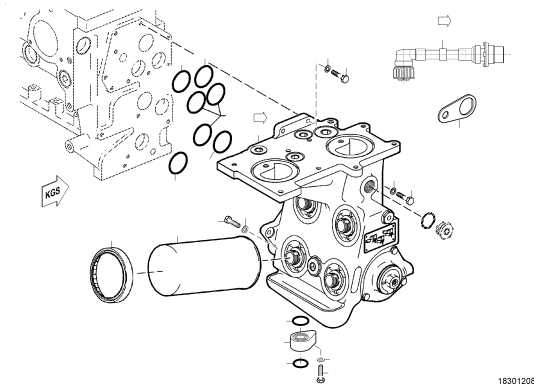


18100211a

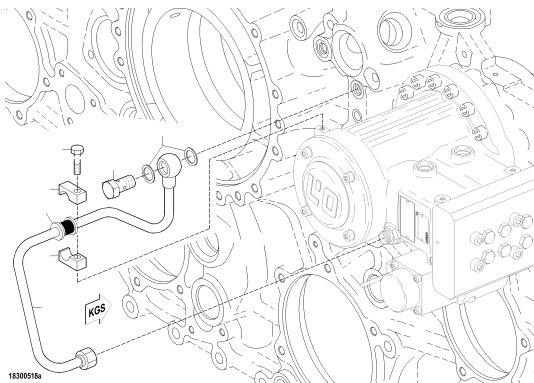
➔	POS.	PART NO.	DESIGNATION	QTY.	UNITS	WEIGHT	MEASUREMENT	STANDARD
	15	735080022201	VALVE NON-RETURN RHDK 22-L 0.5	1	pc	435,500 g	RHDK 22-L 0,5	MTN5080
	20	915003020202	BALL-TYPE UNION	2	pc	12,800 g	B2 -22	MBN15003
	25	915001020003	NUT	2	pc	46,900 g	20 M 30 X 1,5	N15001



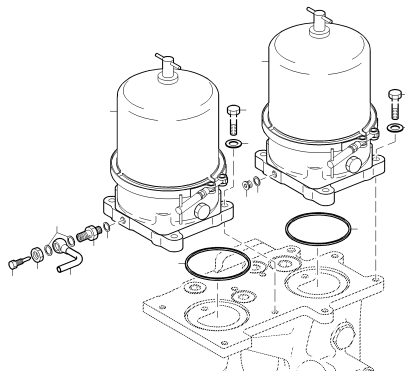
GROUP SEGMENT (FGS)  
GROUP NAME  
BOM-No.



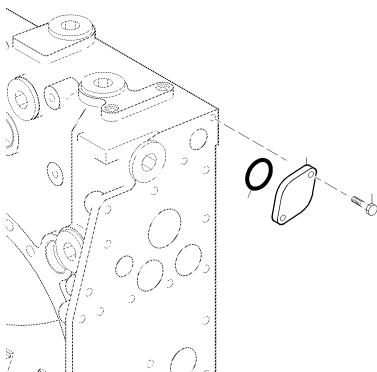
07  
**OIL FILTER W/DIVERTER VALVE**  
XS593180.00023



10  
**OIL SUPPLY FOR HP PUMP**  
X00026319



10  
**CENTRIFUGAL OIL FLTR**  
XS526180.00008



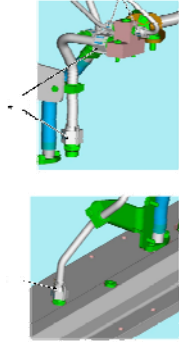
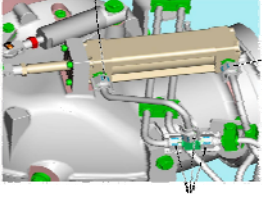
15  
**SEAL ELEM. F/COOLANT DISTR. HS**  
180.00268

GROUP SEGMENT (FGS)

GROUP NAME

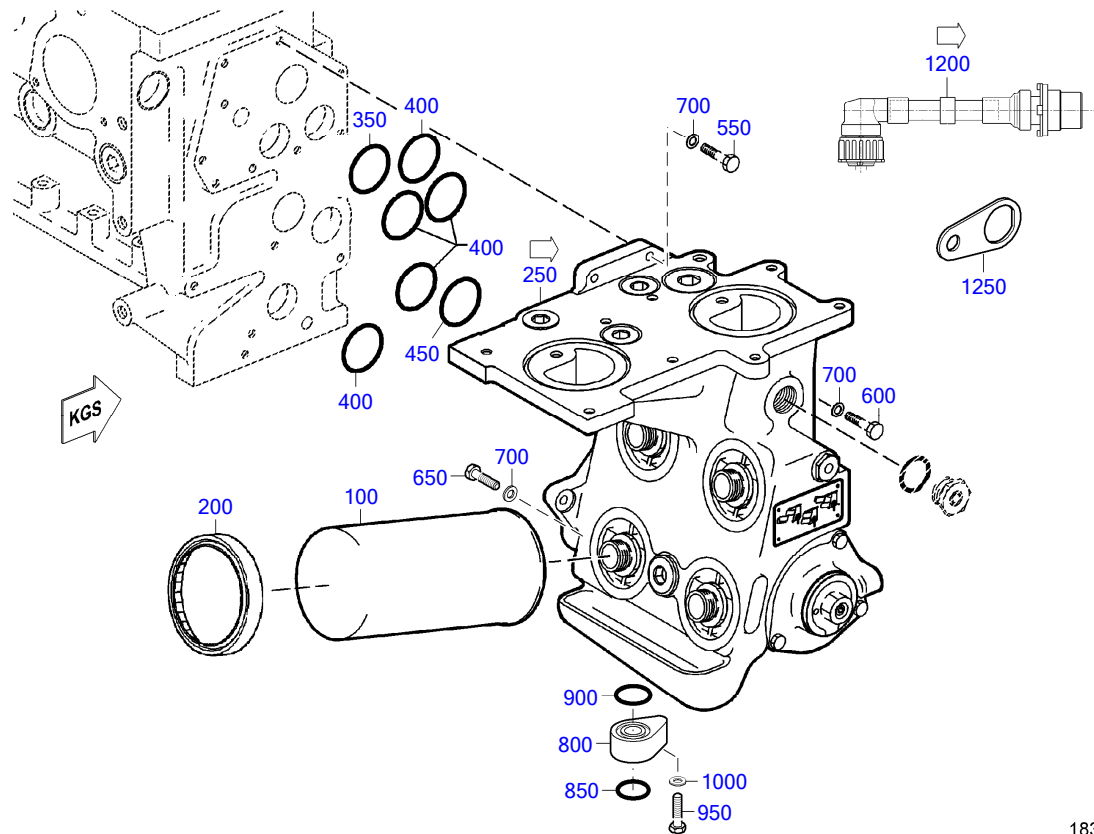
BOM-No.

---



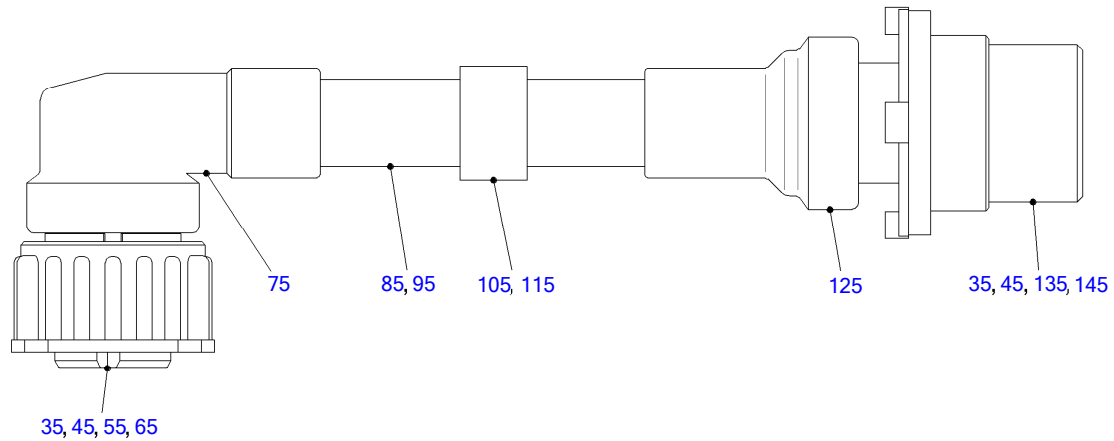
15  
**HEAT SHIELD FOR SOLAS**  
XS595990.00033

09902204



18301208

➔	POS.	PART NO.	DESIGNATION	MODEL/TYPE	QTY.	UNITS	WEIGHT	FN	MEASUREMENT	STANDARD
	100	0031845301	OIL FILTER SPIN-ON		4	pc	2,200 kg			
	200	X00040625	COVER FOR SOLAS		4	pc	7,000 g			
163	250	X59318300013	OIL FILTER HOUSING		1	pc	39,000 kg			
	350	700429070002	O-RING		1	pc	6,200 g		70 X 4	MMN429
	400	700429058001	O-RING		5	pc	6,000 g		58 X 4	MMN429
	450	700429076000	O-RING		1	pc	7,000 g		76 X 4	MMN429
	550	000000001039	HEX SCREW		4	pc	29,800 g		M 10 X 40	ISO4017
	600	204014010015	HEX SCREW		4	pc	114,000 g		M 10 X 180	ISO4014
	650	000000001042	HEX SCREW		1	pc	34,600 g		M 10 X 50	ISO4017
	700	000125010524	WASHER		9	pc	3,100 g		A 10,5	DIN125
	800	X59318300006	SPACER		1	pc	1,015 kg			
	850	700429040003	O-RING		1	pc	5,900 g		40 X 5	MMN429
	900	700429045000	O-RING		1	pc	6,800 g		45 X 5	MMN429
	950	000000003437	HEX SCREW		1	pc	50,800 g	M	M 12 X 50	ISO4017
	1000	000125013012	WASHER		1	pc	5,600 g		A 13	DIN125
162	1200	5265303735	CABLE	12/16V4000 M	1	pc	42,300 g		L	
	1250	5241534340	BRACKET H:14	4000	1	pc	24,000 g			



50701429a

➔	POS.	PART NO.	DESIGNATION	MODEL/TYPE	QTY.	UNITS	WEIGHT	MEASUREMENT	STANDARD
	35	0165313283	MALE CONNECTOR	STECKER F. BU-KONTAKTE 2,5MM	1	pc	11,500 g	4POL. CODE 1 / DIN 72585 BU	
	45	0165313383	FEMALE CONTACT	BUCHSE CUNISI VERZINNT	2	pc	0,500 g	0,5-1,0 MM <sup>2</sup> / D=2,5MM / DIN72585	
	55	0165313483	SINGLE-CORE INSUL		4	pc	0,120 g	1,2-2,1MM/DIN72585 2,5	
	65	0165313583	BLANKING PLUG	BLINDSTOPFEN	4	pc	0,100 g	SYSTEM 2,5MM / 2,8MM	
	75	0165313683	CAP		1	pc	5,600 g	90 GRAD / NW10 / DIN 72585	
	85	0095319080	CABLE	RADDOX 155S RW	0,170	m	20,900 g	1X2X1,0QMM / WS / NUMMERIERT	
	95		PIPE	359.	0,050	m	23,000 g	WELLROHR NW10	
	105	700461105001	MARKER SLEEVE		1	pc	0,100 g	5/B	MMN461
	115	700461205007	MARKER SLEEVE		1	pc	0,700 g	5/7	MMN461
	125	0165313783	CAP		1	pc	4,300 g	180 GRAD / NW10 / DIN 72585	
	135	0165313883	FEMALE CONNECTOR	STECKER F. ST-KONTAKT 2,5MM	1	pc	13,300 g	4POL. CODE 1 / DIN 72585 ST	
	145	0165313983	PIN CONTACT	STIFT CUNISI VERZINNT	2	pc	0,300 g	0,5-1,0MM <sup>2</sup> / D=2,5MM / DIN72585	

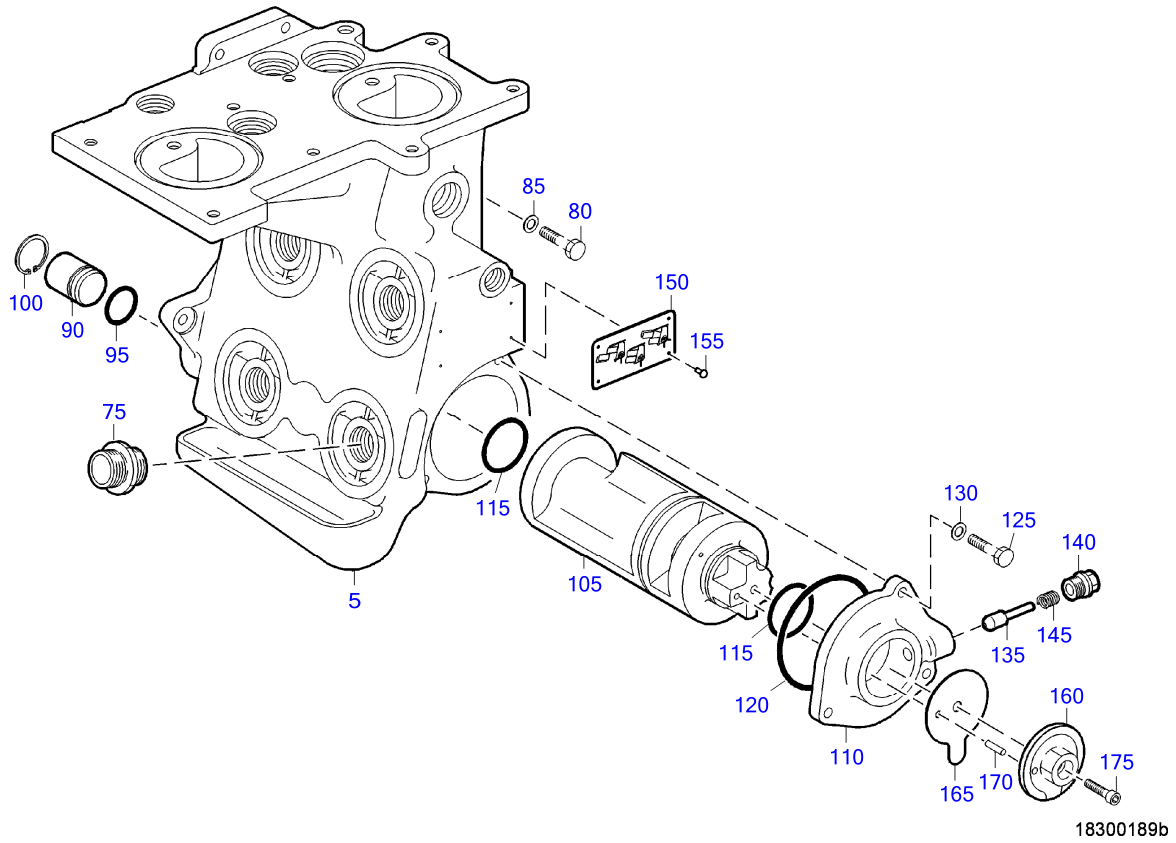
EQUI TYPE: Engine

PRODUCT TYPE: 12V4000M53  
OIL FILTER HOUSING

SERIAL NUMBER: 526107656

FG/FGS:

BOM-No.: X59318300013



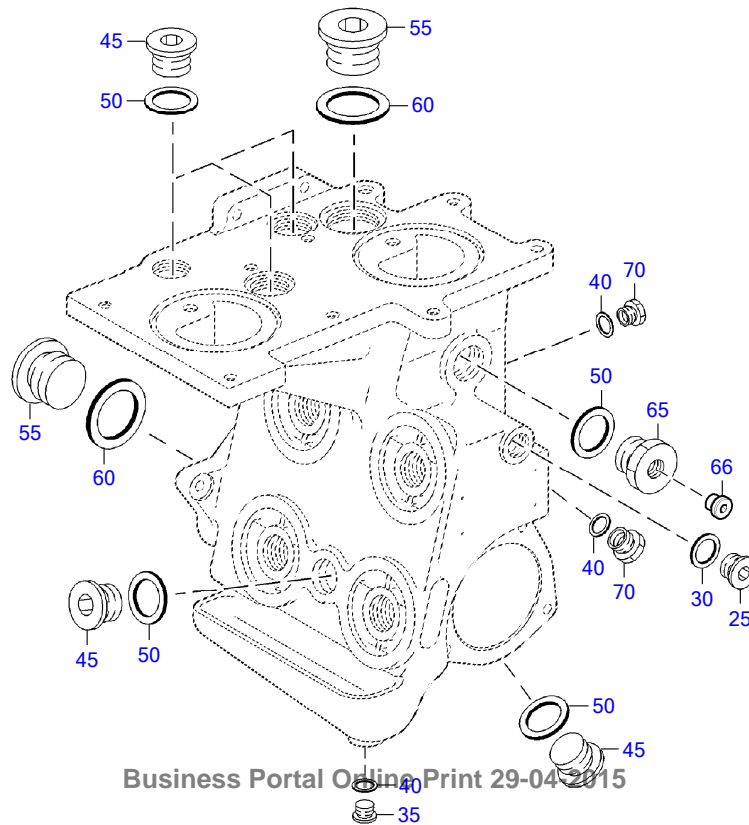
EQUI TYPE: Engine

PRODUCT TYPE: 12V4000M53  
OIL FILTER HOUSING

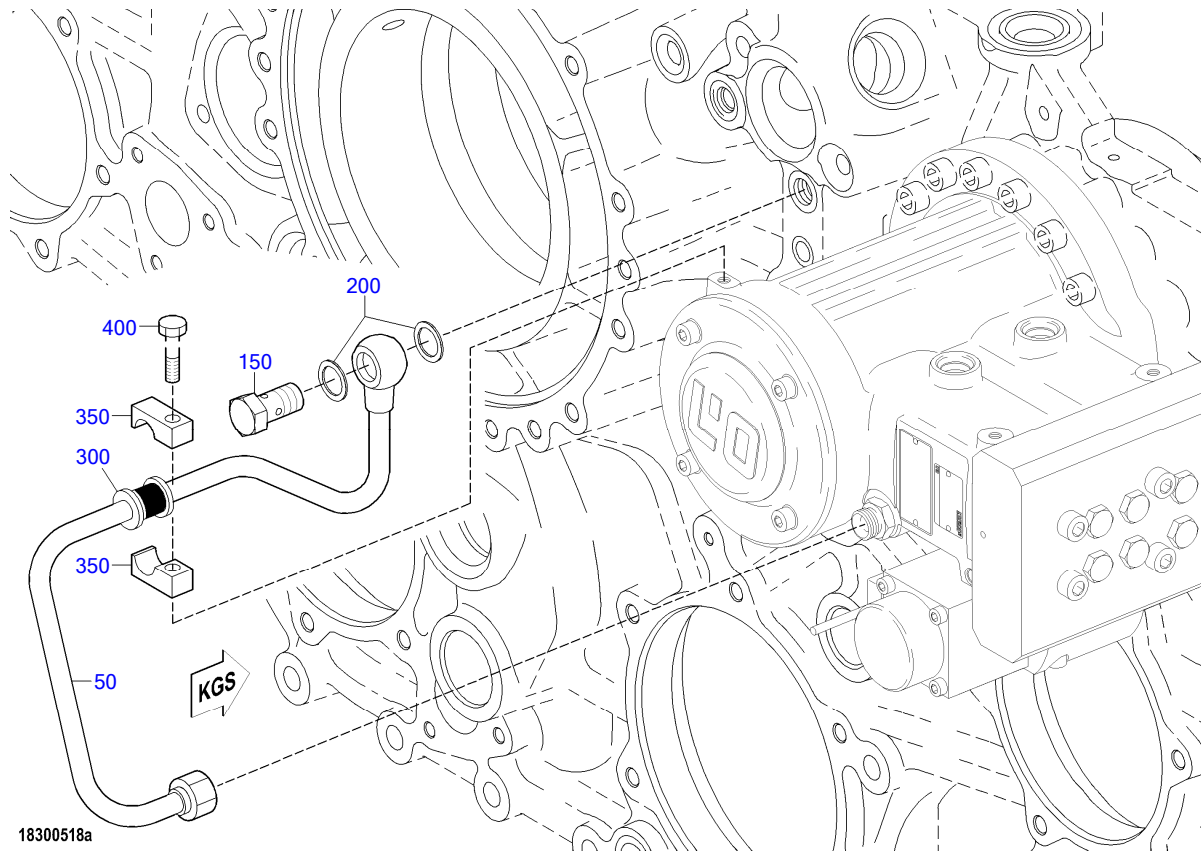
SERIAL NUMBER: 526107656

FG/FGS:

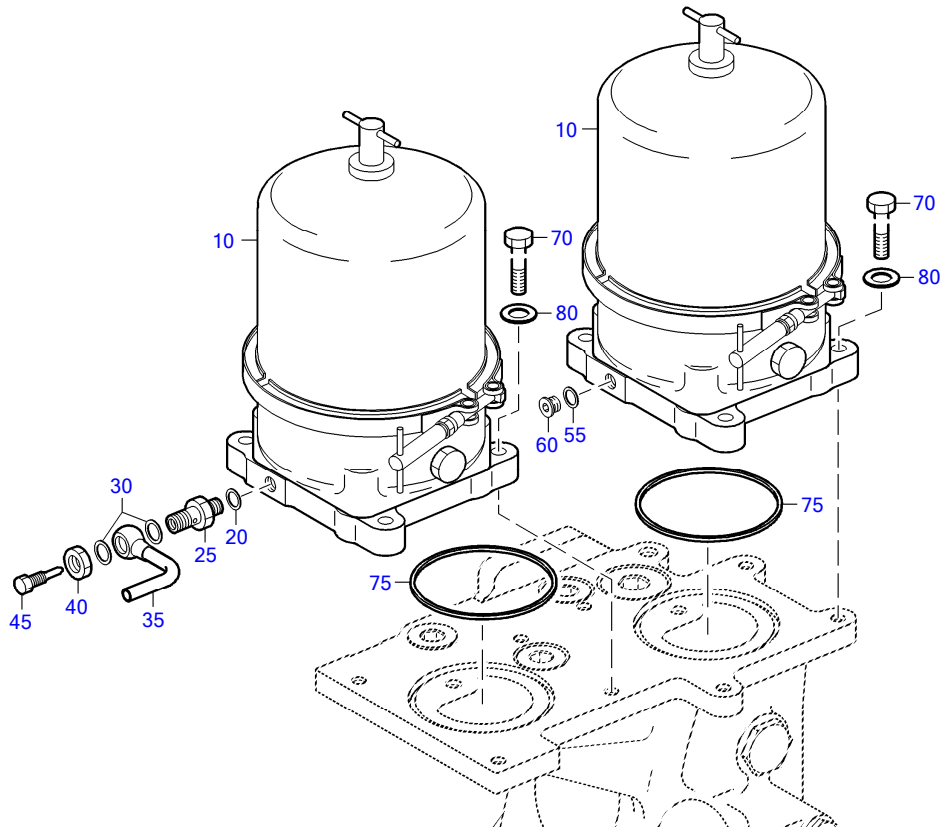
BOM-No.: X59318300013



➡	POS.	PART NO.	DESIGNATION	MODEL/TYPE	QTY.	UNITS	WEIGHT	MEASUREMENT	STANDARD
	5	X59318300012	OIL FILTER HOUSING		1	pc	39,800 kg		
	25	000908026005	THREAD PLUG		1	pc	0,069 kg	M 26 X 1,5	DIN908
	30	007603026104	COPPER SEALING RING		1	pc	3,100 g	A 26 X 31	DIN7603
	35	000908018002	PLUG		1	pc	0,029 kg	M 18 X 1,5	DIN908
	40	007603018101	COPPER SEALING RING		4	pc	1,300 g	A 18 X 22	DIN7603
	45	000908038000	THREAD PLUG		5	pc	0,150 kg	M 38 X 1,5	DIN908
	50	007603038101	COPPER SEALING RING		6	pc	5,400 g	A 38 X 44	DIN7603
	55	000908052003	THREAD PLUG		3	pc	0,298 kg	M 52 X 1,5	DIN908
	60	007603052101	COPPER SEALING RING		3	pc	12,500 g	A 52 X 60	DIN7603
	65	5249970616	BUSHING THREADED		1	pc	204,900 g		
31	66	735210014000	THREAD PLUG		1	pc	0,019 kg	M 14 X 1,5	MTN5210
	70	5069971416	BUSHING THREADED	8/12V183TE02/93	3	pc	27,300 g		
	75	0009973675	ADAPTER OIL FLTR DUAL NIPPLE S2000+S4000		4	pc	148,200 g		
	80	204014010015	HEX SCREW		1	pc	114,000 g	M 10 X180	ISO4014
	85	000125010524	WASHER		1	pc	3,100 g	A 10,5	DIN125
	90	5249970635	PLUG		2	pc	478,900 g	40X50X5.5 WITH M6 THD	
	95	700429032003	O-RING		2	pc	3,000 g	32 X 4	MMN429
	100	000472042000	RING SNAP		2	pc	5,400 g	42 X 1,75	DIN472
	105	5241800067	VALVE SLIDE OIL FLTR SWITCH OVER		1	pc	3,560 kg		
	110	5241840309	FLANGE		1	pc	856,000 g		
	115	700429055001	O-RING		2	pc	8,000 g	55 X 5	MMN429
	120	700429115000	O-RING		1	pc	23,000 g	115 X 6	MMN429
	125	000000003326	HEX SCREW		3	pc	27,400 g	M 10 X 35	ISO4017
	130	000125010524	WASHER		3	pc	3,100 g	A 10,5	DIN125
	135	5369910120	STUD BALL		1	pc	57,200 g		
	140	5361840156	PLUG		1	pc	0,060 kg		
	145	002098001022	SPRING PRESSURE		1	pc	3,100 g	1,25X 10 X 44,5	DIN2098
	150	5245840021	PLATE		1	pc	14,100 g		
	155	201476002000	PIN GROOVED		4	pc	0,300 g	A 2,5X 5	ISO8746
	160	5241840076	WASHER	BR 4000	1	pc	335,000 g		
	165	5240150531	POINTER	BR 4000	1	pc	60,000 g		
	170	006325006108	PIN DOWEL		1	pc	5,000 g	6 M 6 X 24	DIN6325
	175	000912010064	BOLT HEX SOC HD		1	pc	31,600 g	M 10 X 40	DIN912



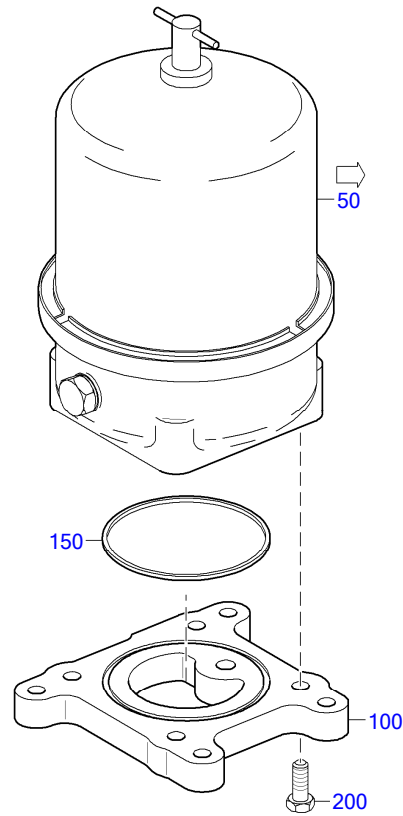
➔	POS.	PART NO.	DESIGNATION	QTY.	UNITS	WEIGHT	FN	MEASUREMENT	STANDARD
	50	X00040912	OIL LINE FOR HP PUMP	1	pc	0,239 kg	SB		
	150	700223010000	BOLT BANJO A12	1	pc	64,800 g	A 12		MMN223
	200	007603018101	COPPER SEALING RING	2	pc	1,300 g	A 18 X 22		DIN7603
	300	700327012000	GROMMET	1	pc	4,600 g	12		MMN327
	350	700325018100	CLAMP HALF TUBE 1/1 D9-18	2	pc	40,000 g	1/1 D 9 - 18		MMN325
	400	304017008085	HEX SCREW	1	pc	18,000 g	M 8 X 40		ISO4017



18300038a

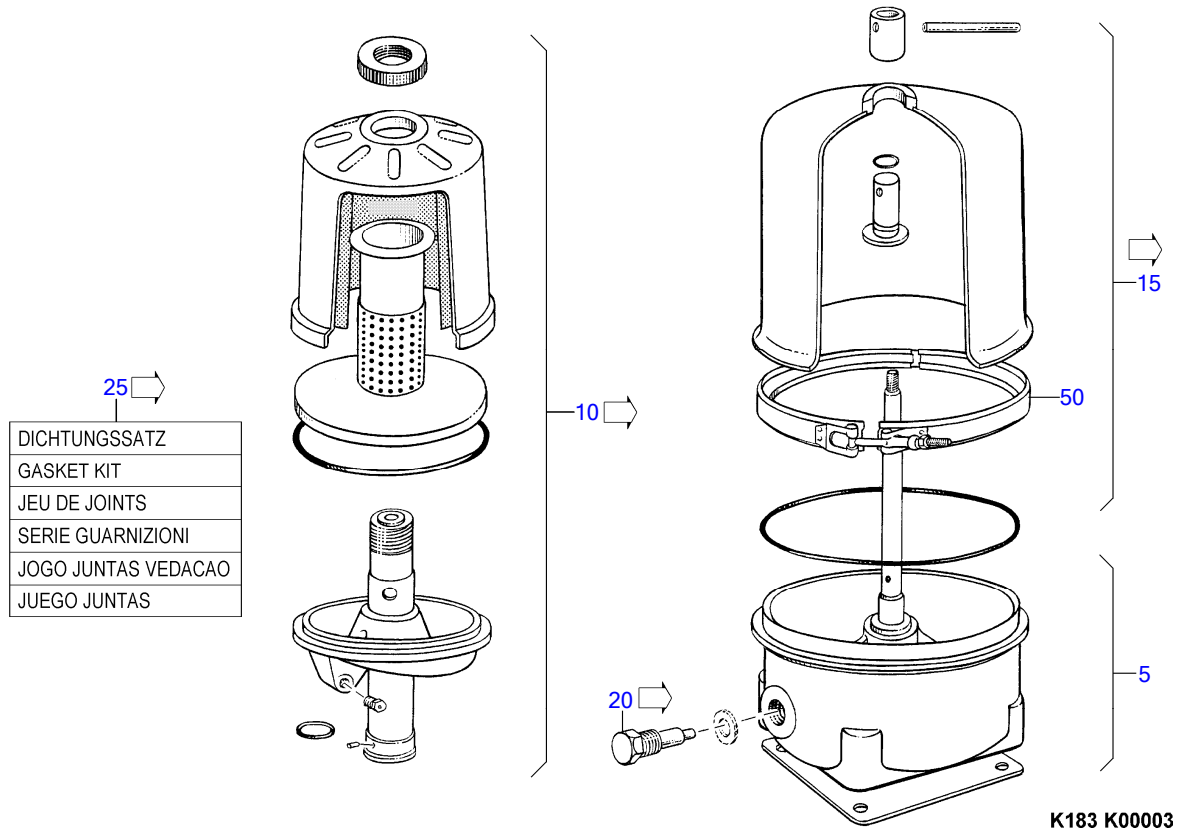
➔	POS.	PART NO.	DESIGNATION	QTY.	UNITS	WEIGHT	FN	MEASUREMENT	STANDARD
	166	10	<b>X52418300026</b>	CENTRIFUGAL OIL FLTR	2	pc	10,900 kg		
		20	<b>007603014102</b>	COPPER SEALING RING	1	pc	1,000 g	A 14 X 18	DIN7603
		25	<b>5849972672</b>	UNION	1	pc	63,100 g		
		30	<b>007603016105</b>	COPPER SEALING RING	2	pc	3,000 g	A 16 X 20	DIN7603
		35	<b>5241802019</b>	TUBE ASM SOL OIL SUPPLY	1	pc	70,000 g	SB	
		40	<b>000439016200</b>	NUT M16 04-2 DIN439	1	pc	20,000 g	B M 16	DIN439
		45	<b>5849900615</b>	BOLT SPL M10 1.00X40 TO M6 0.2 8.8	1	pc	20,000 g		
		55	<b>007603014102</b>	COPPER SEALING RING	1	pc	1,000 g	A 14 X 18	DIN7603
		60	<b>000908014001</b>	THREAD PLUG	1	pc	0,016 kg	M 14 X 1,5	DIN908
		70	<b>000933012051</b>	HEX SCREW	8	pc	53,200 g	MN M 12 X 50	DIN933
		75	<b>700429122001</b>	O-RING	2	pc	9,500 g	122 X 3,75	MMN429
		80	<b>000125013012</b>	WASHER	8	pc	5,600 g	A 13	DIN125



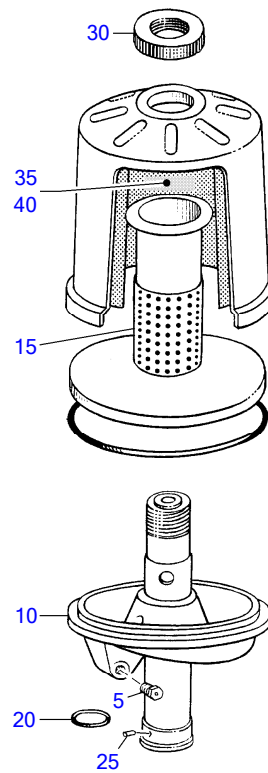


18301018a

➡	POS.	PART NO.	DESIGNATION	MODEL/TYPE	QTY.	UNITS	WEIGHT	MEASUREMENT	STANDARD
167	50	<b>X52418300028</b>	CENTRIFUGAL OIL FLTR		1	pc			
	100	<b>5241840509</b>	ADAPTER 2 LITER CENTRIFUGAL SPINNER	BR 4000	1	pc	1,550 kg		
	150	<b>700429122001</b>	O-RING		1	pc	9,500 g	122 X 3,75	MMN429
	200	<b>11509528</b>	BOLT PHOS HEX FLG LRG		4	pc	50,200 g	M12X1,75X30	

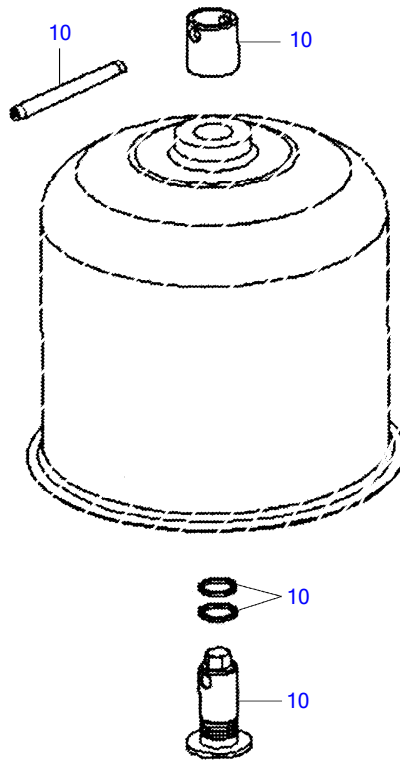


➔	POS.	PART NO.	DESIGNATION	QTY.	UNITS	WEIGHT
	5	23540299	BODY ASM CENTRIFUGAL SPINNER OIL FLTR	1	pc	5,750 kg
168	10	8691840027	ROTOR COMPLETE	1	pc	3,300 kg
169	15	8691840028	COVER	1	pc	2,500 kg
170	20	8691840019	VALVE	1	pc	230,500 g
171	25	23540304	GASKET KIT	1	pc	71,400 g
	50	XP52499100226	V-BAND CLAMP	1	pc	1,100 kg



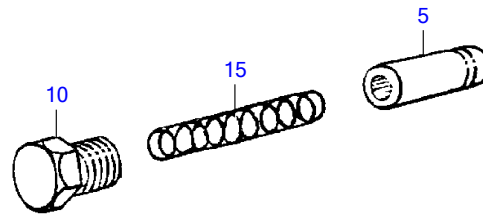
K183 K00005

➔	POS.	PART NO.	DESIGNATION	QTY.	UNITS	WEIGHT	MEASUREMENT
	5	5241871136	NOZZLE ROTOR ASM CNTRIFSPINNER FLTR	1	pc	3,100 g	
	10	5241870018	TUBE ASM	1	pc	818,000 g	
	15	5241870601	STAND TUBE ROTOR ASM CNTRIFSPINNER FLTR	1	pc	271,000 g	
	20	5241870033	CIRCLIP	1	pc	5,200 g	
	25	5241870074	PIN	1	pc	3,000 g	
	30	5241870072	NUT ROTOR COVER CENTRIFUGAL SPINNER FLTR	1	pc	186,000 g	
	35	8591840001	PAPER PACK CENTRIFUGAL SPINNER FILTER	1	pc	11,400 g	1 ST. GLEICH 1 PAPIERSTREIFEN
	40	5241870147	PLATE	1	pc	50,000 g	



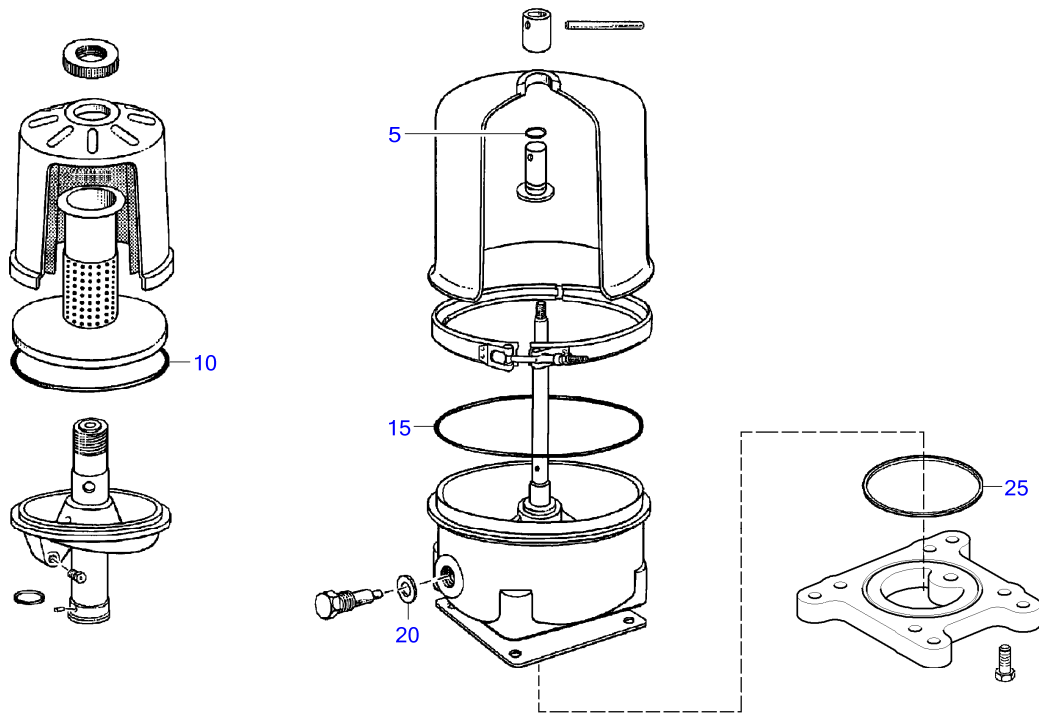
18300801a

➔	POS.	PART NO.	DESIGNATION	QTY.	UNITS	WEIGHT
	10	8691840031	COVER FIXING KIT	1	pc	240,000 g



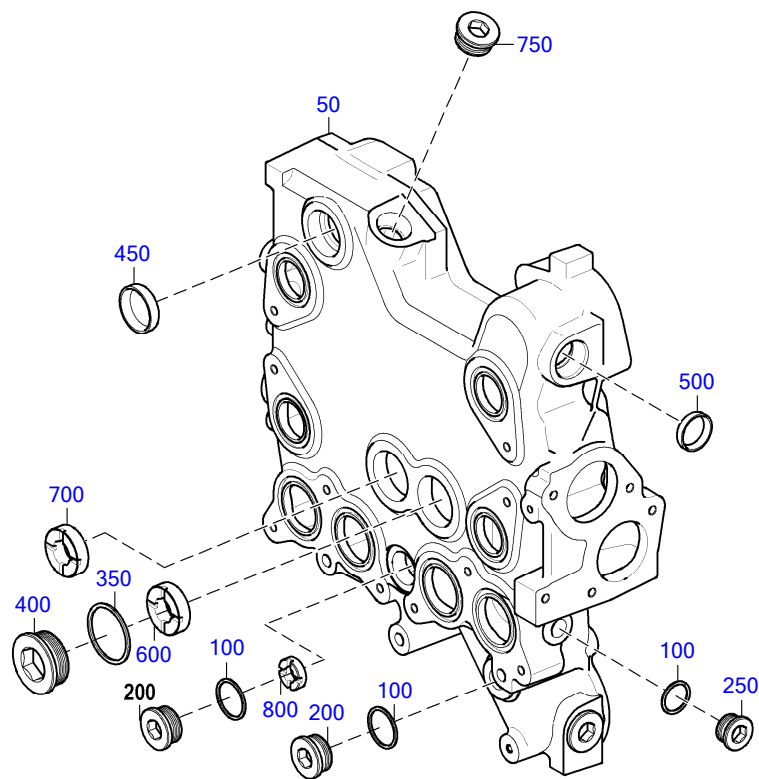
K183 K00004

➔	POS.	PART NO.	DESIGNATION	QTY.	UNITS
	5	Z=3108A	VALVE PISTON	1	pc
	10	Z=1655A	PLUG	1	pc
	15	Z=1115P	PRESSURE SPRING	1	pc



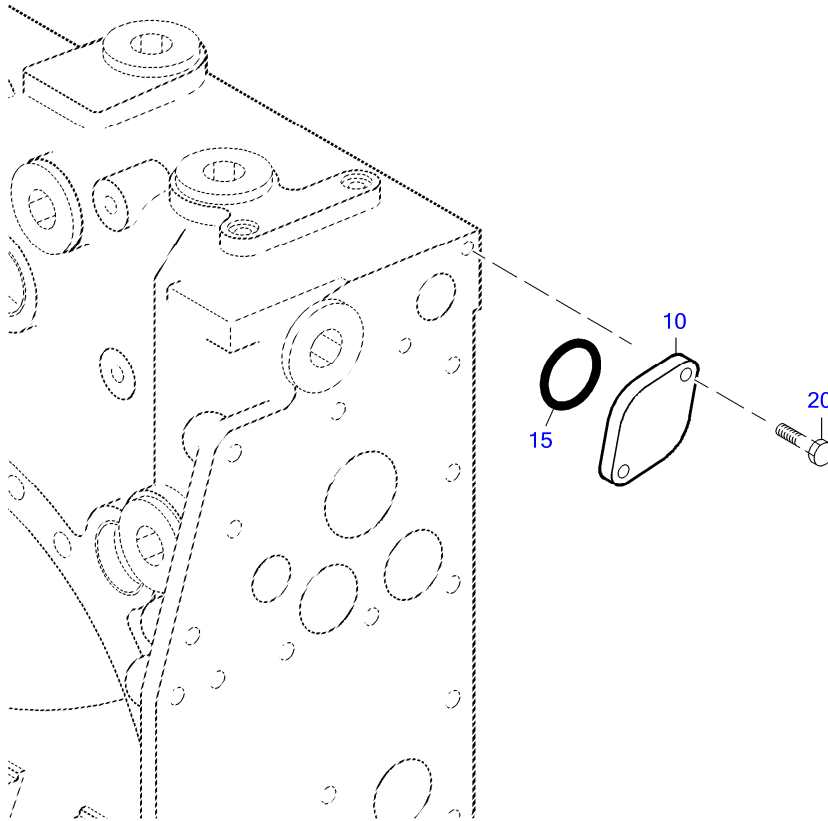
18300932a

➔	POS.	PART NO.	DESIGNATION	MODEL/TYPE	QTY.	UNITS	WEIGHT	MEASUREMENT	STANDARD
	5	8699970274	SEALING RING	MMN429	2	pc	0,700 g		
	10	8699970273	SEALING RING	MMN429	1	pc	21,900 g	145,42 X 5,34	
	15	8699970272	SEALING RING	MMN429	1	pc	28,900 g	196,22 X 5,34	
	20	8699970287	SEALING RING		1	pc	2,200 g		
	25	700429122001	O-RING		2	pc	9,500 g	122 X 3,75	MMN429



18301634

➔	POS.	PART NO.	DESIGNATION	MODEL/TYPE	QTY.	UNITS	WEIGHT	MEASUREMENT	STANDARD
	50	<b>X59318300023</b>	OIL. DISTR. HOUSING		1	pc	55,263 kg		
	100	<b>007603038101</b>	COPPER SEALING RING		6	pc	5,400 g	A 38 X 44	DIN7603
	150	<b>007603030101</b>	COPPER SEALING RING		3	pc	4,300 g	A 30 X 36	DIN7603
	200	<b>000908038000</b>	THREAD PLUG		6	pc	0,150 kg	M 38 X 1,5	DIN908
	250	<b>000908030002</b>	THREAD PLUG		3	pc	0,085 kg	M 30 X 1,5	DIN908
	350	<b>007603056100</b>	SEALING RING		2	pc	13,200 g	A 56 X 64	DIN7603
	400	<b>000908056000</b>	PLUG		2	pc	0,368 kg	M 56 X 2	DIN908
	450	<b>5249970020</b>	SEALING CAP		4	pc	62,600 g	D 50	
	500	<b>5370160233</b>	SEALING CAP		1	pc	32,000 g	D 40	
	600	<b>5242031452</b>	RESTRICTOR	12V4000	1	pc	161,600 g	M52-1.5X15 W/26MM OPENING	
	700	<b>5242031552</b>	RESTRICTOR	4000	1	pc	0,214 kg		
31	750	<b>735210014000</b>	THREAD PLUG		1	pc	0,019 kg	M 14 X 1,5	MTN5210
	800	<b>X59399100116</b>	RESTRICTOR		1	pc	0,048 kg		



18000054a

➔	POS.	PART NO.	DESIGNATION	MODEL/TYPE	QTY.	UNITS	WEIGHT	MEASUREMENT	STANDARD
	10	<b>5281840509</b>	COVER WATER DISTRIBUTION HOUSING	BR 4000	1	pc	314,700 g		
	15	<b>700429042002</b>	O-RING		1	pc	3,800 g	42 X 4	MMN429
	20	<b>304017008081</b>	HEX SCREW		2	pc	13,400 g	M 8 X 25	ISO4017



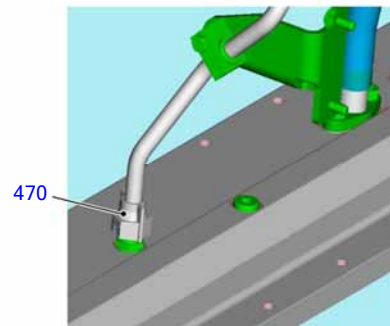
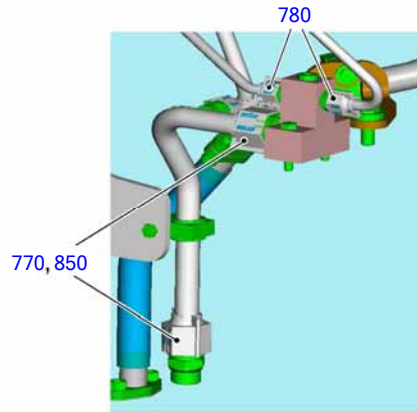
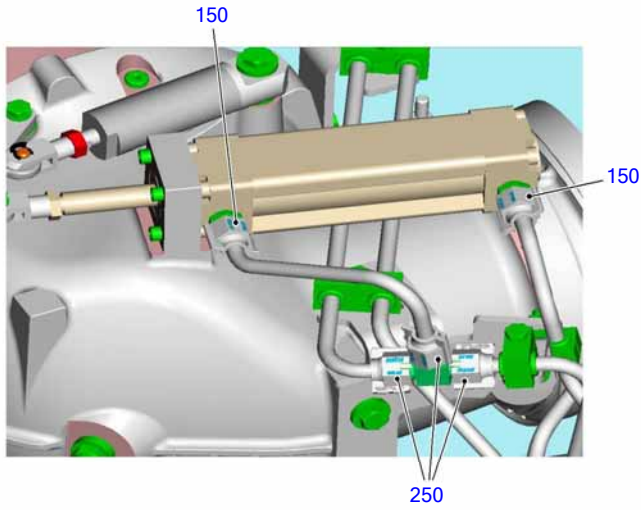
EQUI TYPE: Engine

PRODUCT TYPE: 12V4000M53  
HEAT SHIELD FOR SOLAS

SERIAL NUMBER: 526107656

FG/FGS: 183 15

BOM-No.: XS595990.00033



01000676a

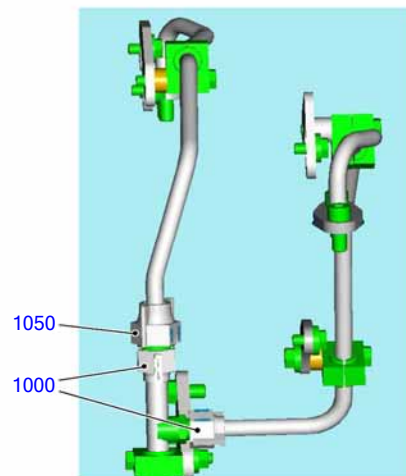
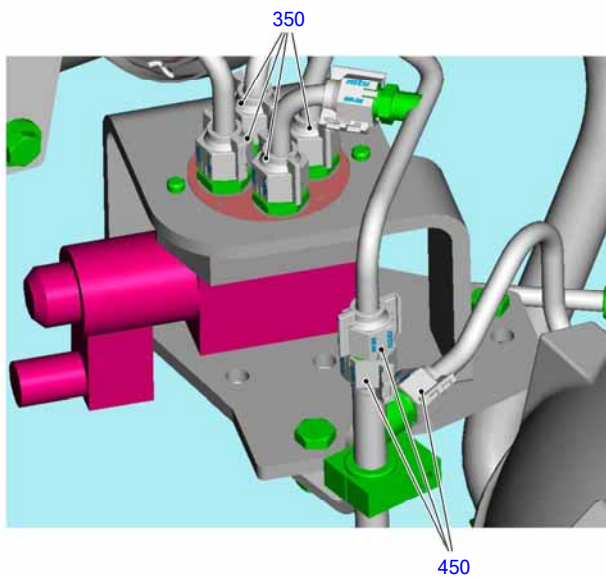
EQUI TYPE: Engine

PRODUCT TYPE: 12V4000M53  
HEAT SHIELD FOR SOLAS

SERIAL NUMBER: 526107656

FG/FGS: 183 15

BOM-No.: XS595990.00033



01000677a

EQUI TYPE: Engine

PRODUCT TYPE: 12V4000M53  
HEAT SHIELD FOR SOLAS

SERIAL NUMBER: 526107656  
FG/FGS: 183 15  
BOM-No.: XS595990.00033

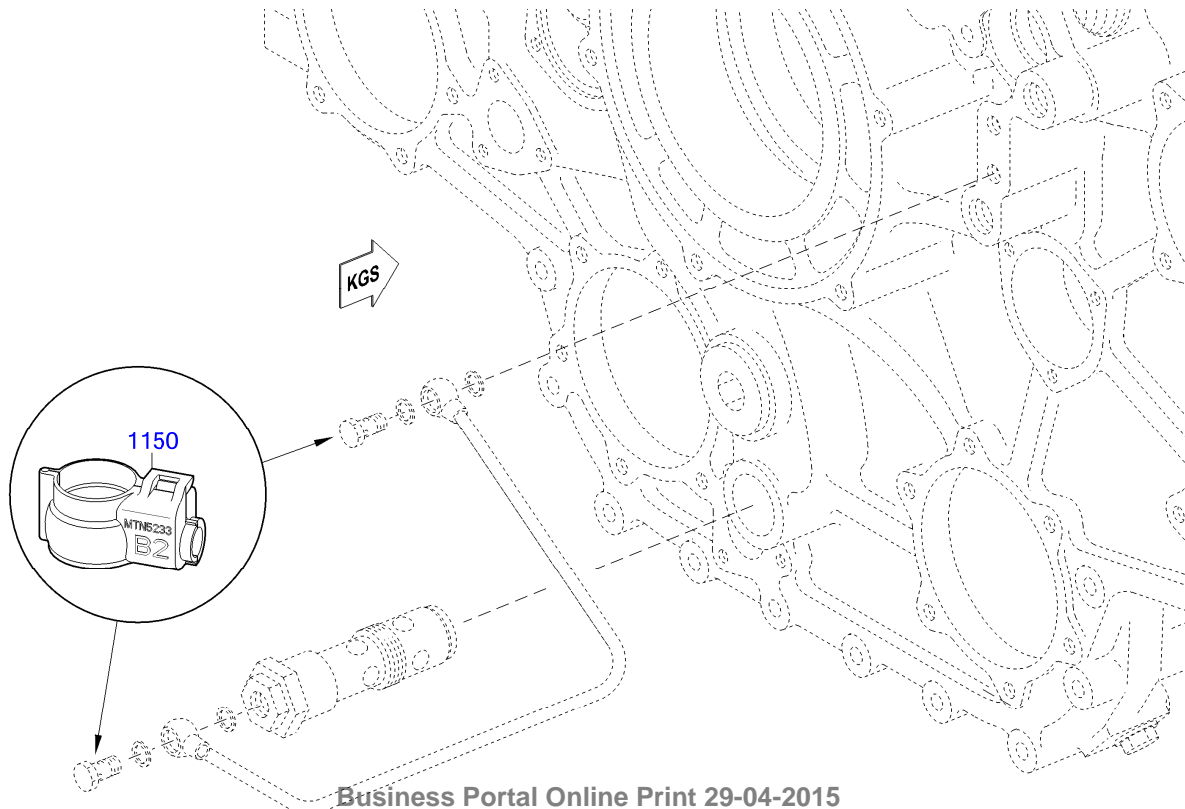


01000678a

EQUI TYPE: Engine

PRODUCT TYPE: 12V4000M53  
HEAT SHIELD FOR SOLAS

SERIAL NUMBER: 526107656  
FG/FGS: 183 15  
BOM-No.: XS595990.00033



Business Portal Online Print 29-04-2015

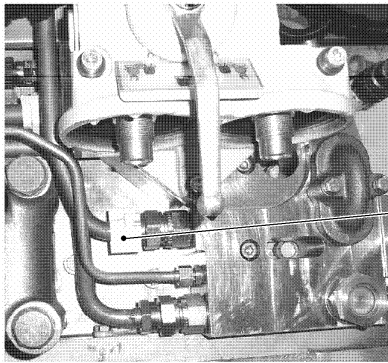
00001053d

EQUI TYPE: Engine

PRODUCT TYPE: 12V4000M53  
HEAT SHIELD FOR SOLAS

SERIAL NUMBER: 526107656

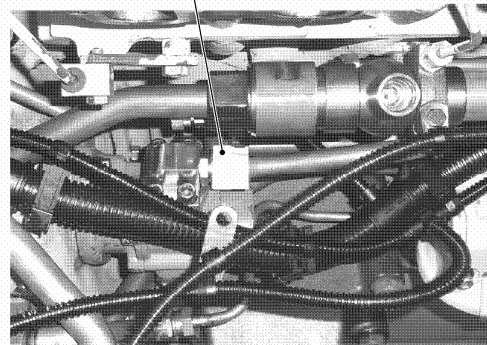
FG/FGS: 183 15  
BOM-No.: XS595990.00033



1400



1500



1350

01000796

EQUI TYPE: Engine

PRODUCT TYPE: 12V4000M53  
HEAT SHIELD FOR SOLAS

SERIAL NUMBER: 526107656

FG/FGS: 183 15  
BOM-No.: XS595990.00033



1600



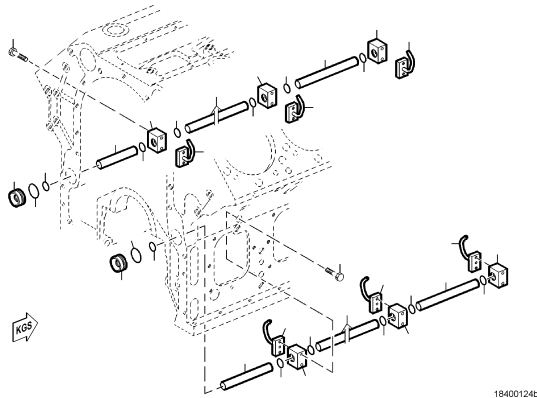
1700

➡	POS.	PART NO.	DESIGNATION	QTY.	UNITS	WEIGHT	MEASUREMENT	STANDARD
	150	735233000101	COVER	4	pc	3,000 g	A 5 - X00004694	MTN5233
	250	735233000101	COVER	3	pc	3,000 g	A 5 - X00004694	MTN5233
	350	735233000101	COVER	5	pc	3,000 g	A 5 - X00004694	MTN5233
	450	735233000101	COVER	2	pc	3,000 g	A 5 - X00004694	MTN5233
	470	735233000103	COVER	1	pc	6,000 g	A 7 - X00004797	MTN5233
	550	735233000101	COVER	2	pc	3,000 g	A 5 - X00004694	MTN5233
	650	735233000102	COVER	1	pc	3,800 g	A 6 - X00004796	MTN5233
	700	735233000202	COVER	1	pc	9,600 g	B 4 - X00007482	MTN5233
	770	735233000500	COVER	1	pc	9,900 g	E 5 - X00014661	MTN5233
	780	735233000101	COVER	2	pc	3,000 g	A 5 - X00004694	MTN5233
	850	735233000500	COVER	1	pc	9,900 g	E 5 - X00014661	MTN5233
	1000	735233000102	COVER	1	pc	3,800 g	A 6 - X00004796	MTN5233
	1050	735233000103	COVER	2	pc	6,000 g	A 7 - X00004797	MTN5233
	1150	735233000200	COVER	2	pc	57,000 g	B 2 - X00005424	MTN5233
	1350	735233000104	COVER	1	pc	6,000 g	A 8 - X00004798	MTN5233
	1400	735233000104	COVER	1	pc	6,000 g	A 8 - X00004798	MTN5233
	1500	735233000500	COVER	2	pc	9,900 g	E 5 - X00014661	MTN5233
	1600	735233000104	COVER	2	pc	6,000 g	A 8 - X00004798	MTN5233
	1700	735233000204	COVER	2	pc	18,100 g	B 6 - X59699100062	MTN5233

GROUP SEGMENT (FGS)

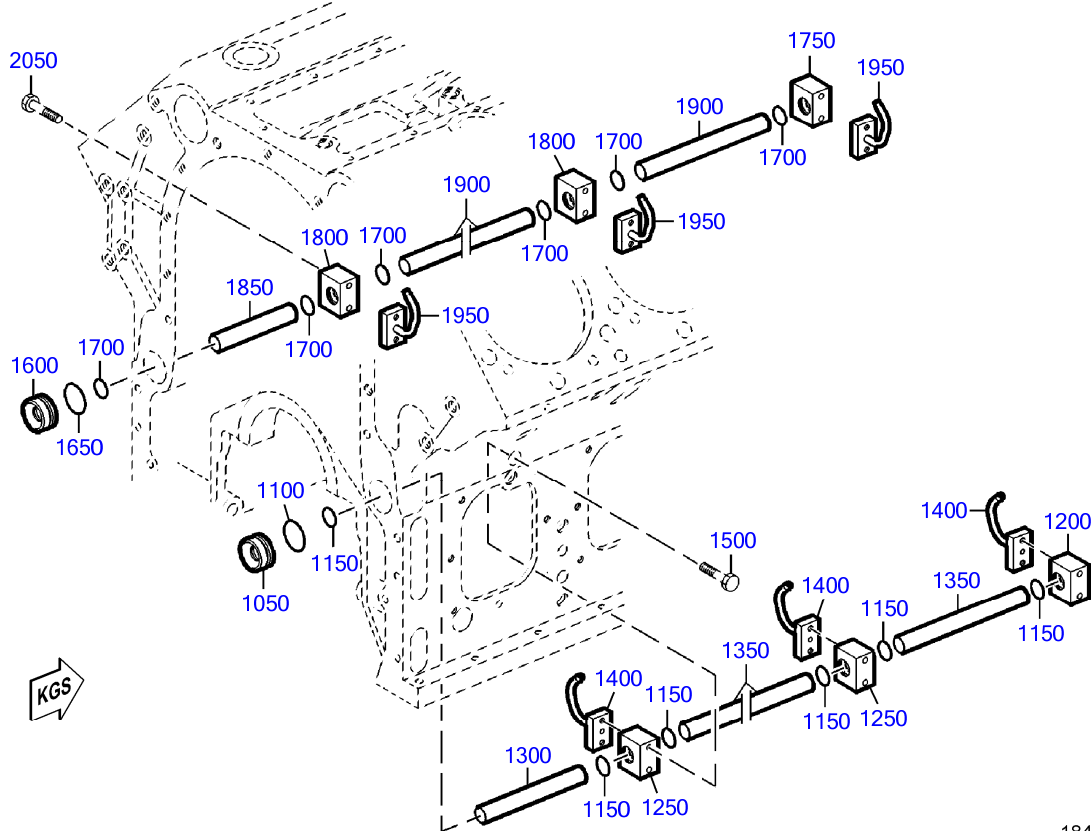
GROUP NAME

BOM-No.



10  
OIL SYSTEM BASIC SCOPE  
X00026315

18400124b



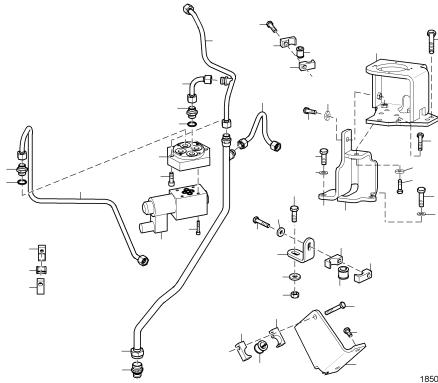
18400124b

➔	POS.	PART NO.	DESIGNATION	QTY.	UNITS	WEIGHT	FN	MEASUREMENT	STANDARD
	1050	5241870276	RETAINER O-RING	1	pc	60,000 g			
	1100	700429041000	O-RING	1	pc	3,800 g		41 X 4	MMN429
	1150	700429024002	O-RING	12	pc	2,300 g		24 X 4	MMN429
	1200	X52418400002	RETAINER	1	pc	170,000 g			
	1250	X52418400001	RETAINER	5	pc	105,000 g			
	1300	5241870401	TUBE D	1	pc	160,000 g			
	1350	5241870101	TUBE D	5	pc	130,000 g			
	1400	X59418400008	OIL SPRAY NOZZLE	6	pc	190,000 g	EM		
	1500	304014008032	HEX SCREW	12	pc	34,100 g		M 8 X 80	ISO4014
	1600	5241870276	RETAINER O-RING	1	pc	60,000 g			
	1650	700429041000	O-RING	1	pc	3,800 g		41 X 4	MMN429
	1700	700429024002	O-RING	12	pc	2,300 g		24 X 4	MMN429
	1750	X52418400002	RETAINER	1	pc	170,000 g			
	1800	X52418400001	RETAINER	5	pc	105,000 g			
	1850	5241870201	TUBE D	1	pc	120,000 g			
	1900	5241870101	TUBE D	5	pc	130,000 g			
	1950	X59418400008	OIL SPRAY NOZZLE	6	pc	190,000 g	EM		
	2050	304014008032	HEX SCREW	12	pc	34,100 g		M 8 X 80	ISO4014

GROUP SEGMENT (FGS)

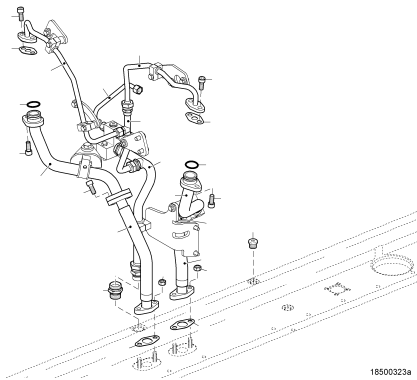
GROUP NAME

BOM-No.



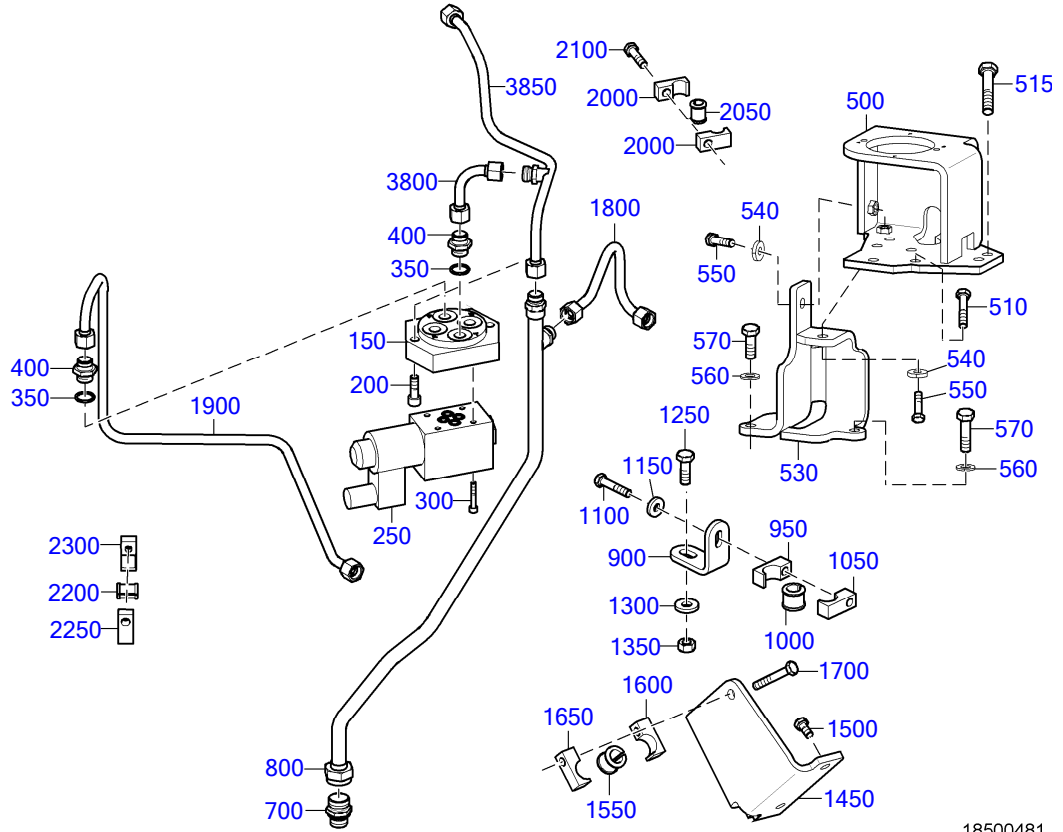
05  
FLAP CONTROL  
XS594180.00080

18500481

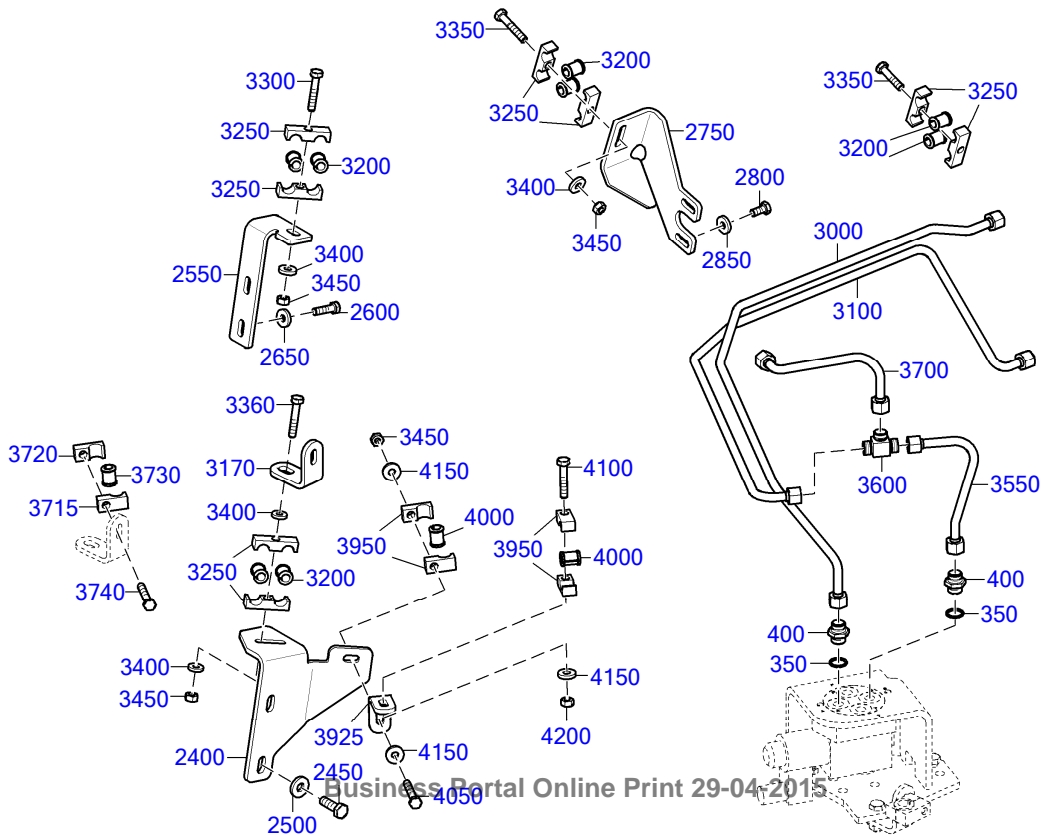


05  
T/CHARGER OIL SUPPLY  
XS595180.00046

18500323a



18500481



Business Portal Online Print 29-04-2015

18500482



➡	POS.	PART NO.	DESIGNATION	QTY.	UNITS	WEIGHT	FN	MEASUREMENT	STANDARD
	150	X59499100043	VALVE MOUNTING PLATE	1	pc	1,200 kg			
	200	000912008055	BOLT HEX SOC HD	2	pc	14,300 g		M 8 X 25	DIN912
123	250	X00041391	ACTUATOR VLV	1	pc	1,900 kg			
	300	000000003558	BOLT HEX SOC ZNPH R5F	4	pc	5,400 g		M 5 X 30	DIN912
	350	007603017102	WASHER A COP	4	pc	1,100 g		A 17 X 21	DIN7603
	400	700419999004	UNION 8G 3/8 A	4	pc	32,300 g		10 G 3/8 A	MMN419
	500	X59599100094	RETAINER	1	pc	3,300 kg			
	510	000000001039	HEX SCREW	1	pc	29,800 g		M 10 X 40	ISO4017
	515	204017010021	HEX SCREW	1	pc	32,500 g		M 10 X 45	ISO4017
	530	X59599100096	RETAINER	1	pc	1,400 kg			
	540	000125008427	WASHER	2	pc	1,500 g		A 8,4	DIN125
	550	304017008081	HEX SCREW	2	pc	13,400 g		M 8 X 25	ISO4017
	560	000125010524	WASHER	2	pc	3,100 g		A 10,5	DIN125
	570	000000001464	HEX SCREW	2	pc	24,900 g		M 10 X 30	ISO4017
	700	735211015000	UNION	1	pc	44,200 g		15M 18 X 1,5	MTN5211
	800	X52618500033	OIL LINE	1	pc	322,800 g	SB		
	900	X59420200167	RETAINER	1	pc	136,500 g			
	950	700325022100	CLAMP HALF TUBE 1/1 D9-22	1	pc	47,800 g		1/1 D 9 - 22	MMN325
	1000	700327015000	GROMMET	1	pc	6,000 g		15	MMN327
	1050	700325022200	CLAMP HALF TUBE 1/1 G8-22	1	pc	49,000 g		1/1 G 8 - 22	MMN325
	1100	304017008085	HEX SCREW	1	pc	18,000 g		M 8 X 40	ISO4017
	1150	007349008002	WASHER	1	pc	7,900 g		8,4	DIN7349
	1250	000000001464	HEX SCREW	1	pc	24,900 g		M 10 X 30	ISO4017
	1300	007349010002	WASHER	1	pc	11,000 g		10,5	DIN7349
	1350	000000003187	NUT HEX A3C	1	pc	9,200 g		M 10	ISO4032
	1450	X59499100442	RETAINER	1	pc	760,000 g			
	1500	204017008009	HEX SCREW	2	pc	10,900 g		M 8 X 18	ISO4017
	1550	700327015000	GROMMET	1	pc	6,000 g		15	MMN327
	1600	700325022100	CLAMP HALF TUBE 1/1 D9-22	1	pc	47,800 g		1/1 D 9 - 22	MMN325
	1650	700325022200	CLAMP HALF TUBE 1/1 G8-22	1	pc	49,000 g		1/1 G 8 - 22	MMN325
	1700	304017008083	HEX SCREW	1	pc	15,100 g		M 8 X 30	ISO4017
	1800	X52618500034	OIL LINE	1	pc	89,700 g	SB		
	1900	X59418500058	OIL LINE	1	pc	0,192 kg	SB		
	2000	700325015100	CLAMP HALF TUBE 1/1 D9-15	2	pc	34,000 g		1/1 D 9 - 15	MMN325
	2050	700327010000	GROMMET	1	pc	2,800 g		10	MMN327
	2100	304017008084	HEX SCREW	1	pc	16,400 g		M 8 X 35	ISO4017
	2200	700327010000	GROMMET	1	pc	2,800 g		10	MMN327
	2250	700325015100	CLAMP HALF TUBE 1/1 D9-15	1	pc	34,000 g		1/1 D 9 - 15	MMN325
	2300	700325015200	CLAMP HALF TUBE 1/1 G8-15	1	pc	34,200 g		1/1 G 8 - 15	MMN325
	2400	X59599100098	RETAINER	1	pc	835,000 g			
	2450	000000001464	HEX SCREW	2	pc	24,900 g		M 10 X 30	ISO4017
	2500	007349010002	WASHER	2	pc	11,000 g		10,5	DIN7349
	2550	X52699100201	RETAINER	1	pc	330,700 g			
	2600	304017008083	HEX SCREW	2	pc	15,100 g		M 8 X 30	ISO4017
	2650	007349008002	WASHER	2	pc	7,900 g		8,4	DIN7349
	2750	X52618500026	RETAINER	1	pc	635,000 g			
	2800	204017008009	HEX SCREW	2	pc	10,900 g		M 8 X 18	ISO4017
	2850	007349008002	WASHER	2	pc	7,900 g		8,4	DIN7349
	3000	X59418500061	OIL LINE	1	pc	266,700 g	SB		
	3100	X59418500059	OIL LINE	1	pc	277,000 g	SB		
	3170	X00006907	RETAINER	1	pc	72,300 g			
	3200	700327010000	GROMMET	8	pc	2,800 g		10	MMN327
	3250	700325015104	CLAMP HALF TUBE 2/1 D9-15	8	pc	47,000 g		2/1 D 9 - 15	MMN325
	3300	304017008084	HEX SCREW	1	pc	16,400 g		M 8 X 35	ISO4017

➡	POS.	PART NO.	DESIGNATION	QTY.	UNITS	WEIGHT	FN	MEASUREMENT	STANDARD
	3350	304017008086	HEX SCREW	2	pc	19,400 g		M 8 X 45	ISO4017
	3360	304017008088	HEX SCREW	1	pc	22,600 g		M 8 X 55	ISO4017
	3400	007349008002	WASHER	4	pc	7,900 g		8,4	DIN7349
	3450	304032008014	NUT HEX 8 A3C	3	pc	4,800 g		M 8	ISO4032
	3550	X59418500053	OIL LINE	1	pc	82,600 g	SB		
	3600	5569970674	FITTING TEE	1	pc	61,600 g		DN 8 / M16X1,5	
	3700	X59418500054	OIL LINE	1	pc	95,000 g	SB		
	3715	700325015100	CLAMP HALF TUBE 1/1 D9-15	1	pc	34,000 g		1/1 D 9 - 15	MMN325
	3720	700325015200	CLAMP HALF TUBE 1/1 G8-15	1	pc	34,200 g		1/1 G 8 - 15	MMN325
	3730	700327010000	GROMMET	1	pc	2,800 g		10	MMN327
	3740	304017008084	HEX SCREW	1	pc	16,400 g		M 8 X 35	ISO4017
	3800	X59418500057	OIL LINE	1	pc	0,060 kg	SB		
	3850	X59418500056	OIL LINE	1	pc	0,160 kg	SB		
	3925	X59499100080	RETAINER	1	pc	85,000 g			
	3950	700325015100	CLAMP HALF TUBE 1/1 D9-15	4	pc	34,000 g		1/1 D 9 - 15	MMN325
	4000	700327010000	GROMMET	2	pc	2,800 g		10	MMN327
	4050	304017008088	HEX SCREW	1	pc	22,600 g		M 8 X 55	ISO4017
	4100	304017008086	HEX SCREW	1	pc	19,400 g		M 8 X 45	ISO4017
	4150	007349008002	WASHER	3	pc	7,900 g		8,4	DIN7349
	4200	304032008014	NUT HEX 8 A3C	2	pc	4,800 g		M 8	ISO4032

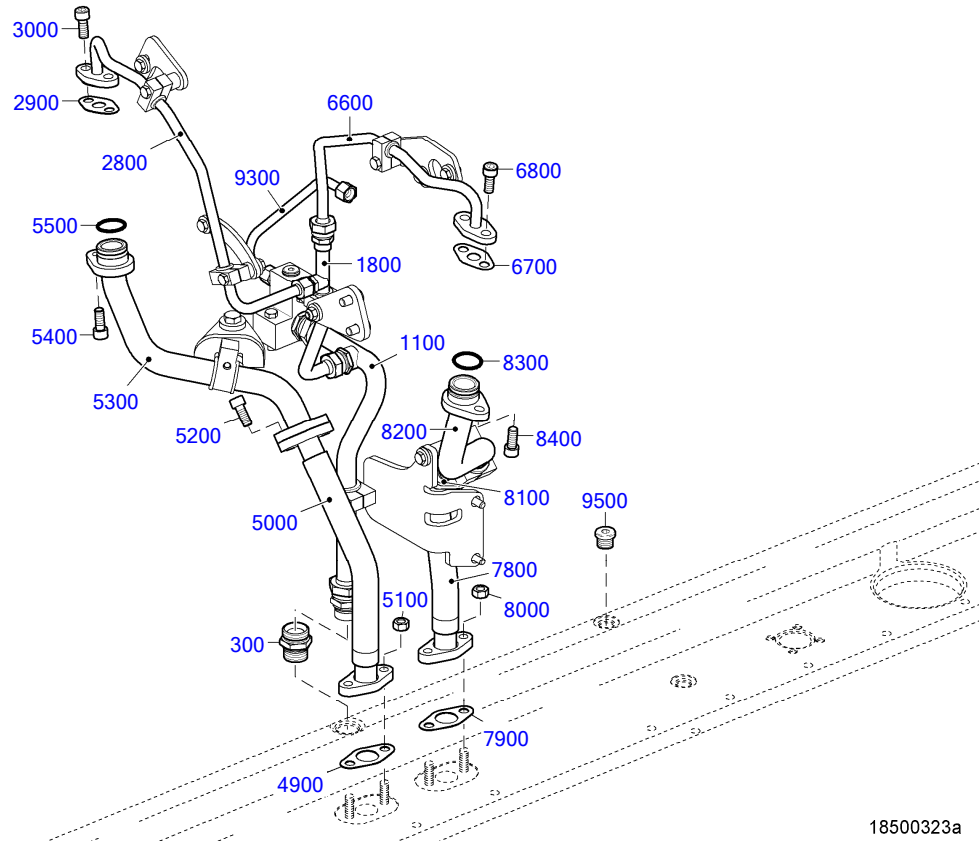
EQUI TYPE: Engine

PRODUCT TYPE: 12V4000M53  
T/CHARGER OIL SUPPLY

SERIAL NUMBER: 526107656

FG/FGS: 185 05

BOM-No.: XS595180.00046



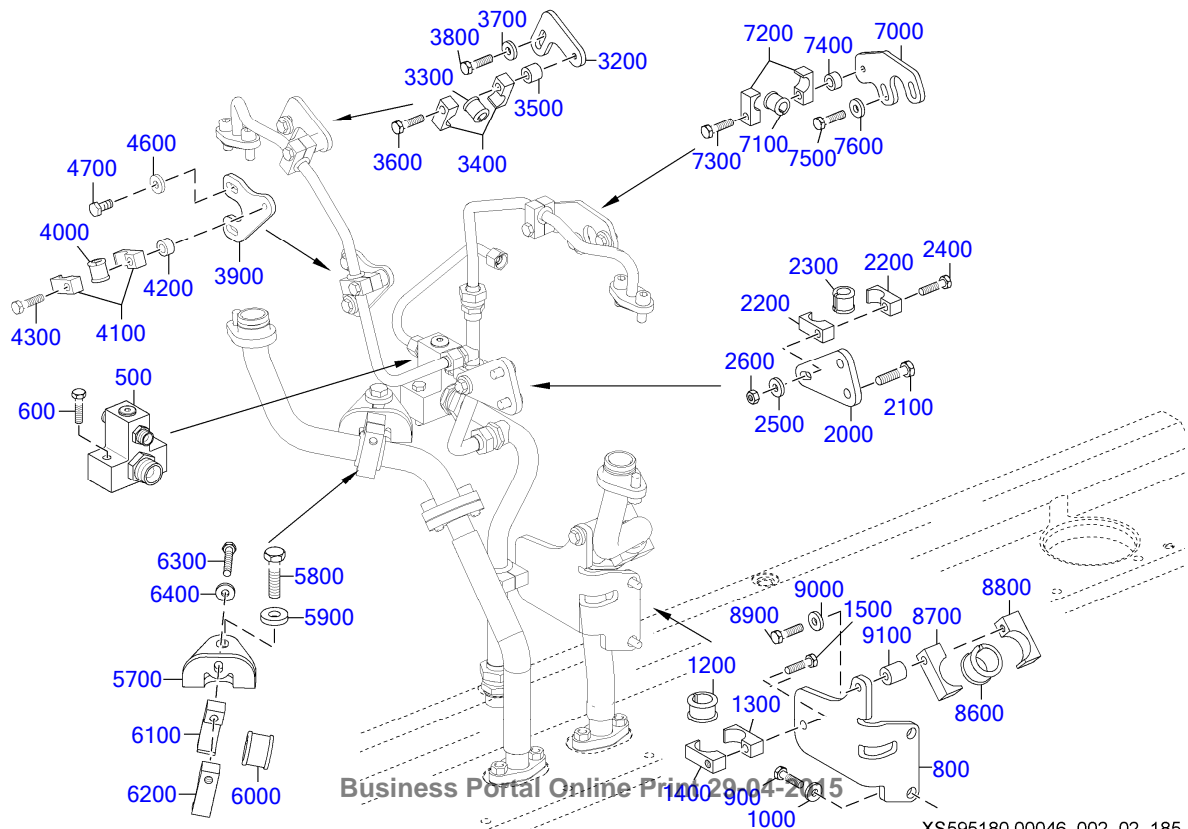
EQUI TYPE: Engine

PRODUCT TYPE: 12V4000M53  
T/CHARGER OIL SUPPLY

SERIAL NUMBER: 526107656

FG/FGS: 185 05

BOM-No.: XS595180.00046



Business Portal Online Print 29.04.2015

XS595180.00046\_002\_02\_185

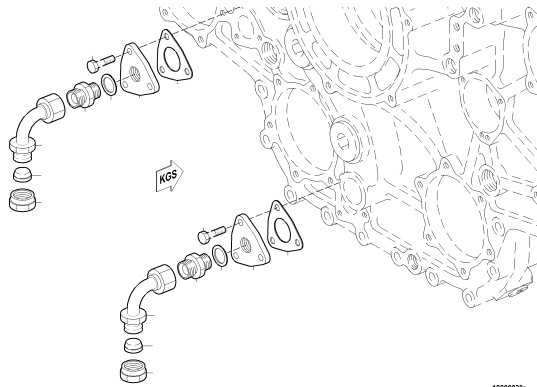
➡	POS.	PART NO.	DESIGNATION	QTY.	UNITS	WEIGHT	FN	MEASUREMENT	STANDARD
	300	735211022000	UNION THD O-RING	1	pc	0,092 kg		22M 27 X 2	MTN5211
	500	X52618500017	CONNECTING PIECE	1	pc	1,200 kg			
	600	304017008086	HEX SCREW	2	pc	19,400 g		M 8 X 45	ISO4017
	800	X52618500018	RETAINER	1	pc	1,010 kg			
	900	304017008081	HEX SCREW	2	pc	13,400 g		M 8 X 25	ISO4017
	1000	007349008002	WASHER	2	pc	7,900 g		8,4	DIN7349
	1100	X52618500019	OIL SUPPLY LINE	1	pc	567,100 g	SB		
	1200	700327022000	GROMMET	1	pc	9,000 g		22	MMN327
	1300	700325028100	CLAMP HALF TUBE 1/1 D9-28	1	pc	55,000 g		1/1 D 9 - 28	MMN325
	1400	700325028200	CLAMP HALF TUBE 1/1 G8-28	1	pc	57,200 g		1/1 G 8 - 28	MMN325
	1500	304017008086	HEX SCREW	1	pc	19,400 g		M 8 X 45	ISO4017
	1800	X52618500020	OIL LINE	1	pc	253,600 g	SB		
	2000	X52899100015	RETAINER	1	pc	249,700 g			
	2100	00000003020	HEX SCREW	2	pc	20,000 g		M 10 X 20	ISO4017
	2200	700325022100	CLAMP HALF TUBE 1/1 D9-22	2	pc	47,800 g		1/1 D 9 - 22	MMN325
	2300	700327015000	GROMMET	1	pc	6,000 g		15	MMN327
	2400	304017008088	HEX SCREW	1	pc	22,600 g		M 8 X 55	ISO4017
	2500	007349008002	WASHER	1	pc	7,900 g		8,4	DIN7349
	2600	304032008014	NUT HEX 8 A3C	1	pc	4,800 g		M 8	ISO4032
	2800	X52618500022	OIL LINE	1	pc	256,000 g	SB		
	2900	5501871180	GASKET	1	pc	0,800 g			
	3000	000912010065	BOLT HEX SOC HD	2	pc	23,900 g		M 10 X 25	DIN912
	3200	X59499100108	RETAINER	1	pc	115,700 g			
	3300	700327012000	GROMMET	1	pc	4,600 g		12	MMN327
	3400	700325018100	CLAMP HALF TUBE 1/1 D9-18	2	pc	40,000 g		1/1 D 9 - 18	MMN325
	3500	8332030053	SPACER TUBE	1	pc	21,700 g			
	3600	304017008087	HEX SCREW	1	pc	21,300 g		M 8 X 50	ISO4017
	3700	007349008002	WASHER	1	pc	7,900 g		8,4	DIN7349
	3800	204017008009	HEX SCREW	1	pc	10,900 g		M 8 X 18	ISO4017
	3900	X59499100512	RETAINER	1	pc	0,150 kg			
	4000	700327012000	GROMMET	1	pc	4,600 g		12	MMN327
	4100	700325018100	CLAMP HALF TUBE 1/1 D9-18	2	pc	40,000 g		1/1 D 9 - 18	MMN325
	4200	5511530050	SPACER BUSHING	1	pc	13,200 g		Ø18/Ø10 × 10	
	4300	304017008086	HEX SCREW	1	pc	19,400 g		M 8 X 45	ISO4017
	4600	007349008002	WASHER	2	pc	7,900 g		8,4	DIN7349
	4700	204017008009	HEX SCREW	2	pc	10,900 g		M 8 X 18	ISO4017
	4900	X00009917	GASKET	2	pc	3,000 g			
	5000	X59518500041	OIL RETURN LINE	1	pc	288,900 g	EM		
	5100	00000003187	NUT HEX A3C	2	pc	9,200 g		M 10	ISO4032
	5200	000912010065	BOLT HEX SOC HD	2	pc	23,900 g		M 10 X 25	DIN912
	5300	X59518500043	OIL RETURN LINE	1	pc	622,500 g	SB EM		
	5400	000912010065	BOLT HEX SOC HD	1	pc	23,900 g		M 10 X 25	DIN912
	5500	700429028005	O-RING	1	pc	3,000 g		28,15X 3,5	MMN429
	5700	X59418500037	RETAINER	1	pc	478,800 g			
	5800	00000003381	HEX SCREW	1	pc	40,300 g		M 12 X 35	ISO4017
	5900	007349013002	WASHER	1	pc	24,500 g		13	DIN7349
	6000	700327028000	GROMMET	1	pc	12,900 g		28	MMN327
	6100	700325035100	CLAMP HALF TUBE 1/1 D9-35	1	pc	103,000 g		1/1 D 9 - 35	MMN325
	6200	700325035200	CLAMP HALF TUBE 1/1 G8-35	1	pc	102,500 g		1/1 G 8 - 35	MMN325
	6300	304017008088	HEX SCREW	1	pc	22,600 g		M 8 X 55	ISO4017
	6400	007349008002	WASHER	1	pc	7,900 g		8,4	DIN7349
	6600	X52618500021	OIL LINE	1	pc	251,500 g	SB		
	6700	5501871180	GASKET	1	pc	0,800 g			
	6800	000912010065	BOLT HEX SOC HD	2	pc	23,900 g		M 10 X 25	DIN912

➡	POS.	PART NO.	DESIGNATION	QTY.	UNITS	WEIGHT	FN	MEASUREMENT	STANDARD
	7000	X59499100109	RETAINER	1	pc	180,200 g			
	7100	700327012000	GROMMET	1	pc	4,600 g		12	MMN327
	7200	700325018100	CLAMP HALF TUBE 1/1 D9-18	2	pc	40,000 g		1/1 D 9 - 18	MMN325
	7300	304017008086	HEX SCREW	1	pc	19,400 g		M 8 X 45	ISO4017
	7400	5511530050	SPACER BUSHING	1	pc	13,200 g		Ø18/Ø10 × 10	
	7500	204017008009	HEX SCREW	2	pc	10,900 g		M 8 X 18	ISO4017
	7600	007349008002	WASHER	2	pc	7,900 g		8,4	DIN7349
	7800	X59518500042	OIL RETURN LINE	1	pc	272,200 g	EM		
	7900	X00009917	GASKET	2	pc	3,000 g			
	8000	000000003187	NUT HEX A3C	2	pc	9,200 g		M 10	ISO4032
	8100	000912010065	BOLT HEX SOC HD	2	pc	23,900 g		M 10 X 25	DIN912
	8200	X59518500044	OIL RETURN LINE	1	pc	670,000 g	SB EM		
	8300	700429028005	O-RING	1	pc	3,000 g		28,15X 3,5	MMN429
	8400	000912010065	BOLT HEX SOC HD	1	pc	23,900 g		M 10 X 25	DIN912
	8600	700327028000	GROMMET	1	pc	12,900 g		28	MMN327
	8700	700325035100	CLAMP HALF TUBE 1/1 D9-35	1	pc	103,000 g		1/1 D 9 - 35	MMN325
	8800	700325035200	CLAMP HALF TUBE 1/1 G8-35	1	pc	102,500 g		1/1 G 8 - 35	MMN325
	8900	000000004389	HEX SCREW	1	pc	30,000 g		M 8 X 75	ISO4017
	9000	007349008002	WASHER	1	pc	7,900 g		8,4	DIN7349
	9100	5564910150	BUSHING	1	pc	42,900 g			
	9300	X52618500023	OIL LINE	1	pc	87,300 g	SB		
	9500	735210018000	PLUG	1	pc	0,036 kg		M 18 X 1,5	MTN5210

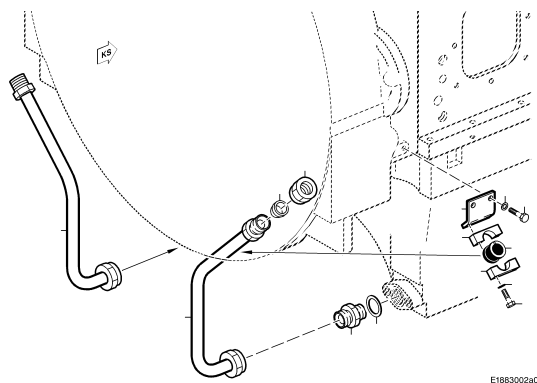
GROUP SEGMENT (FGS)

GROUP NAME

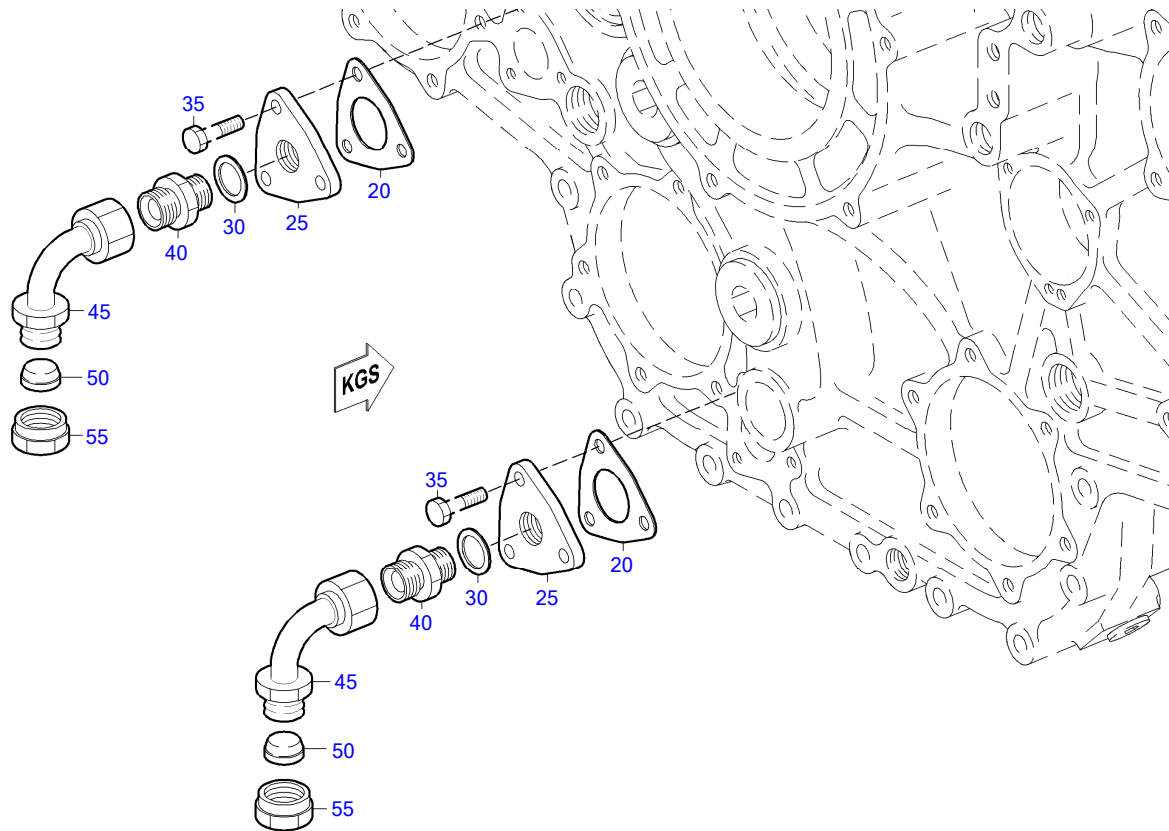
BOM-No.



05  
CONNECTIONS FOR OIL PRIMING PPS  
180.00038

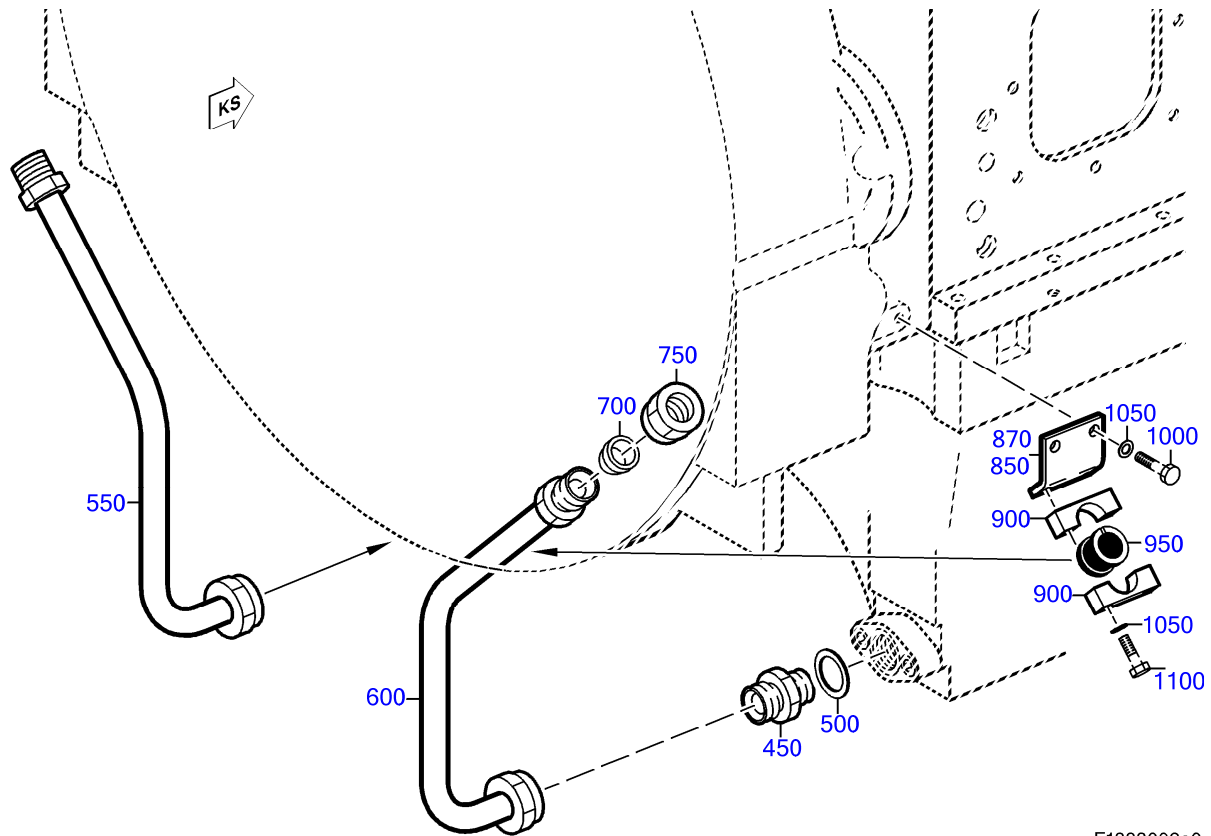


10  
OIL EXTRACTION  
XS594180.00018



18800030a

➔	POS.	PART NO.	DESIGNATION	MODEL/TYPE	QTY.	UNITS	WEIGHT	MEASUREMENT	STANDARD
	20	5241880180	GASKET		2	pc	6,200 g	1X120X120	
	25	5241880702	COVER	BR4000M	2	pc	353,600 g		
	30	007603026104	COPPER SEALING RING		2	pc	3,100 g	A 26 X 31	DIN7603
	35	00000003021	HEX SCREW		6	pc	22,800 g	M 10 X 25	ISO4017
	40	915013020002	SCREW NECK		2	pc	66,700 g	20 (M30X1,5/M26X1,5)	N15013
	45	700160000020	ELBOW 90 DEG KR 20		2	pc	210,000 g	KR 20	MMN160
	50	915005020001	CONE SEALING		2	pc	15,100 g	22	MBN15005
	55	915001020003	NUT		2	pc	46,900 g	20 M 30 X 1,5	N15001



E1883002a0

➔	POS.	PART NO.	DESIGNATION	QTY.	UNITS	WEIGHT	FN	MEASUREMENT	STANDARD
	450	915013025001	UNION	2	pc	101,600 g	25		N15013
	500	007603030101	COPPER SEALING RING	2	pc	4,300 g		A 30 X 36	DIN7603
	550	5241800821	OIL LINE	1	pc	625,000 g	SB		
	600	5241800721	OIL LINE	1	pc	620,000 g	SB		
	700	915005020001	CONE SEALING	2	pc	15,100 g	22		MBN15005
	750	915001020003	NUT	2	pc	46,900 g		20 M 30 X 1,5	N15001
	850	X59618400003	RETAINER	1	pc	210,000 g			
	870	X59618400003	RETAINER	1	pc	210,000 g			
	900	700325028101	CLAMP HALF TUBE 1/2 D9-28	4	pc	74,000 g		1/2 D 9 - 28	MMN325
	950	700327022000	GROMMET	2	pc	9,000 g		22	MMN327
	1000	204017008011	HEX SCREW	4	pc	12,200 g		M 8 X 22	ISO4017
	1050	735151008100	SPACER	4	pc	7,400 g		A 8,4	MTN5151
	1100	304017008086	HEX SCREW	4	pc	19,400 g		M 8 X 45	ISO4017

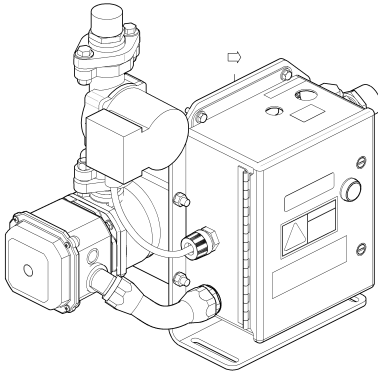


GROUP SEGMENT (FGS)

GROUP NAME

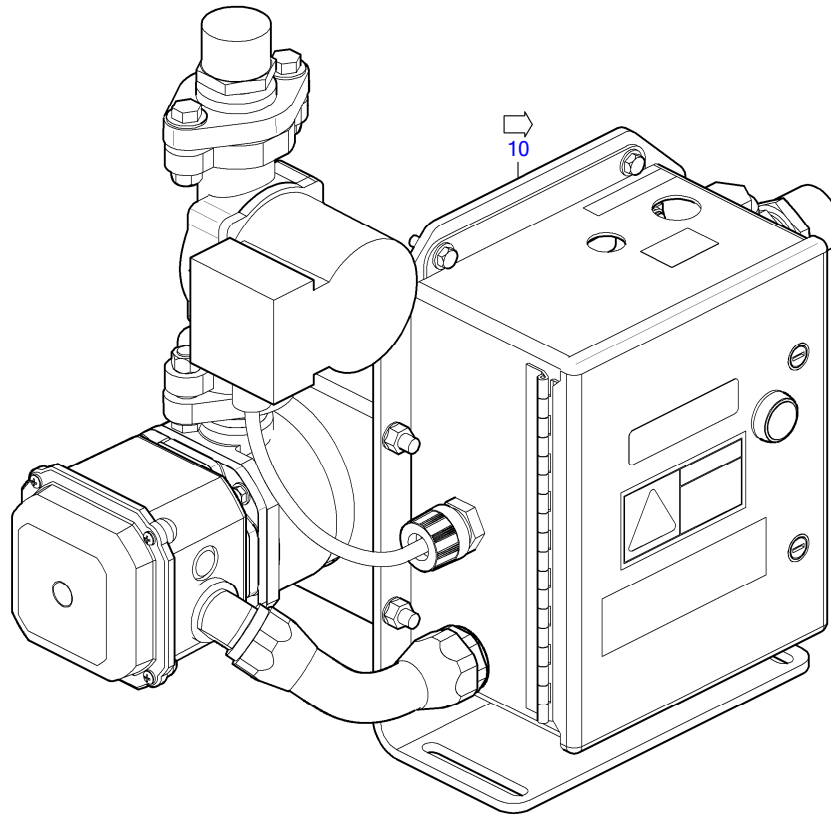
BOM-No.

---



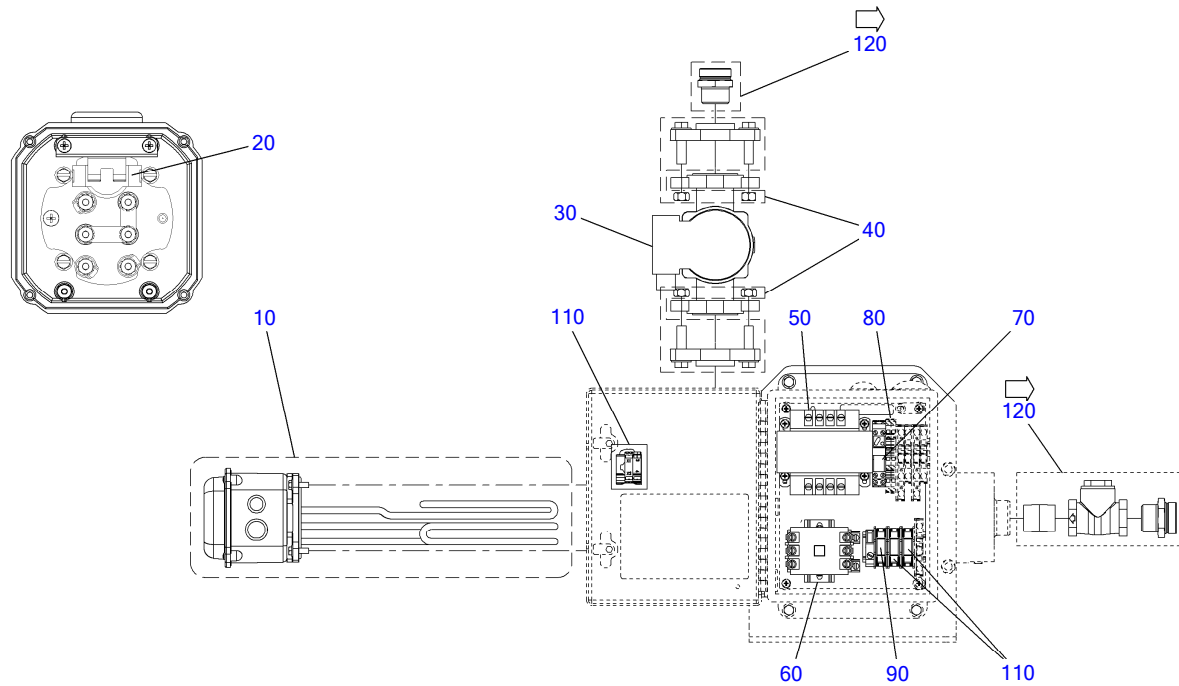
00  
**PREHEATER**  
XS593200.00049

20000792



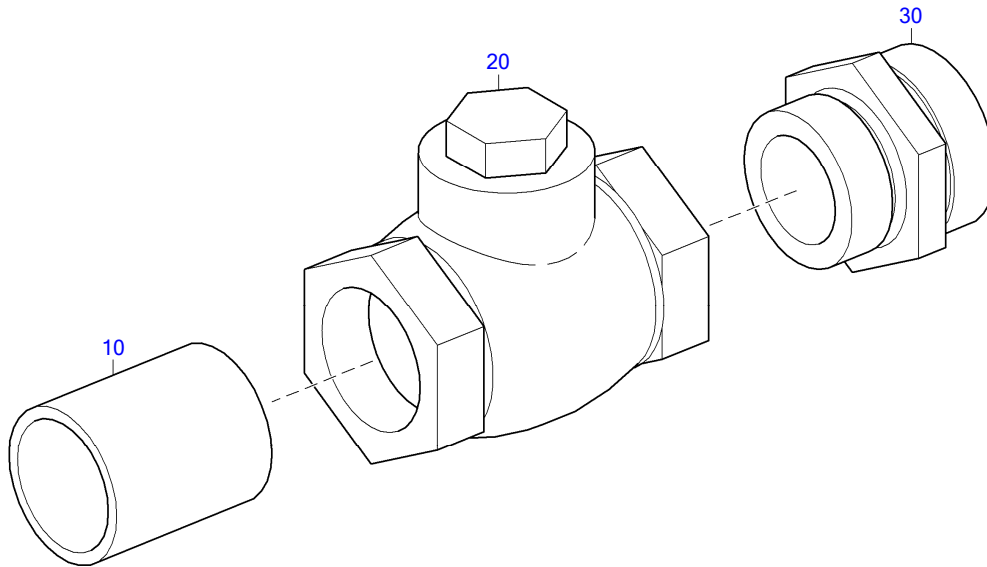
20000792

➔	POS.	PART NO.	DESIGNATION	MODEL/TYPE	QTY.	UNITS	WEIGHT	MEASUREMENT
	185	10	<b>X59320200098</b>	PREHEATER	3-PHASIG, 9 KW, 400 V, 50 HZ,	1	pc	30,000 kg
	186	40	<b>X59430700001</b>	ADAPTER FLANGE F/COOLANT PREHEATIN		1	pc	210,000 g 1NPT-M38X1,5



20000793

➔	POS.	PART NO.	DESIGNATION	MODEL/TYPE	QTY.	UNITS	WEIGHT	MEASUREMENT
	10	XP59320200147	HEATING ELEMENT		1	pc		9 KW
	20	XP59320200148	THERMOSTAT	100°F - 120°F	1	pc	50,000 g	
	30	XP59499100193	PUMP		1	pc	3,000 kg	
	40	XP59499100189	FLANGE FOR PUMP		1	pc		
	50	XP59499100202	TRANSFORMER		1	pc	3,000 kg	
	60	XP59499100200	SOLENOID SWITCH		1	pc	0,440 kg	
	70	XP59499100196	RELAY	24V	1	pc	17,000 g	
	80	XP59499100384	HOLDER FOR RELAY		1	pc		
	90	XP59499100194	FUSE	240V MAX	1	pc	1,000 kg	2 AMP
	100	XP59499100195	FUSE	500V MAX	2	pc	0,039 kg	2 AMP
	110	XP59520200249	SWITCH	MIT LICHT	1	pc		
186	120	X59430700001	ADAPTER FLANGE F/COOLANT PREHEATIN		1	pc	210,000 g	1NPT-M38X1,5



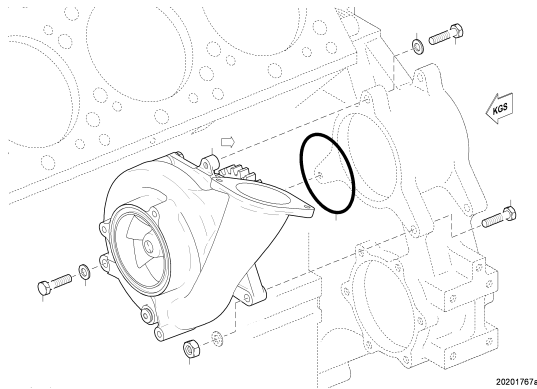
36000265

➔	POS.	PART NO.	DESIGNATION	QTY.	UNITS
	10	XP59520200250	ADAPTER FLANGE	2	pc
	20	XP59520200251	NON-RETURN VALVE	1	pc
	30	XP59520200252	UNION	1	pc

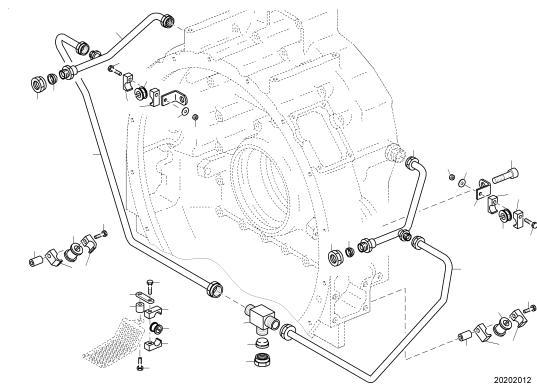
GROUP SEGMENT (FGS)

GROUP NAME

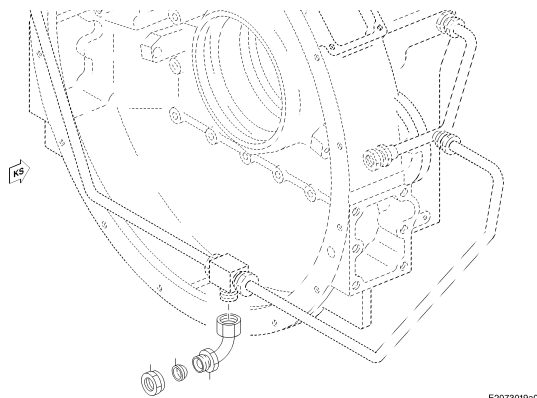
BOM-No.



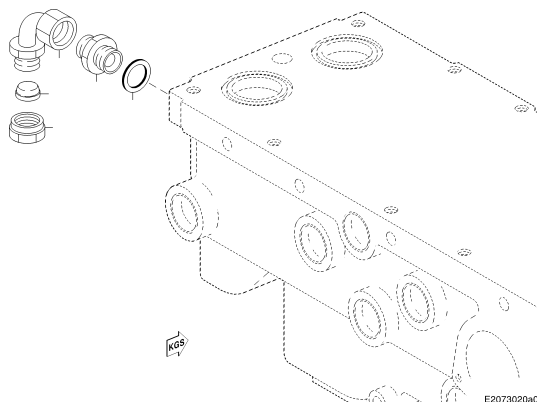
05  
COOLANT PUMP HIGH-TEMP CIRCUIT  
XS595200.00014



15  
COOLANT LINE ON FLYWHEEL HSNG  
XS594200.00064



40  
CONNECTING HARDWARE FOR PREHEATING UNIT  
200.00029



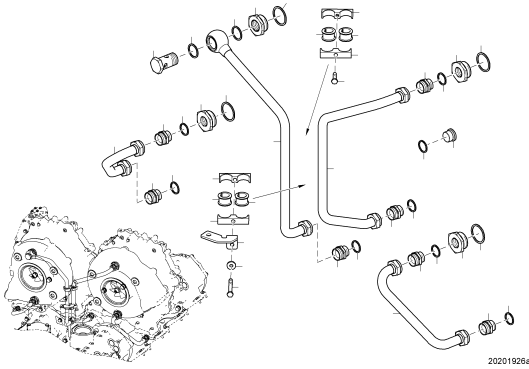
40  
CONNECTING HARDWARE FOR PREHEATING UNIT  
200.00030

GROUP SEGMENT (FGS)

GROUP NAME

BOM-No.

75  
COOLANT DUCTING F/TURBOCHARGER  
XS594200.00117



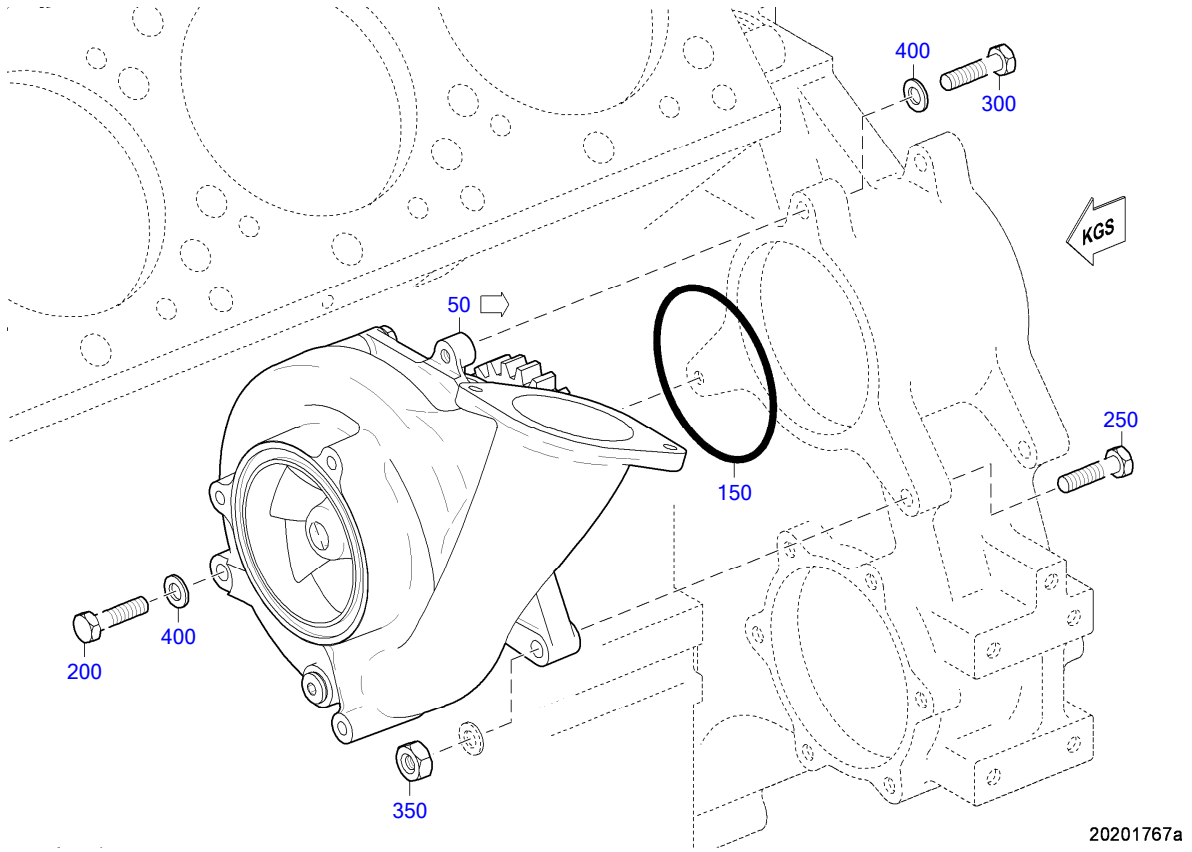
EQUI TYPE: Engine

PRODUCT TYPE: 12V4000M53  
COOLANT PUMP HIGH-TEMP CIRCUIT

SERIAL NUMBER: 526107656

FG/FGS: 202 05

BOM-No.: XS595200.00014



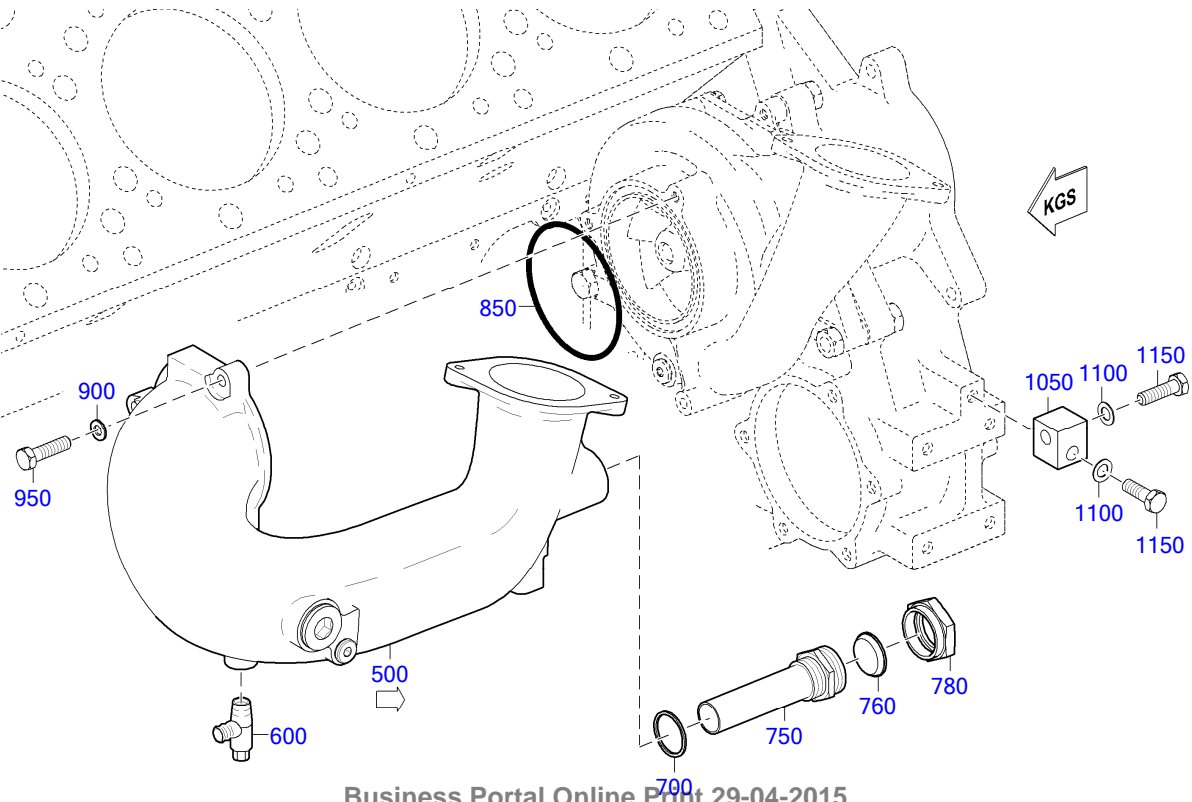
EQUI TYPE: Engine

PRODUCT TYPE: 12V4000M53  
COOLANT PUMP HIGH-TEMP CIRCUIT

SERIAL NUMBER: 526107656

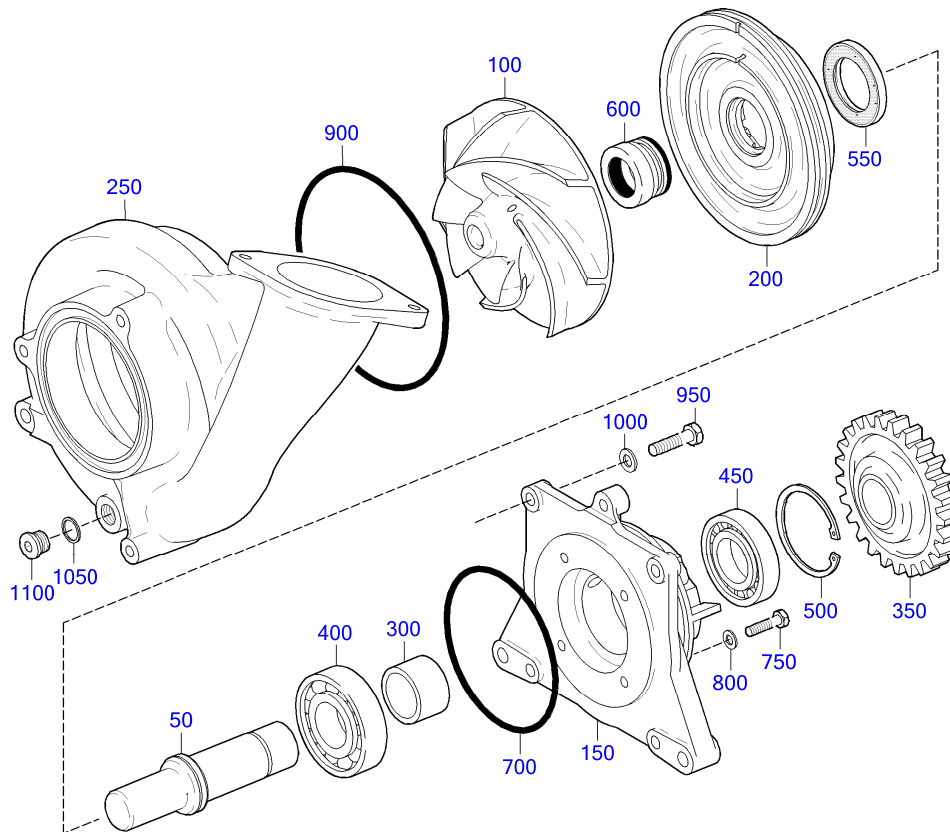
FG/FGS: 202 05

BOM-No.: XS595200.00014



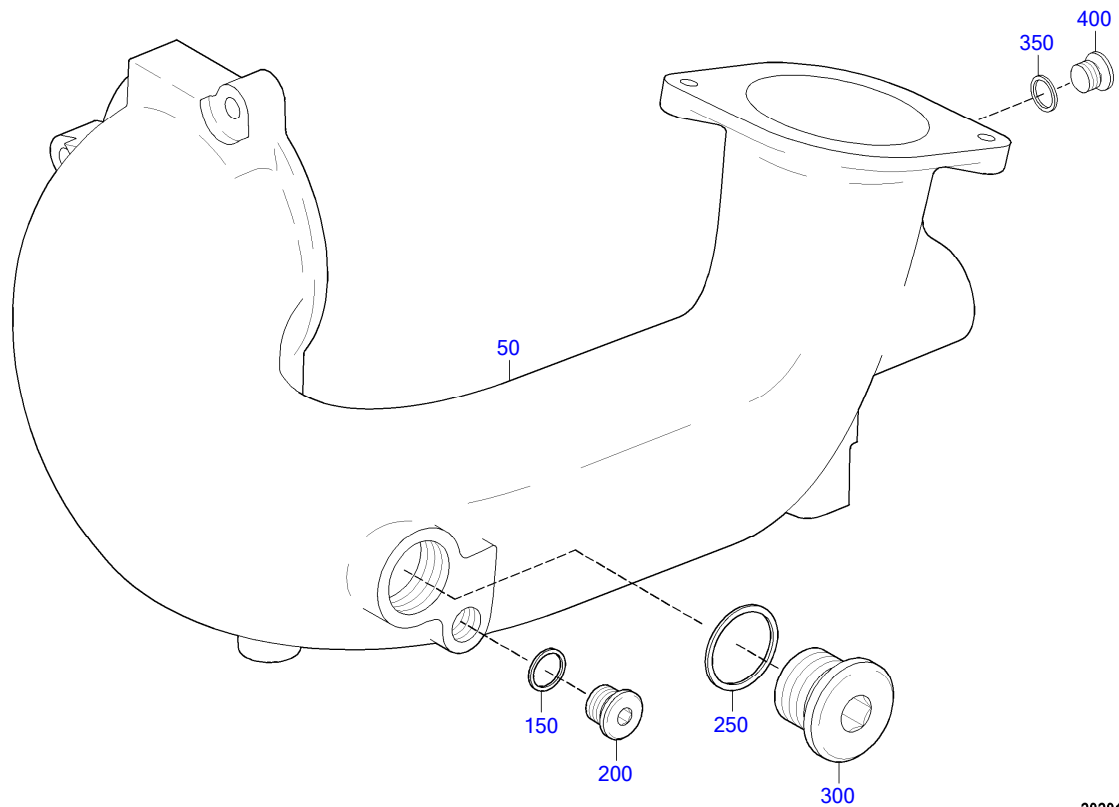
➡	POS.	PART NO.	DESIGNATION	QTY.	UNITS	WEIGHT	FN	MEASUREMENT	STANDARD
189	50	X00036684	COOLANT PUMP	1	pc	30,750 kg	EM		
	150	700429130003	O-RING	1	pc	18,000 g		130 X 5	MMN429
	200	000000003921	HEX SCREW	1	pc	138,500 g		M 12 X150	ISO4014
	250	204017012019	HEX SCREW	1	pc	68,700 g		M 12 X 75	ISO4017
	300	000000003926	HEX SCREW	1	pc	54,000 g		M 12 X 55	ISO4017
	350	000000004744	HEX NUT	1	pc	14,300 g		M 12	ISO4032
	400	000125013012	WASHER	3	pc	5,600 g		A 13	DIN125
190	500	X00038564	ELBOW	1	pc	12,870 kg			
	600	0049976736	VALVE DRAIN	1	pc	125,000 g			
	700	007603038101	COPPER SEALING RING	1	pc	5,400 g		A 38 X 44	DIN7603
	750	X00043213	INJECTOR FOR ELBOW	1	pc	342,800 g	SB		
	760	735189035000	SEALING CONE	1	pc	38,000 g		35	MTN5189
	780	915001032003	NUT	1	pc	122,400 g		32 M 45 X 1,5	N15001
	850	700429130000	O-RING	1	pc	26,000 g		130 X 6	MMN429
	900	000125010524	WASHER	3	pc	3,100 g		A 10,5	DIN125
	950	000000001039	HEX SCREW	3	pc	29,800 g		M 10 X 40	ISO4017
	1050	5242030340	SUPPORT MTG HOLDER	1	pc	295,000 g			
	1100	000125013012	WASHER	2	pc	5,600 g		A 13	DIN125
	1150	000000003926	HEX SCREW	2	pc	54,000 g		M 12 X 55	ISO4017





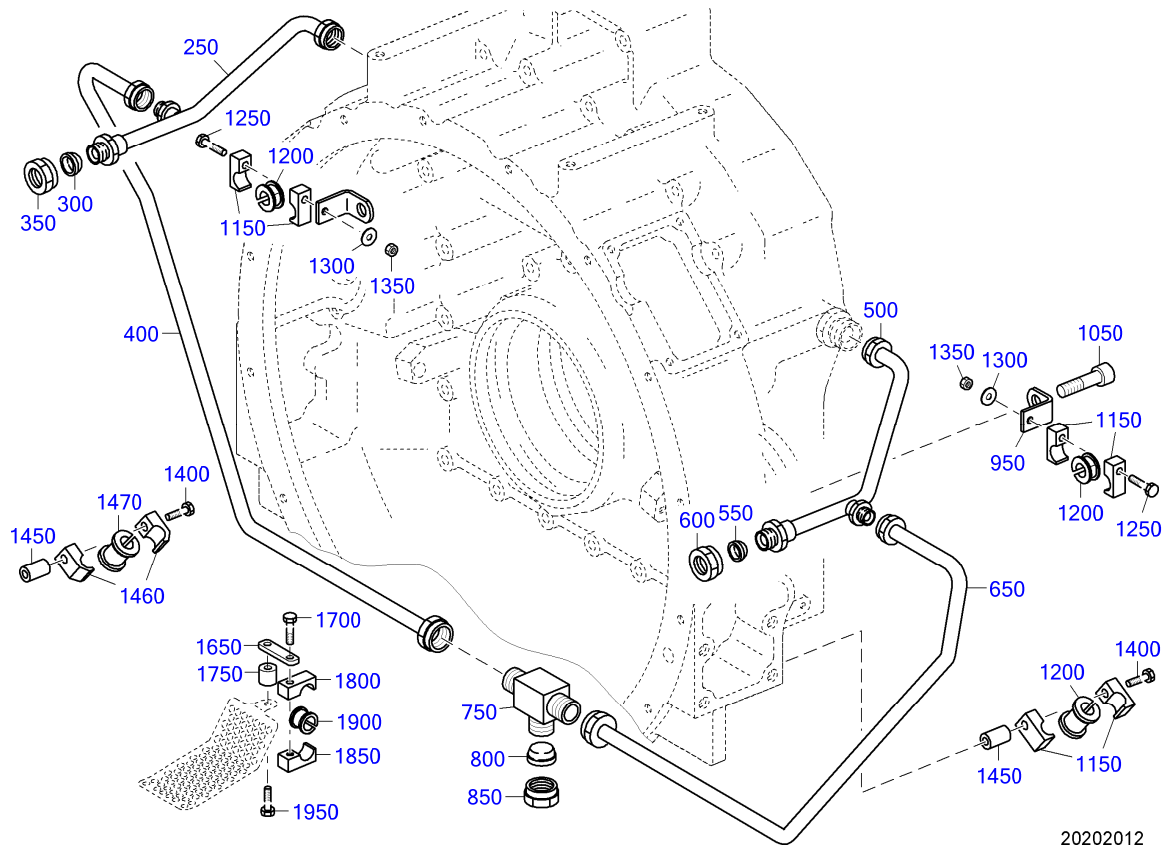
20201415a

➔	POS.	PART NO.	DESIGNATION	QTY.	UNITS	WEIGHT	MEASUREMENT	STANDARD
	50	5272010805	SHAFT WTR PMP HI TEMP CLG CIRCUIT	1	pc	1,699 kg		
	100	X00034674	IMPELLER	1	pc	3,070 kg		
	150	X00039620	BEARING HOUSING	1	pc	7,750 kg		
	200	X00036678	SEAL CARRIER	1	pc	4,000 kg		
	250	X00034669	SPIRAL HOUSING HT COOLANT CIRCUIT	1	pc	8,000 kg		
	300	5272010153	SPACER SLEEVE	1	pc	172,800 g		
	350	X00041743	GEAR	1	pc	1,700 kg		
	400	200628103006	BEARING ANGULAR CONTACT ROLLER	1	pc	750,000 g	QJ308	DIN628
	450	705100502035	BEARING CYLINDRICAL ROLLER	1	pc	623,000 g	NU208	DIN5412
	500	000472080000	RING SNAP	1	pc	22,000 g	80 X 2,5	DIN472
	550	700386050002	SEAL OIL	1	pc	30,800 g	A 50 X 72 X 8	MMN386
	600	X00026765	ROTARY SEAL	1	pc	74,000 g		
	700	700429135000	O-RING	1	pc	18,600 g	135 X 5	MMN429
	750	000931008241	HEX SCREW	4	pc	31,700 g	M 8 X 75	DIN931
	800	000125008427	WASHER	4	pc	1,500 g	A 8,4	DIN125
	900	700429185002	O-RING	1	pc	25,200 g	185 X 5	MMN429
	950	000933010093	HEX SCREW	4	pc	28,700 g	M 10 X 35	DIN933
	1000	000125010524	WASHER	4	pc	3,100 g	A 10,5	DIN125
	1050	007603018101	COPPER SEALING RING	1	pc	1,300 g	A 18 X 22	DIN7603
	1100	000908018002	PLUG	1	pc	0,029 kg	M 18 X 1,5	DIN908



20201416a

➔	POS.	PART NO.	DESIGNATION	QTY.	UNITS	WEIGHT	MEASUREMENT	STANDARD
	50	X00038561	ELBOW	1	pc			
	150	007603018101	COPPER SEALING RING	1	pc	1,300 g	A 18 X 22	DIN7603
	200	000908018002	PLUG	1	pc	0,029 kg	M 18 X 1,5	DIN908
	250	007603038101	COPPER SEALING RING	1	pc	5,400 g	A 38 X 44	DIN7603
	300	000908038000	THREAD PLUG	1	pc	0,150 kg	M 38 X 1,5	DIN908
	350	007603014102	COPPER SEALING RING	1	pc	1,000 g	A 14 X 18	DIN7603
	400	000908014001	THREAD PLUG	1	pc	0,016 kg	M 14 X 1,5	DIN908



20202012

➔	POS.	PART NO.	DESIGNATION	QTY.	UNITS	WEIGHT	FN	MEASUREMENT	STANDARD
	250	5242002352	PIPE	1	pc	416,100 g	SB		
	300	915005020001	CONE SEALING	1	pc	15,100 g	22		MBN15005
	350	915001020003	NUT	1	pc	46,900 g		20 M 30 X 1,5	N15001
	400	5242002252	PIPE	1	pc	598,200 g	SB		
	500	5242002052	PIPE	1	pc	415,000 g	SB		
	550	915005020001	CONE SEALING	1	pc	15,100 g	22		MBN15005
	600	915001020003	NUT	1	pc	46,900 g		20 M 30 X 1,5	N15001
	650	5242002152	PIPE	1	pc	730,000 g	SB		
	750	5569970974	FITTING TEE	1	pc	255,000 g		DN 20 / M30X1,5	
	800	915005020001	CONE SEALING	1	pc	15,100 g	22		MBN15005
	850	915001020003	NUT	1	pc	46,900 g		20 M 30 X 1,5	N15001
	950	X52420200016	BRACKET L	2	pc	77,400 g			
	1050	000912016004	BOLT HEX SOC HD	2	pc	88,700 g		M 16 X 45	DIN912
	1150	700325022100	CLAMP HALF TUBE 1/1 D9-22	4	pc	47,800 g		1/1 D 9 - 22	MMN325
	1200	700327018000	GROMMET	2	pc	5,000 g		18	MMN327
	1250	304017008087	HEX SCREW	2	pc	21,300 g		M 8 X 50	ISO4017
	1300	007349008002	WASHER	2	pc	7,900 g		8,4	DIN7349
	1350	304032008014	NUT HEX 8 A3C	2	pc	4,800 g		M 8	ISO4032
	1400	000000004389	HEX SCREW	2	pc	30,000 g		M 8 X 75	ISO4017
	1450	5531530050	SPACER BUSHING	2	pc	43,600 g		10MM X 18MM L=32	
	1460	X00031062	CLAMP PIPE HALF	4	pc	44,200 g			
	1470	700327018000	GROMMET	2	pc	5,000 g		18	MMN327
	1650	5500783841	RETAINER	2	pc	28,900 g			
	1700	304017008085	HEX SCREW	2	pc	18,000 g		M 8 X 40	ISO4017
	1750	X57299100096	SPACER SLEEVE	2	pc	22,600 g			

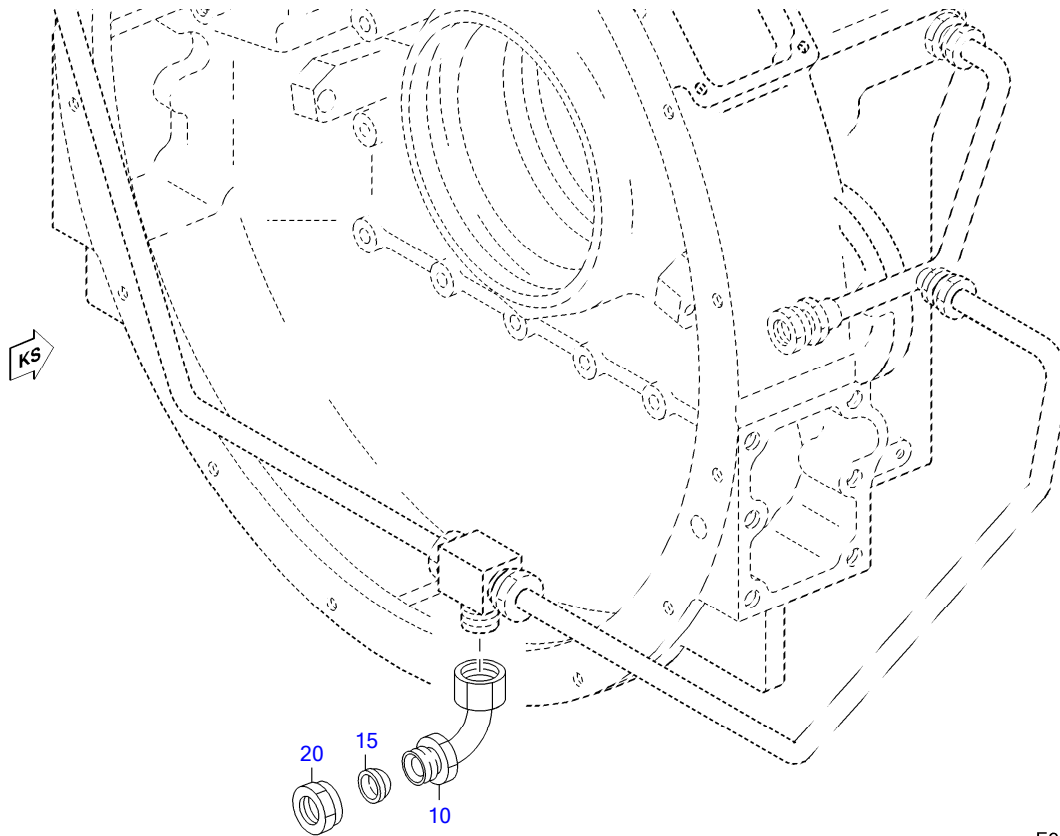
EQUI TYPE: Engine

PRODUCT TYPE: 12V4000M53  
COOLANT LINE ON FLYWHEEL HSN

SERIAL NUMBER: 526107656

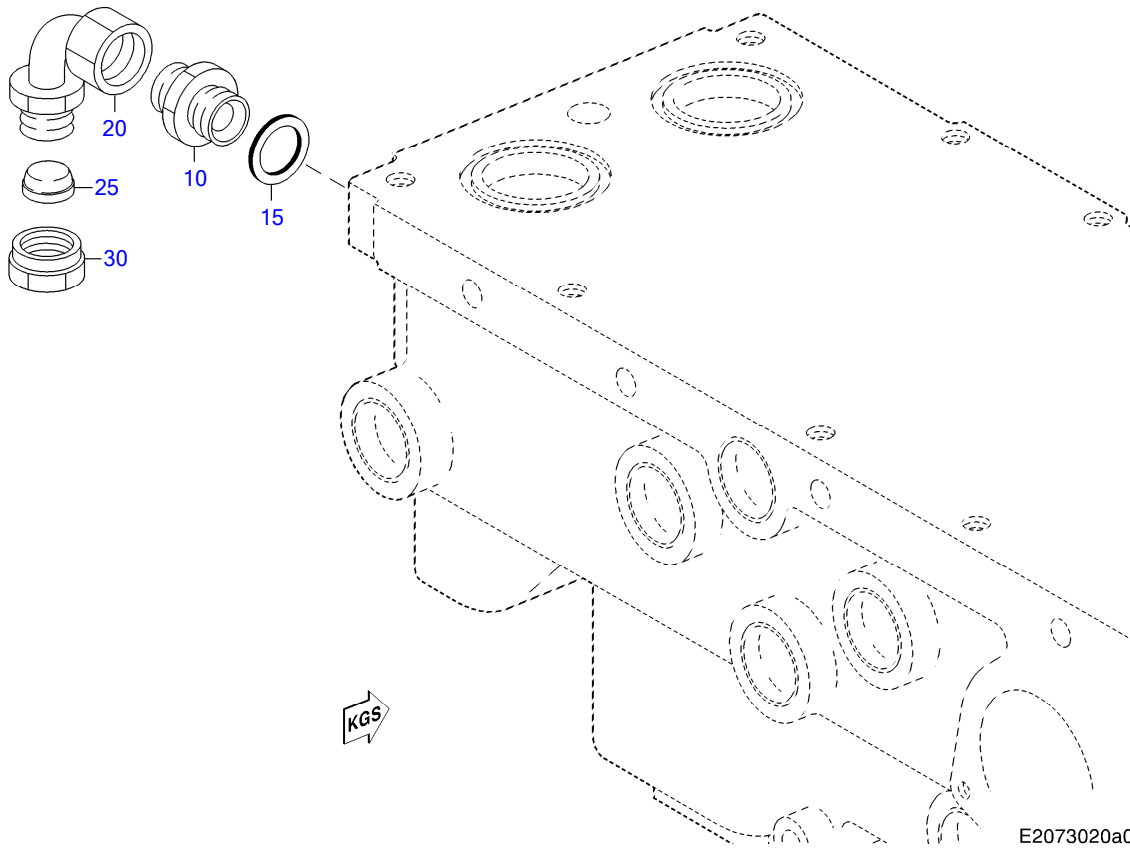
FG/FGS: 202 15  
BOM-No.: XS594200.00064

➡	POS.	PART NO.	DESIGNATION	QTY.	UNITS	WEIGHT	FN	MEASUREMENT	STANDARD
	1800	700325022100	CLAMP HALF TUBE 1/1 D9-22	2	pc	47,800 g		1/1 D 9 - 22	MMN325
	1850	700325022200	CLAMP HALF TUBE 1/1 G8-22	2	pc	49,000 g		1/1 G 8 - 22	MMN325
	1900	700327018000	GROMMET	2	pc	5,000 g		18	MMN327
	1950	304017008085	HEX SCREW	2	pc	18,000 g		M 8 X 40	ISO4017

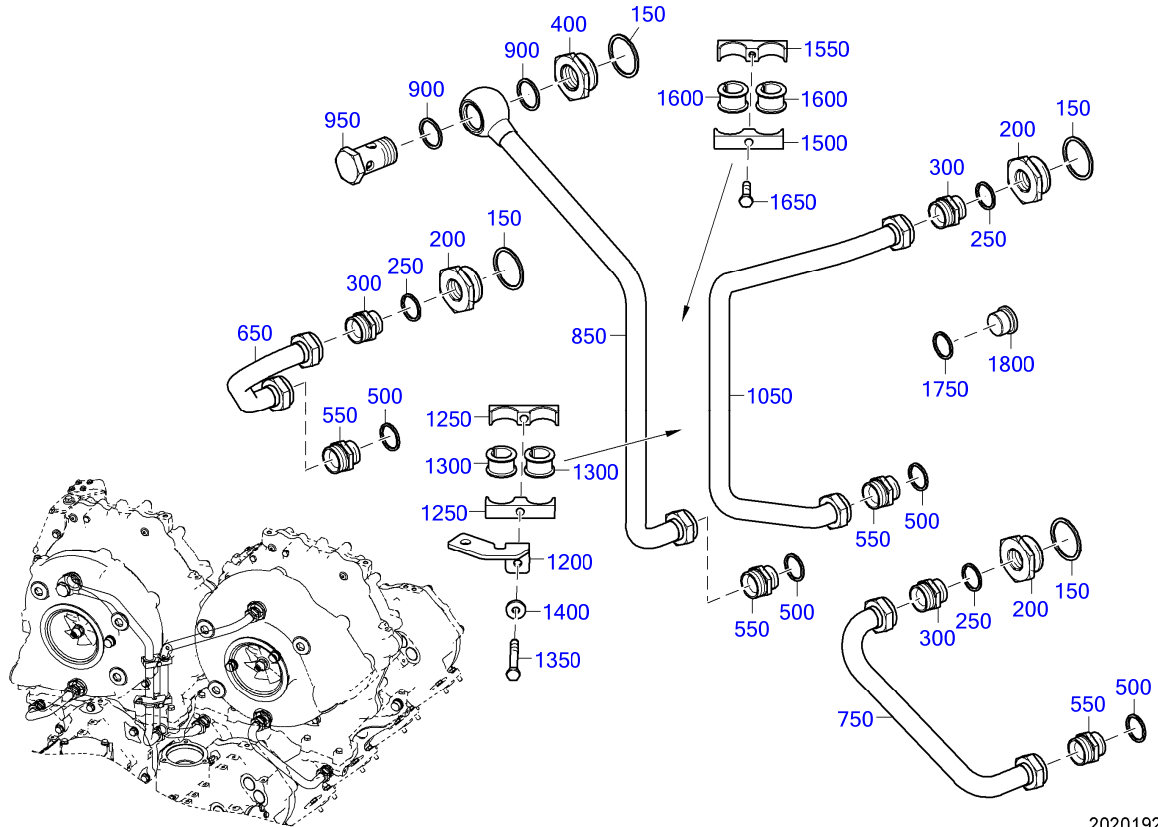


E2073019a0

➔	POS.	PART NO.	DESIGNATION	QTY.	UNITS	WEIGHT	MEASUREMENT	STANDARD
	10	700160000020	ELBOW 90 DEG KR 20	1	pc	210,000 g	KR 20	MMN160
	15	915005020001	CONE SEALING	1	pc	15,100 g	22	MBN15005
	20	915001020003	NUT	1	pc	46,900 g	20 M 30 X 1,5	N15001

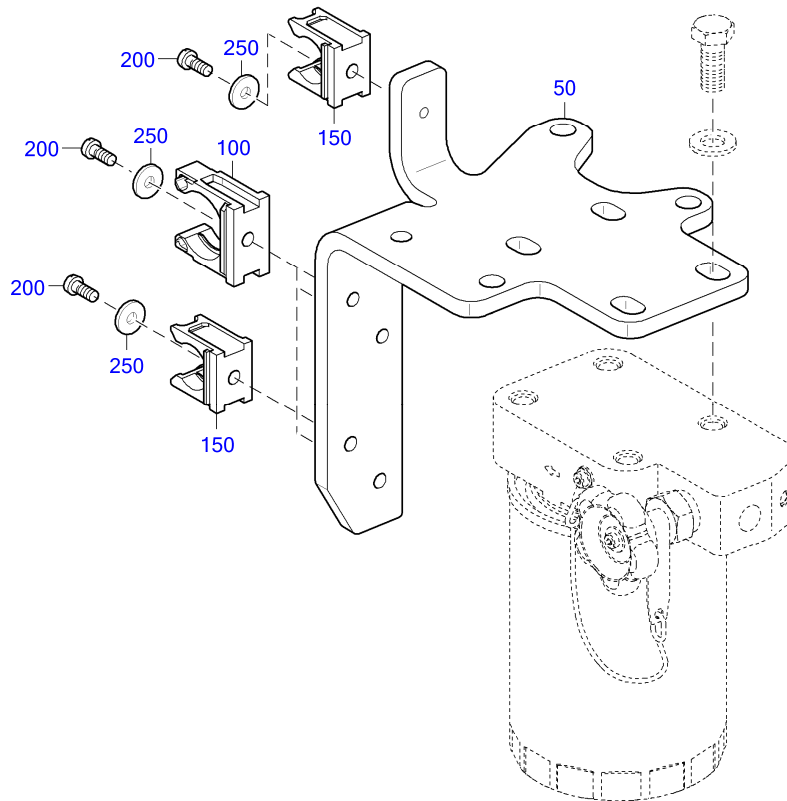


➔	POS.	PART NO.	DESIGNATION	QTY.	UNITS	WEIGHT	MEASUREMENT	STANDARD
	10	915006020000	UNION	1	pc	87,200 g	20	N15006
	15	007603030101	COPPER SEALING RING	1	pc	4,300 g	A 30 X 36	DIN7603
	20	700160000020	ELBOW 90 DEG KR 20	1	pc	210,000 g	KR 20	MMN160
	25	915005020001	CONE SEALING	1	pc	15,100 g	22	MBN15005
	30	915001020003	NUT	1	pc	46,900 g	20 M 30 X 1,5	N15001



20201926a

➔	POS.	PART NO.	DESIGNATION	QTY.	UNITS	WEIGHT	FN	MEASUREMENT	STANDARD
	150	007603042101	COPPER SEALING RING	4	pc	8,000 g		A 42 X 49	DIN7603
	200	X00038983	BUSHING THREADED M42	3	pc	190,000 g			
	250	007603026104	COPPER SEALING RING	3	pc	3,100 g		A 26 X 31	DIN7603
	300	915013020002	SCREW NECK	3	pc	66,700 g		20 (M30X1,5/M26X1,5)	N15013
	400	X52899100021	THREADED BUSHING	1	pc	157,800 g			
	500	007603026104	COPPER SEALING RING	4	pc	3,100 g		A 26 X 31	DIN7603
	550	915013020002	SCREW NECK	4	pc	66,700 g		20 (M30X1,5/M26X1,5)	N15013
	650	X59420200115	COOLANT LINE	1	pc	399,300 g			
	750	X59420300032	COOLANT LINE	1	pc	0,370 kg	SB		
	850	X59520200129	COOLANT LINE	1	pc	810,000 g	SB		
	900	007603030101	COPPER SEALING RING	2	pc	4,300 g		A 30 X 36	DIN7603
	950	700223020000	BOLT BANJO A20	1	pc	201,600 g		A 22	MMN223
	1050	X59420300033	COOLANT LINE	1	pc	693,500 g	SB		
	1200	X59599100070	RETAINER	1	pc	140,000 g			
	1250	700325028102	CLAMP HALF TUBE 2/1 D9-28	2	pc	82,000 g		2/1 D 9 - 28	MMN325
	1300	700327022000	GROMMET	2	pc	9,000 g		22	MMN327
	1350	304014008029	HEX SCREW	1	pc	31,000 g		M 8 X 70	ISO4014
	1400	007349008002	WASHER	1	pc	7,900 g		8,4	DIN7349
	1500	700325028102	CLAMP HALF TUBE 2/1 D9-28	1	pc	82,000 g		2/1 D 9 - 28	MMN325
	1550	700325028202	CLAMP HALF TUBE 2/1 G8-28	1	pc	82,000 g		2/1 G 8 - 28	MMN325
	1600	700327022000	GROMMET	2	pc	9,000 g		22	MMN327
	1650	304017008084	HEX SCREW	1	pc	16,400 g		M 8 X 35	ISO4017
	1750	007603026104	COPPER SEALING RING	4	pc	3,100 g		A 26 X 31	DIN7603
	1800	000908026005	THREAD PLUG	4	pc	0,069 kg		M 26 X 1,5	DIN908



20202636

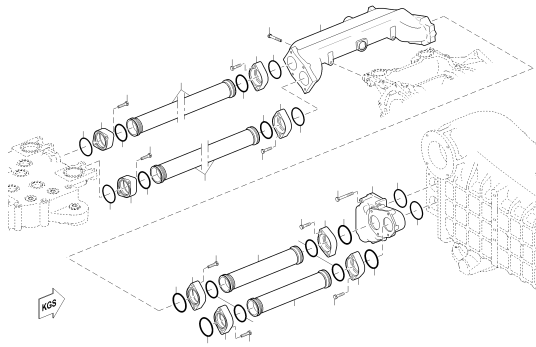
➔	POS.	PART NO.	DESIGNATION	MODEL/TYPE	QTY.	UNITS	WEIGHT	MEASUREMENT	STANDARD
	50	X59320200059	RETAINER		1	pc	1,400 g		
	100	X52650700039	CABLE CLAMP		3	pc	9,300 g	HALTER NW26 BOHRLOCH M6	
	150	0015331940	RETAINER CABLING AND PIPEWOR	OHNE BUEGEL	2	pc	5,600 g	HALTER NW17 BOHRLOCH M6	
	200	000084005196	SCREW		5	pc	2,600 g	M 5 X 12	DIN84
	250	007349005002	WASHER		5	pc	2,300 g	5,3	DIN7349



GROUP SEGMENT (FGS)

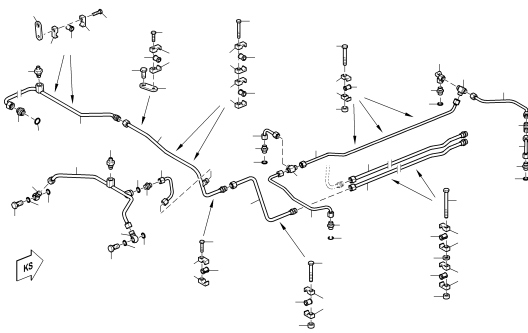
GROUP NAME

BOM-No.



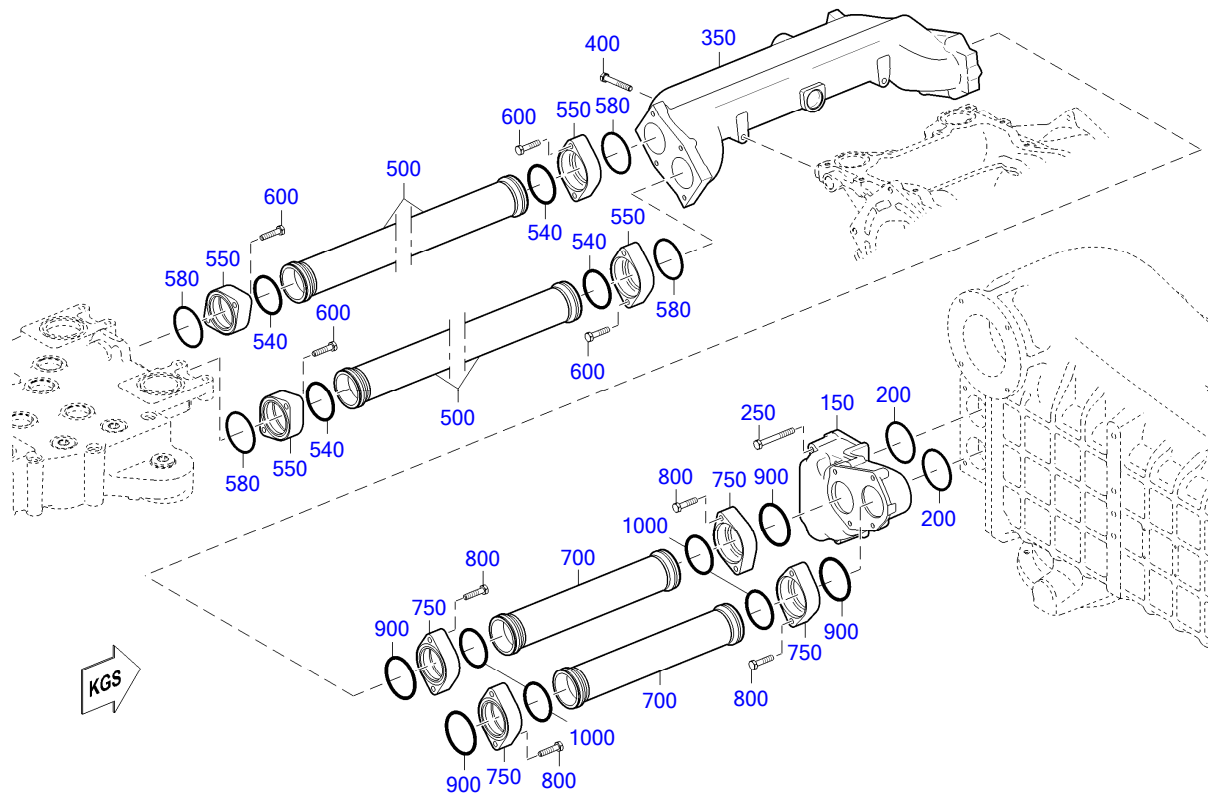
20300222a

25  
COOLANT PIPEWORK FROM/TO INTERCOOLER  
XS594200.00066



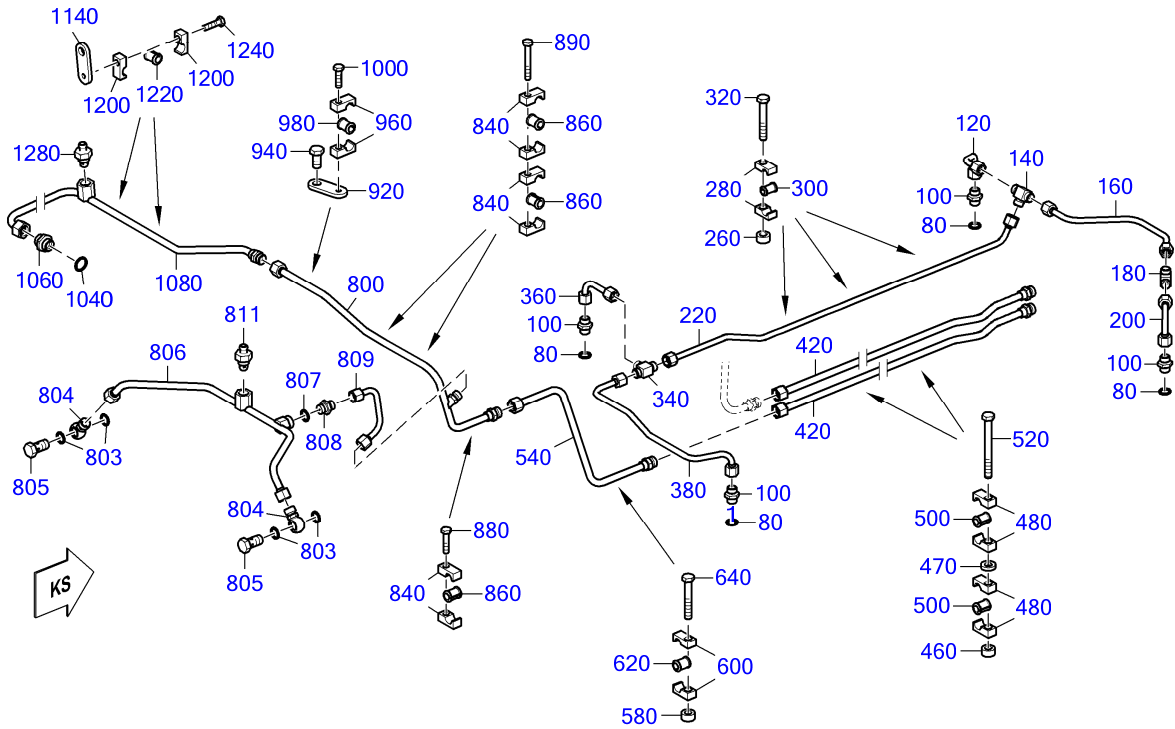
20202088

55  
COOLANT VENT  
XS594200.00113

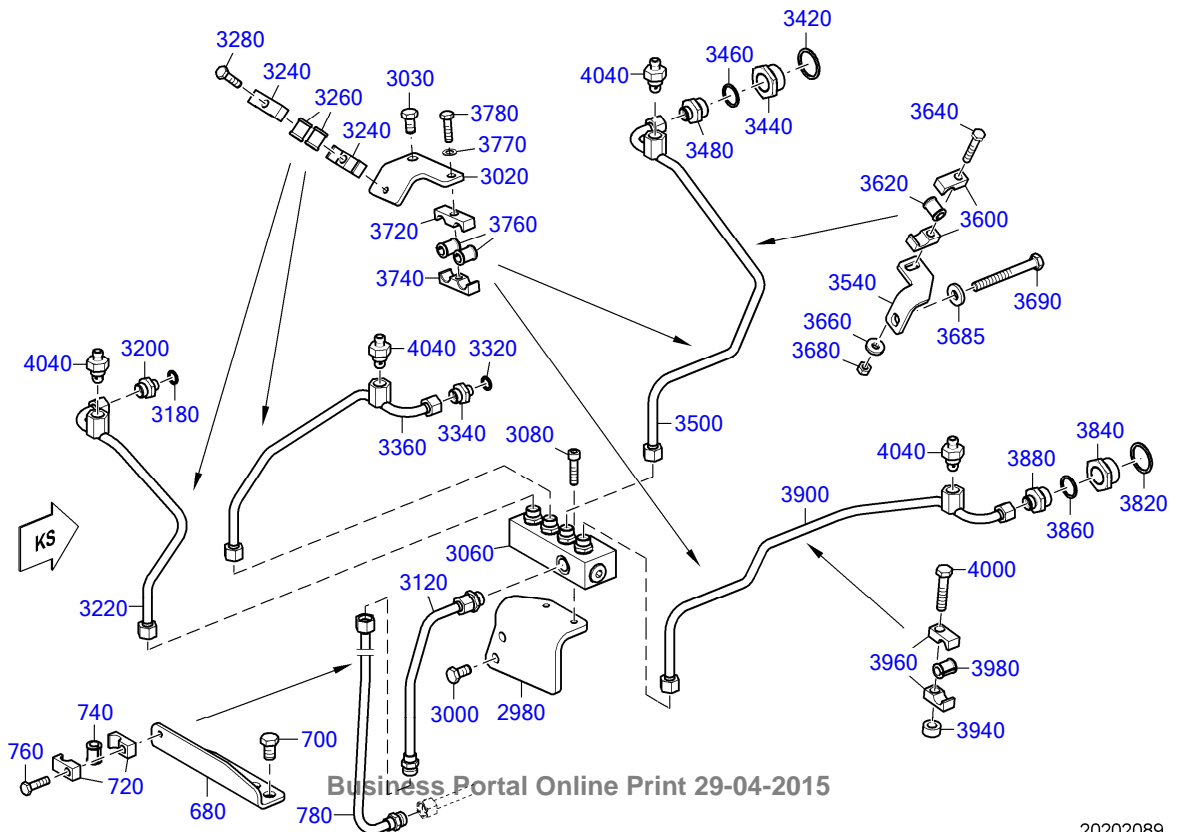


20300222a

➔	POS.	PART NO.	DESIGNATION	QTY.	UNITS	WEIGHT	MEASUREMENT	STANDARD
	150	5262030222	ELBOW TWIN C23	1	pc	10,600 kg		
	200	700429076000	O-RING	2	pc	7,000 g	76 X 4	MMN429
	250	204014010039	HEX SCREW	4	pc	58,900 g	M 10 X 85	ISO4014
	350	X59420300029	COOLANT ELBOW	1	pc	14,250 kg		
	400	000000004742	HEX SCREW	2	pc	46,600 g	M 10 X 75	ISO4017
	500	X59420300004	PLUG-IN PIPE	2	pc	2,300 kg		
	540	700429070000	O-RING	4	pc	10,300 g	70 X 5	MMN429
	550	5262030439	FLANGE WELDING-NECK	4	pc	620,000 g		
	580	700429076000	O-RING	4	pc	7,000 g	76 X 4	MMN429
	600	204017010021	HEX SCREW	8	pc	32,500 g	M 10 X 45	ISO4017
	700	X59420300003	PLUG-IN PIPE	2	pc	997,800 g		
	750	5262030439	FLANGE WELDING-NECK	4	pc	620,000 g		
	800	204017010021	HEX SCREW	8	pc	32,500 g	M 10 X 45	ISO4017
	900	700429076000	O-RING	4	pc	7,000 g	76 X 4	MMN429
	1000	700429070000	O-RING	4	pc	10,300 g	70 X 5	MMN429

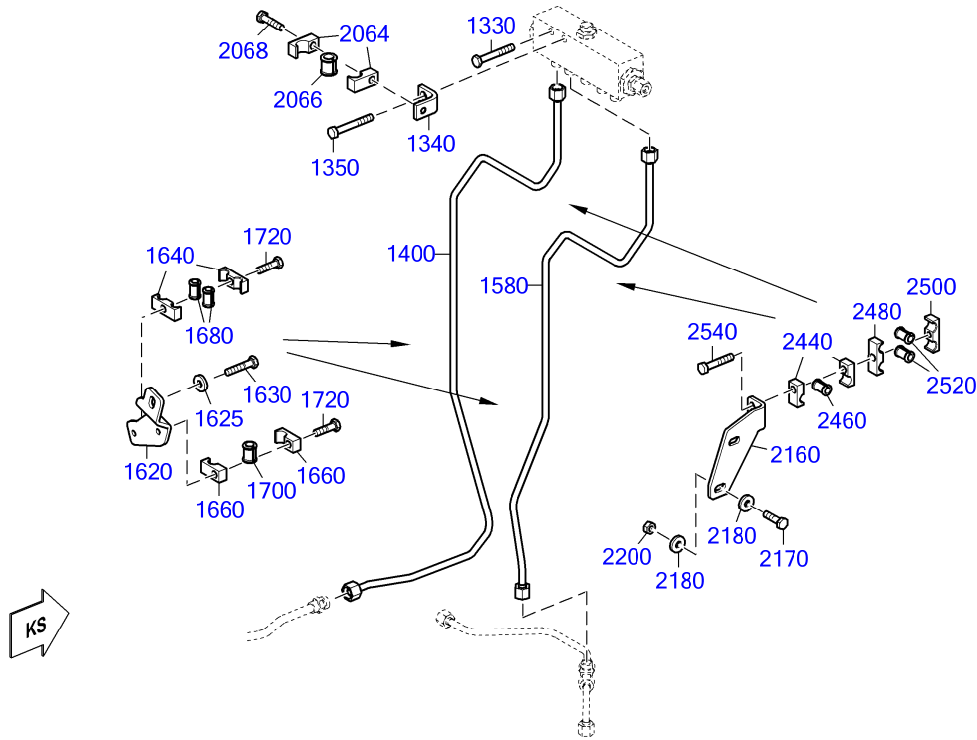


20202088

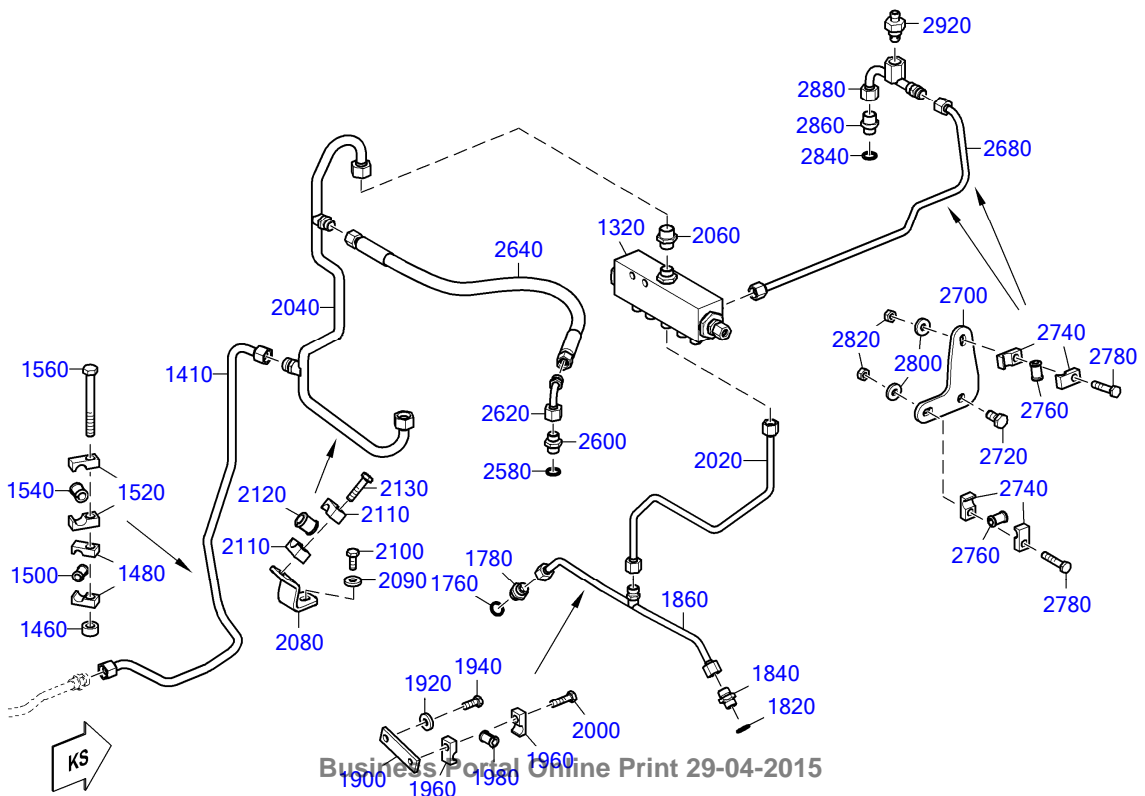


Business Portal Online Print 29-04-2015

20202089



20202090



20202091

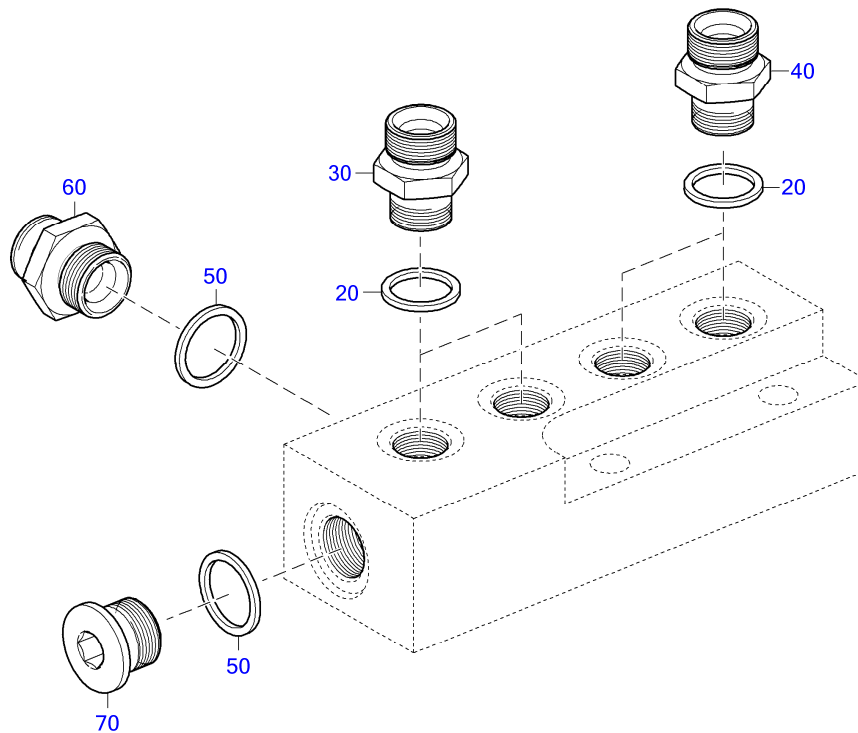
➡	POS.	PART NO.	DESIGNATION	MODEL/TYPE	QTY.	UNITS	WEIGHT	FN	MEASUREMENT	STANDARD
	80	007603014102	COPPER SEALING RING		4	pc	1,000 g		A 14 X 18	DIN7603
	100	915006006000	UNION		4	pc	22,900 g		6	N15006
	120	5282000258	VENT LINE FOR COOLANT	20V400LH	1	pc	53,000 g			
	140	5569970574	FITTING TEE		1	pc	48,000 g		DN 6 / M14X1,5	
	160	X52620200105	VENT LINE		1	pc	75,700 g	SB EM		
	180	5569970574	FITTING TEE		1	pc	48,000 g		DN 6 / M14X1,5	
	200	5282000658	VENT LINE FOR COOLANT	20V400LH	1	pc	46,800 g			
	220	X59520200055	VENT LINE		1	pc	185,000 g	SB		
	260	5559920101	BUSHING		4	pc	17,000 g			
	280	700325012111	CLAMP HALF TUBE 1/1 D11-12		8	pc	22,600 g		1/1 D11 - 12	MMN325
	300	700327008000	GROMMET		4	pc	1,700 g		8	MMN327
	320	000000004745	HEX SCREW		4	pc	41,800 g		M 10 X 65	ISO4017
	340	5569970574	FITTING TEE		1	pc	48,000 g		DN 6 / M14X1,5	
	360	5282000658	VENT LINE FOR COOLANT	20V400LH	1	pc	46,800 g			
	380	5282000458	VENT LINE FOR COOLANT	20V400LH	1	pc	102,000 g			
	420	X52620200104	VENT LINE		2	pc	0,215 kg	SB EM		
	460	5559920101	BUSHING		4	pc	17,000 g			
	470	735151010100	SPACER		4	pc	11,000 g		A 10,5	MTN5151
	480	700325015110	CLAMP HALF TUBE 1/1 D11-15		16	pc	30,200 g		1/1 D11 - 15	MMN325
	500	700327010000	GROMMET		8	pc	2,800 g		10	MMN327
	520	000000004740	HEX SCREW		4	pc	63,400 g		M 10 X 95	ISO4014
	540	X59420300045	VENT LINE		1	pc	115,600 g			
	580	5559920101	BUSHING		1	pc	17,000 g			
	600	700325015110	CLAMP HALF TUBE 1/1 D11-15		2	pc	30,200 g		1/1 D11 - 15	MMN325
	620	700327010000	GROMMET		1	pc	2,800 g		10	MMN327
	640	000000004745	HEX SCREW		1	pc	41,800 g		M 10 X 65	ISO4017
	680	X59599100066	RETAINER		1	pc	466,200 g			
	700	204017012004	HEX SCREW		2	pc	29,200 g		M 12 X 20	ISO4017
	720	700325015100	CLAMP HALF TUBE 1/1 D9-15		2	pc	34,000 g		1/1 D 9 - 15	MMN325
	740	700327010000	GROMMET		1	pc	2,800 g		10	MMN327
	760	304017008083	HEX SCREW		1	pc	15,100 g		M 8 X 30	ISO4017
	780	X59420200194	VENT LINE		1	pc	148,500 g	SB		
	800	X59420300046	VENT LINE		1	pc	195,800 g			
	803	007603014102	COPPER SEALING RING		4	pc	1,000 g		A 14 X 18	DIN7603
	804	735214010000	UNION		2	pc	31,000 g		10	MTN5214
	805	700223006000	BOLT BANJO A8 S2000/4000		2	pc	38,800 g		A 8	MMN223
	806	X59520200132	VENT LINE		1	pc	229,500 g	SB		
	807	007603014102	COPPER SEALING RING		1	pc	1,000 g		A 14 X 18	DIN7603
	808	X59699100050	UNION	BR 4000	1	pc	29,000 g		BLENDE Ø1MM	
	809	X59420200198	VENT LINE		1	pc	60,000 g	SB		
	811	X52899100028	NIPPLE		1	pc	49,500 g			
	840	700325015100	CLAMP HALF TUBE 1/1 D9-15		10	pc	34,000 g		1/1 D 9 - 15	MMN325
	860	700327010000	GROMMET		5	pc	2,800 g		10	MMN327
	880	304017008084	HEX SCREW		1	pc	16,400 g		M 8 X 35	ISO4017
	890	304017008089	HEX SCREW		2	pc	24,200 g		M 8 X 60	ISO4017
	920	5241872240	BRACKET 40X6 M12 UNTHD+M8 THD BOLT HOLE	BR 4000	1	pc	62,200 g			
	940	000000003924	HEX SCREW		1	pc	32,800 g		M 12 X 25	ISO4017
	960	700325015100	CLAMP HALF TUBE 1/1 D9-15		2	pc	34,000 g		1/1 D 9 - 15	MMN325
	980	700327010000	GROMMET		1	pc	2,800 g		10	MMN327
	1000	304017008083	HEX SCREW		1	pc	15,100 g		M 8 X 30	ISO4017
	1040	007603018101	COPPER SEALING RING		1	pc	1,300 g		A 18 X 22	DIN7603
	1060	915006010002	UNION		1	pc	32,200 g		10	N15006
	1080	X59520200057	VENT LINE		1	pc	256,400 g			

➔	POS.	PART NO.	DESIGNATION	MODEL/TYPE	QTY.	UNITS	WEIGHT	FN	MEASUREMENT	STANDARD
	1140	5241872240	BRACKET 40X6 M12 UNTHD+M8 THD BOLT HOLE	BR 4000	2	pc	62,200 g			
	1200	700325015100	CLAMP HALF TUBE 1/1 D9-15		4	pc	34,000 g		1/1 D 9 - 15	MMN325
	1220	700327010000	GROMMET		2	pc	2,800 g		10	MMN327
	1240	304017008083	HEX SCREW		2	pc	15,100 g		M 8 X 30	ISO4017
	1280	X52899100028	NIPPLE		1	pc	49,500 g			
	1320	X59520300014	DISTRIBUTOR	16V-AS_BH-RED_SWK	1	pc	2,200 kg			
	1330	304017008088	HEX SCREW		1	pc	22,600 g		M 8 X 55	ISO4017
	1340	5551870640	BRACKET L H:51 S2000/4000		1	pc	54,900 g	SB		
	1350	304017008089	HEX SCREW		1	pc	24,200 g		M 8 X 60	ISO4017
	1400	X59520200139	VENT LINE		1	pc	215,000 g	SB		
	1410	X59420200175	VENT LINE		1	pc	192,300 g	SB		
	1460	5559920101	BUSHING		1	pc	17,000 g			
	1480	700325012111	CLAMP HALF TUBE 1/1 D11-12		2	pc	22,600 g		1/1 D11 - 12	MMN325
	1500	700327008000	GROMMET		1	pc	1,700 g		8	MMN327
	1520	700325015110	CLAMP HALF TUBE 1/1 D11-15		2	pc	30,200 g		1/1 D11 - 15	MMN325
	1540	700327010000	GROMMET		1	pc	2,800 g		10	MMN327
	1560	000000003322	HEX SCREW		1	pc	60,800 g		M 10 X 90	ISO4014
	1580	X59420200083	VENT LINE		1	pc	170,000 g	SB		
	1620	X59599100079	RETAINER		1	pc	190,300 g			
	1625	007349008002	WASHER		1	pc	7,900 g		8,4	DIN7349
	1630	204014008009	HEX SCREW		1	pc	48,900 g		M 8 X120	ISO4014
	1640	700325012104	CLAMP HALF TUBE 2/1 D9-12		2	pc	33,800 g		2/1 D 9 - 12	MMN325
	1660	700325015100	CLAMP HALF TUBE 1/1 D9-15		2	pc	34,000 g		1/1 D 9 - 15	MMN325
	1680	700327008000	GROMMET		2	pc	1,700 g		8	MMN327
	1700	700327010000	GROMMET		1	pc	2,800 g		10	MMN327
	1720	304017008083	HEX SCREW		2	pc	15,100 g		M 8 X 30	ISO4017
	1760	007603014102	COPPER SEALING RING		1	pc	1,000 g		A 14 X 18	DIN7603
	1780	915006006000	UNION		1	pc	22,900 g		6	N15006
	1820	007603014102	COPPER SEALING RING		1	pc	1,000 g		A 14 X 18	DIN7603
	1840	915006006000	UNION		1	pc	22,900 g		6	N15006
	1860	X59520200052	VENT LINE		1	pc	110,100 g	SB		
	1900	5621870540	BRACKET FLAT H:50		1	pc	49,600 g			
	1920	007349008002	WASHER		1	pc	7,900 g		8,4	DIN7349
	1940	304017008079	HEX SCREW		1	pc	11,700 g		M 8 X 20	ISO4017
	1960	700325012100	CLAMP HALF TUBE 1/1 D9-12		2	pc	25,000 g		1/1 D 9 - 12	MMN325
	1980	700327008000	GROMMET		1	pc	1,700 g		8	MMN327
	2000	304017008083	HEX SCREW		1	pc	15,100 g		M 8 X 30	ISO4017
	2020	X59420200022	VENT LINE		1	pc	107,700 g	SB		
	2040	X59520200131	VENT LINE TO DISTRIBUTOR PCE		1	pc	313,100 g	SB		
	2060	915013010001	UNION		1	pc	29,200 g		10	N15013
	2064	700325018100	CLAMP HALF TUBE 1/1 D9-18		2	pc	40,000 g		1/1 D 9 - 18	MMN325
	2066	700327012000	GROMMET		1	pc	4,600 g		12	MMN327
	2068	304017008084	HEX SCREW		1	pc	16,400 g		M 8 X 35	ISO4017
	2080	X59599100095	RETAINER		1	pc	124,100 g			
	2090	007349008002	WASHER		1	pc	7,900 g		8,4	DIN7349
	2100	304017008079	HEX SCREW		1	pc	11,700 g		M 8 X 20	ISO4017
	2110	700325018100	CLAMP HALF TUBE 1/1 D9-18		2	pc	40,000 g		1/1 D 9 - 18	MMN325
	2120	700327012000	GROMMET		1	pc	4,600 g		12	MMN327
	2130	304017008084	HEX SCREW		1	pc	16,400 g		M 8 X 35	ISO4017
	2160	X59599100072	RETAINER		1	pc	206,900 g			
	2170	304017008083	HEX SCREW		2	pc	15,100 g		M 8 X 30	ISO4017
	2180	007349008002	WASHER		4	pc	7,900 g		8,4	DIN7349
	2200	304032008014	NUT HEX 8 A3C		2	pc	4,800 g		M 8	ISO4032
	2440	700325012100	CLAMP HALF TUBE 1/1 D9-12		2	pc	25,000 g		1/1 D 9 - 12	MMN325

➔	POS.	PART NO.	DESIGNATION	MODEL/TYPE	QTY.	UNITS	WEIGHT	FN	MEASUREMENT	STANDARD
	2460	700327008000	GROMMET		1	pc	1,700 g		8	MMN327
	2480	700325012104	CLAMP HALF TUBE 2/1 D9-12		1	pc	33,800 g		2/1 D 9 - 12	MMN325
	2500	700325012202	CLAMP HALF TUBE 2/1 G8-12		1	pc	34,800 g		2/1 G 8 - 12	MMN325
	2520	700327008000	GROMMET		2	pc	1,700 g		8	MMN327
	2540	304017008086	HEX SCREW		1	pc	19,400 g		M 8 X 45	ISO4017
	2580	007603012111	COPPER SEALING RING		1	pc	0,700 g		A 12 X 15,5	DIN7603
	2600	915013006002	UNION		1	pc	19,600 g		6	N15013
	2620	700160000006	ELBOW 90 DEG KR 6		1	pc	44,800 g		KR 6	MMN160
	2640	735038006103	HOSE		1	pc	189,300 g		1SN 6 CC 500	MTN5038
	2680	X52620200097	VENT LINE		1	pc	117,000 g		SB EM	
	2700	X59499100091	RETAINER		1	pc	239,300 g			
	2720	000000003020	HEX SCREW		1	pc	20,000 g		M 10 X 20	ISO4017
	2740	700325012100	CLAMP HALF TUBE 1/1 D9-12		4	pc	25,000 g		1/1 D 9 - 12	MMN325
	2760	700327008000	GROMMET		2	pc	1,700 g		8	MMN327
	2780	304017008085	HEX SCREW		2	pc	18,000 g		M 8 X 40	ISO4017
	2800	007349008002	WASHER		2	pc	7,900 g		8,4	DIN7349
	2820	304032008014	NUT HEX 8 A3C		2	pc	4,800 g		M 8	ISO4032
	2840	007603014102	COPPER SEALING RING		1	pc	1,000 g		A 14 X 18	DIN7603
	2860	915013008002	SCREW NECK		1	pc	24,000 g		8 (M16X1,5/M14X1,5)	N15013
	2880	X52820200068	VENT LINE		1	pc	115,200 g		SB EM	
	2920	X52899100028	NIPPLE		1	pc	49,500 g			
	2980	X59499100118	RETAINER		1	pc	779,800 g			
	3000	000000003020	HEX SCREW		2	pc	20,000 g		M 10 X 20	ISO4017
	3020	X59499100119	RETAINER		1	pc	235,400 g			
	3030	000000003020	HEX SCREW		1	pc	20,000 g		M 10 X 20	ISO4017
199	3060	X59420200182	DISTRIBUTOR		1	pc	1,500 kg			
	3080	000912008022	SCREW		2	pc	18,000 g		M 8 X 35	DIN912
	3120	X59520200123	VENT LINE		1	pc	90,500 g		SB	
	3180	007603012102	WASHER A COP		1	pc	0,800 g		A 12 X 16	DIN7603
	3200	915007008003	CONNECTOR 8/4		1	pc	27,400 g		8 / 4 (M16X1,5/M12X1,5)	N15007
	3220	X59420200178	VENT LINE		1	pc	170,000 g		SB	
	3240	700325015104	CLAMP HALF TUBE 2/1 D9-15		2	pc	47,000 g		2/1 D 9 - 15	MMN325
	3260	700327010000	GROMMET		2	pc	2,800 g		10	MMN327
	3280	304017008083	HEX SCREW		1	pc	15,100 g		M 8 X 30	ISO4017
	3320	007603012102	WASHER A COP		1	pc	0,800 g		A 12 X 16	DIN7603
	3340	915007008003	CONNECTOR 8/4		1	pc	27,400 g		8 / 4 (M16X1,5/M12X1,5)	N15007
	3360	X59420200179	VENT LINE		1	pc	173,000 g		SB	
	3420	007603030101	COPPER SEALING RING		1	pc	4,300 g		A 30 X 36	DIN7603
	3440	X00020487	BUSHING THREADED C23		1	pc	68,900 g			
	3460	007603022102	COPPER SEALING RING		1	pc	0,900 g		A 22 X 27	DIN7603
	3480	915007013000	CONNECTOR 13/8		1	pc	49,200 g		13 / 8 (M22X1,5/M16X1,5)	N15007
	3500	X59420200193	VENT LINE		1	pc	219,800 g		SB	
	3540	X59499100120	RETAINER		1	pc	129,000 g			
	3600	700325015100	CLAMP HALF TUBE 1/1 D9-15		2	pc	34,000 g		1/1 D 9 - 15	MMN325
	3620	700327010000	GROMMET		1	pc	2,800 g		10	MMN327
	3640	304017008086	HEX SCREW		1	pc	19,400 g		M 8 X 45	ISO4017
	3660	007349008002	WASHER		1	pc	7,900 g		8,4	DIN7349
	3680	304032008014	NUT HEX 8 A3C		1	pc	4,800 g		M 8	ISO4032
	3685	007349010002	WASHER		1	pc	11,000 g		10,5	DIN7349
	3690	000000003510	HEX SCREW		1	pc	60,200 g		M 10 X 90	ISO4014
	3720	700325015104	CLAMP HALF TUBE 2/1 D9-15		1	pc	47,000 g		2/1 D 9 - 15	MMN325
	3740	700325015202	CLAMP HALF TUBE 2/1 G8-15		1	pc	48,300 g		2/1 G 8 - 15	MMN325

➡	POS.	PART NO.	DESIGNATION	MODEL/TYPE	QTY.	UNITS	WEIGHT	FN	MEASUREMENT	STANDARD
	3760	700327010000	GROMMET		2	pc	2,800 g		10	MMN327
	3770	007349008002	WASHER		1	pc	7,900 g		8,4	DIN7349
	3780	304017008083	HEX SCREW		1	pc	15,100 g		M 8 X 30	ISO4017
	3820	007603030101	COPPER SEALING RING		1	pc	4,300 g		A 30 X 36	DIN7603
	3840	X00020487	BUSHING THREADED C23		1	pc	68,900 g			
	3860	007603022102	COPPER SEALING RING		1	pc	0,900 g		A 22 X 27	DIN7603
	3880	915007013000	CONNECTOR 13/8		1	pc	49,200 g		13 / 8 (M22X1,5/M16X1,5)	N15007
	3900	X59420200183	VENT LINE		1	pc	225,000 g	SB		
	3940	5559920101	BUSHING		1	pc	17,000 g			
	3960	700325015110	CLAMP HALF TUBE 1/1 D11-15		2	pc	30,200 g		1/1 D11 - 15	MMN325
	3980	700327010000	GROMMET		1	pc	2,800 g		10	MMN327
	4000	000000001042	HEX SCREW		1	pc	34,600 g		M 10 X 50	ISO4017
	4040	X52899100028	NIPPLE		4	pc	49,500 g			





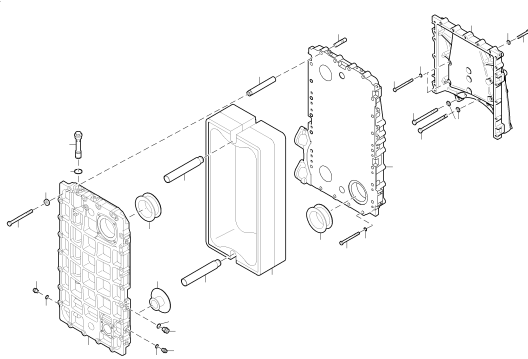
20201927a

➔	POS.	PART NO.	DESIGNATION	QTY.	UNITS	WEIGHT	MEASUREMENT	STANDARD
	20	007603014102	COPPER SEALING RING	4	pc	1,000 g	A 14 X 18	DIN7603
	30	X57518500023	SCREW-FITTING UNION F/TURBO OIL SUPPLY	2	pc	33,000 g	INNENDURCHMESSER 2MM	
	40	X57518500026	SCREW-FITTING UNION F/TURBO OIL SUPPLY	2	pc	0,033 kg	INNENDURCHMESSER 1MM	
	50	007603016105	COPPER SEALING RING	2	pc	3,000 g	A 16 X 20	DIN7603
	60	915006008002	UNION	1	pc	29,700 g	8	N15006
	70	000908016001	THREADED PLUG	1	pc	0,020 kg	M 16 X 1,5	DIN908

GROUP SEGMENT (FGS)

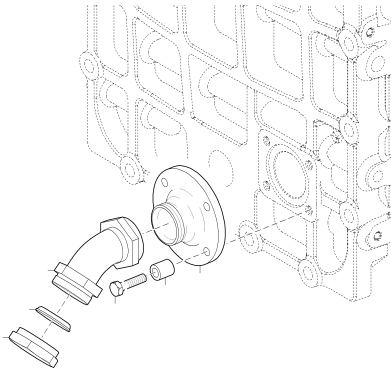
GROUP NAME

BOM-No.



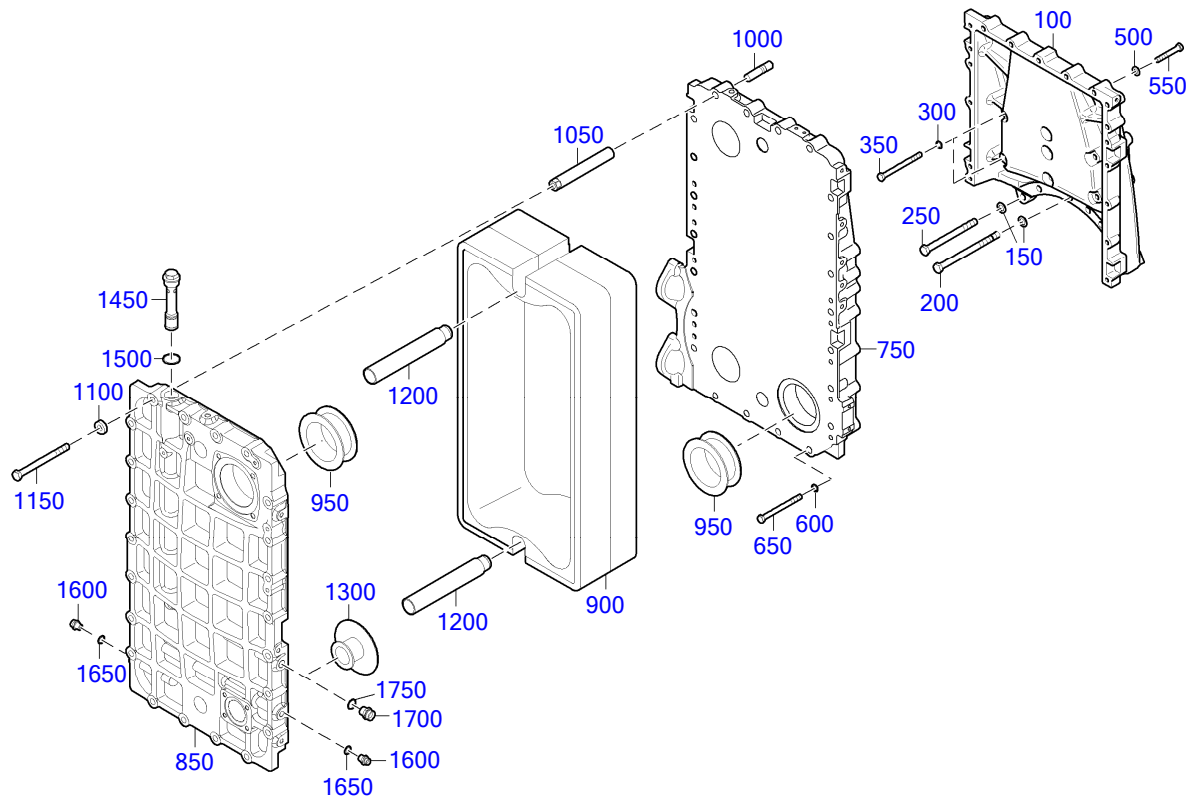
05  
**SEAWATER COOLER**  
XS594200.00065

20400117a



15  
**CONNECTING HARDWARE F/GRBX OIL HEAT EXC**  
XS594200.00033

20500117a



20400117a

➔	POS.	PART NO.	DESIGNATION	MODEL/TYPE	QTY.	UNITS	WEIGHT	MEASUREMENT	STANDARD
	100	X00033976	SUPPORT FOR HEAT EXCHANGER		1	pc	67,400 kg		
	150	200433017000	WASHER		6	pc	6,800 g	17	DIN433
	200	204014016010	HEX SCREW		5	pc	375,200 g	M 16 X230	ISO4014
	250	204014016017	HEX SCREW		1	pc	345,000 g	M 16 X210	ISO4014
	300	200433013000	WASHER		7	pc	2,500 g	13	DIN433
	350	000000003719	HEX SCREW		7	pc	115,200 g	M 12 X140	ISO4017
	500	200433013000	WASHER		7	pc	2,500 g	13	DIN433
	550	000000002970	HEX SCREW		7	pc	64,700 g	M 12 X 70	ISO4017
	600	200433013000	WASHER		11	pc	2,500 g	13	DIN433
	650	000000001077	HEX SCREW		11	pc	104,600 g	M 12 X110	ISO4014
202	750	X59420200252	SUPPORT PLATE FOR SEAWATER COOLER		1	pc	118,800 kg		
	850	X59620200110	COVER PLATE	BR 4000	1	pc	46,000 kg		
203	900	X59420400009/87	PLATE-CORE HEAT EXCH WITH TEST CERT. 3.1		1	pc	34,000 kg		
	950	X00044862	SEALING RING		2	pc	60,000 g		
	1000	200939020001	STUD		22	pc	130,000 g	M 20 X 1,5 X 35	DIN939
	1050	X59420200004	SPACER SLEEVE		22	pc	336,500 g		
	1100	735151016101	WASHER		20	pc	60,200 g	A 16,5	MTN5151
	1150	204017016010	HEX SCREW		22	pc	161,000 g	M 16 X 95	ISO4017
	1200	X59420200005	GUIDE		2	pc	1,003 kg		
	1300	X52820500001	SEALING RING FOR SEAWATER COOLER	BR 4000	1	pc	135,800 g		
204	1450	X59608600002	VALVE FOR FUEL		1	pc	653,600 g		
	1500	007603038101	COPPER SEALING RING		1	pc	5,400 g	A 38 X 44	DIN7603
	1600	735070010000	UNION		2	pc	32,200 g	12	MTN5070
	1650	007603016103	RING,GENERAL		2	pc	1,800 g	A 16 X 22	DIN7603
	1700	735070016000	UNION		1	pc	60,000 g	18	MTN5070

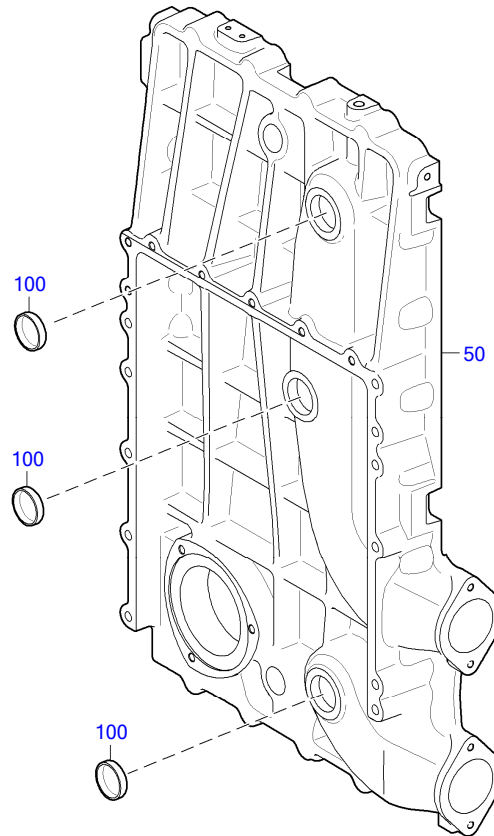
EQUI TYPE: Engine

PRODUCT TYPE: 12V4000M53  
SEAWATER COOLER

SERIAL NUMBER: 526107656

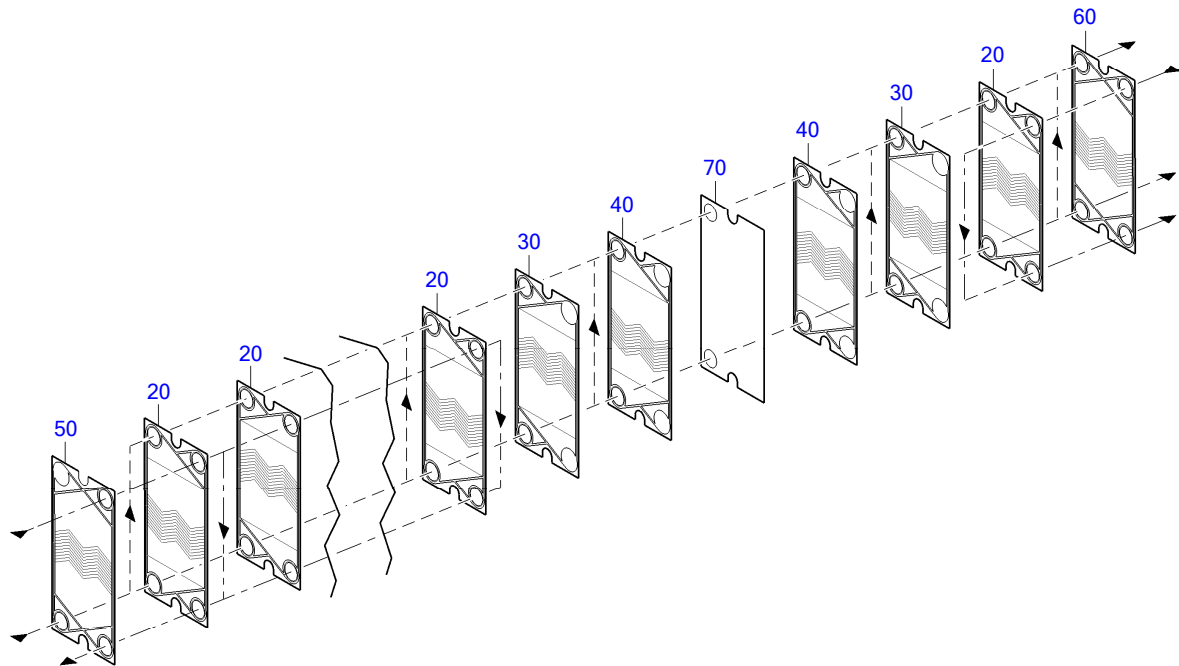
FG/FGS: 205 05  
BOM-No.: XS594200.00065

➡	POS.	PART NO.	DESIGNATION	MODEL/TYPE	QTY.	UNITS	WEIGHT	MEASUREMENT	STANDARD
	1750	007603022102	COPPER SEALING RING		1	pc	0,900 g	A 22 X 27	DIN7603



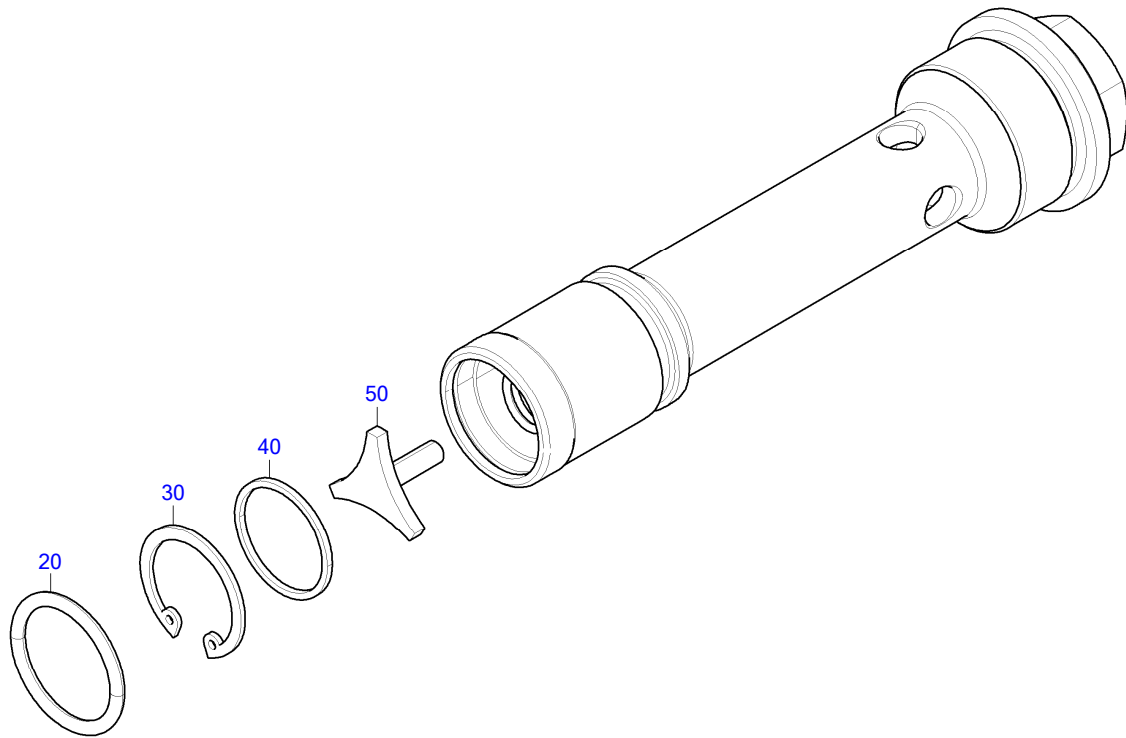
20400141

➔	POS.	PART NO.	DESIGNATION	QTY.	UNITS	WEIGHT	MEASUREMENT
	50	<b>X59420200251</b>	SUPPORT PLATE FOR SEAWATER COOLER	1	pc	118,900 kg	
	100	<b>5249970020</b>	SEALING CAP	3	pc	62,600 g	D 50



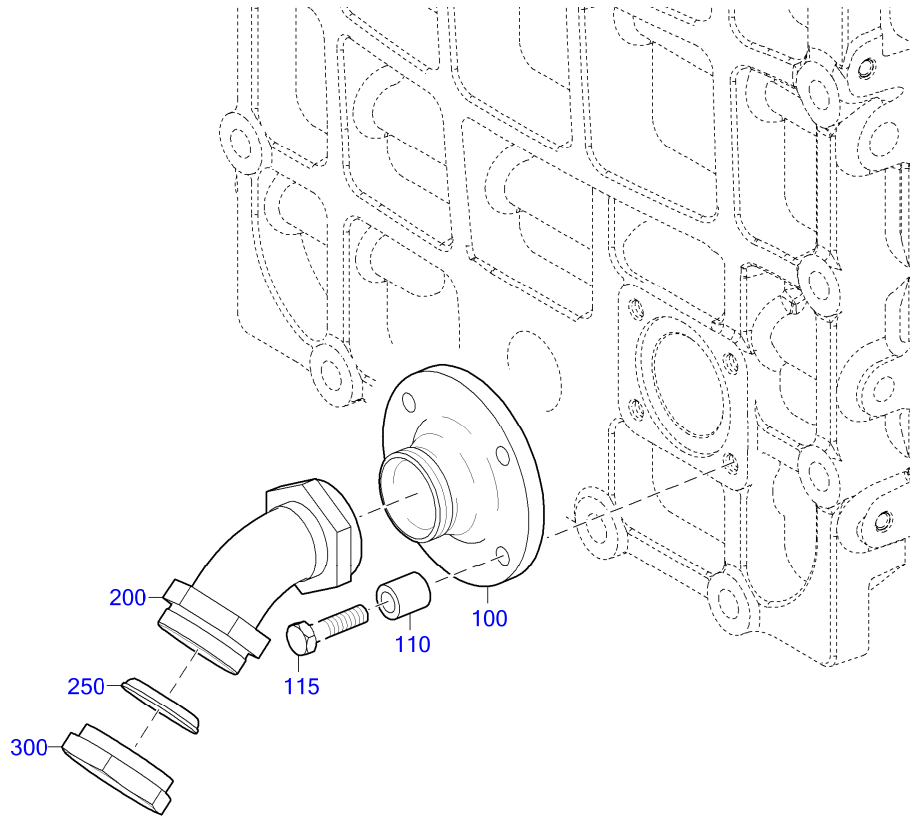
20000465a

➔	POS.	PART NO.	DESIGNATION	QTY.	UNITS	WEIGHT
	20	X00041552	COOLER PLATE ""A"" VERSION	22	pc	800,000 g
	30	X52820400001	COOLER PLATE B	2	pc	820,000 g
	40	X52820400002	COOLER PLATE VERSION C	2	pc	840,000 g
	50	X00041555	FIRST PLATE	1	pc	820,000 g
	60	X00041556	END PLATE	1	pc	800,000 g
	70	X00044892	PARTITION PLATE	1	pc	7,660 kg



20400098a

➔	POS.	PART NO.	DESIGNATION	MODEL/TYPE	QTY.	UNITS	WEIGHT	MEASUREMENT	STANDARD
	20	700429026001	O-RING		1	pc	1,300 g	26 X 3	MMN429
	30	000472028000	RING SNAP		1	pc	1,600 g	28 X 1,2	DIN472
	40	XP59608300016	WASHER	BR 4000	1	pc		27 X 25 X 1,5	
	50	XP59608300017	VALVE INSERT	BR 4000	1	pc			



20500171a

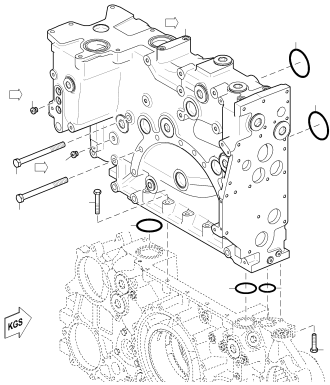
➡	POS.	PART NO.	DESIGNATION	QTY.	UNITS	WEIGHT	MEASUREMENT	STANDARD
	100	X59420500002	THREADED FLANGE FOR RAW WATER OUTLE	1	pc	1,100 kg		
	110	5599920101	SPACER BUSHING	4	pc	34,200 g	12MM X 20MM 22L	
	115	000000001042	HEX SCREW	4	pc	34,600 g	M 10 X 50	ISO4017
	200	X00041623	ELBOW	1	pc	573,600 g		
	250	735189042001	SEALING CONE	1	pc	48,000 g	42	MTN5189
	300	915001040002	NUT 40 M52X1.5 BL.GEOELT	1	pc	125,600 g	40 M 52 X 1,5	N15001



GROUP SEGMENT (FGS)

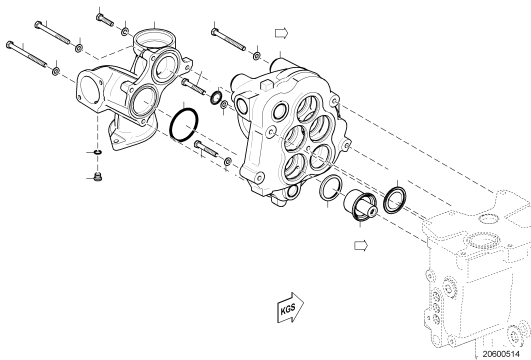
GROUP NAME

BOM-No.



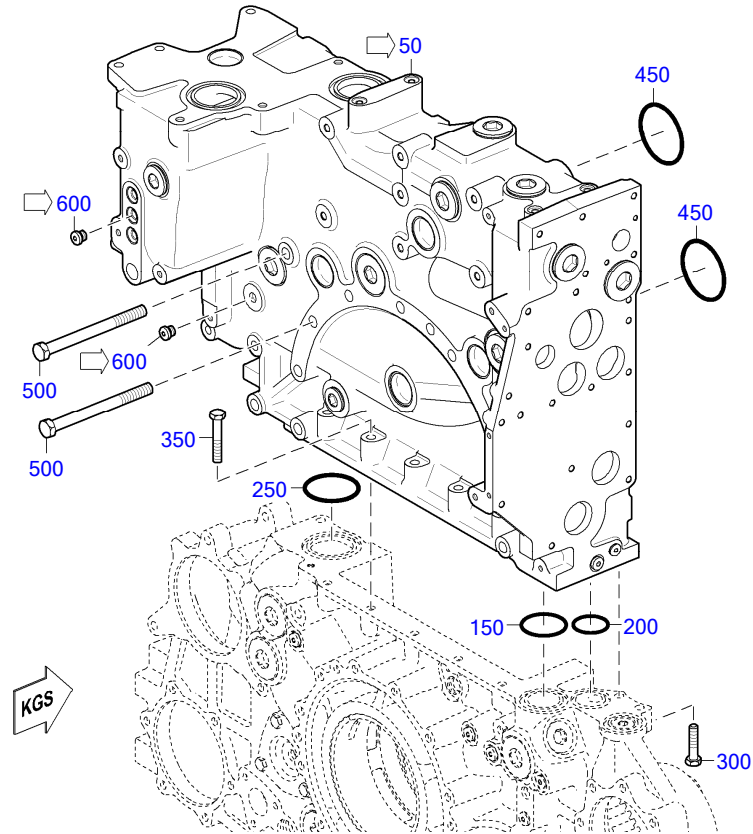
20600507

05  
**COOLANT DISTRIB HSG**  
XS595200.00013



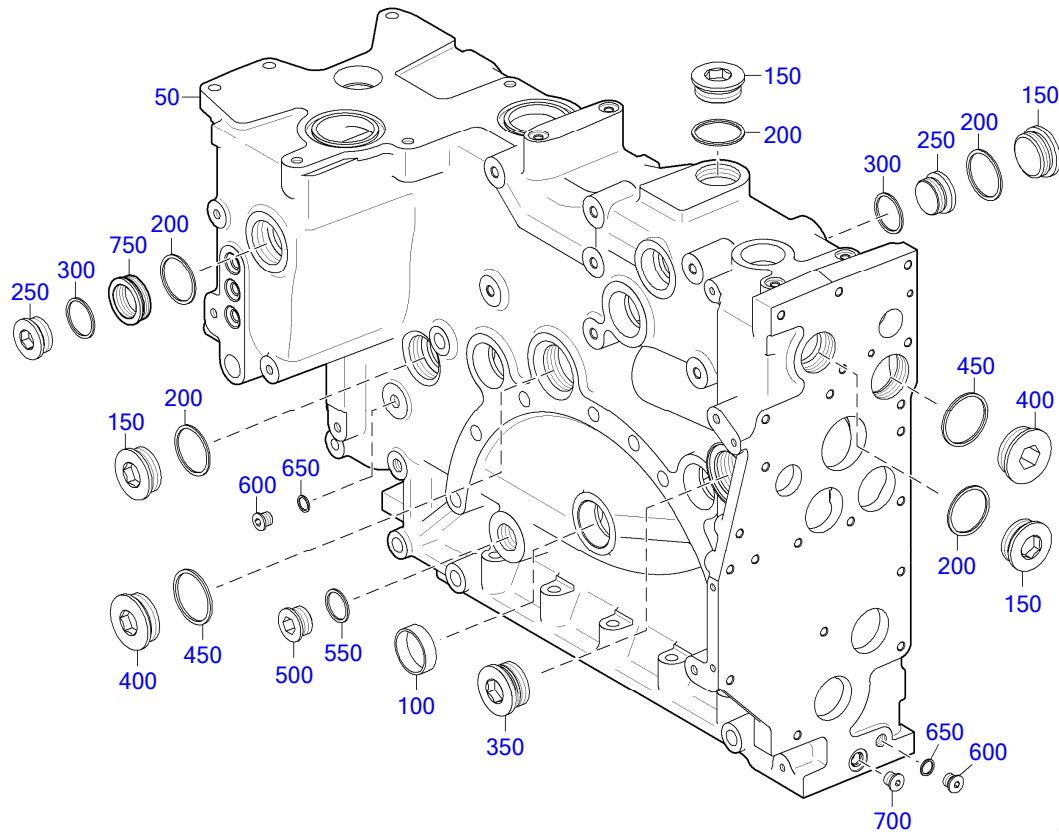
20600514

10  
**THERMOSTAT HOUSING W/ SEAWATER COOLING**  
XS594200.00073



20600507

➔	POS.	PART NO.	DESIGNATION	QTY.	UNITS	WEIGHT	MEASUREMENT	STANDARD
	150	700429055001	O-RING	1	pc	8,000 g	55 X 5	MMN429
	200	700429042000	O-RING	1	pc	6,200 g	42 X 5	MMN429
	250	700429070000	O-RING	1	pc	10,300 g	70 X 5	MMN429
	300	204017012015	HEX SCREW	2	pc	50,000 g	M 12 X 50	ISO4017
	350	000000002970	HEX SCREW	5	pc	64,700 g	M 12 X 70	ISO4017
	450	700429083000	O-RING	2	pc	11,700 g	83 X 5	MMN429
	500	000000002973	HEX SCREW	14	pc	302,800 g	M 16 X 180	ISO4014
31	600	735210014000	THREAD PLUG	5	pc	0,019 kg	M 14 X 1,5	MTN5210
208		X59320200096	COOLANT DISTRIB HSG	1	pc	154,666 kg		



20600499

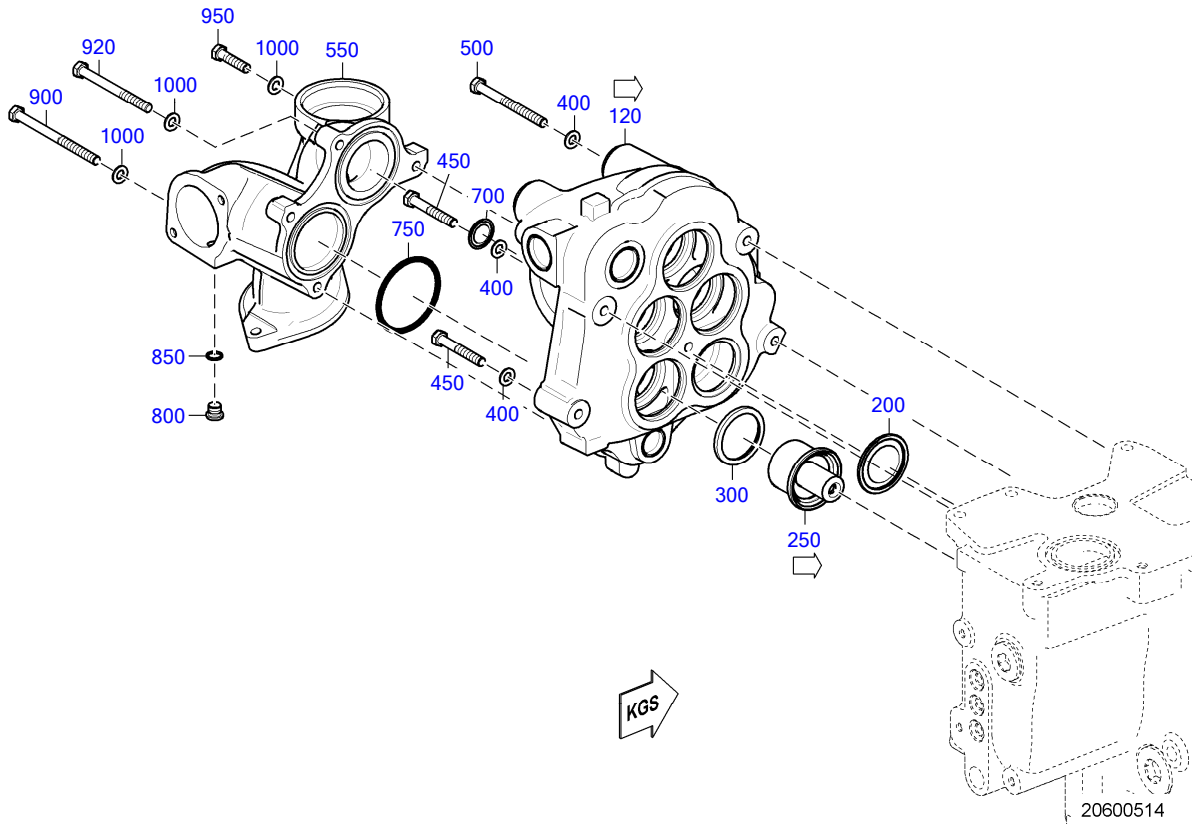
➔	POS.	PART NO.	DESIGNATION	QTY.	UNITS	WEIGHT	MEASUREMENT	STANDARD
	50	<b>X59320200095</b>	COOLANT DISTRIB HSG	1	pc			
	100	<b>5249970020</b>	SEALING CAP	8	pc	62,600 g	D 50	
	150	<b>000908048004</b>	THREAD PLUG	8	pc	0,247 kg	M 48 X 1,5	DIN908
	200	<b>007603048101</b>	COPPER SEALING RING	9	pc	7,700 g	A 48 X 55	DIN7603
	250	<b>000908038000</b>	THREAD PLUG	3	pc	0,150 kg	M 38 X 1,5	DIN908
	300	<b>007603038101</b>	COPPER SEALING RING	3	pc	5,400 g	A 38 X 44	DIN7603
	350	<b>735210048000</b>	THREAD PLUG	1	pc	0,337 kg	M 48 X 2	MTN5210
	400	<b>000908052003</b>	THREAD PLUG	2	pc	0,298 kg	M 52 X 1,5	DIN908
	450	<b>007603052101</b>	COPPER SEALING RING	2	pc	12,500 g	A 52 X 60	DIN7603
	500	<b>000908030002</b>	THREAD PLUG	1	pc	0,085 kg	M 30 X 1,5	DIN908
	550	<b>007603030101</b>	COPPER SEALING RING	1	pc	4,300 g	A 30 X 36	DIN7603
	600	<b>000908014001</b>	THREAD PLUG	1	pc	0,016 kg	M 14 X 1,5	DIN908
	650	<b>007603014102</b>	COPPER SEALING RING	1	pc	1,000 g	A 14 X 18	DIN7603
31	700	<b>735210014000</b>	THREAD PLUG	1	pc	0,019 kg	M 14 X 1,5	MTN5210
	750	<b>X59499100029</b>	THREADED BUSHING	1	pc	90,000 g	M48X1.5/M38X1.5	

EQUI TYPE: Engine

PRODUCT TYPE: 12V4000M53  
THERMOSTAT HOUSING W/ SEAWATER COOLING

SERIAL NUMBER: 526107656

FG/FGS: 206 10  
BOM-No.: XS594200.00073

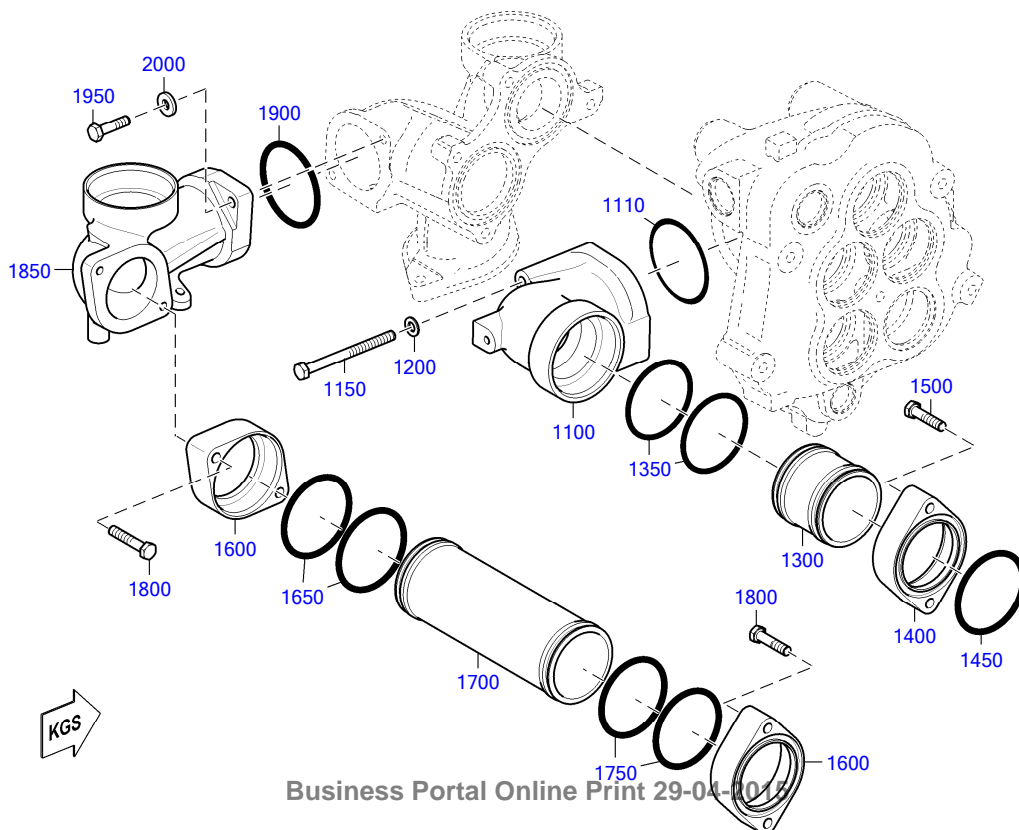


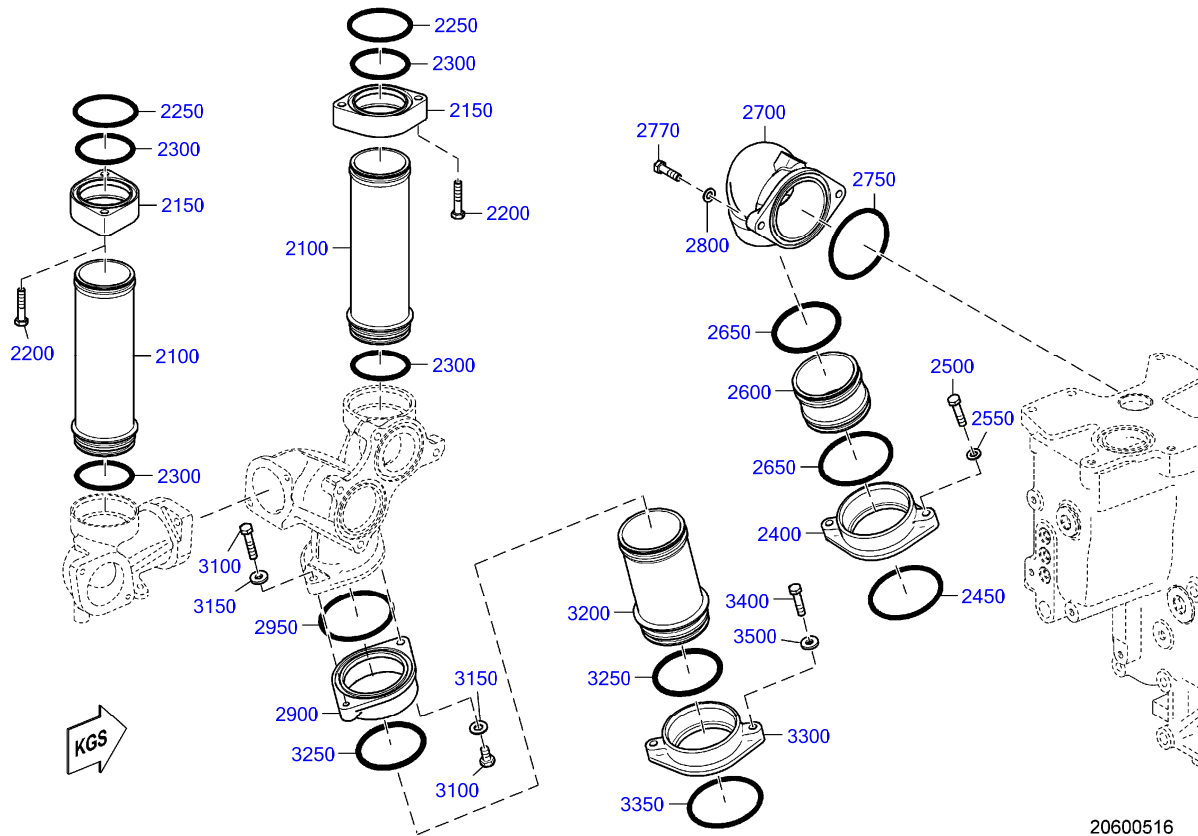
EQUI TYPE: Engine

PRODUCT TYPE: 12V4000M53  
THERMOSTAT HOUSING W/ SEAWATER COOLING

SERIAL NUMBER: 526107656

FG/FGS: 206 10  
BOM-No.: XS594200.00073

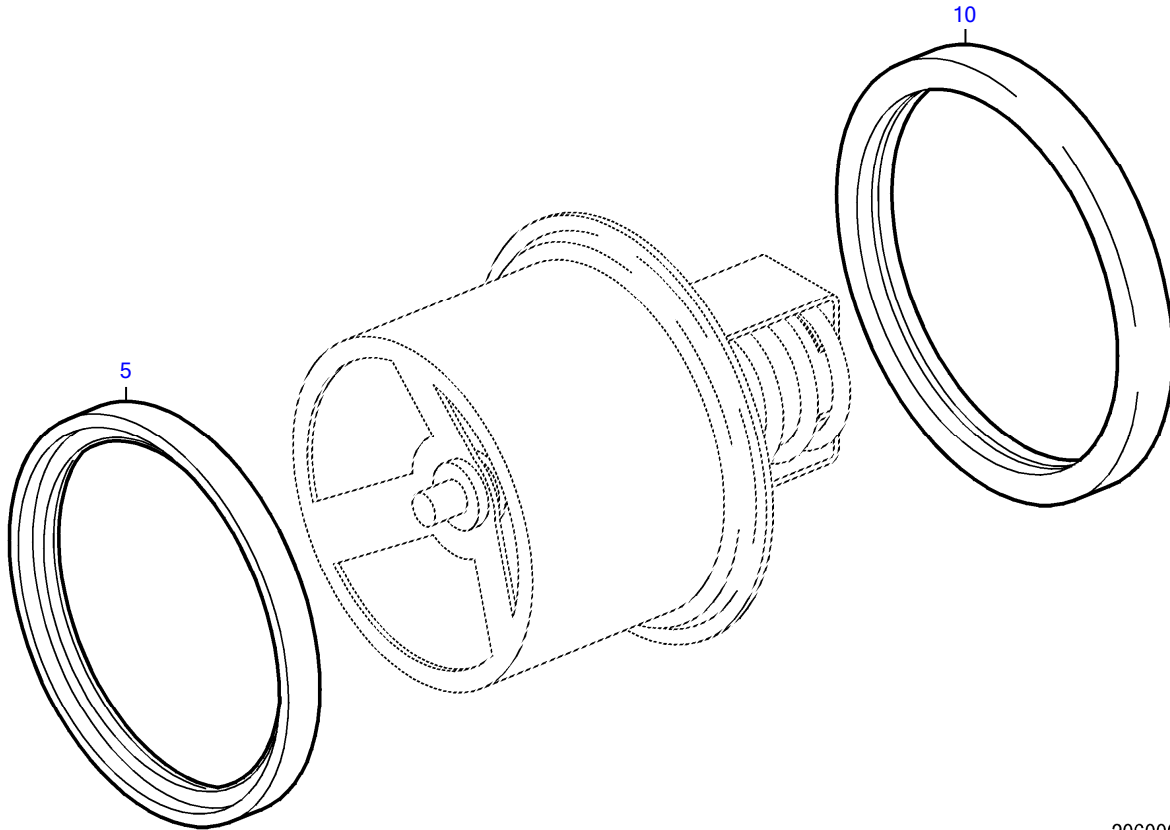




20600516

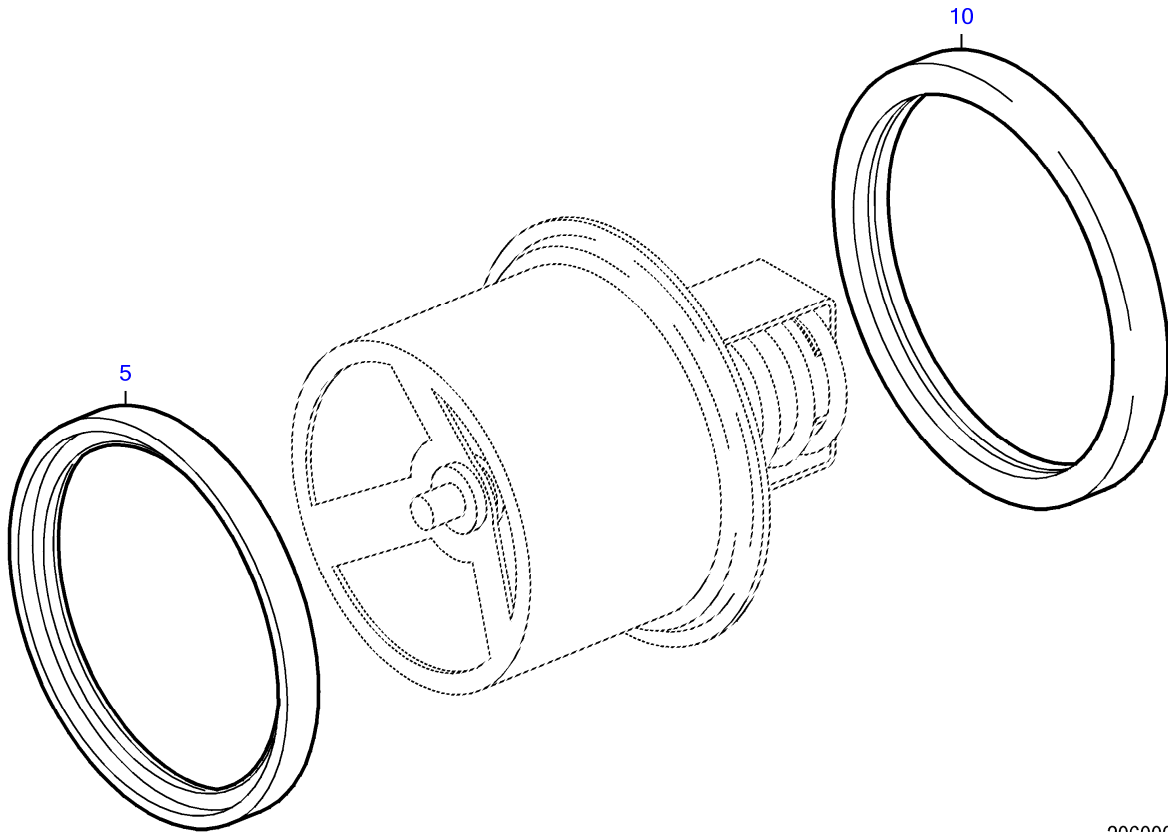
➔	POS.	PART NO.	DESIGNATION	MODEL/TYPE	QTY.	UNITS	WEIGHT	FN	MEASUREMENT	STANDARD
	212	120	<b>X59320600011</b>	THERMOSTAT HOUSING	1	pc	21,250 kg			
		200	<b>700429065000</b>	O-RING	1	pc	5,800 g	65 X 4		MMN429
	211	250	<b>0052031875</b>	THERMAL ACTUATOR	3	pc	174,800 g	EM		
	210	260	<b>0052031775</b>	THERMAL ACTUATOR	1	pc	175,000 g	EM		
		300	<b>05132155</b>	SEALING RING	4	pc	20,000 g			
		400	<b>000125010524</b>	WASHER	4	pc	3,100 g	A 10,5		DIN125
		450	<b>000000001076</b>	HEX SCREW	2	pc	45,900 g	M 10 X 70		ISO4017
		500	<b>204014010007</b>	HEX SCREW	2	pc	72,600 g	M 10 X110		ISO4014
		550	<b>X59320600008</b>	CONNECTING FLANGE ON THERMOST. HOUSIN	1	pc	10,700 kg			
		700	<b>X59320200123</b>	RESTRICTOR	1	pc	116,500 g	M56X1,5/ID40		
		750	<b>700429080001</b>	O-RING	2	pc	11,300 g	80 X 5		MMN429
		800	<b>000908014001</b>	THREAD PLUG	1	pc	0,016 kg	M 14 X 1,5		DIN908
		850	<b>007603014102</b>	COPPER SEALING RING	1	pc	1,000 g	A 14 X 18		DIN7603
		900	<b>204014010033</b>	HEX SCREW	2	pc	88,200 g	M 10 X135		ISO4014
		950	<b>204017010021</b>	HEX SCREW	2	pc	32,500 g	M 10 X 45		ISO4017
		1000	<b>000125010524</b>	WASHER	4	pc	3,100 g	A 10,5		DIN125
		1100	<b>X52820200157</b>	COOLANT ELBOW ON THERMOST. HOUSIN	1	pc	5,350 kg			
		1110	<b>700429083000</b>	O-RING	1	pc	11,700 g	83 X 5		MMN429
		1150	<b>000000001465</b>	HEX SCREW	2	pc	78,200 g	M 10 X120		ISO4014
		1200	<b>5599900040</b>	SPACER S2000/S4000	1	pc	15,700 g			
		1300	<b>X52820600005</b>	PLUG-IN PIPE	1	pc	738,500 g			
		1350	<b>700429075001</b>	O-RING	2	pc	10,600 g	75 X 5		MMN429
		1400	<b>X52820300003</b>	FLANGE	1	pc	753,900 g			
		1450	<b>700429083000</b>	O-RING	1	pc	11,700 g	83 X 5		MMN429
		1500	<b>204017010021</b>	HEX SCREW	2	pc	32,500 g	M 10 X 45		ISO4017

➡	POS.	PART NO.	DESIGNATION	MODEL/TYPE	QTY.	UNITS	WEIGHT	FN	MEASUREMENT	STANDARD
	1600	X52820300003	FLANGE		2	pc	753,900 g			
	1650	700429083000	O-RING		2	pc	11,700 g	83 X 5		MMN429
	1700	X52820600004	PLUG-IN PIPE		1	pc	2,500 kg			
	1750	700429075001	O-RING		2	pc	10,600 g	75 X 5		MMN429
	1800	204017010021	HEX SCREW		4	pc	32,500 g	M 10 X 45		ISO4017
	1850	X00035748	COOLANT ELBOW		1	pc	4,600 kg			
	1900	700429083000	O-RING		1	pc	11,700 g	83 X 5		MMN429
	1950	000000003326	HEX SCREW		2	pc	27,400 g	M 10 X 35		ISO4017
	2000	000125010524	WASHER		2	pc	3,100 g	A 10,5		DIN125
	2100	X59620600001	PLUG-IN PIPE		2	pc	2,700 kg			
	2150	X52820300003	FLANGE		2	pc	753,900 g			
	2200	000000001042	HEX SCREW		4	pc	34,600 g	M 10 X 50		ISO4017
	2250	700429083000	O-RING		2	pc	11,700 g	83 X 5		MMN429
	2300	700429075001	O-RING		4	pc	10,600 g	75 X 5		MMN429
	2400	5242030139	FLANGE		1	pc	1,200 kg			
	2450	700429100000	O-RING		1	pc	14,100 g	100 X 5		MMN429
	2500	204017010021	HEX SCREW		2	pc	32,500 g	M 10 X 45		ISO4017
	2550	000125010524	WASHER		2	pc	3,100 g	A 10,5		DIN125
	2600	X52820600002	PLUG-IN PIPE		1	pc	721,200 g			
	2650	700429085002	O-RING		2	pc	17,500 g	85 X 6		MMN429
	2700	X00029114	COOLANT ELBOW		1	pc	4,405 kg			
	2750	700429100000	O-RING		1	pc	14,100 g	100 X 5		MMN429
	2770	000000001039	HEX SCREW		2	pc	29,800 g	M 10 X 40		ISO4017
	2800	000125010524	WASHER		2	pc	3,100 g	A 10,5		DIN125
	2900	X593203000020	FLANGE		1	pc	1,200 kg			
	2950	700429100000	O-RING		1	pc	14,100 g	100 X 5		MMN429
	3100	204017010021	HEX SCREW		2	pc	32,500 g	M 10 X 45		ISO4017
	3150	007349010001	WASHER		2	pc	10,900 g	10,5		DIN7349
	3200	X52820600003	PLUG-IN PIPE		1	pc	1,854 kg			
	3250	700429085002	O-RING		2	pc	17,500 g	85 X 6		MMN429
	3300	5242030139	FLANGE		1	pc	1,200 kg			
	3350	700429100000	O-RING		1	pc	14,100 g	100 X 5		MMN429
	3400	204017010021	HEX SCREW		1	pc	32,500 g	M 10 X 45		ISO4017
	3500	007349010001	WASHER		1	pc	10,900 g	10,5		DIN7349



20600038a

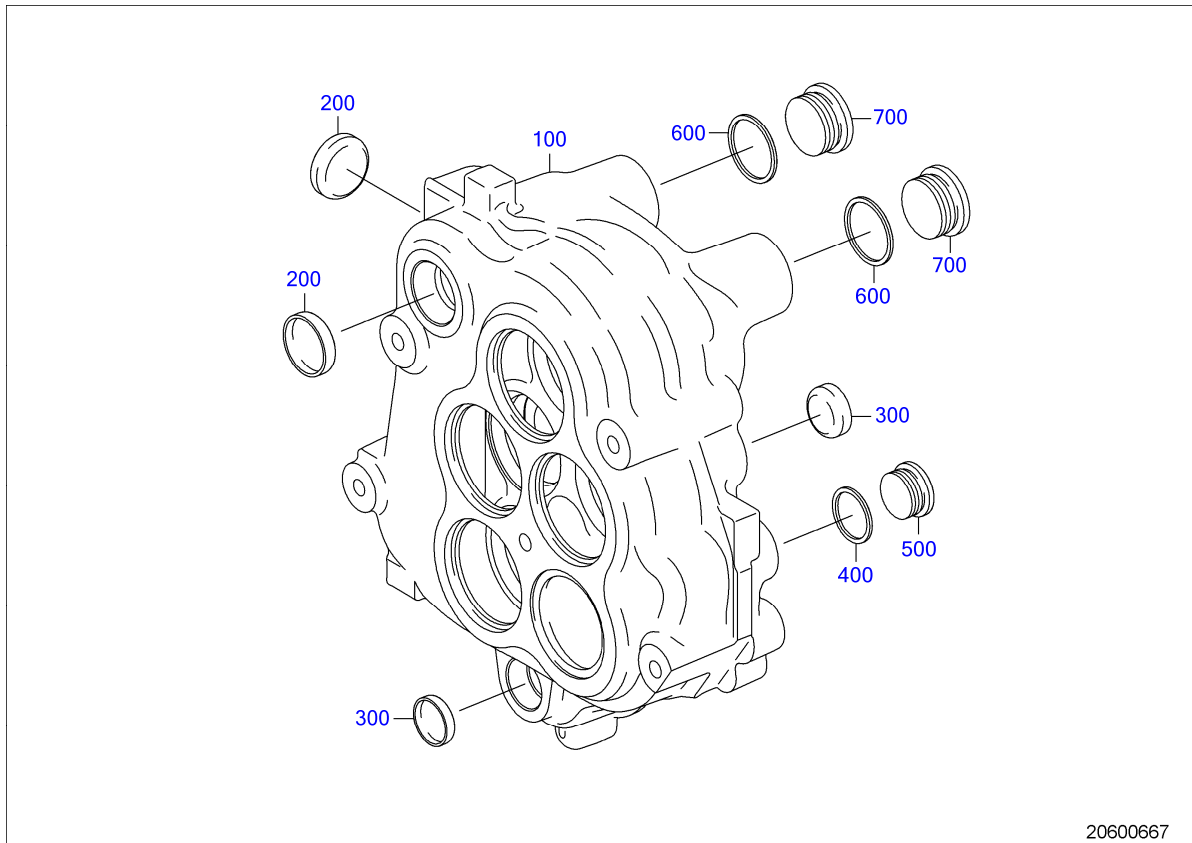
➔	POS.	PART NO.	DESIGNATION	QTY.	UNITS	WEIGHT	MEASUREMENT
	5	0002034480	RING SEALING	1	pc	20,000 g	57,76X67,5X6,4
	10	8692030147	GASKET	1	pc	7,800 g	VITON



20600038a

➔	POS.	PART NO.	DESIGNATION	QTY.	UNITS	WEIGHT	MEASUREMENT
	5	0002034480	RING SEALING	1	pc	20,000 g	57,76X67,5X6,4
	10	8692030147	GASKET	1	pc	7,800 g	VITON

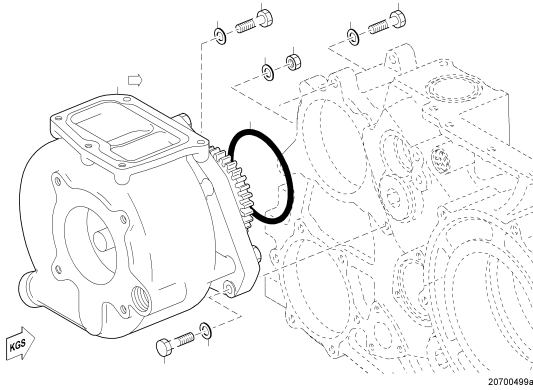




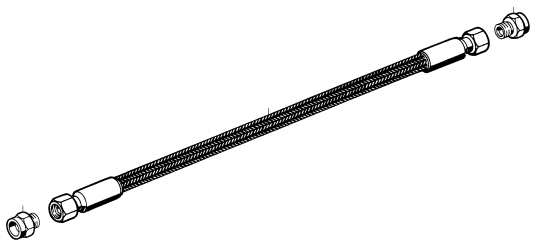
➔	POS.	PART NO.	DESIGNATION	QTY.	UNITS	WEIGHT	MEASUREMENT	STANDARD
	100	<b>X59320600010</b>	THERMOSTAT HOUSING	1	pc	25,000 kg		
	200	<b>5370160233</b>	SEALING CAP	2	pc	32,000 g	D 40	
	300	<b>5550160233</b>	SEALING CAP EXH MANIF	2	pc	22,700 g		
	400	<b>007603030101</b>	COPPER SEALING RING	1	pc	4,300 g	A 30 X 36	DIN7603
	500	<b>000908030002</b>	THREAD PLUG	1	pc	0,085 kg	M 30 X 1,5	DIN908
	600	<b>007603038101</b>	COPPER SEALING RING	2	pc	5,400 g	A 38 X 44	DIN7603
	700	<b>000908038000</b>	THREAD PLUG	2	pc	0,150 kg	M 38 X 1,5	DIN908

GROUP SEGMENT (FGS)  
GROUP NAME  
BOM-No.

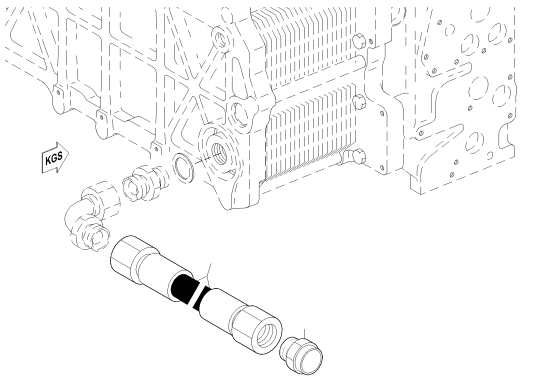
05  
**SEAWATER PUMP**  
XS594200.00074



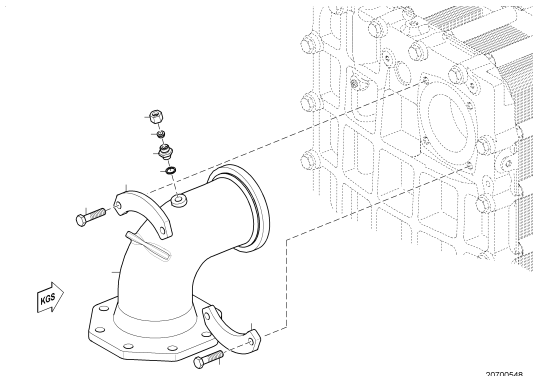
10  
**HOSE**  
200.00027

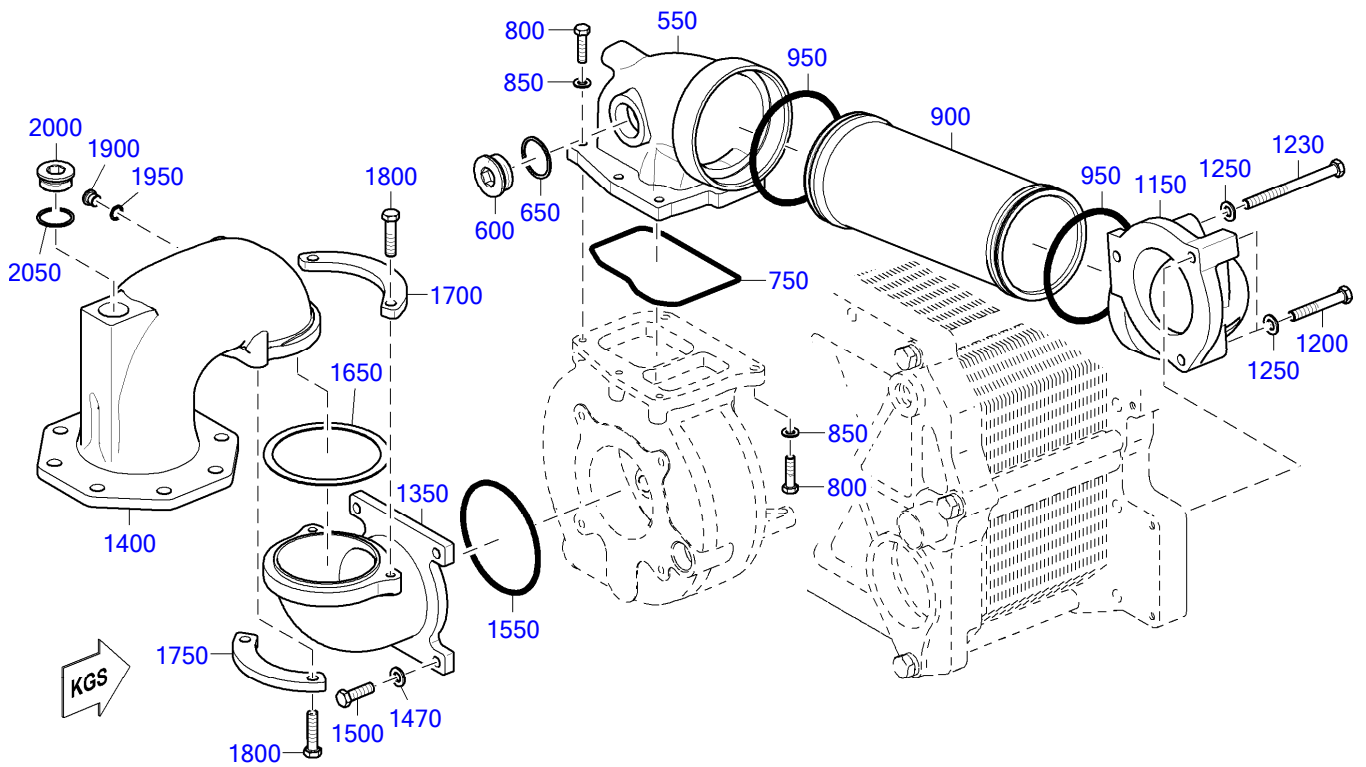
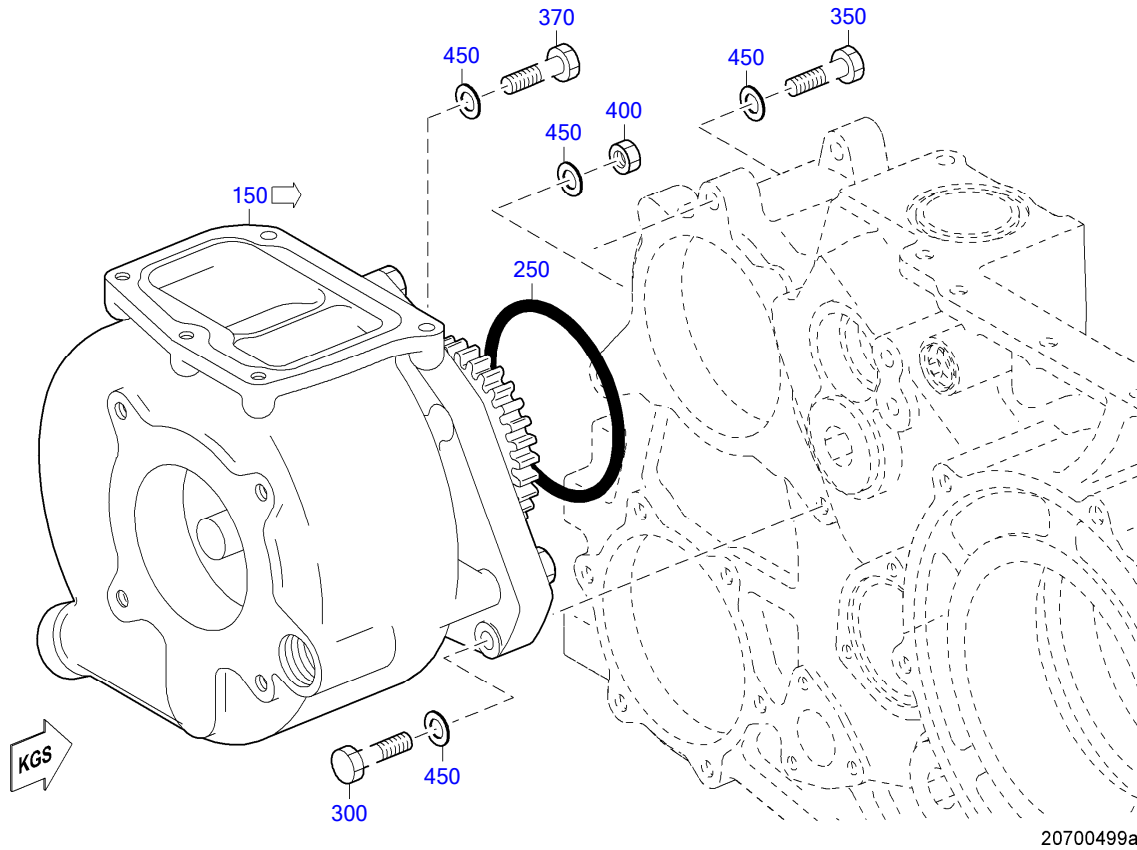


10  
**HOSE SEAWATER-RESISTANT**  
X00044049

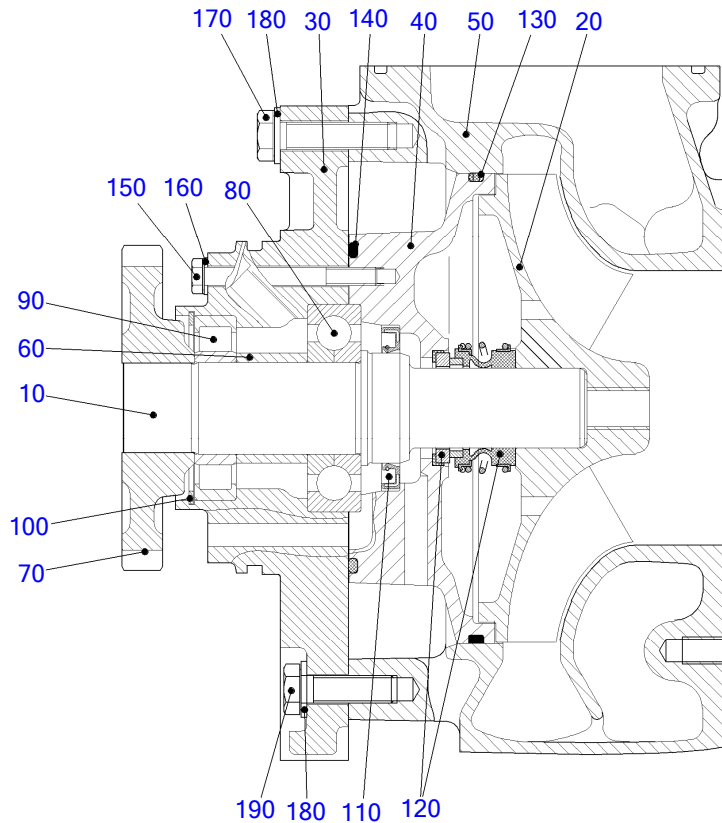


10  
**SEAWATER OUTLET FRONT**  
XS595200.00012



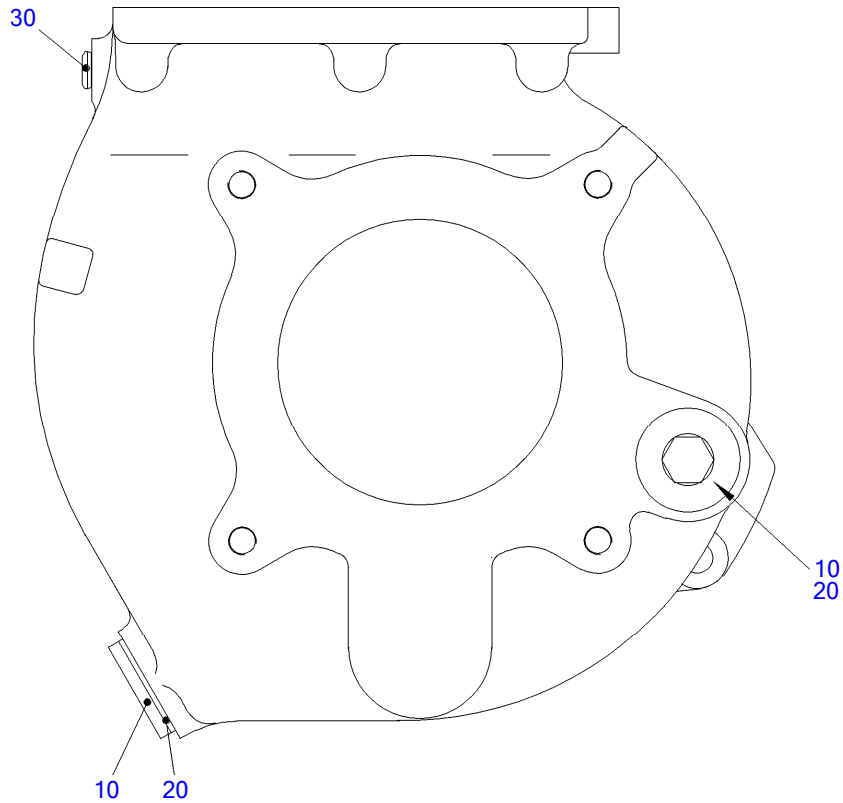


➡	POS.	PART NO.	DESIGNATION	QTY.	UNITS	WEIGHT	FN	MEASUREMENT	STANDARD
215	150	X00012174	PMP ASM SEA WATER	1	pc	40,916 kg	EM		
	250	700429130003	O-RING	1	pc	18,000 g		130 X 5	MMN429
	300	000000003437	HEX SCREW	1	pc	50,800 g	M	M 12 X 50	ISO4017
	350	000000003328	HEX SCREW	1	pc	64,400 g		M 12 X 70	ISO4017
	370	000000003926	HEX SCREW	1	pc	54,000 g		M 12 X 55	ISO4017
	400	000000004744	HEX NUT	1	pc	14,300 g		M 12	ISO4032
	450	000125013012	WASHER	4	pc	5,600 g		A 13	DIN125
	550	X52420300006	SEAWATER ELBOW	1	pc	7,840 kg			
	600	000908045005	PLUG	1	pc	0,210 kg		M 45 X 1,5	DIN908
	650	007603045101	COPPER SEALING RING	1	pc	17,300 g		A 45 X 52	DIN7603
	750	700429175001	O-RING	1	pc	15,100 g		175 X 4	MMN429
	800	000000001039	HEX SCREW	5	pc	29,800 g		M 10 X 40	ISO4017
	850	000125010524	WASHER	5	pc	3,100 g		A 10,5	DIN125
	900	X59420700001	PLUG-IN PIPE FOR SEAWATER	1	pc	6,700 kg			
	950	700429130000	O-RING	2	pc	26,000 g		130 X 6	MMN429
	1150	X00037445	COOLANT ELBOW	1	pc	7,183 kg			
	1200	000000002088	HEX SCREW	2	pc	72,400 g		M 12 X 80	ISO4017
	1230	204014012005	HEX SCREW	1	pc	130,200 g		M 12 X140	ISO4014
	1250	000125013012	WASHER	3	pc	5,600 g		A 13	DIN125
	1350	5242031522	ELBOW	1	pc	5,580 kg			
	1400	5242031422	ELBOW	1	pc	12,121 kg			
	1470	000125013012	WASHER	4	pc	5,600 g		A 13	DIN125
	1500	204017012009	HEX SCREW	4	pc	43,800 g	MN	M 12 X 40	ISO4017
	1550	700429135000	O-RING	1	pc	18,600 g		135 X 5	MMN429
	1650	5552032880	GASKET	1	pc	15,000 g			
	1700	5242030038	CLAMP HALF	1	pc	475,000 g			
	1750	5242030138	CLAMP HALF	1	pc	410,000 g			
	1800	000000003437	HEX SCREW	4	pc	50,800 g	M	M 12 X 50	ISO4017
	1900	000908014002	PLUG	1	pc	0,015 kg		M 14 X 1,5	DIN908
	1950	007603014102	COPPER SEALING RING	1	pc	1,000 g		A 14 X 18	DIN7603
	2000	000908038003	PLUG	2	pc	0,147 kg		M 38 X 1,5	DIN908
	2050	007603038101	COPPER SEALING RING	2	pc	5,400 g		A 38 X 44	DIN7603



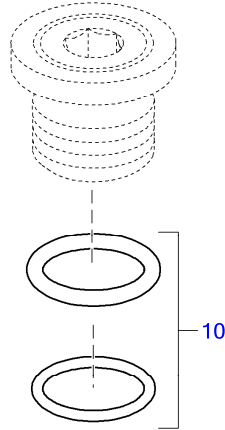
20700264a

➔	POS.	PART NO.	DESIGNATION	QTY.	UNITS	WEIGHT	FN	MEASUREMENT	STANDARD
	10	5272010505	SHAFT WAT PUMP HT COOLING CIRCUIT	1	pc	1,904 kg			
	20	X00012168	IMPELLER FOR SEAWATER PUMP	1	pc	2,700 kg			
	30	5272010110	BEARING HOUSING	1	pc	8,666 kg			
	40	5272010158	SEAL CARRIER FOR SEAWATER PUMP	1	pc	5,424 kg			
216	50	5272010401	SPIRAL HOUSING	1	pc	17,076 kg			
	60	5272010153	SPACER SLEEVE	1	pc	172,800 g			
	70	X00021750	GEAR	1	pc	1,770 kg			
	80	200628103006	BEARING ANGULAR CONTACT ROLLER	1	pc	750,000 g	QJ308		DIN628
	90	705100502035	BEARING CYLINDRICAL ROLLER	1	pc	623,000 g	NU208		DIN5412
	100	000472080000	RING SNAP	1	pc	22,000 g		80 X 2,5	DIN472
	110	700386048001	SEAL OIL 48 X 72 X 8 MNN386	1	pc	31,200 g		A 48 X 72 X 8	MMN386
	120	0012010119	ROTARY SEAL	1	pc	136,700 g			
	130	700429190001	O-RING	1	pc	25,800 g		190 X 5	MMN429
	140	700429135000	O-RING	1	pc	18,600 g		135 X 5	MMN429
	150	000931008241	HEX SCREW	4	pc	31,700 g		M 8 X 75	DIN931
	160	000125008427	WASHER	4	pc	1,500 g		A 8,4	DIN125
	170	000933012051	HEX SCREW	1	pc	53,200 g	MN	M 12 X 50	DIN933
	180	000125013012	WASHER	3	pc	5,600 g		A 13	DIN125
	190	000933012071	HEX SCREW	2	pc	44,800 g		M 12 X 40	DIN933



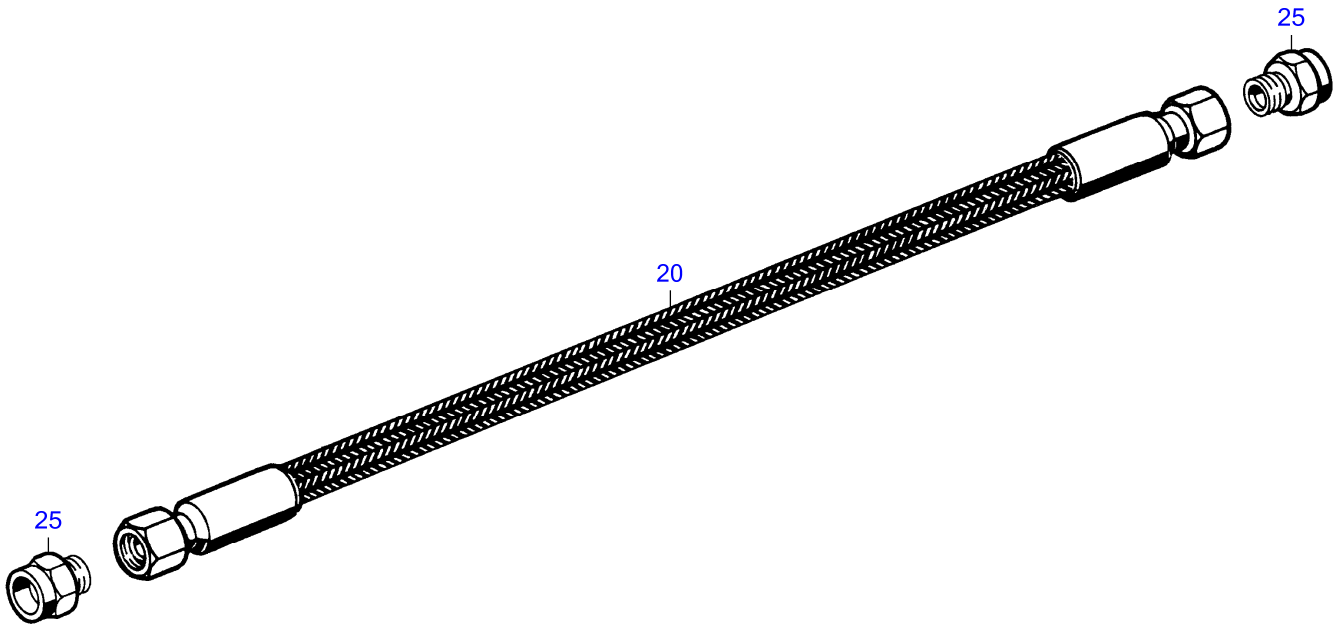
20700263a

➔	POS.	PART NO.	DESIGNATION	MODEL/TYPE	QTY.	UNITS	WEIGHT	MEASUREMENT	STANDARD
	10	000908038003	PLUG		2	pc	0,147 kg	M 38 X 1,5	DIN908
	20	007603038101	COPPER SEALING RING		2	pc	5,400 g	A 38 X 44	DIN7603
217	30	5249970032	PLUG WITH O-RING	BR2000/4000	2	pc	0,015 kg	M14X1,5	



20700782

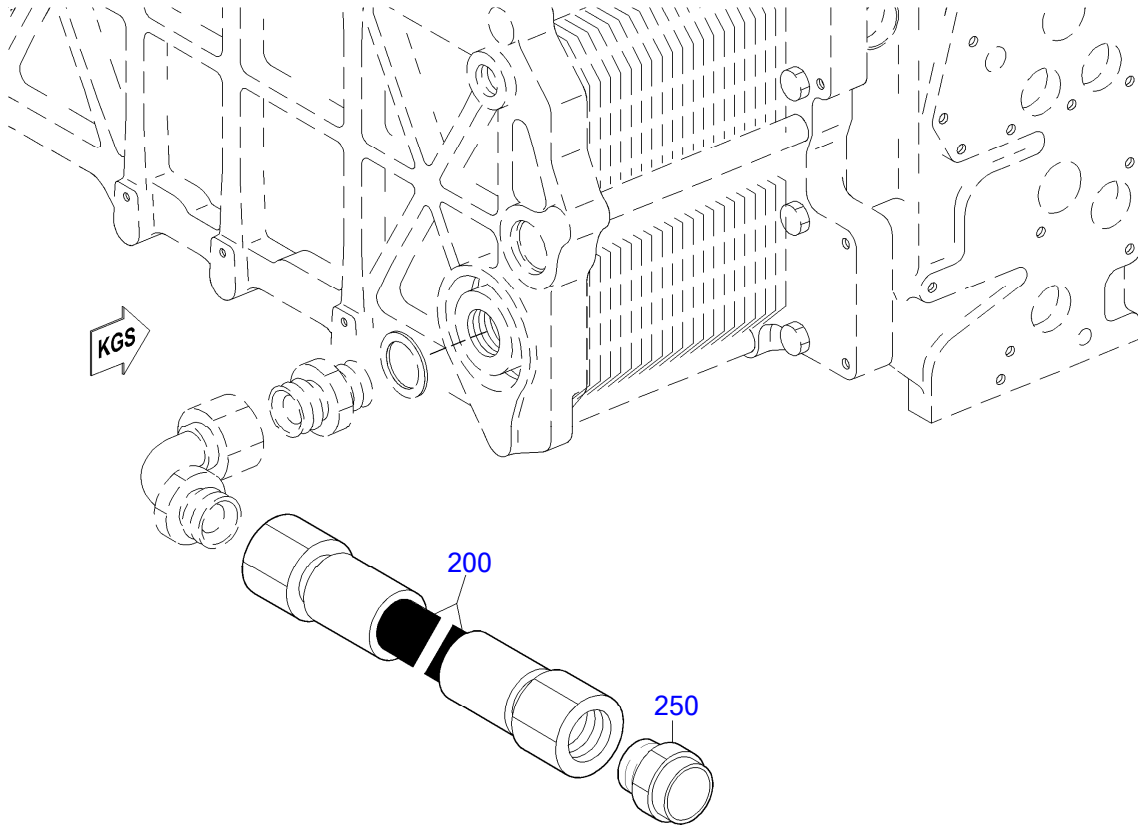
➔	POS.	PART NO.	DESIGNATION	QTY.	UNITS	WEIGHT	MEASUREMENT	STANDARD
	10	735221011000	O-RING	2	pc	0,300 g	11,3 X 2,2 - M14X1,5	MTN5221



E2073016a0

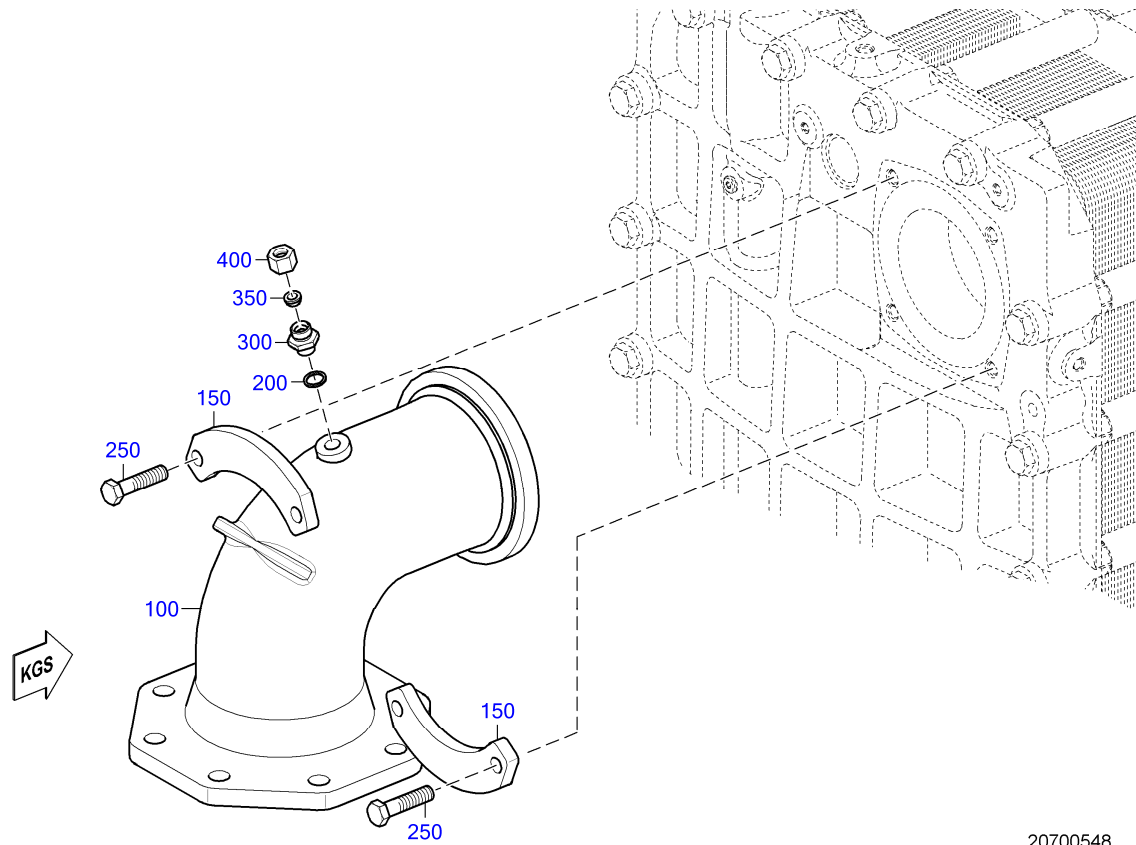
➔	POS.	PART NO.	DESIGNATION	QTY.	UNITS	WEIGHT	MEASUREMENT	STANDARD
	20	735038006102	HOSE	1	pc	0,148 kg	1SN 6 CC 300	MTN5038
	25	718363206002	UNION	2	pc	14,800 g	8/M 14 X 1,5	MMN18363.2





20400074a

➔	POS.	PART NO.	DESIGNATION	QTY.	UNITS	WEIGHT	MEASUREMENT	STANDARD
	200	<b>735038040106</b>	HOSE	1	pc	3,400 kg	1SN 40 CC 1200-MW	MTN5038
	250	<b>718363240003</b>	UNION	1	pc	202,600 g	42/M 52 X 1,5	MMN18363.2



20700548

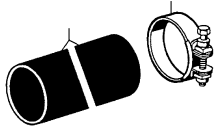
➔	POS.	PART NO.	DESIGNATION	MODEL/TYPE	QTY.	UNITS	WEIGHT	FN	MEASUREMENT	STANDARD
	100	5242032022	ELBOW	4000	1	pc	11,500 kg			
	150	5242030238	CLAMP HALF		2	pc	462,200 g			
	200	007603014102	COPPER SEALING RING		1	pc	1,000 g		A 14 X 18	DIN7603
	250	000000003437	HEX SCREW		4	pc	50,800 g	M	M 12 X 50	ISO4017
	300	915007008008	CONNECTOR 8/6 F73		1	pc	27,300 g		8 / 6 (M16X1,5/M14X1,5)	N15007
	350	915005008003	CONE SEALING 10 F73		1	pc	3,900 g		10	MBN15005
	400	915001008001	NUT		1	pc	14,600 g		8 M 16 X 1,5	N15001

GROUP SEGMENT (FGS)

GROUP NAME

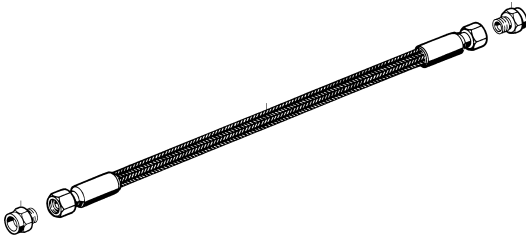
BOM-No.

05  
RUBBER SLEEVE  
200.00023



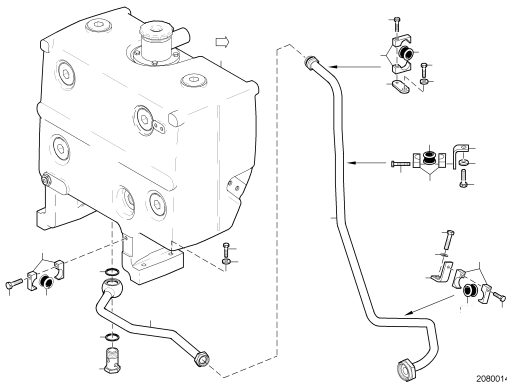
ET14 004705

05  
HOSE  
200.00024

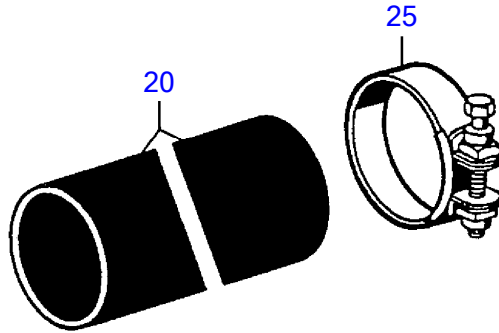


E2083003a0

05  
COOLANT EXP TANK  
XS593200.00015

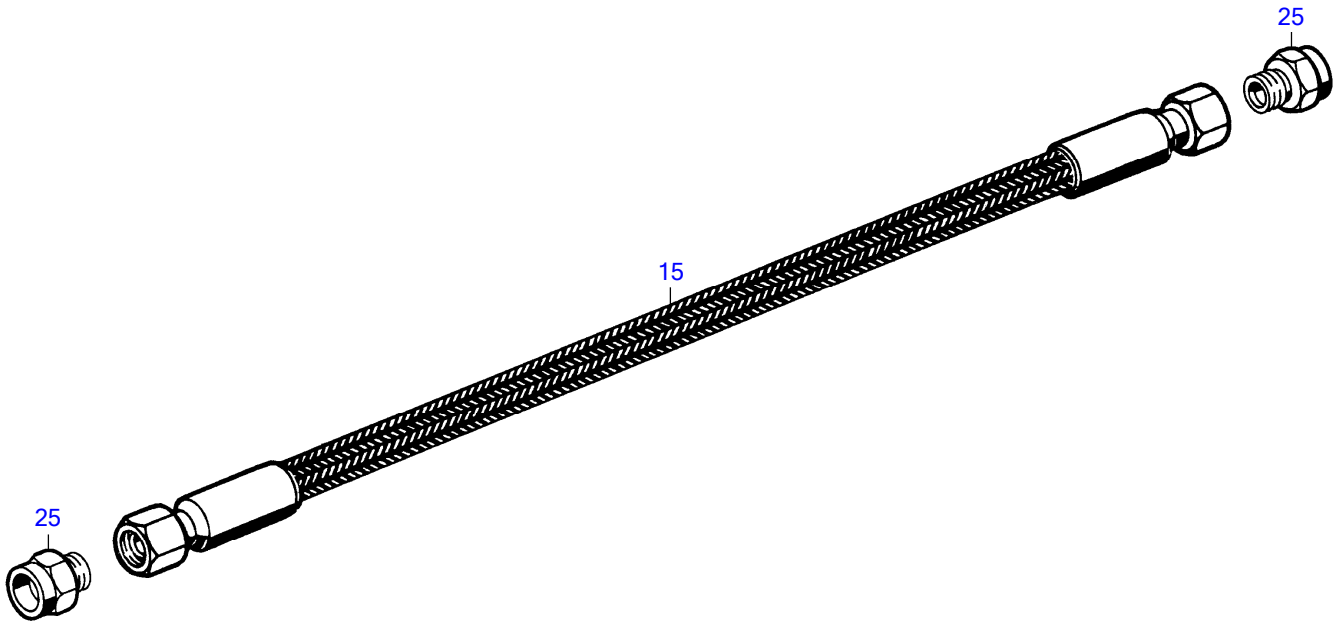


20800145



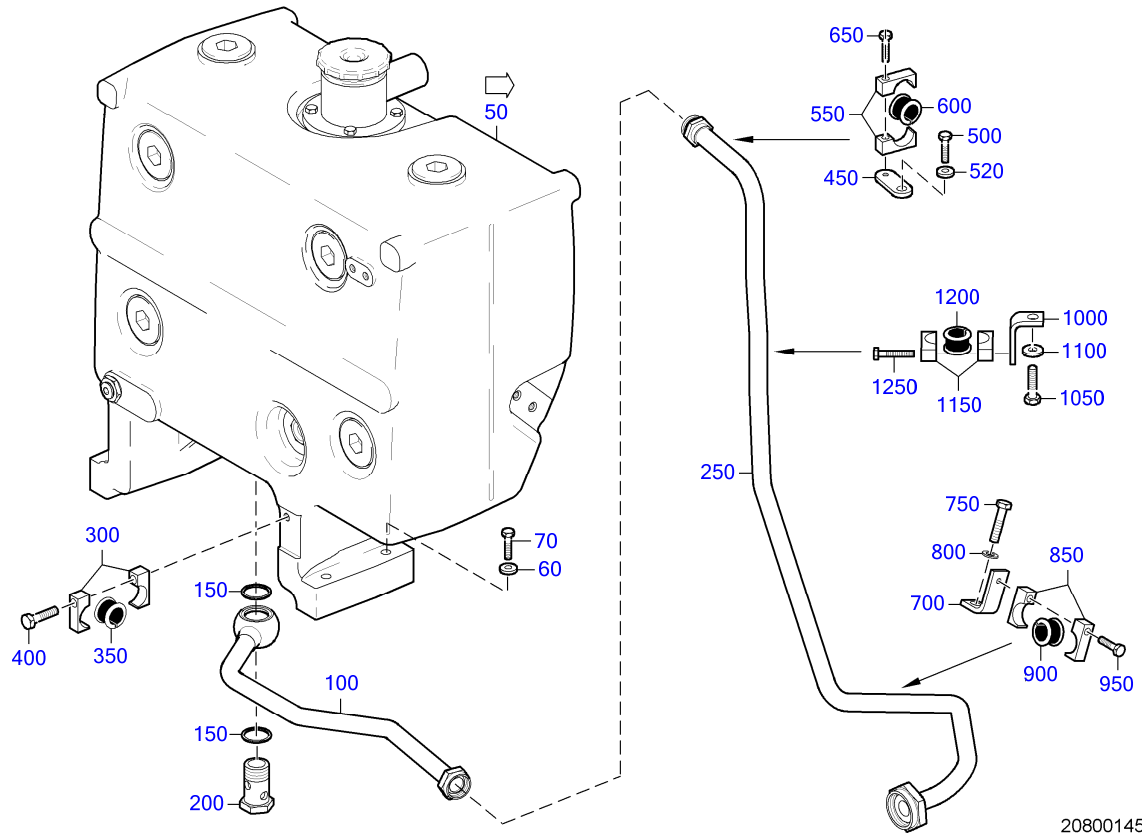
ET14 004705

➔	POS.	PART NO.	DESIGNATION	QTY.	UNITS	WEIGHT	MEASUREMENT	STANDARD
	20	700368042004	SLEEVE RUBBER	1	pc	507,800 g	42 X 400	MMN368
	25	900288054005	CLAMP	2	pc	69,900 g	S 54/20X1 SKZ	N288A



E2083003a0

➔	POS.	PART NO.	DESIGNATION	QTY.	UNITS	WEIGHT	MEASUREMENT	STANDARD
	15	735038008103	HOSE	1	pc	198,100 g	1SN 8 CC 300-MW	MTN5038
	25	718363208003	UNION	2	pc	19,500 g	10/M 16 X 1,5	MMN18363.2



➔	POS.	PART NO.	DESIGNATION	MODEL/TYPE	QTY.	UNITS	WEIGHT	MEASUREMENT	STANDARD
	50	X5932080004	EXPANSION TANK		1	pc	40,000 kg		
	60	735151010100	SPACER		4	pc	11,000 g	A 10,5	MTN5151
	70	000000004745	HEX SCREW		4	pc	41,800 g	M 10 X 65	ISO4017
	100	X59420800011	COOLANT LINE		1	pc	726,300 g		
	150	007603030101	COPPER SEALING RING		2	pc	4,300 g	A 30 X 36	DIN7603
	200	700223020000	BOLT BANJO A20		1	pc	201,600 g	A 22	MMN223
	250	X59420800016	COOLANT LINE		1	pc	1,300 kg		
	300	700325028105	PIPE CLAMP HALF		2	pc	50,500 g	1/1 D11 - 28	MMN325
	350	700327022000	GROMMET		1	pc	9,000 g	22	MMN327
	400	000000001042	HEX SCREW		1	pc	34,600 g	M 10 X 50	ISO4017
	450	5241872240	BRACKET 40X6 M12 UNTHD+M8 THD BOLT HOLE BR 4000		1	pc	62,200 g		
	500	304017008079	HEX SCREW		1	pc	11,700 g	M 8 X 20	ISO4017
	520	007349008002	WASHER		1	pc	7,900 g	8,4	DIN7349
	550	700325028100	CLAMP HALF TUBE 1/1 D9-28		2	pc	55,000 g	1/1 D 9 - 28	MMN325
	600	700327022000	GROMMET		1	pc	9,000 g	22	MMN327
	650	304017008086	HEX SCREW		1	pc	19,400 g	M 8 X 45	ISO4017
	700	5242031540	BRACKET		1	pc	93,900 g		
	750	304017010015	HEX SCREW		1	pc	39,200 g	M 10 X 60	ISO4017
	800	007349010002	WASHER		1	pc	11,000 g	10,5	DIN7349
	850	700325028100	CLAMP HALF TUBE 1/1 D9 - 28		2	pc	55,000 g	1/1 D 9 - 28	MMN325
	900	700327022000	GROMMET		1	pc	9,000 g	22	MMN327
	950	304017008086	HEX SCREW		1	pc	19,400 g	M 8 X 45	ISO4017
	1000	5242031540	BRACKET		1	pc	93,900 g		
	1050	000000001042	HEX SCREW		1	pc	34,600 g	M 10 X 50	ISO4017
	1100	007349010002	WASHER		1	pc	11,000 g	10,5	DIN7349

EQUI TYPE: Engine

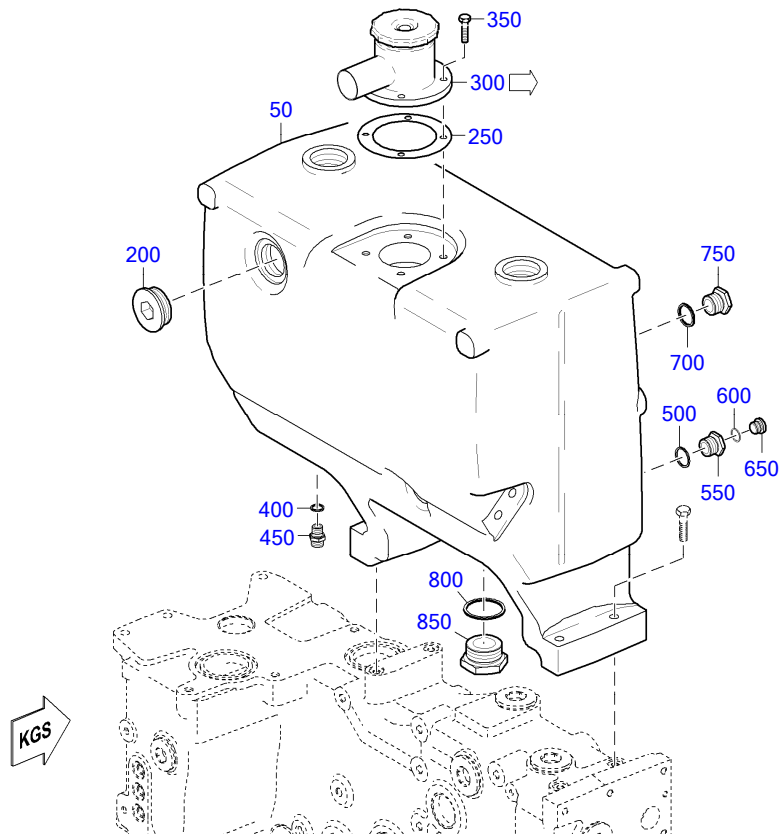
PRODUCT TYPE: 12V4000M53  
COOLANT EXP TANK

SERIAL NUMBER: 526107656

FG/FGS: 208 05

BOM-No.: XS593200.00015

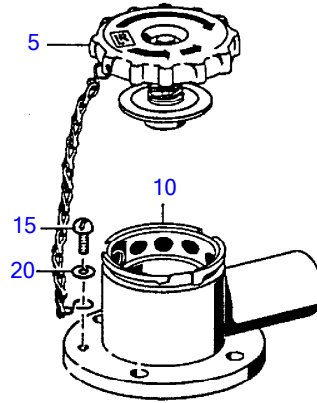
➡	POS.	PART NO.	DESIGNATION	MODEL/TYPE	QTY.	UNITS	WEIGHT	MEASUREMENT	STANDARD
	1150	700325028100	CLAMP HALF TUBE 1/1 D9-28		2	pc	55,000 g	1/1 D 9 - 28	MMN325
	1200	700327022000	GROMMET		1	pc	9,000 g	22	MMN327
	1250	304017008086	HEX SCREW		1	pc	19,400 g	M 8 X 45	ISO4017



20800137a

➔	POS.	PART NO.	DESIGNATION	QTY.	UNITS	WEIGHT	FN	MEASUREMENT	STANDARD
	50	X59320800003	EXPANSION TANK	1	pc	39,500 kg			
	200	735072052000	PLUG	8	pc	0,105 kg		M 52 X 2	MTN5072
	250	5552031780	GASKET	1	pc	8,600 g			
226	300	0002000017	PRESSURE CAP (EXPANSION TANK)	1	pc	1,376 kg	P		
	350	304017008081	HEX SCREW	4	pc	13,400 g		M 8 X 25	ISO4017
	400	007603016105	COPPER SEALING RING	1	pc	3,000 g		A 16 X 20	DIN7603
	450	735070010000	UNION	1	pc	32,200 g		12	MTN5070
	500	007603024106	SEALING RING	1	pc	2,700 g		A 24 X 29	DIN7603
	550	700354016004	THREADED BUSHING	1	pc	60,000 g		M 16 X 1,5	MMN354
	600	007603016105	COPPER SEALING RING	1	pc	3,000 g		A 16 X 20	DIN7603
	650	000908016005	PLUG	1	pc	0,018 kg		M 16 X 1,5	DIN908
	700	007603027101	WASHER A	1	pc	1,000 g		A 27 X 32	DIN7603
	750	X59520800007	THREADED BUSHING	1	pc	73,000 g		M 18 X 1,5	
	800	007603048101	COPPER SEALING RING	1	pc	7,700 g		A 48 X 55	DIN7603
	850	X59499100064	THREADED BUSHING	1	pc	336,000 g		M 30 X 1,5	





ET14 004707

➔	POS.	PART NO.	DESIGNATION	QTY.	UNITS	WEIGHT	FN	MEASUREMENT	STANDARD
	5	0002033286	CAP PRESSURE EXPANSION TANK S2000/4000	1	pc	151,600 g			
	10	Z=7.4560.2.00	BASE COMPLETE	1	pc				
	15	Z=M6X10DIN86	RD-HD SCRW	1	pc		AC	M6 X 10	
	20	000125006431	WASHER	1	pc	0,800 g		A 6,4	DIN125

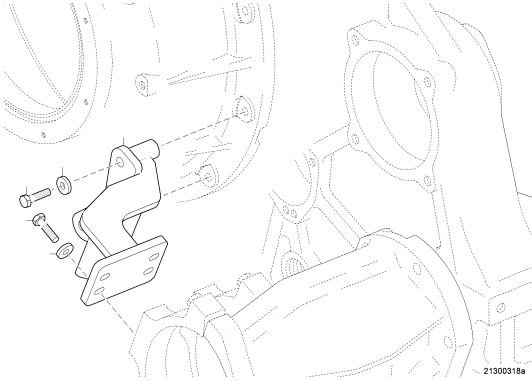
GROUP SEGMENT (FGS)

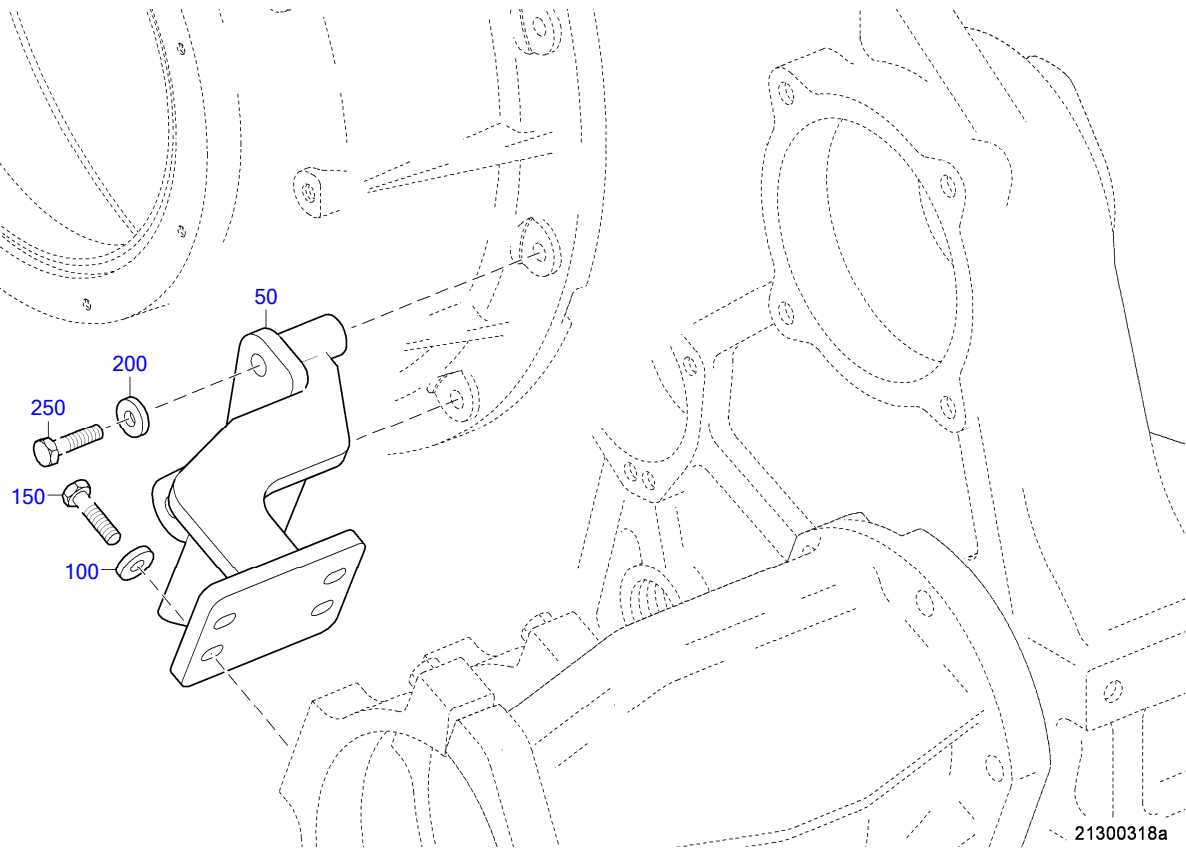
GROUP NAME

BOM-No.

---

00  
RETAINER FOR ALTERNATOR  
XS594210.00002





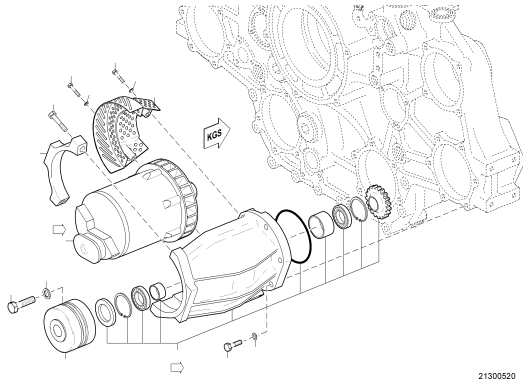
21300318a

➔	POS.	PART NO.	DESIGNATION	QTY.	UNITS	WEIGHT	MEASUREMENT	STANDARD
	50	X59421300001	RETAINER FOR ALTERNATOR	1	pc	2,940 kg		
	100	007349008002	WASHER	4	pc	7,900 g	8,4	DIN7349
	150	304017008080	HEX SCREW	4	pc	13,300 g	M 8 X 25	ISO4017
	200	007349008002	WASHER	2	pc	7,900 g	8,4	DIN7349
	250	000000003946	HEX SCREW	2	pc	43,600 g	M 8 X100	ISO4014

GROUP SEGMENT (FGS)

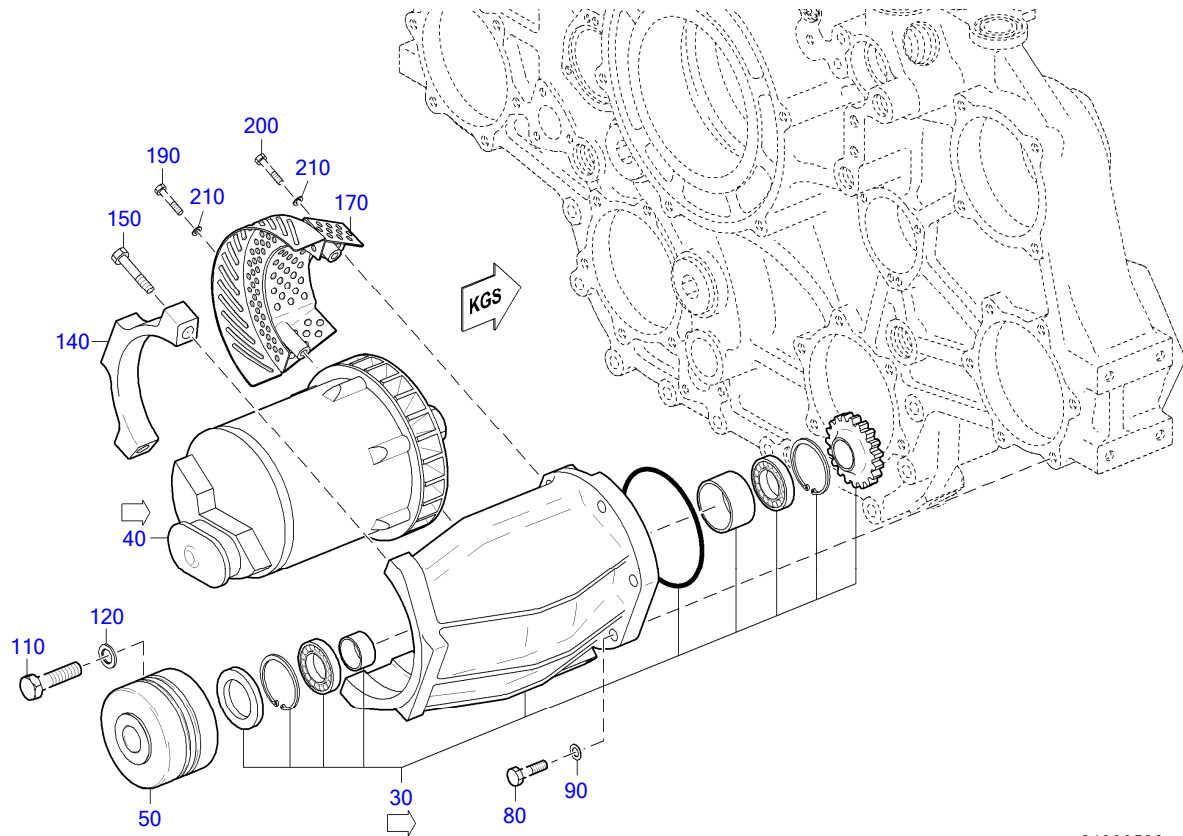
GROUP NAME

BOM-No.



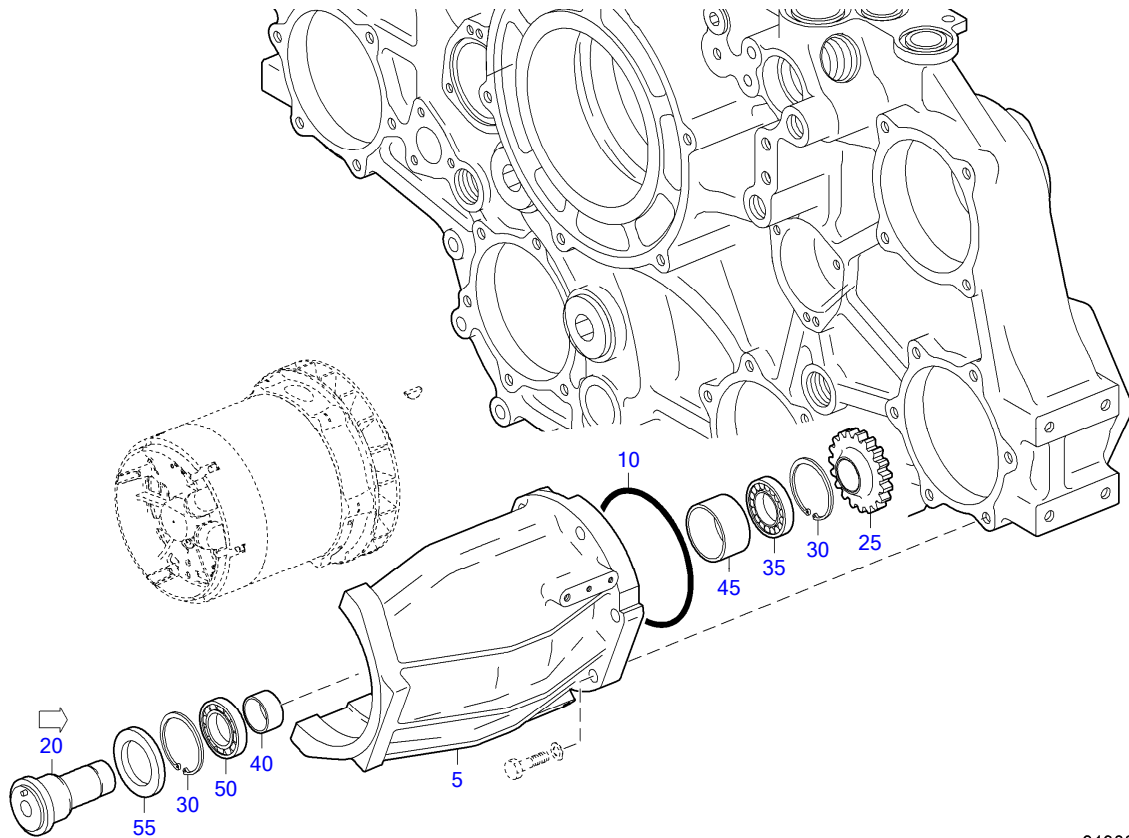
05  
**ALTERNATOR**  
XS594210.00001

21300520



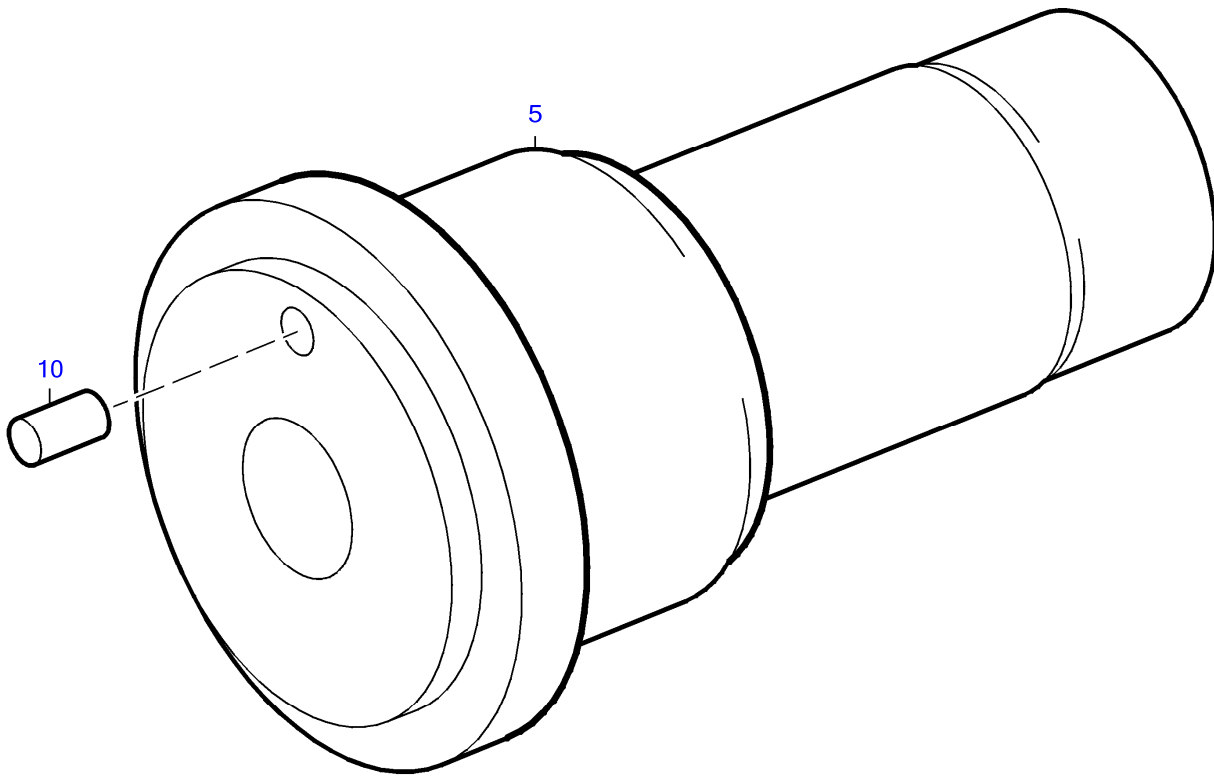
21300520

➔	POS.	PART NO.	DESIGNATION	MODEL/TYPE	QTY.	UNITS	WEIGHT	FN	MEASUREMENT	STANDARD
	231	30	<b>5241500152</b>	ALTERNATOR DRIVE	4000	1	pc	22,571 kg	M	
	233	40	<b>X52421300004</b>	ALTERNATOR		1	pc	15,091 kg	M	
		50	<b>X52421300003</b>	COUPLING		1	pc	2,700 kg		
		80	<b>000931012033</b>	HEX SCREW		6	pc	54,000 g	M 12 X 50	DIN931
		90	<b>735151012100</b>	SPACER S2000/4000		6	pc	20,000 g	A 12,5	MTN5151
		110	<b>000931016133</b>	HEX SCREW		1	pc	151,000 g	M 16 X 80	DIN931
		120	<b>200433017000</b>	WASHER		1	pc	6,800 g	17	DIN433
		140	<b>5241510211</b>	CLAMP ALTERNATOR U 200MM ID		2	pc	1,180 kg		
		150	<b>000931012137</b>	HEX SCREW		4	pc	80,400 g	M 12 X 80	DIN931
		170	<b>X00044396</b>	SHIELD ALTERNATOR HEAT ASM		1	pc	700,000 g	SB	
		190	<b>304017008089</b>	HEX SCREW		2	pc	24,200 g	M 8 X 60	ISO4017
		200	<b>304017008077</b>	HEX SCREW		1	pc	10,500 g	M 8 X 16	ISO4017
		210	<b>000125008427</b>	WASHER		3	pc	1,500 g	A 8,4	DIN125



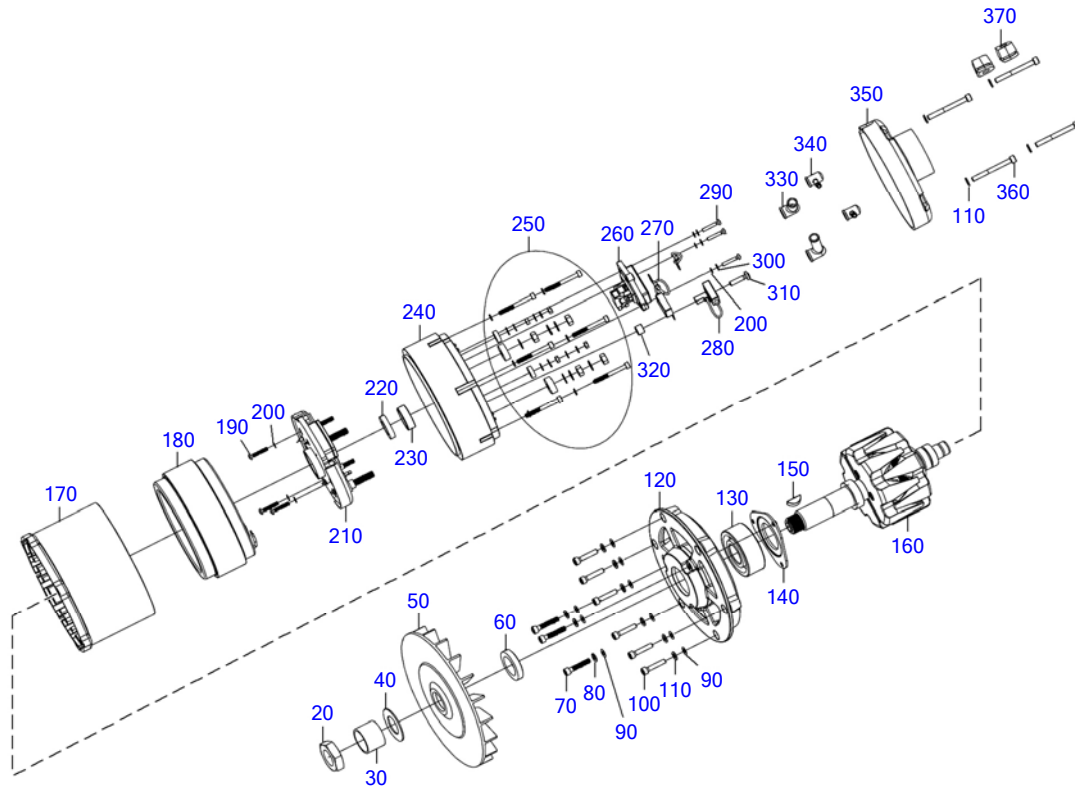
21300387

➔	POS.	PART NO.	DESIGNATION	MODEL/TYPE	QTY.	UNITS	WEIGHT	MEASUREMENT	STANDARD
	5	5241510940	CARRIER ALTERNATOR	BR4000	1	pc	20,000 kg		
	10	700429135000	O-RING		1	pc	18,600 g	135 X 5	MMN429
232	20	5241500009	SHAFT	4000	1	pc	930,700 g		
	25	X00021757	GEAR		1	pc	450,700 g		
	30	000472062000	RING SNAP		2	pc	11,800 g	62 X 2	DIN472
	35	205412410002	BEARING CYLINDRICAL ROLLER NU 1007		1	pc	175,000 g	NU1007	DIN5412
	40	5241510251	RING SPACER		1	pc	42,600 g		
	45	5241510151	RING SPACER		1	pc	91,900 g		
	50	200625906017	BEARING BALL GROOVED 6007 J		1	pc	144,600 g	6007	DIN625
	55	700386048001	SEAL OIL 48 X 72 X 8 MNN386		1	pc	31,200 g	A 48 X 72 X 8	MMN386



21300054a

➔	POS.	PART NO.	DESIGNATION	QTY.	UNITS	WEIGHT	MEASUREMENT	STANDARD
	5	<b>5241510133</b>	SHAFT	1	pc	933,000 g		
	10	<b>006325005108</b>	PIN PARALLEL 5M	1	pc	2,200 g	5 M 6 X 14	DIN6325



21300363a

➔	POS.	PART NO.	DESIGNATION	QTY.	UNITS	WEIGHT
	20	XP52499100154	HEX NUT	1	pc	
	30	XP52499100144	BUSHING	1	pc	
	40	XP52499100147	SNAP RING	1	pc	
	50	XP52421300021	FAN	1	pc	
	60	XP52499100142	WASHER	1	pc	
	70	XP52499100151	SCREW	3	pc	
	80	XP52499100157	SPRING WASHER	3	pc	
	90	XP52499100156	WASHER	9	pc	
	100	XP52499100152	SCREW	6	pc	
	110	XP52499100158	WASHER	10	pc	
	120	XP52421300019	DRIVE-END BEARING	1	pc	
	130	XP52499100141	GROOVED BALL BEARING	1	pc	510,000 g
	140	XP52421300018	BEARING CAP	1	pc	
	150	XP52421300022	WOODRUFF KEY	1	pc	
	160	XP52421300012	ROTOR	1	pc	
	170	XP52421300026	HOUSING	1	pc	
	180	XP52421300015	STATOR	1	pc	
	190	XP52499100149	OVAL-HEAD SCREW	3	pc	
	200	XP52499100146	SNAP RING	6	pc	
	210	XP52421300014	RECTIFIER	1	pc	532,000 g
	220	XP52499100160	SHAFT SEAL	1	pc	138,200 g
	230	XP52499100159	CYL ROLLER BEARING	1	pc	282,200 g
	240	XP52421300027	HOUSING	1	pc	
	250	XP52400600001	PARTS KIT	1	pc	92,900 g
	260	XP52421300013	GOVERNOR	1	pc	101,400 g



EQUI TYPE: Engine

PRODUCT TYPE: 12V4000M53  
ALTERNATOR

SERIAL NUMBER: 526107656

FG/FGS:

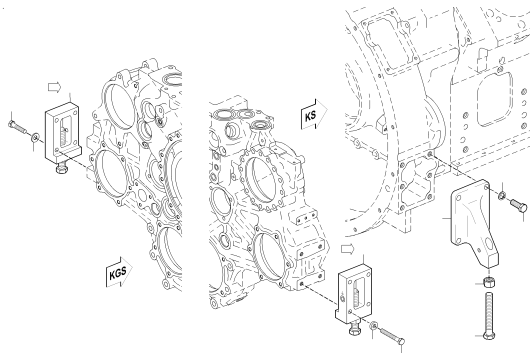
BOM-No.: X52421300004

➡	POS.	PART NO.	DESIGNATION	QTY.	UNITS	WEIGHT
	270	XP52421300024	CAPACITOR	1	pc	23,000 g
	280	XP52421300023	CAPACITOR	1	pc	17,000 g
	290	XP52499100149	OVAL-HEAD SCREW	3	pc	
	300	XP52499100155	WASHER	3	pc	
	310	XP52499100148	OVAL-HEAD SCREW	1	pc	
	320	XP52499100143	WASHER	1	pc	
	330	XP52421300017	INSULATION ELEMENT	2	pc	5,000 g
	340	XP52421300016	INSULATION ELEMENT	2	pc	2,000 g
	350	XP52421300025	VENTILATOR COVER	1	pc	31,000 g
	360	XP52499100153	SCREW	4	pc	14,400 g
	370	XP52499100145	RUBBER SLEEVE	2	pc	14,400 g

GROUP SEGMENT (FGS)

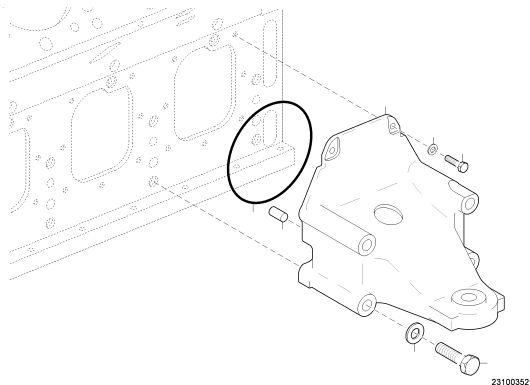
GROUP NAME

BOM-No.



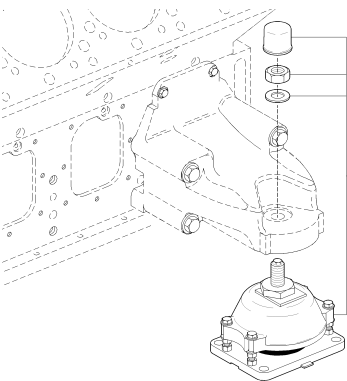
05  
**ENGINE SUPPORT**  
XS527230.00015

2310035a



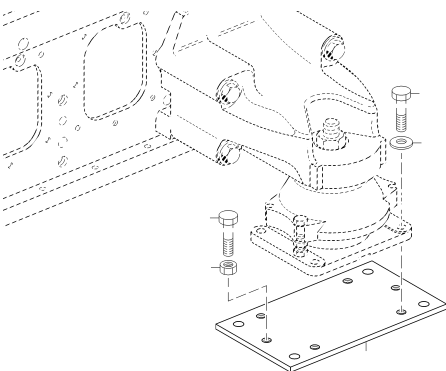
05  
**MOUNTING BRACKET**  
XS527230.00016

23100352f



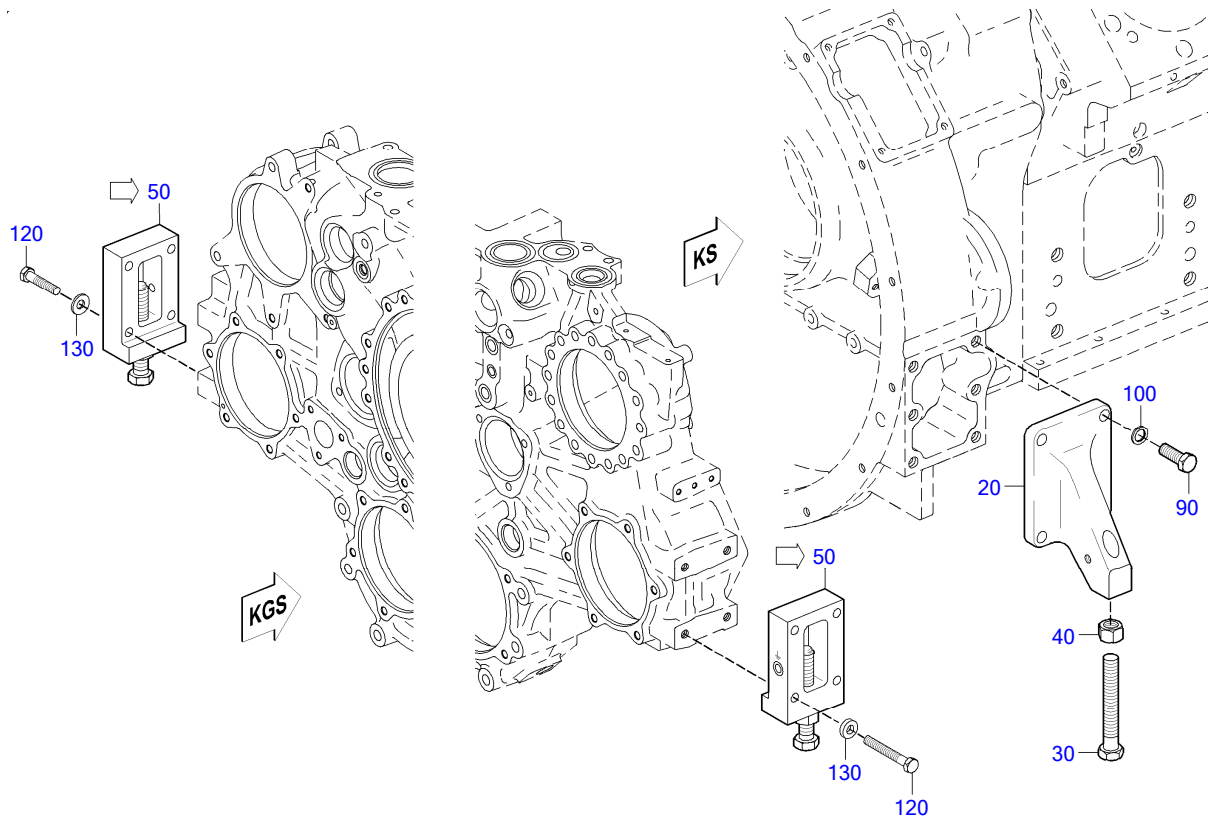
05  
**RUBBER MOUNT**  
XS594230.00004

2310035b



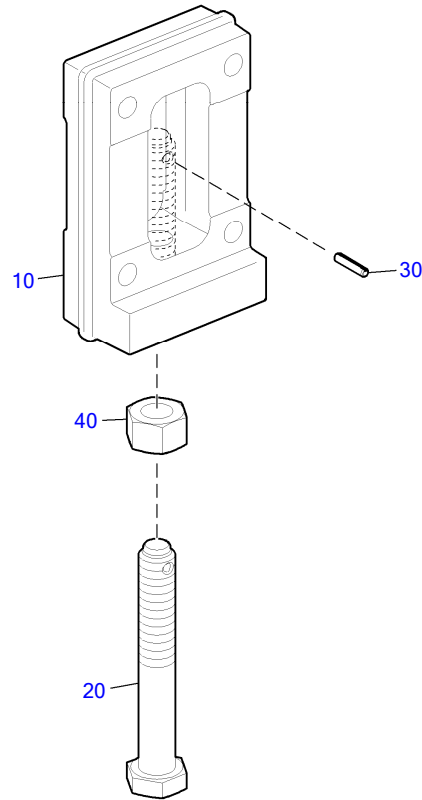
10  
**BASE PLATE**  
230.00000

E2313012a1



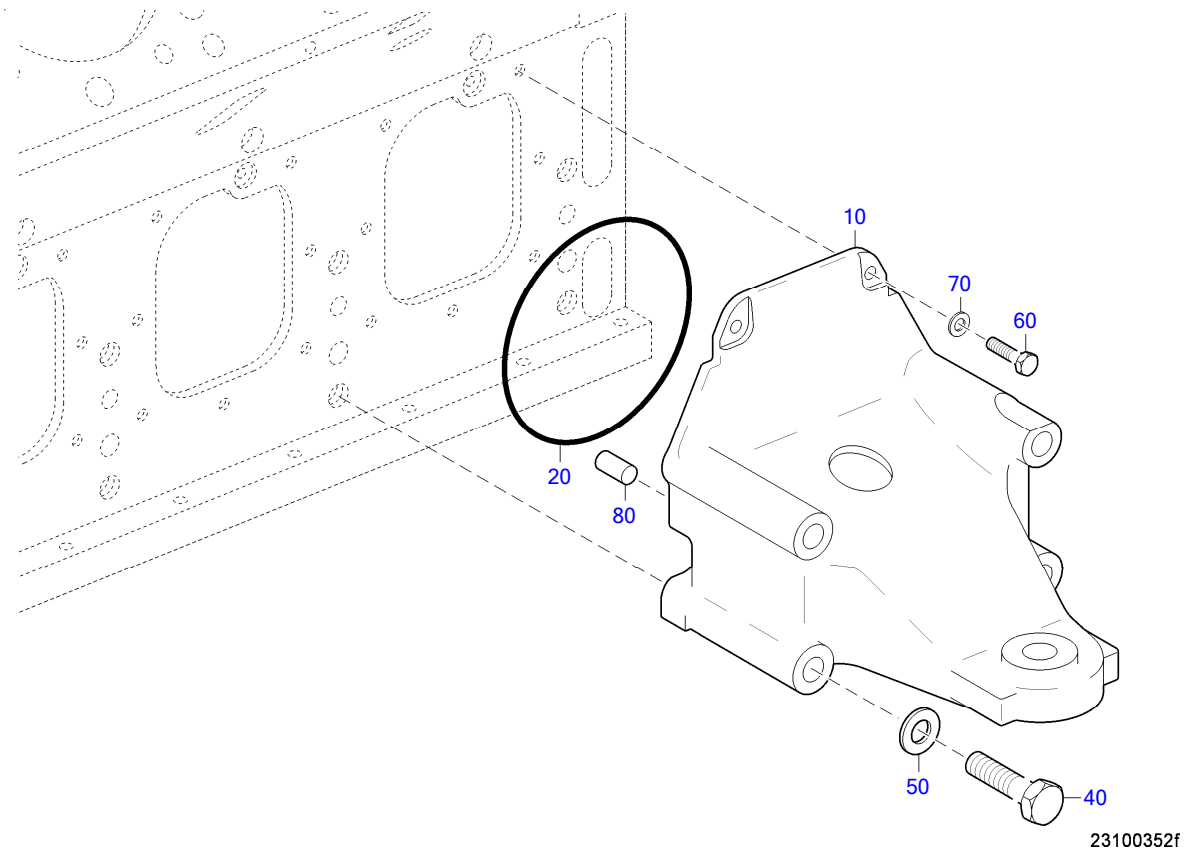
23100353a

➔	POS.	PART NO.	DESIGNATION	QTY.	UNITS	WEIGHT	MEASUREMENT	STANDARD
	20	X59623100004	ENGINE SUPPORT MAIN PTO END	2	pc	8,400 kg		
	30	304017020007	HEX SCREW	2	pc	352,500 g	M 20 X140 AK	ISO4017
	40	304032020001	HEX NUT	2	pc	62,800 g	M 20	ISO4032
236	50	X52723100019	ENGINE SUPPORT	2	pc	4,000 kg		
	90	304017016026	HEX SCREW	8	pc	102,200 g	M 16 X 50	ISO4017
	100	200433017001	WASHER	8	pc	6,500 g	17	DIN433
	120	000000001078	HEX SCREW	8	pc	58,200 g	M 12 X 60	ISO4017
	130	200433013000	WASHER	8	pc	2,500 g	13	DIN433

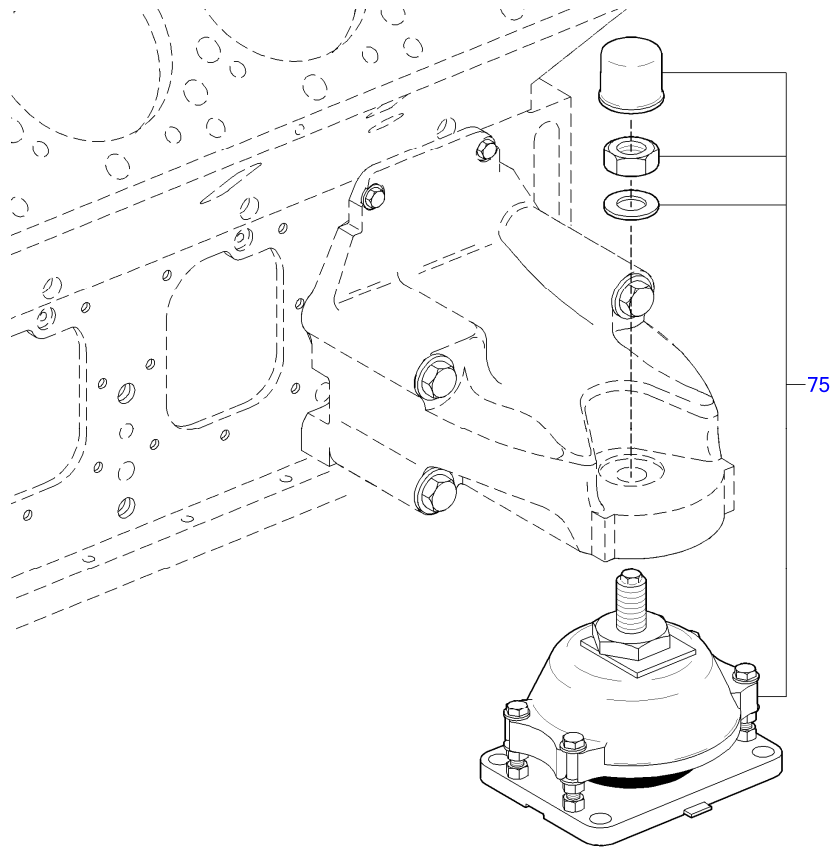


23100466a

➔	POS.	PART NO.	DESIGNATION	QTY.	UNITS	WEIGHT	MEASUREMENT	STANDARD
	10	<b>X59623100003</b>	ENGINE SUPPORT	1	pc	3,569 kg		
	20	<b>X52723100020</b>	SCREW	1	pc	0,390 kg		
	30	<b>001481005030</b>	PIN SPRING	1	pc	2,400 g	5 X 24 - N	ISO8752
	40	<b>304032020001</b>	HEX NUT	1	pc	62,800 g	M 20	ISO4032

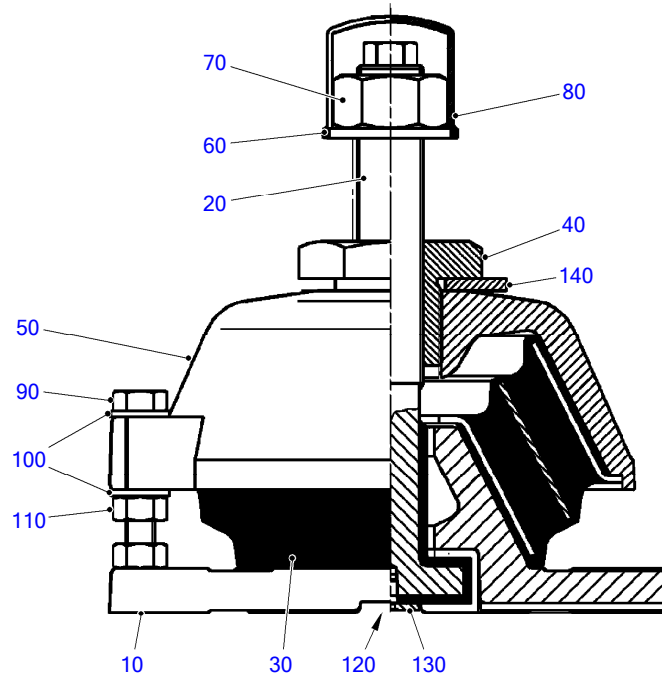


➔	POS.	PART NO.	DESIGNATION	QTY.	UNITS	WEIGHT	MEASUREMENT	STANDARD
	10	<b>X52623100018</b>	MOUNTING BRACKET	4	pc	25,400 kg		
	20	<b>700429192000</b>	O-RING	4	pc	16,400 g	192 X 4	MMN429
	40	<b>204014020004</b>	HEX SCREW	16	pc	530,600 g	M 20 X200	ISO4014
	50	<b>200433021000</b>	WASHER	16	pc	10,800 g	21	DIN433
	60	<b>000000003021</b>	HEX SCREW	8	pc	22,800 g	M 10 X 25	ISO4017
	70	<b>000125010524</b>	WASHER	8	pc	3,100 g	A 10,5	DIN125
	80	<b>000007016104</b>	PIN DOWEL	8	pc	54,600 g	16 M6 X 32	DIN7



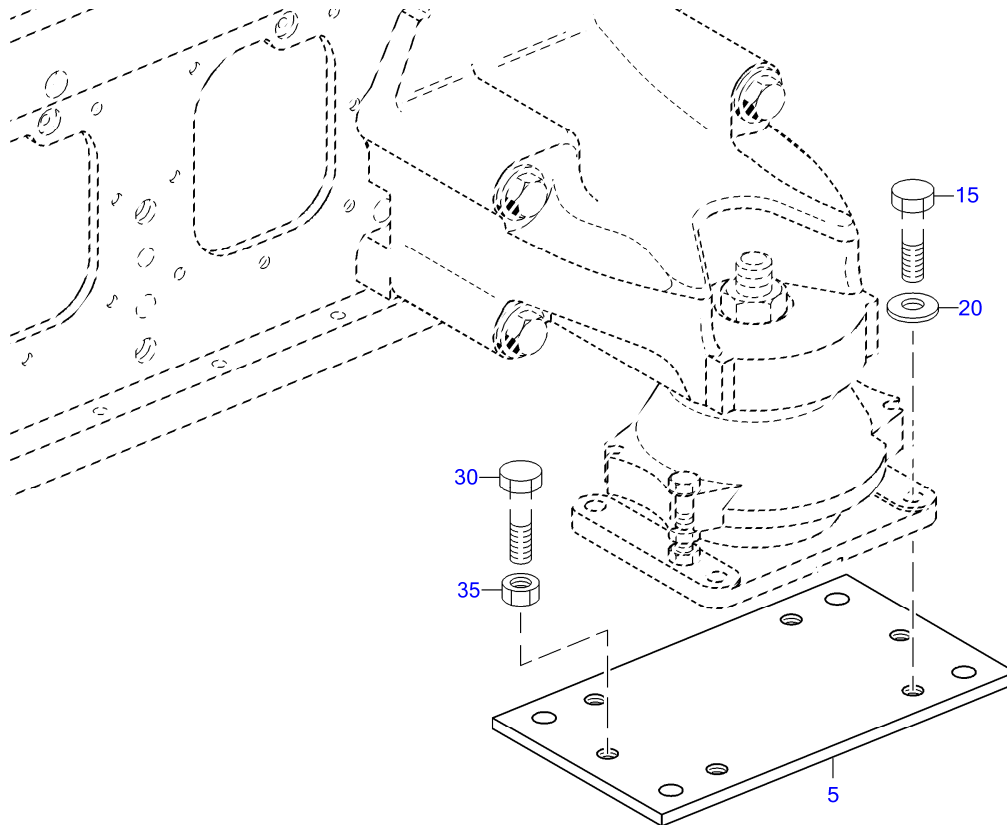
23100358a

➔	POS.	PART NO.	DESIGNATION	QTY.	UNITS	WEIGHT
	75	X52623100057	RUBBER MOUNT	4	pc	15,577 kg



23100228e

➔	POS.	PART NO.	DESIGNATION	MODEL/TYPE	QTY.	UNITS	WEIGHT	MEASUREMENT	STANDARD
	10	XP52623100089	FOOT		1	pc			
	20	X00033995	BUFFER	4000	1	pc	1,121 kg		
	30	XP52623100068	RUBBER ELEMENT		1	pc		SHORE 55	
	40	XP52623100088	ADJUSTMENT BOLT		1	pc			
	50	X00043629	COVER	4000	1	pc			
	60	000125027004	WASHER		1	pc	38,600 g	B 27	DIN125
	70	000934027004	HEX NUT		1	pc	145,000 g	M 27 X 2	DIN934
	80	XP52623100078	PROTECTIVE CAP		1	pc	20,000 g		
	90	000933012040	HEX SCREW		4	pc	70,400 g	M 12 X 75	DIN933
	100	200125013000	WASHER		8	pc	5,800 g	A 13	DIN125
	110	000934012008	NUT HEX		8	pc	15,200 g	M 12	DIN934
	120	X00034055	COUNTERSUNK HD SCREW	4000	1	pc		M6X10	DIN 7991
	130	X00034057	LOCKING DEVICE	4000	1	pc			
	140	X00034058	LOCKING DEVICE	4000	1	pc			



E2313012a1

➔	POS.	PART NO.	DESIGNATION	MODEL/TYPE	QTY.	UNITS	WEIGHT	MEASUREMENT	STANDARD
	5	0002351530	BASE PLATE	BR4000	1	pc	10,450 kg		
	15	304017016023	HEX SCREW		4	pc	87,800 g	M 16 X 40	ISO4017
	20	206796016000	CONICAL SPR. WASHER		4	pc	28,100 g	16	DIN6796
	30	304017016029	HEX SCREW		2	pc	114,800 g	M 16 X 60	ISO4017
	35	000934016019	NUT HEX 8		2	pc	30,000 g	M 16	DIN934



EQUI TYPE: Engine

PRODUCT TYPE: 12V4000M53  
RUBBER COUPLING

SERIAL NUMBER: 526107656  
FG/FGS: 252

---

GROUP SEGMENT (FGS)

**GROUP NAME**

BOM-No.

---

05

**TORS. RESILIENT CPL. LR ACCEPTANCE**

XS594250.00091

EQUI TYPE: Engine

PRODUCT TYPE: 12V4000M53  
TORS. RESILIENT CPL. LR ACCEPTANCE

SERIAL NUMBER: 526107656

FG/FGS: 252 05  
BOM-No.: XS594250.00091

➡	POS.	PART NO.	DESIGNATION	QTY.	UNITS	WEIGHT
243	40	X59425200003/31	TORS. RESILIENT CPL. LR ACCEPTANCE	1	pc	133,500 kg

EQUI TYPE: Engine

PRODUCT TYPE: 12V4000M53  
TORS. RESILIENT CPL. LR ACCEPTANCE

SERIAL NUMBER: 526107656

FG/FGS:

BOM-No.: X59425200003/31

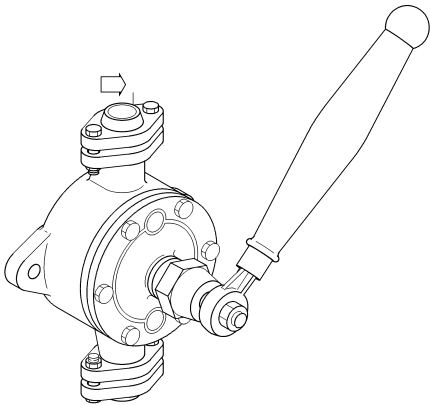
➡	POS.	PART NO.	DESIGNATION	MODEL/TYPE	QTY.	UNITS	WEIGHT	FN	MEASUREMENT	STANDARD
	10	XP52725200089	RUBBER ELEMENT		1	pc			SHORE 50	
	20	XP59425200045	PLATE		1	pc				
	30	XP52725200079	RUBBER ELEMENT		1	pc			SHORE 50	
	40	XP59425200045	PLATE		1	pc				
	50		RING		1	pc		KE		
	60	XP52625200069	SCREW		24	pc			14 X 75	ISO4762
	70	XP52625200068	HEX NUT		24	pc			M 14	ISO7040
	80	XP52625200070	WASHER	BR4000	48	pc			14-300HV	ISO7092
	90	XP59425200044	DIAPHRAGM		1	pc				
	100		LOCATING RING		1	pc		KE		
	110		CLAMPING RING		1	pc		KE		
	120	XP52625200048	RING		10	pc				
	130	XP59399100121	CENTER BUSHING		2	pc				
	140	XP59399100122	SCREW		12	pc			M16X45	ISO4762
	150	XP52625200075	SCREW		40	pc			12 X 25	ISO4762
	160	000912020040	SCREW		16	pc	172,900 g		M 20 X 45	DIN912
	170	XP52799100481	HEX NUT		12	pc				
	180	XP52799100480	WASHER		24	pc				
	190	XP52625200013	RING		1	pc				
	200	XP52625200013	RING		1	pc				
	210	XP52799100478	SCREW		2	pc			12 X 65	
	220	XP59425200043	ADAPTER		1	pc				
	230	XP52625200030	BUSHING		12	pc				
	240	200933016016	HEX SCREW		12	pc	127,900 g		M 16 X 70	DIN933
	250	XP52625200031	HEX SCREW		8	pc			22 X 110	ISO4017
	260	XP52625200011	HEX NUT		7	pc			M22	ISO4032
	270		WASHER	290	16	pc		KE	20-300HV	ISO7089
	280	XP56825500025	WASHER	8000	16	pc	100,000 g			ISO7092

GROUP SEGMENT (FGS)

GROUP NAME

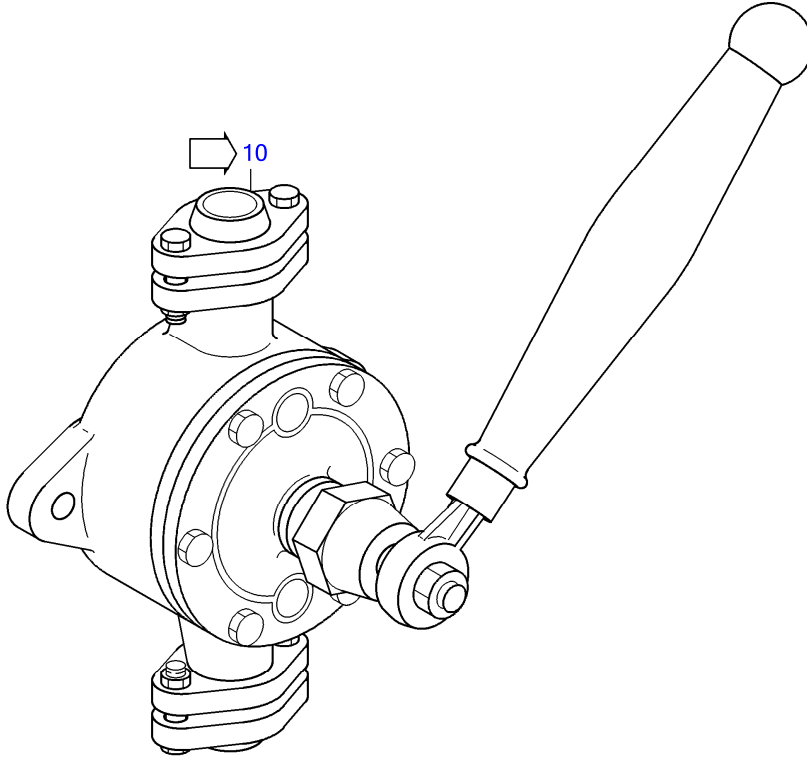
BOM-No.

---



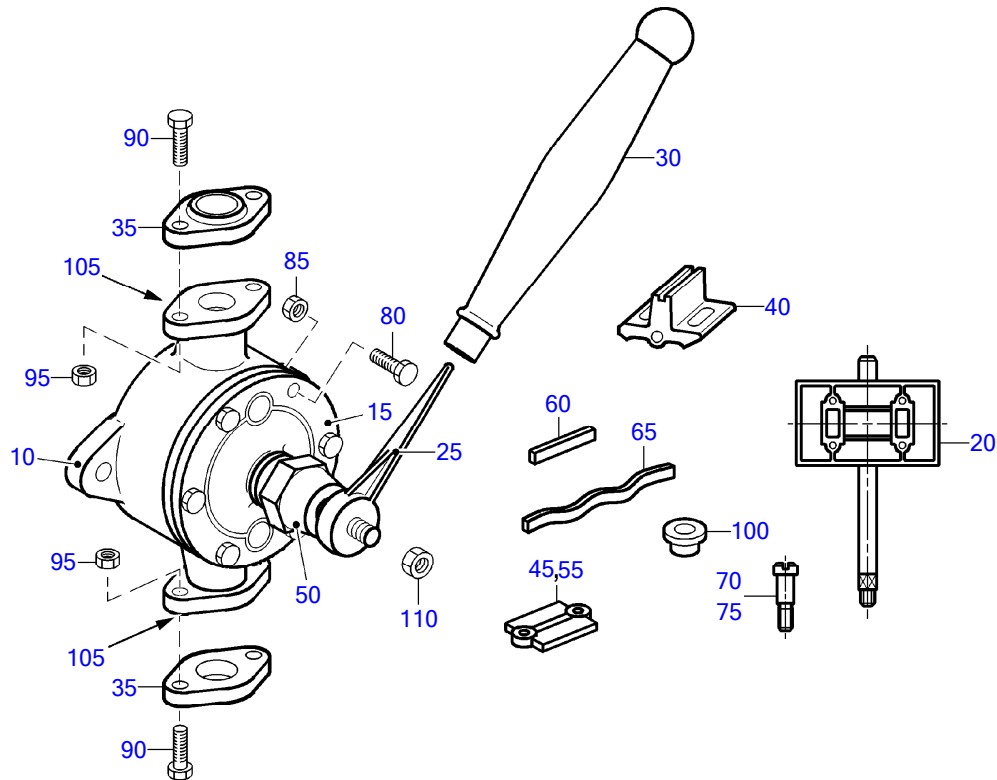
05  
HAND OIL PUMP  
180.00009

E1813024a0



E1813024a0

➔	POS.	PART NO.	DESIGNATION	QTY.	UNITS	WEIGHT	FN
	10	0001812398	OIL EXTRACTION PUMP HAND S4000 S2000	1	pc	6,013 kg	P



181K0005a

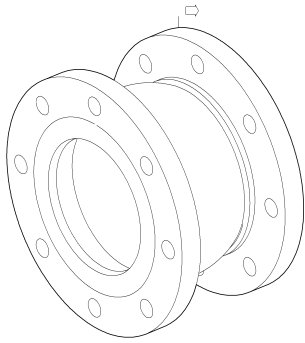
➔	POS.	PART NO.	DESIGNATION	QTY.	UNITS	WEIGHT	FN	MEASUREMENT	STANDARD
	10	Z=2.201 028	HOUSING	1	pc				
	15	Z=2.201 029	COVER	1	pc				
	20	Z=152003	VANE	1	pc	0,999 g	AC		
	25	Z=2.201 031	PIN	1	pc	0,200 g			
	30	8691810014	LEVER	1	pc	124,600 g			
	35	Z=2.261 074	FLANGE	1	pc		AC		
	40	Z=2.201 033	VALVE SEAT	1	pc		AC		
	45	8691810007	VALVE PLATE	2	pc	15,000 g		47,3 X 14,7 GR.1	
	50	Z=2.201 035	UNION NUT	1	pc				
	55	8691810008	VALVE PLATE	2	pc	22,200 g		52,8 X 18,2 GR.2	
	60	8699970175	GASKET	1	pc	1,700 g		6 X 7	
	65	8699970176	GLAND PACKING	1	pc	0,100 g		4 X 4 X 68	
	70	Z=152007	SCREW	4	pc	5,000 g		M5X21,5	
	75	Z=152007	SCREW	4	pc	5,000 g		M5X21,5	
	80	304017008081	HEX SCREW	6	pc	13,400 g		M 8 X 25	ISO4017
	85	000934008008	NUT HEX	6	pc	4,600 g		M 8	DIN934
	90	304017008084	HEX SCREW	4	pc	16,400 g		M 8 X 35	ISO4017
	95	000934008008	NUT HEX	4	pc	4,600 g		M 8	DIN934
	100	Z=151009	COMPRESSION GLAND	1	pc	25,000 g	AC	GROESSE 0-2	
	105	40201	HYLOMAR M UNIVERSAL SEALANT	1	pc	100,000 g		HYLOMAR M	
	110	000934010005	NUT HEX	1	pc	10,400 g		M 10	DIN934

GROUP SEGMENT (FGS)

GROUP NAME

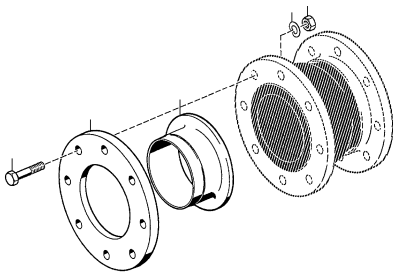
BOM-No.

10  
**RUBBER BELLOWS**  
200.00021

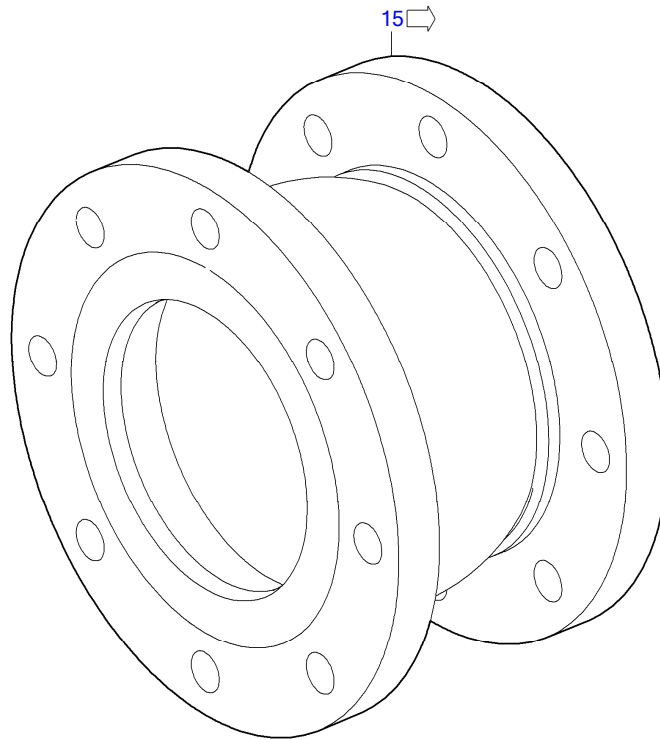


30100046

10  
**CONNECTING HARDWARE FOR RUBBER BELLOWS**  
200.00022



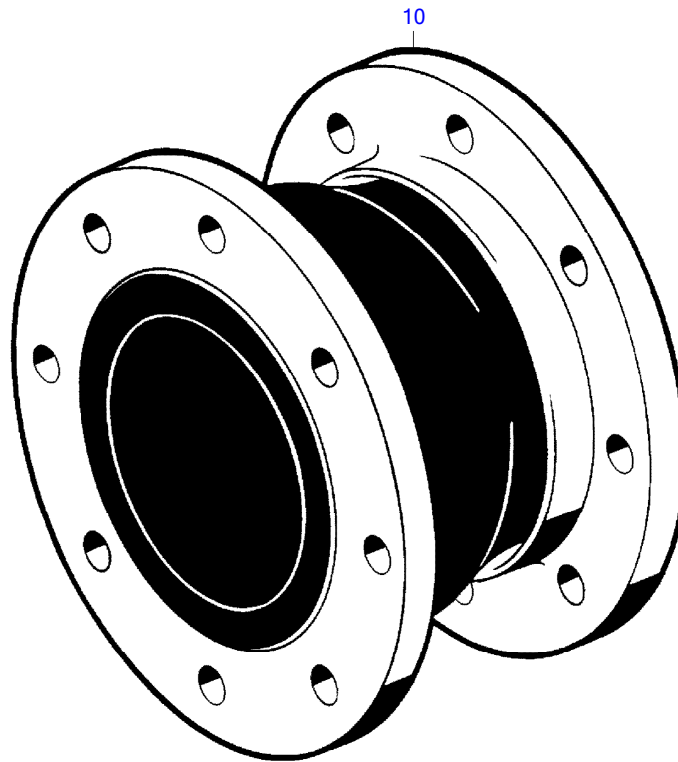
ET14 054500



30100046

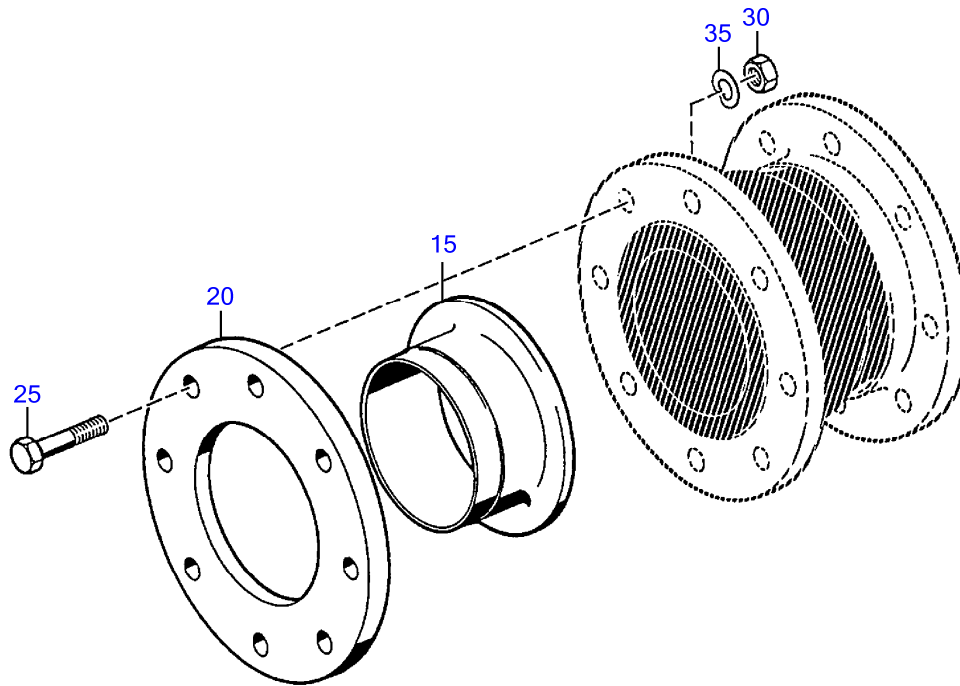
➔	POS.	PART NO.	DESIGNATION	QTY.	UNITS	WEIGHT	MEASUREMENT
	15	0002035583/87	RUBBER BELLOWS	1	pc	11,161 kg	STD EL 145 MM, DN 125 MM





02000031b

➔	POS.	PART NO.	DESIGNATION	QTY.	UNITS	WEIGHT	MEASUREMENT
	10	0002035583	BELLOWS RUBBER 125 DN 210 BOLT CIRCLE	1	pc	10,954 kg	STD EL 145 MM , DN 125 MM

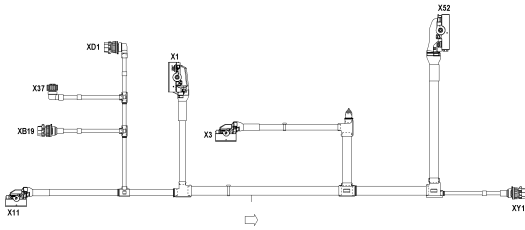


ET14 054500

➔	POS.	PART NO.	DESIGNATION	QTY.	UNITS	WEIGHT	MEASUREMENT	STANDARD
	15	086037125200	COLLAR	1	pc	1,454 kg	B125 -133 X 2,5	DIN86037
	20	002642125100	FLANGE	1	pc	4,300 kg	F125 X133	DIN2642
	25	304017016029	HEX SCREW	8	pc	114,800 g	M 16 X 60	ISO4017
	30	000934016019	NUT HEX 8	8	pc	30,000 g	M 16	DIN934
	35	000137016201	WASHER SPRING B16	8	pc	5,400 g	B 16	DIN137

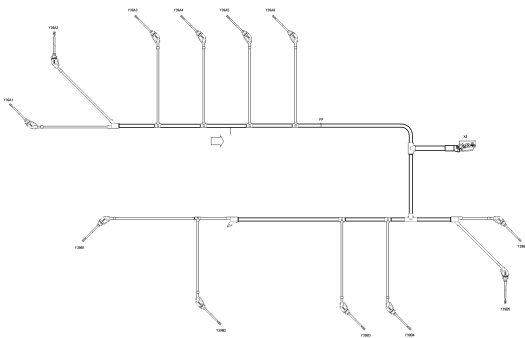
GROUP SEGMENT (FGS)  
GROUP NAME  
BOM-No.

98  
**CABLING F.ENGINE INTERFACE**  
XS00E500.01242



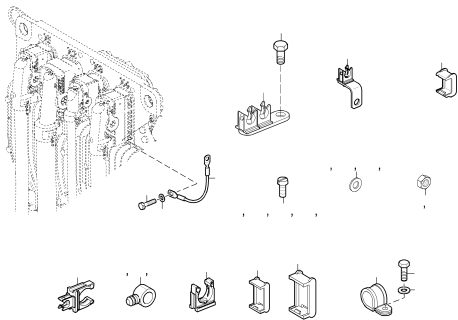
50702417a

98  
**ENGINE CABLING FOR ON-ENGINE SENSO**  
XS00E500.01614



50702284a

98  
**RETAINER F. WIRING HARNESS**  
XS594500.00250



50702750

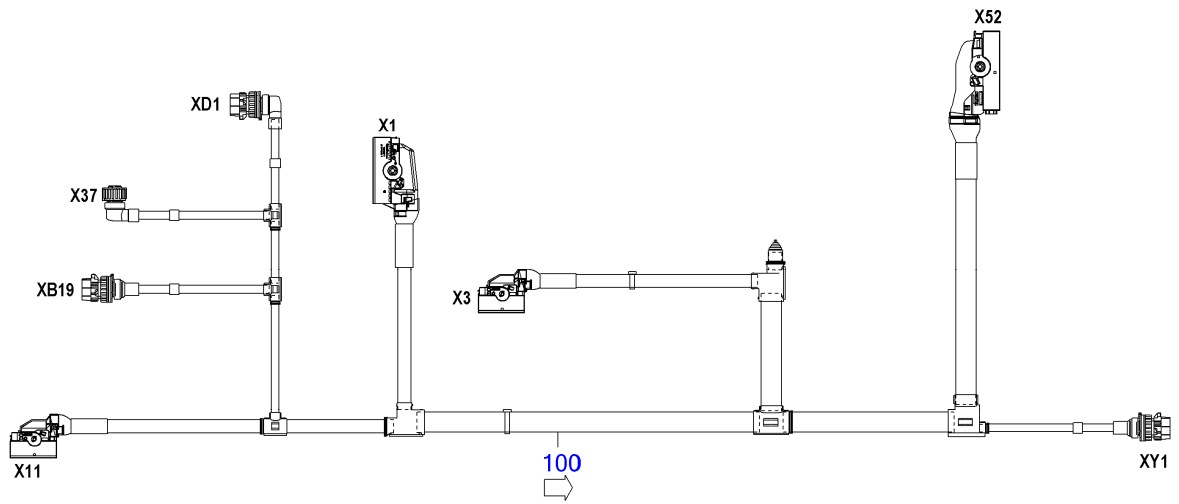
EQUI TYPE: Engine

PRODUCT TYPE: 12V4000M53  
CABLING F.ENGINE INTERFACE

SERIAL NUMBER: 526107656

FG/FGS: 507 98

BOM-No.: XS00E500.01242



50702417a

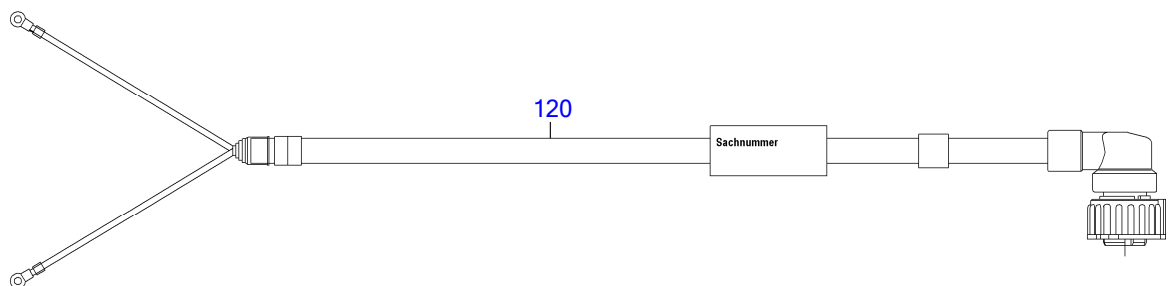
EQUI TYPE: Engine

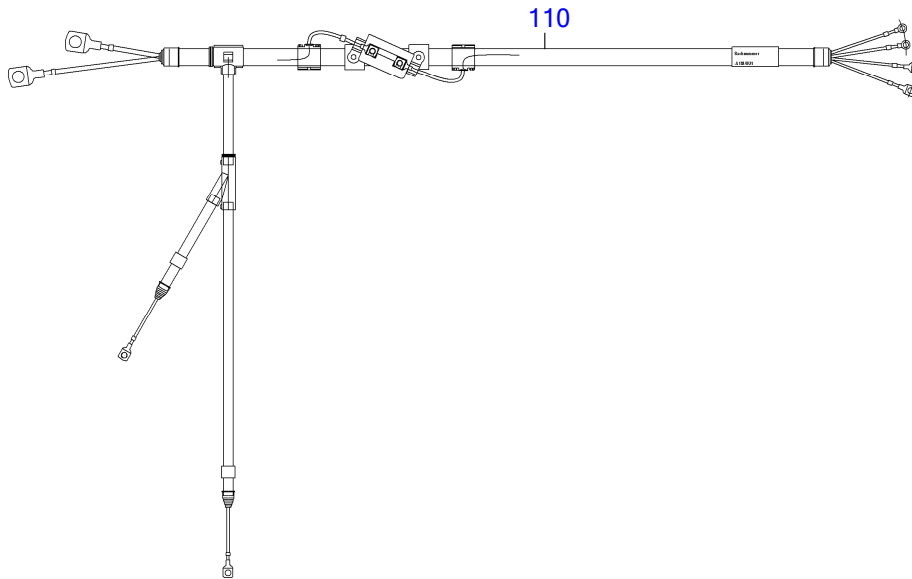
PRODUCT TYPE: 12V4000M53  
CABLING F.ENGINE INTERFACE

SERIAL NUMBER: 526107656

FG/FGS: 507 98

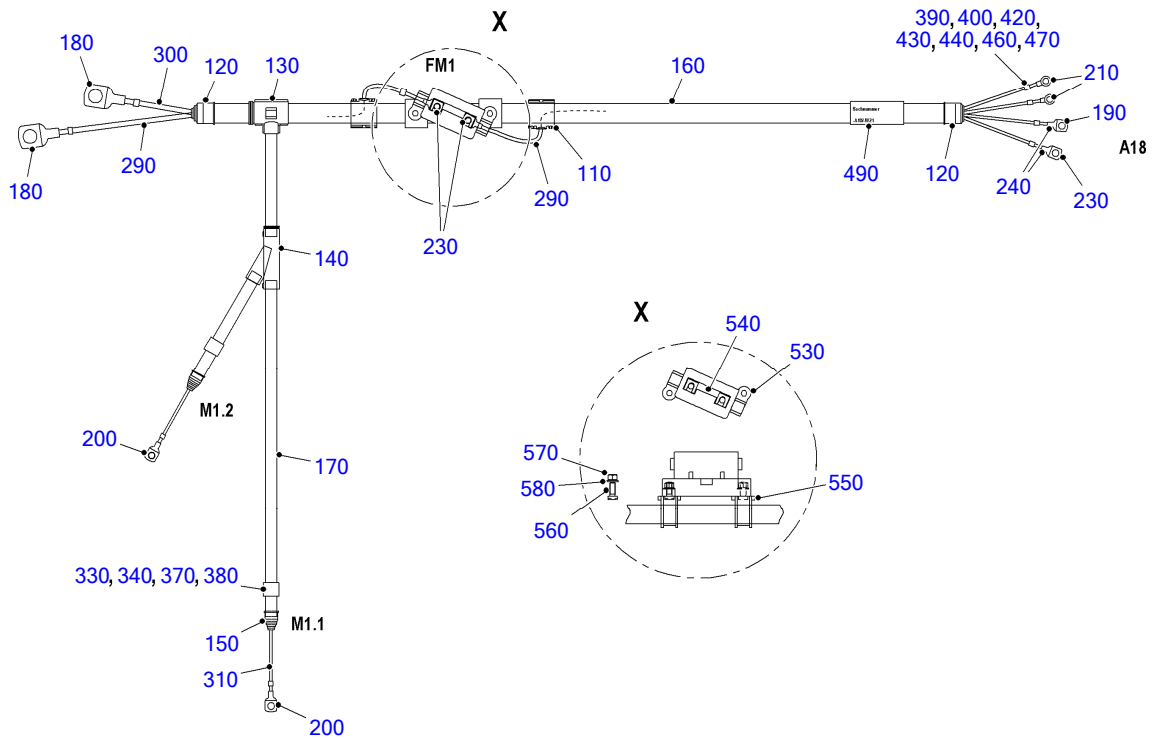
BOM-No.: XS00E500.01242





50702762

➔	POS.	PART NO.	DESIGNATION	MODEL/TYPE	QTY.	UNITS	WEIGHT	MEASUREMENT	
	254	100	<b>X00E50700472</b>	WIRING HARNESS F.ENGINE INTERFACE	S400M23-63	1	pc	1,965 kg	M. LIMA _ M. EMU
	253	110	<b>X00E50205185</b>	CONNECTING CABLE FOR ELECTRIC START	12V4000M23-M63	1	pc	855,100 g	ELEKTR.ANLASSUNG
	255	120	<b>X00E50700638</b>	CONNECTING CABLE FOR GENERATOR	LIMA G03	1	pc	590,200 g	XG03-G3 920MM



50702416a

➔ POS.	PART NO.	DESIGNATION	MODEL/TYPE	QTY.	UNITS	WEIGHT	FN	MEASUREMENT	STANDARD
110	X00E50203343	BRANCH F. WIRING HARNESS	A-TYP / NW17-17	2	pc	30,000 g	AB	A-TYP / NW17-17	
120	0015336931	CAP	FUER WELLROHR	2	pc	1,000 g		DN17 AD=21,2MM	
130	0005331043	PIPE JOINT		1	pc	6,700 g		T-ABZWEIG 17-10-17	
140	0005331143	PIPE JOINT		1	pc	5,800 g		Y-ABZWEIG 10-10-10	
150	0015336331	CAP	BR2000/4000	2	pc	1,900 g		FUER WELLROHR DN10 AD=13MM	
160	0005337143	PIPE	359.	0,960	m	49,400 g		WELLROHR NW17	
170		PIPE	359.	2,600	m	23,000 g		WELLROHR NW10	
180	0025310785	BLADE CONNECTOR	M12/10 QMM	2	pc	6,600 g	AB	10QMM/M12	
190	43432	CRIMP CABLE TERMINAL		1	pc	4,800 g		10 MM2 LOCH 6,5	
200	43525	CRIMP CABLE TERMINAL		2	pc	2,000 g		6 MM2 LOCH 6,4	
210	0001591979	CABLE TERMINAL	6MM² / M4	2	pc	2,000 g		6MM² / M4	
230	0025310685	BLADE CONNECTOR	M5/10 QMM	3	pc	5,200 g	AB	10QMM/M5	
240	X00E50200436	SHRINKABLE HOSE	SSCHL. 50MM	4	pc	1,500 g	AB	10,8/2,4MM; 50MM TRANSPARENT	
290	0095316780	CABLE	H07Z-K 10,0	1,300	m	3,000 g	AB	10 MM2; ROT	
300	0095315980	CABLE	H07Z-K 10,0	1,500	m	3,000 g	AB	10 MM2; SCHWARZ	
310	0085312380	CABLE	H07Z-K 6,0	3,600	m	1,000 kg	AB	6,0 QMM ROT	VDE0282
330	700461105028	MARKER SLEEVE		2	pc	0,700 g		5/.	MMN461
340	700461105012	MARKER SLEEVE		2	pc	0,100 g		5/M	MMN461
370	700461205001	MARKER SLEEVE		3	pc	0,800 g		5/1	MMN461
380	700461205002	MARKER SLEEVE		1	pc	0,700 g		5/2	MMN461
390	700461103005	MARKER SLEEVE		1	pc	200,000 g		3/F	MMN461
400	700461103012	ID GROMMET		1	pc	0,300 g		3/M	MMN461
420	700461203001	MARKER SLEEVE		4	pc	0,100 g		3/1	MMN461
430	700461203002	MARKER SLEEVE		1	pc	0,200 g		3/2	MMN461

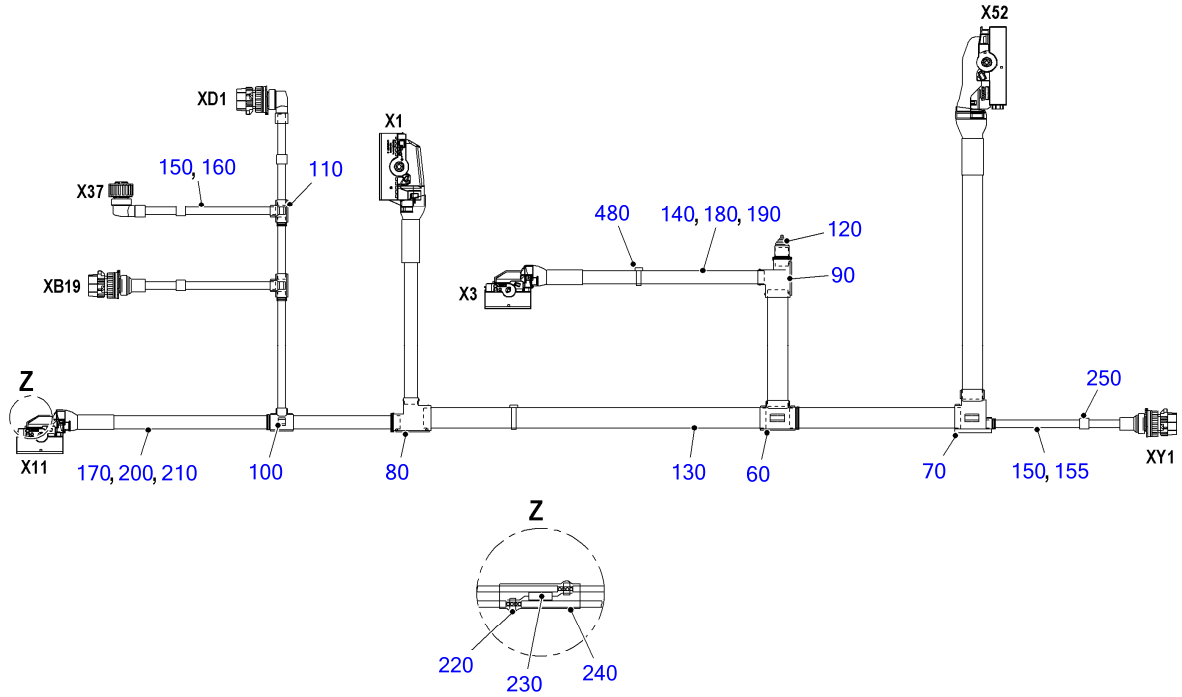
➡	POS.	PART NO.	DESIGNATION	MODEL/TYPE	QTY.	UNITS	WEIGHT	FN	MEASUREMENT	STANDARD
	440	700461203003	MARKER SLEEVE		4	pc	0,100 g	3/3		MMN461
	460	700461203005	MARKER SLEEVE		2	pc	0,200 g	3/5		MMN461
	470	700461203000	MARKER SLEEVE		6	pc	0,010 g	3/0		MMN461
	490	0035337089	IDENTIFICATION PLATE	ELAT	1	pc	1,400 g		47X135MM, BEDRUCKBAR 47X25MM	
	530	X00E50206373	FUSE HOLDER	MIDIVAL M. SCHRAUBBEFEST.	1	pc	24,300 g		KFZ-SICH.HALTER; MAX. 32V/125A	
	540	X00E50206374	FUSE	SICHERUNGSTREIFEN VERZINNT	1	pc	1,100 g		50A / 125V	
	550	0015331940	RETAINER CABLING AND PIPEWOR	OHNE BUEGEL	2	pc	5,600 g		HALTER NW17 BOHRLOCH M6	
	560	000084005196	SCREW		2	pc	2,600 g		M 5 X 12	DIN84
	570	000934005004	NUT HEX		2	pc	1,000 g		M 5	DIN934
	580	000125005322	WASHER		2	pc	0,400 g		A 5,3	DIN125

EQUI TYPE: Engine

PRODUCT TYPE: 12V4000M53  
WIRING HARNESS F.ENGINE INTERFACE

SERIAL NUMBER: 526107656

FG/FGS:  
BOM-No.: X00E50700472



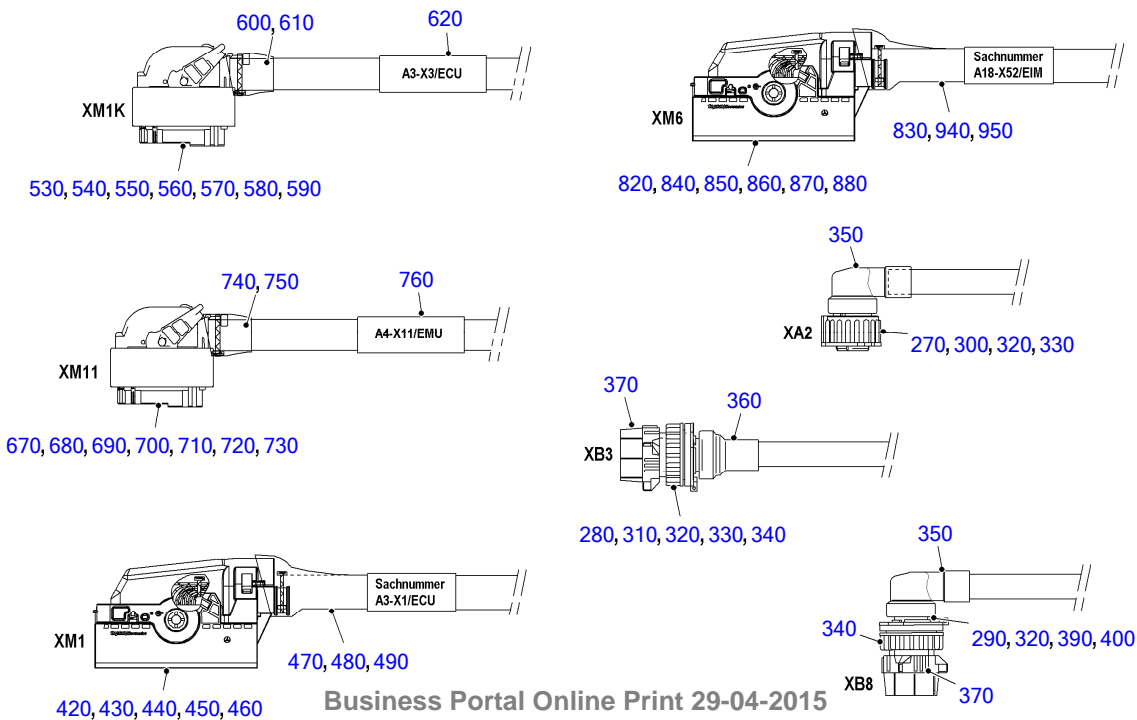
50702414a

EQUI TYPE: Engine

PRODUCT TYPE: 12V4000M53  
WIRING HARNESS F.ENGINE INTERFACE

SERIAL NUMBER: 526107656

FG/FGS:  
BOM-No.: X00E50700472



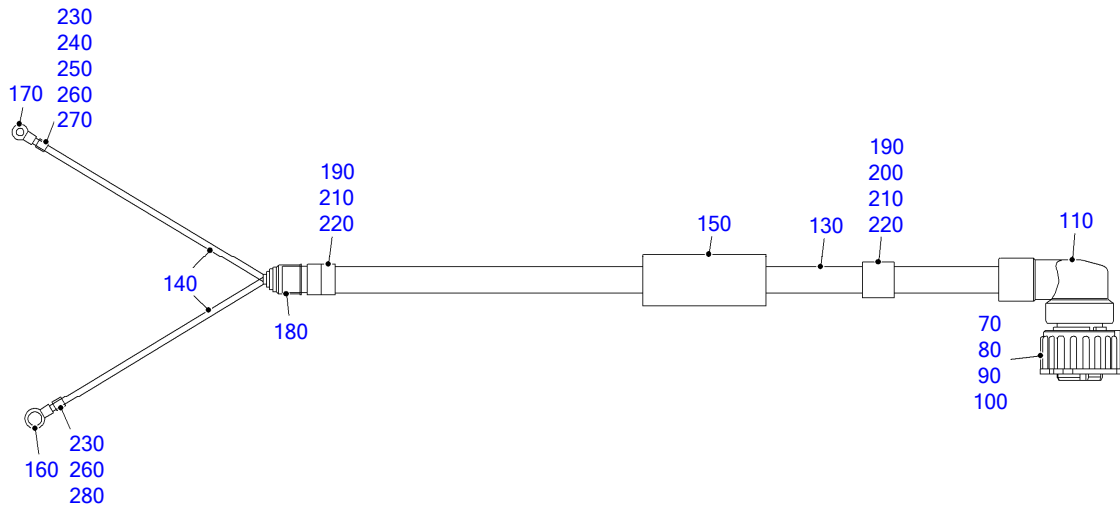
Business Portal Online Print 29-04-2015

50702819



➡	POS.	PART NO.	DESIGNATION	MODEL/TYPE	QTY.	UNITS	WEIGHT	MEASUREMENT
	60	X00027377	DISTRIBUTOR		1	pc	16,500 g	T-ABZWEIG 26-26-26
	70	X00E50205335	BRANCH FOR CABLE RUNNING	T-TYP / NW26-26-10 / B	1	pc	14,000 g	T-TYP / NW26-26-10 / B
	80	X00E50202551	BRANCH F. WIRING HARNESS	T-TYP / NW26-17-26 / B	1	pc	16,100 g	T-TYP / NW26-17-26 / B
	90	X00005206	DISTRIBUTOR F. WIRING HARNESS	T-TYP / NW26-17-17 / B	1	pc	10,000 g	T-TYP / NW26-17-17 / B
	100	0005331043	PIPE JOINT		1	pc	6,700 g	T-ABZWEIG 17-10-17
	110	0005331443	PIPE		2	pc	4,400 g	T-ABZWEIG 10-10-10
	120	0015336931	CAP	FUER WELLROHR	1	pc	1,000 g	DN17 AD=21,2MM
	130	0005338643	PIPE	359.	2,100	m	81,000 g	WELLROHR NW26
	140	0005337143	PIPE	359.	1,700	m	49,400 g	WELLROHR NW17
	150		PIPE	359.	1,250	m	23,000 g	WELLROHR NW10
	155	0095319080	CABLE	RADDOX 155S RW	0,700	m	20,900 g	1X2X1,0QMM / WS / NUMMERIERT
	160	0095318880	CABLE	RADDOX 155S RW VERDRILLT	25,800	m	11,200 g	1X2X0,5QMM / WS / NUMMERIERT
	170	0095318980	CABLE	RADDOX 155S RW VERDRILLT	33,100	m	16,900 g	1X3X0,5QMM / WS / NUMMERIERT
	180	0095319480	CABLE	RADOX 155S FLR	4,000	m	25,800 g	1X2,5QMM / RD / FEINDRÄHTIG
	190	0095319580	CABLE	RADOX 155S FLR	4,000	m	26,000 g	1X2,5QMM / SW / FEINDRÄHTIG
	200	X00E50200860	SINGLE CONDUCTOR	RADOX 155S FLR	2,800	m	10,000 g	1X1,5QMM / RD / FEINDRÄHTIG
	210	X00E50200861	SINGLE CONDUCTOR	RADOX 155S FLR	2,800	m	10,000 g	1X1,5QMM / BK / FEINDRÄHTIG
	220	0015318285	BLADE CONNECTOR	CRIMPVERBINDER PARALLEL	4	pc	0,500 g	1,0-2,5 MM <sup>2</sup> / BLANK / VERZINNT
	230	0015318702	RESISTOR	MK2_121R	2	pc	0,100 g	TK50 1% 0,4W
	240	0005311575	SHRINKABLE HOSE	SSCHL. 50MM KL	2	pc	0,200 g	5,7/1,27MM, L=50MM, TRANSPARENT
	250	0035337689	IDENTIFICATION PLATE	KML	1	pc	3,000 g	23X13/55MM GELB, 40 STK/BLATT
	270	0165313283	MALE CONNECTOR	STECKER F. BU-KONTAKTE 2,5MM	1	pc	11,500 g	4POL. CODE 1 / DIN 72585 BU
	280	0165313883	FEMALE CONNECTOR	STECKER F. ST-KONTAKT 2,5MM	2	pc	13,300 g	4POL. CODE 1 / DIN 72585 ST
	290	X00E50200311	FEMALE CONNECTOR	STECKDOSE F. ST-KONTAKTE 1,5MM	1	pc	14,000 g	7POL. CODE 1 / DIN 72585
	300	0165313383	FEMALE CONTACT	BUCHSE CUNISI VERZINNT	4	pc	0,500 g	0,5-1,0 MM <sup>2</sup> / D=2,5MM / DIN72585
	310	0165313983	PIN CONTACT	STIFT CUNISI VERZINNT	6	pc	0,300 g	0,5-1,0MM <sup>2</sup> / D=2,5MM / DIN72585
	320	0165313583	BLANKING PLUG	BLINDSTOPFEN	7	pc	0,100 g	SYSTEM 2,5MM / 2,8MM
	330	0165313483	SINGLE-CORE INSUL		10	pc	0,120 g	1,2-2,1MM/DIN72585 2,5
	340	0165314683	BAYONET COUPLING	BAJONETTVERSCHLUSS	3	pc	2,800 g	2-7POL. / DIN 72585 / BAJO
	350	0165313683	CAP		2	pc	5,600 g	90 GRAD / NW10 / DIN 72585
	360	0165313783	CAP		2	pc	4,300 g	180 GRAD / NW10 / DIN 72585
	370	0165314383	DUST CAP		3	pc	7,000 g	2-7POL. / DIN 72585
	390	X00E50200309	PIN CONTACT	STIFT CUNISI VERSILBERT	3	pc	0,500 g	0,5-1,0 MM <sup>2</sup> / D=1,5MM / DIN72585
	400	0185313083	SINGLE-CORE INSUL	EINZELADERABDICHTUNG	3	pc	1,000 g	1,2-2,1MM/MCP2,8 DIN72585 1,5
	420	0025318385	BLADE CONNECTOR	BUCHSENGEHÄUSE MCP1,5	1	pc	63,200 g	46POL / NW22 / CODE-A / 90GRD
	430	0025319385	BLADE CONNECTOR	BUCHSE CUNISI VERSILBERT	28	pc	0,400 g	0,5-1,0MM <sup>2</sup> /MCP1,5 AG
	440	0025319585	BLADE CONNECTOR	EINZELADERABDICHTUNG	28	pc	0,050 g	1,4-1,9 MM / MCP1,5
	450	0185317083	BLANKING PLUG FOR CONNECTOR	BLINDSTOPFEN	18	pc	0,050 g	MCP1,5
	460	0025319085	BLADE CONNECTOR	KAPPE FÜR MCP BUCHSENGEHÄUSE	1	pc	10,800 g	46POL / NW22
	470	0011596139	SHRINKABLE HOSE		0,120	m	130,000 g	52/13/MIT KLEBER
	480	0035314381	CABLE CLAMP		2	pc	0,600 g	L= 150MM, B= 3,6MM
	490	0035337089	IDENTIFICATION PLATE	ELAT	2	pc	1,400 g	47X135MM, BEDRUCKBAR 47X25MM
	530	0025318785	BLADE CONNECTOR	BUCHSENGEHÄUSE MCP2,8	1	pc	47,000 g	21POL / NW17 / CODE-A / 90GRD
	540	0025319285	BLADE CONNECTOR	BUCHSE CUNISI VERSILBERT	6	pc	0,600 g	1,5-2,5MM <sup>2</sup> /MCP2,8 AG

➡	POS.	PART NO.	DESIGNATION	MODEL/TYPE	QTY.	UNITS	WEIGHT	MEASUREMENT
	550	0025319485	SINGLE-CORE INSUL	EINZELADERABDICHTUNG	6	pc	0,300 g	2,2-3,0MM/MCP2,8 DIN72585 1,5
	560	0025319785	BLADE CONNECTOR	BUCHSE CUNISI VERSILBERT	2	pc	1,200 g	0,5-1,0MM²/MCP2,8 AG
	570	0185313083	SINGLE-CORE INSUL	EINZELADERABDICHTUNG	2	pc	1,000 g	1,2-2,1MM/MCP2,8 DIN72585 1,5
	580	0165313583	BLANKING PLUG	BLINDSTOPFEN	13	pc	0,100 g	SYSTEM 2,5MM / 2,8MM
	590	0025318985	BLADE CONNECTOR	KAPPE FÜR MCP BUCHSENGEHÄUSE	1	pc	5,000 g	21POL / NW17
	600	0011596139	SHRINKABLE HOSE		0,120	m	130,000 g	52/13/MIT KLEBER
	610	0035314381	CABLE CLAMP		2	pc	0,600 g	L= 150MM, B= 3,6MM
	620	0035337089	IDENTIFICATION PLATE	ELAT	2	pc	1,400 g	47X135MM, BEDRUCKBAR 47X25MM
	670	X00018613	MULTIPOINT CONNECTOR	BUCHSENGEHÄUSE MCP2,8	1	pc	30,000 g	21POL / NW17 / CODE-B / 90GRD
	680	0025319285	BLADE CONNECTOR	BUCHSE CUNISI VERSILBERT	2	pc	0,600 g	1,5-2,5MM²/MCP2,8 AG
	690	0025319485	SINGLE-CORE INSUL	EINZELADERABDICHTUNG	2	pc	0,300 g	2,2-3,0MM/MCP2,8 DIN72585 1,5
	700	0025319785	BLADE CONNECTOR	BUCHSE CUNISI VERSILBERT	7	pc	1,200 g	0,5-1,0MM²/MCP2,8 AG
	710	0185313083	SINGLE-CORE INSUL	EINZELADERABDICHTUNG	7	pc	1,000 g	1,2-2,1MM/MCP2,8 DIN72585 1,5
	720	0165313583	BLANKING PLUG	BLINDSTOPFEN	12	pc	0,100 g	SYSTEM 2,5MM / 2,8MM
	730	0025318985	BLADE CONNECTOR	KAPPE FÜR MCP BUCHSENGEHÄUSE	1	pc	5,000 g	21POL / NW17
	740	0011596139	SHRINKABLE HOSE		0,120	m	130,000 g	52/13/MIT KLEBER
	750	0035314381	CABLE CLAMP		2	pc	0,600 g	L= 150MM, B= 3,6MM
	760	0035337089	IDENTIFICATION PLATE	ELAT	2	pc	1,400 g	47X135MM, BEDRUCKBAR 47X25MM
	820	X00E50200336	SEPARABLE CONNECTOR	BUCHSENGEHÄUSE MCP2, 8+MCP 1,5	1	pc	87,400 g	62(6+56)POL/NW26/ CODE-A/ 90GRD
	830	0011596139	SHRINKABLE HOSE		0,120	m	130,000 g	52/13/MIT KLEBER
		0025319285	BLADE CONNECTOR	BUCHSE CUNISI VERSILBERT	6	pc	0,600 g	1,5-2,5MM²/MCP2,8 AG
	840	0025319485	SINGLE-CORE INSUL	EINZELADERABDICHTUNG	6	pc	0,300 g	2,2-3,0MM/MCP2,8 DIN72585 1,5
	850	0025319785	BLADE CONNECTOR	BUCHSE CUNISI VERSILBERT	40	pc	1,200 g	0,5-1,0MM²/MCP2,8 AG
	860	0185313083	SINGLE-CORE INSUL	EINZELADERABDICHTUNG	40	pc	1,000 g	1,2-2,1MM/MCP2,8 DIN72585 1,5
	870	0165313583	BLANKING PLUG	BLINDSTOPFEN	16	pc	0,100 g	SYSTEM 2,5MM / 2,8MM
	880	X00E50200337	SEPARABLE CONNECTOR	KAPPE FÜR MCP BUCHSENGEHÄUSE	1	pc	13,000 g	62POL / NW26
	940	0035314381	CABLE CLAMP		2	pc	0,600 g	L= 150MM, B= 3,6MM
	950	0035337089	IDENTIFICATION PLATE	ELAT	2	pc	1,400 g	47X135MM, BEDRUCKBAR 47X25MM



50702796

➔	POS.	PART NO.	DESIGNATION	MODEL/TYPE	QTY.	UNITS	WEIGHT	FN	MEASUREMENT	STANDARD
	70	0165313283	MALE CONNECTOR	STECKER F. BU-KONTAKTE 2,5MM	1	pc	11,500 g		4POL. CODE 1 / DIN 72585 BU	
	80	0165314983	FEMALE CONTACT	BUCHSE CUNISI VERZINNT	2	pc	0,500 g	AB	1,0-2,5 MM <sup>2</sup> / D=2,5MM / DIN72585	
	90	0165315083	SINGLE-CORE INSUL	EINZELADERABDICHTUNG	2	pc	0,100 g	AB	2,2-3,0MM/DIN72585 2,5	
	100	0165313583	BLANKING PLUG	BLINDSTOPFEN	2	pc	0,100 g		SYSTEM 2,5MM / 2,8MM	
	110	0165313683	CAP		1	pc	5,600 g		90 GRAD / NW10 / DIN 72585	
	130	X00E50206788	CORRUGATED PIPE FOR CABLE RUNNING	UFW PA6 V0	0,920	m	28,200 g	AB	NW10; 13,1/9,3MM; GROBWELLE	
	140	X00E50200860	SINGLE CONDUCTOR	RADOX 155S FLR	2,100	m	10,000 g		1X1,5QMM / RD / FEINDRÄHTIG	
	150	0035337089	IDENTIFICATION PLATE	ELAT	1	pc	1,400 g		47X135MM, BEDRUCKBAR 47X25MM	
	160	0015315485	CABLE TERMINAL	1,0-2,5 MM	1	pc	3,000 g		1,0-2,5QMM/M8, BLAU	
	170	0001591879	CABLE TERMINAL		1	pc	1,200 g		0,35-1,5QMM/M6 ROT	
	180	0015336331	CAP	BR2000/4000	1	pc	1,900 g		FUER WELTROHR DN10 AD=13MM	
	190	700461105006	MARKER SLEEVE		2	pc	0,800 g		5/G	MMN461
	200	700461105023	MARKER SLEEVE		1	pc	0,800 g		5/X	MMN461
	210	700461205000	MARKER SLEEVE		2	pc	0,001 kg		5/0	MMN461
	220	700461205003	MARKER SLEEVE		2	pc	0,700 g		5/3	MMN461
	230	700461101031	MARKER SLEEVE		3	pc	0,200 g		1/+	MMN461
	240	700461201001	MARKER SLEEVE		1	pc	0,100 g		1/1	MMN461
	250	700461201006	MARKER SLEEVE		1	pc	0,100 g		1/6	MMN461
	260	700461101026	ID GROMMET		2	pc	0,001 kg		1//	MMN461
	270	700461101033	MARKER SLEEVE		1	pc	720,000 g		1/D	MMN461

EQUI TYPE: Engine

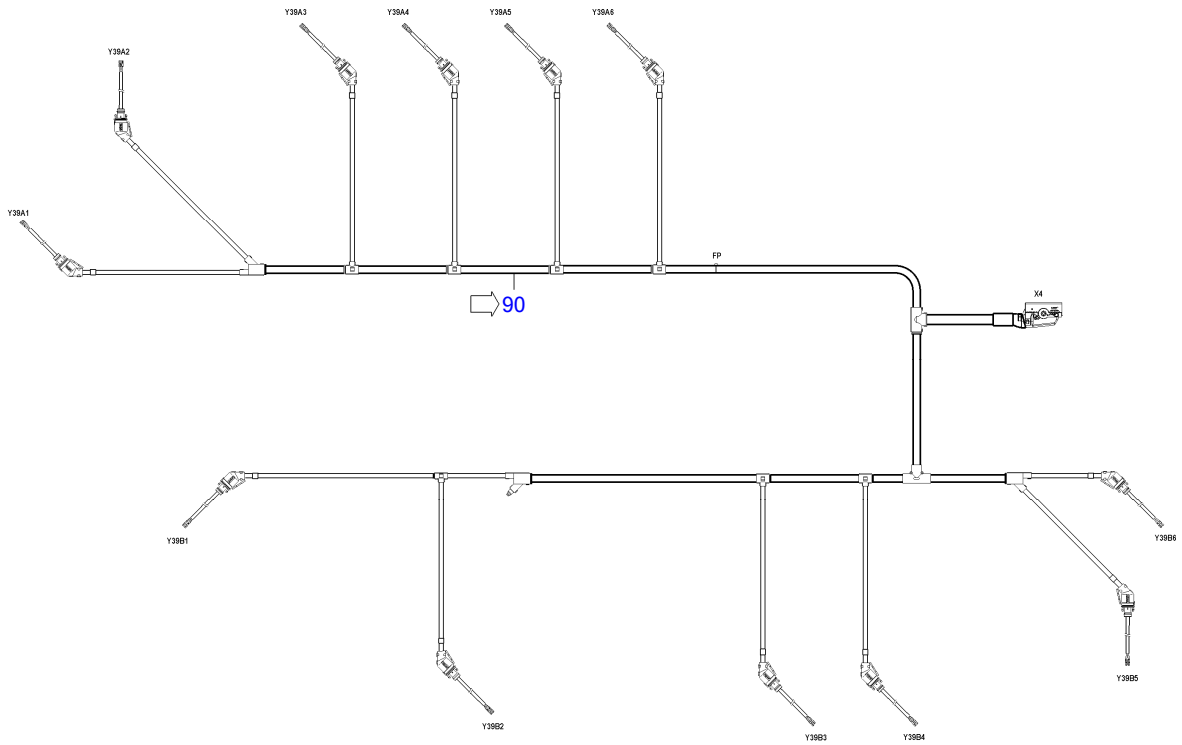
PRODUCT TYPE: 12V4000M53  
CONNECTING CABLE FOR GENERATOR

SERIAL NUMBER: 526107656

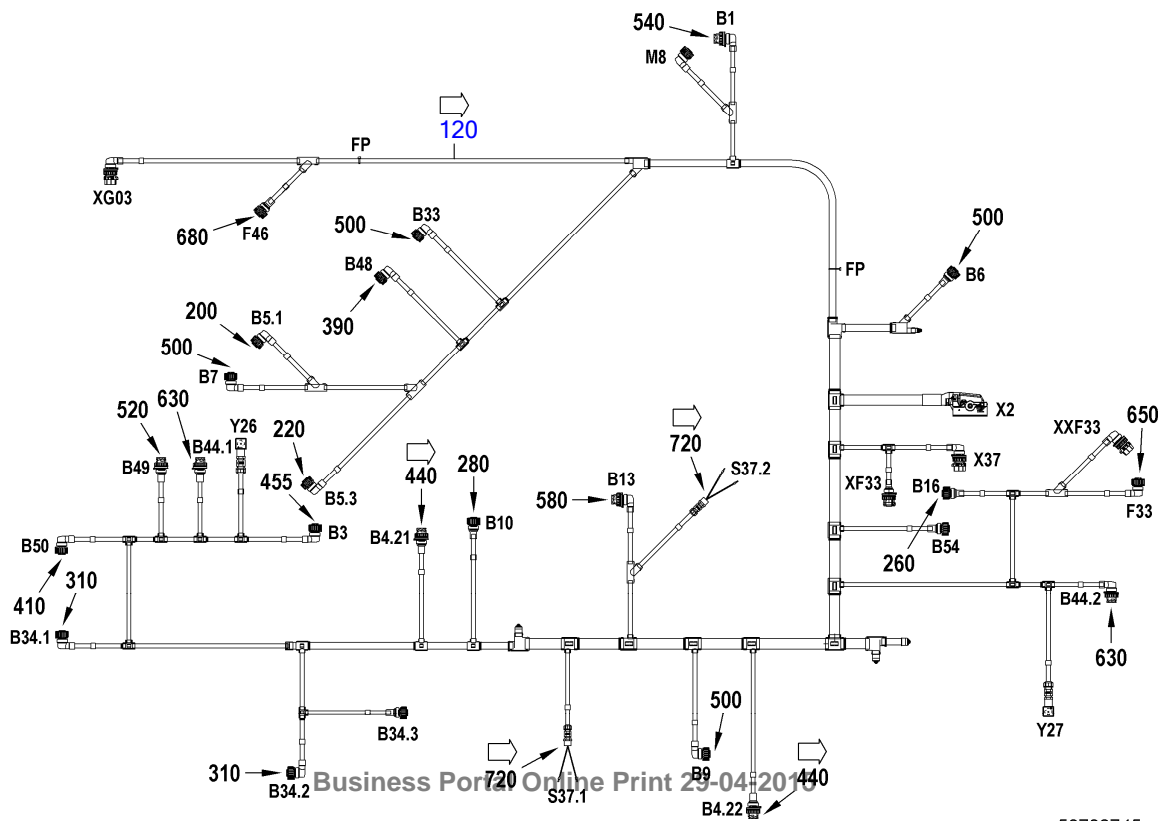
FG/FGS:

BOM-No.: X00E50700638

➡	POS.	PART NO.	DESIGNATION	MODEL/TYPE	QTY.	UNITS	WEIGHT	FN	MEASUREMENT	STANDARD
	280	700461101001	IDENTIFICATION MARKER		1	pc	0,040 g		1/B	MMN461



50702284a



50702745

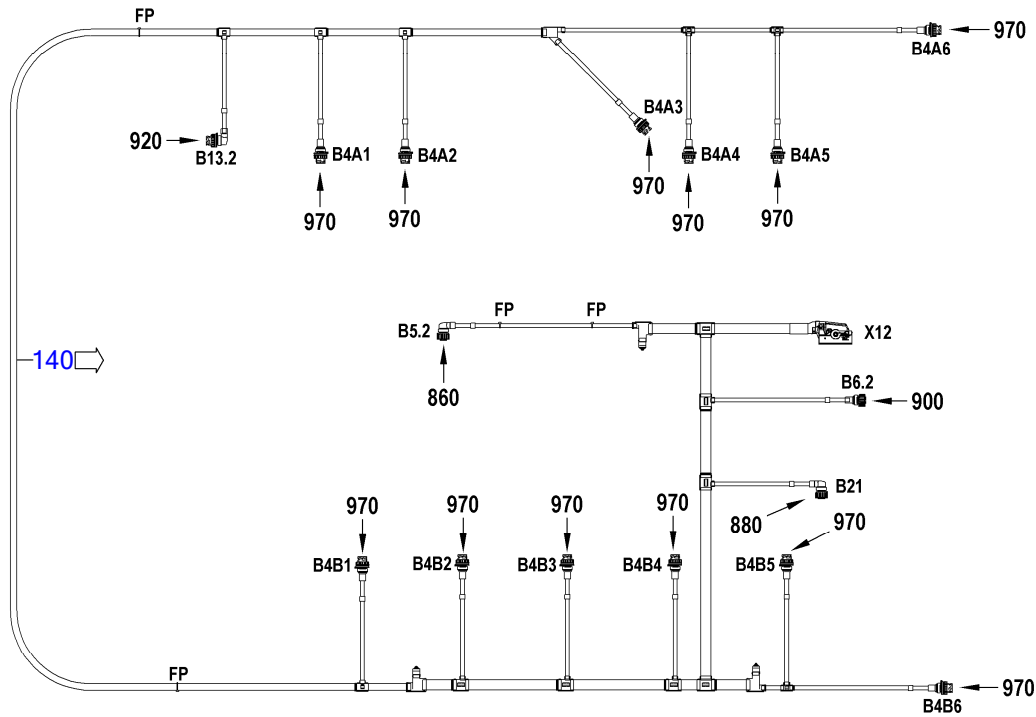
EQUI TYPE: Engine

PRODUCT TYPE: 12V4000M53  
ENGINE CABLING FOR ON-ENGINE SENSO

SERIAL NUMBER: 526107656

FG/FGS: 507 98

BOM-No.: XS00E500.01614



50702746

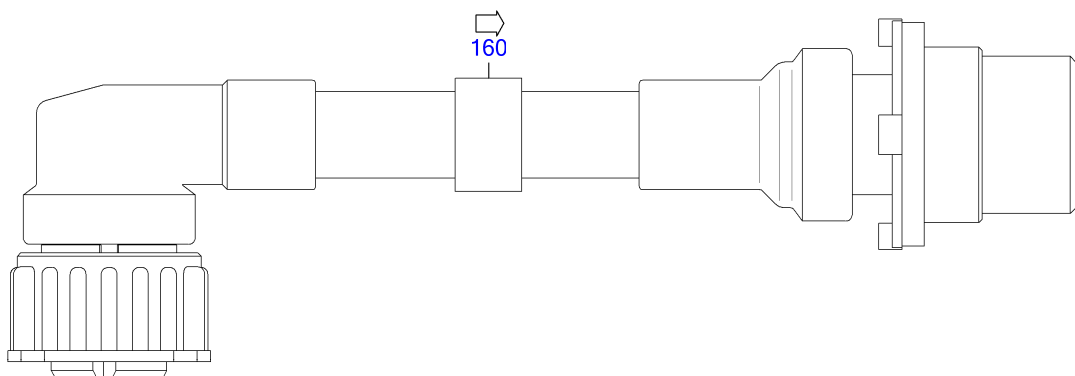
EQUI TYPE: Engine

PRODUCT TYPE: 12V4000M53  
ENGINE CABLING FOR ON-ENGINE SENSO

SERIAL NUMBER: 526107656

FG/FGS: 507 98

BOM-No.: XS00E500.01614

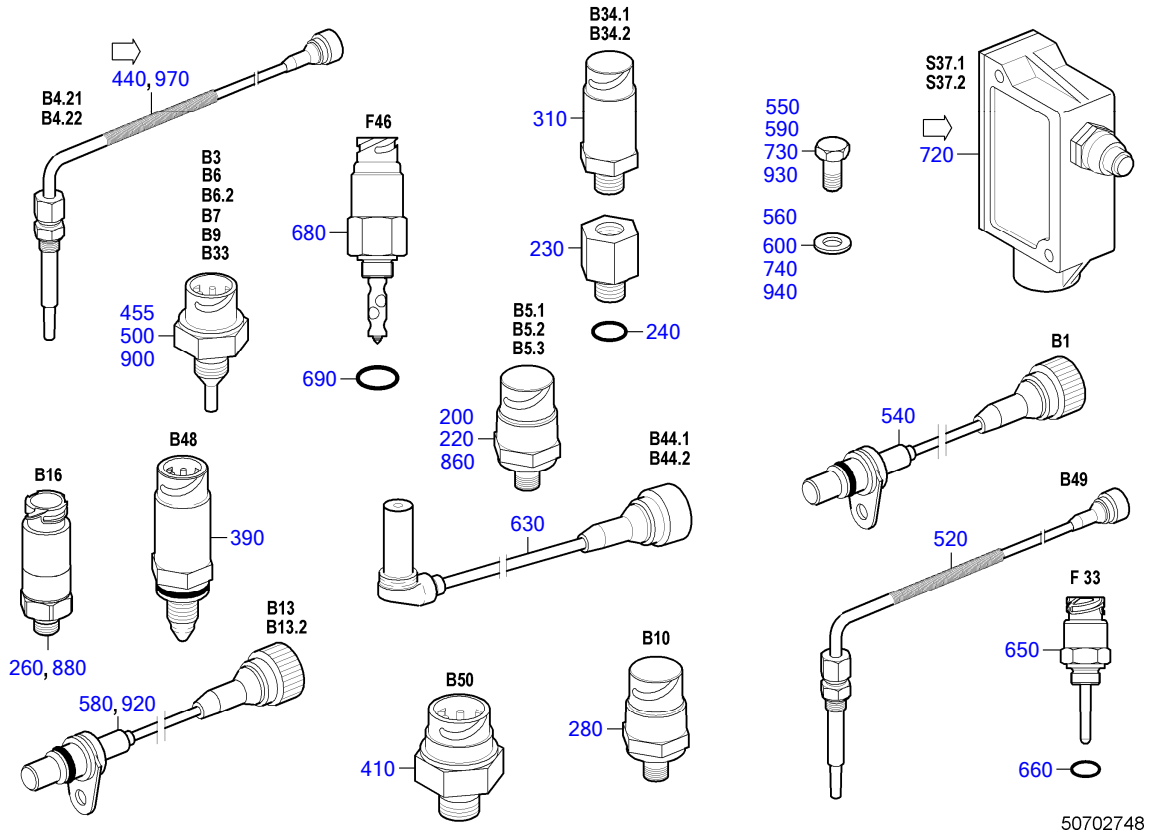


EQUI TYPE: Engine

PRODUCT TYPE: 12V4000M53  
ENGINE CABLING FOR ON-ENGINE SENSO

SERIAL NUMBER: 526107656

FG/FGS: 507 98  
BOM-No.: XS00E500.01614

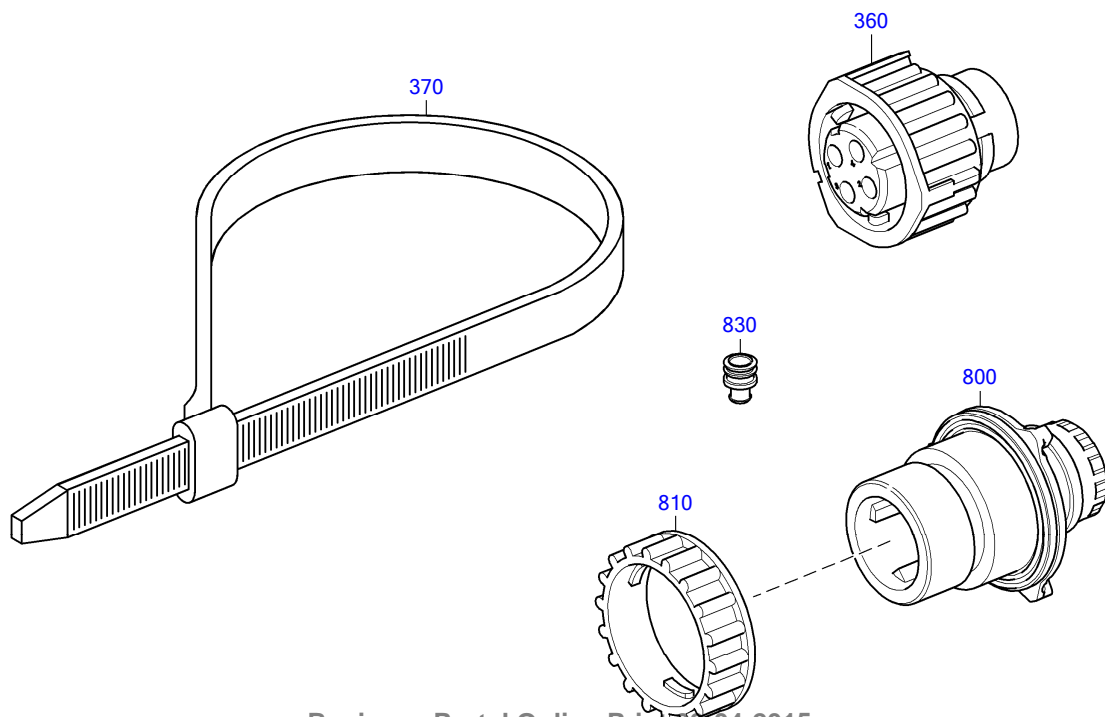


EQUI TYPE: Engine

PRODUCT TYPE: 12V4000M53  
ENGINE CABLING FOR ON-ENGINE SENSO

SERIAL NUMBER: 526107656

FG/FGS: 507 98  
BOM-No.: XS00E500.01614



➡	POS.	PART NO.	DESIGNATION	MODEL/TYPE	QTY.	UNITS	WEIGHT	FN	MEASUREMENT	STANDARD
	259	90	<b>X00E50700435</b> WIRING HARNESS TO INJECTOR	12V4000M23-M63	1	pc	1,925 kg		ECU7 X4	
	261	120	<b>X00E50700628</b> WIRING HARNESS FOR ON-ENGINE SENSO	12V4000M23-M63	1	pc	4,130 kg		ECU7 X2	
	260	140	<b>X00E50700444</b> WIRING HARNESS FOR ON-ENGINE SENSO	12V4000M23-M63	1	pc	2,405 kg		EMU7 X12 M.EA	
		200	<b>0035352531</b> PRESSURE SENSOR		1	pc	75,000 g	AB EM	M14X1,5,SW= 27, 0-10BAR_RELATIV	
		220	<b>0035352531</b> PRESSURE SENSOR		1	pc	75,000 g	AB EM	M14X1,5,SW= 27, 0-10BAR_RELATIV	
		230	<b>5069971416</b> BUSHING THREADED	8/12V183TE02/93	1	pc	27,300 g			
		240	<b>007603018104</b> WASHER A COP		1	pc	2,000 g		A 18 X 24	DIN7603
		260	<b>X00E50208388</b> PRESSURE SENSOR	0 - 10 BAR REL, EPN	1	pc	105,300 g	AB	M14X1,5, SW=27	
		280	<b>X00018659</b> PRESSURE SENSOR	0,5-6 BAR ABS	1	pc	89,400 g	EM	M18X1,5, SW=27	
		295	<b>X00E50207201</b> PRESSURE SENSOR	15 BAR REL.	1	pc	105,200 g	AB	ISO M14X1,5;SW=27 L=56 TYP:EPN	
		310	<b>X00E50207201</b> PRESSURE SENSOR	15 BAR REL.	1	pc	105,200 g	AB	ISO M14X1,5;SW=27 L=56 TYP:EPN	
		360	<b>0185314583</b> DUST CAP	BAJONETTGEOMETRIE DIN 72585	1	pc	5,000 g	AB	2-7POL. / DIN 72585	DIN72585
		370	<b>0025317381</b> QUICK-CATCH CLAMP	T50S_151X4,8MM	1	pc	1,100 g		L	
		390	<b>X00E50207217</b> PRESSURE SENSOR	2000 BAR REL.	1	pc	156,000 g	AB EM	KEGEL,M18X1,5, SW=27,L=56, EPN	
		410	<b>0035352231</b> PRESSURE SENSOR		1	pc	131,600 g		M14X1,5,SW=38, +/- 70MBAR_RELAT.	
	258	440	<b>X00E50201372</b> TEMPERATURE SENSOR	PT100 ABGAS	2	pc	175,000 g	EM	M14X1,5,110MM, KABEL=1M,STECKER,	
		455	<b>X00010488</b> TEMPERATURE SENSOR	PT1000	1	pc	57,400 g	AB EM	DIN72585 2-POL. CODE 1	
		500	<b>0005356430</b> TEMPERATURE SENSOR	PT1000	4	pc	50,000 g	AB EM	M14X1,5, L=29, STECKER DIN72585,	
		520	<b>X00E50201370</b> TEMPERATURE SENSOR	PT100 ABGAS	1	pc	197,100 g	AB EM	M14X1,5, 58MM, KABEL=1M,STECKER,	
		540	<b>0005358133</b> SPEED SENSOR	BR4000;NW;	1	pc	89,300 g	AB EM	D=19X60,KABELL.=750MM,	
		550	<b>304017008077</b> HEX SCREW		1	pc	10,500 g		M 8 X 16	ISO4017
		560	<b>000125008427</b> WASHER		1	pc	1,500 g		A 8,4	DIN125
		580	<b>0005357633</b> SPEED SENSOR	BR4000;KW;	1	pc	85,000 g	EM	D=19X60,KABELL.=700MM,	
		590	<b>304017008077</b> HEX SCREW		1	pc	10,500 g		M 8 X 16	ISO4017
		600	<b>000125008427</b> WASHER		1	pc	1,500 g		A 8,4	DIN125
		630	<b>5205304069</b> SPEED TRANSMITTER	VDO-PICK-UP	2	pc	90,000 g	AB	MIT DIN-STECKER CODE 1	
		650	<b>X00E50203659</b> LEVEL MONITOR	BEDIA CLS-50, WASSERSONDE	1	pc	86,600 g	AB	WASSERSONDE DYN.UB-VERHALTEN+LT,	
		660	<b>007603018101</b> COPPER SEALING RING		1	pc	1,300 g		A 18 X 22	DIN7603
		680	<b>X00E50203667</b> LEVEL MONITOR	BEDIA CLS-50, OELSONDE	1	pc	97,000 g	AB	OELSONDE, DYN.UB-VERHALTEN	
		690	<b>007603018101</b> COPPER SEALING RING		1	pc	1,300 g		A 18 X 22	DIN7603
	257	720	<b>635H22706/2</b> SWITCH E-STOP 45MM W/ SELF MONITORING CO		2	pc	148,900 g			
		730	<b>304014004001</b> HEX SCREW		4	pc	3,700 g		M 4 X 35	ISO4014
		740	<b>007349004000</b> WASHER		4	pc	1,100 g		4,3	DIN7349
		800	<b>0165313883</b> FEMALE CONNECTOR	STECKER F. ST-KONTAKT 2,5MM	1	pc	13,300 g		4POL. CODE 1 / DIN 72585 ST	
		810	<b>0165314683</b> BAYONET COUPLING	BAJONETTVERSCHLUSS	1	pc	2,800 g		2-7POL. / DIN 72585 / BAJO	
		830	<b>0165313583</b> BLANKING PLUG	BLINDSTOPFEN	4	pc	0,100 g		SYSTEM 2,5MM / 2,8MM	
		860	<b>0035352531</b> PRESSURE SENSOR		1	pc	75,000 g	AB EM	M14X1,5,SW= 27, 0-10BAR_RELATIV	
		880	<b>X00E50208386</b> PRESSURE SENSOR	0 - 6 BAR REL., EPN	1	pc	125,000 g	AB	M14X1,5 SW=27 KERAMIK	
		900	<b>0005356430</b> TEMPERATURE SENSOR	PT1000	1	pc	50,000 g	AB EM	M14X1,5, L=29, STECKER DIN72585,	
		920	<b>0005357633</b> SPEED SENSOR	BR4000;KW;	1	pc	85,000 g	EM	D=19X60,KABELL.=700MM,	
		930	<b>304017008077</b> HEX SCREW		1	pc	10,500 g		M 8 X 16	ISO4017
		940	<b>000125008427</b> WASHER		1	pc	1,500 g		A 8,4	DIN125



EQUI TYPE: Engine

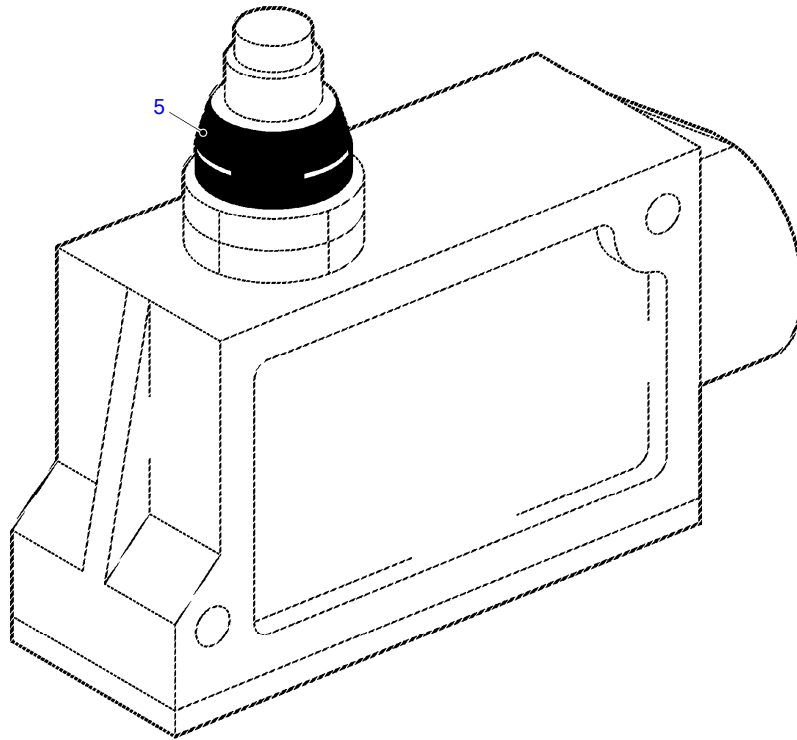
PRODUCT TYPE: 12V4000M53  
ENGINE CABLING FOR ON-ENGINE SENSO

SERIAL NUMBER: 526107656

FG/FGS: 507 98

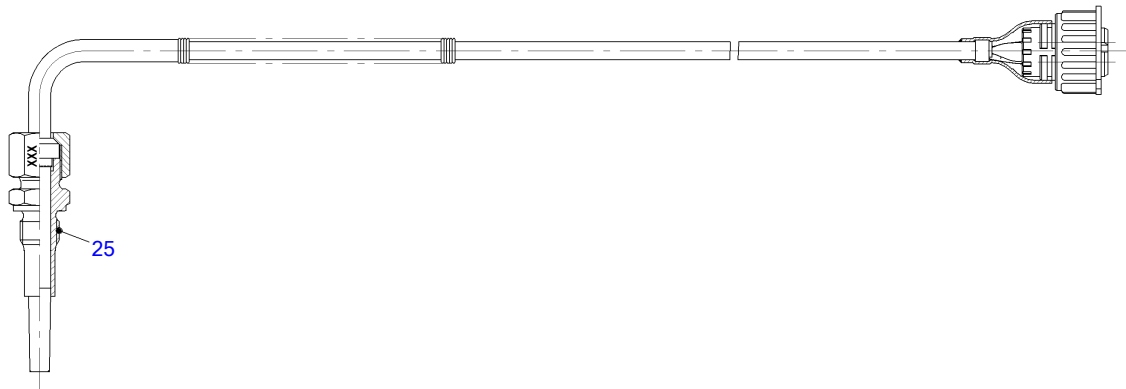
BOM-No.: XS00E500.01614

➡	POS.	PART NO.	DESIGNATION	MODEL/TYPE	QTY.	UNITS	WEIGHT	FN	MEASUREMENT	STANDARD
	970	0005359960	THERMOCOUPLE	NICRNI-ABGAS	12	pc	173,800 g		HUELSE=49MM, KABEL=0,40M,ET85MM	



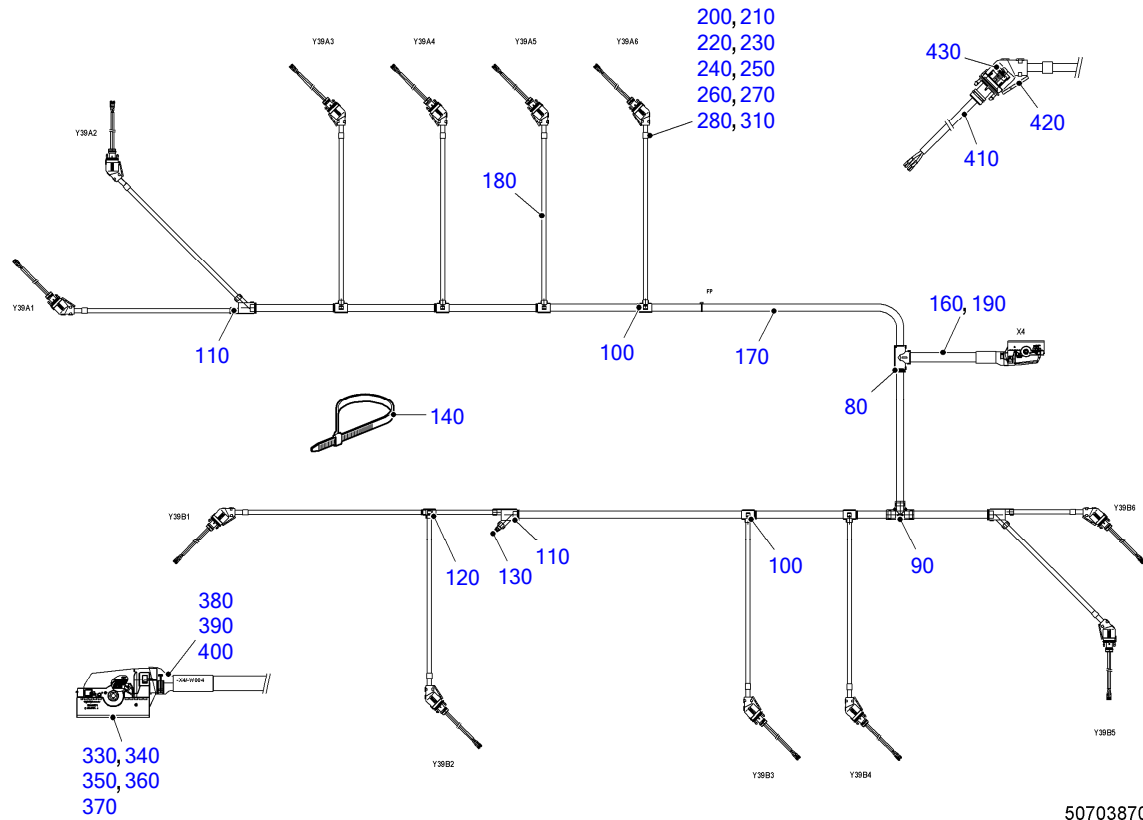
50702215a

➔	POS.	PART NO.	DESIGNATION	QTY.	UNITS	WEIGHT
	5	8599970017	GROMMET	1	pc	0,500 g



50701427a

➔	POS.	PART NO.	DESIGNATION	QTY.	UNITS	WEIGHT	MEASUREMENT
	25	8499970115	UNION	1	pc	63,000 g	M14X1.5 83MM HUELSENLAENGE



➔ POS.	PART NO.	DESIGNATION	MODEL/TYPE	QTY.	UNITS	WEIGHT	FN	MEASUREMENT	STANDARD
80	X00005706	DISTRIBUTOR FOR CABLING	T-TYP / NW17-22-17 / B	1	pc	9,000 g		T-TYP / NW17-22-17 / B	
90	0005336343	PIPE		1	pc	26,400 g	AB	T-ABZWEIG 17-17-17	
100	0005331043	PIPE JOINT		10	pc	6,700 g		T-ABZWEIG 17-10-17	
110	0005337443	PIPE	492.	3	pc	8,400 g		Y-ABZWEIG 17-10-10	
120	0005331443	PIPE		1	pc	4,400 g		T-ABZWEIG 10-10-10	
130	0015336331	CAP	BR2000/4000	1	pc	1,900 g		FUER WELLROHR DN10 AD=13MM	
140	0035314381	CABLE CLAMP		1	pc	0,600 g		L= 150MM, B= 3,6MM	
160	0005338543	PIPE	359.	0,340	m	100,000 g		NW22, AD=25,3MM SW GROBPROFIL	
170	0005337143	PIPE	359.	5,700	m	49,400 g		WELLROHR NW17	
180		PIPE	359.	5,000	m	23,000 g		WELLROHR NW10	
190	0095319080	CABLE	RADDOX 155S RW	40,000	m	20,900 g		1X2X1,0QMM / WS / NUMMERIERT	
200	700461105000	ID GROMMET		6	pc	0,700 g	5/A		MMN461
210	700461105001	MARKER SLEEVE		6	pc	0,100 g	5/B		MMN461
220	700461105024	MARKER SLEEVE		12	pc	0,700 g	5/Y		MMN461
230	700461205001	MARKER SLEEVE		2	pc	0,800 g	5/1		MMN461
240	700461205002	MARKER SLEEVE		2	pc	0,700 g	5/2		MMN461
250	700461205003	MARKER SLEEVE		14	pc	0,700 g	5/3		MMN461
260	700461205004	MARKER SLEEVE		2	pc	0,700 g	5/4		MMN461
270	700461205005	IDENTIFICATION MARKER		2	pc	0,700 g	5/5		MMN461
280	700461205006	IDENTIFICATION MARKER		2	pc	0,700 g	5/6		MMN461
310	700461205009	IDENTIFICATION MARKER		12	pc	0,001 kg	5/9		MMN461
330	0025318485	BLADE CONNECTOR	BUCHSENGEHÄUSE MCP1,5	1	pc	62,800 g		46POL / NW22 / CODE-B / 90GRD	

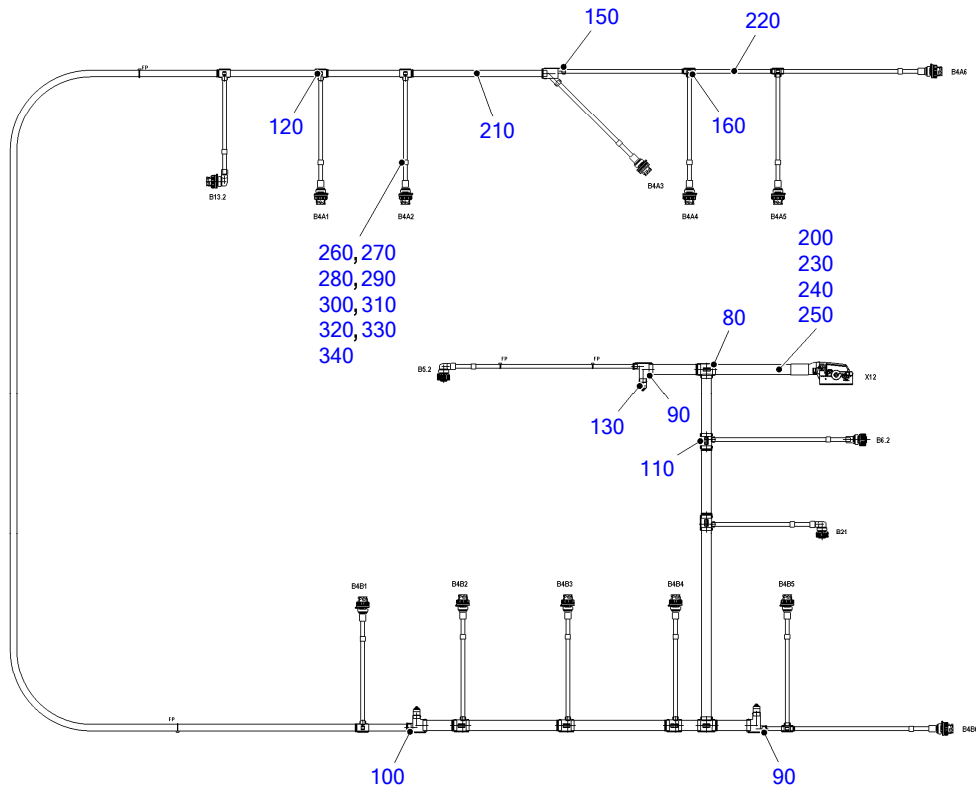
➡	POS.	PART NO.	DESIGNATION	MODEL/TYPE	QTY.	UNITS	WEIGHT	FN	MEASUREMENT	STANDARD
	340	0025319385	BLADE CONNECTOR	BUCHSE CUNISI VERSILBERT	24	pc	0,400 g		0,5-1,0MM²/MCP1,5 AG	
	350	0025319585	BLADE CONNECTOR	EINZELADERABDICHTUNG	24	pc	0,050 g		1,4-1,9 MM / MCP1,5	
	360	0185317083	BLANKING PLUG FOR CONNECTOR	BLINDSTOPFEN	22	pc	0,050 g		MCP1,5	
	370	0025319085	BLADE CONNECTOR	KAPPE FÜR MCP BUCHSENGEHÄUSE	1	pc	10,800 g		46POL / NW22	
	380	0011596139	SHRINKABLE HOSE		0,120	m	130,000 g		52/13/MIT KLEBER	
	390	0035314381	CABLE CLAMP		2	pc	0,600 g		L= 150MM, B= 3,6MM	
	400	0035337089	IDENTIFICATION PLATE	ELAT	2	pc	1,400 g		47X135MM, BEDRUCKBAR 47X25MM	
	410	X00013978	TERMINAL FOR CYLINDER HEAD	BR4000	12	pc	25,000 g		L=90MM, 250V/1500V/24A 2-POL.	
	420	0065319181	END SLEEVE		12	pc	4,700 g		HAUBE 45GRAD, FUER WELLROHR N	
	430	X00006101	TERMINAL		24	pc	0,200 g		0,5-1MM M. ISOLATIONSUNTERST.	DIN46228

EQUI TYPE: Engine

PRODUCT TYPE: 12V4000M53  
WIRING HARNESS FOR ON-ENGINE SENSO

SERIAL NUMBER: 526107656

FG/FGS:  
BOM-No.: X00E50700444



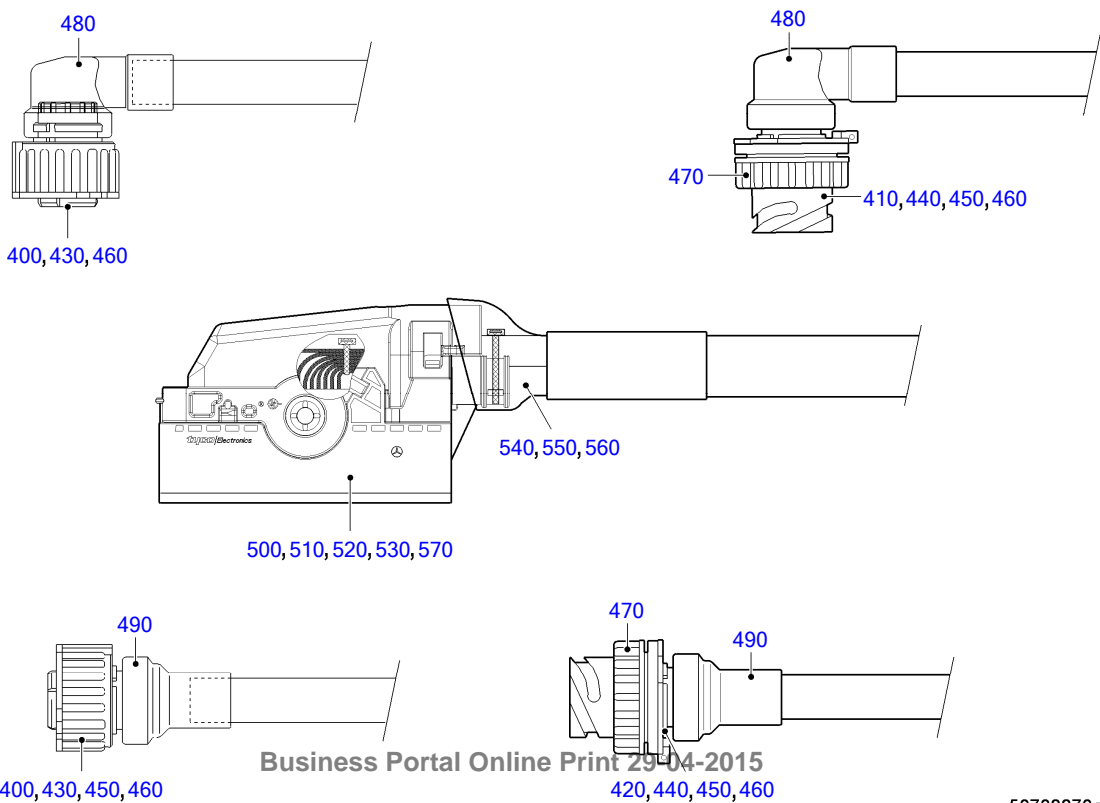
50702269a

EQUI TYPE: Engine

PRODUCT TYPE: 12V4000M53  
WIRING HARNESS FOR ON-ENGINE SENSO

SERIAL NUMBER: 526107656

FG/FGS:  
BOM-No.: X00E50700444



50702270a

## WIRING HARNESS FOR ON-ENGINE SENSO

FG/FGS:

BOM-No.: X00E50700444

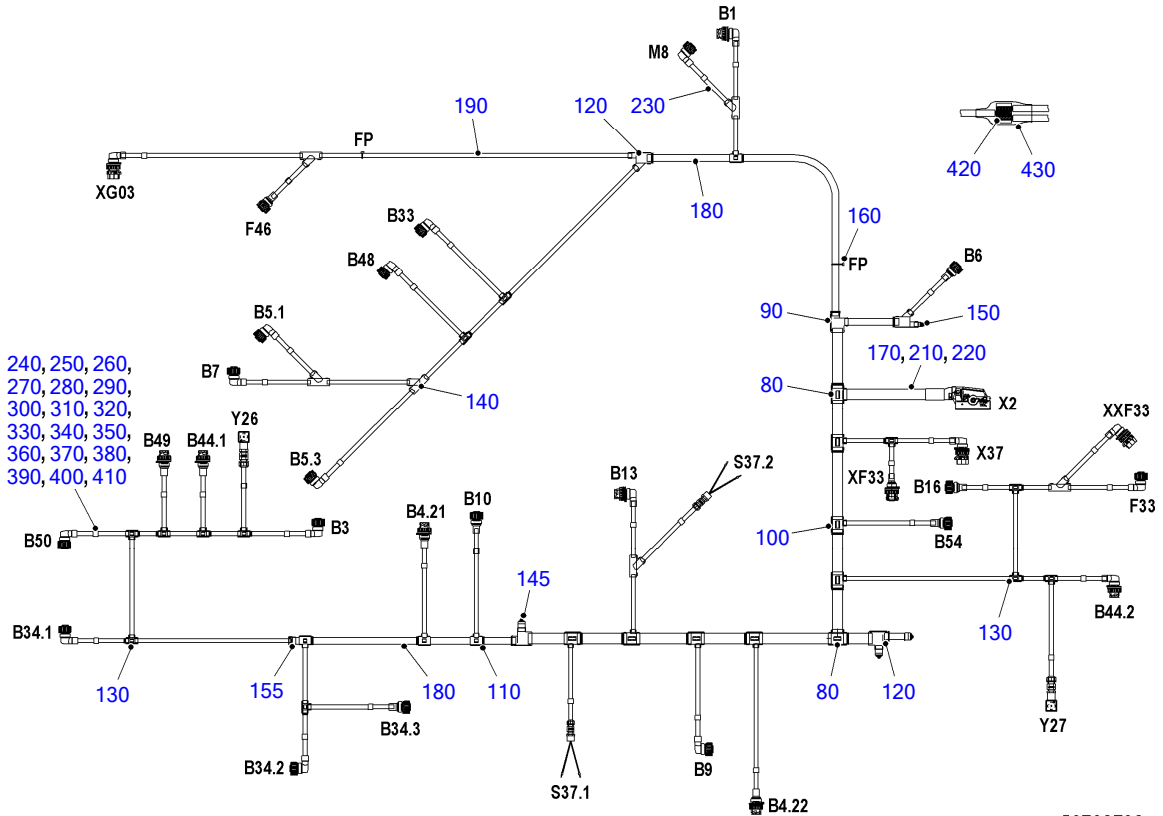
➡	POS.	PART NO.	DESIGNATION	MODEL/TYPE	QTY.	UNITS	WEIGHT	FN	MEASUREMENT	STANDARD
	80	X00027377	DISTRIBUTOR		2	pc	16,500 g		T-ABZWEIG 26-26-26	
	90	X00E50204716	DISTRIBUTOR F. WIRING HARNESS		2	pc	9,700 g	UB	T-ABZWEIG 26-17-10	
	100	X00005206	DISTRIBUTOR F. WIRING HARNESS	T-TYP / NW26-17-17 / B	1	pc	10,000 g		T-TYP / NW26-17-17 / B	
	110	X00E50200993	DISTRIBUTOR F. WIRING HARNESS	T-TYP / NW26-10-26 / B	5	pc	9,700 g	AB	T-TYP / NW26-10-26 / B	
	120	0005331043	PIPE JOINT		4	pc	6,700 g		T-ABZWEIG 17-10-17	
	130	0015336931	CAP	FUER WELLROHR	3	pc	1,000 g		DN17 AD=21,2MM	
	150	0005337443	PIPE	492.	1	pc	8,400 g		Y-ABZWEIG 17-10-10	
	160	0005331443	PIPE		3	pc	4,400 g		T-ABZWEIG 10-10-10	
	200	0005338643	PIPE	359.	3,200	m	81,000 g		WELLROHR NW26	
	210	0005337143	PIPE	359.	2,500	m	49,400 g		WELLROHR NW17	
	220		PIPE	359.	12,200	m	23,000 g		WELLROHR NW10	
	230	0095318880	CABLE	RADDOX 155S RW VERDRILLT	6,500	m	11,200 g		1X2X0,5QMM / WS / NUMMERIERT	
	240	0095318980	CABLE	RADDOX 155S RW VERDRILLT	3,800	m	16,900 g		1X3X0,5QMM / WS / NUMMERIERT	
	250	0095317880	CABLE	RADOX 155S / NICRNI / VEDRILLT	65,200	m	120,000 g	AB	1X2X0,6QMM / GN/WS	DINIEC584KL.2
	260	700461105000	ID GROMMET		6	pc	0,700 g		5/A	MMN461
	270	700461105001	MARKER SLEEVE		22	pc	0,100 g		5/B	MMN461
	280	700461105028	MARKER SLEEVE		3	pc	0,700 g		5/.	MMN461
	290	700461205001	MARKER SLEEVE		4	pc	0,800 g		5/1	MMN461
	300	700461205002	MARKER SLEEVE		6	pc	0,700 g		5/2	MMN461
	310	700461205003	MARKER SLEEVE		3	pc	0,700 g		5/3	MMN461
	320	700461205004	MARKER SLEEVE		14	pc	0,700 g		5/4	MMN461
	330	700461205005	IDENTIFICATION MARKER		3	pc	0,700 g		5/5	MMN461
	340	700461205006	IDENTIFICATION MARKER		3	pc	0,700 g		5/6	MMN461
	400	0165313283	MALE CONNECTOR	STECKER F. BU-KONTAKTE 2,5MM	3	pc	11,500 g		4POL. CODE 1 / DIN 72585 BU	
	410	0165313883	FEMALE CONNECTOR	STECKER F. ST-KONTAKT 2,5MM	1	pc	13,300 g		4POL. CODE 1 / DIN 72585 ST	
	420	0165314183	FEMALE CONNECTOR	STECKDOSE ST-KONTAKTE 2,5MM	12	pc	13,500 g		4POL. CODE 2 / DIN 72585	
	430	0165313383	FEMALE CONTACT	BUCHSE CUNISI VERZINNT	10	pc	0,500 g		0,5-1,0 MM <sup>2</sup> / D=2,5MM / DIN72585	
	440	0165313983	PIN CONTACT	STIFT CUNISI VERZINNT	26	pc	0,300 g		0,5-1,0MM <sup>2</sup> / D=2,5MM / DIN72585	
	450	0165313583	BLANKING PLUG	BLINDSTOPFEN	28	pc	0,100 g		SYSTEM 2,5MM / 2,8MM	
	460	0165313483	SINGLE-CORE INSUL		36	pc	0,120 g		1,2-2,1MM/DIN72585 2,5	
	470	0165314683	BAYONET COUPLING	BAJONETTVERSCHLUSS	13	pc	2,800 g		2-7POL. / DIN 72585 / BAJO	
	480	0165313683	CAP		3	pc	5,600 g		90 GRAD / NW10 / DIN 72585	
	490	0165313783	CAP		13	pc	4,300 g		180 GRAD / NW10 / DIN 72585	
	500	0025319385	BLADE CONNECTOR	BUCHSE CUNISI VERSILBERT	34	pc	0,400 g		0,5-1,0MM <sup>2</sup> /MCP1,5 AG	
	510	0025319585	BLADE CONNECTOR	EINZELADERABDICHTUNG	34	pc	0,050 g		1,4-1,9 MM / MCP1,5	
	520	0185317083	BLANKING PLUG FOR CONNECTOR	BLINDSTOPFEN	58	pc	0,050 g		MCP1,5	
	530	0025319185	BLADE CONNECTOR	KAPPE FUER MCP BUCHSENGEHAEUSE	1	pc	10,000 g		92POL / NW26	
	540	0011596139	SHRINKABLE HOSE		0,120	m	130,000 g		52/13/MIT KLEBER	
	550	0035314381	CABLE CLAMP		6	pc	0,600 g		L= 150MM, B= 3,6MM	
	560	0035337089	IDENTIFICATION PLATE	ELAT	2	pc	1,400 g		47X135MM, BEDRUCKBAR 47X25MM	
	570	X00012742	BLADE CONNECTOR	BUCHSENGEHAEUSE MCP1,5	1	pc	111,000 g		92POL / NW26 / CODE-B / 90GRD	

EQUI TYPE: Engine

PRODUCT TYPE: 12V4000M53  
WIRING HARNESS FOR ON-ENGINE SENSO

SERIAL NUMBER: 526107656

FG/FGS:  
BOM-No.: X00E50700628

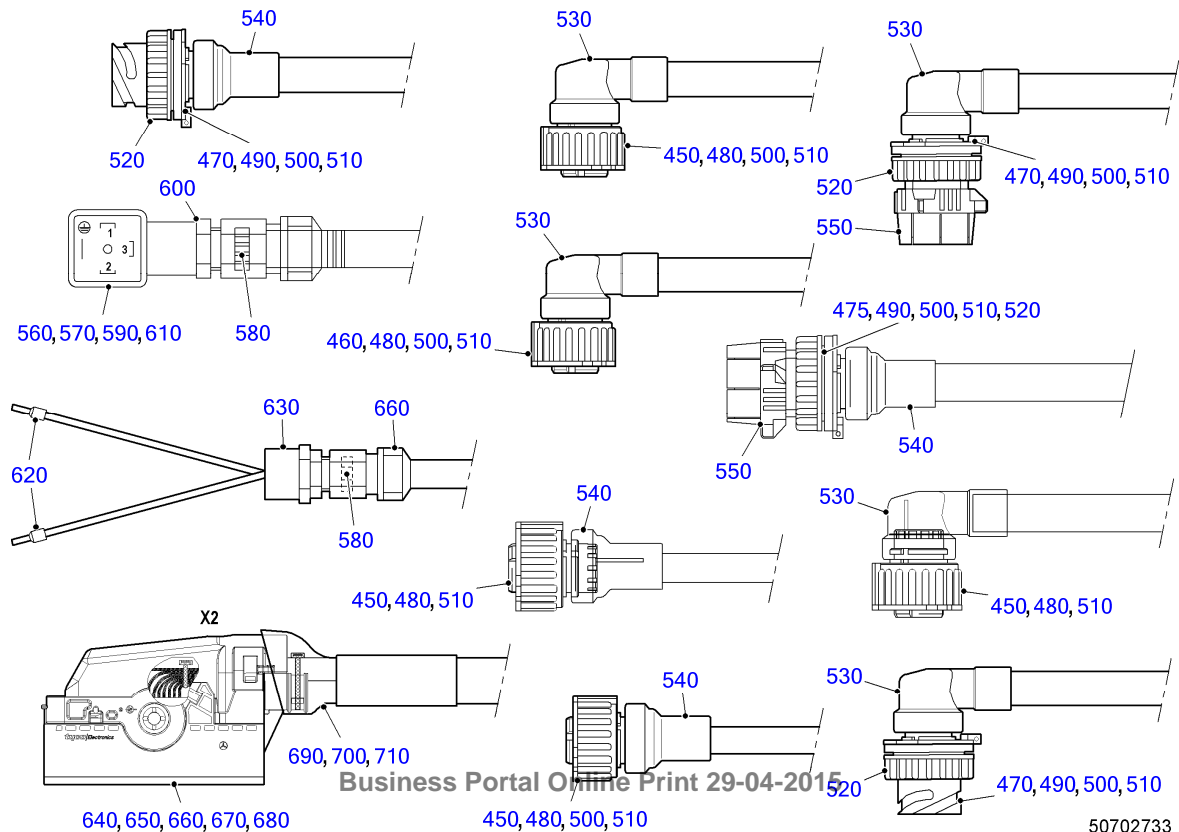


EQUI TYPE: Engine

PRODUCT TYPE: 12V4000M53  
WIRING HARNESS FOR ON-ENGINE SENSO

SERIAL NUMBER: 526107656

FG/FGS:  
BOM-No.: X00E50700628





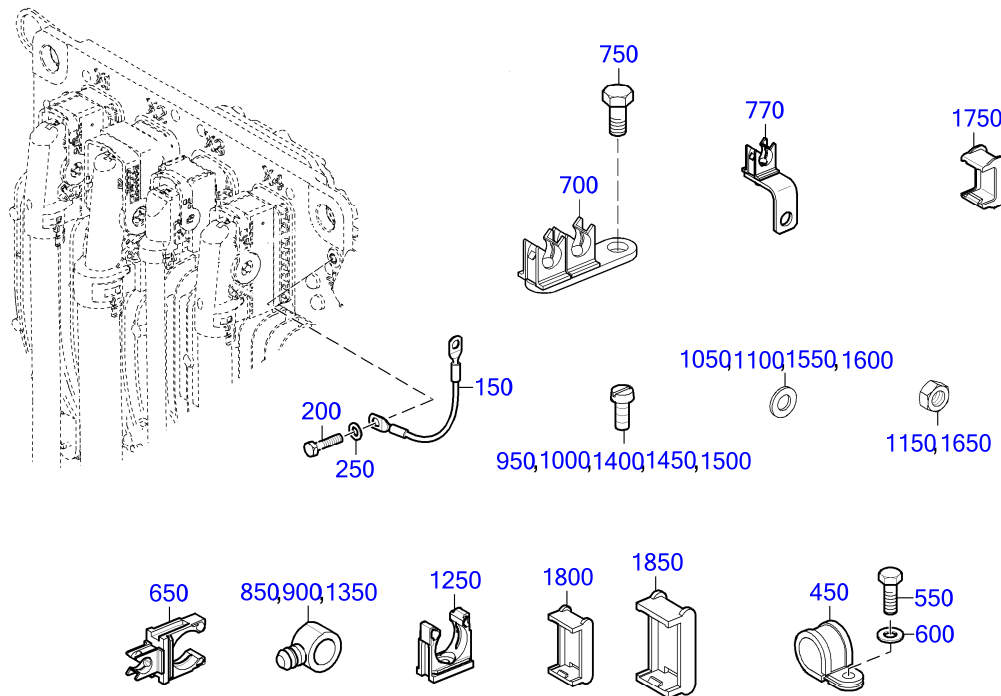
## WIRING HARNESS FOR ON-ENGINE SENSO

FG/FGS:

BOM-No.: X00E50700628

➔	POS.	PART NO.	DESIGNATION	MODEL/TYPE	QTY.	UNITS	WEIGHT	FN	MEASUREMENT	STANDARD
	80	X00027377	DISTRIBUTOR		2	pc	16,500 g		T-ABZWEIG 26-26-26	
	90	X00005206	DISTRIBUTOR F. WIRING HARNESS	T-TYP / NW26-17-17 / B	3	pc	10,000 g		T-TYP / NW26-17-17 / B	
	100	X00E50200993	DISTRIBUTOR F. WIRING HARNESS	T-TYP / NW26-10-26 / B	7	pc	9,700 g	AB	T-TYP / NW26-10-26 / B	
	105	X00E50203231	DISTRIBUTOR CABLING AND PIPEWOR	T-SNAP LOCK 17-10-13	1	pc	6,500 g		T-ABZWEIG 17-10-13 HALBSCHALE	
	110	0005331043	PIPE JOINT		3	pc	6,700 g		T-ABZWEIG 17-10-17	
	120	0005337443	PIPE	492.	2	pc	8,400 g		Y-ABZWEIG 17-10-10	
	130	0005331443	PIPE		11	pc	4,400 g		T-ABZWEIG 10-10-10	
	140	0005331143	PIPE JOINT		6	pc	5,800 g		Y-ABZWEIG 10-10-10	
	145	0015336931	CAP	FUER WELLROHR	3	pc	1,000 g		DN17 AD=21,2MM	
	150	0015336331	CAP	BR2000/4000	1	pc	1,900 g		FUER WELLROHR DN10 AD=13MM	
	155	X00E50207667	BRANCH FOR CABLE RUNNING		1	pc	0,400 g		Z.EINLEGEN NW 13-10 / FORM A	
	160	0035314381	CABLE CLAMP		2	pc	0,600 g		L= 150MM, B= 3,6MM	
	170	X00E50206794	CORRUGATED PIPE FOR CABLE RUNNING	UFW PA6 V0	5,200	m	96,300 g	AB	NW26; 31,5/24,9MM; GROBWELLE	
	180	X00E50206790	CORRUGATED PIPE FOR CABLE RUNNING	UFW PA6 V0	2,500	m	53,100 g	AB	NW17; 21,2/16,0MM; GROBWELLE	
	190	X00E50206788	CORRUGATED PIPE FOR CABLE RUNNING	UFW PA6 V0	14,800	m	28,200 g	AB	NW10; 13,1/9,3MM; GROBWELLE	
	210	0095318880	CABLE	RADDOX 155S RW VERDRILLT	78,000	m	11,200 g		1X2X0,5QMM / WS / NUMMERIERT	
	220	0095318980	CABLE	RADDOX 155S RW VERDRILLT	47,500	m	16,900 g		1X3X0,5QMM / WS / NUMMERIERT	
	230	0095319080	CABLE	RADDOX 155S RW	1,850	m	20,900 g		1X2X1,0QMM / WS / NUMMERIERT	
	240	700461105001	MARKER SLEEVE		22	pc	0,100 g		5/B	MMN461
	250	700461105005	MARKER SLEEVE		4	pc	0,700 g		5/F	MMN461
	260	700461105006	MARKER SLEEVE		1	pc	0,800 g		5/G	MMN461
	270	700461105012	MARKER SLEEVE		1	pc	0,100 g		5/M	MMN461
	280	700461105018	MARKER SLEEVE		2	pc	0,100 g		5/S	MMN461
	290	700461105023	MARKER SLEEVE		5	pc	0,800 g		5/X	MMN461
	300	700461105024	MARKER SLEEVE		2	pc	0,700 g		5/Y	MMN461
	310	700461105028	MARKER SLEEVE		10	pc	0,700 g		5/.	MMN461
	320	700461205000	MARKER SLEEVE		3	pc	0,001 kg		5/0	MMN461
	330	700461205001	MARKER SLEEVE		9	pc	0,800 g		5/1	MMN461
	340	700461205002	MARKER SLEEVE		8	pc	0,700 g		5/2	MMN461
	350	700461205003	MARKER SLEEVE		19	pc	0,700 g		5/3	MMN461
	360	700461205004	MARKER SLEEVE		13	pc	0,700 g		5/4	MMN461
	370	700461205005	IDENTIFICATION MARKER		4	pc	0,700 g		5/5	MMN461
	380	700461205006	IDENTIFICATION MARKER		4	pc	0,700 g		5/6	MMN461
	390	700461205007	MARKER SLEEVE		5	pc	0,700 g		5/7	MMN461
	400	700461205008	IDENTIFICATION MARKER		2	pc	0,700 g		5/8	MMN461
	410	700461205009	IDENTIFICATION MARKER		2	pc	0,001 kg		5/9	MMN461
	420	0015318285	BLADE CONNECTOR	CRIMPVERBINDER PARALLEL	2	pc	0,500 g		1,0-2,5 MM <sup>2</sup> / BLANK / VERZINNT	
	430	0005311575	SHRINKABLE HOSE	SSCHL. 50MM KL	2	pc	0,200 g		5,7/1,27MM, L=50MM, TRANSPARENT	
	450	0165313283	MALE CONNECTOR	STECKER F. BU-KONTAKTE 2,5MM	17	pc	11,500 g		4POL. CODE 1 / DIN 72585 BU	
	460	0165314083	MALE CONNECTOR	STECKER F. BU-KONTAKTE 2,5MM	1	pc	11,500 g		4POL. CODE 2 / DIN 72585 BU	
	470	0165313883	FEMALE CONNECTOR	STECKER F. ST-KONTAKT 2,5MM	10	pc	13,300 g		4POL. CODE 1 / DIN 72585 ST	
	475	0165314183	FEMALE CONNECTOR	STECKDOSE ST-KONTAKTE 2,5MM	1	pc	13,500 g		4POL. CODE 2 / DIN 72585	
	480	0165313383	FEMALE CONTACT	BUCHSE CUNISI VERZINNT	59	pc	0,500 g		0,5-1,0 MM <sup>2</sup> / D=2,5MM / DIN72585	

➡	POS.	PART NO.	DESIGNATION	MODEL/TYPE	QTY.	UNITS	WEIGHT	FN	MEASUREMENT	STANDARD
	490	0165313983	PIN CONTACT	STIFT CUNISI VERZINNT	26	pc	0,300 g		0,5-1,0MM <sup>2</sup> / D=2,5MM / DIN72585	
	500	0165313583	BLANKING PLUG	BLINDSTOPFEN	31	pc	0,100 g		SYSTEM 2,5MM / 2,8MM	
	510	0165313483	SINGLE-CORE INSUL		85	pc	0,120 g		1,2-2,1MM/DIN72585 2,5	
	520	0165314683	BAYONET COUPLING	BAJONETTVERSCHLUSS	11	pc	2,800 g		2-7POL. / DIN 72585 / BAJO	
	530	0165313683	CAP		17	pc	5,600 g		90 GRAD / NW10 / DIN 72585	
	540	0165313783	CAP		12	pc	4,300 g		180 GRAD / NW10 / DIN 72585	
	550	0165314383	DUST CAP		4	pc	7,000 g		2-7POL. / DIN 72585	
	560	0165312883	HOUSING FOR CONNECTOR	4 POL. DIN43650-A	2	pc	21,000 g	AB	WÜRFELSTECKER 4-POL./PG9,	
	570	0015315385	BLADE CONNECTOR	0,5-1,0 MM	4	pc	0,400 g	AB	KONTAKT0,5-1,0MM2,/2,1-2,7	
	580	0005331460	SEALING RING	HSK-ME	4	pc	0,900 g		DICHTUNG 2X1,7MM	
	590	0165312983	GASKET FOR CONNECTOR	GDM	2	pc	1,300 g	AB	DICHTUNG WÜRFELST.	
	600	0005314676	CABLE ENTRY	PG9_NW10	4	pc	10,800 g		SCHLAUCHVERSCHR. PG9	
	610	0005319181	QUICK-CATCH CLAMP	TYH PA6.6	2	pc	0,200 g		200X2,4MM -40C - 105 C	
	620	0015317385	END SLEEVE	ADERENDHUELSE H0,5-14	4	pc	0,100 g		0,5 QMM	
	630	46531	UNION		2	pc	12,000 g		H PG 13,5 - PG 9	DIN46320
	640	0025318885	BLADE CONNECTOR	BUCHSENGEHAEUSE MCP1,5	1	pc	111,000 g		92POL / NW26 / CODE-A / 90GRD	
	650	0025319385	BLADE CONNECTOR	BUCHSE CUNISI VERSILBERT	64	pc	0,400 g		0,5-1,0MM <sup>2</sup> /MCP1,5 AG	
	660	0025319585	BLADE CONNECTOR	EINZELADERABDICHTUNG	64	pc	0,050 g		1,4-1,9 MM / MCP1,5	
	670	0185317083	BLANKING PLUG FOR CONNECTOR	BLINDSTOPFEN	28	pc	0,050 g		MCP1,5	
	680	0025319185	BLADE CONNECTOR	KAPPE FUER MCP BUCHSENGEHAEUSE	1	pc	10,000 g		92POL / NW26	
	690	0011596139	SHRINKABLE HOSE		0,120	m	130,000 g		52/13/MIT KLEBER	
	700	0035314381	CABLE CLAMP		2	pc	0,600 g		L= 150MM, B= 3,6MM	
	710	0035337089	IDENTIFICATION PLATE	ELAT	2	pc	1,400 g		47X135MM, BEDRUCKBAR 47X25MM	



50702750

➔	POS.	PART NO.	DESIGNATION	MODEL/TYPE	QTY.	UNITS	WEIGHT	FN	MEASUREMENT	STANDARD
	150	<b>X00E50201047</b>	GROUND/EARTH LINE		1	pc	15,200 g	AB	2XM6; 6QMM; 200MM; ISOLIERT	
	200	<b>000000003387</b>	HEX SCREW		1	pc	5,100 g		M 6 X 16	ISO4017
	250	<b>000125006431</b>	WASHER		1	pc	0,800 g		A 6,4	DIN125
	450	<b>916016035201</b>	CLAMP		1	pc	43,000 g		BRSQU 35/20	N16016
	550	<b>304017008081</b>	HEX SCREW		1	pc	13,400 g		M 8 X 25	ISO4017
	600	<b>000125008427</b>	WASHER		1	pc	1,500 g		A 8,4	DIN125
263	650	<b>5241502473</b>	RETAINER F. WIRING HARNESS	BR 4000	3	pc	14,200 g		BC001	
	700	<b>5241506273</b>	RETAINER F. WIRING HARNESS	4000	2	pc	45,700 g		HC031	
	750	<b>000000003020</b>	HEX SCREW		2	pc	20,000 g		M 10 X 20	ISO4017
	770	<b>5241501376</b>	RETAINER F. WIRING HARNESS	BR4000	1	pc	41,400 g		HC068	
	850	<b>0001596540</b>	CLAMP CABLE DN17		2	pc	1,900 g		DN17	
	900	<b>0001596440</b>	CLAMP CABLE DN10		3	pc	1,200 g		DN10	
	950	<b>000084005196</b>	SCREW		2	pc	2,600 g		M 5 X 12	DIN84
	1000	<b>200084005107</b>	BOLT SLOTTED HD GELB CHROMAT		3	pc	2,400 g		M 5 X 10	DIN84
	1050	<b>000125005322</b>	WASHER		5	pc	0,400 g		A 5,3	DIN125
	1100	<b>007349005002</b>	WASHER		2	pc	2,300 g		5,3	DIN7349
	1150	<b>304032005008</b>	HEX NUT		5	pc	1,200 g		M 5	ISO4032
	1250	<b>X52650700039</b>	CABLE CLAMP		4	pc	9,300 g		HALTER NW26 BOHRLOCH M6	
	1350	<b>0001596440</b>	CLAMP CABLE DN10		1	pc	1,200 g		DN10	
	1400	<b>000084005194</b>	SCREW		4	pc	3,200 g		M 5 X 16	DIN84
	1450	<b>000084005196</b>	SCREW		1	pc	2,600 g		M 5 X 12	DIN84
	1500	<b>200084005107</b>	BOLT SLOTTED HD GELB CHROMAT		1	pc	2,400 g		M 5 X 10	DIN84
	1550	<b>000125005322</b>	WASHER		10	pc	0,400 g		A 5,3	DIN125

EQUI TYPE: Engine

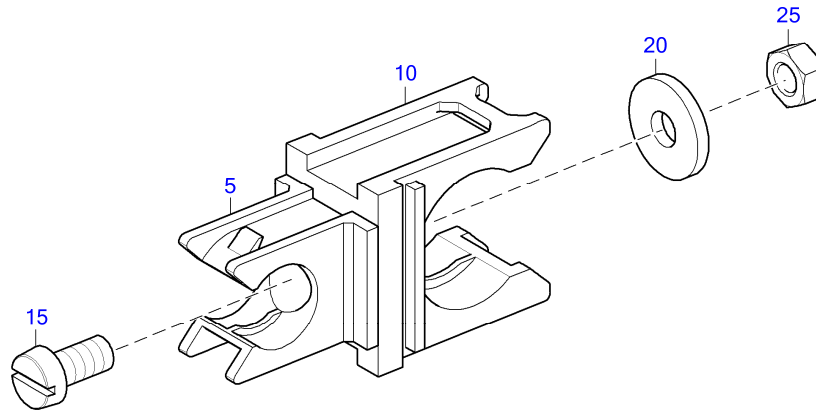
PRODUCT TYPE: 12V4000M53  
RETAINER F. WIRING HARNESS

SERIAL NUMBER: 526107656

FG/FGS: 507 98

BOM-No.: XS594500.00250

➡	POS.	PART NO.	DESIGNATION	MODEL/TYPE	QTY.	UNITS	WEIGHT	FN	MEASUREMENT	STANDARD
	1600	007349005002	WASHER		1	pc	2,300 g	5,3		DIN7349
	1650	304032005008	HEX NUT		5	pc	1,200 g	M 5		ISO4032
	1750	0005335043	BRACKET	NICHT STAPELBAR	7	pc	1,800 g		BUEGEL FUER NW10-HALTER	
	1800	0005334943	BRACKET CABLING AND PIPEWOR	NICHT STAPELBAR	10	pc	2,900 g		BUEGEL FUER NW17-HALTER	
	1850	X52650700040	BRACKET	NICHT STAPELBAR	10	pc	3,400 g		BUEGEL FUER NW26-HALTER	



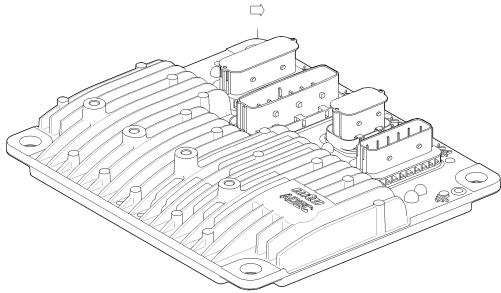
50801539

➔	POS.	PART NO.	DESIGNATION	MODEL/TYPE	QTY.	UNITS	WEIGHT	MEASUREMENT	STANDARD
	5	0015331840	RETAINER CABLING AND PIPEWOR	OHNE BUEGEL	1	pc	3,100 g	HALTER NW10 BOHRLOCH M5	
	10	0015331940	RETAINER CABLING AND PIPEWOR	OHNE BUEGEL	1	pc	5,600 g	HALTER NW17 BOHRLOCH M6	
	15	200084005107	BOLT SLOTTED HD GELB CHROMAT		1	pc	2,400 g	M 5 X 10	DIN84
	20	007349005002	WASHER		1	pc	2,300 g	5,3	DIN7349
	25	000934005004	NUT HEX		1	pc	1,000 g	M 5	DIN934

GROUP SEGMENT (FGS)

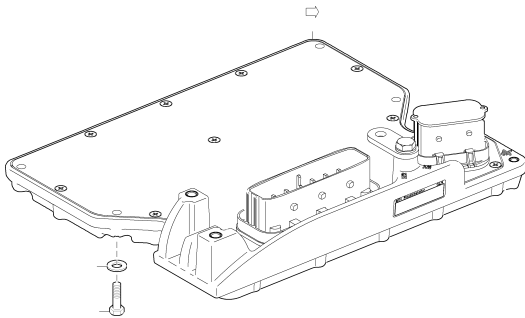
GROUP NAME

BOM-No.



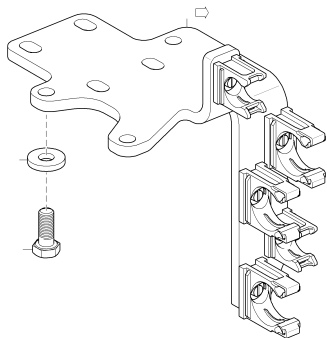
10  
GOVERNOR F/MONTRG SYST + GOV  
X00043550

56801986



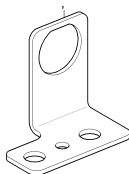
10  
ENGINE MONITOR IN HOUSING  
XS00E500.01398

50702740



82  
RETAINER F. WIRING HARNESS  
XS593500.00021

50801547



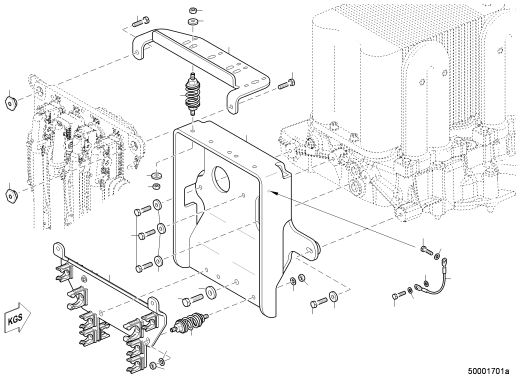
82  
RETAINER F. WIRING HARNESS  
XS594500.00044

50001798

GROUP SEGMENT (FGS)

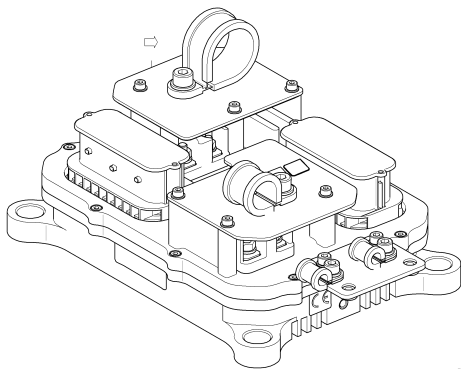
GROUP NAME

BOM-No.



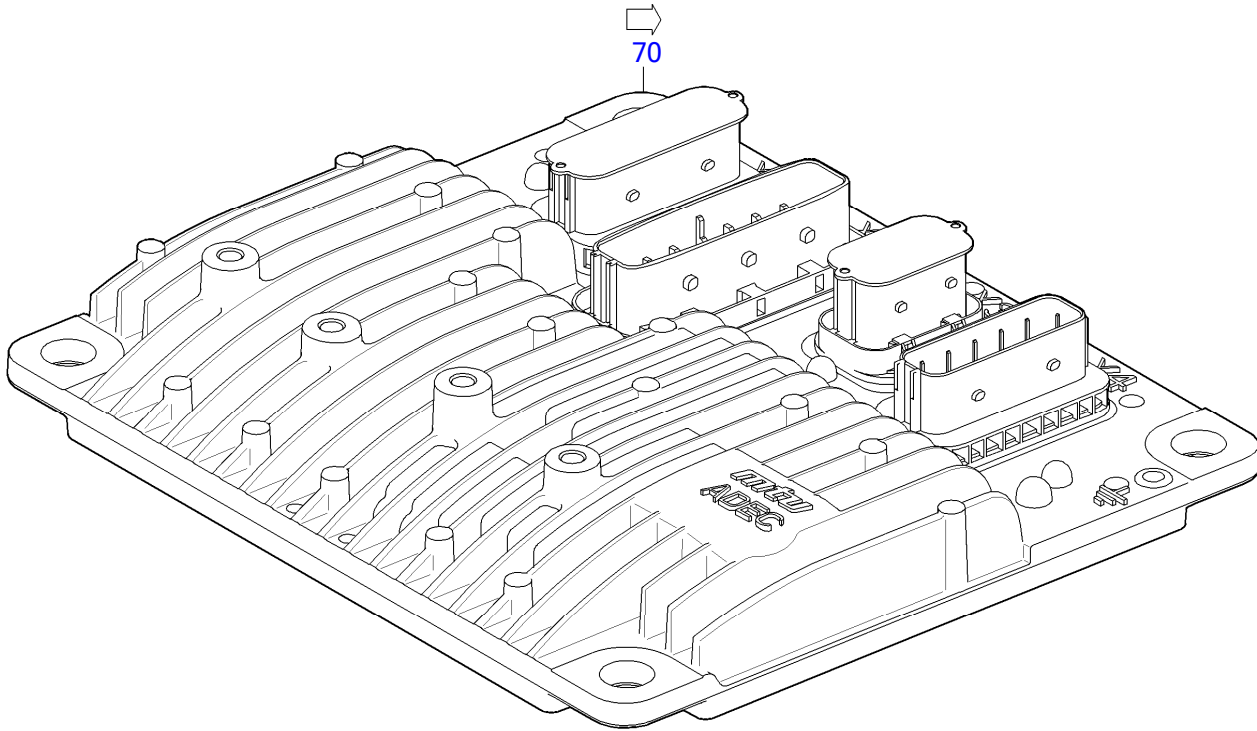
50001701a

82  
**RETAINER F.ADEC A. WIRE HARN**  
XS594500.00251



50801621

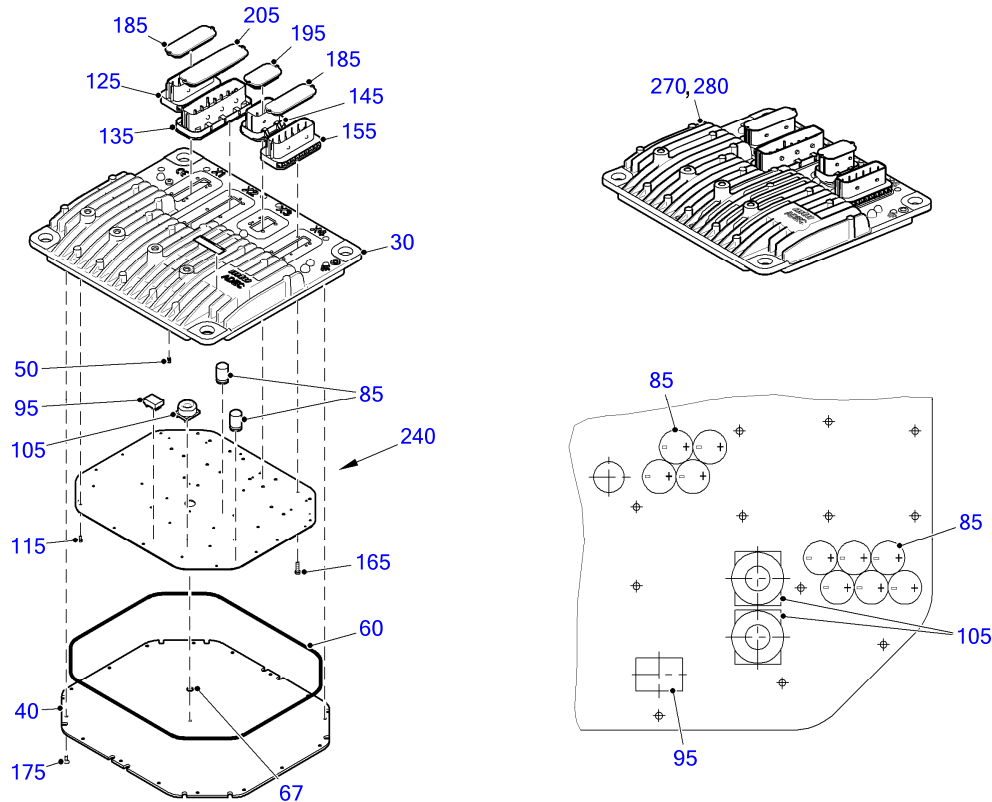
95  
**CONTROL UNIT F.ENGINE INTERFACE**  
XS00E500.02015



50800198d

➡	POS.	PART NO.	DESIGNATION	MODEL/TYPE	QTY.	UNITS	WEIGHT	FN	MEASUREMENT	
	266	70	X00E50209162	ECS	ECU7-05/B	1	pc	5,560 kg	EM	ECU7-05/B; 360X314X95 (LXBXH)





X00E50209162\_001\_02\_508

➔	POS.	PART NO.	DESIGNATION	MODEL/TYPE	QTY.	UNITS	WEIGHT	FN	MEASUREMENT	STANDARD
	30	X00002024	HOUSING	ECU 7-02	1	pc	3,627 kg	AB	360X314X60	
	40	5015331436	PLATE FOR GOVERNOR	ECU 7-01	1	pc	1,070 kg		BLECH 4X309X355	
	50	X00009560	LIGHT CONDUCTOR WITH O-RING		1	pc	0,150 g			
	60	700429338000	O-RING		1	pc	16,400 g		338 X 3	MMN429
	67	700429007001	O-RING		1	pc	2,000 g		7 X 1,5	MMN429
	85	0065315725	CAPACITOR	ELKO ALSIC145 680UF 63V	10	pc	3,000 g		ELKO 680UF, 63V, 20%	
	95	0005327956	TRANSFORMER	EVD15	1	pc	2,000 g		LP44UH,UE0-50V, W1=28, W2=19WX=8	
	105	0005318954	REACTOR	SDR 4,3-0,034	2	pc	10,000 g		LI+LII=35UH +/-15%, I=4,4A,	
	115	000000003652	TORX SCREW		23	pc	0,700 g		M3 GF X 8	MBN10226
	125	0025318185	BLADE CONNECTOR	46 POL.	1	pc	20,000 g		GERADE,3-REIHIG, CODIERUNG:A	
	135	0025318685	BLADE CONNECTOR	92POL. MESSERLEISTE MCP	1	pc	50,000 g		GERADE, 4-REIHIG, CODIERUNG:A	
	145	0025318585	BLADE CONNECTOR	21 POL.	1	pc	20,000 g		GERADE, 3-REIHIG, CODIERUNG:A	
	155	0025318285	BLADE CONNECTOR	46 POL.	1	pc	20,000 g		GERADE, 3-REIHIG, CODIERUNG:B	
	165	000000003617	SLOT PAN-HEAD SCREW		18	pc	1,400 g		4 X 16	MBN10266
	175	X00E50200962	COUNTERSUNK HD SCREW	M4X10/DN7500	17	pc	1,000 g		DIN7500 M4X10-ST-T10	
	185	X00010313	DUST CAP FOR CONNECTOR	MCP 46 POL.	2	pc	10,000 g		FUER AMP- BUCHSENGEHAEUSE 21POL	
	195	X00010310	DUST CAP W/MALE CONNECTOR	MCP 21 POL.	1	pc	10,200 g		FUER AMP- BUCHSENGEHAEUSE 21POL	

EQUI TYPE: Engine

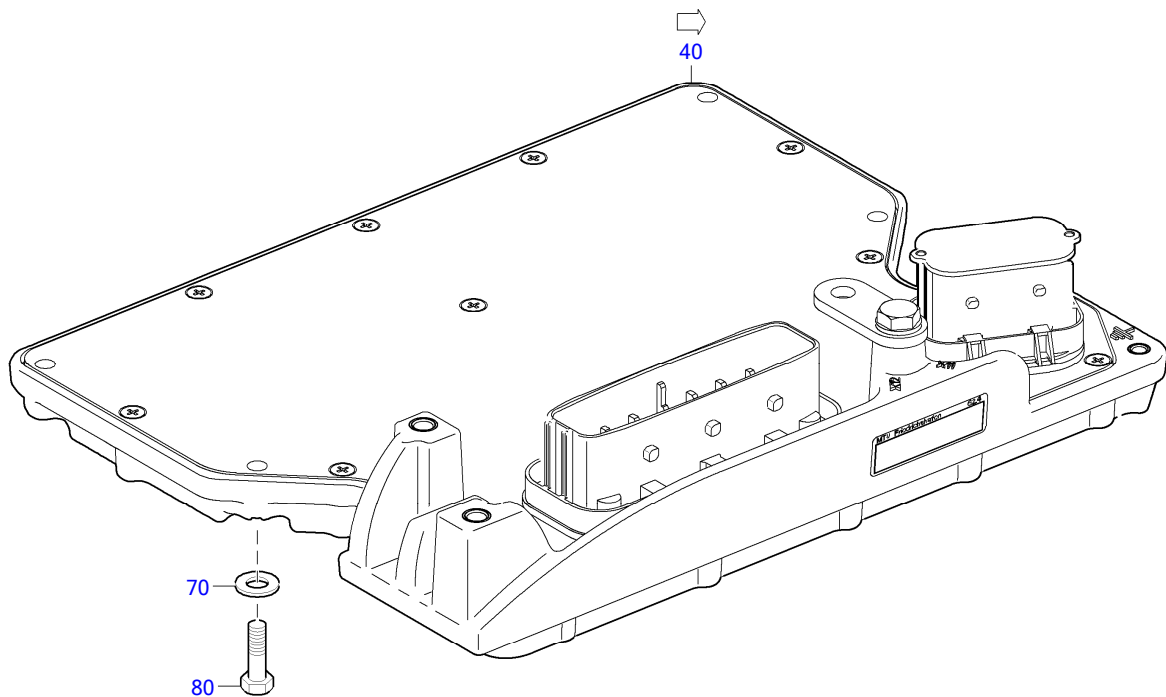
PRODUCT TYPE: 12V4000M53  
ECS

SERIAL NUMBER: 526107656

FG/FGS:

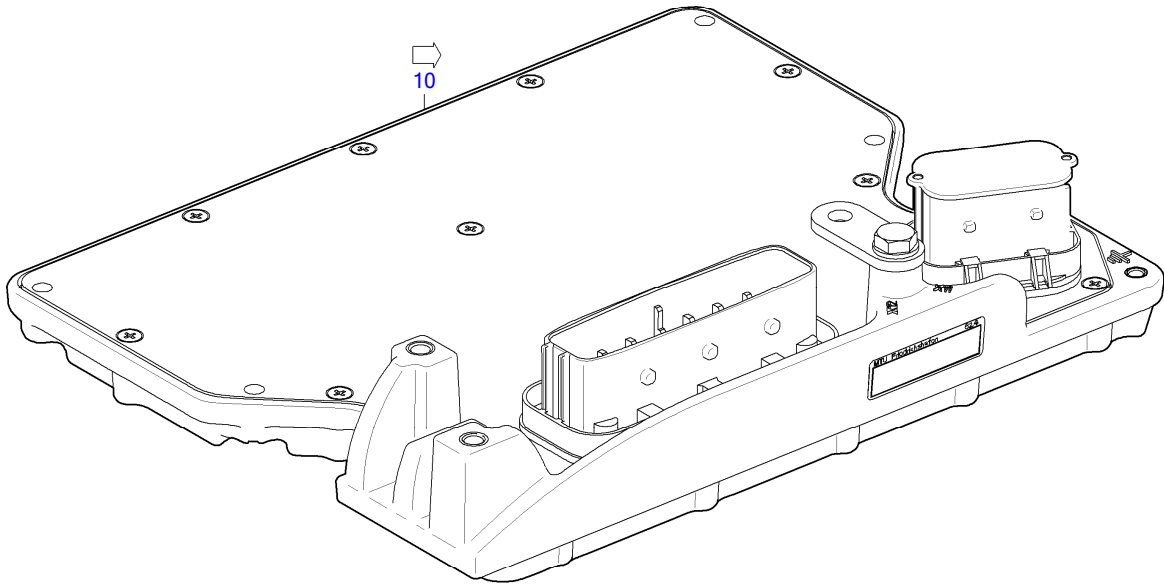
BOM-No.: X00E50209162

➡	POS.	PART NO.	DESIGNATION	MODEL/TYPE	QTY.	UNITS	WEIGHT	FN	MEASUREMENT	STANDARD
	205	X00010316	DUST CAP FOR CONNECTOR	STAUBKAPPE MCP 92 POL.	1	pc	2,000 g		FUER AMP-BUCHSENGEHAEUSE 92POL	
	240	X00009977	2-COMP. SILIC.RUBBER	KARTUSCHE 330 ML	1	pc	400,000 g		ELASTOSIL SG 500 A/B	
	270	X00E50209162/77	GOVERNOR PROGRAMMED	ECU7-05/B	1	pc	6,500 kg	AB KF EM	ECU7-05/B; 360X314X95;	
	280	X00E50209162/76	ECS NOT ADJUSTED	ECU7-05/B	1	pc	6,600 kg	EM	ECU7-05/B; 360X314X95	



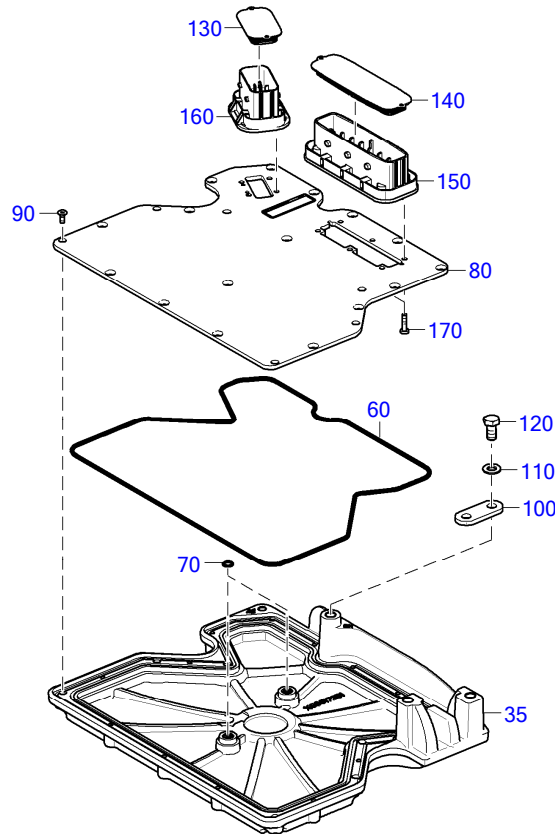
50702740

➡	POS.	PART NO.	DESIGNATION	MODEL/TYPE	QTY.	UNITS	WEIGHT	MEASUREMENT	STANDARD
	268	40	<b>X00E50206654</b>	ENGINE MONITORING	1	pc	4,627 kg	EMU8-02 MIT URLADER 25MHZ	
		70	<b>000125006431</b>	WASHER	6	pc	0,800 g	A 6,4	DIN125
		80	<b>304017006066</b>	HEX SCREW	6	pc	8,400 g	M 6 X 35	ISO4017



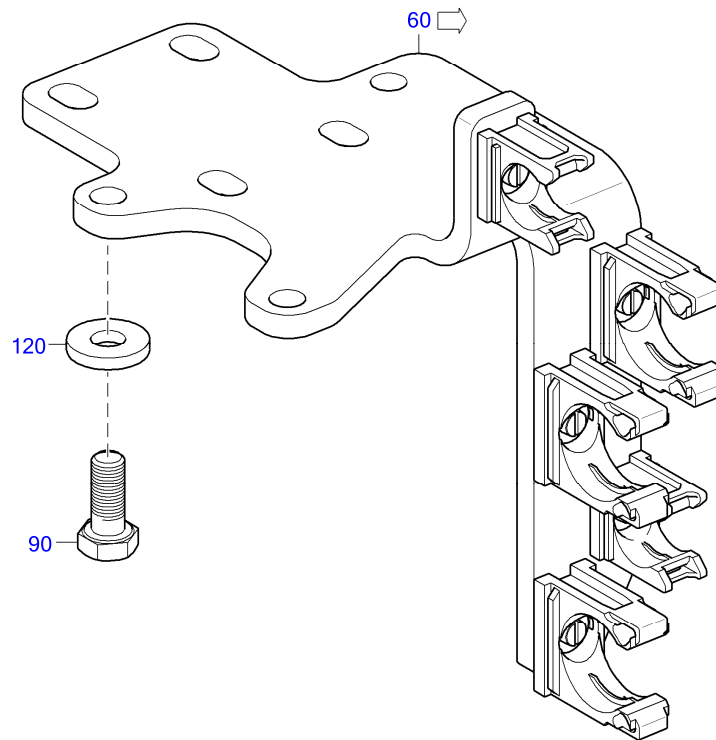
50702411a

➔	POS.	PART NO.	DESIGNATION	MODEL/TYPE	QTY.	UNITS	WEIGHT	MEASUREMENT
	10	X00E50206653	HOUSING	EMU7-03	1	pc	3,320 kg	EMU7-03



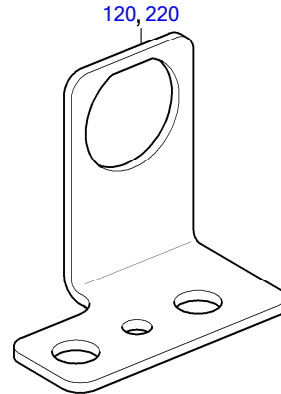
50702410a

➔	POS.	PART NO.	DESIGNATION	MODEL/TYPE	QTY.	UNITS	WEIGHT	FN	MEASUREMENT	STANDARD
	35	X00017263	HOUSING F/EXH TEMP MEASUREM	EMU 7	1	pc	2,300 kg		314X257X62	
	60	700429329000	O-RING		1	pc	15,000 g		329 X 3	MMN429
	70	700429007001	O-RING		2	pc	2,000 g		7 X 1,5	MMN429
	80	X00E50208018	PLUG-IN BOARD SMD	EME3-04 SMD	1	pc	904,500 g		EME3-04	
	90	X00E50200962	COUNTERSUNK HD SCREW	M4X10/DN7500	16	pc	1,000 g		DIN7500 M4X10-ST-T10	
	100	X00019483	RETAINER	EMU 7	1	pc	24,500 g	AB (50)	30X20X4MM	
	110	200125008400	WASHER		1	pc	1,500 g	A 8,4		DIN125
	120	304017008072	HEX SCREW		1	pc	10,500 g	M 8 X 16		ISO4017
	130	X00010310	DUST CAP W/MALE CONNECTOR	MCP 21 POL.	1	pc	10,200 g		FUER AMP- BUCHSENGEHAEUSE 21POL	
	140	X00010316	DUST CAP FOR CONNECTOR	STAUBKAPPE MCP 92 POL.	1	pc	2,000 g		FUER AMP- BUCHSENGEHAEUSE 92POL	
	150		BLADE CONNECTOR	92 POL.	1	pc	76,600 g	KE	92 POL.; KODIERUNG: B-B;	
	160	X00012748	BLADE CONNECTOR	21 POL.	1	pc	41,000 g	UB	21 POL., KODIERUNG: B	
	170	000000003617	SLOT PAN-HEAD SCREW		10	pc	1,400 g	4 X 16		MBN10266



50801547

➔	POS.	PART NO.	DESIGNATION	QTY.	UNITS	WEIGHT	MEASUREMENT	STANDARD
195	60	<b>X5932020060</b>	RETAINER	1	pc	1,500 kg		
	90	<b>00000003021</b>	HEX SCREW	3	pc	22,800 g	M 10 X 25	ISO4017
	120	<b>007349010002</b>	WASHER	3	pc	11,000 g	10,5	DIN7349



50001798

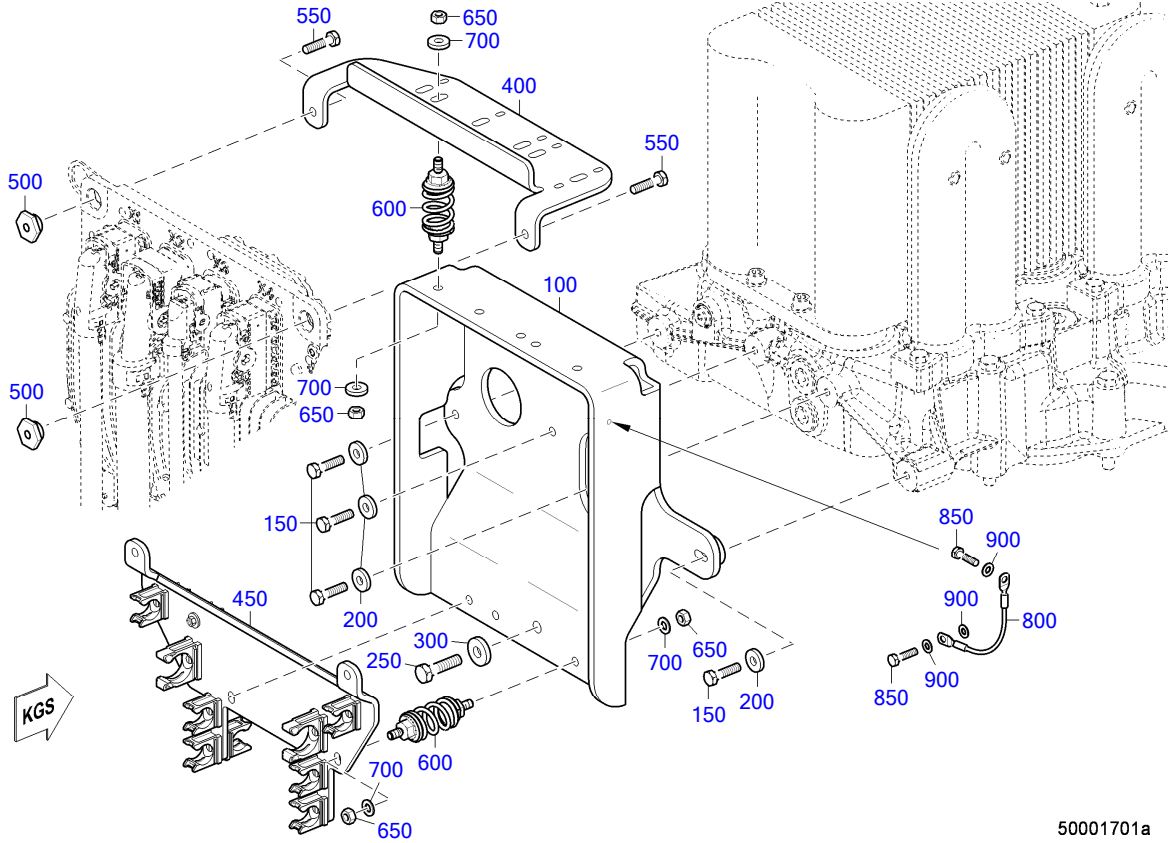
➔	POS.	PART NO.	DESIGNATION	MODEL/TYPE	QTY.	UNITS	WEIGHT	MEASUREMENT
	120	X59450700011	BRACKET WIRING HARNESS		4	pc	56,700 g	
	220	X59450700011	BRACKET WIRING HARNESS		4	pc	56,700 g	
	250	5241503073	RETAINER F. WIRING HARNESS	BR4000	4	pc	46,300 g	HC032

EQUI TYPE: Engine

PRODUCT TYPE: 12V4000M53  
RETAINER F.ADEC A. WIRE HARN

SERIAL NUMBER: 526107656

FG/FGS: 508 82  
BOM-No.: XS594500.00251



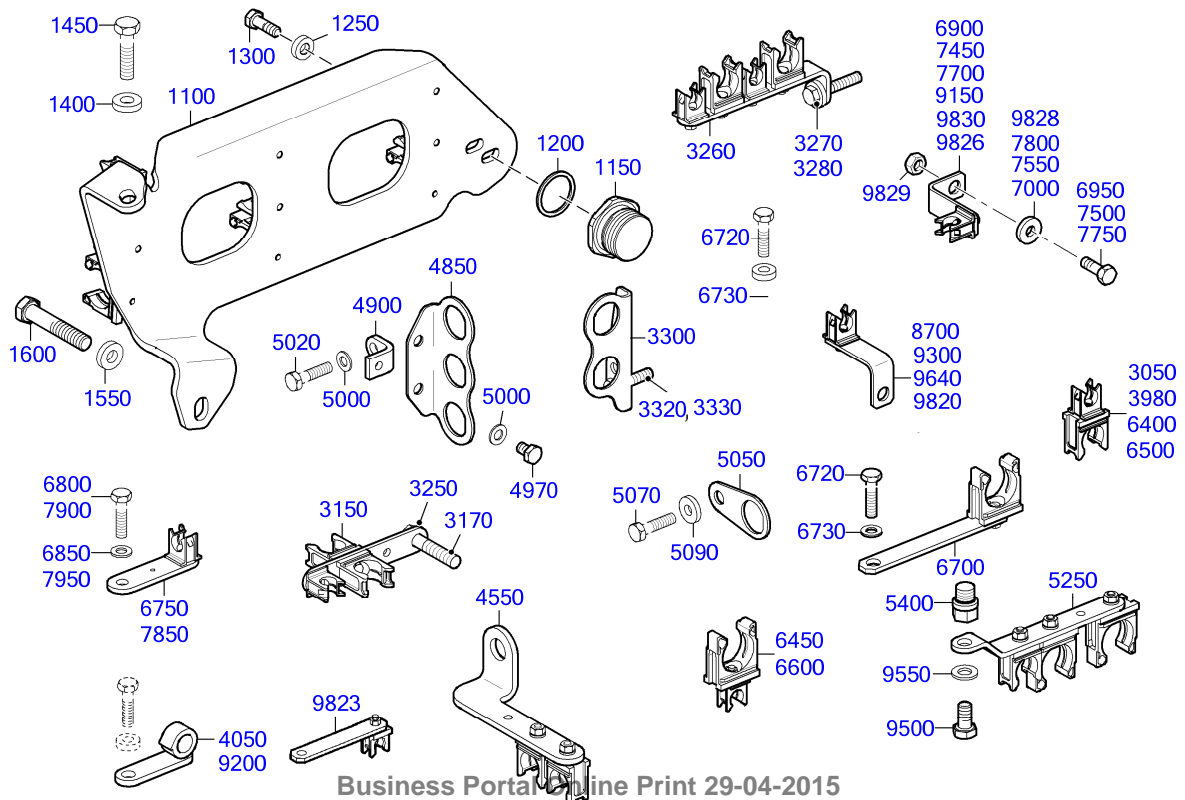
50001701a

EQUI TYPE: Engine

PRODUCT TYPE: 12V4000M53  
RETAINER F.ADEC A. WIRE HARN

SERIAL NUMBER: 526107656

FG/FGS: 508 82  
BOM-No.: XS594500.00251



Business Portal Online Print 29-04-2015

50001799

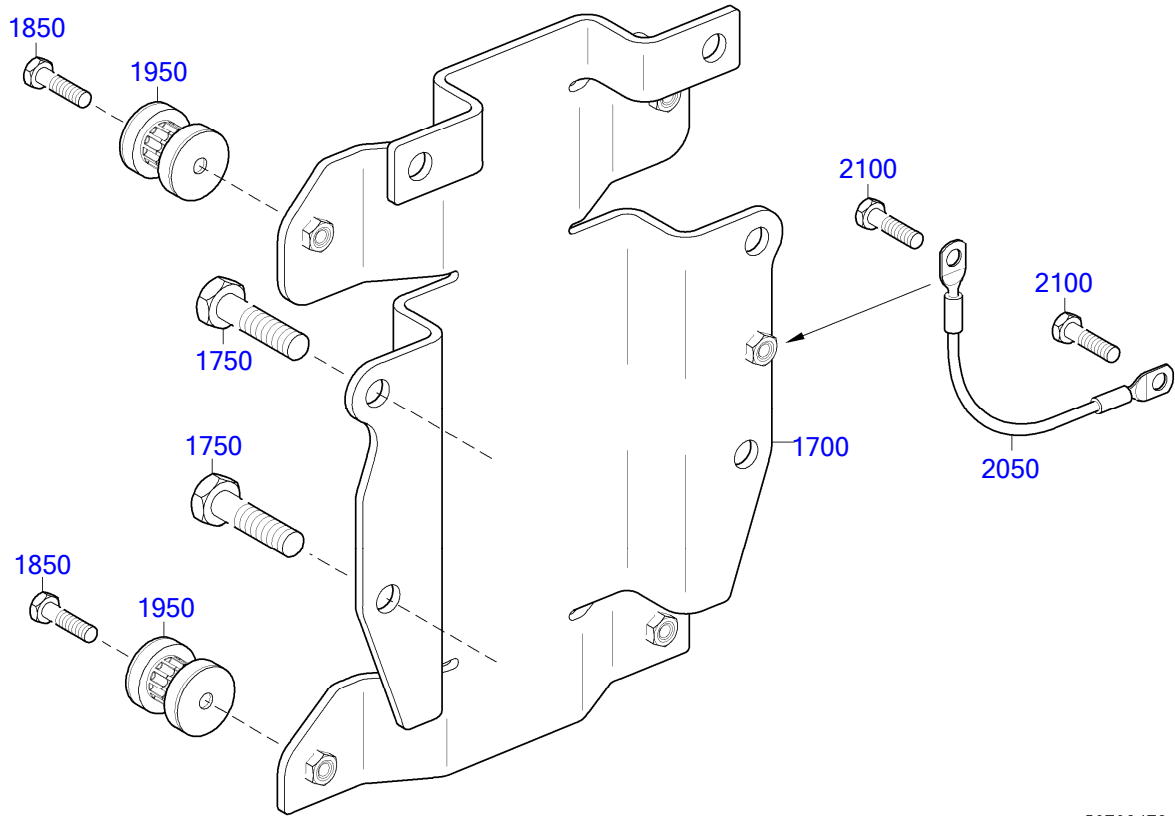


EQUI TYPE: Engine

PRODUCT TYPE: 12V4000M53  
RETAINER F.ADEC A. WIRE HARN

SERIAL NUMBER: 526107656

FG/FGS: 508 82  
BOM-No.: XS594500.00251



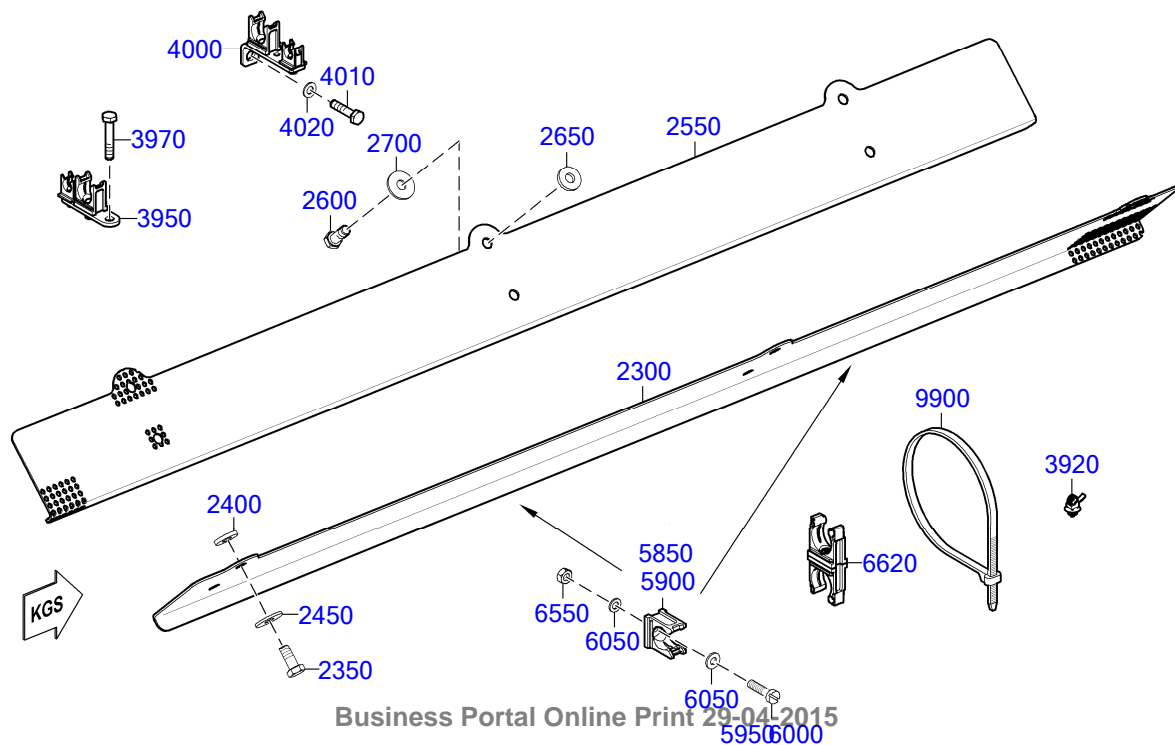
50702472a

EQUI TYPE: Engine

PRODUCT TYPE: 12V4000M53  
RETAINER F.ADEC A. WIRE HARN

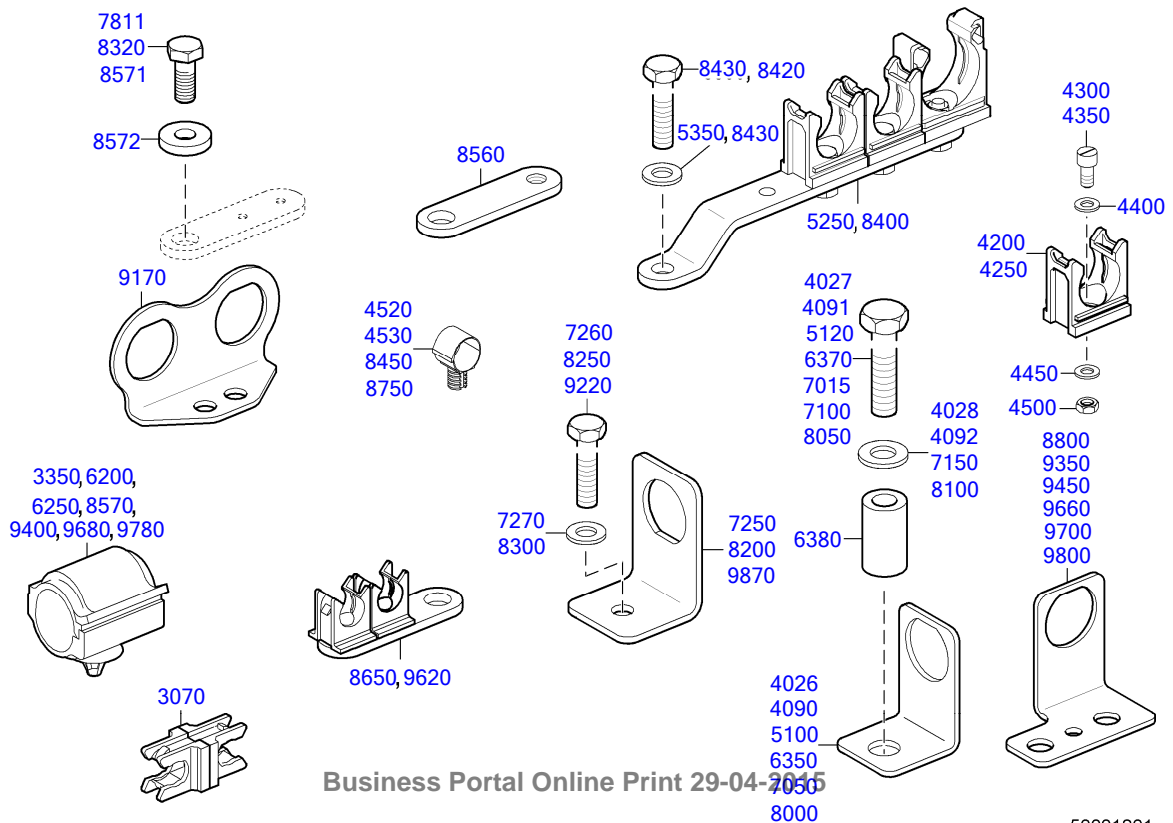
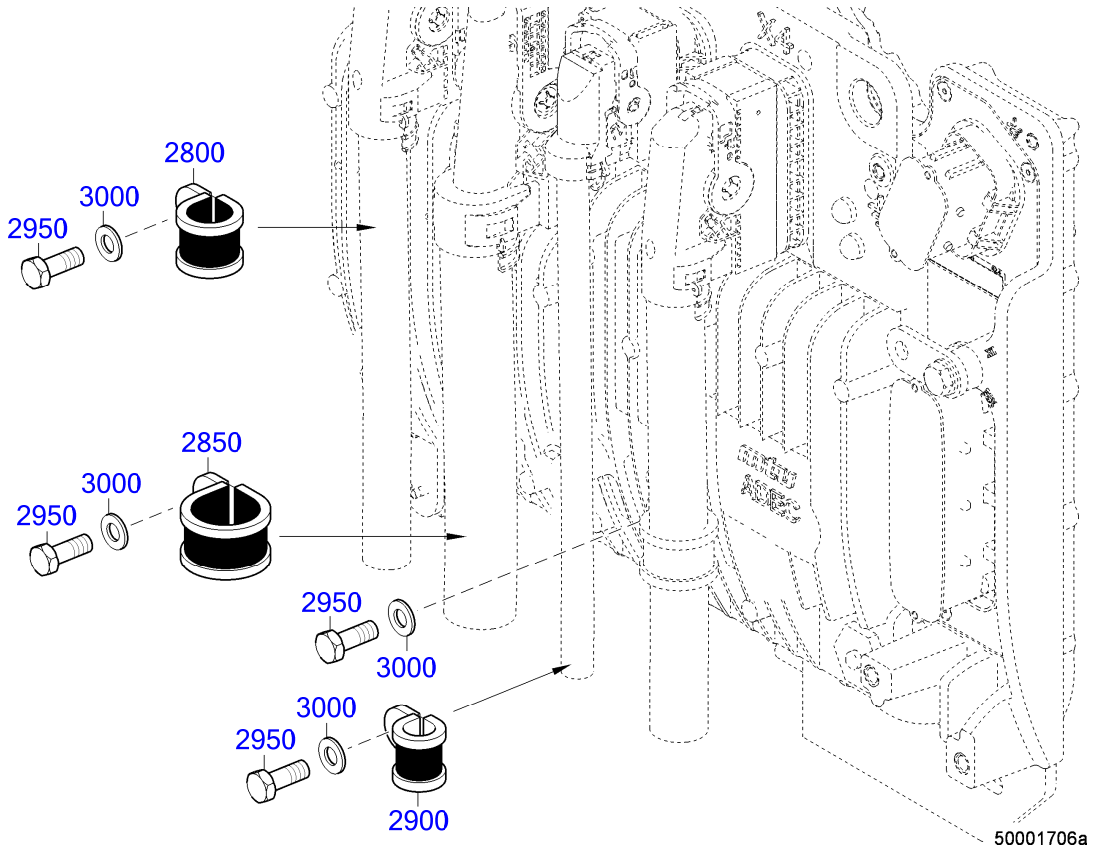
SERIAL NUMBER: 526107656

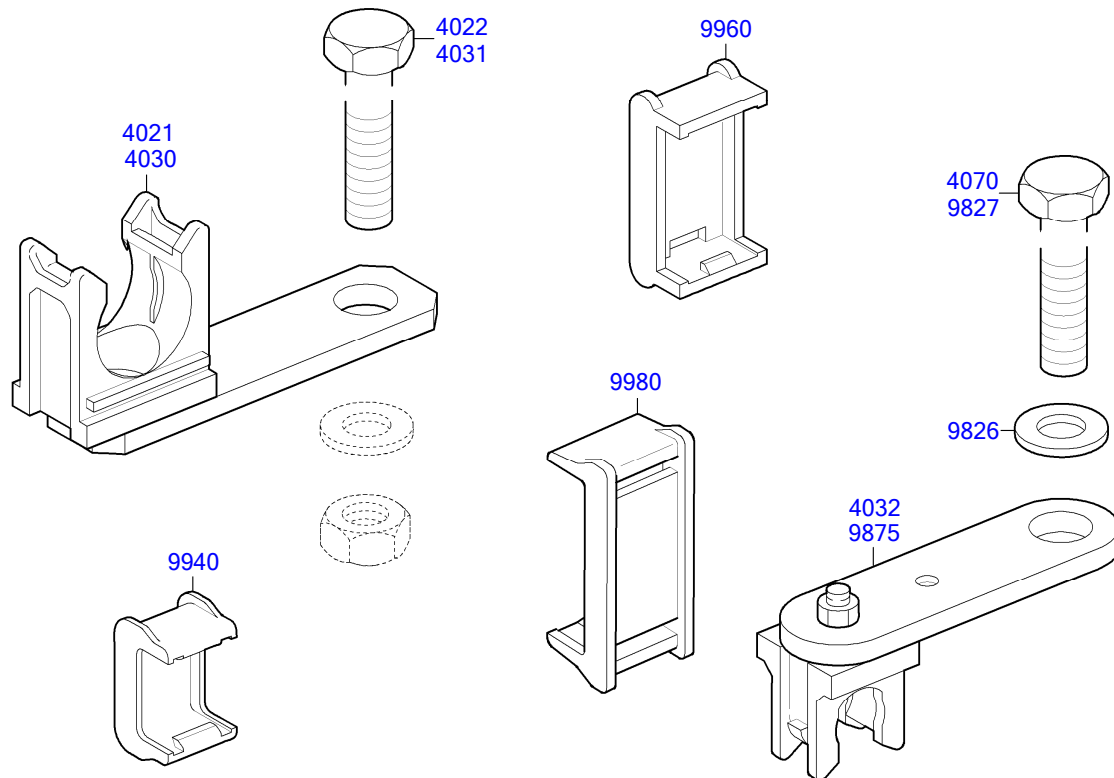
FG/FGS: 508 82  
BOM-No.: XS594500.00251



Business Portal Online Print 29-04-2015  
5956000

50001800





50001802

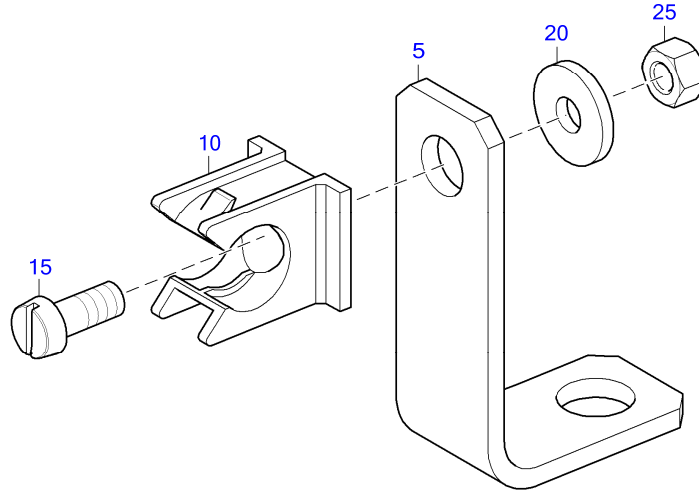
➔	POS.	PART NO.	DESIGNATION	MODEL/TYPE	QTY.	UNITS	WEIGHT	FN	MEASUREMENT	STANDARD
	100	X59450700041	RETAINER FOR ENGINE CONTROL		1	pc	10,600 g			
	150	304017008084	HEX SCREW		4	pc	16,400 g	M 8 X 35		ISO4017
	200	007349008002	WASHER		4	pc	7,900 g	8,4		DIN7349
	250	000000003710	HEX SCREW		1	pc	27,200 g	M 10 X 35		ISO4017
	300	007349010002	WASHER		1	pc	11,000 g	10,5		DIN7349
	400	X52850200002	RETAINER TOP		1	pc	1,700 g			
278	450	X59350700015	RETAINER BOTTOM		1	pc	2,000 g			
	500	X00012261	SPACER SLEEVE		4	pc	36,900 g			
	550	304017008081	HEX SCREW		4	pc	13,400 g	M 8 X 25		ISO4017
	600	5221530026	DAMPER	SG 2000	4	pc	152,800 g			
	650	304032008014	NUT HEX 8 A3C		8	pc	4,800 g	M 8		ISO4032
	700	007349008002	WASHER		4	pc	7,900 g	8,4		DIN7349
	800	X00E50201047	GROUND/EARTH LINE		1	pc	15,200 g	AB	2XM6; 6QMM; 200MM; ISOLIERT	
	850	000000003387	HEX SCREW		2	pc	5,100 g	M 6 X 16		ISO4017
	900	000125006431	WASHER		2	pc	0,800 g	A 6,4		DIN125
279	1100	X59450700031	RETAINER F. WIRING HARNESS		1	pc	3,500 g			
	1150	X59699100058	PLUG		1	pc	0,218 g			
	1200	007603038101	COPPER SEALING RING		1	pc	5,400 g	A 38 X 44		DIN7603
	1250	735151008100	SPACER		1	pc	7,400 g	A 8,4		MTN5151
	1300	204017008011	HEX SCREW		1	pc	12,200 g	M 8 X 22		ISO4017
	1400	735151010100	SPACER		1	pc	11,000 g	A 10,5		MTN5151
	1450	000000001042	HEX SCREW		1	pc	34,600 g	M 10 X 50		ISO4017
	1550	735151012100	SPACER S2000/4000		1	pc	20,000 g	A 12,5		MTN5151
	1600	000000001040	HEX SCREW		1	pc	58,300 g	M 12 X 60		ISO4017

➔	POS.	PART NO.	DESIGNATION	MODEL/TYPE	QTY.	UNITS	WEIGHT	FN	MEASUREMENT	STANDARD
	1700	X59399100095	RETAINER		1	pc	1,800 kg	SB		
	1750	000000001464	HEX SCREW		6	pc	24,900 g	M 10 X 30		ISO4017
	1850	204017006007	HEX SCREW		4	pc	9,400 g	M 6 X 40		ISO4017
	1950	X57509600008	DAMPER ELEMENT		4	pc	34,100 g	FUER M6 SCHRAUBE		
	2050	X00E50201048	GROUND/EARTH LINE		1	pc	18,700 g	2XM6, 6QMM, 250MM, ISOLIERT		
	2100	304017006058	HEX SCREW		2	pc	4,400 g	M 6 X 12		ISO4017
	2300	X59450700030	STRIP F. WIRING HARNESS		1	pc	874,000 g			
	2350	000000003021	HEX SCREW		4	pc	22,800 g	M 10 X 25		ISO4017
	2400	007349010002	WASHER		4	pc	11,000 g	10,5		DIN7349
	2450	009021010201	WASHER		4	pc	12,000 g	10,5		DIN9021
	2550	X52650700046	STRIP F. WIRING HARNESS		1	pc	889,600 g			
	2600	000000003021	HEX SCREW		4	pc	22,800 g	M 10 X 25		ISO4017
	2650	007349010002	WASHER		4	pc	11,000 g	10,5		DIN7349
	2700	009021010201	WASHER		4	pc	12,000 g	10,5		DIN9021
	2800	916016026202	CLAMP		1	pc	35,200 g	BRSQU 26/20		N16016
	2850	0009959301	PIPE CLAMP	BRSQU 32/20	1	pc	40,600 g			N16016
	2900	916016022202	CLAMP		3	pc	27,800 g	BRSQU 22/20		N16016
	2950	304017008081	HEX SCREW		5	pc	13,400 g	M 8 X 25		ISO4017
	3000	000125008427	WASHER		5	pc	1,500 g	A 8,4		DIN125
286	3050	X59550700026	RETAINER F. WIRING HARNESS		4	pc	23,000 g	BC009		
285	3070	X59550700025	RETAINER F. WIRING HARNESS		1	pc	27,200 g	BC008		
280	3150	X59450700034	RETAINER F. WIRING HARNESS		1	pc	91,000 g	HC277/5		
	3170	000000001042	HEX SCREW		1	pc	34,600 g	M 10 X 50		ISO4017
	3250	000125010524	WASHER		1	pc	3,100 g	A 10,5		DIN125
	3260	X00032675	RETAINER F. WIRING HARNESS		2	pc	137,900 g			
	3270	304017008086	HEX SCREW		2	pc	19,400 g	M 8 X 45		ISO4017
	3280	007349008002	WASHER		2	pc	7,900 g	8,4		DIN7349
	3300	X59654100002	BRACKET WIRING HARNESS ADEC		1	pc	90,600 g			
	3320	304017008077	HEX SCREW		1	pc	10,500 g	M 8 X 16		ISO4017
	3330	000125008427	WASHER		1	pc	1,500 g	A 8,4		DIN125
	3550	0001596540	CLAMP CABLE DN17		3	pc	1,900 g	DN17		
	3950	5241504473	RETAINER F. WIRING HARNESS	4000	1	pc	61,000 g	HC121		
	3970	304017008086	HEX SCREW		1	pc	19,400 g	M 8 X 45		ISO4017
263	3980	5241502473	RETAINER F. WIRING HARNESS	BR 4000	3	pc	14,200 g	BC001		
	4000	5241504673	RETAINER F. WIRING HARNESS	4000	1	pc	73,000 g			
	4010	304017008084	HEX SCREW		1	pc	16,400 g	M 8 X 35		ISO4017
	4020	000125008427	WASHER		1	pc	1,500 g	A 8,4		DIN125
	4021	X52450700063	RETAINER F. WIRING HARNESS		1	pc	22,200 g	HC087/1		
	4022	000000004164	HEX SCREW		1	pc	23,500 g	M 8 X 60		ISO4017
	4026	5241534640	BRACKET L H:30 SENSOR E	4000	1	pc	47,000 g			
	4027	000000001464	HEX SCREW		1	pc	24,900 g	M 10 X 30		ISO4017
	4028	007349010002	WASHER		1	pc	11,000 g	10,5		DIN7349
276	4030	5241507173	RETAINER F. WIRING HARNESS	4000	1	pc	22,800 g	HC087		
	4031	304017008077	HEX SCREW		3	pc	10,500 g	M 8 X 16		ISO4017
277	4032	X52450700069	RETAINER		2	pc	57,800 g	HC094/1		
	4050	X00027636	BRACKET ASM		1	pc	48,100 g			
	4070	000000001042	HEX SCREW		1	pc	34,600 g	M 10 X 50		ISO4017
	4075	5511530050	SPACER BUSHING		1	pc	13,200 g	Ø18/Ø10 × 10		
	4090	5241534640	BRACKET L H:30 SENSOR E	4000	1	pc	47,000 g			
	4091	000000001464	HEX SCREW		1	pc	24,900 g	M 10 X 30		ISO4017
	4092	000125010524	WASHER		1	pc	3,100 g	A 10,5		DIN125
	4200	0015331940	RETAINER CABLING AND PIPEWOR	OHNE BUEGEL	3	pc	5,600 g	HALTER NW17 BOHRLOCH M6		

➔	POS.	PART NO.	DESIGNATION	MODEL/TYPE	QTY.	UNITS	WEIGHT	FN	MEASUREMENT	STANDARD
	4250	0015331840	RETAINER CABLING AND PIPEWOR	OHNE BUEGEL	2	pc	3,100 g		HALTER NW10 BOHRLOCH M5	
	4300	000084005196	SCREW		3	pc	2,600 g		M 5 X 12	DIN84
	4350	200084005107	BOLT SLOTTED HD GELB CHROMAT		2	pc	2,400 g		M 5 X 10	DIN84
	4400	000125005322	WASHER		5	pc	0,400 g		A 5,3	DIN125
	4450	007349005002	WASHER		3	pc	2,300 g		5,3	DIN7349
	4500	304032005008	HEX NUT		5	pc	1,200 g		M 5	ISO4032
	4520	0001596540	CLAMP CABLE DN17		4	pc	1,900 g		DN17	
	4530	0001596440	CLAMP CABLE DN10		1	pc	1,200 g		DN10	
281	4550	X59450700037	RETAINER F. WIRING HARNESS		1	pc	229,100 g			
	4850	5315461343	Connector Fastener		1	pc	95,000 g			
	4900	5502030043	BRACKET		1	pc	31,000 g		H023	
	4970	304017008076	HEX SCREW		1	pc	9,100 g		M 8 X 12	ISO4017
	5000	000125008427	WASHER		2	pc	1,500 g		A 8,4	DIN125
	5020	304017008083	HEX SCREW		1	pc	15,100 g		M 8 X 30	ISO4017
	5050	5241534340	BRACKET H:14	4000	1	pc	24,000 g			
	5070	304017008083	HEX SCREW		1	pc	15,100 g		M 8 X 30	ISO4017
	5090	000125008427	WASHER		1	pc	1,500 g		A 8,4	DIN125
	5100	5241534640	BRACKET L H:30 SENSOR E	4000	1	pc	47,000 g			
	5120	000000003926	HEX SCREW		1	pc	54,000 g		M 12 X 55	ISO4017
282	5250	X59450700038	RETAINER F. WIRING HARNESS		1	pc	145,000 g			
	5300	000000003020	HEX SCREW		1	pc	20,000 g		M 10 X 20	ISO4017
	5350	000125010524	WASHER		1	pc	3,100 g		A 10,5	DIN125
	5400	X59499100047	PLUG		1	pc	0,030 kg			
	5850	0015331940	RETAINER CABLING AND PIPEWOR	OHNE BUEGEL	1	pc	5,600 g		HALTER NW17 BOHRLOCH M6	
	5900	X52650700039	CABLE CLAMP		3	pc	9,300 g		HALTER NW26 BOHRLOCH M6	
	5950	000084005196	SCREW		1	pc	2,600 g		M 5 X 12	DIN84
	6000	000084005194	SCREW		3	pc	3,200 g		M 5 X 16	DIN84
	6050	000125005322	WASHER		6	pc	0,400 g		A 5,3	DIN125
	6150	304032005008	HEX NUT		4	pc	1,200 g		M 5	ISO4032
	6200	0001596540	CLAMP CABLE DN17		2	pc	1,900 g		DN17	
	6250	0001596440	CLAMP CABLE DN10		3	pc	1,200 g		DN10	
	6350	5241534640	BRACKET L H:30 SENSOR E	4000	1	pc	47,000 g			
	6370	000000004745	HEX SCREW		1	pc	41,800 g		M 10 X 65	ISO4017
	6375	007349010002	WASHER		1	pc	11,000 g		10,5	DIN7349
	6380	5511531250	SPACER BUSHING		1	pc	41,000 g			
286	6400	X59550700026	RETAINER F. WIRING HARNESS		4	pc	23,000 g		BC009	
287	6450	X59550700027	RETAINER F. WIRING HARNESS		1	pc	15,000 g		BC010	
263	6500	5241502473	RETAINER F. WIRING HARNESS	BR 4000	1	pc	14,200 g		BC001	
287	6600	X59550700027	RETAINER F. WIRING HARNESS		2	pc	15,000 g		BC010	
285	6620	X59550700025	RETAINER F. WIRING HARNESS		2	pc	27,200 g		BC008	
283	6700	X59450700039	RETAINER F. WIRING HARNESS		1	pc	81,000 g			
	6720	000000003021	HEX SCREW		1	pc	22,800 g		M 10 X 25	ISO4017
	6730	000125010524	WASHER		1	pc	3,100 g		A 10,5	DIN125
284	6740	X59450700148	RETAINER F. WIRING HARNESS		1	pc	48,010 g			
	6741	000000003020	HEX SCREW		1	pc	20,000 g		M 10 X 20	ISO4017
	6742	000125010524	WASHER		1	pc	3,100 g		A 10,5	DIN125
	6750	5241505876	RETAINER F. WIRING HARNESS		1	pc	57,700 g		HC094	
	6800	304017008079	HEX SCREW		1	pc	11,700 g		M 8 X 20	ISO4017
	6850	000125008427	WASHER		1	pc	1,500 g		A 8,4	DIN125
273	6900	5241502676	RETAINER F. WIRING HARNESS		1	pc	46,300 g		HC032/1	
	6950	304017008081	HEX SCREW		1	pc	13,400 g		M 8 X 25	ISO4017
	7000	007349008002	WASHER		1	pc	7,900 g		8,4	DIN7349

➡	POS.	PART NO.	DESIGNATION	MODEL/TYPE	QTY.	UNITS	WEIGHT	FN	MEASUREMENT	STANDARD
		7015 304017008079	HEX SCREW		1	pc	11,700 g		M 8 X 20	ISO4017
		7050 5241534640	BRACKET L H:30 SENSOR E	4000	1	pc	47,000 g			
		7100 204017012004	HEX SCREW		1	pc	29,200 g		M 12 X 20	ISO4017
		7150 000125013012	WASHER		1	pc	5,600 g		A 13	DIN125
		7250 X59450700011	BRACKET WIRING HARNESS		1	pc	56,700 g			
		7260 304017008081	HEX SCREW		1	pc	13,400 g		M 8 X 25	ISO4017
		7270 000125008427	WASHER		1	pc	1,500 g		A 8,4	DIN125
		7300 304017008079	HEX SCREW		1	pc	11,700 g		M 8 X 20	ISO4017
273		7450 5241502676	RETAINER F. WIRING HARNESS		4	pc	46,300 g		HC032/1	
		7500 304017008079	HEX SCREW		4	pc	11,700 g		M 8 X 20	ISO4017
		7550 007349008002	WASHER		4	pc	7,900 g		8,4	DIN7349
273		7700 5241502676	RETAINER F. WIRING HARNESS		1	pc	46,300 g		HC032/1	
		7750 304017008081	HEX SCREW		1	pc	13,400 g		M 8 X 25	ISO4017
		7800 007349008002	WASHER		1	pc	7,900 g		8,4	DIN7349
		7811 304017008079	HEX SCREW		1	pc	11,700 g		M 8 X 20	ISO4017
		7850 5241505876	RETAINER F. WIRING HARNESS		1	pc	57,700 g		HC094	
		7900 304017008079	HEX SCREW		1	pc	11,700 g		M 8 X 20	ISO4017
		7950 000125008427	WASHER		1	pc	1,500 g		A 8,4	DIN125
		8000 5241534640	BRACKET L H:30 SENSOR E	4000	1	pc	47,000 g			
		8050 204017012004	HEX SCREW		1	pc	29,200 g		M 12 X 20	ISO4017
		8100 000125013012	WASHER		1	pc	5,600 g		A 13	DIN125
		8200 5225460043	BRACKET L H:49	12/16V2000SG	1	pc	75,000 g			
		8250 304017008081	HEX SCREW		1	pc	13,400 g		M 8 X 25	ISO4017
		8300 000125008427	WASHER		1	pc	1,500 g		A 8,4	DIN125
		8320 304017008079	HEX SCREW		1	pc	11,700 g		M 8 X 20	ISO4017
288		8400 X59650700018	RETAINER F. WIRING HARNESS		2	pc	140,100 g			
		8420 304017008079	HEX SCREW		2	pc	11,700 g		M 8 X 20	ISO4017
		8430 000125008427	WASHER		2	pc	1,500 g		A 8,4	DIN125
		8450 0001596540	CLAMP CABLE DN17		2	pc	1,900 g		DN17	
		8560 5241538440	BRACKET		2	pc	30,100 g		SB	
		8570 X54750700009	CABLE CLAMP		2	pc	10,000 g		DN26	
		8571 304017008079	HEX SCREW		2	pc	11,700 g		M 8 X 20	ISO4017
		8572 007349008002	WASHER		2	pc	7,900 g		8,4	DIN7349
		8650 5241506273	RETAINER F. WIRING HARNESS	4000	6	pc	45,700 g		HC031	
274		8700 5241503070	RETAINER F. WIRING HARNESS		1	pc	9,600 g		BC007	
		8750 0001596440	CLAMP CABLE DN10		1	pc	1,200 g		DN10	
		8800 X59450700011	BRACKET WIRING HARNESS		1	pc	56,700 g			
275		9150 5241505873	RETAINER F. WIRING HARNESS	4000	1	pc	31,800 g	P	HC016	
		9170 5315460443	BRACKET H:41 S2000/S4000	8V2000M90	1	pc	65,000 g			
		9200 X00012556	RETAINER F. WIRING HARNESS		1	pc	31,700 g			
		9220 304017008084	HEX SCREW		1	pc	16,400 g		M 8 X 35	ISO4017
274		9300 5241503070	RETAINER F. WIRING HARNESS		1	pc	9,600 g		BC007	
		9350 X59450700011	BRACKET WIRING HARNESS		1	pc	56,700 g			
		9400 0001596440	CLAMP CABLE DN10		1	pc	1,200 g		DN10	
		9450 X59450700011	BRACKET WIRING HARNESS		1	pc	56,700 g			
		9500 000000003020	HEX SCREW		1	pc	20,000 g		M 10 X 20	ISO4017
		9550 000125010524	WASHER		1	pc	3,100 g		A 10,5	DIN125
		9620 5241506273	RETAINER F. WIRING HARNESS	4000	6	pc	45,700 g		HC031	
274		9640 5241503070	RETAINER F. WIRING HARNESS		1	pc	9,600 g		BC007	
		9660 X59450700011	BRACKET WIRING HARNESS		1	pc	56,700 g			
		9680 0001596440	CLAMP CABLE DN10		1	pc	1,200 g		DN10	
		9700 X59450700011	BRACKET WIRING HARNESS		1	pc	56,700 g			
		9720 000000003347	HEX SCREW		1	pc	37,500 g		M 10 X 55	ISO4017
		9740 000125010524	WASHER		1	pc	3,100 g		A 10,5	DIN125

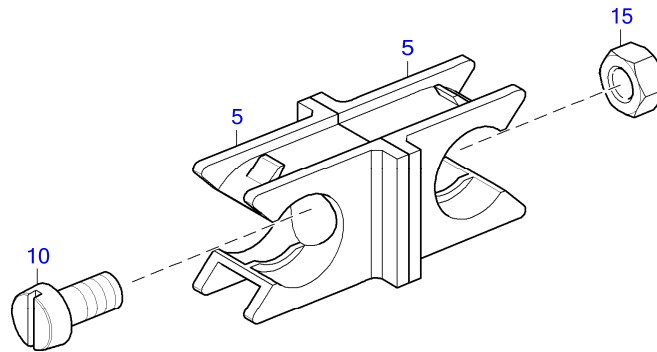
➡	POS.	PART NO.	DESIGNATION	MODEL/TYPE	QTY.	UNITS	WEIGHT	FN	MEASUREMENT	STANDARD
	9780	0001596440	CLAMP CABLE DN10		1	pc	1,200 g		DN10	
	9800	X59450700011	BRACKET WIRING HARNESS		1	pc	56,700 g			
274	9820	5241503070	RETAINER F. WIRING HARNESS		1	pc	9,600 g		BC007	
	9823	5241501176	RETAINER F. WIRING HARNESS	BR4000	1	pc	57,000 g		HC065	
275	9826	5241505873	RETAINER F. WIRING HARNESS	4000	1	pc	31,800 g	P	HC016	
	9827	304017008083	HEX SCREW		1	pc	15,100 g		M 8 X 30	ISO4017
	9828	007349008002	WASHER		1	pc	7,900 g		8,4	DIN7349
	9829	304032008014	NUT HEX 8 A3C		1	pc	4,800 g		M 8	ISO4032
	9830	5241506473	RETAINER F. WIRING HARNESS	4000	2	pc	40,400 g		HC034	
	9840	000000003347	HEX SCREW		2	pc	37,500 g		M 10 X 55	ISO4017
	9870	000125010524	WASHER		2	pc	3,100 g		A 10,5	DIN125
	9875	5225460043	BRACKET L H:49	12/16V2000SG	2	pc	75,000 g			
	9900	0005312181	QUICK-CATCH CLAMP	TYH/TYB 25M	16	pc	1,000 g		186X4,8X1,1MM D=3,5-45MM	
	9940	0005335043	BRACKET	NICHT STAPELBAR	43	pc	1,800 g		BUEGEL FUER NW10-HALTER	
	9960	0005334943	BRACKET CABLING AND PIPEWOR	NICHT STAPELBAR	33	pc	2,900 g		BUEGEL FUER NW17-HALTER	
	9980	X52650700040	BRACKET	NICHT STAPELBAR	23	pc	3,400 g		BUEGEL FUER NW26-HALTER	



50801537

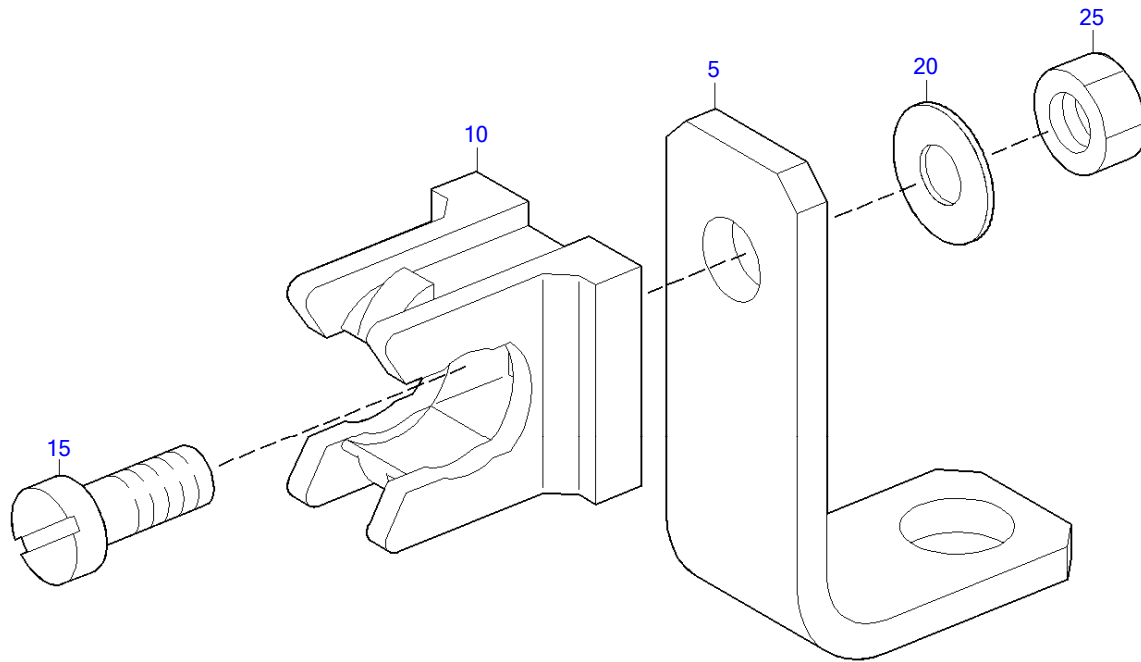
➔	POS.	PART NO.	DESIGNATION	MODEL/TYPE	QTY.	UNITS	WEIGHT	MEASUREMENT	STANDARD
	5	8381594840	RETAINER		1	pc	36,500 g		
	10	0015331840	RETAINER CABLING AND PIPEWOR	OHNE BUEGEL	1	pc	3,100 g	HALTER NW10 BOHRLOCH M5	
	15	000084005196	SCREW		1	pc	2,600 g	M 5 X 12	DIN84
	20	007349005002	WASHER		1	pc	2,300 g	5,3	DIN7349
	25	000934005004	NUT HEX		1	pc	1,000 g	M 5	DIN934





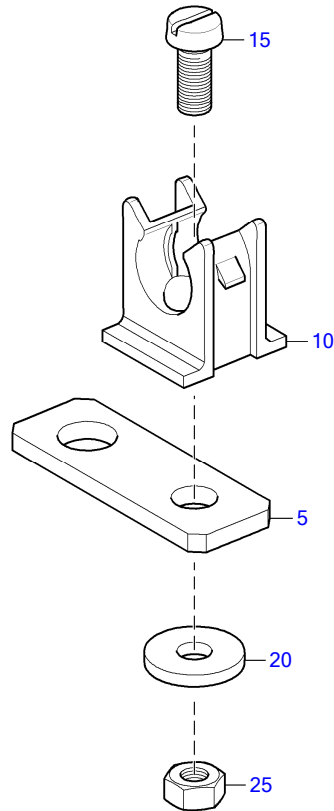
50801542

➔	POS.	PART NO.	DESIGNATION	MODEL/TYPE	QTY.	UNITS	WEIGHT	MEASUREMENT	STANDARD
	5	0015331840	RETAINER CABLING AND PIPEWOR	OHNE BUEGEL	2	pc	3,100 g	HALTER NW10 BOHRLOCH M5	
	10	200084005107	BOLT SLOTTED HD GELB CHROMAT		1	pc	2,400 g	M 5 X 10	DIN84
	15	000934005004	NUT HEX		1	pc	1,000 g	M 5	DIN934



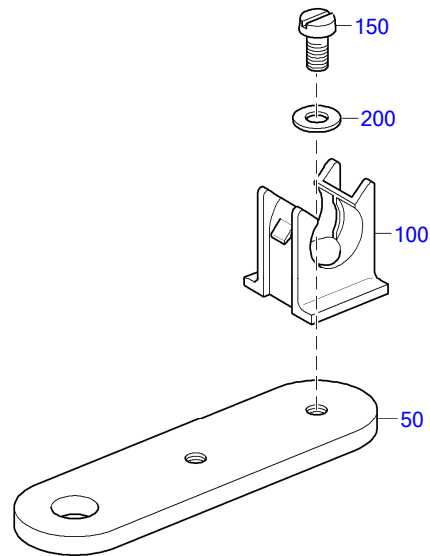
08300289a

➔	POS.	PART NO.	DESIGNATION	MODEL/TYPE	QTY.	UNITS	WEIGHT	MEASUREMENT	STANDARD
	5	5621531140	BRACKET L H:24 S4000 S2000		1	pc	20,900 g		
	10	0015331840	RETAINER CABLING AND PIPEWOR OHNE BUEGEL		1	pc	3,100 g	HALTER NW10 BOHRLOCH M5	
	15	000084005196	SCREW		1	pc	2,600 g	M 5 X 12	DIN84
	20	007349005002	WASHER		1	pc	2,300 g	5,3	DIN7349
	25	000934005004	NUT HEX		1	pc	1,000 g	M 5	DIN934



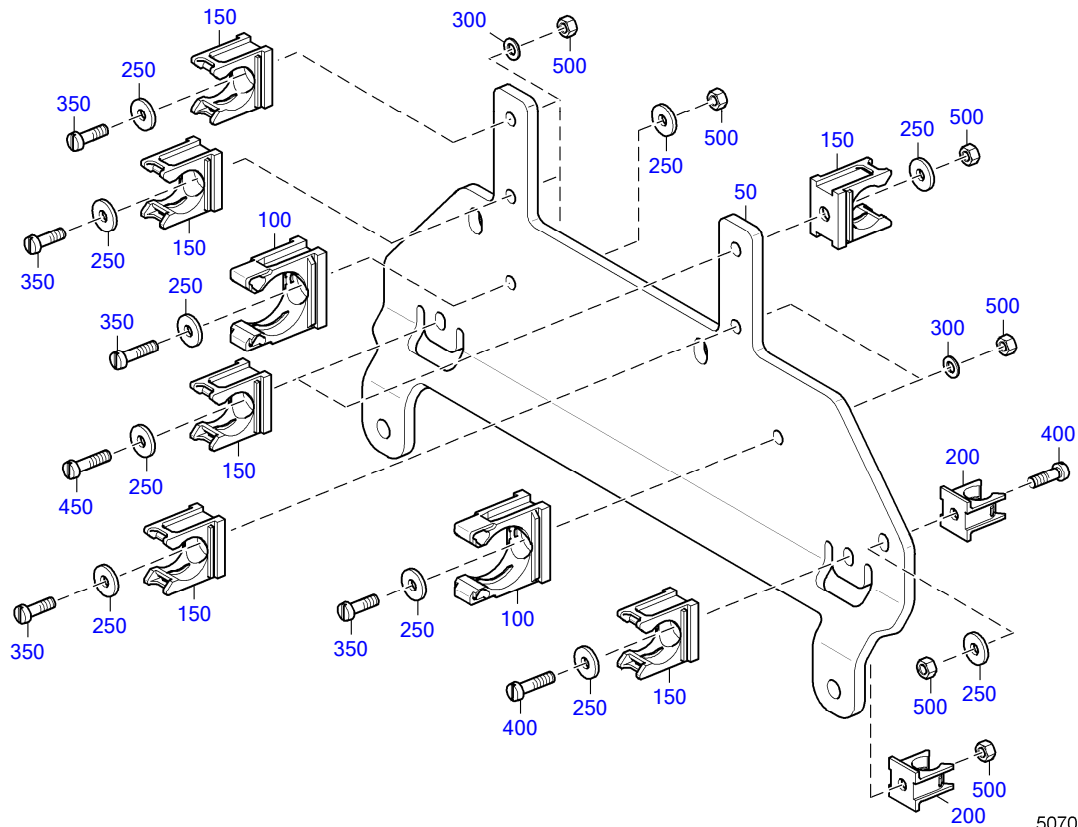
50704177

➔	POS.	PART NO.	DESIGNATION	MODEL/TYPE	QTY.	UNITS	WEIGHT	MEASUREMENT	STANDARD
	5	5621531040	BRACKET H:01 S2000/4000		1	pc	14,100 g		
	10	0015331840	RETAINER CABLING AND PIPEWOR	OHNE BUEGEL	1	pc	3,100 g	HALTER NW10 BOHRLOCH M5	
	15	000084005196	SCREW		1	pc	2,600 g	M 5 X 12	DIN84
	20	007349005002	WASHER		1	pc	2,300 g	5,3	DIN7349
	25	000934005004	NUT HEX		1	pc	1,000 g	M 5	DIN934



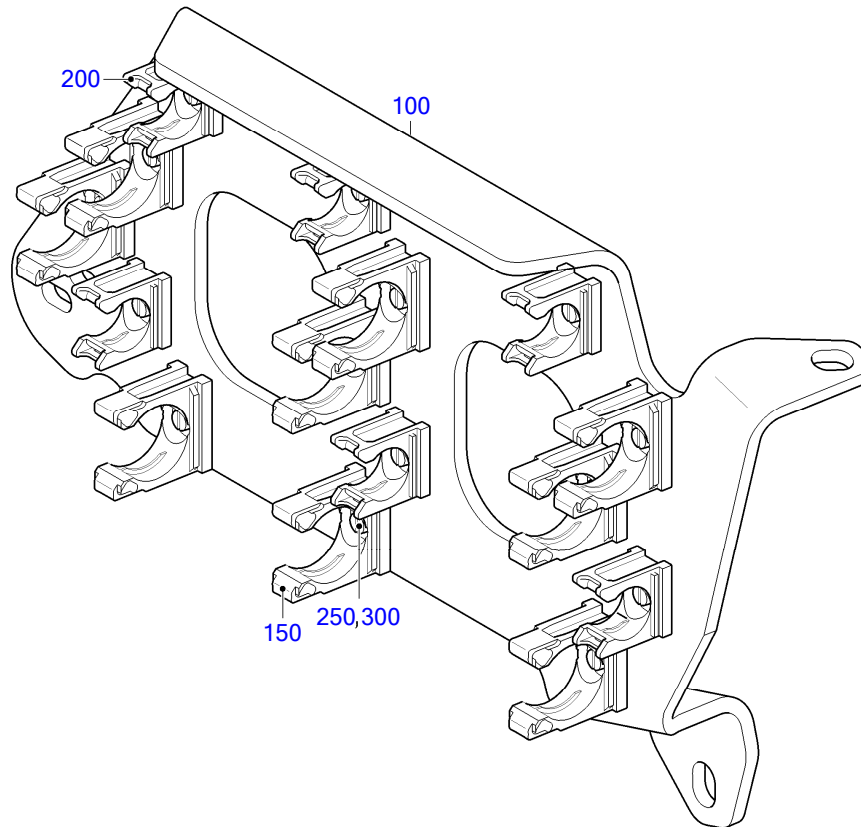
50702399a

➔	POS.	PART NO.	DESIGNATION	MODEL/TYPE	QTY.	UNITS	WEIGHT	MEASUREMENT	STANDARD
	50	5061537040	BRACKET FLAT H:47		1	pc	51,000 g		
	100	0015331840	RETAINER CABLING AND PIPEWOR	OHNE BUEGEL	1	pc	3,100 g	HALTER NW10 BOHRLOCH M5	
	150	000084004410	SCREW		1	pc	1,100 g	M 4 X 8	DIN84
	200	000125004317	WASHER		1	pc	0,200 g	A 4,3	DIN125



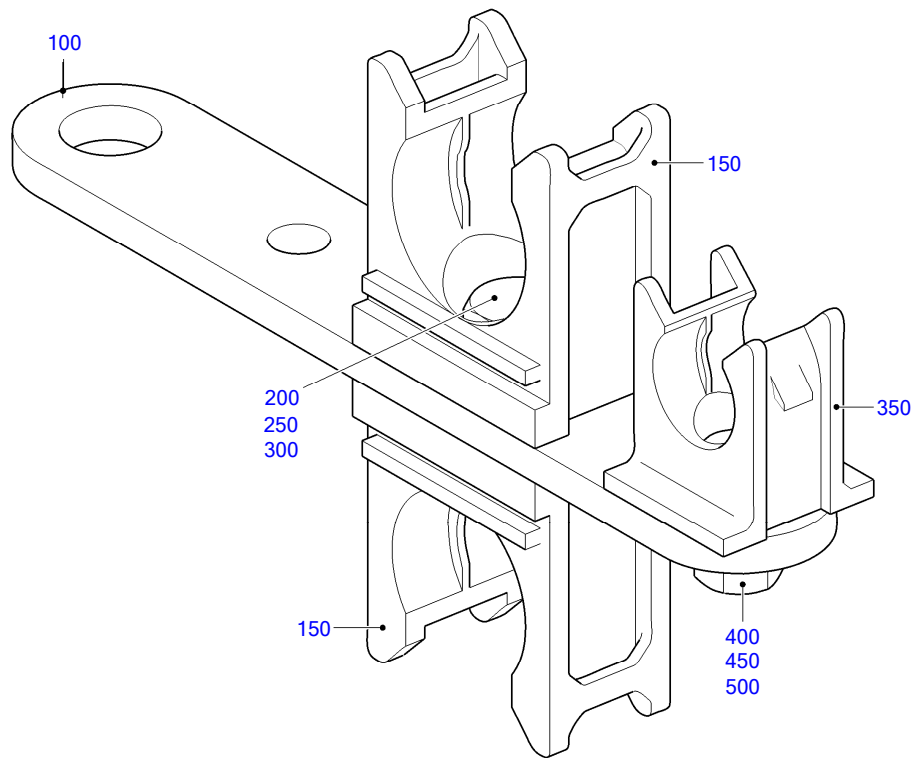
50702794

➔	POS.	PART NO.	DESIGNATION	MODEL/TYPE	QTY.	UNITS	WEIGHT	MEASUREMENT	STANDARD
	50	X59350700013	RETAINER		1	pc	1,900 g		
	100	X52650700039	CABLE CLAMP		3	pc	9,300 g	HALTER NW26 BOHRLOCH M6	
	150	0015331940	RETAINER CABLING AND PIPEWOR OHNE BUEGEL		5	pc	5,600 g	HALTER NW17 BOHRLOCH M6	
	200	0015331840	RETAINER CABLING AND PIPEWOR OHNE BUEGEL		3	pc	3,100 g	HALTER NW10 BOHRLOCH M5	
	250	209021005000	WASHER		8	pc	1,100 g	5,3	DIN9021
	300	000125005322	WASHER		7	pc	0,400 g	A 5,3	DIN125
	350	304017005025	HEX SCREW		6	pc	3,300 g	M 5 X 16	ISO4017
	400	000912005026	BOLT HEX SOC HD		2	pc	3,400 g	M 5 X 16	DIN912
	450	000912005010	SCREW		1	pc	4,000 g	M 5 X 18	DIN912
	500	304032005008	HEX NUT		9	pc	1,200 g	M 5	ISO4032



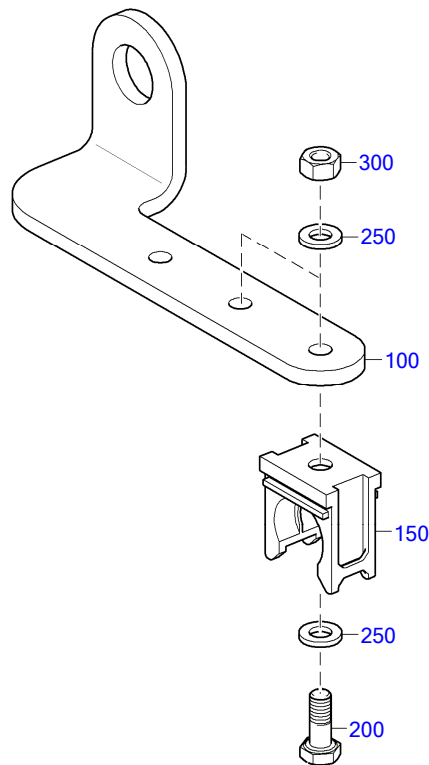
50001174a

➔	POS.	PART NO.	DESIGNATION	MODEL/TYPE	QTY.	UNITS	WEIGHT	MEASUREMENT	STANDARD
	100	X59699100061	RETAINER F. WIRING HARNESS		1	pc	3,300 kg		
	150	X52650700039	CABLE CLAMP		9	pc	9,300 g	HALTER NW26 BOHRLOCH M6	
	200	0015331940	RETAINER CABLING AND PIPEWOR OHNE BUEGEL		6	pc	5,600 g	HALTER NW17 BOHRLOCH M6	
	250	007349005002	WASHER		15	pc	2,300 g	5,3	DIN7349
	300	000084005196	SCREW		15	pc	2,600 g	M 5 X 12	DIN84



50001175a

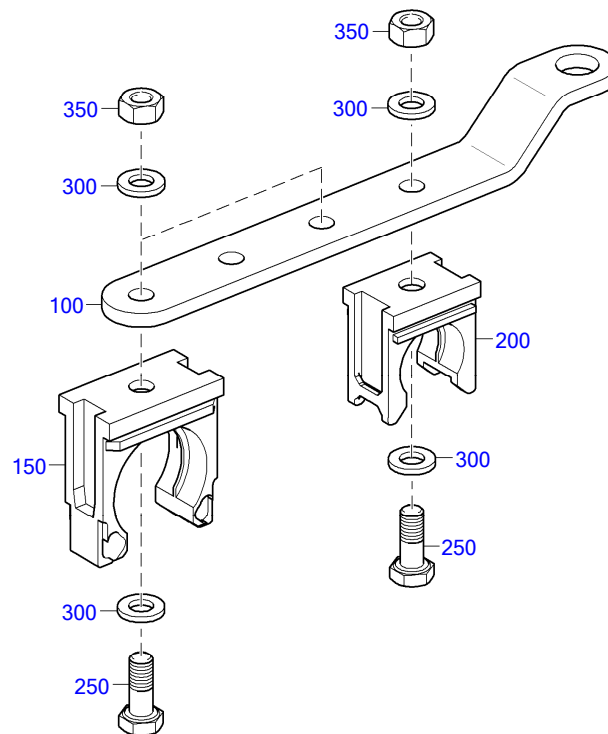
➔	POS.	PART NO.	DESIGNATION	MODEL/TYPE	QTY.	UNITS	WEIGHT	MEASUREMENT	STANDARD
	100	5241531340	BRACKET H:11		1	pc	65,100 g	H011	
	150	0015331940	RETAINER CABLING AND PIPEWOR	OHNE BUEGEL	2	pc	5,600 g	HALTER NW17 BOHRLOCH M6	
	200	00000003387	HEX SCREW		1	pc	5,100 g	M 6 X 16	ISO4017
	250	000125006431	WASHER		2	pc	0,800 g	A 6,4	DIN125
	300	304032006011	HEX NUT		1	pc	2,200 g	M 6	ISO4032
	350	0015331840	RETAINER CABLING AND PIPEWOR	OHNE BUEGEL	1	pc	3,100 g	HALTER NW10 BOHRLOCH M5	
	400	000084005196	SCREW		1	pc	2,600 g	M 5 X 12	DIN84
	450	000125005322	WASHER		1	pc	0,400 g	A 5,3	DIN125
	500	304032005008	HEX NUT		1	pc	1,200 g	M 5	ISO4032



50702405a

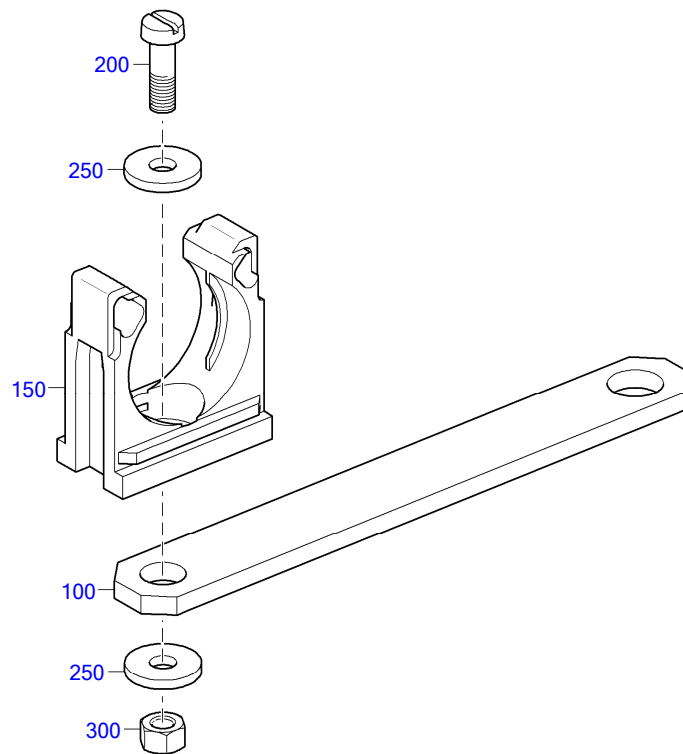
➔	POS.	PART NO.	DESIGNATION	MODEL/TYPE	QTY.	UNITS	WEIGHT	MEASUREMENT	STANDARD
	100	X00032376	BRACKET		1	pc	197,400 g		
	150	0015331940	RETAINER CABLING AND PIPEWOR	OHNE BUEGEL	2	pc	5,600 g	HALTER NW17 BOHRLOCH M6	
	200	00000003387	HEX SCREW		2	pc	5,100 g	M 6 X 16	ISO4017
	250	000125006431	WASHER		4	pc	0,800 g	A 6,4	DIN125
	300	304032006011	HEX NUT		2	pc	2,200 g	M 6	ISO4032





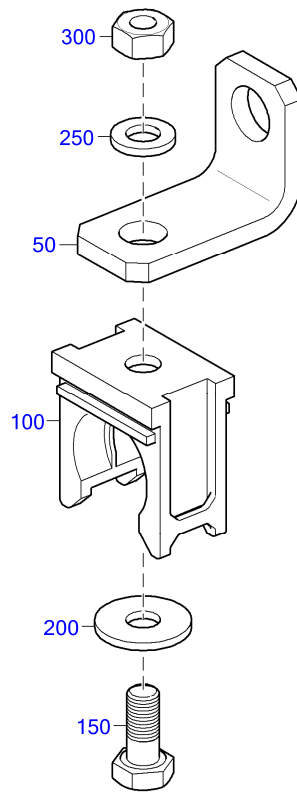
50702404a

➔	POS.	PART NO.	DESIGNATION	MODEL/TYPE	QTY.	UNITS	WEIGHT	MEASUREMENT	STANDARD
	100	X59499100415	RETAINER		1	pc	97,200 g		
	150	X52650700039	CABLE CLAMP		2	pc	9,300 g	HALTER NW26 BOHRLOCH M6	
	200	0015331940	RETAINER CABLING AND PIPEWOR	OHNE BUEGEL	1	pc	5,600 g	HALTER NW17 BOHRLOCH M6	
	250	00000003387	HEX SCREW		3	pc	5,100 g	M 6 X 16	ISO4017
	300	000125006431	WASHER		6	pc	0,800 g	A 6,4	DIN125
	350	304032006011	HEX NUT		3	pc	2,200 g	M 6	ISO4032



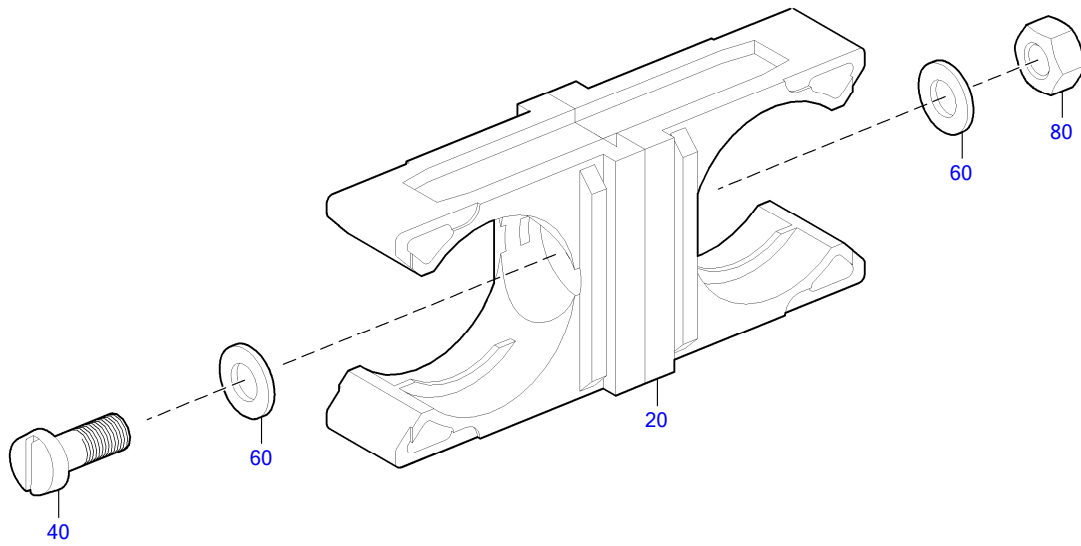
50702403a

➔	POS.	PART NO.	DESIGNATION	QTY.	UNITS	WEIGHT	MEASUREMENT	STANDARD
	100	5530720338	BRACKET FLAT W/45 DEG CHAMF H:64	1	pc	71,600 g		
	150	X52650700039	CABLE CLAMP	1	pc	9,300 g	HALTER NW26 BOHRLOCH M6	
	200	000084005194	SCREW	1	pc	3,200 g	M 5 X 16	DIN84
	250	007349005002	WASHER	2	pc	2,300 g	5,3	DIN7349
	300	304032005008	HEX NUT	1	pc	1,200 g	M 5	ISO4032



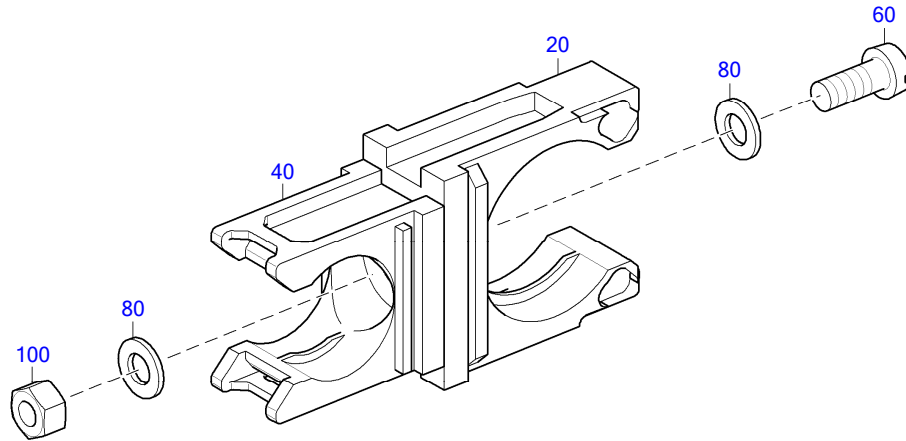
50703153

➔	POS.	PART NO.	DESIGNATION	MODEL/TYPE	QTY.	UNITS	WEIGHT	MEASUREMENT	STANDARD
	50	5901751641	BRACKET L H:22		1	pc	31,300 g		
	100	0015331940	RETAINER CABLING AND PIPEWOR	OHNE BUEGEL	1	pc	5,600 g	HALTER NW17 BOHRLOCH M6	
	150	000933006207	HEX SCREW		1	pc	4,800 g	M 6 X 14	DIN933
	200	000125006431	WASHER		1	pc	0,800 g	A 6,4	DIN125
	250	009021006103	WASHER		1	pc	2,300 g	A 6,4	DIN9021
	300	000934006006	NUT HEX		1	pc	2,200 g	M 6	DIN934



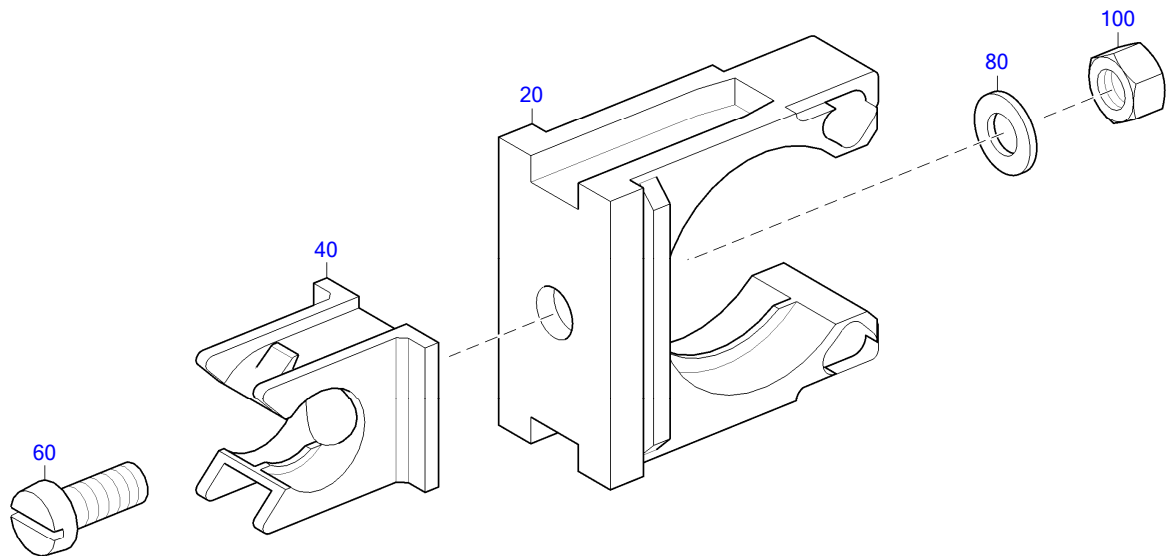
50001017a

➔	POS.	PART NO.	DESIGNATION	QTY.	UNITS	WEIGHT	MEASUREMENT	STANDARD
	20	X52650700039	CABLE CLAMP	2	pc	9,300 g	HALTER NW26 BOHRLOCH M6	
	40	304017006058	HEX SCREW	1	pc	4,400 g	M 6 X 12	ISO4017
	60	000125006431	WASHER	2	pc	0,800 g	A 6,4	DIN125
	80	304032006011	HEX NUT	1	pc	2,200 g	M 6	ISO4032



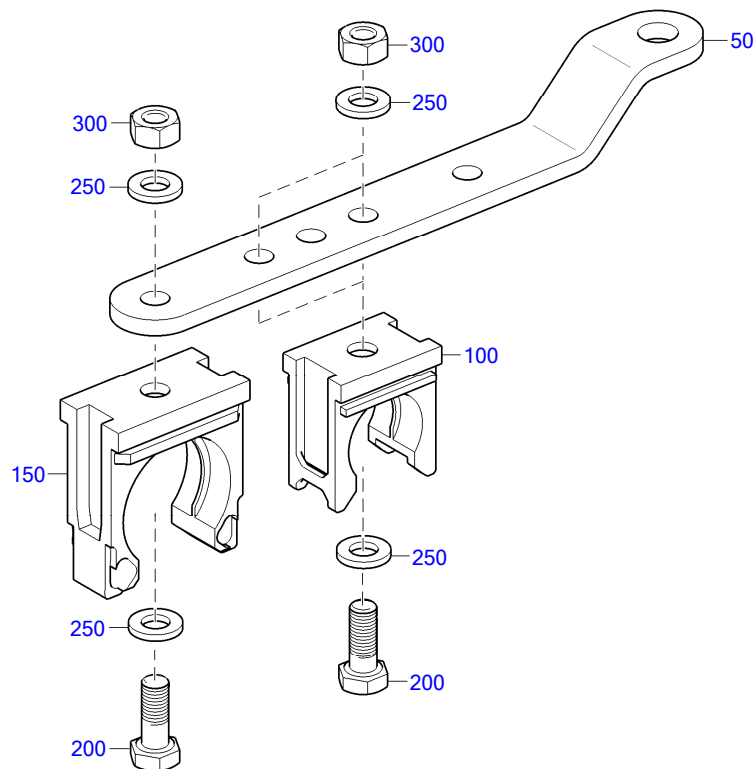
50801541

➔	POS.	PART NO.	DESIGNATION	MODEL/TYPE	QTY.	UNITS	WEIGHT	MEASUREMENT	STANDARD
	20	X52650700039	CABLE CLAMP		1	pc	9,300 g	HALTER NW26 BOHRLOCH M6	
	40	0015331940	RETAINER CABLING AND PIPEWOR	OHNE BUEGEL	1	pc	5,600 g	HALTER NW17 BOHRLOCH M6	
	60	000084005196	SCREW		1	pc	2,600 g	M 5 X 12	DIN84
	80	000125005322	WASHER		2	pc	0,400 g	A 5,3	DIN125
	100	304032005008	HEX NUT		1	pc	1,200 g	M 5	ISO4032



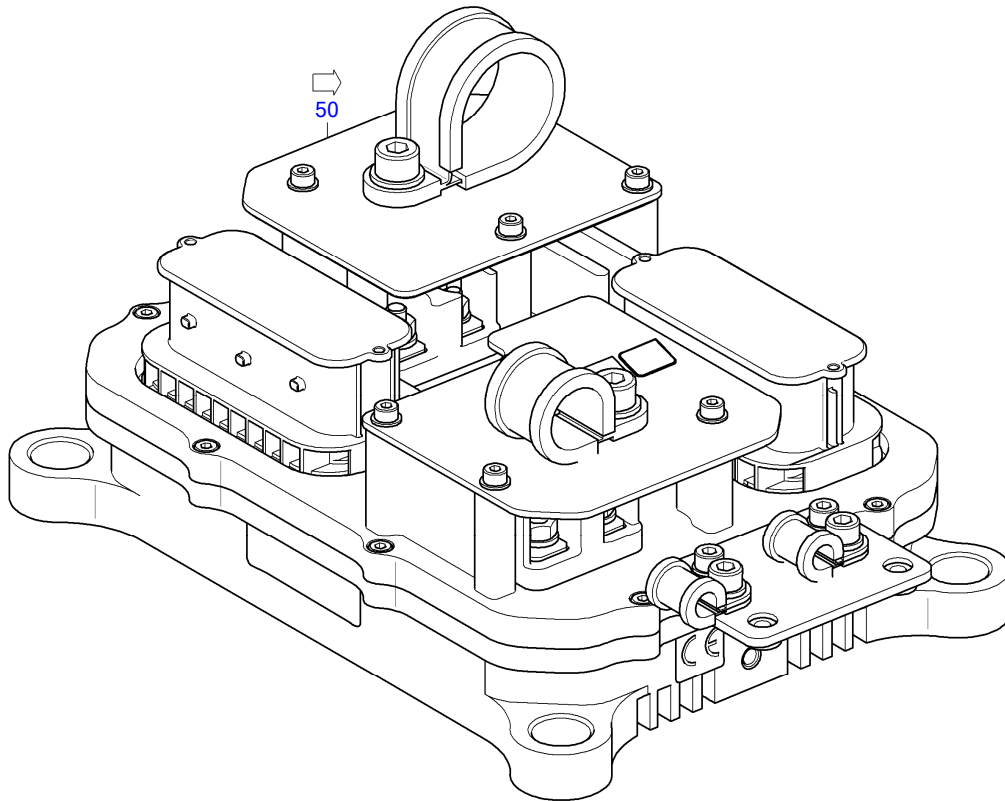
50702297a

➔	POS.	PART NO.	DESIGNATION	MODEL/TYPE	QTY.	UNITS	WEIGHT	MEASUREMENT	STANDARD
	20	X52650700039	CABLE CLAMP		1	pc	9,300 g	HALTER NW26 BOHRLOCH M6	
	40	0015331840	RETAINER CABLING AND PIPEWOR	OHNE BUEGEL	1	pc	3,100 g	HALTER NW10 BOHRLOCH M5	
	60	000084005196	SCREW		1	pc	2,600 g	M 5 X 12	DIN84
	80	000125005322	WASHER		1	pc	0,400 g	A 5,3	DIN125
	100	304032005008	HEX NUT		1	pc	1,200 g	M 5	ISO4032



50702203a

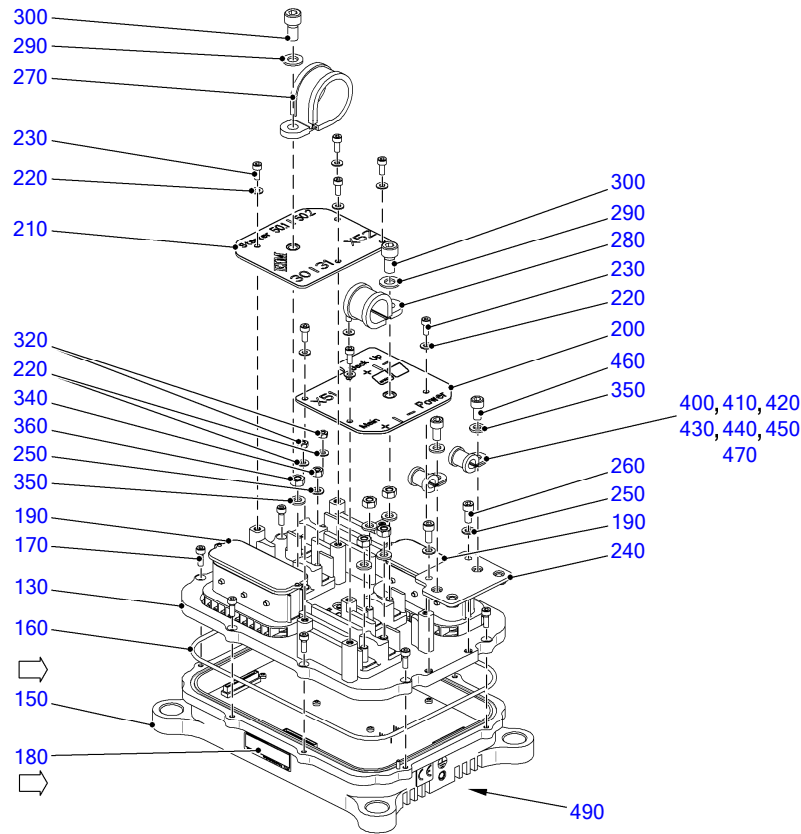
➔	POS.	PART NO.	DESIGNATION	MODEL/TYPE	QTY.	UNITS	WEIGHT	MEASUREMENT	STANDARD
	50	5241533040	BRACKET OFFSET H:15 MARINE	4000	1	pc	93,700 g		
	100	0015331940	RETAINER CABLING AND PIPEWOR	OHNE BUEGEL	2	pc	5,600 g	HALTER NW17 BOHRLOCH M6	
	150	X52650700039	CABLE CLAMP		1	pc	9,300 g	HALTER NW26 BOHRLOCH M6	
	200	00000003387	HEX SCREW		3	pc	5,100 g	M 6 X 16	ISO4017
	250	000125006431	WASHER		6	pc	0,800 g	A 6,4	DIN125
	300	304032006011	HEX NUT		3	pc	2,200 g	M 6	ISO4032



50801621

➔	POS.	PART NO.	DESIGNATION	MODEL/TYPE	QTY.	UNITS	WEIGHT	
	290	50	<b>B00E50201528/S0002</b>	MONITOR WITH SOFTWARE	EIM 2-02	1	pc	3,938 kg





50801700

➔	POS.	PART NO.	DESIGNATION	MODEL/TYPE	QTY.	UNITS	WEIGHT	FN	MEASUREMENT	STANDARD
	130	B00E50201524	PLUG-IN BOARD UPPER PART	CIB 6-02	1	pc	1,350 kg			
291	150	B00E50200605/S0001	PLUG-IN BOARD LOWER PART	CIB 5-01	1	pc	1,715 kg			
	160	700429214000	O-RING		1	pc	10,200 g	214 X 3		MMN429
	170	00000002668	SCREW		8	pc	10,000 g	M 4 X 12		DIN912
	190	X00E50200338	DUST CAP FOR CONNECTOR	STAUBKAPPE MCP 62 POL.	2	pc	2,000 g	FUER AMP BUCHSENGEHAEUSE 62POL		
	200	X00E50204759	COVER PLATE	EIM 1-01	1	pc	166,700 g	UB 102X103X3	-X51-POWER	
	210	X00E50204758	COVER PLATE	EIM 1-01	1	pc	154,500 g	UB 102X103X3	-X52-STARTER	
	220	200125004301	WASHER		10	pc	0,300 g	A 4,3		DIN125
	230	204762004010	SCREW		8	pc	1,700 g	M 4 X 10		ISO4762
	240	X00E50205850	RETAINER PLATE FOR CABLE	EIM 1-01	1	pc	85,800 g	AB 70X53X3		
	250	200125005300	WASHER		3	pc	0,400 g	A 5,3		DIN125
	260	000912005039	SCREW		2	pc	3,100 g	M 5 X 12		DIN912
	270	916016035201	CLAMP		1	pc	43,000 g	BRSGU 35/20		N16016
	280	916016020202	CLAMP		1	pc	26,700 g	BRSGU 20/20		N16016
	290	200125008400	WASHER		2	pc	1,500 g	A 8,4		DIN125
	300	204762008007	SCREW		2	pc	11,600 g	M 8 X 16		ISO4762
	320	000000003183	HEX NUT		2	pc	0,800 g	M 4		ISO4032
	340	000000002215	HEX NUT		1	pc	1,200 g	M 5		ISO4032
	350	200125006400	WASHER		7	pc	0,700 g	A 6,4		DIN125
	360	000000002218	HEX NUT		5	pc	2,300 g	M 6		ISO4032
	400	916016008200	CLAMP		2	pc	9,400 g	BRSGU 8/15		N16016
	410	916016010201	CLAMP		1	pc	9,100 g	BRSGU 10/15		N16016
	420	916016012200	CLAMP		1	pc	10,000 g	BRSGU 12/15		N16016

EQUI TYPE: Engine

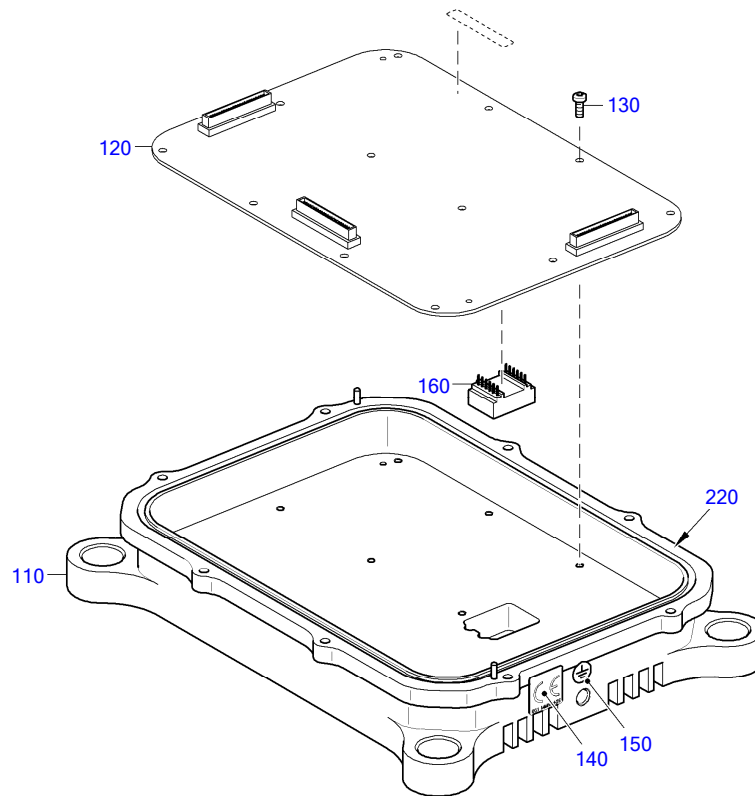
PRODUCT TYPE: 12V4000M53  
MONITOR WITH SOFTWARE

SERIAL NUMBER: 526107656

FG/FGS:

BOM-No.: B00E50201528/S0002

➡	POS.	PART NO.	DESIGNATION	MODEL/TYPE	QTY.	UNITS	WEIGHT	FN	MEASUREMENT	STANDARD
	430	916016015202	CLAMP		1	pc	13,500 g		BRSGU 15/15	N16016
	440	000000004737	CLAMP		1	pc	15,500 g		BRSGU S 20/15	N16016
	450	000000003931	CLAMP		1	pc	18,700 g		BRSGU S 25/15	N16016
	460	204762006004	SCREW		2	pc	5,000 g		M 6 X 12	ISO4762
	470	0035314381	CABLE CLAMP		1	pc	0,600 g		L= 150MM, B= 3,6MM	
	490	B00E50201528/77	MONITOR WITH SOFTWARE	EIM 2-02	1	pc	4,000 kg			



50801619

➔	POS.	PART NO.	DESIGNATION	MODEL/TYPE	QTY.	UNITS	WEIGHT	MEASUREMENT	STANDARD
	110	<b>B00E50200604</b>	HOUSING LOWER PART	EIM2-01	1	pc	1,500 kg		
	120	<b>X00E50203628</b>	PLUG-IN BOARD SMD	CIB5-01 ZB SMD	1	pc	156,000 g	ZB SMD CIB5-01;	
	130	<b>000000003652</b>	TORX SCREW		12	pc	0,700 g	M3 GF X 8	MBN10226
	140	<b>700425000142</b>	PLATE		1	pc	2,200 g	60.1	MMN425
	150	<b>X00E50207411</b>	PLATE FOR GROUND CONNECT.	ERDUNGSSCHILD	1	pc	3,000 g	13X13	
	160	<b>0005327956</b>	TRANSFORMER	EVD15	1	pc	2,000 g	LP44UH,UE0-50V, W1=28, W2=19WX=8	
	220	<b>X00009977</b>	2-COMP. SILIC.RUBBER	KARTUSCHE 330 ML	1	pc	400,000 g	ELASTOSIL SG 500 A/B	

**EQUIPMENT TYPE**

PRODUCT TYPE  
SERIAL NUMBER

**Engine**

12V4000M53  
526107657

FG	FG DESIGNATION
004	LABELS AND AUXILIARY MATERIALS
011	CRANKCASE
014	OIL PAN
015	ENGINE MOUNTING
016	END HOUSING, DRIVING END AND FREE END
018	CRANKCASE BREATHER
024	GEARCASE, AUX PTO END
030	RUNNING GEAR
031	CRANKSHAFT WITH BEARINGS
032	CRANKSHAFT, PTO ON DRIVING END
035	CRANKSHAFT, PTO ON AUX PTO END
036	TRANSPORT LOCK/LOCK FOR CRANKSHAFT
037	PISTON
038	CONNECTING ROD
041	CYLINDER HEAD
051	CAMSHAFT
055	VALVE DRIVE
073	INJECTION PUMP / HP PUMP
075	FUEL INJECTOR
077	INJECTION LINE / HP FUEL LINE
080	L.P. FUEL SYSTEM; (ALSO GAS ENGINES)
081	FUEL PIPEWORK BEFORE DELIVERY PUMP
083	FUEL FILTER
086	LEAK-OFF FUEL LINE / FUEL RETURN
087	LEAK-OFF FUEL MONITORING
101	EXHAUST TURBOCHARGER, GENERAL OR H.P. TURBOCHARGER
111	CHARGE AIR COOLING, GENERAL, LEFT SIDE
121	AIR FILTER
122	AIR INTAKE SILENCER
123	AIR SYSTEM
124	AIR SUPPLY TO CYLINDERS
125	AIR ROUTING BETWEEN TURBOCHARGER AND CHARGE-AIR COOLER
141	EXHAUST SYSTEM AFTER CYLINDER HEAD
142	CONSTANT-PRESSURE EXHAUST MANIFOLD
143	CARRIER HOUSING
145	EXHAUST SYSTEM AFTER TURBOCHARGER
146	EXHAUST DUCTING AFTER ENGINE (TO END OF EXH. AFTERTREATMENT)
172	ELECTRIC STARTING
180	LUBRICATING OIL SYSTEM
181	LUBE OIL PUMP AND DRIVE
183	OIL FILTRATION/COOLING
184	CRANKCASE-INTERNAL OIL SUPPLY
185	TURBOCHARGER OIL SUPPLY
188	CONNECTING HARDWARE FOR ENGINE OIL SUPPLY
200	COOLANT SYSTEM
202	COOLANT CIRCUIT, GENERAL, HT CIRCUIT

**FG FG DESIGNATION**

- 203 LOW-TEMPERATURE CIRCUIT
- 205 COOLANT COOLER ATTACHING H/WARE
- 206 COOLANT PIPEWORK WITH THERMOSTAT
- 207 RAW WATER PUMP WITH CONNECTIONS
- 208 COOLANT EXPANSION TANK
- 210 ELEKTRIC POWER SUPPLY, ENGINE-SIDE
- 213 GENERATOR
- 231 ENGINE MOUNTING
- 252 RUBBER COUPLING
- 293 OIL PUMP
- 301 GENERAL ACCESSORIES
- 507 WIRING, GENERAL, FOR ENGINE/GEARBOX/PLANT
- 508 ACCESSORIES FOR ENGINE GOVERNOR (ELECTRONIC) CONTROL SYSTEM

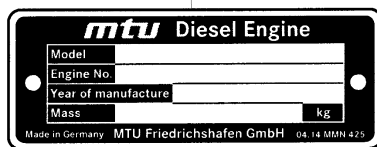
GROUP SEGMENT (FGS)

GROUP NAME

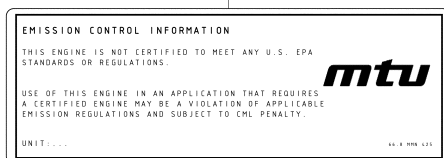
BOM-No.

05  
PLATE  
000.00899

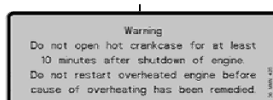
0040053a

05  
NAMEPLATE  
X00027331

0040086a

05  
NON-EPA LABEL  
XS524000.00019

00400106a

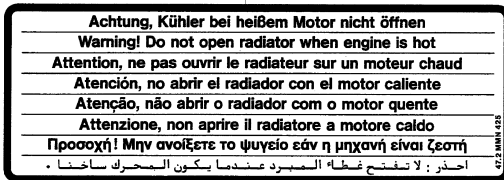
05  
PLACARD POS. EXPL: HAZARD  
XS524000.00104

00400161

GROUP SEGMENT (FGS)

GROUP NAME

BOM-No.

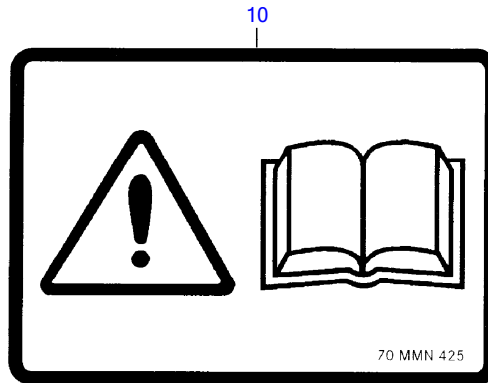
05  
PLACARD  
XSD01000.00001

00400156

05  
PLACARD  
XSD01000.00002

00400157

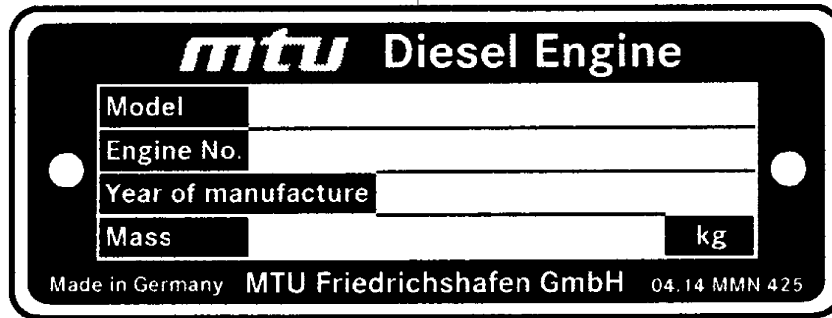




00400053a

➔	POS.	PART NO.	DESIGNATION	QTY.	UNITS	WEIGHT	MEASUREMENT	STANDARD
	10	700425000155	PLATE	1	pc	1,500 g	70	MMN425

100



200



00400086a

➔	POS.	PART NO.	DESIGNATION	QTY.	UNITS	WEIGHT	FN	MEASUREMENT	STANDARD
	100	700425000169	PLATE	1	pc	3,400 g	EM	04.14	MMN425
	200	700425000170	PLATE	1	pc	2,800 g	EM	04.15	MMN425

100

**EMISSION CONTROL INFORMATION**

THIS ENGINE IS NOT CERTIFIED TO MEET ANY U.S. EPA STANDARDS OR REGULATIONS.

mtu

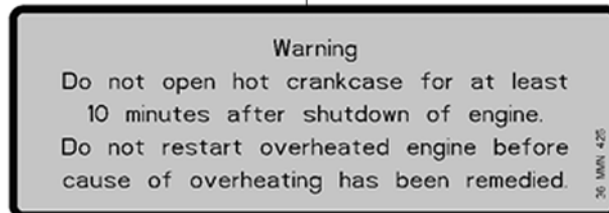
USE OF THIS ENGINE IN AN APPLICATION THAT REQUIRES A CERTIFIED ENGINE MAY BE A VIOLATION OF APPLICABLE EMISSION REGULATIONS AND SUBJECT TO CML PENALTY.

UNIT: . . . 66.8 MMN 425

00400106a

➔	POS.	PART NO.	DESIGNATION	QTY.	UNITS	FN	MEASUREMENT	STANDARD
	100	700425000182	EMI-LABEL NON-EPA	1	pc	EM	66.8	MMN425

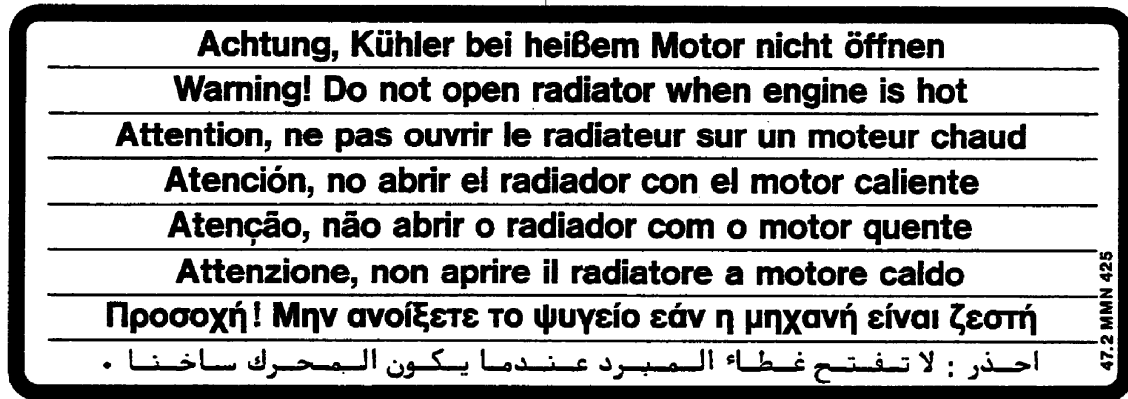
150



00400161

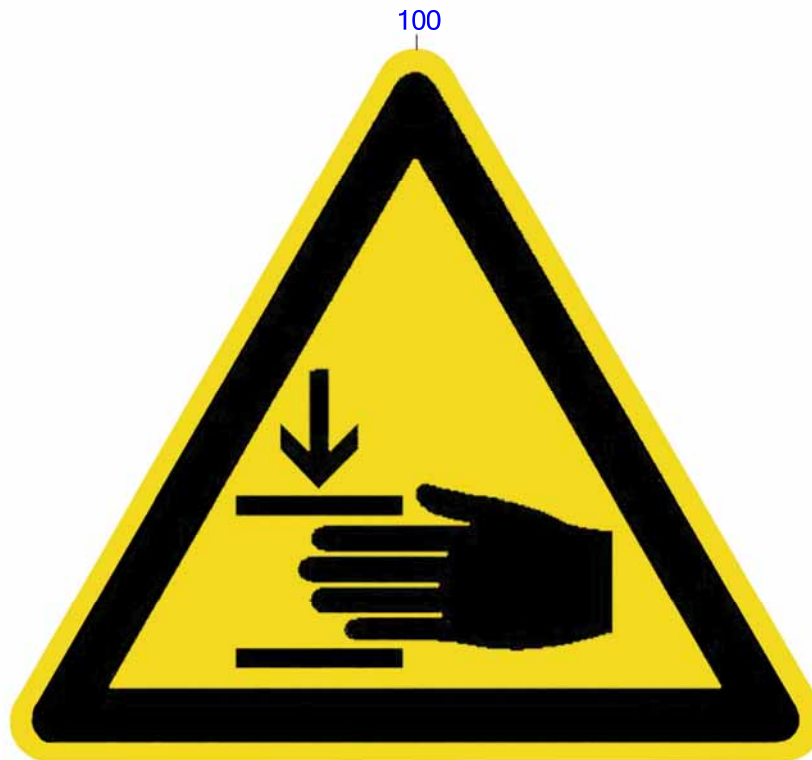
➔	POS.	PART NO.	DESIGNATION	QTY.	UNITS	WEIGHT	MEASUREMENT	STANDARD
	150	700425000039	PLATE	4	pc	2,300 g	36	MMN425

100



00400156

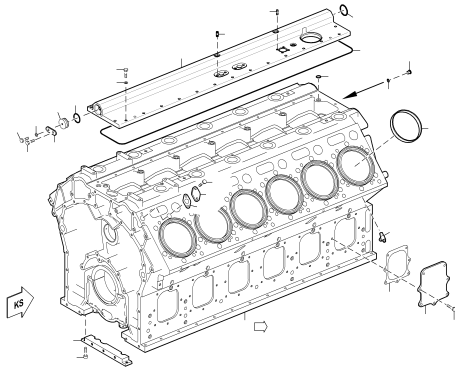
➔	POS.	PART NO.	DESIGNATION	QTY.	UNITS	WEIGHT	MEASUREMENT	STANDARD
	100	700425000112	PLATE	1	pc	2,200 g	47.2	MMN425



00400157a

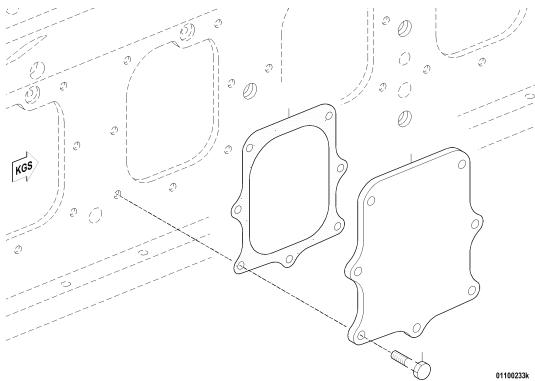
➔	POS.	PART NO.	DESIGNATION	QTY.	UNITS	WEIGHT
	100	<b>XD0000400001</b>	PLACARD CRUSHING HAZARD	2	pc	0,200 g

GROUP SEGMENT (FGS)  
GROUP NAME  
BOM-No.



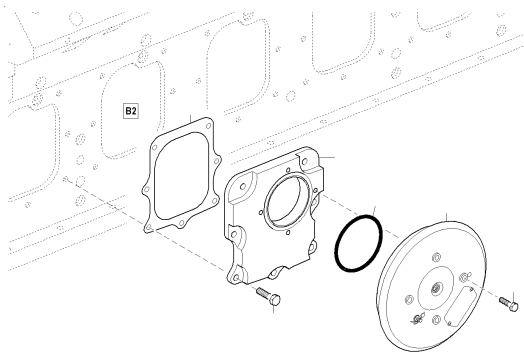
05  
CRANKCASE  
XS594010.00081

01101323



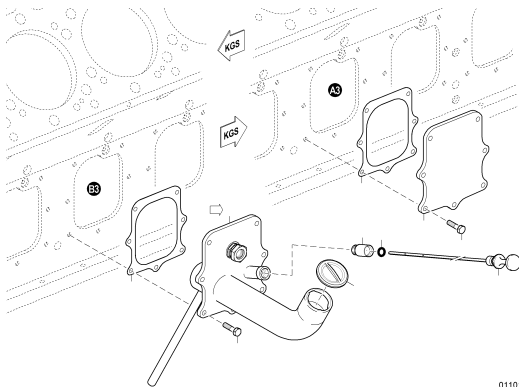
30  
INSPECT PORT COVER  
XS593010.00008

0110023k



30  
SAFETY VALVE LR ACCEPTANCE  
XS594010.00060

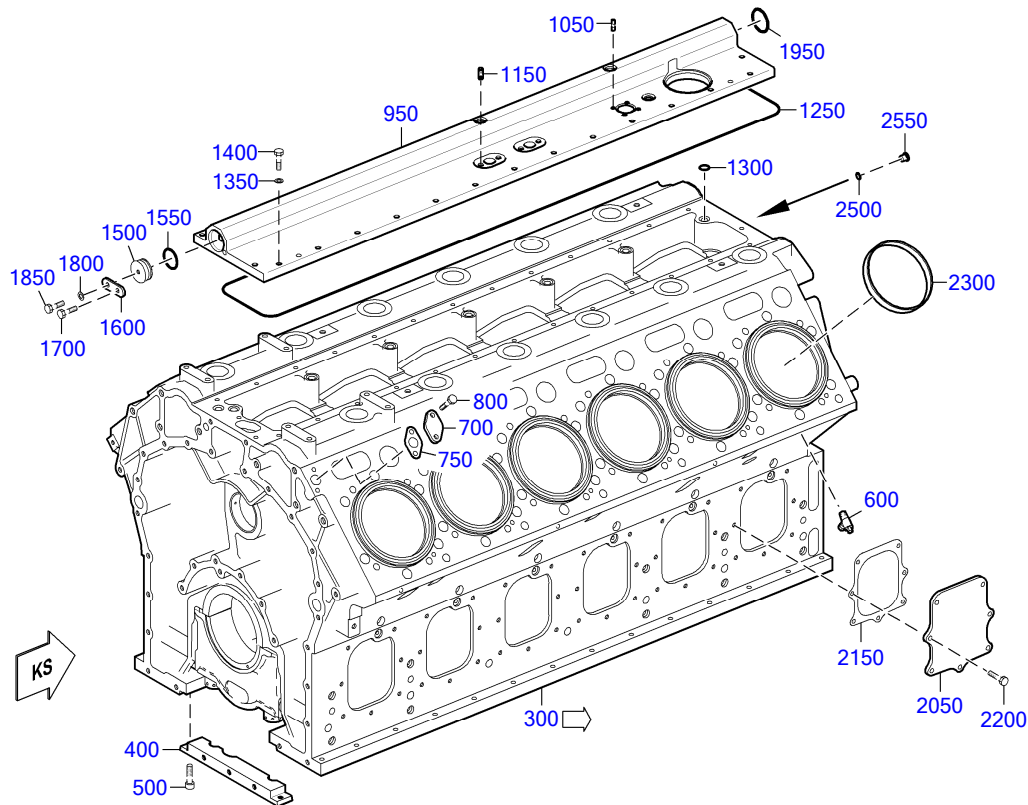
01101213b



40  
OIL FILLER NECK W OIL DIPSTICK, RGH  
XS594010.00082

01101322

## CRANKCASE



01101323

➔	POS.	PART NO.	DESIGNATION	QTY.	UNITS	WEIGHT	FN	MEASUREMENT	STANDARD
	303	300	<b>X59401100002</b>	CRANKCASE	1	pc	1.618,000	EM	
		400	<b>X52401100023</b>	STRIP	1	pc	2,800 kg		
		500	<b>000912008115</b>	BOLT HEX SOC HD	2	pc	11,400 g	M 8 X 16	DIN912
		600	<b>0049976736</b>	VALVE DRAIN	2	pc	125,000 g		
		700	<b>5240110045</b>	COVER CRANKCASE BREATHER	2	pc	170,000 g		
		750	<b>5501871280</b>	GASKET	2	pc	1,100 g		
		800	<b>000000003021</b>	HEX SCREW	4	pc	22,800 g	M 10 X 25	ISO4017
		950	<b>X52601100034</b>	CRANKCASE COVER FOR CAMSHAFT CHAMBE	1	pc	27,500 kg		
		1050	<b>000835008086</b>	STUD	4	pc	13,000 g	M 8 X 25	DIN835
		1150	<b>000835010056</b>	STUD	4	pc	22,400 g	M 10 X 25	DIN835
		1250	<b>5269970345</b>	SEAL STRIP	1	pc	138,400 g	1057X5	
		1300	<b>700429018005</b>	O-RING	8	pc	1,900 g	18 X 4	MMN429
		1350	<b>000125010524</b>	WASHER	23	pc	3,100 g	A 10,5	DIN125
		1400	<b>000000003326</b>	HEX SCREW	23	pc	27,400 g	M 10 X 35	ISO4017
		1500	<b>735084050000</b>	PLUG	1	pc	103,900 g	50	MTN5084
		1550	<b>700429042000</b>	O-RING	1	pc	6,200 g	42 X 5	MMN429
		1600	<b>5249950059</b>	STRAP	1	pc	75,000 g		
		1700	<b>000000003020</b>	HEX SCREW	1	pc	20,000 g	M 10 X 20	ISO4017
		1800	<b>007349010002</b>	WASHER	1	pc	11,000 g	10,5	DIN7349
		1850	<b>204017010004</b>	HEX SCREW	1	pc	17,900 g	M 10 X 16	ISO4017
		1950	<b>700429055001</b>	O-RING	1	pc	8,000 g	55 X 5	MMN429
		2050	<b>5240110732</b>	COVER CYL BLOCK ACCESS PORT	3	pc	2,800 kg		
		2150	<b>5240111380</b>	GASKET	3	pc	25,000 g		
		2200	<b>000000003021</b>	HEX SCREW	21	pc	22,800 g	M 10 X 25	ISO4017
		2300	<b>5240110259</b>	RING CARBON SCRAPPER	12	pc	200,000 g		



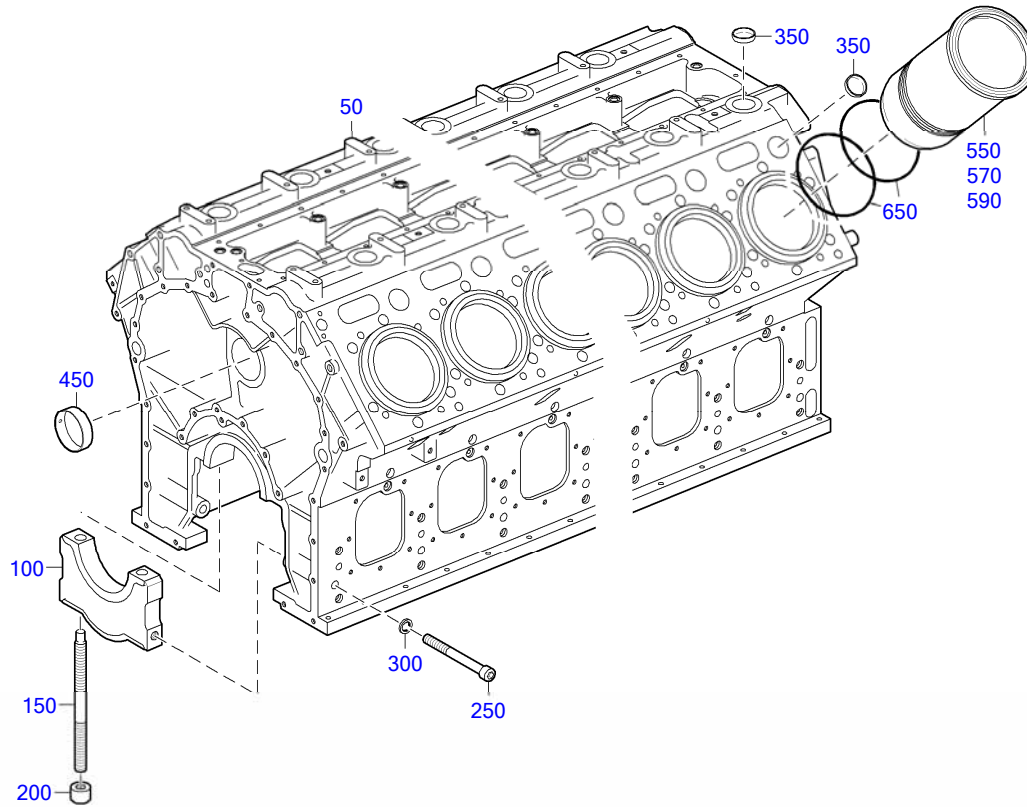
EQUI TYPE: Engine

PRODUCT TYPE: 12V4000M53  
CRANKCASE

SERIAL NUMBER: 526107657

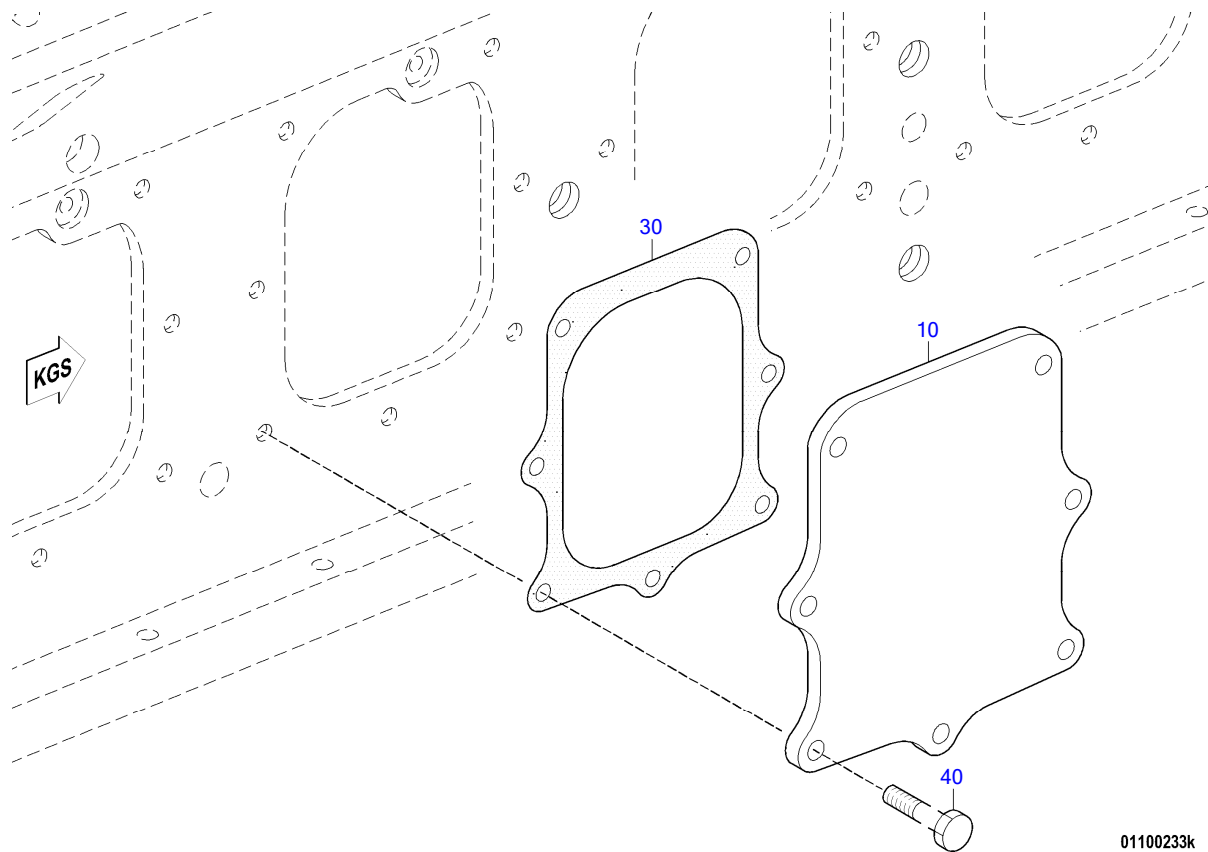
FG/FGS: 011 05  
BOM-No.: XS594010.00081

➡	POS.	PART NO.	DESIGNATION	QTY.	UNITS	WEIGHT	FN	MEASUREMENT	STANDARD
	2500	007603014102	COPPER SEALING RING	2	pc	1,000 g		A 14 X 18	DIN7603
	2550	000908014001	THREAD PLUG	2	pc	0,016 kg		M 14 X 1,5	DIN908
	3050	EX59401100002	CRANKCASE	1	pc		MN EM		



01101017b

➔	POS.	PART NO.	DESIGNATION	QTY.	UNITS	WEIGHT	FN	MEASUREMENT	STANDARD
	50	X59401100001	CRANKCASE	1	pc	1.291,000	EM		
	100	X59301100005	CRANKSHAFT BRG CAP	7	pc	12,381 kg			
	150	5240110570	STUD	14	pc	1,090 kg			
	200	5240110172	NUT	14	pc	122,600 g			
	250	X52899100040	SCREW W. INTERNAL HEX.	14	pc	448,100 g		M 20 X 180	
	300	700521020200	WASHER	14	pc	17,600 g		20,2	MMN521
	350	5249970020	SEALING CAP	24	pc	62,600 g		D 50	
	450	5240510110	BEARING CAMSHAFT STD	7	pc	136,600 g			
	550	X00027830	CYLINDER LINER SIZE 0 C23	12	pc	17,750 kg	EM		
	570	X59301300013	CYLINDER LINER SIZE 1	1	pc	18,640 kg	EM		
	590	X59301300014	CYLINDER LINER SIZE 2	1	pc	18,720 kg	EM		
	650	5550110259	SEALING RING	24	pc	24,700 g			



01100233k

➔	POS.	PART NO.	DESIGNATION	QTY.	UNITS	WEIGHT	MEASUREMENT	STANDARD
	10	5240110732	COVER CYL BLOCK ACCESS PORT	1	pc	2,800 kg		
	30	5240111380	GASKET	1	pc	25,000 g		
	40	00000003021	HEX SCREW	7	pc	22,800 g	M 10 X 25	ISO4017

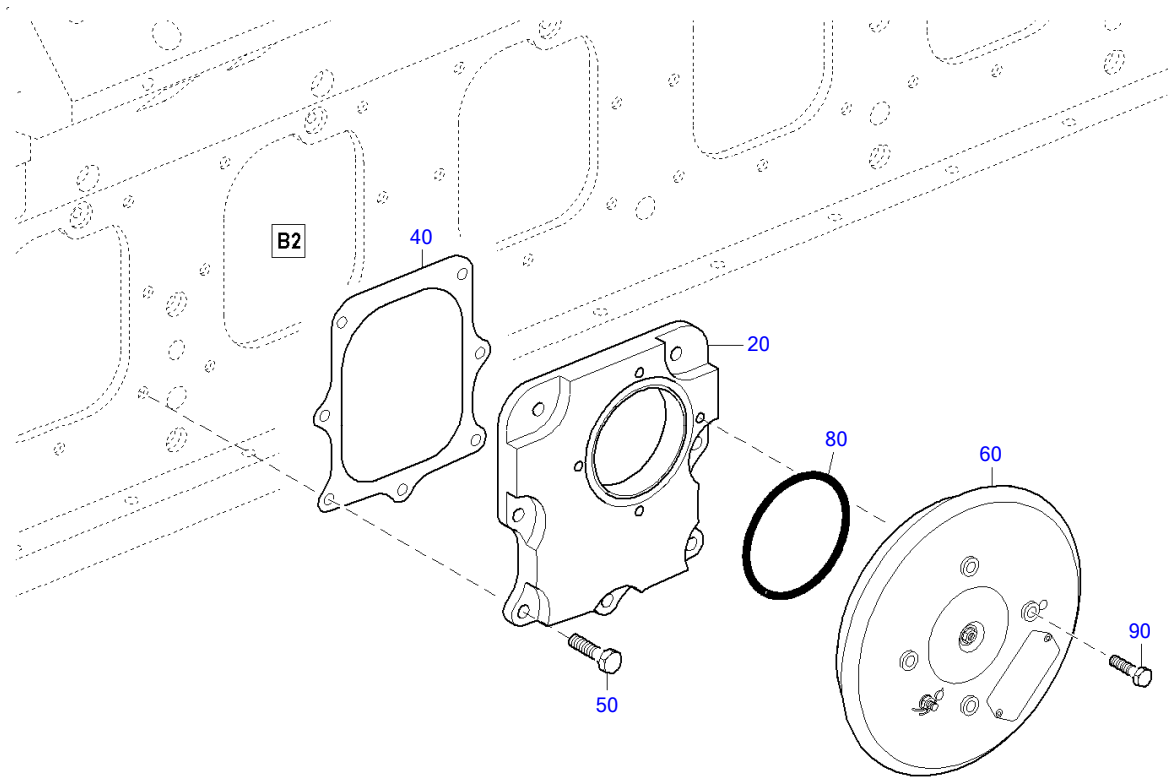
EQUI TYPE: Engine

PRODUCT TYPE: 12V4000M53  
SAFETY VALVE LR ACCEPTANCE

SERIAL NUMBER: 526107657

FG/FGS: 011 30

BOM-No.: XS594010.00060



01101213b

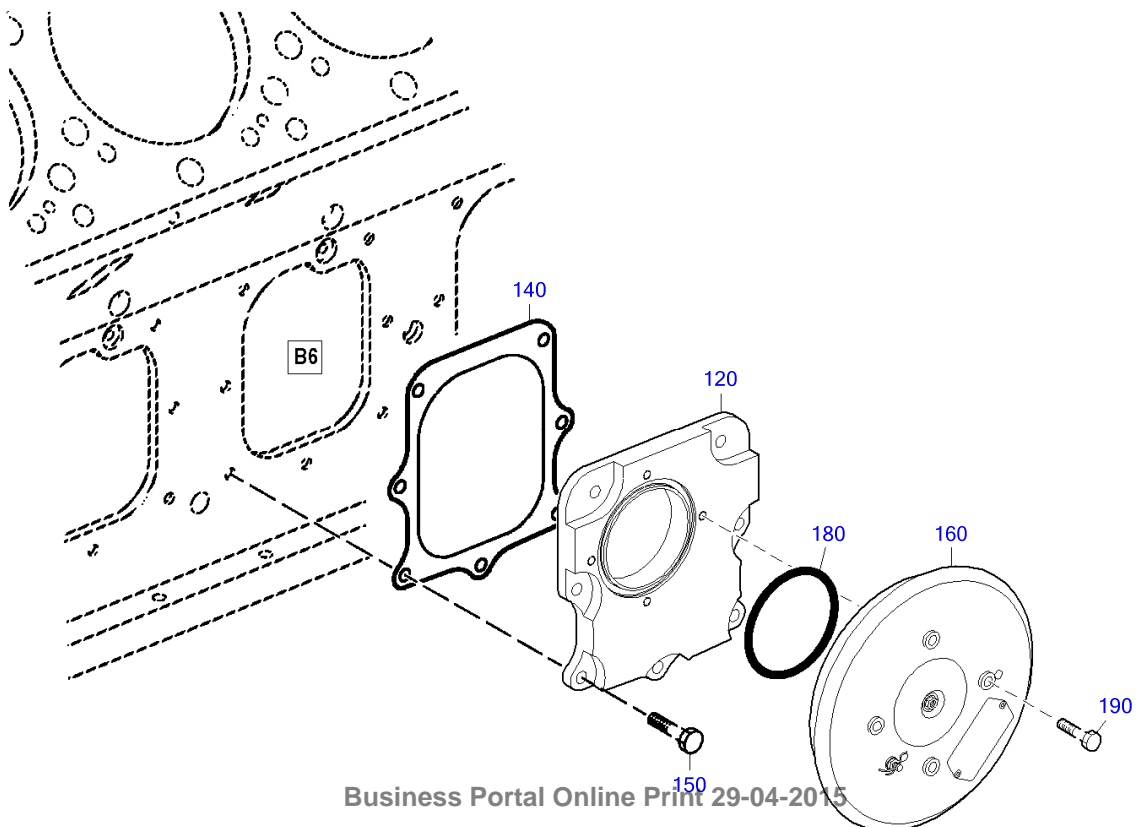
EQUI TYPE: Engine

PRODUCT TYPE: 12V4000M53  
SAFETY VALVE LR ACCEPTANCE

SERIAL NUMBER: 526107657

FG/FGS: 011 30

BOM-No.: XS594010.00060



Business Portal Online Print 29-04-2015

01101212b

EQUI TYPE: Engine

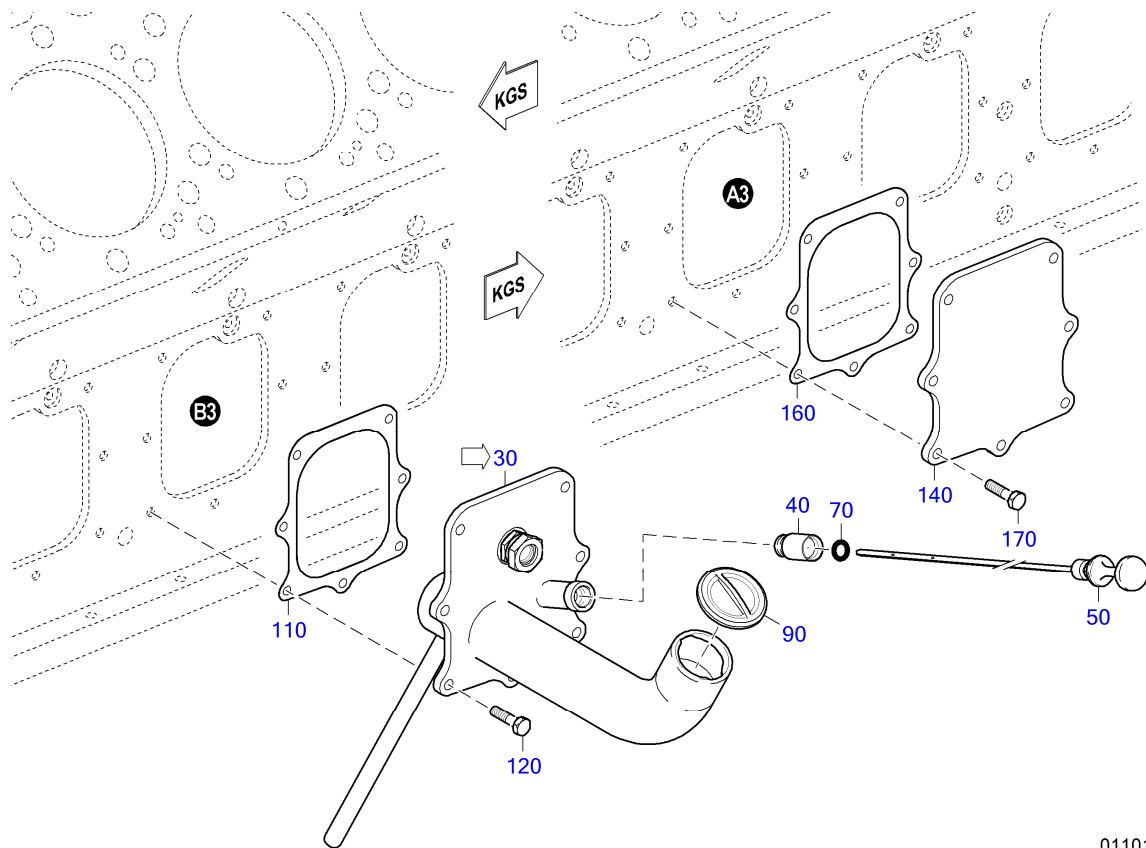
PRODUCT TYPE: 12V4000M53  
SAFETY VALVE LR ACCEPTANCE

SERIAL NUMBER: 526107657

FG/FGS: 011 30

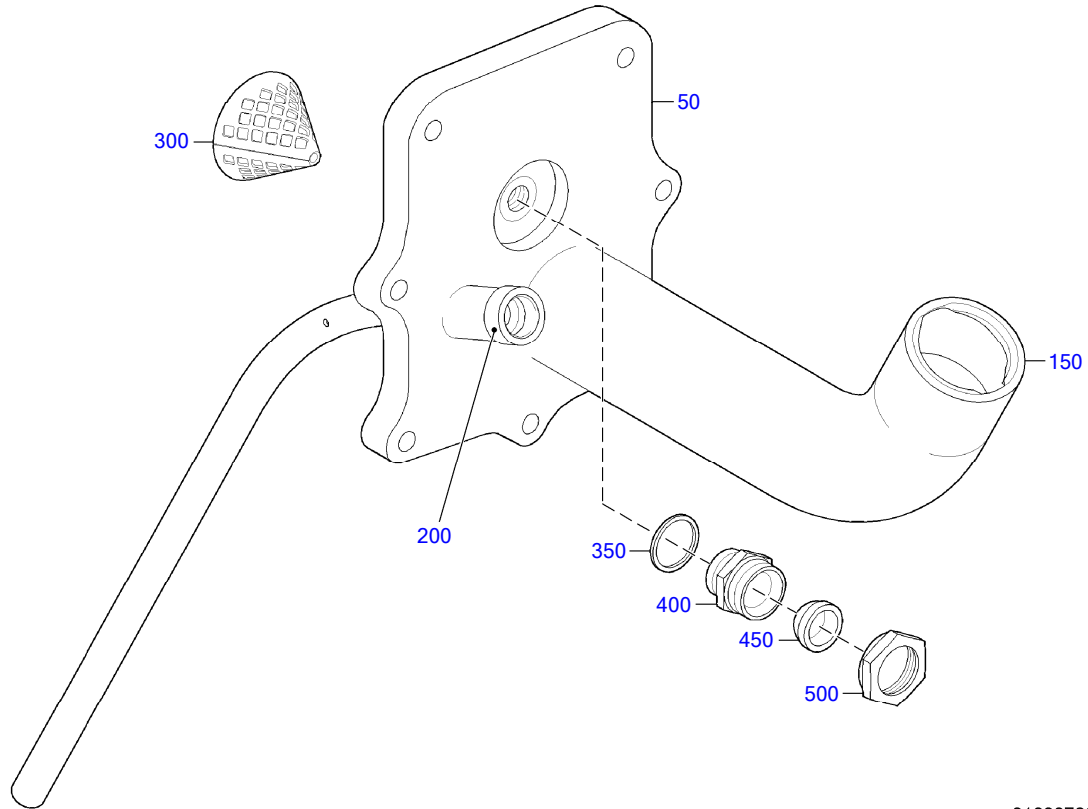
BOM-No.: XS594010.00060

➡	POS.	PART NO.	DESIGNATION	QTY.	UNITS	WEIGHT	MEASUREMENT	STANDARD
	20	X52401100005	INSPECT PORT COVER W/SAFETY VALVE	1	pc	4,563 g		
	40	5240111380	GASKET	1	pc	25,000 g		
	50	00000003021	HEX SCREW	7	pc	22,800 g	M 10 X 25	ISO4017
	60	X58401100013/31	SAFETY VALVE LR ACCEPTANCE	1	pc	4,330 g		
	80	700429095004	O-RING	1	pc	13,800 g	95 X 5	MMN429
	90	304017008088	HEX SCREW	4	pc	22,600 g	M 8 X 55	ISO4017
	120	X52401100006	INSPECT PORT COVER W/SAFETY VALVE	1	pc	4,610 g		
	140	5240111380	GASKET	1	pc	25,000 g		
	150	00000003021	HEX SCREW	7	pc	22,800 g	M 10 X 25	ISO4017
	160	X58401100013/31	SAFETY VALVE LR ACCEPTANCE	1	pc	4,330 g		
	180	700429095004	O-RING	1	pc	13,800 g	95 X 5	MMN429
	190	304017008088	HEX SCREW	4	pc	22,600 g	M 8 X 55	ISO4017



01101322

➔	POS.	PART NO.	DESIGNATION	QTY.	UNITS	WEIGHT	MEASUREMENT	STANDARD
	307	30	<b>X59401100039</b>	INSPECT PORT COVER W/OIL FILLER NECK	1	pc	4,977 kg	
		40	<b>8800180770</b>	CONNECTOR THREADED	1	pc	100,000 g	
		50	<b>5240102272</b>	OIL DIPSTICK	1	pc	208,000 g	
		70	<b>700429012002</b>	O-RING	1	pc	2,200 g	12 X 5 MMN429
		90	<b>0000181802</b>	OIL FILL CAP	1	pc	110,000 g	
		110	<b>5240111380</b>	GASKET	1	pc	25,000 g	
		120	<b>000000003021</b>	HEX SCREW	7	pc	22,800 g	M 10 X 25 ISO4017
		140	<b>5240110732</b>	COVER CYL BLOCK ACCESS PORT	1	pc	2,800 kg	
		160	<b>5240111380</b>	GASKET	1	pc	25,000 g	
		170	<b>000000003021</b>	HEX SCREW	7	pc	22,800 g	M 10 X 25 ISO4017

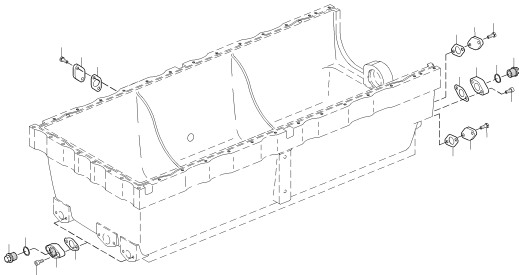


01000789

➔	POS.	PART NO.	DESIGNATION	QTY.	UNITS	WEIGHT	MEASUREMENT	STANDARD
	50	X59401100026	INSPECT PORT COVER W/OIL FILLER NECK	1	pc	2,411 kg		
	150	0000180201	OIL FILLER NECK	1	pc	85,800 g		
	200	5240180070	UNION	1	pc	281,000 g		
	300	5590180165	STRAINER	1	pc	39,900 g		
	350	007603026104	COPPER SEALING RING	1	pc	3,100 g	A 26 X 31	DIN7603
	400	915013020002	SCREW NECK	1	pc	66,700 g	20 (M30X1,5/M26X1,5)	N15013
	450	915005020001	CONE SEALING	1	pc	15,100 g	22	MBN15005
	500	915001020003	NUT	1	pc	46,900 g	20 M 30 X 1,5	N15001

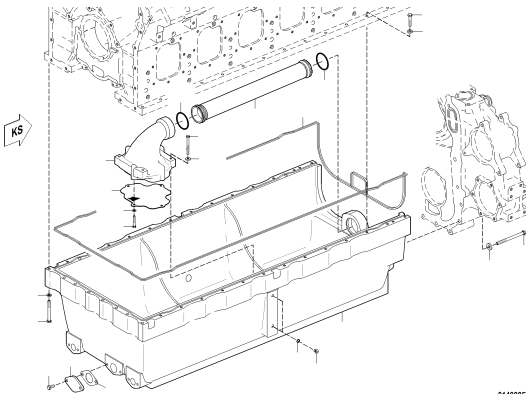
GROUP SEGMENT (FGS)  
GROUP NAME  
BOM-No.

05  
SEAL ELEM. FOR OIL PAN  
X00030760



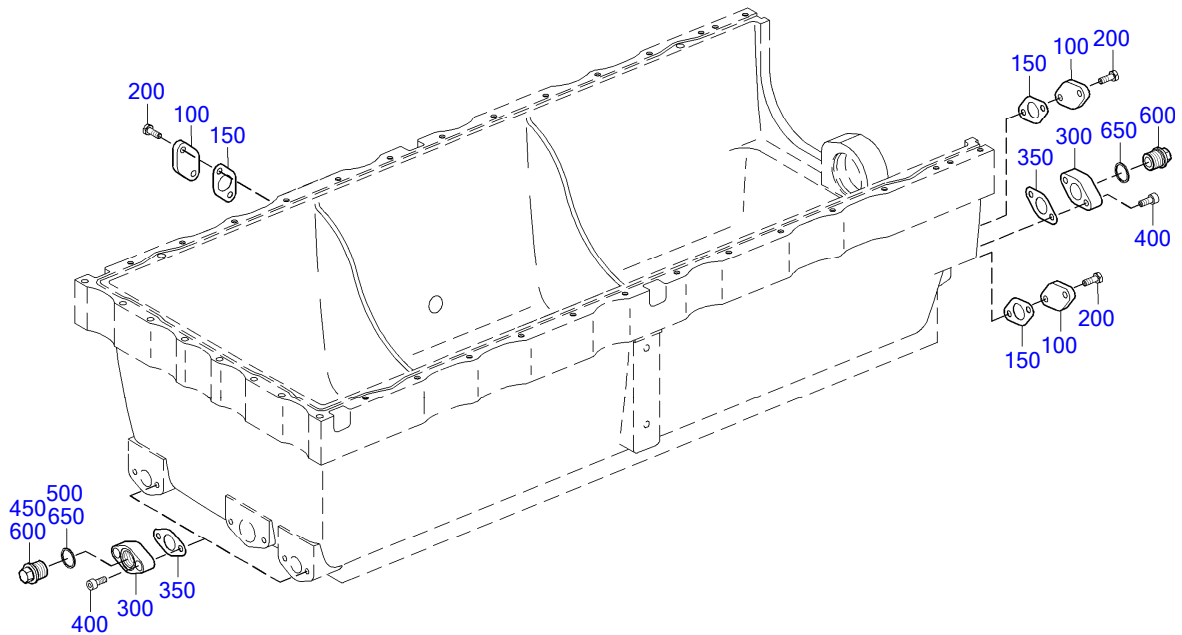
01400860d

10  
OIL PAN FOR 12V  
X00027259



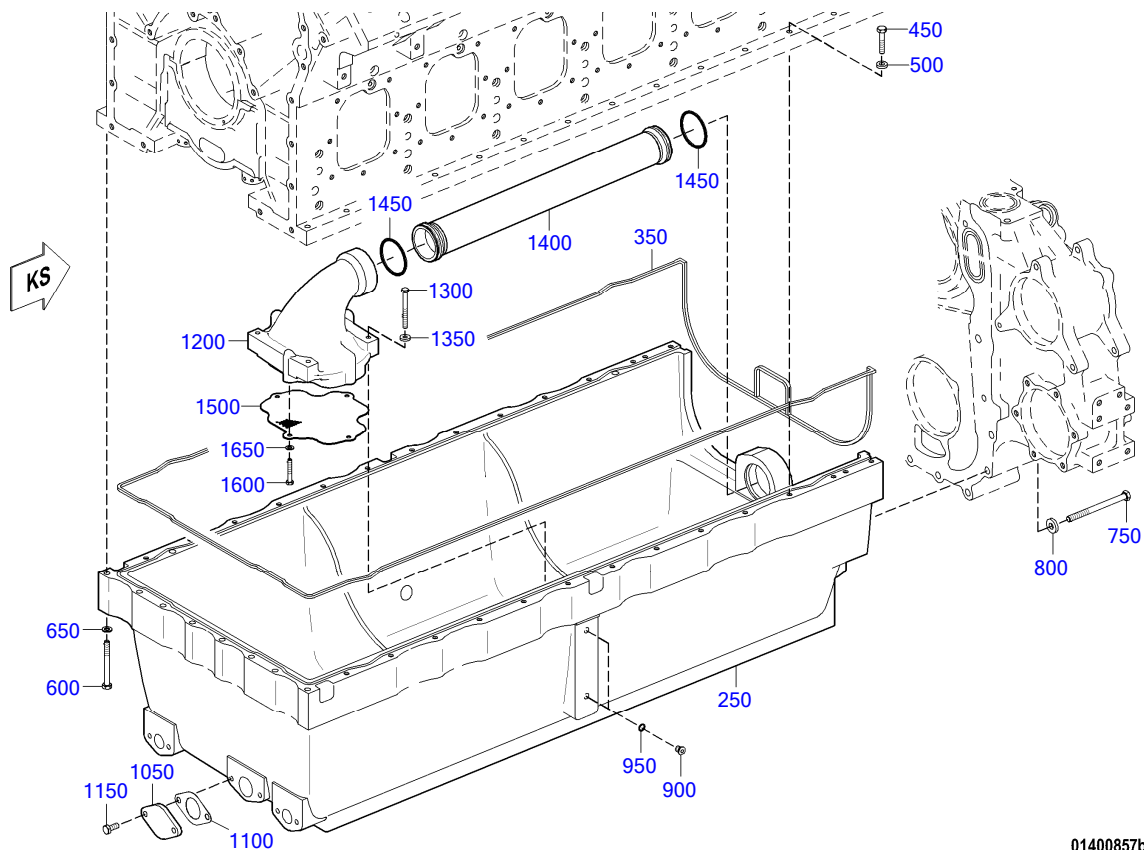
01400857b





01400860d

➔	POS.	PART NO.	DESIGNATION	QTY.	UNITS	WEIGHT	MEASUREMENT	STANDARD
	100	X00018638	FLANGE	3	pc	265,300 g		
	150	5602030280	GASKET	3	pc	2,600 g		
	200	000000001464	HEX SCREW	6	pc	24,900 g	M 10 X 30	ISO4017
	300	5500140145	FLANGE	3	pc	395,500 g		
	350	5602030280	GASKET	3	pc	2,600 g		
	400	000912010065	BOLT HEX SOC HD	6	pc	23,900 g	M 10 X 25	DIN912
	450	5379970030	PLUG	1	pc	160,000 g		
	500	007603030101	COPPER SEALING RING	1	pc	4,300 g	A 30 X 36	DIN7603
	600	5379970030	PLUG	2	pc	160,000 g		
	650	007603030101	COPPER SEALING RING	2	pc	4,300 g	A 30 X 36	DIN7603



01400857b

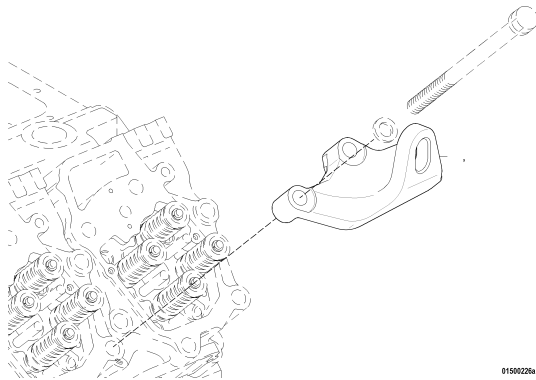
➔	POS.	PART NO.	DESIGNATION	MODEL/TYPE	QTY.	UNITS	WEIGHT	MEASUREMENT	STANDARD
	250	5260140102	PAN OIL CAST DUCTILE IRON GENSETS	12V4000G	1	pc	317,000 kg		
	350	5269870535	SEAL RUBBER STRIP 3629.0		1	pc	0,415 kg		
	450	000933010095	HEX SCREW		28	pc	36,100 g	M 10 X 50	DIN933
	500	735151010100	SPACER		28	pc	11,000 g	A 10,5	MTN5151
	600	000931010315	HEX SCREW		8	pc	67,800 g	M 10 X100	DIN931
	650	000125010524	WASHER		8	pc	3,100 g	A 10,5	DIN125
	750	000931012176	HEX SCREW		10	pc	138,500 g	M 12 X150	DIN931
	800	007349013002	WASHER		10	pc	24,500 g	13	DIN7349
	900	000908012003	THREAD PLUG		2	pc	11,900 g	M 12 X 1,5	DIN908
	950	007603012111	COPPER SEALING RING		2	pc	0,700 g	A 12 X 15,5	DIN7603
	1050	5240140033	COVER	BR4000	1	pc	415,000 g		
	1100	5240140080	GASKET		1	pc	5,000 g		
	1150	000933010035	HEX SCREW		2	pc	23,900 g	M 10 X 25	DIN933
	1200	X00020248	ELBOW SUMP OIL PICKUP ASM		1	pc	3,326 kg		
	1300	000931008189	HEX SCREW		4	pc	35,600 g	M 8 X 85	DIN931
	1350	007349008002	WASHER		4	pc	7,900 g	8,4	DIN7349
	1400	X00006300	TUBE ASM C23		1	pc	2,940 kg		
	1450	700429070000	O-RING		2	pc	10,300 g	70 X 5	MMN429
	1500	X00020254	STRAINER		1	pc	375,000 g		
	1600	304017008087	HEX SCREW		4	pc	21,300 g	M 8 X 50	ISO4017
	1650	000125008427	WASHER		4	pc	1,500 g	A 8,4	DIN125

GROUP SEGMENT (FGS)

GROUP NAME

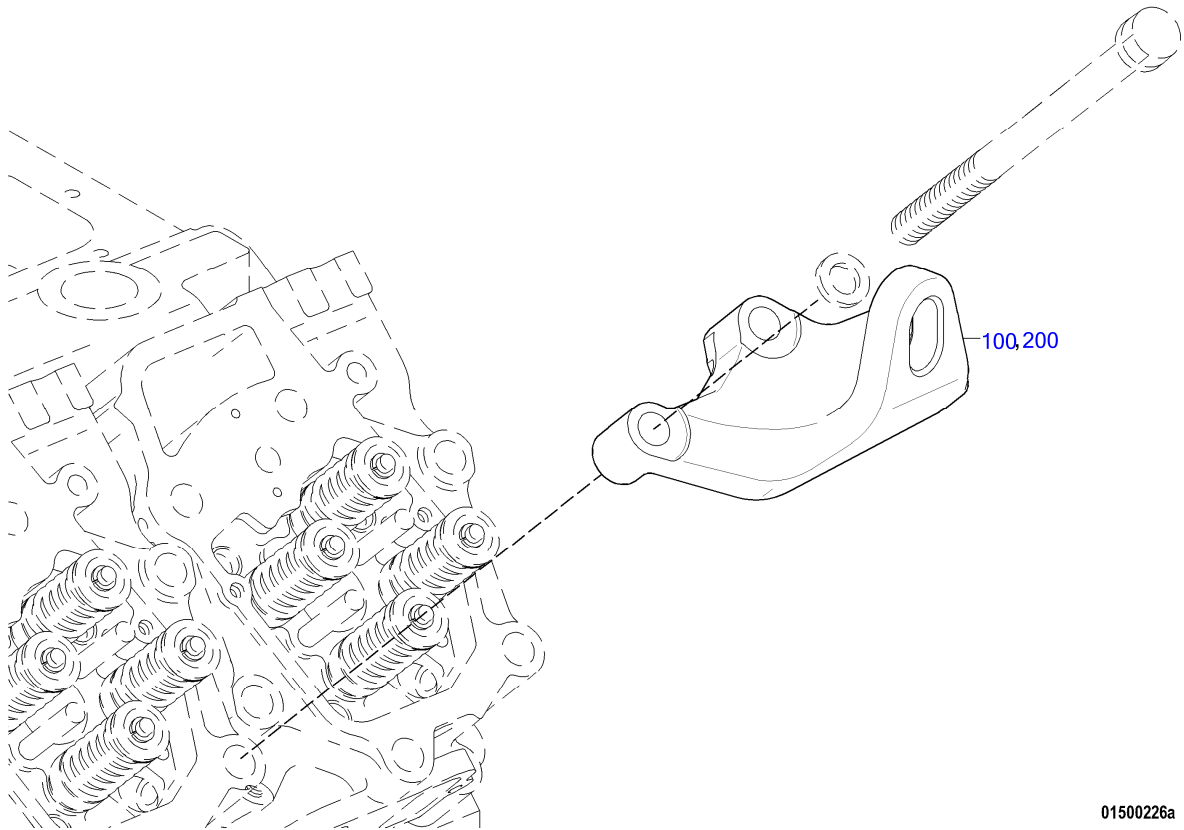
BOM-No.

---



05  
**ENGINE MOUNTING REINFORCED**  
XS596010.00036

01500226a



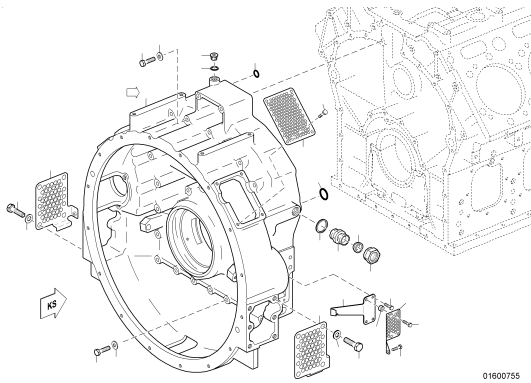
01500226a

➔	POS.	PART NO.	DESIGNATION	QTY.	UNITS	WEIGHT
	100	X52801500002	LIFTING EYE	2	pc	9,500 kg
	200	X52801500002	LIFTING EYE	2	pc	9,500 kg

GROUP SEGMENT (FGS)

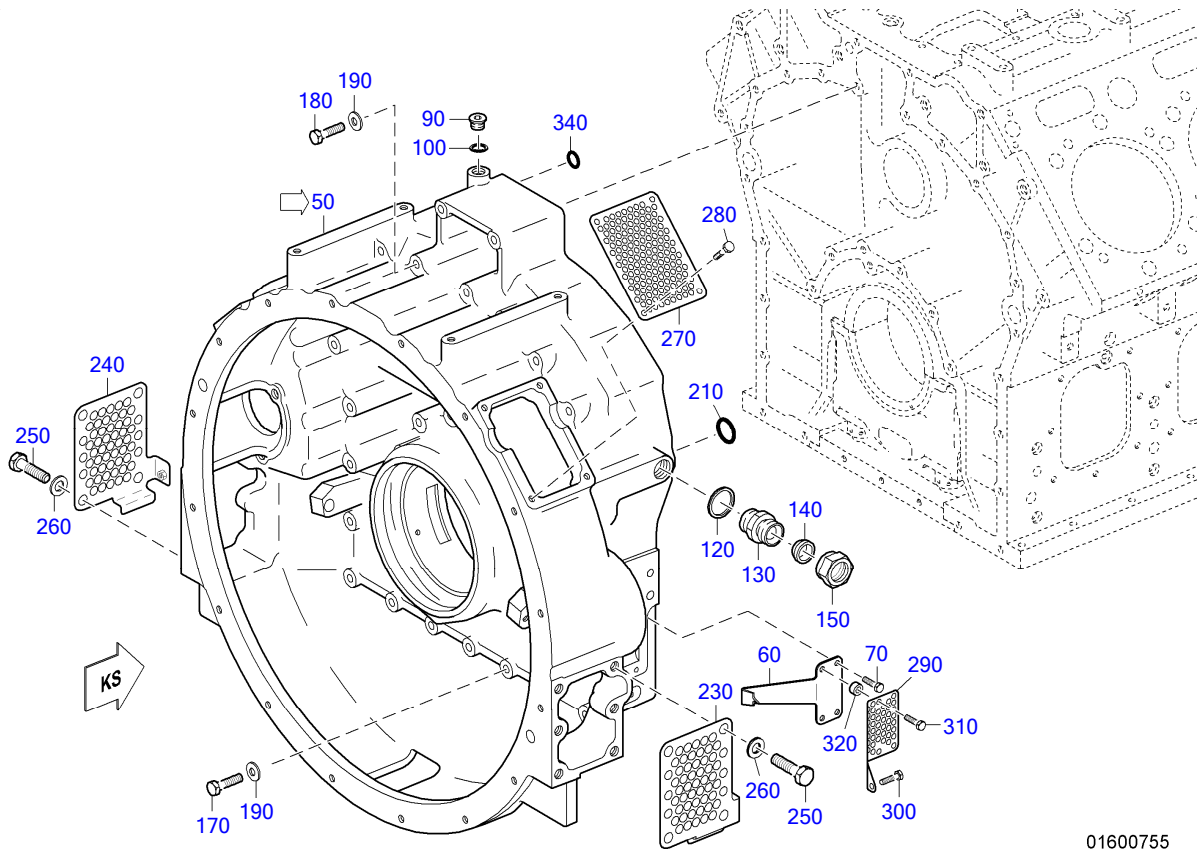
GROUP NAME

BOM-No.



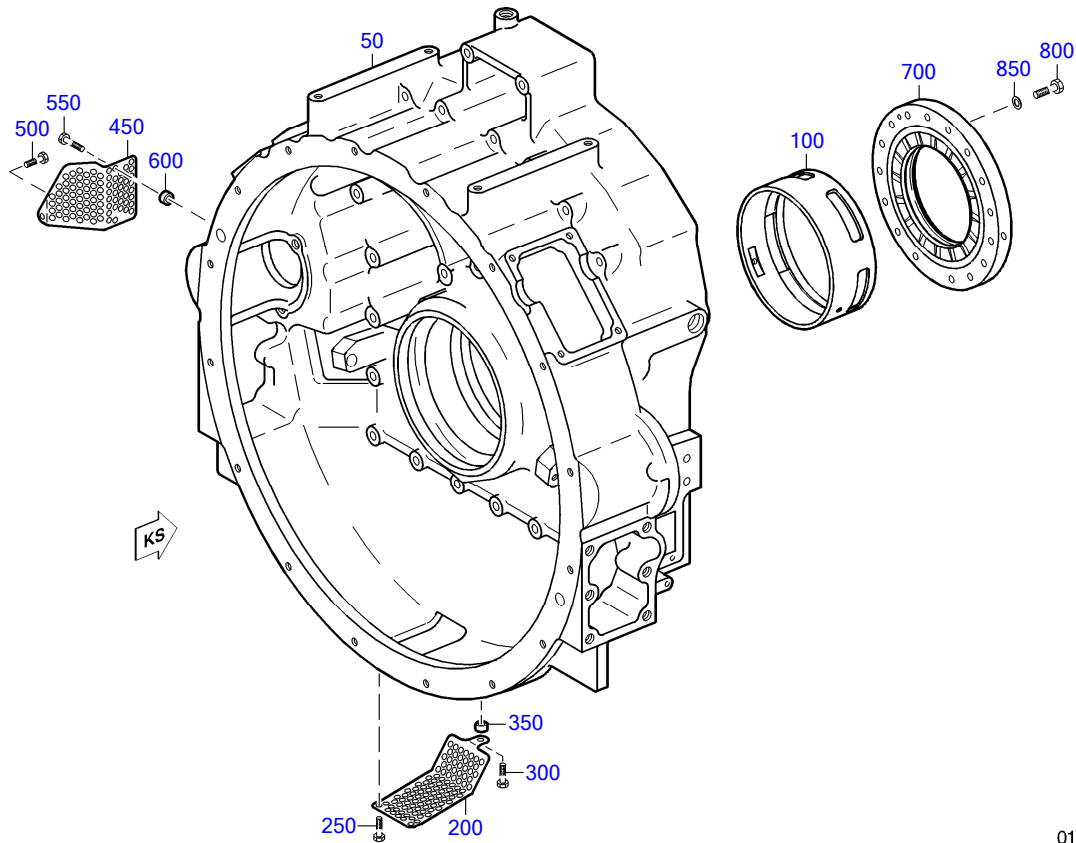
30  
**FLYWHEEL HOUSING**  
XS593010.00019

01600755



01600755

➔	POS.	PART NO.	DESIGNATION	MODEL/TYPE	QTY.	UNITS	WEIGHT	MEASUREMENT	STANDARD
	315	50	<b>X00021778</b>	F/W HSG ASM	1	pc	246,500 kg		
		60	<b>X59301600002</b>	DEAD-CENTER INDICATR	1	pc	245,000 g		
		70	<b>304017008077</b>	HEX SCREW	2	pc	10,500 g	M 8 X 16	ISO4017
		90	<b>000908026005</b>	THREAD PLUG	1	pc	0,069 kg	M 26 X 1,5	DIN908
		100	<b>007603026104</b>	COPPER SEALING RING	1	pc	3,100 g	A 26 X 31	DIN7603
		120	<b>007603030101</b>	COPPER SEALING RING	2	pc	4,300 g	A 30 X 36	DIN7603
		130	<b>915007020001</b>	CONNECTOR 20/16	2	pc	85,000 g	20 / 16 (M30X1,5/M26X1,5)	N15007
		140	<b>915005016000</b>	CONE SEALING 18	2	pc	11,500 g	18	MBN15005
		150	<b>915001016004</b>	NUT 16 M26X1.5 BL.GEOELT	2	pc	40,900 g	16 M 26 X 1,5	N15001
		170	<b>000931012215</b>	HEX SCREW	23	pc	140,300 g	M 12 X150	DIN931
		180	<b>000931012106</b>	HEX SCREW	8	pc	182,800 g	M 12 X200	DIN931
		190	<b>006796012100</b>	CONICAL SPR. WASHER	31	pc	11,500 g	12	DIN6796
		210	<b>700429033001</b>	O-RING	2	pc	5,100 g	33 X 5	MMN429
		230	<b>5240100267</b>	PLATE GUARD RIGHT	1	pc	530,000 g		
		240	<b>5240100367</b>	PLATE GUARD LEFT	1	pc	510,000 g		
		250	<b>000933016003</b>	HEX SCREW	8	pc	68,700 g	M 16 X 25	DIN933
		260	<b>000125017014</b>	WASHER	8	pc	9,700 g	A 17	DIN125
		270	<b>X00021753</b>	GUARD PLATE	2	pc	181,900 g		
		280	<b>304017008076</b>	HEX SCREW	8	pc	9,100 g	M 8 X 12	ISO4017
		290	<b>5240140515</b>	SCREEN FLYWHL HSG RT	BR 4000	1	pc	105,000 g	
		300	<b>304017008076</b>	HEX SCREW	1	pc	9,100 g	M 8 X 12	ISO4017
		310	<b>304017008081</b>	HEX SCREW	2	pc	13,400 g	M 8 X 25	ISO4017
		320	<b>5511530050</b>	SPACER BUSHING	2	pc	13,200 g	Ø18/Ø10 × 10	
		340	<b>700429020003</b>	O-RING	2	pc	2,100 g	20 X 4	MMN429



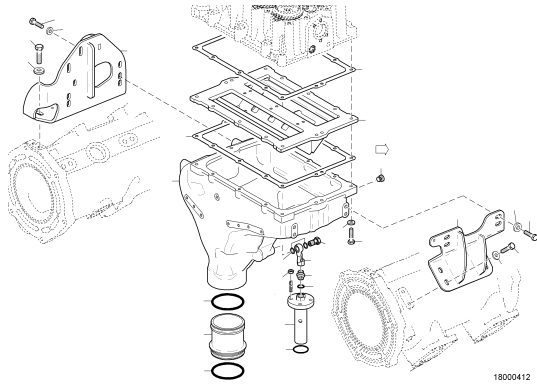
01600178a

➔	POS.	PART NO.	DESIGNATION	MODEL/TYPE	QTY.	UNITS	WEIGHT	MEASUREMENT	STANDARD
	50	X00021780	FLYWHEEL HOUSING (ONLY MACHINED)		1	pc	231,000 kg		
	100	5240332730	CRANKSHAFT BEARING DRIVING END (KS)		1	pc	2,220 kg		
	200	5240100467	GUARD PLATE BOTTOM	4000	1	pc	107,100 g		
	250	304017008076	HEX SCREW		2	pc	9,100 g	M 8 X 12	ISO4017
	300	304017008081	HEX SCREW		1	pc	13,400 g	M 8 X 25	ISO4017
	350	5511530050	SPACER BUSHING		1	pc	13,200 g	Ø18/Ø10 × 10	
	450	5240140615	SCREEN FLYWHL HSG LT	BR 4000	1	pc	105,000 g		
	500	304017008076	HEX SCREW		1	pc	9,100 g	M 8 X 12	ISO4017
	550	304017008081	HEX SCREW		2	pc	13,400 g	M 8 X 25	ISO4017
	600	5511530050	SPACER BUSHING		2	pc	13,200 g	Ø18/Ø10 × 10	
	700	5280330362	THRUST WASHER		1	pc	9,260 kg		
	800	000931010105	HEX SCREW		16	pc	43,900 g	M 10 X 60	DIN931
	850	200433010500	WASHER		16	pc	1,900 g	10,5	DIN433

GROUP SEGMENT (FGS)

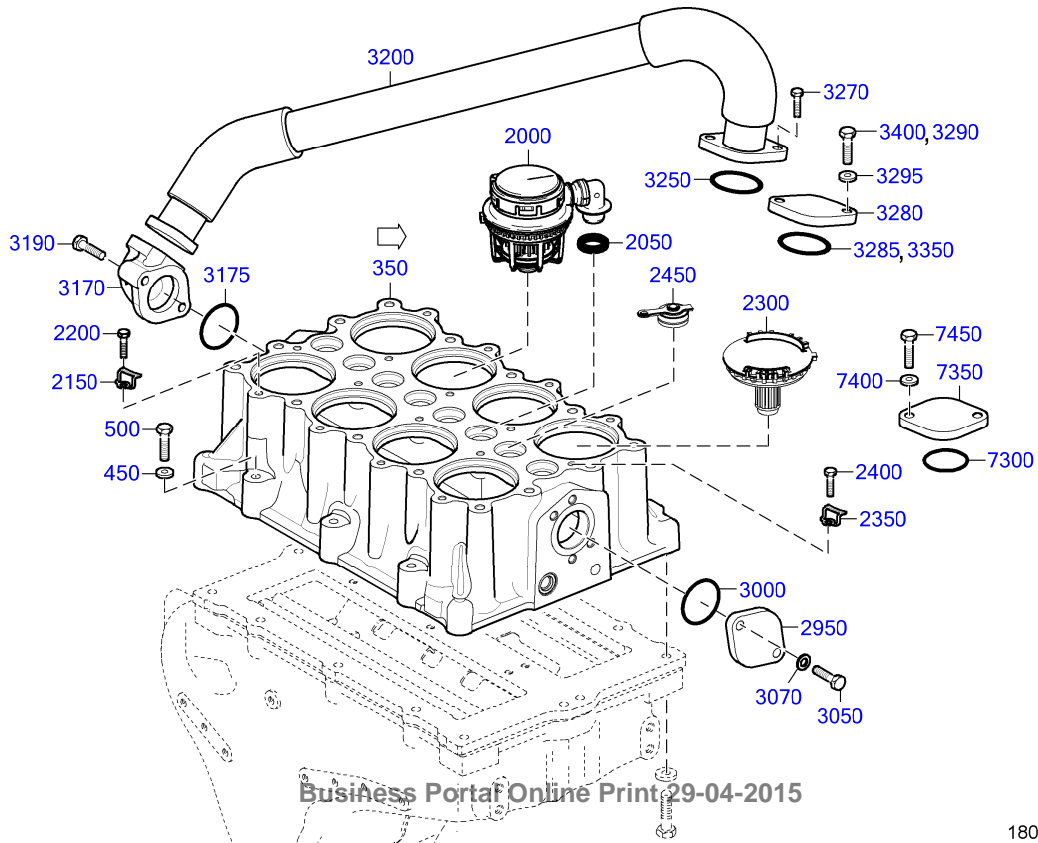
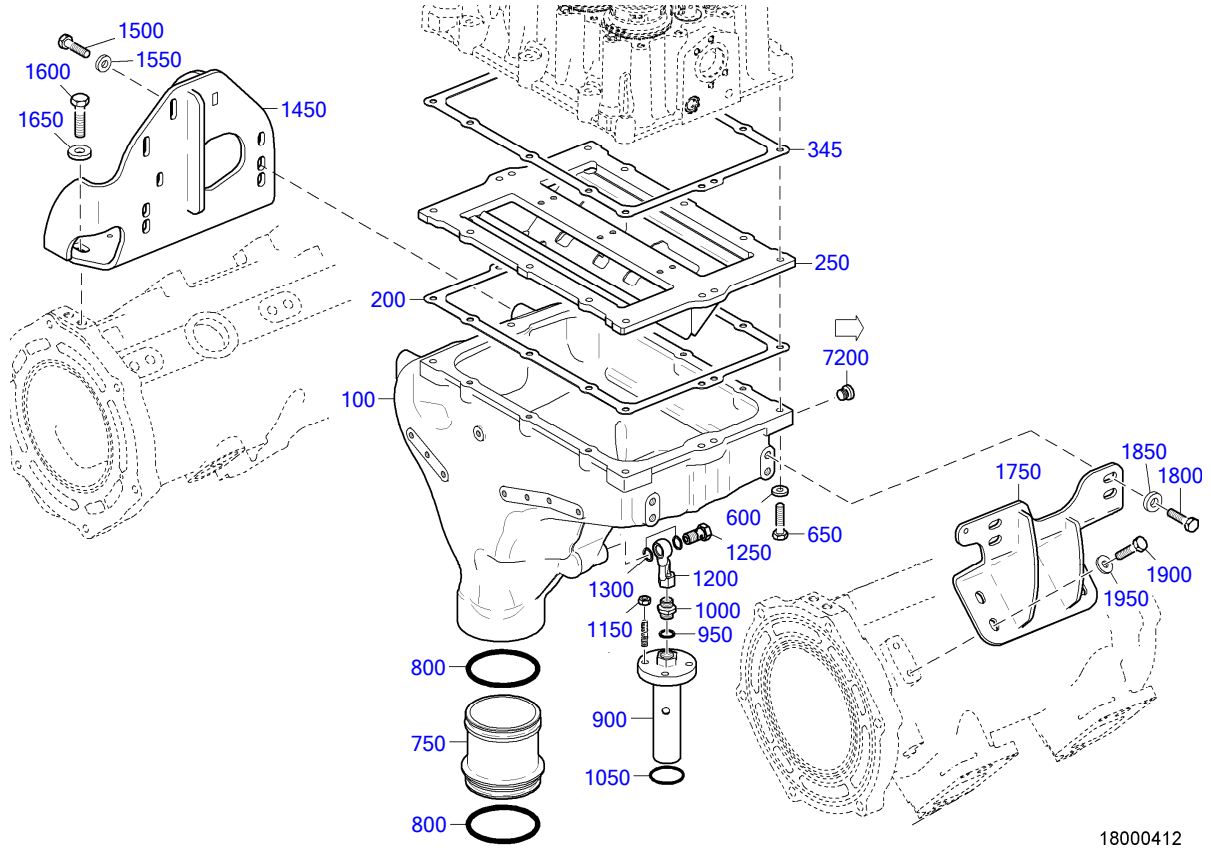
GROUP NAME

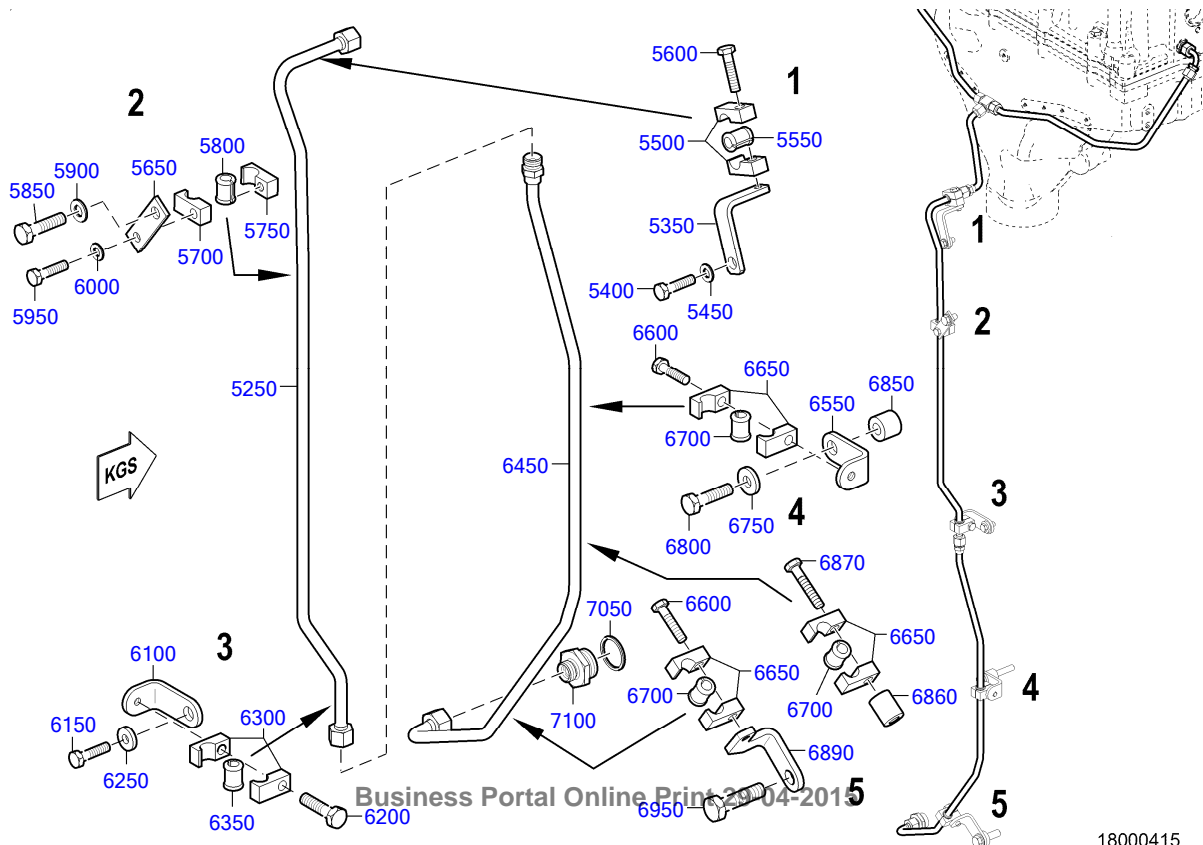
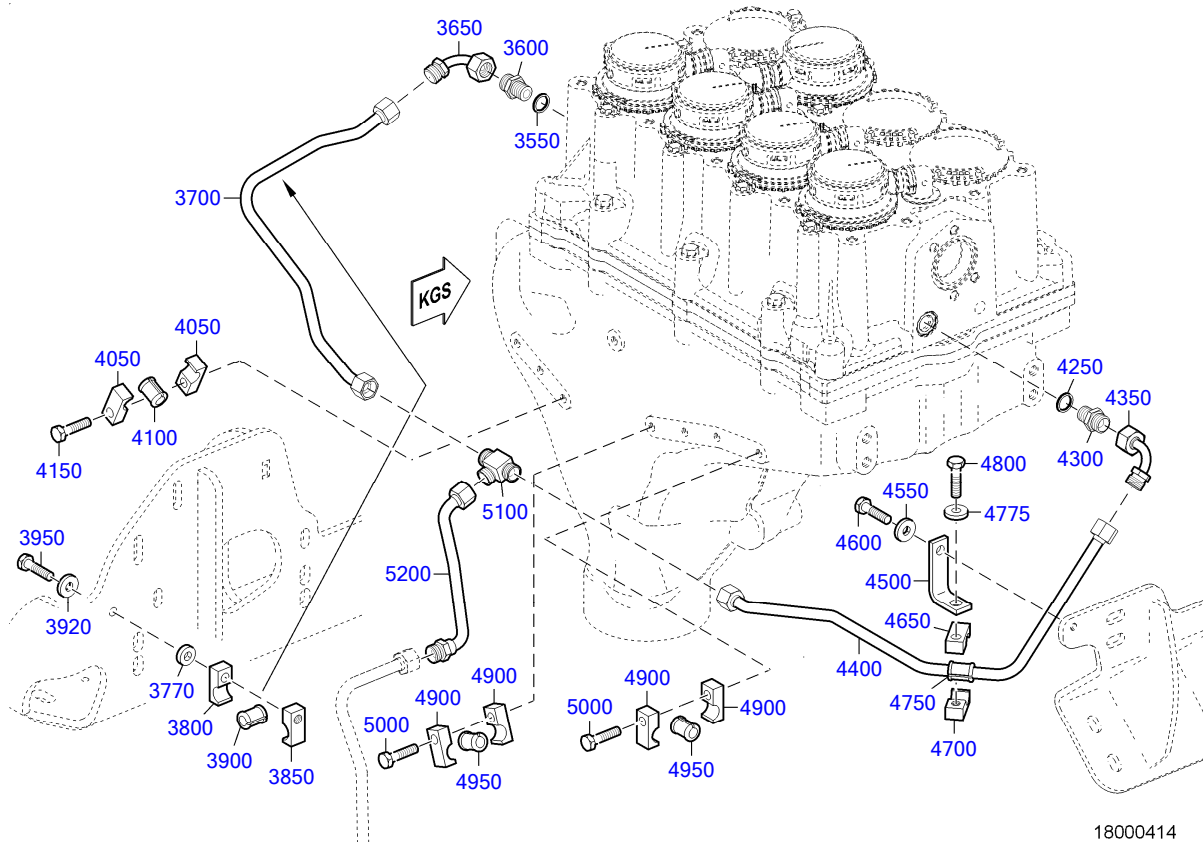
BOM-No.



00  
CRANKCASE BREATHER FOR 12V  
XS594010.00077



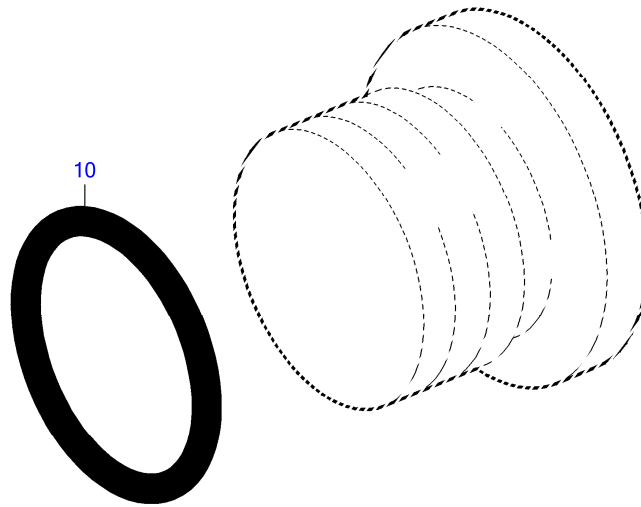




➡	POS.	PART NO.	DESIGNATION	MODEL/TYPE	QTY.	UNITS	WEIGHT	FN	MEASUREMENT	STANDARD
	100	X59401800012	VENT HOUSING		1	pc	31,000 kg	EM		
	200	X52701800027	GASKET		1	pc	46,400 g			
	250	X52701800028	OIL PRESEPARATOR		1	pc	7,800 kg	EM		
	345	X52701800027	GASKET		1	pc	46,400 g			
319	350	X59301800037	IMPAKTOR CARRIER		1	pc	10,300 kg	EM		
	450	000125008427	WASHER		6	pc	1,500 g	A 8,4		DIN125
	500	204017008032	HEX SCREW		6	pc	25,500 g	M 8 X 65		ISO4017
	600	000125008427	WASHER		8	pc	1,500 g	A 8,4		DIN125
	650	304017008087	HEX SCREW		8	pc	21,300 g	M 8 X 50		ISO4017
	750	X52701800025	PLUG-IN PIPE		1	pc	907,800 g			
	800	700429085002	O-RING		2	pc	17,500 g	85 X 6		MMN429
	900	X00036071	DRAIN PIPE		1	pc	701,500 g	SB EM		
	950	007603016105	COPPER SEALING RING		1	pc	3,000 g	A 16 X 20		DIN7603
	1000	915006008002	UNION		1	pc	29,700 g	8		N15006
	1050	700429040000	O-RING		1	pc	2,000 g	40 X 3		MMN429
	1150	304032008014	NUT HEX 8 A3C		4	pc	4,800 g	M 8		ISO4032
	1200	X52701800037	OIL LINE		1	pc	83,800 g	SB		
	1250	700223006000	BOLT BANJO A8 S2000/4000		1	pc	38,800 g	A 8		MMN223
	1300	007603014102	COPPER SEALING RING		2	pc	1,000 g	A 14 X 18		DIN7603
	1450	X59499100164	RETAINER F.CRANKC.VENT.RIGHT		1	pc	6,515 kg			
	1500	000000001464	HEX SCREW		4	pc	24,900 g	M 10 X 30		ISO4017
	1550	735151010100	SPACER		4	pc	11,000 g	A 10,5		MTN5151
	1600	204017012009	HEX SCREW		2	pc	43,800 g	MN M 12 X 40		ISO4017
	1650	007349013002	WASHER		2	pc	24,500 g	13		DIN7349
	1750	X59401800029	RETAINER F.CRANKC.VENT.LEFT		1	pc	3,000 kg			
	1800	000000003021	HEX SCREW		4	pc	22,800 g	M 10 X 25		ISO4017
	1850	735151010100	SPACER		4	pc	11,000 g	A 10,5		MTN5151
	1900	000000003021	HEX SCREW		4	pc	22,800 g	M 10 X 25		ISO4017
	1950	007349010002	WASHER		4	pc	11,000 g	10,5		DIN7349
	2000	X54701800063	OIL SEPARATOR		5	pc	164,300 g	EM		
	2050	700429020004	O-RING		5	pc	4,800 g	20 X 6		MMN429
	2150	XP57518300057	RETAINER		10	pc	3,000 g			
	2175	000125006431	WASHER		7	pc	0,800 g	A 6,4		DIN125
	2200	000933006207	HEX SCREW		10	pc	4,800 g	M 6 X 14		DIN933
	2300	X57518300050	PLUG		3	pc	65,800 g			
	2350	XP57518300057	RETAINER		6	pc	3,000 g			
	2375	000125006431	WASHER		6	pc	0,800 g	A 6,4		DIN125
	2400	000933006207	HEX SCREW		6	pc	4,800 g	M 6 X 14		DIN933
	2450	X54799100074	PLUG		3	pc	31,400 g			
	2950	X59499100174	FLANGE		1	pc	94,800 g			
	3000	700429043000	O-RING		1	pc	2,200 g	43 X 3		MMN429
	3050	304017008081	HEX SCREW		2	pc	13,400 g	M 8 X 25		ISO4017
	3070	000125008427	WASHER		2	pc	1,500 g	A 8,4		DIN125
	3170	X54701800040	CONNECTING PIECE F/CRANKCASE VENTILA	ZWEILOCHFLANSCH	1	pc	699,800 g	EM		
	3175	700429043000	O-RING		1	pc	2,200 g	43 X 3		MMN429
	3190	304017008086	HEX SCREW		2	pc	19,400 g	M 8 X 45		ISO4017
	3200	X59499100383	HOSE F/CRANKCASE VENTILA		1	pc	750,000 g			
	3250	700429043000	O-RING		1	pc	2,200 g	43 X 3		MMN429
	3270	304017008081	HEX SCREW		2	pc	13,400 g	M 8 X 25		ISO4017
	3280	X59499100174	FLANGE		1	pc	94,800 g			
	3285	700429043000	O-RING		1	pc	2,200 g	43 X 3		MMN429
	3290	304017008081	HEX SCREW		2	pc	13,400 g	M 8 X 25		ISO4017
	3295	000125008427	WASHER		2	pc	1,500 g	A 8,4		DIN125
	3350	700429043000	O-RING		1	pc	2,200 g	43 X 3		MMN429

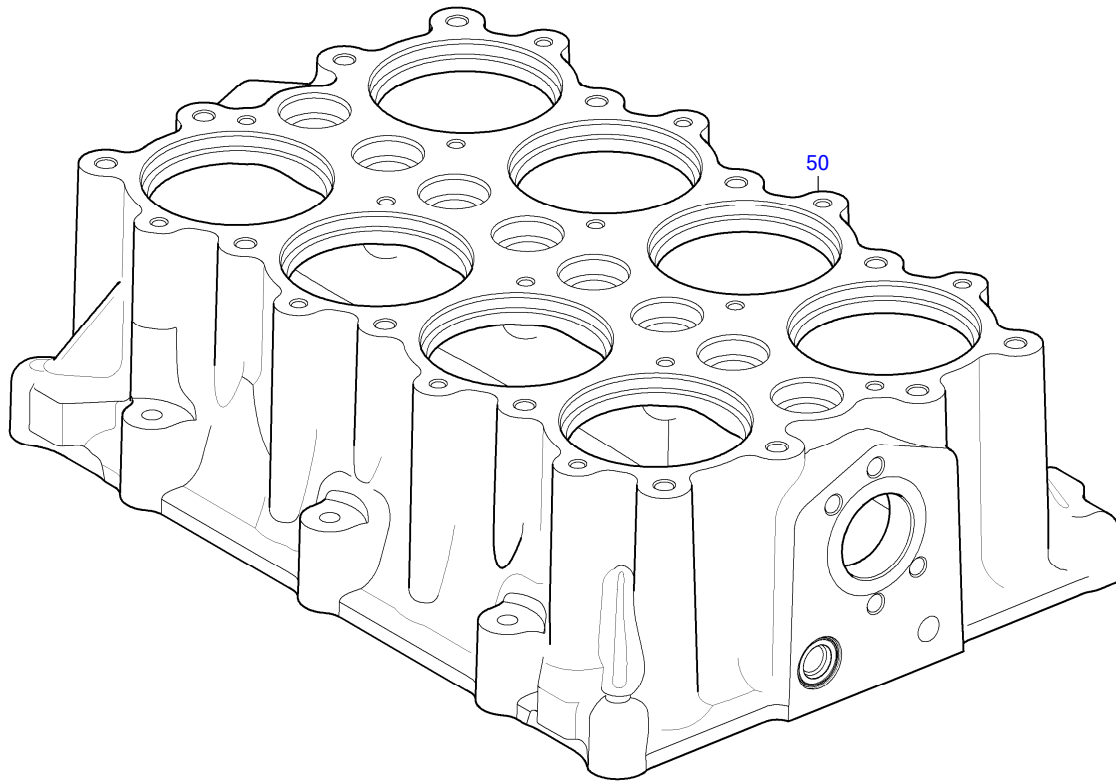
➡	POS.	PART NO.	DESIGNATION	MODEL/TYPE	QTY.	UNITS	WEIGHT	FN	MEASUREMENT	STANDARD
	3400	304017008081	HEX SCREW		2	pc	13,400 g		M 8 X 25	ISO4017
	3550	007603014102	COPPER SEALING RING		1	pc	1,000 g		A 14 X 18	DIN7603
	3600	735070008000	ADAPTER		1	pc	27,000 g		10	MTN5070
	3650	700160000008	ELBOW		1	pc	62,000 g		KR 8	MMN160
	3700	X59501800075	OIL LINE		1	pc	126,000 g	SB		
	3770	735151008200	SPACER		1	pc	13,700 g		B 8,4	MTN5151
	3800	700325015100	CLAMP HALF TUBE 1/1 D9-15		1	pc	34,000 g		1/1 D 9 - 15	MMN325
	3850	700325015200	CLAMP HALF TUBE 1/1 G8-15		1	pc	34,200 g		1/1 G 8 - 15	MMN325
	3900	700327010000	GROMMET		1	pc	2,800 g		10	MMN327
	3920	007349008002	WASHER		1	pc	7,900 g		8,4	DIN7349
	3950	304017008087	HEX SCREW		1	pc	21,300 g		M 8 X 50	ISO4017
	4050	700325015100	CLAMP HALF TUBE 1/1 D9-15		2	pc	34,000 g		1/1 D 9 - 15	MMN325
	4100	700327010000	GROMMET		1	pc	2,800 g		10	MMN327
	4150	304017008084	HEX SCREW		1	pc	16,400 g		M 8 X 35	ISO4017
	4250	007603014102	COPPER SEALING RING		1	pc	1,000 g		A 14 X 18	DIN7603
	4300	735070008000	ADAPTER		1	pc	27,000 g		10	MTN5070
	4350	700160000008	ELBOW		1	pc	62,000 g		KR 8	MMN160
	4400	X59501800074	OIL LINE		1	pc	155,000 g	SB		
	4500	5502030343	BRACKET		1	pc	56,900 g			
	4550	007349008002	WASHER		2	pc	7,900 g		8,4	DIN7349
	4600	304017008079	HEX SCREW		1	pc	11,700 g		M 8 X 20	ISO4017
	4650	700325015100	CLAMP HALF TUBE 1/1 D9-15		1	pc	34,000 g		1/1 D 9 - 15	MMN325
	4700	700325015200	CLAMP HALF TUBE 1/1 G8-15		1	pc	34,200 g		1/1 G 8 - 15	MMN325
	4750	700327010000	GROMMET		1	pc	2,800 g		10	MMN327
	4775	007349008002	WASHER		1	pc	7,900 g		8,4	DIN7349
	4800	304017008084	HEX SCREW		1	pc	16,400 g		M 8 X 35	ISO4017
	4900	700325015100	CLAMP HALF TUBE 1/1 D9-15		4	pc	34,000 g		1/1 D 9 - 15	MMN325
	4950	700327010000	GROMMET		2	pc	2,800 g		10	MMN327
	5000	304017008084	HEX SCREW		2	pc	16,400 g		M 8 X 35	ISO4017
	5100	5569970674	FITTING TEE		1	pc	61,600 g		DN 8 / M16X1,5	
	5200	X59518400002	OIL LINE		1	pc	97,600 g	SB		
	5250	X52701800034	OIL LINE		1	pc	201,000 g	SB		
	5350	5801530840	BRACKET		1	pc	69,600 g			
	5400	304017008079	HEX SCREW		1	pc	11,700 g		M 8 X 20	ISO4017
	5450	000125008427	WASHER		1	pc	1,500 g		A 8,4	DIN125
	5500	700325015100	CLAMP HALF TUBE 1/1 D9-15		2	pc	34,000 g		1/1 D 9 - 15	MMN325
	5550	700327010000	GROMMET		1	pc	2,800 g		10	MMN327
	5600	304017008083	HEX SCREW		1	pc	15,100 g		M 8 X 30	ISO4017
	5650	5500784541	BRACKET FLAT H:06		1	pc	35,200 g			
	5700	700325015100	CLAMP HALF TUBE 1/1 D9-15		1	pc	34,000 g		1/1 D 9 - 15	MMN325
	5750	700325015200	CLAMP HALF TUBE 1/1 G8-15		1	pc	34,200 g		1/1 G 8 - 15	MMN325
	5800	700327010000	GROMMET		1	pc	2,800 g		10	MMN327
	5850	00000003020	HEX SCREW		1	pc	20,000 g		M 10 X 20	ISO4017
	5900	000125010524	WASHER		1	pc	3,100 g		A 10,5	DIN125
	5950	304017008083	HEX SCREW		1	pc	15,100 g		M 8 X 30	ISO4017
	6000	000125008427	WASHER		1	pc	1,500 g		A 8,4	DIN125
	6100	5315461043	BRACKET L H:52	8V2000M90	1	pc	81,100 g			
	6150	304017008079	HEX SCREW		1	pc	11,700 g		M 8 X 20	ISO4017
	6200	304017008083	HEX SCREW		1	pc	15,100 g		M 8 X 30	ISO4017
	6250	007349008002	WASHER		1	pc	7,900 g		8,4	DIN7349
	6300	700325015100	CLAMP HALF TUBE 1/1 D9-15		2	pc	34,000 g		1/1 D 9 - 15	MMN325
	6350	700327010000	GROMMET		1	pc	2,800 g		10	MMN327
	6450	X59301800035	OIL LINE		1	pc	240,000 g	SB		
	6550	5315461043	BRACKET L H:52	8V2000M90	1	pc	81,100 g			

➡	POS.	PART NO.	DESIGNATION	MODEL/TYPE	QTY.	UNITS	WEIGHT	FN	MEASUREMENT	STANDARD
	6600	304017008083	HEX SCREW		1	pc	15,100 g		M 8 X 30	ISO4017
	6650	700325015100	CLAMP HALF TUBE 1/1 D9-15		6	pc	34,000 g		1/1 D 9 - 15	MMN325
	6700	700327010000	GROMMET		3	pc	2,800 g		10	MMN327
	6750	007349010002	WASHER		1	pc	11,000 g		10,5	DIN7349
	6800	304017010039	HEX SCREW		1	pc	44,000 g		M 10 X 70	ISO4017
	6850	X59699100034	SPACER SLEEVE		1	pc	42,000 g			
	6860	5240940253	SPACER SLEEVE	4000	1	pc	50,500 g		9MM X 20MM L=25	
	6870	00000001463	HEX SCREW		1	pc	30,500 g		M 8 X 80	ISO4017
	7050	007603026104	COPPER SEALING RING		1	pc	3,100 g		A 26 X 31	DIN7603
	7100	915007016000	CONNECTOR 16/10		1	pc	63,000 g		16 / 10 (M26X1,5/M18X1,5)	N15007
318	7200	735210014000	THREAD PLUG		1	pc	0,019 kg		M 14 X 1,5	MTN5210
	7300	700429043000	O-RING		1	pc	2,200 g		43 X 3	MMN429
	7350	X59499100174	FLANGE		1	pc	94,800 g			
	7400	000125008427	WASHER		2	pc	1,500 g		A 8,4	DIN125
	7450	304017008081	HEX SCREW		2	pc	13,400 g		M 8 X 25	ISO4017



E0005821a0

➔	POS.	PART NO.	DESIGNATION	QTY.	UNITS	WEIGHT	MEASUREMENT	STANDARD
	10	735221011000	O-RING	1	pc	0,300 g	11,3 X 2,2 - M14X1,5	MTN5221



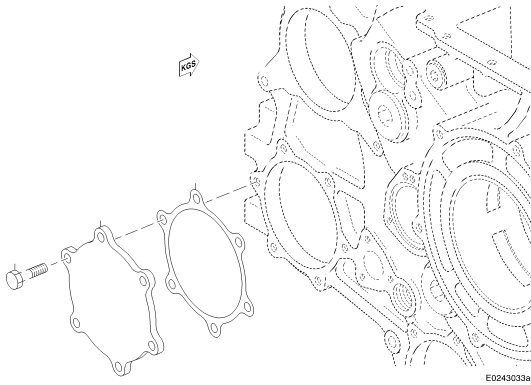
01801409

➔	POS.	PART NO.	DESIGNATION	QTY.	UNITS	WEIGHT	FN
	50	X59301800036	IMPAKTOR CARRIER	1	pc	10,454 kg	EM

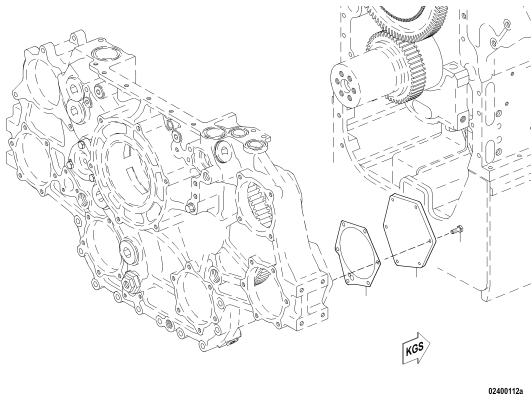
GROUP SEGMENT (FGS)

GROUP NAME

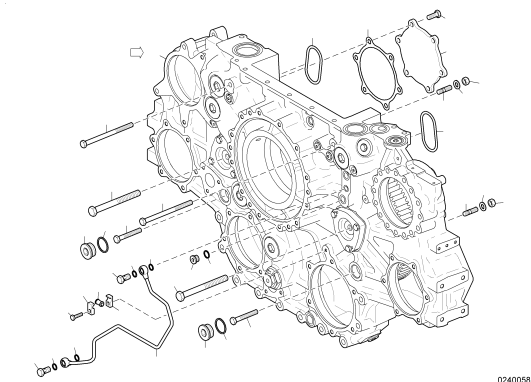
BOM-No.



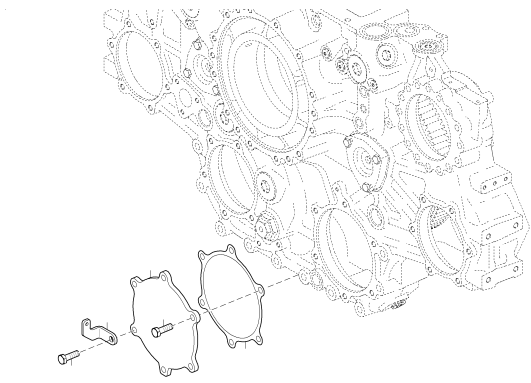
05  
**COVER FOR HYDRAULIC PUMP**  
020.00005



05  
**COVER FOR DDC COMPRESSOR**  
020.00060

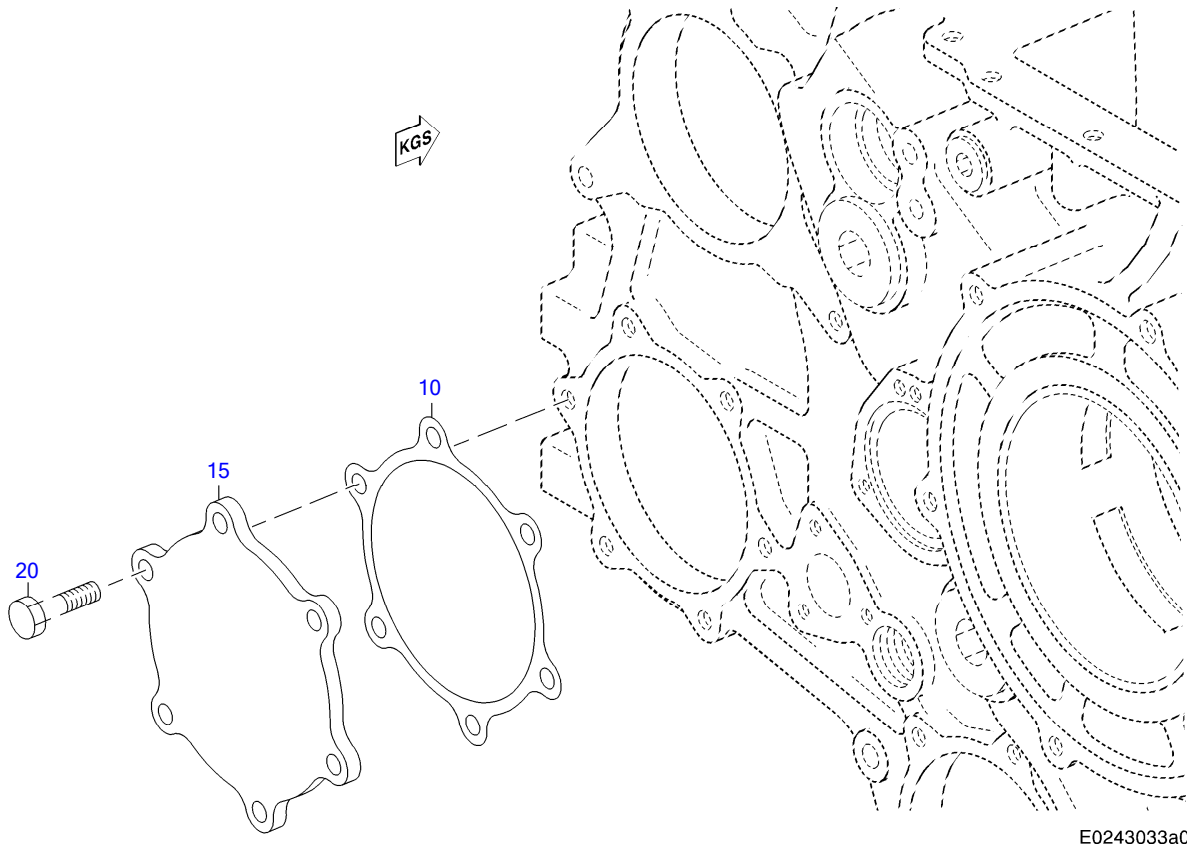


05  
**EQUIPMENT RACK**  
XS593020.00010



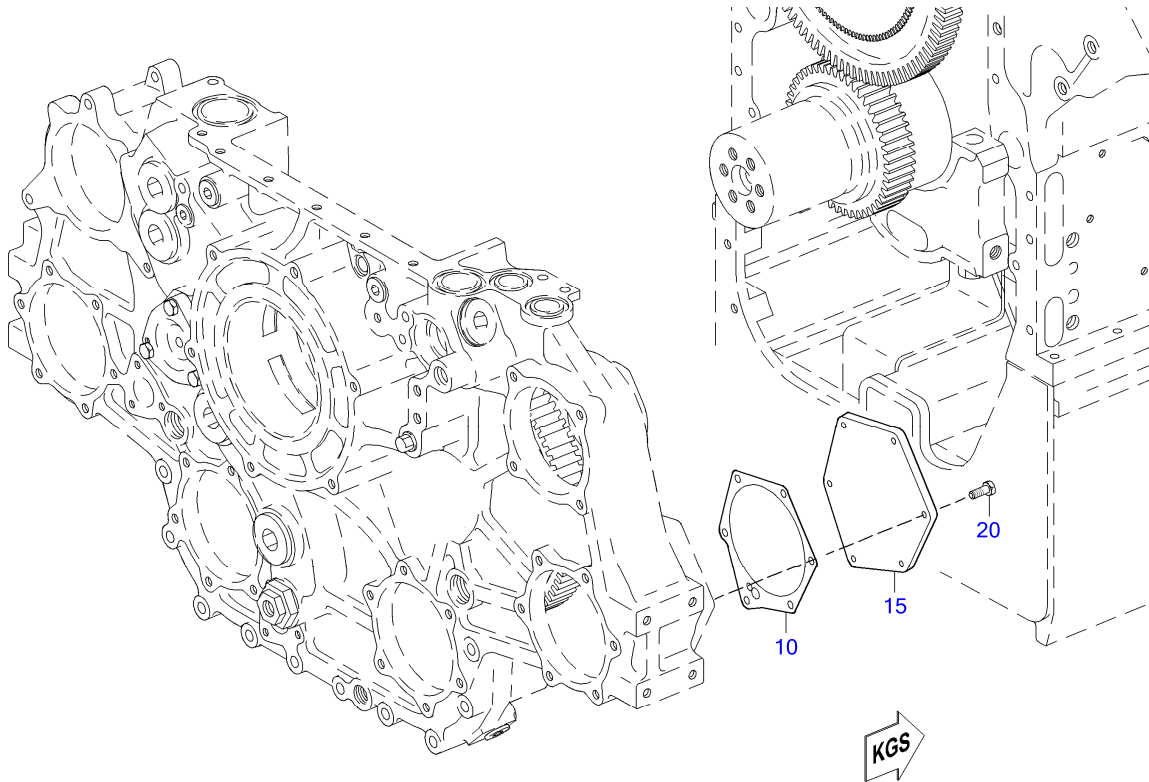
05  
**COVER**  
XS593020.00011





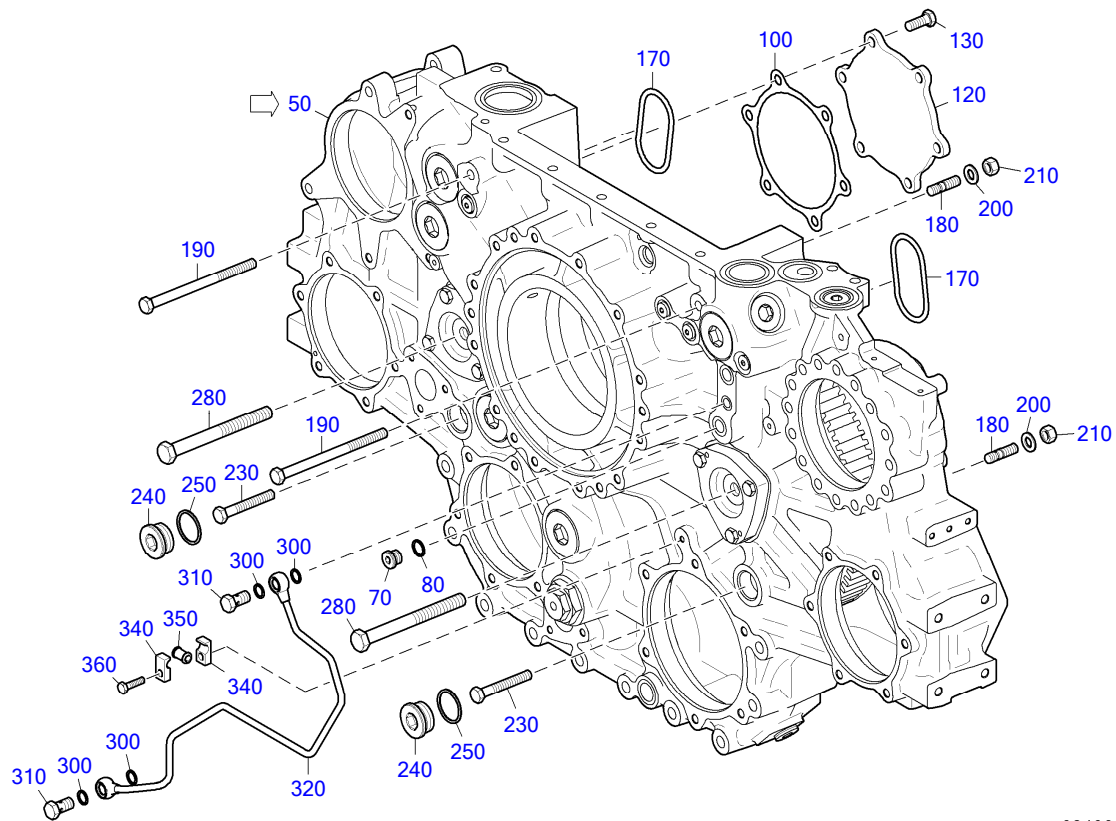
E0243033a0

➔	POS.	PART NO.	DESIGNATION	QTY.	UNITS	WEIGHT	MEASUREMENT	STANDARD
	10	<b>5241880080</b>	GASKET	1	pc	10,600 g	1X250X250	
	15	<b>5241880102</b>	COVER	1	pc	1,900 kg		
	20	<b>00000003925</b>	HEX SCREW	6	pc	36,900 g	M 12 X 30	ISO4017



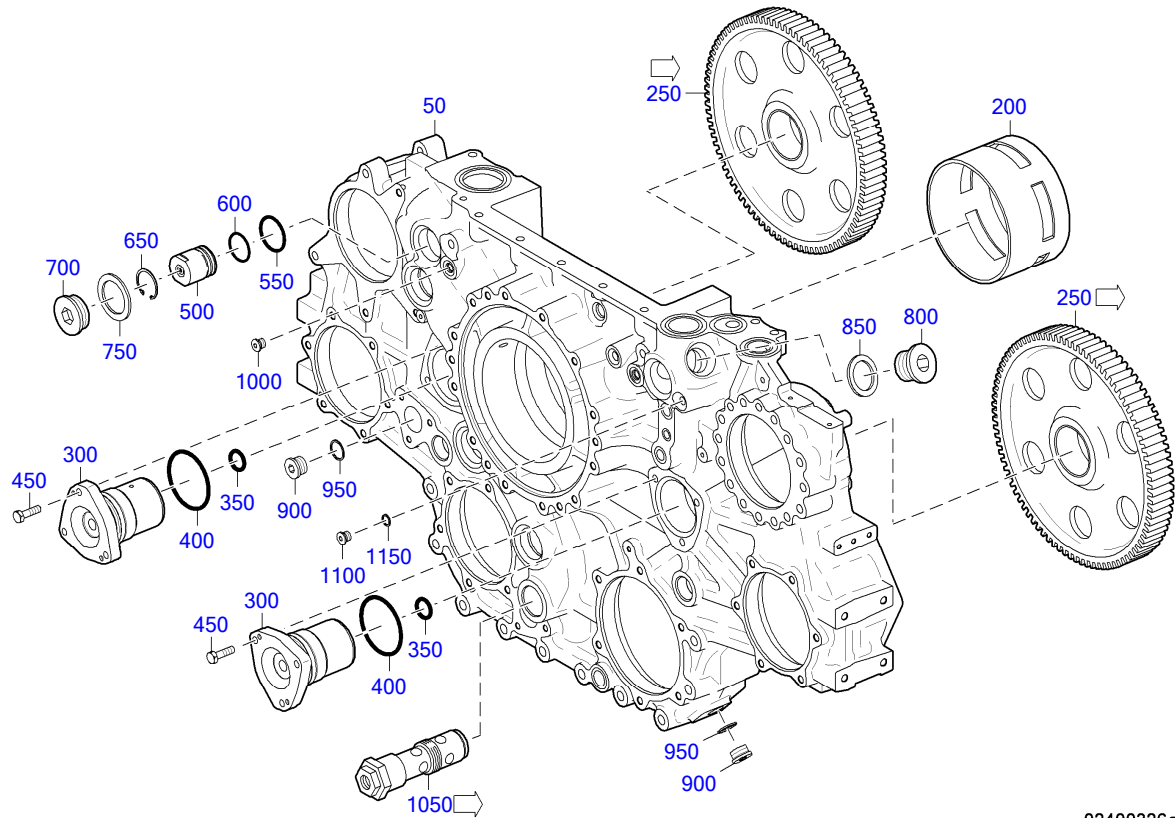
02400112a

➔	POS.	PART NO.	DESIGNATION	QTY.	UNITS	WEIGHT	MEASUREMENT	STANDARD
	10	5360520080	GASKET	1	pc	6,000 g		
	15	5241880502	COVER	1	pc	2,600 kg		
	20	00000003021	HEX SCREW	6	pc	22,800 g	M 10 X 25	ISO4017



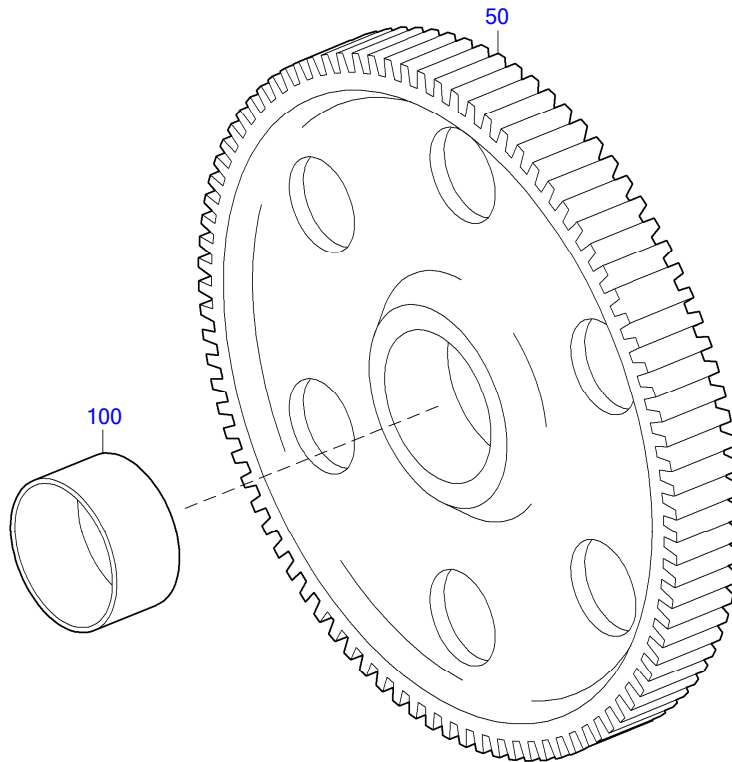
02400580

➔	POS.	PART NO.	DESIGNATION	MODEL/TYPE	QTY.	UNITS	WEIGHT	FN	MEASUREMENT	STANDARD
	324	50	<b>X59302400016</b>	EQUIPMENT RACK	1	pc	260,000 kg			
		70	<b>000908018002</b>	PLUG	1	pc	0,029 kg		M 18 X 1,5	DIN908
		80	<b>007603018101</b>	COPPER SEALING RING	1	pc	1,300 g		A 18 X 22	DIN7603
		100	<b>5241880080</b>	GASKET	1	pc	10,600 g		1X250X250	
		120	<b>5241880102</b>	COVER	1	pc	1,900 kg			
		130	<b>000000003925</b>	HEX SCREW	6	pc	36,900 g		M 12 X 30	ISO4017
		170	<b>700429083000</b>	O-RING	2	pc	11,700 g		83 X 5	MMN429
		180	<b>200939012003</b>	STUD	6	pc	32,000 g		M 12 X 30	DIN939
		190	<b>204014012008</b>	HEX SCREW	2	pc	155,000 g		M 12 X170	ISO4014
		200	<b>200433013000</b>	WASHER	6	pc	2,500 g		13	DIN433
		210	<b>204032012000</b>	NUT HEX ZNPH R5F	6	pc	14,900 g		M 12	ISO4032
		230	<b>000000000904</b>	HEX SCREW	2	pc	75,000 g		M 12 X 80	ISO4017
		240	<b>000908038000</b>	THREAD PLUG	2	pc	0,150 kg		M 38 X 1,5	DIN908
		250	<b>007603038101</b>	COPPER SEALING RING	2	pc	5,400 g		A 38 X 44	DIN7603
		280	<b>204017016000</b>	HEX SCREW	2	pc	246,200 g		M 16 X160	ISO4017
		300	<b>007603014102</b>	COPPER SEALING RING	4	pc	1,000 g		A 14 X 18	DIN7603
		310	<b>700223006000</b>	BOLT BANJO A8 S2000/4000	2	pc	38,800 g		A 8	MMN223
		320	<b>5281800519</b>	TUBE ASM OIL LINE	1	pc	200,000 g	SB		
		340	<b>700325012100</b>	CLAMP HALF TUBE 1/1 D9-12	2	pc	25,000 g		1/1 D 9 - 12	MMN325
		350	<b>700327008000</b>	GROMMET	1	pc	1,700 g		8	MMN327
		360	<b>304017008083</b>	HEX SCREW	1	pc	15,100 g		M 8 X 30	ISO4017



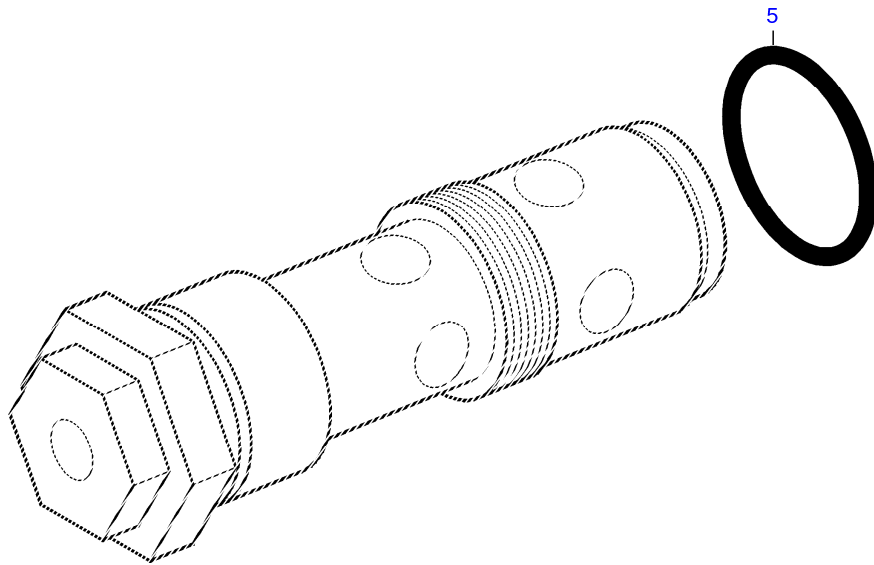
02400326a

➔	POS.	PART NO.	DESIGNATION	QTY.	UNITS	WEIGHT	MEASUREMENT	STANDARD
	50	X59302400011	EQUIPMENT RACK	1	pc	208,700 kg		
	200	5240332630	CRANKSHAFT BEARING AUX PTO END	1	pc	2,500 kg		
325	250	X59305200001	IDLER GEAR	2	pc	17,400 kg		
	300	X59302400005	AXLE	2	pc	4,694 kg		
	350	700429024000	O-RING	2	pc	3,900 g	24 X 5	MMN429
	400	700429083000	O-RING	2	pc	11,700 g	83 X 5	MMN429
	450	304017010035	HEX SCREW	6	pc	32,100 g	M 10 X 45	ISO4017
	500	5241800015	PRESSURE VALVE ASSY.	2	pc	390,000 g	2.5 BAR	
	550	700429048000	O-RING	2	pc	4,400 g	48 X 4	MMN429
	600	700429040000	O-RING	2	pc	2,000 g	40 X 3	MMN429
	650	000472048000	RING SNAP	2	pc	6,500 g	48 X 1,75	DIN472
	700	000908052003	THREAD PLUG	5	pc	0,298 kg	M 52 X 1,5	DIN908
	750	007603052101	COPPER SEALING RING	5	pc	12,500 g	A 52 X 60	DIN7603
	800	000908038000	THREAD PLUG	2	pc	0,150 kg	M 38 X 1,5	DIN908
	850	007603038101	COPPER SEALING RING	2	pc	5,400 g	A 38 X 44	DIN7603
	900	000908026005	THREAD PLUG	4	pc	0,069 kg	M 26 X 1,5	DIN908
	950	007603026104	COPPER SEALING RING	4	pc	3,100 g	A 26 X 31	DIN7603
318	1000	735210014000	THREAD PLUG	3	pc	0,019 kg	M 14 X 1,5	MTN5210
326	1050	0001800015	PRESSURE REDUCING VALVE ASSY.	1	pc	1,400 kg		
	1100	000908014001	THREAD PLUG	1	pc	0,016 kg	M 14 X 1,5	DIN908
	1150	007603014102	COPPER SEALING RING	1	pc	1,000 g	A 14 X 18	DIN7603



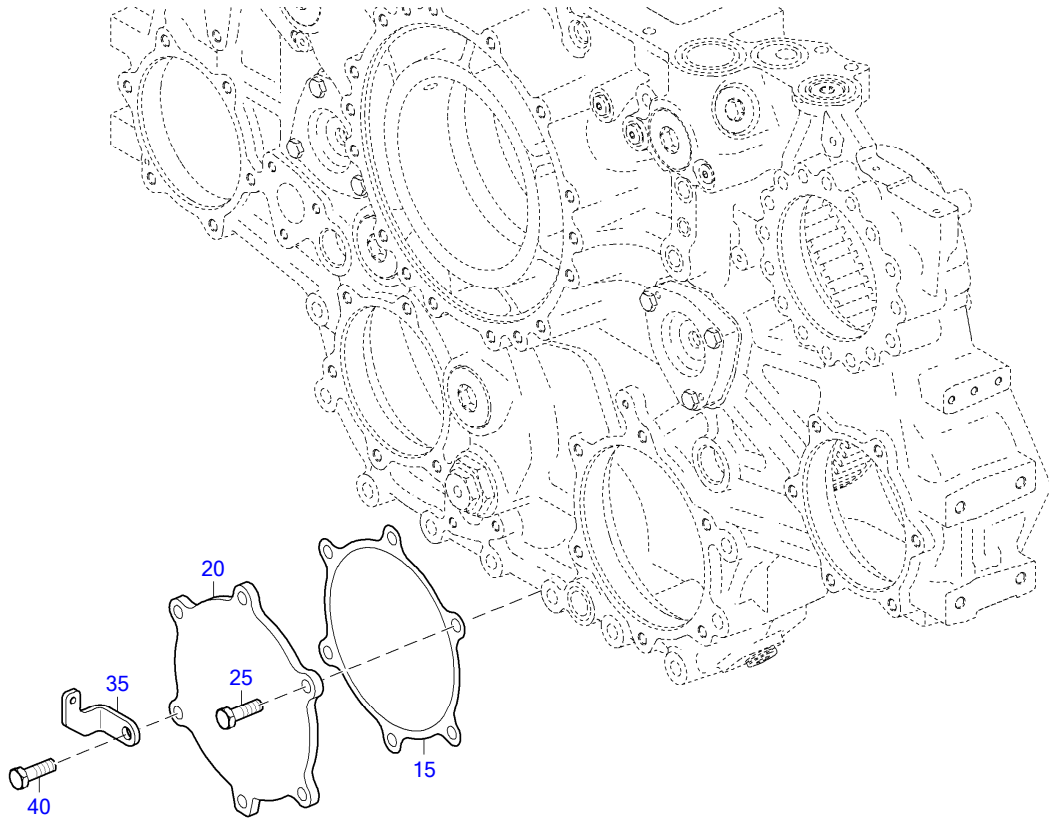
02400351b

➔	POS.	PART NO.	DESIGNATION	QTY.	UNITS	WEIGHT
	50	X59305200003	IDLER GEAR	1	pc	19,040 kg
	100	X59305200002	BUSHING	1	pc	304,200 g



024K0009a

➔	POS.	PART NO.	DESIGNATION	QTY.	UNITS	WEIGHT	MEASUREMENT	STANDARD
	5	700429037000	O-RING	1	pc	2,800 g	37,7 X 3,53	MMN429



02400439

➔	POS.	PART NO.	DESIGNATION	MODEL/TYPE	QTY.	UNITS	WEIGHT	MEASUREMENT	STANDARD
	15	5281880080	GASKET		1	pc	11,100 g		
	20	5281880102	COVER	20V4000	1	pc	2,700 kg		
	25	00000003925	HEX SCREW		5	pc	36,900 g	M 12 X 30	ISO4017
	35	X59399100108	RETAINER		1	pc	119,300 g		
	40	00000003381	HEX SCREW		1	pc	40,300 g	M 12 X 35	ISO4017

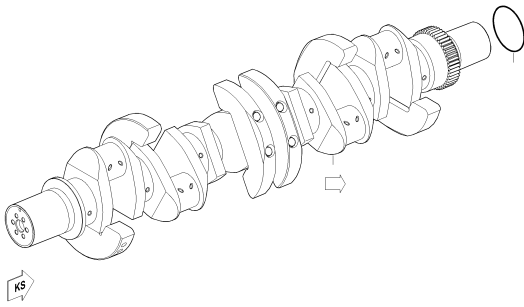
GROUP SEGMENT (FGS)

GROUP NAME

BOM-No.

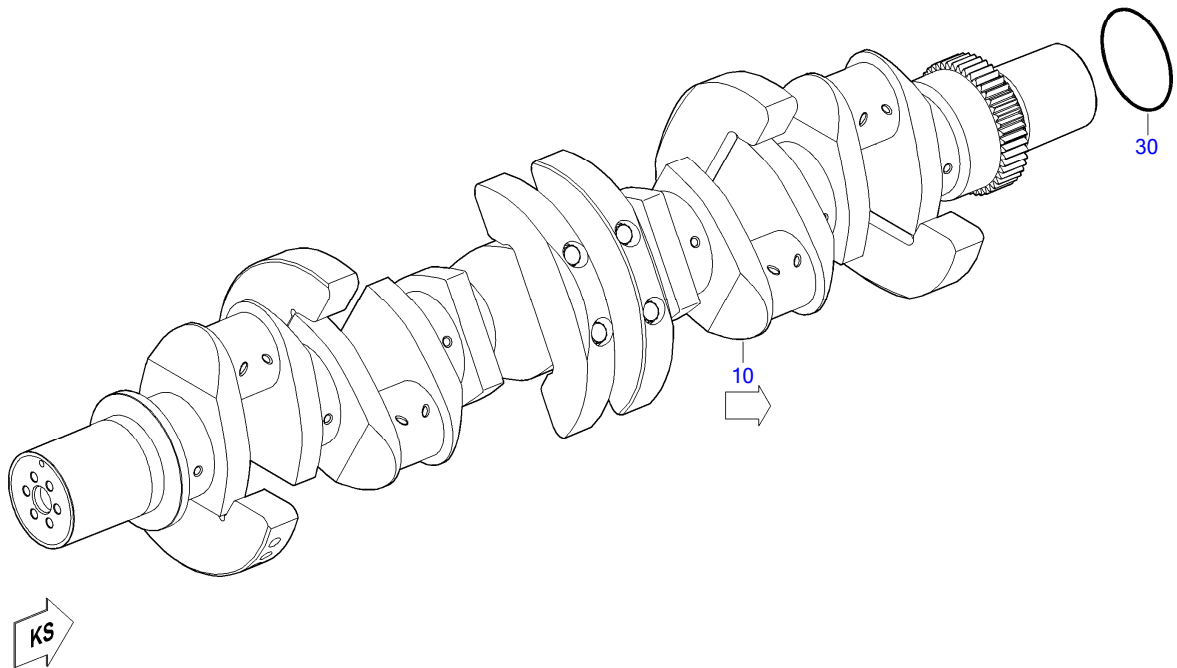
---

00  
CRANKSHAFT LR ACCEPTANCE  
XS594030.00040



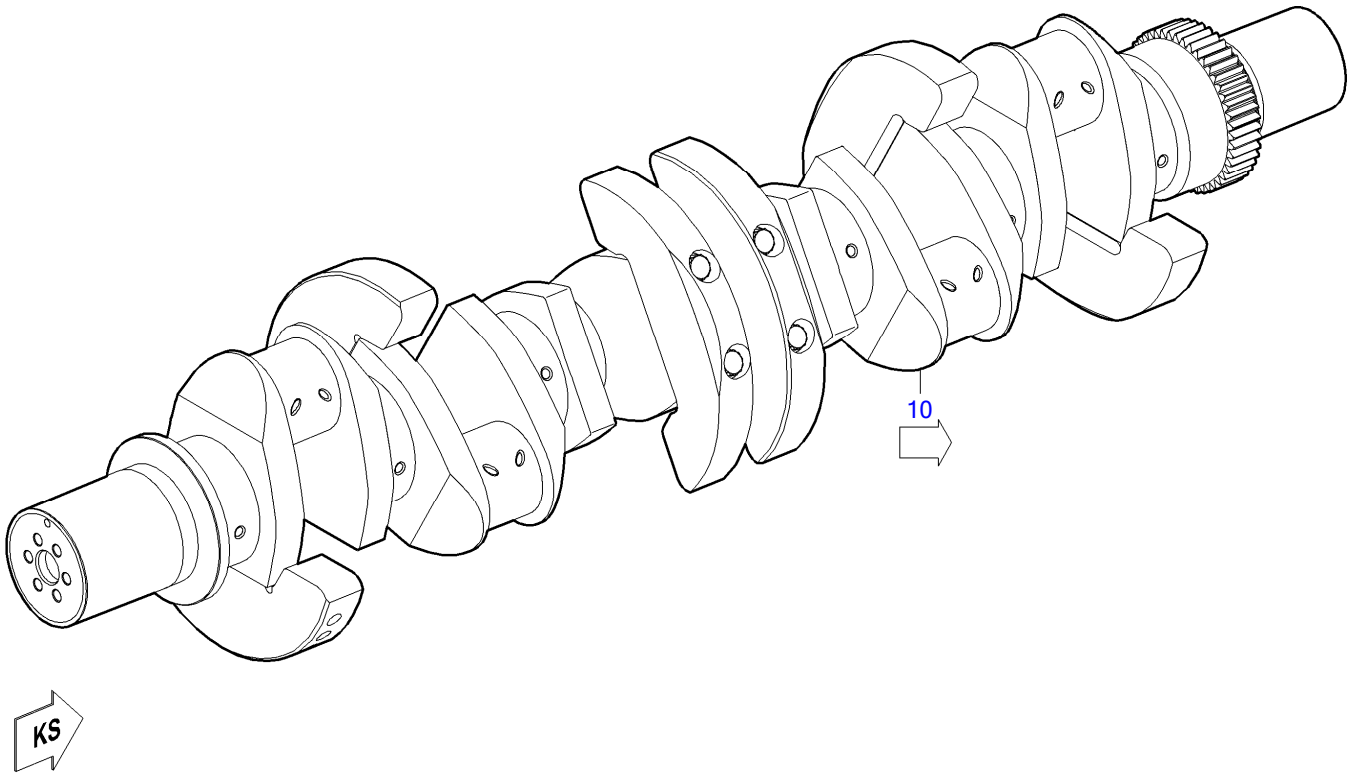
03100453a





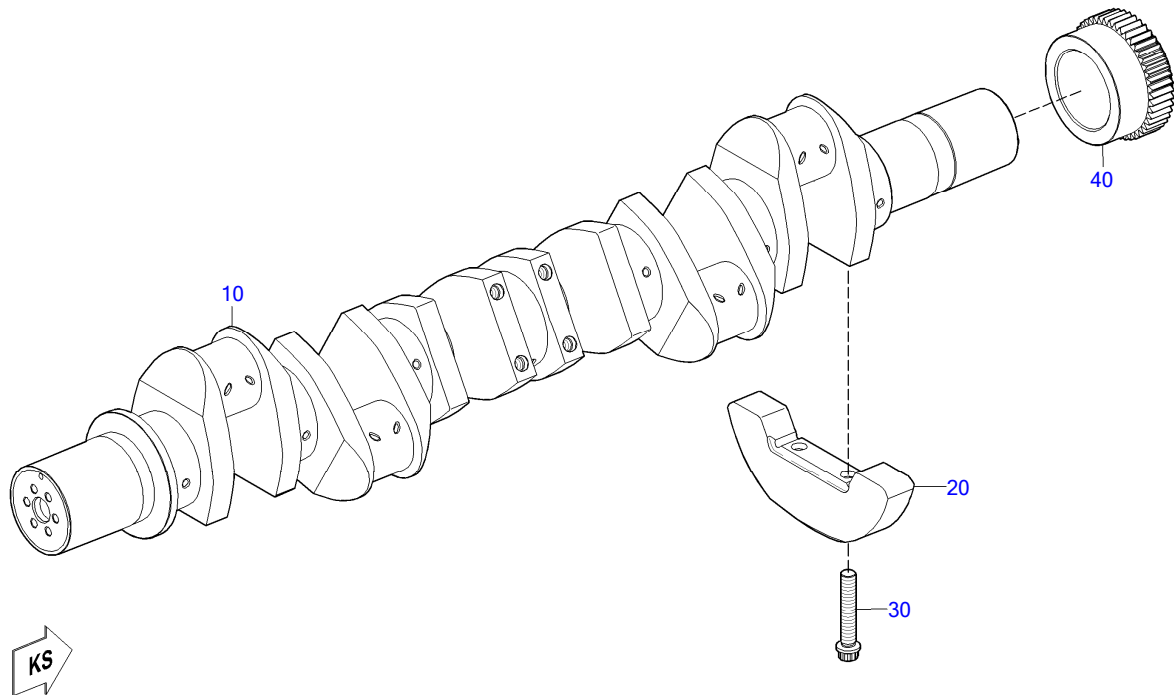
03100453a

➡	POS.	PART NO.	DESIGNATION	MODEL/TYPE	QTY.	UNITS	WEIGHT	FN	MEASUREMENT	STANDARD
330	10	X59403100001/31	CRANKSHAFT LR ACCEPTANCE	12V-06CWT-STROKE210	1	pc	433,600 kg	EM		
	30	700429150000	O-RING		1	pc	12,900 g		150 X 4	MMN429



03100337a

➔	POS.	PART NO.	DESIGNATION	MODEL/TYPE	QTY.	UNITS	WEIGHT	FN
	10	<b>X59403100001</b>	CR/SHFT ASM	12V-06CWT-STROKE210	1	pc	453,000 kg	EM



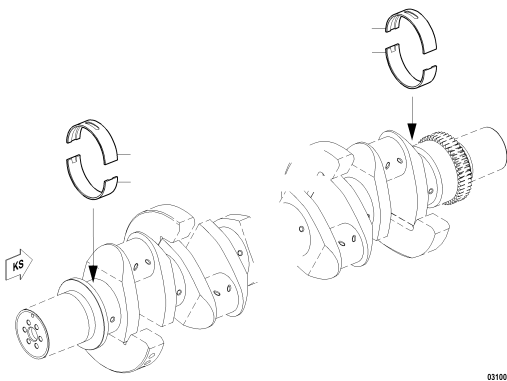
03100338c

➔	POS.	PART NO.	DESIGNATION	MODEL/TYPE	QTY.	UNITS	WEIGHT	FN	STANDARD
	10	X52603100002	CRANKSHAFT	12V4000-03 LH	1	pc	324,000 kg	EM	
	20	X52803100003	COUNTERWEIGHT	12V U. 20V M/G/C&I	6	pc	15,300 kg		
	30	5240310171	BOLT 12 PT HD		12	pc	548,600 g		
	40	5240520503	GEAR CRANKSHAFT		1	pc	12,090 kg	EM	MMN396.2

GROUP SEGMENT (FGS)

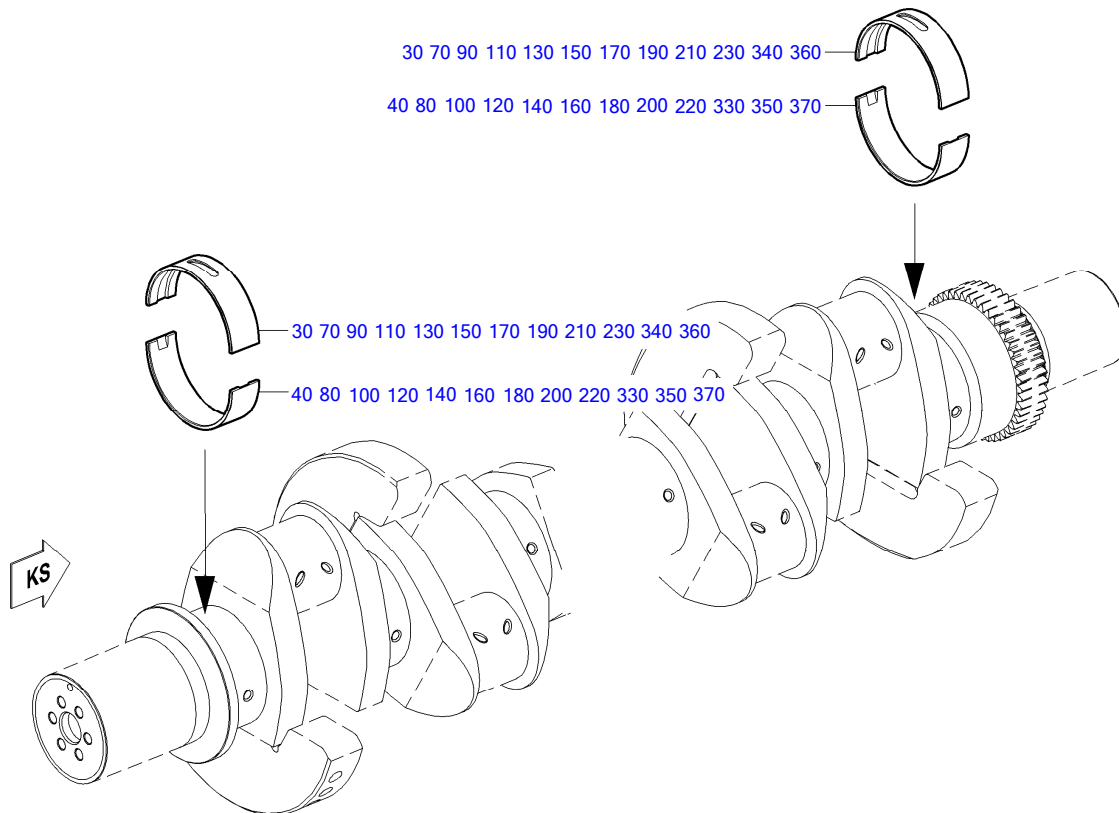
GROUP NAME

BOM-No.



10  
**MAIN BEARING**  
030.00662

0310033a



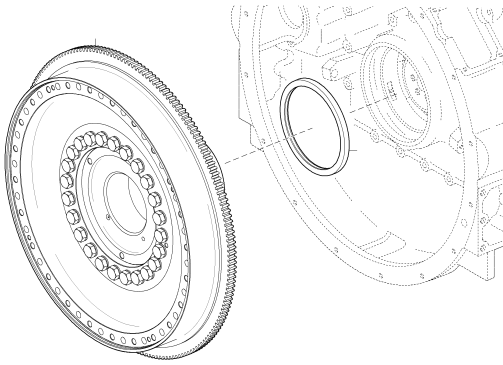
03100393a

➔	POS.	PART NO.	DESIGNATION	QTY.	UNITS	WEIGHT	FN
	30	5240336101	CRANKSHAFT BEARING UPPER HALF	7	pc	370,000 g	
	40	5240336602	CRANKSHAFT BEARING LOWER HALF	7	pc	510,000 g	
	70	5240336201	CRANKSHAFT BEARING SIZE 0-1	1	pc	44,000 g	M
	80	5240336702	CRANKSHAFT BEARING SIZE 0-1	1	pc	600,000 g	M
	90	5240336301	CRANKSHAFT BEARING SIZE 0-2	1	pc	420,000 g	M
	100	5240336802	CRANKSHAFT BEARING SIZE 0-2	1	pc	565,000 g	M
	110	5240336401	CRANKSHAFT BEARING SIZE 0-3	1	pc	425,000 g	M
	120	5240336902	CRANKSHAFT BEARING SIZE 0-3	1	pc	585,000 g	M
	130	5240336501	CRANKSHAFT BEARING SIZE 1-0	1	pc	40,000 g	M
	140	5240337002	CRANKSHAFT BEARING SIZE 1-0	1	pc	54,000 g	M
	150	5240336601	CRANKSHAFT BEARING SIZE 1-1	1	pc	400,000 g	M
	160	5240337102	CRANKSHAFT BEARING SIZE 1-1	1	pc	565,000 g	M
	170	5240336701	CRANKSHAFT BEARING SIZE 1-2	1	pc	480,000 g	M
	180	5240337202	CRANKSHAFT BEARING SIZE 1-2	1	pc	1,000 kg	M
	190	5240336801	CRANKSHAFT BEARING SIZE 1-3	1	pc	0,440 kg	M
	200	5240337302	CRANKSHAFT BEARING SIZE 1-3	1	pc	600,000 g	M
	210	5240336901	CRANKSHAFT BEARING SIZE 2-0	1	pc	420,000 g	M
	220	5240337402	CRANKSHAFT BEARING SIZE 2-0	1	pc	560,000 g	M
	230	5240337001	CRANKSHAFT BEARING SIZE 2-1	1	pc	470,000 g	M
	330	5240337502	CRANKSHAFT BEARING SIZE 2-1	1	pc	580,000 g	M
	340	5240337101	CRANKSHAFT BEARING SIZE 2-2	1	pc	580,000 g	M
	350	5240337602	CRANKSHAFT BEARING SIZE 2-2	1	pc	675,000 g	M
	360	5240337201	CRANKSHAFT BEARING SIZE 2-3	1	pc	840,000 g	M
	370	5240337702	CRANKSHAFT BEARING SIZE 2-3	1	pc	685,000 g	M

GROUP SEGMENT (FGS)

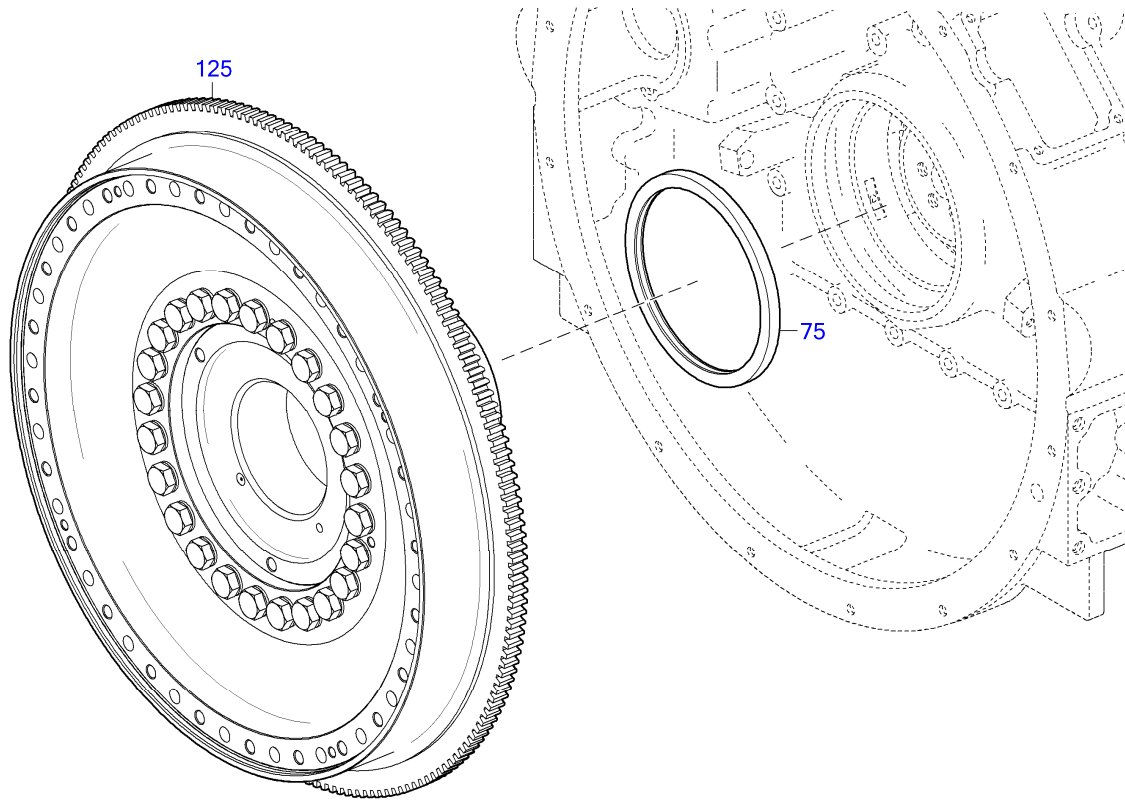
GROUP NAME

BOM-No.



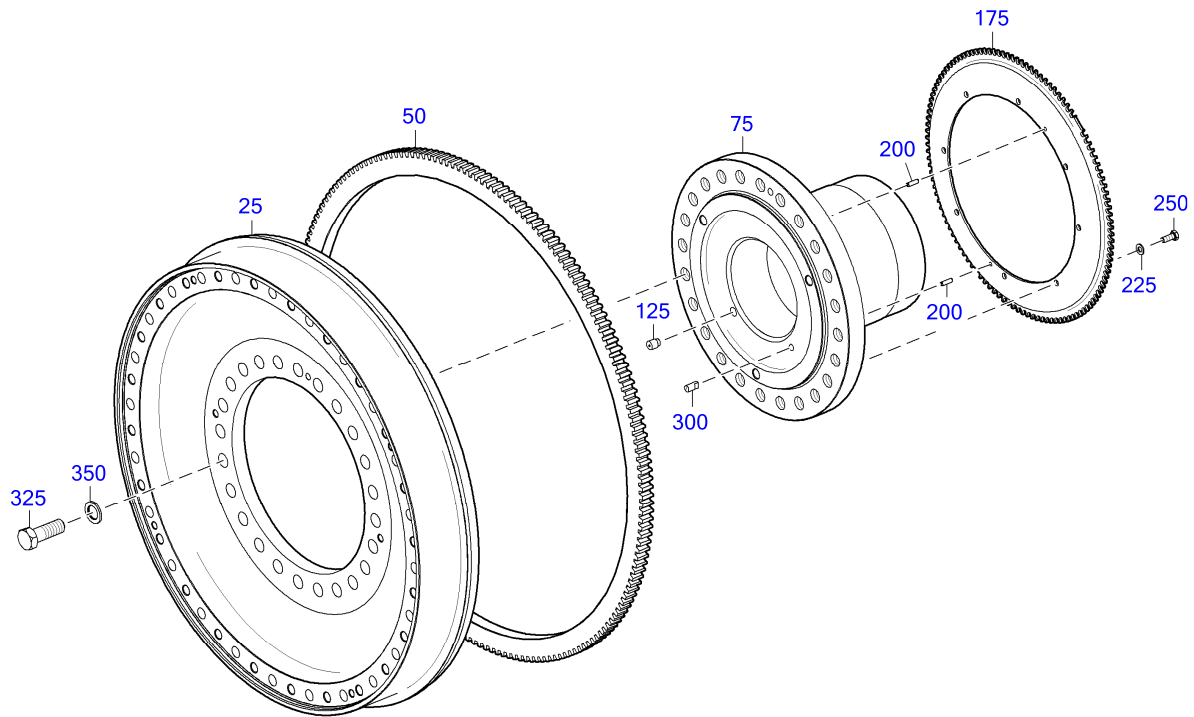
20  
FLYWHEEL TWO-PIECE  
XS594030.00069

03200252d



03200252d

➔	POS.	PART NO.	DESIGNATION	MODEL/TYPE	QTY.	UNITS	WEIGHT	MEASUREMENT
	75	<b>0219976647</b>	SEAL RING CRANKSHAFT REAR	PTEF-MANSCHETTE	1	pc	160,000 g	DM 210
336	125	<b>X59403200003/42</b>	FLYWHEEL W/ACCEPT CERTIFICAT		1	pc	212,500 kg	



03200397

➔	POS.	PART NO.	DESIGNATION	QTY.	UNITS	WEIGHT	FN	MEASUREMENT	STANDARD
	25	X00041899/41	FLYWHEEL W/ACCEPT CERTIFICAT	1	pc	85,500 kg			
	50	5240320705	RING GEAR	1	pc	12,000 kg			
	75	X52603200006/42	PTO FLANGE W/ACCEPT CERTIFICAT	1	pc	48,980 kg			
	125	5769970219	PLUG HEX SOC HD G1/4 17.5 X 11 42CRM04	1	pc	12,000 g			
	175	5240311148	WHEEL MDEC TRS METERING CRANKSHAFT	1	pc	2,220 kg	EM		
	200	001481006004	PIN SPRING	2	pc	2,400 g	6 X 20 - N		ISO8752
	225	000125008427	WASHER	8	pc	1,500 g	A 8,4		DIN125
	250	304017008079	HEX SCREW	8	pc	11,700 g	M 8 X 20		ISO4017
	300	8809970210	DOWEL PIN	1	pc	12,000 g			
	325	000000003976	HEX SCREW	24	pc	182,700 g	M 20 X 55		ISO4017
	350	200433021000	WASHER	24	pc	10,800 g	21		DIN433

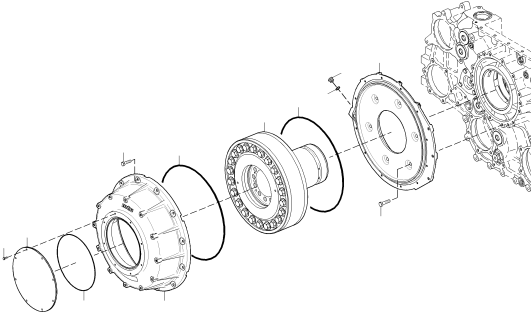


GROUP SEGMENT (FGS)

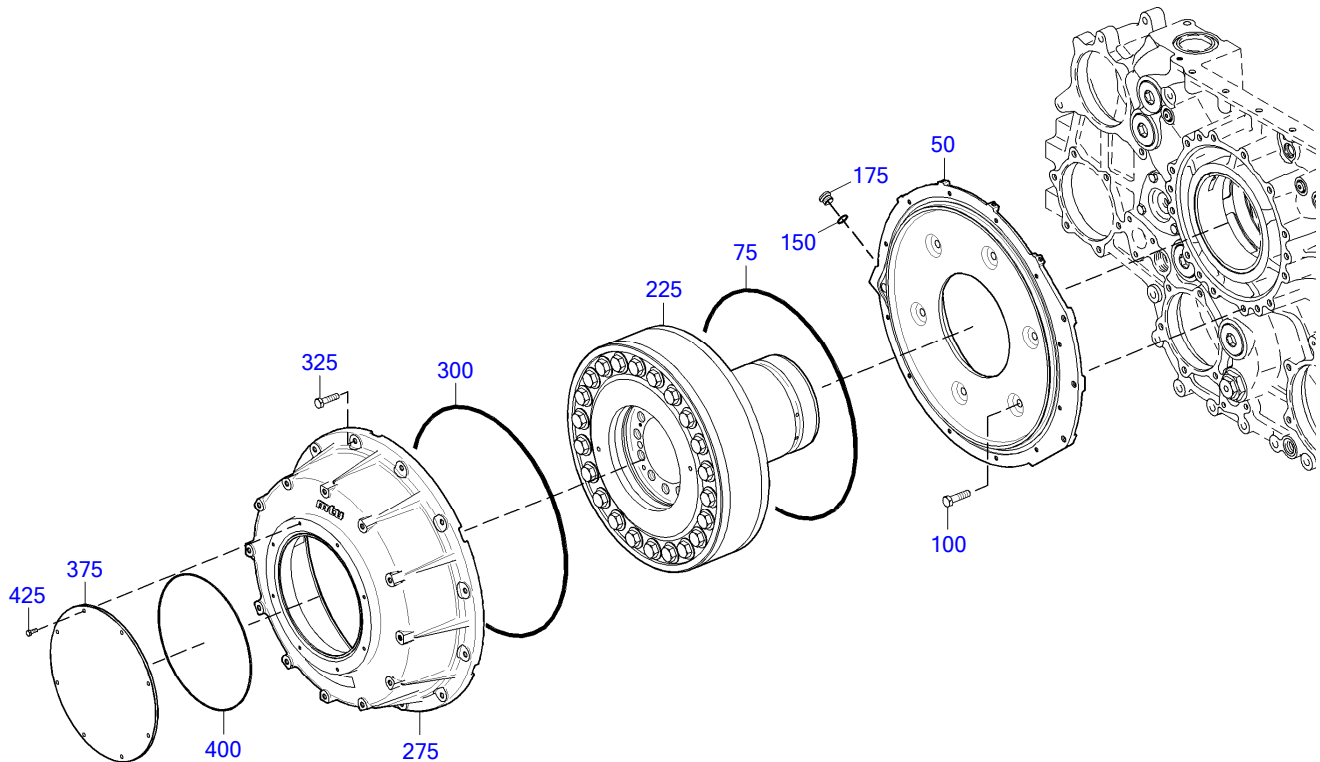
GROUP NAME

BOM-No.

05  
VIBRATION DAMPER WITHOUT AUX. PTO  
XS595030.00030

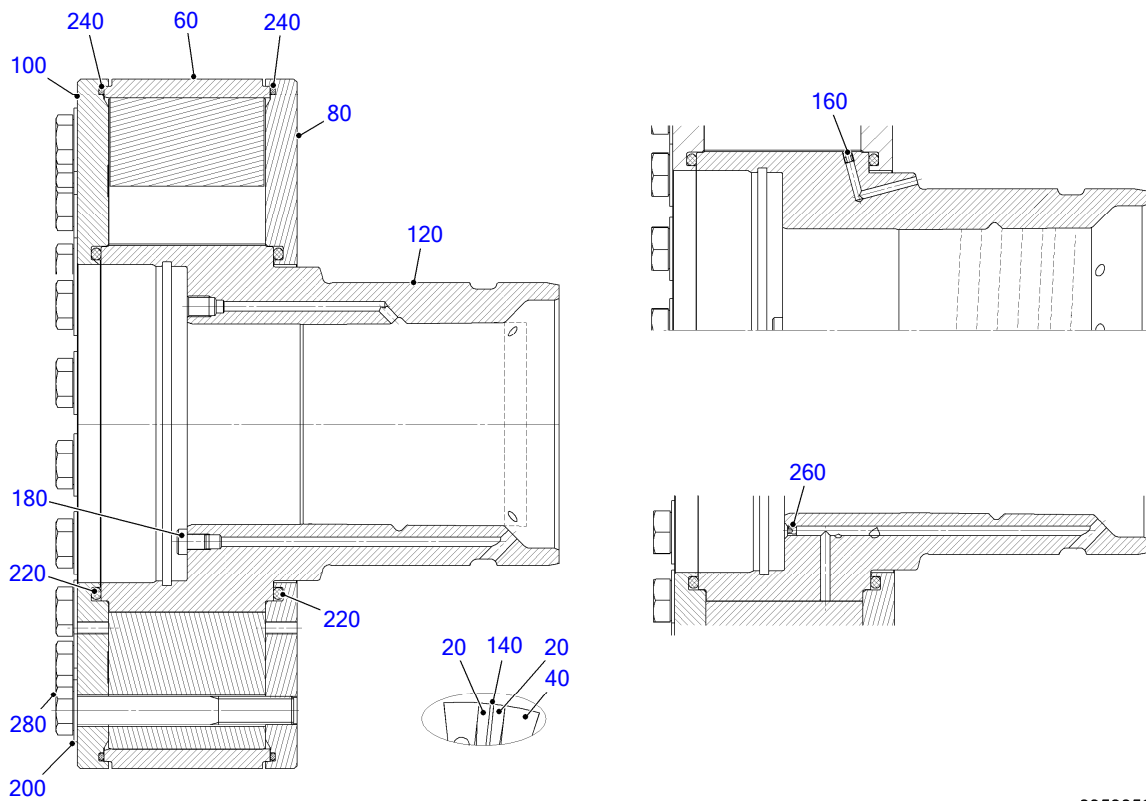


03560432a



03500433a

➔	POS.	PART NO.	DESIGNATION	MODEL/TYPE	QTY.	UNITS	WEIGHT	MEASUREMENT	STANDARD
	50	<b>X59499100480</b>	FLANGE F.VIB.DAMPER HOUSIN		1	pc	20,000 kg		
	75	<b>700429290000</b>	O-RING		1	pc	25,200 g	290 X 4	MMN429
	100	<b>304017012018</b>	HEX SCREW		6	pc	49,900 g	M 12 X 50	ISO4017
	150	<b>007603020103</b>	WASHER A COP		1	pc	2,400 g	A 20 X 26	DIN7603
	175	<b>000908020000</b>	PLUG		1	pc	0,037 kg	M 20 X 1,5	DIN908
339	225	<b>X59403500006</b>	VIBRATION DAMPER	D44/8/2	1	pc	123,870 kg		
	275	<b>X52703500001</b>	DAMPER VIBRATION HSG G73		1	pc	38,222 kg		
	300	<b>700429480000</b>	O-RING		1	pc	64,600 g	480 X 5	MMN429
	325	<b>304017008085</b>	HEX SCREW		12	pc	18,000 g	M 8 X 40	ISO4017
	375	<b>X00041483</b>	COVER F.VIB.DAMPER HOUSIN		1	pc	3,300 kg		
	400	<b>700429260001</b>	O-RING		1	pc	12,900 g	260 X 3	MMN429
	425	<b>000000003387</b>	HEX SCREW		8	pc	5,100 g	M 6 X 16	ISO4017



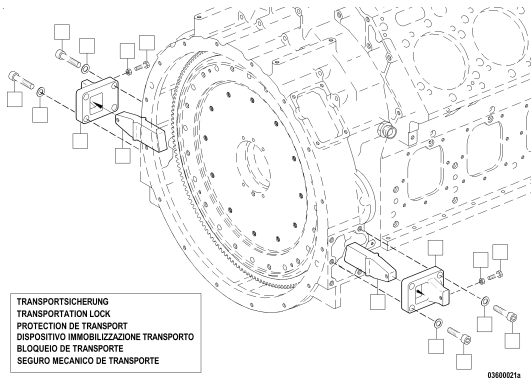
03500561

➔	POS.	PART NO.	DESIGNATION	QTY.	UNITS	WEIGHT	FN	MEASUREMENT	STANDARD
	20	XP52725100089	SPRING LEAF	44	pc				
	40	XP52725100090	INTERMEDIATE MEMBER	22	pc				
	60	XP52725100091	CLAMPING RING	1	pc				
	80	XP52825100033	FLANGE	1	pc		AC		
	100	XP52725100092	SIDE PLATE	1	pc				
	120	XP52725100093	INNER STAR	1	pc				
	140	XP52725100094	SHIM	22	pc				
	160	XP52725100095	OIL NOZZLE	4	pc			M6- D 3.0	
	180	Z=VSTI M-ED	NIPPLE	1	pc		AC	M 10 X 1	
	200	Z=40X19X2	DISC WASHER (VULKAN)	22	pc	14,700 g			
	220	X00035257	O-RING	2	pc	5,000 g		7 X 208	
	240	700429420000	O-RING	2	pc	36,700 g		420 X 4	MMN429
	260	XP52203500025	PLUG	4	pc			DICHTSTOPFEN 6	
	280	XP52725100096	HEX SCREW	22	pc			M 18 X 140	ENISO4014

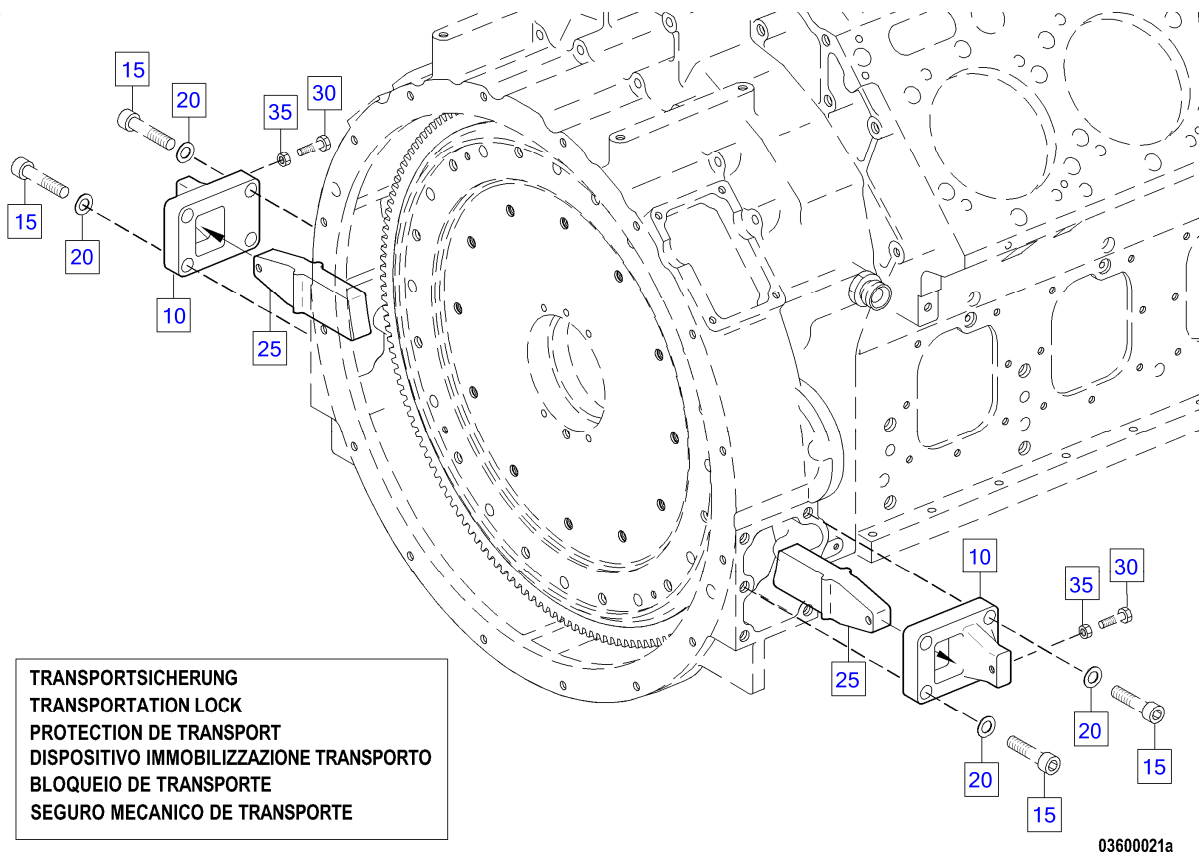
GROUP SEGMENT (FGS)

GROUP NAME

BOM-No.



05  
TRANSPORTATION LOCK  
030.00160



➔	POS.	PART NO.	DESIGNATION	MODEL/TYPE	QTY.	UNITS	WEIGHT	MEASUREMENT	STANDARD
	10	5242370435	PLATE	8/12/16V4000	2	pc	3,100 kg		
	15	000912016045	BOLT HEX SOC HD		8	pc	111,800 g	M 16 X 55	DIN912
	20	000125017014	WASHER		8	pc	9,700 g	A 17	DIN125
	25	5242370940	RETAINER	8/12/16V40000	2	pc	2,690 kg		
	30	000933010144	HEX SCREW		2	pc	40,800 g	M 10 X 60	DIN933
	35	000934010007	NUT HEX		2	pc	10,300 g	M 10	DIN934

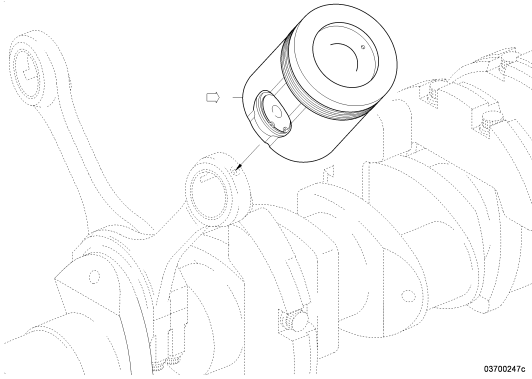
GROUP SEGMENT (FGS)

GROUP NAME

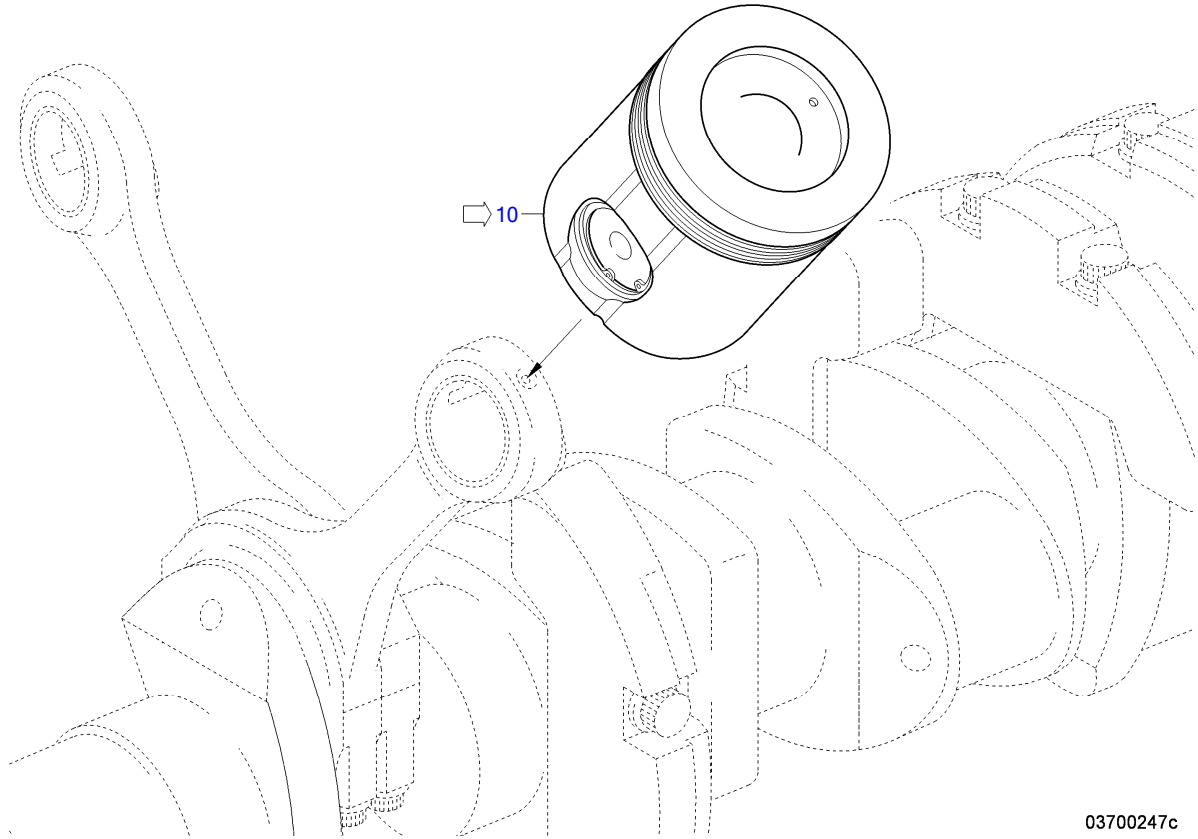
BOM-No.

---

05  
PISTON  
XS526030.00044

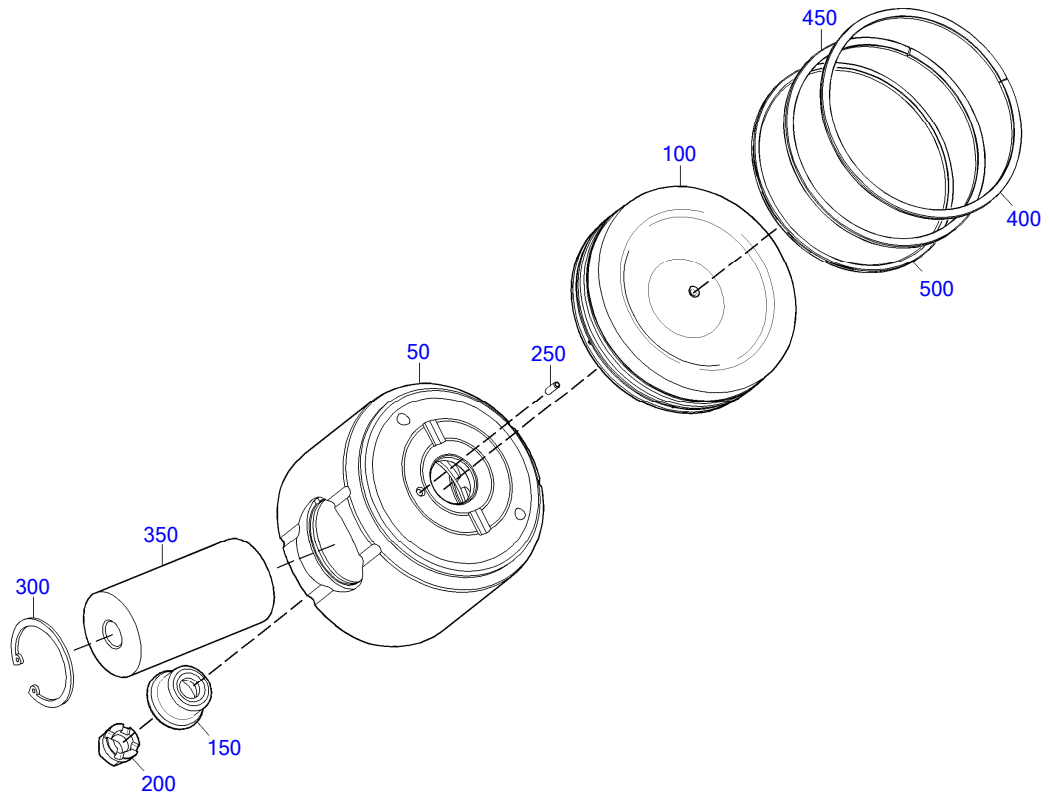


03700247c



03700247c

➔	POS.	PART NO.	DESIGNATION	MODEL/TYPE	QTY.	UNITS	WEIGHT	FN	MEASUREMENT
	10	X59303700021	PISTON	BR4000-03	12	pc	15,000 kg	EM	EPSILON 17,3



03700361b

➔	POS.	PART NO.	DESIGNATION	MODEL/TYPE	QTY.	UNITS	WEIGHT	FN	MEASUREMENT	STANDARD
	50	X59403700018	PISTON SKIRT	ZU KOLBEN X59403700017	1	pc	4.036,000			
	100	X59303700023	PISTON CROWN		1	pc		EM		
	150	X00039430	EXPANSION SLEEVE		1	pc	87,800 g			
	200	X00039431	PISTON NUT		1	pc	41,000 g			
	250	001481005017	PIN SPRING		1	pc	1,400 g	5 X 16 - N		ISO8752
	300	X52403700066	SNAP RING	KOLBEN	2	pc	0,017 kg			DIN472
	350	5240370120	PISTON PIN		1	pc	3,345 kg			
	400	X00009806	RECTANGLR-SECT RING		1	pc	92,800 g	EM		
	450	0090375019	TAPER FACE COMP RING		1	pc	92,800 g			
	500	0120373618	OIL CONTROL RING		1	pc	59,000 g	EM		

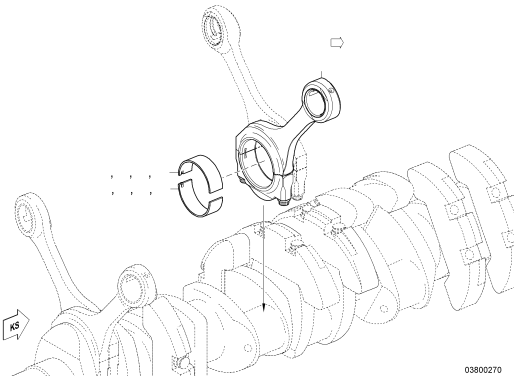


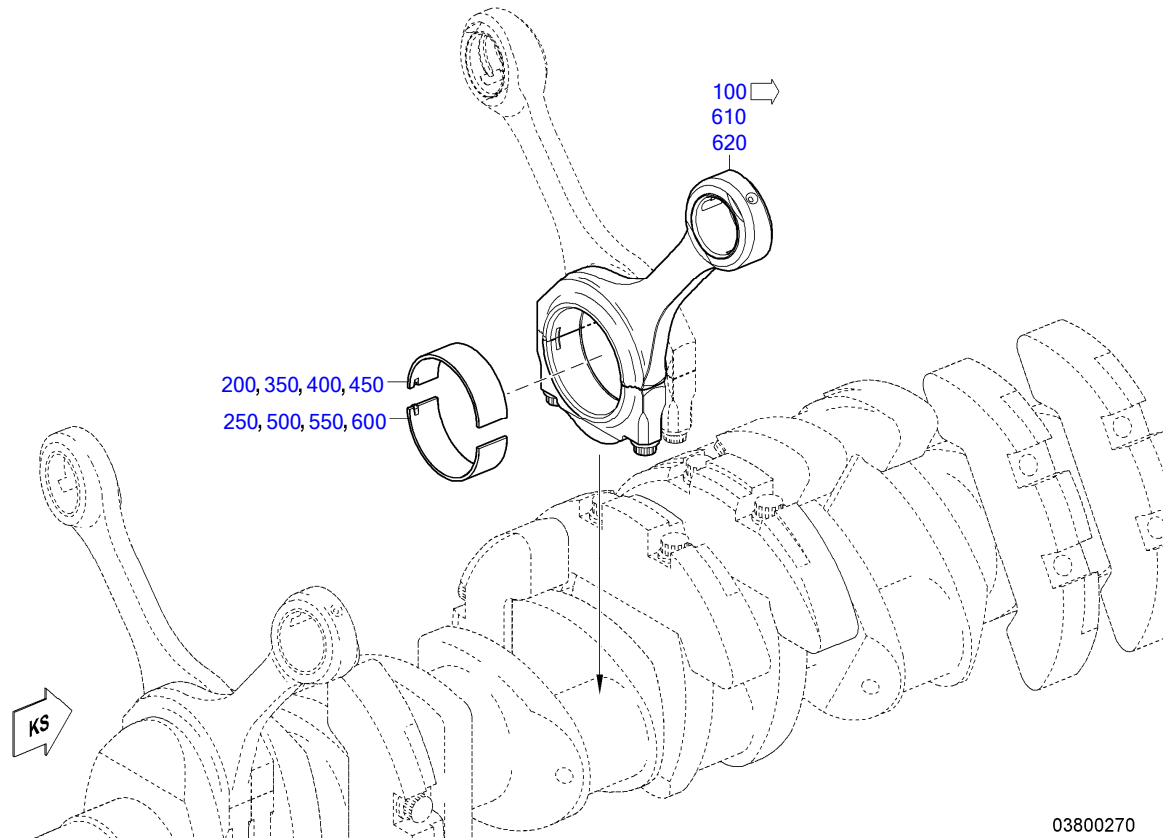
GROUP SEGMENT (FGS)

GROUP NAME

BOM-No.

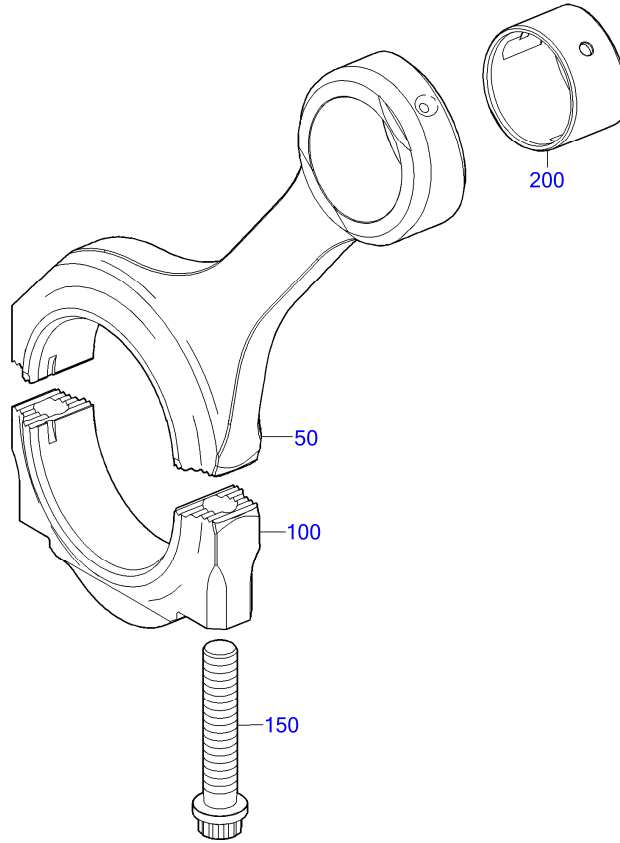
05  
**CONROD FOR 12V**  
XS526030.00004





03800270

➡	POS.	PART NO.	DESIGNATION	MODEL/TYPE	QTY.	UNITS	WEIGHT	FN	
	347	100	<b>X52603800010/42</b>	CONROD ASM	BR4000 LANGHUB	12	pc	9,725 kg	EM
		200	<b>5240384110</b>	CONROD BEARING UPPER HALF		12	pc	280,000 g	
		250	<b>X00043218</b>	CONROD BEARING SIZE 0-0	UNTERE HAELFTE	12	pc	284,000 g	
		350	<b>5240384210</b>	CONROD BEARING SIZE 0-1		1	pc	300,000 g	M
		400	<b>5240384310</b>	CONROD BEARING SIZE 0-2	OBERE HAELFTE	1	pc	292,000 g	M
		450	<b>5240384410</b>	CONROD BEARING SIZE 0-3		1	pc	302,000 g	M
		500	<b>X00043219</b>	CONROD BEARING SIZE 0-1	UNTERE HAELFTE	1	pc	280,000 g	M
		550	<b>X00043220</b>	CONROD BEARING SIZE 0-2	UNTERE HAELFTE	1	pc	322,000 g	M
		600	<b>X00043221</b>	CONROD BEARING SIZE 0-3	UNTERE HAELFTE	1	pc	300,000 g	M
		610	<b>RX00040057/42</b>	CONROD ASM		1	pc	9,580 kg	MN EM
		620	<b>RX52603800010/42</b>	CONROD ASM		1	pc	9,580 kg	MN EM



03800045c

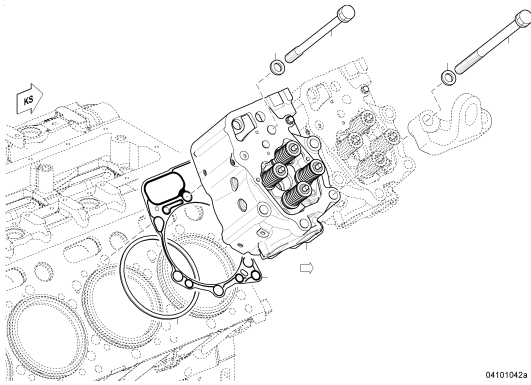
➔	POS.	PART NO.	DESIGNATION	QTY.	UNITS	WEIGHT	FN
	50	X52603800011/42	CONROD	1	pc		EM
	100	X52603800012	CONROD CAP	1	pc		M
	150	5240380471	BOLT M20 1.50 X 103.0 LG 18 CONROD	2	pc	308,000 g	
	200	5240382550	BUSHING CONROD SIZE 0	1	pc	303,000 g	M

GROUP SEGMENT (FGS)

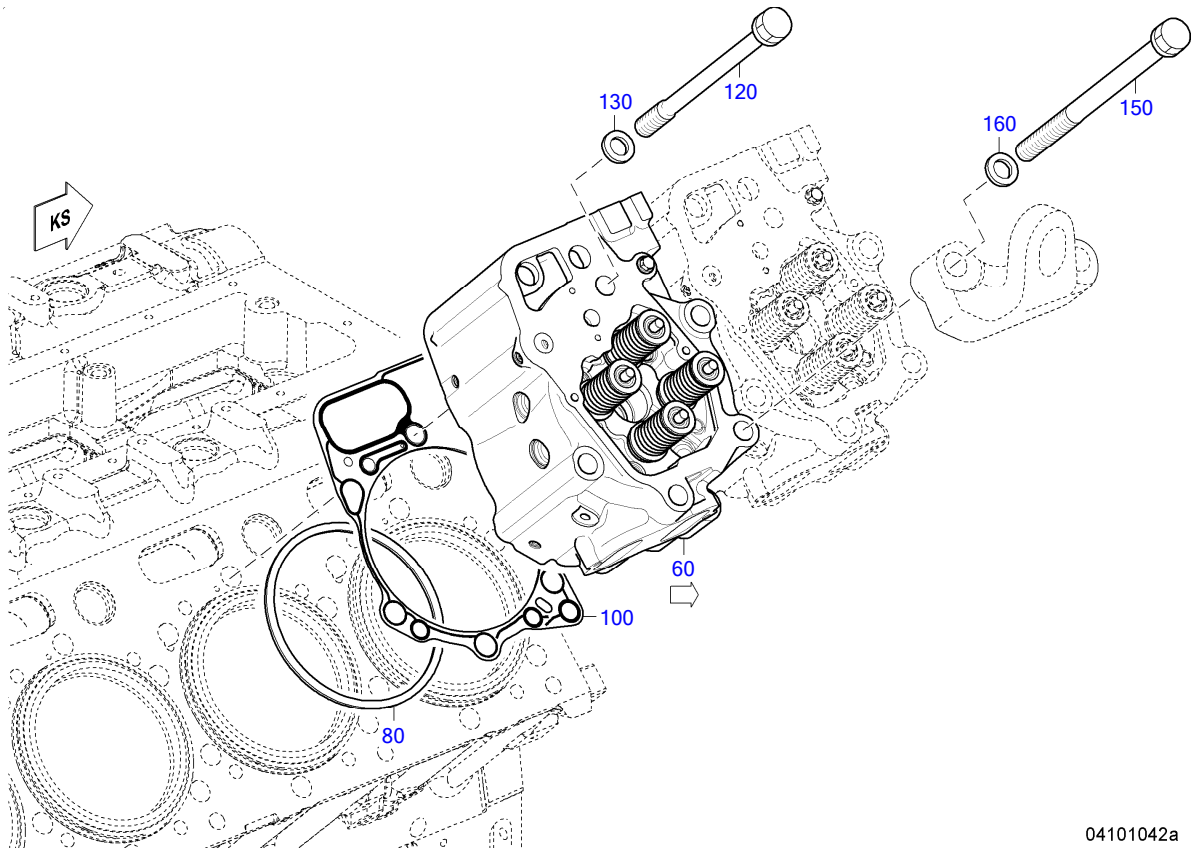
GROUP NAME

BOM-No.

---

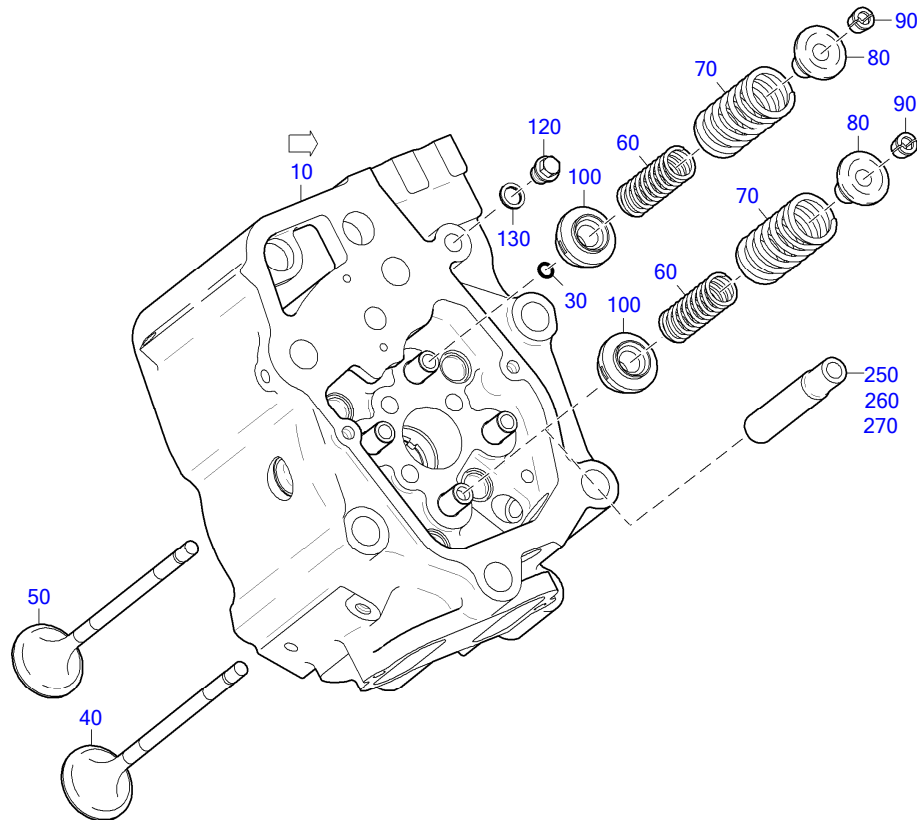


05  
CYLINDER HEAD FOR 12V  
XS594040.00013



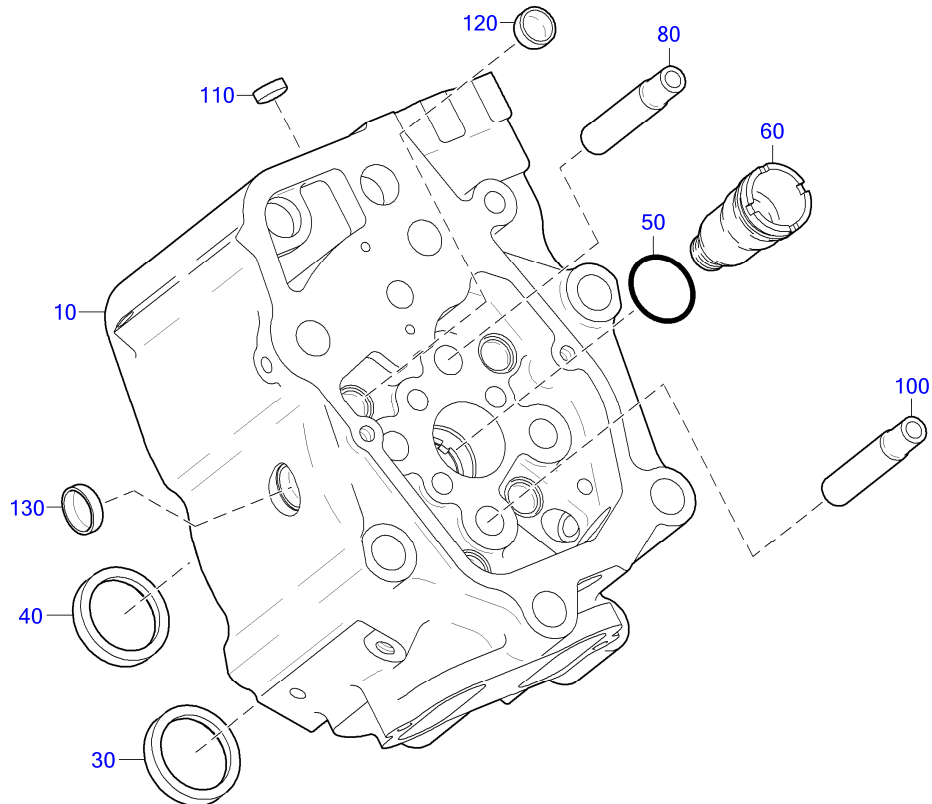
04101042a

➔	POS.	PART NO.	DESIGNATION	MODEL/TYPE	QTY.	UNITS	WEIGHT	FN	MEASUREMENT
	350	60	<b>X52404100209</b>	CYL. HEAD WITH VALVES	BR4000 MX03/PX03	12	pc	53,300 kg	EM MIT LECKAGEBOHRUNG
		80	<b>5240160319</b>	SEALING RING SIZE 0		12	pc	165,800 g	EM
		100	<b>X52404200043</b>	GASKET FOR CYLINDER HEAD		12	pc	121,300 g	
		120	<b>X52404200005</b>	SCREW		60	pc	827,700 g	
		130	<b>5240110062</b>	WASHER THRUST		60	pc	20,600 g	
		150	<b>5240160069</b>	BOLT HEX CYL HD		12	pc	1,100 kg	M22X2X333
		160	<b>5240110062</b>	WASHER THRUST		12	pc	20,600 g	



04101259

➔	POS.	PART NO.	DESIGNATION	MODEL/TYPE	QTY.	UNITS	WEIGHT	FN	MEASUREMENT	STANDARD
351	10	<b>X52404100208</b>	CYLINDER HEAD W/VALVE GUIDES		1	pc	50,000 kg	EM		
	30	<b>700429010004</b>	O-RING		2	pc	0,200 g		10,78X 1,82	MMN429
	40	<b>X00042197</b>	INLET VALVE		2	pc	335,800 g	EM		
	50	<b>5240530805</b>	EXHAUST VALVE		2	pc	340,800 g	EM		
	60	<b>5240530122</b>	VALVE SPRING INNER	4000	4	pc	60,500 g			
	70	<b>5240530120</b>	VALVE SPRING OUTER	4000	4	pc	154,900 g			
	80	<b>5240530125</b>	RETAINER VALVE SPRING		4	pc	33,800 g			
	90	<b>0000530926</b>	VALVE KEEPER WEDGE		8	pc	1,600 g			
	100	<b>0000534335</b>	VALVE ROTATOR		4	pc	108,700 g			
	120	<b>000910014004</b>	PLUG		1	pc	25,000 g		M 14 X 1,5	DIN910
	130	<b>007603014102</b>	COPPER SEALING RING		1	pc	1,000 g		A 14 X 18	DIN7603
	210	<b>X52404200008</b>	VALVE GUIDE INLET AND EXHAUST	STUFE 0 - KENNZ. 1 RILLE	1	pc	120,000 g		FERTIG BEARBEITET, 19.00 R6 H7	
	220	<b>X52404200009</b>	VALVE GUIDE INLET AND EXHAUST	STUFE 1 - KENNZ. 2 RILLEN	1	pc	0,120 kg	EM	FERTIG BEARBEITET, 19.10 R6 H7	
	230	<b>X52404200010</b>	VALVE GUIDE INLET AND EXHAUST	STUFE 2 - KENNZ. 3 RILLEN	1	pc	0,120 kg	EM	FERTIG BEARBEITET, 19.30 R6 H7	
	250	<b>5240530830</b>	VALVE GUIDE	STUFE 0 - KENNZ. 1 RILLE	1	pc	130,000 g		FERTIG BEARBEITET, 19.00 R6 H7	
	260	<b>5240530930</b>	VALVE GUIDE	STUFE 1 - KENNZ. 2 RILLEN	1	pc	130,000 g	EM	FERTIG BEARBEITET, 19.10 R6 H7	
	270	<b>5240530930</b>	VALVE GUIDE	STUFE 1 - KENNZ. 2 RILLEN	1	pc	130,000 g	EM	FERTIG BEARBEITET, 19.10 R6 H7	



04101141

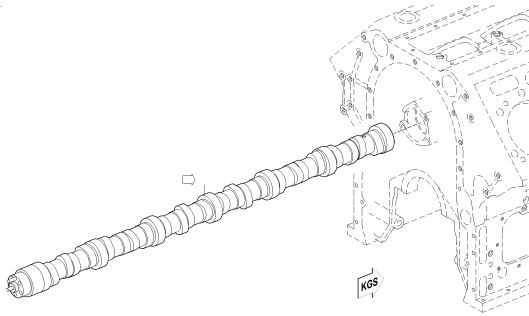
➔	POS.	PART NO.	DESIGNATION	QTY.	UNITS	WEIGHT	FN	MEASUREMENT	STANDARD
	10	X52404100207	CYLINDER HEAD (ONLY MACHINED)	1	pc	49,300 kg	EM		
	30	X52404100027	VALVE SEAT INSERT INLET	2	pc	47,700 g	EM	D 58U6	
	40	5240530032	VALVE SEAT INSERT EXHAUST	2	pc	31,100 g	EM	D 57U6	
	50	735252039000	O-RING	1	pc	1,800 g		39,2 X 3	MTN5252
	60	5240160153	TUBE INJECTOR	1	pc	188,600 g			
	80		VALVE GUIDE	2	pc	137,300 g	KE EM	D 19.3R6 / D10.6+0.05	
	100		VALVE GUIDE INSERT	2	pc	133,600 g	KE EM	D 19R6 / D10.6+0.05	
	110	5550160633	SEALING CAP	1	pc	7,200 g		D 20	
	120	5800160033	SEALING CAP	4	pc	11,000 g		D 24	
	130	5240160233	SEALING CAP	5	pc	18,200 g		D 30	

GROUP SEGMENT (FGS)

GROUP NAME

BOM-No.

---



05  
CAMSHAFT FOR 12V  
XS526050.00002

05100252a



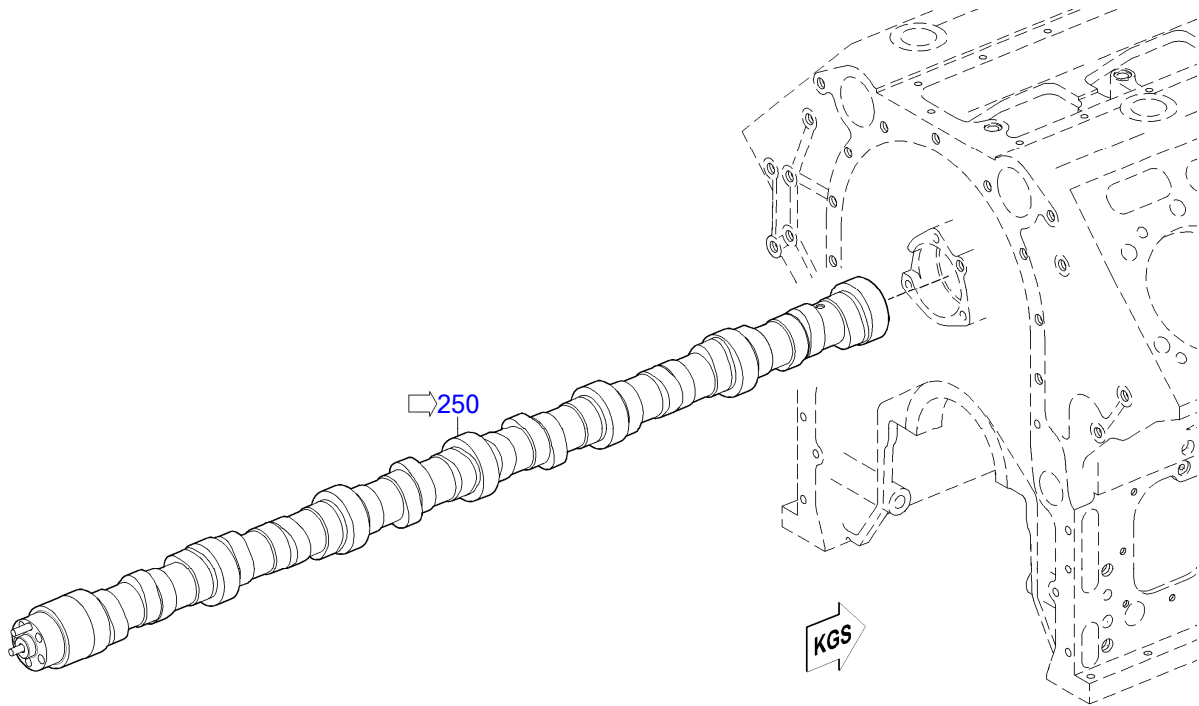
EQUI TYPE: Engine

PRODUCT TYPE: 12V4000M53  
CAMSHAFT FOR 12V

SERIAL NUMBER: 526107657

FG/FGS: 051 05

BOM-No.: XS526050.00002



05100252a

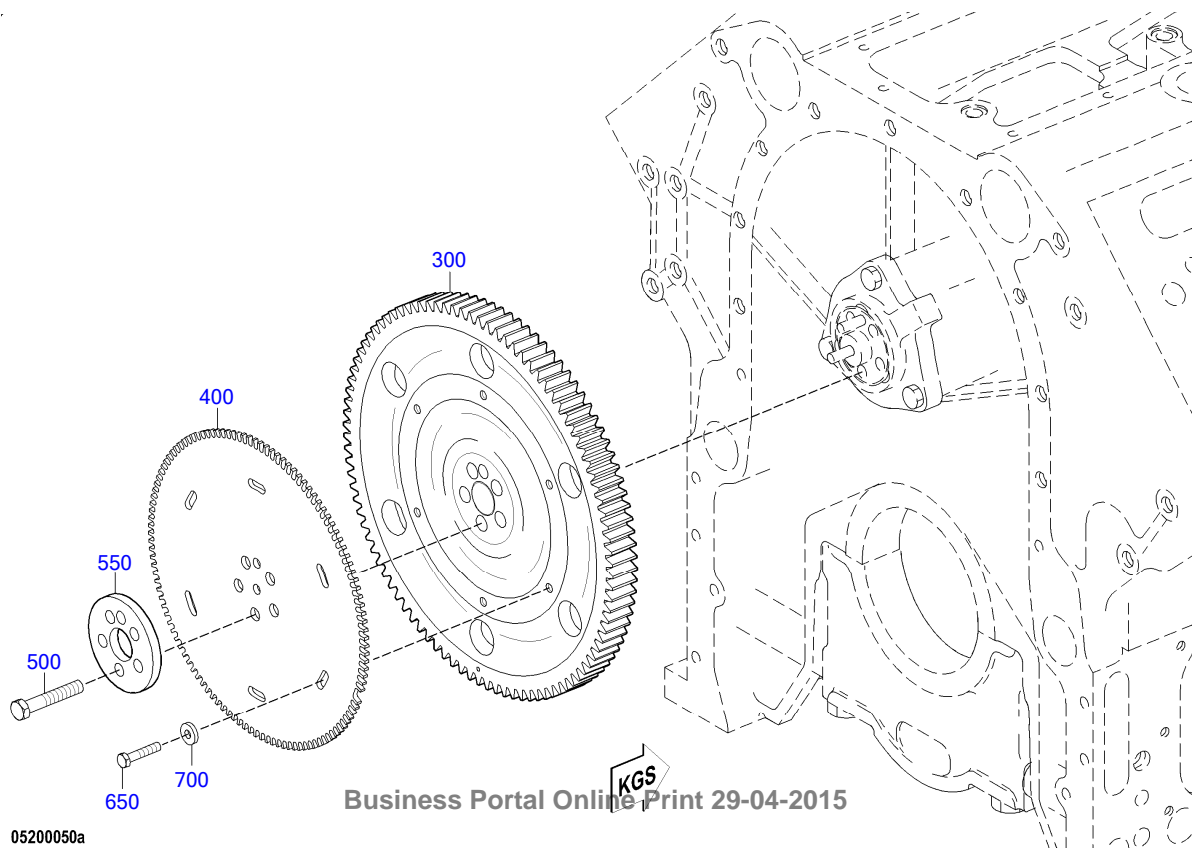
EQUI TYPE: Engine

PRODUCT TYPE: 12V4000M53  
CAMSHAFT FOR 12V

SERIAL NUMBER: 526107657

FG/FGS: 051 05

BOM-No.: XS526050.00002



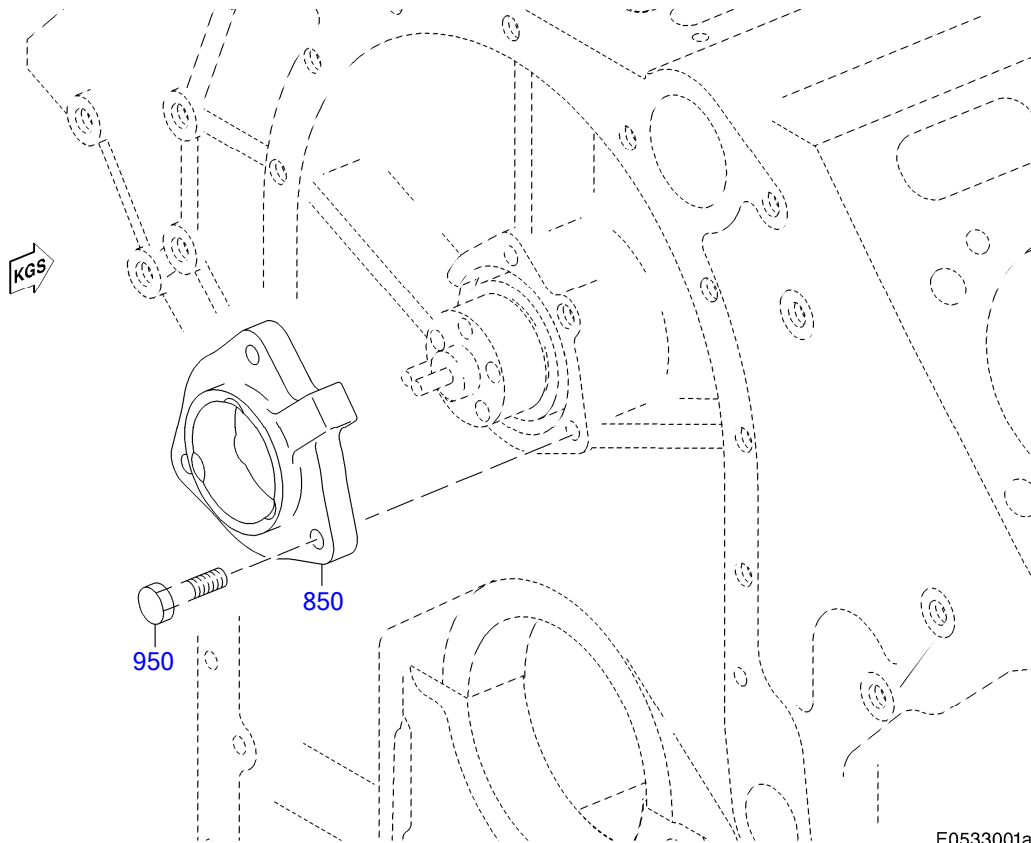
05200050a

EQUI TYPE: Engine

PRODUCT TYPE: 12V4000M53  
CAMSHAFT FOR 12V

SERIAL NUMBER: 526107657

FG/FGS: 051 05  
BOM-No.: XS526050.00002



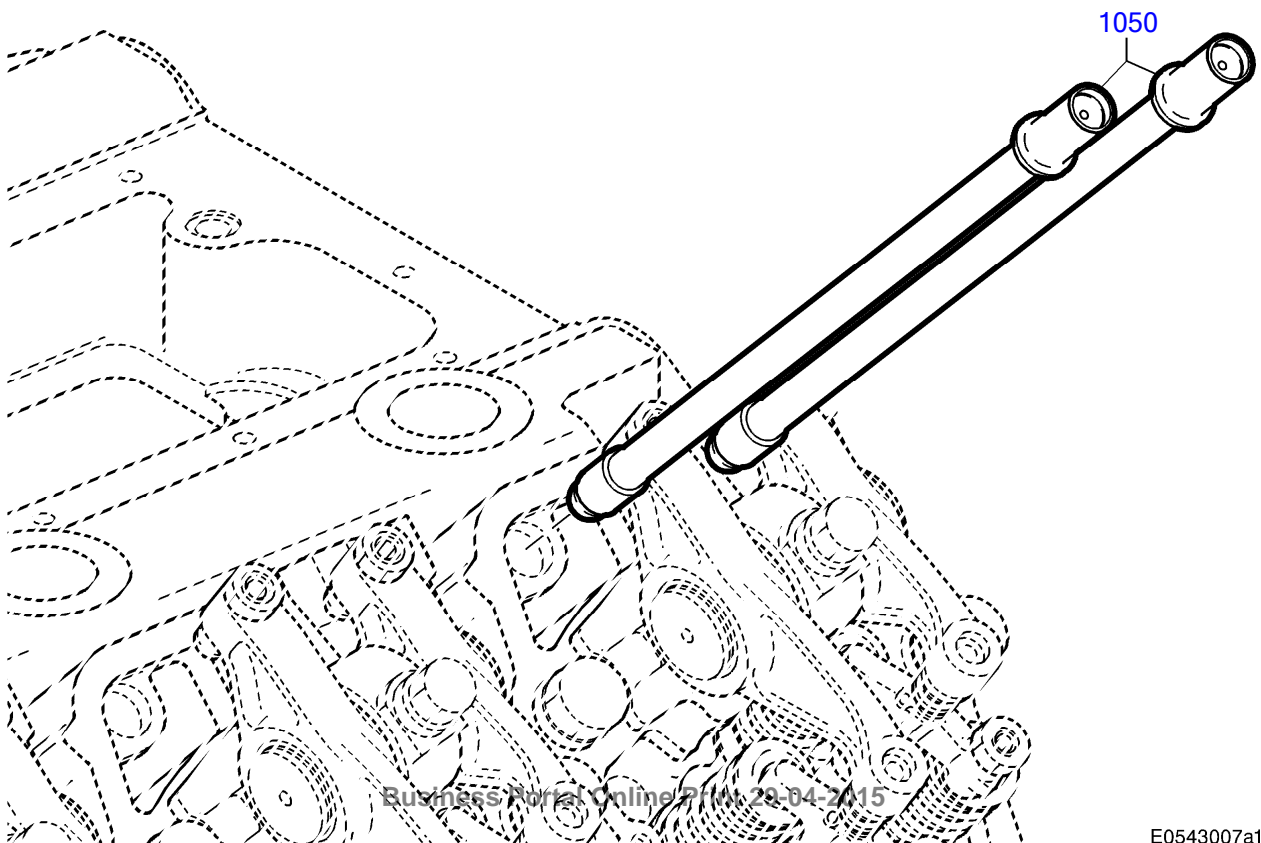
E0533001a1

EQUI TYPE: Engine

PRODUCT TYPE: 12V4000M53  
CAMSHAFT FOR 12V

SERIAL NUMBER: 526107657

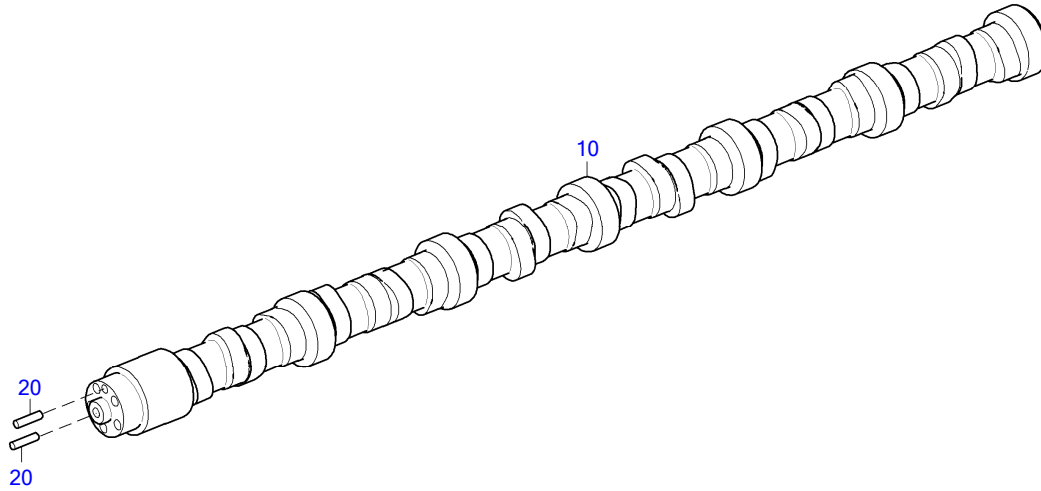
FG/FGS: 051 05  
BOM-No.: XS526050.00002



Business Portal Online Print: 29-04-2015

E0543007a1

➡	POS.	PART NO.	DESIGNATION	QTY.	UNITS	WEIGHT	FN	MEASUREMENT	STANDARD
354	250	X52605100021	CAMSHAFT FOR 12V	1	pc	75,000 kg	EM		
	300	X52405200018	CAMSHAFT GEAR	1	pc	19,400 kg	EM		
	400	5240521748	WHEEL SRS ADEC	1	pc	2,900 kg	EM		
	500	000931012052	HEX SCREW	5	pc	72,190 g		M 12 X 70	DIN931
	550	5240510351	SPACER RING HOLES	1	pc	422,900 g			
	650	304017008085	HEX SCREW	6	pc	18,000 g		M 8 X 40	ISO4017
	700	007349008002	WASHER	6	pc	7,900 g		8,4	DIN7349
	850	X52405300005	THRUST BEARING FLANG FOR CAMSHAFT	1	pc	2,000 kg			
	950	000933012051	HEX SCREW	3	pc	53,200 g	MN	M 12 X 50	DIN933
	1050	X52405400013	PUSHROD	24	pc	600,200 g			



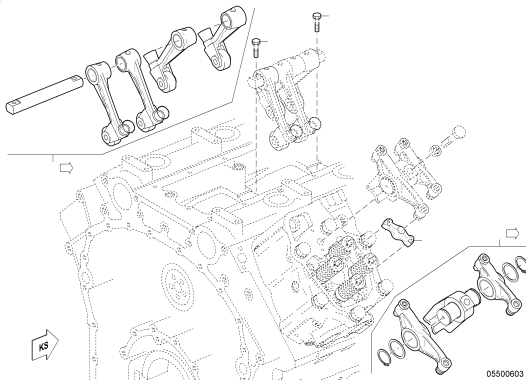
05100325

➔	POS.	PART NO.	DESIGNATION	QTY.	UNITS	WEIGHT	FN	MEASUREMENT	STANDARD
	10	X52605100020	CAMSHAFT FOR 12V	1	pc	49,566 kg	EM		
	20	000007010111	PIN DOWEL CAMSHAFT	2	pc	25,000 g		10 M6 X 40	DIN7

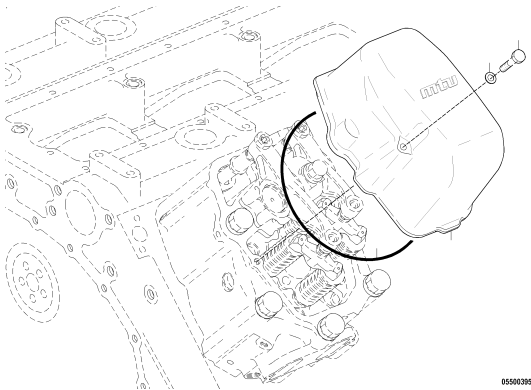
GROUP SEGMENT (FGS)

GROUP NAME

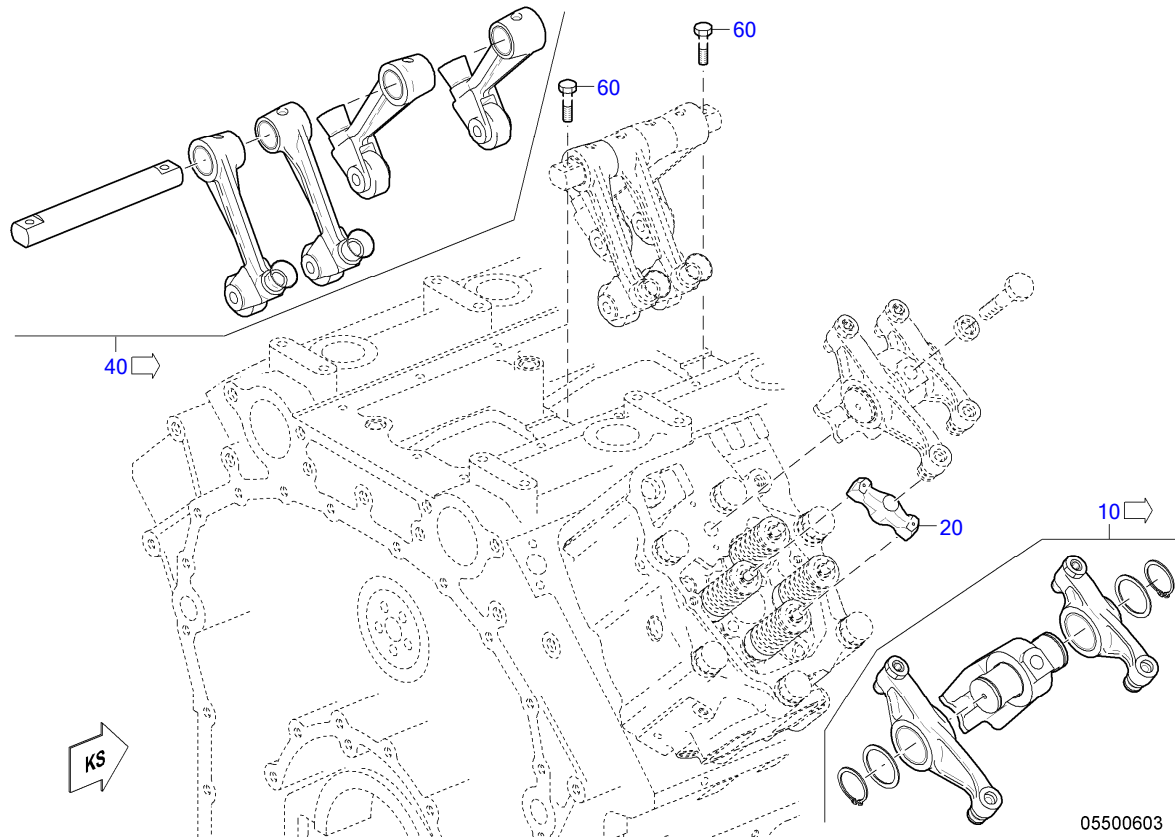
BOM-No.



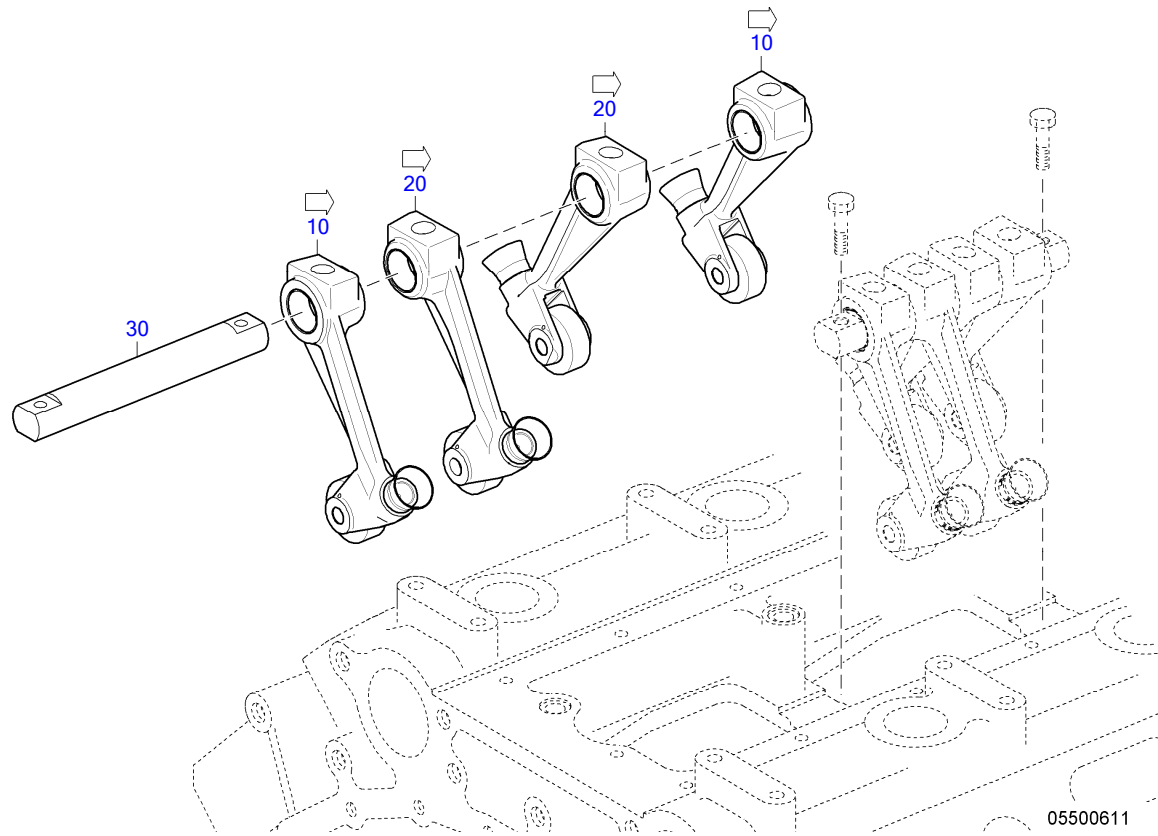
05  
VALVE GEAR FOR 12V  
XS526050.00019



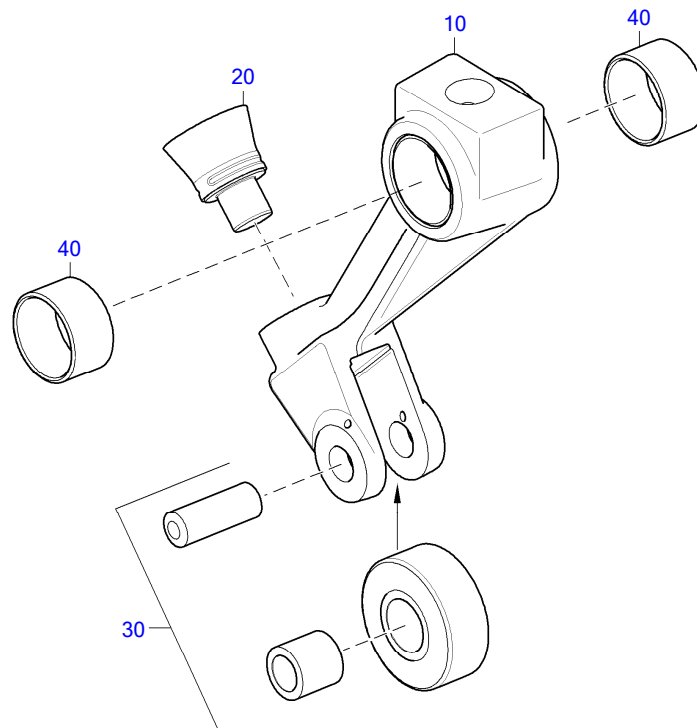
10  
CYLINDER HEAD COVER FOR 12V  
XS526010.00028



➔	POS.	PART NO.	DESIGNATION	QTY.	UNITS	WEIGHT	MEASUREMENT	STANDARD
360	10	<b>X52405500145</b>	ROCKER ARM	12	pc	6,560 kg		
	20	<b>X52405500135</b>	VALVE BRIDGE	24	pc	275,800 g		
357	40	<b>X52405500139</b>	SWING FOLL.	6	pc	7,940 kg		
	60	<b>000933010194</b>	HEX SCREW	12	pc	31,200 g	M 10 X 40	DIN933



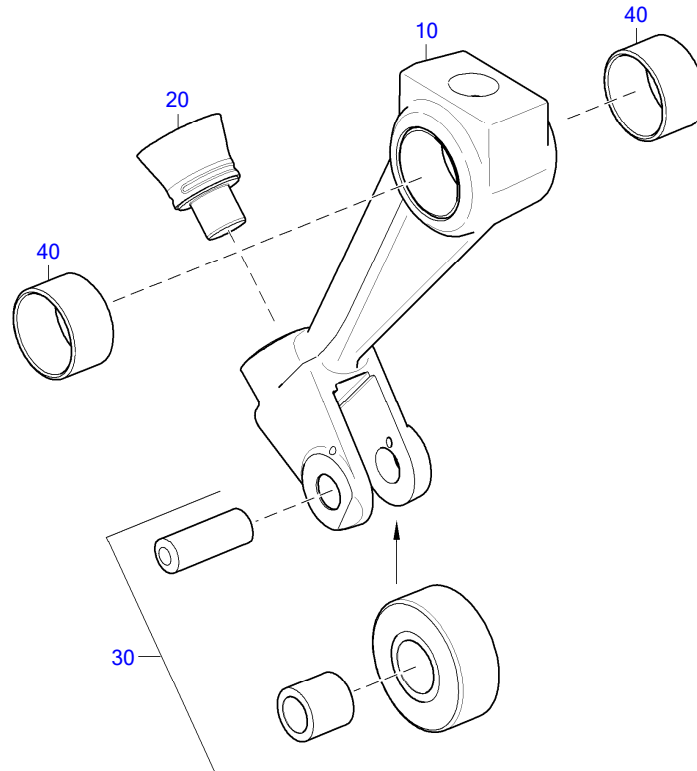
➔	POS.	PART NO.	DESIGNATION	QTY.	UNITS	WEIGHT
	10	X52405500137	SWING FOLL. INLET	2	pc	1,761 kg
	20	X52405500138	SWING FOLL. EXHAUST	2	pc	1,761 kg
	30	X52405500103	ROCKER SHAFT	1	pc	1,380 kg



05500614

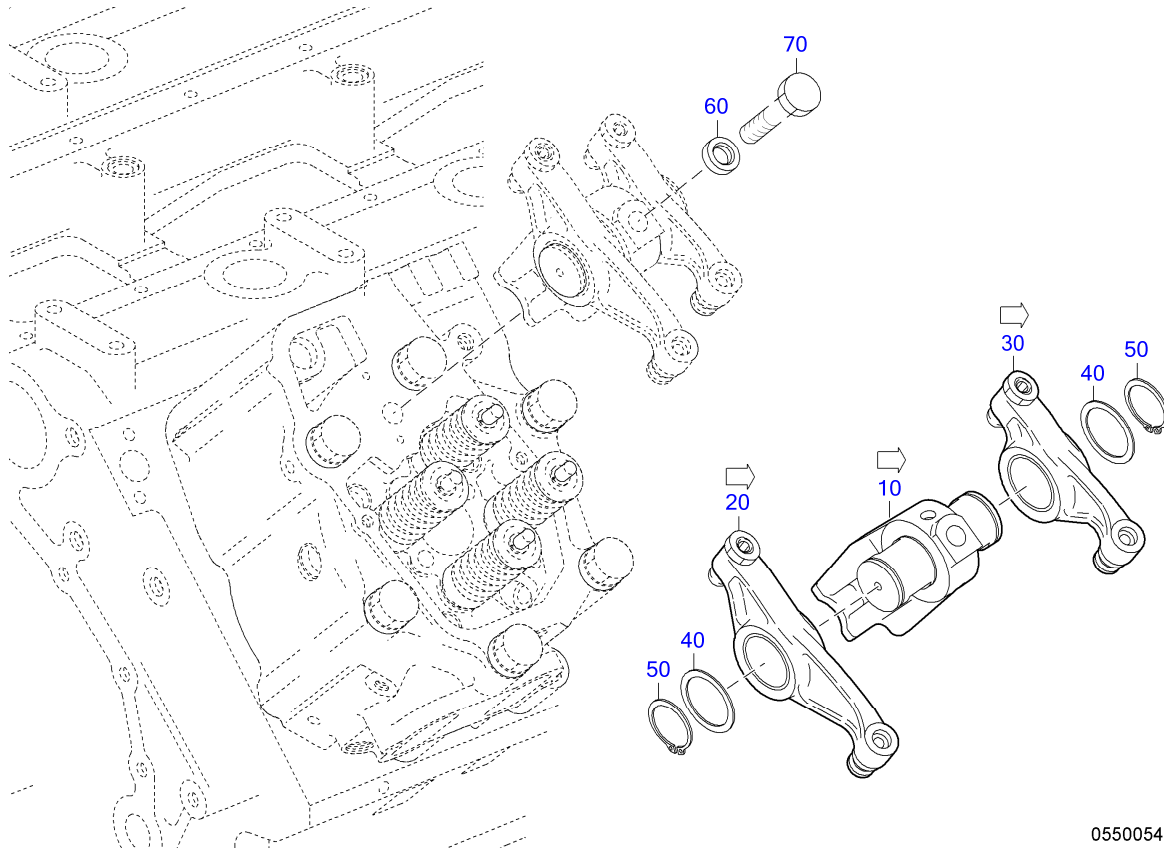
➔	POS.	PART NO.	DESIGNATION	QTY.	UNITS	WEIGHT	MEASUREMENT	STANDARD
	10	X52405500106	SWING FOLL. INLET	1	pc	1,177 kg		
	20	X52405500136	BALL SOCKET FOR ROCKER ARM	1	pc	64,500 g		
	30	X52405400022	ROLLER TAPPET REPAIR KIT	1	pc	341,000 g		
	40	000000001270	BUSHING	2	pc	36,900 g	C 32 X 36 X 20	ISO4379





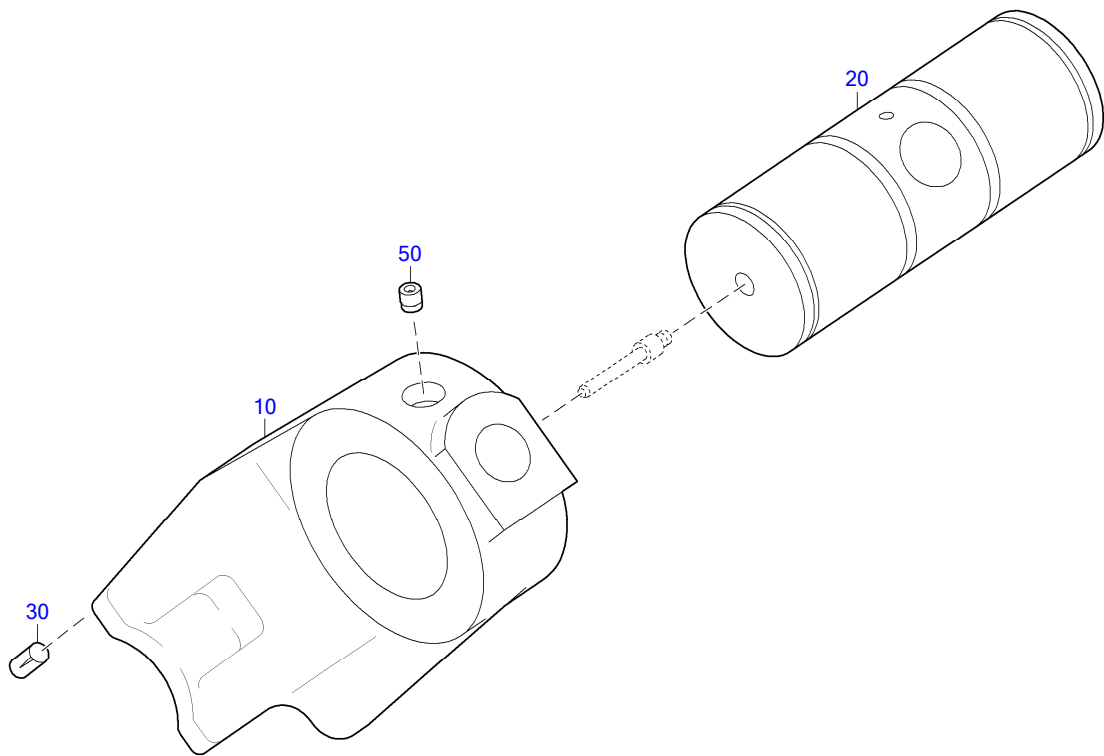
05500615

➔	POS.	PART NO.	DESIGNATION	QTY.	UNITS	WEIGHT	MEASUREMENT	STANDARD
	10	X52405500107	SWING FOLL. EXHAUST	1	pc	1,173 kg		
	20	X52405500136	BALL SOCKET FOR ROCKER ARM	1	pc	64,500 g		
	30	X52405400022	ROLLER TAPPET REPAIR KIT	1	pc	341,000 g		
	40	000000001270	BUSHING	2	pc	36,900 g	C 32 X 36 X 20	ISO4379



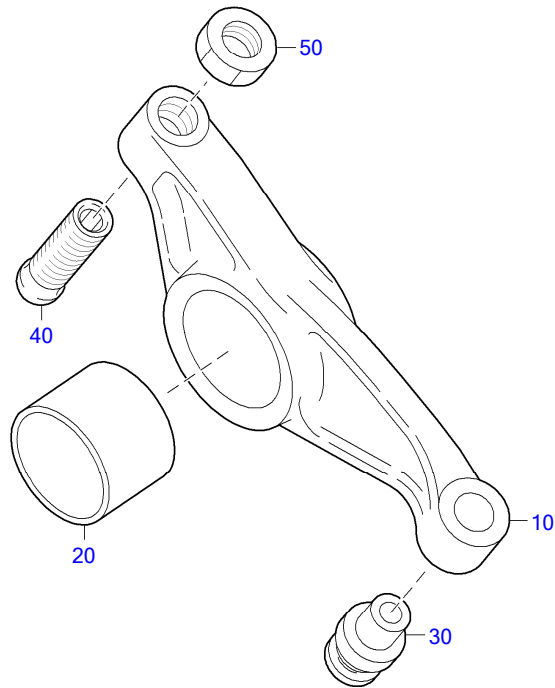
05500546

➔	POS.	PART NO.	DESIGNATION	QTY.	UNITS	WEIGHT	MEASUREMENT	STANDARD
	361	10	<b>X52405500146</b>	ROCKER SHAFT SUPPORT	1	pc	3,523 kg	
	362	20	<b>X52405500124</b>	ROCKER ARM INLET	1	pc	1,393 kg	
	363	30	<b>X52405500123</b>	ROCKER ARM EXHAUST	1	pc	1,356 kg	
		40	<b>200988045000</b>	RING SHIM	2	pc	8,600 g	45 X 55 X 1,5 DIN988
		50	<b>000471045000</b>	RING SNAP HV ZNPH R5F	2	pc	7,300 g	45 X 1,75 DIN471
		60	<b>700521016200</b>	WASHER	1	pc	11,700 g	16,2 MMN521
		70	<b>200933016002</b>	HEX SCREW	1	pc	272,000 g	M 16 X180 DIN933



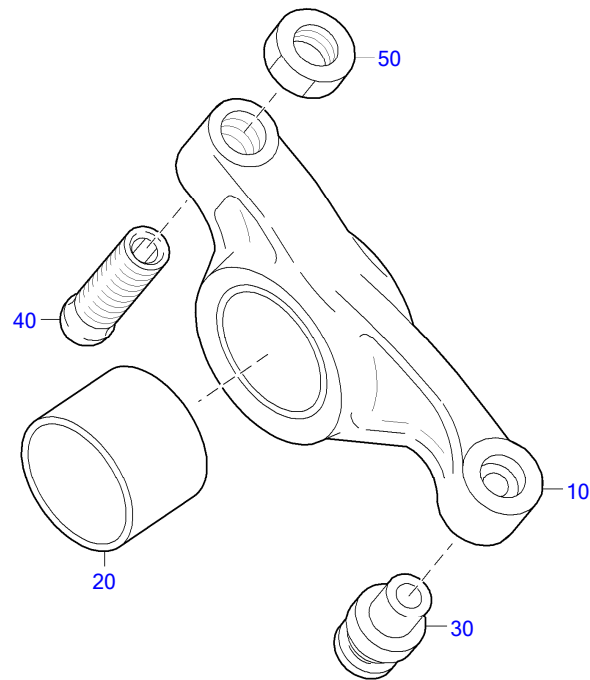
05500549

➔	POS.	PART NO.	DESIGNATION	QTY.	UNITS	WEIGHT	MEASUREMENT	STANDARD
	10	X52405500142	ROCKER SHAFT SUPPORT	1	pc	2,132 kg		
	20	X52405500097	ROCKER SHAFT	1	pc	1,383 kg		
	30	001474006000	PIN GROOVED	2	pc	2,700 g	6 X 12	DIN1474
	50	X52418300025	OIL SPRAY NOZZLE	1	pc	1,000 g		



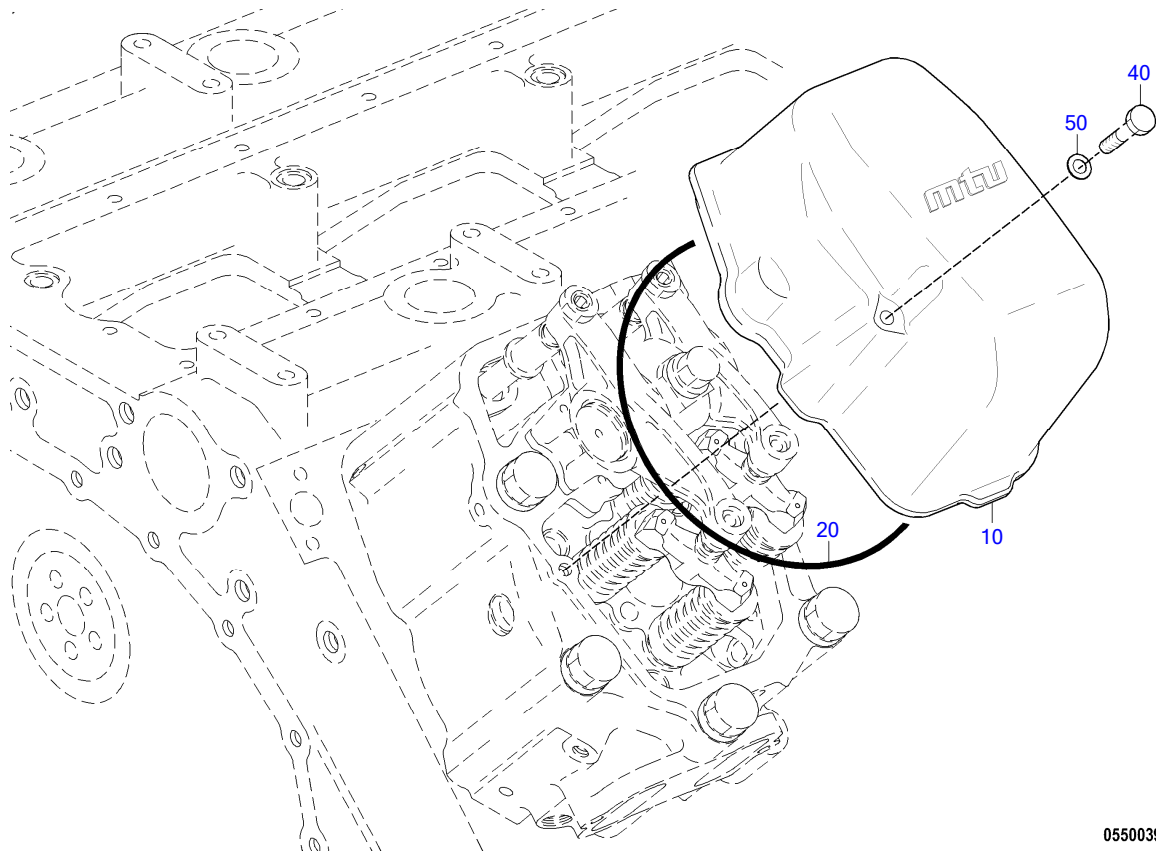
05500547

➔	POS.	PART NO.	DESIGNATION	QTY.	UNITS	WEIGHT	MEASUREMENT	STANDARD
	10	X52405500098	ROCKER ARM INLET	1	pc	1,102 kg		
	20	X52499100176	BUSHING FOR ROCKER ARM	1	pc	115,000 g		
	30	X52405200015	THRUST MEMBER FOR ROCKER ARM	1	pc	75,000 g		
	40	X52499100259	ADJUSTING SCREW FOR ROCKER ARM	1	pc	71,000 g		
	50	000000000403	NUT ADEC	1	pc	17,000 g	M 16 X 1,5	ISO8675



05500548

➔	POS.	PART NO.	DESIGNATION	QTY.	UNITS	WEIGHT	MEASUREMENT	STANDARD
	10	X52405500099	ROCKER ARM EXHAUST	1	pc	1,065 kg		
	20	X52499100176	BUSHING FOR ROCKER ARM	1	pc	115,000 g		
	30	X52405200015	THRUST MEMBER FOR ROCKER ARM	1	pc	75,000 g		
	40	X52499100259	ADJUSTING SCREW FOR ROCKER ARM	1	pc	71,000 g		
	50	000000000403	NUT ADEC	1	pc	17,000 g	M 16 X 1,5	ISO8675



05500395a

➔	POS.	PART NO.	DESIGNATION	QTY.	UNITS	WEIGHT	MEASUREMENT	STANDARD
	10	X52405500130	CYLINDER HEAD COVER	12	pc	2,400 kg		
	20	700429253000	O-RING	12	pc	22,000 g	253 X 4	MMN429
	40	000931010332	HEX SCREW	24	pc	100,000 g	M 10 X150	DIN931
	50	000125010524	WASHER	24	pc	3,100 g	A 10,5	DIN125

EQUI TYPE: Engine

PRODUCT TYPE: 12V4000M53  
INJECTION PUMP / HP PUMP

SERIAL NUMBER: 526107657  
FG/FGS: 073

---

GROUP SEGMENT (FGS)

**GROUP NAME**

BOM-No.

---

05

**HP PUMP W/ACCEPT CERTIFICAT**

XS593070.00027

EQUI TYPE: Engine

PRODUCT TYPE: 12V4000M53  
HP PUMP W/ACCEPT CERTIFICAT

SERIAL NUMBER: 526107657

FG/FGS: 073 05  
BOM-No.: XS593070.00027

➡	POS.	PART NO.	DESIGNATION	QTY.	UNITS	WEIGHT	FN	MEASUREMENT	STANDARD
	20	X59407300006/87	HP PUMP W/ACCEPT CERTIFICAT	1	pc	45,000 kg	EM		
	50	000912012093	SCREW	16	pc	59,000 g		M 12 X 55	DIN912
	60	200433013001	WASHER	16	pc	2,600 g		13	DIN433

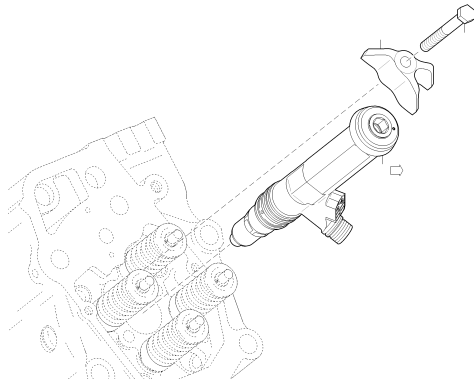


GROUP SEGMENT (FGS)

GROUP NAME

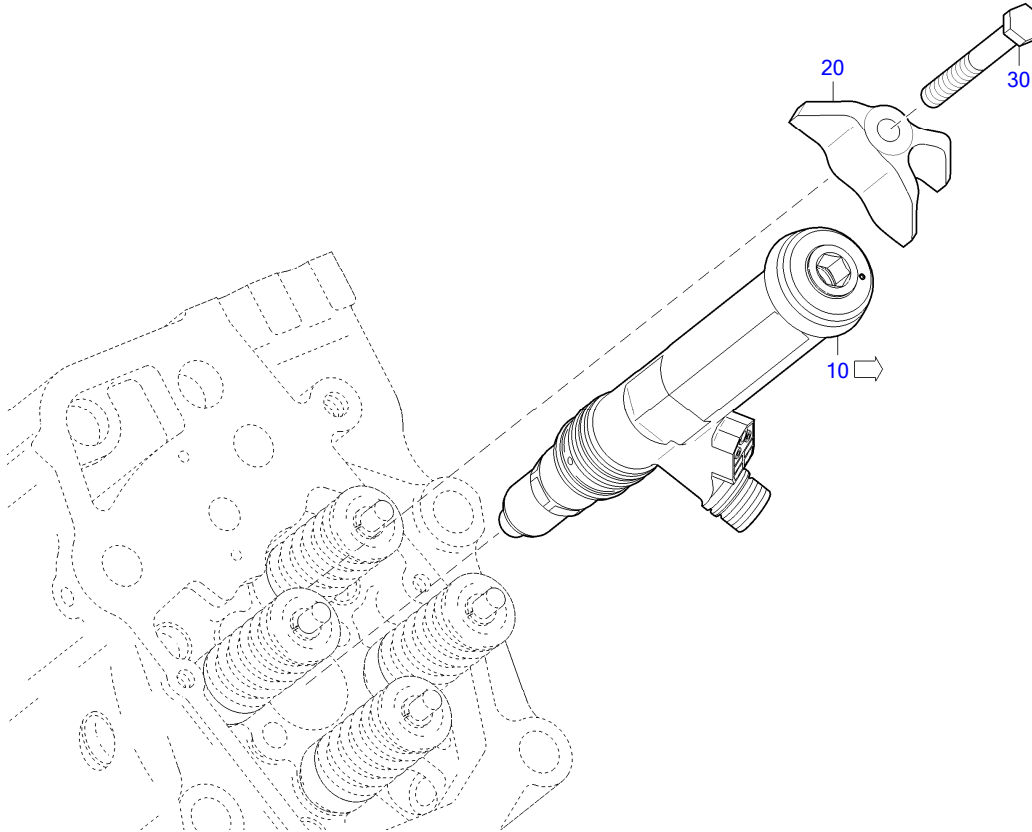
BOM-No.

---



05  
**INJECTOR**  
XS594070.00024

07500233a



07500233a

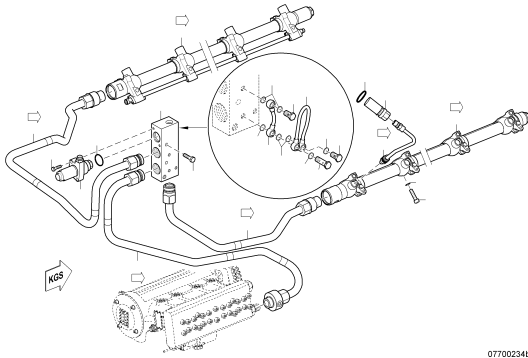
➔	POS.	PART NO.	DESIGNATION	QTY.	UNITS	WEIGHT	FN	MEASUREMENT
	10	X59407500016	INJECTOR	12	pc	3,500 kg	EM	
	20	5240780535	CLAMP INJECTOR HOLD-DOWN	12	pc	355,000 g		
	30	5249902101	HEX SCREW	12	pc	87,000 g		M12X100

GROUP SEGMENT (FGS)

GROUP NAME

BOM-No.

05  
HP LINE JACKETED  
XS594070.00020



07700234b

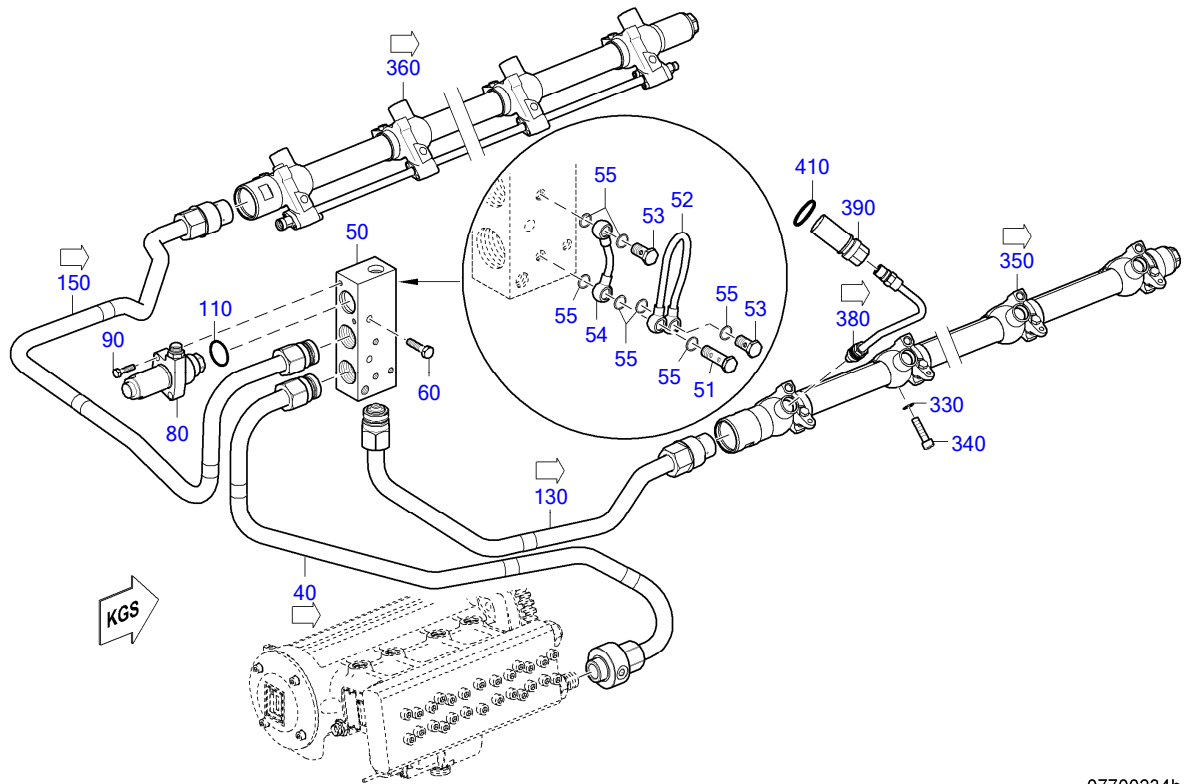
EQUI TYPE: Engine

PRODUCT TYPE: 12V4000M53  
HP LINE JACKETED

SERIAL NUMBER: 526107657

FG/FGS: 077 05

BOM-No.: XS594070.00020



07700234b

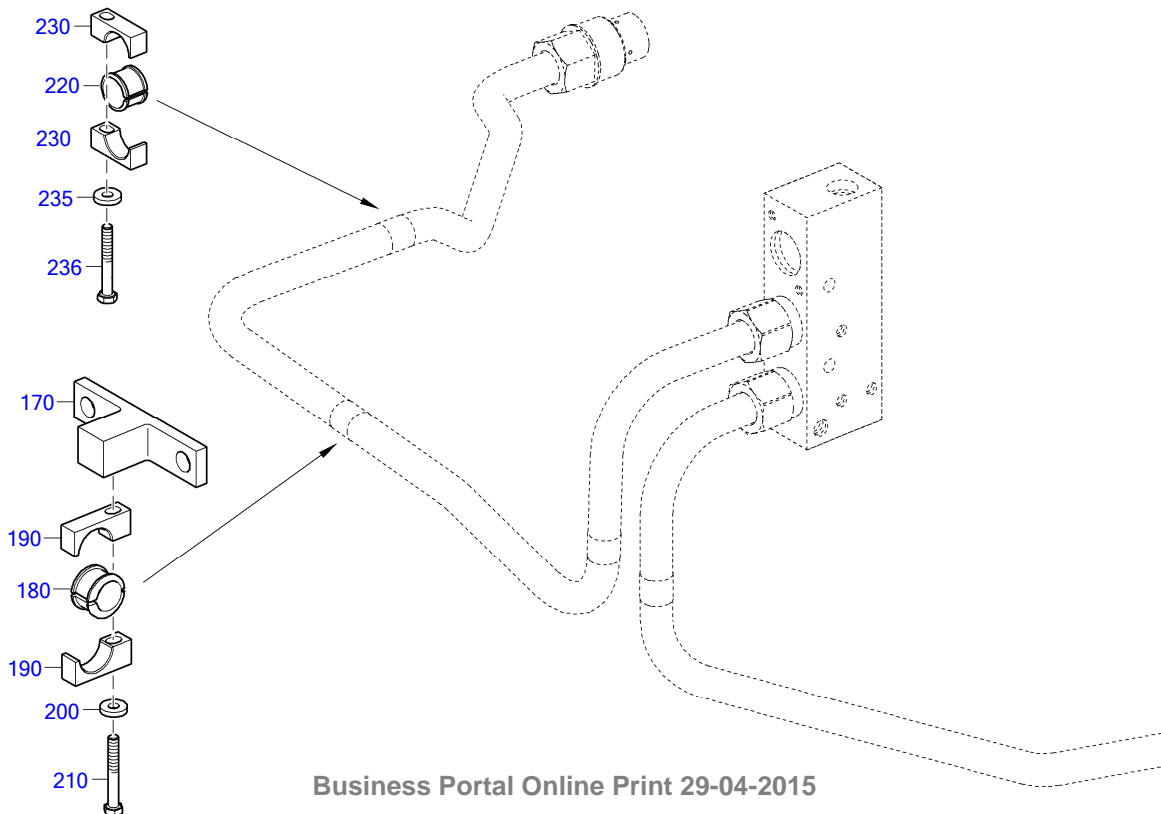
EQUI TYPE: Engine

PRODUCT TYPE: 12V4000M53  
HP LINE JACKETED

SERIAL NUMBER: 526107657

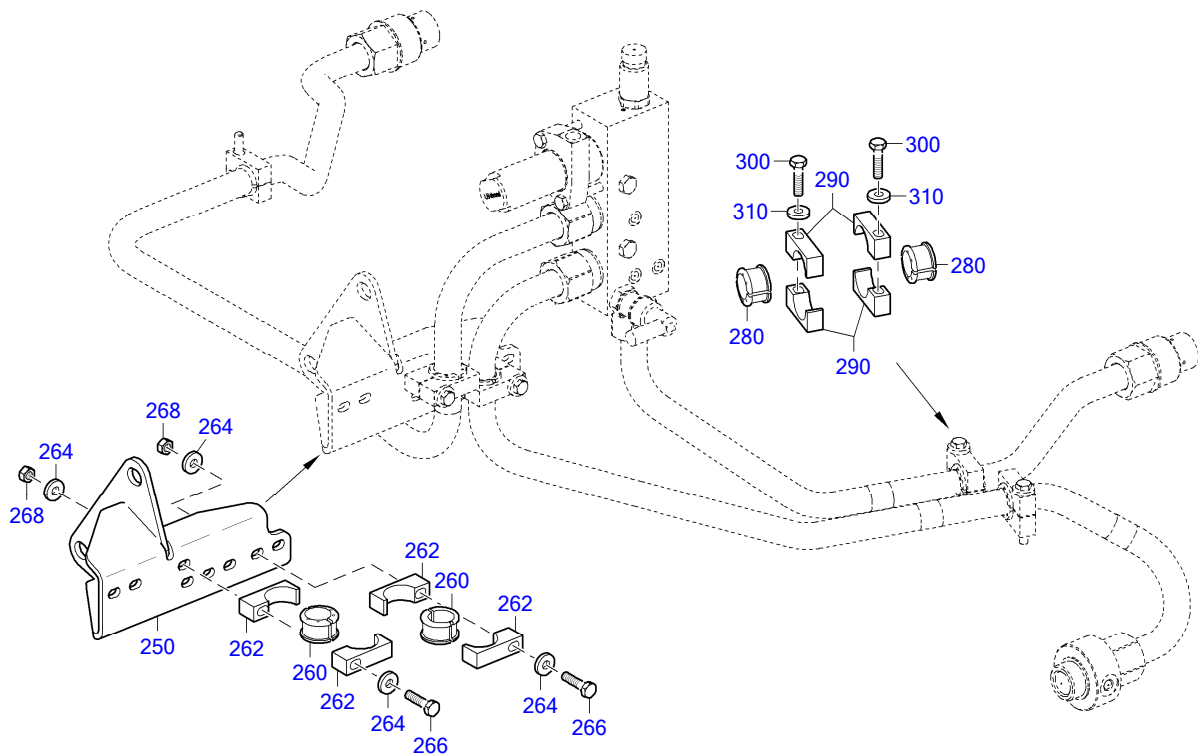
FG/FGS: 077 05

BOM-No.: XS594070.00020



Business Portal Online Print 29-04-2015

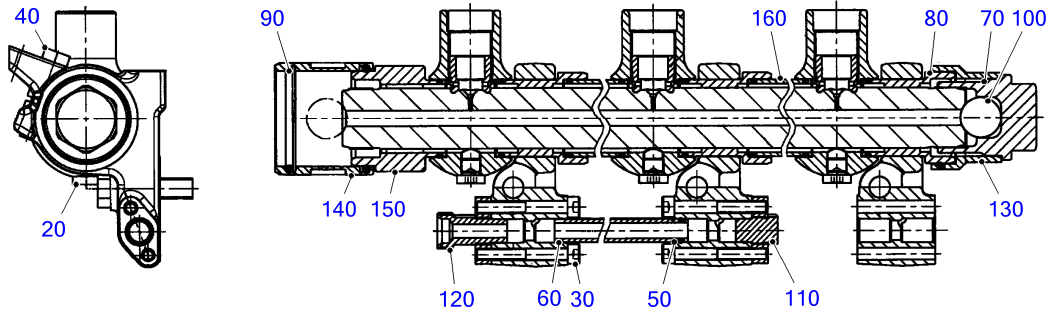
07700400a



07700401a

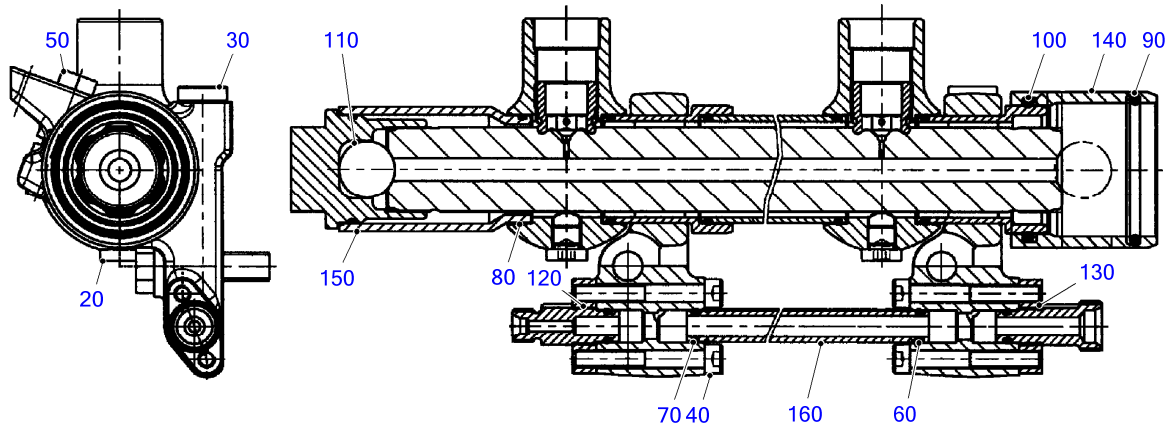
➔	POS.	PART NO.	DESIGNATION	QTY.	UNITS	WEIGHT	FN	MEASUREMENT	STANDARD
	40	X59507700002	HP FUEL LINE	1	pc	4,956 kg	EM		
	50	X59407800006	FUEL DISTRIBUTOR	1	pc	5,100 kg	EM		
	51	915047006202	BOLT BANJO B 6 ADEC	1	pc	18,200 g	B 6		N15047
	52	X52608700006	LEAK-OFF FUEL LINE TO DISTRIBUTOR PCE	1	pc	38,000 g	SB		
	53	915011004102	BOLT BANJO A 4	2	pc	14,300 g	A 4		N15011
	54	X52608700008	LEAK-OFF FUEL LINE TO DISTRIBUTOR PCE	1	pc	23,000 g	SB		
	55	007603010110	WASHER A COP	7	pc	0,300 g	A 10 X 13,5		DIN7603
	60	304017010032	HEX SCREW	2	pc	42,300 g	M 10 X 65		ISO4017
	80	X00034966	PRESS RELIEF VALVE FOR 12V	1	pc	1,545 kg	EM		
	90	304017008091	HEX SCREW	2	pc	22,500 g	M 8 X 55		ISO4017
	110	700429036003	O-RING	1	pc	1,800 g	36,2 X 3		MMN429
	130	X59507700003	HP FUEL LINE	1	pc	3,330 kg	EM		
	150	X59507700004	HP FUEL LINE	1	pc	6,070 kg	EM		
	170	X59307800013	RETAINER	1	pc	651,000 g			
	180	X59399100008	GROMMET	1	pc	8,900 g			
	190	X59399100007	CLAMP HALF TUBE 56 XC 21X16	2	pc	82,000 g			
	200	007349008002	WASHER	1	pc	7,900 g	8,4		DIN7349
	210	000000004164	HEX SCREW	1	pc	23,500 g	M 8 X 60		ISO4017
	220	X00027974	GROMMET	1	pc	4,500 g			
	230	X59399100003	CLAMP HALF TUBE 1/1 D9-28	2	pc	51,900 g			
	235	007349008002	WASHER	1	pc	7,900 g	8,4		DIN7349
	236	304017008087	HEX SCREW	1	pc	21,300 g	M 8 X 50		ISO4017
	250	X59507800004	RETAINER	1	pc	2,200 kg			
	260	X59399100008	GROMMET	2	pc	8,900 g			
	262	X59399100007	CLAMP HALF TUBE 56 XC 21X16	4	pc	82,000 g			

➡	POS.	PART NO.	DESIGNATION	QTY.	UNITS	WEIGHT	FN	MEASUREMENT	STANDARD
	264	007349008002	WASHER	4	pc	7,900 g		8,4	DIN7349
	266	204017008032	HEX SCREW	2	pc	25,500 g		M 8 X 65	ISO4017
	268	304032008014	NUT HEX 8 A3C	2	pc	4,800 g		M 8	ISO4032
	280	X59399100008	GROMMET	2	pc	8,900 g			
	290	X59399100007	CLAMP HALF TUBE 56 XC 21X16	4	pc	82,000 g			
	300	000000004164	HEX SCREW	2	pc	23,500 g		M 8 X 60	ISO4017
	310	007349008002	WASHER	2	pc	7,900 g		8,4	DIN7349
	330	200433010500	WASHER	12	pc	1,900 g		10,5	DIN433
	340	000912010014	BOLT HEX SOC HD	12	pc	31,500 g		M 10 X 40	DIN912
371	350	X00026986	RAIL FUEL HIGH PRESS DBL WALL A-BANK	1	pc	16,000 kg	EM		
372	360	X00026987	RAIL FUEL HIGH PRESS DBL WALL B-BANK	1	pc	16,000 kg	EM		
	380	X59407700023	HP FUEL LINE	12	pc	290,000 g	EM		
373	390	X52607700009	ADAPTER JACKETED	12	pc	325,000 g	EM	DROSSEL-DURCHM0,62MM	
	410	700429024000	O-RING	12	pc	3,900 g		24 X 5	MMN429



07700561

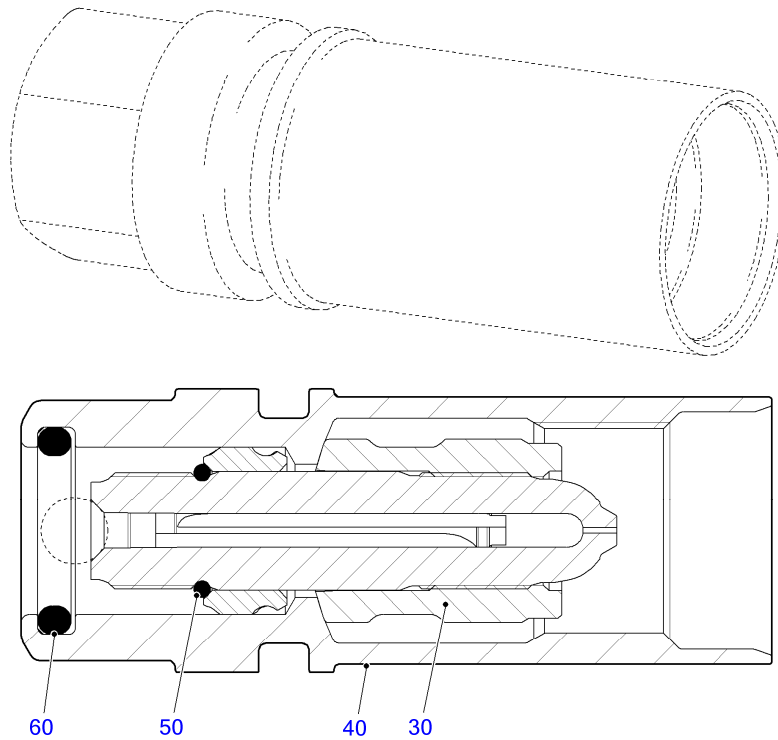
➔	POS.	PART NO.	DESIGNATION	QTY.	UNITS	WEIGHT	MEASUREMENT	STANDARD
	20	XP52707700002	PLUG	6	pc	7,000 g	M10 X 1	
	30	XP52707700003	SCREW	4	pc	0,500 kg	M6X45-12.9	ISO4762
	40	304017008085	HEX SCREW	6	pc	18,000 g	M 8 X 40	ISO4017
	50	XP52707700004	SNAP RING	10	pc	3,600 g	12 X 1	
	60	XP52707700005	O-RING	12	pc	2,000 g	9 X 2	
	70	XP52707700006	O-RING	18	pc	2,000 g	35 X 2	
	80	XP52707700007	O-RING	1	pc	1,500 g	44.12X2.62	
	90	XP52707700008	O-RING	2	pc	2,800 g	46.04X3.53	
	100	XP52707700047	BALL	1	pc		D20	
	110	XP52707700039	SEAL PLUG	1	pc			
	120	XP52707700040	FLANGE	1	pc			
	130	XP52707700041	COVER TUBE	1	pc			
	140	XP52707700043	COVER TUBE	1	pc			
	150	XP52707700045	CENTERING RING	1	pc		DA54X54.5	
	160	XP52707700046	PLUG-IN PIPE	5	pc	1,000 kg		



07700560

➔	POS.	PART NO.	DESIGNATION	QTY.	UNITS	WEIGHT	MEASUREMENT	STANDARD
	20	XP52707700002	PLUG	6	pc	7,000 g	M10 X 1	
	30	XP52707700009	PLUG	1	pc	0,015 kg		
	40	XP52707700003	SCREW	4	pc	0,500 kg	M6X45-12.9	ISO4762
	50	304017008085	HEX SCREW	6	pc	18,000 g	M 8 X 40	ISO4017
	60	XP52707700004	SNAP RING	10	pc	3,600 g	12 X 1	
	70	XP52707700005	O-RING	12	pc	2,000 g	9 X 2	
	80	XP52707700006	O-RING	18	pc	2,000 g	35 X 2	
	90	XP52707700008	O-RING	1	pc	2,800 g	46.04X3.53	
	100	XP52707700010	O-RING	1	pc	5,000 g	44.04X3.53	
	110	XP52707700047	BALL	1	pc		D20	
	120	XP52707700038	FLANGE	1	pc			
	130	XP52707700040	FLANGE	1	pc			
	140	XP52707700042	COVER TUBE	1	pc		DA55X51	
	150	XP52707700044	COVER TUBE	1	pc		DA44X49	
	160	XP52707700046	PLUG-IN PIPE	5	pc	1,000 kg		





07700641

➔	POS.	PART NO.	DESIGNATION	QTY.	UNITS	WEIGHT	MEASUREMENT
	30	XP52707700018	THRUST RING	1	pc		22X29.5
	40	XP52707700017	UNION NUT	1	pc		34X90
	50	XP52707700015	O-RING	1	pc	1,000 g	12X2
	60	8699970483	SEALING RING	1	pc	1,300 g	18,64 X 3,55

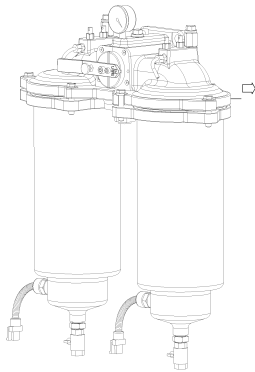
GROUP SEGMENT (FGS)

GROUP NAME

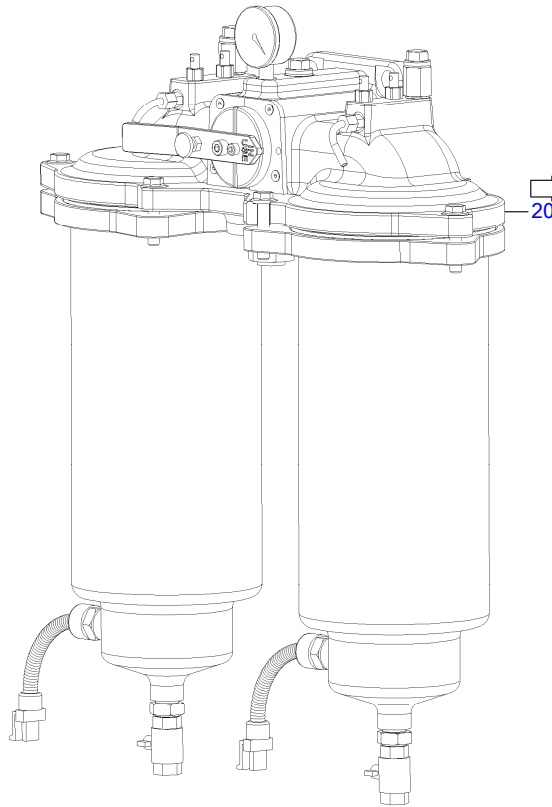
BOM-No.

---

00  
**FUEL PREFILTER**  
XS594080.00074

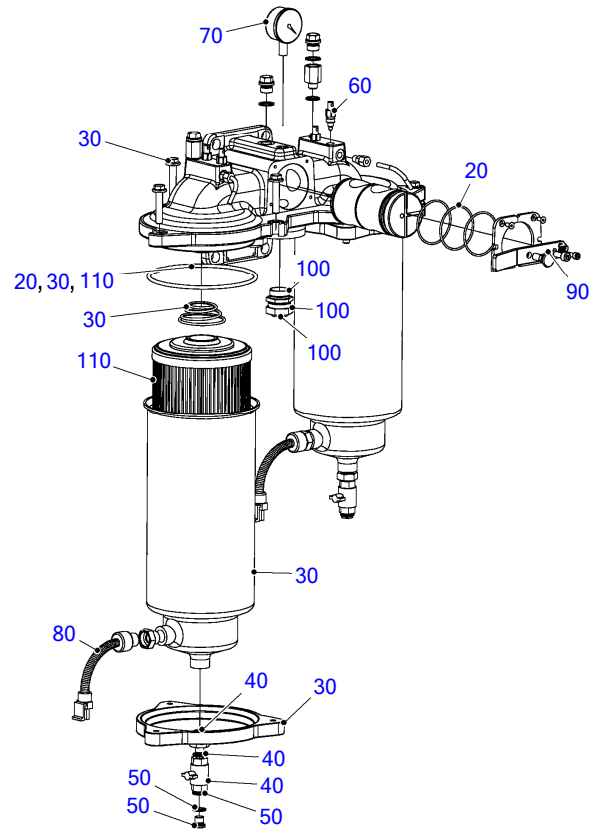


08000381



08000381

➔	POS.	PART NO.	DESIGNATION	MODEL/TYPE	QTY.	UNITS	WEIGHT
	20	X59408300053/89	FUEL PREFILTER	RACOR DFB-14-60356 - 1 MIC	1	pc	37,500 kg



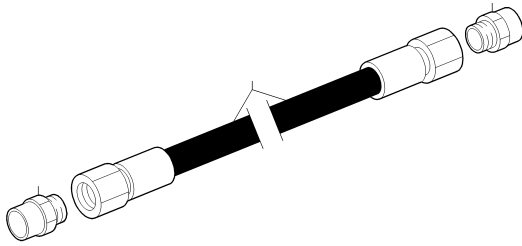
18301460

➔	POS.	PART NO.	DESIGNATION	MODEL/TYPE	QTY.	UNITS	WEIGHT	MEASUREMENT
	20	XP59400600004	GASKET KIT		1	pc	51,700 g	
	30	XP59408300061	BOWL KIT		2	pc	4,800 kg	
	40	XP59408300060	DRAIN VALVE		2	pc	21,600 g	
	50	XP59400600003	CONNECTION KIT		2	pc	21,000 g	
	60	XP59408300059	VENT VALVE		4	pc	28,000 g	
	70	XP59408300055	PRESSURE GAUGE		1	pc	107,200 g	-0,3 - 10 BAR
	80	X00E50200724	LEVEL MONITOR	RACOR WASSERSONDE	2	pc	28,500 g	WASSERSONDE, U=12 BIS 24V,
	90	XP59408300062	LOCKING DEVICE		1	pc		
	100	XP59408300063	CONNECTION		2	pc		
	110	XP59408300049	FILTER CARTRIDGE	RACOR FBO60336 1 MIC.	2	pc	9,100 kg	

GROUP SEGMENT (FGS)

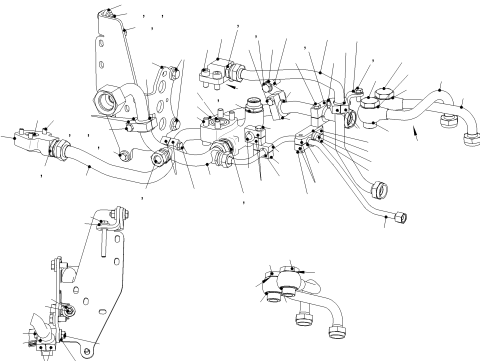
GROUP NAME

BOM-No.



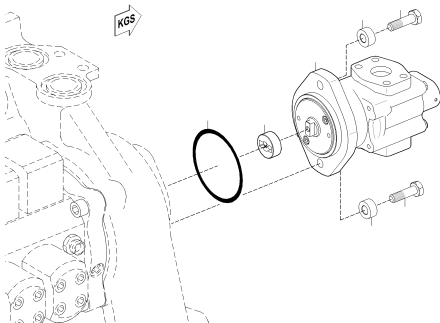
00  
**HOSE**  
XS595990.00056

20200807a



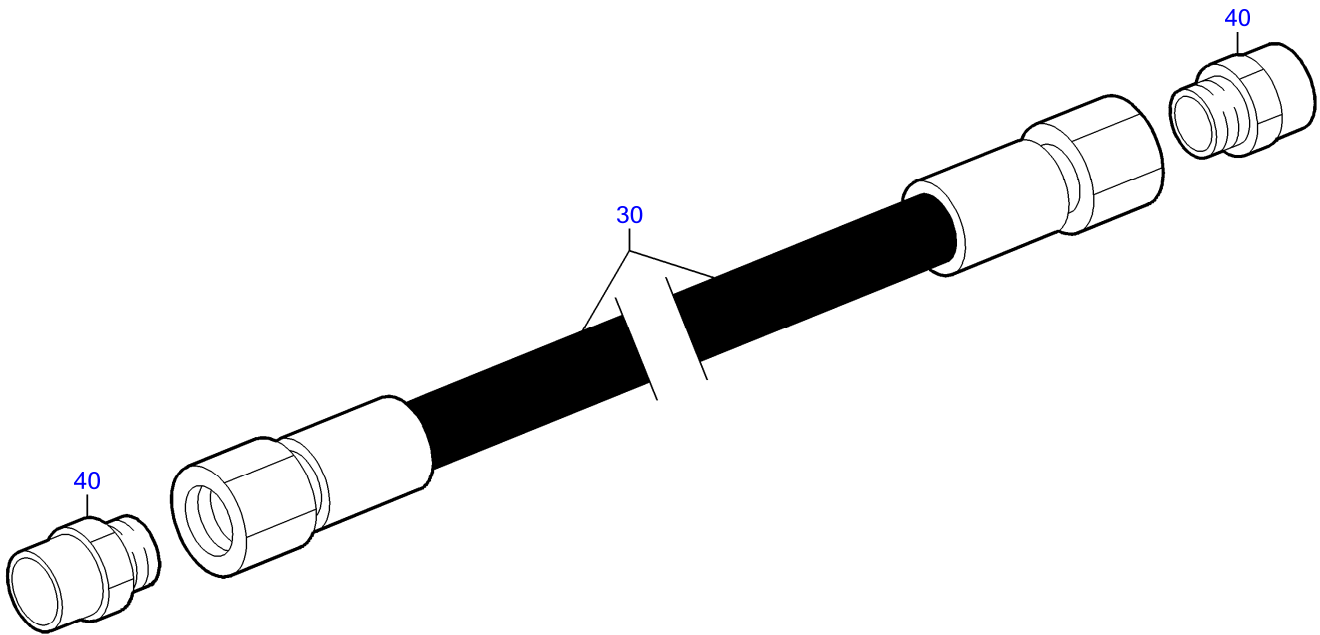
05  
**LP FUEL SYSTEM CLOSED**  
XS593080.00025

0800220a



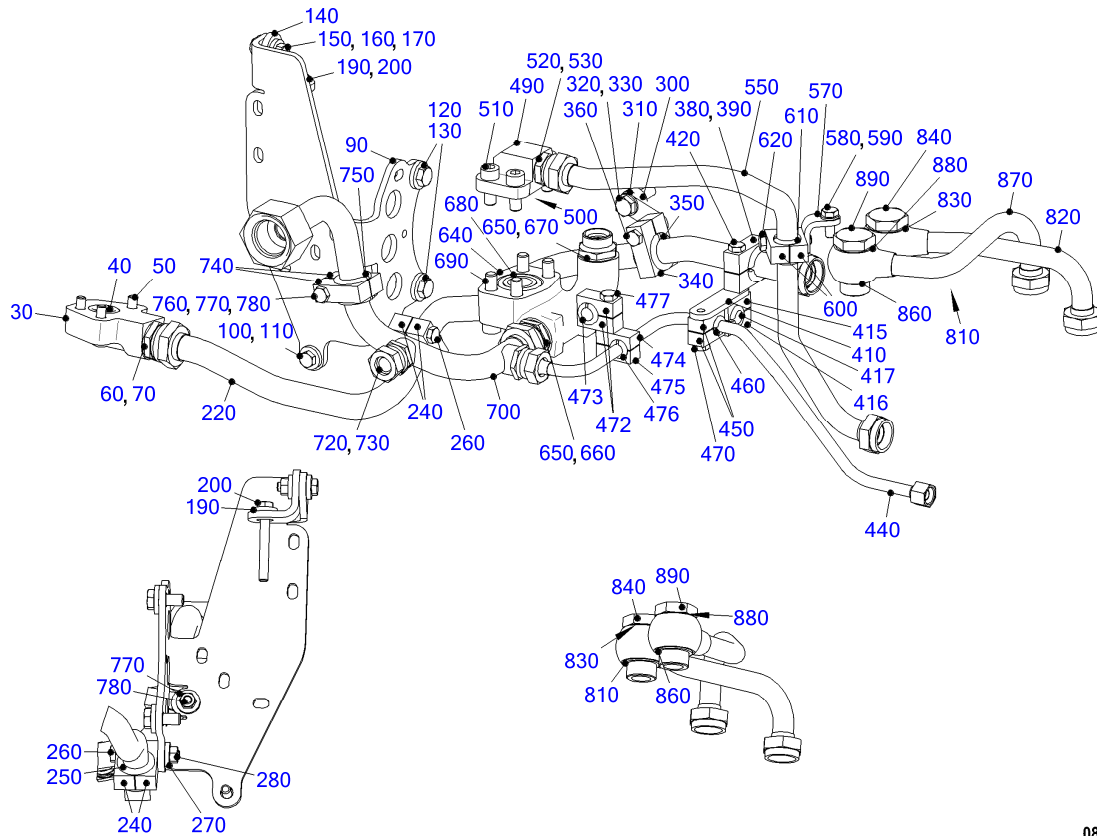
10  
**FUEL PUMP LOW PRESSURE**  
XS595080.00007

0810020a



20200807a

➔	POS.	PART NO.	DESIGNATION	MODEL/TYPE	QTY.	UNITS	WEIGHT	MEASUREMENT	STANDARD
	30	<b>X59599100145</b>	HOSE	EATON 2807-16 400 MM LANG	1	pc	395,900 g		
	40	<b>718363220003</b>	UNION		2	pc	69,100 g	22/M 30 X 1,5	MMN18363.2



08000200a

➔	POS.	PART NO.	DESIGNATION	MODEL/TYPE	QTY.	UNITS	WEIGHT	FN	MEASUREMENT	STANDARD
	30	X00032042	CONNECTING PIECE		1	pc	559,400 g	SB		
	40	700429020003	O-RING		1	pc	2,100 g		20 X 4	MMN429
	50	000912008014	SOCKET HD. S		3	pc	14,300 g		M 8 X 25	DIN912
	60	007603026101	WASHER A COP		1	pc	3,700 g		A 26 X 32	DIN7603
	70	915013020002	SCREW NECK		1	pc	66,700 g		20 (M30X1,5/M26X1,5)	N15013
	90	X59308100049	RETAINER PLATE		1	pc	1,480 kg			
	100	007349008002	WASHER		1	pc	7,900 g		8,4	DIN7349
	110	304017008081	HEX SCREW		1	pc	13,400 g		M 8 X 25	ISO4017
	120	007349010002	WASHER		2	pc	11,000 g		10,5	DIN7349
	130	00000003021	HEX SCREW		2	pc	22,800 g		M 10 X 25	ISO4017
	140	X54899100002	BRACKET		1	pc	76,000 g			
	150	007349008002	WASHER		2	pc	7,900 g		8,4	DIN7349
	160	304017008083	HEX SCREW		1	pc	15,100 g		M 8 X 30	ISO4017
	170	304032008014	NUT HEX 8 A3C		1	pc	4,800 g		M 8	ISO4032
	190	007349008002	WASHER		1	pc	7,900 g		8,4	DIN7349
	200	204017008032	HEX SCREW		1	pc	25,500 g		M 8 X 65	ISO4017
	220	X59308100005	FUEL LINE		1	pc	856,000 g	SB		
	240	700325028100	CLAMP HALF TUBE 1/1 D9-28		2	pc	55,000 g		1/1 D 9 - 28	MMN325
	250	700327022000	GROMMET		1	pc	9,000 g		22	MMN327
	260	304017008088	HEX SCREW		1	pc	22,600 g		M 8 X 55	ISO4017
	270	007349008002	WASHER		1	pc	7,900 g		8,4	DIN7349
	280	304032008014	NUT HEX 8 A3C		1	pc	4,800 g		M 8	ISO4032
	300	735151010200	SPACER S2000/4000		1	pc	22,100 g	MN	B 10,5	MTN5151
	310	5240782141	BRACKET FLAT M8 TAP D M10 HOLE BR 4000		1	pc	32,800 g			
	320	000125010524	WASHER		1	pc	3,100 g		A 10,5	DIN125

➡	POS.	PART NO.	DESIGNATION	MODEL/TYPE	QTY.	UNITS	WEIGHT	FN	MEASUREMENT	STANDARD
	330	00000001039	HEX SCREW		1	pc	29,800 g		M 10 X 40	ISO4017
	340	700325028100	CLAMP HALF TUBE 1/1 D9-28		2	pc	55,000 g		1/1 D 9 - 28	MMN325
	350	700327022000	GROMMET		1	pc	9,000 g		22	MMN327
	360	304017008085	HEX SCREW		1	pc	18,000 g		M 8 X 40	ISO4017
	380	700325028100	CLAMP HALF TUBE 1/1 D9-28		2	pc	55,000 g		1/1 D 9 - 28	MMN325
	390	700327022000	GROMMET		1	pc	9,000 g		22	MMN327
	410	8801590040	RETAINER		1	pc	54,000 g			
	415	700325018100	CLAMP HALF TUBE 1/1 D9-18		1	pc	40,000 g		1/1 D 9 - 18	MMN325
	416	700325018200	CLAMP HALF TUBE 1/1 G8-18		1	pc	40,000 g		1/1 G 8 - 18	MMN325
	417	700327012000	GROMMET		1	pc	4,600 g		12	MMN327
	420	304017008090	HEX SCREW		1	pc	27,300 g		M 8 X 70	ISO4017
	440	X59308100011	FUEL LINE		1	pc	260,000 g			
	450	700325015100	CLAMP HALF TUBE 1/1 D9-15		2	pc	34,000 g		1/1 D 9 - 15	MMN325
	460	700327010000	GROMMET		1	pc	2,800 g		10	MMN327
	470	304017008083	HEX SCREW		1	pc	15,100 g		M 8 X 30	ISO4017
	472	700325018100	CLAMP HALF TUBE 1/1 D9-18		2	pc	40,000 g		1/1 D 9 - 18	MMN325
	473	700327012000	GROMMET		1	pc	4,600 g		12	MMN327
	474	700325015100	CLAMP HALF TUBE 1/1 D9-15		1	pc	34,000 g		1/1 D 9 - 15	MMN325
	475	700325015200	CLAMP HALF TUBE 1/1 G8-15		1	pc	34,200 g		1/1 G 8 - 15	MMN325
	476	700327010000	GROMMET		1	pc	2,800 g		10	MMN327
	477	304017008087	HEX SCREW		1	pc	21,300 g		M 8 X 50	ISO4017
	490	X59308200003	CONNECTING PIECE		1	pc	302,100 g			
	500	700429030002	O-RING		1	pc	3,100 g		30 X 4	MMN429
	510	000912010065	BOLT HEX SOC HD		4	pc	23,900 g		M 10 X 25	DIN912
	520	007603022102	COPPER SEALING RING		1	pc	0,900 g		A 22 X 27	DIN7603
	530	915013016002	UNION		1	pc	53,500 g		16	N15013
	550	X59308200001	FUEL LINE		1	pc	294,100 g	SB EM		
	570	5502030043	BRACKET		1	pc	31,000 g		H023	
	580	000125008427	WASHER		1	pc	1,500 g		A 8,4	DIN125
	590	304017008079	HEX SCREW		1	pc	11,700 g		M 8 X 20	ISO4017
	600	700325022100	CLAMP HALF TUBE 1/1 D9-22		2	pc	47,800 g		1/1 D 9 - 22	MMN325
	610	700327018000	GROMMET		1	pc	5,000 g		18	MMN327
	620	304017008085	HEX SCREW		1	pc	18,000 g		M 8 X 40	ISO4017
	640	X59308100038	ELBOW		1	pc	1,230 kg	EM		
	650	007603026101	WASHER A COP		2	pc	3,700 g		A 26 X 32	DIN7603
	660	915013020002	SCREW NECK		1	pc	66,700 g		20 (M30X1,5/M26X1,5)	N15013
	670	915006016000	UNION		1	pc	73,800 g		16	N15006
	680	700429030002	O-RING		1	pc	3,100 g		30 X 4	MMN429
	690	000912010049	SCREW		4	pc	35,000 g		M 10 X 45	DIN912
	700	X59308100028	FUEL LINE		1	pc	801,300 g			
	720	915005013004	CONE SEALING 15		1	pc	9,300 g		15	MBN15005
	730	915001013003	UNION NUT M1		1	pc	30,400 g		13 M 22 X 1,5	N15001
	740	700325028100	CLAMP HALF TUBE 1/1 D9-28		2	pc	55,000 g		1/1 D 9 - 28	MMN325
	750	700327022000	GROMMET		1	pc	9,000 g		22	MMN327
	760	304017008088	HEX SCREW		1	pc	22,600 g		M 8 X 55	ISO4017
	770	007349008002	WASHER		1	pc	7,900 g		8,4	DIN7349
	780	304032008014	NUT HEX 8 A3C		1	pc	4,800 g		M 8	ISO4032
	810	007603026101	WASHER A COP		1	pc	3,700 g		A 26 X 32	DIN7603
	820	X59308100007	FUEL LINE		1	pc	326,700 g	SB		
	830	007603026101	WASHER A COP		1	pc	3,700 g		A 26 X 32	DIN7603
	840	700223016000	BOLT BANJO A18		1	pc	152,000 g		A 18	MMN223
	860	007603026101	WASHER A COP		1	pc	3,700 g		A 26 X 32	DIN7603
	870	X59308100008	FUEL LINE		1	pc	329,500 g	SB		
	880	007603026101	WASHER A COP		1	pc	3,700 g		A 26 X 32	DIN7603



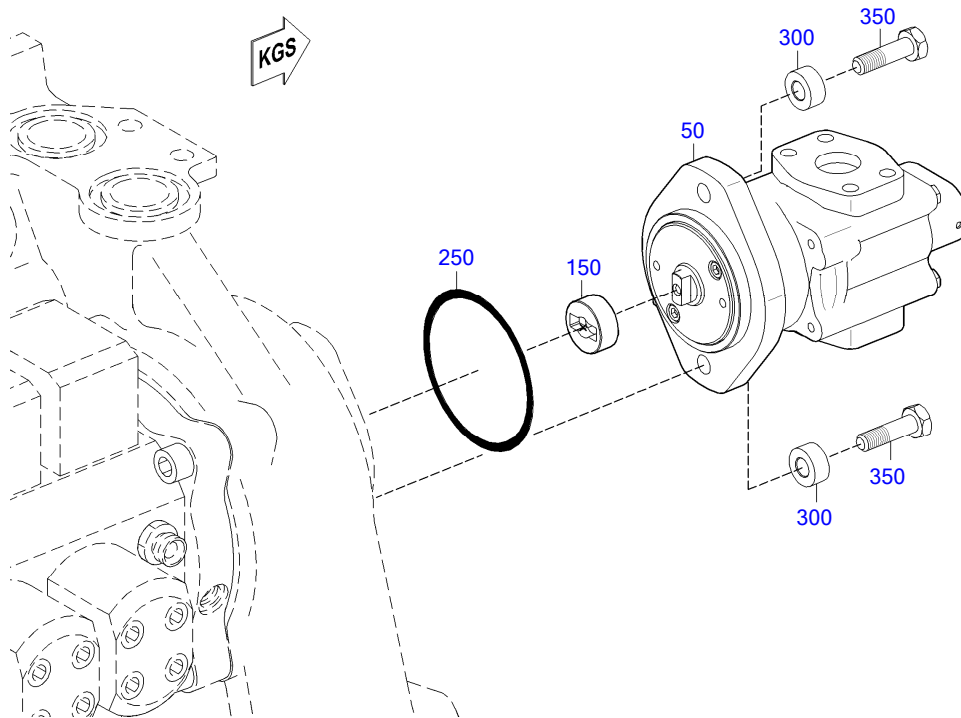
EQUI TYPE: Engine

PRODUCT TYPE: 12V4000M53  
LP FUEL SYSTEM CLOSED

SERIAL NUMBER: 526107657

FG/FGS: 081 05  
BOM-No.: XS593080.00025

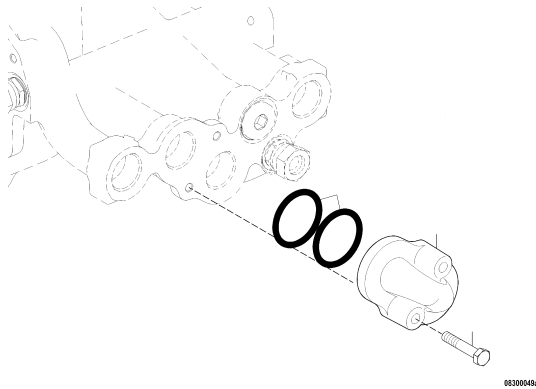
➡	POS.	PART NO.	DESIGNATION	MODEL/TYPE	QTY.	UNITS	WEIGHT	FN	MEASUREMENT	STANDARD
	890	700223016000	BOLT BANJO A18		1	pc	152,000 g		A 18	MMN223



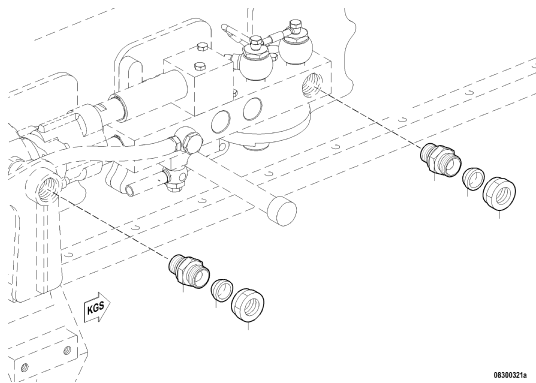
08100269a

➔	POS.	PART NO.	DESIGNATION	QTY.	UNITS	WEIGHT	FN	MEASUREMENT	STANDARD
	50	<b>X00040978</b>	FUEL DELIVERY PUMP	1	pc	5,700 kg	EM		
	150	<b>X52408100002</b>	LINK	1	pc	51,700 g			
	250	<b>700429083000</b>	O-RING	1	pc	11,700 g		83 X 5	MMN429
	300	<b>735151010200</b>	SPACER S2000/4000	2	pc	22,100 g	MN	B 10,5	MTN5151
	350	<b>000933010094</b>	HEX SCREW	2	pc	31,500 g		M 10 X 40	DIN933

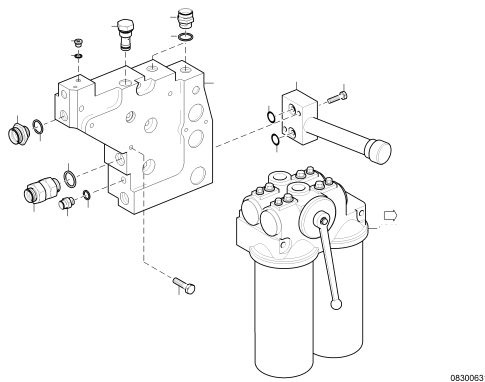
GROUP SEGMENT (FGS)  
GROUP NAME  
BOM-No.



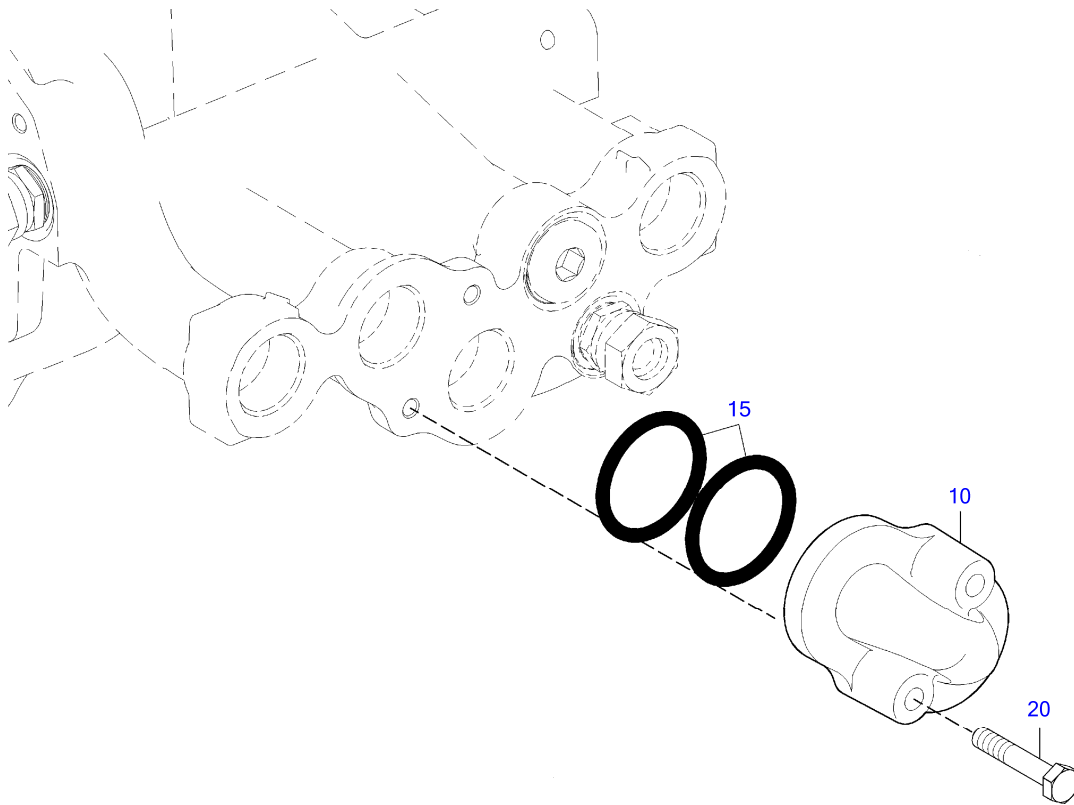
05  
**SEAL ELEM.**  
080.00094



05  
**CONNECTING HARDWARE FOR FUEL LINE**  
080.00130

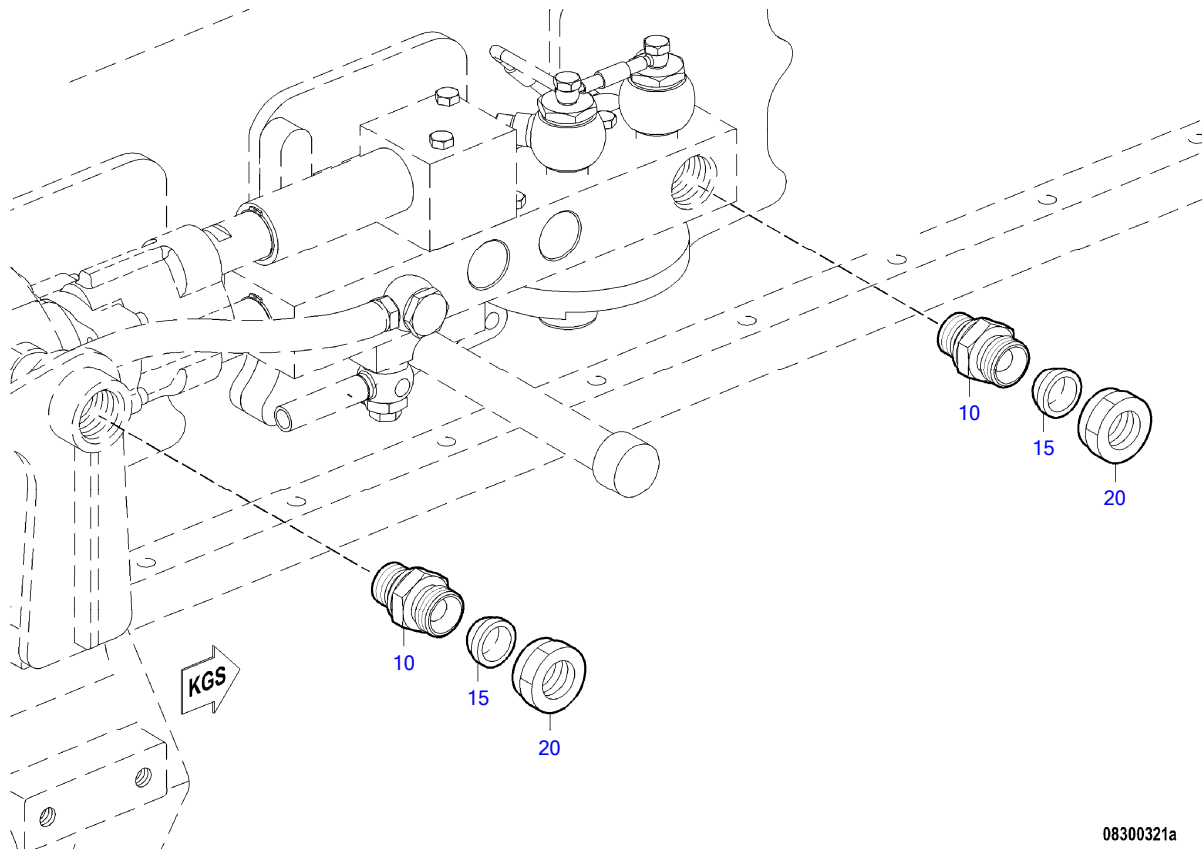


05  
**FUEL FILTER**  
XS596080.00009



08300049a

➔	POS.	PART NO.	DESIGNATION	QTY.	UNITS	WEIGHT	MEASUREMENT	STANDARD
	10	<b>5240920024</b>	ELBOW FOR FUEL	1	pc	665,000 g		
	15	<b>700429042000</b>	O-RING	2	pc	6,200 g	42 X 5	MMN429
	20	<b>304017008086</b>	HEX SCREW	2	pc	19,400 g	M 8 X 45	ISO4017



08300321a

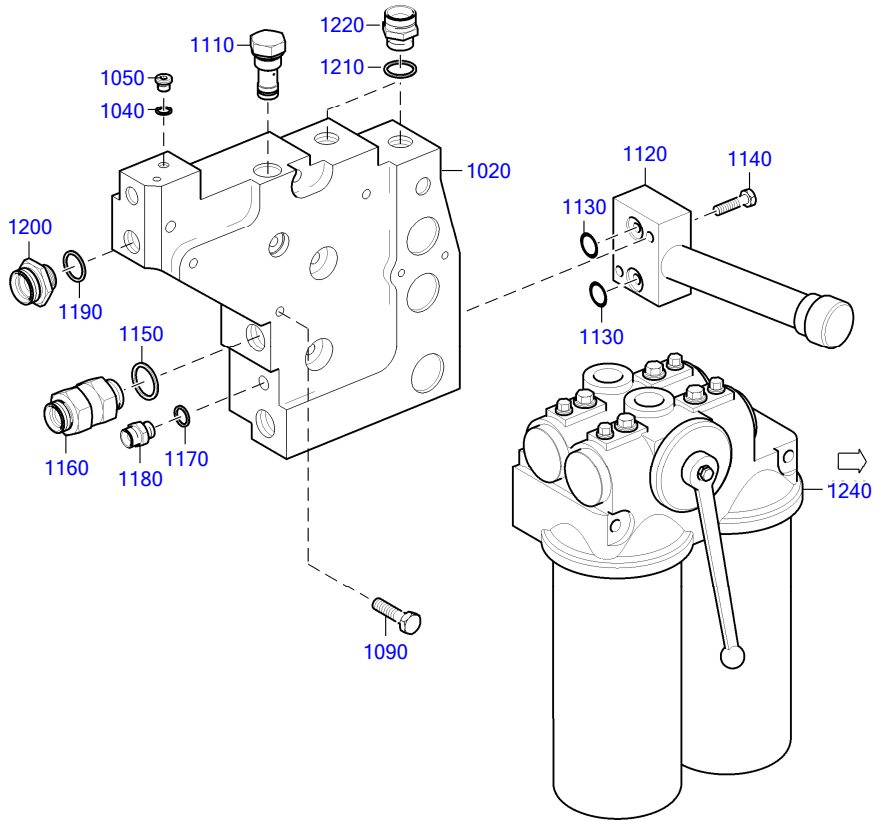
➔	POS.	PART NO.	DESIGNATION	QTY.	UNITS	WEIGHT	MEASUREMENT	STANDARD
	10	735211022001	UNION 22MM	1	pc	0,166 kg	22M 33 X 2	MTN5211
	15	915003020202	BALL-TYPE UNION	1	pc	12,800 g	B2 -22	MBN15003
	20	915001020003	NUT	1	pc	46,900 g	20 M 30 X 1,5	N15001

EQUI TYPE: Engine

PRODUCT TYPE: 12V4000M53  
FUEL FILTER

SERIAL NUMBER: 526107657

FG/FGS: 083 05  
BOM-No.: XS596080.00009



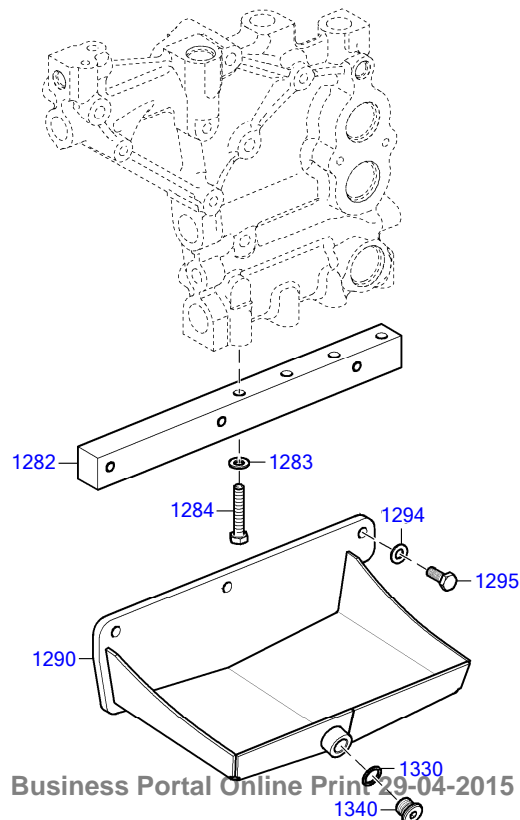
08300631

EQUI TYPE: Engine

PRODUCT TYPE: 12V4000M53  
FUEL FILTER

SERIAL NUMBER: 526107657

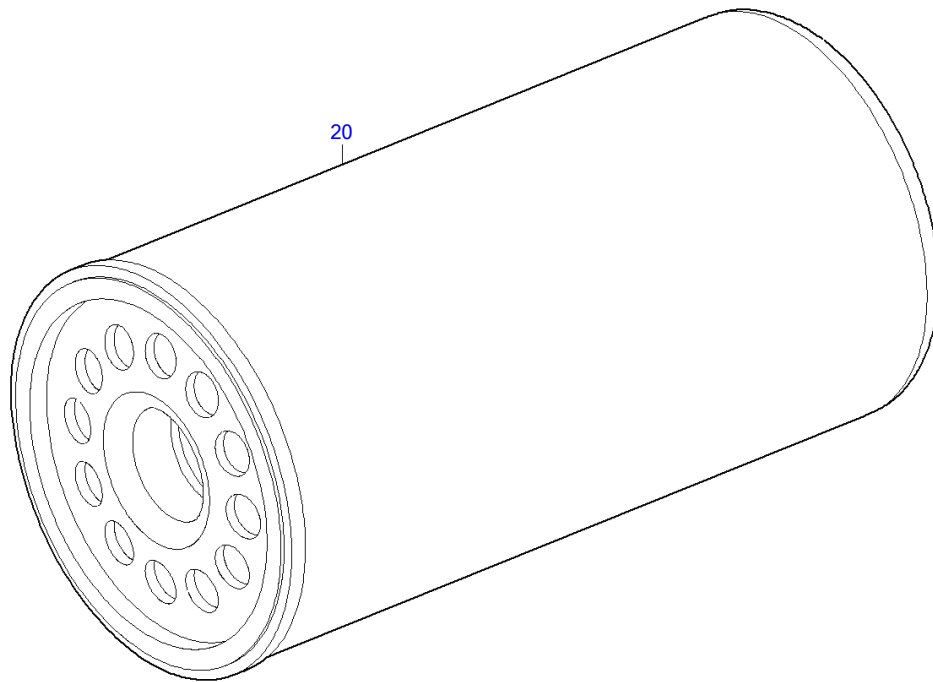
FG/FGS: 083 05  
BOM-No.: XS596080.00009



Business Portal Online Print 29-04-2015

08300632

➔	POS.	PART NO.	DESIGNATION	QTY.	UNITS	WEIGHT	FN	MEASUREMENT	STANDARD
	1020	X59308300024	RETAINER	1	pc	9,400 kg			
	1040	007603010110	WASHER A COP	5	pc	0,300 g		A 10 X 13,5	DIN7603
	1050	000908010002	SCREWED PLUG	5	pc	0,006 kg		M 10 X 1	DIN908
	1090	204017010026	HEX SCREW	4	pc	51,700 g		M 10 X 85	ISO4017
	1110	X59308300012	VALVE WITH BAFFLE	1	pc	128,900 g			
	1120	X00020266	HAND PUMP	1	pc	1,500 kg		TKZ.4090021/MOD. S.INT.VERMERK	
	1130	700429016003	O-RING	2	pc	1,000 g		16 X 3	MMN429
	1140	304017008086	HEX SCREW	2	pc	19,400 g		M 8 X 45	ISO4017
	1150	007603026101	WASHER A COP	1	pc	3,700 g		A 26 X 32	DIN7603
	1160	735080018200	VALVE CHECK 0.2 BAR RHDK 18-L 0.2	1	pc	291,400 g		RHDK 18-L 0,2	MTN5080
	1170	007603014102	COPPER SEALING RING	1	pc	1,000 g		A 14 X 18	DIN7603
	1180	915013008002	SCREW NECK	1	pc	24,000 g		8 (M16X1,5/M14X1,5)	N15013
	1190	007603022102	COPPER SEALING RING	1	pc	0,900 g		A 22 X 27	DIN7603
	1200	915007020000	ADAPTOR	1	pc	83,300 g		20 / 13 (M30X1,5/M22X1,5)	N15007
	1210	007603022102	COPPER SEALING RING	2	pc	0,900 g		A 22 X 27	DIN7603
	1220	915013016002	UNION	2	pc	53,500 g		16	N15013
385	1240	X59308300034	FUEL FILTER	1	pc	17,300 kg	EM		
	1282	X59608300027	MOUNTING PLATE	1	pc	1,800 kg			
	1283	000125008427	WASHER	4	pc	1,500 g		A 8,4	DIN125
	1284	304017008086	HEX SCREW	4	pc	19,400 g		M 8 X 45	ISO4017
	1290	X59608300026	COLLECTING TROUGH	1	pc	2,900 kg			
	1294	000125008427	WASHER	3	pc	1,500 g		A 8,4	DIN125
	1295	304017008079	HEX SCREW	3	pc	11,700 g		M 8 X 20	ISO4017
	1330	007603014102	COPPER SEALING RING	1	pc	1,000 g		A 14 X 18	DIN7603
	1340	000908014001	THREAD PLUG	1	pc	0,016 kg		M 14 X 1,5	DIN908



08300567a

➔	POS.	PART NO.	DESIGNATION	QTY.	UNITS	WEIGHT
	20	X59308300031	FUEL FILTER SPIN-ON	2	pc	1,300 kg



GROUP SEGMENT (FGS)

GROUP NAME

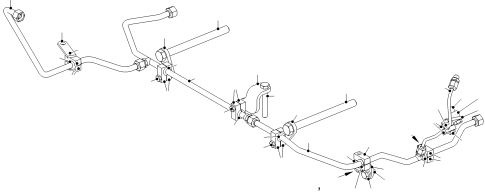
BOM-No.

---

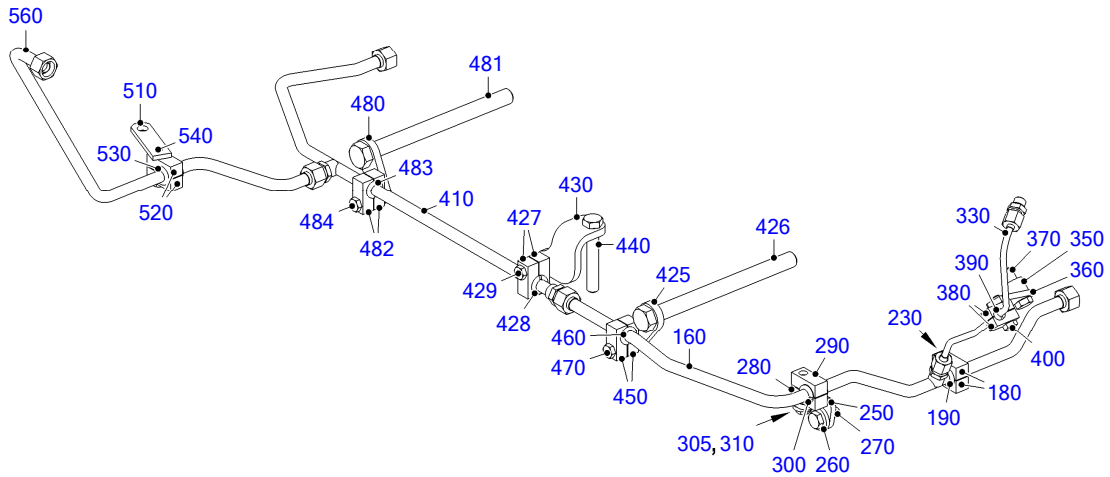
10

**FUEL RETURN CLOSED**

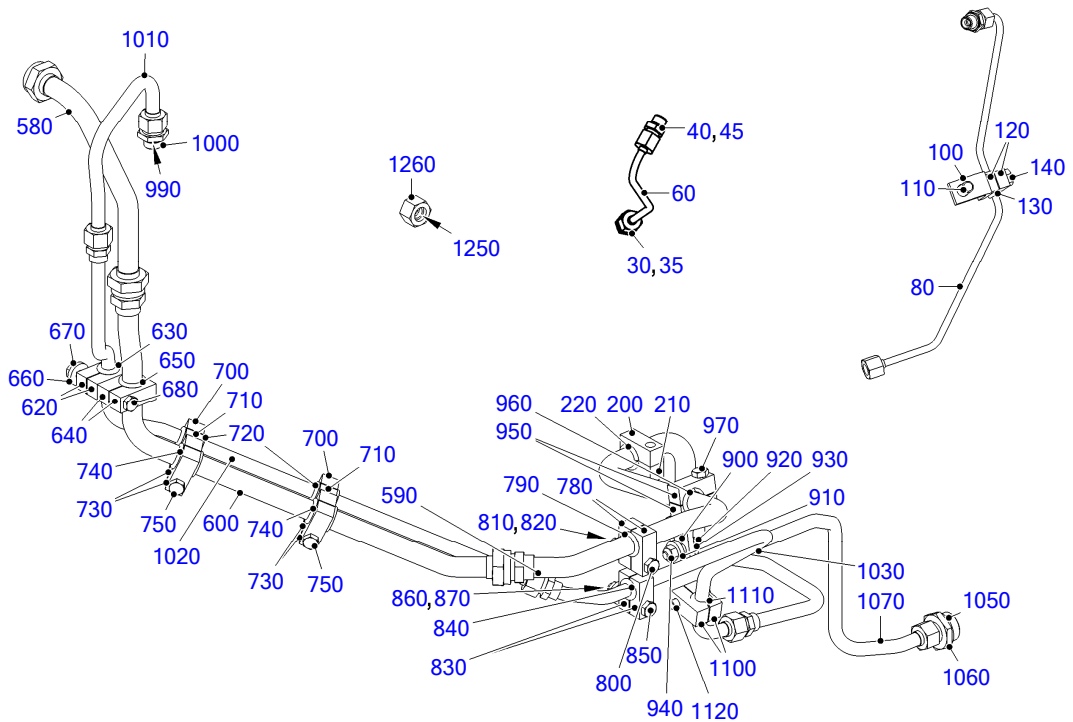
XS594080.00041



08000202a



08000202a



08000203a

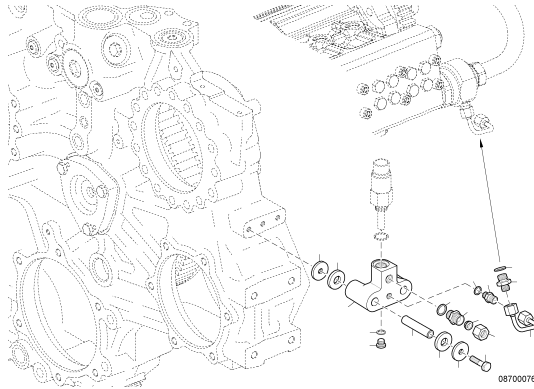
➡	POS.	PART NO.	DESIGNATION	QTY.	UNITS	WEIGHT	FN	MEASUREMENT	STANDARD
	30	007603012111	COPPER SEALING RING	10	pc	0,700 g		A 12 X 15,5	DIN7603
	35	915006004002	UNION	10	pc	19,000 g		4	N15006
	40	007603012111	COPPER SEALING RING	12	pc	0,700 g		A 12 X 15,5	DIN7603
	45	915006004002	UNION	12	pc	19,000 g		4	N15006
	60	X00034974	TUBE FUEL LOW PRESSURE RETURN	10	pc	62,500 g		SB	
	80	X00004215	TUBE FUEL RETURN LOW PRESSURE B-BANK	1	pc	90,000 g		SB	
	100	5551870640	BRACKET L H:51 S2000/4000	1	pc	54,900 g		SB	
	110	00000003021	HEX SCREW	1	pc	22,800 g		M 10 X 25	ISO4017
	120	700325010100	CLAMP HALF TUBE	2	pc	25,000 g		1/1 D 9 - 10	MMN325
	130	700327006000	GROMMET	1	pc	1,400 g		6	MMN327
	140	304017008083	HEX SCREW	1	pc	15,100 g		M 8 X 30	ISO4017
	160	X59308100053	FUEL LINE	1	pc	0,200 kg			
	180	700325018100	CLAMP HALF TUBE 1/1 D9-18	2	pc	40,000 g		1/1 D 9 - 18	MMN325
	190	700327012000	GROMMET	1	pc	4,600 g		12	MMN327
	200	700325022100	CLAMP HALF TUBE 1/1 D9-22	1	pc	47,800 g		1/1 D 9 - 22	MMN325
	210	700325022200	CLAMP HALF TUBE 1/1 G8-22	1	pc	49,000 g		1/1 G 8 - 22	MMN325
	220	700327018000	GROMMET	1	pc	5,000 g		18	MMN327
	230	304017008089	HEX SCREW	1	pc	24,200 g		M 8 X 60	ISO4017
	250	X59408100017	RETAINER FOR FUEL LINE	1	pc	64,900 g			
	260	007349010002	WASHER	1	pc	11,000 g		10,5	DIN7349
	270	00000003021	HEX SCREW	1	pc	22,800 g		M 10 X 25	ISO4017
	280	700325018100	CLAMP HALF TUBE 1/1 D9-18	1	pc	40,000 g		1/1 D 9 - 18	MMN325
	290	700325018200	CLAMP HALF TUBE 1/1 G8-18	1	pc	40,000 g		1/1 G 8 - 18	MMN325
	300	700327012000	GROMMET	1	pc	4,600 g		12	MMN327
	305	007349008002	WASHER	1	pc	7,900 g		8,4	DIN7349
	310	304017008084	HEX SCREW	1	pc	16,400 g		M 8 X 35	ISO4017
	330	X00040965	TUBE FUEL RETURN LOW PRESSURE A-BANK	1	pc	70,000 g		SB	
	350	5599920601	SPACER BUSHING	1	pc	24,000 g			
	360	135M55009/1	STRAP 75 X20	1	pc	62,100 g			
	370	00000003326	HEX SCREW	1	pc	27,400 g		M 10 X 35	ISO4017
	380	700325010100	CLAMP HALF TUBE	2	pc	25,000 g		1/1 D 9 - 10	MMN325
	390	700327006000	GROMMET	1	pc	1,400 g		6	MMN327
	400	304017008083	HEX SCREW	1	pc	15,100 g		M 8 X 30	ISO4017
	410	X59308100054	FUEL LINE	1	pc	260,400 g			
	424	X59499100107	RETAINER	1	pc	90,500 g			
	425	200433017001	WASHER	1	pc	6,500 g		17	DIN433
	426	204014016007	HEX SCREW	1	pc	320,000 g		M 16 X190	ISO4014
	427	700325018100	CLAMP HALF TUBE 1/1 D9-18	2	pc	40,000 g		1/1 D 9 - 18	MMN325
	428	700327012000	GROMMET	1	pc	4,600 g		12	MMN327
	429	304017008085	HEX SCREW	1	pc	18,000 g		M 8 X 40	ISO4017
	430	X59408100013	RETAINER	1	pc	208,000 g			
	435	200433013000	WASHER	1	pc	2,500 g		13	DIN433
	440	00000000904	HEX SCREW	1	pc	75,000 g		M 12 X 80	ISO4017
	450	700325018100	CLAMP HALF TUBE 1/1 D9-18	2	pc	40,000 g		1/1 D 9 - 18	MMN325
	460	700327012000	GROMMET	1	pc	4,600 g		12	MMN327
	470	304017008085	HEX SCREW	1	pc	18,000 g		M 8 X 40	ISO4017
	475	X59499100107	RETAINER	1	pc	90,500 g			
	480	200433017001	WASHER	1	pc	6,500 g		17	DIN433
	481	204014016007	HEX SCREW	1	pc	320,000 g		M 16 X190	ISO4014
	482	700325018100	CLAMP HALF TUBE 1/1 D9-18	2	pc	40,000 g		1/1 D 9 - 18	MMN325
	483	700327012000	GROMMET	1	pc	4,600 g		12	MMN327
	484	304017008085	HEX SCREW	1	pc	18,000 g		M 8 X 40	ISO4017
	510	8202033143	BRACKET H:79	1	pc	46,900 g			
	520	700325018100	CLAMP HALF TUBE 1/1 D9-18	2	pc	40,000 g		1/1 D 9 - 18	MMN325

➡	POS.	PART NO.	DESIGNATION	QTY.	UNITS	WEIGHT	FN	MEASUREMENT	STANDARD
	530	700327012000	GROMMET	1	pc	4,600 g		12	MMN327
	540	304017008084	HEX SCREW	1	pc	16,400 g		M 8 X 35	ISO4017
	560	X59308100056	FUEL LINE	1	pc	0,200 kg		SB	
	580	X59308100042	FUEL LINE	1	pc	247,100 g		SB	
	590	X59308100039	FUEL LINE	1	pc	480,800 g			
	600	X59308100045	FUEL LINE	1	pc	425,000 g			
	620	700325018100	CLAMP HALF TUBE 1/1 D9-18	2	pc	40,000 g		1/1 D 9 - 18	MMN325
	630	700327012000	GROMMET	1	pc	4,600 g		12	MMN327
	640	700325022100	CLAMP HALF TUBE 1/1 D9-22	2	pc	47,800 g		1/1 D 9 - 22	MMN325
	650	700327018000	GROMMET	1	pc	5,000 g		18	MMN327
	660	007349008002	WASHER	1	pc	7,900 g		8,4	DIN7349
	670	304032008014	NUT HEX 8 A3C	1	pc	4,800 g		M 8	ISO4032
	680	000000001463	HEX SCREW	1	pc	30,500 g		M 8 X 80	ISO4017
	700	700325018200	CLAMP HALF TUBE 1/1 G8-18	2	pc	40,000 g		1/1 G 8 - 18	MMN325
	710	700325018100	CLAMP HALF TUBE 1/1 D9-18	2	pc	40,000 g		1/1 D 9 - 18	MMN325
	720	700327012000	GROMMET	2	pc	4,600 g		12	MMN327
	730	700325022100	CLAMP HALF TUBE 1/1 D9-22	4	pc	47,800 g		1/1 D 9 - 22	MMN325
	740	700327018000	GROMMET	2	pc	5,000 g		18	MMN327
	750	304017008089	HEX SCREW	2	pc	24,200 g		M 8 X 60	ISO4017
	780	700325022100	CLAMP HALF TUBE 1/1 D9-22	2	pc	47,800 g		1/1 D 9 - 22	MMN325
	790	700327018000	GROMMET	1	pc	5,000 g		18	MMN327
	800	304017008087	HEX SCREW	1	pc	21,300 g		M 8 X 50	ISO4017
	810	007349008002	WASHER	1	pc	7,900 g		8,4	DIN7349
	820	304032008014	NUT HEX 8 A3C	1	pc	4,800 g		M 8	ISO4032
	830	700325018100	CLAMP HALF TUBE 1/1 D9-18	2	pc	40,000 g		1/1 D 9 - 18	MMN325
	840	700327012000	GROMMET	1	pc	4,600 g		12	MMN327
	850	304017008087	HEX SCREW	1	pc	21,300 g		M 8 X 50	ISO4017
	860	007349008002	WASHER	1	pc	7,900 g		8,4	DIN7349
	870	304032008014	NUT HEX 8 A3C	1	pc	4,800 g		M 8	ISO4032
	900	5551870640	BRACKET L H:51 S2000/4000	1	pc	54,900 g		SB	
	910	007349008002	WASHER	1	pc	7,900 g		8,4	DIN7349
	920	304017008083	HEX SCREW	1	pc	15,100 g		M 8 X 30	ISO4017
	930	007349008002	WASHER	1	pc	7,900 g		8,4	DIN7349
	940	304032008014	NUT HEX 8 A3C	1	pc	4,800 g		M 8	ISO4032
	950	700325022100	CLAMP HALF TUBE 1/1 D9-22	2	pc	47,800 g		1/1 D 9 - 22	MMN325
	960	700327018000	GROMMET	1	pc	5,000 g		18	MMN327
	970	304017008085	HEX SCREW	1	pc	18,000 g		M 8 X 40	ISO4017
	990	007603016105	COPPER SEALING RING	1	pc	3,000 g		A 16 X 20	DIN7603
	1000	915007010001	CONNECTOR 10/8	1	pc	33,100 g		10 / 8 (M18X1,5/M16X1,5)	N15007
	1010	X59308100052	FUEL LINE	1	pc	124,000 g			
	1020	X59308100051	FUEL LINE	1	pc	224,600 g			
	1030	X59308100050	FUEL LINE	1	pc	171,000 g			
	1050	007603026101	WASHER A COP	1	pc	3,700 g		A 26 X 32	DIN7603
	1060	915007016000	CONNECTOR 16/10	1	pc	63,000 g		16 / 10 (M26X1,5/M18X1,5)	N15007
	1070	X59308100044	FUEL LINE	1	pc	229,000 g			
	1100	700325018100	CLAMP HALF TUBE 1/1 D9-18	2	pc	40,000 g		1/1 D 9 - 18	MMN325
	1110	700327012000	GROMMET	1	pc	4,600 g		12	MMN327
	1120	304017008084	HEX SCREW	1	pc	16,400 g		M 8 X 35	ISO4017
	1250	915005010000	CONE SEALING 12	1	pc	5,400 g		12	MBN15005
	1260	915001010004	NUT	1	pc	20,000 g		10 M 18 X 1,5	N15001

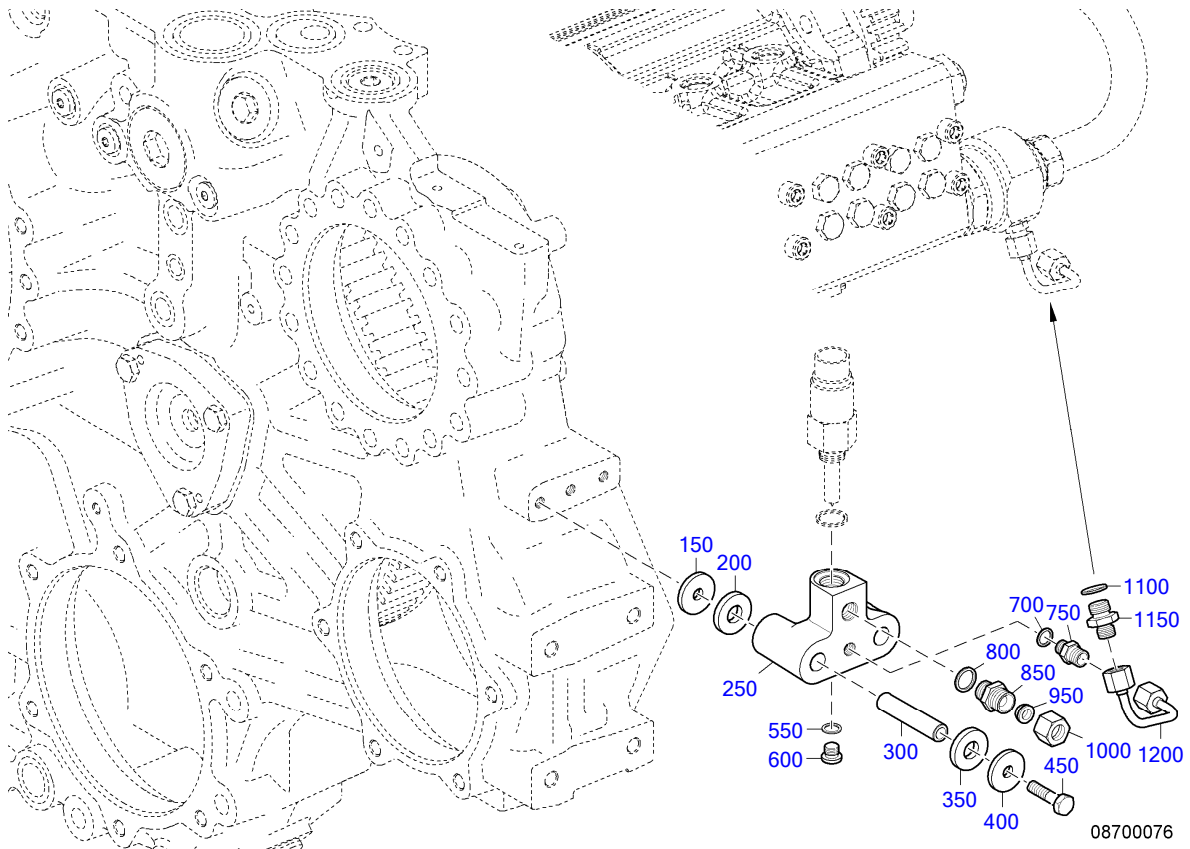
GROUP SEGMENT (FGS)

GROUP NAME

BOM-No.



05  
**FUEL LEAK MONITORING**  
XS526080.00042



➔	POS.	PART NO.	DESIGNATION	QTY.	UNITS	WEIGHT	FN	MEASUREMENT	STANDARD
	150	X59399100034	WASHER	2	pc	19,600 g			
	200	X59399100051	DAMPER ELEMENT	2	pc	3,700 g		30X13X5 90SH	
	250	X59308700006	LECKA-SENSORHOUSING	1	pc	857,300 g			
	300	X59399100036	SPACER SLEEVE	2	pc	36,400 g		8,5 X 62	
	350	X59399100051	DAMPER ELEMENT	2	pc	3,700 g		30X13X5 90SH	
	400	X59399100034	WASHER	2	pc	19,600 g			
	450	304014008032	HEX SCREW	2	pc	34,100 g		M 8 X 80	ISO4014
	550	007603010110	WASHER A COP	1	pc	0,300 g		A 10 X 13,5	DIN7603
	600	000908010002	SCREWED PLUG	1	pc	0,006 kg		M 10 X 1	DIN908
	700	007603010110	WASHER A COP	1	pc	0,300 g		A 10 X 13,5	DIN7603
	750	915013004002	UNION	1	pc	14,000 g		4	N15013
	800	007603014102	COPPER SEALING RING	1	pc	1,000 g		A 14 X 18	DIN7603
	850	915006006002	UNION	1	pc	23,100 g		6	N15006
	950	915005006000	CONE SEALING 8	1	pc	3,100 g		8	MBN15005
	1000	915001006003	NUT	1	pc	12,500 g		6 M 14 X 1,5	N15001
	1100	007603010110	WASHER A COP	1	pc	0,300 g		A 10 X 13,5	DIN7603
	1150	915013004002	UNION	1	pc	14,000 g		4	N15013
	1200	X52608700009	FUEL LINE	1	pc	53,000 g	SB		

---

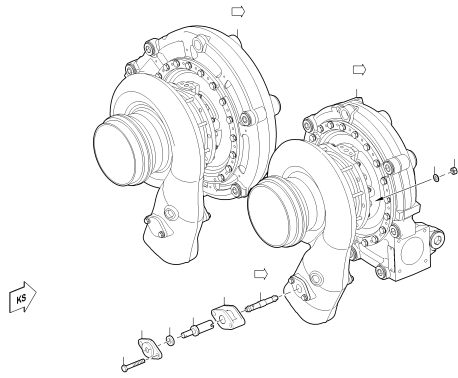
GROUP SEGMENT (FGS)

GROUP NAME

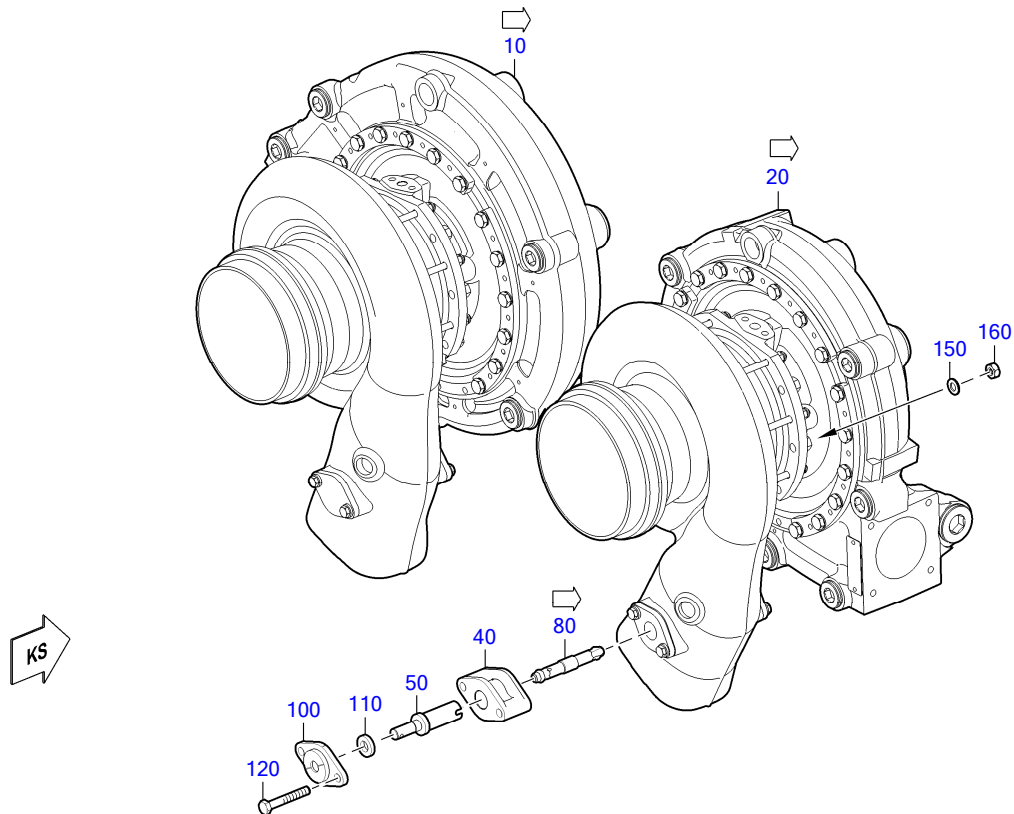
BOM-No.

---

01  
EXHAUST TURBOCHARGER  
XS594100.00025



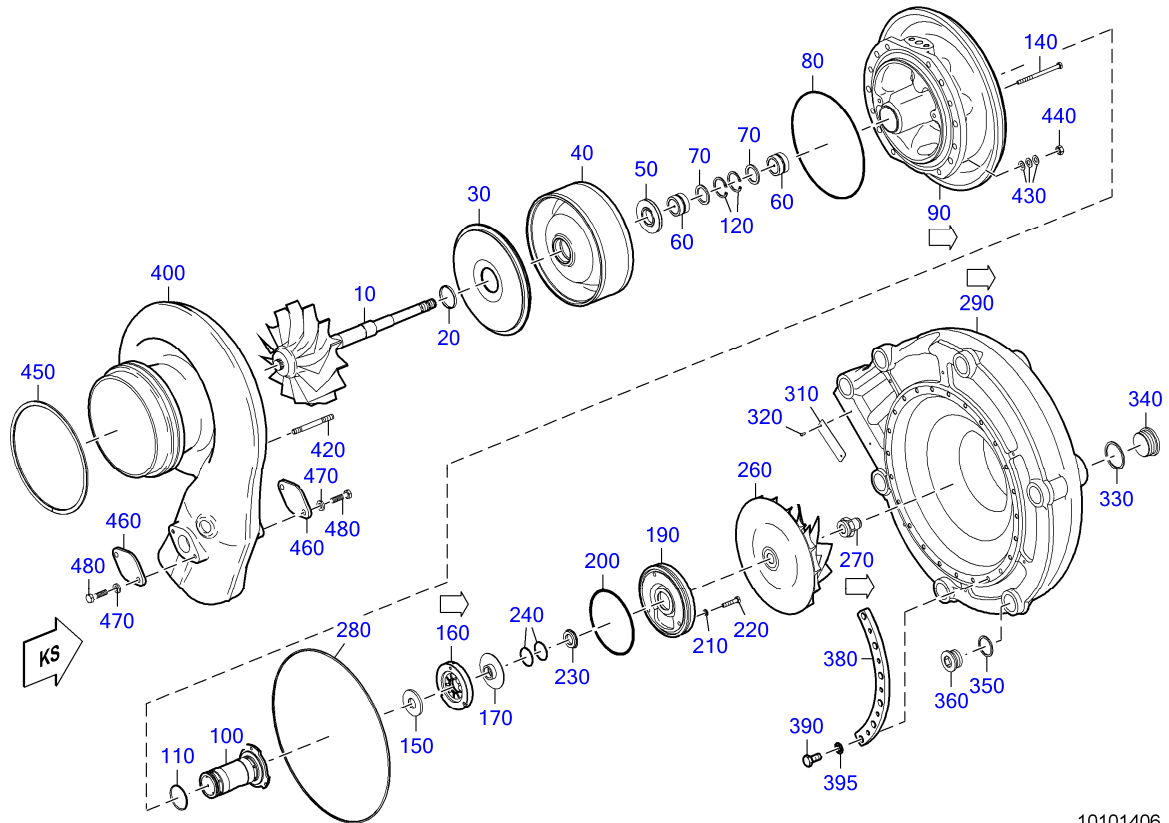
10101407



10101407

➔	POS.	PART NO.	DESIGNATION	MODEL/TYPE	QTY.	UNITS	WEIGHT	FN	MEASUREMENT	STANDARD
	392	10 X59410100104	EXHAUST TURBOCHARGER LEFT	ZR175	1	pc	93,252 kg	EM		
	397	20 X59410100105	EXHAUST TURBOCHARGER RIGHT ACTIVE	ZR175	1	pc	96,500 kg	EM		
		40 5261420250	BEARING BUSHING		1	pc	658,800 g			
		50 5261420629	SHAFT		1	pc	204,200 g			
	398	80 X59610100123	SHAFT		1	pc	132,000 g			
		100 5261420060	FLANGE SEALING		1	pc	194,500 g			
		110 5591420451	RING SEALING		1	pc	3,200 g			
		120 304017010032	HEX SCREW		2	pc	42,300 g	M 10 X 65		ISO4017
		150 000125010524	WASHER		12	pc	3,100 g	A 10,5		DIN125
		160 000934010007	NUT HEX		12	pc	10,300 g	M 10		DIN934
	180	RX59410100104	EXHAUST TURBOCHARGER LEFT	ZR175/093	1	pc	93,252 kg	MN EM		
	190	RX59410100105	EXHAUST TURBOCHARGER RIGHT	ZR175/093	1	pc	93,430 kg	MN EM		
	210	EX59410100104	EXHAUST TURBOCHARGER LEFT	ZR175/093	1	pc	93,252 kg	MN EM		
	220	EX59410100105	EXHAUST TURBOCHARGER RIGHT	ZR175/093	1	pc	93,430 kg	MN EM		

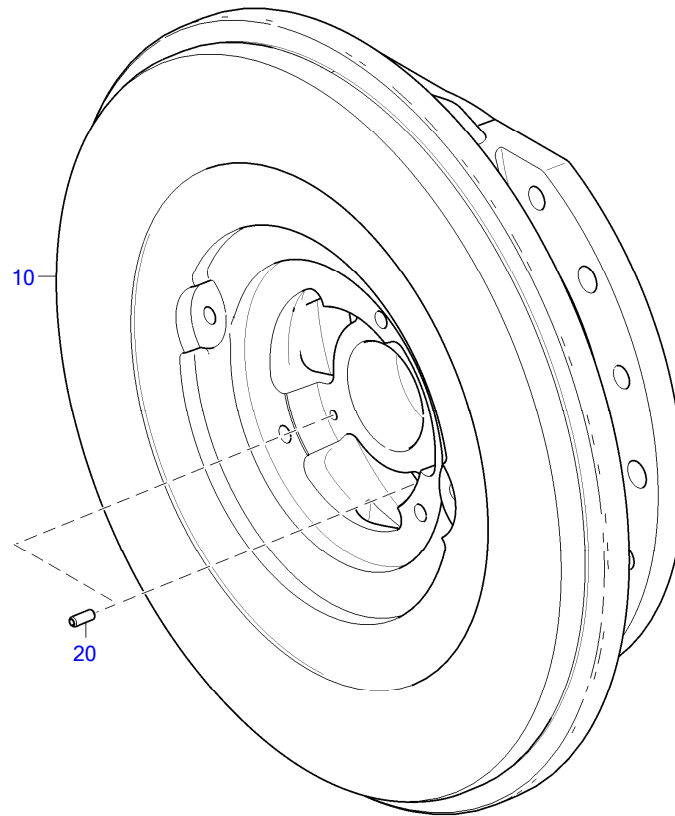




10101406

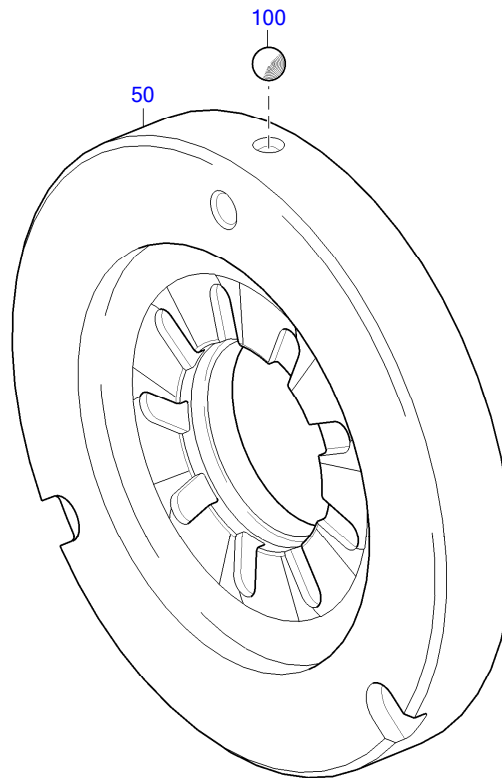
➔	POS.	PART NO.	DESIGNATION	MODEL/TYPE	QTY.	UNITS	WEIGHT	FN	MEASUREMENT	STANDARD
	10	X59410100081	TURBINE WHEEL	158/20/128	1	pc	3,900 kg	SB EM		
	20	5110850560	RING SEAL	FUER ABGASTURBOLADER	1	pc	5,700 g			
	30	5110813403	SHIELD HEAT TURBO		1	pc	1,360 kg			
	40	5110821302	HOUSING COVER		1	pc	3,779 kg			
	50	5110251976	WASHER	ZR205	1	pc	67,700 g			
	60	X00016599	BEARING BUSHING		2	pc	67,700 g			
	70	X59599100058	WASHER		2	pc	7,700 g			
	80	700429185001	O-RING		1	pc	9,100 g		185 X 3	MMN429
393	90	X59610100161	BEARING HOUSING		1	pc	14,593 kg			
	100	X59610100061	BEARING BODY		1	pc	396,300 g			
	110	700429038002	O-RING		1	pc	0,800 g		38 X 2	MMN429
	120	5119940041	RING SNAP		2	pc	2,800 g		34 X 1,5	DIN472
	140	000000001781	HEX SCREW		2	pc	20,700 g		M 6 X 90	ISO4014
	150	X00010427	WASHER		1	pc	45,700 g			
394	160	X59610100101	THRUST BEARING		1	pc	355,700 g			
	170	X00010428	WASHER		1	pc	56,400 g			
	190	X59610100232	RETAINING RING		1	pc	1,200 kg			
	200	700429105001	O-RING		1	pc	7,100 g		105 X 3,5	MMN429
	210	200433006400	WASHER		3	pc	0,600 g		6,4	DIN433
	220	000912006028	SCREW		3	pc	7,800 g		M 6 X 30	DIN912
	230	X00010426	RING CARRIER		1	pc	18,100 g			
	240	5100850060	RING SEAL		2	pc	1,800 g			
	260	X52610100008	COMPRESSOR WHEEL	ZR175	1	pc	1,898 kg	EM	111/179/9	
395	270	X00018307	MAGNETIC NUT	MM16-16L-2	1	pc	84,700 g		M16X1.5 LH	
	280	0239978348	RING SEAL		1	pc	22,300 g			

➡	POS.	PART NO.	DESIGNATION	MODEL/TYPE	QTY.	UNITS	WEIGHT	FN	MEASUREMENT	STANDARD
396	290	<b>X59410100080</b>	COMPRESSOR HOUSING	A/R=1.91CM	1	pc	40,200 kg	EM		
	310	<b>700425000049</b>	PLATE		1	pc	3,900 g		39	MMN425
	320	<b>215977003000</b>	BLIND RIVET		2	pc	1,000 g		3X8	ISO15977
	330	<b>007603042101</b>	COPPER SEALING RING		4	pc	8,000 g		A 42 X 49	DIN7603
	340	<b>000908042001</b>	THREAD PLUG		4	pc	0,179 kg		M 42 X 1,5	DIN908
	350	<b>007603030101</b>	COPPER SEALING RING		3	pc	4,300 g		A 30 X 36	DIN7603
	360	<b>000908030002</b>	THREAD PLUG		3	pc	0,085 kg		M 30 X 1,5	DIN908
	380	<b>X59610100201</b>	CLAMP FOR COMPR. HOUSING		3	pc	459,100 g			
	390	<b>000933010026</b>	HEX SCREW		18	pc	22,300 g		M 10 X 22	DIN933
	395	<b>200433010501</b>	WASHER		18	pc	2,000 g		10,5	DIN433
	400	<b>X59410100092</b>	TURBINE HOUSING	A/R=3.0CM	1	pc	23,900 kg	EM		
	420	<b>200835008006</b>	STUD		8	pc	33,000 g		M 8 X 75	DIN835
	430	<b>002093016100</b>	WASHER A16		24	pc	1,000 g		A 16	DIN2093
	440	<b>5069900251</b>	NUT		8	pc	6,400 g			
	450	<b>234110200000</b>	PISTON RING, COMP.		1	pc	108,600 g		200 X 3,5 G7 KI KA	DIN34110
	460	<b>X52810100005</b>	BLIND FLANGE		2	pc	185,500 g			
	470	<b>5379900140</b>	WASHER		4	pc	3,900 g			
	480	<b>200933008016</b>	HEX SCREW		4	pc	13,900 g		M 8 X 25	DIN933



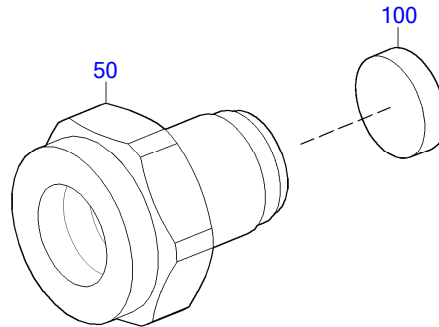
10000084a

➔	POS.	PART NO.	DESIGNATION	QTY.	UNITS	WEIGHT	MEASUREMENT	STANDARD
	10	X59610100160	BEARING HOUSING	1	pc	14,592 kg		
	20	001481004000	PIN SPRING	2	pc	0,600 g	4 X 10 - N	ISO8752



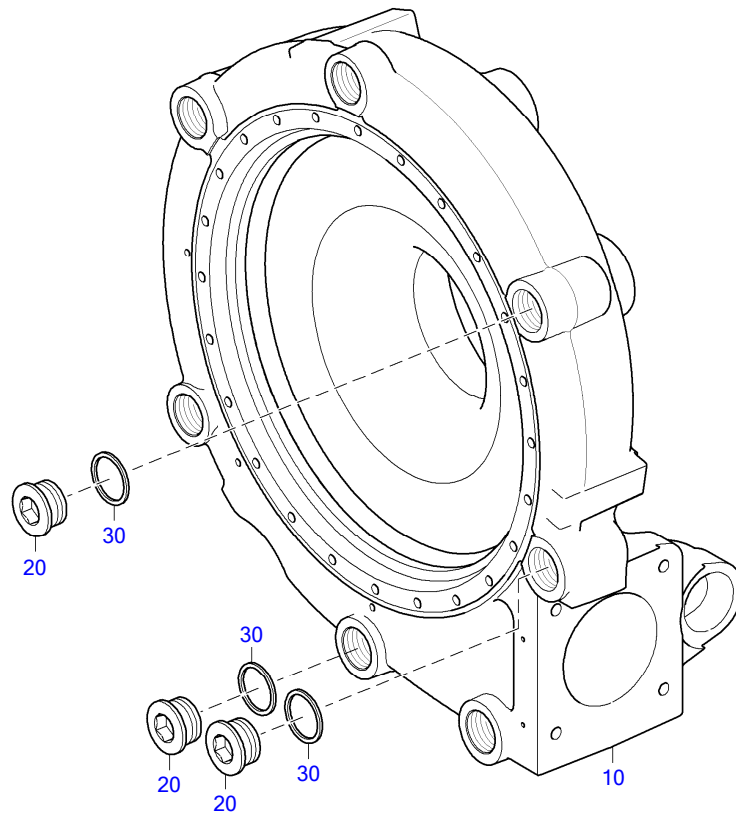
10101221a

➔	POS.	PART NO.	DESIGNATION	QTY.	UNITS	WEIGHT	MEASUREMENT	STANDARD
	50	<b>X59610100099</b>	THRUST BEARING	1	pc	0,356 kg		
	100	<b>005401304000</b>	BALL	1	pc	0,300 g	4G20	DIN5401



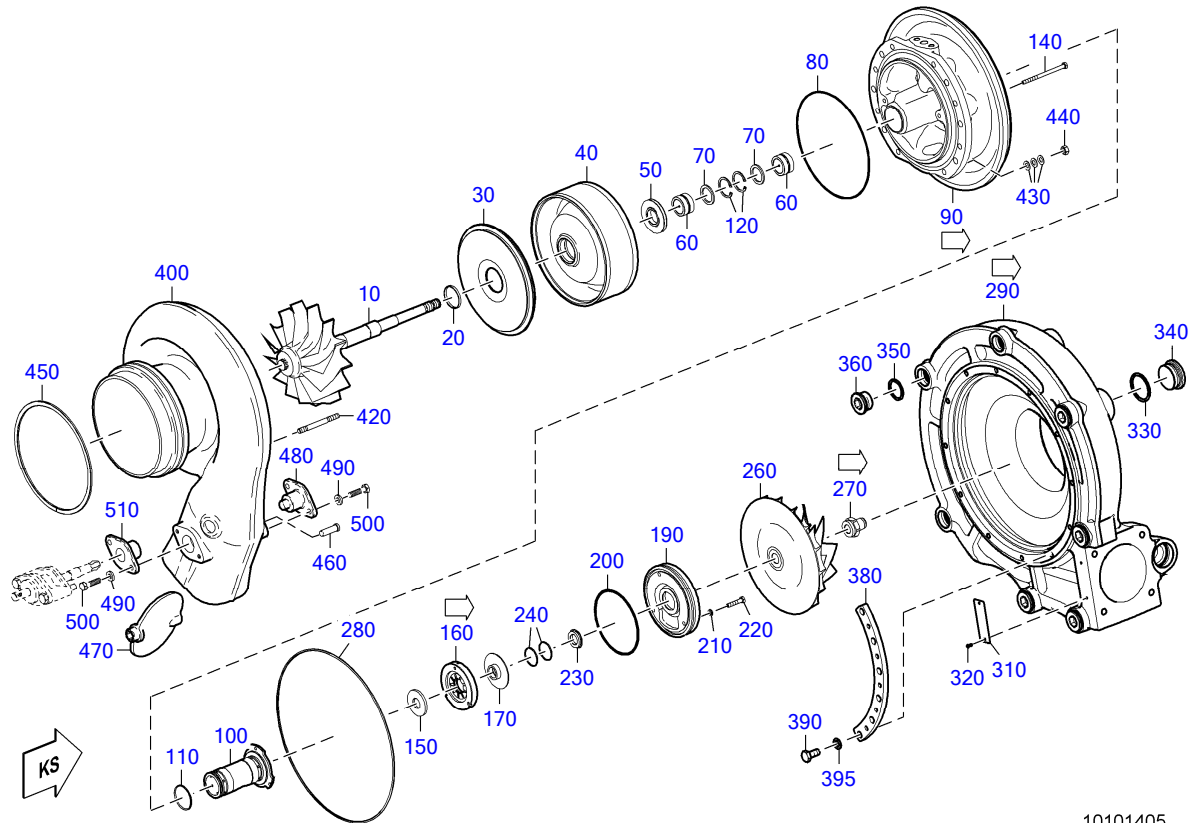
10100716b

➔	POS.	PART NO.	DESIGNATION	QTY.	UNITS	WEIGHT	MEASUREMENT
	50	X00018306	MAGNETIC NUT	1	pc	77,300 g	M16X1.5 LH
	100	0005595609	SOLENOID	1	pc	6,970 g	



10102137

➔	POS.	PART NO.	DESIGNATION	MODEL/TYPE	QTY.	UNITS	WEIGHT	FN	MEASUREMENT	STANDARD
	10	X59410100077	COMPRESSOR HOUSING	ZR195/091	1	pc	38,364 kg	EM		
	20	000908030002	THREAD PLUG		3	pc	0,085 kg		M 30 X 1,5	DIN908
	30	007603030101	COPPER SEALING RING		3	pc	4,300 g		A 30 X 36	DIN7603

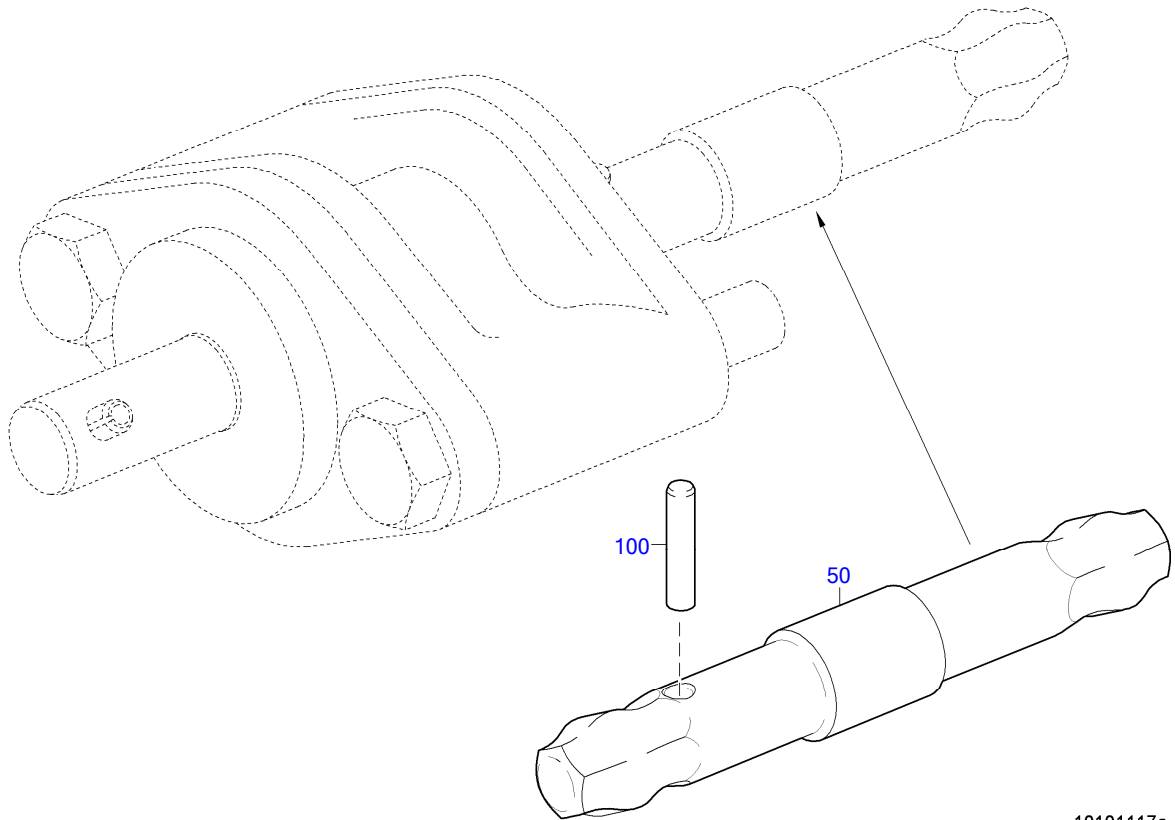


10101405

➔	POS.	PART NO.	DESIGNATION	MODEL/TYPE	QTY.	UNITS	WEIGHT	FN	MEASUREMENT	STANDARD
	10	X59410100081	TURBINE WHEEL	158/20/128	1	pc	3,900 kg	SB EM		
	20	5110850560	RING SEAL	FUER ABGASTURBOLADER	1	pc	5,700 g			
	30	5110813403	SHIELD HEAT TURBO		1	pc	1,360 kg			
	40	5110821302	HOUSING COVER		1	pc	3,779 kg			
	50	5110251976	WASHER	ZR205	1	pc	67,700 g			
	60	X00016599	BEARING BUSHING		2	pc	67,700 g			
	70	X59599100058	WASHER		2	pc	7,700 g			
	80	700429185001	O-RING		1	pc	9,100 g		185 X 3	MMN429
393	90	X59610100161	BEARING HOUSING		1	pc	14,593 kg			
	100	X59610100061	BEARING BODY		1	pc	396,300 g			
	110	700429038002	O-RING		1	pc	0,800 g		38 X 2	MMN429
	120	5119940041	RING SNAP		2	pc	2,800 g		34 X 1,5	DIN472
	140	000000001781	HEX SCREW		2	pc	20,700 g		M 6 X 90	ISO4014
	150	X00010427	WASHER		1	pc	45,700 g			
394	160	X59610100101	THRUST BEARING		1	pc	355,700 g			
	170	X00010428	WASHER		1	pc	56,400 g			
	190	X59610100232	RETAINING RING		1	pc	1,200 kg			
	200	700429105001	O-RING		1	pc	7,100 g		105 X 3,5	MMN429
	210	200433006400	WASHER		3	pc	0,600 g		6,4	DIN433
	220	000912006028	SCREW		3	pc	7,800 g		M 6 X 30	DIN912
	230	X00010426	RING CARRIER		1	pc	18,100 g			
	240	5100850060	RING SEAL		2	pc	1,800 g			
	260	X59410100043	COMPRESSOR WHEEL	ZR175	1	pc	1,200 kg	EM	111/179/9	
395	270	X00018307	MAGNETIC NUT	MM16-16L-2	1	pc	84,700 g		M16X1.5 LH	
	280	0239978348	RING SEAL		1	pc	22,300 g			

➡	POS.	PART NO.	DESIGNATION	MODEL/TYPE	QTY.	UNITS	WEIGHT	FN	MEASUREMENT	STANDARD
396	290	<b>X59410100080</b>	COMPRESSOR HOUSING	A/R=1.91CM	1	pc	40,200 kg	EM		
	310	<b>700425000049</b>	PLATE		1	pc	3,900 g		39	MMN425
	320	<b>215977003000</b>	BLIND RIVET		2	pc	1,000 g		3X8	ISO15977
	330	<b>007603042101</b>	COPPER SEALING RING		4	pc	8,000 g		A 42 X 49	DIN7603
	340	<b>000908042001</b>	THREAD PLUG		4	pc	0,179 kg		M 42 X 1,5	DIN908
	350	<b>007603030101</b>	COPPER SEALING RING		3	pc	4,300 g		A 30 X 36	DIN7603
	360	<b>000908030002</b>	THREAD PLUG		3	pc	0,085 kg		M 30 X 1,5	DIN908
	380	<b>X59610100201</b>	CLAMP FOR COMPR. HOUSING		3	pc	459,100 g			
	390	<b>000933010026</b>	HEX SCREW		18	pc	22,300 g		M 10 X 22	DIN933
	395	<b>200433010501</b>	WASHER		18	pc	2,000 g		10,5	DIN433
	400	<b>X59410100092</b>	TURBINE HOUSING	A/R=3.0CM	1	pc	23,900 kg	EM		
	420	<b>200835008006</b>	STUD		8	pc	33,000 g		M 8 X 75	DIN835
	430	<b>002093016100</b>	WASHER A16		24	pc	1,000 g		A 16	DIN2093
	440	<b>5069900251</b>	NUT		8	pc	6,400 g			
	450	<b>234110200000</b>	PISTON RING, COMP.		1	pc	108,600 g		200 X 3,5 G7 KI KA	DIN34110
	460	<b>X52810100078</b>	PIN		1	pc	23,200 g		13X35.5	
	470	<b>X59610100163</b>	EXHAUST FLAP		1	pc	697,900 g	EM		
	480	<b>X00040708</b>	BUSHING		1	pc	325,200 g			
	490	<b>5379900140</b>	WASHER		4	pc	3,900 g			
	500	<b>200933008016</b>	HEX SCREW		4	pc	13,900 g		M 8 X 25	DIN933
	510	<b>X00040711</b>	BUSHING		1	pc	203,500 g			





10101117a

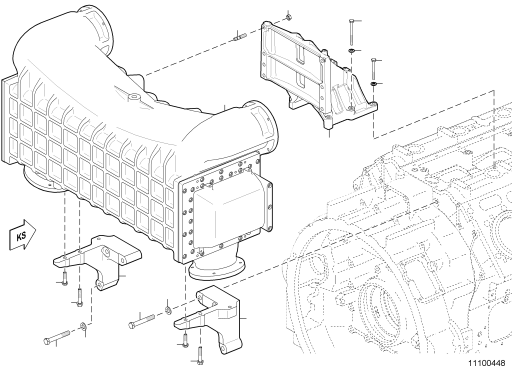
➔	POS.	PART NO.	DESIGNATION	QTY.	UNITS	WEIGHT
	50	<b>X59610100122</b>	SHAFT	1	pc	0,131 kg
	100	<b>5269970010</b>	PIN DOWEL	1	pc	4,500 g

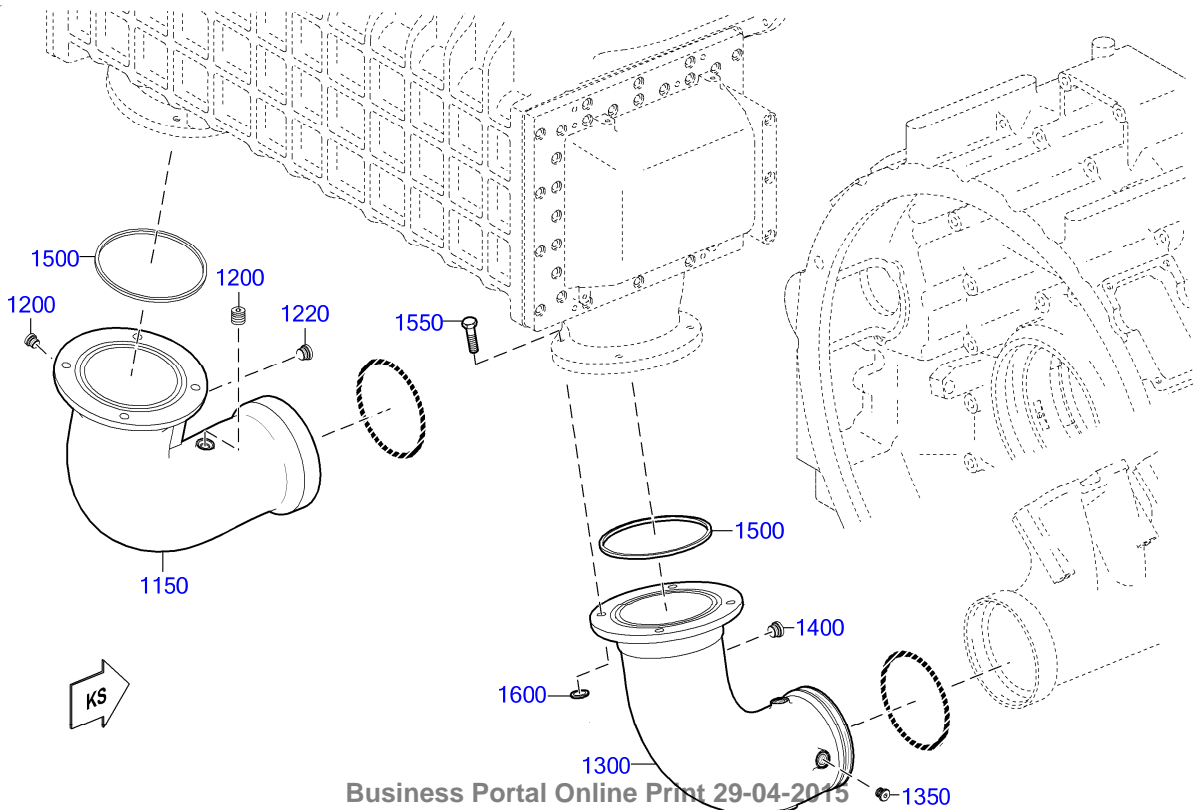
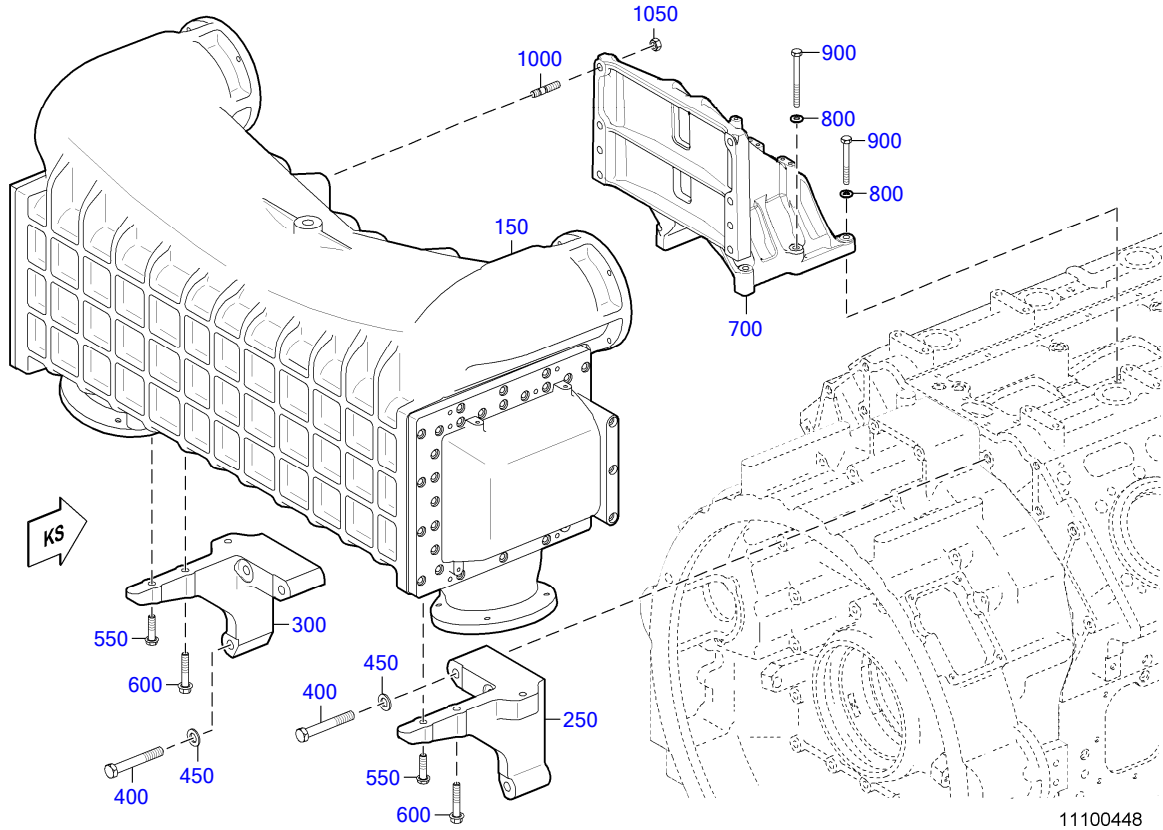
GROUP SEGMENT (FGS)

GROUP NAME

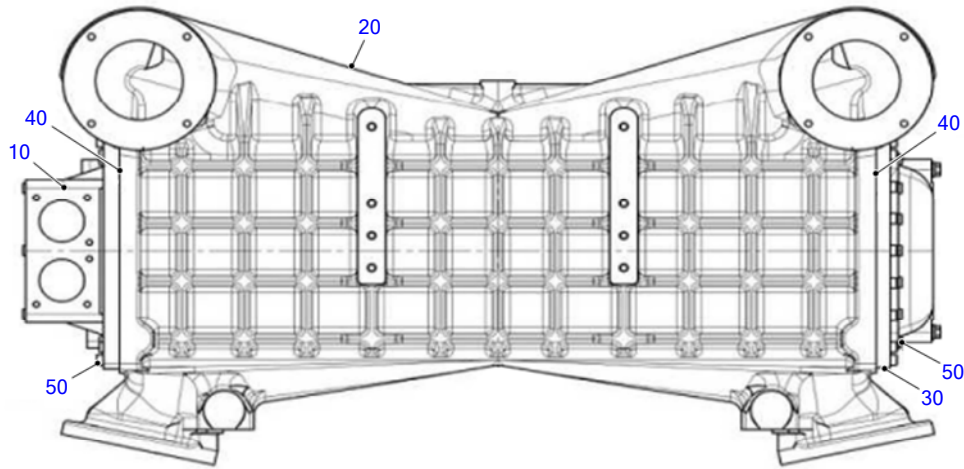
BOM-No.

05  
INTERCOOLER LR ACCEPTANCE  
XS594110.00022



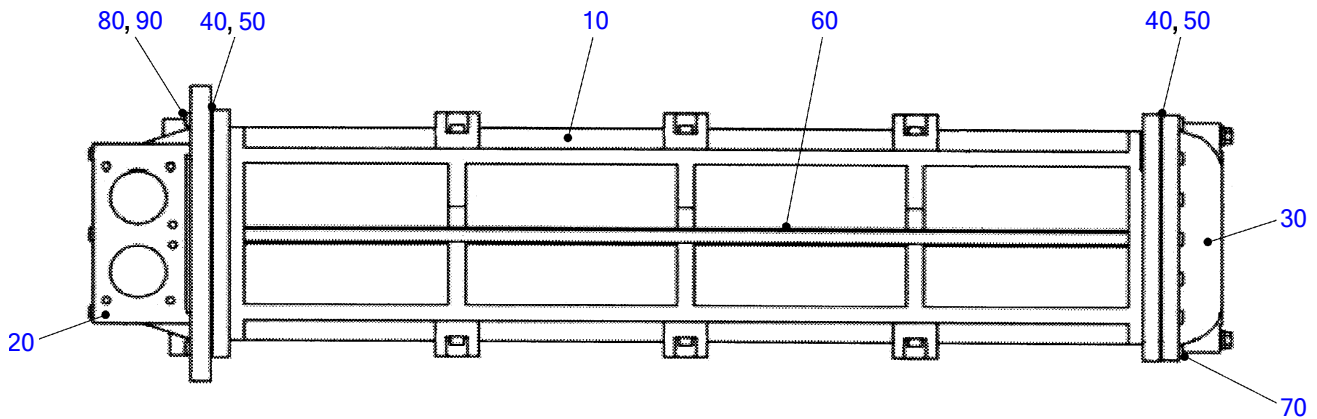


➡	POS.	PART NO.	DESIGNATION	QTY.	UNITS	WEIGHT	FN	MEASUREMENT	STANDARD
401	150	X59511400001/31	INTERCOOLER LR ACCEPTANCE	1	pc	460,000 kg	EM		
	250	5240980730	BRACKET	1	pc	11,500 kg			
	300	5240980830	BRACKET	1	pc	11,400 kg			
	400	000000002276	HEX SCREW	6	pc	180,000 g		M 16 X 110	ISO4017
	450	5249900140	WASHER	6	pc	12,400 g			
	550	5249901901	HEX SCREW	2	pc	64,000 g		M 12 X 1,75 X 47	
	600	5249900304	HEX SCREW	4	pc	79,000 g		M12 X 65	
	700	X59611400014	SUPPORT FOR INTERCOOLER	1	pc	35,500 kg			
	800	200433010501	WASHER	6	pc	2,000 g		10,5	DIN433
	900	304017010032	HEX SCREW	6	pc	42,300 g		M 10 X 65	ISO4017
	1000	000939012031	STUD	8	pc	44,200 g		M 12 X 45	DIN939
	1050	000000004744	HEX NUT	8	pc	14,300 g		M 12	ISO4032
	1150	5240983015	ELBOW	1	pc	5,800 kg	EM	KRÜMMER LINKE SEITE	
318	1200	735210014000	THREAD PLUG	2	pc	0,019 kg		M 14 X 1,5	MTN5210
	1220	735210018000	PLUG	1	pc	0,036 kg		M 18 X 1,5	MTN5210
	1300	5240983115	ELBOW	1	pc	4,400 kg	EM	KRÜMMER RECHTE SEITE	
318	1350	735210014000	THREAD PLUG	2	pc	0,019 kg		M 14 X 1,5	MTN5210
	1400	735210018000	PLUG	1	pc	0,036 kg		M 18 X 1,5	MTN5210
	1500	5269970045	SEAL RING (SQUARE CUT) CAC OUTLET	2	pc	17,000 g			
	1550	204017012009	HEX SCREW	8	pc	43,800 g	MN	M 12 X 40	ISO4017
	1600	735151012100	SPACER S2000/4000	8	pc	20,000 g		A 12,5	MTN5151



11400228a

➡	POS.	PART NO.	DESIGNATION	QTY.	UNITS	WEIGHT	FN	MEASUREMENT	STANDARD
402	10	XP52711400041	COOLER CORE	1	pc	210,000 kg	EM		
	20	XP52711400012	COOLER HOUSING	1	pc	285,500 kg			
	30	XP52711400013	FRAME	1	pc	5,900 kg			
	40	XP52711400014	O-RING	2	pc	93,300 g		DI 393.07X6.99	
	50	000912010038	SCREW	44	pc	26,600 g		M 10 X 30	DIN912



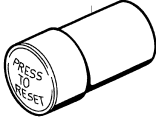
11400151b

➔	POS.	PART NO.	DESIGNATION	QTY.	UNITS	WEIGHT	MEASUREMENT	STANDARD
	10	XP52711400042	INSERT	1	pc	252,000 kg		
	20	XP52711400016	CONNECTION CHAMBER	1	pc	19,040 kg		
	30	XP52711400017	HOUSING COVER	1	pc	12,680 kg		
	40	XP52711400019	GASKET	2	pc	68,300 g		
	50	XP52611400008	GASKET	1	pc	20,900 g	1.30 M	
	60	XP52711400009	SEALING STRIP	1,000	m	214,000 g		
	70	XP53522400013	SCREW	24	pc	38,200 g	M 10X 50	EN ISO 4762
	80	000912010038	SCREW	19	pc	26,600 g	M 10 X 30	DIN912
	90	000912010082	SCREW	3	pc	91,800 g	M 10 X140	DIN912

GROUP SEGMENT (FGS)  
GROUP NAME  
BOM-No.

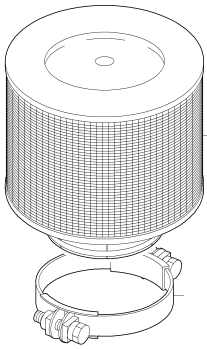
---

05  
CONTAM INDICATOR  
XS593120.00028

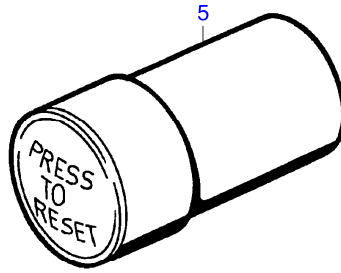


12100458

05  
AIR FILTER  
XS594120.00071



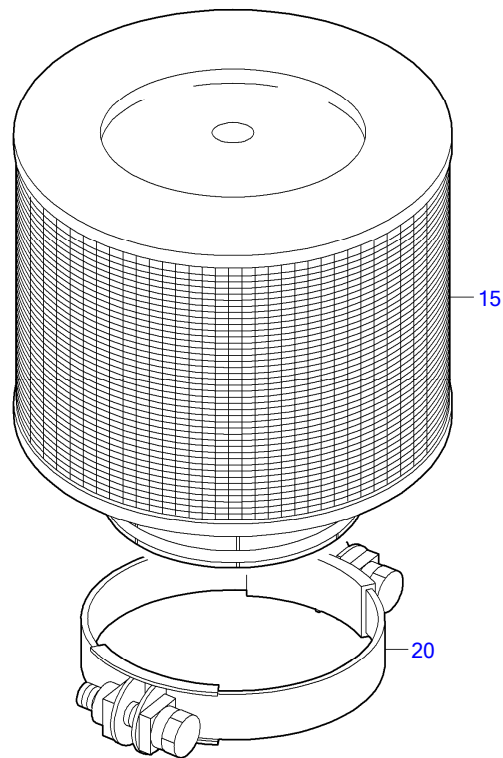
12100463



12100456

➔	POS.	PART NO.	DESIGNATION	QTY.	UNITS	WEIGHT
	5	0000943268	INDICATOR AIR FILTER RESTRISTER	1	pc	50,500 g





12100463

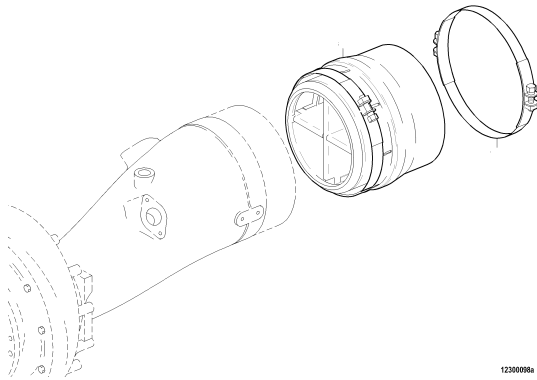
➔	POS.	PART NO.	DESIGNATION	QTY.	UNITS	WEIGHT	FN	MEASUREMENT	STANDARD
	15	0180943002	AIR FILTER	2	pc	5,500 kg	EM		
	20	900288260000	CLAMP	2	pc	349,800 g		S 260/25X1,25 SK 2T	N288A

GROUP SEGMENT (FGS)

GROUP NAME

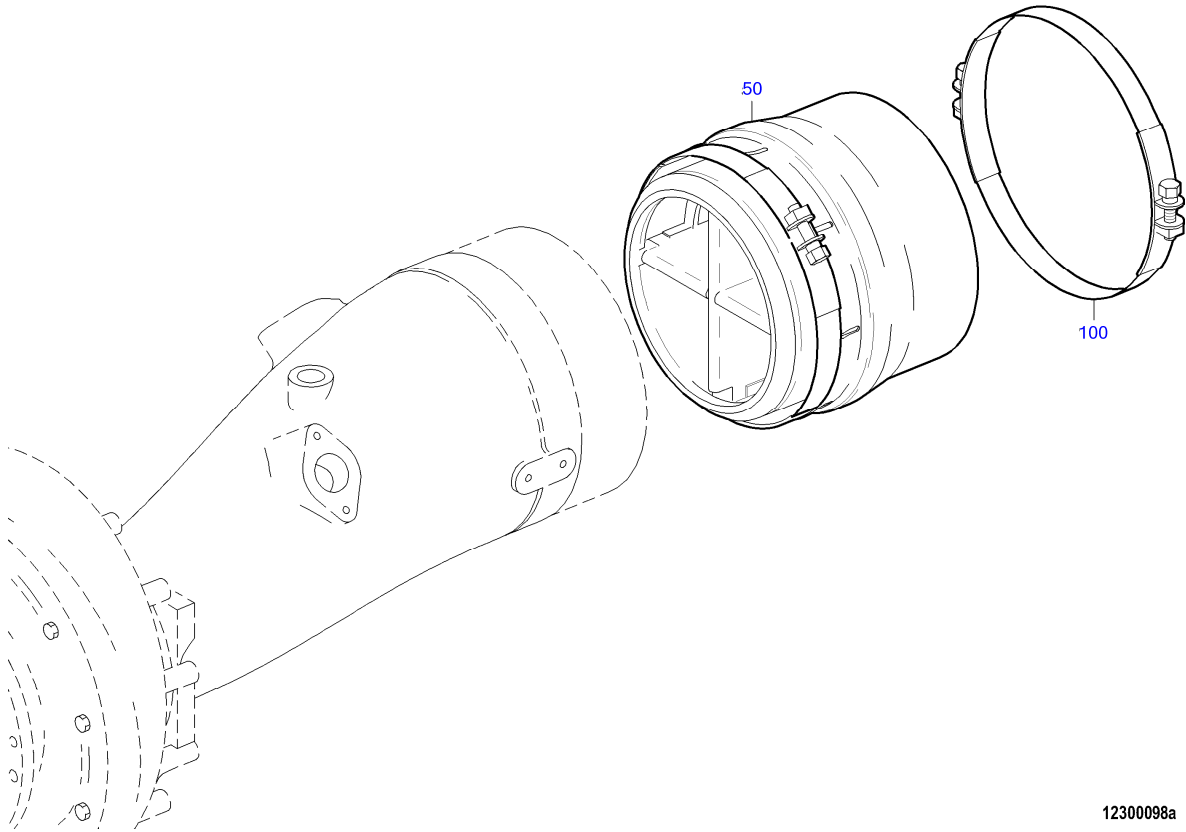
BOM-No.

---



05  
INTAKE SILENCER  
X00010987

12300098a



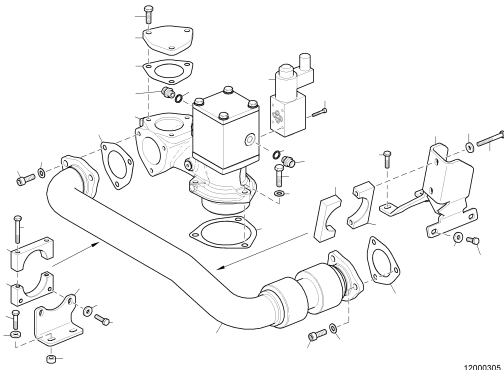
12300098a

➔	POS.	PART NO.	DESIGNATION	MODEL/TYPE	QTY.	UNITS	WEIGHT	FN	MEASUREMENT	STANDARD
	50	<b>5260900104</b>	SILENCER AIR INTAKE	12/16V4000 MAR.	2	pc	2,649 kg	EM		
	100	<b>900288254000</b>	CLAMP		2	pc	349,100 g		S 254/25X1,25 SK 2T	N288A

GROUP SEGMENT (FGS)

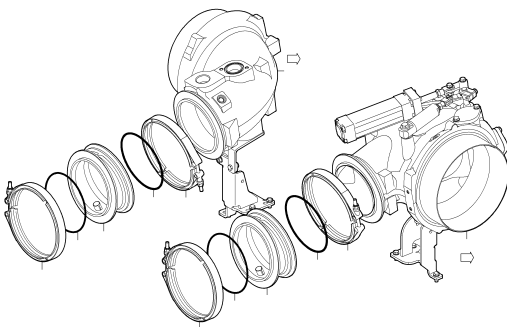
GROUP NAME

BOM-No.



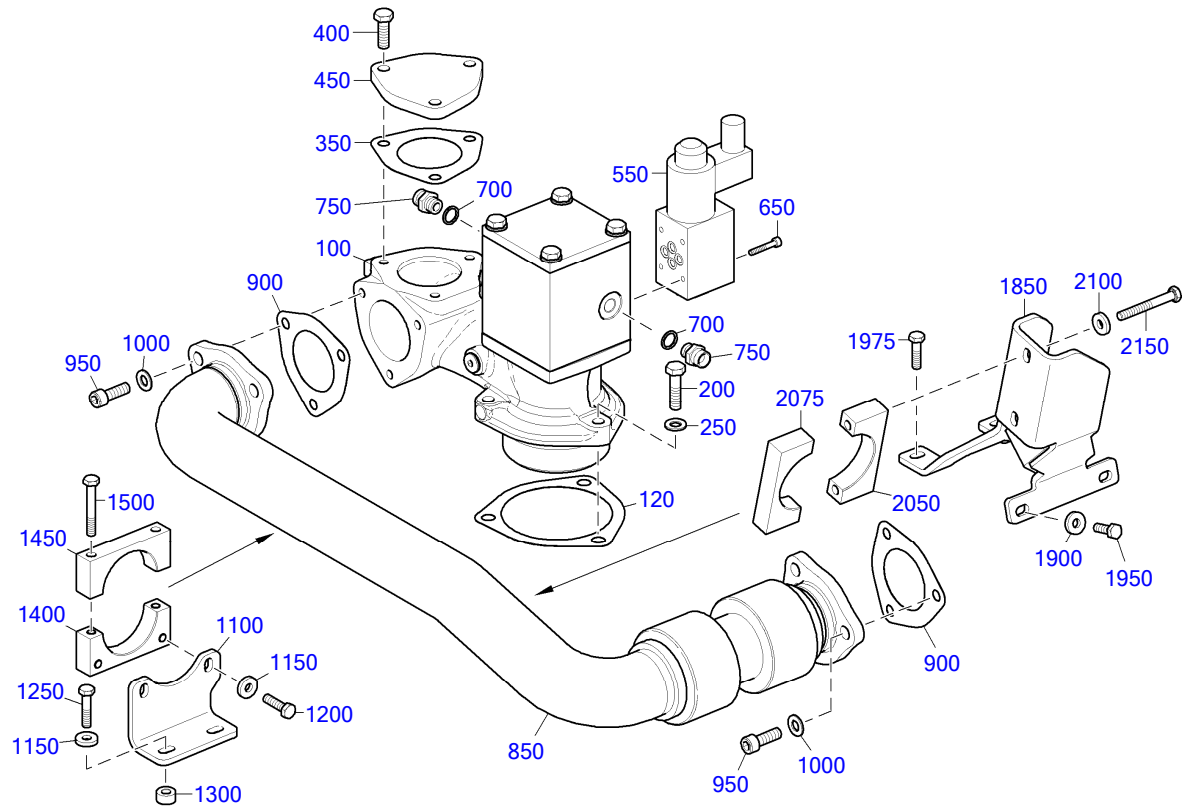
12000305

05  
**DIVERTER VALVE**  
XS595120.00043



12301005

35  
**AIR SYSTEM BEFORE TURBOCHARGER**  
XS526120.00050



12000305

➔	POS.	PART NO.	DESIGNATION	QTY.	UNITS	WEIGHT	FN	MEASUREMENT	STANDARD
	411	100	X59512300014	DIVERTER VALVE	1	pc	9,696 kg	EM	
		120	X59512500026	GASKET F/AIR TRANSFER VALV	1	pc	7,500 g		
		200	000000001039	HEX SCREW	3	pc	29,800 g	M 10 X 40	ISO4017
		250	000125010524	WASHER	3	pc	3,100 g	A 10,5	DIN125
		350	5272030080	GASKET	1	pc	6,500 g		
		400	000000001464	HEX SCREW	3	pc	24,900 g	M 10 X 30	ISO4017
		450	X52812500001	FLANGE	1	pc	691,900 g		
	410	550	X00041391	ACTUATOR VLV	1	pc	1,900 kg		
		650	000000003558	BOLT HEX SOC ZNPH R5F	4	pc	5,400 g	M 5 X 30	DIN912
		700	007603014102	COPPER SEALING RING	2	pc	1,000 g	A 14 X 18	DIN7603
		750	915013008002	SCREW NECK	2	pc	24,000 g	8 (M16X1,5/M14X1,5)	N15013
		850	X59512500033	AIR LINE F/AIR TRANSFER VALV	1	pc	4,047 kg	EM	
		900	5272030080	GASKET	2	pc	6,500 g		
		950	000000001464	HEX SCREW	6	pc	24,900 g	M 10 X 30	ISO4017
		1000	000125010524	WASHER	6	pc	3,100 g	A 10,5	DIN125
		1100	X59499100079	BRACKET	1	pc	425,700 g		
		1150	007349008002	WASHER	4	pc	7,900 g	8,4	DIN7349
		1200	304017008083	HEX SCREW	2	pc	15,100 g	M 8 X 30	ISO4017
		1250	304017008084	HEX SCREW	2	pc	16,400 g	M 8 X 35	ISO4017
		1300	735151008200	SPACER	2	pc	13,700 g	B 8,4	MTN5151
		1400	X59312500003	PIPE HALF-CLAMP	1	pc	323,100 g		
		1450	700346065200	PIPE CLAMP HALF	1	pc	307,700 g	BD 9 - 65	MMN346
		1500	304017008088	HEX SCREW	2	pc	22,600 g	M 8 X 55	ISO4017
		1850	X59599100097	RETAINER	1	pc	2,100 kg		
		1900	007349008002	WASHER	2	pc	7,900 g	8,4	DIN7349

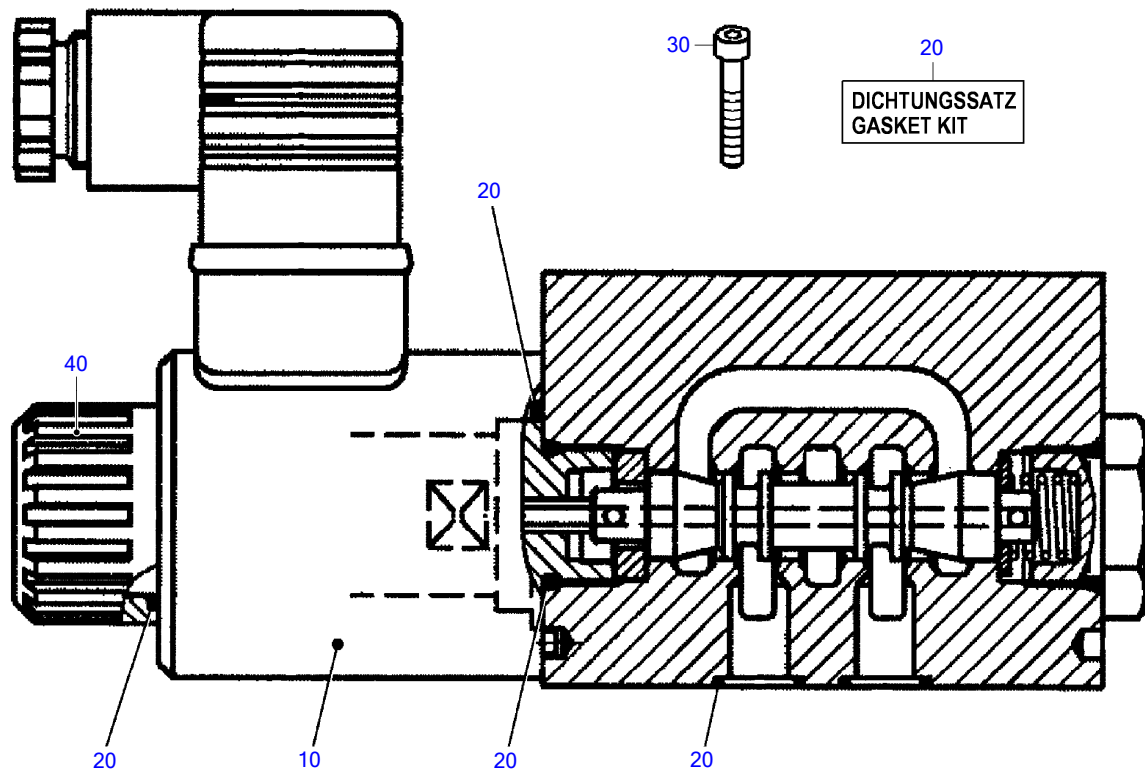
EQUI TYPE: Engine

PRODUCT TYPE: 12V4000M53  
DIVERter VALVE

SERIAL NUMBER: 526107657

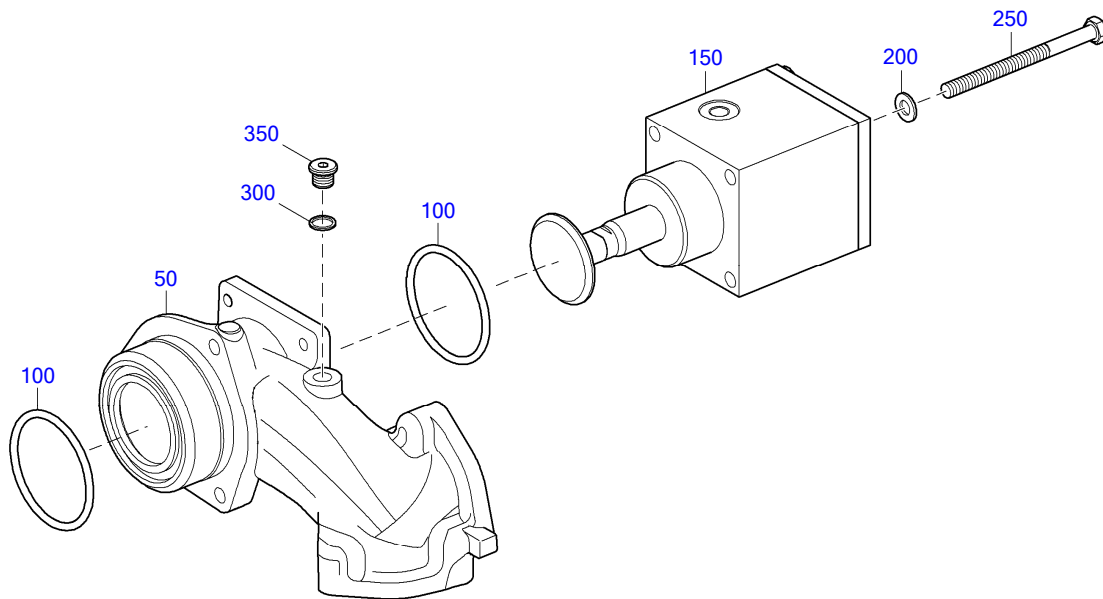
FG/FGS: 123 05  
BOM-No.: XS595120.00043

➡	POS.	PART NO.	DESIGNATION	QTY.	UNITS	WEIGHT	FN	MEASUREMENT	STANDARD
	1950	304017008081	HEX SCREW	2	pc	13,400 g		M 8 X 25	ISO4017
	1975	304017008083	HEX SCREW	2	pc	15,100 g		M 8 X 30	ISO4017
	2050	700346065200	PIPE CLAMP HALF	1	pc	307,700 g		BD 9 - 65	MMN346
	2075	700346065300	PIPE CLAMP HALF	1	pc	328,400 g		BG 8 - 65	MMN346
	2100	007349008002	WASHER	2	pc	7,900 g		8,4	DIN7349
	2150	204017008032	HEX SCREW	2	pc	25,500 g		M 8 X 65	ISO4017



12300496a

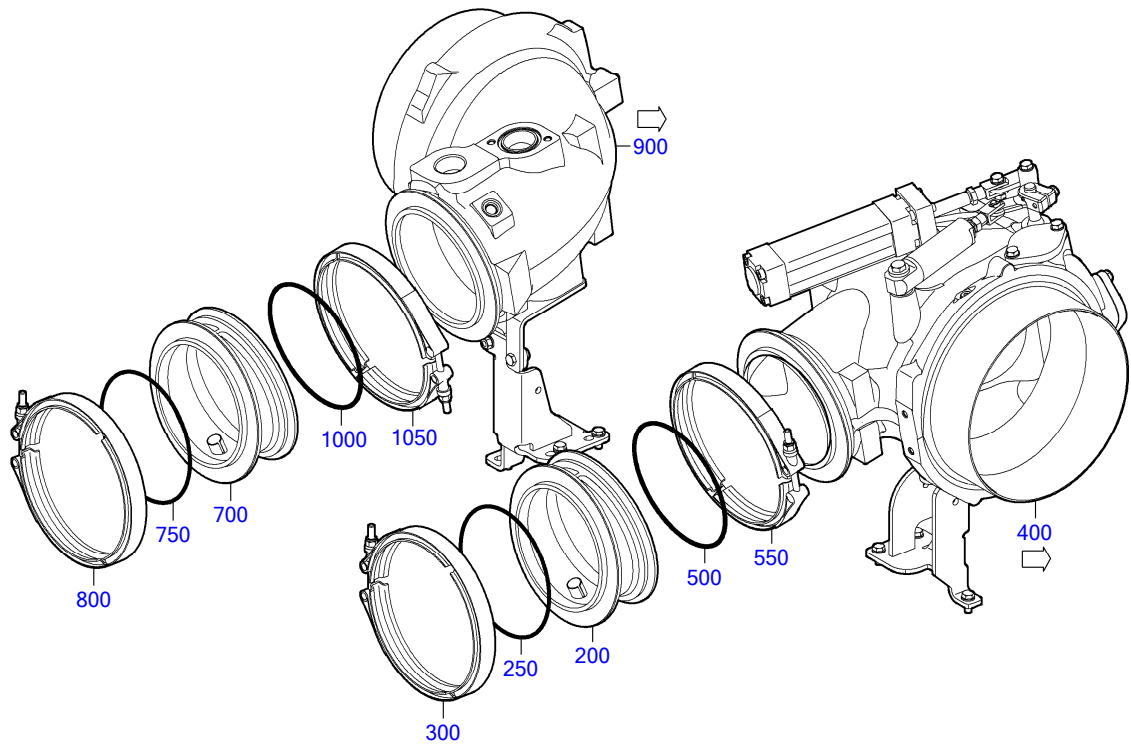
➔	POS.	PART NO.	DESIGNATION	QTY.	UNITS	WEIGHT	MEASUREMENT	STANDARD
	10	XP52736400001	SOLENOID	1	pc	358,000 g		
	20	8495860032	SET OF SEALS	1	pc	85,000 g	INHALT SIEHE GRUNDDATENTEXT	
	30	000000003558	BOLT HEX SOC ZNPH R5F	4	pc	5,400 g	M 5 X 30	DIN912
	40	XP51699100033	NUT	1	pc	8,700 g		



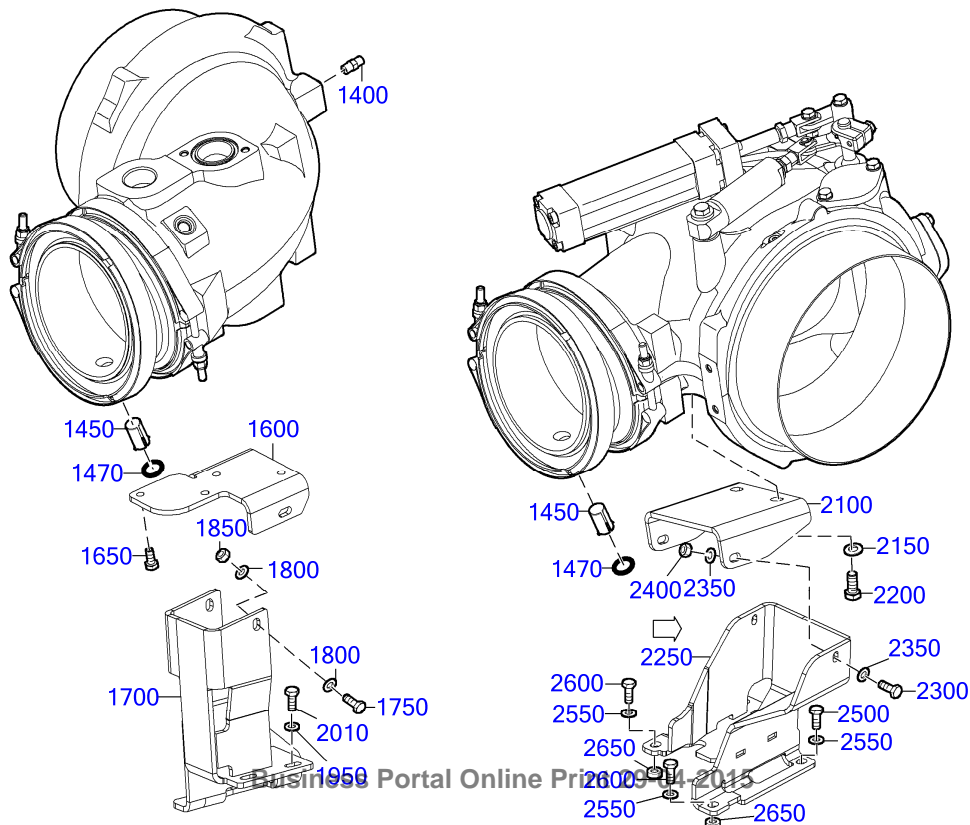
12600081a

➔	POS.	PART NO.	DESIGNATION	MODEL/TYPE	QTY.	UNITS	WEIGHT	FN	MEASUREMENT	STANDARD
	50	X59612300005	VALVE HOUSING		1	pc		EM		
	100	700429075001	O-RING		2	pc	10,600 g		75 X 5	MMN429
	150	X59612300007	CYLINDER	BR4000	1	pc	41,000 g			
	200	000125010524	WASHER		4	pc	3,100 g		A 10,5	DIN125
	250	000000004400	HEX SCREW		4	pc	84,000 g		M 10 X130	ISO4014
	300	007603014102	COPPER SEALING RING		2	pc	1,000 g		A 14 X 18	DIN7603
	350	000908014001	THREAD PLUG		2	pc	0,016 kg		M 14 X 1,5	DIN908



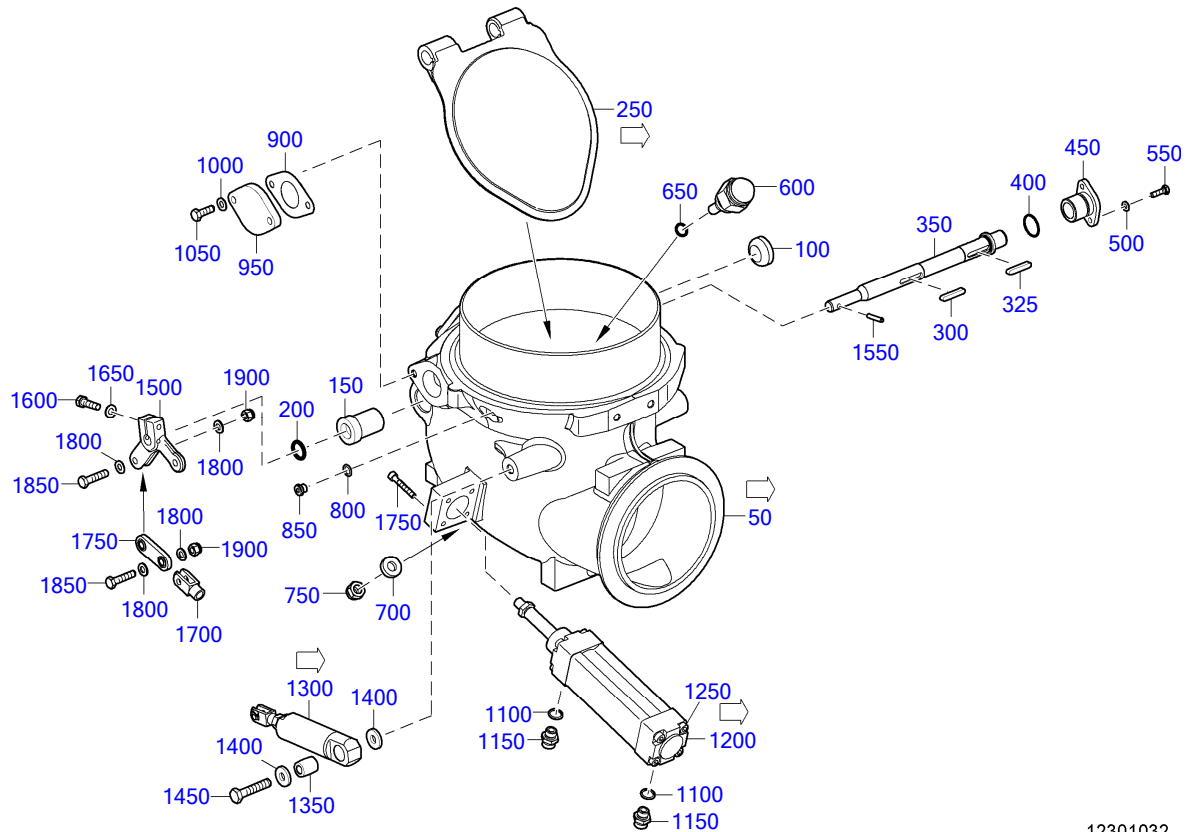


12301006



12301005

➡	POS.	PART NO.	DESIGNATION	MODEL/TYPE	QTY.	UNITS	WEIGHT	FN	MEASUREMENT	STANDARD
	200	X52612300083	REDUCER		1	pc	1,300 kg	EM		
	250	700429160001	O-RING		1	pc	13,700 g		160 X 4	MMN429
	300	0049978190	CLAMP		1	pc	615,000 g			
413	400	X52612300097	INTAKE HOUSING		1	pc	16,727 kg	EM		
	500	700429160001	O-RING		1	pc	13,700 g		160 X 4	MMN429
	550	0049978190	CLAMP		1	pc	615,000 g			
	700	X52612300083	REDUCER		1	pc	1,300 kg	EM		
	750	700429160001	O-RING		1	pc	13,700 g		160 X 4	MMN429
	800	0049978190	CLAMP		1	pc	615,000 g			
418	900	X52612300106	INTAKE HOUSING	HORIZONTAL	1	pc	8,100 kg	EM		
	1000	700429160001	O-RING		1	pc	13,700 g		160 X 4	MMN429
	1050	0049978190	CLAMP		1	pc	615,000 g			
	1400	0009973375	ADAPTER FITTING W/SINTERED FLTR		1	pc	13,400 g			
	1450	3555420273	BUSHING FOR SPEED SENSOR		2	pc	6,200 g			
	1470	700429015001	O-RING		2	pc	2,300 g		15,5 X 4,5	MMN429
	1600	X59599100100	RETAINER		1	pc	850,000 g			
	1650	204017008009	HEX SCREW		4	pc	10,900 g		M 8 X 18	ISO4017
	1700	X59599100099	RETAINER		1	pc	2,700 kg			
	1750	304017008083	HEX SCREW		2	pc	15,100 g		M 8 X 30	ISO4017
	1800	007349008002	WASHER		4	pc	7,900 g		8,4	DIN7349
	1850	304032008014	NUT HEX 8 A3C		2	pc	4,800 g		M 8	ISO4032
	1950	007349008002	WASHER		4	pc	7,900 g		8,4	DIN7349
	2010	304017008081	HEX SCREW		4	pc	13,400 g		M 8 X 25	ISO4017
	2100	X59599100101	RETAINER		1	pc	1,100 kg			
	2150	007349010002	WASHER		2	pc	11,000 g		10,5	DIN7349
	2200	000000001464	HEX SCREW		2	pc	24,900 g		M 10 X 30	ISO4017
	2250	X59599100142	RETAINER		1	pc	3,400 kg			
	2300	304017008083	HEX SCREW		2	pc	15,100 g		M 8 X 30	ISO4017
	2350	007349008002	WASHER		4	pc	7,900 g		8,4	DIN7349
	2400	304032008014	NUT HEX 8 A3C		2	pc	4,800 g		M 8	ISO4032
	2500	304017008081	HEX SCREW		3	pc	13,400 g		M 8 X 25	ISO4017
	2550	007349008002	WASHER		5	pc	7,900 g		8,4	DIN7349
	2600	304017008083	HEX SCREW		2	pc	15,100 g		M 8 X 30	ISO4017
	2650	5900942853	SPACER SLEEVE		2	pc	6,100 g			



12301032

➔	POS.	PART NO.	DESIGNATION	MODEL/TYPE	QTY.	UNITS	WEIGHT	FN	MEASUREMENT	STANDARD
414	50	X52612300096	INTAKE HOUSING	HORIZONTAL/GESCHALTET	1	pc	8,800 kg	EM		
	100	700088036000	PLUG		1	pc	16,300 g	36		MMN88
	150	5350980050	BUSHING		1	pc	187,600 g			
	200	700429018005	O-RING		1	pc	1,900 g	18 X 4		MMN429
415	250	5240900265	FLAP		1	pc	1,268 kg			
	300	006885006045	KEY WOODRUFF A		1	pc	9,500 g	A 6 X 6 X 36		DIN6885
	325	206885006000	KEY		1	pc	10,700 g	A 6 X 6 X 40		DIN6885
	350	X59499100582	SHAFT		1	pc	595,500 g			
	400	700429025001	O-RING		1	pc	0,900 g	25 X 2,5		MMN429
	450	5590981750	FLANGE		1	pc	190,000 g			
	500	000125006431	WASHER		2	pc	0,800 g	A 6,4		DIN125
	550	000000001444	HEX SCREW		2	pc	6,000 g	M 6 X 20		ISO4017
	600	X00034972	STOP		1	pc	369,600 g			
	650	700429012004	O-RING		1	pc	0,700 g	12 X 3		MMN429
	700	735151012100	SPACER S2000/4000		1	pc	20,000 g	A 12,5		MTN5151
	750	999900012000	NUT		1	pc	17,900 g	M 12		AGGN14440
	800	007603010112	SEALING RING		1	pc	0,500 g	A 10 X 15		DIN7603
	850	000908010002	SCREWED PLUG		1	pc	0,006 kg	M 10 X 1		DIN908
	900	X00014409	GASKET		2	pc	3,900 g			
	950	5592030286	COVER		2	pc	290,500 g			
	1000	000125008427	WASHER		4	pc	1,500 g	A 8,4		DIN125
	1050	304017008081	HEX SCREW		4	pc	13,400 g	M 8 X 25		ISO4017
	1100	007603014102	COPPER SEALING RING		2	pc	1,000 g	A 14 X 18		DIN7603
	1150	700419999021	SCREW-FITTING UNION		2	pc	25,000 g	10 G 1/4 A		MMN419
416	1200	X56912300043	ACTUATING CYLINDER		1	pc	1,200 kg			

EQUI TYPE: Engine

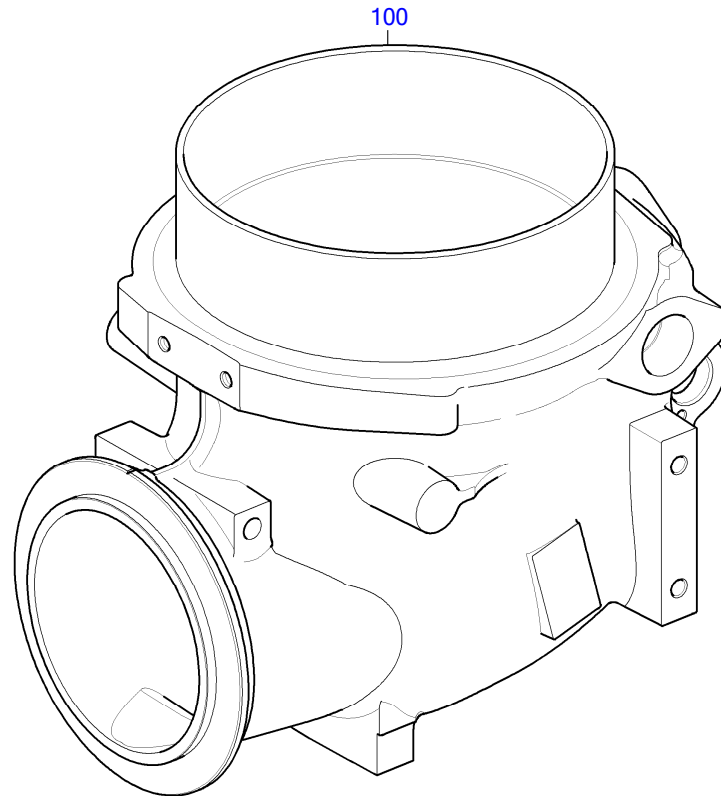
PRODUCT TYPE: 12V4000M53  
INTAKE HOUSING

SERIAL NUMBER: 526107657

FG/FGS:

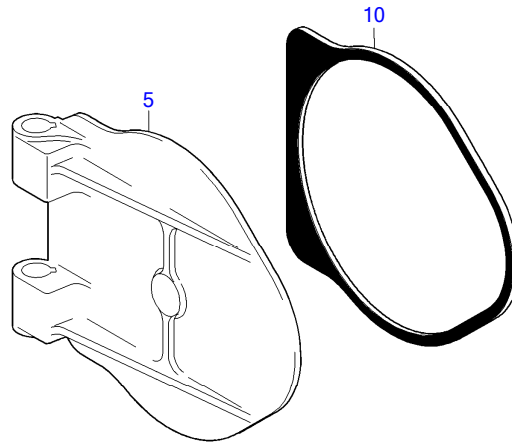
BOM-No.: X52612300097

➡	POS.	PART NO.	DESIGNATION	MODEL/TYPE	QTY.	UNITS	WEIGHT	FN	MEASUREMENT	STANDARD
	1250	000912006031	SCREW		4	pc	10,200 g		M 6 X 40	DIN912
417	1300	5260900009	CYLINDER	BR4000	1	pc	628,600 g			
	1350	5360980250	BUSHING		1	pc	43,100 g			
	1400	007349010002	WASHER		2	pc	11,000 g	10,5		DIN7349
	1450	000000003693	HEX SCREW		1	pc	34,900 g		M 10 X 50	ISO4017
	1500	X59612300026	LEVER		1	pc	255,900 g			
	1550	001481005004	SPRING PIN		1	pc	2,400 g		5 X 28 - N	ISO8752
	1600	304017008083	HEX SCREW		1	pc	15,100 g		M 8 X 30	ISO4017
	1650	000125008427	WASHER		1	pc	1,500 g		A 8,4	DIN125
	1700	X00041795	CLEVIS		1	pc	39,200 g			
	1750	5361400146	ROD		1	pc	66,300 g			
	1800	000125008427	WASHER		4	pc	1,500 g		A 8,4	DIN125
	1850	304017008084	HEX SCREW		2	pc	16,400 g		M 8 X 35	ISO4017
	1900	5069900251	NUT		2	pc	6,400 g			



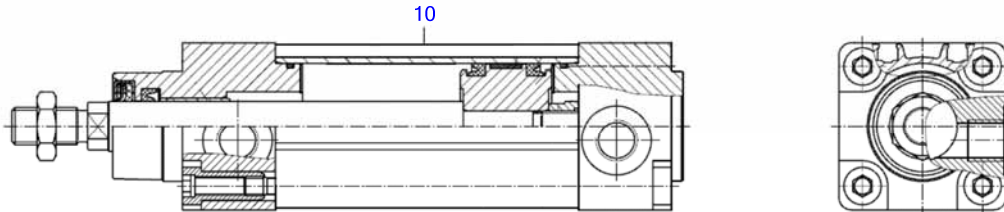
12301004

➔	POS.	PART NO.	DESIGNATION	MODEL/TYPE	QTY.	UNITS	WEIGHT	FN
	100	X52612300095	INTAKE HOUSING	HORIZONTAL/GESCHALTET	1	pc	8,800 kg	EM



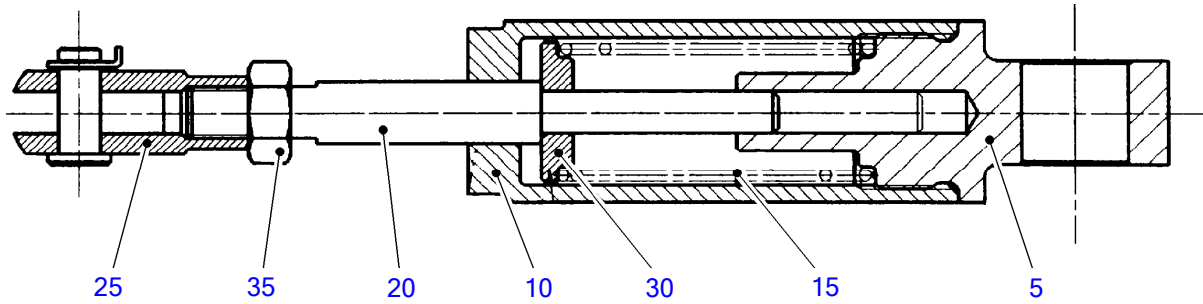
12300103a

➔	POS.	PART NO.	DESIGNATION	QTY.	UNITS	WEIGHT
	5	5240980010	FLAP	1	pc	1,288 kg
	10	5249870051	FLAP SEAL	1	pc	1,273 g



12300699

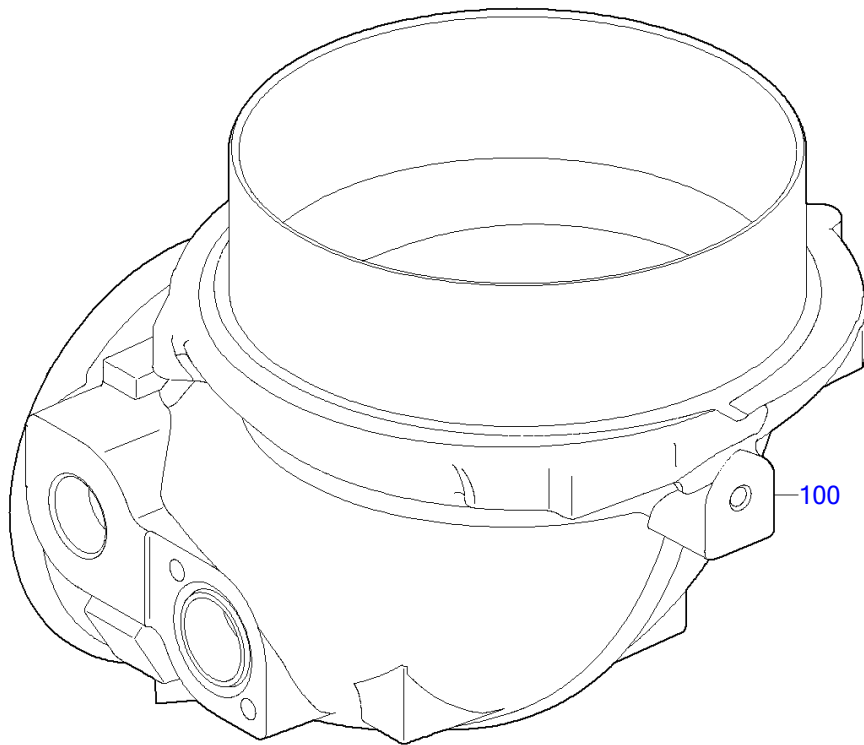
➔	POS.	PART NO.	DESIGNATION	QTY.	UNITS	WEIGHT
	10	XP56900600007	PARTS KIT	1	pc	0,002 kg



03700421a

➡	POS.	PART NO.	DESIGNATION	MODEL/TYPE	QTY.	UNITS	WEIGHT	MEASUREMENT	STANDARD
	5	5360980032	PISTON GUIDE		1	pc	236,000 g		
	10	5360980018	CYLINDER		1	pc	233,000 g		
	15	5269930101	PRESSURE SPRING	4000	1	pc	18,000 g		
	20	5360980090	ROD		1	pc	69,000 g		
	25	0009963401	CLEVIS		1	pc	45,000 g		
	30	5360980176	WASHER		1	pc	18,000 g		
	35	000934010005	NUT HEX		1	pc	10,400 g	M 10	DIN934





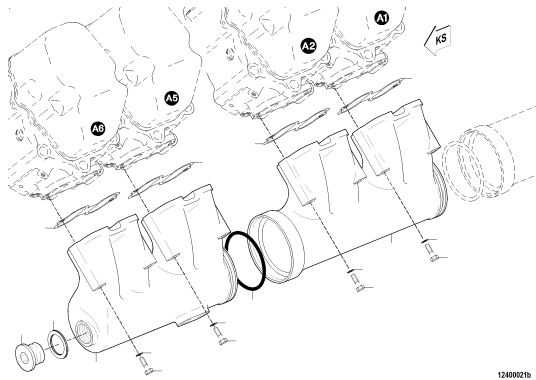
12300515a

➔	POS.	PART NO.	DESIGNATION	MODEL/TYPE	QTY.	UNITS	WEIGHT	FN
	100	X52612300105	INTAKE HOUSING	HORIZONTAL	1	pc	8,000 kg	EM

GROUP SEGMENT (FGS)

GROUP NAME

BOM-No.



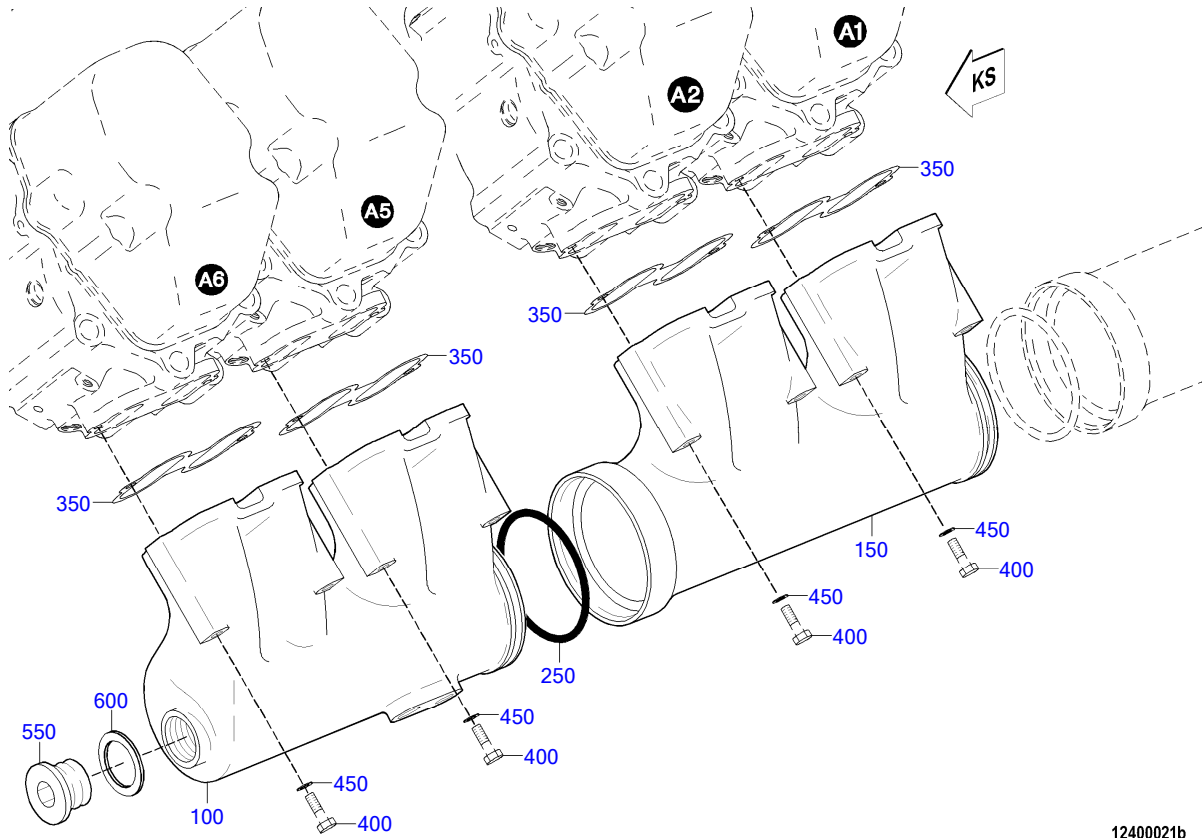
05  
AIR PIPING INTERCOOLER TO CYLH  
XS594120.00019

EQUI TYPE: Engine

PRODUCT TYPE: 12V4000M53  
AIR PIPING INTERCOOLER TO CYLH

SERIAL NUMBER: 526107657

FG/FGS: 124 05  
BOM-No.: XS594120.00019

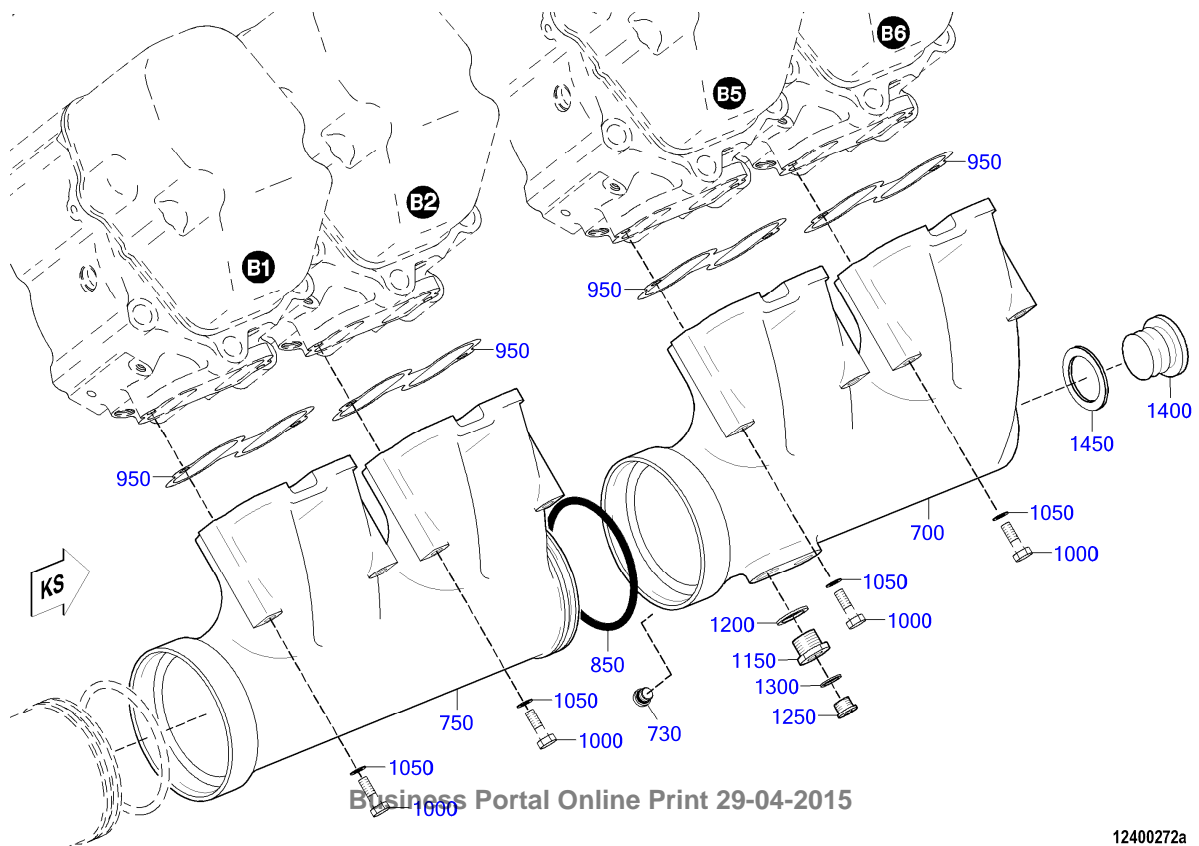


EQUI TYPE: Engine

PRODUCT TYPE: 12V4000M53  
AIR PIPING INTERCOOLER TO CYLH

SERIAL NUMBER: 526107657

FG/FGS: 124 05  
BOM-No.: XS594120.00019



➡	POS.	PART NO.	DESIGNATION	MODEL/TYPE	QTY.	UNITS	WEIGHT	FN	MEASUREMENT	STANDARD
	100	5240981407	CHARGE-AIR PIPE END PIECE, LEFT		1	pc	7,700 kg	EM		
	150	5240980907	MANIFOLD INTAKE CHRГ AIR CENTER	BR4000	2	pc	8,296 kg	EM		
	250	700429140000	O-RING		3	pc	45,000 g		140 X 8	MMN429
	350	5240980680	GASKET		6	pc	14,500 g			
	400	00000001041	HEX SCREW		12	pc	90,200 g		M 10 X140	ISO4014
	450	000125010524	WASHER		6	pc	3,100 g		A 10,5	DIN125
	550	000908052003	THREAD PLUG		1	pc	0,298 kg		M 52 X 1,5	DIN908
	600	007603052101	COPPER SEALING RING		1	pc	12,500 g		A 52 X 60	DIN7603
	700	X59412400026	CHARGE-AIR PIPE END MEMBER, RIGHT		1	pc	7,928 kg	EM		
318	730	735210014000	THREAD PLUG		1	pc	0,019 kg		M 14 X 1,5	MTN5210
	750	5240980907	MANIFOLD INTAKE CHRГ AIR CENTER	BR4000	2	pc	8,296 kg	EM		
	850	700429140000	O-RING		2	pc	45,000 g		140 X 8	MMN429
	950	5240980680	GASKET		6	pc	14,500 g			
	1000	00000001041	HEX SCREW		12	pc	90,200 g		M 10 X140	ISO4014
	1050	000125010524	WASHER		6	pc	3,100 g		A 10,5	DIN125
	1150	700354014003	THREADED BUSHING		2	pc	40,000 g		M 14 X 1,5	MMN354
	1200	007603022102	COPPER SEALING RING		2	pc	0,900 g		A 22 X 27	DIN7603
	1250	000908014001	THREAD PLUG		2	pc	0,016 kg		M 14 X 1,5	DIN908
	1300	007603014102	COPPER SEALING RING		2	pc	1,000 g		A 14 X 18	DIN7603
	1400	000908052003	THREAD PLUG		1	pc	0,298 kg		M 52 X 1,5	DIN908
	1450	007603052101	COPPER SEALING RING		1	pc	12,500 g		A 52 X 60	DIN7603

AIR ROUTING BETWEEN TURBOCHARGER AND CHARGE-AIR COOLER

GROUP SEGMENT (FGS)

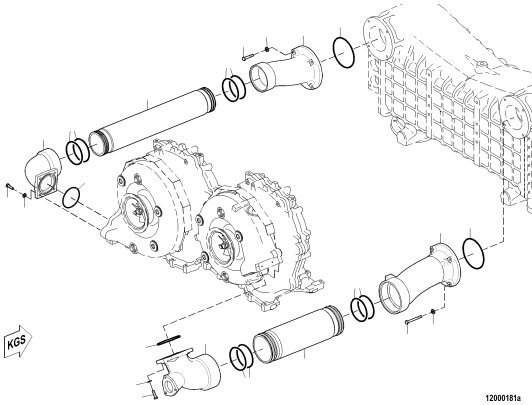
GROUP NAME

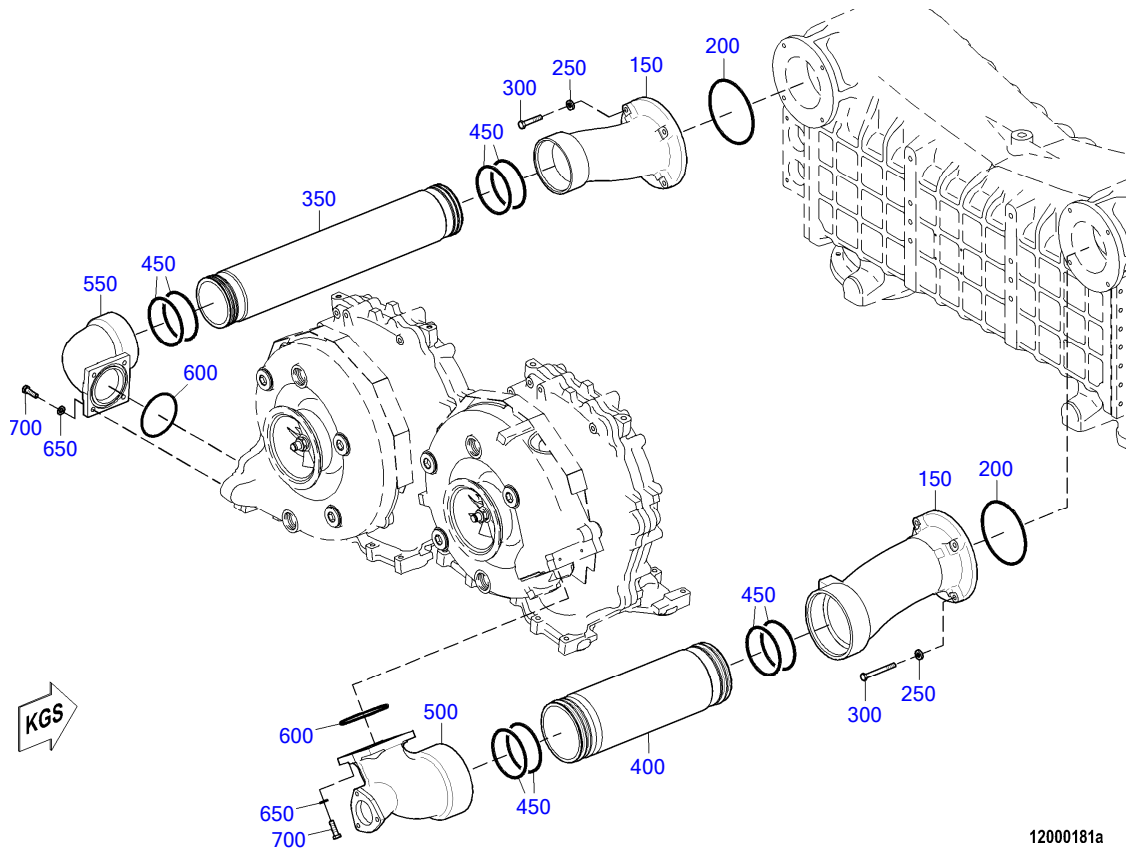
BOM-No.

05

AIR SYSTEM BEFORE INTERCOOLER

XS594120.00049





12000181a

➔	POS.	PART NO.	DESIGNATION	QTY.	UNITS	WEIGHT	FN	MEASUREMENT	STANDARD
	150	X00008876	ELBOW	2	pc	3,300 kg	EM		
	200	X59499100165	SEALING RING	2	pc	17,700 g		147 X 5	
	250	735151010100	SPACER	8	pc	11,000 g		A 10,5	MTN5151
	300	204014010001	HEX SCREW	6	pc	39,700 g		M 10 X 55	ISO4014
	325	204014010032	HEX SCREW	2	pc	42,900 g		M 10 X 60	ISO4014
	350	X59412500023	PLUG-IN PIPE TO INTERCOOLER	1	pc	3,312 kg			
	400	X59412500024	PLUG-IN PIPE TO INTERCOOLER	1	pc	4,200 kg			
	450	X00009934	O-RING	8	pc	20,000 g		110 X 6	
	500	X59412500041	ELBOW F/TURBOCHARGER, LEF	1	pc	6,900 kg	EM		
	550	X59412500025	ELBOW F/TURBOCHARGER,RIGH	1	pc	5,000 kg	EM		
	600	X59499100160	O-RING	2	pc	13,400 g		100 X 5	
	650	000125010524	WASHER	8	pc	3,100 g		A 10,5	DIN125
	700	000000003326	HEX SCREW	8	pc	27,400 g		M 10 X 35	ISO4017

GROUP SEGMENT (FGS)

GROUP NAME

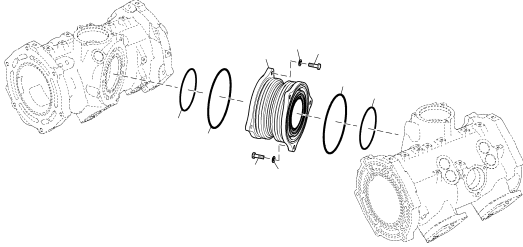
BOM-No.

---

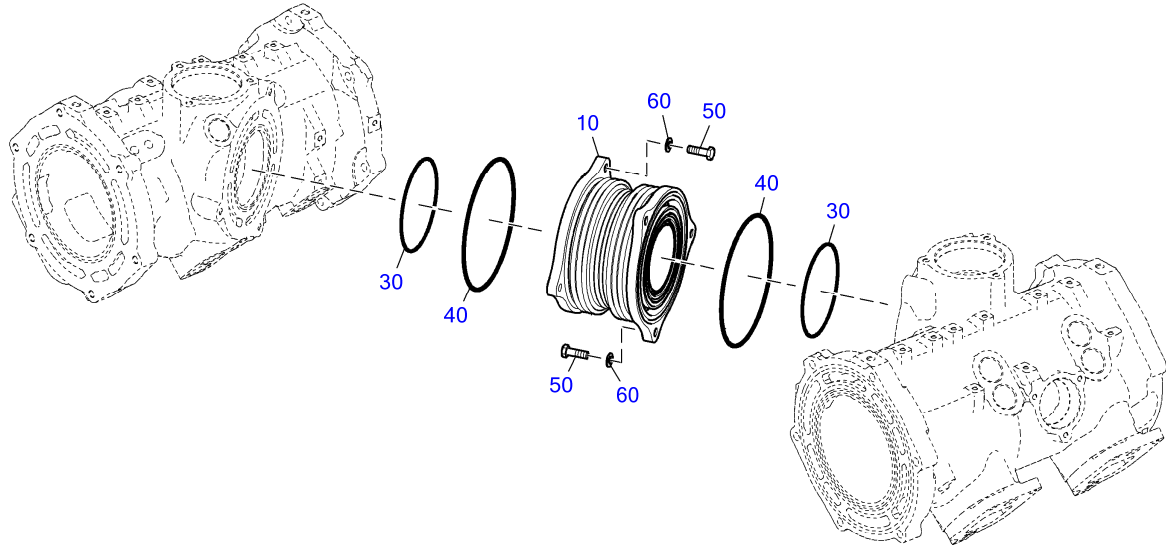
20

**EXH PIPE BELLOWS LR ACCEPTANCE**

XS594140.00014



14200300a



14200300a

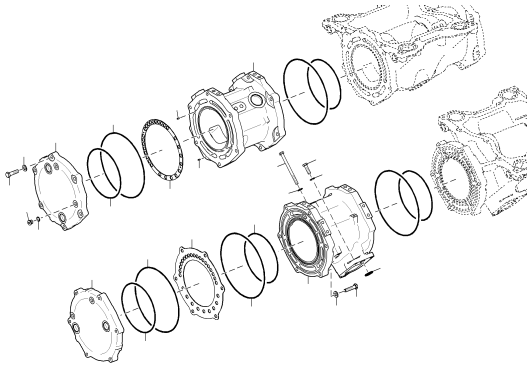
➔	POS.	PART NO.	DESIGNATION	QTY.	UNITS	WEIGHT	MEASUREMENT	STANDARD
	10	X59499100411/31	EXH PIPE BELLOWS LR ACCEPTANCE	1	pc	6,400 kg		
	30	X59499100111	O-RING	2	pc	10,900 g	142 X 4	MMN429
	40	X59499100112	O-RING	2	pc	14,700 g	192 X 4	MMN429
	50	204017010016	HEX SCREW	6	pc	26,100 g	M 10 X 32	ISO4017
	60	000125010524	WASHER	6	pc	3,100 g	A 10,5	DIN125



GROUP SEGMENT (FGS)

GROUP NAME

BOM-No.



05  
EXHAUST SYSTEM F/CYL. TO T'CHARGER  
XS594140.00013

10100930b

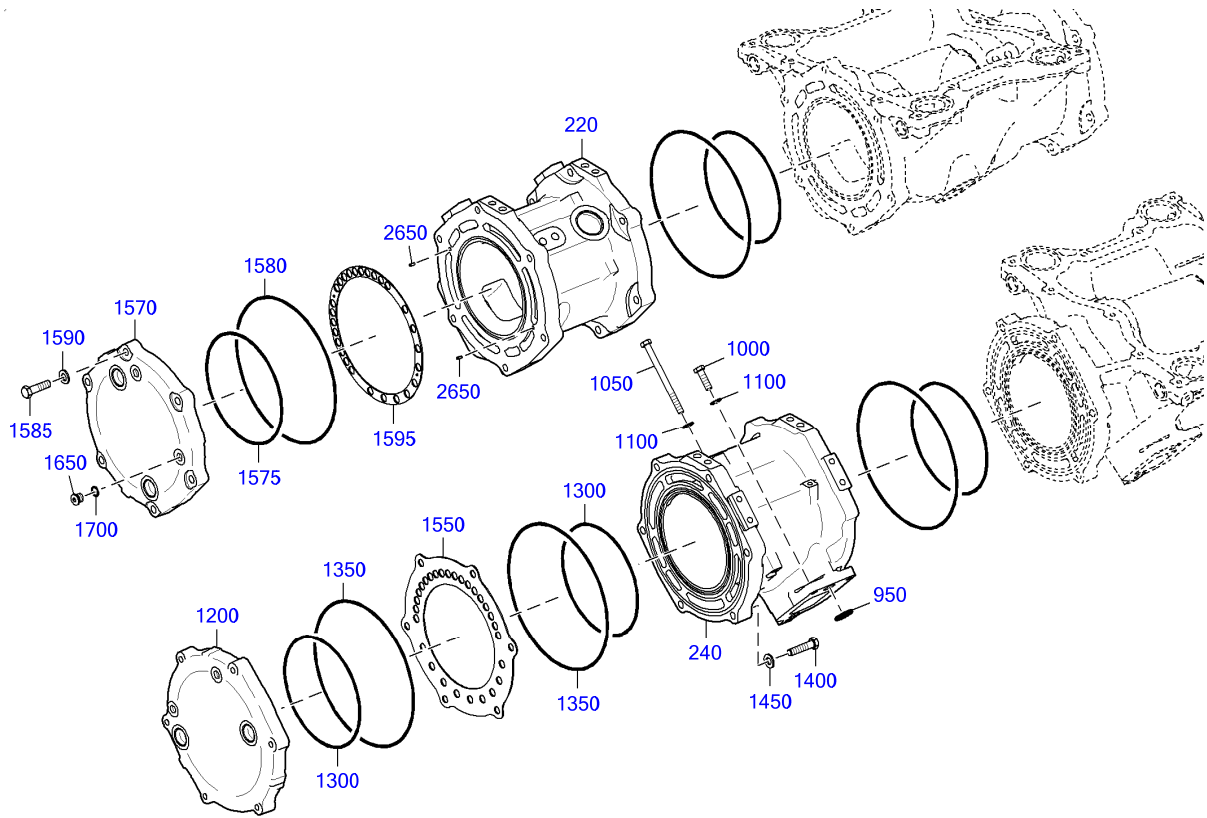
EQUI TYPE: Engine

PRODUCT TYPE: 12V4000M53  
EXHAUST SYSTEM F/CYL. TO T'CHARGER

SERIAL NUMBER: 526107657

FG/FGS: 142 05

BOM-No.: XS594140.00013



10100930b

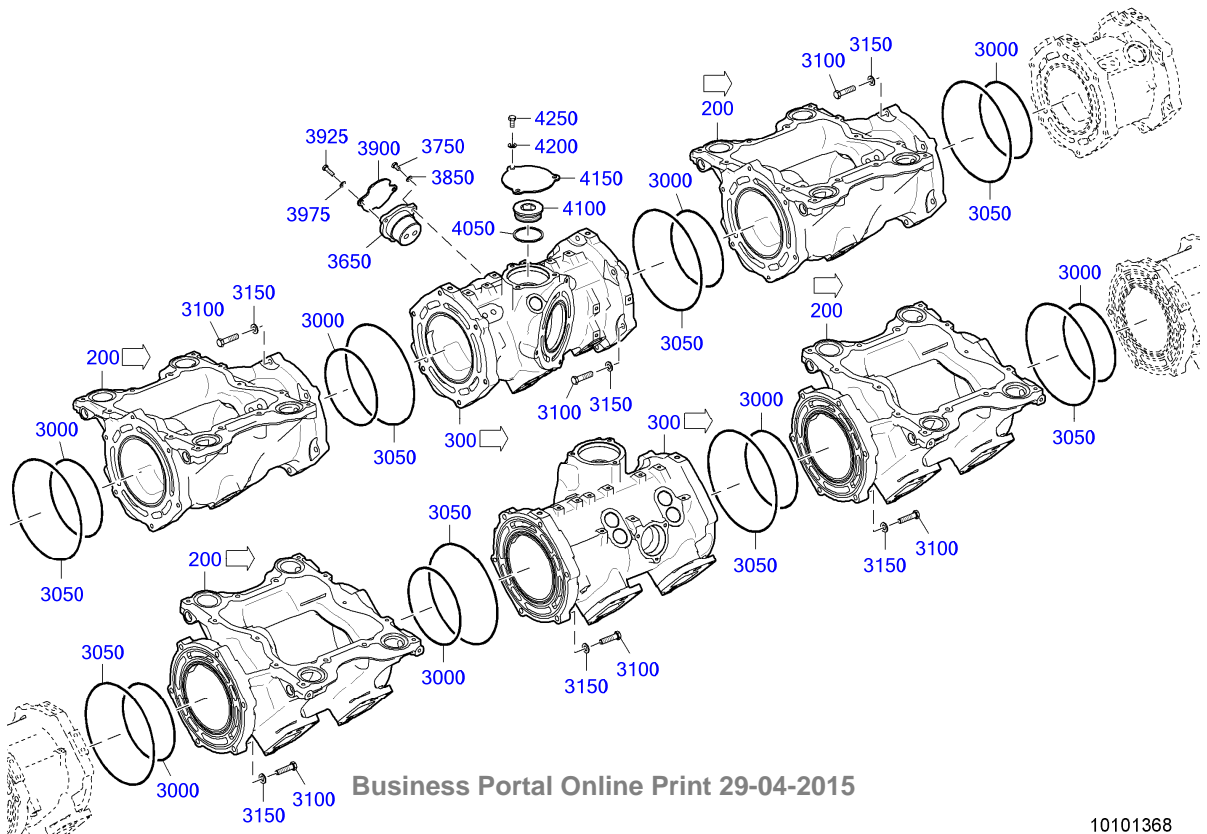
EQUI TYPE: Engine

PRODUCT TYPE: 12V4000M53  
EXHAUST SYSTEM F/CYL. TO T'CHARGER

SERIAL NUMBER: 526107657

FG/FGS: 142 05

BOM-No.: XS594140.00013



Business Portal Online Print 29-04-2015

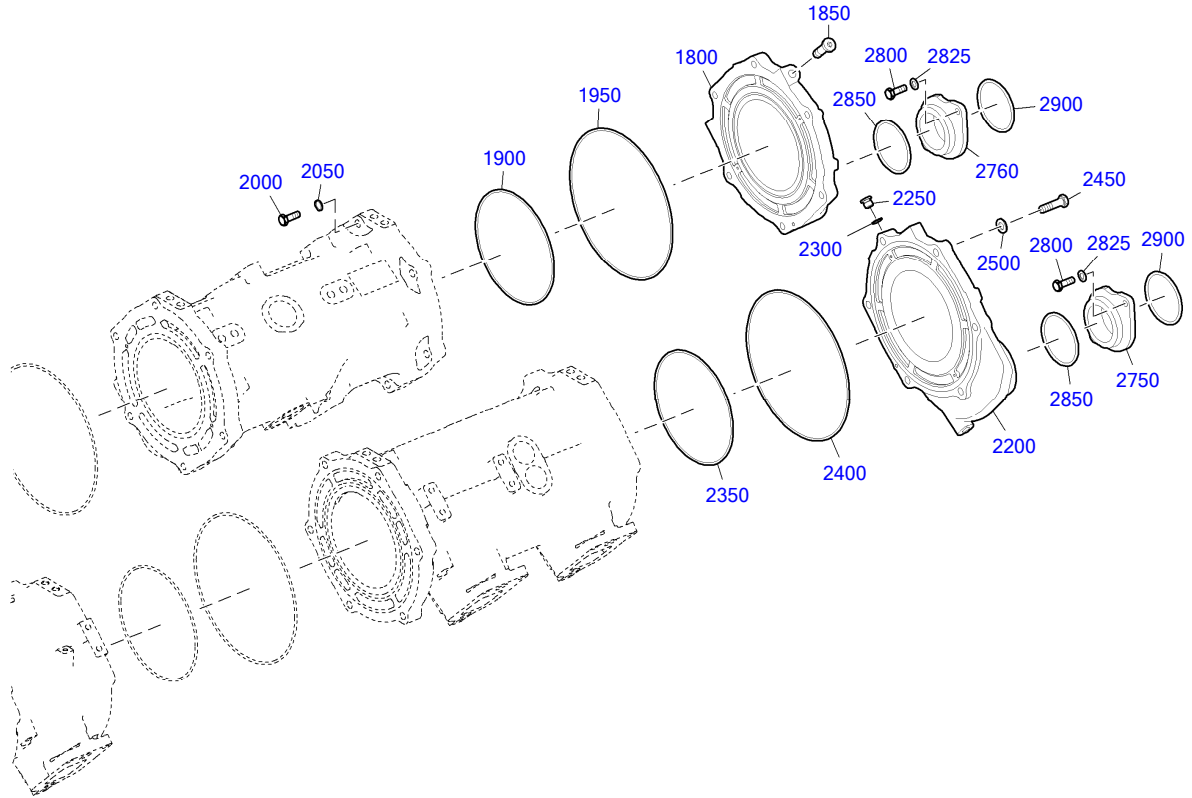
10101368

EQUI TYPE: Engine

PRODUCT TYPE: 12V4000M53  
EXHAUST SYSTEM F/CYL. TO T'CHARGER

SERIAL NUMBER: 526107657

FG/FGS: 142 05  
BOM-No.: XS594140.00013



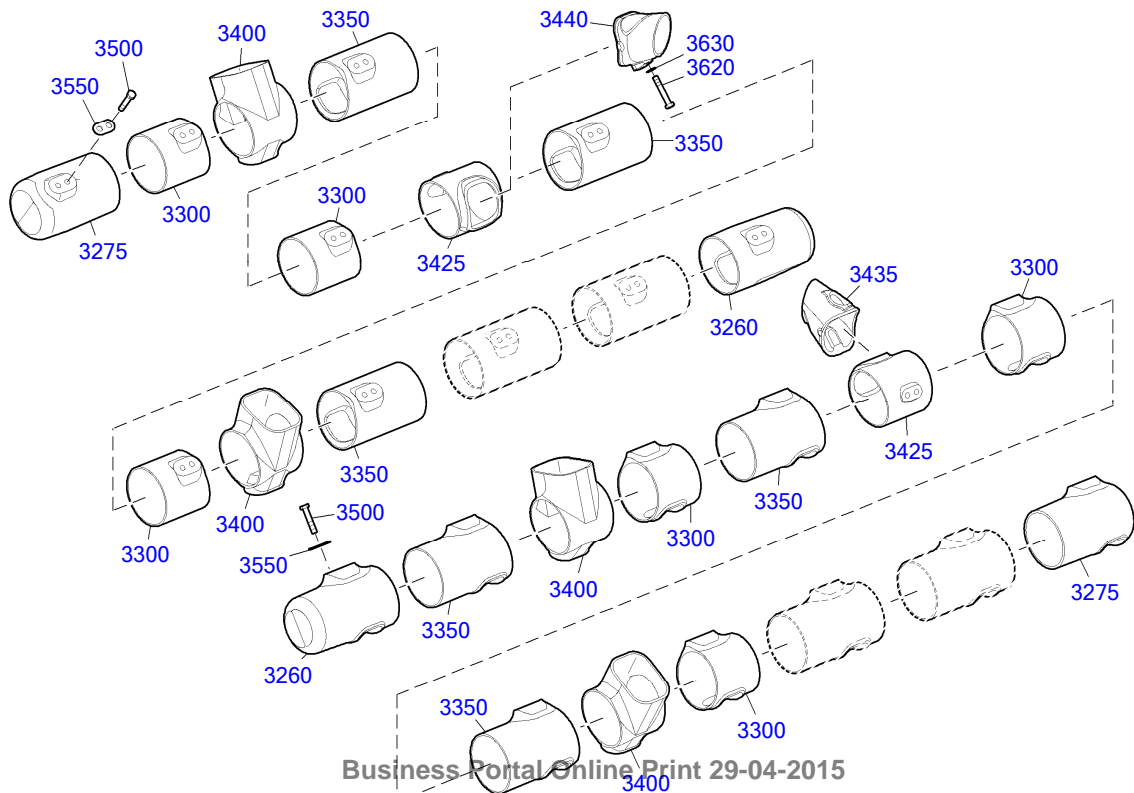
10101745

EQUI TYPE: Engine

PRODUCT TYPE: 12V4000M53  
EXHAUST SYSTEM F/CYL. TO T'CHARGER

SERIAL NUMBER: 526107657

FG/FGS: 142 05  
BOM-No.: XS594140.00013

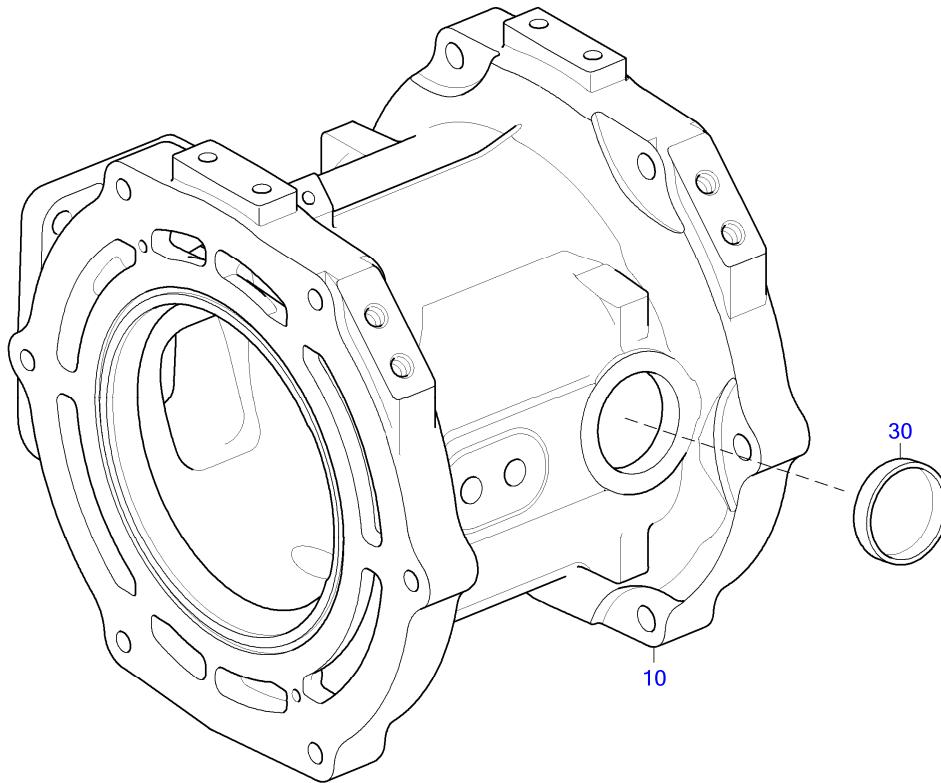


Business Portal Online Print 29-04-2015

10100975a

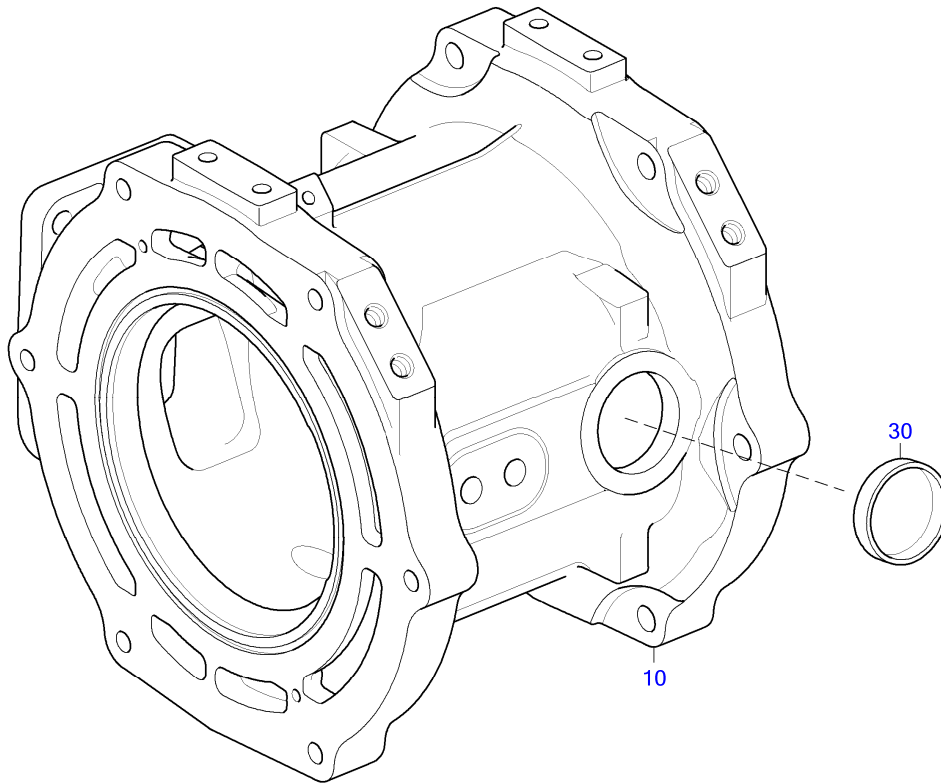
➡	POS.	PART NO.	DESIGNATION	MODEL/TYPE	QTY.	UNITS	WEIGHT	FN	MEASUREMENT	STANDARD
	200	X59414100007	EXHAUST HOUSING		2	pc	59,833 kg	SB EM		
427	220	X59414100066	EXHAUST HOUSING		2	pc	30,600 kg	EM		
428	240	X59414100067	EXHAUST HOUSING		2	pc	30,333 kg	EM		
	300	X59414100009	EXHAUST HOUSING		2	pc	62,333 kg	SB EM		
	950	700429024000	O-RING		12	pc	3,900 g		24 X 5	MMN429
	1000	000000003326	HEX SCREW		24	pc	27,400 g		M 10 X 35	ISO4017
	1050	000000004400	HEX SCREW		12	pc	84,000 g		M 10 X130	ISO4014
	1100	000125010524	WASHER		36	pc	3,100 g		A 10,5	DIN125
	1200	X59414100020	END COVER		1	pc	6,488 kg	SB		
	1300	X59499100113	O-RING		2	pc	15,000 g		194 X 4	MMN429
	1350	X59499100114	O-RING		2	pc	19,900 g		258 X 4	MMN429
	1400	000000003437	HEX SCREW		6	pc	50,800 g	M	M 12 X 50	ISO4017
	1450	000125013012	WASHER		6	pc	5,600 g		A 13	DIN125
	1550	X59414100047	RESTRICTOR		1	pc	513,700 g			
	1570	X59414100029	END COVER		1	pc	6,352 kg	SB		
	1575	X59499100113	O-RING		1	pc	15,000 g		194 X 4	MMN429
	1580	X59499100114	O-RING		1	pc	19,900 g		258 X 4	MMN429
	1585	000000004743	HEX SCREW		6	pc	47,700 g		M 12 X 45	ISO4017
	1590	000125013012	WASHER		6	pc	5,600 g		A 13	DIN125
	1595	X59414100022	RESTRICTOR		1	pc	132,900 g			
	1650	000908014001	THREAD PLUG		4	pc	0,016 kg		M 14 X 1,5	DIN908
	1700	007603014102	COPPER SEALING RING		4	pc	1,000 g		A 14 X 18	DIN7603
	1800	X59414100018	CONNECTING PIECE		1	pc	6,500 kg	SB		
	1850	735210018000	PLUG		1	pc	0,036 kg		M 18 X 1,5	MTN5210
	1900	X59499100113	O-RING		1	pc	15,000 g		194 X 4	MMN429
	1950	X59499100114	O-RING		1	pc	19,900 g		258 X 4	MMN429
	2000	000000003437	HEX SCREW		6	pc	50,800 g	M	M 12 X 50	ISO4017
	2050	000125013012	WASHER		6	pc	5,600 g		A 13	DIN125
	2200	X59414100016	CONNECTING PIECE		1	pc	7,615 kg	SB		
	2250	000908014001	THREAD PLUG		1	pc	0,016 kg		M 14 X 1,5	DIN908
	2300	007603014102	COPPER SEALING RING		1	pc	1,000 g		A 14 X 18	DIN7603
	2350	X59499100113	O-RING		1	pc	15,000 g		194 X 4	MMN429
	2400	X59499100114	O-RING		1	pc	19,900 g		258 X 4	MMN429
	2450	000000004743	HEX SCREW		6	pc	47,700 g		M 12 X 45	ISO4017
	2500	000125013012	WASHER		6	pc	5,600 g		A 13	DIN125
	2650	000000003948	PIN SPRING 18-8		3	pc	0,500 g		4 X 10 - N	ISO8752
	2750	X52620200153	FLANGE		1	pc	653,900 g			
	2760	X52620200154	FLANGE		1	pc	907,400 g			
	2800	000000003021	HEX SCREW		4	pc	22,800 g		M 10 X 25	ISO4017
	2825	000125010524	WASHER		4	pc	3,100 g		A 10,5	DIN125
	2850	700429080001	O-RING		2	pc	11,300 g		80 X 5	MMN429
	2900	700429083000	O-RING		2	pc	11,700 g		83 X 5	MMN429
	3000	X59499100113	O-RING		6	pc	15,000 g		194 X 4	MMN429
	3050	X59499100114	O-RING		6	pc	19,900 g		258 X 4	MMN429
	3100	000000003437	HEX SCREW		36	pc	50,800 g	M	M 12 X 50	ISO4017
	3150	000125013012	WASHER		36	pc	5,600 g		A 13	DIN125
	3260	X59414100027	EXHAUST LINE INNER ELEMENT		2	pc	5,734 kg	EM		
	3275	X59414100028	EXHAUST LINE INNER ELEMENT		2	pc	5,570 kg	EM		
	3300	X59414100012	EXHAUST PIPE		4	pc	3,062 kg	EM		
	3350	X59414100013	EXHAUST PIPE		4	pc	4,730 kg	EM		
	3400	X52814100016	EXHAUST PIPE TO TURBOCHARGER		2	pc	4,000 kg	EM		
	3425	X59414100015	EXHAUST LINE	BR4000	2	pc	2,700 kg	EM		
	3435	X59414100037	EXHAUST PIPE		1	pc	1,670 kg	EM		
	3440	X59414100036	EXHAUST PIPE		1	pc	1,738 kg	EM		

➡	POS.	PART NO.	DESIGNATION	MODEL/TYPE	QTY.	UNITS	WEIGHT	FN	MEASUREMENT	STANDARD
	3500	204017012032	HEX SCREW		32	pc	58,700 g		M 12 X 60	ISO4017
	3550	X59614100003	SPACER		16	pc	29,000 g			
	3620	000000001710	HEX SCREW		4	pc	68,500 g		M 12 X 70	ISO4017
	3630	8379902540	WASHER		4	pc	7,500 g			
	3650	X59414100035	RETAINER FOR EXH. PIPE		2	pc	1,700 kg			
	3750	304017008081	HEX SCREW		6	pc	13,400 g		M 8 X 25	ISO4017
	3850	000125008427	WASHER		6	pc	1,500 g		A 8,4	DIN125
	3900	X59414100038	COVER PLATE		2	pc	221,600 g			
	3925	204017008022	HEX SCREW		4	pc	10,000 g		M 8 X 14	ISO4017
	3975	000125008427	WASHER		4	pc	1,500 g		A 8,4	DIN125
	4050	007603064100	WASHER A COP		1	pc	15,000 g		A 64 X 72	DIN7603
	4100	000908064000	PLUG		1	pc	0,515 kg		M 64 X 2	DIN908
	4150	X59614100002	BLIND FLANGE		1	pc	420,900 g			
	4200	000125010524	WASHER		3	pc	3,100 g		A 10,5	DIN125
	4250	000000003020	HEX SCREW		3	pc	20,000 g		M 10 X 20	ISO4017



10102136

➔	POS.	PART NO.	DESIGNATION	QTY.	UNITS	WEIGHT	FN	MEASUREMENT
	10	X59414100063	EXHAUST HOUSING	1	pc	30,363 kg	EM	
	30	5249970020	SEALING CAP	1	pc	62,600 g		D 50



10102136

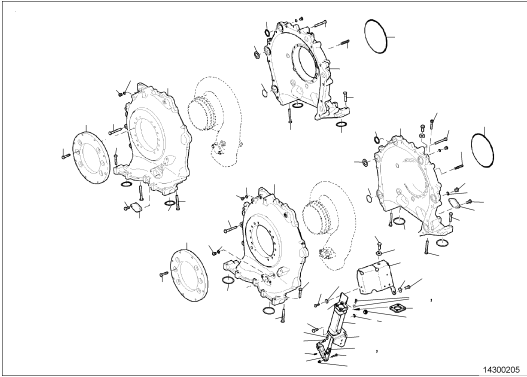
➔	POS.	PART NO.	DESIGNATION	QTY.	UNITS	WEIGHT	FN	MEASUREMENT
	10	X59414100065	EXHAUST HOUSING	1	pc	30,133 kg	EM	
	30	5249970020	SEALING CAP	1	pc	62,600 g		D 50

GROUP SEGMENT (FGS)

GROUP NAME

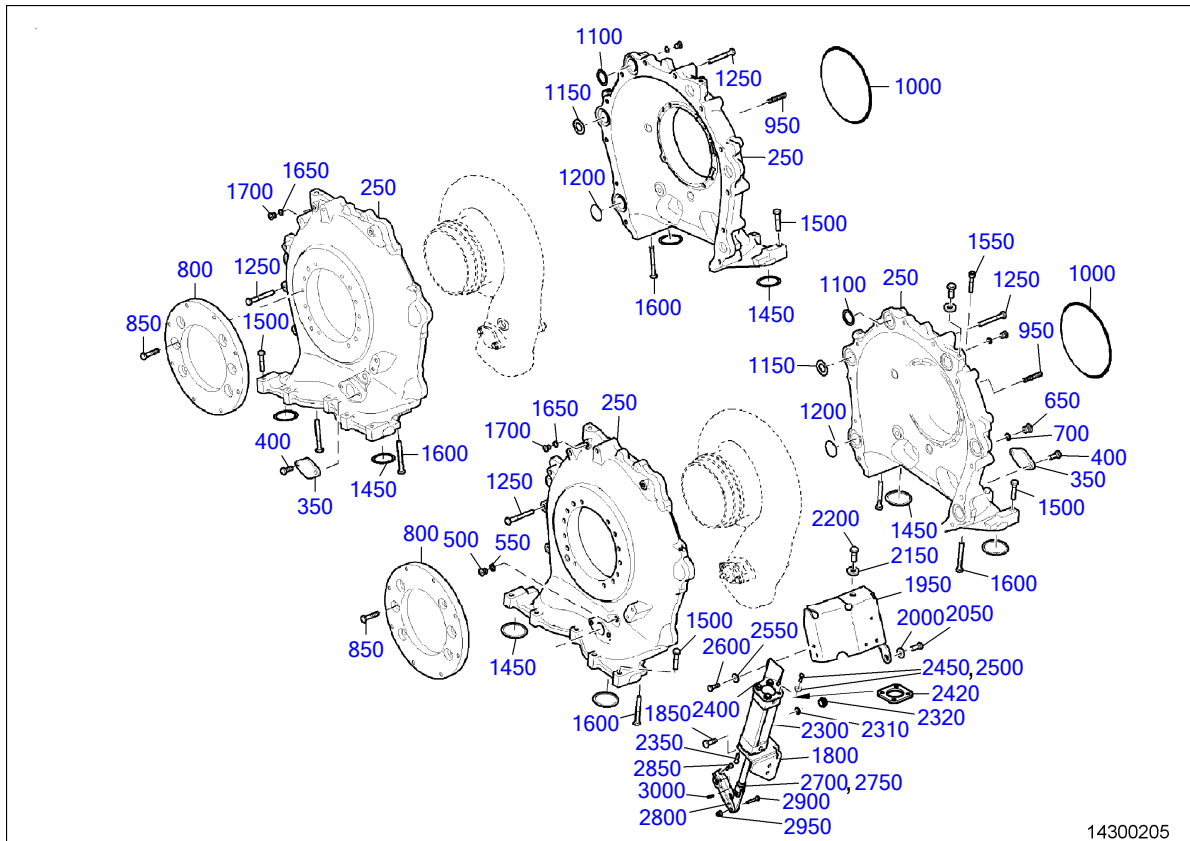
BOM-No.

---



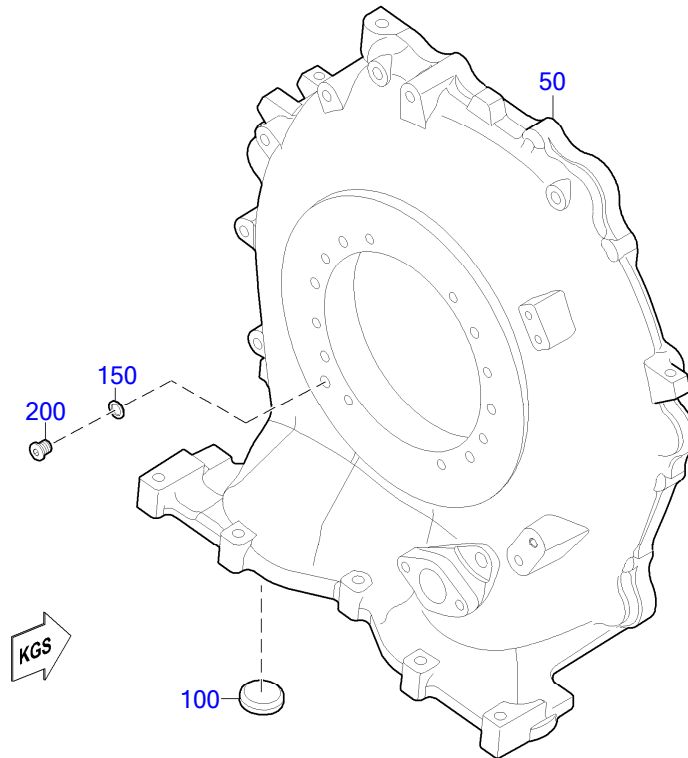
05  
**CARRIER HOUSING F/TURBOCHARGER**  
XS594140.00040





➔	POS.	PART NO.	DESIGNATION	QTY.	UNITS	WEIGHT	FN	MEASUREMENT	STANDARD
	431	250	<b>X59414300006</b>	CARRIER HOUSING	4	pc	42,875 kg	EM	
		350	<b>5261420091</b>	COVER	3	pc	195,300 g		
		400	<b>00000003021</b>	HEX SCREW	6	pc	22,800 g	M 10 X 25	ISO4017
		500	<b>000908014001</b>	THREAD PLUG	2	pc	0,016 kg	M 14 X 1,5	DIN908
		550	<b>007603014102</b>	COPPER SEALING RING	2	pc	1,000 g	A 14 X 18	DIN7603
		650	<b>000908014001</b>	THREAD PLUG	2	pc	0,016 kg	M 14 X 1,5	DIN908
		700	<b>007603014102</b>	COPPER SEALING RING	2	pc	1,000 g	A 14 X 18	DIN7603
		800	<b>X52814300005</b>	INTERMEDIATE FLANGE	2	pc	8,006 kg		
		850	<b>304017010035</b>	HEX SCREW	12	pc	32,100 g	M 10 X 45	ISO4017
		950	<b>000939010115</b>	STUD	12	pc	29,700 g	M 10 X 45	DIN939
		1000	<b>700429200002</b>	O-RING	2	pc	17,300 g	200 X 4	MMN429
		1100	<b>X59420200233</b>	RESTRICTOR	4	pc	7,400 g		
		1150	<b>X59420200234</b>	RESTRICTOR	4	pc	9,500 g		
		1200	<b>X59420200235</b>	RESTRICTOR	4	pc	12,400 g		
		1250	<b>304017010034</b>	HEX SCREW	22	pc	49,700 g	M 10 X 80	ISO4017
		1450	<b>X59420200238</b>	RESTRICTOR	8	pc	10,900 g		
		1500	<b>00000001042</b>	HEX SCREW	19	pc	34,600 g	M 10 X 50	ISO4017
		1550	<b>000912010016</b>	BOLT HEX SOC HD	1	pc	38,000 g	M 10 X 50	DIN912
		1600	<b>000000000906</b>	HEX SCREW	8	pc	49,400 g	M 10 X 80	ISO4017
		1650	<b>007603012111</b>	COPPER SEALING RING	6	pc	0,700 g	A 12 X 15,5	DIN7603
		1700	<b>000908012003</b>	THREAD PLUG	6	pc	11,900 g	M 12 X 1,5	DIN908
		1800	<b>X59418500017</b>	RETAINER F/TURBO OIL SUPPLY	1	pc	1,620 kg		
		1850	<b>00000003021</b>	HEX SCREW	2	pc	22,800 g	M 10 X 25	ISO4017
		1950	<b>X59418500019</b>	RETAINER F/TURBO OIL SUPPLY	1	pc	2,100 kg		
		2000	<b>007349010002</b>	WASHER	2	pc	11,000 g	10,5	DIN7349

➡	POS.	PART NO.	DESIGNATION	QTY.	UNITS	WEIGHT	FN	MEASUREMENT	STANDARD
	2050	000000003510	HEX SCREW	2	pc	60,200 g		M 10 X 90	ISO4014
	2150	007349013002	WASHER	1	pc	24,500 g		13	DIN7349
	2200	000000003925	HEX SCREW	1	pc	36,900 g		M 12 X 30	ISO4017
416	2300	X56912300043	ACTUATING CYLINDER	1	pc	1,200 kg			
	2310	705057013000	RING SEALING A13 X18 CU	2	pc	1,300 g		A 13 X 18	DIN7603
	2320	700419999021	SCREW-FITTING UNION	2	pc	25,000 g		10 G 1/4 A	MMN419
	2350	304017006063	HEX SCREW	4	pc	6,800 g		M 6 X 25	ISO4017
	2400	X59418500052	RETAINER	1	pc	815,200 g			
	2420	X59499100117	SPACER	1	pc	79,800 g			
	2450	007349006004	WASHER	4	pc	4,100 g		6,4	DIN7349
	2500	304017006065	HEX SCREW	4	pc	7,500 g		M 6 X 30	ISO4017
	2550	007349008002	WASHER	2	pc	7,900 g		8,4	DIN7349
	2600	204017008011	HEX SCREW	2	pc	12,200 g		M 8 X 22	ISO4017
	2700	X00041795	CLEVIS	1	pc	39,200 g			
	2750	X52499100007	ARTICULATED BEARING FOR FLAP CONTROL	1	pc	76,500 g	AB		
	2800	X52810100084	LEVER F/EXH FLAP CONTROL	1	pc	269,000 g			
	2850	000912006018	SCREW	1	pc	6,200 g		M 6 X 20	DIN912
	2900	304017008084	HEX SCREW	1	pc	16,400 g		M 8 X 35	ISO4017
	2950	5069900251	NUT	1	pc	6,400 g			
	3000	001481005030	PIN SPRING	1	pc	2,400 g		5 X 24 - N	ISO8752



14300141a

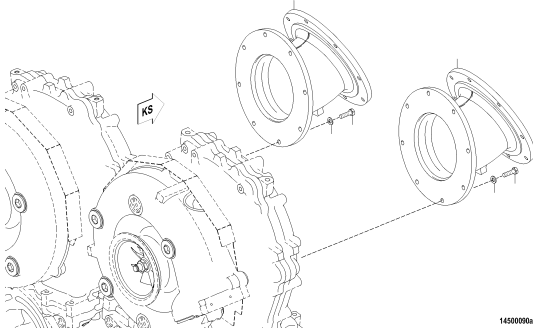
➔	POS.	PART NO.	DESIGNATION	QTY.	UNITS	WEIGHT	FN	MEASUREMENT	STANDARD
	50	<b>X59414300004</b>	CARRIER HOUSING	1	pc	40,140 kg	EM		
	100	<b>5370160233</b>	SEALING CAP	1	pc	32,000 g		D 40	
	150	<b>007603012106</b>	WASHER A COP	1	pc	1,520 g		A 12 X 18	DIN7603
	200	<b>000908012003</b>	THREAD PLUG	1	pc	11,900 g		M 12 X 1,5	DIN908

GROUP SEGMENT (FGS)

GROUP NAME

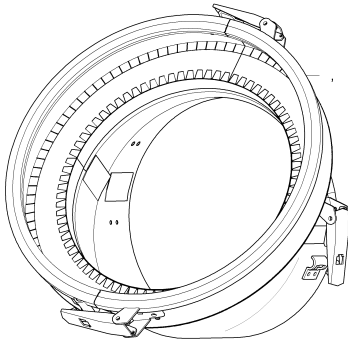
BOM-No.

05  
EXH. LINES AFTER TC 30 DEGREES HORIZONT  
XS594140.00008



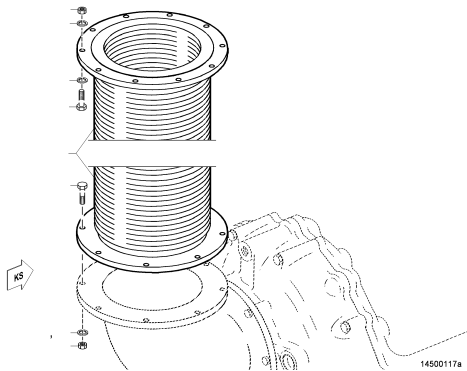
1450006a

05  
INSULATION FOR EXHAUST ELBOW  
XS594140.00012

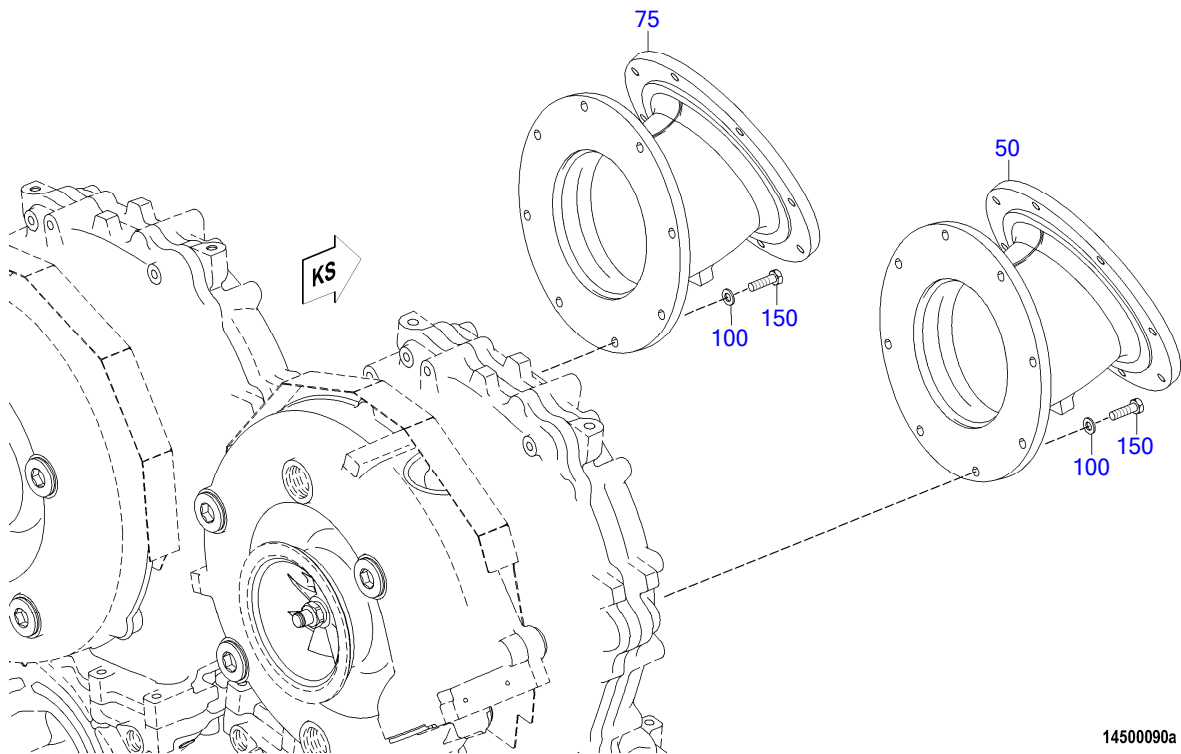


14500100a

05  
EXH PIPE BELLOWS AFTER TURBOCHARGER  
XS594140.00034

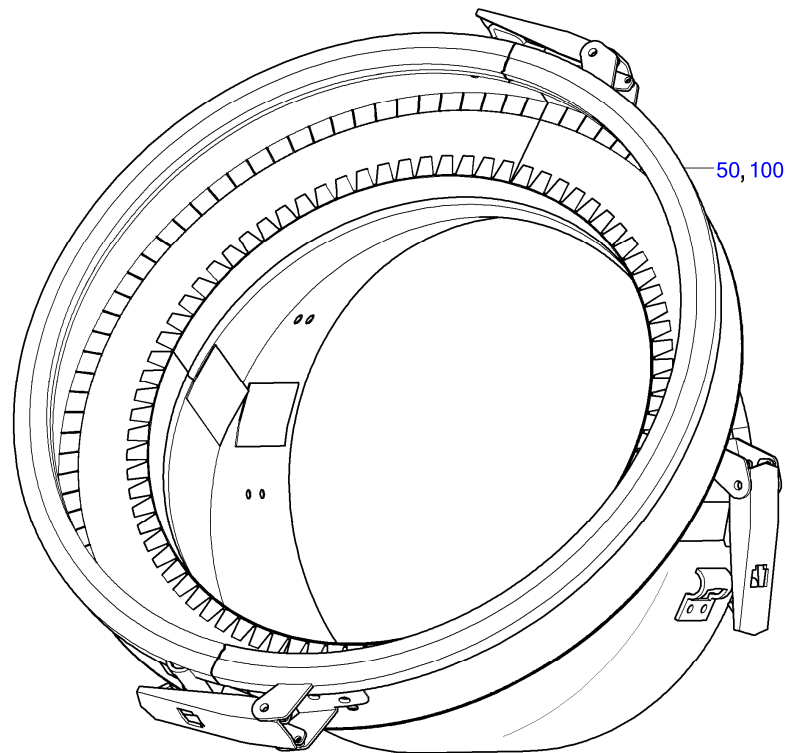


14500117a



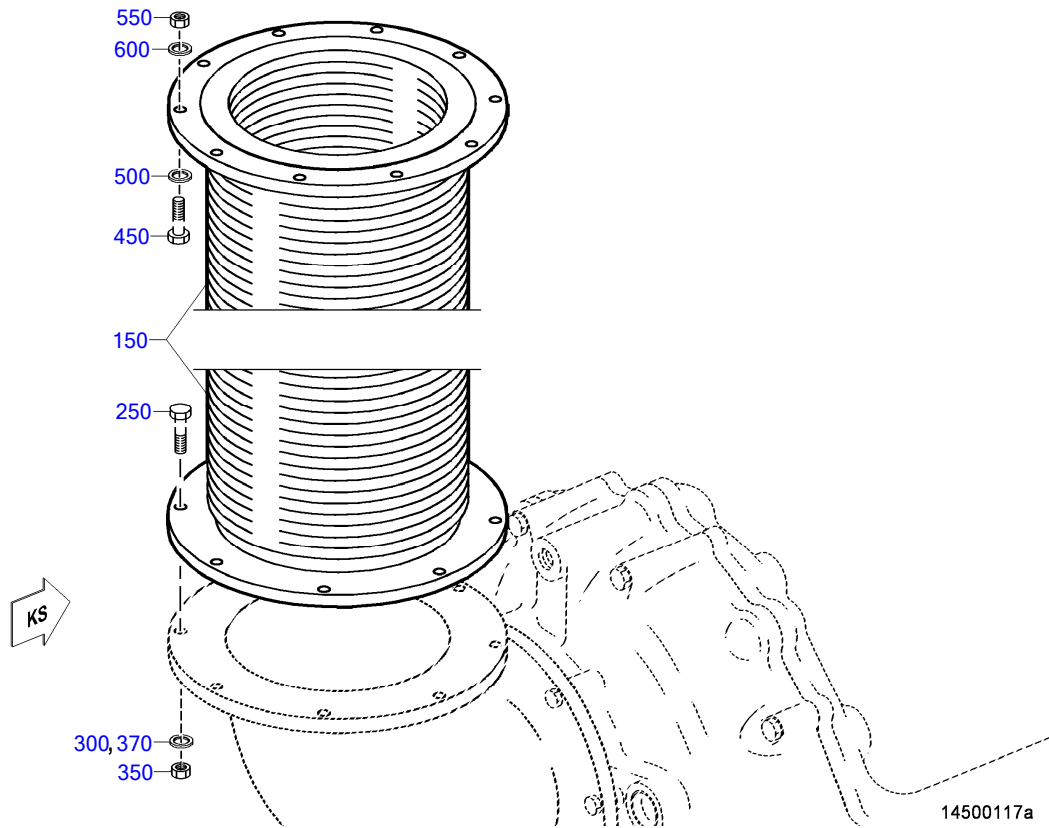
14500090a

➔	POS.	PART NO.	DESIGNATION	QTY.	UNITS	WEIGHT	FN	MEASUREMENT	STANDARD
	50	X52614500008	EXHAUST ELBOW 30GRAD HORIZONTAL	1	pc	18,300 kg	EM		
	75	X52614500009	EXHAUST ELBOW 30GRAD HORIZONTAL	1	pc	21,000 kg	EM		
	100	000125010524	WASHER	16	pc	3,100 g		A 10,5	DIN125
	150	000000003326	HEX SCREW	16	pc	27,400 g		M 10 X 35	ISO4017



14500100a

➔	POS.	PART NO.	DESIGNATION	QTY.	UNITS	WEIGHT
	50	X52614500011	INSULATION FOR EXHAUST ELBOW	1	pc	2,100 kg
	100	X52614500012	INSULATION FOR EXHAUST ELBOW	1	pc	2,600 kg



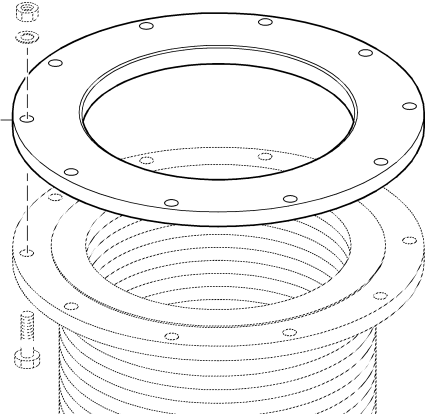
➔	POS.	PART NO.	DESIGNATION	QTY.	UNITS	WEIGHT	MEASUREMENT	STANDARD
	150	<b>X59414500018</b>	EXHAUST PIPE BELLOWS	2	pc	13,350 kg		
	250	<b>204014010004</b>	HEX SCREW	16	pc	52,900 g	M 10 X 75	ISO4014
	300	<b>200433010500</b>	WASHER	16	pc	1,900 g	10,5	DIN433
	350	<b>000000003317</b>	HEX NUT	16	pc	9,200 g	M 10	ISO4032
	370	<b>200433010500</b>	WASHER	16	pc	1,900 g	10,5	DIN433
	450	<b>204017010024</b>	HEX SCREW	20	pc	35,600 g	M 10 X 50	ISO4017
	500	<b>200433010500</b>	WASHER	20	pc	1,900 g	10,5	DIN433
	550	<b>000000003317</b>	HEX NUT	20	pc	9,200 g	M 10	ISO4032
	600	<b>200433010500</b>	WASHER	20	pc	1,900 g	10,5	DIN433

---

GROUP SEGMENT (FGS)  
GROUP NAME  
BOM-No.

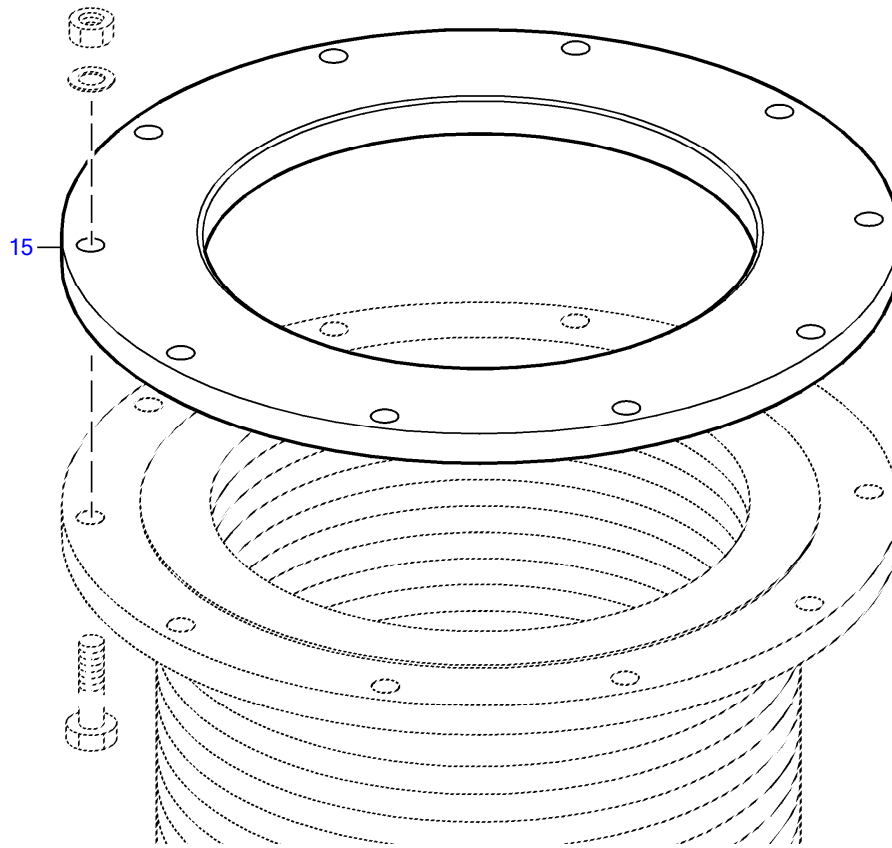
---

05  
**FLANGE**  
140.00038



14600014a





14600014a

➔	POS.	PART NO.	DESIGNATION	QTY.	UNITS	WEIGHT
	15	5261420115	FLANGE	2	pc	4,200 kg

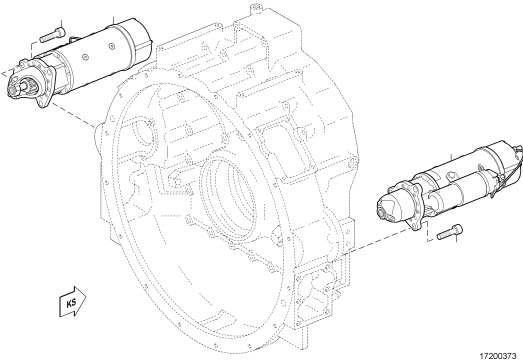
GROUP SEGMENT (FGS)

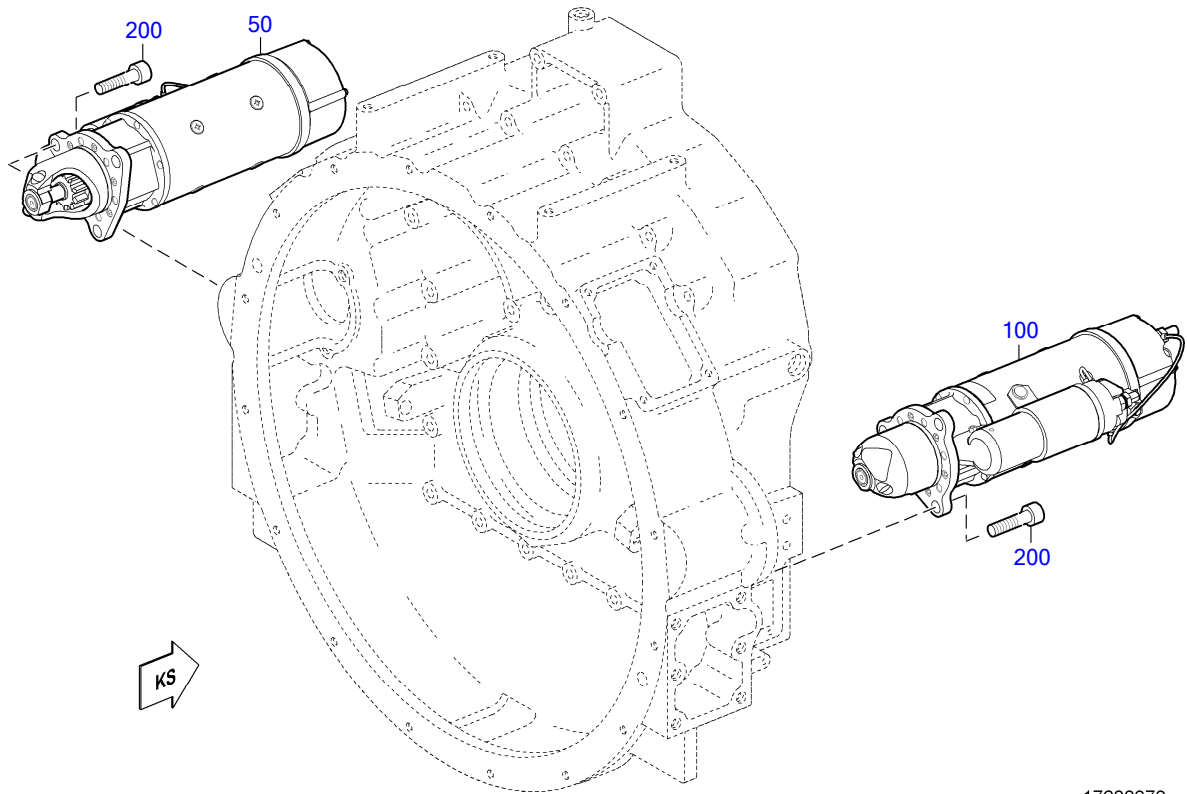
GROUP NAME

BOM-No.

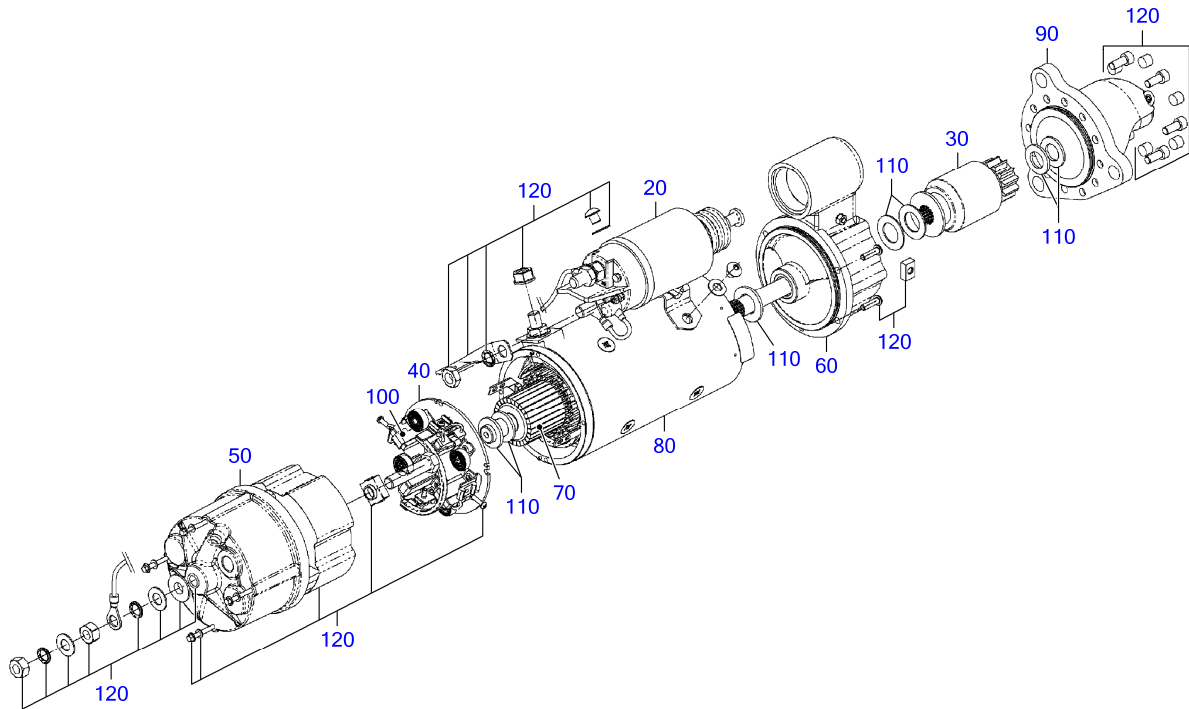
---

05  
**STARTER ELECTRIC**  
XS594170.00009



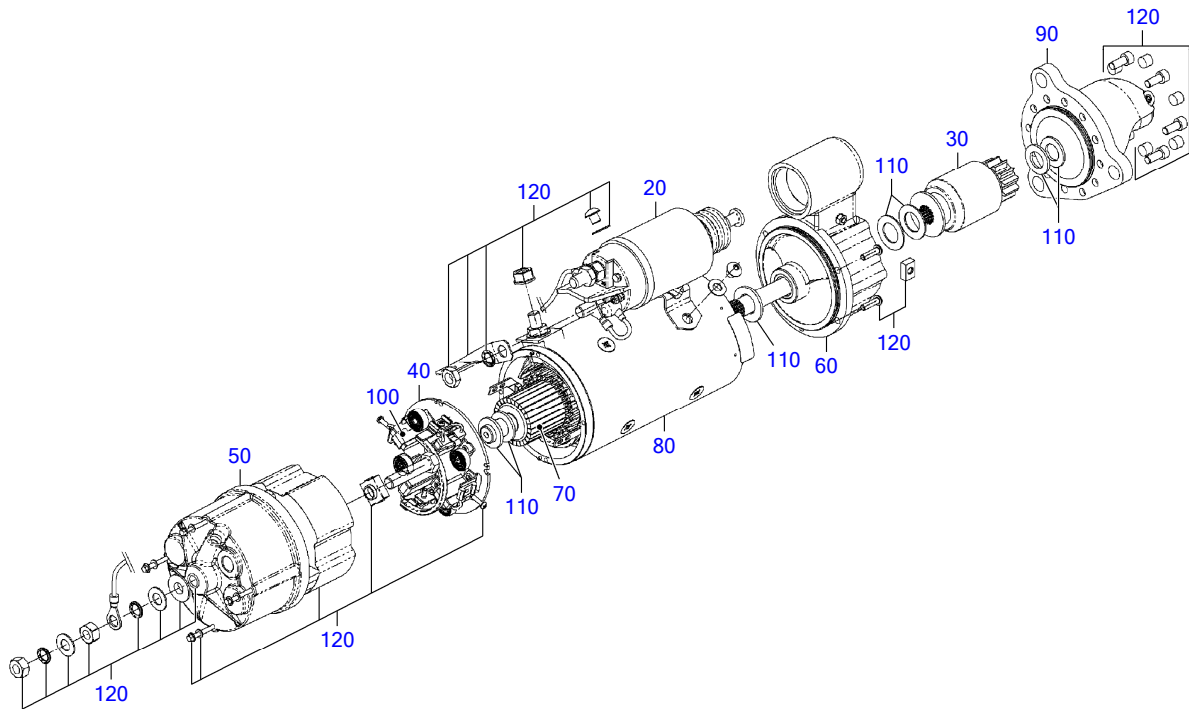


➔	POS.	PART NO.	DESIGNATION	QTY.	UNITS	WEIGHT	MEASUREMENT	STANDARD
	441	50	<b>X52417200011</b>	STARTER	1	pc	21,000 kg	
	440	100	<b>X52417200010</b>	STARTER	1	pc	28,375 kg	
		200	<b>000912016002</b>	BOLT HEX SOC HD	6	pc	90,000 g	M 16 X 40 DIN912



17200416

➔	POS.	PART NO.	DESIGNATION	MODEL/TYPE	QTY.	UNITS	WEIGHT	FN	MEASUREMENT
	20	X00038713	ENGAGEMENT RELAY	BR 4000	1	pc	2,780 kg		
	30	X00038711	GEARBOX	BR 4000	1	pc	1,205 kg	AC	
	40	X00038719	BRUSH HOLDER	BR 4000	1	pc	0,620 kg	AC	
	50	X00038720	HOUSING	BR 4000	1	pc		AC	
	60	X00038716	HOUSING	BR 4000	1	pc		AC	
	70	X00038718	MOTOR	BR 4000	1	pc	7,735 kg		
	80	X00038721	HOUSING	BR 4000	1	pc		AC	
	90	XP52417200053	HOUSING FOR STARTER	MS7-509	1	pc		AB	
	100	X00038722	BRUSH	BR 4000	1	pc	38,000 g		
	110	X00038616	THRUST WASHER	BR 4000	1	pc	16,000 g		1 SATZ = 7 STÜCK
	120	X00038611	SECURING COMPONENTS	BR 4000	1	pc	282,000 g		



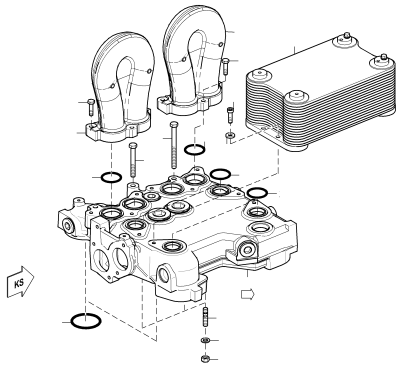
17200416

➔	POS.	PART NO.	DESIGNATION	MODEL/TYPE	QTY.	UNITS	WEIGHT	FN	MEASUREMENT
	20	X00038713	ENGAGEMENT RELAY	BR 4000	1	pc	2,780 kg		
	30	X00038711	GEARBOX	BR 4000	1	pc	1,205 kg	AC	
	40	X00038719	BRUSH HOLDER	BR 4000	1	pc	0,620 kg	AC	
	50	X00038720	HOUSING	BR 4000	1	pc		AC	
	60	X00038715	HOUSING	BR 4000	1	pc		AC	
	70	X00038718	MOTOR	BR 4000	1	pc	7,735 kg		
	80	X00038721	HOUSING	BR 4000	1	pc		AC	
	90	XP52417200054	HOUSING FOR STARTER	MS7-510	1	pc		AB	
	100	X00038722	BRUSH	BR 4000	1	pc	38,000 g		
	110	X00038616	THRUST WASHER	BR 4000	1	pc	16,000 g		1 SATZ = 7 STÜCK
	120	X00038607	SECURING COMPONENTS	BR 4000	1	pc	393,000 g		

GROUP SEGMENT (FGS)

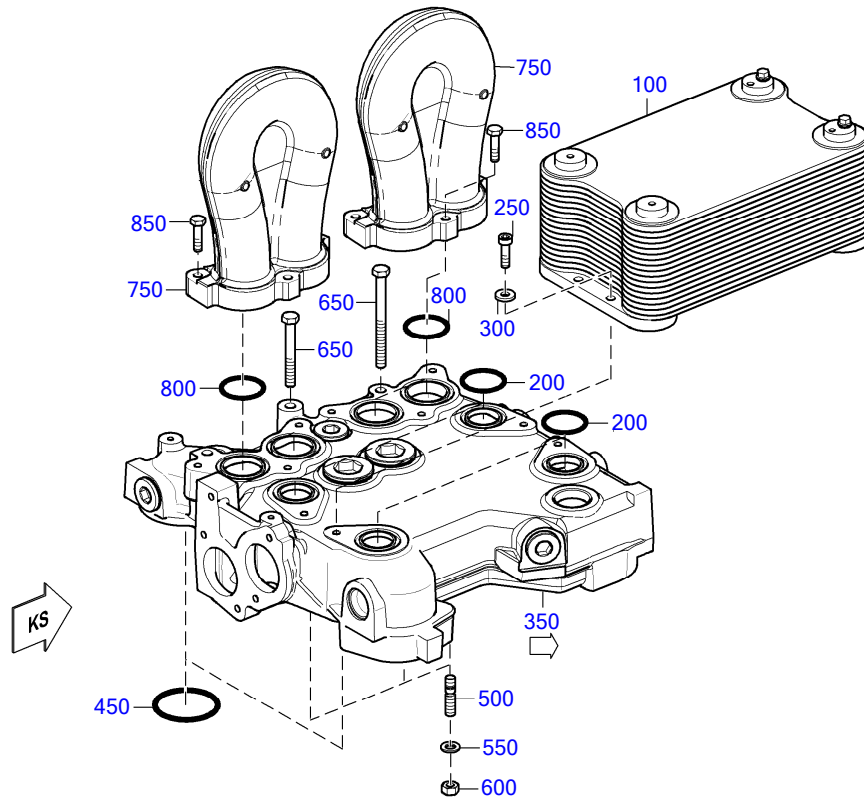
GROUP NAME

BOM-No.



00  
OIL HEAT EXCHANGER LR ACCEPTANCE  
XS594180.00098

18000645



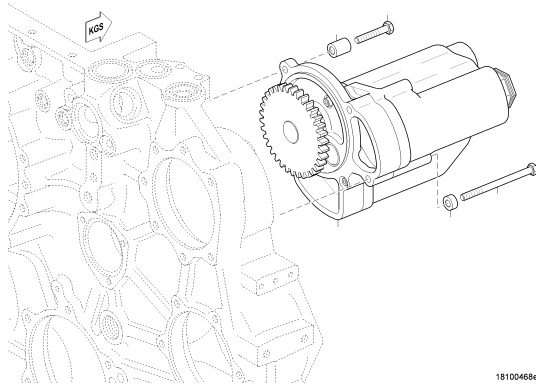
18000645

➔	POS.	PART NO.	DESIGNATION	MODEL/TYPE	QTY.	UNITS	WEIGHT	FN	MEASUREMENT	STANDARD
	100	0001803465/31	OIL HEAT EXCHANGER LR ACCEPTANCE	MIT 61 PLATTEN	1	pc	54,200 kg	EM		
	200	700429050003	O-RING		4	pc	4,600 g		50 X 4	MMN429
	250	000912010066	BOLT HEX SOC HD		4	pc	29,100 g		M 10 X 35	DIN912
	300	000125010524	WASHER		4	pc	3,100 g		A 10,5	DIN125
459	350	X59318300024	OIL. DISTR. HOUSING		1	pc	55,000 kg			
	450	700429075001	O-RING		2	pc	10,600 g		75 X 5	MMN429
	500	000939012061	STUD		3	pc	39,900 g		M 12 X 40	DIN939
	550	000125013012	WASHER		3	pc	5,600 g		A 13	DIN125
	600	000000004744	HEX NUT		3	pc	14,300 g		M 12	ISO4032
	650	000000003378	HEX SCREW		3	pc	122,100 g		M 12 X 130	ISO4014
	750	X59318300025	RETURN LOCK FOR OIL COOLER		2	pc	8,816 kg			
	800	700429060002	O-RING		4	pc	5,500 g		60 X 4	MMN429
	850	000000001039	HEX SCREW		6	pc	29,800 g		M 10 X 40	ISO4017

GROUP SEGMENT (FGS)

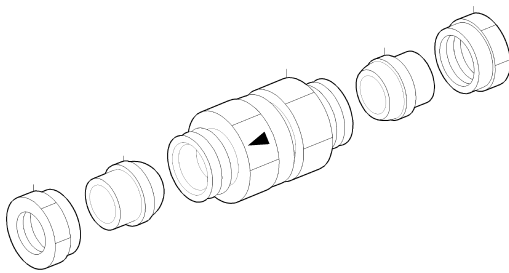
GROUP NAME

BOM-No.



05  
**OIL PUMP**  
XS594180.00058

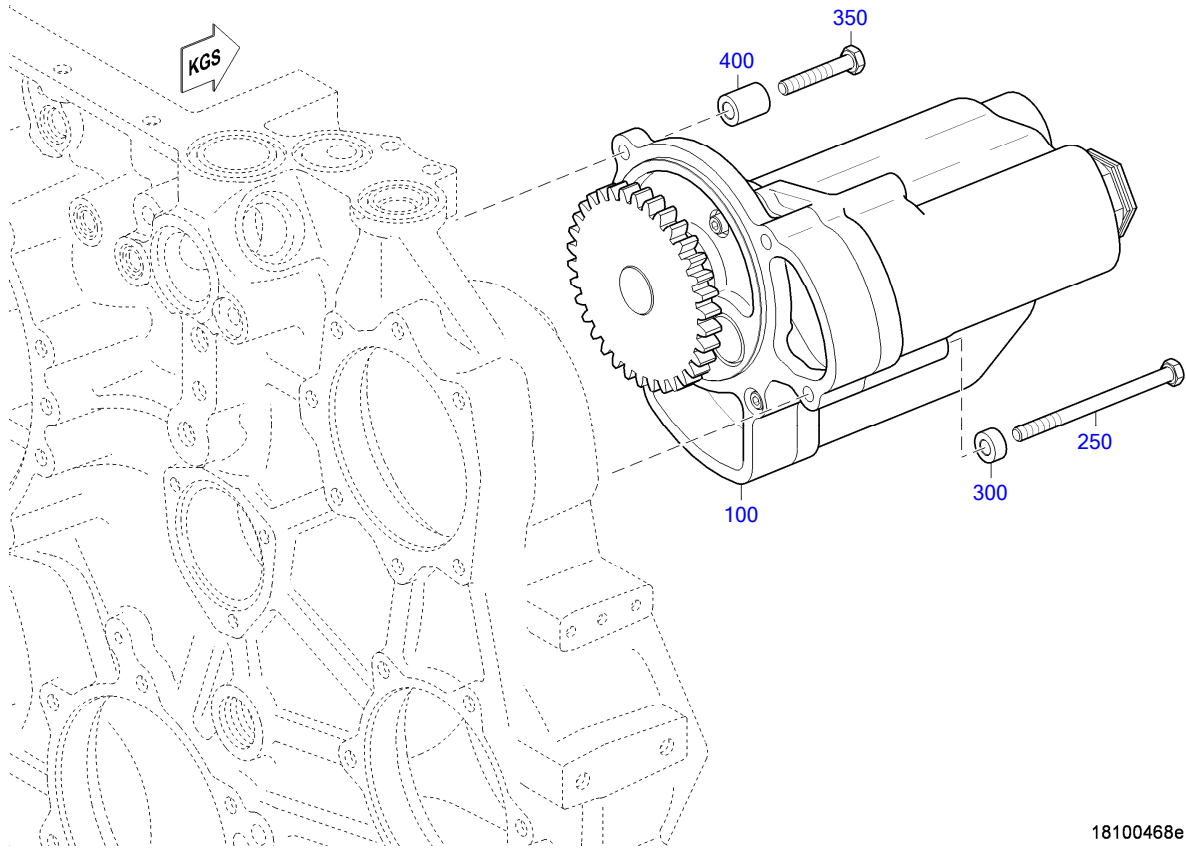
18100468e



25  
**NON-RETURN VALVE FOR OIL PRIMING PUM**  
180.00443

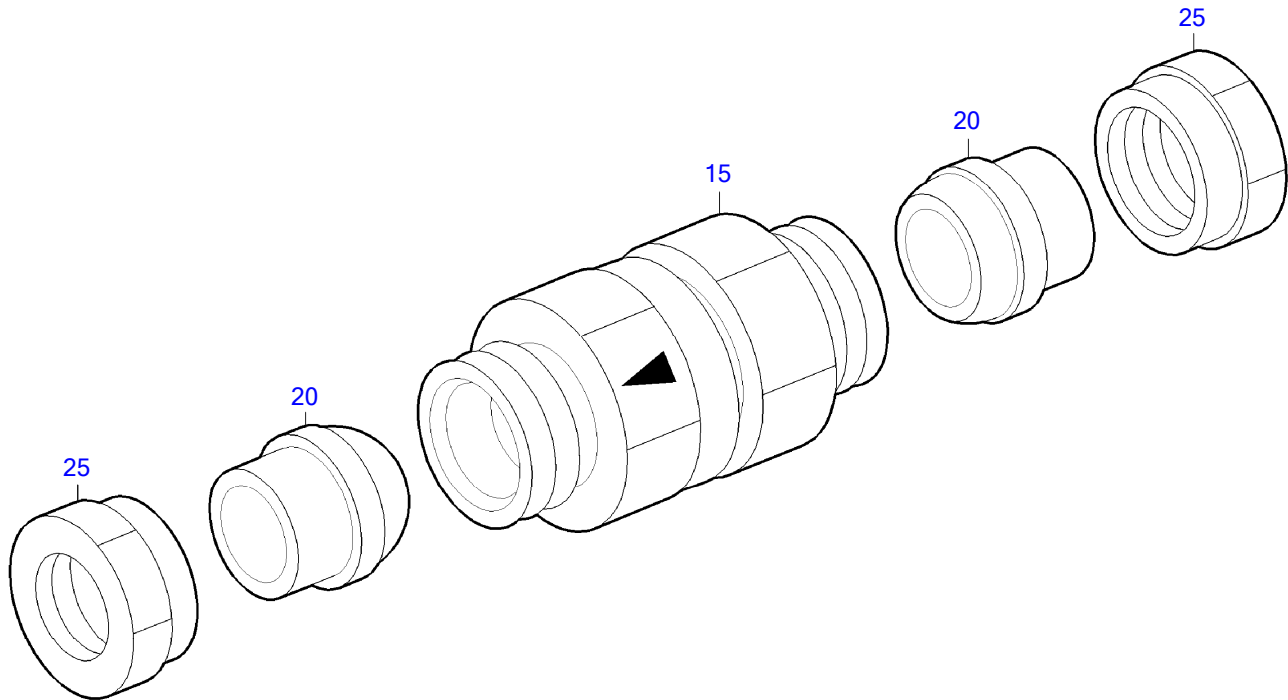
18100211a





18100468e

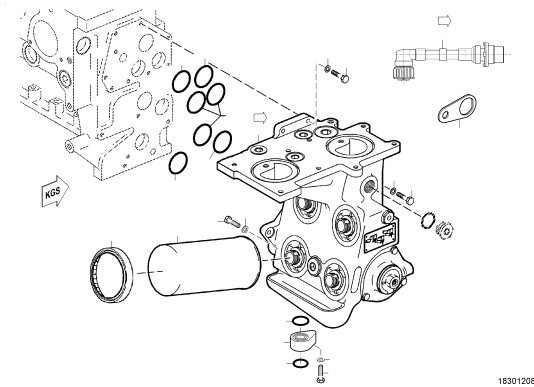
➔	POS.	PART NO.	DESIGNATION	MODEL/TYPE	QTY.	UNITS	WEIGHT	FN	MEASUREMENT	STANDARD
	100	0021804101	OIL PUMP	4000	1	pc	23,500 kg	AB		
	250	304014010013	HEX SCREW		3	pc	80,700 g		M 10 X120	ISO4014
	300	735151010100	SPACER		3	pc	11,000 g		A 10,5	MTN5151
	350	304017010051	HEX SCREW		1	pc	40,200 g		M 10 X 60	ISO4017
	400	5241871853	SPACER SLEEVE	BR 4000	1	pc	65,000 g		11MM X 22MM L=28	



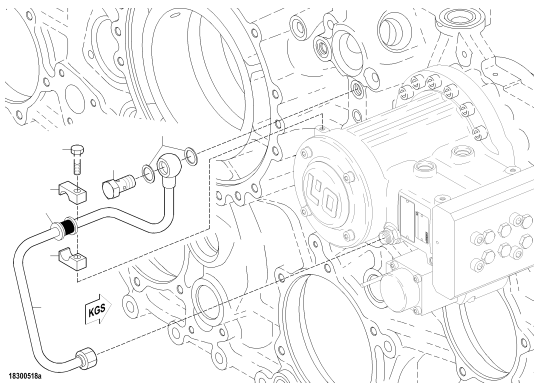
18100211a

➡	POS.	PART NO.	DESIGNATION	QTY.	UNITS	WEIGHT	MEASUREMENT	STANDARD
	15	735080022201	VALVE NON-RETURN RHDK 22-L 0.5	1	pc	435,500 g	RHDK 22-L 0,5	MTN5080
	20	915003020202	BALL-TYPE UNION	2	pc	12,800 g	B2 -22	MBN15003
	25	915001020003	NUT	2	pc	46,900 g	20 M 30 X 1,5	N15001

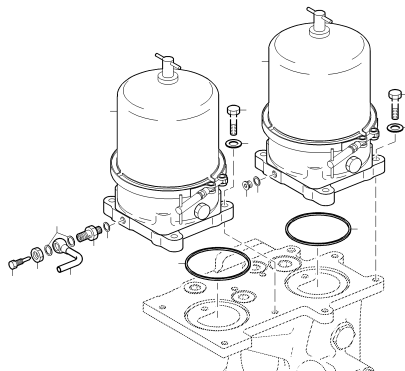
GROUP SEGMENT (FGS)  
GROUP NAME  
BOM-No.



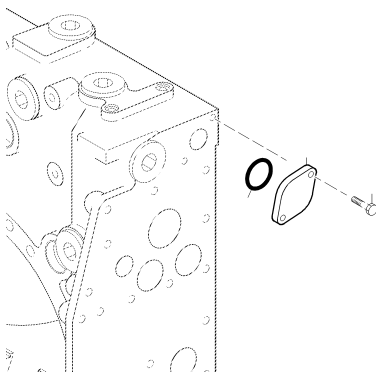
07  
**OIL FILTER W/DIVERTER VALVE**  
XS593180.00023



10  
**OIL SUPPLY FOR HP PUMP**  
X00026319



10  
**CENTRIFUGAL OIL FLTR**  
XS526180.00008



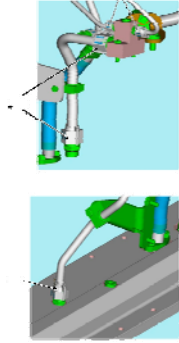
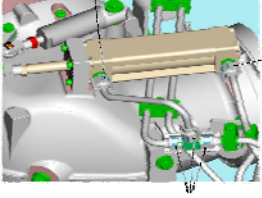
15  
**SEAL ELEM. F/COOLANT DISTR. HS**  
180.00268

GROUP SEGMENT (FGS)

GROUP NAME

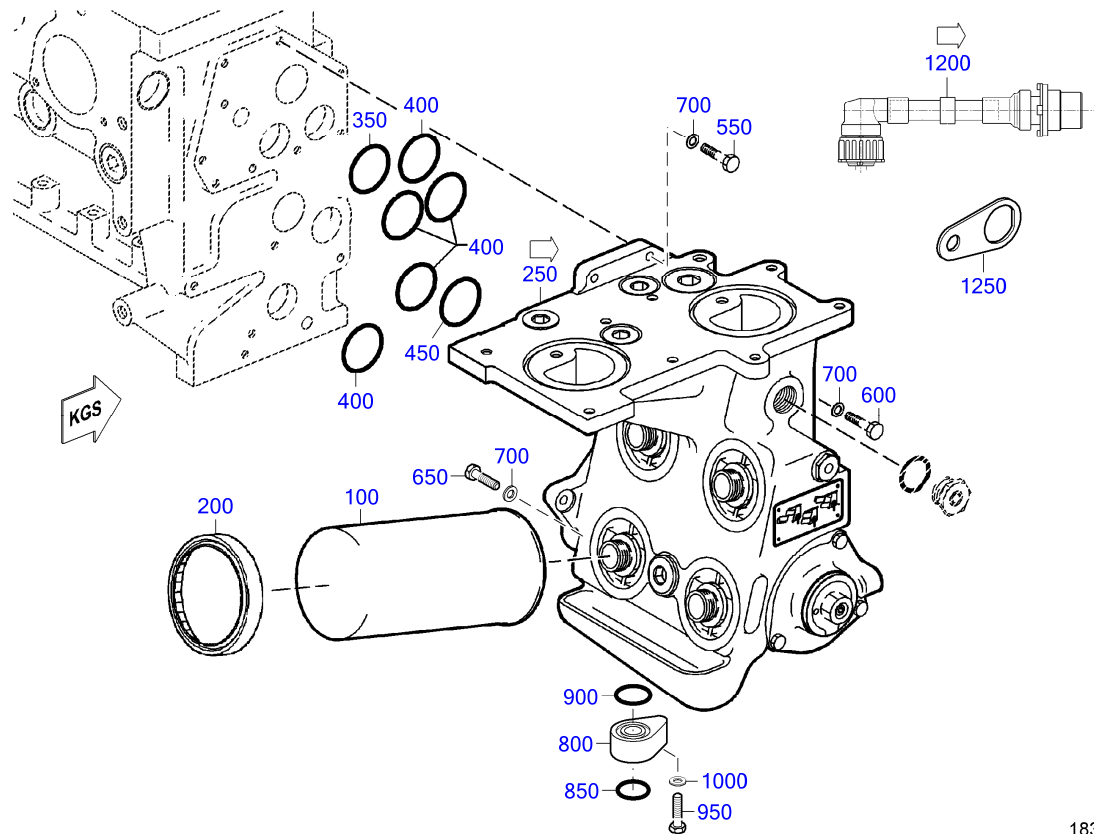
BOM-No.

---



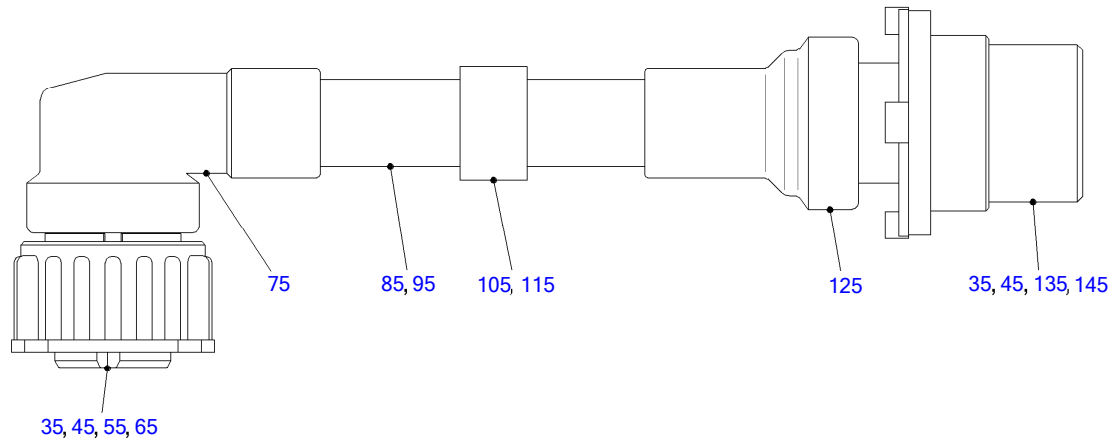
15  
**HEAT SHIELD FOR SOLAS**  
XS595990.00033

09902204



18301208

➔	POS.	PART NO.	DESIGNATION	MODEL/TYPE	QTY.	UNITS	WEIGHT	FN	MEASUREMENT	STANDARD
	100	0031845301	OIL FILTER SPIN-ON		4	pc	2,200 kg			
	200	X00040625	COVER FOR SOLAS		4	pc	7,000 g			
450	250	X59318300013	OIL FILTER HOUSING		1	pc	39,000 kg			
	350	700429070002	O-RING		1	pc	6,200 g		70 X 4	MMN429
	400	700429058001	O-RING		5	pc	6,000 g		58 X 4	MMN429
	450	700429076000	O-RING		1	pc	7,000 g		76 X 4	MMN429
	550	000000001039	HEX SCREW		4	pc	29,800 g		M 10 X 40	ISO4017
	600	204014010015	HEX SCREW		4	pc	114,000 g		M 10 X 180	ISO4014
	650	000000001042	HEX SCREW		1	pc	34,600 g		M 10 X 50	ISO4017
	700	000125010524	WASHER		9	pc	3,100 g		A 10,5	DIN125
	800	X59318300006	SPACER		1	pc	1,015 kg			
	850	700429040003	O-RING		1	pc	5,900 g		40 X 5	MMN429
	900	700429045000	O-RING		1	pc	6,800 g		45 X 5	MMN429
	950	000000003437	HEX SCREW		1	pc	50,800 g	M	M 12 X 50	ISO4017
	1000	000125013012	WASHER		1	pc	5,600 g		A 13	DIN125
449	1200	5265303735	CABLE	12/16V4000 M	1	pc	42,300 g		L	
	1250	5241534340	BRACKET H:14	4000	1	pc	24,000 g			



50701429a

➔	POS.	PART NO.	DESIGNATION	MODEL/TYPE	QTY.	UNITS	WEIGHT	MEASUREMENT	STANDARD
	35	0165313283	MALE CONNECTOR	STECKER F. BU-KONTAKTE 2,5MM	1	pc	11,500 g	4POL. CODE 1 / DIN 72585 BU	
	45	0165313383	FEMALE CONTACT	BUCHSE CUNISI VERZINNT	2	pc	0,500 g	0,5-1,0 MM <sup>2</sup> / D=2,5MM / DIN72585	
	55	0165313483	SINGLE-CORE INSUL		4	pc	0,120 g	1,2-2,1MM/DIN72585 2,5	
	65	0165313583	BLANKING PLUG	BLINDSTOPFEN	4	pc	0,100 g	SYSTEM 2,5MM / 2,8MM	
	75	0165313683	CAP		1	pc	5,600 g	90 GRAD / NW10 / DIN 72585	
	85	0095319080	CABLE	RADDOX 155S RW	0,170	m	20,900 g	1X2X1,0QMM / WS / NUMMERIERT	
	95		PIPE	359.	0,050	m	23,000 g	WELLROHR NW10	
	105	700461105001	MARKER SLEEVE		1	pc	0,100 g	5/B	MMN461
	115	700461205007	MARKER SLEEVE		1	pc	0,700 g	5/7	MMN461
	125	0165313783	CAP		1	pc	4,300 g	180 GRAD / NW10 / DIN 72585	
	135	0165313883	FEMALE CONNECTOR	STECKER F. ST-KONTAKT 2,5MM	1	pc	13,300 g	4POL. CODE 1 / DIN 72585 ST	
	145	0165313983	PIN CONTACT	STIFT CUNISI VERZINNT	2	pc	0,300 g	0,5-1,0MM <sup>2</sup> / D=2,5MM / DIN72585	

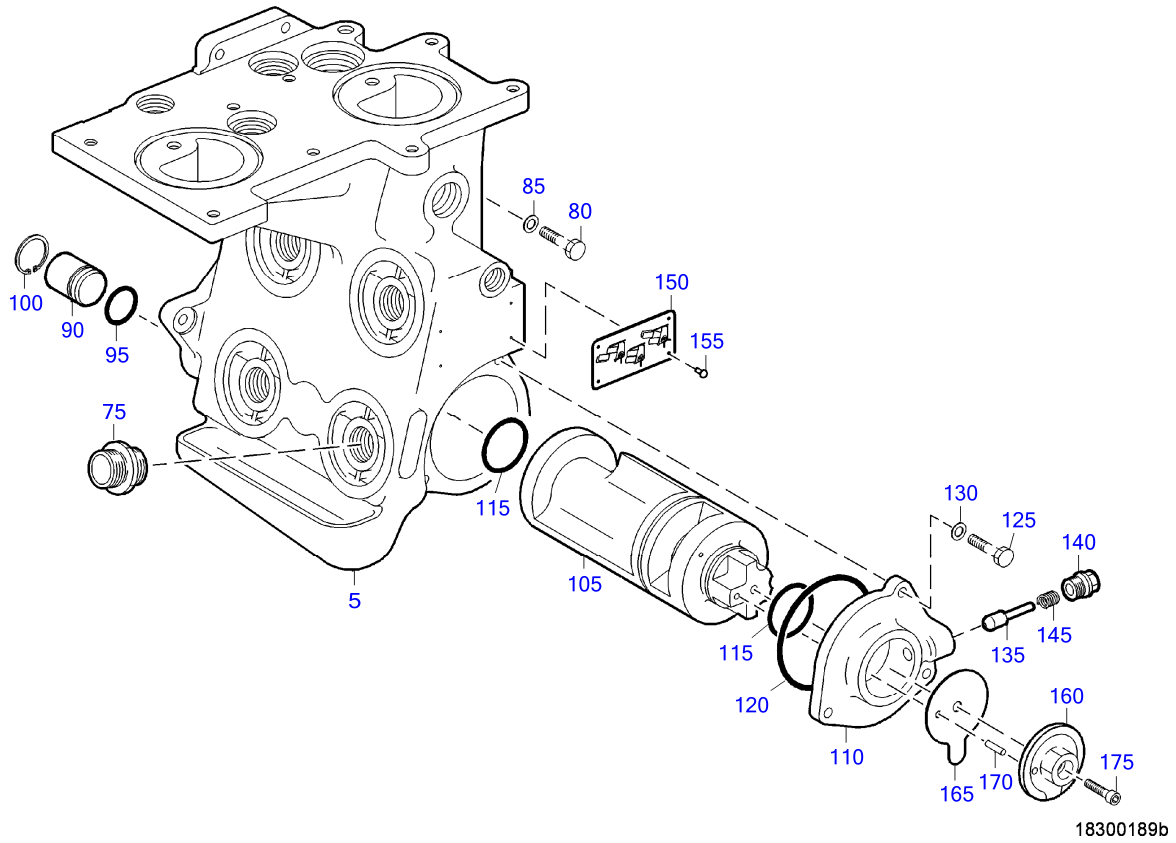
EQUI TYPE: Engine

PRODUCT TYPE: 12V4000M53  
OIL FILTER HOUSING

SERIAL NUMBER: 526107657

FG/FGS:

BOM-No.: X59318300013



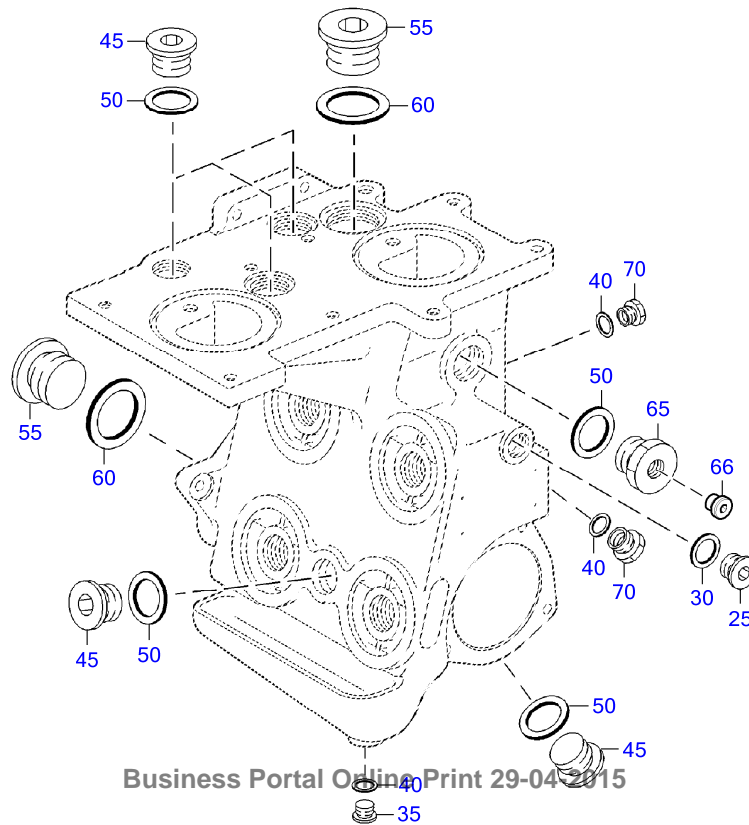
EQUI TYPE: Engine

PRODUCT TYPE: 12V4000M53  
OIL FILTER HOUSING

SERIAL NUMBER: 526107657

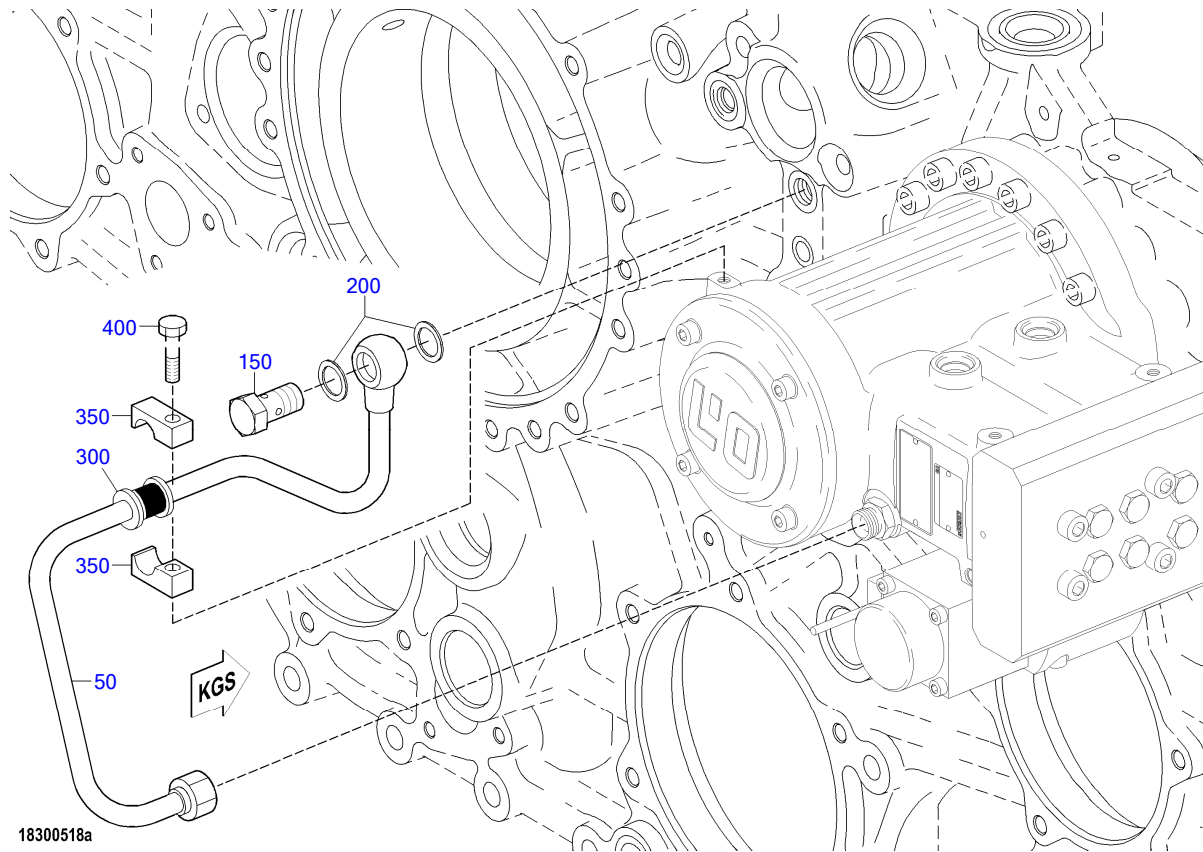
FG/FGS:

BOM-No.: X59318300013

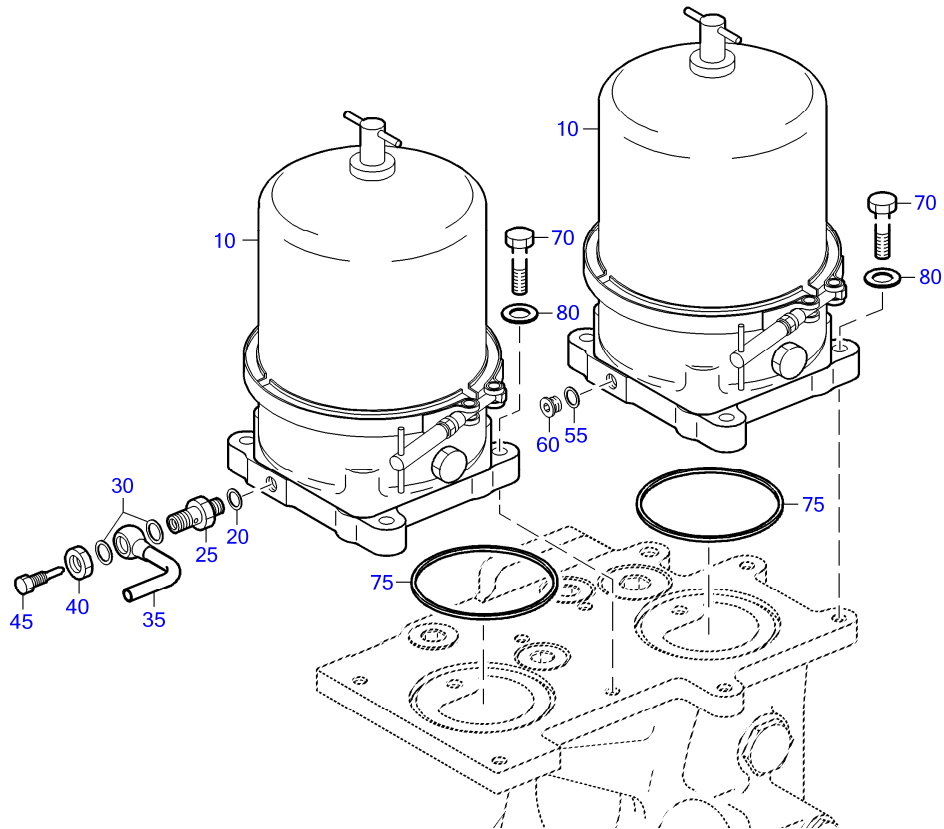


➡	POS.	PART NO.	DESIGNATION	MODEL/TYPE	QTY.	UNITS	WEIGHT	MEASUREMENT	STANDARD
	5	X59318300012	OIL FILTER HOUSING		1	pc	39,800 kg		
	25	000908026005	THREAD PLUG		1	pc	0,069 kg	M 26 X 1,5	DIN908
	30	007603026104	COPPER SEALING RING		1	pc	3,100 g	A 26 X 31	DIN7603
	35	000908018002	PLUG		1	pc	0,029 kg	M 18 X 1,5	DIN908
	40	007603018101	COPPER SEALING RING		4	pc	1,300 g	A 18 X 22	DIN7603
	45	000908038000	THREAD PLUG		5	pc	0,150 kg	M 38 X 1,5	DIN908
	50	007603038101	COPPER SEALING RING		6	pc	5,400 g	A 38 X 44	DIN7603
	55	000908052003	THREAD PLUG		3	pc	0,298 kg	M 52 X 1,5	DIN908
	60	007603052101	COPPER SEALING RING		3	pc	12,500 g	A 52 X 60	DIN7603
	65	5249970616	BUSHING THREADED		1	pc	204,900 g		
318	66	735210014000	THREAD PLUG		1	pc	0,019 kg	M 14 X 1,5	MTN5210
	70	5069971416	BUSHING THREADED	8/12V183TE02/93	3	pc	27,300 g		
	75	0009973675	ADAPTER OIL FLTR DUAL NIPPLE S2000+S4000		4	pc	148,200 g		
	80	204014010015	HEX SCREW		1	pc	114,000 g	M 10 X180	ISO4014
	85	000125010524	WASHER		1	pc	3,100 g	A 10,5	DIN125
	90	5249970635	PLUG		2	pc	478,900 g	40X50X5.5 WITH M6 THD	
	95	700429032003	O-RING		2	pc	3,000 g	32 X 4	MMN429
	100	000472042000	RING SNAP		2	pc	5,400 g	42 X 1,75	DIN472
	105	5241800067	VALVE SLIDE OIL FLTR SWITCH OVER		1	pc	3,560 kg		
	110	5241840309	FLANGE		1	pc	856,000 g		
	115	700429055001	O-RING		2	pc	8,000 g	55 X 5	MMN429
	120	700429115000	O-RING		1	pc	23,000 g	115 X 6	MMN429
	125	000000003326	HEX SCREW		3	pc	27,400 g	M 10 X 35	ISO4017
	130	000125010524	WASHER		3	pc	3,100 g	A 10,5	DIN125
	135	5369910120	STUD BALL		1	pc	57,200 g		
	140	5361840156	PLUG		1	pc	0,060 kg		
	145	002098001022	SPRING PRESSURE		1	pc	3,100 g	1,25X 10 X 44,5	DIN2098
	150	5245840021	PLATE		1	pc	14,100 g		
	155	201476002000	PIN GROOVED		4	pc	0,300 g	A 2,5X 5	ISO8746
	160	5241840076	WASHER	BR 4000	1	pc	335,000 g		
	165	5240150531	POINTER	BR 4000	1	pc	60,000 g		
	170	006325006108	PIN DOWEL		1	pc	5,000 g	6 M 6 X 24	DIN6325
	175	000912010064	BOLT HEX SOC HD		1	pc	31,600 g	M 10 X 40	DIN912



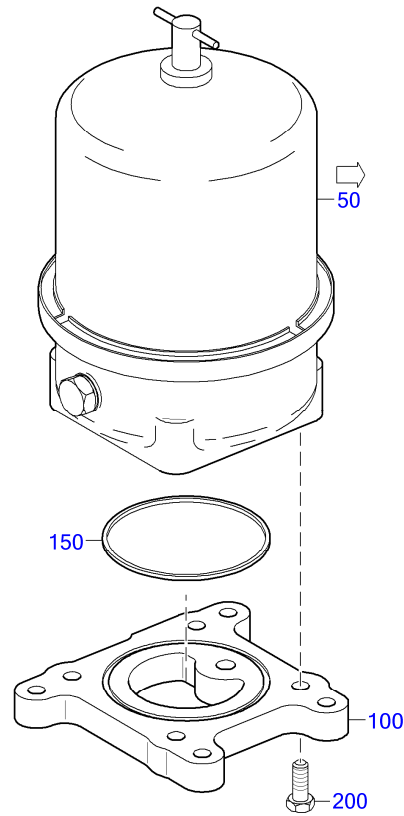


➔	POS.	PART NO.	DESIGNATION	QTY.	UNITS	WEIGHT	FN	MEASUREMENT	STANDARD
	50	X00040912	OIL LINE FOR HP PUMP	1	pc	0,239 kg	SB		
	150	700223010000	BOLT BANJO A12	1	pc	64,800 g	A 12		MMN223
	200	007603018101	COPPER SEALING RING	2	pc	1,300 g	A 18 X 22		DIN7603
	300	700327012000	GROMMET	1	pc	4,600 g	12		MMN327
	350	700325018100	CLAMP HALF TUBE 1/1 D9-18	2	pc	40,000 g	1/1 D 9 - 18		MMN325
	400	304017008085	HEX SCREW	1	pc	18,000 g	M 8 X 40		ISO4017



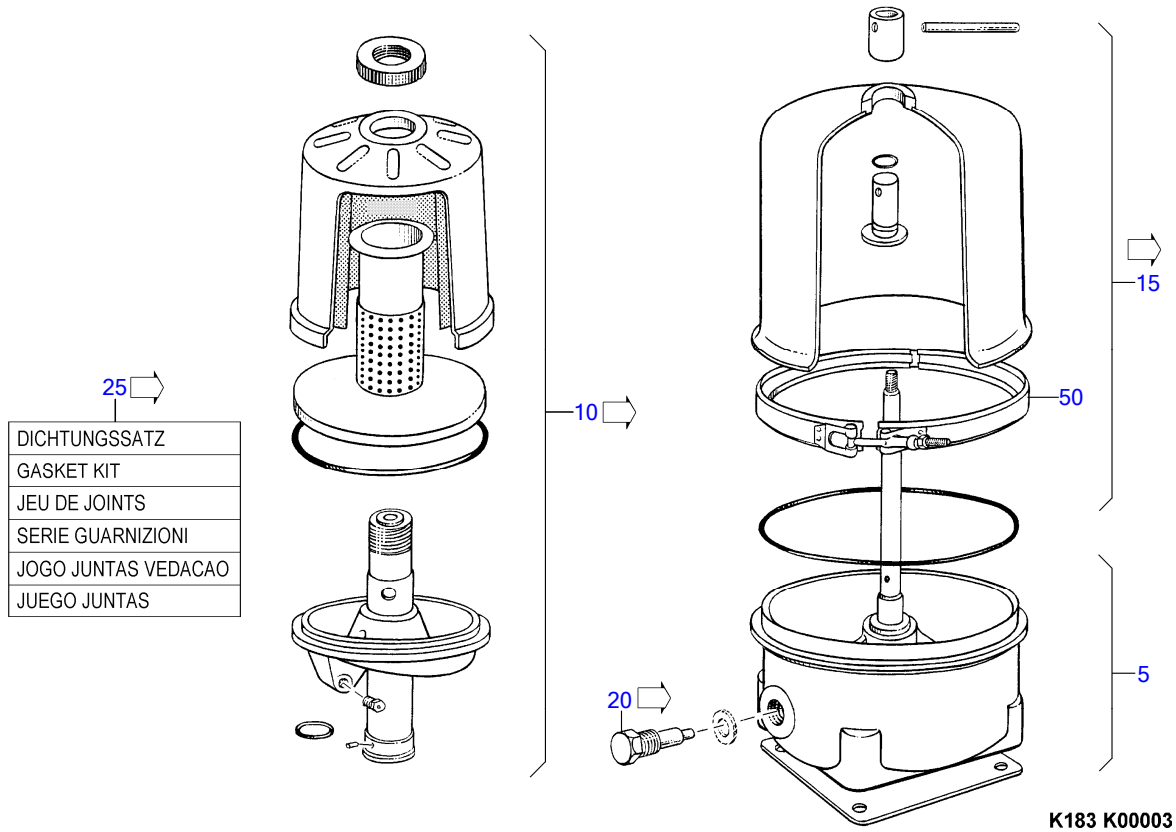
18300038a

➔	POS.	PART NO.	DESIGNATION	QTY.	UNITS	WEIGHT	FN	MEASUREMENT	STANDARD
	453	10	<b>X52418300026</b>	CENTRIFUGAL OIL FLTR	2	pc	10,900 kg		
		20	<b>007603014102</b>	COPPER SEALING RING	1	pc	1,000 g	A 14 X 18	DIN7603
		25	<b>5849972672</b>	UNION	1	pc	63,100 g		
		30	<b>007603016105</b>	COPPER SEALING RING	2	pc	3,000 g	A 16 X 20	DIN7603
		35	<b>5241802019</b>	TUBE ASM SOL OIL SUPPLY	1	pc	70,000 g	SB	
		40	<b>000439016200</b>	NUT M16 04-2 DIN439	1	pc	20,000 g	B M 16	DIN439
		45	<b>5849900615</b>	BOLT SPL M10 1.00X40 TO M6 0.2 8.8	1	pc	20,000 g		
		55	<b>007603014102</b>	COPPER SEALING RING	1	pc	1,000 g	A 14 X 18	DIN7603
		60	<b>000908014001</b>	THREAD PLUG	1	pc	0,016 kg	M 14 X 1,5	DIN908
		70	<b>000933012051</b>	HEX SCREW	8	pc	53,200 g	MN M 12 X 50	DIN933
		75	<b>700429122001</b>	O-RING	2	pc	9,500 g	122 X 3,75	MMN429
		80	<b>000125013012</b>	WASHER	8	pc	5,600 g	A 13	DIN125

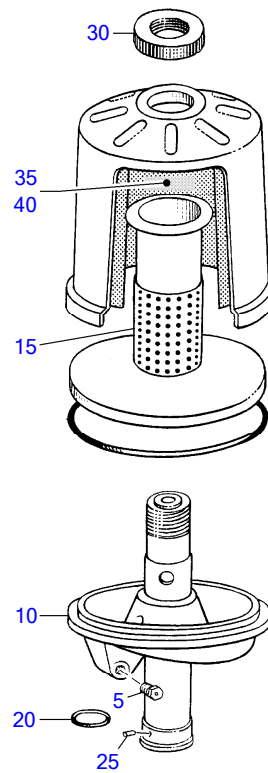


18301018a

➡	POS.	PART NO.	DESIGNATION	MODEL/TYPE	QTY.	UNITS	WEIGHT	MEASUREMENT	STANDARD
454	50	<b>X52418300028</b>	CENTRIFUGAL OIL FLTR		1	pc			
	100	<b>5241840509</b>	ADAPTER 2 LITER CENTRIFUGAL SPINNER	BR 4000	1	pc	1,550 kg		
	150	<b>700429122001</b>	O-RING		1	pc	9,500 g	122 X 3,75	MMN429
	200	<b>11509528</b>	BOLT PHOS HEX FLG LRG		4	pc	50,200 g	M12X1,75X30	

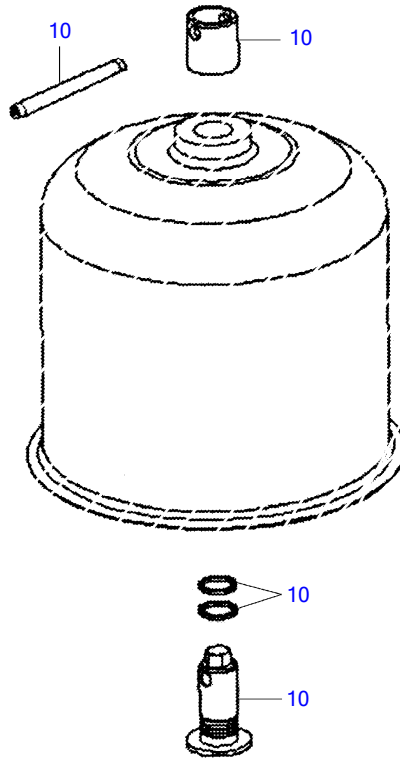


➔	POS.	PART NO.	DESIGNATION	QTY.	UNITS	WEIGHT
	5	23540299	BODY ASM CENTRIFUGAL SPINNER OIL FLTR	1	pc	5,750 kg
455	10	8691840027	ROTOR COMPLETE	1	pc	3,300 kg
456	15	8691840028	COVER	1	pc	2,500 kg
457	20	8691840019	VALVE	1	pc	230,500 g
458	25	23540304	GASKET KIT	1	pc	71,400 g
	50	XP52499100226	V-BAND CLAMP	1	pc	1,100 kg



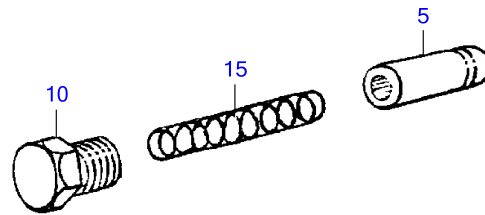
K183 K00005

➔	POS.	PART NO.	DESIGNATION	QTY.	UNITS	WEIGHT	MEASUREMENT
	5	5241871136	NOZZLE ROTOR ASM CNTRIFSPINNER FLTR	1	pc	3,100 g	
	10	5241870018	TUBE ASM	1	pc	818,000 g	
	15	5241870601	STAND TUBE ROTOR ASM CNTRIFSPINNER FLTR	1	pc	271,000 g	
	20	5241870033	CIRCLIP	1	pc	5,200 g	
	25	5241870074	PIN	1	pc	3,000 g	
	30	5241870072	NUT ROTOR COVER CENTRIFUGAL SPINNER FLTR	1	pc	186,000 g	
	35	8591840001	PAPER PACK CENTRIFUGAL SPINNER FILTER	1	pc	11,400 g	1 ST. GLEICH 1 PAPIERSTREIFEN
	40	5241870147	PLATE	1	pc	50,000 g	



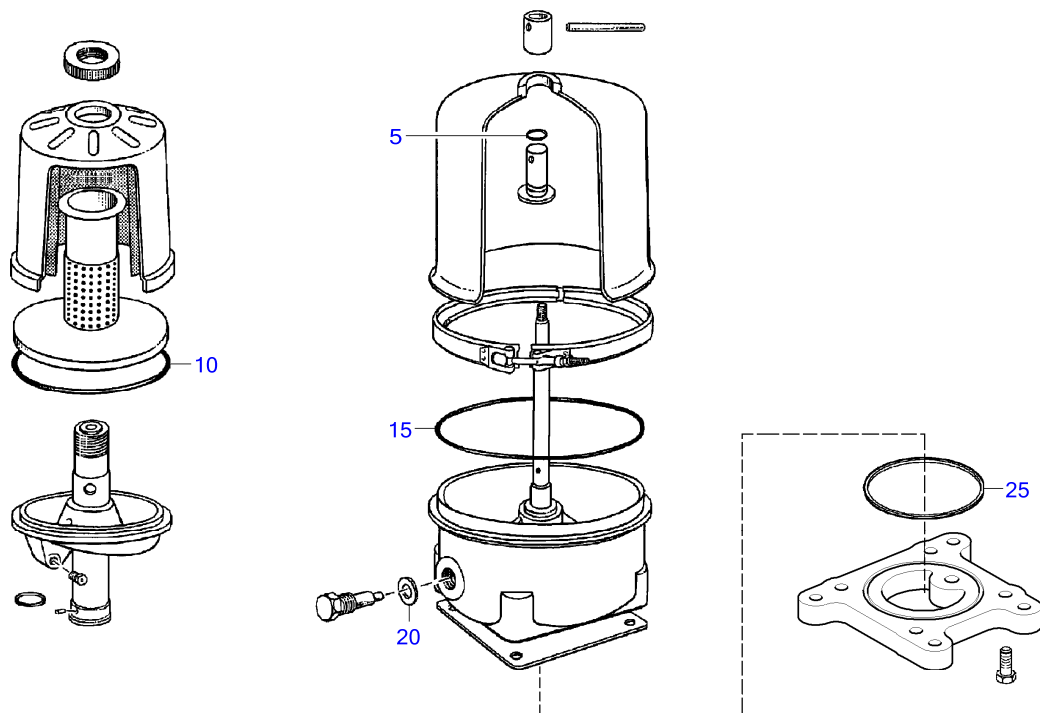
18300801a

➔	POS.	PART NO.	DESIGNATION	QTY.	UNITS	WEIGHT
	10	8691840031	COVER FIXING KIT	1	pc	240,000 g



K183 K00004

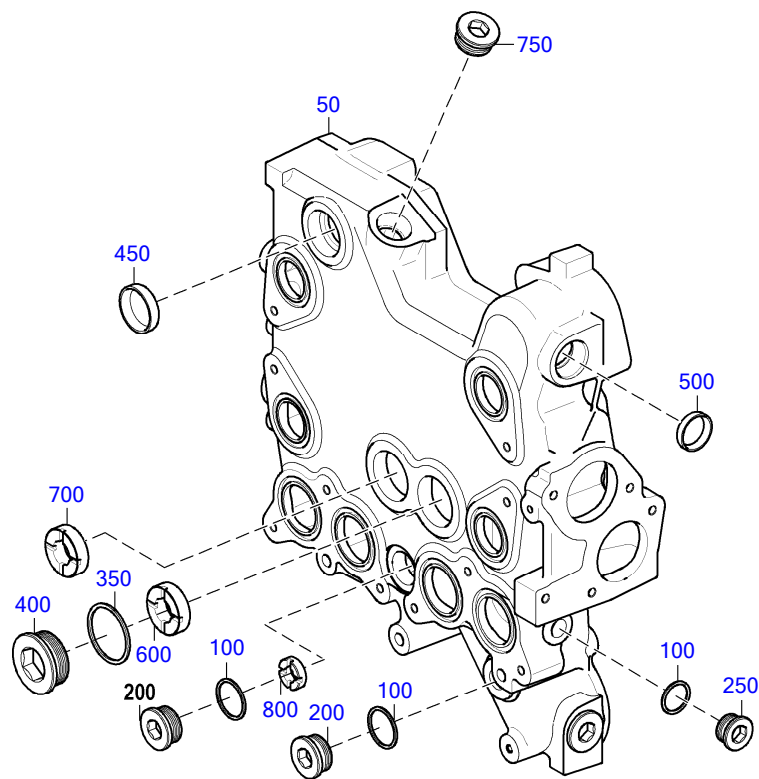
➔	POS.	PART NO.	DESIGNATION	QTY.	UNITS
	5	Z=3108A	VALVE PISTON	1	pc
	10	Z=1655A	PLUG	1	pc
	15	Z=1115P	PRESSURE SPRING	1	pc



18300932a

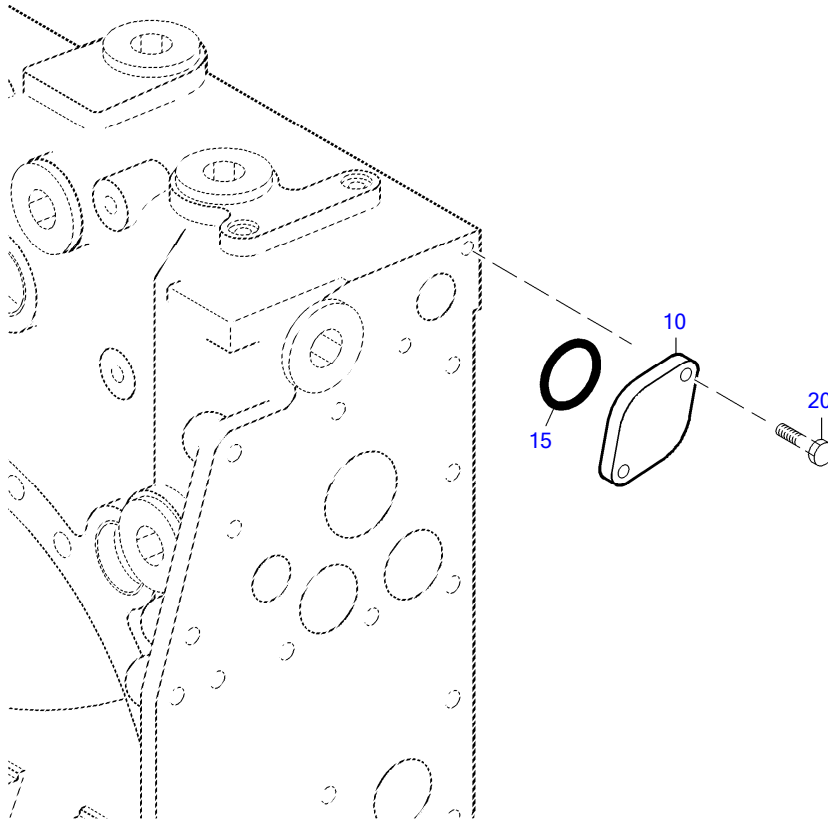
➔	POS.	PART NO.	DESIGNATION	MODEL/TYPE	QTY.	UNITS	WEIGHT	MEASUREMENT	STANDARD
	5	8699970274	SEALING RING	MMN429	2	pc	0,700 g		
	10	8699970273	SEALING RING	MMN429	1	pc	21,900 g	145,42 X 5,34	
	15	8699970272	SEALING RING	MMN429	1	pc	28,900 g	196,22 X 5,34	
	20	8699970287	SEALING RING		1	pc	2,200 g		
	25	700429122001	O-RING		2	pc	9,500 g	122 X 3,75	MMN429





18301634

➔	POS.	PART NO.	DESIGNATION	MODEL/TYPE	QTY.	UNITS	WEIGHT	MEASUREMENT	STANDARD
	50	<b>X59318300023</b>	OIL. DISTR. HOUSING		1	pc	55,263 kg		
	100	<b>007603038101</b>	COPPER SEALING RING		6	pc	5,400 g	A 38 X 44	DIN7603
	150	<b>007603030101</b>	COPPER SEALING RING		3	pc	4,300 g	A 30 X 36	DIN7603
	200	<b>000908038000</b>	THREAD PLUG		6	pc	0,150 kg	M 38 X 1,5	DIN908
	250	<b>000908030002</b>	THREAD PLUG		3	pc	0,085 kg	M 30 X 1,5	DIN908
	350	<b>007603056100</b>	SEALING RING		2	pc	13,200 g	A 56 X 64	DIN7603
	400	<b>000908056000</b>	PLUG		2	pc	0,368 kg	M 56 X 2	DIN908
	450	<b>5249970020</b>	SEALING CAP		4	pc	62,600 g	D 50	
	500	<b>5370160233</b>	SEALING CAP		1	pc	32,000 g	D 40	
	600	<b>5242031452</b>	RESTRICTOR	12V4000	1	pc	161,600 g	M52-1.5X15 W/26MM OPENING	
	700	<b>5242031552</b>	RESTRICTOR	4000	1	pc	0,214 kg		
318	750	<b>735210014000</b>	THREAD PLUG		1	pc	0,019 kg	M 14 X 1,5	MTN5210
	800	<b>X59399100116</b>	RESTRICTOR		1	pc	0,048 kg		



18000054a

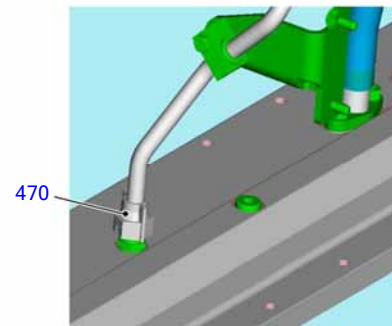
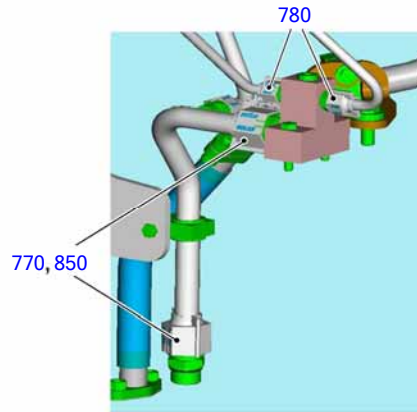
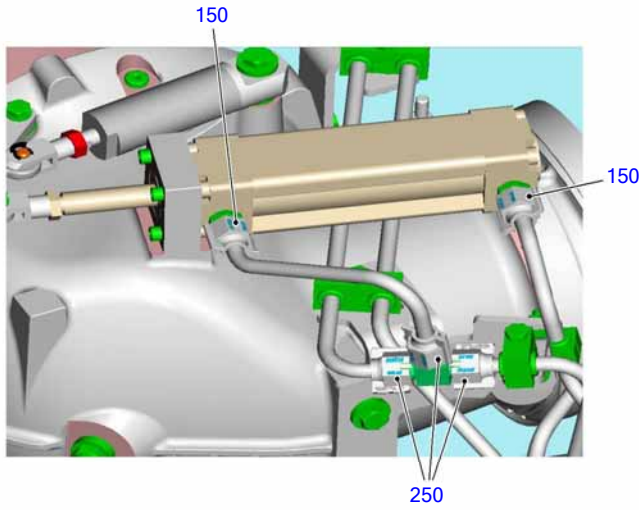
➔	POS.	PART NO.	DESIGNATION	MODEL/TYPE	QTY.	UNITS	WEIGHT	MEASUREMENT	STANDARD
	10	5281840509	COVER WATER DISTRIBUTION HOUSING	BR 4000	1	pc	314,700 g		
	15	700429042002	O-RING		1	pc	3,800 g	42 X 4	MMN429
	20	304017008081	HEX SCREW		2	pc	13,400 g	M 8 X 25	ISO4017

EQUI TYPE: Engine

PRODUCT TYPE: 12V4000M53  
HEAT SHIELD FOR SOLAS

SERIAL NUMBER: 526107657

FG/FGS: 183 15  
BOM-No.: XS595990.00033



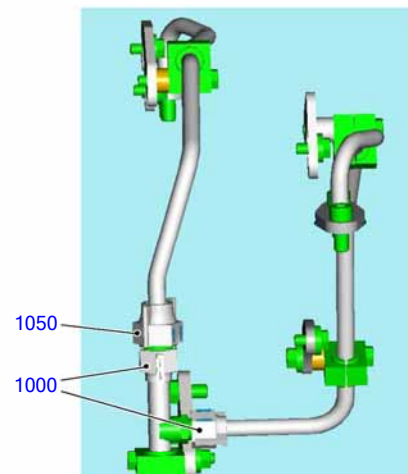
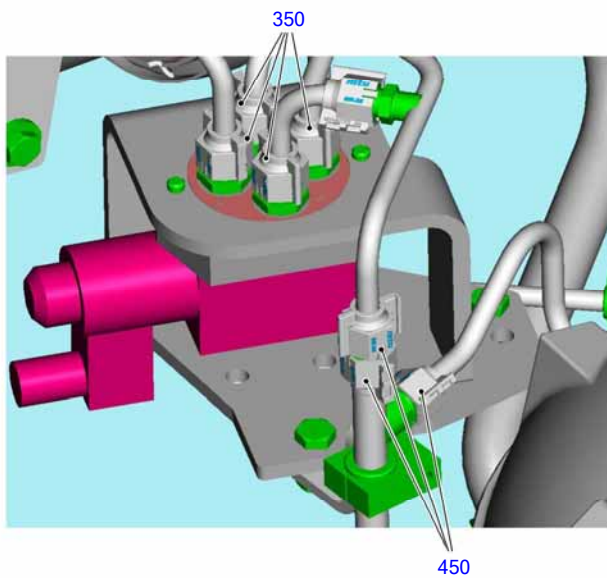
01000676a

EQUI TYPE: Engine

PRODUCT TYPE: 12V4000M53  
HEAT SHIELD FOR SOLAS

SERIAL NUMBER: 526107657

FG/FGS: 183 15  
BOM-No.: XS595990.00033

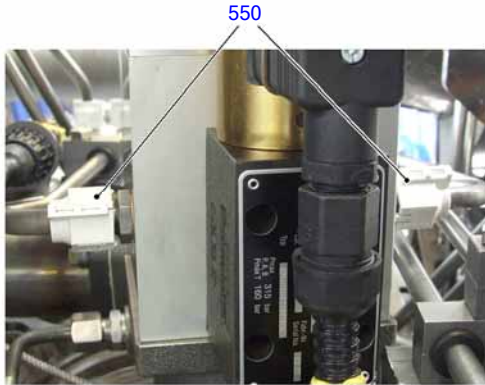


01000677a

EQUI TYPE: Engine

PRODUCT TYPE: 12V4000M53  
HEAT SHIELD FOR SOLAS

SERIAL NUMBER: 526107657  
FG/FGS: 183 15  
BOM-No.: XS595990.00033

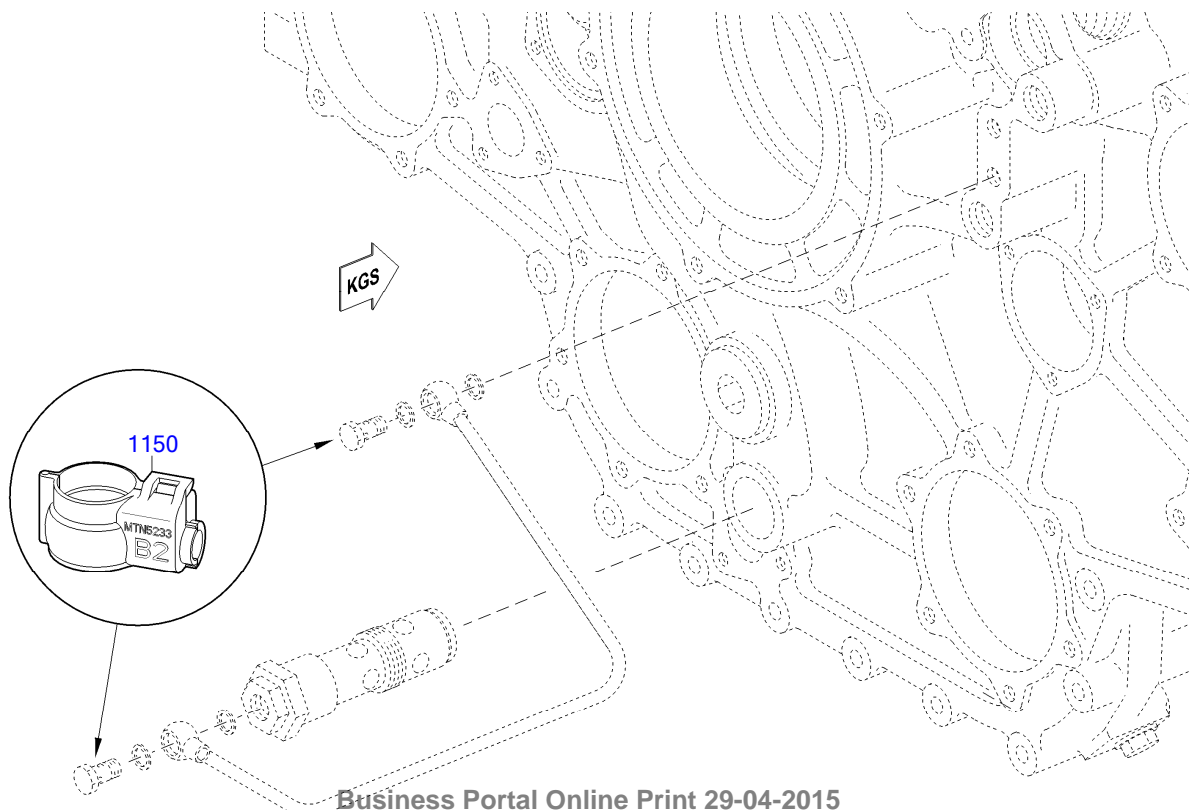


01000678a

EQUI TYPE: Engine

PRODUCT TYPE: 12V4000M53  
HEAT SHIELD FOR SOLAS

SERIAL NUMBER: 526107657  
FG/FGS: 183 15  
BOM-No.: XS595990.00033



Business Portal Online Print 29-04-2015

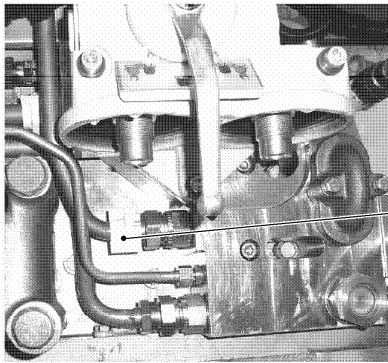
00001053d

EQUI TYPE: Engine

PRODUCT TYPE: 12V4000M53  
HEAT SHIELD FOR SOLAS

SERIAL NUMBER: 526107657

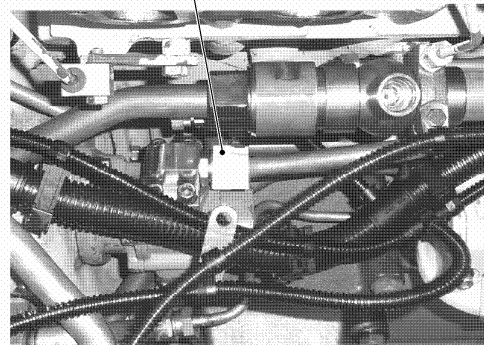
FG/FGS: 183 15  
BOM-No.: XS595990.00033



1400



1500



1350

01000796

EQUI TYPE: Engine

PRODUCT TYPE: 12V4000M53  
HEAT SHIELD FOR SOLAS

SERIAL NUMBER: 526107657

FG/FGS: 183 15  
BOM-No.: XS595990.00033



1600



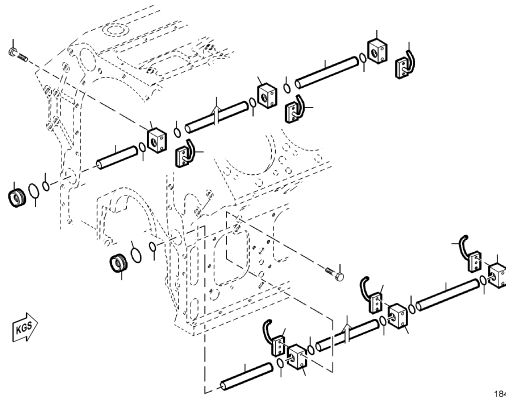
1700

➡	POS.	PART NO.	DESIGNATION	QTY.	UNITS	WEIGHT	MEASUREMENT	STANDARD
	150	735233000101	COVER	4	pc	3,000 g	A 5 - X00004694	MTN5233
	250	735233000101	COVER	3	pc	3,000 g	A 5 - X00004694	MTN5233
	350	735233000101	COVER	5	pc	3,000 g	A 5 - X00004694	MTN5233
	450	735233000101	COVER	2	pc	3,000 g	A 5 - X00004694	MTN5233
	470	735233000103	COVER	1	pc	6,000 g	A 7 - X00004797	MTN5233
	550	735233000101	COVER	2	pc	3,000 g	A 5 - X00004694	MTN5233
	650	735233000102	COVER	1	pc	3,800 g	A 6 - X00004796	MTN5233
	700	735233000202	COVER	1	pc	9,600 g	B 4 - X00007482	MTN5233
	770	735233000500	COVER	1	pc	9,900 g	E 5 - X00014661	MTN5233
	780	735233000101	COVER	2	pc	3,000 g	A 5 - X00004694	MTN5233
	850	735233000500	COVER	1	pc	9,900 g	E 5 - X00014661	MTN5233
	1000	735233000102	COVER	1	pc	3,800 g	A 6 - X00004796	MTN5233
	1050	735233000103	COVER	2	pc	6,000 g	A 7 - X00004797	MTN5233
	1150	735233000200	COVER	2	pc	57,000 g	B 2 - X00005424	MTN5233
	1350	735233000104	COVER	1	pc	6,000 g	A 8 - X00004798	MTN5233
	1400	735233000104	COVER	1	pc	6,000 g	A 8 - X00004798	MTN5233
	1500	735233000500	COVER	2	pc	9,900 g	E 5 - X00014661	MTN5233
	1600	735233000104	COVER	2	pc	6,000 g	A 8 - X00004798	MTN5233
	1700	735233000204	COVER	2	pc	18,100 g	B 6 - X59699100062	MTN5233

GROUP SEGMENT (FGS)

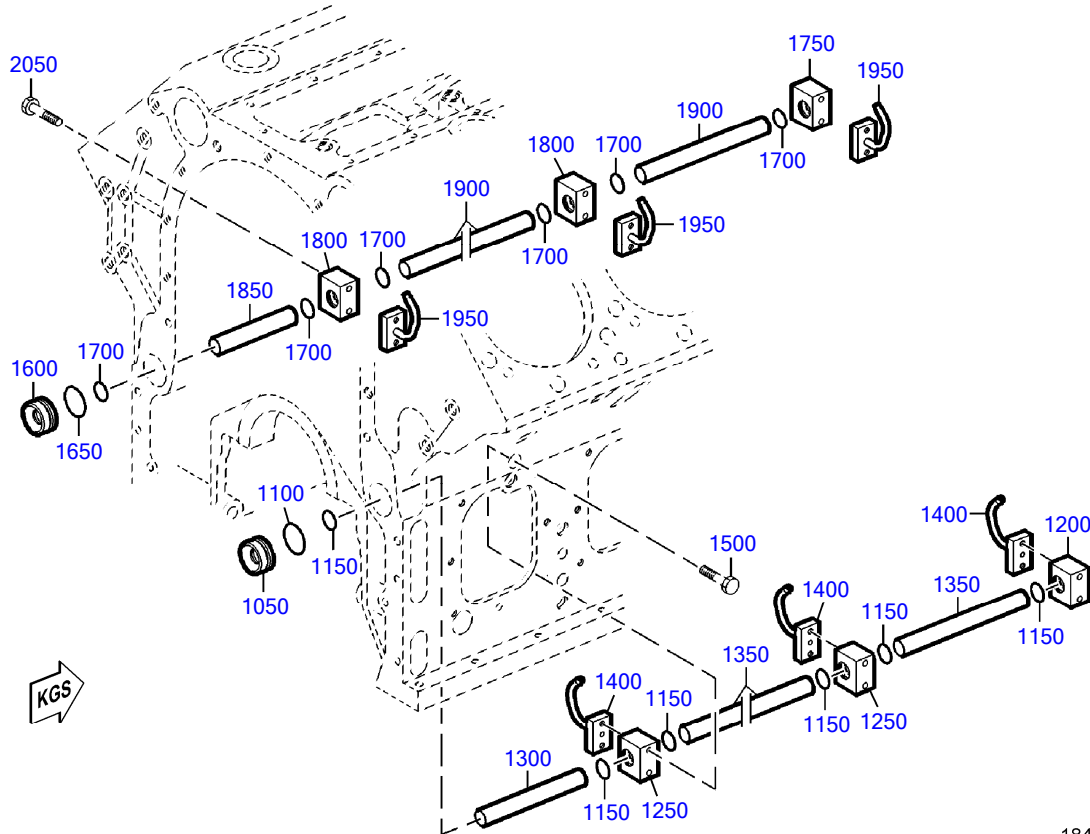
GROUP NAME

BOM-No.



10  
OIL SYSTEM BASIC SCOPE  
X00026315

18400124b



18400124b

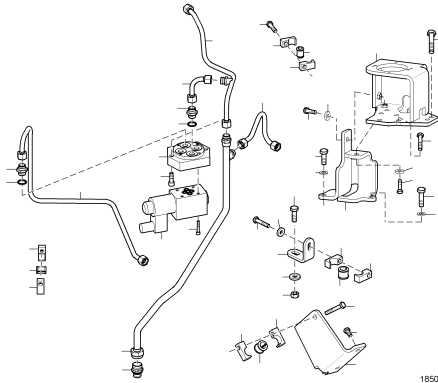
➔	POS.	PART NO.	DESIGNATION	QTY.	UNITS	WEIGHT	FN	MEASUREMENT	STANDARD
	1050	5241870276	RETAINER O-RING	1	pc	60,000 g			
	1100	700429041000	O-RING	1	pc	3,800 g		41 X 4	MMN429
	1150	700429024002	O-RING	12	pc	2,300 g		24 X 4	MMN429
	1200	X52418400002	RETAINER	1	pc	170,000 g			
	1250	X52418400001	RETAINER	5	pc	105,000 g			
	1300	5241870401	TUBE D	1	pc	160,000 g			
	1350	5241870101	TUBE D	5	pc	130,000 g			
	1400	X59418400008	OIL SPRAY NOZZLE	6	pc	190,000 g	EM		
	1500	304014008032	HEX SCREW	12	pc	34,100 g		M 8 X 80	ISO4014
	1600	5241870276	RETAINER O-RING	1	pc	60,000 g			
	1650	700429041000	O-RING	1	pc	3,800 g		41 X 4	MMN429
	1700	700429024002	O-RING	12	pc	2,300 g		24 X 4	MMN429
	1750	X52418400002	RETAINER	1	pc	170,000 g			
	1800	X52418400001	RETAINER	5	pc	105,000 g			
	1850	5241870201	TUBE D	1	pc	120,000 g			
	1900	5241870101	TUBE D	5	pc	130,000 g			
	1950	X59418400008	OIL SPRAY NOZZLE	6	pc	190,000 g	EM		
	2050	304014008032	HEX SCREW	12	pc	34,100 g		M 8 X 80	ISO4014



GROUP SEGMENT (FGS)

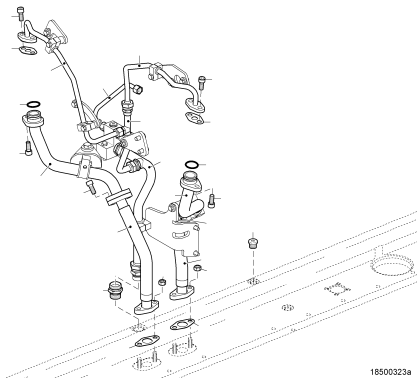
GROUP NAME

BOM-No.



18500481

05  
FLAP CONTROL  
XS594180.00080



18500323a

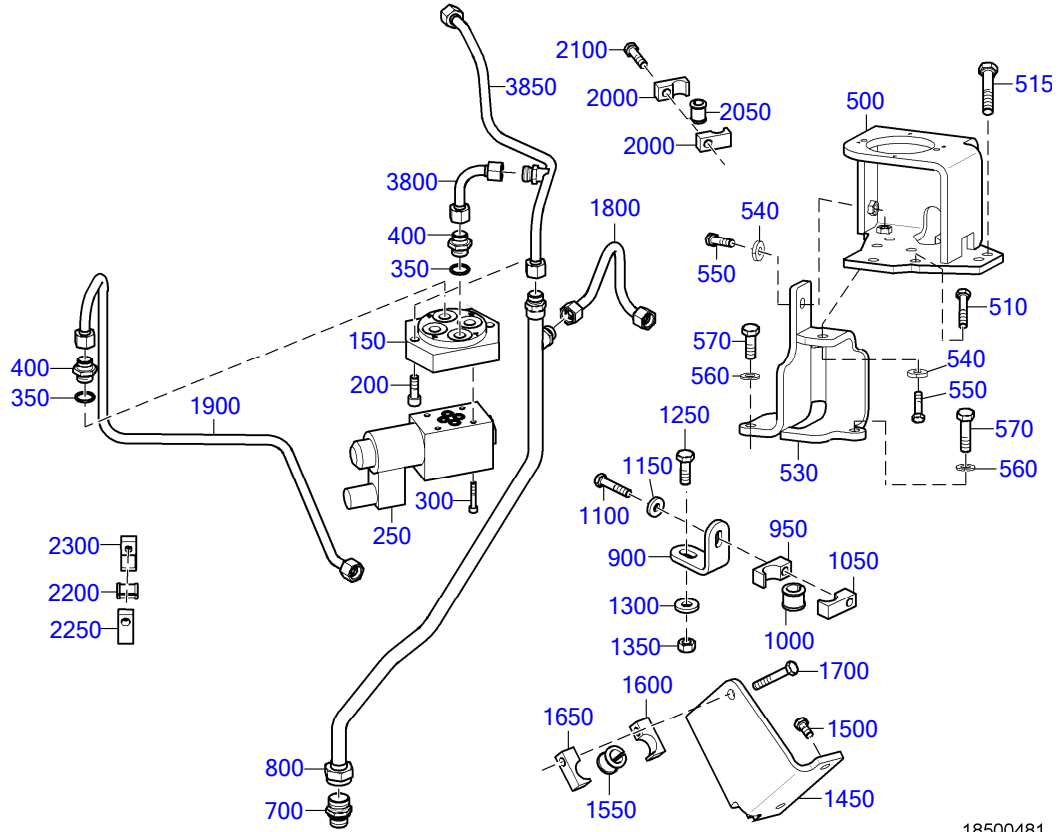
05  
T/CHARGER OIL SUPPLY  
XS595180.00046

EQUI TYPE: Engine

PRODUCT TYPE: 12V4000M53  
FLAP CONTROL

SERIAL NUMBER: 526107657

FG/FGS: 185 05  
BOM-No.: XS594180.00080



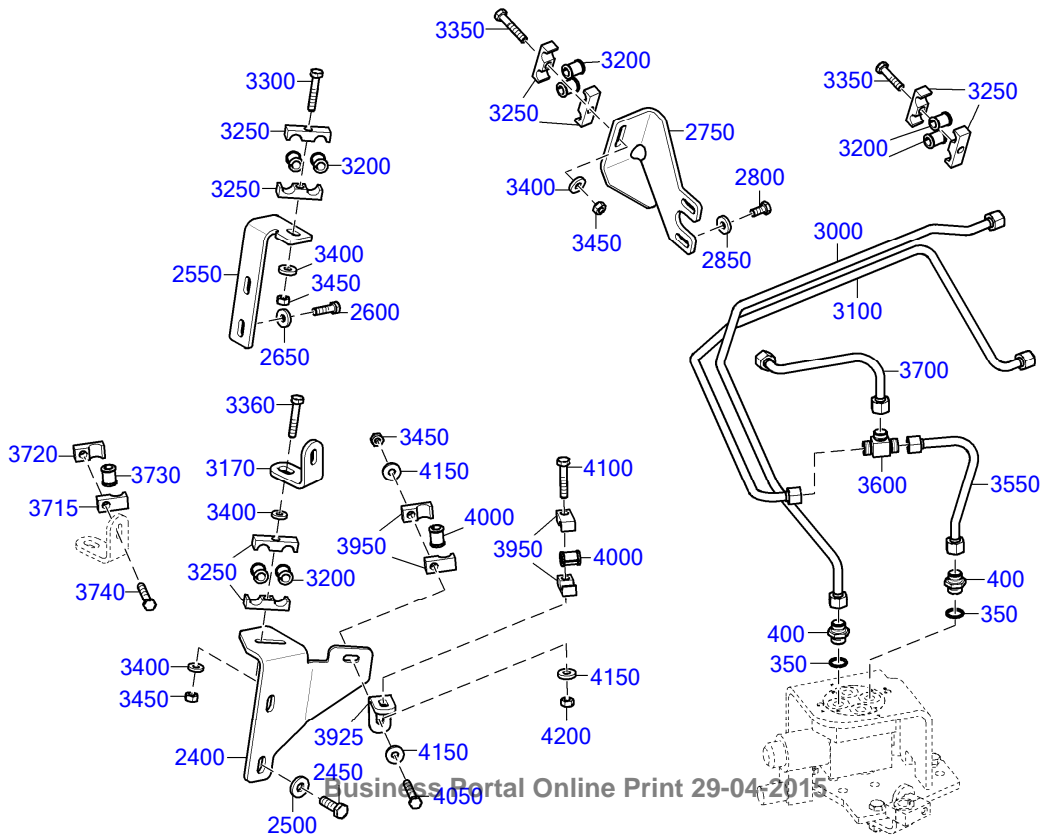
18500481

EQUI TYPE: Engine

PRODUCT TYPE: 12V4000M53  
FLAP CONTROL

SERIAL NUMBER: 526107657

FG/FGS: 185 05  
BOM-No.: XS594180.00080



18500482

➡	POS.	PART NO.	DESIGNATION	QTY.	UNITS	WEIGHT	FN	MEASUREMENT	STANDARD
	150	X59499100043	VALVE MOUNTING PLATE	1	pc	1,200 kg			
	200	000912008055	BOLT HEX SOC HD	2	pc	14,300 g		M 8 X 25	DIN912
410	250	X00041391	ACTUATOR VLV	1	pc	1,900 kg			
	300	000000003558	BOLT HEX SOC ZNPH R5F	4	pc	5,400 g		M 5 X 30	DIN912
	350	007603017102	WASHER A COP	4	pc	1,100 g		A 17 X 21	DIN7603
	400	700419999004	UNION 8G 3/8 A	4	pc	32,300 g		10 G 3/8 A	MMN419
	500	X59599100094	RETAINER	1	pc	3,300 kg			
	510	000000001039	HEX SCREW	1	pc	29,800 g		M 10 X 40	ISO4017
	515	204017010021	HEX SCREW	1	pc	32,500 g		M 10 X 45	ISO4017
	530	X59599100096	RETAINER	1	pc	1,400 kg			
	540	000125008427	WASHER	2	pc	1,500 g		A 8,4	DIN125
	550	304017008081	HEX SCREW	2	pc	13,400 g		M 8 X 25	ISO4017
	560	000125010524	WASHER	2	pc	3,100 g		A 10,5	DIN125
	570	000000001464	HEX SCREW	2	pc	24,900 g		M 10 X 30	ISO4017
	700	735211015000	UNION	1	pc	44,200 g		15M 18 X 1,5	MTN5211
	800	X52618500033	OIL LINE	1	pc	322,800 g	SB		
	900	X59420200167	RETAINER	1	pc	136,500 g			
	950	700325022100	CLAMP HALF TUBE 1/1 D9-22	1	pc	47,800 g		1/1 D 9 - 22	MMN325
	1000	700327015000	GROMMET	1	pc	6,000 g		15	MMN327
	1050	700325022200	CLAMP HALF TUBE 1/1 G8-22	1	pc	49,000 g		1/1 G 8 - 22	MMN325
	1100	304017008085	HEX SCREW	1	pc	18,000 g		M 8 X 40	ISO4017
	1150	007349008002	WASHER	1	pc	7,900 g		8,4	DIN7349
	1250	000000001464	HEX SCREW	1	pc	24,900 g		M 10 X 30	ISO4017
	1300	007349010002	WASHER	1	pc	11,000 g		10,5	DIN7349
	1350	000000003187	NUT HEX A3C	1	pc	9,200 g		M 10	ISO4032
	1450	X59499100442	RETAINER	1	pc	760,000 g			
	1500	204017008009	HEX SCREW	2	pc	10,900 g		M 8 X 18	ISO4017
	1550	700327015000	GROMMET	1	pc	6,000 g		15	MMN327
	1600	700325022100	CLAMP HALF TUBE 1/1 D9-22	1	pc	47,800 g		1/1 D 9 - 22	MMN325
	1650	700325022200	CLAMP HALF TUBE 1/1 G8-22	1	pc	49,000 g		1/1 G 8 - 22	MMN325
	1700	304017008083	HEX SCREW	1	pc	15,100 g		M 8 X 30	ISO4017
	1800	X52618500034	OIL LINE	1	pc	89,700 g	SB		
	1900	X59418500058	OIL LINE	1	pc	0,192 kg	SB		
	2000	700325015100	CLAMP HALF TUBE 1/1 D9-15	2	pc	34,000 g		1/1 D 9 - 15	MMN325
	2050	700327010000	GROMMET	1	pc	2,800 g		10	MMN327
	2100	304017008084	HEX SCREW	1	pc	16,400 g		M 8 X 35	ISO4017
	2200	700327010000	GROMMET	1	pc	2,800 g		10	MMN327
	2250	700325015100	CLAMP HALF TUBE 1/1 D9-15	1	pc	34,000 g		1/1 D 9 - 15	MMN325
	2300	700325015200	CLAMP HALF TUBE 1/1 G8-15	1	pc	34,200 g		1/1 G 8 - 15	MMN325
	2400	X59599100098	RETAINER	1	pc	835,000 g			
	2450	000000001464	HEX SCREW	2	pc	24,900 g		M 10 X 30	ISO4017
	2500	007349010002	WASHER	2	pc	11,000 g		10,5	DIN7349
	2550	X52699100201	RETAINER	1	pc	330,700 g			
	2600	304017008083	HEX SCREW	2	pc	15,100 g		M 8 X 30	ISO4017
	2650	007349008002	WASHER	2	pc	7,900 g		8,4	DIN7349
	2750	X52618500026	RETAINER	1	pc	635,000 g			
	2800	204017008009	HEX SCREW	2	pc	10,900 g		M 8 X 18	ISO4017
	2850	007349008002	WASHER	2	pc	7,900 g		8,4	DIN7349
	3000	X59418500061	OIL LINE	1	pc	266,700 g	SB		
	3100	X59418500059	OIL LINE	1	pc	277,000 g	SB		
	3170	X00006907	RETAINER	1	pc	72,300 g			
	3200	700327010000	GROMMET	8	pc	2,800 g		10	MMN327
	3250	700325015104	CLAMP HALF TUBE 2/1 D9-15	8	pc	47,000 g		2/1 D 9 - 15	MMN325
	3300	304017008084	HEX SCREW	1	pc	16,400 g		M 8 X 35	ISO4017

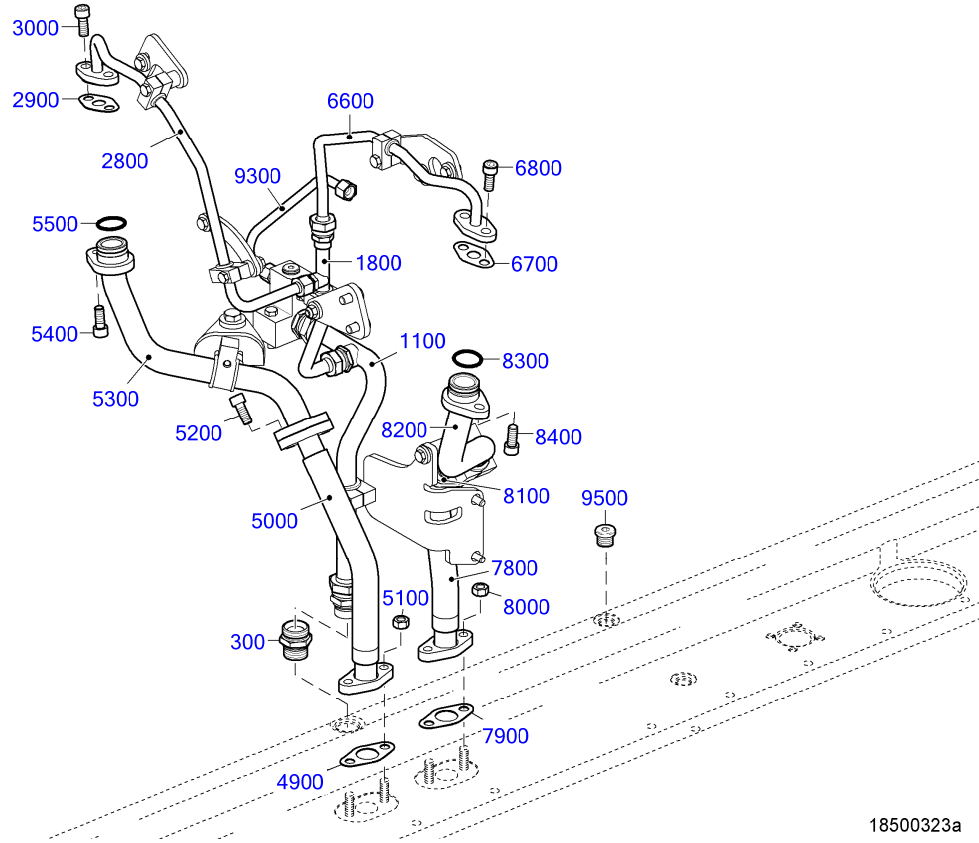
➡	POS.	PART NO.	DESIGNATION	QTY.	UNITS	WEIGHT	FN	MEASUREMENT	STANDARD
	3350	304017008086	HEX SCREW	2	pc	19,400 g		M 8 X 45	ISO4017
	3360	304017008088	HEX SCREW	1	pc	22,600 g		M 8 X 55	ISO4017
	3400	007349008002	WASHER	4	pc	7,900 g		8,4	DIN7349
	3450	304032008014	NUT HEX 8 A3C	3	pc	4,800 g		M 8	ISO4032
	3550	X59418500053	OIL LINE	1	pc	82,600 g	SB		
	3600	5569970674	FITTING TEE	1	pc	61,600 g		DN 8 / M16X1,5	
	3700	X59418500054	OIL LINE	1	pc	95,000 g	SB		
	3715	700325015100	CLAMP HALF TUBE 1/1 D9-15	1	pc	34,000 g		1/1 D 9 - 15	MMN325
	3720	700325015200	CLAMP HALF TUBE 1/1 G8-15	1	pc	34,200 g		1/1 G 8 - 15	MMN325
	3730	700327010000	GROMMET	1	pc	2,800 g		10	MMN327
	3740	304017008084	HEX SCREW	1	pc	16,400 g		M 8 X 35	ISO4017
	3800	X59418500057	OIL LINE	1	pc	0,060 kg	SB		
	3850	X59418500056	OIL LINE	1	pc	0,160 kg	SB		
	3925	X59499100080	RETAINER	1	pc	85,000 g			
	3950	700325015100	CLAMP HALF TUBE 1/1 D9-15	4	pc	34,000 g		1/1 D 9 - 15	MMN325
	4000	700327010000	GROMMET	2	pc	2,800 g		10	MMN327
	4050	304017008088	HEX SCREW	1	pc	22,600 g		M 8 X 55	ISO4017
	4100	304017008086	HEX SCREW	1	pc	19,400 g		M 8 X 45	ISO4017
	4150	007349008002	WASHER	3	pc	7,900 g		8,4	DIN7349
	4200	304032008014	NUT HEX 8 A3C	2	pc	4,800 g		M 8	ISO4032

EQUI TYPE: Engine

PRODUCT TYPE: 12V4000M53  
T/CHARGER OIL SUPPLY

SERIAL NUMBER: 526107657

FG/FGS: 185 05  
BOM-No.: XS595180.00046

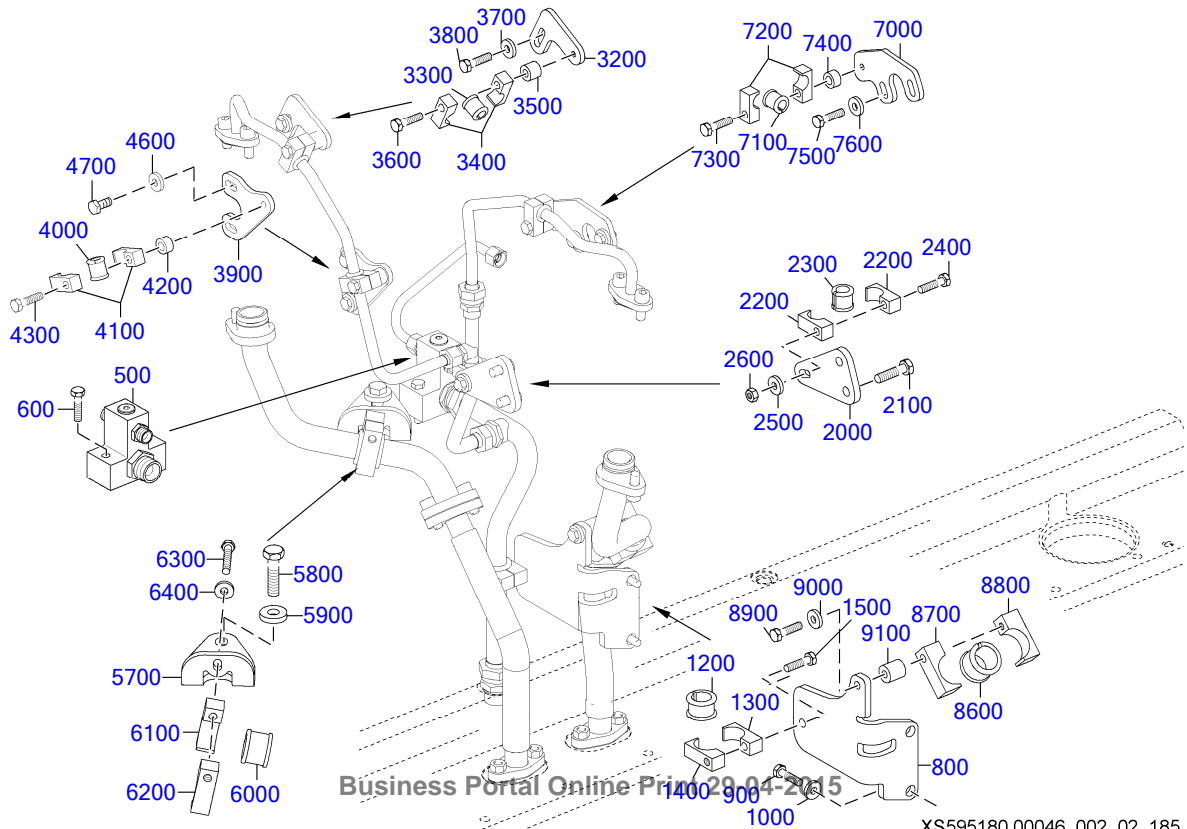


EQUI TYPE: Engine

PRODUCT TYPE: 12V4000M53  
T/CHARGER OIL SUPPLY

SERIAL NUMBER: 526107657

FG/FGS: 185 05  
BOM-No.: XS595180.00046



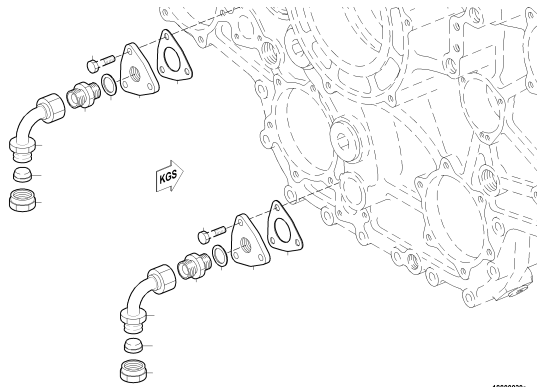
➡	POS.	PART NO.	DESIGNATION	QTY.	UNITS	WEIGHT	FN	MEASUREMENT	STANDARD
	300	735211022000	UNION THD O-RING	1	pc	0,092 kg		22M 27 X 2	MTN5211
	500	X52618500017	CONNECTING PIECE	1	pc	1,200 kg			
	600	304017008086	HEX SCREW	2	pc	19,400 g		M 8 X 45	ISO4017
	800	X52618500018	RETAINER	1	pc	1,010 kg			
	900	304017008081	HEX SCREW	2	pc	13,400 g		M 8 X 25	ISO4017
	1000	007349008002	WASHER	2	pc	7,900 g		8,4	DIN7349
	1100	X52618500019	OIL SUPPLY LINE	1	pc	567,100 g	SB		
	1200	700327022000	GROMMET	1	pc	9,000 g		22	MMN327
	1300	700325028100	CLAMP HALF TUBE 1/1 D9-28	1	pc	55,000 g		1/1 D 9 - 28	MMN325
	1400	700325028200	CLAMP HALF TUBE 1/1 G8-28	1	pc	57,200 g		1/1 G 8 - 28	MMN325
	1500	304017008086	HEX SCREW	1	pc	19,400 g		M 8 X 45	ISO4017
	1800	X52618500020	OIL LINE	1	pc	253,600 g	SB		
	2000	X52899100015	RETAINER	1	pc	249,700 g			
	2100	00000003020	HEX SCREW	2	pc	20,000 g		M 10 X 20	ISO4017
	2200	700325022100	CLAMP HALF TUBE 1/1 D9-22	2	pc	47,800 g		1/1 D 9 - 22	MMN325
	2300	700327015000	GROMMET	1	pc	6,000 g		15	MMN327
	2400	304017008088	HEX SCREW	1	pc	22,600 g		M 8 X 55	ISO4017
	2500	007349008002	WASHER	1	pc	7,900 g		8,4	DIN7349
	2600	304032008014	NUT HEX 8 A3C	1	pc	4,800 g		M 8	ISO4032
	2800	X52618500022	OIL LINE	1	pc	256,000 g	SB		
	2900	5501871180	GASKET	1	pc	0,800 g			
	3000	000912010065	BOLT HEX SOC HD	2	pc	23,900 g		M 10 X 25	DIN912
	3200	X59499100108	RETAINER	1	pc	115,700 g			
	3300	700327012000	GROMMET	1	pc	4,600 g		12	MMN327
	3400	700325018100	CLAMP HALF TUBE 1/1 D9-18	2	pc	40,000 g		1/1 D 9 - 18	MMN325
	3500	8332030053	SPACER TUBE	1	pc	21,700 g			
	3600	304017008087	HEX SCREW	1	pc	21,300 g		M 8 X 50	ISO4017
	3700	007349008002	WASHER	1	pc	7,900 g		8,4	DIN7349
	3800	204017008009	HEX SCREW	1	pc	10,900 g		M 8 X 18	ISO4017
	3900	X59499100512	RETAINER	1	pc	0,150 kg			
	4000	700327012000	GROMMET	1	pc	4,600 g		12	MMN327
	4100	700325018100	CLAMP HALF TUBE 1/1 D9-18	2	pc	40,000 g		1/1 D 9 - 18	MMN325
	4200	5511530050	SPACER BUSHING	1	pc	13,200 g		Ø18/Ø10 × 10	
	4300	304017008086	HEX SCREW	1	pc	19,400 g		M 8 X 45	ISO4017
	4600	007349008002	WASHER	2	pc	7,900 g		8,4	DIN7349
	4700	204017008009	HEX SCREW	2	pc	10,900 g		M 8 X 18	ISO4017
	4900	X00009917	GASKET	2	pc	3,000 g			
	5000	X59518500041	OIL RETURN LINE	1	pc	288,900 g	EM		
	5100	00000003187	NUT HEX A3C	2	pc	9,200 g		M 10	ISO4032
	5200	000912010065	BOLT HEX SOC HD	2	pc	23,900 g		M 10 X 25	DIN912
	5300	X59518500043	OIL RETURN LINE	1	pc	622,500 g	SB EM		
	5400	000912010065	BOLT HEX SOC HD	1	pc	23,900 g		M 10 X 25	DIN912
	5500	700429028005	O-RING	1	pc	3,000 g		28,15X 3,5	MMN429
	5700	X59418500037	RETAINER	1	pc	478,800 g			
	5800	00000003381	HEX SCREW	1	pc	40,300 g		M 12 X 35	ISO4017
	5900	007349013002	WASHER	1	pc	24,500 g		13	DIN7349
	6000	700327028000	GROMMET	1	pc	12,900 g		28	MMN327
	6100	700325035100	CLAMP HALF TUBE 1/1 D9-35	1	pc	103,000 g		1/1 D 9 - 35	MMN325
	6200	700325035200	CLAMP HALF TUBE 1/1 G8-35	1	pc	102,500 g		1/1 G 8 - 35	MMN325
	6300	304017008088	HEX SCREW	1	pc	22,600 g		M 8 X 55	ISO4017
	6400	007349008002	WASHER	1	pc	7,900 g		8,4	DIN7349
	6600	X52618500021	OIL LINE	1	pc	251,500 g	SB		
	6700	5501871180	GASKET	1	pc	0,800 g			
	6800	000912010065	BOLT HEX SOC HD	2	pc	23,900 g		M 10 X 25	DIN912

➡	POS.	PART NO.	DESIGNATION	QTY.	UNITS	WEIGHT	FN	MEASUREMENT	STANDARD
	7000	X59499100109	RETAINER	1	pc	180,200 g			
	7100	700327012000	GROMMET	1	pc	4,600 g		12	MMN327
	7200	700325018100	CLAMP HALF TUBE 1/1 D9-18	2	pc	40,000 g		1/1 D 9 - 18	MMN325
	7300	304017008086	HEX SCREW	1	pc	19,400 g		M 8 X 45	ISO4017
	7400	5511530050	SPACER BUSHING	1	pc	13,200 g		Ø18/Ø10 × 10	
	7500	204017008009	HEX SCREW	2	pc	10,900 g		M 8 X 18	ISO4017
	7600	007349008002	WASHER	2	pc	7,900 g		8,4	DIN7349
	7800	X59518500042	OIL RETURN LINE	1	pc	272,200 g	EM		
	7900	X00009917	GASKET	2	pc	3,000 g			
	8000	000000003187	NUT HEX A3C	2	pc	9,200 g		M 10	ISO4032
	8100	000912010065	BOLT HEX SOC HD	2	pc	23,900 g		M 10 X 25	DIN912
	8200	X59518500044	OIL RETURN LINE	1	pc	670,000 g	SB EM		
	8300	700429028005	O-RING	1	pc	3,000 g		28,15X 3,5	MMN429
	8400	000912010065	BOLT HEX SOC HD	1	pc	23,900 g		M 10 X 25	DIN912
	8600	700327028000	GROMMET	1	pc	12,900 g		28	MMN327
	8700	700325035100	CLAMP HALF TUBE 1/1 D9-35	1	pc	103,000 g		1/1 D 9 - 35	MMN325
	8800	700325035200	CLAMP HALF TUBE 1/1 G8-35	1	pc	102,500 g		1/1 G 8 - 35	MMN325
	8900	000000004389	HEX SCREW	1	pc	30,000 g		M 8 X 75	ISO4017
	9000	007349008002	WASHER	1	pc	7,900 g		8,4	DIN7349
	9100	5564910150	BUSHING	1	pc	42,900 g			
	9300	X52618500023	OIL LINE	1	pc	87,300 g	SB		
	9500	735210018000	PLUG	1	pc	0,036 kg		M 18 X 1,5	MTN5210

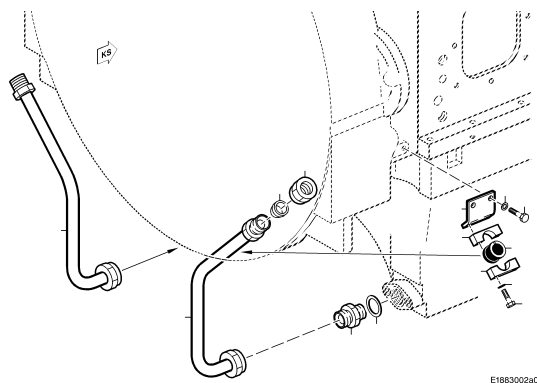
GROUP SEGMENT (FGS)

GROUP NAME

BOM-No.

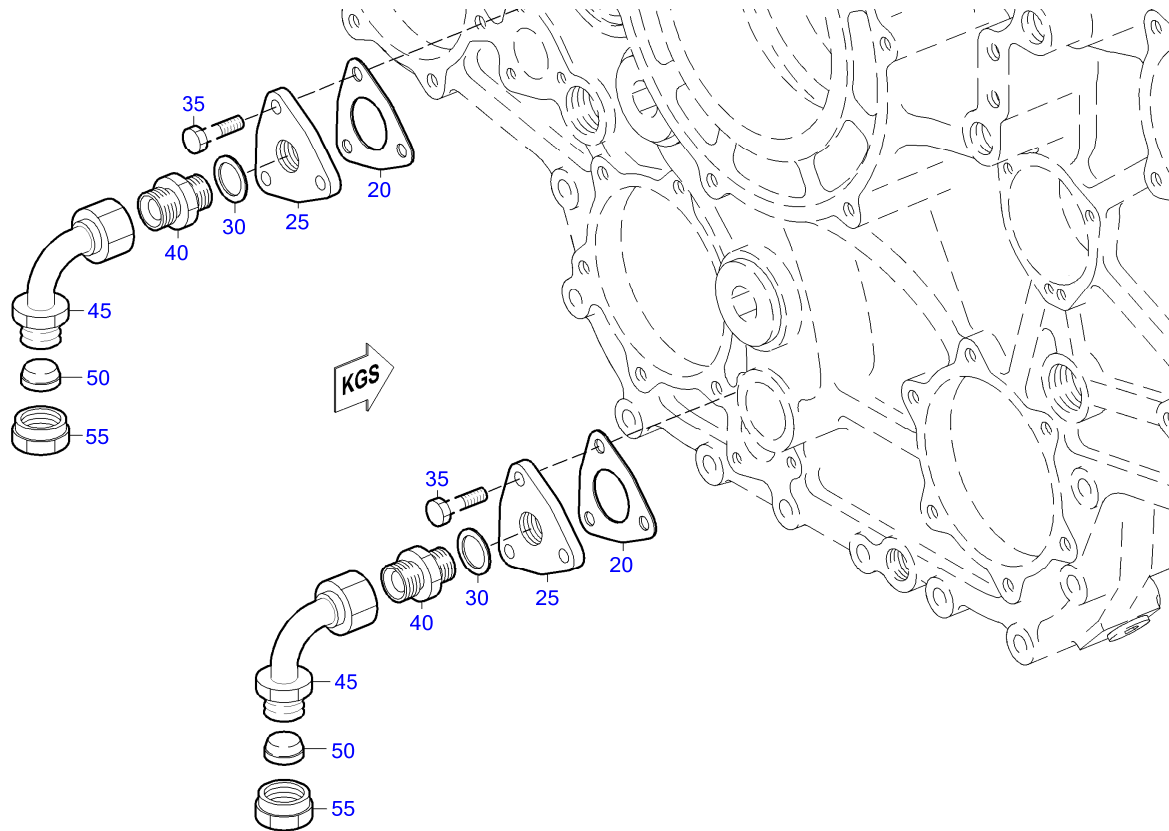


05  
CONNECTIONS FOR OIL PRIMING PPS  
180.00038



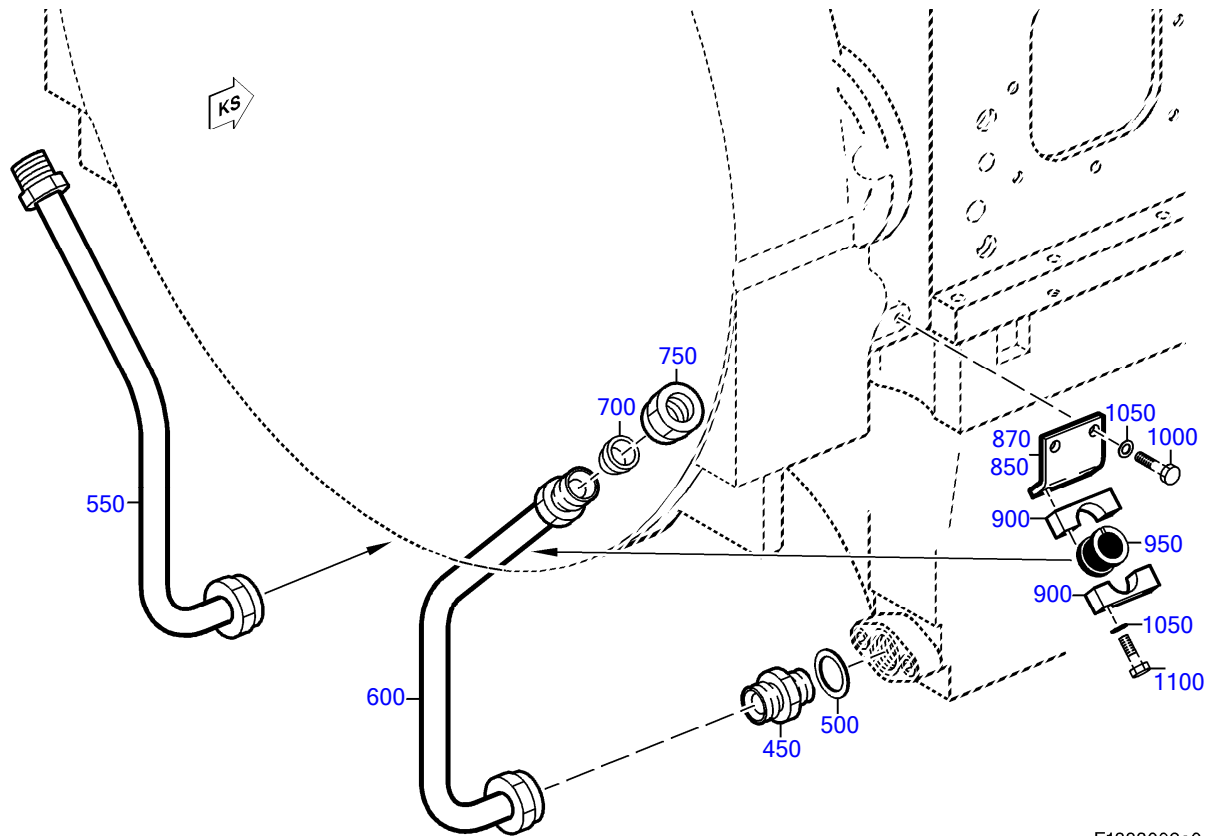
10  
OIL EXTRACTION  
XS594180.00018





18800030a

➔	POS.	PART NO.	DESIGNATION	MODEL/TYPE	QTY.	UNITS	WEIGHT	MEASUREMENT	STANDARD
	20	5241880180	GASKET		2	pc	6,200 g	1X120X120	
	25	5241880702	COVER	BR4000M	2	pc	353,600 g		
	30	007603026104	COPPER SEALING RING		2	pc	3,100 g	A 26 X 31	DIN7603
	35	00000003021	HEX SCREW		6	pc	22,800 g	M 10 X 25	ISO4017
	40	915013020002	SCREW NECK		2	pc	66,700 g	20 (M30X1,5/M26X1,5)	N15013
	45	700160000020	ELBOW 90 DEG KR 20		2	pc	210,000 g	KR 20	MMN160
	50	915005020001	CONE SEALING		2	pc	15,100 g	22	MBN15005
	55	915001020003	NUT		2	pc	46,900 g	20 M 30 X 1,5	N15001



E1883002a0

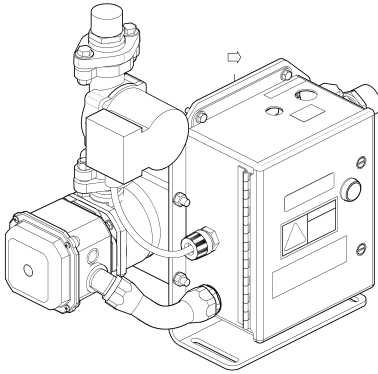
➔	POS.	PART NO.	DESIGNATION	QTY.	UNITS	WEIGHT	FN	MEASUREMENT	STANDARD
	450	915013025001	UNION	2	pc	101,600 g	25		N15013
	500	007603030101	COPPER SEALING RING	2	pc	4,300 g		A 30 X 36	DIN7603
	550	5241800821	OIL LINE	1	pc	625,000 g	SB		
	600	5241800721	OIL LINE	1	pc	620,000 g	SB		
	700	915005020001	CONE SEALING	2	pc	15,100 g	22		MBN15005
	750	915001020003	NUT	2	pc	46,900 g		20 M 30 X 1,5	N15001
	850	X59618400003	RETAINER	1	pc	210,000 g			
	870	X59618400003	RETAINER	1	pc	210,000 g			
	900	700325028101	CLAMP HALF TUBE 1/2 D9-28	4	pc	74,000 g		1/2 D 9 - 28	MMN325
	950	700327022000	GROMMET	2	pc	9,000 g		22	MMN327
	1000	204017008011	HEX SCREW	4	pc	12,200 g		M 8 X 22	ISO4017
	1050	735151008100	SPACER	4	pc	7,400 g		A 8,4	MTN5151
	1100	304017008086	HEX SCREW	4	pc	19,400 g		M 8 X 45	ISO4017

GROUP SEGMENT (FGS)

GROUP NAME

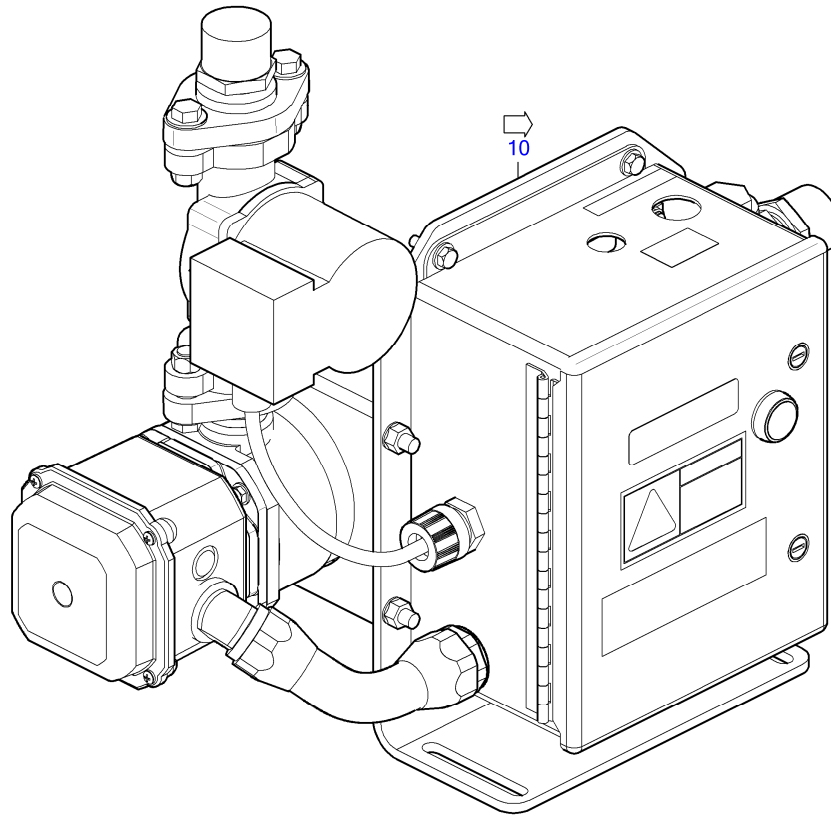
BOM-No.

---



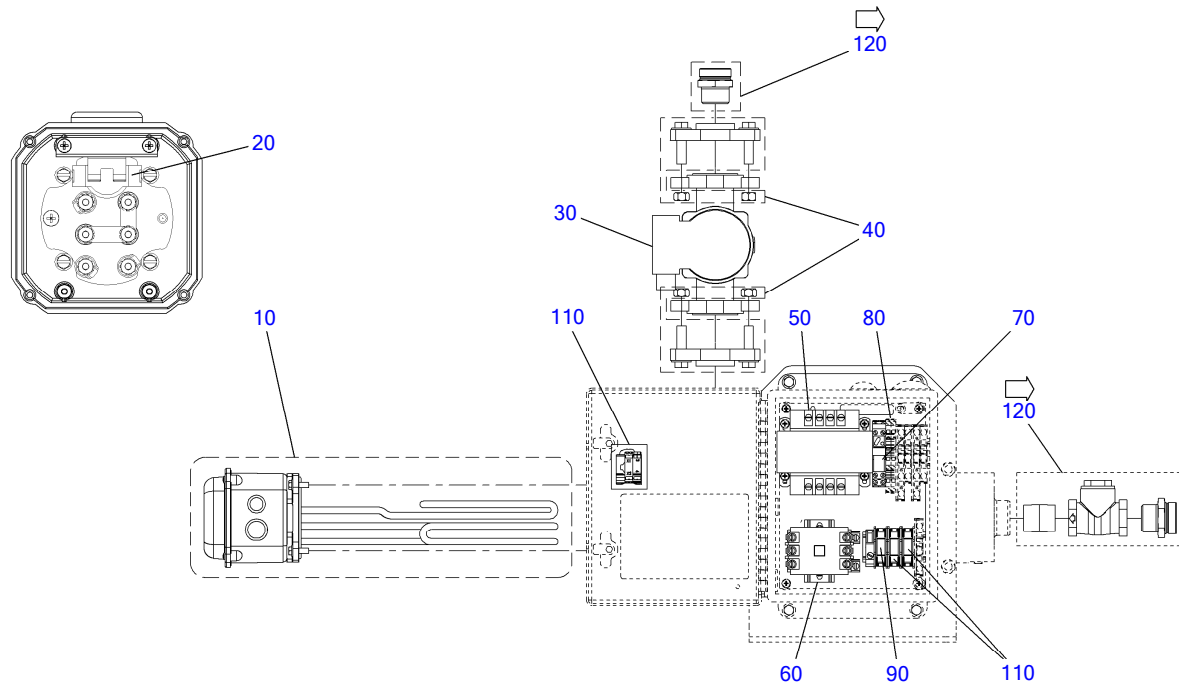
00  
**PREHEATER**  
XS593200.00049

20000792



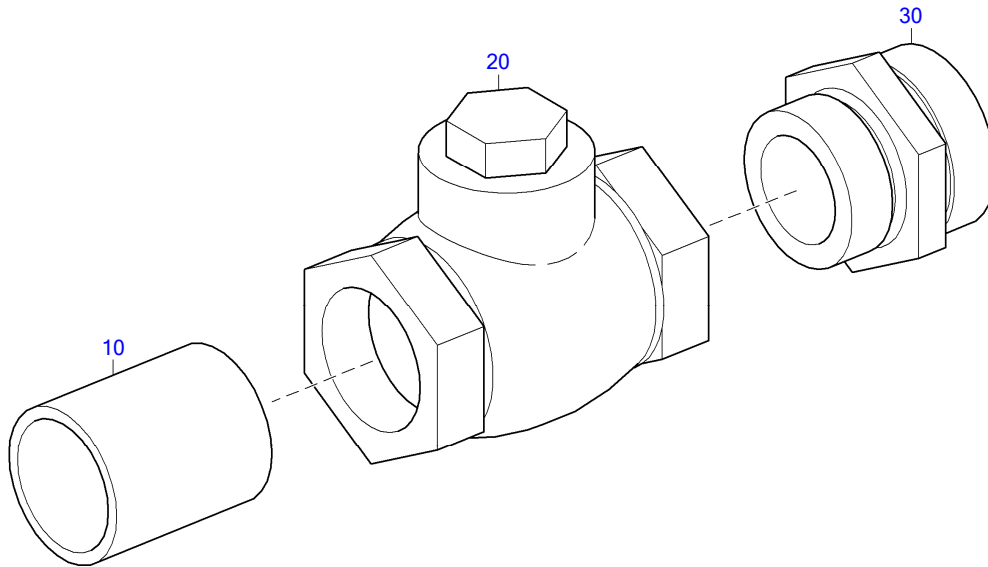
20000792

➔	POS.	PART NO.	DESIGNATION	MODEL/TYPE	QTY.	UNITS	WEIGHT	MEASUREMENT
	472	10 X59320200098	PREHEATER	3-PHASIG, 9 KW, 400 V, 50 HZ,	1	pc	30,000 kg	
	473	40 X59430700001	ADAPTER FLANGE F/COOLANT PREHEATIN		1	pc	210,000 g	1NPT-M38X1,5



20000793

➔	POS.	PART NO.	DESIGNATION	MODEL/TYPE	QTY.	UNITS	WEIGHT	MEASUREMENT
	10	XP59320200147	HEATING ELEMENT		1	pc		9 KW
	20	XP59320200148	THERMOSTAT	100°F - 120°F	1	pc	50,000 g	
	30	XP59499100193	PUMP		1	pc	3,000 kg	
	40	XP59499100189	FLANGE FOR PUMP		1	pc		
	50	XP59499100202	TRANSFORMER		1	pc	3,000 kg	
	60	XP59499100200	SOLENOID SWITCH		1	pc	0,440 kg	
	70	XP59499100196	RELAY	24V	1	pc	17,000 g	
	80	XP59499100384	HOLDER FOR RELAY		1	pc		
	90	XP59499100194	FUSE	240V MAX	1	pc	1,000 kg	2 AMP
	100	XP59499100195	FUSE	500V MAX	2	pc	0,039 kg	2 AMP
	110	XP59520200249	SWITCH	MIT LICHT	1	pc		
473	120	X59430700001	ADAPTER FLANGE F/COOLANT PREHEATIN		1	pc	210,000 g	1NPT-M38X1,5



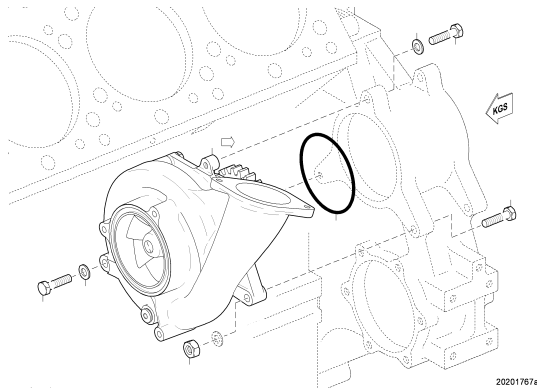
36000265

➔	POS.	PART NO.	DESIGNATION	QTY.	UNITS
	10	XP59520200250	ADAPTER FLANGE	2	pc
	20	XP59520200251	NON-RETURN VALVE	1	pc
	30	XP59520200252	UNION	1	pc

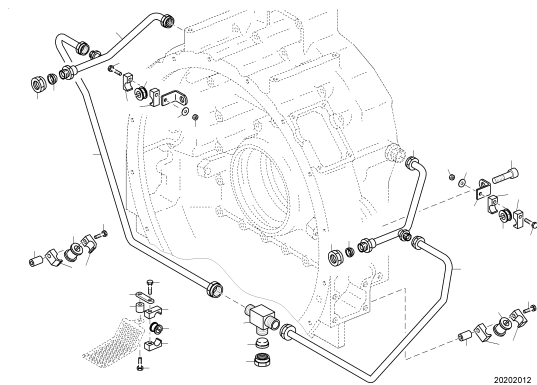
GROUP SEGMENT (FGS)

GROUP NAME

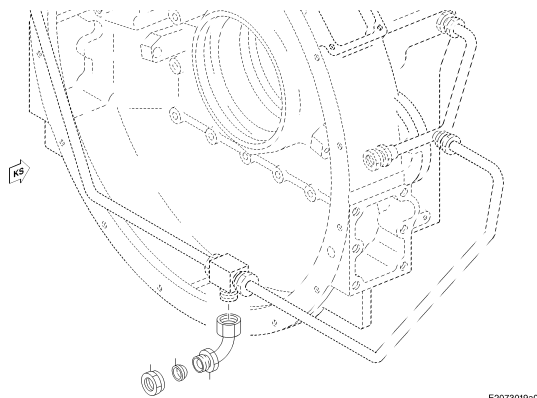
BOM-No.



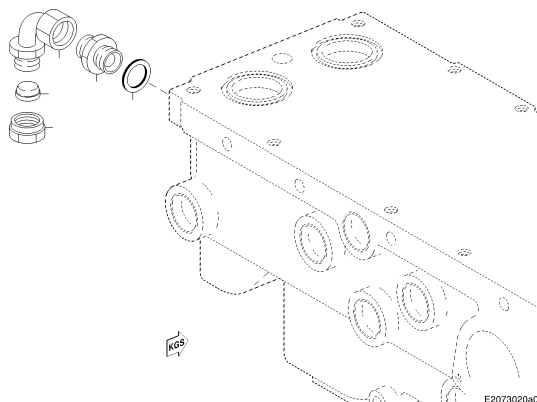
05  
COOLANT PUMP HIGH-TEMP CIRCUIT  
XS595200.00014



15  
COOLANT LINE ON FLYWHEEL HSNG  
XS594200.00064



40  
CONNECTING HARDWARE FOR PREHEATING UNIT  
200.00029



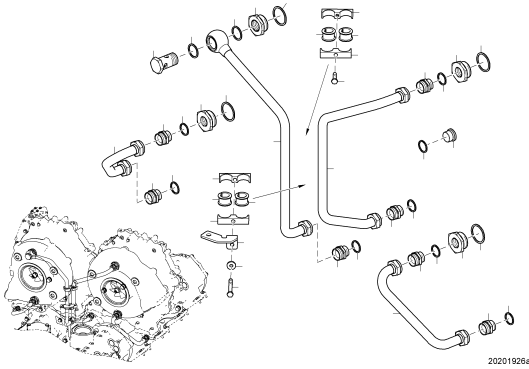
40  
CONNECTING HARDWARE FOR PREHEATING UNIT  
200.00030

GROUP SEGMENT (FGS)

GROUP NAME

BOM-No.

75  
COOLANT DUCTING F/TURBOCHARGER  
XS594200.00117





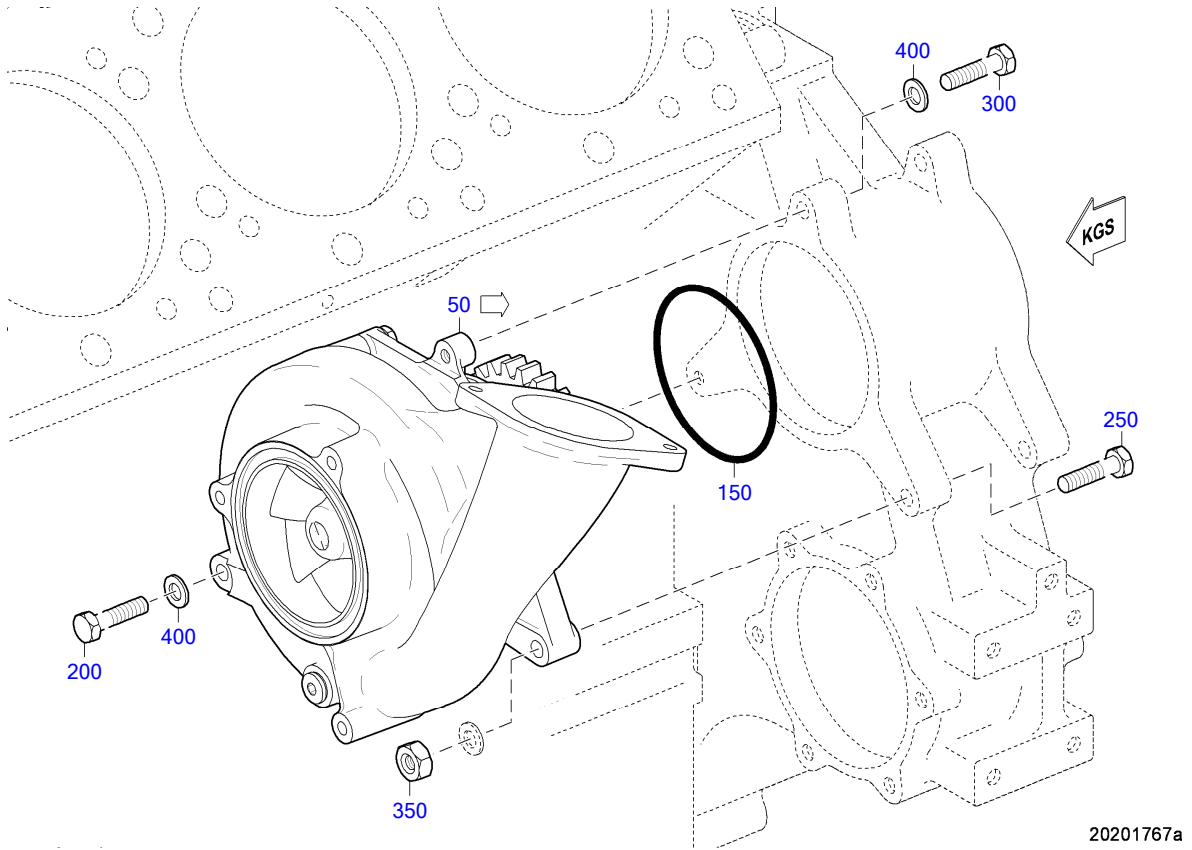
EQUI TYPE: Engine

PRODUCT TYPE: 12V4000M53  
COOLANT PUMP HIGH-TEMP CIRCUIT

SERIAL NUMBER: 526107657

FG/FGS: 202 05

BOM-No.: XS595200.00014



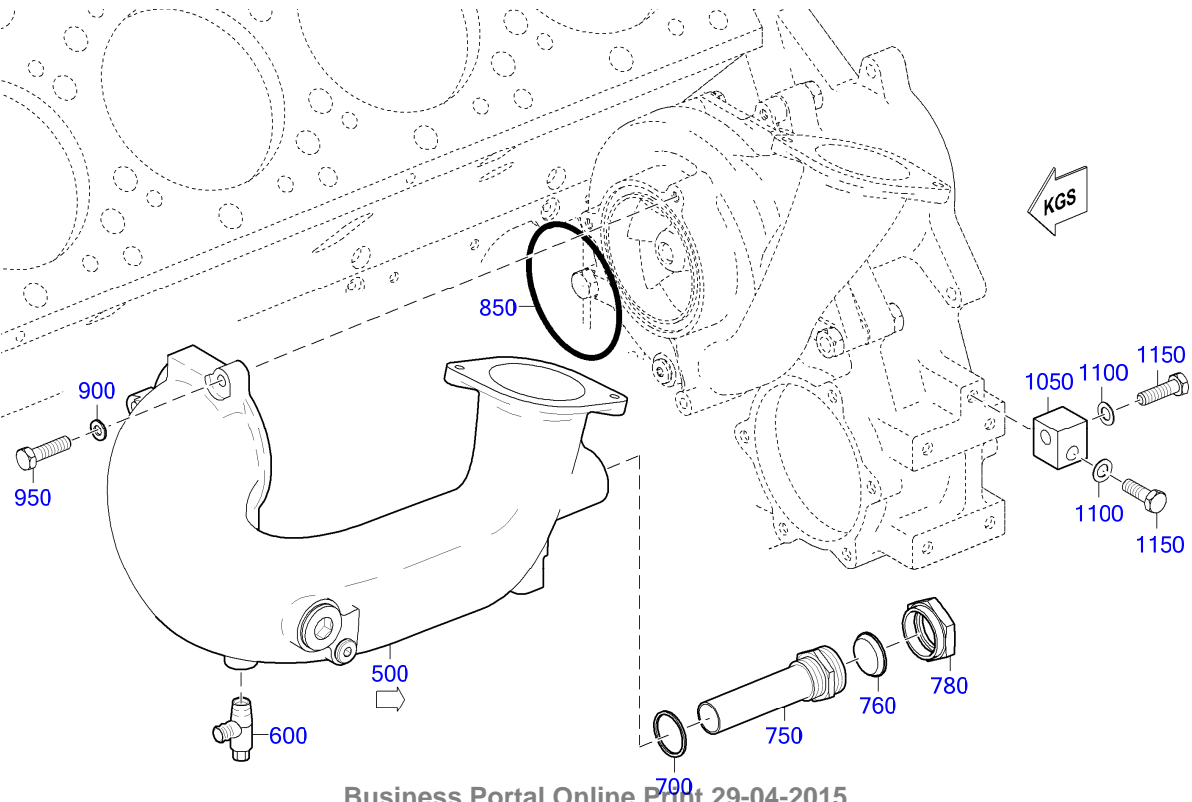
EQUI TYPE: Engine

PRODUCT TYPE: 12V4000M53  
COOLANT PUMP HIGH-TEMP CIRCUIT

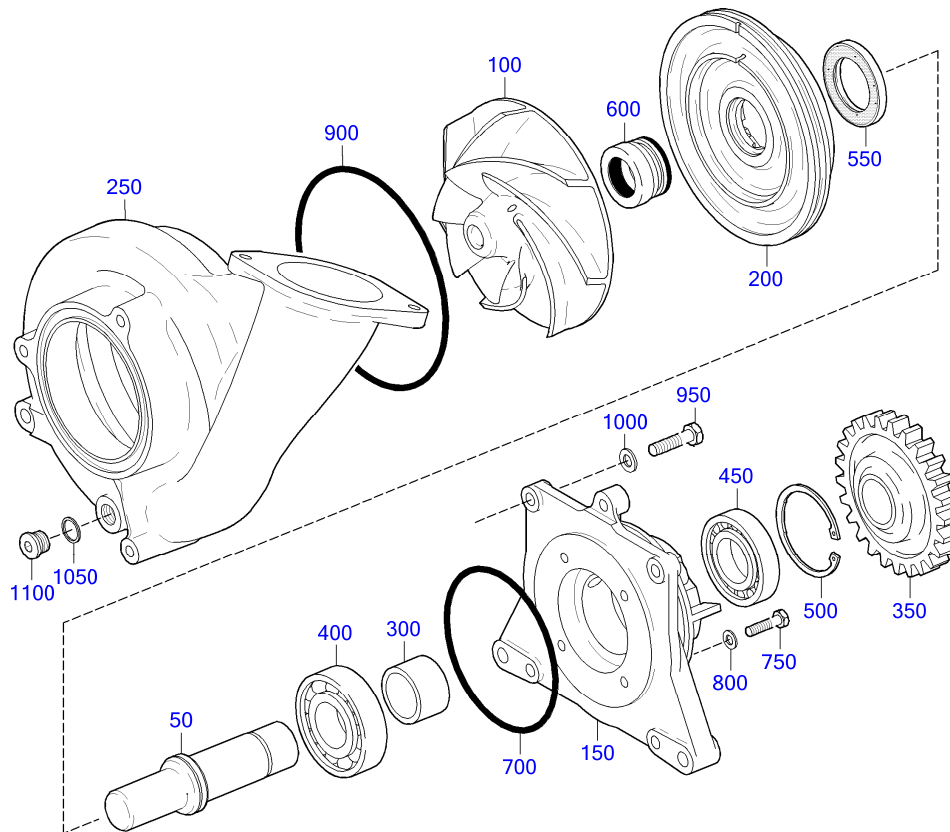
SERIAL NUMBER: 526107657

FG/FGS: 202 05

BOM-No.: XS595200.00014

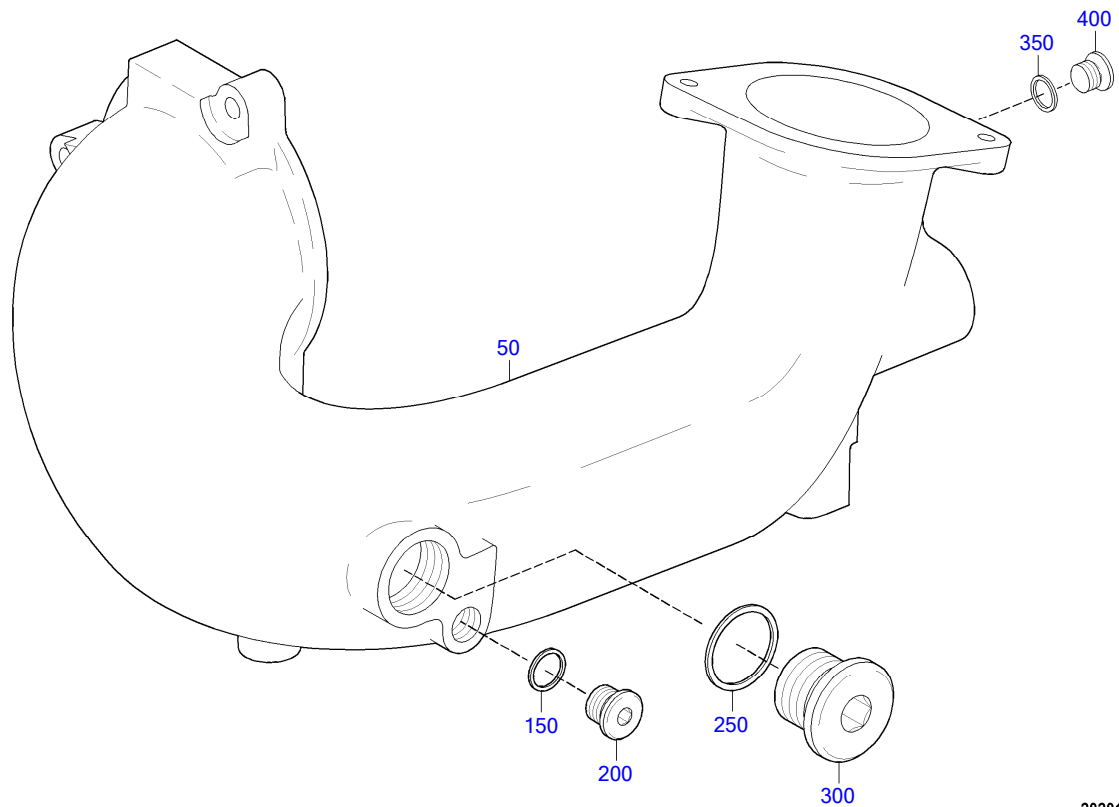


➡	POS.	PART NO.	DESIGNATION	QTY.	UNITS	WEIGHT	FN	MEASUREMENT	STANDARD
476	50	X00036684	COOLANT PUMP	1	pc	30,750 kg	EM		
	150	700429130003	O-RING	1	pc	18,000 g		130 X 5	MMN429
	200	000000003921	HEX SCREW	1	pc	138,500 g		M 12 X150	ISO4014
	250	204017012019	HEX SCREW	1	pc	68,700 g		M 12 X 75	ISO4017
	300	000000003926	HEX SCREW	1	pc	54,000 g		M 12 X 55	ISO4017
	350	000000004744	HEX NUT	1	pc	14,300 g		M 12	ISO4032
	400	000125013012	WASHER	3	pc	5,600 g		A 13	DIN125
477	500	X00038564	ELBOW	1	pc	12,870 kg			
	600	0049976736	VALVE DRAIN	1	pc	125,000 g			
	700	007603038101	COPPER SEALING RING	1	pc	5,400 g		A 38 X 44	DIN7603
	750	X00043213	INJECTOR FOR ELBOW	1	pc	342,800 g	SB		
	760	735189035000	SEALING CONE	1	pc	38,000 g		35	MTN5189
	780	915001032003	NUT	1	pc	122,400 g		32 M 45 X 1,5	N15001
	850	700429130000	O-RING	1	pc	26,000 g		130 X 6	MMN429
	900	000125010524	WASHER	3	pc	3,100 g		A 10,5	DIN125
	950	000000001039	HEX SCREW	3	pc	29,800 g		M 10 X 40	ISO4017
	1050	5242030340	SUPPORT MTG HOLDER	1	pc	295,000 g			
	1100	000125013012	WASHER	2	pc	5,600 g		A 13	DIN125
	1150	000000003926	HEX SCREW	2	pc	54,000 g		M 12 X 55	ISO4017



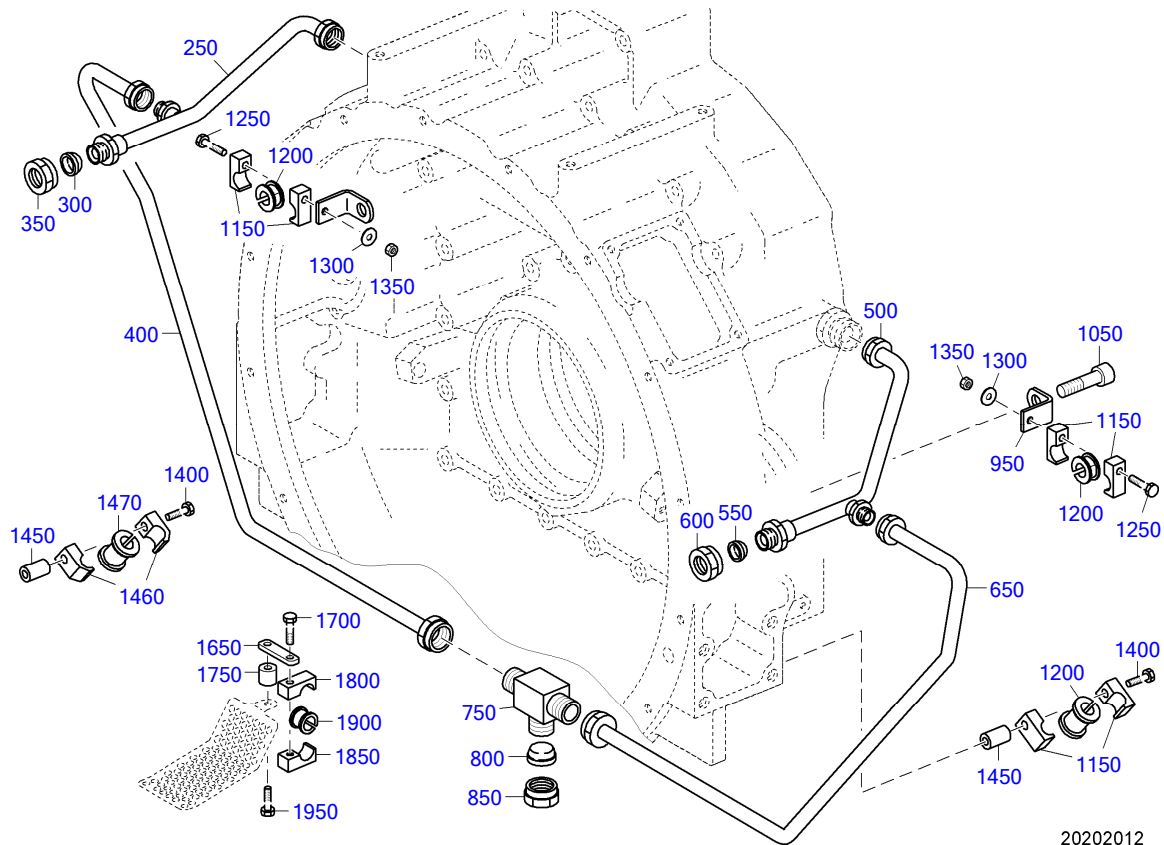
20201415a

➔	POS.	PART NO.	DESIGNATION	QTY.	UNITS	WEIGHT	MEASUREMENT	STANDARD
	50	5272010805	SHAFT WTR PMP HI TEMP CLG CIRCUIT	1	pc	1,699 kg		
	100	X00034674	IMPELLER	1	pc	3,070 kg		
	150	X00039620	BEARING HOUSING	1	pc	7,750 kg		
	200	X00036678	SEAL CARRIER	1	pc	4,000 kg		
	250	X00034669	SPIRAL HOUSING HT COOLANT CIRCUIT	1	pc	8,000 kg		
	300	5272010153	SPACER SLEEVE	1	pc	172,800 g		
	350	X00041743	GEAR	1	pc	1,700 kg		
	400	200628103006	BEARING ANGULAR CONTACT ROLLER	1	pc	750,000 g	QJ308	DIN628
	450	705100502035	BEARING CYLINDRICAL ROLLER	1	pc	623,000 g	NU208	DIN5412
	500	000472080000	RING SNAP	1	pc	22,000 g	80 X 2,5	DIN472
	550	700386050002	SEAL OIL	1	pc	30,800 g	A 50 X 72 X 8	MMN386
	600	X00026765	ROTARY SEAL	1	pc	74,000 g		
	700	700429135000	O-RING	1	pc	18,600 g	135 X 5	MMN429
	750	000931008241	HEX SCREW	4	pc	31,700 g	M 8 X 75	DIN931
	800	000125008427	WASHER	4	pc	1,500 g	A 8,4	DIN125
	900	700429185002	O-RING	1	pc	25,200 g	185 X 5	MMN429
	950	000933010093	HEX SCREW	4	pc	28,700 g	M 10 X 35	DIN933
	1000	000125010524	WASHER	4	pc	3,100 g	A 10,5	DIN125
	1050	007603018101	COPPER SEALING RING	1	pc	1,300 g	A 18 X 22	DIN7603
	1100	000908018002	PLUG	1	pc	0,029 kg	M 18 X 1,5	DIN908



20201416a

➔	POS.	PART NO.	DESIGNATION	QTY.	UNITS	WEIGHT	MEASUREMENT	STANDARD
	50	X00038561	ELBOW	1	pc			
	150	007603018101	COPPER SEALING RING	1	pc	1,300 g	A 18 X 22	DIN7603
	200	000908018002	PLUG	1	pc	0,029 kg	M 18 X 1,5	DIN908
	250	007603038101	COPPER SEALING RING	1	pc	5,400 g	A 38 X 44	DIN7603
	300	000908038000	THREAD PLUG	1	pc	0,150 kg	M 38 X 1,5	DIN908
	350	007603014102	COPPER SEALING RING	1	pc	1,000 g	A 14 X 18	DIN7603
	400	000908014001	THREAD PLUG	1	pc	0,016 kg	M 14 X 1,5	DIN908



20202012

➔	POS.	PART NO.	DESIGNATION	QTY.	UNITS	WEIGHT	FN	MEASUREMENT	STANDARD
	250	5242002352	PIPE	1	pc	416,100 g	SB		
	300	915005020001	CONE SEALING	1	pc	15,100 g	22		MBN15005
	350	915001020003	NUT	1	pc	46,900 g		20 M 30 X 1,5	N15001
	400	5242002252	PIPE	1	pc	598,200 g	SB		
	500	5242002052	PIPE	1	pc	415,000 g	SB		
	550	915005020001	CONE SEALING	1	pc	15,100 g	22		MBN15005
	600	915001020003	NUT	1	pc	46,900 g		20 M 30 X 1,5	N15001
	650	5242002152	PIPE	1	pc	730,000 g	SB		
	750	5569970974	FITTING TEE	1	pc	255,000 g		DN 20 / M30X1,5	
	800	915005020001	CONE SEALING	1	pc	15,100 g	22		MBN15005
	850	915001020003	NUT	1	pc	46,900 g		20 M 30 X 1,5	N15001
	950	X52420200016	BRACKET L	2	pc	77,400 g			
	1050	000912016004	BOLT HEX SOC HD	2	pc	88,700 g		M 16 X 45	DIN912
	1150	700325022100	CLAMP HALF TUBE 1/1 D9-22	4	pc	47,800 g		1/1 D 9 - 22	MMN325
	1200	700327018000	GROMMET	2	pc	5,000 g		18	MMN327
	1250	304017008087	HEX SCREW	2	pc	21,300 g		M 8 X 50	ISO4017
	1300	007349008002	WASHER	2	pc	7,900 g		8,4	DIN7349
	1350	304032008014	NUT HEX 8 A3C	2	pc	4,800 g		M 8	ISO4032
	1400	000000004389	HEX SCREW	2	pc	30,000 g		M 8 X 75	ISO4017
	1450	5531530050	SPACER BUSHING	2	pc	43,600 g		10MM X 18MM L=32	
	1460	X00031062	CLAMP PIPE HALF	4	pc	44,200 g			
	1470	700327018000	GROMMET	2	pc	5,000 g		18	MMN327
	1650	5500783841	RETAINER	2	pc	28,900 g			
	1700	304017008085	HEX SCREW	2	pc	18,000 g		M 8 X 40	ISO4017
	1750	X57299100096	SPACER SLEEVE	2	pc	22,600 g			

EQUI TYPE: Engine

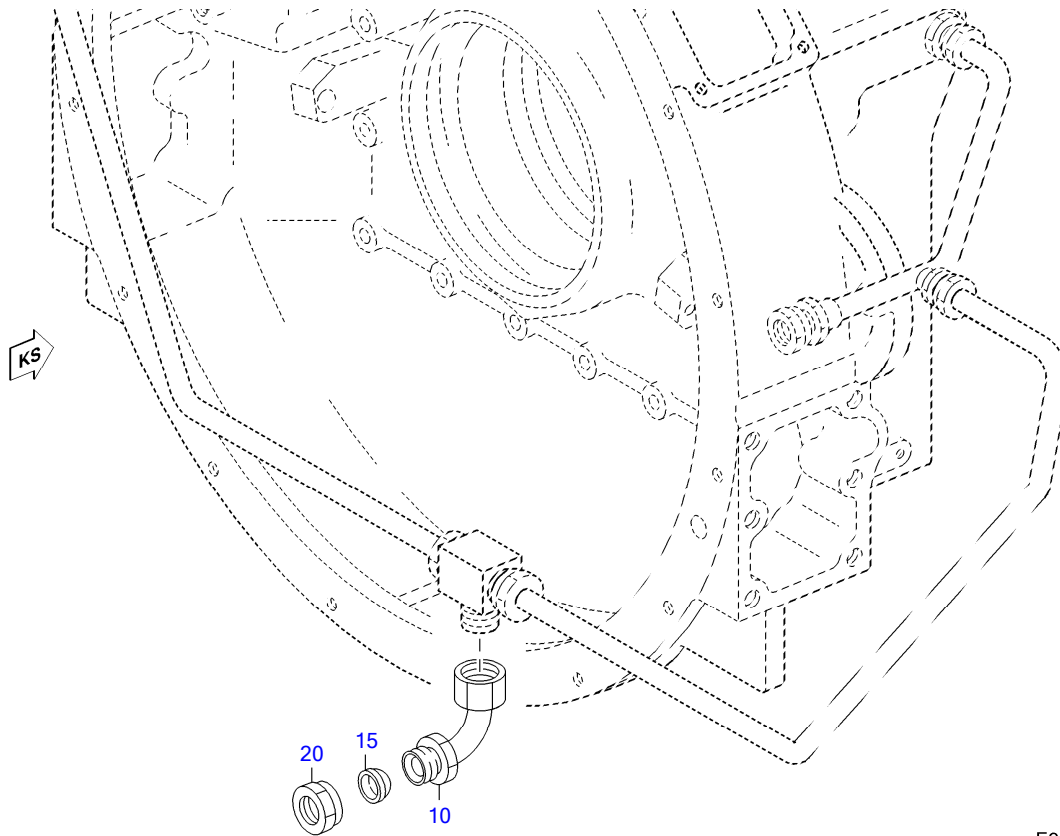
PRODUCT TYPE: 12V4000M53  
COOLANT LINE ON FLYWHEEL HSN

SERIAL NUMBER: 526107657

FG/FGS: 202 15

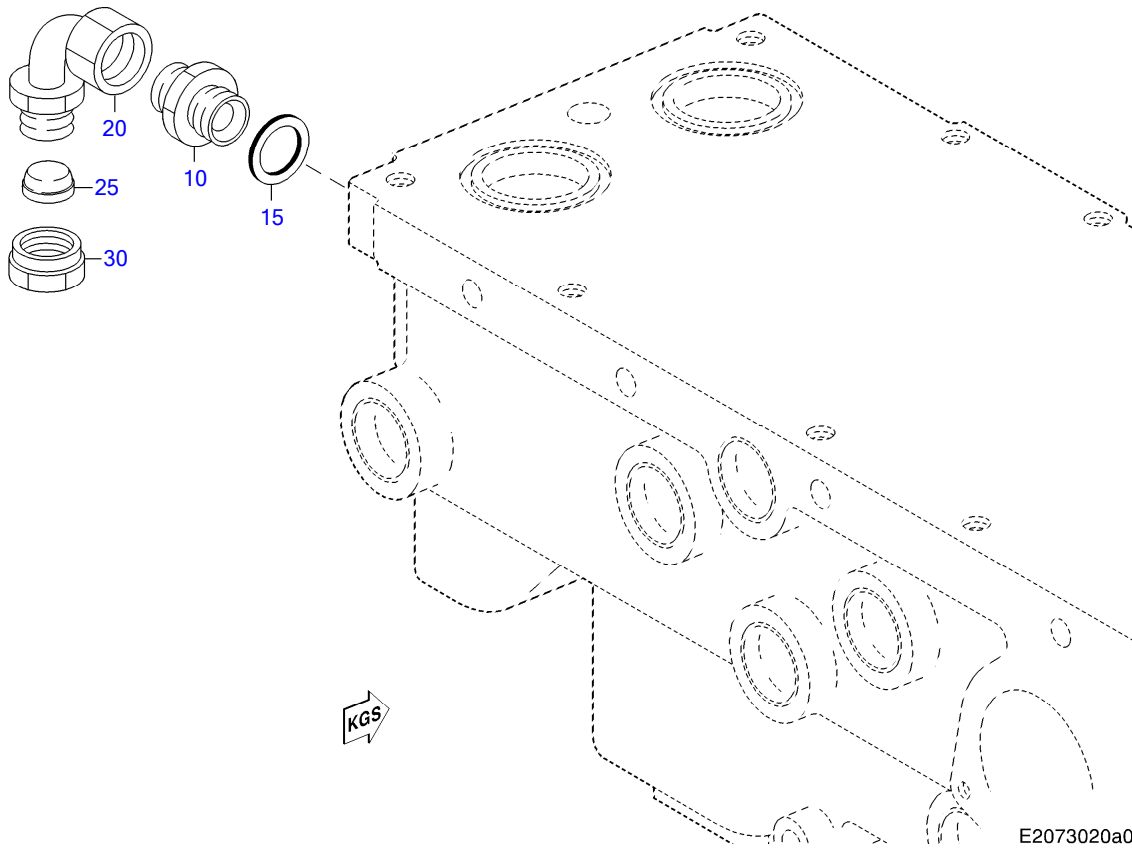
BOM-No.: XS594200.00064

➡	POS.	PART NO.	DESIGNATION	QTY.	UNITS	WEIGHT	FN	MEASUREMENT	STANDARD
	1800	700325022100	CLAMP HALF TUBE 1/1 D9-22	2	pc	47,800 g		1/1 D 9 - 22	MMN325
	1850	700325022200	CLAMP HALF TUBE 1/1 G8-22	2	pc	49,000 g		1/1 G 8 - 22	MMN325
	1900	700327018000	GROMMET	2	pc	5,000 g		18	MMN327
	1950	304017008085	HEX SCREW	2	pc	18,000 g		M 8 X 40	ISO4017



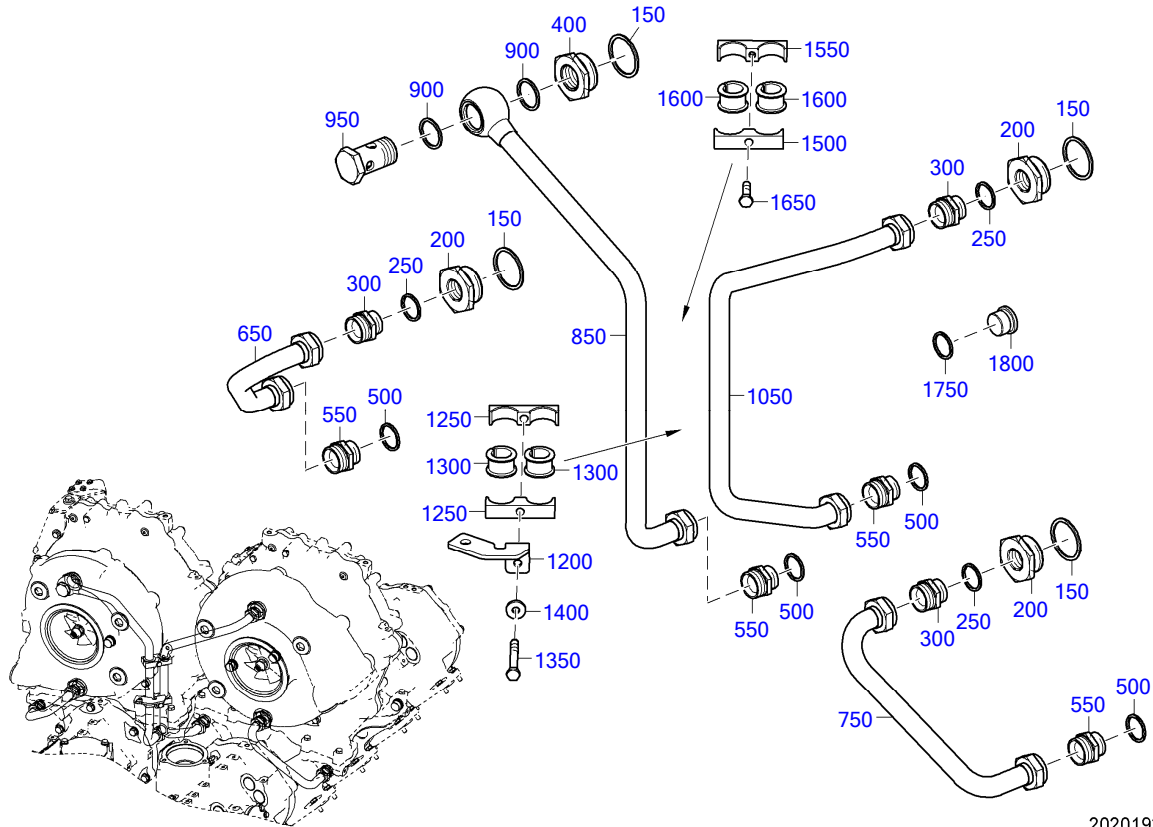
E2073019a0

➔	POS.	PART NO.	DESIGNATION	QTY.	UNITS	WEIGHT	MEASUREMENT	STANDARD
	10	700160000020	ELBOW 90 DEG KR 20	1	pc	210,000 g	KR 20	MMN160
	15	915005020001	CONE SEALING	1	pc	15,100 g	22	MBN15005
	20	915001020003	NUT	1	pc	46,900 g	20 M 30 X 1,5	N15001



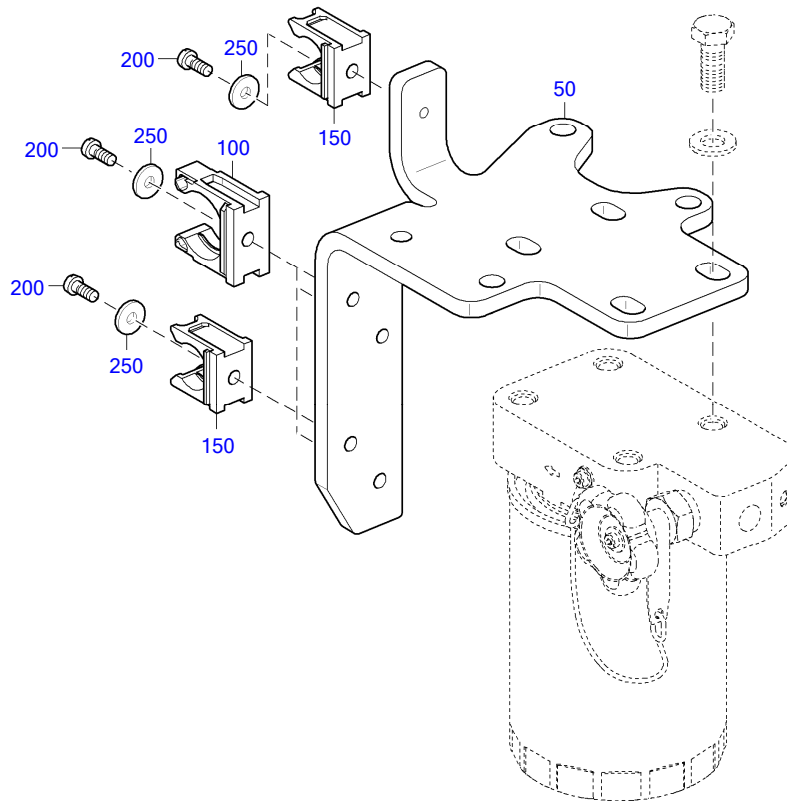
➔	POS.	PART NO.	DESIGNATION	QTY.	UNITS	WEIGHT	MEASUREMENT	STANDARD
	10	915006020000	UNION	1	pc	87,200 g	20	N15006
	15	007603030101	COPPER SEALING RING	1	pc	4,300 g	A 30 X 36	DIN7603
	20	700160000020	ELBOW 90 DEG KR 20	1	pc	210,000 g	KR 20	MMN160
	25	915005020001	CONE SEALING	1	pc	15,100 g	22	MBN15005
	30	915001020003	NUT	1	pc	46,900 g	20 M 30 X 1,5	N15001





20201926a

➔	POS.	PART NO.	DESIGNATION	QTY.	UNITS	WEIGHT	FN	MEASUREMENT	STANDARD
	150	007603042101	COPPER SEALING RING	4	pc	8,000 g		A 42 X 49	DIN7603
	200	X00038983	BUSHING THREADED M42	3	pc	190,000 g			
	250	007603026104	COPPER SEALING RING	3	pc	3,100 g		A 26 X 31	DIN7603
	300	915013020002	SCREW NECK	3	pc	66,700 g		20 (M30X1,5/M26X1,5)	N15013
	400	X52899100021	THREADED BUSHING	1	pc	157,800 g			
	500	007603026104	COPPER SEALING RING	4	pc	3,100 g		A 26 X 31	DIN7603
	550	915013020002	SCREW NECK	4	pc	66,700 g		20 (M30X1,5/M26X1,5)	N15013
	650	X59420200115	COOLANT LINE	1	pc	399,300 g			
	750	X59420300032	COOLANT LINE	1	pc	0,370 kg	SB		
	850	X59520200129	COOLANT LINE	1	pc	810,000 g	SB		
	900	007603030101	COPPER SEALING RING	2	pc	4,300 g		A 30 X 36	DIN7603
	950	700223020000	BOLT BANJO A20	1	pc	201,600 g		A 22	MMN223
	1050	X59420300033	COOLANT LINE	1	pc	693,500 g	SB		
	1200	X59599100070	RETAINER	1	pc	140,000 g			
	1250	700325028102	CLAMP HALF TUBE 2/1 D9-28	2	pc	82,000 g		2/1 D 9 - 28	MMN325
	1300	700327022000	GROMMET	2	pc	9,000 g		22	MMN327
	1350	304014008029	HEX SCREW	1	pc	31,000 g		M 8 X 70	ISO4014
	1400	007349008002	WASHER	1	pc	7,900 g		8,4	DIN7349
	1500	700325028102	CLAMP HALF TUBE 2/1 D9-28	1	pc	82,000 g		2/1 D 9 - 28	MMN325
	1550	700325028202	CLAMP HALF TUBE 2/1 G8-28	1	pc	82,000 g		2/1 G 8 - 28	MMN325
	1600	700327022000	GROMMET	2	pc	9,000 g		22	MMN327
	1650	304017008084	HEX SCREW	1	pc	16,400 g		M 8 X 35	ISO4017
	1750	007603026104	COPPER SEALING RING	4	pc	3,100 g		A 26 X 31	DIN7603
	1800	000908026005	THREAD PLUG	4	pc	0,069 kg		M 26 X 1,5	DIN908



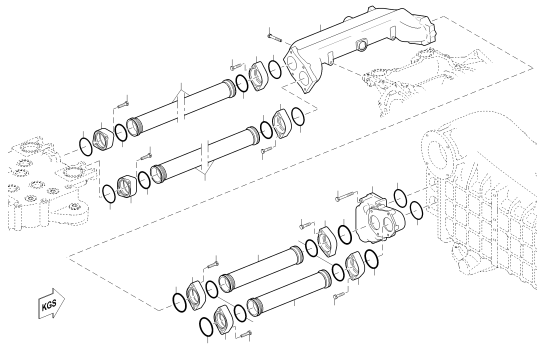
20202636

➔	POS.	PART NO.	DESIGNATION	MODEL/TYPE	QTY.	UNITS	WEIGHT	MEASUREMENT	STANDARD
	50	X59320200059	RETAINER		1	pc	1,400 g		
	100	X52650700039	CABLE CLAMP		3	pc	9,300 g	HALTER NW26 BOHRLOCH M6	
	150	0015331940	RETAINER CABLING AND PIPEWOR	OHNE BUEGEL	2	pc	5,600 g	HALTER NW17 BOHRLOCH M6	
	200	000084005196	SCREW		5	pc	2,600 g	M 5 X 12	DIN84
	250	007349005002	WASHER		5	pc	2,300 g	5,3	DIN7349

GROUP SEGMENT (FGS)

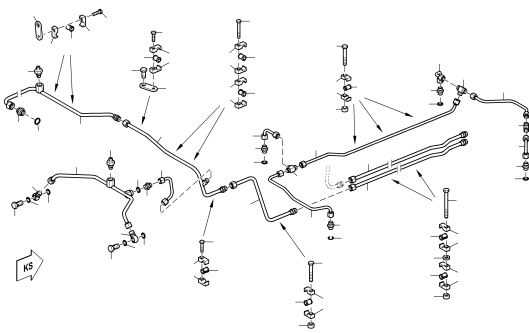
GROUP NAME

BOM-No.



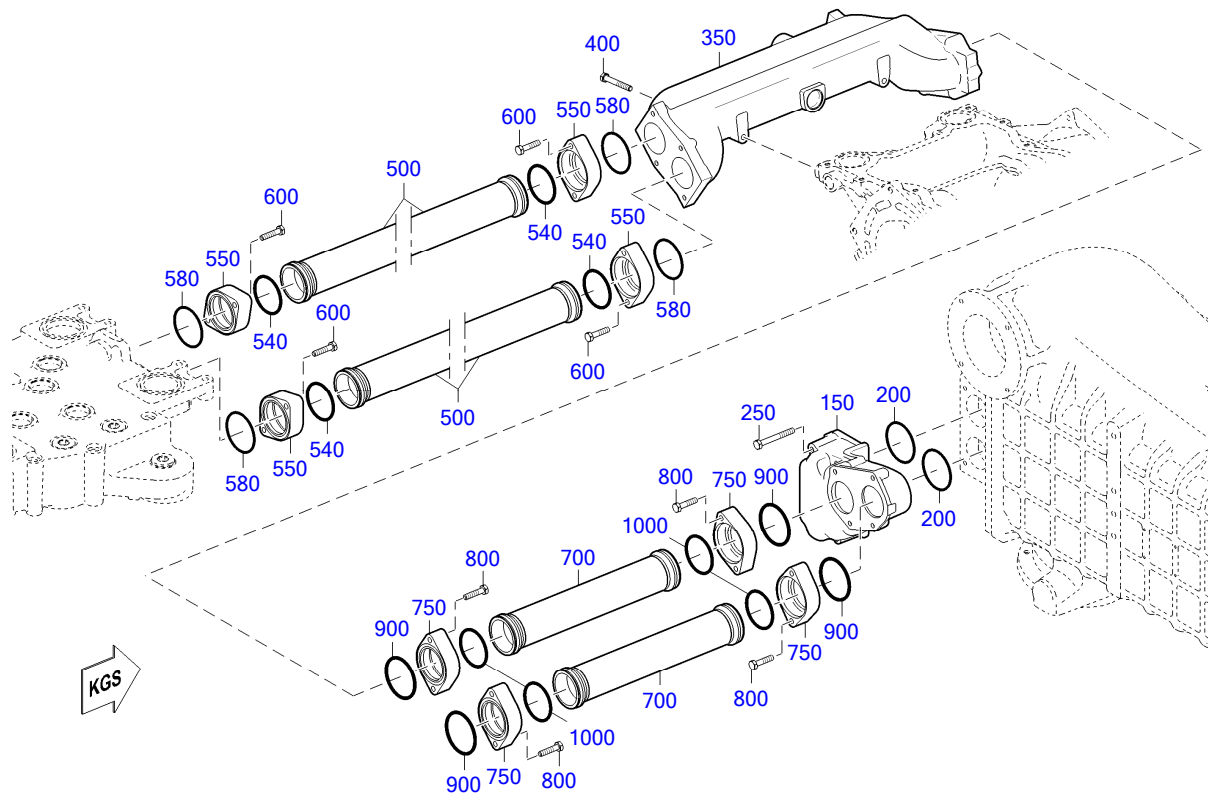
20300222a

25  
COOLANT PIPEWORK FROM/TO INTERCOOLER  
XS594200.00066



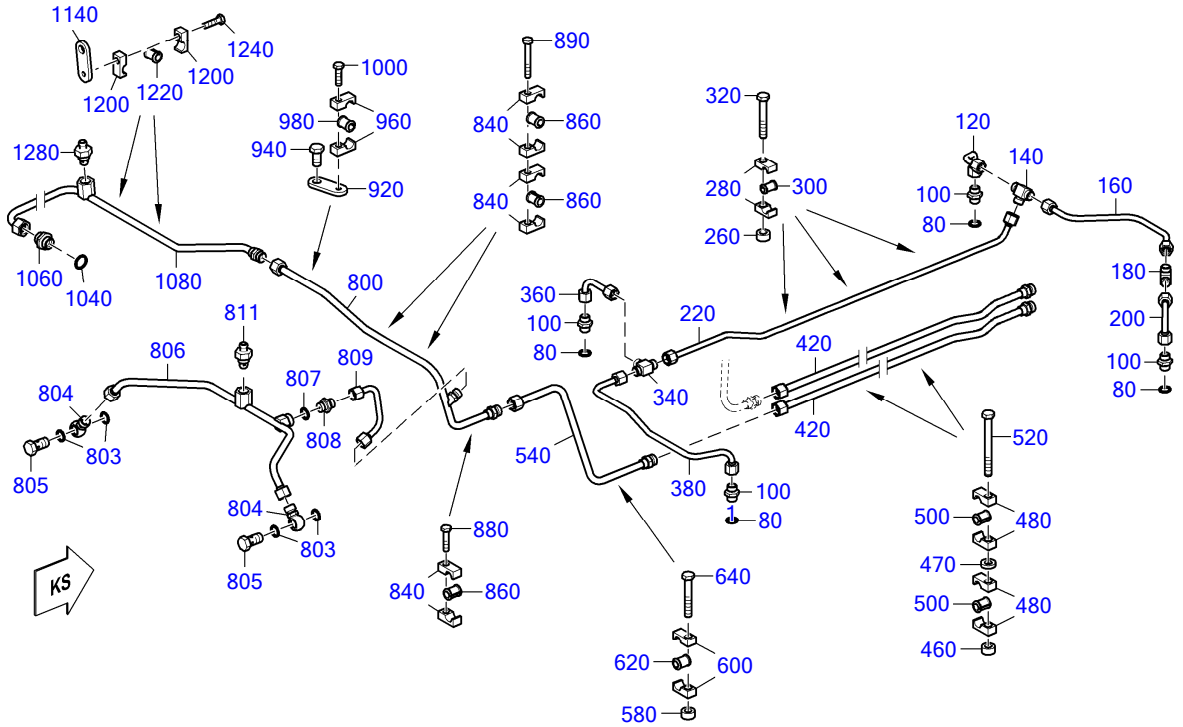
20202068

55  
COOLANT VENT  
XS594200.00113

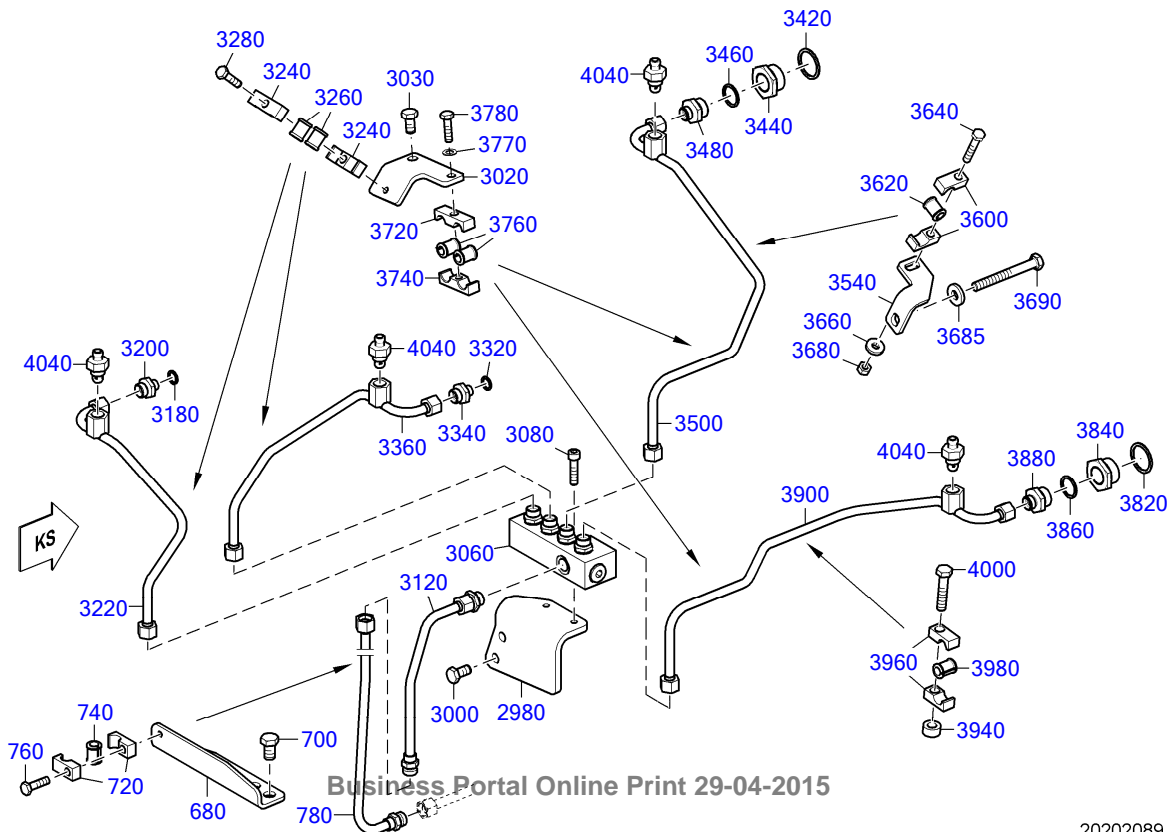


20300222a

➔	POS.	PART NO.	DESIGNATION	QTY.	UNITS	WEIGHT	MEASUREMENT	STANDARD
	150	5262030222	ELBOW TWIN C23	1	pc	10,600 kg		
	200	700429076000	O-RING	2	pc	7,000 g	76 X 4	MMN429
	250	204014010039	HEX SCREW	4	pc	58,900 g	M 10 X 85	ISO4014
	350	X59420300029	COOLANT ELBOW	1	pc	14,250 kg		
	400	000000004742	HEX SCREW	2	pc	46,600 g	M 10 X 75	ISO4017
	500	X59420300004	PLUG-IN PIPE	2	pc	2,300 kg		
	540	700429070000	O-RING	4	pc	10,300 g	70 X 5	MMN429
	550	5262030439	FLANGE WELDING-NECK	4	pc	620,000 g		
	580	700429076000	O-RING	4	pc	7,000 g	76 X 4	MMN429
	600	204017010021	HEX SCREW	8	pc	32,500 g	M 10 X 45	ISO4017
	700	X59420300003	PLUG-IN PIPE	2	pc	997,800 g		
	750	5262030439	FLANGE WELDING-NECK	4	pc	620,000 g		
	800	204017010021	HEX SCREW	8	pc	32,500 g	M 10 X 45	ISO4017
	900	700429076000	O-RING	4	pc	7,000 g	76 X 4	MMN429
	1000	700429070000	O-RING	4	pc	10,300 g	70 X 5	MMN429



20202088



Business Portal Online Print 29-04-2015

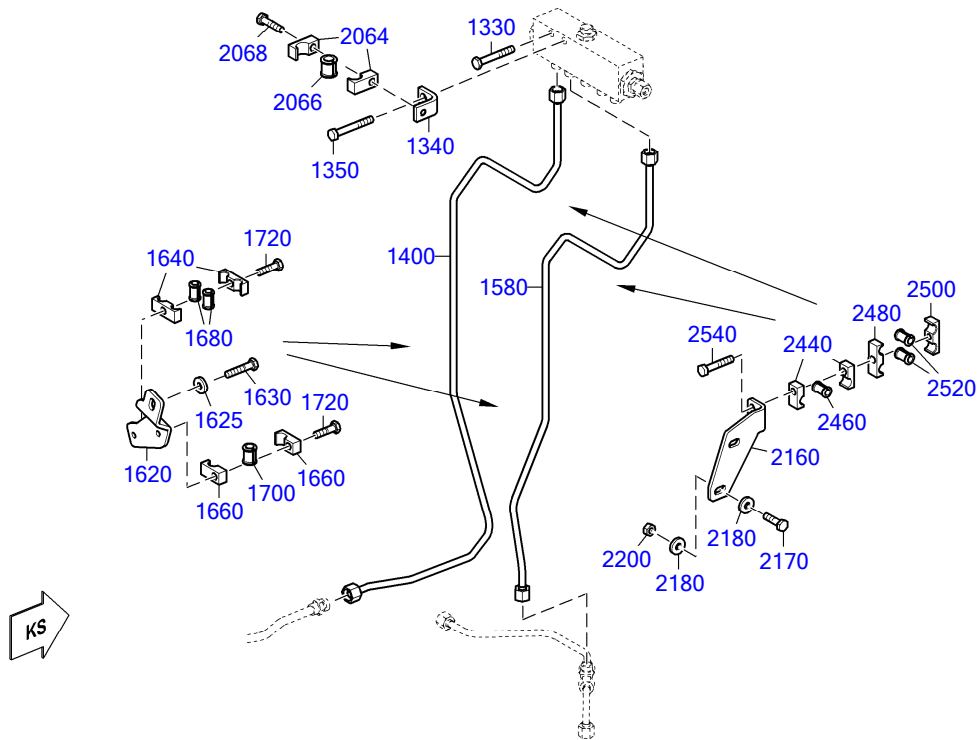
20202089

EQUI TYPE: Engine

PRODUCT TYPE: 12V4000M53  
COOLANT VENT

SERIAL NUMBER: 526107657

FG/FGS: 203 55  
BOM-No.: XS594200.00113



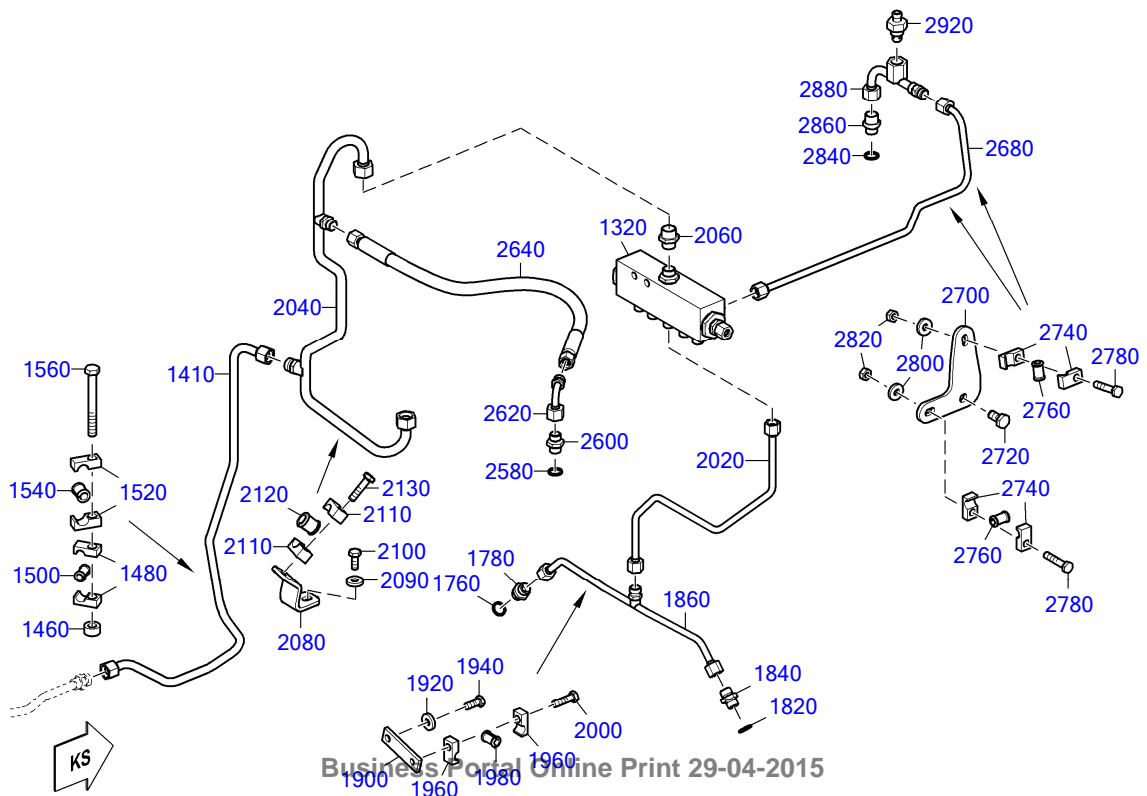
20202090

EQUI TYPE: Engine

PRODUCT TYPE: 12V4000M53  
COOLANT VENT

SERIAL NUMBER: 526107657

FG/FGS: 203 55  
BOM-No.: XS594200.00113



Business Portal Online Print 29-04-2015

20202091

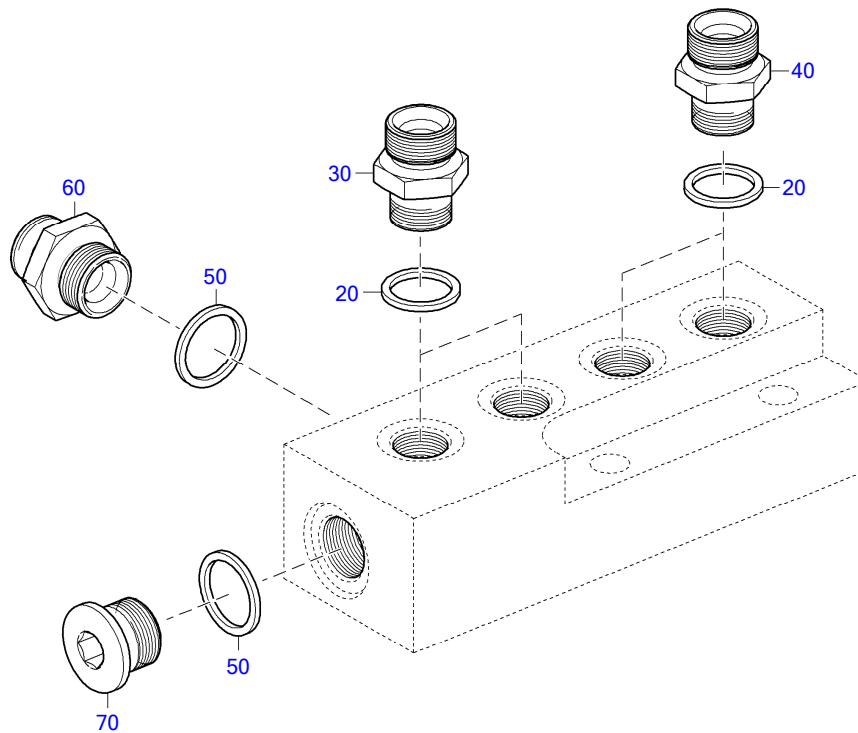
➡	POS.	PART NO.	DESIGNATION	MODEL/TYPE	QTY.	UNITS	WEIGHT	FN	MEASUREMENT	STANDARD
	80	007603014102	COPPER SEALING RING		4	pc	1,000 g		A 14 X 18	DIN7603
	100	915006006000	UNION		4	pc	22,900 g		6	N15006
	120	5282000258	VENT LINE FOR COOLANT	20V400LH	1	pc	53,000 g			
	140	5569970574	FITTING TEE		1	pc	48,000 g		DN 6 / M14X1,5	
	160	X52620200105	VENT LINE		1	pc	75,700 g	SB EM		
	180	5569970574	FITTING TEE		1	pc	48,000 g		DN 6 / M14X1,5	
	200	5282000658	VENT LINE FOR COOLANT	20V400LH	1	pc	46,800 g			
	220	X59520200055	VENT LINE		1	pc	185,000 g	SB		
	260	5559920101	BUSHING		4	pc	17,000 g			
	280	700325012111	CLAMP HALF TUBE 1/1 D11-12		8	pc	22,600 g		1/1 D11 - 12	MMN325
	300	700327008000	GROMMET		4	pc	1,700 g		8	MMN327
	320	000000004745	HEX SCREW		4	pc	41,800 g		M 10 X 65	ISO4017
	340	5569970574	FITTING TEE		1	pc	48,000 g		DN 6 / M14X1,5	
	360	5282000658	VENT LINE FOR COOLANT	20V400LH	1	pc	46,800 g			
	380	5282000458	VENT LINE FOR COOLANT	20V400LH	1	pc	102,000 g			
	420	X52620200104	VENT LINE		2	pc	0,215 kg	SB EM		
	460	5559920101	BUSHING		4	pc	17,000 g			
	470	735151010100	SPACER		4	pc	11,000 g		A 10,5	MTN5151
	480	700325015110	CLAMP HALF TUBE 1/1 D11-15		16	pc	30,200 g		1/1 D11 - 15	MMN325
	500	700327010000	GROMMET		8	pc	2,800 g		10	MMN327
	520	000000004740	HEX SCREW		4	pc	63,400 g		M 10 X 95	ISO4014
	540	X59420300045	VENT LINE		1	pc	115,600 g			
	580	5559920101	BUSHING		1	pc	17,000 g			
	600	700325015110	CLAMP HALF TUBE 1/1 D11-15		2	pc	30,200 g		1/1 D11 - 15	MMN325
	620	700327010000	GROMMET		1	pc	2,800 g		10	MMN327
	640	000000004745	HEX SCREW		1	pc	41,800 g		M 10 X 65	ISO4017
	680	X59599100066	RETAINER		1	pc	466,200 g			
	700	204017012004	HEX SCREW		2	pc	29,200 g		M 12 X 20	ISO4017
	720	700325015100	CLAMP HALF TUBE 1/1 D9-15		2	pc	34,000 g		1/1 D 9 - 15	MMN325
	740	700327010000	GROMMET		1	pc	2,800 g		10	MMN327
	760	304017008083	HEX SCREW		1	pc	15,100 g		M 8 X 30	ISO4017
	780	X59420200194	VENT LINE		1	pc	148,500 g	SB		
	800	X59420300046	VENT LINE		1	pc	195,800 g			
	803	007603014102	COPPER SEALING RING		4	pc	1,000 g		A 14 X 18	DIN7603
	804	735214010000	UNION		2	pc	31,000 g		10	MTN5214
	805	700223006000	BOLT BANJO A8 S2000/4000		2	pc	38,800 g		A 8	MMN223
	806	X59520200132	VENT LINE		1	pc	229,500 g	SB		
	807	007603014102	COPPER SEALING RING		1	pc	1,000 g		A 14 X 18	DIN7603
	808	X59699100050	UNION	BR 4000	1	pc	29,000 g		BLENDE Ø1MM	
	809	X59420200198	VENT LINE		1	pc	60,000 g	SB		
	811	X52899100028	NIPPLE		1	pc	49,500 g			
	840	700325015100	CLAMP HALF TUBE 1/1 D9-15		10	pc	34,000 g		1/1 D 9 - 15	MMN325
	860	700327010000	GROMMET		5	pc	2,800 g		10	MMN327
	880	304017008084	HEX SCREW		1	pc	16,400 g		M 8 X 35	ISO4017
	890	304017008089	HEX SCREW		2	pc	24,200 g		M 8 X 60	ISO4017
	920	5241872240	BRACKET 40X6 M12 UNTHD+M8 THD BOLT HOLE	BR 4000	1	pc	62,200 g			
	940	000000003924	HEX SCREW		1	pc	32,800 g		M 12 X 25	ISO4017
	960	700325015100	CLAMP HALF TUBE 1/1 D9-15		2	pc	34,000 g		1/1 D 9 - 15	MMN325
	980	700327010000	GROMMET		1	pc	2,800 g		10	MMN327
	1000	304017008083	HEX SCREW		1	pc	15,100 g		M 8 X 30	ISO4017
	1040	007603018101	COPPER SEALING RING		1	pc	1,300 g		A 18 X 22	DIN7603
	1060	915006010002	UNION		1	pc	32,200 g		10	N15006
	1080	X59520200057	VENT LINE		1	pc	256,400 g			

➡	POS.	PART NO.	DESIGNATION	MODEL/TYPE	QTY.	UNITS	WEIGHT	FN	MEASUREMENT	STANDARD
	1140	5241872240	BRACKET 40X6 M12 UNTHD+M8 THD BOLT HOLE	BR 4000	2	pc	62,200 g			
	1200	700325015100	CLAMP HALF TUBE 1/1 D9-15		4	pc	34,000 g		1/1 D 9 - 15	MMN325
	1220	700327010000	GROMMET		2	pc	2,800 g		10	MMN327
	1240	304017008083	HEX SCREW		2	pc	15,100 g		M 8 X 30	ISO4017
	1280	X52899100028	NIPPLE		1	pc	49,500 g			
	1320	X59520300014	DISTRIBUTOR	16V-AS_BH-RED_SWK	1	pc	2,200 kg			
	1330	304017008088	HEX SCREW		1	pc	22,600 g		M 8 X 55	ISO4017
	1340	5551870640	BRACKET L H:51 S2000/4000		1	pc	54,900 g	SB		
	1350	304017008089	HEX SCREW		1	pc	24,200 g		M 8 X 60	ISO4017
	1400	X59520200139	VENT LINE		1	pc	215,000 g	SB		
	1410	X59420200175	VENT LINE		1	pc	192,300 g	SB		
	1460	5559920101	BUSHING		1	pc	17,000 g			
	1480	700325012111	CLAMP HALF TUBE 1/1 D11-12		2	pc	22,600 g		1/1 D11 - 12	MMN325
	1500	700327008000	GROMMET		1	pc	1,700 g		8	MMN327
	1520	700325015110	CLAMP HALF TUBE 1/1 D11-15		2	pc	30,200 g		1/1 D11 - 15	MMN325
	1540	700327010000	GROMMET		1	pc	2,800 g		10	MMN327
	1560	000000003322	HEX SCREW		1	pc	60,800 g		M 10 X 90	ISO4014
	1580	X59420200083	VENT LINE		1	pc	170,000 g	SB		
	1620	X59599100079	RETAINER		1	pc	190,300 g			
	1625	007349008002	WASHER		1	pc	7,900 g		8,4	DIN7349
	1630	204014008009	HEX SCREW		1	pc	48,900 g		M 8 X120	ISO4014
	1640	700325012104	CLAMP HALF TUBE 2/1 D9-12		2	pc	33,800 g		2/1 D 9 - 12	MMN325
	1660	700325015100	CLAMP HALF TUBE 1/1 D9-15		2	pc	34,000 g		1/1 D 9 - 15	MMN325
	1680	700327008000	GROMMET		2	pc	1,700 g		8	MMN327
	1700	700327010000	GROMMET		1	pc	2,800 g		10	MMN327
	1720	304017008083	HEX SCREW		2	pc	15,100 g		M 8 X 30	ISO4017
	1760	007603014102	COPPER SEALING RING		1	pc	1,000 g		A 14 X 18	DIN7603
	1780	915006006000	UNION		1	pc	22,900 g		6	N15006
	1820	007603014102	COPPER SEALING RING		1	pc	1,000 g		A 14 X 18	DIN7603
	1840	915006006000	UNION		1	pc	22,900 g		6	N15006
	1860	X59520200052	VENT LINE		1	pc	110,100 g	SB		
	1900	5621870540	BRACKET FLAT H:50		1	pc	49,600 g			
	1920	007349008002	WASHER		1	pc	7,900 g		8,4	DIN7349
	1940	304017008079	HEX SCREW		1	pc	11,700 g		M 8 X 20	ISO4017
	1960	700325012100	CLAMP HALF TUBE 1/1 D9-12		2	pc	25,000 g		1/1 D 9 - 12	MMN325
	1980	700327008000	GROMMET		1	pc	1,700 g		8	MMN327
	2000	304017008083	HEX SCREW		1	pc	15,100 g		M 8 X 30	ISO4017
	2020	X59420200022	VENT LINE		1	pc	107,700 g	SB		
	2040	X59520200131	VENT LINE TO DISTRIBUTOR PCE		1	pc	313,100 g	SB		
	2060	915013010001	UNION		1	pc	29,200 g		10	N15013
	2064	700325018100	CLAMP HALF TUBE 1/1 D9-18		2	pc	40,000 g		1/1 D 9 - 18	MMN325
	2066	700327012000	GROMMET		1	pc	4,600 g		12	MMN327
	2068	304017008084	HEX SCREW		1	pc	16,400 g		M 8 X 35	ISO4017
	2080	X59599100095	RETAINER		1	pc	124,100 g			
	2090	007349008002	WASHER		1	pc	7,900 g		8,4	DIN7349
	2100	304017008079	HEX SCREW		1	pc	11,700 g		M 8 X 20	ISO4017
	2110	700325018100	CLAMP HALF TUBE 1/1 D9-18		2	pc	40,000 g		1/1 D 9 - 18	MMN325
	2120	700327012000	GROMMET		1	pc	4,600 g		12	MMN327
	2130	304017008084	HEX SCREW		1	pc	16,400 g		M 8 X 35	ISO4017
	2160	X59599100072	RETAINER		1	pc	206,900 g			
	2170	304017008083	HEX SCREW		2	pc	15,100 g		M 8 X 30	ISO4017
	2180	007349008002	WASHER		4	pc	7,900 g		8,4	DIN7349
	2200	304032008014	NUT HEX 8 A3C		2	pc	4,800 g		M 8	ISO4032
	2440	700325012100	CLAMP HALF TUBE 1/1 D9-12		2	pc	25,000 g		1/1 D 9 - 12	MMN325



➡	POS.	PART NO.	DESIGNATION	MODEL/TYPE	QTY.	UNITS	WEIGHT	FN	MEASUREMENT	STANDARD
	2460	700327008000	GROMMET		1	pc	1,700 g		8	MMN327
	2480	700325012104	CLAMP HALF TUBE 2/1 D9-12		1	pc	33,800 g		2/1 D 9 - 12	MMN325
	2500	700325012202	CLAMP HALF TUBE 2/1 G8-12		1	pc	34,800 g		2/1 G 8 - 12	MMN325
	2520	700327008000	GROMMET		2	pc	1,700 g		8	MMN327
	2540	304017008086	HEX SCREW		1	pc	19,400 g		M 8 X 45	ISO4017
	2580	007603012111	COPPER SEALING RING		1	pc	0,700 g		A 12 X 15,5	DIN7603
	2600	915013006002	UNION		1	pc	19,600 g		6	N15013
	2620	700160000006	ELBOW 90 DEG KR 6		1	pc	44,800 g		KR 6	MMN160
	2640	735038006103	HOSE		1	pc	189,300 g		1SN 6 CC 500	MTN5038
	2680	X52620200097	VENT LINE		1	pc	117,000 g		SB EM	
	2700	X59499100091	RETAINER		1	pc	239,300 g			
	2720	000000003020	HEX SCREW		1	pc	20,000 g		M 10 X 20	ISO4017
	2740	700325012100	CLAMP HALF TUBE 1/1 D9-12		4	pc	25,000 g		1/1 D 9 - 12	MMN325
	2760	700327008000	GROMMET		2	pc	1,700 g		8	MMN327
	2780	304017008085	HEX SCREW		2	pc	18,000 g		M 8 X 40	ISO4017
	2800	007349008002	WASHER		2	pc	7,900 g		8,4	DIN7349
	2820	304032008014	NUT HEX 8 A3C		2	pc	4,800 g		M 8	ISO4032
	2840	007603014102	COPPER SEALING RING		1	pc	1,000 g		A 14 X 18	DIN7603
	2860	915013008002	SCREW NECK		1	pc	24,000 g		8 (M16X1,5/M14X1,5)	N15013
	2880	X52820200068	VENT LINE		1	pc	115,200 g		SB EM	
	2920	X52899100028	NIPPLE		1	pc	49,500 g			
	2980	X59499100118	RETAINER		1	pc	779,800 g			
	3000	000000003020	HEX SCREW		2	pc	20,000 g		M 10 X 20	ISO4017
	3020	X59499100119	RETAINER		1	pc	235,400 g			
	3030	000000003020	HEX SCREW		1	pc	20,000 g		M 10 X 20	ISO4017
486	3060	X59420200182	DISTRIBUTOR		1	pc	1,500 kg			
	3080	000912008022	SCREW		2	pc	18,000 g		M 8 X 35	DIN912
	3120	X59520200123	VENT LINE		1	pc	90,500 g		SB	
	3180	007603012102	WASHER A COP		1	pc	0,800 g		A 12 X 16	DIN7603
	3200	915007008003	CONNECTOR 8/4		1	pc	27,400 g		8 / 4 (M16X1,5/M12X1,5)	N15007
	3220	X59420200178	VENT LINE		1	pc	170,000 g		SB	
	3240	700325015104	CLAMP HALF TUBE 2/1 D9-15		2	pc	47,000 g		2/1 D 9 - 15	MMN325
	3260	700327010000	GROMMET		2	pc	2,800 g		10	MMN327
	3280	304017008083	HEX SCREW		1	pc	15,100 g		M 8 X 30	ISO4017
	3320	007603012102	WASHER A COP		1	pc	0,800 g		A 12 X 16	DIN7603
	3340	915007008003	CONNECTOR 8/4		1	pc	27,400 g		8 / 4 (M16X1,5/M12X1,5)	N15007
	3360	X59420200179	VENT LINE		1	pc	173,000 g		SB	
	3420	007603030101	COPPER SEALING RING		1	pc	4,300 g		A 30 X 36	DIN7603
	3440	X00020487	BUSHING THREADED C23		1	pc	68,900 g			
	3460	007603022102	COPPER SEALING RING		1	pc	0,900 g		A 22 X 27	DIN7603
	3480	915007013000	CONNECTOR 13/8		1	pc	49,200 g		13 / 8 (M22X1,5/M16X1,5)	N15007
	3500	X59420200193	VENT LINE		1	pc	219,800 g		SB	
	3540	X59499100120	RETAINER		1	pc	129,000 g			
	3600	700325015100	CLAMP HALF TUBE 1/1 D9-15		2	pc	34,000 g		1/1 D 9 - 15	MMN325
	3620	700327010000	GROMMET		1	pc	2,800 g		10	MMN327
	3640	304017008086	HEX SCREW		1	pc	19,400 g		M 8 X 45	ISO4017
	3660	007349008002	WASHER		1	pc	7,900 g		8,4	DIN7349
	3680	304032008014	NUT HEX 8 A3C		1	pc	4,800 g		M 8	ISO4032
	3685	007349010002	WASHER		1	pc	11,000 g		10,5	DIN7349
	3690	000000003510	HEX SCREW		1	pc	60,200 g		M 10 X 90	ISO4014
	3720	700325015104	CLAMP HALF TUBE 2/1 D9-15		1	pc	47,000 g		2/1 D 9 - 15	MMN325
	3740	700325015202	CLAMP HALF TUBE 2/1 G8-15		1	pc	48,300 g		2/1 G 8 - 15	MMN325

➡	POS.	PART NO.	DESIGNATION	MODEL/TYPE	QTY.	UNITS	WEIGHT	FN	MEASUREMENT	STANDARD
	3760	700327010000	GROMMET		2	pc	2,800 g		10	MMN327
	3770	007349008002	WASHER		1	pc	7,900 g		8,4	DIN7349
	3780	304017008083	HEX SCREW		1	pc	15,100 g		M 8 X 30	ISO4017
	3820	007603030101	COPPER SEALING RING		1	pc	4,300 g		A 30 X 36	DIN7603
	3840	X00020487	BUSHING THREADED C23		1	pc	68,900 g			
	3860	007603022102	COPPER SEALING RING		1	pc	0,900 g		A 22 X 27	DIN7603
	3880	915007013000	CONNECTOR 13/8		1	pc	49,200 g		13 / 8 (M22X1,5/M16X1,5)	N15007
	3900	X59420200183	VENT LINE		1	pc	225,000 g	SB		
	3940	5559920101	BUSHING		1	pc	17,000 g			
	3960	700325015110	CLAMP HALF TUBE 1/1 D11-15		2	pc	30,200 g		1/1 D11 - 15	MMN325
	3980	700327010000	GROMMET		1	pc	2,800 g		10	MMN327
	4000	000000001042	HEX SCREW		1	pc	34,600 g		M 10 X 50	ISO4017
	4040	X52899100028	NIPPLE		4	pc	49,500 g			



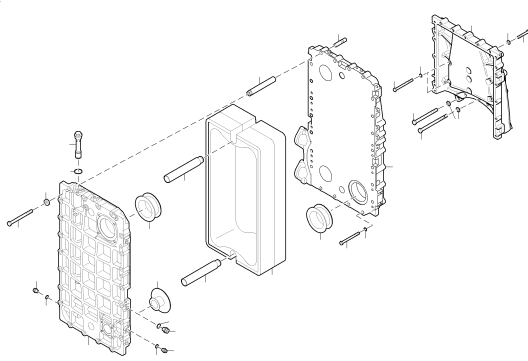
20201927a

➔	POS.	PART NO.	DESIGNATION	QTY.	UNITS	WEIGHT	MEASUREMENT	STANDARD
	20	007603014102	COPPER SEALING RING	4	pc	1,000 g	A 14 X 18	DIN7603
	30	X57518500023	SCREW-FITTING UNION F/TURBO OIL SUPPLY	2	pc	33,000 g	INNENDURCHMESSER 2MM	
	40	X57518500026	SCREW-FITTING UNION F/TURBO OIL SUPPLY	2	pc	0,033 kg	INNENDURCHMESSER 1MM	
	50	007603016105	COPPER SEALING RING	2	pc	3,000 g	A 16 X 20	DIN7603
	60	915006008002	UNION	1	pc	29,700 g	8	N15006
	70	000908016001	THREADED PLUG	1	pc	0,020 kg	M 16 X 1,5	DIN908

GROUP SEGMENT (FGS)

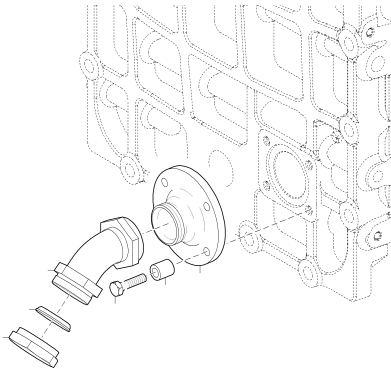
GROUP NAME

BOM-No.



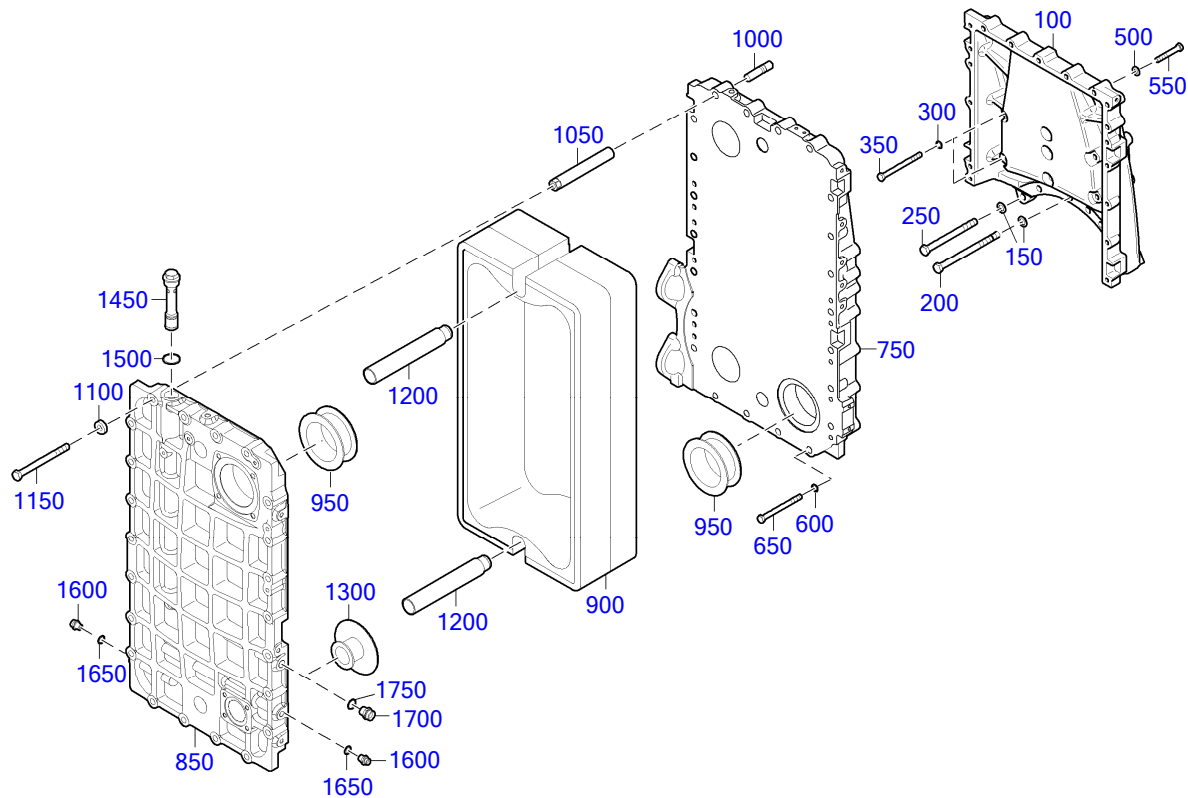
05  
**SEAWATER COOLER**  
XS594200.00065

20400117a



15  
**CONNECTING HARDWARE F/GRBX OIL HEAT EXC**  
XS594200.00033

20500117a



20400117a

➔	POS.	PART NO.	DESIGNATION	MODEL/TYPE	QTY.	UNITS	WEIGHT	MEASUREMENT	STANDARD
	100	X00033976	SUPPORT FOR HEAT EXCHANGER		1	pc	67,400 kg		
	150	200433017000	WASHER		6	pc	6,800 g	17	DIN433
	200	204014016010	HEX SCREW		5	pc	375,200 g	M 16 X230	ISO4014
	250	204014016017	HEX SCREW		1	pc	345,000 g	M 16 X210	ISO4014
	300	200433013000	WASHER		7	pc	2,500 g	13	DIN433
	350	000000003719	HEX SCREW		7	pc	115,200 g	M 12 X140	ISO4017
	500	200433013000	WASHER		7	pc	2,500 g	13	DIN433
	550	000000002970	HEX SCREW		7	pc	64,700 g	M 12 X 70	ISO4017
	600	200433013000	WASHER		11	pc	2,500 g	13	DIN433
	650	000000001077	HEX SCREW		11	pc	104,600 g	M 12 X110	ISO4014
489	750	X59420200252	SUPPORT PLATE FOR SEAWATER COOLER		1	pc	118,800 kg		
	850	X59620200110	COVER PLATE	BR 4000	1	pc	46,000 kg		
490	900	X59420400009/87	PLATE-CORE HEAT EXCH WITH TEST CERT. 3.1		1	pc	34,000 kg		
	950	X00044862	SEALING RING		2	pc	60,000 g		
	1000	200939020001	STUD		22	pc	130,000 g	M 20 X 1,5 X 35	DIN939
	1050	X59420200004	SPACER SLEEVE		22	pc	336,500 g		
	1100	735151016101	WASHER		20	pc	60,200 g	A 16,5	MTN5151
	1150	204017016010	HEX SCREW		22	pc	161,000 g	M 16 X 95	ISO4017
	1200	X59420200005	GUIDE		2	pc	1,003 kg		
	1300	X52820500001	SEALING RING FOR SEAWATER COOLER	BR 4000	1	pc	135,800 g		
491	1450	X59608600002	VALVE FOR FUEL		1	pc	653,600 g		
	1500	007603038101	COPPER SEALING RING		1	pc	5,400 g	A 38 X 44	DIN7603
	1600	735070010000	UNION		2	pc	32,200 g	12	MTN5070
	1650	007603016103	RING,GENERAL		2	pc	1,800 g	A 16 X 22	DIN7603
	1700	735070016000	UNION		1	pc	60,000 g	18	MTN5070

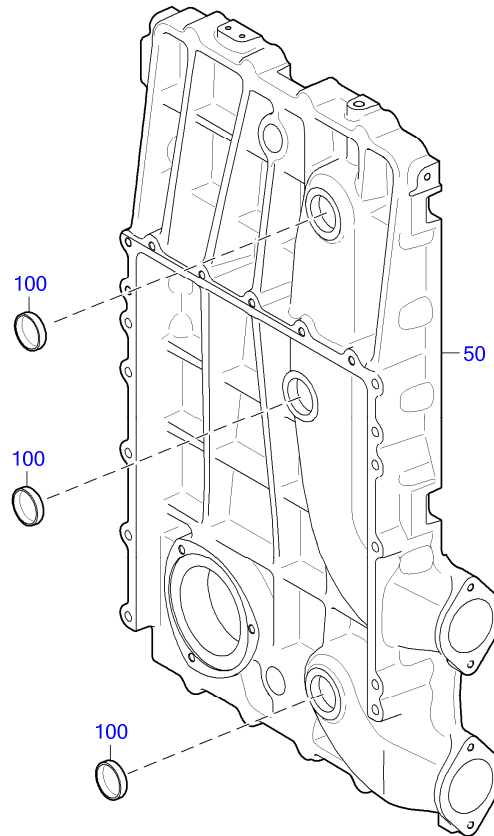
EQUI TYPE: Engine

PRODUCT TYPE: 12V4000M53  
SEAWATER COOLER

SERIAL NUMBER: 526107657

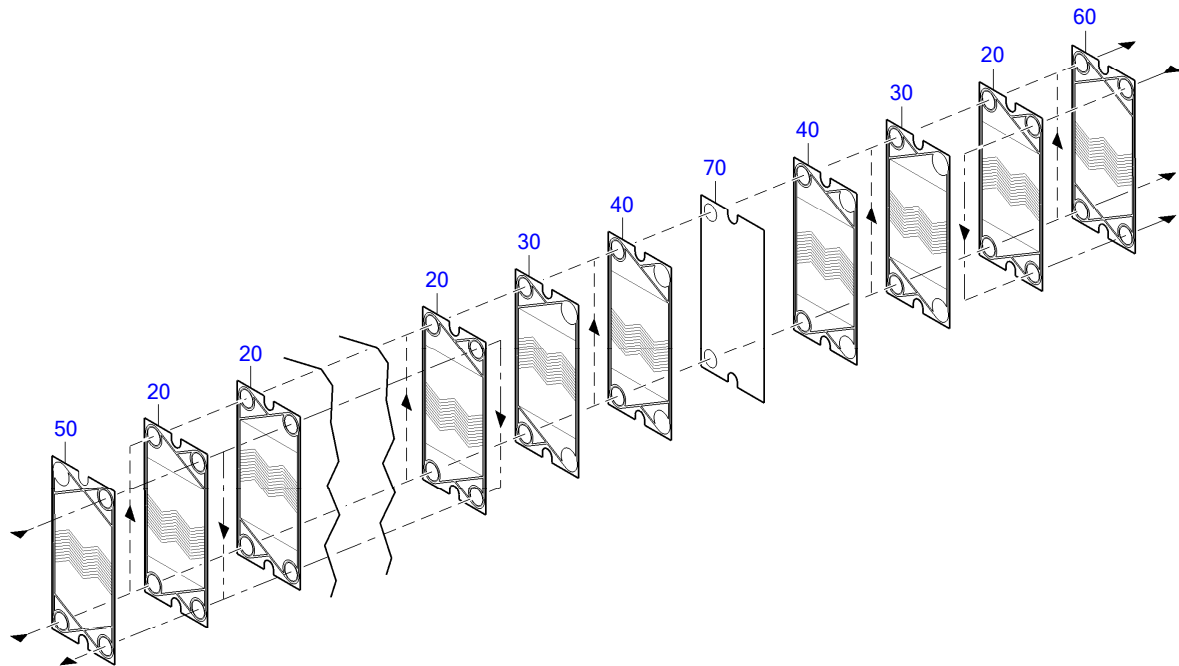
FG/FGS: 205 05  
BOM-No.: XS594200.00065

➡	POS.	PART NO.	DESIGNATION	MODEL/TYPE	QTY.	UNITS	WEIGHT	MEASUREMENT	STANDARD
	1750	007603022102	COPPER SEALING RING		1	pc	0,900 g	A 22 X 27	DIN7603



20400141

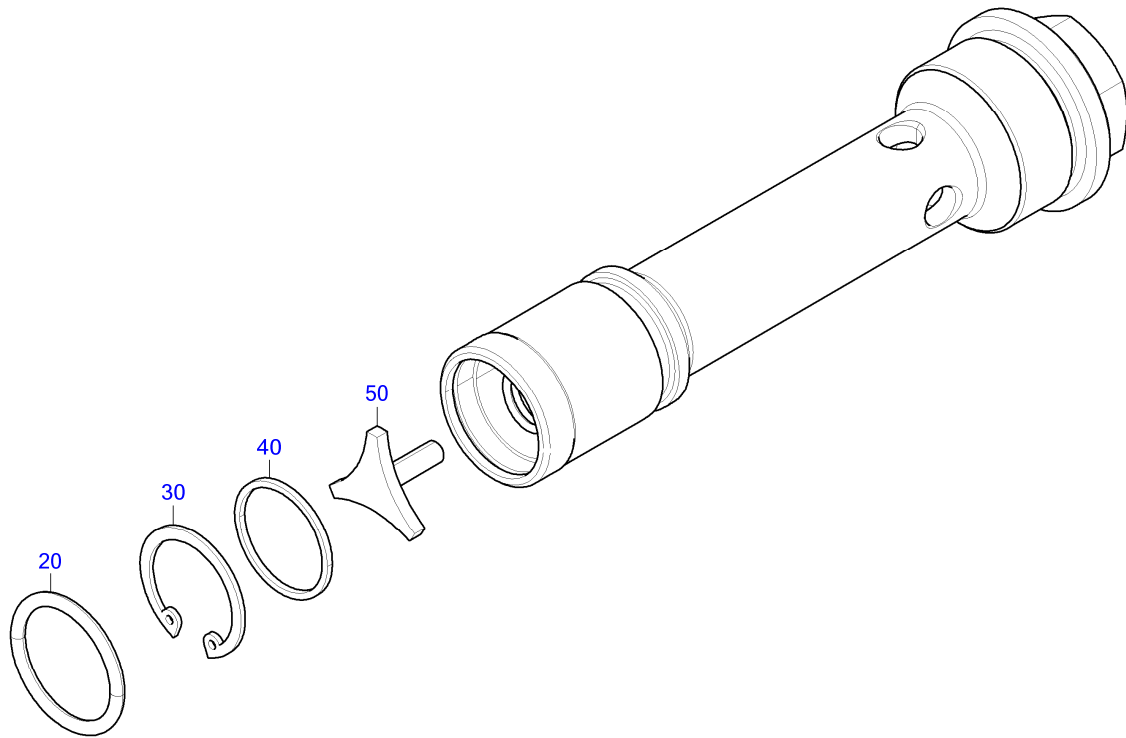
➔	POS.	PART NO.	DESIGNATION	QTY.	UNITS	WEIGHT	MEASUREMENT
	50	X59420200251	SUPPORT PLATE FOR SEAWATER COOLER	1	pc	118,900 kg	
	100	5249970020	SEALING CAP	3	pc	62,600 g	D 50



20000465a

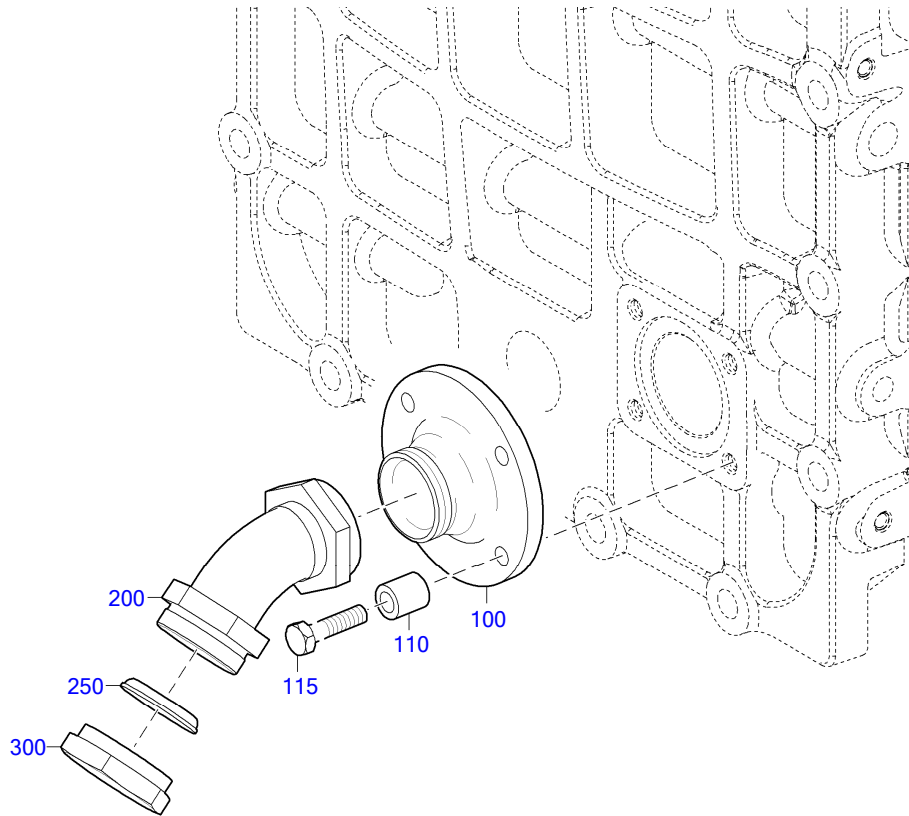
➔	POS.	PART NO.	DESIGNATION	QTY.	UNITS	WEIGHT
	20	X00041552	COOLER PLATE ""A"" VERSION	22	pc	800,000 g
	30	X52820400001	COOLER PLATE B	2	pc	820,000 g
	40	X52820400002	COOLER PLATE VERSION C	2	pc	840,000 g
	50	X00041555	FIRST PLATE	1	pc	820,000 g
	60	X00041556	END PLATE	1	pc	800,000 g
	70	X00044892	PARTITION PLATE	1	pc	7,660 kg





20400098a

➔	POS.	PART NO.	DESIGNATION	MODEL/TYPE	QTY.	UNITS	WEIGHT	MEASUREMENT	STANDARD
	20	700429026001	O-RING		1	pc	1,300 g	26 X 3	MMN429
	30	000472028000	RING SNAP		1	pc	1,600 g	28 X 1,2	DIN472
	40	XP59608300016	WASHER	BR 4000	1	pc		27 X 25 X 1,5	
	50	XP59608300017	VALVE INSERT	BR 4000	1	pc			



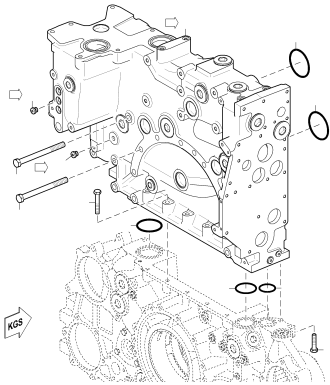
20500171a

➡	POS.	PART NO.	DESIGNATION	QTY.	UNITS	WEIGHT	MEASUREMENT	STANDARD
	100	X59420500002	THREADED FLANGE FOR RAW WATER OUTLE	1	pc	1,100 kg		
	110	5599920101	SPACER BUSHING	4	pc	34,200 g	12MM X 20MM 22L	
	115	000000001042	HEX SCREW	4	pc	34,600 g	M 10 X 50	ISO4017
	200	X00041623	ELBOW	1	pc	573,600 g		
	250	735189042001	SEALING CONE	1	pc	48,000 g	42	MTN5189
	300	915001040002	NUT 40 M52X1.5 BL.GEOELT	1	pc	125,600 g	40 M 52 X 1,5	N15001

GROUP SEGMENT (FGS)

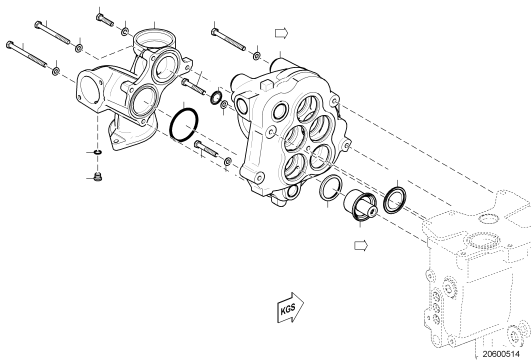
GROUP NAME

BOM-No.



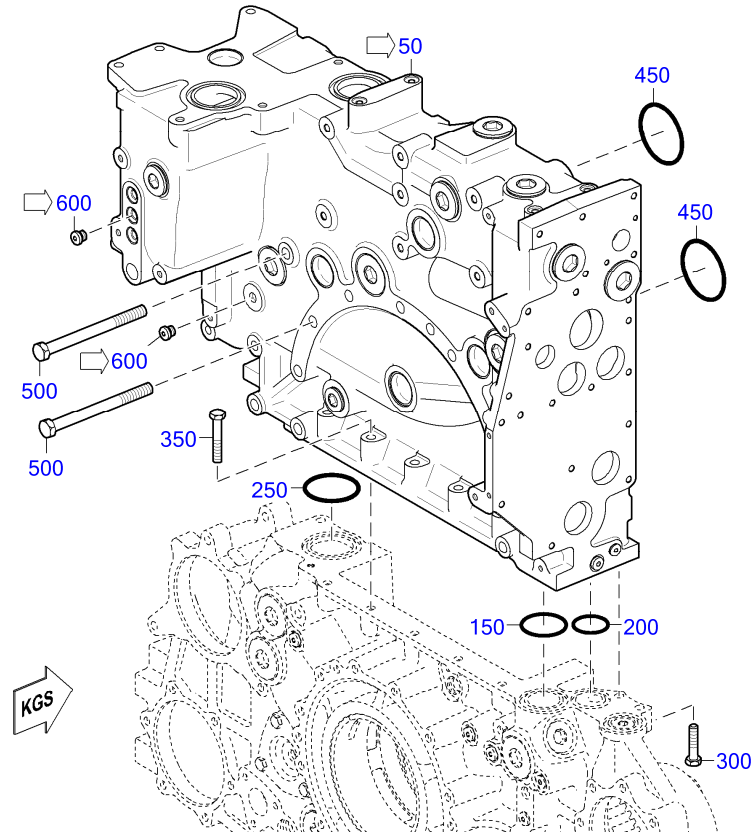
20600507

05  
**COOLANT DISTRIB HSG**  
XS595200.00013



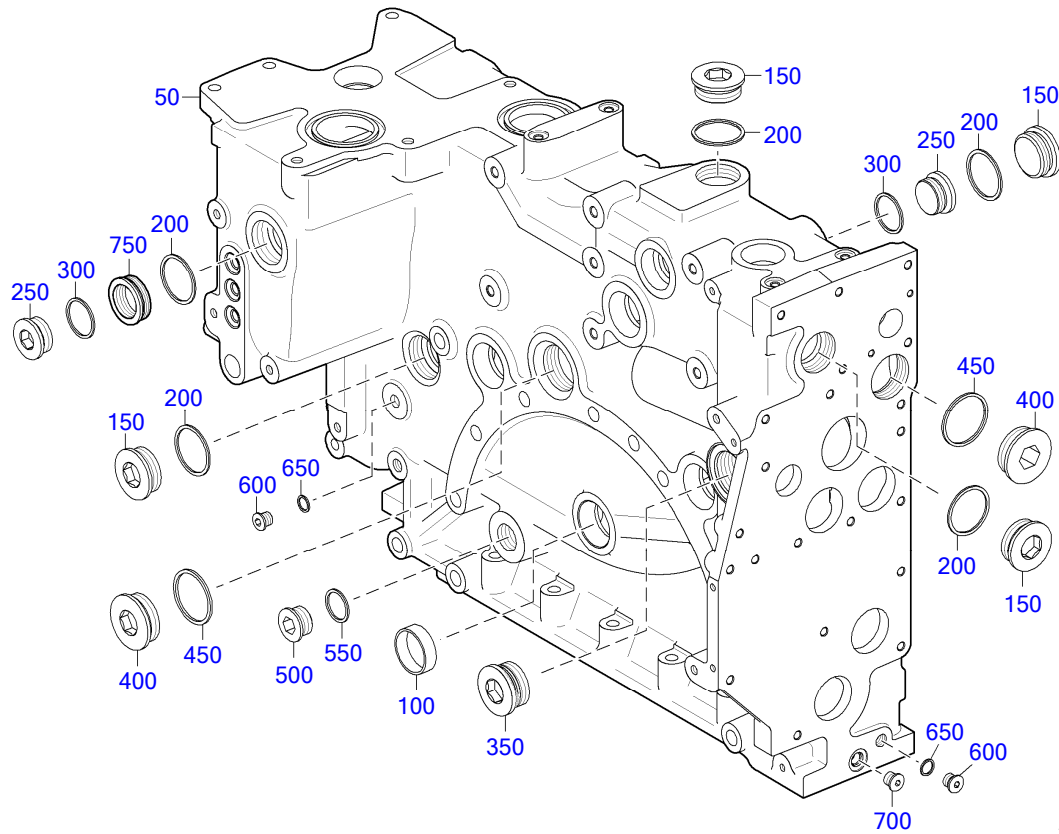
20600514

10  
**THERMOSTAT HOUSING W/ SEAWATER COOLING**  
XS594200.00073



20600507

➔	POS.	PART NO.	DESIGNATION	QTY.	UNITS	WEIGHT	MEASUREMENT	STANDARD
	150	700429055001	O-RING	1	pc	8,000 g	55 X 5	MMN429
	200	700429042000	O-RING	1	pc	6,200 g	42 X 5	MMN429
	250	700429070000	O-RING	1	pc	10,300 g	70 X 5	MMN429
	300	204017012015	HEX SCREW	2	pc	50,000 g	M 12 X 50	ISO4017
	350	000000002970	HEX SCREW	5	pc	64,700 g	M 12 X 70	ISO4017
	450	700429083000	O-RING	2	pc	11,700 g	83 X 5	MMN429
	500	000000002973	HEX SCREW	14	pc	302,800 g	M 16 X 180	ISO4014
318	600	735210014000	THREAD PLUG	5	pc	0,019 kg	M 14 X 1,5	MTN5210
495		X59320200096	COOLANT DISTRIB HSG	1	pc	154,666 kg		



20600499

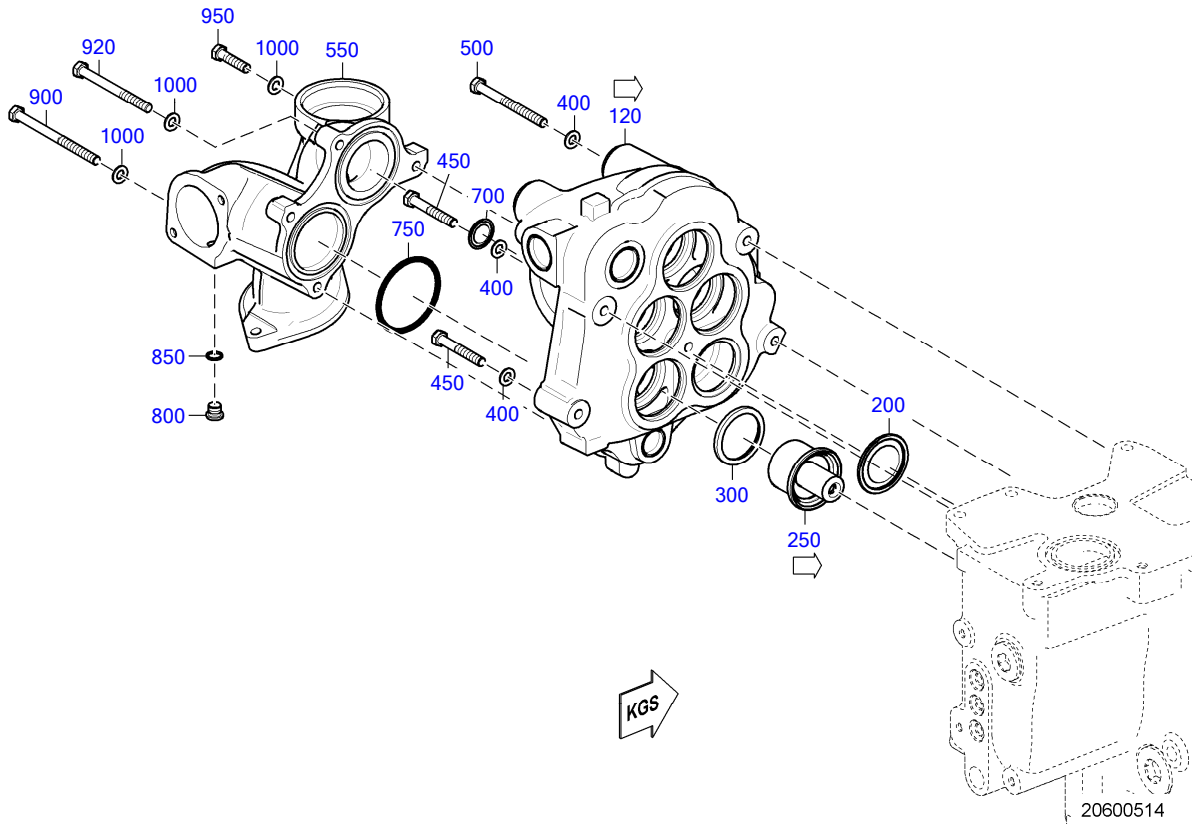
➔	POS.	PART NO.	DESIGNATION	QTY.	UNITS	WEIGHT	MEASUREMENT	STANDARD
	50	<b>X59320200095</b>	COOLANT DISTRIB HSG	1	pc			
	100	<b>5249970020</b>	SEALING CAP	8	pc	62,600 g	D 50	
	150	<b>000908048004</b>	THREAD PLUG	8	pc	0,247 kg	M 48 X 1,5	DIN908
	200	<b>007603048101</b>	COPPER SEALING RING	9	pc	7,700 g	A 48 X 55	DIN7603
	250	<b>000908038000</b>	THREAD PLUG	3	pc	0,150 kg	M 38 X 1,5	DIN908
	300	<b>007603038101</b>	COPPER SEALING RING	3	pc	5,400 g	A 38 X 44	DIN7603
	350	<b>735210048000</b>	THREAD PLUG	1	pc	0,337 kg	M 48 X 2	MTN5210
	400	<b>000908052003</b>	THREAD PLUG	2	pc	0,298 kg	M 52 X 1,5	DIN908
	450	<b>007603052101</b>	COPPER SEALING RING	2	pc	12,500 g	A 52 X 60	DIN7603
	500	<b>000908030002</b>	THREAD PLUG	1	pc	0,085 kg	M 30 X 1,5	DIN908
	550	<b>007603030101</b>	COPPER SEALING RING	1	pc	4,300 g	A 30 X 36	DIN7603
	600	<b>000908014001</b>	THREAD PLUG	1	pc	0,016 kg	M 14 X 1,5	DIN908
	650	<b>007603014102</b>	COPPER SEALING RING	1	pc	1,000 g	A 14 X 18	DIN7603
318	700	<b>735210014000</b>	THREAD PLUG	1	pc	0,019 kg	M 14 X 1,5	MTN5210
	750	<b>X59499100029</b>	THREADED BUSHING	1	pc	90,000 g	M48X1.5/M38X1.5	

EQUI TYPE: Engine

PRODUCT TYPE: 12V4000M53  
THERMOSTAT HOUSING W/ SEAWATER COOLING

SERIAL NUMBER: 526107657

FG/FGS: 206 10  
BOM-No.: XS594200.00073

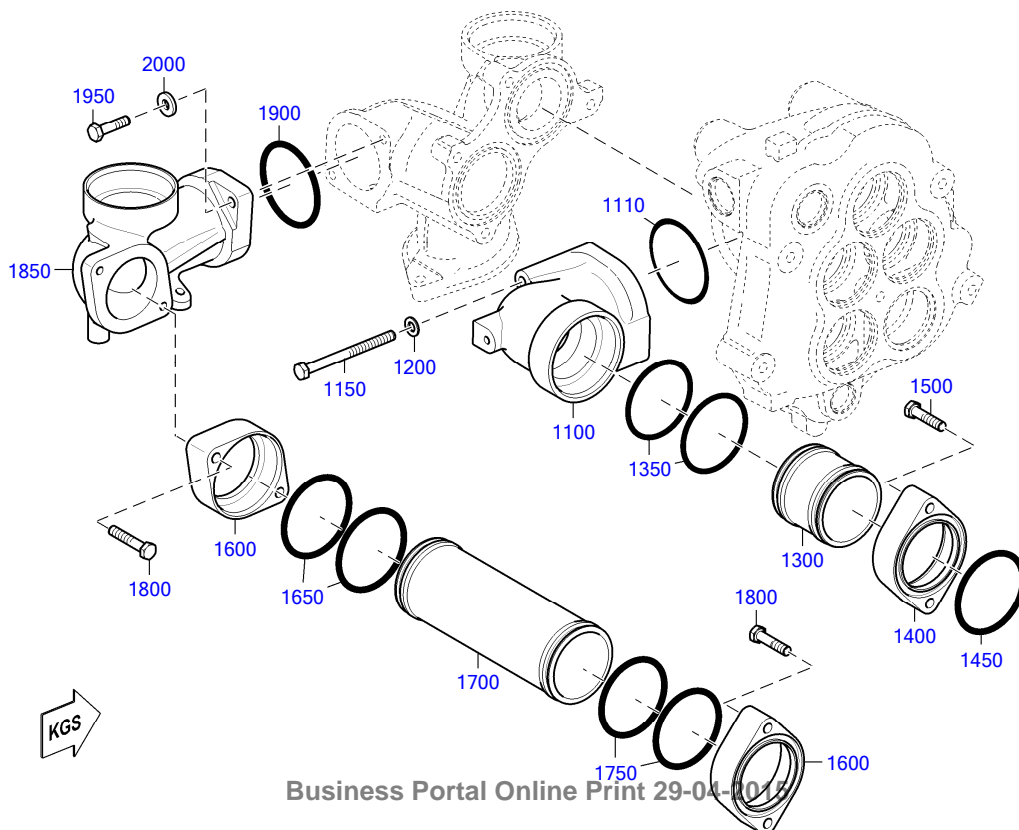


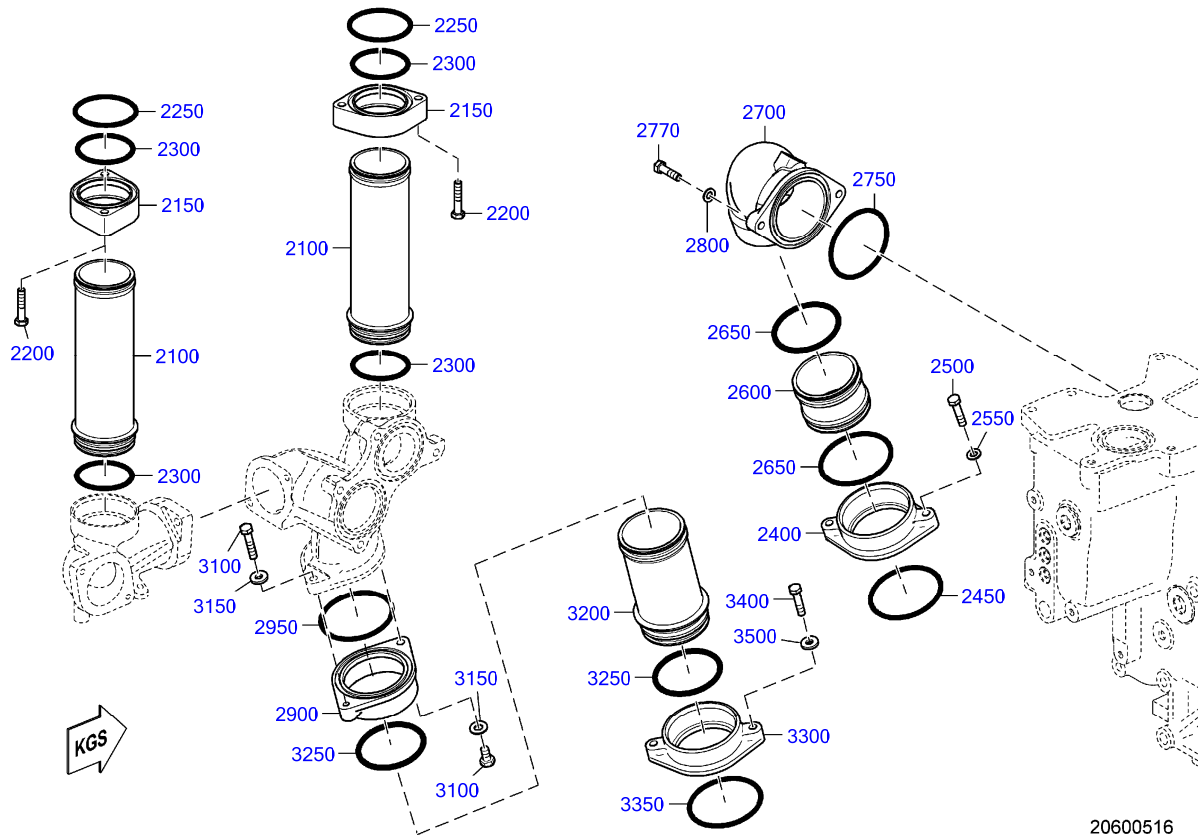
EQUI TYPE: Engine

PRODUCT TYPE: 12V4000M53  
THERMOSTAT HOUSING W/ SEAWATER COOLING

SERIAL NUMBER: 526107657

FG/FGS: 206 10  
BOM-No.: XS594200.00073



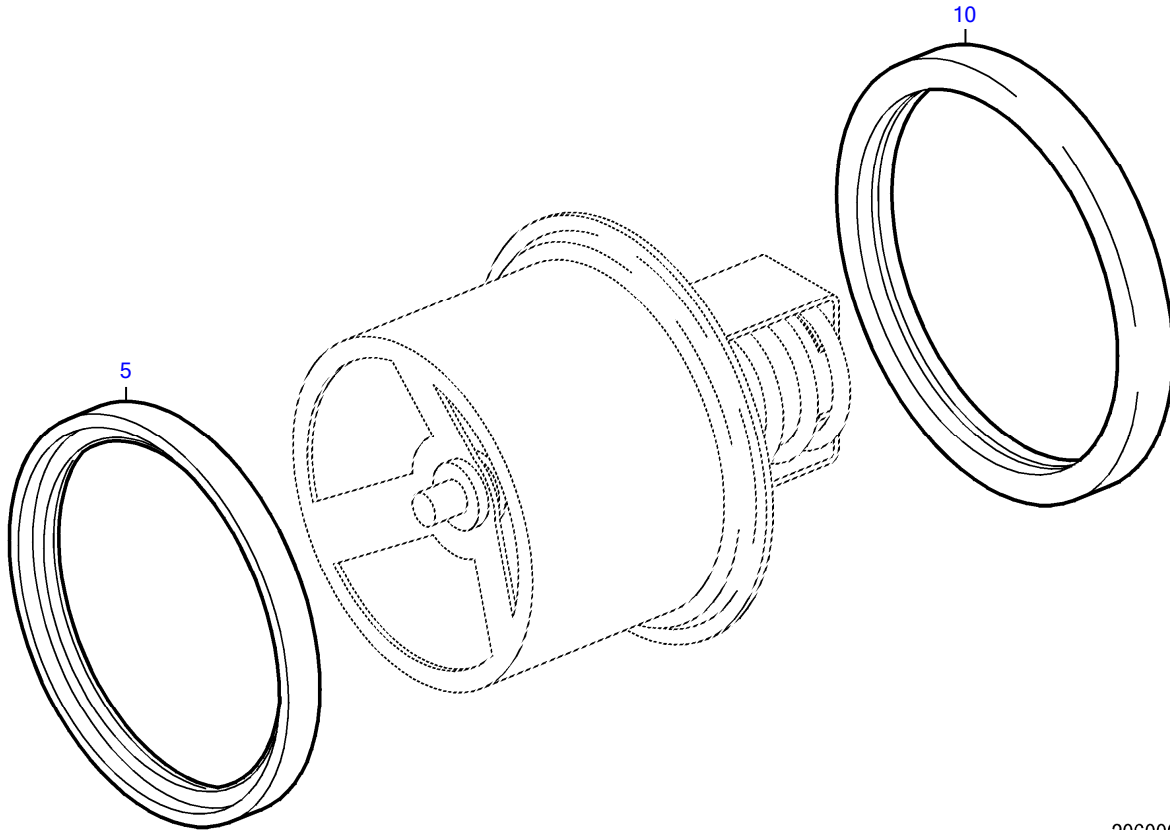


20600516

➔	POS.	PART NO.	DESIGNATION	MODEL/TYPE	QTY.	UNITS	WEIGHT	FN	MEASUREMENT	STANDARD
	499	120	<b>X59320600011</b>	THERMOSTAT HOUSING	1	pc	21,250 kg			
		200	<b>700429065000</b>	O-RING	1	pc	5,800 g	65 X 4		MMN429
	498	250	<b>0052031875</b>	THERMAL ACTUATOR	3	pc	174,800 g	EM		
	497	260	<b>0052031775</b>	THERMAL ACTUATOR	1	pc	175,000 g	EM		
		300	<b>05132155</b>	SEALING RING	4	pc	20,000 g			
		400	<b>000125010524</b>	WASHER	4	pc	3,100 g	A 10,5		DIN125
		450	<b>000000001076</b>	HEX SCREW	2	pc	45,900 g	M 10 X 70		ISO4017
		500	<b>204014010007</b>	HEX SCREW	2	pc	72,600 g	M 10 X110		ISO4014
		550	<b>X59320600008</b>	CONNECTING FLANGE ON THERMOST. HOUSIN	1	pc	10,700 kg			
		700	<b>X59320200123</b>	RESTRICTOR	1	pc	116,500 g	M56X1,5/ID40		
		750	<b>700429080001</b>	O-RING	2	pc	11,300 g	80 X 5		MMN429
		800	<b>000908014001</b>	THREAD PLUG	1	pc	0,016 kg	M 14 X 1,5		DIN908
		850	<b>007603014102</b>	COPPER SEALING RING	1	pc	1,000 g	A 14 X 18		DIN7603
		900	<b>204014010033</b>	HEX SCREW	2	pc	88,200 g	M 10 X135		ISO4014
		950	<b>204017010021</b>	HEX SCREW	2	pc	32,500 g	M 10 X 45		ISO4017
		1000	<b>000125010524</b>	WASHER	4	pc	3,100 g	A 10,5		DIN125
		1100	<b>X52820200157</b>	COOLANT ELBOW ON THERMOST. HOUSIN	1	pc	5,350 kg			
		1110	<b>700429083000</b>	O-RING	1	pc	11,700 g	83 X 5		MMN429
		1150	<b>000000001465</b>	HEX SCREW	2	pc	78,200 g	M 10 X120		ISO4014
		1200	<b>5599900040</b>	SPACER S2000/S4000	1	pc	15,700 g			
		1300	<b>X52820600005</b>	PLUG-IN PIPE	1	pc	738,500 g			
		1350	<b>700429075001</b>	O-RING	2	pc	10,600 g	75 X 5		MMN429
		1400	<b>X52820300003</b>	FLANGE	1	pc	753,900 g			
		1450	<b>700429083000</b>	O-RING	1	pc	11,700 g	83 X 5		MMN429
		1500	<b>204017010021</b>	HEX SCREW	2	pc	32,500 g	M 10 X 45		ISO4017

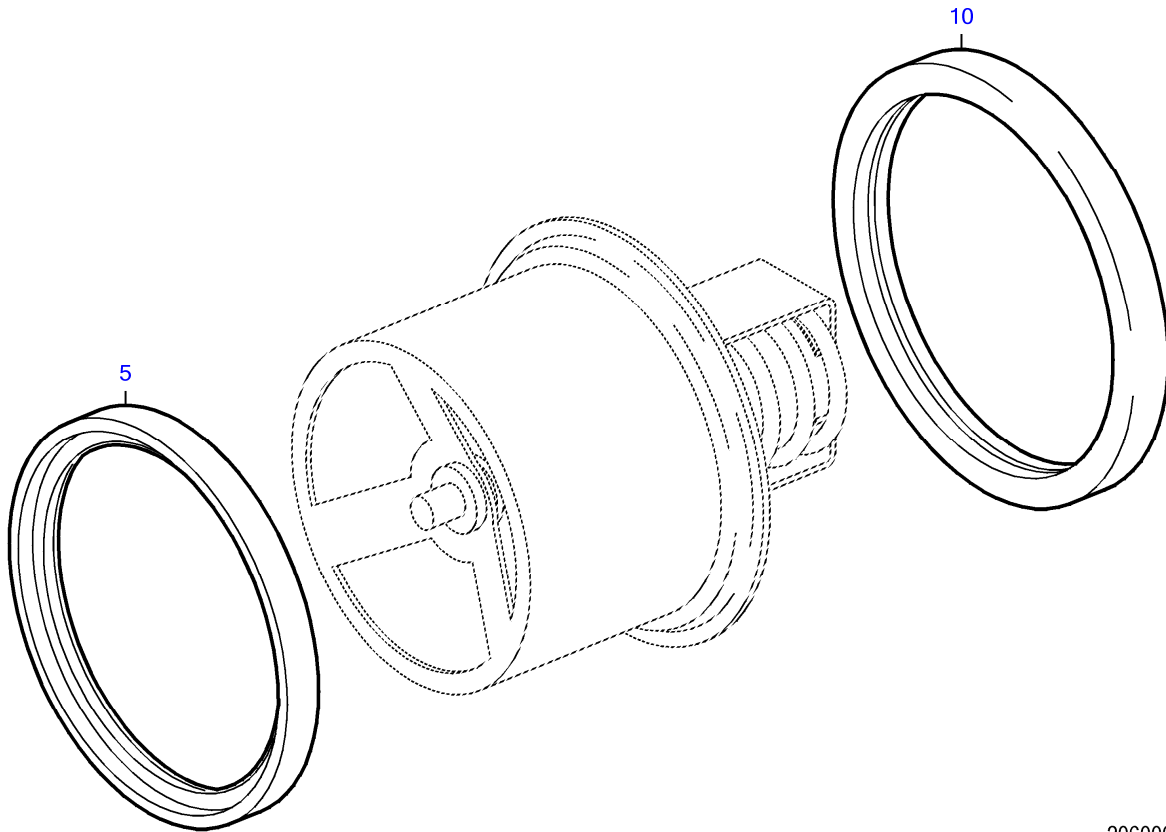
➔	POS.	PART NO.	DESIGNATION	MODEL/TYPE	QTY.	UNITS	WEIGHT	FN	MEASUREMENT	STANDARD
	1600	X52820300003	FLANGE		2	pc	753,900 g			
	1650	700429083000	O-RING		2	pc	11,700 g	83 X 5		MMN429
	1700	X52820600004	PLUG-IN PIPE		1	pc	2,500 kg			
	1750	700429075001	O-RING		2	pc	10,600 g	75 X 5		MMN429
	1800	204017010021	HEX SCREW		4	pc	32,500 g	M 10 X 45		ISO4017
	1850	X00035748	COOLANT ELBOW		1	pc	4,600 kg			
	1900	700429083000	O-RING		1	pc	11,700 g	83 X 5		MMN429
	1950	000000003326	HEX SCREW		2	pc	27,400 g	M 10 X 35		ISO4017
	2000	000125010524	WASHER		2	pc	3,100 g	A 10,5		DIN125
	2100	X59620600001	PLUG-IN PIPE		2	pc	2,700 kg			
	2150	X52820300003	FLANGE		2	pc	753,900 g			
	2200	000000001042	HEX SCREW		4	pc	34,600 g	M 10 X 50		ISO4017
	2250	700429083000	O-RING		2	pc	11,700 g	83 X 5		MMN429
	2300	700429075001	O-RING		4	pc	10,600 g	75 X 5		MMN429
	2400	5242030139	FLANGE		1	pc	1,200 kg			
	2450	700429100000	O-RING		1	pc	14,100 g	100 X 5		MMN429
	2500	204017010021	HEX SCREW		2	pc	32,500 g	M 10 X 45		ISO4017
	2550	000125010524	WASHER		2	pc	3,100 g	A 10,5		DIN125
	2600	X52820600002	PLUG-IN PIPE		1	pc	721,200 g			
	2650	700429085002	O-RING		2	pc	17,500 g	85 X 6		MMN429
	2700	X00029114	COOLANT ELBOW		1	pc	4,405 kg			
	2750	700429100000	O-RING		1	pc	14,100 g	100 X 5		MMN429
	2770	000000001039	HEX SCREW		2	pc	29,800 g	M 10 X 40		ISO4017
	2800	000125010524	WASHER		2	pc	3,100 g	A 10,5		DIN125
	2900	X593203000020	FLANGE		1	pc	1,200 kg			
	2950	700429100000	O-RING		1	pc	14,100 g	100 X 5		MMN429
	3100	204017010021	HEX SCREW		2	pc	32,500 g	M 10 X 45		ISO4017
	3150	007349010001	WASHER		2	pc	10,900 g	10,5		DIN7349
	3200	X52820600003	PLUG-IN PIPE		1	pc	1,854 kg			
	3250	700429085002	O-RING		2	pc	17,500 g	85 X 6		MMN429
	3300	5242030139	FLANGE		1	pc	1,200 kg			
	3350	700429100000	O-RING		1	pc	14,100 g	100 X 5		MMN429
	3400	204017010021	HEX SCREW		1	pc	32,500 g	M 10 X 45		ISO4017
	3500	007349010001	WASHER		1	pc	10,900 g	10,5		DIN7349





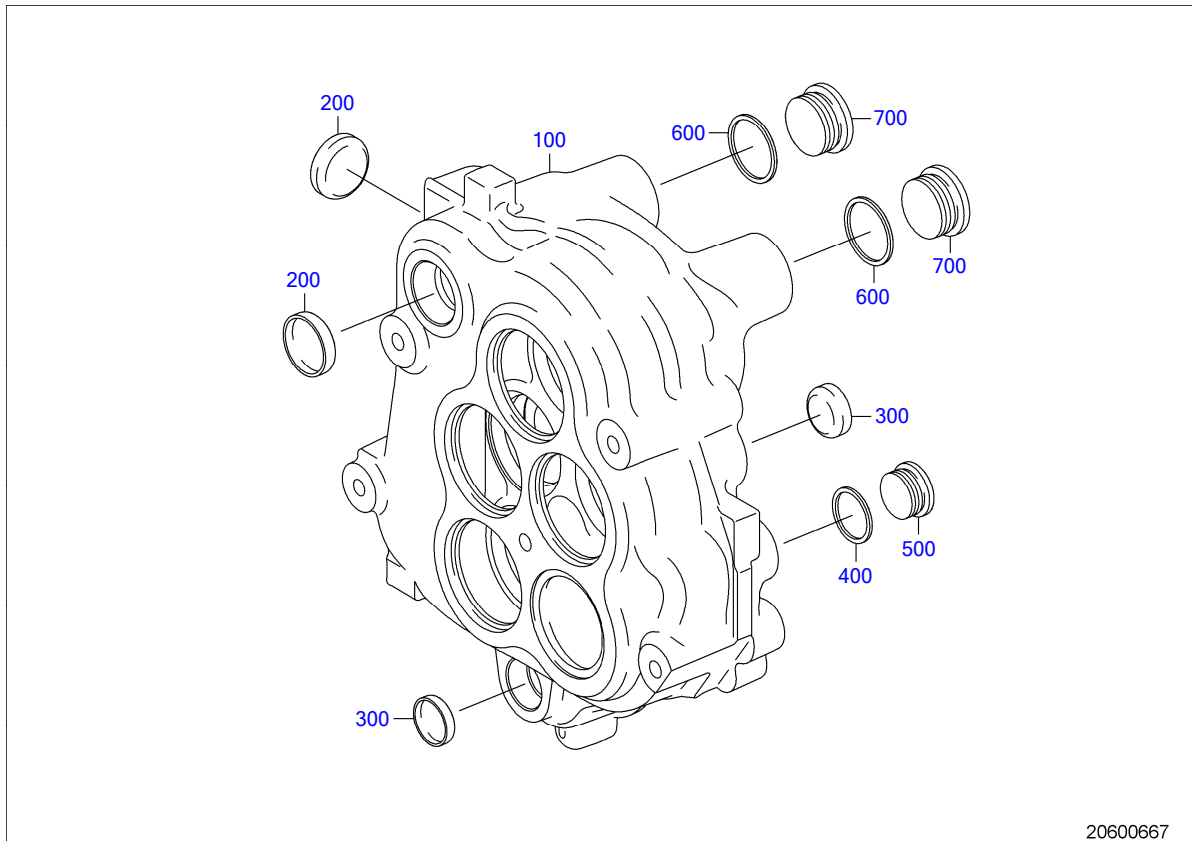
20600038a

➔	POS.	PART NO.	DESIGNATION	QTY.	UNITS	WEIGHT	MEASUREMENT
	5	0002034480	RING SEALING	1	pc	20,000 g	57,76X67,5X6,4
	10	8692030147	GASKET	1	pc	7,800 g	VITON



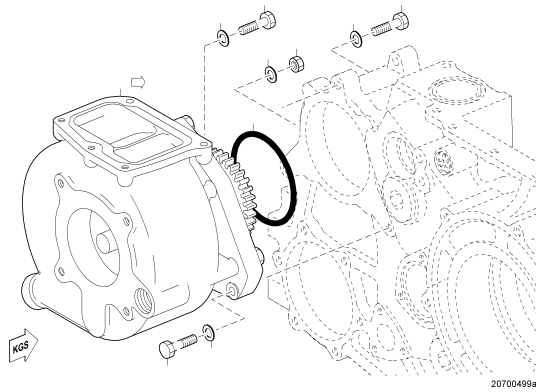
20600038a

➔	POS.	PART NO.	DESIGNATION	QTY.	UNITS	WEIGHT	MEASUREMENT
	5	0002034480	RING SEALING	1	pc	20,000 g	57,76X67,5X6,4
	10	8692030147	GASKET	1	pc	7,800 g	VITON

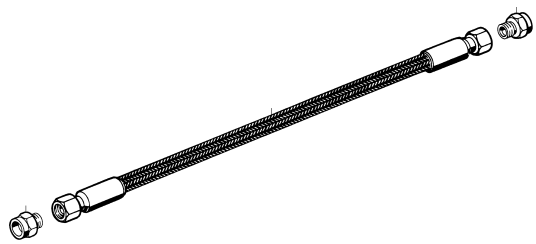


➔	POS.	PART NO.	DESIGNATION	QTY.	UNITS	WEIGHT	MEASUREMENT	STANDARD
	100	<b>X59320600010</b>	THERMOSTAT HOUSING	1	pc	25,000 kg		
	200	<b>5370160233</b>	SEALING CAP	2	pc	32,000 g	D 40	
	300	<b>5550160233</b>	SEALING CAP EXH MANIF	2	pc	22,700 g		
	400	<b>007603030101</b>	COPPER SEALING RING	1	pc	4,300 g	A 30 X 36	DIN7603
	500	<b>000908030002</b>	THREAD PLUG	1	pc	0,085 kg	M 30 X 1,5	DIN908
	600	<b>007603038101</b>	COPPER SEALING RING	2	pc	5,400 g	A 38 X 44	DIN7603
	700	<b>000908038000</b>	THREAD PLUG	2	pc	0,150 kg	M 38 X 1,5	DIN908

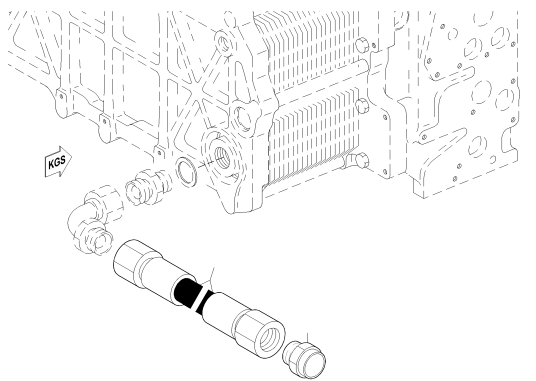
GROUP SEGMENT (FGS)  
GROUP NAME  
BOM-No.



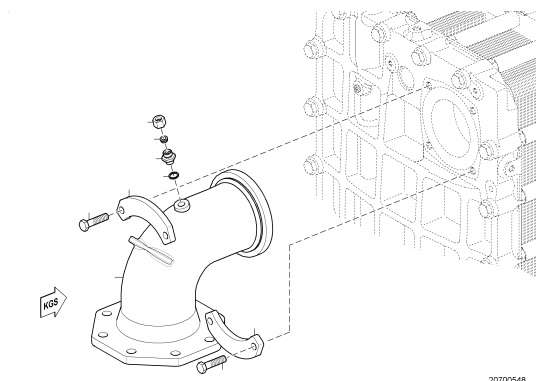
05  
**SEAWATER PUMP**  
XS594200.00074



10  
**HOSE**  
200.00027



10  
**HOSE SEAWATER-RESISTANT**  
X00044049



10  
**SEAWATER OUTLET FRONT**  
XS595200.00012

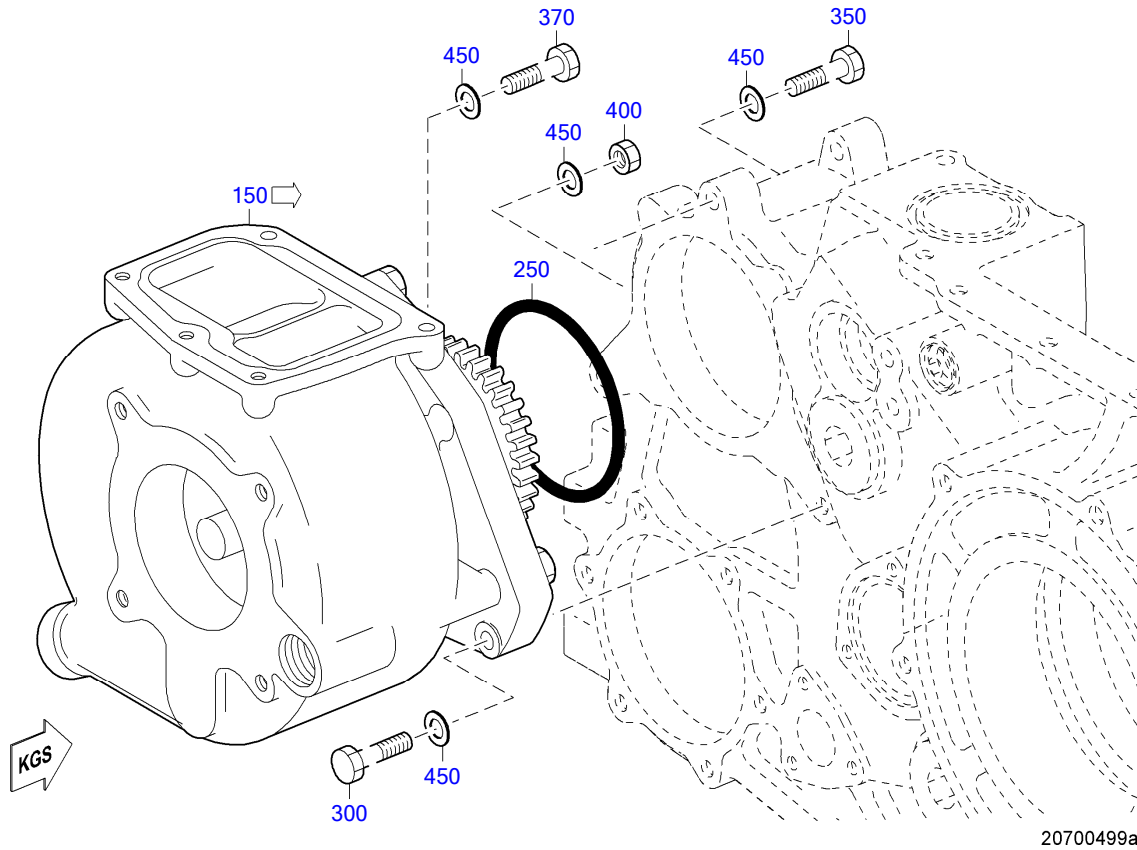
EQUI TYPE: Engine

PRODUCT TYPE: 12V4000M53  
SEAWATER PUMP

SERIAL NUMBER: 526107657

FG/FGS: 207 05

BOM-No.: XS594200.00074



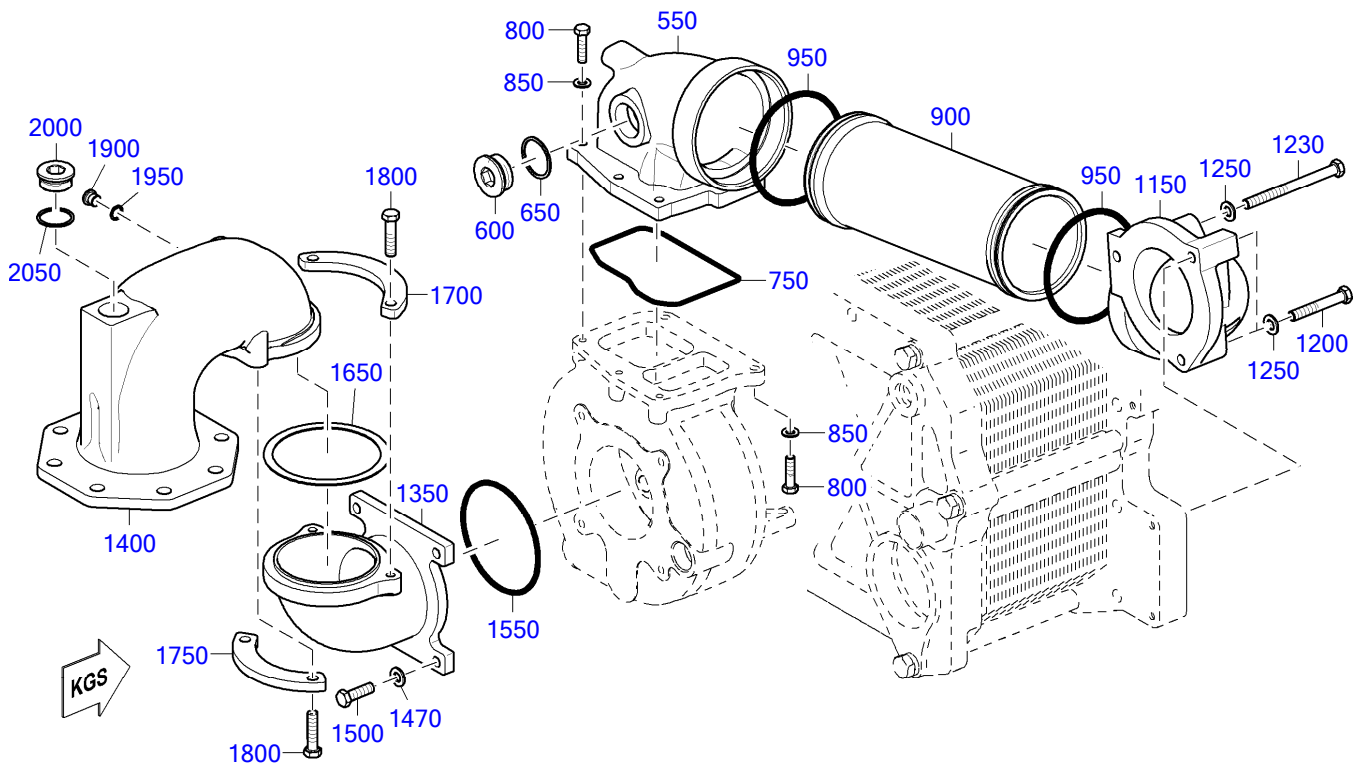
EQUI TYPE: Engine

PRODUCT TYPE: 12V4000M53  
SEAWATER PUMP

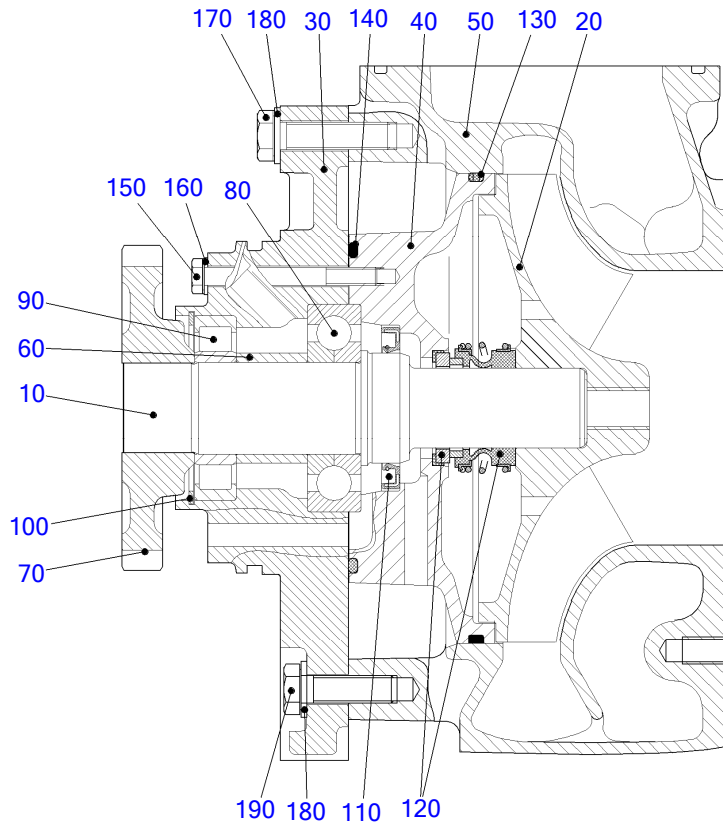
SERIAL NUMBER: 526107657

FG/FGS: 207 05

BOM-No.: XS594200.00074

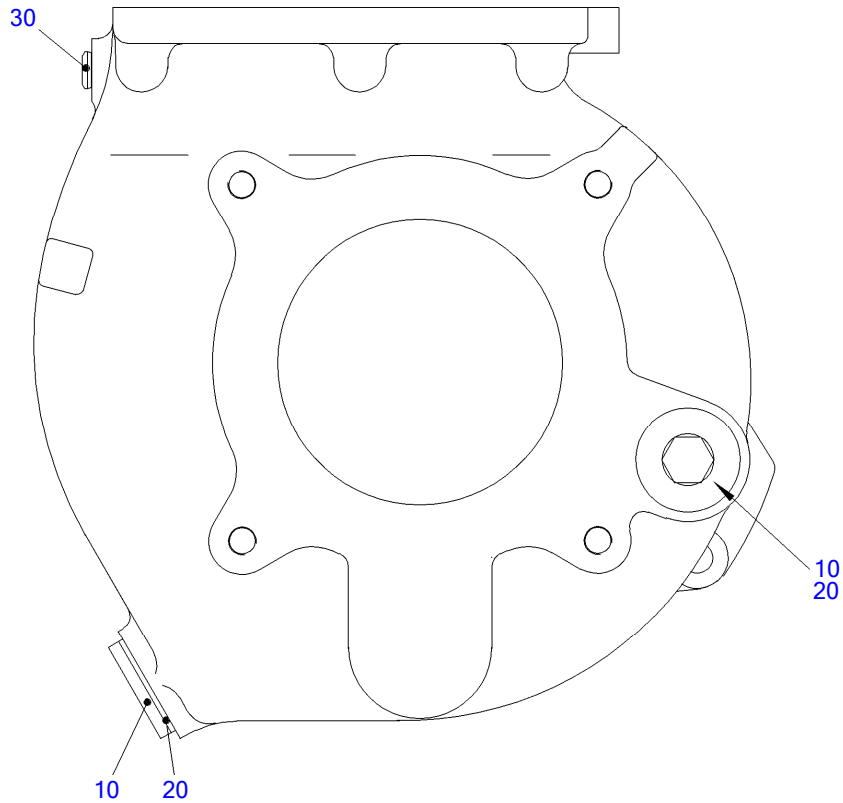


➡	POS.	PART NO.	DESIGNATION	QTY.	UNITS	WEIGHT	FN	MEASUREMENT	STANDARD
502	150	X00012174	PMP ASM SEA WATER	1	pc	40,916 kg	EM		
	250	700429130003	O-RING	1	pc	18,000 g		130 X 5	MMN429
	300	000000003437	HEX SCREW	1	pc	50,800 g	M	M 12 X 50	ISO4017
	350	000000003328	HEX SCREW	1	pc	64,400 g		M 12 X 70	ISO4017
	370	000000003926	HEX SCREW	1	pc	54,000 g		M 12 X 55	ISO4017
	400	000000004744	HEX NUT	1	pc	14,300 g		M 12	ISO4032
	450	000125013012	WASHER	4	pc	5,600 g		A 13	DIN125
	550	X52420300006	SEAWATER ELBOW	1	pc	7,840 kg			
	600	000908045005	PLUG	1	pc	0,210 kg		M 45 X 1,5	DIN908
	650	007603045101	COPPER SEALING RING	1	pc	17,300 g		A 45 X 52	DIN7603
	750	700429175001	O-RING	1	pc	15,100 g		175 X 4	MMN429
	800	000000001039	HEX SCREW	5	pc	29,800 g		M 10 X 40	ISO4017
	850	000125010524	WASHER	5	pc	3,100 g		A 10,5	DIN125
	900	X59420700001	PLUG-IN PIPE FOR SEAWATER	1	pc	6,700 kg			
	950	700429130000	O-RING	2	pc	26,000 g		130 X 6	MMN429
	1150	X00037445	COOLANT ELBOW	1	pc	7,183 kg			
	1200	000000002088	HEX SCREW	2	pc	72,400 g		M 12 X 80	ISO4017
	1230	204014012005	HEX SCREW	1	pc	130,200 g		M 12 X140	ISO4014
	1250	000125013012	WASHER	3	pc	5,600 g		A 13	DIN125
	1350	5242031522	ELBOW	1	pc	5,580 kg			
	1400	5242031422	ELBOW	1	pc	12,121 kg			
	1470	000125013012	WASHER	4	pc	5,600 g		A 13	DIN125
	1500	204017012009	HEX SCREW	4	pc	43,800 g	MN	M 12 X 40	ISO4017
	1550	700429135000	O-RING	1	pc	18,600 g		135 X 5	MMN429
	1650	5552032880	GASKET	1	pc	15,000 g			
	1700	5242030038	CLAMP HALF	1	pc	475,000 g			
	1750	5242030138	CLAMP HALF	1	pc	410,000 g			
	1800	000000003437	HEX SCREW	4	pc	50,800 g	M	M 12 X 50	ISO4017
	1900	000908014002	PLUG	1	pc	0,015 kg		M 14 X 1,5	DIN908
	1950	007603014102	COPPER SEALING RING	1	pc	1,000 g		A 14 X 18	DIN7603
	2000	000908038003	PLUG	2	pc	0,147 kg		M 38 X 1,5	DIN908
	2050	007603038101	COPPER SEALING RING	2	pc	5,400 g		A 38 X 44	DIN7603



20700264a

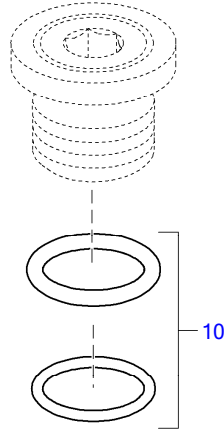
➔	POS.	PART NO.	DESIGNATION	QTY.	UNITS	WEIGHT	FN	MEASUREMENT	STANDARD
	10	5272010505	SHAFT WAT PUMP HT COOLING CIRCUIT	1	pc	1,904 kg			
	20	X00012168	IMPELLER FOR SEAWATER PUMP	1	pc	2,700 kg			
	30	5272010110	BEARING HOUSING	1	pc	8,666 kg			
	40	5272010158	SEAL CARRIER FOR SEAWATER PUMP	1	pc	5,424 kg			
503	50	5272010401	SPIRAL HOUSING	1	pc	17,076 kg			
	60	5272010153	SPACER SLEEVE	1	pc	172,800 g			
	70	X00021750	GEAR	1	pc	1,770 kg			
	80	200628103006	BEARING ANGULAR CONTACT ROLLER	1	pc	750,000 g	QJ308		DIN628
	90	705100502035	BEARING CYLINDRICAL ROLLER	1	pc	623,000 g	NU208		DIN5412
	100	000472080000	RING SNAP	1	pc	22,000 g		80 X 2,5	DIN472
	110	700386048001	SEAL OIL 48 X 72 X 8 MNN386	1	pc	31,200 g		A 48 X 72 X 8	MMN386
	120	0012010119	ROTARY SEAL	1	pc	136,700 g			
	130	700429190001	O-RING	1	pc	25,800 g		190 X 5	MMN429
	140	700429135000	O-RING	1	pc	18,600 g		135 X 5	MMN429
	150	000931008241	HEX SCREW	4	pc	31,700 g		M 8 X 75	DIN931
	160	000125008427	WASHER	4	pc	1,500 g		A 8,4	DIN125
	170	000933012051	HEX SCREW	1	pc	53,200 g	MN	M 12 X 50	DIN933
	180	000125013012	WASHER	3	pc	5,600 g		A 13	DIN125
	190	000933012071	HEX SCREW	2	pc	44,800 g		M 12 X 40	DIN933



20700263a

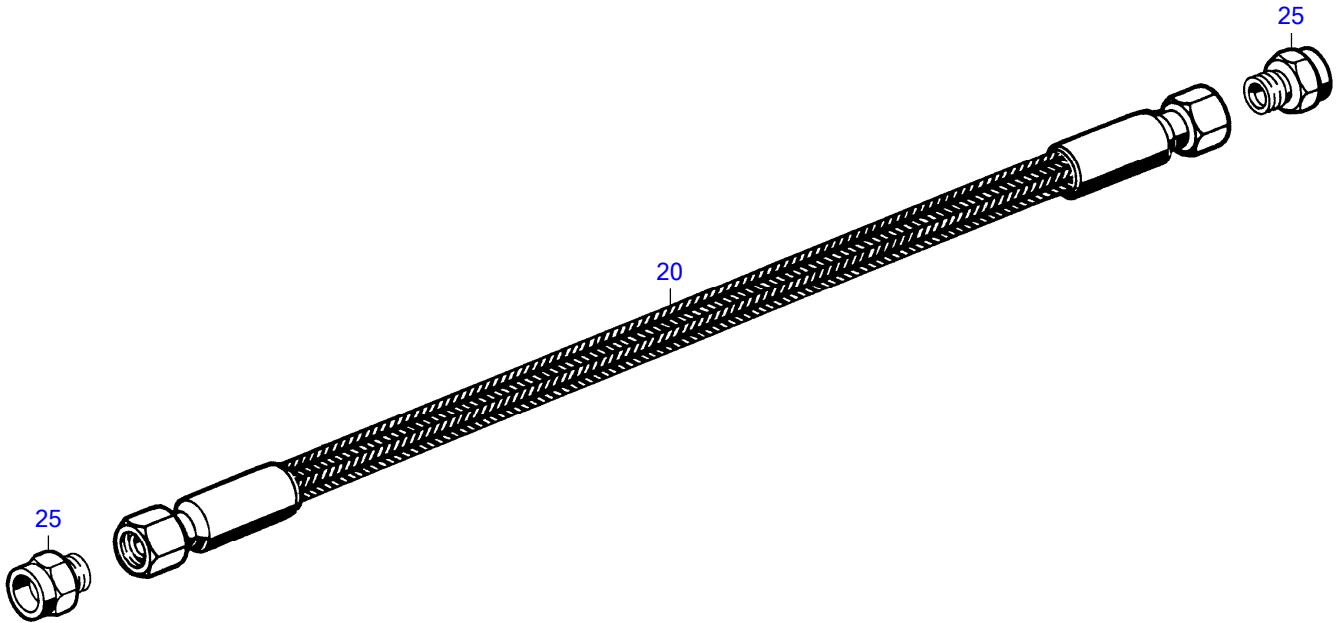
➔	POS.	PART NO.	DESIGNATION	MODEL/TYPE	QTY.	UNITS	WEIGHT	MEASUREMENT	STANDARD
	10	000908038003	PLUG		2	pc	0,147 kg	M 38 X 1,5	DIN908
	20	007603038101	COPPER SEALING RING		2	pc	5,400 g	A 38 X 44	DIN7603
504	30	5249970032	PLUG WITH O-RING	BR2000/4000	2	pc	0,015 kg	M14X1,5	





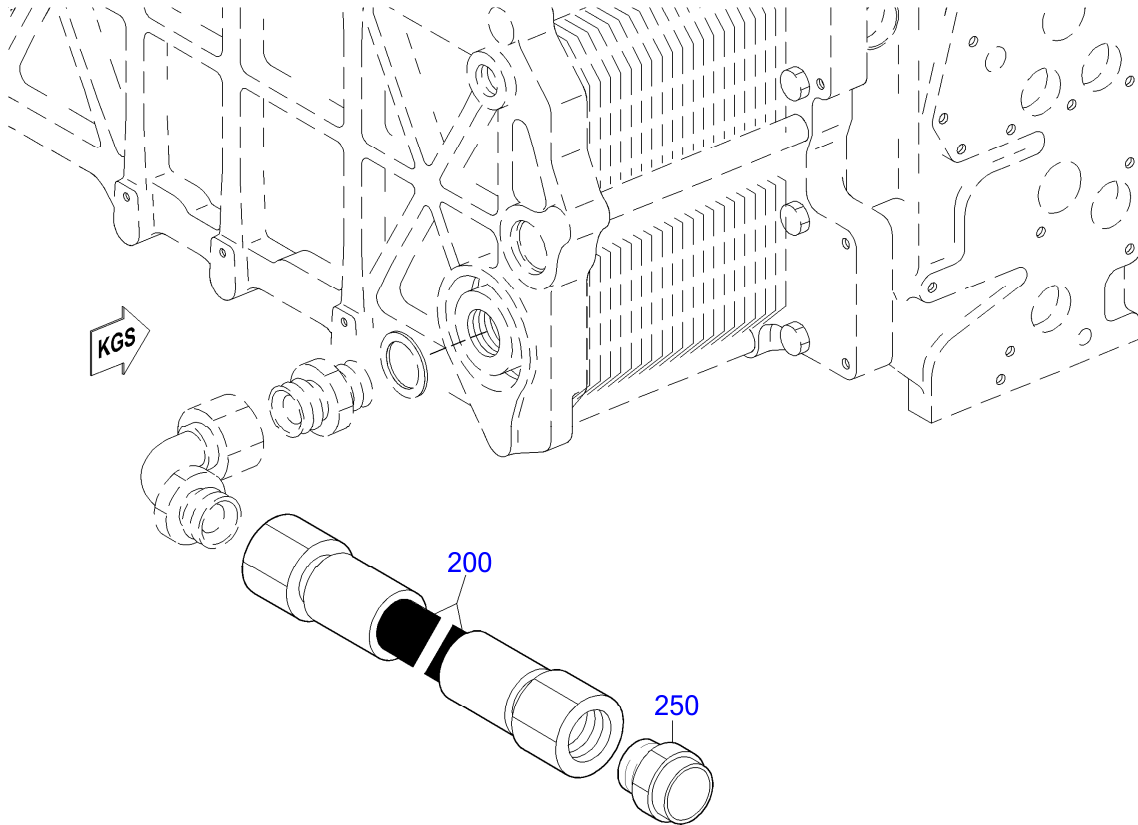
20700782

➔	POS.	PART NO.	DESIGNATION	QTY.	UNITS	WEIGHT	MEASUREMENT	STANDARD
	10	735221011000	O-RING	2	pc	0,300 g	11,3 X 2,2 - M14X1,5	MTN5221



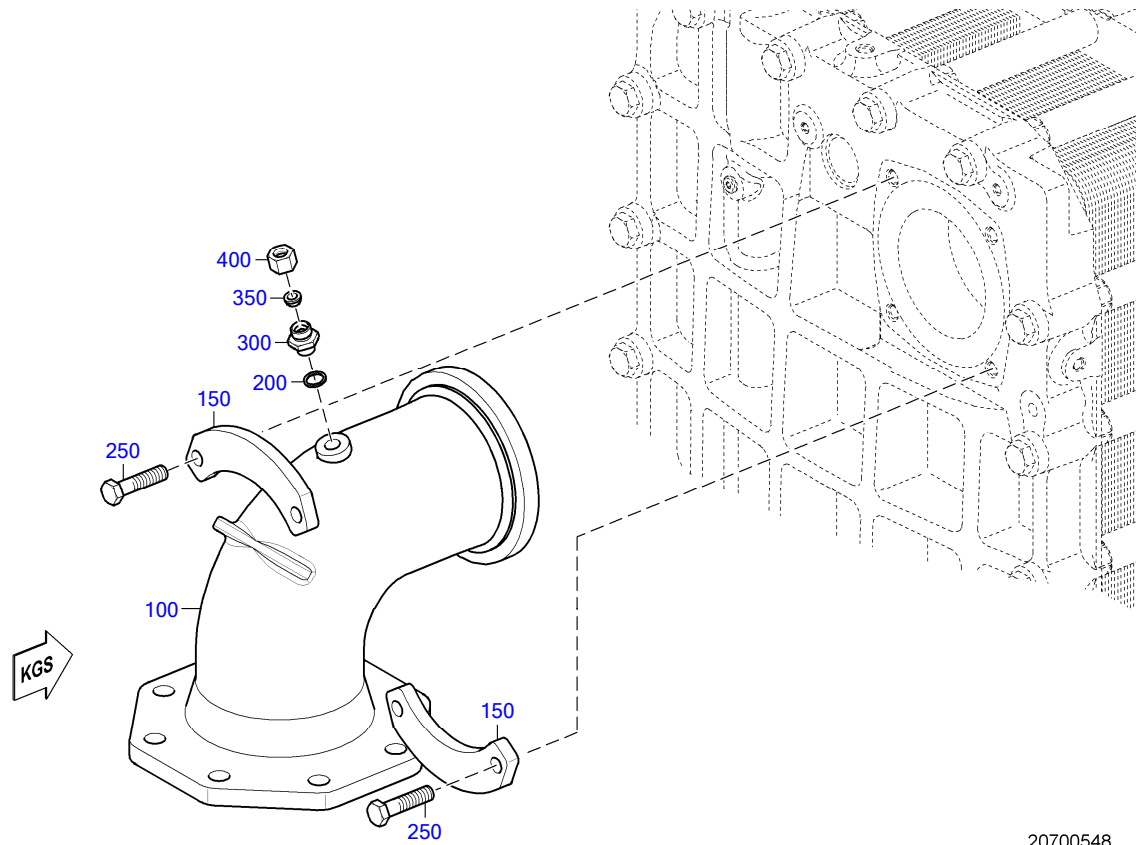
E2073016a0

➔	POS.	PART NO.	DESIGNATION	QTY.	UNITS	WEIGHT	MEASUREMENT	STANDARD
	20	735038006102	HOSE	1	pc	0,148 kg	1SN 6 CC 300	MTN5038
	25	718363206002	UNION	2	pc	14,800 g	8/M 14 X 1,5	MMN18363.2



20400074a

➔	POS.	PART NO.	DESIGNATION	QTY.	UNITS	WEIGHT	MEASUREMENT	STANDARD
	200	<b>735038040106</b>	HOSE	1	pc	3,400 kg	1SN 40 CC 1200-MW	MTN5038
	250	<b>718363240003</b>	UNION	1	pc	202,600 g	42/M 52 X 1,5	MMN18363.2



20700548

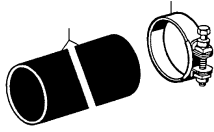
➔	POS.	PART NO.	DESIGNATION	MODEL/TYPE	QTY.	UNITS	WEIGHT	FN	MEASUREMENT	STANDARD
	100	5242032022	ELBOW	4000	1	pc	11,500 kg			
	150	5242030238	CLAMP HALF		2	pc	462,200 g			
	200	007603014102	COPPER SEALING RING		1	pc	1,000 g		A 14 X 18	DIN7603
	250	000000003437	HEX SCREW		4	pc	50,800 g	M	M 12 X 50	ISO4017
	300	915007008008	CONNECTOR 8/6 F73		1	pc	27,300 g		8 / 6 (M16X1,5/M14X1,5)	N15007
	350	915005008003	CONE SEALING 10 F73		1	pc	3,900 g		10	MBN15005
	400	915001008001	NUT		1	pc	14,600 g		8 M 16 X 1,5	N15001

GROUP SEGMENT (FGS)

GROUP NAME

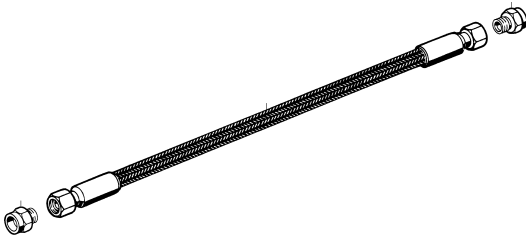
BOM-No.

05  
RUBBER SLEEVE  
200.00023



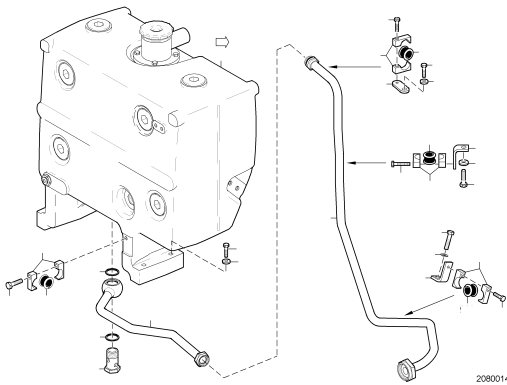
ET14 004705

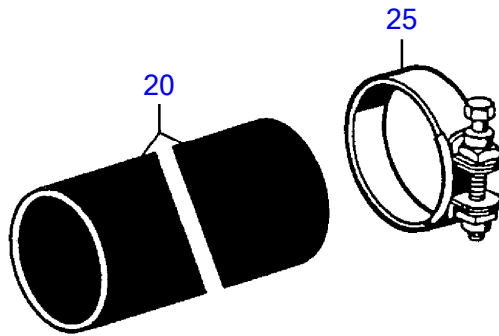
05  
HOSE  
200.00024



E2083003a0

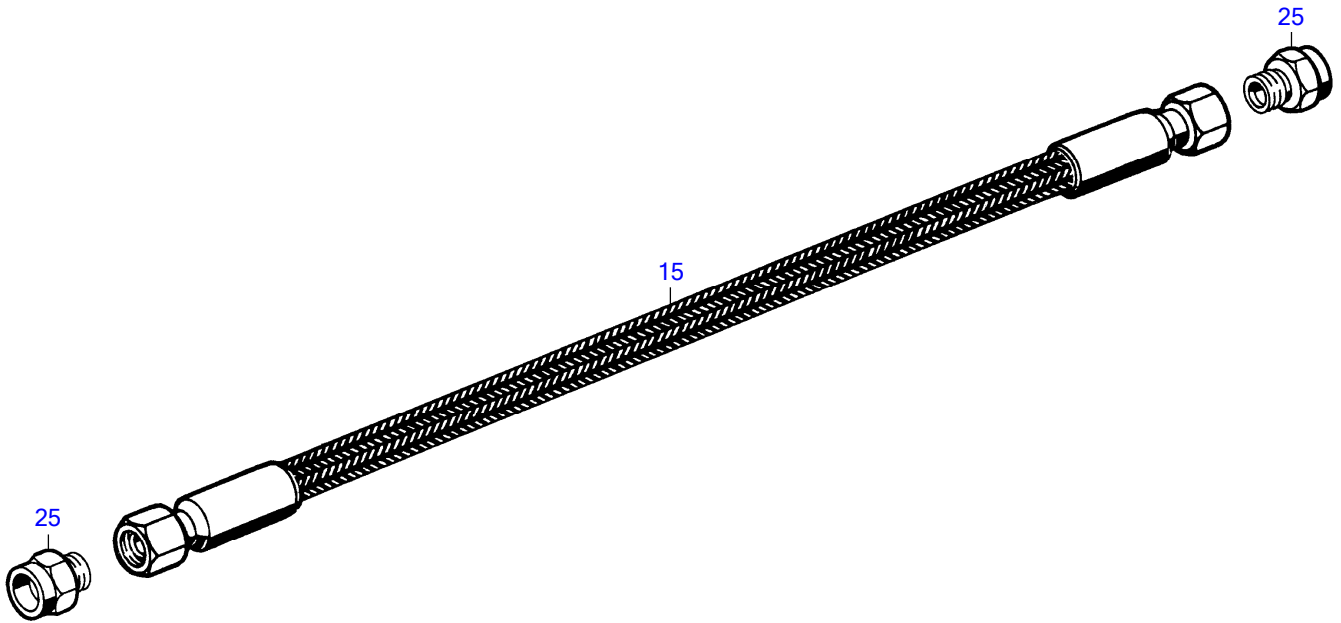
05  
COOLANT EXP TANK  
XS593200.00015





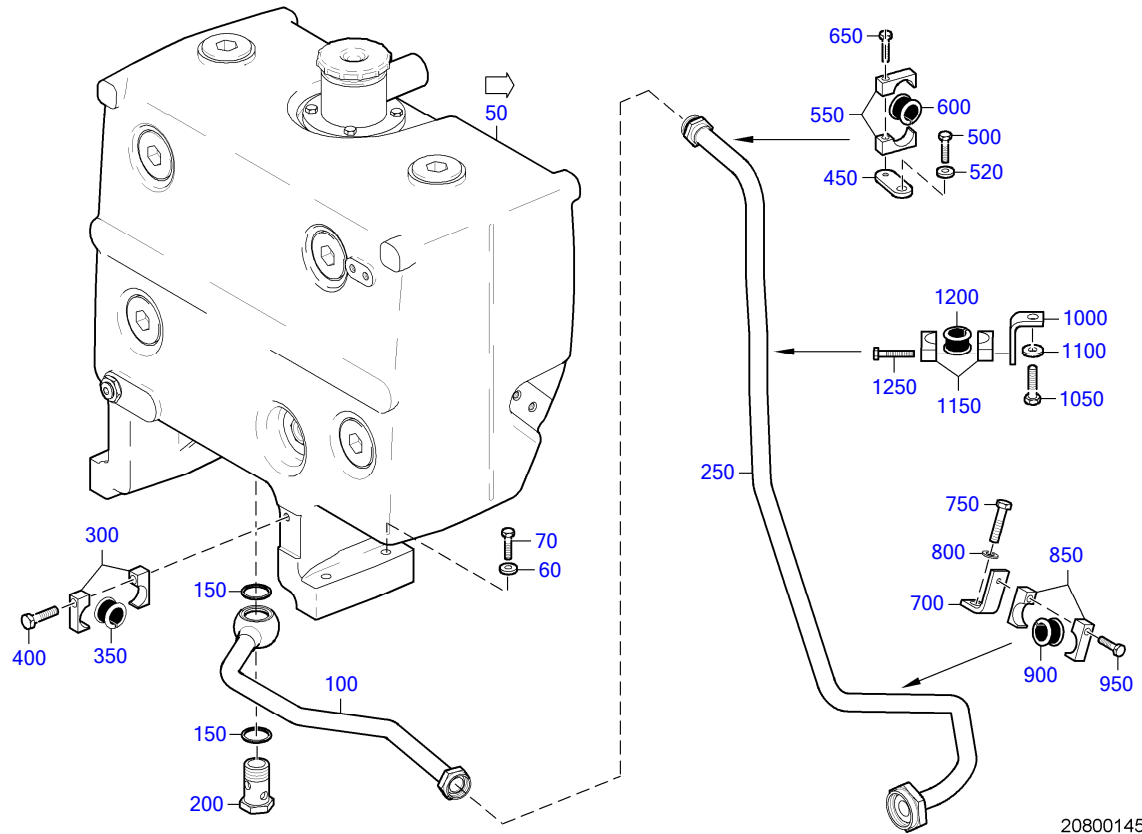
ET14 004705

➔	POS.	PART NO.	DESIGNATION	QTY.	UNITS	WEIGHT	MEASUREMENT	STANDARD
	20	700368042004	SLEEVE RUBBER	1	pc	507,800 g	42 X 400	MMN368
	25	900288054005	CLAMP	2	pc	69,900 g	S 54/20X1 SKZ	N288A



E2083003a0

➔	POS.	PART NO.	DESIGNATION	QTY.	UNITS	WEIGHT	MEASUREMENT	STANDARD
	15	735038008103	HOSE	1	pc	198,100 g	1SN 8 CC 300-MW	MTN5038
	25	718363208003	UNION	2	pc	19,500 g	10/M 16 X 1,5	MMN18363.2



20800145

➔	POS.	PART NO.	DESIGNATION	MODEL/TYPE	QTY.	UNITS	WEIGHT	MEASUREMENT	STANDARD
	50	X5932080004	EXPANSION TANK		1	pc	40,000 kg		
	60	735151010100	SPACER		4	pc	11,000 g	A 10,5	MTN5151
	70	000000004745	HEX SCREW		4	pc	41,800 g	M 10 X 65	ISO4017
	100	X59420800011	COOLANT LINE		1	pc	726,300 g		
	150	007603030101	COPPER SEALING RING		2	pc	4,300 g	A 30 X 36	DIN7603
	200	700223020000	BOLT BANJO A20		1	pc	201,600 g	A 22	MMN223
	250	X59420800016	COOLANT LINE		1	pc	1,300 kg		
	300	700325028105	PIPE CLAMP HALF		2	pc	50,500 g	1/1 D11 - 28	MMN325
	350	700327022000	GROMMET		1	pc	9,000 g	22	MMN327
	400	000000001042	HEX SCREW		1	pc	34,600 g	M 10 X 50	ISO4017
	450	5241872240	BRACKET 40X6 M12 UNTHD+M8 THD BOLT HOLE BR 4000		1	pc	62,200 g		
	500	304017008079	HEX SCREW		1	pc	11,700 g	M 8 X 20	ISO4017
	520	007349008002	WASHER		1	pc	7,900 g	8,4	DIN7349
	550	700325028100	CLAMP HALF TUBE 1/1 D9-28		2	pc	55,000 g	1/1 D 9 - 28	MMN325
	600	700327022000	GROMMET		1	pc	9,000 g	22	MMN327
	650	304017008086	HEX SCREW		1	pc	19,400 g	M 8 X 45	ISO4017
	700	5242031540	BRACKET		1	pc	93,900 g		
	750	304017010015	HEX SCREW		1	pc	39,200 g	M 10 X 60	ISO4017
	800	007349010002	WASHER		1	pc	11,000 g	10,5	DIN7349
	850	700325028100	CLAMP HALF TUBE 1/1 D9-28		2	pc	55,000 g	1/1 D 9 - 28	MMN325
	900	700327022000	GROMMET		1	pc	9,000 g	22	MMN327
	950	304017008086	HEX SCREW		1	pc	19,400 g	M 8 X 45	ISO4017
	1000	5242031540	BRACKET		1	pc	93,900 g		
	1050	000000001042	HEX SCREW		1	pc	34,600 g	M 10 X 50	ISO4017
	1100	007349010002	WASHER		1	pc	11,000 g	10,5	DIN7349



EQUI TYPE: Engine

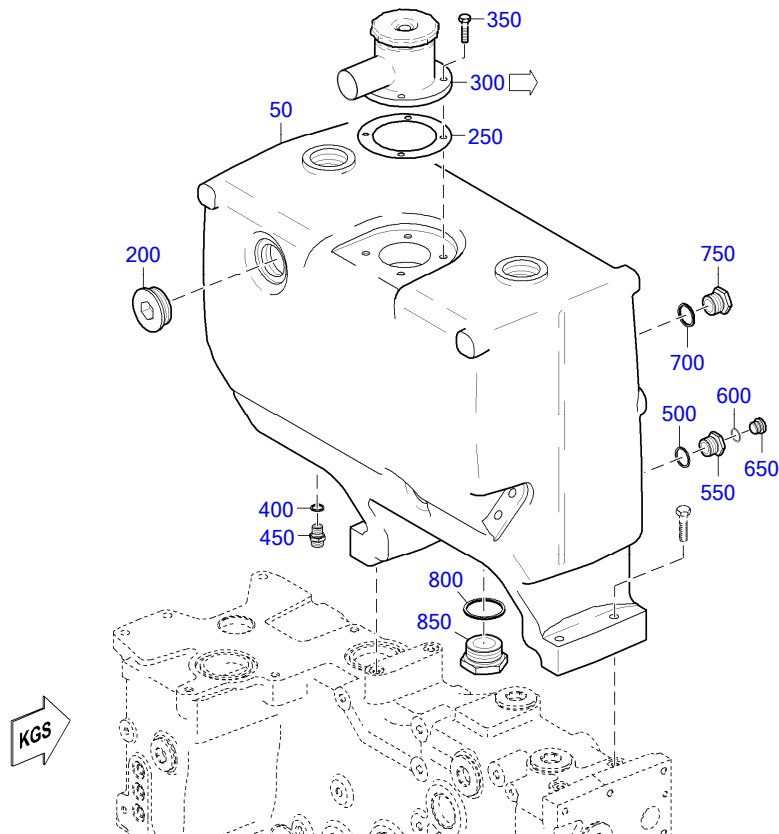
PRODUCT TYPE: 12V4000M53  
COOLANT EXP TANK

SERIAL NUMBER: 526107657

FG/FGS: 208 05

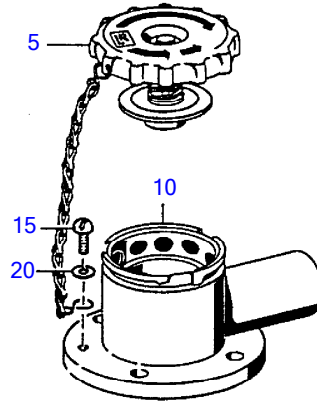
BOM-No.: XS593200.00015

➡	POS.	PART NO.	DESIGNATION	MODEL/TYPE	QTY.	UNITS	WEIGHT	MEASUREMENT	STANDARD
	1150	700325028100	CLAMP HALF TUBE 1/1 D9-28		2	pc	55,000 g	1/1 D 9 - 28	MMN325
	1200	700327022000	GROMMET		1	pc	9,000 g	22	MMN327
	1250	304017008086	HEX SCREW		1	pc	19,400 g	M 8 X 45	ISO4017



20800137a

➔	POS.	PART NO.	DESIGNATION	QTY.	UNITS	WEIGHT	FN	MEASUREMENT	STANDARD
	50	X59320800003	EXPANSION TANK	1	pc	39,500 kg			
	200	735072052000	PLUG	8	pc	0,105 kg		M 52 X 2	MTN5072
	250	5552031780	GASKET	1	pc	8,600 g			
513	300	0002000017	PRESSURE CAP (EXPANSION TANK)	1	pc	1,376 kg	P		
	350	304017008081	HEX SCREW	4	pc	13,400 g		M 8 X 25	ISO4017
	400	007603016105	COPPER SEALING RING	1	pc	3,000 g		A 16 X 20	DIN7603
	450	735070010000	UNION	1	pc	32,200 g		12	MTN5070
	500	007603024106	SEALING RING	1	pc	2,700 g		A 24 X 29	DIN7603
	550	700354016004	THREADED BUSHING	1	pc	60,000 g		M 16 X 1,5	MMN354
	600	007603016105	COPPER SEALING RING	1	pc	3,000 g		A 16 X 20	DIN7603
	650	000908016005	PLUG	1	pc	0,018 kg		M 16 X 1,5	DIN908
	700	007603027101	WASHER A	1	pc	1,000 g		A 27 X 32	DIN7603
	750	X59520800007	THREADED BUSHING	1	pc	73,000 g		M 18 X 1,5	
	800	007603048101	COPPER SEALING RING	1	pc	7,700 g		A 48 X 55	DIN7603
	850	X59499100064	THREADED BUSHING	1	pc	336,000 g		M 30 X 1,5	



ET14 004707

➔	POS.	PART NO.	DESIGNATION	QTY.	UNITS	WEIGHT	FN	MEASUREMENT	STANDARD
	5	0002033286	CAP PRESSURE EXPANSION TANK S2000/4000	1	pc	151,600 g			
	10	Z=7.4560.2.00	BASE COMPLETE	1	pc				
	15	Z=M6X10DIN86	RD-HD SCRW	1	pc		AC	M6 X 10	
	20	000125006431	WASHER	1	pc	0,800 g		A 6,4	DIN125

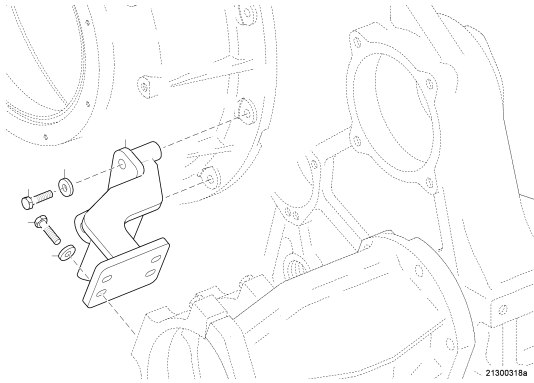
GROUP SEGMENT (FGS)

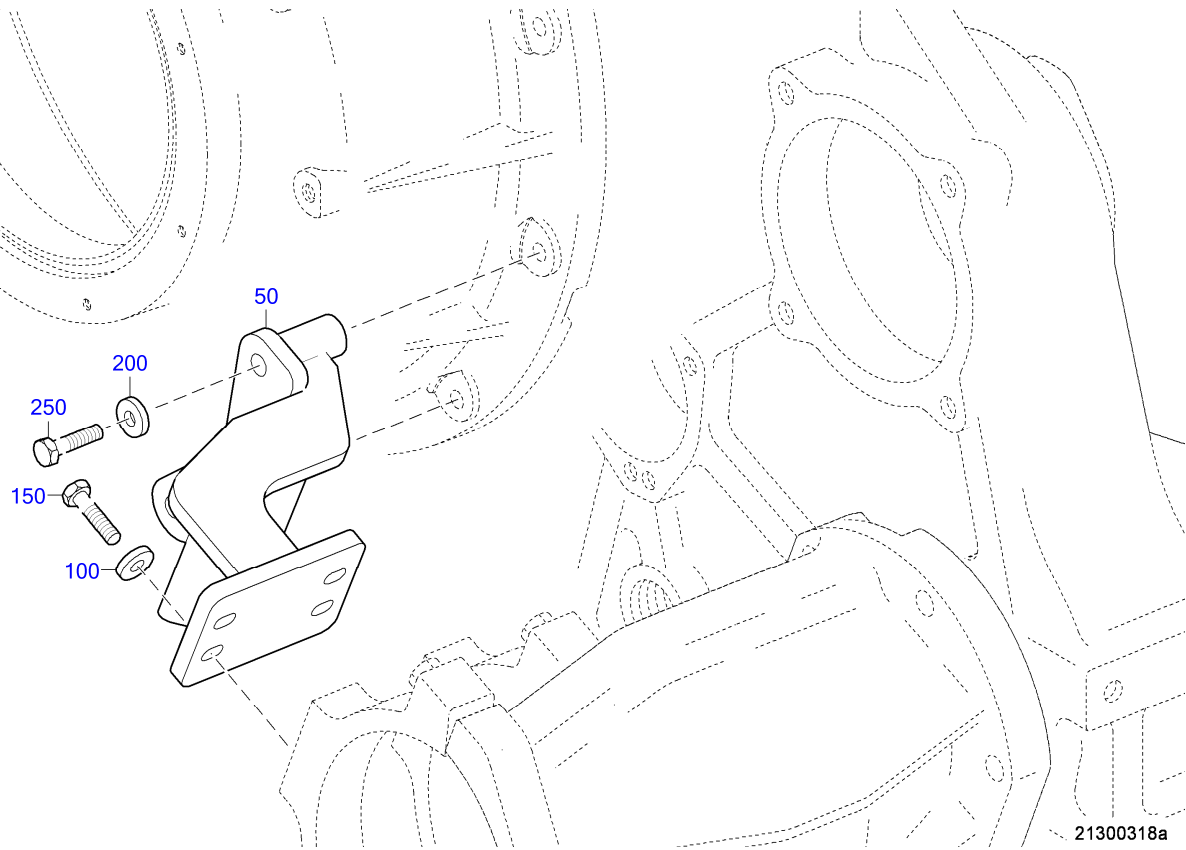
GROUP NAME

BOM-No.

---

00  
RETAINER FOR ALTERNATOR  
XS594210.00002





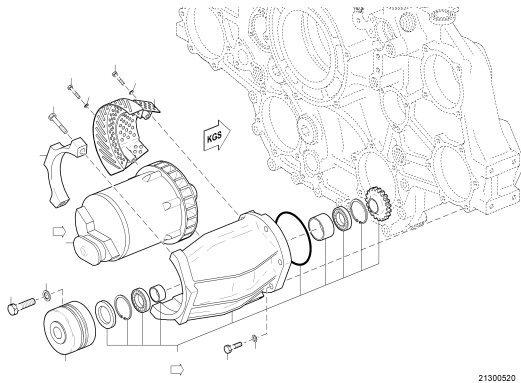
➔	POS.	PART NO.	DESIGNATION	QTY.	UNITS	WEIGHT	MEASUREMENT	STANDARD
	50	X59421300001	RETAINER FOR ALTERNATOR	1	pc	2,940 kg		
	100	007349008002	WASHER	4	pc	7,900 g	8,4	DIN7349
	150	304017008080	HEX SCREW	4	pc	13,300 g	M 8 X 25	ISO4017
	200	007349008002	WASHER	2	pc	7,900 g	8,4	DIN7349
	250	000000003946	HEX SCREW	2	pc	43,600 g	M 8 X100	ISO4014

GROUP SEGMENT (FGS)

GROUP NAME

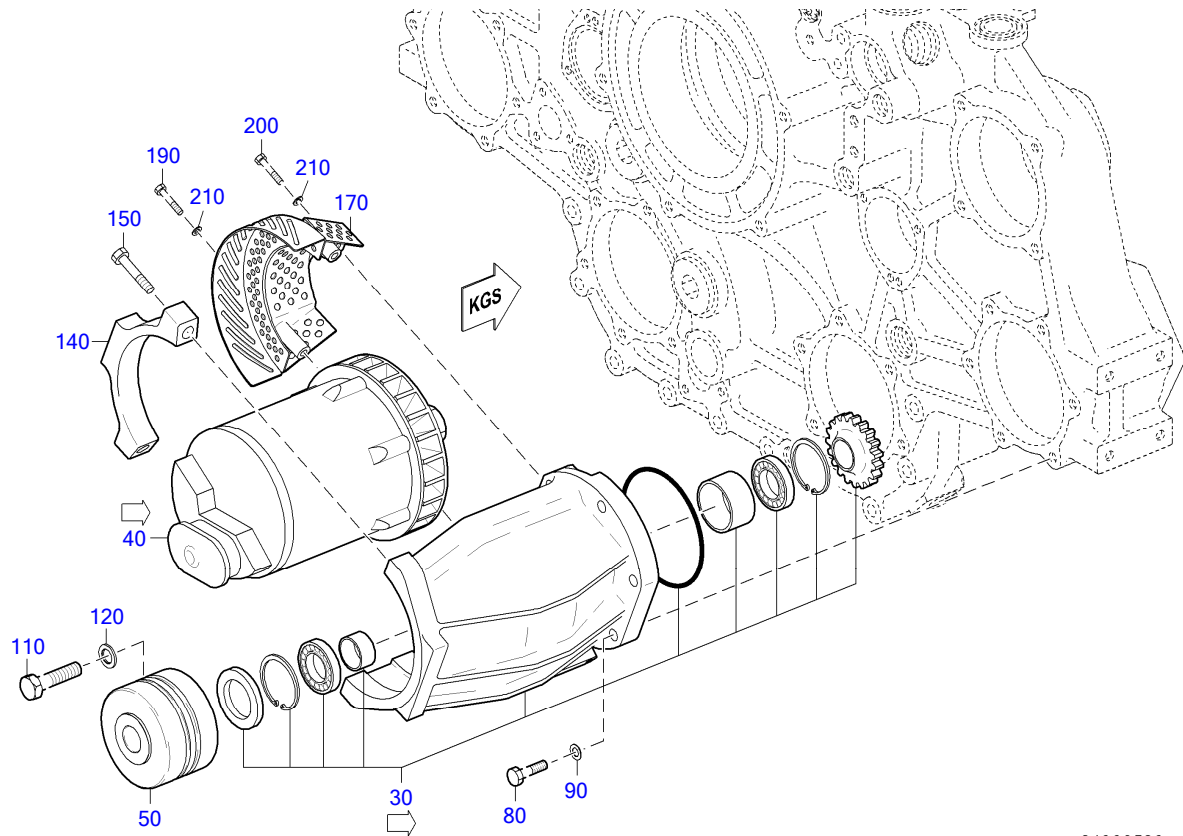
BOM-No.

---



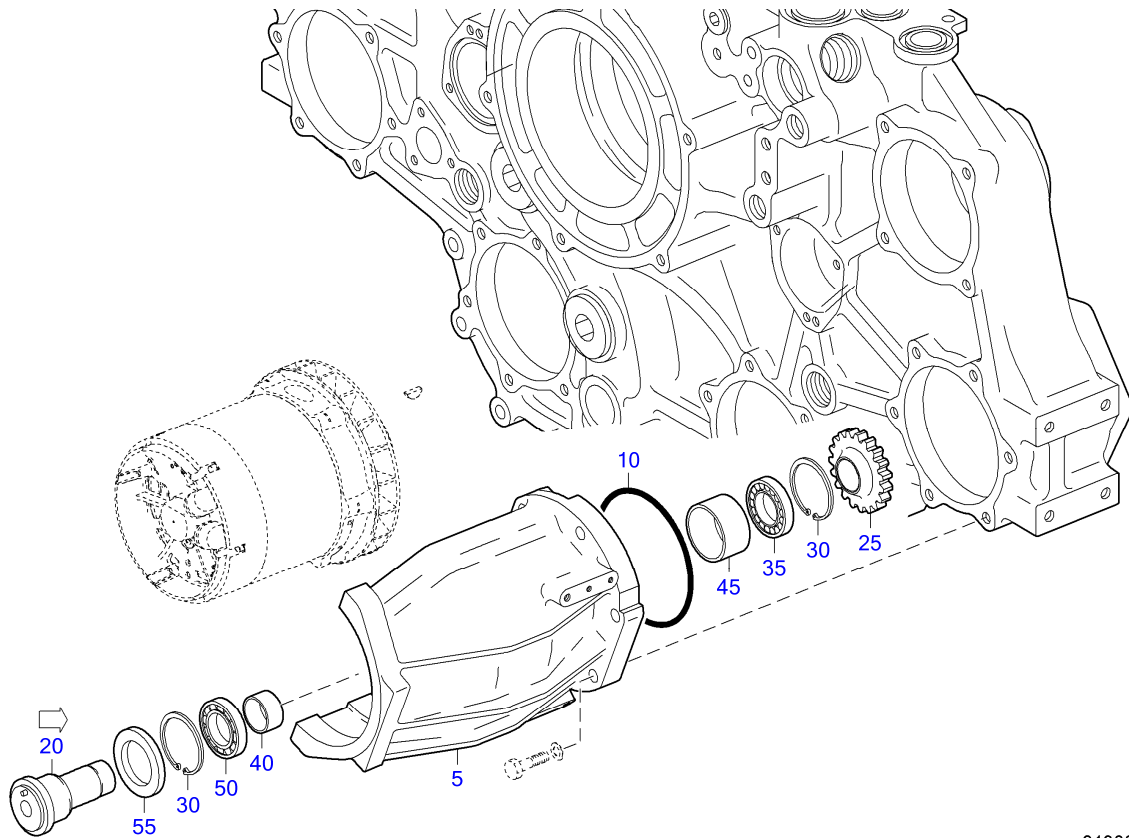
05  
**ALTERNATOR**  
XS594210.00001

21300520



21300520

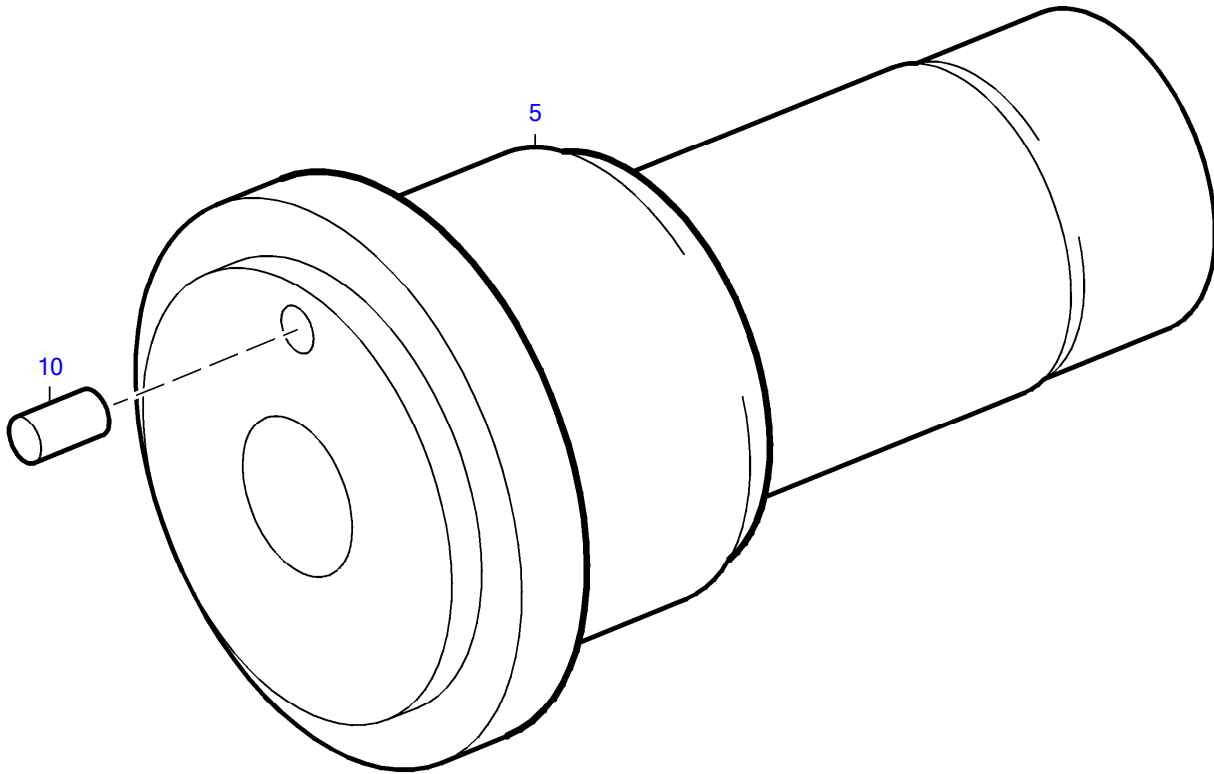
➔	POS.	PART NO.	DESIGNATION	MODEL/TYPE	QTY.	UNITS	WEIGHT	FN	MEASUREMENT	STANDARD
	518	30	<b>5241500152</b>	ALTERNATOR DRIVE	4000	1	pc	22,571 kg	M	
	520	40	<b>X52421300004</b>	ALTERNATOR		1	pc	15,091 kg	M	
		50	<b>X52421300003</b>	COUPLING		1	pc	2,700 kg		
		80	<b>000931012033</b>	HEX SCREW		6	pc	54,000 g	M 12 X 50	DIN931
		90	<b>735151012100</b>	SPACER S2000/4000		6	pc	20,000 g	A 12,5	MTN5151
		110	<b>000931016133</b>	HEX SCREW		1	pc	151,000 g	M 16 X 80	DIN931
		120	<b>200433017000</b>	WASHER		1	pc	6,800 g	17	DIN433
		140	<b>5241510211</b>	CLAMP ALTERNATOR U 200MM ID		2	pc	1,180 kg		
		150	<b>000931012137</b>	HEX SCREW		4	pc	80,400 g	M 12 X 80	DIN931
		170	<b>X00044396</b>	SHIELD ALTERNATOR HEAT ASM		1	pc	700,000 g	SB	
		190	<b>304017008089</b>	HEX SCREW		2	pc	24,200 g	M 8 X 60	ISO4017
		200	<b>304017008077</b>	HEX SCREW		1	pc	10,500 g	M 8 X 16	ISO4017
		210	<b>000125008427</b>	WASHER		3	pc	1,500 g	A 8,4	DIN125



21300387

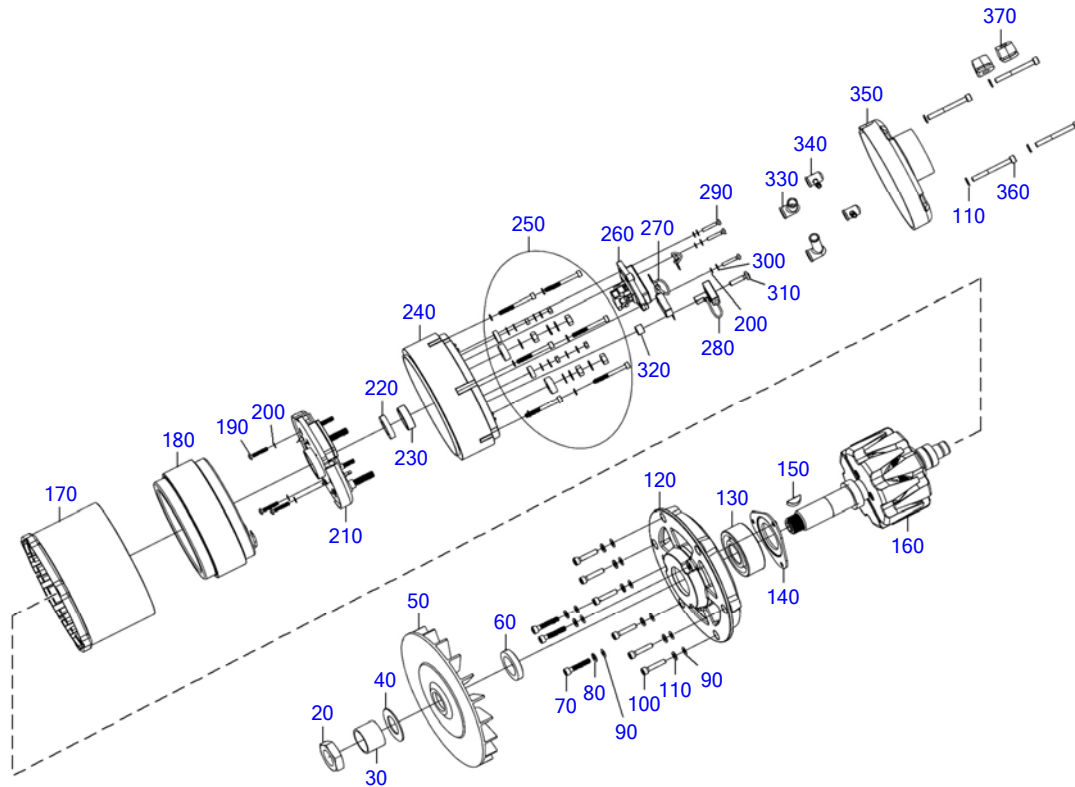
➔	POS.	PART NO.	DESIGNATION	MODEL/TYPE	QTY.	UNITS	WEIGHT	MEASUREMENT	STANDARD
	5	5241510940	CARRIER ALTERNATOR	BR4000	1	pc	20,000 kg		
	10	700429135000	O-RING		1	pc	18,600 g	135 X 5	MMN429
519	20	5241500009	SHAFT	4000	1	pc	930,700 g		
	25	X00021757	GEAR		1	pc	450,700 g		
	30	000472062000	RING SNAP		2	pc	11,800 g	62 X 2	DIN472
	35	205412410002	BEARING CYLINDRICAL ROLLER NU 1007		1	pc	175,000 g	NU1007	DIN5412
	40	5241510251	RING SPACER		1	pc	42,600 g		
	45	5241510151	RING SPACER		1	pc	91,900 g		
	50	200625906017	BEARING BALL GROOVED 6007 J		1	pc	144,600 g	6007	DIN625
	55	700386048001	SEAL OIL 48 X 72 X 8 MNN386		1	pc	31,200 g	A 48 X 72 X 8	MMN386





21300054a

➔	POS.	PART NO.	DESIGNATION	QTY.	UNITS	WEIGHT	MEASUREMENT	STANDARD
	5	<b>5241510133</b>	SHAFT	1	pc	933,000 g		
	10	<b>006325005108</b>	PIN PARALLEL 5M	1	pc	2,200 g	5 M 6 X 14	DIN6325



21300363a

➔	POS.	PART NO.	DESIGNATION	QTY.	UNITS	WEIGHT
	20	XP52499100154	HEX NUT	1	pc	
	30	XP52499100144	BUSHING	1	pc	
	40	XP52499100147	SNAP RING	1	pc	
	50	XP52421300021	FAN	1	pc	
	60	XP52499100142	WASHER	1	pc	
	70	XP52499100151	SCREW	3	pc	
	80	XP52499100157	SPRING WASHER	3	pc	
	90	XP52499100156	WASHER	9	pc	
	100	XP52499100152	SCREW	6	pc	
	110	XP52499100158	WASHER	10	pc	
	120	XP52421300019	DRIVE-END BEARING	1	pc	
	130	XP52499100141	GROOVED BALL BEARING	1	pc	510,000 g
	140	XP52421300018	BEARING CAP	1	pc	
	150	XP52421300022	WOODRUFF KEY	1	pc	
	160	XP52421300012	ROTOR	1	pc	
	170	XP52421300026	HOUSING	1	pc	
	180	XP52421300015	STATOR	1	pc	
	190	XP52499100149	OVAL-HEAD SCREW	3	pc	
	200	XP52499100146	SNAP RING	6	pc	
	210	XP52421300014	RECTIFIER	1	pc	532,000 g
	220	XP52499100160	SHAFT SEAL	1	pc	138,200 g
	230	XP52499100159	CYL ROLLER BEARING	1	pc	282,200 g
	240	XP52421300027	HOUSING	1	pc	
	250	XP52400600001	PARTS KIT	1	pc	92,900 g
	260	XP52421300013	GOVERNOR	1	pc	101,400 g

EQUI TYPE: Engine

PRODUCT TYPE: 12V4000M53  
ALTERNATOR

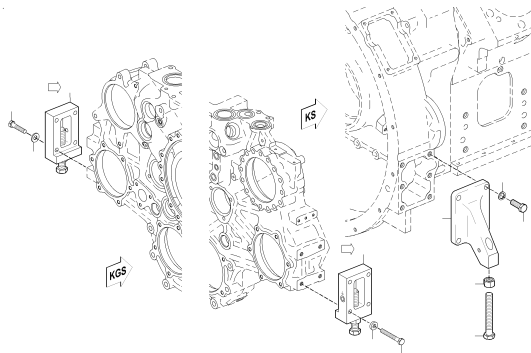
SERIAL NUMBER: 526107657

FG/FGS:

BOM-No.: X52421300004

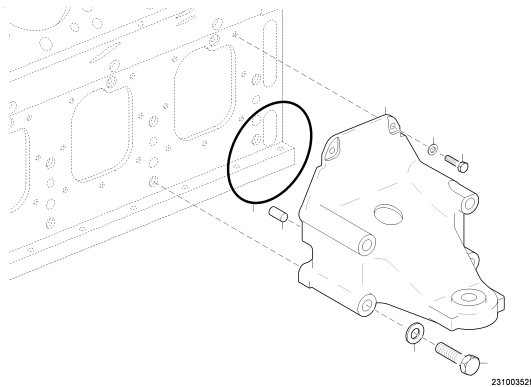
➡	POS.	PART NO.	DESIGNATION	QTY.	UNITS	WEIGHT
	270	XP52421300024	CAPACITOR	1	pc	23,000 g
	280	XP52421300023	CAPACITOR	1	pc	17,000 g
	290	XP52499100149	OVAL-HEAD SCREW	3	pc	
	300	XP52499100155	WASHER	3	pc	
	310	XP52499100148	OVAL-HEAD SCREW	1	pc	
	320	XP52499100143	WASHER	1	pc	
	330	XP52421300017	INSULATION ELEMENT	2	pc	5,000 g
	340	XP52421300016	INSULATION ELEMENT	2	pc	2,000 g
	350	XP52421300025	VENTILATOR COVER	1	pc	31,000 g
	360	XP52499100153	SCREW	4	pc	14,400 g
	370	XP52499100145	RUBBER SLEEVE	2	pc	14,400 g

GROUP SEGMENT (FGS)  
GROUP NAME  
BOM-No.



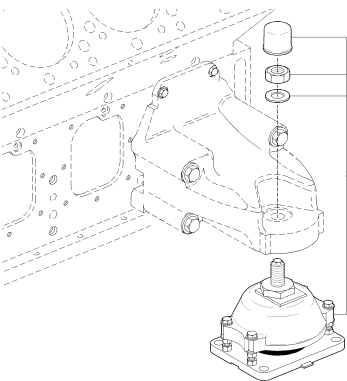
05  
**ENGINE SUPPORT**  
XS527230.00015

2310035a



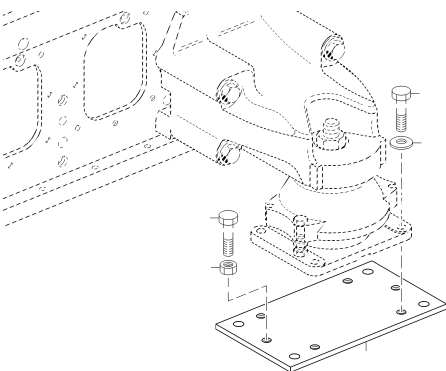
05  
**MOUNTING BRACKET**  
XS527230.00016

23100352f



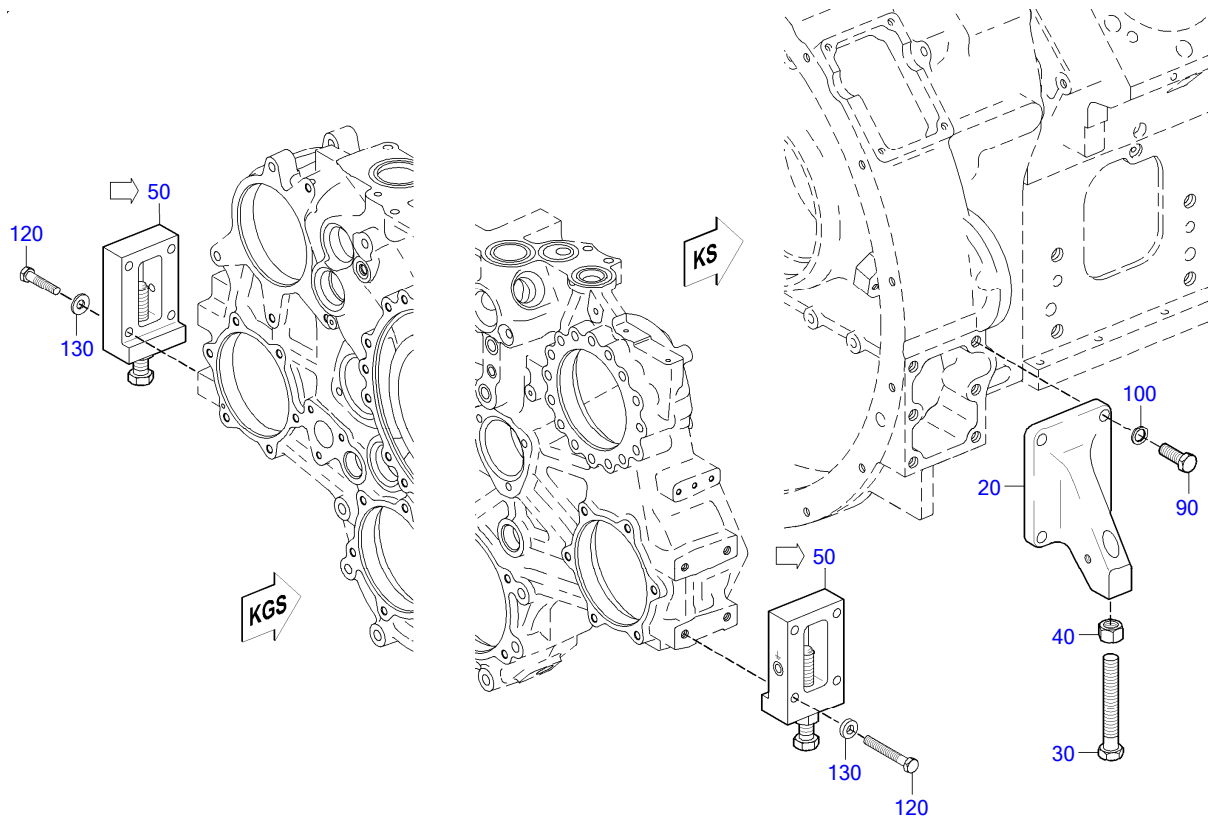
05  
**RUBBER MOUNT**  
XS594230.00004

2310035b



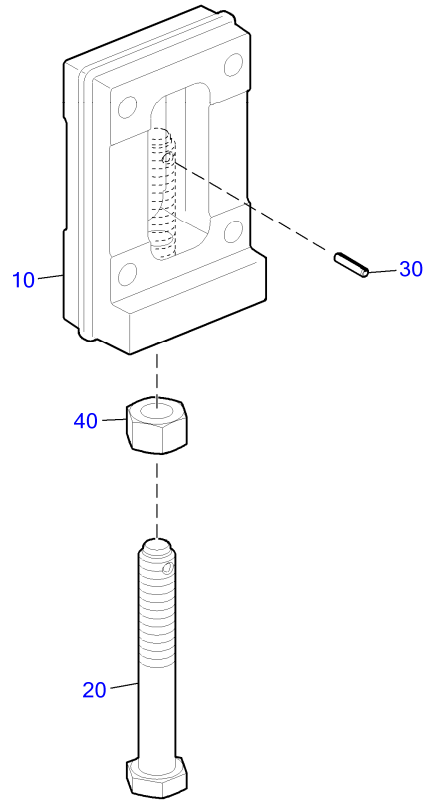
10  
**BASE PLATE**  
230.00000

E2313012a1



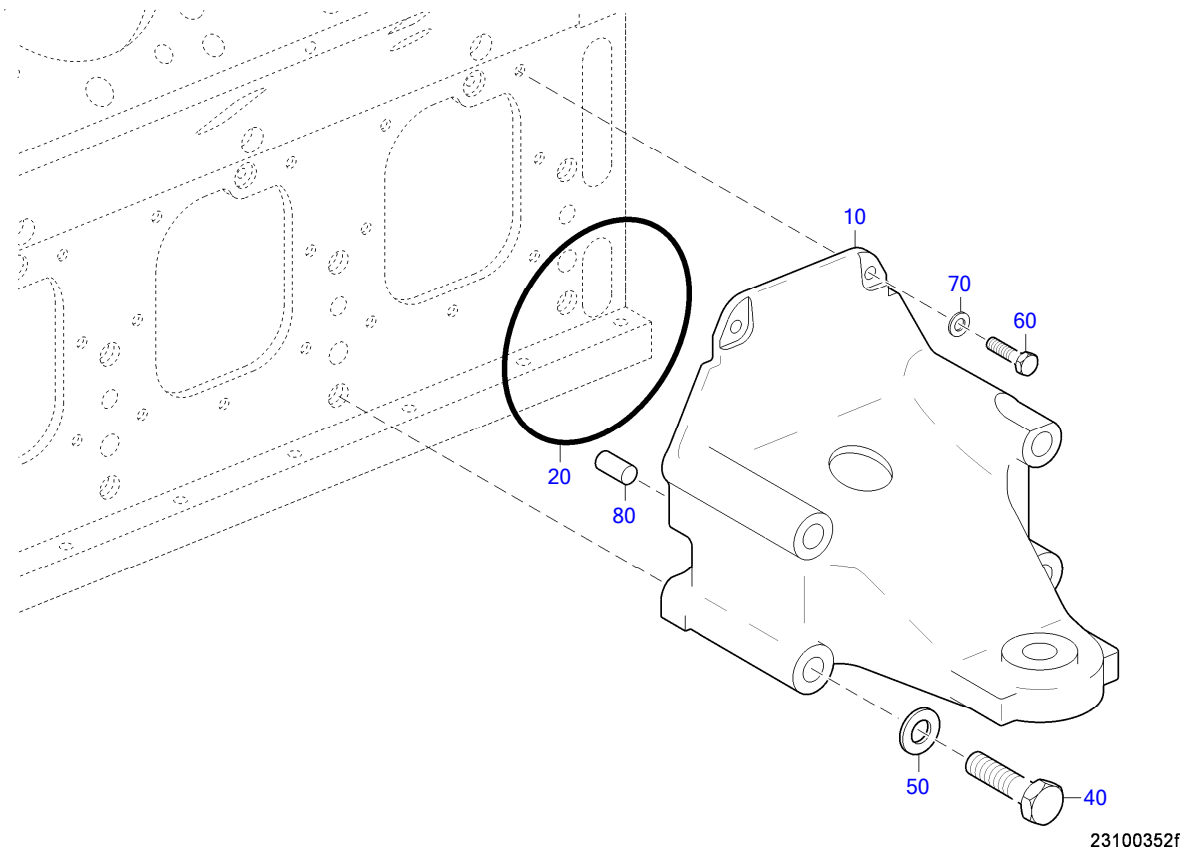
23100353a

➔	POS.	PART NO.	DESIGNATION	QTY.	UNITS	WEIGHT	MEASUREMENT	STANDARD
	20	X59623100004	ENGINE SUPPORT MAIN PTO END	2	pc	8,400 kg		
	30	304017020007	HEX SCREW	2	pc	352,500 g	M 20 X140 AK	ISO4017
	40	304032020001	HEX NUT	2	pc	62,800 g	M 20	ISO4032
523	50	X52723100019	ENGINE SUPPORT	2	pc	4,000 kg		
	90	304017016026	HEX SCREW	8	pc	102,200 g	M 16 X 50	ISO4017
	100	200433017001	WASHER	8	pc	6,500 g	17	DIN433
	120	000000001078	HEX SCREW	8	pc	58,200 g	M 12 X 60	ISO4017
	130	200433013000	WASHER	8	pc	2,500 g	13	DIN433

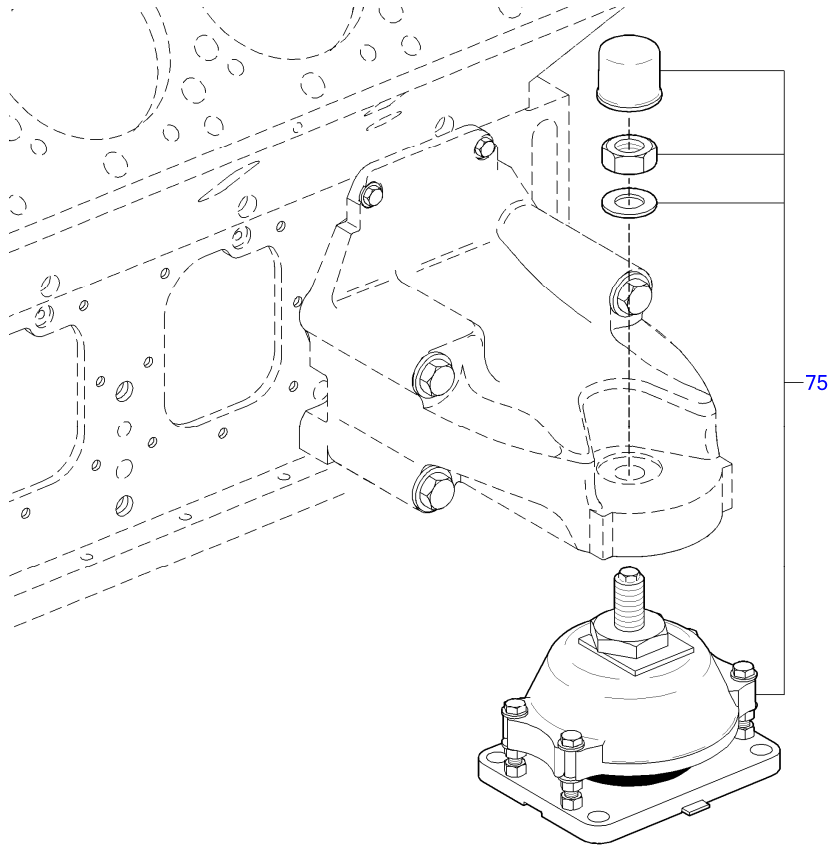


23100466a

➔	POS.	PART NO.	DESIGNATION	QTY.	UNITS	WEIGHT	MEASUREMENT	STANDARD
	10	<b>X59623100003</b>	ENGINE SUPPORT	1	pc	3,569 kg		
	20	<b>X52723100020</b>	SCREW	1	pc	0,390 kg		
	30	<b>001481005030</b>	PIN SPRING	1	pc	2,400 g	5 X 24 - N	ISO8752
	40	<b>304032020001</b>	HEX NUT	1	pc	62,800 g	M 20	ISO4032



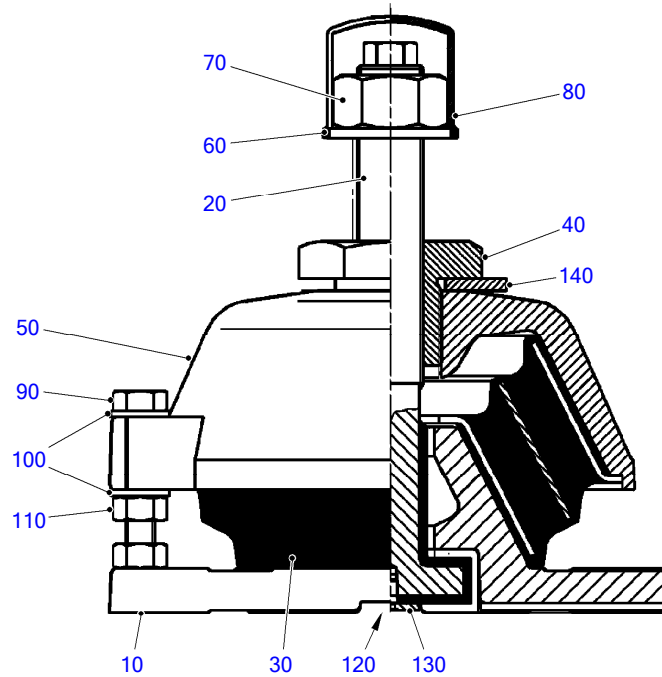
➔	POS.	PART NO.	DESIGNATION	QTY.	UNITS	WEIGHT	MEASUREMENT	STANDARD
	10	<b>X52623100018</b>	MOUNTING BRACKET	4	pc	25,400 kg		
	20	<b>700429192000</b>	O-RING	4	pc	16,400 g	192 X 4	MMN429
	40	<b>204014020004</b>	HEX SCREW	16	pc	530,600 g	M 20 X200	ISO4014
	50	<b>200433021000</b>	WASHER	16	pc	10,800 g	21	DIN433
	60	<b>000000003021</b>	HEX SCREW	8	pc	22,800 g	M 10 X 25	ISO4017
	70	<b>000125010524</b>	WASHER	8	pc	3,100 g	A 10,5	DIN125
	80	<b>000007016104</b>	PIN DOWEL	8	pc	54,600 g	16 M6 X 32	DIN7



23100358a

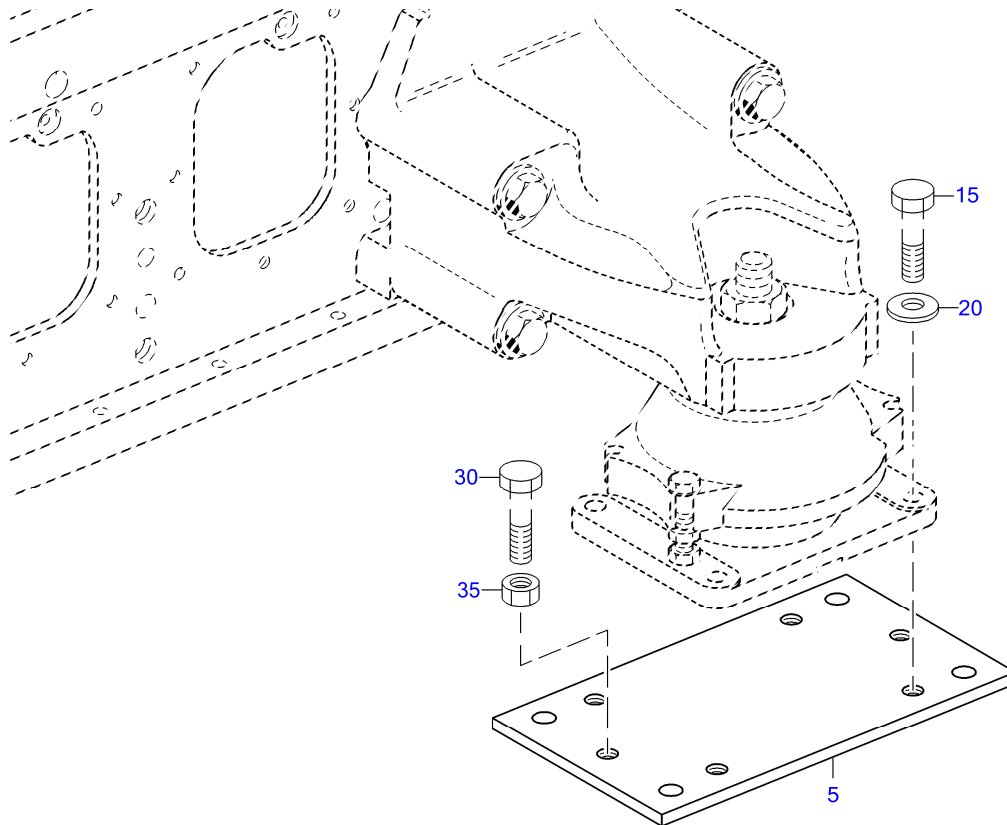
➔	POS.	PART NO.	DESIGNATION	QTY.	UNITS	WEIGHT
	75	X52623100057	RUBBER MOUNT	4	pc	15,577 kg





23100228e

➔	POS.	PART NO.	DESIGNATION	MODEL/TYPE	QTY.	UNITS	WEIGHT	MEASUREMENT	STANDARD
	10	XP52623100089	FOOT		1	pc			
	20	X00033995	BUFFER	4000	1	pc	1,121 kg		
	30	XP52623100068	RUBBER ELEMENT		1	pc		SHORE 55	
	40	XP52623100088	ADJUSTMENT BOLT		1	pc			
	50	X00043629	COVER	4000	1	pc			
	60	000125027004	WASHER		1	pc	38,600 g	B 27	DIN125
	70	000934027004	HEX NUT		1	pc	145,000 g	M 27 X 2	DIN934
	80	XP52623100078	PROTECTIVE CAP		1	pc	20,000 g		
	90	000933012040	HEX SCREW		4	pc	70,400 g	M 12 X 75	DIN933
	100	200125013000	WASHER		8	pc	5,800 g	A 13	DIN125
	110	000934012008	NUT HEX		8	pc	15,200 g	M 12	DIN934
	120	X00034055	COUNTERSUNK HD SCREW	4000	1	pc		M6X10	DIN 7991
	130	X00034057	LOCKING DEVICE	4000	1	pc			
	140	X00034058	LOCKING DEVICE	4000	1	pc			



E2313012a1

➔	POS.	PART NO.	DESIGNATION	MODEL/TYPE	QTY.	UNITS	WEIGHT	MEASUREMENT	STANDARD
	5	0002351530	BASE PLATE	BR4000	1	pc	10,450 kg		
	15	304017016023	HEX SCREW		4	pc	87,800 g	M 16 X 40	ISO4017
	20	206796016000	CONICAL SPR. WASHER		4	pc	28,100 g	16	DIN6796
	30	304017016029	HEX SCREW		2	pc	114,800 g	M 16 X 60	ISO4017
	35	000934016019	NUT HEX 8		2	pc	30,000 g	M 16	DIN934

EQUI TYPE: Engine

PRODUCT TYPE: 12V4000M53  
RUBBER COUPLING

SERIAL NUMBER: 526107657  
FG/FGS: 252

---

GROUP SEGMENT (FGS)

**GROUP NAME**

BOM-No.

---

05

**TORS. RESILIENT CPL. LR ACCEPTANCE**

XS594250.00091

EQUI TYPE: Engine

PRODUCT TYPE: 12V4000M53  
TORS. RESILIENT CPL. LR ACCEPTANCE

SERIAL NUMBER: 526107657

FG/FGS: 252 05  
BOM-No.: XS594250.00091

➡	POS.	PART NO.	DESIGNATION	QTY.	UNITS	WEIGHT
530	40	X59425200003/31	TORS. RESILIENT CPL. LR ACCEPTANCE	1	pc	133,500 kg

EQUI TYPE: Engine

PRODUCT TYPE: 12V4000M53  
TORS. RESILIENT CPL. LR ACCEPTANCE

SERIAL NUMBER: 526107657

FG/FGS:

BOM-No.: X59425200003/31

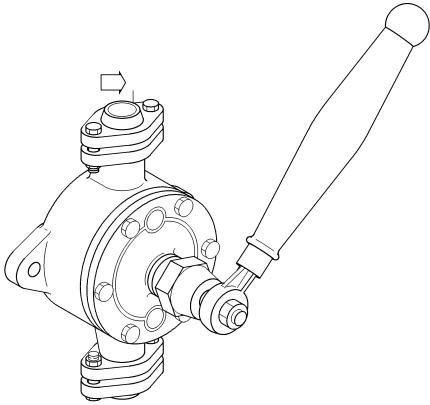
➡	POS.	PART NO.	DESIGNATION	MODEL/TYPE	QTY.	UNITS	WEIGHT	FN	MEASUREMENT	STANDARD
	10	XP52725200089	RUBBER ELEMENT		1	pc			SHORE 50	
	20	XP59425200045	PLATE		1	pc				
	30	XP52725200079	RUBBER ELEMENT		1	pc			SHORE 50	
	40	XP59425200045	PLATE		1	pc				
	50		RING		1	pc		KE		
	60	XP52625200069	SCREW		24	pc			14 X 75	ISO4762
	70	XP52625200068	HEX NUT		24	pc			M 14	ISO7040
	80	XP52625200070	WASHER	BR4000	48	pc			14-300HV	ISO7092
	90	XP59425200044	DIAPHRAGM		1	pc				
	100		LOCATING RING		1	pc		KE		
	110		CLAMPING RING		1	pc		KE		
	120	XP52625200048	RING		10	pc				
	130	XP59399100121	CENTER BUSHING		2	pc				
	140	XP59399100122	SCREW		12	pc			M16X45	ISO4762
	150	XP52625200075	SCREW		40	pc			12 X 25	ISO4762
	160	000912020040	SCREW		16	pc	172,900 g		M 20 X 45	DIN912
	170	XP52799100481	HEX NUT		12	pc				
	180	XP52799100480	WASHER		24	pc				
	190	XP52625200013	RING		1	pc				
	200	XP52625200013	RING		1	pc				
	210	XP52799100478	SCREW		2	pc			12 X 65	
	220	XP59425200043	ADAPTER		1	pc				
	230	XP52625200030	BUSHING		12	pc				
	240	200933016016	HEX SCREW		12	pc	127,900 g		M 16 X 70	DIN933
	250	XP52625200031	HEX SCREW		8	pc			22 X 110	ISO4017
	260	XP52625200011	HEX NUT		7	pc			M22	ISO4032
	270		WASHER	290	16	pc		KE	20-300HV	ISO7089
	280	XP56825500025	WASHER	8000	16	pc	100,000 g			ISO7092

GROUP SEGMENT (FGS)

GROUP NAME

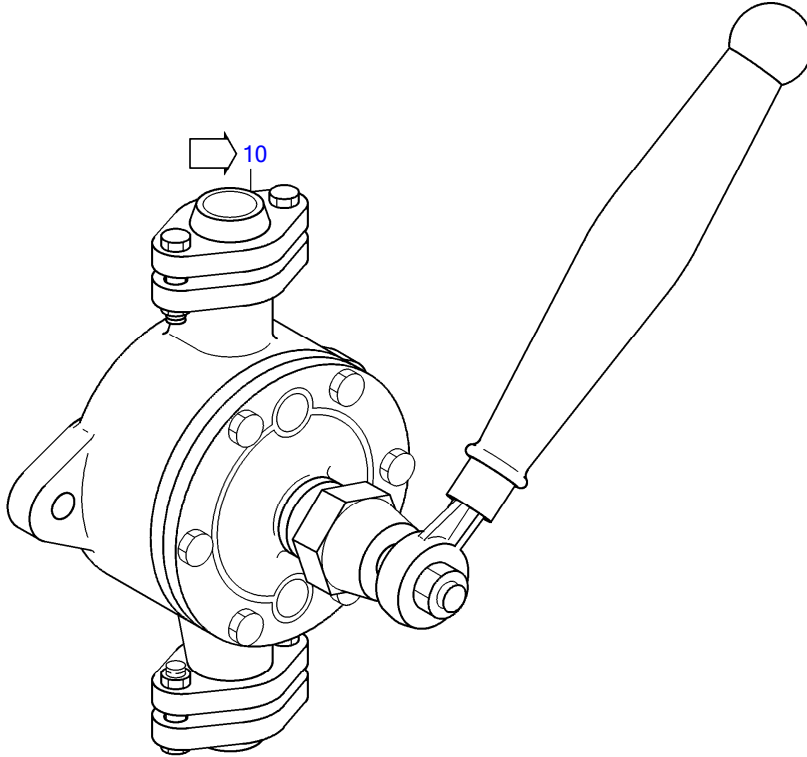
BOM-No.

---



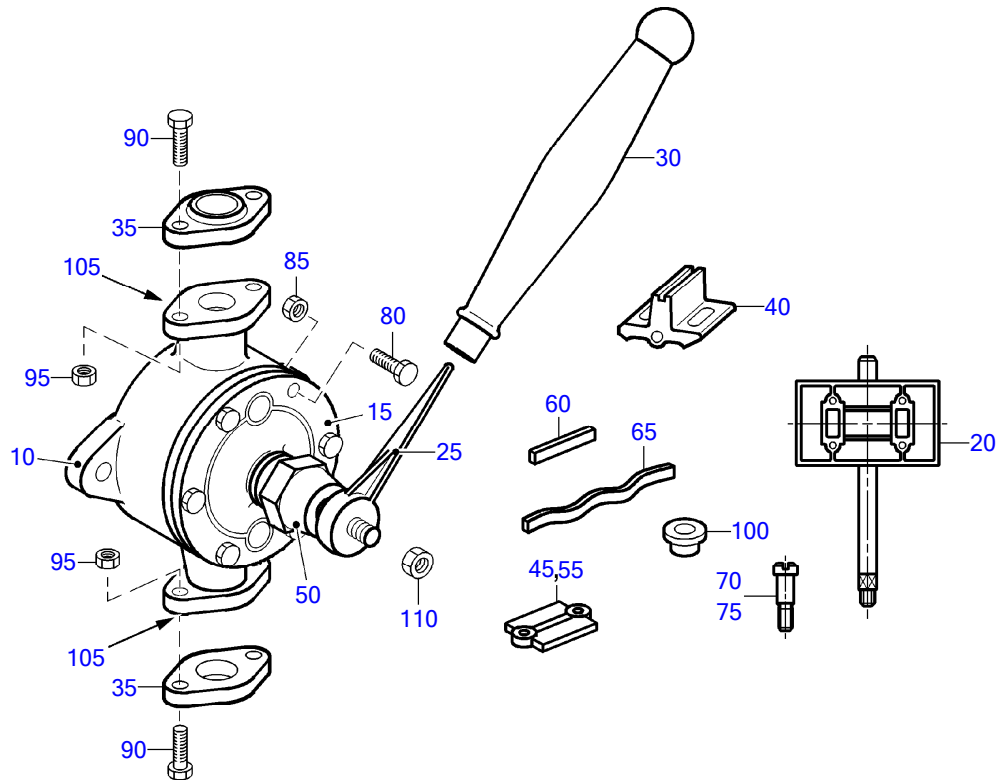
05  
HAND OIL PUMP  
180.00009

E1813024a0



E1813024a0

➔	POS.	PART NO.	DESIGNATION	QTY.	UNITS	WEIGHT	FN
	10	0001812398	OIL EXTRACTION PUMP HAND S4000 S2000	1	pc	6,013 kg	P



181K0005a

➔	POS.	PART NO.	DESIGNATION	QTY.	UNITS	WEIGHT	FN	MEASUREMENT	STANDARD
	10	Z=2.201 028	HOUSING	1	pc				
	15	Z=2.201 029	COVER	1	pc				
	20	Z=152003	VANE	1	pc	0,999 g	AC		
	25	Z=2.201 031	PIN	1	pc	0,200 g			
	30	8691810014	LEVER	1	pc	124,600 g			
	35	Z=2.261 074	FLANGE	1	pc		AC		
	40	Z=2.201 033	VALVE SEAT	1	pc		AC		
	45	8691810007	VALVE PLATE	2	pc	15,000 g		47,3 X 14,7 GR.1	
	50	Z=2.201 035	UNION NUT	1	pc				
	55	8691810008	VALVE PLATE	2	pc	22,200 g		52,8 X 18,2 GR.2	
	60	8699970175	GASKET	1	pc	1,700 g		6 X 7	
	65	8699970176	GLAND PACKING	1	pc	0,100 g		4 X 4 X 68	
	70	Z=152007	SCREW	4	pc	5,000 g		M5X21,5	
	75	Z=152007	SCREW	4	pc	5,000 g		M5X21,5	
	80	304017008081	HEX SCREW	6	pc	13,400 g		M 8 X 25	ISO4017
	85	000934008008	NUT HEX	6	pc	4,600 g		M 8	DIN934
	90	304017008084	HEX SCREW	4	pc	16,400 g		M 8 X 35	ISO4017
	95	000934008008	NUT HEX	4	pc	4,600 g		M 8	DIN934
	100	Z=151009	COMPRESSION GLAND	1	pc	25,000 g	AC	GROESSE 0-2	
	105	40201	HYLOMAR M UNIVERSAL SEALANT	1	pc	100,000 g		HYLOMAR M	
	110	000934010005	NUT HEX	1	pc	10,400 g		M 10	DIN934



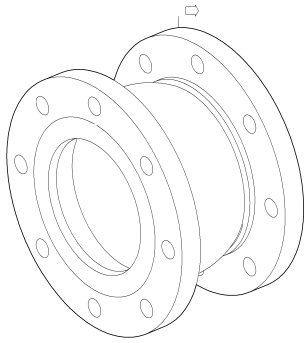
GROUP SEGMENT (FGS)

GROUP NAME

BOM-No.

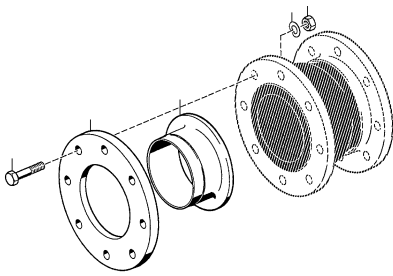
---

10  
**RUBBER BELLOWS**  
200.00021

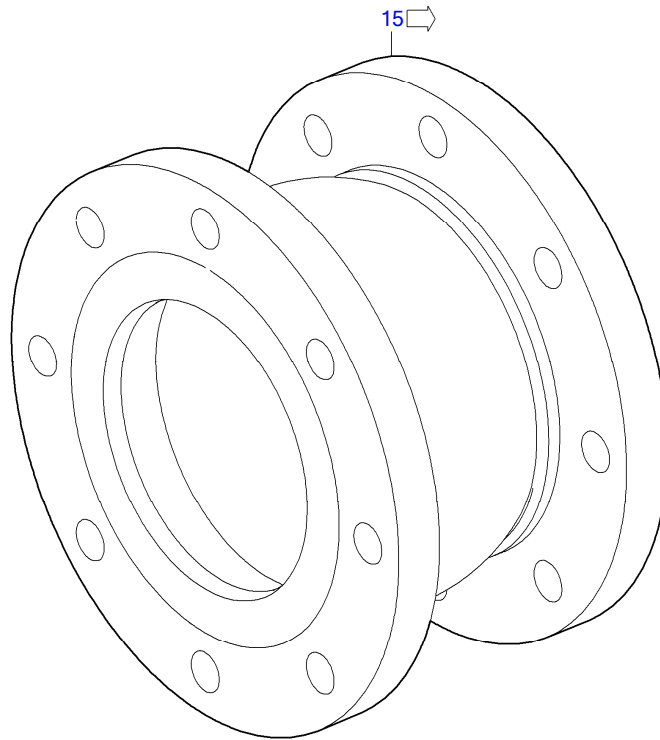


30100046

10  
**CONNECTING HARDWARE FOR RUBBER BELLOWS**  
200.00022

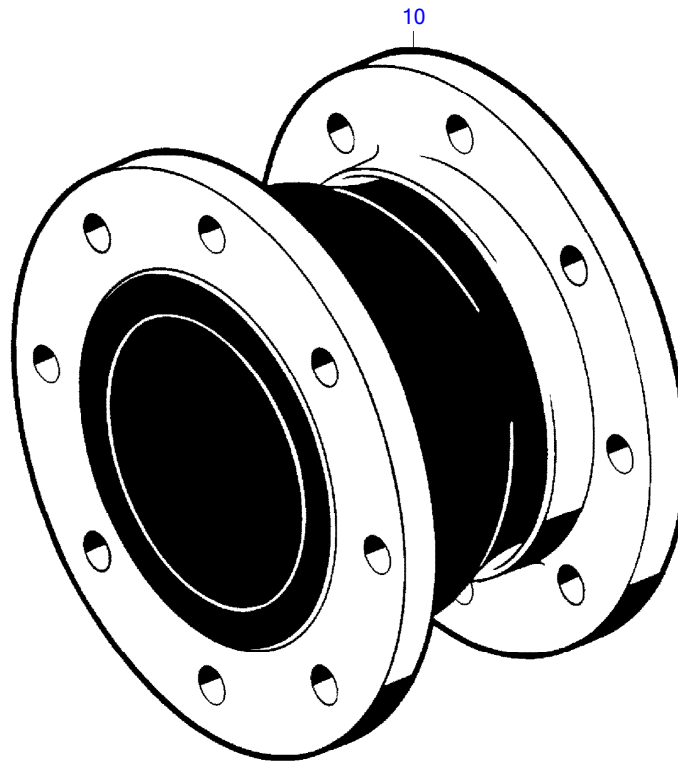


ET14 054500



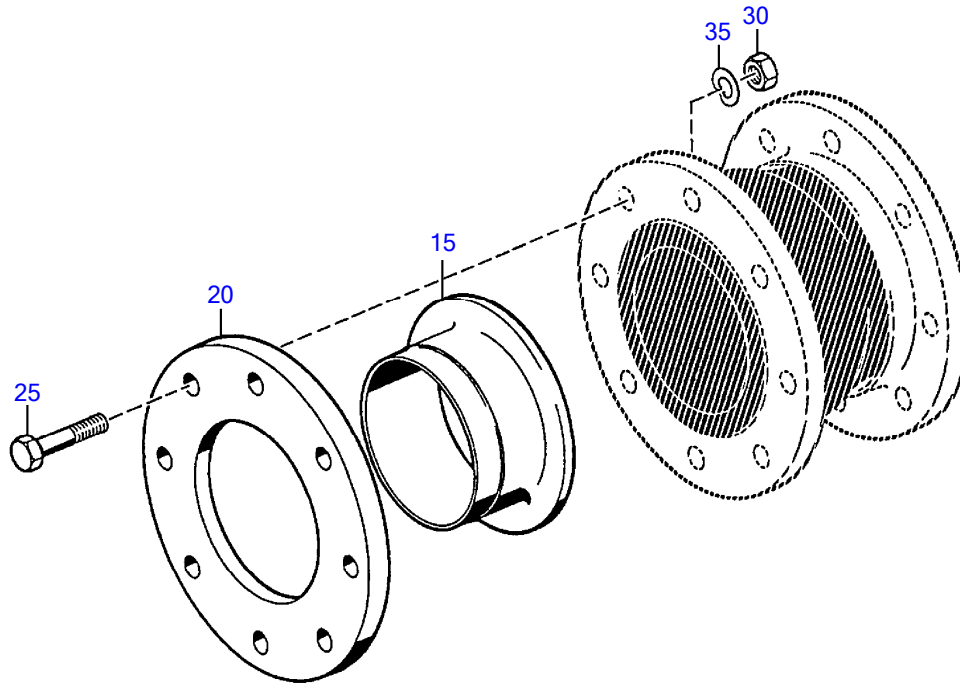
30100046

➡	POS.	PART NO.	DESIGNATION	QTY.	UNITS	WEIGHT	MEASUREMENT
	15	0002035583/87	RUBBER BELLOWS	1	pc	11,161 kg	STD EL 145 MM, DN 125 MM



02000031b

➔	POS.	PART NO.	DESIGNATION	QTY.	UNITS	WEIGHT	MEASUREMENT
	10	0002035583	BELLOWS RUBBER 125 DN 210 BOLT CIRCLE	1	pc	10,954 kg	STD EL 145 MM , DN 125 MM



ET14 054500

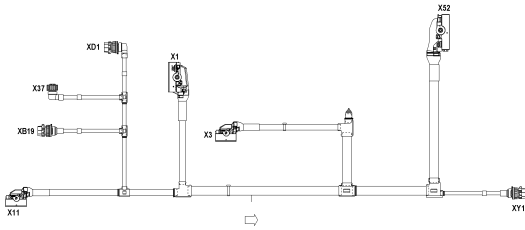
➔	POS.	PART NO.	DESIGNATION	QTY.	UNITS	WEIGHT	MEASUREMENT	STANDARD
	15	086037125200	COLLAR	1	pc	1,454 kg	B125 -133 X 2,5	DIN86037
	20	002642125100	FLANGE	1	pc	4,300 kg	F125 X133	DIN2642
	25	304017016029	HEX SCREW	8	pc	114,800 g	M 16 X 60	ISO4017
	30	000934016019	NUT HEX 8	8	pc	30,000 g	M 16	DIN934
	35	000137016201	WASHER SPRING B16	8	pc	5,400 g	B 16	DIN137

GROUP SEGMENT (FGS)

GROUP NAME

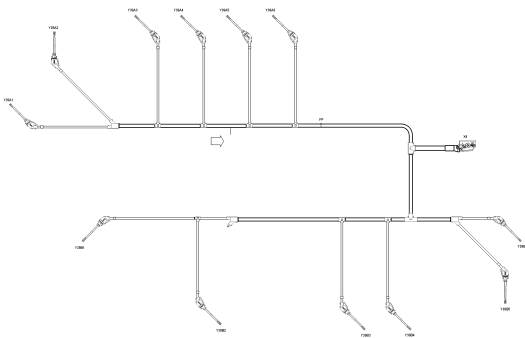
BOM-No.

98  
**CABLING F.ENGINE INTERFACE**  
XS00E500.01242



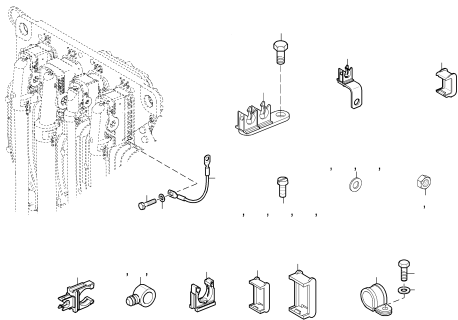
50702417a

98  
**ENGINE CABLING FOR ON-ENGINE SENSO**  
XS00E500.01614



50702284a

98  
**RETAINER F. WIRING HARNESS**  
XS594500.00250



50702750

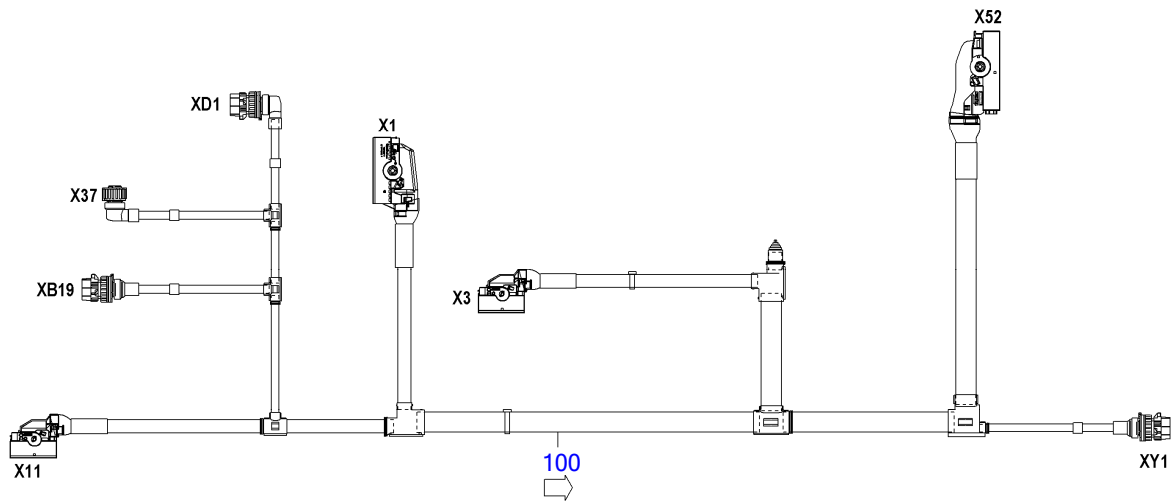
EQUI TYPE: Engine

PRODUCT TYPE: 12V4000M53  
CABLING F.ENGINE INTERFACE

SERIAL NUMBER: 526107657

FG/FGS: 507 98

BOM-No.: XS00E500.01242



50702417a

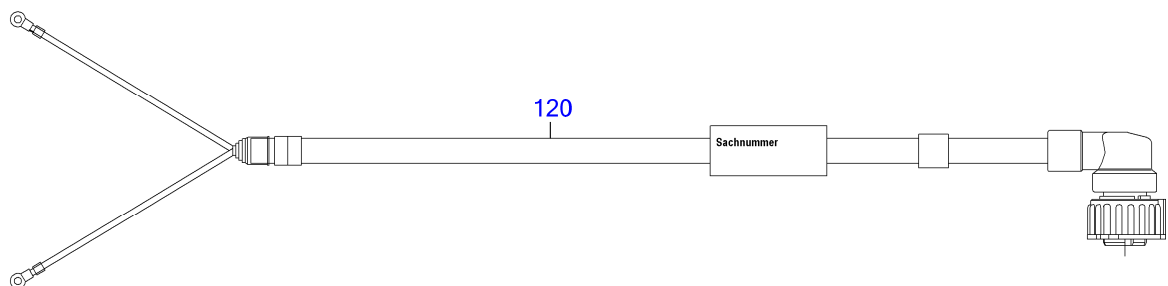
EQUI TYPE: Engine

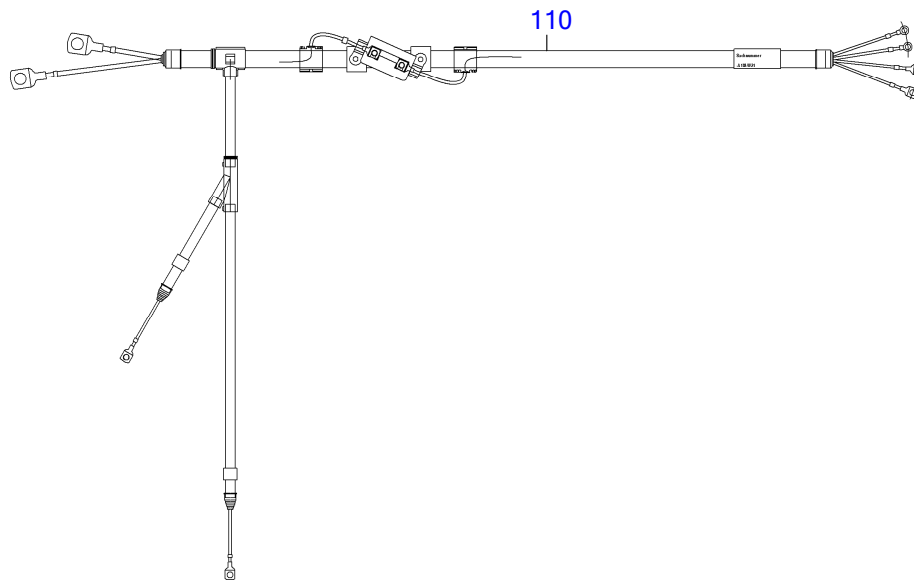
PRODUCT TYPE: 12V4000M53  
CABLING F.ENGINE INTERFACE

SERIAL NUMBER: 526107657

FG/FGS: 507 98

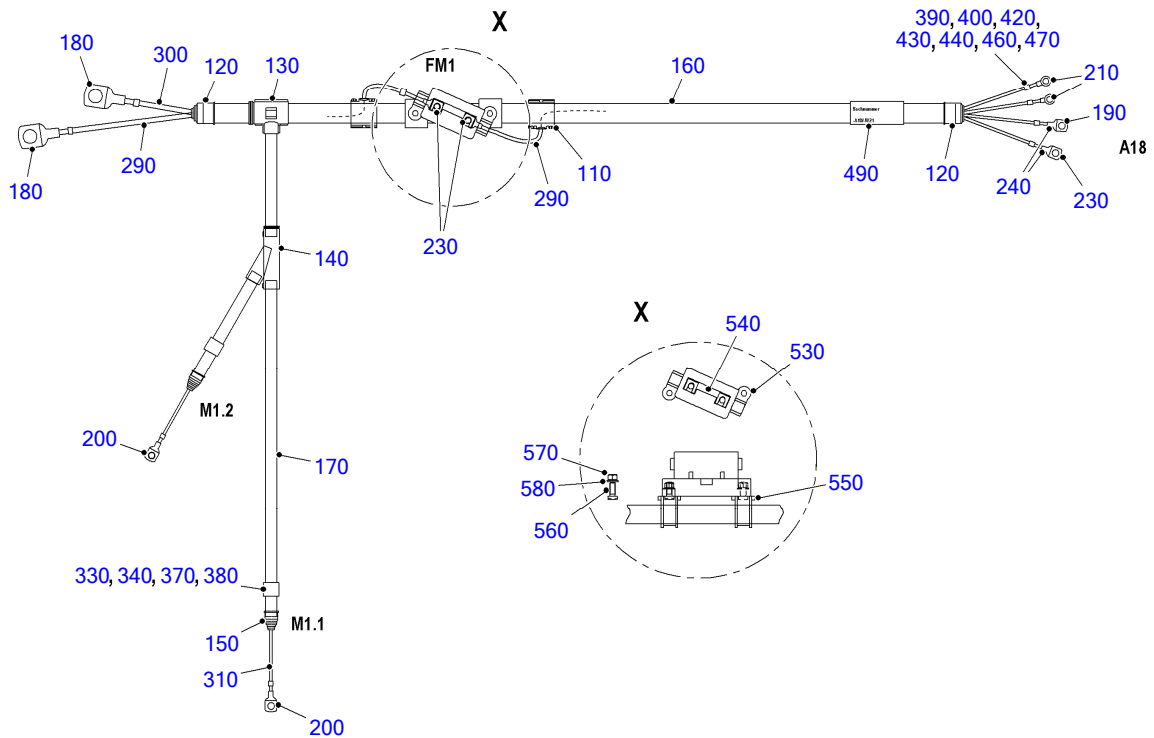
BOM-No.: XS00E500.01242





50702762

➔	POS.	PART NO.	DESIGNATION	MODEL/TYPE	QTY.	UNITS	WEIGHT	MEASUREMENT	
	541	100	<b>X00E50700472</b>	WIRING HARNESS F.ENGINE INTERFACE	S400M23-63	1	pc	1,965 kg	M. LIMA _ M. EMU
	540	110	<b>X00E50205185</b>	CONNECTING CABLE FOR ELECTRIC START	12V4000M23-M63	1	pc	855,100 g	ELEKTR.ANLASSUNG
	542	120	<b>X00E50700638</b>	CONNECTING CABLE FOR GENERATOR	LIMA G03	1	pc	590,200 g	XG03-G3 920MM



50702416a

➔ POS.	PART NO.	DESIGNATION	MODEL/TYPE	QTY.	UNITS	WEIGHT	FN MEASUREMENT	STANDARD
110	X00E50203343	BRANCH F. WIRING HARNESS	A-TYP / NW17-17	2	pc	30,000 g	AB A-TYP / NW17-17	
120	0015336931	CAP	FUER WELLROHR	2	pc	1,000 g	DN17 AD=21,2MM	
130	0005331043	PIPE JOINT		1	pc	6,700 g	T-ABZWEIG 17-10-17	
140	0005331143	PIPE JOINT		1	pc	5,800 g	Y-ABZWEIG 10-10-10	
150	0015336331	CAP	BR2000/4000	2	pc	1,900 g	FUER WELLROHR DN10 AD=13MM	
160	0005337143	PIPE	359.	0,960	m	49,400 g	WELLROHR NW17	
170		PIPE	359.	2,600	m	23,000 g	WELLROHR NW10	
180	0025310785	BLADE CONNECTOR	M12/10 QMM	2	pc	6,600 g	AB 10QMM/M12	
190	43432	CRIMP CABLE TERMINAL		1	pc	4,800 g	10 MM2 LOCH 6,5	
200	43525	CRIMP CABLE TERMINAL		2	pc	2,000 g	6 MM2 LOCH 6,4	
210	0001591979	CABLE TERMINAL	6MM <sup>2</sup> / M4	2	pc	2,000 g	6MM <sup>2</sup> / M4	
230	0025310685	BLADE CONNECTOR	M5/10 QMM	3	pc	5,200 g	AB 10QMM/M5	
240	X00E50200436	SHRINKABLE HOSE	SSCHL. 50MM	4	pc	1,500 g	AB 10,8/2,4MM; 50MM TRANSPARENT	
290	0095316780	CABLE	H07Z-K 10,0	1,300	m	3,000 g	AB 10 MM2; ROT	
300	0095315980	CABLE	H07Z-K 10,0	1,500	m	3,000 g	AB 10 MM2; SCHWARZ	
310	0085312380	CABLE	H07Z-K 6,0	3,600	m	1,000 kg	AB 6,0 QMM ROT	VDE0282
330	700461105028	MARKER SLEEVE		2	pc	0,700 g	5/.	MMN461
340	700461105012	MARKER SLEEVE		2	pc	0,100 g	5/M	MMN461
370	700461205001	MARKER SLEEVE		3	pc	0,800 g	5/1	MMN461
380	700461205002	MARKER SLEEVE		1	pc	0,700 g	5/2	MMN461
390	700461103005	MARKER SLEEVE		1	pc	200,000 g	3/F	MMN461
400	700461103012	ID GROMMET		1	pc	0,300 g	3/M	MMN461
420	700461203001	MARKER SLEEVE		4	pc	0,100 g	3/1	MMN461
430	700461203002	MARKER SLEEVE		1	pc	0,200 g	3/2	MMN461



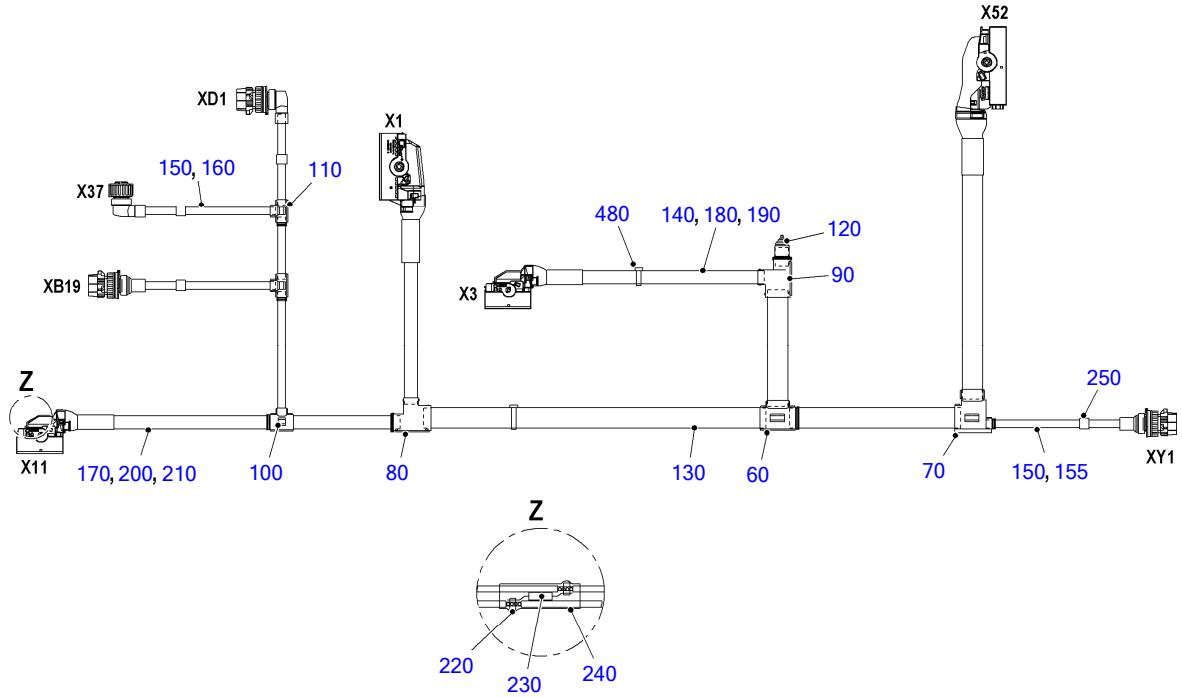
➡	POS.	PART NO.	DESIGNATION	MODEL/TYPE	QTY.	UNITS	WEIGHT	FN	MEASUREMENT	STANDARD
	440	700461203003	MARKER SLEEVE		4	pc	0,100 g	3/3		MMN461
	460	700461203005	MARKER SLEEVE		2	pc	0,200 g	3/5		MMN461
	470	700461203000	MARKER SLEEVE		6	pc	0,010 g	3/0		MMN461
	490	0035337089	IDENTIFICATION PLATE	ELAT	1	pc	1,400 g		47X135MM, BEDRUCKBAR 47X25MM	
	530	X00E50206373	FUSE HOLDER	MIDIVAL M. SCHRAUBBEFEST.	1	pc	24,300 g		KFZ-SICH.HALTER; MAX. 32V/125A	
	540	X00E50206374	FUSE	SICHERUNGSTREIFEN VERZINNT	1	pc	1,100 g		50A / 125V	
	550	0015331940	RETAINER CABLING AND PIPEWOR	OHNE BUEGEL	2	pc	5,600 g		HALTER NW17 BOHRLOCH M6	
	560	000084005196	SCREW		2	pc	2,600 g		M 5 X 12	DIN84
	570	000934005004	NUT HEX		2	pc	1,000 g		M 5	DIN934
	580	000125005322	WASHER		2	pc	0,400 g		A 5,3	DIN125

EQUI TYPE: Engine

PRODUCT TYPE: 12V4000M53  
WIRING HARNESS F.ENGINE INTERFACE

SERIAL NUMBER: 526107657

FG/FGS:  
BOM-No.: X00E50700472



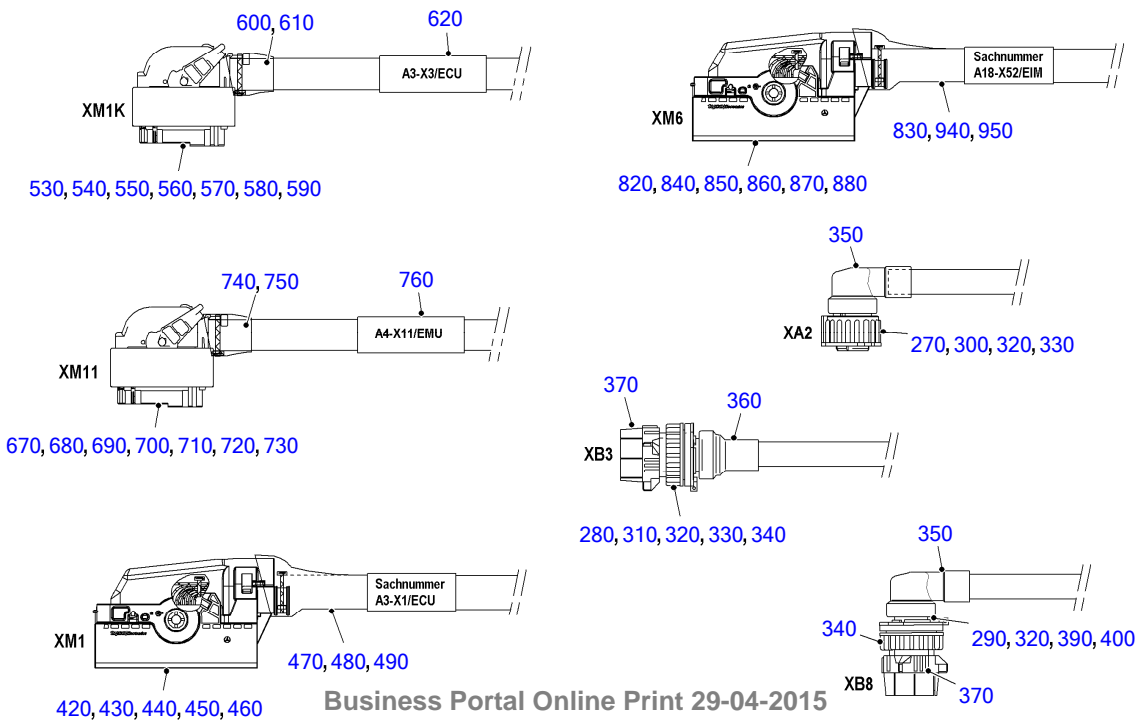
50702414a

EQUI TYPE: Engine

PRODUCT TYPE: 12V4000M53  
WIRING HARNESS F.ENGINE INTERFACE

SERIAL NUMBER: 526107657

FG/FGS:  
BOM-No.: X00E50700472

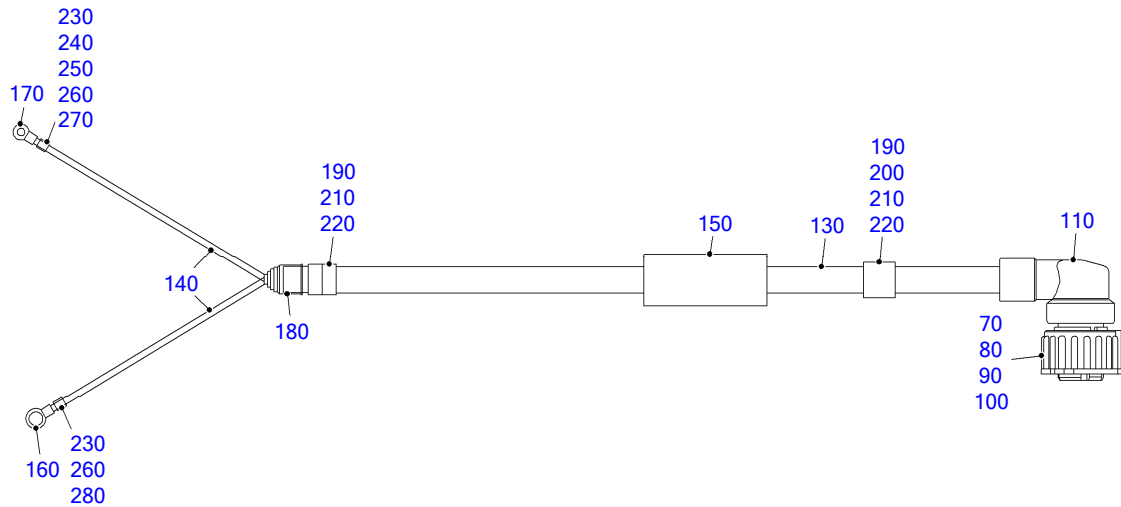


Business Portal Online Print 29-04-2015

50702819

➔	POS.	PART NO.	DESIGNATION	MODEL/TYPE	QTY.	UNITS	WEIGHT	MEASUREMENT
	60	X00027377	DISTRIBUTOR		1	pc	16,500 g	T-ABZWEIG 26-26-26
	70	X00E50205335	BRANCH FOR CABLE RUNNING	T-TYP / NW26-26-10 / B	1	pc	14,000 g	T-TYP / NW26-26-10 / B
	80	X00E50202551	BRANCH F. WIRING HARNESS	T-TYP / NW26-17-26 / B	1	pc	16,100 g	T-TYP / NW26-17-26 / B
	90	X00005206	DISTRIBUTOR F. WIRING HARNESS	T-TYP / NW26-17-17 / B	1	pc	10,000 g	T-TYP / NW26-17-17 / B
	100	0005331043	PIPE JOINT		1	pc	6,700 g	T-ABZWEIG 17-10-17
	110	0005331443	PIPE		2	pc	4,400 g	T-ABZWEIG 10-10-10
	120	0015336931	CAP	FUER WELLROHR	1	pc	1,000 g	DN17 AD=21,2MM
	130	0005338643	PIPE	359.	2,100	m	81,000 g	WELLROHR NW26
	140	0005337143	PIPE	359.	1,700	m	49,400 g	WELLROHR NW17
	150		PIPE	359.	1,250	m	23,000 g	WELLROHR NW10
	155	0095319080	CABLE	RADDOX 155S RW	0,700	m	20,900 g	1X2X1,0QMM / WS / NUMMERIERT
	160	0095318880	CABLE	RADDOX 155S RW VERDRILLT	25,800	m	11,200 g	1X2X0,5QMM / WS / NUMMERIERT
	170	0095318980	CABLE	RADDOX 155S RW VERDRILLT	33,100	m	16,900 g	1X3X0,5QMM / WS / NUMMERIERT
	180	0095319480	CABLE	RADOX 155S FLR	4,000	m	25,800 g	1X2,5QMM / RD / FEINDRÄHTIG
	190	0095319580	CABLE	RADOX 155S FLR	4,000	m	26,000 g	1X2,5QMM / SW / FEINDRAEHTIG
	200	X00E50200860	SINGLE CONDUCTOR	RADOX 155S FLR	2,800	m	10,000 g	1X1,5QMM / RD / FEINDRÄHTIG
	210	X00E50200861	SINGLE CONDUCTOR	RADOX 155S FLR	2,800	m	10,000 g	1X1,5QMM / BK / FEINDRÄHTIG
	220	0015318285	BLADE CONNECTOR	CRIMPVERBINDER PARALLEL	4	pc	0,500 g	1,0-2,5 MM <sup>2</sup> / BLANK / VERZINNT
	230	0015318702	RESISTOR	MK2_121R	2	pc	0,100 g	TK50 1% 0,4W
	240	0005311575	SHRINKABLE HOSE	SSCHL. 50MM KL	2	pc	0,200 g	5,7/1,27MM, L=50MM, TRANSPARENT
	250	0035337689	IDENTIFICATION PLATE	KML	1	pc	3,000 g	23X13/55MM GELB, 40 STK/BLATT
	270	0165313283	MALE CONNECTOR	STECKER F. BU-KONTAKTE 2,5MM	1	pc	11,500 g	4POL. CODE 1 / DIN 72585 BU
	280	0165313883	FEMALE CONNECTOR	STECKER F. ST-KONTAKT 2,5MM	2	pc	13,300 g	4POL. CODE 1 / DIN 72585 ST
	290	X00E50200311	FEMALE CONNECTOR	STECKDOSE F. ST-KONTAKTE 1,5MM	1	pc	14,000 g	7POL. CODE 1 / DIN 72585
	300	0165313383	FEMALE CONTACT	BUCHSE CUNISI VERZINNT	4	pc	0,500 g	0,5-1,0 MM <sup>2</sup> / D=2,5MM / DIN72585
	310	0165313983	PIN CONTACT	STIFT CUNISI VERZINNT	6	pc	0,300 g	0,5-1,0MM <sup>2</sup> / D=2,5MM / DIN72585
	320	0165313583	BLANKING PLUG	BLINDSTOPFEN	7	pc	0,100 g	SYSTEM 2,5MM / 2,8MM
	330	0165313483	SINGLE-CORE INSUL		10	pc	0,120 g	1,2-2,1MM/DIN72585 2,5
	340	0165314683	BAYONET COUPLING	BAJONETTVERSCHLUSS	3	pc	2,800 g	2-7POL. / DIN 72585 / BAJO
	350	0165313683	CAP		2	pc	5,600 g	90 GRAD / NW10 / DIN 72585
	360	0165313783	CAP		2	pc	4,300 g	180 GRAD / NW10 / DIN 72585
	370	0165314383	DUST CAP		3	pc	7,000 g	2-7POL. / DIN 72585
	390	X00E50200309	PIN CONTACT	STIFT CUNISI VERSILBERT	3	pc	0,500 g	0,5-1,0 MM <sup>2</sup> / D=1,5MM / DIN72585
	400	0185313083	SINGLE-CORE INSUL	EINZELADERABDICHTUNG	3	pc	1,000 g	1,2-2,1MM/MCP2,8 DIN72585 1,5
	420	0025318385	BLADE CONNECTOR	BUCHSENGEHÄUSE MCP1,5	1	pc	63,200 g	46POL / NW22 / CODE-A / 90GRD
	430	0025319385	BLADE CONNECTOR	BUCHSE CUNISI VERSILBERT	28	pc	0,400 g	0,5-1,0MM <sup>2</sup> /MCP1,5 AG
	440	0025319585	BLADE CONNECTOR	EINZELADERABDICHTUNG	28	pc	0,050 g	1,4-1,9 MM / MCP1,5
	450	0185317083	BLANKING PLUG FOR CONNECTOR	BLINDSTOPFEN	18	pc	0,050 g	MCP1,5
	460	0025319085	BLADE CONNECTOR	KAPPE FÜR MCP BUCHSENGEHÄUSE	1	pc	10,800 g	46POL / NW22
	470	0011596139	SHRINKABLE HOSE		0,120	m	130,000 g	52/13/MIT KLEBER
	480	0035314381	CABLE CLAMP		2	pc	0,600 g	L= 150MM, B= 3,6MM
	490	0035337089	IDENTIFICATION PLATE	ELAT	2	pc	1,400 g	47X135MM, BEDRUCKBAR 47X25MM
	530	0025318785	BLADE CONNECTOR	BUCHSENGEHÄUSE MCP2,8	1	pc	47,000 g	21POL / NW17 / CODE-A / 90GRD
	540	0025319285	BLADE CONNECTOR	BUCHSE CUNISI VERSILBERT	6	pc	0,600 g	1,5-2,5MM <sup>2</sup> /MCP2,8 AG

➡	POS.	PART NO.	DESIGNATION	MODEL/TYPE	QTY.	UNITS	WEIGHT	MEASUREMENT
	550	0025319485	SINGLE-CORE INSUL	EINZELADERABDICHTUNG	6	pc	0,300 g	2,2-3,0MM/MCP2,8 DIN72585 1,5
	560	0025319785	BLADE CONNECTOR	BUCHSE CUNISI VERSILBERT	2	pc	1,200 g	0,5-1,0MM²/MCP2,8 AG
	570	0185313083	SINGLE-CORE INSUL	EINZELADERABDICHTUNG	2	pc	1,000 g	1,2-2,1MM/MCP2,8 DIN72585 1,5
	580	0165313583	BLANKING PLUG	BLINDSTOPFEN	13	pc	0,100 g	SYSTEM 2,5MM / 2,8MM
	590	0025318985	BLADE CONNECTOR	KAPPE FÜR MCP BUCHSENGEHÄUSE	1	pc	5,000 g	21POL / NW17
	600	0011596139	SHRINKABLE HOSE		0,120	m	130,000 g	52/13/MIT KLEBER
	610	0035314381	CABLE CLAMP		2	pc	0,600 g	L= 150MM, B= 3,6MM
	620	0035337089	IDENTIFICATION PLATE	ELAT	2	pc	1,400 g	47X135MM, BEDRUCKBAR 47X25MM
	670	X00018613	MULTIPOINT CONNECTOR	BUCHSENGEHÄUSE MCP2,8	1	pc	30,000 g	21POL / NW17 / CODE-B / 90GRD
	680	0025319285	BLADE CONNECTOR	BUCHSE CUNISI VERSILBERT	2	pc	0,600 g	1,5-2,5MM²/MCP2,8 AG
	690	0025319485	SINGLE-CORE INSUL	EINZELADERABDICHTUNG	2	pc	0,300 g	2,2-3,0MM/MCP2,8 DIN72585 1,5
	700	0025319785	BLADE CONNECTOR	BUCHSE CUNISI VERSILBERT	7	pc	1,200 g	0,5-1,0MM²/MCP2,8 AG
	710	0185313083	SINGLE-CORE INSUL	EINZELADERABDICHTUNG	7	pc	1,000 g	1,2-2,1MM/MCP2,8 DIN72585 1,5
	720	0165313583	BLANKING PLUG	BLINDSTOPFEN	12	pc	0,100 g	SYSTEM 2,5MM / 2,8MM
	730	0025318985	BLADE CONNECTOR	KAPPE FÜR MCP BUCHSENGEHÄUSE	1	pc	5,000 g	21POL / NW17
	740	0011596139	SHRINKABLE HOSE		0,120	m	130,000 g	52/13/MIT KLEBER
	750	0035314381	CABLE CLAMP		2	pc	0,600 g	L= 150MM, B= 3,6MM
	760	0035337089	IDENTIFICATION PLATE	ELAT	2	pc	1,400 g	47X135MM, BEDRUCKBAR 47X25MM
	820	X00E50200336	SEPARABLE CONNECTOR	BUCHSENGEHÄUSE MCP2, 8+MCP 1,5	1	pc	87,400 g	62(6+56)POL/NW26/ CODE-A/ 90GRD
	830	0011596139	SHRINKABLE HOSE		0,120	m	130,000 g	52/13/MIT KLEBER
		0025319285	BLADE CONNECTOR	BUCHSE CUNISI VERSILBERT	6	pc	0,600 g	1,5-2,5MM²/MCP2,8 AG
	840	0025319485	SINGLE-CORE INSUL	EINZELADERABDICHTUNG	6	pc	0,300 g	2,2-3,0MM/MCP2,8 DIN72585 1,5
	850	0025319785	BLADE CONNECTOR	BUCHSE CUNISI VERSILBERT	40	pc	1,200 g	0,5-1,0MM²/MCP2,8 AG
	860	0185313083	SINGLE-CORE INSUL	EINZELADERABDICHTUNG	40	pc	1,000 g	1,2-2,1MM/MCP2,8 DIN72585 1,5
	870	0165313583	BLANKING PLUG	BLINDSTOPFEN	16	pc	0,100 g	SYSTEM 2,5MM / 2,8MM
	880	X00E50200337	SEPARABLE CONNECTOR	KAPPE FÜR MCP BUCHSENGEHÄUSE	1	pc	13,000 g	62POL / NW26
	940	0035314381	CABLE CLAMP		2	pc	0,600 g	L= 150MM, B= 3,6MM
	950	0035337089	IDENTIFICATION PLATE	ELAT	2	pc	1,400 g	47X135MM, BEDRUCKBAR 47X25MM



50702796

➔	POS.	PART NO.	DESIGNATION	MODEL/TYPE	QTY.	UNITS	WEIGHT	FN	MEASUREMENT	STANDARD
	70	0165313283	MALE CONNECTOR	STECKER F. BU-KONTAKTE 2,5MM	1	pc	11,500 g		4POL. CODE 1 / DIN 72585 BU	
	80	0165314983	FEMALE CONTACT	BUCHSE CUNISI VERZINNT	2	pc	0,500 g	AB	1,0-2,5 MM <sup>2</sup> / D=2,5MM / DIN72585	
	90	0165315083	SINGLE-CORE INSUL	EINZELADERABDICHTUNG	2	pc	0,100 g	AB	2,2-3,0MM/DIN72585 2,5	
	100	0165313583	BLANKING PLUG	BLINDSTOPFEN	2	pc	0,100 g		SYSTEM 2,5MM / 2,8MM	
	110	0165313683	CAP		1	pc	5,600 g		90 GRAD / NW10 / DIN 72585	
	130	X00E50206788	CORRUGATED PIPE FOR CABLE RUNNING	UFW PA6 V0	0,920	m	28,200 g	AB	NW10; 13,1/9,3MM; GROBWELLE	
	140	X00E50200860	SINGLE CONDUCTOR	RADOX 155S FLR	2,100	m	10,000 g		1X1,5QMM / RD / FEINDRÄHTIG	
	150	0035337089	IDENTIFICATION PLATE	ELAT	1	pc	1,400 g		47X135MM, BEDRUCKBAR 47X25MM	
	160	0015315485	CABLE TERMINAL	1,0-2,5 MM	1	pc	3,000 g		1,0-2,5QMM/M8, BLAU	
	170	0001591879	CABLE TERMINAL		1	pc	1,200 g		0,35-1,5QMM/M6 ROT	
	180	0015336331	CAP	BR2000/4000	1	pc	1,900 g		FUER WELTROHR DN10 AD=13MM	
	190	700461105006	MARKER SLEEVE		2	pc	0,800 g		5/G	MMN461
	200	700461105023	MARKER SLEEVE		1	pc	0,800 g		5/X	MMN461
	210	700461205000	MARKER SLEEVE		2	pc	0,001 kg		5/0	MMN461
	220	700461205003	MARKER SLEEVE		2	pc	0,700 g		5/3	MMN461
	230	700461101031	MARKER SLEEVE		3	pc	0,200 g		1/+	MMN461
	240	700461201001	MARKER SLEEVE		1	pc	0,100 g		1/1	MMN461
	250	700461201006	MARKER SLEEVE		1	pc	0,100 g		1/6	MMN461
	260	700461101026	ID GROMMET		2	pc	0,001 kg		1//	MMN461
	270	700461101033	MARKER SLEEVE		1	pc	720,000 g		1/D	MMN461

EQUI TYPE: Engine

PRODUCT TYPE: 12V4000M53  
CONNECTING CABLE FOR GENERATOR

SERIAL NUMBER: 526107657

FG/FGS:

BOM-No.: X00E50700638

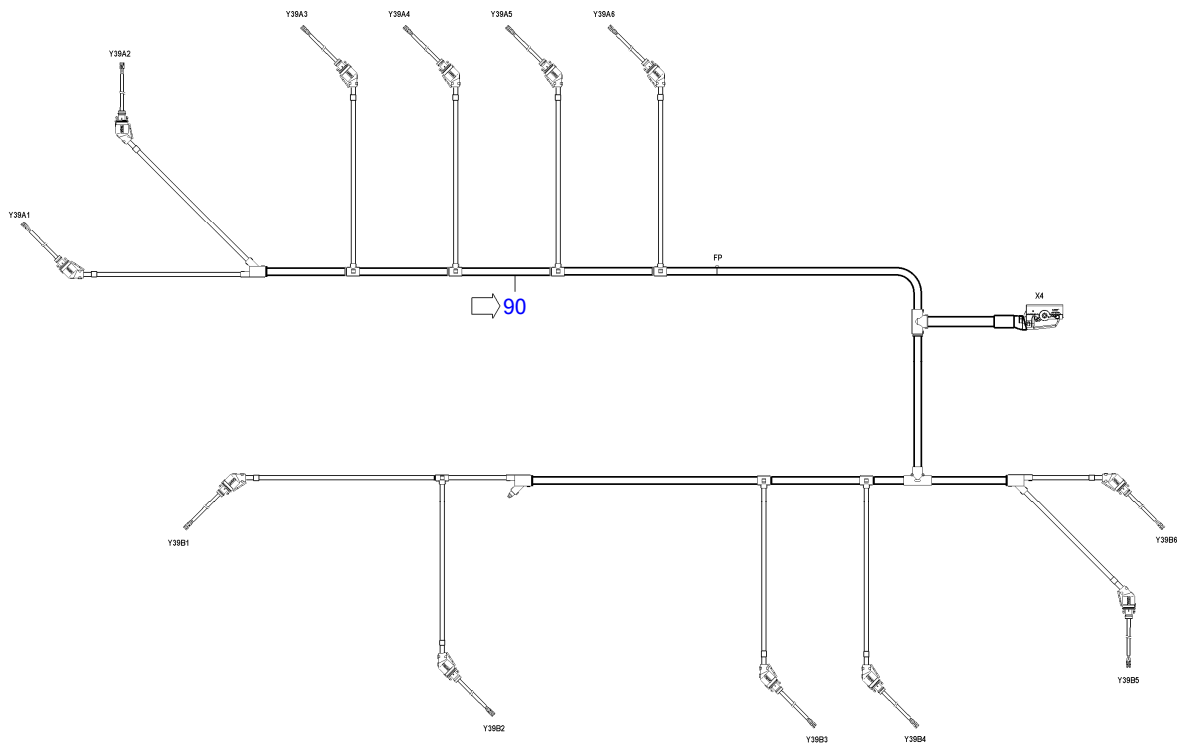
➡	POS.	PART NO.	DESIGNATION	MODEL/TYPE	QTY.	UNITS	WEIGHT	FN	MEASUREMENT	STANDARD
	280	700461101001	IDENTIFICATION MARKER		1	pc	0,040 g		1/B	MMN461

EQUI TYPE: Engine

PRODUCT TYPE: 12V4000M53  
ENGINE CABLING FOR ON-ENGINE SENSO

SERIAL NUMBER: 526107657

FG/FGS: 507 98  
BOM-No.: XS00E500.01614



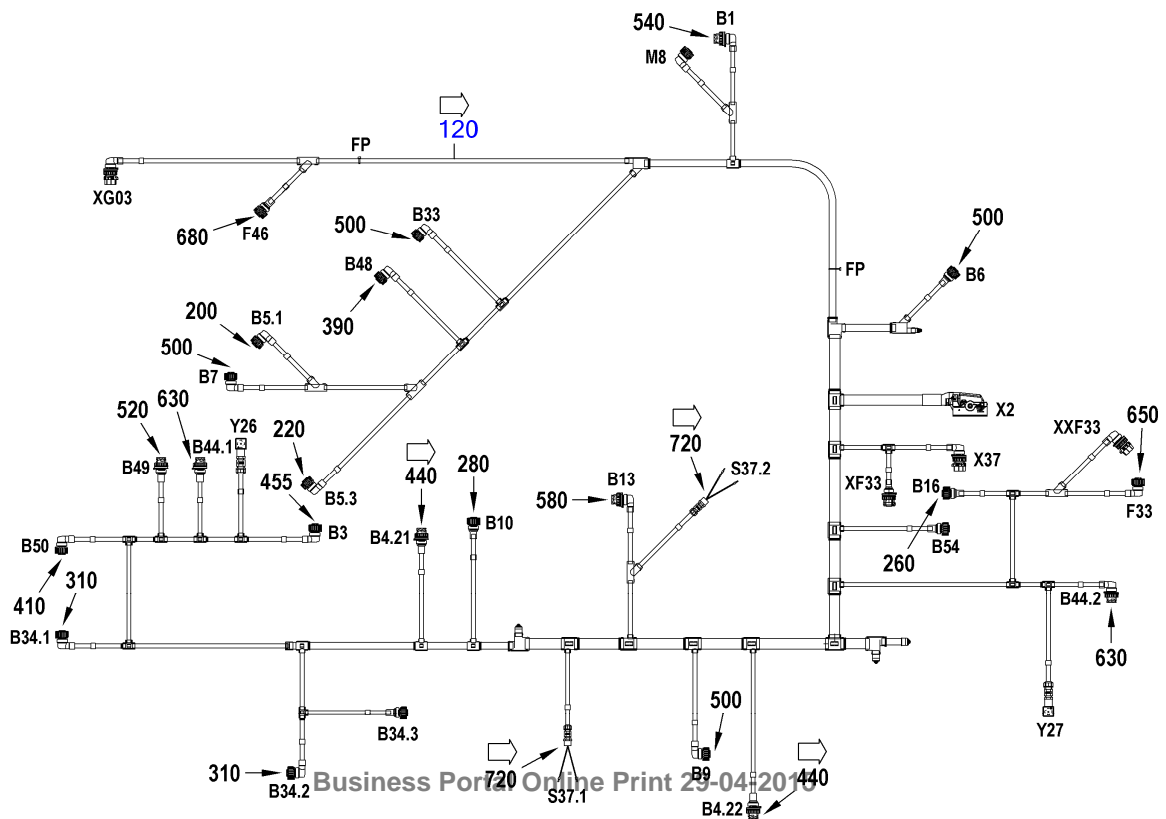
50702284a

EQUI TYPE: Engine

PRODUCT TYPE: 12V4000M53  
ENGINE CABLING FOR ON-ENGINE SENSO

SERIAL NUMBER: 526107657

FG/FGS: 507 98  
BOM-No.: XS00E500.01614



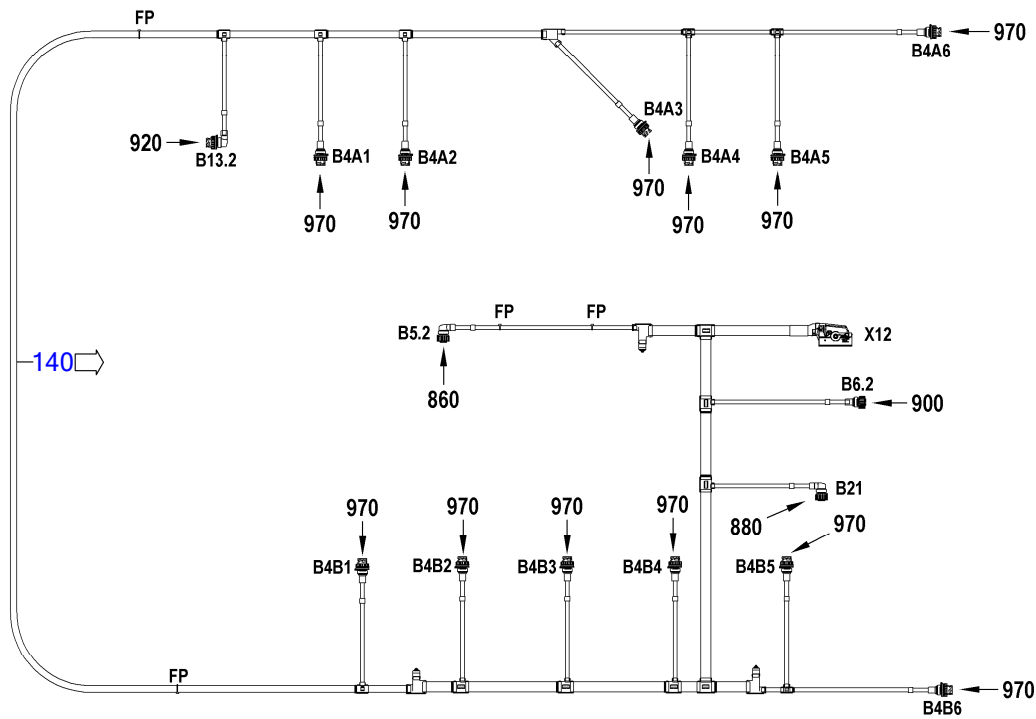
50702745

EQUI TYPE: Engine

PRODUCT TYPE: 12V4000M53  
ENGINE CABLING FOR ON-ENGINE SENSO

SERIAL NUMBER: 526107657

FG/FGS: 507 98  
BOM-No.: XS00E500.01614



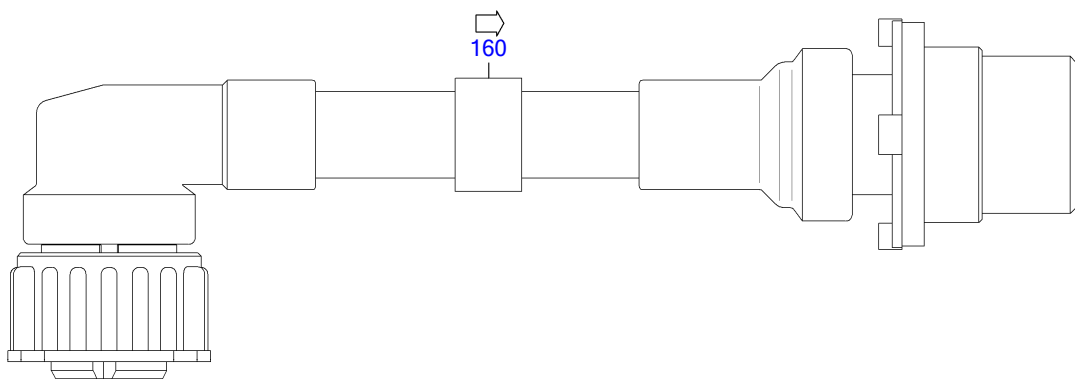
50702746

EQUI TYPE: Engine

PRODUCT TYPE: 12V4000M53  
ENGINE CABLING FOR ON-ENGINE SENSO

SERIAL NUMBER: 526107657

FG/FGS: 507 98  
BOM-No.: XS00E500.01614



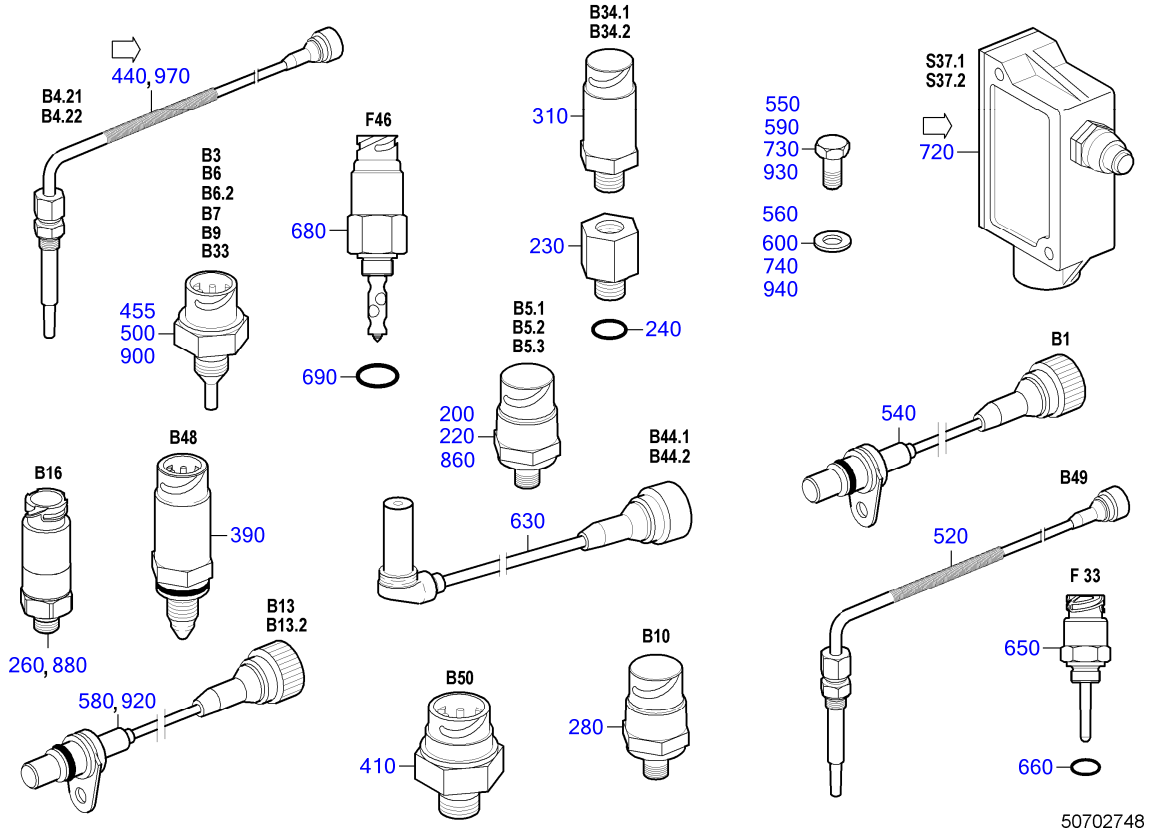


EQUI TYPE: Engine

PRODUCT TYPE: 12V4000M53  
ENGINE CABLING FOR ON-ENGINE SENSO

SERIAL NUMBER: 526107657

FG/FGS: 507 98  
BOM-No.: XS00E500.01614

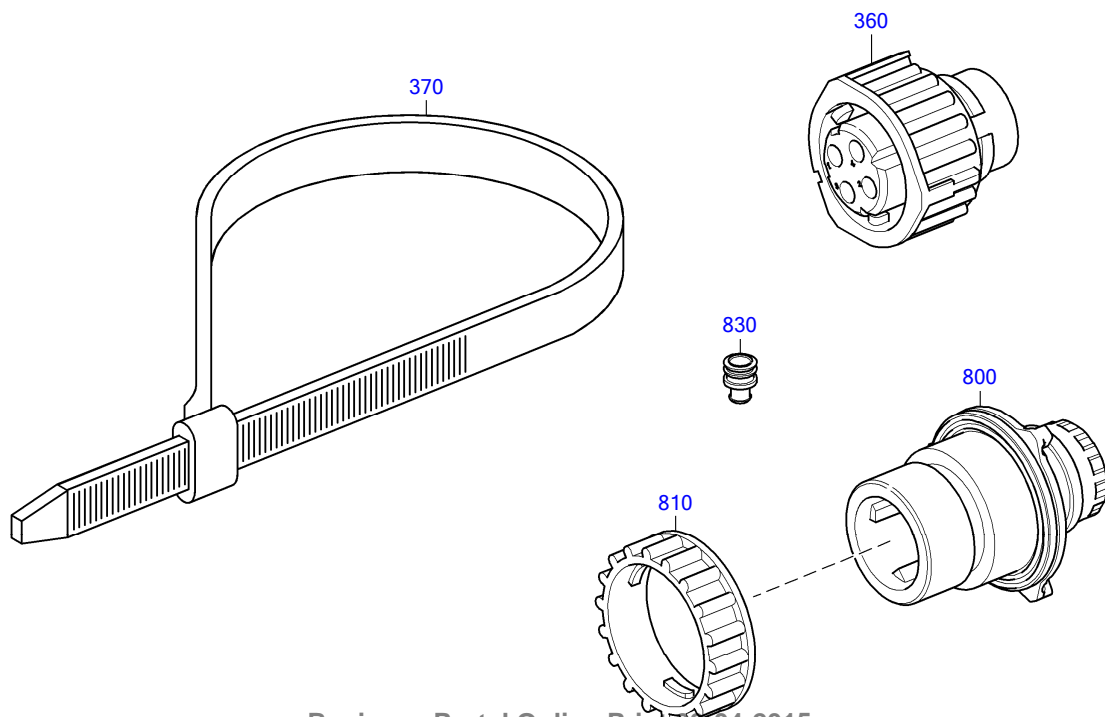


EQUI TYPE: Engine

PRODUCT TYPE: 12V4000M53  
ENGINE CABLING FOR ON-ENGINE SENSO

SERIAL NUMBER: 526107657

FG/FGS: 507 98  
BOM-No.: XS00E500.01614



➡	POS.	PART NO.	DESIGNATION	MODEL/TYPE	QTY.	UNITS	WEIGHT	FN	MEASUREMENT	STANDARD
	546	90	<b>X00E50700435</b> WIRING HARNESS TO INJECTOR	12V4000M23-M63	1	pc	1,925 kg		ECU7 X4	
	548	120	<b>X00E50700628</b> WIRING HARNESS FOR ON-ENGINE SENSO	12V4000M23-M63	1	pc	4,130 kg		ECU7 X2	
	547	140	<b>X00E50700444</b> WIRING HARNESS FOR ON-ENGINE SENSO	12V4000M23-M63	1	pc	2,405 kg		EMU7 X12 M.EA	
		200	<b>0035352531</b> PRESSURE SENSOR		1	pc	75,000 g	AB EM	M14X1,5,SW= 27, 0-10BAR_RELATIV	
		220	<b>0035352531</b> PRESSURE SENSOR		1	pc	75,000 g	AB EM	M14X1,5,SW= 27, 0-10BAR_RELATIV	
		230	<b>5069971416</b> BUSHING THREADED	8/12V183TE02/93	1	pc	27,300 g			
		240	<b>007603018104</b> WASHER A COP		1	pc	2,000 g		A 18 X 24	DIN7603
		260	<b>X00E50208388</b> PRESSURE SENSOR	0 - 10 BAR REL, EPN	1	pc	105,300 g	AB	M14X1,5, SW=27	
		280	<b>X00018659</b> PRESSURE SENSOR	0,5-6 BAR ABS	1	pc	89,400 g	EM	M18X1,5, SW=27	
		295	<b>X00E50207201</b> PRESSURE SENSOR	15 BAR REL.	1	pc	105,200 g	AB	ISO M14X1,5;SW=27 L=56 TYP:EPN	
		310	<b>X00E50207201</b> PRESSURE SENSOR	15 BAR REL.	1	pc	105,200 g	AB	ISO M14X1,5;SW=27 L=56 TYP:EPN	
		360	<b>0185314583</b> DUST CAP	BAJONETTGEOMETRIE DIN 72585	1	pc	5,000 g	AB	2-7POL. / DIN 72585	DIN72585
		370	<b>0025317381</b> QUICK-CATCH CLAMP	T50S_151X4,8MM	1	pc	1,100 g		L	
		390	<b>X00E50207217</b> PRESSURE SENSOR	2000 BAR REL.	1	pc	156,000 g	AB EM	KEGEL,M18X1,5, SW=27,L=56, EPN	
		410	<b>0035352231</b> PRESSURE SENSOR		1	pc	131,600 g		M14X1,5,SW=38, +/- 70MBAR_RELAT.	
	545	440	<b>X00E50201372</b> TEMPERATURE SENSOR	PT100 ABGAS	2	pc	175,000 g	EM	M14X1,5,110MM, KABEL=1M,STECKER,	
		455	<b>X00010488</b> TEMPERATURE SENSOR	PT1000	1	pc	57,400 g	AB EM	DIN72585 2-POL. CODE 1	
		500	<b>0005356430</b> TEMPERATURE SENSOR	PT1000	4	pc	50,000 g	AB EM	M14X1,5, L=29, STECKER DIN72585,	
		520	<b>X00E50201370</b> TEMPERATURE SENSOR	PT100 ABGAS	1	pc	197,100 g	AB EM	M14X1,5, 58MM, KABEL=1M,STECKER,	
		540	<b>0005358133</b> SPEED SENSOR	BR4000;NW;	1	pc	89,300 g	AB EM	D=19X60,KABELL.=750MM,	
		550	<b>304017008077</b> HEX SCREW		1	pc	10,500 g		M 8 X 16	ISO4017
		560	<b>000125008427</b> WASHER		1	pc	1,500 g		A 8,4	DIN125
		580	<b>0005357633</b> SPEED SENSOR	BR4000;KW;	1	pc	85,000 g	EM	D=19X60,KABELL.=700MM,	
		590	<b>304017008077</b> HEX SCREW		1	pc	10,500 g		M 8 X 16	ISO4017
		600	<b>000125008427</b> WASHER		1	pc	1,500 g		A 8,4	DIN125
		630	<b>5205304069</b> SPEED TRANSMITTER	VDO-PICK-UP	2	pc	90,000 g	AB	MIT DIN-STECKER CODE 1	
		650	<b>X00E50203659</b> LEVEL MONITOR	BEDIA CLS-50, WASSERSONDE	1	pc	86,600 g	AB	WASSERSONDE DYN.UB-VERHALTEN+LT,	
		660	<b>007603018101</b> COPPER SEALING RING		1	pc	1,300 g		A 18 X 22	DIN7603
		680	<b>X00E50203667</b> LEVEL MONITOR	BEDIA CLS-50, OELSONDE	1	pc	97,000 g	AB	OELSONDE, DYN.UB-VERHALTEN	
		690	<b>007603018101</b> COPPER SEALING RING		1	pc	1,300 g		A 18 X 22	DIN7603
	544	720	<b>635H22706/2</b> SWITCH E-STOP 45MM W/ SELF MONITORING CO		2	pc	148,900 g			
		730	<b>304014004001</b> HEX SCREW		4	pc	3,700 g		M 4 X 35	ISO4014
		740	<b>007349004000</b> WASHER		4	pc	1,100 g		4,3	DIN7349
		800	<b>0165313883</b> FEMALE CONNECTOR	STECKER F. ST-KONTAKT 2,5MM	1	pc	13,300 g		4POL. CODE 1 / DIN 72585 ST	
		810	<b>0165314683</b> BAYONET COUPLING	BAJONETTVERSCHLUSS	1	pc	2,800 g		2-7POL. / DIN 72585 / BAJO	
		830	<b>0165313583</b> BLANKING PLUG	BLINDSTOPFEN	4	pc	0,100 g		SYSTEM 2,5MM / 2,8MM	
		860	<b>0035352531</b> PRESSURE SENSOR		1	pc	75,000 g	AB EM	M14X1,5,SW= 27, 0-10BAR_RELATIV	
		880	<b>X00E50208386</b> PRESSURE SENSOR	0 - 6 BAR REL., EPN	1	pc	125,000 g	AB	M14X1,5 SW=27 KERAMIK	
		900	<b>0005356430</b> TEMPERATURE SENSOR	PT1000	1	pc	50,000 g	AB EM	M14X1,5, L=29, STECKER DIN72585,	
		920	<b>0005357633</b> SPEED SENSOR	BR4000;KW;	1	pc	85,000 g	EM	D=19X60,KABELL.=700MM,	
		930	<b>304017008077</b> HEX SCREW		1	pc	10,500 g		M 8 X 16	ISO4017
		940	<b>000125008427</b> WASHER		1	pc	1,500 g		A 8,4	DIN125

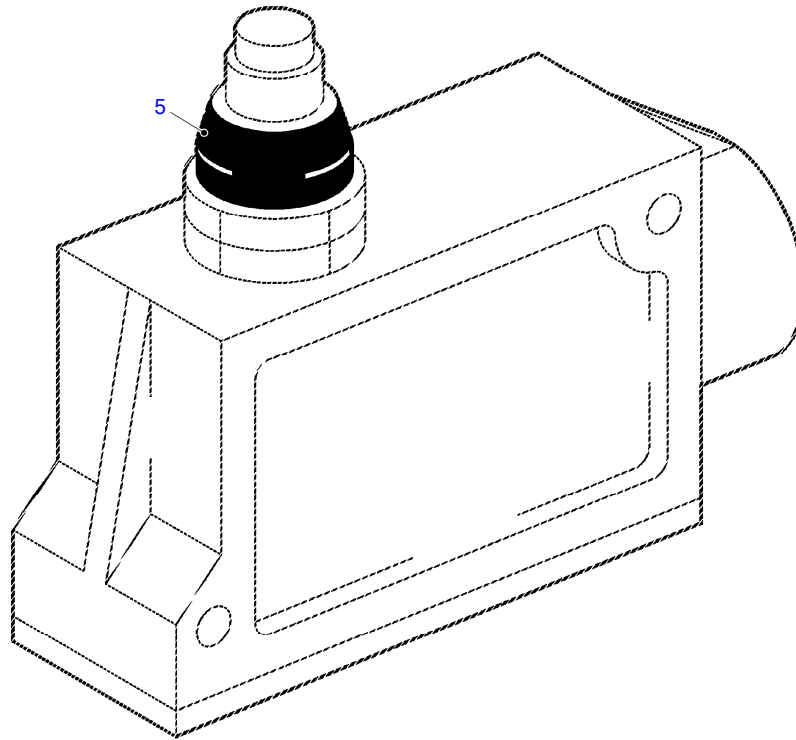
EQUI TYPE: Engine

PRODUCT TYPE: 12V4000M53  
ENGINE CABLING FOR ON-ENGINE SENSO

SERIAL NUMBER: 526107657

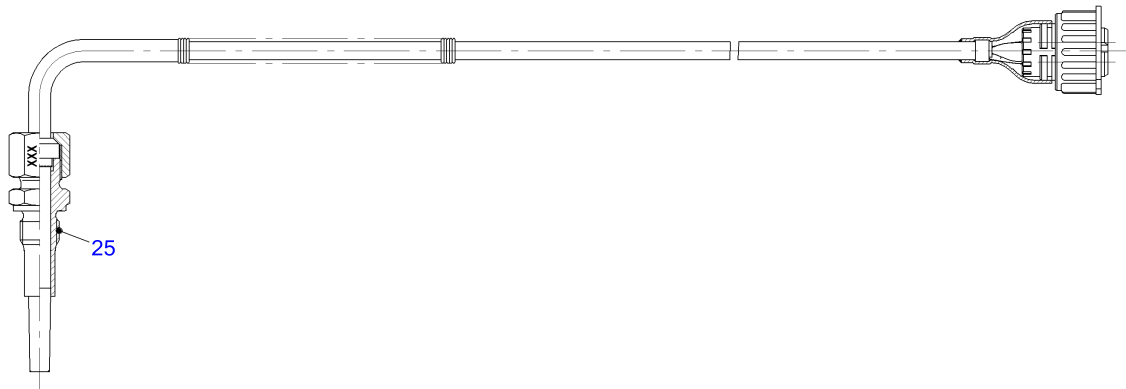
FG/FGS: 507 98  
BOM-No.: XS00E500.01614

➡	POS.	PART NO.	DESIGNATION	MODEL/TYPE	QTY.	UNITS	WEIGHT	FN	MEASUREMENT	STANDARD
	970	0005359960	THERMOCOUPLE	NICRNI-ABGAS	12	pc	173,800 g		HUELSE=49MM, KABEL=0,40M,ET85MM	



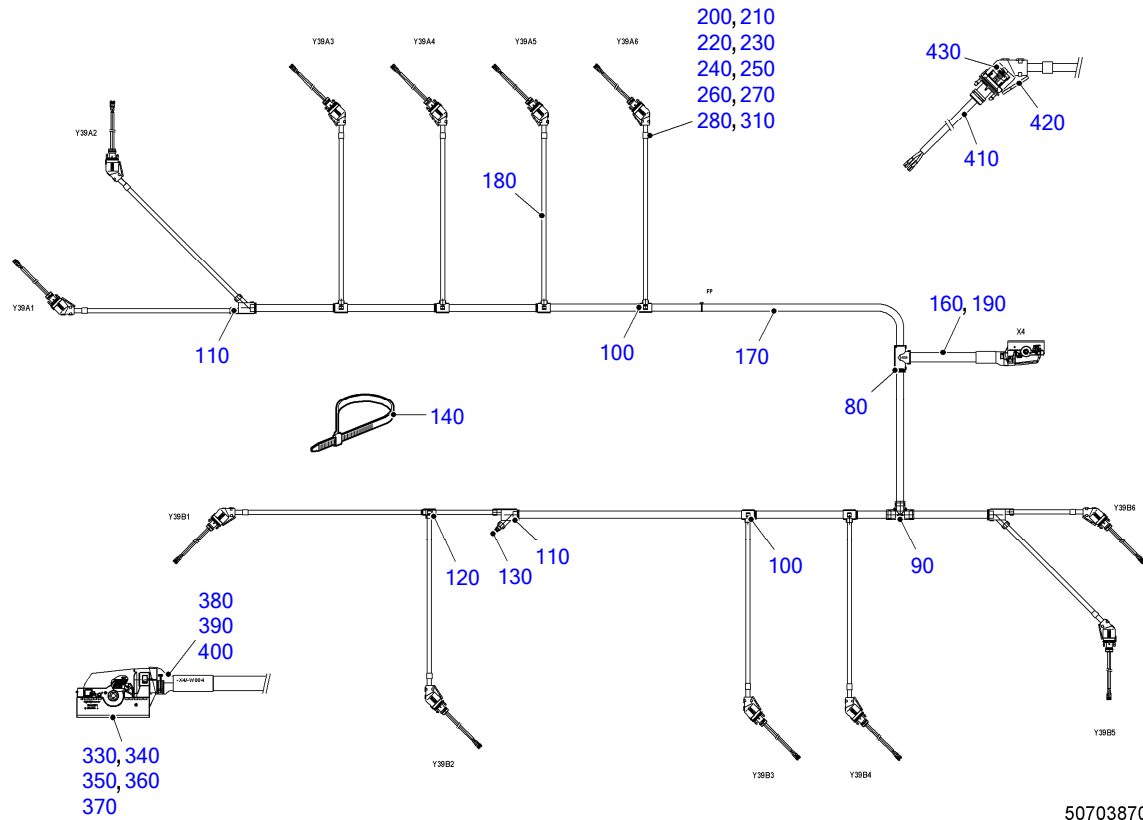
50702215a

➔	POS.	PART NO.	DESIGNATION	QTY.	UNITS	WEIGHT
	5	8599970017	GROMMET	1	pc	0,500 g



50701427a

➔	POS.	PART NO.	DESIGNATION	QTY.	UNITS	WEIGHT	MEASUREMENT
	25	8499970115	UNION	1	pc	63,000 g	M14X1.5 83MM HUELSENLAENGE



50703870

➔	POS.	PART NO.	DESIGNATION	MODEL/TYPE	QTY.	UNITS	WEIGHT	FN	MEASUREMENT	STANDARD
	80	X00005706	DISTRIBUTOR FOR CABLING	T-TYP / NW17-22-17 / B	1	pc	9,000 g		T-TYP / NW17-22-17 / B	
	90	0005336343	PIPE		1	pc	26,400 g	AB	T-ABZWEIG 17-17-17	
	100	0005331043	PIPE JOINT		10	pc	6,700 g		T-ABZWEIG 17-10-17	
	110	0005337443	PIPE	492.	3	pc	8,400 g		Y-ABZWEIG 17-10-10	
	120	0005331443	PIPE		1	pc	4,400 g		T-ABZWEIG 10-10-10	
	130	0015336331	CAP	BR2000/4000	1	pc	1,900 g		FUER WELLROHR DN10 AD=13MM	
	140	0035314381	CABLE CLAMP		1	pc	0,600 g		L= 150MM, B= 3,6MM	
	160	0005338543	PIPE	359.	0,340	m	100,000 g		NW22, AD=25,3MM SW GROBPROFIL	
	170	0005337143	PIPE	359.	5,700	m	49,400 g		WELLROHR NW17	
	180		PIPE	359.	5,000	m	23,000 g		WELLROHR NW10	
	190	0095319080	CABLE	RADDOX 155S RW	40,000	m	20,900 g		1X2X1,0QMM / WS / NUMMERIERT	
	200	700461105000	ID GROMMET		6	pc	0,700 g	5/A		MMN461
	210	700461105001	MARKER SLEEVE		6	pc	0,100 g	5/B		MMN461
	220	700461105024	MARKER SLEEVE		12	pc	0,700 g	5/Y		MMN461
	230	700461205001	MARKER SLEEVE		2	pc	0,800 g	5/1		MMN461
	240	700461205002	MARKER SLEEVE		2	pc	0,700 g	5/2		MMN461
	250	700461205003	MARKER SLEEVE		14	pc	0,700 g	5/3		MMN461
	260	700461205004	MARKER SLEEVE		2	pc	0,700 g	5/4		MMN461
	270	700461205005	IDENTIFICATION MARKER		2	pc	0,700 g	5/5		MMN461
	280	700461205006	IDENTIFICATION MARKER		2	pc	0,700 g	5/6		MMN461
	310	700461205009	IDENTIFICATION MARKER		12	pc	0,001 kg	5/9		MMN461
	330	0025318485	BLADE CONNECTOR	BUCHSENGEHÄUSE MCP1,5	1	pc	62,800 g		46POL / NW22 / CODE-B / 90GRD	

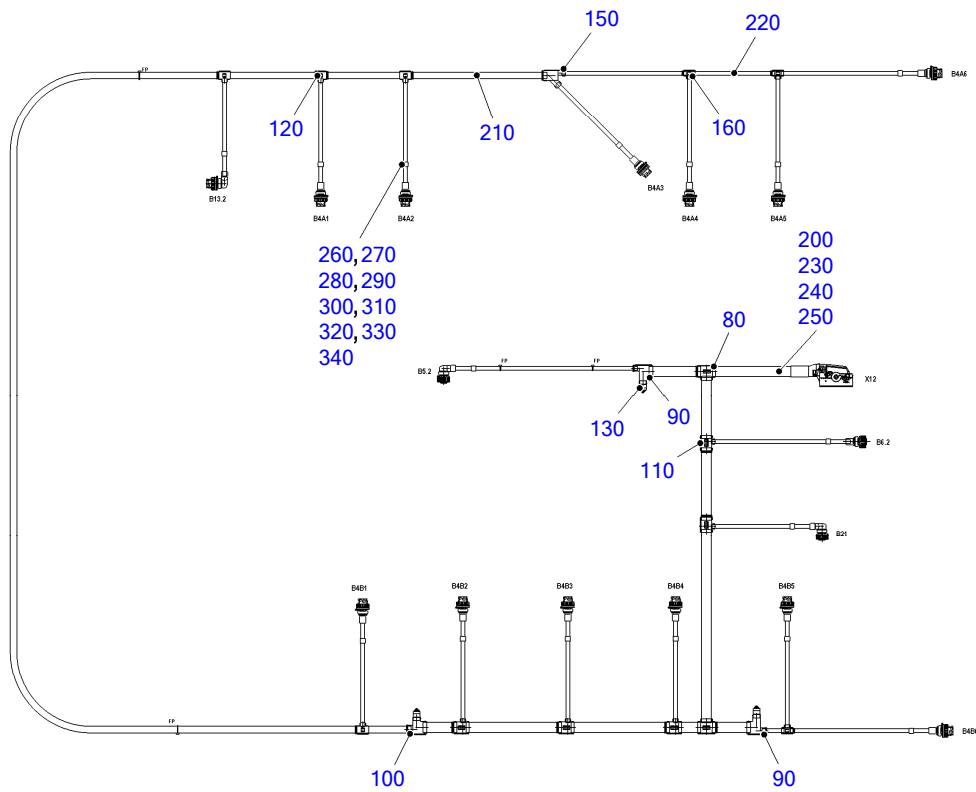
➡	POS.	PART NO.	DESIGNATION	MODEL/TYPE	QTY.	UNITS	WEIGHT	FN MEASUREMENT	STANDARD
	340	0025319385	BLADE CONNECTOR	BUCHSE CUNISI VERSILBERT	24	pc	0,400 g	0,5-1,0MM²/MCP1,5 AG	
	350	0025319585	BLADE CONNECTOR	EINZELADERABDICHTUNG	24	pc	0,050 g	1,4-1,9 MM / MCP1,5	
	360	0185317083	BLANKING PLUG FOR CONNECTOR	BLINDSTOPFEN	22	pc	0,050 g	MCP1,5	
	370	0025319085	BLADE CONNECTOR	KAPPE FÜR MCP BUCHSENGEHÄUSE	1	pc	10,800 g	46POL / NW22	
	380	0011596139	SHRINKABLE HOSE		0,120	m	130,000 g	52/13/MIT KLEBER	
	390	0035314381	CABLE CLAMP		2	pc	0,600 g	L= 150MM, B= 3,6MM	
	400	0035337089	IDENTIFICATION PLATE	ELAT	2	pc	1,400 g	47X135MM, BEDRUCKBAR 47X25MM	
	410	X00013978	TERMINAL FOR CYLINDER HEAD	BR4000	12	pc	25,000 g	L=90MM, 250V/1500V/24A 2-POL.	
	420	0065319181	END SLEEVE		12	pc	4,700 g	HAUBE 45GRAD, FUER WELLROHR N	
	430	X00006101	TERMINAL		24	pc	0,200 g	0,5-1MM M. ISOLATIONSUNTERST.	DIN46228

EQUI TYPE: Engine

PRODUCT TYPE: 12V4000M53  
WIRING HARNESS FOR ON-ENGINE SENSO

SERIAL NUMBER: 526107657

FG/FGS:  
BOM-No.: X00E50700444



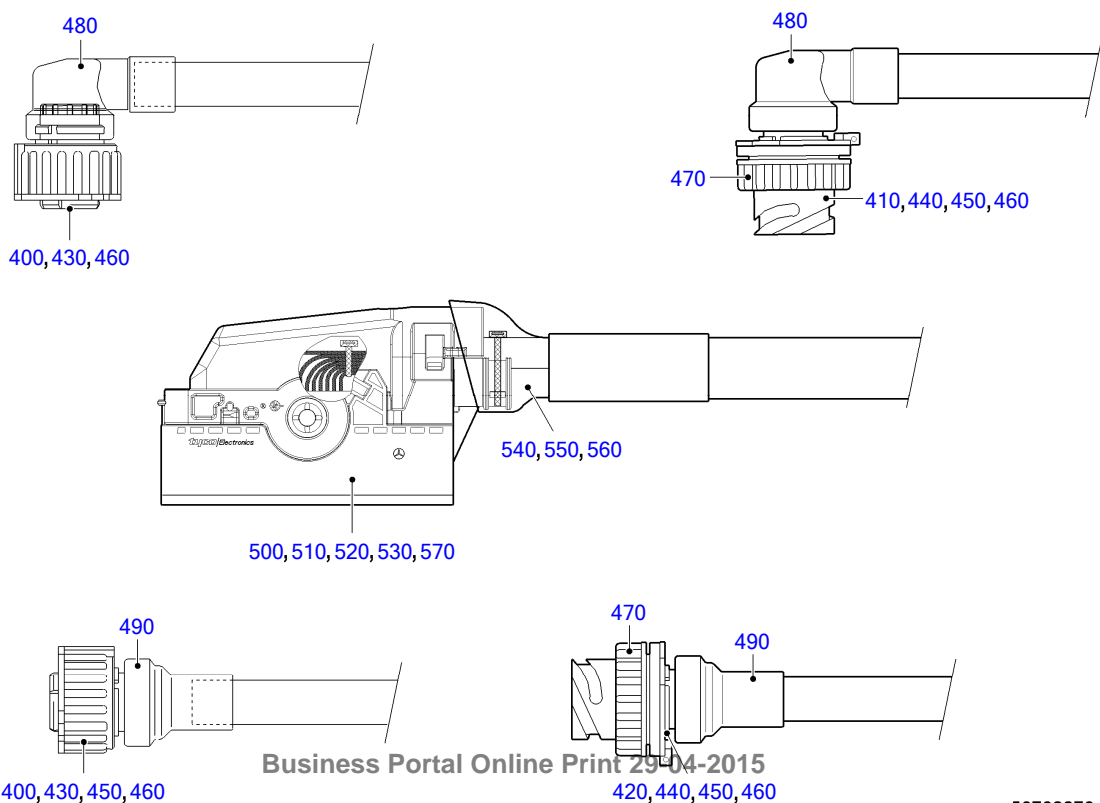
50702269a

EQUI TYPE: Engine

PRODUCT TYPE: 12V4000M53  
WIRING HARNESS FOR ON-ENGINE SENSO

SERIAL NUMBER: 526107657

FG/FGS:  
BOM-No.: X00E50700444



Business Portal Online Print 29/04-2015

50702270a



## WIRING HARNESS FOR ON-ENGINE SENSO

FG/FGS:

BOM-No.: X00E50700444

➡	POS.	PART NO.	DESIGNATION	MODEL/TYPE	QTY.	UNITS	WEIGHT	FN	MEASUREMENT	STANDARD
	80	X00027377	DISTRIBUTOR		2	pc	16,500 g		T-ABZWEIG 26-26-26	
	90	X00E50204716	DISTRIBUTOR F. WIRING HARNESS		2	pc	9,700 g	UB	T-ABZWEIG 26-17-10	
	100	X00005206	DISTRIBUTOR F. WIRING HARNESS	T-TYP / NW26-17-17 / B	1	pc	10,000 g		T-TYP / NW26-17-17 / B	
	110	X00E50200993	DISTRIBUTOR F. WIRING HARNESS	T-TYP / NW26-10-26 / B	5	pc	9,700 g	AB	T-TYP / NW26-10-26 / B	
	120	0005331043	PIPE JOINT		4	pc	6,700 g		T-ABZWEIG 17-10-17	
	130	0015336931	CAP	FUER WELLROHR	3	pc	1,000 g		DN17 AD=21,2MM	
	150	0005337443	PIPE	492.	1	pc	8,400 g		Y-ABZWEIG 17-10-10	
	160	0005331443	PIPE		3	pc	4,400 g		T-ABZWEIG 10-10-10	
	200	0005338643	PIPE	359.	3,200	m	81,000 g		WELLROHR NW26	
	210	0005337143	PIPE	359.	2,500	m	49,400 g		WELLROHR NW17	
	220		PIPE	359.	12,200	m	23,000 g		WELLROHR NW10	
	230	0095318880	CABLE	RADDOX 155S RW VERDRILLT	6,500	m	11,200 g		1X2X0,5QMM / WS / NUMMERIERT	
	240	0095318980	CABLE	RADDOX 155S RW VERDRILLT	3,800	m	16,900 g		1X3X0,5QMM / WS / NUMMERIERT	
	250	0095317880	CABLE	RADOX 155S / NICRNI / VEDRILLT	65,200	m	120,000 g	AB	1X2X0,6QMM / GN/WS	DINIEC584KL.2
	260	700461105000	ID GROMMET		6	pc	0,700 g		5/A	MMN461
	270	700461105001	MARKER SLEEVE		22	pc	0,100 g		5/B	MMN461
	280	700461105028	MARKER SLEEVE		3	pc	0,700 g		5/.	MMN461
	290	700461205001	MARKER SLEEVE		4	pc	0,800 g		5/1	MMN461
	300	700461205002	MARKER SLEEVE		6	pc	0,700 g		5/2	MMN461
	310	700461205003	MARKER SLEEVE		3	pc	0,700 g		5/3	MMN461
	320	700461205004	MARKER SLEEVE		14	pc	0,700 g		5/4	MMN461
	330	700461205005	IDENTIFICATION MARKER		3	pc	0,700 g		5/5	MMN461
	340	700461205006	IDENTIFICATION MARKER		3	pc	0,700 g		5/6	MMN461
	400	0165313283	MALE CONNECTOR	STECKER F. BU-KONTAKTE 2,5MM	3	pc	11,500 g		4POL. CODE 1 / DIN 72585 BU	
	410	0165313883	FEMALE CONNECTOR	STECKER F. ST-KONTAKT 2,5MM	1	pc	13,300 g		4POL. CODE 1 / DIN 72585 ST	
	420	0165314183	FEMALE CONNECTOR	STECKDOSE ST-KONTAKTE 2,5MM	12	pc	13,500 g		4POL. CODE 2 / DIN 72585	
	430	0165313383	FEMALE CONTACT	BUCHSE CUNISI VERZINNT	10	pc	0,500 g		0,5-1,0 MM <sup>2</sup> / D=2,5MM / DIN72585	
	440	0165313983	PIN CONTACT	STIFT CUNISI VERZINNT	26	pc	0,300 g		0,5-1,0MM <sup>2</sup> / D=2,5MM / DIN72585	
	450	0165313583	BLANKING PLUG	BLINDSTOPFEN	28	pc	0,100 g		SYSTEM 2,5MM / 2,8MM	
	460	0165313483	SINGLE-CORE INSUL		36	pc	0,120 g		1,2-2,1MM/DIN72585 2,5	
	470	0165314683	BAYONET COUPLING	BAJONETTVERSCHLUSS	13	pc	2,800 g		2-7POL. / DIN 72585 / BAJO	
	480	0165313683	CAP		3	pc	5,600 g		90 GRAD / NW10 / DIN 72585	
	490	0165313783	CAP		13	pc	4,300 g		180 GRAD / NW10 / DIN 72585	
	500	0025319385	BLADE CONNECTOR	BUCHSE CUNISI VERSILBERT	34	pc	0,400 g		0,5-1,0MM <sup>2</sup> /MCP1,5 AG	
	510	0025319585	BLADE CONNECTOR	EINZELADERABDICHTUNG	34	pc	0,050 g		1,4-1,9 MM / MCP1,5	
	520	0185317083	BLANKING PLUG FOR CONNECTOR	BLINDSTOPFEN	58	pc	0,050 g		MCP1,5	
	530	0025319185	BLADE CONNECTOR	KAPPE FUER MCP BUCHSENGEHAEUSE	1	pc	10,000 g		92POL / NW26	
	540	0011596139	SHRINKABLE HOSE		0,120	m	130,000 g		52/13/MIT KLEBER	
	550	0035314381	CABLE CLAMP		6	pc	0,600 g		L= 150MM, B= 3,6MM	
	560	0035337089	IDENTIFICATION PLATE	ELAT	2	pc	1,400 g		47X135MM, BEDRUCKBAR 47X25MM	
	570	X00012742	BLADE CONNECTOR	BUCHSENGEHAEUSE MCP1,5	1	pc	111,000 g		92POL / NW26 / CODE-B / 90GRD	



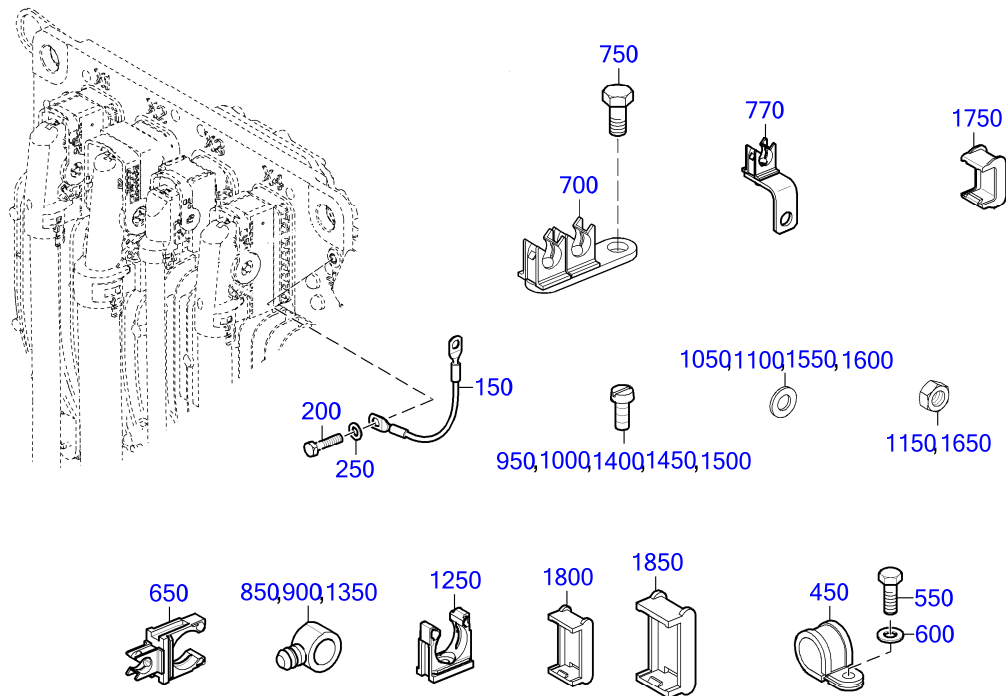
## WIRING HARNESS FOR ON-ENGINE SENSO

FG/FGS:

BOM-No.: X00E50700628

➔	POS.	PART NO.	DESIGNATION	MODEL/TYPE	QTY.	UNITS	WEIGHT	FN	MEASUREMENT	STANDARD
	80	X00027377	DISTRIBUTOR		2	pc	16,500 g		T-ABZWEIG 26-26-26	
	90	X00005206	DISTRIBUTOR F. WIRING HARNESS	T-TYP / NW26-17-17 / B	3	pc	10,000 g		T-TYP / NW26-17-17 / B	
	100	X00E50200993	DISTRIBUTOR F. WIRING HARNESS	T-TYP / NW26-10-26 / B	7	pc	9,700 g	AB	T-TYP / NW26-10-26 / B	
	105	X00E50203231	DISTRIBUTOR CABLING AND PIPEWOR	T-SNAP LOCK 17-10-13	1	pc	6,500 g		T-ABZWEIG 17-10-13 HALBSCHALE	
	110	0005331043	PIPE JOINT		3	pc	6,700 g		T-ABZWEIG 17-10-17	
	120	0005337443	PIPE	492.	2	pc	8,400 g		Y-ABZWEIG 17-10-10	
	130	0005331443	PIPE		11	pc	4,400 g		T-ABZWEIG 10-10-10	
	140	0005331143	PIPE JOINT		6	pc	5,800 g		Y-ABZWEIG 10-10-10	
	145	0015336931	CAP	FUER WELLROHR	3	pc	1,000 g		DN17 AD=21,2MM	
	150	0015336331	CAP	BR2000/4000	1	pc	1,900 g		FUER WELLROHR DN10 AD=13MM	
	155	X00E50207667	BRANCH FOR CABLE RUNNING		1	pc	0,400 g		Z.EINLEGEN NW 13-10 / FORM A	
	160	0035314381	CABLE CLAMP		2	pc	0,600 g		L= 150MM, B= 3,6MM	
	170	X00E50206794	CORRUGATED PIPE FOR CABLE RUNNING	UFW PA6 V0	5,200	m	96,300 g	AB	NW26; 31,5/24,9MM; GROBWELLE	
	180	X00E50206790	CORRUGATED PIPE FOR CABLE RUNNING	UFW PA6 V0	2,500	m	53,100 g	AB	NW17; 21,2/16,0MM; GROBWELLE	
	190	X00E50206788	CORRUGATED PIPE FOR CABLE RUNNING	UFW PA6 V0	14,800	m	28,200 g	AB	NW10; 13,1/9,3MM; GROBWELLE	
	210	0095318880	CABLE	RADDOX 155S RW VERDRILLT	78,000	m	11,200 g		1X2X0,5QMM / WS / NUMMERIERT	
	220	0095318980	CABLE	RADDOX 155S RW VERDRILLT	47,500	m	16,900 g		1X3X0,5QMM / WS / NUMMERIERT	
	230	0095319080	CABLE	RADDOX 155S RW	1,850	m	20,900 g		1X2X1,0QMM / WS / NUMMERIERT	
	240	700461105001	MARKER SLEEVE		22	pc	0,100 g		5/B	MMN461
	250	700461105005	MARKER SLEEVE		4	pc	0,700 g		5/F	MMN461
	260	700461105006	MARKER SLEEVE		1	pc	0,800 g		5/G	MMN461
	270	700461105012	MARKER SLEEVE		1	pc	0,100 g		5/M	MMN461
	280	700461105018	MARKER SLEEVE		2	pc	0,100 g		5/S	MMN461
	290	700461105023	MARKER SLEEVE		5	pc	0,800 g		5/X	MMN461
	300	700461105024	MARKER SLEEVE		2	pc	0,700 g		5/Y	MMN461
	310	700461105028	MARKER SLEEVE		10	pc	0,700 g		5/.	MMN461
	320	700461205000	MARKER SLEEVE		3	pc	0,001 kg		5/0	MMN461
	330	700461205001	MARKER SLEEVE		9	pc	0,800 g		5/1	MMN461
	340	700461205002	MARKER SLEEVE		8	pc	0,700 g		5/2	MMN461
	350	700461205003	MARKER SLEEVE		19	pc	0,700 g		5/3	MMN461
	360	700461205004	MARKER SLEEVE		13	pc	0,700 g		5/4	MMN461
	370	700461205005	IDENTIFICATION MARKER		4	pc	0,700 g		5/5	MMN461
	380	700461205006	IDENTIFICATION MARKER		4	pc	0,700 g		5/6	MMN461
	390	700461205007	MARKER SLEEVE		5	pc	0,700 g		5/7	MMN461
	400	700461205008	IDENTIFICATION MARKER		2	pc	0,700 g		5/8	MMN461
	410	700461205009	IDENTIFICATION MARKER		2	pc	0,001 kg		5/9	MMN461
	420	0015318285	BLADE CONNECTOR	CRIMPVERBINDER PARALLEL	2	pc	0,500 g		1,0-2,5 MM <sup>2</sup> / BLANK / VERZINNT	
	430	0005311575	SHRINKABLE HOSE	SSCHL. 50MM KL	2	pc	0,200 g		5,7/1,27MM, L=50MM, TRANSPARENT	
	450	0165313283	MALE CONNECTOR	STECKER F. BU-KONTAKTE 2,5MM	17	pc	11,500 g		4POL. CODE 1 / DIN 72585 BU	
	460	0165314083	MALE CONNECTOR	STECKER F. BU-KONTAKTE 2,5MM	1	pc	11,500 g		4POL. CODE 2 / DIN 72585 BU	
	470	0165313883	FEMALE CONNECTOR	STECKER F. ST-KONTAKT 2,5MM	10	pc	13,300 g		4POL. CODE 1 / DIN 72585 ST	
	475	0165314183	FEMALE CONNECTOR	STECKDOSE ST-KONTAKTE 2,5MM	1	pc	13,500 g		4POL. CODE 2 / DIN 72585	
	480	0165313383	FEMALE CONTACT	BUCHSE CUNISI VERZINNT	59	pc	0,500 g		0,5-1,0 MM <sup>2</sup> / D=2,5MM / DIN72585	

➔	POS.	PART NO.	DESIGNATION	MODEL/TYPE	QTY.	UNITS	WEIGHT	FN	MEASUREMENT	STANDARD
	490	0165313983	PIN CONTACT	STIFT CUNISI VERZINNT	26	pc	0,300 g		0,5-1,0MM <sup>2</sup> / D=2,5MM / DIN72585	
	500	0165313583	BLANKING PLUG	BLINDSTOPFEN	31	pc	0,100 g		SYSTEM 2,5MM / 2,8MM	
	510	0165313483	SINGLE-CORE INSUL		85	pc	0,120 g		1,2-2,1MM/DIN72585 2,5	
	520	0165314683	BAYONET COUPLING	BAJONETTVERSCHLUSS	11	pc	2,800 g		2-7POL. / DIN 72585 / BAJO	
	530	0165313683	CAP		17	pc	5,600 g		90 GRAD / NW10 / DIN 72585	
	540	0165313783	CAP		12	pc	4,300 g		180 GRAD / NW10 / DIN 72585	
	550	0165314383	DUST CAP		4	pc	7,000 g		2-7POL. / DIN 72585	
	560	0165312883	HOUSING FOR CONNECTOR	4 POL. DIN43650-A	2	pc	21,000 g	AB	WÜRFELSTECKER 4-POL./PG9,	
	570	0015315385	BLADE CONNECTOR	0,5-1,0 MM	4	pc	0,400 g	AB	KONTAKT0,5-1,0MM2,/2,1-2,7	
	580	0005331460	SEALING RING	HSK-ME	4	pc	0,900 g		DICHTUNG 2X1,7MM	
	590	0165312983	GASKET FOR CONNECTOR	GDM	2	pc	1,300 g	AB	DICHTUNG WÜRFELST.	
	600	0005314676	CABLE ENTRY	PG9_NW10	4	pc	10,800 g		SCHLAUCHVERSCHR. PG9	
	610	0005319181	QUICK-CATCH CLAMP	TYH PA6.6	2	pc	0,200 g		200X2,4MM -40C - 105 C	
	620	0015317385	END SLEEVE	ADERENDHUELSE H0,5-14	4	pc	0,100 g		0,5 QMM	
	630	46531	UNION		2	pc	12,000 g		H PG 13,5 - PG 9	DIN46320
	640	0025318885	BLADE CONNECTOR	BUCHSENGEHAEUSE MCP1,5	1	pc	111,000 g		92POL / NW26 / CODE-A / 90GRD	
	650	0025319385	BLADE CONNECTOR	BUCHSE CUNISI VERSILBERT	64	pc	0,400 g		0,5-1,0MM <sup>2</sup> /MCP1,5 AG	
	660	0025319585	BLADE CONNECTOR	EINZELADERABDICHTUNG	64	pc	0,050 g		1,4-1,9 MM / MCP1,5	
	670	0185317083	BLANKING PLUG FOR CONNECTOR	BLINDSTOPFEN	28	pc	0,050 g		MCP1,5	
	680	0025319185	BLADE CONNECTOR	KAPPE FUER MCP BUCHSENGEHAEUSE	1	pc	10,000 g		92POL / NW26	
	690	0011596139	SHRINKABLE HOSE		0,120	m	130,000 g		52/13/MIT KLEBER	
	700	0035314381	CABLE CLAMP		2	pc	0,600 g		L= 150MM, B= 3,6MM	
	710	0035337089	IDENTIFICATION PLATE	ELAT	2	pc	1,400 g		47X135MM, BEDRUCKBAR 47X25MM	



50702750

➔	POS.	PART NO.	DESIGNATION	MODEL/TYPE	QTY.	UNITS	WEIGHT	FN	MEASUREMENT	STANDARD
	150	<b>X00E50201047</b>	GROUND/EARTH LINE		1	pc	15,200 g	AB	2XM6; 6QMM; 200MM; ISOLIERT	
	200	<b>000000003387</b>	HEX SCREW		1	pc	5,100 g		M 6 X 16	ISO4017
	250	<b>000125006431</b>	WASHER		1	pc	0,800 g		A 6,4	DIN125
	450	<b>916016035201</b>	CLAMP		1	pc	43,000 g		BRSQU 35/20	N16016
	550	<b>304017008081</b>	HEX SCREW		1	pc	13,400 g		M 8 X 25	ISO4017
	600	<b>000125008427</b>	WASHER		1	pc	1,500 g		A 8,4	DIN125
550	650	<b>5241502473</b>	RETAINER F. WIRING HARNESS	BR 4000	3	pc	14,200 g		BC001	
	700	<b>5241506273</b>	RETAINER F. WIRING HARNESS	4000	2	pc	45,700 g		HC031	
	750	<b>000000003020</b>	HEX SCREW		2	pc	20,000 g		M 10 X 20	ISO4017
	770	<b>5241501376</b>	RETAINER F. WIRING HARNESS	BR4000	1	pc	41,400 g		HC068	
	850	<b>0001596540</b>	CLAMP CABLE DN17		2	pc	1,900 g		DN17	
	900	<b>0001596440</b>	CLAMP CABLE DN10		3	pc	1,200 g		DN10	
	950	<b>000084005196</b>	SCREW		2	pc	2,600 g		M 5 X 12	DIN84
	1000	<b>200084005107</b>	BOLT SLOTTED HD GELB CHROMAT		3	pc	2,400 g		M 5 X 10	DIN84
	1050	<b>000125005322</b>	WASHER		5	pc	0,400 g		A 5,3	DIN125
	1100	<b>007349005002</b>	WASHER		2	pc	2,300 g		5,3	DIN7349
	1150	<b>304032005008</b>	HEX NUT		5	pc	1,200 g		M 5	ISO4032
	1250	<b>X52650700039</b>	CABLE CLAMP		4	pc	9,300 g		HALTER NW26 BOHRLOCH M6	
	1350	<b>0001596440</b>	CLAMP CABLE DN10		1	pc	1,200 g		DN10	
	1400	<b>000084005194</b>	SCREW		4	pc	3,200 g		M 5 X 16	DIN84
	1450	<b>000084005196</b>	SCREW		1	pc	2,600 g		M 5 X 12	DIN84
	1500	<b>200084005107</b>	BOLT SLOTTED HD GELB CHROMAT		1	pc	2,400 g		M 5 X 10	DIN84
	1550	<b>000125005322</b>	WASHER		10	pc	0,400 g		A 5,3	DIN125

EQUI TYPE: Engine

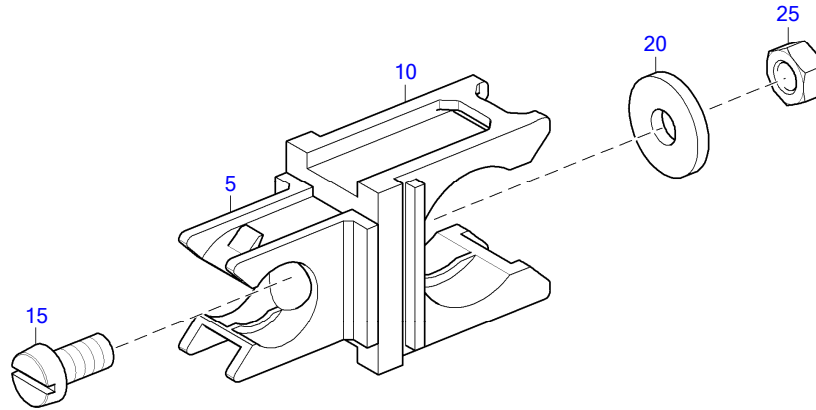
PRODUCT TYPE: 12V4000M53  
RETAINER F. WIRING HARNESS

SERIAL NUMBER: 526107657

FG/FGS: 507 98

BOM-No.: XS594500.00250

➡	POS.	PART NO.	DESIGNATION	MODEL/TYPE	QTY.	UNITS	WEIGHT	FN	MEASUREMENT	STANDARD
	1600	007349005002	WASHER		1	pc	2,300 g	5,3		DIN7349
	1650	304032005008	HEX NUT		5	pc	1,200 g	M 5		ISO4032
	1750	0005335043	BRACKET	NICHT STAPELBAR	7	pc	1,800 g		BUEGEL FUER NW10-HALTER	
	1800	0005334943	BRACKET CABLING AND PIPEWOR	NICHT STAPELBAR	10	pc	2,900 g		BUEGEL FUER NW17-HALTER	
	1850	X52650700040	BRACKET	NICHT STAPELBAR	10	pc	3,400 g		BUEGEL FUER NW26-HALTER	



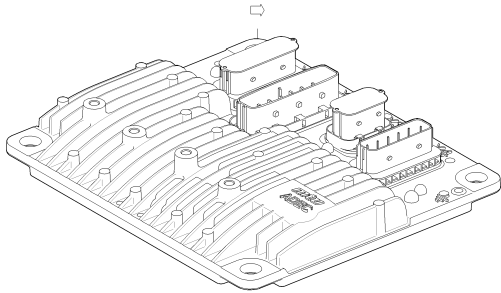
50801539

➔	POS.	PART NO.	DESIGNATION	MODEL/TYPE	QTY.	UNITS	WEIGHT	MEASUREMENT	STANDARD
	5	0015331840	RETAINER CABLING AND PIPEWOR	OHNE BUEGEL	1	pc	3,100 g	HALTER NW10 BOHRLOCH M5	
	10	0015331940	RETAINER CABLING AND PIPEWOR	OHNE BUEGEL	1	pc	5,600 g	HALTER NW17 BOHRLOCH M6	
	15	200084005107	BOLT SLOTTED HD GELB CHROMAT		1	pc	2,400 g	M 5 X 10	DIN84
	20	007349005002	WASHER		1	pc	2,300 g	5,3	DIN7349
	25	000934005004	NUT HEX		1	pc	1,000 g	M 5	DIN934

GROUP SEGMENT (FGS)

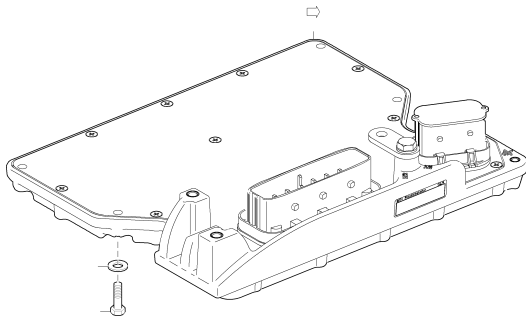
GROUP NAME

BOM-No.



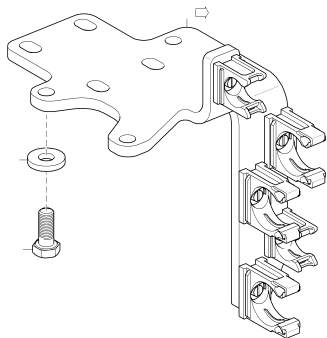
10  
**GOVERNOR F/MONTRG SYST + GOV**  
X00043550

56801986



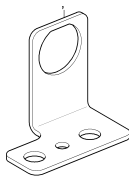
10  
**ENGINE MONITOR IN HOUSING**  
XS00E500.01398

50702740



82  
**RETAINER F. WIRING HARNESS**  
XS593500.00021

50801547



82  
**RETAINER F. WIRING HARNESS**  
XS594500.00044

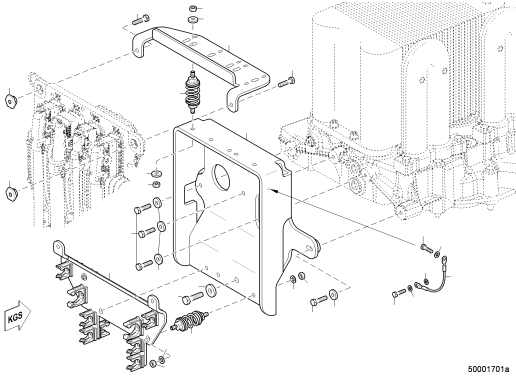
50001798



GROUP SEGMENT (FGS)

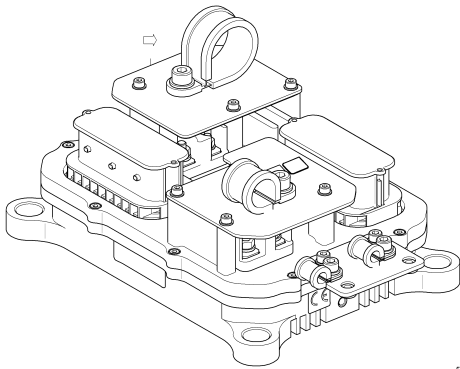
GROUP NAME

BOM-No.



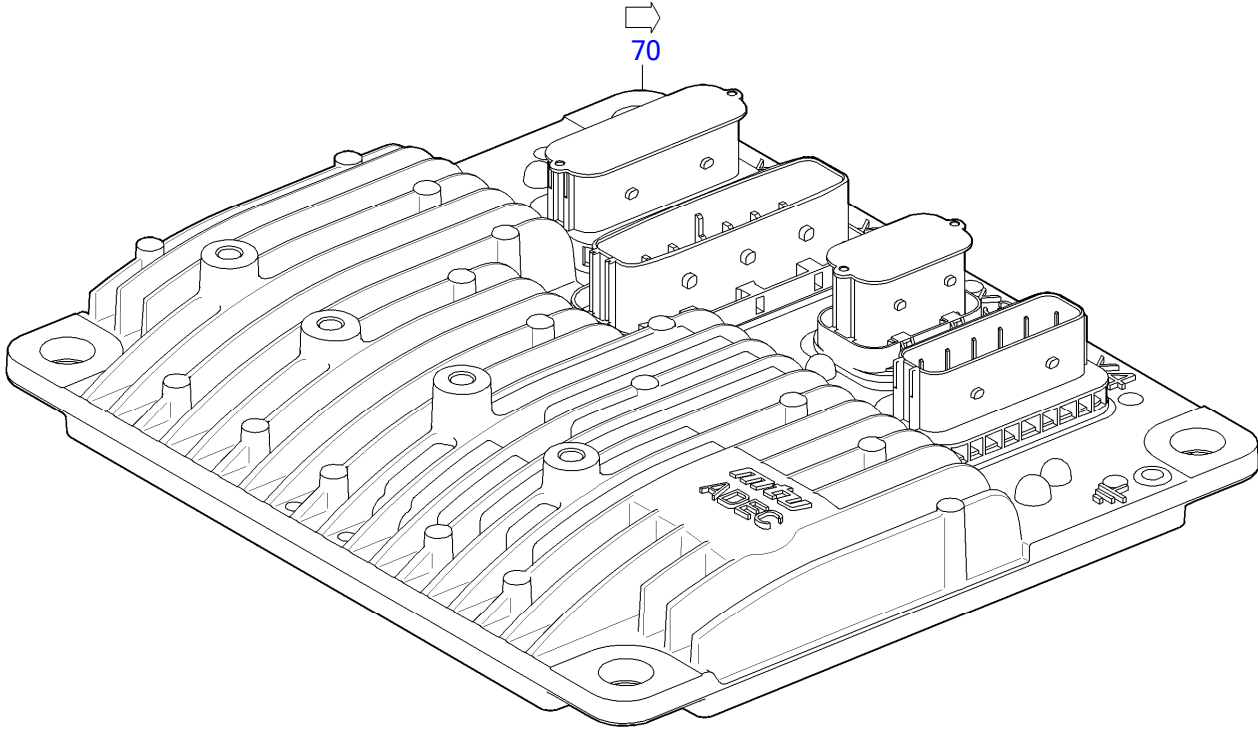
50001701a

82  
**RETAINER F.ADEC A. WIRE HARN**  
XS594500.00251



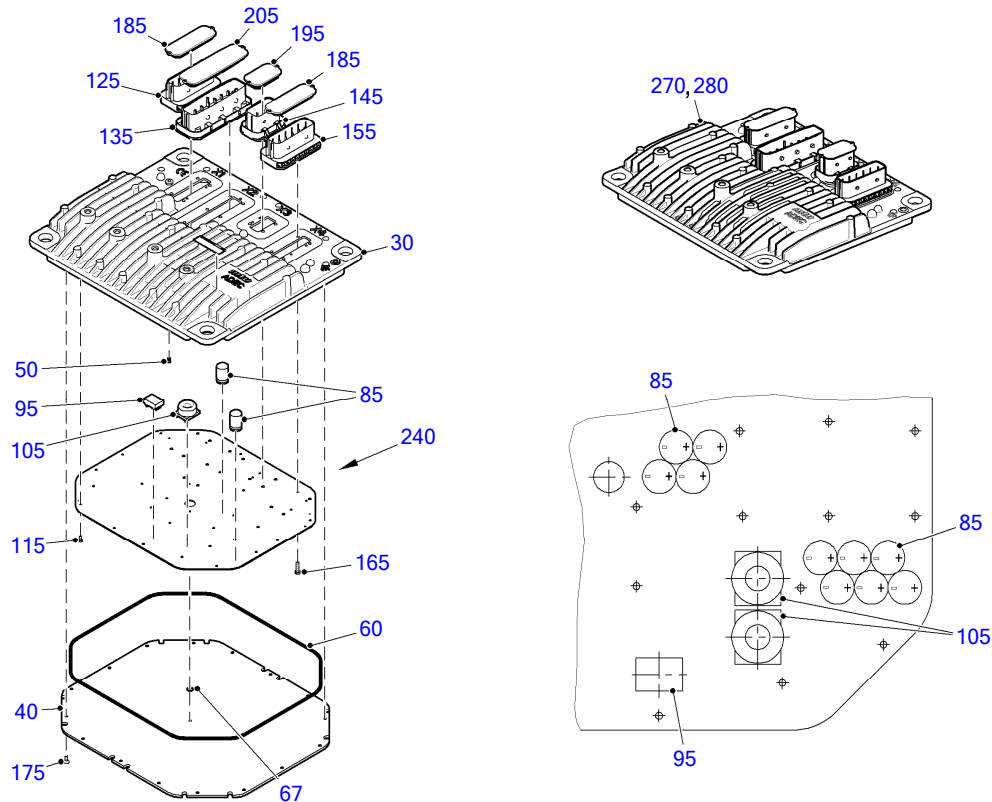
50801621

95  
**CONTROL UNIT F.ENGINE INTERFACE**  
XS00E500.02015



50800198d

➡	POS.	PART NO.	DESIGNATION	MODEL/TYPE	QTY.	UNITS	WEIGHT	FN	MEASUREMENT
	70	X00E50209162	ECS	ECU7-05/B	1	pc	5,560 kg	EM	ECU7-05/B; 360X314X95 (LXBXH)



X00E50209162\_001\_02\_508

➔	POS.	PART NO.	DESIGNATION	MODEL/TYPE	QTY.	UNITS	WEIGHT	FN	MEASUREMENT	STANDARD
	30	X00002024	HOUSING	ECU 7-02	1	pc	3,627 kg	AB	360X314X60	
	40	5015331436	PLATE FOR GOVERNOR	ECU 7-01	1	pc	1,070 kg		BLECH 4X309X355	
	50	X00009560	LIGHT CONDUCTOR WITH O-RING		1	pc	0,150 g			
	60	700429338000	O-RING		1	pc	16,400 g		338 X 3	MMN429
	67	700429007001	O-RING		1	pc	2,000 g		7 X 1,5	MMN429
	85	0065315725	CAPACITOR	ELKO ALSIC145 680UF 63V	10	pc	3,000 g		ELKO 680UF, 63V, 20%	
	95	0005327956	TRANSFORMER	EVD15	1	pc	2,000 g		LP44UH,UE0-50V, W1=28, W2=19WX=8	
	105	0005318954	REACTOR	SDR 4,3-0,034	2	pc	10,000 g		LI+LII=35UH +/-15%, I=4,4A,	
	115	000000003652	TORX SCREW		23	pc	0,700 g		M3 GF X 8	MBN10226
	125	0025318185	BLADE CONNECTOR	46 POL.	1	pc	20,000 g		GERADE,3-REIHIG, CODIERUNG:A	
	135	0025318685	BLADE CONNECTOR	92POL. MESSERLEISTE MCP	1	pc	50,000 g		GERADE, 4-REIHIG, CODIERUNG:A	
	145	0025318585	BLADE CONNECTOR	21 POL.	1	pc	20,000 g		GERADE, 3-REIHIG, CODIERUNG:A	
	155	0025318285	BLADE CONNECTOR	46 POL.	1	pc	20,000 g		GERADE, 3-REIHIG, CODIERUNG:B	
	165	000000003617	SLOT PAN-HEAD SCREW		18	pc	1,400 g		4 X 16	MBN10266
	175	X00E50200962	COUNTERSUNK HD SCREW	M4X10/DN7500	17	pc	1,000 g		DIN7500 M4X10-ST-T10	
	185	X00010313	DUST CAP FOR CONNECTOR	MCP 46 POL.	2	pc	10,000 g		FUER AMP- BUCHSENGEHAEUSE 21POL	
	195	X00010310	DUST CAP W/MALE CONNECTOR	MCP 21 POL.	1	pc	10,200 g		FUER AMP- BUCHSENGEHAEUSE 21POL	

EQUI TYPE: Engine

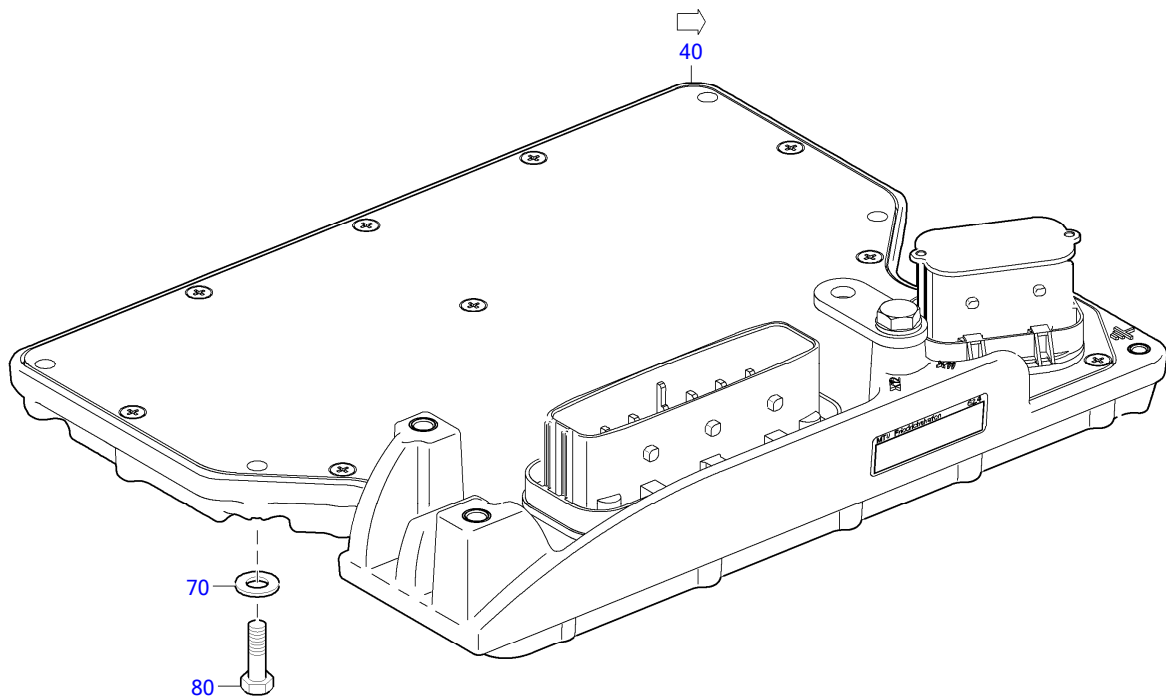
PRODUCT TYPE: 12V4000M53  
ECS

SERIAL NUMBER: 526107657

FG/FGS:

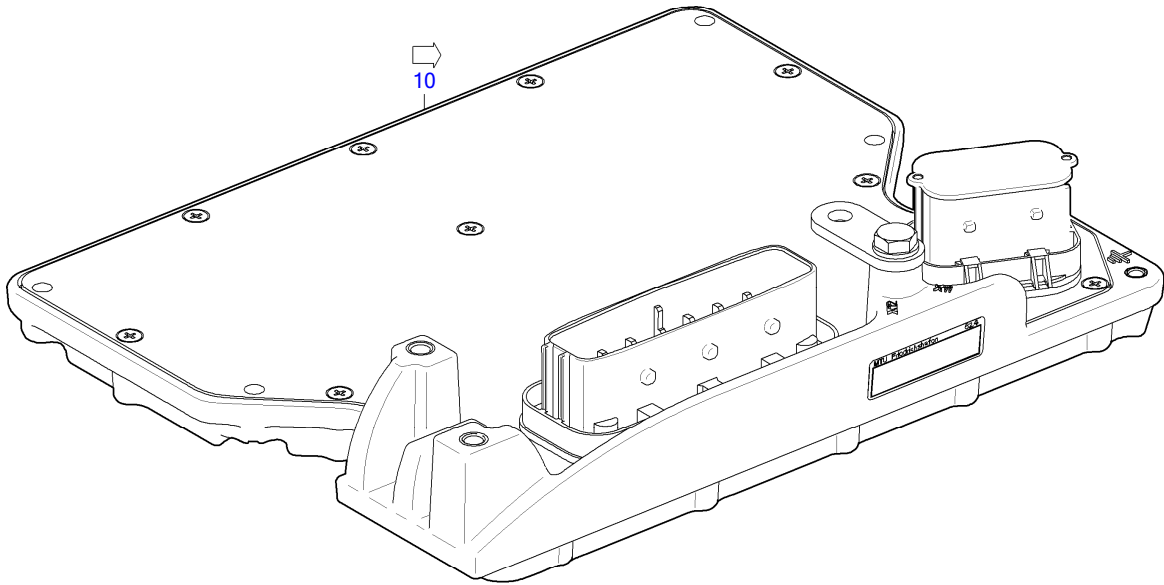
BOM-No.: X00E50209162

➡	POS.	PART NO.	DESIGNATION	MODEL/TYPE	QTY.	UNITS	WEIGHT	FN	MEASUREMENT	STANDARD
	205	X00010316	DUST CAP FOR CONNECTOR	STAUBKAPPE MCP 92 POL.	1	pc	2,000 g		FUER AMP- BUCHSENGEHAEUSE 92POL	
	240	X00009977	2-COMP. SILIC.RUBBER	KARTUSCHE 330 ML	1	pc	400,000 g		ELASTOSIL SG 500 A/B	
	270	X00E50209162/77	GOVERNOR PROGRAMMED	ECU7-05/B	1	pc	6,500 kg	AB KF EM	ECU7-05/B; 360X314X95;	
	280	X00E50209162/76	ECS NOT ADJUSTED	ECU7-05/B	1	pc	6,600 kg	EM	ECU7-05/B; 360X314X95	



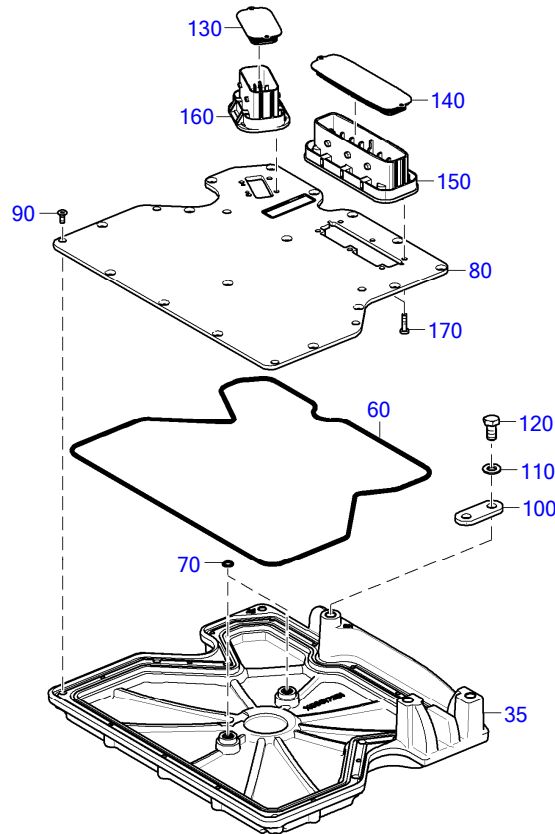
50702740

➔	POS.	PART NO.	DESIGNATION	MODEL/TYPE	QTY.	UNITS	WEIGHT	MEASUREMENT	STANDARD
	555	40	<b>X00E50206654</b>	ENGINE MONITORING	EMU8-02 / URL	1	pc	4,627 kg	EMU8-02 MIT URLADER 25MHZ
		70	<b>000125006431</b>	WASHER		6	pc	0,800 g	A 6,4 DIN125
		80	<b>304017006066</b>	HEX SCREW		6	pc	8,400 g	M 6 X 35 ISO4017



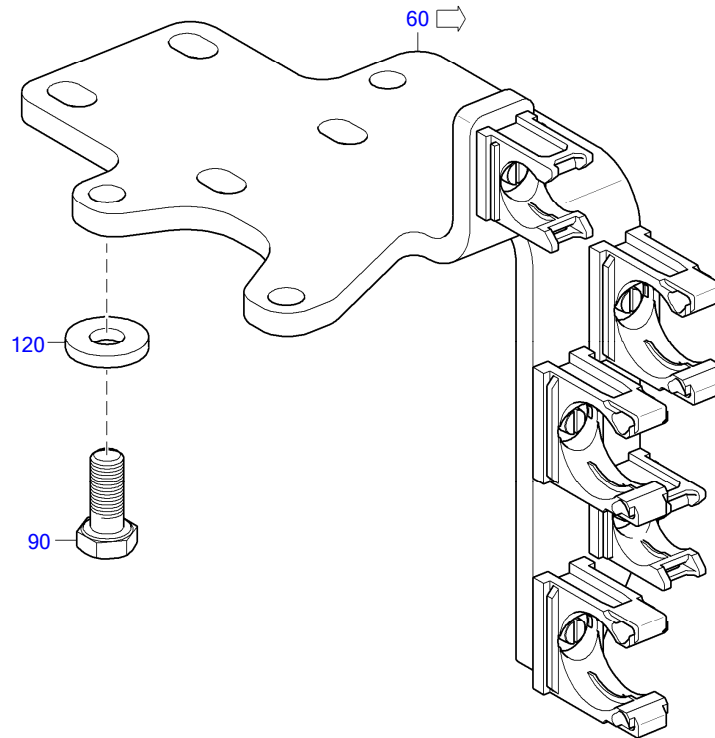
50702411a

➡	POS.	PART NO.	DESIGNATION	MODEL/TYPE	QTY.	UNITS	WEIGHT	MEASUREMENT
	10	X00E50206653	HOUSING	EMU7-03	1	pc	3,320 kg	EMU7-03



50702410a

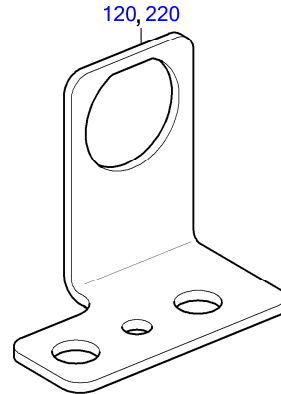
➔	POS.	PART NO.	DESIGNATION	MODEL/TYPE	QTY.	UNITS	WEIGHT	FN	MEASUREMENT	STANDARD
	35	X00017263	HOUSING F/EXH TEMP MEASUREM	EMU 7	1	pc	2,300 kg		314X257X62	
	60	700429329000	O-RING		1	pc	15,000 g		329 X 3	MMN429
	70	700429007001	O-RING		2	pc	2,000 g		7 X 1,5	MMN429
	80	X00E50208018	PLUG-IN BOARD SMD	EME3-04 SMD	1	pc	904,500 g		EME3-04	
	90	X00E50200962	COUNTERSUNK HD SCREW	M4X10/DN7500	16	pc	1,000 g		DIN7500 M4X10-ST-T10	
	100	X00019483	RETAINER	EMU 7	1	pc	24,500 g	AB	(50) 30X20X4MM	
	110	200125008400	WASHER		1	pc	1,500 g		A 8,4	DIN125
	120	304017008072	HEX SCREW		1	pc	10,500 g		M 8 X 16	ISO4017
	130	X00010310	DUST CAP W/MALE CONNECTOR	MCP 21 POL.	1	pc	10,200 g		FUER AMP- BUCHSENGEHAEUSE 21POL	
	140	X00010316	DUST CAP FOR CONNECTOR	STAUBKAPPE MCP 92 POL.	1	pc	2,000 g		FUER AMP- BUCHSENGEHAEUSE 92POL	
	150		BLADE CONNECTOR	92 POL.	1	pc	76,600 g	KE	92 POL.; KODIERUNG: B-B;	
	160	X00012748	BLADE CONNECTOR	21 POL.	1	pc	41,000 g	UB	21 POL., KODIERUNG: B	
	170	000000003617	SLOT PAN-HEAD SCREW		10	pc	1,400 g		4 X 16	MBN10266



50801547

➔	POS.	PART NO.	DESIGNATION	QTY.	UNITS	WEIGHT	MEASUREMENT	STANDARD
482	60	<b>X5932020060</b>	RETAINER	1	pc	1,500 kg		
	90	<b>00000003021</b>	HEX SCREW	3	pc	22,800 g	M 10 X 25	ISO4017
	120	<b>007349010002</b>	WASHER	3	pc	11,000 g	10,5	DIN7349





50001798

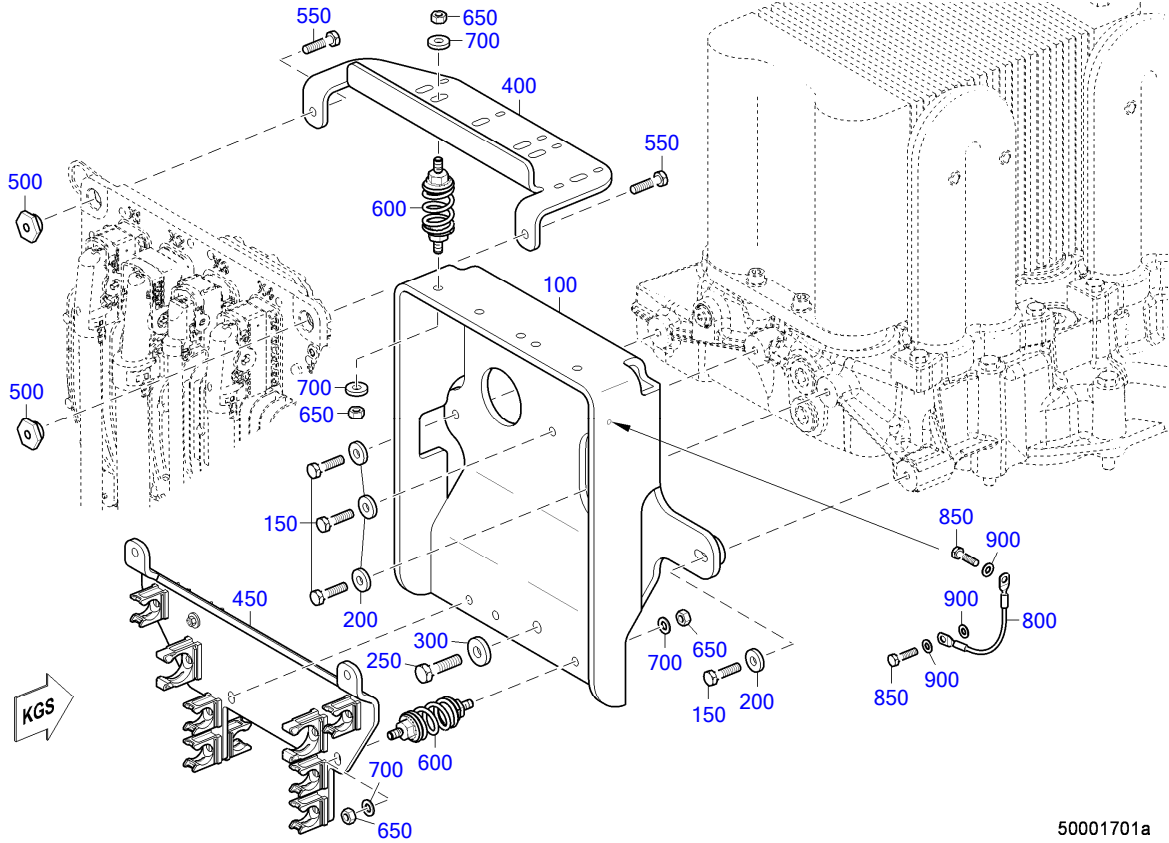
➔	POS.	PART NO.	DESIGNATION	MODEL/TYPE	QTY.	UNITS	WEIGHT	MEASUREMENT
	120	X59450700011	BRACKET WIRING HARNESS		4	pc	56,700 g	
	220	X59450700011	BRACKET WIRING HARNESS		4	pc	56,700 g	
	250	5241503073	RETAINER F. WIRING HARNESS	BR4000	4	pc	46,300 g	HC032

EQUI TYPE: Engine

PRODUCT TYPE: 12V4000M53  
RETAINER F.ADEC A. WIRE HARN

SERIAL NUMBER: 526107657

FG/FGS: 508 82  
BOM-No.: XS594500.00251



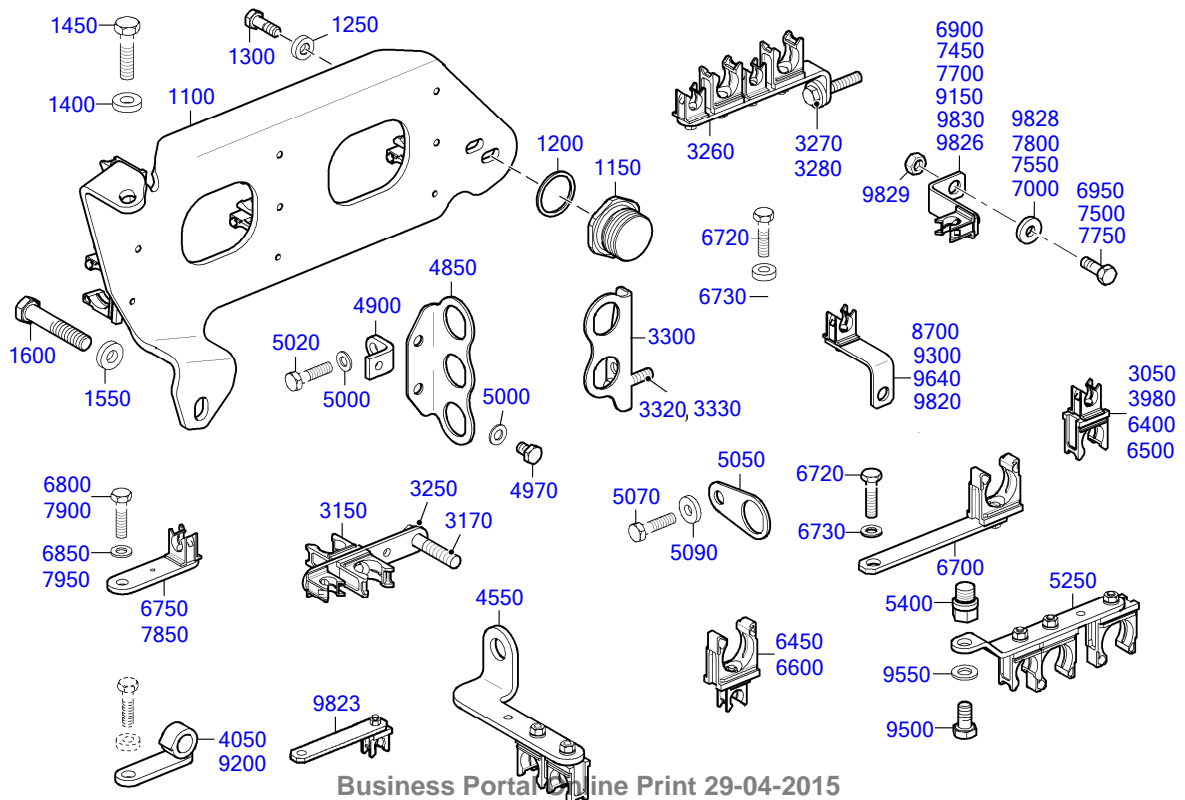
50001701a

EQUI TYPE: Engine

PRODUCT TYPE: 12V4000M53  
RETAINER F.ADEC A. WIRE HARN

SERIAL NUMBER: 526107657

FG/FGS: 508 82  
BOM-No.: XS594500.00251



Business Portal Online Print 29-04-2015

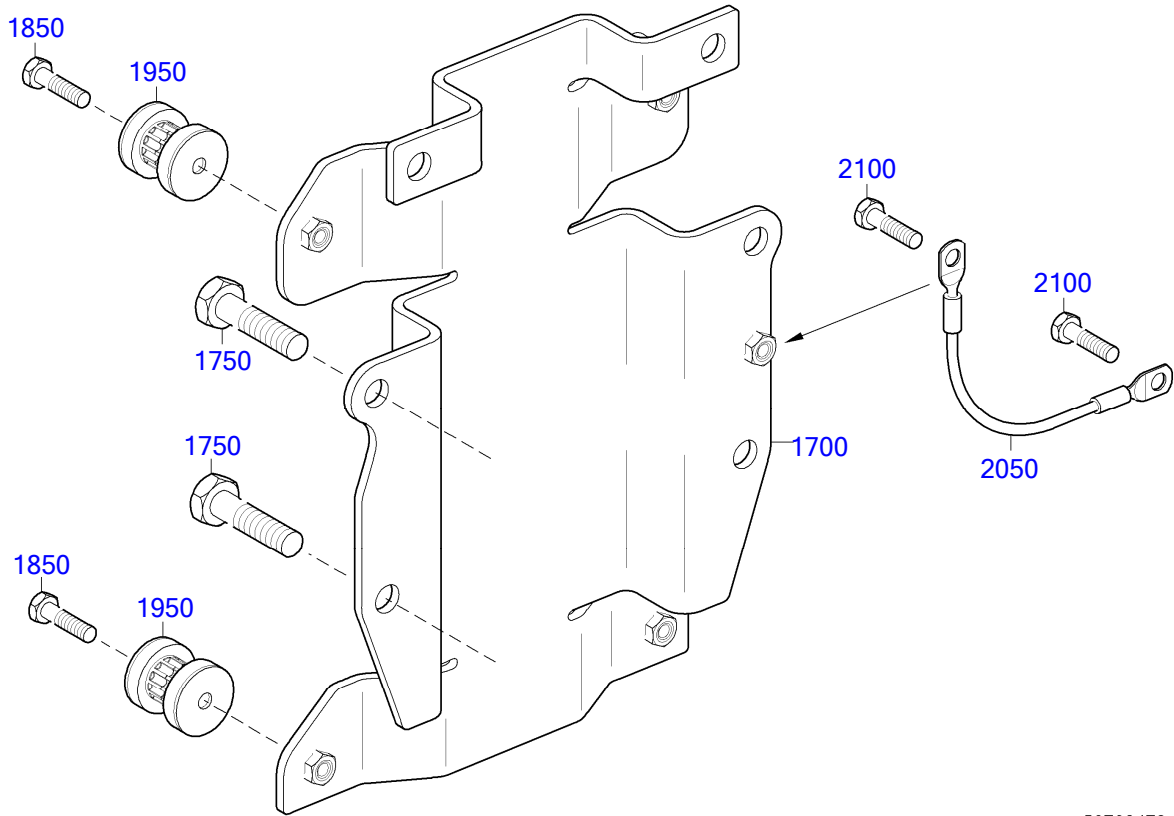
50001799

EQUI TYPE: Engine

PRODUCT TYPE: 12V4000M53  
RETAINER F.ADEC A. WIRE HARN

SERIAL NUMBER: 526107657

FG/FGS: 508 82  
BOM-No.: XS594500.00251



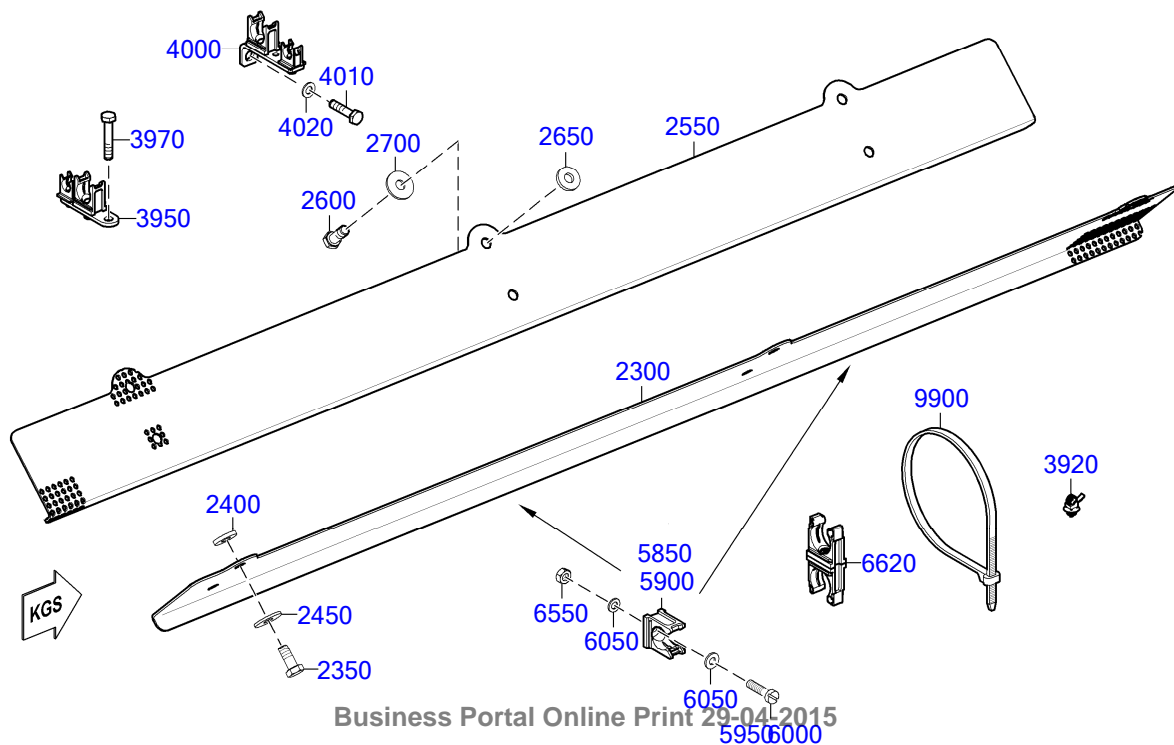
50702472a

EQUI TYPE: Engine

PRODUCT TYPE: 12V4000M53  
RETAINER F.ADEC A. WIRE HARN

SERIAL NUMBER: 526107657

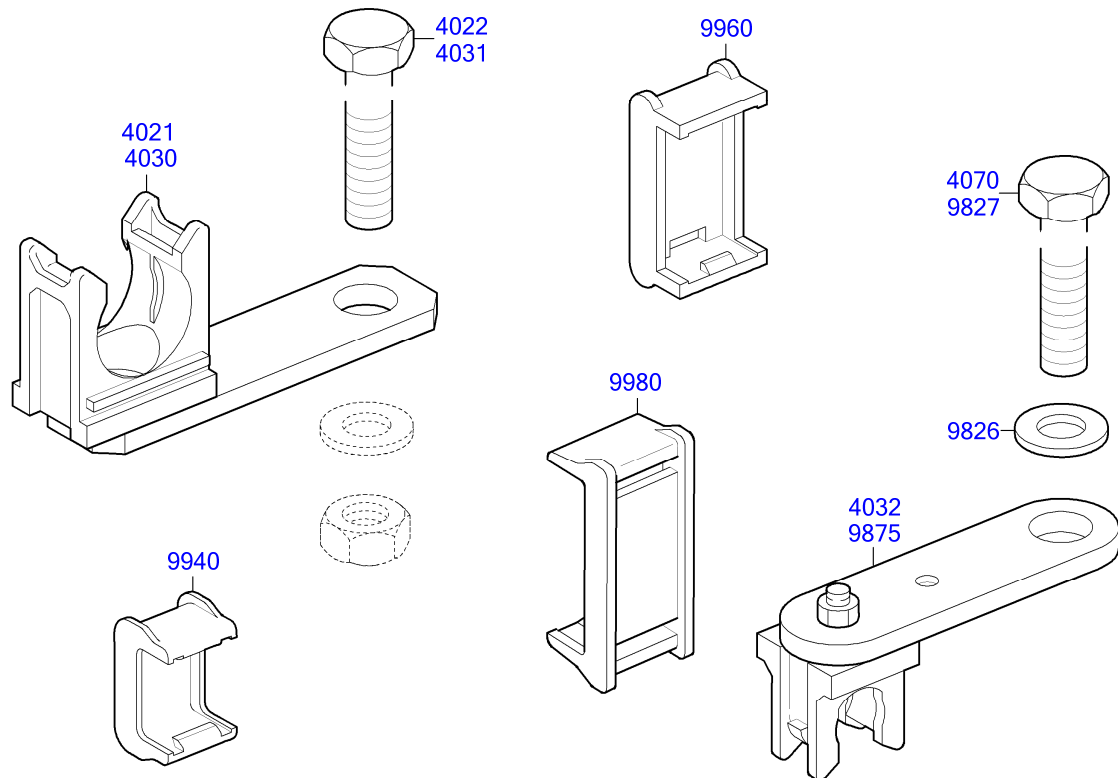
FG/FGS: 508 82  
BOM-No.: XS594500.00251



Business Portal Online Print 29-04-2015  
5956000

50001800





50001802

➔	POS.	PART NO.	DESIGNATION	MODEL/TYPE	QTY.	UNITS	WEIGHT	FN	MEASUREMENT	STANDARD
	100	X59450700041	RETAINER FOR ENGINE CONTROL		1	pc	10,600 g			
	150	304017008084	HEX SCREW		4	pc	16,400 g	M 8 X 35		ISO4017
	200	007349008002	WASHER		4	pc	7,900 g	8,4		DIN7349
	250	000000003710	HEX SCREW		1	pc	27,200 g	M 10 X 35		ISO4017
	300	007349010002	WASHER		1	pc	11,000 g	10,5		DIN7349
	400	X52850200002	RETAINER TOP		1	pc	1,700 g			
565	450	X59350700015	RETAINER BOTTOM		1	pc	2,000 g			
	500	X00012261	SPACER SLEEVE		4	pc	36,900 g			
	550	304017008081	HEX SCREW		4	pc	13,400 g	M 8 X 25		ISO4017
	600	5221530026	DAMPER	SG 2000	4	pc	152,800 g			
	650	304032008014	NUT HEX 8 A3C		8	pc	4,800 g	M 8		ISO4032
	700	007349008002	WASHER		4	pc	7,900 g	8,4		DIN7349
	800	X00E50201047	GROUND/EARTH LINE		1	pc	15,200 g	AB	2XM6; 6QMM; 200MM; ISOLIERT	
	850	000000003387	HEX SCREW		2	pc	5,100 g	M 6 X 16		ISO4017
	900	000125006431	WASHER		2	pc	0,800 g	A 6,4		DIN125
566	1100	X59450700031	RETAINER F. WIRING HARNESS		1	pc	3,500 g			
	1150	X59699100058	PLUG		1	pc	0,218 g			
	1200	007603038101	COPPER SEALING RING		1	pc	5,400 g	A 38 X 44		DIN7603
	1250	735151008100	SPACER		1	pc	7,400 g	A 8,4		MTN5151
	1300	204017008011	HEX SCREW		1	pc	12,200 g	M 8 X 22		ISO4017
	1400	735151010100	SPACER		1	pc	11,000 g	A 10,5		MTN5151
	1450	000000001042	HEX SCREW		1	pc	34,600 g	M 10 X 50		ISO4017
	1550	735151012100	SPACER S2000/4000		1	pc	20,000 g	A 12,5		MTN5151
	1600	000000001040	HEX SCREW		1	pc	58,300 g	M 12 X 60		ISO4017

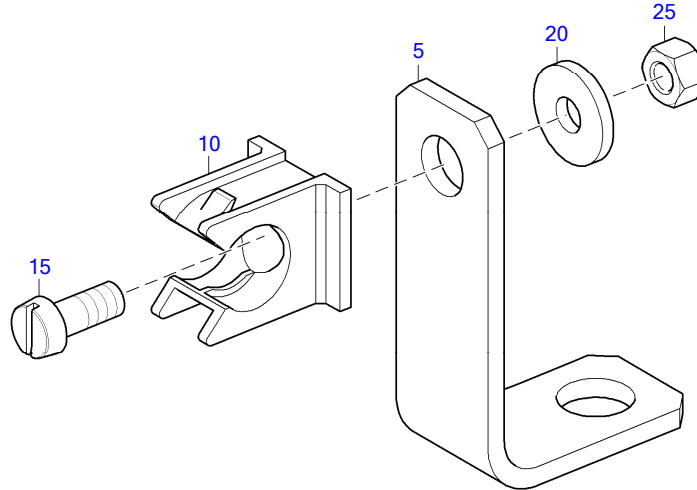
➡	POS.	PART NO.	DESIGNATION	MODEL/TYPE	QTY.	UNITS	WEIGHT	FN	MEASUREMENT	STANDARD
	1700	X59399100095	RETAINER		1	pc	1,800 kg	SB		
	1750	000000001464	HEX SCREW		6	pc	24,900 g	M 10 X 30		ISO4017
	1850	204017006007	HEX SCREW		4	pc	9,400 g	M 6 X 40		ISO4017
	1950	X57509600008	DAMPER ELEMENT		4	pc	34,100 g	FUER M6 SCHRAUBE		
	2050	X00E50201048	GROUND/EARTH LINE		1	pc	18,700 g	2XM6, 6QMM, 250MM, ISOLIERT		
	2100	304017006058	HEX SCREW		2	pc	4,400 g	M 6 X 12		ISO4017
	2300	X59450700030	STRIP F. WIRING HARNESS		1	pc	874,000 g			
	2350	000000003021	HEX SCREW		4	pc	22,800 g	M 10 X 25		ISO4017
	2400	007349010002	WASHER		4	pc	11,000 g	10,5		DIN7349
	2450	009021010201	WASHER		4	pc	12,000 g	10,5		DIN9021
	2550	X52650700046	STRIP F. WIRING HARNESS		1	pc	889,600 g			
	2600	000000003021	HEX SCREW		4	pc	22,800 g	M 10 X 25		ISO4017
	2650	007349010002	WASHER		4	pc	11,000 g	10,5		DIN7349
	2700	009021010201	WASHER		4	pc	12,000 g	10,5		DIN9021
	2800	916016026202	CLAMP		1	pc	35,200 g	BRSQU 26/20		N16016
	2850	0009959301	PIPE CLAMP	BRSQU 32/20	1	pc	40,600 g			N16016
	2900	916016022202	CLAMP		3	pc	27,800 g	BRSQU 22/20		N16016
	2950	304017008081	HEX SCREW		5	pc	13,400 g	M 8 X 25		ISO4017
	3000	000125008427	WASHER		5	pc	1,500 g	A 8,4		DIN125
573	3050	X59550700026	RETAINER F. WIRING HARNESS		4	pc	23,000 g	BC009		
572	3070	X59550700025	RETAINER F. WIRING HARNESS		1	pc	27,200 g	BC008		
567	3150	X59450700034	RETAINER F. WIRING HARNESS		1	pc	91,000 g	HC277/5		
	3170	000000001042	HEX SCREW		1	pc	34,600 g	M 10 X 50		ISO4017
	3250	000125010524	WASHER		1	pc	3,100 g	A 10,5		DIN125
	3260	X00032675	RETAINER F. WIRING HARNESS		2	pc	137,900 g			
	3270	304017008086	HEX SCREW		2	pc	19,400 g	M 8 X 45		ISO4017
	3280	007349008002	WASHER		2	pc	7,900 g	8,4		DIN7349
	3300	X59654100002	BRACKET WIRING HARNESS ADEC		1	pc	90,600 g			
	3320	304017008077	HEX SCREW		1	pc	10,500 g	M 8 X 16		ISO4017
	3330	000125008427	WASHER		1	pc	1,500 g	A 8,4		DIN125
	3550	0001596540	CLAMP CABLE DN17		3	pc	1,900 g	DN17		
	3950	5241504473	RETAINER F. WIRING HARNESS	4000	1	pc	61,000 g	HC121		
	3970	304017008086	HEX SCREW		1	pc	19,400 g	M 8 X 45		ISO4017
550	3980	5241502473	RETAINER F. WIRING HARNESS	BR 4000	3	pc	14,200 g	BC001		
	4000	5241504673	RETAINER F. WIRING HARNESS	4000	1	pc	73,000 g			
	4010	304017008084	HEX SCREW		1	pc	16,400 g	M 8 X 35		ISO4017
	4020	000125008427	WASHER		1	pc	1,500 g	A 8,4		DIN125
	4021	X52450700063	RETAINER F. WIRING HARNESS		1	pc	22,200 g	HC087/1		
	4022	000000004164	HEX SCREW		1	pc	23,500 g	M 8 X 60		ISO4017
	4026	5241534640	BRACKET L H:30 SENSOR E	4000	1	pc	47,000 g			
	4027	000000001464	HEX SCREW		1	pc	24,900 g	M 10 X 30		ISO4017
	4028	007349010002	WASHER		1	pc	11,000 g	10,5		DIN7349
563	4030	5241507173	RETAINER F. WIRING HARNESS	4000	1	pc	22,800 g	HC087		
	4031	304017008077	HEX SCREW		3	pc	10,500 g	M 8 X 16		ISO4017
564	4032	X52450700069	RETAINER		2	pc	57,800 g	HC094/1		
	4050	X00027636	BRACKET ASM		1	pc	48,100 g			
	4070	000000001042	HEX SCREW		1	pc	34,600 g	M 10 X 50		ISO4017
	4075	5511530050	SPACER BUSHING		1	pc	13,200 g	Ø18/Ø10 × 10		
	4090	5241534640	BRACKET L H:30 SENSOR E	4000	1	pc	47,000 g			
	4091	000000001464	HEX SCREW		1	pc	24,900 g	M 10 X 30		ISO4017
	4092	000125010524	WASHER		1	pc	3,100 g	A 10,5		DIN125
	4200	0015331940	RETAINER CABLING AND PIPEWOR	OHNE BUEGEL	3	pc	5,600 g	HALTER NW17 BOHRLOCH M6		

➡	POS.	PART NO.	DESIGNATION	MODEL/TYPE	QTY.	UNITS	WEIGHT	FN	MEASUREMENT	STANDARD
	4250	0015331840	RETAINER CABLING AND PIPEWOR	OHNE BUEGEL	2	pc	3,100 g		HALTER NW10 BOHRLOCH M5	
	4300	000084005196	SCREW		3	pc	2,600 g		M 5 X 12	DIN84
	4350	200084005107	BOLT SLOTTED HD GELB CHROMAT		2	pc	2,400 g		M 5 X 10	DIN84
	4400	000125005322	WASHER		5	pc	0,400 g		A 5,3	DIN125
	4450	007349005002	WASHER		3	pc	2,300 g		5,3	DIN7349
	4500	304032005008	HEX NUT		5	pc	1,200 g		M 5	ISO4032
	4520	0001596540	CLAMP CABLE DN17		4	pc	1,900 g		DN17	
	4530	0001596440	CLAMP CABLE DN10		1	pc	1,200 g		DN10	
568	4550	X59450700037	RETAINER F. WIRING HARNESS		1	pc	229,100 g			
	4850	5315461343	Connector Fastener		1	pc	95,000 g			
	4900	5502030043	BRACKET		1	pc	31,000 g		H023	
	4970	304017008076	HEX SCREW		1	pc	9,100 g		M 8 X 12	ISO4017
	5000	000125008427	WASHER		2	pc	1,500 g		A 8,4	DIN125
	5020	304017008083	HEX SCREW		1	pc	15,100 g		M 8 X 30	ISO4017
	5050	5241534340	BRACKET H:14	4000	1	pc	24,000 g			
	5070	304017008083	HEX SCREW		1	pc	15,100 g		M 8 X 30	ISO4017
	5090	000125008427	WASHER		1	pc	1,500 g		A 8,4	DIN125
	5100	5241534640	BRACKET L H:30 SENSOR E	4000	1	pc	47,000 g			
	5120	000000003926	HEX SCREW		1	pc	54,000 g		M 12 X 55	ISO4017
569	5250	X59450700038	RETAINER F. WIRING HARNESS		1	pc	145,000 g			
	5300	000000003020	HEX SCREW		1	pc	20,000 g		M 10 X 20	ISO4017
	5350	000125010524	WASHER		1	pc	3,100 g		A 10,5	DIN125
	5400	X59499100047	PLUG		1	pc	0,030 kg			
	5850	0015331940	RETAINER CABLING AND PIPEWOR	OHNE BUEGEL	1	pc	5,600 g		HALTER NW17 BOHRLOCH M6	
	5900	X52650700039	CABLE CLAMP		3	pc	9,300 g		HALTER NW26 BOHRLOCH M6	
	5950	000084005196	SCREW		1	pc	2,600 g		M 5 X 12	DIN84
	6000	000084005194	SCREW		3	pc	3,200 g		M 5 X 16	DIN84
	6050	000125005322	WASHER		6	pc	0,400 g		A 5,3	DIN125
	6150	304032005008	HEX NUT		4	pc	1,200 g		M 5	ISO4032
	6200	0001596540	CLAMP CABLE DN17		2	pc	1,900 g		DN17	
	6250	0001596440	CLAMP CABLE DN10		3	pc	1,200 g		DN10	
	6350	5241534640	BRACKET L H:30 SENSOR E	4000	1	pc	47,000 g			
	6370	000000004745	HEX SCREW		1	pc	41,800 g		M 10 X 65	ISO4017
	6375	007349010002	WASHER		1	pc	11,000 g		10,5	DIN7349
	6380	5511531250	SPACER BUSHING		1	pc	41,000 g			
573	6400	X59550700026	RETAINER F. WIRING HARNESS		4	pc	23,000 g		BC009	
574	6450	X59550700027	RETAINER F. WIRING HARNESS		1	pc	15,000 g		BC010	
550	6500	5241502473	RETAINER F. WIRING HARNESS	BR 4000	1	pc	14,200 g		BC001	
574	6600	X59550700027	RETAINER F. WIRING HARNESS		2	pc	15,000 g		BC010	
572	6620	X59550700025	RETAINER F. WIRING HARNESS		2	pc	27,200 g		BC008	
570	6700	X59450700039	RETAINER F. WIRING HARNESS		1	pc	81,000 g			
	6720	000000003021	HEX SCREW		1	pc	22,800 g		M 10 X 25	ISO4017
	6730	000125010524	WASHER		1	pc	3,100 g		A 10,5	DIN125
571	6740	X59450700148	RETAINER F. WIRING HARNESS		1	pc	48,010 g			
	6741	000000003020	HEX SCREW		1	pc	20,000 g		M 10 X 20	ISO4017
	6742	000125010524	WASHER		1	pc	3,100 g		A 10,5	DIN125
	6750	5241505876	RETAINER F. WIRING HARNESS		1	pc	57,700 g		HC094	
	6800	304017008079	HEX SCREW		1	pc	11,700 g		M 8 X 20	ISO4017
	6850	000125008427	WASHER		1	pc	1,500 g		A 8,4	DIN125
560	6900	5241502676	RETAINER F. WIRING HARNESS		1	pc	46,300 g		HC032/1	
	6950	304017008081	HEX SCREW		1	pc	13,400 g		M 8 X 25	ISO4017
	7000	007349008002	WASHER		1	pc	7,900 g		8,4	DIN7349

➡	POS.	PART NO.	DESIGNATION	MODEL/TYPE	QTY.	UNITS	WEIGHT	FN	MEASUREMENT	STANDARD
	7015	304017008079	HEX SCREW		1	pc	11,700 g		M 8 X 20	ISO4017
	7050	5241534640	BRACKET L H:30 SENSOR E	4000	1	pc	47,000 g			
	7100	204017012004	HEX SCREW		1	pc	29,200 g		M 12 X 20	ISO4017
	7150	000125013012	WASHER		1	pc	5,600 g		A 13	DIN125
	7250	X59450700011	BRACKET WIRING HARNESS		1	pc	56,700 g			
	7260	304017008081	HEX SCREW		1	pc	13,400 g		M 8 X 25	ISO4017
	7270	000125008427	WASHER		1	pc	1,500 g		A 8,4	DIN125
	7300	304017008079	HEX SCREW		1	pc	11,700 g		M 8 X 20	ISO4017
560	7450	5241502676	RETAINER F. WIRING HARNESS		4	pc	46,300 g		HC032/1	
	7500	304017008079	HEX SCREW		4	pc	11,700 g		M 8 X 20	ISO4017
	7550	007349008002	WASHER		4	pc	7,900 g		8,4	DIN7349
560	7700	5241502676	RETAINER F. WIRING HARNESS		1	pc	46,300 g		HC032/1	
	7750	304017008081	HEX SCREW		1	pc	13,400 g		M 8 X 25	ISO4017
	7800	007349008002	WASHER		1	pc	7,900 g		8,4	DIN7349
	7811	304017008079	HEX SCREW		1	pc	11,700 g		M 8 X 20	ISO4017
	7850	5241505876	RETAINER F. WIRING HARNESS		1	pc	57,700 g		HC094	
	7900	304017008079	HEX SCREW		1	pc	11,700 g		M 8 X 20	ISO4017
	7950	000125008427	WASHER		1	pc	1,500 g		A 8,4	DIN125
	8000	5241534640	BRACKET L H:30 SENSOR E	4000	1	pc	47,000 g			
	8050	204017012004	HEX SCREW		1	pc	29,200 g		M 12 X 20	ISO4017
	8100	000125013012	WASHER		1	pc	5,600 g		A 13	DIN125
	8200	5225460043	BRACKET L H:49	12/16V2000SG	1	pc	75,000 g			
	8250	304017008081	HEX SCREW		1	pc	13,400 g		M 8 X 25	ISO4017
	8300	000125008427	WASHER		1	pc	1,500 g		A 8,4	DIN125
	8320	304017008079	HEX SCREW		1	pc	11,700 g		M 8 X 20	ISO4017
575	8400	X59650700018	RETAINER F. WIRING HARNESS		2	pc	140,100 g			
	8420	304017008079	HEX SCREW		2	pc	11,700 g		M 8 X 20	ISO4017
	8430	000125008427	WASHER		2	pc	1,500 g		A 8,4	DIN125
	8450	0001596540	CLAMP CABLE DN17		2	pc	1,900 g		DN17	
	8560	5241538440	BRACKET		2	pc	30,100 g		SB	
	8570	X54750700009	CABLE CLAMP		2	pc	10,000 g		DN26	
	8571	304017008079	HEX SCREW		2	pc	11,700 g		M 8 X 20	ISO4017
	8572	007349008002	WASHER		2	pc	7,900 g		8,4	DIN7349
	8650	5241506273	RETAINER F. WIRING HARNESS	4000	6	pc	45,700 g		HC031	
561	8700	5241503070	RETAINER F. WIRING HARNESS		1	pc	9,600 g		BC007	
	8750	0001596440	CLAMP CABLE DN10		1	pc	1,200 g		DN10	
	8800	X59450700011	BRACKET WIRING HARNESS		1	pc	56,700 g			
562	9150	5241505873	RETAINER F. WIRING HARNESS	4000	1	pc	31,800 g	P	HC016	
	9170	5315460443	BRACKET H:41 S2000/S4000	8V2000M90	1	pc	65,000 g			
	9200	X00012556	RETAINER F. WIRING HARNESS		1	pc	31,700 g			
	9220	304017008084	HEX SCREW		1	pc	16,400 g		M 8 X 35	ISO4017
561	9300	5241503070	RETAINER F. WIRING HARNESS		1	pc	9,600 g		BC007	
	9350	X59450700011	BRACKET WIRING HARNESS		1	pc	56,700 g			
	9400	0001596440	CLAMP CABLE DN10		1	pc	1,200 g		DN10	
	9450	X59450700011	BRACKET WIRING HARNESS		1	pc	56,700 g			
	9500	000000003020	HEX SCREW		1	pc	20,000 g		M 10 X 20	ISO4017
	9550	000125010524	WASHER		1	pc	3,100 g		A 10,5	DIN125
	9620	5241506273	RETAINER F. WIRING HARNESS	4000	6	pc	45,700 g		HC031	
561	9640	5241503070	RETAINER F. WIRING HARNESS		1	pc	9,600 g		BC007	
	9660	X59450700011	BRACKET WIRING HARNESS		1	pc	56,700 g			
	9680	0001596440	CLAMP CABLE DN10		1	pc	1,200 g		DN10	
	9700	X59450700011	BRACKET WIRING HARNESS		1	pc	56,700 g			
	9720	000000003347	HEX SCREW		1	pc	37,500 g		M 10 X 55	ISO4017
	9740	000125010524	WASHER		1	pc	3,100 g		A 10,5	DIN125

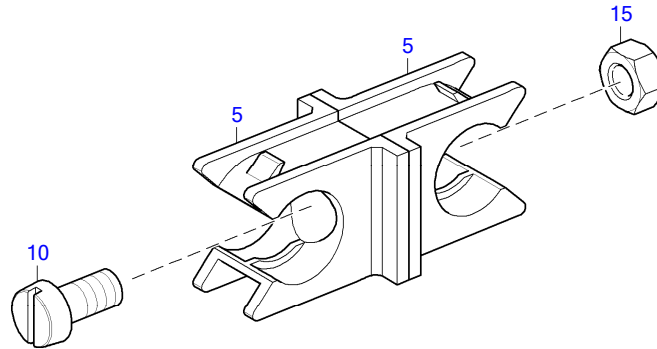


➡	POS.	PART NO.	DESIGNATION	MODEL/TYPE	QTY.	UNITS	WEIGHT	FN	MEASUREMENT	STANDARD
	9780	0001596440	CLAMP CABLE DN10		1	pc	1,200 g		DN10	
	9800	X59450700011	BRACKET WIRING HARNESS		1	pc	56,700 g			
561	9820	5241503070	RETAINER F. WIRING HARNESS		1	pc	9,600 g		BC007	
	9823	5241501176	RETAINER F. WIRING HARNESS	BR4000	1	pc	57,000 g		HC065	
562	9826	5241505873	RETAINER F. WIRING HARNESS	4000	1	pc	31,800 g	P	HC016	
	9827	304017008083	HEX SCREW		1	pc	15,100 g		M 8 X 30	ISO4017
	9828	007349008002	WASHER		1	pc	7,900 g		8,4	DIN7349
	9829	304032008014	NUT HEX 8 A3C		1	pc	4,800 g		M 8	ISO4032
	9830	5241506473	RETAINER F. WIRING HARNESS	4000	2	pc	40,400 g		HC034	
	9840	000000003347	HEX SCREW		2	pc	37,500 g		M 10 X 55	ISO4017
	9870	000125010524	WASHER		2	pc	3,100 g		A 10,5	DIN125
	9875	5225460043	BRACKET L H:49	12/16V2000SG	2	pc	75,000 g			
	9900	0005312181	QUICK-CATCH CLAMP	TYH/TYB 25M	16	pc	1,000 g		186X4,8X1,1MM D=3,5-45MM	
	9940	0005335043	BRACKET	NICHT STAPELBAR	43	pc	1,800 g		BUEGEL FUER NW10-HALTER	
	9960	0005334943	BRACKET CABLING AND PIPEWOR	NICHT STAPELBAR	33	pc	2,900 g		BUEGEL FUER NW17-HALTER	
	9980	X52650700040	BRACKET	NICHT STAPELBAR	23	pc	3,400 g		BUEGEL FUER NW26-HALTER	



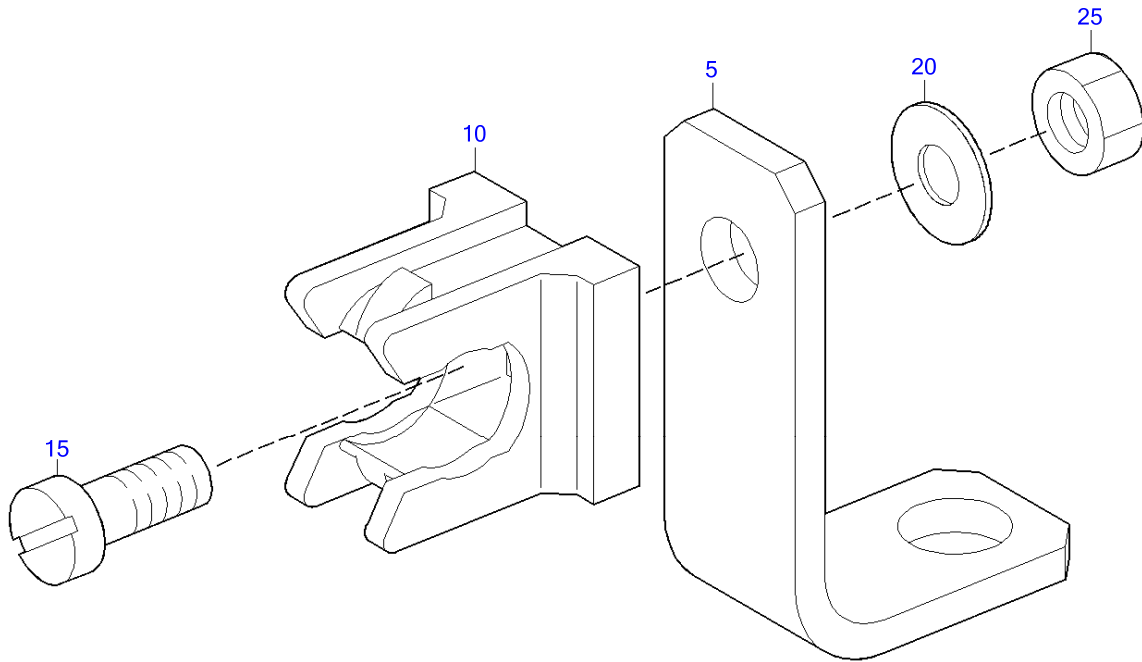
50801537

➔	POS.	PART NO.	DESIGNATION	MODEL/TYPE	QTY.	UNITS	WEIGHT	MEASUREMENT	STANDARD
	5	8381594840	RETAINER		1	pc	36,500 g		
	10	0015331840	RETAINER CABLING AND PIPEWOR	OHNE BUEGEL	1	pc	3,100 g	HALTER NW10 BOHRLOCH M5	
	15	000084005196	SCREW		1	pc	2,600 g	M 5 X 12	DIN84
	20	007349005002	WASHER		1	pc	2,300 g	5,3	DIN7349
	25	000934005004	NUT HEX		1	pc	1,000 g	M 5	DIN934



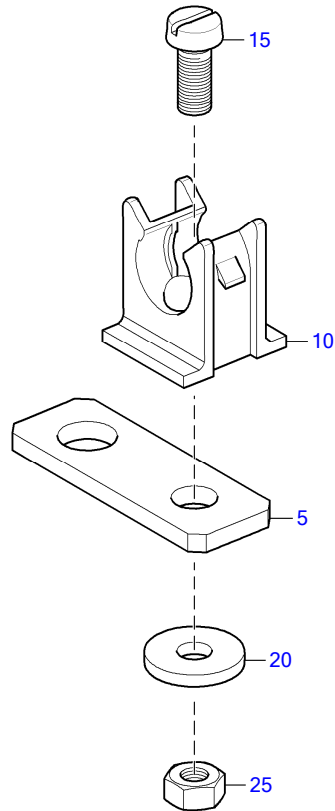
50801542

➡	POS.	PART NO.	DESIGNATION	MODEL/TYPE	QTY.	UNITS	WEIGHT	MEASUREMENT	STANDARD
	5	0015331840	RETAINER CABLING AND PIPEWOR	OHNE BUEGEL	2	pc	3,100 g	HALTER NW10 BOHRLOCH M5	
	10	200084005107	BOLT SLOTTED HD GELB CHROMAT		1	pc	2,400 g	M 5 X 10	DIN84
	15	000934005004	NUT HEX		1	pc	1,000 g	M 5	DIN934



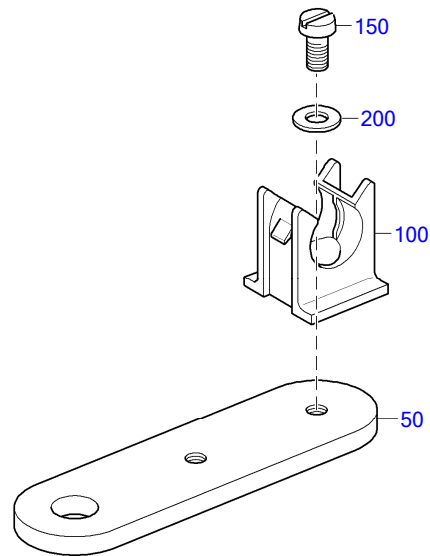
08300289a

➔	POS.	PART NO.	DESIGNATION	MODEL/TYPE	QTY.	UNITS	WEIGHT	MEASUREMENT	STANDARD
	5	5621531140	BRACKET L H:24 S4000 S2000		1	pc	20,900 g		
	10	0015331840	RETAINER CABLING AND PIPEWOR OHNE BUEGEL		1	pc	3,100 g	HALTER NW10 BOHRLOCH M5	
	15	000084005196	SCREW		1	pc	2,600 g	M 5 X 12	DIN84
	20	007349005002	WASHER		1	pc	2,300 g	5,3	DIN7349
	25	000934005004	NUT HEX		1	pc	1,000 g	M 5	DIN934



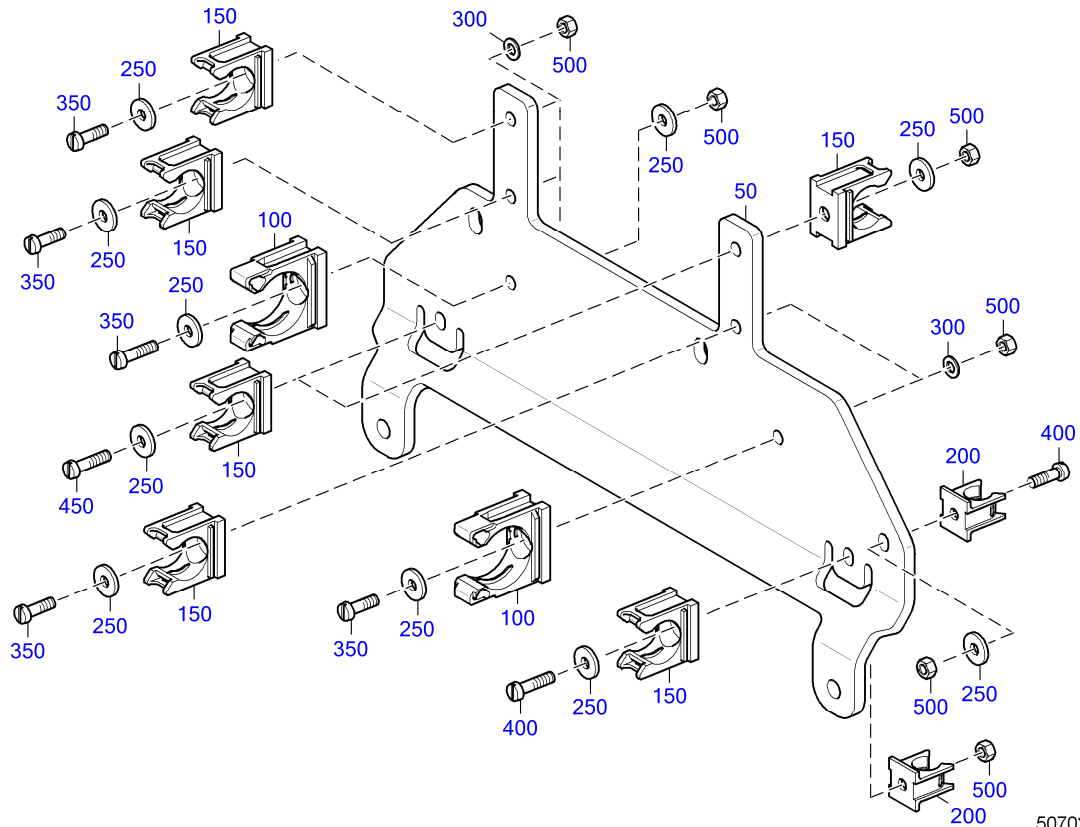
50704177

➔	POS.	PART NO.	DESIGNATION	MODEL/TYPE	QTY.	UNITS	WEIGHT	MEASUREMENT	STANDARD
	5	5621531040	BRACKET H:01 S2000/4000		1	pc	14,100 g		
	10	0015331840	RETAINER CABLING AND PIPEWOR	OHNE BUEGEL	1	pc	3,100 g	HALTER NW10 BOHRLOCH M5	
	15	000084005196	SCREW		1	pc	2,600 g	M 5 X 12	DIN84
	20	007349005002	WASHER		1	pc	2,300 g	5,3	DIN7349
	25	000934005004	NUT HEX		1	pc	1,000 g	M 5	DIN934



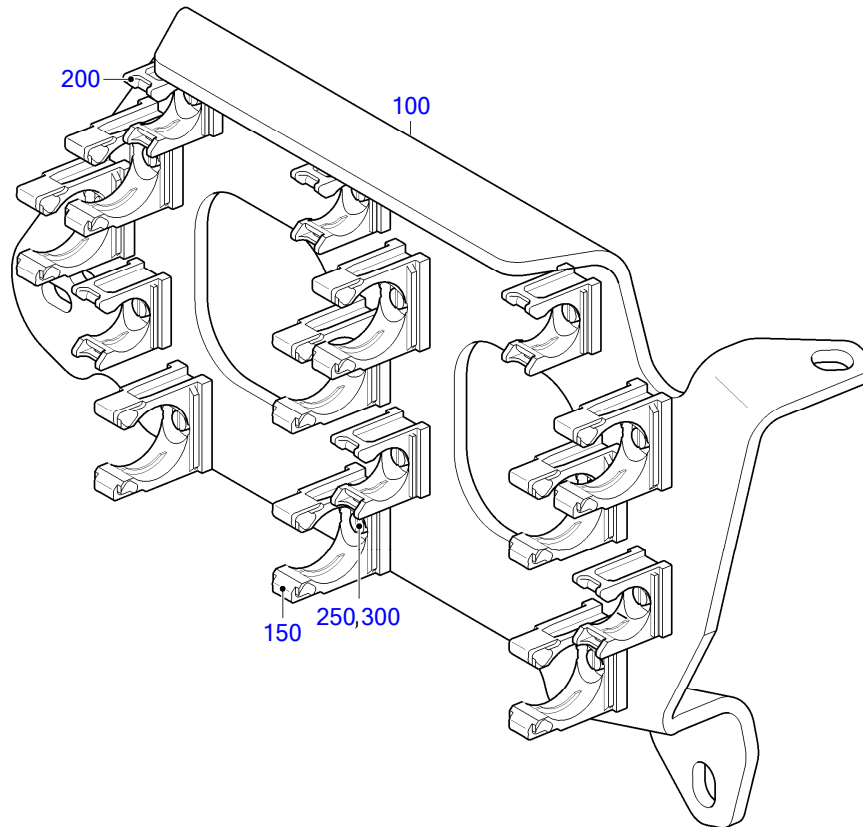
50702399a

➔	POS.	PART NO.	DESIGNATION	MODEL/TYPE	QTY.	UNITS	WEIGHT	MEASUREMENT	STANDARD
	50	5061537040	BRACKET FLAT H:47		1	pc	51,000 g		
	100	0015331840	RETAINER CABLING AND PIPEWOR	OHNE BUEGEL	1	pc	3,100 g	HALTER NW10 BOHRLOCH M5	
	150	000084004410	SCREW		1	pc	1,100 g	M 4 X 8	DIN84
	200	000125004317	WASHER		1	pc	0,200 g	A 4,3	DIN125



50702794

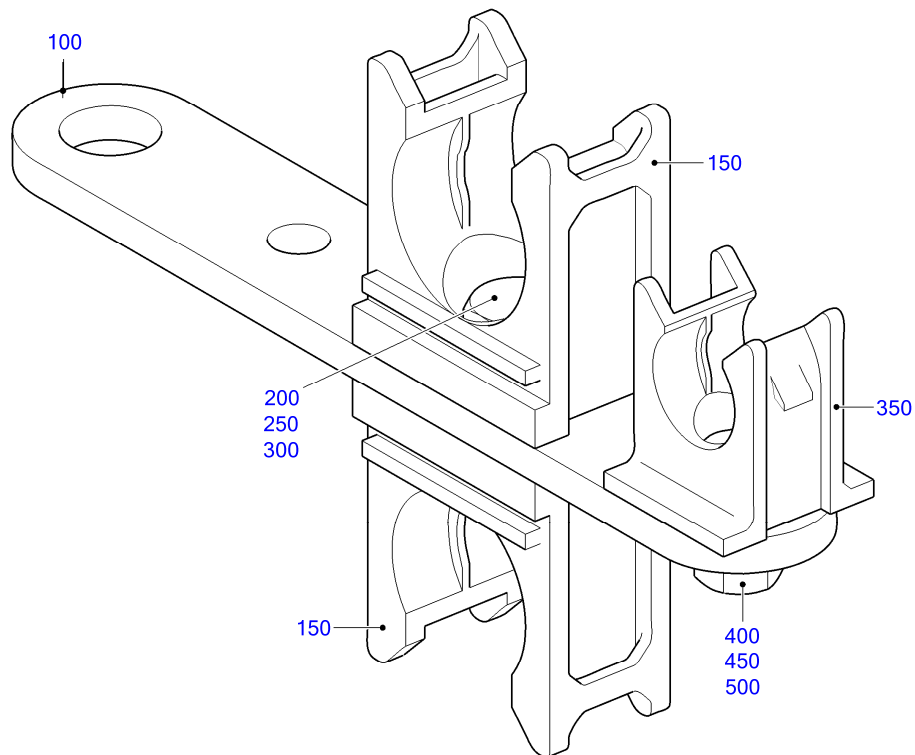
➔	POS.	PART NO.	DESIGNATION	MODEL/TYPE	QTY.	UNITS	WEIGHT	MEASUREMENT	STANDARD
	50	X59350700013	RETAINER		1	pc	1,900 g		
	100	X52650700039	CABLE CLAMP		3	pc	9,300 g	HALTER NW26 BOHRLOCH M6	
	150	0015331940	RETAINER CABLING AND PIPEWOR	OHNE BUEGEL	5	pc	5,600 g	HALTER NW17 BOHRLOCH M6	
	200	0015331840	RETAINER CABLING AND PIPEWOR	OHNE BUEGEL	3	pc	3,100 g	HALTER NW10 BOHRLOCH M5	
	250	209021005000	WASHER		8	pc	1,100 g	5,3	DIN9021
	300	000125005322	WASHER		7	pc	0,400 g	A 5,3	DIN125
	350	304017005025	HEX SCREW		6	pc	3,300 g	M 5 X 16	ISO4017
	400	000912005026	BOLT HEX SOC HD		2	pc	3,400 g	M 5 X 16	DIN912
	450	000912005010	SCREW		1	pc	4,000 g	M 5 X 18	DIN912
	500	304032005008	HEX NUT		9	pc	1,200 g	M 5	ISO4032



50001174a

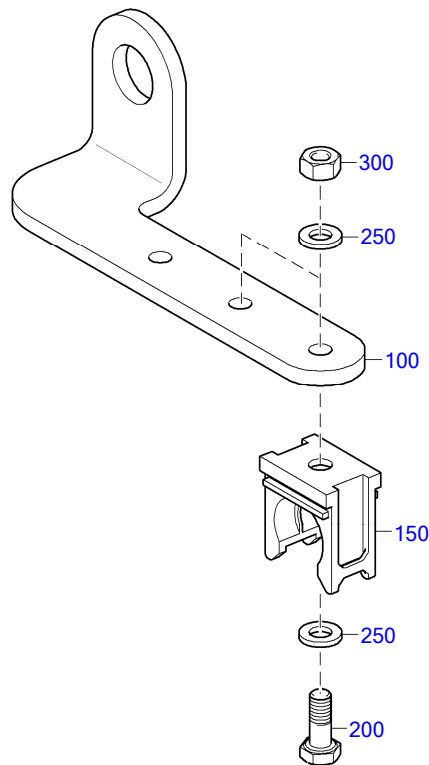
➔	POS.	PART NO.	DESIGNATION	MODEL/TYPE	QTY.	UNITS	WEIGHT	MEASUREMENT	STANDARD
	100	X59699100061	RETAINER F. WIRING HARNESS		1	pc	3,300 kg		
	150	X52650700039	CABLE CLAMP		9	pc	9,300 g	HALTER NW26 BOHRLOCH M6	
	200	0015331940	RETAINER CABLING AND PIPEWOR OHNE BUEGEL		6	pc	5,600 g	HALTER NW17 BOHRLOCH M6	
	250	007349005002	WASHER		15	pc	2,300 g	5,3	DIN7349
	300	000084005196	SCREW		15	pc	2,600 g	M 5 X 12	DIN84





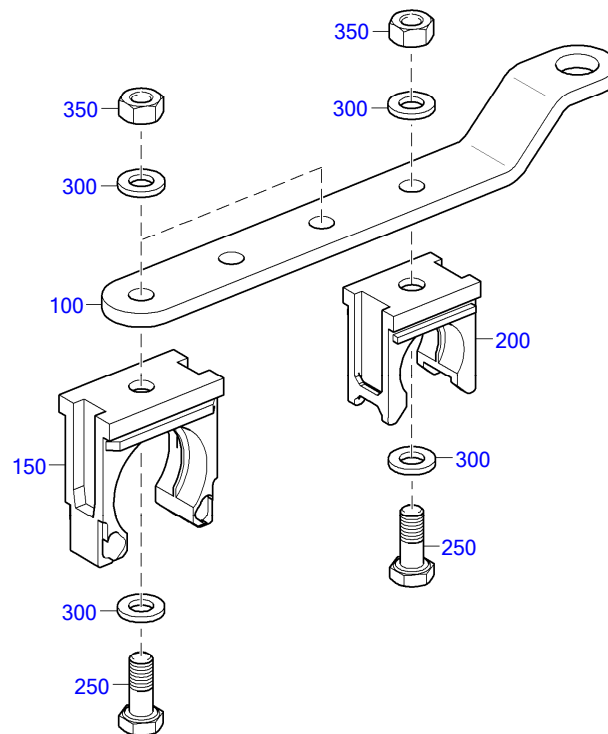
50001175a

➔	POS.	PART NO.	DESIGNATION	MODEL/TYPE	QTY.	UNITS	WEIGHT	MEASUREMENT	STANDARD
	100	5241531340	BRACKET H:11		1	pc	65,100 g	H011	
	150	0015331940	RETAINER CABLING AND PIPEWOR	OHNE BUEGEL	2	pc	5,600 g	HALTER NW17 BOHRLOCH M6	
	200	00000003387	HEX SCREW		1	pc	5,100 g	M 6 X 16	ISO4017
	250	000125006431	WASHER		2	pc	0,800 g	A 6,4	DIN125
	300	304032006011	HEX NUT		1	pc	2,200 g	M 6	ISO4032
	350	0015331840	RETAINER CABLING AND PIPEWOR	OHNE BUEGEL	1	pc	3,100 g	HALTER NW10 BOHRLOCH M5	
	400	000084005196	SCREW		1	pc	2,600 g	M 5 X 12	DIN84
	450	000125005322	WASHER		1	pc	0,400 g	A 5,3	DIN125
	500	304032005008	HEX NUT		1	pc	1,200 g	M 5	ISO4032



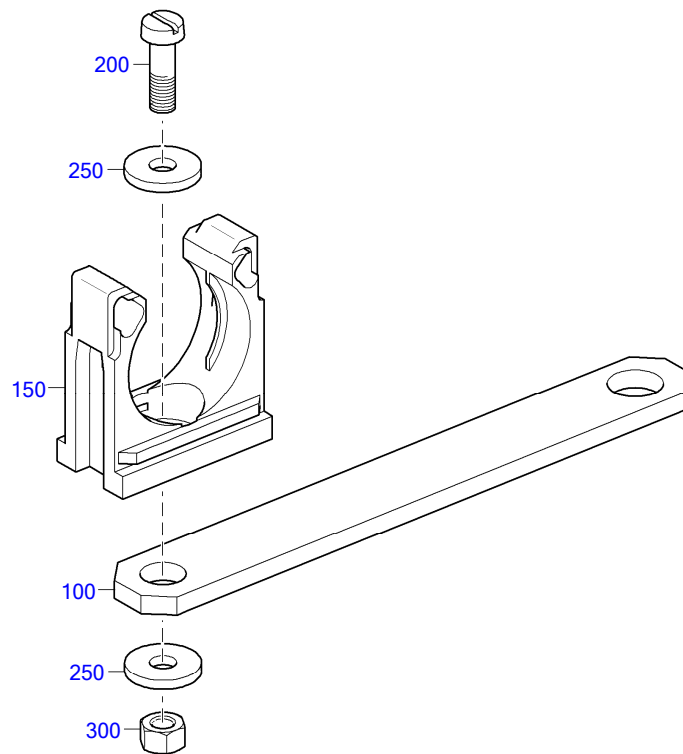
50702405a

➔	POS.	PART NO.	DESIGNATION	MODEL/TYPE	QTY.	UNITS	WEIGHT	MEASUREMENT	STANDARD
	100	X00032376	BRACKET		1	pc	197,400 g		
	150	0015331940	RETAINER CABLING AND PIPEWOR	OHNE BUEGEL	2	pc	5,600 g	HALTER NW17 BOHRLOCH M6	
	200	00000003387	HEX SCREW		2	pc	5,100 g	M 6 X 16	ISO4017
	250	000125006431	WASHER		4	pc	0,800 g	A 6,4	DIN125
	300	304032006011	HEX NUT		2	pc	2,200 g	M 6	ISO4032



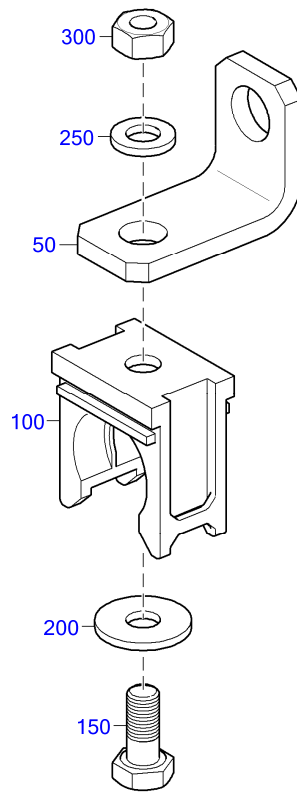
50702404a

➔	POS.	PART NO.	DESIGNATION	MODEL/TYPE	QTY.	UNITS	WEIGHT	MEASUREMENT	STANDARD
	100	X59499100415	RETAINER		1	pc	97,200 g		
	150	X52650700039	CABLE CLAMP		2	pc	9,300 g	HALTER NW26 BOHRLOCH M6	
	200	0015331940	RETAINER CABLING AND PIPEWOR	OHNE BUEGEL	1	pc	5,600 g	HALTER NW17 BOHRLOCH M6	
	250	00000003387	HEX SCREW		3	pc	5,100 g	M 6 X 16	ISO4017
	300	000125006431	WASHER		6	pc	0,800 g	A 6,4	DIN125
	350	304032006011	HEX NUT		3	pc	2,200 g	M 6	ISO4032



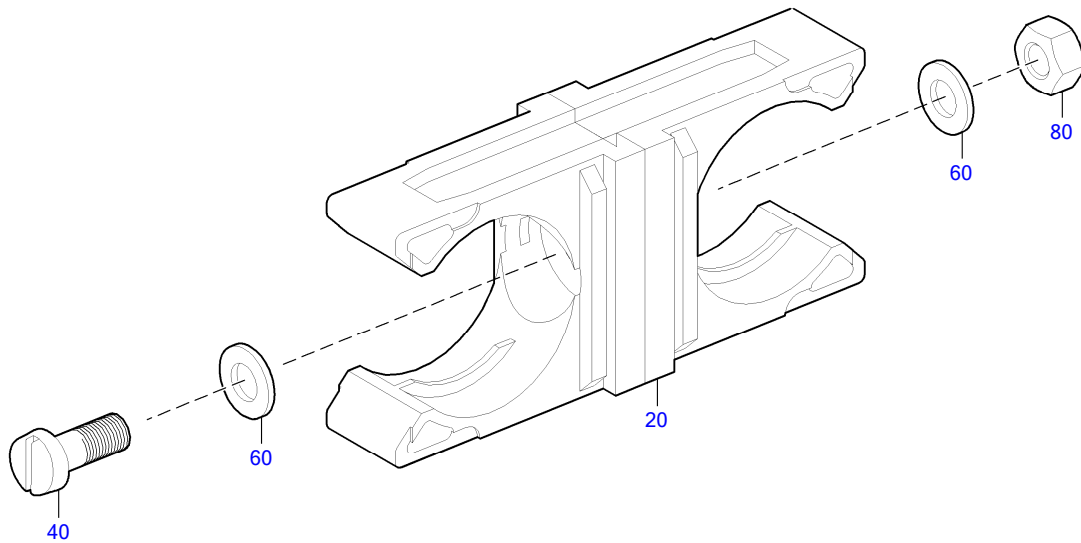
50702403a

➔	POS.	PART NO.	DESIGNATION	QTY.	UNITS	WEIGHT	MEASUREMENT	STANDARD
	100	5530720338	BRACKET FLAT W/45 DEG CHAMF H:64	1	pc	71,600 g		
	150	X52650700039	CABLE CLAMP	1	pc	9,300 g	HALTER NW26 BOHRLOCH M6	
	200	000084005194	SCREW	1	pc	3,200 g	M 5 X 16	DIN84
	250	007349005002	WASHER	2	pc	2,300 g	5,3	DIN7349
	300	304032005008	HEX NUT	1	pc	1,200 g	M 5	ISO4032



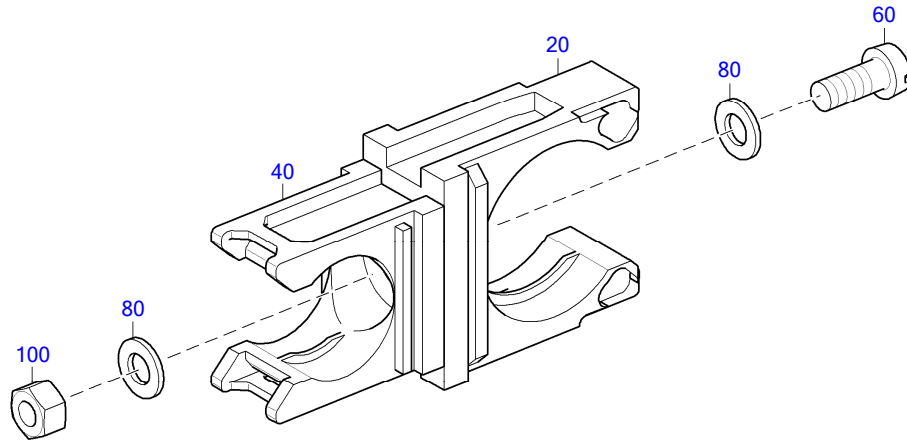
50703153

➔	POS.	PART NO.	DESIGNATION	MODEL/TYPE	QTY.	UNITS	WEIGHT	MEASUREMENT	STANDARD
	50	5901751641	BRACKET L H:22		1	pc	31,300 g		
	100	0015331940	RETAINER CABLING AND PIPEWOR	OHNE BUEGEL	1	pc	5,600 g	HALTER NW17 BOHRLOCH M6	
	150	000933006207	HEX SCREW		1	pc	4,800 g	M 6 X 14	DIN933
	200	000125006431	WASHER		1	pc	0,800 g	A 6,4	DIN125
	250	009021006103	WASHER		1	pc	2,300 g	A 6,4	DIN9021
	300	000934006006	NUT HEX		1	pc	2,200 g	M 6	DIN934



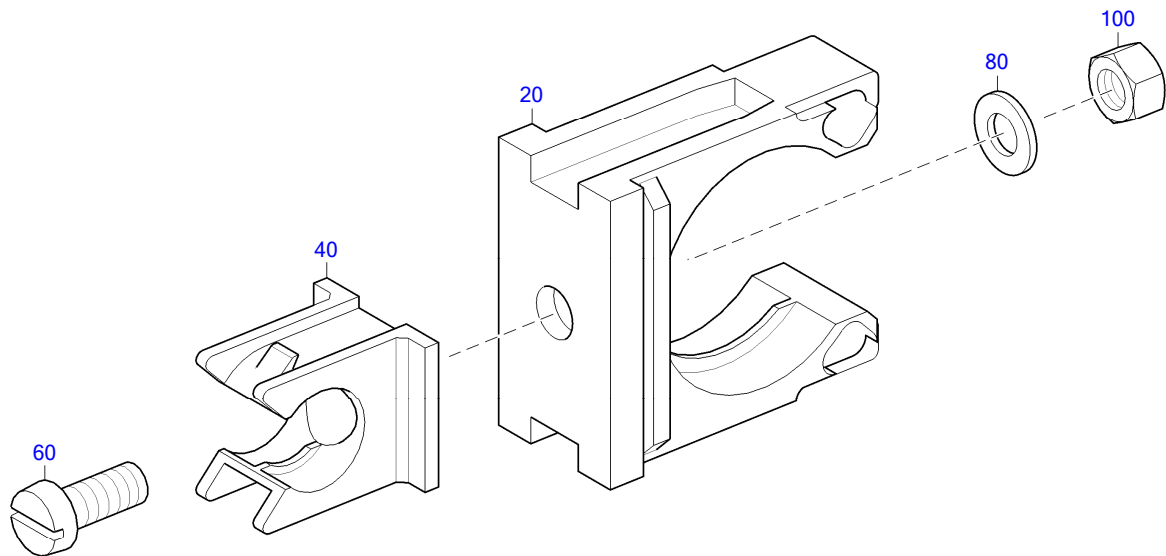
50001017a

➔	POS.	PART NO.	DESIGNATION	QTY.	UNITS	WEIGHT	MEASUREMENT	STANDARD
	20	<b>X52650700039</b>	CABLE CLAMP	2	pc	9,300 g	HALTER NW26 BOHRLOCH M6	
	40	<b>304017006058</b>	HEX SCREW	1	pc	4,400 g	M 6 X 12	ISO4017
	60	<b>000125006431</b>	WASHER	2	pc	0,800 g	A 6,4	DIN125
	80	<b>304032006011</b>	HEX NUT	1	pc	2,200 g	M 6	ISO4032



50801541

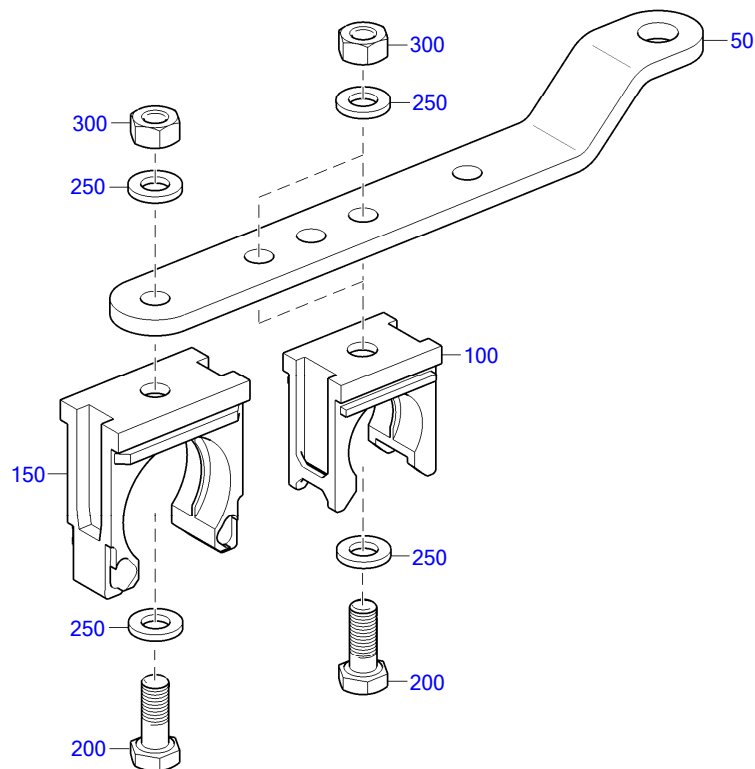
➔	POS.	PART NO.	DESIGNATION	MODEL/TYPE	QTY.	UNITS	WEIGHT	MEASUREMENT	STANDARD
	20	X52650700039	CABLE CLAMP		1	pc	9,300 g	HALTER NW26 BOHRLOCH M6	
	40	0015331940	RETAINER CABLING AND PIPEWOR	OHNE BUEGEL	1	pc	5,600 g	HALTER NW17 BOHRLOCH M6	
	60	000084005196	SCREW		1	pc	2,600 g	M 5 X 12	DIN84
	80	000125005322	WASHER		2	pc	0,400 g	A 5,3	DIN125
	100	304032005008	HEX NUT		1	pc	1,200 g	M 5	ISO4032



50702297a

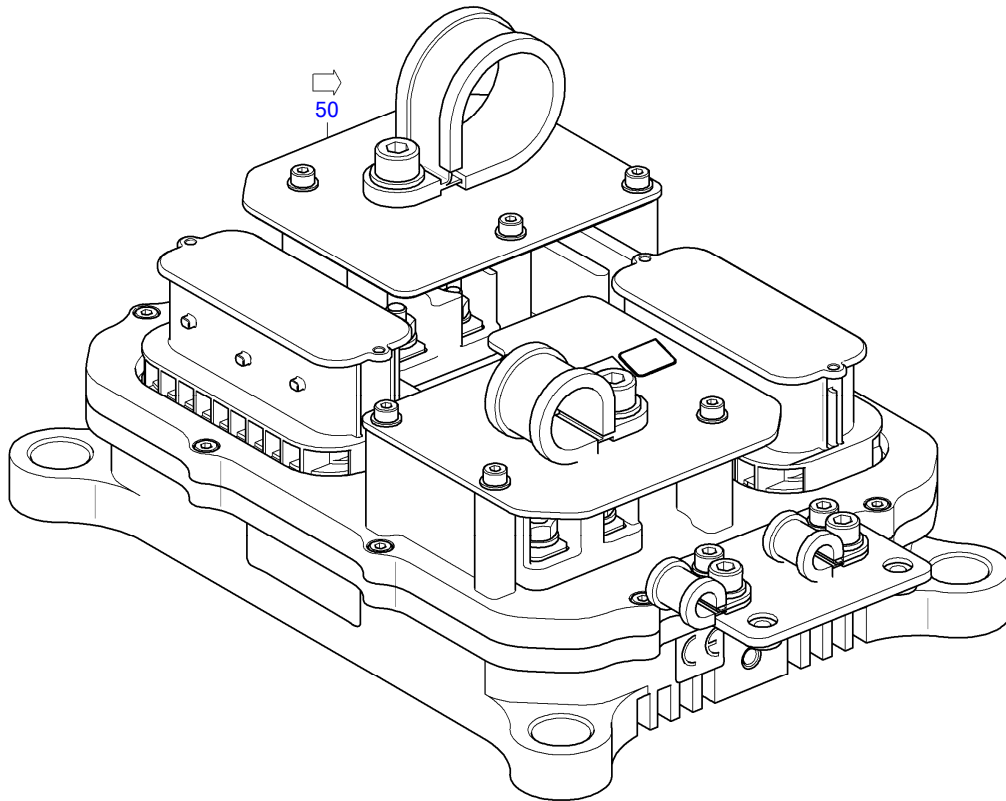
➔	POS.	PART NO.	DESIGNATION	MODEL/TYPE	QTY.	UNITS	WEIGHT	MEASUREMENT	STANDARD
	20	X52650700039	CABLE CLAMP		1	pc	9,300 g	HALTER NW26 BOHRLOCH M6	
	40	0015331840	RETAINER CABLING AND PIPEWOR	OHNE BUEGEL	1	pc	3,100 g	HALTER NW10 BOHRLOCH M5	
	60	000084005196	SCREW		1	pc	2,600 g	M 5 X 12	DIN84
	80	000125005322	WASHER		1	pc	0,400 g	A 5,3	DIN125
	100	304032005008	HEX NUT		1	pc	1,200 g	M 5	ISO4032





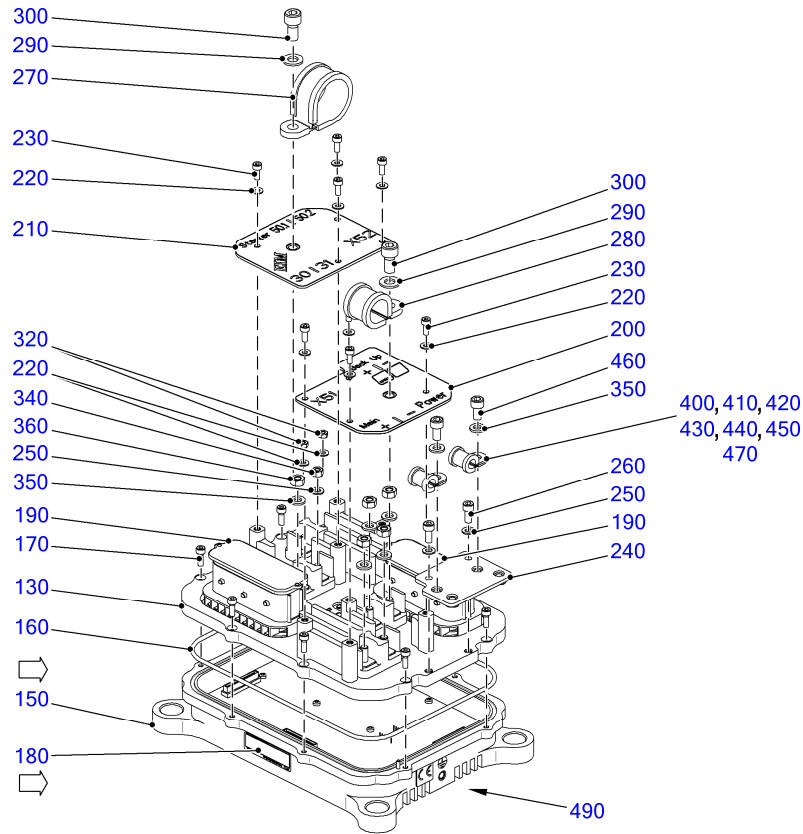
50702203a

➔	POS.	PART NO.	DESIGNATION	MODEL/TYPE	QTY.	UNITS	WEIGHT	MEASUREMENT	STANDARD
	50	5241533040	BRACKET OFFSET H:15 MARINE	4000	1	pc	93,700 g		
	100	0015331940	RETAINER CABLING AND PIPEWOR	OHNE BUEGEL	2	pc	5,600 g	HALTER NW17 BOHRLOCH M6	
	150	X52650700039	CABLE CLAMP		1	pc	9,300 g	HALTER NW26 BOHRLOCH M6	
	200	00000003387	HEX SCREW		3	pc	5,100 g	M 6 X 16	ISO4017
	250	000125006431	WASHER		6	pc	0,800 g	A 6,4	DIN125
	300	304032006011	HEX NUT		3	pc	2,200 g	M 6	ISO4032



50801621

➔	POS.	PART NO.	DESIGNATION	MODEL/TYPE	QTY.	UNITS	WEIGHT
	50	B00E50201528/S0002	MONITOR WITH SOFTWARE	EIM 2-02	1	pc	3,938 kg



50801700

➔	POS.	PART NO.	DESIGNATION	MODEL/TYPE	QTY.	UNITS	WEIGHT	FN	MEASUREMENT	STANDARD
	130	B00E50201524	PLUG-IN BOARD UPPER PART	CIB 6-02	1	pc	1,350 kg			
578	150	B00E50200605/S0001	PLUG-IN BOARD LOWER PART	CIB 5-01	1	pc	1,715 kg			
	160	700429214000	O-RING		1	pc	10,200 g	214 X 3		MMN429
	170	00000002668	SCREW		8	pc	10,000 g	M 4 X 12		DIN912
	190	X00E50200338	DUST CAP FOR CONNECTOR	STAUBKAPPE MCP 62 POL.	2	pc	2,000 g	FUER AMP BUCHSENGEHAEUSE 62POL		
	200	X00E50204759	COVER PLATE	EIM 1-01	1	pc	166,700 g	UB 102X103X3	-X51-POWER	
	210	X00E50204758	COVER PLATE	EIM 1-01	1	pc	154,500 g	UB 102X103X3	-X52-STARTER	
	220	200125004301	WASHER		10	pc	0,300 g	A 4,3		DIN125
	230	204762004010	SCREW		8	pc	1,700 g	M 4 X 10		ISO4762
	240	X00E50205850	RETAINER PLATE FOR CABLE	EIM 1-01	1	pc	85,800 g	AB 70X53X3		
	250	200125005300	WASHER		3	pc	0,400 g	A 5,3		DIN125
	260	000912005039	SCREW		2	pc	3,100 g	M 5 X 12		DIN912
	270	916016035201	CLAMP		1	pc	43,000 g	BRSGU 35/20		N16016
	280	916016020202	CLAMP		1	pc	26,700 g	BRSGU 20/20		N16016
	290	200125008400	WASHER		2	pc	1,500 g	A 8,4		DIN125
	300	204762008007	SCREW		2	pc	11,600 g	M 8 X 16		ISO4762
	320	000000003183	HEX NUT		2	pc	0,800 g	M 4		ISO4032
	340	000000002215	HEX NUT		1	pc	1,200 g	M 5		ISO4032
	350	200125006400	WASHER		7	pc	0,700 g	A 6,4		DIN125
	360	000000002218	HEX NUT		5	pc	2,300 g	M 6		ISO4032
	400	916016008200	CLAMP		2	pc	9,400 g	BRSGU 8/15		N16016
	410	916016010201	CLAMP		1	pc	9,100 g	BRSGU 10/15		N16016
	420	916016012200	CLAMP		1	pc	10,000 g	BRSGU 12/15		N16016

EQUI TYPE: Engine

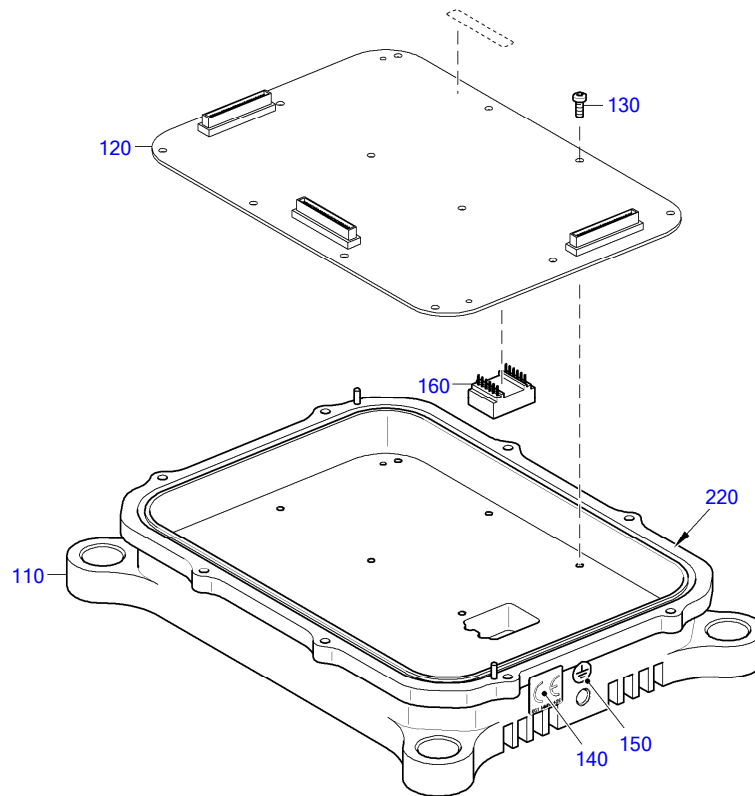
PRODUCT TYPE: 12V4000M53  
MONITOR WITH SOFTWARE

SERIAL NUMBER: 526107657

FG/FGS:

BOM-No.: B00E50201528/S0002

➡	POS.	PART NO.	DESIGNATION	MODEL/TYPE	QTY.	UNITS	WEIGHT	FN MEASUREMENT	STANDARD
	430	916016015202	CLAMP		1	pc	13,500 g	BRSGU 15/15	N16016
	440	000000004737	CLAMP		1	pc	15,500 g	BRSGU S 20/15	N16016
	450	000000003931	CLAMP		1	pc	18,700 g	BRSGU S 25/15	N16016
	460	204762006004	SCREW		2	pc	5,000 g	M 6 X 12	ISO4762
	470	0035314381	CABLE CLAMP		1	pc	0,600 g	L= 150MM, B= 3,6MM	
	490	B00E50201528/77	MONITOR WITH SOFTWARE	EIM 2-02	1	pc	4,000 kg		



50801619

➔	POS.	PART NO.	DESIGNATION	MODEL/TYPE	QTY.	UNITS	WEIGHT	MEASUREMENT	STANDARD
	110	<b>B00E50200604</b>	HOUSING LOWER PART	EIM2-01	1	pc	1,500 kg		
	120	<b>X00E50203628</b>	PLUG-IN BOARD SMD	CIB5-01 ZB SMD	1	pc	156,000 g	ZB SMD CIB5-01;	
	130	<b>000000003652</b>	TORX SCREW		12	pc	0,700 g	M3 GF X 8	MBN10226
	140	<b>700425000142</b>	PLATE		1	pc	2,200 g	60.1	MMN425
	150	<b>X00E50207411</b>	PLATE FOR GROUND CONNECT.	ERDUNGSSCHILD	1	pc	3,000 g	13X13	
	160	<b>0005327956</b>	TRANSFORMER	EVD15	1	pc	2,000 g	LP44UH,UE0-50V, W1=28, W2=19WX=8	
	220	<b>X00009977</b>	2-COMP. SILIC.RUBBER	KARTUSCHE 330 ML	1	pc	400,000 g	ELASTOSIL SG 500 A/B	

**EQUIPMENT TYPE**

PRODUCT TYPE  
SERIAL NUMBER

**Gearbox**  
GEARBOX  
1105065000\_000001

**FG FG DESIGNATION**

207 RAW WATER PUMP WITH CONNECTIONS

342 DRIVE SYSTEM

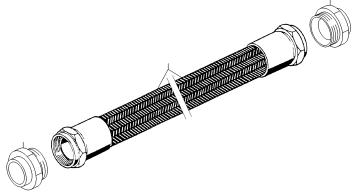
GROUP SEGMENT (FGS)

GROUP NAME

BOM-No.

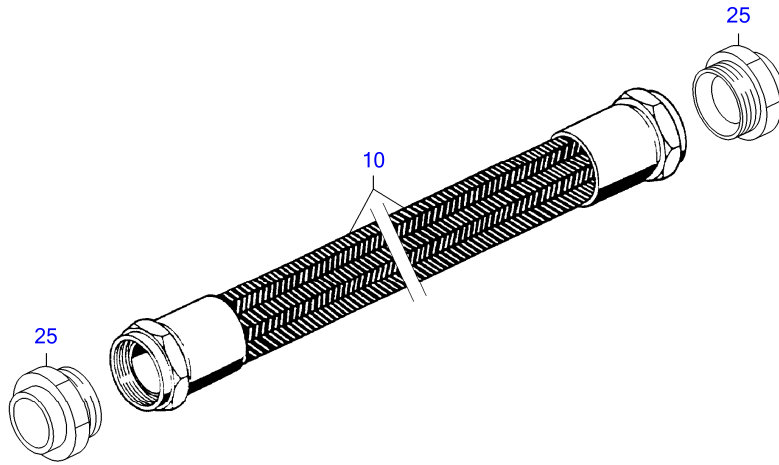
---

10  
HOSE  
200.00028



E207301a0





E2073011a0

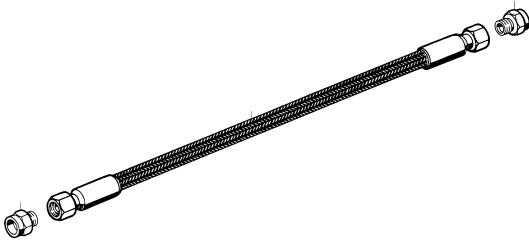
➔	POS.	PART NO.	DESIGNATION	QTY.	UNITS	WEIGHT	MEASUREMENT	STANDARD
	10	735038020104	HOSE	1	pc	653,300 g	1SN 20 CC 400	MTN5038
	25	718363220003	UNION	2	pc	69,100 g	22/M 30 X 1,5	MMN18363.2

GROUP SEGMENT (FGS)

GROUP NAME

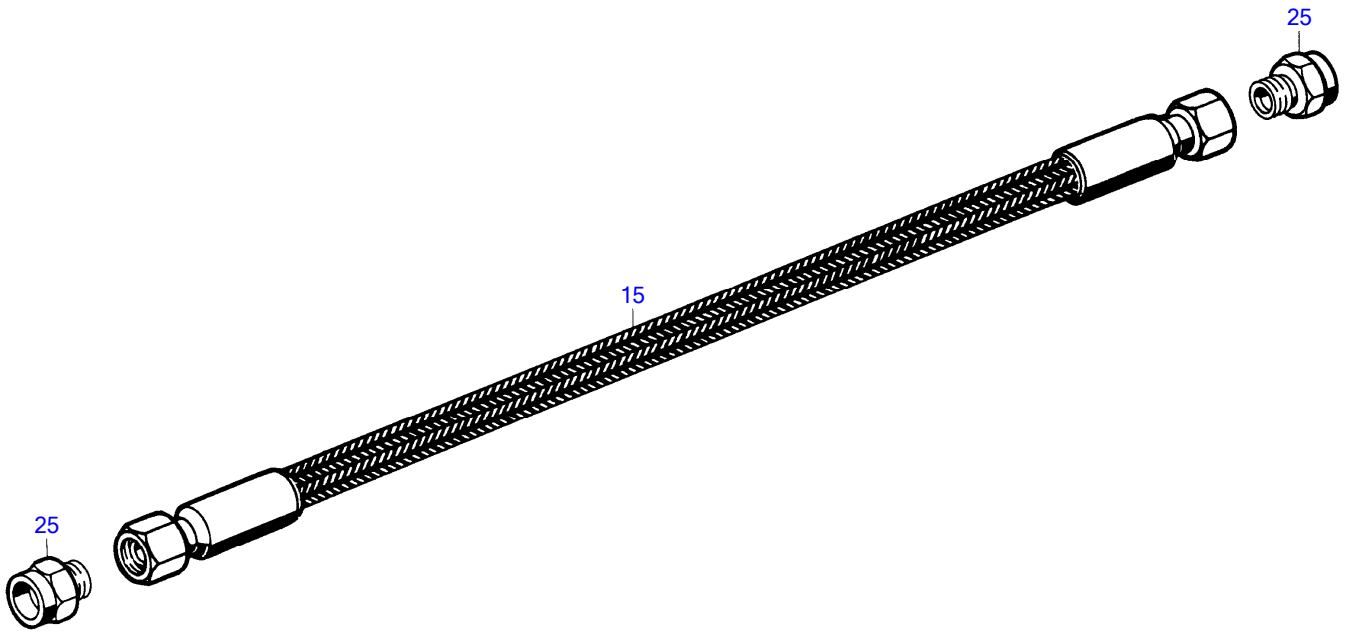
BOM-No.

---



10  
HOSE  
340.00085

34200016a



34200016a

➔	POS.	PART NO.	DESIGNATION	QTY.	UNITS	WEIGHT	MEASUREMENT	STANDARD
	15	735038040102	HOSE	1	pc	2,465 kg	1SN 40 CC 600-MW	MTN5038
	25	718363240003	UNION	2	pc	202,600 g	42/M 52 X 1,5	MMN18363.2

**EQUIPMENT TYPE**

PRODUCT TYPE  
SERIAL NUMBER

**Gearbox**  
GEARBOX  
1105065000\_000002

**FG FG DESIGNATION**

207 RAW WATER PUMP WITH CONNECTIONS

342 DRIVE SYSTEM

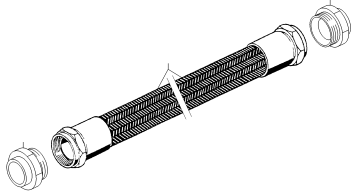
GROUP SEGMENT (FGS)

GROUP NAME

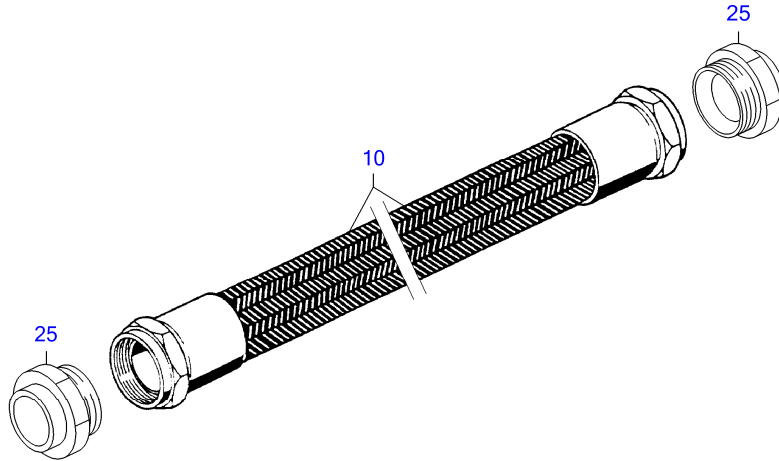
BOM-No.

---

10  
HOSE  
200.00028



E207301a0



E2073011a0

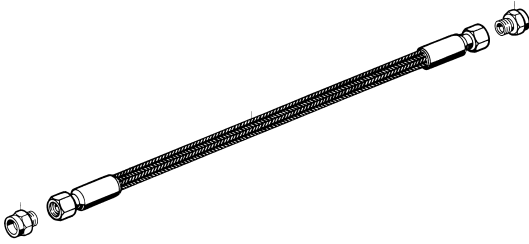
➔	POS.	PART NO.	DESIGNATION	QTY.	UNITS	WEIGHT	MEASUREMENT	STANDARD
	10	735038020104	HOSE	1	pc	653,300 g	1SN 20 CC 400	MTN5038
	25	718363220003	UNION	2	pc	69,100 g	22/M 30 X 1,5	MMN18363.2

GROUP SEGMENT (FGS)

GROUP NAME

BOM-No.

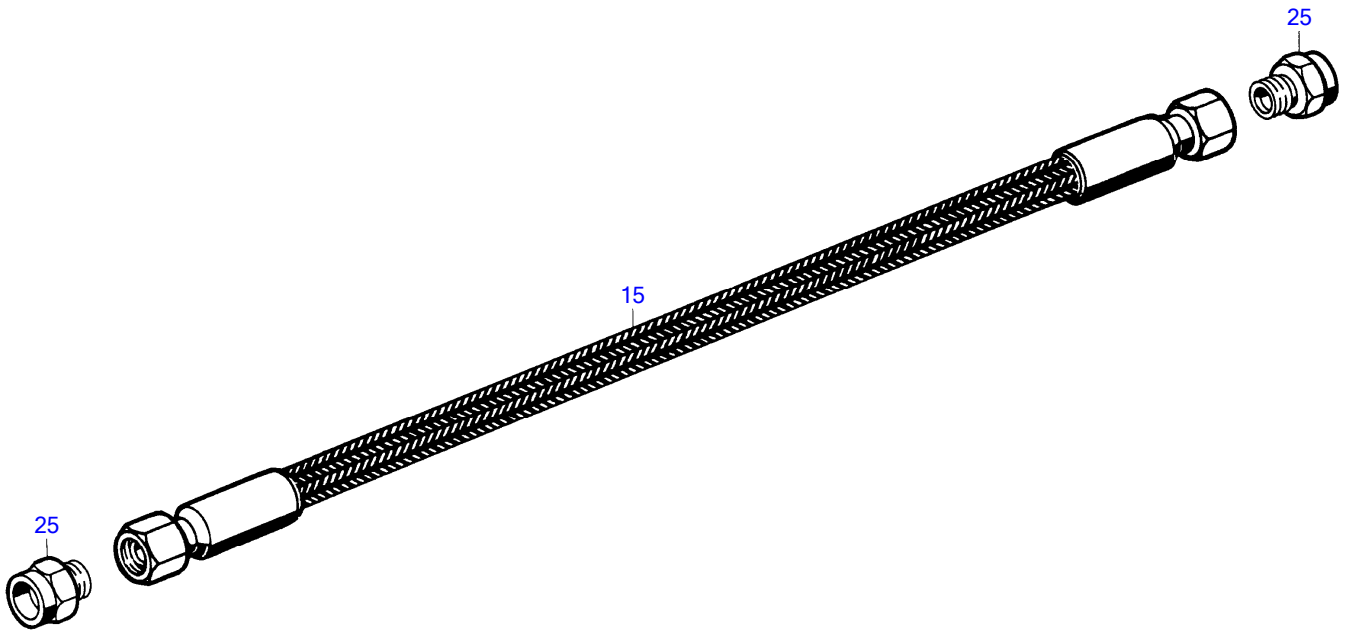
---



10  
HOSE  
340.00085

34200016a





34200016a

➔	POS.	PART NO.	DESIGNATION	QTY.	UNITS	WEIGHT	MEASUREMENT	STANDARD
	15	735038040102	HOSE	1	pc	2,465 kg	1SN 40 CC 600-MW	MTN5038
	25	718363240003	UNION	2	pc	202,600 g	42/M 52 X 1,5	MMN18363.2