



# Customized Parts Catalog for Engine Model **KTA19-G680-M1**

Prepared Specifically for Engines

Serial Number **37252544**

---

<http://engine.od.ua/>

## **ENGINE INFO:**

Serial #: 37252544

Build Date: October 24, 2011

Model: KTA19-G680(M1) Engine Config:  
D193099MX02

Fuel Pump #:

Fuel Pump Cal Code: E497

Filmcard: K

CPL: CPL2910



Kitsets	
Part #	Description
<a href="#">4089391</a>	SET,LOWER ENGINE GASKET


<a href="#">Option</a>	<a href="#">Group</a>	<a href="#">Name</a>	<a href="#">O</a>	<a href="#">U1</a>
BP4708	01.01	<a href="#">PARTS.BASE</a>	x	
BP4032-02	01.01	<a href="#">Cylinder Block</a>	x	
BP4032	01.01.1	<a href="#">Cylinder Liner</a>	x	
BP4708-01	01.02	<a href="#">Crankshaft</a>	x	
BP4032	01.02	<a href="#">Crankshaft And Main Bearings</a>	x	
DA4014-03	01.02.2	<a href="#">Vibration Damper</a>	x	
SG4003-02	01.02.2	<a href="#">Damper Guard</a>	x	
PP2910-02	01.04	<a href="#">Connecting Rod And Piston</a>	x	
EM4714	01.06	<a href="#">Gear Cover And Housing</a>	x	
AP4112	01.06.1	<a href="#">APPROVAL.AGENCY</a>	x	
AP8007	01.06.1	<a href="#">BUREAU VERITAS</a>	x	
PP2910	01.07	<a href="#">Camshaft And Gear</a>	x	
BP4032	01.07.1	<a href="#">Camshaft Mounting</a>	x	
PP2910-02	02.01	<a href="#">Cylinder Head</a>	x	
PP4795	02.01	<a href="#">Cylinder Head</a>	x	

<a href="#">Option</a>	<a href="#">Group</a>	<a href="#">Name</a>	<a href="#">O</a>	<a href="#">U1</a>
PP2910-01	02.01.1	<a href="#">Crosshead Valve</a>	x	
SS4023	03.01	<a href="#">BRACKET.LIFTING</a>	x	
BP4032-01	03.01	<a href="#">Rocker Lever</a>	x	
SS8028	03.01	<a href="#">PAINT</a>	x	
SS8701	03.01	<a href="#">Shipping Bracket</a>	x	
BR4043-01	03.02	<a href="#">Breather Location</a>	x	
BP4032-01	04.01	<a href="#">Cam Follower Housing</a>	x	
FP4959-03	05.01	<a href="#">Fuel Pump</a>	x	
FV8104-02	05.06	<a href="#">Fuel Shutoff Valve</a>	x	
FP4110-01	05.10	<a href="#">Woodward Governor</a>	x	
PP2910	06.01	<a href="#">Injector</a>	x	
PP2910-01	06.01.3	<a href="#">Hydro-mechanical STC</a>	x	
BP4032	06.01.5	<a href="#">Injector Mounting</a>	x	
BP4032-01	06.01.6	<a href="#">Oil Manifold</a>	x	
FF4094	06.02	<a href="#">Fuel Pump Inlet Fitting</a>	x	

<u>Option</u>	<u>Group</u>	<u>Name</u>	<u>O</u>	<u>U1</u>
FT40062-03	06.03	<a href="#">Fuel Tubing</a>	x	
FF4093-01	06.04	<a href="#">Duplex Fuel Filter</a>	x	
OP4716-06	07.01	<a href="#">Oil Pan</a>	x	
OP4040-08	07.01	<a href="#">Oil Pan</a>	x	
OP4787	07.01	<a href="#">PLUMBING,OIL PAN</a>	x	
OP4787	07.01.1	<a href="#">Oil Pan Plumbing</a>	x	
FO4047	07.02	<a href="#">Oil Filler Location</a>	x	
OB40064-05	07.02	<a href="#">Hand Hole Cover</a>	x	
LG4028	07.02	<a href="#">Oil Level Gauge</a>	x	
OF4731	07.03	<a href="#">Oil Bypass Filter</a>	x	
OF4027	07.03	<a href="#">Oil Bypass Filter</a>	x	
LF4050-02	07.03	<a href="#">Oil Filter</a>	x	
LF4705-03	07.03.1	<a href="#">Oil Filter Connection</a>	x	
TC4045-03	07.05	<a href="#">Oil Cooler</a>	x	
TC4702-01	07.05.1	<a href="#">Oil Cooler Connection</a>	x	
<u>_____</u>	<u>Option</u>	<u>Group Name</u>	<u>O</u>	<u>U1</u>
BP4032-01	07.06	<a href="#">Lube Oil Pump</a>	x	
PS4023	07.08	<a href="#">PUMP,SCAVENGE</a>	x	
WP4009-09	08.01	<a href="#">Water Pump</a>	x	
WM4009-04	08.06	<a href="#">Water Manifold</a>	x	
IM4737-01	08.07	<a href="#">Thermostat Housing Assembly</a>	x	
WI4005	08.07.1	<a href="#">CONNECTION,WATER INLET</a>	x	
WO4010	08.07.1	<a href="#">Water Connection</a>	x	
WF4001-03	08.08	<a href="#">Corrosion Resistor</a>	x	
FP4923-04	09.01	<a href="#">Fuel Pump Drive</a>	x	
AD4007	09.03	<a href="#">Accessory Drive Pulley</a>	x	
AD4006-01	09.03	<a href="#">Timing Disk</a>	x	
HD4067	09.04	<a href="#">Hydraulic Pump</a>	x	
IM4022	10.01	<a href="#">MANIFOLD,AIR INTAKE</a>	x	
IM4716-01	10.01	<a href="#">Intake Manifold</a>	x	
IM4757-01	10.01	<a href="#">MOUNTING,AIR INT MANIFOLD</a>	x	
<u>_____</u>	<u>Option</u>	<u>Group Name</u>	<u>O</u>	<u>U1</u>
PP2910-03	10.01	<a href="#">Aftercooler</a>	x	
IM4737	10.01	<a href="#">Thermostat Hsg Assembly</a>	x	
AC4005-04	10.04	<a href="#">Air Cleaner</a>	x	
CA4021	10.04.2	<a href="#">INDICATOR,RESTRICTION</a>	x	

	10.05	<a href="#">Turbocharger</a>	x	
PP2910	10.06	<a href="#">Turbocharger</a>	x	
TB4754-05	10.06.1	<a href="#">Turbocharger Mounting</a>	x	
TB4058	10.06.1	<a href="#">Exhaust Manifold Turbocharger Mounting</a>	x	
XS4023-03	11.01.1	<a href="#">Exhaust Elbow</a>	x	
EE8144	13.02	<a href="#">Alternator</a>	x	
EE4011	13.02.3	<a href="#">MOUNTING,ALTERNATOR</a>	x	
SG4717-01	13.02.3	<a href="#">Alternator Belt Guard</a>	x	
ST4064-01	13.05	<a href="#">Starting Motor</a>	x	
ST4006-02	13.05.1	<a href="#">Starter Mounting</a>	x	
ES8029-04	13.10	<a href="#">Magnetic Switch</a>	x	
<u>      </u>	<u>Option</u>	<u>Group Name</u>	<u>O</u>	<u>U1</u>
SG4032-02	15.03	<a href="#">Guard Package</a>	x	
EC8725	15.08	<a href="#">Wiring Harness Adapter</a>	x	
FH4012-04	16.01	<a href="#">Flywheel Housing</a>	x	
FH8718-02	16.01.1	<a href="#">Magnetic Pickup</a>	x	
FW4006-01	16.02	<a href="#">Flywheel</a>	x	
RB4037	16.03	<a href="#">RAIL,BASE</a>		x
EM4106-04	16.03	<a href="#">Front Engine Support</a>	x	
EM4720	16.03	<a href="#">Cover Plate</a>	x	
SS4023-02	17.06	<a href="#">Rocker Lever And Housing</a>	x	
MG4023	21.01	<a href="#">GENERATOR,MAIN</a>		x
MG4008	21.01	<a href="#">GENERATOR,MAIN</a>		x
MG4701-01	21.01	<a href="#">GENERATOR,MAIN</a>		x
SH4005	21.02	<a href="#">Heat Shield</a>	x	
GP4003	21.02	<a href="#">Engine Instrument Panel</a>		x
FR4347	99.01	<a href="#">RATING,FUEL</a>	x	
<u>Option</u>	<u>Group</u>	<u>Name</u>	<u>O</u>	<u>U1</u>
FCE497	99.01	<a href="#">CODE,FUEL</a>	x	
HD4067	99.01	<a href="#">COVER PLATE</a>	x	
TB4754	99.01	<a href="#">PLUMBING,TURBOCHARGER</a>	x	




					
	<b>Option</b>	<b>Group</b>	<b>Graphic</b>	<b>Film Card</b>	<b>Date</b>
	3800728	17.02	null	K	25-OCT-00
<b>Engines</b>	KTA19GC, KTA19GC CM558, QSK19 CM500, QSK19 CM850 MCRS, K19, QSK19G, QSK19 CM2150 MCRS				
<b>MPB</b>	K19				

Option	4-Sale	Part Name	Remarks
3800728	N	3800728	Upper Engine Gasket Set

Ref No	Part Number	4-Sale	Part Name	Req	Remarks
		Y	\$UPPER ENGINE GASKET SET		Upper Engine Gasket Set
	<a href="#">3800728</a>	Y	Set, Upper Engine Gsk.	1	
	<a href="#">68209</a>	Y	Gasket, Bypass Valve Body	1	
	<a href="#">100478</a>	Y	Seal, O Ring	2	
	<a href="#">131026</a>	Y	Seal, O Ring	12	
	<a href="#">201048</a>	Y	Gasket, Connection	1	
	<a href="#">201049</a>	Y	Gasket, Connection	1	
	<a href="#">206277</a>	Y	Gasket, Intake Manifold	6	
	<a href="#">206279</a>	Y	Gasket, Connection	1	
	<a href="#">206576</a>	Y	Gasket, Turbocharger	1	
	<a href="#">206808</a>	Y	Seal, Grommet	2	
	<a href="#">207038</a>	Y	Seal, O Ring	1	
	<a href="#">207244</a>	Y	Seal, Injector	6	
	<a href="#">3001304</a>	Y	Gasket, Aft Housing	2	
	<a href="#">3001305</a>	Y	Gasket, Connection	2	



	<a href="#">3001340</a>	Y	Seal, O Ring	12	
	<a href="#">3633046</a>	Y	Seal, Ferrule	2	
	<a href="#">3014304</a>	Y	Seal, Rectangular Ring	12	
	<a href="#">3023066</a>	Y	Seal, O Ring	2	
	<a href="#">3028291</a>	Y	Seal, O Ring	13	
	<a href="#">3032161</a>	Y	Gasket, Connection	2	
	<a href="#">4920076</a>	Y	Gasket, Rocker Lever Cover	6	
	<a href="#">3043097</a>	Y	Gasket, Exhaust Manifold	6	
	<a href="#">3630839</a>	Y	Gasket, Rkr Lever Housing	6	
	<a href="#">3634664</a>	Y	Gasket, Cylinder Head	6	
	<a href="#">3818885</a>	Y	Seal, O Ring	2	
	<a href="#">3084539</a>	Y	Seal, O Ring	12	


					
	<b>Option</b>	<b>Group</b>	<b>Graphic</b>	<b>Film Card</b>	<b>Date</b>
	4089391	17.02	null	K	20-AUG-10
<b>Engines</b>	KTA19GC, KTA19GC CM558, QSK19 CM500, QSK19 CM850 MCRS, K19, QSK19G, QSK19 CM2150 MCRS				
<b>MPB</b>	K19				

Option	4-Sale	Part Name	Remarks
4089391	N	67946	Lower Engine Gasket Set

Ref No	Part Number	4-Sale	Part Name	Req	Remarks
		Y	\$Lower Engine Gasket Set		Lower Engine Gasket Set
		Y			
	<a href="#">67946</a>	Y	Washer, Plain	3	1 1/32 in
	<a href="#">70624</a>	Y	Seal, O Ring	2	
	<a href="#">145536</a>	Y	Seal, O Ring	1	
	<a href="#">145540</a>	Y	Seal, O Ring	2	
	<a href="#">153518</a>	Y	Seal, Rectangular Ring	4	
	<a href="#">163654</a>	Y	Seal, O Ring	2	
	<a href="#">172648</a>	Y	Seal, Rectangular Ring	14	
	<a href="#">176027</a>	Y	Gasket, Support	1	
	<a href="#">205061</a>	Y	Gasket, Lub Oil Pump	1	
	<a href="#">205247</a>	Y	Seal, O Ring	1	
	<a href="#">205288</a>	Y	Gasket, Wtr Trf Connection	1	
	<a href="#">205289</a>	Y	Gasket, Wtr Trf Connection	1	
	<a href="#">205791</a>	Y	Gasket, Scavenge Pump	1	
	<a href="#">205898</a>	Y	Seal, O Ring	2	
	<a href="#">206973</a>	Y	Gasket, Oil Cooler Core	4	


<a href="#">207075</a>	Y	Gasket, Flange	1	
<a href="#">207117</a>	Y	Gasket, Air Compressor	1	
<a href="#">2888640</a>	Y	Seal, Rectangular Ring	1	
<a href="#">3002330</a>	Y	Gasket, Acc Drive Support	1	
<a href="#">3005886</a>	Y	Seal, Oil	1	
<a href="#">3007380</a>	Y	Gasket, Hydraulic Pump	1	
<a href="#">3008403</a>	Y	Gasket, Oil Suc Connection	1	
<a href="#">3010918</a>	Y	Gasket, Thermostat Housing	1	
<a href="#">3010926</a>	Y	Gasket, Flange	1	
<a href="#">3015067</a>	Y	Seal, O Ring	6	
<a href="#">3016789</a>	Y	Seal, Oil	1	
<a href="#">3016792</a>	Y	Seal, Oil	1	
<a href="#">3016794</a>	Y	Seal, Oil	1	
<a href="#">3028291</a>	Y	Seal, O Ring	2	
<a href="#">3029820</a>	Y	Seal, O Ring	2	
<a href="#">3040721</a>	Y	Gasket, Cam Fol Housing	6	
<a href="#">3042586</a>	Y	Gasket, Hand Hole	3	
<a href="#">3042590</a>	Y	Gasket, Oil Pan	1	
<a href="#">3042612</a>	Y	Gasket, Fan Hub	1	
<a href="#">3060912</a>	Y	Gasket, Connection	2	
<a href="#">3065790</a>	Y	Gasket, Lub Oil Clr Hsg	1	
<a href="#">3065791</a>	Y	Gasket, Tor Cnv Cooler	1	
<a href="#">3069102</a>	Y	Gasket, Air Compressor	1	
<a href="#">3073213</a>	Y	Gasket, Adapter	1	
<a href="#">3074690</a>	Y	Gasket, Gear Cover	1	
<a href="#">3081621</a>	Y	Gasket, Camshaft Cover	1	
<a href="#">3096260</a>	Y	Seal, Rectangular Ring	1	
<a href="#">3160924</a>	Y	Seal, Dust	1	
<a href="#">3200287</a>	Y	Seal, Keyway	1	
<a href="#">3200977</a>	Y	Gasket, Lub Oil Fil Cover	1	
<a href="#">3201125</a>	Y	Seal, O Ring	2	

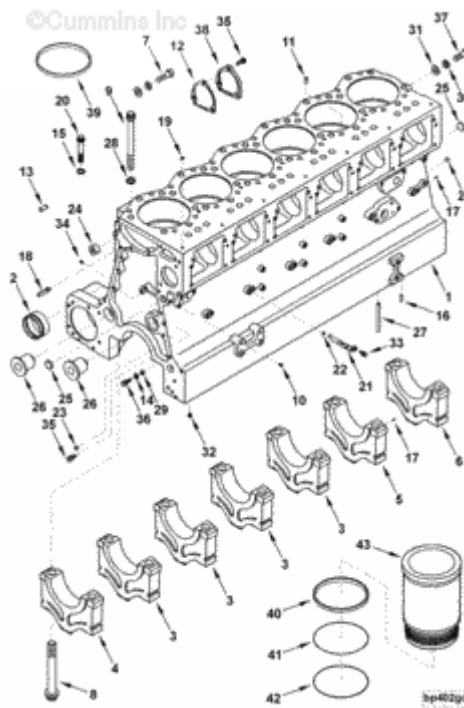
	<a href="#">3201388</a>	Y	Gasket, Flange	1	
	<a href="#">3202283</a>	Y	Gasket, Water Pump	2	
	<a href="#">3331663</a>	Y	Seal, Dust	1	
	<a href="#">3410141</a>	Y	Gasket, Cover Plate	1	
	<a href="#">3410171</a>	Y	Gasket, Acc Drive Support	1	
	<a href="#">3628894</a>	Y	Seal, Dust	1	
	<a href="#">3628895</a>	Y	Seal, Oil	1	
	<a href="#">3938655</a>	Y	Gasket, Acc Drive Cover	1	
	<a href="#">4000595</a>	Y	Gasket, Oil Pan Adapter	1	
	<a href="#">4026171</a>	Y	Gasket, Fuel Pump	1	
	<a href="#">4094865</a>	Y	Seal, Rectangular Ring	1	
	<a href="#">4910518</a>	Y	Seal, Rectangular Strip	2	
	<a href="#">4998542</a>	Y	Seal, O Ring	1	

					
	<b>Option</b>	<b>Group</b>	<b>Graphic</b>	<b>Film Card</b>	<b>Date</b>
	BP4708	01.01	null	K	21-DEC-10
<b>Engines</b>	KTA19GC, KTA19GC CM558, QSK19 CM500, QSK19 CM850 MCRS, K19, QSK19G, QSK19 CM2150 MCRS, QSK19 CM2350 K105				
<b>MPB</b>	K19				

Option	4-Sale	Part Name	Remarks
BP4708	N	BP4708	Crankshaft for use on

Ref No	Part Number	4-Sale	Part Name	Req	Remarks
	<a href="#">BP4708</a>	Y	PARTS,BASE		Crankshaft for use on
		Y			certified marine engines only.
	<a href="#">4910530</a>	Y	Crankshaft	1	
	<a href="#">206904</a>	Y	Key, Plain Woodruff	1	
	<a href="#">4910529</a>	Y	Crankshaft, Engine	1	
	<a href="#">4953165</a>	Y	Gear, Crankshaft	1	
	<a href="#">4953319</a>	Y	Gear, Crankshaft	1	

					
	<b>Option</b>	<b>Group</b>	<b>Graphic</b>	<b>Film Card</b>	<b>Date</b>
	BP4032-02	01.01	bp402go	K	08-MAY-04
<b>Engines</b>	KTA19GC, KTA19GC CM558, QSK19 CM500, QSK19 CM850 MCRS, K19, QSK19G, QSK19 CM2150 MCRS, QSK19 CM2350 K105				
<b>MPB</b>	K19				



Option	4-Sale	Part Name	Remarks
BP4032-02	N	BP4032-02	Cylinder Block

Ref No	Part Number	4-Sale	Part Name	Req	Remarks
	<a href="#">BP4032-02</a>	Y	Cylinder Block		Cylinder Block
		Y			Base Parts for the KTA-19,
		Y			KTA19-D(M) Engine With
					Hydromechanical STC Timing.
	<a href="#">3811921</a>	Y	Block, Cylinder Kit	1	Recon Equivalent 3811921 NX

1	<a href="#">3088301</a>	N	Block, Cylinder	1	
2	<a href="#">3002834</a>	Y	Bushing	7	
3	<a href="#">205021</a>	Y	Cap, Main Bearing	4	
4	<a href="#">205022</a>	Y	Cap, Main Bearing	1	
5	<a href="#">205023</a>	Y	Cap, Main Bearing	1	
6	<a href="#">205075</a>	Y	Cap, Main Bearing	1	
7	<a href="#">S 103 A</a>	Y	Screw, Hexagon Head Cap	2	5/8 - 11 X 2"
8	<a href="#">3025482</a>	Y	Screw, Twelve Point Cap	14	
9	<a href="#">3032633</a>	Y	Screw, Fracture Resistant	36	3/4 - 16 X 8 in
10	<a href="#">S 911 B</a>	Y	Plug, Pipe	1	1/8 NPT
11	<a href="#">68445</a>	Y	Pin, Groove	12	
12	<a href="#">3081621</a>	Y	Gasket, Camshaft Cover	1	
13	<a href="#">60408</a>	Y	Dowel, Pin	2	
14	<a href="#">S 606 A</a>	Y	Washer, Lock	2	3/8 in
15	<a href="#">200861</a>	Y	Washer, Plain	3	5/8"
16	<a href="#">67211</a>	Y	Dowel, Rear Main Bearing	2	
17	<a href="#">124921</a>	Y	Dowel	2	
18	<a href="#">205366</a>	Y	Dowel, Diamond	1	
19	<a href="#">3007632</a>	Y	Plug, Expansion	7	
20	<a href="#">207527</a>	Y	Screw, Twelve Point Cap	3	5/8 - 18 X 3"
21	<a href="#">3007517</a>	Y	Nozzle, Piston Cooling	6	
22	<a href="#">3015067</a>	Y	Seal, O Ring	6	
23	<a href="#">3945095</a>	Y	Plug, Expansion	2	
24	<a href="#">3008470</a>	Y	Plug, Pipe	1	1 NPT
25	<a href="#">175830</a>	Y	Plug, Expansion	2	
26	<a href="#">3202114</a>	Y	Shaft, Idler	2	
27	<a href="#">3811993</a>	Y	Tube, Lub Oil Transfer	1	
28	<a href="#">205059</a>	Y	Washer, Plain	36	3/4 in


29	<a href="#">127362</a>	Y	Washer, Plain	2	3/8 in
30	<a href="#">S 603</a>	Y	Washer, Lock	12	5/8 in
31	<a href="#">S 658</a>	Y	Washer, Plain	12	5/8 in
32	<a href="#">3008465</a>	Y	Plug, Pipe	2	1/8 NPT
33	<a href="#">3033822</a>	Y	Screw, Captive Washer Cap	6	5/16 - 24 X 3/4 in
34	<a href="#">3025458</a>	Y	Plug, Pipe	1	1/8 NPT
35	<a href="#">3014766</a>	Y	Screw, Captive Washer Cap	9	3/8 - 16 x 1 3/64 in.
36	<a href="#">191772</a>	Y	Screw, Twelve Point Cap	2	3/8 - 16 X 1 1/4 in
37	<a href="#">S 127 C</a>	Y	Screw, Hexagon Head Cap	10	5/8 - 11 X 1 3/4"
38	<a href="#">3081620</a>	Y	Cover, Camshaft	1	
	<a href="#">4024767</a>	Y	Kit, Liner	6	
39	<a href="#">4000504</a>	Y	Seal, Rectangular Ring	1	
40	<a href="#">3081489</a>	Y	Seal, Oil	1	
41	<a href="#">3011076</a>	Y	Seal, D Ring	1	
42	<a href="#">3014668</a>	Y	Seal, D Ring	1	
43	<a href="#">4009220</a>	N	Liner, Cylinder	1	Serviced as 4024767
		Y			
		Y	\$Service Parts		
		Y			Oversize Amount (In Thousands
		Y			of an Inch)
		Y			Upper Press fit
		Y			Oversize/Lower Press fit
		Y			Oversize
	<a href="#">4024768</a>	Y	Kit, Liner	A/R	20/0
	<a href="#">4024768</a>	Y	Kit, Liner	A/R	40/0
	<a href="#">4024771</a>	Y	Kit, Liner	A/R	83/0
	<a href="#">4024772</a>	Y	Kit, Liner	A/R	95/0
	<a href="#">4024773</a>	Y	Kit, Liner	A/R	20/20



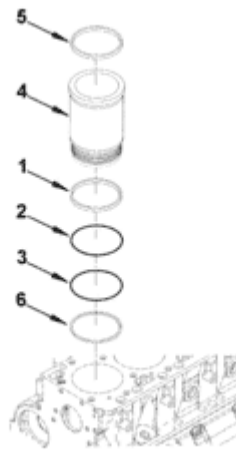
	<a href="#">4024774</a>	Y	Kit, Liner	A/R	60/20
	<a href="#">4024775</a>	Y	Kit, Liner	A/R	60/0
	<a href="#">4024776</a>	Y	Kit, Liner	A/R	84/65

---

©1984-2010 Cummins Inc., Box 3005, Columbus, IN 47202-3005 U.S.A.

					
	<b>Option</b>	<b>Group</b>	<b>Graphic</b>	<b>Film Card</b>	<b>Date</b>
	BP4032	01.01.1	bb400gx	K	08-FEB-00
<b>Engines</b>	KTA19GC, KTA19GC CM558, QSK19 CM500, QSK19 CM850 MCRS, K19, QSK19G, QSK19 CM2150 MCRS				
<b>MPB</b>	K19				

©Cummins Inc




bb400gx

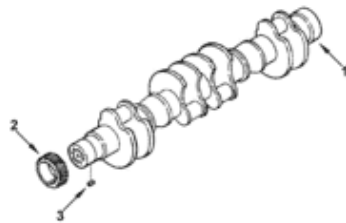
Option	4-Sale	Part Name	Remarks
BP4032	N	BP4032	Cylinder Liner

Ref No	Part Number	4-Sale	Part Name	Req	Remarks
	<a href="#">BP4032</a>	Y	Cylinder Liner		Cylinder Liner
	<a href="#">4009625</a>	Y	Kit, Liner	6	
	<a href="#">AR70577</a>	Y	PDC Kit	1	
1	<a href="#">3081489</a>	Y	Seal, Oil	1	
2	<a href="#">3011076</a>	Y	Seal, D Ring	1	
3	<a href="#">3014668</a>	Y	Seal, D Ring	1	
4	<a href="#">4009220</a>	N	Liner, Cylinder	1	Serviced as 4024767
5	<a href="#">3088298</a>	Y	Ring, Liner Seal	1	.0205 in

6	<a href="#">4000504</a>	Y	Seal, Rectangular Ring	1	
		Y			
		Y	Service Parts		
		Y			Oversize Amount (In Thousands
		Y			of an Inch)
		Y			Upper Press fit
		Y			Oversize/Lower Press fit
		Y			Oversize
	<a href="#">4024768</a>	Y	Kit, Liner	A/R	20/0
	<a href="#">4024768</a>	Y	Kit, Liner	A/R	40/0
	<a href="#">4024771</a>	Y	Kit, Liner	A/R	83/0
	<a href="#">4024772</a>	Y	Kit, Liner	A/R	95/0
	<a href="#">4024773</a>	Y	Kit, Liner	A/R	20/20
	<a href="#">4024774</a>	Y	Kit, Liner	A/R	60/20
	<a href="#">4024775</a>	Y	Kit, Liner	A/R	60/0
	<a href="#">4024776</a>	Y	Kit, Liner	A/R	84/65

					
	<b>Option</b>	<b>Group</b>	<b>Graphic</b>	<b>Film Card</b>	<b>Date</b>
	BP4708-01	01.02	bp401gq	K	21-DEC-10
<b>Engines</b>	KTA19GC, KTA19GC CM558, QSK19 CM500, QSK19 CM850 MCRS, K19, QSK19G, QSK19 CM2150 MCRS				
<b>MPB</b>	K19				


©Cummins Inc



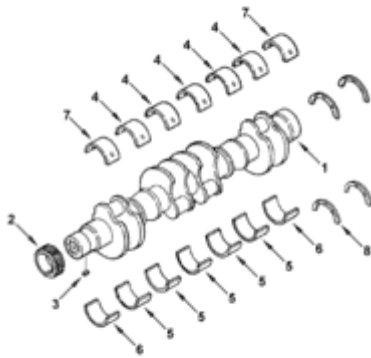
bp401gq

Option	4-Sale	Part Name	Remarks
BP4708-01	N	BP4708-01	Crankshaft for use on

Ref No	Part Number	4-Sale	Part Name	Req	Remarks
	<a href="#">BP4708-01</a>	Y	Crankshaft		Crankshaft for use on
		Y			certified marine engines only.
	<a href="#">4910530</a>	Y	Crankshaft	1	
1	<a href="#">4910529</a>	Y	Crankshaft, Engine	1	
2	<a href="#">4953319</a>	Y	Gear, Crankshaft	1	
3	<a href="#">206904</a>	Y	Key, Plain Woodruff	1	

					
	<b>Option</b>	<b>Group</b>	<b>Graphic</b>	<b>Film Card</b>	<b>Date</b>
	BP4032	01.02	bb400gv	K	01-JUL-02
<b>Engines</b>	KTA19GC, KTA19GC CM558, QSK19 CM500, QSK19 CM850 MCRS, K19, QSK19G, QSK19 CM2150 MCRS, QSK19 CM2350 K105				
<b>MPB</b>	K19				

©Cummins Inc




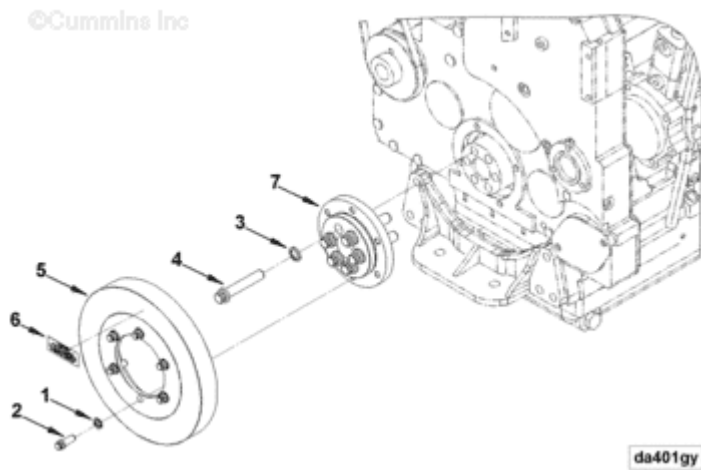
bb400gv

Option	4-Sale	Part Name	Remarks
BP4032	N	BP4032	Crankshaft And Main Bearin

Ref No	Part Number	4-Sale	Part Name	Req	Remarks
	<a href="#">BP4032</a>	Y	Crankshaft And Main Bearin		Crankshaft And Main Bearin
	<a href="#">3347569</a>	Y	Crankshaft	1	Recon Equivalent 3347569 NX
1	<a href="#">3096362</a>	Y	Crankshaft, Engine	1	
2	<a href="#">207259</a>	Y	Gear, Crankshaft	1	

3	<a href="#">206904</a>	Y	Key, Plain Woodruff	1	
	<a href="#">AR12270</a>	Y	Shell, Main Bearing STD	A/R	Standard
4	<a href="#">205140</a>	Y	Bearing, Main	5	Standard
5	<a href="#">205150</a>	Y	Bearing, Main	5	Standard
6	<a href="#">205160</a>	Y	Bearing, Main	2	Standard
7	<a href="#">205170</a>	Y	Bearing, Main	2	Standard
8	<a href="#">205112</a>	Y	Bearing, Thrust	4	Standard
	<a href="#">AR12271</a>	Y	Shell, Main Bearing .010	A/R	0.25 mm Oversize
4	<a href="#">205141</a>	Y	Bearing, Main	5	0.25 mm Oversize
5	<a href="#">205151</a>	Y	Bearing, Main	5	0.25 mm Oversize
6	<a href="#">205161</a>	Y	Bearing, Main	2	0.25 mm Oversize
7	<a href="#">205171</a>	Y	Bearing, Main	2	0.25 mm Oversize
8	<a href="#">205112</a>	Y	Bearing, Thrust	4	Standard
	<a href="#">AR12272</a>	Y	Shell, Main Bearing .020	A/R	0.50 mm Oversize
4	<a href="#">205142</a>	Y	Bearing, Main	5	0.50 mm Oversize
5	<a href="#">205152</a>	Y	Bearing, Main	5	0.50 mm Oversize
6	<a href="#">205162</a>	Y	Bearing, Main	2	0.50 mm Oversize
7	<a href="#">205172</a>	Y	Bearing, Main	2	0.50 mm Oversize
8	<a href="#">205112</a>	Y	Bearing, Thrust	4	Standard
	<a href="#">AR12273</a>	Y	Shell, Main Bearing .030	A/R	0.75 mm Oversize
4	<a href="#">205143</a>	Y	Bearing, Main	5	0.75 mm Oversize
5	<a href="#">205153</a>	Y	Bearing, Main	5	0.75 mm Oversize
6	<a href="#">205163</a>	Y	Bearing, Main	2	0.75 mm Oversize
7	<a href="#">205173</a>	Y	Bearing, Main	2	0.75 mm Oversize
8	<a href="#">205112</a>	Y	Bearing, Thrust	4	Standard

					
	<b>Option</b>	<b>Group</b>	<b>Graphic</b>	<b>Film Card</b>	<b>Date</b>
	DA4014-03	01.02.2	da401gy	K	07-APR-93
<b>Engines</b>	KTA19GC, KTA19GC CM558, QSK19 CM500, QSK19 CM850 MCRS, K19, QSK19G, QSK19 CM2150 MCRS				
<b>MPB</b>	K19				



Option	4-Sale	Part Name	Remarks
DA4014-03	N	DA4014-03	Dual viscous type vibration


Ref No	Part Number	4-Sale	Part Name	Req	Remarks
	<a href="#">DA4014-03</a>	Y	Vibration Damper		Dual viscous type vibration
		Y			dampers. For use with remote
		Y			or heat exchanger cooling.
		Y			Cannot be used with front
		Y			power take-off adaptations.
1	<a href="#">S 608</a>	Y	Washer, Lock	6	1/2 in
2	<a href="#">210028</a>	Y	Screw, Twelve Point Cap	6	1/2 - 20 X 1 1/2"
3	<a href="#">205059</a>	Y	Washer, Plain	6	3/4 in
4	<a href="#">206881</a>	Y	Screw, Twelve Point	6	3/4 - 16 X 4"

			Cap		
5	<a href="#">217322</a>	Y	Damper, Vibration	2	Recon Equivalent 217322 RX
6	<a href="#">3201209</a>	N	Decal	1	
7	<a href="#">3203694</a>	Y	Adapter, Crankshaft	1	

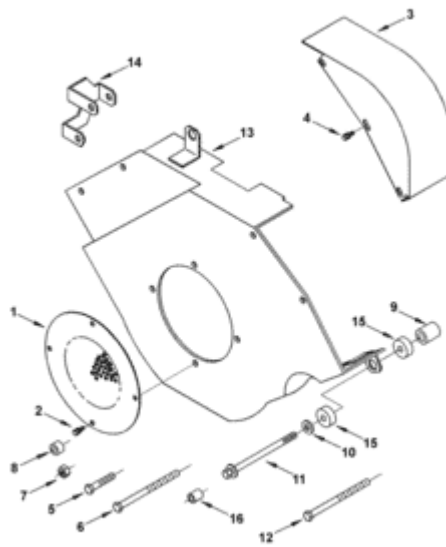
---

©1984-2010 Cummins Inc., Box 3005, Columbus, IN 47202-3005 U.S.A.



					
	<b>Option</b>	<b>Group</b>	<b>Graphic</b>	<b>Film Card</b>	<b>Date</b>
	SG4003-02	01.02.2	sg402gb	K	26-JAN-04
<b>Engines</b>	KTA19GC, KTA19GC CM558, QSK19 CM500, QSK19 CM850 MCRS, K19, QSK19G, QSK19 CM2150 MCRS				
<b>MPB</b>	K19				

©Cummins Inc




sg402gb

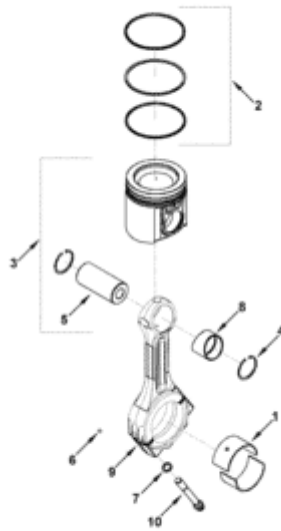
Option	4-Sale	Part Name	Remarks
SG4003-02	N	SG4003-02	Damper Guard

Ref No	Part Number	4-Sale	Part Name	Req	Remarks
	<a href="#">SG4003-02</a>	Y	Damper Guard		Damper Guard
					Damper Guard for:
		Y			* Dual Vibration Damper,
		Y			Timing Disc and
		Y			* Accessory Drive Pulley or

		Y			Alternator.
		Y			* Use with Cast Iron or
		Y			Aluminum Front
		Y			* Gear Cover, with Heat
		Y			Exchanger or
		Y			* Remote Cooling.
	<a href="#">3045895</a>	N	Plate, Damper Guard	1	
1	<a href="#">3001954</a>	Y	Guard, Damper	1	
2	<a href="#">3033378</a>	Y	Screw, Captive Washer Cap	4	1/4 - 20 X 21/32 in
	<a href="#">3045896</a>	N	Guard, Pulley-L.S.	1	
3	<a href="#">3001924</a>	Y	Guard, Belt	1	
4	<a href="#">3033378</a>	Y	Screw, Captive Washer Cap	4	1/4 - 20 X 21/32 in
	<a href="#">3088351</a>	N	Guard, Damper	1	
5	<a href="#">S 104</a>	Y	Screw, Hexagon Head Cap	1	3/8 - 16 X 2 1/4 in
6	<a href="#">S 130 A</a>	Y	Screw, Hexagon Head Cap	2	3/8 - 16 X 5 1/4"
7	<a href="#">S 223</a>	Y	Nut, Heavy Hexagon	1	3/8 - 16 UNC
8	<a href="#">63385</a>	Y	Spacer, Water Conn	1	
9	<a href="#">64709</a>	Y	Spacer, Mounting	1	
10	<a href="#">108330</a>	Y	Washer, Plain	3	3/8 in
11	<a href="#">3049301</a>	Y	Screw, Captive Washer Cap	1	3/8 - 16 X 6 in
12	<a href="#">3073136</a>	Y	Screw, Hexagon Head Cap	1	3/8 - 16 x 5 3/4"
13	<a href="#">3348926</a>	Y	Guard, Damper	1	
14	<a href="#">3349147</a>	Y	Bracket, Damper Guard	1	
15	<a href="#">3349409</a>	Y	Isolator, Vibration	8	
16	<a href="#">3410273</a>	Y	Spacer, Mounting	4	

					
	<b>Option</b>	<b>Group</b>	<b>Graphic</b>	<b>Film Card</b>	<b>Date</b>
	PP2910-01	01.04	pp404gj	K	27-JUN-03
<b>Engines</b>	KTA19GC, KTA19GC CM558, QSK19 CM500, QSK19 CM850 MCRS, K19, QSK19G, QSK19 CM2150 MCRS				
<b>MPB</b>	K19				

©Cummins Inc




pp404gj

Option	4-Sale	Part Name	Remarks
PP2910-01	N	PP2910-01	Connecting Rod And Piston

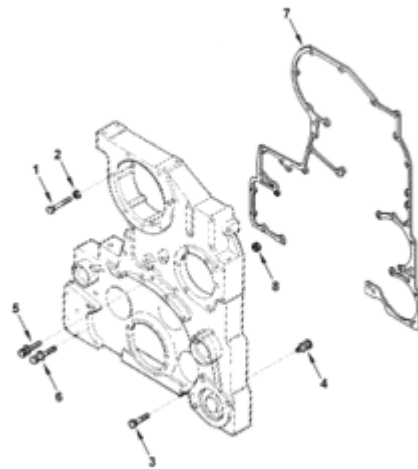
Ref No	Part Number	4-Sale	Part Name	Req	Remarks
	<a href="#">PP2910-01</a>	Y	Connecting Rod And Piston		Connecting Rod And Piston
		Y			Certified Model Name: KTA19-
		Y			D(m1) timing gear code: GY
		Y			CPL: 2910
		Y			Certified By: EPA

		Y			AFC: Yes ASA: No
		Y			EFC: Yes ETC: No
		Y			Manifold Type: Wet
		Y			Engine Aspiration:
		Y			Turbocharges/aftercooled
		Y			Engine Control System:
		Y			PTG/AUTO Fuel Pump
		Y			Application:
		Y			Prime Power Generation
		Y			Power Turbine: N/A
		Y			Design Phase: N/A
		Y			Power Rating:
		Y			Prime Power ECM version: N/A
		Y			Includes premium dual ni-
		Y			resist pistons. Premium
		Y			injectors, tribaloy intake
		Y			valves, inconel exhaust
		Y			valves, tribaloy seats and
		Y			valve rotators.
1	<a href="#">205840</a>	Y	Bearing, Connecting Rod	12	Standard
2	<a href="#">3804571</a>	Y	Set, Piston Ring	6	
	<a href="#">3090450</a>	N	Ring, Oil Piston	1	
	<a href="#">3090460</a>	N	Ring, Compression Piston	1	
	<a href="#">4081176</a>	N	Ring, Compression Piston	1	
3	<a href="#">3631246</a>	Y	Kit, Piston Engine	6	
	<a href="#">3096680</a>	N	Piston, Engine	1	Serviced as 3631246
	<a href="#">AR70576</a>	Y	PDC Kit	1	
4	<a href="#">205269</a>	Y	Ring, Retaining	2	
5	<a href="#">4095009</a>	Y	Pin, Piston	1	

	<a href="#">3811995</a>	Y	Rod, Engine Connecting	6	Recon Equiv. 3811995 NX/RX
6	<a href="#">69558</a>	Y	Dowel, Pin	4	
7	<a href="#">205126</a>	Y	Washer, Plain	2	5/8 in
8	<a href="#">3043909</a>	Y	Bushing	1	
9	<a href="#">3811994</a>	N	Rod, Engine Connecting	1	
10	<a href="#">3013265</a>	Y	Screw, Connecting Rod Cap	2	
1	<a href="#">205841</a>	Y	Bearing, Connecting Rod	A/R	0.25 mm Oversize
1	<a href="#">205842</a>	Y	Bearing, Connecting Rod	A/R	0.50 mm Oversize
1	<a href="#">205843</a>	Y	Bearing, Connecting Rod	A/R	0.75 mm Oversize

					
	<b>Option</b>	<b>Group</b>	<b>Graphic</b>	<b>Film Card</b>	<b>Date</b>
	EM4714	01.06	em403gw	K	13-JAN-98
<b>Engines</b>	KTA19GC, KTA19GC CM558, QSK19 CM500, QSK19 CM850 MCRS, K19, QSK19G, QSK19 CM2150 MCRS				
<b>MPB</b>	K19				

©Cummins Inc




Option	4-Sale	Part Name	Remarks
EM4714	N	EM4714	Mounting for cast iron gear

Ref No	Part Number	4-Sale	Part Name	Req	Remarks
	<a href="#">EM4714</a>	Y	Gear Cover Mounting		Mounting for cast iron gear
		Y			cover without heat exchanger
		Y			and front power take off
		Y			housing.
1	<a href="#">S 199 B</a>	Y	Screw, Hexagon Head Cap	7	3/8 - 16 3 3/4"

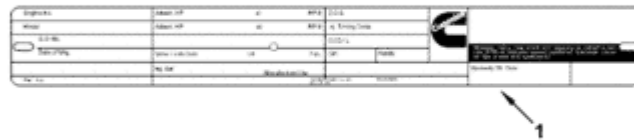
2	<a href="#">S 604</a>	Y	Washer, Lock	12	3/8 in.
3	<a href="#">205375</a>	Y	Screw, Twelve Point Cap	1	3/8 - 16 X 2 1/4"
4	<a href="#">3010595</a>	Y	Screw, Captive Washer Cap	3	3/8 - 16 X 1"
5	<a href="#">3012476</a>	Y	Screw, Captive Washer Cap	1	3/8 - 16 X 3"
6	<a href="#">3042890</a>	Y	Screw, Captive Washer Cap	11	3/8 - 16 X 4 in
7	<a href="#">3074690</a>	Y	Gasket, Gear Cover	1	
8	<a href="#">3201128</a>	Y	Nut, Regular Hexagon	4	3/8 - 16 UNC

---

©1984-2010 Cummins Inc., Box 3005, Columbus, IN 47202-3005 U.S.A.

					
	<b>Option</b>	<b>Group</b>	<b>Graphic</b>	<b>Film Card</b>	<b>Date</b>
	AP4112	01.06.1	ap400gb	K	01-AUG-10
<b>Engines</b>	KTA19GC, KTA19GC CM558, QSK19 CM500, QSK19 CM850 MCRS, K19, QSK19G, QSK19 CM2150 MCRS				
<b>MPB</b>	K19				

©Cummins Inc




ap400gb

Option	4-Sale	Part Name	Remarks
AP4112	N	AP4112	Agency Approval

Ref No	Part Number	4-Sale	Part Name	Req	Remarks
	<a href="#">AP4112</a>	Y	Agency Approval		Agency Approval
		Y			Certified By: Imo
		Y			Application: Marine cert
		Y			level: Tier 2 special
		Y			allowance: N/A cert agent:
		Y			ABS comment: N/A
		Y			Fuel Type: Diesel
		Y			manufacturer of record:
		Y			Cummins
		Y			Certification Level: Nox Per




		Y			International maritime
		Y			organization (imo) marpol
		Y			73/78 annex vi, regulation 13
		Y			Engine Family: K Series
		Y			variant content: In place of
		Y			P/N 4946400 cil may use P/N
		Y			3167922.
1	<a href="#">5270425</a>	Y	Dataplate	1	

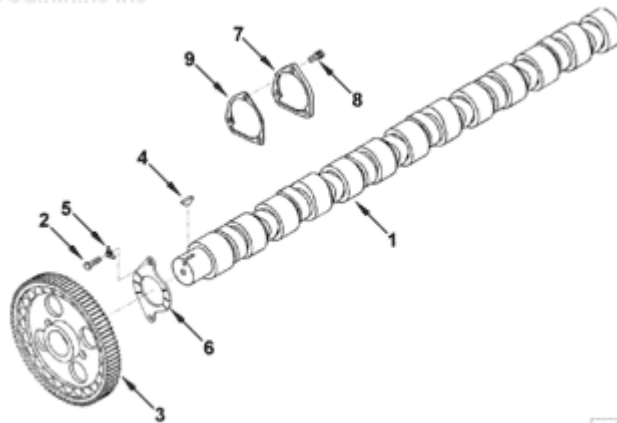
					
	<b>Option</b>	<b>Group</b>	<b>Graphic</b>	<b>Film Card</b>	<b>Date</b>
	AP8007	01.06.1	null	K	01-JUL-01
<b>Engines</b>	KTA19GC, KTA19GC CM558, QSK19 CM500, QSK19 CM850 MCRS, K19, QSK19G, QSK19 CM2150 MCRS				
<b>MPB</b>	K19				

Option	4-Sale	Part Name	Remarks
AP8007	N	AP8007	Certification registries

Ref No	Part Number	4-Sale	Part Name	Req	Remarks
	<a href="#">AP8007</a>	Y	BUREAU VERITAS		Certification registries
		Y			Certification Agency: Bureau
		Y			Veritas (bv)
		Y			Includes all factory test
		Y			required for the engine to be
		Y			registered for installation
		Y			in a classed vessel.
		Y	NO CONTENT OPTION		The final vessel Machinery
		Y			inspection of cooling, fuel,
		Y			and lube systems made after
		Y			the engine is installed, is
		Y			not included.
					Option Includes P/N 4081111
					Bureau Veritas

					
	<b>Option</b>	<b>Group</b>	<b>Graphic</b>	<b>Film Card</b>	<b>Date</b>
	PP2910	01.07	cg400gc	K	15-MAR-01
<b>Engines</b>	KTA19GC, KTA19GC CM558, QSK19 CM500, QSK19 CM850 MCRS, K19, QSK19G, QSK19 CM2150 MCRS				
<b>MPB</b>	K19				

©Cummins Inc




Option	4-Sale	Part Name	Remarks
PP2910	N	PP2910	Camshaft And Gear

Ref No	Part Number	4-Sale	Part Name	Req	Remarks
	<a href="#">PP2910</a>	Y	Camshaft And Gear		Camshaft And Gear
		Y			
1	<a href="#">3066882</a>	Y	Camshaft	1	
2	<a href="#">S 112</a>	Y	Screw, Hexagon Head Cap	2	3/8 - 16 X 1 in
3	<a href="#">3008970</a>	Y	Gear, Camshaft	1	
4	<a href="#">200709</a>	Y	Key, Offset Woodruff	1	
5	<a href="#">68908</a>	Y	Lockplate	2	
6	<a href="#">3007971</a>	Y	Bearing, Camshaft Thrust	1	
7	<a href="#">207373</a>	Y	Cover, Camshaft	1	
8	<a href="#">3014766</a>	Y	Screw, Captive Washer Cap	3	3/8 - 16 x 1 3/64 in.

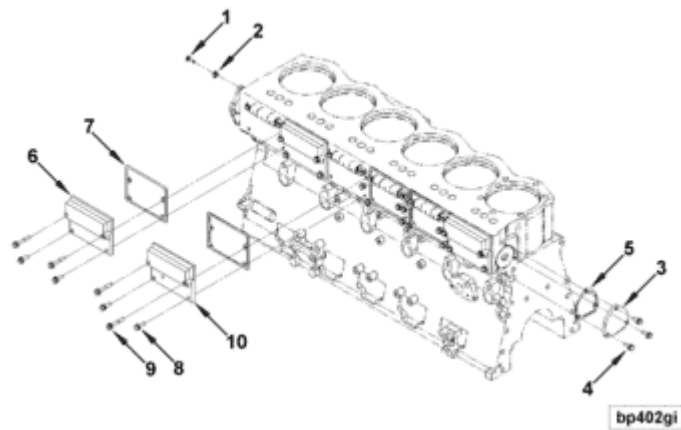
9	<a href="#">3040722</a>	Y	Gasket, Camshaft Cover	1	
---	-------------------------	---	------------------------	---	--

---

©1984-2010 Cummins Inc., Box 3005, Columbus, IN 47202-3005 U.S.A.

					
	<b>Option</b>	<b>Group</b>	<b>Graphic</b>	<b>Film Card</b>	<b>Date</b>
	BP4032	01.07.1	bp402gi	K	08-AUG-05
<b>Engines</b>	KTA19GC, KTA19GC CM558, QSK19 CM500, QSK19 CM850 MCRS, K19, QSK19G, QSK19 CM2150 MCRS				
<b>MPB</b>	K19				


©Cummins Inc

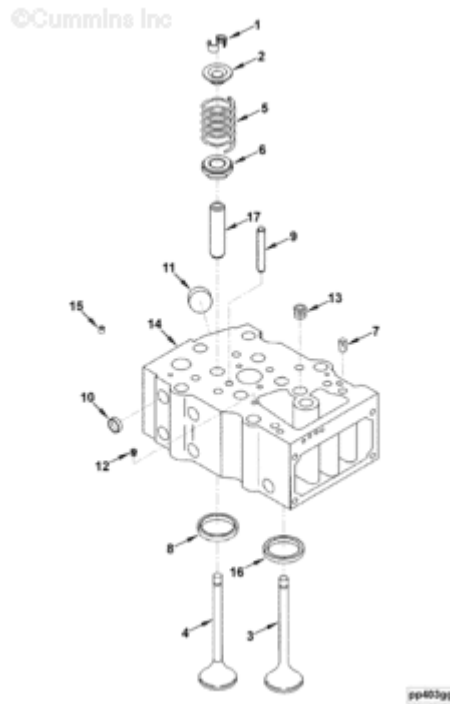


Option	4-Sale	Part Name	Remarks
BP4032	N	BP4032	Camshaft Mounting

Ref No	Part Number	4-Sale	Part Name	Req	Remarks
	<a href="#">BP4032</a>	Y	Camshaft Mounting		Camshaft Mounting
	<a href="#">MP 4970</a>	N	Camshaft, Mtg	1	
1	<a href="#">S 112</a>	Y	Screw, Hexagon Head Cap	2	3/8 - 16 X 1 in
2	<a href="#">68908</a>	Y	Lockplate	2	
3	<a href="#">3081620</a>	Y	Cover, Camshaft	1	
	<a href="#">MP 4981</a>	N	Cover, Camshaft Mtg	1	
4	<a href="#">3014766</a>	Y	Screw, Captive Washer Cap	3	3/8 - 16 x 1 3/64 in.
5	<a href="#">3081621</a>	Y	Gasket, Camshaft Cover	1	
6	<a href="#">3628755</a>	Y	Cover, Camshaft	3	

	<a href="#">MP 5297</a>	N	Cover, Cam Follower Mtg	5	
7	<a href="#">3040721</a>	Y	Gasket, Cam Fol Housing	1	
8	<a href="#">3040837</a>	Y	Screw, Captive Washer Cap	2	3/8 - 16 X 2 1/4"
9	<a href="#">3040839</a>	Y	Screw, Captive Washer Cap	2	
10	<a href="#">3628756</a>	Y	Cover, Camshaft	1	

					
	<b>Option</b>	<b>Group</b>	<b>Graphic</b>	<b>Film Card</b>	<b>Date</b>
	PP2910-02	02.01	pp403gg	K	15-SEP-03
<b>Engines</b>	KTA19GC, KTA19GC CM558, QSK19 CM500, QSK19 CM850 MCRS, K19, QSK19G, QSK19 CM2150 MCRS, QSK19 CM2350 K105				
<b>MPB</b>	K19				




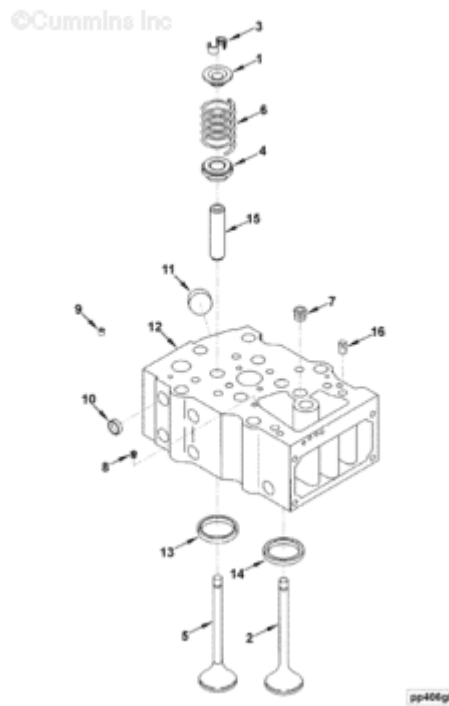
Option	4-Sale	Part Name	Remarks
PP2910-02	N	PP2910-02	Cylinder Head

Ref No	Part Number	4-Sale	Part Name	Req	Remarks
	<a href="#">PP2910-02</a>	Y	Cylinder Head		Cylinder Head
	<a href="#">3811985</a>	Y	Head, Cylinder	6	
1	<a href="#">205091</a>	Y	Collet, Valve	8	
2	<a href="#">205094</a>	Y	Retainer, Valve Spring	4	
3	<a href="#">3052820</a>	N	Valve, Intake	2	Serviced as 3803518

4	<a href="#">3088389</a>	N	Valve, Exhaust	2	
5	<a href="#">3633840</a>	Y	Spring, Valve	4	
6	<a href="#">3081081</a>	Y	Rotator, Valve	4	
7	<a href="#">3635250</a>	Y	Pin, Groove	2	
8	<a href="#">3086192</a>	Y	Insert, Valve	2	
9	<a href="#">205169</a>	Y	Guide, Valve Crosshead	2	
10	<a href="#">205401</a>	Y	Plug, Expansion	8	
11	<a href="#">206224</a>	Y	Plug, Expansion	2	
12	<a href="#">67622</a>	Y	Plug, Pipe	1	3/8 NPT
13	<a href="#">S 915 A</a>	Y	Plug, Pipe	1	1/2 NPT
14	<a href="#">3081064</a>	N	Head, Cylinder	1	
15	<a href="#">203933</a>	Y	Plug, Expansion	1	
16	<a href="#">3086193</a>	Y	Insert, Valve	2	
17	<a href="#">3202210</a>	Y	Guide, Valve Stem	4	




					
	<b>Option</b>	<b>Group</b>	<b>Graphic</b>	<b>Film Card</b>	<b>Date</b>
	PP4795	02.01	pp406gi	K	15-MAY-07
<b>Engines</b>	KTA19GC, KTA19GC CM558, QSK19 CM500, QSK19 CM850 MCRS, K19, QSK19G, QSK19 CM2150 MCRS, QSK19 CM2350 K105				
<b>MPB</b>	K19				



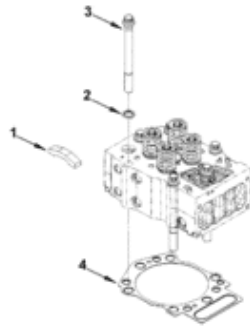
Option	4-Sale	Part Name	Remarks
PP4795	N	PP4795	Cylinder Head

Ref No	Part Number	4-Sale	Part Name	Req	Remarks
	<a href="#">PP4795</a>	Y	Cylinder Head		Cylinder Head
		Y			
	<a href="#">3639984</a>	Y	Head, Cylinder	6	
1	<a href="#">205094</a>	Y	Retainer, Valve Spring	4	
	<a href="#">4955734</a>	Y	Kit, Intake	2	
2	<a href="#">3631950</a>	Y	Valve, Intake	1	Serviced as 4955734

3	<a href="#">205091</a>	Y	Collet, Valve	2	
4	<a href="#">3081081</a>	Y	Rotator, Valve	4	
	<a href="#">3803528</a>	Y	Valve, Exhaust	2	
3	<a href="#">205091</a>	Y	Collet, Valve	2	
5	<a href="#">3088389</a>	N	Valve, Exhaust	1	
6	<a href="#">3633840</a>	Y	Spring, Valve	4	
	<a href="#">3634258</a>	Y	Head, Cylinder	1	
	<a href="#">3081065</a>	N	Head, Cylinder	1	
7	<a href="#">S 915 A</a>	Y	Plug, Pipe	1	1/2 NPT
8	<a href="#">67622</a>	Y	Plug, Pipe	1	3/8 NPT
9	<a href="#">203933</a>	Y	Plug, Expansion	1	
10	<a href="#">205401</a>	Y	Plug, Expansion	8	
11	<a href="#">206224</a>	Y	Plug, Expansion	2	
12	<a href="#">3081064</a>	N	Head, Cylinder	1	
13	<a href="#">3086192</a>	Y	Insert, Valve	2	
14	<a href="#">3086193</a>	Y	Insert, Valve	2	
15	<a href="#">3202210</a>	Y	Guide, Valve Stem	4	
16	<a href="#">3635250</a>	Y	Pin, Groove	2	

					
	<b>Option</b>	<b>Group</b>	<b>Graphic</b>	<b>Film Card</b>	<b>Date</b>
	PP2910-01	02.01.1	pp406ge	K	15-MAY-02
<b>Engines</b>	KTA19GC, KTA19GC CM558, QSK19 CM500, QSK19 CM850 MCRS, K19, QSK19G, QSK19 CM2150 MCRS				
<b>MPB</b>	K19				


©Cummins Inc



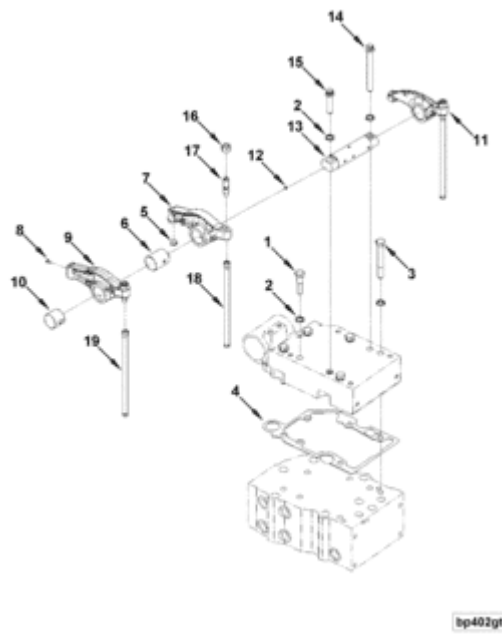
pp406ge

Option	4-Sale	Part Name	Remarks
PP2910-01	N	PP2910-01	Crosshead Valve

Ref No	Part Number	4-Sale	Part Name	Req	Remarks
	<a href="#">PP2910-01</a>	Y	Crosshead Valve		Crosshead Valve
1	<a href="#">3086362</a>	Y	Crosshead, Valve	12	
2	<a href="#">205059</a>	Y	Washer, Plain	36	3/4 in
3	<a href="#">3032633</a>	Y	Screw, Fracture Resistant	36	3/4 - 16 X 8 in
4	<a href="#">3634664</a>	Y	Gasket, Cylinder Head	6	

					
	<b>Option</b>	<b>Group</b>	<b>Graphic</b>	<b>Film Card</b>	<b>Date</b>
	BP4032-01	03.01	bp402gt	K	24-OCT-11
<b>Engines</b>	KTA19GC, KTA19GC CM558, QSK19 CM500, QSK19 CM850 MCRS, K19, QSK19G, QSK19 CM2150 MCRS				
<b>MPB</b>	K19				


©Cummins Inc



Option	4-Sale	Part Name	Remarks
BP4032-01	N	BP4032-01	Rocker Lever

Ref No	Part Number	4-Sale	Part Name	Req	Remarks
	<a href="#">BP4032-01</a>	Y	Rocker Lever		Rocker Lever
	<a href="#">MP 5479</a>	N	Housing, Rocker Arm Mtg	6	
1	<a href="#">S 125</a>	Y	Screw, Hexagon Head Cap	1	1/2 - 13 X 2 in
2	<a href="#">205128</a>	Y	Washer, Plain	6	1/2 in
3	<a href="#">108602</a>	Y	Screw, Hexagon Head Cap	5	1/2 - 13 X 3 3/4 in

4	<a href="#">3630839</a>	Y	Gasket, Rkr Lever Housing	1	
	<a href="#">3053478</a>	Y	Lever, Rocker	6	
5	<a href="#">194037</a>	Y	Socket, Rocker Lever	1	
6	<a href="#">207226</a>	Y	Bushing	1	
7	<a href="#">3049437</a>	N	Lever, Rocker	1	
8	<a href="#">208084</a>	Y	Rivet	1	
	<a href="#">3053477</a>	Y	Lever, Rocker	6	
8	<a href="#">208084</a>	Y	Rivet	1	
9	<a href="#">3049432</a>	N	Lever, Rocker	1	
10	<a href="#">207344</a>	Y	Bushing	1	
	<a href="#">3053476</a>	Y	Lever, Rocker	1	
8	<a href="#">208084</a>	Y	Rivet	1	
10	<a href="#">207344</a>	Y	Bushing	1	
11	<a href="#">3049438</a>	N	Lever, Rocker	1	
	<a href="#">MP 5480</a>	N	Lever, Rocker Mtg	6	
2	<a href="#">205128</a>	Y	Washer, Plain	2	1/2 in
14	<a href="#">205394</a>	Y	Screw, Twelve Point Cap	1	1/2 - 13 X 4 1/2 in
15	<a href="#">205393</a>	Y	Screw, Twelve Point Cap	1	1/2 - 13 X 2 in
16	<a href="#">S 212</a>	Y	Nut, Regular Hexagon	18	1/2 - 20 UNF
17	<a href="#">168306</a>	Y	Screw, Slotted Set	18	
18	<a href="#">3017961</a>	Y	Rod, Push	6	
19	<a href="#">3057139</a>	Y	Rod, Push	12	

					
	<b>Option</b>	<b>Group</b>	<b>Graphic</b>	<b>Film Card</b>	<b>Date</b>
	SS8028	03.01	ss400ga	K	02-MAY-08
<b>Engines</b>	KTA19GC, KTA19GC CM558, QSK19 CM500, QSK19 CM850 MCRS, K19, QSK19G, QSK19 CM2150 MCRS				
<b>MPB</b>	K19				


©Cummins Inc



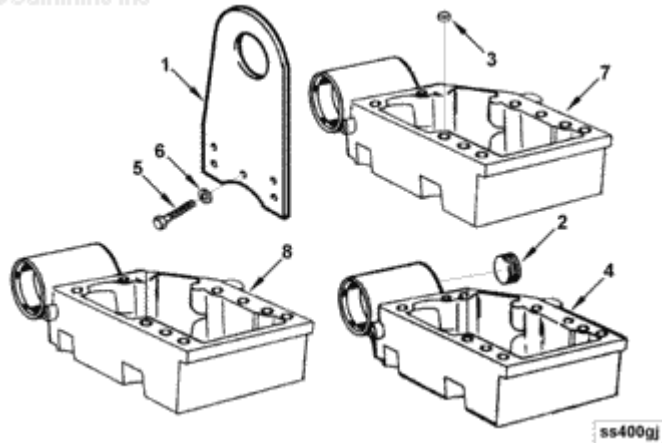
ss400ga

Option	4-Sale	Part Name	Remarks
SS8028	N	SS8028	Paint

Ref No	Part Number	4-Sale	Part Name	Req	Remarks
	<a href="#">SS8028</a>	Y	Paint		Paint
		Y			paint-marine gray
		Y			Includes primer.
1	<a href="#">3991084</a>	N	Nameplate	1	

					
	<b>Option</b>	<b>Group</b>	<b>Graphic</b>	<b>Film Card</b>	<b>Date</b>
	SS4023	03.01	ss400gj	K	22-MAR-99
<b>Engines</b>	KTA19GC, KTA19GC CM558, QSK19 CM500, QSK19 CM850 MCRS, K19, QSK19G, QSK19 CM2150 MCRS, QSK19 CM2350 K105				
<b>MPB</b>	K19				

©Cummins Inc




Option	4-Sale	Part Name	Remarks
SS4023	N	SS4023	Lifting arrangement with

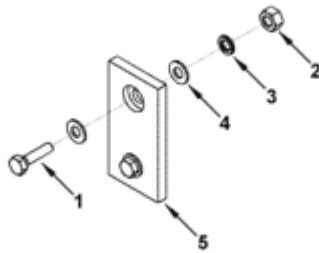
Ref No	Part Number	4-Sale	Part Name	Req	Remarks
	<a href="#">SS4023</a>	Y	LIFTING ARRANGEMENT		Lifting arrangement with
		Y			provisions for mounting the
		Y			lifting bracket on rear of #1
		Y			rocker housing and the air
		Y			cleaner support plate to the
		Y			rear of #6 rocker housing.
		Y			For

		Y			Use with hydraulic variable
		Y			timing.
1	<a href="#">3018092</a>	Y	Bracket, Lifting	1	
	<a href="#">3047708</a>	N	Housing, Rocker	1	
2	<a href="#">3008469</a>	Y	Plug, Pipe	1	3/4 NPT
	<a href="#">3039100</a>	N	Assy, Rocker Lever Housing	1	
3	<a href="#">205129</a>	Y	Dowel, Ring	1	
4	<a href="#">3202198</a>	Y	Housing, Rocker Lever	1	#6 Rocker Housing
5	<a href="#">158391</a>	Y	Screw, Hexagon Head Cap	5	3/8 - 16 X 1"
6	<a href="#">108330</a>	Y	Washer, Plain	5	3/8 in
	<a href="#">3039098</a>	N	Assy, Rocker Lever Housing	1	
3	<a href="#">205129</a>	Y	Dowel, Ring	1	
7	<a href="#">3202194</a>	Y	Housing, Rocker Lever	1	
	<a href="#">3039097</a>	N	Assy, Rocker Lever Housing	4	
3	<a href="#">205129</a>	Y	Dowel, Ring	1	
8	<a href="#">3177713</a>	Y	Housing, Rocker Lever	1	



					
	<b>Option</b>	<b>Group</b>	<b>Graphic</b>	<b>Film Card</b>	<b>Date</b>
	SS8701	03.01	ss400gh	K	05-JAN-09
<b>Engines</b>	KTA19GC, KTA19GC CM558, QSK19 CM500, QSK19 CM850 MCRS, K19, QSK19G, QSK19 CM2150 MCRS, QSK19 CM2350 K105				
<b>MPB</b>	K19				

©Cummins Inc



ss400gh


Option	4-Sale	Part Name	Remarks
SS8701	N	SS8701	Shipping brackets to be used

Ref No	Part Number	4-Sale	Part Name	Req	Remarks
	<a href="#">SS8701</a>	Y	Shipping Bracket		Shipping brackets to be used
		Y			with dual dampers with a
		Y			standard front support.
	<a href="#">3080991</a>	Y	Bracket, Shipping	1	
1	<a href="#">S 106</a>	Y	Screw, Hexagon Head Cap	2	1/2 - 13 X 1 3/4 in
2	<a href="#">S 200</a>	Y	Nut, Heavy Hexagon	2	1/2 - 13 UNC
3	<a href="#">S 608</a>	Y	Washer, Lock	2	1/2 in
4	<a href="#">S 670</a>	Y	Washer, Plain	4	1/2 in.

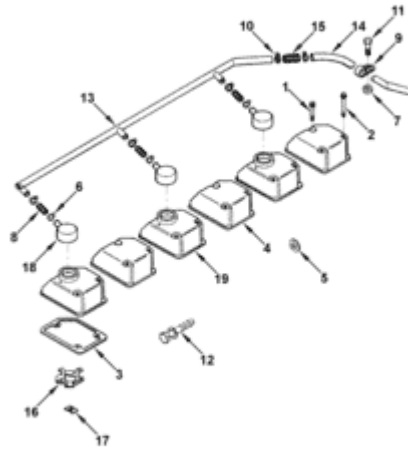
5	<a href="#">4997799</a>	N	Bracket, Shipping	2	

---

©1984-2010 Cummins Inc., Box 3005, Columbus, IN 47202-3005 U.S.A.

					
	<b>Option</b>	<b>Group</b>	<b>Graphic</b>	<b>Film Card</b>	<b>Date</b>
	BR4043-01	03.02	br401gp	K	29-JAN-09
<b>Engines</b>	KTA19GC, KTA19GC CM558, QSK19 CM500, QSK19 CM850 MCRS, K19, QSK19G, QSK19 CM2150 MCRS, QSK19 CM2350 K105				
<b>MPB</b>	K19				

©Cummins Inc



br401gp

Option	4-Sale	Part Name	Remarks
BR4043-01	N	BR4043-01	Crankcase breathers mounted


Ref No	Part Number	4-Sale	Part Name	Req	Remarks
	<a href="#">BR4043-01</a>	Y	Breather Location		Crankcase breathers mounted
		Y			on no. 1, no. 3 and no. 5
		Y			valve covers.
		Y			Includes tubes for venting
		Y			engine to a point below the

		Y			pan ledge on right side rear
		Y			of engine.
		Y			This option supports hardware
		Y			needed to brace water tube,
		Y			when installing turbocharger
		Y			water drain at the top of the
		Y			turbine housing.
	<a href="#">3010249</a>	N	Cover, Rocker Hsg Mtg	5	
1	<a href="#">3044413</a>	Y	Screw, Captive Washer Cap	1	3/8 - 16 X 2"
2	<a href="#">3065950</a>	Y	Screw, Captive Washer Cap	2	3/8 - 16 X 4 1/2"
3	<a href="#">4920076</a>	Y	Gasket, Rocker Lever Cover	1	
4	<a href="#">3010388</a>	N	Cover, Rocker Lever	3	
	<a href="#">3047205</a>	N	Tube, Breather	1	
5	<a href="#">S 602</a>	Y	Washer, Plain	2	3/8 in
6	<a href="#">43828</a>	Y	Clamp, Hose	6	9/16 - 1 1/16 in
7	<a href="#">64709</a>	Y	Spacer, Mounting	2	
8	<a href="#">64775</a>	Y	Hose, Plain	3	
9	<a href="#">67949</a>	Y	Clip	2	# 16
10	<a href="#">209773</a>	Y	Clamp, Hose	2	3/4 - 1 3/4 in.
11	<a href="#">3012475</a>	Y	Screw, Captive Washer Cap	2	3/8 - 16 X 2 1/4 in
12	<a href="#">3040837</a>	Y	Screw, Captive Washer Cap	2	3/8 - 16 X 2 1/4"
13	<a href="#">3046834</a>	Y	Tube, Breather	1	
14	<a href="#">3046838</a>	Y	Tube, Breather	1	
15	<a href="#">3200316</a>	Y	Hose, Plain	1	
	<a href="#">3047710</a>	N	Cover, Rocker Arm Hsg	3	
16	<a href="#">219065</a>	Y	Baffle, Breather	1	
17	<a href="#">3000528</a>	Y	Nut, Spring	2	3/16"

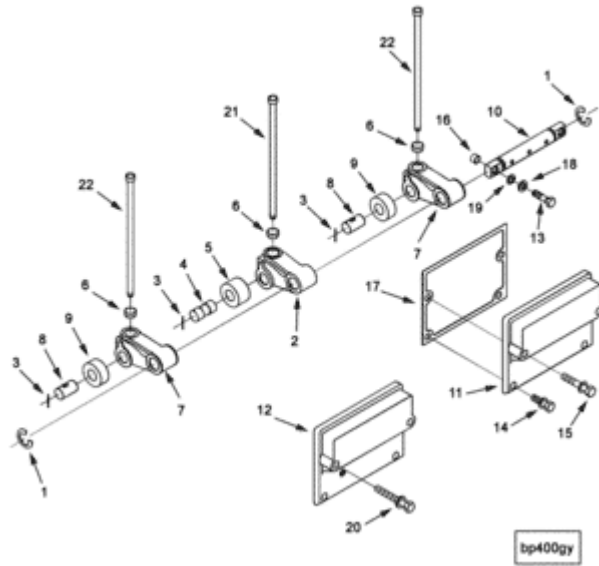
	<a href="#">3046853</a>	Y	Cover, Rocker Lever	1	
18	<a href="#">3008595</a>	Y	Breather, Crankcase	1	
19	<a href="#">3010396</a>	Y	Cover, Rocker Lever	1	
	<a href="#">4009175</a>	N	Cover, Rocker Hsg Mtg	1	
2	<a href="#">3065950</a>	Y	Screw, Captive Washer Cap	2	3/8 - 16 X 4 1/2"
3	<a href="#">4920076</a>	Y	Gasket, Rocker Lever Cover	1	
12	<a href="#">3040837</a>	Y	Screw, Captive Washer Cap	1	3/8 - 16 X 2 1/4"

---

©1984-2010 Cummins Inc., Box 3005, Columbus, IN 47202-3005 U.S.A.

					
	<b>Option</b>	<b>Group</b>	<b>Graphic</b>	<b>Film Card</b>	<b>Date</b>
	BP4032-01	04.01	bp400gy	K	01-JUL-02
<b>Engines</b>	KTA19GC, KTA19GC CM558, QSK19 CM500, QSK19 CM850 MCRS, K19, QSK19G, QSK19 CM2150 MCRS				
<b>MPB</b>	K19				


©Cummins Inc



Option	4-Sale	Part Name	Remarks
BP4032-01	N	BP4032-01	Cam Follower

Ref No	Part Number	4-Sale	Part Name	Req	Remarks
	<a href="#">BP4032-01</a>	Y	Cam Follower		Cam Follower
1	<a href="#">205439</a>	Y	Ring, Retaining	12	
	<a href="#">3039163</a>	Y	Lever, Cam Follower	6	
2	<a href="#">206231</a>	Y	Lever, Cam Follower	1	
3	<a href="#">205438</a>	Y	Lockwire	1	
4	<a href="#">4009247</a>	Y	Pin, Cam Follower Roller	1	
5	<a href="#">3016825</a>	Y	Roller, Cam Follower	1	

6	<a href="#">213559</a>	Y	Socket, Cam Follower	1	
	<a href="#">3039164</a>	Y	Lever, Cam Follower	12	
3	<a href="#">205438</a>	Y	Lockwire	1	
6	<a href="#">213559</a>	Y	Socket, Cam Follower	1	
7	<a href="#">205069</a>	N	Lever, Cam Follower	1	
8	<a href="#">4009248</a>	Y	Pin, Cam Follower Roller	1	
9	<a href="#">3016826</a>	Y	Roller, Cam Follower	1	
10	<a href="#">AR10626</a>	Y	Shaft, Cam Follower	6	
	<a href="#">205227</a>	Y	Plug, Expansion	2	
	<a href="#">205301</a>	Y	Shaft, Cam Follower	1	
11	<a href="#">3628756</a>	Y	Cover, Camshaft	1	
12	<a href="#">3628755</a>	Y	Cover, Camshaft	3	
		Y	\$MOUNTING PARTS		
13	<a href="#">3002886</a>	Y	Screw, Cam Follower Shaft	12	
14	<a href="#">3040838</a>	Y	Screw, Captive Washer Cap	24	3/8 - 16 X 1 1/4 in
15	<a href="#">3040837</a>	Y	Screw, Captive Washer Cap	12	3/8 - 16 X 2 1/4"
16	<a href="#">3002993</a>	Y	Dowel, Ring	12	
17	<a href="#">3040721</a>	Y	Gasket, Cam Fol Housing	12	
18	<a href="#">S 604</a>	Y	Washer, Lock	12	3/8 in.
19	<a href="#">127362</a>	Y	Washer, Plain	12	3/8 in
20	<a href="#">3060567</a>	Y	Screw, Captive Washer Cap	12	3/8 - 16 X 2 3/4"
		Y	\$PUSH RODS		
21	<a href="#">3017961</a>	Y	Rod, Push	6	
22	<a href="#">3057139</a>	Y	Rod, Push	12	

					
	<b>Option</b>	<b>Group</b>	<b>Graphic</b>	<b>Film Card</b>	<b>Date</b>
	FP4923	05.01	null	K	03-OCT-07
<b>Engines</b>	KTA19GC, KTA19GC CM558, QSK19 CM500, QSK19 CM850 MCRS, K19, QSK19G, QSK19 CM2150 MCRS, QSK19 CM2350 K105				
<b>MPB</b>	K19				

Option	4-Sale	Part Name	Remarks
FP4923	N	FP4923	Fuel pump drive

Ref No	Part Number	4-Sale	Part Name	Req	Remarks
	<a href="#">FP4923</a>	Y	DRIVE,FUEL PUMP		Fuel pump drive
		Y			Engine Family: K19
		Y			Accessory Drive Gear Diameter
		Y			(mm): 144.40 (5.69in)
		Y			Intended Usage: With
		Y			Woodward governors on engines
		Y			having a one piece gear cover
	<a href="#">3017473</a>	Y	Drive, Accessory Mtg	1	
	<a href="#">S 205</a>	Y	Nut, Regular Hexagon	1	3/8 - 24 UNF.
	<a href="#">S 604</a>	Y	Washer, Lock	1	3/8 Inch.
	<a href="#">3012473</a>	Y	Screw, Captive Washer Cap	4	3/8 - 16 X 1 3/4 Inch.
	<a href="#">3410171</a>	Y	Gasket, Acc Drive Support	1	
	<a href="#">3017479</a>	Y	Bracket, Woodward	1	
			Screw, Captive Washer		




	<a href="#">3014766</a>	Y	Cap	3	3/8 - 16 X 1 3/64 Inch.
	<a href="#">3023085</a>	Y	Support, Air Compressor	1	
	<a href="#">3065811</a>	Y	Woodward Governor	1	
	<a href="#">S 610</a>	Y	Washer, Lock	4	7/16 Inch.
	<a href="#">102996</a>	Y	Gasket, Governor Housing	1	
	<a href="#">103023</a>	Y	Screw, Hexagon Head Cap	4	7/16 - 14 X 1 Inch.
	<a href="#">124577</a>	Y	Gasket, Governor Housing	1	
	<a href="#">3004628</a>	Y	Drive, Access W-W Gov	1	
	<a href="#">S 222 A</a>	Y	Nut, Lock	10	
	<a href="#">S 306</a>	Y	Key, Plain Woodruff	1	
	<a href="#">S 316</a>	Y	Key, Plain Woodruff	1	
	<a href="#">S 16073</a>	Y	Bearing, Ball	1	
	<a href="#">S 16255</a>	Y	Ring, Retaining	1	
	<a href="#">114645</a>	Y	Gear, Governor	1	
	<a href="#">128067</a>	Y	Spacer, Bearing	1	
	<a href="#">3003301</a>	Y	Shaft, Accessory Drive	1	
	<a href="#">3003305</a>	Y	Hub, Jaw Coupling	1	
	<a href="#">3003306</a>	Y	Spacer, Acc Drive	1	
	<a href="#">3003307</a>	Y	Washer, Retaining	1	
	<a href="#">3014607</a>	Y	Support, Fuel Pump	1	
	<a href="#">3078017</a>	Y	Seal, Oil	2	
	<a href="#">4952020</a>	Y	Gear, Accessory Drive	1	
	<a href="#">4953332</a>	Y	Gear, Accessory Drive	1	
	<a href="#">3022463</a>	Y	Housing, Governor	1	
	<a href="#">S 911 B</a>	Y	Plug, Pipe	1	1/8 NPT.
	<a href="#">638761</a>	Y	Vent, Cylinder Head	1	
	<a href="#">3003300</a>	Y	Housing, Governor	1	
	<a href="#">3005987</a>	Y	Dipstick	1	

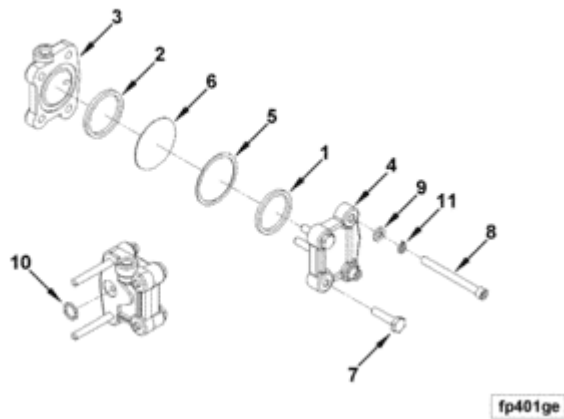
	<a href="#">3029555</a>	Y	PIECE	1	
	<a href="#">3035198</a>	Y	Cap, Dipstick	1	
	<a href="#">3008466</a>	Y	Plug, Pipe	1	1/4 NPT.
	<a href="#">3008469</a>	Y	Plug, Pipe	1	3/4 NPT.

---

©1984-2010 Cummins Inc., Box 3005, Columbus, IN 47202-3005 U.S.A.

					
	<b>Option</b>	<b>Group</b>	<b>Graphic</b>	<b>Film Card</b>	<b>Date</b>
	FP4959-03	05.01	fp401ge	K	12-JUN-08
<b>Engines</b>	KTA19GC, KTA19GC CM558, QSK19 CM500, QSK19 CM850 MCRS, K19, QSK19G, QSK19 CM2150 MCRS				
<b>MPB</b>	K19				


©Cummins Inc



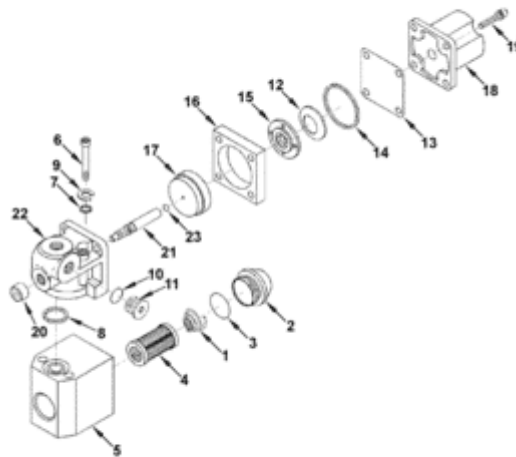
Option	4-Sale	Part Name	Remarks
FP4959-03	N	FP4959-03	Fuel Pump

Ref No	Part Number	4-Sale	Part Name	Req	Remarks
	<a href="#">FP4959-03</a>	Y	Fuel Pump		Fuel Pump
					PTG/non AFC/AUTO fuel pump
		Y			with .75 inch cooled,
		Y			pressurized gear pump.
	<a href="#">AR12110</a>	N	Damper, Fuel Pump & Mtg	1	
	<a href="#">BM76340</a>	Y	Damper, Fuel Pump	1	
1	<a href="#">100099</a>	Y	Seal, Rectangular Ring	1	
2	<a href="#">139988</a>	Y	Seal, Rectangular Ring	1	

3	<a href="#">153336</a>	Y	Body, Fuel Pump Damper	1	
4	<a href="#">153338</a>	Y	Cover, Fuel Pump Damper	1	
5	<a href="#">160514</a>	Y	Washer, Plain	1	1 11/16"
6	<a href="#">202897</a>	Y	Diaphragm, Fuel Pump Damper	1	
7	<a href="#">3017051</a>	Y	Screw, Captive Washer Cap	2	1/4 - 20 X 1 1/8"
8	<a href="#">S 174 C</a>	Y	Screw, Socket Head Cap	2	1/4 - 20 X 3 1/2"
9	<a href="#">70704</a>	Y	Washer, Plain	2	1/4 in
10	<a href="#">151900</a>	Y	Seal, Rectangular Ring	1	
11	<a href="#">181466</a>	Y	Washer, Lock	2	1/4"

					
	<b>Option</b>	<b>Group</b>	<b>Graphic</b>	<b>Film Card</b>	<b>Date</b>
	FV8104-02	05.06	fv400gh	K	12-JAN-99
<b>Engines</b>	KTA19GC, KTA19GC CM558, QSK19 CM500, QSK19 CM850 MCRS, K19, QSK19G, QSK19 CM2150 MCRS				
<b>MPB</b>	K19				

©Cummins Inc




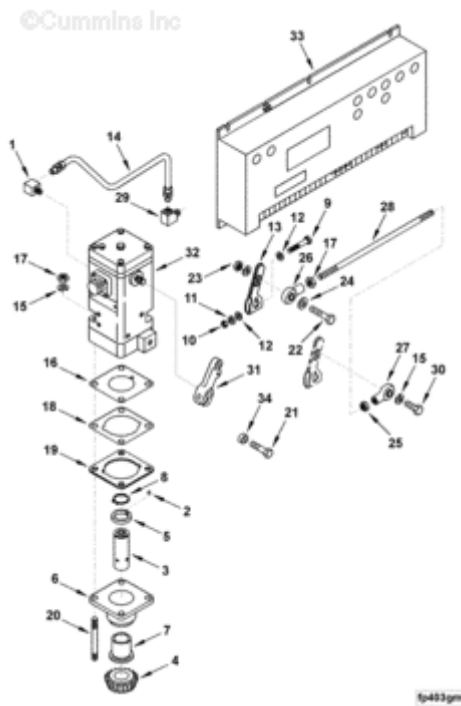
fv400gh

Option	4-Sale	Part Name	Remarks
FV8104-02	N	FV8104-02	Fuel shutoff valve

Ref No	Part Number	4-Sale	Part Name	Req	Remarks
	<a href="#">FV8104-02</a>	Y	Fuel Shutoff Valve		Fuel shutoff valve
		Y			rapid restart
		Y			Automotive fuel filter screen
		Y			24volt DC heavy duty 2
		Y			terminal insulated ground 2

		Y			port 1/2 inch straight thread
		Y			o'ring manual over-ride.
	<a href="#">3096078</a>	Y	Filter, Fuel	1	
1	<a href="#">70700</a>	Y	Spring, Compression	1	
2	<a href="#">3014575</a>	Y	Cap, Fuel Pump Filter	1	
3	<a href="#">3021123</a>	Y	Seal, O Ring	1	
4	<a href="#">3090769</a>	Y	Screen, Filter	1	
5	<a href="#">3090770</a>	Y	Housing, Filter	1	
6	<a href="#">S 189 C</a>	Y	Screw, Socket Head Cap	4	1/4 - 20 X 1 3/4"
7	<a href="#">67684</a>	Y	Washer, Plain	4	1/4"
8	<a href="#">154087</a>	Y	Seal, Rectangular Ring	2	
9	<a href="#">181466</a>	Y	Washer, Lock	4	1/4"
	<a href="#">3096859</a>	Y	Valve, Shutoff	1	
	<a href="#">3067424</a>	Y	Plug, Threaded	1	1/2 - 20 UNF
10	<a href="#">3037236</a>	Y	Seal, O Ring	1	Ref. SPT 97T10
11	<a href="#">3067347</a>	N	Plug, Threaded	1	1/2-20 Thd
	<a href="#">3096858</a>	N	Valve, Fuel Shutoff	1	
12	<a href="#">129768</a>	Y	Spring, Valve	1	
13	<a href="#">129839</a>	Y	Shield, Shutoff Valve	1	
14	<a href="#">129888</a>	Y	Seal, Rectangular Ring	2	
15	<a href="#">196057</a>	Y	Disc, Valve	1	
16	<a href="#">3034451</a>	Y	Housing, Actuator	1	
17	<a href="#">3034452</a>	Y	Disc, Actuator	1	
18	<a href="#">3021420</a>	Y	Solenoid	1	
19	<a href="#">3065944</a>	Y	Screw, Captive Washer Cap	4	#10 - 24 X 1"
	<a href="#">3073890</a>	Y	Body, Fuel Shutoff Valve	1	
20	<a href="#">129838</a>	Y	Knob	1	
21	<a href="#">3013036</a>	Y	Shaft, Shutoff Valve	1	
22	<a href="#">3073891</a>	N	Body, Shutoff Valve	1	
23	<a href="#">3279794</a>	Y	Seal, O Ring	1	

					
	<b>Option</b>	<b>Group</b>	<b>Graphic</b>	<b>Film Card</b>	<b>Date</b>
	FP4110-01	05.10	fp403gm	K	13-JAN-98
<b>Engines</b>	KTA19GC, KTA19GC CM558, QSK19 CM500, QSK19 CM850 MCRS, K19, QSK19G, QSK19 CM2150 MCRS				
<b>MPB</b>	K19				




Option	4-Sale	Part Name	Remarks
FP4110-01	N	FP4110-01	Electronic governor with EG-

Ref No	Part Number	4-Sale	Part Name	Req	Remarks
	<a href="#">FP4110-01</a>	Y	Woodward Governor		
		Y			Electronic governor with EG-
		Y			1PC actuator and non-AFC pump
		Y			with limiting speed governor.
		Y			Has control kit with load

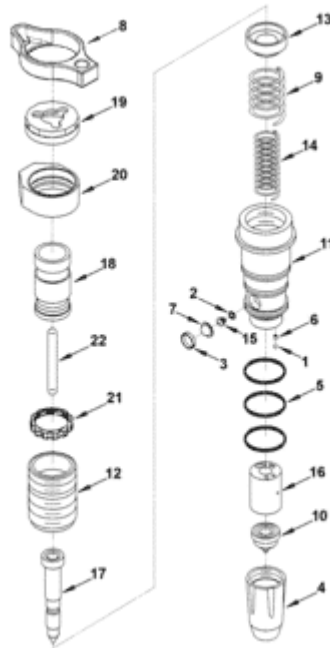
		Y			sensing in kit.
1	<a href="#">3629492</a>	Y	Elbow, Plain Adapter	1	
	<a href="#">102998</a>	Y	Governor, Drive	1	
2	<a href="#">70739</a>	Y	Key, Ball	1	
3	<a href="#">102986</a>	Y	Shaft, Governor	1	
4	<a href="#">102988</a>	Y	Gear, Governor	1	
5	<a href="#">102991</a>	Y	Collar, Governor Drive	1	
	<a href="#">102995</a>	Y	Support, Bearing	1	
6	<a href="#">102380</a>	N	Support, Bearing	1	
7	<a href="#">102985</a>	Y	Bearing, Governor	1	
8	<a href="#">103001</a>	Y	Ring, Retaining	1	
	<a href="#">3007773</a>	N	Lever, Throttle	1	
9	<a href="#">S 159 B</a>	Y	Screw, Hexagon Head Cap	1	1/4 - 28 X 1 1/2 in
10	<a href="#">S 270</a>	Y	Nut, Regular Hexagon	1	1/4 - 28 UNF
11	<a href="#">S 600</a>	Y	Washer, Lock	1	1/4 in
12	<a href="#">70704</a>	Y	Washer, Plain	2	1/4 in
13	<a href="#">3003310</a>	Y	Lever, Throttle	1	
14	<a href="#">3008759</a>	Y	Tube, Governor	1	
15	<a href="#">S 605</a>	Y	Washer, Lock	5	5/16 in
16	<a href="#">63520</a>	Y	Gasket, Adapter	1	
17	<a href="#">69832</a>	Y	Nut, Regular Hexagon	3	5/16 - 18 UNC
18	<a href="#">102992</a>	Y	Gasket, Governor Housing	1	
19	<a href="#">103004</a>	Y	Gasket, Governor Housing	1	
20	<a href="#">166471</a>	Y	Stud	2	
21	<a href="#">S 142</a>	Y	Screw, Hexagon Head Cap	1	5/16 - 24 X 1 1/4 in
22	<a href="#">S 111</a>	Y	Screw, Hexagon Head Cap	1	5/16 - 18 X 1 1/2 in
23	<a href="#">S 248</a>	Y	Nut, Regular Hexagon Jam	1	5/16 - 24 UNF
24	<a href="#">S 626</a>	Y	Washer, Plain	4	5/16 in



25	<a href="#">68351</a>	Y	Nut, Regular Hexagon Jam	1	5/16 - 24 UNF
26	<a href="#">101646</a>	Y	End, Control Rod	1	
27	<a href="#">103000</a>	Y	End, Control Rod	1	
28	<a href="#">165696</a>	Y	Rod, Control	1	
29	<a href="#">185347</a>	Y	Elbow, Plain Adapter	1	
30	<a href="#">S 138 A</a>	Y	Screw, Hexagon Head Cap	1	5/16 - 24 X 7/8 in
31	<a href="#">3003308</a>	Y	Lever, Governor	1	
32	<a href="#">3033389</a>	Y	Actuator	1	
33	<a href="#">3062027</a>	Y	Panel, Control	1	
34	<a href="#">114850</a>	Y	Spacer, Mounting	1	
	<a href="#">3810355</a>	Y	Woodward Els&Speed Cont.		
	<a href="#">3010717</a>	N	Wiring, Control Panel	1	

					
	<b>Option</b>	<b>Group</b>	<b>Graphic</b>	<b>Film Card</b>	<b>Date</b>
	PP2910	06.01	pp401gs	K	30-MAY-01
<b>Engines</b>	KTA19GC, KTA19GC CM558, QSK19 CM500, QSK19 CM850 MCRS, K19, QSK19G, QSK19 CM2150 MCRS				
<b>MPB</b>	K19				

©Cummins Inc




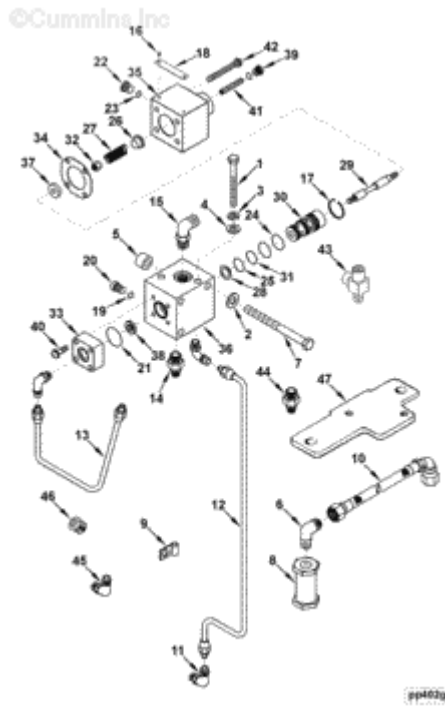
pp401gs

Option	4-Sale	Part Name	Remarks
PP2910	N	PP2910	Injector

Ref No	Part Number	4-Sale	Part Name	Req	Remarks
	<a href="#">PP2910</a>	Y	Injector		Injector
	<a href="#">3087587</a>	Y	Injector	6	Recon Equivalent 3087587 PX
1	<a href="#">167157</a>	Y	Ball, Check	1	
2	<a href="#">173086</a>	Y	Gasket, Injector	1	

3	<a href="#">174299</a>	Y	Retainer, Screen	1	
4	<a href="#">3042430</a>	Y	Retainer, Injector Cup	1	
5	<a href="#">193736</a>	Y	Seal, O Ring	3	
6	<a href="#">203426</a>	Y	Pin, Roll	2	
7	<a href="#">3054999</a>	Y	Screen, Filter	1	
8	<a href="#">3042428</a>	Y	Spring, Injector	1	
9	<a href="#">3077716</a>	Y	Cup, Injector	1	
10	<a href="#">3042425</a>	Y	Adapter, Injector	1	
11	<a href="#">3279821</a>	Y	Screw, Injector Stop	1	
12	<a href="#">3052218</a>	Y	Retainer, Injector Spring	1	
13	<a href="#">3042427</a>	Y	Spring, Injector	1	
14	<a href="#">3045047</a>	N	Plug, Injector Orifice	1	
	<a href="#">3076125</a>	Y	Barrel & Plunger	1	
15	<a href="#">3053502</a>	N	Barrel, Injector	1	
16	<a href="#">3076124</a>	N	Plunger, Injector	1	
17	<a href="#">3075381</a>	Y	Tappet, Hyd Var Timing	1	Recon Equivalent 3075381 RX
18	<a href="#">3068859</a>	Y	Cap, Tappet Top Stop	1	
19	<a href="#">3279850</a>	Y	Nut, Tappet Top Stop Lock	1	
20	<a href="#">3068860</a>	Y	Nut, Lock	1	1 5/16 - 18 UNF
21	<a href="#">3028448</a>	Y	Link, Injector Plunger	1	
22	<a href="#">3411695</a>	Y	Clamp, Injector	1	

					
	<b>Option</b>	<b>Group</b>	<b>Graphic</b>	<b>Film Card</b>	<b>Date</b>
	PP2910-01	06.01.3	pp402gl	K	15-MAY-02
<b>Engines</b>	KTA19GC, KTA19GC CM558, QSK19 CM500, QSK19 CM850 MCRS, K19, QSK19G, QSK19 CM2150 MCRS, QSK19 CM2350 K105				
<b>MPB</b>	K19				




Option	4-Sale	Part Name	Remarks
PP2910-01	N	PP2910-01	Hydro-mechanical STC

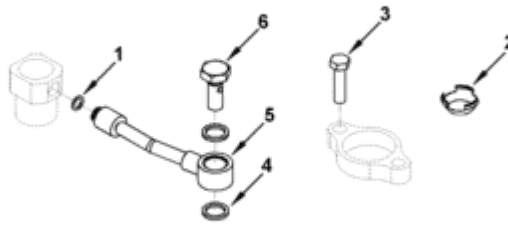
Ref No	Part Number	4-Sale	Part Name	Req	Remarks
	<a href="#">PP2910-01</a>	Y	Hydro-mechanical STC		Hydro-mechanical STC
		Y			
1	<a href="#">S 185 A</a>	Y	Screw, Hexagon Head Cap	2	5/16 - 18 X 3 in
2	<a href="#">S 602</a>	Y	Washer, Plain	2	3/8 in
3	<a href="#">S 605</a>	Y	Washer, Lock	2	5/16 in

4	<a href="#">S 626</a>	Y	Washer, Plain	2	5/16 in
5	<a href="#">63385</a>	Y	Spacer, Water Conn	2	
6	<a href="#">68645</a>	Y	Elbow, Male Adapter	1	
7	<a href="#">137868</a>	Y	Screw, Hexagon Head Cap	2	3/8 - 16 X 4 1/2"
8	<a href="#">178079</a>	Y	Valve, Check	1	
9	<a href="#">180371</a>	Y	Clip	2	
10	<a href="#">3035580</a>	Y	Hose, Flexible	2	
11	<a href="#">3037662</a>	Y	Elbow, Male Union	1	
12	<a href="#">3070947</a>	Y	Tube, Fuel Supply	1	
13	<a href="#">3070949</a>	Y	Tube, Lub Oil Drain	1	
	<a href="#">4020206</a>	N	Valve, Oil Control	1	
14	<a href="#">3017115</a>	Y	Connector, Male	1	
15	<a href="#">3037535</a>	Y	Elbow, Male Union	1	
11	<a href="#">3037662</a>	Y	Elbow, Male Union	2	
	<a href="#">3072335</a>	Y	Valve, Oil Control	1	
16	<a href="#">S 2286</a>	Y	Screw, Drive	2	
17	<a href="#">S 16240</a>	Y	Ring, Retaining	1	
18	<a href="#">105375</a>	Y	Nameplate	1	
	<a href="#">3033742</a>	Y	Plug, Threaded	1	
19	<a href="#">3034412</a>	Y	Seal, O Ring	1	
20	<a href="#">3079584</a>	N	Plug, Threaded	1	
21	<a href="#">3034408</a>	Y	Seal, O Ring	1	
	<a href="#">3040814</a>	Y	Plug, Threaded	1	7/16 - 20 UNF
22	<a href="#">3036665</a>	N	Plug, Threaded	1	7/16 - 20
23	<a href="#">3036666</a>	Y	Seal, O Ring	1	
24	<a href="#">3042542</a>	Y	Seal, O Ring	2	
25	<a href="#">3045986</a>	Y	Seal, O Ring	1	
26	<a href="#">3049041</a>	Y	Retainer, Spring	1	
27	<a href="#">3056072</a>	Y	Spring, Compression	1	
28	<a href="#">3054411</a>	Y	Spring, Leaf	1	
	<a href="#">3060605</a>	Y	Barrel & Plunger	1	
29					

	<a href="#">3053667</a>	N	Plunger, Oil Control Valve	1	
30	<a href="#">3060604</a>	N	Barrel, Oil Control Valve	1	
31	<a href="#">3066914</a>	Y	Seal, O Ring	1	
32	<a href="#">3069015</a>	Y	Nut, Lock	1	1/4 - 28 UNF
33	<a href="#">3069989</a>	Y	Cover, Oil Control Valve	1	
34	<a href="#">3070108</a>	Y	Gasket, Control Valve Body	1	
35	<a href="#">4009927</a>	Y	Cover, Diaphragm	1	
36	<a href="#">3070167</a>	Y	Body, Oil Control Valve	1	
37	<a href="#">3070186</a>	Y	Washer, Plain	1	1/4"
38	<a href="#">3073998</a>	Y	Disc, Valve	1	
	<a href="#">3417076</a>	Y	Plug, Threaded	1	
19	<a href="#">3034412</a>	Y	Seal, O Ring	1	
39	<a href="#">3417103</a>	N	Plug, Threaded	1	
40	<a href="#">3417077</a>	Y	Screw, Socket Head Cap	4	
41	<a href="#">3417096</a>	Y	Screw, Socket Set	1	
42	<a href="#">3417098</a>	Y	Screw, Socket Head Cap	4	
43	<a href="#">3629505</a>	Y	Tee, Street Pipe	1	
44	<a href="#">68138</a>	Y	Connector, Male	1	
45	<a href="#">S 1040 A</a>	Y	Elbow, Male Adapter	1	
46	<a href="#">3086375</a>	Y	Bushing, Reducing Pipe	1	
47	<a href="#">3088375</a>	Y	Bracket, Valve	1	

					
	<b>Option</b>	<b>Group</b>	<b>Graphic</b>	<b>Film Card</b>	<b>Date</b>
	BP4032	06.01.5	bp403gv	K	08-FEB-00
<b>Engines</b>	KTA19GC, KTA19GC CM558, QSK19 CM500, QSK19 CM850 MCRS, K19, QSK19G, QSK19 CM2150 MCRS				
<b>MPB</b>	K19				

©Cummins Inc



bp403gv

Option	4-Sale	Part Name	Remarks
BP4032	N	BP4032	Injector Mounting


Ref No	Part Number	4-Sale	Part Name	Req	Remarks
	<a href="#">BP4032</a>	Y	Injector Mounting		Injector Mounting
1	<a href="#">131026</a>	Y	Seal, O Ring	6	
2	<a href="#">207244</a>	Y	Seal, Injector	6	
2	<a href="#">3001658</a>	Y	Seal, Injector	A/R	0.254 mm Oversize
2	<a href="#">3001659</a>	Y	Seal, Injector	A/R	0.508 mm Oversize
2	<a href="#">3001660</a>	Y	Seal, Injector	A/R	0.762 mm Oversize
3	<a href="#">3070962</a>	Y	Screw, Hexagon Head Cap	12	
4	<a href="#">3023095</a>	Y	Washer, Sealing	12	
5	<a href="#">3627044</a>	Y	Connection, Oil Transfer	6	

6	<a href="#">3179021</a>	Y	Screw, Banjo Connector	6	
---	-------------------------	---	------------------------	---	--

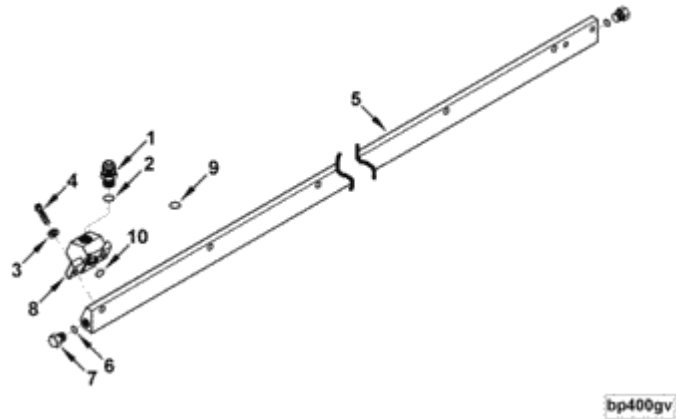
---

©1984-2010 Cummins Inc., Box 3005, Columbus, IN 47202-3005 U.S.A.



					
	<b>Option</b>	<b>Group</b>	<b>Graphic</b>	<b>Film Card</b>	<b>Date</b>
	BP4032-01	06.01.6	bp400gv	K	01-APR-01
<b>Engines</b>	KTA19GC, KTA19GC CM558, QSK19 CM500, QSK19 CM850 MCRS, K19, QSK19G, QSK19 CM2150 MCRS				
<b>MPB</b>	K19				


©Cummins Inc



Option	4-Sale	Part Name	Remarks
BP4032-01	N	BP4032-01	Oil Manifold

Ref No	Part Number	4-Sale	Part Name	Req	Remarks
	<a href="#">BP4032-01</a>	Y	Oil Manifold		Oil Manifold
		Y			
	<a href="#">3040232</a>	N	Manifold, Oil	1	
	<a href="#">118346</a>	Y	Union, Male	1	
1	<a href="#">3100515</a>	N	Union, Male	1	
2	<a href="#">3037537</a>	Y	Seal, O Ring	1	
3	<a href="#">127018</a>	Y	Washer, Plain	8	1/4"
4	<a href="#">3001811</a>	Y	Screw, Twelve Point Cap	8	1/4 - 20 X 1"
5	<a href="#">3084620</a>	Y	Manifold, Oil	1	
	<a href="#">3023217</a>	Y	Plug, Threaded	2	7/16 - 20 UNF


6	<a href="#">3036666</a>	Y	Seal, O Ring	1	
7	<a href="#">3630034</a>	N	Plug, Threaded	1	
8	<a href="#">3037657</a>	Y	Connection, Oil Supply	1	
9	<a href="#">3001340</a>	Y	Seal, O Ring	1	
10	<a href="#">3084539</a>	Y	Seal, O Ring	6	

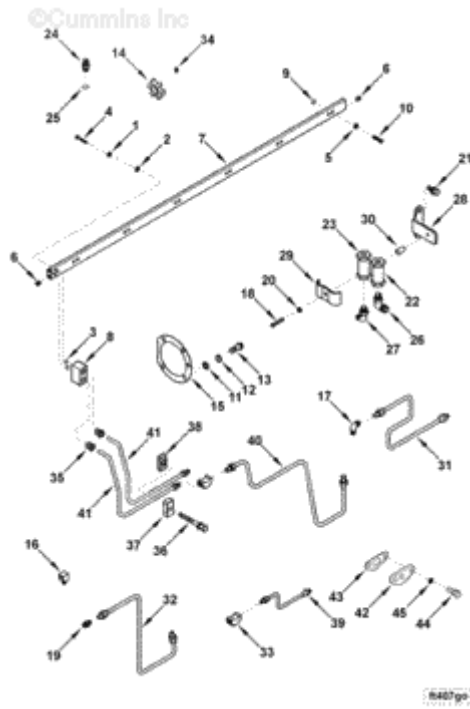
					
	<b>Option</b>	<b>Group</b>	<b>Graphic</b>	<b>Film Card</b>	<b>Date</b>
	FF4094	06.02	ff403ge	K	05-JUL-02
<b>Engines</b>	KTA19GC, KTA19GC CM558, QSK19 CM500, QSK19 CM850 MCRS, K19, QSK19G, QSK19 CM2150 MCRS				
<b>MPB</b>	K19				



Option	4-Sale	Part Name	Remarks
FF4094	N	FF4094	Fuel pump inlet fitting

Ref No	Part Number	4-Sale	Part Name	Req	Remarks
	<a href="#">FF4094</a>	Y	Fuel Pump Inlet Fitting		Fuel pump inlet fitting
		Y			90 degree elbow, flat face o-
		Y			ring seal (orfs) with 1/8
		Y			NPTF plug.
1	<a href="#">3025460</a>	Y	Plug, Pipe	1	1/8 NPT
	<a href="#">3090990</a>	Y	Elbow, Male Union	1	
2	<a href="#">3046201</a>	Y	Seal, O Ring	1	
3	<a href="#">3085709</a>	Y	Seal, O Ring	1	
4	<a href="#">3095007</a>	Y	Elbow, Male Union	1	

					
	<b>Option</b>	<b>Group</b>	<b>Graphic</b>	<b>Film Card</b>	<b>Date</b>
	FT40062-03	06.03	ft407go	K	02-JUN-09
<b>Engines</b>	KTA19GC, KTA19GC CM558, QSK19 CM500, QSK19 CM850 MCRS, K19, QSK19G, QSK19 CM2150 MCRS				
<b>MPB</b>	K19				




Option	4-Sale	Part Name	Remarks
FT40062-03	N	FT40062-03	Fuel Tubing

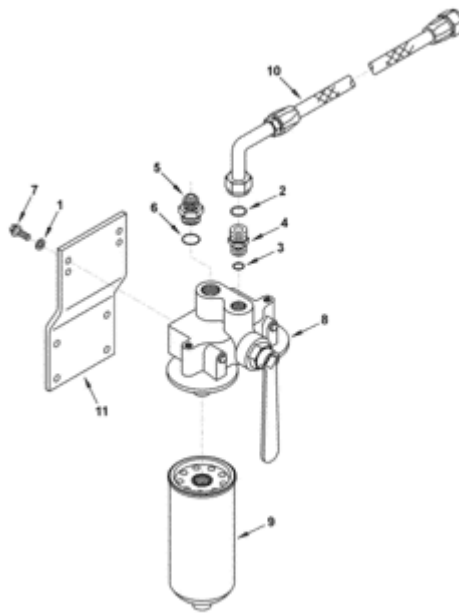
Ref No	Part Number	4-Sale	Part Name	Req	Remarks
	<a href="#">FT40062-03</a>	Y	Fuel Tubing		Fuel Tubing
					Fuel tubing for front fuel
		Y			block with Woodward PSG
		Y			governor, gear pump cooling,
		Y			and check valves, may be used

		Y			with standard or high
		Y			pressure solenoid valve.
	<a href="#">AR45224</a>	N	Manifold, Fuel	1	
1	<a href="#">S 607</a>	Y	Washer, Lock	2	#10
2	<a href="#">70620</a>	Y	Washer, Plain	2	1/8"
3	<a href="#">3867640</a>	Y	Seal, O Ring	1	
4	<a href="#">118226</a>	Y	Screw, Socket Head Cap	2	#10 - 24 X 1 1/4"
5	<a href="#">127018</a>	Y	Washer, Plain	12	1/4"
	<a href="#">207441</a>	Y	Manifold, Fuel	1	
6	<a href="#">217631</a>	Y	Plug, Pipe	4	1/16 NPT
7	<a href="#">3200738</a>	N	Manifold, Fuel	1	
8	<a href="#">207442</a>	Y	Connection, Fuel Block	1	
9	<a href="#">3001340</a>	Y	Seal, O Ring	12	
10	<a href="#">3001811</a>	Y	Screw, Twelve Point Cap	12	1/4 - 20 X 1"
	<a href="#">MP 4997</a>	N	Pump, Fuel Mtg	1	
11	<a href="#">69324</a>	Y	Washer, Plain	4	3/8 in
12	<a href="#">S 610</a>	Y	Washer, Lock	4	7/16 in.
13	<a href="#">206326</a>	Y	Screw, Twelve Point Cap	4	7/16- 14 X 1 1/4"
14	<a href="#">3046200</a>	Y	Spider, Jaw Coupling	1	
15	<a href="#">4026171</a>	Y	Gasket, Fuel Pump	1	
16	<a href="#">181213</a>	Y	Elbow, Plain Adapter	1	
17	<a href="#">3047578</a>	Y	Elbow, Male Union	1	
	<a href="#">3065822</a>	N	Check Valves & Mtg	1	
18	<a href="#">S 156 B</a>	Y	Screw, Hexagon Head Cap	1	1/4 - 20 X 1 1/2"
19	<a href="#">68138</a>	Y	Connector, Male	1	
20	<a href="#">70704</a>	Y	Washer, Plain	1	1/4 in
21	<a href="#">3010595</a>	Y	Screw, Captive Washer Cap	2	3/8 - 16 X 1"
22	<a href="#">3028324</a>	Y	Valve, Check	1	
23	<a href="#">3028325</a>	Y	Valve, Check	1	
	<a href="#">3032872</a>	Y	Union, Male	2	

24	<a href="#">3100525</a>	N	Union, Male	1	
25	<a href="#">3037537</a>	Y	Seal, O Ring	1	
26	<a href="#">3033023</a>	Y	Elbow, Male Union	1	
27	<a href="#">3033024</a>	Y	Elbow, Male Union	1	
28	<a href="#">3200069</a>	Y	Bracket, Check Valve	1	
29	<a href="#">3200070</a>	Y	Brkt Check Vlv	1	
30	<a href="#">3201614</a>	Y	Spacer, Mounting	1	
31	<a href="#">3096256</a>	Y	Tube, Fuel Supply	1	
32	<a href="#">3096258</a>	Y	Tube, Fuel Supply	1	
	<a href="#">3200356</a>	N	Fuel Tube Mounting	1	
33	<a href="#">176288</a>	Y	Tee, Female Adapter	2	
34	<a href="#">3025458</a>	Y	Plug, Pipe	2	1/8 NPT
35	<a href="#">3031404</a>	Y	Connector, Tube	2	
36	<a href="#">3078053</a>	Y	Screw, Captive Washer Cap	2	3/8 - 16 X 3 1/2 in
37	<a href="#">3200386</a>	Y	Clamp, Tube	2	
38	<a href="#">3200387</a>	Y	Clamp, Tube	2	
39	<a href="#">3200457</a>	Y	Tube, Fuel Drain	1	
40	<a href="#">3201087</a>	Y	Tube, Fuel Drain	1	
41	<a href="#">3201115</a>	Y	Tube, Fuel Supply	2	
	<a href="#">MP 5132</a>	N	Flange, Comp Wtr Inlet	1	
42	<a href="#">207112</a>	Y	Flange, Weld	1	
43	<a href="#">207117</a>	Y	Gasket, Air Compressor	1	
44	<a href="#">3014766</a>	Y	Screw, Captive Washer Cap	2	3/8 - 16 x 1 3/64 in.
45	<a href="#">S 606 A</a>	Y	Washer, Lock	2	3/8 in

					
	<b>Option</b>	<b>Group</b>	<b>Graphic</b>	<b>Film Card</b>	<b>Date</b>
	FF4093-01	06.04	ff403gf	K	06-JUL-02
<b>Engines</b>	KTA19GC, KTA19GC CM558, QSK19 CM500, QSK19 CM850 MCRS, K19, QSK19G, QSK19 CM2150 MCRS, QSK19 CM2350 K105				
<b>MPB</b>	K19				

©Cummins Inc




ff403gf

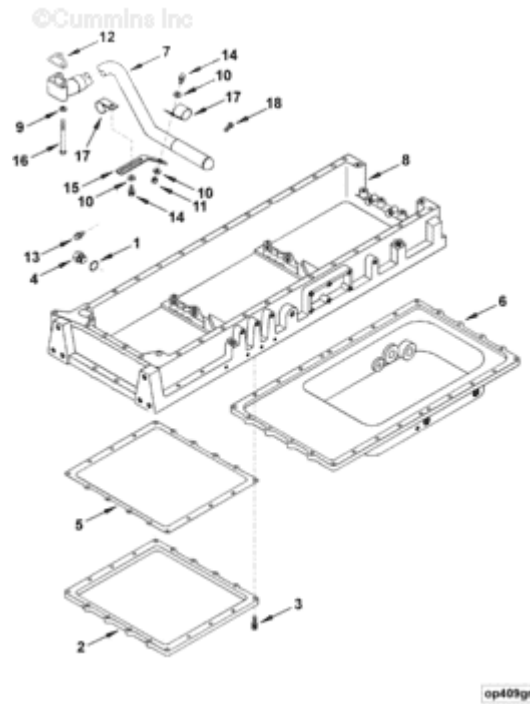
Option	4-Sale	Part Name	Remarks
FF4093-01	N	FF4093-01	Duplex fuel filter with water

Ref No	Part Number	4-Sale	Part Name	Req	Remarks
	<a href="#">FF4093-01</a>	Y	Duplex Fuel Filter		Duplex fuel filter with water
		Y			separators supplied as a
		Y			remote mounted kit
		Y			Includes 2 marine approved
		Y			FS1013 10 micron

		Y			filters/water separators, one
		Y			marine approved fuel pump
		Y			supply hose, one duplex
		Y			filter head, one filter at a
		Y			time intended usage.
		Y			Maximum Flow Rate: 179.66
		Y			Gph
		Y			Refer to mab #0.06.01-
		Y			02/15/2002 for installation.
1	<a href="#">3009330</a>	Y	Washer, Plain	4	M10
	<a href="#">3081957</a>	Y	Union, Male	1	
2	<a href="#">3046943</a>	Y	Seal, O Ring	1	
3	<a href="#">3085709</a>	Y	Seal, O Ring	1	
4	<a href="#">3085830</a>	N	Union, Male	1	
	<a href="#">3087583</a>	Y	Union, Male	1	
5	<a href="#">3100551</a>	N	Union, Male	1	
6	<a href="#">3201585</a>	Y	Seal, O Ring	1	
7	<a href="#">3903112</a>	Y	Screw, Hex Flange Head Cap	4	M10 x 1.50 x 30
8	<a href="#">3959568</a>	Y	Head, Fuel Filter	1	
9	<a href="#">3959569</a>	Y	Separator, Fuel Water	2	Purchase from Fleetguard.
	<a href="#">3959571</a>	N	Mab 0.06.01	1	
10	<a href="#">4058282</a>	Y	Hose, Flexible	1	
11	<a href="#">4078355</a>	Y	Bracket, Filter	1	




					
	<b>Option</b>	<b>Group</b>	<b>Graphic</b>	<b>Film Card</b>	<b>Date</b>
	OP4040-08	07.01	op409gr	K	04-APR-03
<b>Engines</b>	KTA19GC, KTA19GC CM558, QSK19 CM500, QSK19 CM850 MCRS, K19, QSK19G, QSK19 CM2150 MCRS				
<b>MPB</b>	K19				



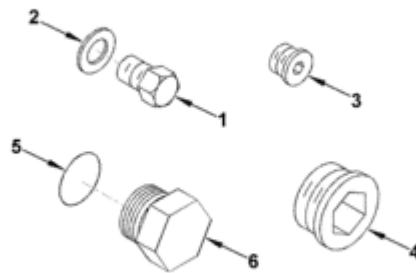
Option	4-Sale	Part Name	Remarks
OP4040-08	N	OP4040-08	Cast aluminum shallow rear

Ref No	Part Number	4-Sale	Part Name	Req	Remarks
	<a href="#">OP4040-08</a>	Y	Oil Pan		Cast aluminum shallow rear
		Y			sump oil pan.
		Y			Includes oil pan adapter and
		Y			aluminum adapter cover with
		Y			drain. Pan has oil drain and

		Y			bypass filter return on both
		Y			sides. Has provisions for
		Y			mounting of sight glass on
		Y			fuel pump side of engine.
		Y			Oil level 10 gallons
		Y			(38liter) high. 8.5gallons
		Y			(32.3liter) low. 30 degree
		Y			angularity. For marines
		Y			only.
1	<a href="#">67946</a>	Y	Washer, Plain	1	1 1/32 in
2	<a href="#">207306</a>	Y	Cover, Oil Pan Adapter	1	
3	<a href="#">3035624</a>	Y	Screw, Captive Washer Cap	18	3/8 - 16 X 1 1/2"
4	<a href="#">3055069</a>	Y	Plug, Threaded	1	1 - 18 UNS
5	<a href="#">3073213</a>	Y	Gasket, Adapter	1	
6	<a href="#">3166244</a>	Y	Pan, Oil	1	
7	<a href="#">3011049</a>	Y	Connection, Oil Suction	1	
8	<a href="#">3160923</a>	Y	Adapter, Oil Pan	1	Serviced as 3804727
9	<a href="#">S 610</a>	Y	Washer, Lock	2	7/16 in.
10	<a href="#">108330</a>	Y	Washer, Plain	4	3/8 in
11	<a href="#">129069</a>	Y	Nut, Lock	1	3/8 - 24 UNF
12	<a href="#">3079754</a>	Y	Gasket, Oil Suc Connection	1	
13	<a href="#">3010593</a>	Y	Screw, Captive Washer Cap	1	3/8 - 24 X 1"
14	<a href="#">3010595</a>	Y	Screw, Captive Washer Cap	2	3/8 - 16 X 1"
15	<a href="#">3065707</a>	Y	Brace, Tube	1	
16	<a href="#">3085752</a>	Y	Screw, Hexagon Head Cap	2	7/16 X 4 1/2"
17	<a href="#">3200706</a>	Y	Clip	2	
18	<a href="#">S 129</a>	Y	Screw, Hexagon Head Cap	1	3/8 - 24 X 1"

					
	<b>Option</b>	<b>Group</b>	<b>Graphic</b>	<b>Film Card</b>	<b>Date</b>
	OP4787	07.01	op409gi	K	08-MAY-06
<b>Engines</b>	KTA19GC, KTA19GC CM558, QSK19 CM500, QSK19 CM850 MCRS, K19, QSK19G, QSK19 CM2150 MCRS, QSK19 CM2350 K105				
<b>MPB</b>	K19				

©Cummins Inc




op409gi

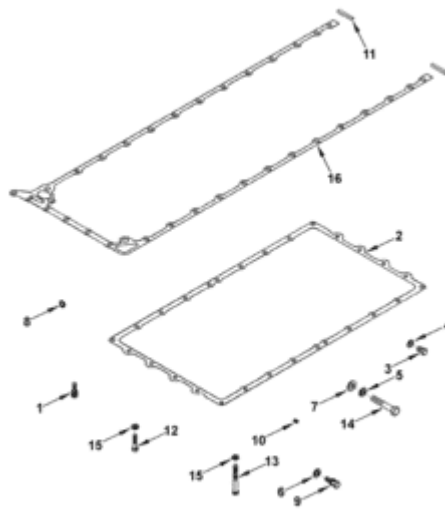
Option	4-Sale	Part Name	Remarks
OP4787	N	OP4787	Plumbing, oil pan

Ref No	Part Number	4-Sale	Part Name	Req	Remarks
	<a href="#">OP4787</a>	Y	PLUMBING,OIL PAN		Plumbing, oil pan
		Y			high oil pan capacity: 10
		Y			Provision For Sightglass:
		Y			Yes sightglass included: No
		Y			prelube: No engine heater
		Y			included: No
		Y			Remote Drain Included: No
		Y			oil drain accessory: No
		Y			Drain Location: Left side:

		Y			1 1/16 - 12 un-2 b right
		Y			side: 1 1/16 - 12 un-2 b
		Y			access ports - both sides.
	<a href="#">3081137</a>	N	Plug, Threaded	1	
1	<a href="#">S 181 C</a>	Y	Screw, Hexagon Head Cap	1	1/2 - 20 X 3/4"
2	<a href="#">130914</a>	Y	Washer, Sealing	1	
3	<a href="#">4931643</a>	Y	Plug, Pipe	2	1/2 NPT
4	<a href="#">3008470</a>	Y	Plug, Pipe	2	1 NPT
	<a href="#">3046942</a>	Y	Plug, Threaded	2	
5	<a href="#">3046943</a>	Y	Seal, O Ring	1	
6	<a href="#">3046869</a>	Y	Plug, Threaded	1	1 1/16 - 12 UNC

					
	<b>Option</b>	<b>Group</b>	<b>Graphic</b>	<b>Film Card</b>	<b>Date</b>
	OP4716-06	07.01	op408go	K	01-JUL-04
<b>Engines</b>	KTA19GC, KTA19GC CM558, QSK19 CM500, QSK19 CM850 MCRS, K19, QSK19G, QSK19 CM2150 MCRS				
<b>MPB</b>	K19				

©Cummins Inc




op408go

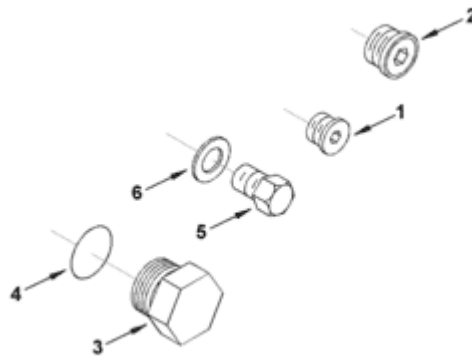
Option	4-Sale	Part Name	Remarks
OP4716-06	N	OP4716-06	Oil Pan

Ref No	Part Number	4-Sale	Part Name	Req	Remarks
	<a href="#">OP4716-06</a>	Y	Oil Pan		Oil Pan
		Y			Oil pan and oil pan adapter
		Y			mounting
		Y			For use with cast iron
		Y			flywheel housings and without

		Y			rear gear train.
1	<a href="#">3035624</a>	Y	Screw, Captive Washer Cap	33	3/8 - 16 X 1 1/2 in
2	<a href="#">3042590</a>	Y	Gasket, Oil Pan	1	
3	<a href="#">S 181 C</a>	Y	Screw, Hexagon Head Cap	1	1/2 - 20 X 3/4 in
4	<a href="#">130914</a>	Y	Washer, Sealing	1	
5	<a href="#">S 609</a>	Y	Washer, Lock	1	9/16 in
6	<a href="#">S 622</a>	Y	Washer, Plain	2	3/8 in
7	<a href="#">S 689</a>	Y	Washer, Plain	1	1/2 in
8	<a href="#">153518</a>	Y	Seal, Rectangular Ring	4	
9	<a href="#">3012481</a>	Y	Screw, Captive Washer Cap	2	7/16 - 14 X 1 1/2 in
10	<a href="#">3013786</a>	Y	Plug, Pipe	1	3/8 NPT
11	<a href="#">4910518</a>	Y	Seal, Rectangular Strip	2	
12	<a href="#">3070679</a>	Y	Screw, Hexagon Head Cap	19	3/8 - 16 X 1 3/4 in
13	<a href="#">3085751</a>	Y	Screw, Hexagon Head Cap	11	
14	<a href="#">3085753</a>	Y	Screw, Hexagon Head Cap	1	
15	<a href="#">3085886</a>	Y	Washer, Plain	30	
16	<a href="#">4000595</a>	Y	Gasket, Oil Pan Adapter	1	
			\$Service Parts		
	<a href="#">3804727</a>	Y	Kit, Oil Pan Adapter	A/R	

					
	<b>Option</b>	<b>Group</b>	<b>Graphic</b>	<b>Film Card</b>	<b>Date</b>
	OP4787	07.01.1	op408ga	K	15-JAN-00
<b>Engines</b>	KTA19GC, KTA19GC CM558, QSK19 CM500, QSK19 CM850 MCRS, K19, QSK19G, QSK19 CM2150 MCRS, QSK19 CM2350 K105				
<b>MPB</b>	K19				

©Cummins Inc



op408ga

Option	4-Sale	Part Name	Remarks
OP4787	N	OP4787	Plumbing, oil pan


Ref No	Part Number	4-Sale	Part Name	Req	Remarks
	<a href="#">OP4787</a>	Y	Oil Pan Plumbing		Plumbing, oil pan
		Y			high oil pan capacity: 10
		Y			Provision For Sightglass:
		Y			Yes sightglass included: No
		Y			prelube: No engine heater
		Y			included: No
		Y			Remote Drain Included: No
		Y			oil drain accessory: No
		Y			Drain Location: Left side:

		Y			1 1/16 - 12 un-2 b right
		Y			side: 1 1/16 - 12 un-2 b
		Y			access ports - both sides.
1	<a href="#">3008468</a>	Y	Plug, Pipe	2	1/2 NPT
2	<a href="#">3008470</a>	Y	Plug, Pipe	2	1 NPT
	<a href="#">3046942</a>	Y	Plug, Threaded	2	
3	<a href="#">3046869</a>	Y	Plug, Threaded	1	1 1/16 - 12 UNC
4	<a href="#">3046943</a>	Y	Seal, O Ring	1	
5	<a href="#">S 181 C</a>	Y	Screw, Hexagon Head Cap	1	1/2 - 20 X 3/4"
6	<a href="#">130914</a>	Y	Washer, Sealing	1	

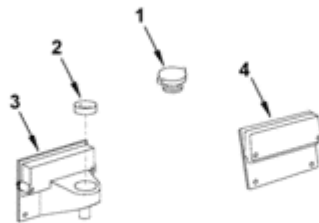
---

©1984-2010 Cummins Inc., Box 3005, Columbus, IN 47202-3005 U.S.A.



					
	<b>Option</b>	<b>Group</b>	<b>Graphic</b>	<b>Film Card</b>	<b>Date</b>
	FO4047	07.02	fo400ga	K	24-AUG-98
<b>Engines</b>	KTA19GC, KTA19GC CM558, QSK19 CM500, QSK19 CM850 MCRS, K19, QSK19G, QSK19 CM2150 MCRS				
<b>MPB</b>	K19				


©Cummins Inc



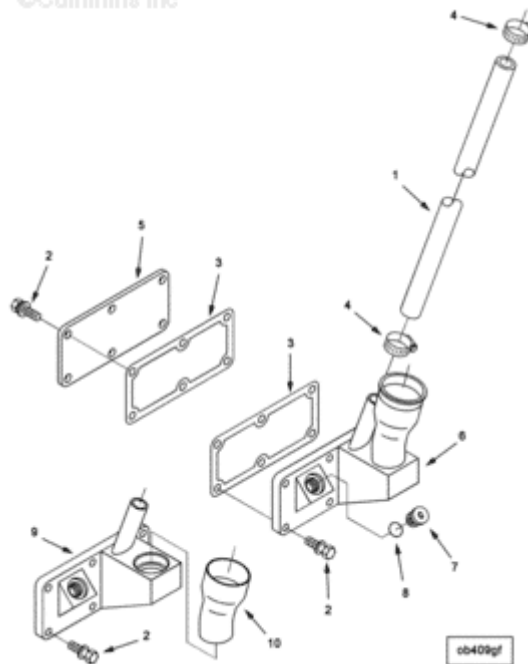
fo400ga

Option	4-Sale	Part Name	Remarks
FO4047	N	FO4047	Oil fill located on hand hole

Ref No	Part Number	4-Sale	Part Name	Req	Remarks
	<a href="#">FO4047</a>	Y	Oil Filler Location		Oil fill located on hand hole
		Y			cover fuel pump side.
1	<a href="#">3088296</a>	Y	Cap, Filler	1	
	<a href="#">3200976</a>	Y	Cover, Camshaft	1	
2	<a href="#">135231</a>	Y	Plug, Expansion	1	
3	<a href="#">3200413</a>	Y	Bracket, Oil Tube	1	
4	<a href="#">3628755</a>	Y	Cover, Camshaft	1	

					
	<b>Option</b>	<b>Group</b>	<b>Graphic</b>	<b>Film Card</b>	<b>Date</b>
	OB40064-05	07.02	ob409gf	K	16-OCT-01
<b>Engines</b>	KTA19GC, KTA19GC CM558, QSK19 CM500, QSK19 CM850 MCRS, K19, QSK19G, QSK19 CM2150 MCRS, QSK19 CM2350 K105				
<b>MPB</b>	K19				


©Cummins Inc



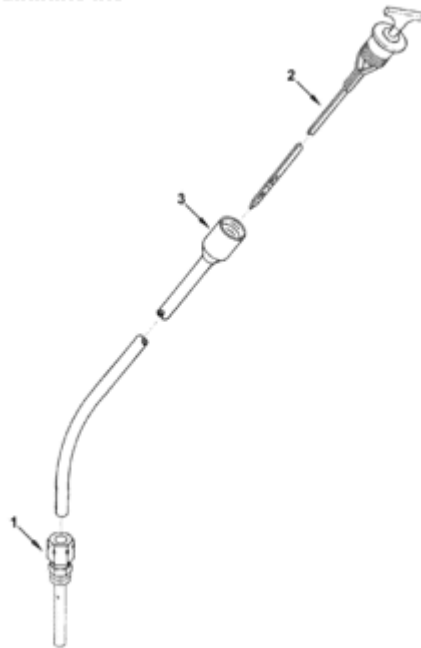
Option	4-Sale	Part Name	Remarks
OB40064-05	N	OB40064-05	Hand hole covers used when

Ref No	Part Number	4-Sale	Part Name	Req	Remarks
	<a href="#">OB40064-05</a>	Y	Hand Hole Cover		Hand hole covers used when
		Y			the dipstick and oil fill are
		Y			located in the same hand hold
		Y			cover fuel pump side.
		Y			Locking oil fill cap.

1	<a href="#">AM16020 NF</a>	Y	Hose, Flexible	1	
2	<a href="#">3040838</a>	Y	Screw, Captive Washer Cap	18	3/8 - 16 X 1 1/4 in
3	<a href="#">3042586</a>	Y	Gasket, Hand Hole	3	
4	<a href="#">43828 A</a>	Y	Clamp, Hose	2	11 16 - 1 1/2 in.
5	<a href="#">3201060</a>	Y	Cover, Hand Hole	2	
6	<a href="#">4081024</a>	Y	Cover, Hand Hole	1	
	<a href="#">3046202</a>	Y	Plug, Threaded	3	3/4 - 16 UNF
7	<a href="#">3040810</a>	N	Plug, Threaded	1	
8	<a href="#">3046201</a>	Y	Seal, O Ring	1	
	<a href="#">4057590</a>	N	Tag, Instruction	1	
9	<a href="#">3002496</a>	Y	Cover, Hand Hole	1	
10	<a href="#">4081025</a>	N	Tube, Oil Filler	1	

					
	<b>Option</b>	<b>Group</b>	<b>Graphic</b>	<b>Film Card</b>	<b>Date</b>
	LG4028	07.02	ob402gl	K	22-MAY-96
<b>Engines</b>	KTA19GC, KTA19GC CM558, QSK19 CM500, QSK19 CM850 MCRS, K19, QSK19G, QSK19 CM2150 MCRS				
<b>MPB</b>	K19				

©Cummins Inc




ob402gl

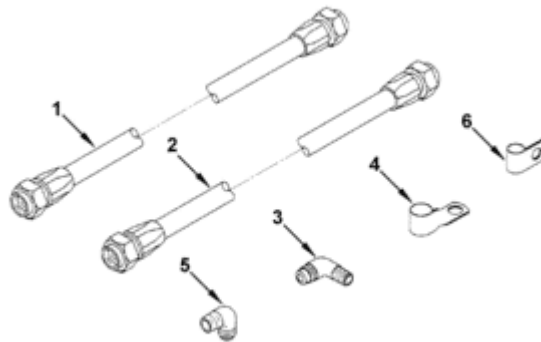
Option	4-Sale	Part Name	Remarks
LG4028	N	LG4028	14.1 inch tube and dipstick

Ref No	Part Number	4-Sale	Part Name	Req	Remarks
	<a href="#">LG4028</a>	Y	Oil Level Gauge		14.1 inch tube and dipstick
		Y			combination. Calibrated for
		Y			0 degree power and 0 degree
		Y			tilt. Acceptable locations
		Y			verses oil pans are:
		Y			(1) Rear, handhole cover

		Y			exhaust side, used with
		Y			shallow rear or shallow
		Y			center rear sump oil
		Y			pans.
		Y			(2) Handhole cover fuel pump
		Y			side used with shallow
		Y			rear, shallow center
		Y			rear, or shallow center
		Y			front sump oil pans.
		Y			(3) Front handhole cover
		Y			exhaust side, used with
		Y			shallow front or shallow
		Y			center front sump oil
		Y			pans.
1	<a href="#">3000508</a>	Y	Tube, Oil Gauge	1	
2	<a href="#">3077131</a>	Y	Dipstick	1	
3	<a href="#">3065686</a>	Y	Tube, Oil Gauge	1	

					
	<b>Option</b>	<b>Group</b>	<b>Graphic</b>	<b>Film Card</b>	<b>Date</b>
	OF4731	07.03	of400gi	K	06-OCT-10
<b>Engines</b>	KTA19GC, KTA19GC CM558, QSK19 CM500, QSK19 CM850 MCRS, K19, QSK19G, QSK19 CM2150 MCRS				
<b>MPB</b>	K19				

©Cummins Inc




of400gi

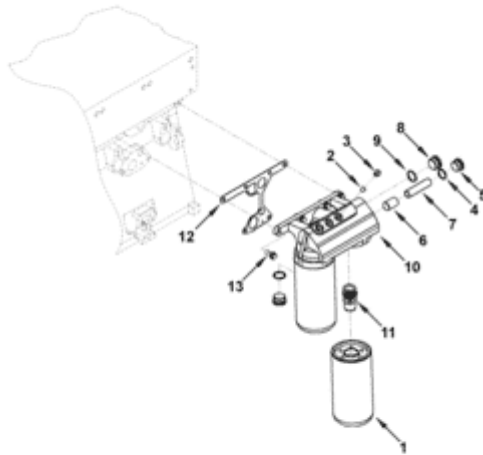
Option	4-Sale	Part Name	Remarks
OF4731	N	OF4731	Oil Bypass Filter

Ref No	Part Number	4-Sale	Part Name	Req	Remarks
	<a href="#">OF4731</a>	Y	Oil Bypass Filter		Oil Bypass Filter
		Y			Filter manufacturing/model:
		Y			Fleetguard LF00777 cartridge
		Y			type: Spin-on mounting
		Y			location: Fuel pump side
		Y			(left bank) front side of air
		Y			cleaner bracket required lube
		Y			filter mounting location:
		Y			Fuel pump side (left bank)

		Y			Oil Pan Sump Type: Shallow
		Y			Or Deep Sump
		Y			Includes marine Aeroquip
		Y			FC234 hose.
	<a href="#">4998015</a>	N	Plumbing, Oil Filter Bypas	1	
1	<a href="#">2867253</a>	Y	Hose, Flexible	1	
2	<a href="#">2867252</a>	Y	Hose, Flexible	1	
3	<a href="#">3629496</a>	Y	Elbow, Male Adapter	1	
4	<a href="#">152767</a>	Y	Clip	1	
5	<a href="#">68645</a>	Y	Elbow, Male Adapter	2	
6	<a href="#">100269</a>	Y	Clip	1	

					
	<b>Option</b>	<b>Group</b>	<b>Graphic</b>	<b>Film Card</b>	<b>Date</b>
	LF4050-02	07.03	lf403gh	K	16-JUL-04
<b>Engines</b>	KTA19GC, KTA19GC CM558, QSK19 CM500, QSK19 CM850 MCRS, K19, QSK19G, QSK19 CM2150 MCRS, QSK19 CM2350 K105				
<b>MPB</b>	K19				

©Cummins Inc




#403gh

Option	4-Sale	Part Name	Remarks
LF4050-02	N	LF4050-02	Oil Filter

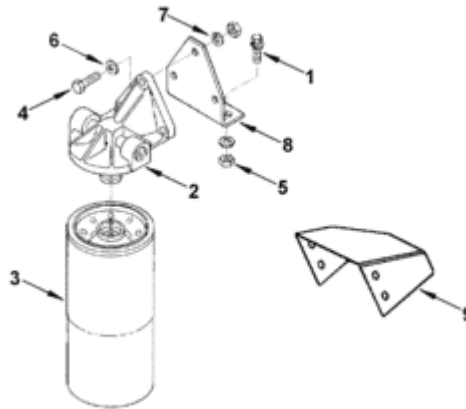
Ref No	Part Number	4-Sale	Part Name	Req	Remarks
	<a href="#">LF4050-02</a>		Oil Filter		Oil Filter
					Dual Spin On, Full Flow Lube
		Y			Filters
					Mounted High and to the Rear
		Y			on Fuel Pump Side.



		Y			For Use With Starter
		Y			Mounted on Right Side
		Y			(Exhaust Side) of Engine.
		Y			Filter Model LF670.
1	<a href="#">3889310</a>	Y	Element, Lub Oil Filter	2	
	<a href="#">4910285</a>	Y	Assembly, Lub Oil Filter	1	
	<a href="#">3037536</a>	Y	Plug, Threaded	4	9/16 - 18 UNF
2	<a href="#">3037537</a>	Y	Seal, O Ring	1	
3	<a href="#">3040813</a>	N	Plug, Threaded	1	
	<a href="#">3040818</a>	Y	Plug, Threaded	2	1 3/16 - 12 UNC
4	<a href="#">3035228</a>	Y	Seal, O Ring	1	
5	<a href="#">3040819</a>	N	Plug, Threaded	1	
6	<a href="#">3081507</a>	Y	Plunger, Filter Head	2	
7	<a href="#">3090441</a>	Y	Spring, Valve	2	
	<a href="#">3201583</a>	Y	Plug, Threaded	1	1 5/16 - 12 UNF
8	<a href="#">3040911</a>	N	Plug, Threaded	1	
9	<a href="#">3201585</a>	Y	Seal, O Ring	1	
10	<a href="#">4910284</a>		Head, Lub Oil Filter	1	
11	<a href="#">3034578</a>	Y	Adapter, Filter Head	2	
12	<a href="#">4000436</a>	Y	Gasket, Lub Oil Fil Cover	1	
13	<a href="#">3040838</a>	Y	Screw, Captive Washer Cap	6	3/8 - 16 X 1 1/4 in

					
	<b>Option</b>	<b>Group</b>	<b>Graphic</b>	<b>Film Card</b>	<b>Date</b>
	OF4027	07.03	of401gk	K	15-FEB-06
<b>Engines</b>	KTA19GC, KTA19GC CM558, QSK19 CM500, QSK19 CM850 MCRS, K19, QSK19G, QSK19 CM2150 MCRS				
<b>MPB</b>	K19				

©Cummins Inc




of401gk

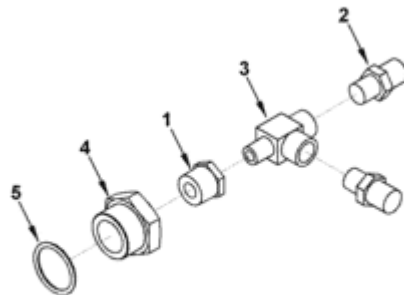
Option	4-Sale	Part Name	Remarks
OF4027	N	OF4027	Spin-on bypass oil filter

Ref No	Part Number	4-Sale	Part Name	Req	Remarks
	<a href="#">OF4027</a>	Y	Oil Bypass Filter		Spin-on bypass oil filter
		Y			mounted on flywheel side of
		Y			the air cleaner bracket fuel
		Y			pump side of engine
		Y			Includes filter head cover to
		Y			meet solas fitting shield
		Y			requirement.
1	<a href="#">3071225</a>	Y	Screw, Captive Washer Cap	4	3/8 - 16 X 3/4 in

2	<a href="#">3304173</a>	Y	Head, Lub Oil Filter	1	
3	<a href="#">3889311</a>	N	Element, Oil Bypass Filter	1	
	<a href="#">4933024</a>	N	Mtg, Bypass Filter	1	
4	<a href="#">S 120</a>	Y	Screw, Hexagon Head Cap	3	3/8 - 16 X 1 3/4 in
5	<a href="#">S 223</a>	Y	Nut, Heavy Hexagon	3	3/8 - 16 UNC
6	<a href="#">S 602</a>	Y	Washer, Plain	3	3/8 in
7	<a href="#">S 604</a>	Y	Washer, Lock	3	3/8 in.
8	<a href="#">3979304</a>	Y	Bracket, Protective Cover	1	
9	<a href="#">4934607</a>	Y	Cover, Filter Head	1	

					
	<b>Option</b>	<b>Group</b>	<b>Graphic</b>	<b>Film Card</b>	<b>Date</b>
	LF4705-03	07.03.1	lf403gb	K	06-APR-04
<b>Engines</b>	KTA19GC, KTA19GC CM558, QSK19 CM500, QSK19 CM850 MCRS, K19, QSK19G, QSK19 CM2150 MCRS				
<b>MPB</b>	K19				

©Cummins Inc



lf403gb


Option	4-Sale	Part Name	Remarks
LF4705-03	N	LF4705-03	Oil Filter Connection

Ref No	Part Number	4-Sale	Part Name	Req	Remarks
	<a href="#">LF4705-03</a>	Y	Oil Filter Connection		Oil Filter Connection
					Connector for use With
		Y			Hydraulic Variable Timing and
		Y			Oil Bypass Filter When Lub
		Y			Oil Filters Are Mounted on
		Y			the Fuel Pump Side.
1	<a href="#">S 967</a>	Y	Bushing, Reducing Pipe	1	
2	<a href="#">S 1039 A</a>	Y	Connector, Male	2	

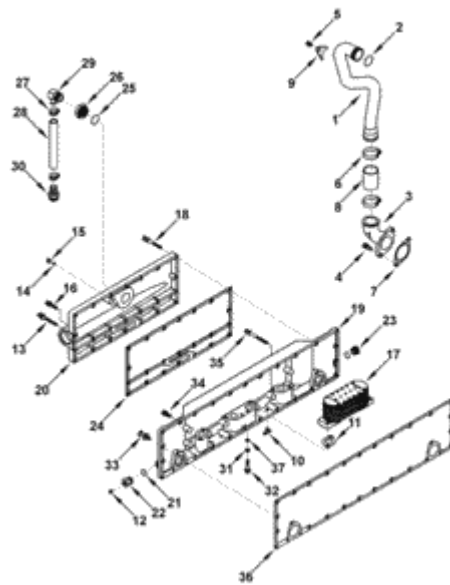
3	<a href="#">3175687</a>	Y	Tee, Street Pipe	1	
4	<a href="#">3088214</a>	Y	Plug, Threaded	1	
5	<a href="#">3201585</a>	Y	Seal, O Ring	1	

---

©1984-2010 Cummins Inc., Box 3005, Columbus, IN 47202-3005 U.S.A.

					
	<b>Option</b>	<b>Group</b>	<b>Graphic</b>	<b>Film Card</b>	<b>Date</b>
	TC4045-03	07.05	tc403gr	K	15-FEB-04
<b>Engines</b>	KTA19GC, KTA19GC CM558, QSK19 CM500, QSK19 CM850 MCRS, K19, QSK19G, QSK19 CM2150 MCRS, QSK19 CM2350 K105				
<b>MPB</b>	K19				

©Cummins Inc



10403gr


Option	4-Sale	Part Name	Remarks
TC4045-03	N	TC4045-03	Oil Cooler

Ref No	Part Number	4-Sale	Part Name	Req	Remarks
	<a href="#">TC4045-03</a>	Y	Oil Cooler		Oil Cooler
					Engine Oil Cooler for use
		Y			With Water Cooled
		Y			Turbocharger, but Without
					Gear Oil Cooler.
		Y			For use with Oil Filters

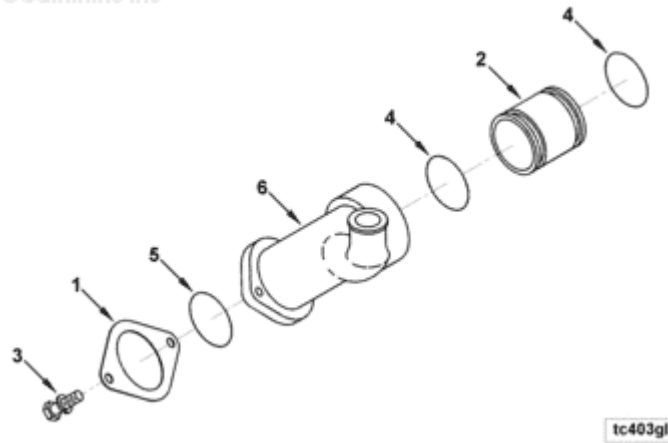
		Y			Mounted on Port (Fuel Pump)
		Y			Side of Engine.
1	<a href="#">3011224</a>	Y	Tube, Water Bypass	1	
2	<a href="#">70624</a>	Y	Seal, O Ring	1	
3	<a href="#">3085733</a>	Y	Connection, Water Bypass	1	
4	<a href="#">3010596</a>	Y	Screw, Captive Washer Cap	2	3/8 - 16 x 1 1/4 in.
5	<a href="#">3015283</a>	Y	Screw, Captive Washer Cap	1	5/16 - 18 X 3/4 in
6	<a href="#">3056787</a>	Y	Clamp, Hose	2	1 13/16 - 2 3/4"
7	<a href="#">3060912</a>	Y	Gasket, Connection	1	
8	<a href="#">3063240</a>	Y	Hose, Plain	1	
9	<a href="#">3201287</a>	Y	Clip	1	
	<a href="#">3073179</a>	N	Cooler, Engine Cast	1	
10	<a href="#">S 923 E</a>	Y	Draincock	1	1/4 NPTF
11	<a href="#">206973</a>	Y	Gasket, Oil Cooler Core	4	
12	<a href="#">3008466</a>	Y	Plug, Pipe	1	1/4 NPT
13	<a href="#">3012478</a>	Y	Screw, Captive Washer Cap	2	3/8 - 16 X 3 1/2 in
	<a href="#">3037536</a>	Y	Plug, Threaded	3	9/16 - 18 UNF
14	<a href="#">3037537</a>	Y	Seal, O Ring	1	
15	<a href="#">3040813</a>	N	Plug, Threaded	1	
16	<a href="#">3042889</a>	Y	Screw, Captive Washer Cap	7	3/8 - 16 X 1 7/8 in
17	<a href="#">4095097</a>	N	Core, Cooler	2	Serviced as 3804935
18	<a href="#">3078053</a>	Y	Screw, Captive Washer Cap	8	3/8 - 16 X 3 1/2 in
19	<a href="#">3085955</a>	Y	Housing, Oil Cooler	1	Serviced as 3804958
20	<a href="#">3090241</a>	Y	Cover, Lub Oil Cooler	1	
	<a href="#">3202092</a>	Y	Connector, Female	1	
21	<a href="#">3046943</a>	Y	Seal, O Ring	1	
22	<a href="#">3050898</a>	Y	Connector, Female	1	

	<a href="#">3202101</a>	Y	Plug, Threaded	1	1 1/16 - 12 UN
21	<a href="#">3046943</a>	Y	Seal, O Ring	1	
23	<a href="#">3050897</a>	N	Plug, Threaded	1	
24	<a href="#">3065791</a>	Y	Gasket, Tor Cnv Cooler		
	<a href="#">3402039</a>	Y	Connector, Female	1	
25	<a href="#">145540</a>	Y	Seal, O Ring	1	
26	<a href="#">3402038</a>	Y	Connector, Female	1	
27	<a href="#">43828 A</a>	Y	Clamp, Hose	2	11 16 - 1 1/2 in.
28	<a href="#">3084149</a>	Y	Hose, Plain	1	
29	<a href="#">3170930</a>	Y	Coupling, Elbow Hose	1	
30	<a href="#">3393349</a>	Y	Coupling, Plain Hose	1	
31	<a href="#">S 604</a>	Y	Washer, Lock	4	3/8 in.
32	<a href="#">205275</a>	Y	Screw, Twelve Point Cap	4	3/8 - 16 X 1 3/4 in
33	<a href="#">3033038</a>	Y	Screw, Captive Washer Cap	2	3/8 - 16 X 1 5/8 in
34	<a href="#">3040838</a>	Y	Screw, Captive Washer Cap	10	3/8 - 16 X 1 1/4 in
35	<a href="#">3042890</a>	Y	Screw, Captive Washer Cap	14	3/8 - 16 X 4 in
36	<a href="#">3065790</a>	Y	Gasket, Lub Oil Clr Hsg	1	
37	<a href="#">127362</a>	Y	Washer, Plain	4	3/8 in



					
	<b>Option</b>	<b>Group</b>	<b>Graphic</b>	<b>Film Card</b>	<b>Date</b>
	TC4702-01	07.05.1	tc403gl	K	15-APR-02
<b>Engines</b>	KTA19GC, KTA19GC CM558, QSK19 CM500, QSK19 CM850 MCRS, K19, QSK19G, QSK19 CM2150 MCRS				
<b>MPB</b>	K19				

©Cummins Inc




Option	4-Sale	Part Name	Remarks
TC4702-01	N	TC4702-01	Water pump to lube oil cooler

Ref No	Part Number	4-Sale	Part Name	Req	Remarks
	<a href="#">TC4702-01</a>	Y	Oil Cooler Connection		Water pump to lube oil cooler
		Y			standard
		Y			Connection.
		Y			For KTA engines.
	<a href="#">AR45710</a>	N	Connection, Water Outlet	1	
1	<a href="#">205289</a>	Y	Gasket, Wtr Trf Connection	1	
2	<a href="#">206998</a>	Y	Tube, Water Transfer	1	
3	<a href="#">3010596</a>	Y	Screw, Captive Washer Cap	2	3/8 - 16 x 1 1/4 in.

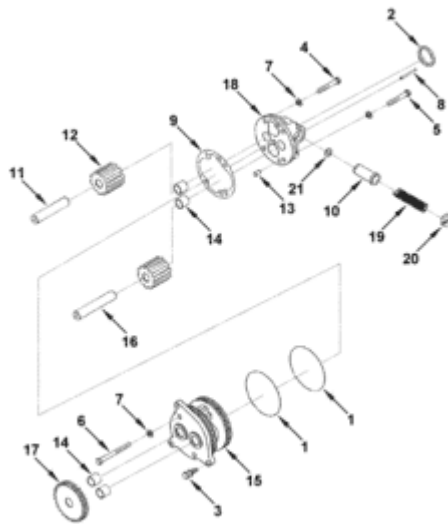
4	<a href="#">3028291</a>	Y	Seal, O Ring	2	
5	<a href="#">3099408</a>	Y	Seal, O Ring	1	
6	<a href="#">4081156</a>	Y	Connection, Water Outlet	1	

---

©1984-2010 Cummins Inc., Box 3005, Columbus, IN 47202-3005 U.S.A.

					
	<b>Option</b>	<b>Group</b>	<b>Graphic</b>	<b>Film Card</b>	<b>Date</b>
	BP4032-01	07.06	bp400gw	K	24-JAN-02
<b>Engines</b>	KTA19GC, KTA19GC CM558, QSK19 CM500, QSK19 CM850 MCRS, K19, QSK19G, QSK19 CM2150 MCRS				
<b>MPB</b>	K19				

©Cummins Inc




bp400gw

Option	4-Sale	Part Name	Remarks
BP4032-01	N	BP4032-01	Lube Oil Pump

Ref No	Part Number	4-Sale	Part Name	Req	Remarks
	<a href="#">BP4032-01</a>	Y	Lube Oil Pump		Lube Oil Pump
1	<a href="#">205898</a>	Y	Seal, O Ring	2	
2	<a href="#">207135</a>	Y	Seal, Rectangular Ring	1	
3	<a href="#">3010596</a>	Y	Screw, Captive Washer Cap	3	3/8 - 16 x 1 1/4 in.


	<a href="#">3047549</a>	Y	Pump, Lubricating Oil	1	Recon Equivalent 3047549 RX
4	<a href="#">S 126</a>	Y	Screw, Hexagon Head Cap	2	3/8 - 16 X 2 1/2 in
5	<a href="#">S 141</a>	Y	Screw, Hexagon Head Cap	1	3/8 - 16 X 2 3/4"
6	<a href="#">S 199 A</a>	Y	Screw, Hexagon Head Cap	1	3/8 - 16 X 4"
7	<a href="#">S 604</a>	Y	Washer, Lock	4	3/8 in.
8	<a href="#">148554</a>	Y	Dowel, Pin	1	
9	<a href="#">205061</a>	Y	Gasket, Lub Oil Pump	1	
10	<a href="#">205080</a>	Y	Plunger, Prs Regulator	1	
	<a href="#">205202</a>	Y	Gear & Shaft	1	
11	<a href="#">205052</a>	Y	Shaft, Idler	1	
12	<a href="#">3049543</a>	Y	Gear, Lub Oil Pumping	1	
	<a href="#">207279</a>	N	Pump, Lubricating Oil	1	
13	<a href="#">70760</a>	Y	Dowel, Pin	2	
	<a href="#">205057</a>	Y	Body, Lubricating Oil Pump	1	
14	<a href="#">69521</a>	Y	Bushing	2	
15	<a href="#">205049</a>	Y	Body, Lubricating Oil Pump	1	
	<a href="#">205077</a>	Y	Gear & Shaft	1	
16	<a href="#">205065</a>	Y	Shaft, Lub Pump Drive	1	
12	<a href="#">3049543</a>	Y	Gear, Lub Oil Pumping	1	
17	<a href="#">207252</a>	Y	Gear, Lubricating Oil Pump	1	
	<a href="#">3047548</a>	Y	Cover, Lub Oil Pump	1	
14	<a href="#">69521</a>	Y	Bushing	2	
18	<a href="#">3009955</a>	N	Cover, Lub Oil Pump	1	
19	<a href="#">3062415</a>	Y	Spring, Compression	1	
20	<a href="#">3200934</a>	Y	Plug, Retainer	1	
21	<a href="#">3088291</a>	Y	Washer, Plain	1	

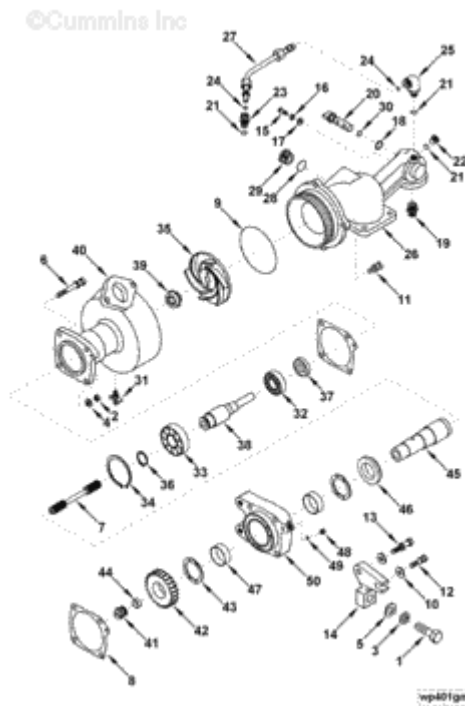
					
	<b>Option</b>	<b>Group</b>	<b>Graphic</b>	<b>Film Card</b>	<b>Date</b>
	PS4023	07.08	null	K	04-JAN-10
<b>Engines</b>	KTA19GC, KTA19GC CM558, QSK19 CM500, QSK19 CM850 MCRS, K19, QSK19G, QSK19 CM2150 MCRS, QSK19 CM2350 K105				
<b>MPB</b>	K19				

Option	4-Sale	Part Name	Remarks
PS4023	N	PS4023	Rotary type (3/4 inch) hand

Ref No	Part Number	4-Sale	Part Name	Req	Remarks
	<a href="#">PS4023</a>	Y	PUMP,SCAVENGE		Rotary type (3/4 inch) hand
		Y			sump pump. Pumps 10gallons
		Y			per 115 revolutions.
		Y			Supplied in the kit with
		Y			30inches of number 10 hose to
		Y			plumb to oil pan drain.
	<a href="#">123822</a>	Y	Pump, Hand	1	
	<a href="#">3068720</a>	Y	Oil Drain Valve	1	
	<a href="#">S 915 A</a>	Y	Plug, Pipe	1	1/2 NPT.
	<a href="#">S 920</a>	Y	Nipple, Plain Pipe	1	
	<a href="#">3052194</a>	Y	Connector, Female	1	
	<a href="#">3046943</a>	Y	Seal, O Ring	1	
	<a href="#">3202164</a>	Y	Connector, Female	1	
	<a href="#">3200802</a>	Y	Valve, Shutoff	1	
	<a href="#">4067585</a>	Y	Sump Pump Mtg	1	
	<a href="#">AM10030S</a>	Y	HOSE,FLEXIBLE	1	

	<u>S</u>				
	<a href="#">68088</a>	Y	Tag, Number	1	
	<a href="#">3069174</a>	Y	Coupling, Plain Hose	2	
	<a href="#">100501</a>	Y	Elbow, Male Adapter	1	
	<a href="#">107118</a>	Y	Elbow, Male Adapter	1	
	<a href="#">2867257</a>	Y	Hose, Flexible	1	
	<a href="#">68088</a>	Y	Tag, Number	1	
	<a href="#">3034127</a>	Y	Socket, Hose	2	
	<a href="#">3034148</a>	Y	Swivel, Hose	2	
	<a href="#">4067300</a>	Y	Tag, Instruction	1	

					
	<b>Option</b>	<b>Group</b>	<b>Graphic</b>	<b>Film Card</b>	<b>Date</b>
	WP4009-09	08.01	wp401gm	K	17-AUG-04
<b>Engines</b>	KTA19GC, KTA19GC CM558, QSK19 CM500, QSK19 CM850 MCRS, K19, QSK19G, QSK19 CM2150 MCRS, QSK19 CM2350 K105				
<b>MPB</b>	K19				



Option	4-Sale	Part Name	Remarks
WP4009-09	N	WP4009-09	Water pump with provisions

Ref No	Part Number	4-Sale	Part Name	Req	Remarks
	<a href="#">WP4009-09</a>	Y	Water Pump		Water pump with provisions
		Y			for pump mounted water
		Y			filter.
		Y			Gear cover plate design.
	<a href="#">3017471</a>	Y	Pump, Water Mtg	1	

1	<a href="#">S 103 A</a>	Y	Screw, Hexagon Head Cap	1	5/8 - 11 X 2"
2	<a href="#">S 205</a>	Y	Nut, Regular Hexagon	1	3/8 - 24 UNF
3	<a href="#">S 603</a>	Y	Washer, Lock	1	5/8 in
4	<a href="#">S 604</a>	Y	Washer, Lock	1	3/8 in.
5	<a href="#">S 658</a>	Y	Washer, Plain	1	5/8 in
6	<a href="#">3012476</a>	Y	Screw, Captive Washer Cap	3	3/8 - 16 X 3"
7	<a href="#">3202007</a>	Y	Shaft, Water Pump	1	
8	<a href="#">3202283</a>	Y	Gasket, Water Pump	2	
	<a href="#">3098963</a>	N	Pump, Water TLA	1	
9	<a href="#">145623</a>	Y	Seal, O Ring	1	
10	<a href="#">3005594</a>	Y	Washer, Plain	2	3/8"
11	<a href="#">3010596</a>	Y	Screw, Captive Washer Cap	1	3/8 - 16 x 1 1/4 in.
12	<a href="#">3012472</a>	Y	Screw, Captive Washer Cap	1	3/8 - 16 X 1 1/2 in
13	<a href="#">3012474</a>	Y	Screw, Captive Washer Cap	1	3/8 - 16 X 2 in
14	<a href="#">3036096</a>	Y	Brace, Water Pump	1	
	<a href="#">3086169</a>	Y	Connection, Water Inlet	1	
15	<a href="#">S 114</a>	Y	Screw, Hexagon Head Cap	1	1/4 - 20 x 3/4 in.
16	<a href="#">S 600</a>	Y	Washer, Lock	1	1/4 in
17	<a href="#">S 631</a>	Y	Washer, Plain	1	1/4 in.
18	<a href="#">205363</a>	Y	Washer, Spring	1	
19	<a href="#">206963</a>	Y	Adapter, Filter Head	1	
20	<a href="#">3010536</a>	Y	Shaft, Shutoff Valve	1	
	<a href="#">3037536</a>	Y	Plug, Threaded	1	9/16 - 18 UNF
21	<a href="#">3037537</a>	Y	Seal, O Ring	1	
22	<a href="#">3040813</a>	N	Plug, Threaded	1	
	<a href="#">3081950</a>	Y	Union, Male	1	1 - 14 X 3/4 - 16
21	<a href="#">3037537</a>	Y	Seal, O Ring	1	
23	<a href="#">3085824</a>	N	Union, Male	1	11/16 - 16 X 9/16 - 18




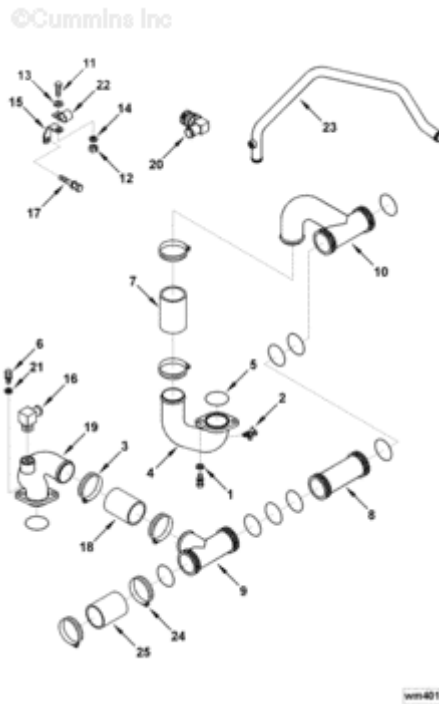
24	<a href="#">3922794</a>	Y	Seal, O Ring	1	
	<a href="#">3081951</a>	Y	Elbow, Male Union	1	
21	<a href="#">3037537</a>	Y	Seal, O Ring	1	
24	<a href="#">3922794</a>	Y	Seal, O Ring	1	
25	<a href="#">3085821</a>	Y	Elbow, Male Union	1	
26	<a href="#">3086035</a>	Y	Connection, Water Inlet	1	
27	<a href="#">3086149</a>	Y	Tube, Water Transfer	1	
	<a href="#">3202101</a>	Y	Plug, Threaded	1	1 1/16 - 12 UN
28	<a href="#">3046943</a>	Y	Seal, O Ring	1	
29	<a href="#">3050897</a>	Y	Plug, Threaded	1	
30	<a href="#">3818885</a>	Y	Seal, O Ring	1	
	<a href="#">4081095</a>	N	Pump, Water	1	Serviced as 3018785
31	<a href="#">S 962 E</a>	Y	Draincock	1	
32	<a href="#">S 16002</a>	Y	Bearing, Ball	1	
33	<a href="#">S 16069</a>	Y	Bearing, Ball	1	
34	<a href="#">70183</a>	Y	Ring, Retaining	1	
35	<a href="#">205243</a>	Y	Impeller, Water Pump	1	
36	<a href="#">205258</a>	Y	Ring, Retaining	1	
37	<a href="#">206948</a>	Y	Seal, Oil	1	Serviced as 3804573
38	<a href="#">3042827</a>	Y	Shaft, Water Pump	1	Serviced as 3804573
39	<a href="#">3609826</a>	Y	Seal, Water Pump	1	
40	<a href="#">4081087</a>	Y	Body, Water Pump	1	
41	<a href="#">3200968</a>	Y	Plug, Threaded	1	7/8 - 14 UNF
	<a href="#">3410054</a>	Y	Shaft, Water Pump TLA	1	
42	<a href="#">207251</a>	Y	Gear, Water Pump	1	
43	<a href="#">3026556</a>	Y	Bearing, Thrust	2	
44	<a href="#">205498</a>	Y	Plug, Oil	1	
45	<a href="#">3025887</a>	Y	Shaft, Water Pump	1	
46	<a href="#">3034721</a>	Y	Retainer, Shaft	1	
	<a href="#">3086177</a>	Y	Support, Water Pump	1	
47	<a href="#">205156</a>	Y	Bushing	2	

	<a href="#">3056416</a>	Y	Plug, Threaded	1	5/16 - 24 UNF
48	<a href="#">3056003</a>	Y	Plug, Threaded	1	
49	<a href="#">3056415</a>	Y	Seal, O Ring	1	
50	<a href="#">3086178</a>	Y	Support, Water Pump	1	

---

©1984-2010 Cummins Inc., Box 3005, Columbus, IN 47202-3005 U.S.A.


					
	<b>Option</b>	<b>Group</b>	<b>Graphic</b>	<b>Film Card</b>	<b>Date</b>
	WM4009-04	08.06	wm401gb	K	15-FEB-02
<b>Engines</b>	KTA19GC, KTA19GC CM558, QSK19 CM500, QSK19 CM850 MCRS, K19, QSK19G, QSK19 CM2150 MCRS				
<b>MPB</b>	K19				

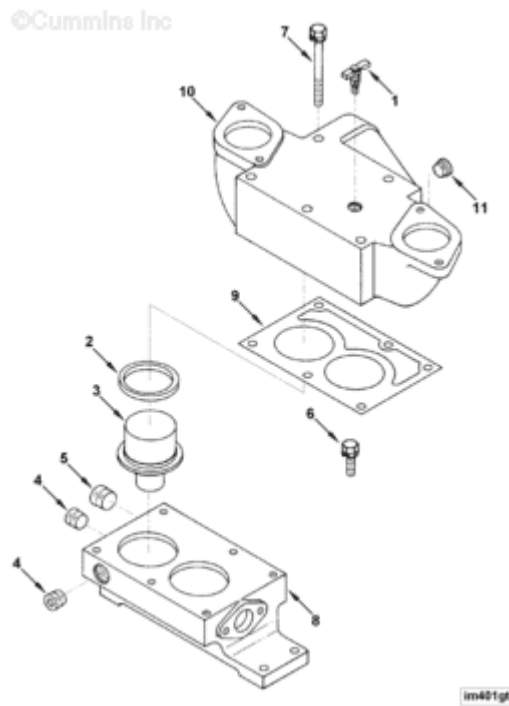


Option	4-Sale	Part Name	Remarks
WM4009-04	N	WM4009-04	Water Manifold

Ref No	Part Number	4-Sale	Part Name	Req	Remarks
	<a href="#">WM4009-04</a>	Y	Water Manifold		Water Manifold
					Water Manifold for Water
		Y			Cooled Exhaust.
		Y			Contains Hardware to Plumb
		Y			Water Cooled Turbocharger.

		Y			For use on KTA-19-M3.
1	<a href="#">S 606 A</a>	Y	Washer, Lock	2	3/8 in
2	<a href="#">S 962 E</a>	Y	Draincock	2	
3	<a href="#">43828 C</a>	Y	Clamp, Hose	4	1 9/16 - 2 1/2 in.
4	<a href="#">3004718</a>	Y	Connection, Water Transfer	1	
5	<a href="#">3028291</a>	Y	Seal, O Ring	10	
6	<a href="#">3038076</a>	Y	Screw, Captive Washer Cap	4	3/8 - 16 X 15/16 Inch.
7	<a href="#">3064697</a>	Y	Hose, Plain	1	
8	<a href="#">207233</a>	Y	Tube, Water Transfer	3	
9	<a href="#">3003662</a>	Y	Tube, Water Transfer	1	
10	<a href="#">3004716</a>	Y	Tube, Water Transfer	1	
11	<a href="#">S 112</a>	Y	Screw, Hexagon Head Cap	1	3/8 - 16 X 1 in
12	<a href="#">S 223</a>	Y	Nut, Heavy Hexagon	1	3/8 - 16 UNC
13	<a href="#">S 602</a>	Y	Washer, Plain	1	3/8 in
14	<a href="#">S 604</a>	Y	Washer, Lock	1	3/8 in.
15	<a href="#">111670</a>	Y	Brace, Tube	1	
16	<a href="#">214093</a>	Y	Coupling, Elbow Hose	1	
17	<a href="#">3040837</a>	Y	Screw, Captive Washer Cap	1	3/8 - 16 X 2 1/4"
18	<a href="#">3063240</a>	Y	Hose, Plain	1	
19	<a href="#">3081138</a>	Y	Connection, Water Transfer	1	
20	<a href="#">3170930</a>	Y	Coupling, Elbow Hose	1	
21	<a href="#">3200281</a>	Y	Washer, Plain	2	3/8"
22	<a href="#">3200393</a>	Y	Clip	1	
23	<a href="#">4003268</a>	Y	Tube, Water Transfer	1	
24	<a href="#">43828 A</a>	Y	Clamp, Hose	4	11 16 - 1 1/2 in.
25	<a href="#">3818268</a>	Y	Hose, Plain	2	


					
	<b>Option</b>	<b>Group</b>	<b>Graphic</b>	<b>Film Card</b>	<b>Date</b>
	IM4737-01	08.07	im401gt	K	31-MAR-97
<b>Engines</b>	KTA19GC, KTA19GC CM558, QSK19 CM500, QSK19 CM850 MCRS, K19, QSK19G, QSK19 CM2150 MCRS, QSK19 CM2350 K105				
<b>MPB</b>	K19				



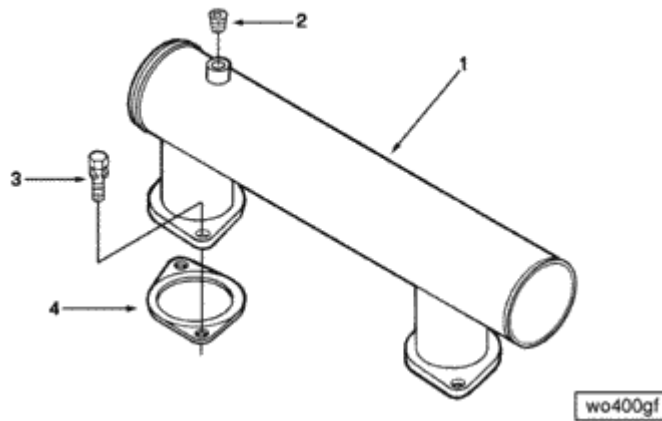
Option	4-Sale	Part Name	Remarks
IM4737-01	N	IM4737-01	Thermostat housing assembly

Ref No	Part Number	4-Sale	Part Name	Req	Remarks
	<a href="#">IM4737-01</a>	Y	Thermostat Housing Assembl		Thermostat housing assembly
		Y			for use with aftercooled
		Y			intake manifold marine
		Y			applications. Includes 170
		Y			degree F thermostats.

1	<a href="#">S 962 E</a>	Y	Draincock	1	
2	<a href="#">186780</a>	Y	Seal, Thermostat	2	
3	<a href="#">135675</a>	Y	Thermostat	2	
4	<a href="#">3008468</a>	Y	Plug, Pipe	4	1/2 NPT
5	<a href="#">3008469</a>	Y	Plug, Pipe	2	3/4 NPT
6	<a href="#">3010596</a>	Y	Screw, Captive Washer Cap	1	3/8 - 16 x 1 1/4 in.
7	<a href="#">3010597</a>	Y	Screw, Captive Washer Cap	5	3/8 - 16 X 3 3/4 in
8	<a href="#">3010916</a>	Y	Support, Thm Housing	1	
9	<a href="#">3010918</a>	Y	Gasket, Thermostat Housing	1	
10	<a href="#">3010933</a>	Y	Housing, Thermostat	1	
11	<a href="#">3013786</a>	Y	Plug, Pipe	1	3/8 NPT

					
	<b>Option</b>	<b>Group</b>	<b>Graphic</b>	<b>Film Card</b>	<b>Date</b>
	WO4010	08.07.1	wo400gf	K	24-JUL-91
<b>Engines</b>	KTA19GC, KTA19GC CM558, QSK19 CM500, QSK19 CM850 MCRS, K19, QSK19G, QSK19 CM2150 MCRS				
<b>MPB</b>	K19				

©Cummins Inc



Option	4-Sale	Part Name	Remarks
WO4010	N	WO4010	Water outlet connection.


Ref No	Part Number	4-Sale	Part Name	Req	Remarks
	<a href="#">WO4010</a>	Y	Water Outlet Connection		Water outlet connection.
		Y			3 inch (76.2mm) diameter
		Y			mounted on thermostat housing
		Y			pointing toward right side.
		Y			For use with keel cooling
		Y			on Marine applications and
		Y			remote cooling on
		Y			construction applications.
			Connection, Water		

1	<a href="#">3021474</a>	Y	Transfer	1	
2	<a href="#">S 910 B</a>	Y	Plug, Pipe	1	1/4 NPT
3	<a href="#">3010596</a>	Y	Screw, Captive Washer Cap	4	3/8 - 16 x 1 1/4 in.
4	<a href="#">3060912</a>	Y	Gasket, Connection	2	

---

©1984-2010 Cummins Inc., Box 3005, Columbus, IN 47202-3005 U.S.A.



					
	<b>Option</b>	<b>Group</b>	<b>Graphic</b>	<b>Film Card</b>	<b>Date</b>
	WI4005	08.07.1	null	K	13-JUN-08
<b>Engines</b>	KTA19GC, KTA19GC CM558, QSK19 CM500, QSK19 CM850 MCRS, K19, QSK19G, QSK19 CM2150 MCRS, QSK19 CM2350 K105				
<b>MPB</b>	K19				


Option	4-Sale	Part Name	Remarks
WI4005	N	WI4005	Water inlet connection

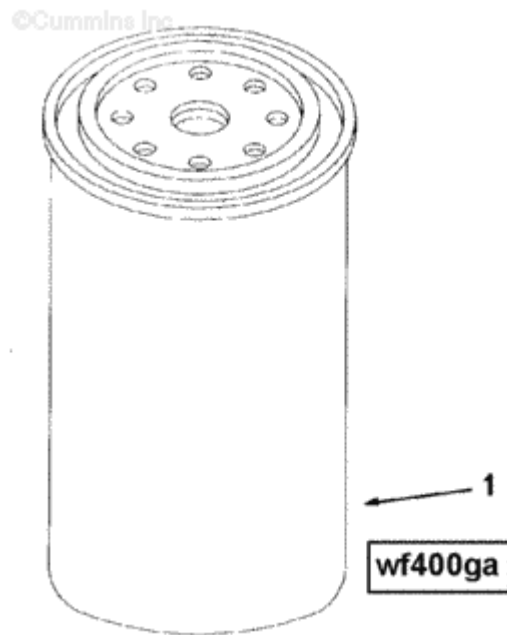
Ref No	Part Number	4-Sale	Part Name	Req	Remarks
	<a href="#">WI4005</a>	Y	CONNECTION,WATER INLET		Water inlet connection
		Y			Engine Family: K19
		Y			Inlet Connection Outside
		Y			Diameter(mm): 76.2 (3.0in)
		Y			direction of inlet
		Y			connection: Pointing forward
		Y			at 40 degrees from crankshaft
		Y			centerline supply method:
		Y			Mounted
		Y			Intended Use: With heat
		Y			exchanger or remote cooling.
	<a href="#">3014212</a>	Y	Connection, Water Inlet	1	
	<a href="#">3202339</a>	Y	Mtg, Water Inlet	1	

	<a href="#">205288</a>	Y	Gasket, Wtr Trf Connection	1	
	<a href="#">3008470</a>	Y	Plug, Pipe	1	1 NPT.
	<a href="#">3010596</a>	Y	Screw, Captive Washer Cap	4	3/8 - 16 X 1 1/4 Inch.

---

©1984-2010 Cummins Inc., Box 3005, Columbus, IN 47202-3005 U.S.A.

					
	<b>Option</b>	<b>Group</b>	<b>Graphic</b>	<b>Film Card</b>	<b>Date</b>
	WF4001-03	08.08	wf400ga	K	29-MAY-01
<b>Engines</b>	KTA19GC, KTA19GC CM558, QSK19 CM500, QSK19 CM850 MCRS, K19, QSK19G, QSK19 CM2150 MCRS				
<b>MPB</b>	K19				




Option	4-Sale	Part Name	Remarks
WF4001-03	N	WF4001-03	DC4 corrosion resistor with

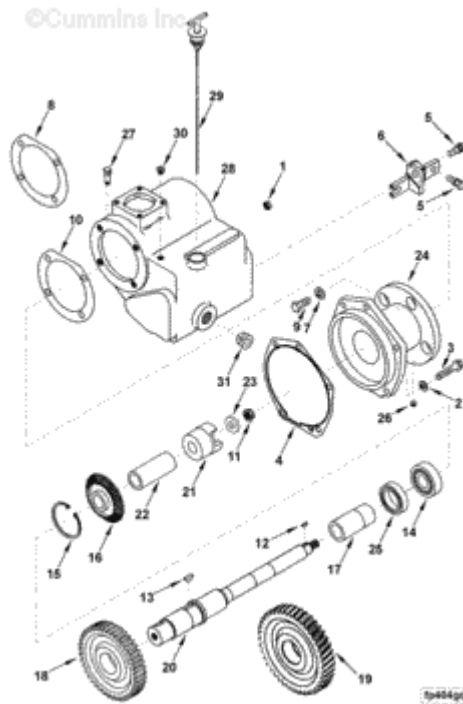
Ref No	Part Number	4-Sale	Part Name	Req	Remarks
	<a href="#">WF4001-03</a>	Y	Corrosion Resistor		DC4 corrosion resistor with
		Y			replaceable spin-on
		Y			cartridge.
		Y			Sized for coolant system
		Y			capacity of 18.4 -
		Y			34.5gallons (70 - 131liter)
		Y			for heat exchanger cooling

		Y			systems.
1	<a href="#">4058965</a>	Y	Resistor, Corrosion	1	Buy From Cummins Filtration
	<a href="#">3826824</a>	Y	Decal	1	Buy From Cummins Filtration

---

©1984-2010 Cummins Inc., Box 3005, Columbus, IN 47202-3005 U.S.A.

					
	<b>Option</b>	<b>Group</b>	<b>Graphic</b>	<b>Film Card</b>	<b>Date</b>
	FP4923-04	09.01	fp404gq	K	03-OCT-07
<b>Engines</b>	KTA19GC, KTA19GC CM558, QSK19 CM500, QSK19 CM850 MCRS, K19, QSK19G, QSK19 CM2150 MCRS, QSK19 CM2350 K105				
<b>MPB</b>	K19				



Option	4-Sale	Part Name	Remarks
FP4923-04	N	FP4923-04	Fuel Pump drive for use


Ref No	Part Number	4-Sale	Part Name	Req	Remarks
	<a href="#">FP4923-04</a>	Y	Fuel Pump Drive		Fuel Pump drive for use
		Y			with Woodward governors
		Y			on engines having a one
		Y			gear cover.
	<a href="#">3017473</a>	N	Drive, Accessory Mtg	1	

1	<a href="#">S 205</a>	Y	Nut, Regular Hexagon	1	3/8 - 24 UNF
2	<a href="#">S 604</a>	Y	Washer, Lock	1	3/8 in.
3	<a href="#">3012473</a>	Y	Screw, Captive Washer Cap	4	3/8 - 16 X 1 3/4"
4	<a href="#">3410171</a>	Y	Gasket, Acc Drive Support	1	
	<a href="#">3017479</a>	N	Bracket, Woodward	1	
5	<a href="#">3014766</a>	Y	Screw, Captive Washer Cap	3	3/8 - 16 x 1 3/64 in.
6	<a href="#">3023085</a>	Y	Support, Air Compressor	1	
	<a href="#">3065811</a>	N	Woodward Governor	1	
7	<a href="#">S 610</a>	Y	Washer, Lock	4	7/16 in.
8	<a href="#">102996</a>	Y	Gasket, Governor Housing	1	
9	<a href="#">103023</a>	Y	Screw, Hexagon Head Cap	4	7/16 - 14 X 1"
10	<a href="#">124577</a>	Y	Gasket, Governor Housing	1	
	<a href="#">3004628</a>	Y	Drive, Access W-W Gov	1	
11	<a href="#">S 222 A</a>	Y	Nut, Lock	1	
12	<a href="#">S 306</a>	Y	Key, Plain Woodruff	1	
13	<a href="#">S 316</a>	Y	Key, Plain Woodruff	1	
14	<a href="#">S 16073</a>	Y	Bearing, Ball	1	
15	<a href="#">S 16255</a>	Y	Ring, Retaining	1	
16	<a href="#">114645</a>	Y	Gear, Governor	1	
17	<a href="#">128067</a>	Y	Spacer, Bearing	1	
18	<a href="#">4952020</a>	N	Gear, Accessory Drive	1	
19	<a href="#">4953332</a>	Y	Gear, Accessory Drive	1	
20	<a href="#">3003301</a>	Y	Shaft, Accessory Drive	1	
21	<a href="#">3003305</a>	Y	Hub, Jaw Coupling	1	
22	<a href="#">3003306</a>	Y	Spacer, Acc Drive	1	
23	<a href="#">3003307</a>	Y	Washer, Retaining	1	
24	<a href="#">3014607</a>	Y	Support, Fuel Pump	1	
25	<a href="#">3078017</a>	Y	Seal, Oil	2	
	<a href="#">3022463</a>	Y	Housing, Governor	1	
26	<a href="#">S 911 B</a>	Y	Plug, Pipe	1	1/8 NPT

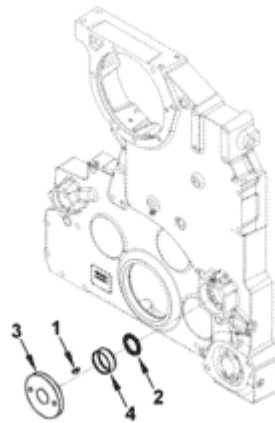
27	<a href="#">63876 1</a>	Y	Vent, Cylinder Head	1	
28	<a href="#">3003300</a>	Y	Housing, Governor	1	
29	<a href="#">216484</a>	Y	Dipstick	1	
30	<a href="#">3008466</a>	Y	Plug, Pipe	1	1/4 NPT
31	<a href="#">3008469</a>	Y	Plug, Pipe	1	3/4 NPT

---

©1984-2010 Cummins Inc., Box 3005, Columbus, IN 47202-3005 U.S.A.

					
	<b>Option</b>	<b>Group</b>	<b>Graphic</b>	<b>Film Card</b>	<b>Date</b>
	AD4006-01	09.03	ad400ga	K	03-SEP-84
<b>Engines</b>	KTA19GC, KTA19GC CM558, QSK19 CM500, QSK19 CM850 MCRS, K19, QSK19G, QSK19 CM2150 MCRS				
<b>MPB</b>	K19				

©Cummins Inc




ad400ga

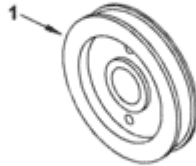
Option	4-Sale	Part Name	Remarks
AD4006-01	N	AD4006-01	Timing disk. Left side of

Ref No	Part Number	4-Sale	Part Name	Req	Remarks
	<a href="#">AD4006-01</a>	Y	Timing Disk		Timing disk. Left side of
		Y			engine.
1	<a href="#">S 316</a>	Y	Key, Plain Woodruff	1	
2	<a href="#">3200287</a>	Y	Seal, Keyway	1	
	<a href="#">3007111</a>	Y	Hub, Timing	1	
3	<a href="#">3007201</a>	N	Hub, Timing	1	
4	<a href="#">190397</a>	Y	Sleeve, Wear	1	Serviced as 3803852



					
	<b>Option</b>	<b>Group</b>	<b>Graphic</b>	<b>Film Card</b>	<b>Date</b>
	AD4007	09.03	ad400gh	K	01-JUN-00
<b>Engines</b>	KTA19GC, KTA19GC CM558, QSK19 CM500, QSK19 CM850 MCRS, K19, QSK19G, QSK19 CM2150 MCRS				
<b>MPB</b>	K19				


©Cummins Inc



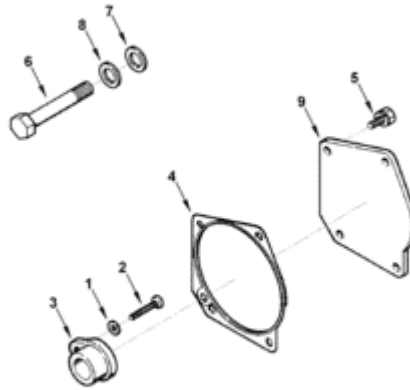
ad400gh

Option	4-Sale	Part Name	Remarks
AD4007	N	AD4007	Pulley to drive alternator.

Ref No	Part Number	4-Sale	Part Name	Req	Remarks
	<a href="#">AD4007</a>	Y	Accessory Drive Pulley		Pulley to drive alternator.
		Y			Right side of engine. For
		Y			use with the one piece
		Y			aluminum gear cover.
1	<a href="#">3002331</a>	Y	Pulley, Alternator	1	

					
	<b>Option</b>	<b>Group</b>	<b>Graphic</b>	<b>Film Card</b>	<b>Date</b>
	HD4067	09.04	hd400gg	K	29-NOV-93
<b>Engines</b>	KTA19GC, KTA19GC CM558, QSK19 CM500, QSK19 CM850 MCRS, K19, QSK19G, QSK19 CM2150 MCRS				
<b>MPB</b>	K19				

©Cummins Inc




hd400gg

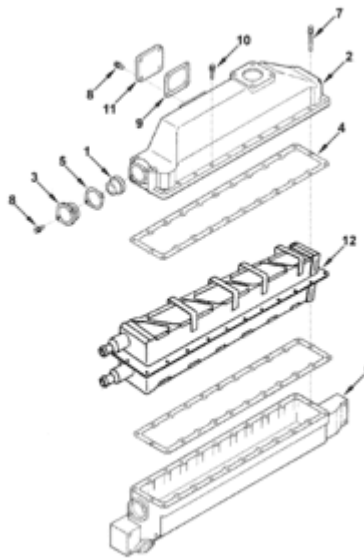
Option	4-Sale	Part Name	Remarks
HD4067	N	HD4067	Cover plate for rear of front

Ref No	Part Number	4-Sale	Part Name	Req	Remarks
	<a href="#">HD4067</a>	Y	Cover Plate		Cover plate for rear of front
		Y			gear cover when no hydraulic
		Y			pump drive provision is
		Y			specified.
1	<a href="#">S 604</a>	Y	Washer, Lock	1	3/8 in.

2	<a href="#">S 103 D</a>	Y	Screw, Hexagon Head Cap	1	3/8 - 16 X 1 1/4 in
3	<a href="#">3003123</a>	Y	Insert, Pump Drive	1	
4	<a href="#">3007380</a>	Y	Gasket, Hydraulic Pump	1	
5	<a href="#">3012472</a>	Y	Screw, Captive Washer Cap	4	3/8 - 16 X 1 1/2 in
6	<a href="#">S 123 A</a>	Y	Screw, Hexagon Head Cap	1	5/8 - 18 X 2"
7	<a href="#">3017346</a>	Y	Washer, Plain	1	5/8"
8	<a href="#">3200772</a>	Y	Washer, Plain	1	5/8"
9	<a href="#">3201609</a>	Y	Cover, Hyd Pump Flange	1	

					
	<b>Option</b>	<b>Group</b>	<b>Graphic</b>	<b>Film Card</b>	<b>Date</b>
	PP2910-03	10.01	pp402gs	K	25-NOV-02
<b>Engines</b>	KTA19GC, KTA19GC CM558, QSK19 CM500, QSK19 CM850 MCRS, K19, QSK19G, QSK19 CM2150 MCRS				
<b>MPB</b>	K19				

©Cummins Inc




pp402gs

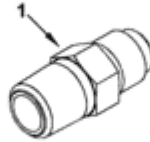
Option	4-Sale	Part Name	Remarks
PP2910-03	N	PP2910-03	Aftercooler

Ref No	Part Number	4-Sale	Part Name	Req	Remarks
	<a href="#">PP2910-03</a>	Y	Aftercooler		Aftercooler
1	<a href="#">206808</a>	Y	Seal, Grommet	2	
2	<a href="#">3070889</a>	Y	Cover, Aftercooler	1	
3	<a href="#">3001301</a>	Y	Retainer, Seal	2	
4	<a href="#">3001304</a>	Y	Gasket, Aft Housing	2	

5	<a href="#">3001305</a>	Y	Gasket, Connection	2	
6	<a href="#">3347739</a>	Y	Housing, Aftercooler	1	
7	<a href="#">3011829</a>	Y	Screw, Captive Washer Cap	3	3/8 - 16 X 4 7/8 in
8	<a href="#">3014766</a>	Y	Screw, Captive Washer Cap	8	3/8 - 16 x 1 3/64 in.
9	<a href="#">3032161</a>	Y	Gasket, Connection	1	
10	<a href="#">3042889</a>	Y	Screw, Captive Washer Cap	21	3/8 - 16 X 1 7/8 in
11	<a href="#">3200783</a>	Y	Plate, Cover	1	
12	<a href="#">3001299</a>	Y	Core, Aftercooler	1	

					
	<b>Option</b>	<b>Group</b>	<b>Graphic</b>	<b>Film Card</b>	<b>Date</b>
	IM4716-01	10.01	im400gg	K	01-NOV-00
<b>Engines</b>	KTA19GC, KTA19GC CM558, QSK19 CM500, QSK19 CM850 MCRS, K19, QSK19G, QSK19 CM2150 MCRS				
<b>MPB</b>	K19				


©Cummins Inc

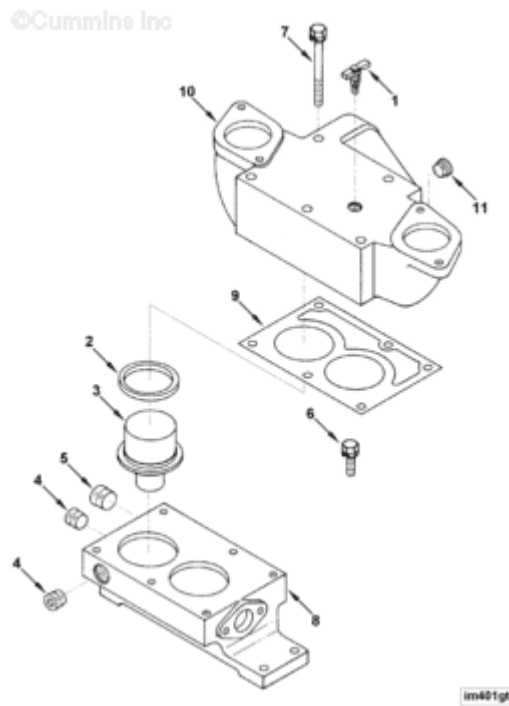


im400gg

Option	4-Sale	Part Name	Remarks
IM4716-01	N	IM4716-01	Vent line plumbing for KT/KTA

Ref No	Part Number	4-Sale	Part Name	Req	Remarks
	<a href="#">IM4716-01</a>	Y	Intake Manifold		Vent line plumbing for KT/KTA
		Y			thermostat housing without
		Y			mounted radiator or heat
		Y			exchanger.
1	<a href="#">143950</a>	Y	Connector, Male	1	
	<a href="#">3921724</a>	N	Tag, Identificati	1	

					
	<b>Option</b>	<b>Group</b>	<b>Graphic</b>	<b>Film Card</b>	<b>Date</b>
	IM4737	10.01	im401gt	K	03-AUG-05
<b>Engines</b>	KTA19GC, KTA19GC CM558, QSK19 CM500, QSK19 CM850 MCRS, K19, QSK19G, QSK19 CM2150 MCRS, QSK19 CM2350 K105				
<b>MPB</b>	K19				




Option	4-Sale	Part Name	Remarks
IM4737	N	IM4737	Thermostat Hsg Assembly

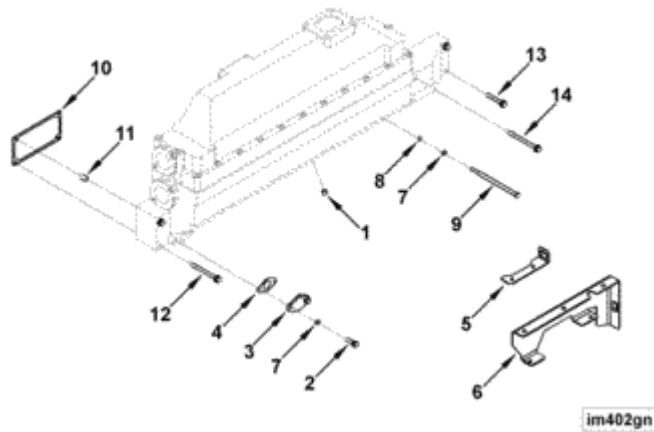
Ref No	Part Number	4-Sale	Part Name	Req	Remarks
	<a href="#">IM4737</a>	Y	Thermostat Hsg Assembly		Thermostat Hsg Assembly
		Y			for use with aftercooled
		Y			intake manifold marine
		Y			applications.
		Y			Includes 170 degree

		Y			thermostats.
	<a href="#">3065802</a>	Y	Thermostat Hsg Assy	1	
1	<a href="#">S 962 E</a>	Y	Draincock	1	
2	<a href="#">186780</a>	Y	Seal, Thermostat	2	
3	<a href="#">135675</a>	Y	Thermostat	2	
4	<a href="#">3008468</a>	Y	Plug, Pipe	4	1/2 NPT
5	<a href="#">3008469</a>	Y	Plug, Pipe	2	3/4 NPT
6	<a href="#">3010596</a>	Y	Screw, Captive Washer Cap	1	3/8 - 16 x 1 1/4 in.
7	<a href="#">3010597</a>	Y	Screw, Captive Washer Cap	5	3/8 - 16 X 3 3/4 in
8	<a href="#">3010916</a>	Y	Support, Thm Housing	1	
9	<a href="#">3010918</a>	Y	Gasket, Thermostat Housing	1	
10	<a href="#">3010933</a>	Y	Housing, Thermostat	1	
11	<a href="#">3013786</a>	Y	Plug, Pipe	1	3/8 NPT



					
	<b>Option</b>	<b>Group</b>	<b>Graphic</b>	<b>Film Card</b>	<b>Date</b>
	IM4757-01	10.01	im402gn	K	05-MAR-07
<b>Engines</b>	KTA19GC, KTA19GC CM558, QSK19 CM500, QSK19 CM850 MCRS, K19, QSK19G, QSK19 CM2150 MCRS, QSK19 CM2350 K105				
<b>MPB</b>	K19				


©Cummins Inc



Option	4-Sale	Part Name	Remarks
IM4757-01	N	IM4757-01	Mounting for aftercooled

Ref No	Part Number	4-Sale	Part Name	Req	Remarks
	<a href="#">IM4757-01</a>	Y	MOUNTING,AIR INT MANIFOLD		Mounting for aftercooled
		Y			intake manifold.
		Y			For use with non AFC fuel
		Y			pump. Without air compressor
		Y			inlet plumbing and noise
		Y			panels.
		Y			Includes mounting brackets


		Y			for solas fitting shields.
1	<a href="#">3008466</a>	Y	Plug, Pipe	2	1/4 NPT
	<a href="#">3012560</a>	N	Cover, Air Comp	1	
2	<a href="#">3010596</a>	Y	Screw, Captive Washer Cap	2	3/8 - 16 x 1 1/4 in.
3	<a href="#">3011693</a>	Y	Plate, Cover	1	
4	<a href="#">3201388</a>	Y	Gasket, Flange	1	
5	<a href="#">3978491</a>	Y	Bracket, Protective Cover	1	
6	<a href="#">4932179</a>	Y	Bracket, Protective Cover	1	
	<a href="#">4933621</a>	N	Mtg, Housing Aftercooler	1	
7	<a href="#">S 604</a>	Y	Washer, Lock	8	3/8 in.
8	<a href="#">127362</a>	Y	Washer, Plain	8	3/8 in
9	<a href="#">137872</a>	Y	Screw, Hexagon Head Cap	8	3/8 - 16 X 7"
10	<a href="#">3637396</a>	Y	Gasket, Intake Manifold	6	
11	<a href="#">3014304</a>	Y	Seal, Rectangular Ring	12	
12	<a href="#">3042890</a>	Y	Screw, Captive Washer Cap	12	3/8 - 16 X 4 in
13	<a href="#">3068533</a>	Y	Screw, Captive Washer Cap	2	3/8 - 16 X 2 1/2 in
14	<a href="#">3408217</a>	Y	Screw, Captive Washer Cap	2	

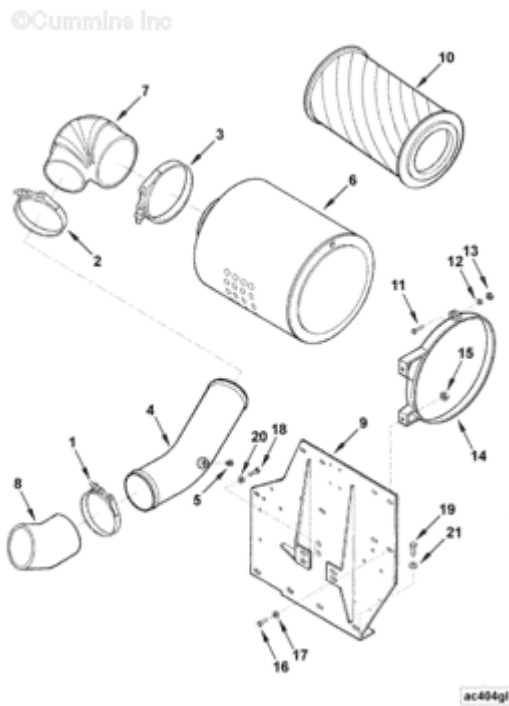
					
	<b>Option</b>	<b>Group</b>	<b>Graphic</b>	<b>Film Card</b>	<b>Date</b>
	IM4022	10.01	null	K	11-SEP-09
<b>Engines</b>	KTA19GC, KTA19GC CM558, QSK19 CM500, QSK19 CM850 MCRS, K19, QSK19G, QSK19 CM2150 MCRS, QSK19 CM2350 K105				
<b>MPB</b>	K19				

Option	4-Sale	Part Name	Remarks
IM4022	N	IM4022	Intake manifold

Ref No	Part Number	4-Sale	Part Name	Req	Remarks
	<a href="#">IM4022</a>	Y	MANIFOLD,AIR INTAKE		Intake manifold
		Y			aftercooled intake manifold.
		Y			Includes thick-flange
		Y			aftercooler cover.
	<a href="#">207378</a>	Y	Tube, Water Transfer	1	
	<a href="#">3002179</a>	Y	Tube, Water Transfer	1	
	<a href="#">3016723</a>	Y	Mtg, Support Therm Hsg	1	
	<a href="#">3012472</a>	Y	Screw, Captive Washer Cap	2	3/8 - 16 X 1 1/2 Inch.
	<a href="#">3060567</a>	Y	Screw, Captive Washer Cap	2	3/8 - 16 X 2 3/4 Inch.
	<a href="#">3016727</a>	Y	Mtg, Tube Wtr Pump	1	
	<a href="#">S 602</a>	Y	Washer, Plain	1	3/8 Inch.
	<a href="#">209773</a>	Y	Clamp, Hose	4	3/4 - 1 3/4 Inch.
	<a href="#">3010922</a>	Y	Clip	1	
	<a href="#">3818271</a>	Y	Hose, Plain	2	

	<a href="#">3016728</a>	Y	Connection, Aftercooler	1	
	<a href="#">143950</a>	Y	Connector, Male	1	
	<a href="#">144372</a>	Y	Elbow, Male Adapter	1	
	<a href="#">209773</a>	Y	Clamp, Hose	2	3/4 - 1 3/4 Inch.
	<a href="#">3008466</a>	Y	Plug, Pipe	1	1/4 NPT.
	<a href="#">3010595</a>	Y	Screw, Captive Washer Cap	2	3/8 - 16 X 1 Inch.
	<a href="#">3010926</a>	Y	Gasket, Flange	1	
	<a href="#">3017276</a>	Y	Hose, Plain	1	
	<a href="#">3175687</a>	Y	Tee, Street Pipe	1	
	<a href="#">3201384</a>	Y	Tube, Vent	1	
	<a href="#">212858</a>	Y	Nut, Tube	2	
	<a href="#">3201385</a>	Y	PIECE	1	
	<a href="#">3201401</a>	Y	Connection, Water Transfer	1	
	<a href="#">4998086</a>	Y	Flange, Weld	1	
	<a href="#">3028291</a>	Y	Seal, O Ring	2	


					
	<b>Option</b>	<b>Group</b>	<b>Graphic</b>	<b>Film Card</b>	<b>Date</b>
	AC4005-04	10.04	ac404gl	K	10-JUL-02
<b>Engines</b>	KTA19GC, KTA19GC CM558, QSK19 CM500, QSK19 CM850 MCRS, K19, QSK19G, QSK19 CM2150 MCRS, QSK19 CM2350 K105				
<b>MPB</b>	K19				



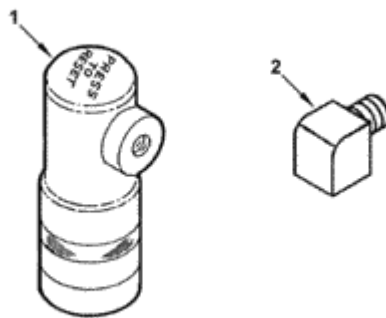
Option	4-Sale	Part Name	Remarks
AC4005-04	N	AC4005-04	Fram model FA-592CU

Ref No	Part Number	4-Sale	Part Name	Req	Remarks
	<a href="#">AC4005-04</a>	Y	Air Cleaner		Fram model FA-592CU
		Y			normal duty air cleaner
		Y			with perforated side air
		Y			inlets. Mounted horizontally
		Y			at the rear of the engine.
					For SAE #0 flywheel

		Y			housing.
		Y			For indoor use only.
	<a href="#">AR45720</a>	N	Cleaner, Air	1	
1	<a href="#">125741</a>	Y	Clamp, T Bolt	1	6 in.
2	<a href="#">140313</a>	Y	Clamp, T Bolt	2	6 1/8 in
3	<a href="#">140314</a>	Y	Clamp, T Bolt	1	7 5/8"
4	<a href="#">3001870</a>	Y	Tube, Air Inlet	1	
5	<a href="#">3025460</a>	Y	Plug, Pipe	1	1/8 NPT
6	<a href="#">3630751</a>	Y	Cleaner, Air	1	
7	<a href="#">3030514</a>	Y	Hose, Elbow	1	
8	<a href="#">3030782</a>	Y	Hose, Elbow	1	
9	<a href="#">3034735</a>	Y	Bracket, Air Cleaner	1	
10	<a href="#">3812000</a>	Y	Element, Air Cleaner	1	
	<a href="#">4067603</a>	N	Mounting, Air Cleaner Stra	1	
11	<a href="#">S 111</a>	Y	Screw, Hexagon Head Cap	2	5/16 - 18 X 1 1/2 in
12	<a href="#">S 605</a>	Y	Washer, Lock	2	5/16 in
13	<a href="#">69832</a>	Y	Nut, Regular Hexagon	2	5/16 - 18 UNC
14	<a href="#">197221</a>	Y	Strap, Air Cleaner	2	
	<a href="#">3022323</a>	N	Mtg, Air Cleaner	1	
15	<a href="#">S 217</a>	Y	Nut, Heavy Hexagon	4	7/16 - 14 UNC
16	<a href="#">103023</a>	Y	Screw, Hexagon Head Cap	4	7/16 - 14 X 1"
17	<a href="#">3000082</a>	Y	Washer, Plain	4	15/32"
	<a href="#">3022325</a>	N	Mtg, Support	1	
18	<a href="#">S 109</a>	Y	Screw, Hexagon Head Cap	4	3/8 - 16 x 7/8 in.
19	<a href="#">S 145</a>	Y	Screw, Hexagon Head Cap	2	1/2 - 13 x 1 1/4 in.
20	<a href="#">108330</a>	Y	Washer, Plain	4	3/8 in
21	<a href="#">203310</a>	Y	Washer, Plain	2	9/16 in

					
	<b>Option</b>	<b>Group</b>	<b>Graphic</b>	<b>Film Card</b>	<b>Date</b>
	CA4021	10.04.2	ca400gu	K	01-MAY-06
<b>Engines</b>	KTA19GC, KTA19GC CM558, QSK19 CM500, QSK19 CM850 MCRS, K19, QSK19G, QSK19 CM2150 MCRS				
<b>MPB</b>	K19				

©Cummins Inc



ca400gu

Option	4-Sale	Part Name	Remarks
CA4021	N	CA4021	Restriction indicator


Ref No	Part Number	4-Sale	Part Name	Req	Remarks
	<a href="#">CA4021</a>	Y	INDICATOR,RESTRICTION		Restriction indicator
		Y			single air cleaner
		Y			restriction service indicator
		Y			set at 25inches of water.
		Y			Mounted at the factory to air
		Y			cleaner or intake piping as
		Y			appropriate.
1	<a href="#">3637209</a>	Y	Indicator, Restriction	1	

2	<a href="#">3934885</a>	Y	Elbow, Plain Street Pipe	1	
---	-------------------------	---	--------------------------	---	--

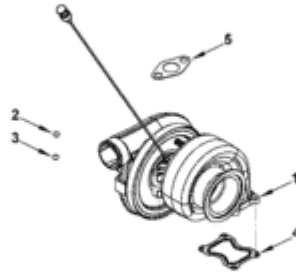
---

©1984-2010 Cummins Inc., Box 3005, Columbus, IN 47202-3005 U.S.A.



					
	<b>Option</b>	<b>Group</b>	<b>Graphic</b>	<b>Film Card</b>	<b>Date</b>
	PP2910	10.05	pp402gk	K	17-MAR-03
<b>Engines</b>	KTA19GC, KTA19GC CM558, QSK19 CM500, QSK19 CM850 MCRS, K19, QSK19G, QSK19 CM2150 MCRS, QSK19 CM2350 K105				
<b>MPB</b>	K19				

©Cummins Inc



pp402gk


Option	4-Sale	Part Name	Remarks
PP2910	N	PP2910	Turbocharger

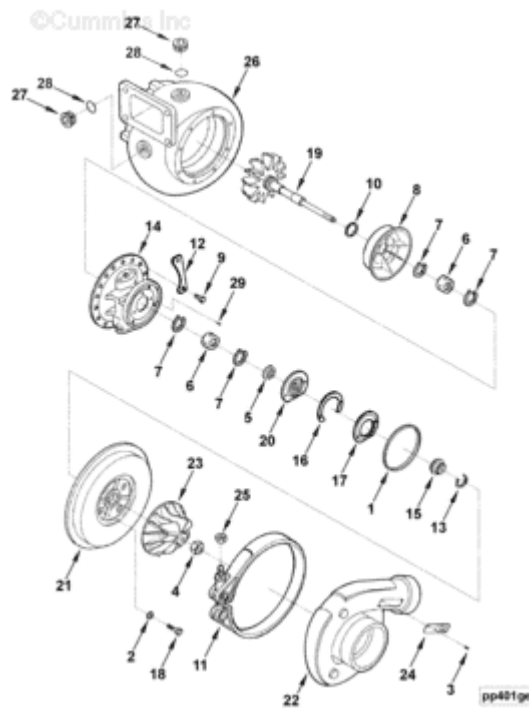
Ref No	Part Number	4-Sale	Part Name	Req	Remarks
	<a href="#">PP2910</a>	Y	Turbocharger		Turbocharger
	<a href="#">3804698</a>	Y	Turbocharger	1	Recon Equivalent 3804698 NX
1	<a href="#">3594139</a>	Y	Turbocharger	1	
2	<a href="#">3037236</a>	Y	Seal, O Ring	1	Ref. SPT 97T10
3	<a href="#">3037537</a>	Y	Seal, O Ring	1	

4	<a href="#">3171368</a>	Y	Gasket, Turbocharger	1	
5	<a href="#">3202117</a>	Y	Gasket, Connection	1	

---

©1984-2010 Cummins Inc., Box 3005, Columbus, IN 47202-3005 U.S.A.

					
	<b>Option</b>	<b>Group</b>	<b>Graphic</b>	<b>Film Card</b>	<b>Date</b>
	PP2910	10.06	pp401ge	K	17-MAR-03
<b>Engines</b>	KTA19GC, KTA19GC CM558, QSK19 CM500, QSK19 CM850 MCRS, K19, QSK19G, QSK19 CM2150 MCRS, QSK19 CM2350 K105				
<b>MPB</b>	K19				



Option	4-Sale	Part Name	Remarks
PP2910	N	PP2910	Turbocharger


Ref No	Part Number	4-Sale	Part Name	Req	Remarks
	<a href="#">PP2910</a>	Y	Turbocharger		Turbocharger
	<a href="#">3804698</a>	Y	Turbocharger	1	Recon Equivalent 3804698 NX
	<a href="#">3594139</a>	Y	Turbocharger	1	
1	<a href="#">3502449</a>	Y	Seal, Rectangular Ring	1	

2	<a href="#">3504967</a>	Y	Washer, Plain	4	Holset Part Sold Only In Kits
3	<a href="#">3519163</a>	Y	Screw, Drive	2	
4	<a href="#">3519535</a>	Y	Nut, Lock	1	M11 X 1.00
5	<a href="#">3591522</a>	Y	Collar, Thrust	1	
6	<a href="#">3519627</a>	Y	Bearing, Turbocharger	2	
7	<a href="#">3519641</a>	Y	Ring, Retaining	4	
8	<a href="#">3536588</a>	Y	Shield, Turbocharger Heat	1	
9	<a href="#">3521225</a>	Y	Screw, Hexagon Head Set	8	M8 X 1.25 X 16
10	<a href="#">3521442</a>	Y	Seal, Split Ring	1	
11	<a href="#">3522631</a>	Y	Clamp, V Band	1	
12	<a href="#">3522904</a>	Y	Lockplate	4	
13	<a href="#">3523412</a>	Y	Seal, Split Ring	1	
14	<a href="#">3594555</a>	Y	Housing, Tur Bearing	1	
15	<a href="#">3523980</a>	Y	Slinger, Oil	1	
16	<a href="#">3524418</a>	Y	Shim	1	
17	<a href="#">3524419</a>	Y	Baffle, Oil	1	
18	<a href="#">3525073</a>	Y	Screw, Hexagon Head Set	4	M8 X 1.25 X 25.
19	<a href="#">3521033</a>	Y	Shaft & Wheel	1	
20	<a href="#">3536914</a>	Y	Bearing, Tur Thrust	1	
21	<a href="#">3538455</a>	Y	Diffuser, Turbocharger	1	
22	<a href="#">3527369</a>	Y	Housing, Compressor	1	
23	<a href="#">3533703</a>	Y	Impeller, Tur Compressor	1	
24	<a href="#">3527619</a>	N	Dataplate	1	
25	<a href="#">3529372</a>	Y	Nut, Regular Hexagon	1	1/4 - 28 UNF
26	<a href="#">4035613</a>	N	Housing, Turbine	1	
	<a href="#">3201583</a>	Y	Plug, Threaded	4	1 5/16 - 12 UNF
27	<a href="#">3040911</a>	N	Plug, Threaded	1	
28	<a href="#">3201585</a>	Y	Seal, O Ring	1	

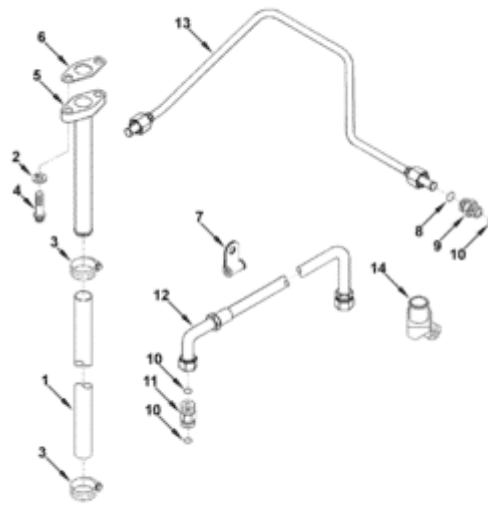
29	<a href="#">3522597</a>	Y	Pin, Roll	2
----	-------------------------	---	-----------	---

---

©1984-2010 Cummins Inc., Box 3005, Columbus, IN 47202-3005 U.S.A.

					
	<b>Option</b>	<b>Group</b>	<b>Graphic</b>	<b>Film Card</b>	<b>Date</b>
	TB4754-05	10.06.1	tb403gw	K	09-JAN-03
<b>Engines</b>	KTA19GC, KTA19GC CM558, QSK19 CM500, QSK19 CM850 MCRS, K19, QSK19G, QSK19 CM2150 MCRS				
<b>MPB</b>	K19				

©Cummins Inc




tb403gw

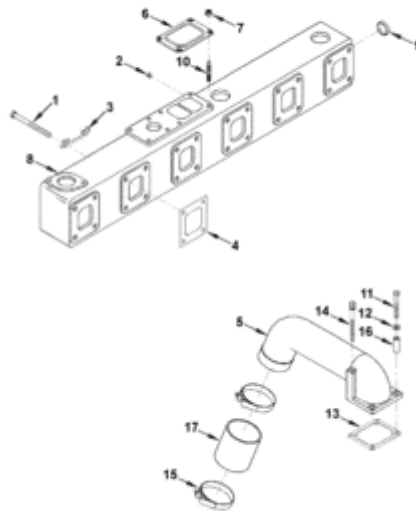
Option	4-Sale	Part Name	Remarks
TB4754-05	N	TB4754-05	Turbocharger plumbing for top

Ref No	Part Number	4-Sale	Part Name	Req	Remarks
	<a href="#">TB4754-05</a>	Y	Turbocharger Mounting		Turbocharger plumbing for top
		Y			or side mounted turbocharger
		Y			with front out exhaust on
		Y			KTA19-m3.
		Y			For use without mounted

		Y			torque converter cooler.
	<a href="#">4067462</a>	N	Turbo Oil Drain	1	
1	<a href="#">AM16025 NF</a>	Y	Hose, Flexible	1	
2	<a href="#">S 604</a>	Y	Washer, Lock	2	3/8 in.
3	<a href="#">43828 A</a>	Y	Clamp, Hose	2	11 16 - 1 1/2 in.
4	<a href="#">191772</a>	Y	Screw, Twelve Point Cap	2	3/8 - 16 X 1 1/4 in
5	<a href="#">3200178</a>	Y	Tube, Tur Oil Drain	1	
6	<a href="#">3202117</a>	Y	Gasket, Connection	1	
	<a href="#">3347641</a>	N	Supply, Turbo Oil	1	
7	<a href="#">3026793</a>	Y	Clip	2	
	<a href="#">3081950</a>	Y	Union, Male	1	1 - 14 X 3/4 - 16
8	<a href="#">3037537</a>	Y	Seal, O Ring	1	
9	<a href="#">3085824</a>	N	Union, Male	1	11/16 - 16 X 9/16 - 18
10	<a href="#">3922794</a>	Y	Seal, O Ring	1	
	<a href="#">3086016</a>	Y	Union, Male	1	11/16 - 16 ORFS
10	<a href="#">3922794</a>	Y	Seal, O Ring	2	
11	<a href="#">3086040</a>	N	Union, Male	1	
12	<a href="#">3086021</a>	Y	Hose, Flexible	1	
13	<a href="#">3811992</a>	Y	Tube, Lub Oil Supply	1	
14	<a href="#">3003536</a>	Y	Coupling, Elbow Hose	1	

					
	<b>Option</b>	<b>Group</b>	<b>Graphic</b>	<b>Film Card</b>	<b>Date</b>
	TB4058	10.06.1	tb402gk	K	11-DEC-96
<b>Engines</b>	KTA19GC, KTA19GC CM558, QSK19 CM500, QSK19 CM850 MCRS, K19, QSK19G, QSK19 CM2150 MCRS, QSK19 CM2350 K105				
<b>MPB</b>	K19				

©Cummins Inc




tb402gk

Option	4-Sale	Part Name	Remarks
TB4058	N	TB4058	Exhaust manifold turbocharger

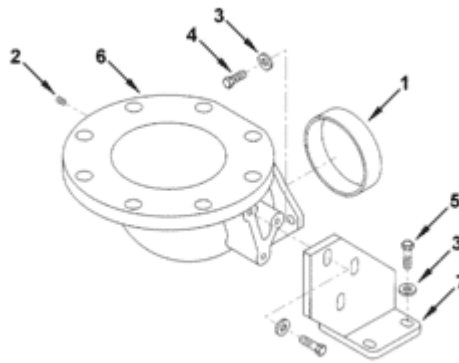
Ref No	Part Number	4-Sale	Part Name	Req	Remarks
	<a href="#">TB4058</a>	Y	Exhaust Manifold Turbochar		Exhaust manifold turbocharger
		Y			mounting west exhaust
		Y			manifold and air crossover
		Y			with mounting for top mounted
		Y			turbocharger with front out



		Y			exhaust.
		Y			Contains berlin cast
		Y			manifold.
		Y			For use on the 700 HP KTA-19-
		Y			m3 engine only.
1	<a href="#">S 164 B</a>	Y	Screw, Hexagon Head Cap	24	7/16 - 14 X 5 1/4"
2	<a href="#">S 910 B</a>	Y	Plug, Pipe	2	1/4 NPT
3	<a href="#">3001405</a>	Y	Lockplate	12	
4	<a href="#">3043097</a>	Y	Gasket, Exhaust Manifold	6	
5	<a href="#">3078067</a>	Y	Connection, Air Crossover	1	
6	<a href="#">206576</a>	Y	Gasket, Turbocharger	1	
7	<a href="#">3056158</a>	Y	Nut, Hexagon Flange	4	3/8 - 24 UNF
	<a href="#">3078024</a>	Y	Manifold, Exhaust	1	
8	<a href="#">3078023</a>	N	Manifold, Exhaust	1	
9	<a href="#">3908092</a>	Y	Plug, Expansion	11	
10	<a href="#">3393130</a>	Y	Stud	4	
11	<a href="#">S 102 D</a>	Y	Screw, Hexagon Head Cap	2	3/8 - 16 x 3"
12	<a href="#">554802</a>	Y	Washer, Plain	2	3/8 in.
13	<a href="#">3032161</a>	Y	Gasket, Connection	1	
14	<a href="#">3040839</a>	Y	Screw, Captive Washer Cap	2	
15	<a href="#">3063809</a>	Y	Clamp, T Bolt	2	3 3/4 in.
16	<a href="#">3175280</a>	Y	Spacer, Mounting	2	
17	<a href="#">3331403</a>	Y	Hose, Plain	1	

					
	<b>Option</b>	<b>Group</b>	<b>Graphic</b>	<b>Film Card</b>	<b>Date</b>
	XS4023-03	11.01.1	xs400gu	K	04-AUG-08
<b>Engines</b>	KTA19GC, KTA19GC CM558, QSK19 CM500, QSK19 CM850 MCRS, K19, QSK19G, QSK19 CM2150 MCRS				
<b>MPB</b>	K19				

©Cummins Inc




xs400gu

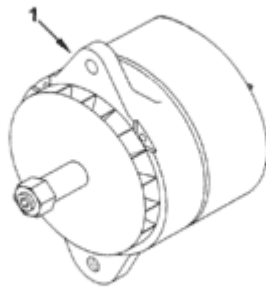
Option	4-Sale	Part Name	Remarks
XS4023-03	N	XS4023-03	Exhaust Elbow

Ref No	Part Number	4-Sale	Part Name	Req	Remarks
	<a href="#">XS4023-03</a>	Y	Exhaust Elbow		Exhaust Elbow
					90 Degree exhaust elbow
		Y			with mounting flange for 6
		Y			inch pipe. Exhaust directed
		Y			vertically for use only on
		Y			KTA19-M3 and KTA19-D (M1)
		Y			engines with water cooled
		Y			turbocharger.
1	<a href="#">3073158</a>	Y	Sleeve, Exhaust	1	

			Connection		
	<a href="#">3074635</a>	N	Mtg, Exhuast Elbow	1	
2	<a href="#">S 910 B</a>	Y	Plug, Pipe	2	1/4 NPT
3	<a href="#">108330</a>	Y	Washer, Plain	11	3/8 in
4	<a href="#">130228</a>	Y	Screw, Hexagon Head Cap	4	
5	<a href="#">3275479</a>	Y	Screw, Hexagon Head Cap	7	3/8 - 16 X 1 1/4"
6	<a href="#">4994738</a>	Y	Connection, Exhaust Outlet	1	Purchase With P/N 2866808
7	<a href="#">3959121</a>	Y	Brace, Exh Out Connection	1	

					
	<b>Option</b>	<b>Group</b>	<b>Graphic</b>	<b>Film Card</b>	<b>Date</b>
	EE8144	13.02	ee401gc	K	01-AUG-01
<b>Engines</b>	KTA19GC, KTA19GC CM558, QSK19 CM500, QSK19 CM850 MCRS, K19, QSK19G, QSK19 CM2150 MCRS				
<b>MPB</b>	K19				


©Cummins Inc



ee401gc

Option	4-Sale	Part Name	Remarks
EE8144	N	EE8144	Alternator Quantity: one


Ref No	Part Number	4-Sale	Part Name	Req	Remarks
	<a href="#">EE8144</a>	Y	Alternator		Alternator Quantity: one
		Y			Manufacturer/model/type:
		Y			Delco Remy/33/SI-455
		Y			Volts 24 Amps 100
		Y			Alternator ground provision:
		Y			Isolated Ground Voltage
		Y			Regulator: Built in
1	<a href="#">4078701</a>	Y	Alternator	1	

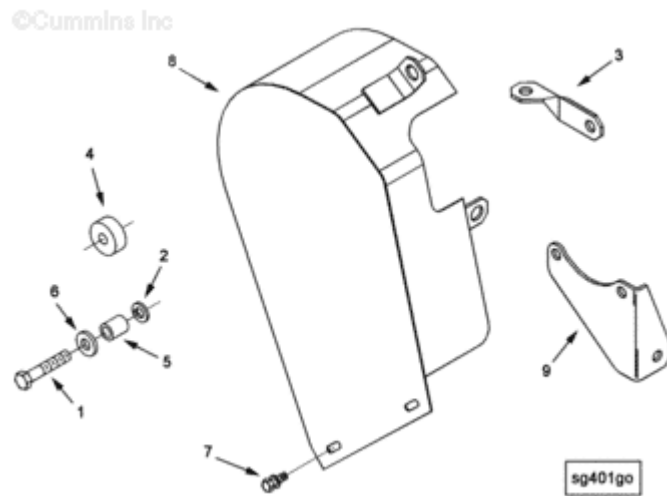
					
	<b>Option</b>	<b>Group</b>	<b>Graphic</b>	<b>Film Card</b>	<b>Date</b>
	EE4011	13.02.3	null	K	07-MAR-08
<b>Engines</b>	KTA19GC, KTA19GC CM558, QSK19 CM500, QSK19 CM850 MCRS, K19, QSK19G, QSK19 CM2150 MCRS, QSK19 CM2350 K105				
<b>MPB</b>	K19				

Option	4-Sale	Part Name	Remarks
EE4011	N	EE4011	Alternator mounting

Ref No	Part Number	4-Sale	Part Name	Req	Remarks
	<a href="#">EE4011</a>	Y	MOUNTING,ALTERNATOR		Alternator mounting
		Y			Engine Family: K19
		Y			alternator
		Y			manufacturing/model:
		Y			Delco Remy
		Y			Leece Neville mounting
		Y			location: Right bank alt
		Y			pulley groove profile: 5
		Y			groove alternator pulley
		Y			diameter (mm): 80.14
		Y			(3.155in) belt description:
		Y			V-ribbed
		Y			Drive Ratio: 2.92 times
		Y			engine speed
		Y			Intended Usage: Gear driven

		Y			fan drive or no fan drive
		Y			adjusting link included: Yes
	<a href="#">206996</a>	Y	Belt, V Ribbed	1	
	<a href="#">3002323</a>	Y	Pulley, Alternator	1	
	<a href="#">3200770</a>	Y	Alternator Mtg	1	
	<a href="#">S 106</a>	Y	Screw, Hexagon Head Cap	1	1/2 - 13 X 1 3/4 Inch.
	<a href="#">S 113</a>	Y	Screw, Hexagon Head Cap	1	1/2 - 13 X 1 1/2 Inch.
	<a href="#">70897</a>	Y	Nut, Lock	1	1/2 - 20 UNF.
	<a href="#">111445</a>	Y	Washer, Lock	2	
	<a href="#">127362</a>	Y	Washer, Plain	4	3/8 Inch.
	<a href="#">158829</a>	Y	Screw, Hexagon Head Cap	1	1/2 - 20 X 6 1/2 Inch.
	<a href="#">203310</a>	Y	Washer, Plain	3	9/16 Inch.
	<a href="#">3010596</a>	Y	Screw, Captive Washer Cap	2	3/8 - 16 X 1 1/4 Inch.
	<a href="#">3010597</a>	Y	Screw, Captive Washer Cap	2	3/8 - 16 X 3 3/4 Inch.
	<a href="#">3086365</a>	Y	Support, Alternator	1	
	<a href="#">3201188</a>	Y	Link, Adjusting	1	
	<a href="#">S 253</a>	Y	Nut, Regular Hexagon Jam	1	1/2 - 20 UNF.
	<a href="#">206202</a>	Y	Nut, Regular Hexagon Jam	1	1/2 - 20 UNF.
	<a href="#">3201185</a>	Y	Bolt, Eye	1	
	<a href="#">3201188</a>	Y	Link, Adjusting	1	
	<a href="#">3201186</a>	Y	Bolt, Eye	1	
	<a href="#">3201187</a>	Y	Link, Adjusting	1	

					
	<b>Option</b>	<b>Group</b>	<b>Graphic</b>	<b>Film Card</b>	<b>Date</b>
	SG4717-01	13.02.3	sg401go	K	15-JUN-00
<b>Engines</b>	KTA19GC, KTA19GC CM558, QSK19 CM500, QSK19 CM850 MCRS, K19, QSK19G, QSK19 CM2150 MCRS				
<b>MPB</b>	K19				




Option	4-Sale	Part Name	Remarks
SG4717-01	N	SG4717-01	Alternator guard for Delco

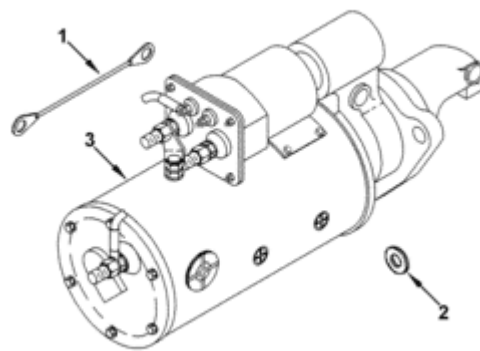
Ref No	Part Number	4-Sale	Part Name	Req	Remarks
	<a href="#">SG4717-01</a>	Y	Alternator Belt Guard		Alternator guard for Delco
		Y			Remy or Leece Neville
		Y			alternators. Vibration
		Y			isolated mounting.
		Y			Use with damper guard.
		Y			For use with keel cooled and
		Y			heat exchanger cooled engines
		Y			except niagara heat exchanger

		Y			cooled.
1	<a href="#">S 137</a>	Y	Screw, Hexagon Head Cap	2	3/8 - 16 X 2 in
		Y			K38/K50 Engines Use 3628194
		Y			capscrew.
2	<a href="#">S 604</a>	Y	Washer, Lock	2	3/8 in.
3	<a href="#">4009665</a>	Y	Bracket, Belt Guard	1	
4	<a href="#">3349409</a>	Y	Isolator, Vibration	4	
5	<a href="#">3410273</a>	Y	Spacer, Mounting	2	
6	<a href="#">108330</a>	Y	Washer, Plain	2	3/8 in
7	<a href="#">3033378</a>	Y	Screw, Captive Washer Cap	2	1/4 - 20 X 21/32 in
8	<a href="#">4009638</a>	Y	Guard, Belt	1	
9	<a href="#">4019757</a>	Y	Bracket, Belt Guard	1	



					
	<b>Option</b>	<b>Group</b>	<b>Graphic</b>	<b>Film Card</b>	<b>Date</b>
	ST4064-01	13.05	st402gv	K	12-FEB-05
<b>Engines</b>	KTA19GC, KTA19GC CM558, QSK19 CM500, QSK19 CM850 MCRS, K19, QSK19G, QSK19 CM2150 MCRS				
<b>MPB</b>	K19				

©Cummins Inc



st402gv


Option	4-Sale	Part Name	Remarks
ST4064-01	N	ST4064-01	Starting Motor

Ref No	Part Number	4-Sale	Part Name	Req	Remarks
	<a href="#">ST4064-01</a>	Y	Starting Motor		Starting Motor
		Y			manufacturer/model:
		Y			Prestolite/MS-7 branded for
		Y			Cummins
		Y			Voltage: 24volt
		Y			Number Of Starters: One
		Y			insulated, CW rotation
		Y			Includes ground strap mounts
		Y			on exhaust side of engine
		Y			Solenoid Location: 277.5

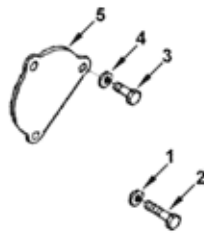
		Y			Degrees.
1	<a href="#">3018924</a>	Y	Wire, Ground	1	
2	<a href="#">3627372</a>	Y	Washer, Plain	1	
3	<a href="#">4081239</a>	Y	Motor, Starting	1	

---

©1984-2010 Cummins Inc., Box 3005, Columbus, IN 47202-3005 U.S.A.

					
	<b>Option</b>	<b>Group</b>	<b>Graphic</b>	<b>Film Card</b>	<b>Date</b>
	ST4006-02	13.05.1	st400gg	K	01-APR-02
<b>Engines</b>	KTA19GC, KTA19GC CM558, QSK19 CM500, QSK19 CM850 MCRS, K19, QSK19G, QSK19 CM2150 MCRS				
<b>MPB</b>	K19				


©Cummins Inc



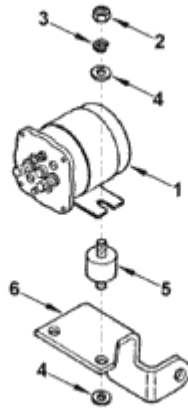
st400gg

Option	4-Sale	Part Name	Remarks
ST4006-02	N	ST4006-02	For SAE no. '0' flywheel

Ref No	Part Number	4-Sale	Part Name	Req	Remarks
	<a href="#">ST4006-02</a>	Y	Starter Mounting		For SAE no. '0' flywheel
		Y			housing, dry application.
		Y			Mounts starter on left or
		Y			right side of engine.
1	<a href="#">S 603</a>	Y	Washer, Lock	3	5/8 in
2	<a href="#">153581</a>	Y	Screw, Twelve Point Cap	3	5/8 - 11 X 2"
3	<a href="#">S 181</a>	Y	Screw, Hexagon Head Cap	3	5/8 - 11 X 1 1/4"
4	<a href="#">S 603</a>	Y	Washer, Lock	3	5/8 in
5	<a href="#">3628411</a>	Y	Cover, Starter Flange	1	

					
	<b>Option</b>	<b>Group</b>	<b>Graphic</b>	<b>Film Card</b>	<b>Date</b>
	ES8029-04	13.10	sw400ga	K	01-APR-99
<b>Engines</b>	KTA19GC, KTA19GC CM558, QSK19 CM500, QSK19 CM850 MCRS, K19, QSK19G, QSK19 CM2150 MCRS				
<b>MPB</b>	K19				

©Cummins Inc



sw400ga


Option	4-Sale	Part Name	Remarks
ES8029-04	N	ES8029-04	24 Volt insulated magnetic

Ref No	Part Number	4-Sale	Part Name	Req	Remarks
	<a href="#">ES8029-04</a>	Y	Magnetic Switch		24 Volt insulated magnetic
		Y			switch for use with single or
		Y			dual positive engagement
		Y			electric starter/starters.
		Y			Secured to the starter
		Y			mounting flange. When engine
		Y			wiring & electric starters
		Y			are specified, this option
		Y			must be selected.

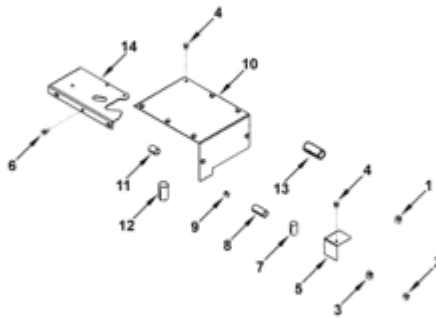
1	<a href="#">3050692</a>	Y	Switch, Magnetic	1	
2	<a href="#">S 224</a>	Y	Nut, Heavy Hexagon	4	1/4 - 20 UNC
3	<a href="#">S 600</a>	Y	Washer, Lock	4	1/4 in
4	<a href="#">S 631</a>	Y	Washer, Plain	4	1/4 in.
5	<a href="#">3408250</a>	Y	Isolator, Vibration	2	
6	<a href="#">3062483</a>	Y	Bracket, Magnetic Switch	1	

---

©1984-2010 Cummins Inc., Box 3005, Columbus, IN 47202-3005 U.S.A.

					
	<b>Option</b>	<b>Group</b>	<b>Graphic</b>	<b>Film Card</b>	<b>Date</b>
	SG4032-02	15.03	sg402gu	K	21-FEB-11
<b>Engines</b>	KTA19GC, KTA19GC CM558, QSK19 CM500, QSK19 CM850 MCRS, K19, QSK19G, QSK19 CM2150 MCRS, QSK19 CM2350 K105				
<b>MPB</b>	K19				

©Cummins Inc




sg402gu

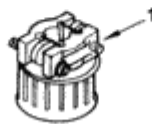
Option	4-Sale	Part Name	Remarks
SG4032-02	N	SG4032-02	Guard Package

Ref No	Part Number	4-Sale	Part Name	Req	Remarks
	<a href="#">SG4032-02</a>	Y	Guard Package		Guard Package
		Y			Structure Code: 02 EBM guard
		Y			supplier: Cummins
		Y			Restricted Damper Diameter:
		Y			N/A

		Y			PTO Capabilities: Yes lube
		Y			filter location:
		Y			Engine mount
		Y			Restricted Engine Cylinders:
		Y			6
		Y			Aspiration:
		Y			Jacket Water Aftercooled
		Y			Engine Family: K Series
		Y			covers for fuel/lube oil
		Y			fittings to block spray if a
		Y			leak occurs per solas
		Y			regulations this package is
		Y			required for marine agencies.
1	<a href="#">43828</a>	Y	Clamp, Hose	3	9/16 - 1 1/16 in
2	<a href="#">179904</a>	Y	Clamp, Hose	1	3/8 - 7/8 in
3	<a href="#">210753</a>	Y	Clamp, Hose	3	9/16 - 1 1/4 in.
4	<a href="#">3071225</a>	Y	Screw, Captive Washer Cap	9	3/8 - 16 X 3/4 in
5	<a href="#">3978495</a>	Y	Cover, Protective	1	
6	<a href="#">4922241</a>	Y	Screw, Captive Washer Cap	3	
7	<a href="#">4929651</a>	Y	Cover, Protective	1	
8	<a href="#">4929652</a>	Y	Cover, Protective	1	
9	<a href="#">4929653</a>	Y	Cover, Protective	1	
10	<a href="#">4930334</a>	Y	Cover, Protective	1	
11	<a href="#">4931202</a>	Y	Cover, Protective	1	
12	<a href="#">4934807</a>	Y	Cover, Protective	3	
13	<a href="#">4936037</a>	Y	Cover, Protective	1	
14	<a href="#">4983727</a>	Y	Bracket, Protective Cover	1	

					
	<b>Option</b>	<b>Group</b>	<b>Graphic</b>	<b>Film Card</b>	<b>Date</b>
	EC8725	15.08	es600gk	K	15-APR-91
<b>Engines</b>	KTA19GC, KTA19GC CM558, QSK19 CM500, QSK19 CM850 MCRS, K19, QSK19G, QSK19 CM2150 MCRS				
<b>MPB</b>	K19				

©Cummins Inc




es600gk

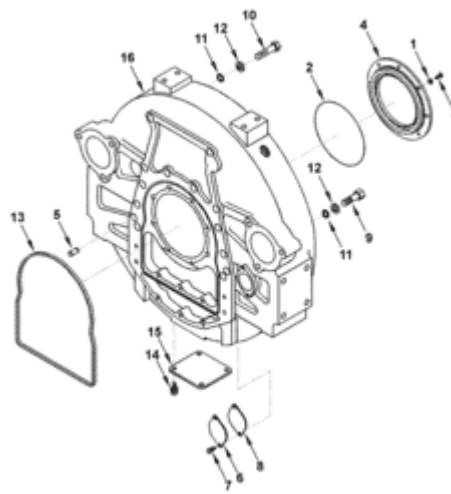
Option	4-Sale	Part Name	Remarks
EC8725	N	EC8725	Mating connector to Woodward

Ref No	Part Number	4-Sale	Part Name	Req	Remarks
	<a href="#">EC8725</a>	Y	Wiring Harness Adapter		Mating connector to Woodward
		Y			EG-1PC governor actuator.
		Y			For use with customer
		Y			supplied wiring harness.
		Y			Supplied in the kit.
1	<a href="#">121276</a>	Y	Connector, Cable	1	
2	<a href="#">215982</a>	Y	Connector, Cable	1	



					
	<b>Option</b>	<b>Group</b>	<b>Graphic</b>	<b>Film Card</b>	<b>Date</b>
	FH4012-04	16.01	fh403ga	K	02-DEC-00
<b>Engines</b>	KTA19GC, KTA19GC CM558, QSK19 CM500, QSK19 CM850 MCRS, K19, QSK19G, QSK19 CM2150 MCRS				
<b>MPB</b>	K19				

©Cummins Inc




fh403ga

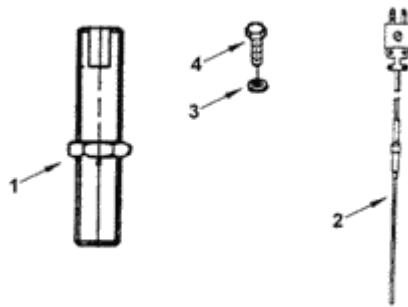
Option	4-Sale	Part Name	Remarks
FH4012-04	N	FH4012-04	SAE #0 cast iron flywheel

Ref No	Part Number	4-Sale	Part Name	Req	Remarks
	<a href="#">FH4012-04</a>	Y	Flywheel Housing		SAE #0 cast iron flywheel
		Y			housing for dry application.
		Y			Has provisions for 5/8-18 and
		Y			or 3/4-16 magnetic pick-up
		Y			and both sides machined for

		Y			starter mounting.
1	<a href="#">S 631</a>	Y	Washer, Plain	8	1/4 in.
2	<a href="#">205247</a>	Y	Seal, O Ring	1	
3	<a href="#">205409</a>	Y	Screw, Hexagon Head Cap	8	1/4 - 20 X 5/8"
4	<a href="#">3160925</a>	Y	Seal, Oil	1	
5	<a href="#">60408</a>	Y	Dowel, Pin	2	
6	<a href="#">70657</a>	Y	Cover, Access Hole	1	
7	<a href="#">3011342</a>	Y	Screw, Captive Washer Cap	2	1/4 - 20 X 3/4"
8	<a href="#">3021735</a>	Y	Gasket, Flywheel Housing	1	
9	<a href="#">S 103 A</a>	Y	Screw, Hexagon Head Cap	10	5/8 - 11 X 2"
10	<a href="#">S 144</a>	Y	Screw, Hexagon Head Cap	2	5/8 - 11 X 2 1/2 in
11	<a href="#">S 603</a>	Y	Washer, Lock	12	5/8 in
12	<a href="#">172648</a>	Y	Seal, Rectangular Ring	14	
13	<a href="#">3096260</a>	Y	Seal, Rectangular Ring	1	
	<a href="#">3201078</a>	N	Cover, Flywheel Housing	1	
14	<a href="#">3010595</a>	Y	Screw, Captive Washer Cap	4	3/8 - 16 X 1"
15	<a href="#">3201056</a>	Y	Cover, Flywheel Housing	1	
16	<a href="#">3036814</a>	Y	Housing, Flywheel	1	

					
	<b>Option</b>	<b>Group</b>	<b>Graphic</b>	<b>Film Card</b>	<b>Date</b>
	FH8718-02	16.01.1	fh400gf	K	16-JUL-90
<b>Engines</b>	KTA19GC, KTA19GC CM558, QSK19 CM500, QSK19 CM850 MCRS, K19, QSK19G, QSK19 CM2150 MCRS				
<b>MPB</b>	K19				

©Cummins Inc




fh400gf

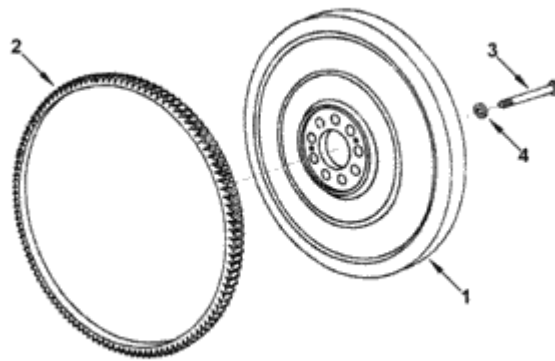
Option	4-Sale	Part Name	Remarks
FH8718-02	N	FH8718-02	5/8-18 UNF magnetic pick-up

Ref No	Part Number	4-Sale	Part Name	Req	Remarks
	<a href="#">FH8718-02</a>	Y	Magnetic Pickup		5/8-18 UNF magnetic pick-up
		Y			for use with SAE "0", "1" and
		Y			"2" flywheel housings.
		Y			Includes plug for 3/4-16
		Y			magnetic pickup location in
		Y			the flywheel housing (both
		Y			wet and dry). Required when
		Y			a remote speed switch, a

		Y			remote elect. Governor or a
		Y			Woodward elect governor is
		Y			specified.
1	<a href="#">213272</a>	Y	Pickup, Magnetic	1	
2	<a href="#">213273</a>	Y	Harness, Wiring	1	
3	<a href="#">553856</a>	Y	Gasket, Drain Plug	1	
4	<a href="#">3201759</a>	Y	Screw, Hexagon Head Cap	1	3/4 - 16 X 1/2"

					
	<b>Option</b>	<b>Group</b>	<b>Graphic</b>	<b>Film Card</b>	<b>Date</b>
	FW4006-01	16.02	fw400ga	K	20-MAY-00
<b>Engines</b>	KTA19GC, KTA19GC CM558, QSK19 CM500, QSK19 CM850 MCRS, K19, QSK19G, QSK19 CM2150 MCRS				
<b>MPB</b>	K19				

©Cummins Inc



fw400ga


Option	4-Sale	Part Name	Remarks
FW4006-01	N	FW4006-01	SAE no. '0' flywheel for use

Ref No	Part Number	4-Sale	Part Name	Req	Remarks
	<a href="#">FW4006-01</a>	Y	Flywheel		SAE no. '0' flywheel for use
		Y			with 14 inch (355.60mm) over
		Y			center clutch adaptation, and
		Y			SAE no. '0' flywheel housing.
		Y			Includes starter ring gear
		Y			for right hand engine
		Y			rotation. Use with Twin Disc
		Y			series 1850 converters, Clark
		Y			19 BKH industrial converters,
		Y			Twin Disc MG514 marine gear

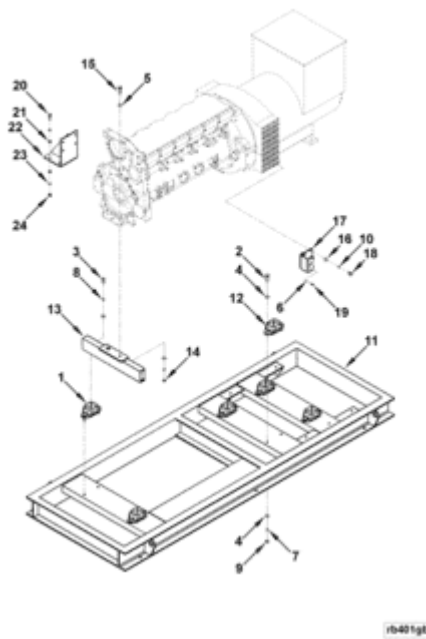
		Y			and Capitol HP6900, HP7700,
		Y			and HP28000 marine gears.
	<a href="#">3090758</a>	Y	Flywheel	1	
1	<a href="#">3086447</a>	N	Flywheel	1	
2	<a href="#">5566</a>	Y	Gear, Flywheel Ring	1	
3	<a href="#">207386</a>	Y	Screw, Head Locking	9	5/8 - 18 X 2 1/2"
4	<a href="#">200861</a>	Y	Washer, Plain	9	5/8"

---

©1984-2010 Cummins Inc., Box 3005, Columbus, IN 47202-3005 U.S.A.

					
	<b>Option</b>	<b>Group</b>	<b>Graphic</b>	<b>Film Card</b>	<b>Date</b>
	RB4037	16.03	rb401gb	K	06-JUN-05
<b>Engines</b>	KTA19GC, KTA19GC CM558, QSK19 CM500, QSK19 CM850 MCRS, K19, QSK19G, QSK19 CM2150 MCRS				
<b>MPB</b>	K19				

©Cummins Inc




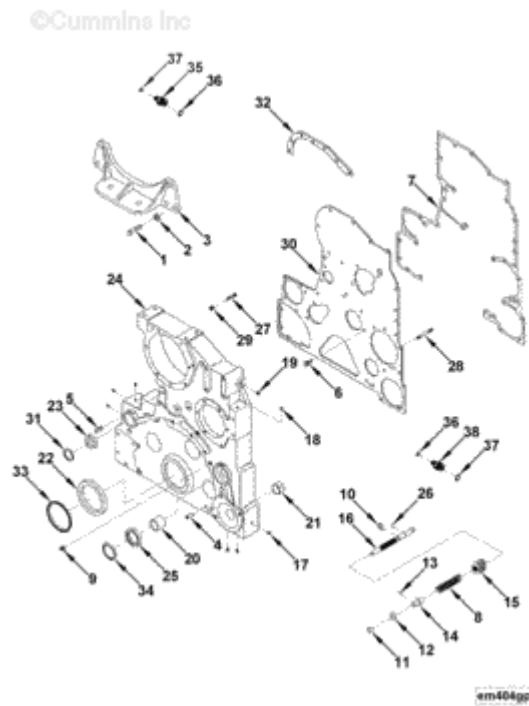
Option	4-Sale	Part Name	Remarks
RB4037	N	RB4037	M12 X 1.75

Ref No	Part Number	4-Sale	Part Name	Req	Remarks
	<a href="#">RB4037</a>	Y	RAIL,BASE		
1	<a href="#">3972954</a>	Y	Isolator, Vibration	2	
2	<a href="#">3974657</a>	Y	Screw, Hexagon Head Cap	12	
3	<a href="#">3974658</a>	Y	Screw, Hexagon Head Cap	2	
4	<a href="#">3974665</a>	Y	Washer, Plain	24	

5	<a href="#">3974666</a>	Y	Washer, Plain	6	
6	<a href="#">3974667</a>	Y	Washer, Lock	3	
7	<a href="#">3974671</a>	Y	Washer, Lock	12	
8	<a href="#">3974672</a>	Y	Washer, Lock	4	
9	<a href="#">3974675</a>	Y	Nut, Regular Hexagon	12	
10	<a href="#">3974725</a>	Y	Washer, Lock	4	
11	<a href="#">3978358</a>	Y	Subbase	1	
12	<a href="#">3978359</a>	Y	Isolator, Vibration	4	
13	<a href="#">3978360</a>	Y	Adapter, Fro Eng Support	1	
14	<a href="#">3978362</a>	Y	Nut, Regular Hexagon	2	
15	<a href="#">3978369</a>	Y	Screw, Hexagon Head Cap	2	
16	<a href="#">4930122</a>	Y	Washer, Plain	4	
17	<a href="#">4932439</a>	Y	Bracket, Hand Pump	1	
18	<a href="#">4932442</a>	Y	Screw, Hexagon Head Cap	4	
19	<a href="#">4932443</a>	Y	Screw, Hexagon Head Cap	3	
20	<a href="#">3974653</a>	Y	Screw, Hexagon Head Cap	8	
21	<a href="#">3974664</a>	Y	Washer, Plain	16	
22	<a href="#">3972957</a>	Y	Bracket, Filter	1	
23	<a href="#">3974670</a>	Y	Washer, Lock	8	
24	<a href="#">3050407</a>	Y	Nut, Regular Hexagon	8	M12 X 1.75



					
	<b>Option</b>	<b>Group</b>	<b>Graphic</b>	<b>Film Card</b>	<b>Date</b>
	EM4106-04	16.03	em404gp	K	15-OCT-03
<b>Engines</b>	KTA19GC, KTA19GC CM558, QSK19 CM500, QSK19 CM850 MCRS, K19, QSK19G, QSK19 CM2150 MCRS, QSK19 CM2350 K105				
<b>MPB</b>	K19				




Option	4-Sale	Part Name	Remarks
EM4106-04	N	EM4106-04	Front Engine Support

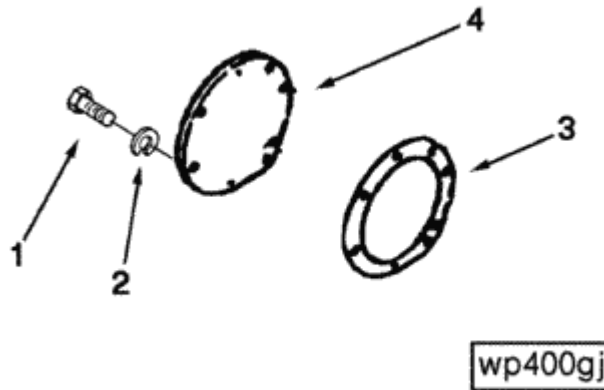
Ref No	Part Number	4-Sale	Part Name	Req	Remarks
	<a href="#">EM4106-04</a>	Y	Front Engine Support		Front Engine Support
		Y			Two bolt pad type front
		Y			engine support.
		Y			For use with applications
		Y			that require a cast iron gear

		Y			cover without front out
		Y			hydraulic pump drive
		Y			provisions.
		Y			Includes cast iron
		Y			Gear cover.
1	<a href="#">S 173 A</a>	Y	Screw, Hexagon Head Cap	6	5/8 - 11 X 2 1/4 in
2	<a href="#">S 603</a>	Y	Washer, Lock	6	5/8 in
3	<a href="#">206343</a>	Y	Support, Front Engine	1	
4	<a href="#">70645</a>	Y	Dowel, Pin	1	
5	<a href="#">102957</a>	Y	Dowel, Diamond	1	
6	<a href="#">3014766</a>	Y	Screw, Captive Washer Cap	12	3/8 - 16 x 1 3/64 in
7	<a href="#">3410141</a>	Y	Gasket, Cover Plate	1	
8	<a href="#">3009620</a>	Y	Spring, Compression	1	
9	<a href="#">3013786</a>	Y	Plug, Pipe	2	3/8 NPT
10	<a href="#">3015525</a>	Y	Ring, Retaining	1	
	<a href="#">3018914</a>	Y	Guide, Barring Shaft	1	
11	<a href="#">3018909</a>	N	Bushing	1	
12	<a href="#">3018910</a>	N	Bearing, Thrust	1	
13	<a href="#">3018911</a>	N	Pin, Roll	1	
14	<a href="#">3019154</a>	Y	Guide, Barring Shaft	1	
15	<a href="#">3019152</a>	Y	Gear, Engine Barring	1	
16	<a href="#">3019153</a>	Y	Shaft, Barring	1	
17	<a href="#">3025460</a>	Y	Plug, Pipe	6	1/8 NPT
18	<a href="#">3008465</a>	Y	Plug, Pipe	5	1/8 NPT
19	<a href="#">3008466</a>	Y	Plug, Pipe	1	1/4 NPT
	<a href="#">3034777</a>	Y	Cover, Gear	1	
20	<a href="#">132770</a>	Y	Bushing	2	
21	<a href="#">205133</a>	Y	Bushing	1	
22	<a href="#">3016787</a>	Y	Seal, Oil	1	
23	<a href="#">3016791</a>	Y	Seal, Oil	1	
24	<a href="#">3021194</a>	Y	Cover, Gear	1	

25	<a href="#">3628895</a>	Y	Seal, Oil	1	
26	<a href="#">3201125</a>	Y	Seal, O Ring	1	
27	<a href="#">206217</a>	Y	Stud	1	
28	<a href="#">206218</a>	Y	Stud	1	
29	<a href="#">3019961</a>	Y	Nut, Plug	2	3/8 - 16 UNC
30	<a href="#">3044521</a>	N	Plate, Gear Cover	1	
31	<a href="#">3628894</a>	Y	Seal, Dust	1	
32	<a href="#">3200642</a>	Y	Plate, Clamping	1	
33	<a href="#">3160924</a>	Y	Seal, Dust	1	
34	<a href="#">3331663</a>	Y	Seal, Dust	1	
	<a href="#">3095293</a>	Y	Union, Male	1	
35	<a href="#">3627697</a>	Y	Union, Male	1	
36	<a href="#">3922794</a>	Y	Seal, O Ring	1	
	<a href="#">3081950</a>	Y	Union, Male	1	1 - 14 X 3/4 - 16
36	<a href="#">3922794</a>	Y	Seal, O Ring	1	
37	<a href="#">3037537</a>	Y	Seal, O Ring	1	
38	<a href="#">3085824</a>	N	Union, Male	1	11/16 - 16 X 9/16 - 18


					
	<b>Option</b>	<b>Group</b>	<b>Graphic</b>	<b>Film Card</b>	<b>Date</b>
	EM4720	16.03	wp400gj	K	19-MAR-01
<b>Engines</b>	KTA19GC, KTA19GC CM558, QSK19 CM500, QSK19 CM850 MCRS, K19, QSK19G, QSK19 CM2150 MCRS				
<b>MPB</b>	K19				

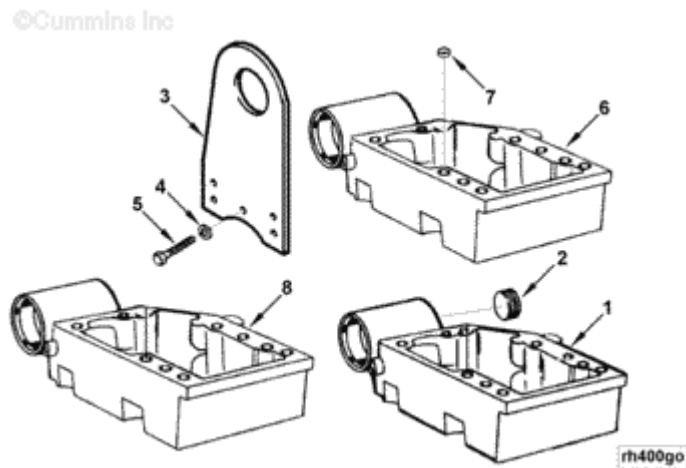
©Cummins Inc



Option	4-Sale	Part Name	Remarks
EM4720	N	EM4720	Cover plate for use when sea

Ref No	Part Number	4-Sale	Part Name	Req	Remarks
	<a href="#">EM4720</a>	Y	Cover Plate		Cover plate for use when sea
		Y			water pump is not required.
1	<a href="#">S 109</a>	Y	Screw, Hexagon Head Cap	6	3/8 - 16 x 7/8 in.
2	<a href="#">S 604</a>	Y	Washer, Lock	6	3/8 in.
3	<a href="#">3008869</a>	Y	Gasket, Sea Water Pump	1	
4	<a href="#">3034482</a>	Y	Cover, Sea Water Pump	1	

					
	<b>Option</b>	<b>Group</b>	<b>Graphic</b>	<b>Film Card</b>	<b>Date</b>
	SS4023-02	17.06	rh400go	K	08-DEC-95
<b>Engines</b>	KTA19GC, KTA19GC CM558, QSK19 CM500, QSK19 CM850 MCRS, K19, QSK19G, QSK19 CM2150 MCRS, QSK19 CM2350 K105				
<b>MPB</b>	K19				




Option	4-Sale	Part Name	Remarks
SS4023-02	N	SS4023-02	Lifting arrangement with

Ref No	Part Number	4-Sale	Part Name	Req	Remarks
	<a href="#">SS4023-02</a>	Y	Lifting Arrangement		Lifting arrangement with
		Y			provisions for mounting the
		Y			lifting bracket on rear of #1
		Y			rocker housing and the air
		Y			cleaner support plate to the
		Y			rear of #6 rocker housing.
		Y			For use with hydraulic
		Y			variable timing.
1	<a href="#">3202198</a>	Y	Housing, Rocker Lever	1	#6 Rocker Housing
2	<a href="#">3008469</a>	Y	Plug, Pipe	1	3/4 NPT

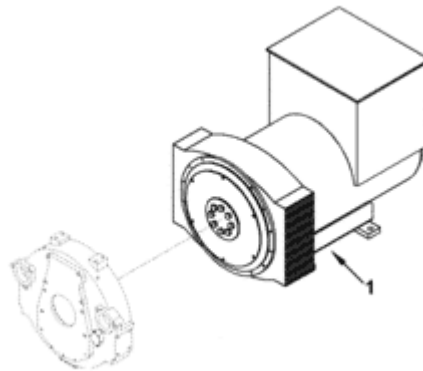
3	<a href="#">3018092</a>	Y	Bracket, Lifting	1	
4	<a href="#">108330</a>	Y	Washer, Plain	5	3/8 in
5	<a href="#">158391</a>	Y	Screw, Hexagon Head Cap	5	3/8 - 16 X 1"
6	<a href="#">3202194</a>	Y	Housing, Rocker Lever	1	
7	<a href="#">205129</a>	Y	Dowel, Ring	6	
8	<a href="#">3177713</a>	Y	Housing, Rocker Lever	4	

---

©1984-2010 Cummins Inc., Box 3005, Columbus, IN 47202-3005 U.S.A.

					
	<b>Option</b>	<b>Group</b>	<b>Graphic</b>	<b>Film Card</b>	<b>Date</b>
	MG4023	21.01	mg400gd	K	11-APR-05
<b>Engines</b>	KTA19GC, KTA19GC CM558, QSK19 CM500, QSK19 CM850 MCRS, K19, QSK19G, QSK19 CM2150 MCRS				
<b>MPB</b>	K19				

©Cummins Inc



mg400gd

Option	4-Sale	Part Name	Remarks
MG4023	N	MG4023	Marine genset with 380volt,


Ref No	Part Number	4-Sale	Part Name	Req	Remarks
	<a href="#">MG4023</a>	Y	GENERATOR,MAIN		Marine genset with 380volt,
		Y			50 HZ 380 or 335 kwe
		Y			dependant on fuel rating
		Y			selection
		Y			Certification Agency: Bureau
		Y			Veritas (bv) Newage stamford
		Y			single bearing marine
		Y			alternator model hcm534 e.
		Y			Fitted with anti condensation
		Y			heaters (240 v), quadrature

		Y			droop kit, IP23 enclosure, 2
		Y			sets of thermistors and MX341
		Y			avr.
1	<a href="#">4930069</a>	N	Generator, Main	1	

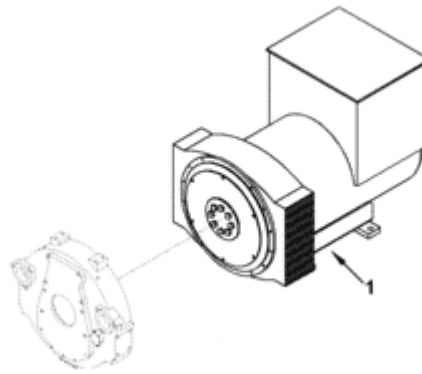
---

©1984-2010 Cummins Inc., Box 3005, Columbus, IN 47202-3005 U.S.A.



					
	<b>Option</b>	<b>Group</b>	<b>Graphic</b>	<b>Film Card</b>	<b>Date</b>
	MG4008	21.01	mg400gd	K	11-APR-05
<b>Engines</b>	KTA19GC, KTA19GC CM558, QSK19 CM500, QSK19 CM850 MCRS, K19, QSK19G, QSK19 CM2150 MCRS				
<b>MPB</b>	K19				

©Cummins Inc



mg400gd


Option	4-Sale	Part Name	Remarks
MG4008	N	MG4008	Marine genset with 440volt,

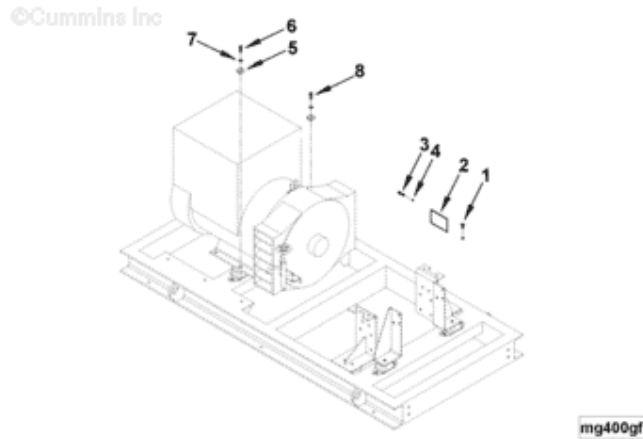
Ref No	Part Number	4-Sale	Part Name	Req	Remarks
	<a href="#">MG4008</a>	Y	GENERATOR,MAIN		Marine genset with 440volt,
		Y			60 HZ 460 or 400 kwe
		Y			dependant on fuel rating
		Y			selection
		Y			Certification Agency: Lloyds
		Y			register of shipping (lr)
		Y			Newage stamford single
		Y			bearing marine alternator
		Y			model hcm534 e. Fitted with
		Y			anti condensation heaters

		Y			(240 v), quadrature droop
		Y			kit, IP23 enclosure, 2 sets
		Y			of thermistors and MX341 avr.
1	<a href="#">3979291</a>	Y	Generator, Main	1	

---


©1984-2010 Cummins Inc., Box 3005, Columbus, IN 47202-3005 U.S.A.

					
	<b>Option</b>	<b>Group</b>	<b>Graphic</b>	<b>Film Card</b>	<b>Date</b>
	MG4701-01	21.01	mg400gf	K	19-SEP-05
<b>Engines</b>	KTA19GC, KTA19GC CM558, QSK19 CM500, QSK19 CM850 MCRS, K19, QSK19G, QSK19 CM2150 MCRS				
<b>MPB</b>	K19				

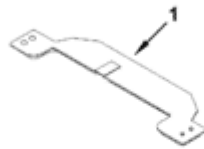


Option	4-Sale	Part Name	Remarks
MG4701-01	N	MG4701-01	1/2 - 13 X 1"

Ref No	Part Number	4-Sale	Part Name	Req	Remarks
	<a href="#">MG4701-01</a>	Y	GENERATOR,MAIN		
1	<a href="#">S 169</a>	Y	Screw, Hexagon Head Cap	8	1/2 - 13 X 1"
2	<a href="#">3978371</a>	Y	Dataplate	1	
3	<a href="#">S 113</a>	Y	Screw, Hexagon Head Cap	8	1/2 - 13 X 1 1/2 in
4	<a href="#">S 608</a>	Y	Washer, Lock	20	1/2 in
5	<a href="#">3974666</a>	Y	Washer, Plain	4	
6	<a href="#">3978369</a>	Y	Screw, Hexagon Head Cap	4	
7	<a href="#">3974672</a>	Y	Washer, Lock	4	
8	<a href="#">S 125</a>	Y	Screw, Hexagon Head Cap	4	1/2 - 13 X 2 in

					
	<b>Option</b>	<b>Group</b>	<b>Graphic</b>	<b>Film Card</b>	<b>Date</b>
	SH4005	21.02	sh400gf	K	27- JAN- 11
<b>Engines</b>	KTA19GC, KTA19GC CM558, QSK19 CM500, QSK19 CM850 MCRS, K19, QSK19G, QSK19 CM2150 MCRS				
<b>MPB</b>	K19				

©Cummins Inc



sh400gf


Option	4-Sale	Part Name	Remarks
SH4005	N	SH4005	Heat Shield

Ref No	Part Number	4-Sale	Part Name	Req	Remarks
	<a href="#">SH4005</a>	Y	Heat Shield		Heat Shield
		Y			Structure Code: 02
		Y			Engine Family: K Series
		Y			Cylinders: 6
		Y			Location: Wrapped Around The
		Y			Turbocharger mounting flange
		Y			Includes fitting shield for
		Y			the turbocharger oil supply

		Y			hose.
1	<a href="#">5283117</a>	Y	Blanket, Turbocharger Heat	1	

---

©1984-2010 Cummins Inc., Box 3005, Columbus, IN 47202-3005 U.S.A.

					
	<b>Option</b>	<b>Group</b>	<b>Graphic</b>	<b>Film Card</b>	<b>Date</b>
	GP4003	21.02	null	K	09-AUG-10
<b>Engines</b>	KTA19GC, KTA19GC CM558, QSK19 CM500, QSK19 CM850 MCRS, K19, QSK19G, QSK19 CM2150 MCRS				
<b>MPB</b>	K19				

Option	4-Sale	Part Name	Remarks
GP4003	N	GP4003	Engine Instrument Panel


Ref No	Part Number	4-Sale	Part Name	Req	Remarks
	<a href="#">GP4003</a>	Y	Engine Instrument Panel		Engine Instrument Panel
					Genset mounted electronic
		Y			control panel (lhs) suitable
		Y			and calibrated for use in
		Y			unmanned Machinery spaces
		Y			according to iacs rules.
		Y			Includes all harnesses and
		Y			sensors required for
		Y			operation. Equipment has
		Y			type approval certificates
		Y			only. 24volt isolated ground
		Y			only.
		Y			Provides monitoring and
		Y			safety of engine only
		Y			Includes single remote
		Y			console mountable touchscreen

		Y			panel.
		Y			Remote panel is connected to
		Y			local genset panel by 4 wire
		Y			digital signaling in
		Y			accordance with class rules.
		Y			Unit is calibrated and
		Y			suitable for interior.
	<a href="#">S 606</a>	Y	Washer, Lock	4	#12
	<a href="#">S 910 C</a>	Y	Bushing, Reducing Pipe	1	
	<a href="#">3050407</a>	Y	Nut, Regular Hexagon	6	M12 X 1.75.
	<a href="#">3081950</a>	Y	Union, Male	1	
	<a href="#">3037537</a>	Y	Seal, O Ring	1	
	<a href="#">3085824</a>	N	Union, Male	1	11/16 - 16 X 9/16 - 18
	<a href="#">3922794</a>	Y	Seal, O Ring	1	
	<a href="#">3170813</a>	Y	Connector, Male	2	
	<a href="#">3397526</a>	N	Connector, Male	1	
	<a href="#">3865251</a>	Y	Seal, O Ring	1	
	<a href="#">3170814</a>	Y	Connector, Male	1	
	<a href="#">3397527</a>	Y	Connector, Male	1	
	<a href="#">3865251</a>	Y	Seal, O Ring	1	
	<a href="#">3282074</a>	Y	Nut, Hexagon Flange	4	
	<a href="#">3634710</a>	Y	Hose, Flexible	1	
	<a href="#">3917846</a>	Y	Pickup, Magnetic	1	
	<a href="#">3920021</a>	Y	Washer, Plain	4	
	<a href="#">5271261</a>	Y	Panel, Display	1	
	<a href="#">3974643</a>	Y	Adapter, Sensor	1	
	<a href="#">3974646</a>	Y	Sensor, Temperature	1	Exhaust gas.
	<a href="#">3974647</a>	Y	Sensor, Temperature	2	Coolant or oil.
	<a href="#">3974648</a>	Y	Sensor, Fluid Level	1	Coolant.
	<a href="#">3974649</a>	Y	Screw, Hexagon Head Cap	2	
			Screw, Hexagon Head		

	<a href="#">3974650</a>	Y	Cap	4	
	<a href="#">3974653</a>	Y	Screw, Hexagon Head Cap	6	
	<a href="#">3974662</a>	Y	Washer, Plain	4	
	<a href="#">3974663</a>	Y	Washer, Plain	8	
	<a href="#">3974664</a>	Y	Washer, Plain	12	
	<a href="#">3974667</a>	Y	Washer, Lock	2	
	<a href="#">3974668</a>	Y	Washer, Lock	4	
	<a href="#">3974670</a>	Y	Washer, Lock	6	
	<a href="#">3974674</a>	Y	Nut, Regular Hexagon	2	
	<a href="#">3976555</a>	Y	Nut, Regular Hexagon	4	
	<a href="#">2871223</a>	N	Harness, Wiring TLA	1	
	<a href="#">3978364</a>	Y	Harness, Wiring	1	
	<a href="#">3979267</a>	Y	Harness, Wiring	1	
	<a href="#">3979268</a>	Y	Harness, Wiring	1	
	<a href="#">3979269</a>	Y	Harness, Wiring	1	
	<a href="#">3979270</a>	Y	Harness, Wiring	1	
	<a href="#">3979271</a>	Y	Harness, Wiring	1	
	<a href="#">3979272</a>	Y	Harness, Wiring	1	
	<a href="#">4930091</a>	Y	Harness, Wiring	1	
	<a href="#">3978367</a>	Y	Panel, Control	1	
	<a href="#">3978368</a>	Y	Bracket, Control Box	1	
	<a href="#">3979282</a>	Y	Hose, Flexible	1	
	<a href="#">4016669</a>	Y	Union, Male	2	
	<a href="#">3678603</a>	Y	Seal, O Ring	1	
	<a href="#">3922794</a>	Y	Seal, O Ring	1	
	<a href="#">4016670</a>	N	Union, Male	1	
	<a href="#">4067537</a>	Y	Connector, Male	1	
	<a href="#">3922794</a>	Y	Seal, O Ring	1	
	<a href="#">4067538</a>	Y	Connector, Male	1	
	<a href="#">4099222</a>	Y	Connector, Male	1	
	<a href="#">3036666</a>	Y	Seal, O Ring	1	




	<a href="#">4099221</a>	N	Connector, Male	1	
	<a href="#">4930092</a>	Y	Hose, Flexible	1	
	<a href="#">4930093</a>	Y	Hose, Flexible	1	
	<a href="#">3974640</a>	Y	Switch, Pressure	1	
	<a href="#">3974641</a>	Y	Switch, Pressure	1	
	<a href="#">3974642</a>	Y	Switch, Temperature	1	
	<a href="#">3974644</a>	Y	Sensor, Oil Pressure	1	Oil.
	<a href="#">3976551</a>	Y	Block, Terminal	1	
	<a href="#">3976552</a>	Y	Block, Terminal	1	
	<a href="#">3978366</a>	Y	Bracket, Sensor	1	

					
	<b>Option</b>	<b>Group</b>	<b>Graphic</b>	<b>Film Card</b>	<b>Date</b>
	FR4347	99.01	null	K	05-OCT-13
<b>Engines</b>	KTA19GC, KTA19GC CM558, QSK19 CM500, QSK19 CM850 MCRS, K19, QSK19G, QSK19 CM2150 MCRS, QSK19 CM2350 K105				
<b>MPB</b>	K19				


Option	4-Sale	Part Name	Remarks
FR4347	N	FR4347	Fuel rating

Ref No	Part Number	4-Sale	Part Name	Req	Remarks
	<a href="#">FR4347</a>	Y	RATING,FUEL		Fuel rating
		Y			rated power: 0480 BHP at
		Y			1500 RPM
		Y			Peak torque: 0000 FT LB at
		Y			0000 RPM
		Y			Governed Power: 0530 BHP At
		Y			1500 RPM
		Y			CPL: 2910
		Y			Certified By: Imo cal restr:
		Y			None
		Y			Power Rating: Prime
		Y			Engine Control System: N/A
		Y			Application: Marine cert
		Y			level: Tierii engine rating:
		Y			480 BHP prime power with 530
		Y			BHP overload capability at
		Y			1500 RPM.

					
	<b>Option</b>	<b>Group</b>	<b>Graphic</b>	<b>Film Card</b>	<b>Date</b>
	FCE497	99.01	null	K	05-OCT-13
<b>Engines</b>	KTA19GC, KTA19GC CM558, QSK19 CM500, QSK19 CM850 MCRS, K19, QSK19G, QSK19 CM2150 MCRS, QSK19 CM2350 K105				
<b>MPB</b>	K19				


Option	4-Sale	Part Name	Remarks
FCE497	N	FCE497	Fuel pump calibration

Ref No	Part Number	4-Sale	Part Name	Req	Remarks
	<a href="#">FCE497</a>	Y	CODE,FUEL		Fuel pump calibration
		Y			adv/rated power: 0530 BHP at
		Y			1500 RPM
		Y			Peak torque: 0000 FT LB at
		Y			0000 RPM
		Y			Governed Power: 0530 BHP At
		Y			1500 RPM
		Y			CPL: 2910
		Y			Certified By: Imo cal restr:
		Y			None
		Y			Power Rating: Prime
		Y			Engine Control System: N/A
		Y			Application: Marine cert
		Y			level: Tierii.

					
	<b>Option</b>	<b>Group</b>	<b>Graphic</b>	<b>Film Card</b>	<b>Date</b>
	HD4067	99.01	null	K	05-OCT-13
<b>Engines</b>	KTA19GC, KTA19GC CM558, QSK19 CM500, QSK19 CM850 MCRS, K19, QSK19G, QSK19 CM2150 MCRS, QSK19 CM2350 K105				
<b>MPB</b>	K19				

Option	4-Sale	Part Name	Remarks
HD4067	N	HD4067	Auxiliary pump drive

Ref No	Part Number	4-Sale	Part Name	Req	Remarks
	<a href="#">HD4067</a>	Y	COVER PLATE		Auxiliary pump drive
		Y			Engine Family: K19 item(s)
		Y			included:
		Y			Cover plate
		Y			Cover Plate Mounting
		Y			Location: Rear of front gear
		Y			cover
		Y			Hydraulic Pump Drive
		Y			Provision: No.

					
	<b>Option</b>	<b>Group</b>	<b>Graphic</b>	<b>Film Card</b>	<b>Date</b>
	TB4754	99.01	null	K	05-OCT-13
<b>Engines</b>	KTA19GC, KTA19GC CM558, QSK19 CM500, QSK19 CM850 MCRS, K19, QSK19G, QSK19 CM2150 MCRS, QSK19 CM2350 K105				
<b>MPB</b>	K19				

Option	4-Sale	Part Name	Remarks
TB4754	N	TB4754	Turbocharger plumbing

Ref No	Part Number	4-Sale	Part Name	Req	Remarks
	<a href="#">TB4754</a>	Y	PLUMBING,TURBOCHARGER		Turbocharger plumbing
		Y			turbocharger plumbing for top
		Y			or side mounted turbocharger
		Y			with front out exhaust on
		Y			KTA19-m3.
		Y			For use without mounted
		Y			torque converter cooler.