

Parts Manual



See "General Information"
for New Parts Manual
Features.

3512C Marine Engine

E3W1-Up (Engine)

This Parts Manual is also available in .PDF Format on Compact Disc
(CD-ROM) - Caterpillar Form No. SERP4669

Product and Dealer Information

Note: For product identification plate locations, see the section "Product Identification Information" in the Operation and Maintenance Manual.

Delivery Date: _____

Product Information

Model: _____

Product Identification Number: _____

Engine Serial Number: _____

Transmission Serial Number: _____

Generator Serial Number: _____

Attachment Serial Numbers: _____

Attachment Information: _____

Customer Equipment Number: _____

Dealer Equipment Number: _____

Dealer Information

Name: _____ Branch: _____

Address: _____

Dealer Contact

Phone Number

Hours

Sales: _____

Parts: _____

Service: _____

MEMORANDA

TABLE OF CONTENTS

Name	Page	Name	Page
GENERAL INFORMATION	A3	CONNECTION GP-OIL	87
REPAIR ALTERNATIVES	A5	FILLER GP-ENGINE OIL	88
SUPPLEMENTAL COOLANT ADDITIVES	A6	FILTER GP-CENTRIFUGAL	90
MAINTENANCE PARTS	A7	FILTER GP-ENGINE OIL	91
INDEX	A9	GAUGE GP-OIL LEVEL (DIPSTICK)	102
ENGINE ARRANGEMENT	1	HOSE AS	104
ENGINE AR	1	LINES GP-CENTRIFUGAL FILTER	108
BASIC ENGINE	2	LINES GP-ENGINE OIL	109
BARRING GP	2	LINES GP-PRELUBRICATION	112
BASE GP-VALVE COVER	3	LINES GP-TURBOCHARGER OIL	113
CAMSHAFT GP	4	PUMP & LINES GP-PRELUBRICATION	115
COVER GP-CAMSHAFT	5	PUMP GP-ENGINE OIL	117
COVER GP-CYLINDER BLOCK	7	PUMP GP-PRELUBRICATION	119
COVER GP-FLYWHEEL HOUSING	10	PUMP GP-SUMP	120
COVER GP-FRONT HOUSING	12	SHIELD GP-ENGINE OIL LINES	125
COVER GP-OIL PAN	13	VALVE GP-FLUID CONTROL	129
COVER GP-VALVE MECHANISM	14	COOLING SYSTEM	130
CRANKSHAFT GP	16	CONNECTION GP-EXPANSION TANK	130
CYLINDER BLOCK AS	17	CONNECTION GP-TORQUE CONV	
CYLINDER BLOCK GP	19	CLR	131
CYLINDER HEAD AS	22	CONNECTION GP-WATER	133
CYLINDER HEAD GP	24	COOLER GP-ENGINE OIL	136
DAMPER GP	27	HEAT EXCHANGER GP	137
DRAIN GP-ENGINE OIL	30	HOUSING & REGULATOR GP	138
DRIVE GP-ACCESSORY	31	LINES GP-WATER	139
DRIVE GP-FAN	40	PUMP GP-AUXILIARY SEA WATER	153
FLYWHEEL GP	41	PUMP GP-AUXILIARY WATER	165
GEAR GP-FRONT	42	PUMP GP-WATER	168
GEAR GP-REAR	44	SEPARATOR GP-AIR	170
GUARD GP-BELT	46	SWITCH GP-COOLANT LEVEL	172
GUARD GP-DAMPER	48	TANK GP-COOLANT	173
HOUSING GP-FLYWHEEL	51	TANK GP-EXPANSION	174
HOUSING GP-FRONT	52	VALVE GP-CHECK	179
LIFTING GP-ENGINE	53	VALVE GP-THERMOSTATIC	180
MOUNTING GP-ALTERNATOR	54	AIR INLET AND EXHAUST SYSTEM	181
MOUNTING GP-HYD PUMP DRIVE	56	ADAPTER GP-AIR CLEANER	181
MOUNTING GP-SOUND ISOLATION	57	AFTERCOOLER GP-TREATED	
PAN GP-OIL	59	WATER	184
PISTON & ROD GP	65	AIR CLEANER GP	185
PULLEY AS-CRANKSHAFT	67	DAMPER GP-AIR SHUTOFF	187
PULLEY GP-AUXILIARY DRIVE	69	ELBOW-EXHAUST	188
SEAL GP-CRANKSHAFT	73	FILTER GP-AIR	191
SHAFT GP-AUXILIARY DRIVE	74	FITTING GP-EXHAUST	193
SHAFT GP-STUB	80	FLANGE GP-EXHAUST	195
VALVE GP-EXPLOSION RELIEF	81	LINES GP-AIR	198
VALVE MECHANISM GP	83	MANIFOLD GP-EXHAUST	201
LUBRICATION SYSTEM	85	MOUNTING GP-AIR CLEANER	206
BREATHER GP	85	MUFFLER	208
		SHIELD GP-EXHAUST	211
		SHIELD GP-TURBOCHARGER	213
		SHUTOFF AS-AIR	215
		SHUTOFF GP-AIR	216
		TURBOCHARGER GP	224

TABLE OF CONTENTS

Name	Page	Name	Page
VALVE GP-AIR CONTROL	226	SENSOR GP-SPEED	350
FUEL SYSTEM	227	SENSOR GP-TEMPERATURE	355
CONTROL GP-FUEL	227	STARTING MOTOR GP-ELECTRIC	358
FILTER GP-FUEL	228	SUPPORT GP-BATTERY	374
FILTER GP-PRIMARY FUEL	234	SWITCH GP-TOGGLE	375
LINES GP-FLEXIBLE FUEL	235	THERMOCOUPLE GP	376
LINES GP-FUEL	236	VALVE GP-PRESSURE REDUCING	377
LINES GP-FUEL INJECTION	238	WIRING GP-AIR SHUTOFF	378
MANIFOLD GP-FUEL	241	WIRING GP-ALTERNATOR	380
PUMP GP-FUEL INJECTION	243	WIRING GP-ELECTRIC STARTING	381
PUMP GP-FUEL PRIMING	244	WIRING GP-ENGINE	382
PUMP GP-FUEL TRANSFER	249	WIRING GP-ENGINE ELECTRONIC	388
SHIELD GP-FUEL LINES	251	WIRING GP-PANEL	396
ELECTRICAL AND STARTING SYSTEM	259	WIRING GP-SENSOR	397
ALTERNATOR GP-CHARGING	259	OPERATOR STATION	405
BATTERY CHARGER	263	BOX AS-INSTRUMENT	405
BATTERY GP	264	BOX GP-INSTRUMENT PANEL	406
BOX AS-CONTROL	266	CONTROL GP-MONITOR	412
BOX GP-JUNCTION	268	DISPLAY GP-MONITOR	413
CABLE AS-COMMUNICATION	275	MODULE GP-SYSTEM	
CONTACTOR GP	275	COMMUNICATION	416
CONTACTOR-OIL PRESSURE	276	MOUNTING GP-INSTRUMENT PANEL	418
CONTACTOR-TEMPERATURE	277	PANEL GP-PILOT HOUSE INSTR	420
CONTROL & MTG GP-ENGINE ELEK	278	PYROMETER GP	424
CONTROL GP-AIR STARTING	281	MARINE TRANSMISSION	425
CONTROL GP-COMMUNICATION	282	MOUNTING GP-MARINE TMSN	425
CONTROL GP-ENGINE ELECTRONIC	283	ENCLOSURES, GUARDS AND BASES	426
CONTROL GP-REMOTE SPEED	284	RAIL GP-ENGINE SUPPORT	426
CONVERSION GP-WIRING	285	SHIELD GP	427
CONVERTER GP-ELECTRICAL	287	SERVICE EQUIPMENT AND SUPPLIES	428
COVER GP-MODULE CONNECTOR	289	CHART-PLATE & FILM	428
DIODE AS	290	KIT-SENSOR POCKET	430
GROUND GP-ELECTRICAL	291	PLATE GP-INFORMATION	431
HARNESS AS-BOX	292	PART NUMBER INDEX	B1
HARNESS AS-CONTROL	295		
HARNESS AS-ENGINE	297		
HARNESS AS-MOTOR	307		
HARNESS AS-PANEL	308		
HARNESS AS-SENSOR	312		
HARNESS AS-SOLENOID	321		
HARNESS AS-WIRING	322		
HEATER GP-JACKET WATER	323		
MOUNTING GP-BOX	325		
MOUNTING GP-CONTACTOR	326		
MOUNTING GP-JACKET WTR			
HEATER	334		
SENSOR & MTG GP-EXPANSION			
TANK	338		
SENSOR GP-COOLANT LEVEL	339		
SENSOR GP-EXHAUST			
TEMPERATURE	340		
SENSOR GP-POSITION	342		
SENSOR GP-PRESSURE	343		

GENERAL INFORMATION

1. ENGINE IDENTIFICATION

Caterpillar engines are identified with Serial Numbers and Arrangement Numbers. In some cases, Modification Numbers are also used. The serial number plate which shows these numbers is mounted on the engine.

Caterpillar dealers need this information to determine which components were included on the engine when it was assembled at the factory. This permits accurate identification of replacement part numbers.

2. ORDERING PARTS

WARNING

When replacement parts are required for this product Caterpillar recommends using Caterpillar replacement parts or parts with equivalent specifications including, but not limited to, physical dimensions, type, strength and material.

Failure to heed this warning can lead to premature failures, product damage, personal injury or death.

Quality Caterpillar replacement parts are available from Caterpillar dealers throughout the world. Their parts inventories are up to date and include all parts normally required to protect your investment in Caterpillar Engines. Dealers may offer repair kits or remanufactured parts to allow selection of the most effective repair alternative for a particular situation. When ordering parts, your order should specify the quantity, part number, part name, and the serial number/product identification number of the engine for which the parts are needed.

3. PARTS MANUAL ORGANIZATION

Product information in this manual is presented as "information elements" that represent all of the components for the specific model. An Engine Arrangement is an example of an information element. The information elements are organized alphabetically by part name and secondarily by part number within each major section of the manual.

4. TABLE OF CONTENTS

A table of contents (TOC) is found at the beginning of the manual. The TOC lists each section of the manual with a complete list of all information elements organized as they appear in the manual. Page numbers are provided for quick reference to detailed parts identification illustrations and serviceable consist lists.

5. MAINTENANCE PARTS INDEX

The Maintenance Parts Index, located near the beginning of the manual, references most frequently used maintenance part numbers, providing description, quantity, usage and page number. This information is organized alphabetically by part description.

6. INDEX

The index located near the front of the manual is an alphabetical listing of all information elements included in the manual. Page numbers are provided for quick reference to detailed parts identification illustrations and serviceable consist lists.

7. PART NUMBER INDEX

A numerical index listing all part numbers and the corresponding page number(s) appears at the back of the manual.

8. CAPTIONS

Captions located at the beginning each information element identify the part number and part name along with additional descriptive information. S/N information found in each caption should be used to select correct information for a specific engine. Field replacement options, identification of optional attachment components, and where used ("part of") information is also provided.

The first line of a caption is shown in larger type font to indicate the beginning of an information element. Captions for additional pages that may be required to illustrate an information element will be shown in standard type font and will include the term (*contd.*) .

9. NON-SERVICED PARTS

In some instances it is necessary to display non-serviced parts that are a link to lower level serviceable consist lists. These non-serviced part numbers are shown in *italic* type indicating that they are not available. All consist lists have not been converted to reflect this enhancement.

GENERAL INFORMATION

10. PARTS LIST REFERENCE NUMBERS

Numbers shown in the Ref No column correspond to numbers used in the associated graphic(s). An alphabetic suffix may be added to a reference number to identify lower level consist items. Numbers shown in the Graphic Ref column refer to the graphic number identifier displayed in the lower left corner of each illustration. The Graphic Ref number may be used in combination with the item Ref No to determine the correct part number. There may be intentional omission of a Ref No in a consist list as information is updated to reflect the latest serviceable part numbers.

11. INDENTED PART NAMES

When a part name is indented in a parts list, it is part of (included in) the group or assembly under which it is indented.

12. ILLUSTRATION REFERENCE LETTERS

When necessary, illustrations contain reference letters (A, B, C etc.) that are intended to track lines and harnesses from one point to another. They are also used to show where to reconnect illustrations that have been separated.

13. ABBREVIATIONS AND SYMBOLS

O.D. – Outside Diameter
I.D. – Inside Diameter
A – Not Part Of This Group
B – Use As Required
C – Change From Previous Type
D – Order By The Meter
E – Order By The Centimeter
F – Not Shown
G – Order By The Inch
I – Refer To Hydraulic Information System
M – Metric Part
R – Remfg Part May Be Available
Y – Separate Illustration
Z – Not Serviced Separately



14. DESCRIPTION OF TYPE CHANGES

Type - A type is defined as any configuration change that requires an additional Information Element for an Arrangement, Group, or Assembly. If serial number breaks for types are not available, a type # (Type 1, Type 2, etc.) will be displayed in the caption. These "type" changes are identified with a "C" note (change from previous type) in the Parts List. Only the "types" that apply to this Parts Manual will be included. Additional types may exist causing "C" notes to appear on an Information Element when no other types are shown.

15. <END>

This symbol indicates the end of an information element.

NOTE:

Continuing improvement and advancement of product design may cause changes to your engine which may not be included in this publication. Whenever a question arises regarding your Caterpillar product or this publication, please consult your Caterpillar dealer for the latest available information.

REPAIR ALTERNATIVES

REFURBISHED ELECTRONIC COMPONENTS

As an option when making repairs consider Caterpillar Refurbished Electronic Components. Components that are available through the Caterpillar Remanufactured Program are identified three ways in the parts book:

- with the letter R in the note field of the parts list
- with an R* at the beginning of the first line of the caption
- with an *R at the end of the first line of the caption

Typical components included in the Remanufacturing Program include:

REFURBISHED ELECTRONIC CONTROL
MODULES
REFURBISHED ELECTRONIC SENSORS

SUPPLEMENTAL COOLANT ADDITIVES

CUSTOMER BENEFITS:

Protects against cavitation, foam, erosion, corrosion, and scale buildup in cooling systems.

- Provides measured coolant conditioner.

DESCRIPTION:

Additives deplete from the coolant with normal operation. For this reason, Supplemental Coolant Additives (SCA) must be added to all heavy duty coolants at regular intervals. In addition, when not using a fully formulated, pre-charged antifreeze, like Caterpillar's DEAC, an initial charge of SCA must be added to the cooling system. The amount of SCA added to the system is dependent on the capacity of the system.

The SCA for initial fill is provided as a liquid. SCA's for maintenance intervals are available in liquid form and as a spin-on element. (No Spin-on available for 3600 Family of Engines)

NOTE:

The amount of SCA added at initial fill is not the same as the amount added at maintenance intervals.

The coolant additive elements can be used with any ethylene or propylene glycol type antifreeze which meets ASTM D4985 or ASTM D5345 Specifications.

NOTE:

For use with standard heavy duty coolant only, not for use with Extended Life Coolant.

PARTS NEEDED:

Cooling System Capacity		Liquid SCA at Initial Fill	Liquid SCA at Maintenance*	Spin-on SCA Maintenance Element*
Liters	Gallons			
22-30	(6-8)	3P-2044 (1)	6V-3542 (1)	111-2370 (1)
30-38	(8-10)	3P-2044 (1) 6V-3542 (1)	111-2372 (1)	111-2369 (1)
38-49	(10-13)	3P-2044 (1) 8T-1589 (1)	111-2372 (1)	111-2369 (1)
49-64	(13-17)	3P-2044 (2)	8T-1589 (1)	9N-3368 (1)
64-83	(17-22)	3P-2044 (2) 8T-1589 (1)	111-2372 (1) 6V-3542 (1)	111-2371 (1)
83-114	(22-30)	3P-2044 (3) 8T-1589 (1)	3P-2044 (1)	9N-3718 (1)
114-163	(30-43)	3P-2044 (5)	3P-2044 (1) 6V-3542 (1)	111-2371 (2)
163-242	(43-64)	3P-2044 (8)	3P-2044 (2)	9N-3718 (2)

* Normal maintenance period is 250 hrs. See your Operation and Maintenance Manual for complete coolant maintenance instructions.

() Indicates quantity required.

MAINTENANCE PARTS

DESCRIPTION	PART NUMBER	QTY	WHERE USED	PAGE
AIR INLET AND EXHAUST SYSTEM				
FILTER ELEMENT AS-AIR (PRIMARY)	226-2779	1	AIR CLEANER GP	185
		1	AIR CLEANER GP	186
BASIC ENGINE				
BELT-SERPENTINE (ALTERNATOR)	141-7116	1	MOUNTING GP-ALTERNATOR	54
PLUG-OIL DRAIN (ENGINE OIL PAN)	4B-2363	2	PAN GP-OIL	61
		2	PAN GP-OIL	63
SCREEN AS-SUCTION (ENGINE OIL PAN)	1W-1564	1	PAN GP-OIL	61
		1	PAN GP-OIL	63
SEAL-VALVE COVER	272-0760	1	COVER GP-VALVE MECHANISM	14
		1	COVER GP-VALVE MECHANISM	15
COOLING SYSTEM				
CAP-PRESSURE (14-PSI) (COOLANT TANK)	127-8660	1	TANK GP-COOLANT	173
CAP-PRESSURE (14-PSI) (EXPANSION TANK)	127-8660	1	TANK GP-EXPANSION	174
		1	TANK GP-EXPANSION	176
CAP-PRESSURE (7-PSI) (COOLANT TANK)	4N-3311	1	TANK GP-COOLANT	173
		1	TANK GP-EXPANSION	174
CAP-PRESSURE (7-PSI) (EXPANSION TANK)	4N-3311	1	TANK GP-EXPANSION	176
		1	TANK GP-EXPANSION	176
KIT-RADIATOR CAP (COOLANT TANK)	294-9052	1	TANK GP-COOLANT	173
	295-5458		TANK GP-COOLANT	173
KIT-RADIATOR CAP (EXPANSION TANK)	294-9052	1	TANK GP-EXPANSION	174
	295-5458	1	TANK GP-EXPANSION	174
PLUG-DRAIN (AUXILIARY SEA WATER PUMP)	3F-1357	1	PUMP GP-AUXILIARY SEA WATER	162
	3F-1358	1	PUMP GP-AUXILIARY SEA WATER	164
PLUG-DRAIN (OIL COOLER)	9M-4202	1	LINES GP-WATER	141
REGULATOR-WATER TEMPERATURE (30-DEG C)	219-3240	2	VALVE GP-THERMOSTATIC	180
REGULATOR-WATER TEMPERATURE (92-DEG C)	6I-4950	4	HOUSING & REGULATOR GP	138
ROD-ZINC (AUXILIARY SEA WATER PUMP)	6L-2280	1	PUMP GP-AUXILIARY SEA WATER	155
		1	PUMP GP-AUXILIARY SEA WATER	162
ROD-ZINC (HEAT EXCHANGER)	116-7011	2	LINES GP-WATER	148
SEAL-LIP TYPE (WATER TEMPERATURE REGULATOR)	3S-9643	4	HOUSING & REGULATOR GP	138
		2	VALVE GP-THERMOSTATIC	180

MAINTENANCE PARTS

DESCRIPTION	PART NUMBER	QTY	WHERE USED	PAGE
ELECTRICAL AND STARTING SYSTEM				
BATTERY (12-VOLT)	9X-9720	2	BATTERY GP	264
BATTERY GP (12-VOLT)	9X-9730	2	BATTERY GP	265
BREATHER (ATMOSPHERIC AIR)	9G-5127	1	WIRING GP-ENGINE	384
CIRCUIT BREAKER AS (20-AMPERE, DOUBLE POLE)	231-9866	3	BOX GP-JUNCTION	270
CIRCUIT BREAKER AS (40-AMPERE, DOUBLE POLE)	231-9864	1	BOX GP-JUNCTION	270
CIRCUIT BREAKER AS (70-AMPERE, DOUBLE POLE)	231-9863	1	BOX GP-JUNCTION	270
SCREEN-STRAINER (PRESSURE REDUCING VALVE)	252-9298	1	VALVE GP-PRESSURE REDUCING	377
FUEL SYSTEM				
FILTER ELEMENT-FUEL (ADVANCED EFFICIENCY)	1R-0756	7	FILTER GP-FUEL	232
FILTER ELEMENT-FUEL (HIGH EFFICIENCY)	1R-0756	5	FILTER GP-FUEL	228
		5	FILTER GP-FUEL	230
FILTER ELEMENT-FUEL (PRIMARY)	9M-2342	1	FILTER GP-PRIMARY FUEL	234
GASKET (FUEL FILTER)	9Y-8389	1	FILTER GP-FUEL	228
		1	FILTER GP-FUEL	230
		1	FILTER GP-FUEL	232
GASKET (FUEL PRIMING PUMP)	9Y-8389	1	PUMP GP-FUEL PRIMING	244
LUBRICATION SYSTEM				
BREATHER AS (CHROME) (CRANKCASE)	126-0577	1	BREATHER GP	85
BREATHER AS (CRANKCASE)	4W-3027	4	BREATHER GP	86
CAP AS-ENGINE OIL FILLER	128-5988	1	FILLER GP-ENGINE OIL	89
	262-6104	1	FILLER GP-ENGINE OIL	88
FILTER ELEMENT AS-ENGINE OIL	1R-0726	3	FILTER GP-ENGINE OIL	91
		4	FILTER GP-ENGINE OIL	93
		3	FILTER GP-ENGINE OIL	98
SCREEN AS-SUCTION (ENGINE OIL)	7C-4716	1	CONNECTION GP-OIL	87
SEAL-VALVE COVER	272-0760	1	BREATHER GP	85
		4	BREATHER GP	86
		1	FILLER GP-ENGINE OIL	88
		1	FILLER GP-ENGINE OIL	89
STRAINER AS (ENGINE OIL)	2G-6304	1	PUMP & LINES GP-PRELUBRICATION	115
OPERATOR STATION				
LAMP AS (24-VOLT, AMBER)	308-9781	1	PANEL GP-PILOT HOUSE INSTR	420
		1	PANEL GP-PILOT HOUSE INSTR	422
LAMP AS (24-VOLT, GREEN)	308-9783	1	PANEL GP-PILOT HOUSE INSTR	420
		1	PANEL GP-PILOT HOUSE INSTR	422
LAMP-LED (24-VOLT, AMBER)	125-9956	1	BOX GP-INSTRUMENT PANEL	406
		1	BOX GP-INSTRUMENT PANEL	409
LAMP-LED (24-VOLT, GREEN)	125-9957	1	BOX GP-INSTRUMENT PANEL	406
		1	BOX GP-INSTRUMENT PANEL	409
LAMP-LED (24-VOLT, RED)	125-9955	1	BOX GP-INSTRUMENT PANEL	406
		1	BOX GP-INSTRUMENT PANEL	409

INDEX

Name	Page	Name	Page
A			
ADAPTER GP-AIR CLEANER	181	CIRCUIT BREAKER AS (40-AMPERE, DOUBLE POLE)	270
	182	CIRCUIT BREAKER AS (70-AMPERE, DOUBLE POLE)	270
	183	CONNECTION GP-EXPANSION TANK- AUXILIARY	130
AFTERCOOLER GP-TREATED WATER	184	CONNECTION GP-OIL	87
AIR CLEANER GP	185	CONNECTION GP-TORQUE CONV CLR	131
	186	CONNECTION GP-WATER	133
ALTERNATOR GP-CHARGING	259	CONNECTION GP-WATER-INLET, LH	135
	262	CONNECTION GP-WATER-INLET, RH	134
B			
BARRING GP-RH	2	CONTACTOR GP	275
BASE GP-VALVE COVER	3	CONTACTOR-OIL PRESSURE	276
BATTERY (12-VOLT)	264	CONTACTOR-TEMPERATURE-COOLANT	277
BATTERY CHARGER	263	CONTROL & MTG GP-ENGINE ELEK- PRIMARY	278
BATTERY GP	264	CONTROL & MTG GP-ENGINE ELEK- SECONDARY	279
	265	CONTROL GP-AIR STARTING	281
BATTERY GP (12-VOLT)	265	CONTROL GP-COMMUNICATION-PL1000E	282
BELT-SERPENTINE (ALTERNATOR)	54	CONTROL GP-COMMUNICATION-PL1000T	282
BOX AS-CONTROL	266	CONTROL GP-ENGINE ELECTRONIC	283
	267	CONTROL GP-FUEL	227
BOX AS-INSTRUMENT	405	CONTROL GP-MONITOR-ENGINE VISION	412
BOX GP-INSTRUMENT PANEL	406	CONTROL GP-REMOTE SPEED	284
	409	CONVERSION GP-WIRING	285
BOX GP-JUNCTION	272	CONVERTER GP-ELECTRICAL	287
	273		288
	274	COOLER GP-ENGINE OIL	136
BOX GP-JUNCTION- CUSTOMER INTERFACE	269	CORE AS-AFTERCOOLER	184
BOX GP-JUNCTION-POWER DISTRIBUTION	270	CORE AS-ENGINE OIL COOLER	136
BOX GP-JUNCTION-PRELUBRICATION	268	COVER GP-CAMSHAFT	5
BREATHER (ATMOSPHERIC AIR)	384		6
BREATHER AS (CHROME) (CRANKCASE)	85	COVER GP-CYLINDER BLOCK- CENTRAL STRUCTURE	8
BREATHER AS (CRANKCASE)	86	COVER GP-CYLINDER BLOCK- CRANKCASE	7
BREATHER GP-CRANKCASE	85	COVER GP-FLYWHEEL HOUSING-REAR	10
	86	COVER GP-FRONT HOUSING- FRONT STRUCTURE	12
C			
CABLE AS-COMMUNICATION	275	COVER GP-MODULE CONNECTOR	289
CAMSHAFT GP	4	COVER GP-OIL PAN	13
CAP AS-ENGINE OIL FILLER	88	COVER GP-VALVE MECHANISM	14
	89		15
CAP-PRESSURE (14-PSI) (COOLANT TANK)	173	CRANKSHAFT GP	16
CAP-PRESSURE (14-PSI) (EXPANSION TANK)	174	CYLINDER BLOCK AS	17
	176		18
CAP-PRESSURE (7-PSI) (COOLANT TANK)	173	CYLINDER BLOCK GP	19
CAP-PRESSURE (7-PSI) (EXPANSION TANK)	174		20
	176	CYLINDER HEAD AS	22
CHART-PLATE & FILM	428		23
CIRCUIT BREAKER AS (20-AMPERE, DOUBLE POLE)	270	CYLINDER HEAD GP	24
			26

INDEX

Name	Page	Name	Page
D			
DAMPER GP	27	FILTER GP-ENGINE OIL-LH	98
	28	FILTER GP-ENGINE OIL-RH	91
DAMPER GP-AIR SHUTOFF	29	FILTER GP-FUEL	232
DIODE AS	187	FILTER GP-FUEL-LH	230
DISPLAY GP-MONITOR-	290	FILTER GP-FUEL-RH	228
MARINE POWER DISPLAY	413	FILTER GP-PRIMARY FUEL	234
	414	FITTING GP-EXHAUST	193
	415	FITTING GP-EXHAUST-FLEXIBLE	194
DRAIN GP-ENGINE OIL	30	FLANGE GP-EXHAUST	195
DRIVE GP-ACCESSORY-LOWER, LH	31		196
DRIVE GP-ACCESSORY-UPPER, LH	35		197
DRIVE GP-ACCESSORY-UPPER, RH	33	FLYWHEEL GP	41
	37		
	38	G	
DRIVE GP-FAN	40	GASKET (FUEL FILTER)	228
			230
E			
ELBOW-EXHAUST	188		232
	189	GASKET (FUEL PRIMING PUMP)	244
	190	GAUGE AS-OIL LEVEL (DIPSTICK)	102
ENGINE AR	1	GAUGE AS-OIL LEVEL (DIPSTICK)	
		(DEEP SUMP)	103
F			
FILLER GP-ENGINE OIL	88	GAUGE GP-OIL LEVEL (DIPSTICK)	102
	89	GAUGE GP-OIL LEVEL (DIPSTICK)-	
FILM-IDENTIFICATION		DEEP SUMP	103
(ELECTRICAL CONVERTER)	287	GEAR GP-FRONT-STANDARD ROTATION	42
FILM-IDENTIFICATION		GEAR GP-REAR-CAMSHAFT DRIVE	44
(POWER DISTRIBUTION)	270	GROUND GP-ELECTRICAL-ALTERNATOR	291
FILM-INTERFACE (REAR)	417	GUARD GP-BELT-ALTERNATOR	46
FILM-PANEL	420		47
	422	GUARD GP-DAMPER	48
FILM-WARNING			49
(HOT FLUID UNDER PRESSURE, U.S.)	173		50
	174	H	
	176	HARNESS AS-BOX	270
	428		272
FILTER ELEMENT AS-AIR (PRIMARY)	185		273
	186		274
FILTER ELEMENT AS-ENGINE OIL	91	HARNESS AS-BOX-INTERCONNECT	292
	93		293
	98	HARNESS AS-CONTROL	294
FILTER ELEMENT-FUEL			420
(ADVANCED EFFICIENCY)	232		422
FILTER ELEMENT-FUEL (HIGH EFFICIENCY) ...	228	HARNESS AS-CONTROL-	
	230	MARINE POWER DISPLAY	295
FILTER ELEMENT-FUEL (PRIMARY)	234	HARNESS AS-CONTROL-PL1000E	296
FILTER GP-AIR	191	HARNESS AS-CONTROL-PL1000T	295
FILTER GP-CENTRIFUGAL	90	HARNESS AS-ENGINE	303
FILTER GP-ENGINE OIL-DUPLEX	93	HARNESS AS-ENGINE (AIR SHUTOFF)	378
		HARNESS AS-ENGINE (ALTERNATOR)	380
		HARNESS AS-ENGINE (EXTENSION)	393
			394
		HARNESS AS-ENGINE (LH)	384

INDEX

Name	Page	Name	Page
HARNESS AS-ENGINE			394
(MARINE POWER DISPLAY)	382		396
	388	HARNESS AS-SENSOR-	
	395	OIL, FUEL PRESSURE	321
	396	HARNESS AS-SENSOR-	
HARNESS AS-ENGINE		OIL, FUEL PRESSURE, LH SERVICE	312
(MARINE POWER DISPLAY, EXT)	391	HARNESS AS-SENSOR-THERMOCOUPLE	312
	392		315
HARNESS AS-ENGINE (RH)	384		316
HARNESS AS-ENGINE-AIR SHUTOFF	300		318
HARNESS AS-ENGINE-LH	304		319
HARNESS AS-ENGINE-			320
MARINE POWER DISPLAY	301	HARNESS AS-SENSOR-	
	302	THERMOCOUPLE, LH	314
HARNESS AS-ENGINE-RH	297	HARNESS AS-SENSOR-	
HARNESS AS-MOTOR	307	THERMOCOUPLE, RH	313
HARNESS AS-MOTOR (ENGINE START)	381	HARNESS AS-SOLENOID	321
HARNESS AS-PANEL		HARNESS AS-SOLENOID (AIR STARTING)	281
(MARINE POWER DISPLAY)	406	HARNESS AS-WIRING	83
	409		322
HARNESS AS-PANEL		HARNESS AS-WIRING	
(MARINE POWER DISPLAY, EXT)	389	(LARGE INTERCONNECT)	384
	390	HARNESS AS-WIRING	
HARNESS AS-PANEL (SPEED CONTROL)	227	(SMALL INTERCONNECT)	384
HARNESS AS-PANEL-		HEAT EXCHANGER GP	137
MARINE POWER DISPLAY	310	HEATER GP-JACKET WATER	323
HARNESS AS-PANEL-			324
MARINE POWER DISPLAY, EXTENSION	309	HOSE AS	104
HARNESS AS-PANEL-SPEED CONTROL	308		105
HARNESS AS-POWER	270		106
HARNESS AS-SENSOR	317		107
HARNESS AS-SENSOR		HOUSING & REGULATOR GP-INLET	138
(ENGINE OIL TEMPERATURE)	397	HOUSING GP-FLYWHEEL	51
HARNESS AS-SENSOR		HOUSING GP-FRONT-ACCESSORY DRIVE	52
(MANIFOLD AIR TEMPERATURE)	398		
HARNESS AS-SENSOR		I	
(OIL FILTER, FUEL FILTER)	400	INDICATOR (VALVE POSITION)	220
	402		222
HARNESS AS-SENSOR		INJECTOR GP-FUEL	243
(OIL, FUEL PRESSURE)	399		
HARNESS AS-SENSOR		K	
(OIL, FUEL PRESSURE, LH SERVICE)	404	KIT-RADIATOR CAP (COOLANT TANK)	173
HARNESS AS-SENSOR		KIT-RADIATOR CAP (EXPANSION TANK)	174
(THERMOCOUPLE EXTENSION, LH)	392		176
HARNESS AS-SENSOR		KIT-SENSOR POCKET-	
(THERMOCOUPLE EXTENSION, RH)	392	TEMPERATURE CONTACTOR	430
HARNESS AS-SENSOR (THERMOCOUPLE)	409		
HARNESS AS-SENSOR		L	
(THERMOCOUPLE, LH)	382	LAMP AS (24-VOLT, AMBER)	420
	390		422
	394	LAMP AS (24-VOLT, GREEN)	420
	396		422
HARNESS AS-SENSOR			
(THERMOCOUPLE, RH)	382		
	390		

INDEX

Name	Page	Name	Page
LAMP-LED (24-VOLT, AMBER)	406	PAN GP-OIL-DEEP SUMP	60
	409		61
LAMP-LED (24-VOLT, GREEN)	406	PANEL GP-PILOT HOUSE INSTR-	
	409	MARINE POWER DISPLAY	423
LAMP-LED (24-VOLT, RED)	406	PANEL GP-PILOT HOUSE INSTR-WITH KEY ...	420
	409	PANEL GP-PILOT HOUSE INSTR-	
LIFTING GP-ENGINE	53	WITHOUT KEY	422
LINES GP-AIR	198	PISTON & ROD GP	65
LINES GP-CENTRIFUGAL FILTER	108	PLATE GP-INFORMATION	1
LINES GP-ENGINE OIL	109		431
LINES GP-FLEXIBLE FUEL	235	PLUG-DRAIN	
LINES GP-FUEL	236	(AUXILIARY SEA WATER PUMP)	162
LINES GP-FUEL INJECTION	238		164
LINES GP-PRELUBRICATION-RH	112	PLUG-DRAIN (OIL COOLER)	141
LINES GP-TURBOCHARGER OIL	113	PLUG-OIL DRAIN (ENGINE OIL PAN)	61
LINES GP-WATER-AFTERCOOLER	143		63
LINES GP-WATER-HEAT EXCHANGER	148	POTENTIOMETER (1000-OHM)	
LINES GP-WATER-JACKET WATER HEATER ...	149	(SPEED ADJUST)	227
LINES GP-WATER-LOWER	141	PULLEY AS-CRANKSHAFT	67
LINES GP-WATER-			68
SEPARATE CIRCUIT AFTERCOOLER	146	PULLEY GP-AUXILIARY DRIVE-	
LINES GP-WATER-TURBOCHARGER	151	LOWER FRONT, LH	69
LINES GP-WATER-UPPER	139		70
			72
		PULLEY GP-AUXILIARY DRIVE-	
		UPPER REAR, RH	71
		PUMP & LINES GP-PRELUBRICATION-	
		DEEP SUMP	115
		PUMP GP-AUXILIARY SEA WATER	153
			154
			155
			157
			159
			161
			162
			164
		PUMP GP-AUXILIARY WATER	165
			166
		PUMP GP-ENGINE OIL-2-SECTION GEAR	117
			118
		PUMP GP-FUEL INJECTION	243
		PUMP GP-FUEL PRIMING	244
		PUMP GP-FUEL PRIMING-LH	247
		PUMP GP-FUEL PRIMING-RH	245
		PUMP GP-FUEL TRANSFER	249
			250
		PUMP GP-PRELUBRICATION	119
		PUMP GP-SUMP	120
			121
			122
			124
		PUMP GP-WATER	168
			169
		PYROMETER GP	424

M

MANIFOLD GP-EXHAUST	201
	204
MANIFOLD GP-FUEL-LH	242
MANIFOLD GP-FUEL-RH	241
MODULE GP-SYSTEM COMMUNICATION	416
	417
MOUNTING GP-AIR CLEANER	206
MOUNTING GP-ALTERNATOR	54
MOUNTING GP-BOX	325
MOUNTING GP-CONTACTOR	326
	328
	330
	332
MOUNTING GP-HYD PUMP DRIVE	56
MOUNTING GP-INSTRUMENT PANEL-LH	419
MOUNTING GP-INSTRUMENT PANEL-RH	418
MOUNTING GP-JACKET WTR HEATER-LH	336
MOUNTING GP-JACKET WTR HEATER-RH	334
MOUNTING GP-MARINE TMSN	425
MOUNTING GP-SOUND ISOLATION	57
	58
MUFFLER	208
	209
	210

P

PAN GP-OIL	59
	63

INDEX

Name	Page	Name	Page
R			
RAIL GP-ENGINE SUPPORT- MARINE LEDGE	426	SENSOR GP-PRESSURE (CRANKCASE)	384
REGULATOR AS-VOLTAGE (24-VOLT) (ALTERNATOR)	259	SENSOR GP-PRESSURE (FILTERED FUEL) ...	399
REGULATOR-WATER TEMPERATURE (30-DEG C)	180		400
REGULATOR-WATER TEMPERATURE (92-DEG C)	138		402
RELAY (24-VOLT) (ECM ENERGIZE)	270	SENSOR GP-PRESSURE (FILTERED OIL)	399
RELAY (24-VOLT) (POWER)	406		400
	409		402
RELAY (24-VOLT) (START ENABLE)	406	SENSOR GP-PRESSURE (TURBOCHARGER INLET, LH)	384
	409	SENSOR GP-PRESSURE (TURBOCHARGER INLET, RH)	384
ROD-ZINC (AUXILIARY SEA WATER PUMP)	155	SENSOR GP-PRESSURE (TURBOCHARGER OUTLET)	384
	162	SENSOR GP-PRESSURE (UNFILTERED FUEL)	399
ROD-ZINC (HEAT EXCHANGER)	148		400
			402
			404
S			
SCREEN AS-SUCTION (ENGINE OIL PAN)	61	SENSOR GP-PRESSURE (UNFILTERED OIL) ...	399
	63		400
SCREEN AS-SUCTION (ENGINE OIL)	87		402
SCREEN-STRAINER (PRESSURE REDUCING VALVE)	377		404
SEAL GP-CRANKSHAFT	73	SENSOR GP-SPEED	350
SEAL-LIP TYPE (WATER TEMPERATURE REGULATOR)	138		351
	180		352
SEAL-VALVE COVER	14		353
	15		354
	85	SENSOR GP-SPEED (ENGINE)	384
	86	SENSOR GP-SPEED (PRIMARY, TIMING)	384
	88	SENSOR GP-SPEED (SECONDARY, TIMING) ...	384
	89	SENSOR GP-SPEED (TIMING CALIBRATION) ...	384
SENSOR & MTG GP-EXPANSION TANK- COOLANT LEVEL	338	SENSOR GP-TEMPERATURE	355
SENSOR GP-COOLANT LEVEL	338		356
	339	SENSOR GP-TEMPERATURE (AFTERCOOLER)	384
SENSOR GP-EXHAUST TEMPERATURE	340	SENSOR GP-TEMPERATURE (AIR INLET)	398
	341	SENSOR GP-TEMPERATURE (COOLANT)	357
SENSOR GP-EXHAUST TEMPERATURE (TURBOCHARGER OUTLET, LH)	384	SENSOR GP-TEMPERATURE (CYLINDER EXHAUST)	376
SENSOR GP-EXHAUST TEMPERATURE (TURBOCHARGER OUTLET, RH)	384	SENSOR GP-TEMPERATURE (ENGINE COOLANT)	384
SENSOR GP-POSITION-ROTARY	342	SENSOR GP-TEMPERATURE (ENGINE OIL) ...	397
SENSOR GP-PRESSURE	343	SENSOR GP-TEMPERATURE-COOLANT	357
	344	SEPARATOR GP-AIR	170
	345	SHAFT GP-AUXILIARY DRIVE- LOWER FRONT, LH	74
	346	SHAFT GP-AUXILIARY DRIVE- UPPER FRONT, LH	78
	347	SHAFT GP-AUXILIARY DRIVE- UPPER FRONT, RH	76
	348	SHAFT GP-STUB-FRONT	80
	349	SHIELD GP-CONTACTOR	427
SENSOR GP-PRESSURE (ATMOSPHERIC)	384	SHIELD GP-ENGINE OIL LINES	125

INDEX

Name	Page	Name	Page
	126	SWITCH GP-TOGGLE	375
	127	SWITCH GP-TOGGLE (CRANK OVERRIDE)	406
SHIELD GP-EXHAUST	211		409
SHIELD GP-FUEL LINES- DUPLIX FUEL FILTER	253	SWITCH GP-TOGGLE (LLOCAL, REMOTE THROTTLE)	406
SHIELD GP-FUEL LINES-FUEL MANIFOLD	254		409
	257	SWITCH GP-TOGGLE (PRELUBRICATION OVERRIDE)	406
SHIELD GP-FUEL LINES- FUEL PRIMING PUMP	251		409
SHIELD GP-FUEL LINES-FUEL RETURN	258	SWITCH-KEY (POWER)	420
SHIELD GP-TURBOCHARGER	213	SWITCH-LIQUID LEVEL (COOLANT)	172
SHIELD GP-TURBOCHARGER-AIR	214	SWITCH-PUSH BUTTON (MOMENTARY) (ENGINE START)	420
SHUTOFF AS-AIR	215		422
SHUTOFF GP-AIR-INLET	216	SWITCH-PUSH BUTTON (MOMENTARY) (ENGINE STOP)	420
SHUTOFF GP-AIR-LH	219		422
	222		
SHUTOFF GP-AIR-RH	218		
	220		
SOLENOID AS (AIR SHUTOFF)	218		
	219		
SOLENOID AS-STARTING MOTOR (24-VOLT) . . .	359		
	362	TANK GP-COOLANT	173
	372	TANK GP-EXPANSION	174
	361		176
STARTING MOTOR GP-ELECTRIC	358	THERMOCOUPLE GP	376
	361	TURBOCHARGER GP	224
	367		225
	369		
	371		
STARTING MOTOR GP-ELECTRIC-DUAL	365		
	366		
STARTING MOTOR GP-ELECTRIC-SINGLE	364		
STRAINER AS (ENGINE OIL)	115		
SUPPORT GP-BATTERY	374		
SWITCH AS-LIMIT (AIR SHUTOFF)	216		
SWITCH AS-MAGNETIC (24-VOLT) (AIR SHUTOFF)	270		
SWITCH AS-MAGNETIC (24-VOLT) (PRELUBRICATION PUMP)	270		
SWITCH AS-MAGNETIC (24-VOLT) (STARTING MOTOR)	270		
SWITCH AS-PRESSURE (PRELUBRICATION)	268		
SWITCH AS-PUSH BUTTON (EMERGENCY STOP)	406		
	409		
	420		
	422		
SWITCH AS-ROTARY (ENGINE CONTROL)	406		
	409		
SWITCH AS-TOGGLE (ENGINE PROTECTION OVERRIDE)	406		
	409		
SWITCH AS-TOGGLE (TORQUE LIMIT)	406		
	409		
SWITCH GP-COOLANT LEVEL	172		

T

V

W

INDEX

Name	Page	Name	Page
WIRING GP-ENGINE-			
MARINE POWER DISPLAY	382		
WIRING GP-PANEL-			
MARINE POWER DISPLAY	396		
WIRING GP-SENSOR-			
ENGINE OIL TEMPERATURE	397		
WIRING GP-SENSOR-			
MANIFOLD AIR TEMPERATURE	398		
WIRING GP-SENSOR-			
OIL, FUEL PRESSURE, LH SERVICE	400		
	402		
	404		
WIRING GP-SENSOR-			
OIL, FUEL PRESSURE, RH SERVICE	399		

MEMORANDA

ENGINE ARRANGEMENT

320-0275 ENGINE AR RATED SPEED 1600-RPM

SMCS - 1000

i03107143

NOTE	PART NUMBER	QTY	PART NAME						SEE PAGE
			1	2	3	4	5	6 (PRODUCT LEVEL)	
Y	258-1086	1	AFTERCOOLER GP - TREATED WATER						184
Y	247-4696	1	BREATHER GP (CRANKCASE)						86
Y	308-5361	1	CAMSHAFT GP						4
Y	8N-8993	1	CONNECTION GP - WATER (INLET, LH)						135
Y	220-2677	1	CONTROL & MTG GP - ENGINE ELEK (PRIMARY)						278
Y	231-7069	1	CONTROL & MTG GP - ENGINE ELEK (SECONDARY)						279
Y	312-3150	1	COOLER GP - ENGINE OIL						136
Y	271-7761	1	COVER GP - CYLINDER BLOCK (CENTRAL STRUCTURE)						8
Y	287-3046	1	COVER GP - FLYWHEEL HOUSING (REAR)						10
Y	107-0278	1	COVER GP - FRONT HOUSING (FRONT STRUCTURE)						12
Y	101-0831	7	COVER GP - VALVE MECHANISM						14
Y	8N-7103	1	CRANKSHAFT GP						16
Y	240-6651	1	CYLINDER BLOCK GP						20
Y	299-3521	12	CYLINDER HEAD GP						26
Y	8N-0339	1	DAMPER GP						27
Y	7E-7647	1	DRIVE GP - ACCESSORY (LOWER, LH)						31
Y	112-6033	1	FILLER GP - ENGINE OIL						88
Y	112-4921	1	FILTER GP - ENGINE OIL (RH)						91
Y	7W-9741	1	FILTER GP - FUEL (RH)						228
Y	7N-4851	1	FLYWHEEL GP						41
Y	7C-9784	1	GAUGE GP - OIL LEVEL (DIPSTICK) (DEEP SUMP)						103
Y	8N-7174	1	GEAR GP - FRONT						42
Y	124-8395	1	GEAR GP - REAR						44
Y	8N-7643	1	HOUSING & REGULATOR GP (WATER)						138
Y	101-1269	1	HOUSING GP - FLYWHEEL						51
Y	4P-5426	1	HOUSING GP - FRONT (ACCESSORY DRIVE)						52
Y	7E-6872	1	LIFTING GP - ENGINE						53
Y	285-8373	1	LINES GP - AIR						198
Y	242-6277	1	LINES GP - ENGINE OIL						109
Y	234-8723	1	LINES GP - FUEL INJECTION						238
Y	282-4202	1	LINES GP - TURBOCHARGER OIL						113
Y	107-0475	1	LINES GP - WATER (UPPER)						139
Y	114-3376	1	LINES GP - WATER (LOWER)						141
Y	289-2090	1	LINES GP - WATER (AFTERCOOLER)						143
Y	308-6830	1	LINES GP - WATER (TURBOCHARGER)						151
Y	285-8374	1	MANIFOLD GP - EXHAUST						201
Y	7C-9938	1	PAN GP - OIL						60
Y	281-6141	12	PISTON & ROD GP						65
Y	311-1314	1	PLATE GP - INFORMATION						431
Y	9Y-8175	1	PUMP GP - AUXILIARY WATER						165
Y	8N-6152	1	PUMP GP - ENGINE OIL (2-SECTION GEAR)						118
Y	274-0053	12	PUMP GP - FUEL INJECTION						243
Y	8N-6151	1	PUMP GP - FUEL TRANSFER (1-SECTION GEAR)						249
Y	2W-9729	1	PUMP GP - WATER						168
Y	7W-3813	1	SEAL GP - CRANKSHAFT						73
Y	261-7294	1	SHIELD GP - EXHAUST (MANIFOLD)						211
Y	296-0618	1	SHIELD GP - TURBOCHARGER						213
Y	305-6263	1	SHIELD GP - TURBOCHARGER (AIR)						214
Y	119-7334	1	TANK GP - EXPANSION						174
Y	325-3816	1	TURBOCHARGER GP						225
Y	308-5356	12	VALVE MECHANISM GP						83
	292-1893	1	ELECTRONICS GP - ENGINE RATINGS						

PLEASE USE THE GASKET KIT LINK IN SIS OR CONTACT
YOUR LOCAL DEALER FOR THE LATEST GASKET KIT
INFORMATION

Y - SEPARATE ILLUSTRATION

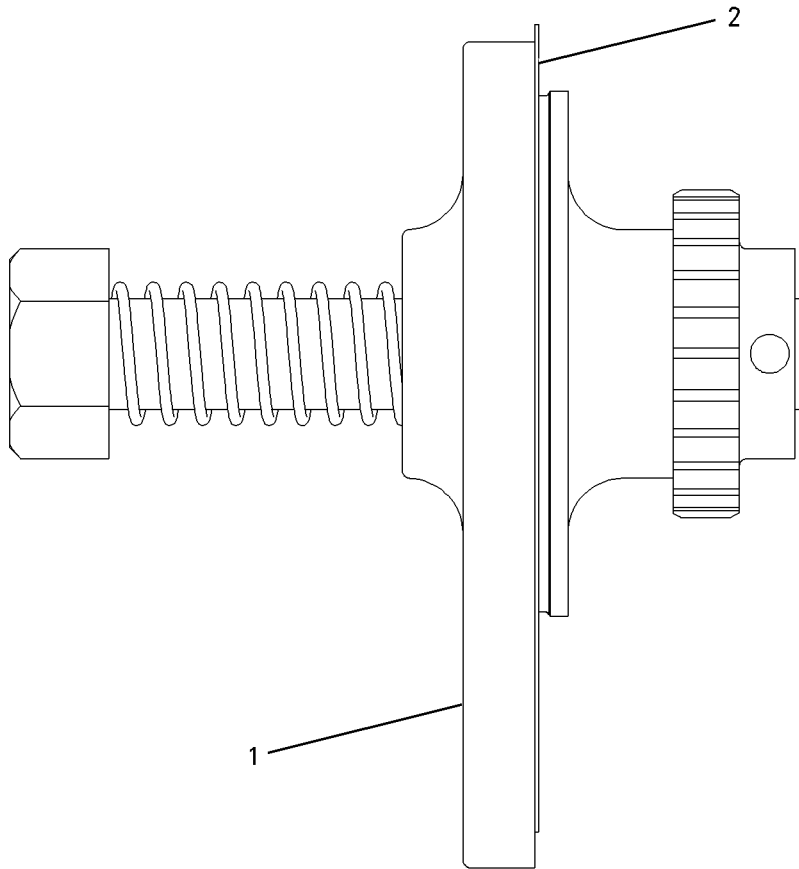
BASIC ENGINE

253-2468 BARRING GP-RH AN ATTACHMENT

SMCS - 1235

i02113355

NOTE	REF NO	GRAPHIC REF	PART NUMBER	QTY	PART NAME						SEE PAGE
					1	2	3	4	5	6 (PRODUCT LEVEL)	
	1	1	3R-1937	1	TOOL - BARRING						
	2	1	4H-7869	1	GASKET						



GRAPHIC #1

<END>

g00824462

BASIC ENGINE

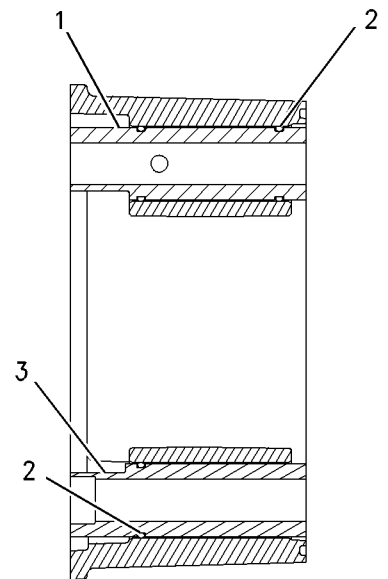
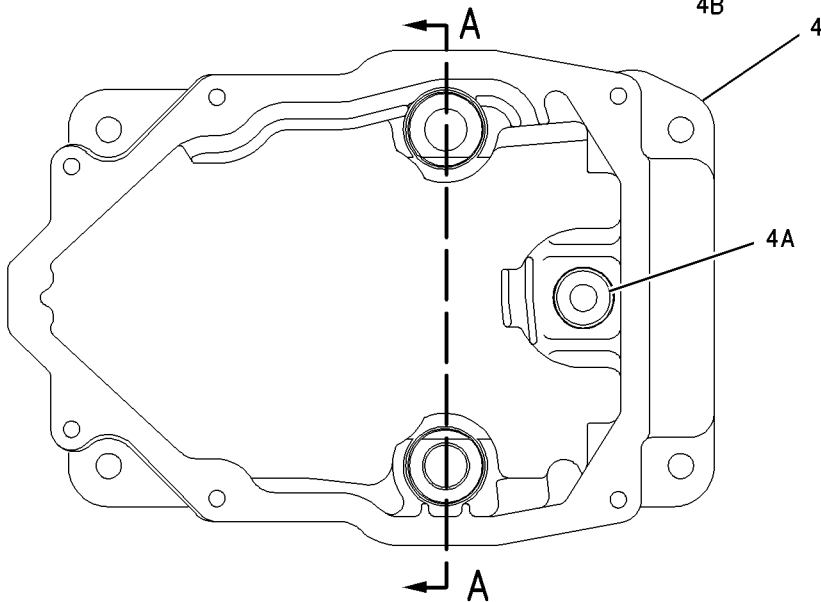
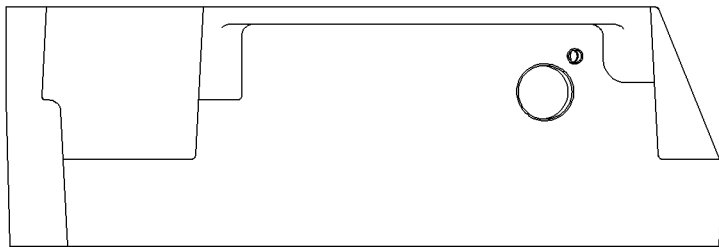
247-8341 BASE GP-VALVE COVER

PART OF 308-5356 VALVE MECHANISM GP

SMCS-1120

i02685870

NOTE	REF NO	GRAPHIC REF	PART NUMBER	QTY	PART NAME						SEE PAGE
					1	2	3	4	5	6 (PRODUCT LEVEL)	
	1	1	119-0839	1	SPACER (17.5X30.94X98-MM)						
	2	1	6V-6228	3	SEAL-O-RING						
	3	1	119-0838	1	SPACER (17.5X30.94X98-MM)						
	4	1	247-8340	1	BASE AS						
	4A	1	120-4339	1	WASHER-SPRING						
	4B	1	261-0195	1	DOWEL-HOLLOW						



SECTION A-A

GRAPHIC #1

<END>

g00842340

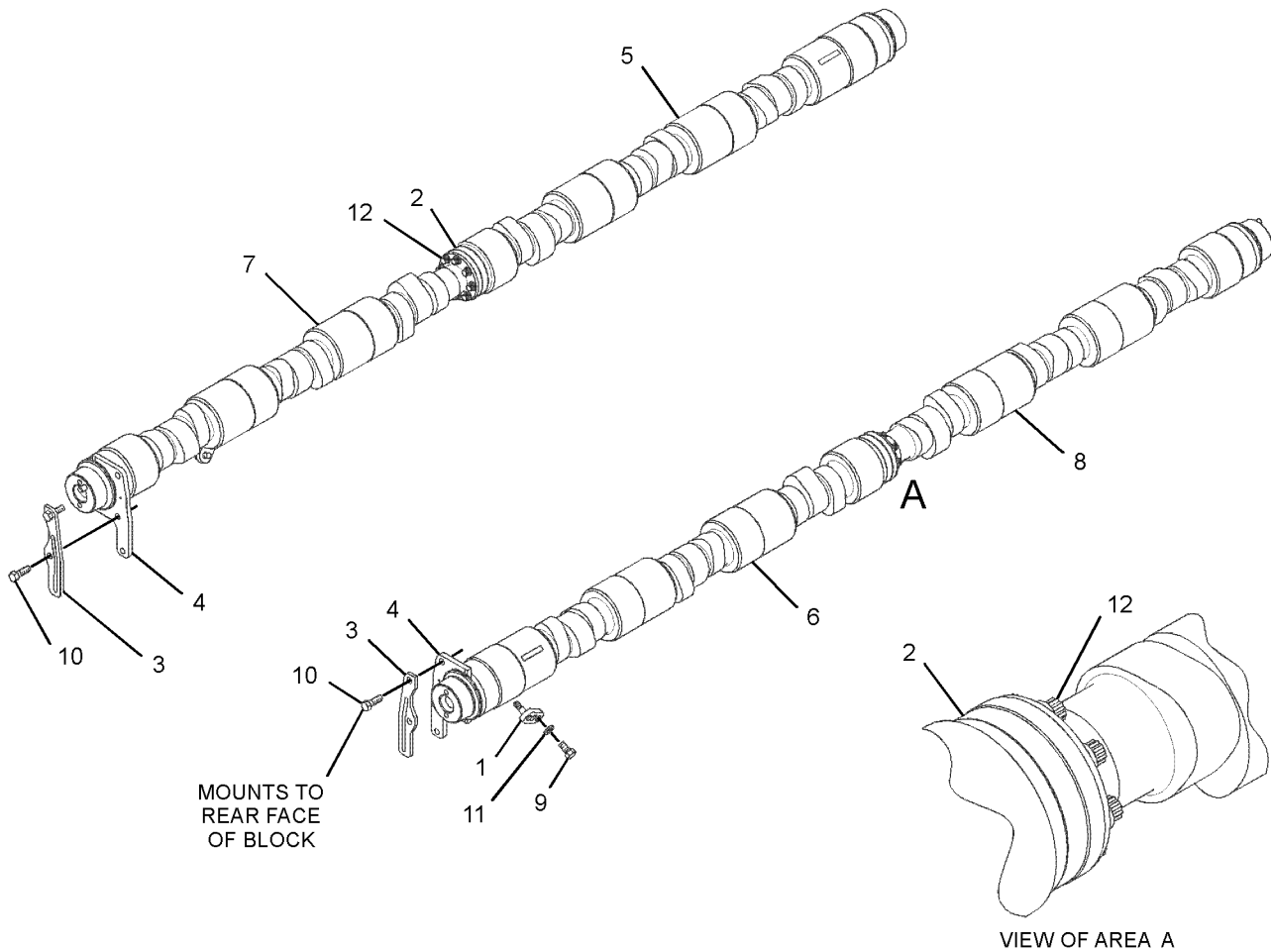
BASIC ENGINE

308-5361 CAMSHAFT GP

SMCS-1210

i02726821

NOTE	REF NO	GRAPHIC REF	PART NUMBER	QTY	PART NAME						SEE PAGE
					1	2	3	4	5	6 (PRODUCT LEVEL)	
	1	1	4W-6664	2	PLATE AS - TIMING						
	2	1	7N-3216	2	SPACER (35.035X84X12-MM THK)						
	3	1	117-9308	2	PLATE						
	4	1	128-5993	2	WASHER - THRUST						
	5	1	283-5732	1	CAMSHAFT AS						
		1	4N-1650	1	DOWEL						
	6	1	283-5738	1	CAMSHAFT AS						
		1	4N-1650	1	DOWEL						
	7	1	308-5353	1	CAMSHAFT AS						
		1	5B-5821	1	DOWEL						
	8	1	308-5355	1	CAMSHAFT AS						
		1	5B-5821	1	DOWEL						
	9	1	0S-0509	2	BOLT (3/8-16X0.75-IN)						
	10	1	1A-2029	4	BOLT (3/8-16X1.125-IN)						
	11	1	5M-2894	2	WASHER-HARD (10.2X18.5X2.5-MM THK)						
	12	1	5P-0076	16	BOLT-12 POINT HEAD (3/8-16X1.5-IN)						



GRAPHIC #1

<END>

g01373151

BASIC ENGINE

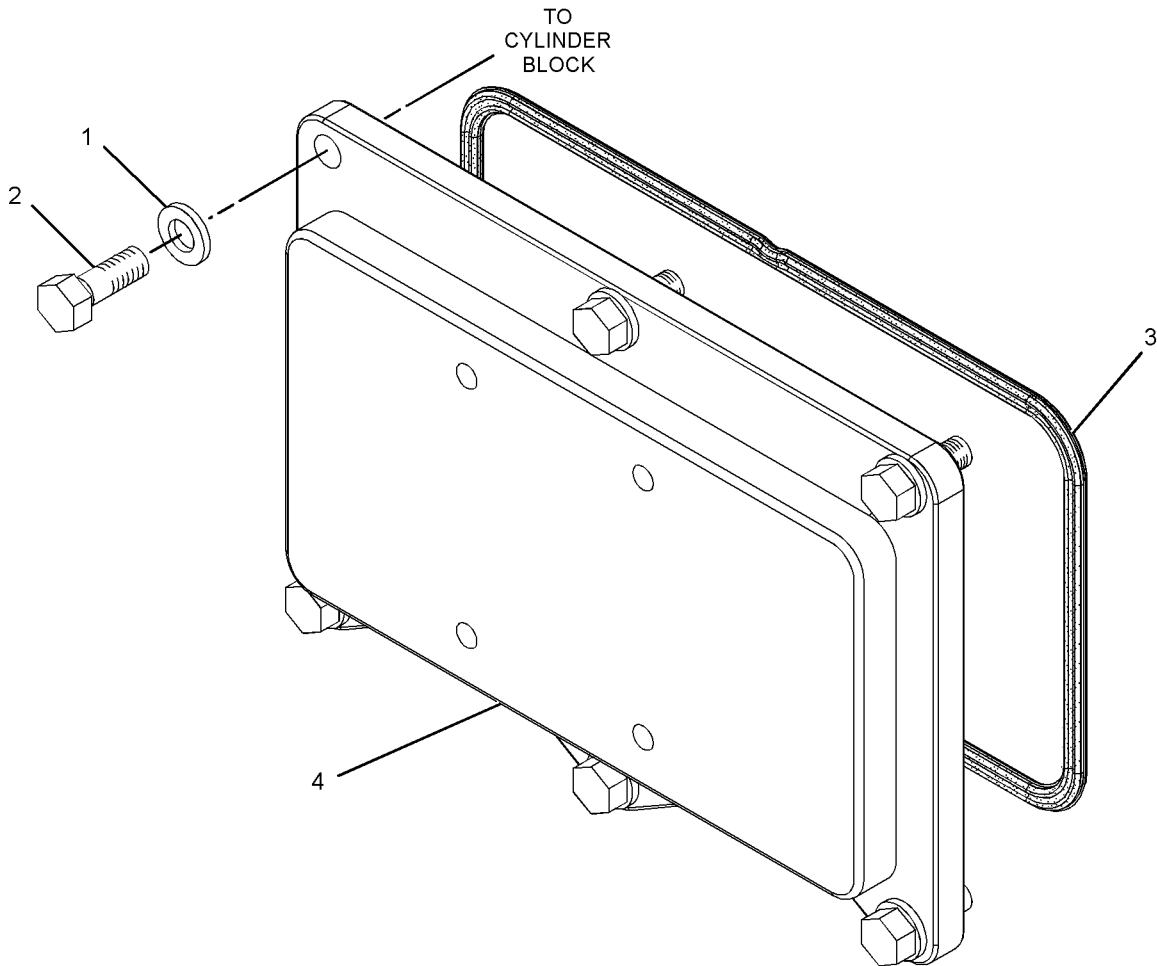
155-2564 COVER GP - CAMSHAFT

CHROME PLATED
AN ATTACHMENT

SMCS-1210

i02625637

NOTE	REF NO	GRAPHIC REF	PART NUMBER	QTY	PART NAME						SEE PAGE
					1	2	3	4	5	6 (PRODUCT LEVEL)	
	1	1	133-6261	6	WASHER (M10.2X18.5X2.5 THK)						
	2	1	133-6269	6	BOLT (3/8-16X1-IN)						
	3	1	272-0758	1	SEAL						
	4	1	155-2573	1	COVER - CAMSHAFT						



GRAPHIC #1

<END>

g01317508

BASIC ENGINE

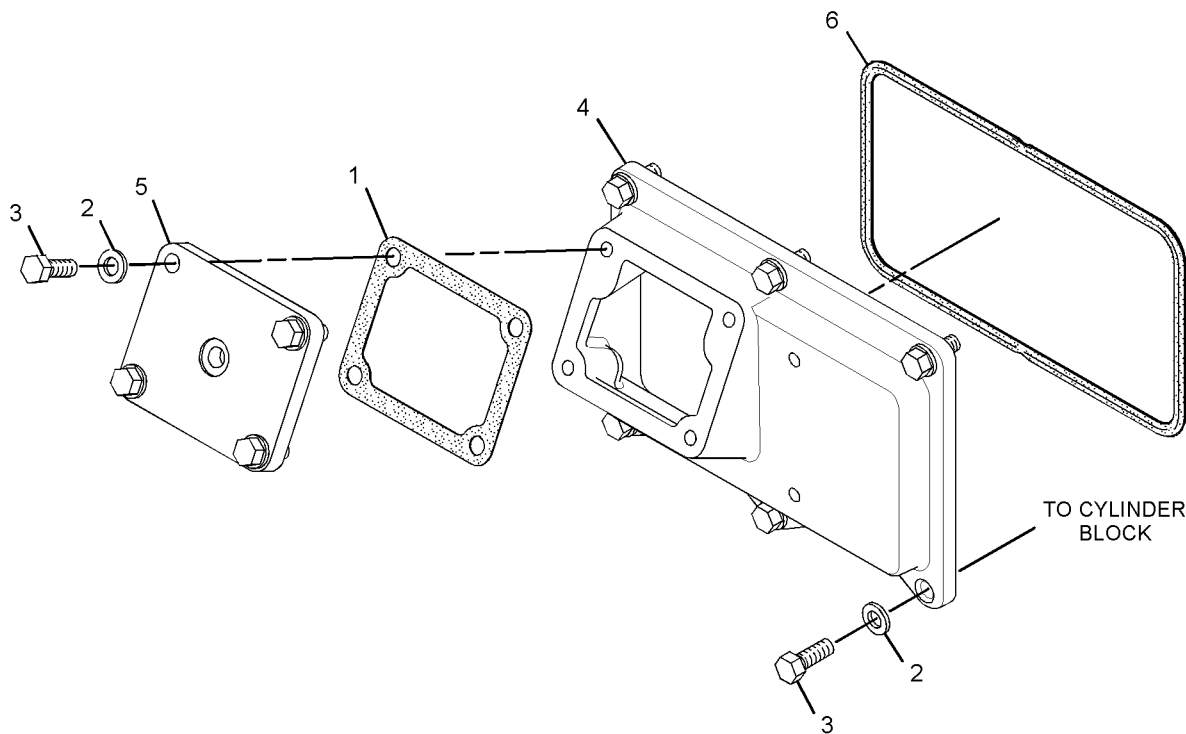
155-2583 COVER GP - CAMSHAFT

CHROME PLATED
AN ATTACHMENT

SMCS-1210

i02625635

NOTE	REF NO	GRAPHIC REF	PART NUMBER	QTY	PART NAME						SEE PAGE
					1	2	3	4	5	6 (PRODUCT LEVEL)	
	1	1	2W-0752	1	GASKET						
	2	1	133-6261	10	WASHER (10.2X18.5X2.5-MM THK)						
	3	1	133-6269	10	BOLT (3/8-16X1-IN)						
	4	1	155-2574	1	COVER - CAMSHAFT						
	5	1	222-4059	1	COVER (SENSOR)						
	6	1	272-0758	1	SEAL						



GRAPHIC #1

<END>

g01317336

BASIC ENGINE

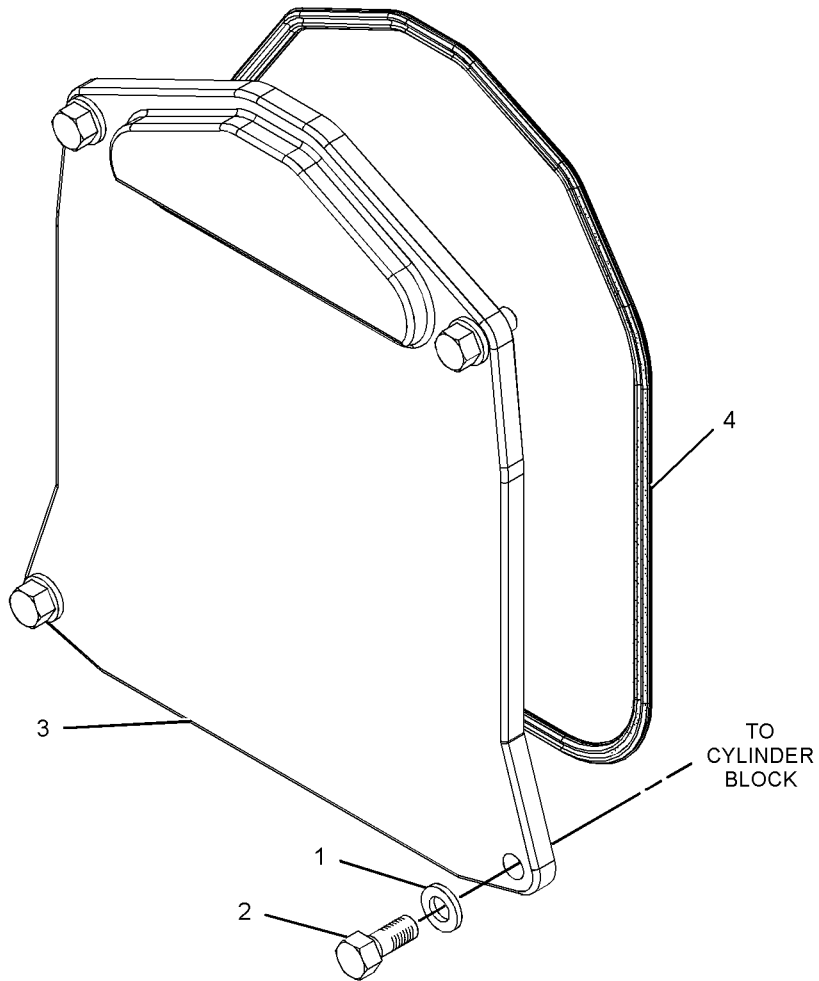
155-2563 COVER GP - CYLINDER BLOCK-CRANKCASE

CHROME PLATED
AN ATTACHMENT

SMCS-1201

i02625634

NOTE	REF NO	GRAPHIC REF	PART NUMBER	QTY	PART NAME						SEE PAGE
					1	2	3	4	5	6 (PRODUCT LEVEL)	
	1	1	133-6261	4	WASHER (M10.2X18.5X2.5 THK)						
	2	1	133-6268	4	BOLT (3/8-16X1-IN)						
	3	1	155-2575	1	COVER						
	4	1	272-0759	1	SEAL						



GRAPHIC #1

<END>

g01317501

BASIC ENGINE

271-7761 COVER GP-CYLINDER BLOCK-CENTRAL STRUCTURE

SMCS-1201

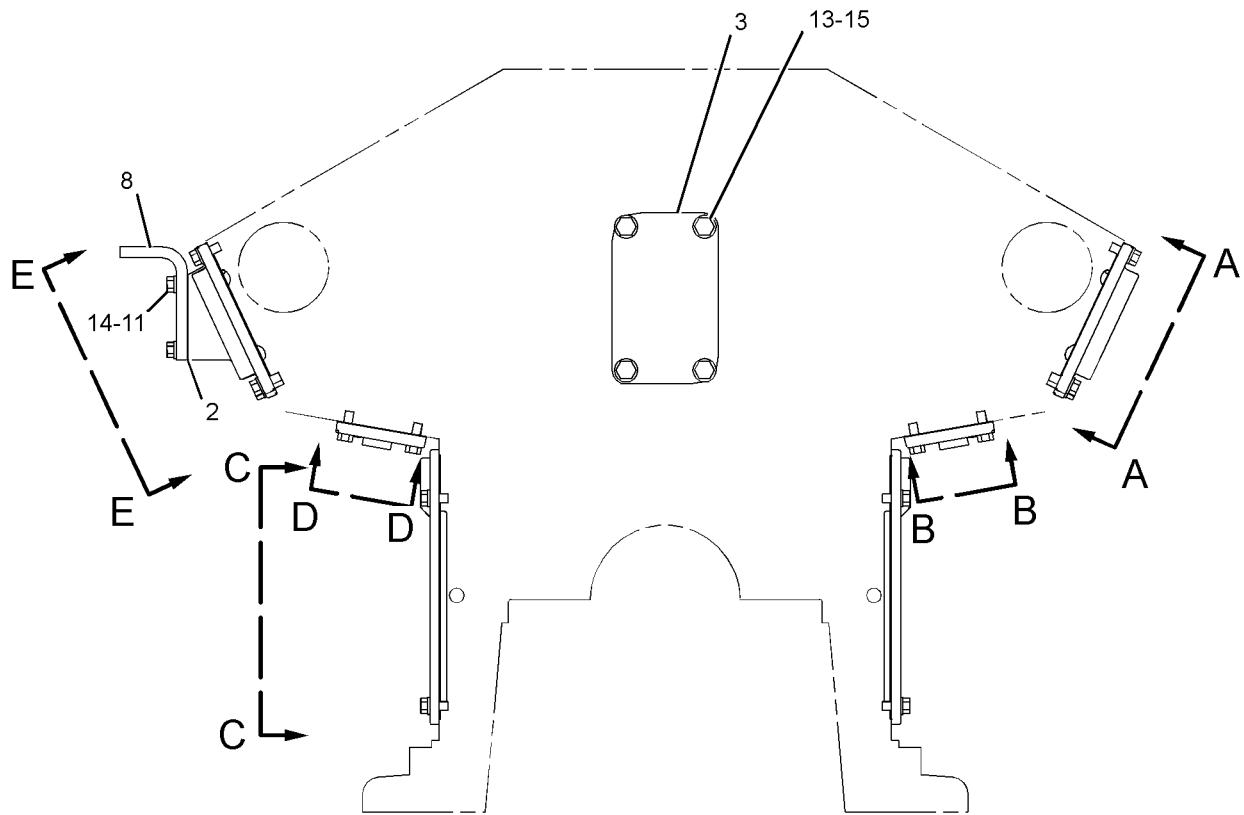
i02377304

NOTE	REF NO	GRAPHIC REF	PART NUMBER	QTY	PART NAME						SEE PAGE
					1	2	3	4	5	6 (PRODUCT LEVEL)	
	1	1	1N-2914	12	COVER-CYLINDER BLOCK SIDE						
	2	1	2W-0752	1	GASKET						
	3	1	4W-5015	1	COVER						
	4	1	7N-3298	3	COVER-BLOCK						
	5	1	7N-4945	3	GASKET						
	6	1	8N-9992	11	COVER-CAMSHAFT						
	7	1	8N-9993	1	COVER-CAMSHAFT						
	8	1	117-0066	1	BRACKET-MOUNTING						
	9	1	272-0758	12	SEAL						
	10	1	272-0759	12	SEAL						
	11	1	0S-1588	4	BOLT (3/8-16X1.25-IN)						
	12	1	0S-1594	12	BOLT (3/8-16X1-IN)						
	13	1	0S-1595	4	BOLT (1/2-13X1.25-IN)						
	14	1	5M-2894	124	WASHER-HARD (10.2X18.5X2.5-MM THK)						
	15	1	5P-8245	4	WASHER-HARD (13.5X25.5X3-MM THK)						
	16	1	8T-6761	2	PLUG-PIPE						
	17	1	9X-8872	48	BOLT-LOCKING (3/8-16X0.875-IN)						
	18	1	1A-2029	72	BOLT (3/8-16X1.125-IN)						

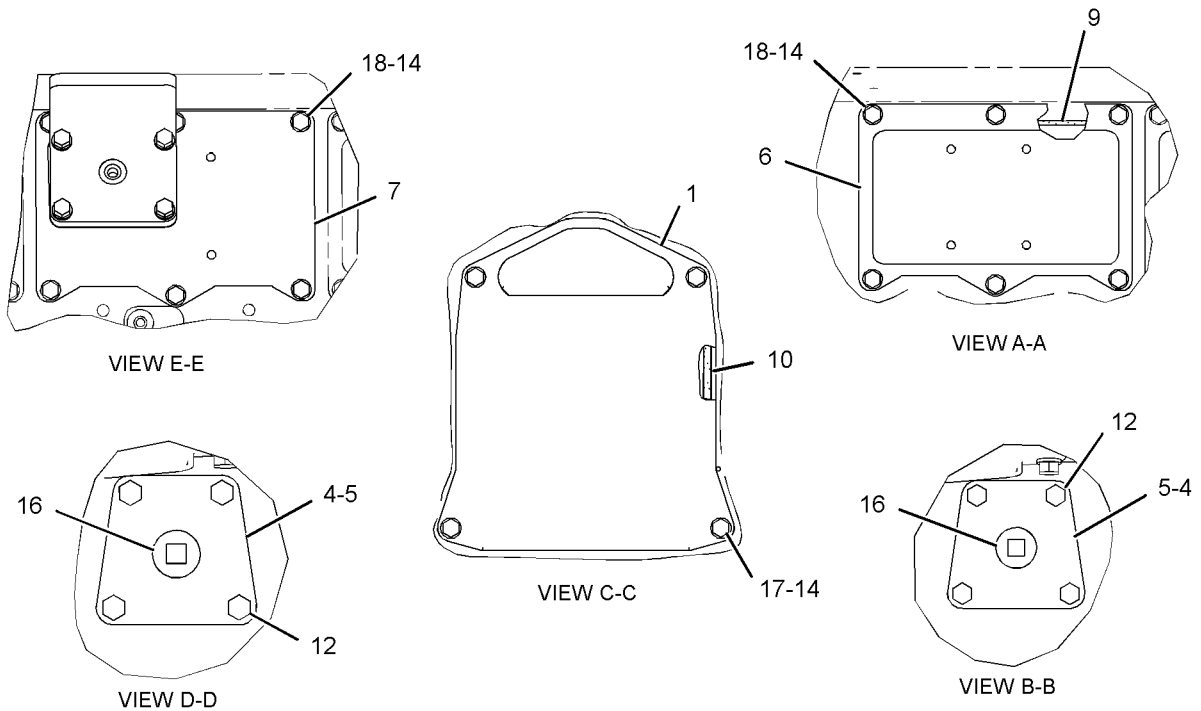
BASIC ENGINE

271-7761 COVER GP-CYLINDER BLOCK (contd.)

i02377304



FRONT VIEW



GRAPHIC #1

<END>

g01191824

BASIC ENGINE

287-3046 COVER GP - FLYWHEEL HOUSING-REAR

SMCS-1157

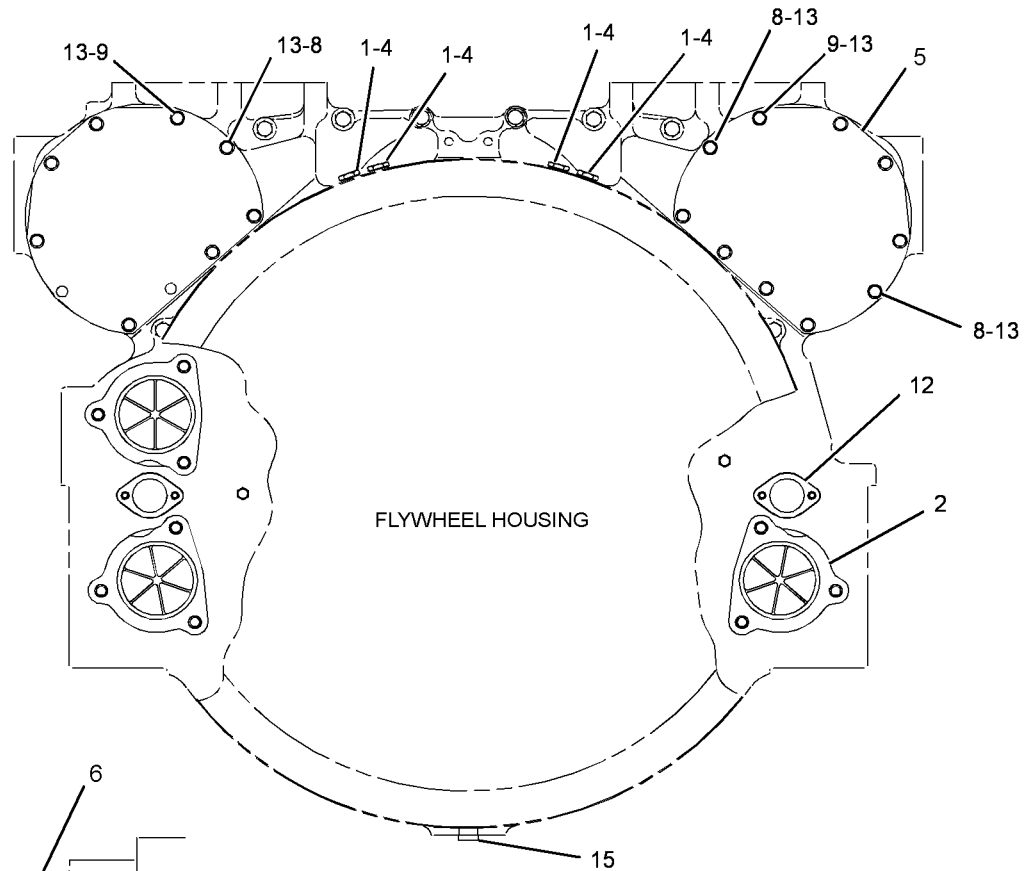
i02690957

NOTE	REF NO	GRAPHIC REF	PART NUMBER	QTY	PART NAME						SEE PAGE
					1	2	3	4	5	6 (PRODUCT LEVEL)	
	1	1	4B-8407	4	GASKET - COPPER						
	2	1	4H-7869	3	GASKET						
	3	1	4N-1114	3	COVER						
	4	1	5F-0304	4	PLUG						
	5	1	7N-4319	2	COVER						
	6	1	7N-4320	2	GASKET						
	7	1	0L-1352	2	BOLT (3/8-16X3.25-IN)						
	8	1	0S-1591	3	BOLT (3/8-16X1.5-IN)						
	9	1	0S-1594	14	BOLT (3/8-16X1-IN)						
	10	1	2P-2772	2	COVER						
	11	1	4B-4043	9	BOLT (5/8-11X1.375-IN)						
	12	1	4N-0933	2	GASKET						
	13	1	5M-2894	19	WASHER-HARD (10.2X18.5X2.5-MM THK)						
	14	1	5P-8247	9	WASHER-HARD (17X32X3.5-MM THK)						
	15	1	8T-6761	1	PLUG-PIPE						
	16	1	8T-6765	2	PLUG-PIPE						

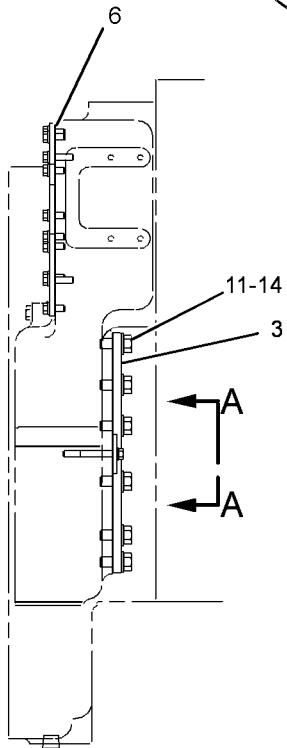
BASIC ENGINE

287-3046 COVER GP-FLYWHEEL HOUSING (contd.)

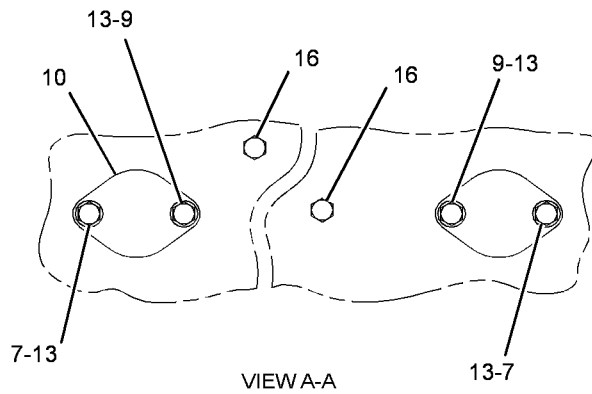
i02690957



REAR VIEW



RIGHT SIDE VIEW



VIEW A-A

GRAPHIC #1

<END>

g01351056

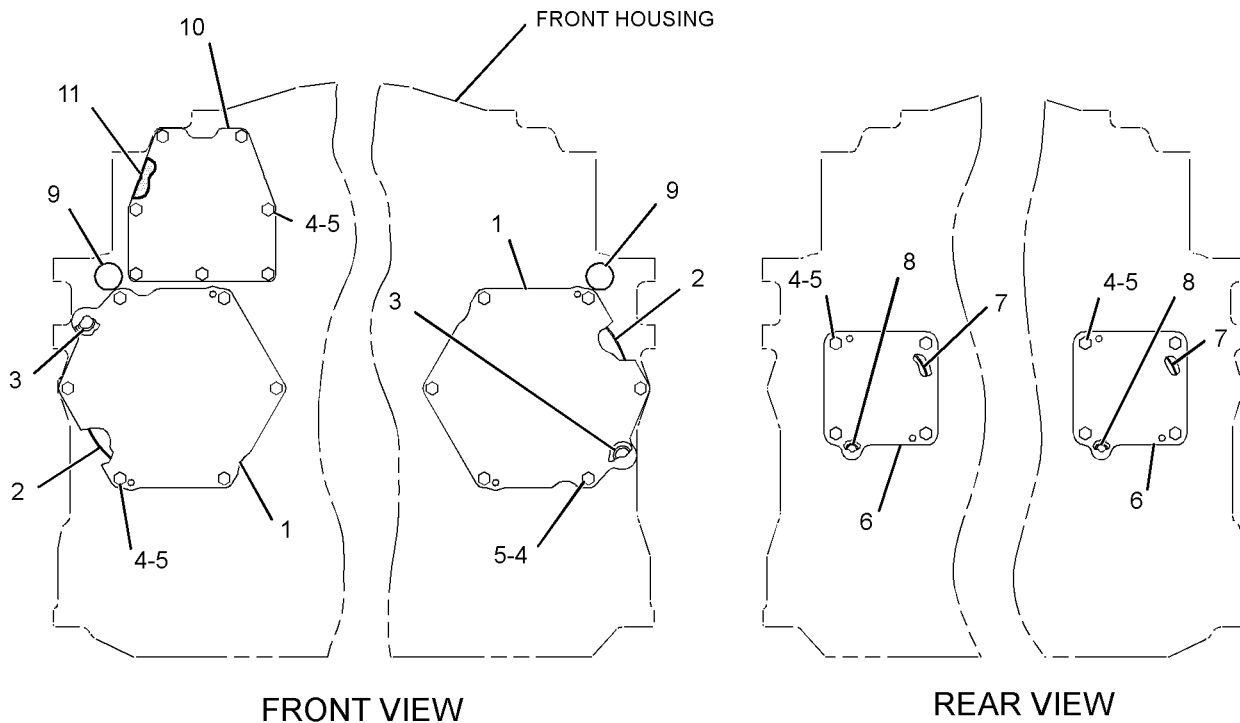
BASIC ENGINE

107-0278 COVER GP-FRONT HOUSING-FRONT STRUCTURE

SMCS-1151, 1166

i02348246

NOTE	REF NO	GRAPHIC REF	PART NUMBER	QTY	PART NAME						SEE PAGE
					1	2	3	4	5	6 (PRODUCT LEVEL)	
	1	1	7N-4951	2	COVER						
	2	1	235-3546	2	SEAL-O-RING						
	3	1	6V-3348	2	SEAL-O-RING						
	4	1	1A-2029	27	BOLT (3/8-16X1.125-IN)						
	5	1	5M-2894	27	WASHER-HARD (10.2X18.5X2.5-MM THK)						
	6	1	7N-4952	2	COVER						
	7	1	235-3548	2	SEAL-O-RING						
	8	1	5P-0840	2	SEAL-O-RING						
	9	1	3P-1896	2	PLUG-CUP						
	10	1	2W-5285	1	COVER						
	11	1	8N-9885	1	GASKET-COVER						



GRAPHIC #1

<END>

g01173129

BASIC ENGINE

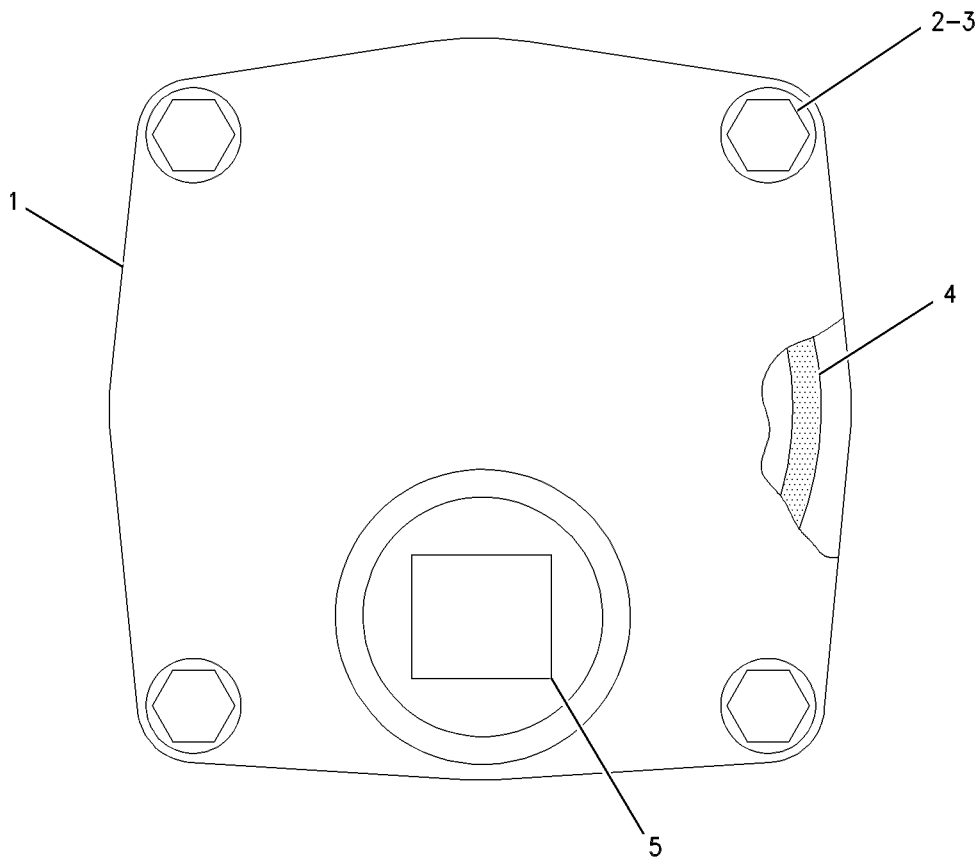
2W-5616 COVER GP-OIL PAN AN ATTACHMENT

SMCS-1302

i02776823

NOTE	REF NO	GRAPHIC REF	PART NUMBER	QTY	PART NAME						SEE PAGE
					1	2	3	4	5	6 (PRODUCT LEVEL)	
C	1	1	151-9264	1	COVER AS						
C	2	1	0S-1588	4	BOLT (3/8-16X1.25-IN)						
C	3	1	8M-9024	4	WASHER-HARD (10.2X22.5X5-MM THK)						
C	4	1	6V-7351	1	SEAL-O-RING						
	5	1	9X-6138	1	PLUG-PIPE (ENGINE OIL DRAIN)						

C- CHANGE FROM PREVIOUS TYPE



GRAPHIC #1

<END>

g00617879

BASIC ENGINE

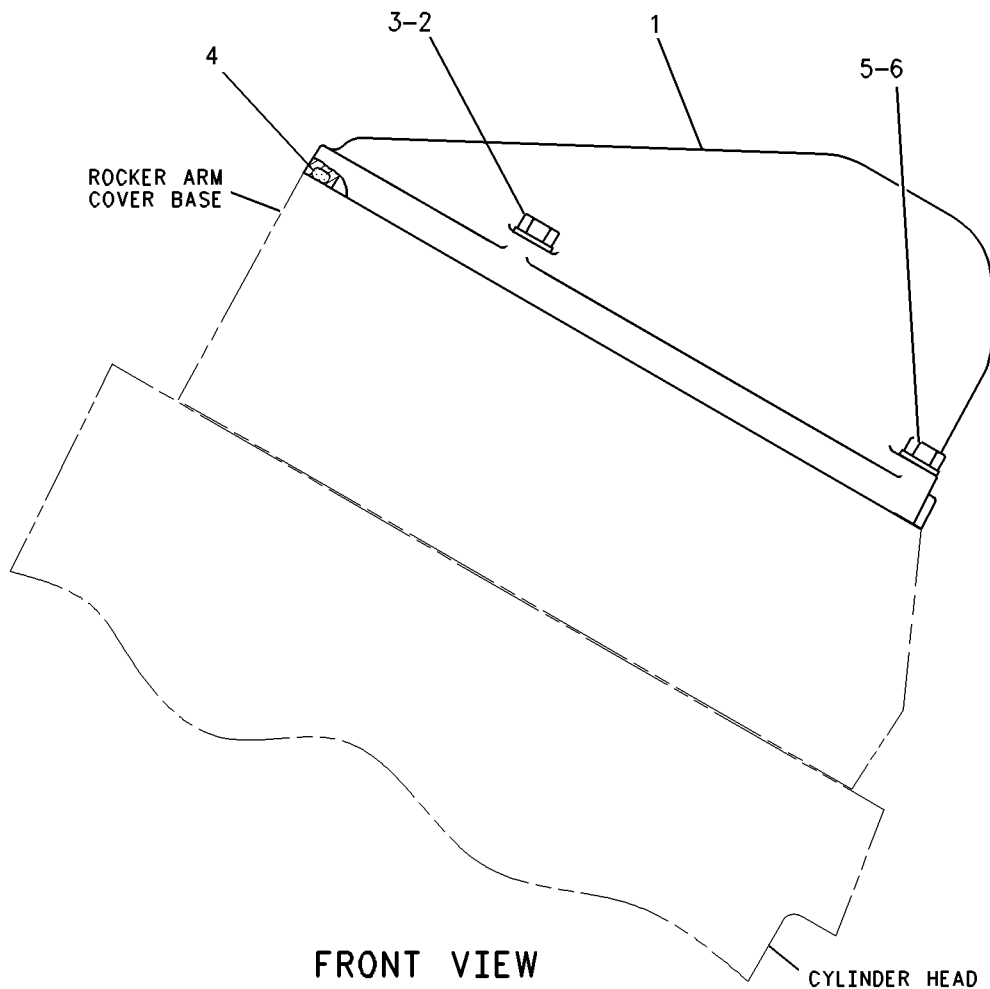
101-0831 COVER GP - VALVE MECHANISM

SMCS-1107

i02668025

NOTE	REF NO	GRAPHIC REF	PART NUMBER	QTY	PART NAME						SEE PAGE
					1	2	3	4	5	6 (PRODUCT LEVEL)	
	1	1	101-4197	1	COVER						
	2	1	1A-9579	3	BOLT (5/16-18X1.5-IN)						
	3	1	9M-1974	3	WASHER-HARD (8.8X16X2-MM THK)						
	4	1	272-0760	1	SEAL-VALVE COVER						
B	5	1	1A-9579	1	BOLT (5/16-18X1.5-IN)						
B	6	1	9M-1974	1	WASHER-HARD (8.8X16X2-MM THK)						

B- USE AS REQUIRED



GRAPHIC #1

<END>

g00773092

BASIC ENGINE

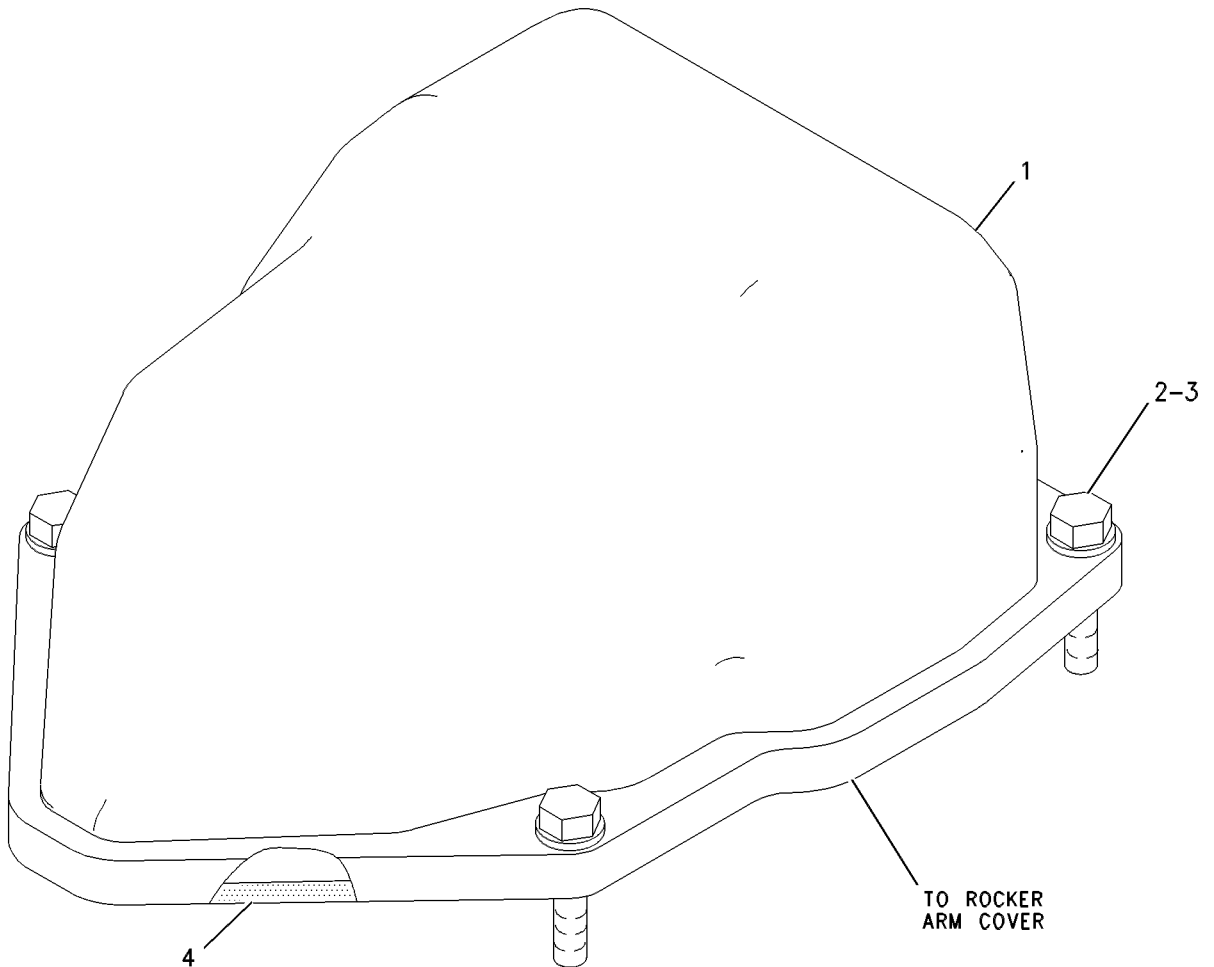
155-2566 COVER GP - VALVE MECHANISM

CHROME PLATED
FOR USE WITH EUI ENGINE
AN ATTACHMENT

SMCS-1107

i02706703

NOTE	REF NO	GRAPHIC REF	PART NUMBER	QTY	PART NAME						SEE PAGE
					1	2	3	4	5	6 (PRODUCT LEVEL)	
	1	1	155-2571	1	COVER						
	2	1	133-6270	4	BOLT (5/16-18X1.5-IN)						
	3	1	133-6265	4	WASHER (8.8X16X2-MM THK)						
	4	1	272-0760	1	SEAL - VALVE COVER						



GRAPHIC #1

<END>

g00536865

BASIC ENGINE

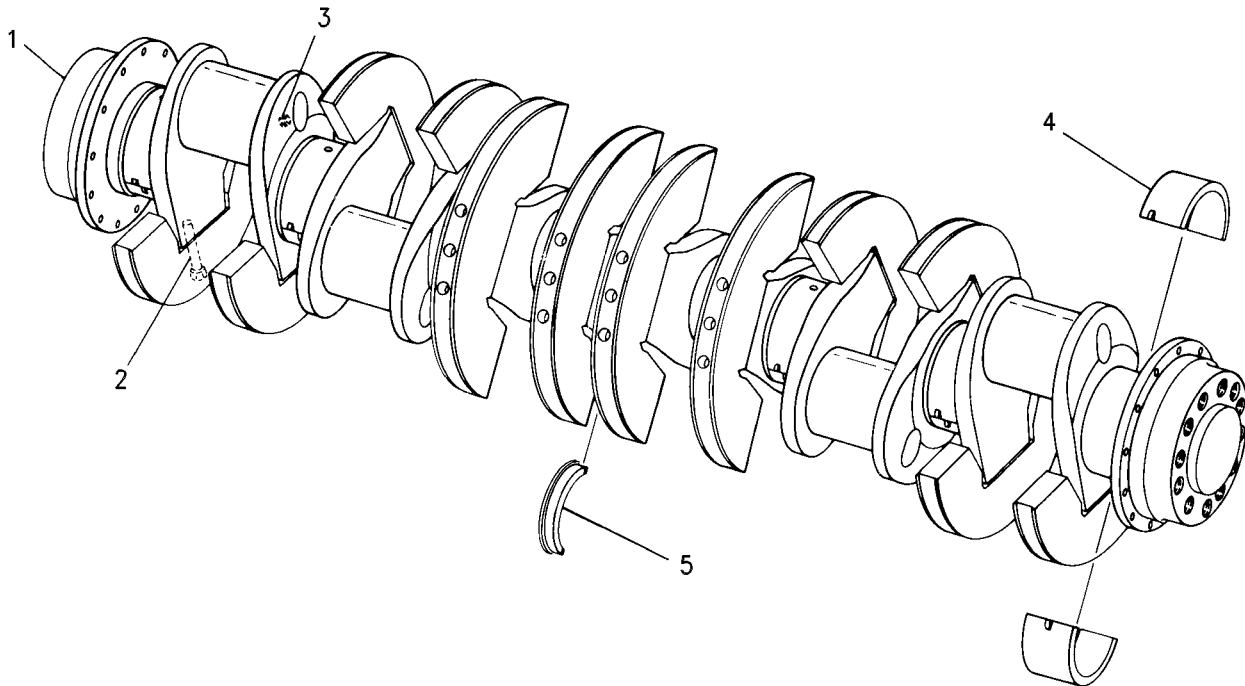
8N-7103 CRANKSHAFT GP

SMCS-1202

i02730783

NOTE	REF NO	GRAPHIC REF	PART NUMBER	QTY	PART NAME						SEE PAGE
					1	2	3	4	5	6 (PRODUCT LEVEL)	
R	1	1	128-6786	1	CRANKSHAFT AS						
		1	7N-2003	24	DOWEL						
	2	1	128-4845	36	BOLT AS						
	3	1	2W-2288	6	PLUG						
CJ	4	1	149-6031	7	BEARING AS-MAIN (STANDARD)						
ABC		1	149-6032		BEARING-MAIN (0.63-MM US ID)						
ABC		1	149-6033		BEARING-MAIN (1.27-MM US ID)						
ABC		1	149-6034		BEARING-MAIN (0.63-MM OS OD)						
ABC		1	149-6035		BEARING-MAIN (0.63-MM US ID - 0.63-MM OS OD)						
J	5	1	7C-6209	2	PLATE-THRUST						
					AVAILABLE REPAIR KIT(S) :						
J			196-9530		KIT-BASIC ENGINE REPAIR (MAIN BEARING) (INCLUDES THRUST PLATES AND MAIN BEARINGS)						

A - NOT PART OF THIS GROUP
 B - USE AS REQUIRED
 C - CHANGE FROM PREVIOUS TYPE
 J - KIT MARKED J INCLUDES PARTS MARKED J
 R - REMFG PART MAY BE AVAILABLE



GRAPHIC #1

<END>

g00358114

BASIC ENGINE

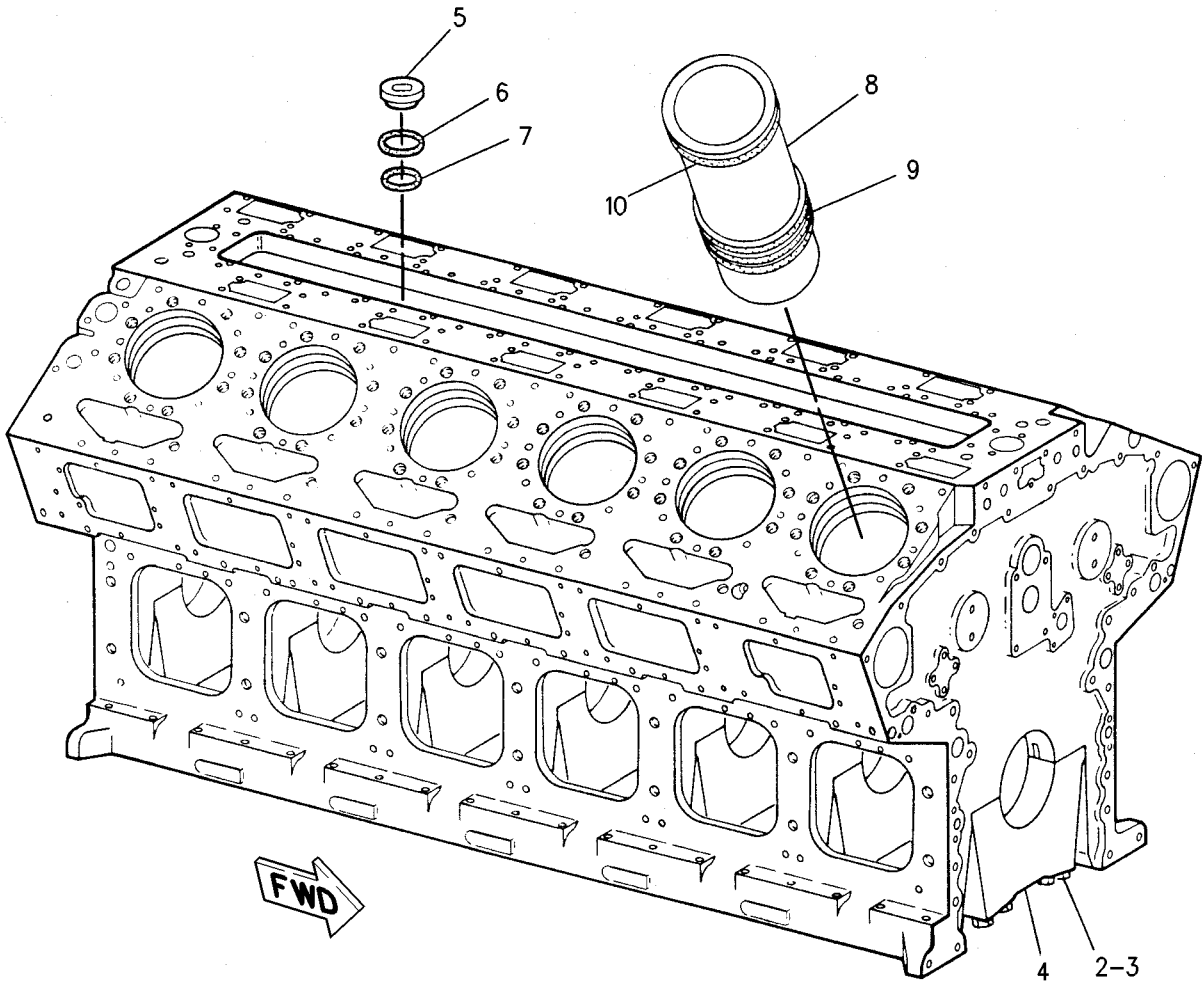
100-8026 CYLINDER BLOCK AS

PART OF 240-6651 CYLINDER BLOCK GP
FIELD REPLACEMENT ORDER 115-5154-PAGE 19

SMCS-1201

i02554263

NOTE	REF NO	GRAPHIC REF	PART NUMBER	QTY	PART NAME						SEE PAGE
					1	2	3	4	5	6 (PRODUCT LEVEL)	
	2	1	5P-8249	28	WASHER-HARD (24X41.5X4-MM THK)						
	3	1	7X-7925	28	BOLT (7/8-14X11-IN)						
	4	1	223-1696	7	CAP-CRANKSHAFT BEARING						
	5	1	4W-4813	3	PLUG						
	6	1	8T-2929	3	SEAL-O-RING						
	7	1	8T-2928	3	SEAL-O-RING						
	8	1	211-7826	12	LINER-CYLINDER						
	9	1	7N-2046	36	SEAL-O-RING						
	10	1	8N-4707	12	BAND-FILLER						



GRAPHIC #1

<END>

g00913079

BASIC ENGINE

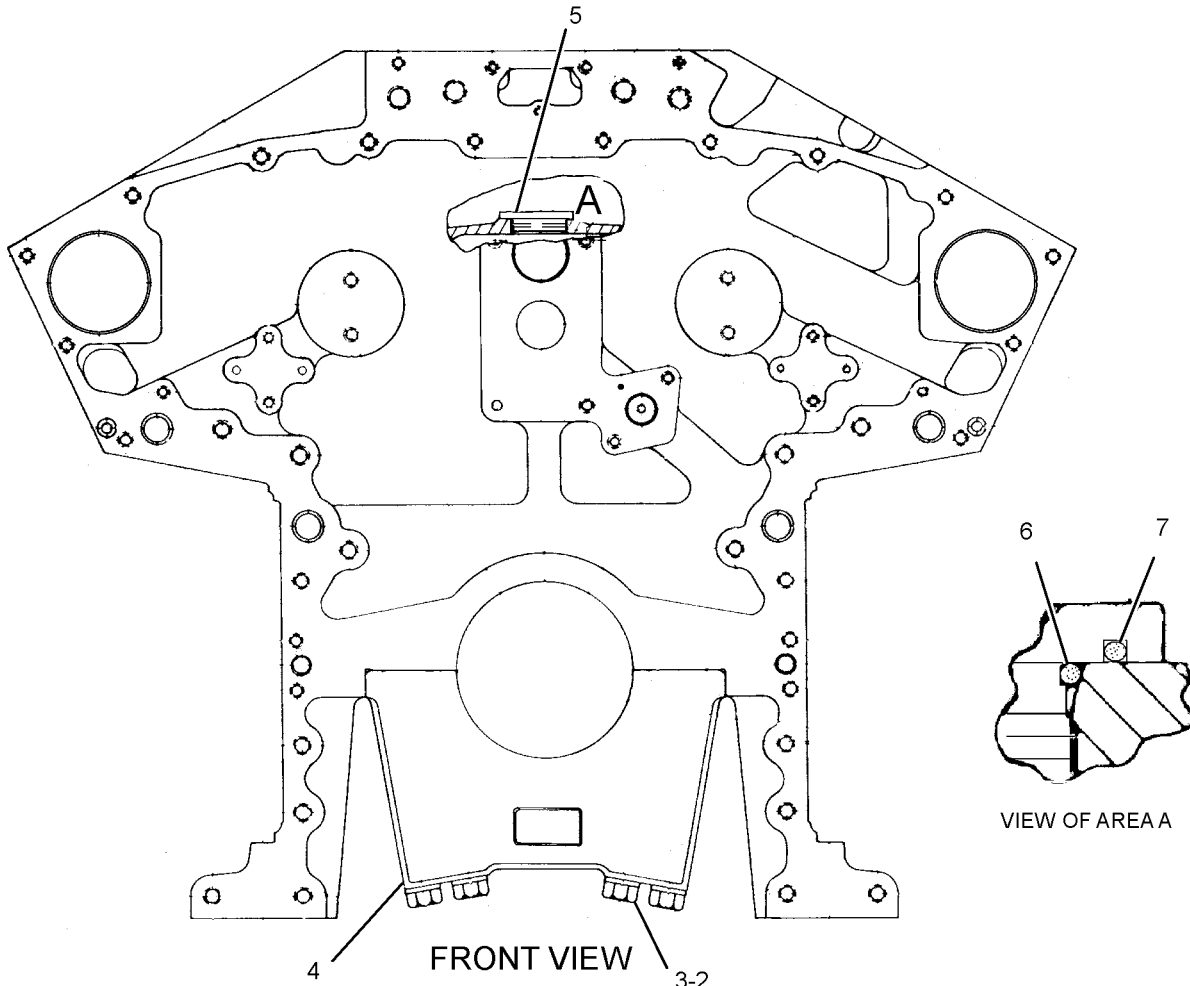
106-2779 CYLINDER BLOCK AS

PART OF 115-5154 CYLINDER BLOCK GP

SMCS-1201

i02478951

NOTE	REF NO	GRAPHIC REF	PART NUMBER	QTY	PART NAME						SEE PAGE
					1	2	3	4	5	6 (PRODUCT LEVEL)	
	2	1	5P-8249	28	WASHER-HARD (24X41.5X4-MM THK)						
	3	1	7X-7925	28	BOLT (7/8-14X11-IN)						
	4	1	223-1696	7	CAP-CRANKSHAFT BEARING						
	5	1	4W-4813	3	PLUG						
	6	1	8T-2928	3	SEAL-O-RING						
	7	1	8T-2929	3	SEAL-O-RING						



GRAPHIC #1

<END>

g01266119

BASIC ENGINE

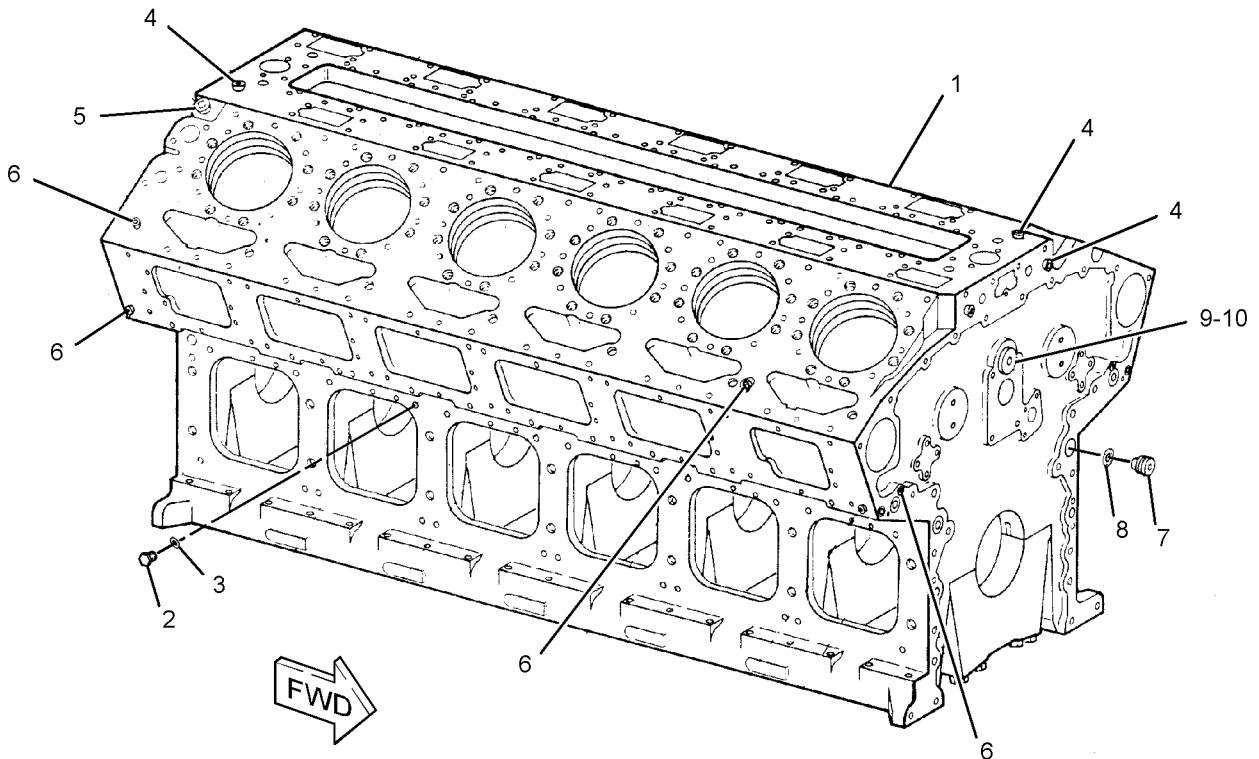
115-5154 CYLINDER BLOCK GP FIELD REPLACEMENT FOR 100-8026-PAGE 17

SMCS-1201

i02795477

NOTE	REF NO	GRAPHIC REF	PART NUMBER	QTY	PART NAME						SEE PAGE
					1	2	3	4	5	6 (PRODUCT LEVEL)	
Y	1	1	106-2779	1	CYLINDER BLOCK AS						18
	2	1	9S-4191	6	PLUG-O-RING						
	3	1	033-6042	6	SEAL-O-RING						
	4	1	8T-6762	4	PLUG-PIPE						
	5	1	7X-7731	2	PLUG-PIPE						
	6	1	8T-6763	22	PLUG-PIPE						
	7	1	2W-2940	8	PLUG (OIL MANIFOLD)						
	8	1	6V-3348	8	SEAL-O-RING						
	9	1	7N-5641	2	PLUG-MANIFOLD						
	10	1	5F-9657	4	SEAL-O-RING						

Y-SEPARATE ILLUSTRATION



GRAPHIC #1

<END>

g01395923

BASIC ENGINE

240-6651 CYLINDER BLOCK GP

SMCS-1201

i02518762

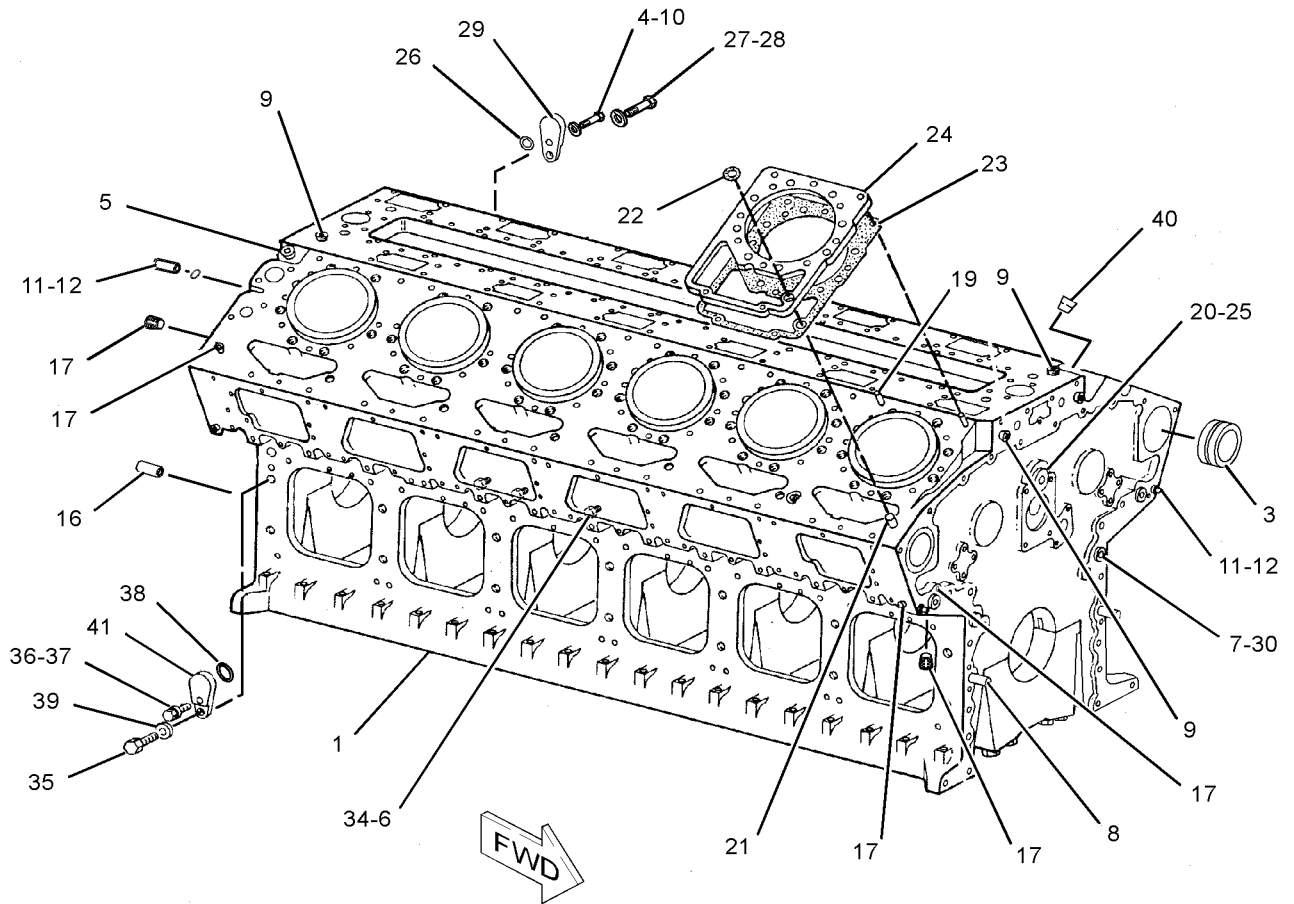
NOTE	REF NO	GRAPHIC REF	PART NUMBER	QTY	PART NAME						SEE PAGE
					1	2	3	4	5	6 (PRODUCT LEVEL)	
Y	1	1	100-8026	1	CYLINDER BLOCK AS						17
	3	1	101-1198	14	BEARING-CAMSHAFT						
	4	1	1A-2029	1	BOLT (3/8-16X1.125-IN)						
	5	1	7X-7731	1	PLUG-PIPE						
	6	1	9S-4191	6	PLUG-O-RING						
	7	1	2W-2940	8	PLUG (OIL MANIFOLD)						
	8	1	7N-2044	2	DOWEL						
	9	1	8T-6762	4	PLUG-PIPE						
	10	1	5M-2894	1	WASHER-HARD (10.2X18.5X2.5-MM THK)						
	11	1	7N-2047	3	DOWEL						
	12	1	7X-4805	3	SEAL-O-RING						
	16	1	4N-0683	2	DOWEL						
	17	1	8T-6763	22	PLUG-PIPE						
	19	1	8T-0099	24	DOWEL						
	20	1	7N-5641	2	PLUG-MANIFOLD						
	21	1	197-7008	12	DOWEL						
	22	1	5P-0840	24	SEAL-O-RING						
	23	1	144-5692	12	GASKET-PLATE						
	24	1	110-6994	12	PLATE-SPACER						
	25	1	5F-9657	4	SEAL-O-RING						
	26	1	5P-8210	1	SEAL-O-RING						
	27	1	0S-1595	1	BOLT (1/2-13X1.25-IN)						
	28	1	5P-8245	1	WASHER-HARD (13.5X25.5X3-MM THK)						
	29	1	8N-8056	1	COVER						
	30	1	6V-3348	8	SEAL-O-RING						
	34	1	153-4906	6	SEAL-O-RING						
B	35	1	0S-1595	1	BOLT (1/2-13X1.25-IN)						
B	36	1	1A-2029	1	BOLT (3/8-16X1.125-IN)						
B	37	1	5M-2894	1	WASHER-HARD (10.2X18.5X2.5-MM THK)						
B	38	1	5P-8210	1	SEAL-O-RING						
B	39	1	5P-8245	1	WASHER-HARD (13.5X25.5X3-MM THK)						
B	40	1	7X-7731	1	PLUG-PIPE						
B	41	1	8N-8056	1	COVER						

B- USE AS REQUIRED
Y- SEPARATE ILLUSTRATION

BASIC ENGINE

240-6651 CYLINDER BLOCK GP (contd.)

i02518762



GRAPHIC #1

<END>

g01260443

BASIC ENGINE

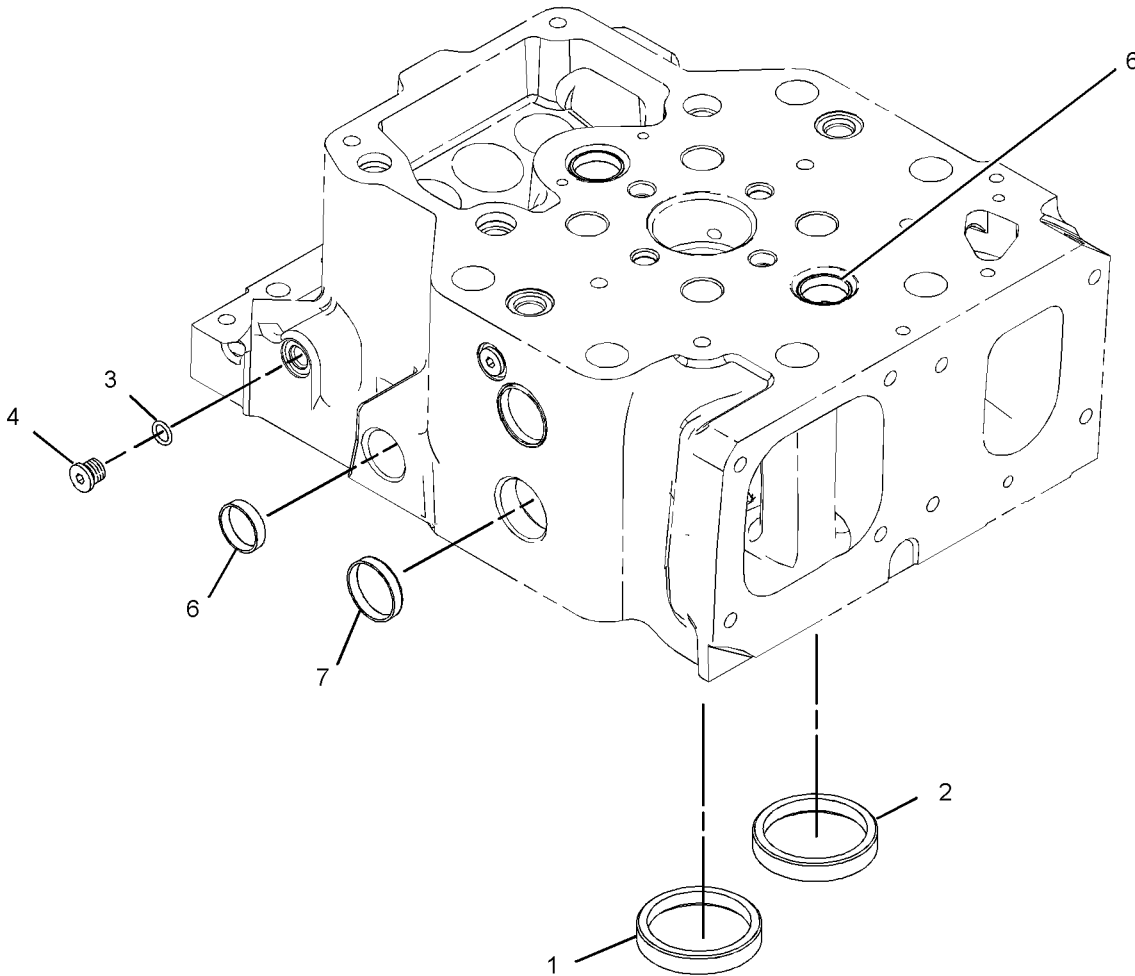
290-1351 CYLINDER HEAD AS

PART OF 299-3519 CYLINDER HEAD AS, 290-1352 CYLINDER HEAD GP
FIELD REPLACEMENT ORDER 299-3519-PAGE 23

SMCS-1100, 1101

i02625615

NOTE	REF NO	GRAPHIC REF	PART NUMBER	QTY	PART NAME						SEE PAGE
					1	2	3	4	5	6 (PRODUCT LEVEL)	
	1	1	183-8809	2	INSERT-VALVE SEAT (INTAKE)						
	2	1	289-9745	2	INSERT-VALVE SEAT (EXHAUST)						
	3	1	3J-7354	4	SEAL-O-RING						
	4	1	9S-8002	4	PLUG-O-RING						
	6	1	3B-0623	5	PLUG-CUP						
	7	1	3B-0645	5	PLUG-CUP						



GRAPHIC #1

<END>

g01205314

BASIC ENGINE

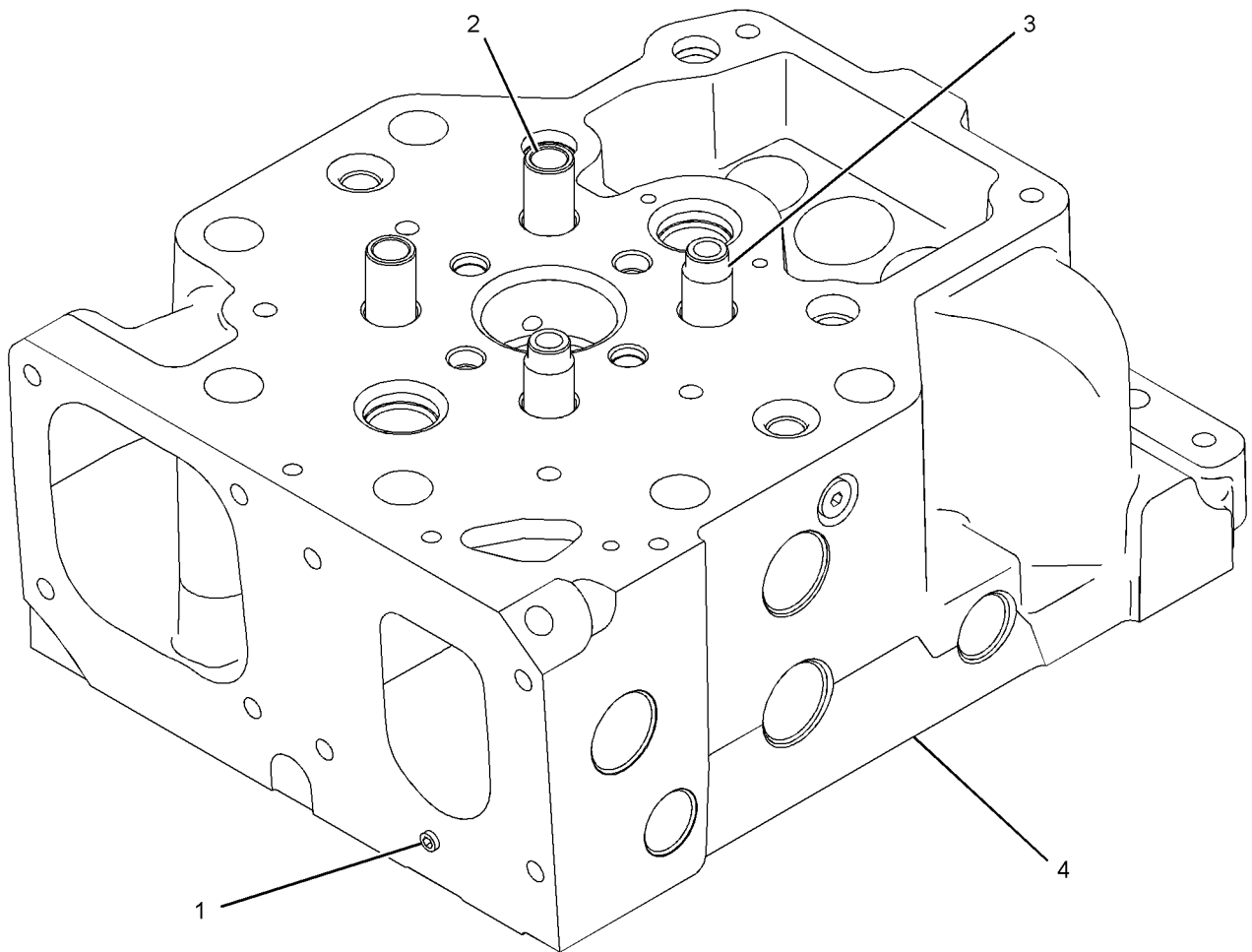
299-3519 CYLINDER HEAD AS FIELD REPLACEMENT FOR 290-1351—PAGE 22

SMCS-1100, 1101

i02687075

NOTE	REF NO	GRAPHIC REF	PART NUMBER	QTY	PART NAME						SEE PAGE
					1	2	3	4	5	6 (PRODUCT LEVEL)	
	1	1	8T-6759	1	PLUG-PIPE						
R	2	1	133-9306	2	GUIDE-VALVE (STANDARD) (INTAKE)						
AB		1	149-1982		GUIDE-VALVE (0.508-MM OS OD) (INLET)						
AB		1	273-3553		GUIDE-VALVE (0.127-MM OS OD) (INLET)						
AB		1	273-3554		GUIDE-VALVE (0.254-MM OS OD) (INLET)						
AB		1	301-9248		GUIDE-VALVE (0.381-MM OS OD) (INLET)						
R	3	1	197-6995	2	GUIDE-VALVE (STANDARD) (EXHAUST)						
AB		1	276-3875		GUIDE-VALVE (0.127-MM OS OD) (EXHAUST)						
AB		1	276-3876		GUIDE-VALVE (0.254-MM OS OD) (EXHAUST)						
Y	4	1	<i>290-1351</i>	1	CYLINDER HEAD AS						22

A - NOT PART OF THIS GROUP
 B - USE AS REQUIRED
 R - REMFG PART MAY BE AVAILABLE
 Y - SEPARATE ILLUSTRATION



GRAPHIC #1

<END>

g01350415

BASIC ENGINE

290-1352 CYLINDER HEAD GP PART OF 299-3521 CYLINDER HEAD GP

SMCS-1100

i02625612

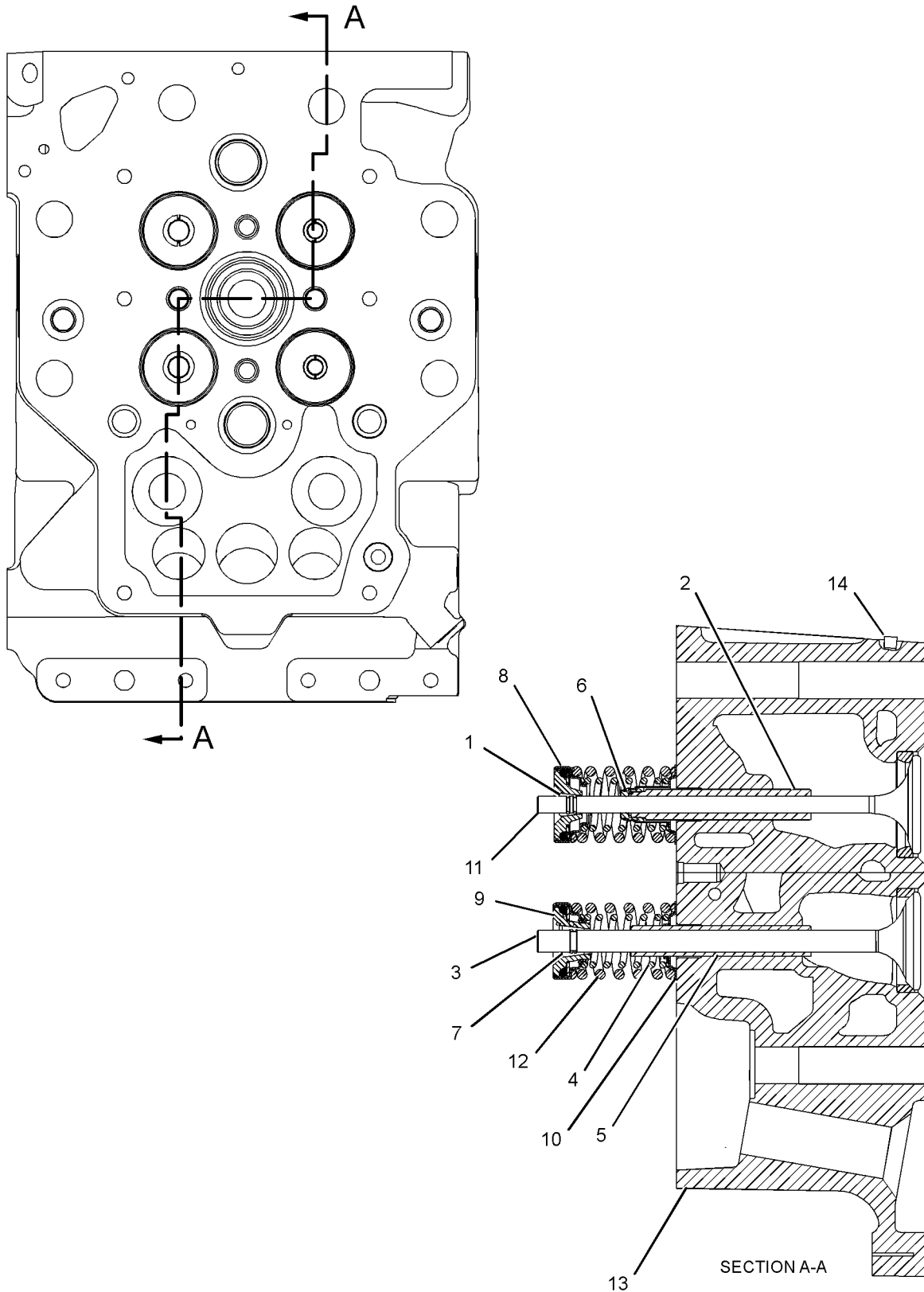
NOTE	REF NO	GRAPHIC REF	PART NUMBER	QTY	PART NAME						SEE PAGE
					1	2	3	4	5	6 (PRODUCT LEVEL)	
	1	1	2A-4429	4	LOCK-RETAINER						
R	2	1	133-9306	2	GUIDE-VALVE (STANDARD) (INLET)						
AB		1	149-1982	2	GUIDE-VALVE (0.508-MM OS OD) (INLET)						
AB		1	273-3553	1	GUIDE-VALVE (0.127-MM OS OD) (INLET)						
AB		1	273-3554	1	GUIDE-VALVE (0.254-MM OS OD) (INLET)						
AB		1	301-9248	1	GUIDE-VALVE (0.381-MM OS OD) (INLET)						
	3	1	194-4897	2	VALVE-EXHAUST						
	4	1	194-4902	4	SPRING-VALVE						
R	5	1	197-6995	2	GUIDE-VALVE (STANDARD) (EXHAUST)						
AB		1	276-3875	1	GUIDE-VALVE (0.127-MM OS OD) (EXHAUST)						
AB		1	276-3876	1	GUIDE-VALVE (0.254-MM OS OD) (EXHAUST)						
	6	1	197-7006	2	SEAL-VALVE STEM						
	7	1	197-7055	4	LOCK-RETAINER						
	8	1	197-7062	2	ROTOCOIL AS						
	9	1	197-7063	2	ROTOCOIL AS						
	10	1	209-0962	2	WASHER (17.8X45X7.29-MM THK)						
	11	1	210-2542	2	VALVE-INLET						
	12	1	281-6157	4	SPRING						
Y	13	1	<i>290-1351</i>	1	CYLINDER HEAD AS						22
	14	1	8T-6759	1	PLUG-PIPE						

A - NOT PART OF THIS GROUP
 B - USE AS REQUIRED
 R - REMFG PART MAY BE AVAILABLE
 Y - SEPARATE ILLUSTRATION

BASIC ENGINE

290 - 1352 CYLINDER HEAD GP (contd.)

i02625612



GRAPHIC #1

<END>

g01324364

BASIC ENGINE

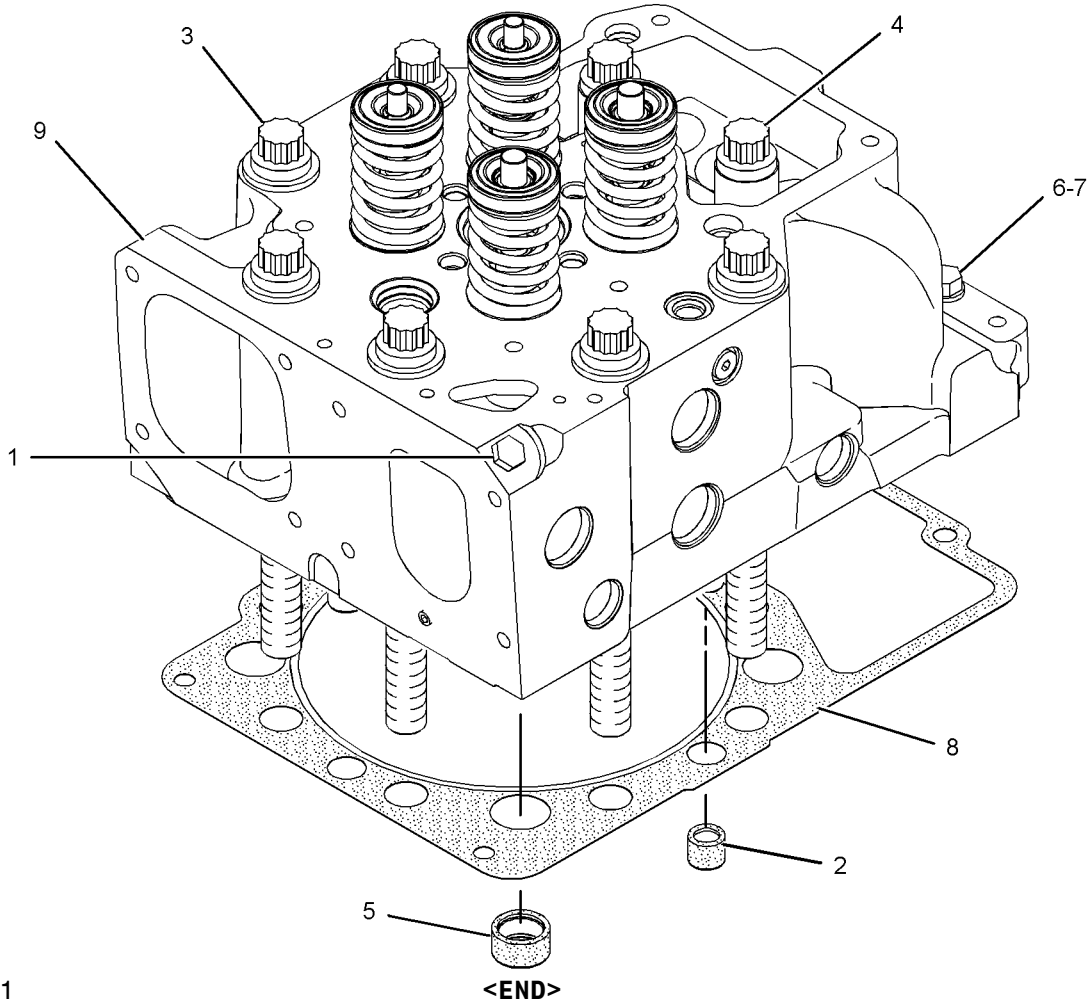
299-3521 CYLINDER HEAD GP

SMCS-1100

i03054778

NOTE	REF NO	GRAPHIC REF	PART NUMBER	QTY	PART NAME						SEE PAGE
					1	2	3	4	5	6 (PRODUCT LEVEL)	
B	1	1	5B-7890	1	PLUG-PIPE						24
	2	1	204-5426	4	SEAL (WATER)						
	3	1	131-0420	6	FASTENER GP-CYLINDER HEAD (EACH INCLUDES)						
		1	7N-1961	1	BOLT-12 POINT HEAD (3/4-16X8.5-IN)						
		1	187-7738	1	WASHER-HARD (21X36.5X3.5-MM THK)						
	4	1	131-0421	2	FASTENER GP-CYLINDER HEAD (EACH INCLUDES)						
		1	7N-1961	1	BOLT-12 POINT HEAD (3/4-16X8.5-IN)						
		1	9Y-0635	1	SPACER (19.35X30.18X45-MM THK)						
		1	187-7738	1	WASHER-HARD (21X36.5X3.5-MM THK)						
	5	1	204-5427	4	SEAL (WATER)						
6	1	5B-0213	2	BOLT (3/8-16X2.375-IN)							
7	1	5M-2894	2	WASHER-HARD (10.2X18.5X2.5-MM THK)							
8	1	110-6991	1	GASKET-CYLINDER HEAD							
Y	9	1	290-1352	1	CYLINDER HEAD GP						

B- USE AS REQUIRED
Y- SEPARATE ILLUSTRATION



GRAPHIC #1

<END>

g01324449

BASIC ENGINE

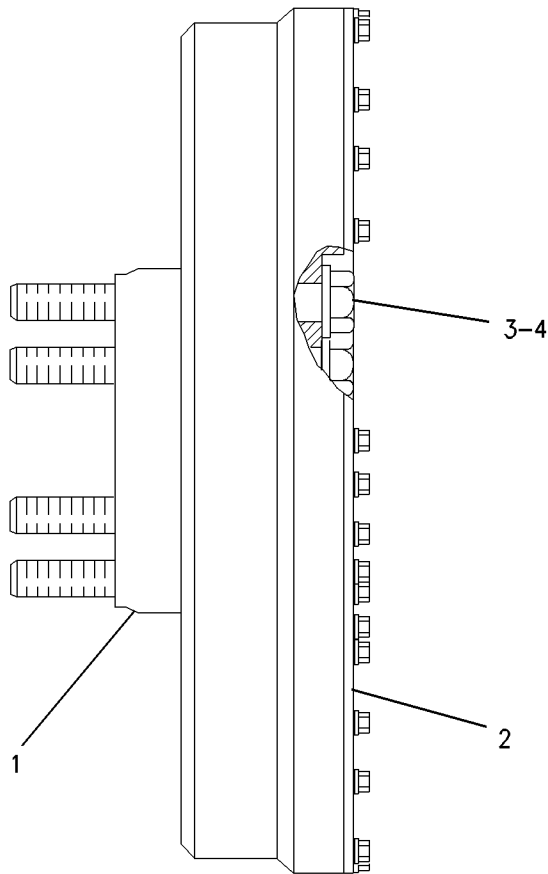
8N-0339 DAMPER GP

SMCS - 1205

i02327580

NOTE	REF NO	GRAPHIC REF	PART NUMBER	QTY	PART NAME						SEE PAGE
					1	2	3	4	5	6 (PRODUCT LEVEL)	
	1	1	1N-3482	1	ADAPTER						
CYR	2	1	146-3740	1	DAMPER GP						28
	3	1	8S-4757	6	BOLT (1-14X8-IN)						
	4	1	5P-8250	6	WASHER (28X49X5-MM THK)						

C - CHANGE FROM PREVIOUS TYPE
 R - REMFG PART MAY BE AVAILABLE
 Y - SEPARATE ILLUSTRATION



RIGHT SIDE VIEW

GRAPHIC #1

<END>

g00995293

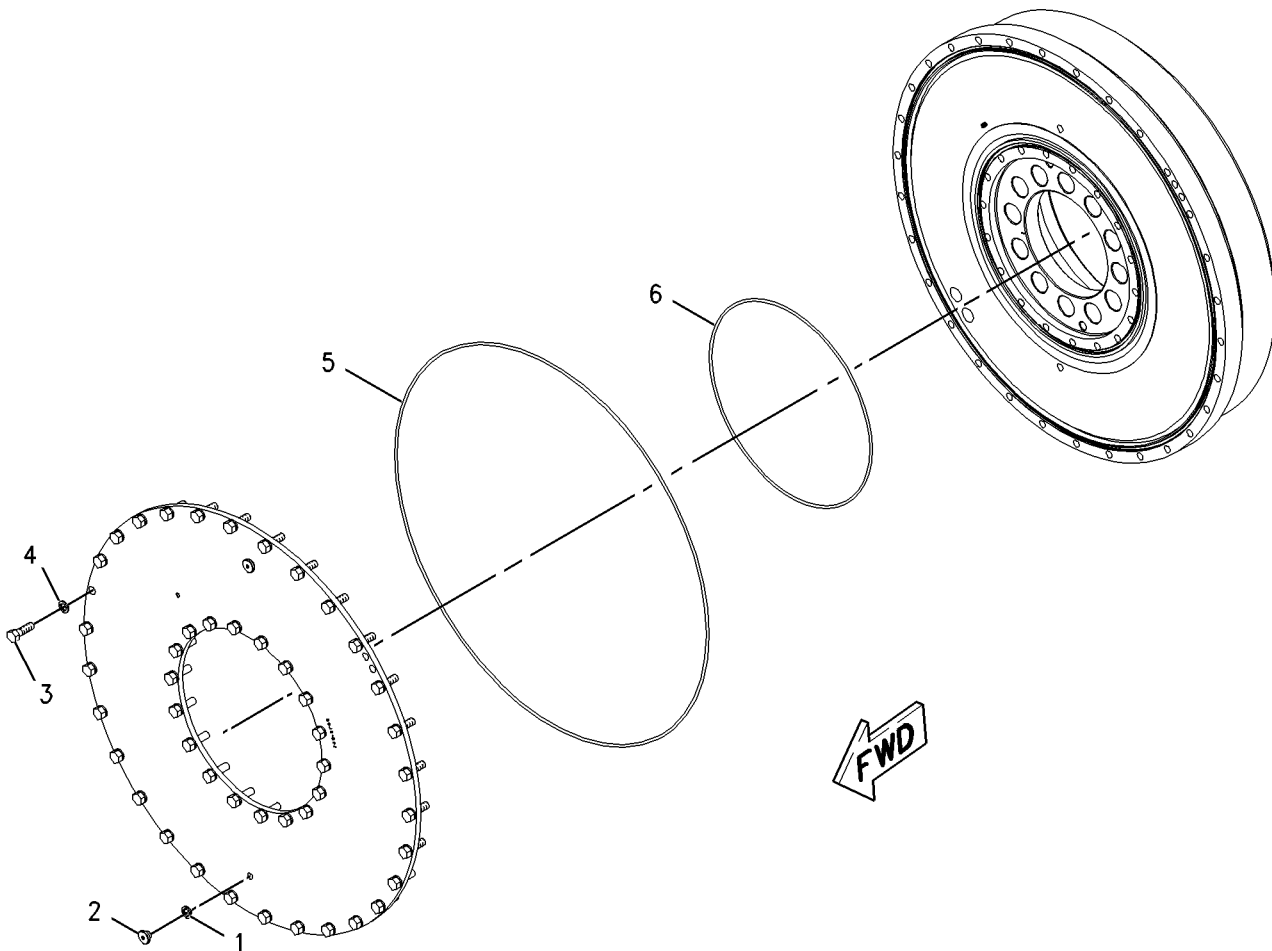
BASIC ENGINE

146-3740 DAMPER GP*R PART OF 8N-0339 DAMPER GP

SMCS-1205

i02327548

NOTE	REF NO	GRAPHIC REF	PART NUMBER	QTY	PART NAME						SEE PAGE
					1	2	3	4	5	6 (PRODUCT LEVEL)	
	1	1	151-9263	2	WASHER (10.35X16X2-MM THK)						
	2	1	227-3801	2	PLUG						
	3	1	1A-2029	48	BOLT (3/8-16X1.125-IN)						
	4	1	3V-2431	48	WASHER (10.2X16X2-MM THK)						
	5	1	4D-0449	1	SEAL-O-RING						
	6	1	6V-7991	1	SEAL-O-RING						



GRAPHIC #1

<END>

g00995286

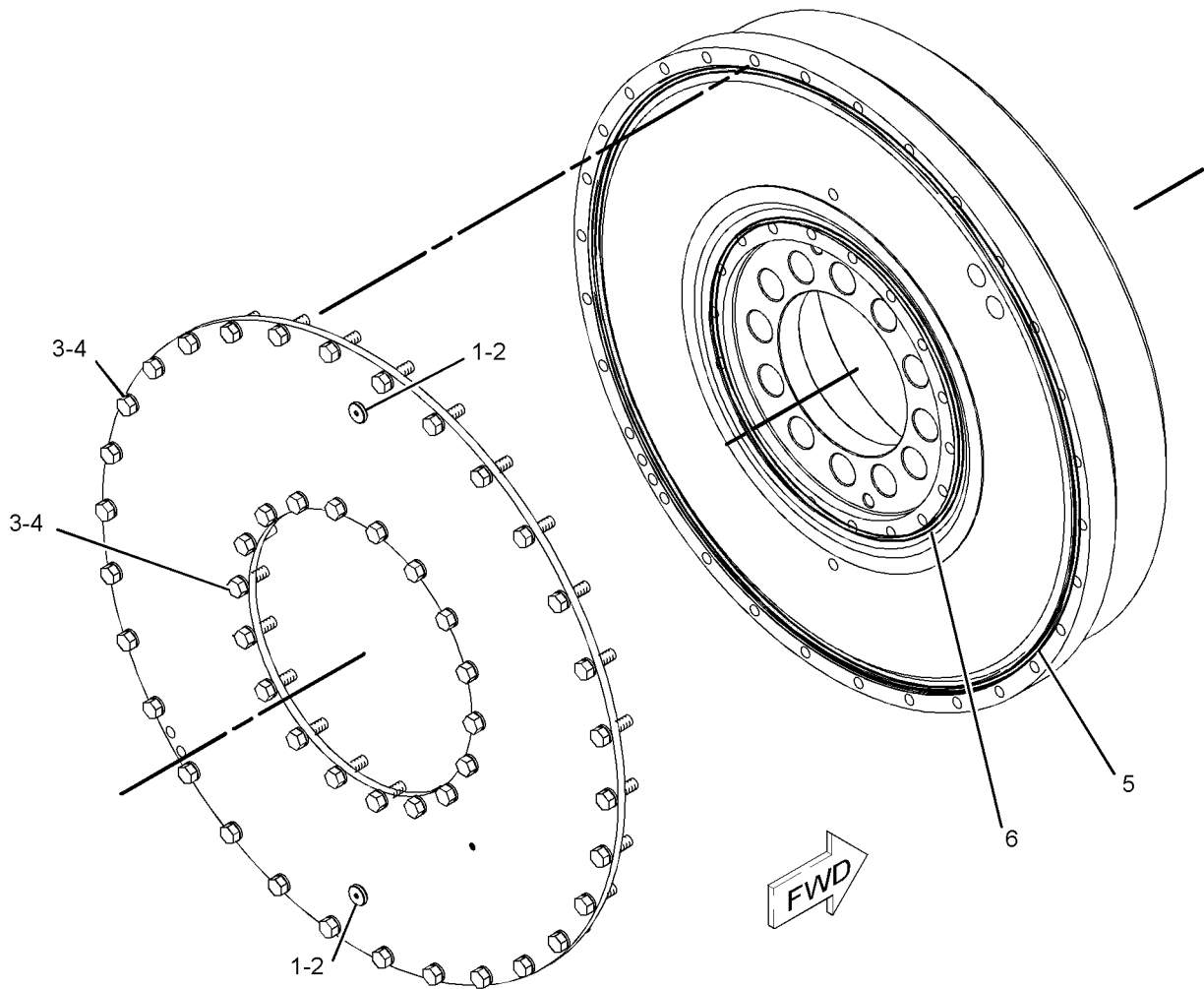
BASIC ENGINE

171-4571 DAMPER GP*R PART OF 7W-0284 MOUNTING GP-HYD PUMP DRIVE AN ATTACHMENT

SMCS-1205

i02296994

NOTE	REF NO	GRAPHIC REF	PART NUMBER	QTY	PART NAME						SEE PAGE
					1	2	3	4	5	6 (PRODUCT LEVEL)	
	1	1	151-9263	2	WASHER (10.35X16X2-MM THK)						
	2	1	227-3801	2	PLUG						
	3	1	1A-2029	48	BOLT (3/8-16X1.125-IN)						
	4	1	3V-2431	48	WASHER (10.2X16X2-MM THK)						
	5	1	4D-0449	1	SEAL-O-RING						
	6	1	6V-7991	1	SEAL-O-RING						



GRAPHIC #1

<END>

g01150378

BASIC ENGINE

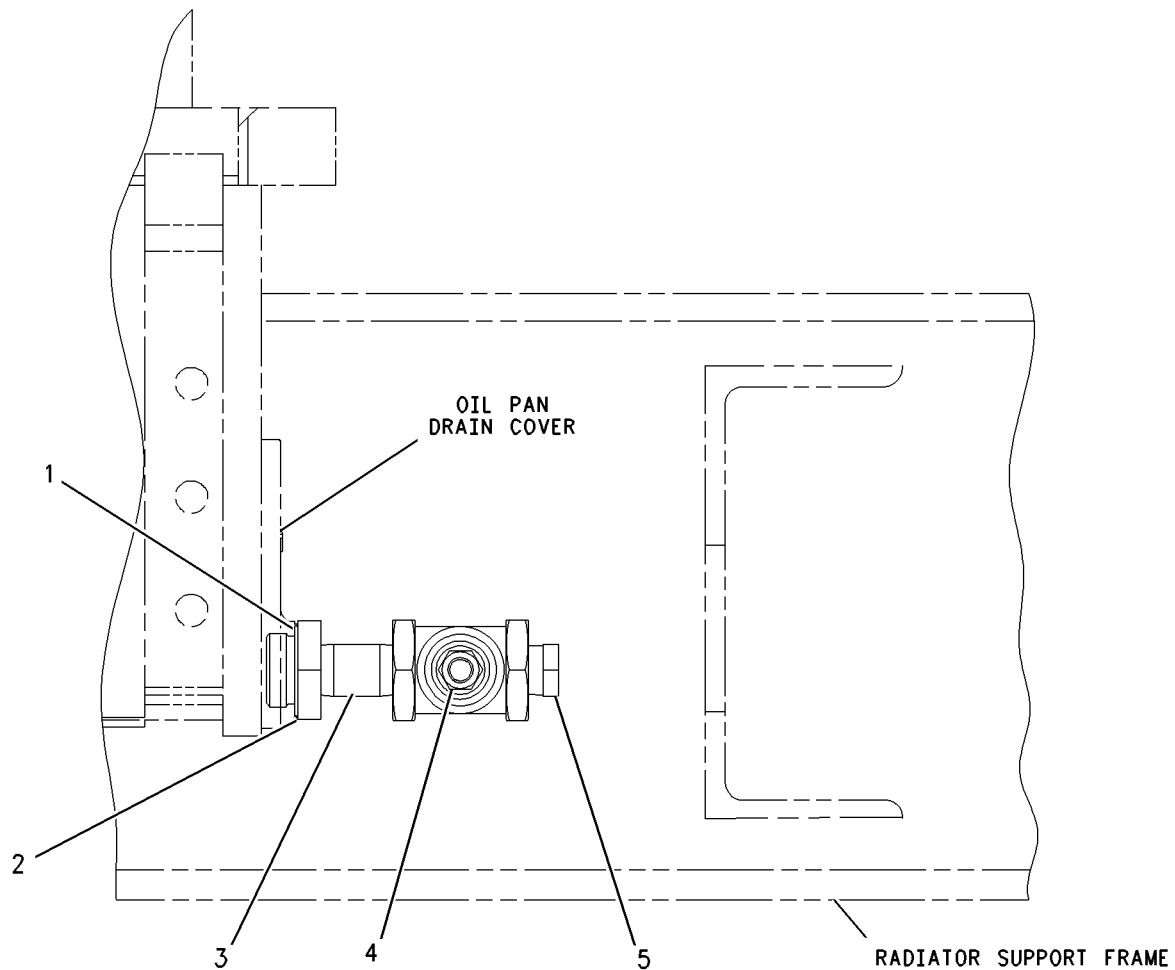
9Y-7876 DRAIN GP-ENGINE OIL AN ATTACHMENT

SMCS-1302

i02509881

NOTE	REF NO	GRAPHIC REF	PART NUMBER	QTY	PART NAME						SEE PAGE
					1	2	3	4	5	6 (PRODUCT LEVEL)	
	1	1	6F-4868	1	GASKET						
	2	1	7N-6511	1	ADAPTER						
	3	1	1F-6660	1	NIPPLE-PIPE						
	4	1	9B-4202	1	VALVE-DRAIN (ENGINE OIL)						
B	5	1	3E-7430	1	PLUG-PIPE						

B-USE AS REQUIRED



GRAPHIC #1

<END>

g00825656

BASIC ENGINE

7E-7647 DRIVE GP-ACCESSORY-LOWER, LH STANDARD ROTATION

SMCS-1207

i02292418

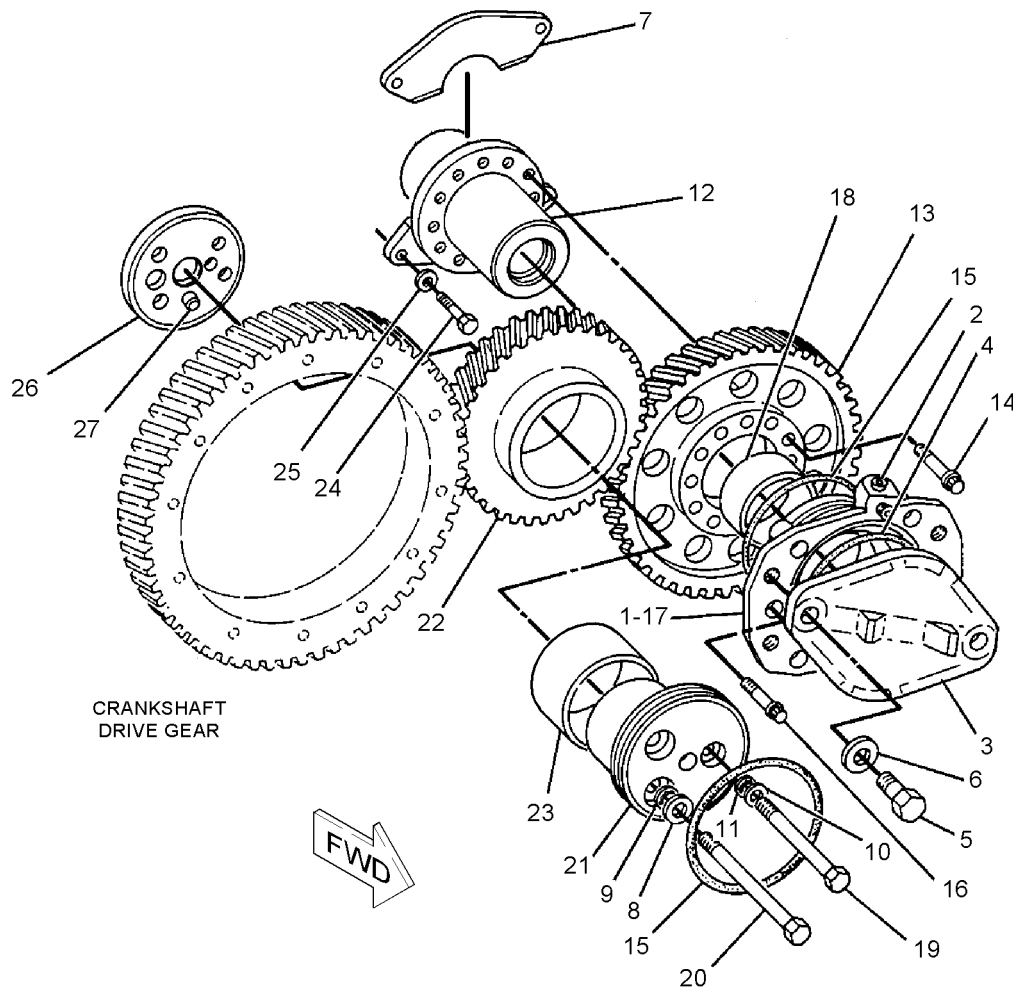
NOTE	REF NO	GRAPHIC REF	PART NUMBER	QTY	PART NAME						SEE PAGE
					1	2	3	4	5	6 (PRODUCT LEVEL)	
	1	1	5P-0840	1	SEAL-O-RING						
C	2	1	8T-6759	2	PLUG-PIPE						
	3	1	7N-8374	1	COVER-PUMP						
	4	1	9X-7371	1	SEAL-O-RING						
	5	1	0S-1592	2	BOLT (5/8-11X1.25-IN)						
	6	1	5P-8247	2	WASHER-HARD (17X32X3.5-MM THK)						
	7	1	7N-7539	2	WASHER-THRUST						
	8	1	5P-8245	2	WASHER-HARD (13.5X25.5X3-MM THK)						
	9	1	5R-7137	2	WASHER-SEALING						
	10	1	5M-2894	1	WASHER-HARD (10.2X18.5X2.5-MM THK)						
	11	1	5R-7136	1	WASHER-SEALING						
	12	1	7N-5874	1	SHAFT-AUXILIARY DRIVE						
	13	1	7E-0275	1	GEAR-WATER PUMP DRIVE (69-TEETH)						
	14	1	6K-3771	12	BOLT-12 POINT HEAD (7/16-14X1.5-IN)						
	15	1	235-3548	2	SEAL-O-RING						
	16	1	1T-0765	6	BOLT (3/8-16X1-IN)						
	17	1	8N-8210	1	ADAPTER AS						
	18	1	127-5400	1	BEARING-SLEEVE						
	19	1	0T-0055	1	BOLT (3/8-16X4.25-IN)						
	20	1	9X-8879	2	BOLT (1/2-13X5.5-IN)						
	21	1	7C-3260	1	SHAFT						
C	22	1	144-8263	1	GEAR AS-IDLER (53-TEETH)						
	23	1	140-9597	1	BEARING-SLEEVE						
	24	1	2B-2695	4	BOLT (5/16-18X0.875-IN)						
	25	1	9M-1974	4	WASHER-HARD (8.8X16X2-MM THK)						
	26	1	7C-3258	1	WASHER AS-THRUST						
	27	1	7N-2047	1	DOWEL						

C- CHANGE FROM PREVIOUS TYPE

BASIC ENGINE

7E-7647 DRIVE GP-ACCESSORY (contd.)

i02292418



CRANKSHAFT
DRIVE GEAR



<END>

GRAPHIC #1

g01148334

BASIC ENGINE

7N-4871 DRIVE GP - ACCESSORY - UPPER, RH

STANDARD ROTATION

CANNOT BE USED WITH RIGHT HAND GOVERNOR
AN ATTACHMENT

SMCS - 1207

i01972859

NOTE	REF NO	GRAPHIC REF	PART NUMBER	QTY	PART NAME						SEE PAGE
					1	2	3	4	5	6 (PRODUCT LEVEL)	
B	1	1	8T-6757	1	PLUG-PIPE						
	2	1	6V-3348	1	SEAL-O-RING						
	3	1	7N-5875	1	GEAR-AUXILIARY DRIVE (63-TEETH)						
	4	1	7N-5248	1	GEAR-AUXILIARY DRIVE (63-TEETH)						
	5	1	5P-0840	1	SEAL-O-RING						
	6	1	7N-5874	1	SHAFT-AUXILIARY DRIVE						
	7	1	5P-2546	12	BOLT-12 POINT HEAD (7/16-14X1.25-IN)						
	8	1	235-3548	1	SEAL-O-RING						
	9	1	7J-8114	1	GASKET						
C	10	1	8P-1438	1	COVER						
	11	1	0L-1351	4	BOLT (3/8-16X0.875-IN)						
	12	1	8T-6759	1	PLUG-PIPE						
C	13	1	0S-1595	2	BOLT (1/2-13X1.25-IN)						
	14	1	5P-8245	2	WASHER-HARD (13.5X25.5X3-MM THK)						
	15	1	7C-4165	1	ADAPTER AS						
	15A	1	127-5400	1	BEARING-SLEEVE						
	16	1	2B-2695	4	BOLT (5/16-18X0.875-IN)						
	17	1	7N-7539	2	WASHER-THRUST						
	18	1	235-3546	1	SEAL-O-RING						
	19	1	0S-1594	6	BOLT (3/8-16X1-IN)						
	20	1	7N-5279	1	ADAPTER AS						
	20A	1	127-5400	1	BEARING-SLEEVE						
	21	1	6K-3772	12	BOLT-12 POINT HEAD (7/16-14X2.25-IN)						
22	1	9M-1974	4	WASHER-HARD (8.8X16X2-MM THK)							
23	1	8T-6757	1	PLUG-PIPE							

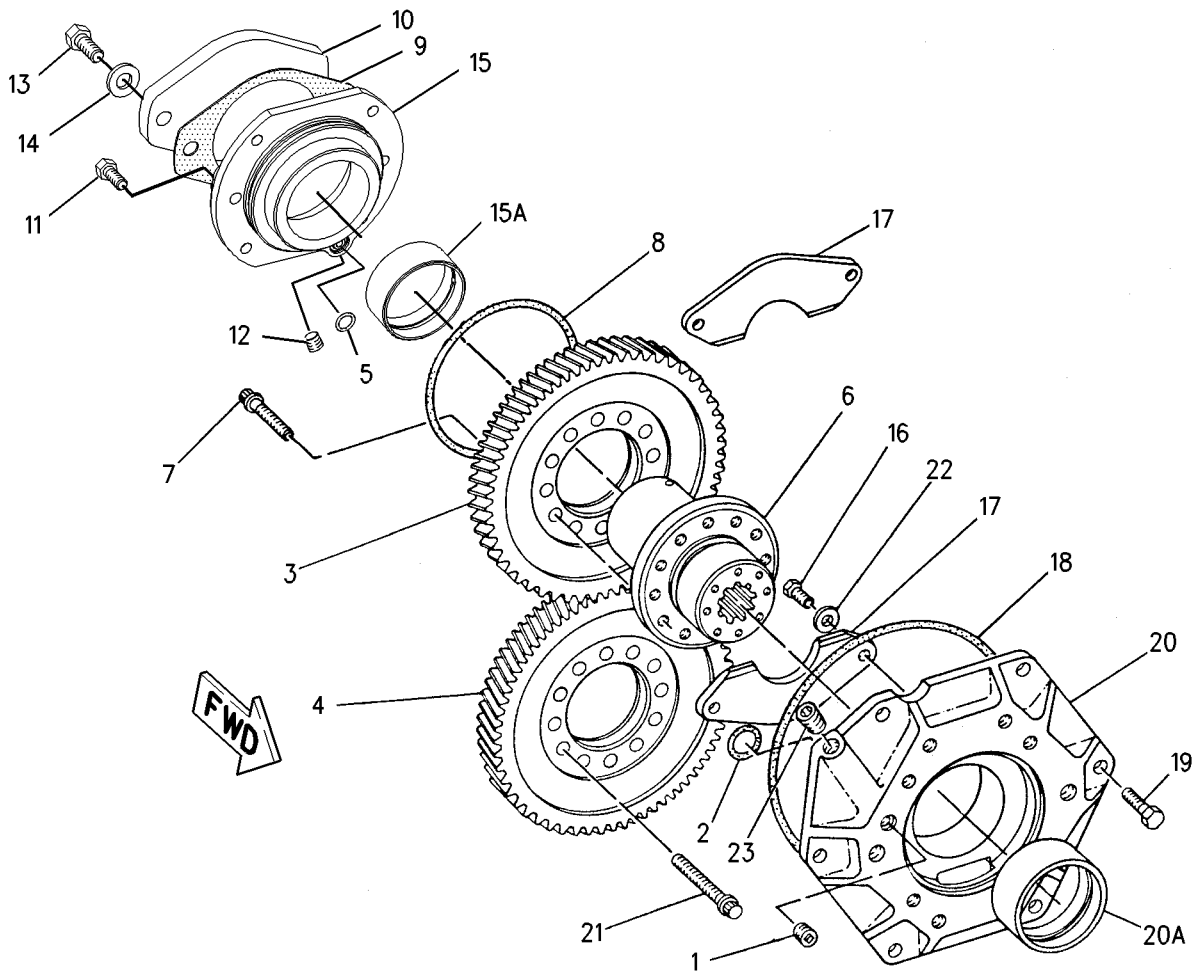
B - USE AS REQUIRED

C - CHANGE FROM PREVIOUS TYPE

BASIC ENGINE

7N-4871 DRIVE GP-ACCESSORY (contd.)

i01972859



GRAPHIC #1

<END>

g00740513

BASIC ENGINE

8N-9166 DRIVE GP-ACCESSORY-UPPER, LH STANDARD ROTATION AN ATTACHMENT

SMCS-1207

i02177518

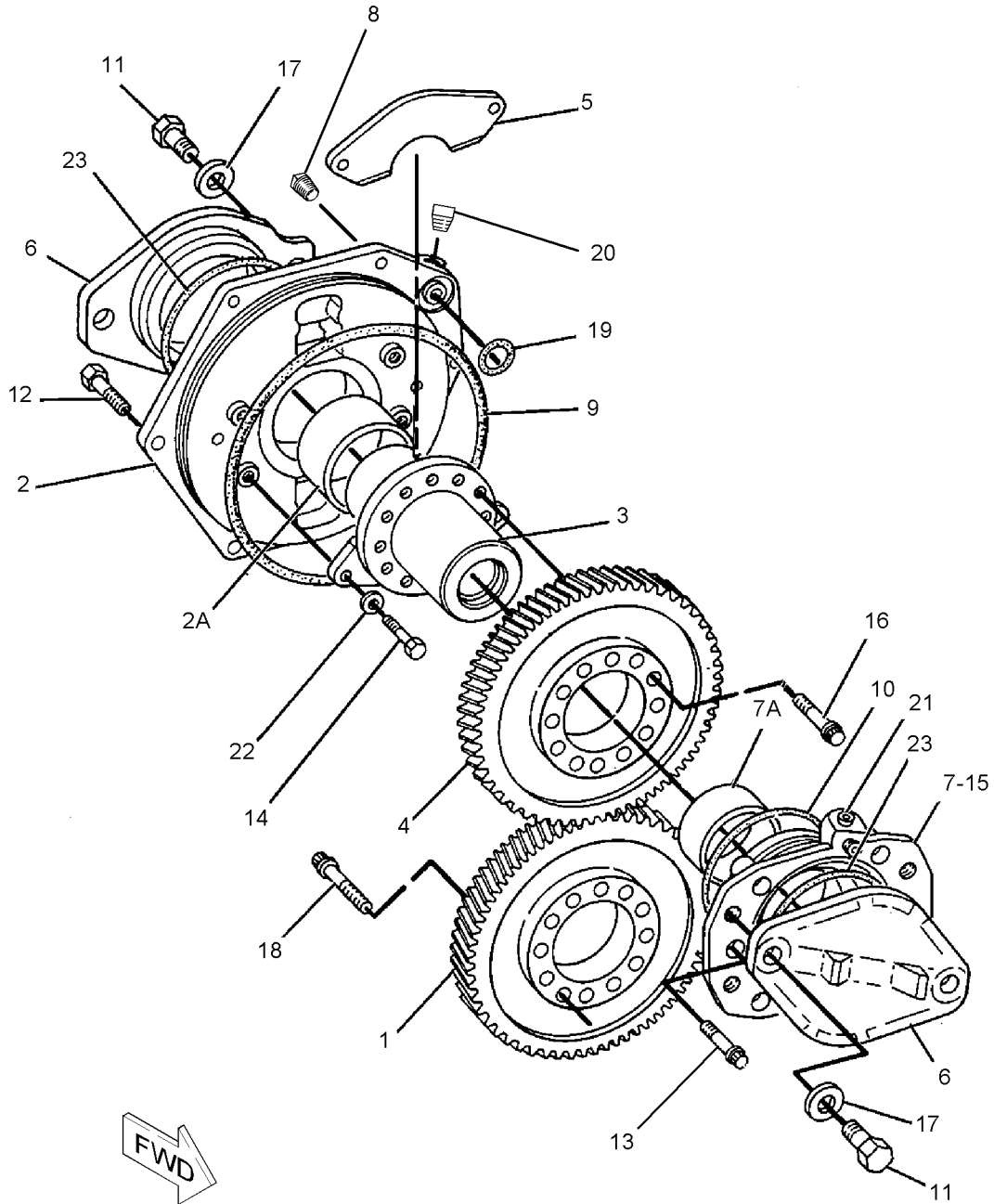
NOTE	REF NO	GRAPHIC REF	PART NUMBER	QTY	PART NAME						SEE PAGE
					1	2	3	4	5	6 (PRODUCT LEVEL)	
	1	1	7N-5248	1	GEAR-AUXILIARY DRIVE (63-TEETH)						
	2	1	7N-5279	1	ADAPTER AS						
	2A	1	127-5400	1	BEARING-SLEEVE						
	3	1	7N-5874	1	SHAFT-AUXILIARY DRIVE						
	4	1	7N-5875	1	GEAR-AUXILIARY DRIVE (63-TEETH)						
	5	1	7N-7539	2	WASHER-THRUST						
	6	1	7N-8374	2	COVER-PUMP						
	7	1	8N-8210	1	ADAPTER AS						
	7A	1	127-5400	1	BEARING-SLEEVE						
B	8	1	8T-6757	1	PLUG-PIPE						
	9	1	235-3546	1	SEAL-O-RING						
	10	1	235-3548	1	SEAL-O-RING						
	11	1	0S-1592	4	BOLT (5/8-11X1.25-IN)						
	12	1	0S-1594	6	BOLT (3/8-16X1-IN)						
	13	1	1T-0765	6	BOLT (3/8-16X1-IN)						
	14	1	2B-2695	4	BOLT (5/16-18X0.875-IN)						
	15	1	5P-0840	1	SEAL-O-RING						
	16	1	5P-2546	12	BOLT-12 POINT HEAD (7/16-14X1.25-IN)						
	17	1	5P-8247	4	WASHER-HARD (17X32X3.5-MM THK)						
	18	1	6K-3772	12	BOLT-12 POINT HEAD (7/16-14X2.25-IN)						
	19	1	6V-3348	1	SEAL-O-RING						
	20	1	8T-6757	1	PLUG-PIPE						
	21	1	8T-6759	2	PLUG-PIPE						
	22	1	9M-1974	4	WASHER-HARD (8.8X16X2-MM THK)						
	23	1	9X-7371	2	SEAL-O-RING						

B-USE AS REQUIRED

BASIC ENGINE

8N-9166 DRIVE GP-ACCESSORY (contd.)

i02177518



GRAPHIC #1

<END>

g01102444

BASIC ENGINE

107-7361 DRIVE GP-ACCESSORY-UPPER, RH

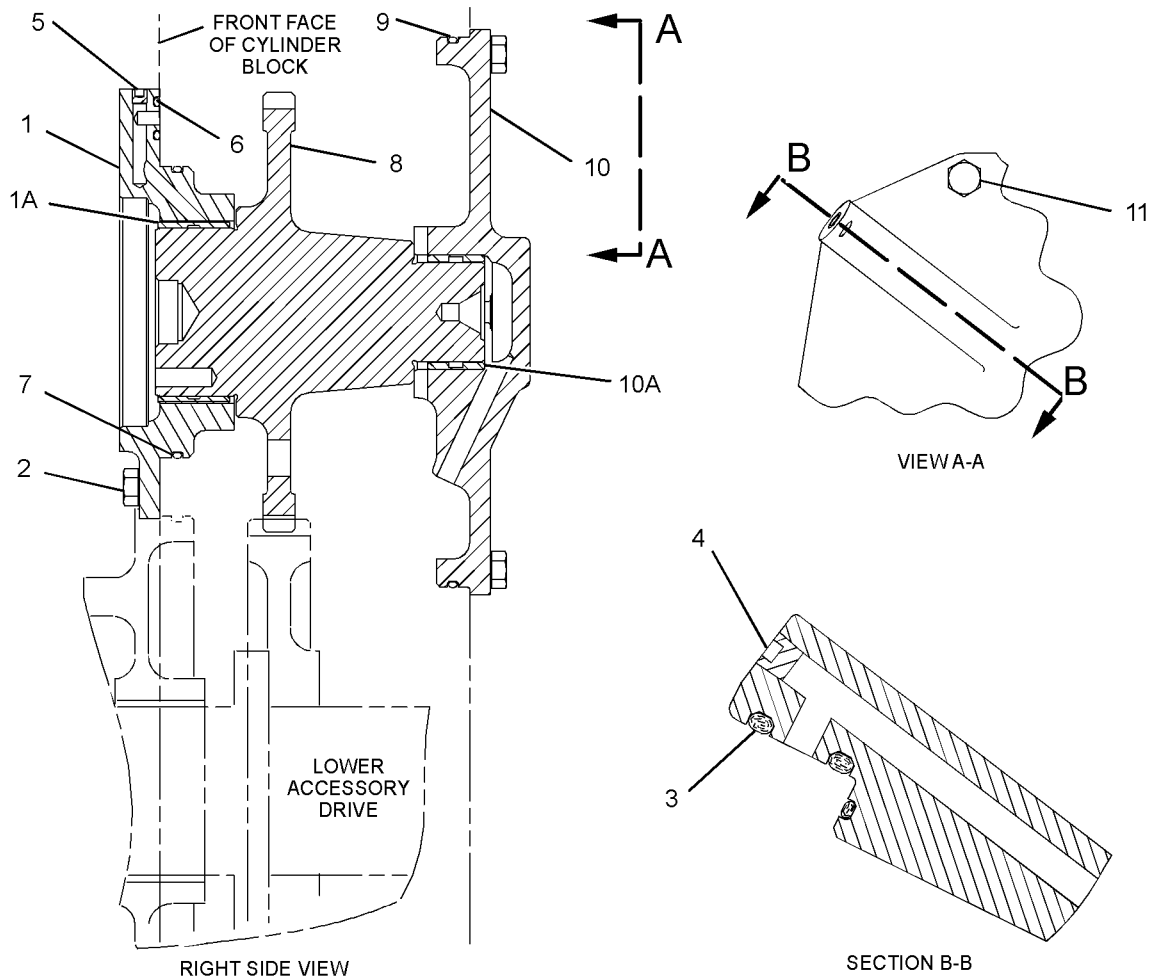
STANDARD ROTATION

CANNOT BE USED WITH MECHANICAL GOVERNOR
AN ATTACHMENT

SMCS-1207

i02686118

NOTE	REF NO	GRAPHIC REF	PART NUMBER	QTY	PART NAME						SEE PAGE
					1	2	3	4	5	6 (PRODUCT LEVEL)	
	1	1	7C-4165	1	ADAPTER AS						
	1A	1	7N-5244	1	BEARING-SLEEVE						
	2	1	0L-1351	4	BOLT (3/8-16X0.875-IN)						
	3	1	6V-3348	1	SEAL-O-RING						
	4	1	8T-6757	1	PLUG-PIPE						
	5	1	8T-6759	1	PLUG-PIPE						
	6	1	5P-0840	1	SEAL-O-RING						
	7	1	235-3548	1	SEAL-O-RING						
	8	1	107-0466	1	GEAR-ACCESSORY DRIVE (55-TEETH)						
	9	1	235-3546	1	SEAL-O-RING						
	10	1	107-7362	1	COVER AS						
	10A	1	2S-7056	1	BEARING-SLEEVE						
	11	1	0S-1594	6	BOLT (3/8-16X1-IN)						



GRAPHIC #1

<END>

g01351431

BASIC ENGINE

166-4357 DRIVE GP-ACCESSORY-UPPER, RH
STANDARD ROTATION
CANNOT BE USED WITH RIGHT HAND GOVERNOR
AN ATTACHMENT

SMCS-1207

i01972916

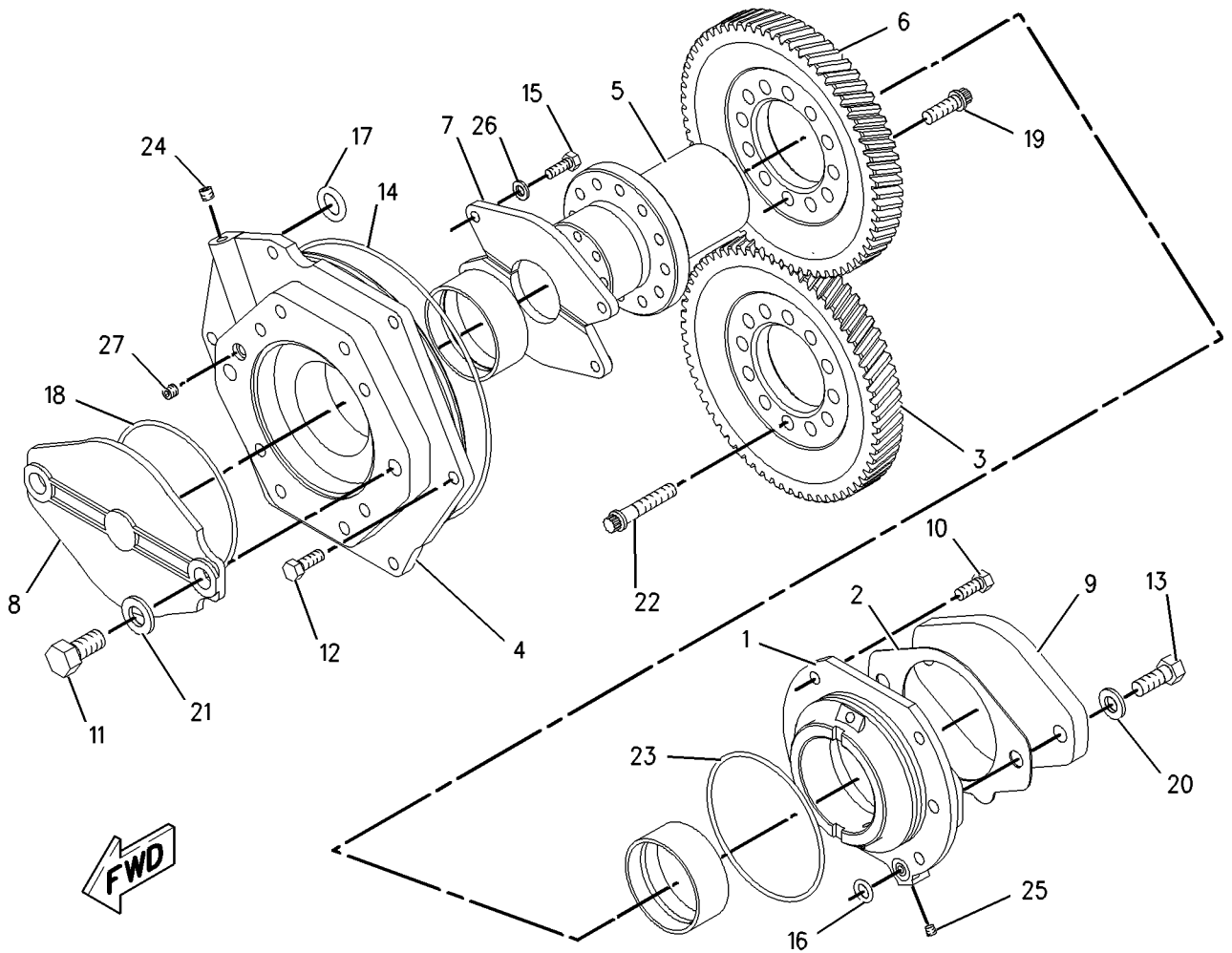
NOTE	REF NO	GRAPHIC REF	PART NUMBER	QTY	PART NAME						SEE PAGE
					1	2	3	4	5	6 (PRODUCT LEVEL)	
	1	1	7C-4165	1	ADAPTER AS						
		1	127-5400	1	BEARING-SLEEVE						
	2	1	7J-8114	1	GASKET						
	3	1	7N-5248	1	GEAR-AUXILIARY DRIVE (63-TEETH)						
	4	1	7N-5279	1	ADAPTER AS						
		1	127-5400	1	BEARING-SLEEVE						
	5	1	7N-5874	1	SHAFT-AUXILIARY DRIVE						
	6	1	7N-5875	1	GEAR-AUXILIARY DRIVE (63-TEETH)						
	7	1	7N-7539	2	WASHER-THRUST						
	8	1	7N-8374	1	COVER-PUMP						
	9	1	8P-1438	1	COVER						
	10	1	0L-1351	4	BOLT (3/8-16X0.875-IN)						
	11	1	0S-1592	2	BOLT (5/8-11X1.25-IN)						
	12	1	0S-1594	6	BOLT (3/8-16X1-IN)						
	13	1	0S-1595	2	BOLT (1/2-13X1.25-IN)						
	14	1	235-3546	1	SEAL-O-RING						
	15	1	2B-2695	4	BOLT (5/16-18X0.875-IN)						
	16	1	5P-0840	1	SEAL-O-RING						
	17	1	6V-3348	1	SEAL-O-RING						
	18	1	9X-7371	1	SEAL-O-RING						
	19	1	5P-2546	12	BOLT-12 POINT HEAD (7/16-14X1.25-IN)						
	20	1	5P-8245	2	WASHER-HARD (13.5X25.5X3-MM THK)						
	21	1	5P-8247	2	WASHER-HARD (17X32X3.5-MM THK)						
	22	1	6K-3772	12	BOLT-12 POINT HEAD (7/16-14X2.25-IN)						
	23	1	235-3548	1	SEAL-O-RING						
	24	1	8T-6757	1	PLUG-PIPE						
	25	1	8T-6759	1	PLUG-PIPE						
	26	1	9M-1974	4	WASHER-HARD (8.8X16X2-MM THK)						
B	27	1	8T-6757	1	PLUG-PIPE						

B-USE AS REQUIRED

BASIC ENGINE

166-4357 DRIVE GP-ACCESSORY (contd.)

i01972916



GRAPHIC #1

<END>

g00760768

BASIC ENGINE

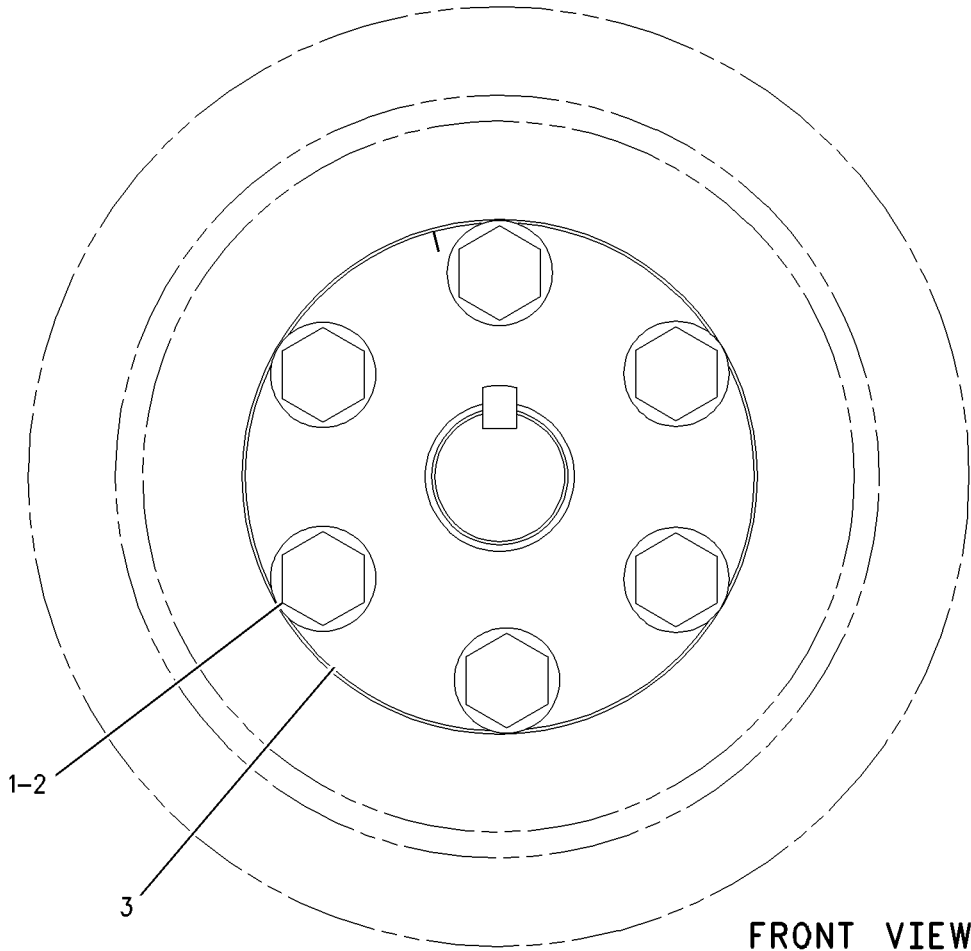
7N - 7660 DRIVE GP - FAN

LOW KILOWATT
AN ATTACHMENT

SMCS - 1359

i02220725

NOTE	REF NO	GRAPHIC REF	PART NUMBER	QTY	PART NAME						SEE PAGE
					1	2	3	4	5	6 (PRODUCT LEVEL)	
	1	1	5P - 8250	6	WASHER (28X49X5 - MM THK)						
	2	1	9F - 8122	6	BOLT (1 - 14X9 - IN)						
	3	1	7N - 7057	1	SHAFT - STUB						



GRAPHIC #1

<END>

g00994930

BASIC ENGINE

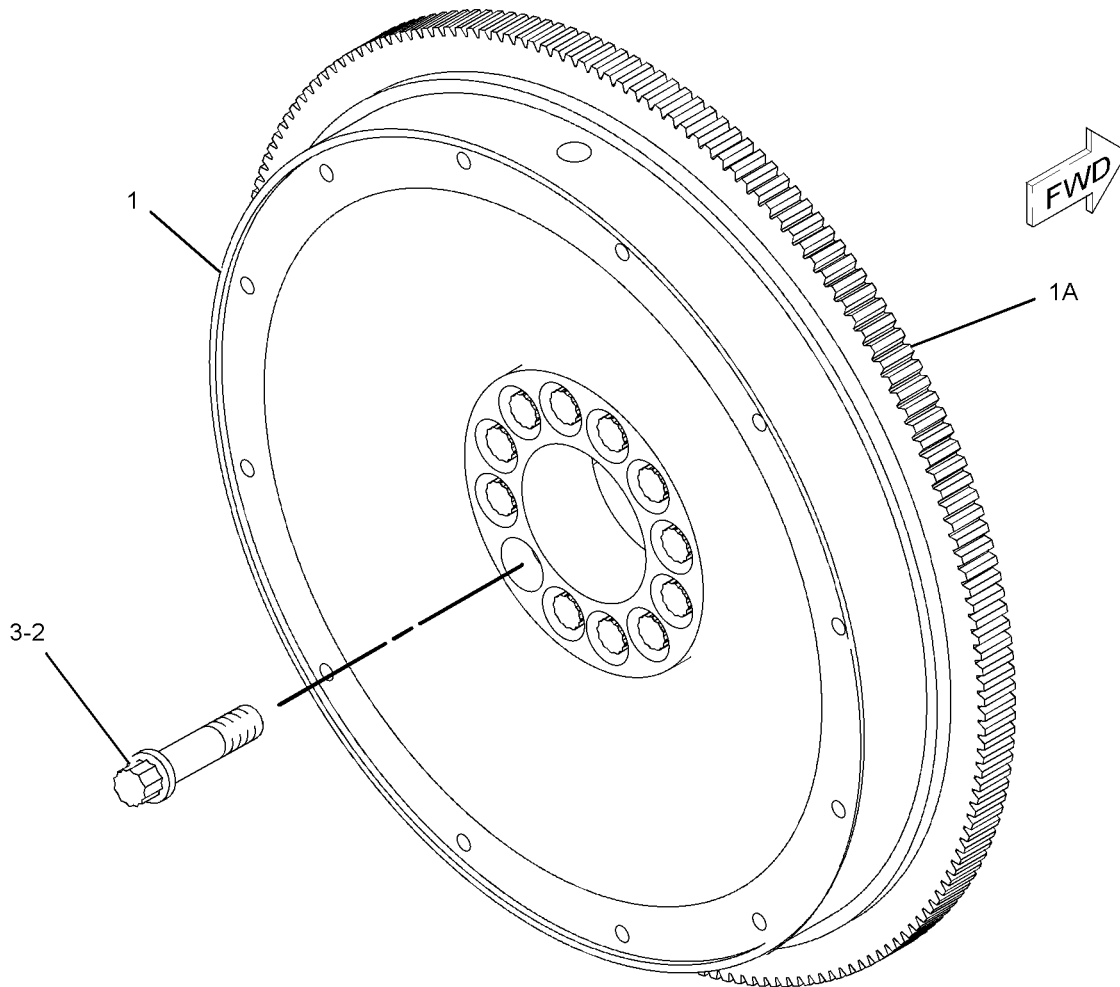
7N-4851 FLYWHEEL GP

SMCS-1156

i02189120

NOTE	REF NO	GRAPHIC REF	PART NUMBER	QTY	PART NAME						SEE PAGE
					1	2	3	4	5	6 (PRODUCT LEVEL)	
C	1	1	243-3216	1	FLYWHEEL AS						
	1A	1	233-0643	1	GEAR-FLYWHEEL (183-TEETH)						
	2	1	9S-8893	12	BOLT-12 POINT HEAD (1-14X101.6-MM)						
	3	1	5P-8839	12	WASHER-HARD (28X42X4-MM THK)						

C- CHANGE FROM PREVIOUS TYPE



GRAPHIC #1

<END>

g01109106

BASIC ENGINE

8N-7174 GEAR GP - FRONT - STANDARD ROTATION

SMCS-1151, 1162, 1206

i02405456

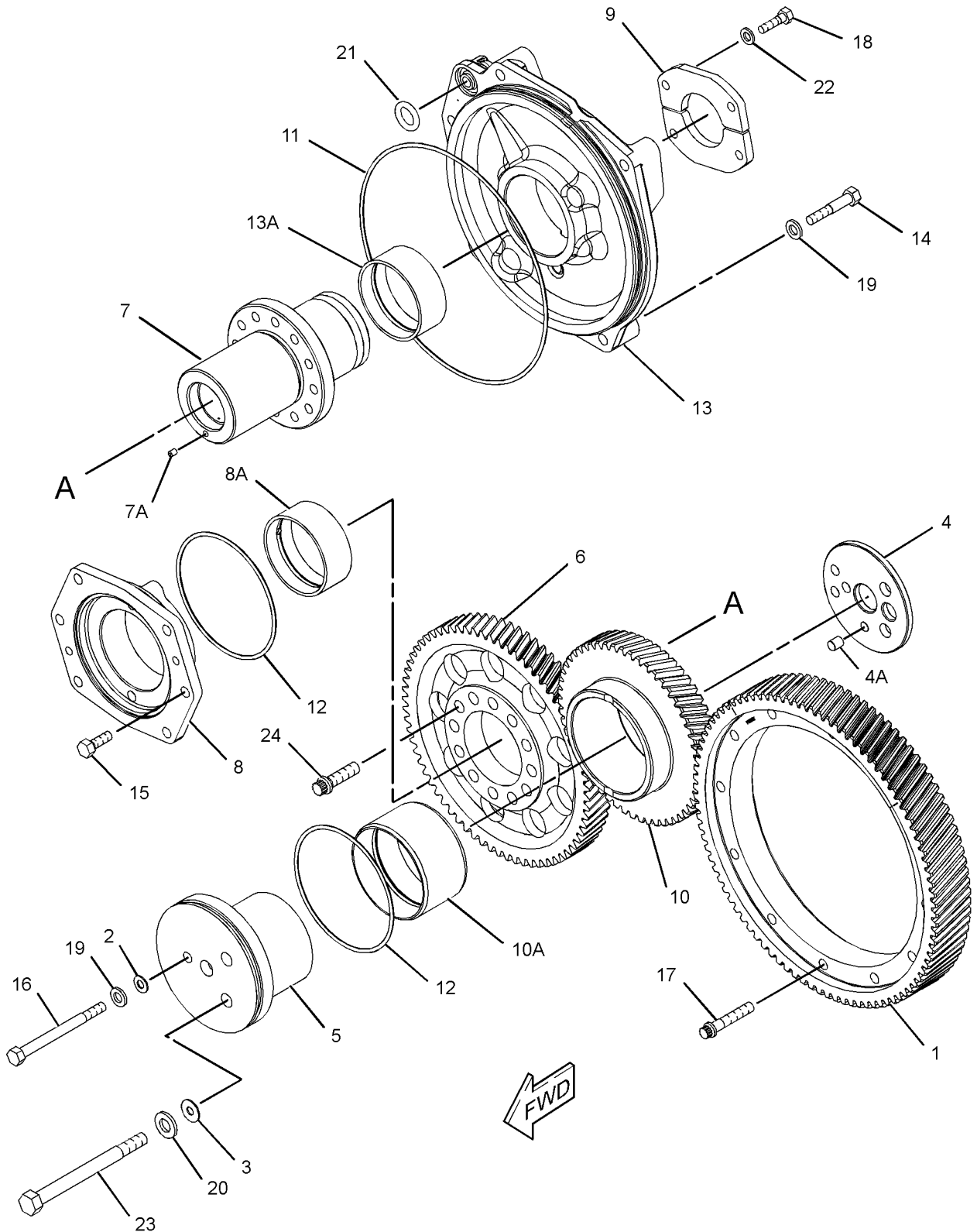
NOTE	REF NO	GRAPHIC REF	PART NUMBER	QTY	PART NAME						SEE PAGE
					1	2	3	4	5	6 (PRODUCT LEVEL)	
	1	1	2W-2895	1	GEAR-CRANKSHAFT (92-TEETH)						
	2	1	5R-7136	1	WASHER-SEALING						
	3	1	5R-7137	2	WASHER-SEALING						
	4	1	7C-3258	1	WASHER AS-THRUST						
	4A	1	7N-2047	1	DOWEL						
	5	1	7C-3260	1	SHAFT						
	6	1	7E-0275	1	GEAR-WATER PUMP DRIVE (69-TEETH)						
	7	1	7N-5239	1	SHAFT AS-PUMP DRIVE						
	7A	1	8T-2153	1	SETSCREW-SOCKET (1/4-28X0.31-IN)						
	8	1	7N-5245	1	ADAPTER AS-PUMP (WATER)						
	8A	1	127-5400	1	BEARING-SLEEVE						
	9	1	7N-5246	2	WASHER-THRUST						
C	10	1	144-8263	1	GEAR AS-IDLER (53-TEETH)						
	10A	1	140-9597	1	BEARING-SLEEVE						
	11	1	235-3546	1	SEAL-O-RING						
	12	1	235-3548	2	SEAL-O-RING						
	13	1	278-4287	1	ADAPTER AS-PUMP (OIL)						
	13A	1	127-5400	1	BEARING-SLEEVE						
	14	1	0S-1590	5	BOLT (3/8-16X2-IN)						
	15	1	0S-1594	2	BOLT (3/8-16X1-IN)						
	16	1	0T-0055	1	BOLT (3/8-16X4.25-IN)						
	17	1	3S-1307	12	BOLT-12 POINT HEAD (3/8-16X2-IN)						
	18	1	4B-3388	4	BOLT (5/16-18X1.125-IN)						
	19	1	5M-2894	6	WASHER-HARD (10.2X18.5X2.5-MM THK)						
	20	1	5P-8245	2	WASHER-HARD (13.5X25.5X3-MM THK)						
	21	1	6V-3348	1	SEAL-O-RING						
	22	1	9M-1974	4	WASHER-HARD (8.8X16X2-MM THK)						
	23	1	9X-8879	2	BOLT (1/2-13X5.5-IN)						
BC	24	1	6K-3771	12	BOLT-12 POINT HEAD (7/16-14X1.5-IN)						

B- USE AS REQUIRED
C- CHANGE FROM PREVIOUS TYPE

BASIC ENGINE

8N-7174 GEAR GP - FRONT (contd.)

i02405456



GRAPHIC #1

<END>

g01202529

BASIC ENGINE

124 - 8395 GEAR GP - REAR - CAMSHAFT DRIVE

SMCS - 1204

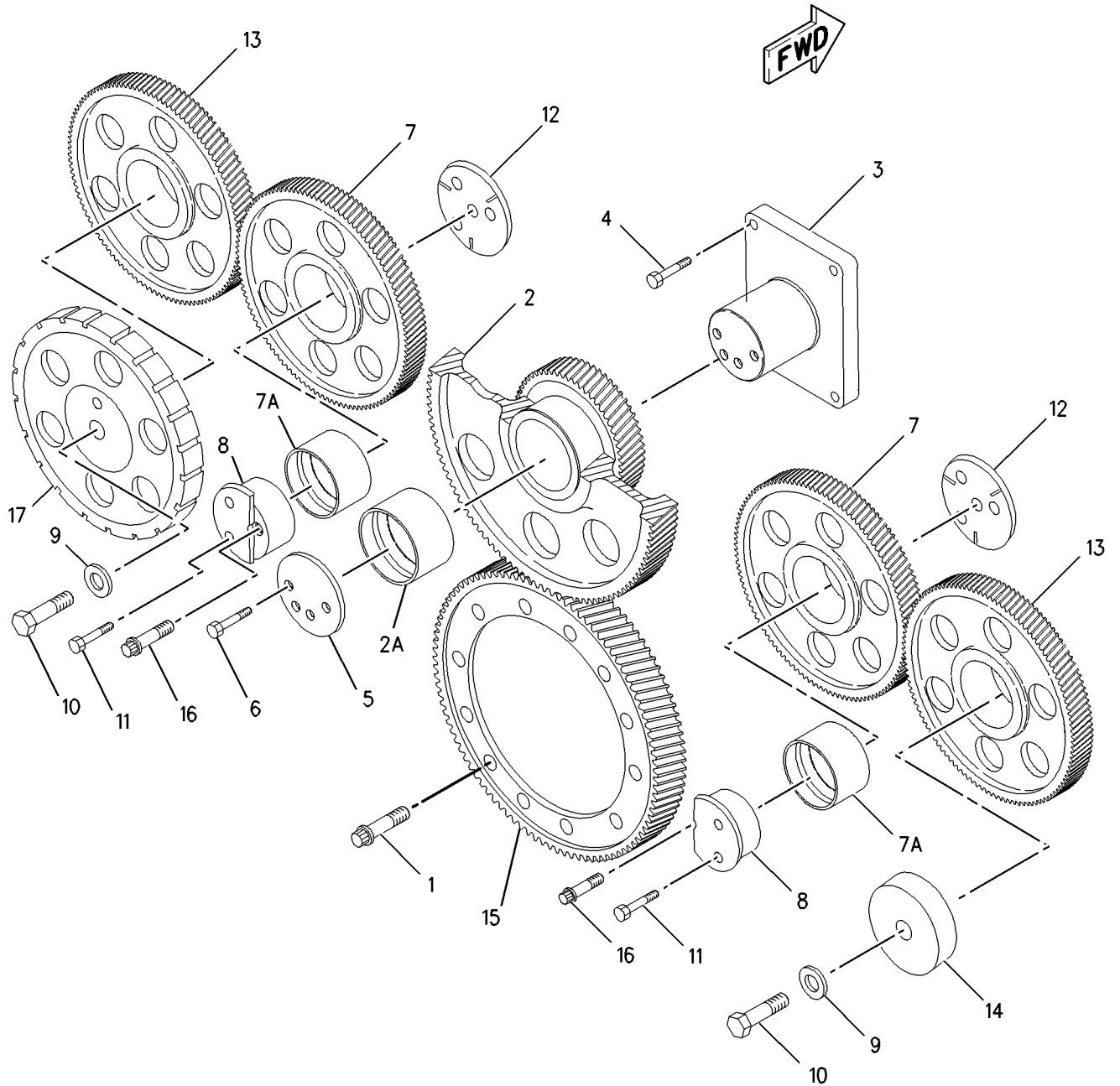
i01546653

NOTE	REF NO	GRAPHIC REF	PART NUMBER	QTY	PART NAME						SEE PAGE
					1	2	3	4	5	6 (PRODUCT LEVEL)	
	1	1	3S-1307	12	BOLT - 12 POINT HEAD (3/8 - 16X2 IN)						
	2	1	114-3372	1	GEAR AS - IDLER (92/35 TEETH CLUSTER)						
	2A	1	101-1372	1	BEARING - SLEEVE						
	3	1	101-1366	1	SHAFT - GEAR (CLUSTER)						
	4	1	8M-2530	4	BOLT - 12 POINT HEAD (1/2 - 13X1.25 IN)						
	5	1	101-1365	1	PLATE - THRUST						
	6	1	0L-1351	4	BOLT (3/8 - 16X0.875 IN)						
	7	1	101-1364	2	GEAR AS - IDLER (69 TEETH)						
					(EACH INCLUDES)						
	7A	1	125-9751	1	BEARING - SLEEVE						
	8	1	101-1367	2	SHAFT - IDLER						
	9	1	5P-8248	2	WASHER - HARD (20X36.5X3.5MM THK)						
	10	1	9X-8887	2	BOLT (3/4 - 10X3 IN)						
	11	1	1B-4367	4	BOLT (5/8 - 11X3 IN)						
	12	1	101-1368	2	WASHER - THRUST (19.50 X 106 X 1.9MM THK)						
	13	1	101-1369	2	GEAR - CAMSHAFT DRIVE (70 TEETH)						
	14	1	4W-4586	1	PLATE						
	15	1	101-1370	1	GEAR - CRANKSHAFT (92 TEETH)						
	16	1	8S-2331	2	BOLT - 12 POINT HEAD (5/8 - 11 X 2 IN)						
	17	1	7E-5324	1	RING						

BASIC ENGINE

124 - 8395 GEAR GP - REAR (contd.)

i01546653



GRAPHIC #1

<END>

g00663140

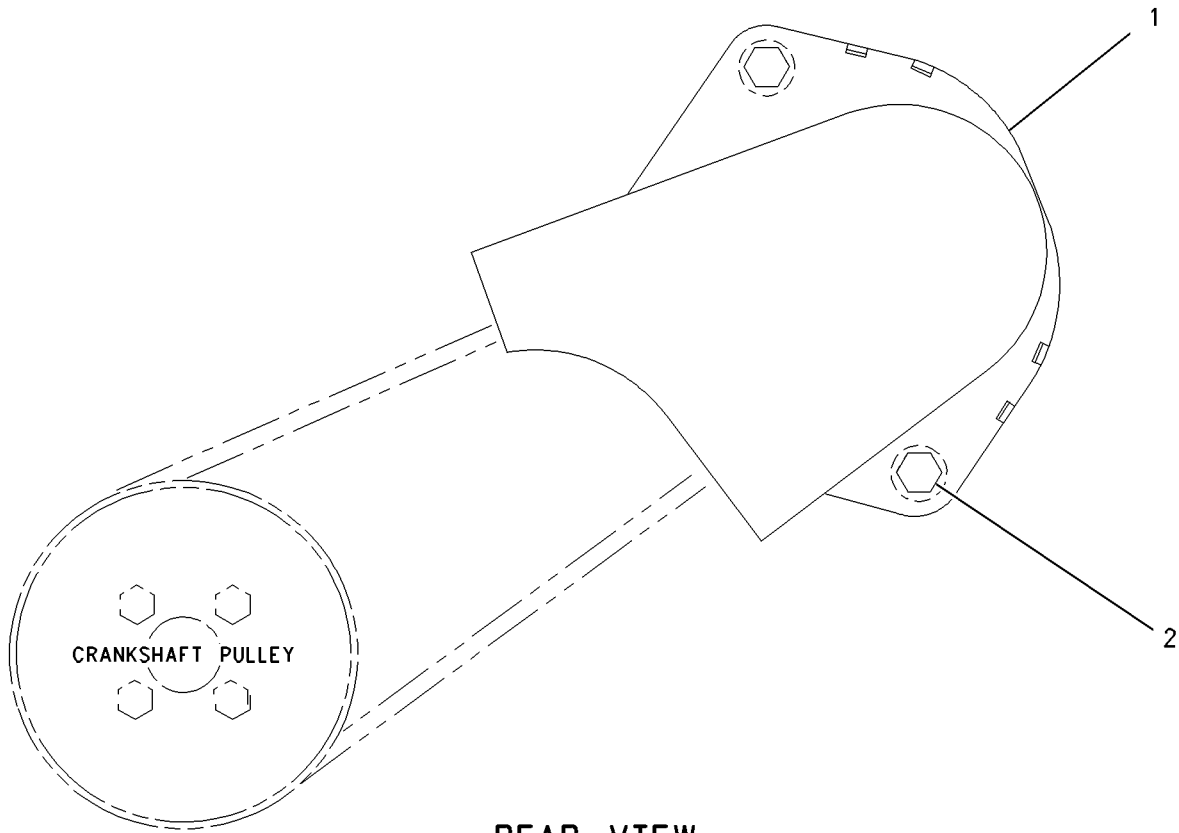
BASIC ENGINE

7W-5780 GUARD GP - BELT-ALTERNATOR AN ATTACHMENT

SMCS-7174

i02562778

NOTE	REF NO	GRAPHIC REF	PART NUMBER	QTY	PART NAME						SEE PAGE
					1	2	3	4	5	6 (PRODUCT LEVEL)	
	1	1	288-6174	1	GUARD AS-ALTERNATOR						
	2	1	278-0535	2	SPACER (13.87X21.34X11-MM THK)						



REAR VIEW

GRAPHIC #1

<END>

g00899240

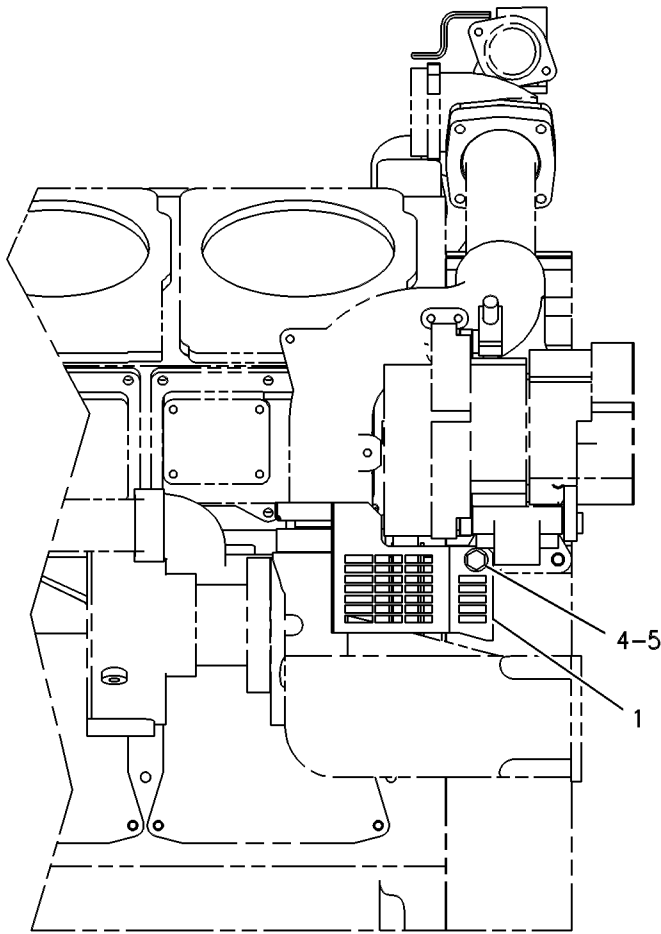
BASIC ENGINE

151-9228 GUARD GP-BELT-ALTERNATOR AN ATTACHMENT

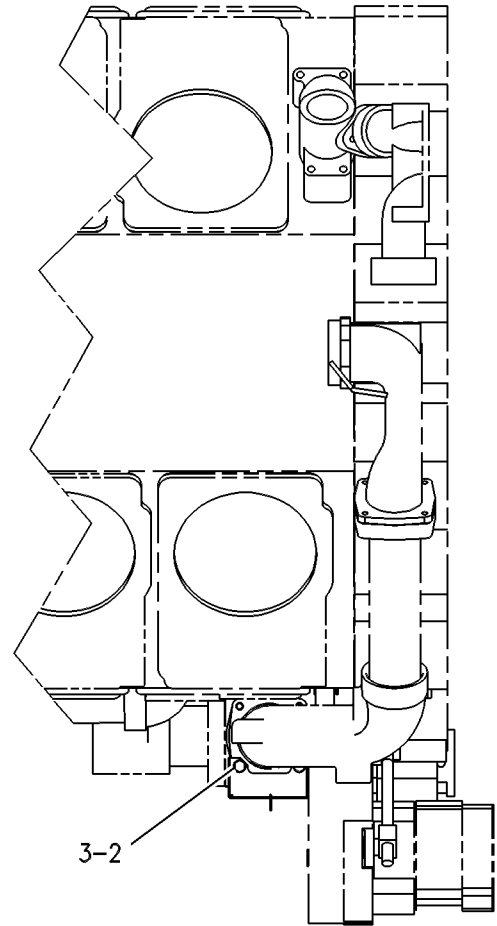
SMCS-7174

i01442458

NOTE	REF NO	GRAPHIC REF	PART NUMBER	QTY	PART NAME						SEE PAGE
					1	2	3	4	5	6 (PRODUCT LEVEL)	
	1	1	171-1359	1	GUARD AS-BELT						
	2	1	8T-2501	2	BOLT (3/8-16X2-IN)						
	3	1	8T-4896	2	WASHER-HARD (10.2X18.5X2.5-MM THK)						
	4	1	5P-2566	1	BOLT (1/2-13X1.5-IN)						
	5	1	8T-4223	1	WASHER-HARD (13.5X25.5X3-MM THK)						



RIGHT SIDE VIEW



TOP VIEW

GRAPHIC #1

<END>

g00333482

BASIC ENGINE

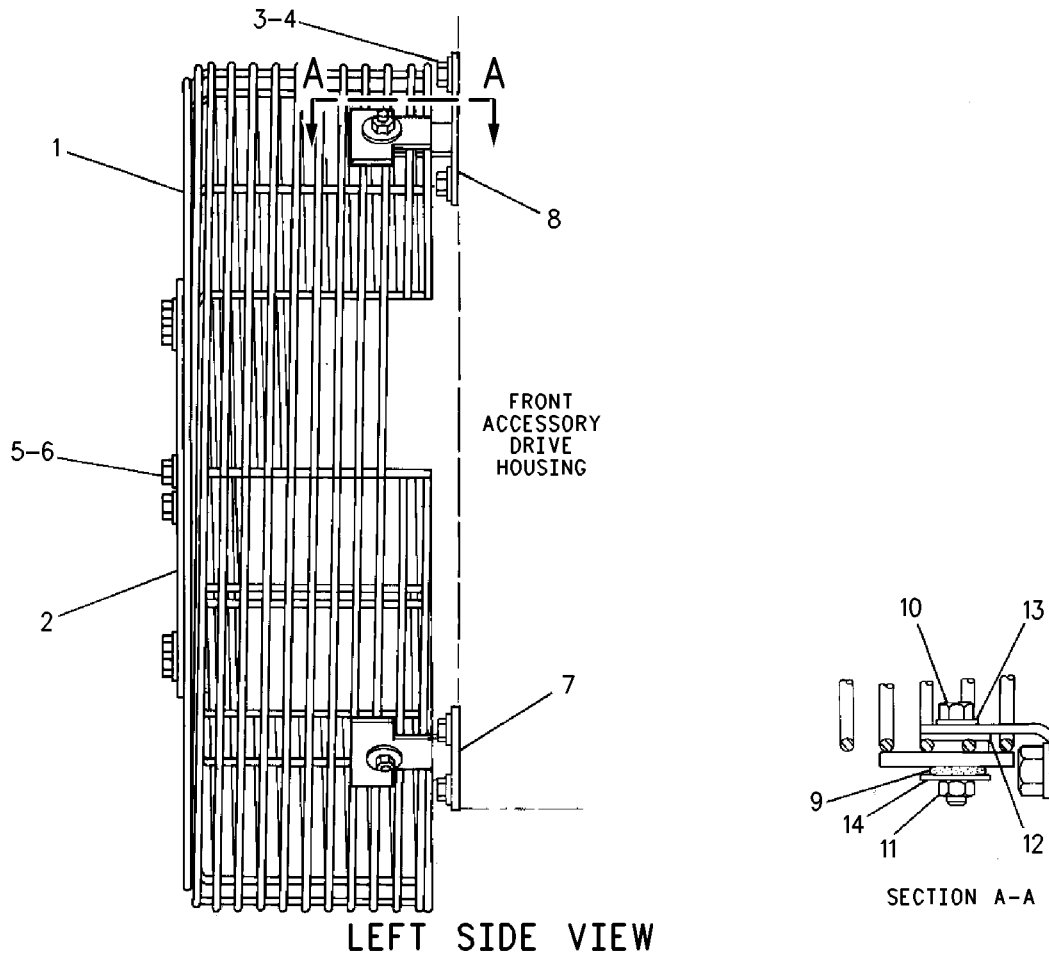
8N-9639 GUARD GP-DAMPER FOR USE WITH FRONT ACCESSORY DRIVE HOUSING AN ATTACHMENT

SMCS - 1205

i02139071

NOTE	REF NO	GRAPHIC REF	PART NUMBER	QTY	PART NAME						SEE PAGE
					1	2	3	4	5	6 (PRODUCT LEVEL)	
	1	1	1W-4923	1	DAMPER & GUARD AS						
		1	1V-8638	6	NUT (3/8-16 THD)						
	2	1	8J-8919	1	COVER						
	3	1	0S-1621	8	BOLT (1/2-13X1-IN)						
	4	1	5P-8245	8	WASHER-HARD (13.5X25.5X3-MM THK)						
	5	1	030-8535	6	BOLT-LOCKING (3/8-16X0.875-IN)						
	6	1	5P-1075	6	WASHER-HARD (10.2X22.5X3-MM THK)						
C	7	1	7W-3031	2	BRACKET						
C	8	1	7W-3032	2	BRACKET						
C	9	1	1P-7115	4	GROMMET AS						
C	10	1	0S-1591	4	BOLT (3/8-16X1.5-IN)						
C	11	1	9S-8752	4	NUT-FULL (3/8-16-THD)						
C	12	1	3F-1417	4	WASHER (10.3X30.2X3-MM THK)						
C	13	1	5M-2894	4	WASHER-HARD (10.2X18.5X2.5-MM THK)						
C	14	1	9L-9132	4	WASHER (10.2X25.5X2.5-MM THK)						

C- CHANGE FROM PREVIOUS TYPE



GRAPHIC #1

<END>

g00908882

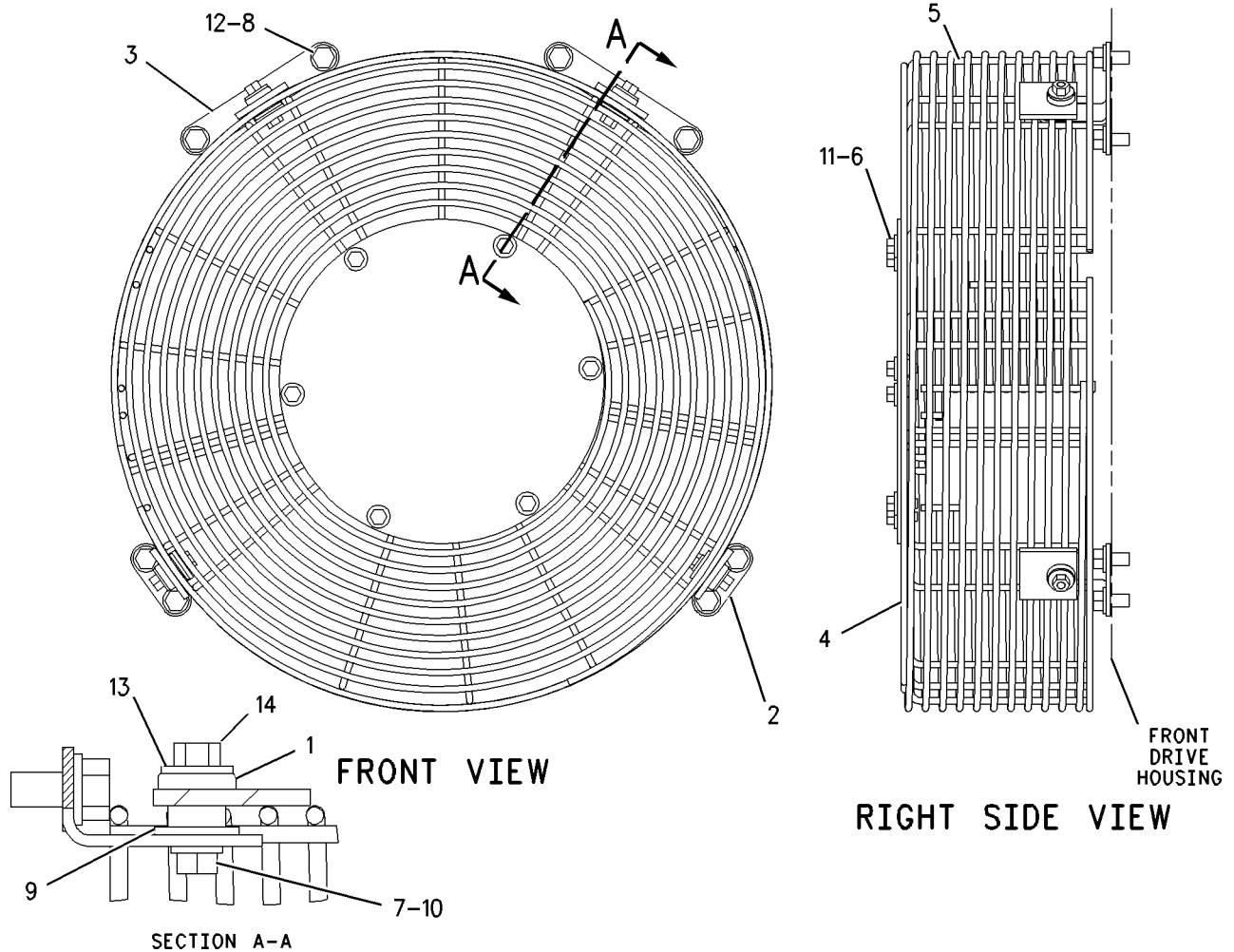
BASIC ENGINE

197-9052 GUARD GP - DAMPER AN ATTACHMENT

SMCS - 1205

i01729175

NOTE	REF NO	GRAPHIC REF	PART NUMBER	QTY	PART NAME						SEE PAGE
					1	2	3	4	5	6 (PRODUCT LEVEL)	
	1	1	1P-7115	4	GROMMET AS						
	2	1	7W-3031	2	BRACKET						
	3	1	7W-3032	2	BRACKET						
	4	1	8J-8919	1	COVER						
	5	1	197-9051	1	GUARD AS-DAMPER						
		1	1V-8638		NUT (3/8-16 THD)						
	6	1	030-8535	6	BOLT-LOCKING (3/8-16X0.875-IN)						
	7	1	0S-1591	4	BOLT (3/8-16X1.5-IN)						
	8	1	0S-1621	8	BOLT (1/2-13X1-IN)						
	9	1	3F-1417	4	WASHER (10.3X30.2X3-MM THK)						
	10	1	5M-2894	4	WASHER-HARD (10.2X18.5X2.5-MM THK)						
	11	1	5P-1075	6	WASHER-HARD (10.2X22.5X3-MM THK)						
	12	1	5P-8245	8	WASHER-HARD (13.5X25.5X3-MM THK)						
	13	1	9L-9132	4	WASHER (10.2X25.5X2.5-MM THK)						
	14	1	9S-8752	4	NUT-FULL (3/8-16-THD)						



GRAPHIC #1

<END>

g00888034

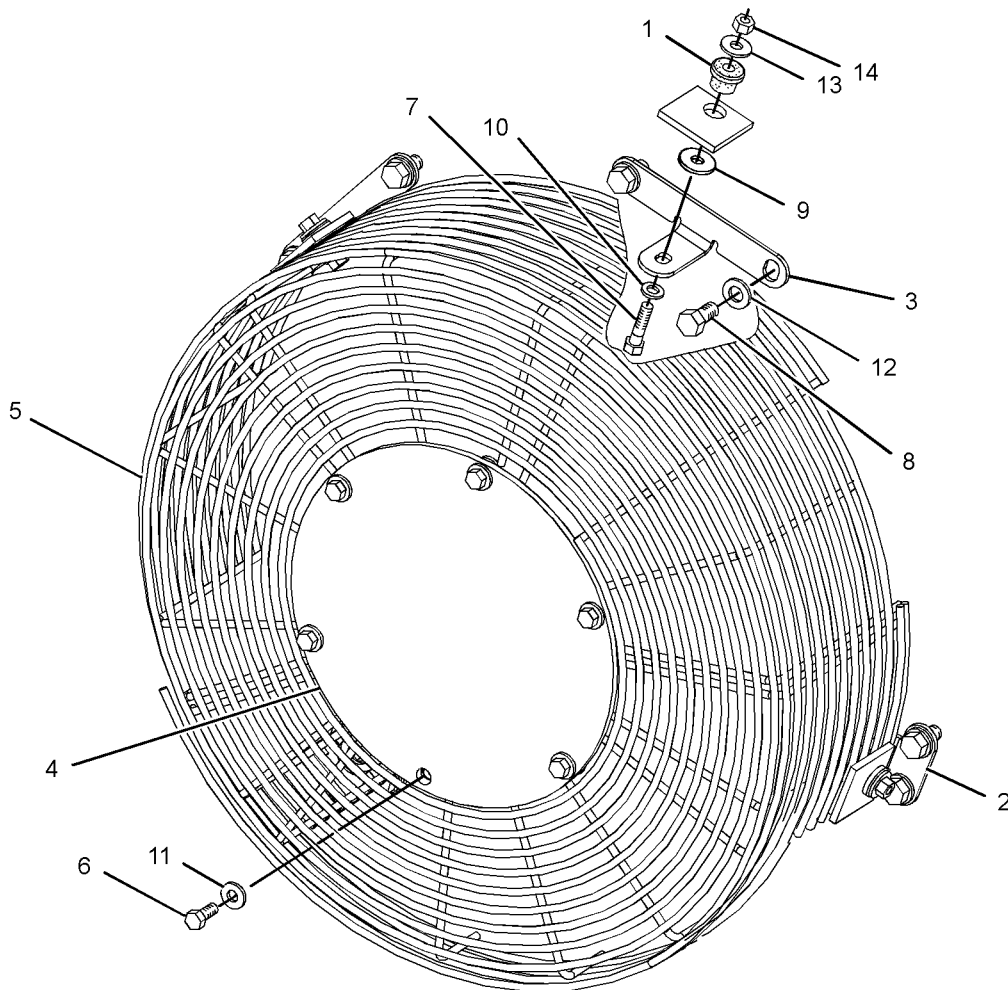
BASIC ENGINE

310-7976 GUARD GP - DAMPER AN ATTACHMENT

SMCS - 1205

i02726312

NOTE	REF NO	GRAPHIC REF	PART NUMBER	QTY	PART NAME						SEE PAGE
					1	2	3	4	5	6 (PRODUCT LEVEL)	
	1	1	1P-7115	4	GROMMET AS						
	2	1	7W-3031	2	BRACKET						
	3	1	7W-3032	2	BRACKET						
	4	1	8J-8919	1	COVER						
	5	1	310-7977	1	GUARD AS-DAMPER						
		1	1V-8638	6	NUT (3/8-16-THD)						
	6	1	030-8535	6	BOLT-LOCKING (3/8-16X0.875-IN)						
	7	1	0S-1591	4	BOLT (3/8-16X1.5-IN)						
	8	1	0S-1621	8	BOLT (1/2-13X1-IN)						
	9	1	3F-1417	4	WASHER (10.3X30.2X3-MM THK)						
	10	1	5M-2894	4	WASHER-HARD (10.2X18.5X2.5-MM THK)						
	11	1	5P-1075	6	WASHER-HARD (10.2X22.5X3-MM THK)						
	12	1	5P-8245	8	WASHER-HARD (13.5X25.5X3-MM THK)						
	13	1	9L-9132	4	WASHER (10.2X25.5X2.5-MM THK)						
	14	1	9S-8752	4	NUT-FULL (3/8-16-THD)						



GRAPHIC #1

<END>

g01369140

BASIC ENGINE

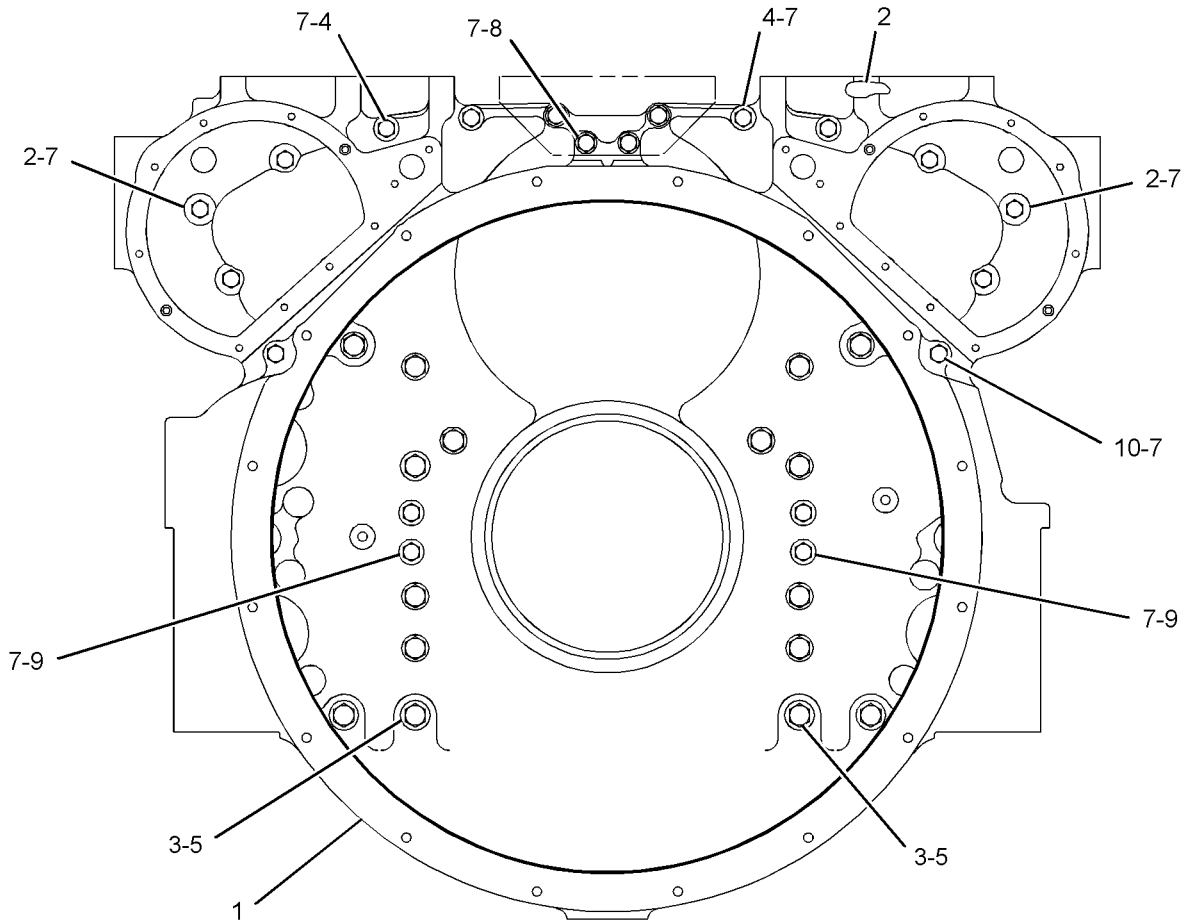
101 - 1269 HOUSING GP - FLYWHEEL FOR USE WITH SAE 00 FLYWHEEL

SMCS - 1157

i02664728

NOTE	REF NO	GRAPHIC REF	PART NUMBER	QTY	PART NAME						SEE PAGE
					1	2	3	4	5	6 (PRODUCT LEVEL)	
C	1	1	222-9921	1	HOUSING - FLYWHEEL						
	2	1	9X-8873	6	BOLT (1/2-13X2.25-IN)						
	3	1	5P-8247	16	WASHER-HARD (17X32X3.5-MM THK)						
	4	1	9X-8875	4	BOLT (1/2-13X3.5-IN)						
	5	1	1D-4590	16	BOLT (5/8-11X4.75-IN)						
B	7	1	5P-8245	18	WASHER-HARD (13.5X25.5X3-MM THK)						
B	8	1	6M-9613	2	BOLT (1/2-13X9-IN)						
	9	1	8S-9089	4	BOLT (1/2-13X4.5-IN)						
	10	1	9S-1374	2	BOLT (1/2-13X8-IN)						

B - USE AS REQUIRED
C - CHANGE FROM PREVIOUS TYPE



REAR VIEW

<END>

GRAPHIC #1

g01344496

BASIC ENGINE

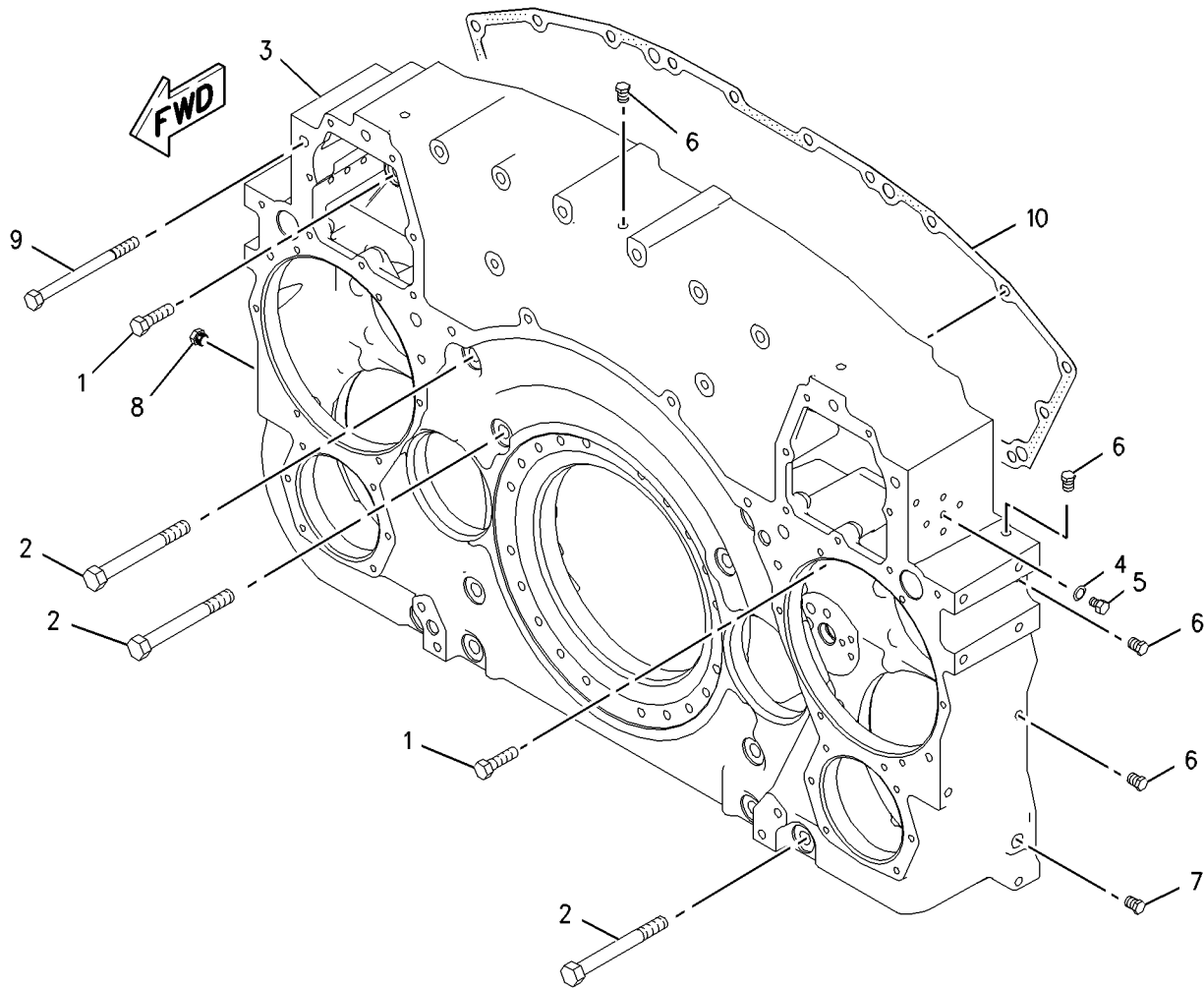
4P-5426 HOUSING GP-FRONT-ACCESSORY DRIVE

SMCS-1151, 1162, 1206

i02809441

NOTE	REF NO	GRAPHIC REF	PART NUMBER	QTY	PART NAME						SEE PAGE
					1	2	3	4	5	6 (PRODUCT LEVEL)	
	1	1	0S-1587	4	BOLT (1/2-13X1.75-IN)						
	2	1	1D-4593	10	BOLT (5/8-11X5.5-IN)						
	3	1	102-8634	1	HOUSING-ACCESSORY DRIVE						
	4	1	1B-4218	6	WASHER (0.39X0.625X0.064-IN THK)						
	5	1	2A-5220	6	PLUG						
B	6	1	8T-6765	7	PLUG-PIPE						
	7	1	8T-6762	1	PLUG-PIPE						
	8	1	8T-6758	1	PLUG-PIPE						
	9	1	9H-8260	4	BOLT (1/2-13X6.25-IN)						
	10	1	7N-3049	1	GASKET						

B- USE AS REQUIRED



GRAPHIC #1

<END>

g00995169

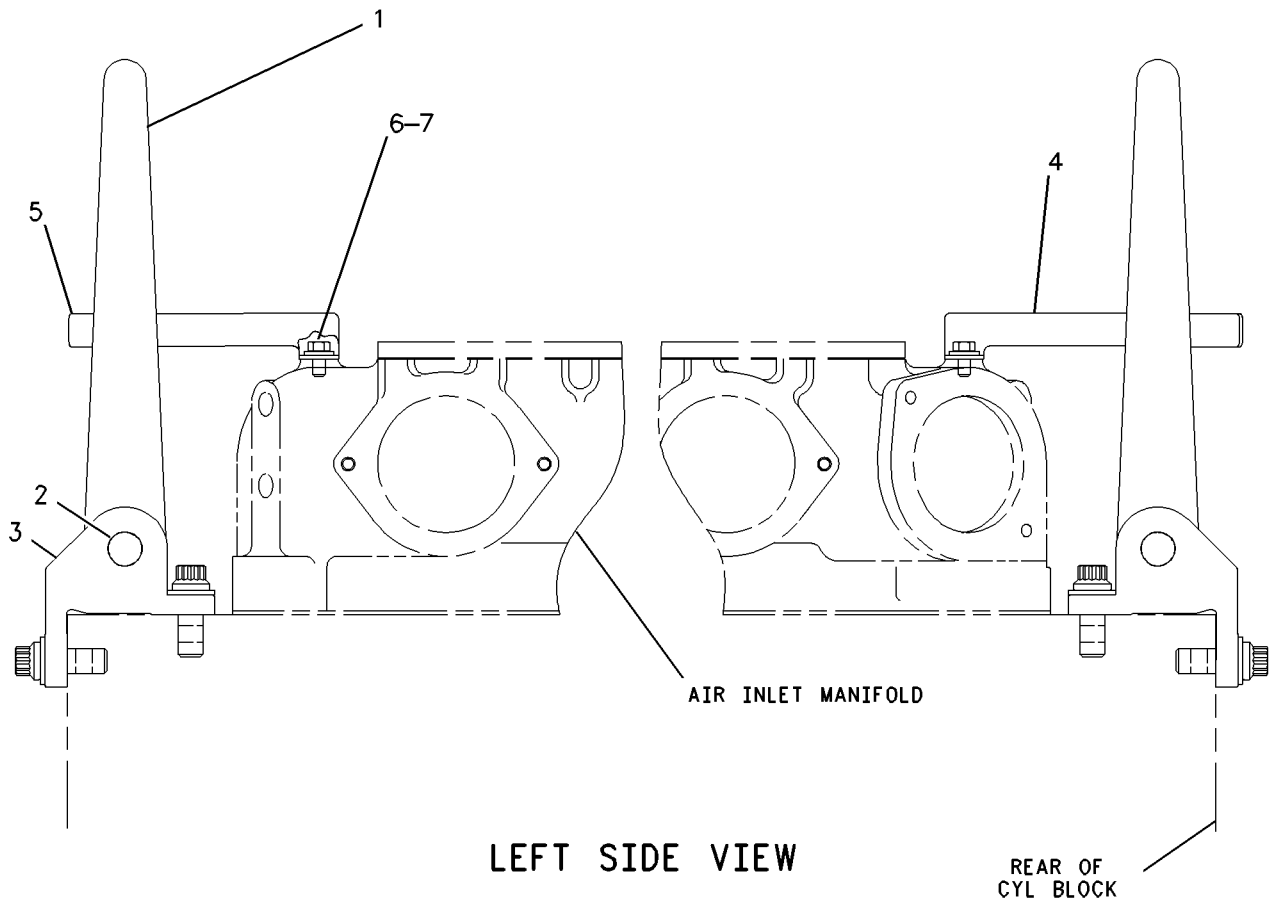
BASIC ENGINE

7E-6872 LIFTING GP-ENGINE

SMCS-1122

i02900513

NOTE	REF NO	GRAPHIC REF	PART NUMBER	QTY	PART NAME						SEE PAGE
					1	2	3	4	5	6 (PRODUCT LEVEL)	
	1	1	7N-2326	2	EYE-LIFTING						
	2	1	7N-2328	4	DOWEL						
	3	1	155-0726	2	BRACKET AS						
					(EACH INCLUDES)						
		1	5P-8248	4	WASHER-HARD (20X36.5X3.5-MM THK)						
		1	5P-8291	2	BOLT (3/4-16X2-IN)						
		1	6V-9995	2	BOLT-12 POINT HEAD (3/4-16X2.5-IN)						
	4	1	193-3286	1	RETAINER-EYE (REAR)						
	5	1	4P-4642	1	RETAINER-EYE (FRONT)						
	6	1	OS-0509	4	BOLT (3/8-16X0.75-IN)						
	7	1	5P-1075	4	WASHER-HARD (10.2X22.5X3-MM THK)						



GRAPHIC #1

<END>

g00799817

BASIC ENGINE

7E-4836 MOUNTING GP-ALTERNATOR AN ATTACHMENT

SMCS-1154, 1405

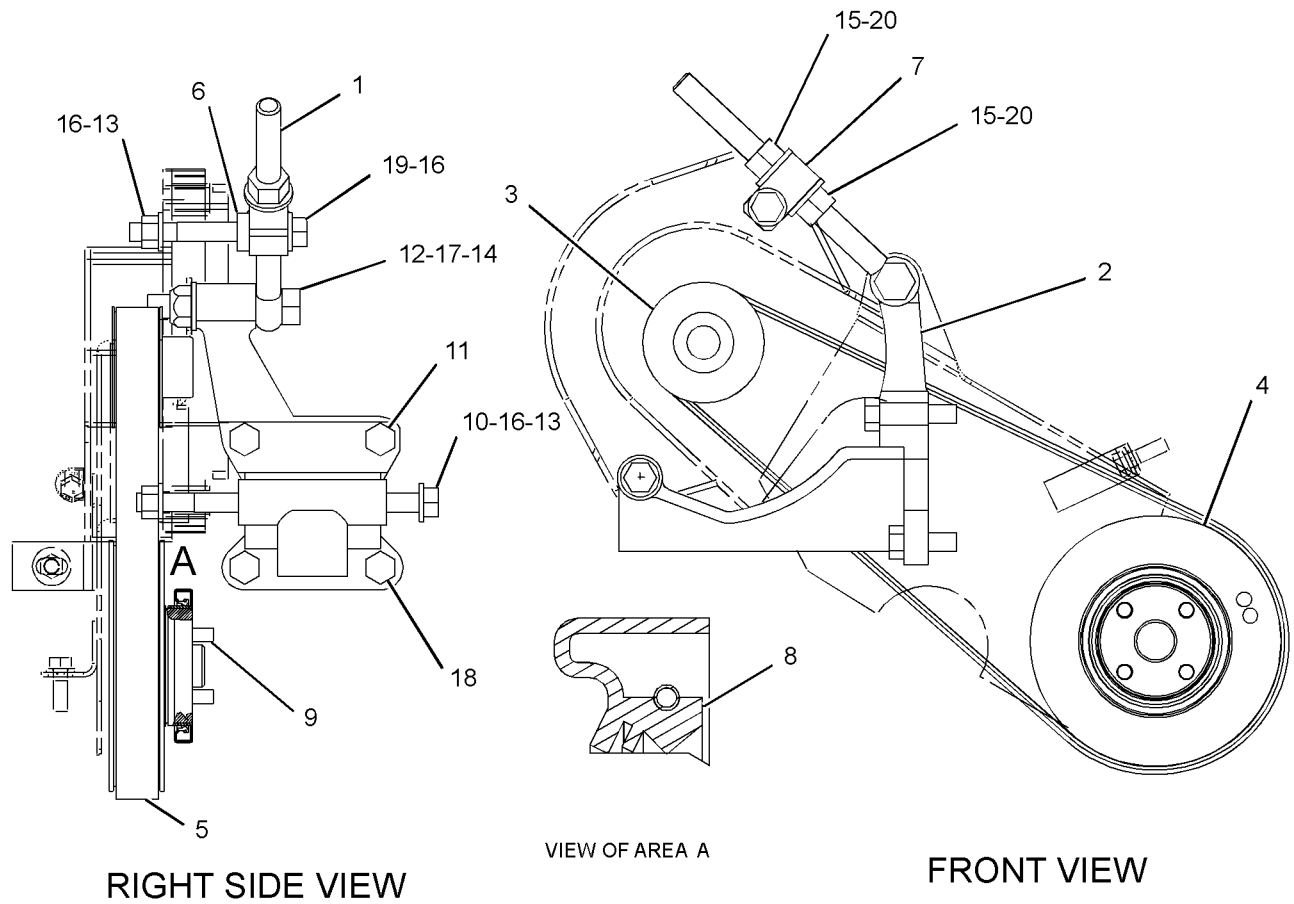
i03196055

NOTE	REF NO	GRAPHIC REF	PART NUMBER	QTY	PART NAME						SEE PAGE
					1	2	3	4	5	6 (PRODUCT LEVEL)	
	1	1	252-6498	1	ROD						
	2	1	4P-5211	1	SUPPORT-ALTERNATOR						
	3	1	7E-4839	1	PULLEY						
C	4	1	300-8570	1	PULLEY AS						
		1	300-8567	1	SLEEVE						
		1	300-8569	1	PULLEY						
	5	1	141-7116	1	BELT-SERPENTINE (ALTERNATOR)						
	6	1	7N-2597	1	SPACER (13.5X25.4X8.08-MM THK)						
	7	1	252-6464	1	BLOCK						
	8	1	235-2484	1	SEAL-LIP TYPE						
	9	1	0S-1590	4	BOLT (3/8-16X2-IN)						
	10	1	1A-0168	1	BOLT (1/2-13X7.5-IN)						
	11	1	1A-1460	2	BOLT (1/2-13X2-IN)						
	12	1	1D-4586	1	BOLT (5/8-11X3.5-IN)						
	13	1	1F-7958	2	NUT-FULL (1/2-13-THD)						
	14	1	3K-2889	1	LOCKNUT (5/8-11-THD)						
	15	1	2J-3506	2	NUT-FULL (3/4-10-THD)						
	16	1	5P-8245	4	WASHER-HARD (13.5X25.5X3-MM THK)						
	17	1	5P-8247	1	WASHER-HARD (17X32X3.5-MM THK)						
	18	1	7B-3235	2	BOLT (1/2-13X1.375-IN)						
	19	1	7D-9766	1	BOLT (1/2-13X4.25-IN)						
	20	1	5P-8248	2	WASHER-HARD (20X36.5X3.5-MM THK)						
C- CHANGE FROM PREVIOUS TYPE											

BASIC ENGINE

7E-4836 MOUNTING GP-ALTERNATOR (contd.)

i03196055



RIGHT SIDE VIEW

VIEW OF AREA A

FRONT VIEW

GRAPHIC #1

<END>

g01369433

BASIC ENGINE

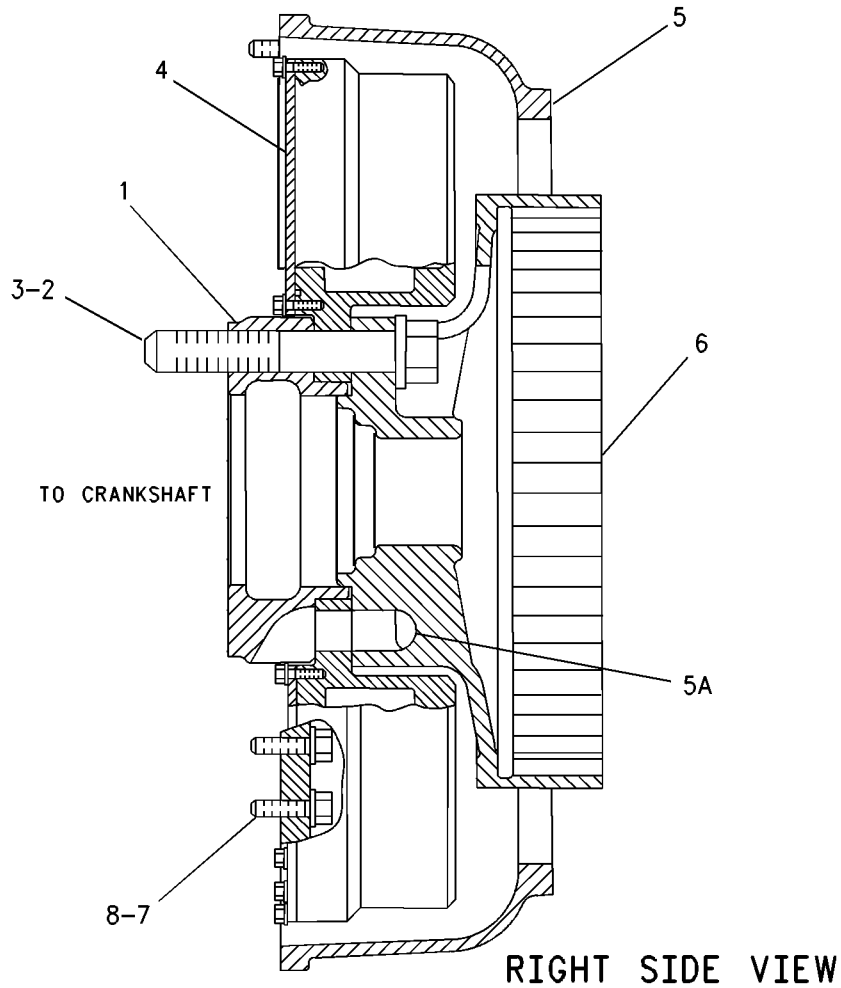
7W-0284 MOUNTING GP - HYD PUMP DRIVE AN ATTACHMENT

SMCS - 1207

i01758040

NOTE	REF NO	GRAPHIC REF	PART NUMBER	QTY	PART NAME						SEE PAGE
					1	2	3	4	5	6 (PRODUCT LEVEL)	
	1	1	7W-0287	1	ADAPTER - DAMPER						
	2	1	5F-6932	6	BOLT (1-14X7-IN)						
	3	1	5P-8250	6	WASHER (28X49X5-MM THK)						
CYR	4	1	171-4571	1	DAMPER GP						29
	5	1	7W-0285	1	ADAPTER AS - FRONT						
	5A	1	4N-0683	2	DOWEL						
	6	1	2W-8014	1	COUPLING - FRONT PTO						
	7	1	OS-1587	10	BOLT (1/2-13X1.75-IN)						
	8	1	5P-8245	10	WASHER - HARD (13.5X25.5X3-MM THK)						

C - CHANGE FROM PREVIOUS TYPE
R - REMFG PART MAY BE AVAILABLE
Y - SEPARATE ILLUSTRATION



GRAPHIC #1

<END>

g00899264

BASIC ENGINE

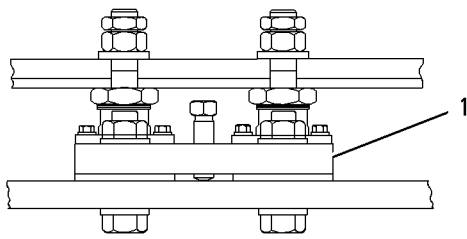
2W-3037 MOUNTING GP - SOUND ISOLATION

FOR USE WITH MARINE ENGINES WITH ENGINE LENGTH RAILS
AN ATTACHMENT

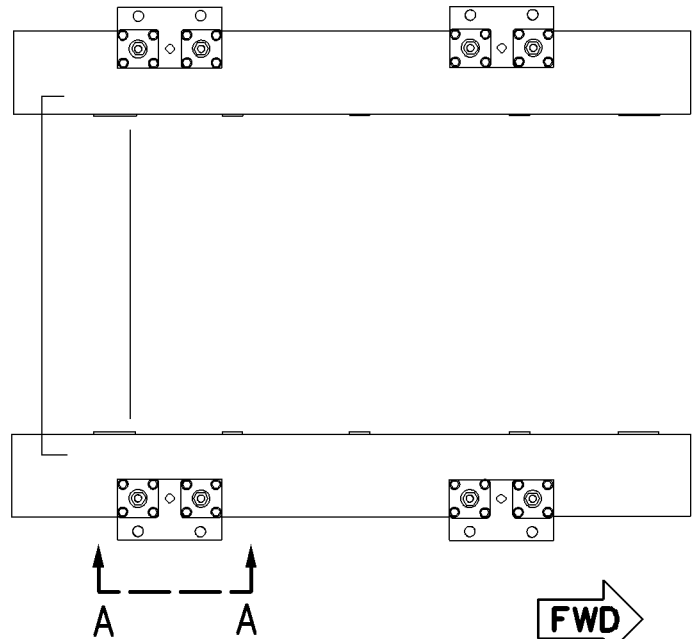
SMCS-1152, 1801

i01909702

NOTE	REF NO	GRAPHIC REF	PART NUMBER	QTY	PART NAME						SEE PAGE
					1	2	3	4	5	6 (PRODUCT LEVEL)	
Y	1	1	5N-1900	1	MOUNTING GP - SOUND ISOLATION						58
Y - SEPARATE ILLUSTRATION											



VIEW A-A



TOP VIEW

GRAPHIC #1

<END>

g00995988

BASIC ENGINE

5N-1900 MOUNTING GP-SOUND ISOLATION

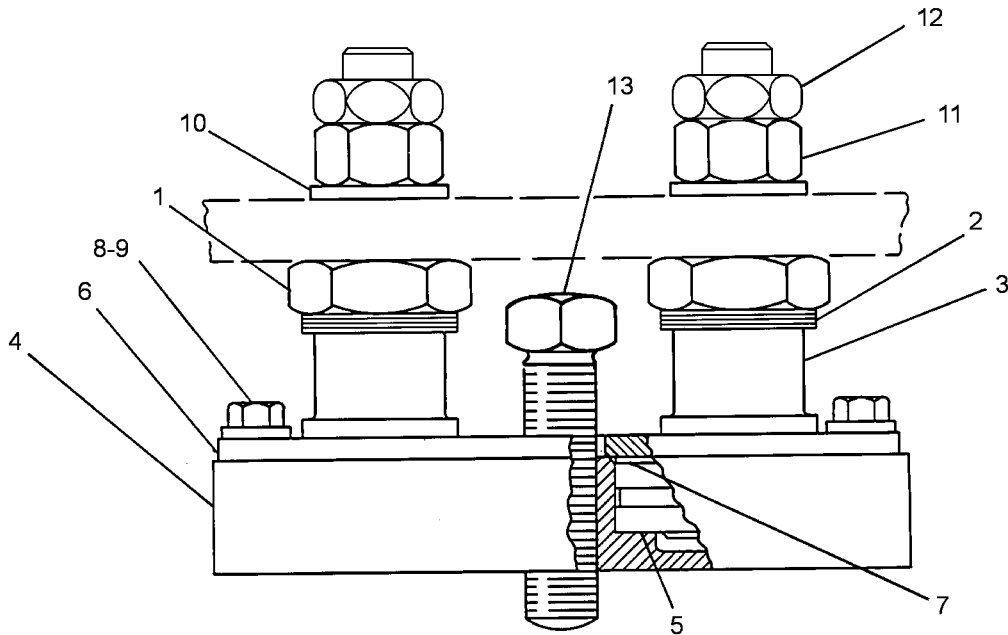
PART OF 2W-3037 MOUNTING GP-SOUND ISOLATION
AN ATTACHMENT

SMCS-1152, 1801

i02866109

NOTE	REF NO	GRAPHIC REF	PART NUMBER	QTY	PART NAME						SEE PAGE
					1	2	3	4	5	6 (PRODUCT LEVEL)	
	1	1	5N-1901	2	FASTENER						
B	2	1	5N-1902	2	SHIM (4.98-MM THK)						
	3	1	5N-1903	2	SPOOL						
	4	1	5N-1904	1	BASE						
	5	1	5N-1905	4	WASHER-ISOLATOR						
	6	1	5N-1906	2	FLANGE						
B	7	1	5N-1907	18	SHIM (0.25-MM THK)						
	8	1	OS-1594	8	BOLT (3/8-16X1-IN)						
	9	1	5M-2894	8	WASHER-HARD (10.2X18.5X2.5-MM THK)						
	10	1	5P-8250	2	WASHER (28X49X5-MM THK)						
	11	1	2J-3507	2	NUT-FULL (1-8-THD)						
	12	1	1D-6306	2	NUT (1-8-THD)						
	13	1	2H-3893	1	SETScrew-SQUARE HEAD						

B-USE AS REQUIRED



GRAPHIC #1

<END>

g01427792

BASIC ENGINE

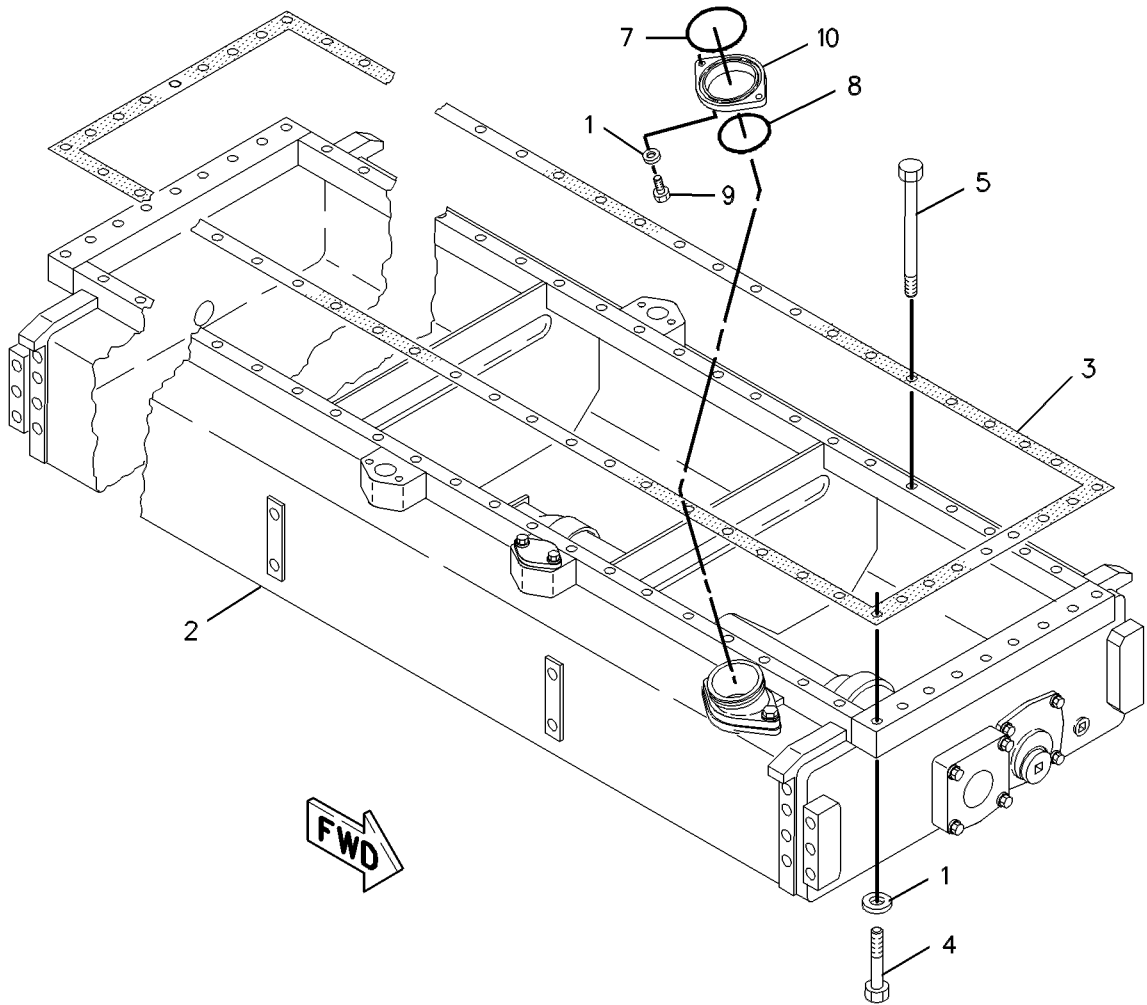
7C-6752 PAN GP-OIL AN ATTACHMENT

SMCS-1302

i02430929

NOTE	REF NO	GRAPHIC REF	PART NUMBER	QTY	PART NAME						SEE PAGE
					1	2	3	4	5	6 (PRODUCT LEVEL)	
	1	1	5M-2894	20	WASHER-HARD (10.2X18.5X2.5-MM THK)						
Y	2	1	9Y-3087	1	PAN GP-OIL (ENGINE)						63
	3	1	7E-2630	1	GASKET-OIL PAN (ENGINE)						
	4	1	0L-2070	18	BOLT (3/8-16X2.25-IN)						
	5	1	0T-0065	38	BOLT (3/8-16X3.5-IN)						
	7	1	6V-5101	1	SEAL-O-RING						
	8	1	3P-0654	1	SEAL-O-RING						
	9	1	0S-1588	2	BOLT (3/8-16X1.25-IN)						
	10	1	7W-0129	1	FLANGE						

Y-SEPARATE ILLUSTRATION



GRAPHIC #1

<END>

g00627287

BASIC ENGINE

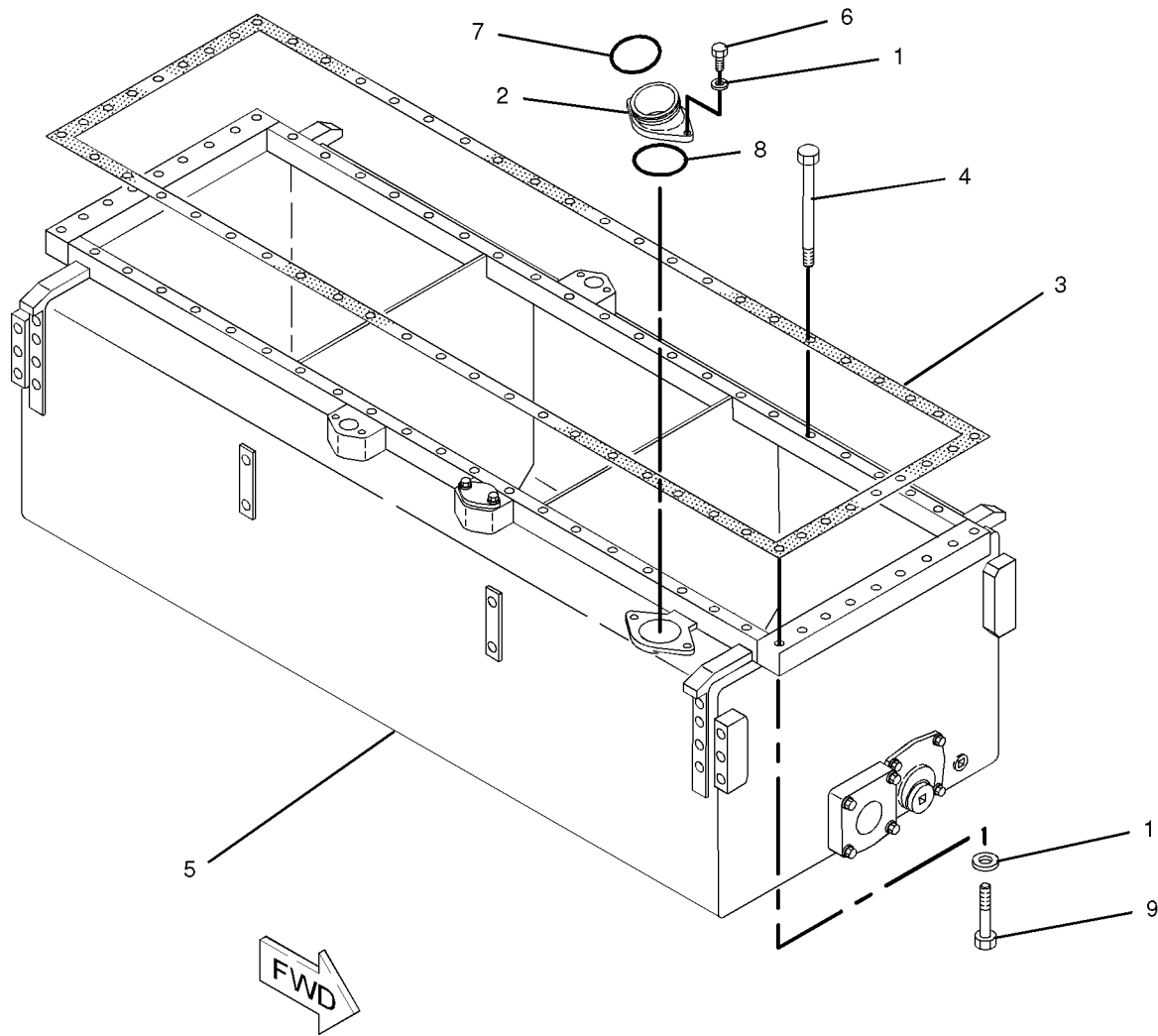
7C-9938 PAN GP-OIL-DEEP SUMP

SMCS-1302

i02360075

NOTE	REF NO	GRAPHIC REF	PART NUMBER	QTY	PART NAME						SEE PAGE
					1	2	3	4	5	6 (PRODUCT LEVEL)	
	1	1	5M-2894	20	WASHER-HARD (10.2X18.5X2.5-MM THK)						
	2	1	7W-0129	1	FLANGE						
	3	1	7E-2630	1	GASKET-OIL PAN						
	4	1	0T-0065	38	BOLT (3/8-16X3.5-IN)						
Y	5	1	9Y-3084	1	PAN GP-OIL						61
	6	1	0S-1588	2	BOLT (3/8-16X1.25-IN)						
	7	1	6V-5101	1	SEAL-O-RING						
	8	1	3P-0654	1	SEAL-O-RING						
	9	1	0L-2070	18	BOLT (3/8-16X2.25-IN)						

Y-SEPARATE ILLUSTRATION



GRAPHIC #1

<END>

g01023617

BASIC ENGINE

9Y-3084 PAN GP-OIL-DEEP SUMP PART OF 7C-9938 PAN GP-OIL

SMCS-1302

i02987830

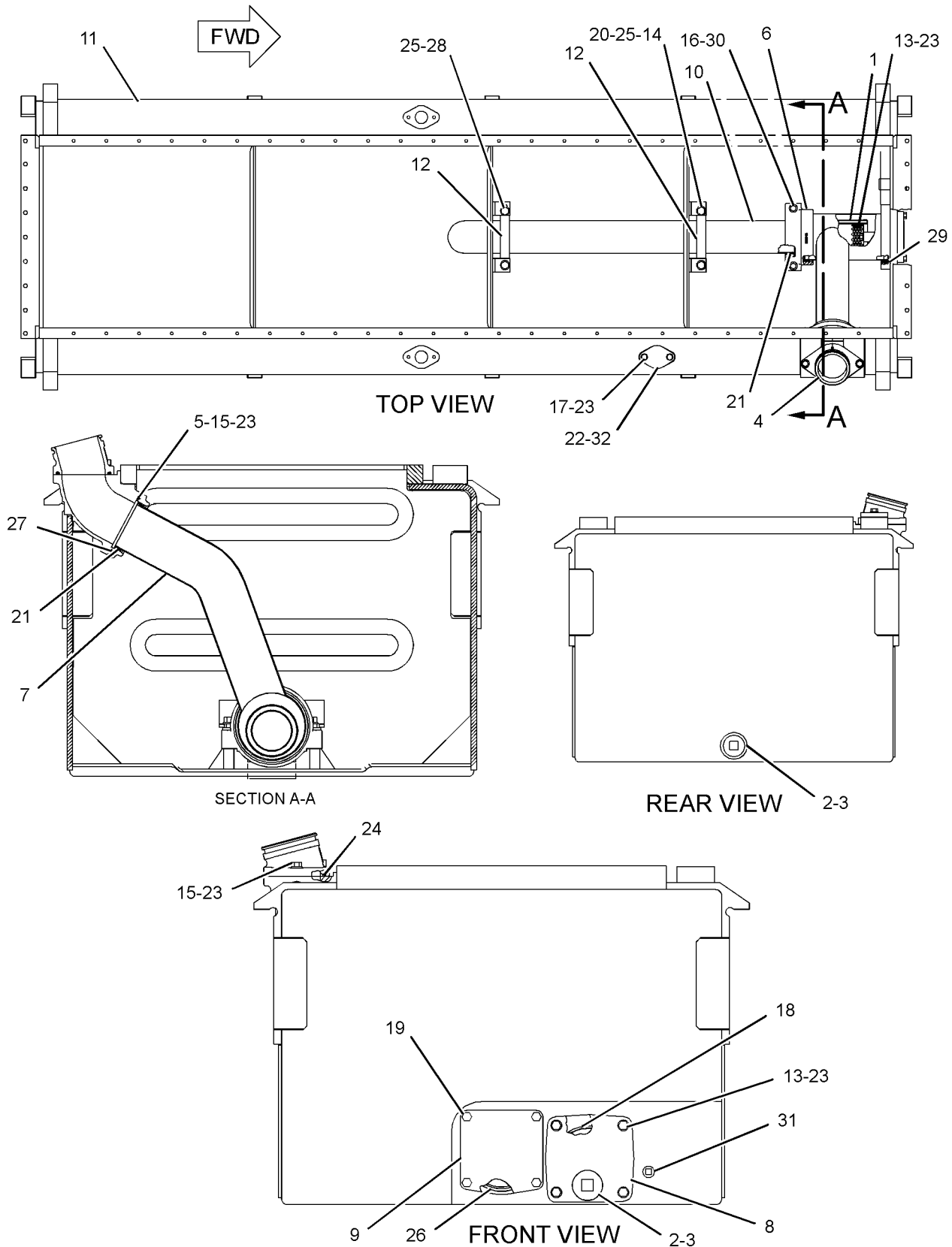
NOTE	REF NO	GRAPHIC REF	PART NUMBER	QTY	PART NAME						SEE PAGE
					1	2	3	4	5	6 (PRODUCT LEVEL)	
C	1	1	1W-1564	1	SCREEN AS-SUCTION (ENGINE OIL PAN)						
	2	1	4B-2363	2	PLUG-OIL DRAIN (ENGINE OIL PAN)						
	3	1	6F-4868	2	GASKET						
	4	1	7C-4715	1	CONNECTOR						
	5	1	7W-0129	1	FLANGE						
	6	1	111-2081	1	HOUSING-OIL (ENGINE)						
	7	1	114-2413	1	TUBE AS						
	8	1	149-9298	1	COVER						
C	9	1	228-8926	1	ADAPTER						
C	10	1	229-8875	1	TUBE-SUCTION						
C	11	1	229-8877	1	PAN AS-OIL						
C	12	1	231-5867	4	CLAMP						
C	13	1	0L-1351	5	BOLT (3/8-16X0.875-IN)						
C	14	1	0S-1585	2	BOLT (1/2-13X1.5-IN)						
	15	1	0S-1588	4	BOLT (3/8-16X1.25-IN)						
	16	1	0S-1590	2	BOLT (3/8-16X2-IN)						
	17	1	0S-1594	2	BOLT (3/8-16X1-IN)						
	18	1	125-9794	1	SEAL-O-RING						
C	19	1	1A-2029	4	BOLT (3/8-16X1.125-IN)						
C	20	1	1K-6872	2	LOCKNUT (1/2-13-THD)						
C	21	1	3P-0654	2	SEAL-O-RING						
	22	1	4B-3140	1	COVER (PRELUBRICATION)						
C	23	1	5M-2894	11	WASHER-HARD (10.2X18.5X2.5-MM THK)						
	24	1	5P-7818	1	SEAL-O-RING						
C	25	1	5P-8245	6	WASHER-HARD (13.5X25.5X3-MM THK)						
	26	1	5P-8872	1	SEAL-O-RING						
	27	1	6V-5101	1	SEAL-O-RING						
C	28	1	7B-3235	2	BOLT (1/2-13X1.375-IN)						
	29	1	7X-1547	2	SEAL-O-RING						
	30	1	8M-9024	2	WASHER-HARD (10.2X22.5X5-MM THK)						
	31	1	8T-6762	1	PLUG-PIPE						
	32	1	9L-1480	1	GASKET						

C- CHANGE FROM PREVIOUS TYPE

BASIC ENGINE

9Y-3084 PAN GP-OIL (contd.)

i02987830



GRAPHIC #1

<END>

g01297785

BASIC ENGINE

9Y-3087 PAN GP-OIL

PART OF 7C-6752 PAN GP-OIL

AN ATTACHMENT

SMCS-1302

i03116342

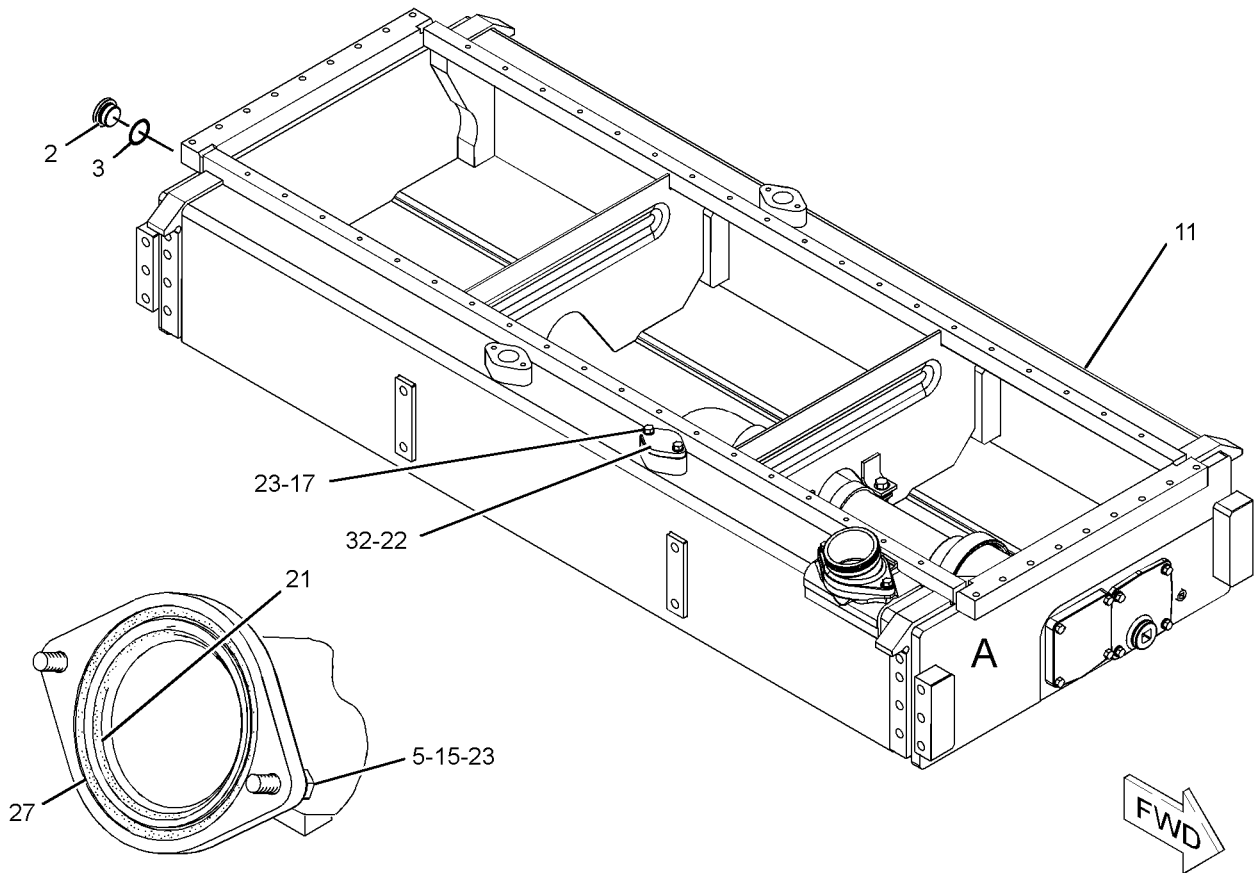
NOTE	REF NO	GRAPHIC REF	PART NUMBER	QTY	PART NAME						SEE PAGE
					1	2	3	4	5	6 (PRODUCT LEVEL)	
C	1	1	1W-1564	1	SCREEN AS-SUCTION (ENGINE OIL PAN)						
	2	1	4B-2363	2	PLUG-OIL DRAIN (ENGINE OIL PAN)						
	3	1	6F-4868	2	GASKET						
	4	1	7C-4715	1	CONNECTOR						
	5	1	7W-0129	1	FLANGE						
	6	1	111-2081	1	HOUSING-OIL						
	7	1	114-2414	1	TUBE AS						
	8	1	149-9298	1	COVER						
C	9	1	228-8926	1	ADAPTER						
C	10	1	229-8875	1	TUBE-SUCTION						
C	11	1	229-8876	1	PAN AS-OIL						
C	12	1	231-5867	4	CLAMP						
C	13	1	0L-1351	5	BOLT (3/8-16X0.875-IN)						
C	14	1	0S-1585	2	BOLT (1/2-13X1.5-IN)						
	15	1	0S-1588	4	BOLT (3/8-16X1.25-IN)						
	16	1	0S-1590	2	BOLT (3/8-16X2-IN)						
	17	1	0S-1594	2	BOLT (3/8-16X1-IN)						
	18	1	125-9794	1	SEAL-O-RING						
C	19	1	1A-2029	4	BOLT (3/8-16X1.125-IN)						
C	20	1	1K-6872	2	LOCKNUT (1/2-13-THD)						
C	21	1	3P-0654	2	SEAL-O-RING						
	22	1	4B-3140	1	COVER						
C	23	1	5M-2894	11	WASHER-HARD (10.2X18.5X2.5-MM THK)						
	24	1	5P-7818	1	SEAL-O-RING						
C	25	1	5P-8245	6	WASHER-HARD (13.5X25.5X3-MM THK)						
	26	1	5P-8872	1	SEAL-O-RING						
	27	1	6V-5101	1	SEAL-O-RING						
C	28	1	7B-3235	2	BOLT (1/2-13X1.375-IN)						
	29	1	7X-1547	2	SEAL-O-RING						
	30	1	8M-9024	2	WASHER-HARD (10.2X22.5X5-MM THK)						
	31	1	8T-6762	1	PLUG-PIPE						
	32	1	9L-1480	1	GASKET						

C- CHANGE FROM PREVIOUS TYPE

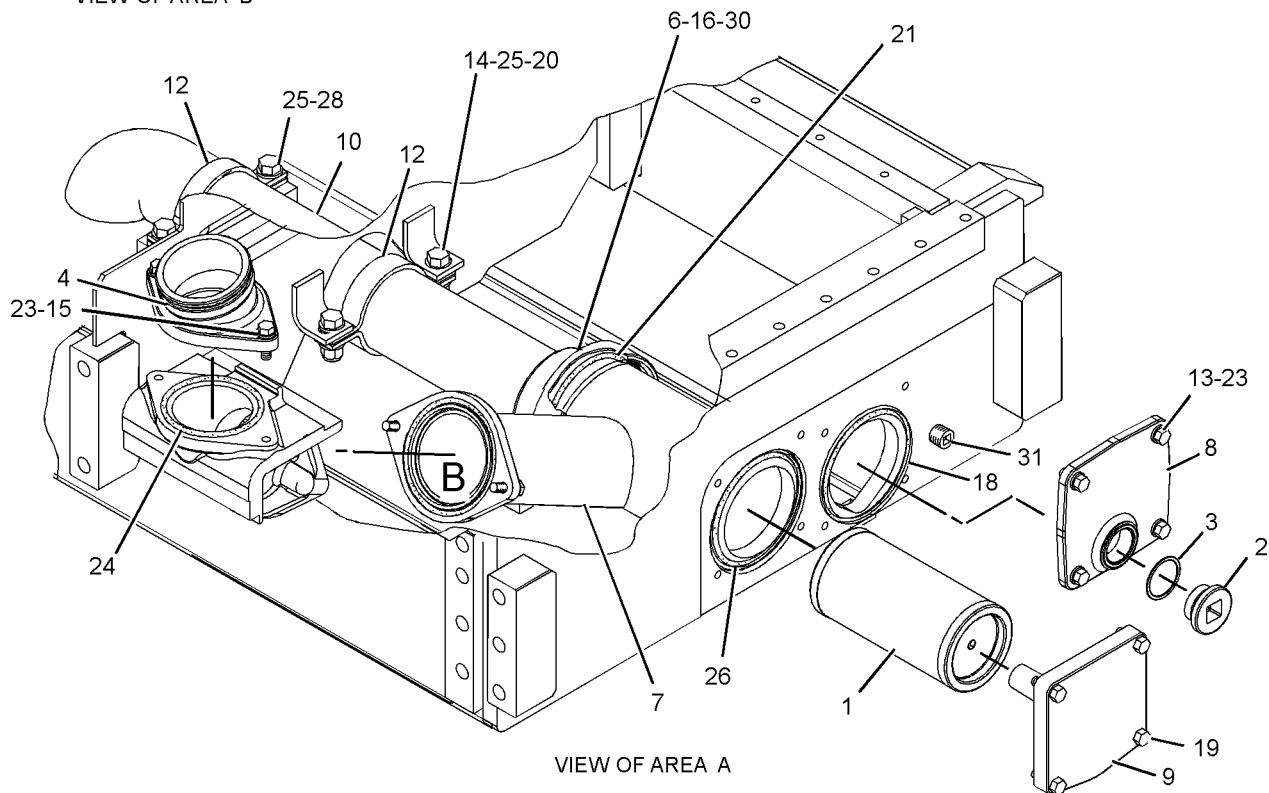
BASIC ENGINE

9Y-3087 PAN GP-OIL (contd.)

i03116342



VIEW OF AREA B



VIEW OF AREA A

GRAPHIC #1

<END>

g01255514

BASIC ENGINE

281-6141 PISTON & ROD GP

SMCS-1225

i03036725

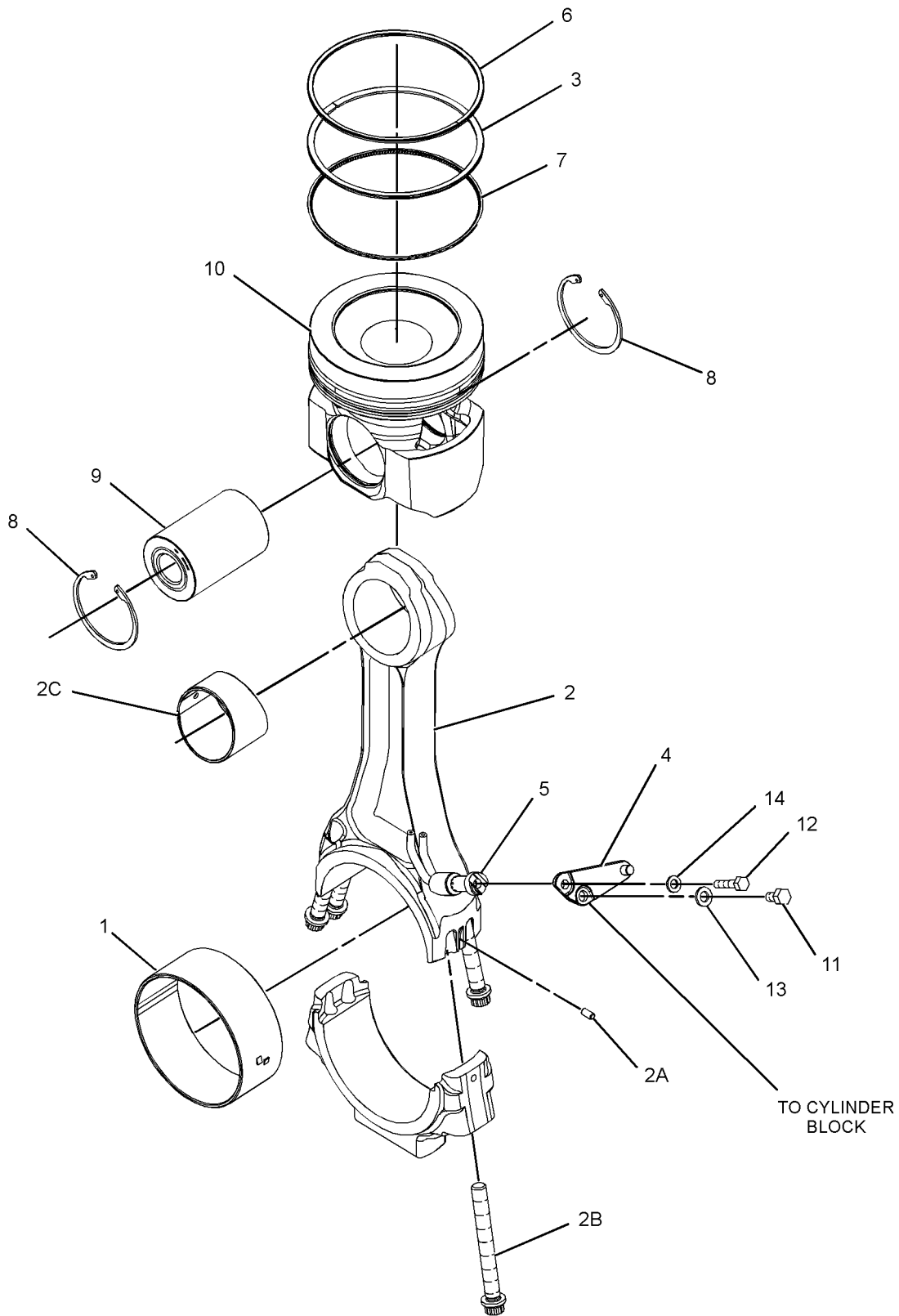
NOTE	REF NO	GRAPHIC REF	PART NUMBER	QTY	PART NAME						SEE PAGE
					1	2	3	4	5	6 (PRODUCT LEVEL)	
	1	1	107-7330	1	BEARING-CONNECTING ROD (STANDARD)						
AB		1	107-7331	1	BEARING-CONNECTING ROD (0.63-MM US ID)						
AB		1	107-7332	1	BEARING-CONNECTING ROD (1.27-MM US ID)						
AB		1	107-7333	1	BEARING-CONNECTING ROD (0.25-MM OS OD)						
AB		1	107-7334	1	BEARING-CONNECTING ROD (0.63-MM US ID, 0.25-MM OS OD)						
AB		1	107-7335	1	BEARING-CONNECTING ROD (1.27-MM US ID, 0.25-MM OS OD)						
R	2	1	144-0725	1	ROD AS						
	2A	1	7N-2043	1	DOWEL						
	2B	1	7N-2405	4	BOLT-CONNECTING ROD						
	2C	1	118-1655	1	BEARING-SLEEVE						
	3	1	144-5695	1	RING-PISTON (INTERMEDIATE)						
	4	1	193-3282	1	RETAINER AS						
		1	6V-3537	1	DOWEL						
	5	1	204-5447	1	JET AS-PISTON COOLING						
	6	1	214-6066	1	RING-PISTON (TOP)						
	7	1	223-6361	1	RING-PISTON (OIL)						
	8	1	253-1238	2	RETAINER-PIN						
	9	1	263-8955	1	PIN-PISTON						
	10	1	314-5006	1	PISTON AS						
	11	1	0T-0102	1	BOLT (3/8-16X0.625-IN)						
	12	1	1B-2790	1	BOLT (5/16-18X1.375-IN)						
	13	1	5M-2894	1	WASHER-HARD (10.2X18.5X2.5-MM THK)						
	14	1	9M-1974	1	WASHER-HARD (8.8X16X2-MM THK)						

A - NOT PART OF THIS GROUP
 B - USE AS REQUIRED
 R - REMFG PART MAY BE AVAILABLE

BASIC ENGINE

281-6141 PISTON & ROD GP (contd.)

i03036725



GRAPHIC #1

<END>

g01212022

BASIC ENGINE

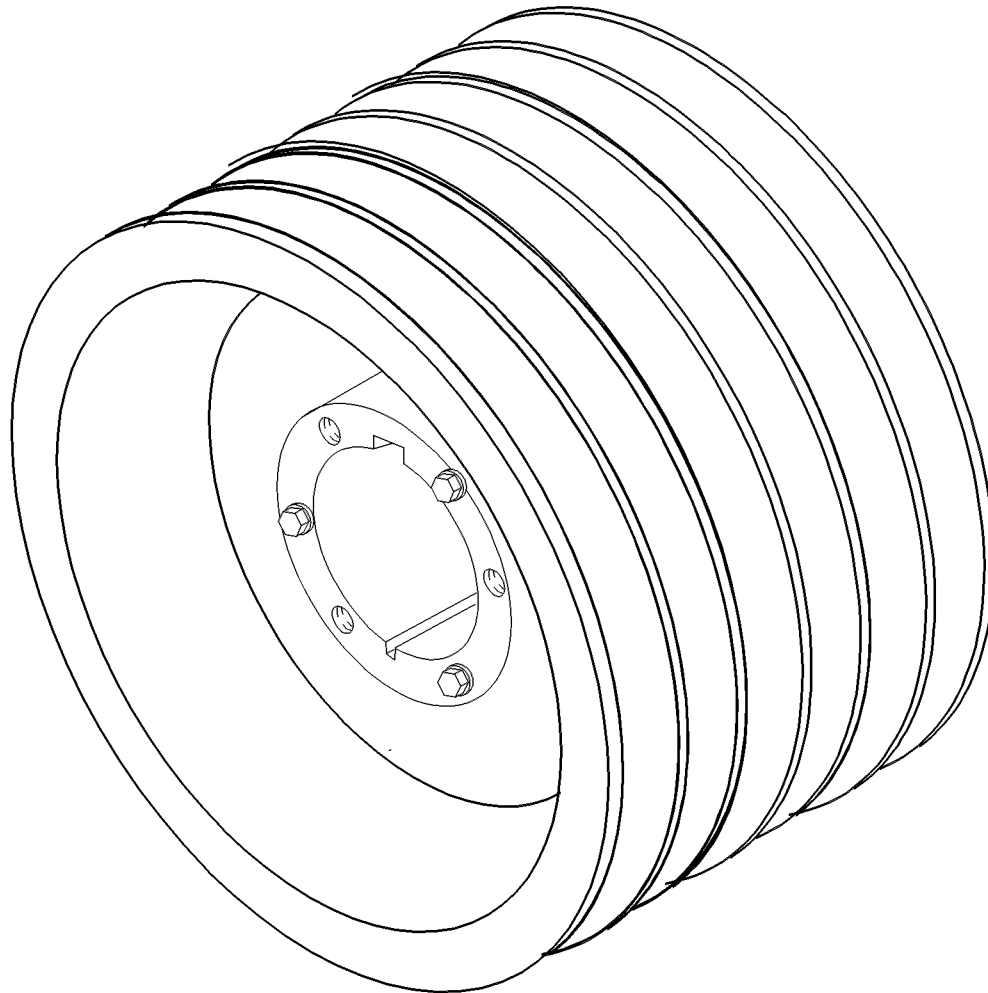
7N-4106 PULLEY AS-CRANKSHAFT

196.85-MM DIAMETER (7.75-IN)
FOR USE WITH LOW KW STUB SHAFT GP
AN ATTACHMENT

SMCS-1205

i02656382

NOTE	REF NO	GRAPHIC REF	PART NUMBER	QTY	PART NAME 1 2 3 4 5 6 (PRODUCT LEVEL)	SEE PAGE
					AVAILABLE REPAIR KIT(S):	
			4W-0335	1	KIT-BUSHING (CRANKSHAFT PULLEY) (INCLUDES BUSHING, BOLTS, LOCKWASHER, SET SCREW AND KEY)	



GRAPHIC #1

<END>

g00621997

BASIC ENGINE

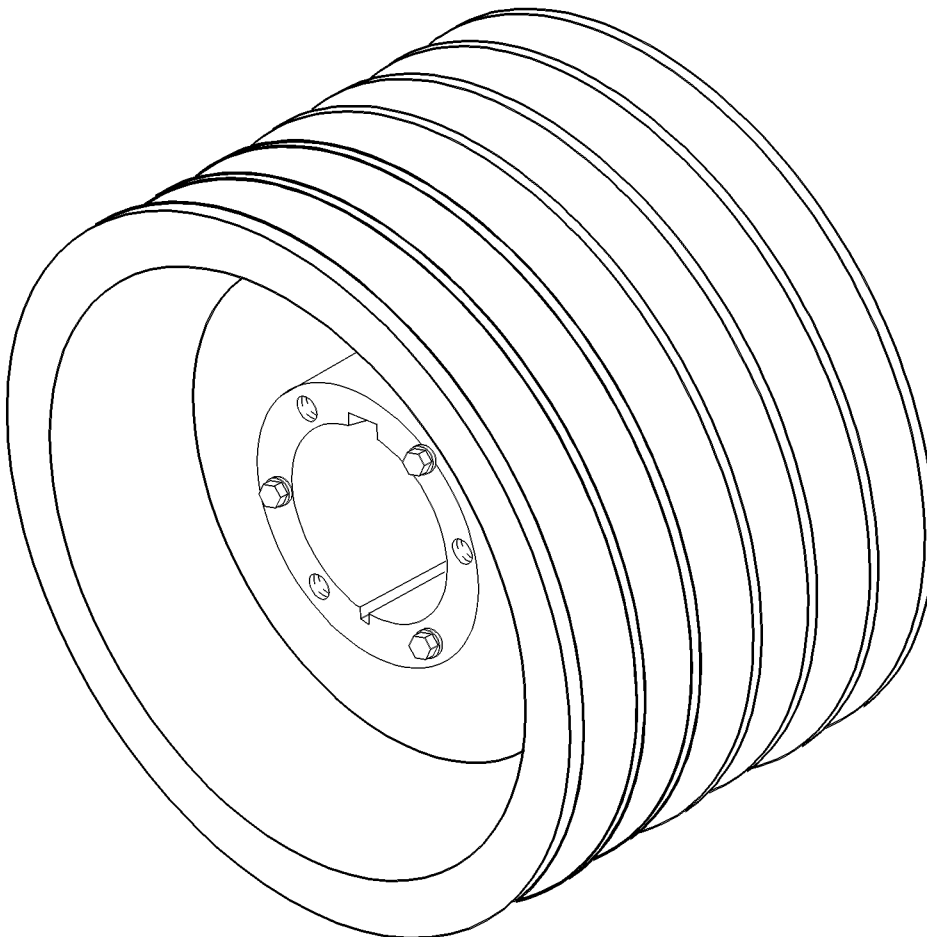
8N-6564 PULLEY AS-CRANKSHAFT

247.65-MM DIAMETER (9.75-IN)
FOR USE WITH LOW KW STUB SHAFT GP
AN ATTACHMENT

SMCS-1205

i02774996

NOTE	REF NO	GRAPHIC REF	PART NUMBER	QTY	PART NAME						SEE PAGE
					1	2	3	4	5	6 (PRODUCT LEVEL)	
					AVAILABLE REPAIR KIT(S):						
			4W-0335	1	KIT-BUSHING (CRANKSHAFT PULLEY)						
					(INCLUDES BUSHING, BOLTS, LOCKWASHER, SET SCREW AND KEY)						



GRAPHIC #1

<END>

g00625097

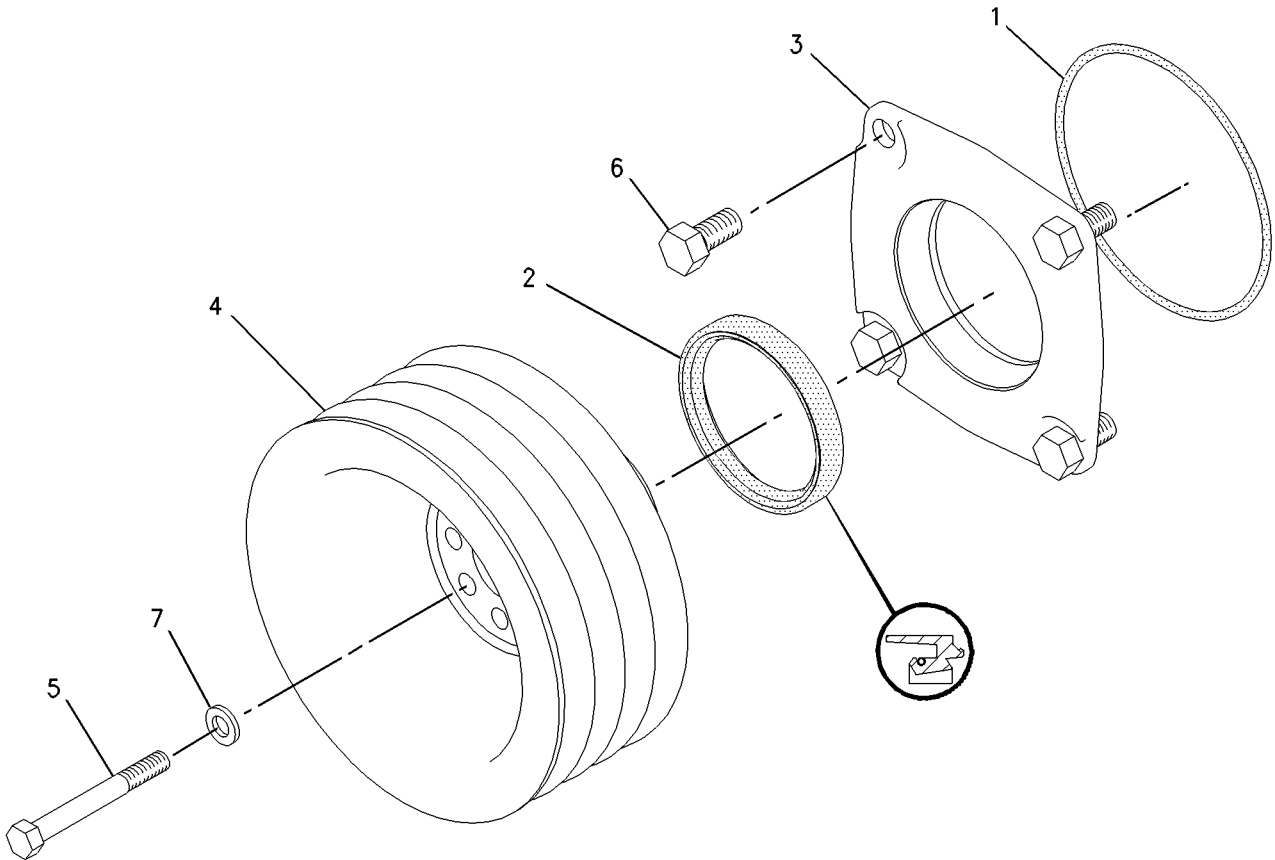
BASIC ENGINE

7N-8041 PULLEY GP-AUXILIARY DRIVE-LOWER FRONT, LH AN ATTACHMENT

SMCS-1205, 1207

i01973641

NOTE	REF NO	GRAPHIC REF	PART NUMBER	QTY	PART NAME						SEE PAGE
					1	2	3	4	5	6	
	1	1	9X-7371	1	SEAL-O-RING						
	2	1	7C-7808	1	SEAL-LIP TYPE						
	3	1	7N-7991	1	ADAPTER						
	4	1	7N-8011	1	PULLEY						
	5	1	0L-1352	8	BOLT (3/8-16X3.25-IN)						
	6	1	0S-1621	4	BOLT (1/2-13X1-IN)						
	7	1	5M-2894	8	WASHER-HARD (10.2X18.5X2.5-MM THK)						



GRAPHIC #1

<END>

g00856036

BASIC ENGINE

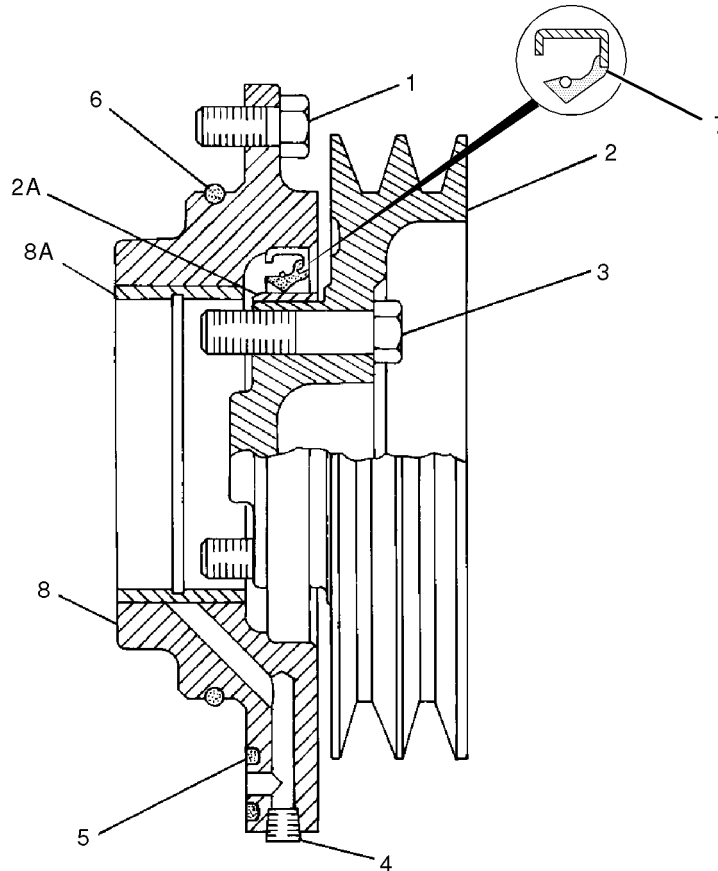
8N-8467 PULLEY GP-AUXILIARY DRIVE--LOWER FRONT, LH AN ATTACHMENT

SMCS-1205, 1207

i02327569

NOTE	REF NO	GRAPHIC REF	PART NUMBER	QTY	PART NAME						SEE PAGE
					1	2	3	4	5	6 (PRODUCT LEVEL)	
	1	1	0L-1351	4	BOLT (3/8-16X0.875-IN)						
C	2	1	9Y-5286	1	PULLEY AS						
	2A	1	053-5065	1	SLEEVE						
	3	1	0S-1571	4	BOLT (3/8-16X1.75-IN)						
	4	1	8T-6759	1	PLUG-PIPE						
	5	1	5P-0840	1	SEAL-O-RING						
	6	1	235-3548	1	SEAL-O-RING						
	7	1	235-2484	1	SEAL-LIP TYPE						
	8	1	7C-4165	1	ADAPTER AS						
	8A	1	127-5400	1	BEARING-SLEEVE						

C- CHANGE FROM PREVIOUS TYPE



GRAPHIC #1

<END>

g01014927

BASIC ENGINE

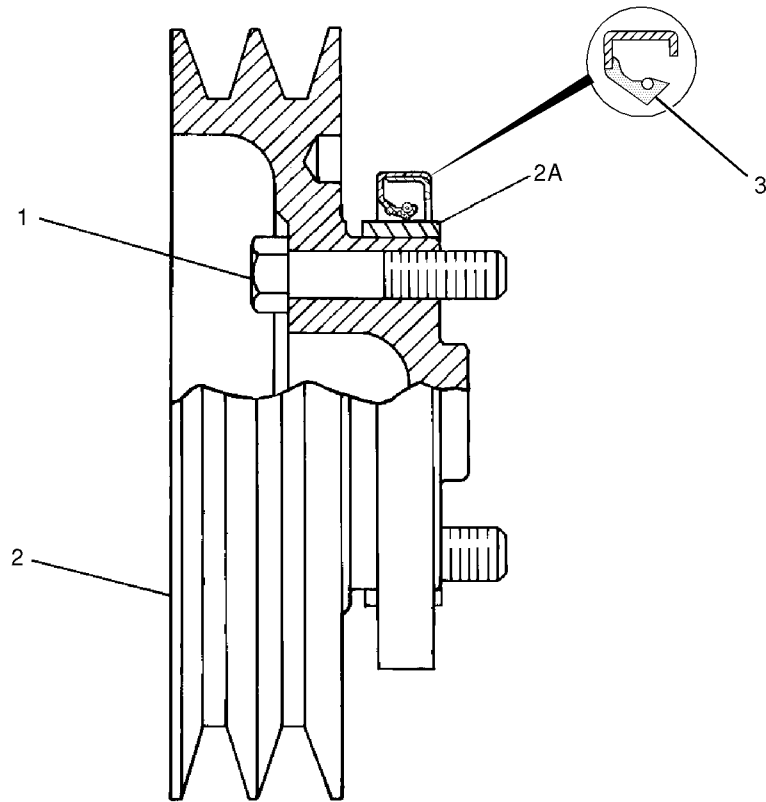
8N-8468 PULLEY GP-AUXILIARY DRIVE-UPPER REAR, RH AN ATTACHMENT

SMCS-1205, 1207

i02327564

NOTE	REF NO	GRAPHIC REF	PART NUMBER	QTY	PART NAME						SEE PAGE
					1	2	3	4	5	6 (PRODUCT LEVEL)	
	1	1	0S-1571	4	BOLT (3/8-16X1.75-IN)						
C	2	1	9Y-5286	1	PULLEY AS						
	2A	1	053-5065	1	SLEEVE						
	3	1	235-2484	1	SEAL-LIP TYPE						

C- CHANGE FROM PREVIOUS TYPE



GRAPHIC #1

<END>

g01014939

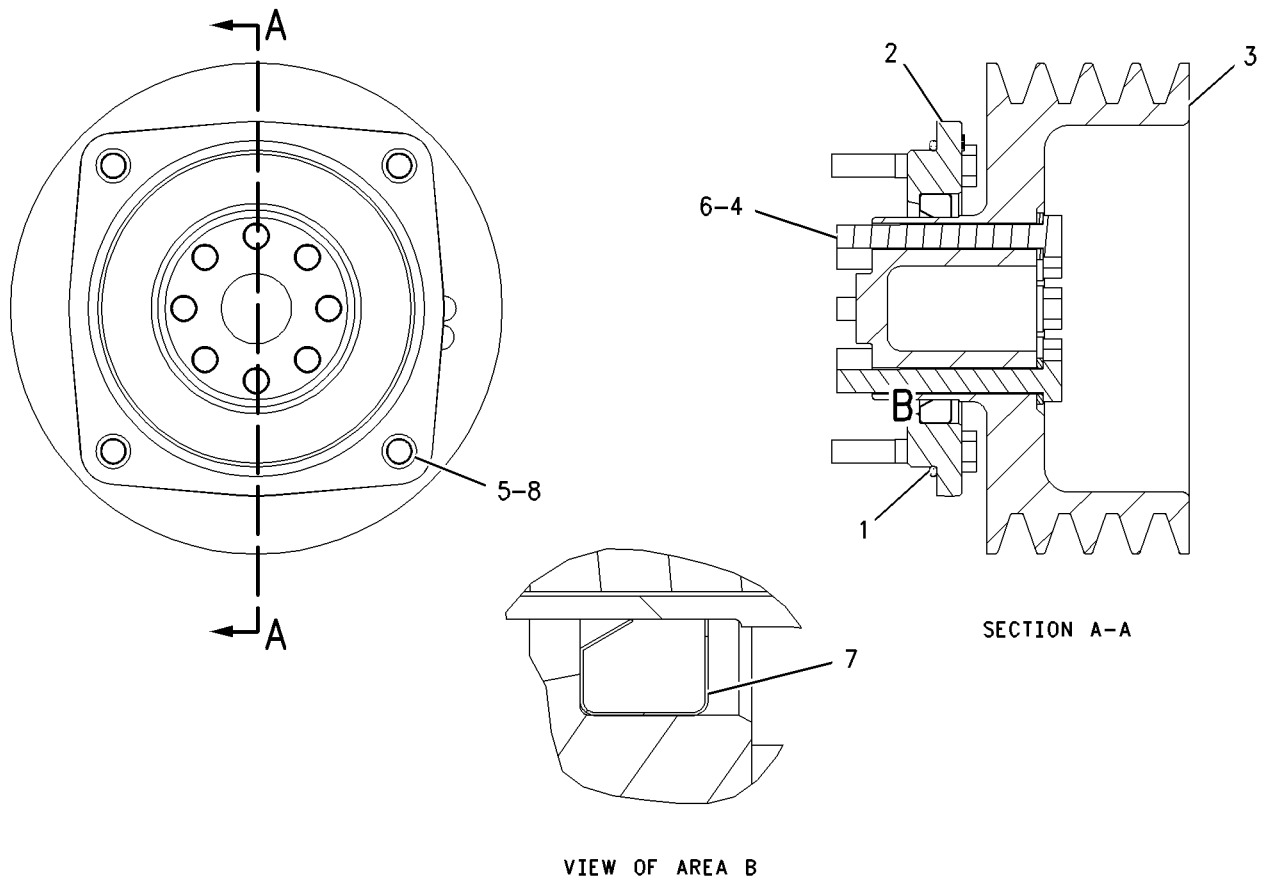
BASIC ENGINE

210-9214 PULLEY GP-AUXILIARY DRIVE-LOWER FRONT, LH AN ATTACHMENT

SMCS-1205, 1207

i01980145

NOTE	REF NO	GRAPHIC REF	PART NUMBER	QTY	PART NAME						SEE PAGE
					1	2	3	4	5	6 (PRODUCT LEVEL)	
	1	1	9X-7371	1	SEAL-O-RING						
	2	1	7N-7991	1	ADAPTER						
	3	1	7N-8011	1	PULLEY						
	4	1	0L-1352	8	BOLT (3/8-16X3.25-IN)						
	5	1	0S-1590	4	BOLT (3/8-16X2-IN)						
	6	1	5M-2894	8	WASHER-HARD (10.2X18.5X2.5-MM THK)						
	7	1	7C-7808	1	SEAL-LIP TYPE						
	8	1	9L-9132	4	WASHER (10.2X25.5X2.5-MM THK)						



GRAPHIC #1

<END>

g00854650

BASIC ENGINE

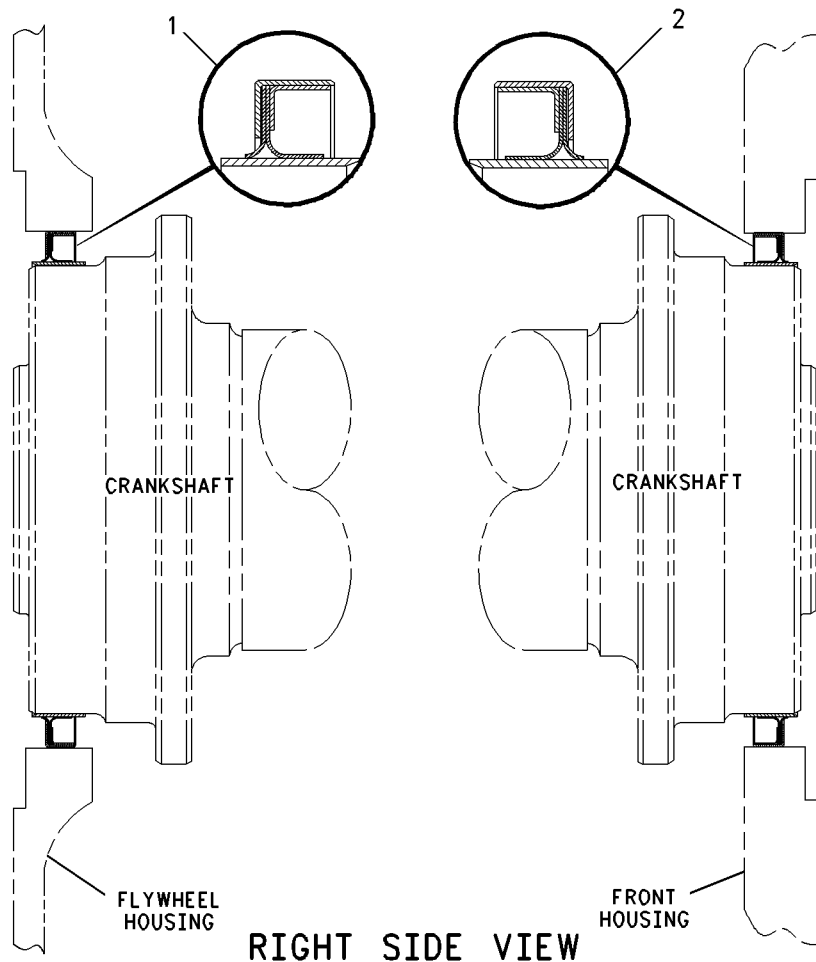
7W-3813 SEAL GP - CRANKSHAFT

SMCS-1160, 1161

i02390835

NOTE	REF NO	GRAPHIC REF	PART NUMBER	QTY	PART NAME						SEE PAGE
					1	2	3	4	5	6 (PRODUCT LEVEL)	
C	1	1	113-8433	1	SEAL GP-CRANKSHAFT (CCW ROTATION)						
(INSTALL IN FLYWHEEL HOUSING ON STANDARD ROTATION ENGINES & IN FRONT HOUSING ON REVERSE ROTATION ENGINES)											
C	2	1	113-8432	1	SEAL GP-CRANKSHAFT (CW ROTATION)						
(INSTALL IN FRONT HOUSING ON STANDARD ROTATION ENGINES & IN FLYWHEEL HOUSING ON REVERSE ROTATION ENGINES)											

C - CHANGE FROM PREVIOUS TYPE



GRAPHIC #1

<END>

g00899342

BASIC ENGINE

7N-8042 SHAFT GP-AUXILIARY DRIVE-LOWER FRONT, LH AN ATTACHMENT

SMCS-1207

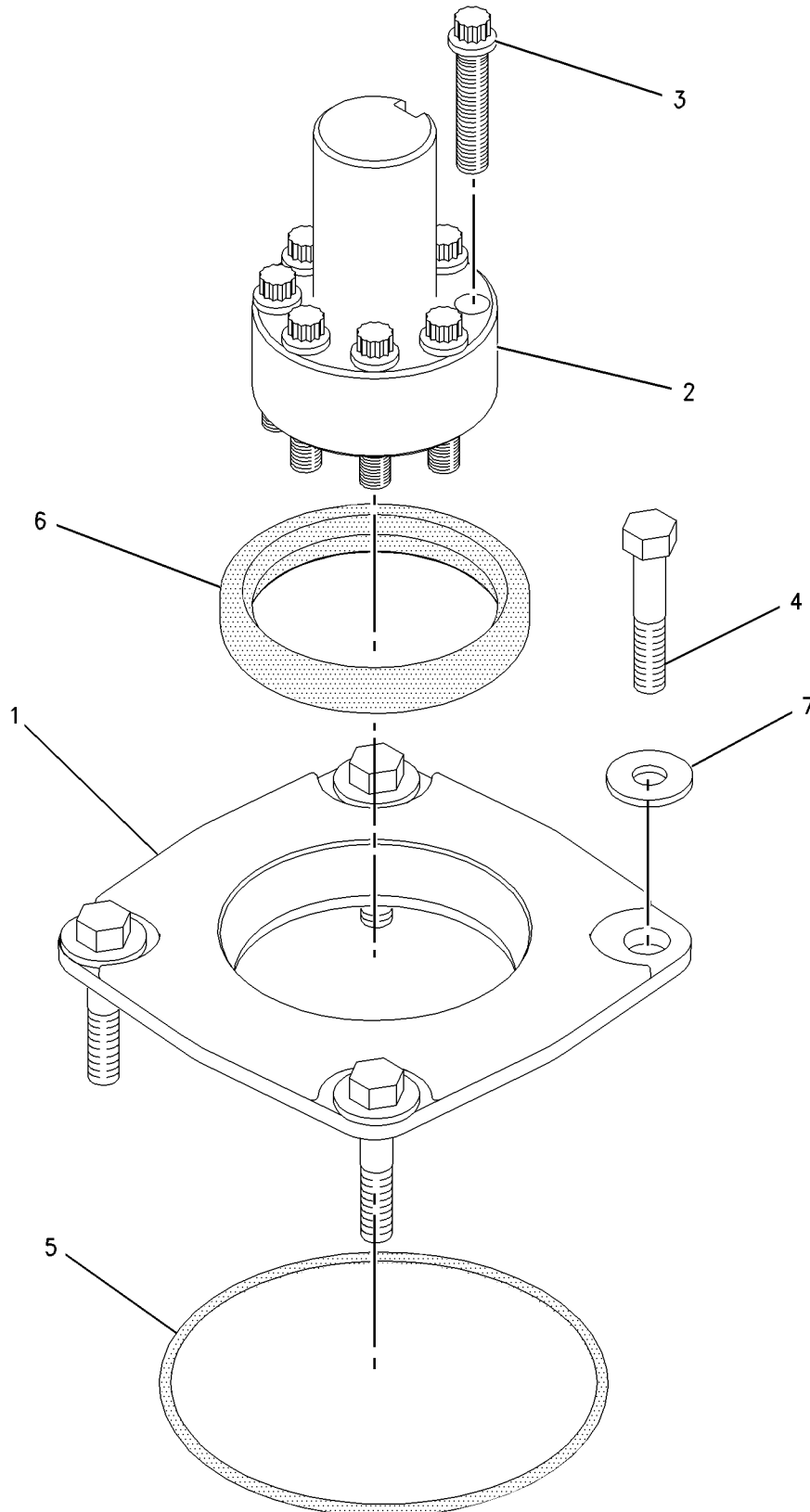
i02327559

NOTE	REF NO	GRAPHIC REF	PART NUMBER	QTY	PART NAME						SEE PAGE
					1	2	3	4	5	6 (PRODUCT LEVEL)	
	1	1	7N-7991	1	ADAPTER						
	2	1	9Y-4957	1	SHAFT-STUB						
	3	1	053-2294	8	BOLT-12 POINT HEAD (3/8-16X1.75-IN)						
	4	1	0S-1590	4	BOLT (3/8-16X2-IN)						
	5	1	9X-7371	1	SEAL-O-RING						
	6	1	7C-7808	1	SEAL-LIP TYPE						
	7	1	9L-9132	4	WASHER (10.2X25.5X2.5-MM THK)						

BASIC ENGINE

7N-8042 SHAFT GP-AUXILIARY DRIVE (contd.)

i02327559



GRAPHIC #1

<END>

g00813860

BASIC ENGINE

209-3559 SHAFT GP - AUXILIARY DRIVE - UPPER FRONT, RH AN ATTACHMENT

SMCS - 1207

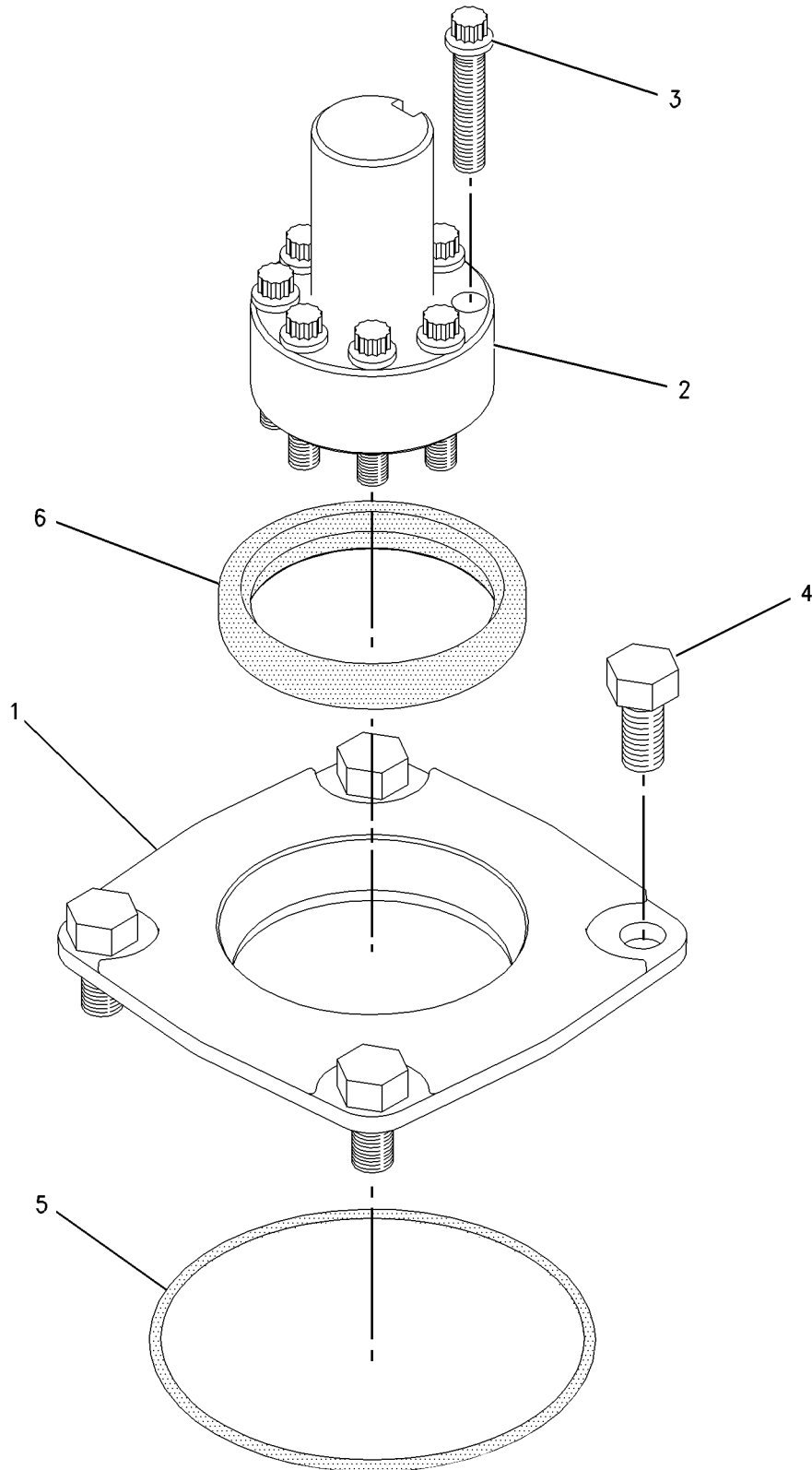
i02327561

NOTE	REF NO	GRAPHIC REF	PART NUMBER	QTY	PART NAME						SEE PAGE
					1	2	3	4	5	6 (PRODUCT LEVEL)	
	1	1	7N-7991	1	ADAPTER						
	2	1	9Y-4957	1	SHAFT - STUB						
	3	1	053-2294	8	BOLT - 12 POINT HEAD (3/8-16X1.75-IN)						
	4	1	0S-1621	4	BOLT (1/2-13X1-IN)						
	5	1	9X-7371	1	SEAL - O-RING						
	6	1	7C-7808	1	SEAL - LIP TYPE						

BASIC ENGINE

209-3559 SHAFT GP-AUXILIARY DRIVE (contd.)

i02327561



GRAPHIC #1

<END>

g00814255

BASIC ENGINE

209-3562 SHAFT GP - AUXILIARY DRIVE - UPPER FRONT, LH AN ATTACHMENT

SMCS - 1207

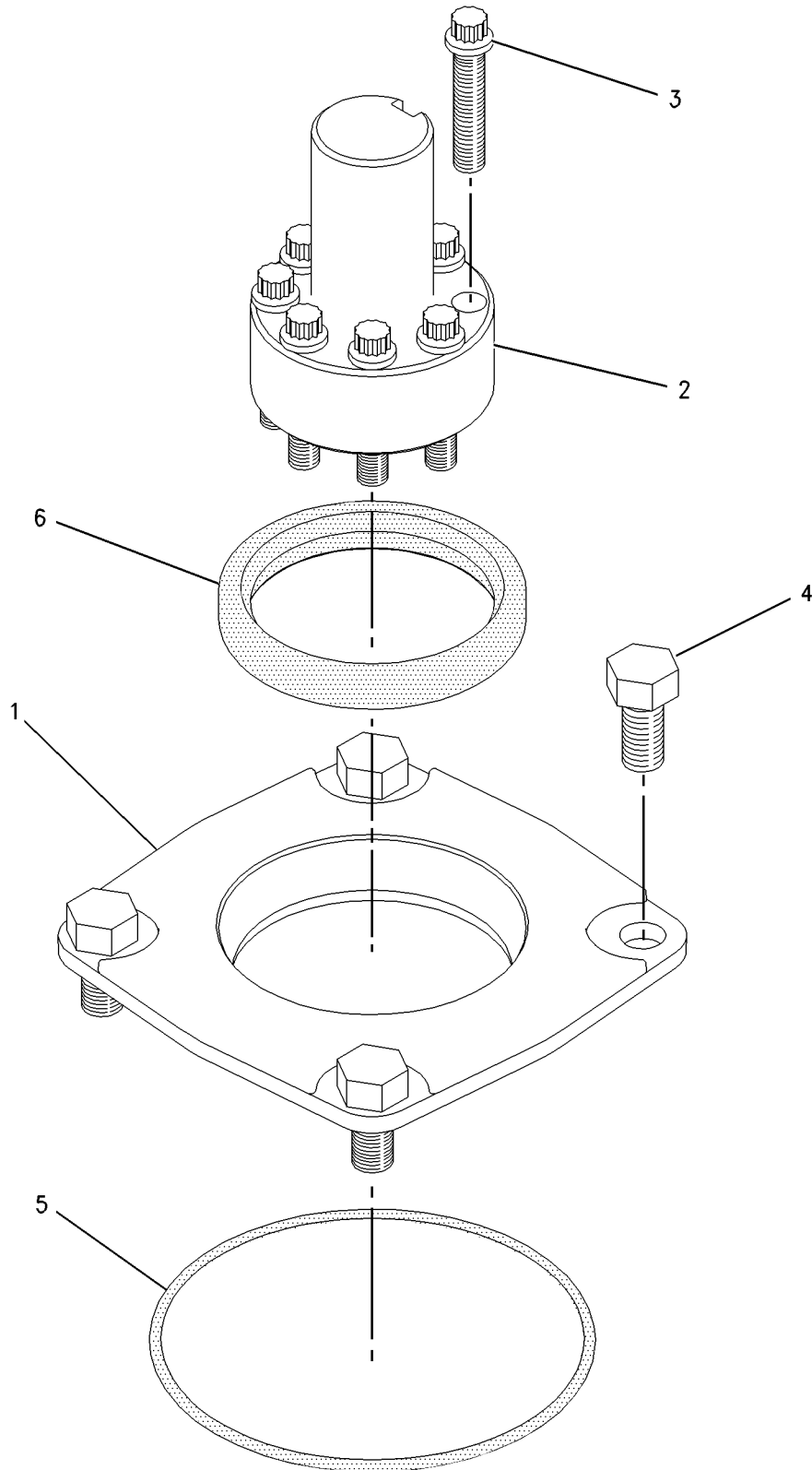
i02327562

NOTE	REF NO	GRAPHIC REF	PART NUMBER	QTY	PART NAME						SEE PAGE
					1	2	3	4	5	6 (PRODUCT LEVEL)	
	1	1	7N-7991	1	ADAPTER						
	2	1	9Y-4957	1	SHAFT - STUB						
	3	1	053-2294	8	BOLT - 12 POINT HEAD (3/8-16X1.75-IN)						
	4	1	0S-1621	4	BOLT (1/2-13X1-IN)						
	5	1	9X-7371	1	SEAL - O-RING						
	6	1	7C-7808	1	SEAL - LIP TYPE						

BASIC ENGINE

209-3562 SHAFT GP-AUXILIARY DRIVE (contd.)

i02327562



GRAPHIC #1

<END>

g00814255

BASIC ENGINE

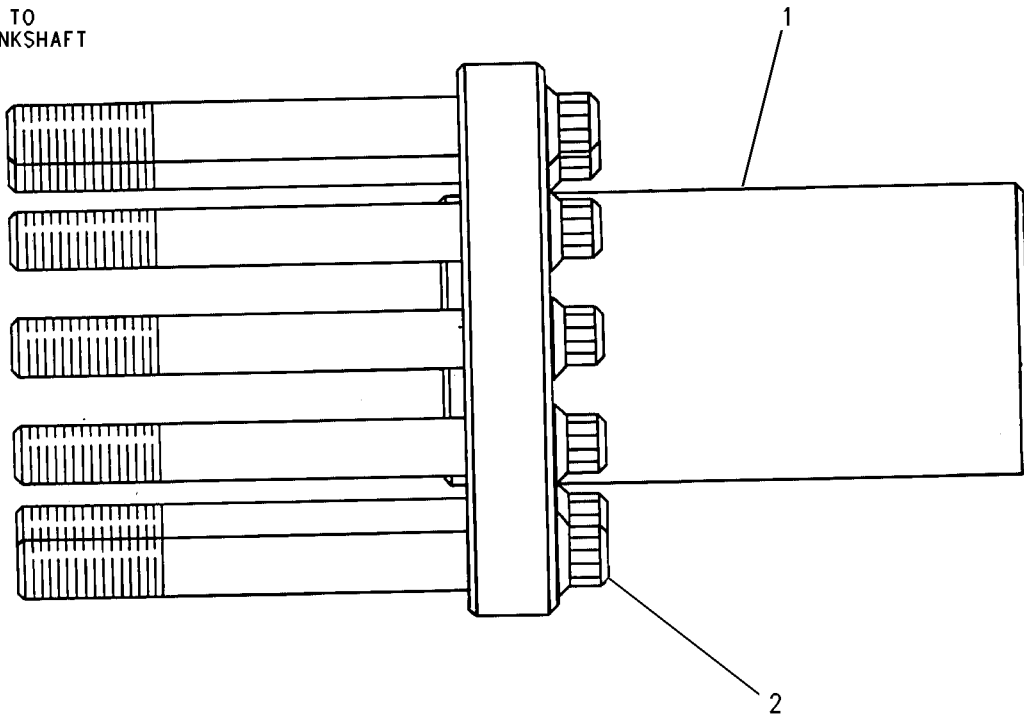
7W-3629 SHAFT GP - STUB-FRONT AN ATTACHMENT

SMCS - 1237

i02327531

NOTE	REF NO	GRAPHIC REF	PART NUMBER	QTY	PART NAME						SEE PAGE
					1	2	3	4	5	6 (PRODUCT LEVEL)	
	1	1	7W-3579	1	SHAFT-STUB						
	2	1	5N-2317	12	BOLT-12 POINT HEAD (1-14X9.5-IN)						

TO
CRANKSHAFT



RIGHT SIDE VIEW

GRAPHIC #1

<END>

g00995115

BASIC ENGINE

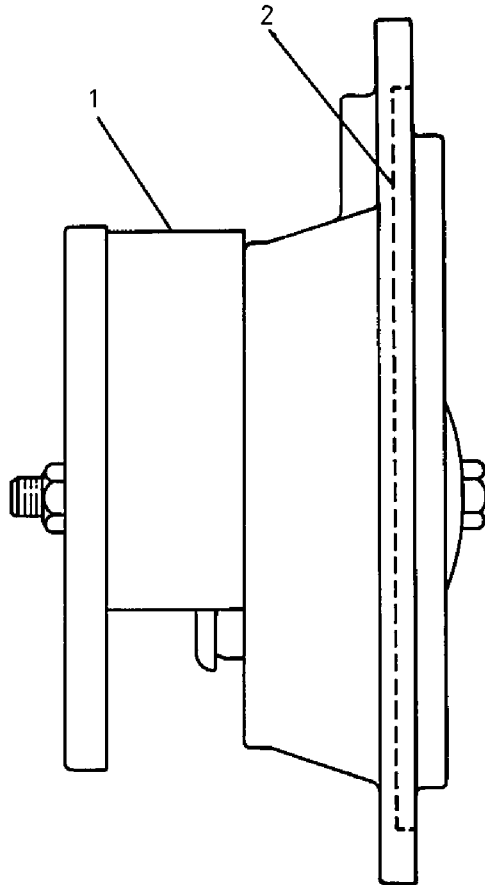
8N-8510 VALVE GP-EXPLOSION RELIEF

AN ATTACHMENT

SMCS - 1233

i02656760

NOTE	REF NO	GRAPHIC REF	PART NUMBER	QTY	PART NAME						SEE PAGE
					1	2	3	4	5	6 (PRODUCT LEVEL)	
J	1	1	8N-8509	2	VALVE GP-EXPLOSION RELIEF (CRANKCASE)						
	2	1	272-0759	2	SEAL						
					AVAILABLE REPAIR KIT(S) :						
J			2W-3584	1	KIT-REPAIR (EXPLOSION RELIEF) (CRANKCASE) (INCLUDES VALVE PLATE AND SPINDLE O-RINGS)						
J - KIT MARKED J SERVICES PART MARKED J											



GRAPHIC #1

<END>

g00637870

BASIC ENGINE

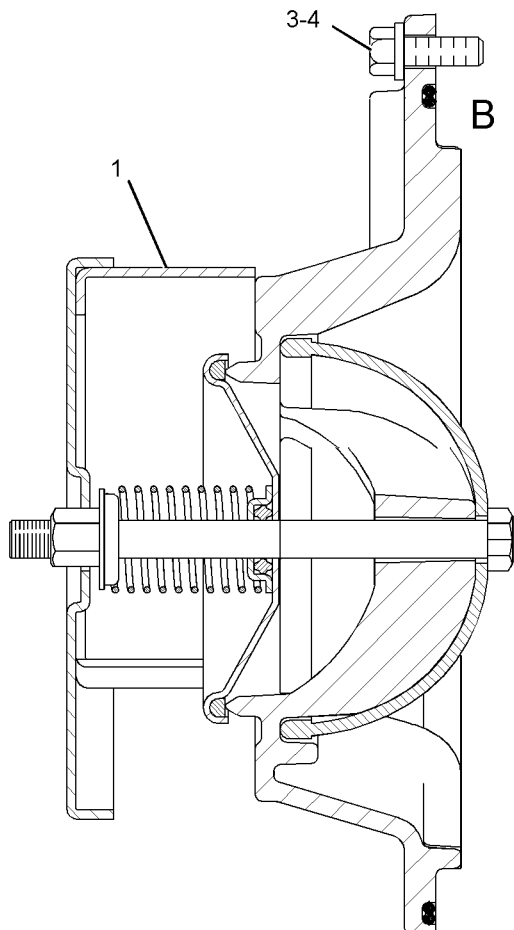
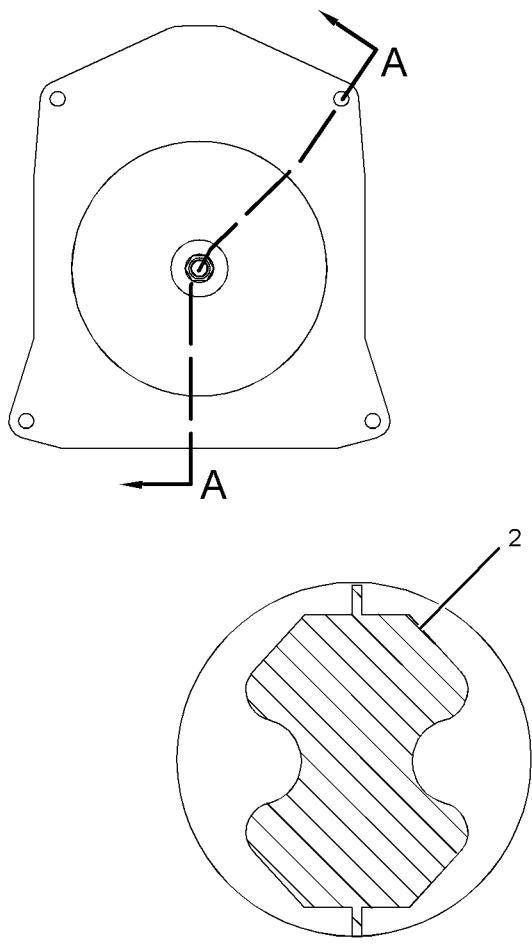
155-2586 VALVE GP-EXPLOSION RELIEF

CHROME PLATED
AN ATTACHMENT

SMCS - 1233

i02626007

NOTE	REF NO	GRAPHIC REF	PART NUMBER	QTY	PART NAME						SEE PAGE
					1	2	3	4	5	6 (PRODUCT LEVEL)	
J	1	1	155-2567	1	VALVE GP-EXPLOSION RELIEF (CRANKCASE)						
	2	1	272-0759	1	SEAL						
	3	1	133-6261	4	WASHER (10.2X18.5X2.5-MM THK)						
	4	1	133-6268	4	BOLT (3/8-16X1-IN)						
AVAILABLE REPAIR KIT(S) :											
J			2W-3584	1	KIT-REPAIR (EXPLOSION RELIEF)						
(INCLUDES VALVE PLATE & SPINDLE O-RINGS)											
J - KIT MARKED J SERVICES PART MARKED J											



GRAPHIC #1

<END>

g01319451

BASIC ENGINE

308-5356 VALVE MECHANISM GP

SMCS-1102, 1121, 1123, 1209

i03095740

NOTE	REF NO	GRAPHIC REF	PART NUMBER	QTY	PART NAME						SEE PAGE
					1	2	3	4	5	6 (PRODUCT LEVEL)	
	1	1	3J-9196	2	NUT-JAM (1/2-20-THD)						
	2	1	7E-6508	1	CAP AS						
	3	1	7N-4782	2	SPRING-LIFTER GUIDE						
	4	1	9F-7707	3	RING-RETAINING						
	5	1	317-1121	1	NUT-JAM						
	6	1	9X-0352	1	RECEPTACLE AS						
	7	1	100-3877	1	RETAINER-SPRING						
	8	1	100-3878	1	SPRING-INJECTOR						
	9	1	100-3879	1	PUSHROD-INJECTOR						
	10	1	100-3880	2	PUSHROD-VALVE						
	11	1	132-6469	1	HARNES AS-WIRING						
		1	155-2270	1	KIT-CONNECTING PLUG (2-PIN) (INCLUDES PLUG AS AND WEDGE)						
		1	186-3736	2	SOCKET-CONNECTOR (16-GA TO 18-GA)						
E		1	124-0284		TUBE-HEAT SHRINK (3.2-MM DIA) (6-CM)						
	12	1	154-6389	3	BUTTON						
	13	1	200-2003	2	SCREW-ADJUSTMENT (1/2-20X2-IN)						
	14	1	230-2619	1	SCREW-ADJUSTMENT						
R	15	1	230-2621	2	ROCKER ARM AS (EACH INCLUDES)						
		1	8N-7197	1	SOCKET-ARM						
		1	230-2620	1	BEARING-SLEEVE						
	16	1	230-2633	1	SHAFT AS (ROCKER ARM)						
		1	155-4094	1	PIN-SPRING						
	17	1	240-7032	1	SEAL						
Y	18	1	247-8341	1	BASE GP-VALVE COVER						3
R	19	1	263-6674	2	LIFTER AS-VALVE						
	20	1	265-7537	1	BRIDGE (INLET)						
	21	1	265-7538	1	BRIDGE (EXHAUST)						
R	22	1	281-6159	1	ROCKER ARM AS (EACH INCLUDES)						
		1	8N-7197	1	SOCKET-ARM						
		1	230-2620	1	BEARING-SLEEVE						
R	23	1	282-7944	1	LIFTER AS-INJECTOR						
	24	1	0L-2070	2	BOLT (3/8-16X2.25-IN)						
	25	1	0S-1590	2	BOLT (3/8-16X2-IN)						
	26	1	0S-1615	1	BOLT (1/4-20X0.75-IN)						
	27	1	5M-2894	4	WASHER-HARD (10.2X18.5X2.5-MM THK)						
	28	1	5P-0537	1	WASHER-HARD (7.2X14.5X2-MM THK)						
	29	1	5P-7530	1	SEAL-O-RING						
	30	1	6J-2245	1	SEAL-O-RING						
	31	1	8D-7942	2	BOLT-12 POINT HEAD (5/8-11X6.5-IN)						

E - ORDER BY THE CENTIMETER
R - REMFG PART MAY BE AVAILABLE
Y - SEPARATE ILLUSTRATION

LUBRICATION SYSTEM

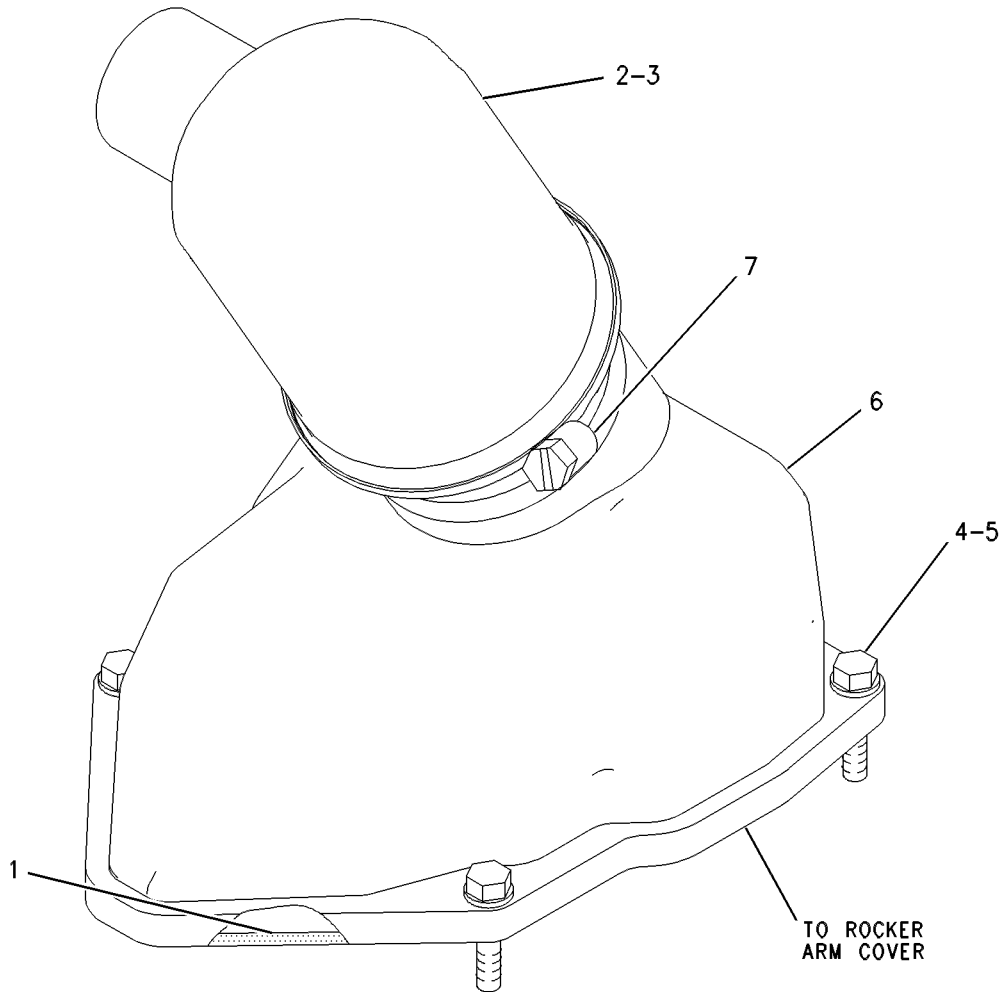
155-2585 BREATHER GP-CRANKCASE

CHROME PLATED
FOR USE WITH EUI ENGINE
AN ATTACHMENT

SMCS-1317

i02725227

NOTE	REF NO	GRAPHIC REF	PART NUMBER	QTY	PART NAME						SEE PAGE
					1	2	3	4	5	6 (PRODUCT LEVEL)	
	1	1	272-0760	1	SEAL - VALVE COVER						
	2	1	126-0577	1	BREATHER AS (CHROME) (CRANKCASE)						
	3	1	033-6031	1	SEAL - O-RING						
	4	1	133-6270	4	BOLT (5/16-18X1.5-IN)						
	5	1	133-6265	4	WASHER (8.8X16X2-MM THK)						
	6	1	155-2572	1	COVER AS						
	7	1	4W-3034	1	CLAMP - HOSE						



GRAPHIC #1

<END>

g00536789

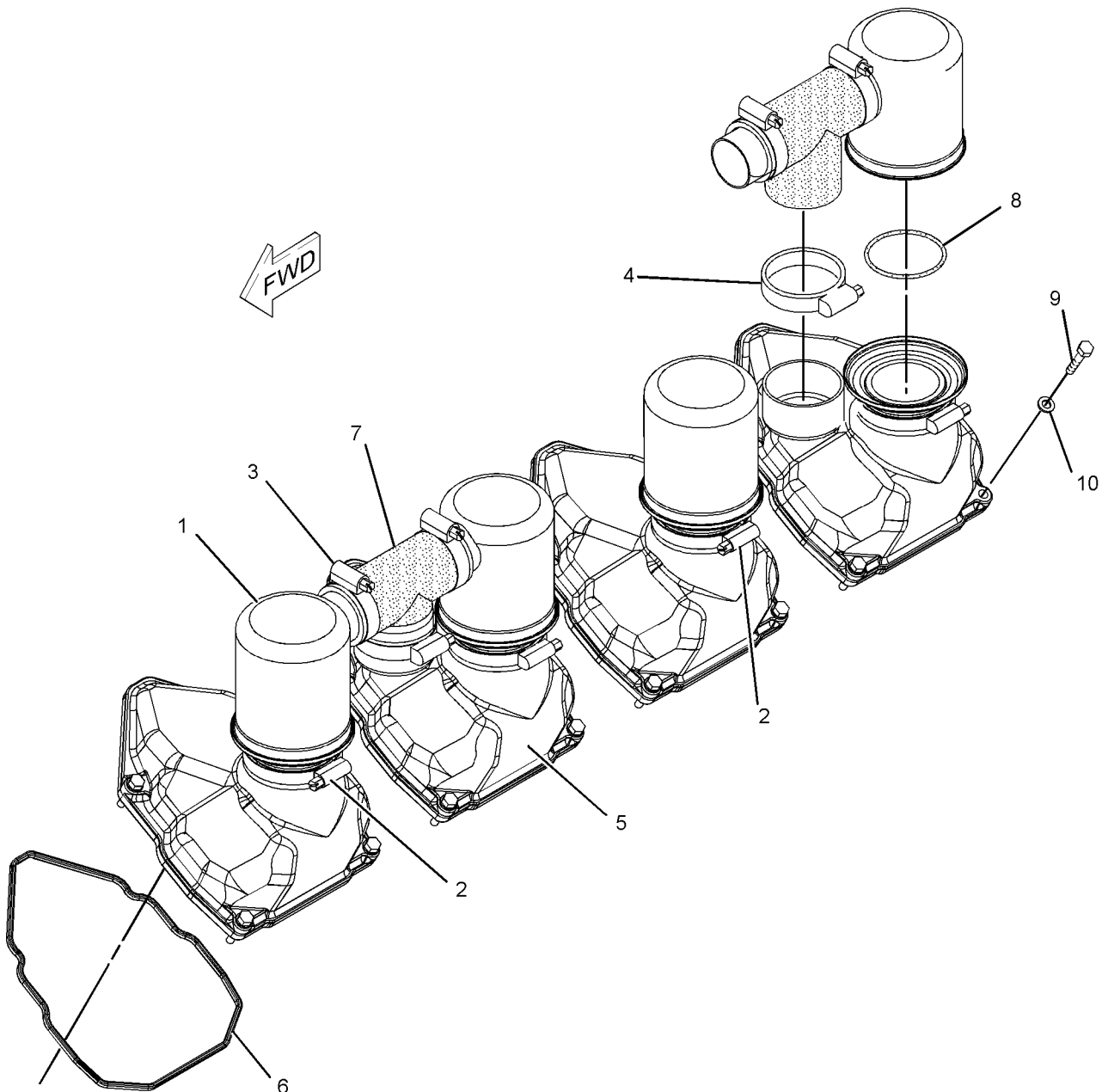
LUBRICATION SYSTEM

247-4696 BREATHER GP-CRANKCASE

SMCS-1317

i02741106

NOTE	REF NO	GRAPHIC REF	PART NUMBER	QTY	PART NAME						SEE PAGE
					1	2	3	4	5	6 (PRODUCT LEVEL)	
	1	1	4W-3027	4	BREATHER AS (CRANKCASE)						
	2	1	4W-3034	4	CLAMP - HOSE						
	3	1	5P-0597	4	CLAMP - HOSE						
	4	1	180-3007	2	CLAMP - HOSE						
	5	1	101-4199	4	COVER AS						
	6	1	272-0760	4	SEAL - VALVE COVER						
	7	1	217-6692	2	HOSE - TEE						
	8	1	033-6031	4	SEAL - O-RING						
	9	1	1A-9579	16	BOLT (5/16-18X1.5-IN)						
	10	1	9M-1974	16	WASHER-HARD (8.8X16X2-MM THK)						



GRAPHIC #1

<END>

g01075904

LUBRICATION SYSTEM

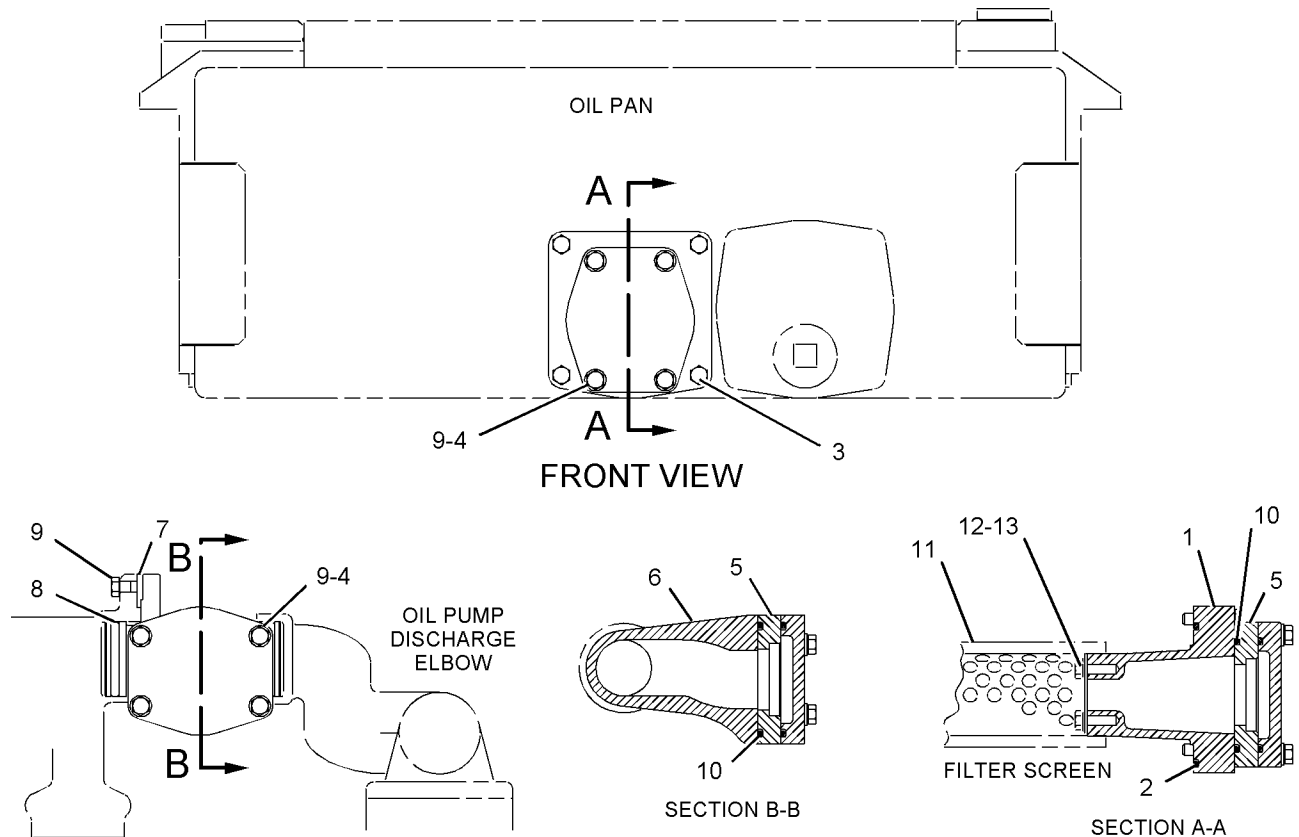
9Y-4888 CONNECTION GP-OIL FOR USE WITH 7C-6752-PAGE 59, 7C-9938-PAGE 60 AN ATTACHMENT

SMCS-1307

i02655664

NOTE	REF NO	GRAPHIC REF	PART NUMBER	QTY	PART NAME						SEE PAGE
					1	2	3	4	5	6 (PRODUCT LEVEL)	
C	1	1	149-9297	1	ADAPTER						
	2	1	5P-8872	1	SEAL-O-RING						
	3	1	0S-1571	4	BOLT (3/8-16X1.75-IN)						
	4	1	5M-2894	8	WASHER-HARD (10.2X18.5X2.5-MM THK)						
	5	1	7N-5798	2	FLANGE						
	6	1	7N-5796	1	ELBOW-CONNECTOR						
	7	1	7G-1239	1	SPACER (10.5X19X4.5-MM THK)						
	8	1	109-2332	2	SEAL-O-RING						
	9	1	0S-1591	9	BOLT (3/8-16X1.5-IN)						
	10	1	6V-0973	2	SEAL-O-RING						
	11	1	7C-4716	1	SCREEN AS-SUCTION (ENGINE OIL)						
	12	1	0S-1614	2	BOLT (1/4-20X0.5-IN)						
	13	1	5P-0537	2	WASHER-HARD (7.2X14.5X2-MM THK)						

C- CHANGE FROM PREVIOUS TYPE



RIGHT SIDE VIEW

GRAPHIC #1

<END>

g01102961

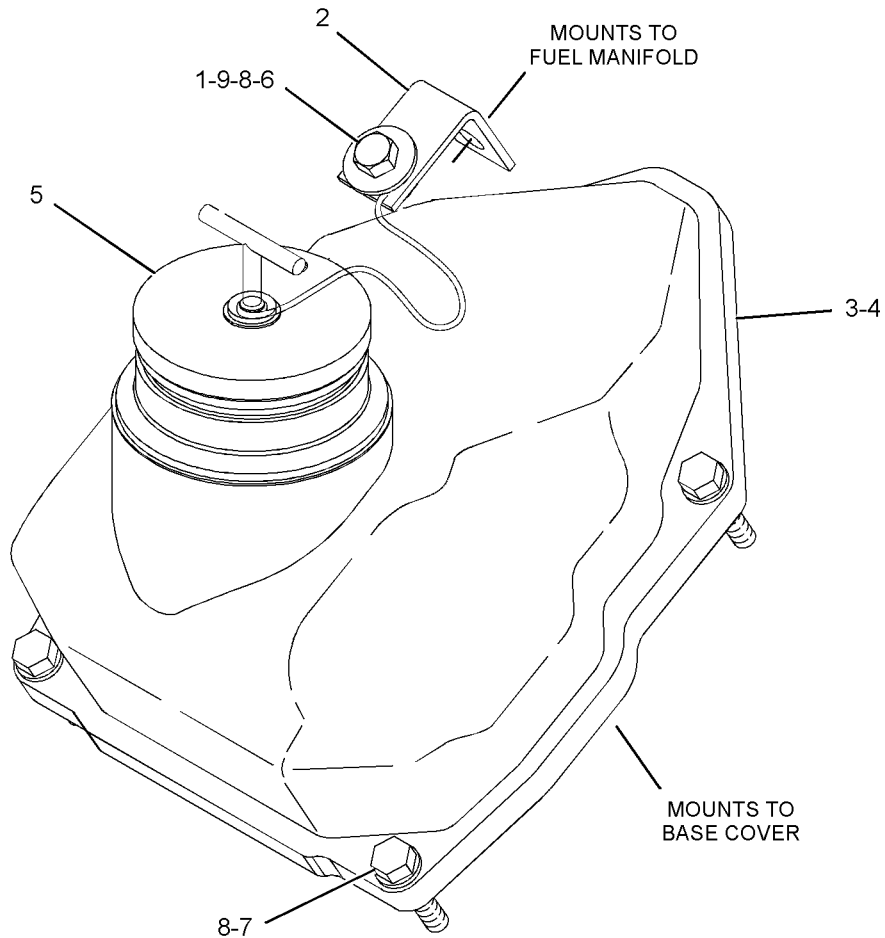
LUBRICATION SYSTEM

112-6033 FILLER GP-ENGINE OIL

SMCS-1316

i02775644

NOTE	REF NO	GRAPHIC REF	PART NUMBER	QTY	PART NAME						SEE PAGE
					1	2	3	4	5	6 (PRODUCT LEVEL)	
	1	1	2B-2695	1	BOLT (5/16-18X0.875-IN)						
	2	1	4P-9226	1	BRACKET						
	3	1	101-4199	1	COVER AS						
	4	1	272-0760	1	SEAL-VALVE COVER						
	5	1	262-6104	1	CAP AS-ENGINE OIL FILLER						
	6	1	031-4155	1	LOCKNUT (5/16-18-THD)						
	7	1	1A-9579	4	BOLT (5/16-18X1.5-IN)						
	8	1	9M-1974	5	WASHER-HARD (8.8X16X2-MM THK)						
	9	1	9N-0869	1	WASHER-HARD (8.8X25.5X2-MM THK)						



GRAPHIC #1

<END>

g01167696

LUBRICATION SYSTEM

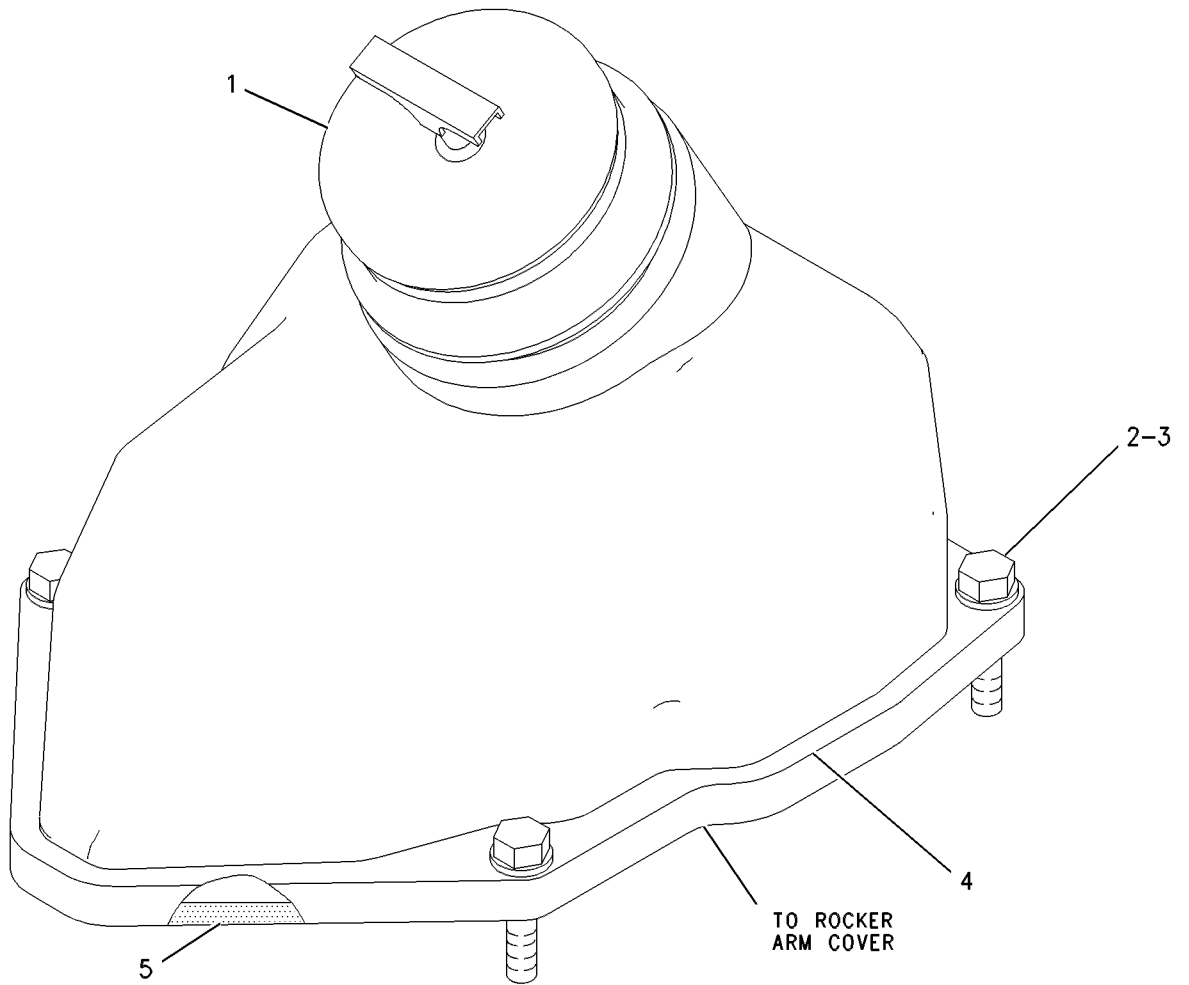
155-2594 FILLER GP - ENGINE OIL

CHROME PLATED
AN ATTACHMENT

SMCS-1316

i02998230

NOTE	REF NO	GRAPHIC REF	PART NUMBER	QTY	PART NAME						SEE PAGE
					1	2	3	4	5	6 (PRODUCT LEVEL)	
	1	1	128-5988	1	CAP AS-ENGINE OIL FILLER						
	2	1	133-6265	4	WASHER (8.8X16X2-MM THK)						
	3	1	133-6270	4	BOLT (5/16-18X1.5-IN)						
	4	1	155-2572	1	COVER AS						
	5	1	272-0760	1	SEAL - VALVE COVER						



GRAPHIC #1

<END>

g00596067

LUBRICATION SYSTEM

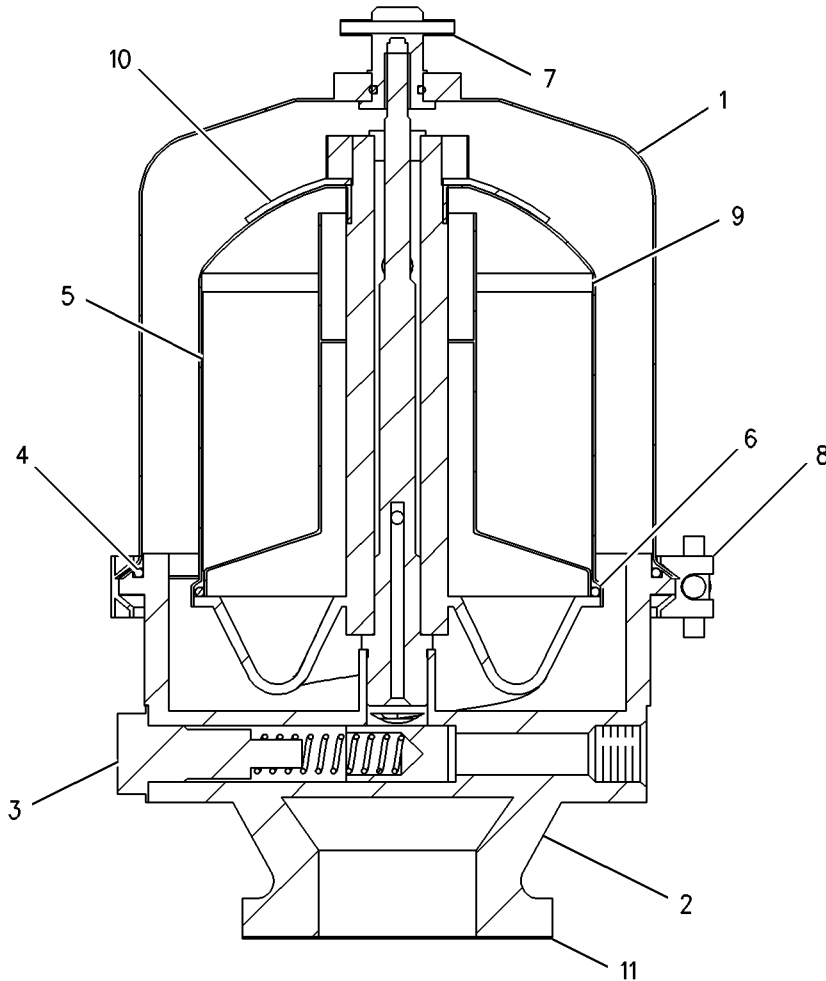
1W-4191 FILTER GP-CENTRIFUGAL

PART OF 243-1286 FILTER GP-AIR
AN ATTACHMENT

SMCS-1328

i03096360

NOTE	REF NO	GRAPHIC REF	PART NUMBER	QTY	PART NAME						SEE PAGE
					1	2	3	4	5	6 (PRODUCT LEVEL)	
	1	1	7C-4415	1	COVER AS-FILTER						
	2	1	7C-4416	1	BODY-FILTER						
	3	1	7C-4417	1	KIT-VALVE CUTOFF (OIL FILTER) (INCLUDES SHUTTLE, PLUG, SPRING & WASHER)						
	4	1	7C-4419	1	SEAL-O-RING						
	5	1	7C-4420	1	ROTOR AS						
	6	1	7C-4421	1	SEAL-O-RING						
	7	1	7C-4422	1	KIT-COVER-FILTER (OIL FILTER) (INCLUDES COVER, PIN, SEAL & CLIP)						
	8	1	7C-4423	1	CLAMP						
	9	1	7C-8390	1	LINER-ROTOR						
	10	1	168-6357	1	PLATE-STIFFENER						
	11	1	7C-5485	1	GASKET-FLANGE (CENTRIFUGAL FILTER)						



GRAPHIC #1

<END>

g00627726

LUBRICATION SYSTEM

112-4921 FILTER GP-ENGINE OIL-RH

SMCS-1306, 1308

i02496796

NOTE	REF NO	GRAPHIC REF	PART NUMBER	QTY	PART NAME						SEE PAGE
					1	2	3	4	5	6 (PRODUCT LEVEL)	
	1	1	8N-9482	1	SUPPORT-OIL FILTER						
	2	1	5P-4624	2	BOLT (3/4-10X11.5-IN)						
	3	1	4S-5882	2	BOLT (1/2-13X7.25-IN)						
	4	1	278-1082	1	HOUSING AS-FILTER (ENGINE OIL)						
		1	4V-7412	1	BOSS (3/8-16-THD)						
	5	1	0S-1588	8	BOLT (3/8-16X1.25-IN)						
	6	1	2S-5100	1	VALVE AS-MANUAL (ENGINE OIL DRAIN)						
C	7	1	4W-5592	1	COVER						
	8	1	4W-8459	1	COVER						
C	9	1	4W-6387	1	HOUSING AS (BYPASS)						
		1	7N-2043	3	DOWEL						
	10	1	133-9313	1	PLATE						
	11	1	0L-1351	3	BOLT (3/8-16X0.875-IN)						
	12	1	5M-2894	15	WASHER-HARD (10.2X18.5X2.5-MM THK)						
C	13	1	2W-1969	1	VALVE-BYPASS (ENGINE OIL)						
C	14	1	155-1690	1	ADAPTER AS						
		1	154-1581	1	RING-RETAINING						
	15	1	2W-1635	1	SPRING						
	16	1	1R-0726	3	FILTER ELEMENT AS-ENGINE OIL						
C	17	1	5P-4892	4	SEAL-O-RING						
	18	1	0S-1571	2	BOLT (3/8-16X1.75-IN)						
	19	1	9S-8752	2	NUT-FULL (3/8-16-THD)						
	20	1	6V-3907	4	SEAL-O-RING						
	21	1	157-0443	1	COVER AS						
		1	7N-2043	1	DOWEL						
	22	1	7F-0192	3	BOLT (3/8-16X2-IN)						
	24	1	5D-5957	1	SEAL-O-RING						
	25	1	8T-6762	1	PLUG-PIPE						
	26	1	4W-6960	1	SUPPORT-HOUSING						
C	27	1	6V-5048	6	SEAL-O-RING						
C	28	1	9S-4182	6	PLUG-O-RING						
C	29	1	1M-0644	3	BOLT (3/8-16X2.25-IN)						
C	30	1	0S-1619	2	BOLT (3/8-16X3-IN)						
C	31	1	6V-8001	1	SEAL-O-RING						
C	32	1	111-8639	1	COVER-BYPASS VALVE						
	33	1	0T-0573	3	BOLT (3/8-16X2.75-IN)						
B	34	1	0T-0573	1	BOLT (3/8-16X2.75-IN)						
B	35	1	1D-4574	2	BOLT (1/2-13X6-IN)						
B	36	1	5M-2894	2	WASHER-HARD (10.2X18.5X2.5-MM THK)						
B	37	1	5P-5421	4	BOLT (1/2-13X11.5-IN)						
B	38	1	9S-8752	1	NUT-FULL (3/8-16-THD)						
	39	1	165-3931	3	BOLT (3/8-16X1.75-IN)						

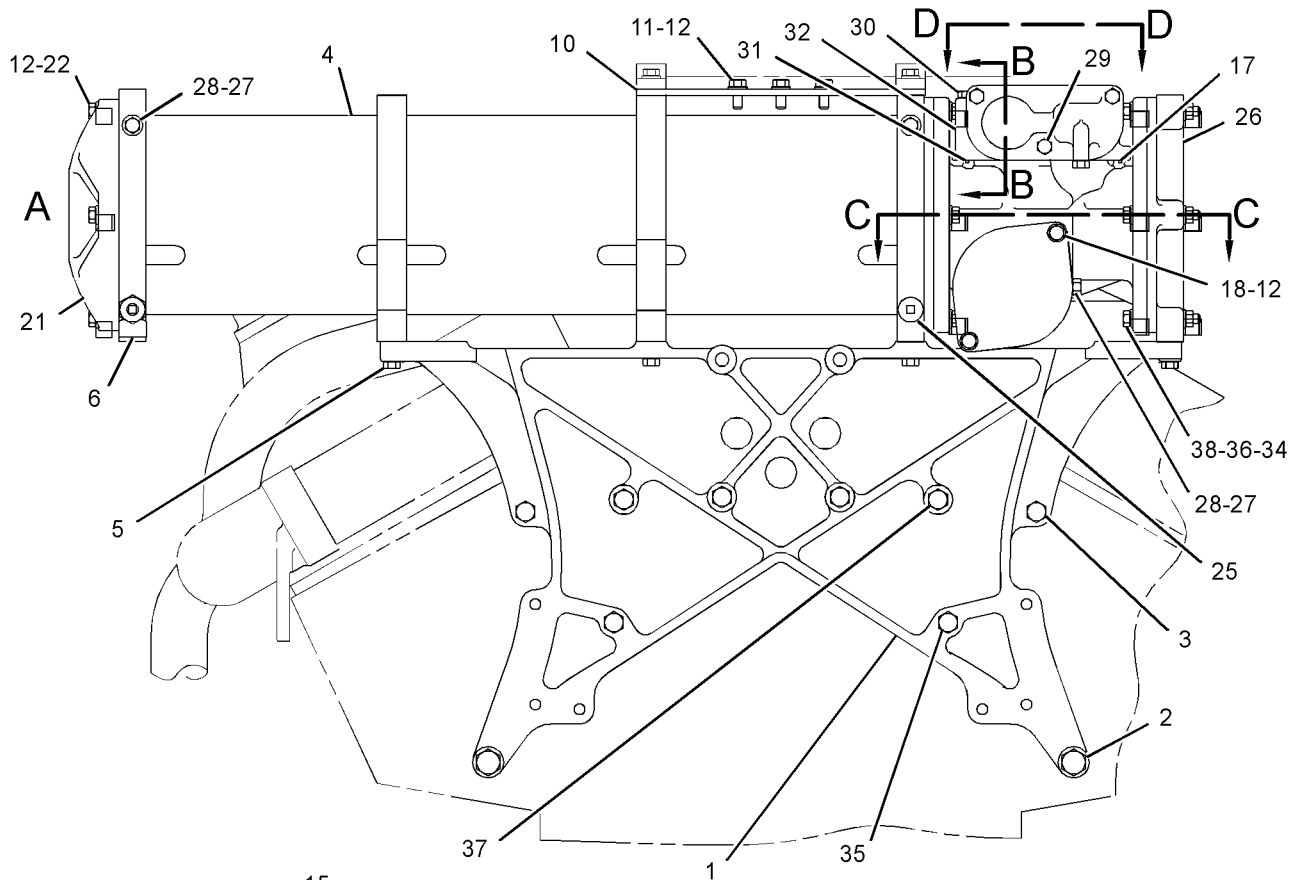
B- USE AS REQUIRED

C- CHANGE FROM PREVIOUS TYPE

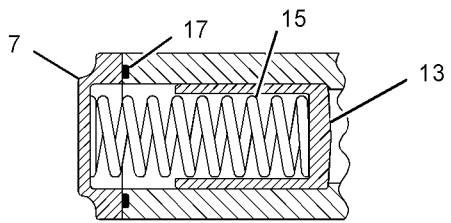
LUBRICATION SYSTEM

112-4921 FILTER GP-ENGINE OIL (contd.)

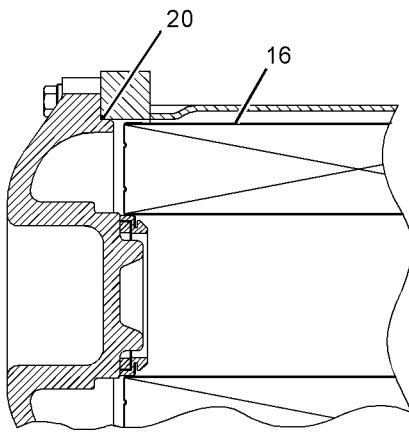
i02496796



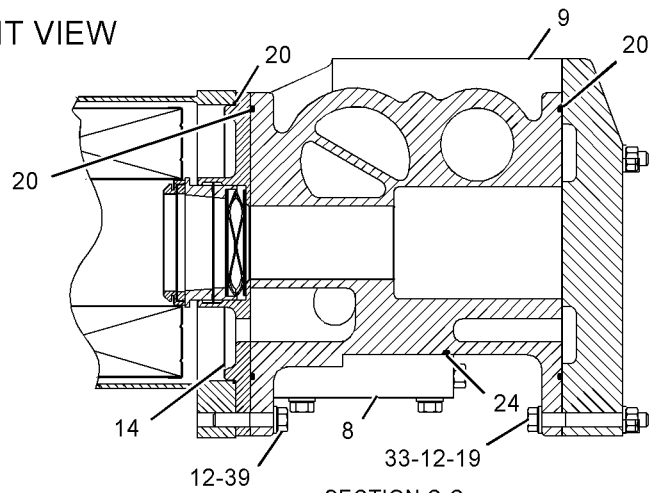
FRONT VIEW



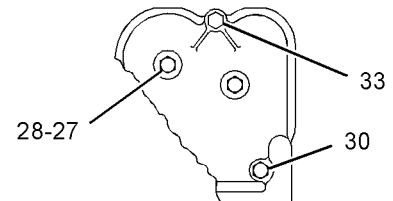
SECTION B-B



SECTION VIEW OF AREA A



SECTION C-C



VIEW D-D

GRAPHIC #1

<END>

g01277752

LUBRICATION SYSTEM

120-4501 FILTER GP-ENGINE OIL-DUPLEX

**CANNOT BE USED WITH ENGINE MOUNTED FANS OR WHERE FAN IS MOUNTED IN CLOSE PROXIMITY
TO THE ENGINE
AN ATTACHMENT**

SMCS-1306, 1308

i02724745

NOTE	REF NO	GRAPHIC REF	PART NUMBER	QTY	PART NAME						SEE PAGE
					1	2	3	4	5	6 (PRODUCT LEVEL)	
	1	3	1R-0726	4	FILTER ELEMENT AS-ENGINE OIL						
	2	1,2	2S-5100	2	VALVE AS-MANUAL						
	3	2	2W-1635	1	SPRING						
	4	2	2W-1969	1	VALVE-BYPASS						
	5	3	2W-9209	1	VALVE AS-CHECK						
	6	1	3D-9777	1	LEVER						
	7	3	3J-9173	1	BOLT-SHOULDER (1/2-13X1.25-IN)						
	8	1	3L-5389	1	TIE ROD						
	9	2	4W-0090	1	BLOCK						
	10	2	4W-0096	1	LEVER						
	11	1	4W-0288	1	TUBE AS						
	12	1	4W-0289	1	TUBE AS						
	13	2	4W-0290	1	VALVE AS-TOGGLE						
	14	2	4W-0334	1	PLUNGER AS-BALL						
	15	2	4W-0343	1	BRACKET						
	16	2	4W-5592	1	COVER						
	17	2	5B-9079	2	NUT-JAM (3/8-24-THD)						
	18	1,2	7F-0192	6	BOLT (3/8-16X2-IN)						
Y	19	3	7W-3816	1	VALVE GP-FLUID CONTROL						129
	20	1	8N-9482	1	SUPPORT-OIL FILTER						
	21	3	9K-6540	1	WASHER-SPRING (0.63X1.25X0.04-IN THK)						
	22	1	111-8639	1	COVER-BYPASS VALVE						
	23	1	133-9313	1	PLATE						
C	24	3	155-1690	2	ADAPTER AS						
					(EACH INCLUDES)						
		3	154-1581	1	RING-RETAINING						
C	25	3	157-0443	2	COVER AS						
					(EACH INCLUDES)						
		3	7N-2043	1	DOWEL						
	26	1	278-1082	1	HOUSING AS-FILTER (ENGINE OIL)						
		1	4V-7412	1	BOSS (3/8-16-THD)						
C	27	1	278-1083	1	HOUSING AS-FILTER (AUXILIARY)						
	28	2	002-6453	1	ELBOW						
	29	3	165-3931	3	BOLT (3/8-16X1.75-IN)						
	30	2	0L-1143	1	BOLT (3/8-16X2.5-IN)						
	31	1	0L-1351	3	BOLT (3/8-16X0.875-IN)						
	32	1,2	0S-1571	3	BOLT (3/8-16X1.75-IN)						
	33	1	0S-1588	8	BOLT (3/8-16X1.25-IN)						
	34	1	0S-1594	1	BOLT (3/8-16X1-IN)						
C	35	1,2	0S-1619	2	BOLT (3/8-16X3-IN)						
C	36	3	0T-0573	2	BOLT (3/8-16X2.75-IN)						
	37	2	1A-9252	2	END-ADJUSTMENT ROD						
	38	1	1B-8706	1	KEY-WOODRUFF						
	39	1	1D-4574	2	BOLT (1/2-13X6-IN)						
	40	1	1M-0644	3	BOLT (3/8-16X2.25-IN)						
	41	2	3B-4615	2	PIN-COTTER						
	42	1	4S-5882	2	BOLT (1/2-13X7.25-IN)						
	43	1,2,3	5M-2894	21	WASHER-HARD (10.2X18.5X2.5-MM THK)						
	44	1	5P-4624	2	BOLT (3/4-10X11.5-IN)						
	45	1,2	5P-4892	4	SEAL-O-RING						
	46	1	5P-5421	4	BOLT (1/2-13X11.5-IN)						
	47	3	5P-8245	1	WASHER-HARD (13.5X25.5X3-MM THK)						
	48	2	6K-9194	1	ELBOW-FLARED						
	49	3	6V-3907	6	SEAL-O-RING (FUEL FILTER)						
	50	1,2	6V-5048	5	SEAL-O-RING						

LUBRICATION SYSTEM

120-4501 FILTER GP-ENGINE OIL (contd.)

i02724745

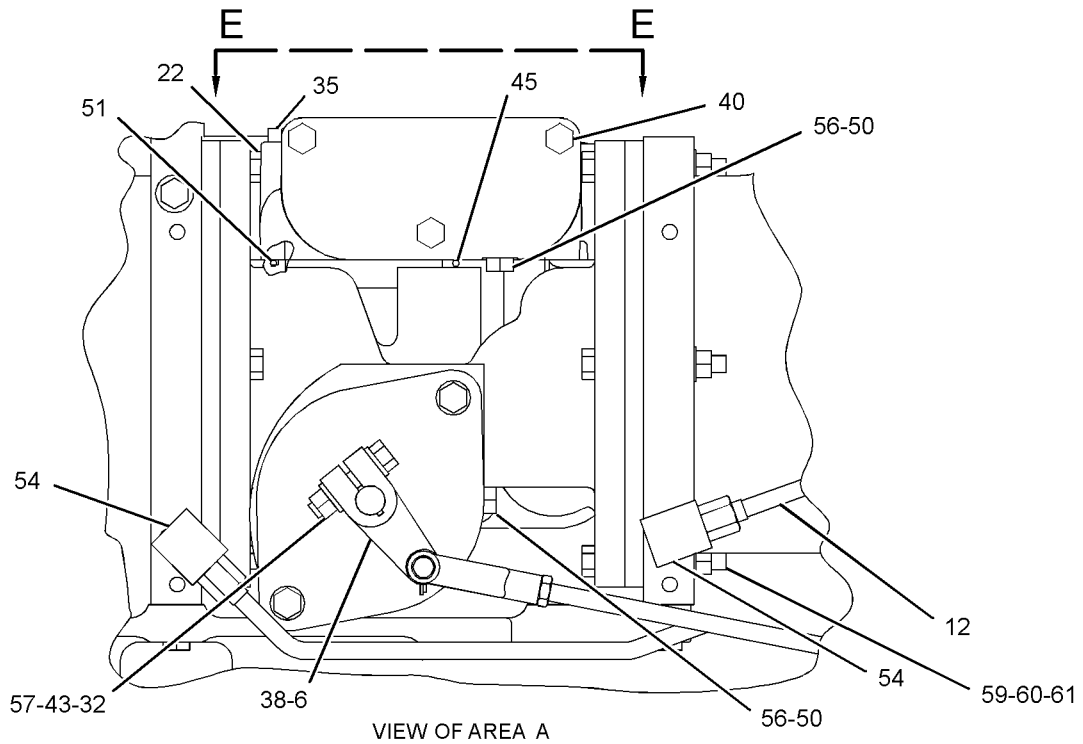
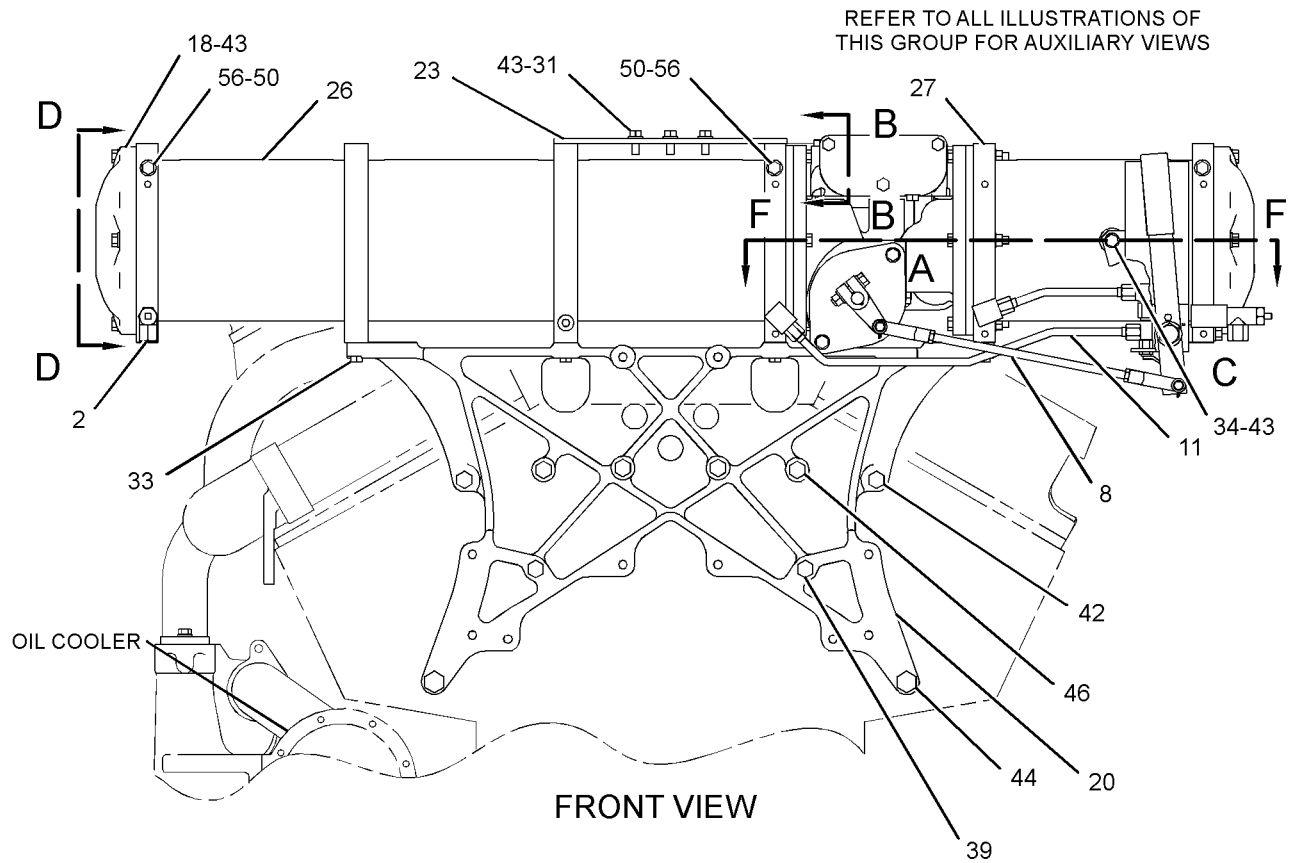
NOTE	REF NO	GRAPHIC REF	PART NUMBER	QTY	PART NAME						SEE PAGE
					1	2	3	4	5	6 (PRODUCT LEVEL)	
	51	1	6V-8001	1	SEAL-O-RING						
	52	3	6V-8002	1	SEAL-O-RING						
	53	3	6V-8823	1	WASHER-HARD (19.25X27X2-MM THK)						
	54	1	7D-8793	2	ELBOW-FLARED						
	55	2	9H-6673	2	PIN						
	56	1,2	9S-4182	5	PLUG-O-RING						
	57	1,3	9S-8752	3	NUT-FULL (3/8-16-THD)						
BC	59	1	0T-0573	1	BOLT (3/8-16X2.75-IN)						
B	60	1	5M-2894	2	WASHER-HARD (10.2X18.5X2.5-MM THK)						
B	61	1	9S-8752	1	NUT-FULL (3/8-16-THD)						

B-USE AS REQUIRED
 C-CHANGE FROM PREVIOUS TYPE
 Y-SEPARATE ILLUSTRATION

LUBRICATION SYSTEM

120-4501 FILTER GP-ENGINE OIL (contd.)

i02724745



GRAPHIC #1

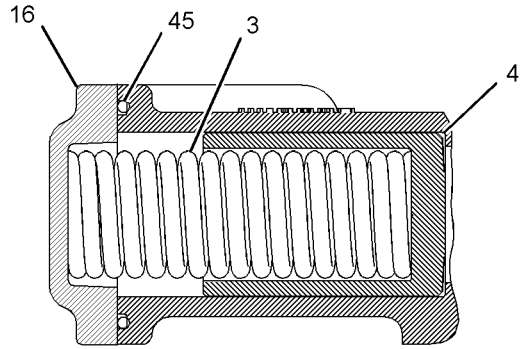
g01276325

LUBRICATION SYSTEM

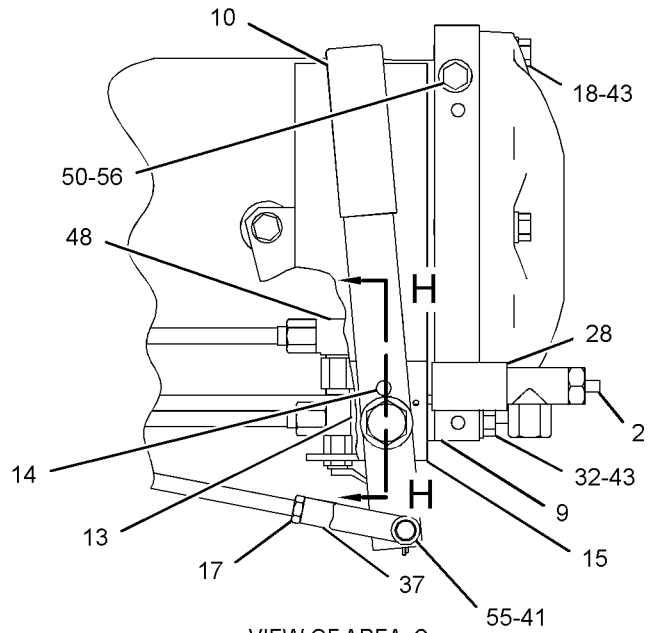
120-4501 FILTER GP-ENGINE OIL (contd.)

i02724745

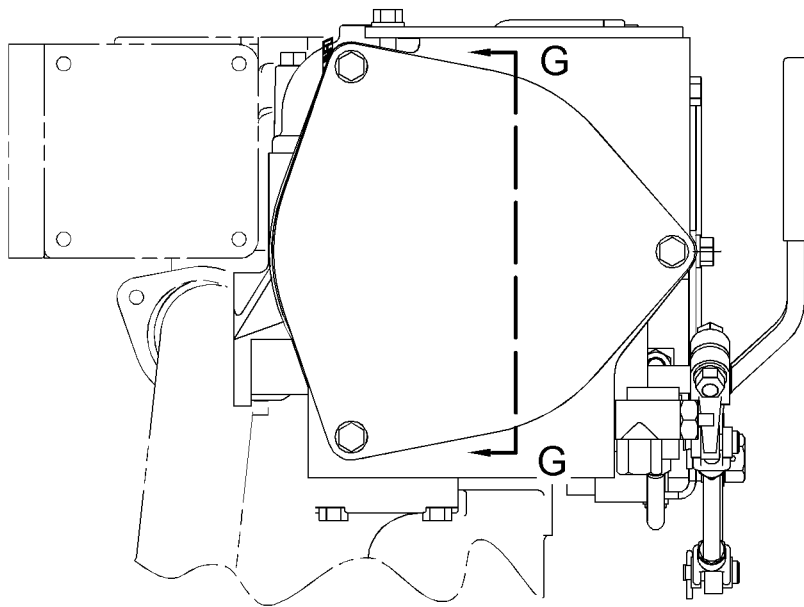
REFER TO ALL ILLUSTRATIONS OF THIS GROUP FOR AUXILIARY VIEWS



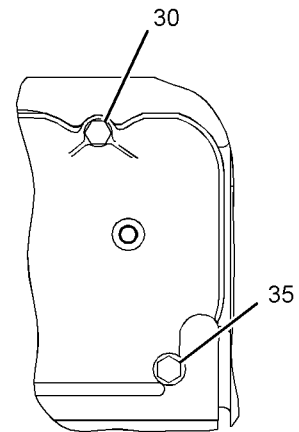
SECTION B-B



VIEW OF AREA C



VIEW D-D



VIEW E-E

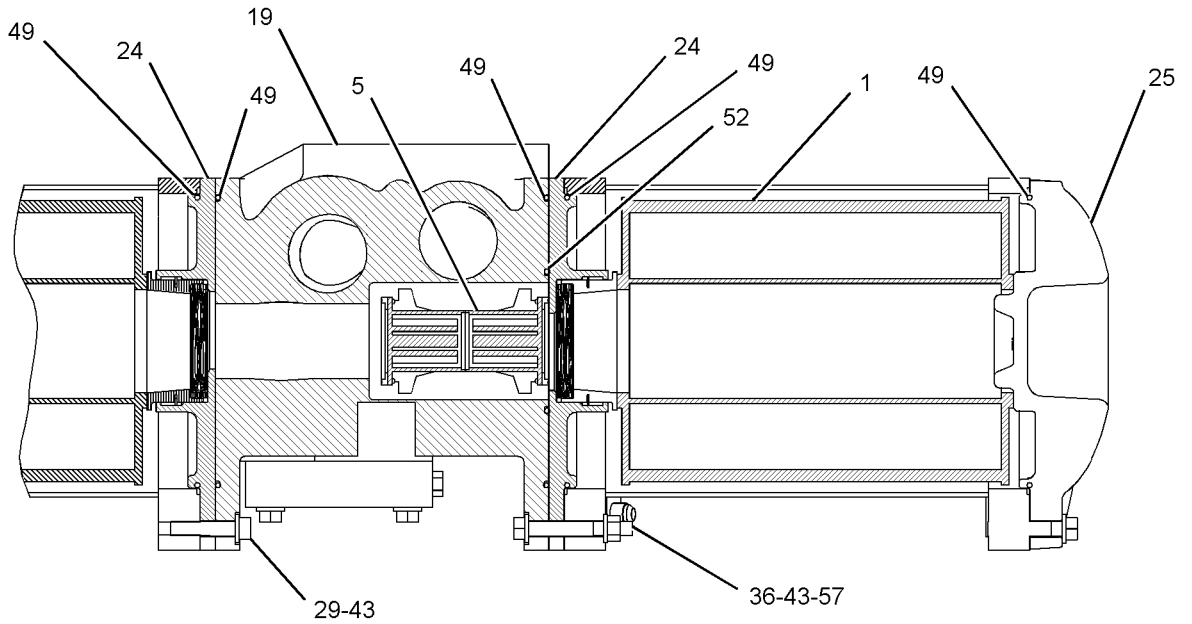
GRAPHIC #2

g01276326

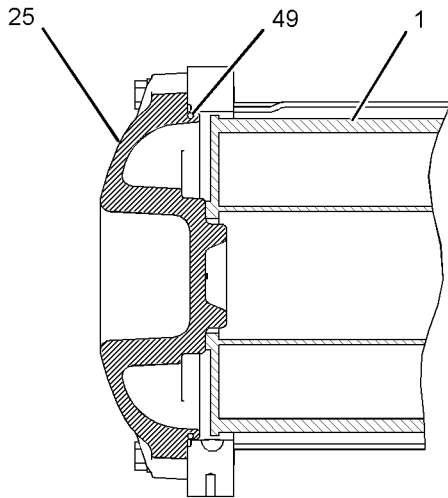
LUBRICATION SYSTEM

120-4501 FILTER GP-ENGINE OIL (contd.)

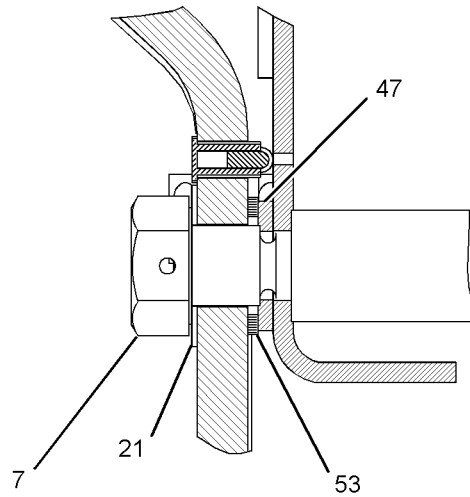
i02724745



SECTION F-F



SECTION G-G



SECTION H-H

GRAPHIC #3

<END>

g01276327

LUBRICATION SYSTEM

242-6278 FILTER GP-ENGINE OIL-LH AN ATTACHMENT

SMCS-1306, 1308

i02945110

NOTE	REF NO	GRAPHIC REF	PART NUMBER	QTY	PART NAME						SEE PAGE
					1	2	3	4	5	6 (PRODUCT LEVEL)	
	1	2	1R-0726	3	FILTER ELEMENT AS-ENGINE OIL						
	2	2	2S-5100	1	VALVE AS-MANUAL						
	3	2	2W-1635	1	SPRING						
	4	2	2W-1969	1	VALVE-BYPASS						
B	5	1	4P-8097	1	BRACKET						
B	6	1	4S-5719	1	SPACER (10.31X25X12.7-MM THK)						
	7	2	4W-5592	1	COVER						
	8	2	4W-6387	1	HOUSING AS (BYPASS)						
		2	7N-2043	3	DOWEL						
	9	1	4W-6491	1	SUPPORT-HOUSING						
	10	2	4W-6492	1	ADAPTER						
	11	1	4W-8459	1	COVER						
	12	1	4W-8467	1	TUBE						
B	13	1	7E-6369	1	BRACKET						
	14	1	7F-0192	3	BOLT (3/8-16X2-IN)						
C	15	2	8C-3445	1	CAP-DUST						
	16	2	8N-1991	1	RING-RETAINING						
	17	2	8N-1992	2	RETAINER						
	18	1	8N-9482	1	SUPPORT-OIL FILTER						
	19	1,2	100-8075	2	CLAMP AS						
	20	2	111-3820	2	RING-RETAINING						
	21	1	111-8639	1	COVER-BYPASS VALVE						
	22	1	133-9313	1	PLATE						
	23	2	155-1690	1	ADAPTER AS						
		2	154-1581	1	RING-RETAINING						
	24	2	157-0443	1	COVER AS						
		2	7N-2043	1	DOWEL						
C	25	2	253-4778	1	TUBE AS						
	26	1,2	264-0450	2	CLAMP AS						
	27	1	278-1082	1	HOUSING AS-FILTER (ENGINE OIL)						
		1	4V-7412	1	BOSS (3/8-16-THD)						
	28	2	0L-1143	4	BOLT (3/8-16X2.5-IN)						
	29	1	0L-1351	3	BOLT (3/8-16X0.875-IN)						
	30	2	0S-1571	6	BOLT (3/8-16X1.75-IN)						
B	31	1	0S-1588	9	BOLT (3/8-16X1.25-IN)						
	32	2	0S-1594	6	BOLT (3/8-16X1-IN)						
	33	1,2	0S-1619	5	BOLT (3/8-16X3-IN)						
	34	2	109-2332	4	SEAL-O-RING						
	35	2	165-3931	3	BOLT (3/8-16X1.75-IN)						
	36	1	1M-0644	3	BOLT (3/8-16X2.25-IN)						
B	37	1	3B-1915	1	BOLT (3/8-16X1.375-IN)						
C	38	2	3J-7354	1	SEAL-O-RING						
	39	1	4S-5882	2	BOLT (1/2-13X7.25-IN)						
	40	2	5D-5957	1	SEAL-O-RING						
B	41	1,2	5M-2894	30	WASHER-HARD (10.2X18.5X2.5-MM THK)						
	42	1	5P-4624	2	BOLT (3/4-10X11.5-IN)						
	43	1,2	5P-4892	6	SEAL-O-RING						
B	44	1	6V-0267	1	CLIP (TAB)						
B	45	1	6V-0268	1	CLIP (SLOT)						
	46	2	6V-3907	4	SEAL-O-RING						
	47	1,2	6V-5048	6	SEAL-O-RING						
	48	1	6V-8001	1	SEAL-O-RING						
C	49	2	8C-3446	1	VALVE-FLUID SAMPLING						
	50	1	8T-6762	1	PLUG-PIPE						
	51	1,2	9S-4182	6	PLUG-O-RING						
B	52	1,2	9S-8752	4	NUT-FULL (3/8-16-THD)						
B	53	1	1D-4574	2	BOLT (1/2-13X6-IN)						

LUBRICATION SYSTEM

242-6278 FILTER GP-ENGINE OIL (contd.)

i02945110

NOTE	REF NO	GRAPHIC REF	PART NUMBER	QTY	PART NAME						SEE PAGE
					1	2	3	4	5	6 (PRODUCT LEVEL)	
B	54	1	5P-5421	4	BOLT (1/2-13X11.5-IN)						
B	55	1	4S-5719	1	SPACER (10.31X25X12.7-MM THK)						
B	56	1	0S-1571	1	BOLT (3/8-16X1.75-IN)						
B	57	1	6V-0267	1	CLIP (TAB)						
B	58	1	6V-0268	1	CLIP (SLOT)						
B	59	1	9S-8752	1	NUT-FULL (3/8-16-THD)						
B	60	1	0S-1588	1	BOLT (3/8-16X1.25-IN)						
B	61	1	5M-2894	3	WASHER-HARD (10.2X18.5X2.5-MM THK)						

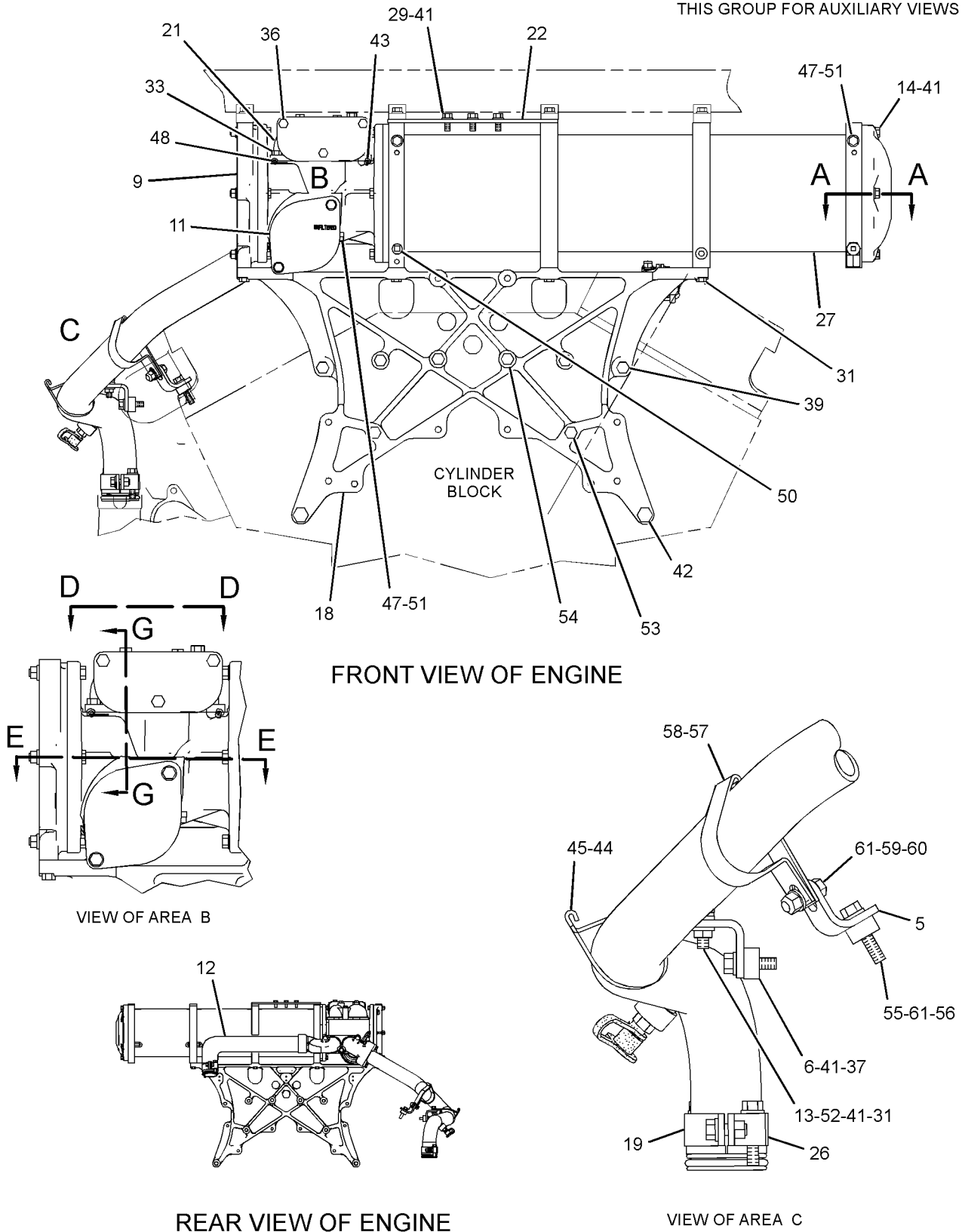
B - USE AS REQUIRED
 C - CHANGE FROM PREVIOUS TYPE

LUBRICATION SYSTEM

242-6278 FILTER GP-ENGINE OIL (contd.)

i02945110

REFER TO ALL ILLUSTRATIONS OF THIS GROUP FOR AUXILIARY VIEWS



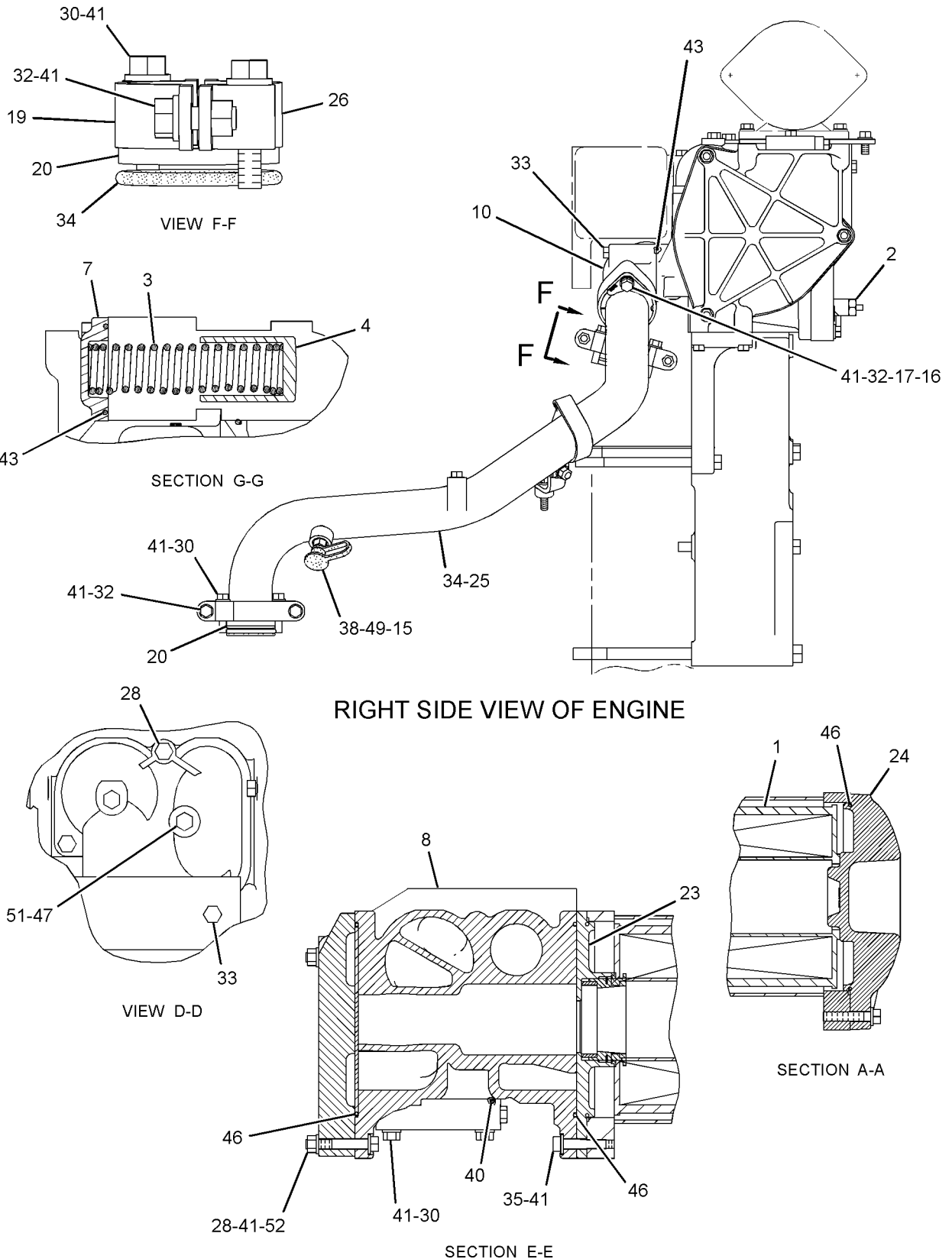
GRAPHIC #1

g01467188

LUBRICATION SYSTEM

242-6278 FILTER GP-ENGINE OIL (contd.)

i02945110



GRAPHIC #2

<END>

g01467189

LUBRICATION SYSTEM

7C-6366 GAUGE GP-OIL LEVEL (DIPSTICK)

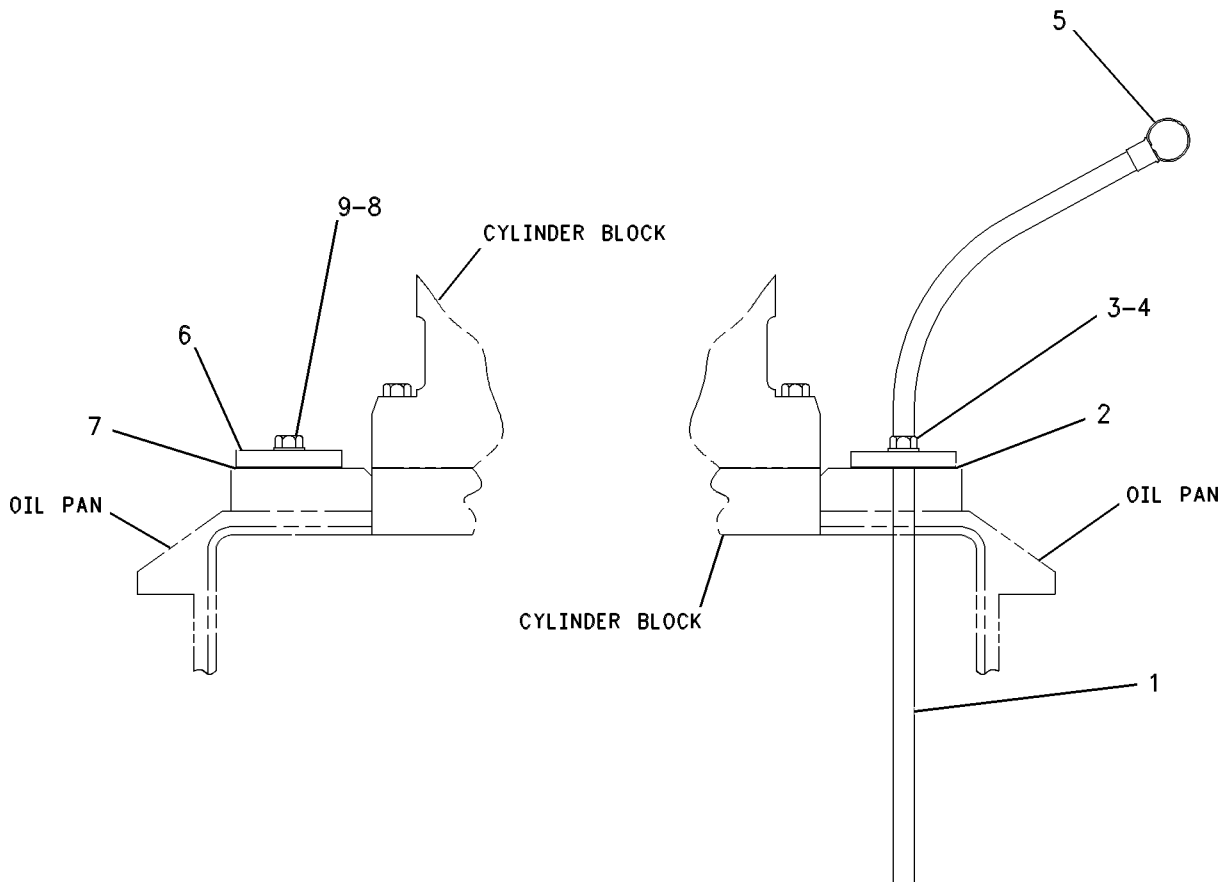
AN ATTACHMENT

SMCS-1326

i02449728

NOTE	REF NO	GRAPHIC REF	PART NUMBER	QTY	PART NAME						SEE PAGE
					1	2	3	4	5	6 (PRODUCT LEVEL)	
	1	1	7E-0467	1	TUBE AS-OIL LEVEL						
	2	1	9L-1480	1	GASKET						
	3	1	0S-1594	2	BOLT (3/8-16X1-IN)						
	4	1	5M-2894	2	WASHER-HARD (10.2X18.5X2.5-MM THK)						
	5	1	4P-3784	1	GAUGE AS-OIL LEVEL (DIPSTICK)						
B	6	1	4B-3140	1	COVER						
B	7	1	9L-1480	1	GASKET						
B	8	1	0S-1594	2	BOLT (3/8-16X1-IN)						
B	9	1	5M-2894	2	WASHER-HARD (10.2X18.5X2.5-MM THK)						

B-USE AS REQUIRED



GRAPHIC #1

<END>

g00614582

LUBRICATION SYSTEM

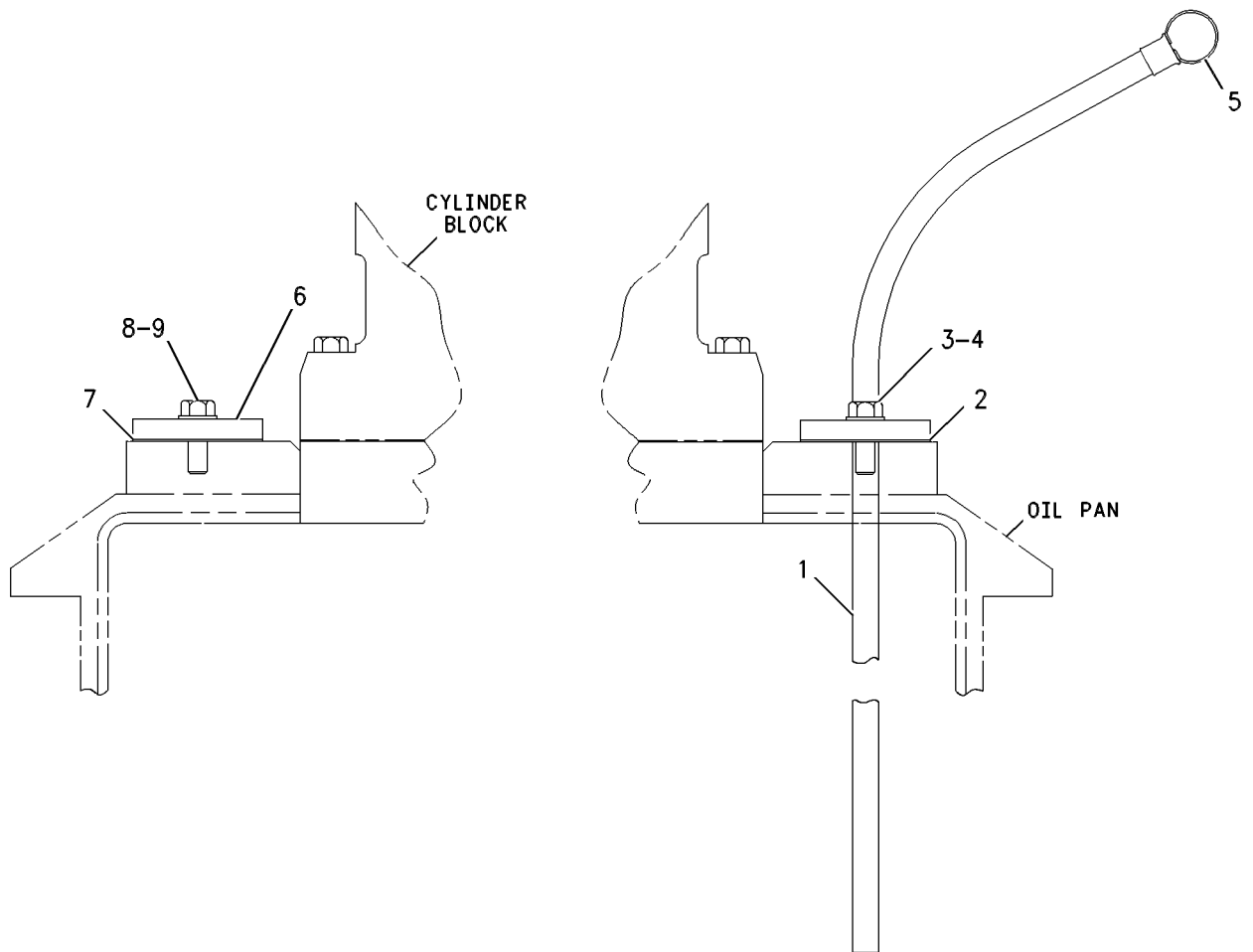
7C-9784 GAUGE GP-OIL LEVEL (DIPSTICK)-DEEP SUMP

SMCS-1326

i02458978

NOTE	REF NO	GRAPHIC REF	PART NUMBER	QTY	PART NAME						SEE PAGE
					1	2	3	4	5	6 (PRODUCT LEVEL)	
	1	1	7E-0467	1	TUBE AS-OIL LEVEL						
	2	1	9L-1480	1	GASKET						
	3	1	OS-1594	2	BOLT (3/8-16X1-IN)						
	4	1	5M-2894	2	WASHER-HARD (10.2X18.5X2.5-MM THK)						
	5	1	7C-9786	1	GAUGE AS-OIL LEVEL (DIPSTICK) (DEEP SUMP)						
B	6	1	4B-3140	1	COVER						
B	7	1	9L-1480	1	GASKET						
B	8	1	OS-1594	2	BOLT (3/8-16X1-IN)						
B	9	1	5M-2894	2	WASHER-HARD (10.2X18.5X2.5-MM THK)						

B-USE AS REQUIRED



FRONT VIEW

GRAPHIC #1

<END>

g00618660

LUBRICATION SYSTEM

3N-4512 HOSE AS*I

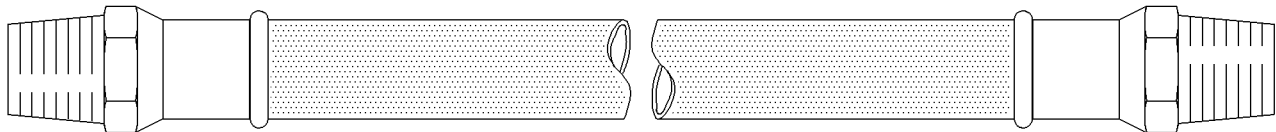
1220-MM LENGTH

AN ATTACHMENT

SMCS-1307

i01318422

NOTE	REF NO	GRAPHIC REF	PART NUMBER	QTY	PART NAME	SEE PAGE
					1 2 3 4 5 6 (PRODUCT LEVEL)	
(NO SERVICED PARTS)						



GRAPHIC #1

<END>

g00691548

LUBRICATION SYSTEM

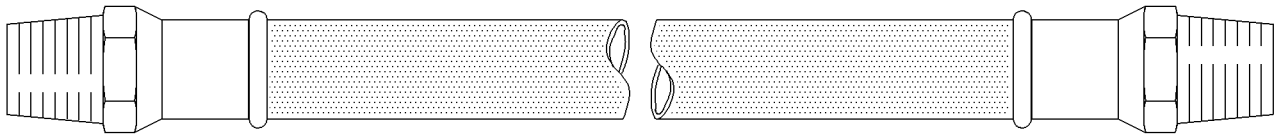
3N-4513 HOSE AS*I

1830-MM LENGTH
AN ATTACHMENT

SMCS-1307

i01305106

NOTE	REF NO	GRAPHIC REF	PART NUMBER	QTY	PART NAME						SEE PAGE
					1	2	3	4	5	6 (PRODUCT LEVEL)	
(NO SERVICED PARTS)											



GRAPHIC #1

<END>

g00691641

LUBRICATION SYSTEM

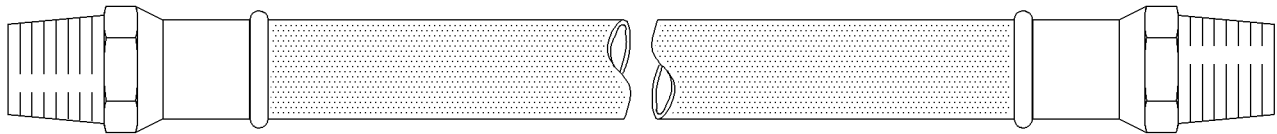
3N-4868 HOSE AS*I

915-MM LENGTH
AN ATTACHMENT

SMCS-1307

i01305109

NOTE	REF NO	GRAPHIC REF	PART NUMBER	QTY	PART NAME	SEE PAGE
					1 2 3 4 5 6 (PRODUCT LEVEL)	
(NO SERVICED PARTS)						



GRAPHIC #1

<END>

g00691548

LUBRICATION SYSTEM

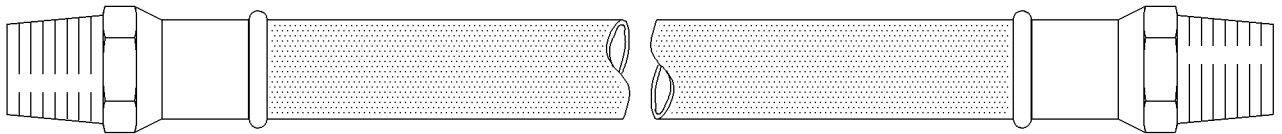
3N - 4905 HOSE AS*I

762-MM LENGTH
AN ATTACHMENT

SMCS - 1307

i01406072

NOTE	REF NO	GRAPHIC REF	PART NUMBER	QTY	PART NAME						SEE PAGE
					1	2	3	4	5	6 (PRODUCT LEVEL)	
(NO SERVICED PARTS)											



GRAPHIC #1

<END>

g00691548

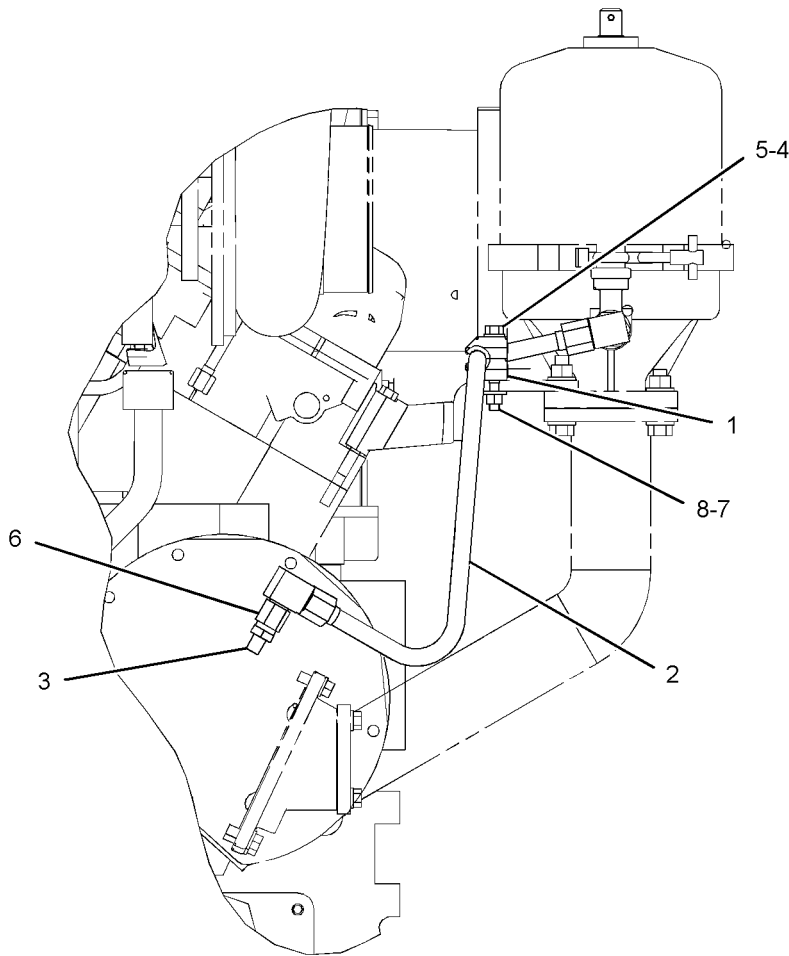
LUBRICATION SYSTEM

243 - 1290 LINES GP - CENTRIFUGAL FILTER AN ATTACHMENT

SMCS - 1328

i02209927

NOTE	REF NO	GRAPHIC REF	PART NUMBER	QTY	PART NAME						SEE PAGE
					1	2	3	4	5	6 (PRODUCT LEVEL)	
	1	1	4P-0692	2	CLAMP AS						
					(EACH INCLUDES)						
		1	108-1434	1	GROMMET						
	2	1	244-2258	1	TUBE AS						
	3	1	061-9463	1	CONNECTOR (FLARED)						
	4	1	0T-0573	1	BOLT (3/8-16X2.75-IN)						
	5	1	5M-2894	1	WASHER-HARD (10.2X18.5X2.5-MM THK)						
	6	1	8K-2396	1	ELBOW-FLARED						
	7	1	9S-8752	1	NUT-FULL (3/8-16-THD)						
	8	1	9X-6458	1	WASHER-HARD (10.2X22.5X3-MM THK)						



REAR VIEW

<END>

GRAPHIC #1

g01135072

LUBRICATION SYSTEM

242-6277 LINES GP-ENGINE OIL

SMCS-1307

i02538485

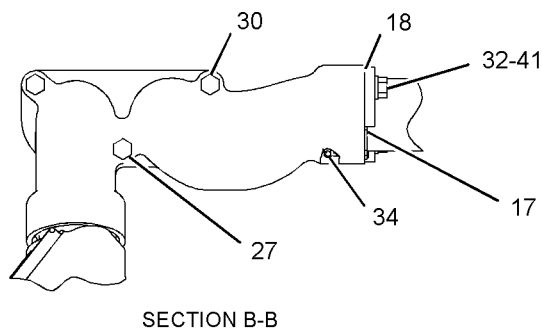
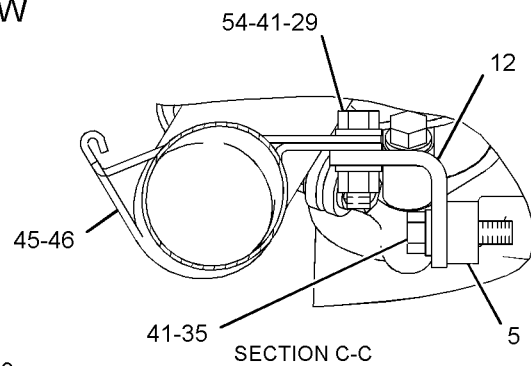
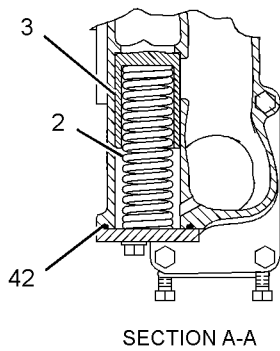
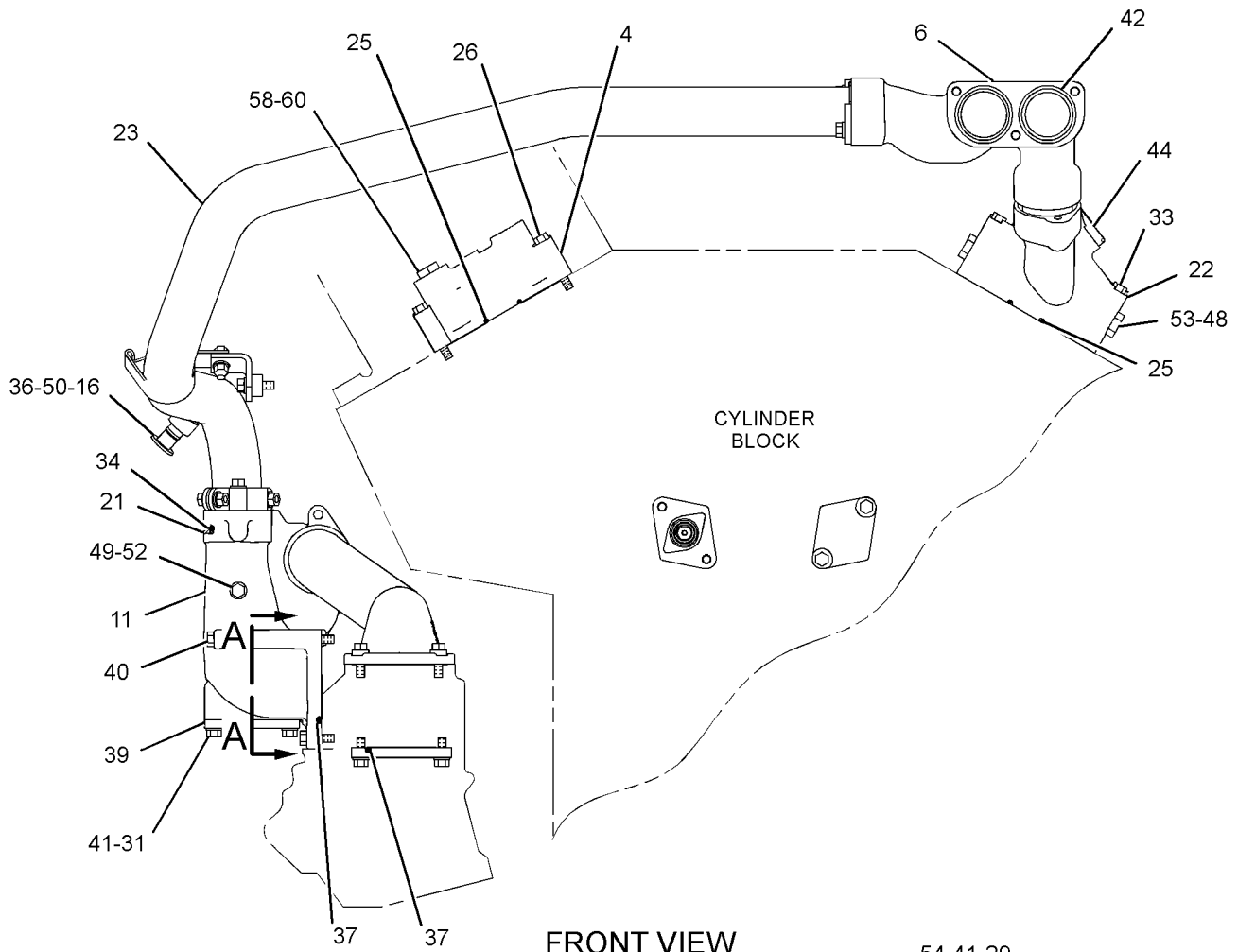
NOTE	REF NO	GRAPHIC REF	PART NUMBER	QTY	PART NAME						SEE PAGE
					1	2	3	4	5	6 (PRODUCT LEVEL)	
	1	2	1N-3333	1	TUBE						
	2	1	2W-1635	1	SPRING						
	3	1	2W-1969	1	VALVE-BYPASS						
	4	1	2W-7226	1	ADAPTER						
	5	1	4S-5719	1	SPACER (10.31X25X12.7-MM THK)						
	6	1	4W-4313	1	ADAPTER						
	7	2	4W-4677	1	TUBE						
	8	2	4W-5597	1	COVER						
	9	2	6B-0933	4	SPACER (10.31X19.05X6.35-MM THK)						
	10	2	6B-9202	2	SPRING						
	11	1	7C-9217	1	ELBOW						
	12	1	7E-6369	1	BRACKET						
	13	2	7N-5413	1	ELBOW						
	14	2	7N-5416	1	ELBOW						
	15	2	7N-7697	2	PLUNGER AS (EACH INCLUDES)						
		2	7M-1808	1	DOWEL						
C	16	1	8C-3445	1	CAP-DUST						
	17	1	8N-1991	1	RING-RETAINING						
	18	1	8N-1992	2	RETAINER						
	19	2	8N-2929	2	COVER						
	20	2	100-8075	1	CLAMP AS						
	21	1	111-3820	1	RING-RETAINING						
	22	1	116-1352	1	ADAPTER						
C	23	1	253-4777	1	TUBE AS						
	24	2	264-0450	1	CLAMP AS						
	25	1	061-9456	4	SEAL-O-RING						
	26	1	0L-1143	4	BOLT (3/8-16X2.5-IN)						
	27	1	0L-1352	1	BOLT (3/8-16X3.25-IN)						
C	28	2	0S-1571	2	BOLT (3/8-16X1.75-IN)						
	29	1,2	0S-1588	11	BOLT (3/8-16X1.25-IN)						
	30	1	0S-1590	2	BOLT (3/8-16X2-IN)						
	31	1	0S-1591	2	BOLT (3/8-16X1.5-IN)						
	32	1,2	0S-1594	14	BOLT (3/8-16X1-IN)						
	33	1	0T-0065	4	BOLT (3/8-16X3.5-IN)						
	34	1,2	109-2332	6	SEAL-O-RING						
	35	1	3B-1915	1	BOLT (3/8-16X1.375-IN)						
C	36	1	3J-7354	1	SEAL-O-RING						
	37	1,2	3P-0655	3	SEAL-O-RING						
	38	2	4B-3140	1	COVER						
	39	1	4W-5596	1	COVER						
	40	1	5F-4899	1	BOLT (3/8-16X5.5-IN)						
C	41	1,2	5M-2894	17	WASHER-HARD (10.2X18.5X2.5-MM THK)						
	42	1	5P-4892	3	SEAL-O-RING						
	43	2	5P-5846	1	SEAL-O-RING						
	44	1	5P-7817	1	SEAL-O-RING						
	45	1	6V-0267	1	CLIP (TAB)						
	46	1	6V-0268	1	CLIP (SLOT)						
	47	2	6V-3908	1	SEAL-O-RING						
	48	1	6V-4589	2	SEAL-O-RING						
	49	1	6V-5048	1	SEAL-O-RING						
C	50	1	8C-3446	1	VALVE-FLUID SAMPLING						
BC	51	2	8T-6765	1	PLUG-PIPE						
	52	1	9S-4182	1	PLUG-O-RING						
	53	1	9S-4190	2	PLUG-O-RING						
	54	1	9S-8752	1	NUT-FULL (3/8-16-THD)						
B	58	1	6V-4589	1	SEAL-O-RING						
B	59	2	8T-6762	1	PLUG-PIPE						
B	60	1	0S-4190	1	PLUG-O-RING						

LUBRICATION SYSTEM

242-6277 LINES GP-ENGINE OIL (contd.)

i02538485

B - USE AS REQUIRED
C - CHANGE FROM PREVIOUS TYPE



GRAPHIC #1

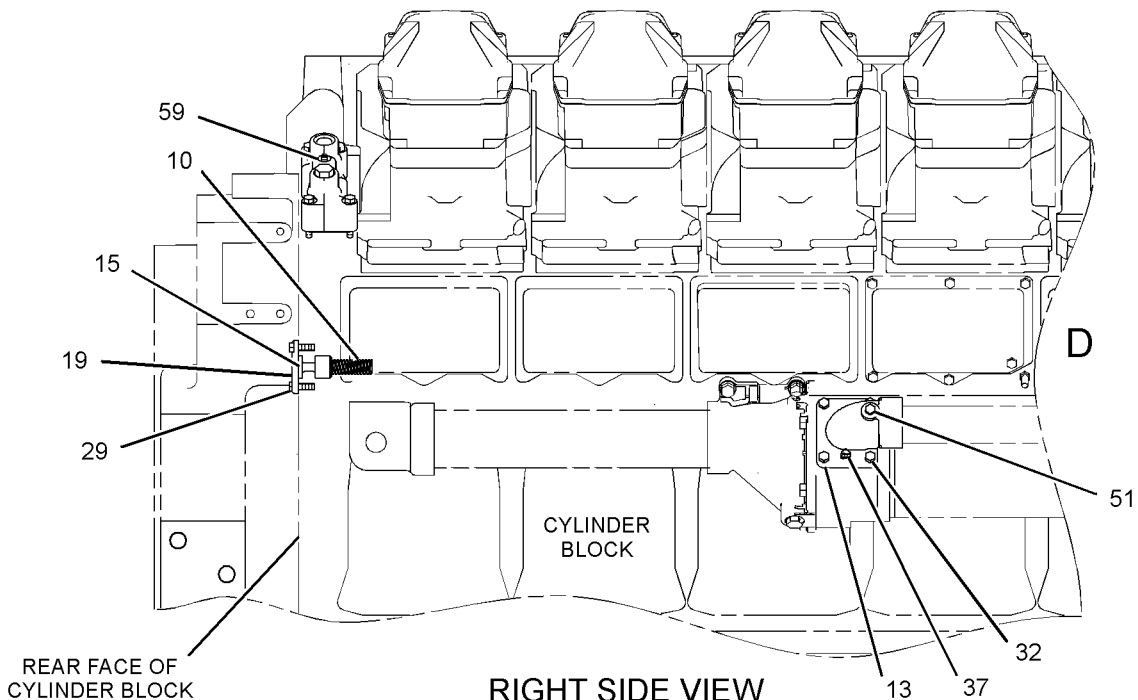
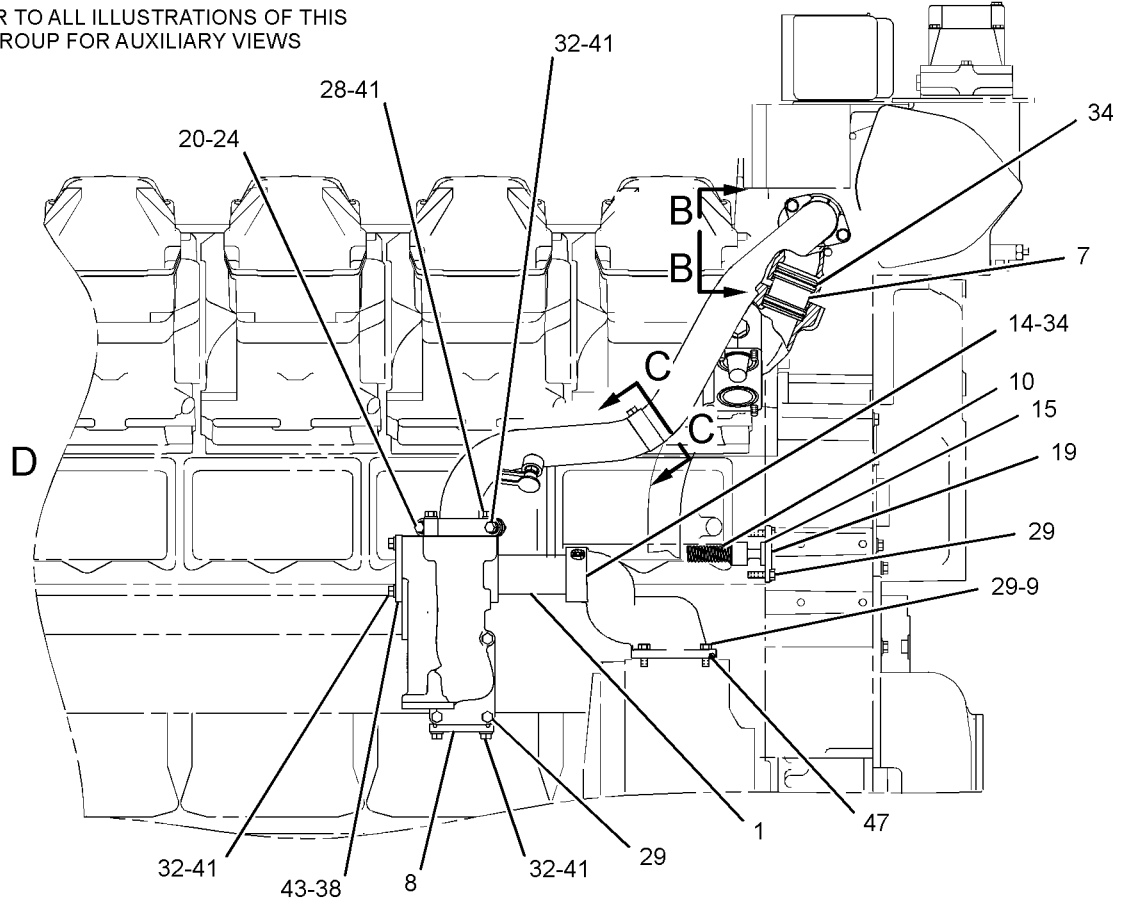
g01275058

LUBRICATION SYSTEM

242-6277 LINES GP-ENGINE OIL (contd.)

i02538485

REFER TO ALL ILLUSTRATIONS OF THIS GROUP FOR AUXILIARY VIEWS



GRAPHIC #2

<END>

g01275061

LUBRICATION SYSTEM

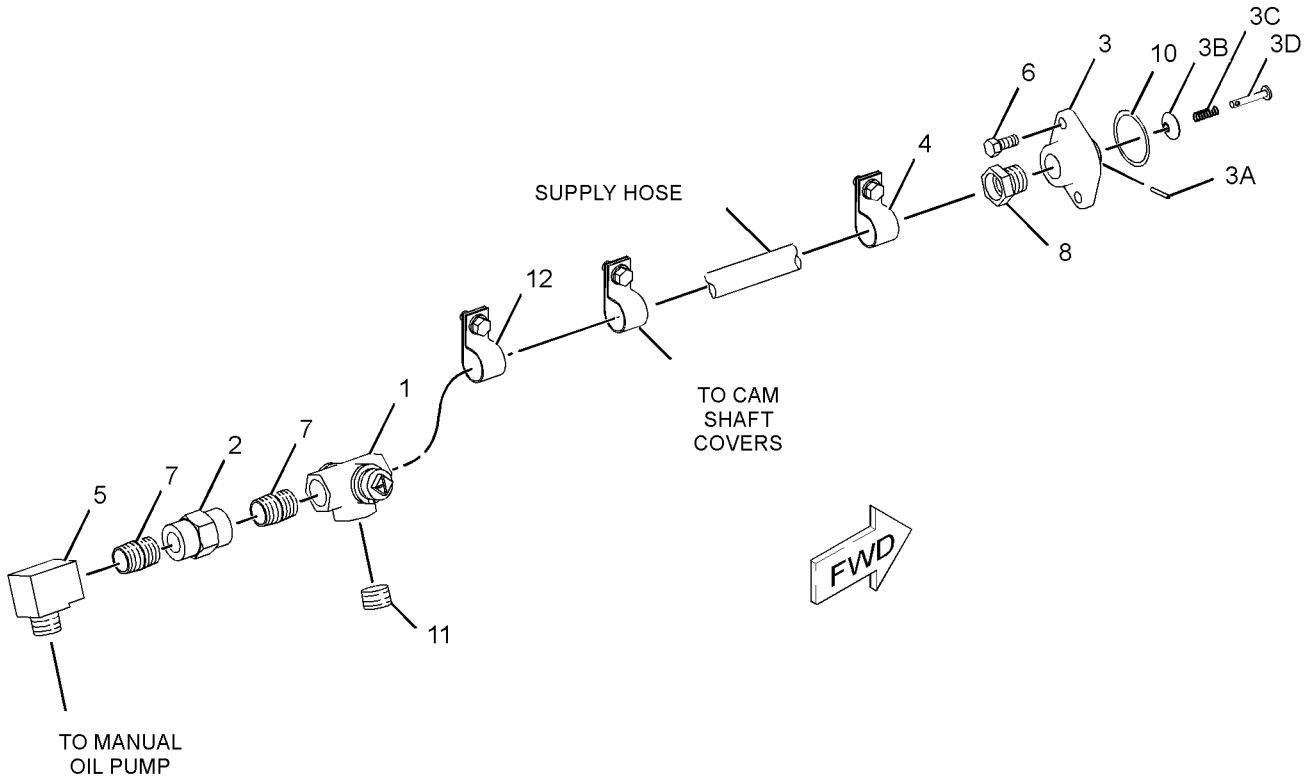
5N-6241 LINES GP - PRELUBRICATION-RH AN ATTACHMENT

SMCS-1307, 1319

i02406091

NOTE	REF NO	GRAPHIC REF	PART NUMBER	QTY	PART NAME						SEE PAGE
					1	2	3	4	5	6 (PRODUCT LEVEL)	
	1	1	3N-7057	1	VALVE AS (3-WAY) (OIL SUPPLY)						
	2	1	6B-1667	1	UNION						
	3	1	7N-6570	1	ADAPTER AS						
	3A	1	3H-3433	1	PIN-SPRING						
	3B	1	9L-0672	1	VALVE-CHECK						
	3C	1	9H-2367	1	SPRING-VALVE						
	3D	1	1P-5274	1	PIN-VALVE SPRING						
	4	1	134-5645	1	CLIP						
	5	1	003-9163	1	ELBOW						
	6	1	0L-1351	2	BOLT (3/8-16X0.875-IN)						
	7	1	3B-7745	2	NIPPLE-PIPE						
	8	1	5F-6371	1	CONNECTOR						
	10	1	5P-5846	1	SEAL-O-RING						
	11	1	7X-7731	1	PLUG-PIPE						
B	12	1	134-5645	2	CLIP						

B-USE AS REQUIRED



GRAPHIC #1

<END>

g01211509

LUBRICATION SYSTEM

282-4202 LINES GP - TURBOCHARGER OIL

SMCS-1052, 1307

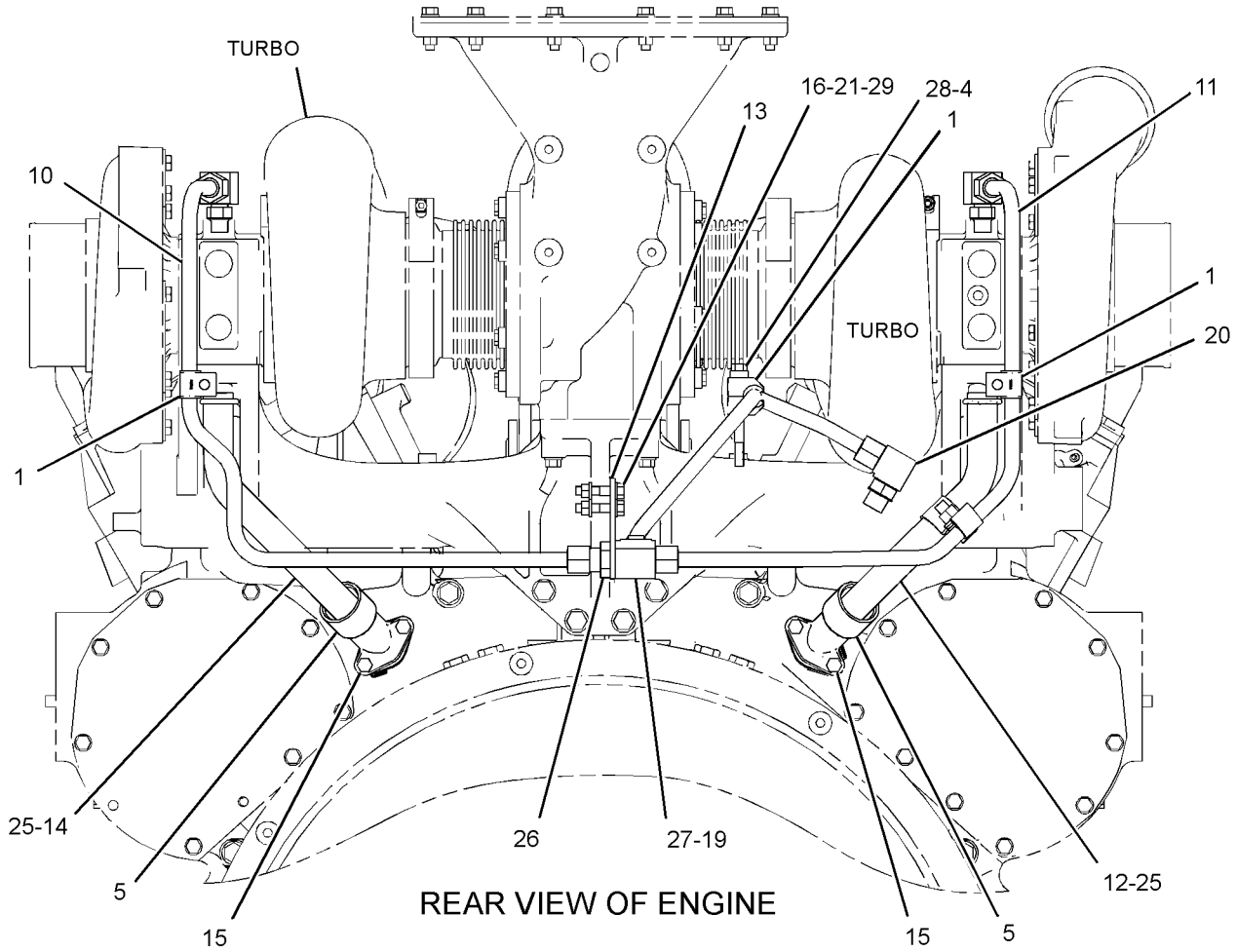
i03093643

NOTE	REF NO	GRAPHIC REF	PART NUMBER	QTY	PART NAME						SEE PAGE
					1	2	3	4	5	6 (PRODUCT LEVEL)	
	1	1	4P-0692	6	CLAMP AS						
					(EACH INCLUDES)						
		1	108-1434	1	GROMMET						
	2	1	6V-6758	1	CLIP						
	3	1	6V-6759	1	CLIP						
	4	1	6W-2928	1	BOSS						
	5	1	125-2784	2	ELBOW						
	6	1	166-4116	2	SPACER (10X16X20-MM THK)						
	7	1	252-8374	2	GASKET						
	8	1	281-5919	2	ELBOW AS						
					(EACH INCLUDES)						
		1	227-0056	1	ELBOW						
		1	228-7091	1	SEAL-O-RING						
		1	228-7103	1	SEAL-O-RING						
	9	1	282-4140	1	TUBE AS						
	10	1	282-4141	1	TUBE AS						
	11	1	282-4142	1	TUBE AS						
	12	1	282-4144	1	TUBE						
	13	1	282-4209	1	BRACKET						
	14	1	307-8310	1	TUBE						
	15	1	0L-1143	4	BOLT (3/8-16X2.5-IN)						
	16	1	0S-1571	2	BOLT (3/8-16X1.75-IN)						
	17	1	0S-1585	1	BOLT (1/2-13X1.5-IN)						
	18	1	1F-7958	1	NUT-FULL (1/2-13-THD)						
	19	1	228-7091	3	SEAL-O-RING						
	20	1	281-5975	1	ELBOW AS						
		1	6V-8626	1	ELBOW						
		1	228-7091	1	SEAL-O-RING						
		1	238-5081	1	SEAL-O-RING						
	21	1	5M-2894	4	WASHER-HARD (10.2X18.5X2.5-MM THK)						
	22	1	5P-8245	2	WASHER-HARD (13.5X25.5X3-MM THK)						
	23	1	6K-4934	1	CLIP (SLOT)						
	24	1	6K-4935	1	CLIP (TAB)						
	25	1	6V-5134	4	SEAL-O-RING						
	26	1	6V-9170	1	NUT-BULKHEAD (1-14-THD)						
	27	1	6V-9350	1	TEE-BULKHEAD						
	28	1	8S-9191	1	BOLT (3/8-16X4-IN)						
	29	1	9S-8752	2	NUT-FULL (3/8-16-THD)						

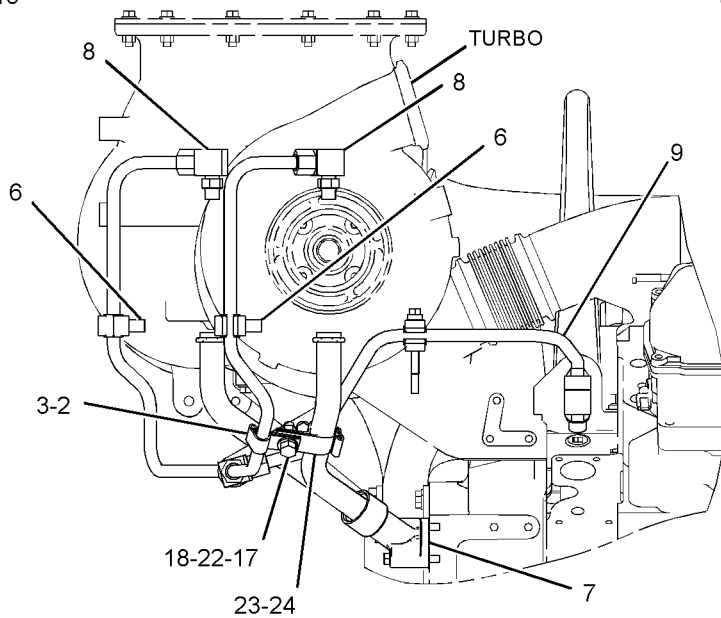
LUBRICATION SYSTEM

282-4202 LINES GP-TURBOCHARGER OIL (contd.)

i03093643



REAR VIEW OF ENGINE



RIGHT SIDE VIEW OF ENGINE

GRAPHIC #1

<END>

g01619508

LUBRICATION SYSTEM

4P-4926 PUMP & LINES GP-PRELUBRICATION-DEEP SUMP 24-VOLT AN ATTACHMENT

SMCS-1319

i02716302

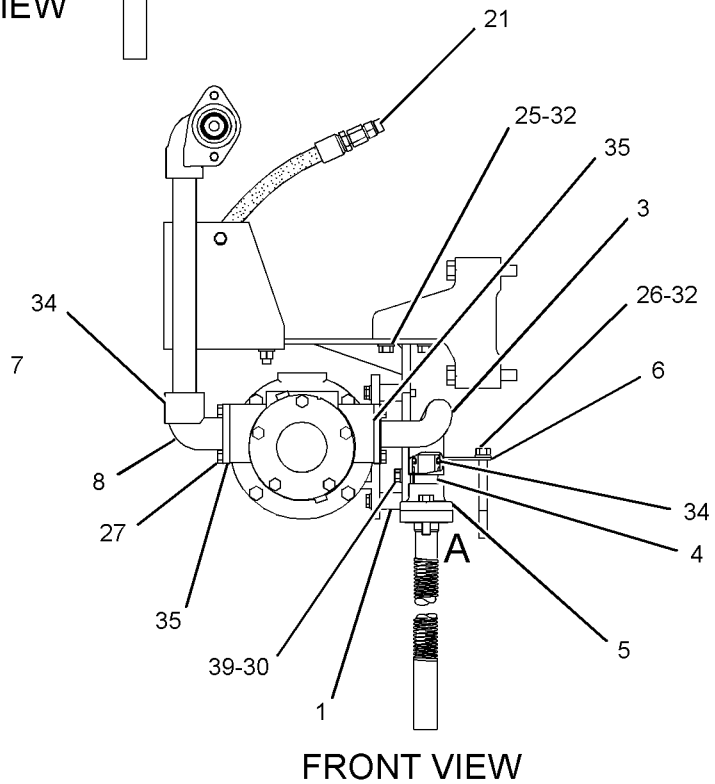
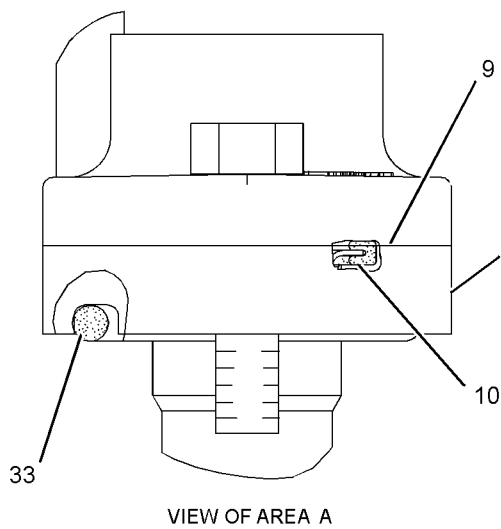
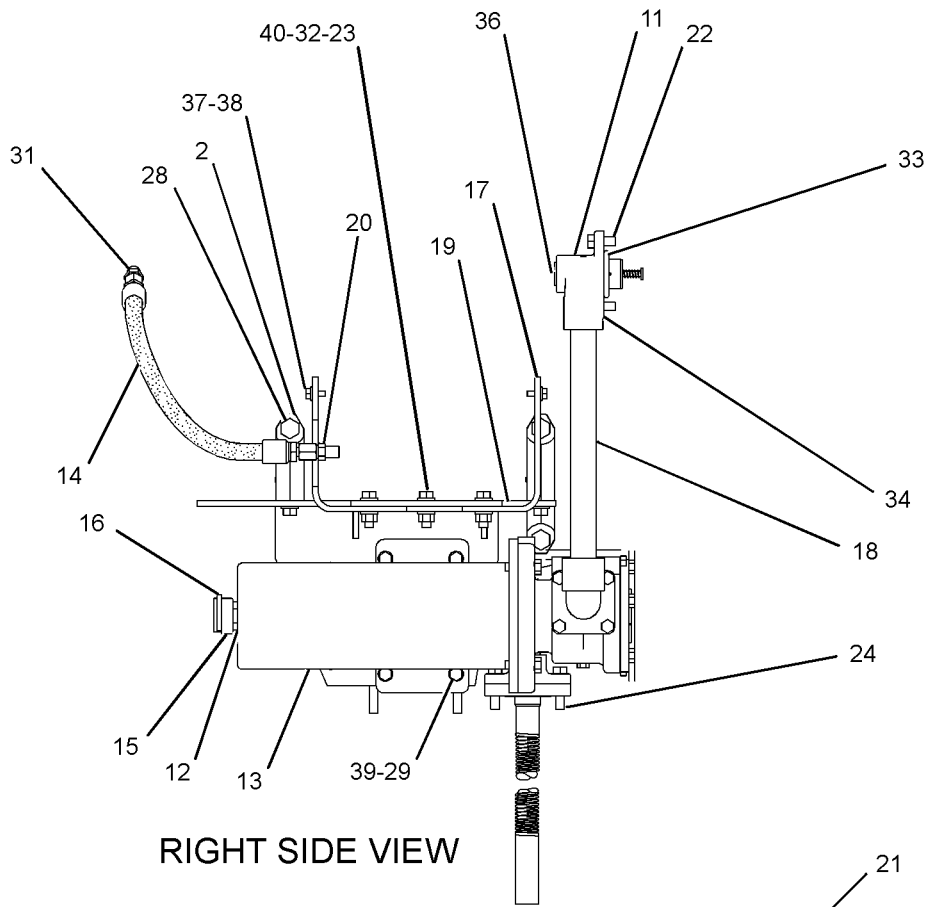
NOTE	REF NO	GRAPHIC REF	PART NUMBER	QTY	PART NAME						SEE PAGE
					1	2	3	4	5	6 (PRODUCT LEVEL)	
	1	1	1M-3381	4	SPACER (0.438X0.75X1-IN THK)						
	2	1	1N-3872	2	SUPPORT						
	3	1	1W-3942	1	ELBOW						
	4	1	1W-3943	1	COUPLING						
	5	1	1W-3944	1	FLANGE						
	6	1	1W-4257	1	BRACKET AS						
		1	4K-9097	2	NUT-WELD (5/16-18-THD)						
	7	1	1W-4820	1	HOSE AS						
	8	1	1W-8188	1	ELBOW						
	9	1	2G-6303	1	SEAL						
	10	1	2G-6304	1	STRAINER AS (ENGINE OIL)						
	11	1	2W-0694	1	ELBOW AS-VALVE						
		1	1P-5274	1	PIN-VALVE SPRING						
		1	7L-0811	1	DOWEL						
		1	9B-0701	2	SPRING						
		1	9H-2367	1	SPRING-VALVE						
		1	9L-0672	1	VALVE-CHECK						
	12	1	3F-2065	1	LOCKNUT (1/2-14-NPTF-THD)						
CY	13	1	302-8729	1	PUMP GP-PRELUBRICATION (24-VOLT DC)						119
I	14	1	4P-4927	1	HOSE AS						
	15	1	5N-8943	1	ADAPTER						
	16	1	5N-9073	1	CLIP						
	17	1	6I-0744	1	BRACKET						
	18	1	7N-6460	1	TUBE						
	19	1	251-9436	1	BRACKET AS						
	20	1	032-1267	1	CONNECTOR						
	21	1	033-6042	1	SEAL-O-RING						
	22	1	0L-1351	2	BOLT (3/8-16X0.875-IN)						
	23	1	0S-1588	3	BOLT (3/8-16X1.25-IN)						
	24	1	0S-1591	2	BOLT (3/8-16X1.5-IN)						
	25	1	0S-1594	4	BOLT (3/8-16X1-IN)						
	26	1	0S-1608	2	BOLT (3/8-16X3.75-IN)						
	27	1	0S-1617	8	BOLT (5/16-18X0.75-IN)						
	28	1	1A-5822	4	BOLT (1/2-13X2.75-IN)						
	29	1	2B-2694	4	BOLT (5/16-18X2-IN)						
	30	1	2B-2695	2	BOLT (5/16-18X0.875-IN)						
	31	1	2R-6806	1	CONNECTOR-O-RING						
	32	1	5M-2894	12	WASHER-HARD (10.2X18.5X2.5-MM THK)						
	33	1	5P-5846	2	SEAL-O-RING						
	34	1	5P-9890	4	SEAL-O-RING						
	35	1	6V-5100	2	SEAL-O-RING						
	36	1	7X-7731	1	PLUG-PIPE						
	37	1	8T-4205	4	WASHER-HARD (7.2X14.5X2-MM THK)						
	38	1	8T-9364	4	BOLT (1/4-20X0.625-IN)						
	39	1	9M-1974	6	WASHER-HARD (8.8X16X2-MM THK)						
	40	1	9S-8752	3	NUT-FULL (3/8-16-THD)						

C- CHANGE FROM PREVIOUS TYPE
I- REFER TO HYDRAULIC INFORMATION SYSTEM
Y- SEPARATE ILLUSTRATION

LUBRICATION SYSTEM

4P-4926 PUMP & LINES GP-PRELUBRICATION (contd.)

i02716302



GRAPHIC #1

<END>

g01190033

LUBRICATION SYSTEM

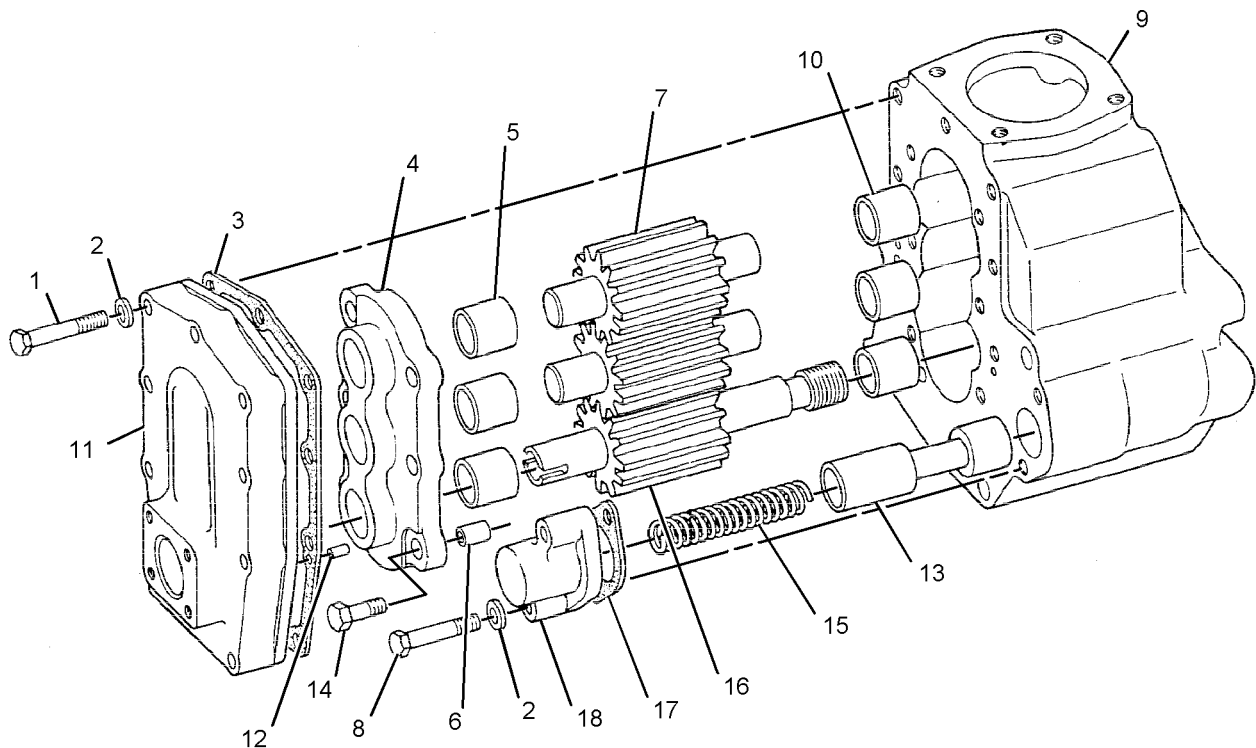
4P-5638 PUMP GP-ENGINE OIL-2-SECTION GEAR*R PART OF 8N-6152 PUMP GP-ENGINE OIL

SMCS-1304, 1315

i02226409

NOTE	REF NO	GRAPHIC REF	PART NUMBER	QTY	PART NAME						SEE PAGE
					1	2	3	4	5	6 (PRODUCT LEVEL)	
	1	1	0S-1590	9	BOLT (3/8-16X2-IN)						
	2	1	5M-2894	11	WASHER-HARD (10.2X18.5X2.5-MM THK)						
	3	1	7N-5057	1	GASKET						
	4	1	7W-0050	1	COVER AS-PUMP						
	5	1	1W-6005	3	BEARING-SLEEVE						
	6	1	4M-3248	2	DOWEL-HOLLOW						
	7	1	2W-5479	2	SHAFT AS-PUMP						
	8	1	7F-1866	2	BOLT (3/8-16X3-IN)						
C	9	1	4P-5637	1	BODY AS-OIL PUMP						
	10	1	1W-6005	3	BEARING-SLEEVE						
	11	1	1N-4637	1	COVER AS-PUMP						
	12	1	7N-2043	2	DOWEL						
	13	1	7N-5449	1	SPOOL-PRESSURE RELIEF						
	14	1	0S-1585	6	BOLT (1/2-13X1.5-IN)						
	15	1	2S-2760	1	SPRING						
	16	1	2W-6618	1	SHAFT AS-PUMP DRIVE						
	17	1	111-1349	1	GASKET						
	18	1	7N-5049	1	COVER-RELIEF VALVE						

C- CHANGE FROM PREVIOUS TYPE



GRAPHIC #1

<END>

g01123381

LUBRICATION SYSTEM

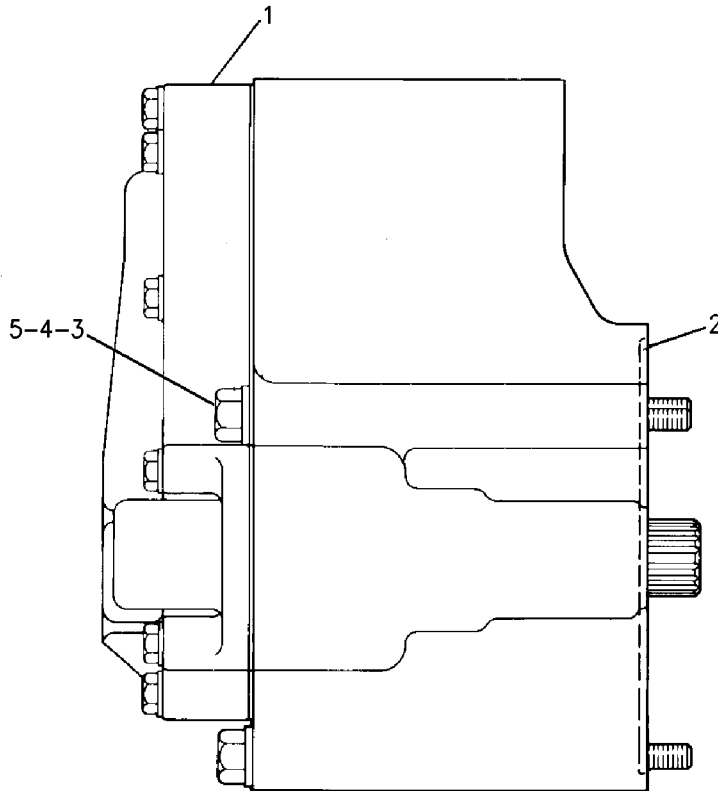
8N-6152 PUMP GP-ENGINE OIL-2-SECTION GEAR

SMCS-1304, 1315

i02639836

NOTE	REF NO	GRAPHIC REF	PART NUMBER	QTY	PART NAME						SEE PAGE
					1	2	3	4	5	6 (PRODUCT LEVEL)	
CYR	1	1	4P-5638	1	PUMP GP-ENGINE OIL						117
	2	1	298-6387	1	SEAL-O-RING						
	3	1	4S-5882	3	BOLT (1/2-13X7.25-IN)						
	4	1	5P-8245	3	WASHER-HARD (13.5X25.5X3-MM THK)						
C	5	1	9M-4355	3	DAMPER-BOLT						

C- CHANGE FROM PREVIOUS TYPE
 R- REMFG PART MAY BE AVAILABLE
 Y- SEPARATE ILLUSTRATION



GRAPHIC #1

<END>

g00637724

LUBRICATION SYSTEM

302-8729 PUMP GP - PRELUBRICATION

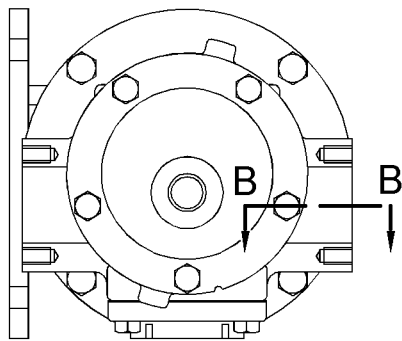
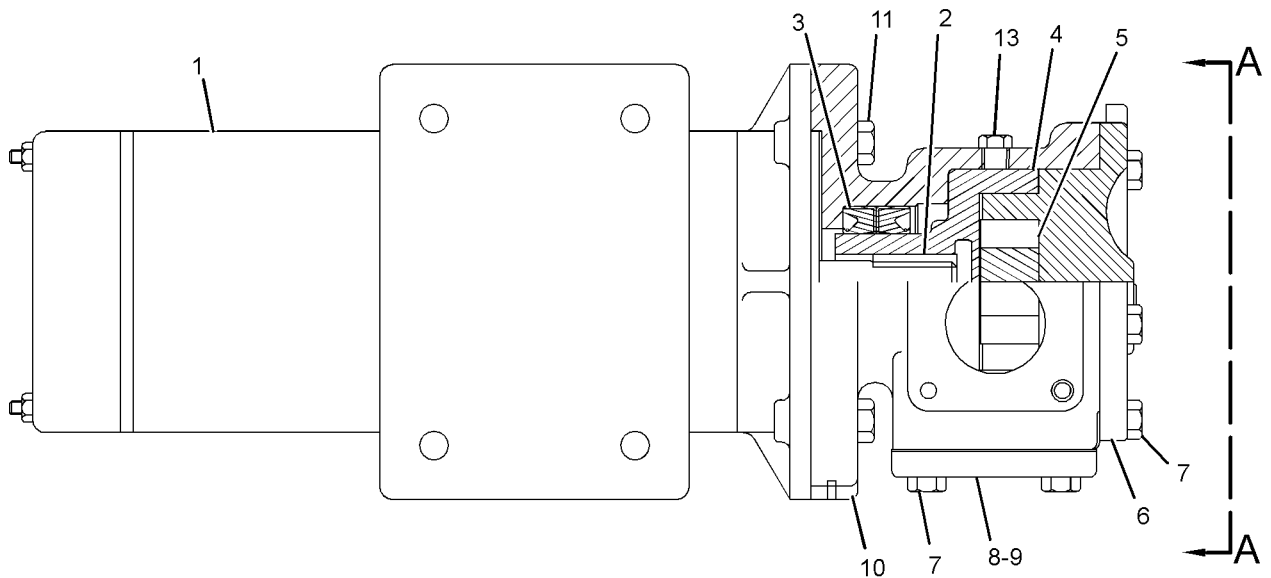
24-VOLT

PART OF 4P-4926 PUMP & LINES GP - PRELUBRICATION
AN ATTACHMENT

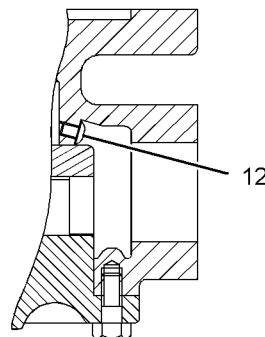
SMCS-1319

i02715916

NOTE	REF NO	GRAPHIC REF	PART NUMBER	QTY	PART NAME						SEE PAGE
					1	2	3	4	5	6 (PRODUCT LEVEL)	
	1	1	302-8728	1	MOTOR AS - PRELUBRICATION						
	2	1	008-8694	1	KEY						
	3	1	1H-5959	2	SEAL - LIP TYPE						
	4	1	6N-5595	1	ROTOR						
	5	1	2N-7523	1	IDLER AS (7-TEETH)						
	6	1	2N-7524	1	HEAD AS						
	7	1	0S-1617	9	BOLT (5/16-18X0.75-IN)						
	8	1	2N-7521	1	COVER						
	9	1	2N-7520	1	GASKET						
	10	1	5N-6668	1	HOUSING						
	11	1	0S-1588	4	BOLT (3/8-16X1.25-IN)						
	12	1	6D-3910	1	SCREW - BUTTON HEAD (10-32X0.25-IN)						
	13	1	5M-6214	2	PLUG - PIPE						



VIEW A-A



SECTION B-B

GRAPHIC #1

<END>

g01364349

LUBRICATION SYSTEM

4P-7442 PUMP GP-SUMP

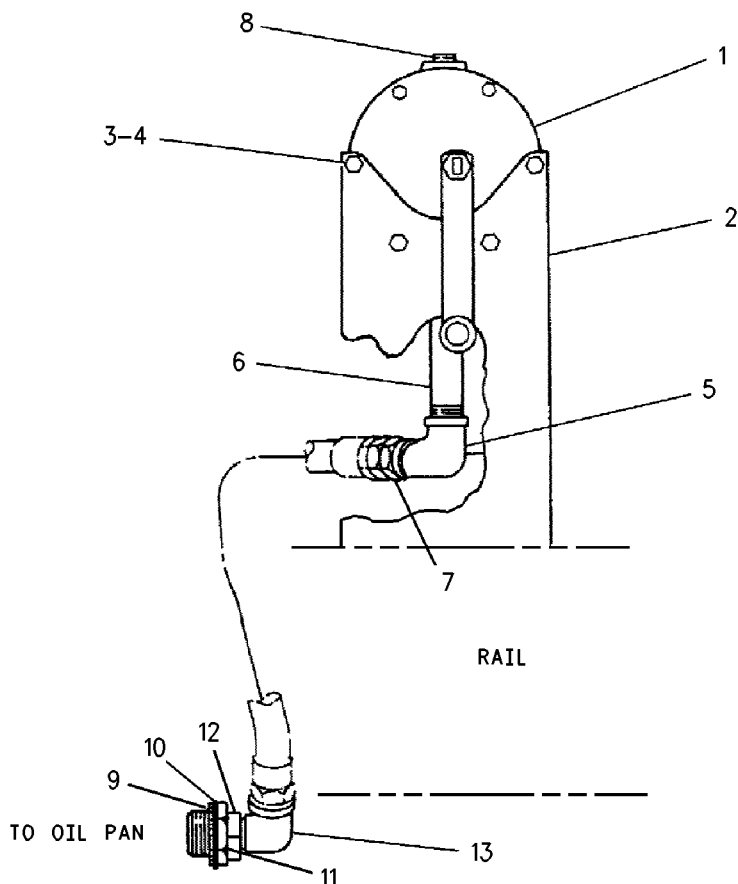
FOR USE WITH STEEL OIL PAN
AN ATTACHMENT

SMCS-1324

i01526060

NOTE	REF NO	GRAPHIC REF	PART NUMBER	QTY	PART NAME						SEE PAGE
					1	2	3	4	5	6 (PRODUCT LEVEL)	
Y	1	1	5N-6237	1	PUMP GP-SUMP						121
	2	1	5N-6236	1	BRACKET						
	3	1	7B-2742	4	BOLT (1/4-20X1.25-IN)						
	4	1	5P-0537	8	WASHER-HARD (7.2X14.5X2-MM THK)						
	5	1	1K-6937	1	ELBOW-PIPE						
	6	1	3B-7265	1	NIPPLE-PIPE						
	7	1	5F-6371	1	CONNECTOR						
	8	1	7X-7731	1	PLUG-PIPE						
	9	1	4J-0521	1	SEAL-O-RING						
	10	1	1U-4738	1	WASHER (39.3X60X6-MM THK)						
	11	1	0L-0701	1	NUT (1-1/2-12-THD)						
	12	1	4P-5242	1	PICKUP AS-OIL						
	13	1	003-9163	1	ELBOW						

Y-SEPARATE ILLUSTRATION



GRAPHIC #1

<END>

g00792728

LUBRICATION SYSTEM

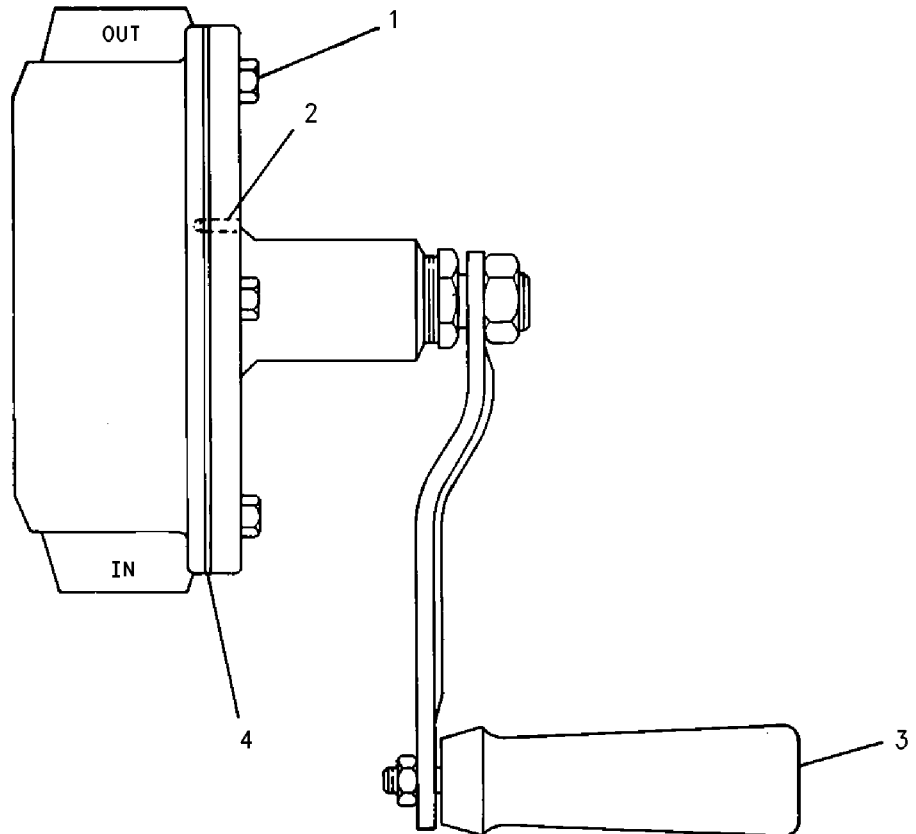
5N-6237 PUMP GP-SUMP

PART OF 4P-7442, 7N-7069, 7W-9703 PUMP GP-SUMP
AN ATTACHMENT

SMCS-1324

i02656698

NOTE	REF NO	GRAPHIC REF	PART NUMBER	QTY	PART NAME						SEE PAGE
					1	2	3	4	5	6 (PRODUCT LEVEL)	
	1	1	2A-0762	6	BOLT (1/4-20X0.625-IN)						
	2	1	3N-3297	2	PIN-TAPERED						
	3	1	5N-6255	1	HANDLE AS						
B	4	1	3N-3299	1	GASKET SET (INCLUDES 4 GASKETS)						
					AVAILABLE REPAIR KIT(S) :						
					3N-3300	1	KIT-PUMP (SUMP)				
					(INCLUDES VANE, SPRING, PACKING, NUT & GASKET)						
B-USE AS REQUIRED											



GRAPHIC #1

<END>

g00621010

LUBRICATION SYSTEM

7N - 7069 PUMP GP - SUMP AN ATTACHMENT

SMCS - 1324

i02956440

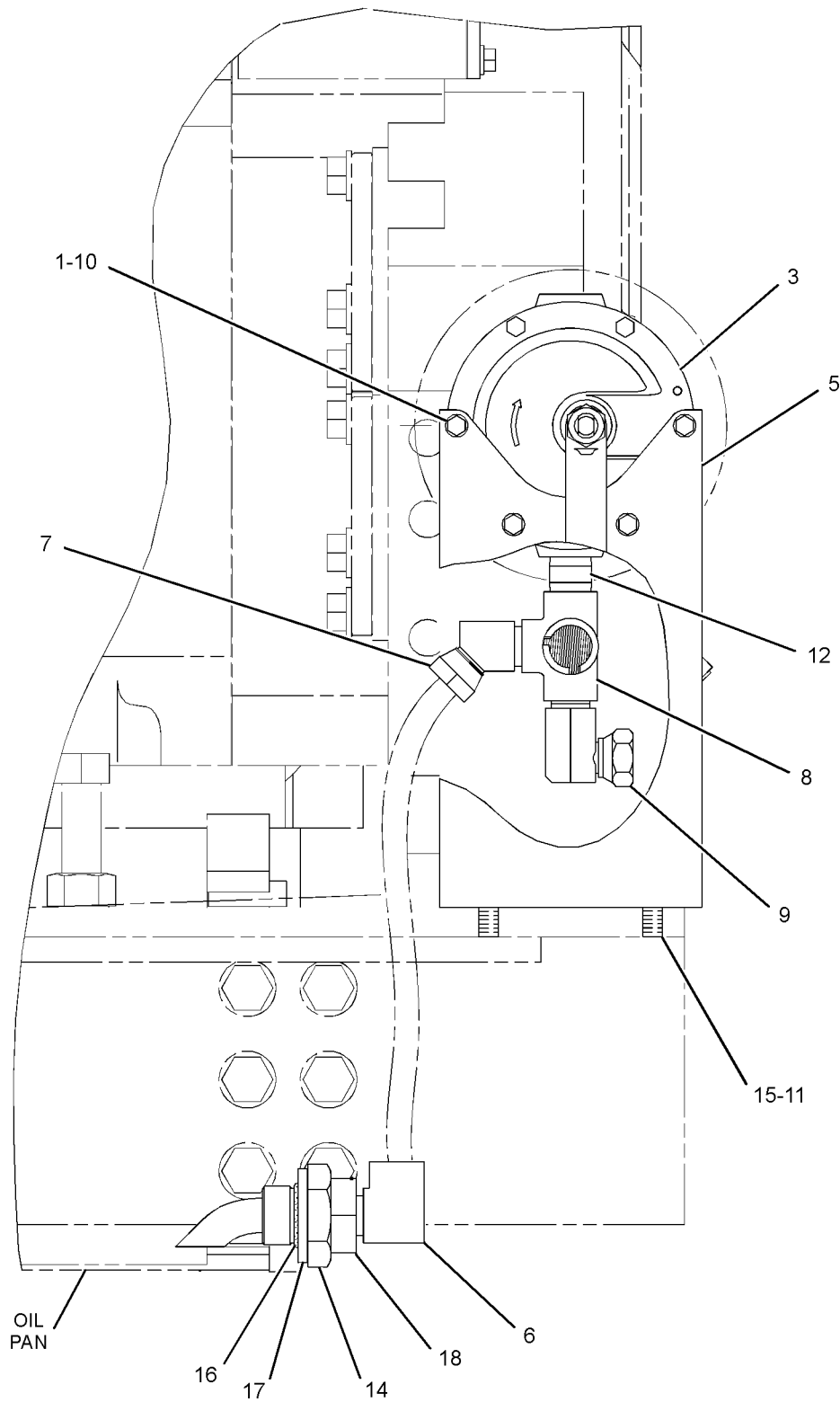
NOTE	REF NO	GRAPHIC REF	PART NUMBER	QTY	PART NAME						SEE PAGE
					1	2	3	4	5	6 (PRODUCT LEVEL)	
	1	1	8T-4205	8	WASHER-HARD (7.2X14.5X2-MM THK)						
Y	3	1	5N-6237	1	PUMP GP-SUMP						121
	5	1	5N-6236	1	BRACKET						
	6	1	003-9163	1	ELBOW						
	7	1	6H-8297	1	ELBOW						
	8	1	3N-7057	1	VALVE AS (3-WAY)						
	9	1	2H-3939	1	ELBOW						
	10	1	7X-2501	4	BOLT (1/4-20X1.25-IN)						
	11	1	5P-8245	2	WASHER-HARD (13.5X25.5X3-MM THK)						
	12	1	3B-7270	1	NIPPLE-PIPE						
	14	1	0L-0701	1	NUT (1-1/2-12-THD)						
	15	1	0S-1595	2	BOLT (1/2-13X1.25-IN)						
	16	1	4J-0521	1	SEAL-O-RING						
	17	1	1U-4738	1	WASHER (39.3X60X6-MM THK)						
	18	1	4P-5242	1	PICKUP AS-OIL						

Y- SEPARATE ILLUSTRATION

LUBRICATION SYSTEM

7N-7069 PUMP GP-SUMP (contd.)

i02956440



LEFT SIDE VIEW OF ENGINE

GRAPHIC #1

<END>

g01488853

LUBRICATION SYSTEM

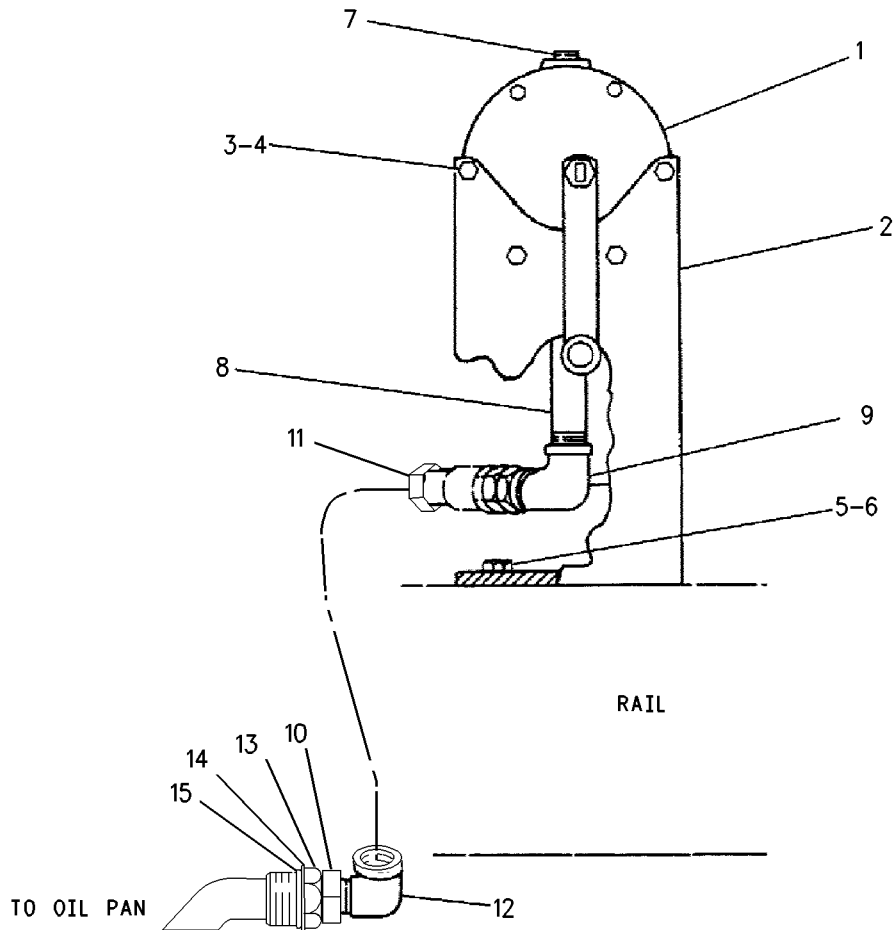
7W-9703 PUMP GP - SUMP AN ATTACHMENT

SMCS - 1324

i01935597

NOTE	REF NO	GRAPHIC REF	PART NUMBER	QTY	PART NAME						SEE PAGE
					1	2	3	4	5	6 (PRODUCT LEVEL)	
Y	1	1	5N-6237	1	PUMP GP - SUMP						121
	2	1	5N-6236	1	BRACKET						
	3	1	7X-2501	4	BOLT (1/4-20X1.25-IN)						
	4	1	8T-4205	8	WASHER-HARD (7.2X14.5X2-MM THK)						
	5	1	8T-8917	2	BOLT (1/2-13X1.25-IN)						
	6	1	8T-4223	2	WASHER-HARD (13.5X25.5X3-MM THK)						
	7	1	7X-7731	1	PLUG-PIPE						
	8	1	3B-7265	1	NIPPLE-PIPE						
	9	1	1K-6937	1	ELBOW-PIPE						
	10	1	4P-5242	1	PICKUP AS-OIL						
	11	1	5F-6371	1	CONNECTOR						
	12	1	003-9163	1	ELBOW						
	13	1	0L-0701	1	NUT (1-1/2-12-THD)						
	14	1	1U-4738	1	WASHER (39.3X60X6-MM THK)						
	15	1	4J-0521	1	SEAL-O-RING						

Y - SEPARATE ILLUSTRATION



GRAPHIC #1

<END>

g00778854

LUBRICATION SYSTEM

244-0479 SHIELD GP-ENGINE OIL LINES

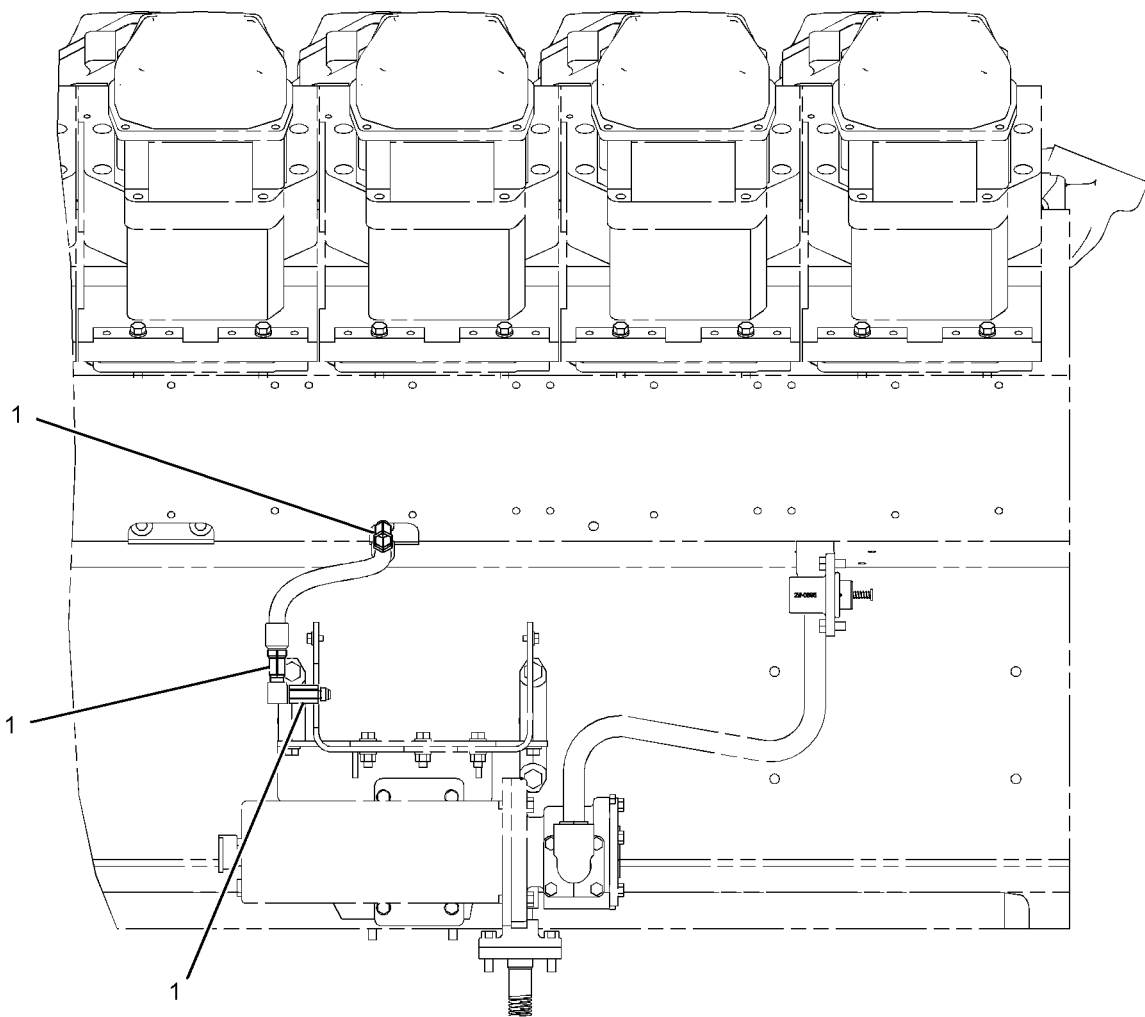
ANTI-SPLASH
AN ATTACHMENT

SMCS-1307

i02187274

NOTE	REF NO	GRAPHIC REF	PART NUMBER	QTY	PART NAME	SEE PAGE
B	1	1	237-3860		TAPE (ANTI-SPLASH, 50-MM WIDE) (10-M ROLL)	

B-USE AS REQUIRED



FRONT VIEW
<END>

GRAPHIC #1

g01069718

LUBRICATION SYSTEM

244-0480 SHIELD GP-ENGINE OIL LINES

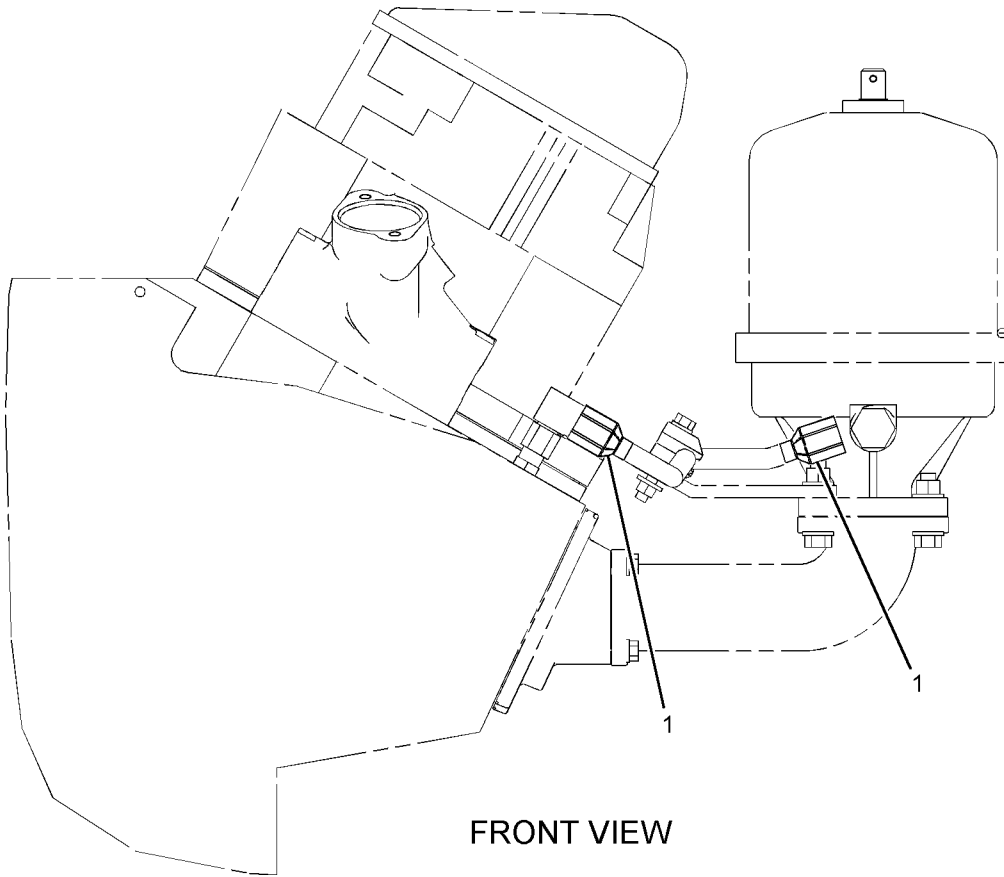
ANTI-SPLASH
AN ATTACHMENT

SMCS-1307

i02187276

NOTE	REF NO	GRAPHIC REF	PART NUMBER	QTY	PART NAME						SEE PAGE
					1	2	3	4	5	6 (PRODUCT LEVEL)	
B	1	1	237-3860		TAPE (ANTI-SPLASH, 50-MM WIDE) (10-M ROLL)						

B-USE AS REQUIRED



FRONT VIEW

GRAPHIC #1

<END>

g01069500

LUBRICATION SYSTEM

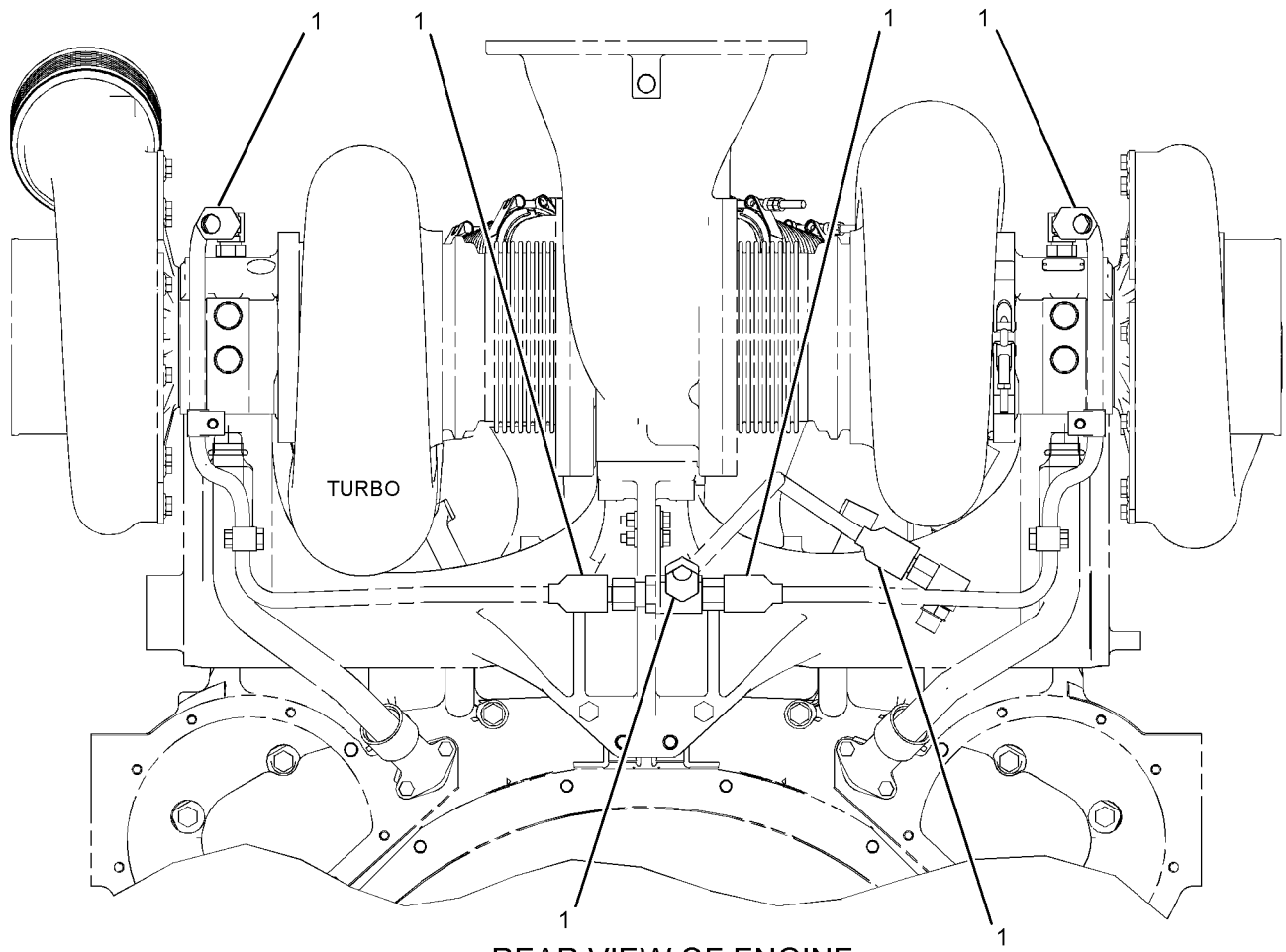
306-2157 SHIELD GP-ENGINE OIL LINES

AN ATTACHMENT

SMCS-1307

i02703324

NOTE	REF NO	GRAPHIC REF	PART NUMBER	QTY	PART NAME	SEE PAGE
	1	1,2	237-3860		1 2 3 4 5 6 (PRODUCT LEVEL) TAPE (ANTI-SPLASH, 50-MM WIDE) (10-M ROLL)	
B-USE AS REQUIRED						



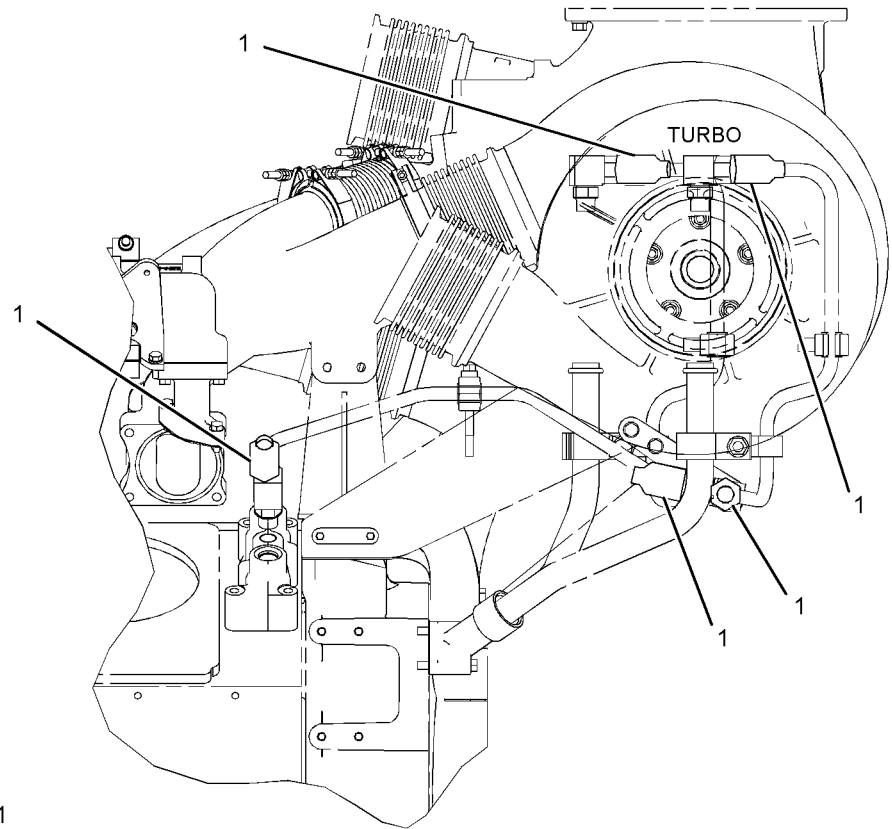
GRAPHIC #1

g01359024

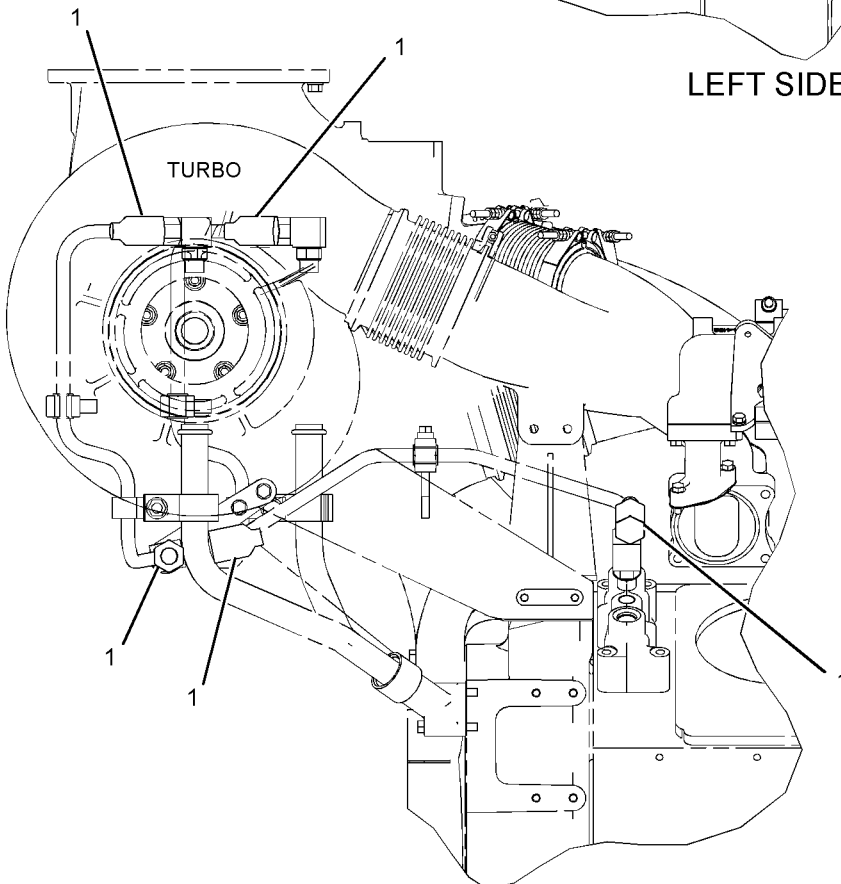
LUBRICATION SYSTEM

306-2157 SHIELD GP-ENGINE OIL LINES (contd.)

i02703324



LEFT SIDE VIEW OF ENGINE



RIGHT SIDE VIEW OF ENGINE

GRAPHIC #2

<END>

g01359025

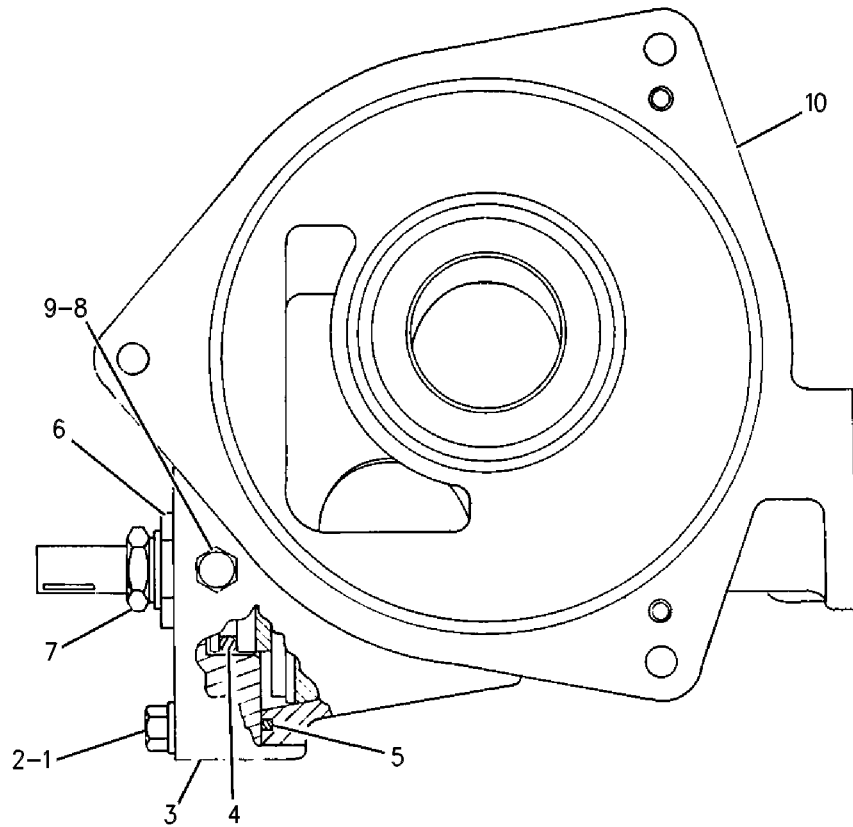
LUBRICATION SYSTEM

7W-3816 VALVE GP-FLUID CONTROL-DUPLEX OIL PART OF 120-4501 FILTER GP-ENGINE OIL AN ATTACHMENT

SMCS-7560

i02640558

NOTE	REF NO	GRAPHIC REF	PART NUMBER	QTY	PART NAME						SEE PAGE
					1	2	3	4	5	6 (PRODUCT LEVEL)	
	1	1	0S-1571	2	BOLT (3/8-16X1.75-IN)						
	2	1	5M-2894	2	WASHER-HARD (10.2X18.5X2.5-MM THK)						
	3	1	2W-0013	1	COVER AS						
		1	7S-2245	1	DOWEL						
		1	3H-2617	1	PIN-SPRING						
4	1	1	9M-2610	1	SEAL-O-RING						
5	1	1	5D-5957	1	SEAL-O-RING						
6	1	1	3B-7329	1	NUT (1-14-THD)						
7	1	1	5H-7225	1	NUT-RETAINER (1-11/16-THD)						
8	1	1	9S-4182	1	PLUG-O RING						
9	1	1	6V-5048	1	SEAL-O-RING						
10	1	1	2W-9210	1	VALVE AS-OIL (DUPLEX)						
		1	4H-6996	1	PIN-SPRING						
		1	7N-2043	3	DOWEL						



GRAPHIC #1

<END>

g00623922

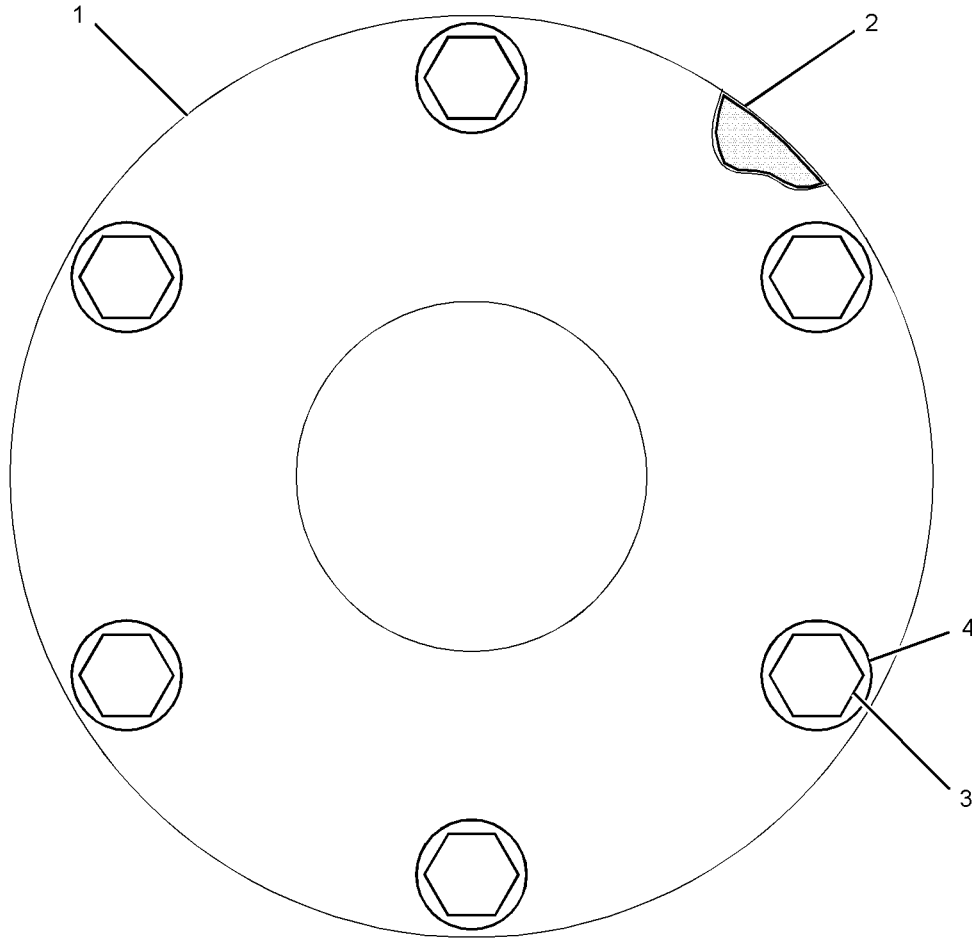
COOLING SYSTEM

3N-2652 CONNECTION GP - EXPANSION TANK-AUXILIARY AN ATTACHMENT

SMCS - 1354

i02346068

NOTE	REF NO	GRAPHIC REF	PART NUMBER	QTY	PART NAME						SEE PAGE
					1	2	3	4	5	6 (PRODUCT LEVEL)	
	1	1	2N-7604	1	FLANGE						
	2	1	3H-5939	2	GASKET - HEAT EXCHANGER						
	3	1	0S-1594	6	BOLT (3/8-16X1-IN)						
	4	1	3V-3308	6	WASHER-HARD (10.2X20.5X2.5-MM THK)						



GRAPHIC #1

<END>

g01172854

COOLING SYSTEM

7N-6527 CONNECTION GP-TORQUE CONV CLR

REMOTE

FOR USE WITH ENGINE ACCESSORIES WHICH REQUIRE A SOURCE OF ENGINE JACKET WATER FOR COOLING

AN ATTACHMENT

SMCS-1375

i01935599

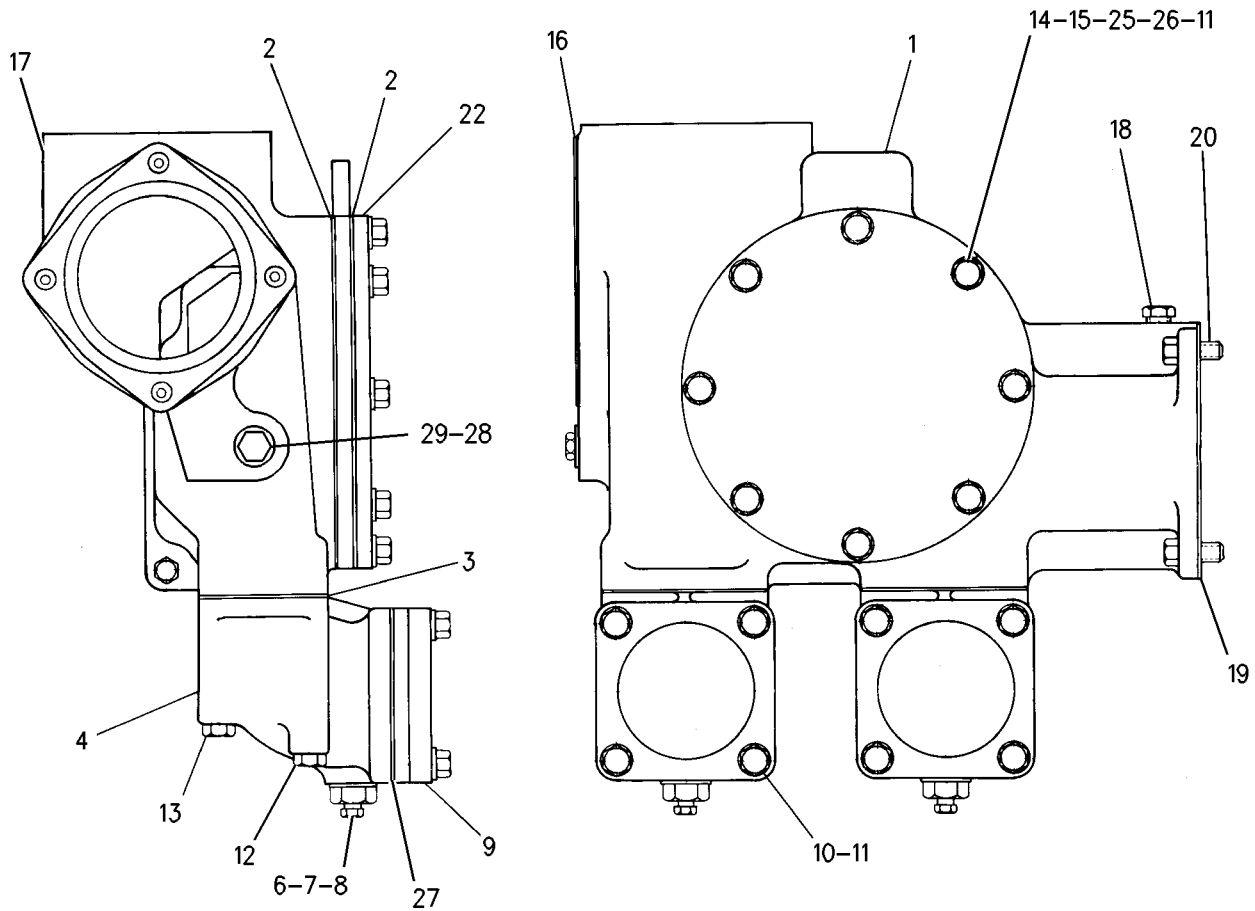
NOTE	REF NO	GRAPHIC REF	PART NUMBER	QTY	PART NAME						SEE PAGE
					1	2	3	4	5	6 (PRODUCT LEVEL)	
	1	1	8N-8535	1	ORIFICE AS						
	2	1	1S-5772	2	GASKET						
	3	1	1N-4859	2	GASKET						
	4	1	8N-8524	2	ELBOW						
	6	1	9M-4897	2	ADAPTER-FITTING						
	7	1	4B-8407	2	GASKET-COPPER						
	8	1	8T-6764	2	PLUG-PIPE						
	9	1	2N-8329	2	FLANGE						
	10	1	0S-1588	8	BOLT (3/8-16X1.25-IN)						
	11	1	5M-2894	16	WASHER-HARD (10.2X18.5X2.5-MM THK)						
	12	1	8S-9191	4	BOLT (3/8-16X4-IN)						
	13	1	0L-1352	4	BOLT (3/8-16X3.25-IN)						
B	14	1	0S-1590	8	BOLT (3/8-16X2-IN)						
B	15	1	0S-1591	8	BOLT (3/8-16X1.5-IN)						
	16	1	4N-1320	1	GASKET						
	17	1	120-7420	1	ADAPTER						
	18	1	8T-6765	1	PLUG-PIPE						
	19	1	7N-4932	1	GASKET						
	20	1	0S-1594	4	BOLT (3/8-16X1-IN)						
	22	1	7S-8420	1	COVER-HYDRAULIC PUMP						
B	25	1	0S-1594	8	BOLT (3/8-16X1-IN)						
B	26	1	0S-1571	8	BOLT (3/8-16X1.75-IN)						
	27	1	1H-7666	2	GASKET						
	28	1	6V-6609	1	SEAL-O-RING						
	29	1	9S-4185	1	PLUG-O-RING						

B-USE AS REQUIRED

COOLING SYSTEM

7N-6527 CONNECTION GP-TORQUE CONV CLR (contd.)

i01935599



GRAPHIC #1

<END>

g00829328

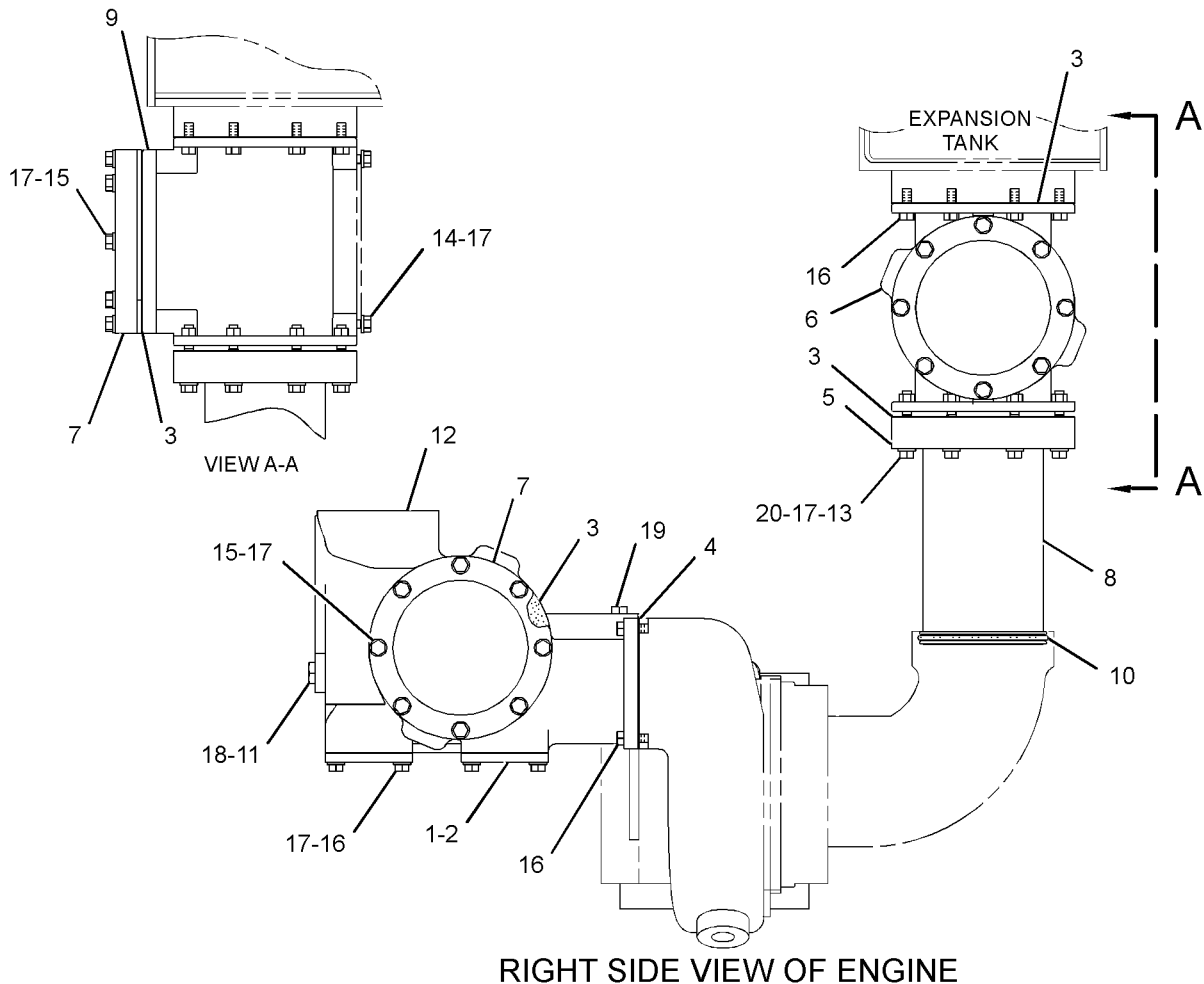
COOLING SYSTEM

7N-6965 CONNECTION GP-WATER AN ATTACHMENT

SMCS-1380

i02429378

NOTE	REF NO	GRAPHIC REF	PART NUMBER	QTY	PART NAME						SEE PAGE
					1	2	3	4	5	6 (PRODUCT LEVEL)	
	1	1	1N-4859	2	GASKET						
	2	1	1N-4860	2	COVER						
	3	1	1S-5772	4	GASKET						
	4	1	7N-4932	1	GASKET						
	5	1	7N-5120	1	FLANGE						
	6	1	7N-7008	2	PLATE						
	7	1	7N-7009	2	FLANGE						
	8	1	7N-7010	1	TUBE						
	9	1	7N-7012	1	HOUSING						
	10	1	8T-2903	2	SEAL-O-RING						
	11	1	9S-4185	1	PLUG-O-RING						
	12	1	120-7420	1	ADAPTER						
	13	1	0L-1143	8	BOLT (3/8-16X2.5-IN)						
	14	1	0S-0509	2	BOLT (3/8-16X0.75-IN)						
	15	1	0S-1571	16	BOLT (3/8-16X1.75-IN)						
	16	1	0S-1594	20	BOLT (3/8-16X1-IN)						
	17	1	5M-2894	34	WASHER-HARD (10.2X18.5X2.5-MM THK)						
	18	1	6V-6609	1	SEAL-O-RING						
	19	1	8T-6765	1	PLUG-PIPE						
	20	1	9S-8752	8	NUT-FULL (3/8-16-THD)						



RIGHT SIDE VIEW OF ENGINE

<END>

GRAPHIC #1

g01280828

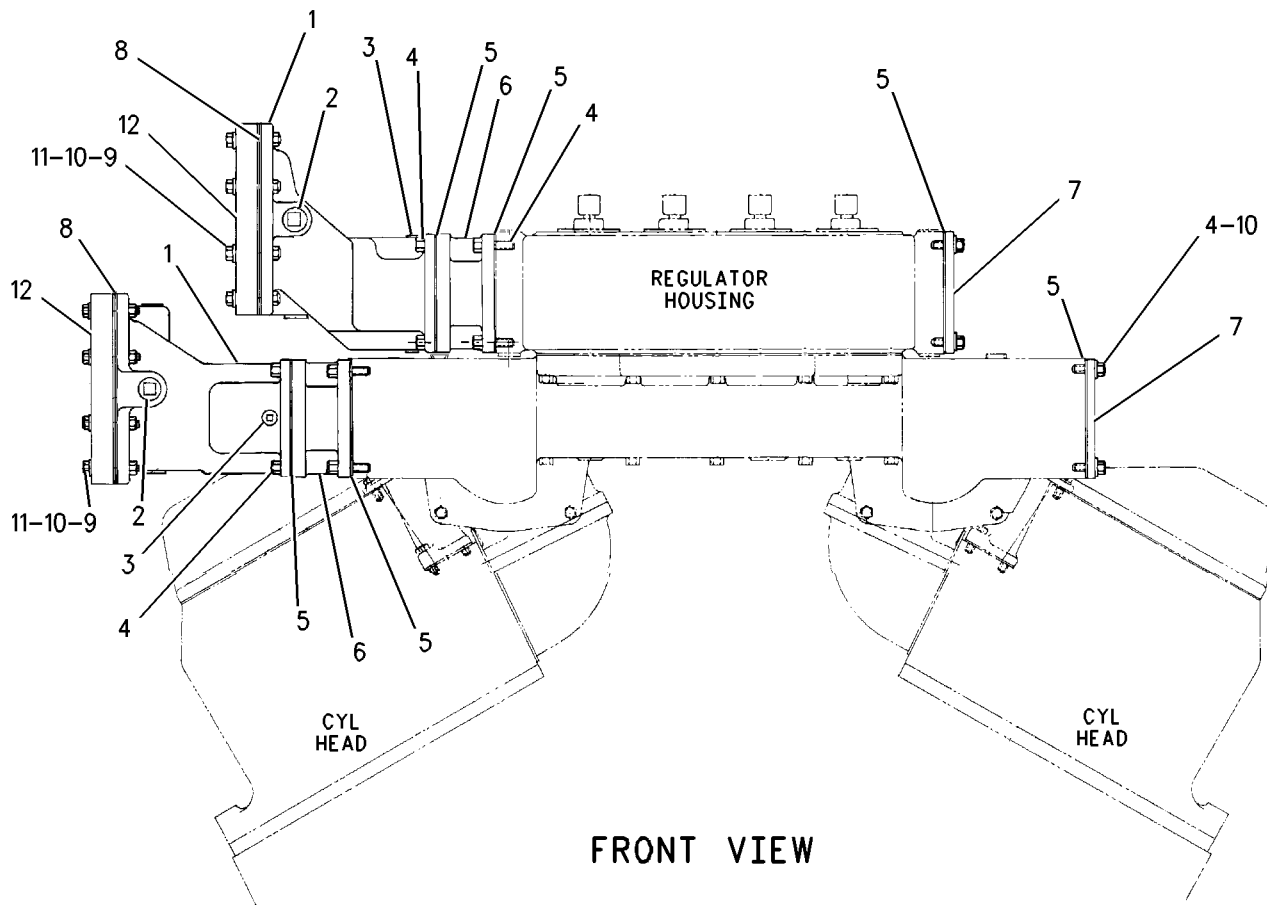
COOLING SYSTEM

7W-5848 CONNECTION GP-WATER-INLET, RH AN ATTACHMENT

SMCS - 1380

i02160294

NOTE	REF NO	GRAPHIC REF	PART NUMBER	QTY	PART NAME						SEE PAGE
					1	2	3	4	5	6 (PRODUCT LEVEL)	
	1	1	1W-2639	2	ADAPTER - EXCHANGER						
	2	1	8T-6762	6	PLUG - PIPE						
	3	1	8T-6758	4	PLUG - PIPE						
	4	1	0S-1594	24	BOLT (3/8-16X1-IN)						
	5	1	7E-6016	6	GASKET						
	6	1	7W-5849	2	SPACER						
	7	1	7E-6017	2	COVER						
	8	1	1S-5772	2	GASKET						
	9	1	0S-1590	16	BOLT (3/8-16X2-IN)						
	10	1	5M-2894	24	WASHER-HARD (10.2X18.5X2.5-MM THK)						
	11	1	9S-8752	16	NUT-FULL (3/8-16-THD)						
	12	1	7N-7009	2	FLANGE						



GRAPHIC #1

<END>

g00705458

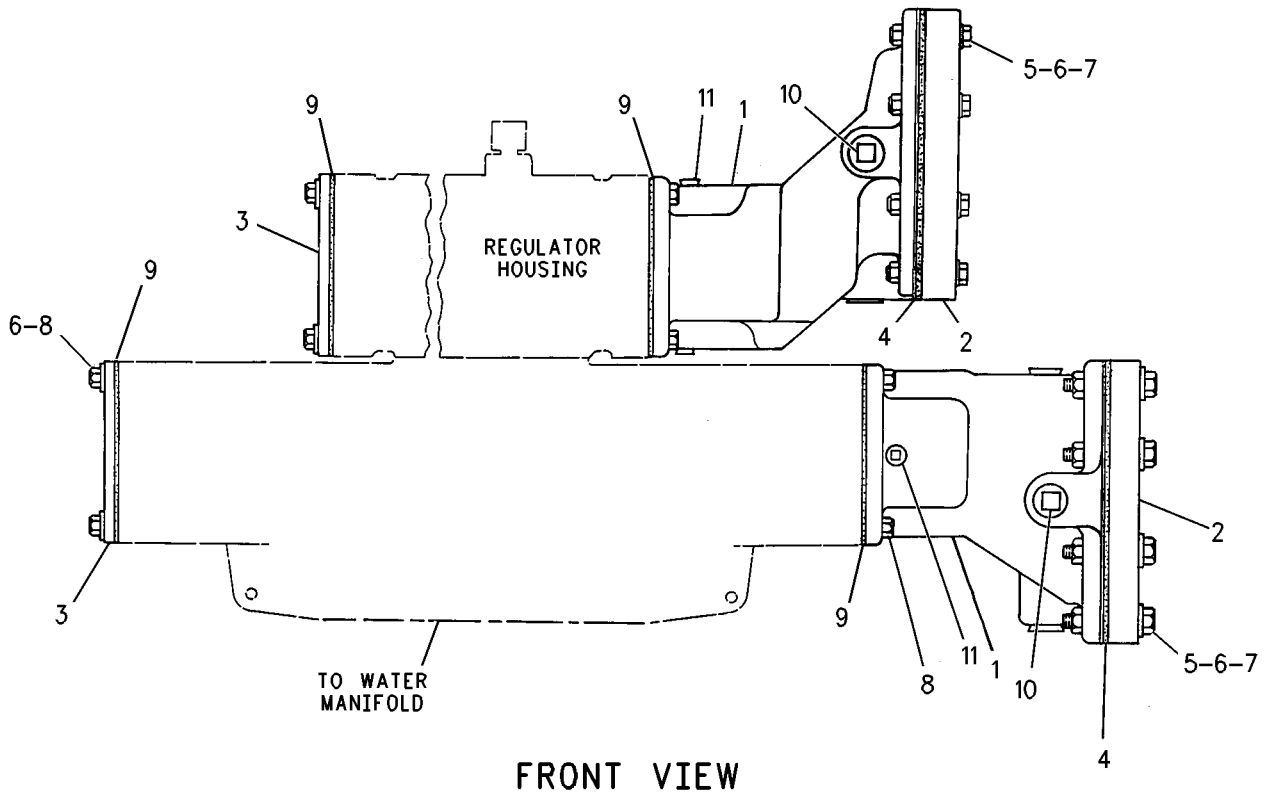
COOLING SYSTEM

8N-8993 CONNECTION GP-WATER-INLET, LH

SMCS-1380

i02356688

NOTE	REF NO	GRAPHIC REF	PART NUMBER	QTY	PART NAME						SEE PAGE
					1	2	3	4	5	6 (PRODUCT LEVEL)	
	1	1	1W-2639	2	ADAPTER-EXCHANGER						
	2	1	7N-7009	2	FLANGE						
	3	1	7E-6017	2	COVER						
	4	1	1S-5772	2	GASKET						
	5	1	0S-1590	16	BOLT (3/8-16X2-IN)						
	6	1	5M-2894	24	WASHER-HARD (10.2X18.5X2.5-MM THK)						
	7	1	9S-8752	16	NUT-FULL (3/8-16-THD)						
	8	1	0S-1594	16	BOLT (3/8-16X1-IN)						
	9	1	7E-6016	4	GASKET						
	10	1	8T-6762	6	PLUG-PIPE						
	11	1	8T-6758	4	PLUG-PIPE						



FRONT VIEW

GRAPHIC #1

<END>

g00863463

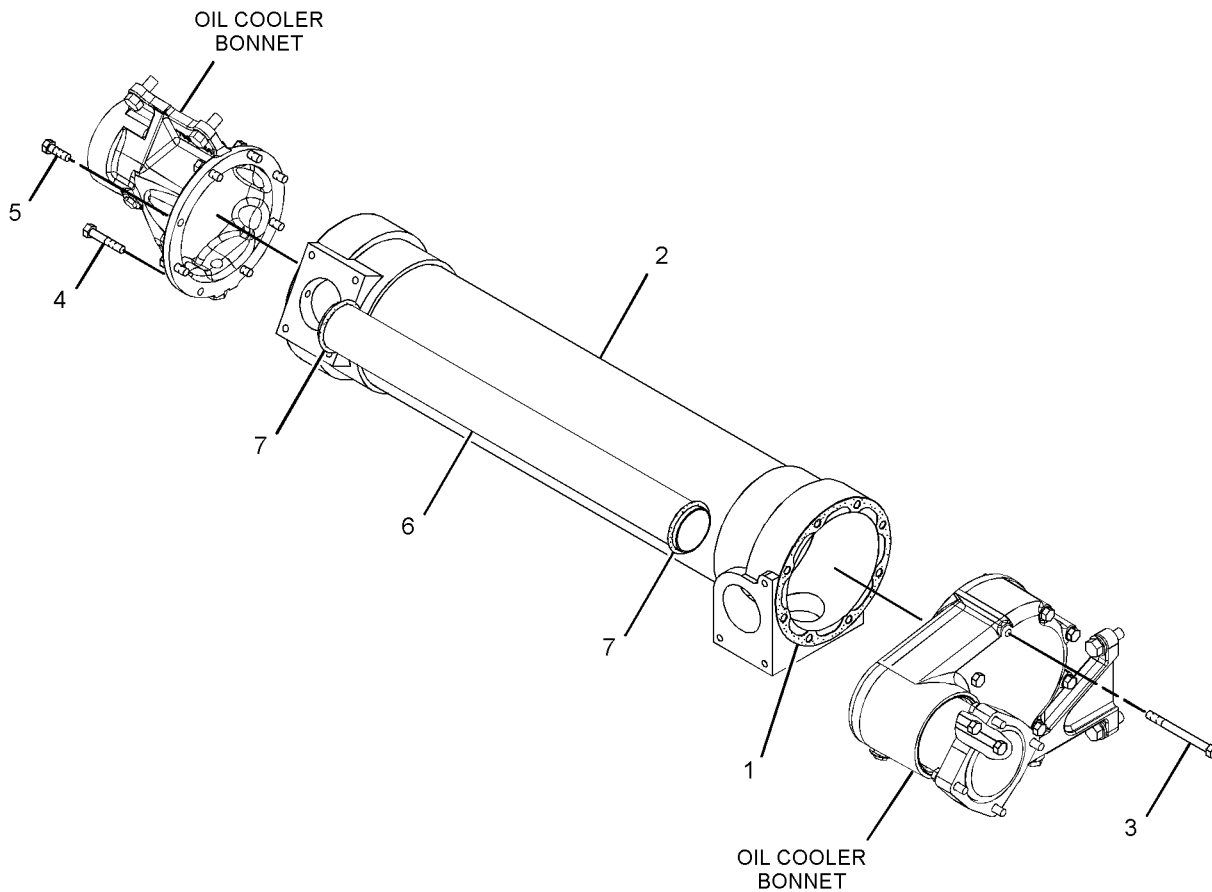
COOLING SYSTEM

312-3150 COOLER GP-ENGINE OIL

SMCS-1378

i02773975

NOTE	REF NO	GRAPHIC REF	PART NUMBER	QTY	PART NAME						SEE PAGE
					1	2	3	4	5	6 (PRODUCT LEVEL)	
	1	1	247-3796	2	GASKET						
	2	1	311-7792	1	CORE AS-ENGINE OIL COOLER						
		1	8L-2786	1	SEAL-O-RING						
		1	9S-4185	1	PLUG-O-RING						
	3	1	8S-9191	8	BOLT (3/8-16X4-IN)						
	4	1	0S-1590	2	BOLT (3/8-16X2-IN)						
	5	1	1A-2029	6	BOLT (3/8-16X1.125-IN)						
	6	1	7W-1929	1	TUBE						
	7	1	109-2332	2	SEAL-O-RING						



GRAPHIC #1

<END>

g01396143

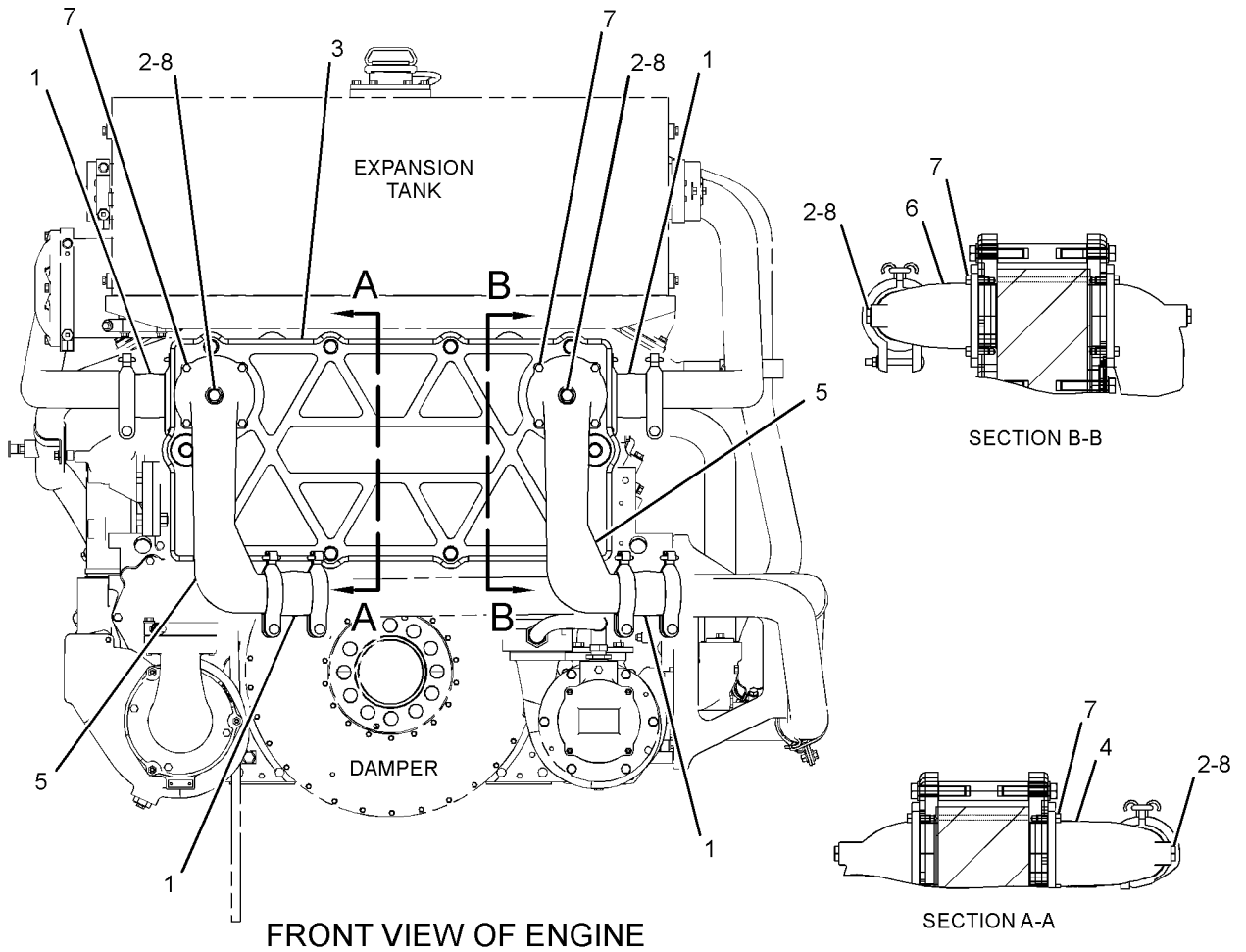
COOLING SYSTEM

293 - 3396 HEAT EXCHANGER GP AN ATTACHMENT

SMCS - 1379

i03097668

NOTE	REF NO	GRAPHIC REF	PART NUMBER	QTY	PART NAME						SEE PAGE
					1	2	3	4	5	6 (PRODUCT LEVEL)	
	1	1	7L-3201	4	JOINT AS - TUBE						
					(EACH INCLUDES)						
		1	8L-8585	2	SEAL						
	2	1	287-7296	4	PLUG - BRASS						
	3	1	300-5617	1	HEAT EXCHANGER GP - SEA WATER						
	4	1	304-4498	1	ELBOW						
	5	1	304-4499	2	ELBOW						
	6	1	316-4345	1	ELBOW						
	7	1	8T-2502	16	BOLT (3/8-16X1.125-IN)						
	8	1	8T-7877	4	SEAL - O-RING						



GRAPHIC #1

<END>

g01617614

COOLING SYSTEM

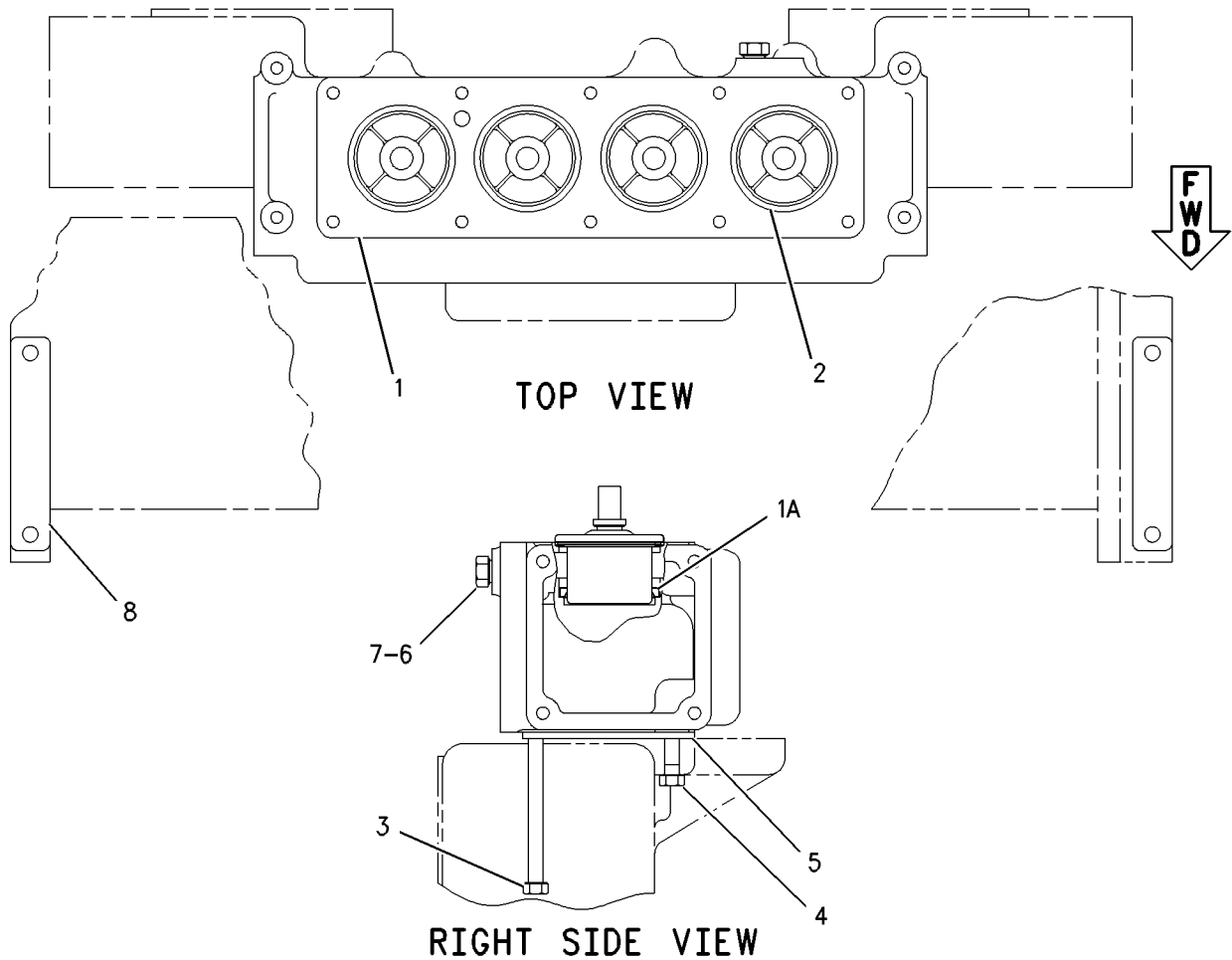
8N-7643 HOUSING & REGULATOR GP-INLET FOR USE WITH EXPANSION TANK AND STANDBY GENERATOR ENGINE

SMCS-1355, 1393

i02882184

NOTE	REF NO	GRAPHIC REF	PART NUMBER	QTY	PART NAME						SEE PAGE
					1	2	3	4	5	6 (PRODUCT LEVEL)	
	1	1	7E-6466	1	HOUSING AS-REGULATOR						
	1A	1	3S-9643	4	SEAL-LIP TYPE (WATER TEMPERATURE REGULATOR)						
C	2	1	6I-4950	4	REGULATOR-WATER TEMPERATURE (92-DEG C)						
	3	1	1A-5183	5	BOLT (3/8-16X4.75-IN)						
	4	1	0S-1588	5	BOLT (3/8-16X1.25-IN)						
	5	1	7N-4927	1	GASKET-HOUSING COVER						
C	6	1	9S-4182	1	PLUG-O-RING						
C	7	1	6V-9027	1	SEAL-O-RING						
BC	8	1	106-3512	2	PLATE						

B- USE AS REQUIRED
C- CHANGE FROM PREVIOUS TYPE



GRAPHIC #1

<END>

g00994923

COOLING SYSTEM

107-0475 LINES GP-WATER-UPPER

SMCS-1355, 1380, 1393

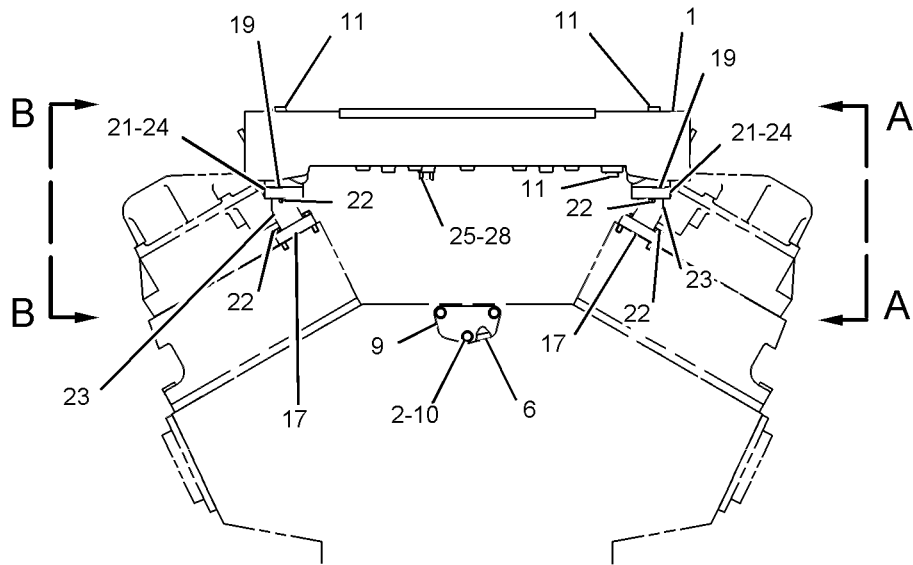
i02041159

NOTE	REF NO	GRAPHIC REF	PART NUMBER	QTY	PART NAME						SEE PAGE
					1	2	3	4	5	6 (PRODUCT LEVEL)	
	1	1	111-9374	1	HOUSING-REGULATOR						
	2	1	5M-2894	6	WASHER-HARD (10.2X18.5X2.5-MM THK)						
	3	1	154-1617	1	MANIFOLD (FRONT, RH) (RH)						
	4	1	4P-3897	2	MANIFOLD (INTERMEDIATE)						
	5	1	122-8856	2	GASKET						
	6	1	7N-3368	2	GASKET						
	7	1	8T-6765	2	PLUG-PIPE						
	8	1	8T-6761	2	PLUG-PIPE						
	9	1	7N-3297	2	COVER						
	10	1	0S-1594	30	BOLT (3/8-16X1-IN)						
	11	1	8T-6762	4	PLUG-PIPE						
	12	1	133-8382	12	BRACKET						
	13	1	0S-1618	46	BOLT (5/16-18X1-IN)						
	14	1	9M-1974	46	WASHER-HARD (8.8X16X2-MM THK)						
	15	1	154-1616	1	MANIFOLD (FRONT, LH) (LH)						
	16	1	243-2288	4	GASKET						
	17	1	127-2176	12	SEAL-INTEGRAL						
	18	1	111-8276	1	MANIFOLD (REAR, LH) (LH)						
	19	1	241-5928	12	GASKET						
	20	1	111-8277	1	MANIFOLD (REAR, RH) (RH)						
	21	1	2W-3146	12	FLANGE						
	22	1	1B-7182	48	BOLT (5/16-18X1.25-IN)						
	23	1	8N-7639	12	ELBOW						
	24	1	6V-9769	12	SEAL-O-RING						
	25	1	6V-9027	1	SEAL-O-RING						
	26	1	6V-6609	2	SEAL-O-RING						
	27	1	9S-4185	2	PLUG-O-RING						
	28	1	9S-4182	1	PLUG-O-RING						

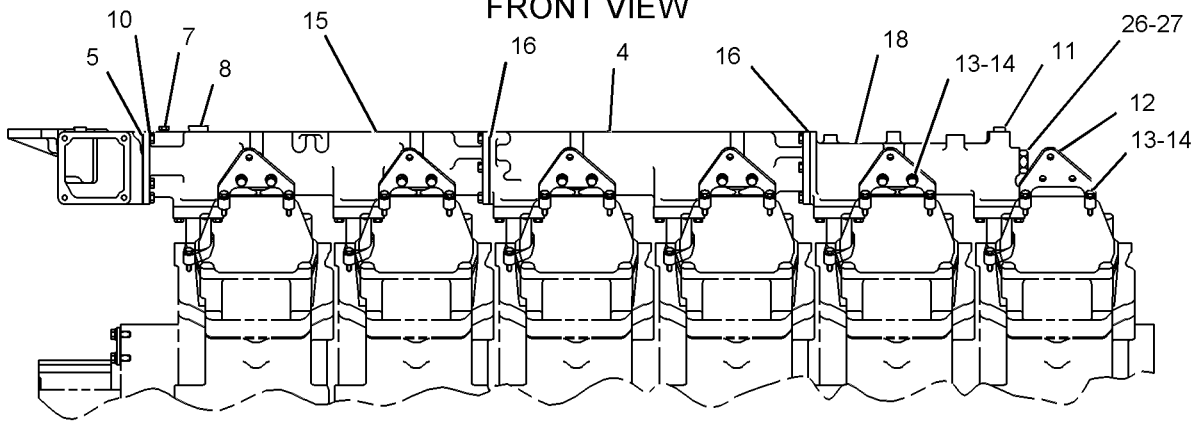
COOLING SYSTEM

107-0475 LINES GP-WATER (contd.)

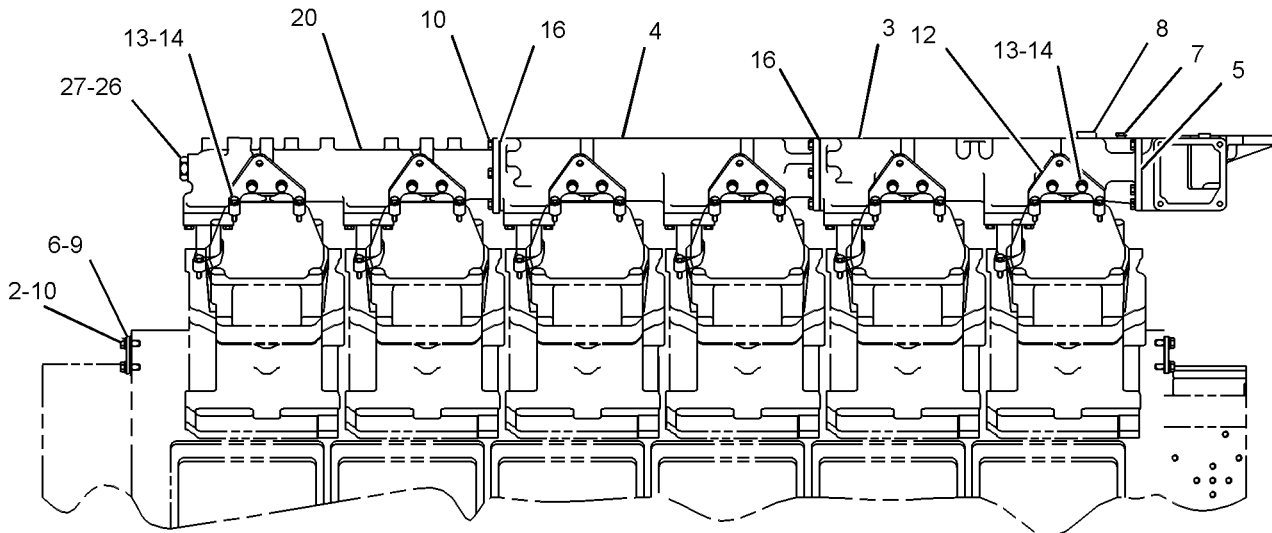
i02041159



FRONT VIEW



VIEW A-A



VIEW B-B

GRAPHIC #1

<END>

g01049946

COOLING SYSTEM

114-3376 LINES GP-WATER-LOWER

SMCS-1355, 1380, 1393

i02807274

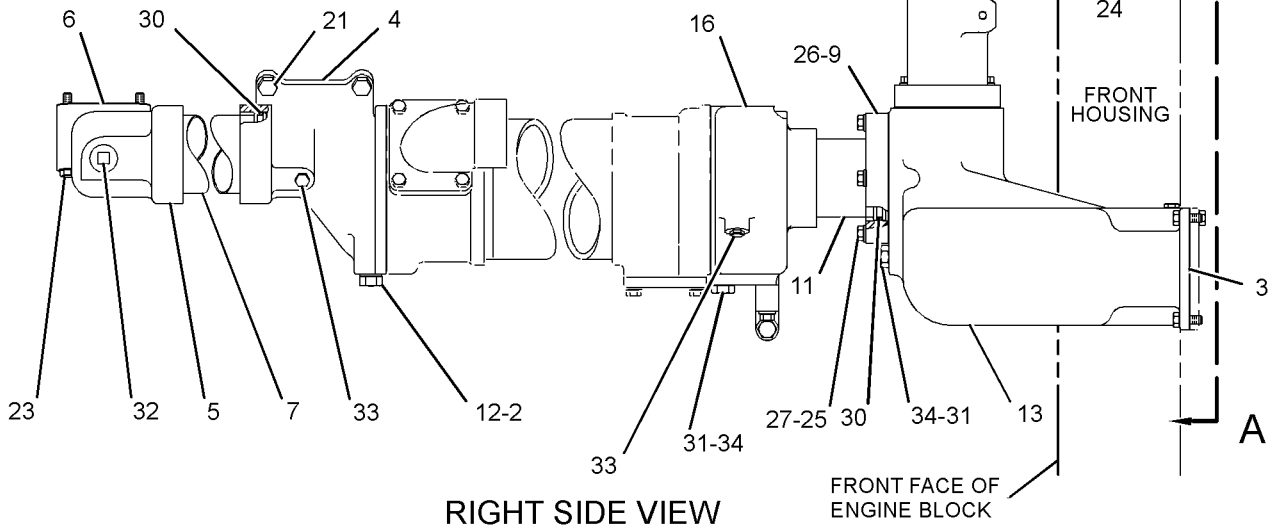
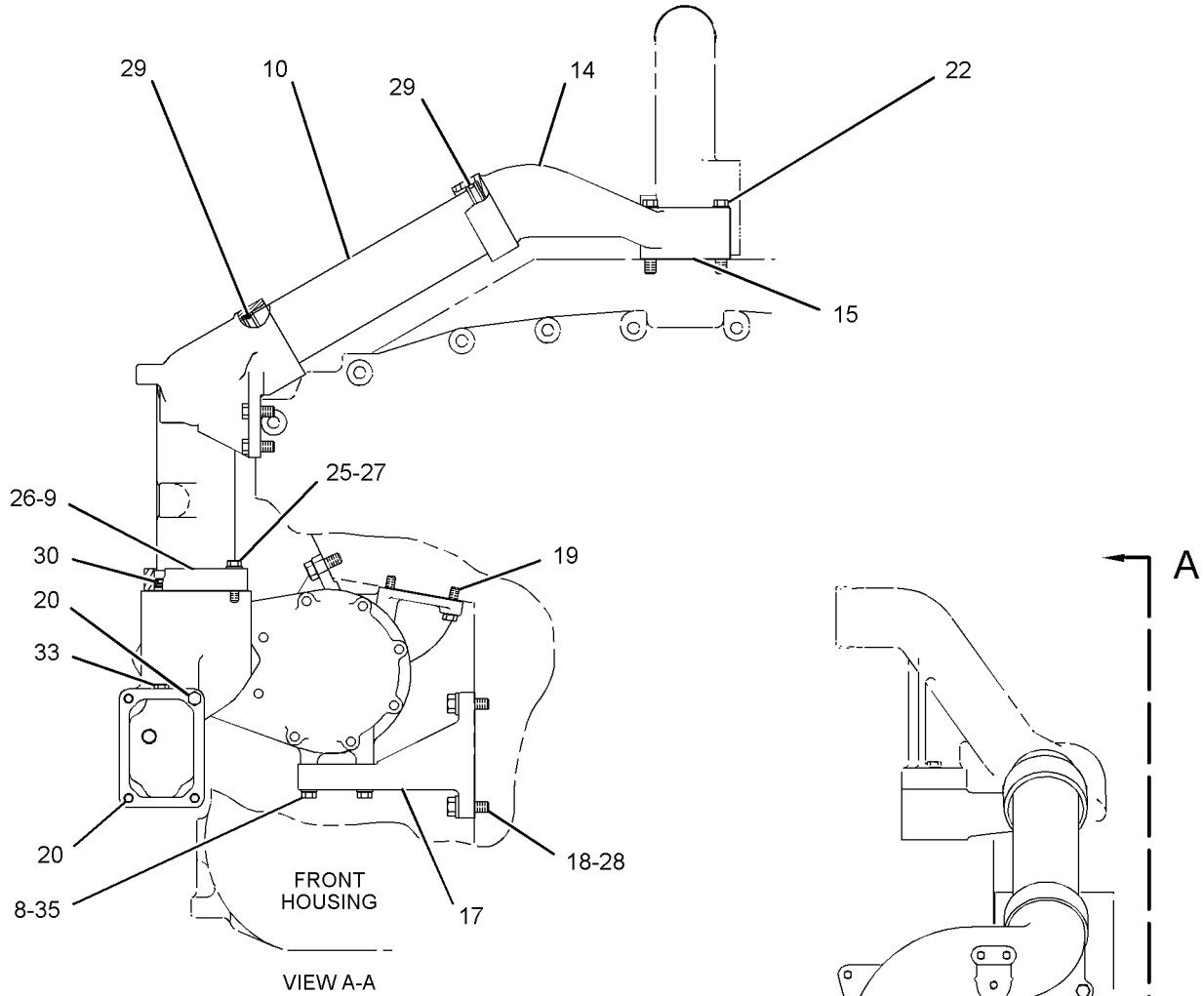
NOTE	REF NO	GRAPHIC REF	PART NUMBER	QTY	PART NAME						SEE PAGE
					1	2	3	4	5	6 (PRODUCT LEVEL)	
	1	1	1N-4087	1	ELBOW						
	2	1	4B-8407	1	GASKET - COPPER						
	3	1	7N-4932	1	GASKET						
	4	1	7N-4941	1	BONNET-OIL COOLER						
	5	1	7N-4944	1	ELBOW						
	6	1	7N-4945	1	GASKET						
	7	1	7N-9044	1	TUBE						
	8	1	8B-9725	2	BOSS						
	9	1	8N-0386	2	FLANGE						
	10	1	8N-1989	1	TUBE						
	11	1	8N-7641	1	TUBE						
	12	1	9M-4202	1	PLUG-DRAIN (OIL COOLER)						
	13	1	120-7421	1	ADAPTER						
	14	1	141-9285	1	ELBOW						
	15	1	230-1072	1	GASKET						
C	16	1	278-0539	1	HOUSING-OIL COOLER						
C	17	1	278-0540	1	BRACKET						
	18	1	0S-1585	2	BOLT (1/2-13X1.5-IN)						
	19	1	0S-1588	2	BOLT (3/8-16X1.25-IN)						
	20	1	0S-1594	4	BOLT (3/8-16X1-IN)						
	21	1	0S-1595	2	BOLT (1/2-13X1.25-IN)						
	22	1	0S-1619	2	BOLT (3/8-16X3-IN)						
	23	1	0T-0065	2	BOLT (3/8-16X3.5-IN)						
	24	1	1A-2029	2	BOLT (3/8-16X1.125-IN)						
	25	1	2A-4639	6	BOLT (3/8-16X1.625-IN)						
	26	1	4N-1320	2	GASKET						
C	27	1	5M-2894	8	WASHER-HARD (10.2X18.5X2.5-MM THK)						
	28	1	5P-8245	2	WASHER-HARD (13.5X25.5X3-MM THK)						
	29	1	6V-1454	2	SEAL-O-RING						
	30	1	6V-5066	5	SEAL-O-RING						
	31	1	6V-6609	2	SEAL-O-RING						
	32	1	8T-6761	1	PLUG-PIPE						
	33	1	8T-6765	3	PLUG-PIPE						
	34	1	9S-4185	2	PLUG-O-RING						
C	35	1	9X-8873	2	BOLT (1/2-13X2.25-IN)						

C- CHANGE FROM PREVIOUS TYPE

COOLING SYSTEM

114-3376 LINES GP-WATER (contd.)

i02807274



GRAPHIC #1

<END>

g01371321

COOLING SYSTEM

289-2090 LINES GP-WATER-AFTERCOOLER

SMCS-1355, 1380, 1393

i03139875

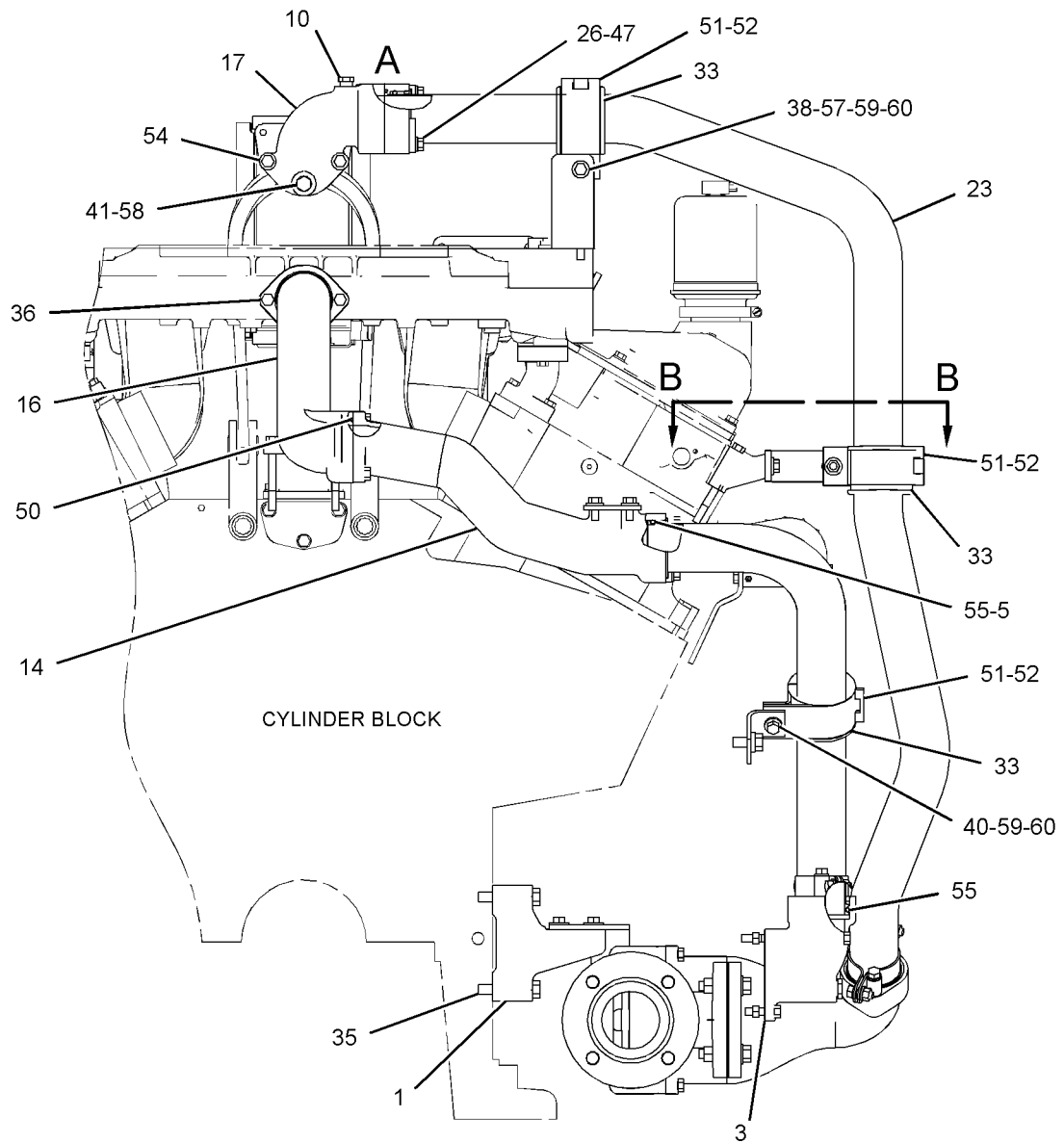
NOTE	REF NO	GRAPHIC REF	PART NUMBER	QTY	PART NAME						SEE PAGE
					1	2	3	4	5	6 (PRODUCT LEVEL)	
	1	1	1N-3872	1	SUPPORT						
	2	2	2W-5225	2	FLANGE						
	3	1	3P-6061	1	GASKET						
	5	1	4W-0530	2	RING-RETAINING						
	6	1,2	4W-0531	4	RETAINER						
	7	1,2	7C-9597	2	FLANGE						
	9	1	7N-6986	1	SUPPORT						
	10	1	8T-6767	1	PLUG-PIPE						
	11	2	110-6995	1	PLATE						
	12	2	110-9538	1	TUBE						
	13	2	111-5052	1	BRACKET						
	14	1	111-5056	1	CONNECTOR						
	15	2	114-2040	1	ELBOW						
	16	1	129-3083	1	ELBOW						
	17	1	137-8219	1	ELBOW						
	18	2	153-9481	4	CLAMP AS						
	19	2	153-9963	2	RING						
	20	2	214-0731	1	BRACKET						
	21	1	322-6347	1	BRACKET						
	22	2	261-7296	1	BRACKET AS						
	23	1	268-0028	1	TUBE						
Y	24	2	282-8537	1	VALVE GP-THERMOSTATIC						180
	25	2	0L-1351	8	BOLT (3/8-16X0.875-IN)						
	26	1	0L-2070	2	BOLT (3/8-16X2.25-IN)						
	27	1,2	0S-1571	4	BOLT (3/8-16X1.75-IN)						
	29	1,2	0S-1591	4	BOLT (3/8-16X1.5-IN)						
	30	2	0S-1594	8	BOLT (3/8-16X1-IN)						
	31	1	0T-0055	2	BOLT (3/8-16X4.25-IN)						
	32	2	0T-0065	2	BOLT (3/8-16X3.5-IN)						
	33	1	193-2120	3	GROMMET						
	34	2	1A-2029	2	BOLT (3/8-16X1.125-IN)						
	35	1	1A-5822	2	BOLT (1/2-13X2.75-IN)						
	36	1	1C-2251	2	BOLT (3/8-16X1.87-IN)						
	37	2	1F-7958	8	NUT-FULL (1/2-13-THD)						
	38	1	2A-4639	1	BOLT (3/8-16X1.625-IN)						
	39	2	2M-0849	1	WASHER-HARD (13.5X25.5X5-MM THK)						
	40	1	3B-1915	1	BOLT (3/8-16X1.375-IN)						
	41	1	3J-1907	1	SEAL-O-RING						
	42	2	3V-3308	2	WASHER-HARD (10.2X20.5X2.5-MM THK)						
	43	2	4F-7387	1	SEAL-O-RING						
	44	2	5B-0841	4	BOLT (5/8-18X1.75-IN)						
	45	2	5B-2638	2	BOLT (3/8-16X5.25-IN)						
	46	2	5B-4399	1	SEAL-O-RING						
	47	1,2	5M-2894	18	WASHER-HARD (10.2X18.5X2.5-MM THK)						
	48	2	5P-8245	8	WASHER-HARD (13.5X25.5X3-MM THK)						
	49	2	6H-1717	1	BOLT (1/2-13X1.125-IN)						
	50	1,2	6J-2680	4	SEAL-O-RING						
	51	1	6V-1867	3	CLIP (SLOT)						
	52	1	6V-1868	3	CLIP (TAB)						
	53	2	7W-6492	1	PLUG-PIPE						
	54	1	8S-9191	2	BOLT (3/8-16X4-IN)						
	55	1,2	8T-1919	4	SEAL-O-RING						
	56	2	9L-9132	2	WASHER (10.2X25.5X2.5-MM THK)						
	57	1	9R-5008	1	SPACER (11X20X6-MM THK)						
	58	1	9S-4191	1	PLUG-O-RING						
	59	1,2	9S-8752	12	NUT-FULL (3/8-16-THD)						
	60	1,2	9X-6458	12	WASHER-HARD (10.2X22.5X3-MM THK)						
	61	2	9X-8873	8	BOLT (1/2-13X2.25-IN)						
	62	2	0Y-6802	2	GASKET						

COOLING SYSTEM

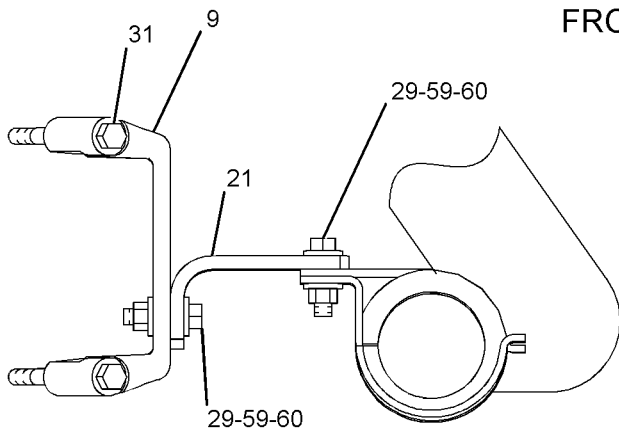
289 - 2090 LINES GP - WATER (contd.)

i03139875

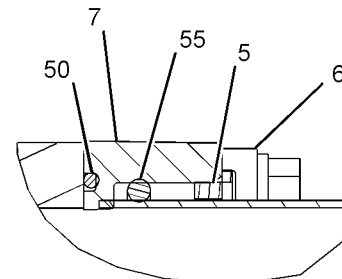
Y - SEPARATE ILLUSTRATION



FRONT VIEW OF ENGINE



SECTION B-B



VIEW OF AREA A

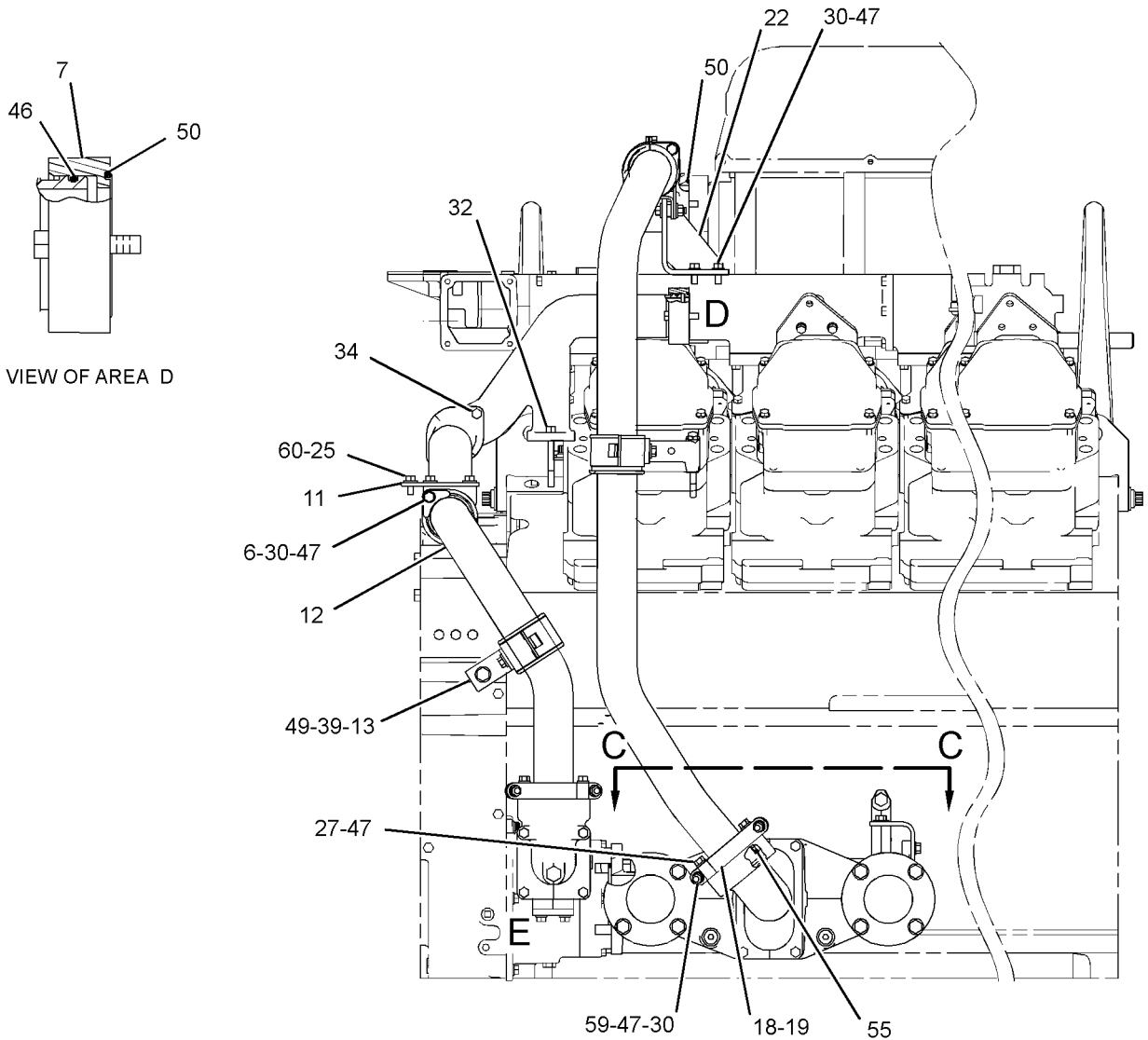
GRAPHIC #1

g01619442

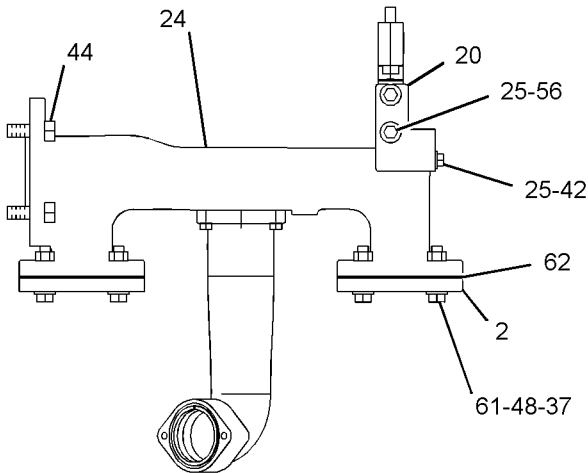
COOLING SYSTEM

289 - 2090 LINES GP - WATER (contd.)

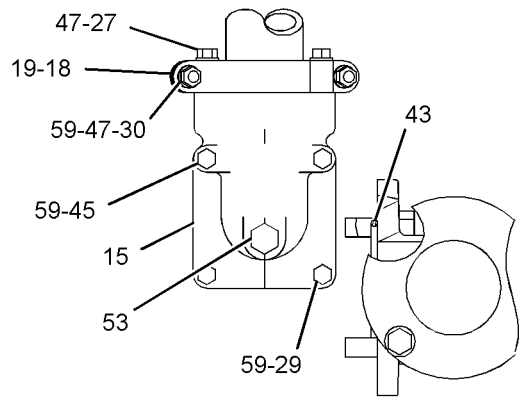
i03139875



LEFT SIDE VIEW OF ENGINE



SECTION C-C



VIEW OF AREA E

GRAPHIC #2

<END>

g01619444

COOLING SYSTEM

293-3410 LINES GP-WATER-SEPARATE CIRCUIT AFTERCOOLER AN ATTACHMENT

SMCS-1355, 1380, 1393

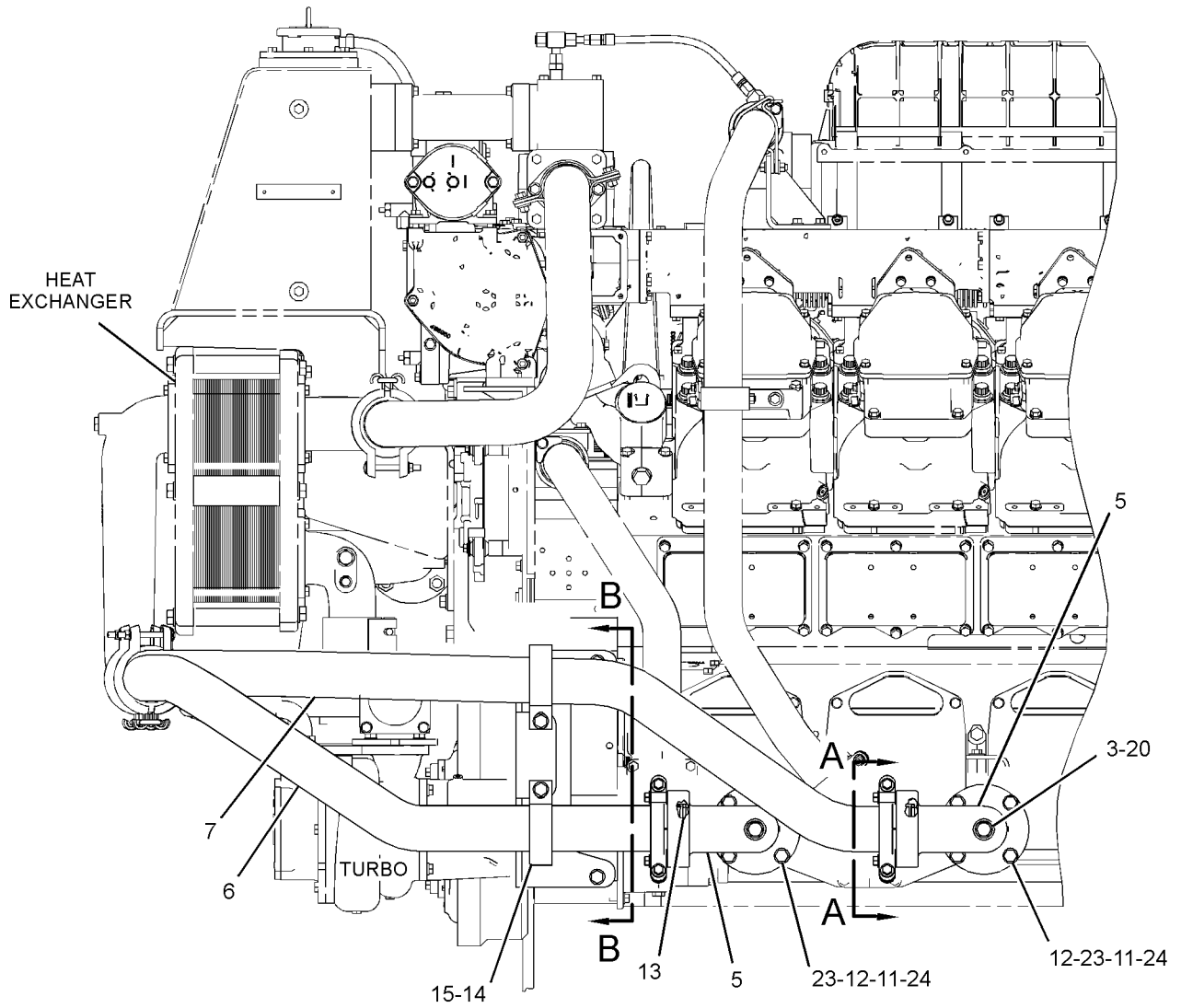
i03097640

NOTE	REF NO	GRAPHIC REF	PART NUMBER	QTY	PART NAME						SEE PAGE
					1	2	3	4	5	6 (PRODUCT LEVEL)	
	1	1	7E-7209	2	RING-RETAINING						
	2	1	124-6333	4	CLAMP AS						
	3	1	287-7296	2	PLUG-BRASS						
	4	1	293-3411	1	BRACKET						
	5	1	293-3413	2	ELBOW						
	6	1	304-4420	1	TUBE						
	7	1	304-4423	1	TUBE						
	8	1	0S-1571	4	BOLT (3/8-16X1.75-IN)						
	9	1	0S-1594	4	BOLT (3/8-16X1-IN)						
	10	1	0S-1595	3	BOLT (1/2-13X1.25-IN)						
	11	1	1F-7958	8	NUT-FULL (1/2-13-THD)						
	12	1	5P-8245	19	WASHER-HARD (13.5X25.5X3-MM THK)						
	13	1	6V-1454	2	SEAL-O-RING						
	14	1	6V-5039	2	CLIP (SLOT)						
	15	1	6V-5040	2	CLIP (TAB)						
	16	1	6V-5839	4	WASHER (11X21X2.5-MM THK)						
	17	1	6V-8188	2	NUT (1/2-13-THD)						
	18	1	7X-0325	2	BOLT (1/2-13X2.5-IN)						
	19	1	8T-4223	4	WASHER-HARD (13.5X25.5X3-MM THK)						
	20	1	8T-7877	2	SEAL-O-RING						
	21	1	9S-8752	4	NUT-FULL (3/8-16-THD)						
	22	1	9X-6458	8	WASHER-HARD (10.2X22.5X3-MM THK)						
	23	1	9X-8873	8	BOLT (1/2-13X2.25-IN)						
	24	1	9Y-6893	2	GASKET						

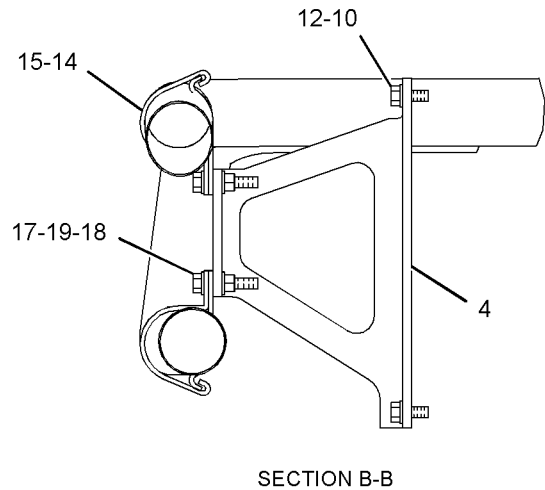
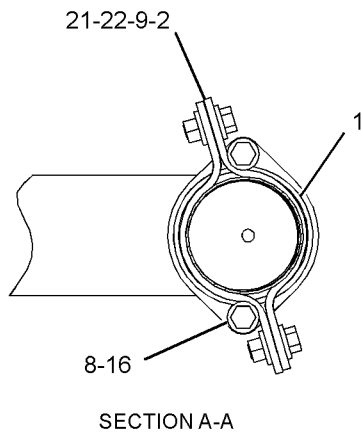
COOLING SYSTEM

293-3410 LINES GP-WATER (contd.)

i03097640



LEFT SIDE VIEW OF ENGINE



GRAPHIC #1

<END>

g01617835

COOLING SYSTEM

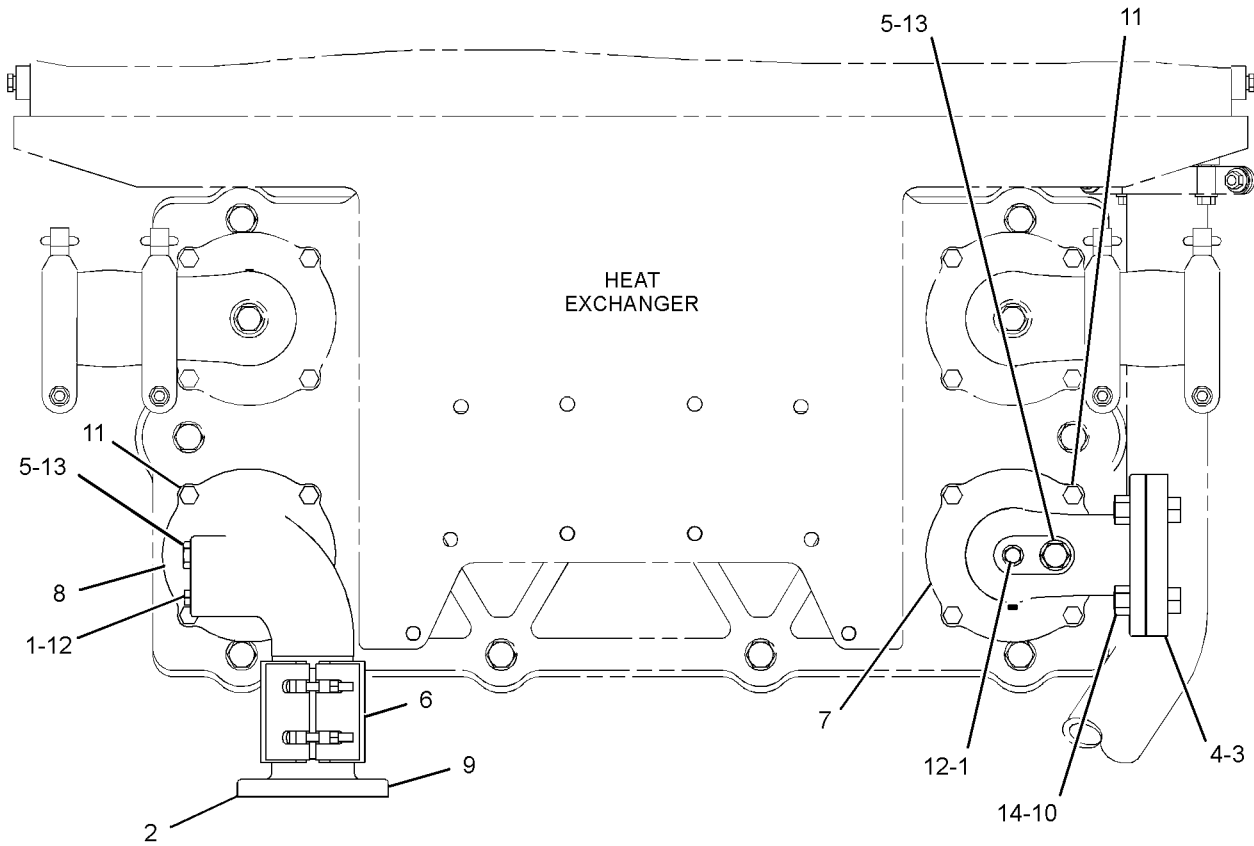
302-4519 LINES GP-WATER-HEAT EXCHANGER AN ATTACHMENT

SMCS-1355, 1380, 1393

i03196898

NOTE	REF NO	GRAPHIC REF	PART NUMBER	QTY	PART NAME						SEE PAGE
					1	2	3	4	5	6 (PRODUCT LEVEL)	
	1	1	116-7011	2	ROD-ZINC (HEAT EXCHANGER)						
	2	1	144-6074	1	GASKET						
	3	1	161-6244	1	GASKET						
	4	1	201-4670	1	COVER						
	5	1	287-7296	2	PLUG-BRASS						
	6	1	300-6871	1	COUPLING AS						
	7	1	304-4418	1	ELBOW						
	8	1	304-4419	1	ELBOW						
	9	1	304-4500	1	FLANGE						
	10	1	4K-0367	4	NUT-FULL (5/8-11-THD)						
M	11	1	6V-4248	8	BOLT (M10X1.5X25-MM)						
	12	1	6V-9027	2	SEAL-O-RING						
	13	1	8T-7877	2	SEAL-O-RING						
	14	1	9X-8880	4	BOLT (5/8-11X2-IN)						

M-METRIC PART



REAR VIEW OF ENGINE

GRAPHIC #1

<END>

g01333937

COOLING SYSTEM

302-5307 LINES GP-WATER-JACKET WATER HEATER AN ATTACHMENT

SMCS-1355, 1380, 1393

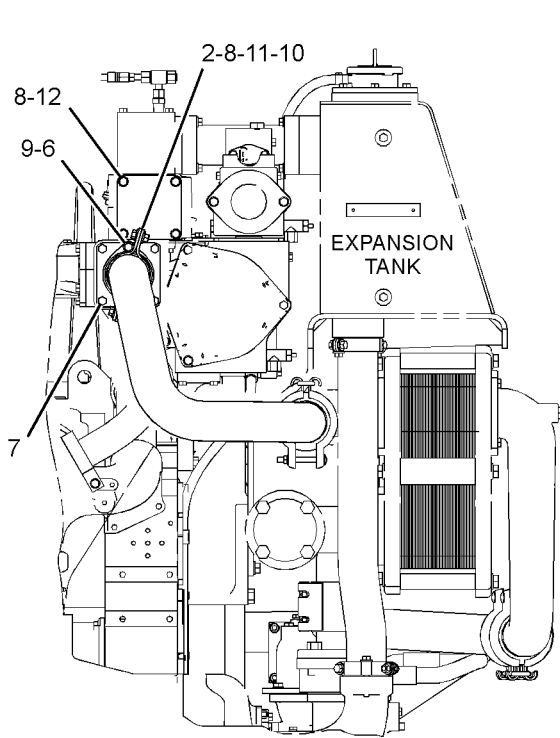
i03096320

NOTE	REF NO	GRAPHIC REF	PART NUMBER	QTY	PART NAME						SEE PAGE
					1	2	3	4	5	6 (PRODUCT LEVEL)	
	1	1	7E-6016	4	GASKET						
	2	1	124-6333	4	CLAMP AS						
	3	1	293-3412	2	FLANGE						
	4	1	304-4424	1	TUBE						
	5	1	304-4497	1	TUBE						
	6	1	0S-1571	4	BOLT (3/8-16X1.75-IN)						
	7	1	0S-1588	8	BOLT (3/8-16X1.25-IN)						
	8	1	0S-1594	12	BOLT (3/8-16X1-IN)						
	9	1	6V-5839	4	WASHER (11X21X2.5-MM THK)						
	10	1	9S-8752	4	NUT-FULL (3/8-16-THD)						
	11	1	9X-6458	8	WASHER-HARD (10.2X22.5X3-MM THK)						
	12	1	5M-2894	8	WASHER-HARD (10.2X18.5X2.5-MM THK)						
	13	1	7E-6017	2	COVER						
	14	1	7E-7209	2	RING-RETAINING						

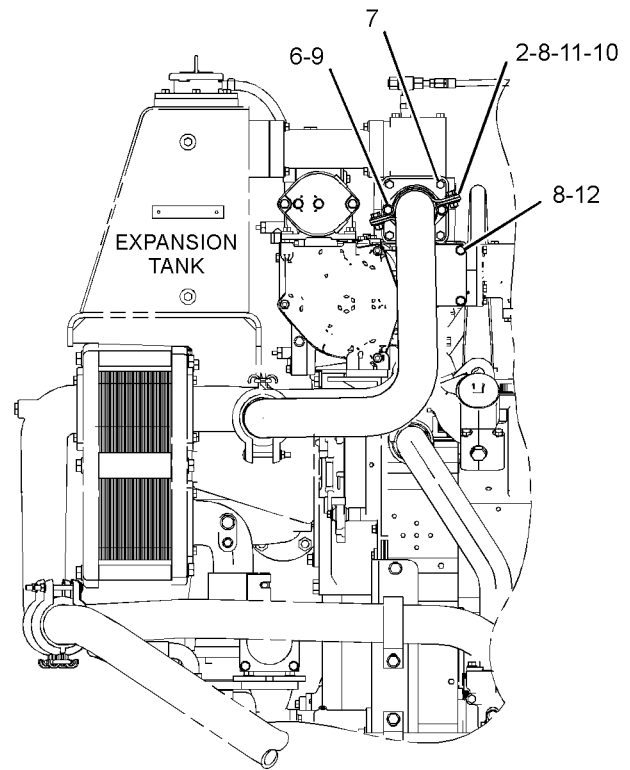
COOLING SYSTEM

302-5307 LINES GP-WATER (contd.)

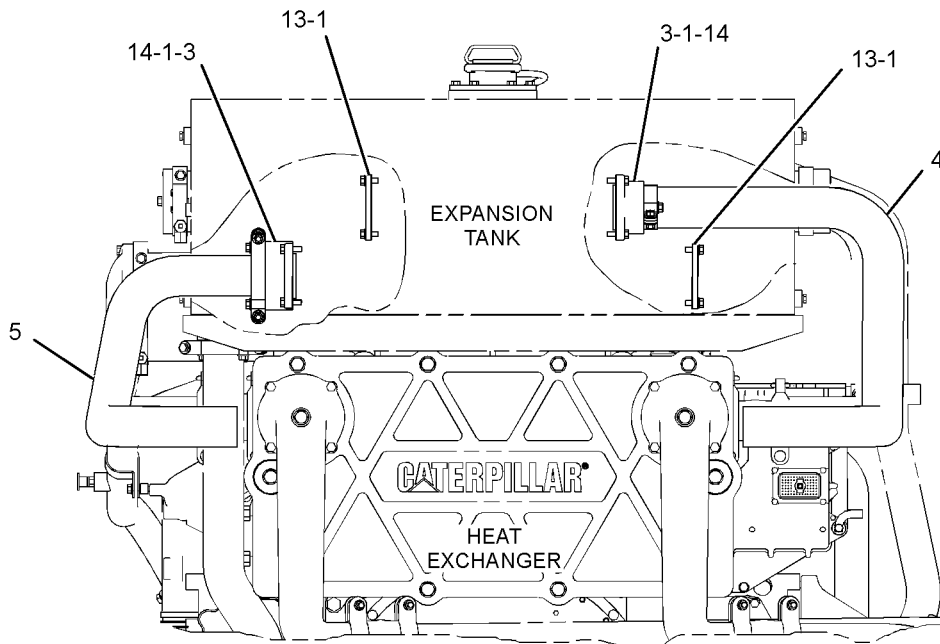
i03096320



RIGHT SIDE VIEW OF ENGINE



LEFT SIDE VIEW OF ENGINE



FRONT VIEW OF ENGINE

GRAPHIC #1

<END>

g01617853

COOLING SYSTEM

308 - 6830 LINES GP - WATER-TURBOCHARGER

SMCS - 1355, 1380, 1393

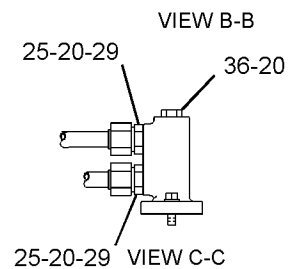
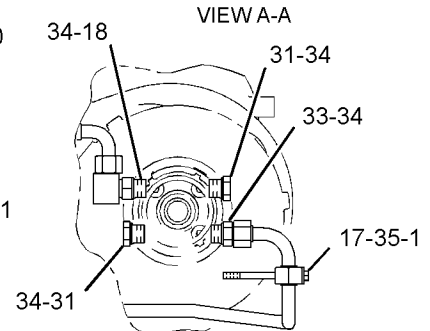
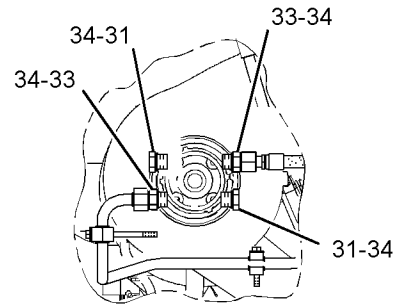
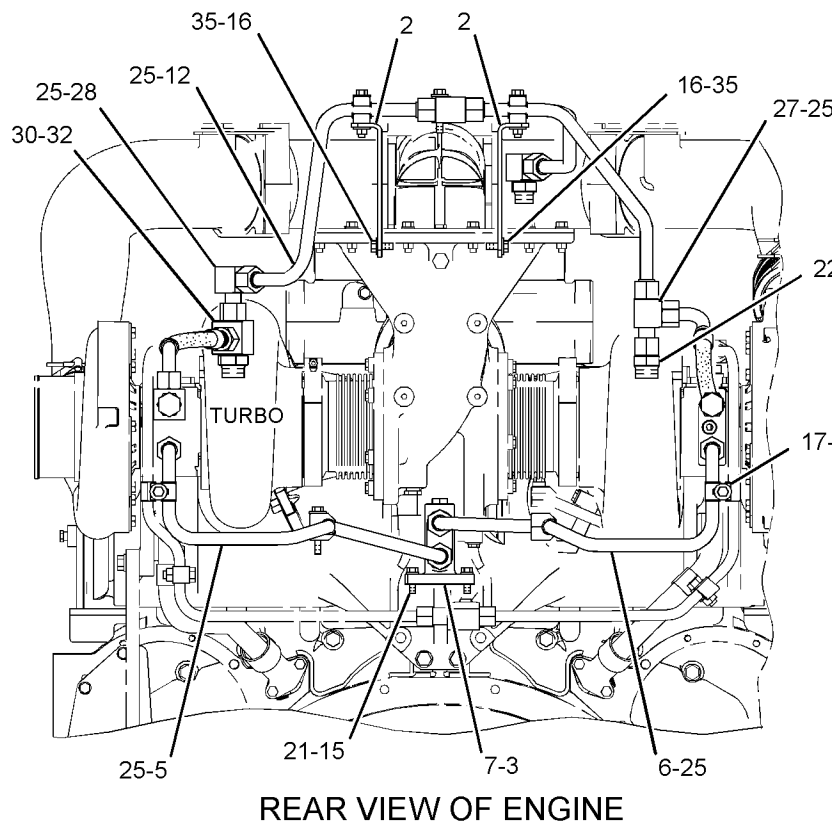
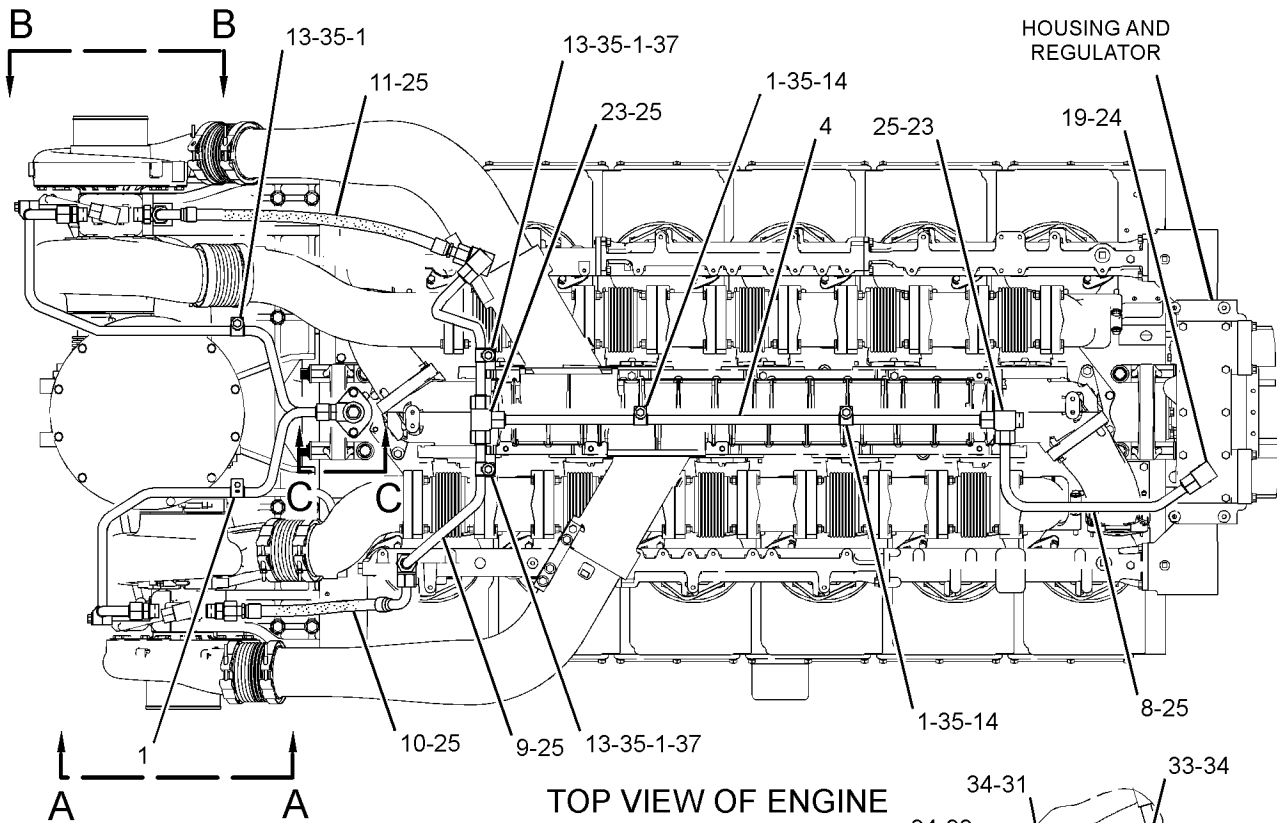
i02845778

NOTE	REF NO	GRAPHIC REF	PART NUMBER	QTY	PART NAME						SEE PAGE
					1	2	3	4	5	6 (PRODUCT LEVEL)	
	1	1	4P-3563	16	CLAMP AS						
					(EACH INCLUDES)						
		1	108-1434	1	GROMMET						
	2	1	7W-2124	2	BRACKET						
	3	1	230-1072	1	GASKET						
	4	1	282-4134	1	TUBE AS						
	5	1	282-4145	1	TUBE AS						
	6	1	282-4146	1	TUBE AS						
	7	1	282-4165	1	ADAPTER						
	8	1	289-3571	1	TUBE AS						
	9	1	308-6822	1	TUBE AS						
	10	1	313-6221	1	HOSE AS						
	11	1	313-6222	1	HOSE AS						
	12	1	313-7143	1	TUBE AS						
	13	1	0L-1143	3	BOLT (3/8-16X2.5-IN)						
	14	1	0L-2070	2	BOLT (3/8-16X2.25-IN)						
	15	1	0S-1588	2	BOLT (3/8-16X1.25-IN)						
	16	1	0S-1594	2	BOLT (3/8-16X1-IN)						
	17	1	1A-5183	2	BOLT (3/8-16X4.75-IN)						
	18	1	215-9090	1	ELBOW						
	19	1	3D-2824	1	SEAL-O-RING						
	20	1	3K-0360	3	SEAL-O-RING						
	21	1	5M-2894	2	WASHER-HARD (10.2X18.5X2.5-MM THK)						
	22	1	6V-8716	1	CONNECTOR						
	23	1	6V-8791	2	TEE-FACE SEAL						
	24	1	6V-9007	1	ELBOW						
	25	1	6V-9746	19	SEAL-O-RING						
	27	1	6V-9839	1	TEE-SWIVEL						
	28	1	6V-9853	1	ELBOW						
	29	1	6V-9874	2	CONNECTOR						
	30	1	7M-8485	2	SEAL-O-RING						
	31	1	8C-4423	4	PLUG						
	32	1	8T-1685	1	TEE						
	33	1	8T-7494	3	CONNECTOR						
	34	1	8T-7525	8	SEAL-O-RING						
	35	1	9L-9132	11	WASHER (10.2X25.5X2.5-MM THK)						
	36	1	9S-4185	1	PLUG-O-RING						
	37	1	9S-8752	2	NUT-FULL (3/8-16-THD)						

COOLING SYSTEM

308-6830 LINES GP-WATER (contd.)

i02845778



GRAPHIC #1

<END>

g01463448

COOLING SYSTEM

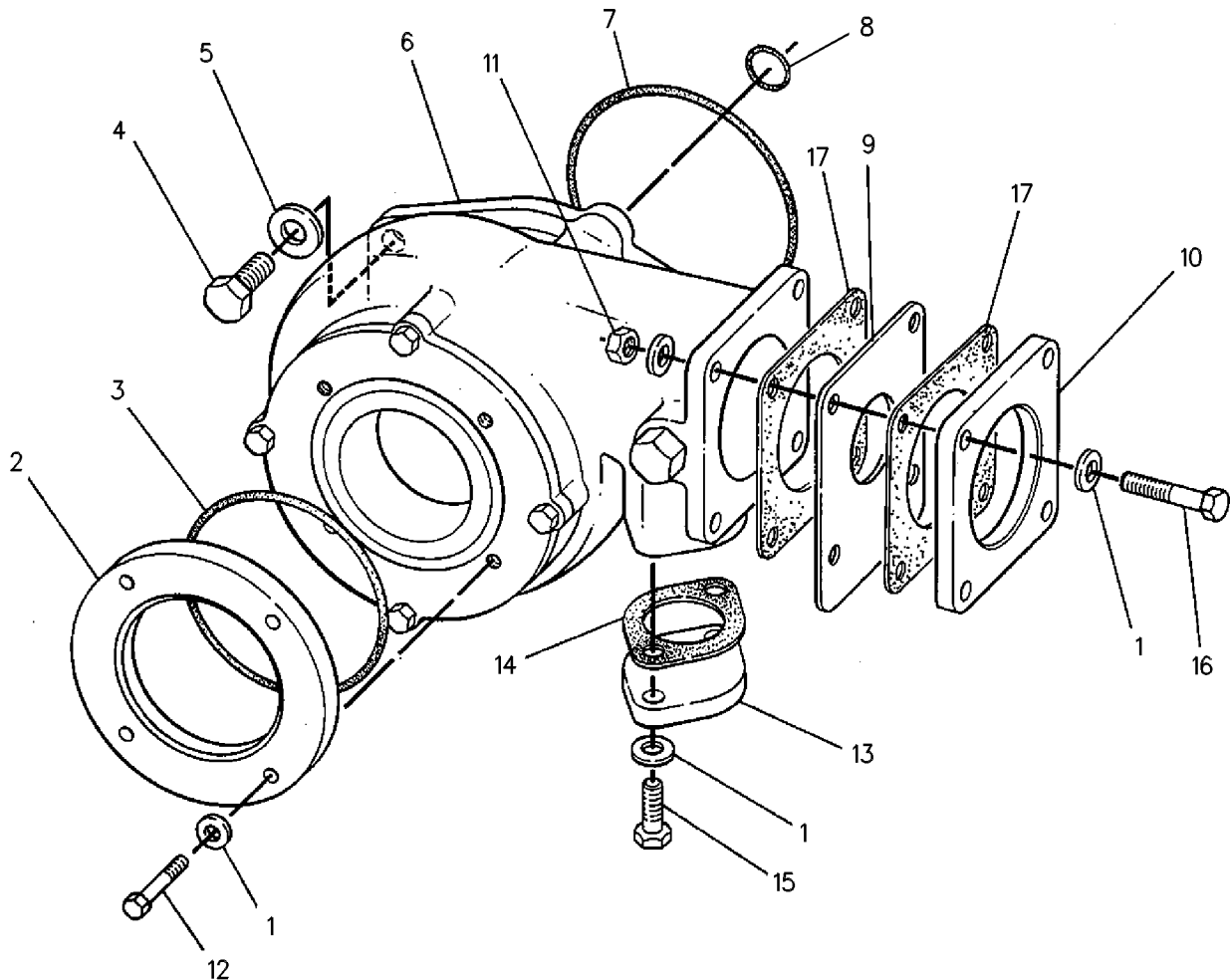
8N-8466 PUMP GP-AUXILIARY SEA WATER AN ATTACHMENT

SMCS-1371

i02945066

NOTE	REF NO	GRAPHIC REF	PART NUMBER	QTY	PART NAME						SEE PAGE
					1	2	3	4	5	6 (PRODUCT LEVEL)	
	1	1	5M-2894	14	WASHER-HARD (10.2X18.5X2.5-MM THK)						
	2	1	8N-8462	1	FLANGE						
	3	1	4F-7387	1	SEAL-O-RING						
	4	1	4B-4043	4	BOLT (5/8-11X1.375-IN)						
	5	1	5P-8247	4	WASHER-HARD (17X32X3.5-MM THK)						
Y	6	1	315-5137	1	PUMP GP-AUXILIARY SEA WATER						164
	7	1	5F-3106	1	SEAL-O-RING						
	8	1	2M-4453	1	SEAL-O-RING						
	9	1	5N-0408	1	PLATE-ORIFICE						
	10	1	5N-1845	1	FLANGE						
	11	1	9S-8752	4	NUT-FULL (3/8-16-THD)						
	12	1	0S-1588	4	BOLT (3/8-16X1.25-IN)						
	13	1	5N-1941	1	COVER						
	14	1	5N-1940	1	GASKET						
	15	1	0S-1594	2	BOLT (3/8-16X1-IN)						
	16	1	0S-1571	4	BOLT (3/8-16X1.75-IN)						
	17	1	3P-6061	2	GASKET						

Y-SEPARATE ILLUSTRATION



GRAPHIC #1

<END>

g00237826

COOLING SYSTEM

144-6080 PUMP GP-AUXILIARY SEA WATER*R

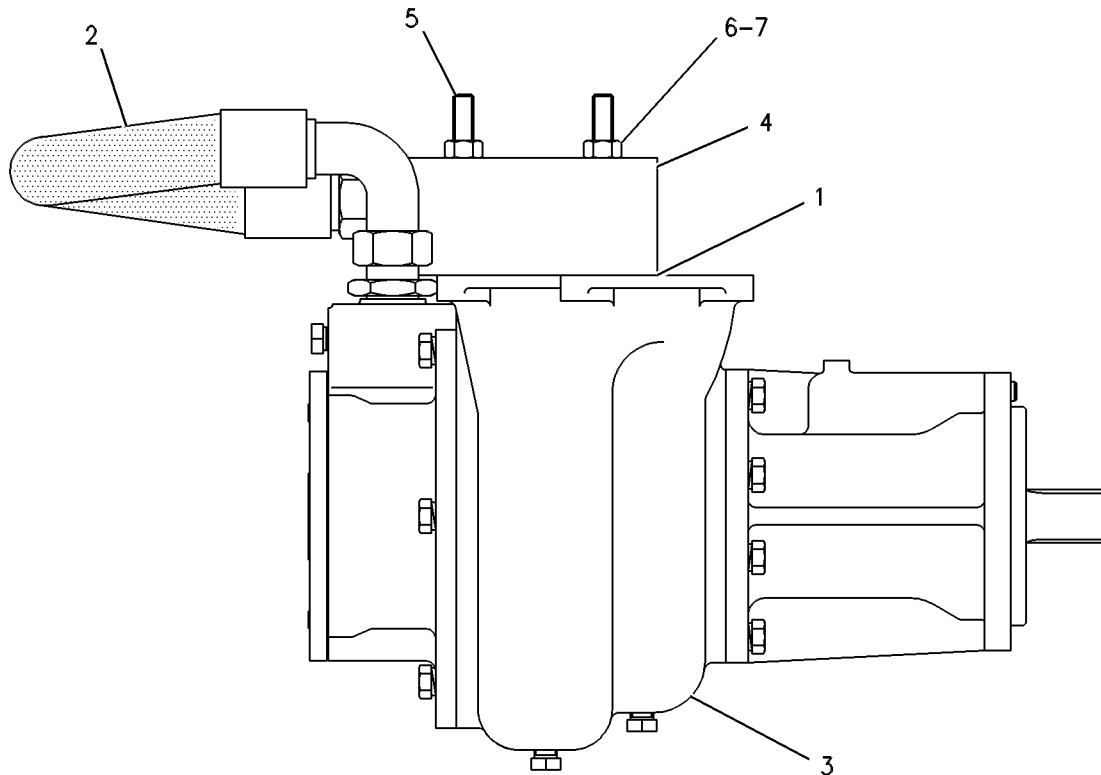
PART OF 144-6081 PUMP GP-AUXILIARY SEA WATER
AN ATTACHMENT

SMCS-1371

i01979303

NOTE	REF NO	GRAPHIC REF	PART NUMBER	QTY	PART NAME						SEE PAGE
					1	2	3	4	5	6 (PRODUCT LEVEL)	
	1	1	148-7996	1	GASKET						
	2	1	148-7997	1	HOSE AS						
YR	3	1	148-8000	1	PUMP GP-AUXILIARY SEA WATER						157
Y	4	1	148-8005	1	VALVE GP-CHECK						179
	5	1	148-8006	4	ROD (M12X 112MM)						
M	6	1	8T-4244	4	NUT (M12X1.75-THD)						
	7	1	7X-0584	4	WASHER-HARD (13.5X20.5X2-MM THK)						

M- METRIC PART
R- REMFG PART MAY BE AVAILABLE
Y- SEPARATE ILLUSTRATION



GRAPHIC #1

<END>

g00290507

COOLING SYSTEM

144-6081 PUMP GP-AUXILIARY SEA WATER AN ATTACHMENT

SMCS-1371

i02868387

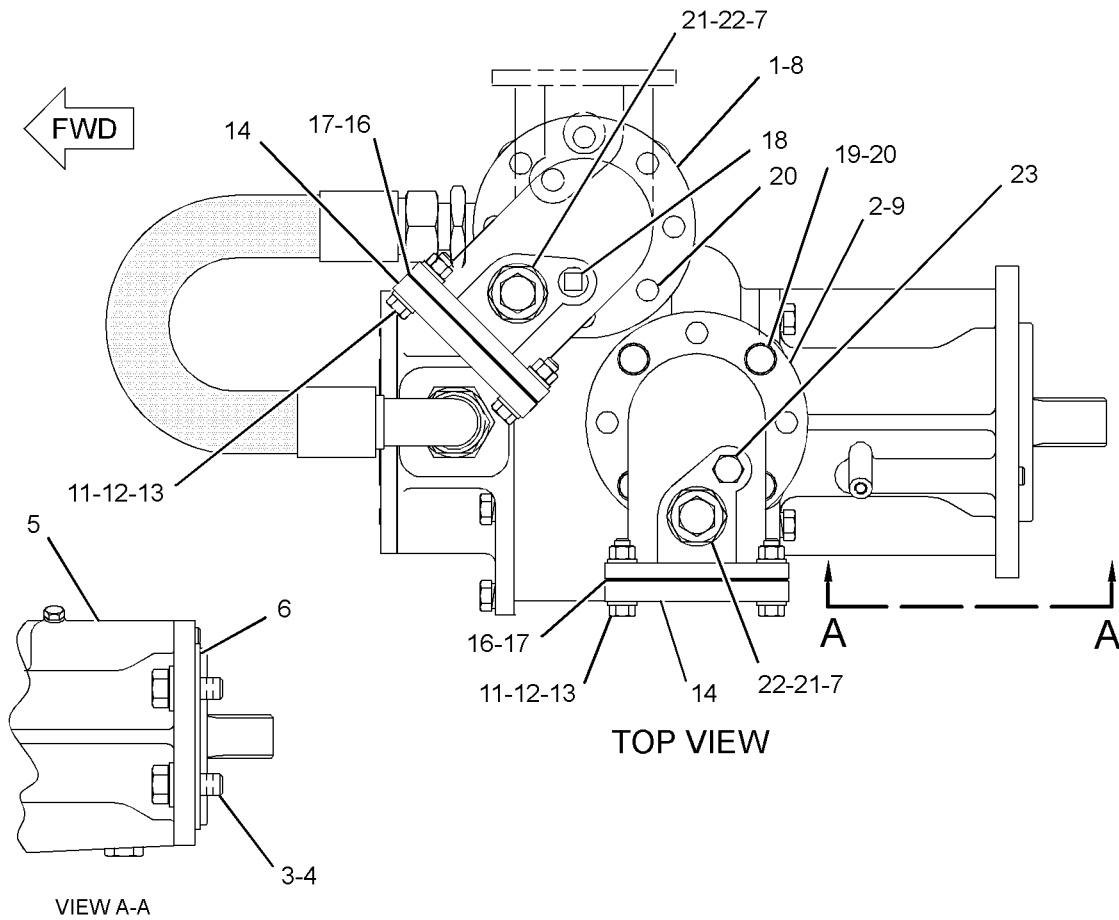
NOTE	REF NO	GRAPHIC REF	PART NUMBER	QTY	PART NAME						SEE PAGE
					1	2	3	4	5	6 (PRODUCT LEVEL)	
	1	1	143-9207	1	ELBOW						
	2	1	143-9208	1	ELBOW						
	3	1	0S-1566	4	BOLT (5/8-11X1.5-IN)						
	4	1	5P-8247	4	WASHER-HARD (17X32X3.5-MM THK)						
YR	5	1	144-6080	1	PUMP GP-AUXILIARY SEA WATER						154
	6	1	9X-7371	1	SEAL-O-RING						
	7	1	8T-6766	2	PLUG-PIPE						
	8	1	144-6074	1	GASKET						
	9	1	144-6076	1	GASKET						
	11	1	5M-2894	16	WASHER-HARD (10.2X18.5X2.5-MM THK)						
	12	1	9S-8752	8	NUT-FULL (3/8-16-THD)						
B	13	1	0S-1571	8	BOLT (3/8-16X1.75-IN)						
	14	1	5N-1845	2	FLANGE						
	16	1	3P-6061	2	GASKET						
B	17	1	3P-6061	2	GASKET						
	18	1	6L-2280	1	ROD-ZINC (AUXILIARY SEA WATER PUMP)						
		1	233-8525	1	PLUG-PIPE						
M	19	1	8T-4192	4	BOLT (M12X1.75X25-MM)						
	20	1	7X-0584	8	WASHER-HARD (13.5X20.5X2-MM THK)						
	21	1	5L-5879	2	ADAPTER						
	22	1	5B-3265	2	GASKET						
	23	1	9B-0887	1	PLUG-PIPE						

B - USE AS REQUIRED
M - METRIC PART
R - REMFG PART MAY BE AVAILABLE
Y - SEPARATE ILLUSTRATION

COOLING SYSTEM

144-6081 PUMP GP-AUXILIARY SEA WATER (contd.)

i02868387



GRAPHIC #1

<END>

g01179758

COOLING SYSTEM

148 - 8000 PUMP GP - AUXILIARY SEA WATER *R

PART OF 144 - 6080 PUMP GP - AUXILIARY SEA WATER

AN ATTACHMENT

SMCS - 1371

i02738655

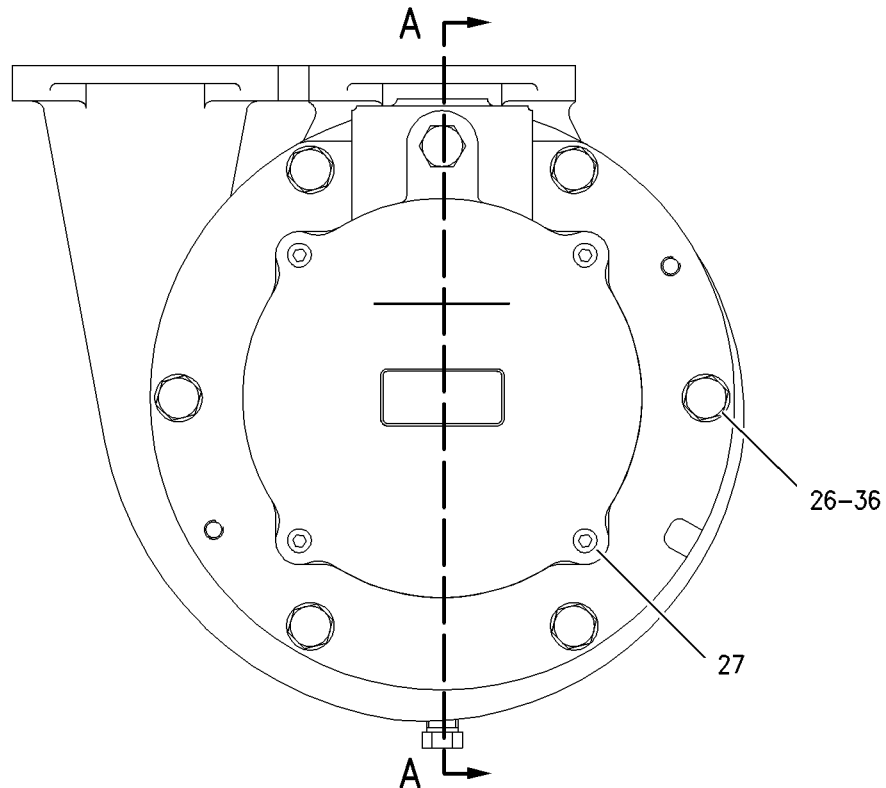
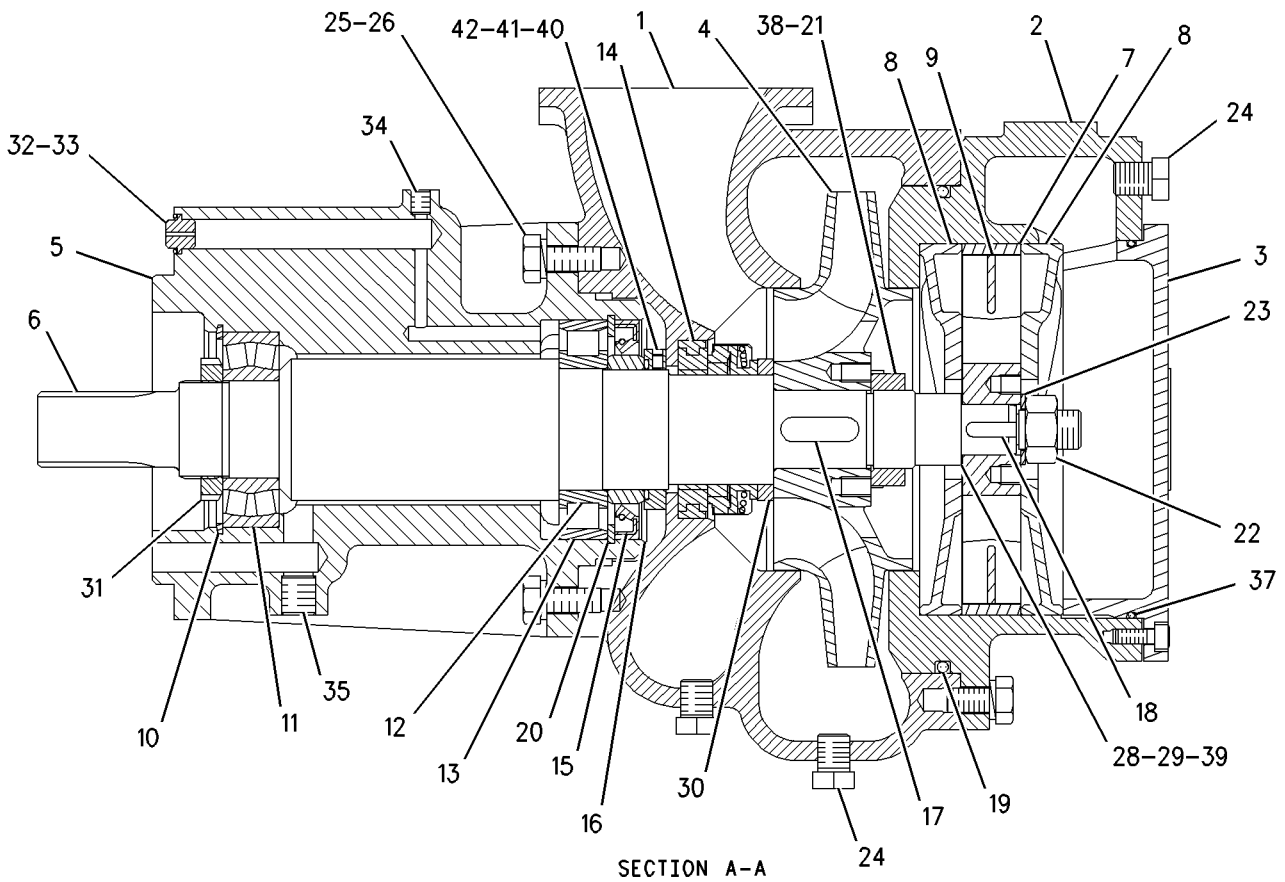
NOTE	REF NO	GRAPHIC REF	PART NUMBER	QTY	PART NAME						SEE PAGE
					1	2	3	4	5	6 (PRODUCT LEVEL)	
	1	1	148-7983	1	BODY - PUMP						
	2	1	148-7984	1	BODY - PUMP						
	3	1	148-7985	1	COVER - PUMP END						
	4	1	148-7986	1	IMPELLER - CENTRIFUGAL						
	5	1	148-7987	1	HOUSING - BEARING						
	6	1	148-7988	1	SHAFT - PUMP						
	7	1	148-7989	1	IMPELLER - SELF PRIMING						
	8	1	148-7990	2	PLATE						
	9	1	3N-8213	1	RING						
	10	1	107-5565	1	CLIP						
	11	1	3N-8463	1	BEARING - ROLLER						
	12	1	4M-6107	1	BEARING - INNER						
	13	1	8T-0209	1	RACE - ROLLER BEARING						
	14	1	5N-9006	1	SEAL GP						
	15	1	5N-2902	1	SEAL - OIL						
	16	1	5N-2904	1	COLLAR - SEAL						
	17	1	148-7991	1	KEY						
	18	1	148-7992	1	KEY						
	19	1	3N-8462	1	SEAL - O - RING						
	20	1	8T-0707	1	RING - RETAINING						
	21	1	148-7994	1	LOCKNUT (M32X1.5 - THD)						
	22	1	148-7995	1	NUT (M16X2 - THD)						
	23	1	149-4312	1	WASHER (17X30X3.5 - MM THK)						
	24	1	104-1718	3	PLUG						
M	25	1	8T-4136	8	BOLT (M10X1.5X25 - MM)						
	26	1	3B-4507	14	LOCKWASHER						
M	27	1	149-4311	4	BOLT - SOCKET HEAD (M6X1X16 - MM)						
B	28	1	3N-8217	1	SHIM (.25MM THK)						
B	29	1	3N-8218	1	SHIM (.38MM THK)						
	30	1	148-7998	1	WASHER (45X58X6.6 - MM THK)						
	31	1	8B-7614	1	NUT - BEARING						
	32	1	148-7999	1	ORIFICE - OIL FEED						
	33	1	6V-8398	1	SEAL - O - RING						
M	34	1	9X-6279	1	SETSCREW - SOCKET (M8X1.25 - THD)						
M	35	1	149-4156	1	SETSCREW - SOCKET (M16X2 - THD)						
M	36	1	7X-0409	6	BOLT - HIGH TEMPERATURE (M10X1.5X20 - MM)						
	37	1	146-6769	1	SEAL						
	38	1	175-4981	1	LOCKWASHER						
B	39	1	175-4982	1	SHIM						
	40	1	175-4983	1	RING - RETAINING						
	41	1	175-4984	2	SETSCREW - SOCKET						
	42	1	175-4985	1	SEAL - O - RING						

B - USE AS REQUIRED
M - METRIC PART

COOLING SYSTEM

148-8000 PUMP GP-AUXILIARY SEA WATER (contd.)

i02738655



GRAPHIC #1

<END>

g00646818

COOLING SYSTEM

248-2857 PUMP GP-AUXILIARY SEA WATER

PART OF 248-2858 PUMP GP-AUXILIARY SEA WATER

AN ATTACHMENT

SMCS-1371

i03194724

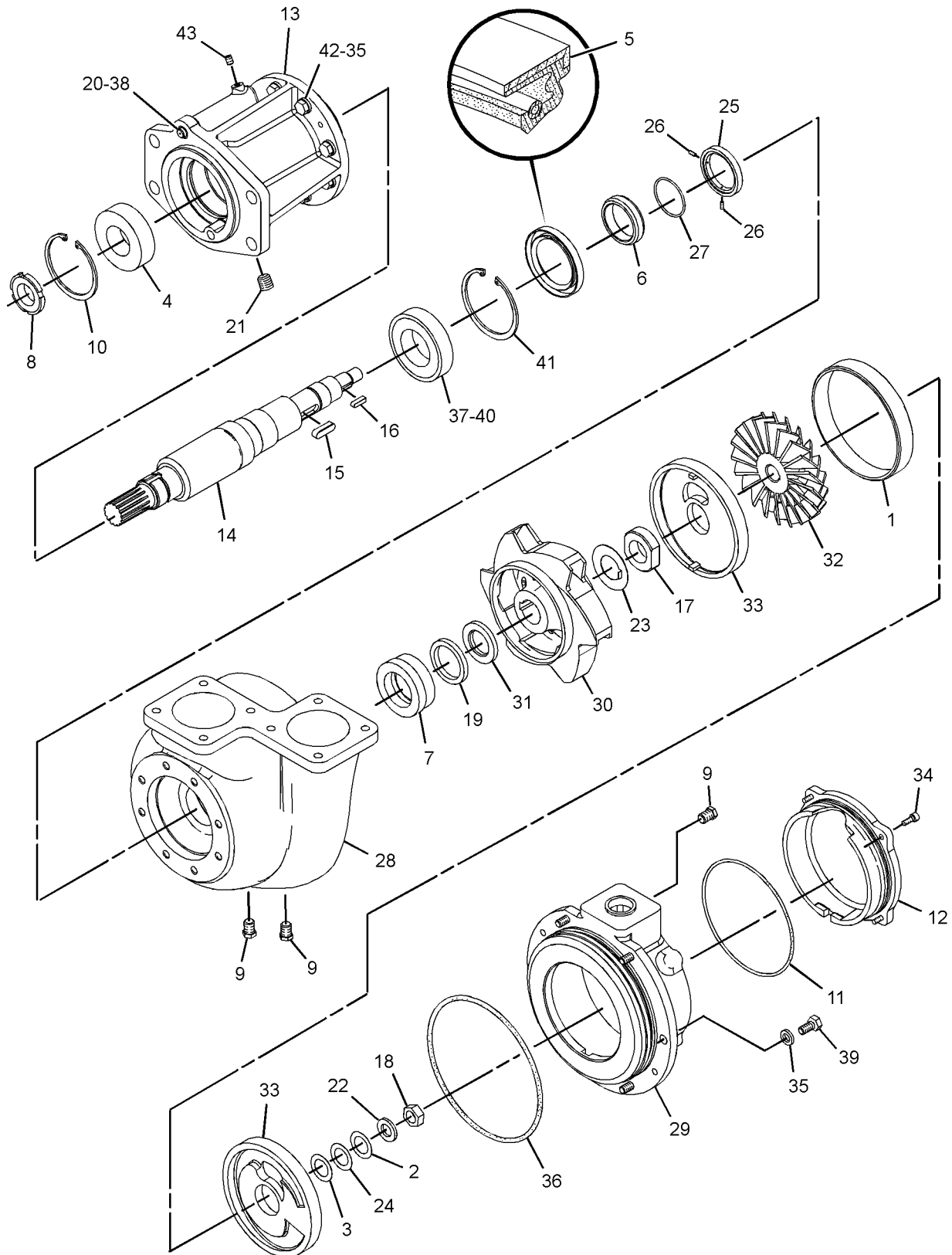
NOTE	REF NO	GRAPHIC REF	PART NUMBER	QTY	PART NAME						SEE PAGE
					1	2	3	4	5	6 (PRODUCT LEVEL)	
	1	1	3N-8213	1	RING						
	2	1	3N-8217	1	SHIM (0.25-MM THK)						
	3	1	3N-8218	1	SHIM (0.38-MM THK)						
	4	1	3N-8463	1	BEARING-ROLLER						
	5	1	5N-2902	1	SEAL-OIL						
	6	1	5N-2904	1	COLLAR-SEAL						
	7	1	5N-9006	1	SEAL GP						
	8	1	8B-7614	1	NUT-BEARING						
	9	1	104-1718	3	PLUG						
	10	1	107-5565	1	CLIP						
	11	1	146-6769	1	SEAL						
	12	1	148-7985	1	COVER-PUMP END						
	13	1	148-7987	1	HOUSING-BEARING						
	14	1	148-7988	1	SHAFT-PUMP						
	15	1	148-7991	1	KEY						
	16	1	148-7992	1	KEY						
	17	1	148-7994	1	LOCKNUT (M32X1.5-THD)						
	18	1	148-7995	1	NUT (M16X2-THD)						
	19	1	148-7998	1	WASHER (45X58X6.6-MM THK)						
	20	1	148-7999	1	ORIFICE-OIL FEED						
M	21	1	149-4156	1	SETSCREW-SOCKET (M16X2-THD)						
	22	1	149-4312	1	WASHER (17X30X3.5-MM THK)						
	23	1	175-4981	1	LOCKWASHER						
	24	1	175-4982	1	SHIM (0.3-MM THK)						
	25	1	175-4983	1	RING-RETAINING						
	26	1	175-4984	2	SETSCREW-SOCKET						
	27	1	175-4985	1	SEAL-O-RING						
	28	1	284-1085	1	BODY-PUMP						
	29	1	284-1086	1	BODY-PUMP						
	30	1	284-1087	1	IMPELLER						
	31	1	284-1088	1	WASHER-THRUST						
	32	1	329-9238	1	IMPELLER						
	33	1	329-9239	2	PLATE						
M	34	1	149-4311	4	BOLT-SOCKET HEAD (M6X1X16-MM)						
	35	1	3B-4507	14	LOCKWASHER						
	36	1	3N-8462	1	SEAL-O-RING						
	37	1	4M-6107	1	BEARING-INNER						
	38	1	6V-8398	1	SEAL-O-RING						
M	39	1	7X-0409	6	BOLT-HIGH TEMPERATURE (M10X1.5X20-MM)						
	40	1	8T-0209	1	RACE-ROLLER BEARING						
	41	1	8T-0707	1	RING-RETAINING						
M	42	1	8T-4136	8	BOLT (M10X1.5X25-MM)						
M	43	1	9X-6279	1	SETSCREW-SOCKET (M8X1.25-THD)						

M-METRIC PART

COOLING SYSTEM

248 - 2857 PUMP GP - AUXILIARY SEA WATER (contd.)

i03194724



GRAPHIC #1

<END>

g01629193

COOLING SYSTEM

248-2858 PUMP GP-AUXILIARY SEA WATER

PART OF 260-8660 PUMP GP-AUXILIARY SEA WATER

AN ATTACHMENT

SMCS-1371

i03196062

NOTE	PART NUMBER	QTY	PART NAME						SEE PAGE
			1	2	3	4	5	6 (PRODUCT LEVEL)	
Y	248-2857	1	PUMP GP-AUXILIARY SEA WATER						159
Y	148-8005	1	VALVE GP-CHECK						179
	148-7996	1	GASKET						
	148-7997	1	HOSE AS						
M	8T-4244	4	NUT (M12X1.75-THD)						
	148-8006	4	ROD						
	7X-0584	4	WASHER-HARD (13.5X20.5X2-MM THK)						

M - METRIC PART
Y - SEPARATE ILLUSTRATION

<END>

COOLING SYSTEM

260 - 8660 PUMP GP - AUXILIARY SEA WATER AN ATTACHMENT

SMCS - 1371

i02666830

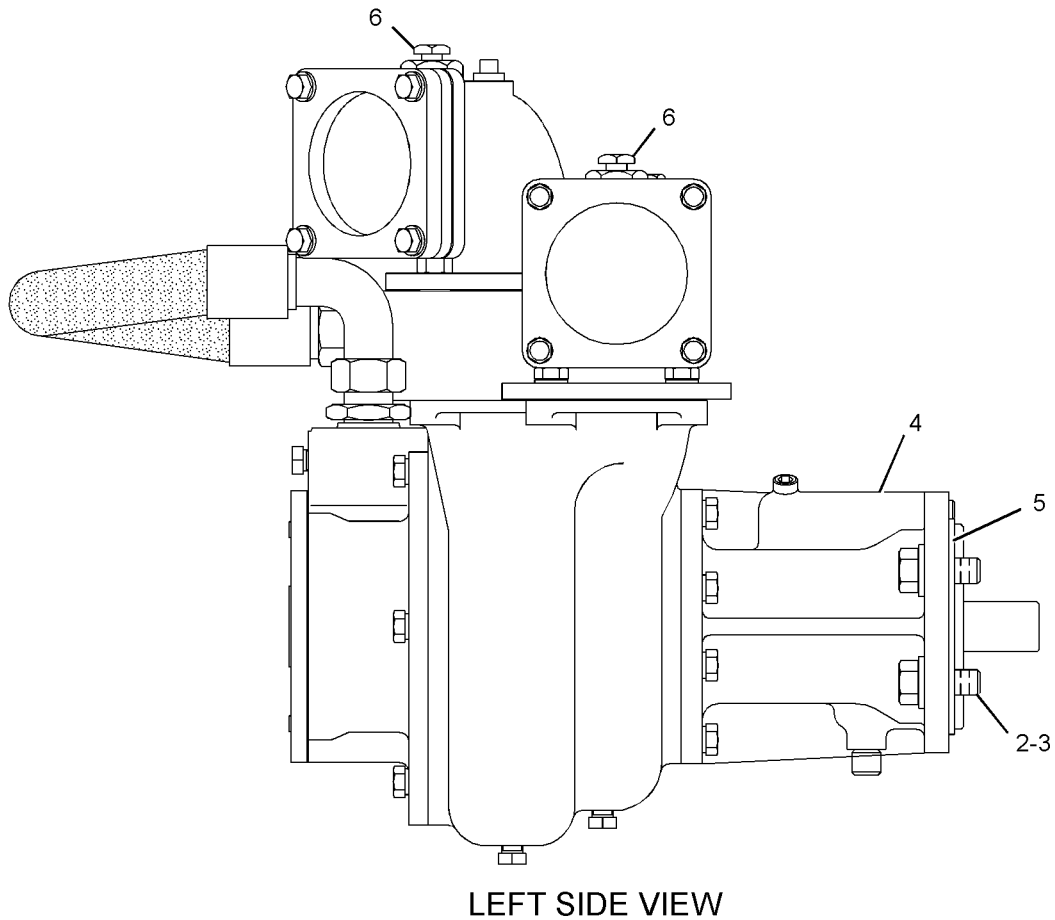
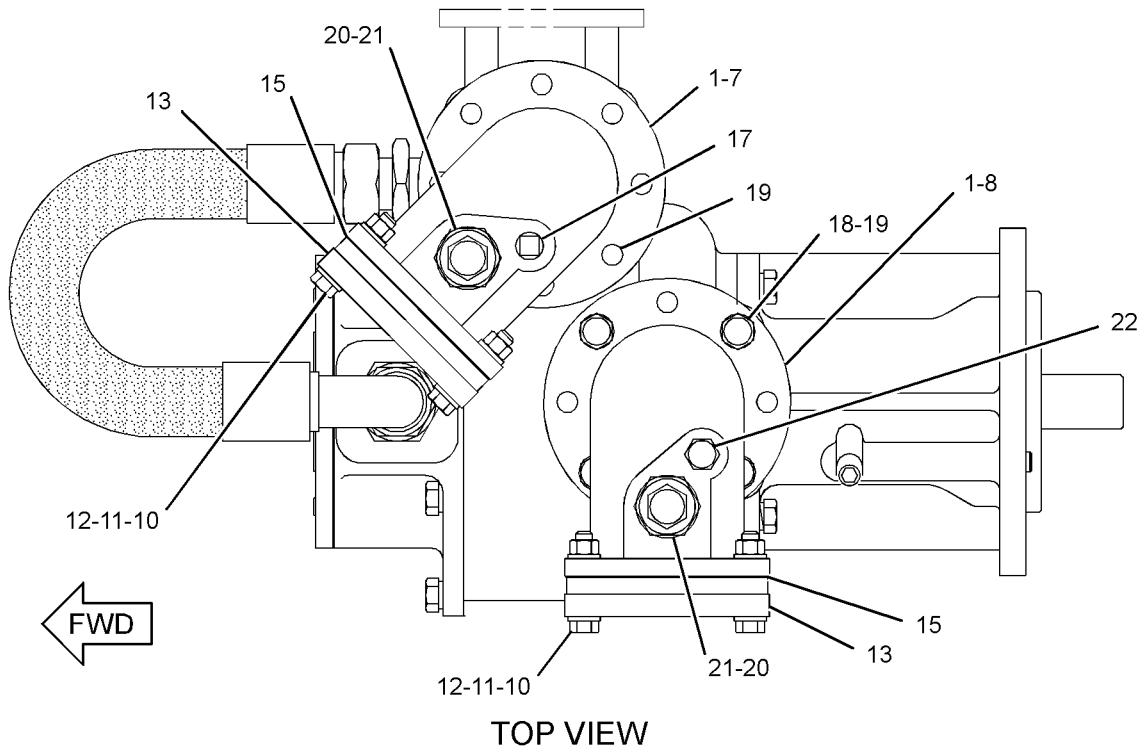
NOTE	REF NO	GRAPHIC REF	PART NUMBER	QTY	PART NAME						SEE PAGE
					1	2	3	4	5	6 (PRODUCT LEVEL)	
	1	1	143-9208	2	ELBOW						
	2	1	0S-1566	4	BOLT (5/8-11X1.5-IN)						
	3	1	5P-8247	4	WASHER-HARD (17X32X3.5-MM THK)						
Y	4	1	248-2858	1	PUMP GP - AUXILIARY SEA WATER						161
	5	1	9X-7371	1	SEAL-O-RING						
	6	1	8T-6766	2	PLUG-PIPE						
	7	1	144-6074	1	GASKET						
	8	1	144-6076	1	GASKET						
	10	1	5M-2894	16	WASHER-HARD (10.2X18.5X2.5-MM THK)						
	11	1	9S-8752	8	NUT-FULL (3/8-16-THD)						
	12	1	0S-1571	8	BOLT (3/8-16X1.75-IN)						
	13	1	5N-1845	2	FLANGE						
B	15	1	3P-6061	4	GASKET						
	17	1	6L-2280	1	ROD-ZINC (AUXILIARY SEA WATER PUMP)						
			233-8525	1	PLUG-PIPE						
M	18	1	8T-4192	4	BOLT (M12X1.75X25-MM)						
	19	1	7X-0584	8	WASHER-HARD (13.5X20.5X2-MM THK)						
	20	1	5L-5879	2	ADAPTER						
					(EACH INCLUDES)						
		1	3F-1357	1	PLUG-DRAIN (AUXILIARY SEA WATER PUMP)						
	21	1	5B-3265	2	GASKET						
	22	1	9B-0887	1	PLUG-PIPE						

B - USE AS REQUIRED
M - METRIC PART
Y - SEPARATE ILLUSTRATION

COOLING SYSTEM

260 - 8660 PUMP GP - AUXILIARY SEA WATER (contd.)

i02666830



GRAPHIC #1

<END>

g01159747

COOLING SYSTEM

315-5137 PUMP GP-AUXILIARY SEA WATER

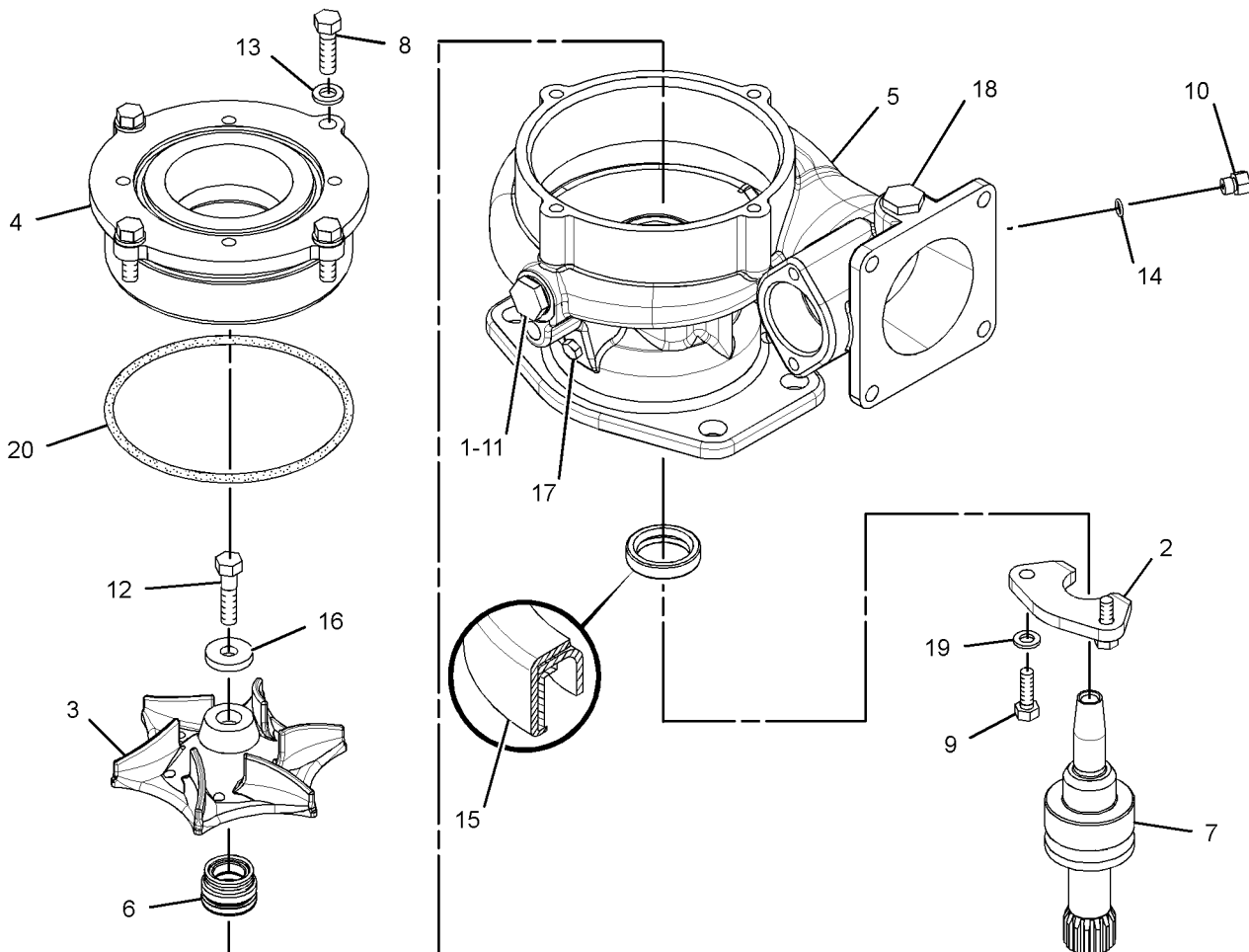
PART OF 8N-8466 PUMP GP-AUXILIARY SEA WATER

AN ATTACHMENT

SMCS-1371

i03129082

NOTE	REF NO	GRAPHIC REF	PART NUMBER	QTY	PART NAME						SEE PAGE
					1	2	3	4	5	6 (PRODUCT LEVEL)	
	1	1	3F-1358	1	PLUG-DRAIN (AUXILIARY SEA WATER PUMP)						
	2	1	7N-4758	1	WASHER-THRUST						
	3	1	8N-8455	1	IMPELLER-PUMP						
	4	1	8N-8461	1	ADAPTER						
	5	1	8N-8464	1	HOUSING AS						
	6	1	262-4378	1	SEAL AS-WATER PUMP						
	7	1	315-5136	1	SHAFT AS						
	8	1	OS-1588	4	BOLT (3/8-16X1.25-IN)						
	9	1	OS-1618	2	BOLT (5/16-18X1-IN)						
	10	1	1N-5999	1	PLUG-O-RING						
	11	1	2A-1162	1	GASKET						
	12	1	3H-5844	1	BOLT (3/8-16X1.5-IN)						
	13	1	5M-2894	4	WASHER-HARD (10.2X18.5X2.5-MM THK)						
	14	1	7J-0204	1	SEAL-O-RING						
	15	1	8C-5236	1	SEAL-LIP TYPE						
	16	1	8N-8456	1	WASHER (10.2X28.5X5-MM THK)						
	17	1	8T-6764	1	PLUG-PIPE						
	18	1	8T-6766	1	PLUG-PIPE						
	19	1	9M-1974	2	WASHER-HARD (8.8X16X2-MM THK)						
	20	1	9M-3786	1	SEAL-O-RING						



GRAPHIC #1

<END>

g01467007

COOLING SYSTEM

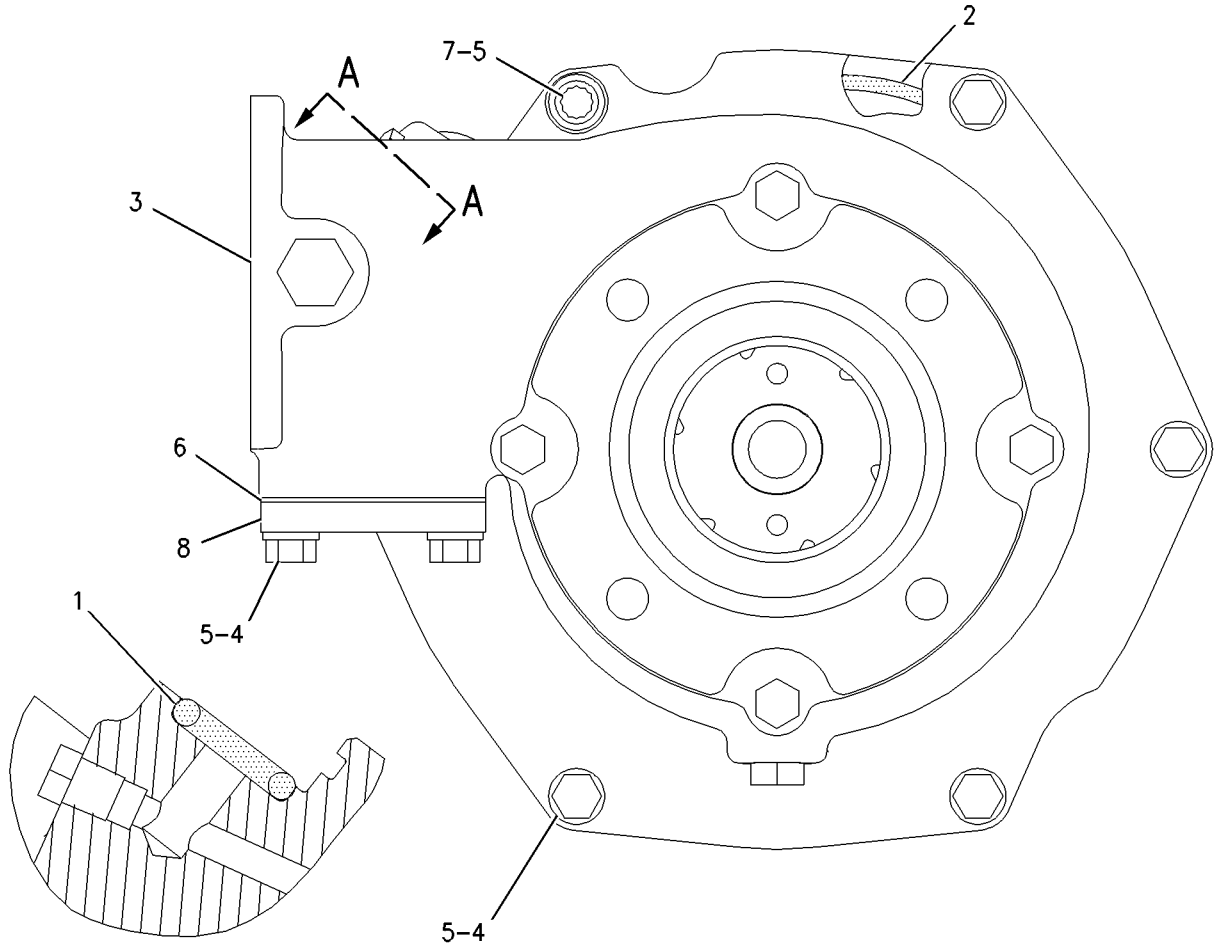
9Y-8175 PUMP GP-AUXILIARY WATER

SMCS-1371

i02640413

NOTE	REF NO	GRAPHIC REF	PART NUMBER	QTY	PART NAME						SEE PAGE
					1	2	3	4	5	6 (PRODUCT LEVEL)	
	1	1	3B-8453	1	SEAL-O-RING						
	2	1	235-3546	1	SEAL-O-RING						
CYR	3	1	291-4311	1	PUMP GP-AUXILIARY WATER						166
	4	1	0S-1594	7	BOLT (3/8-16X1-IN)						
	5	1	5M-2894	8	WASHER-HARD (10.2X18.5X2.5-MM THK)						
	6	1	5N-1940	1	GASKET						
	7	1	1T-0765	1	BOLT (3/8-16X1-IN)						
	8	1	5N-1939	1	COVER						

C- CHANGE FROM PREVIOUS TYPE
 R- REMFG PART MAY BE AVAILABLE
 Y- SEPARATE ILLUSTRATION



SECTION A-A

GRAPHIC #1

<END>

g00912687

COOLING SYSTEM

291-4311 PUMP GP-AUXILIARY WATER*R PART OF 9Y-8175 PUMP GP-AUXILIARY WATER

SMCS-1371

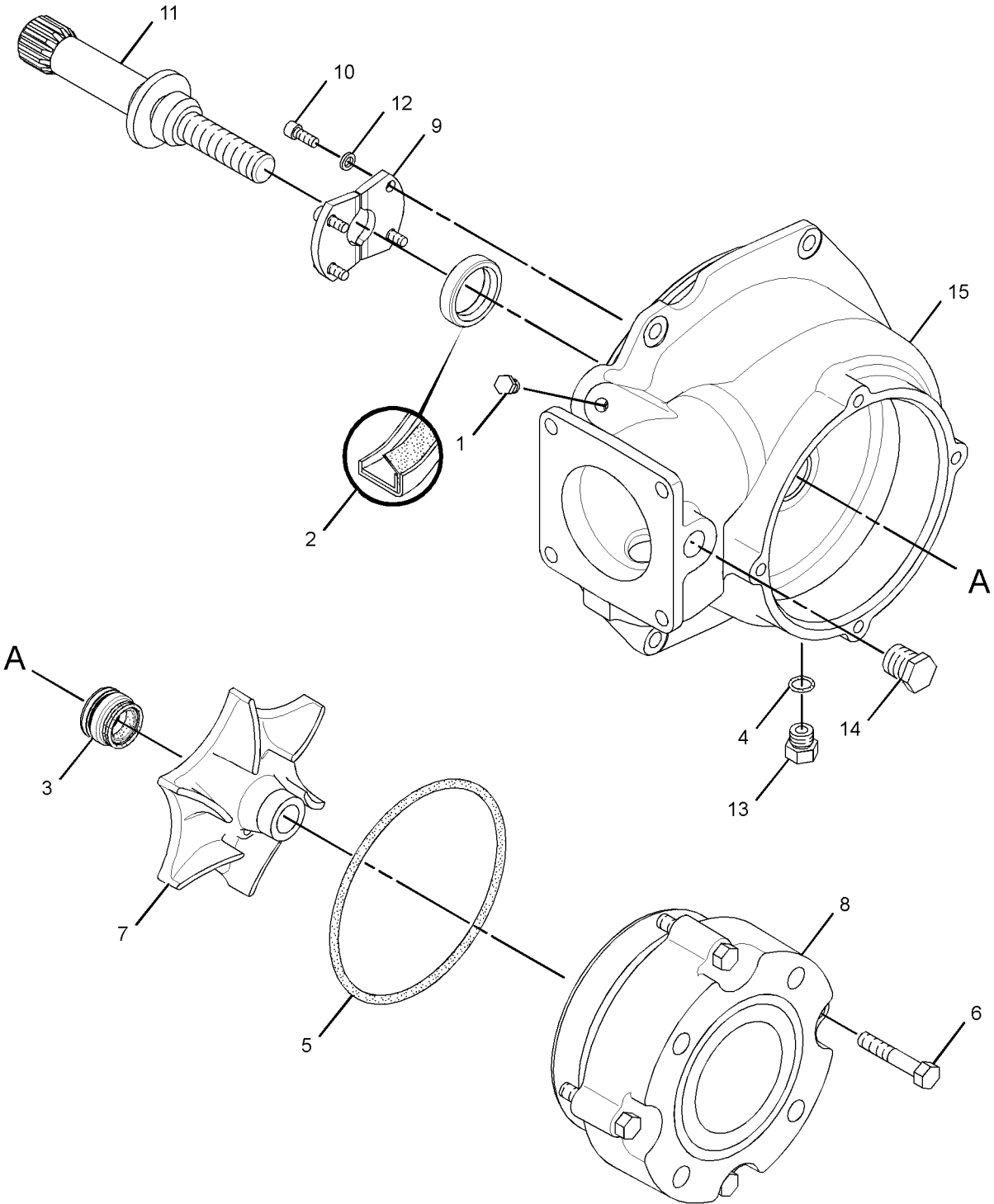
i02567068

NOTE	REF NO	GRAPHIC REF	PART NUMBER	QTY	PART NAME						SEE PAGE
					1	2	3	4	5	6 (PRODUCT LEVEL)	
	1	1	8T-6764	1	PLUG-PIPE						
	2	1	9X-4594	1	SEAL-LIP TYPE						
	3	1	262-4378	1	SEAL AS-WATER PUMP						
	4	1	3J-1907	1	SEAL-O-RING						
	5	1	9M-3786	1	SEAL-O-RING						
	6	1	0S-1590	4	BOLT (3/8-16X2-IN)						
	7	1	212-8183	1	IMPELLER						
	8	1	9Y-8067	1	ADAPTER						
	9	1	5N-4383	2	WASHER-THRUST						
	10	1	8H-3128	4	BOLT-SOCKET HEAD (1/4-20X0.625-IN)						
	11	1	212-8179	1	SHAFT (14-TEETH)						
	12	1	8M-2933	4	SHIM-CARRIER (0.078-IN THK)						
	13	1	9S-4191	1	PLUG-O-RING						
	14	1	7W-6492	1	PLUG-PIPE						
	15	1	291-4309	1	HOUSING AS						
		1	8T-6759	1	PLUG-PIPE						
		1	127-5400	1	BEARING-SLEEVE						

COOLING SYSTEM

291-4311 PUMP GP-AUXILIARY WATER (contd.)

i02567068



GRAPHIC #1

<END>

g01286255

COOLING SYSTEM

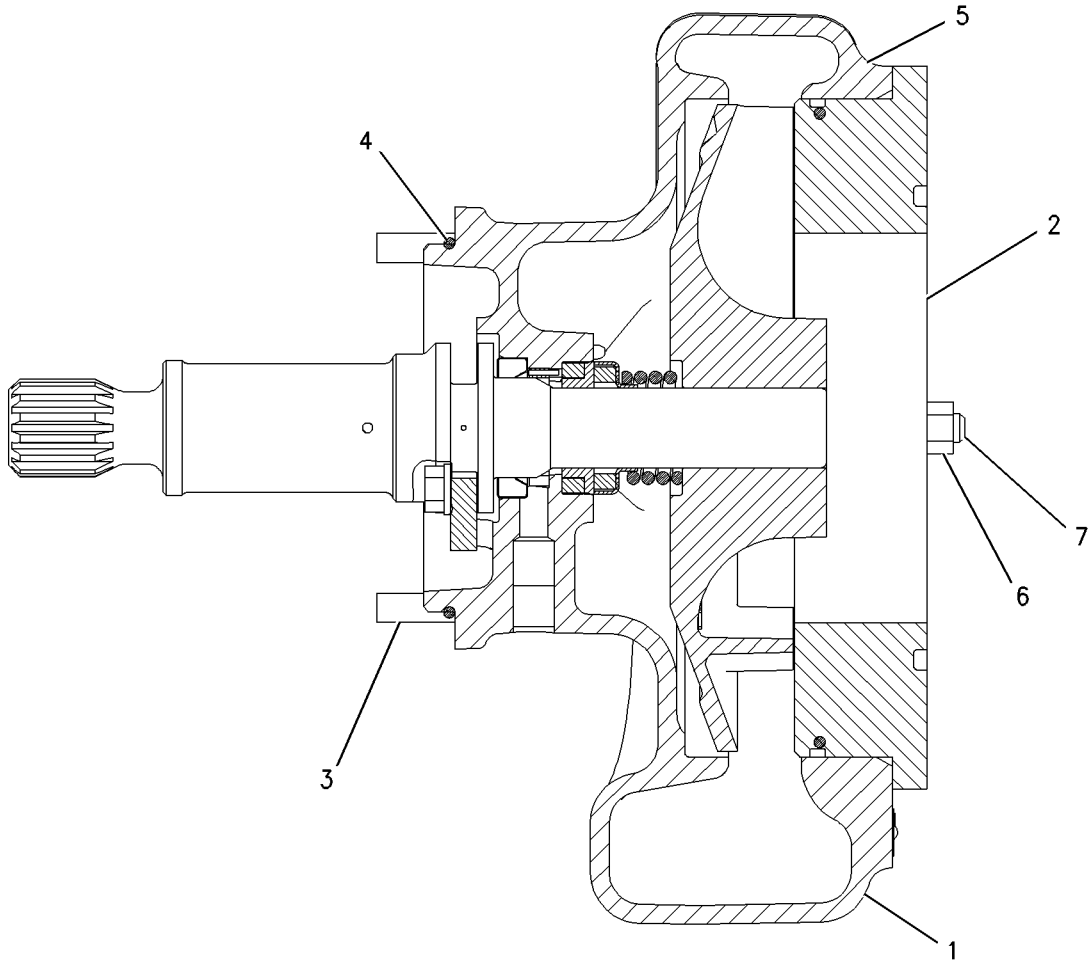
2W-9729 PUMP GP-WATER

SMCS-1361

i02220677

NOTE	REF NO	GRAPHIC REF	PART NUMBER	QTY	PART NAME						SEE PAGE
					1	2	3	4	5	6	
CYR	1	1	212-8177	1	PUMP GP-WATER						169
	2	1	8N-6423	1	COVER (WATER INLET)						
	3	1	3B-1915	4	BOLT (3/8-16X1.375-IN)						
	4	1	5H-6734	1	SEAL-O-RING						
	5	1	149-5462	1	SEAL-O-RING						
	6	1	9S-8752	3	NUT-FULL (3/8-16-THD)						
	7	1	9M-2151	3	STUD-TAPERLOCK (3/8-16X1.378-IN)						

C - CHANGE FROM PREVIOUS TYPE
R - REMFG PART MAY BE AVAILABLE
Y - SEPARATE ILLUSTRATION



GRAPHIC #1

<END>

g00898448

COOLING SYSTEM

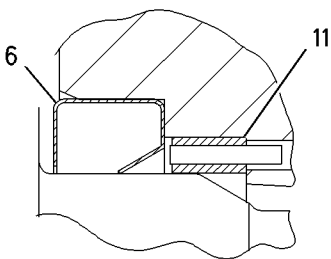
212-8177 PUMP GP - WATER*R

PART OF 2W-9729 PUMP GP - WATER

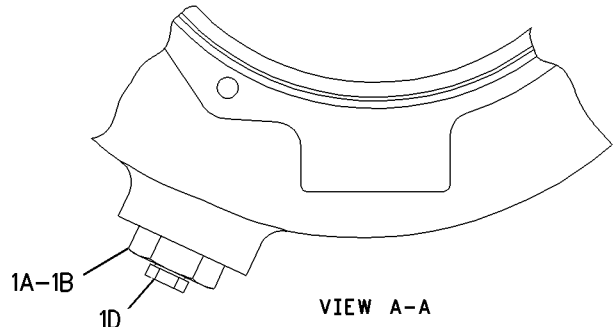
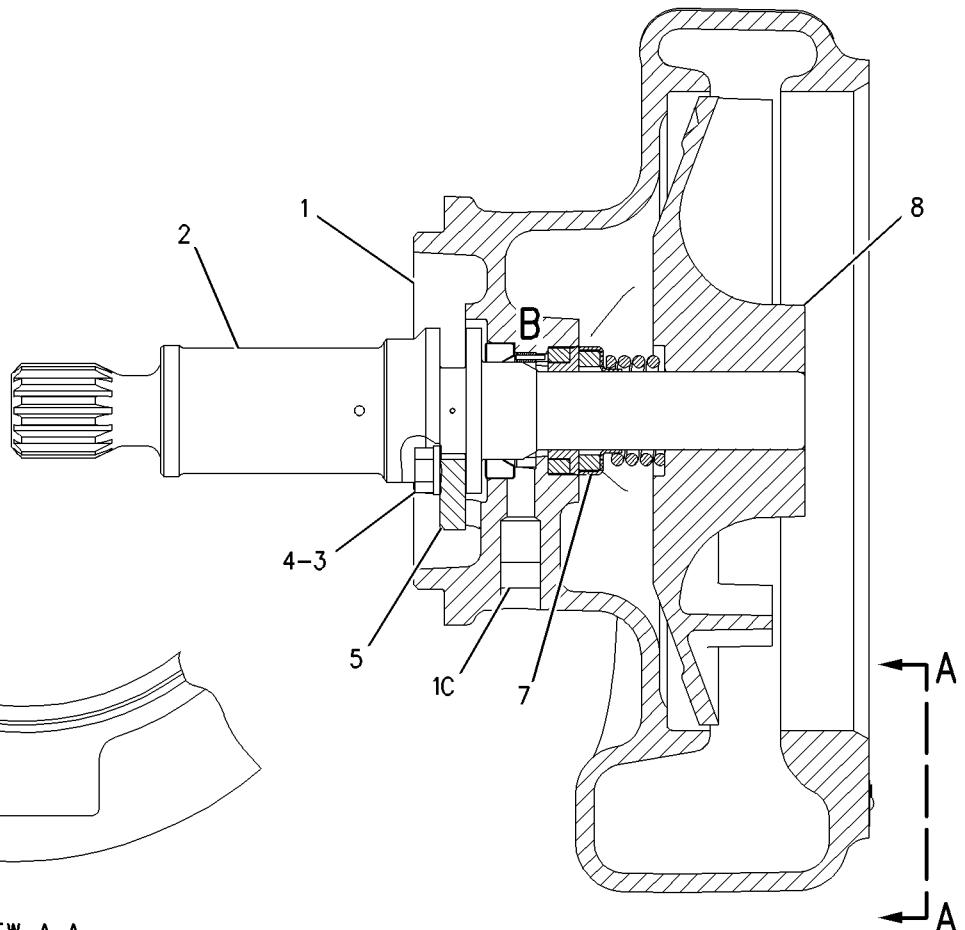
SMCS-1361

i02656735

NOTE	REF NO	GRAPHIC REF	PART NUMBER	QTY	PART NAME						SEE PAGE
					1	2	3	4	5	6 (PRODUCT LEVEL)	
	1	1	7N-4756	1	HOUSING AS - PUMP						
J	1A	1	3D-2824	1	SEAL - O - RING						
	1B	1	7G-8478	1	ADAPTER						
J	1C	1	4N-5834	2	FILTER - BREATHER (WATER PUMP HOUSING)						
	1D	1	8T-6765	1	PLUG - PIPE						
J	2	1	212-8180	1	SHAFT						
J		1	4B-9782	1	BALL						
J	3	1	0S-1618	2	BOLT (5/16-18X1 - IN)						
J	4	1	9M-1974	2	WASHER - HARD (8.8X16X2 - MM THK)						
J	5	1	7N-4758	1	WASHER - THRUST						
J	6	1	8C-5236	1	SEAL - LIP TYPE						
J	7	1	166-4376	1	SEAL GP						
J	8	1	212-8184	1	IMPELLER						
J	11	1	166-4374	1	RING AS						
J		1	1L-5316	1	PIN - SPRING						
AVAILABLE REPAIR KIT(S) :											
J			222-5152		KIT - REBUILD (WATER PUMP)						
J - KIT MARKED J INCLUDES PARTS MARKED J											



VIEW OF AREA B



VIEW A-A

GRAPHIC #1

<END>

g00898430

COOLING SYSTEM

4P-5767 SEPARATOR GP-AIR FOR USE WITH HEAT EXCHANGER OR KEEL COOLER AN ATTACHMENT

SMCS - 139S

i01794861

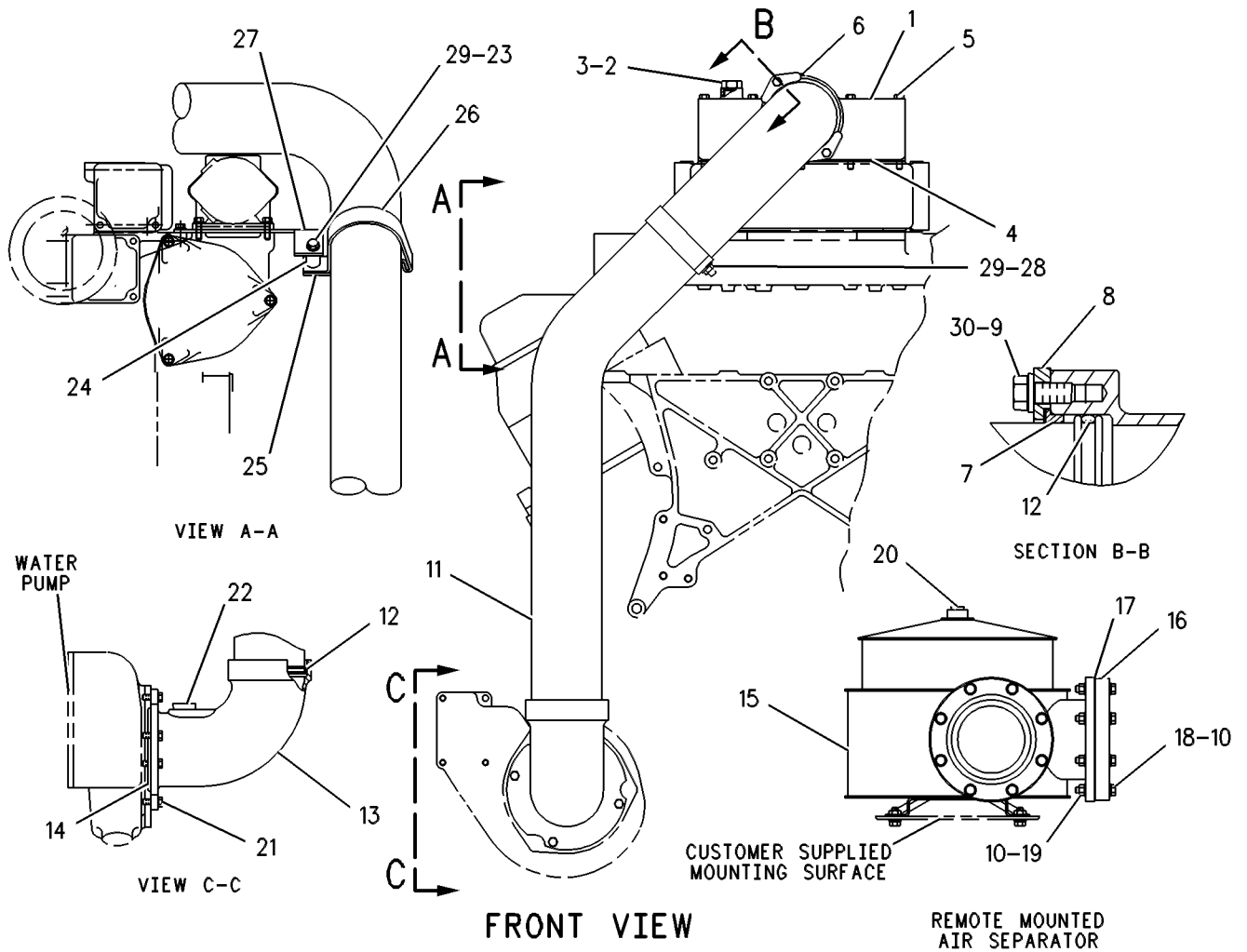
NOTE	REF NO	GRAPHIC REF	PART NUMBER	QTY	PART NAME						SEE PAGE
					1	2	3	4	5	6 (PRODUCT LEVEL)	
	1	1	7E-4650	1	HOUSING						
B	2	1	9S-4183	1	PLUG-O-RING						
B	3	1	3D-2824	1	SEAL-O-RING						
	4	1	7N-4927	1	GASKET-HOUSING COVER						
	5	1	5B-9603	8	BOLT (3/8-16X5-IN)						
	6	1	4F-0411	2	BOLT (3/8-16X6.5-IN)						
	7	1	8N-8570	1	RING-RETAINING						
	8	1	8N-8571	2	RETAINER						
	9	1	0L-1351	2	BOLT (3/8-16X0.875-IN)						
	10	1	8T-4896	32	WASHER-HARD (10.2X18.5X2.5-MM THK)						
	11	1	7E-4500	1	TUBE						
	12	1	8T-2903	2	SEAL-O-RING						
	13	1	7E-4879	1	ELBOW						
	14	1	6V-6809	1	SEAL-O-RING						
	15	1	4P-5295	1	SEPARATOR AS-AIR						
	16	1	7N-7009	2	FLANGE						
	17	1	1S-5772	2	GASKET						
	18	1	8T-9377	16	BOLT (3/8-16X2.25-IN)						
	19	1	6V-8801	16	NUT (3/8-16-THD)						
	20	1	8T-6762	1	PLUG-PIPE						
	21	1	1A-2029	4	BOLT (3/8-16X1.125-IN)						
	22	1	7X-7730	1	PLUG-PIPE						
	23	1	1A-5822	1	BOLT (1/2-13X2.75-IN)						
	24	1	8V-9708	1	SPACER (14.3X25.4X35-MM THK)						
	25	1	7W-2033	1	CLIP (TAB)						
	26	1	7W-2034	1	CLIP (SLOT)						
	27	1	6I-3136	1	PLATE						
	28	1	1F-7958	1	NUT-FULL (1/2-13-THD)						
	29	1	5P-8245	2	WASHER-HARD (13.5X25.5X3-MM THK)						
	30	1	5M-2894	2	WASHER-HARD (10.2X18.5X2.5-MM THK)						

B- USE AS REQUIRED

COOLING SYSTEM

4P-5767 SEPARATOR GP-AIR (contd.)

i01794861



GRAPHIC #1

<END>

g00249087

COOLING SYSTEM

7N-4885 SWITCH GP - COOLANT LEVEL

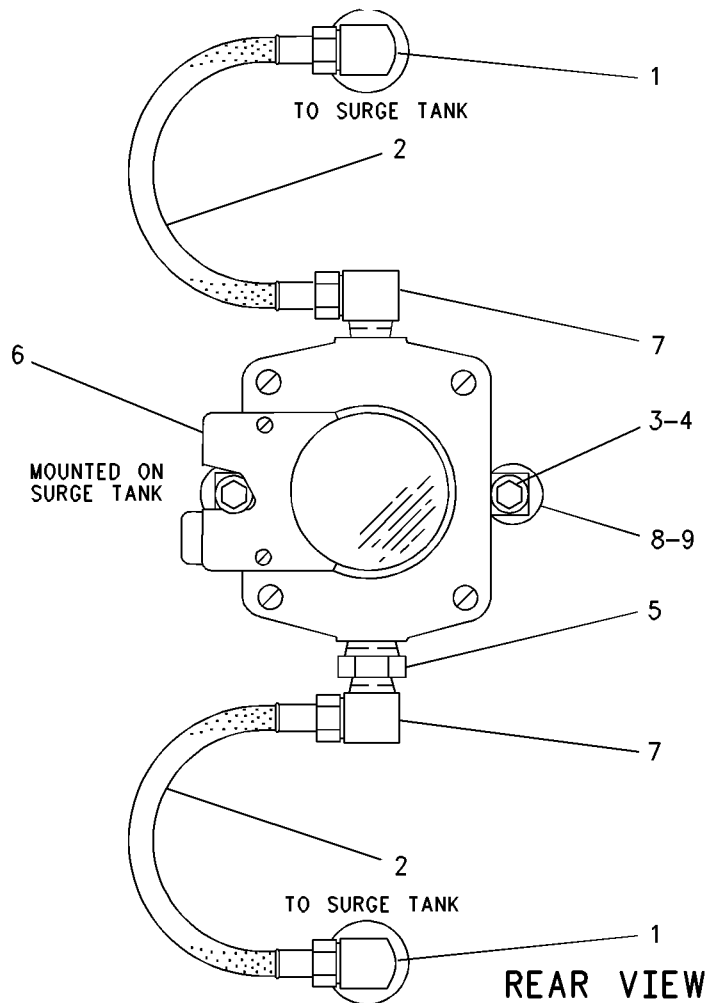
FOR USE WITH EXPANSION TANK
AN ATTACHMENT

SMCS-7470

i02766298

NOTE	REF NO	GRAPHIC REF	PART NUMBER	QTY	PART NAME						SEE PAGE
					1	2	3	4	5	6 (PRODUCT LEVEL)	
C	1	1	6V-4245	2	ELBOW						
CI	2	1	3N-4622	2	HOSE AS						
C	3	1	2A-0762	2	BOLT (1/4-20X0.625-IN)						
	4	1	5P-0537	2	WASHER-HARD (7.2X14.5X2-MM THK)						
	5	1	6B-5072	1	BUSHING-REDUCING						
	6	1	2N-9768	1	SWITCH-LIQUID LEVEL (COOLANT)						
C	7	1	4R-8605	2	ELBOW						
C	8	1	7E-7731	2	MOUNT						
	9	1	6V-7646	2	WASHER-HARD (7.2X25X2-MM THK)						

C- CHANGE FROM PREVIOUS TYPE
I- REFER TO HYDRAULIC INFORMATION SYSTEM



GRAPHIC #1

<END>

g00899609

COOLING SYSTEM

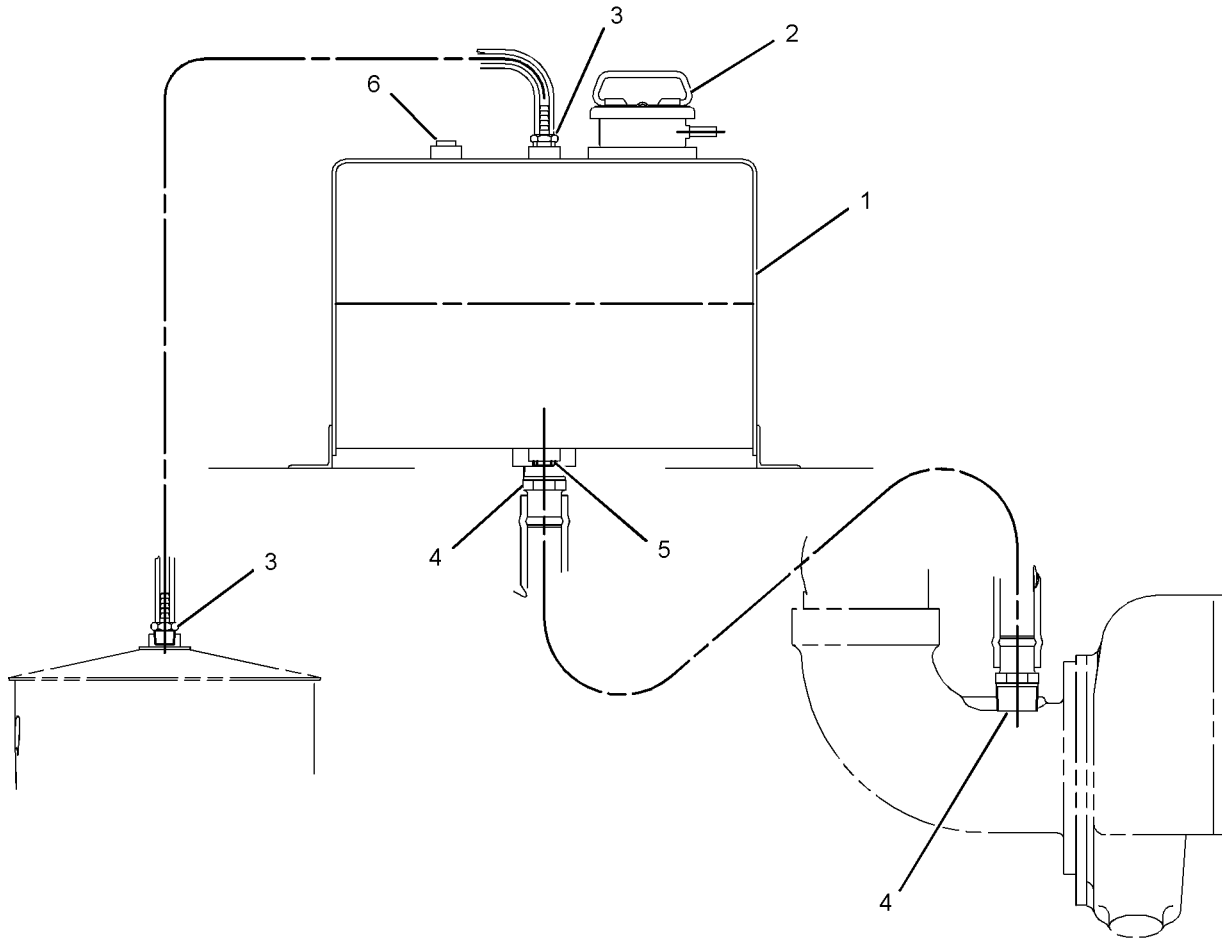
4P-5766 TANK GP-COOLANT AN ATTACHMENT

SMCS-1377

i03196840

NOTE	REF NO	GRAPHIC REF	PART NUMBER	QTY	PART NAME						SEE PAGE
					1	2	3	4	5	6 (PRODUCT LEVEL)	
	1	1	4P-5635	1	TANK AS						
J	2	1	4N-3311	1	CAP-PRESSURE (7-PSI) (COOLANT TANK)						
					-OR-						
L		1	127-8660	1	CAP-PRESSURE (14-PSI) (COOLANT TANK)						
	3	1	2R-8613	2	ADAPTER-HOSE						
	4	1	7X-1445	2	FITTING						
	5	1	8T-6765	2	PLUG-PIPE						
	6	1	8T-6762	1	PLUG-PIPE						
AVAILABLE REPAIR KIT(S) :											
JL			225-4256	1	FILM-WARNING (HOT FLUID UNDER PRESSURE, U.S.)						
J			294-9052	1	KIT-RADIATOR CAP (COOLANT TANK)						
					(INCLUDES RADIATOR CAP AND WARNING FILM)						
L			295-5458		KIT-RADIATOR CAP (COOLANT TANK)						
					(INCLUDES RADIATOR CAP AND WARNING FILM)						

J - KIT MARKED J SERVICE PART(S) MARKED J
L - KIT MARKED L SERVICE PARTS(S) MARKED L



GRAPHIC #1

<END>

g01015392

COOLING SYSTEM

119-7334 TANK GP-EXPANSION

SMCS-1354

i03196842

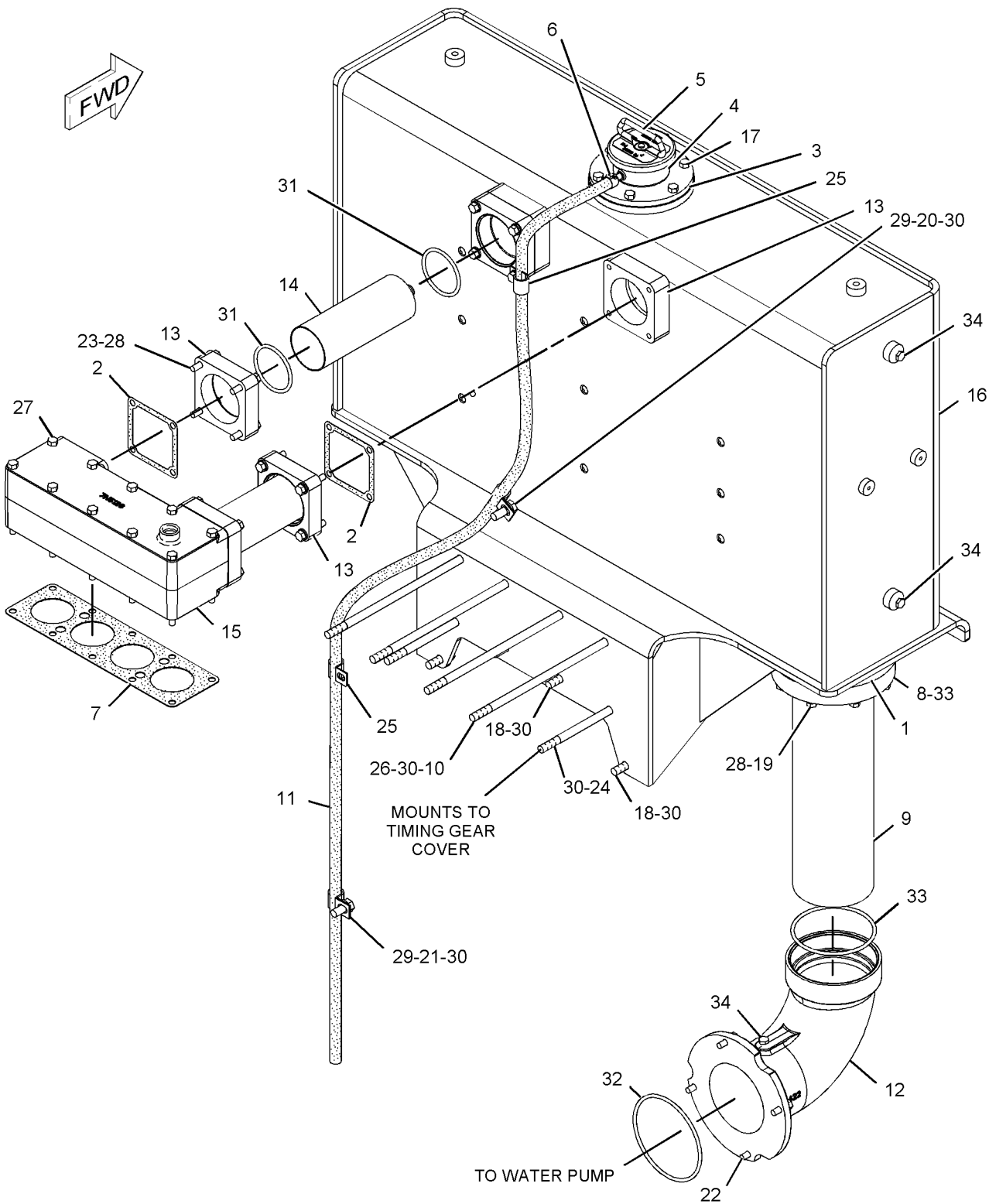
NOTE	REF NO	GRAPHIC REF	PART NUMBER	QTY	PART NAME						SEE PAGE
					1	2	3	4	5	6 (PRODUCT LEVEL)	
	1	1	1S-5772	1	GASKET						
	2	1	2N-0931	4	GASKET						
	3	1	3H-5939	1	GASKET-HEAT EXCHANGER						
	4	1	3N-1341	1	ADAPTER AS-NECK						
J	5	1	4N-3311	1	CAP-PRESSURE (7-PSI) (EXPANSION TANK)						
					-OR-						
L		1	127-8660	1	CAP-PRESSURE (14-PSI) (EXPANSION TANK)						
	6	1	5D-1026	1	CLAMP-HOSE						
	7	1	7N-4927	1	GASKET-HOUSING COVER						
	8	1	7N-5120	1	FLANGE						
	9	1	7N-5123	1	TUBE						
	10	1	8B-9725	4	BOSS						
E	11	1	5P-0721		HOSE (193-CM)						
	12	1	8N-9422	1	ELBOW						
	13	1	8N-9609	4	FLANGE						
	14	1	8N-9706	2	TUBE						
	15	1	119-7333	1	HOUSING AS						
		1	111-4374	1	VALVE AS-VENT LINE						
	16	1	245-2876	1	TANK AS-EXPANSION						
	17	1	0L-1351	6	BOLT (3/8-16X0.875-IN)						
	18	1	0S-1585	4	BOLT (1/2-13X1.5-IN)						
	19	1	0S-1590	8	BOLT (3/8-16X2-IN)						
	20	1	0S-1595	1	BOLT (1/2-13X1.25-IN)						
	21	1	0S-1621	1	BOLT (1/2-13X1-IN)						
	22	1	1A-2029	4	BOLT (3/8-16X1.125-IN)						
	23	1	1C-2251	16	BOLT (3/8-16X1.87-IN)						
	24	1	2A-1531	2	BOLT (1/2-13X6.5-IN)						
	25	1	3S-8664	2	CLIP						
	26	1	4M-2442	4	BOLT (1/2-13X12.32-IN)						
	27	1	5B-9603	10	BOLT (3/8-16X5-IN)						
	28	1	5M-2894	24	WASHER-HARD (10.2X18.5X2.5-MM THK)						
	29	1	5P-4295	2	CLIP						
	30	1	5P-8245	12	WASHER-HARD (13.5X25.5X3-MM THK)						
	31	1	6V-1454	4	SEAL-O-RING						
	32	1	6V-6809	1	SEAL-O-RING						
	33	1	8T-2903	2	SEAL-O-RING						
	34	1	8T-6765	5	PLUG-PIPE						
					AVAILABLE REPAIR KIT(S) :						
JL			225-4256	1	FILM-WARNING (HOT FLUID UNDER PRESSURE, U.S.)						
J			294-9052	1	KIT-RADIATOR CAP (EXPANSION TANK) (INCLUDES RADIATOR CAP AND WARNING FILM)						
L			295-5458		KIT-RADIATOR CAP (EXPANSION TANK) (INCLUDES RADIATOR CAP AND WARNING FILM)						

E - ORDER BY THE CENTIMETER
 J - PARTS MARKED J SERVICE PART(S) MARKED J
 L - KIT MARKED L SERVICE PARTS(S) MARKED L

COOLING SYSTEM

119-7334 TANK GP - EXPANSION (contd.)

i03196842



COOLING SYSTEM

293-3397 TANK GP - EXPANSION AN ATTACHMENT

SMCS - 1354

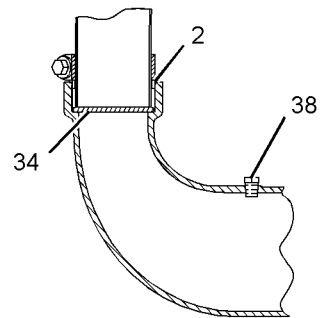
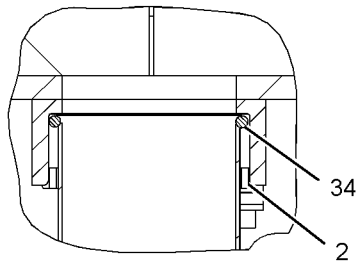
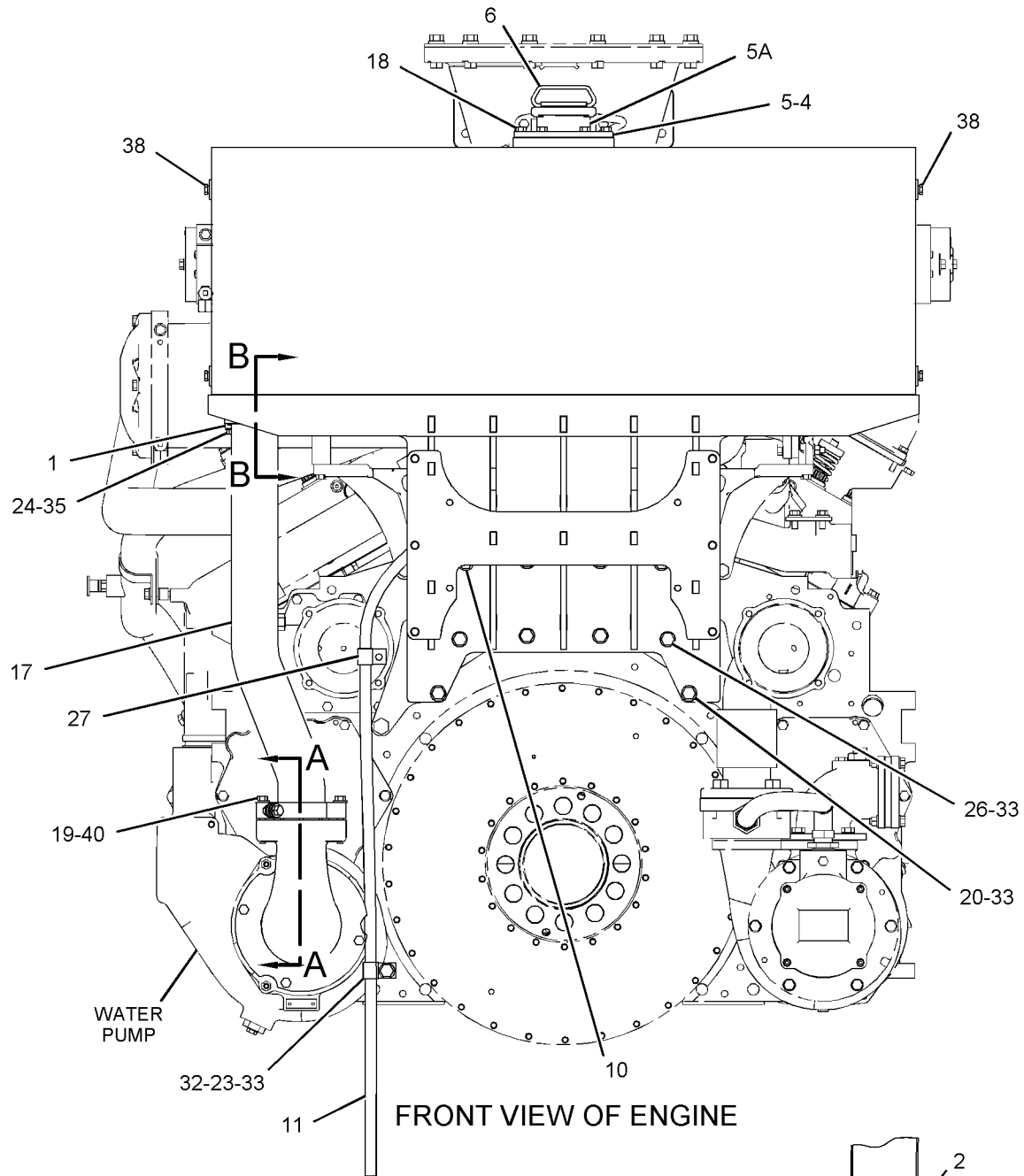
i03196841

NOTE	REF NO	GRAPHIC REF	PART NUMBER	QTY	PART NAME						SEE PAGE
					1	2	3	4	5	6 (PRODUCT LEVEL)	
	1	1	1W-4072	2	RETAINER						
	2	1	1W-4099	2	RING-RETAINING						
	3	2	2N-0931	4	GASKET						
	4	1	3H-5939	1	GASKET-HEAT EXCHANGER						
	5	1	3N-1341	1	ADAPTER AS-NECK						
	5A	1	6L-9849		NECK-FILLER						
J	6	1	4N-3311	1	CAP-PRESSURE (7-PSI) (EXPANSION TANK)						
					-OR-						
L		1	127-8660	1	CAP-PRESSURE (14-PSI) (EXPANSION TANK)						
	7	2	5D-1026	1	CLAMP-HOSE						
	8	2	7N-4927	1	GASKET-HOUSING COVER						
	9	2	7N-5127	1	HOUSING AS						
		2	111-4374	1	VALVE AS-VENT LINE						
	10	1	8B-9725	4	BOSS						
	11	1	8N-5213	1	HOSE						
	12	2	8N-9609	4	FLANGE						
	13	2	188-0324	2	TUBE						
	14	2	236-2623	1	ELBOW						
	15	2	248-4792	2	CLAMP AS						
	16	2	293-3399	1	TANK AS						
16A	2		3N-5863	4	BOSS						
16B	2		3N-7320	1	FLANGE-EXPANSION TANK						
	17	1	304-4501	1	TUBE						
	18	1	0L-1351	6	BOLT (3/8-16X0.875-IN)						
	19	1	0S-1571	2	BOLT (3/8-16X1.75-IN)						
	20	1	0S-1585	4	BOLT (1/2-13X1.5-IN)						
	21	2	0S-1594	2	BOLT (3/8-16X1-IN)						
	22	2	0S-1595	1	BOLT (1/2-13X1.25-IN)						
	23	1	0S-1621	1	BOLT (1/2-13X1-IN)						
	24	1,2	1A-2029	6	BOLT (3/8-16X1.125-IN)						
	25	2	1C-2251	16	BOLT (3/8-16X1.87-IN)						
	26	1	2A-1531	2	BOLT (1/2-13X6.5-IN)						
	27	1,2	3S-8664	2	CLIP						
	28	2	4M-2442	4	BOLT (1/2-13X12.32-IN)						
	29	2	5B-9603	10	BOLT (3/8-16X5-IN)						
	30	2	5M-2894	16	WASHER-HARD (10.2X18.5X2.5-MM THK)						
	31	2	5P-2566	6	BOLT (1/2-13X1.5-IN)						
	32	1,2	5P-4295	2	CLIP						
	33	1,2	5P-8245	12	WASHER-HARD (13.5X25.5X3-MM THK)						
	34	1,2	6V-1454	6	SEAL-O-RING						
	35	1	6V-5839	2	WASHER (11X21X2.5-MM THK)						
	36	2	6V-6809	1	SEAL-O-RING						
	37	2	8T-4223	6	WASHER-HARD (13.5X25.5X3-MM THK)						
	38	1	8T-6765	5	PLUG-PIPE						
	39	2	9S-8752	2	NUT-FULL (3/8-16-THD)						
	40	1,2	9X-6458	6	WASHER-HARD (10.2X22.5X3-MM THK)						
					AVAILABLE REPAIR KIT(S) :						
JL			225-4256	1	FILM-WARNING (HOT FLUID UNDER PRESSURE, U.S.)						
J			294-9052	1	KIT-RADIATOR CAP (EXPANSION TANK) (INCLUDES RADIATOR CAP AND WARNING FILM)						
L			295-5458		KIT-RADIATOR CAP (EXPANSION TANK) (INCLUDES RADIATOR CAP AND WARNING FILM)						
J - KIT MARKED J SERVICE PART(S) MARKED J L - KIT MARKED L SERVICE PARTS(S) MARKED L											

COOLING SYSTEM

293-3397 TANK GP - EXPANSION (contd.)

i03196841



GRAPHIC #1

g01334029

COOLING SYSTEM

148-8005 VALVE GP - CHECK-AUXILIARY WATER PUMP

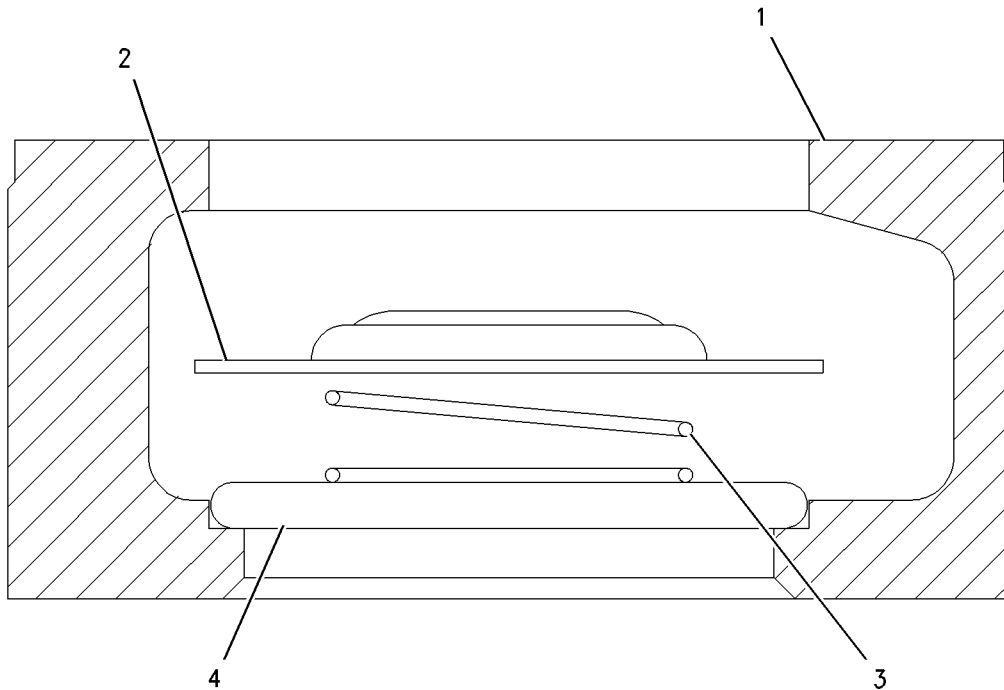
PART OF 144-6080, 248-2858 PUMP GP-AUXILIARY SEA WATER

AN ATTACHMENT

SMCS-5067

i01186433

NOTE	REF NO	GRAPHIC REF	PART NUMBER	QTY	PART NAME						SEE PAGE
					1	2	3	4	5	6 (PRODUCT LEVEL)	
	1	1	148-8001	1	BODY - VALVE						
	2	1	148-8002	1	RETAINER						
	3	1	148-8003	1	SPRING						
	4	1	148-8004	1	DISC - FLAP						



GRAPHIC #1

<END>

g00635304

COOLING SYSTEM

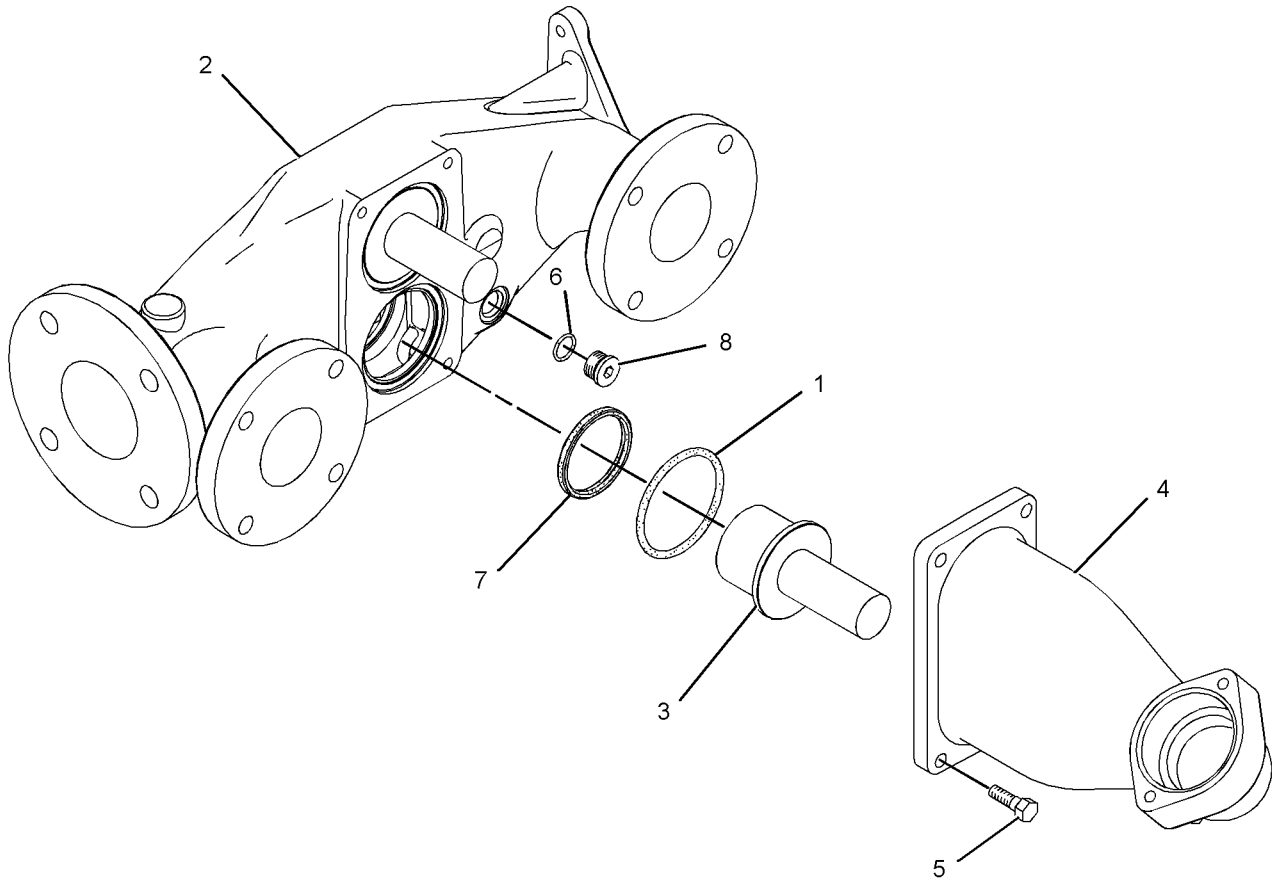
282 - 8537 VALVE GP - THERMOSTATIC

PART OF 289-2090 LINES GP - WATER

SMCS - 5074

i02710359

NOTE	REF NO	GRAPHIC REF	PART NUMBER	QTY	PART NAME						SEE PAGE
					1	2	3	4	5	6 (PRODUCT LEVEL)	
	1	1	6V-1454	2	SEAL-O-RING						
	2	1	214-0728	1	HOUSING						
	3	1	219-3240	2	REGULATOR-WATER TEMPERATURE (30-DEG C)						
	4	1	264-3073	1	ADAPTER						
	5	1	1A-2029	4	BOLT (3/8-16X1.125-IN)						
	6	1	3K-0360	2	SEAL-O-RING						
	7	1	3S-9643	2	SEAL-LIP TYPE (WATER TEMPERATURE REGULATOR)						
	8	1	9S-8005	2	PLUG-O-RING						



GRAPHIC #1

<END>

g01211920

AIR INLET AND EXHAUST SYSTEM

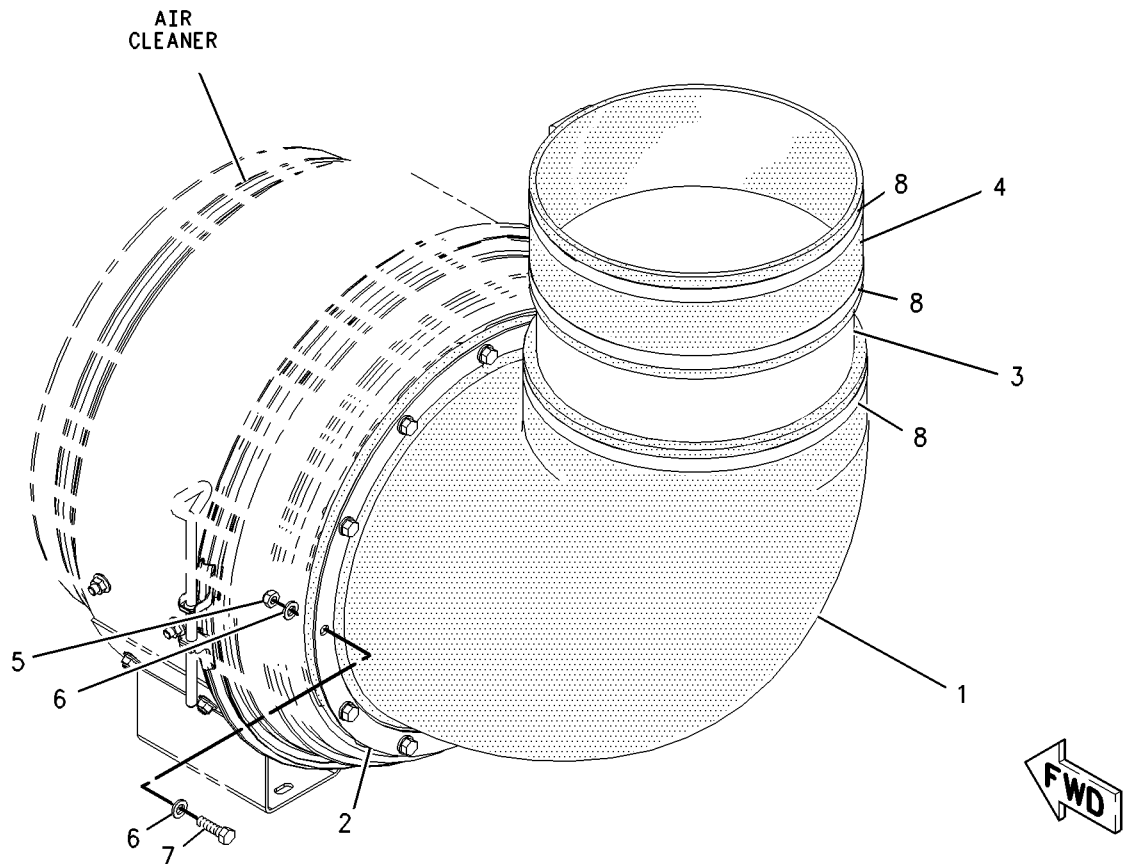
209-4453 ADAPTER GP-AIR CLEANER

AN ATTACHMENT

SMCS-1051

i02327542

NOTE	REF NO	GRAPHIC REF	PART NUMBER	QTY	PART NAME						SEE PAGE
					1	2	3	4	5	6 (PRODUCT LEVEL)	
	1	1	209-4455	1	ADAPTER						
	2	1	212-8188	1	STRIP						
	3	1	219-7509	1	TUBE						
	4	1	219-7510	1	HOSE						
	5	1	031-4155	12	LOCKNUT (5/16-18-THD)						
	6	1	5P-4116	24	WASHER-HARD (8.8X20.5X2-MM THK)						
	7	1	6V-8918	12	BOLT (5/16-18X1.25-IN)						
	8	1	128-0856	3	CLAMP-HOSE						



GRAPHIC #1

<END>

g00924798

AIR INLET AND EXHAUST SYSTEM

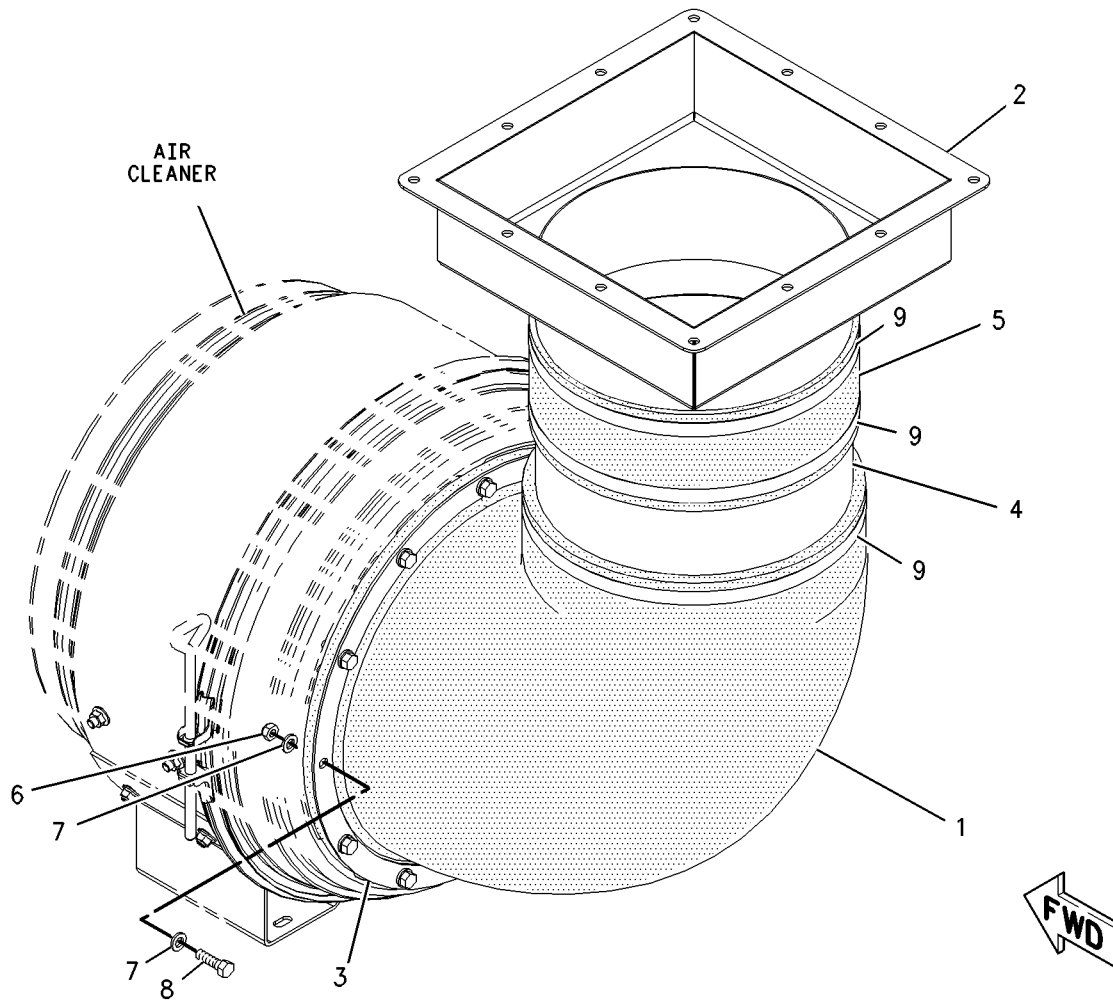
209-4454 ADAPTER GP-AIR CLEANER

AN ATTACHMENT

SMCS-1051

i02327544

NOTE	REF NO	GRAPHIC REF	PART NUMBER	QTY	PART NAME						SEE PAGE
					1	2	3	4	5	6 (PRODUCT LEVEL)	
	1	1	209-4455	1	ADAPTER						
	2	1	209-4457	1	ADAPTER AS						
	3	1	212-8188	1	STRIP						
	4	1	219-7509	1	TUBE						
	5	1	219-7510	1	HOSE						
	6	1	031-4155	12	LOCKNUT (5/16-18-THD)						
	7	1	5P-4116	24	WASHER-HARD (8.8X20.5X2-MM THK)						
	8	1	6V-8918	12	BOLT (5/16-18X1.25-IN)						
	9	1	128-0856	3	CLAMP-HOSE						



GRAPHIC #1

<END>

g00924779

AIR INLET AND EXHAUST SYSTEM

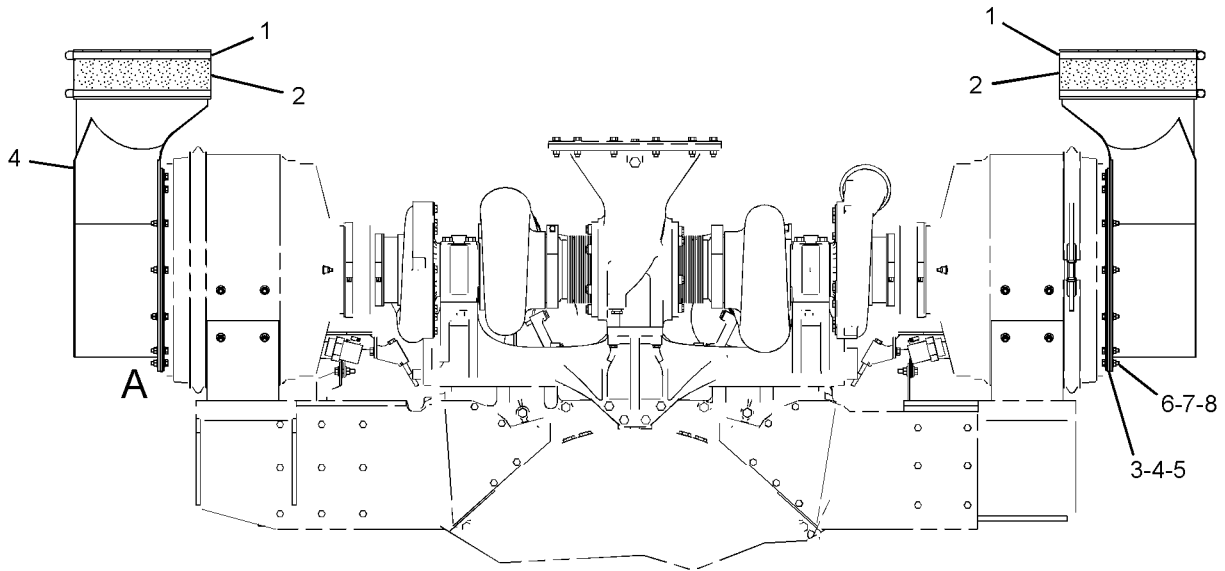
301-9565 ADAPTER GP-AIR CLEANER

AN ATTACHMENT

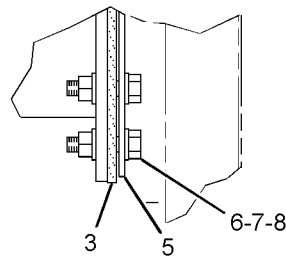
SMCS-1051

i03174284

NOTE	REF NO	GRAPHIC REF	PART NUMBER	QTY	PART NAME						SEE PAGE
					1	2	3	4	5	6 (PRODUCT LEVEL)	
	1	1	128-0856	4	CLAMP-HOSE						
	2	1	219-7510	2	HOSE						
	3	1	293-7467	2	GASKET						
	4	1	301-9564	2	ADAPTER AS-AIR CLEANER						
	5	1	331-4777	2	RING						
	6	1	031-2701	24	BOLT-LOCKING (5/16-18X1.25-IN)						
	7	1	6V-8189	24	NUT (5/16-18-THD)						
	8	1	8T-4224	48	WASHER-HARD (8.8X16X2-MM THK)						



REAR VIEW OF ENGINE



VIEW OF AREA A

<END>

GRAPHIC #1

g01624961

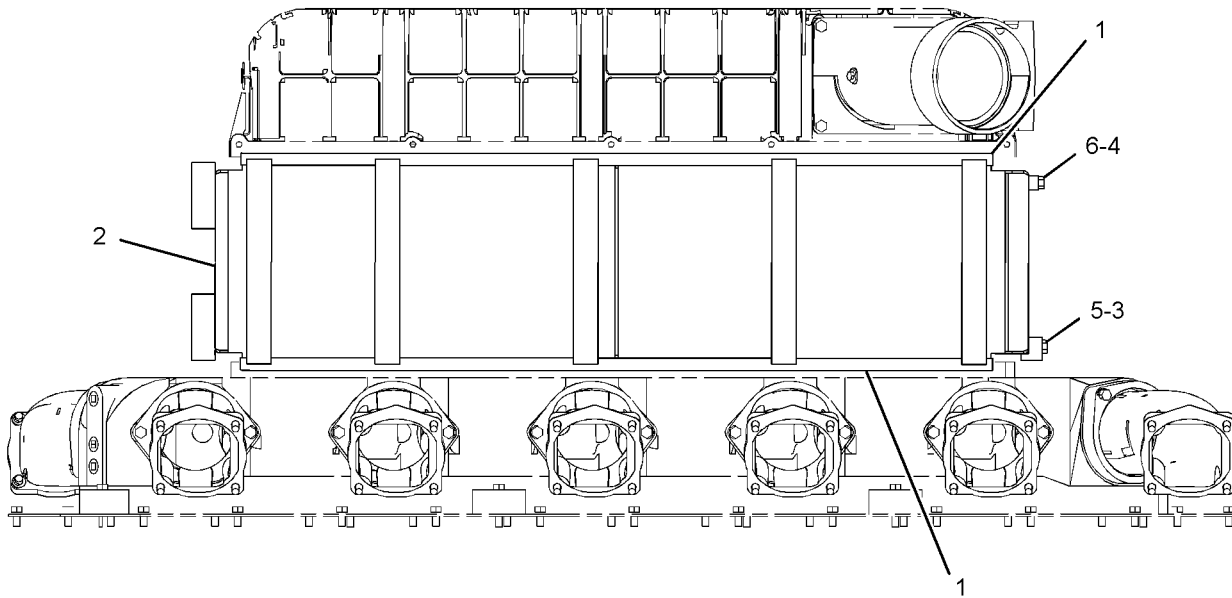
AIR INLET AND EXHAUST SYSTEM

258 - 1086 AFTERCOOLER GP - TREATED WATER

SMCS - 1063

i02281047

NOTE	REF NO	GRAPHIC REF	PART NUMBER	QTY	PART NAME						SEE PAGE
					1	2	3	4	5	6 (PRODUCT LEVEL)	
	1	1	107-3759	2	SEAL						
	2	1	245-4622	1	CORE AS - AFTERCOOLER						
	3	1	1J-9671	1	SEAL - O - RING						
	4	1	3J-7354	1	SEAL - O - RING						
	5	1	3K-8460	1	PLUG						
	6	1	9S-4182	1	PLUG - O RING						



LEFT SIDE VIEW

GRAPHIC #1

<END>

g01164514

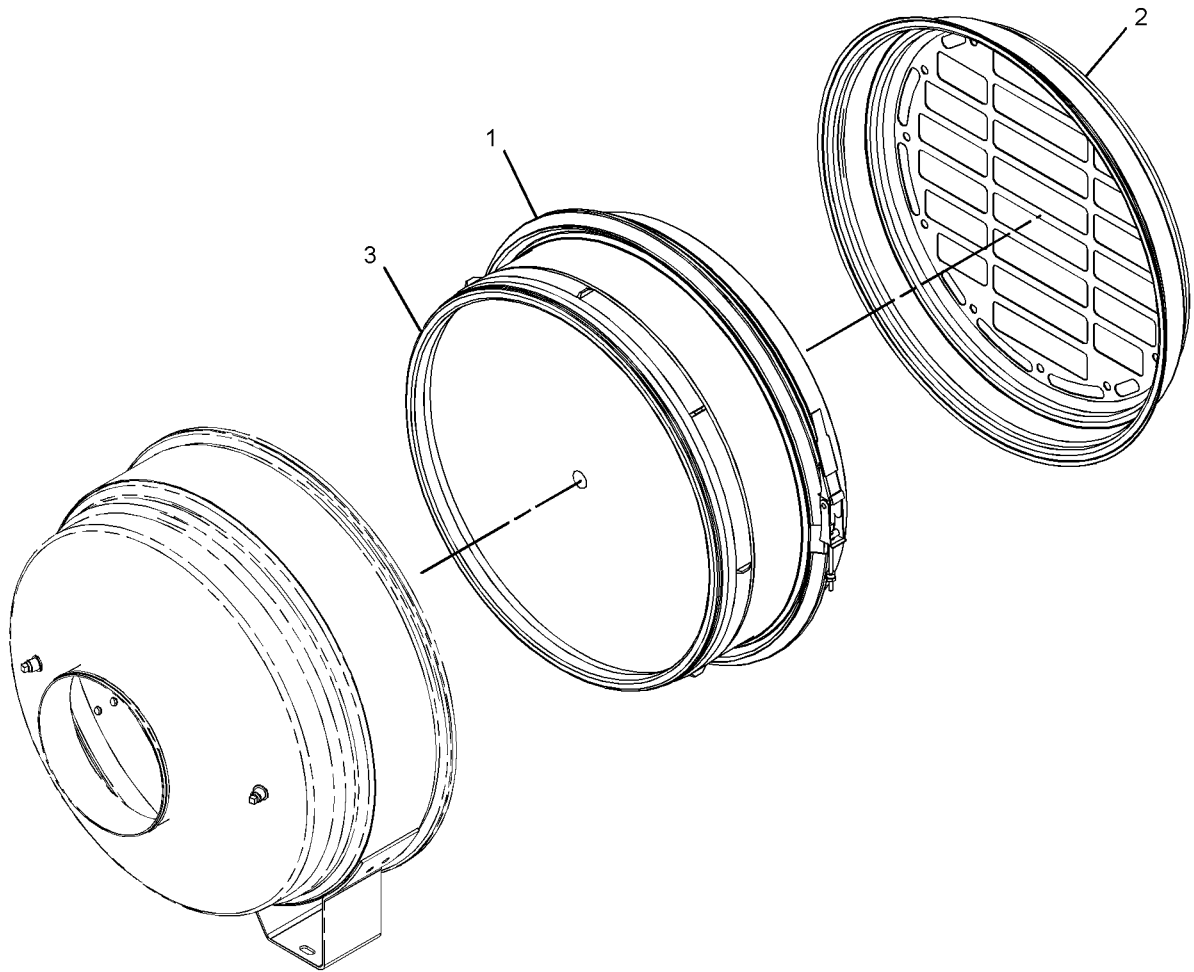
AIR INLET AND EXHAUST SYSTEM

226-2773 AIR CLEANER GP AN ATTACHMENT

SMCS-1051, 1054

i02608751

NOTE	REF NO	GRAPHIC REF	PART NUMBER	QTY	PART NAME						SEE PAGE
					1	2	3	4	5	6 (PRODUCT LEVEL)	
	1	1	293-4388	1	CLAMP AS						
	2	1	208-9064	1	COVER						
	3	1	226-2779	1	FILTER ELEMENT AS-AIR (PRIMARY)						



GRAPHIC #1

<END>

g01307144

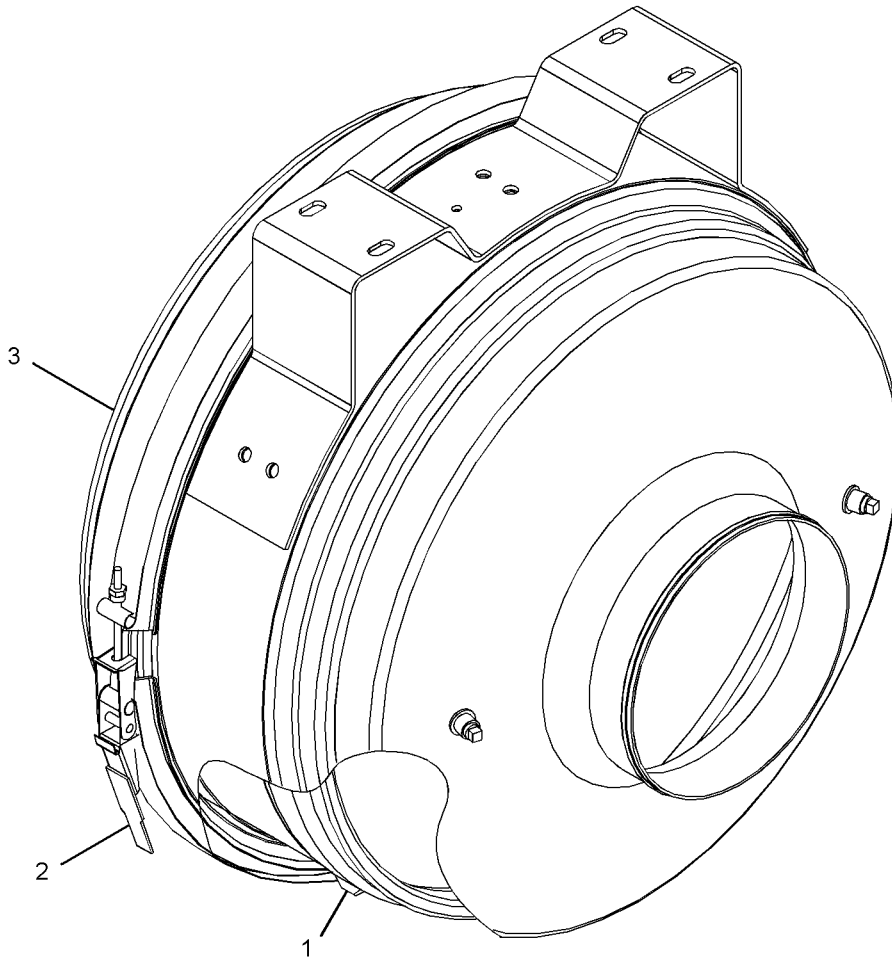
AIR INLET AND EXHAUST SYSTEM

317-9958 AIR CLEANER GP AN ATTACHMENT

SMCS-1051, 1054

i02958927

NOTE	REF NO	GRAPHIC REF	PART NUMBER	QTY	PART NAME						SEE PAGE
					1	2	3	4	5	6 (PRODUCT LEVEL)	
	1	1	226-2779	1	FILTER ELEMENT AS-AIR (PRIMARY)						
	2	1	317-9956	1	CLAMP AS						
	3	1	317-9957	1	COVER						



GRAPHIC #1

<END>

g01491455

AIR INLET AND EXHAUST SYSTEM

289 - 8498 DAMPER GP - AIR SHUTOFF

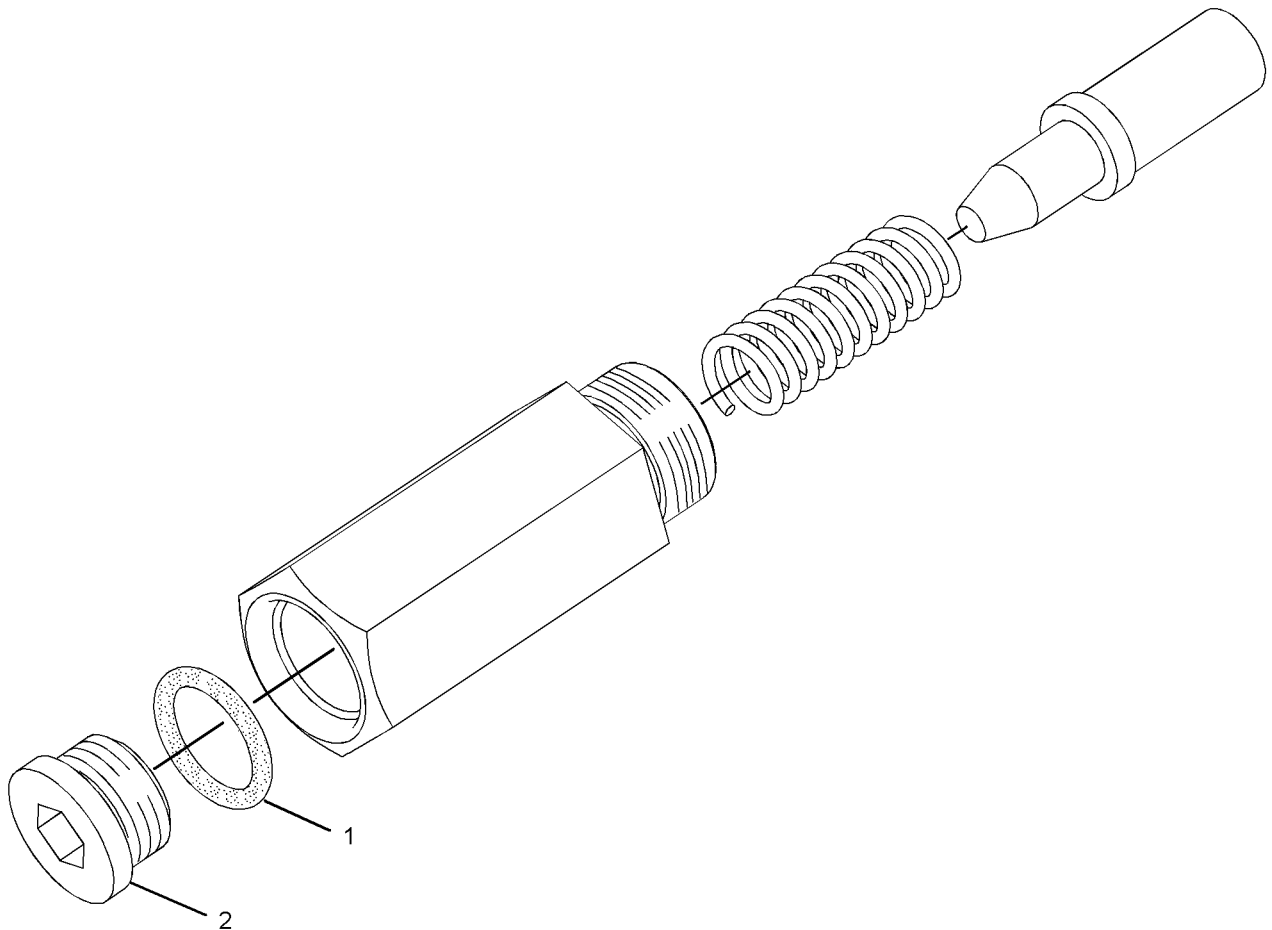
PART OF 288-2758, 288-2759 SHUTOFF GP-AIR
AN ATTACHMENT

SMCS - 1078

i02674033

NOTE	REF NO	GRAPHIC REF	PART NUMBER	QTY	PART NAME						SEE PAGE
					1	2	3	4	5	6 (PRODUCT LEVEL)	
	1	1	6V-5049	1	SEAL-O-RING						
	2	1	9S-8004	1	PLUG-O-RING						

PARTS SHOWN IN GRAPHIC(S) WITHOUT A REFERENCE NUMBER ARE NOT SERVICED SEPARATELY



GRAPHIC #1

<END>

g01360451

AIR INLET AND EXHAUST SYSTEM

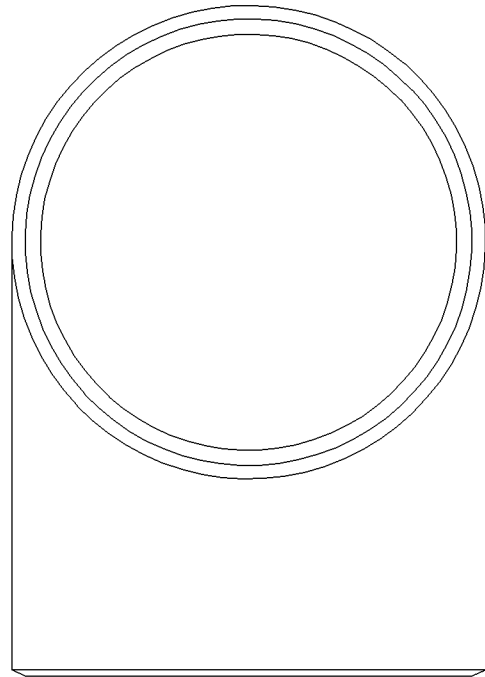
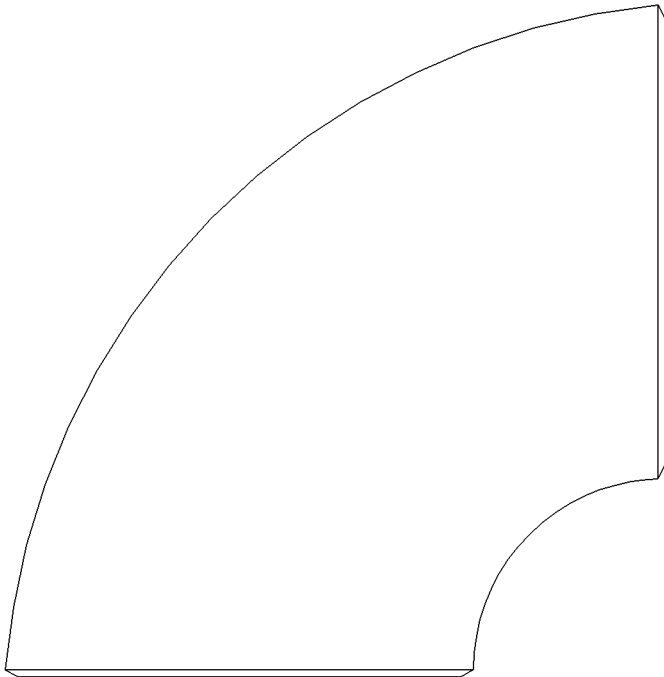
5L - 6954 ELBOW - EXHAUST

12 - IN
AN ATTACHMENT

SMCS - 1061

i01213269

NOTE	REF NO	GRAPHIC REF	PART NUMBER	QTY	PART NAME	SEE PAGE
					1 2 3 4 5 6 (PRODUCT LEVEL)	
(NO SERVICED PARTS)						



GRAPHIC #1

<END>

g00648631

AIR INLET AND EXHAUST SYSTEM

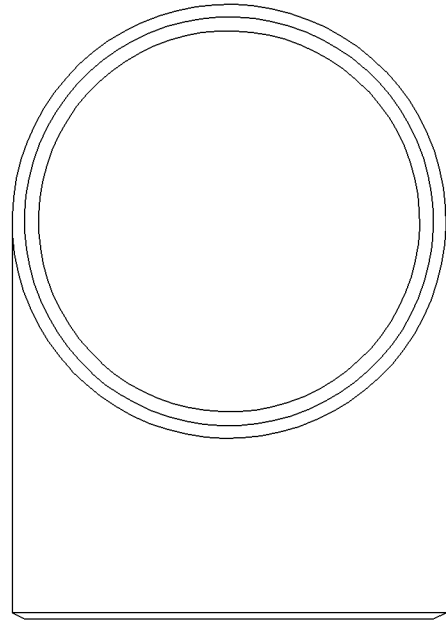
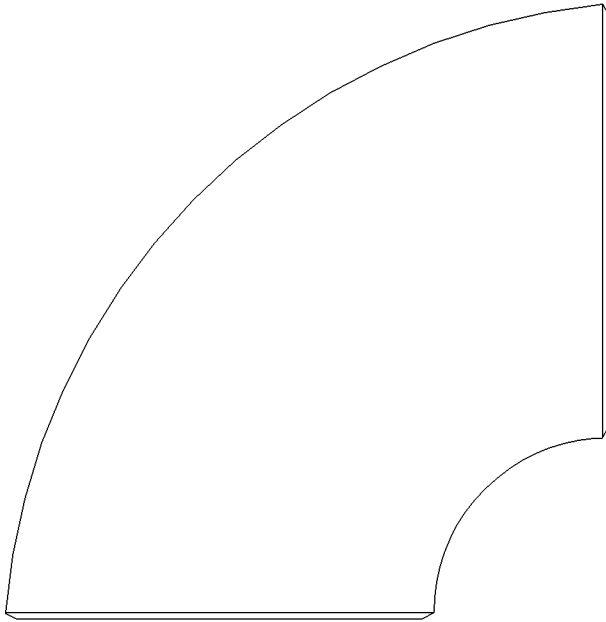
5N - 8529 ELBOW - EXHAUST

14-IN
AN ATTACHMENT

SMCS - 1061

i01450754

NOTE	REF NO	GRAPHIC REF	PART NUMBER	QTY	PART NAME						SEE PAGE
					1	2	3	4	5	6 (PRODUCT LEVEL)	
(NO SERVICED PARTS)											



GRAPHIC #1

<END>

g00658604

AIR INLET AND EXHAUST SYSTEM

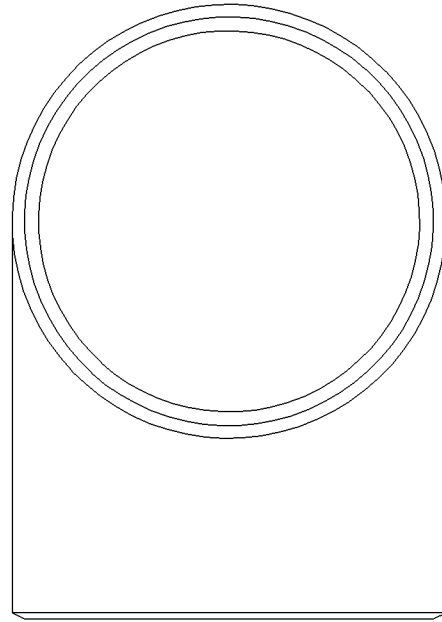
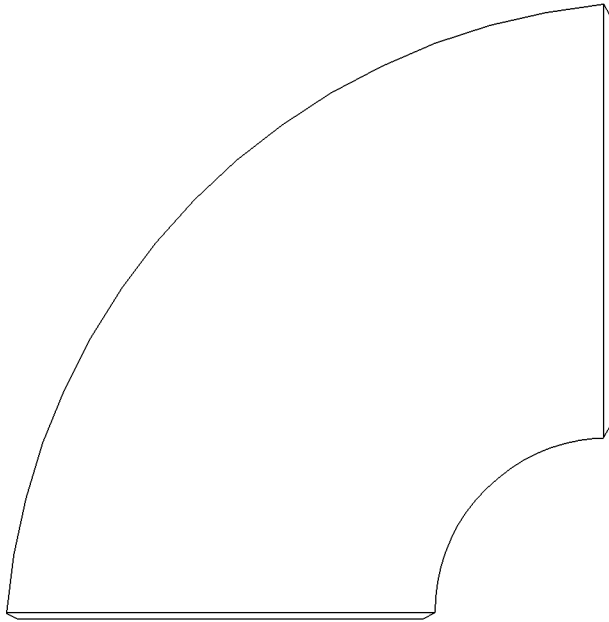
111-4986 ELBOW-EXHAUST

406.4-MM ID
AN ATTACHMENT

SMCS-1061

i01450748

NOTE	REF NO	GRAPHIC REF	PART NUMBER	QTY	PART NAME	SEE PAGE
					1 2 3 4 5 6 (PRODUCT LEVEL)	
(NO SERVICED PARTS)						



GRAPHIC #1

<END>

g00658604

AIR INLET AND EXHAUST SYSTEM

243-1286 FILTER GP-AIR AN ATTACHMENT

SMCS-1051, 1054

i02674015

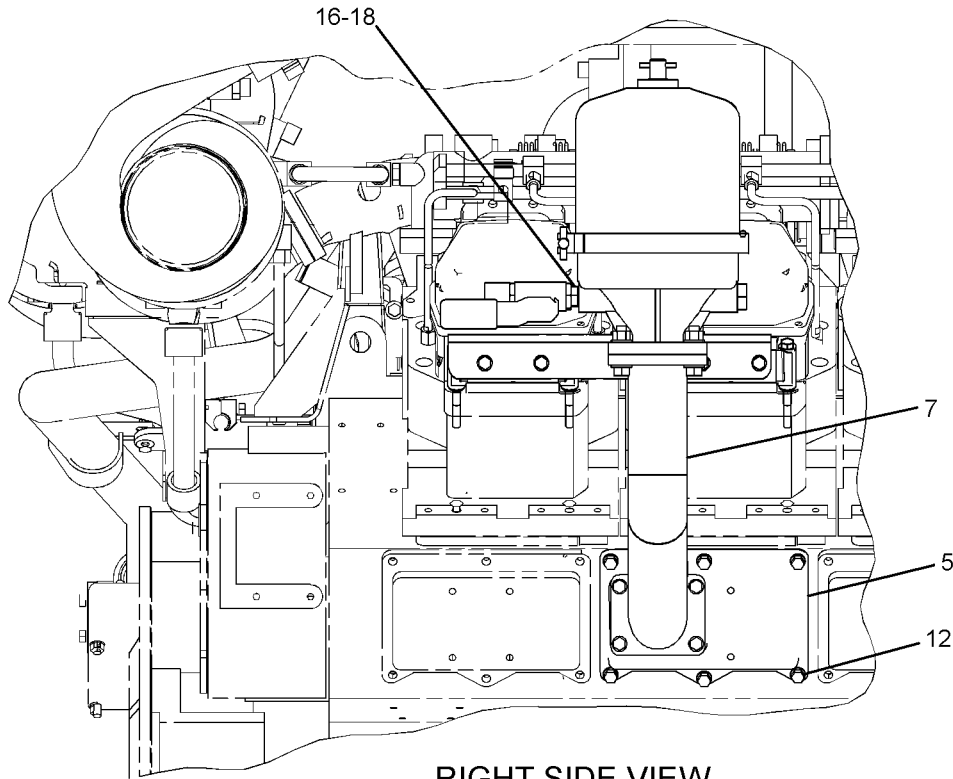
NOTE	REF NO	GRAPHIC REF	PART NUMBER	QTY	PART NAME						SEE PAGE
					1	2	3	4	5	6 (PRODUCT LEVEL)	
Y	1	1	1W-4191	1	FILTER GP-CENTRIFUGAL						90
	2	1	1W-8129	2	SUPPORT						
	3	1	2W-0752	1	GASKET						
	4	1	4R-8658	1	VALVE AS-MANUAL						
	5	1	8N-9993	1	COVER-CAMSHAFT						
	6	1	272-0758	1	SEAL						
	7	1	243-1288	1	ELBOW AS						
	8	1	243-1289	1	SUPPORT						
	9	1	032-1269	1	ELBOW						
	10	1	0S-1588	4	BOLT (3/8-16X1.25-IN)						
	11	1	0S-1591	4	BOLT (3/8-16X1.5-IN)						
	12	1	0S-1594	6	BOLT (3/8-16X1-IN)						
	13	1	1A-1460	2	BOLT (1/2-13X2-IN)						
	14	1	1A-5964	4	BOLT (3/8-16X4.5-IN)						
	15	1	1F-7958	4	NUT-FULL (1/2-13-THD)						
	16	1	2M-9780	1	SEAL-O-RING						
	17	1	5M-2894	18	WASHER-HARD (10.2X18.5X2.5-MM THK)						
	18	1	5P-5877	1	CONNECTOR						
	19	1	5P-8245	8	WASHER-HARD (13.5X25.5X3-MM THK)						
	20	1	9S-1366	2	BOLT (1/2-13X2.5-IN)						
	21	1	9S-8752	4	NUT-FULL (3/8-16-THD)						

Y-SEPARATE ILLUSTRATION

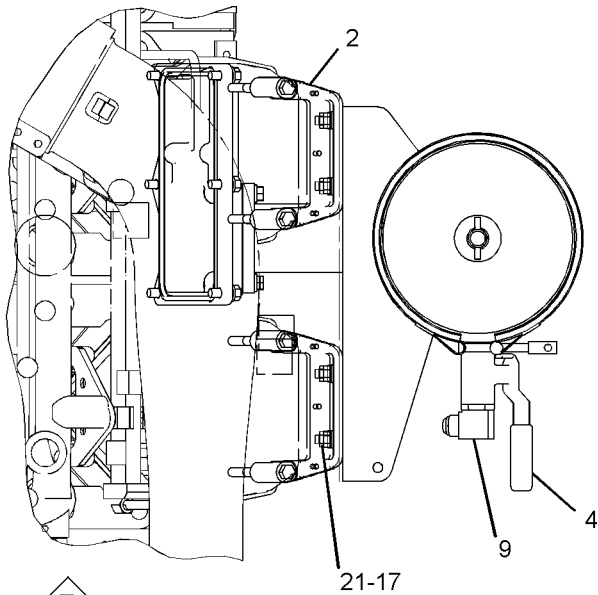
AIR INLET AND EXHAUST SYSTEM

243-1286 FILTER GP-AIR (contd.)

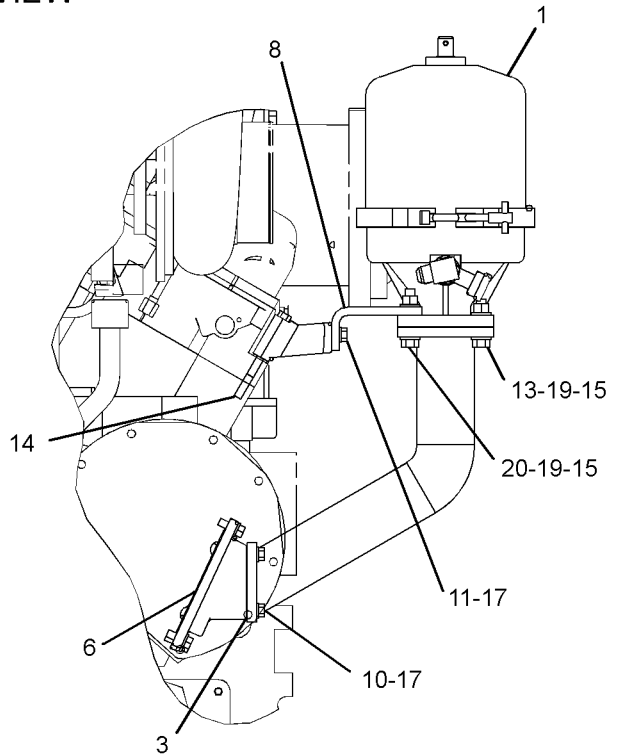
i02674015



RIGHT SIDE VIEW



TOP VIEW



REAR VIEW

GRAPHIC #1

<END>

g01343037

AIR INLET AND EXHAUST SYSTEM

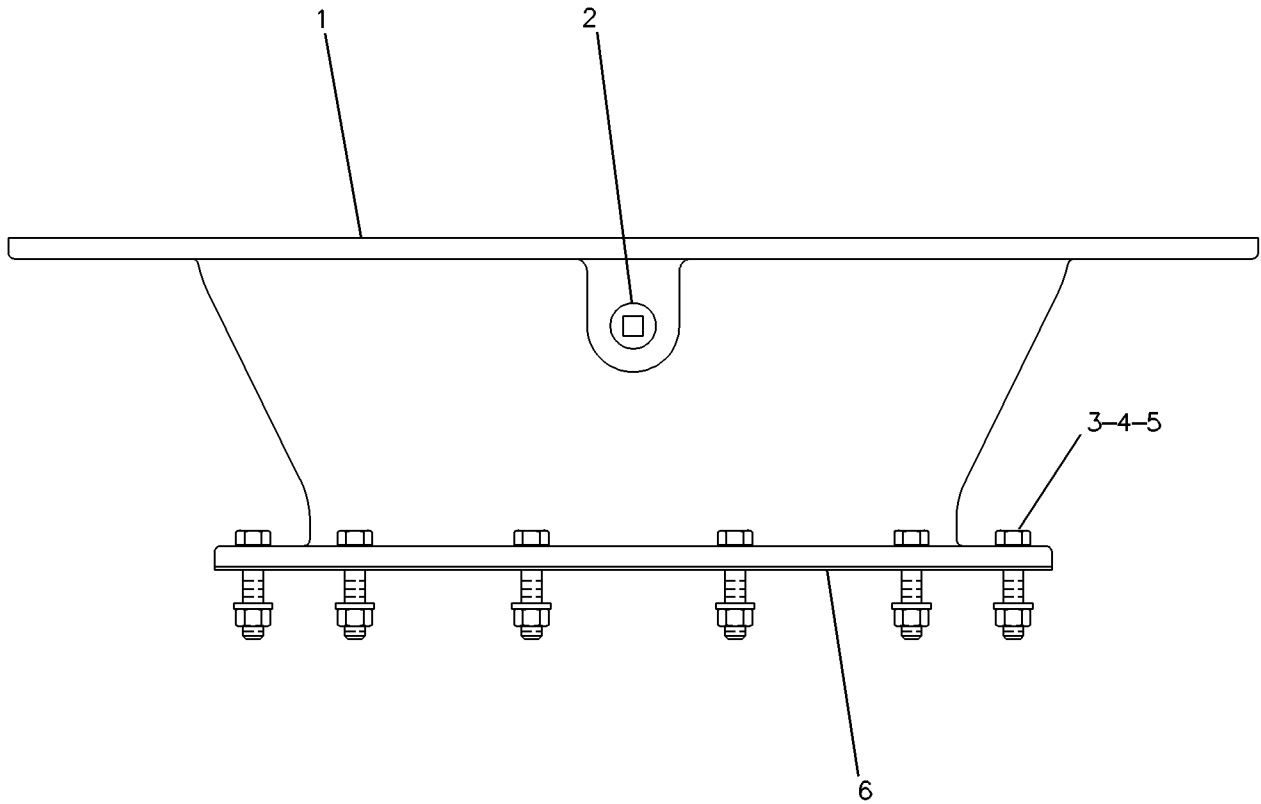
4P-3363 FITTING GP-EXHAUST

410.2-MM
AN ATTACHMENT

SMCS-1061

i02393284

NOTE	REF NO	GRAPHIC REF	PART NUMBER	QTY	PART NAME						SEE PAGE
					1	2	3	4	5	6 (PRODUCT LEVEL)	
	1	1	4P-3362	1	ADAPTER						
	2	1	8T-6762	1	PLUG-PIPE						
	3	1	0S-1571	12	BOLT (3/8-16X1.75-IN)						
	4	1	9S-8752	12	NUT-FULL (3/8-16-THD)						
	5	1	5M-2894	12	WASHER-HARD (10.2X18.5X2.5-MM THK)						
	6	1	1W-6356	1	GASKET						



GRAPHIC #1

<END>

g00212151

AIR INLET AND EXHAUST SYSTEM

5N-9527 FITTING GP-EXHAUST-FLEXIBLE

305-MM

FOR USE WITH WATERCOOLED, HOT EXHAUST STACKS
AN ATTACHMENT

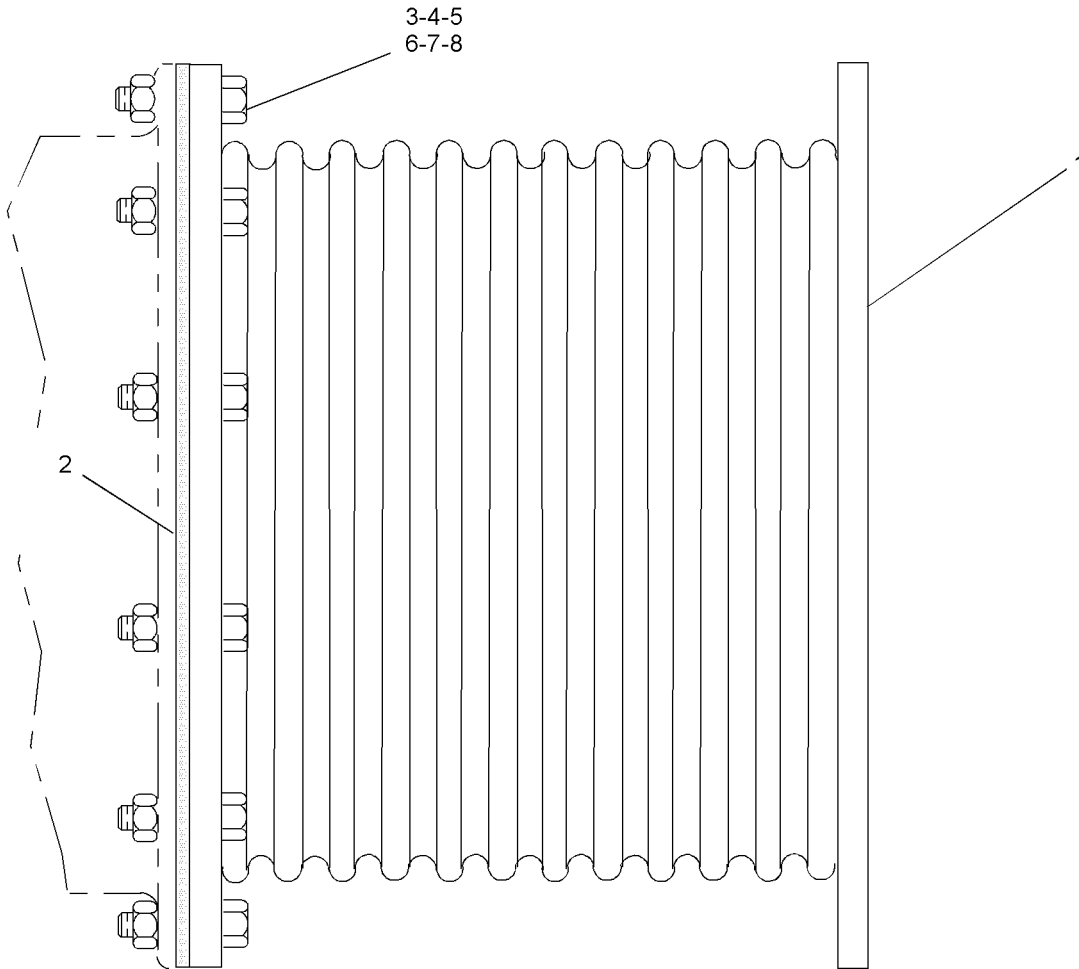
SMCS-1061

i02219329

NOTE	REF NO	GRAPHIC REF	PART NUMBER	QTY	PART NAME						SEE PAGE
					1	2	3	4	5	6 (PRODUCT LEVEL)	
	1	1	207-1332	1	BELLOWS AS						
	2	1	2W-7873	1	GASKET-EXHAUST						
B	3	1	5L-4398	12	BOLT (1/2-13X2.25-IN)						
B	4	1	1B-5357	12	NUT-FULL (1/2-13-THD)						
B	5	1	5P-8245	24	WASHER-HARD (13.5X25.5X3-MM THK)						
BJ	6	1	0S-1571	12	BOLT (3/8-16X1.75-IN)						
BJ	7	1	1B-5355	12	NUT-FULL (3/8-16-THD)						
BJ	8	1	5M-2894	12	WASHER-HARD (10.2X18.5X2.5-MM THK)						

B - USE AS REQUIRED

J - FOR USE WITH 1W5532 ELBOW OR 7N6959 ADAPTER



GRAPHIC #1

<END>

g01109652

AIR INLET AND EXHAUST SYSTEM

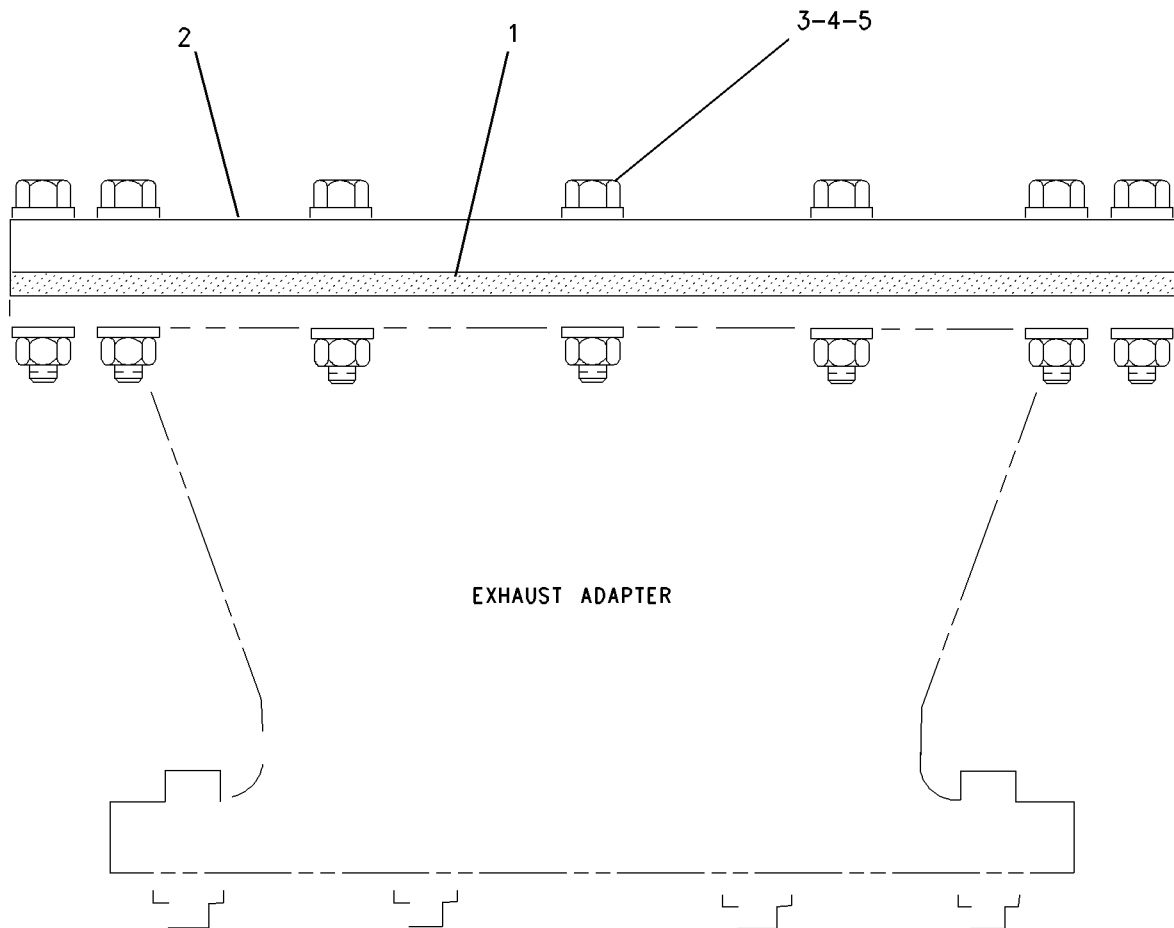
2W-7756 FLANGE GP-EXHAUST

355.61-MM
AN ATTACHMENT

SMCS-1061

i02179545

NOTE	REF NO	GRAPHIC REF	PART NUMBER	QTY	PART NAME						SEE PAGE
					1	2	3	4	5	6 (PRODUCT LEVEL)	
	1	1	111-5822	1	GASKET - EXHAUST						
	2	1	2W-7755	1	FLANGE - EXHAUST						
	3	1	9X-8873	12	BOLT (1/2-13X2.25-IN)						
	4	1	5P-8245	24	WASHER-HARD (13.5X25.5X3-MM THK)						
	5	1	1B-5357	12	NUT-FULL (1/2-13-THD)						



GRAPHIC #1

<END>

g00788150

AIR INLET AND EXHAUST SYSTEM

2W-7871 FLANGE GP-EXHAUST

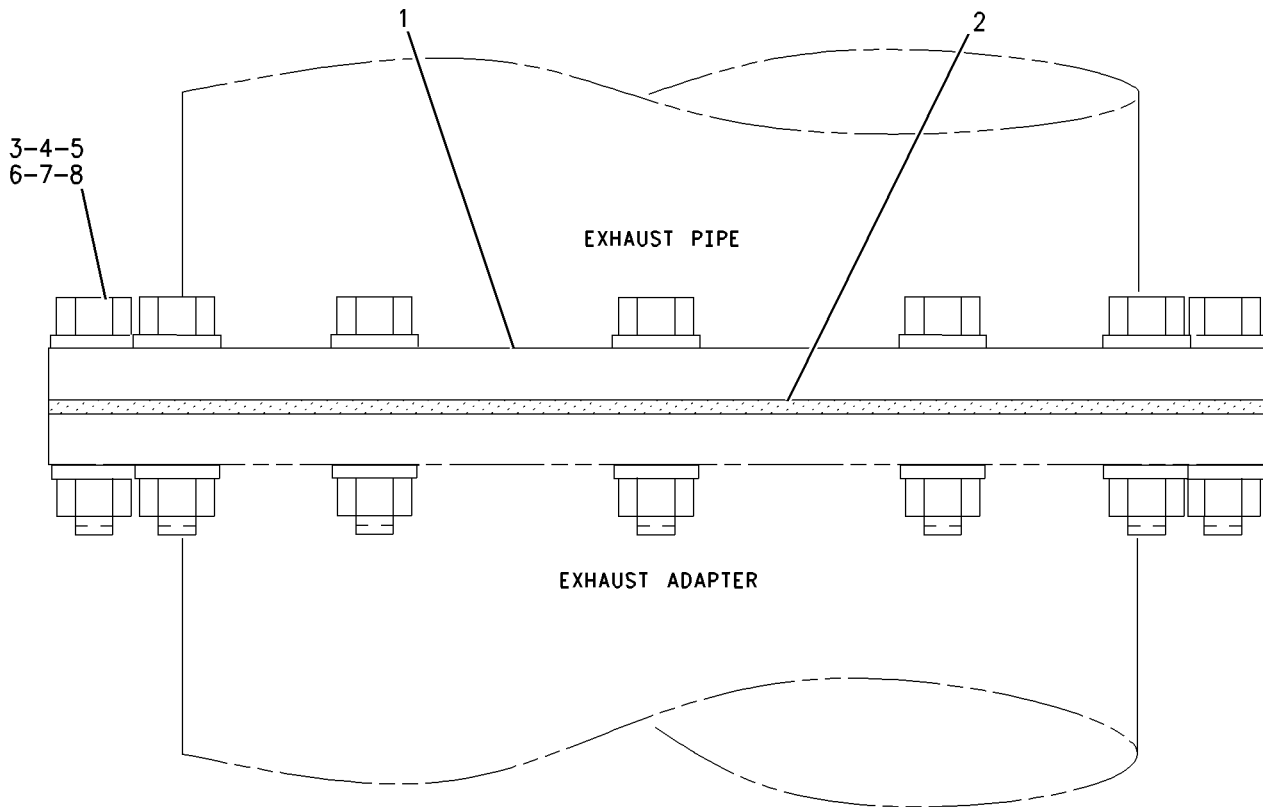
323.9-MM
AN ATTACHMENT

SMCS-1061

i02153824

NOTE	REF NO	GRAPHIC REF	PART NUMBER	QTY	PART NAME						SEE PAGE
					1	2	3	4	5	6 (PRODUCT LEVEL)	
	1	1	2W-7872	1	FLANGE - EXHAUST						
	2	1	2W-7873	1	GASKET - EXHAUST						
BL	3	1	5L-4398	12	BOLT (1/2-13X2.25-IN)						
BL	4	1	1B-5357	12	NUT-FULL (1/2-13-THD)						
BL	5	1	5P-8245	24	WASHER-HARD (13.5X25.5X3-MM THK)						
BJ	6	1	0S-1571	12	BOLT (3/8-16X1.75-IN)						
BJ	7	1	1B-5355	12	NUT-FULL (3/8-16-THD)						
BJ	8	1	9L-9132	24	WASHER (10.2X25.5X2.5-MM THK)						

B - USE AS REQUIRED
 J - FOR USE WITH ENGINE EXHAUST ELBOW OR EXPANDER FITTING GP
 L - FOR USE WITH FLEXIBLE FITTING GP OR MUFFLER GP



GRAPHIC #1

<END>

g00705447

AIR INLET AND EXHAUST SYSTEM

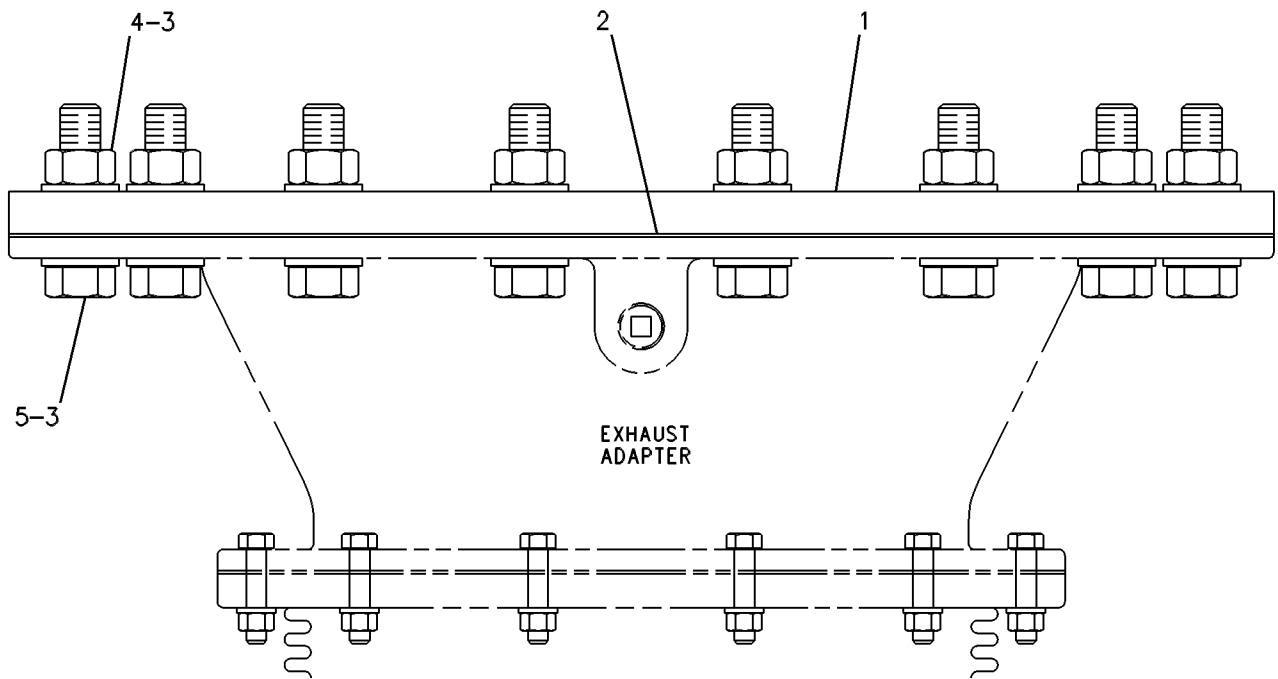
103-6668 FLANGE GP - EXHAUST

410.2-MM
AN ATTACHMENT

SMCS-1061

i02224074

NOTE	REF NO	GRAPHIC REF	PART NUMBER	QTY	PART NAME						SEE PAGE
					1	2	3	4	5	6 (PRODUCT LEVEL)	
	1	1	133-6479	1	FLANGE - EXHAUST						
	2	1	133-6480	1	GASKET						
	3	1	5P-8248	32	WASHER - HARD (20X36.5X3.5-MM THK)						
	4	1	2J-3506	16	NUT - FULL (3/4-10-THD)						
	5	1	9X-8887	16	BOLT (3/4-10X3-IN)						



GRAPHIC #1

<END>

g00248869

AIR INLET AND EXHAUST SYSTEM

285-8373 LINES GP-AIR

SMCS-1071

i02789631

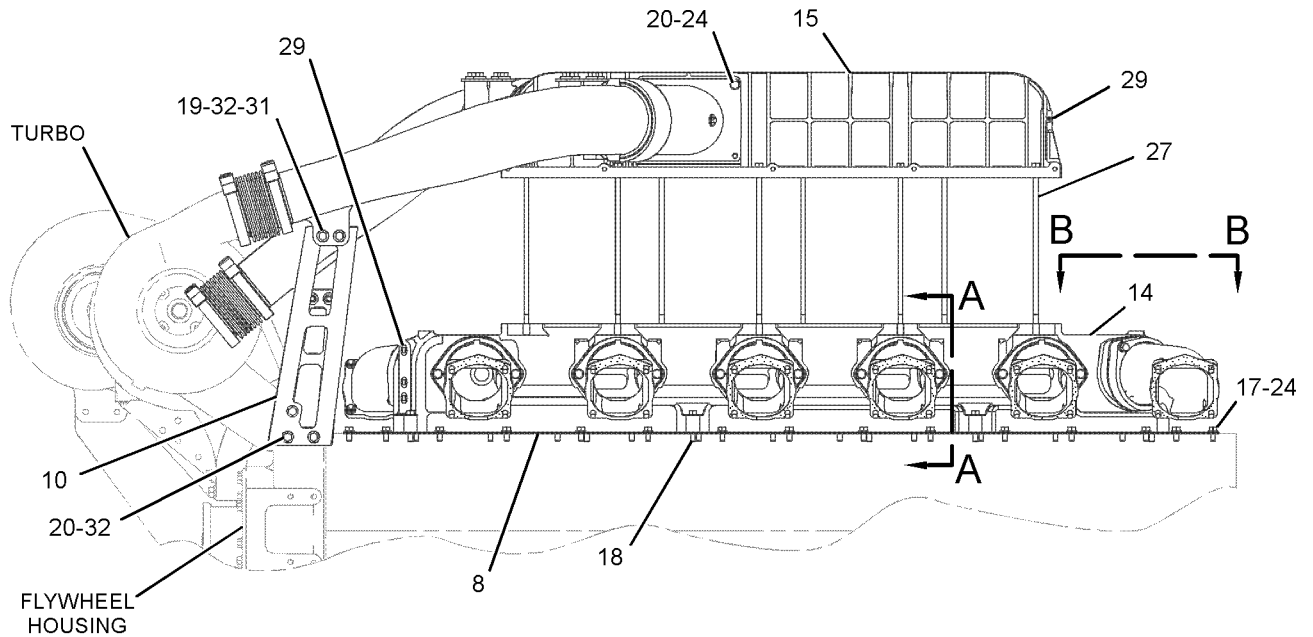
NOTE	REF NO	GRAPHIC REF	PART NUMBER	QTY	PART NAME						SEE PAGE
					1	2	3	4	5	6 (PRODUCT LEVEL)	
	1	1	7C-7909	10	ELBOW (AIR INLET)						
	2	2	7C-7910	2	ELBOW (AIR INLET)						
	3	1,2	7C-8199	12	FLANGE						
	4	1,2	7N-5080	12	GASKET-MANIFOLD						
	5	2	109-7411	2	SEAL-O-RING						
	6	2	112-1567	2	STRAP						
	7	2	122-3374	2	ELBOW (AIR INLET)						
	8	1	129-9528	1	PLATE						
	9	2	239-6808	4	CLAMP (V-BAND)						
	10	1	281-6008	1	BRACKET						
	11	1	281-6009	1	BRACKET						
	12	2	281-6023	1	TUBE-AIR (RH)						
	13	2	281-6026	1	TUBE-AIR (LH)						
	14	1	283-9599	1	MANIFOLD						
	15	1	285-8436	1	COVER						
	16	2	307-5472	2	BELLOWS						
	17	1	0S-0509	30	BOLT (3/8-16X0.75-IN)						
	18	1	0S-1590	6	BOLT (3/8-16X2-IN)						
	19	1	0S-1591	4	BOLT (3/8-16X1.5-IN)						
	20	1,2	0S-1594	21	BOLT (3/8-16X1-IN)						
	21	1,2	1T-0720	48	BOLT-12 POINT HEAD (3/8-16X1.25-IN)						
	22	1,2	2A-4639	24	BOLT (3/8-16X1.625-IN)						
	23	1,2	4S-5898	12	SEAL-O-RING						
	24	1,2	5M-2894	110	WASHER-HARD (10.2X18.5X2.5-MM THK)						
	25	1	6V-5101	12	SEAL-O-RING						
	26	2	6V-5103	4	SEAL-O-RING						
	27	1	8J-5985	10	BOLT (3/8-16X12.375-IN)						
	28	2	8M-9024	8	WASHER-HARD (10.2X22.5X5-MM THK)						
	29	1,2	8T-6762	7	PLUG-PIPE						
	30	2	8T-6764	2	PLUG-PIPE						
	31	1	9S-8752	4	NUT-FULL (3/8-16-THD)						
	32	1	9X-6458	13	WASHER-HARD (10.2X22.5X3-MM THK)						

AIR INLET AND EXHAUST SYSTEM

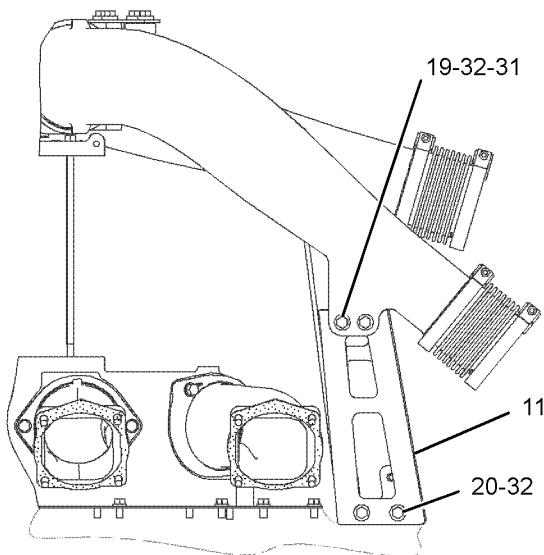
285 - 8373 LINES GP - AIR (contd.)

i02789631

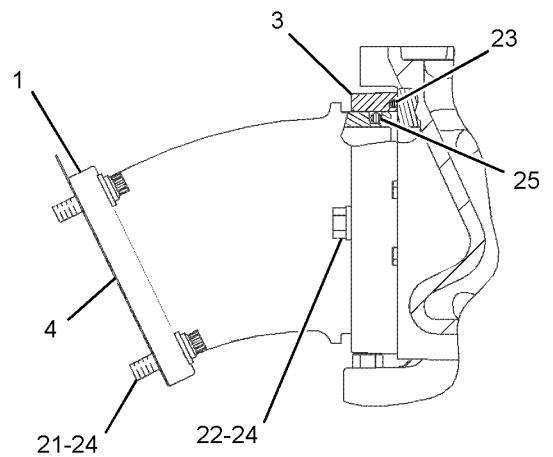
REFER TO ALL ILLUSTRATIONS OF THIS GROUP FOR AUXILIARY VIEWS



RIGHT SIDE VIEW OF ENGINE



LEFT SIDE VIEW OF ENGINE



SECTION A-A

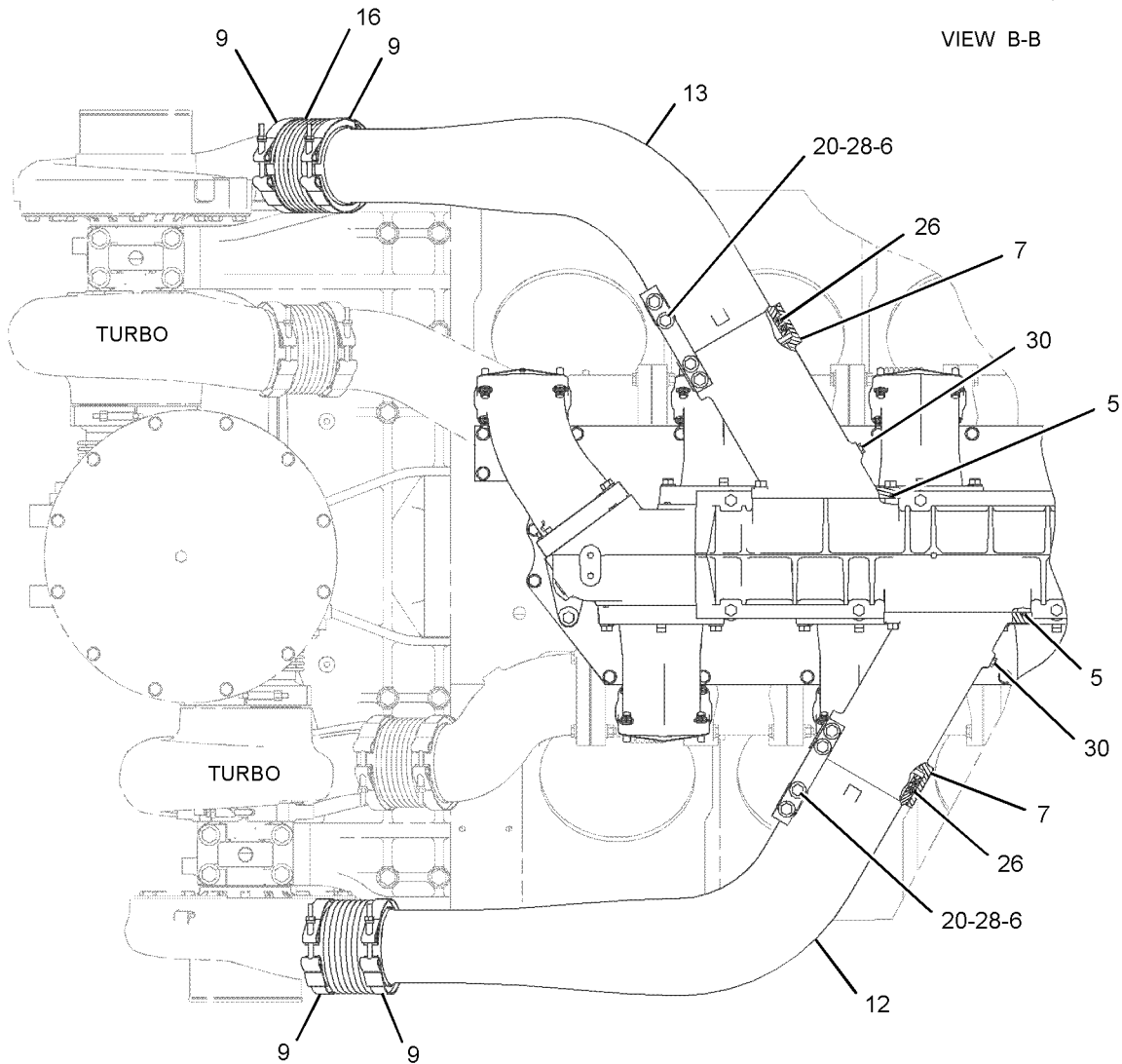
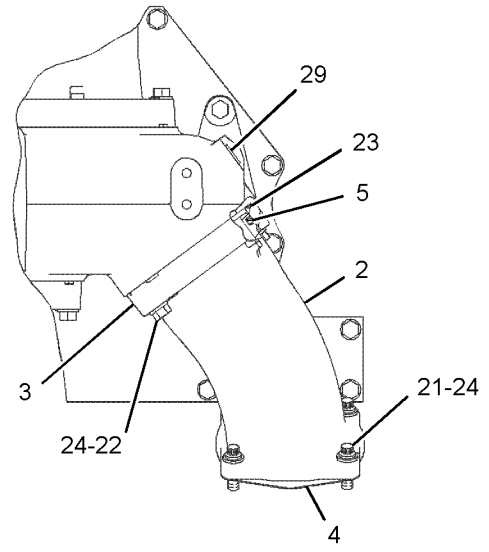
GRAPHIC #1

g01373598

AIR INLET AND EXHAUST SYSTEM

285 - 8373 LINES GP - AIR (contd.)

i02789631



TOP VIEW OF ENGINE

<END>

GRAPHIC #2

g01373599

AIR INLET AND EXHAUST SYSTEM

285 - 8374 MANIFOLD GP - EXHAUST

SMCS - 1059

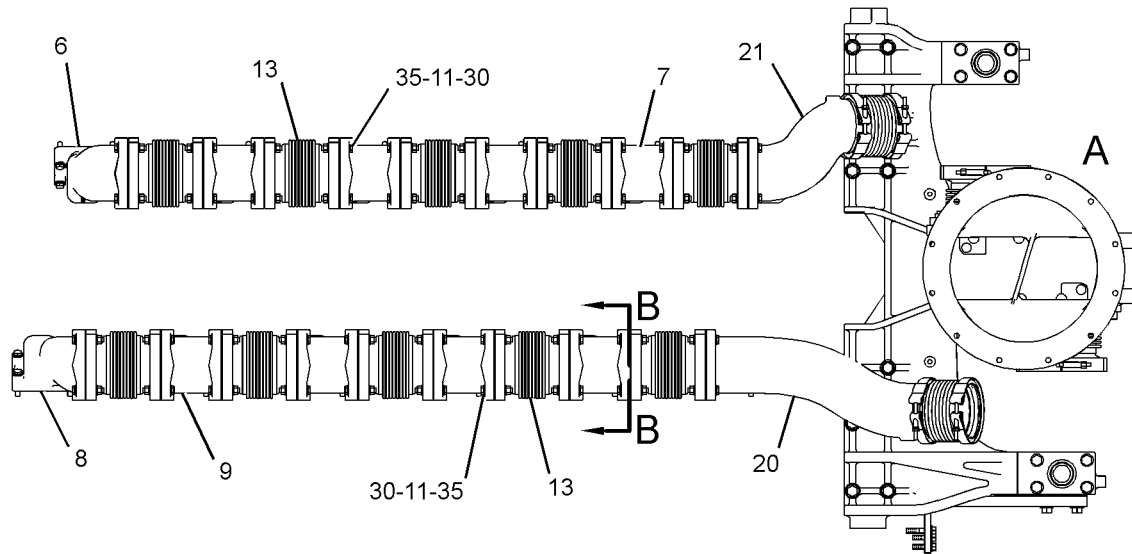
i02958937

NOTE	REF NO	GRAPHIC REF	PART NUMBER	QTY	PART NAME						SEE PAGE
					1	2	3	4	5	6 (PRODUCT LEVEL)	
	1	1	4P-7680	12	SPACER (10.5X22.5X15-MM THK)						
	4	2	311-9236	2	CLAMP-BAND						
	5	1	9R-7882	8	SPACER (14X25X7-MM THK)						
	6	1	100-3145	1	MANIFOLD-EXHAUST (FRONT, RH)						
	7	1	100-3146	4	MANIFOLD-EXHAUST (INTERMEDIATE, RH)						
	8	1	100-3147	1	MANIFOLD-EXHAUST (FRONT, LH)						
	9	1	100-3148	4	MANIFOLD-EXHAUST (INTERMEDIATE, LH)						
	10	2	107-7954	12	SPACER (10.2X22X8-MM THK)						
	11	1	110-8314	160	WASHER (10.3X18.3X2.66-MM THK)						
	13	1	207-1364	10	BELLOWS AS						
	14	1	229-5332	12	SEAL-EXHAUST						
	15	1	229-5333	20	SEAL-EXHAUST						
	16	1	239-6808	4	CLAMP (V-BAND)						
	17	1	307-5472	2	BELLOWS						
	18	2	276-4666	2	GASKET						
	19	2	311-3548	2	BELLOWS AS						
	20	1	282-4155	1	MANIFOLD-EXHAUST (REAR, LH)						
	21	1	282-4156	1	MANIFOLD-EXHAUST (REAR, RH)						
	22	2	282-4159	1	ELBOW-EXHAUST						
	23	2	316-2492	1	SUPPORT						
	24	2	284-1596	1	BRACKET AS						
	25	2	0S-1587	2	BOLT (1/2-13X1.75-IN)						
	26	2	0S-1590	1	BOLT (3/8-16X2-IN)						
	27	2	0S-1591	4	BOLT (3/8-16X1.5-IN)						
	28	2	0V-0375	2	BOLT (1/2-13X3.25-IN)						
	29	1	1A-5822	12	BOLT (1/2-13X2.75-IN)						
	30	1	3E-6916	80	NUT-FULL (3/8-16-THD)						
	31	2	3J-5389	3	PLUG						
	32	1,2	5M-2894	57	WASHER-HARD (10.2X18.5X2.5-MM THK)						
	33	1,2	5P-8245	16	WASHER-HARD (13.5X25.5X3-MM THK)						
	35	1,2	7L-6443	84	BOLT-HIGH TEMPERATURE (3/8-16X2.25-IN)						
	36	1	8C-3107	2	SEAL-O-RING						
	38	1	9H-8260	8	BOLT (1/2-13X6.25-IN)						
	39	2	9L-2295	12	BOLT-HIGH TEMPERATURE (3/8-16X1.5-IN)						
	40	1	9L-7373	48	BOLT-HIGH TEMPERATURE (3/8-16X2-IN)						

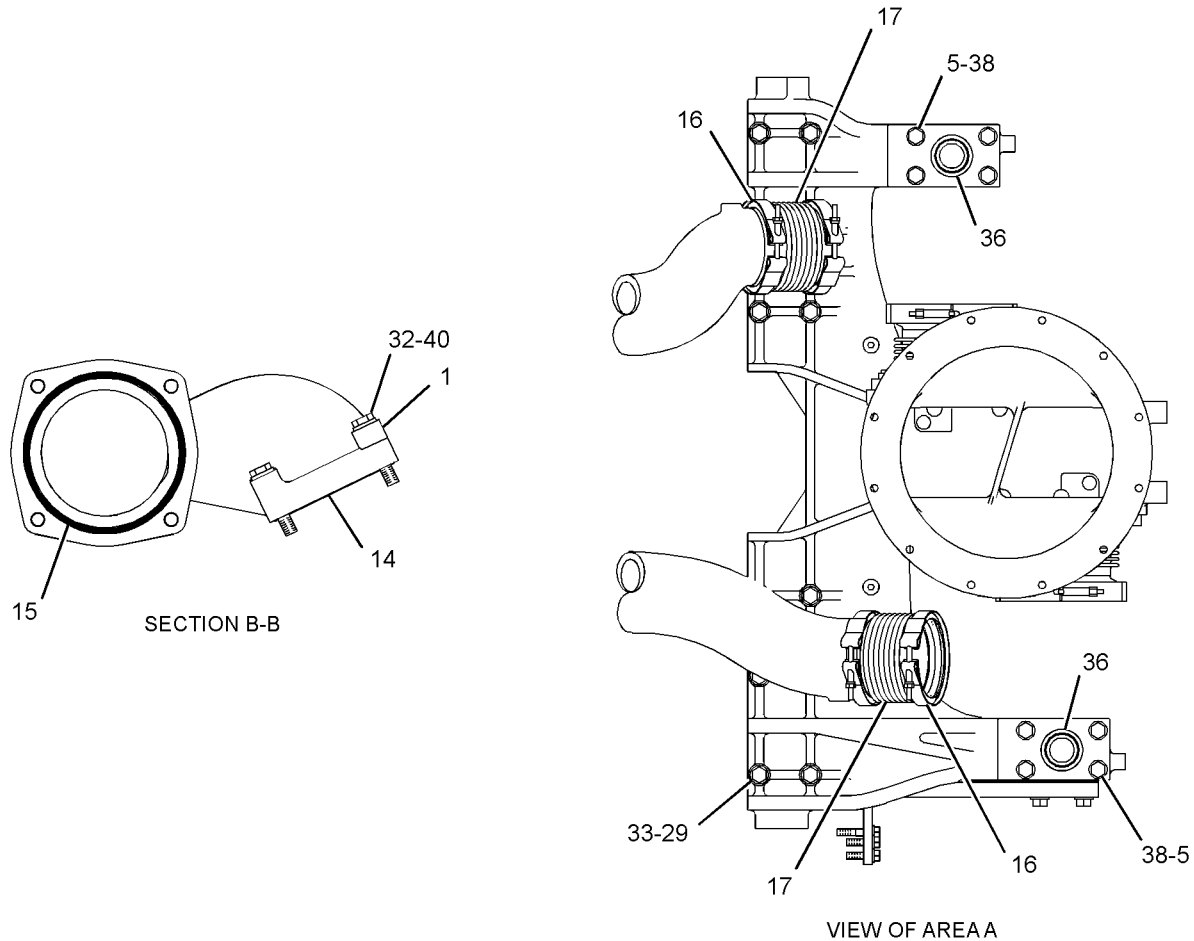
AIR INLET AND EXHAUST SYSTEM

285 - 8374 MANIFOLD GP - EXHAUST (contd.)

i02958937



TOP VIEW OF ENGINE



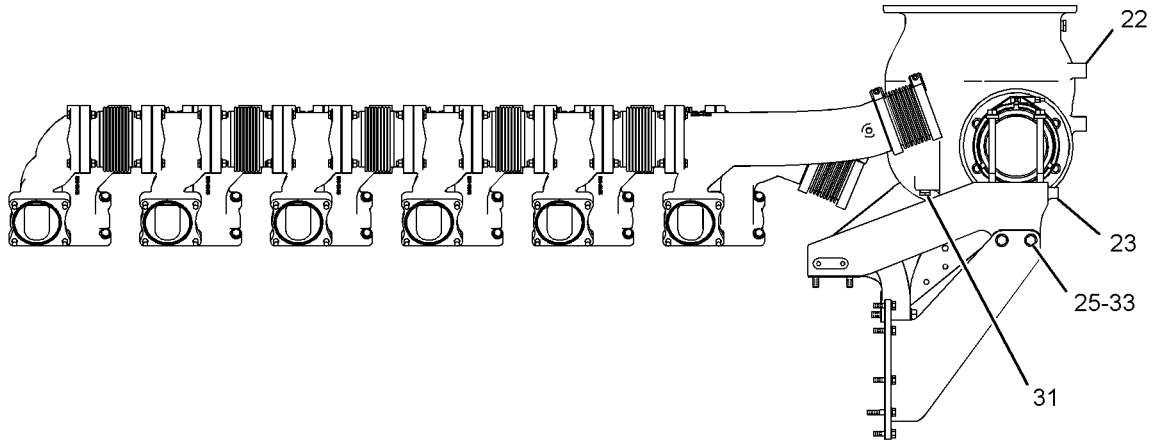
GRAPHIC #1

g01489333

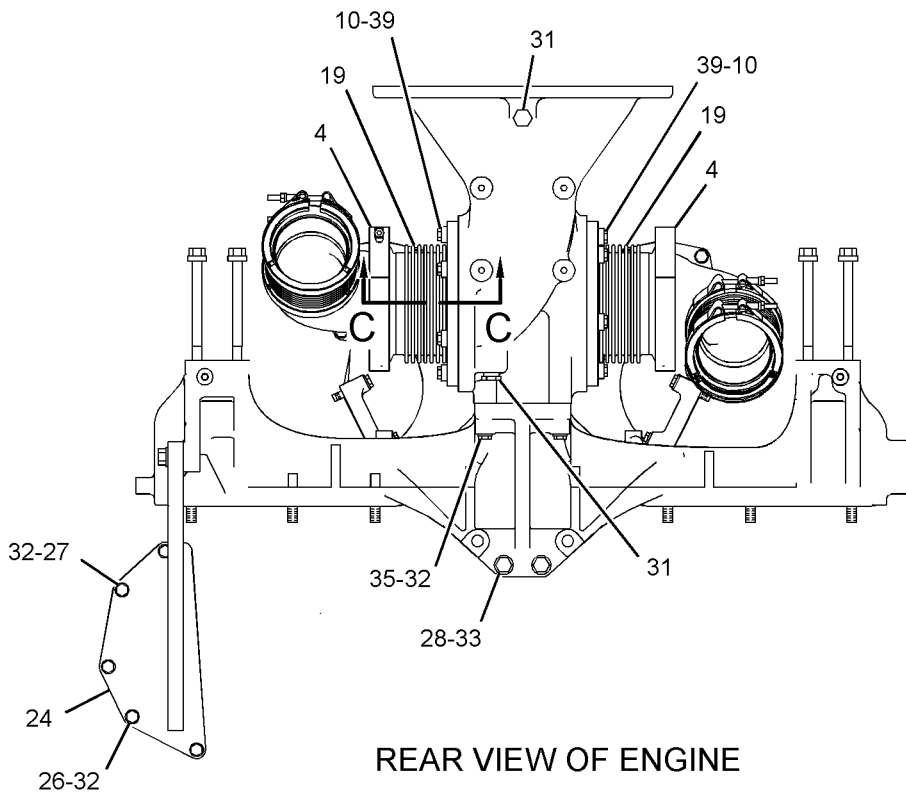
AIR INLET AND EXHAUST SYSTEM

285 - 8374 MANIFOLD GP - EXHAUST (contd.)

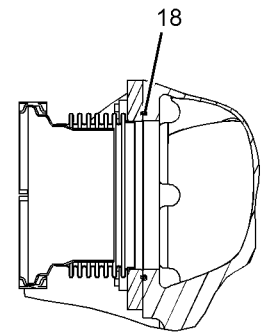
i02958937



LEFT SIDE VIEW OF ENGINE



REAR VIEW OF ENGINE



SECTION C-C

GRAPHIC #2

<END>

g01489334

AIR INLET AND EXHAUST SYSTEM

304 - 9860 MANIFOLD GP - EXHAUST AN ATTACHMENT

SMCS - 1059

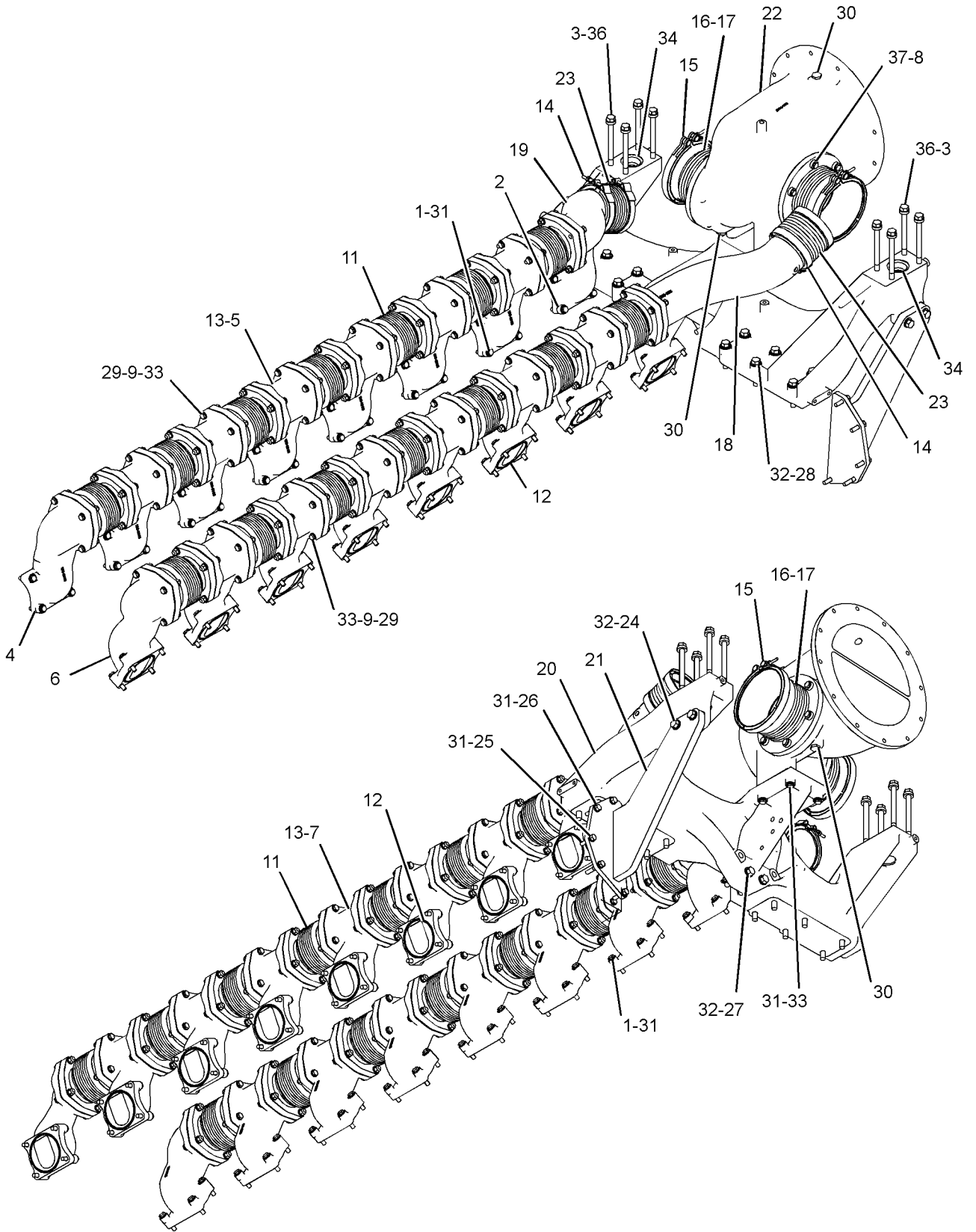
i02927115

NOTE	REF NO	GRAPHIC REF	PART NUMBER	QTY	PART NAME						SEE PAGE
					1	2	3	4	5	6 (PRODUCT LEVEL)	
	1	1	9L-7373	48	BOLT-HIGH TEMPERATURE (3/8-16X2-IN)						
	2	1	4P-7680	12	SPACER (10.5X22.5X15-MM THK)						
	3	1	9R-7882	8	SPACER (14X25X7-MM THK)						
	4	1	100-3145	1	MANIFOLD-EXHAUST (FRONT, RH)						
	5	1	100-3146	4	MANIFOLD-EXHAUST (INTERMEDIATE, RH)						
	6	1	100-3147	1	MANIFOLD-EXHAUST (FRONT, LH)						
	7	1	100-3148	4	MANIFOLD-EXHAUST (INTERMEDIATE, LH)						
	8	1	107-7954	12	SPACER (10.2X22X8-MM THK)						
	9	1	110-8314	160	WASHER (10.3X18.3X2.66-MM THK)						
	11	1	207-1364	10	BELLOWS AS						
	12	1	229-5332	12	SEAL-EXHAUST						
	13	1	229-5333	20	SEAL-EXHAUST						
	14	1	239-6808	4	CLAMP (V-BAND)						
	15	1	311-9236	2	CLAMP-BAND						
	16	1	276-4666	2	GASKET						
	17	1	311-3548	2	BELLOWS AS						
	18	1	282-4155	1	MANIFOLD-EXHAUST (REAR, LH)						
	19	1	282-4156	1	MANIFOLD-EXHAUST (REAR, RH)						
	20	1	316-2492	1	SUPPORT						
	21	1	284-1596	1	BRACKET AS						
	22	1	300-7327	1	ELBOW-EXHAUST						
	23	1	307-5472	2	BELLOWS						
	24	1	0S-1587	2	BOLT (1/2-13X1.75-IN)						
	25	1	0S-1590	1	BOLT (3/8-16X2-IN)						
	26	1	0S-1591	4	BOLT (3/8-16X1.5-IN)						
	27	1	0V-0375	2	BOLT (1/2-13X3.25-IN)						
	28	1	1A-5822	12	BOLT (1/2-13X2.75-IN)						
	29	1	3E-6916	80	NUT-FULL (3/8-16-THD)						
	30	1	3J-5389	3	PLUG						
	31	1	5M-2894	57	WASHER-HARD (10.2X18.5X2.5-MM THK)						
	32	1	5P-8245	16	WASHER-HARD (13.5X25.5X3-MM THK)						
	33	1	7L-6443	84	BOLT-HIGH TEMPERATURE (3/8-16X2.25-IN)						
	34	1	8C-3107	2	SEAL-O-RING						
	36	1	9H-8260	8	BOLT (1/2-13X6.25-IN)						
	37	1	9L-2295	12	BOLT-HIGH TEMPERATURE (3/8-16X1.5-IN)						

AIR INLET AND EXHAUST SYSTEM

304-9860 MANIFOLD GP-EXHAUST (contd.)

i02927115



GRAPHIC #1

<END>

g01426720

AIR INLET AND EXHAUST SYSTEM

288 - 8046 MOUNTING GP - AIR CLEANER AN ATTACHMENT

SMCS - 1051

i03093642

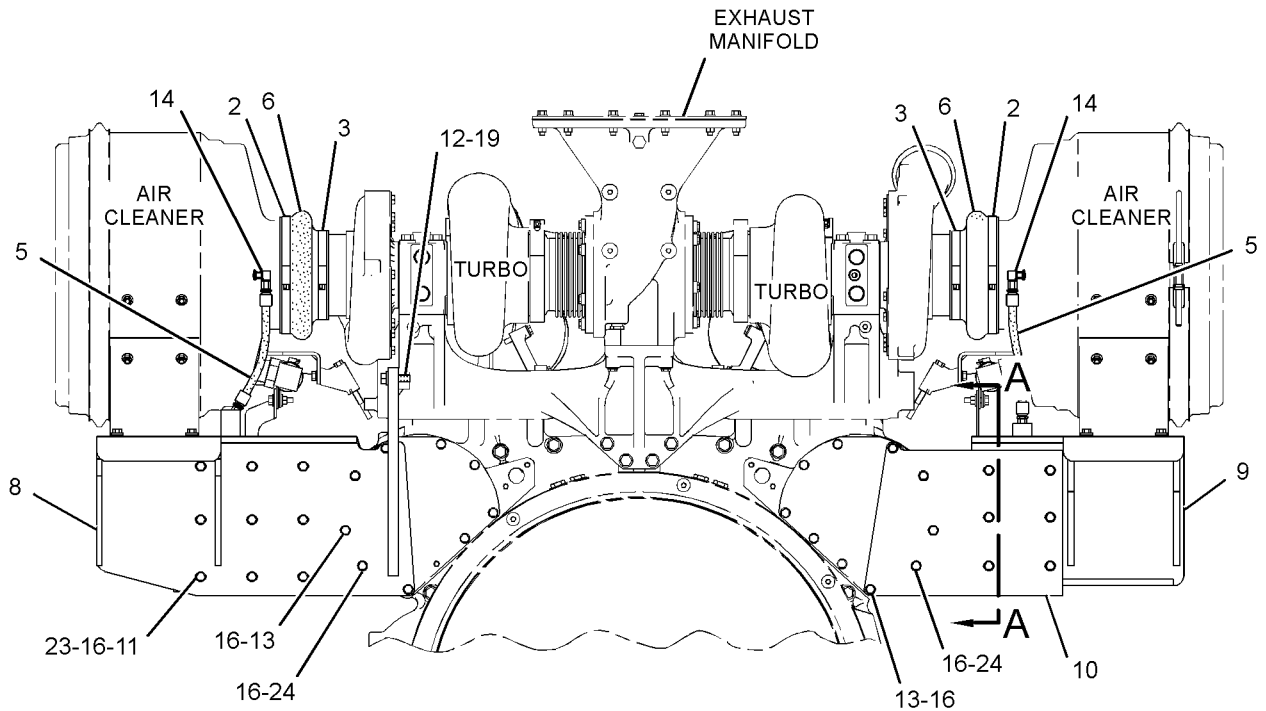
NOTE	REF NO	GRAPHIC REF	PART NUMBER	QTY	PART NAME						SEE PAGE
					1	2	3	4	5	6 (PRODUCT LEVEL)	
	1	1	2M-6835	6	PIPE						
	2	1	5P-0600	2	CLAMP - HOSE						
	3	1	5P-4869	2	CLAMP - HOSE						
	4	1	8R-1794	8	BUSHING - TERMINAL						
I	5	1	161-8071	2	HOSE AS						
	6	1	320-2785	2	HOSE - REDUCER						
	7	1	288-5770	1	BRACKET AS						
	8	1	316-4292	1	BRACKET AS (LH)						
	9	1	288-6230	1	BRACKET AS (RH)						
	10	1	288-6231	1	PLATE						
	11	1	0S-1571	9	BOLT (3/8-16X1.75-IN)						
	12	1	9X-8873	2	BOLT (1/2-13X2.25-IN)						
	13	1	0S-1591	16	BOLT (3/8-16X1.5-IN)						
	14	1	2N-1287	2	ELBOW - FLARED						
	15	1	4L-9337	8	BOLT (3/8-16X1.5-IN)						
	16	1	9X-6458	48	WASHER - HARD (10.2X22.5X3-MM THK)						
	17	1	5P-1075	16	WASHER - HARD (10.2X22.5X3-MM THK)						
	18	1	5P-3426	2	ELBOW						
	19	1	198-4767	2	WASHER - HARD (13.5X30X12-MM THK)						
	20	1	6V-5048	2	SEAL - O - RING						
	21	1	6V-8801	8	NUT (3/8-16-THD)						
	22	1	8S-9191	6	BOLT (3/8-16X4-IN)						
	23	1	9S-8752	15	NUT - FULL (3/8-16-THD)						
	24	1	0S-1590	2	BOLT (3/8-16X2-IN)						

I - REFER TO HYDRAULIC INFORMATION SYSTEM

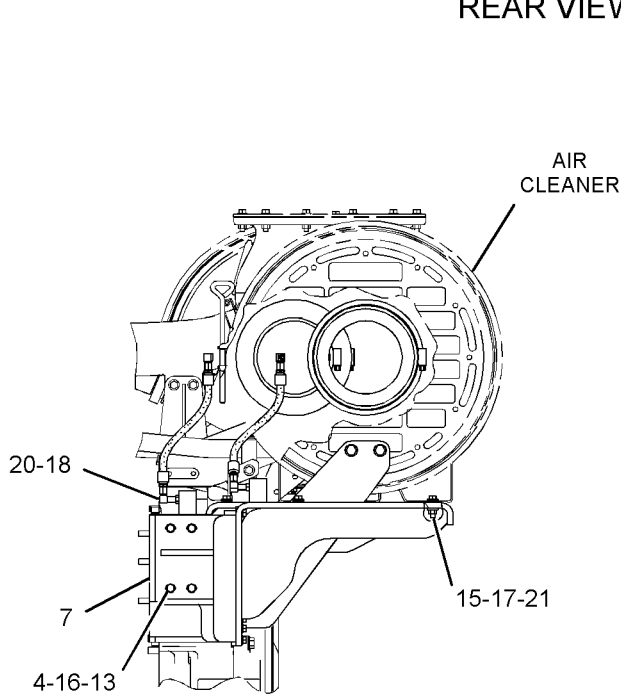
AIR INLET AND EXHAUST SYSTEM

288-8046 MOUNTING GP-AIR CLEANER (contd.)

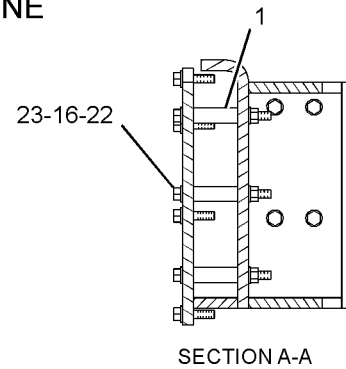
i03093642



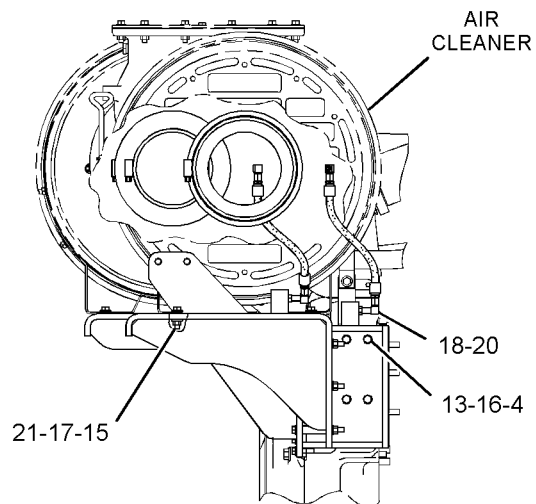
REAR VIEW OF ENGINE



LEFT SIDE VIEW OF ENGINE



SECTION A-A



RIGHT SIDE VIEW OF ENGINE

GRAPHIC #1

<END>

g01616594

AIR INLET AND EXHAUST SYSTEM

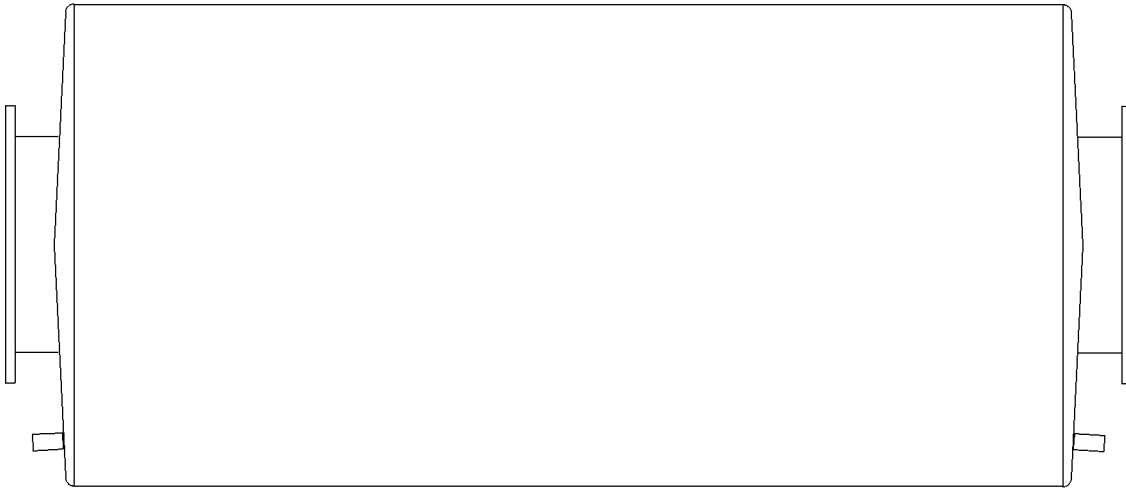
110-8066 MUFFLER

406.4-MM ID, M21
AN ATTACHMENT

SMCS-1062

i01130476

NOTE	REF NO	GRAPHIC REF	PART NUMBER	QTY	PART NAME						SEE PAGE
					1	2	3	4	5	6 (PRODUCT LEVEL)	
(NO SERVICED PARTS)											



GRAPHIC #1

<END>

g00598057

AIR INLET AND EXHAUST SYSTEM

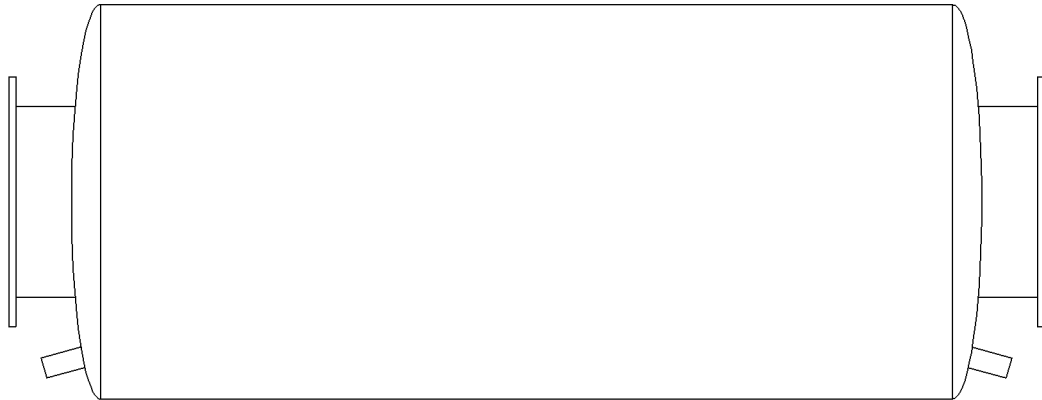
141 - 7047 MUFFLER

304.8-MM ID
AN ATTACHMENT

SMCS - 1062

i01333885

NOTE	REF NO	GRAPHIC REF	PART NUMBER	QTY	PART NAME						SEE PAGE
					1	2	3	4	5	6 (PRODUCT LEVEL)	
(NO SERVICED PARTS)											



GRAPHIC #1

<END>

g00705396

AIR INLET AND EXHAUST SYSTEM

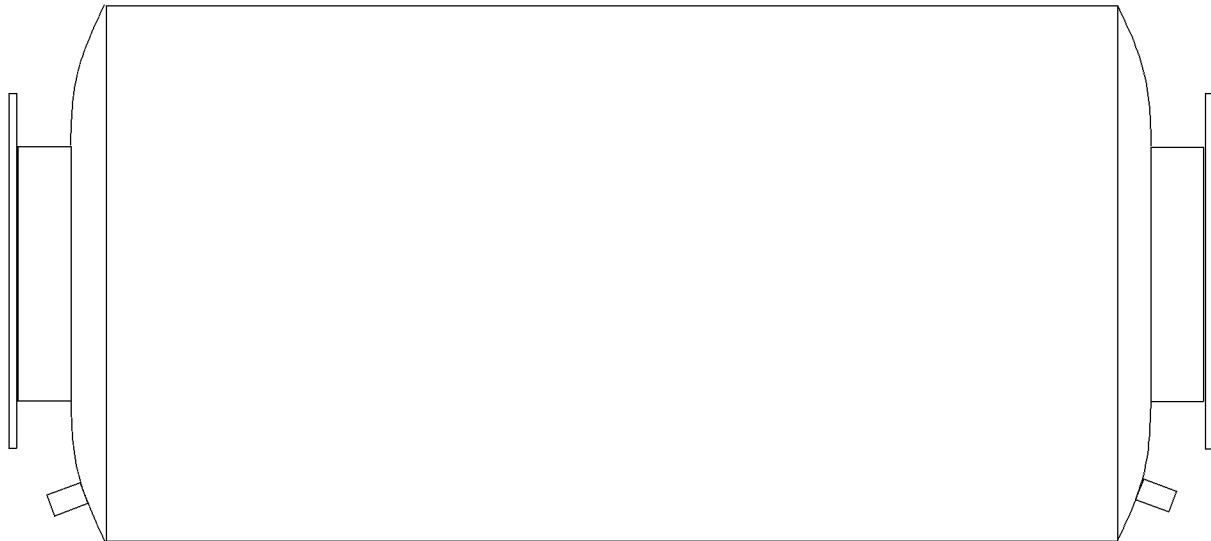
141 - 7048 MUFFLER

355.6-MM ID
AN ATTACHMENT

SMCS - 1062

i01979307

NOTE	REF NO	GRAPHIC REF	PART NUMBER	QTY	PART NAME						SEE PAGE
					1	2	3	4	5	6 (PRODUCT LEVEL)	
(NO SERVICED PARTS)											



GRAPHIC #1

<END>

g00646649

AIR INLET AND EXHAUST SYSTEM

261 - 7294 SHIELD GP - EXHAUST

SMCS - 1067

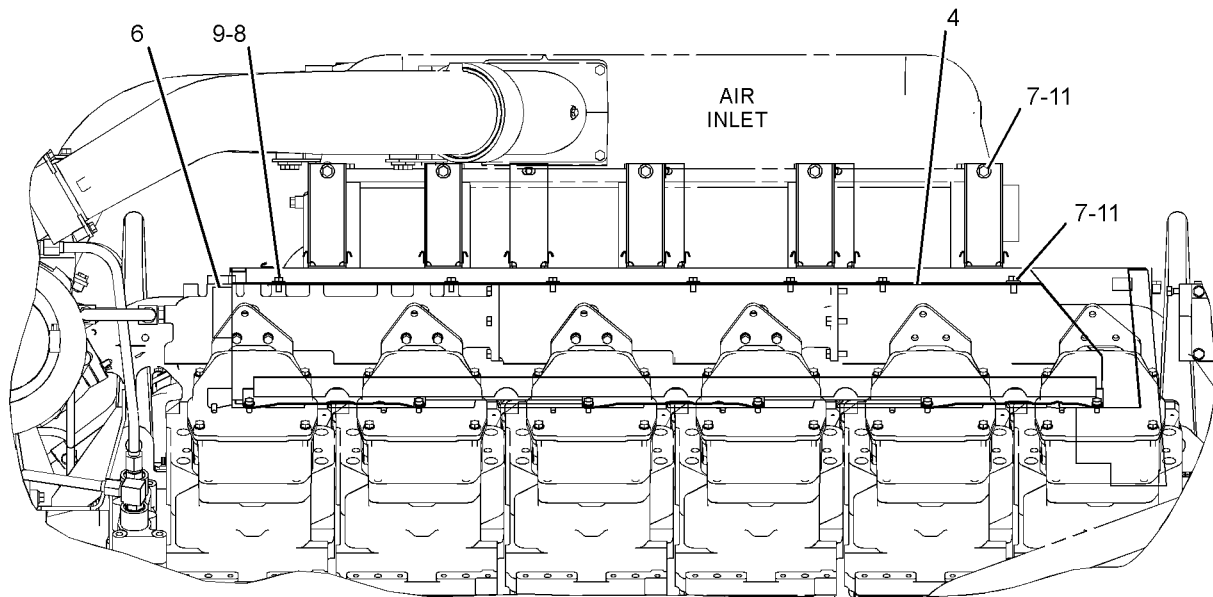
i02946382

NOTE	REF NO	GRAPHIC REF	PART NUMBER	QTY	PART NAME						SEE PAGE
					1	2	3	4	5	6 (PRODUCT LEVEL)	
	1	1	7W-7336	6	GUIDE-SHIELD						
	2	1	312-0307	1	SHIELD AS-EXHAUST (OUTER RH, FRONT)						
	3	1	312-0308	1	SHIELD AS-EXHAUST (OUTER LH, FRONT)						
	4	1	261-7291	1	SHIELD AS-EXHAUST (INNER RH, FRONT)						
	5	1	261-7293	1	SHIELD AS-EXHAUST (INNER LH, FRONT)						
	6	1	301-4515	2	SHIELD						
	7	1	0S-0509	12	BOLT (3/8-16X0.75-IN)						
	8	1	2H-3755	25	BOLT (5/16-18X0.43-IN)						
	9	1	5P-4116	13	WASHER-HARD (8.8X20.5X2-MM THK)						
	10	1	9M-1974	12	WASHER-HARD (8.8X16X2-MM THK)						
	11	1	9X-6458	12	WASHER-HARD (10.2X22.5X3-MM THK)						

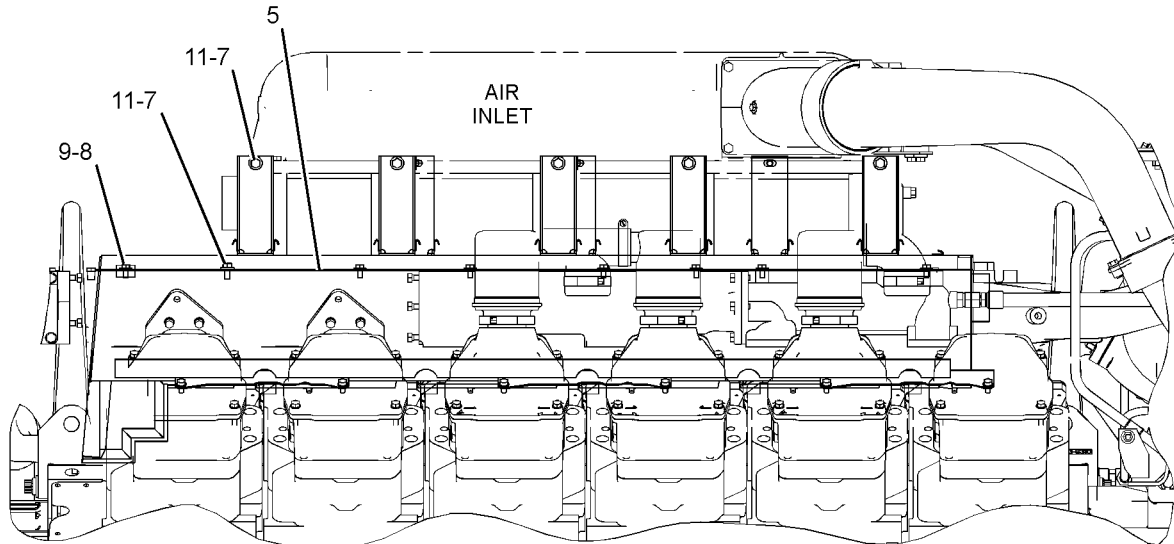
AIR INLET AND EXHAUST SYSTEM

261-7294 SHIELD GP-EXHAUST (contd.)

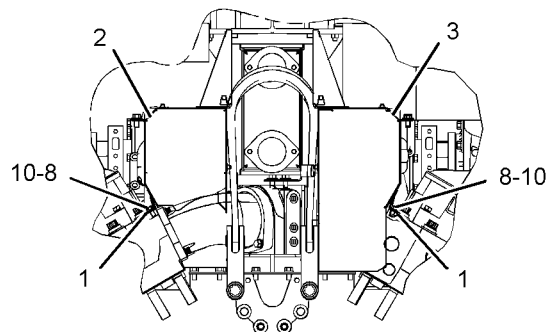
i02946382



RIGHT SIDE VIEW OF ENGINE



LEFT SIDE VIEW OF ENGINE



FRONT VIEW OF ENGINE

GRAPHIC #1

<END>

g01368453

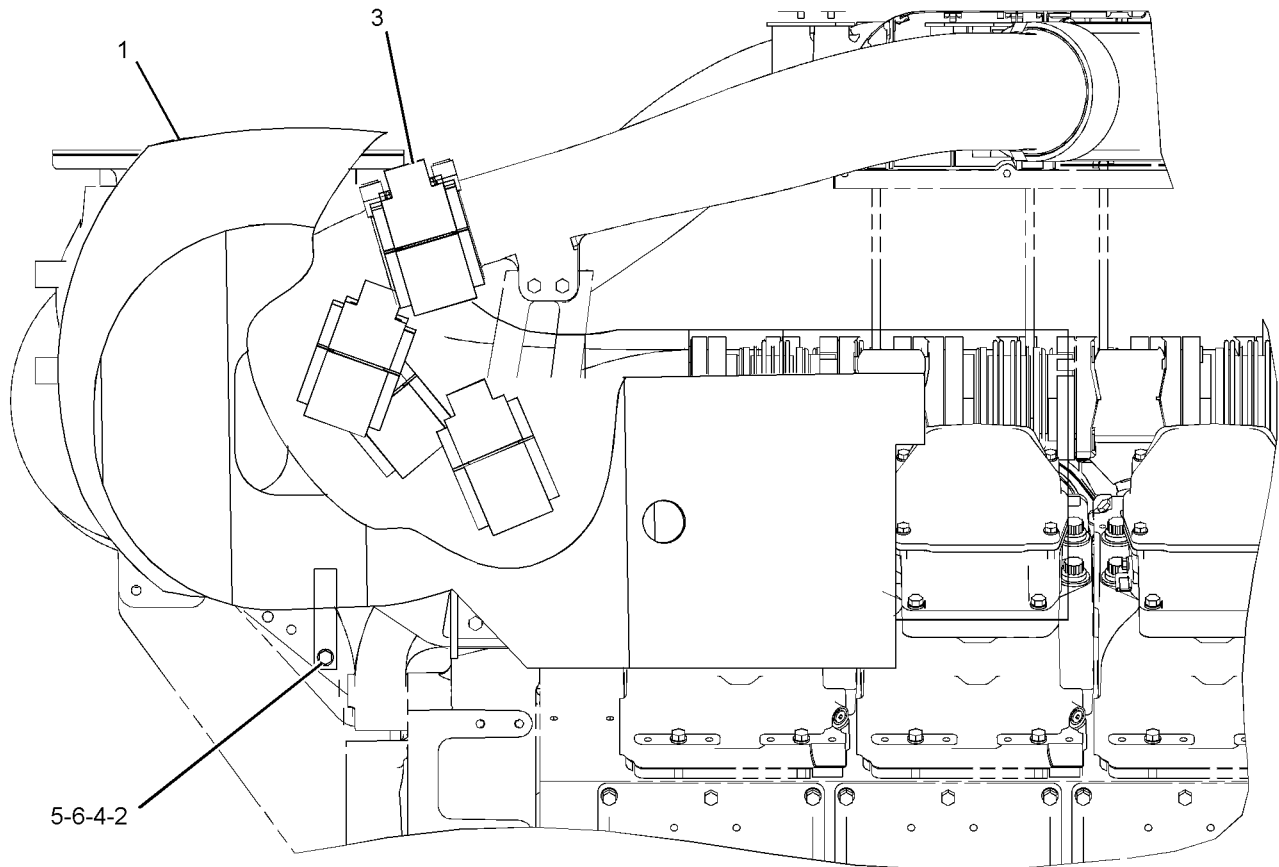
AIR INLET AND EXHAUST SYSTEM

296-0618 SHIELD GP - TURBOCHARGER

SMCS-1073

i03097660

NOTE	REF NO	GRAPHIC REF	PART NUMBER	QTY	PART NAME						SEE PAGE
					1	2	3	4	5	6 (PRODUCT LEVEL)	
	1	1	290-7161	1	SHIELD AS-HEAT						
	2	1	324-9728	2	PLATE						
	3	1	309-9600	4	SHIELD (HEAT)						
	4	1	5S-7383	1	BOLT (3/8-16X1.75-IN)						
	5	1	6V-8801	1	NUT (3/8-16-THD)						
	6	1	8T-4896	2	WASHER-HARD (10.2X18.5X2.5-MM THK)						



GRAPHIC #1

<END>

g01373655

AIR INLET AND EXHAUST SYSTEM

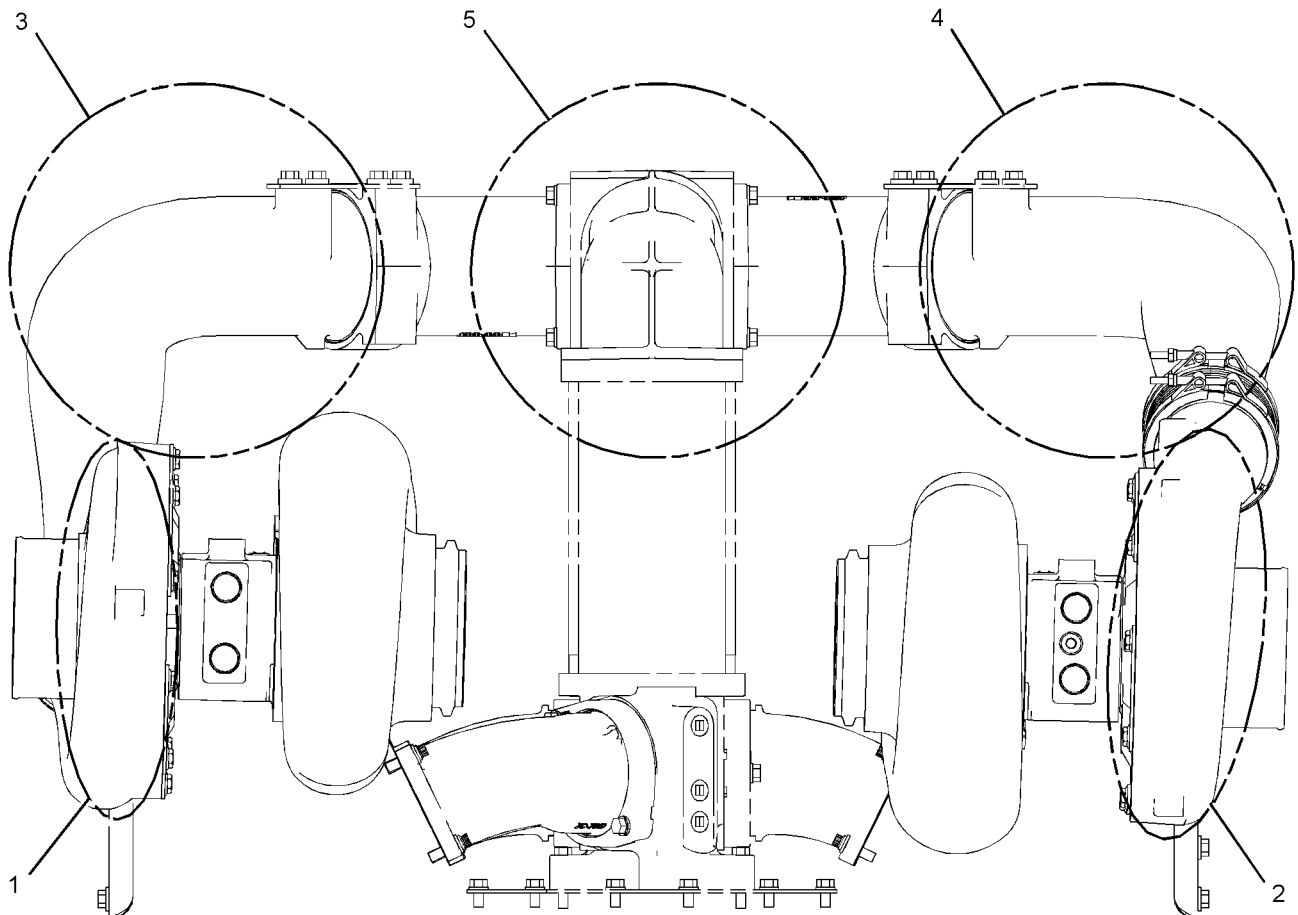
305 - 6263 SHIELD GP - TURBOCHARGER-AIR

SMCS - 1073

i03021351

NOTE	REF NO	GRAPHIC REF	PART NUMBER	QTY	PART NAME						SEE PAGE
					1	2	3	4	5	6 (PRODUCT LEVEL)	
	1	1	305-6244	1	SHIELD-HEAT						
	2	1	305-6245	1	SHIELD-HEAT						
	3	1	305-6250	1	SHIELD-HEAT						
	4	1	305-6251	1	SHIELD-HEAT						
C	5	1	325-7324	1	SHIELD-HEAT						

C - CHANGE FROM PREVIOUS TYPE



GRAPHIC #1

<END>

g01351568

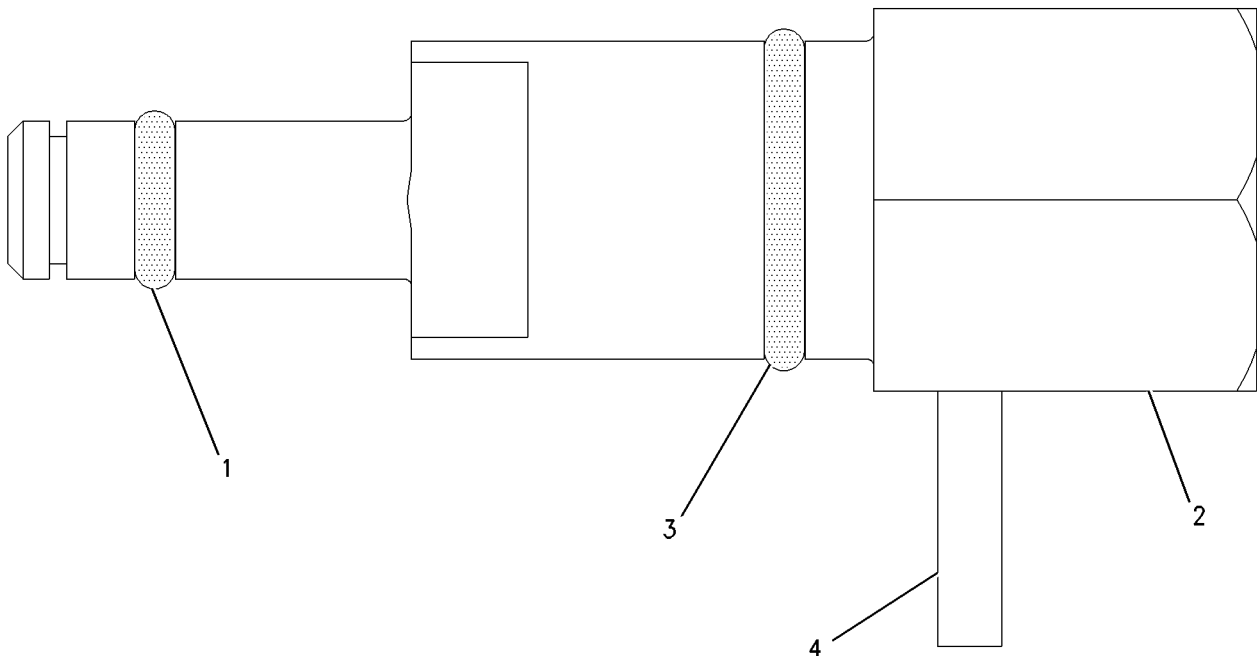
AIR INLET AND EXHAUST SYSTEM

215-2706 SHUTOFF AS-AIR VALVE POSITION INDICATOR PART OF 288-2762, 288-2763 SHUTOFF GP-AIR AN ATTACHMENT

SMCS-1078

i02067236

NOTE	REF NO	GRAPHIC REF	PART NUMBER	QTY	PART NAME						SEE PAGE
					1	2	3	4	5	6 (PRODUCT LEVEL)	
	1	1	150-8698	1	SEAL-O-RING						
	2	1	215-2327	1	SHAFT						
	3	1	213-9250	1	SEAL-O-RING						
	4	1	3K-4897	1	PIN-SPRING						



GRAPHIC #1

<END>

g00899556

AIR INLET AND EXHAUST SYSTEM

274-5759 SHUTOFF GP-AIR-INLET AN ATTACHMENT

SMCS-1078

i02603464

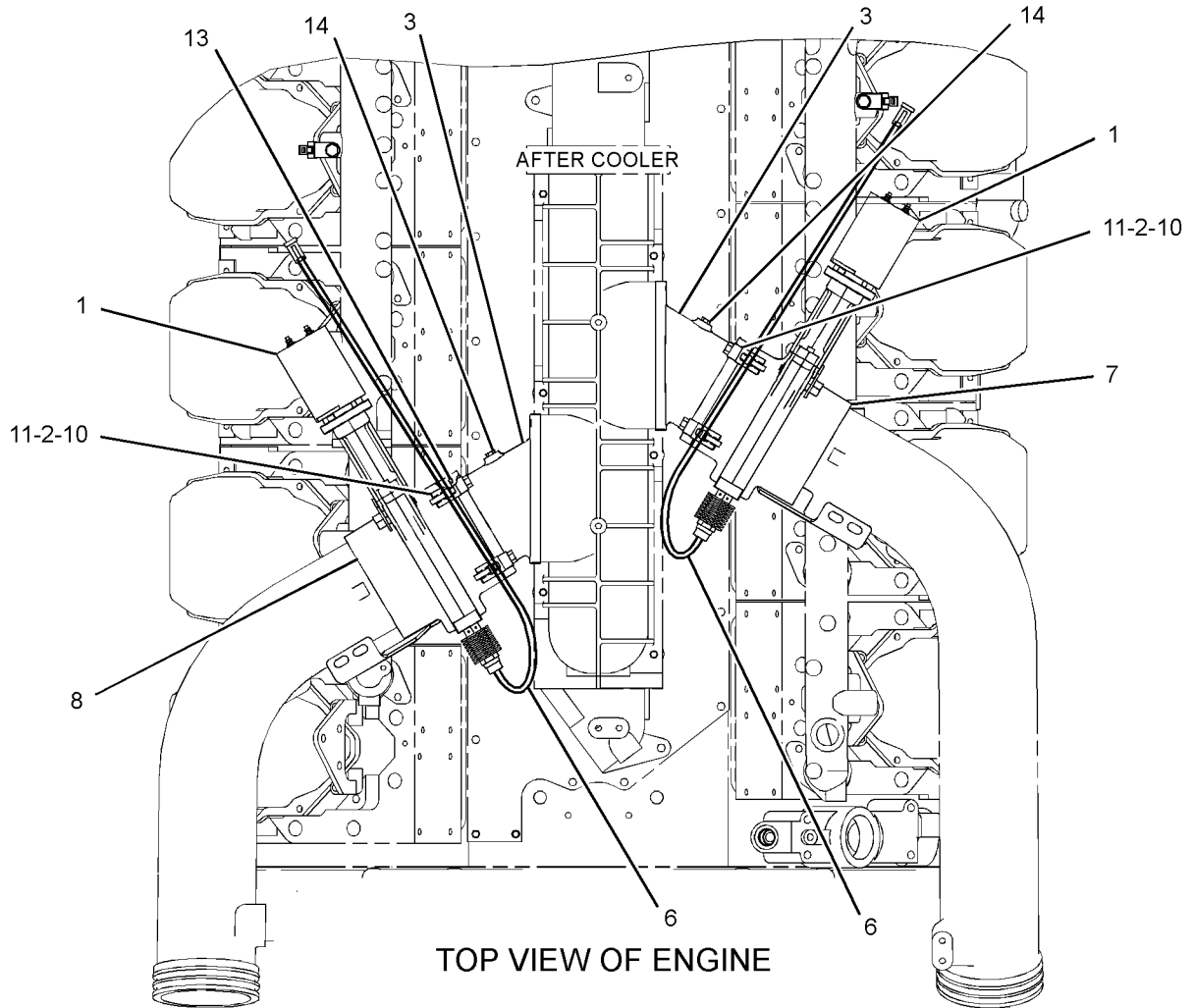
NOTE	REF NO	GRAPHIC REF	PART NUMBER	QTY	PART NAME						SEE PAGE
					1	2	3	4	5	6 (PRODUCT LEVEL)	
	1	1	1W-9070	2	DIODE AS						
	2	1	9X-6772	6	STRAP-CABLE						
	3	1	118-1651	2	ELBOW (AIR INLET)						
	4	1	217-5084	1	BRACKET						
	5	1	217-5085	1	BRACKET						
	6	1	263-2905	2	SWITCH AS-LIMIT (AIR SHUTOFF)						
CY	7	1	288-2758	1	SHUTOFF GP-AIR (RH)						218
CY	8	1	288-2759	1	SHUTOFF GP-AIR (LH)						219
	9	1	0S-0509	1	BOLT (3/8-16X0.75-IN)						
	10	1	0S-1588	9	BOLT (3/8-16X1.25-IN)						
	11	1	4P-8134	6	CLIP						
	12	1	5M-2894	2	WASHER-HARD (10.2X18.5X2.5-MM THK)						
	13	1	6V-5054	2	SEAL-O-RING						
	14	1	8T-6764	2	PLUG-PIPE						

C- CHANGE FROM PREVIOUS TYPE
Y- SEPARATE ILLUSTRATION

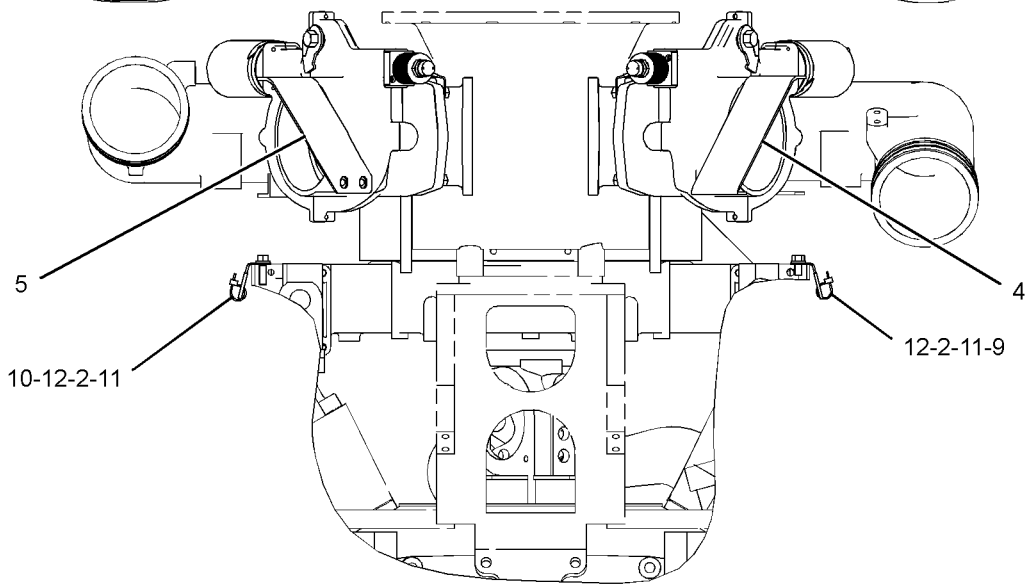
AIR INLET AND EXHAUST SYSTEM

274-5759 SHUTOFF GP-AIR (contd.)

i02603464



TOP VIEW OF ENGINE



REAR VIEW OF ENGINE

GRAPHIC #1

<END>

g01292275

AIR INLET AND EXHAUST SYSTEM

288-2758 SHUTOFF GP-AIR-RH

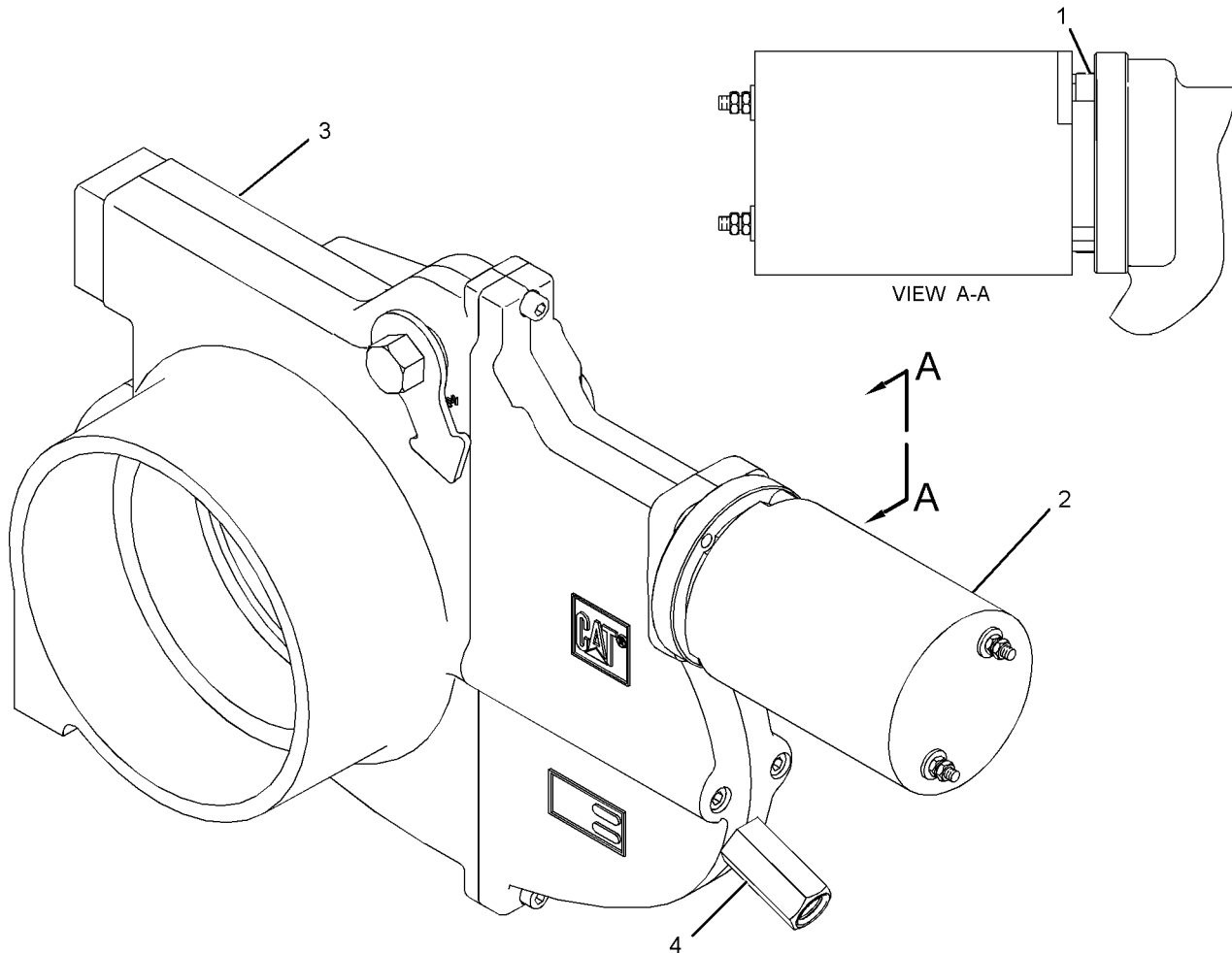
PART OF 274-5759 SHUTOFF GP-AIR
AN ATTACHMENT

SMCS-1078

i02545953

NOTE	REF NO	GRAPHIC REF	PART NUMBER	QTY	PART NAME						SEE PAGE
					1	2	3	4	5	6 (PRODUCT LEVEL)	
	1	1	215-2587	2	BOLT (1/4-20X0.75-IN)						
	2	1	230-4073	1	SOLENOID AS (AIR SHUTOFF)						
Y	3	1	288-2762	1	SHUTOFF GP-AIR						220
Y	4	1	289-8498	1	DAMPER GP-AIR SHUTOFF						187

Y-SEPARATE ILLUSTRATION



GRAPHIC #1

<END>

g01275330

AIR INLET AND EXHAUST SYSTEM

288-2759 SHUTOFF GP-AIR-LH

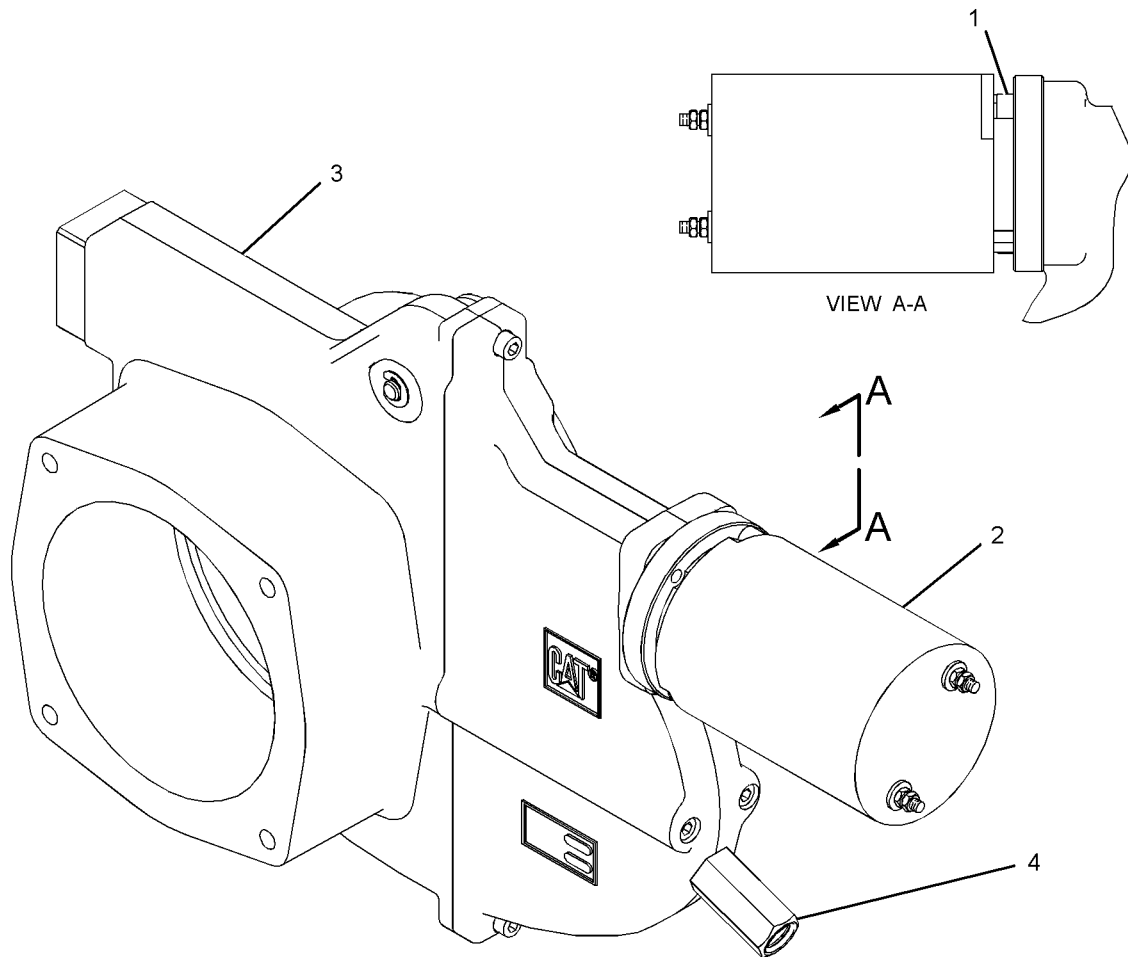
PART OF 274-5759 SHUTOFF GP-AIR
AN ATTACHMENT

SMCS-1078

i02545939

NOTE	REF NO	GRAPHIC REF	PART NUMBER	QTY	PART NAME						SEE PAGE
					1	2	3	4	5	6 (PRODUCT LEVEL)	
	1	1	215-2587	2	BOLT (1/4-20X0.75-IN)						
	2	1	230-4073	1	SOLENOID AS (AIR SHUTOFF)						
Y	3	1	288-2763	1	SHUTOFF GP-AIR						222
Y	4	1	289-8498	1	DAMPER GP-AIR SHUTOFF						187

Y - SEPARATE ILLUSTRATION



GRAPHIC #1

<END>

g01275406

AIR INLET AND EXHAUST SYSTEM

288-2762 SHUTOFF GP-AIR-RH

PART OF 288-2758 SHUTOFF GP-AIR

AN ATTACHMENT

SMCS-1078

i02545899

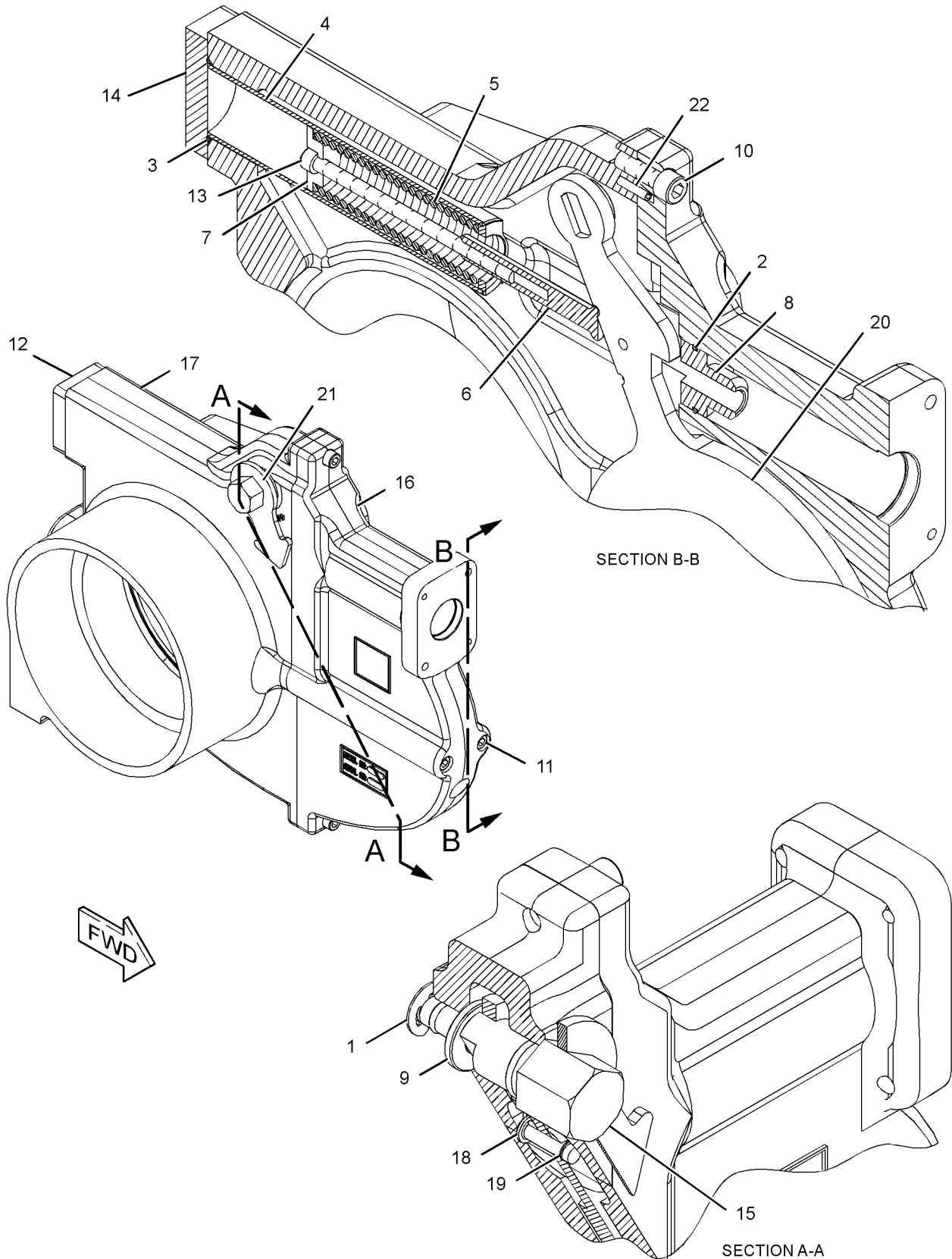
NOTE	REF NO	GRAPHIC REF	PART NUMBER	QTY	PART NAME						SEE PAGE
					1	2	3	4	5	6 (PRODUCT LEVEL)	
	1	1	150-7915	1	RING-RETAINING						
	2	1	5P-5599	1	SEAL-O-RING						
	3	1	5P-5600	1	SEAL-O-RING						
	4	1	215-2328	1	SLEEVE AS						
	5	1	215-2329	1	SPRING						
	6	1	215-2330	1	CLEVIS						
	7	1	215-2331	1	RETAINER						
	8	1	215-2419	1	GUIDE						
	9	1	215-2586	1	SPACER (8X19.1X2.5-MM THK)						
	10	1	215-2587	2	BOLT (1/4-20X0.75-IN)						
	11	1	215-2588	2	BOLT (1/4-20X5.25-IN)						
	12	1	215-2589	2	BOLT (10-24X0.626-IN)						
	13	1	215-2590	1	BOLT (10-24X3.5-IN)						
	14	1	272-7102	1	CAP						
Y	15	1	215-2706	1	SHUTOFF AS-AIR						215
	16	1	215-2707	1	COVER						
	17	1	289-9132	1	BODY						
	18	1	215-2710	1	PIN						
	19	1	215-2711	1	RING-RETAINING						
	20	1	289-9115	1	GATE						
	21	1	230-4177	1	INDICATOR (VALVE POSITION)						
	22	1	3H-9675	2	PIN-SPRING						

Y-SEPARATE ILLUSTRATION

AIR INLET AND EXHAUST SYSTEM

288-2762 SHUTOFF GP-AIR (contd.)

i02545899



GRAPHIC #1

<END>

g01205436

AIR INLET AND EXHAUST SYSTEM

288-2763 SHUTOFF GP-AIR-LH

PART OF 288-2759 SHUTOFF GP-AIR
AN ATTACHMENT

SMCS-1078

i02545908

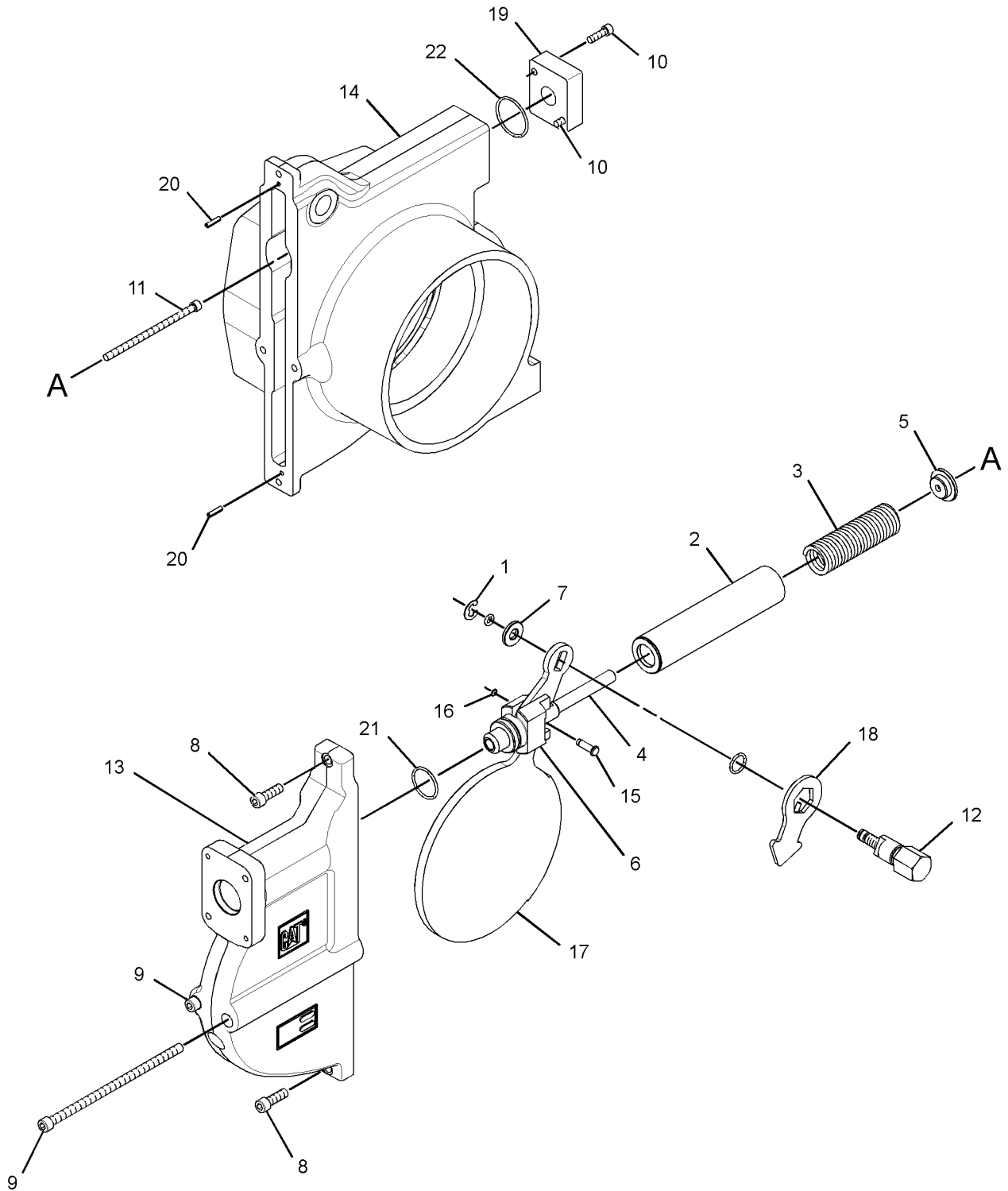
NOTE	REF NO	GRAPHIC REF	PART NUMBER	QTY	PART NAME						SEE PAGE
					1	2	3	4	5	6 (PRODUCT LEVEL)	
	1	1	150-7915	1	RING-RETAINING						
	2	1	215-2328	1	SLEEVE AS						
	3	1	215-2329	1	SPRING						
	4	1	215-2330	1	CLEVIS						
	5	1	215-2331	1	RETAINER						
	6	1	215-2419	1	GUIDE						
	7	1	215-2586	1	SPACER (8X19.1X2.5-MM THK)						
	8	1	215-2587	2	BOLT (1/4-20X0.75-IN)						
	9	1	215-2588	2	BOLT (1/4-20X5.25-IN)						
	10	1	215-2589	2	BOLT (10-24X0.626-IN)						
	11	1	215-2590	1	BOLT (10-24X3.5-IN)						
Y	12	1	215-2706	1	SHUTOFF AS-AIR						215
	13	1	215-2707	1	COVER						
	14	1	289-9133	1	BODY						
	15	1	215-2710	1	PIN						
	16	1	215-2711	1	RING-RETAINING						
	17	1	289-9116	1	GATE						
	18	1	230-4177	1	INDICATOR (VALVE POSITION)						
	19	1	272-7102	1	CAP						
	20	1	3H-9675	2	PIN-SPRING						
	21	1	5P-5599	1	SEAL-O-RING						
	22	1	5P-5600	1	SEAL-O-RING						

Y-SEPARATE ILLUSTRATION

AIR INLET AND EXHAUST SYSTEM

288-2763 SHUTOFF GP-AIR (contd.)

i02545908



GRAPHIC #1

<END>

g01283747

AIR INLET AND EXHAUST SYSTEM

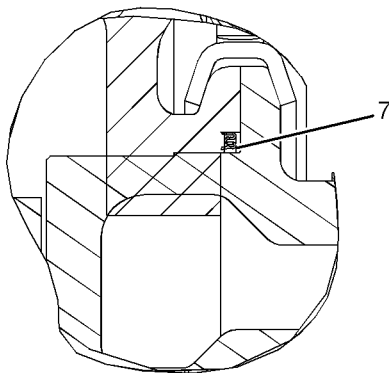
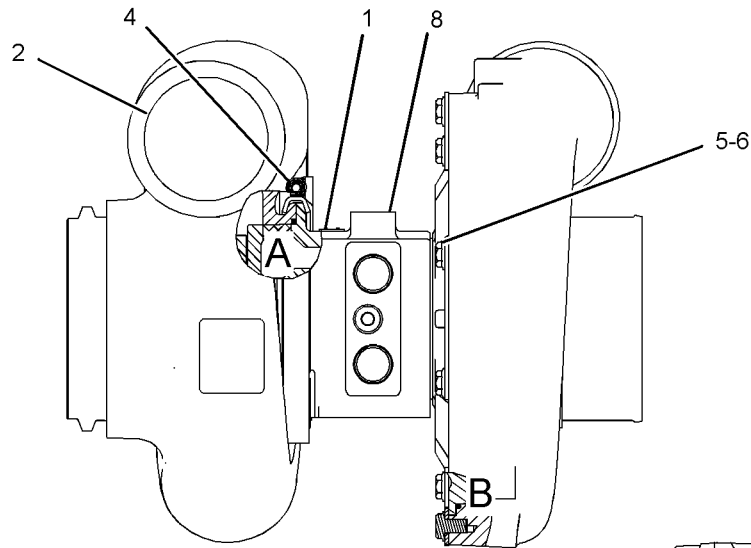
320-4711 TURBOCHARGER GP

PART OF 325-3816 TURBOCHARGER GP

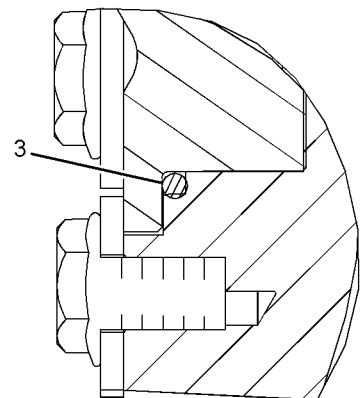
SMCS-1052, 1053

i03113655

NOTE	REF NO	GRAPHIC REF	PART NUMBER	QTY	PART NAME						SEE PAGE
					1	2	3	4	5	6 (PRODUCT LEVEL)	
	1	1	2F-0808	2	SCREW (NO 6X1/4-IN)						
	2	1	276-9520	1	SEAL-O-RING						
	3	1	283-1706	1	HOUSING-TURBINE						
	4	1	283-4294	1	CLAMP AS (TURBINE)						
	5	1	287-7199	5	PLATE (COMPRESSOR)						
	6	1	287-7200	10	BOLT (M10X1.5X16-MM)						
	7	1	304-3638	1	GASKET-EXHAUST						
	8	1	315-5170	1	HOUSING-COMPRESSOR						



VIEW OF AREA A



VIEW OF AREA B

GRAPHIC #1

<END>

g01593251

AIR INLET AND EXHAUST SYSTEM

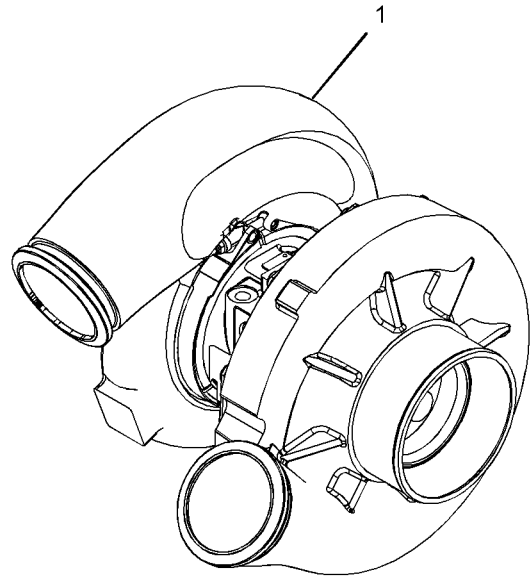
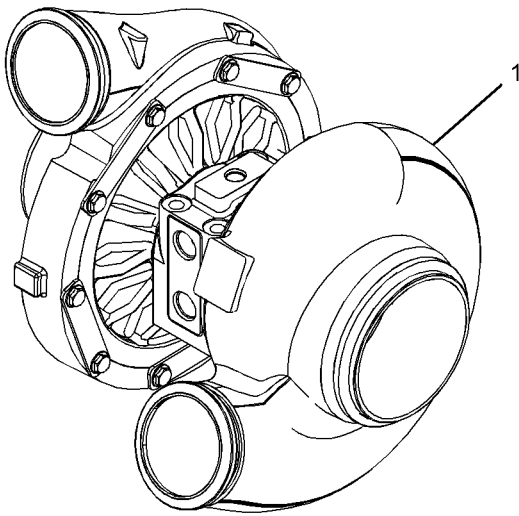
325-3816 TURBOCHARGER GP

SMCS-1052, 1053

i03113235

NOTE	REF NO	GRAPHIC REF	PART NUMBER	QTY	PART NAME						SEE PAGE
					1	2	3	4	5	6 (PRODUCT LEVEL)	
Y	1	1	320-4711	2	TURBOCHARGER GP						224

Y - SEPARATE ILLUSTRATION



GRAPHIC #1

<END>

g01593236

AIR INLET AND EXHAUST SYSTEM

8N-8483 VALVE GP-AIR CONTROL-RH

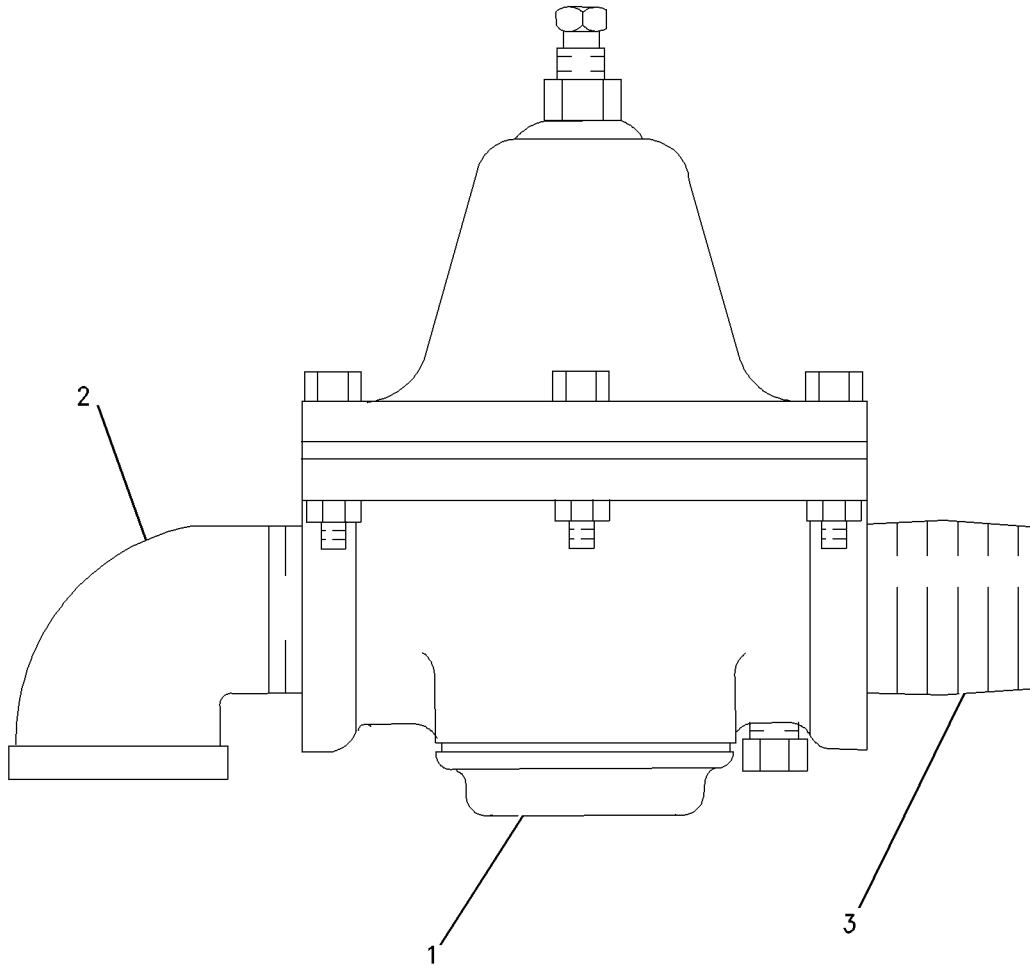
FOR USE WITH AIR START SYSTEM
AN ATTACHMENT

SMCS-1462

i01192123

NOTE	REF NO	GRAPHIC REF	PART NUMBER	QTY	PART NAME						SEE PAGE
					1	2	3	4	5	6 (PRODUCT LEVEL)	
Y	1	1	1L-2073	1	VALVE GP-PRESSURE REDUCING						377
	2	1	5B-7666	1	ELBOW						
	3	1	3L-8993	1	NIPPLE-CLOSE						

Y-SEPARATE ILLUSTRATION



GRAPHIC #1

<END>

g00637864

FUEL SYSTEM

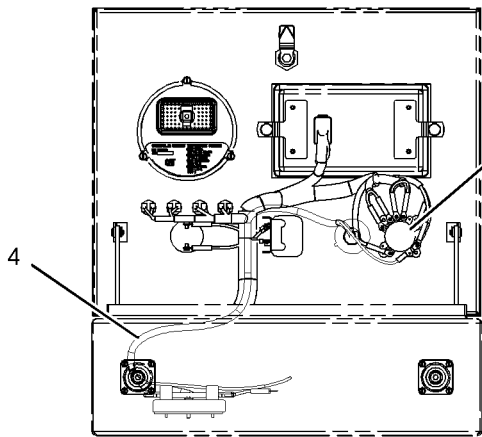
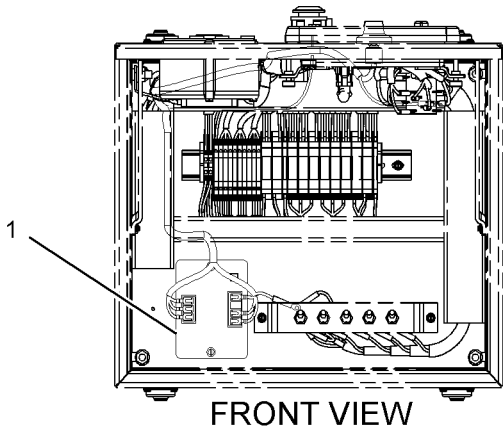
238 - 9549 CONTROL GP - FUEL AN ATTACHMENT

SMCS - 1265

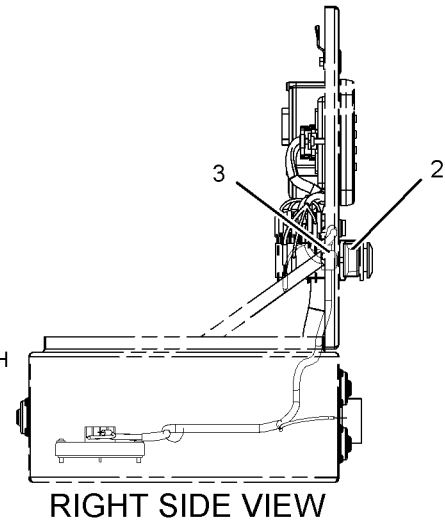
i03187725

NOTE	REF NO	GRAPHIC REF	PART NUMBER	QTY	PART NAME						SEE PAGE
					1	2	3	4	5	6 (PRODUCT LEVEL)	
Y	1	1	9X-9591	1	CONVERTER GP - ELECTRICAL (PULSE WIDTH MODULATED)						287
	2	1	116-9723	1	DIAL - VERNIER						
	3	1	122-9458	1	POTENTIOMETER (1000-OHM) (SPEED ADJUST)						
Y	4	1	237-9022	1	HARNESS AS - PANEL (SPEED CONTROL)						308

Y - SEPARATE ILLUSTRATION



CONTROL SWITCH



GRAPHIC #1

<END>

g01010321

FUEL SYSTEM

7W-9741 FILTER GP-FUEL-RH

SMCS-1261

i03129073

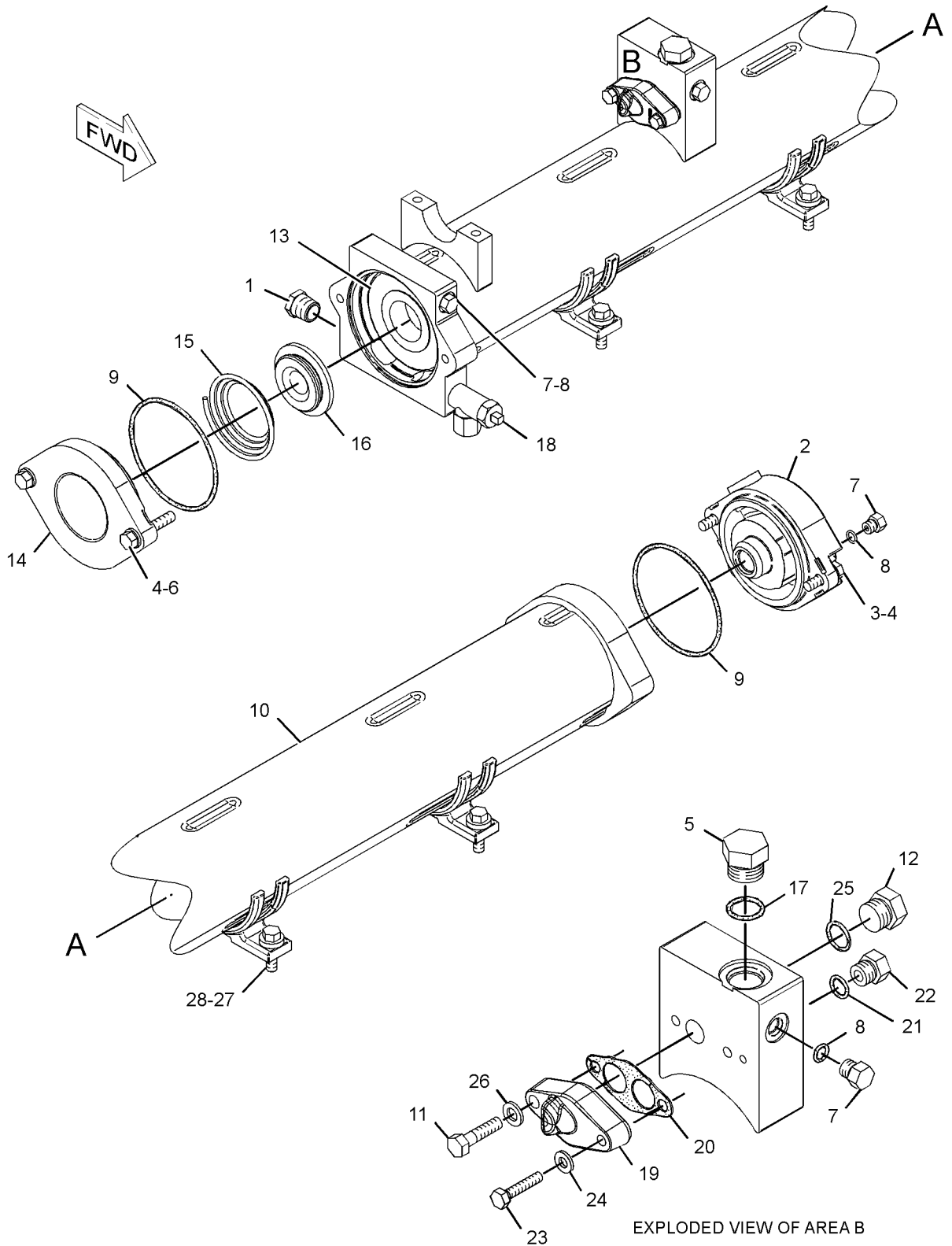
NOTE	REF NO	GRAPHIC REF	PART NUMBER	QTY	PART NAME						SEE PAGE
					1	2	3	4	5	6 (PRODUCT LEVEL)	
	1	1	8T-6766	1	PLUG-PIPE						
	2	1	267-9689	1	COVER-FILTER HOUSING						
	3	1	0S-1588	2	BOLT (3/8-16X1.25-IN)						
	4	1	5M-2894	4	WASHER-HARD (10.2X18.5X2.5-MM THK)						
	5	1	9S-4190	1	PLUG-O-RING						
C	6	1	7F-0192	2	BOLT (3/8-16X2-IN)						
	7	1	9S-4182	5	PLUG-O-RING						
	8	1	6V-5048	5	SEAL-O-RING						
	9	1	5D-5957	2	SEAL-O-RING (FUEL FILTER)						
	10	1	278-1776	1	HOUSING AS-FUEL FILTER						
C	11	1	1B-7182	1	BOLT (5/16-18X1.25-IN)						
	12	1	9S-4185	1	PLUG-O-RING						
	13	1	1R-0756	5	FILTER ELEMENT-FUEL (HIGH EFFICIENCY)						
	14	1	2W-9300	1	COVER-FILTER HOUSING						
	15	1	1N-2895	1	SPRING						
	16	1	6I-3754	1	RETAINER-FILTER						
	17	1	6V-4589	1	SEAL-O-RING						
	18	1	2S-5100	1	VALVE AS-MANUAL						
	19	1	6N-4414	1	COVER-FILTER BASE						
	20	1	9Y-8389	1	GASKET (FUEL FILTER)						
	21	1	6V-5049	1	SEAL-O-RING						
	22	1	9S-4191	1	PLUG-O-RING						
	23	1	7B-2742	1	BOLT (1/4-20X1.25-IN)						
	24	1	5P-0537	1	WASHER-HARD (7.2X14.5X2-MM THK)						
	25	1	8L-2786	1	SEAL-O-RING						
	26	1	9M-1974	1	WASHER-HARD (8.8X16X2-MM THK)						
C	27	1	3B-1915	8	BOLT (3/8-16X1.375-IN)						
	28	1	8M-9024	8	WASHER-HARD (10.2X22.5X5-MM THK)						

C- CHANGE FROM PREVIOUS TYPE

FUEL SYSTEM

7W-9741 FILTER GP - FUEL (contd.)

i03129073



GRAPHIC #1

<END>

g01228338

FUEL SYSTEM

7W-9742 FILTER GP-FUEL-LH AN ATTACHMENT

SMCS-1261

i02998397

NOTE	REF NO	GRAPHIC REF	PART NUMBER	QTY	PART NAME						SEE PAGE
					1	2	3	4	5	6 (PRODUCT LEVEL)	
	1	1	1N-2895	1	SPRING						
	2	1	1R-0756	5	FILTER ELEMENT-FUEL (HIGH EFFICIENCY)						
	3	1	1W-7548	1	TUBE AS						
	4	1	2S-5100	1	VALVE AS-MANUAL						
	5	1	2W-9300	1	COVER-FILTER HOUSING						
	6	1	4P-0692	4	CLAMP AS						
					(EACH INCLUDES)						
		1	108-1434	1	GROMMET						
	7	1	6I-3754	1	RETAINER-FILTER						
	8	1	6N-4414	1	COVER-FILTER BASE						
C	9	1	7F-0192	2	BOLT (3/8-16X2-IN)						
	10	1	8T-6766	1	PLUG-PIPE						
	11	1	9Y-8389	1	GASKET (FUEL FILTER)						
	12	1	237-2719	1	TUBE AS						
	13	1	267-9689	1	COVER-FILTER HOUSING						
	14	1	278-1776	1	HOUSING AS-FUEL FILTER						
	15	1	250-1498	3	ELBOW AS						
					(EACH INCLUDES)						
		1	6V-4589	1	SEAL-O-RING						
		1	250-1497	1	ELBOW						
	16	1	031-4136	1	TEE-FLARED						
	17	1	0S-1588	2	BOLT (3/8-16X1.25-IN)						
	18	1	0S-1608	2	BOLT (3/8-16X3.75-IN)						
C	19	1	1B-7182	1	BOLT (5/16-18X1.25-IN)						
	20	1	2M-9780	2	SEAL-O-RING						
C	21	1	3B-1915	8	BOLT (3/8-16X1.375-IN)						
	22	1	3K-0360	1	SEAL-O-RING						
	23	1	5D-5957	2	SEAL-O-RING						
	24	1	5M-2894	4	WASHER-HARD (10.2X18.5X2.5-MM THK)						
	25	1	5P-0537	1	WASHER-HARD (7.2X14.5X2-MM THK)						
	27	1	6V-5048	5	SEAL-O-RING						
	28	1	6V-5049	1	SEAL-O-RING						
	29	1	7B-2742	1	BOLT (1/4-20X1.25-IN)						
	30	1	8M-9024	8	WASHER-HARD (10.2X22.5X5-MM THK)						
	31	1	9M-1974	1	WASHER-HARD (8.8X16X2-MM THK)						
	32	1	9S-4182	5	PLUG-O-RING						
	33	1	9S-4185	1	PLUG-O-RING						
	34	1	9S-4190	1	PLUG-O-RING						
	35	1	9S-4191	1	PLUG-O-RING						

C- CHANGE FROM PREVIOUS TYPE

FUEL SYSTEM

241-2738 FILTER GP-FUEL FOR USE WITH SERIES II FUEL INJECTION LINES GP AN ATTACHMENT

SMCS-1261

i03197502

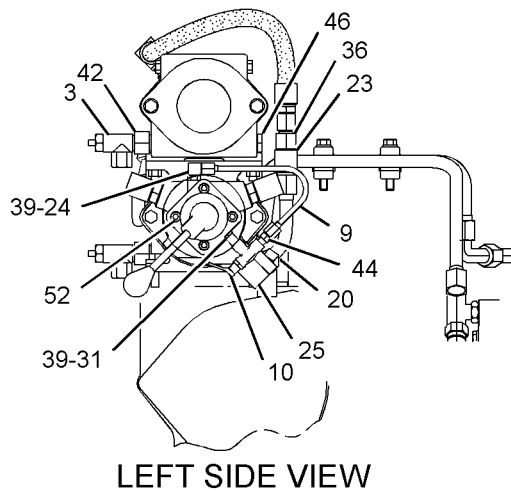
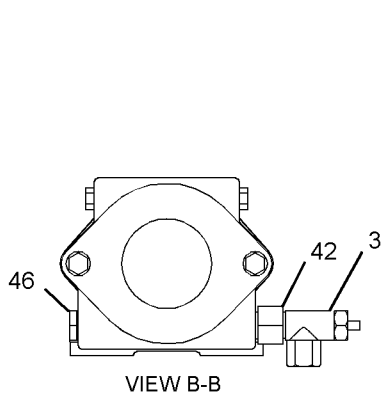
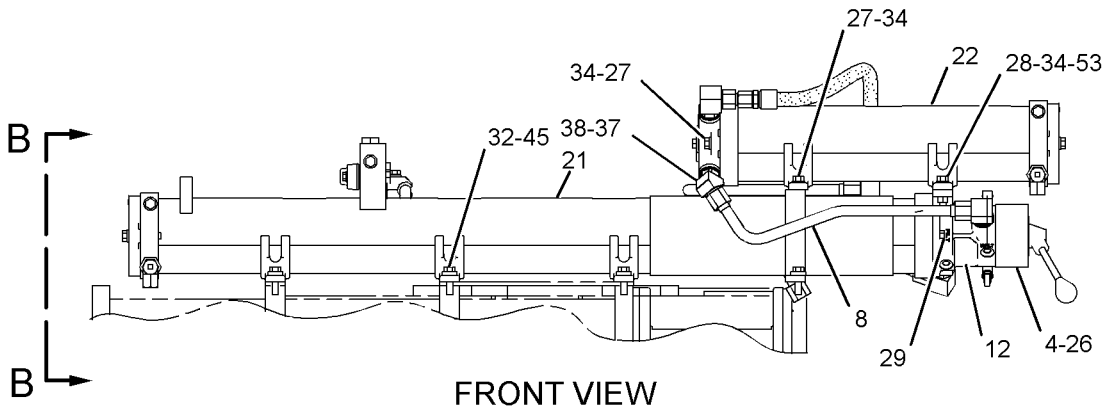
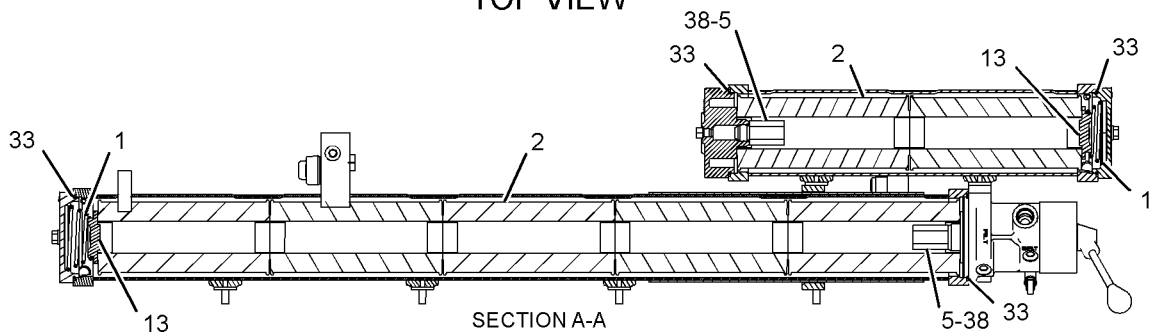
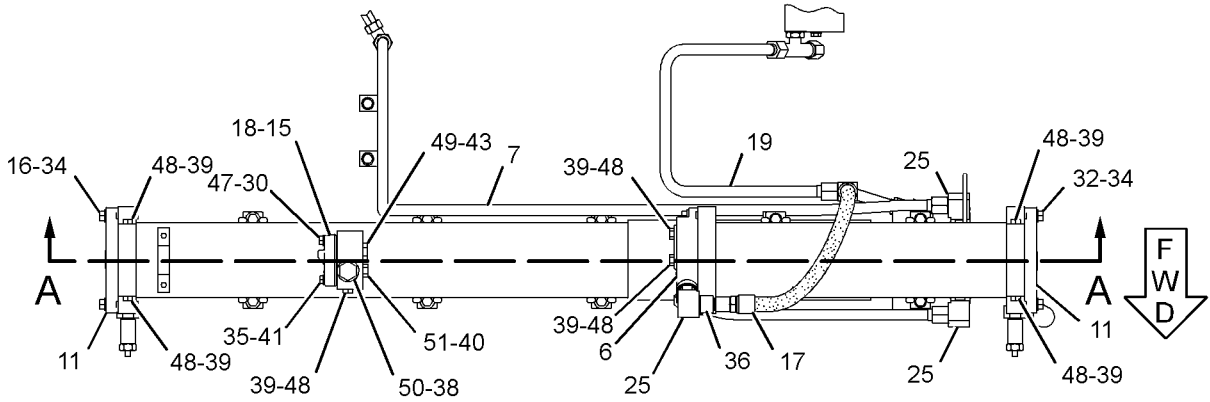
NOTE	REF NO	GRAPHIC REF	PART NUMBER	QTY	PART NAME	SEE PAGE
	1	1	1N-2895	2	SPRING	
	2	1	1R-0756	7	FILTER ELEMENT-FUEL (ADVANCED EFFICIENCY)	
	3	1	2S-5100	2	VALVE AS-MANUAL (FUEL DRAIN)	
	4	1	2W-6286	1	VALVE AS-CONTROL (DUPLEX FUEL FILTER)	
		1	266-2259	1	HANDLE AS	
	5	1	2W-6287	2	VALVE AS-CHECK (FUEL)	
	6	1	267-9689	1	COVER-FILTER HOUSING	
	7	1	2W-6289	1	TUBE AS	
	8	1	2W-6290	1	TUBE AS	
	9	1	2W-6667	1	TUBE AS	
	10	1	2W-6672	1	VALVE AS-TOGGLE (FUEL)	
	11	1	2W-9300	2	COVER-FILTER HOUSING	
	12	1	4W-4444	1	ADAPTER-VALVE	
	13	1	6I-3754	2	RETAINER-FILTER	
	15	1	6N-4414	1	COVER-FILTER BASE	
	16	1	7F-0192	2	BOLT (3/8-16X2-IN)	
I	17	1	9G-2653	1	HOSE AS	
	18	1	9Y-8389	1	GASKET (FUEL FILTER)	
	19	1	121-0474	1	TUBE AS	
	20	1	121-0476	1	TUBE AS	
	21	1	278-1774	1	HOUSING AS-FUEL FILTER	
	22	1	278-1775	1	HOUSING AS-FUEL FILTER (AUXILIARY)	
	23	1	003-8581	1	TEE-UNION	
	24	1	030-7946	1	ELBOW	
	25	1	250-1498	4	ELBOW AS	
					(EACH INCLUDES)	
		1	6V-4589	1	SEAL-O-RING	
		1	250-1497	1	ELBOW	
	26	1	061-8639	4	SEAL-O-RING	
	27	1	0S-1588	4	BOLT (3/8-16X1.25-IN)	
	28	1	0S-1591	2	BOLT (3/8-16X1.5-IN)	
	29	1	0S-1594	2	BOLT (3/8-16X1-IN)	
	30	1	1B-7182	1	BOLT (5/16-18X1.25-IN)	
	31	1	1P-3861	1	CONNECTOR	
	32	1	3B-1915	10	BOLT (3/8-16X1.375-IN)	
	33	1	5D-5957	4	SEAL-O-RING	
	34	1	5M-2894	10	WASHER-HARD (10.2X18.5X2.5-MM THK)	
	35	1	5P-0537	1	WASHER-HARD (7.2X14.5X2-MM THK)	
	36	1	5P-8228	2	REDUCER-FLARED	
	37	1	6M-7476	1	ELBOW	
	38	1	6V-4589	4	SEAL-O-RING	
	39	1	6V-5048	9	SEAL-O-RING	
	40	1	6V-5049	1	SEAL-O-RING	
	41	1	7B-2742	1	BOLT (1/4-20X1.25-IN)	
	42	1	7D-4903	2	ADAPTER	
	43	1	8L-2786	1	SEAL-O-RING	
	44	1	8L-6557	1	CONNECTOR	
	45	1	8M-9024	8	WASHER-HARD (10.2X22.5X5-MM THK)	
	46	1	8T-6766	2	PLUG-PIPE	
	47	1	9M-1974	1	WASHER-HARD (8.8X16X2-MM THK)	
	48	1	9S-4182	7	PLUG-O-RING	
	49	1	9S-4185	1	PLUG-O-RING	
	50	1	9S-4190	1	PLUG-O-RING	
	51	1	9S-4191	1	PLUG-O-RING	
	52	1	9S-7381	4	BOLT-SOCKET HEAD (5/16-18X2-IN)	
	53	1	9S-8752	2	NUT-FULL (3/8-16-THD)	

FUEL SYSTEM

241 - 2738 FILTER GP - FUEL (contd.)

i03197502

I - REFER TO HYDRAULIC INFORMATION SYSTEM



GRAPHIC #1

<END>

g01324199

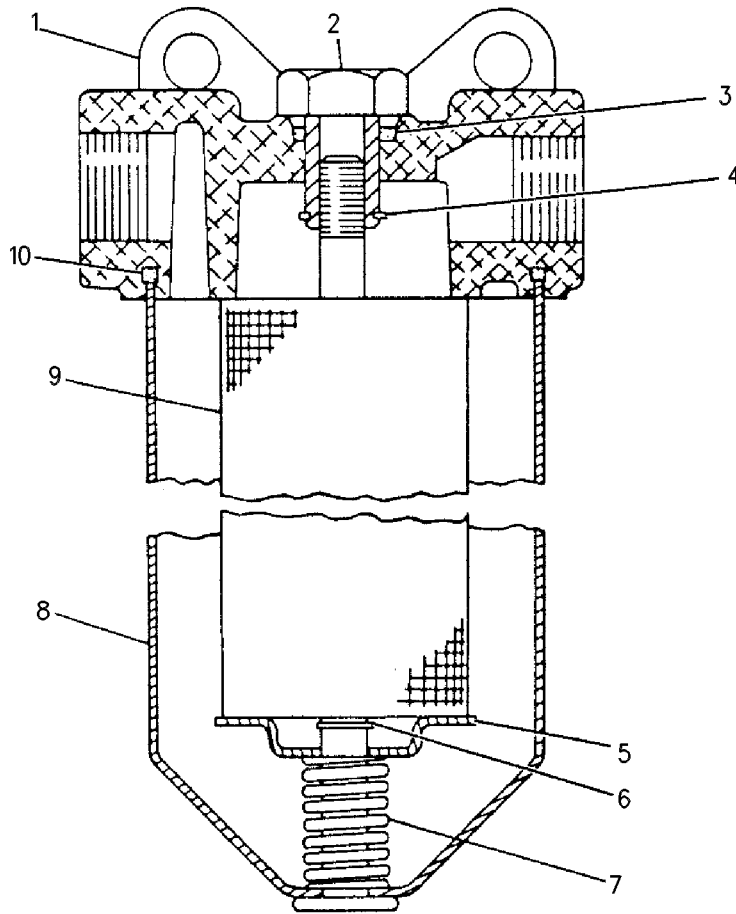
FUEL SYSTEM

8N-6435 FILTER GP-PRIMARY FUEL AN ATTACHMENT

SMCS-1260, 1261

i02205253

NOTE	REF NO	GRAPHIC REF	PART NUMBER	QTY	PART NAME						SEE PAGE
					1	2	3	4	5	6 (PRODUCT LEVEL)	
	1	1	1W-0531	1	BASE-PRIMARY FUEL FILTER						
	2	1	7N-1628	1	NUT (3/8-24-THD)						
	3	1	2J-0157	1	SEAL-O-RING						
	4	1	1L-3769	1	RING-RETAINING						
	5	1	7H-9678	1	RETAINER-ELEMENT						
	6	1	2H-3429	1	RING-RETAINING						
	7	1	7S-9323	1	SPRING						
	8	1	8H-7202	1	CASE AS-FUEL FILTER						
	9	1	9M-2342	1	FILTER ELEMENT-FUEL (PRIMARY)						
	10	1	8H-2778	1	SEAL-RING (FUEL FILTER)						



GRAPHIC #1

<END>

g00625270

FUEL SYSTEM

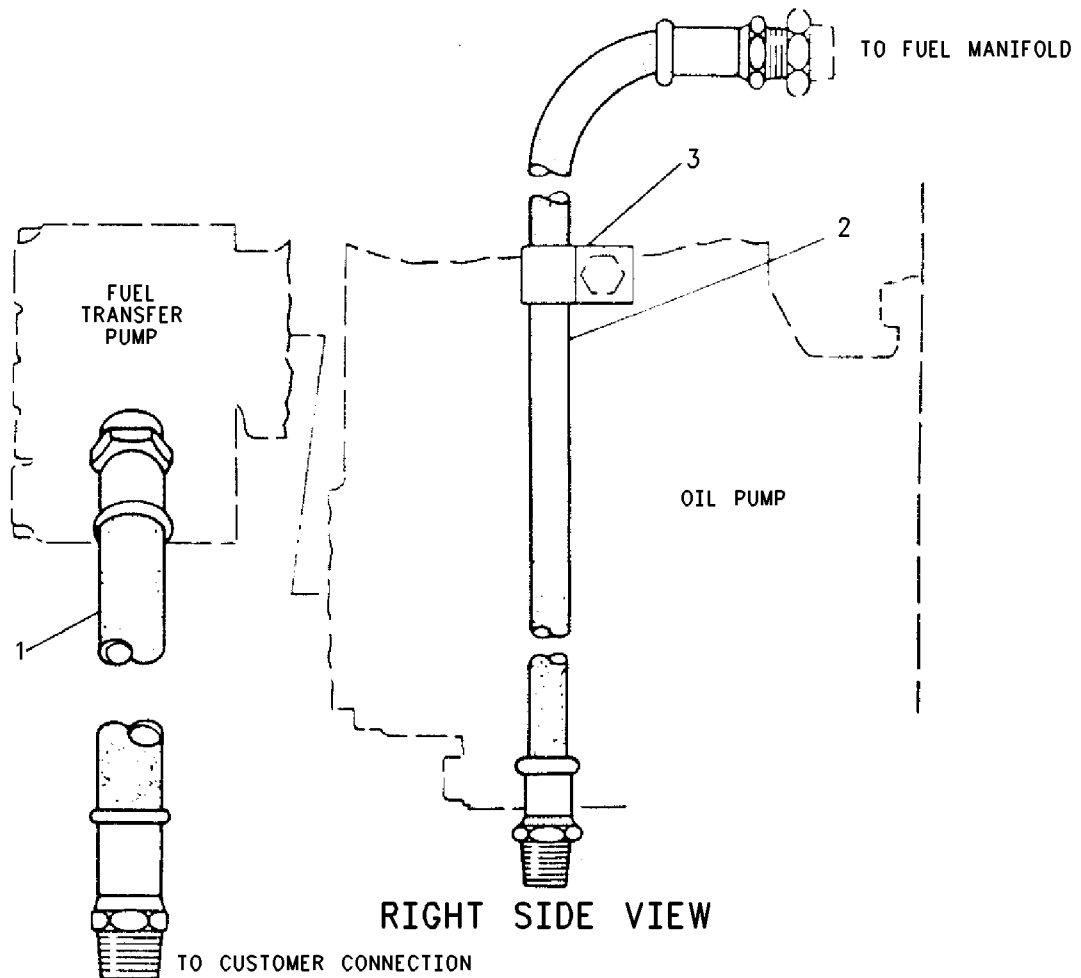
5N-2438 LINES GP-FLEXIBLE FUEL AN ATTACHMENT

SMCS-1274

i01979418

NOTE	REF NO	GRAPHIC REF	PART NUMBER	QTY	PART NAME						SEE PAGE
					1	2	3	4	5	6 (PRODUCT LEVEL)	
I	1	1	3N-6504	1	HOSE AS						
I	2	1	8N-1186	1	HOSE AS						
B	3	1	5F-5990	2	CLIP						

B- USE AS REQUIRED
I- REFER TO HYDRAULIC INFORMATION SYSTEM



RIGHT SIDE VIEW

GRAPHIC #1

<END>

g00995187

FUEL SYSTEM

273-3285 LINES GP-FUEL AN ATTACHMENT

SMCS-1274

i02537710

NOTE	REF NO	GRAPHIC REF	PART NUMBER	QTY	PART NAME						SEE PAGE
					1	2	3	4	5	6 (PRODUCT LEVEL)	
	1	1	1W-8129	1	SUPPORT						
I	2	1	3N-6504	1	HOSE AS						
	3	1	4P-0692	4	CLAMP AS						
					(EACH INCLUDES)						
		1	108-1434	1	GROMMET						
	4	1	5G-4313	1	SPACER (10.34X15.88X12-MM THK)						
I	5	1	7D-3958	1	HOSE AS						
	6	1	273-3286	1	TUBE AS						
	7	1	0L-1143	1	BOLT (3/8-16X2.5-IN)						
	8	1	1A-5964	2	BOLT (3/8-16X4.5-IN)						
	9	1	5M-2894	3	WASHER-HARD (10.2X18.5X2.5-MM THK)						
	10	1	6B-1557	1	BOLT (3/8-16X7.5-IN)						
	11	1	6V-1846	1	CONNECTOR						
	13	1	8C-8554	1	CONNECTOR						
	14	1	9S-8752	1	NUT-FULL (3/8-16-THD)						
B	15	1	9R-5008	1	SPACER (11X20X6-MM THK)						

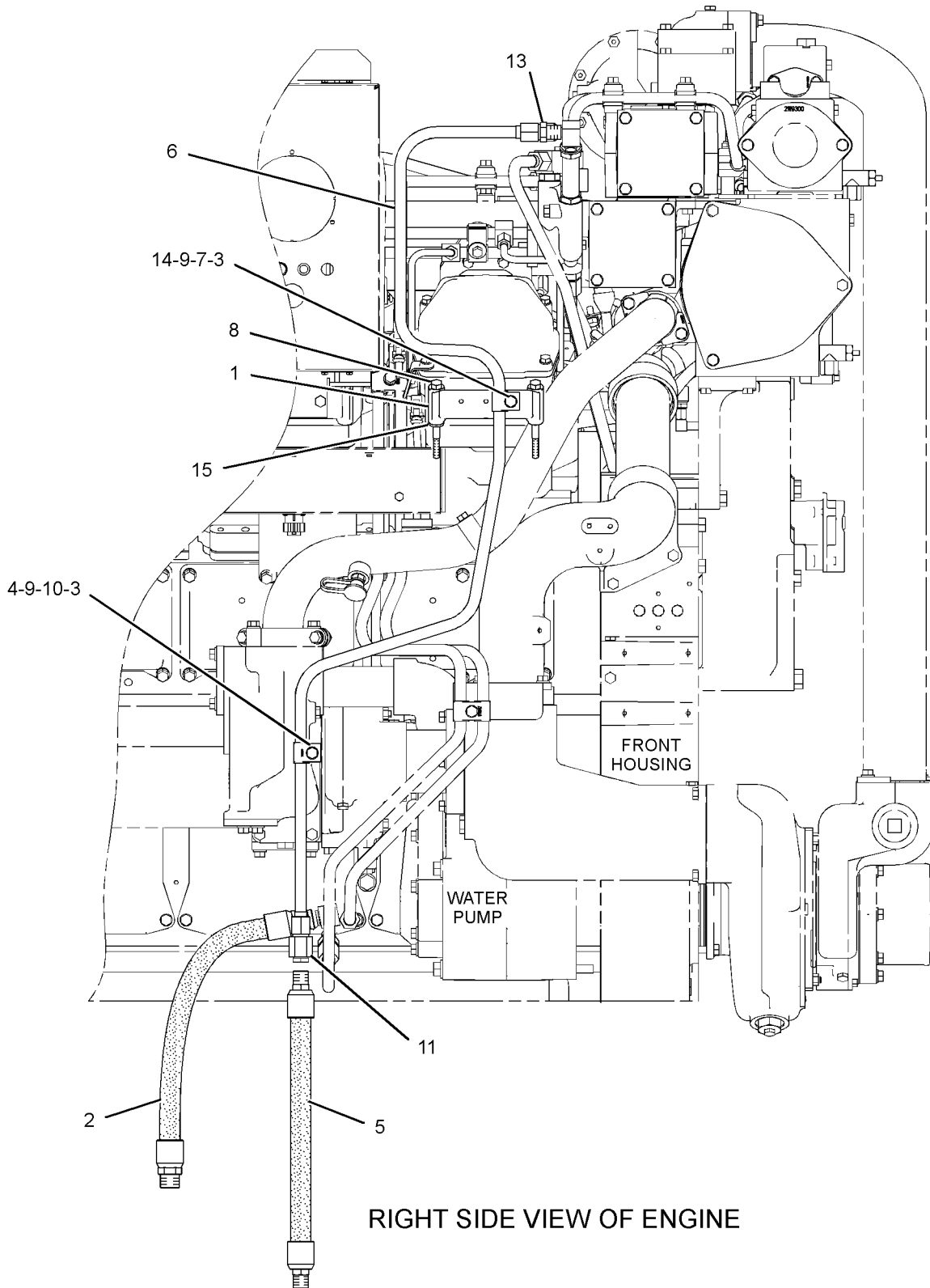
B- USE AS REQUIRED

I- REFER TO HYDRAULIC INFORMATION SYSTEM

FUEL SYSTEM

273-3285 LINES GP-FUEL (contd.)

i02537710



RIGHT SIDE VIEW OF ENGINE

GRAPHIC #1

<END>

g01285819

FUEL SYSTEM

234-8723 LINES GP-FUEL INJECTION

SMCS-1252, 1254

i02736953

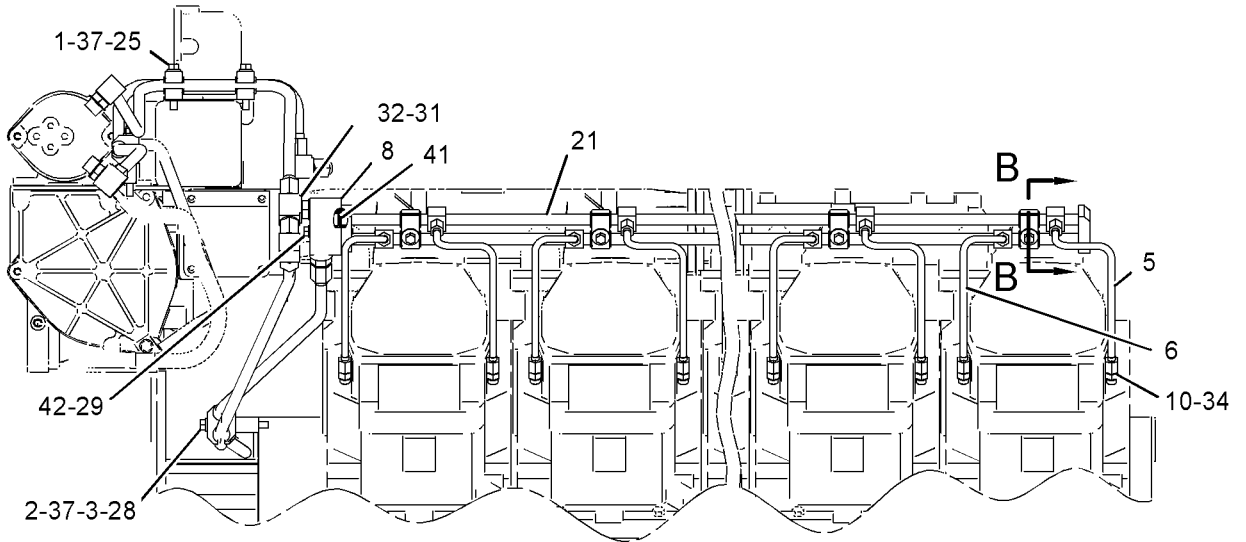
NOTE	REF NO	GRAPHIC REF	PART NUMBER	QTY	PART NAME						SEE PAGE
					1	2	3	4	5	6 (PRODUCT LEVEL)	
	1	1,2	4P-0692	16	CLAMP AS						
					(EACH INCLUDES)						
		1,2	108-1434	1	GROMMET						
	2	1	4P-0693	4	CLAMP AS						
					(EACH INCLUDES)						
		1	108-1434	2	GROMMET						
	3	1	6B-6205	2	SPACER (0.438X0.875X1.281-IN THK)						
	4	1	6V-4363	1	ELBOW						
	5	1	7C-7677	12	TUBE AS						
	6	1	7C-7678	12	TUBE AS						
	7	2	7C-7682	1	ADAPTER-FUEL MANIFOLD (RH)						
	8	1	7C-7683	1	ADAPTER-FUEL MANIFOLD (LH)						
	9	2	7E-3921	1	VALVE-CHECK						
	10	1	7W-2122	24	CONNECTOR-PORT						
	11	1	8N-6210	1	BRACKET-LINE SUPPORT						
	12	2	8N-6211	1	PLATE-LINE SUPPORT						
	13	2	8N-6326	1	TUBE AS						
	14	2	8N-6327	1	TUBE AS						
	15	2	9N-4053	1	SPRING						
	16	2	030-7977	1	ELBOW						
	17	2	111-3388	1	TUBE AS						
	18	2	111-3389	1	TUBE AS						
	19	2	114-5477	1	PLUNGER-VALVE						
Y	20	1	156-9753	1	MANIFOLD GP-FUEL (RH)						241
Y	21	1	156-9754	1	MANIFOLD GP-FUEL (LH)						242
	22	1	210-2535	1	TUBE AS						
	23	2	250-1498	3	ELBOW AS						
					(EACH INCLUDES)						
		2	6V-4589	1	SEAL-O-RING						
		2	250-1497	1	ELBOW						
	24	2	030-7972	1	ELBOW						
	25	1,2	0L-2070	5	BOLT (3/8-16X2.25-IN)						
	26	2	0S-1590	1	BOLT (3/8-16X2-IN)						
	27	2	0S-1594	1	BOLT (3/8-16X1-IN)						
	28	1,2	0T-0065	3	BOLT (3/8-16X3.5-IN)						
	29	1	1D-4539	1	BOLT (5/16-18X2.5-IN)						
	30	1	1D-4541	1	BOLT (5/16-18X3-IN)						
	31	1,2	2M-9780	6	SEAL-O-RING						
	32	1	250-1499	1	TEE						
	33	2	2P-7636	1	CONNECTOR						
	34	1	3J-1907	25	SEAL-O-RING						
	35	1	3J-7354	1	SEAL-O-RING						
	36	2	3K-0360	1	SEAL-O-RING						
	37	1,2	5M-2894	10	WASHER-HARD (10.2X18.5X2.5-MM THK)						
	38	2	250-1496	1	ELBOW						
	39	2	5S-0003	1	NUT (5/16-18-THD)						
	40	2	7K-3377	2	PIPE						
	41	1	7N-6806	4	SEAL-RECTANGULAR						
	42	1,2	9M-1974	3	WASHER-HARD (8.8X16X2-MM THK)						
	43	2	9M-4584	2	CONNECTOR						
	44	1	9S-4182	1	PLUG-O-RING						
	45	1	9S-4191	1	PLUG-O-RING						
B	48	2	0L-2070	2	BOLT (3/8-16X2.25-IN)						
B	49	1	0T-0065	1	BOLT (3/8-16X3.5-IN)						
B	50	1,2	5M-2894	3	WASHER-HARD (10.2X18.5X2.5-MM THK)						

B- USE AS REQUIRED
Y- SEPARATE ILLUSTRATION

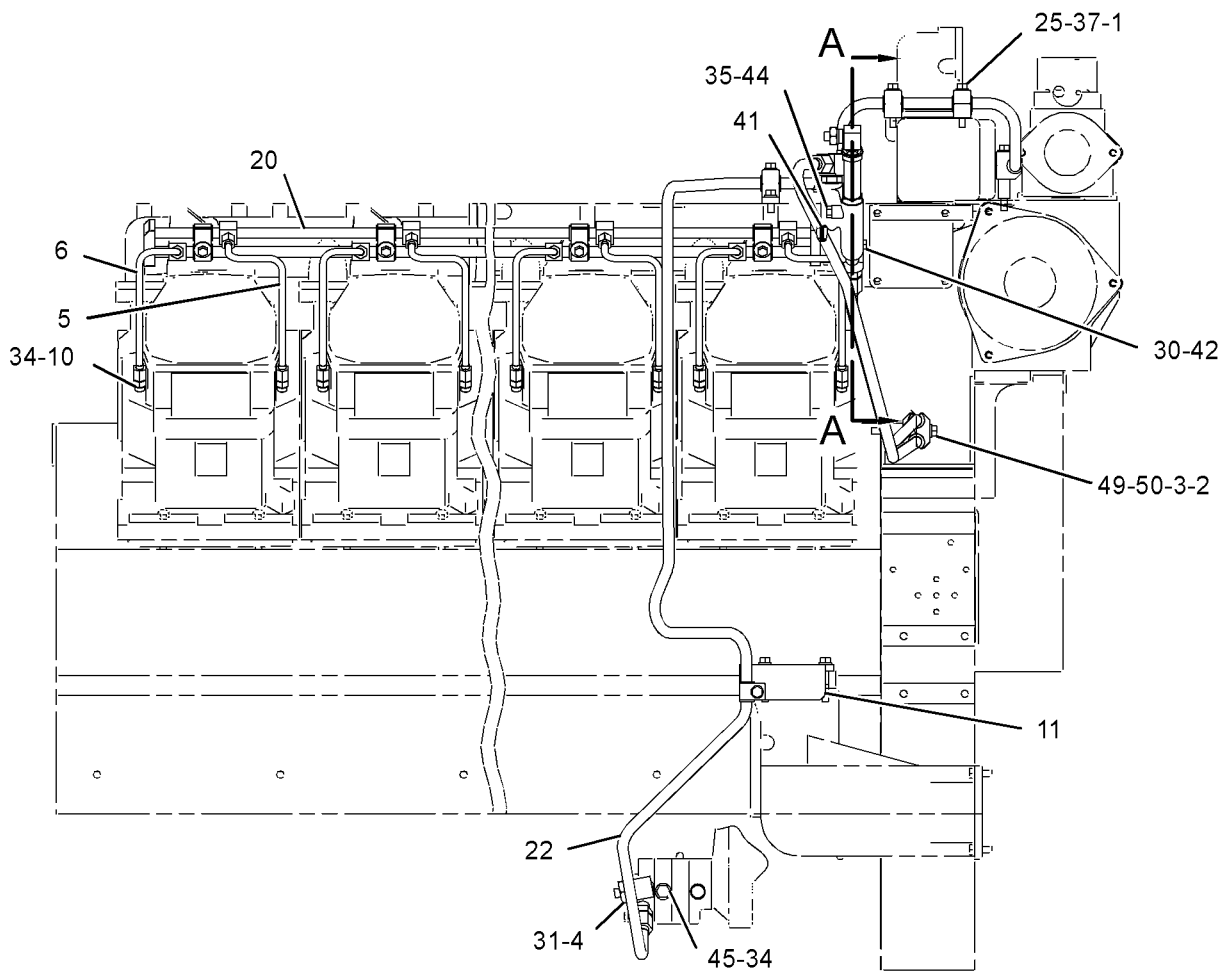
FUEL SYSTEM

234-8723 LINES GP-FUEL INJECTION (contd.)

i02736953



LEFT SIDE VIEW



RIGHT SIDE VIEW

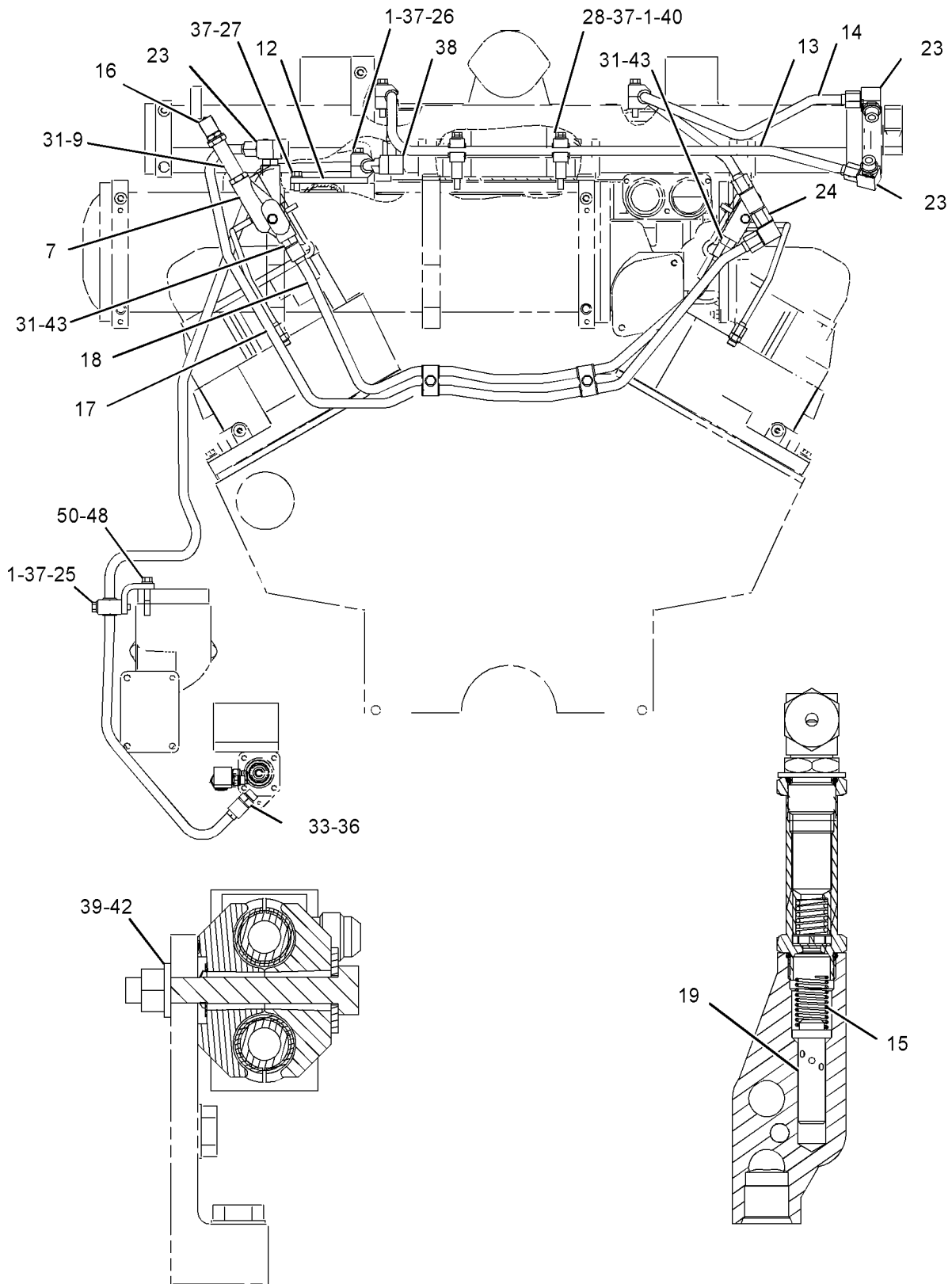
GRAPHIC #1

g01373345

FUEL SYSTEM

234-8723 LINES GP-FUEL INJECTION (contd.)

i02736953



GRAPHIC #2

<END>

g01342417

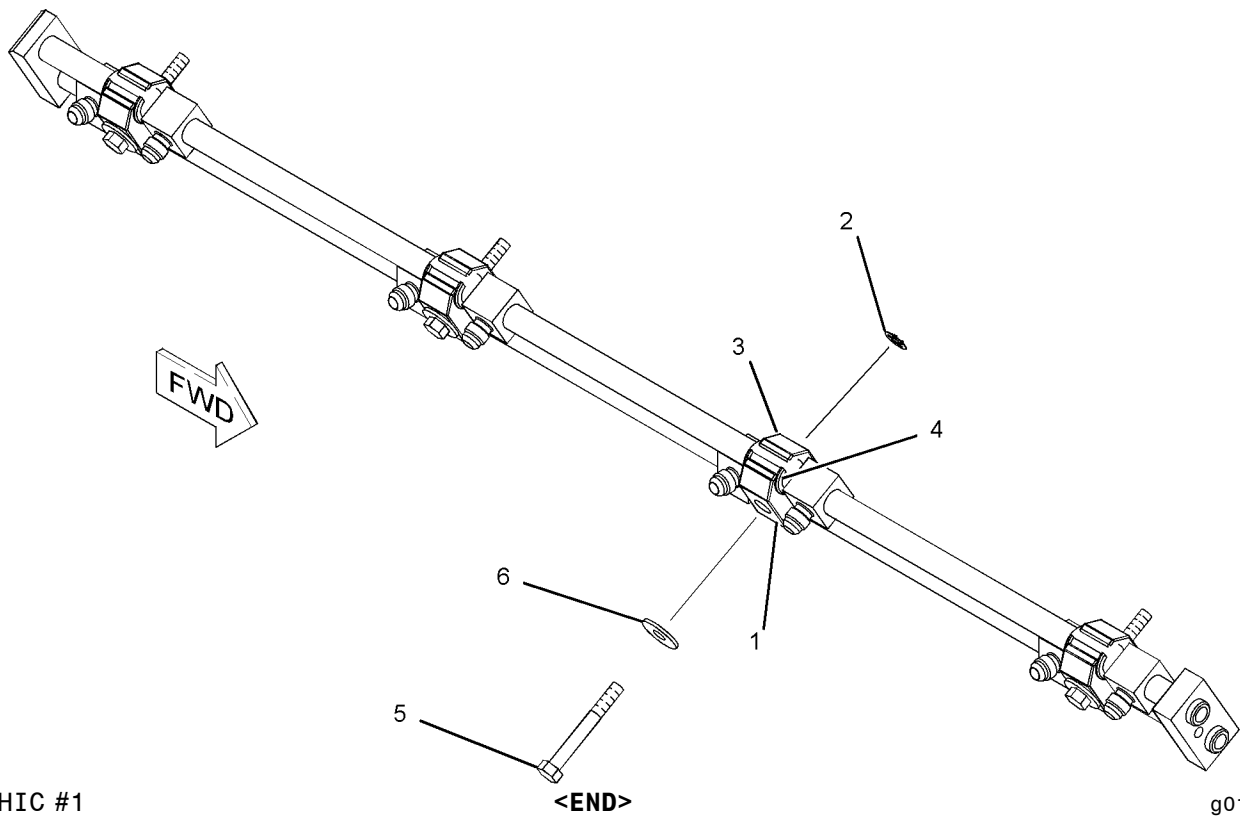
FUEL SYSTEM

156-9753 MANIFOLD GP-FUEL-RH PART OF 234-8723 LINES GP-FUEL INJECTION

SMCS-1274, 1380

i02178657

NOTE	REF NO	GRAPHIC REF	PART NUMBER	QTY	PART NAME						SEE PAGE
					1	2	3	4	5	6 (PRODUCT LEVEL)	
	1	1	9Y-0047	6	CLAMP						
	2	1	147-3745	6	WASHER-RETAINING						
	3	1	156-9748	6	CLAMP						
	4	1	100-3237	12	GROMMET						
	5	1	1D-4539	6	BOLT (5/16-18X2.5-IN)						
	6	1	9N-0869	6	WASHER-HARD (8.8X25.5X2-MM THK)						



GRAPHIC #1

g01102832

FUEL SYSTEM

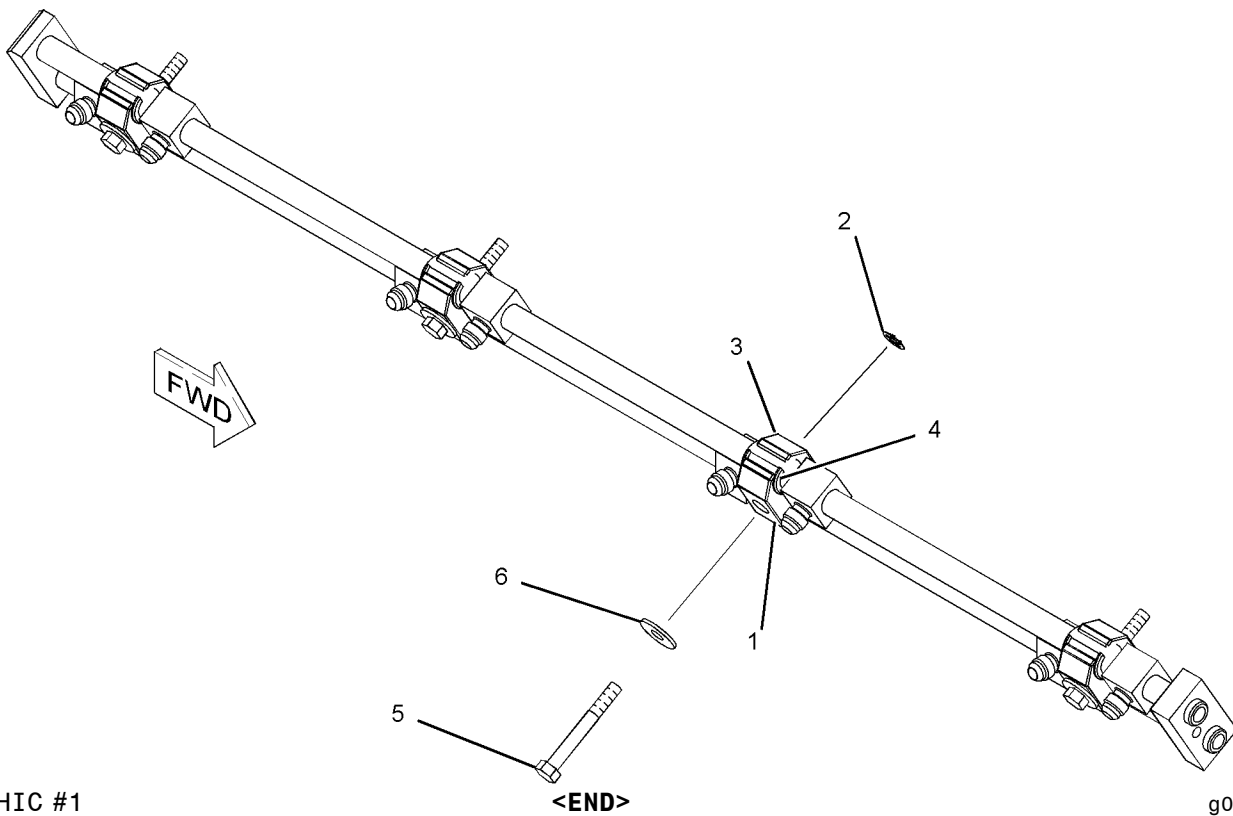
156-9754 MANIFOLD GP-FUEL-LH

PART OF 234-8723 LINES GP-FUEL INJECTION

SMCS-1274, 1380

i02178668

NOTE	REF NO	GRAPHIC REF	PART NUMBER	QTY	PART NAME						SEE PAGE
					1	2	3	4	5	6 (PRODUCT LEVEL)	
	1	1	9Y-0047	6	CLAMP						
	2	1	147-3745	6	WASHER-RETAINING						
	3	1	156-9748	6	CLAMP						
	4	1	100-3237	12	GROMMET						
	5	1	1D-4539	6	BOLT (5/16-18X2.5-IN)						
	6	1	9N-0869	6	WASHER-HARD (8.8X25.5X2-MM THK)						



GRAPHIC #1

g01102832

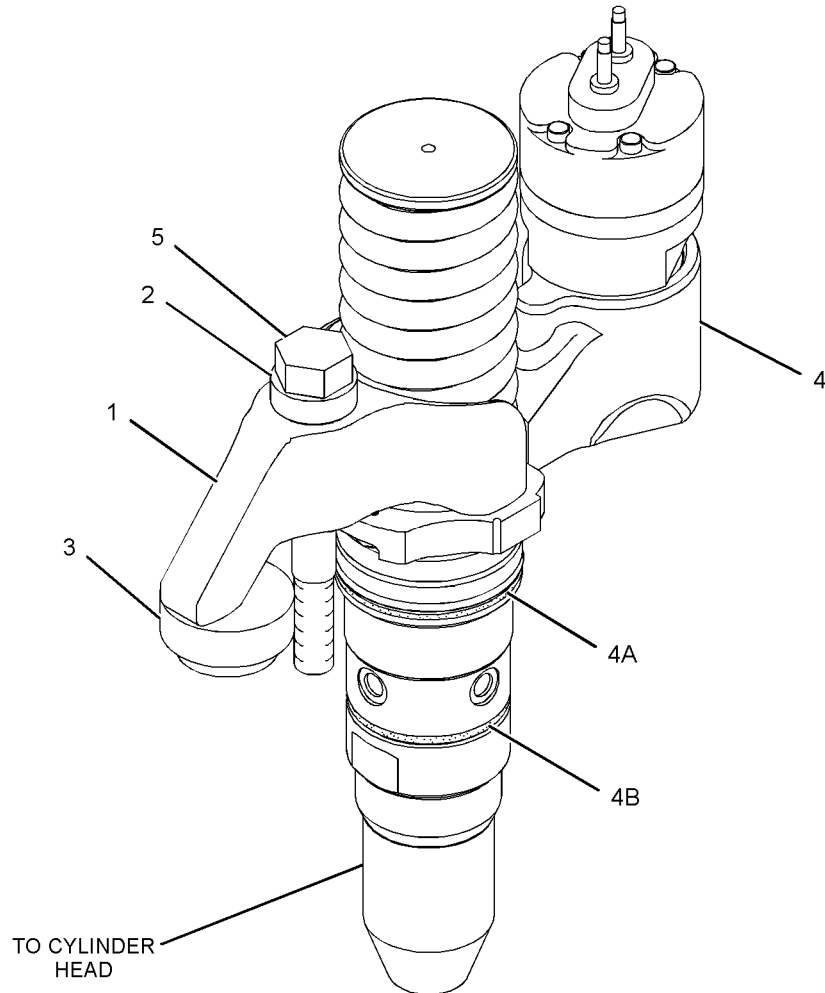
FUEL SYSTEM

274-0053 PUMP GP-FUEL INJECTION

SMCS-1251, 1290

i02462831

NOTE	REF NO	GRAPHIC REF	PART NUMBER	QTY	PART NAME						SEE PAGE
					1	2	3	4	5	6 (PRODUCT LEVEL)	
	1	1	7E-2580	1	CLAMP-INJECTOR						
	2	1	7N-5487	1	WASHER (12X22X9.5-MM THK)						
	3	1	234-4182	1	PLUG						
	4	1	266-4387	1	INJECTOR GP-FUEL						
	4A	1	245-4908	1	SEAL-O-RING						
	4B	1	245-4907	1	SEAL-O-RING						
	5	1	7F-8698	1	BOLT (7/16-14X3.5-IN)						



GRAPHIC #1

g01229735

FUEL SYSTEM

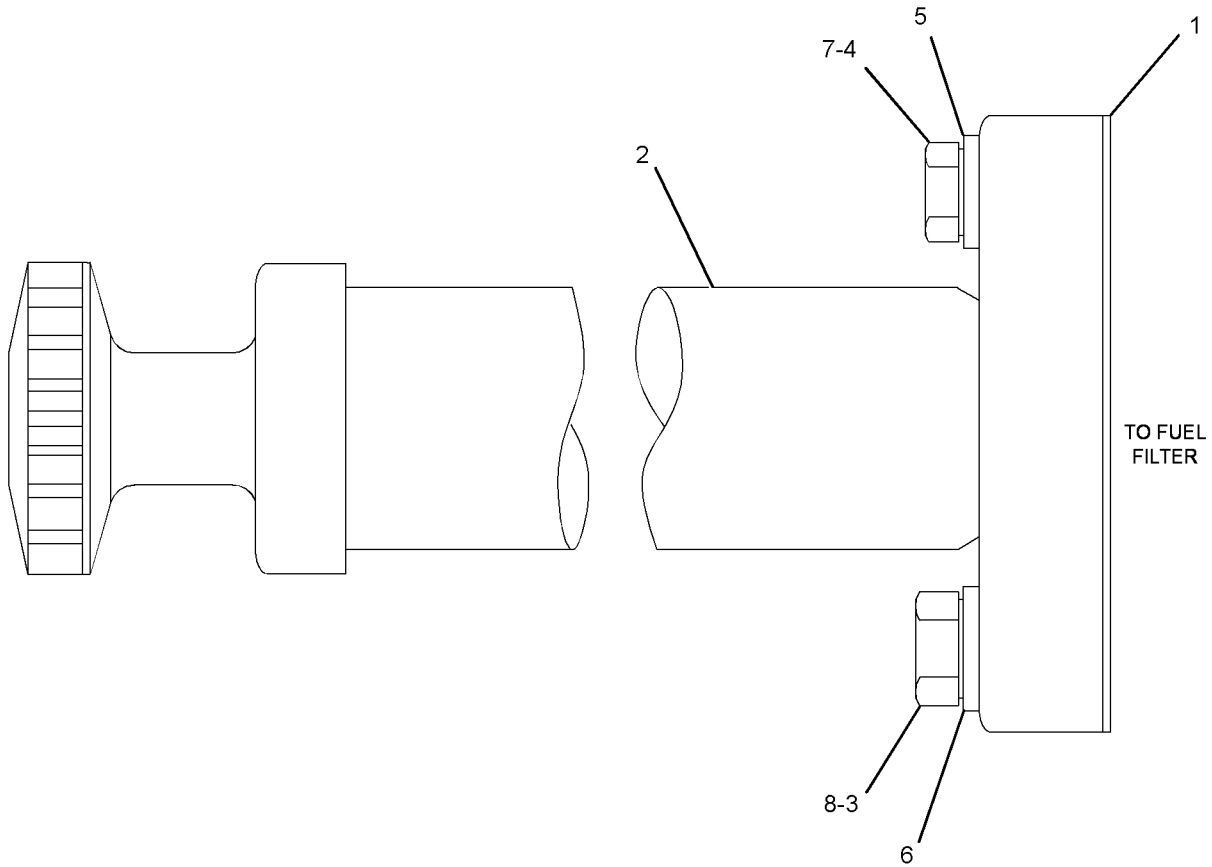
7N-8599 PUMP GP-FUEL PRIMING PART OF 210-1174, 241-4903 PUMP GP-FUEL PRIMING AN ATTACHMENT

SMCS-1258

i02822496

NOTE	REF NO	GRAPHIC REF	PART NUMBER	QTY	PART NAME						SEE PAGE
					1	2	3	4	5	6 (PRODUCT LEVEL)	
	1	1	9Y-8389	1	GASKET (FUEL PRIMING PUMP)						
C	2	1	162-3906	1	PUMP AS-FUEL PRIMING						
		1	061-7539	1	SEAL-O-RING						
		1	229-3218	2	VALVE AS						
B	3	1	6V-8918	1	BOLT (5/16-18X1.25-IN)						
B	4	1	7X-2501	1	BOLT (1/4-20X1.25-IN)						
	5	1	8T-4205	1	WASHER-HARD (7.2X14.5X2-MM THK)						
	6	1	8T-4224	1	WASHER-HARD (8.8X16X2-MM THK)						
BM	7	1	8T-4971	1	BOLT (M6X1X30-MM)						
BM	8	1	8T-7547	1	BOLT (M8X1.25X30-MM)						

B - USE AS REQUIRED
C - CHANGE FROM PREVIOUS TYPE
M - METRIC PART



GRAPHIC #1

<END>

g01258253

FUEL SYSTEM

210-1174 PUMP GP-FUEL PRIMING-RH AN ATTACHMENT

SMCS-1258

i02668029

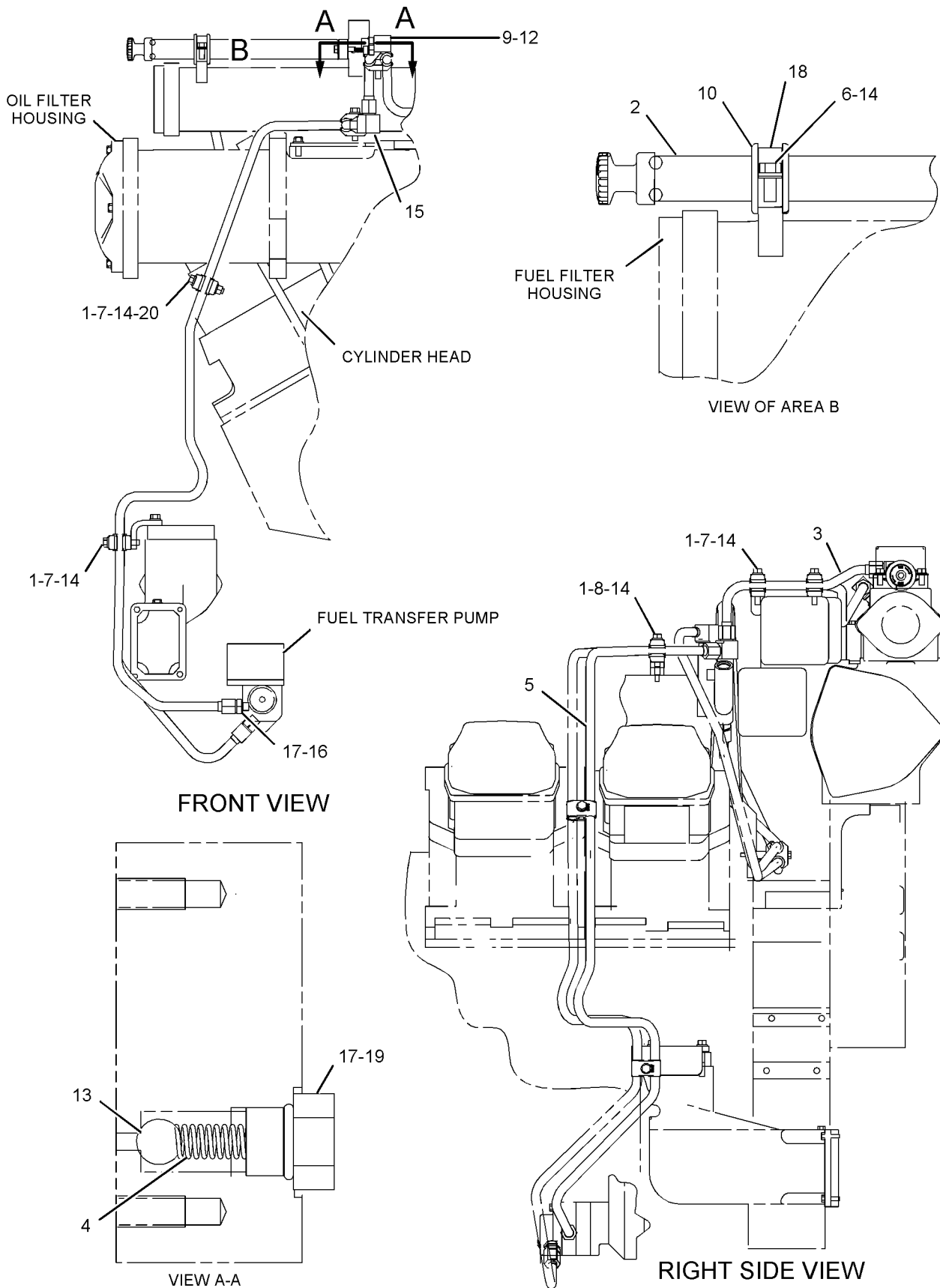
NOTE	REF NO	GRAPHIC REF	PART NUMBER	QTY	PART NAME						SEE PAGE
					1	2	3	4	5	6 (PRODUCT LEVEL)	
	1	1	4P-0693	10	CLAMP AS						
					(EACH INCLUDES)						
		1	108-1434	2	GROMMET						
Y	2	1	7N-8599	1	PUMP GP-FUEL PRIMING						244
	3	1	237-2715	1	TUBE AS						
	4	1	9N-1752	1	SPRING						
	5	1	210-1470	1	TUBE AS						
	6	1	0L-1351	2	BOLT (3/8-16X0.875-IN)						
	7	1	0L-2070	4	BOLT (3/8-16X2.25-IN)						
	8	1	0S-1590	1	BOLT (3/8-16X2-IN)						
	9	1	1P-7625	1	ELBOW						
	10	1	2H-9523	1	GROMMET						
	12	1	8L-2786	1	SEAL-O-RING						
	13	1	4B-9782	1	BALL						
	14	1	5M-2894	8	WASHER-HARD (10.2X18.5X2.5-MM THK)						
	15	1	250-1496	1	ELBOW						
	16	1	6V-4362	1	CONNECTOR						
	17	1	6V-5049	2	SEAL-O-RING						
	18	1	8N-3480	1	CLIP						
	19	1	9S-4191	1	PLUG-O-RING						
	20	1	9S-8752	1	NUT-FULL (3/8-16-THD)						

Y-SEPARATE ILLUSTRATION

FUEL SYSTEM

210-1174 PUMP GP - FUEL PRIMING (contd.)

i02668029



GRAPHIC #1

<END>

g01052703

FUEL SYSTEM

241-4903 PUMP GP-FUEL PRIMING-LH FOR USE WITH SERIES II FUEL INJECTION LINES GP AN ATTACHMENT

SMCS-1258

i02668027

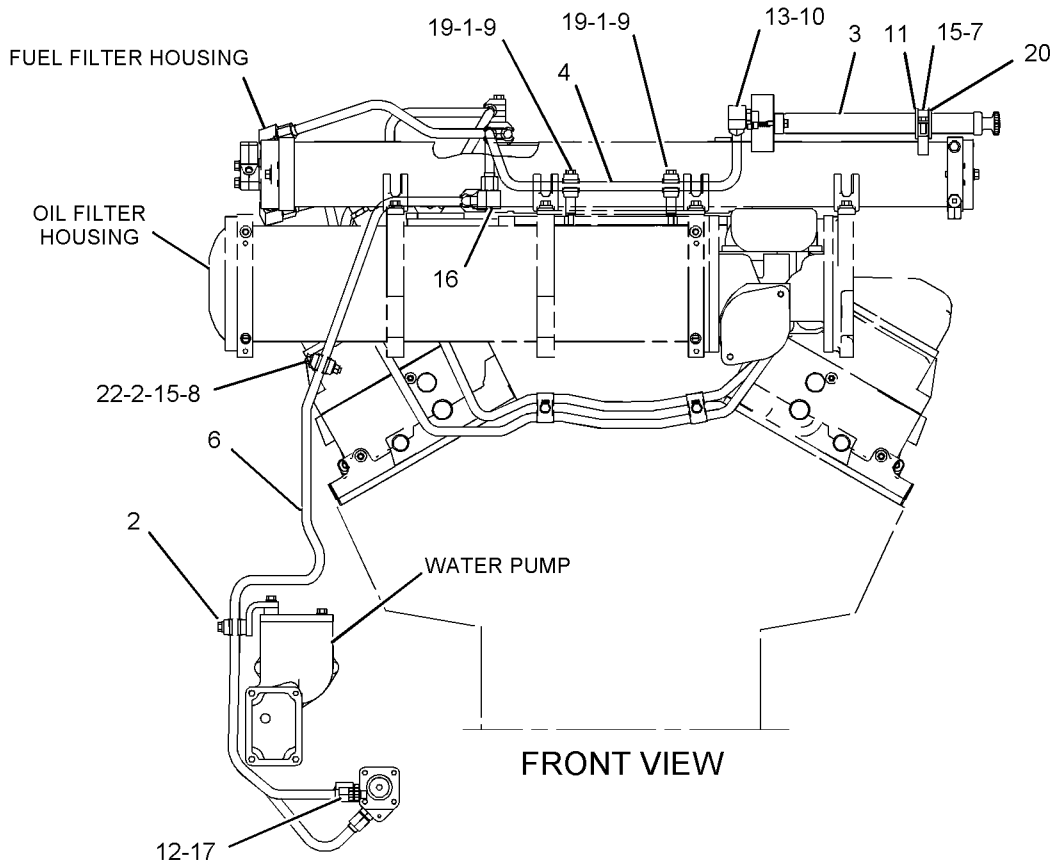
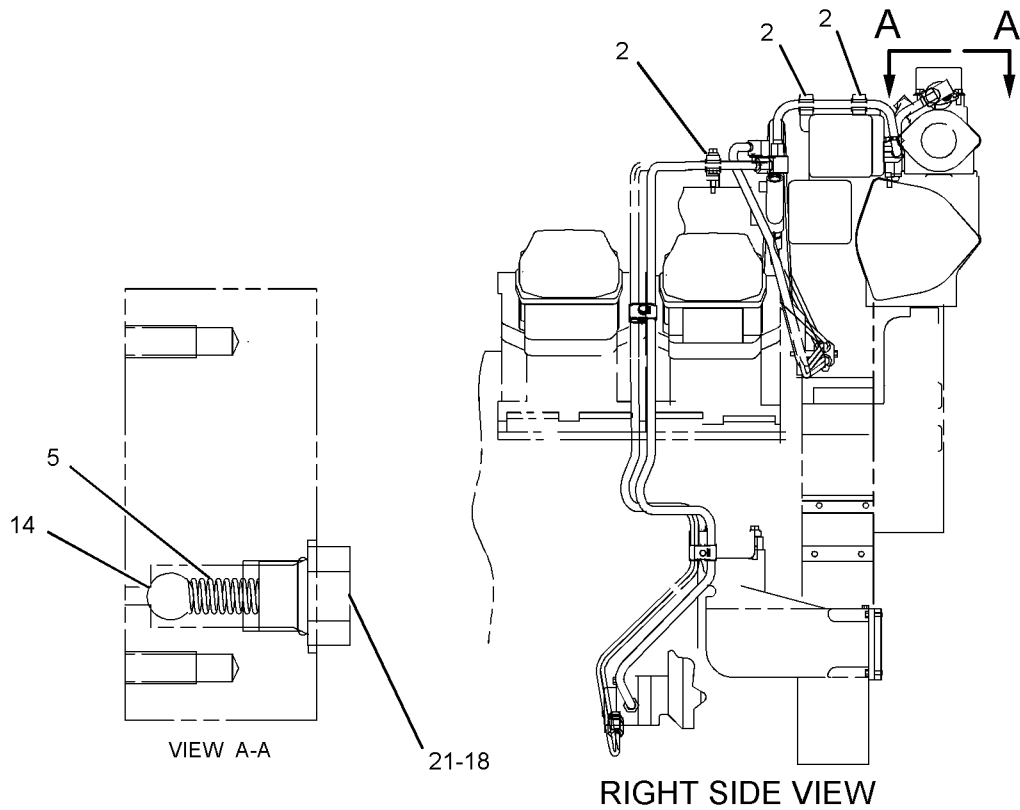
NOTE	REF NO	GRAPHIC REF	PART NUMBER	QTY	PART NAME						SEE PAGE
					1	2	3	4	5	6 (PRODUCT LEVEL)	
	1	1	4P-0692	4	CLAMP AS						
					(EACH INCLUDES)						
		1	108-1434	1	GROMMET						
	2	1	4P-0693	10	CLAMP AS						
					(EACH INCLUDES)						
		1	108-1434	2	GROMMET						
Y	3	1	7N-8599	1	PUMP GP-FUEL PRIMING						244
	4	1	8N-6296	1	TUBE AS						
	5	1	9N-1752	1	SPRING						
	6	1	210-1470	1	TUBE AS						
	7	1	0L-1351	2	BOLT (3/8-16X0.875-IN)						
	8	1	0L-2070	1	BOLT (3/8-16X2.25-IN)						
	9	1	0T-0065	2	BOLT (3/8-16X3.5-IN)						
	10	1	1P-7625	1	ELBOW						
	11	1	2H-9523	1	GROMMET						
	12	1	3J-1907	1	SEAL-O-RING						
	13	1	3K-0360	1	SEAL-O-RING						
	14	1	4B-9782	1	BALL						
	15	1	5M-2894	4	WASHER-HARD (10.2X18.5X2.5-MM THK)						
	16	1	250-1496	1	ELBOW						
	17	1	6V-4362	1	CONNECTOR						
	18	1	6V-5049	1	SEAL-O-RING						
	19	1	7K-3377	2	PIPE						
	20	1	8N-3480	1	CLIP						
	21	1	9S-4191	1	PLUG-O-RING						
	22	1	9S-8752	1	NUT-FULL (3/8-16-THD)						

Y-SEPARATE ILLUSTRATION

FUEL SYSTEM

241 - 4903 PUMP GP - FUEL PRIMING (contd.)

i02668027



GRAPHIC #1

<END>

g01012817

FUEL SYSTEM

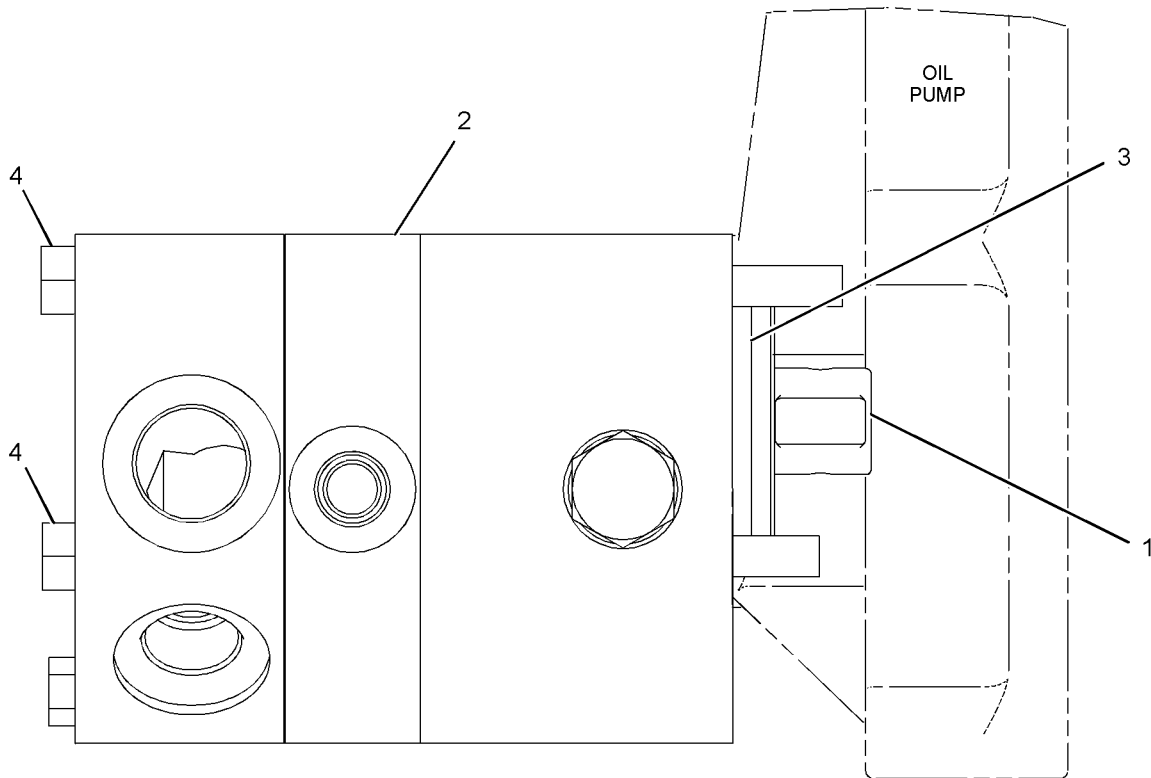
8N-6151 PUMP GP-FUEL TRANSFER ONE SECTION GEAR

SMCS - 1256

i02917161

NOTE	REF NO	GRAPHIC REF	PART NUMBER	QTY	PART NAME						SEE PAGE
					1	2	3	4	5	6 (PRODUCT LEVEL)	
	1	1	1N-4636	1	COUPLING-DRIVE						
YR	2	1	313-7770	1	PUMP GP-FUEL TRANSFER						250
	3	1	1H-9696	1	SEAL-O-RING						
	4	1	5L-1761	4	BOLT (5/16-18X5.5-IN)						

R - REMFG PART MAY BE AVAILABLE
Y - SEPARATE ILLUSTRATION



GRAPHIC #1

<END>

g01184091

FUEL SYSTEM

313-7770 PUMP GP-FUEL TRANSFER*R PART OF 8N-6151 PUMP GP-FUEL TRANSFER

SMCS-1256

i02915171

NOTE	PART NUMBER	QTY	PART NAME						SEE PAGE
			1	2	3	4	5	6 (PRODUCT LEVEL)	
			AVAILABLE REPAIR KIT(S):						
	255-8691	1	KIT-SEAL						
			(KIT INCLUDES GASKET AND SEALS)						
	255-8692	1	KIT-REPAIR (GEAR, SHAFT)						
			(KIT INCLUDES GEAR AS, BUSHINGS, AND SHAFT AS)						
			<END>						

FUEL SYSTEM

244-2478 SHIELD GP-FUEL LINES-FUEL PRIMING PUMP AN ATTACHMENT

SMCS-1067, 1252

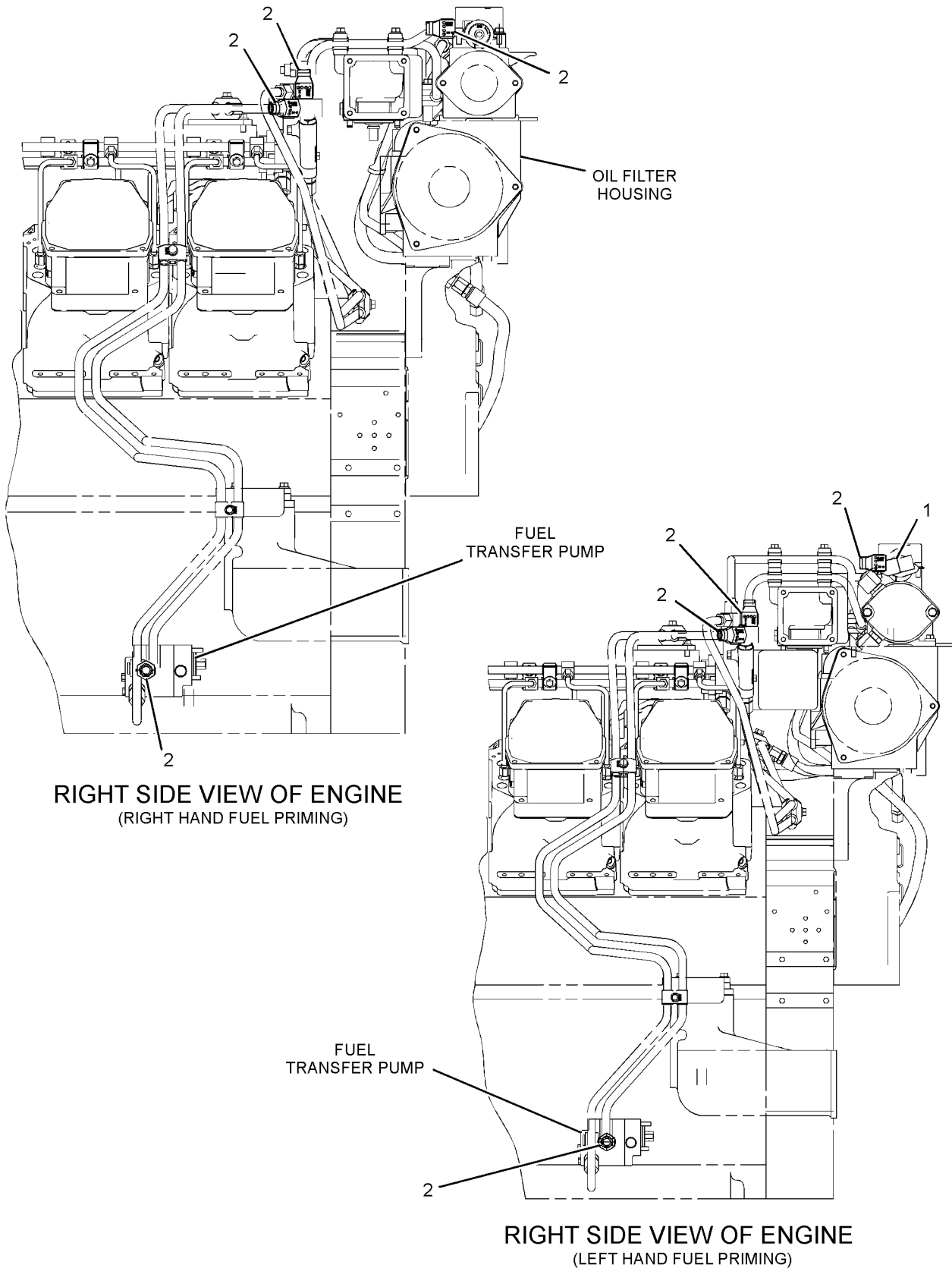
i02939611

NOTE	REF NO	GRAPHIC REF	PART NUMBER	QTY	PART NAME						SEE PAGE
					1	2	3	4	5	6 (PRODUCT LEVEL)	
B	1	1	237-3860	1	TAPE (ANTI-SPLASH, 50-MM WIDE)						
	2	1	251-1255	4	SHIELD-FUEL LINE FITTING (18.05-MM ID)						
B-USE AS REQUIRED											

FUEL SYSTEM

244 - 2478 SHIELD GP - FUEL LINES (contd.)

i02939611



GRAPHIC #1

<END>

g01461132

FUEL SYSTEM

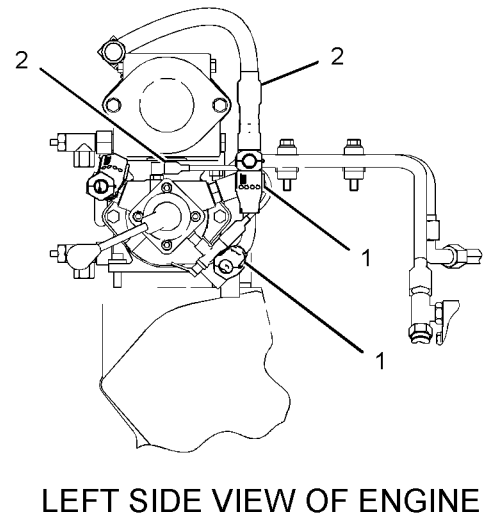
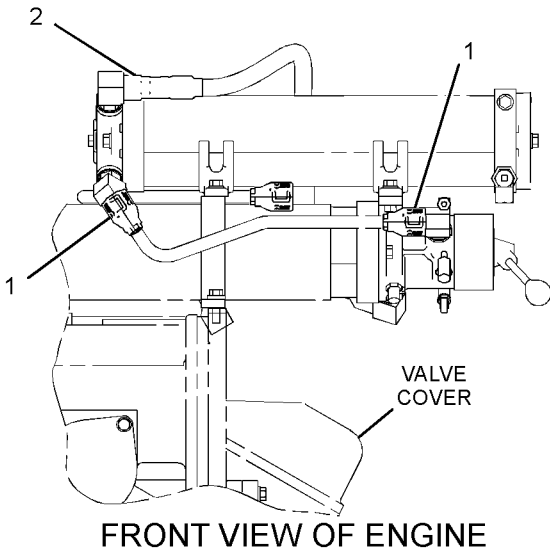
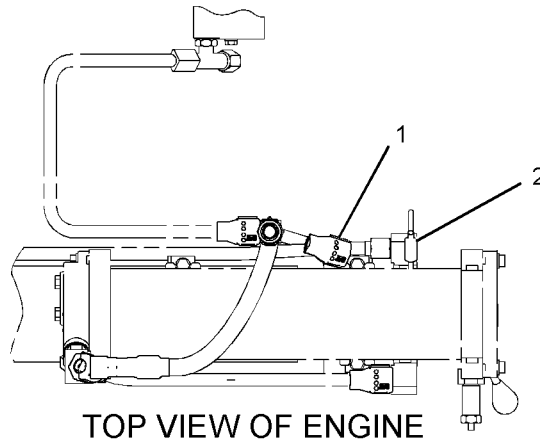
244-6567 SHIELD GP - FUEL LINES-DUPLEX FUEL FILTER AN ATTACHMENT

SMCS-1067, 1252

i02624447

NOTE	REF NO	GRAPHIC REF	PART NUMBER	QTY	PART NAME						SEE PAGE
					1	2	3	4	5	6 (PRODUCT LEVEL)	
B	1	1	251-1255	5	SHIELD-FUEL LINE FITTING (18.05-MM ID)						
BE	2	1	280-9432		TAPE (ANTI-SPLASH, 35-MM WIDE) (20-CM)						

B - USE AS REQUIRED
E - ORDER BY THE CENTIMETER



GRAPHIC #1

<END>

g01320682

FUEL SYSTEM

246-0456 SHIELD GP-FUEL LINES-FUEL MANIFOLD AN ATTACHMENT

SMCS-1067, 1252

i03147289

NOTE	REF NO	GRAPHIC REF	PART NUMBER	QTY	PART NAME						SEE PAGE
					1	2	3	4	5	6 (PRODUCT LEVEL)	
	1	1,2	241-6244	48	SHIELD-FUEL LINE FITTING (9.8-MM ID)						
	2	2	246-2946	1	SHIELD						
	3	2	246-2947	1	COVER (RH)						
	4	2	246-2948	1	COVER (RH)						
	5	2	246-2949	1	SHIELD AS (RH)						
		2	1F-0750	4	NUT-WELD (3/8-16-THD)						
		2	248-5503	3	NUT-CLINCH						
	6	2	246-2950	1	PLATE AS (RH)						
	7	2	246-7964	1	SHIELD AS (RH)						
		2	1F-0750	2	NUT-WELD (3/8-16-THD)						
		2	9V-7451	2	NUT-WELD (1/4-20-THD)						
	8	2	247-2954	1	BRACKET AS						
		2	1F-0750	1	NUT-WELD (3/8-16-THD)						
	9	2	249-8926	1	SHIELD (FUEL)						
	10	1,2	8T-4896	6	WASHER-HARD (10.2X18.5X2.5-MM THK)						
	11	1	132-7551	1	SPACER (11X19X6-MM THK)						
	12	1	287-3390	1	SPACER (10.3X19.1X14.3-MM THK)						
	13	2	3B-1915	1	BOLT (3/8-16X1.375-IN)						
	14	2	4M-5281	4	BOLT (1/4-20X0.75-IN)						
B	15	1	237-3860		TAPE (ANTI-SPLASH, 50-MM WIDE) (10-M ROLL)						
	16	2	5M-2894	2	WASHER-HARD (10.2X18.5X2.5-MM THK)						
	17	1,2	5S-7379	5	BOLT (3/8-16X0.875-IN)						
	18	1	5S-7382	1	BOLT (3/8-16X1.375-IN)						
	19	1	0S-1591	1	BOLT (3/8-16X1.5-IN)						
	20	2	8T-4205	5	WASHER-HARD (7.2X14.5X2-MM THK)						
	21	2	8T-9364	1	BOLT (1/4-20X0.625-IN)						
	22	2	0S-1588	2	BOLT (3/8-16X1.25-IN)						
	23	1,2	9X-6458	2	WASHER-HARD (10.2X22.5X3-MM THK)						
BE	24	1,2	251-1255	6	SHIELD-FUEL LINE FITTING (18.05-MM ID)						
	25	1	250-1500	1	TEE AS						

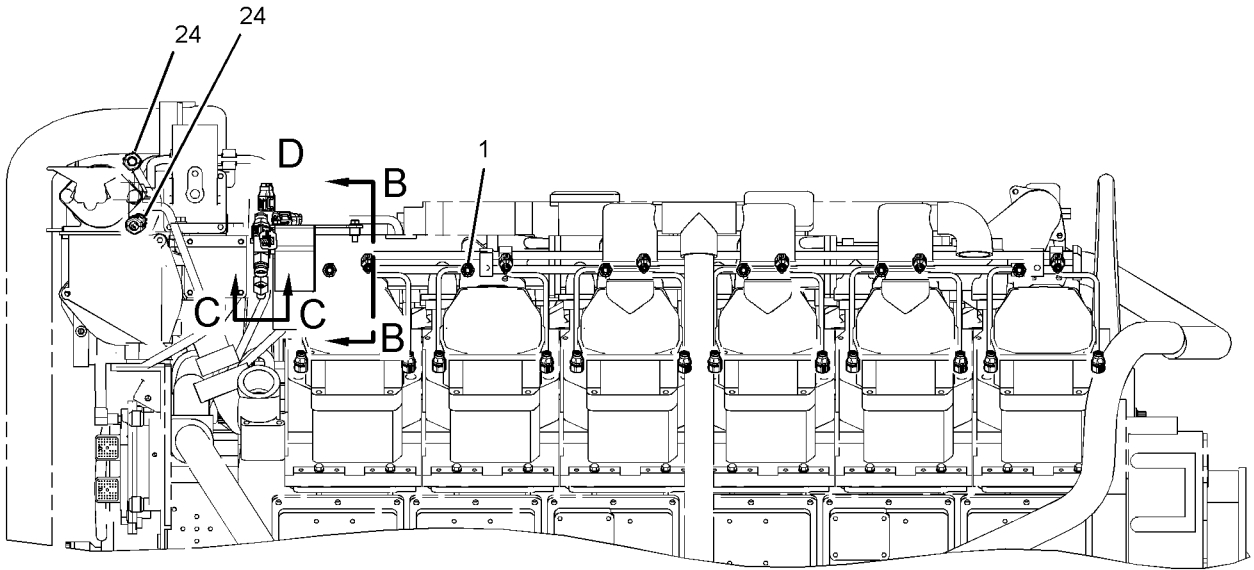
B- USE AS REQUIRED
E- ORDER BY THE CENTIMETER

FUEL SYSTEM

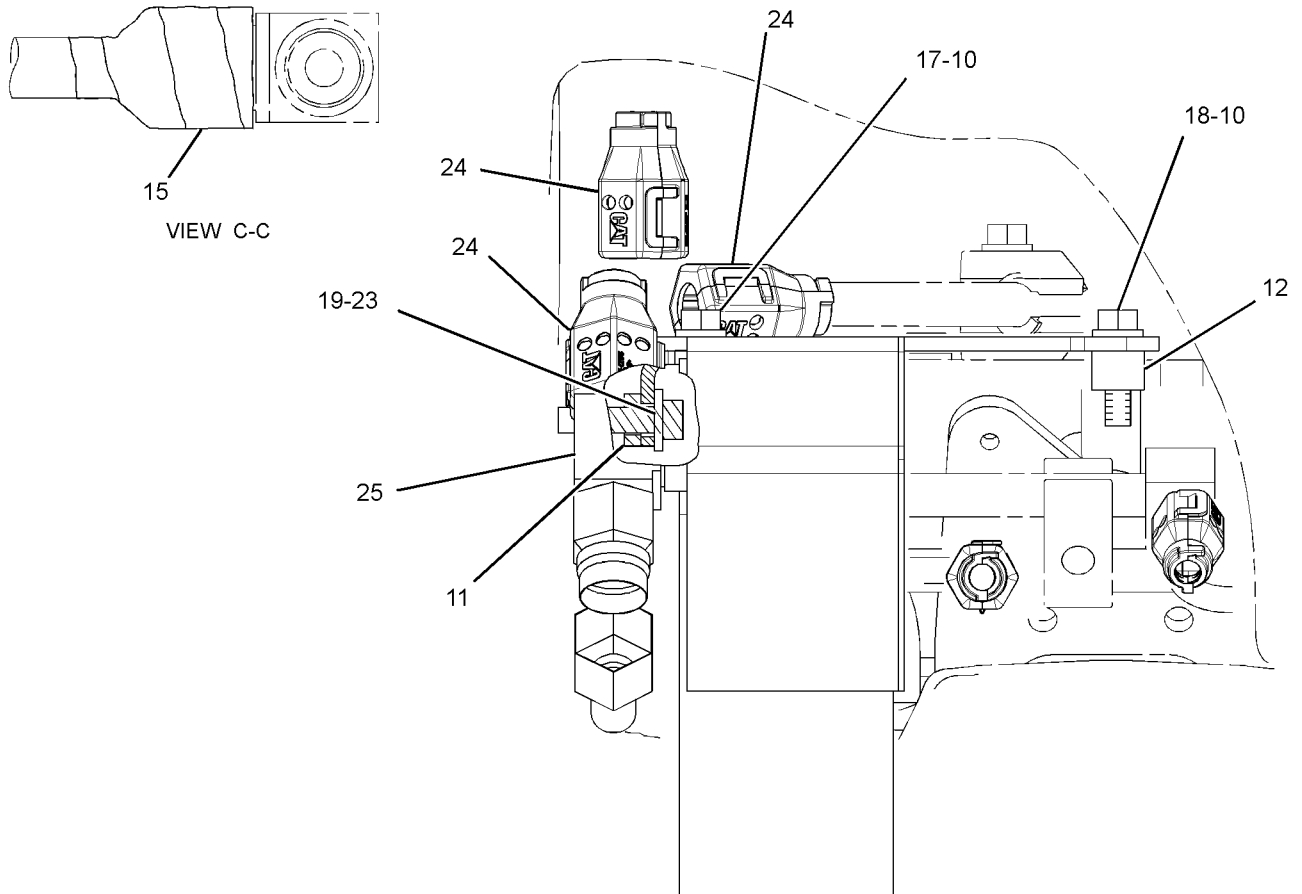
246-0456 SHIELD GP - FUEL LINES (contd.)

i03147289

REFER TO ALL ILLUSTRATIONS OF THIS GROUP FOR AUXILIARY VIEWS.



LEFT SIDE VIEW OF ENGINE



VIEW OF AREA D

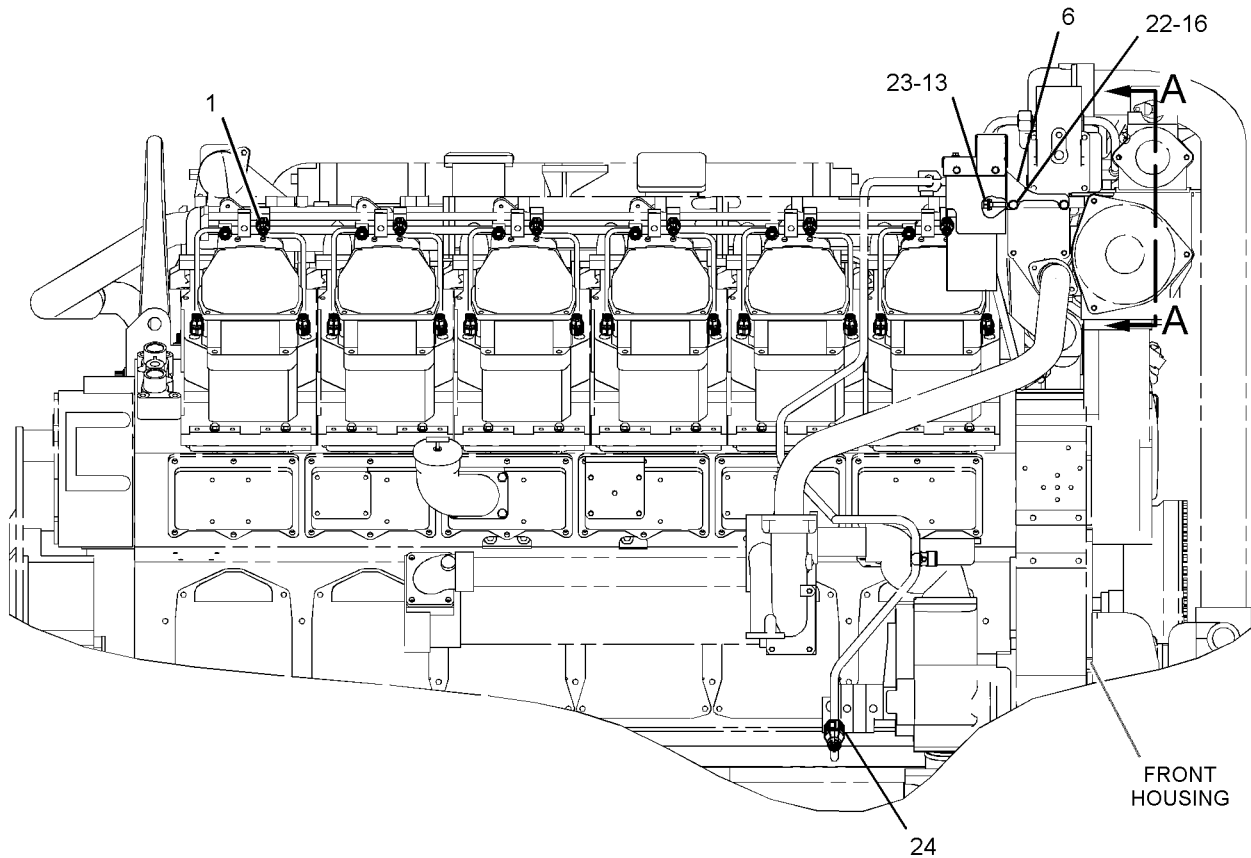
GRAPHIC #1

g01624938

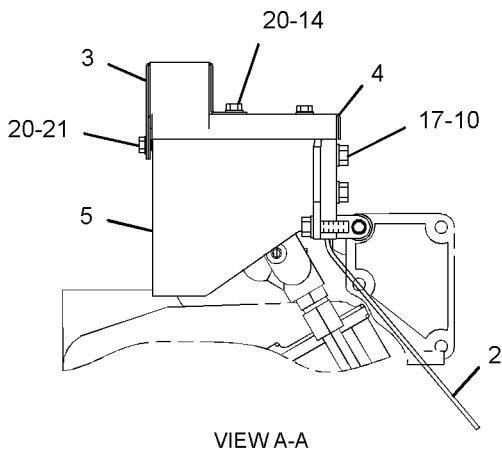
FUEL SYSTEM

246-0456 SHIELD GP - FUEL LINES (contd.)

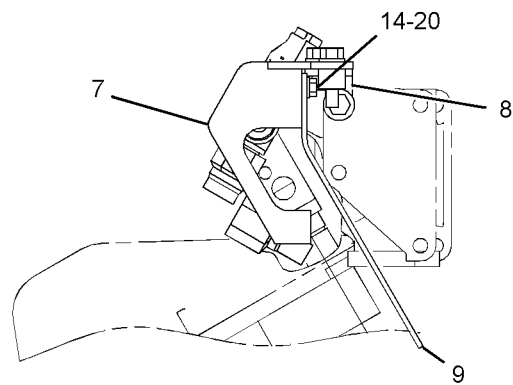
i03147289



RIGHT SIDE VIEW OF ENGINE



VIEW A-A



VIEW B-B

GRAPHIC #2

<END>

g01624939

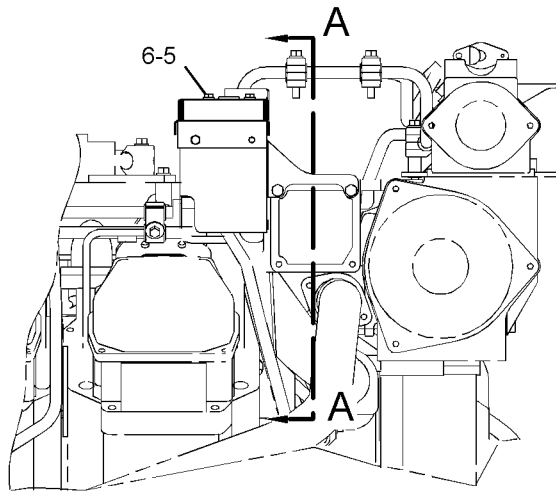
FUEL SYSTEM

254-7277 SHIELD GP-FUEL LINES-FUEL MANIFOLD AN ATTACHMENT

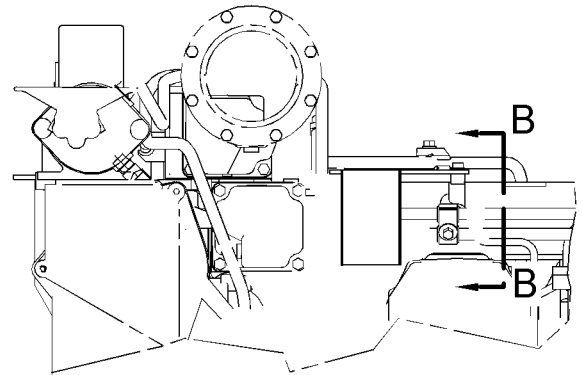
SMCS-1067, 1252

i02801506

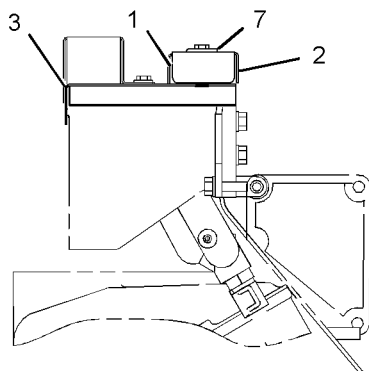
NOTE	REF NO	GRAPHIC REF	PART NUMBER	QTY	PART NAME						SEE PAGE
					1	2	3	4	5	6 (PRODUCT LEVEL)	
	1	1	253-2120	1	COVER						
	2	1	253-2122	1	COVER						
	3	1	254-7278	1	COVER AS						
		1	248-5503	2	NUT-CLINCH						
	4	1	254-7279	1	SHIELD AS						
		1	9F-6445	2	NUT-WELD (1/4-20-THD)						
	5	1	7X-3178	2	BOLT (1/4-20X1.625-IN)						
	6	1	8T-4205	2	WASHER-HARD (7.2X14.5X2-MM THK)						
	7	1	9D-3769	1	GROMMET						



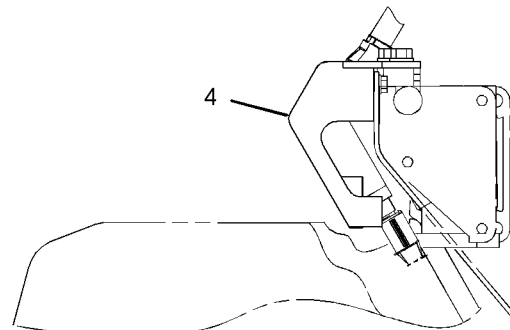
RIGHT SIDE VIEW



LEFT SIDE VIEW



VIEW A-A



VIEW B-B

GRAPHIC #1

<END>

g01180865

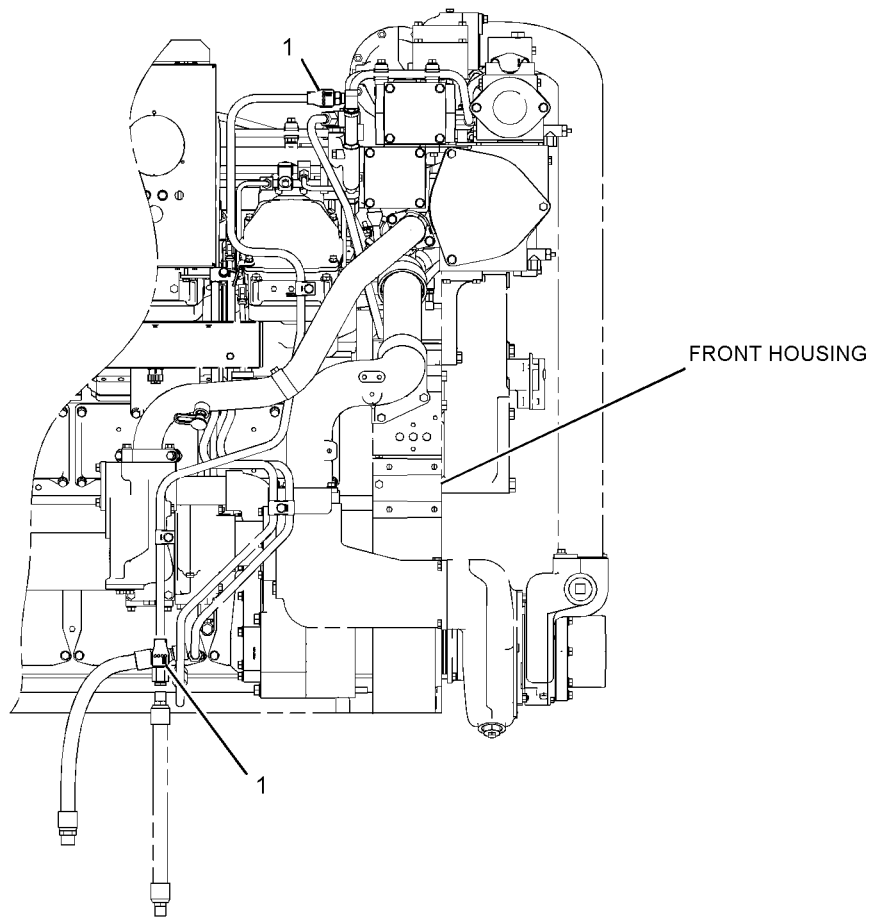
FUEL SYSTEM

276-1307 SHIELD GP - FUEL LINES - FUEL RETURN AN ATTACHMENT

SMCS-1067, 1252

i02735841

NOTE	REF NO	GRAPHIC REF	PART NUMBER	QTY	PART NAME						SEE PAGE
					1	2	3	4	5	6 (PRODUCT LEVEL)	
	1	1	251-1255	2	SHIELD-FUEL LINE FITTING (18.05-MM ID)						



RIGHT SIDE VIEW OF ENGINE

<END>

GRAPHIC #1

g01373234

ELECTRICAL AND STARTING SYSTEM

4N-3986 ALTERNATOR GP-CHARGING*R

24-VOLT, 60-AMPERE

PART OF 7E-2858 ALTERNATOR GP-CHARGING
AN ATTACHMENT

SMCS-1405

i02858057

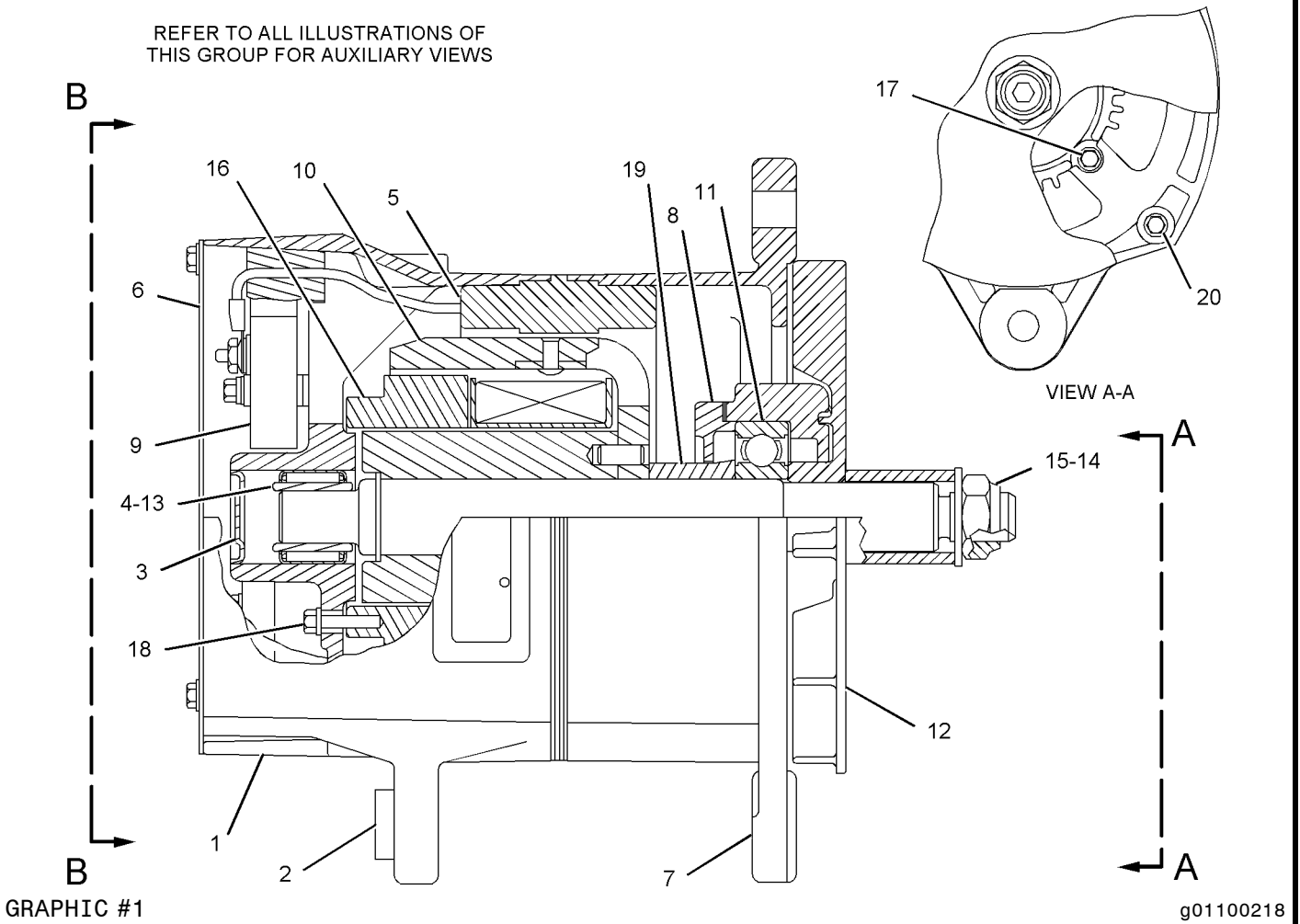
NOTE	REF NO	GRAPHIC REF	PART NUMBER	QTY	PART NAME						SEE PAGE
					1	2	3	4	5	6 (PRODUCT LEVEL)	
	1	1	6N-1876	1	HOUSING AS (RECTIFIER)						
	2	1	9S-2396	1	BUSHING-TERMINAL						
	3	1	9N-0943	1	PLUG-BEARING WELL						
	4	1	5P-3418	1	BEARING-ROLLER						
	5	1	6N-1968	1	STATOR AS						
		1	2L-8075	3	TERMINAL (14-GA TO 16-GA, NO. 8 SCREW)						
		1	9N-0939	1	GROMMET						
	6	1	9N-0942	1	PLATE-COVER						
	7	1	2P-5616	1	FRAME-DRIVE END						
	8	1	9S-2390	1	RETAINER						
	9	1	9N-0937	1	RECTIFIER AS						
	10	1	9S-2302	1	ROTOR AS						
	11	1	5P-7807	1	BALL BEARING						
	12	1	100-6531	1	FAN-ALTERNATOR (11-BLADE)						
	13	1	5P-3419	1	RACE-BEARING INNER						
	14	1	7F-7621	1	WASHER (0.635X1.25X0.09-IN THK)						
	15	1	2K-4821	1	LOCKNUT (5/8-18-THD)						
	16	1	6N-1945	1	COIL AS-FIELD						
	17	1	9X-2500	4	SCREW-HEX FLANGE (10-24X38.1-MM)						
	18	1	9N-3388	5	BOLT (10-24X0.75-IN)						
	19	1	100-6532	1	COLLAR-ALTERNATOR						
	20	1	9S-2009	4	BOLT-FLANGE HEAD (10-24X3.625-IN)						
	21	2	6N-1944	1	DIODE AS						
	22	2	6N-1870	2	SCREW AS (8-32X34-MM)						
	23	2	8T-0328	2	WASHER-HARD (5.5X10X1-MM THK)						
	24	2	9S-2544	7	SCREW-HEX HEAD (8-32X11.13-MM)						
	25	2	9B-7233	11	LOCKWASHER						
	26	2	4B-2043	4	NUT (8-32-THD)						
	27	2	6V-8187	2	NUT (1/4-28-THD)						
	28	2	1H-3244	2	LOCKWASHER						
	29	2	6N-1925	1	BRACKET						
	30	2	6N-1946	1	CAPACITOR AS						
	31	2	6N-1872	3	SCREW AS (8-32X1.25-IN)						
	32	2	3T-6354	1	REGULATOR AS-VOLTAGE (24-VOLT) (ALTERNATOR)						
	33	2	6N-1873	1	LEAD AS						
	34	2	2L-8075	3	TERMINAL (14-GA TO 16-GA, NO. 8 SCREW)						
	35	2	8T-4205	2	WASHER-HARD (7.2X14.5X2-MM THK)						
	36	2	6N-1871	1	LEAD AS						
	37	2	8M-6701	3	WASHER (0.281X0.5X0.032-IN THK)						
	38	2	6N-1856	4	BUSHING-TERMINAL						
					AVAILABLE REPAIR KIT(S) :						
			6N-1875	1	KIT-OUTPUT TERMINAL (ALTERNATOR) (INCLUDES TERMINAL, LEAD ASSEMBLY, BUSHING, WASHERS, NUTS AND LOCKWASHERS)						
			105-3762	1	KIT-ALTERNATOR TERMINAL (INCLUDES TERMINAL ASSEMBLY, INSULATOR, BUSHING, WASHER, NUTS AND LOCKWASHERS)						

ELECTRICAL AND STARTING SYSTEM

4N-3986 ALTERNATOR GP-CHARGING (contd.)

i02858057

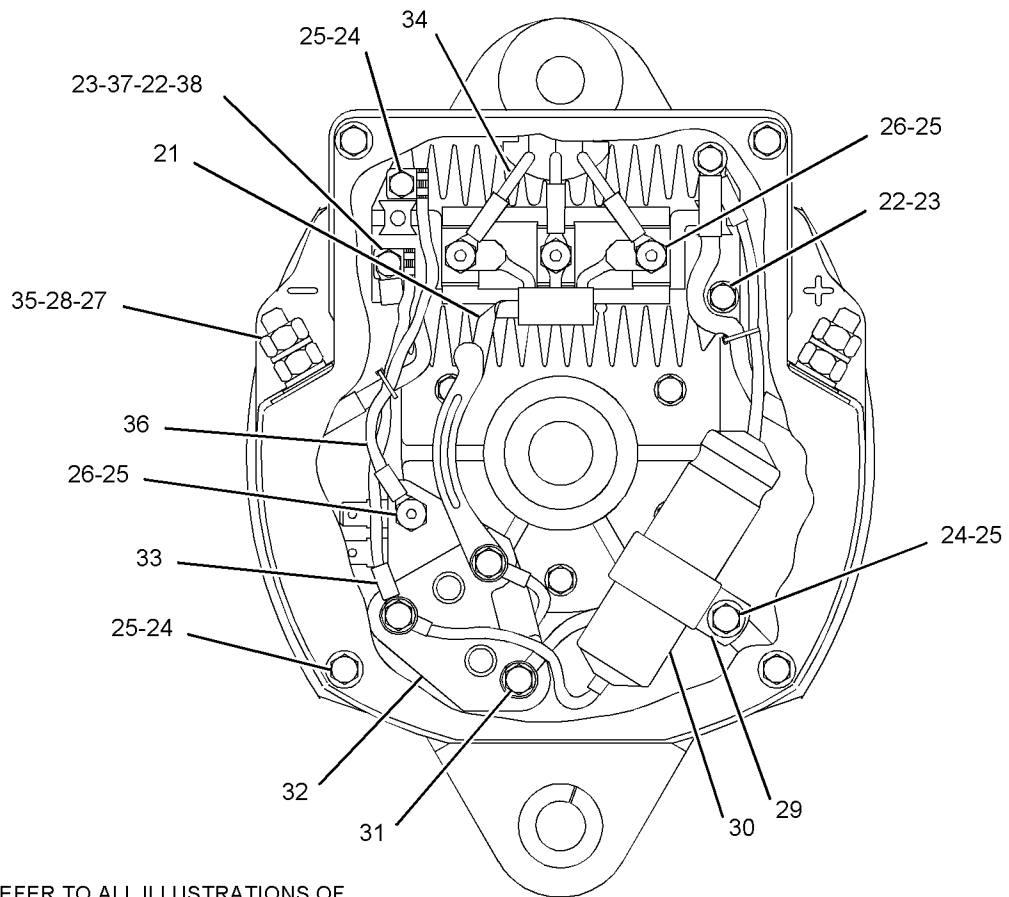
REFER TO ALL ILLUSTRATIONS OF THIS GROUP FOR AUXILIARY VIEWS



ELECTRICAL AND STARTING SYSTEM

4N-3986 ALTERNATOR GP - CHARGING (contd.)

i02858057



REFER TO ALL ILLUSTRATIONS OF THIS GROUP FOR AUXILIARY VIEWS

VIEW B-B

<END>

GRAPHIC #2

g01117023

ELECTRICAL AND STARTING SYSTEM

7E - 2858 ALTERNATOR GP - CHARGING

24-VOLT, 60-AMPERE
AN ATTACHMENT

SMCS - 1405

i01752076

NOTE	PART NUMBER	QTY	PART NAME						SEE PAGE
			1	2	3	4	5	6 (PRODUCT LEVEL)	
YR	4N-3986	1	ALTERNATOR GP - CHARGING						259
R - REMFG PART MAY BE AVAILABLE									
Y - SEPARATE ILLUSTRATION									

<END>

ELECTRICAL AND STARTING SYSTEM

7W-0408 BATTERY CHARGER

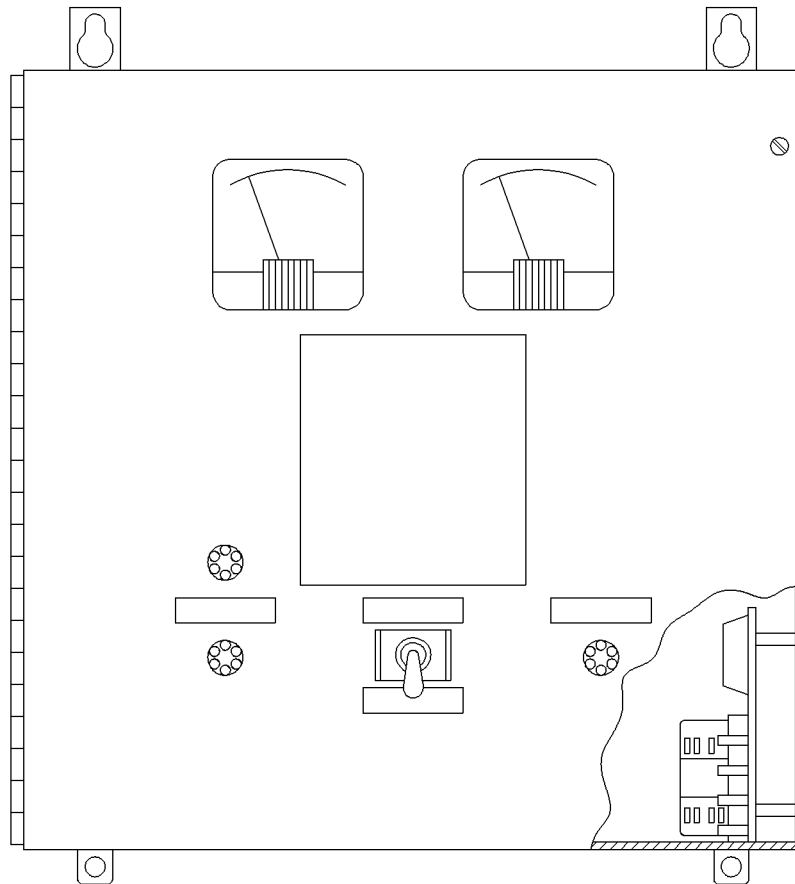
24-VOLT

FOR USE WITH LEAD ACID OR NICAD BATTERY
AN ATTACHMENT

SMCS-1401, 1406

i01505530

NOTE	REF NO	GRAPHIC REF	PART NUMBER	QTY	PART NAME	SEE PAGE
					1 2 3 4 5 6 (PRODUCT LEVEL)	
(NO SERVICED PARTS)						



GRAPHIC #1

<END>

g00746505

ELECTRICAL AND STARTING SYSTEM

7L-7871 BATTERY GP

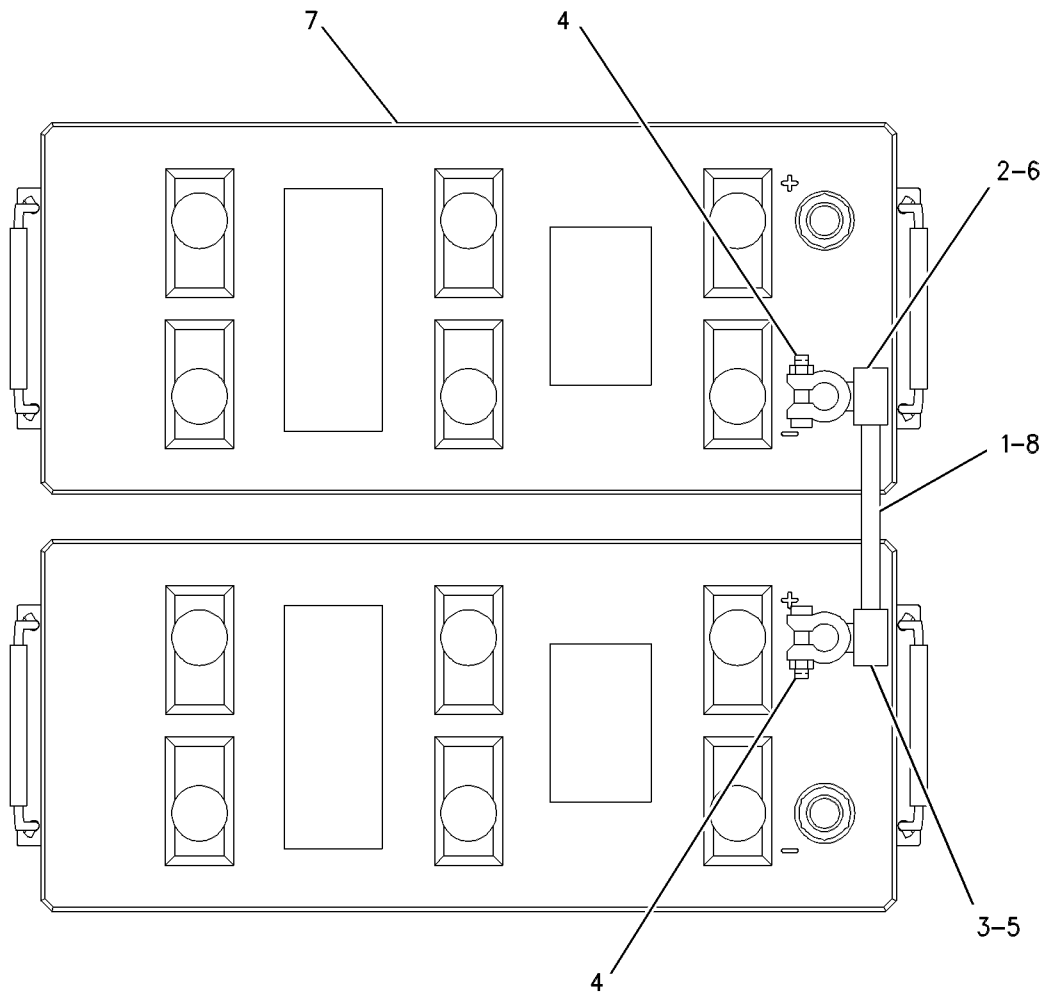
24-VOLT, 1000-COLD CRANKING AMPERE, 140-AMPERE HOUR
AN ATTACHMENT

SMCS-1401

i02246848

NOTE	REF NO	GRAPHIC REF	PART NUMBER	QTY	PART NAME						SEE PAGE
					1	2	3	4	5	6 (PRODUCT LEVEL)	
	1	1	2V-7397	1	CABLE AS						
E		1	5P-0747		CABLE (00-GA, BLACK) (20-CM)						
	2	1	8T-9757	1	TERMINAL AS-BATTERY (NEGATIVE)						
	3	1	8C-5917	1	TERMINAL AS-BATTERY (POSITIVE)						
	4	1	1M-6119	2	BOLT (5/16-18X1.375-IN)						
		1	1M-6120	2	NUT (5/16-18-THD)						
	5	1	9G-0004	1	COVER-TERMINAL (RED)						
	6	1	9G-0003	1	COVER-TERMINAL (BLACK)						
C	7	1	9X-9720	2	BATTERY (12-VOLT) (EACH INCLUDES)						
		1	7N-0060	6	VENT AS (BATTERY)						
	8	1	8L-8413	2	STRAP-CABLE						

C- CHANGE FROM PREVIOUS TYPE
E- ORDER BY THE CENTIMETER



GRAPHIC #1

<END>

g00621897

ELECTRICAL AND STARTING SYSTEM

7L-7872 BATTERY GP

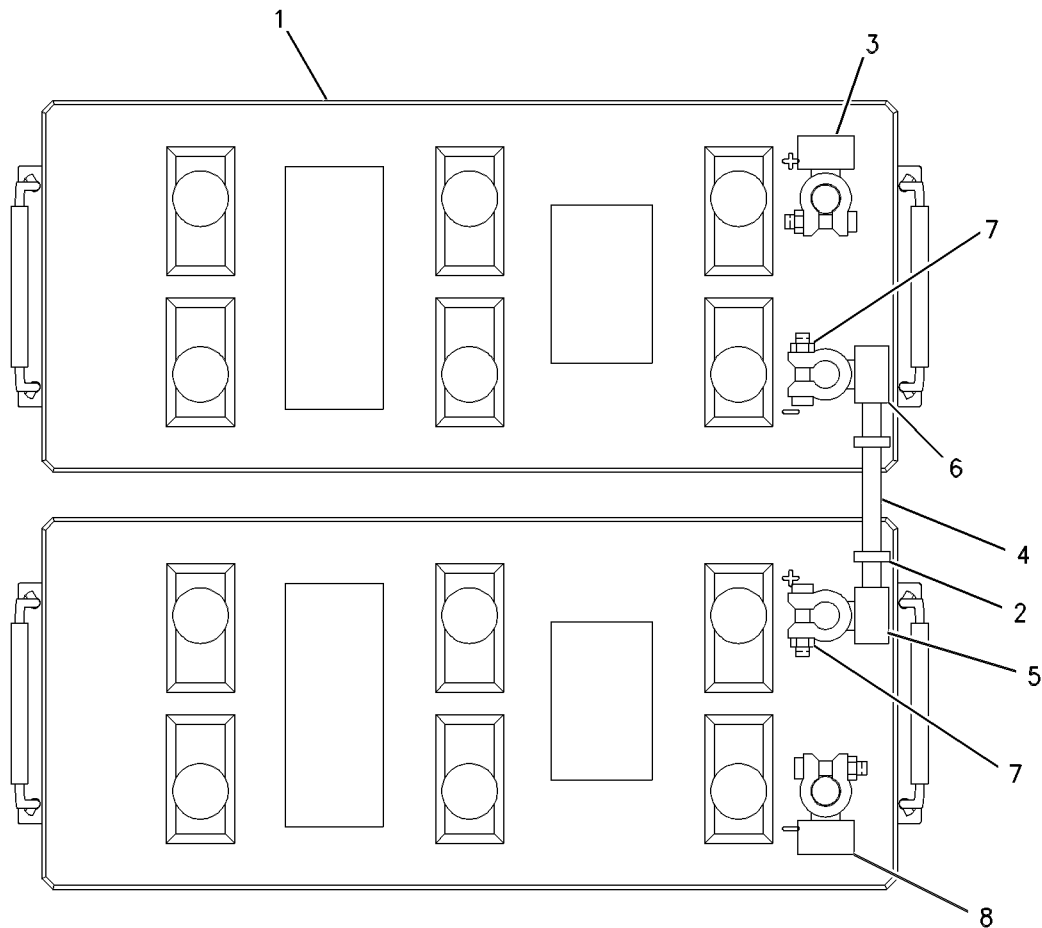
24-VOLT, 1300-COLD CRANKING AMPERE, 190-AMPERE HOUR
AN ATTACHMENT

SMCS-1401

i02421601

NOTE	REF NO	GRAPHIC REF	PART NUMBER	QTY	PART NAME						SEE PAGE
					1	2	3	4	5	6 (PRODUCT LEVEL)	
C	1	1	9X-9730	2	BATTERY GP (12-VOLT)						
					(EACH INCLUDES)						
		1	7N-0060	6	VENT AS (BATTERY)						
C	2	1	8L-8413	2	STRAP-CABLE						
C	3	1	9G-0004	1	COVER-TERMINAL (RED)						
C	4	1	2V-7397	1	CABLE AS						
E		1	5P-0747		CABLE (00-GA, BLACK) (20-CM)						
		1	1M-6120	2	NUT (5/16-18-THD)						
	5	1	8C-5917	1	TERMINAL AS-BATTERY (POSITIVE)						
	6	1	8T-9757	1	TERMINAL AS-BATTERY (NEGATIVE)						
	7	1	1M-6119	2	BOLT (5/16-18X1.375-IN)						
C	8	1	9G-0003	1	COVER-TERMINAL (BLACK)						

C- CHANGE FROM PREVIOUS TYPE
E- ORDER BY THE CENTIMETER



GRAPHIC #1

<END>

g00622754

ELECTRICAL AND STARTING SYSTEM

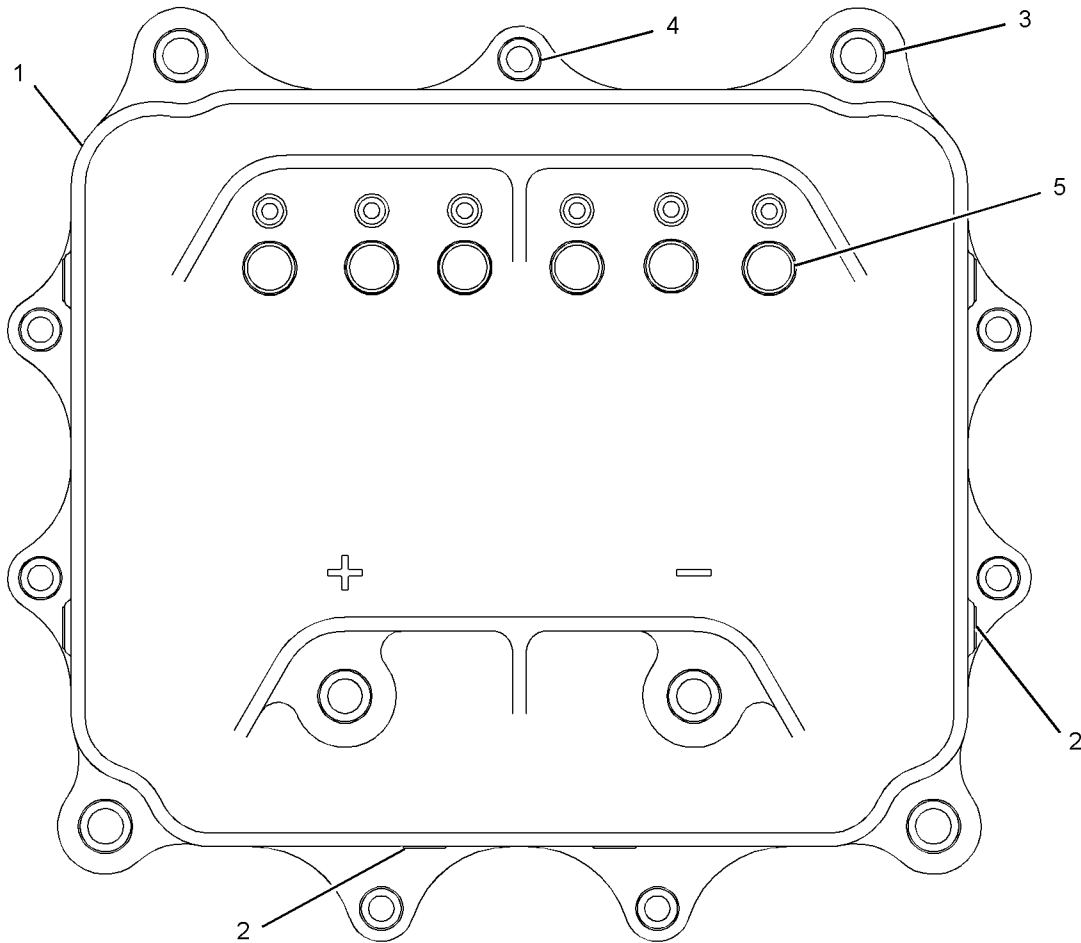
210-9035 BOX AS-CONTROL

PART OF 235-2768 BOX AS-CONTROL
AN ATTACHMENT

SMCS-4460, 7426

i02097566

NOTE	REF NO	GRAPHIC REF	PART NUMBER	QTY	PART NAME						SEE PAGE
					1	2	3	4	5	6 (PRODUCT LEVEL)	
	1	1	199-5601	1	BOX						
	2	1	203-8993	8	SPACER (4.6X12.7X11-MM THK)						
	3	1	203-8995	4	SPACER (10.5X15.9X33-MM THK)						
	4	1	203-8996	7	SPACER (7.5X12.7X21-MM THK)						
	5	1	211-4317	6	SPACER (13X15.9X5-MM THK)						



GRAPHIC #1

<END>

g01069425

ELECTRICAL AND STARTING SYSTEM

235 - 2768 BOX AS-CONTROL

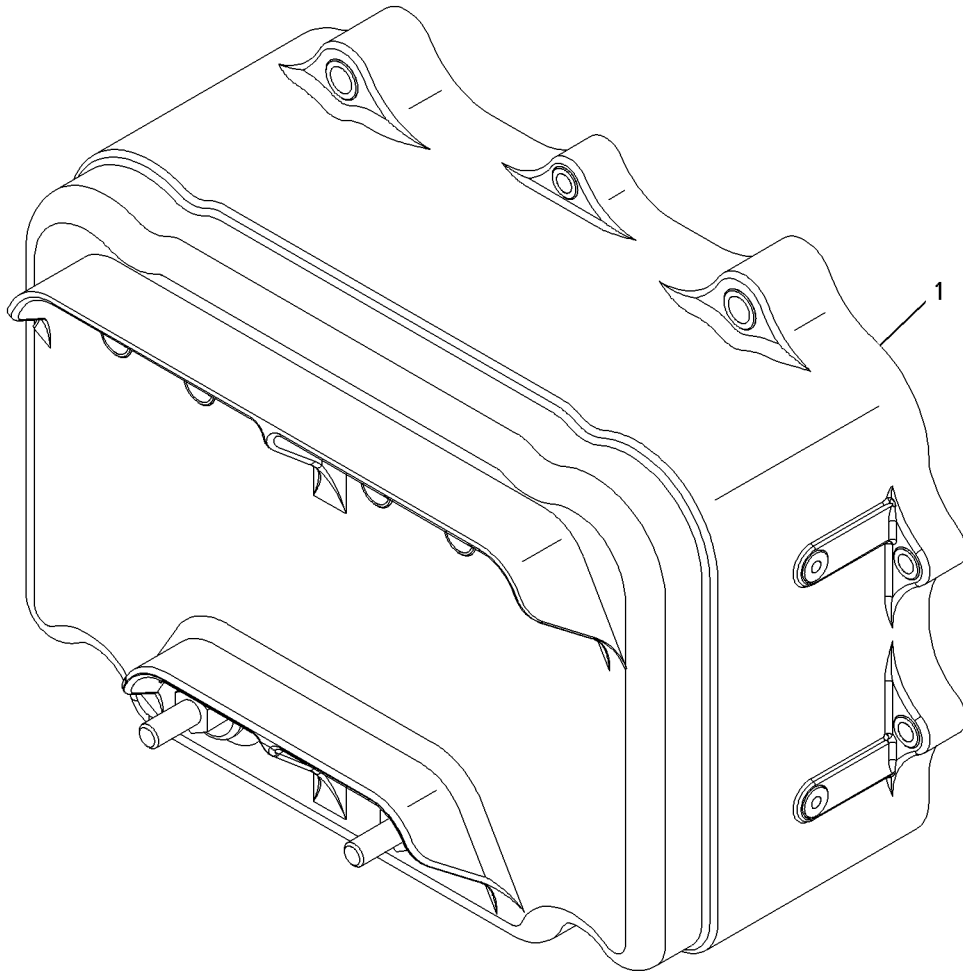
PART OF 231-9999 BOX GP-JUNCTION
AN ATTACHMENT

SMCS-4460, 7426

i01924296

NOTE	REF NO	GRAPHIC REF	PART NUMBER	QTY	PART NAME						SEE PAGE
					1	2	3	4	5	6 (PRODUCT LEVEL)	
Y	1	1	210-9035	1	BOX AS-CONTROL						266

Y-SEPARATE ILLUSTRATION



GRAPHIC #1

<END>

g01006404

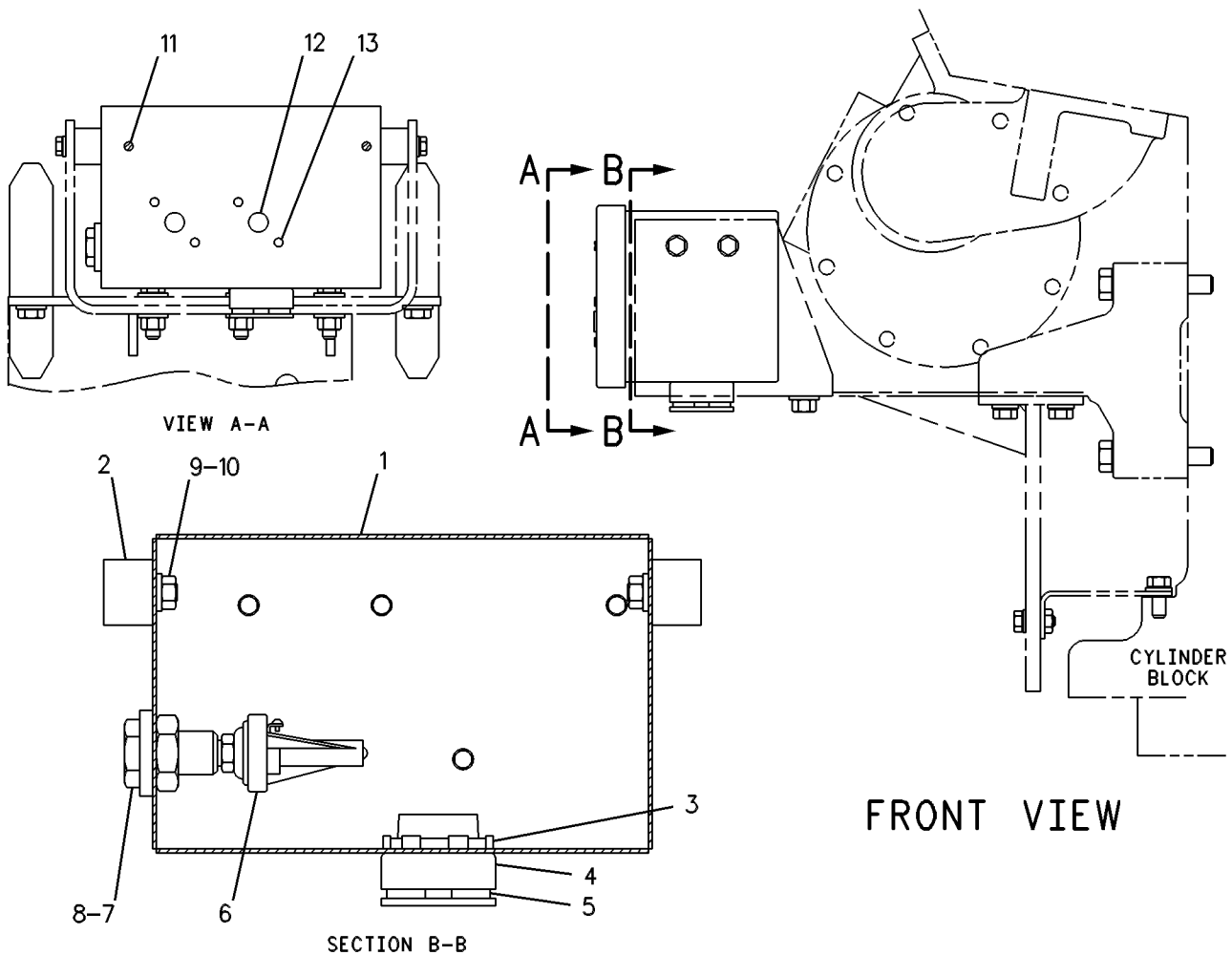
ELECTRICAL AND STARTING SYSTEM

120-4513 BOX GP - JUNCTION-PRELUBRICATION AN ATTACHMENT

SMCS-7426

i01972012

NOTE	REF NO	GRAPHIC REF	PART NUMBER	QTY	PART NAME						SEE PAGE
					1	2	3	4	5	6 (PRODUCT LEVEL)	
	1	1	4P-5285	1	ENCLOSURE AS						
	2	1	7E-7731	4	MOUNT						
	3	1	062-5388	1	LOCKNUT (1-11-1/2-THD)						
	4	1	5N-9117	1	ADAPTER						
	5	1	5N-9073	1	CLIP						
	6	1	3N-1400	1	SWITCH AS-PRESSURE (PRELUBRICATION)						
			6V-8376	2	SCREW-MACHINE (8-32X0.25-IN)						
	7	1	9M-7357	1	COUPLING AS						
	8	1	7X-0519	1	WASHER-HARD (20X33.5X5-MM THK)						
	9	1	8T-4205	4	WASHER-HARD (7.2X14.5X2-MM THK)						
	10	1	6V-8185	4	NUT (1/4-20-THD)						
	11	1	9M-5520	2	SCREW-TAPPING (10-24X0.5-IN)						
	12	1	3L-4566	2	PLUG-BUTTON						
	13	1	6K-9591	4	PLUG-BUTTON						



GRAPHIC #1

<END>

g00248937

ELECTRICAL AND STARTING SYSTEM

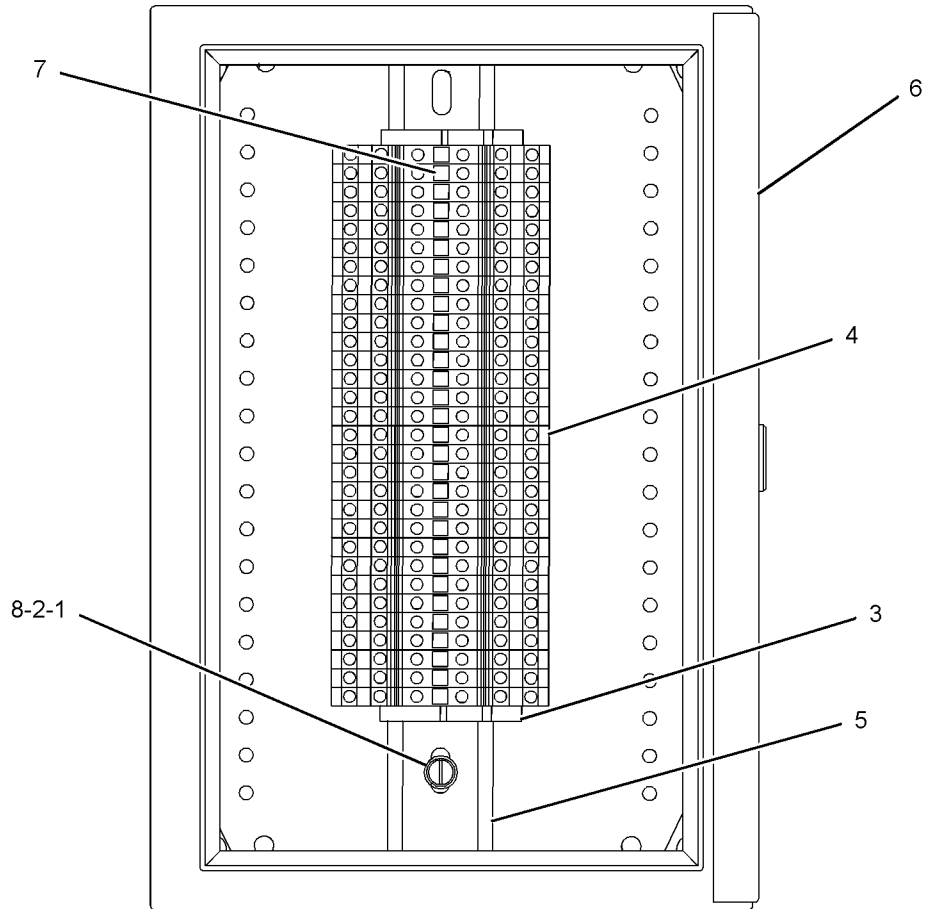
231-3471 BOX GP-JUNCTION-CUSTOMER INTERFACE

PART OF 241-5629, 241-5630, 241-5631 BOX GP-JUNCTION
AN ATTACHMENT

SMCS-7426

i01957464

NOTE	REF NO	GRAPHIC REF	PART NUMBER	QTY	PART NAME						SEE PAGE
					1	2	3	4	5	6 (PRODUCT LEVEL)	
	1	1	1H-4393	3	LOCKWASHER						
	2	1	7S-1197	3	SCREW-MACHINE (8-32X0.5-IN)						
	3	1	9X-9675	2	BRACKET-END						
	4	1	120-9079	30	TERMINAL						
	5	1	147-1960	1	RAIL						
	6	1	177-7215	1	ENCLOSURE						
	7	1	146-6775	1	MARKER						
	8	1	4B-4863	3	WASHER (4.7X11X1.2-MM THK)						



GRAPHIC #1

<END>

g01019403

ELECTRICAL AND STARTING SYSTEM

231 - 9999 BOX GP - JUNCTION-POWER DISTRIBUTION AN ATTACHMENT

SMCS - 7426

i02791317

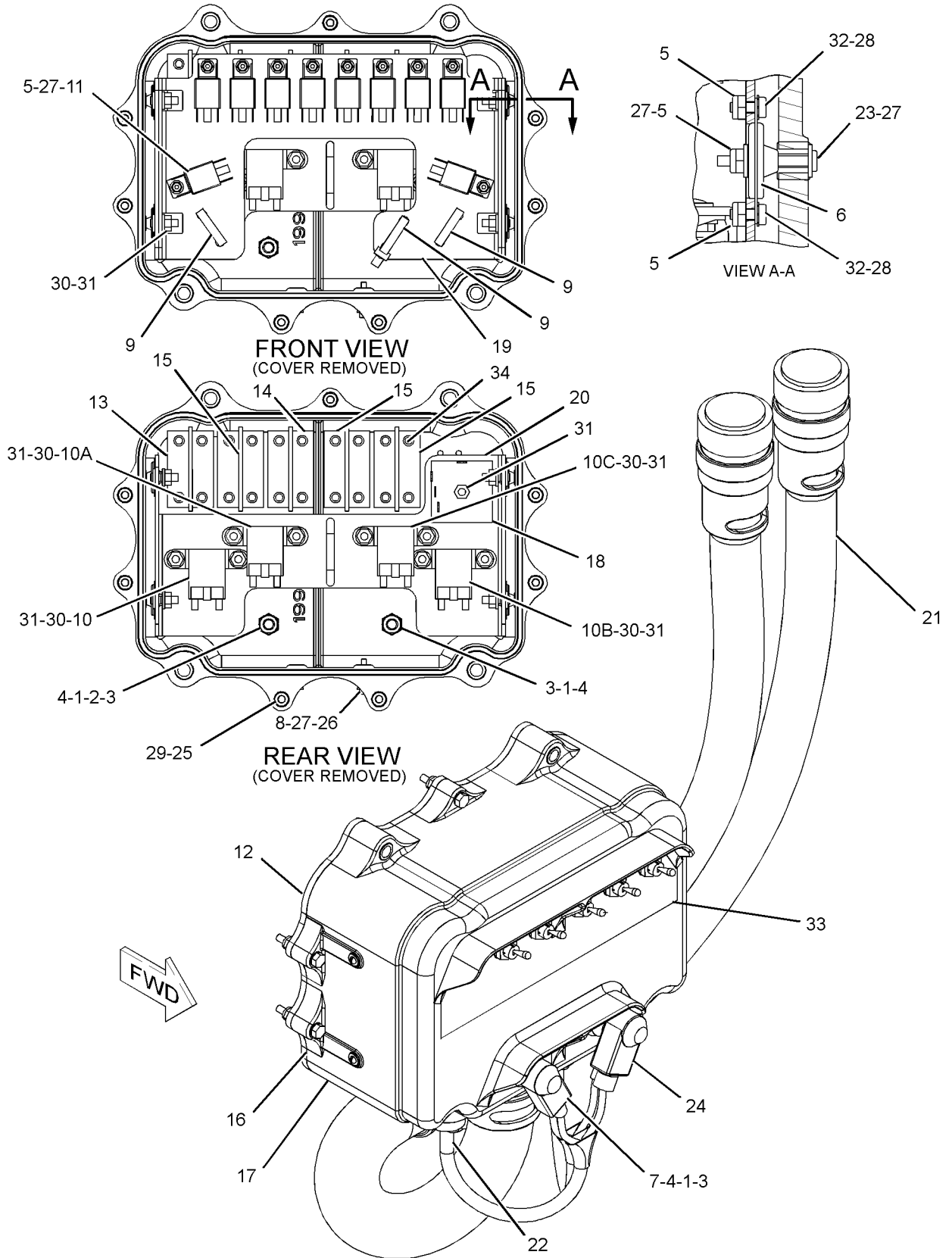
NOTE	REF NO	GRAPHIC REF	PART NUMBER	QTY	PART NAME						SEE PAGE
					1	2	3	4	5	6 (PRODUCT LEVEL)	
	1	1	3L-7314	6	WASHER (0.406X0.62X0.032-IN THK)						
B	2	1	3S-2093	10	STRAP - CABLE						
	3	1	5P-7751	4	NUT-BRONZE (3/8-16-THD)						
	4	1	6H-5431	4	NUT-BRASS JAM (3/8-16-THD)						
	5	1	7D-6922	22	LOCKNUT (6-32-THD)						
	6	1	8N-9300	4	MOUNT AS						
	7	1	8T-8827	1	BOOT						
	8	1	9M-4704	4	BOLT (8-32X1-IN)						
B	9	1	9X-6772	8	STRAP - CABLE						
	10	1	9X-8124	1	SWITCH AS-MAGNETIC (24-VOLT) (STARTING MOTOR)						
10A		1	9X-8124	1	SWITCH AS-MAGNETIC (24-VOLT) (STARTING MOTOR)						
10B		1	9X-8124	1	SWITCH AS-MAGNETIC (24-VOLT) (AIR SHUTOFF)						
10C		1	9X-8124	1	SWITCH AS-MAGNETIC (24-VOLT) (PRELUBRICATION PUMP)						
	11	1	9Y-2921	10	RELAY (24-VOLT) (ECM ENERGIZE)						
	12	1	202-2099	1	PLATE						
	13	1	231-9863	1	CIRCUIT BREAKER AS (70-AMPERE, DOUBLE POLE)						
	14	1	231-9864	1	CIRCUIT BREAKER AS (40-AMPERE, DOUBLE POLE)						
	15	1	231-9866	3	CIRCUIT BREAKER AS (20-AMPERE, DOUBLE POLE)						
	16	1	231-9892	1	SEAL						
Y	17	1	235-2768	1	BOX AS-CONTROL						267
	18	1	239-5794	1	TIMER						
	19	1	250-1946	1	BRACKET AS						
	20	1	250-1947	1	BRACKET AS						
		1	5P-6917	1	STUD-WELD (1/4-20X1.25-IN)						
C	21	1	314-4213	1	HARNESS AS-BOX						
	22	1	254-0331	2	HARNESS AS-POWER						
					(EACH INCLUDES)						
		1	8N-1543	2	SOCKET-CONNECTOR (10-GA)						
E		1	210-8958		TUBE-HEAT SHRINK (24-MM DIA) (12-CM)						
		1	203-9001	2	SLEEVE						
		1	203-9000	1	PLUG AS (6-PIN)						
		1	203-8999	2	SEAL						
E		1	119-3662		TUBE-HEAT SHRINK (10.85-MM DIA) (6-CM)						
		1	8T-8737	4	PLUG-SEAL						
	23	1	234-8788	4	SCREW-MACHINE (6-32X1.25-IN)						
	24	1	121-1110	1	BOOT						
	25	1	3E-9865	7	LOCKNUT (1/4-20-THD)						
	26	1	4B-2043	4	NUT (8-32-THD)						
	27	1	4B-4863	26	WASHER (4.7X11X1.2-MM THK)						
	28	1	5H-6555	8	LOCKWASHER						
	29	1	5P-2675	7	BOLT (1/4-20X1.75-IN)						
	30	1	8T-4205	12	WASHER-HARD (7.2X14.5X2-MM THK)						
	31	1	9S-8750	13	NUT-FULL (1/4-20-THD)						
	32	1	9X-6259	8	SCREW-MACHINE (6-32X0.375-IN)						
	33	1	241-9399	1	FILM-IDENTIFICATION (POWER DISTRIBUTION)						
	34	1	1H-3338	20	LOCKWASHER						

B - USE AS REQUIRED
 C - CHANGE FROM PREVIOUS TYPE
 E - ORDER BY THE CENTIMETER
 Y - SEPARATE ILLUSTRATION

ELECTRICAL AND STARTING SYSTEM

231 - 9999 BOX GP - JUNCTION (contd.)

i02791317



GRAPHIC #1

<END>

g01353254

ELECTRICAL AND STARTING SYSTEM

241 - 5629 BOX GP - JUNCTION

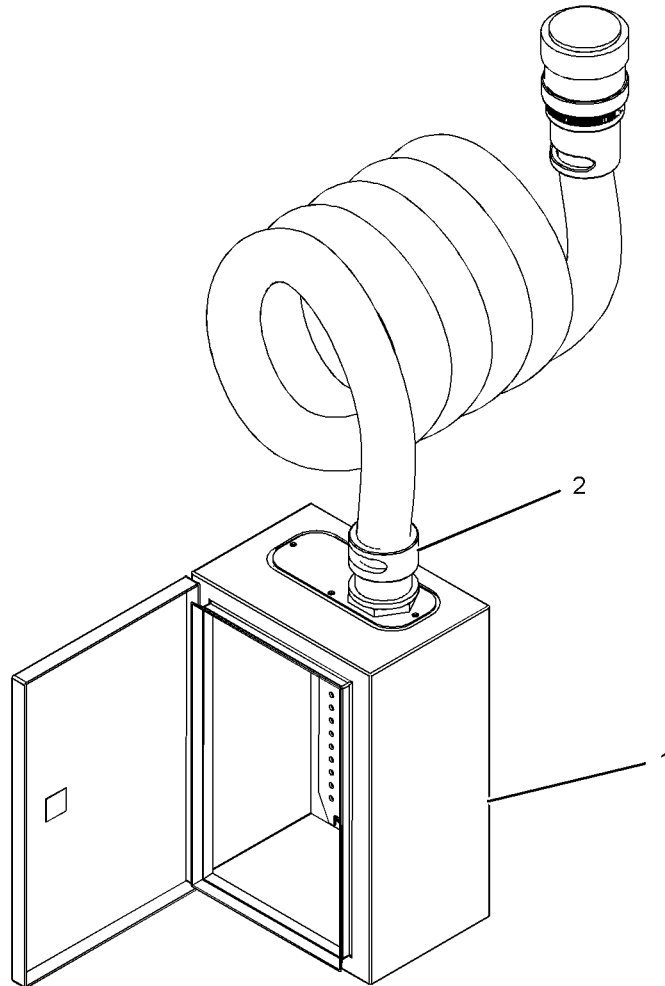
3-METER
AN ATTACHMENT

SMCS - 7426

i03198402

NOTE	REF NO	GRAPHIC REF	PART NUMBER	QTY	PART NAME						SEE PAGE
					1	2	3	4	5	6 (PRODUCT LEVEL)	
Y	1	1	231-3471	1	BOX GP-JUNCTION (CUSTOMER INTERFACE)						269
Y	2	1	240-5872	1	HARNESS AS-BOX						292

Y-SEPARATE ILLUSTRATION



GRAPHIC #1

<END>

g01628128

ELECTRICAL AND STARTING SYSTEM

241-5630 BOX GP-JUNCTION

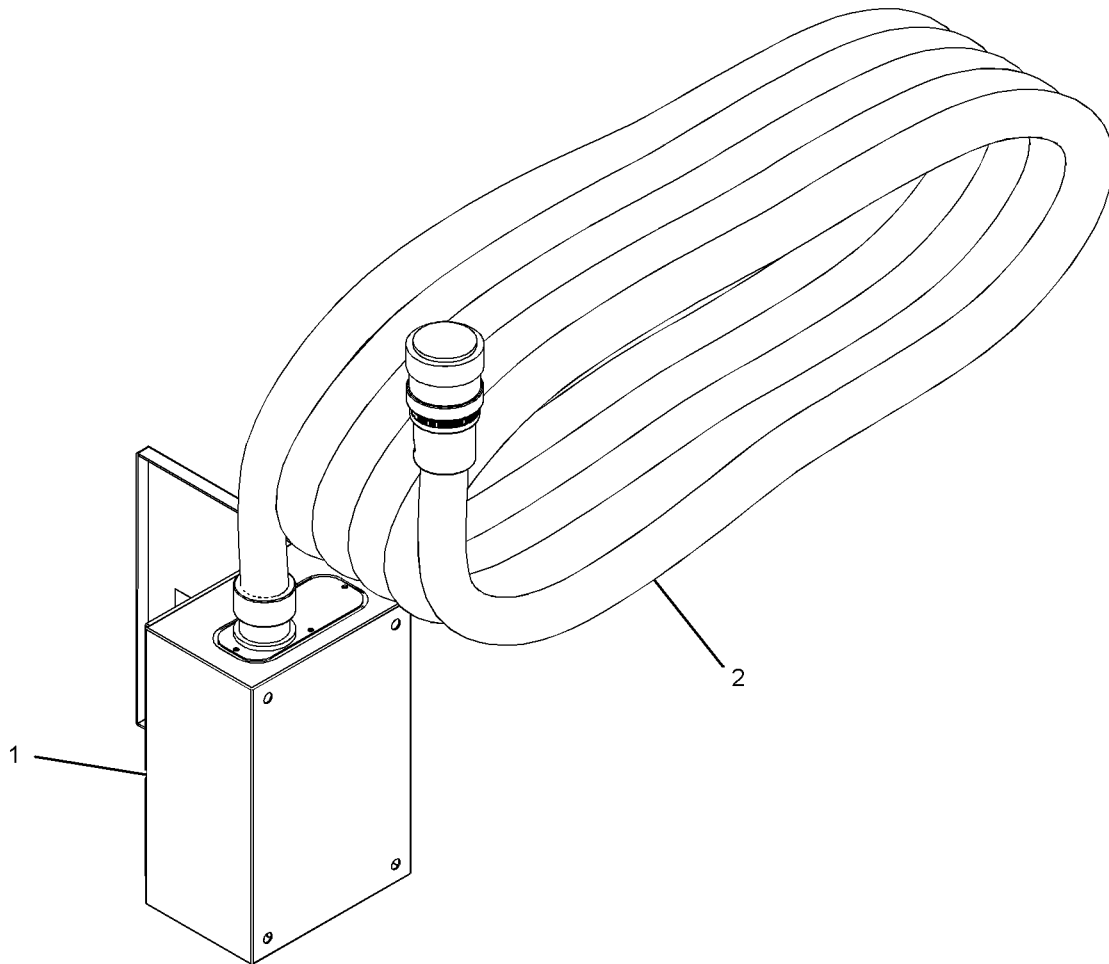
10-METER
AN ATTACHMENT

SMCS-7426

i03195463

NOTE	REF NO	GRAPHIC REF	PART NUMBER	QTY	PART NAME						SEE PAGE
					1	2	3	4	5	6 (PRODUCT LEVEL)	
Y	1	1	231-3471	1	BOX GP-JUNCTION (CUSTOMER INTERFACE)						269
Y	2	1	240-5874	1	HARNESS AS-BOX						293

Y-SEPARATE ILLUSTRATION



GRAPHIC #1

<END>

g01628130

ELECTRICAL AND STARTING SYSTEM

241-5631 BOX GP-JUNCTION

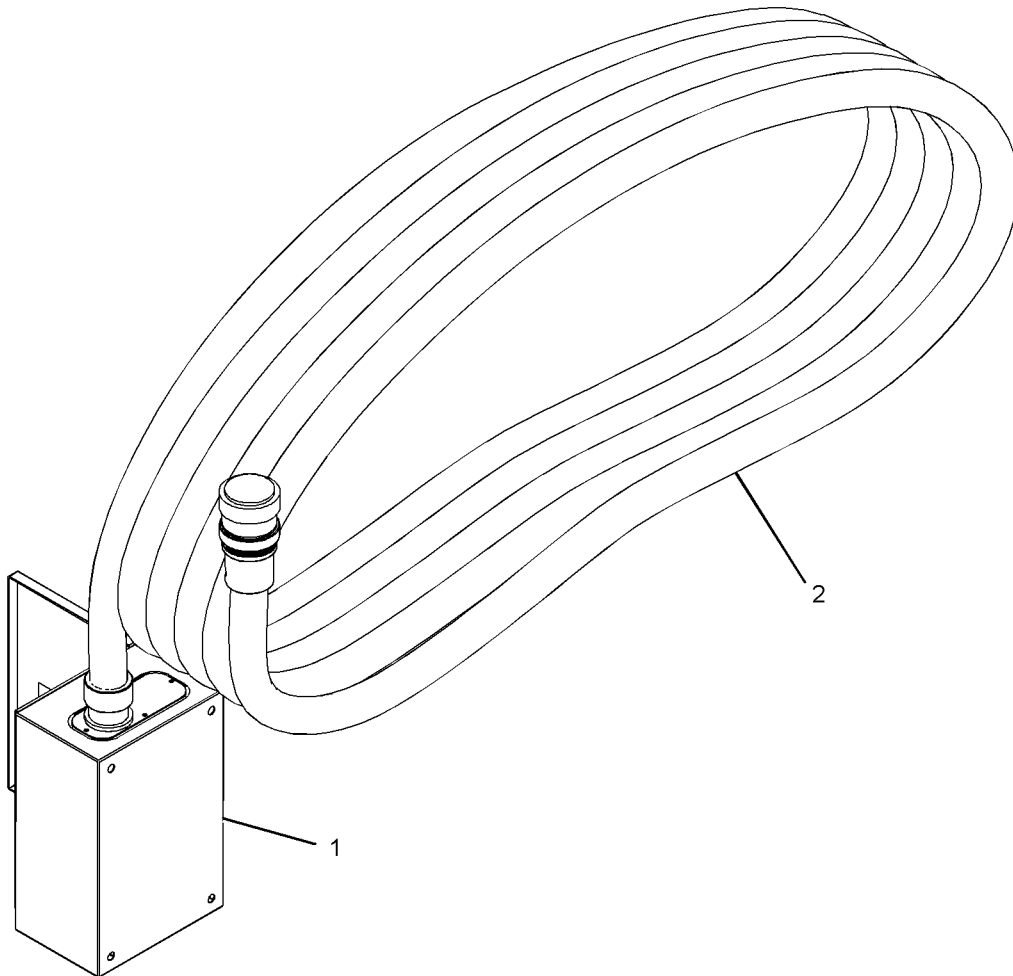
15-METER
AN ATTACHMENT

SMCS-7426

i03195464

NOTE	REF NO	GRAPHIC REF	PART NUMBER	QTY	PART NAME	SEE PAGE
					1 2 3 4 5 6 (PRODUCT LEVEL)	
Y	1	1	231-3471	1	BOX GP-JUNCTION (CUSTOMER INTERFACE)	269
Y	2	1	240-5876	1	HARNESS AS-BOX	294

Y-SEPARATE ILLUSTRATION



GRAPHIC #1

<END>

g01628131

ELECTRICAL AND STARTING SYSTEM

228 - 6559 CABLE AS - COMMUNICATION

FOR USE WITH 276-0785-PAGE 296
AN ATTACHMENT

SMCS - 7556

i02525035

NOTE	PART NUMBER	QTY	PART NAME						SEE PAGE
			1	2	3	4	5	6 (PRODUCT LEVEL)	
			(NO SERVICED PARTS)						
<END>									

4W - 2768 CONTACTOR GP

OIL PRESSURE, COOLANT TEMPERATURE
AN ATTACHMENT

SMCS - 1400, 7400

i02739587

NOTE	PART NUMBER	QTY	PART NAME						SEE PAGE
			1	2	3	4	5	6 (PRODUCT LEVEL)	
Y	4W-2641	1	CONTACTOR-OIL PRESSURE						276
Y	4W-2640	1	CONTACTOR-TEMPERATURE (COOLANT)						277
Y - SEPARATE ILLUSTRATION									
<END>									

ELECTRICAL AND STARTING SYSTEM

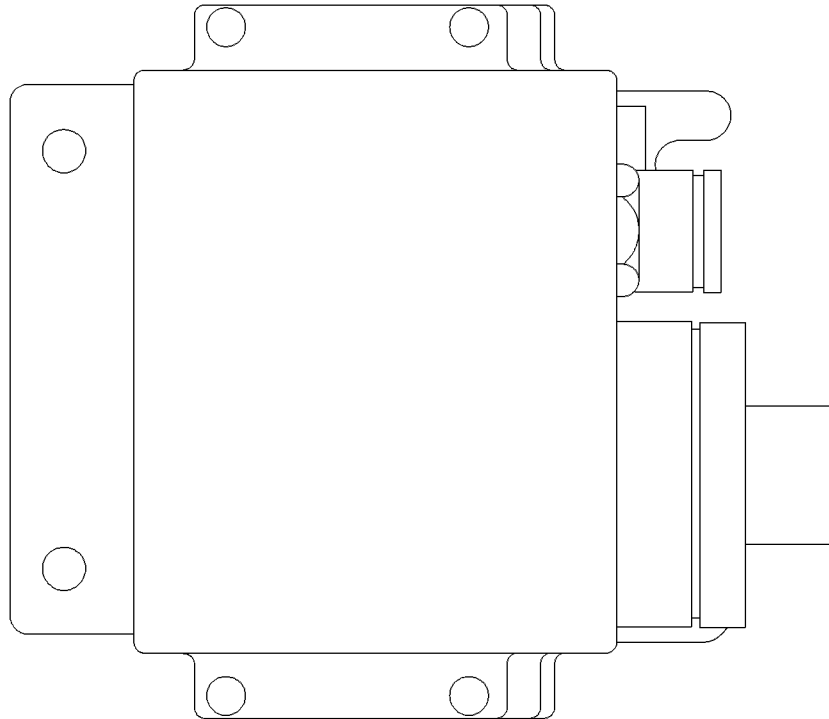
4W-2641 CONTACTOR-OIL PRESSURE

PART OF 4W-2768 CONTACTOR GP
AN ATTACHMENT

SMCS-7400, 7421

i01506840

NOTE	REF NO	GRAPHIC REF	PART NUMBER	QTY	PART NAME	SEE PAGE
					1 2 3 4 5 6 (PRODUCT LEVEL)	
(NO SERVICED PARTS)						



GRAPHIC #1

<END>

g00580022

ELECTRICAL AND STARTING SYSTEM

4W-2640 CONTACTOR-TEMPERATURE-COOLANT

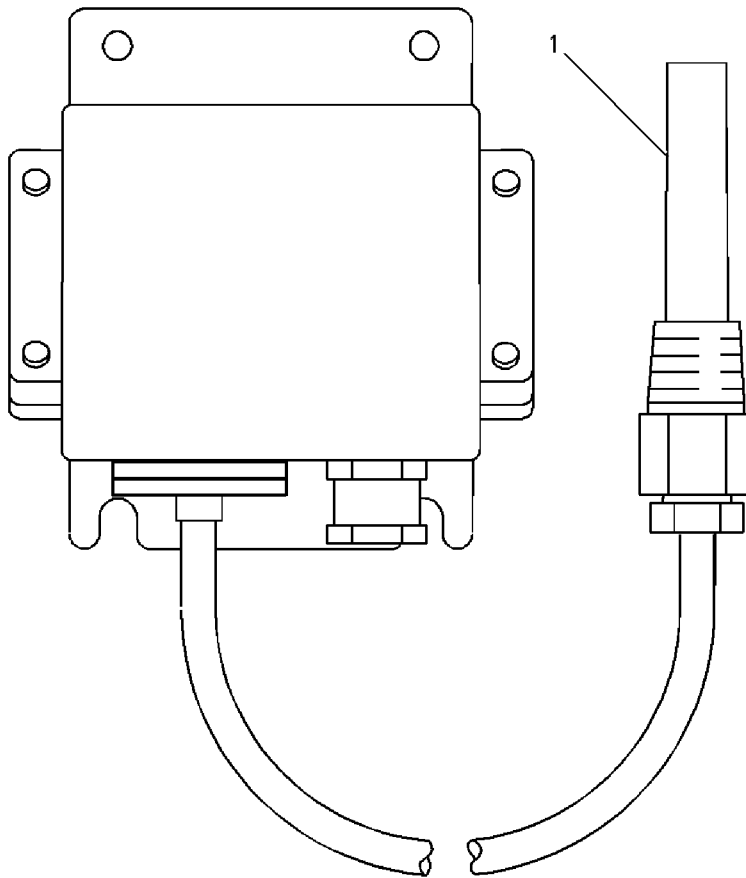
PART OF 4W-2768 CONTACTOR GP
AN ATTACHMENT

SMCS-7400, 7403, 7453, 7484

i02240434

NOTE	REF NO	GRAPHIC REF	PART NUMBER	QTY	PART NAME						SEE PAGE
					1	2	3	4	5	6 (PRODUCT LEVEL)	
Y	1	1	7E-3127	1	KIT-SENSOR POCKET (TEMPERATURE CONTACTOR)						430
(KIT INCLUDES POCKET, RETAINERS, WASHERS, RING, ADAPTER & GAUGE STRIP)											

Y-SEPARATE ILLUSTRATION



GRAPHIC #1

<END>

g00620121

ELECTRICAL AND STARTING SYSTEM

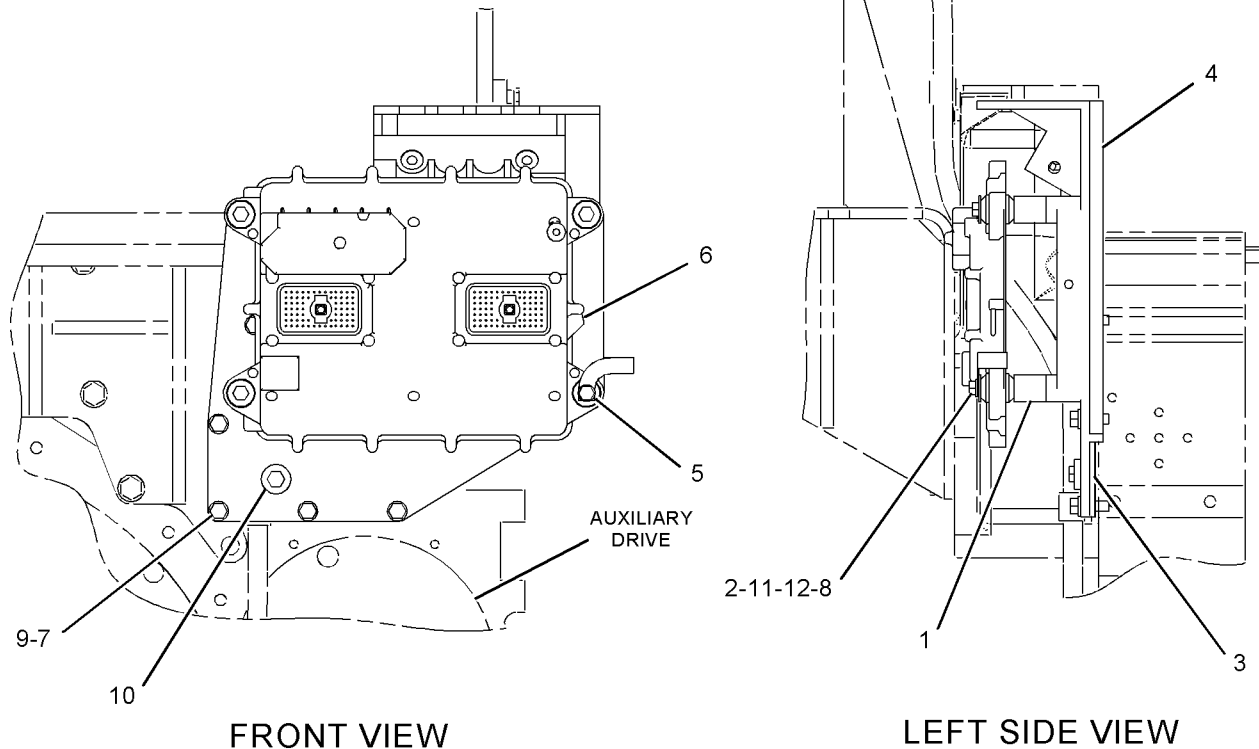
220-2677 CONTROL & MTG GP-ENGINE ELEK-PRIMARY FOR USE WITH AIR COOLED ADEM III

SMCS-1900, 1901

i02219850

NOTE	REF NO	GRAPHIC REF	PART NUMBER	QTY	PART NAME						SEE PAGE
					1	2	3	4	5	6 (PRODUCT LEVEL)	
	1	1	2V-4387	4	SPACER (10.312X25.4X23.11-MM THK)						
	2	1	6I-1418	4	SPACER (8.2X12.7X28.7-MM THK)						
	3	1	8N-9885	1	GASKET-COVER						
	4	1	111-0349	1	BRACKET-MODULE						
	5	1	155-0576	8	MOUNT-ISOLATION						
Y	6	1	206-2710	1	CONTROL GP-ENGINE ELECTRONIC						283
	7	1	1A-2029	7	BOLT (3/8-16X1.125-IN)						
	8	1	1D-4540	4	BOLT (5/16-18X2.75-IN)						
	9	1	5M-2894	7	WASHER-HARD (10.2X18.5X2.5-MM THK)						
	10	1	8T-6765	1	PLUG-PIPE						
	11	1	9M-1974	1	WASHER-HARD (8.8X16X2-MM THK)						
	12	1	9N-0869	4	WASHER-HARD (8.8X25.5X2-MM THK)						

Y- SEPARATE ILLUSTRATION



GRAPHIC #1

<END>

g01120936

ELECTRICAL AND STARTING SYSTEM

231-7069 CONTROL & MTG GP-ENGINE ELEK-SECONDARY FOR USE WITH AIR COOLED ADEM III

SMCS-1900, 1901

i02945122

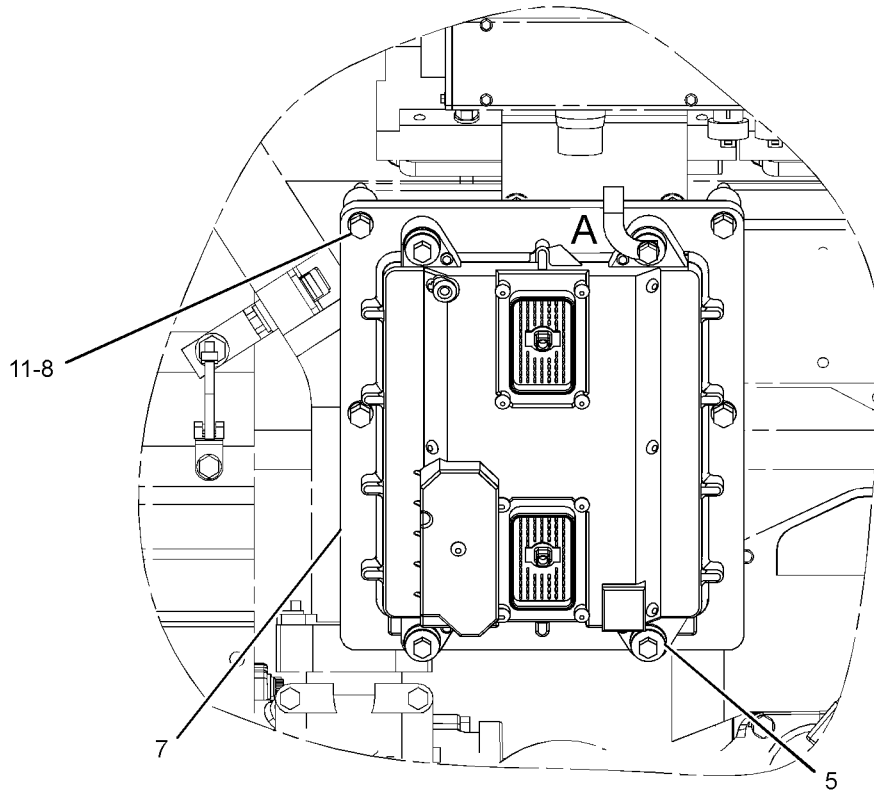
NOTE	REF NO	GRAPHIC REF	PART NUMBER	QTY	PART NAME						SEE PAGE
					1	2	3	4	5	6 (PRODUCT LEVEL)	
	1	1	1L-4031	1	TEE-SERVICE						
	2	1	2V-4387	4	SPACER (10.312X25.4X23.11-MM THK)						
	3	1	6I-1418	4	SPACER (8.2X12.7X28.7-MM THK)						
	4	1	9M-1974	1	WASHER-HARD (8.8X16X2-MM THK)						
	5	1	155-0576	8	MOUNT-ISOLATION						
Y	6	1	206-2710	1	CONTROL GP-ENGINE ELECTRONIC						283
	7	1	231-7070	1	BRACKET						
	8	1	0L-1143	4	BOLT (3/8-16X2.5-IN)						
	9	1	118-1656	1	BUSHING-REDUCER						
	10	1	1B-9575	4	BOLT (5/16-18X1.56-IN)						
	11	1	9X-6458	4	WASHER-HARD (10.2X22.5X3-MM THK)						
	12	1	8T-6761	1	PLUG-PIPE						
	13	1	8T-6762	1	PLUG-PIPE						
	14	1	9N-0869	4	WASHER-HARD (8.8X25.5X2-MM THK)						

Y-SEPARATE ILLUSTRATION

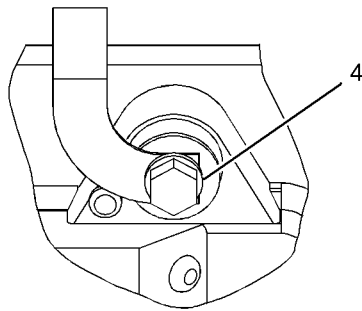
ELECTRICAL AND STARTING SYSTEM

231-7069 CONTROL & MTG GP-ENGINE ELEK (contd.)

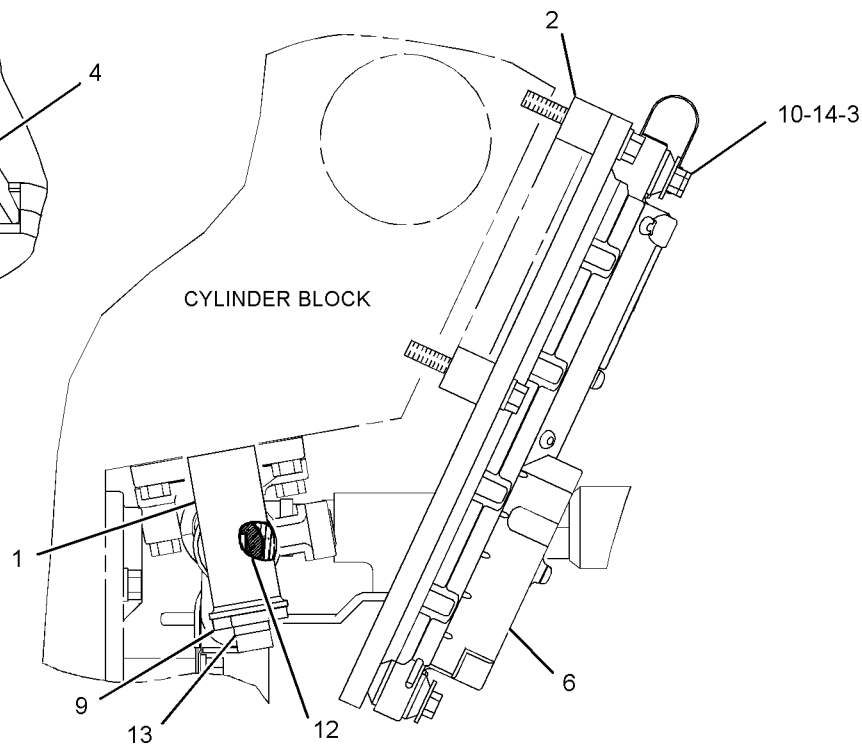
i02945122



LEFT SIDE VIEW



VIEW OF AREA A



CYLINDER BLOCK

FRONT VIEW

GRAPHIC #1

<END>

g01255327

ELECTRICAL AND STARTING SYSTEM

238 - 9734 CONTROL GP - AIR STARTING

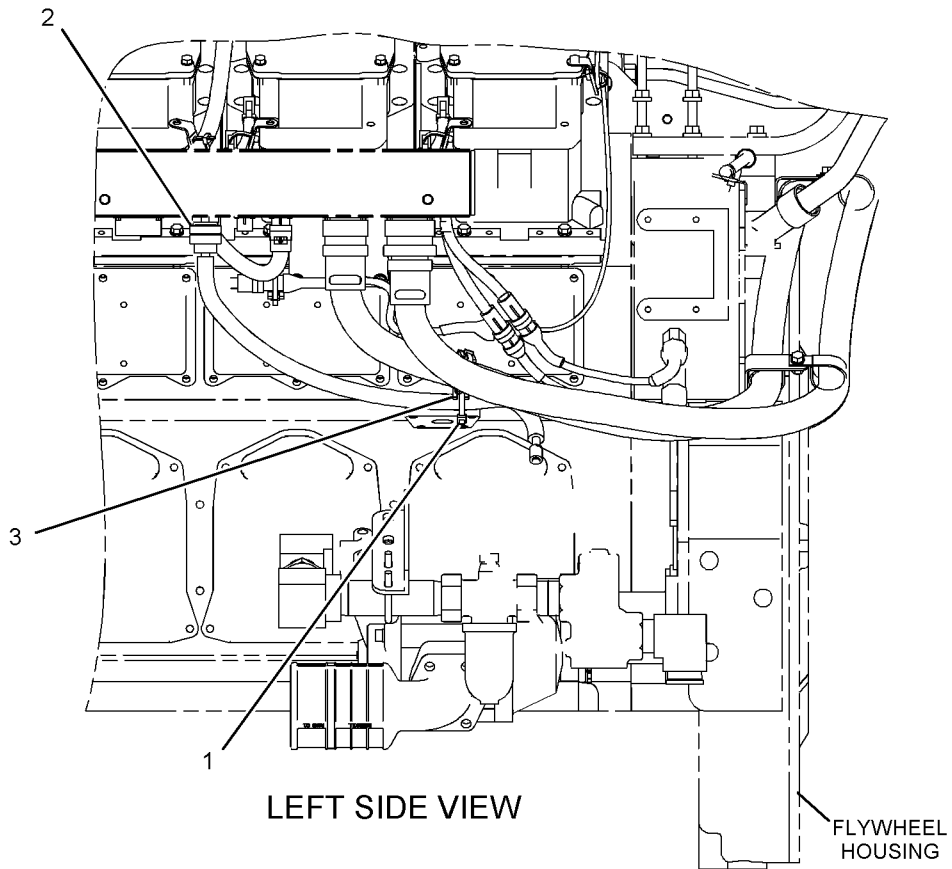
24/32 VOLT
AN ATTACHMENT

SMCS - 1462

i02822617

NOTE	REF NO	GRAPHIC REF	PART NUMBER	QTY	PART NAME						SEE PAGE
					1	2	3	4	5	6 (PRODUCT LEVEL)	
	1	1	9X-6772	1	STRAP - CABLE						
Y	2	1	237-8995	1	HARNESS AS-SOLENOID (AIR STARTING)						321
	3	1	4P-8134	1	CLIP						

Y - SEPARATE ILLUSTRATION



GRAPHIC #1

<END>

g01117816

ELECTRICAL AND STARTING SYSTEM

256-7511 CONTROL GP-COMMUNICATION-PL1000T

FOR USE WITH 270-1732-PAGE 295

AN ATTACHMENT

SMCS-7606, 7610, 7620

i02417371

NOTE	PART NUMBER	QTY	PART NAME						SEE PAGE
			1	2	3	4	5	6 (PRODUCT LEVEL)	
(NO SERVICED PARTS)									
<END>									

256-7512 CONTROL GP-COMMUNICATION-PL1000E

AN ATTACHMENT

SMCS-7606, 7610, 7620

i02375334

NOTE	PART NUMBER	QTY	PART NAME						SEE PAGE
			1	2	3	4	5	6 (PRODUCT LEVEL)	
(NO SERVICED PARTS)									
<END>									

ELECTRICAL AND STARTING SYSTEM

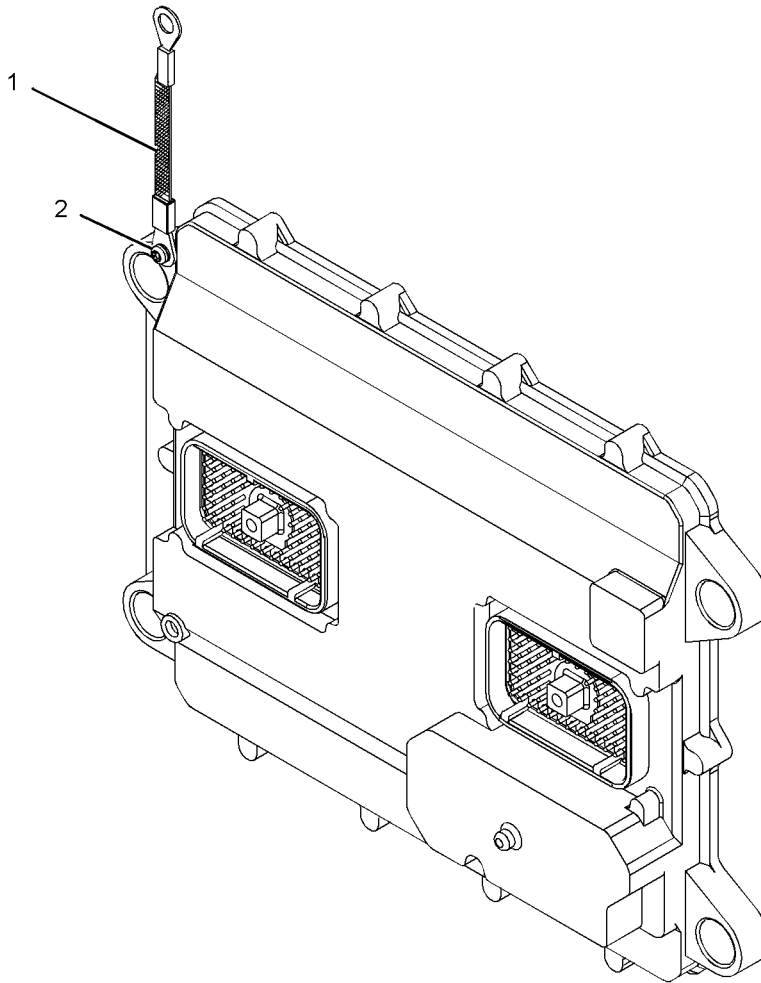
206-2710 CONTROL GP-ENGINE ELECTRONIC

PART OF 220-2677, 231-7069 CONTROL & MTG GP-ENGINE ELEK

SMCS-1901

i02362911

NOTE	REF NO	GRAPHIC REF	PART NUMBER	QTY	PART NAME						SEE PAGE
					1	2	3	4	5	6 (PRODUCT LEVEL)	
	1	1	7X-6315	1	STRAP AS-GROUND						
	2	1	184-2472	1	SCREW-PAN HEAD (NO 8-32X9.52-MM)						



GRAPHIC #1

<END>

g01180180

ELECTRICAL AND STARTING SYSTEM

140-2175 CONTROL GP-REMOTE SPEED

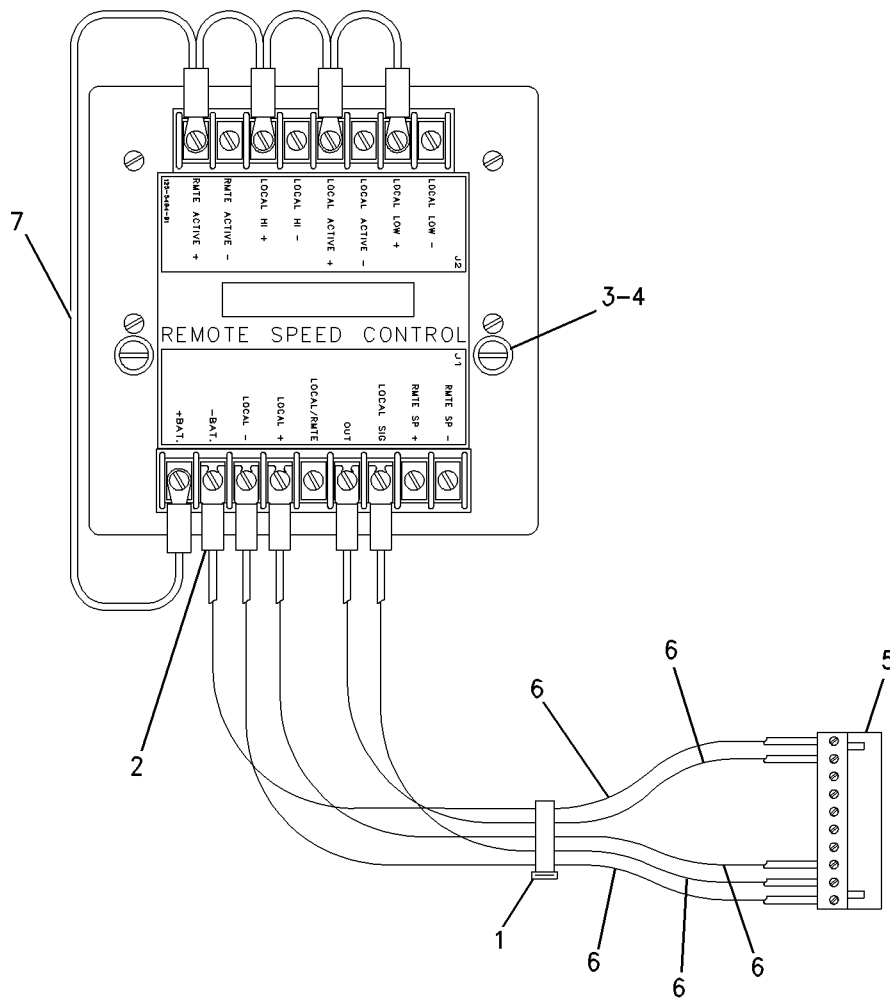
AN ATTACHMENT

SMCS-1907, 1915

i01678441

NOTE	REF NO	GRAPHIC REF	PART NUMBER	QTY	PART NAME						SEE PAGE
					1	2	3	4	5	6 (PRODUCT LEVEL)	
	1	1	8L-8413	1	STRAP-CABLE						
	2	1	5P-2321	5	TERMINAL (14-GA TO 16-GA, NO. 6 SCREW)						
	3	1	7S-1198	2	SCREW-MACHINE (8-32X1.5-IN)						
	4	1	4B-4863	2	WASHER (4.7X11X1.2-MM THK)						
	5	1	9X-9672	1	CONNECTOR-PLUG						
BD	6	1	5P-5677		WIRE (18-GA, BLACK)						
	7	1	132-5559	1	WIRE AS (18-GA)						

B-USE AS REQUIRED
D-ORDER BY THE METER



GRAPHIC #1

<END>

g00730904

ELECTRICAL AND STARTING SYSTEM

166-4373 CONVERSION GP-WIRING

FOR USE WITH SPECIAL APPEARANCE PACKAGE WITH CHROME PLATED FASTENERS
AN ATTACHMENT

SMCS-1408

i02946398

NOTE	PART NUMBER	QTY	PART NAME						SEE PAGE
			1	2	3	4	5	6 (PRODUCT LEVEL)	
	8S-5383	1	BLOCK						
	5M-3062	1	BOLT (3/8-16X0.75-IN)						
	4L-6454	1	BOLT (3/8-16X1-IN)						
	4L-9337	1	BOLT (3/8-16X1.5-IN)						
	8T-9377	1	BOLT (3/8-16X2.25-IN)						
	5S-7383	1	BOLT (3/8-16X1.75-IN)						
	4L-6459	1	BOLT (3/8-16X2.5-IN)						
	8T-7008	1	BOLT (3/8-16X3-IN)						
	8T-9101	1	BOLT (3/8-16X2.75-IN)						
	7X-0292	1	BOLT (3/8-16X4.5-IN)						
	7X-0440	1	BOLT (5/16-18X1.75-IN)						
	7X-3178	1	BOLT (1/4-20X1.625-IN)						
	8T-9367	1	BOLT (1/4-20X2-IN)						
	7X-2501	1	BOLT (1/4-20X1.25-IN)						
	8T-9392	1	BOLT (1/2-13X7.5-IN)						
	7X-0350	1	BOLT (5/8-11X3.5-IN)						
	7D-9766	1	BOLT (1/2-13X4.25-IN)						
	7X-0290	1	BOLT (3/8-16X3.5-IN)						
	7X-0326	1	BOLT (1/2-13X3-IN)						
	7X-3189	1	BOLT (1/2-13X9-IN)						
	9M-7269	1	BOLT (1/2-13X6.75-IN)						
	5P-2566	1	BOLT (1/2-13X1.5-IN)						
	7X-0340	1	BOLT (1/2-13X6.5-IN)						
	4M-2442	1	BOLT (1/2-13X12.32-IN)						
	5P-2228	1	BOLT (1/2-13X1-IN)						
	8T-8917	1	BOLT (1/2-13X1.25-IN)						
	7X-0289	1	BOLT (3/8-16X1.875-IN)						
	8T-2502	1	BOLT (3/8-16X1.125-IN)						
	5S-7379	1	BOLT (3/8-16X0.875-IN)						
	7X-0294	1	BOLT (3/8-16X5-IN)						
	7X-0300	1	BOLT (3/8-16X6.5-IN)						
	8T-2501	1	BOLT (3/8-16X2-IN)						
	8T-9399	1	BOLT (3/4-10X2.25-IN)						
	8C-3121	1	BOLT (5/16-18X1.5-IN)						
	8T-9379	1	BOLT (3/8-16X4.25-IN)						
	8T-8911	1	BOLT (5/16-18X2-IN)						
	7X-0274	1	BOLT (5/16-18X2.75-IN)						
	8T-8915	1	BOLT (3/8-16X3.25-IN)						
	8B-9725	1	BOSS						
	6V-7496	1	CAP/PLUG-TAPERED						
	4W-3034	1	CLAMP-HOSE						
	5P-0597	1	CLAMP-HOSE						
	4P-8134	1	CLIP						
	4P-7581	1	CLIP						
	124-0289	1	CLIP						
	4P-7429	1	CLIP						
	8N-3480	1	CLIP						
	6V-1581	1	CLIP (SLOT)						
	6V-1582	1	CLIP (TAB)						
	1L-8181	1	CLIP						
	4P-7428	1	CLIP						
	2H-9523	1	GROMMET						
	3K-2889	1	LOCKNUT (5/8-11-THD)						
	3N-1968	1	MOUNT-FLEXIBLE						
	8T-9655	1	MOUNT-ISOLATION						
	6V-8185	1	NUT (1/4-20-THD)						

ELECTRICAL AND STARTING SYSTEM

166-4373 CONVERSION GP-WIRING (contd.)

i02946398

NOTE	PART NUMBER	QTY	PART NAME						SEE PAGE
			1	2	3	4	5	6 (PRODUCT LEVEL)	
	7X-0448	1	NUT (5/8-11-THD)						
	6V-8188	1	NUT (1/2-13-THD)						
	6V-8801	1	NUT (3/8-16-THD)						
	5B-7890	1	PLUG-PIPE						
	9M-4594	1	SPACER (0.406X0.875X0.75-IN THK)						
	6W-6672	1	SPACER (10.5X20X38-MM THK)						
	6I-1418	1	SPACER (8.2X12.7X28.7-MM THK)						
	7E-5639	1	SPACER (13.88X21.34X25-MM THK)						
	9L-4234	1	SPACER (0.406X1X0.962-IN THK)						
	1S-2303	1	SPACER (1.062X1.75X1.44-IN THK)						
	9X-6772	1	STRAP-CABLE						
	3S-2093	1	STRAP-CABLE						
	7K-1181	1	STRAP-CABLE						
	108-9656	1	STRAP-CABLE						
	131-1578	1	STRAP-CABLE						
	2W-8604	1	WASHER (6.5X35X1.5-MM THK)						
	1A-8912	1	WASHER (6.7X12.7X1.6-MM THK)						
	8T-4896	1	WASHER-HARD (10.2X18.5X2.5-MM THK)						
	7X-0579	1	WASHER-HARD (8.8X25.5X2-MM THK)						
	5P-4116	1	WASHER-HARD (8.8X20.5X2-MM THK)						
	8T-4224	1	WASHER-HARD (8.8X16X2-MM THK)						
	8T-4205	1	WASHER-HARD (7.2X14.5X2-MM THK)						
	8T-4223	1	WASHER-HARD (13.5X25.5X3-MM THK)						
	8T-4122	1	WASHER-HARD (17X32X3.5-MM THK)						
	5P-1075	1	WASHER-HARD (10.2X22.5X3-MM THK)						
	8T-4994	1	WASHER-HARD (20X36.5X3.5-MM THK)						

<END>

ELECTRICAL AND STARTING SYSTEM

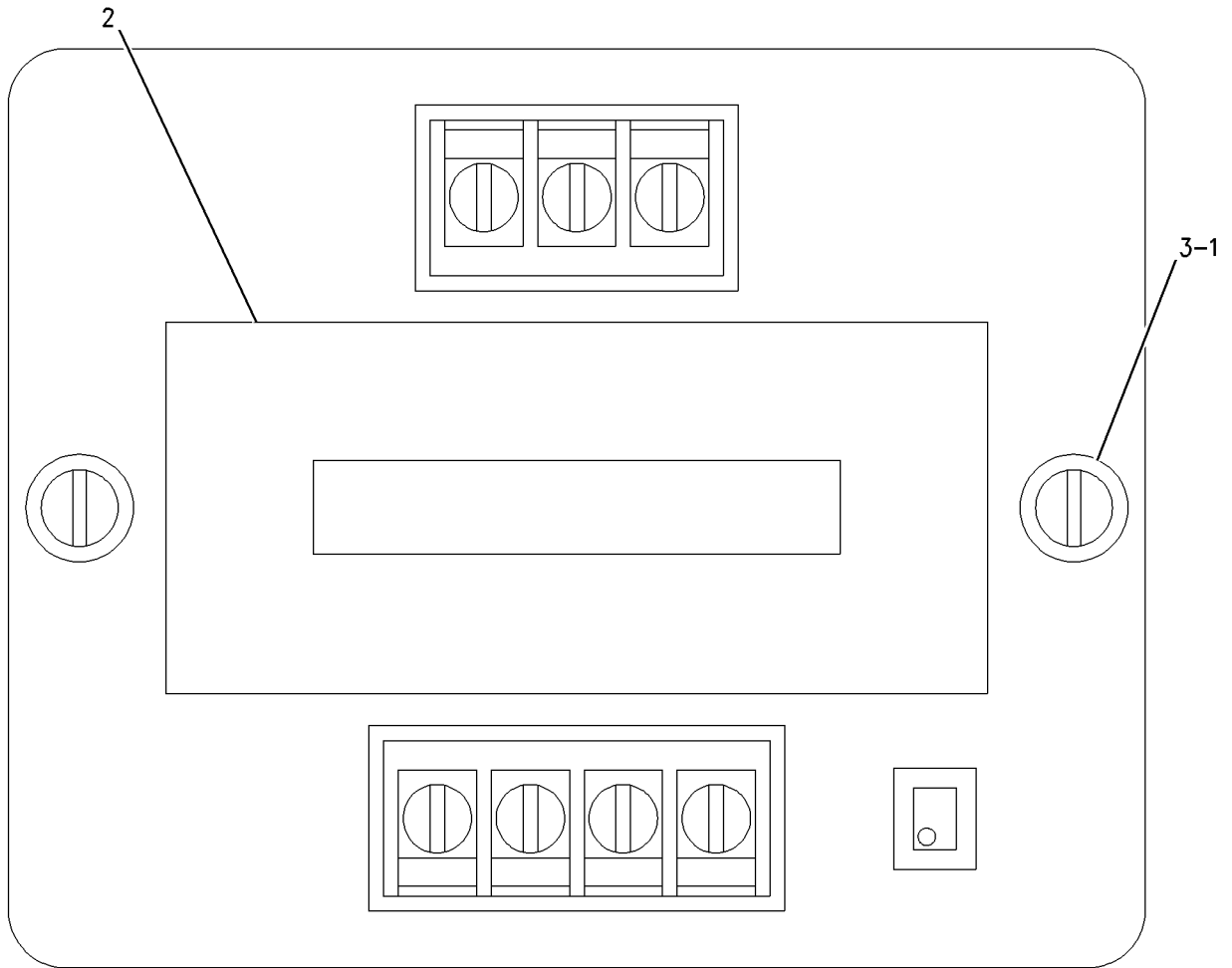
9X-9591 CONVERTER GP-ELECTRICAL

PULSE WIDTH MODULATED
PART OF 238-9549 CONTROL GP-FUEL
AN ATTACHMENT

SMCS-1421

i02183032

NOTE	REF NO	GRAPHIC REF	PART NUMBER	QTY	PART NAME						SEE PAGE
					1	2	3	4	5	6 (PRODUCT LEVEL)	
	1	1	4B-4863	2	WASHER (4.7X11X1.2-MM THK)						
	2	1	9X-9857	1	FILM-IDENTIFICATION (ELECTRICAL CONVERTER)						
	3	1	3K-8106	2	SCREW-MACHINE (8-32X1-IN)						



GRAPHIC #1

<END>

g00774430

ELECTRICAL AND STARTING SYSTEM

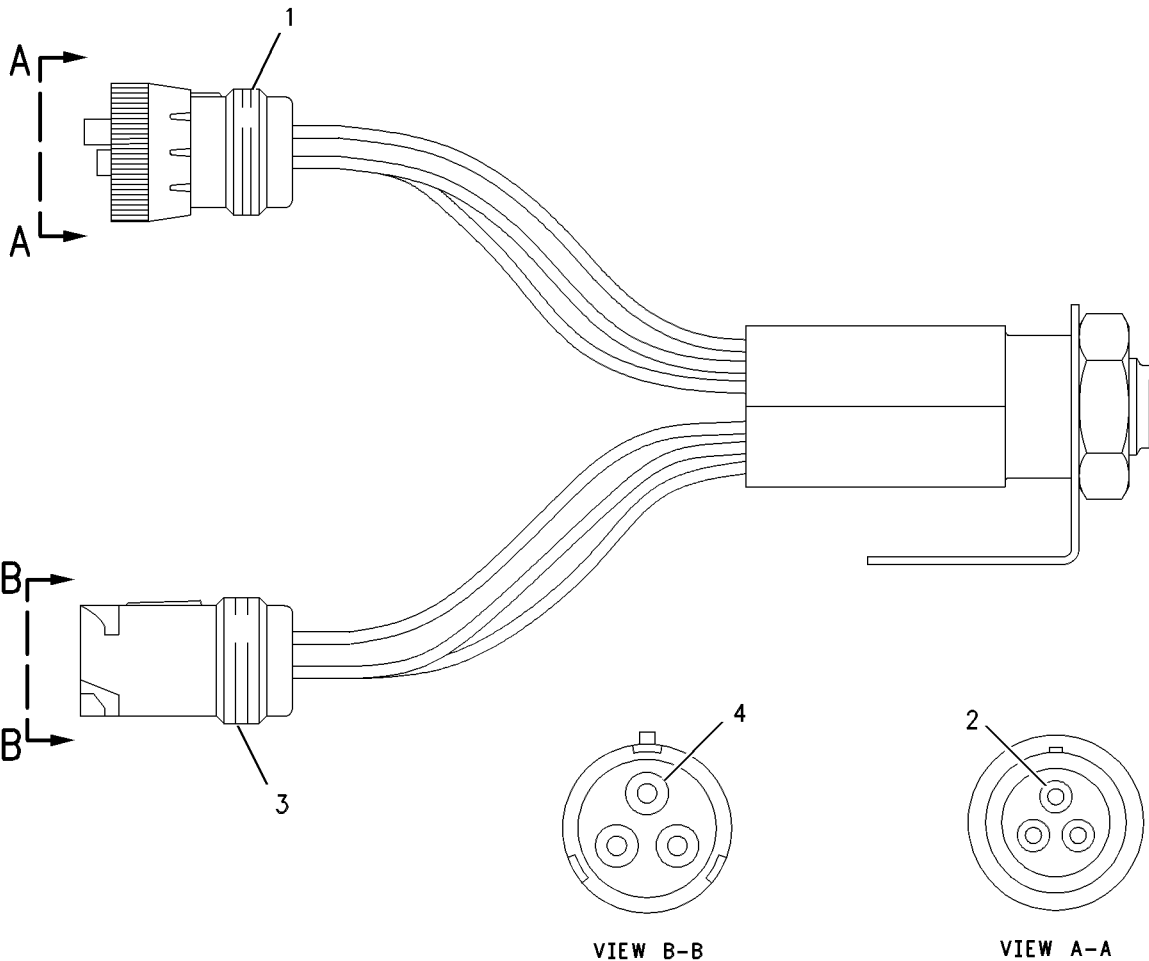
145-9929 CONVERTER GP - ELECTRICAL

THROTTLE AN ATTACHMENT

SMCS-1421

i01180135

NOTE	REF NO	GRAPHIC REF	PART NUMBER	QTY	PART NAME						SEE PAGE
					1	2	3	4	5	6 (PRODUCT LEVEL)	
	1	1	8T-8731	1	PLUG - CONNECTOR						
	2	1	8T-8730	3	SOCKET - CONNECTOR						
	3	1	8T-8732	1	RECEPTACLE - CONNECTOR						
	4	1	8T-8729	3	PIN - CONNECTOR						



GRAPHIC #1

<END>

g00631918

ELECTRICAL AND STARTING SYSTEM

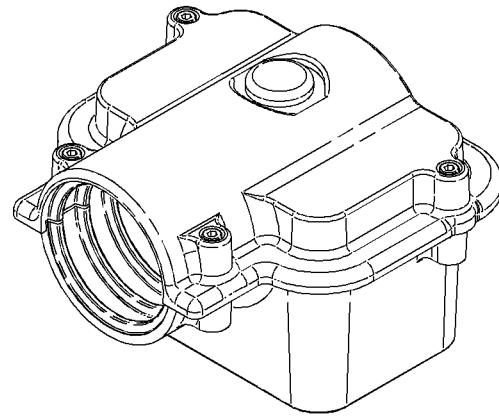
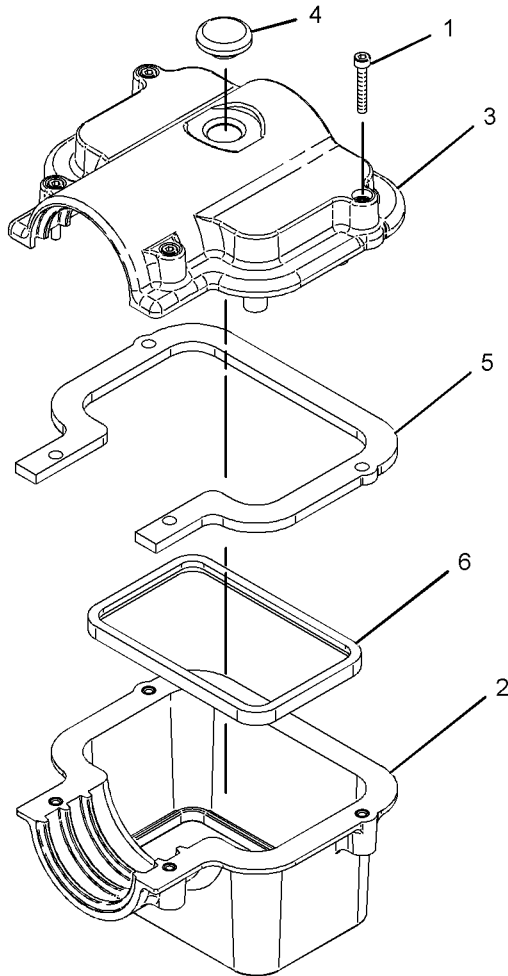
232-4670 COVER GP-MODULE CONNECTOR

PART OF 279-2064 HARNESS AS-ENGINE
AN ATTACHMENT

SMCS-1901

i02844928

NOTE	REF NO	GRAPHIC REF	PART NUMBER	QTY	PART NAME						SEE PAGE
					1	2	3	4	5	6 (PRODUCT LEVEL)	
	1	1	311-3922	4	BOLT-SOCKET HEAD (M3X0.5X20-MM)						
	2	1	232-4671	1	CONNECTOR AS (BOTTOM)						
	3	1	232-4672	1	CONNECTOR AS (TOP)						
	4	1	232-4673	1	PLUG						
	5	1	232-4674	1	SEAL-CONNECTOR						
	6	1	232-4675	1	SEAL-CONNECTOR						



UNEXPLODED VIEW

GRAPHIC #1

<END>

g01210314

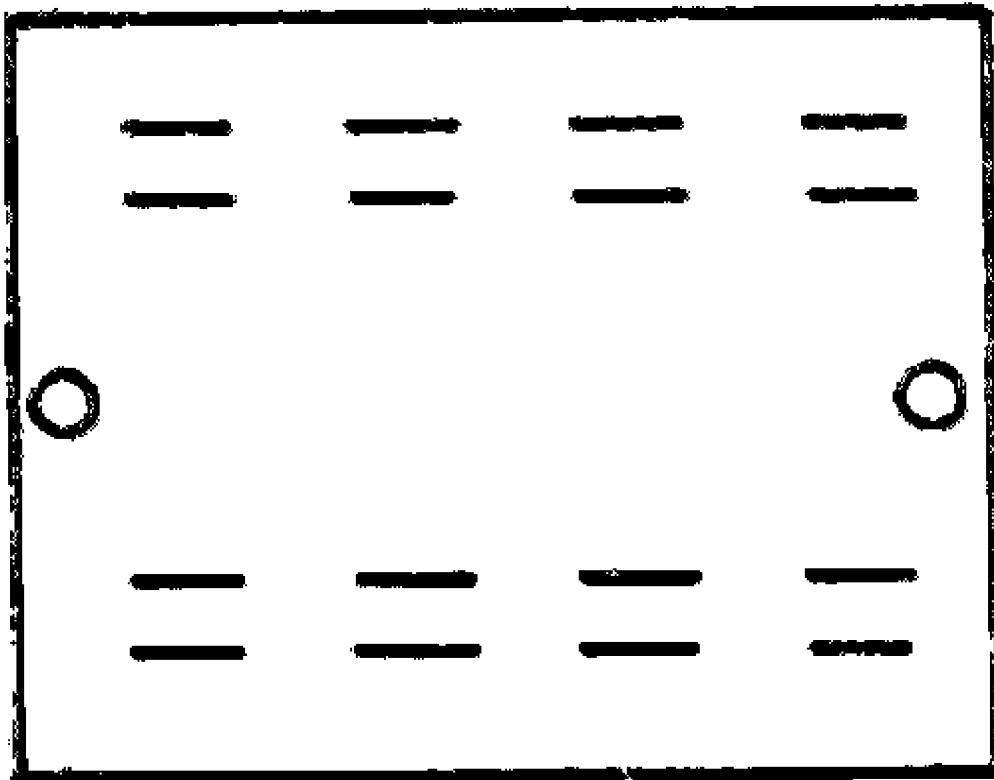
ELECTRICAL AND STARTING SYSTEM

7C-2668 DIODE AS AN ATTACHMENT

SMCS-1408

i01449082

NOTE	REF NO	GRAPHIC REF	PART NUMBER	QTY	PART NAME	SEE PAGE
					1 2 3 4 5 6 (PRODUCT LEVEL)	
(NO SERVICED PARTS)						



GRAPHIC #1

<END>

g00758724

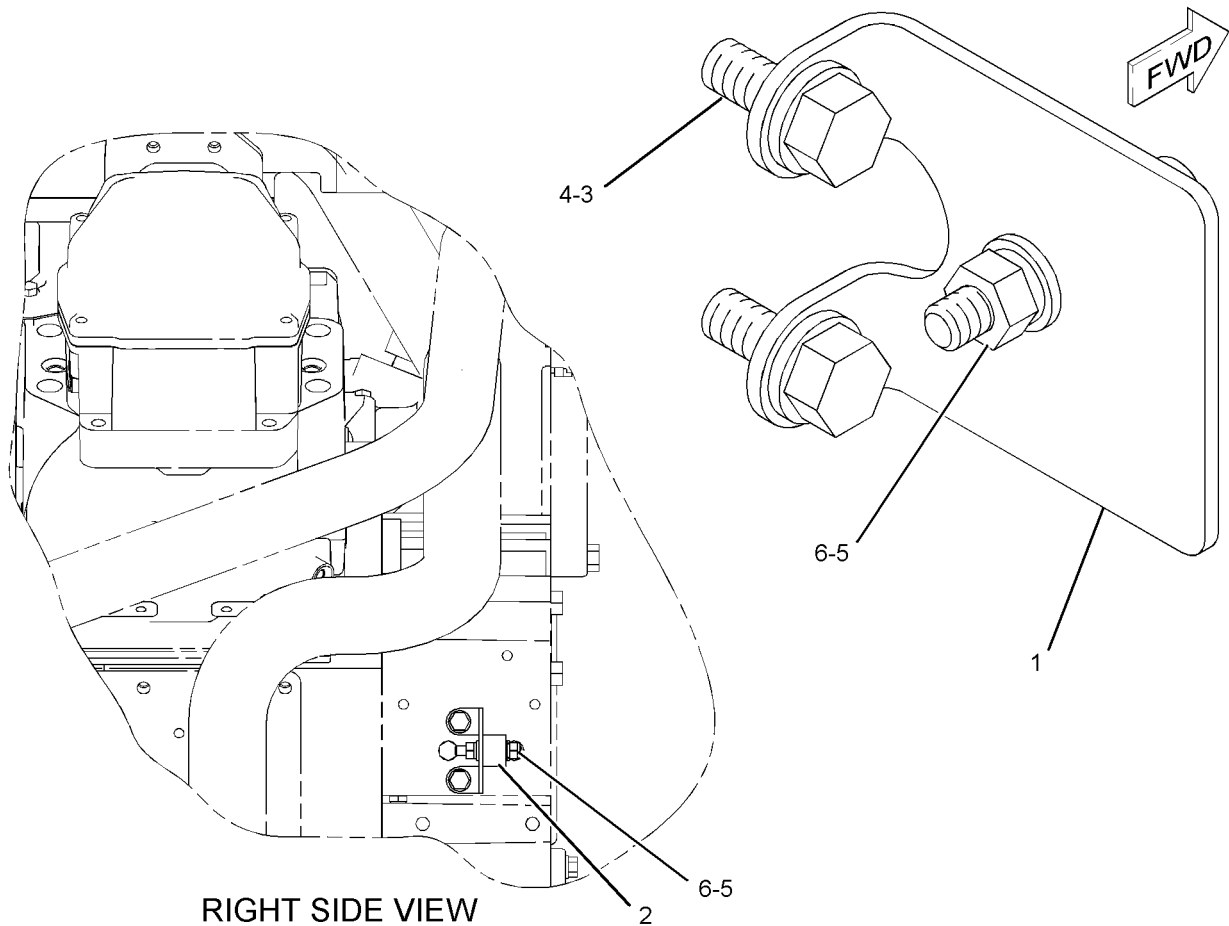
ELECTRICAL AND STARTING SYSTEM

126-9191 GROUND GP - ELECTRICAL-ALTERNATOR AN ATTACHMENT

SMCS - 1405

i02246577

NOTE	REF NO	GRAPHIC REF	PART NUMBER	QTY	PART NAME						SEE PAGE
					1	2	3	4	5	6 (PRODUCT LEVEL)	
	1	1	126-9188	1	BRACKET						
	2	1	126-9187	1	MOUNT - FLEXIBLE						
	3	1	5M-2894	2	WASHER - HARD (10.2X18.5X2.5-MM THK)						
	4	1	0L-1351	2	BOLT (3/8-16X0.875-IN)						
	5	1	9M-1974	2	WASHER - HARD (8.8X16X2-MM THK)						
	6	1	3E-9860	2	LOCKNUT (5/16-18-THD)						



GRAPHIC #1

<END>

g01132300

ELECTRICAL AND STARTING SYSTEM

240-5872 HARNESS AS-BOX-INTERCONNECT

3-METER

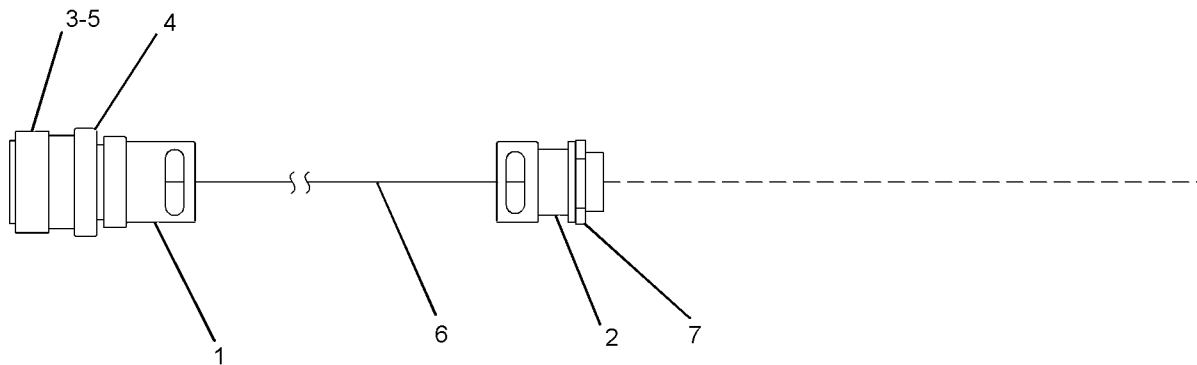
PART OF 241-5629 BOX GP-JUNCTION
AN ATTACHMENT

SMCS-1408

i02530356

NOTE	REF NO	GRAPHIC REF	PART NUMBER	QTY	PART NAME						SEE PAGE
					1	2	3	4	5	6 (PRODUCT LEVEL)	
	1	1	231-9899	1	CONNECTOR (CONDUIT)						
	2	1	231-9898	1	CONNECTOR						
	3	1	233-9217	1	CONNECTOR (85-PIN)						
	4	1	236-8125	1	ADAPTER						
	5	1	233-9226	82	PIN-CONNECTOR (16-GA TO 20-GA)						
E	6	1	231-9897		CONDUIT-FLEXIBLE (36-MM ID) (300-CM)						
	7	1	236-8130	1	NUT (M40-THD)						

E-ORDER BY THE CENTIMETER



GRAPHIC #1

<END>

g01322170

ELECTRICAL AND STARTING SYSTEM

240-5874 HARNESS AS-BOX-INTERCONNECT

10-METER

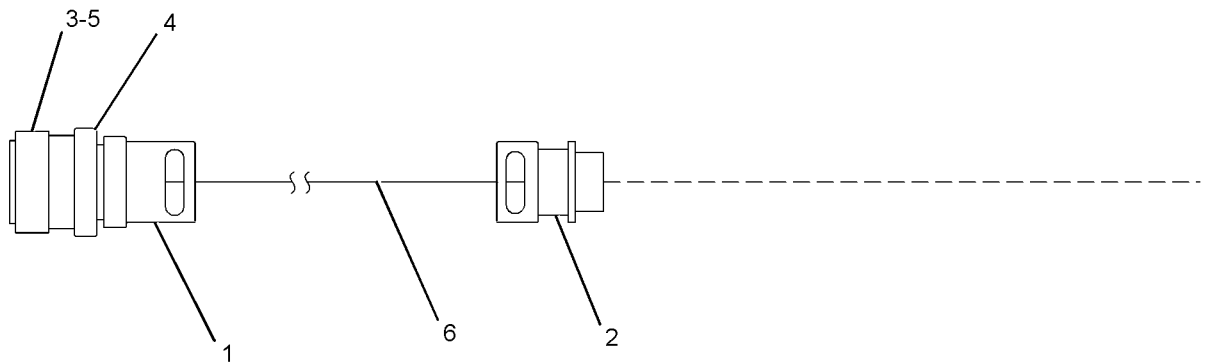
PART OF 241-5630 BOX GP-JUNCTION
AN ATTACHMENT

SMCS-1408

i02530396

NOTE	REF NO	GRAPHIC REF	PART NUMBER	QTY	PART NAME						SEE PAGE
					1	2	3	4	5	6 (PRODUCT LEVEL)	
	1	1	231-9899	1	CONNECTOR (CONDUIT)						
	2	1	231-9898	1	CONNECTOR						
	3	1	233-9217	1	CONNECTOR (85-PIN)						
	4	1	236-8125	1	ADAPTER						
	5	1	233-9226	82	PIN-CONNECTOR (16-GA TO 20-GA)						
E	6	1	231-9897		CONDUIT-FLEXIBLE (36-MM ID) (1003-CM)						

E - ORDER BY THE CENTIMETER



GRAPHIC #1

<END>

g01251986

ELECTRICAL AND STARTING SYSTEM

240-5876 HARNESS AS-BOX-INTERCONNECT

15-METERS

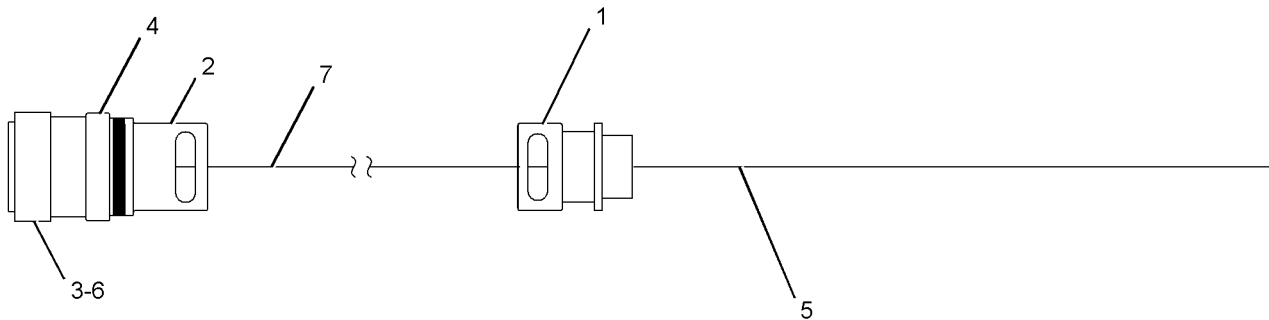
PART OF 241-5631 BOX GP-JUNCTION
AN ATTACHMENT

SMCS-1408

i02739598

NOTE	REF NO	GRAPHIC REF	PART NUMBER	QTY	PART NAME						SEE PAGE
					1	2	3	4	5	6 (PRODUCT LEVEL)	
	1	1	231-9898	1	CONNECTOR						
	2	1	231-9899	1	CONNECTOR (CONDUIT)						
	3	1	233-9217	1	CONNECTOR (85-PIN)						
	4	1	236-8125	1	ADAPTER						
D	5	1	5P-5677		WIRE (18-GA, BLACK) (891.6-M)						
	6	1	233-9226	82	PIN-CONNECTOR (20-GA TO 16-GA)						
E	7	1	231-9897		CONDUIT-FLEXIBLE (36-MM ID) (1503-CM)						

D - ORDER BY THE METER
E - ORDER BY THE CENTIMETER



GRAPHIC #1

<END>

g01330047

ELECTRICAL AND STARTING SYSTEM

249 - 6964 HARNESS AS - CONTROL - MARINE POWER DISPLAY

PART OF 249 - 6961, 257 - 7948 PANEL GP - PILOT HOUSE INSTR
AN ATTACHMENT

SMCS - 1408

i02404345

NOTE	PART NUMBER	QTY	PART NAME						SEE PAGE	
			1	2	3	4	5	6 (PRODUCT LEVEL)		
E	153 - 2707		CABLE - ELECTRICAL (19 - GA) (85 - CM)							
	109 - 3038	24	END - WIRE (16 - GA)							
	110 - 8714	6	END - WIRE (18 - GA)							
	155 - 2255	1	KIT - CONNECTING PLUG (12 - PIN)							
			(INCLUDES PLUG AS & WEDGE)							
	155 - 2255	1	KIT - CONNECTING PLUG (12 - PIN)							
			(INCLUDES PLUG AS & WEDGE)							
	155 - 2260	1	KIT - CONNECTING PLUG (3 - PIN)							
			(INCLUDES PLUG AS & WEDGE)							
	155 - 2260	2	KIT - CONNECTING PLUG (3 - PIN)							
			(EACH INCLUDES PLUG AS & WEDGE)							
		174 - 3016	1	PLUG AS - CONNECTOR (3 - PIN)						
		7X - 6222	1	PLUG AS - CONNECTOR (24 - PIN)						
	3E - 4367	1	RING - RETAINING							
M	3E - 8558	1	BOLT (M5X0.8X39.37 - MM)							
	9X - 3265	2	SEAL - CONNECTOR (24 - PIN)							
	8T - 8737	9	PLUG - SEAL							
	133 - 0970	1	RECEPTACLE AS (TEE)							
	9W - 0844	2	SOCKET - CONNECTOR (14 - GA)							
	186 - 3736	34	SOCKET - CONNECTOR (16 - GA TO 18 - GA)							

E - ORDER BY THE CENTIMETER
M - METRIC PART

<END>

270 - 1732 HARNESS AS - CONTROL - PL1000T

FOR USE WITH 256 - 7511 - PAGE 282
AN ATTACHMENT

SMCS - 1408

i02417749

NOTE	PART NUMBER	QTY	PART NAME						SEE PAGE
			1	2	3	4	5	6 (PRODUCT LEVEL)	
	126 - 1774	1	COVER - CONNECTOR						
	155 - 2270	4	KIT - CONNECTING PLUG (2 - PIN)						
			(EACH INCLUDES PLUG AS AND WEDGE)						
	102 - 8804	1	KIT - RECEPTACLE (4 - PIN)						
			(INCLUDES RECEPTACLE AS AND WEDGE)						
	257 - 2719	1	PLUG AS						
	160 - 7690	1	PLUG AS - CONNECTOR (70 - PIN)						
	159 - 9322	1	SEAL - O - RING						
	8T - 8735	1	PLUG - CONNECTOR						
	7K - 1181	1	STRAP - CABLE						
	9X - 6772	2	STRAP - CABLE						
	218 - 4935	2	SUPPRESSOR - ARC						
E	119 - 3662		TUBE - HEAT SHRINK (10.85 - MM DIA) (20 - CM)						
E	125 - 7874		TUBE - HEAT SHRINK (5.72 - MM DIA) (5 - CM)						
	3E - 3377	1	WEDGE - RECEPTACLE LOCK (4 - PIN)						

E - ORDER BY THE CENTIMETER

<END>

ELECTRICAL AND STARTING SYSTEM

276-0785 HARNESS AS-CONTROL-PL1000E

AN ATTACHMENT

SMCS-1408

i02384488

NOTE	PART NUMBER	QTY	PART NAME						SEE PAGE
			1	2	3	4	5	6 (PRODUCT LEVEL)	
	8C-6354	1	CAP-RECEPTACLE						
	126-1774	1	COVER-CONNECTOR						
	155-2270	2	KIT-CONNECTING PLUG (2-PIN)						
			(EACH INCLUDES PLUG ASSEMBLY AND WEDGE)						
	102-8804	1	KIT-RECEPTACLE (4-PIN)						
			(INCLUDES RECEPTACLE ASSEMBLY AND WEDGE)						
	171-5349	1	STRAP-MARKER						
	186-3735	7	PIN-CONNECTOR (16-GA TO 18-GA)						
	257-2719	1	PLUG AS						
	160-7690	1	PLUG AS-CONNECTOR (70-PIN)						
	159-9322	1	SEAL-O-RING						
	8T-8735	1	PLUG-CONNECTOR						
	8T-8737	65	PLUG-SEAL						
	9W-1951	1	RECEPTACLE-CONNECTOR (9-PIN)						
	186-3736	10	SOCKET-CONNECTOR (16-GA TO 18-GA)						
	9X-3402	14	SOCKET-CONNECTOR (16-GA TO 18-GA)						
	126-1768	14	SOCKET-CONNECTOR (14-GA)						
	7K-1181	1	STRAP-CABLE						
	9X-6772	2	STRAP-CABLE						
	218-4935	2	SUPPRESSOR-ARC						
E	119-3662		TUBE-HEAT SHRINK (10.85-MM DIA) (20-CM)						
E	125-7875		TUBE-HEAT SHRINK (7.44-MM DIA) (5-CM)						

E-ORDER BY THE CENTIMETER

<END>

ELECTRICAL AND STARTING SYSTEM

232-0014 HARNESS AS-ENGINE-RH

PART OF 296-8288 WIRING GP-ENGINE

AN ATTACHMENT

SMCS-1408

i02838022

NOTE	REF NO	GRAPHIC REF	PART NUMBER	QTY	PART NAME						SEE PAGE
					1	2	3	4	5	6 (PRODUCT LEVEL)	
	2	1	311-3922	6	BOLT-SOCKET HEAD (M3X0.5X20-MM)						
	3	1	128-4250	1	NUT (1-11/16-18-THD)						
	4	1	131-4731	1	GASKET						
	5	1	153-1223	1	CONNECTOR-RECEPTACLE (23-PIN)						
	6	1	154-3254	3	GASKET						
	7	1	202-2141	12	NUT-SQUARE (5/16-18-THD)						
	8	1	203-8944	2	GASKET						
	9	1	203-8945	2	GASKET						
	10	1	203-9000	2	PLUG AS (6-PIN)						
					(EACH INCLUDES)						
		1	203-8999	2	SEAL						
		1	203-9001	2	SLEEVE						
	11	1	212-3221	16	BOLT (4-40X0.5-IN)						
	12	1	212-3222	20	BOLT (8-32X0.439-IN)						
	13	1	214-5165	2	CAP						
	14	1	230-5016	1	CAP-END						
	15	1	230-5017	1	CAP-END						
	16	1	231-9878	4	FASTENER						
	17	1	231-9879	2	FASTENER						
	19	1	232-0019	1	RECEPTACLE (46-PIN)						
	20	1	232-0894	16	CONNECTOR (CONDUIT)						
	21	1	232-0900	3	BRACKET						
	22	1	233-9218	1	RECEPTACLE (31-PIN)						
	23	1	233-9220	1	RECEPTACLE (31-PIN)						
	24	1	233-9222	1	RECEPTACLE (31-PIN)						
	25	1	233-9224	1	RECEPTACLE (85-PIN)						
	26	1	233-9517	1	GASKET						
	28	1	235-2772	1	TRAY						
	29	1	235-2774	1	FOAM						
	30	1	235-2775	1	COVER						
	31	1	235-2776	1	FOAM						
	32	1	236-7941	4	FASTENER						
	33	1	236-8126	16	NUT						
	35	1	246-2932	1	CAP						
M	36	1	096-3001	10	SETSCREW-SOCKET (M5X0.8X6-MM)						
	37	1	096-5962	6	WASHER-HARD (3.4X7X0.8-MM THK)						
	38	1	100-5805	2	CAP-RECEPTACLE						
	41	1	174-0503	2	KIT-CONNECTING PLUG (3-PIN)						
					(EACH INCLUDES PLUG ASSEMBLY AND WEDGE)						
	42	1	176-2943	12	KIT-CONNECTING PLUG (2-PIN)						
					(EACH INCLUDES PLUG ASSEMBLY AND WEDGE)						
	43	1	203-8977	2	RECEPTACLE AS						
					(EACH INCLUDES)						
		1	159-9496	1	LOCKWASHER						
		1	203-9000	1	PLUG AS (6-PIN)						
		1	203-9007	1	NUT (M1.5X18-THD)						
	44	1	3E-5394	2	RECEPTACLE (FLANGE)						
	45	1	5P-9959	12	BOLT (5/16-18X0.5-IN)						
	46	1	5S-7349	4	BOLT (1/4-20X0.5-IN)						
	47	1	8T-4205	4	WASHER-HARD (7.2X14.5X2-MM THK)						
	48	1	8T-8731	2	PLUG-CONNECTOR (3-PIN)						
	49	1	9X-4813	2	RECEPTACLE AS-CONNECTOR (3-PIN)						
	50	1	6K-0806	12	STRAP-CABLE						
E	88	1	239-6337		SEAL (298-CM)						
EF			153-2707		CABLE-ELECTRICAL (19-GA) (100-CM)						

ELECTRICAL AND STARTING SYSTEM

232-0014 HARNESS AS-ENGINE (contd.)

i02838022

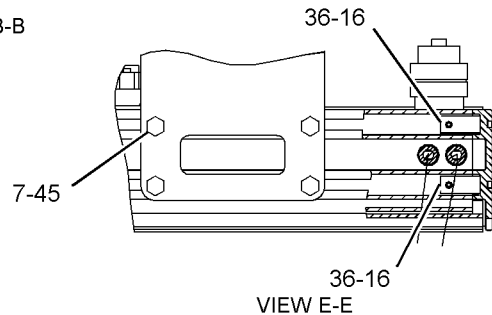
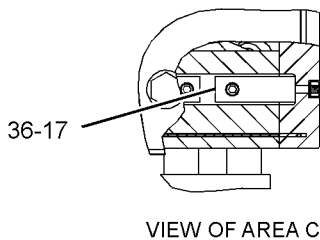
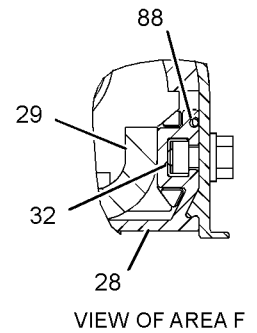
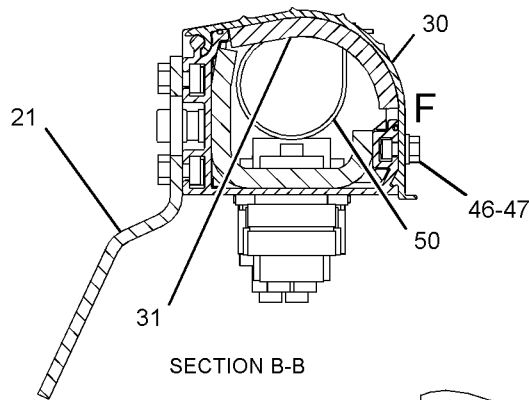
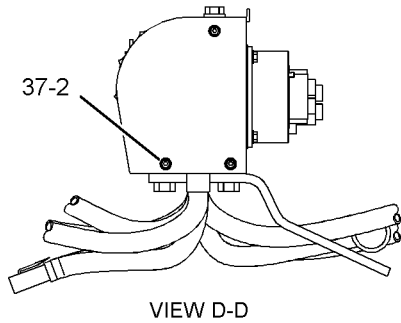
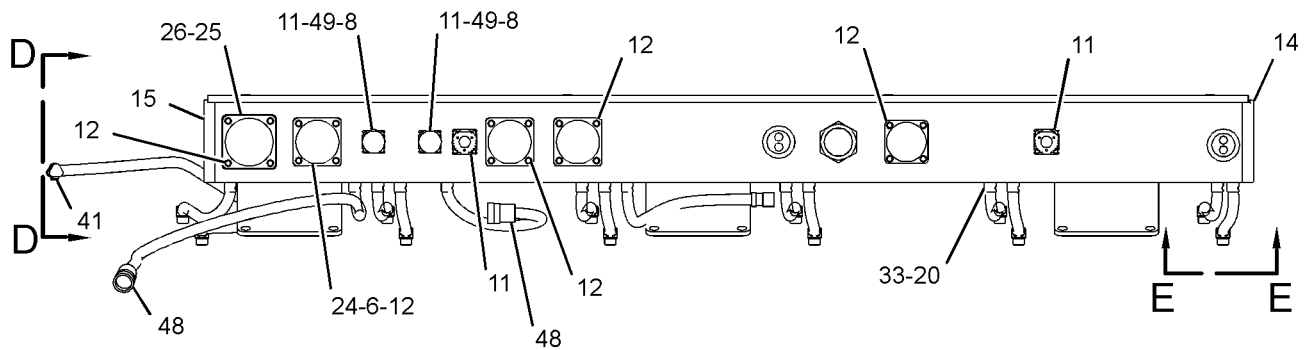
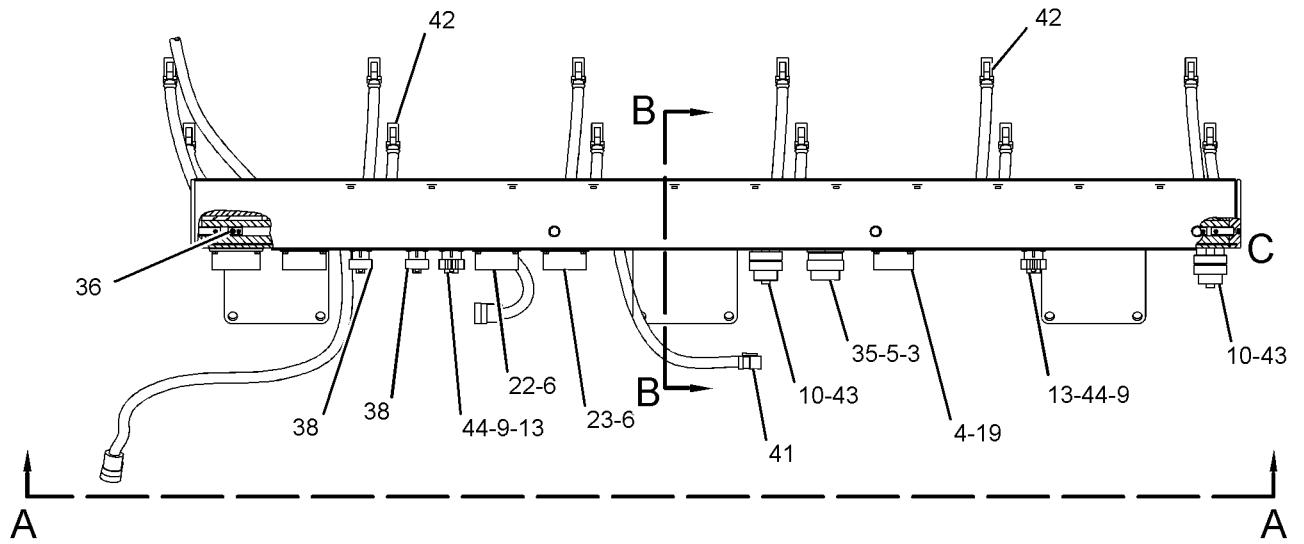
NOTE	REF NO	GRAPHIC REF	PART NUMBER	QTY	PART NAME						SEE PAGE
					1	2	3	4	5	6 (PRODUCT LEVEL)	
EF			134-6258		CABLE-ELECTRICAL (16-GA) (100-CM)						
EF			116-2652		CABLE-ELECTRICAL (18-GA) (475-CM)						
EF			232-0893		CONDUIT-FLEXIBLE (6.2-MM ID) (446-CM)						
EF			231-9895		CONDUIT-FLEXIBLE (21.9-MM ID) (32-CM)						
EF			232-0897		CONDUIT-FLEXIBLE (16.2-MM ID) (95-CM)						
F			159-9496	2	LOCKWASHER						
F			203-9007	2	NUT (M1.5X18-THD)						
F			5E-9295	2	PIN-CONNECTOR						
F			186-3735	26	PIN-CONNECTOR (16-GA TO 18-GA)						
F			233-9226	71	PIN-CONNECTOR (16-GA TO 20-GA)						
F			9W-0852	2	PIN-CONNECTOR (14-GA)						
F			233-9232	10	PIN-CONNECTOR (12-GA TO 14-GA)						
F			8N-1542	2	PIN-CONNECTOR (10-GA)						
F			233-9233	4	PIN-CONNECTOR (8-GA TO 10-GA)						
F			233-9234	2	PIN-CONNECTOR (4-GA TO 6-GA)						
F			8N-1548	2	PIN-CONNECTOR						
F			9G-3695	6	PLUG						
F			8T-8737	22	PLUG-SEAL						
F			7G-7920	4	PLUG-SEAL						
F			233-9228	16	PLUG-SEAL						
F			233-9235	22	PLUG-SEAL						
F			233-9237	1	PLUG-SEAL						
F			203-8999	4	SEAL						
F			203-9001	4	SLEEVE						
F			233-9227	86	SOCKET-CONNECTOR (16-GA TO 20-GA)						
F			233-9229	10	SOCKET-CONNECTOR (12-GA TO 14-GA)						
F			233-9230	2	SOCKET-CONNECTOR (8-GA TO 10-GA)						
F			186-3736	35	SOCKET-CONNECTOR (16-GA TO 18-GA)						
EF			125-7875		TUBE-HEAT SHRINK (7.44-MM DIA) (15-CM)						
EF			125-7874		TUBE-HEAT SHRINK (5.72-MM DIA) (70-CM)						
EF			119-3662		TUBE-HEAT SHRINK (10.85-MM DIA) (13-CM)						
EF			210-8958		TUBE-HEAT SHRINK (24-MM DIA) (80-CM)						
F			155-2261	12	WEDGE-PLUG LOCK (2-PIN)						
F			155-2276	2	WEDGE-PLUG LOCK (3-PIN)						
DF			5P-5624		WIRE (14-GA, BLACK) (4.6-M)						
DF			5P-5689		WIRE (08-GA, BLACK) (2.3-M)						
DF			6V-2369		WIRE (4-GA, BLACK) (2.1-M)						
DF			5P-5621		WIRE (12-GA) (0.9-M)						
DF			5P-5677		WIRE (18-GA, BLACK) (78.5-M)						

D - ORDER BY THE METER
 E - ORDER BY THE CENTIMETER
 F - NOT SHOWN
 M - METRIC PART

ELECTRICAL AND STARTING SYSTEM

232-0014 HARNESS AS-ENGINE (contd.)

i02838022



GRAPHIC #1

<END>

g01416378

ELECTRICAL AND STARTING SYSTEM

237 - 8994 HARNESS AS - ENGINE - AIR SHUTOFF

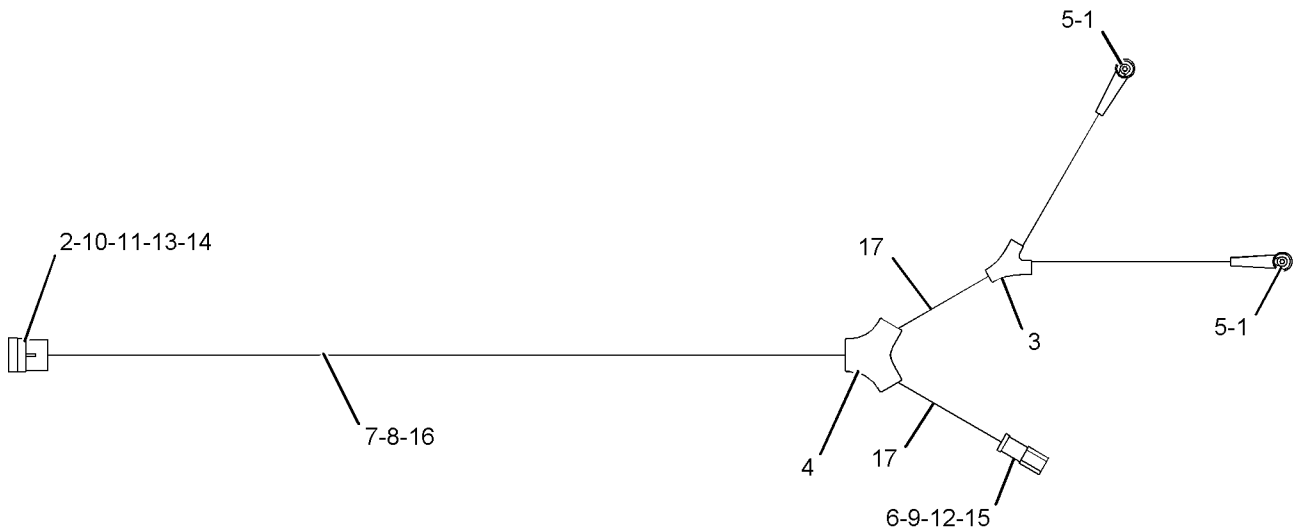
PART OF 232-0889 WIRING GP - AIR SHUTOFF
AN ATTACHMENT

SMCS - 1408

i02649953

NOTE	REF NO	GRAPHIC REF	PART NUMBER	QTY	PART NAME						SEE PAGE
					1	2	3	4	5	6 (PRODUCT LEVEL)	
	1	1	3B-3638	2	FITTING						
	2	1	8T-8733	1	PLUG-CONNECTOR (5-PIN)						
	3	1	202-2109	1	TUBE-HEAT SHRINK (12.8-MM DIA, Y-TRANSITION)						
	4	1	238-9802	1	FITTING						
	5	1	<i>131-1502</i>	2	TERMINAL AS						
					(EACH INCLUDES)						
		1	2L-8075	1	TERMINAL (14-GA TO 16-GA, NO. 8 SCREW)						
E		1	125-7874		TUBE-HEAT SHRINK (5.72-MM DIA) (3-CM)						
	6	1	102-8802	1	KIT-RECEPTACLE (2-PIN)						
					(INCLUDES RECEPTACLE AS AND WEDGE)						
BD	7	1	5P-5624		WIRE (14-GA, BLACK)						
BD	8	1	5P-5677		WIRE (18-GA, BLACK)						
	9	1	186-3735	4	PIN-CONNECTOR (16-GA TO 18-GA)						
	10	1	9W-0844	2	SOCKET-CONNECTOR (14-GA)						
	11	1	186-3736	2	SOCKET-CONNECTOR (16-GA TO 18-GA)						
	12	1	3E-3365	1	WEDGE-RECEPTACLE LOCK (2-PIN)						
	13	1	8T-8737	1	PLUG-SEAL						
E	14	1	135-5009		TUBE-HEAT SHRINK (32-MM DIA) (5-CM)						
J	15	1	097-7404		TUBE-HEAT SHRINK (19.1-MM DIA) (1-DM)						
E	16	1	232-0897		CONDUIT-FLEXIBLE (16.2-MM ID) (79-CM)						
E	17	1	232-0895		CONDUIT-FLEXIBLE (9.6-MM OD) (36-CM)						

B - USE AS REQUIRED
D - ORDER BY THE METER
E - ORDER BY THE CENTIMETER
J - ORDER BY THE DECIMETER



GRAPHIC #1

<END>

g01076127

ELECTRICAL AND STARTING SYSTEM

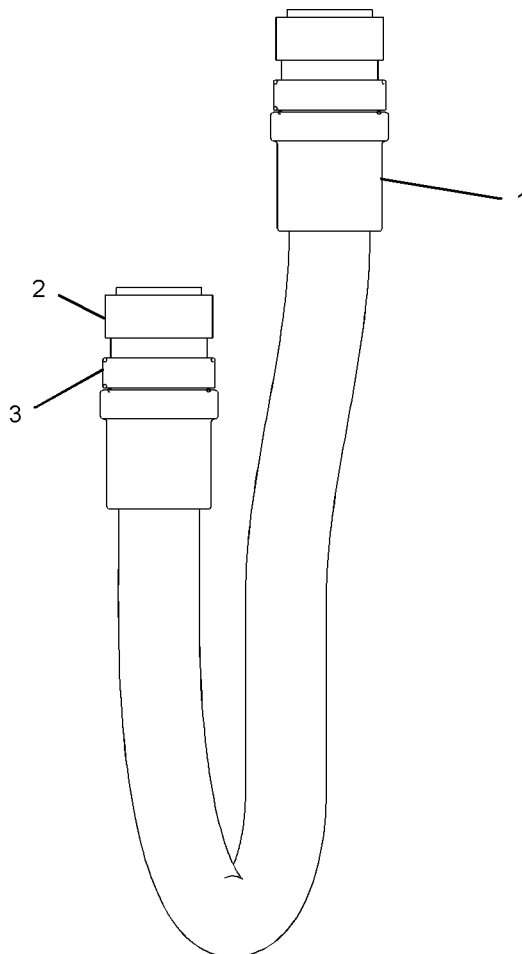
239-1471 HARNESS AS-ENGINE-MARINE POWER DISPLAY PART OF 239-6364 WIRING GP-ENGINE, 239-1470, 239-6365 WIRING GP-ENGINE ELECTRONIC, 239-1472 WIRING GP-PANEL AN ATTACHMENT

SMCS-1408

i02739623

NOTE	REF NO	GRAPHIC REF	PART NUMBER	QTY	PART NAME						SEE PAGE
					1	2	3	4	5	6 (PRODUCT LEVEL)	
	1	1	231-9915	2	CONNECTOR (CONDUIT)						
	2	1	232-0020	2	CONNECTOR AS (46-PIN)						
	3	1	241-8267	2	ADAPTER						
DF			5P-5677		WIRE (18-GA, BLACK) (35.6-M)						
F			233-9227	92	SOCKET-CONNECTOR (16-GA TO 20-GA)						
EF			231-9897		CONDUIT-FLEXIBLE (36-MM ID) (76-CM)						
EF			153-2707		CABLE-ELECTRICAL (19-GA) (89-CM)						
EF			134-6258		CABLE-ELECTRICAL (16-GA) (89-CM)						

D- ORDER BY THE METER
E- ORDER BY THE CENTIMETER
F- NOT SHOWN



<END>

GRAPHIC #1

g01050294

ELECTRICAL AND STARTING SYSTEM

239-1481 HARNESS AS-ENGINE-MARINE POWER DISPLAY

15-METER EXTENSION

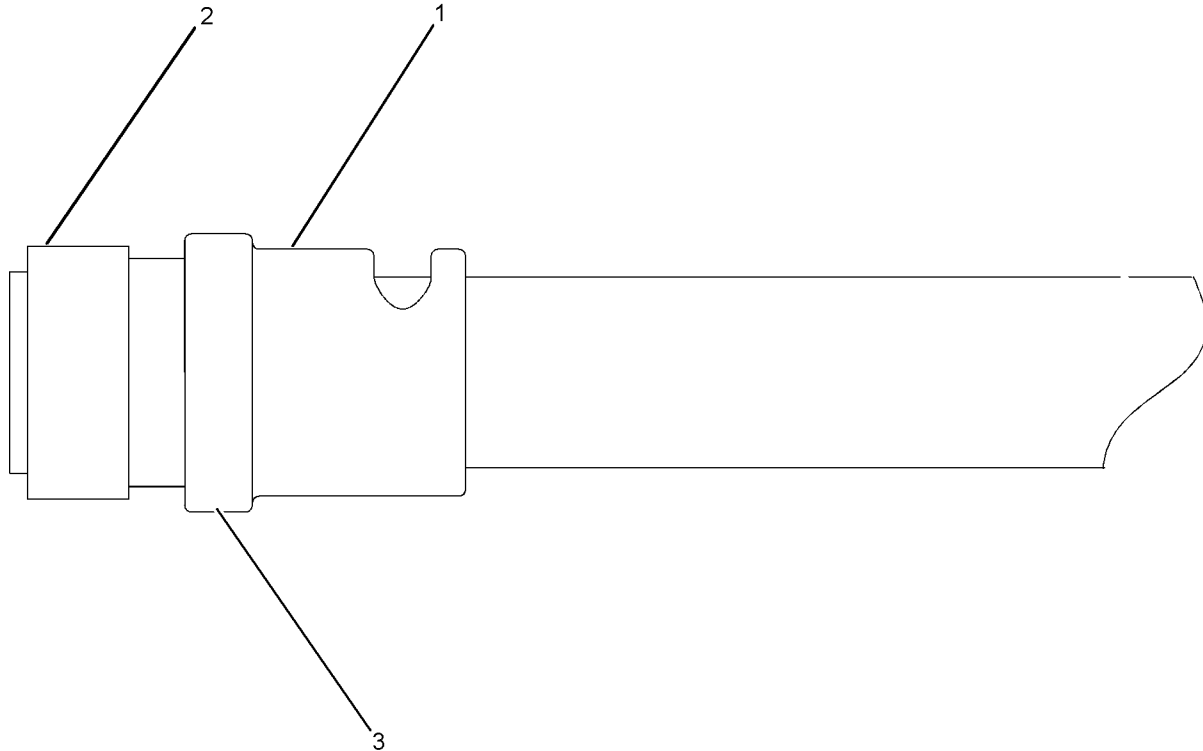
PART OF 239-1480, 239-1482 WIRING GP-ENGINE ELECTRONIC
AN ATTACHMENT

SMCS-1408

i02739633

NOTE	REF NO	GRAPHIC REF	PART NUMBER	QTY	PART NAME						SEE PAGE
					1	2	3	4	5	6 (PRODUCT LEVEL)	
	1	1	231-9915	2	CONNECTOR (CONDUIT)						
	2	1	232-0020	2	CONNECTOR AS (46-PIN)						
	3	1	241-8267	2	ADAPTER						
DF			5P-5677		WIRE (18-GA, BLACK) (635.6-M)						
F			233-9227	92	SOCKET-CONNECTOR (16-GA TO 20-GA)						
EF			231-9897		CONDUIT-FLEXIBLE (36-MM ID) (1576-CM)						
EF			153-2707		CABLE-ELECTRICAL (19-GA) (1589-CM)						
EF			134-6258		CABLE-ELECTRICAL (16-GA) (1589-CM)						

D- ORDER BY THE METER
E- ORDER BY THE CENTIMETER
F- NOT SHOWN



GRAPHIC #1

<END>

g01050256

ELECTRICAL AND STARTING SYSTEM

239-1486 HARNESS AS-ENGINE

30-METER EXTENSION

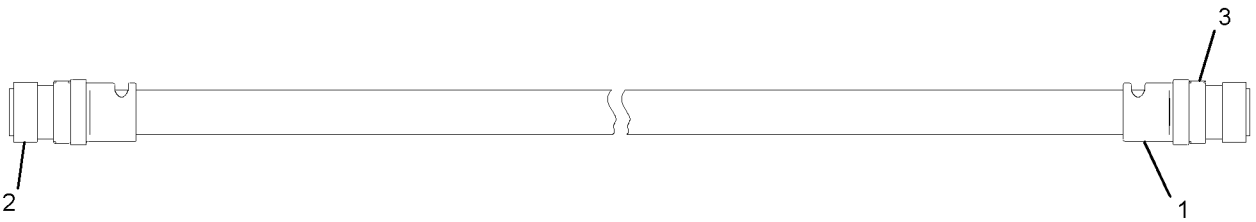
PART OF 239-1485, 239-1487 WIRING GP-ENGINE ELECTRONIC
AN ATTACHMENT

SMCS-1408

i02739752

NOTE	REF NO	GRAPHIC REF	PART NUMBER	QTY	PART NAME						SEE PAGE
					1	2	3	4	5	6 (PRODUCT LEVEL)	
	1	1	231-9915	2	CONNECTOR (CONDUIT)						
	2	1	232-0020	2	CONNECTOR AS (46-PIN)						
	3	1	241-8267	2	ADAPTER						
F			233-9227	92	SOCKET-CONNECTOR (16-GA TO 20-GA)						
EF			231-9897		CONDUIT-FLEXIBLE (36-MM ID) (3076-CM)						
EF			153-2707		CABLE-ELECTRICAL (19-GA) (3089-CM)						
EF			134-6258		CABLE-ELECTRICAL (16-GA) (3089-CM)						

E - ORDER BY THE CENTIMETER
F - NOT SHOWN



GRAPHIC #1

<END>

g01050255

ELECTRICAL AND STARTING SYSTEM

279-2064 HARNESS AS-ENGINE-LH

PART OF 296-8288 WIRING GP-ENGINE

AN ATTACHMENT

SMCS-1408

i03072789

NOTE	REF NO	GRAPHIC REF	PART NUMBER	QTY	PART NAME						SEE PAGE
					1	2	3	4	5	6 (PRODUCT LEVEL)	
	1	1	309-7564	2	BEAD-FERRITE						
	2	1	8C-6354	1	CAP-RECEPTACLE						
C	3	1	311-3922	6	BOLT-SOCKET HEAD (M3X0.5X20-MM)						
	4	1	123-0316	1	DIODE AS						
		1	102-8804	1	KIT-RECEPTACLE (4-PIN)						
		1	3E-3377	1	WEDGE-RECEPTACLE LOCK (4-PIN)						
		1	186-3735	4	PIN-CONNECTOR (16-GA TO 18-GA)						
	5	1	128-4250	1	NUT (1-11/16-18-THD)						
	6	1	131-4731	1	GASKET						
	7	1	147-1443	2	PLUG AS-CONNECTOR (70-PIN)						
					(EACH INCLUDES)						
		1	159-9322	1	SEAL-O-RING						
	8	1	153-1223	1	CONNECTOR-RECEPTACLE (23-PIN)						
	9	1	154-3254	1	GASKET						
	10	1	160-7690	2	PLUG AS-CONNECTOR (70-PIN)						
					(EACH INCLUDES)						
		1	159-9322	1	SEAL-O-RING						
	11	1	202-2141	12	NUT-SQUARE (5/16-18-THD)						
	12	1	203-8944	1	GASKET						
	13	1	203-8945	1	GASKET						
	14	1	203-8977	1	RECEPTACLE AS						
		1	159-9496	1	LOCKWASHER						
		1	203-9000	1	PLUG AS (6-PIN)						
		1	203-9007	1	NUT (M1.5X18-THD)						
	15	1	203-9000	1	PLUG AS (6-PIN)						
	16	1	212-3221	20	BOLT (4-40X0.5-IN)						
	17	1	212-3222	16	BOLT (8-32X0.439-IN)						
	18	1	214-5165	1	CAP						
	19	1	230-5016	1	CAP-END						
	20	1	230-5017	1	CAP-END						
	21	1	231-9878	4	FASTENER						
	22	1	231-9879	2	FASTENER						
	23	1	231-9898	2	CONNECTOR						
	24	1	232-0019	1	RECEPTACLE (46-PIN)						
	25	1	232-0894	21	CONNECTOR (CONDUIT)						
	26	1	232-0900	3	BRACKET						
Y	27	1	232-4670	4	COVER GP-MODULE CONNECTOR						289
	28	1	233-9216	1	RECEPTACLE (85-PIN)						
	29	1	233-9218	1	RECEPTACLE (31-PIN)						
	30	1	233-9224	1	RECEPTACLE (85-PIN)						
	31	1	233-9517	2	GASKET						
	32	1	235-2761	1	GASKET						
	33	1	235-2771	1	TRAY						
	34	1	235-2773	1	FOAM						
	35	1	235-2775	1	COVER						
	36	1	235-2776	1	FOAM						
	37	1	236-7941	4	FASTENER						
	38	1	236-8126	21	NUT						
	39	1	236-8130	2	NUT (M40X1.5-THD)						
C	40	1	311-7510	2	ADAPTER						
C	41	1	311-7511	2	ADAPTER						
	42	1	239-5374	2	CONNECTOR (CONDUIT)						
	43	1	239-5375	2	NUT (M32X1.5-THD)						
	44	1	239-8154	2	GASKET						
	45	1	246-2932	1	CAP						
	46	1	246-6506	1	CAP-CONNECTOR						

ELECTRICAL AND STARTING SYSTEM

279-2064 HARNESS AS-ENGINE (contd.)

i03072789

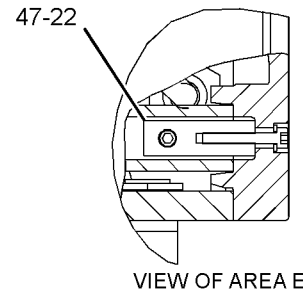
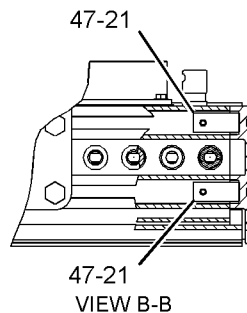
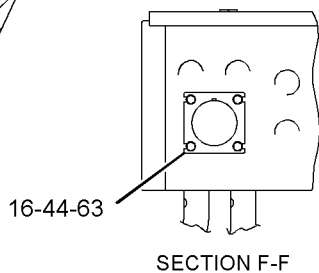
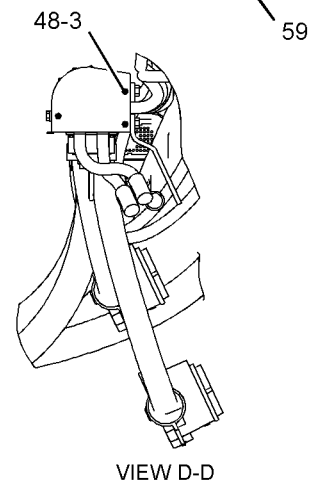
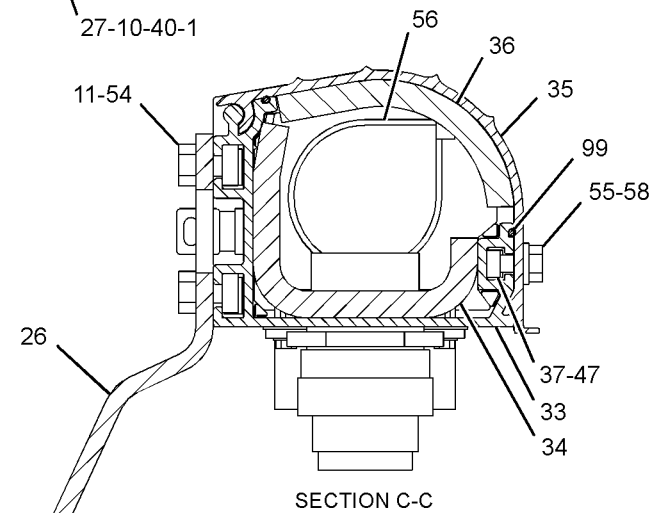
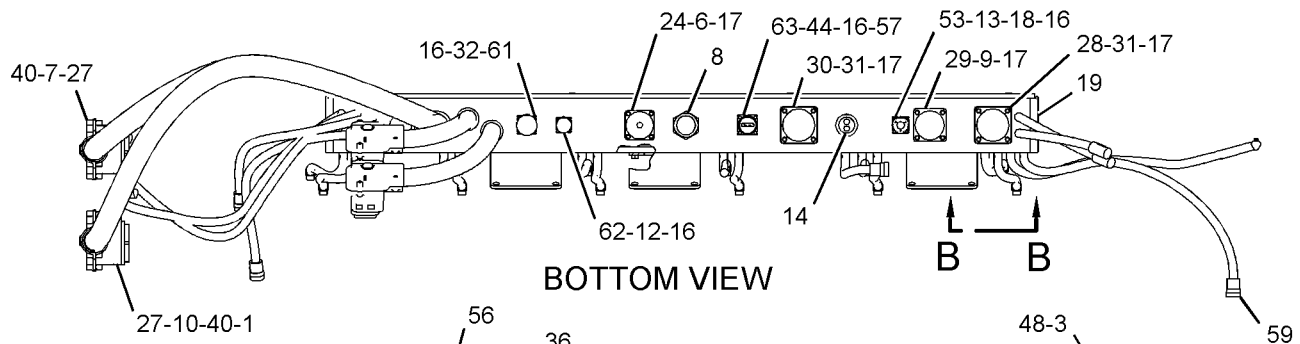
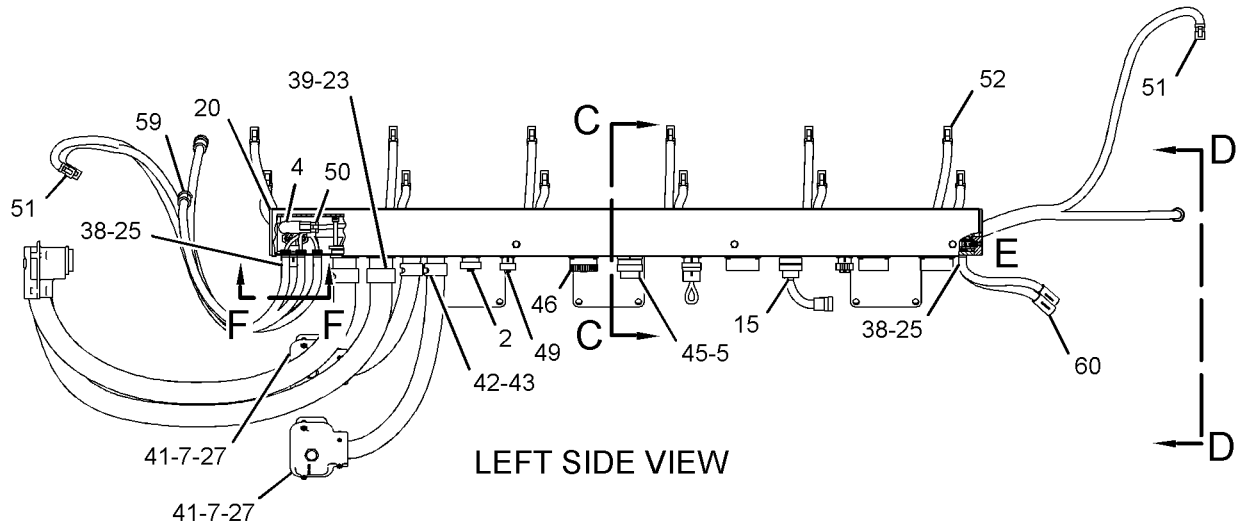
NOTE	REF NO	GRAPHIC REF	PART NUMBER	QTY	PART NAME						SEE PAGE
					1	2	3	4	5	6 (PRODUCT LEVEL)	
M	47	1	096-0028	10	SETSCREW-SOCKET (M5X0.8X5-MM)						
	48	1	096-5962	6	WASHER-HARD (3.4X7X0.8-MM THK)						
	49	1	100-5805	1	CAP-RECEPTACLE						
	50	1	155-2271	1	KIT-CONNECTING PLUG (4-PIN)						
	51	1	174-0503	1	KIT-CONNECTING PLUG (3-PIN)						
	52	1	176-2943	1	KIT-CONNECTING PLUG (2-PIN)						
					(EACH PLUG KIT INCLUDES PLUG AS, WEDGE & INTERFACE SEAL)						
	53	1	3E-5394	1	RECEPTACLE (FLANGE)						
	54	1	5P-9959	12	BOLT (5/16-18X0.5-IN)						
	55	1	5S-7349	4	BOLT (1/4-20X0.5-IN)						
	56	1	6K-0806	10	STRAP-CABLE						
	57	1	8C-3654	1	PLUG-CONNECTOR (6-PIN)						
	58	1	8T-4205	4	WASHER-HARD (7.2X14.5X2-MM THK)						
	59	1	8T-8731	4	PLUG-CONNECTOR (3-PIN)						
	60	1	8T-8732	2	RECEPTACLE (3-PIN)						
	61	1	9W-1951	1	RECEPTACLE-CONNECTOR (9-PIN)						
	62	1	9X-4813	1	RECEPTACLE AS-CONNECTOR (3-PIN)						
	63	1	9X-4814	2	RECEPTACLE AS-CONNECTOR (6-PIN)						
E	99	1	239-6337		SEAL (298-CM)						
			159-9496	1	LOCKWASHER						
F			203-9007	1	NUT (M1.5X18-THD)						
F			203-9001	2	SLEEVE						
F			203-8999	2	SEAL						
EF			125-7874		TUBE-HEAT SHRINK (5.72-MM DIA) (445-CM)						
EF			119-3662		TUBE-HEAT SHRINK (10.85-MM DIA) (46-CM)						
EF			125-7875		TUBE-HEAT SHRINK (7.44-MM DIA) (40-CM)						
EF			210-8958		TUBE-HEAT SHRINK (24-MM DIA) (105-CM)						
EF			153-2707		CABLE-ELECTRICAL (19-GA) (414-CM)						
EF			134-6258		CABLE-ELECTRICAL (16-GA) (104-CM)						
EF			116-2652		CABLE-ELECTRICAL (18-GA) (449-CM)						
EF			232-0893		CONDUIT-FLEXIBLE (6.2-MM ID) (802-CM)						
EF			231-9897		CONDUIT-FLEXIBLE (36-MM ID) (209-CM)						
EF			235-2765		CONDUIT-FLEXIBLE (27.6-MM ID) (83-CM)						

C - CHANGE FROM PREVIOUS TYPE
 E - ORDER BY THE CENTIMETER
 F - NOT SHOWN
 M - METRIC PART
 Y - SEPARATE ILLUSTRATION

ELECTRICAL AND STARTING SYSTEM

279-2064 HARNESS AS-ENGINE (contd.)

i03072789



GRAPHIC #1

<END>

g01359981

ELECTRICAL AND STARTING SYSTEM

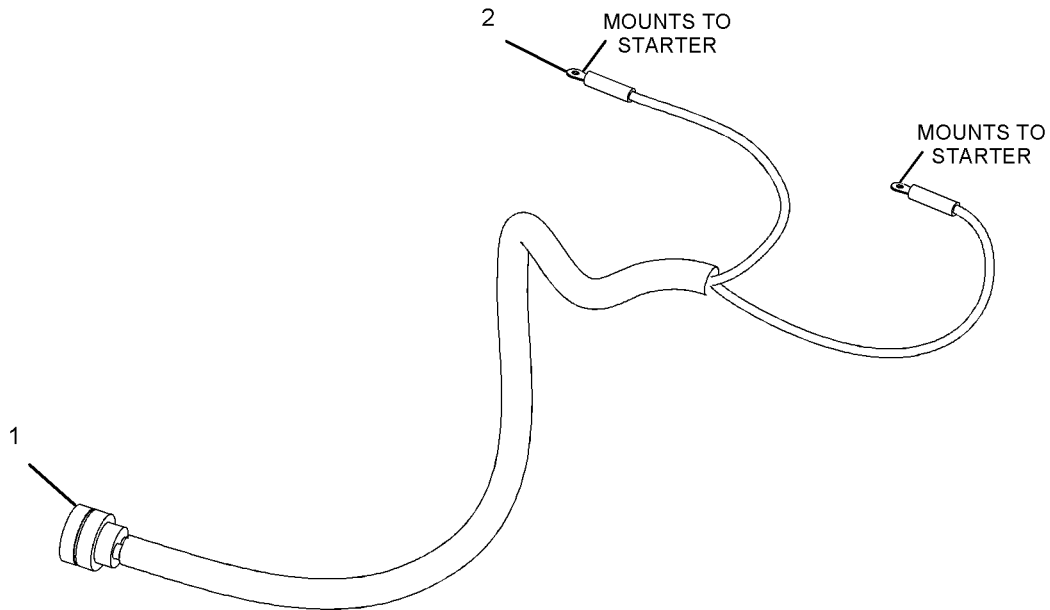
238-2929 HARNESS AS-MOTOR PART OF 238-2928 WIRING GP-ELECTRIC STARTING AN ATTACHMENT

SMCS-1408

i02049754

NOTE	REF NO	GRAPHIC REF	PART NUMBER	QTY	PART NAME						SEE PAGE
					1	2	3	4	5	6 (PRODUCT LEVEL)	
	1	1	203-9000	1	PLUG AS (6-PIN)						
		1	203-8999	2	SEAL						
		1	203-9001	2	SLEEVE						
	2	1	131-1487	2	TERMINAL AS						
					(EACH INCLUDES)						
		1	2L-8049	1	TERMINAL (6-GA, NO.10 SCREW)						
					-OR-						
		1	2L-8057	1	TERMINAL (8-GA, NO.10 SCREW)						
E		1	119-3662		TUBE-HEAT SHRINK (10.85-MM DIA) (4CM)						
BF			097-7404		TUBE-HEAT SHRINK (19.1-MM DIA) (1DM)						
F			8T-8737	4	PLUG-SEAL						
F			203-8999	2	SEAL						
F			203-9001	2	SLEEVE						
F			7R-3354	2	SOCKET						
EF			135-5009		TUBE-HEAT SHRINK (32-MM DIA) (5CM)						
DF			5P-5622		WIRE (10-GA, BLACK) (2.3M)						
EF			232-0897		CONDUIT-FLEXIBLE (16.2-MM ID) (80CM)						

B- USE AS REQUIRED
D- ORDER BY THE METER
E- ORDER BY THE CENTIMETER
F- NOT SHOWN



GRAPHIC #1

<END>

g01059974

ELECTRICAL AND STARTING SYSTEM

237-9022 HARNESS AS-PANEL-SPEED CONTROL

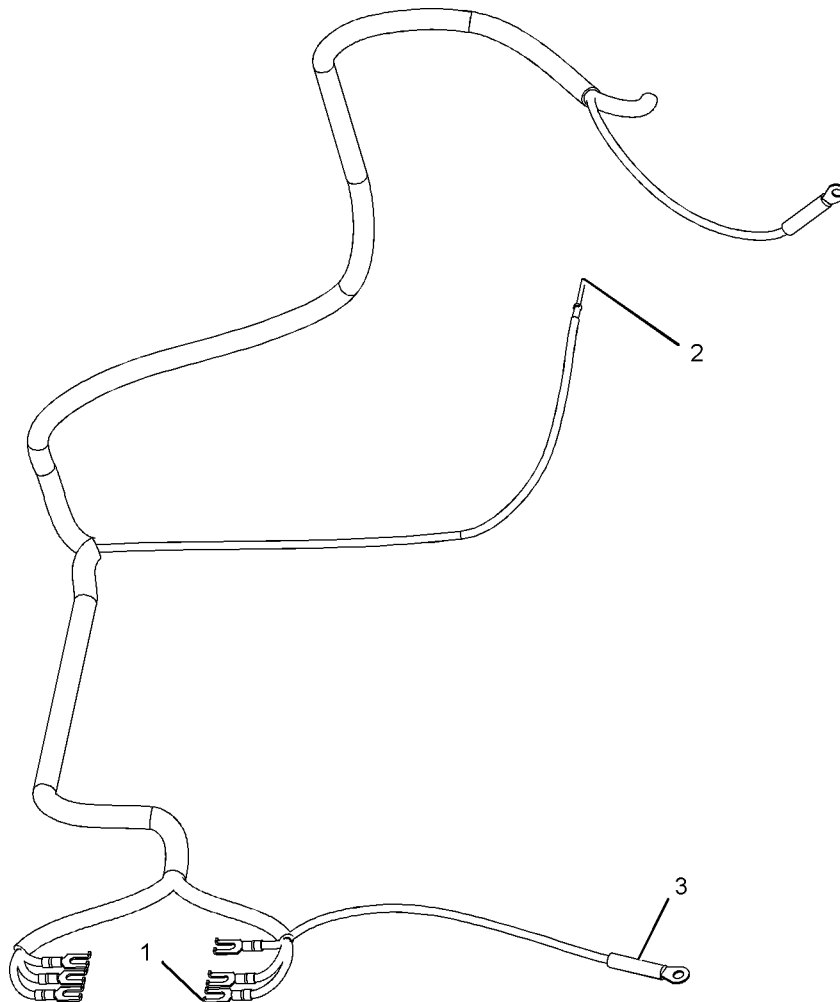
PART OF 238-9549 CONTROL GP-FUEL
FOR USE WITH POWER DISTRIBUTION BOX
AN ATTACHMENT

SMCS-1408, 7451

i01935420

NOTE	REF NO	GRAPHIC REF	PART NUMBER	QTY	PART NAME						SEE PAGE
					1	2	3	4	5	6 (PRODUCT LEVEL)	
	1	1	092-7436	6	TERMINAL						
	2	1	233-9226	1	PIN-CONNECTOR (20-GA TO 16-GA)						
	3	1	128-4183	2	TERMINAL AS						
					(EACH INCLUDES)						
		1	2L-8075	1	TERMINAL (14-GA TO 16-GA, NO. 8 SCREW)						
BD		1	6V-2689		TUBE-HEAT SHRINK (6.35-MM DIA)						
	BDF		5P-5677		WIRE (18-GA, BLACK)						
	F		8L-8413	20	STRAP-CABLE						

B - USE AS REQUIRED
D - ORDER BY THE METER
F - NOT SHOWN



GRAPHIC #1

<END>

g01017317

ELECTRICAL AND STARTING SYSTEM

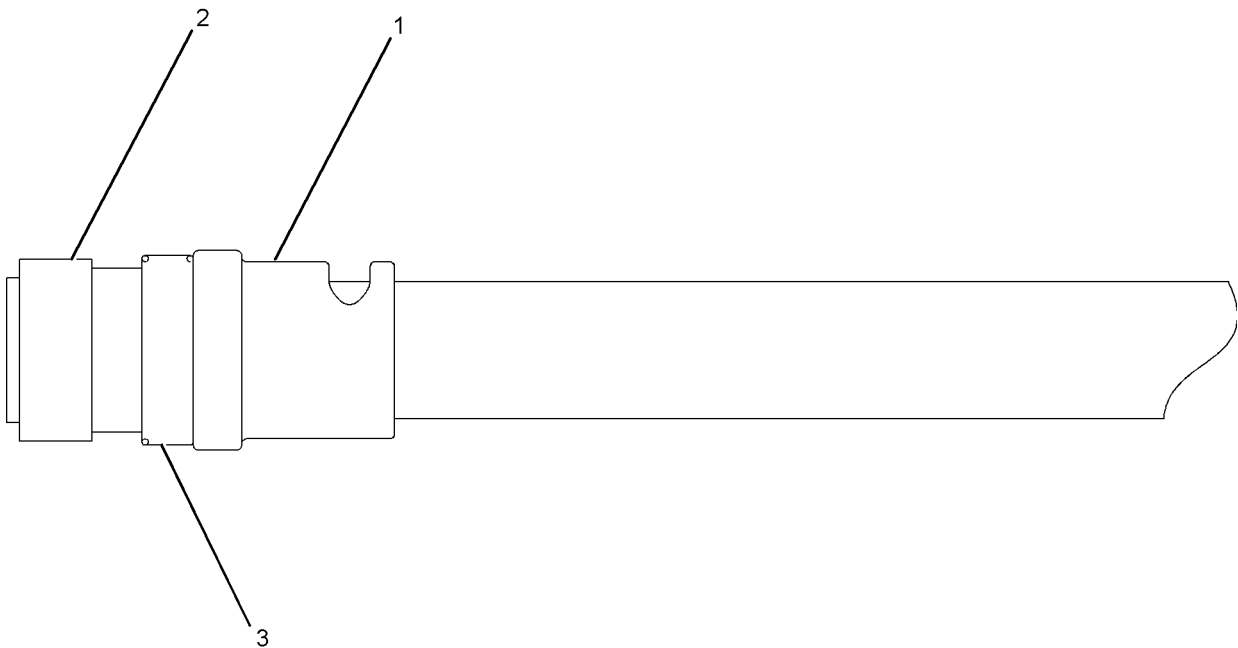
239-1476 HARNESS AS - PANEL - MARINE POWER DISPLAY, EXTENSION 3-METER EXTENSION PART OF 239-1475, 239-1477 WIRING GP - ENGINE ELECTRONIC AN ATTACHMENT

SMCS-1408, 7451

i02739764

NOTE	REF NO	GRAPHIC REF	PART NUMBER	QTY	PART NAME						SEE PAGE
					1	2	3	4	5	6 (PRODUCT LEVEL)	
	1	1	231-9915	2	CONNECTOR (CONDUIT)						
	2	1	232-0020	2	CONNECTOR AS (46-PIN)						
	3	1	241-8267	2	ADAPTER						
DF			5P-5677		WIRE (18-GA, BLACK) (155.6DM)						
F			233-9227	92	SOCKET-CONNECTOR (16-GA TO 20-GA)						
EF			231-9897		CONDUIT-FLEXIBLE (36-MM ID) (376-CM)						
EF			153-2707		CABLE-ELECTRICAL (19-GA) (389-CM)						
EF			134-6258		CABLE-ELECTRICAL (16-GA) (389-CM)						

D - ORDER BY THE METER
E - ORDER BY THE CENTIMETER
F - NOT SHOWN



GRAPHIC #1

<END>

g01050284

ELECTRICAL AND STARTING SYSTEM

278-1836 HARNESS AS-PANEL-MARINE POWER DISPLAY

PART OF 290-3211, 300-0478 BOX GP-INSTRUMENT PANEL

AN ATTACHMENT

SMCS-1408, 7451

i02456944

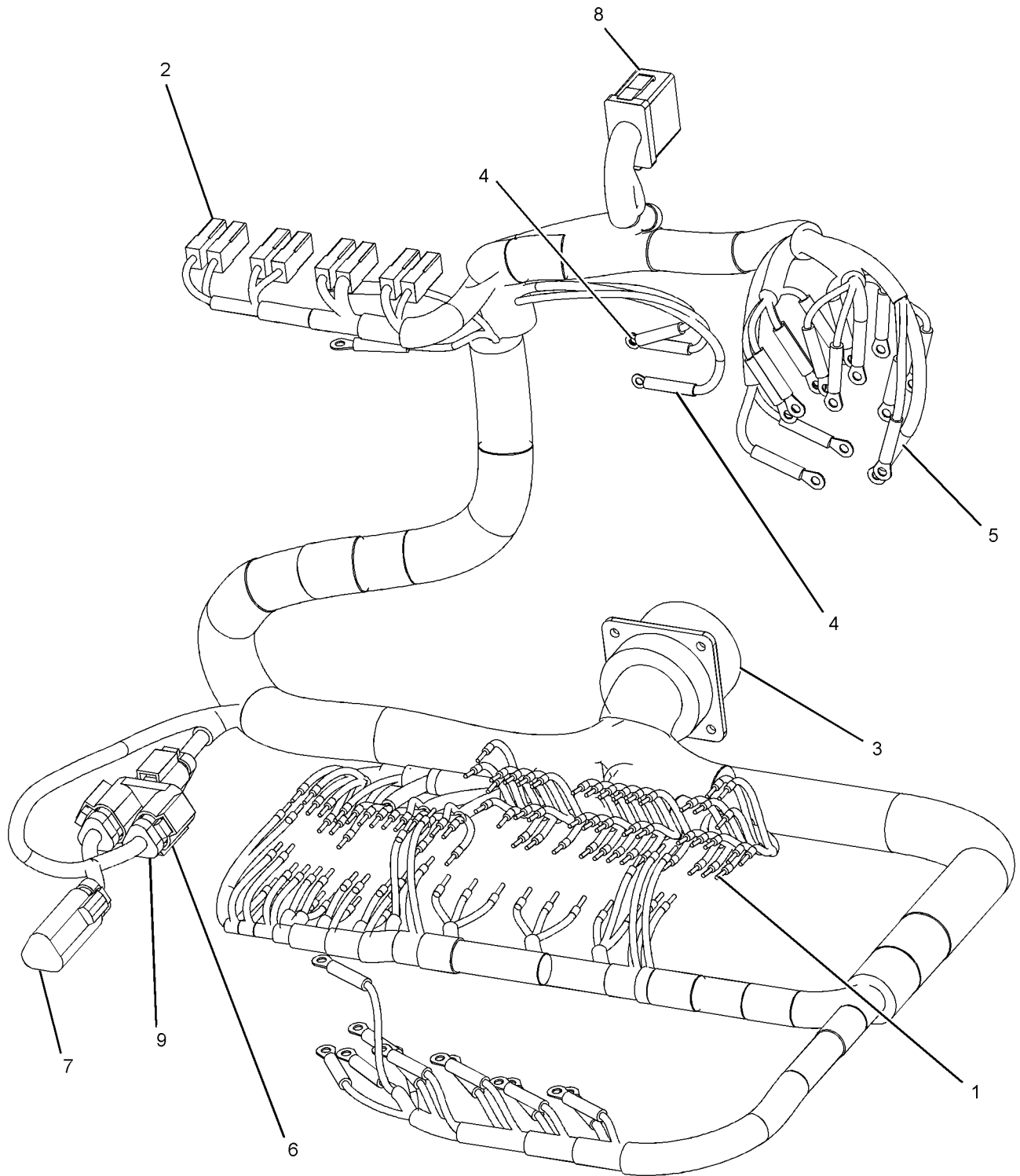
NOTE	REF NO	GRAPHIC REF	PART NUMBER	QTY	PART NAME	SEE PAGE
					1 2 3 4 5 6 (PRODUCT LEVEL)	
	1	1	110-8714	100	END-WIRE (18-GA)	
	2	1	207-5432	8	TERMINAL (14-GA TO 16-GA)	
	3	1	232-0019	1	RECEPTACLE (46-PIN)	
	4	1	5P-2321	3	TERMINAL (14-GA TO 16-GA, NO. 6 SCREW)	
	5	1	2L-8075	30	TERMINAL (14-GA TO 16-GA, NO. 8 SCREW)	
	6	1	133-0970	1	RECEPTACLE AS (TEE)	
	7	1	134-2540	1	RECEPTACLE AS (3-PIN)	
	8	1	155-2255	1	KIT-CONNECTING PLUG (12-PIN) (INCLUDES PLUG AS AND WEDGE)	
	9	1	174-0503	4	KIT-CONNECTING PLUG (3-PIN) (EACH INCLUDES PLUG AS AND WEDGE)	
F			233-9226	41	PIN-CONNECTOR (20-GA TO 16-GA)	
F			8T-8737	2	PLUG-SEAL	
F			233-9228	5	PLUG-SEAL	
F			186-3736	21	SOCKET-CONNECTOR (16-GA TO 18-GA)	
F			9W-0844	1	SOCKET-CONNECTOR (14-GA)	
BF			8L-8413	60	STRAP-CABLE	
EF			125-7874		TUBE-HEAT SHRINK (5.72-MM DIA) (105-CM)	
EF			119-3662		TUBE-HEAT SHRINK (10.85-MM DIA) (20-CM)	
EF			125-7875		TUBE-HEAT SHRINK (7.44-MM DIA) (5-CM)	
F			155-2258	1	WEDGE-PLUG LOCK (12-PIN)	
BEF			153-2707		CABLE-ELECTRICAL (19-GA)	

B- USE AS REQUIRED
E- ORDER BY THE CENTIMETER
F- NOT SHOWN

ELECTRICAL AND STARTING SYSTEM

278 - 1836 HARNESS AS - PANEL (contd.)

i02456944



GRAPHIC #1

<END>

g01286638

ELECTRICAL AND STARTING SYSTEM

235 - 6280 HARNESS AS - SENSOR-OIL, FUEL PRESSURE, LH SERVICE PART OF 307-2046 WIRING GP - SENSOR AN ATTACHMENT

SMCS - 1408

i02739770

NOTE	PART NUMBER	QTY	PART NAME						SEE PAGE
			1	2	3	4	5	6 (PRODUCT LEVEL)	
	238-9803	1	ADAPTER						
E	232-0897		CONDUIT-FLEXIBLE (16.2-MM ID) (186-CM)						
E	232-0895		CONDUIT-FLEXIBLE (9.6-MM OD) (105-CM)						
E	232-0893		CONDUIT-FLEXIBLE (6.2-MM ID) (55-CM)						
	238-9591	1	FITTING						
	238-9733	1	FITTING						
	238-9802	1	FITTING						
	174-0503	4	KIT-CONNECTING PLUG (3-PIN) (INCLUDES PLUG AS. AND WEDGE)						
	8C-3654	1	PLUG-CONNECTOR (6-PIN)						
	186-3736	18	SOCKET-CONNECTOR (16-GA TO 18-GA)						
BE	125-7875		TUBE-HEAT SHRINK (7.44-MM DIA)						
H	097-7404		TUBE-HEAT SHRINK (19.1-MM DIA) (2-DM)						
	155-2276	4	WEDGE-PLUG LOCK (3-PIN)						
B- USE AS REQUIRED E- ORDER BY THE CENTIMETER H- ORDER BY THE DECIMETER									
<END>									

237 - 9023 HARNESS AS - SENSOR-THERMOCOUPLE

PART OF 300-0478 BOX GP - INSTRUMENT PANEL AN ATTACHMENT

SMCS - 1408

i02707178

NOTE	PART NUMBER	QTY	PART NAME						SEE PAGE
			1	2	3	4	5	6 (PRODUCT LEVEL)	
	153-1223	2	CONNECTOR-RECEPTACLE (23-PIN)						
	174-0503	1	KIT-CONNECTING PLUG (3-PIN) (KIT INCLUDES PLUG AS AND WEDGE)						
	176-9299	1	KIT-RECEPTACLE (3-PIN) (KIT INCLUDES RECEPTACLE AS AND WEDGE)						
	128-4250	2	NUT (1-11/16-18-THD)						
	186-3735	35	PIN-CONNECTOR (16-GA TO 18-GA)						
	233-9226	3	PIN-CONNECTOR (20-GA TO 16-GA)						
	160-7689	1	PLUG AS-CONNECTOR (70-PIN)						
	159-9322	1	SEAL-O-RING						
	8T-8737	44	PLUG-SEAL						
	186-3736	3	SOCKET-CONNECTOR (16-GA TO 18-GA)						
	9X-3402	40	SOCKET-CONNECTOR (16-GA TO 18-GA)						
	8L-8413	20	STRAP-CABLE						
E	5P-6009		TUBE-HEAT SHRINK (9.52-MM DIA) (2-CM)						
E	125-7875		TUBE-HEAT SHRINK (7.44-MM DIA) (30-CM)						
E	126-9424		TUBE-HEAT SHRINK (3.2-MM DIA) (40-CM)						
E- ORDER BY THE CENTIMETER									
<END>									

ELECTRICAL AND STARTING SYSTEM

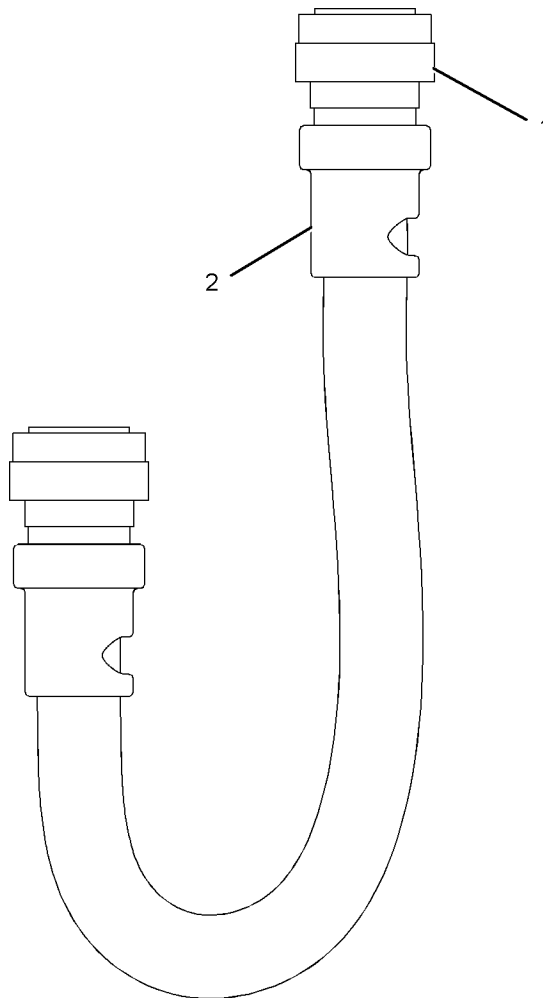
239-1473 HARNESS AS-SENSOR-THERMOCOUPLE, RH PART OF 239-6364 WIRING GP-ENGINE, 239-1472 WIRING GP-PANEL AN ATTACHMENT

SMCS-1408

i02739813

NOTE	REF NO	GRAPHIC REF	PART NUMBER	QTY	PART NAME						SEE PAGE
					1	2	3	4	5	6 (PRODUCT LEVEL)	
	1	1	122-4386	2	CONNECTOR-PLUG (23-PIN)						
	2	1	235-2762	2	CONNECTOR (CONDUIT)						
F			186-3736	32	SOCKET-CONNECTOR (16-GA TO 18-GA)						
F			8T-8737	14	PLUG-SEAL						
EF			231-9895		CONDUIT-FLEXIBLE (21.9-MM ID) (57-CM)						

E - ORDER BY THE CENTIMETER
F - NOT SHOWN



GRAPHIC #1

<END>

g01017357

ELECTRICAL AND STARTING SYSTEM

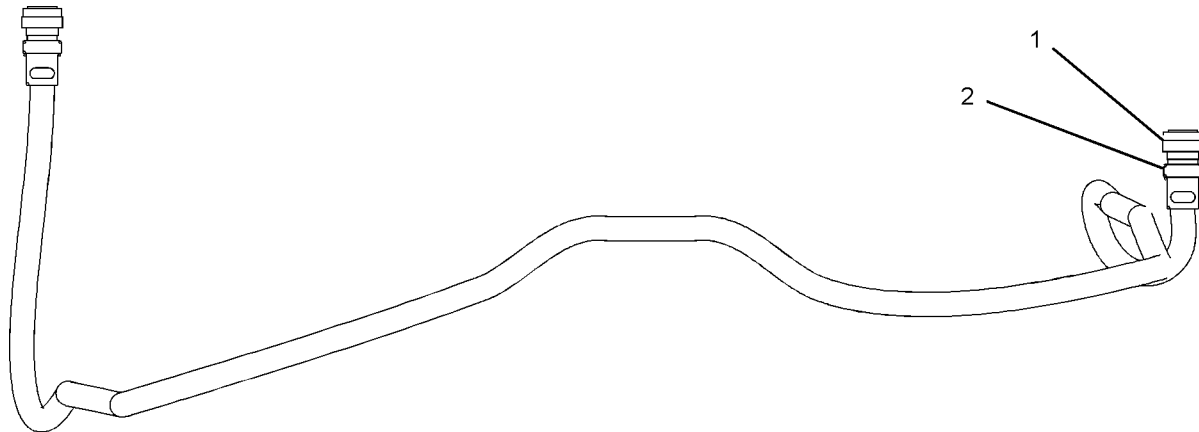
239-1474 HARNESS AS-SENSOR-THERMOCOUPLE, LH PART OF 239-6364 WIRING GP-ENGINE, 239-1472 WIRING GP-PANEL AN ATTACHMENT

SMCS-1408

i01979100

NOTE	REF NO	GRAPHIC REF	PART NUMBER	QTY	PART NAME						SEE PAGE
					1	2	3	4	5	6 (PRODUCT LEVEL)	
	1	1	122-4386	2	CONNECTOR-PLUG (23-PIN)						
	2	1	235-2762	2	CONNECTOR (CONDUIT)						
F			186-3736	32	SOCKET-CONNECTOR (16-GA TO 18-GA)						
F			8T-8737	14	PLUG-SEAL						
EF			231-9895		CONDUIT-FLEXIBLE (21.9-MM ID) (377CM)						
BF			116-2652		CABLE-ELECTRICAL (18-GA)						

B- USE AS REQUIRED
E- ORDER BY THE CENTIMETER
F- NOT SHOWN



<END>

g01017262

ELECTRICAL AND STARTING SYSTEM

239 - 1478 HARNESS AS - SENSOR-THERMOCOUPLE

3-METER EXTENSION

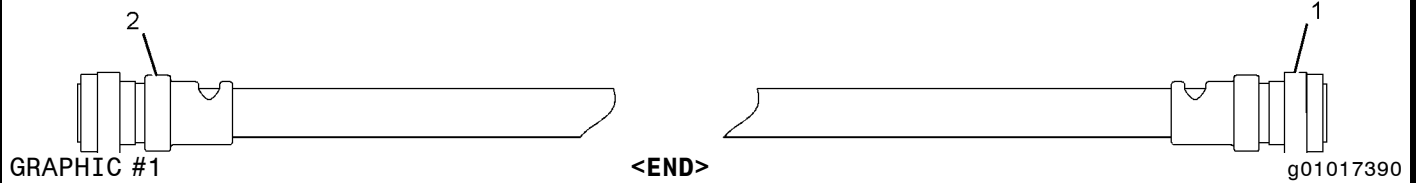
PART OF 239-1477 WIRING GP-ENGINE ELECTRONIC
AN ATTACHMENT

SMCS - 1408

i01979112

NOTE	REF NO	GRAPHIC REF	PART NUMBER	QTY	PART NAME						SEE PAGE
					1	2	3	4	5	6 (PRODUCT LEVEL)	
	1	1	122-4386	2	CONNECTOR-PLUG (23-PIN)						
	2	1	235-2762	2	CONNECTOR (CONDUIT)						
F			186-3736	32	SOCKET-CONNECTOR (16-GA TO 18-GA)						
F			8T-8737	14	PLUG-SEAL						
BEF			116-2652		CABLE-ELECTRICAL (18-GA)						
EF			231-9895		CONDUIT-FLEXIBLE (21.9-MM ID) (357CM)						

B - USE AS REQUIRED
E - ORDER BY THE CENTIMETER
F - NOT SHOWN



ELECTRICAL AND STARTING SYSTEM

239 - 1479 HARNESS AS - SENSOR-THERMOCOUPLE

3-METER EXTENSION

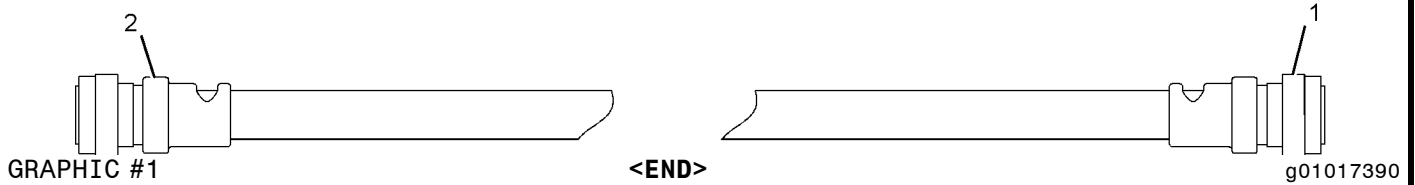
PART OF 239-1477 WIRING GP-ENGINE ELECTRONIC
AN ATTACHMENT

SMCS - 1408

i01979103

NOTE	REF NO	GRAPHIC REF	PART NUMBER	QTY	PART NAME						SEE PAGE
					1	2	3	4	5	6 (PRODUCT LEVEL)	
	1	1	122-4386	2	CONNECTOR-PLUG (23-PIN)						
	2	1	235-2762	2	CONNECTOR (CONDUIT)						
F			186-3736	32	SOCKET-CONNECTOR (16-GA TO 18-GA)						
F			8T-8737	14	PLUG-SEAL						
BEF			116-2652		CABLE-ELECTRICAL (18-GA)						
EF			231-9895		CONDUIT-FLEXIBLE (21.9-MM ID) (653CM)						

B- USE AS REQUIRED
E- ORDER BY THE CENTIMETER
F- NOT SHOWN



ELECTRICAL AND STARTING SYSTEM

239 - 1483 HARNESS AS - SENSOR

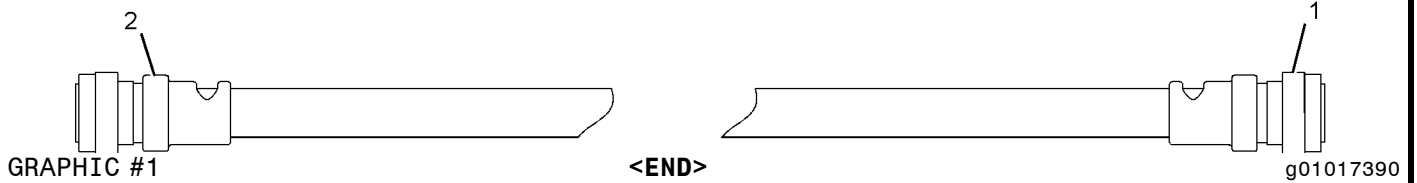
15-METER EXTENSION. THERMOCOUPLE
PART OF 239-1482 WIRING GP-ENGINE ELECTRONIC
AN ATTACHMENT

SMCS - 1408

i01979104

NOTE	REF NO	GRAPHIC REF	PART NUMBER	QTY	PART NAME						SEE PAGE
					1	2	3	4	5	6 (PRODUCT LEVEL)	
	1	1	122-4386	2	CONNECTOR-PLUG (23-PIN)						
	2	1	235-2762	2	CONNECTOR (CONDUIT)						
F			186-3736	32	SOCKET-CONNECTOR (16-GA TO 18-GA)						
F			8T-8737	14	PLUG-SEAL						
BF			116-2652		CABLE-ELECTRICAL (18-GA)						
EF			231-9895		CONDUIT-FLEXIBLE (21.9-MM ID) (1557CM)						

B - USE AS REQUIRED
E - ORDER BY THE CENTIMETER
F - NOT SHOWN



ELECTRICAL AND STARTING SYSTEM

239 - 1484 HARNESS AS - SENSOR-THERMOCOUPLE

15-METER EXTENSION

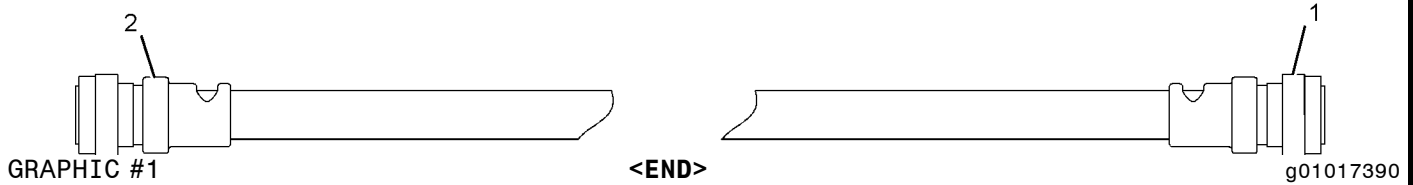
PART OF 239-1482 WIRING GP-ENGINE ELECTRONIC
AN ATTACHMENT

SMCS - 1408

i01979101

NOTE	REF NO	GRAPHIC REF	PART NUMBER	QTY	PART NAME						SEE PAGE
					1	2	3	4	5	6 (PRODUCT LEVEL)	
	1	1	122-4386	2	CONNECTOR-PLUG (23-PIN)						
	2	1	235-2762	2	CONNECTOR (CONDUIT)						
F			186-3736	32	SOCKET-CONNECTOR (16-GA TO 18-GA)						
F			8T-8737	14	PLUG-SEAL						
BF			116-2652		CABLE-ELECTRICAL (18-GA)						
EF			231-9895		CONDUIT-FLEXIBLE (21.9-MM ID) (1853CM)						

B- USE AS REQUIRED
E- ORDER BY THE CENTIMETER
F- NOT SHOWN



ELECTRICAL AND STARTING SYSTEM

239 - 1488 HARNESS AS - SENSOR-THERMOCOUPLE

30-METER EXTENSION

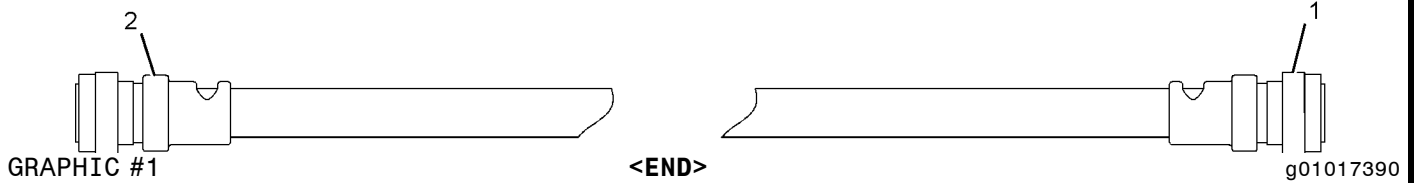
PART OF 239-1487 WIRING GP-ENGINE ELECTRONIC
AN ATTACHMENT

SMCS - 1408

i01979105

NOTE	REF NO	GRAPHIC REF	PART NUMBER	QTY	PART NAME						SEE PAGE
					1	2	3	4	5	6 (PRODUCT LEVEL)	
	1	1	122-4386	2	CONNECTOR-PLUG (23-PIN)						
	2	1	235-2762	2	CONNECTOR (CONDUIT)						
F			186-3736	32	SOCKET-CONNECTOR (16-GA TO 18-GA)						
F			8T-8737	14	PLUG-SEAL						
BF			116-2652		CABLE-ELECTRICAL (18-GA)						
EF			231-9895		CONDUIT-FLEXIBLE (21.9-MM ID) (3057CM)						

B - USE AS REQUIRED
E - ORDER BY THE CENTIMETER
F - NOT SHOWN



ELECTRICAL AND STARTING SYSTEM

239 - 1489 HARNESS AS - SENSOR-THERMOCOUPLE

30-METER EXTENSION

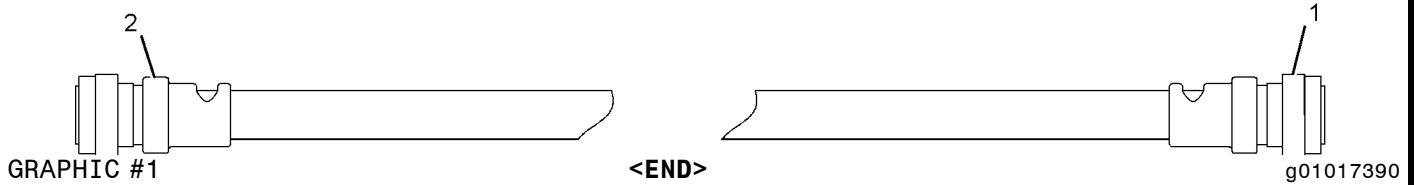
PART OF 239-1487 WIRING GP-ENGINE ELECTRONIC
AN ATTACHMENT

SMCS - 1408

i01979108

NOTE	REF NO	GRAPHIC REF	PART NUMBER	QTY	PART NAME						SEE PAGE
					1	2	3	4	5	6 (PRODUCT LEVEL)	
	1	1	122-4386	2	CONNECTOR-PLUG (23-PIN)						
	2	1	235-2762	2	CONNECTOR (CONDUIT)						
F			186-3736	32	SOCKET-CONNECTOR (16-GA TO 18-GA)						
F			8T-8737	14	PLUG-SEAL						
BF			116-2652		CABLE-ELECTRICAL (18-GA)						
EF			231-9895		CONDUIT-FLEXIBLE (21.9-MM ID) (3353CM)						

B - USE AS REQUIRED
E - ORDER BY THE CENTIMETER
F - NOT SHOWN



ELECTRICAL AND STARTING SYSTEM

306 - 8879 HARNESS AS - SENSOR-OIL, FUEL PRESSURE PART OF 307 - 0008 WIRING GP - SENSOR AN ATTACHMENT

SMCS - 1408

i02665382

NOTE	PART NUMBER	QTY	PART NAME						SEE PAGE
			1	2	3	4	5	6 (PRODUCT LEVEL)	
	254-5668	1	ADAPTER						
E	232-0895		CONDUIT-FLEXIBLE (9.6-MM OD) (43-CM)						
E	232-0897		CONDUIT-FLEXIBLE (16.2-MM ID) (78-CM)						
E	232-0893		CONDUIT-FLEXIBLE (6.2-MM ID) (40-CM)						
	238-9591	1	FITTING						
	238-9733	1	FITTING						
	238-9802	1	FITTING						
	155-2260	4	KIT-CONNECTING PLUG (3-PIN) (EACH INCLUDES PLUG AS AND WEDGE)						
	174-0503	4	KIT-CONNECTING PLUG (3-PIN) (EACH INCLUDES PLUG AS AND WEDGE)						
	8C-3654	1	PLUG-CONNECTOR (6-PIN)						
	186-3736	18	SOCKET-CONNECTOR (16-GA TO 18-GA)						
E	9X-8243		TUBE-HEAT SHRINK (39.9-MM DIA) (5-CM)						
E	125-7875		TUBE-HEAT SHRINK (7.44-MM DIA) (10-CM)						
E	210-8958		TUBE-HEAT SHRINK (24-MM DIA) (20-CM)						
E - ORDER BY THE CENTIMETER									
<END>									

237 - 8995 HARNESS AS - SOLENOID

PART OF 238-9734 CONTROL GP-AIR STARTING FOR USE WITH LH MOUNTED AIR START AN ATTACHMENT

SMCS - 1408

i01979109

NOTE	PART NUMBER	QTY	PART NAME						SEE PAGE
			1	2	3	4	5	6 (PRODUCT LEVEL)	
	3T-3048	1	CLIP AS						
E	232-0897		CONDUIT-FLEXIBLE (16.2-MM ID) (70CM)						
	7N-9737	1	HOUSING-PLUG (14-GA TO 18-GA)						
	7N-7780	1	PIN-CONNECTOR (14-GA TO 18-GA)						
	203-9000	1	PLUG AS (6-PIN)						
	203-8999	2	SEAL						
	203-9001	2	SLEEVE						
	8T-8737	4	PLUG-SEAL						
	7N-7779	1	SOCKET-CONNECTOR (14-GA TO 18-GA)						
	186-3736	2	SOCKET-CONNECTOR (16-GA TO 18-GA)						
	135-5009		TUBE-HEAT SHRINK (32-MM DIA) (1CM)						
	097-7404		TUBE-HEAT SHRINK (19.1-MM DIA) (1DM)						
BD	5P-5677		WIRE (18-GA, BLACK)						
B - USE AS REQUIRED D - ORDER BY THE METER E - ORDER BY THE CENTIMETER									
<END>									

ELECTRICAL AND STARTING SYSTEM

301-0625 HARNESS AS-WIRING

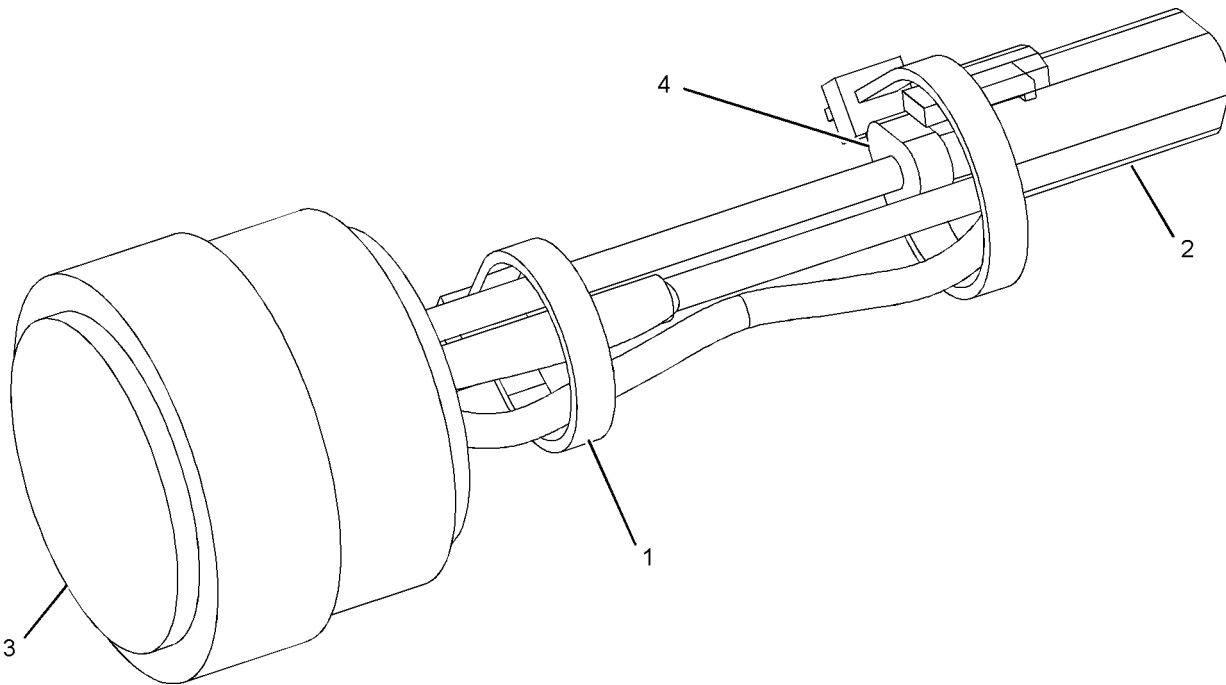
CUSTOMER CONNECT
AN ATTACHMENT

SMCS-1408

i02665340

NOTE	REF NO	GRAPHIC REF	PART NUMBER	QTY	PART NAME						SEE PAGE
					1	2	3	4	5	6 (PRODUCT LEVEL)	
	1	1	9X-6772	2	STRAP-CABLE						
	2	1	134-2540	1	RECEPTACLE AS (3-PIN)						
	3	1	233-9217	1	CONNECTOR (85-PIN)						
	4	1	174-0503	1	KIT-CONNECTING PLUG (3-PIN)						
(INCLUDES PLUG AS AND WEDGE)											
F			186-3736	2	SOCKET-CONNECTOR (16-GA TO 18-GA)						
F			8T-8737	80	PLUG-SEAL						
F			233-9226	6	PIN-CONNECTOR (20-GA TO 16-GA)						
F			155-2260	1	KIT-CONNECTING PLUG (3-PIN)						
(INCLUDES PLUG AS AND WEDGE)											

F - NOT SHOWN



GRAPHIC #1

<END>

g01020947

ELECTRICAL AND STARTING SYSTEM

7E-6247 HEATER GP-JACKET WATER

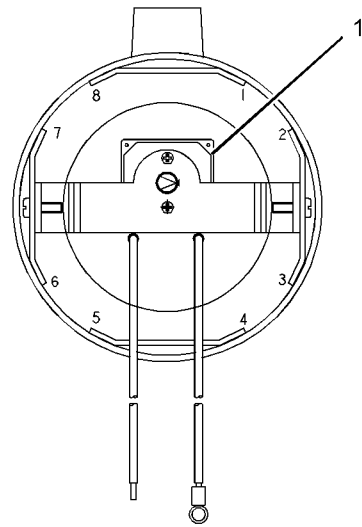
120-VOLT TO 240-VOLT, 3-KILOWATT
AN ATTACHMENT

SMCS-1383

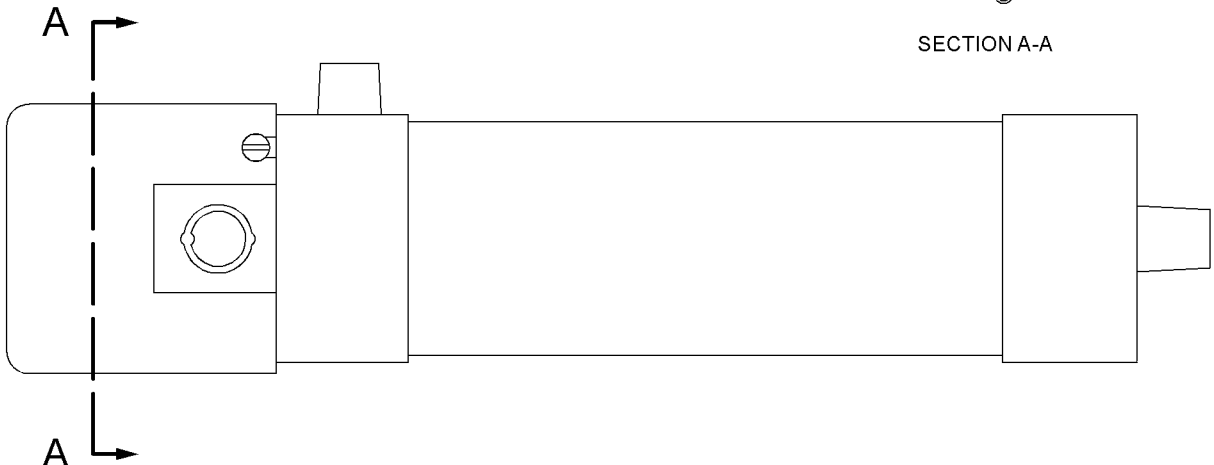
i03167895

NOTE	REF NO	GRAPHIC REF	PART NUMBER	QTY	PART NAME						SEE PAGE
					1	2	3	4	5	6 (PRODUCT LEVEL)	
C	1	1	109-8932	1	THERMOSTAT (60 DEG F TO 160 DEG F) (JACKET WATER HEATER)						

C- CHANGE FROM PREVIOUS TYPE



SECTION A-A



GRAPHIC #1

<END>

g01397474

ELECTRICAL AND STARTING SYSTEM

200 - 6504 HEATER GP - JACKET WATER

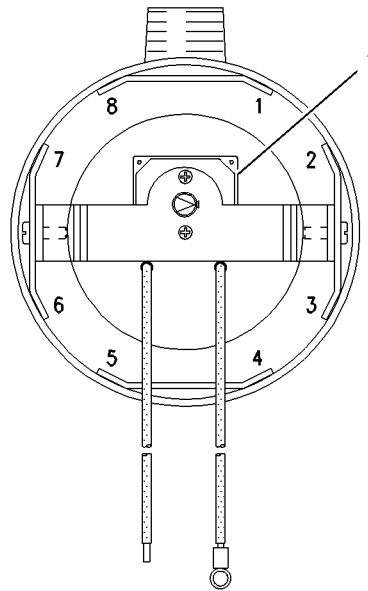
240-VOLT TO 480-VOLT AC, 6-KILOWATT
AN ATTACHMENT

SMCS - 1383

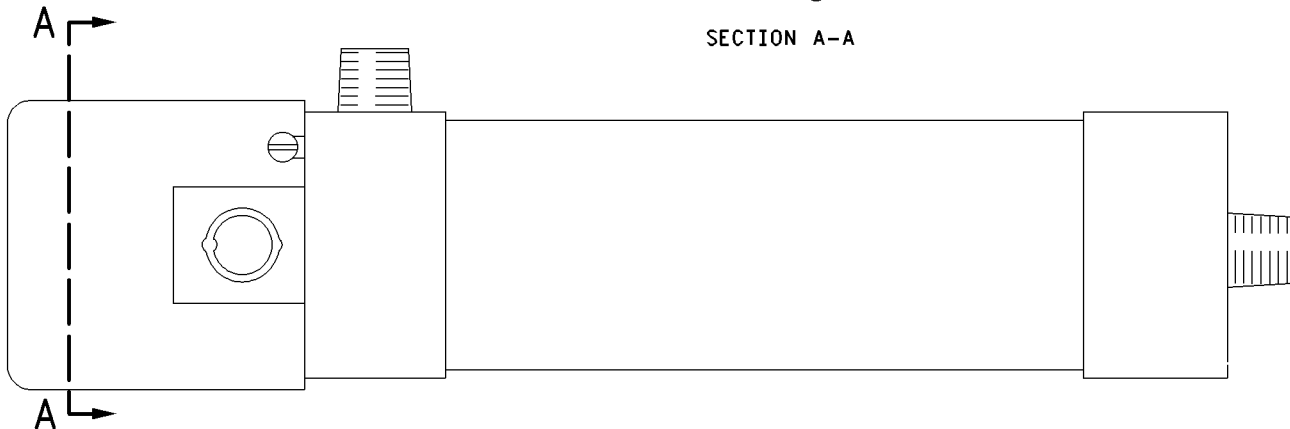
i03167554

NOTE	REF NO	GRAPHIC REF	PART NUMBER	QTY	PART NAME						SEE PAGE
					1	2	3	4	5	6 (PRODUCT LEVEL)	
C	1	1	109-8932	1	THERMOSTAT (60 DEG F TO 160 DEG F) (JACKET WATER HEATER)						

C - CHANGE FROM PREVIOUS TYPE



SECTION A-A



GRAPHIC #1

<END>

g01000471

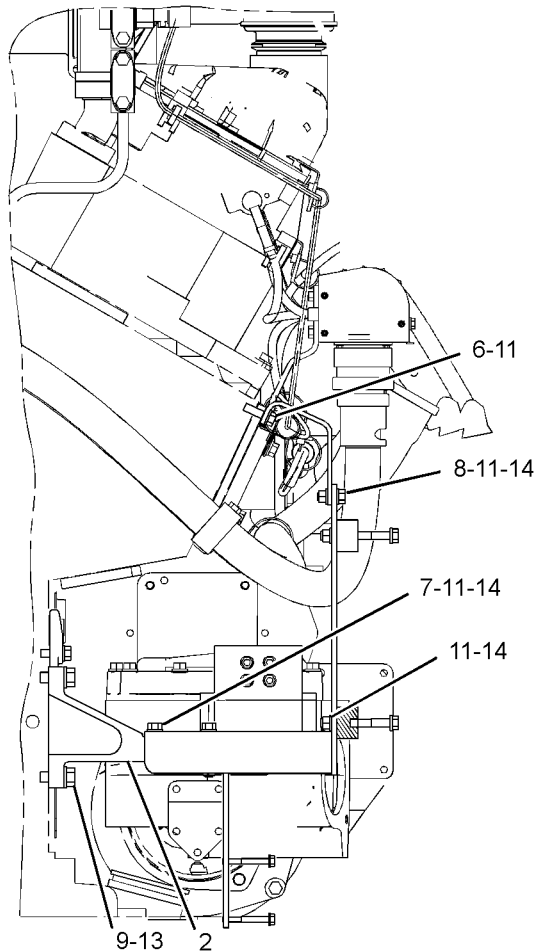
ELECTRICAL AND STARTING SYSTEM

253-6218 MOUNTING GP-BOX AN ATTACHMENT

SMCS-7426

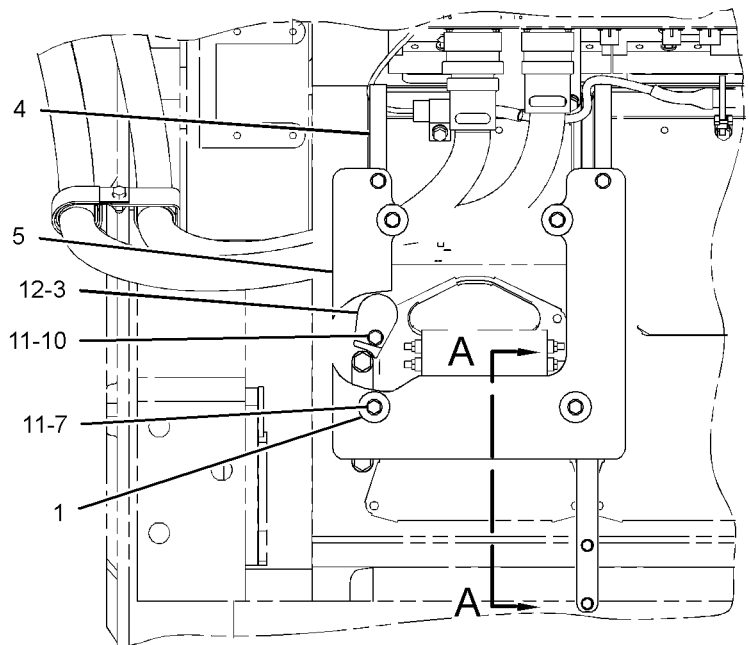
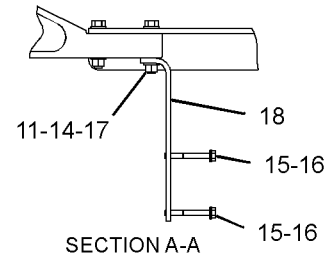
i02956441

NOTE	REF NO	GRAPHIC REF	PART NUMBER	QTY	PART NAME						SEE PAGE
					1	2	3	4	5	6 (PRODUCT LEVEL)	
	1	1	4P-0870	4	MOUNT-FLEXIBLE						
	2	1	7N-4940	2	BRACKET						
	3	1	133-6484	1	COVER-BOX						
	4	1	134-6275	2	BRACKET						
	5	1	253-6217	1	BRACKET AS						
	6	1	0S-1588	2	BOLT (3/8-16X1.25-IN)						
	7	1	0S-1590	7	BOLT (3/8-16X2-IN)						
	8	1	0S-1594	2	BOLT (3/8-16X1-IN)						
	9	1	0S-1595	4	BOLT (1/2-13X1.25-IN)						
	10	1	1A-2029	1	BOLT (3/8-16X1.125-IN)						
	11	1	5M-2894	23	WASHER-HARD (10.2X18.5X2.5-MM THK)						
	12	1	5P-8210	1	SEAL-O-RING						
	13	1	5P-8245	4	WASHER-HARD (13.5X25.5X3-MM THK)						
	14	1	9S-8752	10	NUT-FULL (3/8-16-THD)						
	15	1	8T-4205	2	WASHER-HARD (7.2X14.5X2-MM THK)						
	16	1	8T-9368	2	BOLT (1/4-20X2.25-IN)						
	17	1	8T-9377	1	BOLT (3/8-16X2.25-IN)						
	18	1	254-3402	1	BRACKET						



REAR VIEW OF ENGINE

GRAPHIC #1



RIGHT SIDE VIEW OF ENGINE

<END>

g01489913

ELECTRICAL AND STARTING SYSTEM

231 - 9526 MOUNTING GP - CONTACTOR AN ATTACHMENT

SMCS - 7400

i02278901

NOTE	REF NO	GRAPHIC REF	PART NUMBER	QTY	PART NAME						SEE PAGE
					1	2	3	4	5	6 (PRODUCT LEVEL)	
B	1	1	5P-8937		COMPOUND-JOINT (THERMAL)						
	2	1	3N-1968	8	MOUNT-FLEXIBLE						
	3	1	231-9873	1	BRACKET AS						
I	4	1	231-9877	1	HOSE AS						
	5	1	030-7941	1	ELBOW (45-DEG)						
	6	1	153-4906	1	SEAL-O-RING						
	7	1	0S-0509	1	BOLT (3/8-16X0.75-IN)						
	8	1	0S-1618	3	BOLT (5/16-18X1-IN)						
	9	1	1B-9575	2	BOLT (5/16-18X1.56-IN)						
	10	1	4B-0418	2	CLIP						
	11	1	4P-7581	2	CLIP						
	12	1	4W-2648	1	ADAPTER						
	13	1	5M-2894	4	WASHER-HARD (10.2X18.5X2.5-MM THK)						
	B	14	1	5P-9085	3	CLIP					
15		1	5P-9617	1	ADAPTER						
16		1	6V-5048	1	SEAL-O-RING						
17		1	7K-9197	1	ELBOW						
18		1	9M-1974	3	WASHER-HARD (8.8X16X2-MM THK)						
19		1	9S-8750	16	NUT-FULL (1/4-20-THD)						
B	20	1	9X-6772	3	STRAP-CABLE						

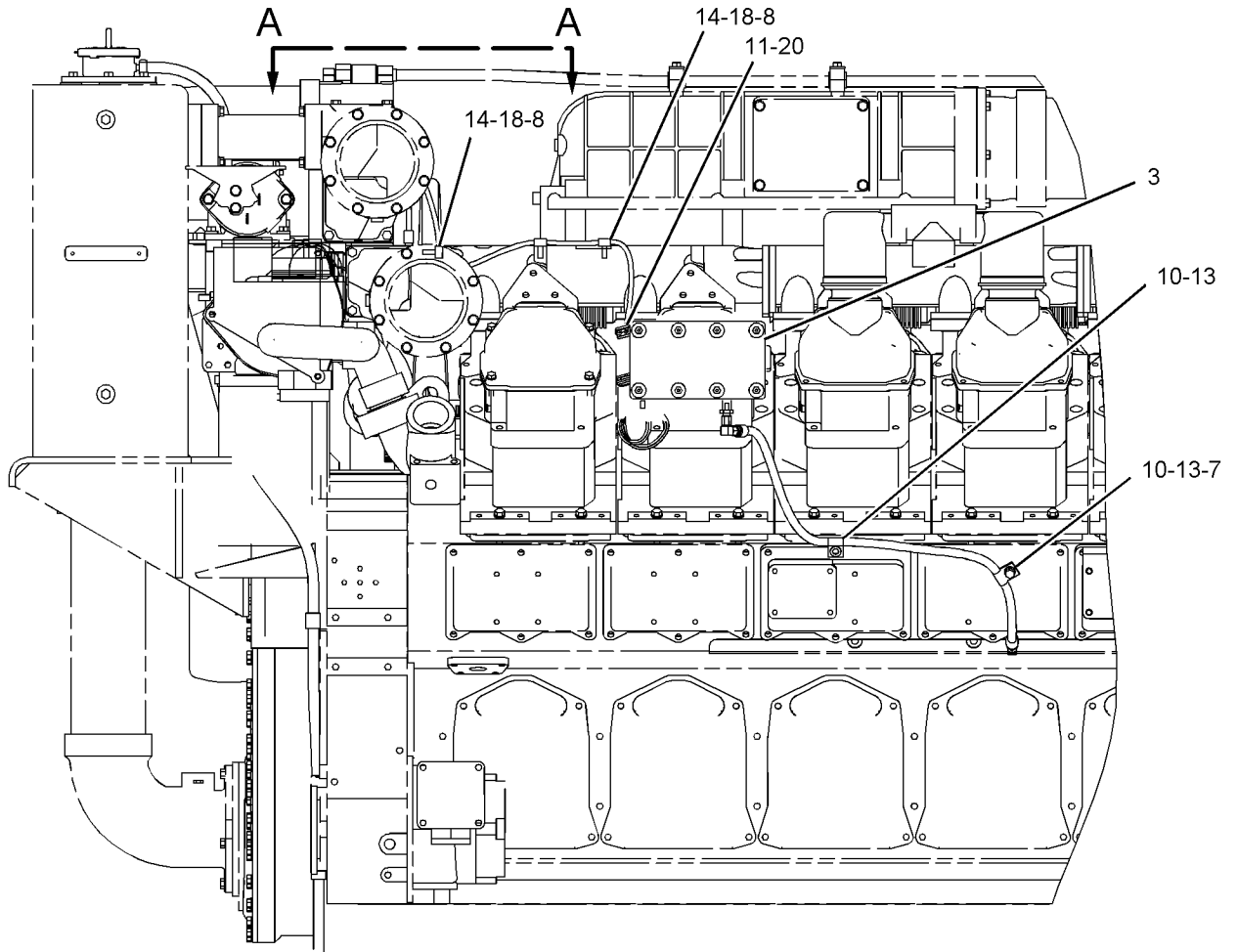
B - USE AS REQUIRED

I - REFER TO HYDRAULIC INFORMATION SYSTEM

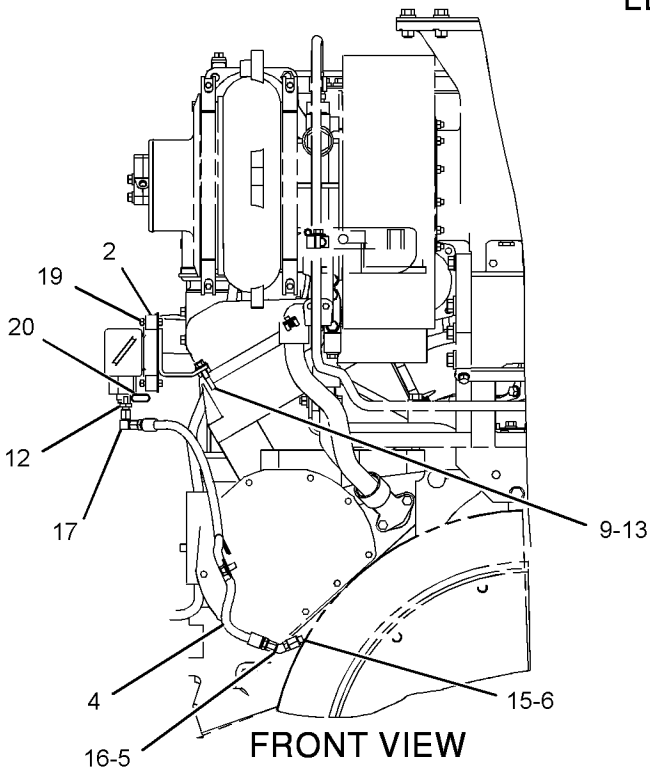
ELECTRICAL AND STARTING SYSTEM

231-9526 MOUNTING GP-CONTACTOR (contd.)

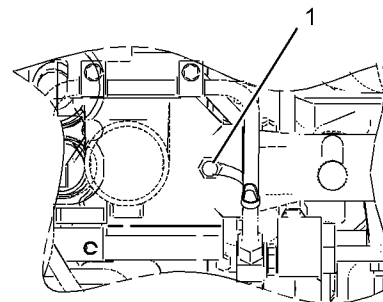
i02278901



LEFT SIDE VIEW



FRONT VIEW



VIEW A-A

GRAPHIC #1

<END>

g01023675

ELECTRICAL AND STARTING SYSTEM

232-0858 MOUNTING GP-CONTACTOR

FOR USE WITH RIGID HARNESS, LH MOUNTED POWER DISTRIBUTION PANEL
AN ATTACHMENT

SMCS-7400

i02214324

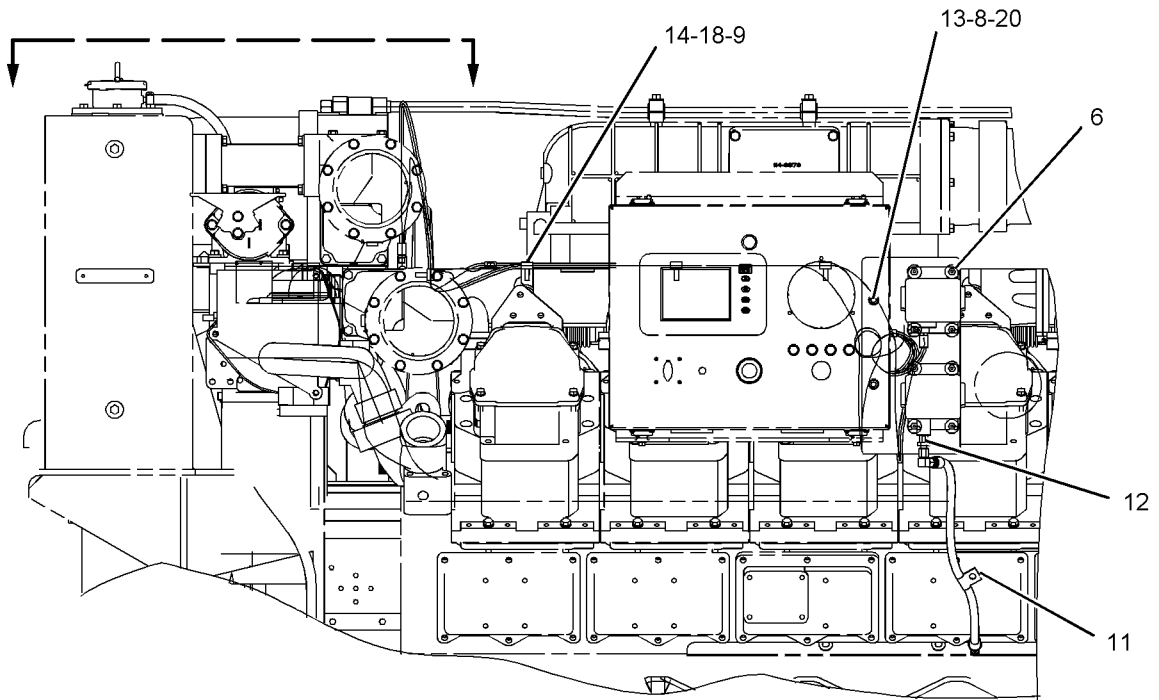
NOTE	REF NO	GRAPHIC REF	PART NUMBER	QTY	PART NAME						SEE PAGE
					1	2	3	4	5	6 (PRODUCT LEVEL)	
B	1	1	5P-8937		COMPOUND-JOINT (THERMAL)						
	2	1	3N-1968	8	MOUNT-FLEXIBLE						
I	3	1	3N-7281	1	HOSE AS						
	4	1	4P-7581	2	CLIP						
B	5	1	9X-6772	3	STRAP-CABLE						
	6	1	232-0867	1	PLATE						
	7	1	030-7941	1	ELBOW (45-DEG)						
	8	1	0S-1594	2	BOLT (3/8-16X1-IN)						
	9	1	0S-1618	4	BOLT (5/16-18X1-IN)						
	10	1	153-4906	1	SEAL-O-RING						
	11	1	4B-0418	1	CLIP						
	12	1	4W-2648	1	ADAPTER						
	13	1	5M-2894	4	WASHER-HARD (10.2X18.5X2.5-MM THK)						
B	14	1	5P-9085	4	CLIP						
	15	1	5P-9617	1	ADAPTER						
	16	1	6V-5048	1	SEAL-O-RING						
	17	1	7K-9197	1	ELBOW						
	18	1	9M-1974	4	WASHER-HARD (8.8X16X2-MM THK)						
	19	1	9S-8750	16	NUT-FULL (1/4-20-THD)						
	20	1	9S-8752	2	NUT-FULL (3/8-16-THD)						

B-USE AS REQUIRED
I-REFER TO HYDRAULIC INFORMATION SYSTEM

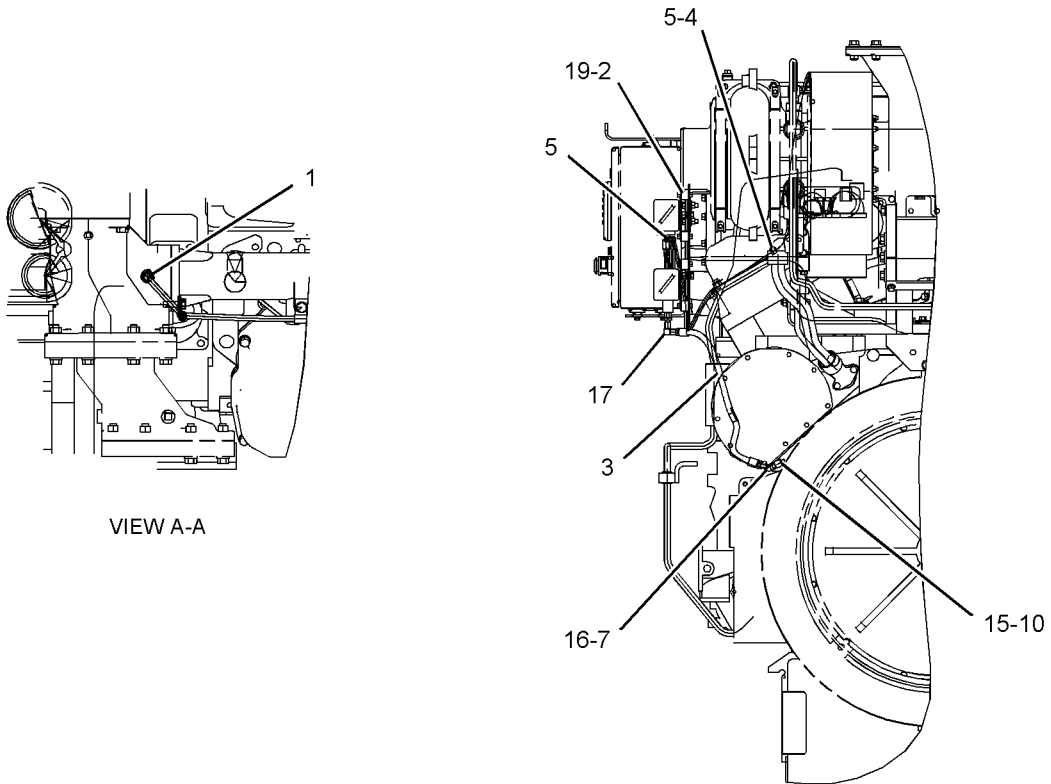
ELECTRICAL AND STARTING SYSTEM

232-0858 MOUNTING GP-CONTACTOR (contd.)

i02214324



LEFT SIDE VIEW



FRONT VIEW

GRAPHIC #1

<END>

g01147172

ELECTRICAL AND STARTING SYSTEM

241 - 9055 MOUNTING GP - CONTACTOR

FOR USE WITH RH MOUNTED POWER DISTRIBUTION PANEL
AN ATTACHMENT

SMCS - 7400

i02455908

NOTE	REF NO	GRAPHIC REF	PART NUMBER	QTY	PART NAME						SEE PAGE
					1	2	3	4	5	6 (PRODUCT LEVEL)	
	1	1	3N-1968	8	MOUNT-FLEXIBLE						
	2	1	4P-7581	3	CLIP						
I	3	1	7N-2539	1	HOSE AS						
B	4	1	5P-8937	1	COMPOUND-JOINT (THERMAL)						
B	5	1	9X-6772	3	STRAP-CABLE						
	6	1	232-0867	1	PLATE						
	7	1	030-7941	1	ELBOW (45-DEG)						
	8	1	0S-1594	2	BOLT (3/8-16X1-IN)						
	9	1	0S-1618	4	BOLT (5/16-18X1-IN)						
	10	1	153-4906	1	SEAL-O-RING						
	11	1	4B-0418	1	CLIP						
	12	1	4W-2648	1	ADAPTER						
	13	1	5M-2894	2	WASHER-HARD (10.2X18.5X2.5-MM THK)						
B	14	1	5P-9085	4	CLIP						
	15	1	5P-9617	1	ADAPTER						
	16	1	6V-5048	1	SEAL-O-RING						
	17	1	7K-9197	1	ELBOW						
	18	1	9M-1974	4	WASHER-HARD (8.8X16X2-MM THK)						
	19	1	9S-8750	16	NUT-FULL (1/4-20-THD)						
	20	1	9S-8752	2	NUT-FULL (3/8-16-THD)						

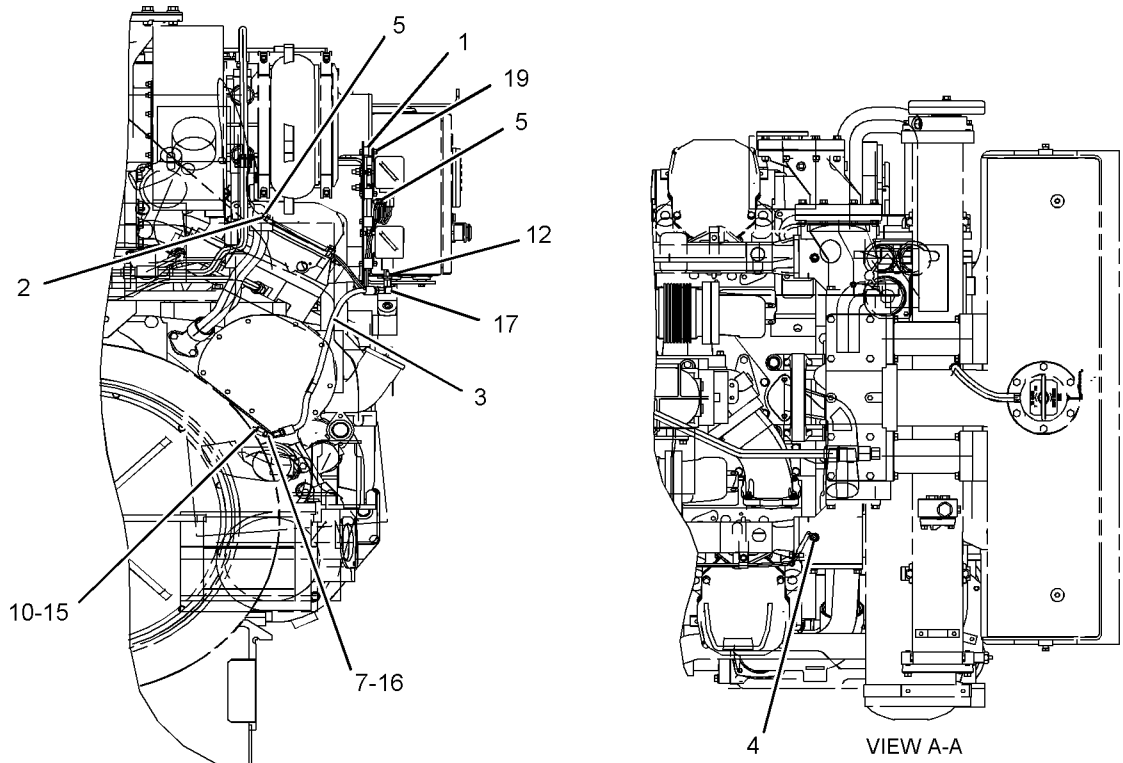
B - USE AS REQUIRED

I - REFER TO HYDRAULIC INFORMATION SYSTEM

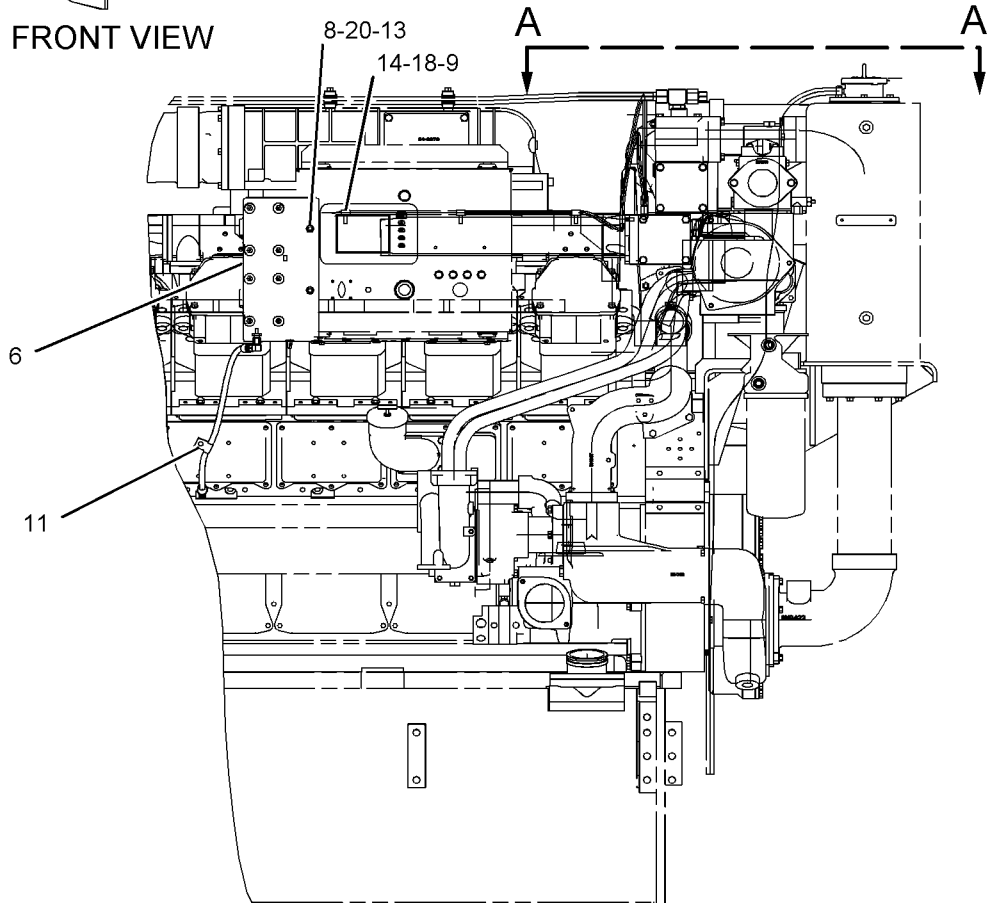
ELECTRICAL AND STARTING SYSTEM

241-9055 MOUNTING GP-CONTACTOR (contd.)

i02455908



FRONT VIEW



RIGHT SIDE VIEW

<END>

GRAPHIC #1

g01137025

ELECTRICAL AND STARTING SYSTEM

241 - 9056 MOUNTING GP - CONTACTOR

FOR USE WITH LH MOUNTED POWER DISTRIBUTION PANEL
AN ATTACHMENT

SMCS - 7400

i02279176

NOTE	REF NO	GRAPHIC REF	PART NUMBER	QTY	PART NAME						SEE PAGE
					1	2	3	4	5	6 (PRODUCT LEVEL)	
	1	1	3N-1968	8	MOUNT-FLEXIBLE						
B	2	1	5P-8937		COMPOUND-JOINT (THERMAL)						
	3	1	9X-6772	3	STRAP-CABLE						
	4	1	231-9873	1	BRACKET AS						
I	5	1	231-9877	1	HOSE AS						
	6	1	030-7941	1	ELBOW (45-DEG)						
	7	1	153-4906	1	SEAL-O-RING						
	8	1	0S-0509	1	BOLT (3/8-16X0.75-IN)						
	9	1	0S-1618	3	BOLT (5/16-18X1-IN)						
	10	1	1B-9575	2	BOLT (5/16-18X1.56-IN)						
	11	1	4B-0418	2	CLIP						
	12	1	4P-7581	2	CLIP						
	13	1	4W-2648	1	ADAPTER						
	14	1	5M-2894	4	WASHER-HARD (10.2X18.5X2.5-MM THK)						
	15	1	5P-9085	3	CLIP						
	16	1	5P-9617	1	ADAPTER						
	17	1	6V-5048	1	SEAL-O-RING						
	18	1	7K-9197	1	ELBOW						
	19	1	9M-1974	3	WASHER-HARD (8.8X16X2-MM THK)						
	20	1	9S-8750	16	NUT-FULL (1/4-20-THD)						

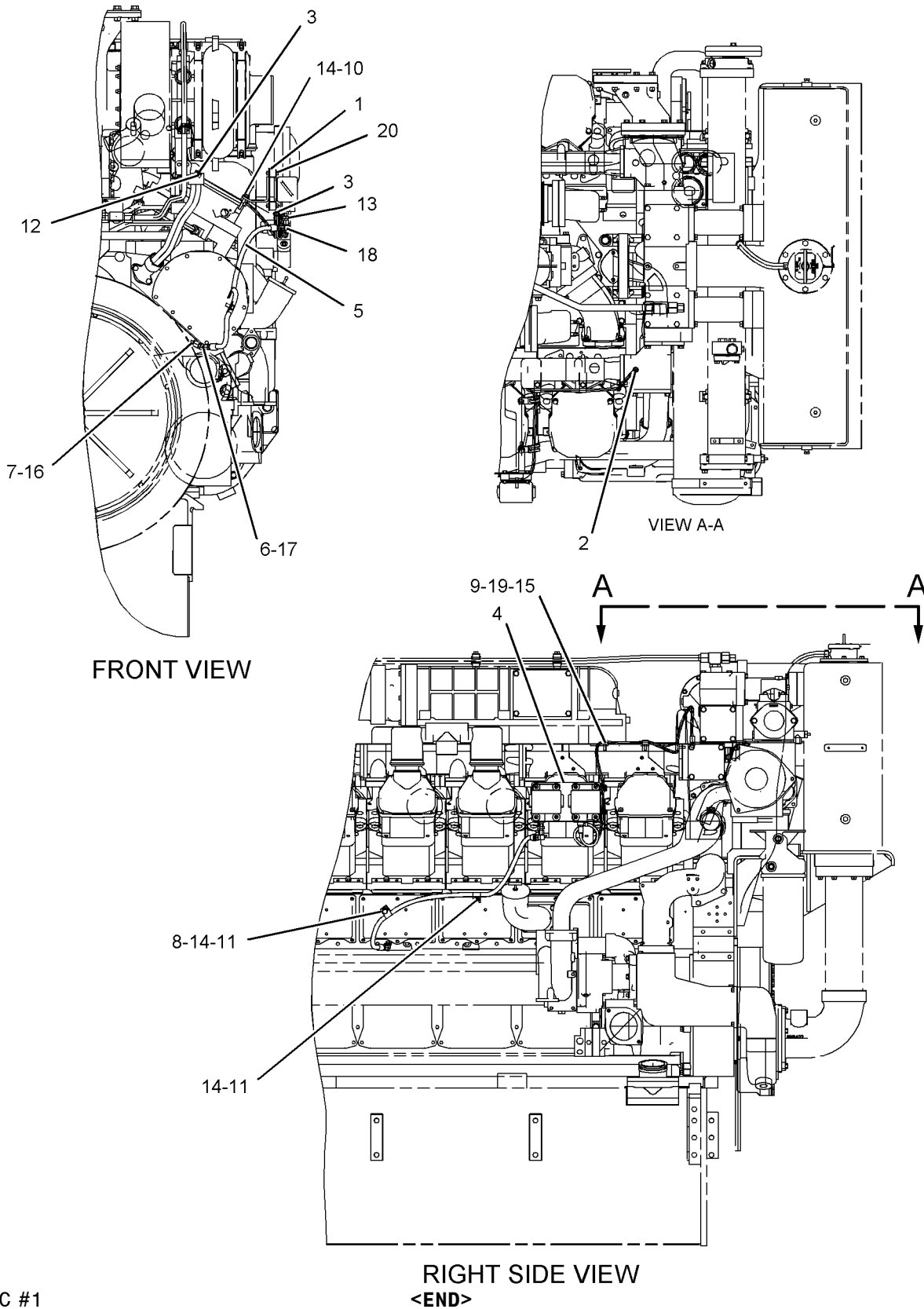
B - USE AS REQUIRED

I - REFER TO HYDRAULIC INFORMATION SYSTEM

ELECTRICAL AND STARTING SYSTEM

241-9056 MOUNTING GP-CONTACTOR (contd.)

i02279176



GRAPHIC #1

RIGHT SIDE VIEW
<END>

g01014631

ELECTRICAL AND STARTING SYSTEM

266 - 1520 MOUNTING GP - JACKET WTR HEATER-RH AN ATTACHMENT

SMCS - 1383

i03024375

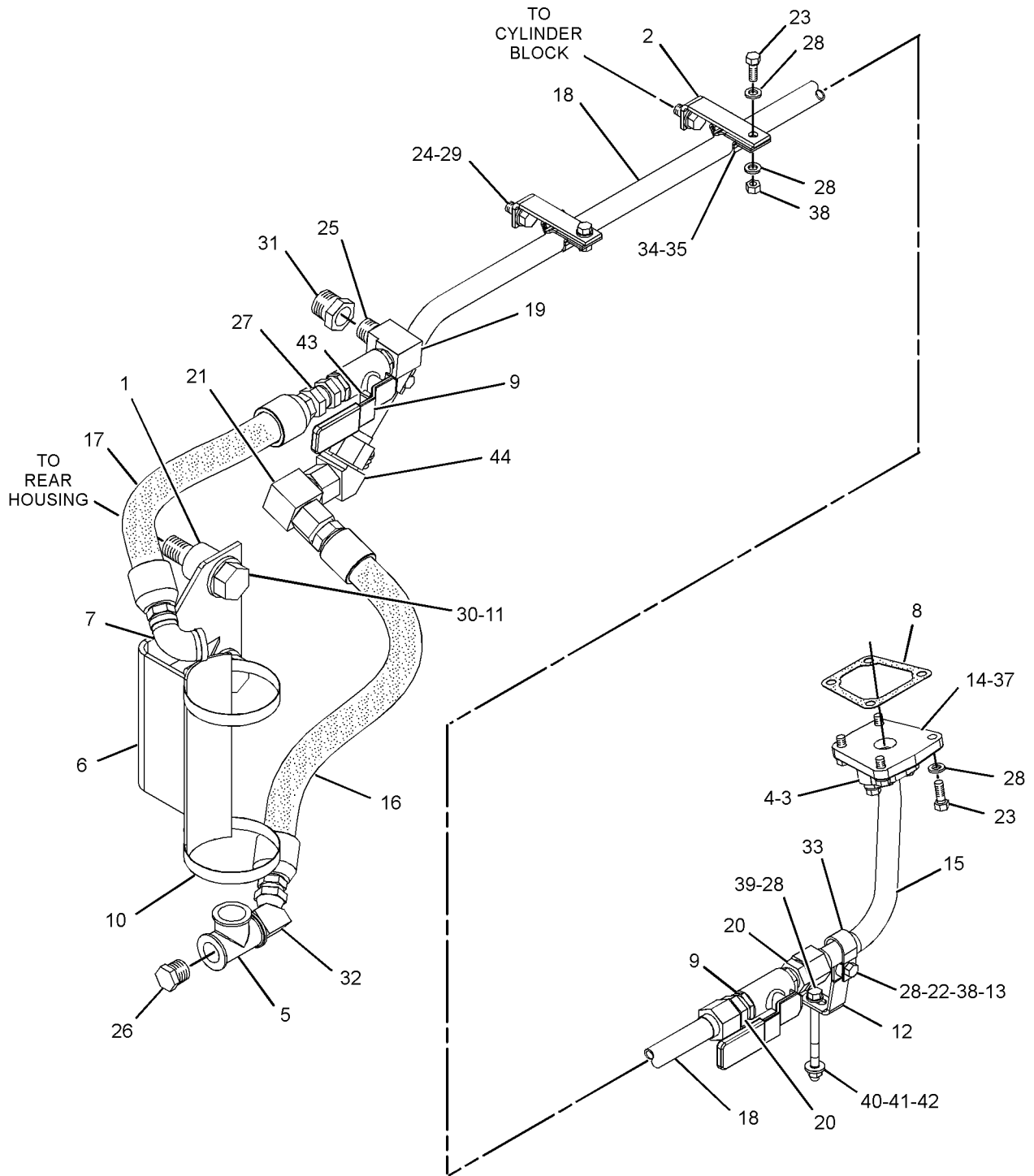
NOTE	REF NO	GRAPHIC REF	PART NUMBER	QTY	PART NAME						SEE PAGE
					1	2	3	4	5	6 (PRODUCT LEVEL)	
	1	1	1S-2303	2	SPACER (1.062X1.75X1.44-IN THK)						
	2	1	2P-8977	2	PLATE						
	3	1	4W-2109	2	RETAINER						
	4	1	4W-2110	1	RING-RETAINING						
	5	1	6F-0496	1	TEE-PIPE						
	6	1	7C-1707	1	BRACKET AS						
		1	5P-2251	1	GUSSET						
	7	1	7L-8074	1	ELBOW-REDUCING						
	8	1	7N-4945	1	GASKET						
	9	1	8C-1358	2	VALVE-BALL						
	10	1	8T-6726	2	CLAMP-HOSE						
	11	1	9S-1368	2	BOLT (1-14X3.5-IN)						
	12	1	9Y-3108	1	BRACKET						
	13	1	6W-2928	1	BOSS						
	14	1	134-3100	1	FLANGE						
	15	1	258-8952	1	TUBE AS						
	16	1	258-8955	1	HOSE AS						
	17	1	259-2608	1	HOSE AS						
	18	1	266-1523	1	TUBE AS						
	19	1	003-9163	1	ELBOW						
	20	1	030-8307	2	CONNECTOR						
	21	1	031-5744	1	ELBOW						
	22	1	0S-1588	1	BOLT (3/8-16X1.25-IN)						
C	23	1	0S-1594	9	BOLT (3/8-16X1-IN)						
C	24	1	0S-1621	2	BOLT (1/2-13X1-IN)						
	25	1	3B-7745	1	NIPPLE-PIPE						
	26	1	3E-7430	1	PLUG-PIPE						
	27	1	5F-6371	1	CONNECTOR						
C	28	1	5M-2894	16	WASHER-HARD (10.2X18.5X2.5-MM THK)						
	29	1	5P-8245	2	WASHER-HARD (13.5X25.5X3-MM THK)						
	30	1	5P-8250	2	WASHER (28X49X5-MM THK)						
	31	1	6B-9081	1	BUSHING-REDUCING						
	32	1	6H-8297	1	ELBOW						
	33	1	7C-4354	1	CLIP						
C	34	1	7J-0728	3	CLIP (TAB)						
C	35	1	7J-0729	3	CLIP (SLOT)						
	37	1	9M-4849	1	SEAL-O-RING						
C	38	1	9S-8752	4	NUT-FULL (3/8-16-THD)						
BC	39	1	0S-1608	2	BOLT (3/8-16X3.75-IN)						
BC	40	1	9X-6458	2	WASHER-HARD (10.2X22.5X3-MM THK)						
BC	41	1	9S-8752	2	NUT-FULL (3/8-16-THD)						
BC	42	1	1A-5964	2	BOLT (3/8-16X4.5-IN)						
C	43	1	294-3312	1	BRACKET						
C	44	1	030-7966	1	ELBOW						

B - USE AS REQUIRED
C - CHANGE FROM PREVIOUS TYPE

ELECTRICAL AND STARTING SYSTEM

266 - 1520 MOUNTING GP - JACKET WTR HEATER (contd.)

i03024375



GRAPHIC #1

<END>

g01330683

ELECTRICAL AND STARTING SYSTEM

266 - 7484 MOUNTING GP - JACKET WTR HEATER-LH AN ATTACHMENT

SMCS - 1383

i02294630

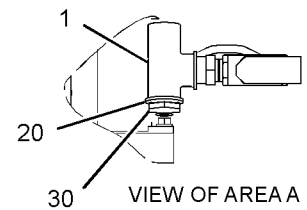
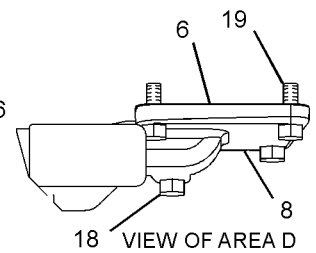
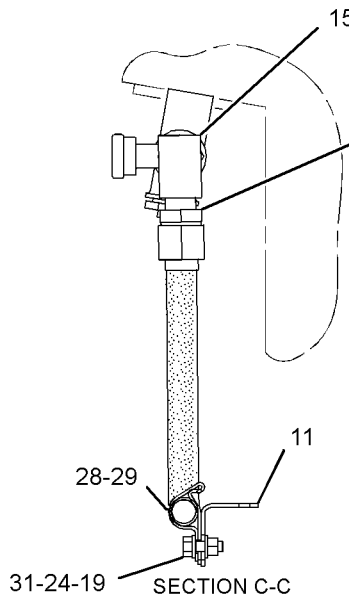
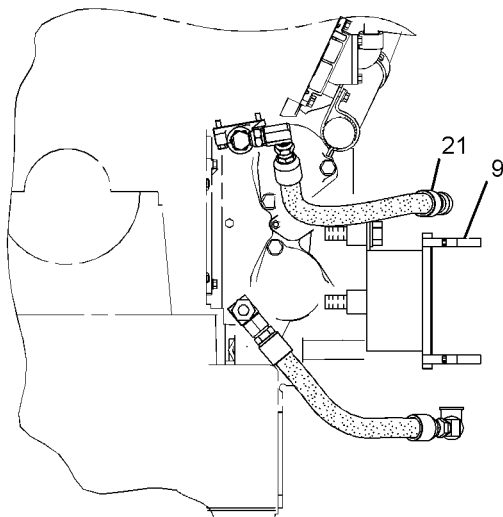
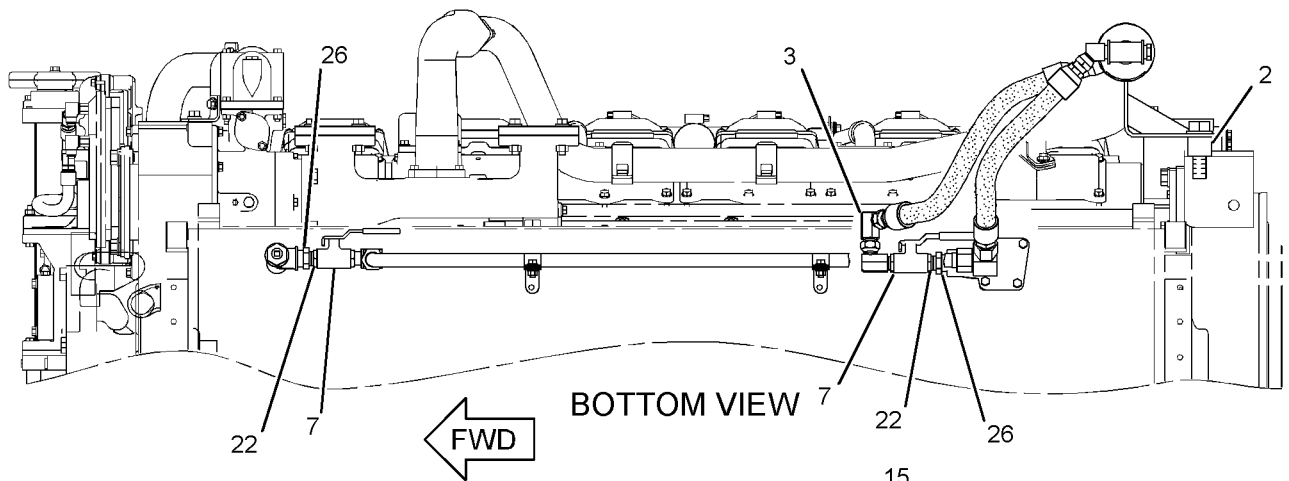
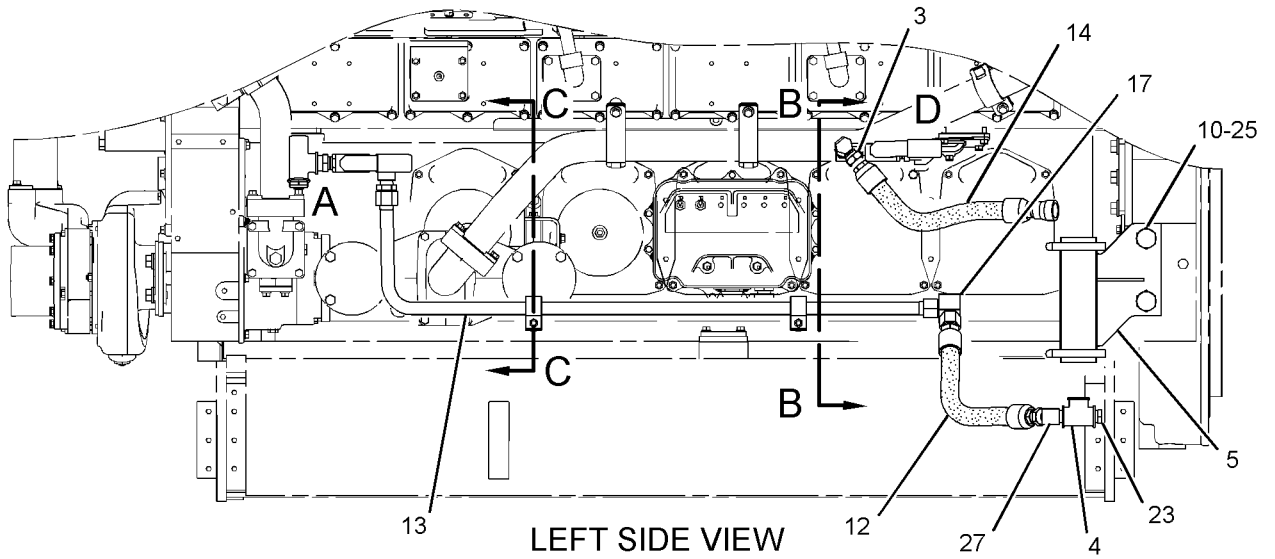
NOTE	REF NO	GRAPHIC REF	PART NUMBER	QTY	PART NAME						SEE PAGE
					1	2	3	4	5	6 (PRODUCT LEVEL)	
	1	1	1L-4031	1	TEE - SERVICE						
	2	1	1S-2303	2	SPACER (1.062X1.75X1.44 - IN THK)						
	3	1	2H-3939	2	ELBOW						
	4	1	6F-0496	1	TEE - PIPE						
	5	1	7C-1707	1	BRACKET AS						
		1	5P-2251	1	GUSSET						
	6	1	7N-4945	1	GASKET						
	7	1	8C-1358	2	VALVE - BALL						
	8	1	8N-8550	1	ELBOW						
	9	1	8T-6726	2	CLAMP - HOSE						
	10	1	9S-1368	2	BOLT (1 - 14X3.5 - IN)						
	11	1	116-3266	2	BRACKET						
	12	1	259-2607	1	HOSE AS						
	13	1	266-7485	1	TUBE AS						
I	14	1	267-7346	1	HOSE AS						
	15	1	003-9163	1	ELBOW						
	16	1	030-8307	1	CONNECTOR						
	17	1	031-5744	1	ELBOW						
	18	1	0S-1571	1	BOLT (3/8 - 16X1.75 - IN)						
	19	1	0S-1594	5	BOLT (3/8 - 16X1 - IN)						
	20	1	118-1656	1	BUSHING - REDUCER						
	21	1	2R-7712	1	COUPLING (REDUCING)						
	22	1	3B-7745	2	NIPPLE - PIPE						
	23	1	3E-7430	1	PLUG - PIPE						
	24	1	5M-2894	4	WASHER - HARD (10.2X18.5X2.5 - MM THK)						
	25	1	5P-8250	2	WASHER (28X49X5 - MM THK)						
	26	1	6B-9081	2	BUSHING - REDUCING						
	27	1	6H-8297	1	ELBOW						
	28	1	7J-0728	2	CLIP (TAB)						
	29	1	7J-0729	2	CLIP (SLOT)						
	30	1	8T-6762	1	PLUG - PIPE						
	31	1	9S-8752	2	NUT - FULL (3/8 - 16 - THD)						

I - REFER TO HYDRAULIC INFORMATION SYSTEM

ELECTRICAL AND STARTING SYSTEM

266-7484 MOUNTING GP-JACKET WTR HEATER (contd.)

i02294630



GRAPHIC #1

<END>

g01154831

ELECTRICAL AND STARTING SYSTEM

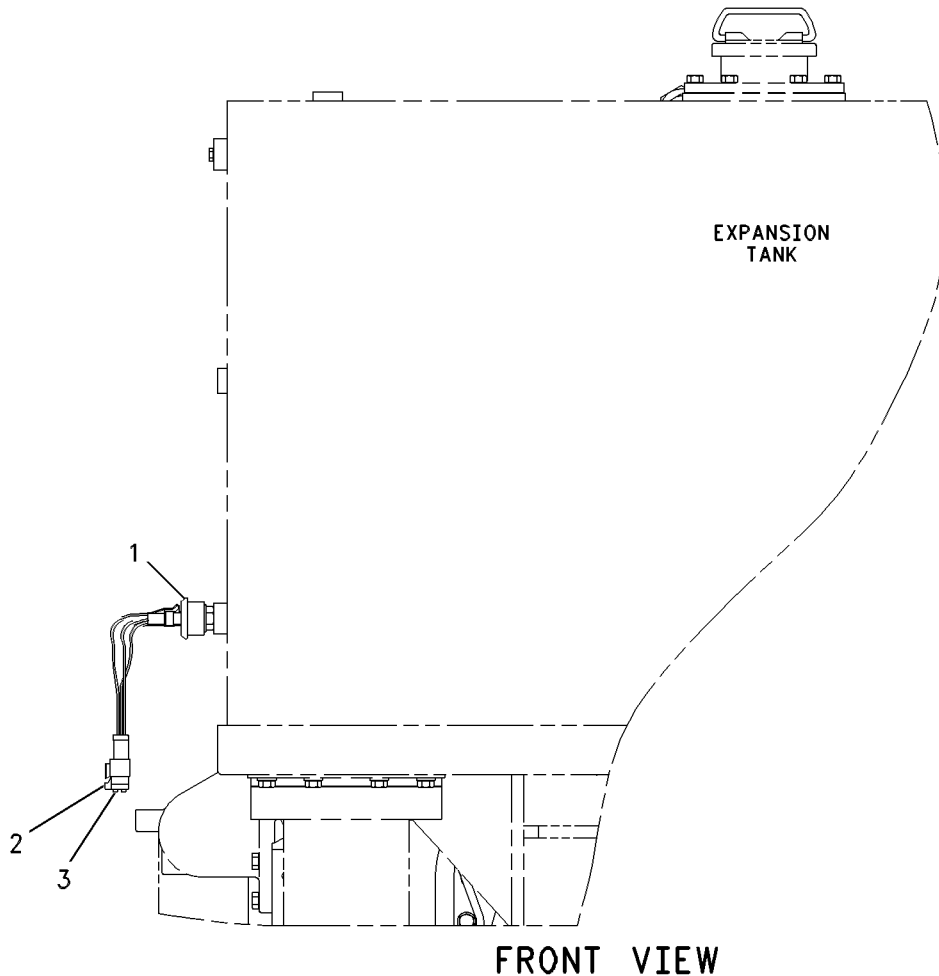
124-0121 SENSOR & MTG GP-EXPANSION TANK-COOLANT LEVEL AN ATTACHMENT

SMCS-1354, 7400

i02706890

NOTE	REF NO	GRAPHIC REF	PART NUMBER	QTY	PART NAME						SEE PAGE
					1	2	3	4	5	6 (PRODUCT LEVEL)	
CY	1	1	204-2518	1	SENSOR GP-COOLANT LEVEL						339
	2	1	155-2260	1	KIT-CONNECTING PLUG (3-PIN) (INCLUDES PLUG AS AND WEDGE)						
	3	1	8T-8737	3	PLUG-SEAL						

C- CHANGE FROM PREVIOUS TYPE
Y- SEPARATE ILLUSTRATION



GRAPHIC #1

<END>

g00626754

ELECTRICAL AND STARTING SYSTEM

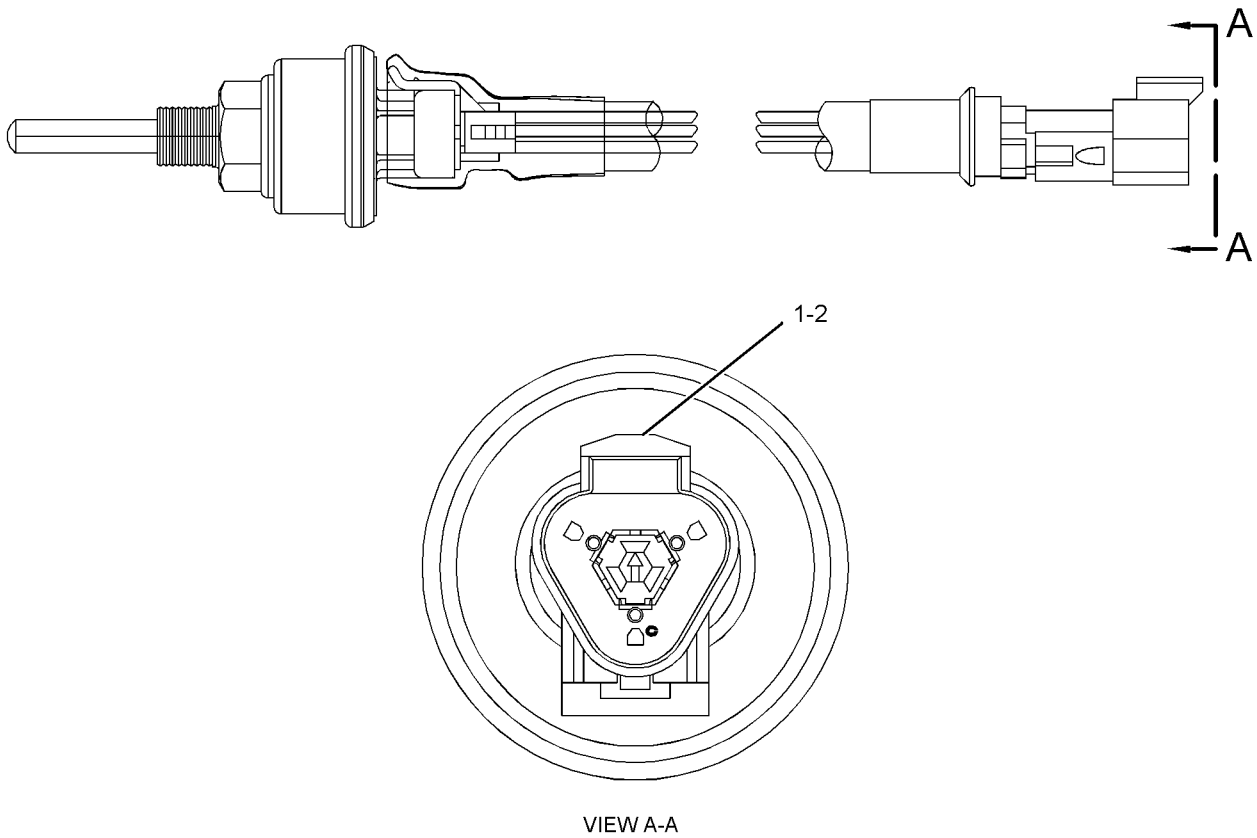
204-2518 SENSOR GP-COOLANT LEVEL

PART OF 124-0121 SENSOR & MTG GP-EXPANSION TANK
AN ATTACHMENT

SMCS-7422

i02585904

NOTE	REF NO	GRAPHIC REF	PART NUMBER	QTY	PART NAME						SEE PAGE
					1	2	3	4	5	6 (PRODUCT LEVEL)	
	1	1	186-3735	3	PIN-CONNECTOR (16-GA TO 18-GA)						
	2	1	102-8803	1	KIT-RECEPTACLE (3-PIN)						
(INCLUDES RECEPTACLE AS & WEDGE)											



GRAPHIC #1

<END>

g01203130

ELECTRICAL AND STARTING SYSTEM

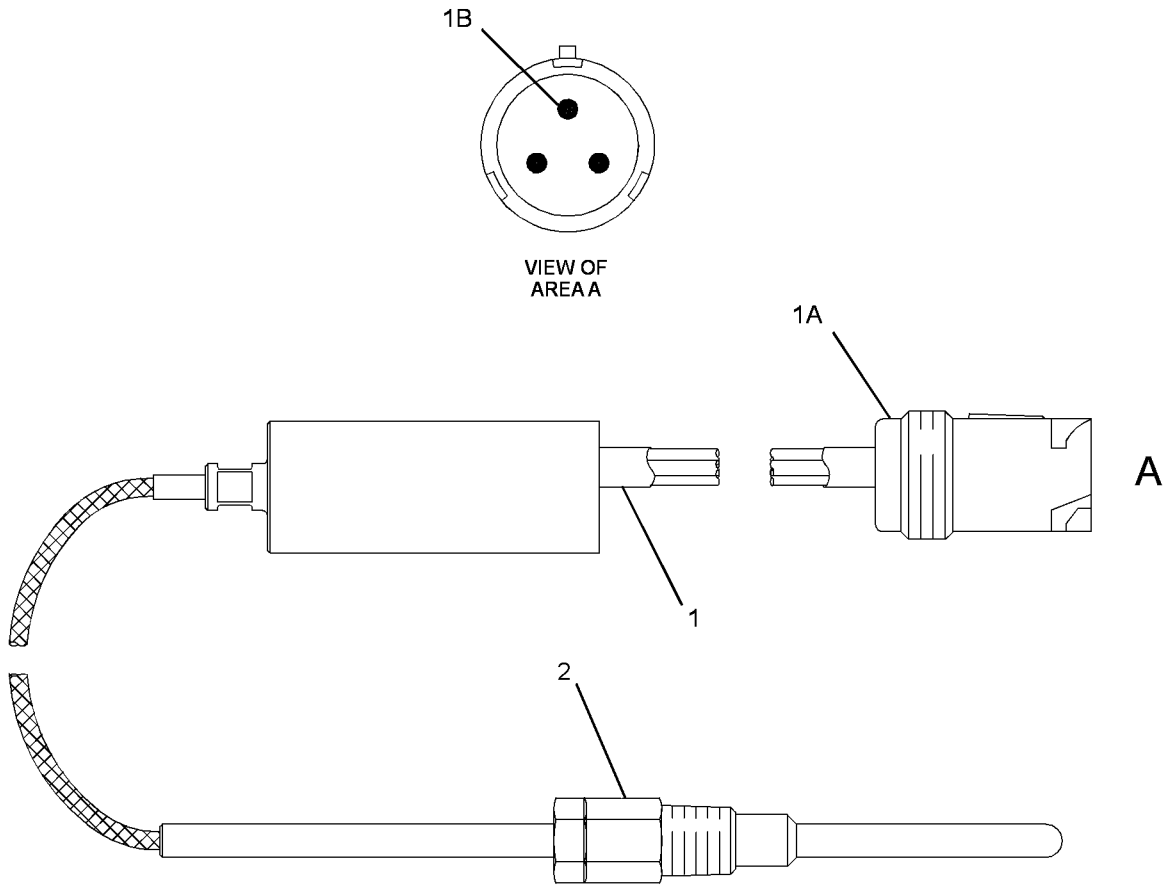
164-2441 SENSOR GP-EXHAUST TEMPERATURE

PART OF 212-3425 SENSOR GP-EXHAUST TEMPERATURE
AN ATTACHMENT

SMCS-1919

i02508013

NOTE	REF NO	GRAPHIC REF	PART NUMBER	QTY	PART NAME						SEE PAGE
					1	2	3	4	5	6 (PRODUCT LEVEL)	
	1	1	261-6849	1	SENSOR GP-EXHAUST TEMPERATURE						
	1A	1	8T-8732	1	RECEPTACLE (3-PIN)						
	1B	1	186-3735	3	PIN-CONNECTOR (16-GA TO 18-GA)						
	2	1	261-6847	1	ADAPTER						



GRAPHIC #1

<END>

g01251710

ELECTRICAL AND STARTING SYSTEM

212-3425 SENSOR GP - EXHAUST TEMPERATURE

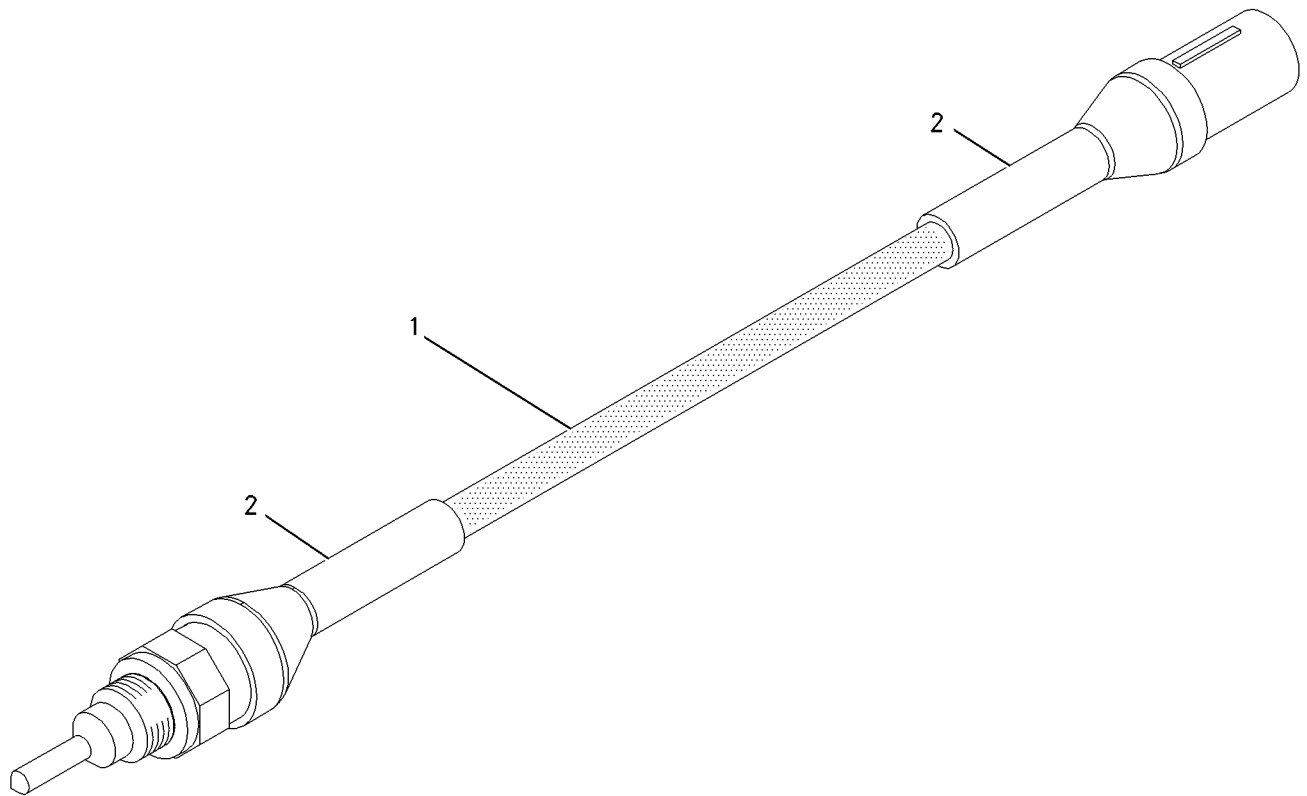
PART OF 296-8288 WIRING GP - ENGINE
AN ATTACHMENT

SMCS-1919

i02360107

NOTE	REF NO	GRAPHIC REF	PART NUMBER	QTY	PART NAME						SEE PAGE
					1	2	3	4	5	6 (PRODUCT LEVEL)	
Y	1	1	164-2441	1	SENSOR GP - EXHAUST TEMPERATURE						340
E	2	1	135-5009		TUBE - HEAT SHRINK (32-MM DIA) (16-CM)						

E - ORDER BY THE CENTIMETER
Y - SEPARATE ILLUSTRATION



GRAPHIC #1

<END>

g00916796

ELECTRICAL AND STARTING SYSTEM

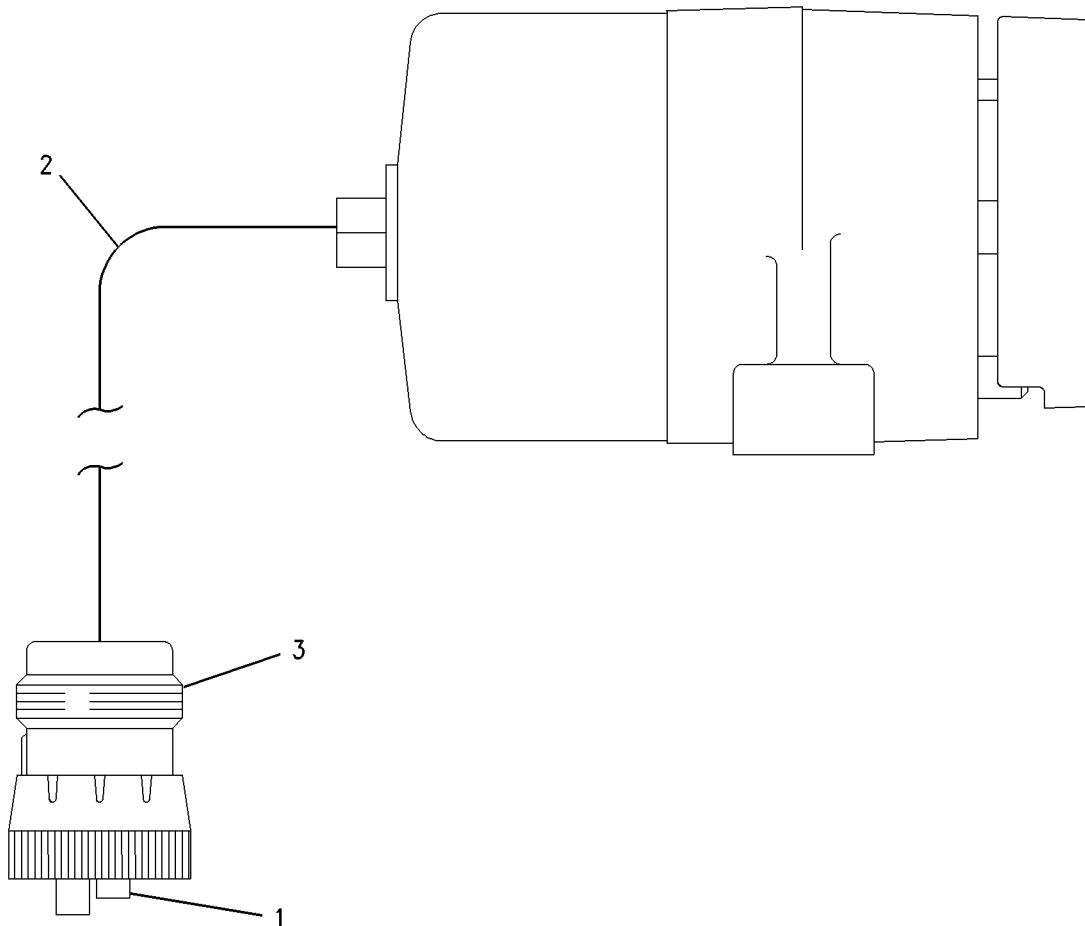
9X-9647 SENSOR GP-POSITION-ROTARY AN ATTACHMENT

SMCS-1905, 1911, 1913, 4809, 5736, 5737

i02740693

NOTE	REF NO	GRAPHIC REF	PART NUMBER	QTY	PART NAME						SEE PAGE
					1	2	3	4	5	6 (PRODUCT LEVEL)	
	1	1	186-3736	3	SOCKET-CONNECTOR (16-GA TO 18-GA)						
E	2	1	9X-1813		SLEEVE (23-CM)						
	3	1	8T-8731	1	PLUG-CONNECTOR (3-PIN)						

E-ORDER BY THE CENTIMETER



GRAPHIC #1

<END>

g00683899

ELECTRICAL AND STARTING SYSTEM

161-9932 SENSOR GP-PRESSURE

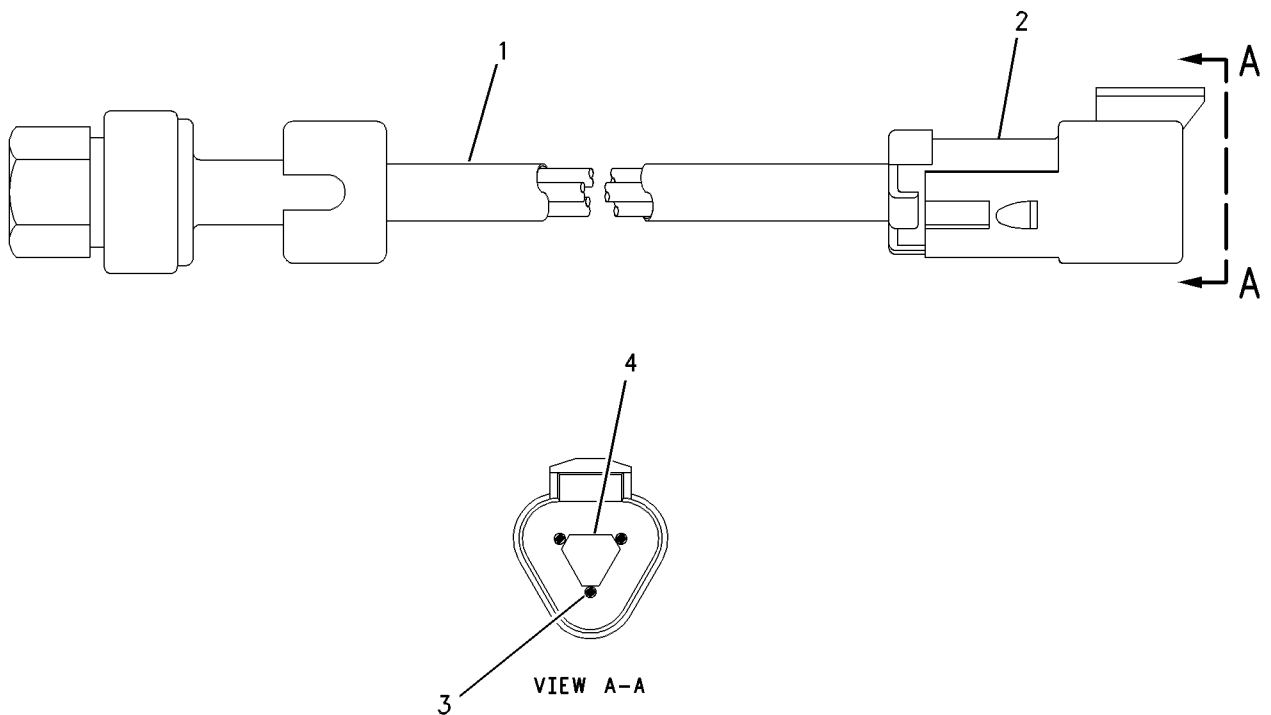
AN ATTACHMENT

SMCS-1718, 1916, 1917, 1923, 1924, 1925

i02585908

NOTE	REF NO	GRAPHIC REF	PART NUMBER	QTY	PART NAME						SEE PAGE
					1	2	3	4	5	6 (PRODUCT LEVEL)	
E	1	1	9X-1386		SLEEVE (15-CM)						
	2	1	102-8803	1	KIT-RECEPTACLE (3-PIN) (INCLUDES RECEPTACLE AS AND WEDGE)						
	3	1	9X-3401	3	PIN-CONNECTOR (16-GA TO 18-GA)						
	4	1	3E-3371	1	WEDGE-RECEPTACLE LOCK (3-PIN)						

E - ORDER BY THE CENTIMETER



GRAPHIC #1

<END>

g00612982

ELECTRICAL AND STARTING SYSTEM

194-6722 SENSOR GP - PRESSURE

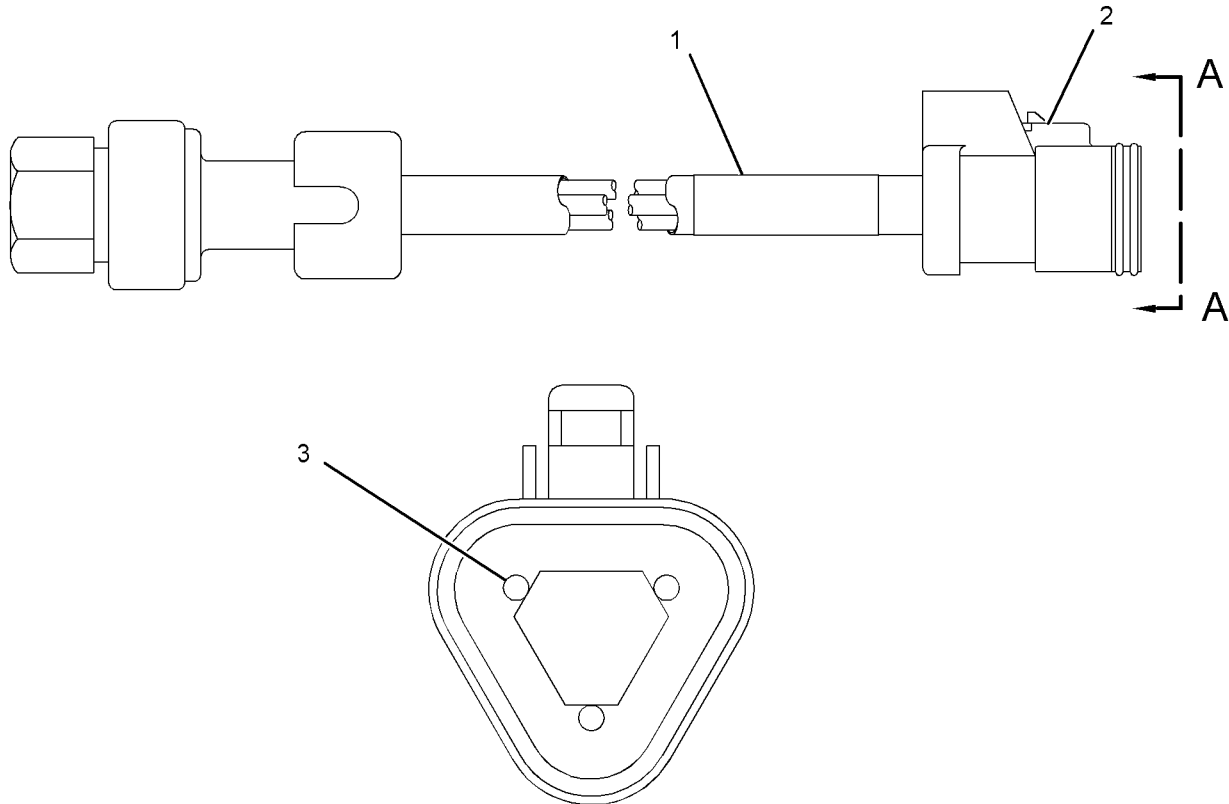
PART OF 304-5666 SENSOR GP - PRESSURE
AN ATTACHMENT

SMCS-1718, 1916, 1917, 1923, 1924, 1925

i03140583

NOTE	REF NO	GRAPHIC REF	PART NUMBER	QTY	PART NAME						SEE PAGE
					1	2	3	4	5	6 (PRODUCT LEVEL)	
E	1	1	9X-1813		SLEEVE (34-CM)						
	2	1	155-2260	1	KIT-CONNECTING PLUG (3-PIN) (INCLUDES PLUG AS & WEDGES)						
	3	1	180-9340	3	SOCKET-CONNECTOR						

E-ORDER BY THE CENTIMETER



VIEW A-A

GRAPHIC #1

<END>

g01381175

ELECTRICAL AND STARTING SYSTEM

194-6724 SENSOR GP - PRESSURE

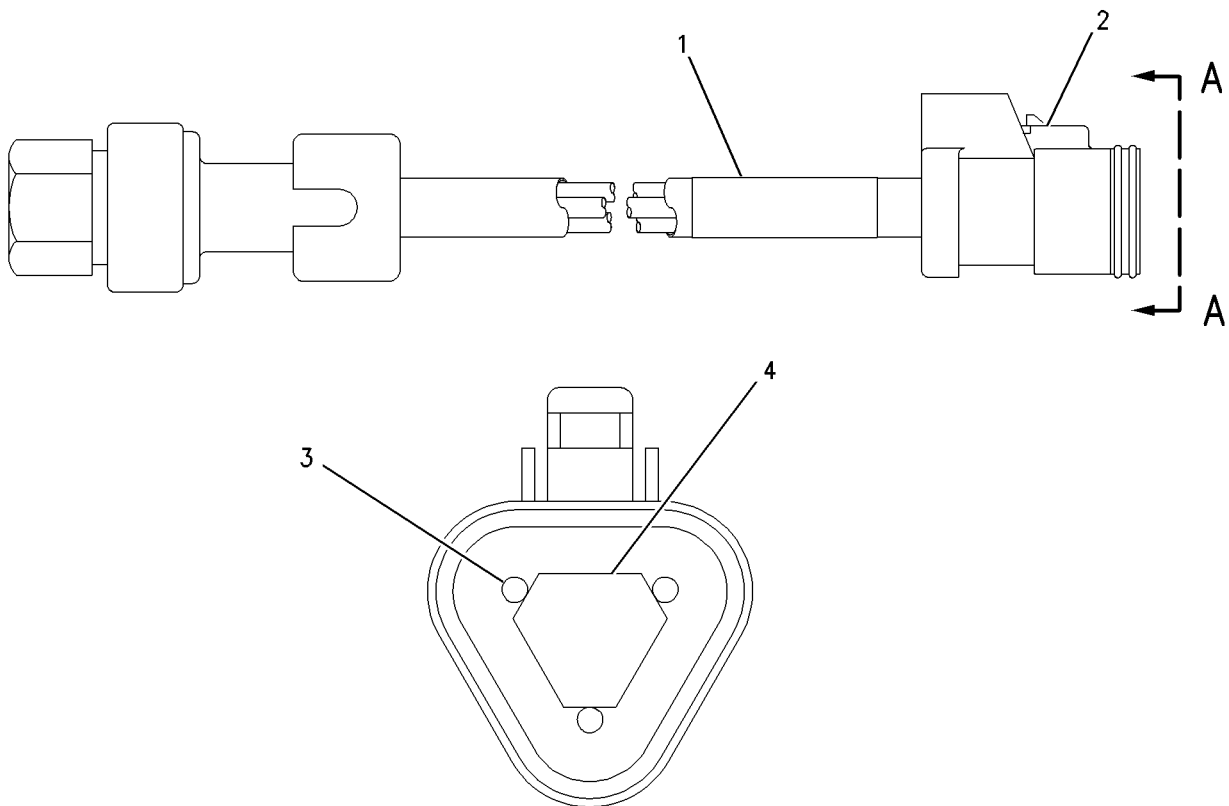
PART OF 304-5667 SENSOR GP - PRESSURE
AN ATTACHMENT

SMCS-1718, 1916, 1917, 1923, 1924, 1925

i03167070

NOTE	REF NO	GRAPHIC REF	PART NUMBER	QTY	PART NAME						SEE PAGE
					1	2	3	4	5	6 (PRODUCT LEVEL)	
BE	1	1	9X-1813		SLEEVE						
	2	1	155-2260	1	KIT -CONNECTING PLUG (3-PIN) (INCLUDES PLUG AS, WEDGE & INTERFACE SEAL)						
	3	1	194-5226	3	WIRE AS-HARNESS (16-GA TO 18-GA)						
	4	1	3E-3368	1	WEDGE-PLUG LOCK (3-PIN)						

B- USE AS REQUIRED
E- ORDER BY THE CENTIMETER



VIEW A-A

GRAPHIC #1

<END>

g00851220

ELECTRICAL AND STARTING SYSTEM

194-6725 SENSOR GP - PRESSURE

PART OF 304-5668 SENSOR GP - PRESSURE

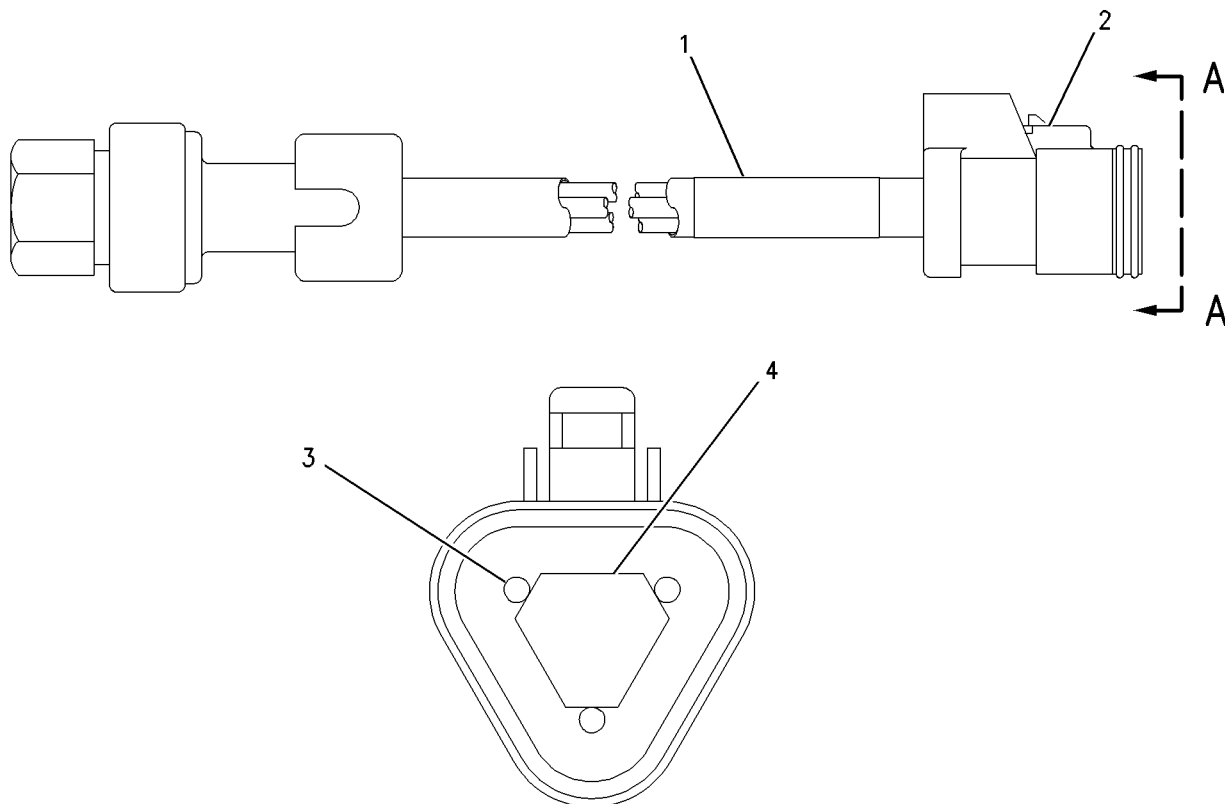
AN ATTACHMENT

SMCS-1718, 1916, 1917, 1923, 1924, 1925

i02871315

NOTE	REF NO	GRAPHIC REF	PART NUMBER	QTY	PART NAME						SEE PAGE
					1	2	3	4	5	6 (PRODUCT LEVEL)	
BE	1	1	9X-1813		SLEEVE						
	2	1	155-2260	1	KIT - CONNECTING PLUG (3-PIN) (INCLUDES PLUG AS, INTERFACE SEAL & WEDGE)						
	3	1	194-5226	3	WIRE AS-HARNESS (16-GA TO 18-GA)						
	4	1	3E-3368	1	WEDGE-PLUG LOCK (3-PIN)						

B- USE AS REQUIRED
E- ORDER BY THE CENTIMETER



VIEW A-A

GRAPHIC #1

<END>

g00851220

ELECTRICAL AND STARTING SYSTEM

304-5666 SENSOR GP - PRESSURE

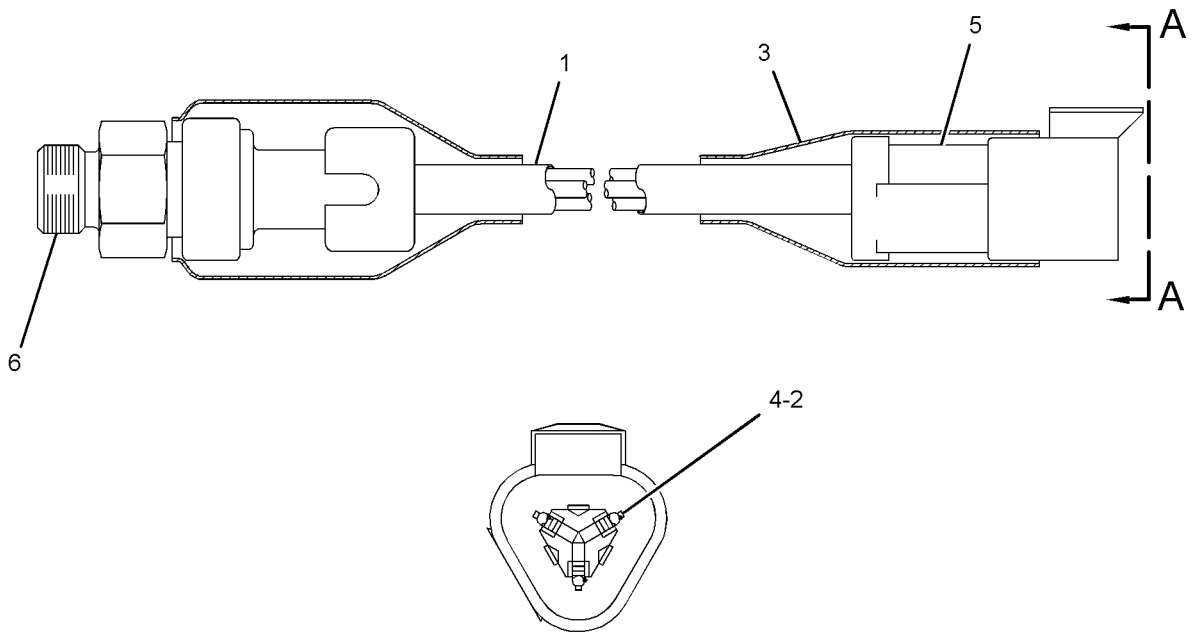
PART OF 296-8288 WIRING GP - ENGINE
AN ATTACHMENT

SMCS-1718, 1916, 1917, 1923, 1924, 1925

i02717772

NOTE	REF NO	GRAPHIC REF	PART NUMBER	QTY	PART NAME						SEE PAGE
					1	2	3	4	5	6 (PRODUCT LEVEL)	
E	1	1	9X-1813		SLEEVE (31-CM)						
	2	1	3E-3371	1	WEDGE-RECEPTACLE LOCK (3-PIN)						
E	3	1	210-8958		TUBE-HEAT SHRINK (24-MM DIA) (16-CM)						
	4	1	186-3735	3	PIN-CONNECTOR (16-GA TO 18-GA)						
	5	1	102-8803	1	KIT-RECEPTACLE (3-PIN) (INCLUDES RECEPTACLE AS AND WEDGE)						
Y	6	1	194-6722	1	SENSOR GP - PRESSURE						344

E - ORDER BY THE CENTIMETER
Y - SEPARATE ILLUSTRATION



VIEW A-A

GRAPHIC #1

<END>

g01365418

ELECTRICAL AND STARTING SYSTEM

304-5667 SENSOR GP - PRESSURE

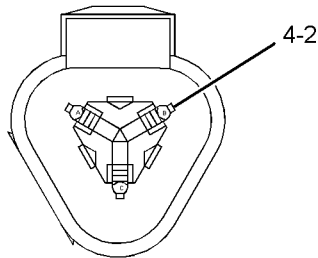
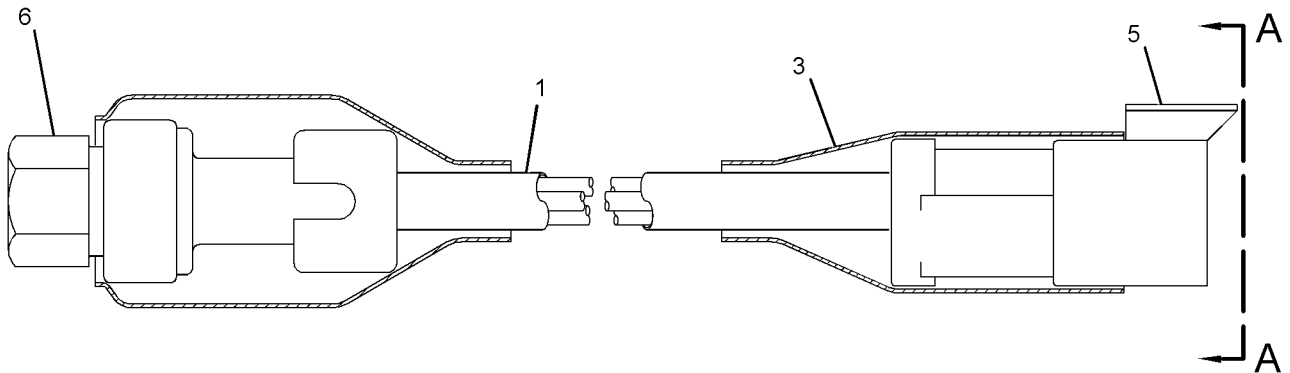
PART OF 296-8288 WIRING GP - ENGINE
AN ATTACHMENT

SMCS-1718, 1916, 1917, 1923, 1924, 1925

i02717773

NOTE	REF NO	GRAPHIC REF	PART NUMBER	QTY	PART NAME						SEE PAGE
					1	2	3	4	5	6 (PRODUCT LEVEL)	
E	1	1	9X-1813		SLEEVE (31-CM)						
	2	1	3E-3371	1	WEDGE-RECEPTACLE LOCK (3-PIN)						
E	3	1	210-8958		TUBE-HEAT SHRINK (24-MM DIA) (16-CM)						
	4	1	186-3735	3	PIN-CONNECTOR (16-GA TO 18-GA)						
	5	1	102-8803	1	KIT-RECEPTACLE (3-PIN) (INCLUDES RECEPTACLE AS AND WEDGE)						
Y	6	1	194-6724	1	SENSOR GP - PRESSURE						345

E - ORDER BY THE CENTIMETER
Y - SEPARATE ILLUSTRATION



VIEW A-A

GRAPHIC #1

<END>

g01365429

ELECTRICAL AND STARTING SYSTEM

304-5668 SENSOR GP - PRESSURE

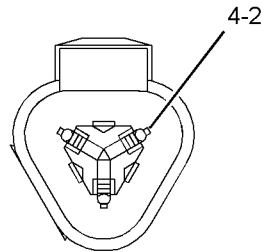
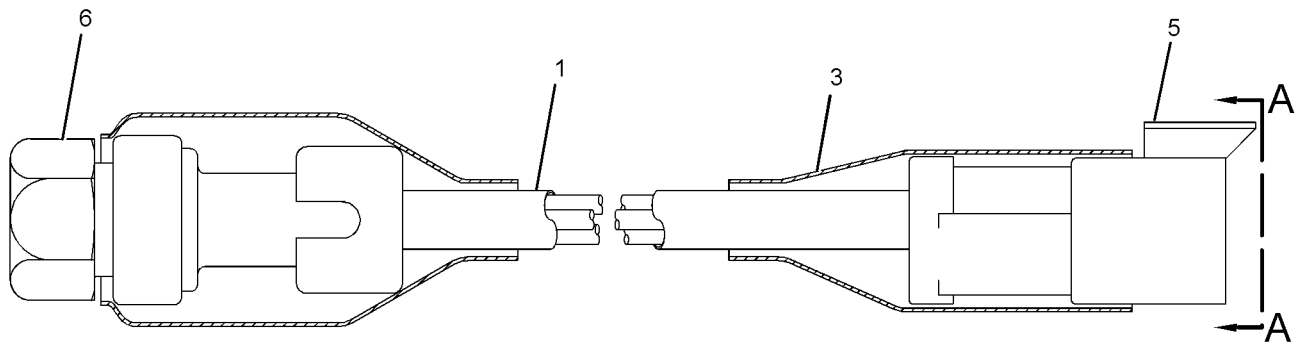
PART OF 307-0008, 307-2044, 307-2045, 307-2046 WIRING GP - SENSOR
AN ATTACHMENT

SMCS-1718, 1916, 1917, 1923, 1924, 1925

i02725965

NOTE	REF NO	GRAPHIC REF	PART NUMBER	QTY	PART NAME						SEE PAGE
					1	2	3	4	5	6 (PRODUCT LEVEL)	
E	1	1	9X-1813		SLEEVE (31-CM)						
	2	1	3E-3371	1	WEDGE-RECEPTACLE LOCK (3-PIN)						
E	3	1	210-8958		TUBE-HEAT SHRINK (24-MM DIA) (16-CM)						
	4	1	186-3735	3	PIN-CONNECTOR (16-GA TO 18-GA)						
	5	1	102-8803	1	KIT-RECEPTACLE (3-PIN)						
					(INCLUDES RECEPTACLE AS AND WEDGE)						
Y	6	1	194-6725	1	SENSOR GP - PRESSURE						346

E - ORDER BY THE CENTIMETER
Y - SEPARATE ILLUSTRATION



VIEW A-A

GRAPHIC #1

<END>

g01367728

ELECTRICAL AND STARTING SYSTEM

9X-5392 SENSOR GP - SPEED

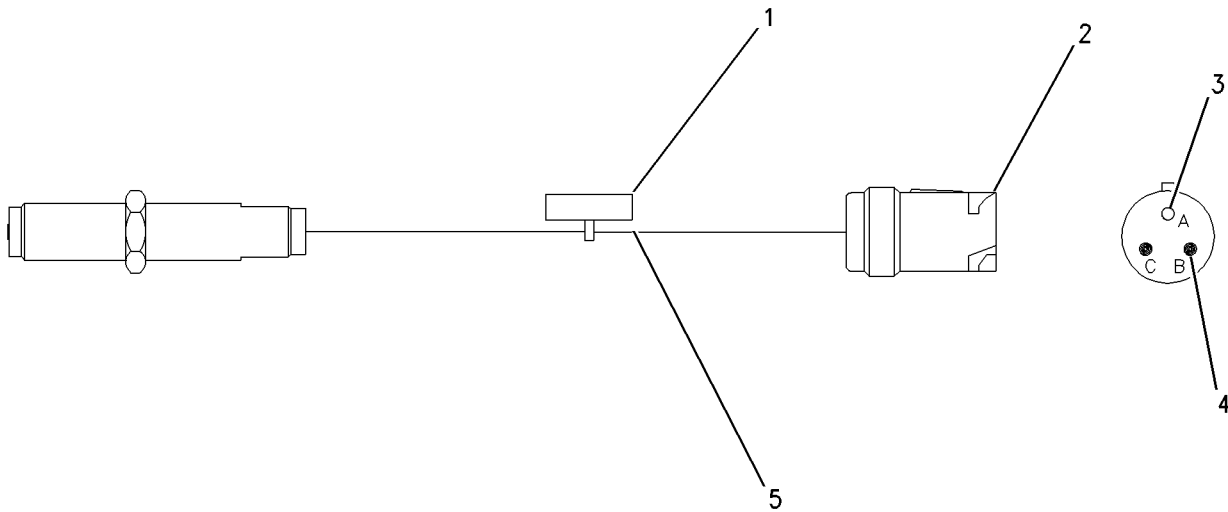
PART OF 212-3426 SENSOR GP - SPEED
AN ATTACHMENT

SMCS - 1907

i02408693

NOTE	REF NO	GRAPHIC REF	PART NUMBER	QTY	PART NAME						SEE PAGE
					1	2	3	4	5	6 (PRODUCT LEVEL)	
	1	1	171-5349	1	STRAP-MARKER						
	2	1	8T-8732	1	RECEPTACLE (3-PIN)						
	3	1	8T-8737	1	PLUG-SEAL						
	4	1	186-3735	2	PIN-CONNECTOR (16-GA TO 18-GA)						
E	5	1	9X-1386		SLEEVE (14-CM)						

E - ORDER BY THE CENTIMETER



GRAPHIC #1

<END>

g00839872

ELECTRICAL AND STARTING SYSTEM

212-0848 SENSOR GP - SPEED

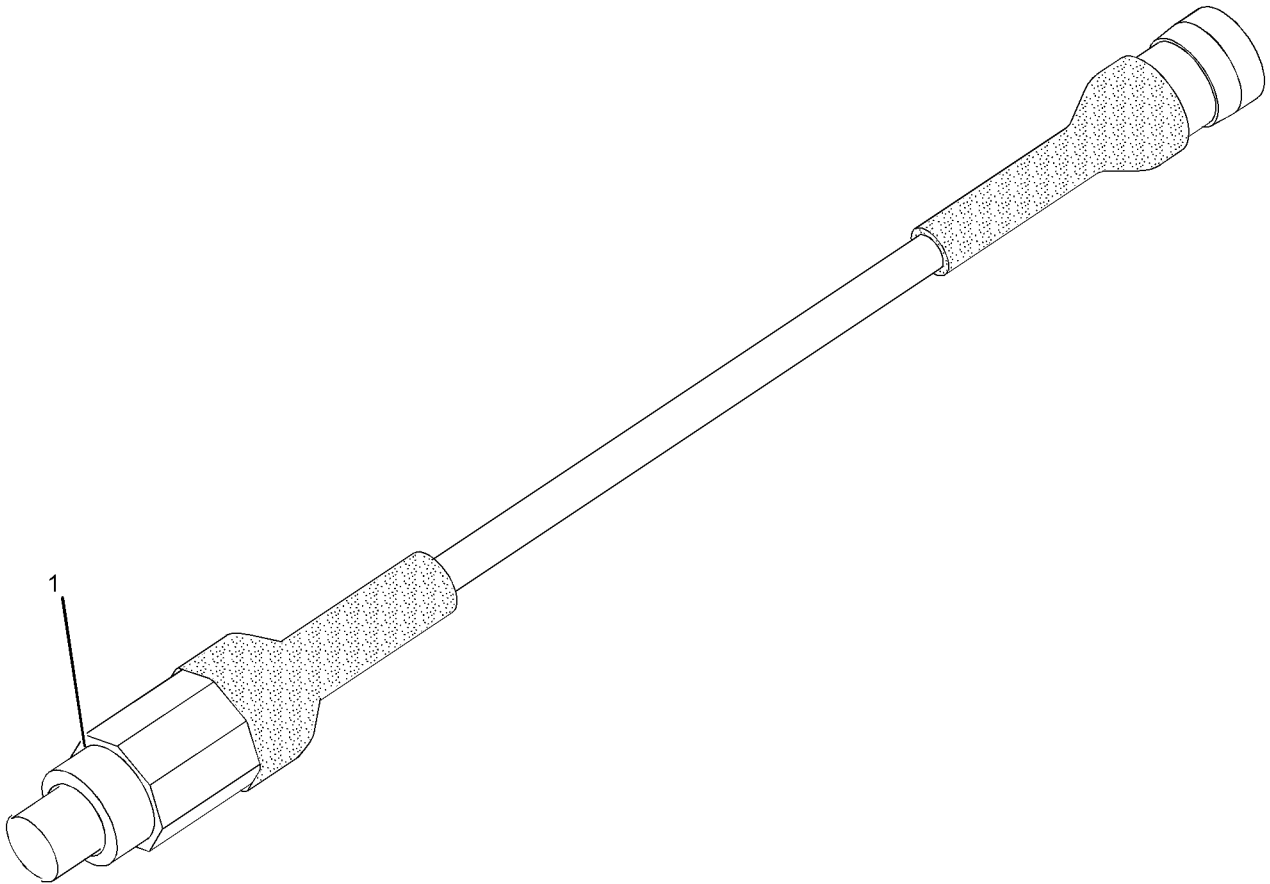
PART OF 296-8288 WIRING GP - ENGINE
AN ATTACHMENT

SMCS - 1907

i02629218

NOTE	REF NO	GRAPHIC REF	PART NUMBER	QTY	PART NAME						SEE PAGE
					1	2	3	4	5	6 (PRODUCT LEVEL)	
CY	1	1	295-4636	1	SENSOR GP - SPEED						354

C - CHANGE FROM PREVIOUS TYPE
Y - SEPARATE ILLUSTRATION



GRAPHIC #1

<END>

g01320016

ELECTRICAL AND STARTING SYSTEM

212-3426 SENSOR GP - SPEED

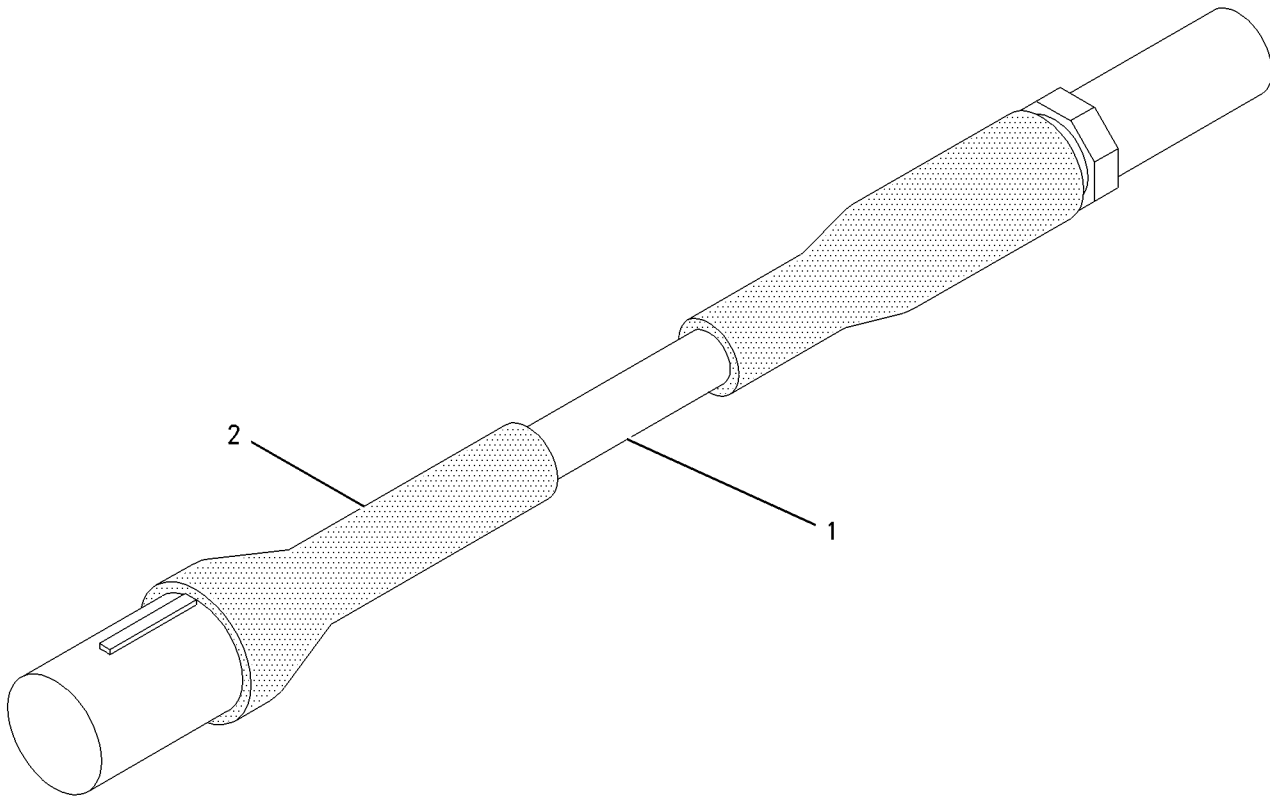
PART OF 296-8288 WIRING GP - ENGINE
AN ATTACHMENT

SMCS - 1907

i02741350

NOTE	REF NO	GRAPHIC REF	PART NUMBER	QTY	PART NAME						SEE PAGE
					1	2	3	4	5	6 (PRODUCT LEVEL)	
Y	1	1	9X-5392	1	SENSOR GP - SPEED						350
E	2	1	210-8958		TUBE-HEAT SHRINK (24-MM DIA) (16-CM)						

E - ORDER BY THE CENTIMETER
Y - SEPARATE ILLUSTRATION



GRAPHIC #1

<END>

g00916980

ELECTRICAL AND STARTING SYSTEM

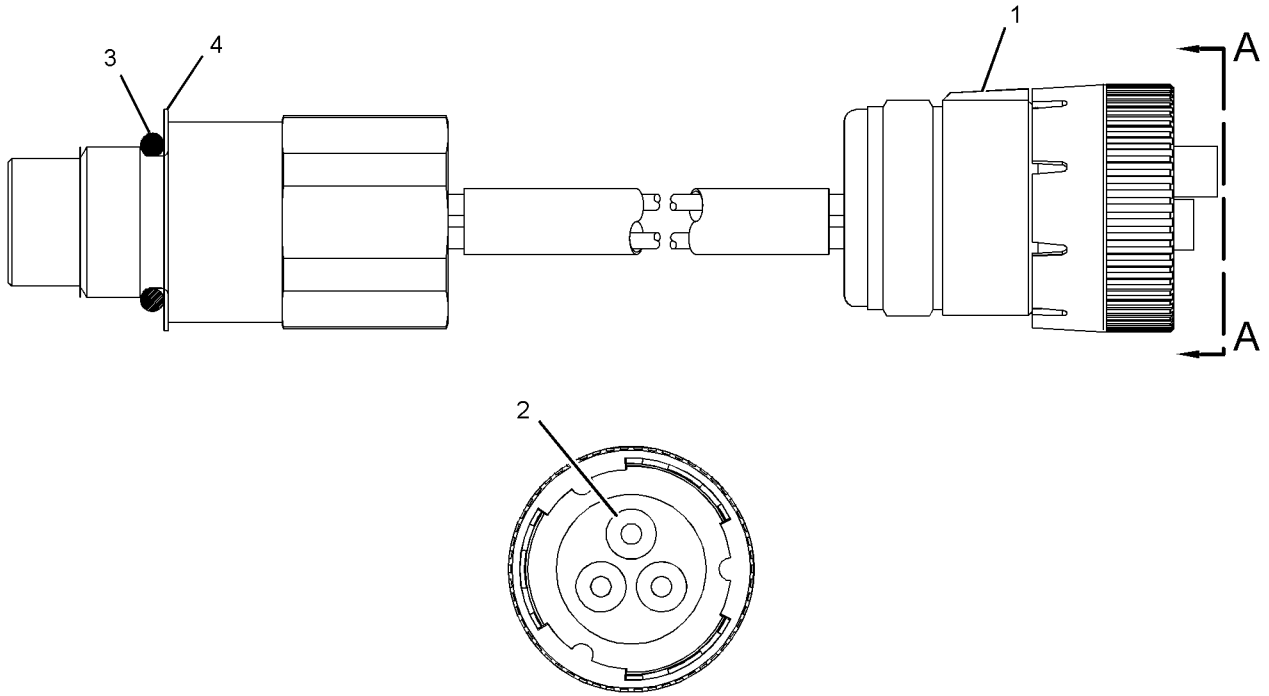
265-9034 SENSOR GP - SPEED

PART OF 295-4636 SENSOR GP - SPEED
AN ATTACHMENT

SMCS - 1907

i02710358

NOTE	REF NO	GRAPHIC REF	PART NUMBER	QTY	PART NAME						SEE PAGE
					1	2	3	4	5	6 (PRODUCT LEVEL)	
	1	1	8T-8731	1	PLUG-CONNECTOR (3-PIN)						
	2	1	180-9340	3	SOCKET-CONNECTOR						
	3	1	117-8766	1	SEAL-O-RING						
	4	1	133-1207	1	WASHER (21.1X28.1X0.9-MM THK)						



VIEW A-A

GRAPHIC #1

<END>

g01310558

ELECTRICAL AND STARTING SYSTEM

295-4636 SENSOR GP - SPEED

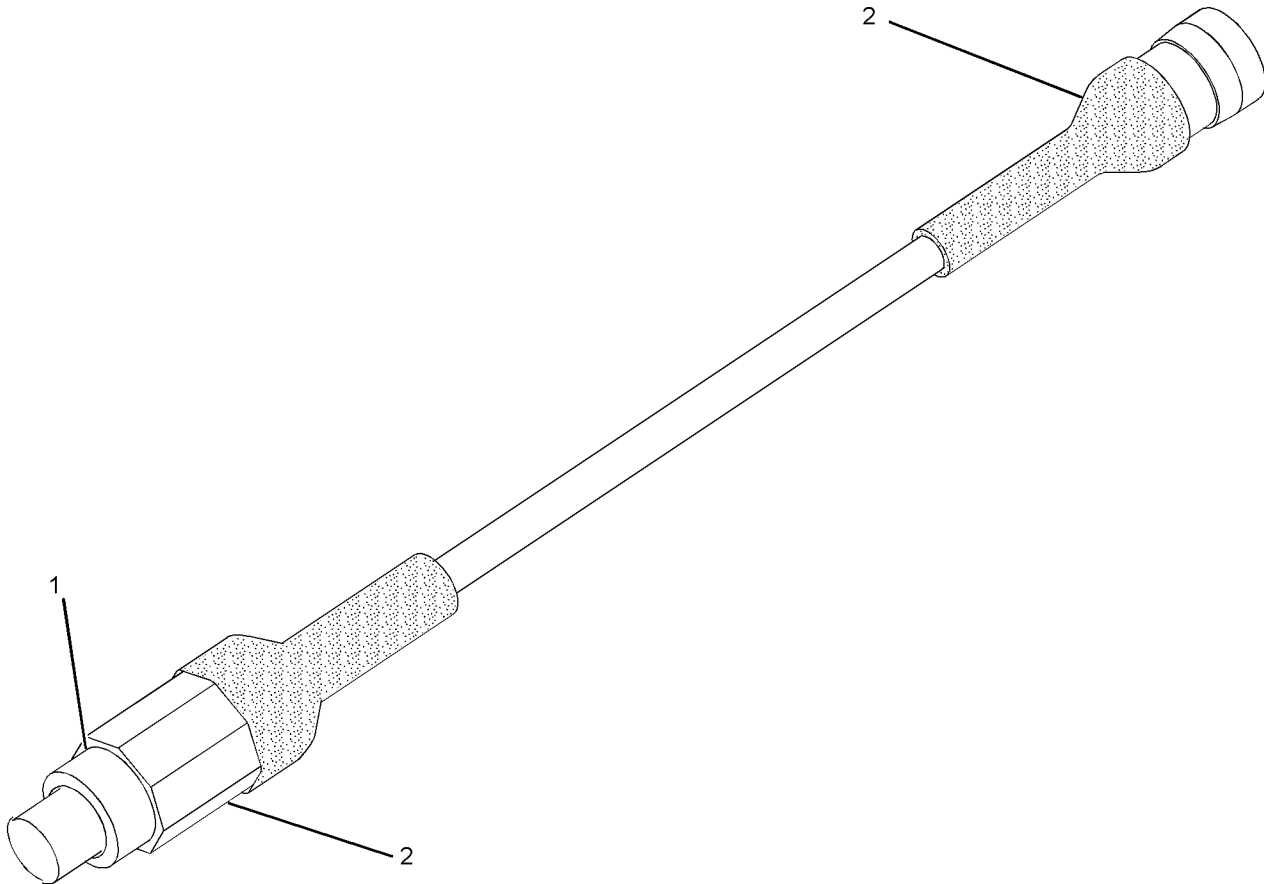
PART OF 212-0848 SENSOR GP - SPEED
AN ATTACHMENT

SMCS - 1907

i02628879

NOTE	REF NO	GRAPHIC REF	PART NUMBER	QTY	PART NAME	SEE PAGE
					1 2 3 4 5 6 (PRODUCT LEVEL)	
Y	1	1	265-9034	1	SENSOR GP - SPEED	353
E	2	1	135-5009		TUBE - HEAT SHRINK (32-MM DIA) (16-CM)	

E - ORDER BY THE CENTIMETER
Y - SEPARATE ILLUSTRATION



GRAPHIC #1

<END>

g01327714

ELECTRICAL AND STARTING SYSTEM

102-2240 SENSOR GP - TEMPERATURE

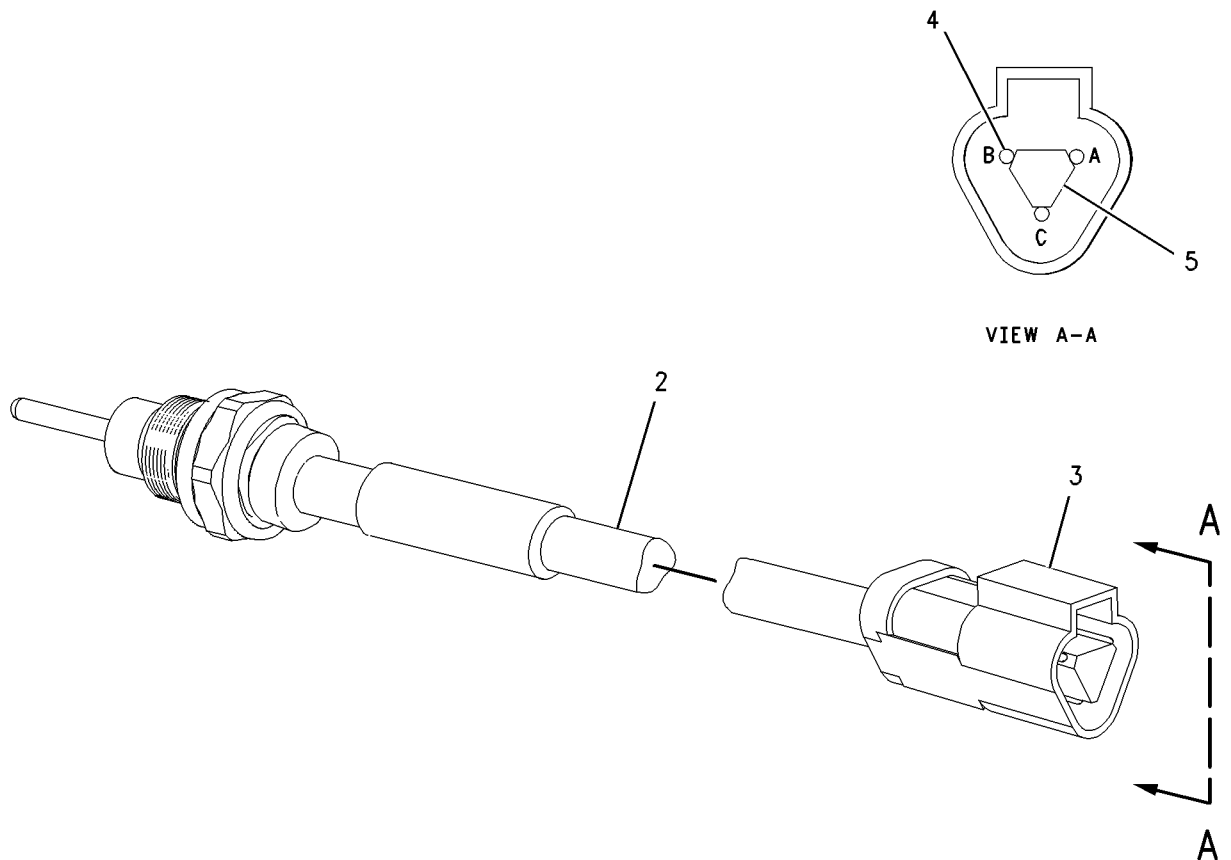
AN ATTACHMENT

SMCS-1906, 1919, 1921, 1922, 1928, 1929

i02871310

NOTE	REF NO	GRAPHIC REF	PART NUMBER	QTY	PART NAME						SEE PAGE
					1	2	3	4	5	6 (PRODUCT LEVEL)	
BE	2	1	9X-1813		SLEEVE						
	3	1	102-8803	1	KIT-RECEPTACLE (3-PIN) (INCLUDES RECEPTACLE AS & WEDGE)						
	4	1	186-3735	3	PIN-CONNECTOR (16-GA TO 18-GA)						
	5	1	3E-3371	1	WEDGE-RECEPTACLE LOCK (3-PIN)						

B- USE AS REQUIRED
E- ORDER BY THE CENTIMETER



GRAPHIC #1

<END>

g00790343

ELECTRICAL AND STARTING SYSTEM

195-2150 SENSOR GP - TEMPERATURE

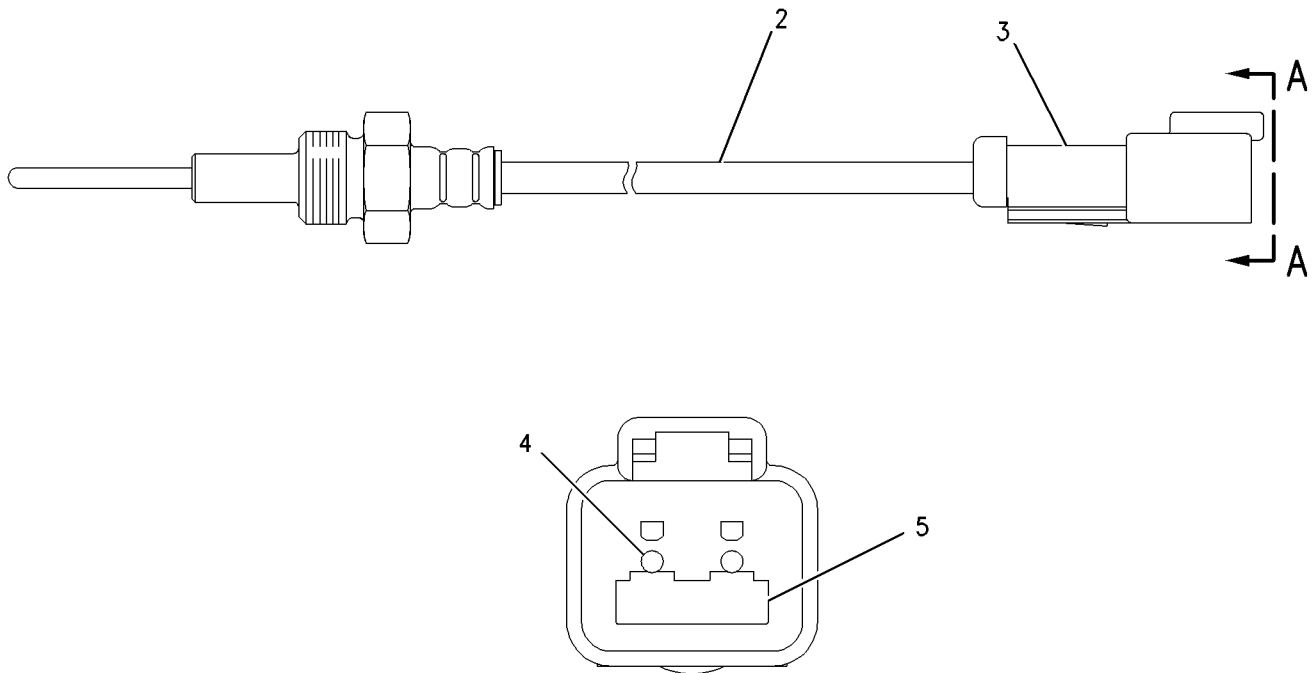
PART OF 255-0178, 255-0180 WIRING GP - SENSOR
AN ATTACHMENT

SMCS-1906, 1919, 1921, 1922, 1928, 1929

i02231071

NOTE	REF NO	GRAPHIC REF	PART NUMBER	QTY	PART NAME						SEE PAGE
					1	2	3	4	5	6 (PRODUCT LEVEL)	
BH	2	1	153-5043		SLEEVE (4-DM)						
	3	1	102-8802	1	KIT-RECEPTACLE (2-PIN) (INCLUDES RECEPTACLE AS AND WEDGE)						
	4	1	186-3735	2	PIN-CONNECTOR (16-GA TO 18-GA)						
	5	1	3E-3365	1	WEDGE-RECEPTACLE LOCK (2-PIN)						

B- USE AS REQUIRED
H- ORDER BY THE DECIMETER



VIEW A-A

GRAPHIC #1

<END>

g00857794

ELECTRICAL AND STARTING SYSTEM

212-3423 SENSOR GP - TEMPERATURE-COOLANT

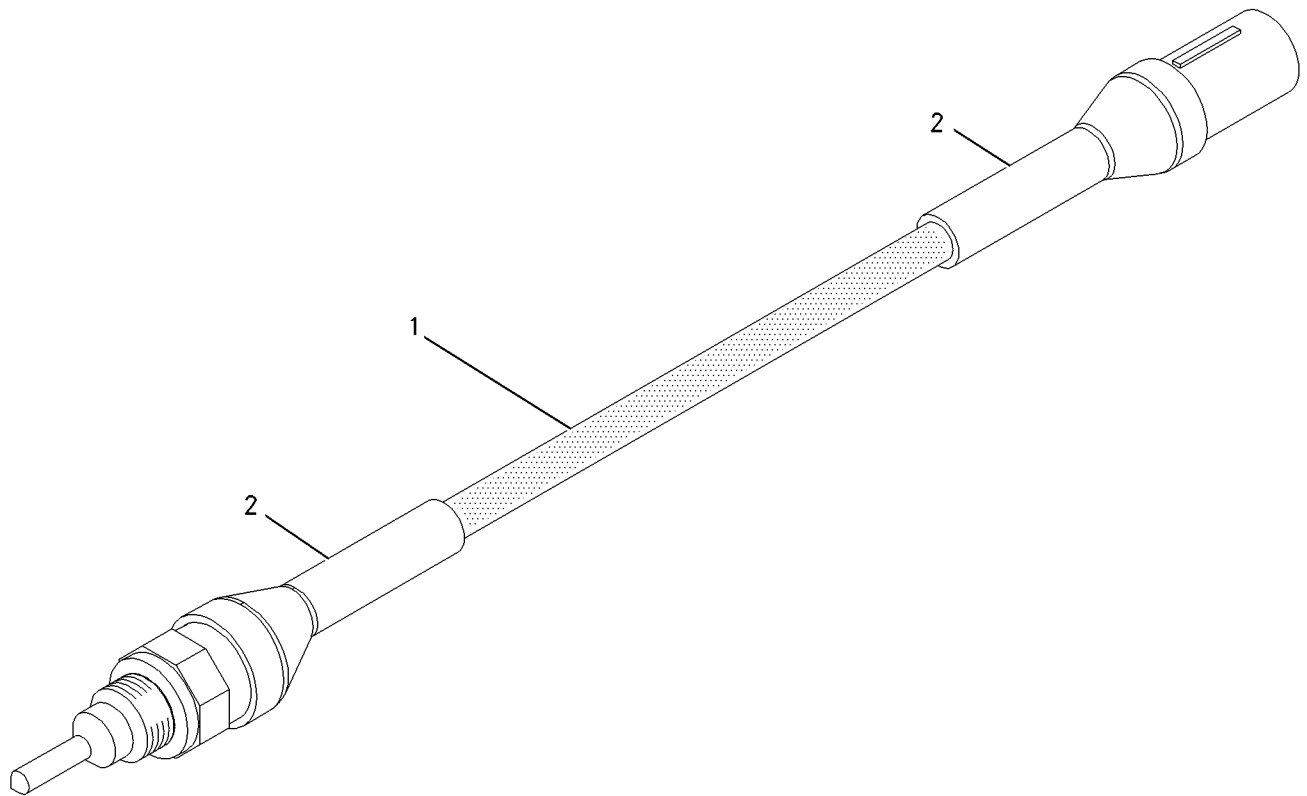
PART OF 296-8288 WIRING GP-ENGINE
AN ATTACHMENT

SMCS-1906, 1919, 1921, 1922, 1928, 1929

i02400533

NOTE	REF NO	GRAPHIC REF	PART NUMBER	QTY	PART NAME						SEE PAGE
					1	2	3	4	5	6 (PRODUCT LEVEL)	
	1	1	102-7532	1	SENSOR GP-TEMPERATURE (COOLANT)						
E	2	1	135-5009		TUBE-HEAT SHRINK (32-MM DIA) (16-CM)						

E-ORDER BY THE CENTIMETER



GRAPHIC #1

<END>

g00916796

ELECTRICAL AND STARTING SYSTEM

6V-0511 STARTING MOTOR GP-ELECTRIC

24-VOLT

PART OF 8N-3898 STARTING MOTOR GP-ELECTRIC
AN ATTACHMENT

SMCS-1453

i02956439

NOTE	REF NO	GRAPHIC REF	PART NUMBER	QTY	PART NAME						SEE PAGE
					1	2	3	4	5	6 (PRODUCT LEVEL)	
	1	1	7M-0326	1	CONNECTOR						
	2	1	9H-3757	2	WASHER (0.516X1X0.094 - IN THK)						
	3	1	1S-7446	3	SCREW-MACHINE (8-32X0.437 - IN)						
	4	1	8C-9660	3	WASHER (4.6X7.9X0.8 - MM THK)						
	5	1	9S-2544	9	SCREW-HEX HEAD (8-32X11.13 - MM)						
	6	1	7M-0327	1	WASHER-THRUST (17.4X25.4X1.6 - MM THK)						
	7	1	5L-6425	1	COIL AS-FIELD						
	8	1	3T-9525	1	PLATE AS-BRUSH						
	8A	1	6T-0372	1	PLATE						
	8B	1	6T-0371	1	INSULATOR						
	8C	1	6T-0363	6	HOLDER AS-BRUSH						
					(EACH INCLUDES)						
		1	3T-9494	1	SPRING						
	8D	1	3T-4709	3	PLATE						
	8E	1	3T-4710	3	PLATE						
	8F	1	2L-6679	3	PLATE - INSULATOR						
	8G	1	7F-3525	6	WASHER-BUSHING (0.207X0.39X0.09 - IN THK)						
	8H	1	5P-6298	12	SCREW-MACHINE (10-32X0.5 - IN)						
	8J	1	9F-5599	12	LOCKWASHER						
	9	1	7F-3491	2	WASHER (0.516X1X0.094 - IN THK)						
	10	1	3T-3422	1	WIRE AS						
	11	1	2J-8163	2	SEAL-O-RING						
	12	1	7X-3373	1	BOLT (5/16-18X0.88 - IN)						
B	13	1	3T-3434	6	PLUG						
	14	1	5J-5314	5	BOLT (5/16-18X1.5 - IN)						
	15	1	3L-3380	1	BUSHING-TERMINAL						
	16	1	036-9821	1	WASHER						
	17	1	4M-1828	1	RETAINER-SPRING						
	18	1	306-3998	1	BOOT-RUBBER						
	20	1	9M-7609	1	SPRING (SHIFT LEVER)						
	21	1	4M-1827	1	RETAINER-SPRING						
	22	1	8C-3089	1	SEAL-O-RING						
	23	1	4M-1853	1	LEVER AS-SHIFT						
	24	1	5M-3034	1	LOCKNUT (5/16-24 - THD)						
	25	1	7L-2894	4	GASKET						
	26	1	4M-1831	4	PLUG-LEVER HOUSING						
	27	1	4M-1854	1	SHAFT-LEVER						
	28	1	1H-1023	1	SEAL-O-RING						
	29	1	2D-6392	1	SEAL-O-RING						
	30	1	7T-3974	1	HOUSING AS-DRIVE						
	31	1	3T-5440	1	FRAME AS-END						
	31A	1	3T-3423	1	CUP						
	31B	1	3T-3424	1	PLUG-FELT						
	31C	1	9G-4101	1	BUSHING-END						
	32	1	2H-3429	2	RING-RETAINING						
	33	1	6V-1322	4	BOLT (1/4-20X0.375 - IN)						
	34	1	8T-4205	4	WASHER-HARD (7.2X14.5X2 - MM THK)						
	35	1	6N-3279	1	INSULATOR						
	36	1	036-9823	13	BOLT (1/4-28X1 - IN)						
	37	1	1M-9971	1	SPACER (0.835X1.72X0.188 - IN THK)						
	38	1	1H-2629	3	STRIP-INSULATION						
	39	1	3T-5343	1	DRIVE AS-MOTOR						
	40	1	3R-8797	12	SCREW & WASHER AS (3/8-24X0.72 - IN)						
	41	1	7F-3488	6	SHOE-POLE						
	42	1	7M-8651	1	ARMATURE AS						

ELECTRICAL AND STARTING SYSTEM

6V-0511 STARTING MOTOR GP-ELECTRIC (contd.)

i02956439

NOTE	REF NO	GRAPHIC REF	PART NUMBER	QTY	PART NAME						SEE PAGE
					1	2	3	4	5	6 (PRODUCT LEVEL)	
	43	1	7M-0325	1	INSULATOR						
	44	1	3T-9524	6	BRUSH AS						
	45	1	3N-3763	1	KIT - TERMINAL (STARTING MOTOR) (INCLUDES BUSHINGS & WASHER)						
	46	1	125-6535	1	COVER-STARTING MOTOR						
	47	1	3R-8801	1	CLAMP						
	48	1	8F-1434	2	LOCKWASHER						
	49	1	6V-8188	6	NUT (1/2 - 13 - THD)						
	50	1	7X-0562	6	WASHER - HARD (13.5X19X0.8 - MM THK)						
	51	1	4B-2049	6	NUT (10 - 32 - THD)						
	52	1	8T-0328	10	WASHER - HARD (5.5X10X1 - MM THK)						
	53	1	3T-9494	6	SPRING						
	54	1	3E-7771	1	HOUSING AS						
	56	1	3T-3424	3	PLUG - FELT						
	57	1	3T-3423	3	CUP						
	58	1	1M-9968	1	BUSHING						
	59	1	2F-6678	1	SEAL - LIP TYPE						
	60	1	4L-2729	1	WASHER (0.844X1.9X0.188 - IN THK)						
	61	1	4M-1896	1	BUSHING - TERMINAL						
	62	1	045-4065	4	SCREW - MACHINE (10 - 32X0.75 - IN)						
	67	1	125-6537	1	INSULATOR						
	68	1	7T-9123	1	GASKET - PLATE						
C	69	1	318-2082	1	SOLENOID AS - STARTING MOTOR (24 - VOLT)						
		1	3R-8801	1	CLAMP						
	70	1	125-6536	1	TERMINAL AS						

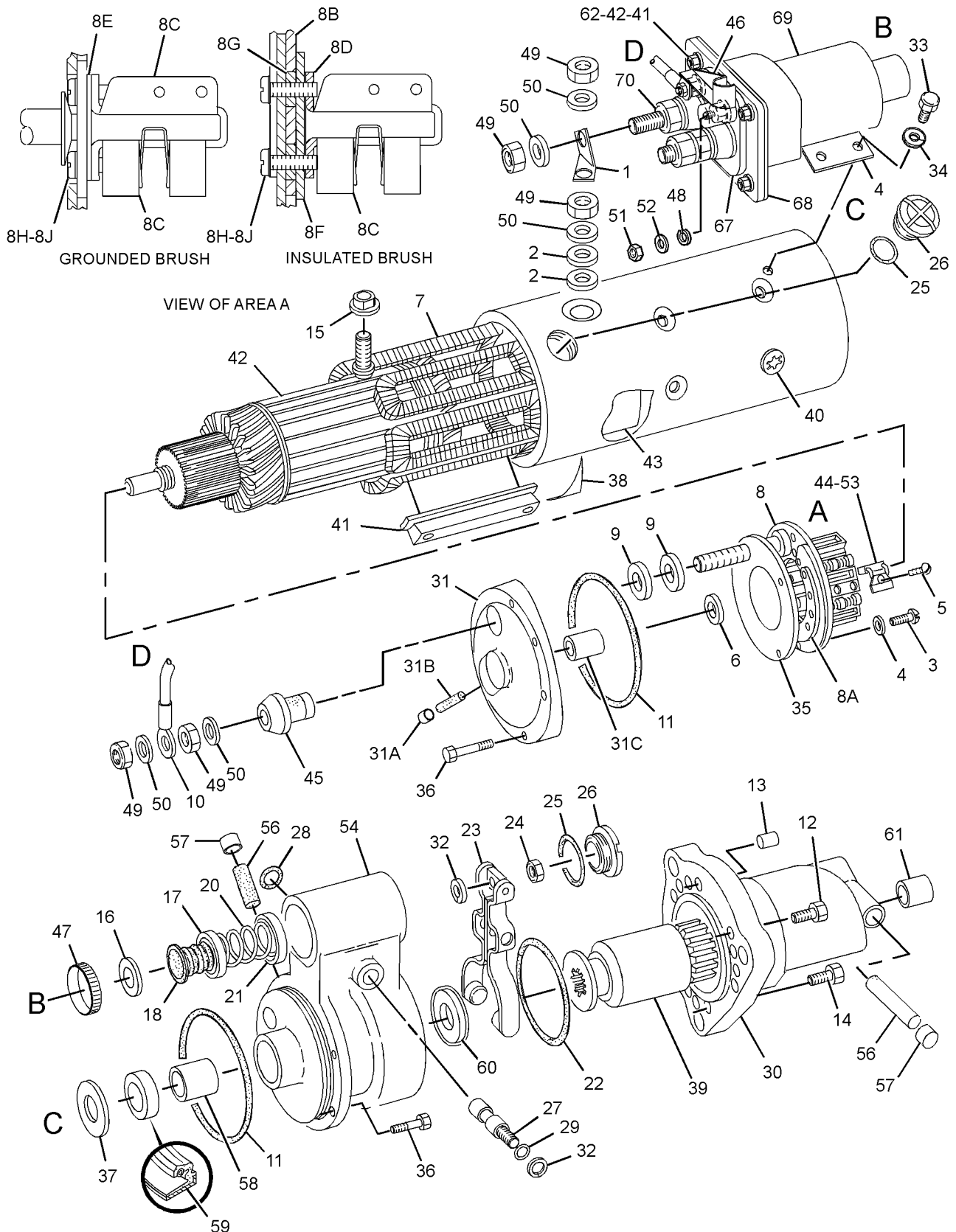
B - USE AS REQUIRED

C - CHANGE FROM PREVIOUS TYPE

ELECTRICAL AND STARTING SYSTEM

6V-0511 STARTING MOTOR GP-ELECTRIC (contd.)

i02956439



GRAPHIC #1

<END>

g01503314

ELECTRICAL AND STARTING SYSTEM

6V-0927 STARTING MOTOR GP-ELECTRIC

24-VOLT

PART OF 8N-3896 STARTING MOTOR GP-ELECTRIC

FIELD REPLACEMENT ORDER 237-1962-PAGE 371

AN ATTACHMENT

SMCS-1453

i02881131

NOTE	REF NO	GRAPHIC REF	PART NUMBER	QTY	PART NAME						SEE PAGE
					1	2	3	4	5	6 (PRODUCT LEVEL)	
	1	1	7M-0326	1	CONNECTOR						
	2	1	9H-3757	2	WASHER (0.516X1X0.094-IN THK)						
	3	1	1S-7446	3	SCREW-MACHINE (8-32X0.437-IN)						
	4	1	8C-9660	3	WASHER (4.6X7.9X0.8-MM THK)						
	5	1	9S-2544	9	SCREW-HEX HEAD (8-32X11.13-MM)						
	6	1	7M-0327	1	WASHER-THRUST (17.4X25.4X1.6-MM THK)						
	7	1	3T-3418	1	FRAME AS-END						
		1	3T-3423	1	CUP						
		1	9G-4101	1	BUSHING-END						
		1	3T-3424	1	PLUG-FELT						
	8	1	3T-9525	1	PLATE AS-BRUSH						
	8A	1	6T-0371	1	INSULATOR						
	8B	1	5P-6298	12	SCREW-MACHINE (10-32X0.5-IN)						
		1	9F-5599	12	LOCKWASHER						
	8C	1	7F-3525	6	WASHER-BUSHING (0.207X0.39X0.09-IN THK)						
	8D	1	6T-0372	1	PLATE						
	8E	1	3T-4709	3	PLATE						
	8F	1	2L-6679	3	PLATE-INSULATOR						
	8G	1	3T-4710	3	PLATE						
	8H	1	6T-0363	6	HOLDER AS-BRUSH (STARTING MOTOR)						
					(EACH INCLUDES)						
	8J	1	3T-9494	1	SPRING (STARTING MOTOR BRUSH)						
	9	1	7F-3491	2	WASHER (0.516X1X0.094-IN THK)						
	10	1	3T-3422	1	WIRE AS						
	11	1	2J-8163	2	SEAL-O-RING						
	12	1	7X-3373	1	BOLT (5/16-18X0.88-IN)						
B	13	1	3T-3434	6	PLUG						
	14	1	5J-5314	5	BOLT (5/16-18X1.5-IN)						
	15	1	3L-3380	1	BUSHING-TERMINAL						
	16	1	036-9821	1	WASHER						
	17	1	4M-1828	1	RETAINER-SPRING						
	18	1	306-3998	1	BOOT-RUBBER						
	19	1	4M-1827	1	RETAINER-SPRING						
	20	1	9M-7609	1	SPRING (SHIFT LEVER)						
	21	1	8C-3089	1	SEAL-O-RING						
	22	1	4M-1853	1	LEVER AS-SHIFT						
	23	1	5M-3034	1	LOCKNUT (5/16-24-THD)						
	24	1	7L-2894	4	GASKET						
	25	1	4M-1831	4	PLUG-LEVER HOUSING						
	26	1	4M-1854	1	SHAFT-LEVER						
	27	1	1H-1023	1	SEAL-O-RING						
	28	1	2D-6392	1	SEAL-O-RING						
	29	1	7T-3974	1	HOUSING AS-DRIVE						
	30	1	6N-3826	1	DRIVE AS-MOTOR						
	31	1	2H-3429	2	RING-RETAINING (EXTERNAL)						
	32	1	6V-1322	4	BOLT (1/4-20X0.375-IN)						
	33	1	8T-4205	4	WASHER-HARD (7.2X14.5X2-MM THK)						
	34	1	6N-3279	1	INSULATOR						
	35	1	036-9823	13	BOLT (1/4-28X1-IN)						
	36	1	1M-9971	1	SPACER (0.835X1.72X0.188-IN THK)						
	37	1	1H-2629	3	STRIP-INSULATION						
	38	1	7M-0324	1	COIL AS-FIELD						
	39	1	3R-8797	12	SCREW & WASHER AS (3/8-24X0.72-IN)						
	40	1	7F-3488	6	SHOE-POLE						

ELECTRICAL AND STARTING SYSTEM

6V-0927 STARTING MOTOR GP-ELECTRIC (contd.)

i02881131

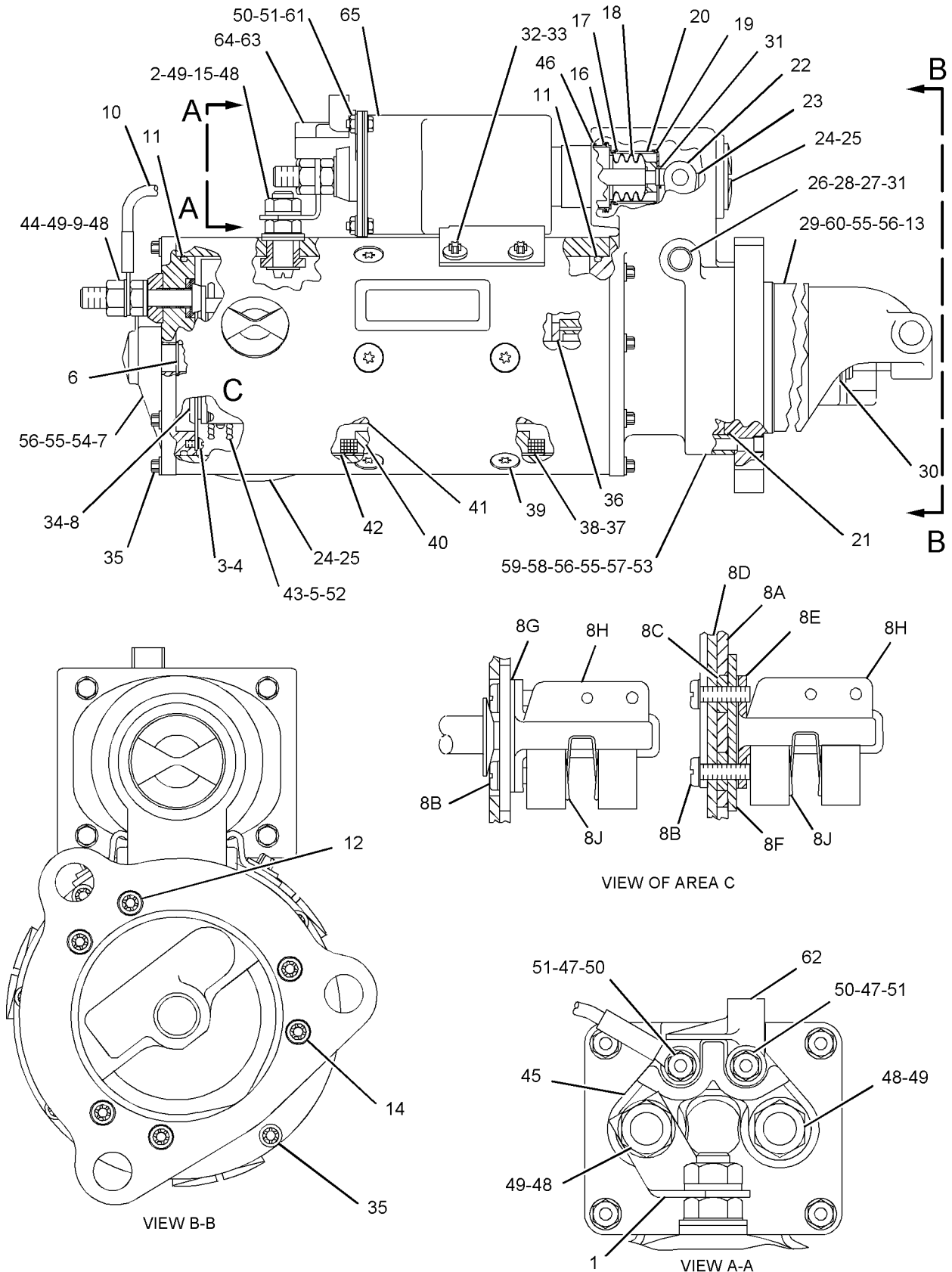
NOTE	REF NO	GRAPHIC REF	PART NUMBER	QTY	PART NAME						SEE PAGE
					1	2	3	4	5	6 (PRODUCT LEVEL)	
	41	1	7M-8651	1	ARMATURE AS						
	42	1	7M-0325	1	INSULATOR						
	43	1	3T-9524	6	BRUSH AS (STARTING MOTOR)						
	44	1	3N-3763	1	KIT-TERMINAL (STARTING MOTOR)						
					(INCLUDES INSULATOR, BUSHINGS AND WASHER)						
	45	1	125-6537	1	INSULATOR						
	46	1	3R-8801	1	CLAMP						
	47	1	8F-1434	2	LOCKWASHER						
	48	1	6V-8188	6	NUT (1/2-13-THD)						
	49	1	7X-0562	6	WASHER-HARD (13.5X19X0.8-MM THK)						
	50	1	4B-2049	6	NUT (10-32-THD)						
	51	1	8T-0328	10	WASHER-HARD (5.5X10X1-MM THK)						
	52	1	3T-9494	6	SPRING (STARTING MOTOR BRUSH)						
	53	1	3E-7771	1	HOUSING AS						
	54	1	9G-4101	1	BUSHING-END						
	55	1	3T-3424	3	PLUG-FELT						
	56	1	3T-3423	3	CUP						
	57	1	1M-9968	1	BUSHING						
	58	1	2F-6678	1	SEAL-LIP TYPE						
	59	1	4L-2729	1	WASHER (0.844X1.9X0.188-IN THK)						
	60	1	4M-1896	1	BUSHING-TERMINAL						
	61	1	045-4065	4	SCREW-MACHINE (10-32X0.75-IN)						
	62	1	125-6535	1	COVER-STARTING MOTOR						
	63	1	7T-9123	1	GASKET-PLATE						
	64	1	125-6536	1	TERMINAL AS						
	65	1	318-2082	1	SOLENOID AS-STARTING MOTOR (24-VOLT)						

B-USE AS REQUIRED

ELECTRICAL AND STARTING SYSTEM

6V-0927 STARTING MOTOR GP-ELECTRIC (contd.)

i02881131



GRAPHIC #1

<END>

g01092038

ELECTRICAL AND STARTING SYSTEM

7C-0526 STARTING MOTOR GP-ELECTRIC-SINGLE

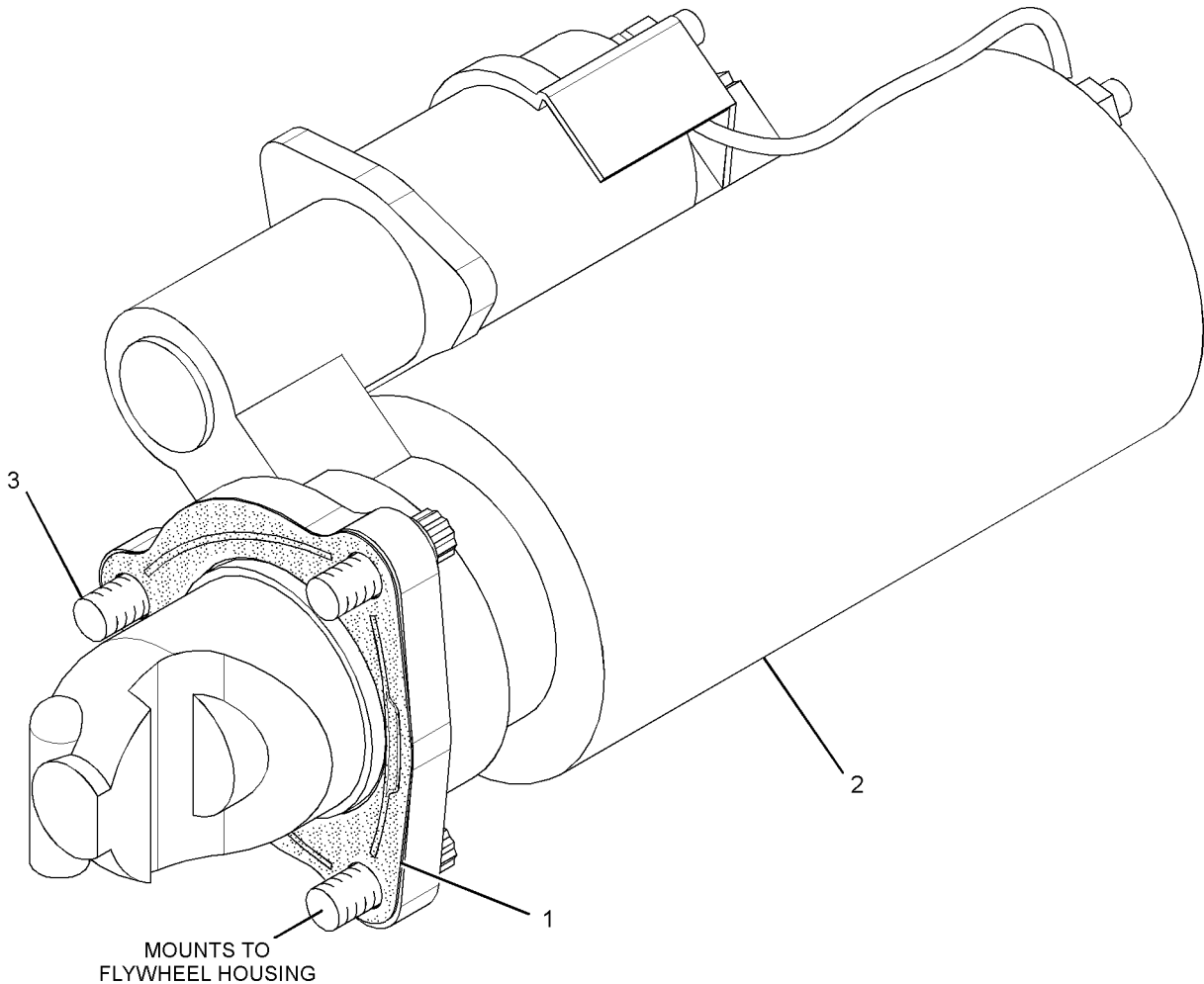
24-VOLT
AN ATTACHMENT

SMCS-1453

i03033501

NOTE	REF NO	GRAPHIC REF	PART NUMBER	QTY	PART NAME						SEE PAGE
					1	2	3	4	5	6 (PRODUCT LEVEL)	
	1	1	9Y-6089	1	GASKET						
CY	2	1	207-1562	1	STARTING MOTOR GP-ELECTRIC						369
	3	1	7J-8902	3	BOLT-12 POINT HEAD (5/8-11X1.5-IN)						

C - CHANGE FROM PREVIOUS TYPE
Y - SEPARATE ILLUSTRATION



GRAPHIC #1

<END>

g01538979

ELECTRICAL AND STARTING SYSTEM

8N-3896 STARTING MOTOR GP-ELECTRIC-DUAL

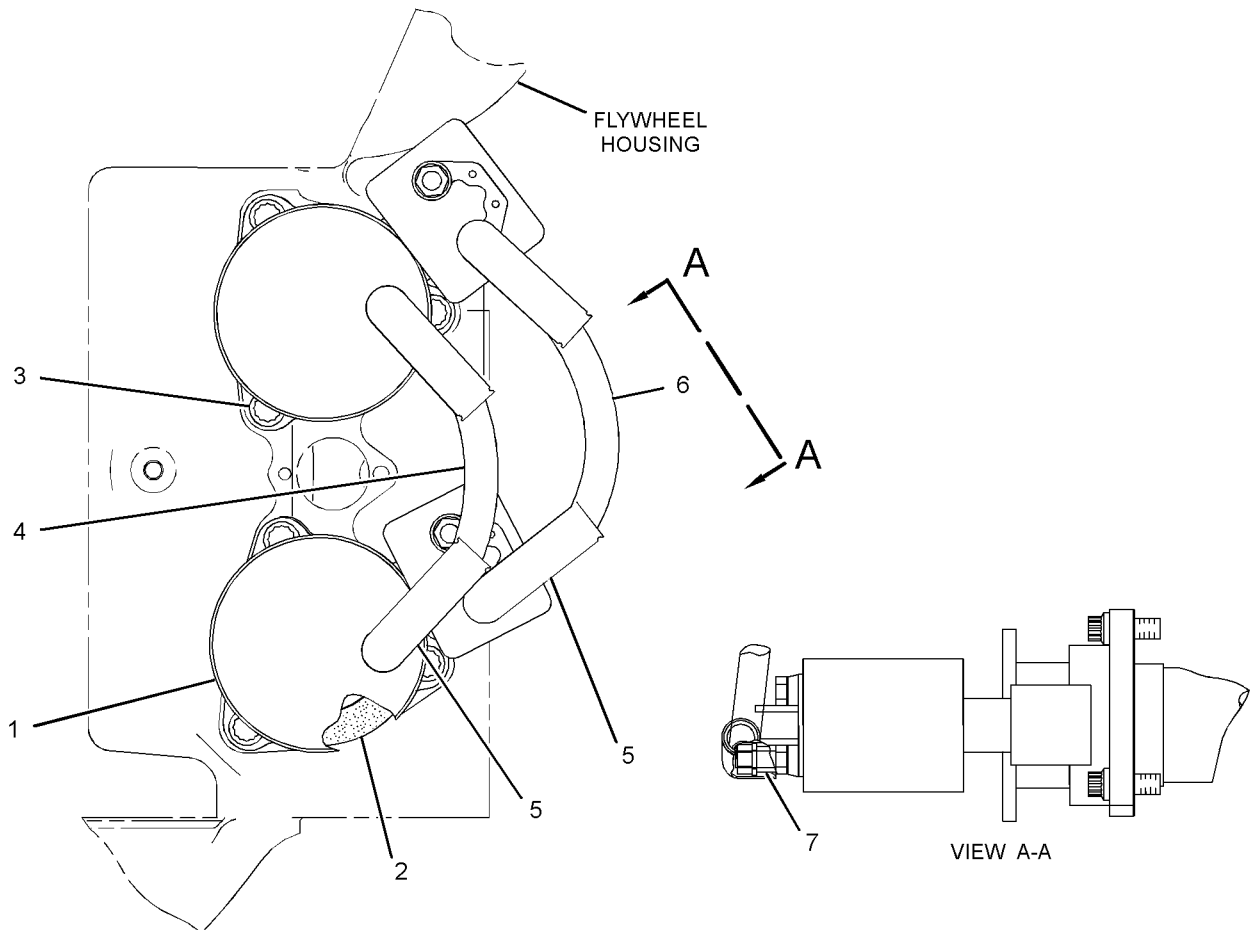
24-VOLT
AN ATTACHMENT

SMCS-1453

i03033540

NOTE	REF NO	GRAPHIC REF	PART NUMBER	QTY	PART NAME						SEE PAGE
					1	2	3	4	5	6 (PRODUCT LEVEL)	
Y	1	1	6V-0927	2	STARTING MOTOR GP-ELECTRIC						361
C	2	1	9Y-6089	2	GASKET						
	3	1	7J-8902	6	BOLT-12 POINT HEAD (5/8-11X1.5-IN)						
	4	1	7L-5887	1	CABLE AS (0000-GA)						
BE		1	5P-0745		CABLE (0000-GA)						
		1	3L-7634	2	TERMINAL-RING (0000-GA, 0.5-IN)						
	5	1	3L-7604	4	SHIELD-TERMINAL						
	6	1	4L-6155	1	CABLE AS (0000-GA)						
BE		1	5P-0745		CABLE (0000-GA)						
		1	3L-7634	2	TERMINAL-RING (0000-GA, 0.5-IN)						
	7	1	3L-6836	1	SPACER (0.5X0.75X0.56-IN THK)						

B- USE AS REQUIRED
 C- CHANGE FROM PREVIOUS TYPE
 E- ORDER BY THE CENTIMETER
 Y- SEPARATE ILLUSTRATION



GRAPHIC #1

<END>

g01539094

ELECTRICAL AND STARTING SYSTEM

8N-3898 STARTING MOTOR GP-ELECTRIC-DUAL

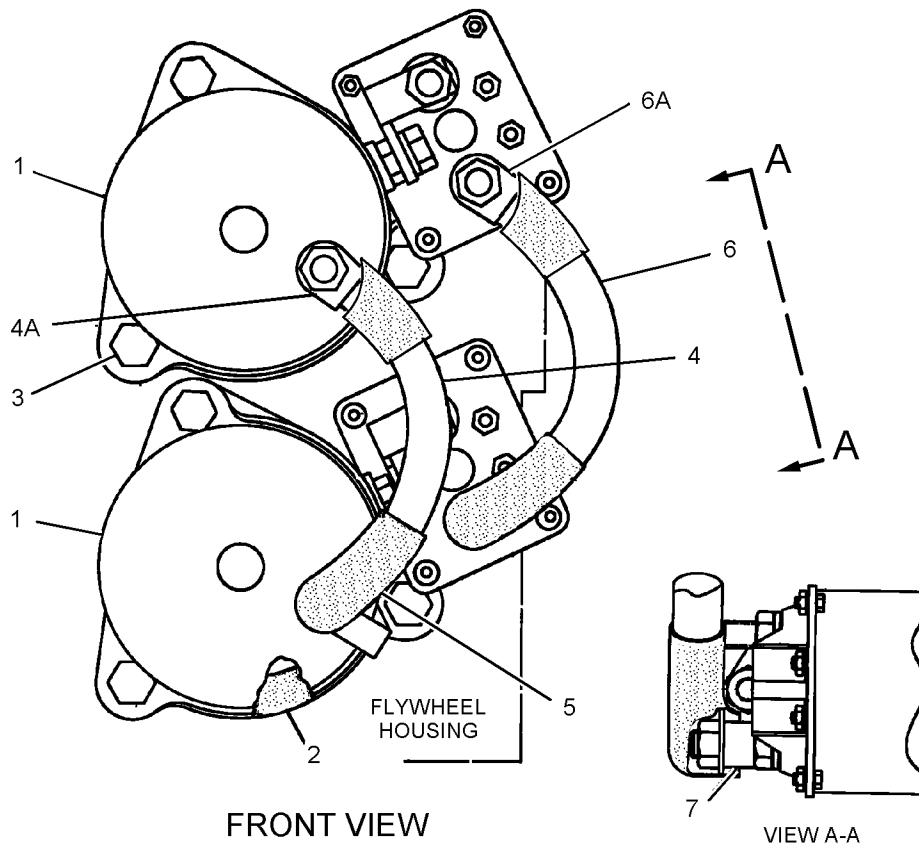
24-VOLT. REVERSE ROTATION
AN ATTACHMENT

SMCS-1453

i03114050

NOTE	REF NO	GRAPHIC REF	PART NUMBER	QTY	PART NAME						SEE PAGE
					1	2	3	4	5	6 (PRODUCT LEVEL)	
Y	1	1	6V-0511	2	STARTING MOTOR GP-ELECTRIC						358
	2	1	9Y-6089	2	GASKET						
	3	1	7J-8902	6	BOLT-12 POINT HEAD (5/8-11X1.5-IN)						
	4	1	7L-5887	1	CABLE AS (0000-GA)						
	4A	1	3L-7634	2	TERMINAL-RING (0000-GA, 0.5-IN)						
	5	1	3L-7604	4	SHIELD-TERMINAL						
	6	1	4L-6155	1	CABLE AS (0000-GA)						
	6A	1	3L-7634	2	TERMINAL-RING (0000-GA, 0.5-IN)						
	7	1	3L-6836	1	SPACER (0.5X0.75X0.56-IN THK)						

Y-SEPARATE ILLUSTRATION



GRAPHIC #1

FRONT VIEW
<END>

VIEW A-A

g01118891

ELECTRICAL AND STARTING SYSTEM

207-1556 STARTING MOTOR GP-ELECTRIC*R

24-VOLT

FIELD REPLACEMENT ORDER 237-1962-PAGE 371. FIELD REPLACEMENT FOR
207-1562-PAGE 369

SMCS-1453

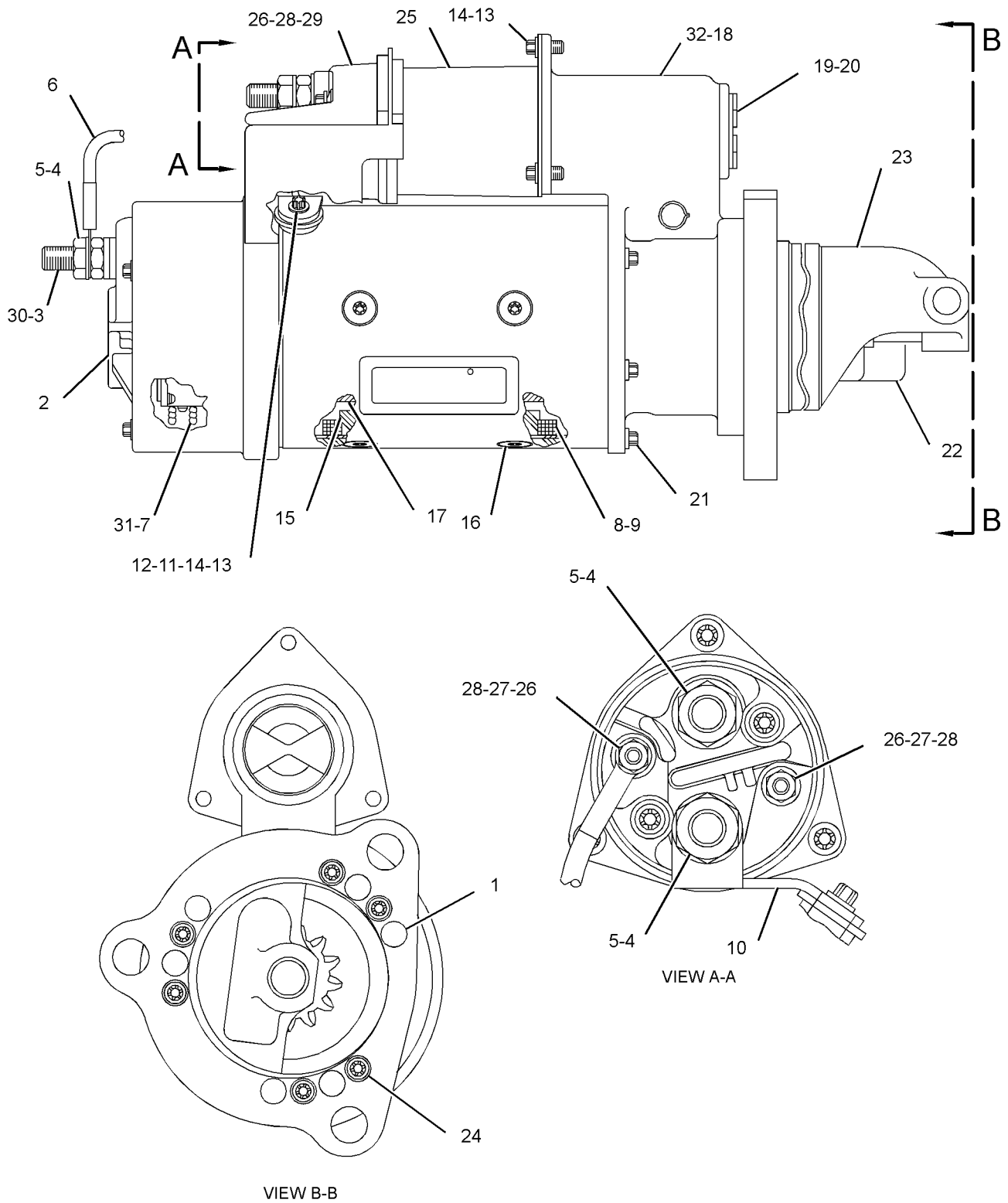
i02946823

NOTE	REF NO	GRAPHIC REF	PART NUMBER	QTY	PART NAME						SEE PAGE
					1	2	3	4	5	6 (PRODUCT LEVEL)	
	1	1	3T-3434	6	PLUG						
	2	1	7T-3279	1	HOUSING AS						
	3	1	8T-8566	1	TERMINAL AS						
	4	1	6V-8188	4	NUT (1/2-13-THD)						
	5	1	7X-0562	4	WASHER-HARD (13.5X19X0.8-MM THK)						
	6	1	3T-3422	1	WIRE AS						
	7	1	7T-3278	1	HOLDER AS-BRUSH						
	8	1	7T-3277	1	COIL AS-FIELD						
	9	1	7T-3454	1	INSULATOR						
	10	1	283-1107	1	KIT-CONNECTOR (STARTING MOTOR) (INCLUDES CONNECTORS, BOLT & TERMINAL-STARTER)						
	11	1	7T-3451	1	KIT-INSULATOR (TERMINAL)						
	12	1	8T-8569	1	INSULATOR-TERMINAL						
	13	1	5S-7349	4	BOLT (1/4-20X0.5-IN)						
	14	1	8T-4205	4	WASHER-HARD (7.2X14.5X2-MM THK)						
	15	1	8H-1141	4	SHOE-POLE						
	16	1	3R-8797	8	SCREW & WASHER AS (3/8-24X0.72-IN)						
	17	1	7T-3276	1	ARMATURE AS (24-VOLT)						
	18	1	3E-7775	1	HOUSING AS						
	19	1	4M-1831	1	PLUG-LEVER HOUSING						
	20	1	7L-2894	1	GASKET						
	21	1	036-9823	5	BOLT (1/4-28X1-IN)						
	22	1	6N-3826	1	DRIVE AS-MOTOR						
	23	1	7T-3974	1	HOUSING AS-DRIVE						
	24	1	7X-3373	6	BOLT (5/16-18X0.88-IN)						
	25	1	250-8279	1	KIT-SOLENOID (STARTING MOTOR) (INCLUDES SOLENOID AS, BOLT, NUTS, COVER & CONNECTORS)						
	26	1	6V-8378	3	NUT (10-32-THD)						
	27	1	8F-1434	2	LOCKWASHER						
	28	1	8T-0328	3	WASHER-HARD (5.5X10X1-MM THK)						
	29	1	9X-4824	1	COVER-STARTING MOTOR						
	30	1	8T-9884	1	KIT-INSULATOR (STARTING MOTOR) (INCLUDES INSULATORS & BUSHING)						
	31	1	8C-3655	1	KIT-BRUSH (STARTING MOTOR) (INCLUDES BRUSHES, SPRINGS, SCREWS, SCREW ASSEMBLIES & SEAL)						
	32	1	7T-3268	1	KIT-LEVER (STARTING MOTOR) (INCLUDES LEVER ASSEMBLIES, SEAL, NUT, GASKET & RETAINER)						
					AVAILABLE REPAIR KIT(S) :						
			7T-3267	1	KIT-BUSHING (STARTING MOTOR) (INCLUDES BUSHINGS, WICKS, CUPS, SEALS, GASKET, SCREW AS, WASHERS, SPACER & NUT)						

ELECTRICAL AND STARTING SYSTEM

207 - 1556 STARTING MOTOR GP - ELECTRIC (contd.)

i02946823



GRAPHIC #1

<END>

g01478692

ELECTRICAL AND STARTING SYSTEM

207-1562 STARTING MOTOR GP-ELECTRIC

24-VOLT

PART OF 7C-0526 STARTING MOTOR GP-ELECTRIC

FIELD REPLACEMENT ORDER 207-1556-PAGE 367

AN ATTACHMENT

SMCS-1453

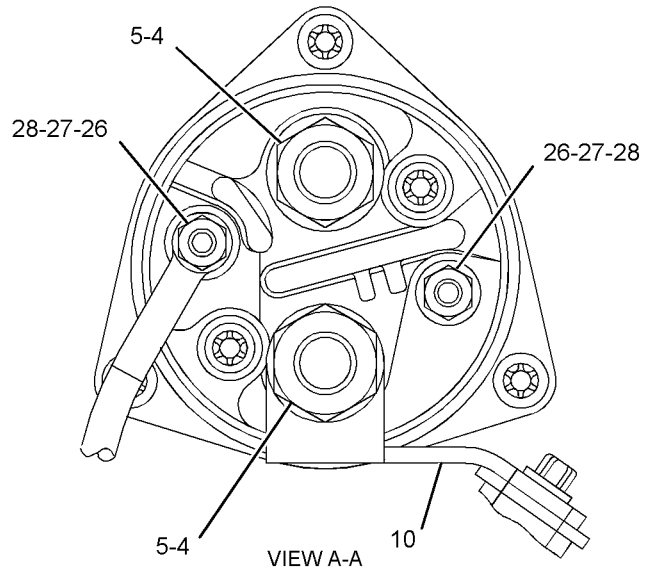
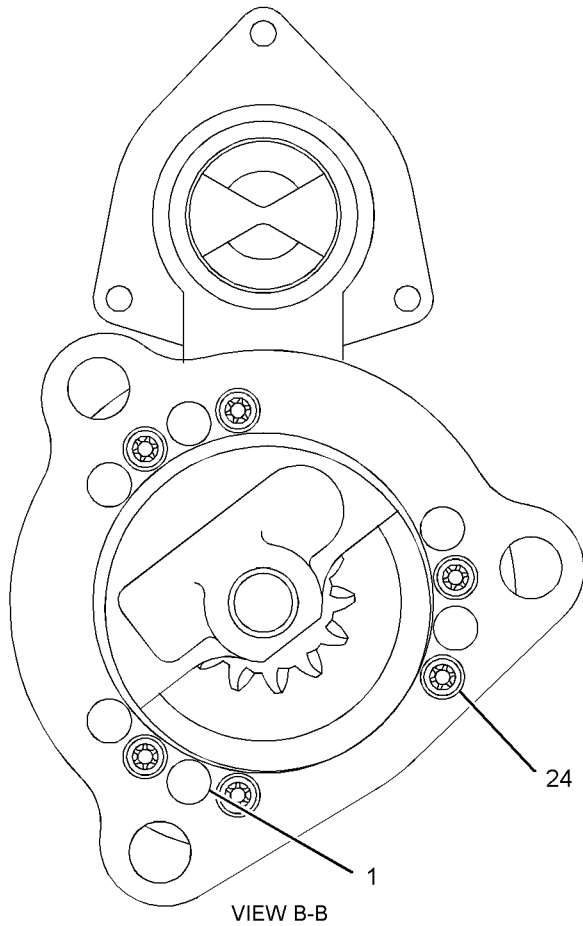
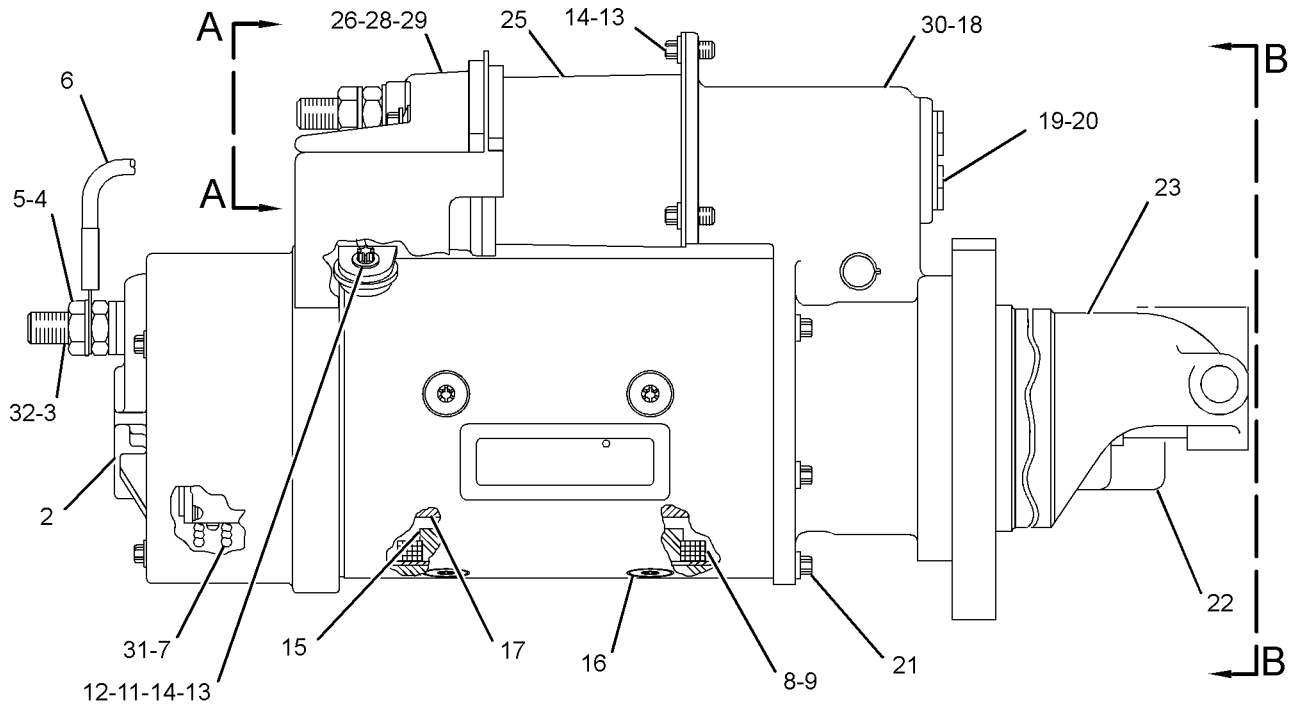
i02958611

NOTE	REF NO	GRAPHIC REF	PART NUMBER	QTY	PART NAME						SEE PAGE
					1	2	3	4	5	6 (PRODUCT LEVEL)	
	1	1	3T-3434	6	PLUG						
	2	1	7T-3279	1	HOUSING AS						
	3	1	8T-8566	1	TERMINAL AS						
	4	1	6V-8188	4	NUT (1/2-13-THD)						
	5	1	7X-0562	4	WASHER-HARD (13.5X19X0.8-MM THK)						
	6	1	3T-3422	1	WIRE AS						
	7	1	7T-3278	1	HOLDER AS-BRUSH (STARTING MOTOR)						
	8	1	7T-3277	1	COIL AS-FIELD						
	9	1	7T-3454	1	INSULATOR						
	10	1	283-1107	1	KIT-CONNECTOR (STARTING MOTOR) (INCLUDES CONNECTORS, BOLT & TERMINAL-STARTER)						
	11	1	7T-3451	1	KIT-INSULATOR (TERMINAL)						
	12	1	8T-8569	1	INSULATOR-TERMINAL						
	13	1	5S-7349	4	BOLT (1/4-20X0.5-IN)						
	14	1	8T-4205	4	WASHER-HARD (7.2X14.5X2-MM THK)						
	15	1	8H-1141	4	SHOE-POLE						
	16	1	3R-8797	8	SCREW & WASHER AS (3/8-24X0.72-IN)						
	17	1	7T-3276	1	ARMATURE AS (24-VOLT)						
	18	1	3E-7775	1	HOUSING AS						
	19	1	4M-1831	1	PLUG-LEVER HOUSING						
	20	1	7L-2894	1	GASKET						
	21	1	036-9823	5	BOLT (1/4-28X1-IN)						
	22	1	6N-3826	1	DRIVE AS-MOTOR						
	23	1	7T-3974	1	HOUSING AS-DRIVE						
	24	1	7X-3373	6	BOLT (5/16-18X0.88-IN)						
	25	1	250-8279	1	KIT-SOLENOID (STARTING MOTOR) (INCLUDES SOLENOID AS, BOLT, NUT AS, NUT, COVER & CONNECTORS)						
	26	1	6V-8378	3	NUT (10-32-THD)						
	27	1	8F-1434	2	LOCKWASHER						
	28	1	8T-0328	3	WASHER-HARD (5.5X10X1-MM THK)						
	29	1	9X-4824	1	COVER-STARTING MOTOR						
	30	1	7T-3268	1	KIT-LEVER (STARTING MOTOR) (INCLUDES LEVER ASSEMBLIES, SEALS, NUT, GASKET & RETAINER)						
	31	1	8C-3655	1	KIT-BRUSH (STARTING MOTOR) (INCLUDES BRUSHES, SPRINGS, SCREWS, SCREW ASSEMBLIES, & SEAL)						
	32	1	8T-9884	1	KIT-INSULATOR (STARTING MOTOR) (INCLUDES INSULATORS & BUSHING)						
					AVAILABLE REPAIR KIT(S):						
			7T-3267	1	KIT-BUSHING (STARTING MOTOR) (INCLUDES BUSHINGS, WICKS, CUPS, SEALS, GASKET, SCREW ASSEMBLIES, WASHERS, SPACER & NUT)						

ELECTRICAL AND STARTING SYSTEM

207-1562 STARTING MOTOR GP - ELECTRIC (contd.)

i02958611



GRAPHIC #1

<END>

g01478494

ELECTRICAL AND STARTING SYSTEM

237-1962 STARTING MOTOR GP-ELECTRIC*R 24-VOLT

FIELD REPLACEMENT FOR 6V-0927-PAGE 361: FOR 207-1556-PAGE 367

SMCS-1453

i02927711

NOTE	REF NO	GRAPHIC REF	PART NUMBER	QTY	PART NAME						SEE PAGE
					1	2	3	4	5	6 (PRODUCT LEVEL)	
	1	1	7M-0326	1	CONNECTOR						
	2	1	9H-3757	2	WASHER (0.516X1X0.094-IN THK)						
	3	1	1S-7446	3	SCREW-MACHINE (8-32X0.437-IN)						
	4	1	8C-9660	3	WASHER (4.6X7.9X0.8-MM THK)						
	5	1	9S-2544	9	SCREW-HEX HEAD (8-32X11.13-MM)						
	6	1	7M-0327	1	WASHER-THRUST (17.4X25.4X1.6-MM THK)						
	7	1	3T-3418	1	FRAME AS-END						
		1	3T-3423	1	CUP						
		1	3T-3424	1	PLUG-FELT						
		1	9G-4101	1	BUSHING-END						
	8	1	3T-9525	1	PLATE AS-BRUSH						
	8A	1	6T-0371	1	INSULATOR						
	8B	1	5P-6298	12	SCREW-MACHINE (10-32X0.5-IN)						
		1	9F-5599	12	LOCKWASHER						
	8C	1	7F-3525	6	WASHER-BUSHING (0.207X0.39X0.09-IN THK)						
	8D	1	6T-0372	1	PLATE						
	8E	1	3T-4709	3	PLATE						
	8F	1	2L-6679	3	PLATE-INSULATOR						
	8G	1	3T-4710	3	PLATE						
	8H	1	6T-0363	6	HOLDER AS-BRUSH (STARTING MOTOR) (EACH INCLUDES)						
	8J	1	3T-9494	1	SPRING						
	9	1	7F-3491	2	WASHER (0.516X1X0.094-IN THK)						
	10	1	3T-3422	1	WIRE AS (STARTING MOTOR)						
	11	1	2J-8163	2	SEAL-O-RING						
	12	1	7X-3373	1	BOLT (5/16-18X0.88-IN)						
	13	1	3T-3434	6	PLUG						
	14	1	5J-5314	5	BOLT (5/16-18X1.5-IN)						
	15	1	3L-3380	1	BUSHING-TERMINAL						
	16	1	036-9821	1	WASHER						
	17	1	4M-1828	1	RETAINER-SPRING						
	18	1	306-3998	1	BOOT-RUBBER						
	19	1	9M-7609	1	SPRING (SHIFT LEVER)						
	20	1	4M-1827	1	RETAINER-SPRING						
	21	1	8C-3089	1	SEAL-O-RING						
	22	1	4M-1853	1	LEVER AS-SHIFT						
	23	1	5M-3034	1	LOCKNUT (5/16-24-THD)						
	24	1	7L-2894	4	GASKET						
	25	1	4M-1831	4	PLUG-LEVER HOUSING						
	26	1	4M-1854	1	SHAFT-LEVER						
	27	1	1H-1023	1	SEAL-O-RING						
	28	1	2D-6392	1	SEAL-O-RING						
	29	1	7T-3974	1	HOUSING AS-DRIVE						
	30	1	6N-3826	1	DRIVE AS-MOTOR						
	31	1	2H-3429	2	RING-RETAINING						
	32	1	6V-1322	4	BOLT (1/4-20X0.375-IN)						
	33	1	8T-4205	4	WASHER-HARD (7.2X14.5X2-MM THK)						
	34	1	6N-3279	1	INSULATOR						
	35	1	036-9823	13	BOLT (1/4-28X1-IN)						
	36	1	1M-9971	1	SPACER (0.835X1.72X0.188-IN THK)						
	37	1	1H-2629	3	STRIP-INSULATION						
	38	1	7M-0324	1	COIL AS-FIELD						
	39	1	3R-8797	12	SCREW & WASHER AS (3/8-24X0.72-IN)						
	40	1	7F-3488	6	SHOE-POLE						
	41	1	7M-8651	1	ARMATURE AS						
	42	1	7M-0325	1	INSULATOR						

ELECTRICAL AND STARTING SYSTEM

237 - 1962 STARTING MOTOR GP - ELECTRIC (contd.)

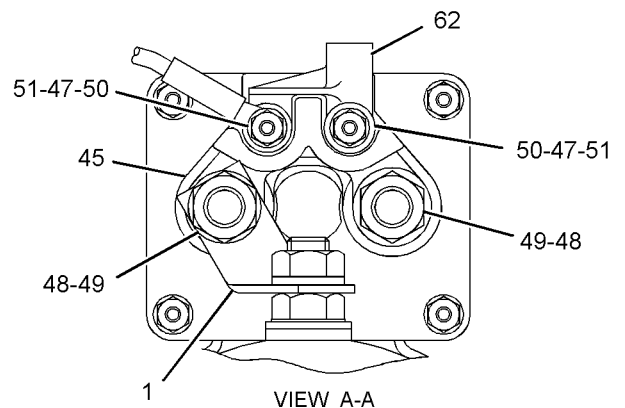
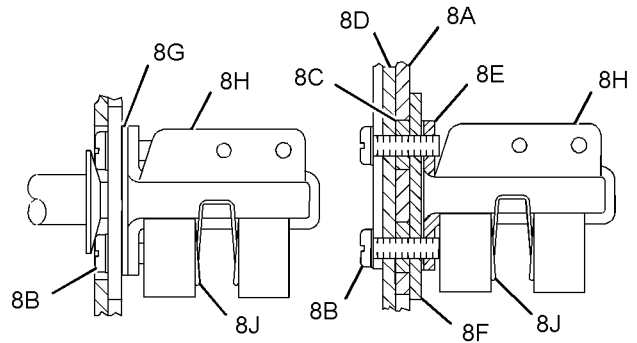
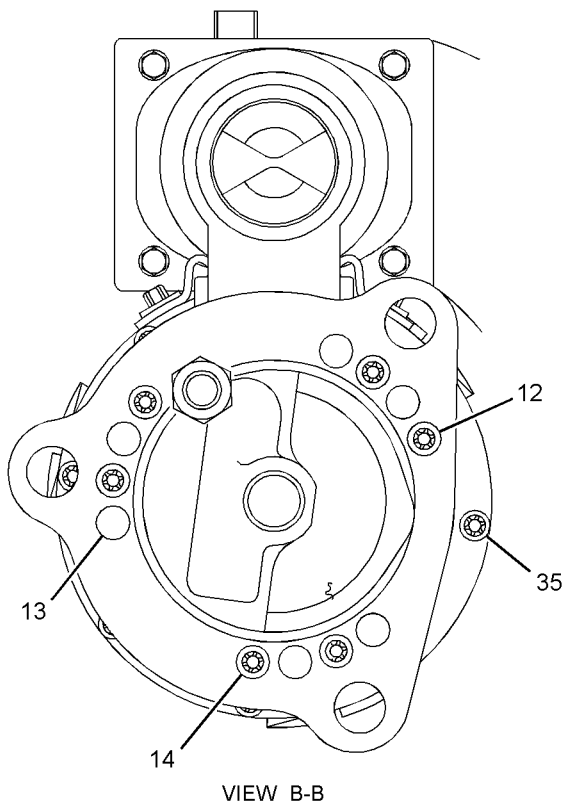
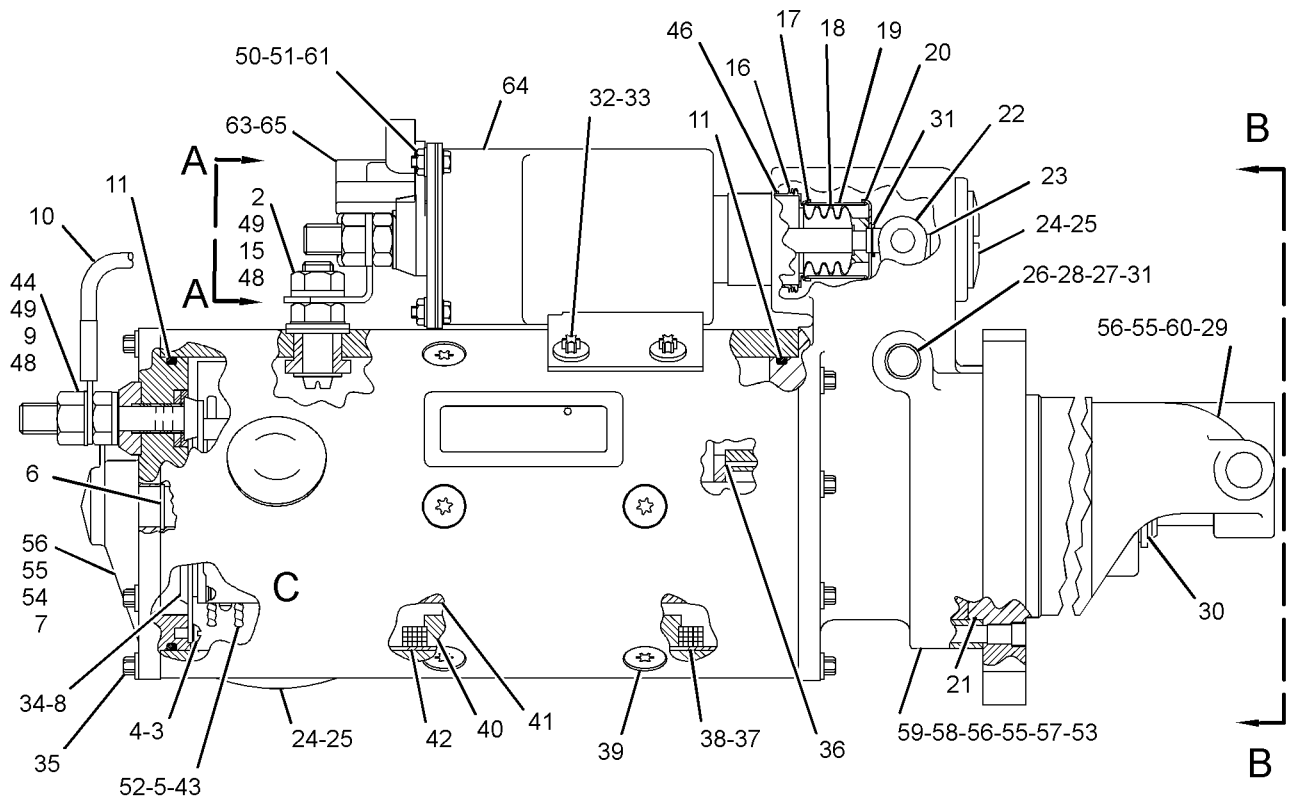
i02927711

NOTE	REF NO	GRAPHIC REF	PART NUMBER	QTY	PART NAME						SEE PAGE
					1	2	3	4	5	6 (PRODUCT LEVEL)	
	43	1	3T-9524	6	BRUSH AS						
	44	1	3N-3763	1	KIT - TERMINAL (STARTING MOTOR) (INCLUDES BUSHINGS & WASHERS)						
	45	1	125-6537	1	INSULATOR						
	46	1	3R-8801	1	CLAMP						
	47	1	8F-1434	2	LOCKWASHER						
	48	1	6V-8188	6	NUT (1/2-13-THD)						
	49	1	7X-0562	6	WASHER-HARD (13.5X19X0.8-MM THK)						
	50	1	4B-2049	6	NUT (10-32-THD)						
	51	1	8T-0328	10	WASHER-HARD (5.5X10X1-MM THK)						
	52	1	3T-9494	6	SPRING (STARTING MOTOR)						
	53	1	3E-7771	1	HOUSING AS						
	54	1	9G-4101	1	BUSHING-END						
	55	1	3T-3424	3	PLUG-FELT						
	56	1	3T-3423	3	CUP						
	57	1	1M-9968	1	BUSHING						
	58	1	2F-6678	1	SEAL-LIP TYPE						
	59	1	4L-2729	1	WASHER (0.844X1.9X0.188-IN THK)						
	60	1	4M-1896	1	BUSHING-TERMINAL						
	61	1	045-4065	4	SCREW-MACHINE (10-32X0.75-IN)						
	62	1	125-6535	1	COVER-STARTING MOTOR						
	63	1	7T-9123	1	GASKET-PLATE						
	64	1	318-2082	1	SOLENOID AS-STARTING MOTOR (24-VOLT)						
	65	1	125-6536	1	TERMINAL AS						

ELECTRICAL AND STARTING SYSTEM

237 - 1962 STARTING MOTOR GP - ELECTRIC (contd.)

i02927711



GRAPHIC #1

<END>

g01453239

ELECTRICAL AND STARTING SYSTEM

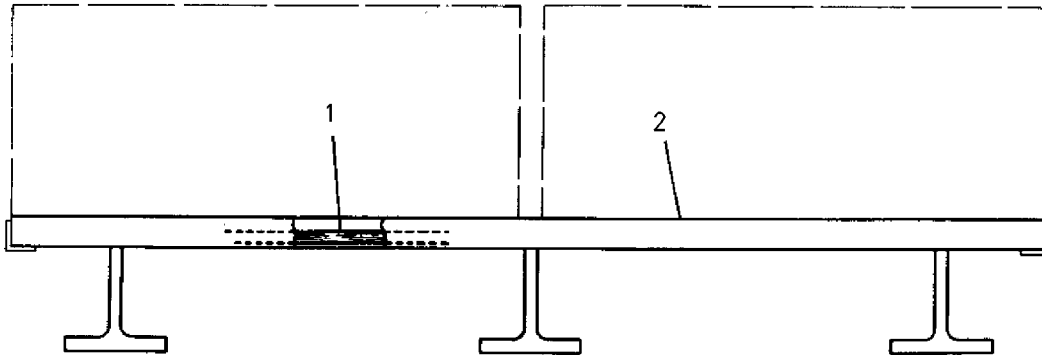
3N-7056 SUPPORT GP - BATTERY

FLOOR TYPE, 2-BATTERY
AN ATTACHMENT

SMCS-7257

i01380951

NOTE	REF NO	GRAPHIC REF	PART NUMBER	QTY	PART NAME						SEE PAGE
					1	2	3	4	5	6 (PRODUCT LEVEL)	
	1	1	3N-7055	1	BOARD						
	2	1	3N-7054	1	SUPPORT AS-BATTERY						



GRAPHIC #1

<END>

g00729953

ELECTRICAL AND STARTING SYSTEM

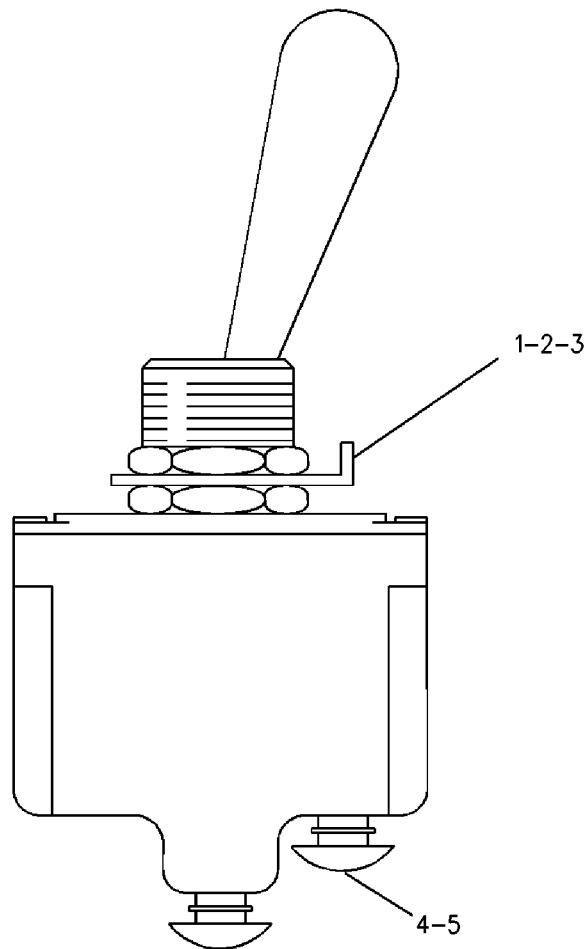
7N-8001 SWITCH GP - TOGGLE

PART OF 290-3211, 300-0478 BOX GP - INSTRUMENT PANEL
AN ATTACHMENT

SMCS-7332

i01982658

NOTE	REF NO	GRAPHIC REF	PART NUMBER	QTY	PART NAME						SEE PAGE
					1	2	3	4	5	6 (PRODUCT LEVEL)	
	1	1	6T-3631	2	NUT-HEX (15/32-32-THD)						
	2	1	6T-3632	1	LOCKWASHER						
	3	1	6T-3633	1	RING-LOCKING						
	4	1	6V-8374	2	SCREW-MACHINE (6-32X0.25-IN)						
	5	1	3L-8187	2	LOCKWASHER						



GRAPHIC #1

<END>

g00637350

ELECTRICAL AND STARTING SYSTEM

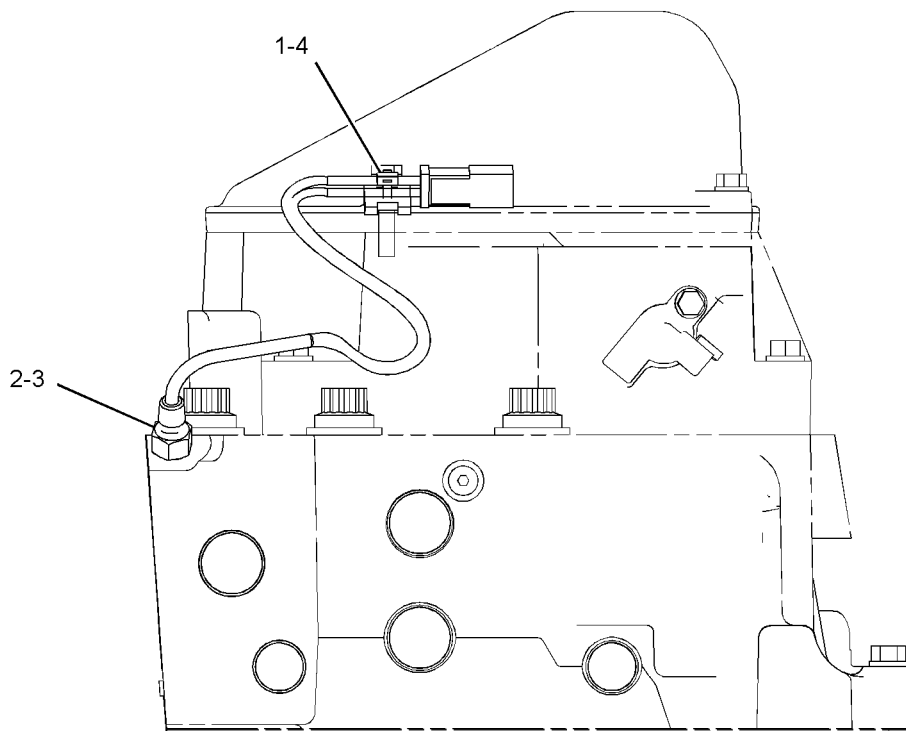
120-4498 THERMOCOUPLE GP

FOR USE WITH MONITORING SYSTEM PANEL AND PYROMETER GROUP
AN ATTACHMENT

SMCS-7498

i02552443

NOTE	REF NO	GRAPHIC REF	PART NUMBER	QTY	PART NAME						SEE PAGE
					1	2	3	4	5	6 (PRODUCT LEVEL)	
	1	1	3S-2093	1	STRAP - CABLE						
	2	1	5N-2126	1	ADAPTER (THERMOCOUPLE)						
	3	1	243-5752	1	SENSOR GP - TEMPERATURE (CYLINDER EXHAUST)						
		1	186-3735	2	PIN-CONNECTOR (16-GA TO 18-GA)						
		1	102-8802	2	KIT-RECEPTACLE (2-PIN)						
					(EACH INCLUDES RECEPTACLE AS AND WEDGE)						
	4	1	4P-7581	1	CLIP						



FRONT VIEW

GRAPHIC #1

<END>

g01277880

ELECTRICAL AND STARTING SYSTEM

1L-2073 VALVE GP - PRESSURE REDUCING-RH

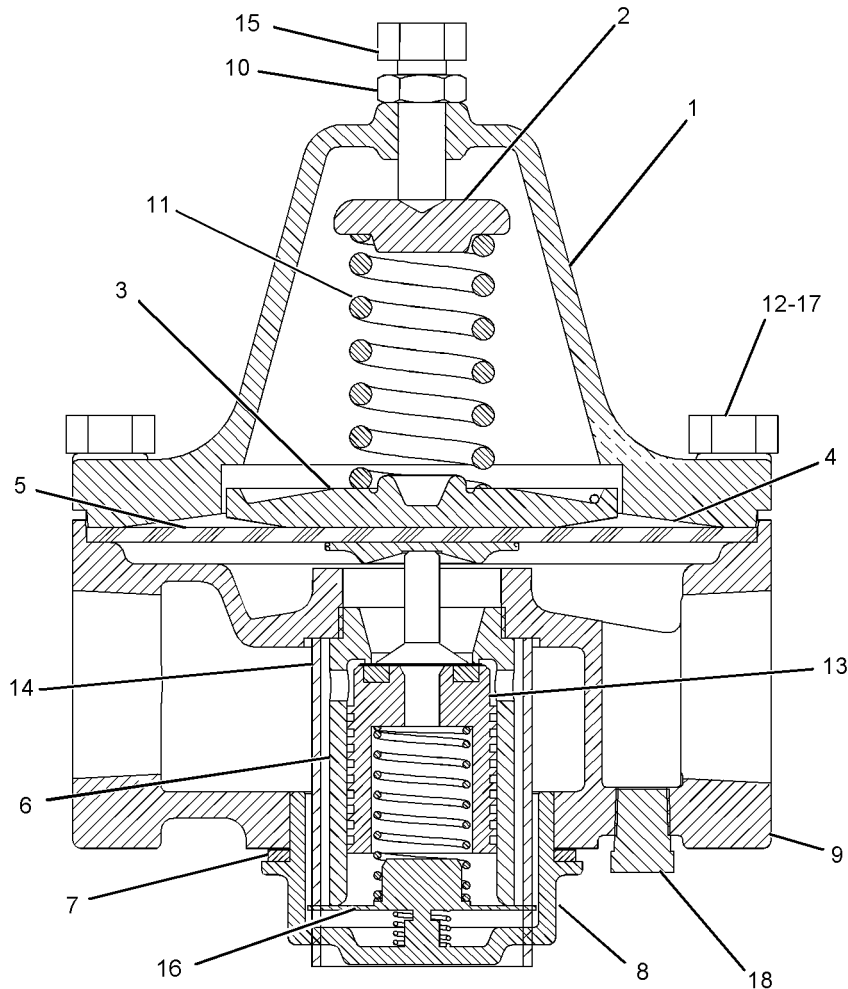
AIR CONTROL

PART OF 8N-8483 VALVE GP-AIR CONTROL
AN ATTACHMENT

SMCS-1462

i02698945

NOTE	REF NO	GRAPHIC REF	PART NUMBER	QTY	PART NAME						SEE PAGE
					1	2	3	4	5	6 (PRODUCT LEVEL)	
	1	1	1H-9570	1	CHAMBER						
	2	1	1H-9569	1	BUTTON-SPRING						
	3	1	1H-9572	1	PLATE-PRESSURE						
	4	1	1H-9573	1	DIAPHRAGM						
	5	1	1H-9574	1	BUTTON						
	6	1	1H-9575	1	CYLINDER						
	7	1	1H-9580	1	GASKET-PLUG						
	8	1	1H-9581	1	PLUG AS						
	9	1	1L-2072	1	BODY-VALVE						
	10	1	1L-9048	1	NUT-PLATED JAM (7/16-14-THD)						
	11	1	1L-9049	1	SPRING-PRESSURE						
	12	1	1L-9079	6	NUT-PLATED FULL (7/16-20-THD)						
	13	1	5N-6942	1	PISTON AS						
	14	1	252-9298	1	SCREEN-STRAINER (PRESSURE REDUCING VALVE)						
	15	1	0T-0320	1	BOLT (7/16-14X1.25-IN)						
	16	1	1H-9578	1	SPRING-PISTON						
	17	1	1L-9080	6	BOLT (7/16-20X1.5-IN)						
	18	1	5B-7890	1	PLUG-PIPE						



GRAPHIC #1

<END>

g01069160

ELECTRICAL AND STARTING SYSTEM

232-0889 WIRING GP-AIR SHUTOFF

FOR USE WITH RIGID HARNESS
AN ATTACHMENT

SMCS-1078, 1408

i02275810

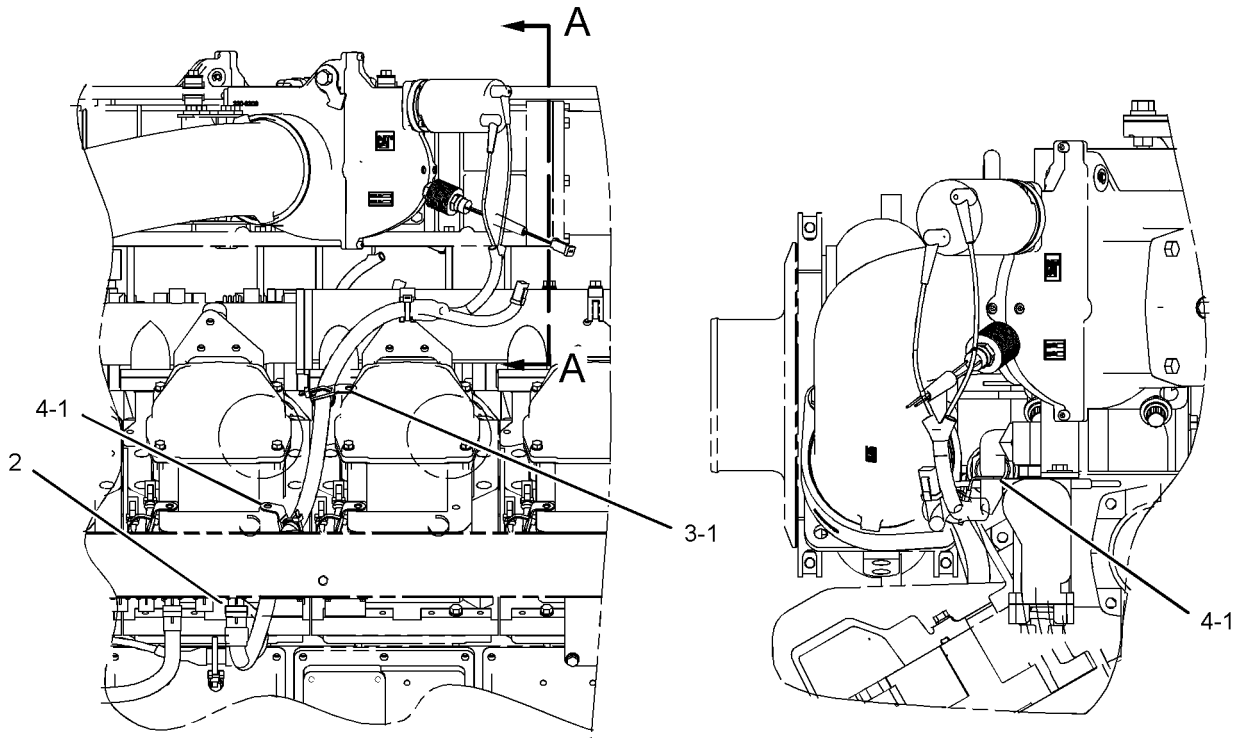
NOTE	REF NO	GRAPHIC REF	PART NUMBER	QTY	PART NAME						SEE PAGE
					1	2	3	4	5	6 (PRODUCT LEVEL)	
	1	1	7K-1181	5	STRAP-CABLE						
Y	2	1	237-8994	2	HARNESS AS-ENGINE (AIR SHUTOFF)						300
	3	1	4P-7581	2	CLIP						
	4	1	4P-8134	3	CLIP						

Y-SEPARATE ILLUSTRATION

ELECTRICAL AND STARTING SYSTEM

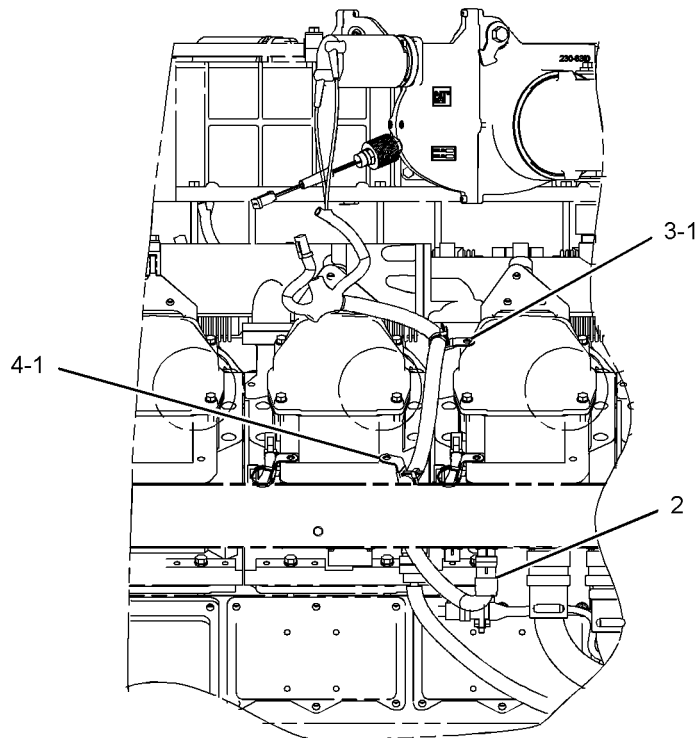
232-0889 WIRING GP-AIR SHUTOFF (contd.)

i02275810



RIGHT SIDE VIEW

VIEW A-A



LEFT SIDE VIEW

<END>

GRAPHIC #1

g01011709

ELECTRICAL AND STARTING SYSTEM

253-9546 WIRING GP-ALTERNATOR

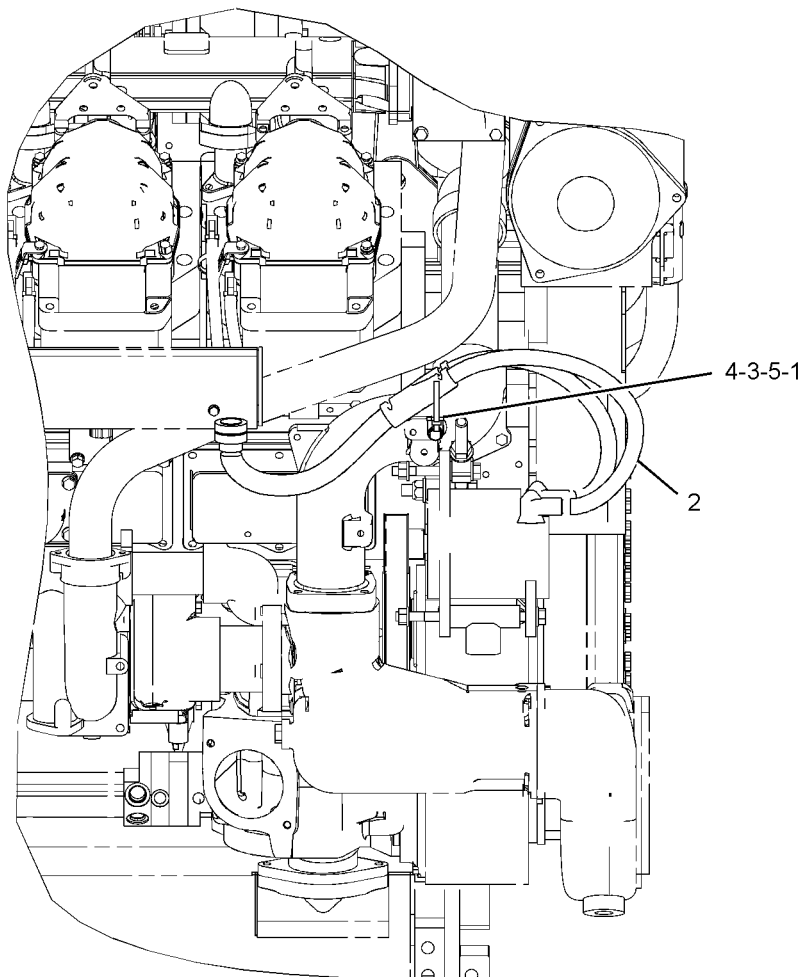
FOR USE WITH RIGID HARNESS
AN ATTACHMENT

SMCS-1405, 1408

i02349944

NOTE	REF NO	GRAPHIC REF	PART NUMBER	QTY	PART NAME	1 2 3 4 5 6 (PRODUCT LEVEL)						SEE PAGE
	1	1	9X-6772	1	STRAP-CABLE							
	2	1	253-9547	1	HARNESS AS-ENGINE (ALTERNATOR)							
E		1	135-5009		TUBE-HEAT SHRINK (32-MM DIA) (6-CM)							
		1	7R-3354	2	SOCKET							
		1	8T-8737	4	PLUG-SEAL							
		1	8T-8827	1	BOOT							
E		1	5P-3454	2	TERMINAL (4-GA)							
		1	121-1110	1	BOOT							
		1	203-8999	2	SEAL							
		1	203-9000	1	PLUG AS (6-PIN)							
		1	203-9001	2	SLEEVE							
E		1	210-8958		TUBE-HEAT SHRINK (24-MM DIA) (6-CM)							
E		1	231-9895		CONDUIT-FLEXIBLE (21.9-MM ID) (29-CM)							
E		1	232-0897		CONDUIT-FLEXIBLE (16.2-MM ID) (79-CM)							
		1	235-2764	1	ADAPTER							
	3	1	0S-0509	1	BOLT (3/8-16X0.75-IN)							
	4	1	4P-8134	1	CLIP							
	5	1	5M-2894	1	WASHER-HARD (10.2X18.5X2.5-MM THK)							

E- ORDER BY THE CENTIMETER



GRAPHIC #1

<END>

g01138834

ELECTRICAL AND STARTING SYSTEM

238-2928 WIRING GP-ELECTRIC STARTING

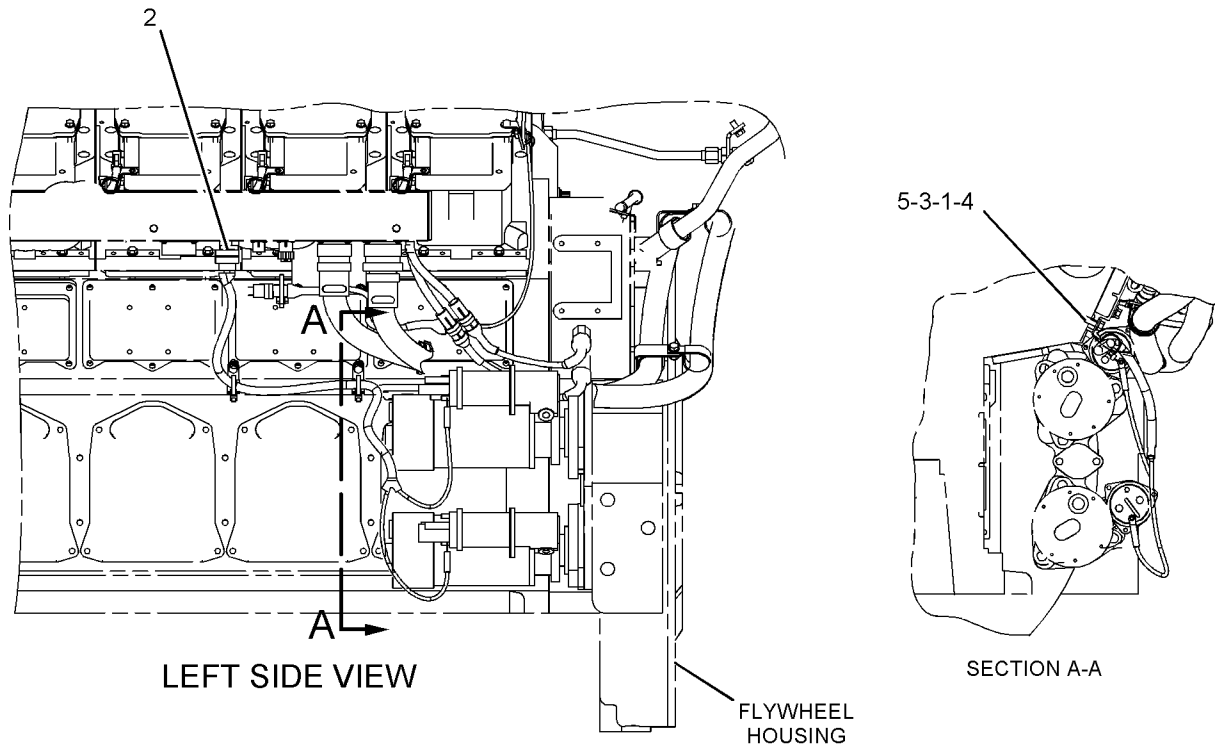
DUAL ELECTRIC STARTER
FOR USE WITH RIGID HARNESS
AN ATTACHMENT

SMCS-1408, 1453

i02822630

NOTE	REF NO	GRAPHIC REF	PART NUMBER	QTY	PART NAME						SEE PAGE
					1	2	3	4	5	6 (PRODUCT LEVEL)	
	1	1	9X-6772	2	STRAP-CABLE						
Y	2	1	238-2929	1	HARNESS AS-MOTOR (ENGINE START)						307
	3	1	0S-1594	2	BOLT (3/8-16X1-IN)						
	4	1	4P-8134	2	CLIP						
	5	1	5M-2894	2	WASHER-HARD (10.2X18.5X2.5-MM THK)						

Y-SEPARATE ILLUSTRATION



GRAPHIC #1

<END>

g01011142

ELECTRICAL AND STARTING SYSTEM

239-6364 WIRING GP-ENGINE-MARINE POWER DISPLAY

LH
AN ATTACHMENT

SMCS-1000, 1408

i02823090

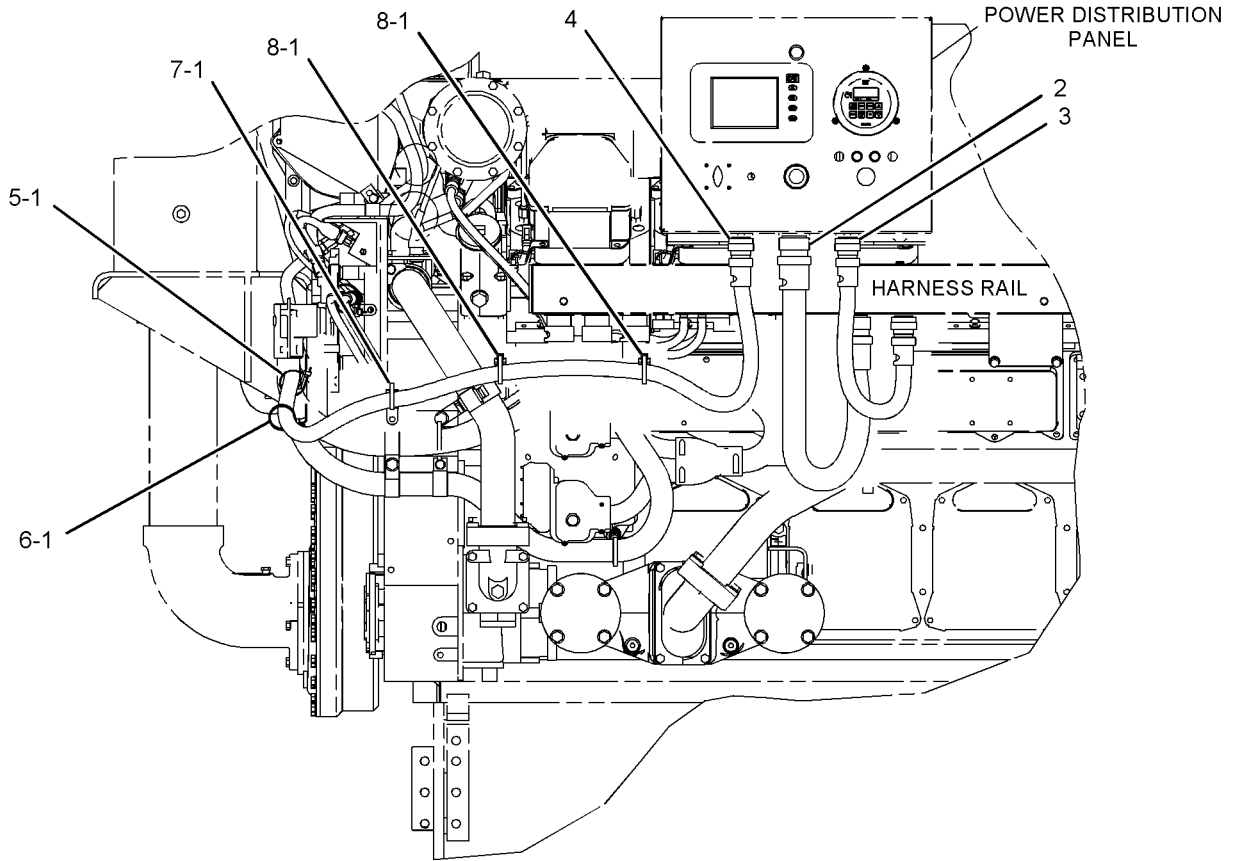
NOTE	REF NO	GRAPHIC REF	PART NUMBER	QTY	PART NAME	SEE PAGE
					1 2 3 4 5 6 (PRODUCT LEVEL)	
	1	1	7K-1181	11	STRAP-CABLE	
Y	2	1	239-1471	1	HARNESS AS-ENGINE (MARINE POWER DISPLAY)	301
Y	3	1	239-1473	1	HARNESS AS-SENSOR (THERMOCOUPLE, RH)	313
Y	4	1	239-1474	1	HARNESS AS-SENSOR (THERMOCOUPLE, LH)	314
	5	1	4P-7428	2	CLIP	
	6	1	4P-7429	2	CLIP	
	7	1	4P-7581	2	CLIP	
	8	1	4P-8134	5	CLIP	

Y-SEPARATE ILLUSTRATION

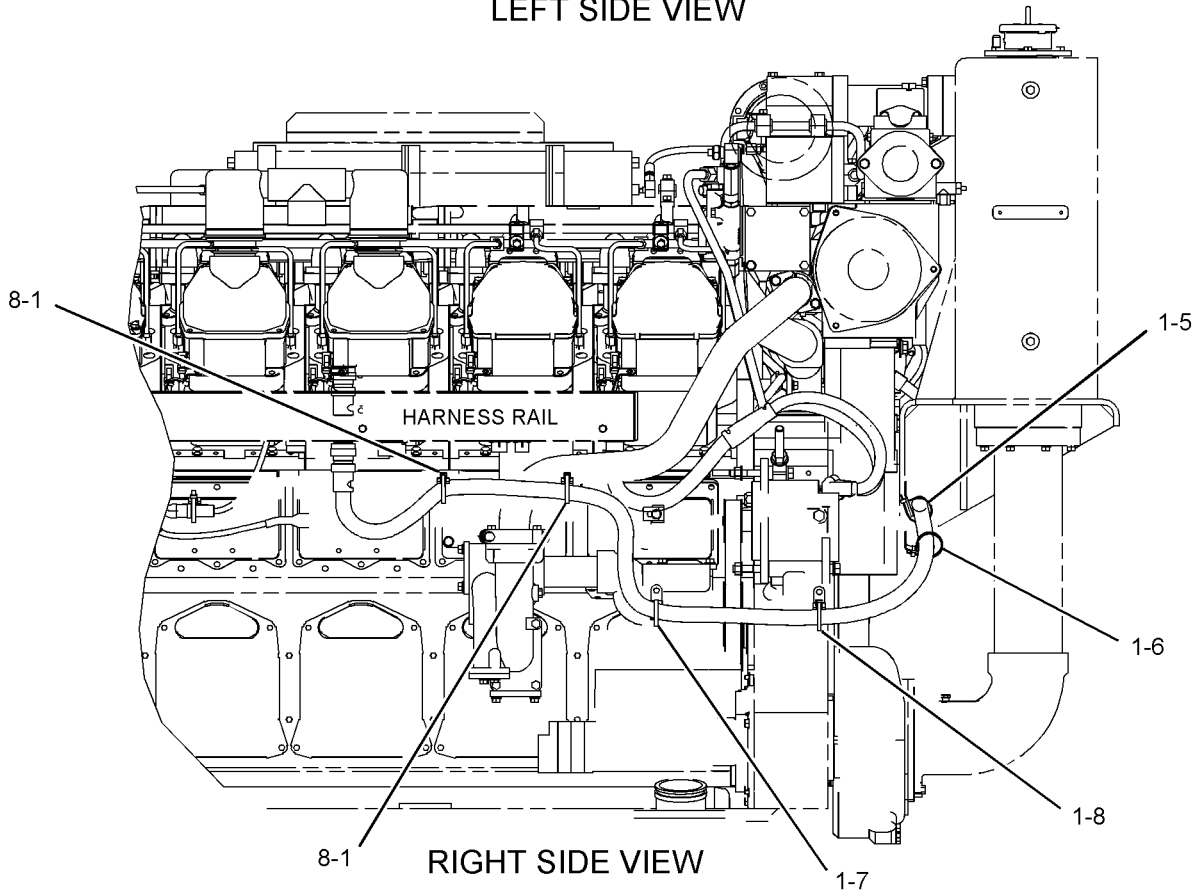
ELECTRICAL AND STARTING SYSTEM

239-6364 WIRING GP-ENGINE (contd.)

i02823090



LEFT SIDE VIEW



RIGHT SIDE VIEW

GRAPHIC #1

<END>

g01014726

ELECTRICAL AND STARTING SYSTEM

296-8288 WIRING GP - ENGINE

AN ATTACHMENT

SMCS-1000, 1408

i03005389

NOTE	REF NO	GRAPHIC REF	PART NUMBER	QTY	PART NAME						SEE PAGE
					1	2	3	4	5	6 (PRODUCT LEVEL)	
	1	1	2K-3374	4	WASHER (10.3X31.8X12.7-MM THK)						
	2	2	6B-6205	1	SPACER (0.438X0.875X1.281-IN THK)						
	3	2	7K-1181	2	STRAP-CABLE						
	4	1	9G-5127	1	BREATHER (ATMOSPHERIC AIR)						
	5	1	9X-0262	1	ADAPTER						
	6	1,2	9X-6772	36	STRAP-CABLE						
	7	2	111-3684	1	HOSE AS						
Y	8	2	212-0848	1	SENSOR GP-SPEED (SECONDARY, TIMING)						351
Y	8A	2	212-0848	1	SENSOR GP-SPEED (PRIMARY, TIMING)						351
Y	9	1	212-3423	1	SENSOR GP-TEMPERATURE (ENGINE COOLANT)						357
Y	9A	1	212-3423	1	SENSOR GP-TEMPERATURE (AFTERCOOLER)						357
Y	10	2	212-3425	1	SENSOR GP-EXHAUST TEMPERATURE (TURBOCHARGER OUTLET, LH)						341
Y	10A	2	212-3425	1	SENSOR GP-EXHAUST TEMPERATURE (TURBOCHARGER OUTLET, RH)						341
Y	11	1	212-3426	1	SENSOR GP-SPEED (ENGINE)						352
Y	11A	1	212-3426	1	SENSOR GP-SPEED (TIMING CALIBRATION)						352
Y	12	2	232-0014	1	HARNESS AS-ENGINE (RH)						297
	13	1	245-0522	1	BRACKET						
	14	1	245-0523	2	BRACKET						
	15	2	269-8326	1	HARNESS AS-WIRING (LARGE INTERCONNECT)						
E		2	231-9897		CONDUIT-FLEXIBLE (36-MM ID) (330-CM)						
		2	231-9899	2	CONNECTOR (CONDUIT)						
		2	233-9219	1	CONNECTOR (31-PIN)						
		2	233-9223	1	CONNECTOR (31-PIN)						
		2	233-9226	14	PIN-CONNECTOR (16-GA TO 20-GA)						
		2	233-9227	14	SOCKET-CONNECTOR (16-GA TO 20-GA)						
		2	233-9229	14	SOCKET-CONNECTOR (12-GA TO 14-GA)						
		2	233-9230	2	SOCKET-CONNECTOR (8-GA TO 10-GA)						
		2	233-9231	1	SOCKET-CONNECTOR (4-GA TO 6-GA)						
		2	233-9232	14	PIN-CONNECTOR (12-GA TO 14-GA)						
		2	233-9233	2	PIN-CONNECTOR (8-GA TO 10-GA)						
		2	233-9234	1	PIN-CONNECTOR (4-GA TO 6-GA)						
		2	241-8266	2	ADAPTER						
	16	2	269-8327	1	HARNESS AS-WIRING (SMALL INTERCONNECT)						
E		2	231-9897		CONDUIT-FLEXIBLE (36-MM ID) (318-CM)						
		2	231-9915	2	CONNECTOR (CONDUIT)						
		2	233-9217	1	CONNECTOR (85-PIN)						
		2	233-9225	1	CONNECTOR AS (85-PIN)						
		2	233-9226	85	PIN-CONNECTOR (16-GA TO 20-GA)						
		2	233-9227	85	SOCKET-CONNECTOR (16-GA TO 20-GA)						
		2	236-8125	2	ADAPTER						
	17	1,2	278-6469	4	GROMMET						
Y	18	2	279-2064	1	HARNESS AS-ENGINE (LH)						304
Y	20	2	304-5666	1	SENSOR GP-PRESSURE (CRANKCASE)						347
Y	20A	1	304-5666	1	SENSOR GP-PRESSURE (ATMOSPHERIC)						347
Y	20B	1	304-5666	1	SENSOR GP-PRESSURE (TURBOCHARGER INLET, LH)						347
Y	20C	1	304-5666	1	SENSOR GP-PRESSURE (TURBOCHARGER INLET, RH)						347
Y	21	1	304-5667	1	SENSOR GP-PRESSURE (TURBOCHARGER OUTLET)						348
	22	2	001-9440	1	CONNECTOR						
	23	2	0L-2070	1	BOLT (3/8-16X2.25-IN)						
	24	2	0S-0509	5	BOLT (3/8-16X0.75-IN)						
	25	2	0S-1588	12	BOLT (3/8-16X1.25-IN)						
	26	1	0S-1590	4	BOLT (3/8-16X2-IN)						
	27	2	0S-1591	1	BOLT (3/8-16X1.5-IN)						
	28	1,2	0S-1594	3	BOLT (3/8-16X1-IN)						
	29	2	135-9941	1	ADAPTER						

ELECTRICAL AND STARTING SYSTEM

296-8288 WIRING GP-ENGINE (contd.)

i03005389

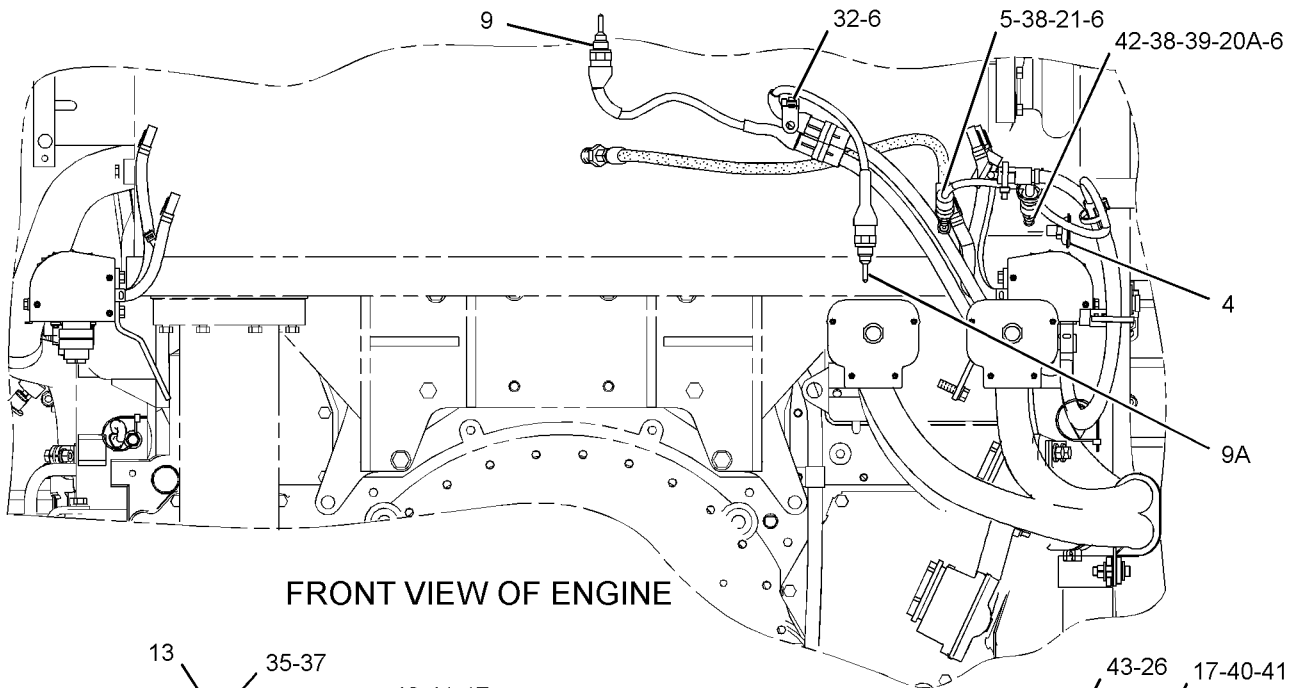
NOTE	REF NO	GRAPHIC REF	PART NUMBER	QTY	PART NAME						SEE PAGE
					1	2	3	4	5	6 (PRODUCT LEVEL)	
	30	2	3A-3692	2	CLIP						
	31	1,2	4P-7581	4	CLIP						
	32	1,2	4P-8134	24	CLIP						
	33	1,2	5M-2894	22	WASHER-HARD (10.2X18.5X2.5-MM THK)						
	34	2	5P-3426	1	ELBOW						
	35	1	5P-8245	2	WASHER-HARD (13.5X25.5X3-MM THK)						
	37	1	6V-1612	2	BOLT (1/2-13X9.75-IN)						
	38	1,2	6V-5048	5	SEAL-O-RING						
	39	1,2	6V-5049	4	SEAL-O-RING						
	40	1,2	7G-5984	4	CLIP (TAB)						
	41	1,2	7G-5985	4	CLIP (SLOT)						
	42	1	8T-2353	1	ADAPTER						
	43	1,2	9X-6458	10	WASHER-HARD (10.2X22.5X3-MM THK)						
	44	1	0S-1571	4	BOLT (3/8-16X1.75-IN)						
	45	2	9S-8752	2	NUT-FULL (3/8-16-THD)						
	46	2	6V-1582	1	CLIP (TAB)						
	47	2	6V-1581	1	CLIP (SLOT)						

E - ORDER BY THE CENTIMETER
 Y - SEPARATE ILLUSTRATION

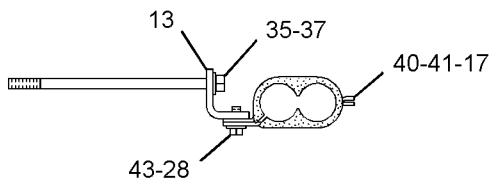
ELECTRICAL AND STARTING SYSTEM

296-8288 WIRING GP-ENGINE (contd.)

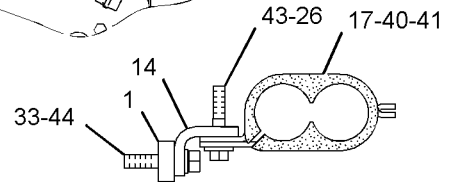
i03005389



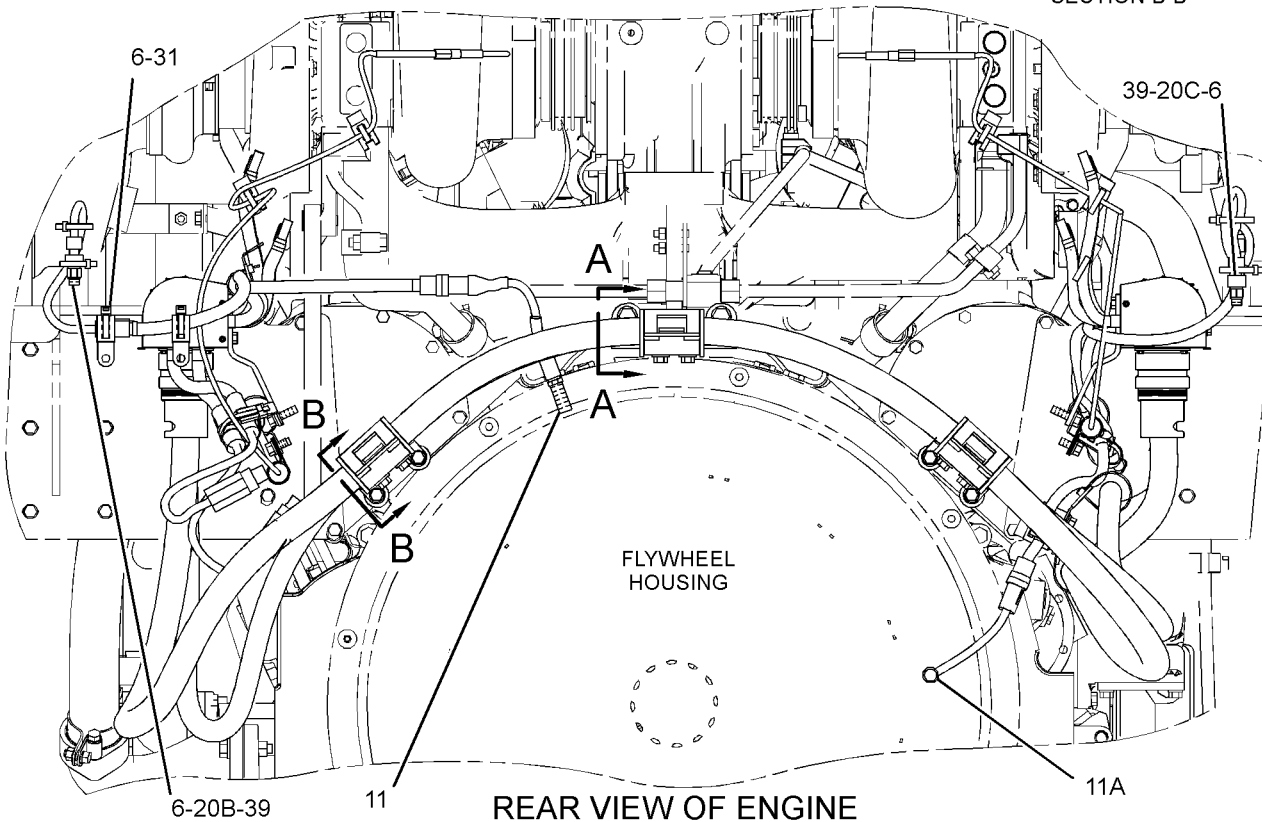
FRONT VIEW OF ENGINE



SECTION A-A



SECTION B-B



REAR VIEW OF ENGINE

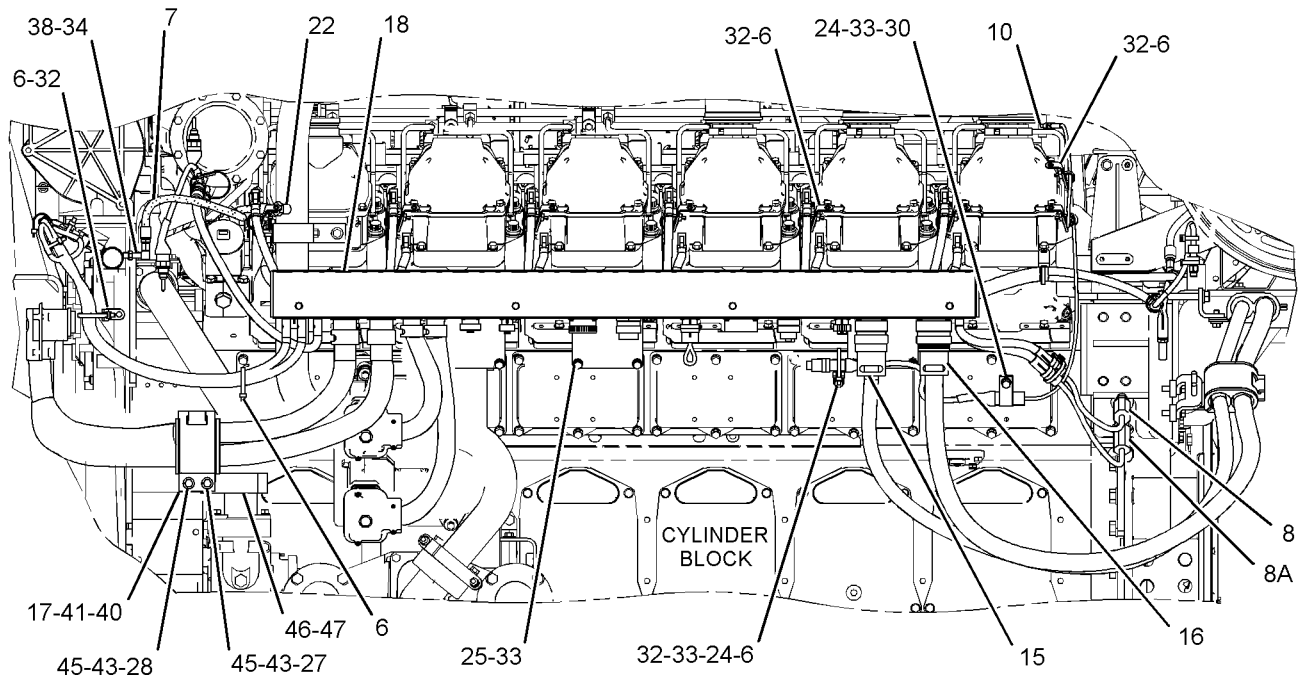
GRAPHIC #1

g01527364

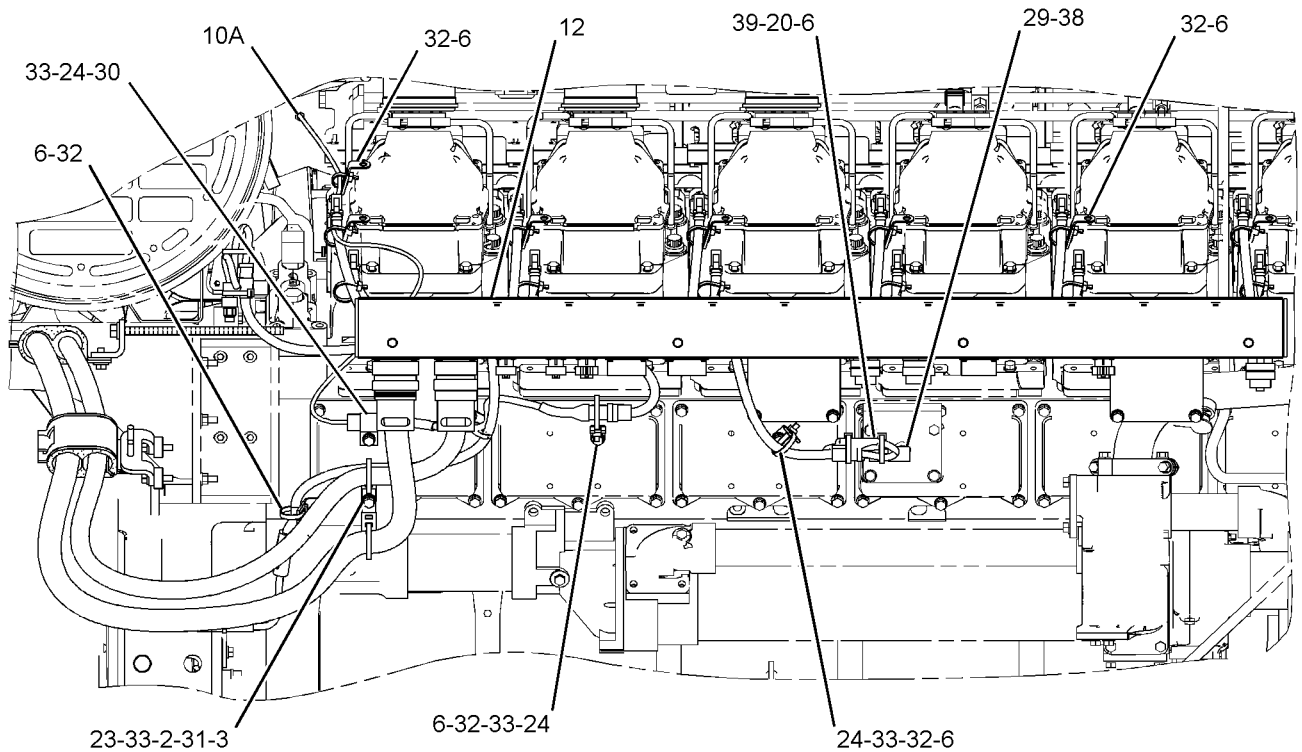
ELECTRICAL AND STARTING SYSTEM

296-8288 WIRING GP-ENGINE (contd.)

i03005389



LEFT SIDE VIEW OF ENGINE



RIGHT SIDE VIEW OF ENGINE

GRAPHIC #2

<END>

g01528797

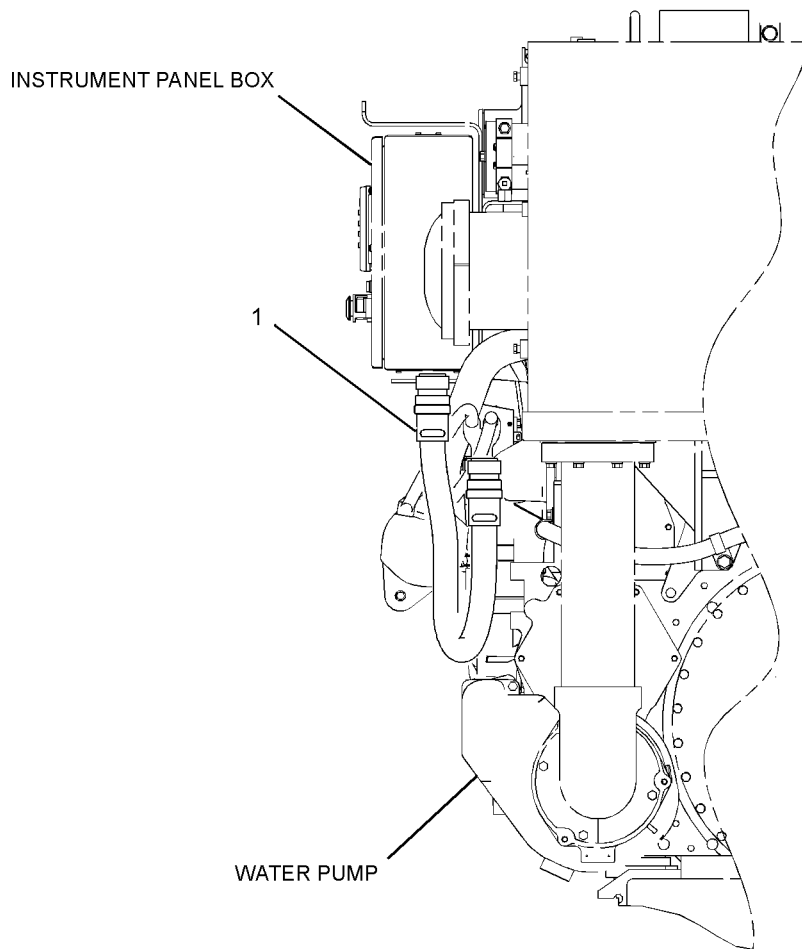
ELECTRICAL AND STARTING SYSTEM

239-1470 WIRING GP-ENGINE ELECTRONIC- MARINE POWER DISPLAY RH AN ATTACHMENT

SMCS-1408, 1900

i03097821

NOTE	REF NO	GRAPHIC REF	PART NUMBER	QTY	PART NAME						SEE PAGE
					1	2	3	4	5	6 (PRODUCT LEVEL)	
Y	1	1	239-1471	1	HARNESS AS-ENGINE (MARINE POWER DISPLAY)						301
Y-SEPARATE ILLUSTRATION											



FRONT VIEW OF ENGINE

<END>

GRAPHIC #1

g01616333

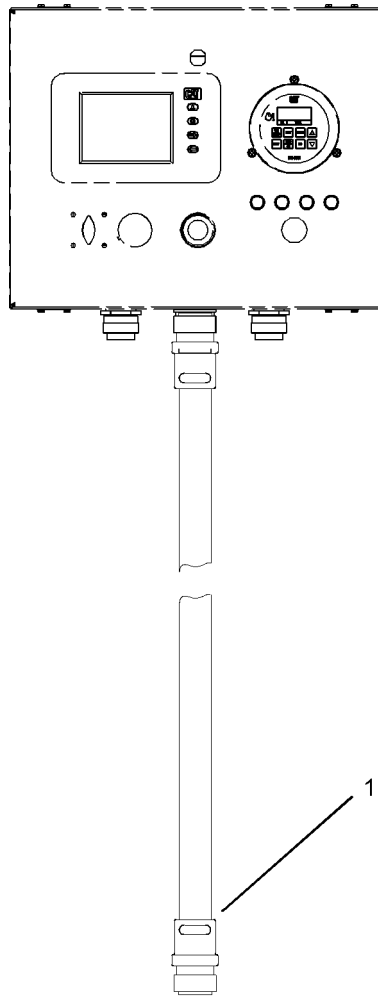
ELECTRICAL AND STARTING SYSTEM

239-1475 WIRING GP-ENGINE ELECTRONIC- MARINE POWER DISPLAY, EXT 3-METER EXTENSION AN ATTACHMENT

SMCS-1408, 1900

i02739937

NOTE	REF NO	GRAPHIC REF	PART NUMBER	QTY	PART NAME						SEE PAGE
					1	2	3	4	5	6 (PRODUCT LEVEL)	
Y	1	1	239-1476	1	HARNES AS-PANEL (MARINE POWER DISPLAY, EXT)						309
Y-SEPARATE ILLUSTRATION											



GRAPHIC #1

<END>

g01011476

ELECTRICAL AND STARTING SYSTEM

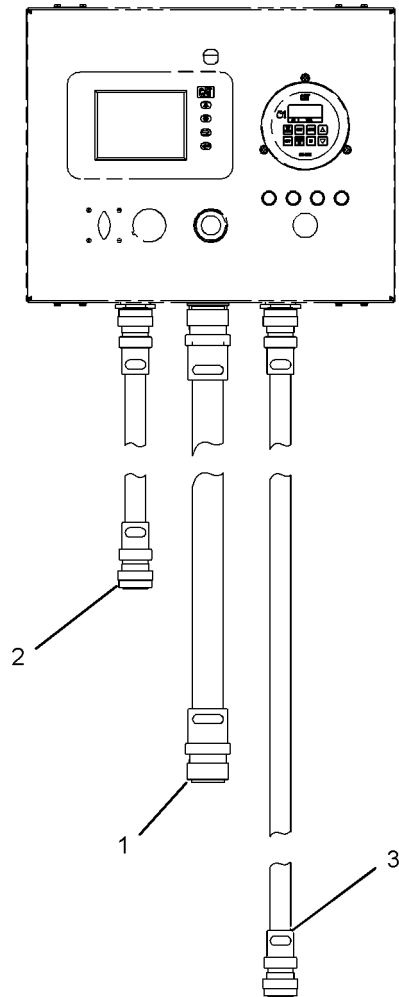
239-1477 WIRING GP-ENGINE ELECTRONIC- MARINE POWER DISPLAY, EXT 3-METER EXTENSION AN ATTACHMENT

SMCS-1408, 1900

i02739950

NOTE	REF NO	GRAPHIC REF	PART NUMBER	QTY	PART NAME						SEE PAGE
					1	2	3	4	5	6 (PRODUCT LEVEL)	
Y	1	1	239-1476	1	HARNESS AS-PANEL (MARINE POWER DISPLAY, EXT)						309
Y	2	1	239-1478	1	HARNESS AS-SENSOR (THERMOCOUPLE, RH)						315
Y	3	1	239-1479	1	HARNESS AS-SENSOR (THERMOCOUPLE, LH)						316

Y- SEPARATE ILLUSTRATION



<END>

GRAPHIC #1

g01011176

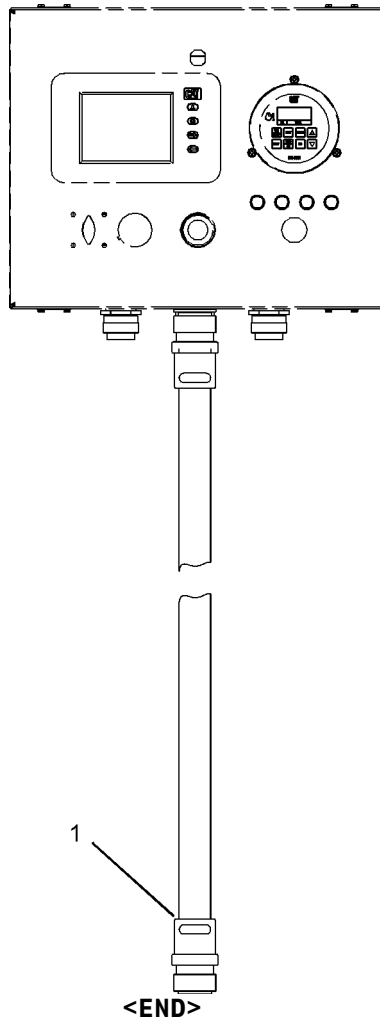
ELECTRICAL AND STARTING SYSTEM

239-1480 WIRING GP-ENGINE ELECTRONIC- MARINE POWER DISPLAY, EXT 15-METER EXTENSION AN ATTACHMENT

SMCS-1408, 1900

i02741027

NOTE	REF NO	GRAPHIC REF	PART NUMBER	QTY	PART NAME						SEE PAGE
					1	2	3	4	5	6 (PRODUCT LEVEL)	
Y	1	1	239-1481	1	HARNESS AS-ENGINE (MARINE POWER DISPLAY, EXT)						302
Y-SEPARATE ILLUSTRATION											



GRAPHIC #1

g01011182

ELECTRICAL AND STARTING SYSTEM

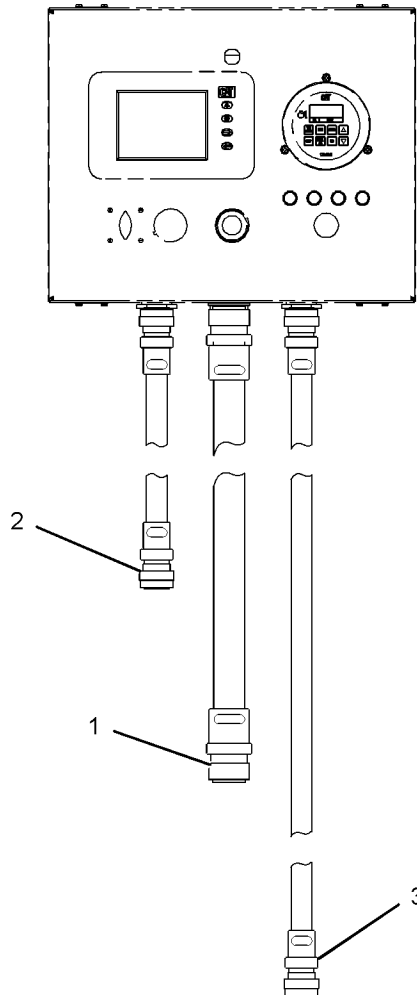
239-1482 WIRING GP-ENGINE ELECTRONIC- MARINE POWER DISPLAY, EXT 15-METER EXTENSION AN ATTACHMENT

SMCS-1408, 1900

i02740253

NOTE	REF NO	GRAPHIC REF	PART NUMBER	QTY	PART NAME						SEE PAGE
					1	2	3	4	5	6 (PRODUCT LEVEL)	
Y	1	1	239-1481	1	HARNESS AS-ENGINE (MARINE POWER DISPLAY, EXT)						302
Y	2	1	239-1483	1	HARNESS AS-SENSOR (THERMOCOUPLE EXTENSION, LH)						317
Y	3	1	239-1484	1	HARNESS AS-SENSOR (THERMOCOUPLE EXTENSION, RH)						318

Y- SEPARATE ILLUSTRATION



GRAPHIC #1

<END>

g01011180

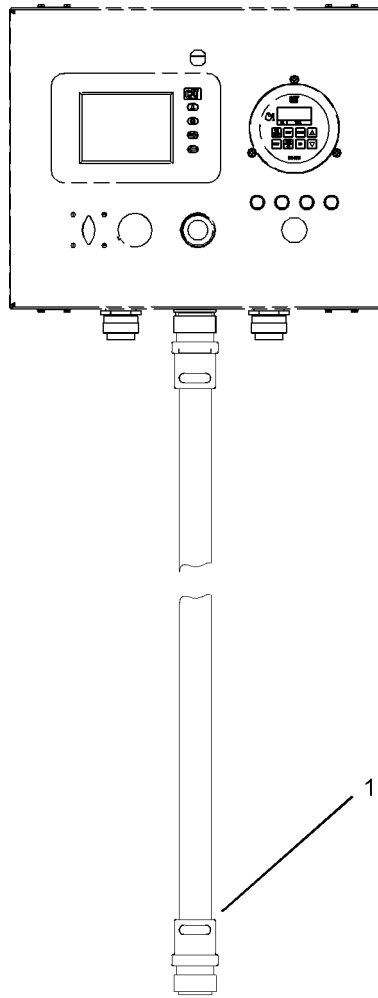
ELECTRICAL AND STARTING SYSTEM

239-1485 WIRING GP-ENGINE ELECTRONIC- MARINE POWER DISPLAY, EXT 30-METER EXTENSION AN ATTACHMENT

SMCS-1408, 1900

i02740257

NOTE	REF NO	GRAPHIC REF	PART NUMBER	QTY	PART NAME						SEE PAGE
					1	2	3	4	5	6 (PRODUCT LEVEL)	
Y	1	1	239-1486	1	HARNES AS-ENGINE (EXTENSION)						303
Y-SEPARATE ILLUSTRATION											



GRAPHIC #1

<END>

g01011476

ELECTRICAL AND STARTING SYSTEM

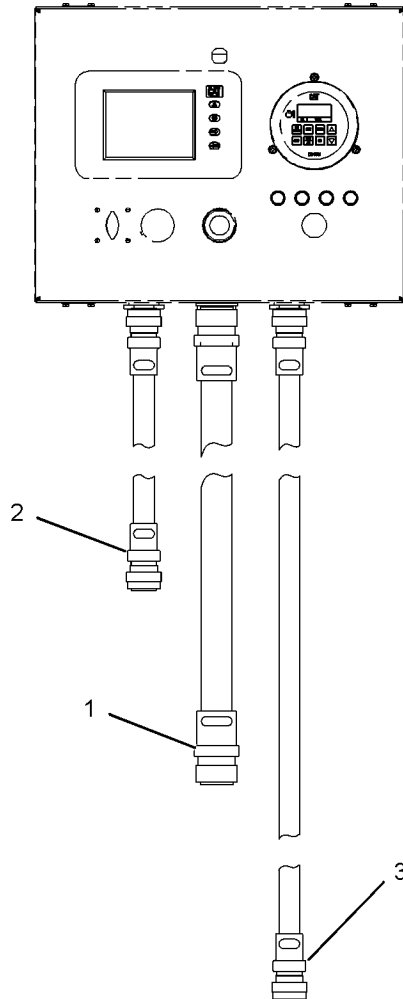
239-1487 WIRING GP-ENGINE ELECTRONIC- MARINE POWER DISPLAY, EXT 30-METER EXTENSION AN ATTACHMENT

SMCS-1408, 1900

i02656104

NOTE	REF NO	GRAPHIC REF	PART NUMBER	QTY	PART NAME						SEE PAGE
					1	2	3	4	5	6 (PRODUCT LEVEL)	
Y	1	1	239-1486	1	HARNESS AS-ENGINE (EXTENSION)						303
Y	2	1	239-1488	1	HARNESS AS-SENSOR (THERMOCOUPLE, RH)						319
Y	3	1	239-1489	1	HARNESS AS-SENSOR (THERMOCOUPLE, LH)						320

Y- SEPARATE ILLUSTRATION



GRAPHIC #1

<END>

g01011184

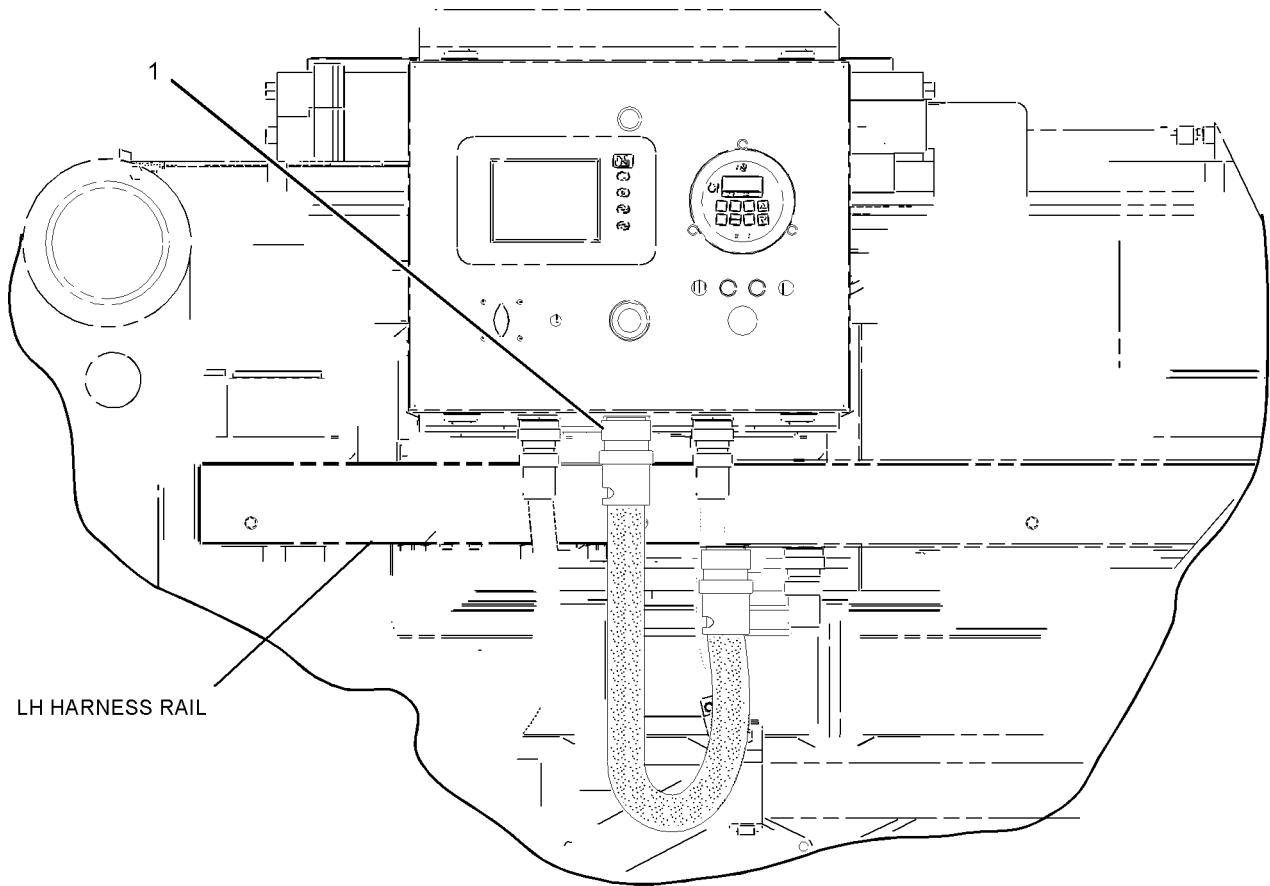
ELECTRICAL AND STARTING SYSTEM

239-6365 WIRING GP-ENGINE ELECTRONIC- MARINE POWER DISPLAY LH AN ATTACHMENT

SMCS-1408, 1900

i02823886

NOTE	REF NO	GRAPHIC REF	PART NUMBER	QTY	PART NAME						SEE PAGE
					1	2	3	4	5	6 (PRODUCT LEVEL)	
Y	1	1	239-1471	1	HARNESS AS-ENGINE (MARINE POWER DISPLAY)						301
Y- SEPARATE ILLUSTRATION											



LH HARNESS RAIL

LEFT SIDE VIEW
<END>

GRAPHIC #1

g01026190

ELECTRICAL AND STARTING SYSTEM

239 - 1472 WIRING GP - PANEL - MARINE POWER DISPLAY

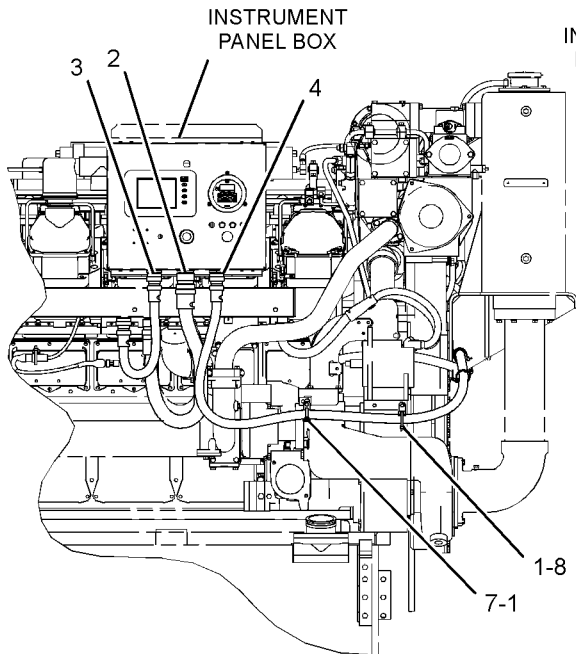
RH
AN ATTACHMENT

SMCS - 4459

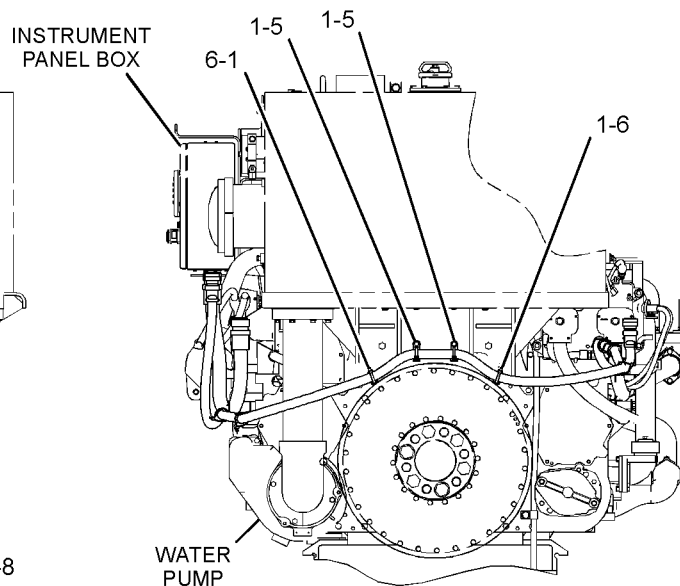
i03097801

NOTE	REF NO	GRAPHIC REF	PART NUMBER	QTY	PART NAME						SEE PAGE
					1	2	3	4	5	6 (PRODUCT LEVEL)	
	1	1	7K-1181	10	STRAP - CABLE						
Y	2	1	239-1471	1	HARNESS AS - ENGINE (MARINE POWER DISPLAY)						301
Y	3	1	239-1473	1	HARNESS AS - SENSOR (THERMOCOUPLE, RH)						313
Y	4	1	239-1474	1	HARNESS AS - SENSOR (THERMOCOUPLE, LH)						314
	5	1	4P-7428	2	CLIP						
	6	1	4P-7429	3	CLIP						
	7	1	4P-7581	1	CLIP						
	8	1	4P-8134	4	CLIP						

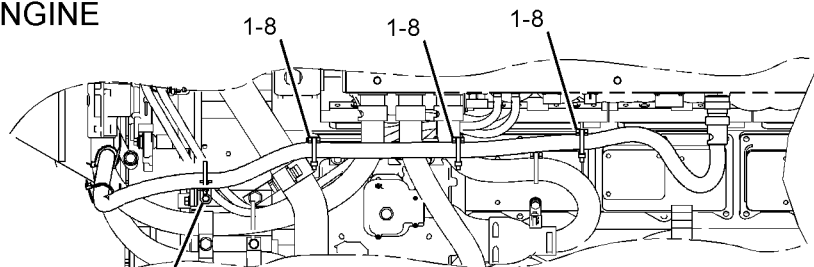
Y - SEPARATE ILLUSTRATION



RIGHT SIDE VIEW OF ENGINE



FRONT VIEW OF ENGINE



LEFT SIDE VIEW OF ENGINE

GRAPHIC #1

<END>

g01617413

ELECTRICAL AND STARTING SYSTEM

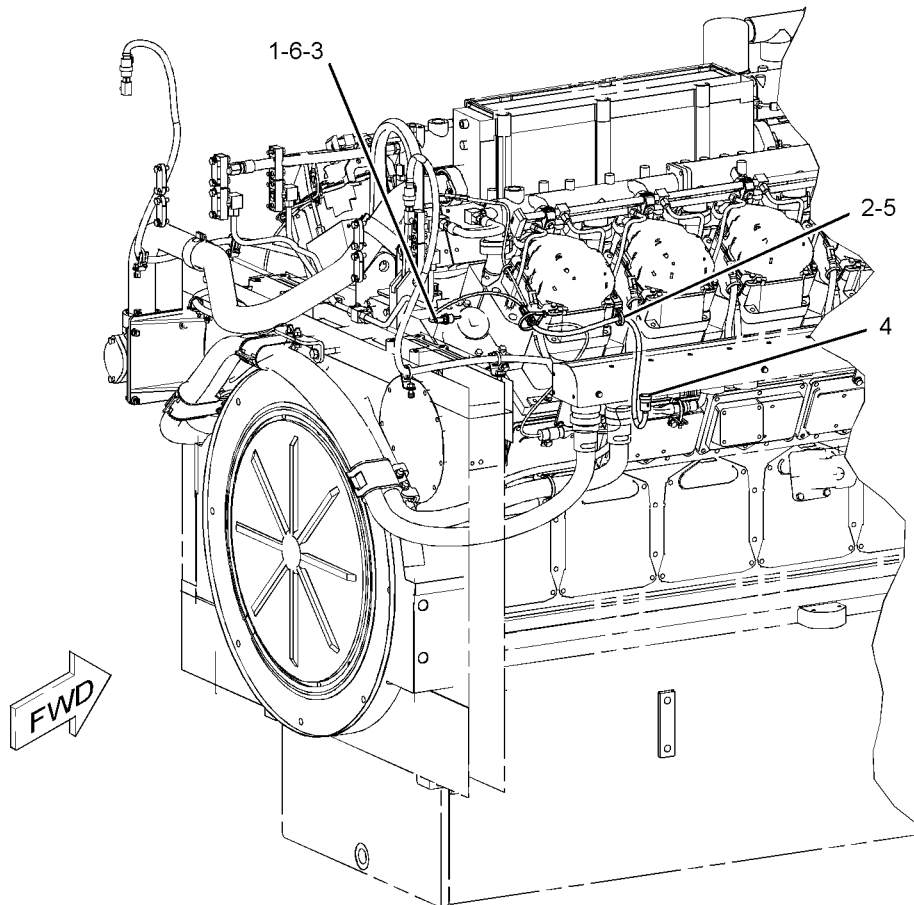
255-0178 WIRING GP-SENSOR-ENGINE OIL TEMPERATURE AN ATTACHMENT

SMCS-1408, 1900

i02698939

NOTE	REF NO	GRAPHIC REF	PART NUMBER	QTY	PART NAME						SEE PAGE
					1	2	3	4	5	6 (PRODUCT LEVEL)	
	1	1	9X-3271	1	ADAPTER (1/2-14-NPTF-THD)						
	2	1	9X-6772	2	STRAP-CABLE						
Y	3	1	195-2150	1	SENSOR GP-TEMPERATURE (ENGINE OIL)						356
	4	1	255-0179	1	HARNESS AS-SENSOR (ENGINE OIL TEMPERATURE)						
		1	8T-8737	1	PLUG-SEAL						
		1	155-2270	1	KIT-CONNECTING PLUG (2-PIN) (INCLUDES PLUG ASSEMBLY AND WEDGE)						
		1	176-2942	1	PLUG AS-CONNECTOR (2-PIN)						
		1	176-2943	1	KIT-CONNECTING PLUG (2-PIN) (INCLUDES PLUG ASSEMBLY AND WEDGE)						
E		1	210-8958		TUBE-HEAT SHRINK (24-MM DIA) (10-CM)						
E		1	232-0893		CONDUIT-FLEXIBLE (6.2-MM ID) (64-CM)						
	5	1	4P-8134	1	CLIP						
	6	1	6V-5049	1	SEAL-O-RING						

E-ORDER BY THE CENTIMETER
Y-SEPARATE ILLUSTRATION



GRAPHIC #1

<END>

g01138801

ELECTRICAL AND STARTING SYSTEM

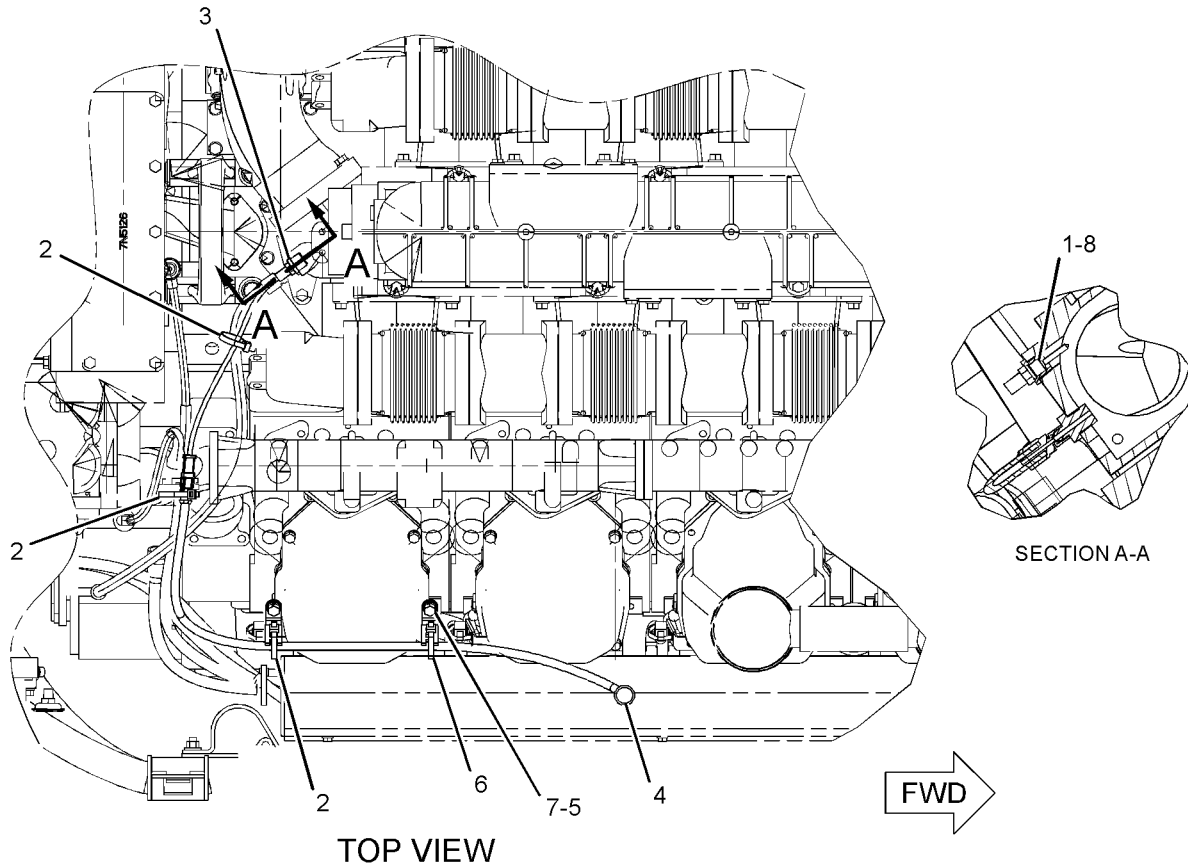
255-0180 WIRING GP - SENSOR-MANIFOLD AIR TEMPERATURE AN ATTACHMENT

SMCS-1408, 1900

i02698940

NOTE	REF NO	GRAPHIC REF	PART NUMBER	QTY	PART NAME						SEE PAGE
					1	2	3	4	5	6 (PRODUCT LEVEL)	
	1	1	9X-3271	1	ADAPTER (1/2-14-NPTF-THD)						
	2	1	9X-6772	4	STRAP-CABLE						
Y	3	1	195-2150	1	SENSOR GP-TEMPERATURE (AIR INLET)						356
	4	1	255-0181	1	HARNESS AS-SENSOR (MANIFOLD AIR TEMPERATURE)						
		1	8T-8737	1	PLUG-SEAL						
		1	155-2270	1	KIT-CONNECTING PLUG (2-PIN) (INCLUDES PLUG ASSEMBLY AND WEDGE)						
		1	176-2942	1	PLUG AS-CONNECTOR (2-PIN)						
		1	176-2943	1	KIT-CONNECTING PLUG (2-PIN) (INCLUDES PLUG ASSEMBLY AND WEDGE)						
E		1	210-8958		TUBE-HEAT SHRINK (24-MM DIA) (10-CM)						
E		1	232-0893		CONDUIT-FLEXIBLE (6.2-MM ID) (94-CM)						
	5	1	0T-0102	2	BOLT (3/8-16X0.625-IN)						
	6	1	4P-8134	2	CLIP						
	7	1	5M-2894	2	WASHER-HARD (10.2X18.5X2.5-MM THK)						
	8	1	6V-5049	1	SEAL-O-RING						

E- ORDER BY THE CENTIMETER
Y- SEPARATE ILLUSTRATION



GRAPHIC #1

<END>

g01138829

ELECTRICAL AND STARTING SYSTEM

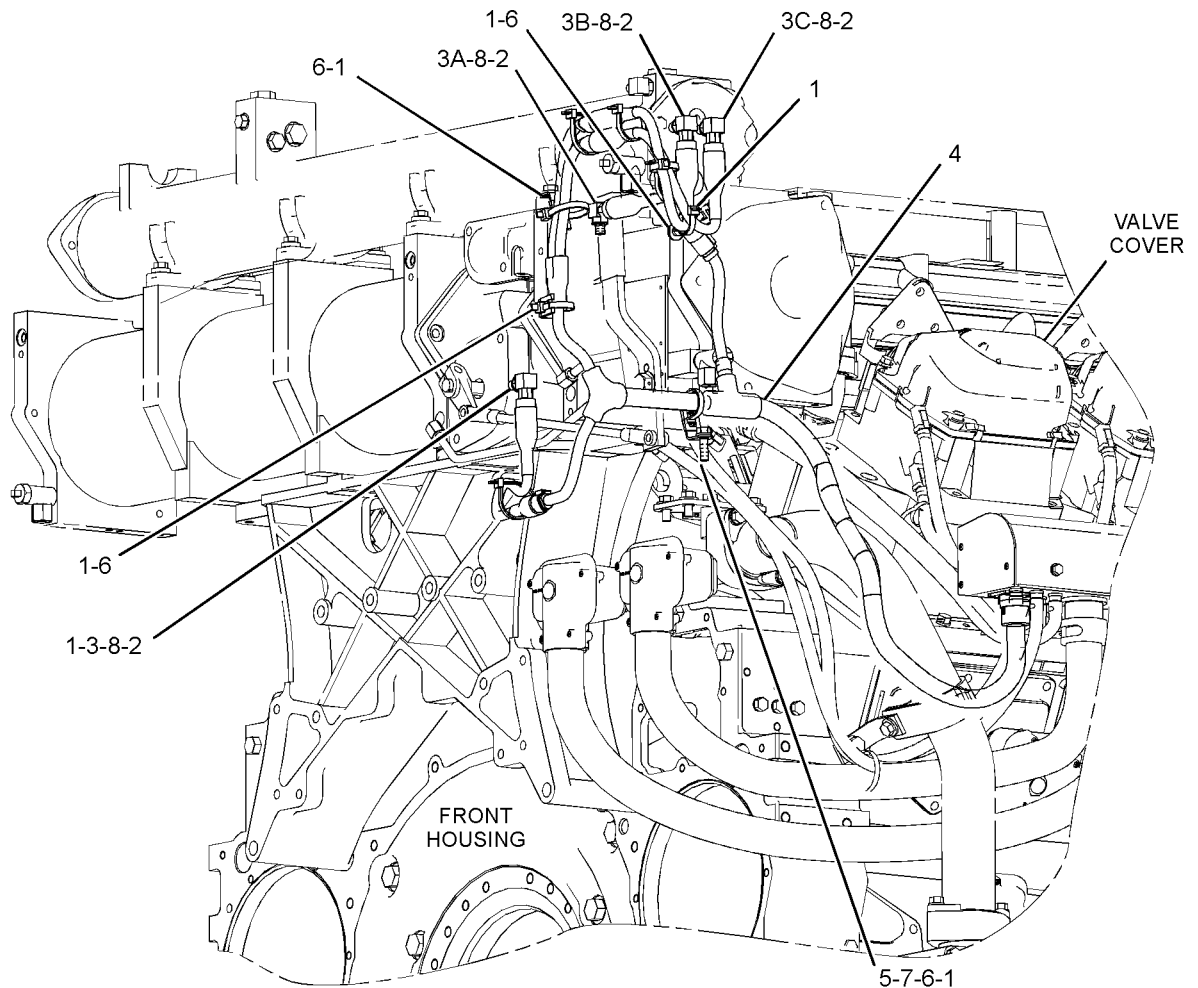
307-0008 WIRING GP - SENSOR-OIL, FUEL PRESSURE, RH SERVICE AN ATTACHMENT

SMCS-1408, 1900

i03103288

NOTE	REF NO	GRAPHIC REF	PART NUMBER	QTY	PART NAME						SEE PAGE
					1	2	3	4	5	6 (PRODUCT LEVEL)	
	1	1	9X-6772	10	STRAP - CABLE						
	2	1	117-0067	4	ELBOW						
Y	3	1	304-5668	1	SENSOR GP - PRESSURE (UNFILTERED OIL)						349
Y	3A	1	304-5668	1	SENSOR GP - PRESSURE (FILTERED OIL)						349
Y	3B	1	304-5668	1	SENSOR GP - PRESSURE (UNFILTERED FUEL)						349
Y	3C	1	304-5668	1	SENSOR GP - PRESSURE (FILTERED FUEL)						349
Y	4	1	306-8879	1	HARNES AS - SENSOR (OIL, FUEL PRESSURE)						321
	5	1	0S-1588	1	BOLT (3/8-16X1.25-IN)						
	6	1	4P-8134	4	CLIP						
	7	1	5M-2894	1	WASHER - HARD (10.2X18.5X2.5-MM THK)						
	8	1	6V-5048	8	SEAL - O-RING						

Y - SEPARATE ILLUSTRATION



GRAPHIC #1

<END>

g01617373

ELECTRICAL AND STARTING SYSTEM

307-2044 WIRING GP-SENSOR-OIL, FUEL PRESSURE, LH SERVICE FOR USE WITH DUPLEX OIL AN ATTACHMENT

SMCS-1408, 1900

i02703329

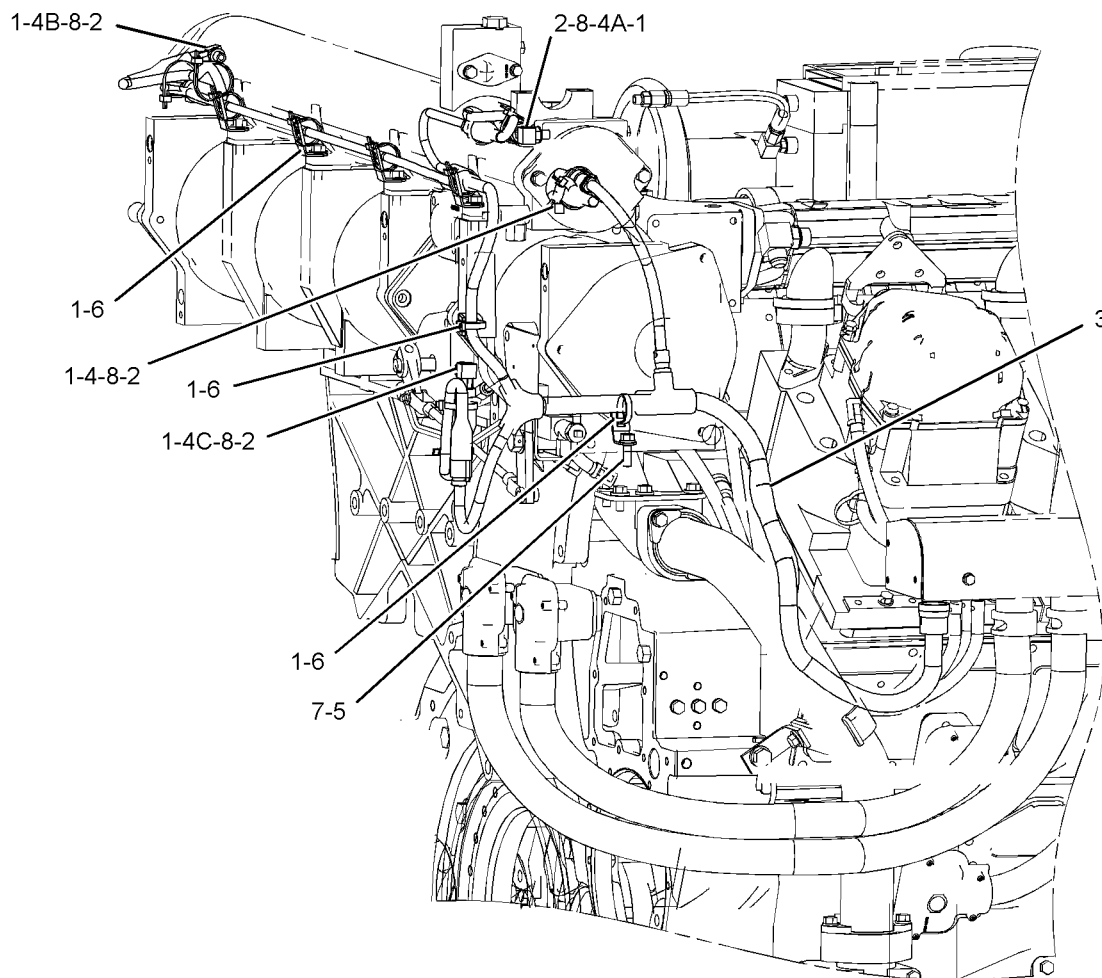
NOTE	REF NO	GRAPHIC REF	PART NUMBER	QTY	PART NAME						SEE PAGE
					1	2	3	4	5	6 (PRODUCT LEVEL)	
	1	1	9X-6772	14	STRAP-CABLE						
	2	1	117-0067	4	ELBOW						
	3	1	253-3820	1	HARNESS AS-SENSOR (OIL FILTER, FUEL FILTER)						
		1	8C-3654	1	PLUG-CONNECTOR (6-PIN)						
		1	186-3736	18	SOCKET-CONNECTOR (16-GA TO 18-GA)						
E		1	9X-8243		TUBE-HEAT SHRINK (39.9-MM DIA) (5-CM)						
E		1	125-7875		TUBE-HEAT SHRINK (7.44-MM DIA) (10-CM)						
		1	155-2260	4	KIT-CONNECTING PLUG (3-PIN)						
		1	174-0503	4	KIT-CONNECTING PLUG (3-PIN)						
					(EACH PLUG KIT INCLUDES PLUG AS AND WEDGE)						
E		1	210-8958		TUBE-HEAT SHRINK (24-MM DIA) (20-CM)						
E		1	232-0893		CONDUIT-FLEXIBLE (6.2-MM ID) (139-CM)						
E		1	232-0895		CONDUIT-FLEXIBLE (9.6-MM OD) (91-CM)						
E		1	232-0897		CONDUIT-FLEXIBLE (16.2-MM ID) (77-CM)						
		1	238-9591	1	FITTING						
		1	238-9733	1	FITTING						
		1	238-9802	1	FITTING						
		1	254-5668	1	ADAPTER						
Y	4	1	304-5668	1	SENSOR GP-PRESSURE (FILTERED OIL)						349
Y	4A	1	304-5668	1	SENSOR GP-PRESSURE (UNFILTERED FUEL)						349
Y	4B	1	304-5668	1	SENSOR GP-PRESSURE (FILTERED FUEL)						349
Y	4C	1	304-5668	1	SENSOR GP-PRESSURE (UNFILTERED OIL)						349
	5	1	0S-1588	1	BOLT (3/8-16X1.25-IN)						
	6	1	4P-8134	6	CLIP						
	7	1	5M-2894	1	WASHER-HARD (10.2X18.5X2.5-MM THK)						
	8	1	6V-5048	8	SEAL-O-RING						

E- ORDER BY THE CENTIMETER
Y- SEPARATE ILLUSTRATION

ELECTRICAL AND STARTING SYSTEM

307-2044 WIRING GP - SENSOR (contd.)

i02703329



GRAPHIC #1

<END>

g01358116

ELECTRICAL AND STARTING SYSTEM

307-2045 WIRING GP-SENSOR-OIL, FUEL PRESSURE, LH SERVICE FOR USE WITH DUPLEX FUEL AN ATTACHMENT

SMCS-1408, 1900

i02703335

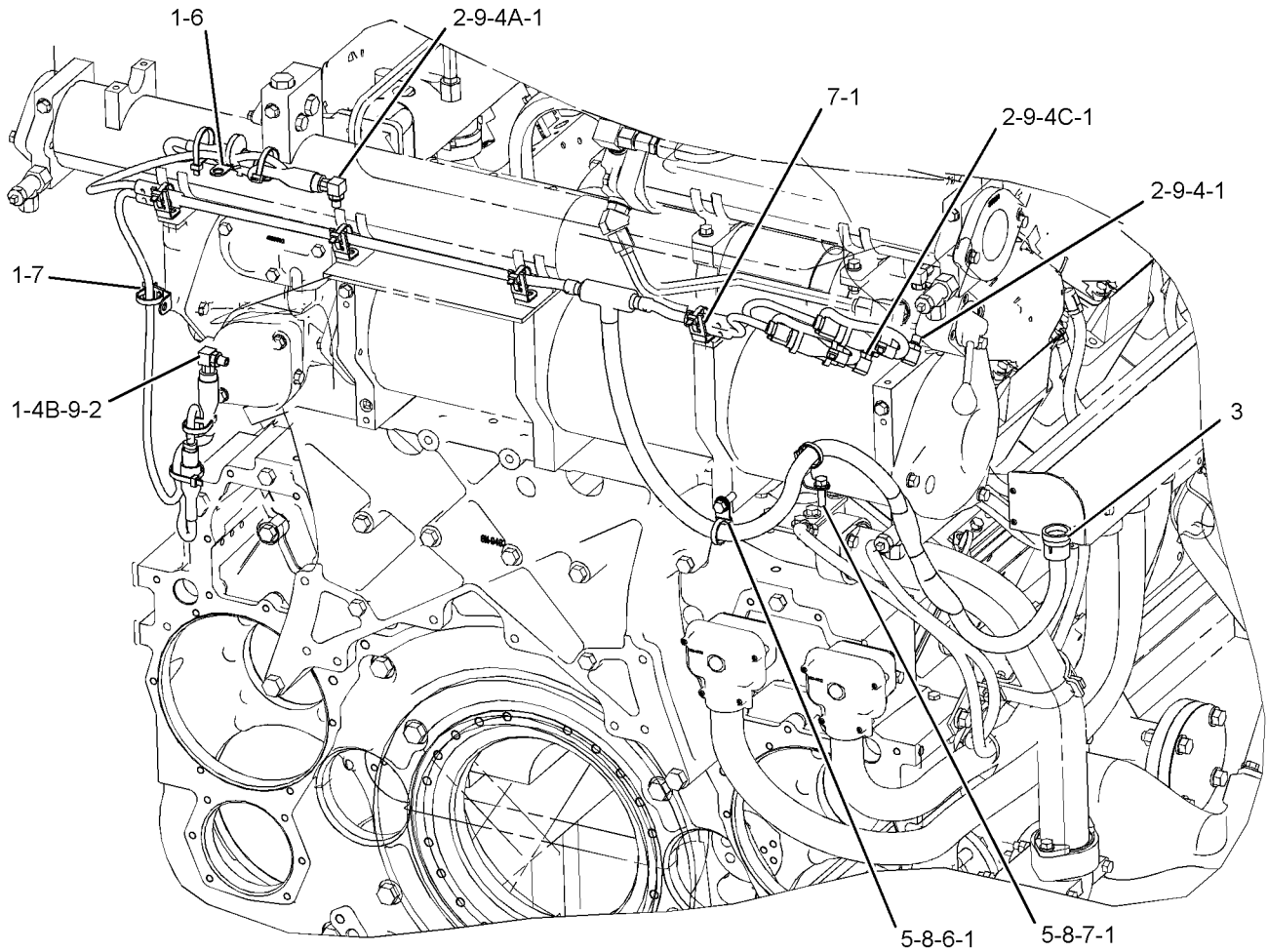
NOTE	REF NO	GRAPHIC REF	PART NUMBER	QTY	PART NAME						SEE PAGE
					1	2	3	4	5	6 (PRODUCT LEVEL)	
	1	1	9X-6772	16	STRAP-CABLE						
	2	1	117-0067	4	ELBOW						
	3	1	253-3821	1	HARNESS AS-SENSOR (OIL FILTER, FUEL FILTER)						
		1	8C-3654	1	PLUG-CONNECTOR (6-PIN)						
E		1	9X-8243		TUBE-HEAT SHRINK (39.9-MM DIA) (5-CM)						
E		1	125-7875		TUBE-HEAT SHRINK (7.44-MM DIA) (10-CM)						
		1	155-2260	4	KIT-CONNECTING PLUG (3-PIN)						
		1	174-0503	4	KIT-CONNECTING PLUG (3-PIN)						
					(EACH PLUG KIT INCLUDES PLUG AS AND WEDGE)						
E		1	210-8958		TUBE-HEAT SHRINK (24-MM DIA) (20-CM)						
E		1	232-0893		CONDUIT-FLEXIBLE (6.2-MM ID) (131-CM)						
E		1	232-0895		CONDUIT-FLEXIBLE (9.6-MM OD) (73-CM)						
E		1	232-0897		CONDUIT-FLEXIBLE (16.2-MM ID) (122-CM)						
		1	238-9591	1	FITTING						
		1	238-9733	2	FITTING						
		1	254-5668	2	ADAPTER						
Y	4	1	304-5668	1	SENSOR GP-PRESSURE (UNFILTERED FUEL)						349
Y	4A	1	304-5668	1	SENSOR GP-PRESSURE (FILTERED OIL)						349
Y	4B	1	304-5668	1	SENSOR GP-PRESSURE (UNFILTERED OIL)						349
Y	4C	1	304-5668	1	SENSOR GP-PRESSURE (FILTERED FUEL)						349
	5	1	0S-1588	2	BOLT (3/8-16X1.25-IN)						
	6	1	4P-7428	2	CLIP						
	7	1	4P-8134	6	CLIP						
	8	1	5M-2894	2	WASHER-HARD (10.2X18.5X2.5-MM THK)						
	9	1	6V-5048	8	SEAL-O-RING						

E- ORDER BY THE CENTIMETER
Y- SEPARATE ILLUSTRATION

ELECTRICAL AND STARTING SYSTEM

307-2045 WIRING GP - SENSOR (contd.)

i02703335



GRAPHIC #1

<END>

g01357992

ELECTRICAL AND STARTING SYSTEM

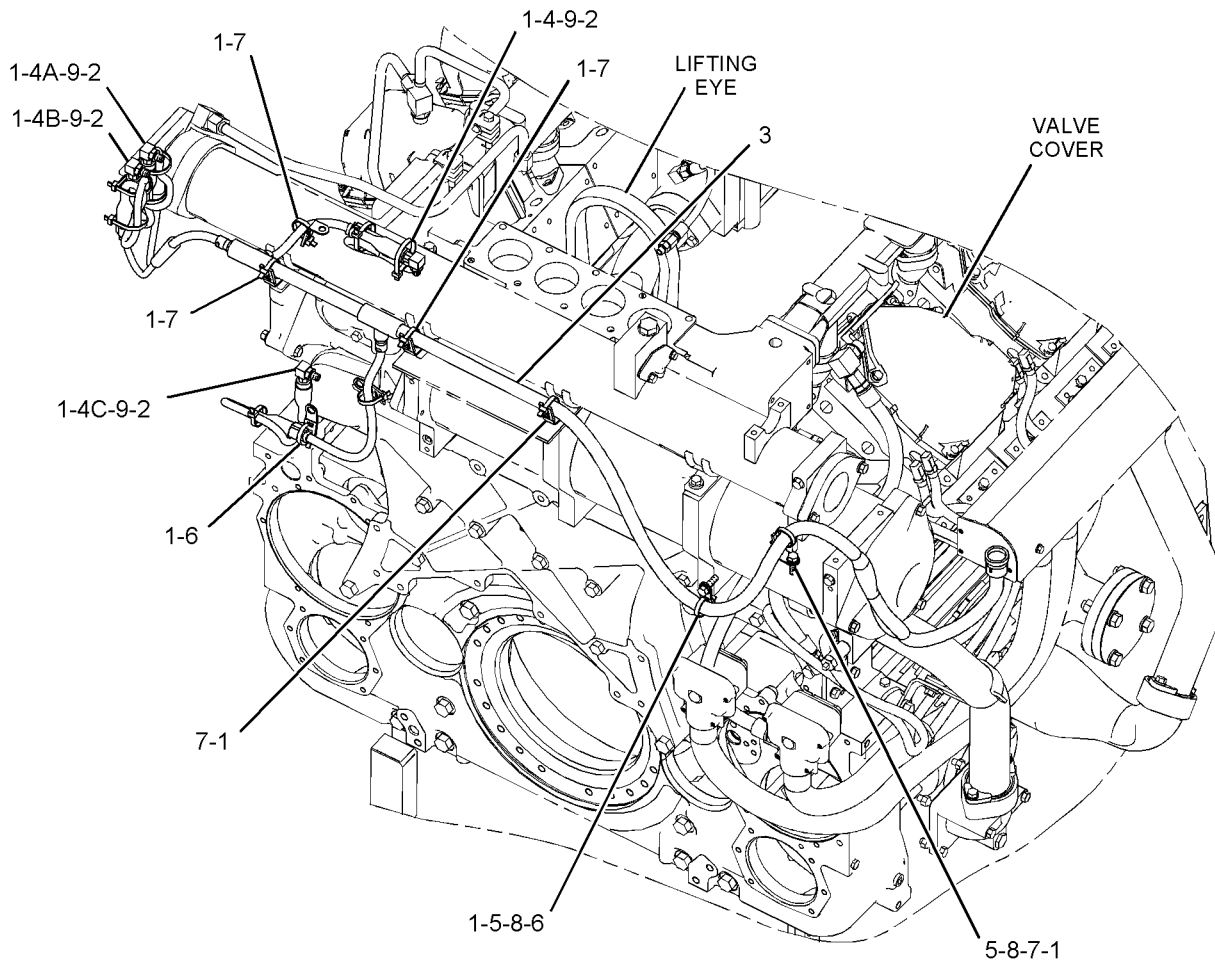
307-2046 WIRING GP-SENSOR-OIL, FUEL PRESSURE, LH SERVICE AN ATTACHMENT

SMCS-1408, 1900

i02824046

NOTE	REF NO	GRAPHIC REF	PART NUMBER	QTY	PART NAME						SEE PAGE
					1	2	3	4	5	6 (PRODUCT LEVEL)	
	1	1	9X-6772	15	STRAP-CABLE						
	2	1	117-0067	4	ELBOW						
Y	3	1	235-6280	1	HARNESS AS-SENSOR (OIL, FUEL PRESSURE, LH SERVICE)						312
Y	4	1	304-5668	1	SENSOR GP-PRESSURE (UNFILTERED OIL)						349
Y	4A	1	304-5668	1	SENSOR GP-PRESSURE (FILTERED FUEL)						349
Y	4B	1	304-5668	1	SENSOR GP-PRESSURE (UNFILTERED FUEL)						349
Y	4C	1	304-5668	1	SENSOR GP-PRESSURE (FILTERED OIL)						349
	5	1	0S-1588	2	BOLT (3/8-16X1.25-IN)						
	6	1	4P-7428	3	CLIP						
	7	1	4P-8134	5	CLIP						
	8	1	5M-2894	2	WASHER-HARD (10.2X18.5X2.5-MM THK)						
	9	1	6V-5048	8	SEAL-O-RING						

Y- SEPARATE ILLUSTRATION



GRAPHIC #1

<END>

g01345496

OPERATOR STATION

290-7263 BOX AS-INSTRUMENT

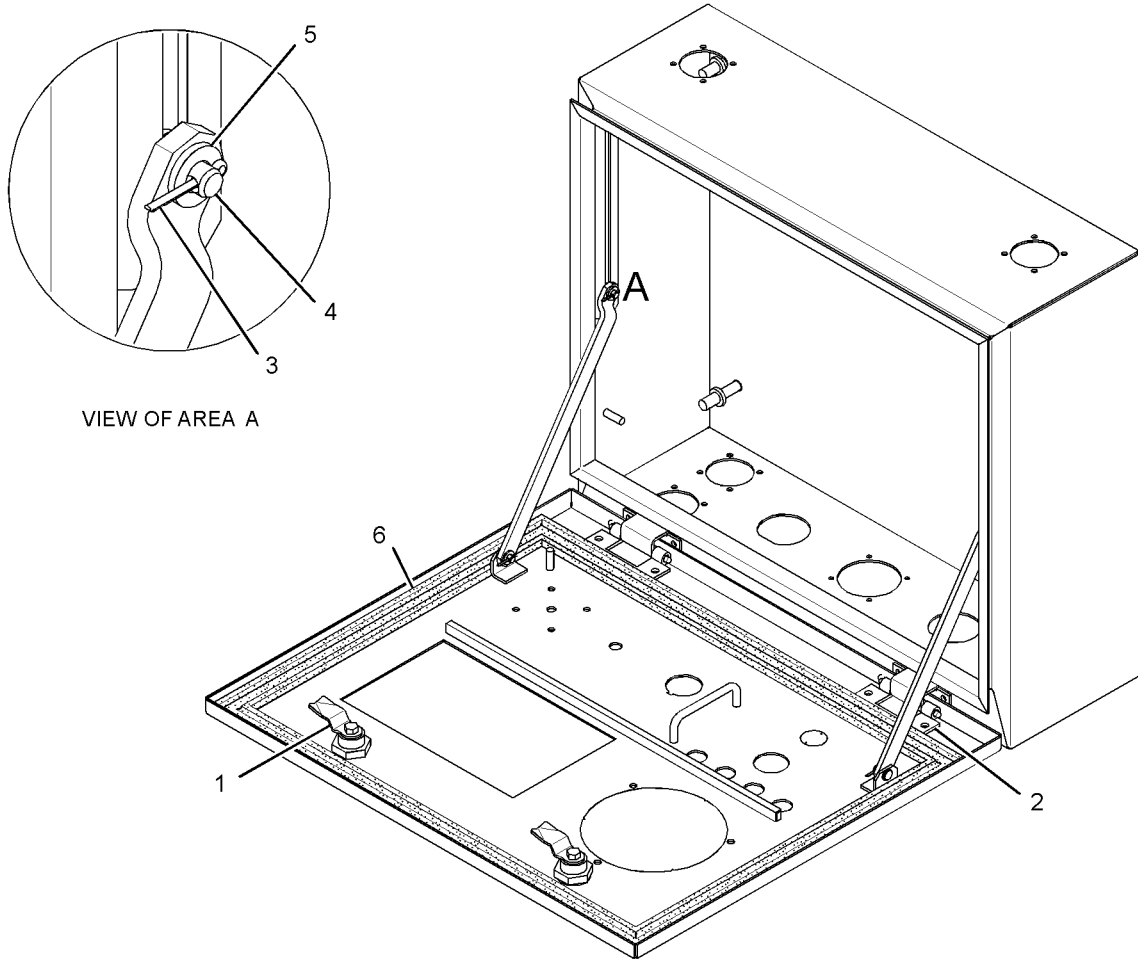
PART OF 290-3211, 300-0478 BOX GP-INSTRUMENT PANEL
AN ATTACHMENT

SMCS-7451

i02629018

NOTE	REF NO	GRAPHIC REF	PART NUMBER	QTY	PART NAME						SEE PAGE
					1	2	3	4	5	6 (PRODUCT LEVEL)	
	1	1	128-8545	2	LATCH AS						
	2	1	153-3723	2	HINGE AS						
					(EACH INCLUDES)						
		1	8T-5447	1	RING-RETAINING						
	3	1	3B-4605	4	PIN-COTTER						
	4	1	9P-6895	4	PIN						
	5	1	9X-6381	4	WASHER (6.5X12.5X1.6-MM THK)						
D	6	1	6V-1392		SEAL (1.8-M)						

D-ORDER BY THE METER



GRAPHIC #1

<END>

g01327035

OPERATOR STATION

290-3211 BOX GP - INSTRUMENT PANEL

AN ATTACHMENT

SMCS-7451, 7490

i02824133

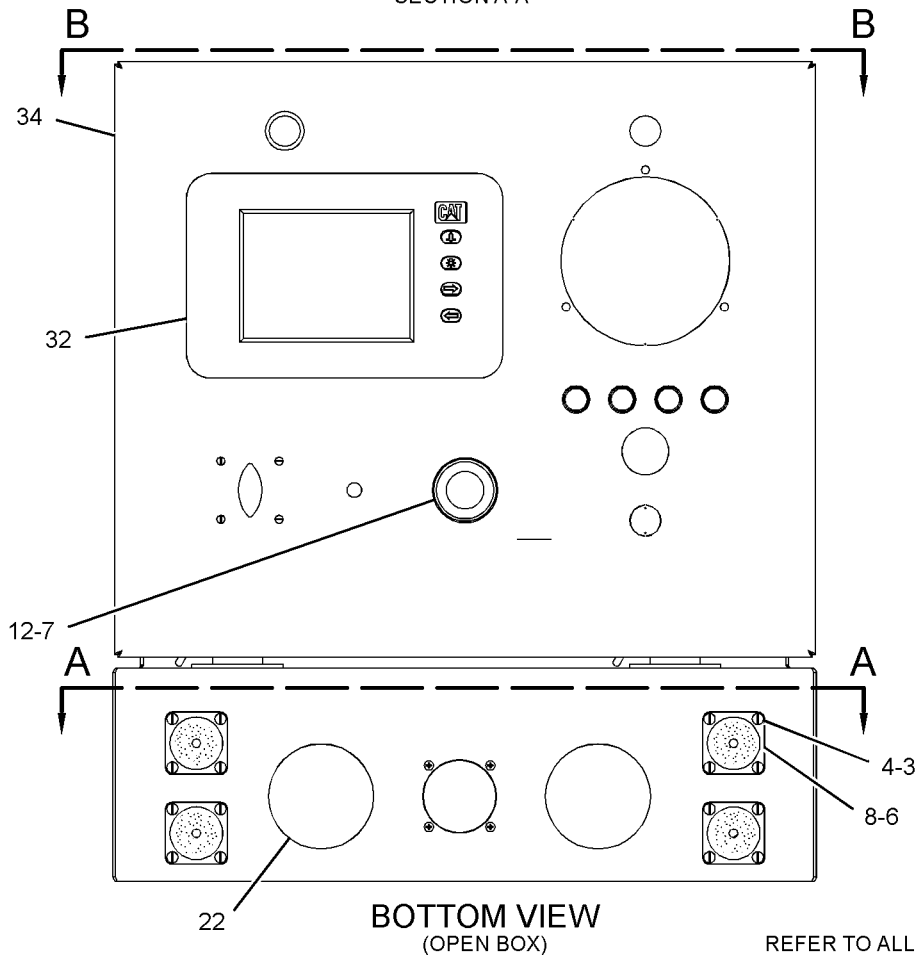
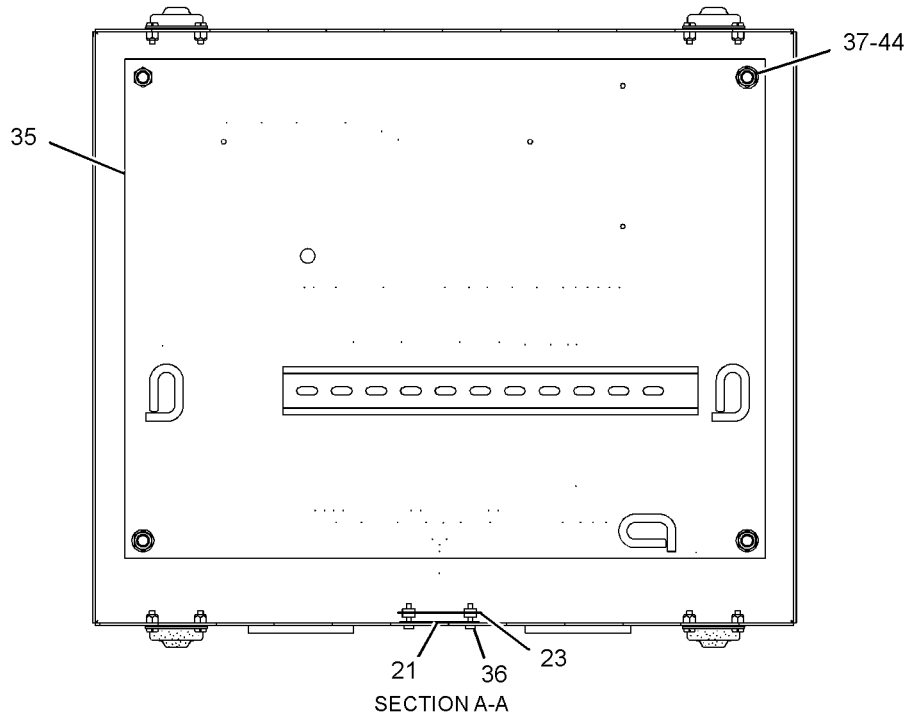
NOTE	REF NO	GRAPHIC REF	PART NUMBER	QTY	PART NAME						SEE PAGE
					1	2	3	4	5	6 (PRODUCT LEVEL)	
	1	2	1H-4393	2	LOCKWASHER						
	2	2	3E-0357	11	DIODE AS						
	3	1	6D-5801	24	LOCKNUT (8-32-THD)						
	4	1,2	7S-1197	26	SCREW-MACHINE (8-32X0.5-IN)						
	5	2	9X-9675	2	BRACKET-END						
	6	1	107-2482	6	GASKET						
	7	1	109-6507	1	SWITCH AS-PUSH BUTTON (EMERGENCY STOP)						
	8	1	110-8909	6	MOUNT-FLEXIBLE						
	9	2	111-1323	1	BLOCK-CONTACT						
	10	2	120-9079	2	TERMINAL						
	11	2	123-9694	1	HORN						
	12	1	124-3176	1	COVER						
	13	2	125-9941	4	BASE-LAMP						
	14	2	125-9942	1	LENS (AMBER)						
	15	2	125-9943	2	LENS (RED)						
	16	2	125-9944	1	LENS (GREEN)						
	17	2	125-9955	1	LAMP-LED (24-VOLT, RED)						
	17A	2	125-9955	1	LAMP-LED (24-VOLT, RED)						
	18	2	125-9956	1	LAMP-LED (24-VOLT, AMBER)						
	19	2	125-9957	1	LAMP-LED (24-VOLT, GREEN)						
	20	2	127-2331	1	SWITCH AS-ROTARY (ENGINE CONTROL)						
	21	1	131-4891	1	GASKET						
	22	1	131-9131	2	SEAL-CONNECTOR (76-MM ID)						
	23	1	132-8489	1	NUT-RING						
	24	2	134-0957	1	COVER-BLOCK						
	25	2	135-6740	11	BLOCK-DIODE						
	26	2	197-2691	1	STRIP-CONTACT						
	27	2	204-5592	1	BAR-FIXED BRIDGE						
	28	2	204-5593	3	RELAY (24-VOLT) (POWER)						
	29	2	204-5594	9	RELAY (24-VOLT) (START ENABLE)						
	30	2	221-2498	1	WIRE AS						
	31	2	231-9911	1	BRACKET						
Y	32	1	267-8623	1	DISPLAY GP-MONITOR (MARINE POWER DISPLAY)						413
Y	33	2	278-1836	1	HARNESS AS-PANEL (MARINE POWER DISPLAY)						310
Y	34	1	290-7263	1	BOX AS-INSTRUMENT						405
	35	1	291-4828	1	PLATE AS						
		1	7T-1099	3	LINK						
	36	1	156-6450	4	SCREW-PAN HEAD (6-32X15.88-MM)						
	37	1	3E-9860	4	LOCKNUT (5/16-18-THD)						
	38	2	3T-4405	1	SWITCH GP-TOGGLE (LOCAL, REMOTE THROTTLE)						
		2	3L-8187	6	LOCKWASHER						
		2	6T-3631	2	NUT-HEX (15/32-32-THD)						
		2	6T-3632	1	LOCKWASHER						
		2	6T-3633	1	RING-LOCKING						
		2	6V-8374	6	SCREW-MACHINE (6-32X0.25-IN)						
	39	2	4B-4863	2	WASHER (4.7X11X1.2-MM THK)						
	40	2	4D-1836	1	SWITCH AS-TOGGLE (ENGINE PROTECTION OVERRIDE)						
	40A	2	4D-1836	1	SWITCH AS-TOGGLE (TORQUE LIMIT)						
	41	2	5P-0537	4	WASHER-HARD (7.2X14.5X2-MM THK)						
	42	2	7C-4910	1	SEAL						
Y	43	2	7N-8001	1	SWITCH GP-TOGGLE (CRANK OVERRIDE)						375
Y	43A	2	7N-8001	1	SWITCH GP-TOGGLE (PRELUBRICATION OVERRIDE)						375
	44	1	8T-4224	4	WASHER-HARD (8.8X16X2-MM THK)						
	45	2	9S-8750	2	NUT-FULL (1/4-20-THD)						
E	46	2	7Y-5074		GUARD-HOSE (19-CM)						
	47	2	241-8224	1	KIT-MARKER (INSTRUMENT PANEL)						

OPERATOR STATION

290-3211 BOX GP - INSTRUMENT PANEL (contd.)

i02824133

E - ORDER BY THE CENTIMETER
Y - SEPARATE ILLUSTRATION



REFER TO ALL ILLUSTRATIONS OF
THIS GROUP FOR AUXILIARY VIEWS

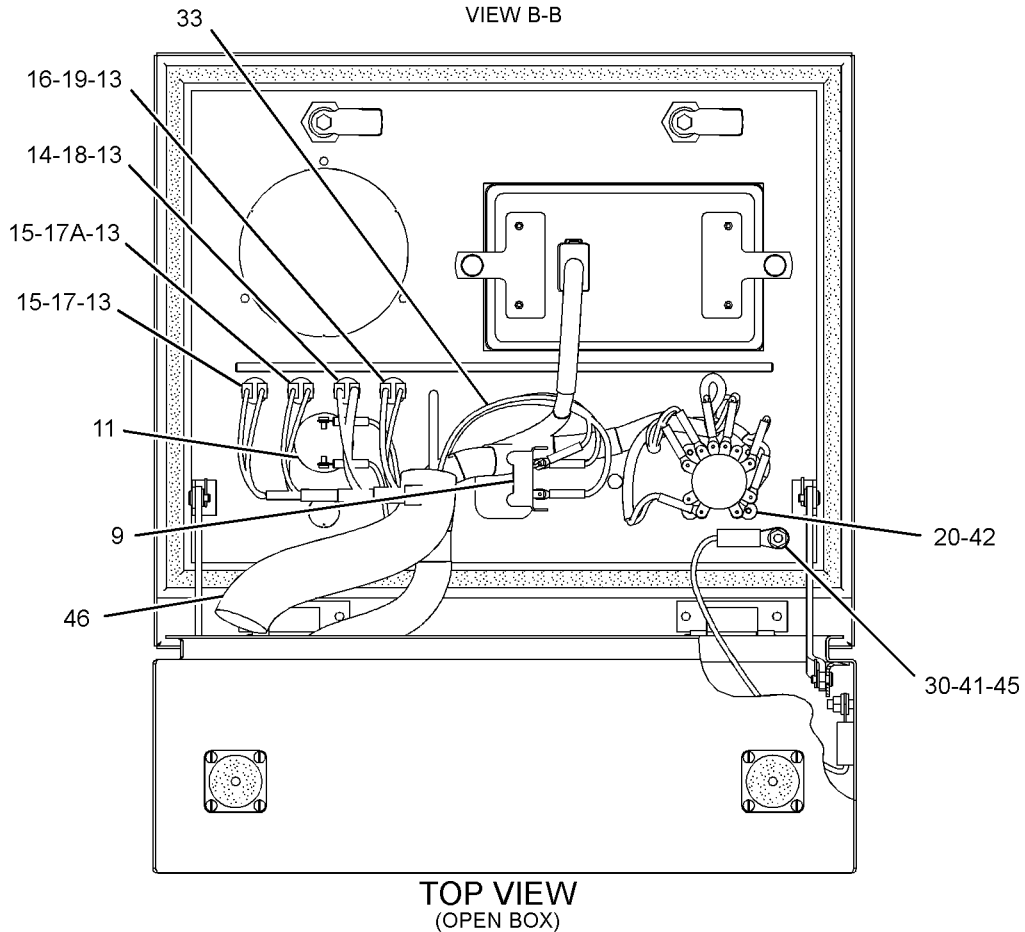
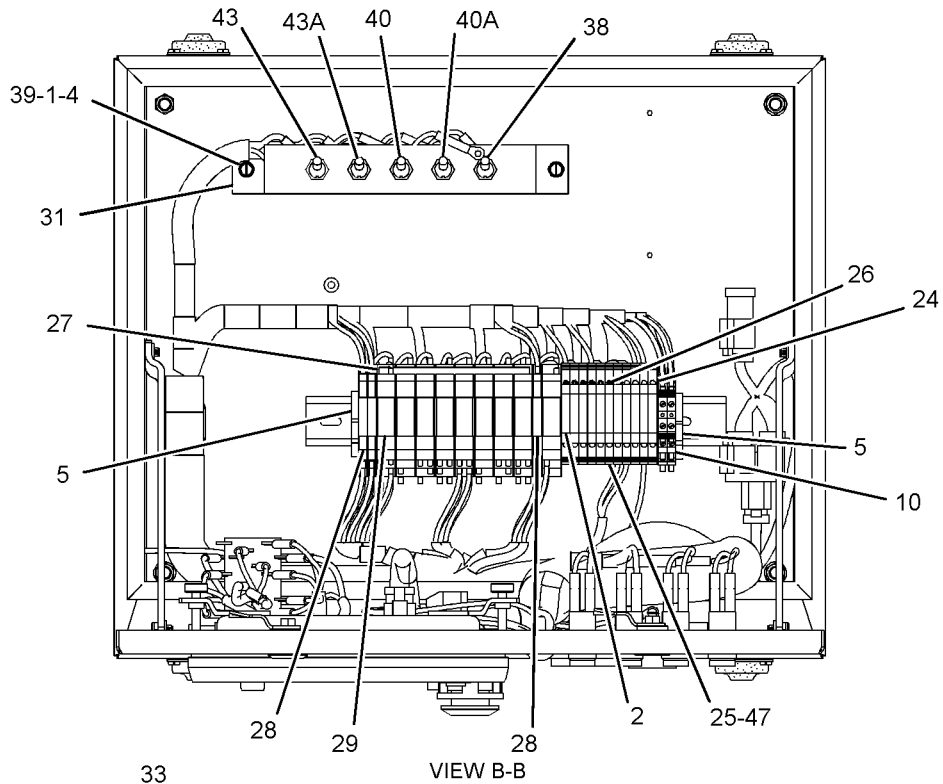
GRAPHIC #1

g01325862

OPERATOR STATION

290-3211 BOX GP - INSTRUMENT PANEL (contd.)

i02824133



GRAPHIC #2

<END>

g01373964

OPERATOR STATION

300-0478 BOX GP - INSTRUMENT PANEL

AN ATTACHMENT

SMCS-7451, 7490

i02824617

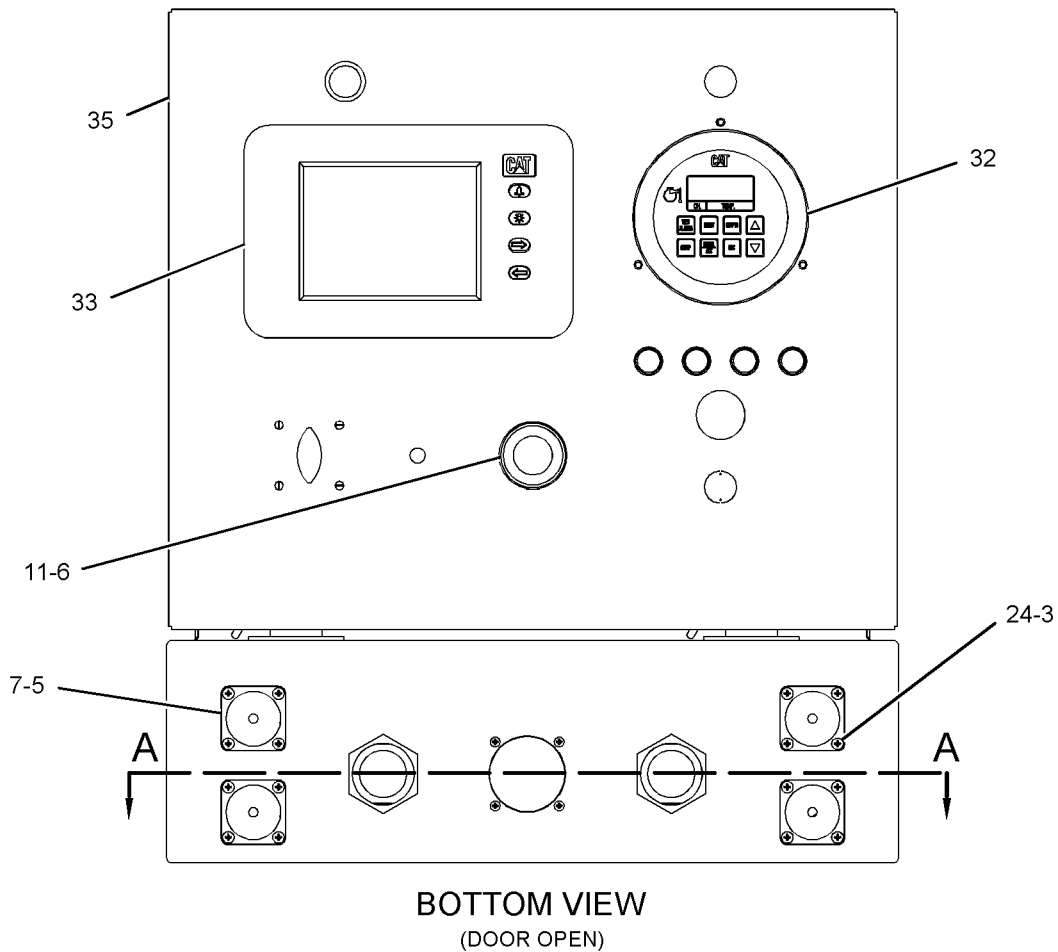
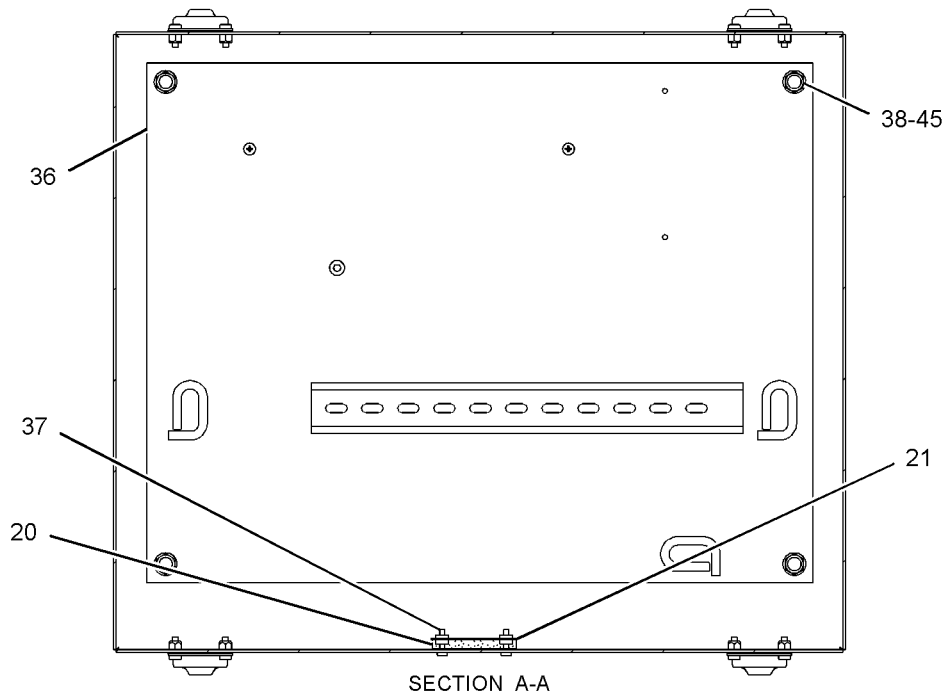
NOTE	REF NO	GRAPHIC REF	PART NUMBER	QTY	PART NAME						SEE PAGE
					1	2	3	4	5	6 (PRODUCT LEVEL)	
	1	2	1H-4393	2	LOCKWASHER						
	2	2	3E-0357	11	DIODE AS						
	3	1	6D-5801	24	LOCKNUT (8-32-THD)						
	4	2	9X-9675	2	BRACKET-END						
	5	1	107-2482	6	GASKET						
	6	1	109-6507	1	SWITCH AS-PUSH BUTTON (EMERGENCY STOP)						
	7	1	110-8909	6	MOUNT-FLEXIBLE						
	8	2	111-1323	1	BLOCK-CONTACT						
	9	2	120-9079	2	TERMINAL						
	10	2	123-9694	1	HORN						
	11	1	124-3176	1	COVER						
	12	2	125-9941	4	BASE-LAMP						
	13	2	125-9942	1	LENS (AMBER)						
	14	2	125-9943	2	LENS (RED)						
	15	2	125-9944	1	LENS (GREEN)						
	16	2	125-9955	1	LAMP-LED (24-VOLT, RED)						
	16A	2	125-9955	1	LAMP-LED (24-VOLT, RED)						
	17	2	125-9956	1	LAMP-LED (24-VOLT, AMBER)						
	18	2	125-9957	1	LAMP-LED (24-VOLT, GREEN)						
	19	2	127-2331	1	SWITCH AS-ROTARY (ENGINE CONTROL)						
	20	1	131-4891	1	GASKET						
	21	1	132-8489	1	NUT-RING						
	22	2	134-0957	1	COVER-BLOCK						
	23	2	135-6740	11	BLOCK-DIODE						
	24	1,2	178-3339	26	SCREW (8-32X0.5-IN)						
	25	2	197-2691	1	STRIP-CONTACT						
	26	2	204-5592	1	BAR-FIXED BRIDGE						
	27	2	204-5593	3	RELAY (24-VOLT) (POWER)						
	28	2	204-5594	9	RELAY (24-VOLT) (START ENABLE)						
	29	2	221-2498	1	WIRE AS						
	30	2	231-9911	1	BRACKET						
Y	31	2	237-9023	1	HARNESS AS-SENSOR (THERMOCOUPLE)						312
	32	1	251-9450	1	MODULE-EXHAUST TEMPERATURE						
Y	33	1	267-8623	1	DISPLAY GP-MONITOR (MARINE POWER DISPLAY)						413
Y	34	2	278-1836	1	HARNESS AS-PANEL (MARINE POWER DISPLAY)						310
Y	35	1	290-7263	1	BOX AS-INSTRUMENT						405
	36	1	291-4828	1	PLATE AS						
		1	7T-1099	3	LINK						
	37	1	156-6450	4	SCREW-PAN HEAD (6-32X15.88-MM)						
	38	1	3E-9860	4	LOCKNUT (5/16-18-THD)						
	39	2	3T-4405	1	SWITCH GP-TOGGLE (LOCAL, REMOTE THROTTLE)						
		2	3L-8187	6	LOCKWASHER						
		2	6T-3631	2	NUT-HEX (15/32-32-THD)						
		2	6T-3632	1	LOCKWASHER						
		2	6T-3633	1	RING-LOCKING						
		2	6V-8374	6	SCREW-MACHINE (6-32X0.25-IN)						
	40	2	4B-4863	2	WASHER (4.7X11X1.2-MM THK)						
	41	2	4D-1836	1	SWITCH AS-TOGGLE (ENGINE PROTECTION OVERRIDE)						
	41A	2	4D-1836	1	SWITCH AS-TOGGLE (TORQUE LIMIT)						
	42	2	5P-0537	4	WASHER-HARD (7.2X14.5X2-MM THK)						
	43	2	7C-4910	1	SEAL						
Y	44	2	7N-8001	1	SWITCH GP-TOGGLE (CRANK OVERRIDE)						375
Y	44A	2	7N-8001	1	SWITCH GP-TOGGLE (PRELUBRICATION OVERRIDE)						375
	45	1	8T-4224	4	WASHER-HARD (8.8X16X2-MM THK)						
	46	2	9S-8750	2	NUT-FULL (1/4-20-THD)						
E	47	2	7Y-5074		GUARD-HOSE (19-CM)						
	48	2	241-8224	1	KIT-MARKER (INSTRUMENT PANEL)						

OPERATOR STATION

300-0478 BOX GP - INSTRUMENT PANEL (contd.)

i02824617

E - ORDER BY THE CENTIMETER
Y - SEPARATE ILLUSTRATION



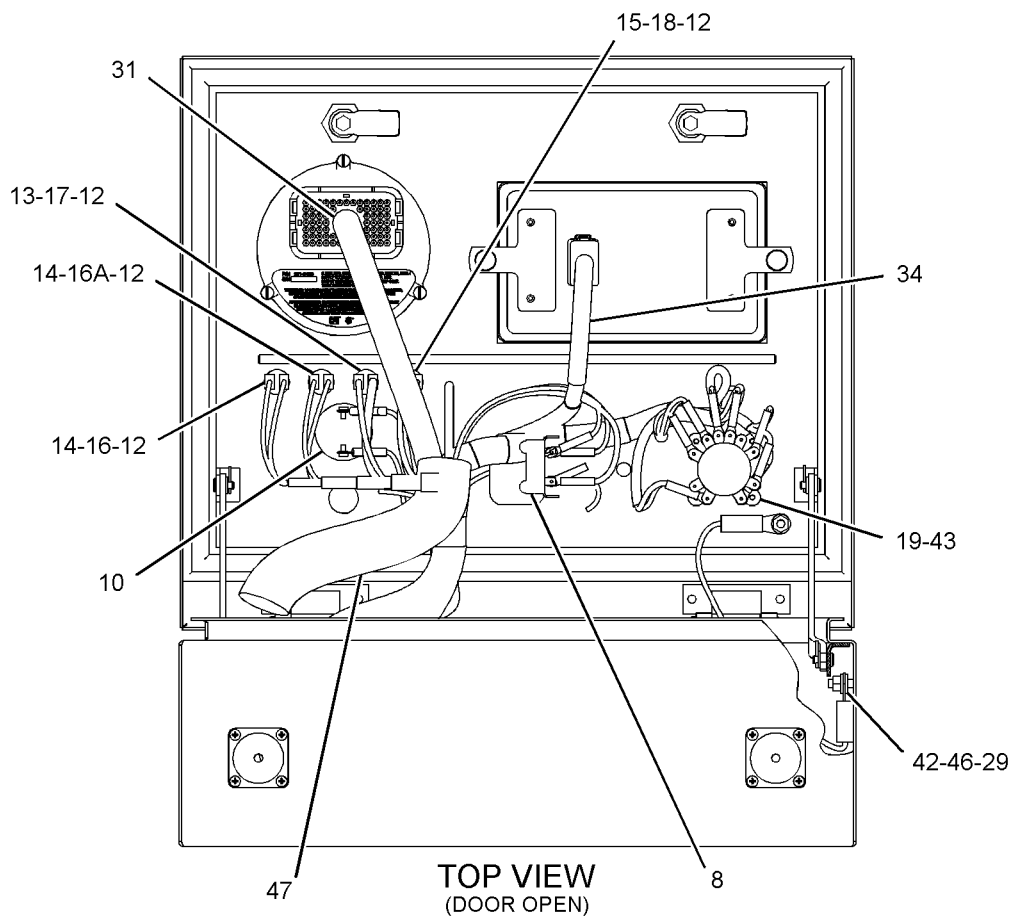
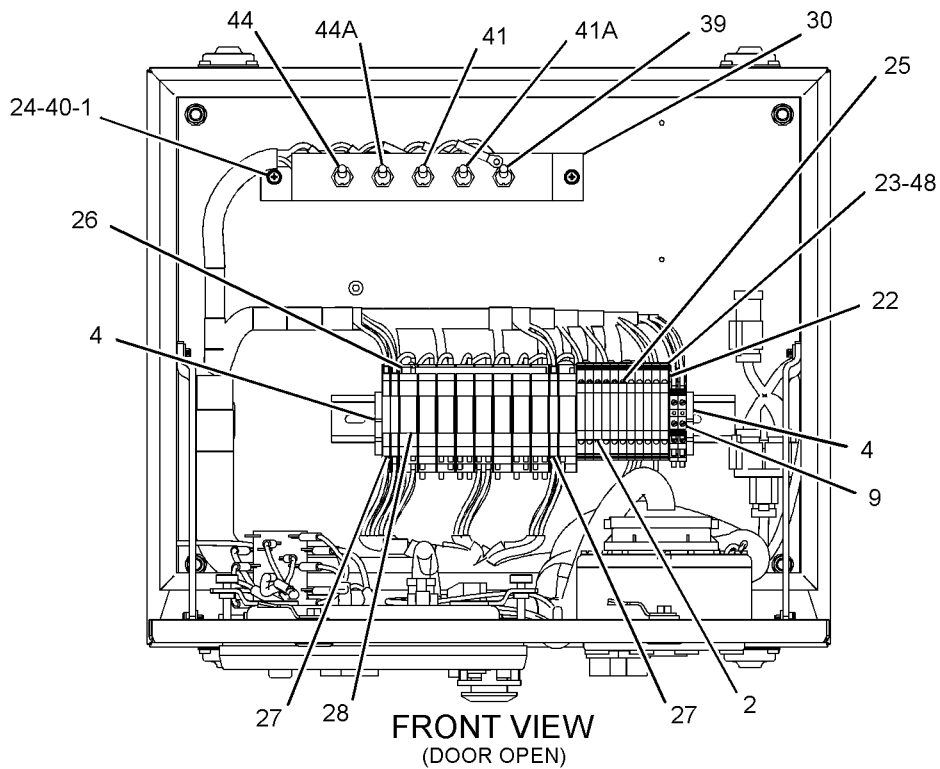
GRAPHIC #1

g01347129

OPERATOR STATION

300-0478 BOX GP - INSTRUMENT PANEL (contd.)

i02824617



GRAPHIC #2

<END>

g01373967

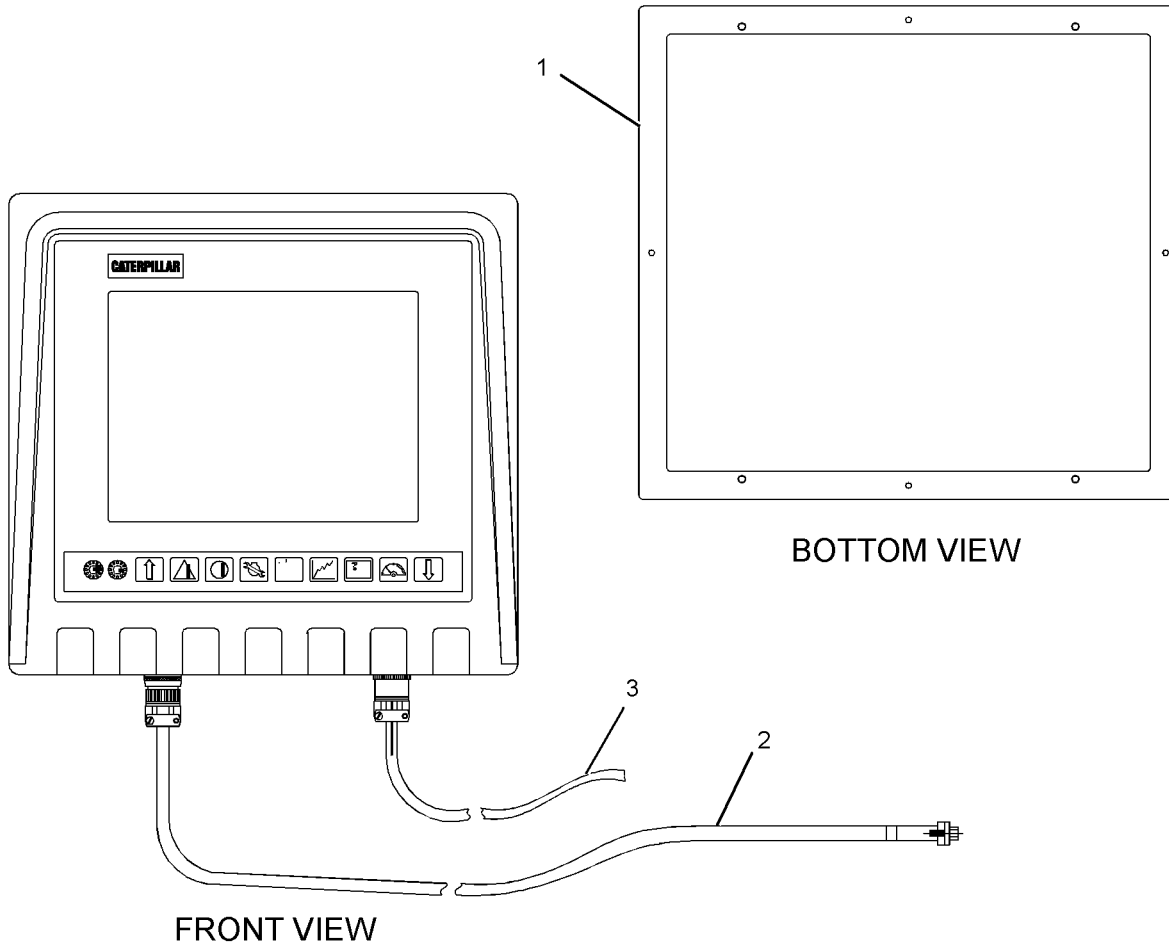
OPERATOR STATION

289 - 6327 CONTROL GP - MONITOR - ENGINE VISION AN ATTACHMENT

SMCS - 7490

i02633956

NOTE	REF NO	GRAPHIC REF	PART NUMBER	QTY	PART NAME	SEE PAGE
					1 2 3 4 5 6 (PRODUCT LEVEL)	
	1	1	163-3972	1	KIT - MOUNTING (INCLUDES PLATE AND SCREWS)	
	2	1	163-3973	1	CABLE AS (DATA)	
	3	1	163-3974	1	CABLE AS - POWER	



GRAPHIC #1

<END>

g01334444

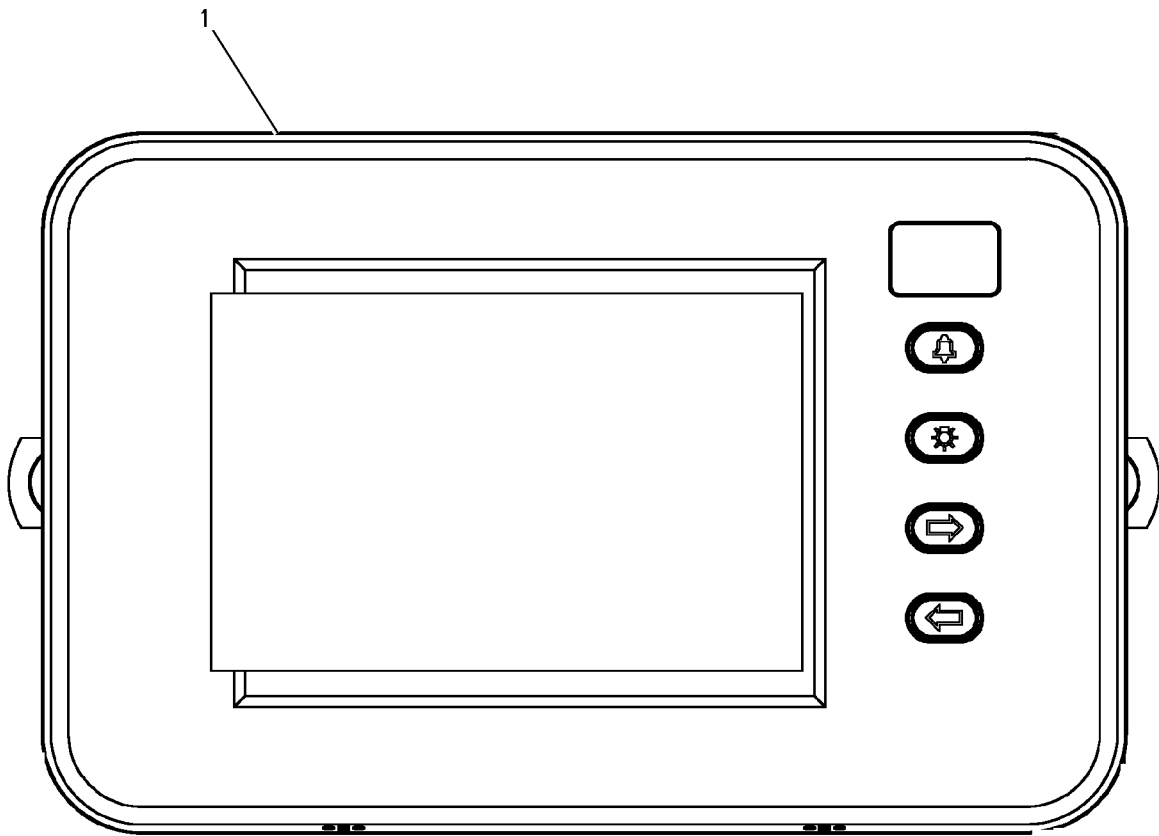
OPERATOR STATION

267-8623 DISPLAY GP-MONITOR-MARINE POWER DISPLAY
 PART OF 290-3211, 300-0478 BOX GP-INSTRUMENT PANEL, 249-6961, 257-7948 PANEL
 GP-PILOT HOUSE INSTR
 FIELD REPLACEMENT ORDER 307-7541-PAGE 414
 AN ATTACHMENT

SMCS-7490

i03197520

NOTE	REF NO	GRAPHIC REF	PART NUMBER	QTY	PART NAME						SEE PAGE
					1	2	3	4	5	6 (PRODUCT LEVEL)	
Y	1	1	307-7542	1	DISPLAY GP-MONITOR (MARINE POWER DISPLAY)						415
Y-SEPARATE ILLUSTRATION											



GRAPHIC #1

<END>

g00914466

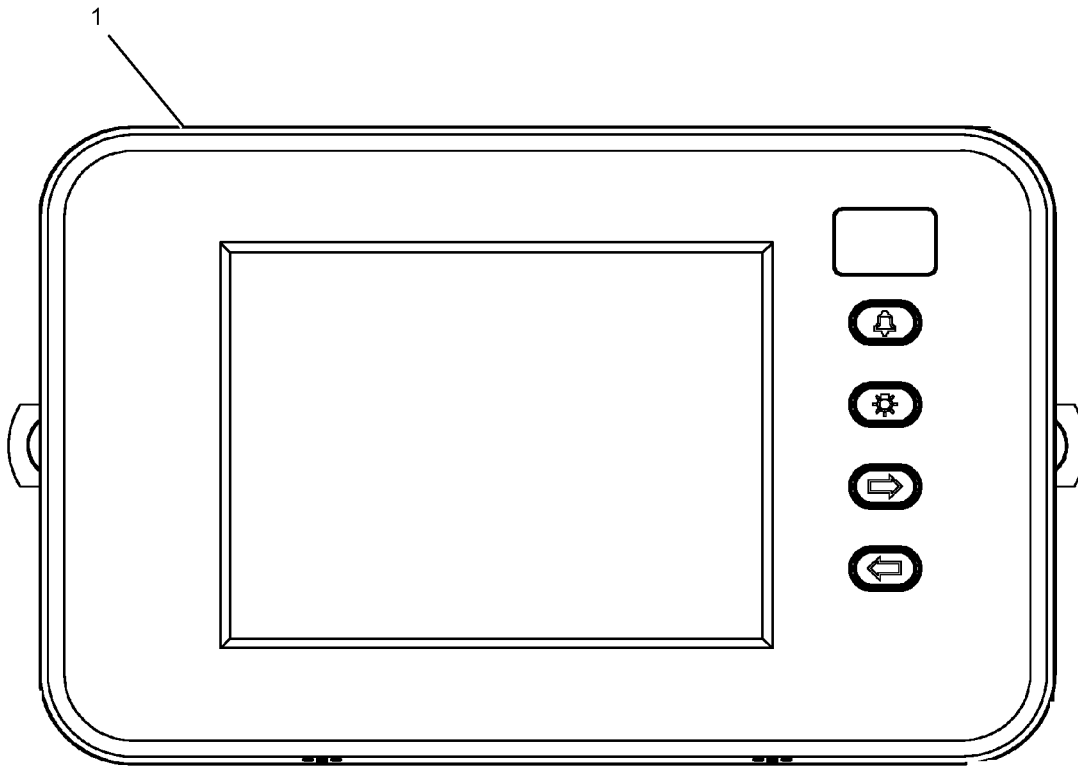
OPERATOR STATION

307-7541 DISPLAY GP-MONITOR-MARINE POWER DISPLAY
PART OF 307-7542 DISPLAY GP-MONITOR
FIELD REPLACEMENT FOR 267-8623-PAGE 413
AN ATTACHMENT

SMCS-7490

i02958038

NOTE	REF NO	GRAPHIC REF	PART NUMBER	QTY	PART NAME						SEE PAGE
					1	2	3	4	5	6 (PRODUCT LEVEL)	
	1	1	208-0589	1	COVER-PROTECTION						



GRAPHIC #1

<END>

g01442741

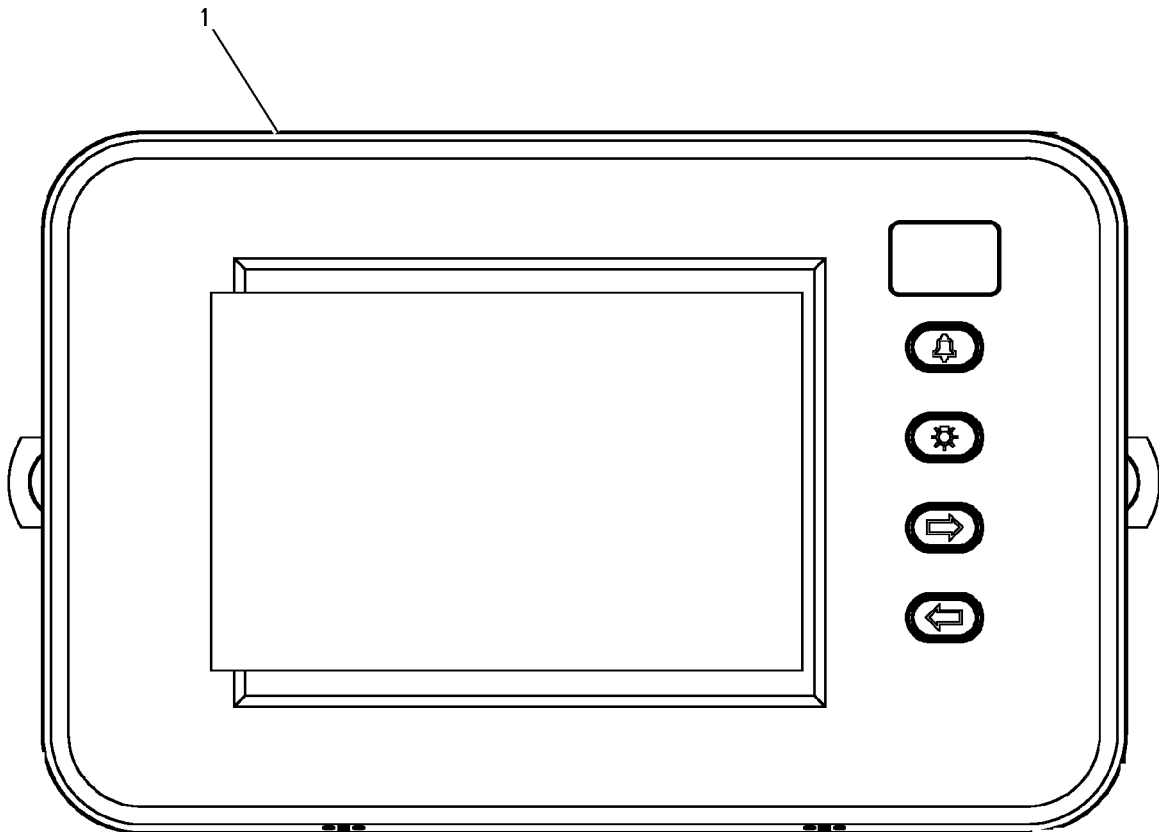
OPERATOR STATION

307-7542 DISPLAY GP-MONITOR-MARINE POWER DISPLAY PART OF 267-8623 DISPLAY GP-MONITOR AN ATTACHMENT

SMCS-7490

i02958050

NOTE	REF NO	GRAPHIC REF	PART NUMBER	QTY	PART NAME						SEE PAGE
					1	2	3	4	5	6 (PRODUCT LEVEL)	
Y	1	1	307-7541	1	DISPLAY GP-MONITOR (MARINE POWER DISPLAY)						414
Y-SEPARATE ILLUSTRATION											



GRAPHIC #1

<END>

g00914466

OPERATOR STATION

130-6196 MODULE GP - SYSTEM COMMUNICATION

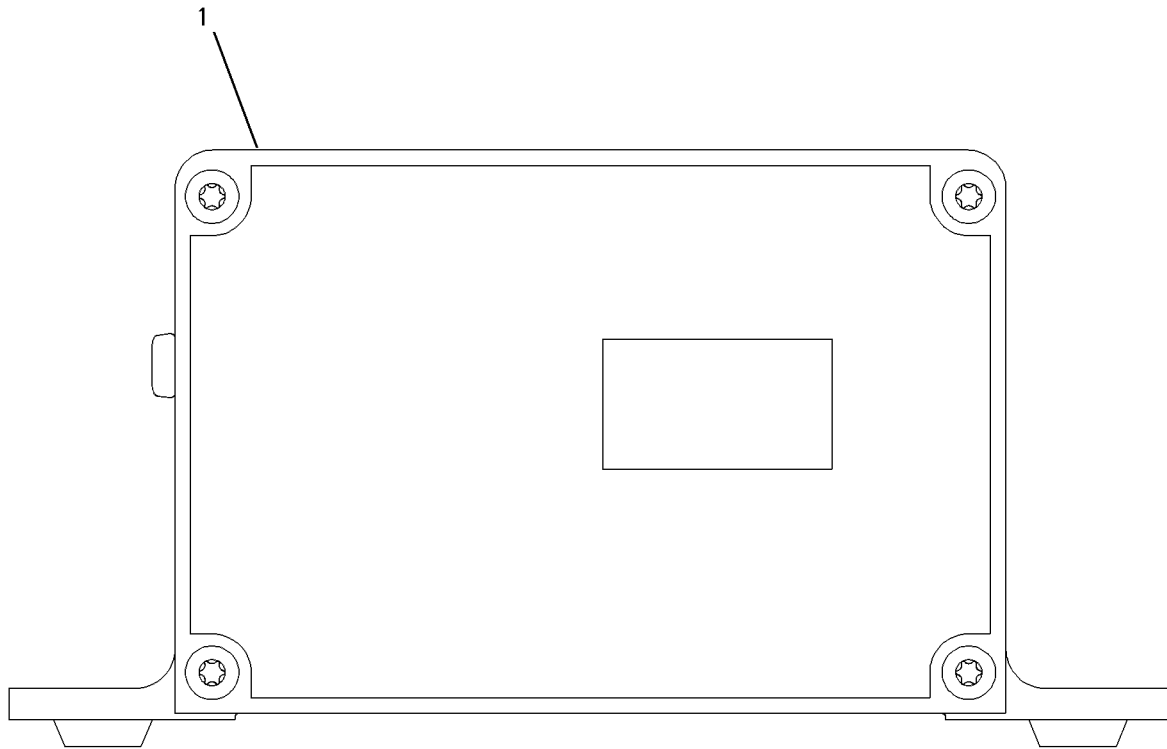
FIELD REPLACEMENT ORDER 225-0774—PAGE 417. FOR USE WITH ENGINE VISION DISPLAY
AN ATTACHMENT

SMCS - 1926

i01962193

NOTE	REF NO	GRAPHIC REF	PART NUMBER	QTY	PART NAME						SEE PAGE
					1	2	3	4	5	6 (PRODUCT LEVEL)	
Y	1	1	225-0774	1	MODULE GP - SYSTEM COMMUNICATION (ENGINE VISION)						417

Y - SEPARATE ILLUSTRATION



GRAPHIC #1

<END>

g00630720

OPERATOR STATION

225-0774 MODULE GP-SYSTEM COMMUNICATION

PART OF 130-6196 MODULE GP-SYSTEM COMMUNICATION

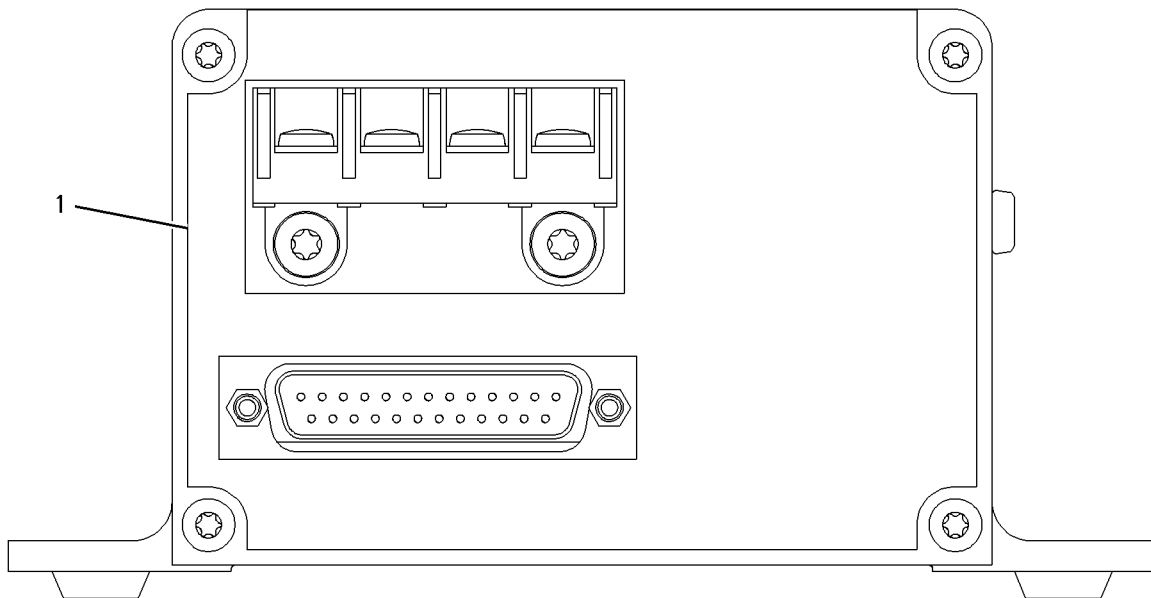
FIELD REPLACEMENT FOR 130-6196-PAGE 416

AN ATTACHMENT

SMCS-1926

i01962582

NOTE	REF NO	GRAPHIC REF	PART NUMBER	QTY	PART NAME						SEE PAGE
					1	2	3	4	5	6 (PRODUCT LEVEL)	
	1	1	109-5738	1	FILM-INTERFACE (REAR)						



REAR VIEW

GRAPHIC #1

<END>

g00782086

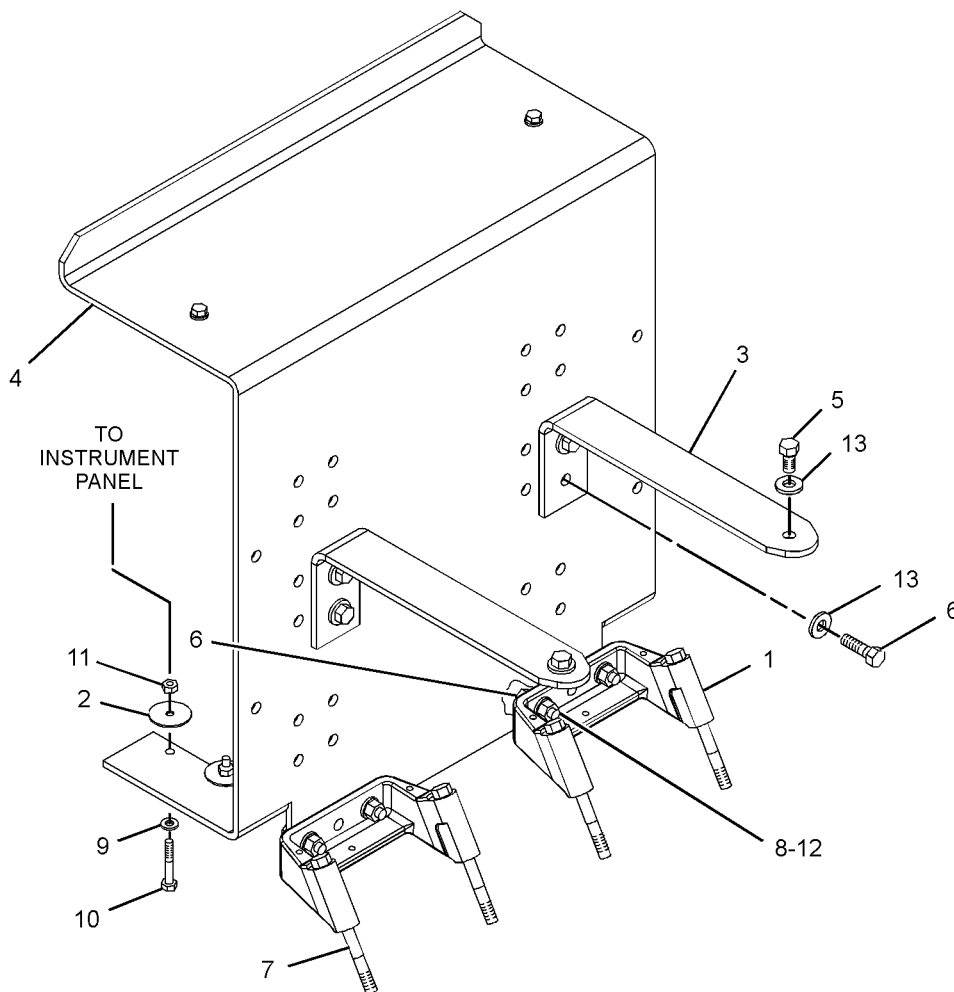
OPERATOR STATION

292-4520 MOUNTING GP - INSTRUMENT PANEL - RH AN ATTACHMENT

SMCS-7451

i02625276

NOTE	REF NO	GRAPHIC REF	PART NUMBER	QTY	PART NAME						SEE PAGE
					1	2	3	4	5	6 (PRODUCT LEVEL)	
	1	1	1W-8129	2	SUPPORT						
	2	1	2W-8604	6	WASHER (6.5X35X1.5-MM THK)						
	3	1	235-2763	2	BRACKET						
	4	1	291-6227	1	BRACKET AS						
		1	1F-0750	4	NUT-WELD (3/8-16-THD)						
	5	1	0S-0509	2	BOLT (3/8-16X0.75-IN)						
	6	1	0S-1588	8	BOLT (3/8-16X1.25-IN)						
	7	1	1A-5964	4	BOLT (3/8-16X4.5-IN)						
	8	1	5M-2894	4	WASHER-HARD (10.2X18.5X2.5-MM THK)						
	9	1	5P-0537	6	WASHER-HARD (7.2X14.5X2-MM THK)						
	10	1	7B-8167	6	BOLT (1/4-20X1.625-IN)						
	11	1	9S-8750	6	NUT-FULL (1/4-20-THD)						
	12	1	9S-8752	4	NUT-FULL (3/8-16-THD)						
	13	1	9X-6458	6	WASHER-HARD (10.2X22.5X3-MM THK)						



GRAPHIC #1

<END>

g01325975

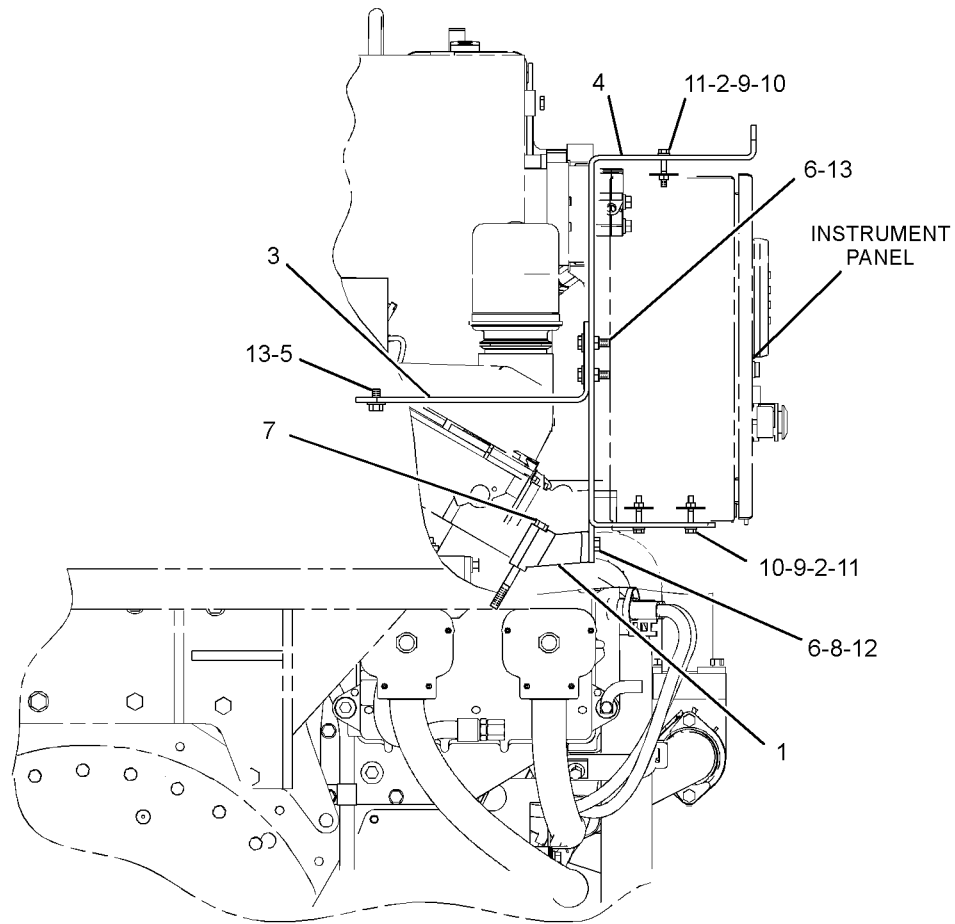
OPERATOR STATION

292-4521 MOUNTING GP - INSTRUMENT PANEL-LH AN ATTACHMENT

SMCS-7451

i02627352

NOTE	REF NO	GRAPHIC REF	PART NUMBER	QTY	PART NAME						SEE PAGE
					1	2	3	4	5	6 (PRODUCT LEVEL)	
	1	1	1W-8129	2	SUPPORT						
	2	1	2W-8604	6	WASHER (6.5X35X1.5-MM THK)						
	3	1	235-2763	2	BRACKET						
	4	1	291-6227	1	BRACKET AS						
		1	1F-0750	4	NUT-WELD (3/8-16-THD)						
	5	1	0S-0509	2	BOLT (3/8-16X0.75-IN)						
	6	1	0S-1588	8	BOLT (3/8-16X1.25-IN)						
	7	1	1A-5964	4	BOLT (3/8-16X4.5-IN)						
	8	1	5M-2894	4	WASHER-HARD (10.2X18.5X2.5-MM THK)						
	9	1	5P-0537	6	WASHER-HARD (7.2X14.5X2-MM THK)						
	10	1	7B-8167	6	BOLT (1/4-20X1.625-IN)						
	11	1	9S-8750	6	NUT-FULL (1/4-20-THD)						
	12	1	9S-8752	4	NUT-FULL (3/8-16-THD)						
	13	1	9X-6458	6	WASHER-HARD (10.2X22.5X3-MM THK)						



FRONT VIEW OF ENGINE

GRAPHIC #1

<END>

g01320406

OPERATOR STATION

249-6961 PANEL GP-PILOT HOUSE INSTR-WITH KEY

PART OF 257-7952 PANEL GP-PILOT HOUSE INSTR

AN ATTACHMENT

SMCS-7451

i03187621

NOTE	REF NO	GRAPHIC REF	PART NUMBER	QTY	PART NAME	SEE PAGE
					1 2 3 4 5 6 (PRODUCT LEVEL)	
	1	1	249-6959	1	PLATE	
Y	2	1	267-8623	1	DISPLAY GP-MONITOR (MARINE POWER DISPLAY)	413
	3	1	109-6507	1	SWITCH AS-PUSH BUTTON (EMERGENCY STOP)	
	4	1	124-3176	1	COVER	
	5	1	308-9776	1	BLOCK-CONTACT	
	6	1	308-9775	1	LATCH-MOUNTING	
	7	1	308-9781	1	LAMP AS (24-VOLT, AMBER)	
	8	1	308-9780	1	LENS-AMBER	
	9	1	308-9782	1	LENS-GREEN	
	10	1	308-9783	1	LAMP AS (24-VOLT, GREEN)	
	11	1	249-8126	1	SWITCH-PUSH BUTTON (MOMENTARY) (ENGINE START)	
	11A	1	249-8126	1	SWITCH-PUSH BUTTON (MOMENTARY) (ENGINE STOP)	
	12	1	111-1324	2	BLOCK-CONTACT	
	13	1	111-1323	5	BLOCK-CONTACT	
	14	1	9X-0146	1	RECEPTACLE AS-CONNECTOR (24-PIN)	
	15	1	308-9799	1	SWITCH-KEY (POWER)	
	16	1	186-3735	24	PIN-CONNECTOR (16-GA TO 18-GA)	
	17	1	279-0338	1	FILM-PANEL	
FY		1	249-6964	1	HARNESS AS-CONTROL	295

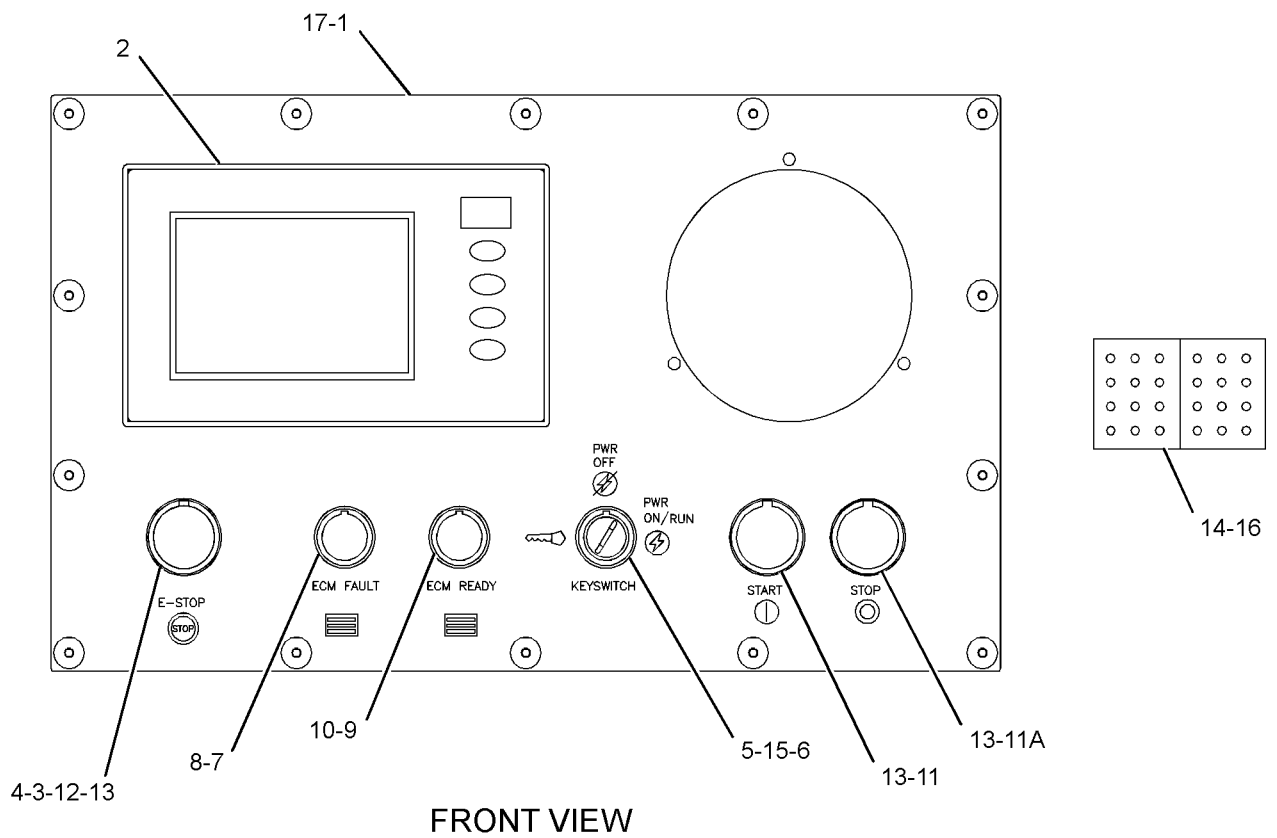
F - NOT SHOWN

Y - SEPARATE ILLUSTRATION

OPERATOR STATION

249-6961 PANEL GP-PILOT HOUSE INSTR (contd.)

i03187621



FRONT VIEW

GRAPHIC #1

<END>

g01345757

OPERATOR STATION

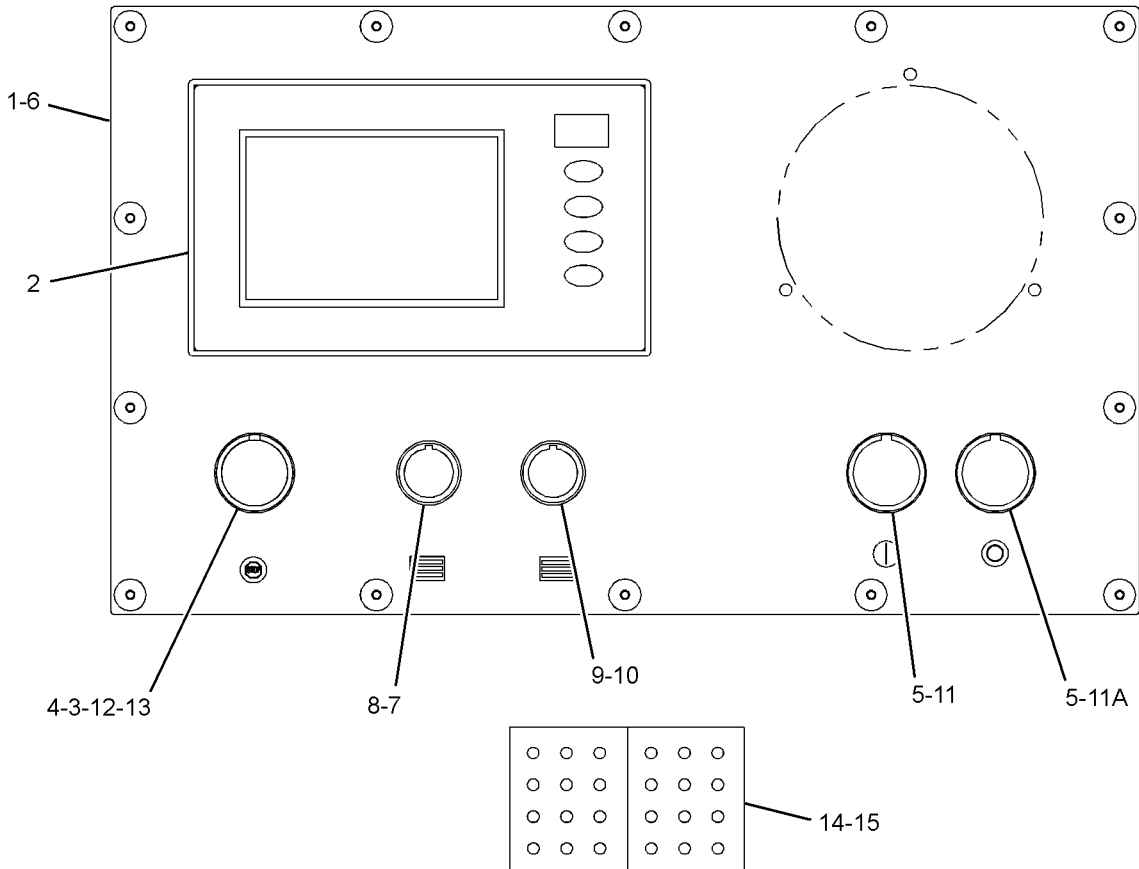
257-7948 PANEL GP-PILOT HOUSE INSTR-WITHOUT KEY PART OF 257-7952 PANEL GP-PILOT HOUSE INSTR AN ATTACHMENT

SMCS-7451

i03187623

NOTE	REF NO	GRAPHIC REF	PART NUMBER	QTY	PART NAME						SEE PAGE
					1	2	3	4	5	6 (PRODUCT LEVEL)	
	1	1	249-6959	1	PLATE						
CY	2	1	267-8623	1	DISPLAY GP-MONITOR (MARINE POWER DISPLAY)						413
	3	1	109-6507	1	SWITCH AS-PUSH BUTTON (EMERGENCY STOP)						
	4	1	124-3176	1	COVER						
	5	1	308-9776	2	BLOCK-CONTACT						
	6	1	279-0339	1	FILM-PANEL						
	7	1	308-9781	1	LAMP AS (24-VOLT, AMBER)						
	8	1	308-9780	1	LENS-AMBER						
	9	1	308-9782	1	LENS-GREEN						
	10	1	308-9783	1	LAMP AS (24-VOLT, GREEN)						
	11	1	249-8126	1	SWITCH-PUSH BUTTON (MOMENTARY) (ENGINE START)						
	11A	1	249-8126	1	SWITCH-PUSH BUTTON (MOMENTARY) (ENGINE STOP)						
	12	1	111-1324	2	BLOCK-CONTACT						
	13	1	111-1323	1	BLOCK-CONTACT						
	14	1	9X-0146	1	RECEPTACLE AS-CONNECTOR (24-PIN)						
	15	1	186-3735	24	PIN-CONNECTOR (16-GA TO 18-GA)						
FY			249-6964	1	HARNES AS-CONTROL						295

C- CHANGE FROM PREVIOUS TYPE
F- NOT SHOWN
Y- SEPARATE ILLUSTRATION



GRAPHIC #1

<END>

g01589093

OPERATOR STATION

257-7952 PANEL GP-PILOT HOUSE INSTR- MARINE POWER DISPLAY AN ATTACHMENT

SMCS-7451

i02290301

NOTE	PART NUMBER	QTY	PART NAME	SEE PAGE
			1 2 3 4 5 6 (PRODUCT LEVEL)	
Y	249-6961	1	PANEL GP-PILOT HOUSE INSTR (WITH KEY)	420
Y	257-7948	1	PANEL GP-PILOT HOUSE INSTR (WITHOUT KEY)	422

Y-SEPARATE ILLUSTRATION

<END>

OPERATOR STATION

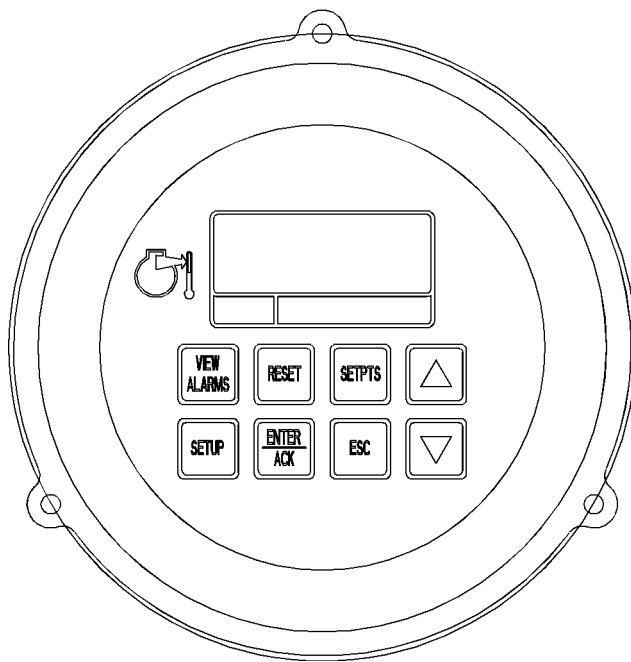
195-0383 PYROMETER GP

EXHAUST GAS TEMPERATURE SCANNER
AN ATTACHMENT

SMCS-7466

i01979144

NOTE	REF NO	GRAPHIC REF	PART NUMBER	QTY	PART NAME						SEE PAGE
					1	2	3	4	5	6 (PRODUCT LEVEL)	
(NO SERVICED PARTS)											



GRAPHIC #1

<END>

g01026124

MARINE TRANSMISSION

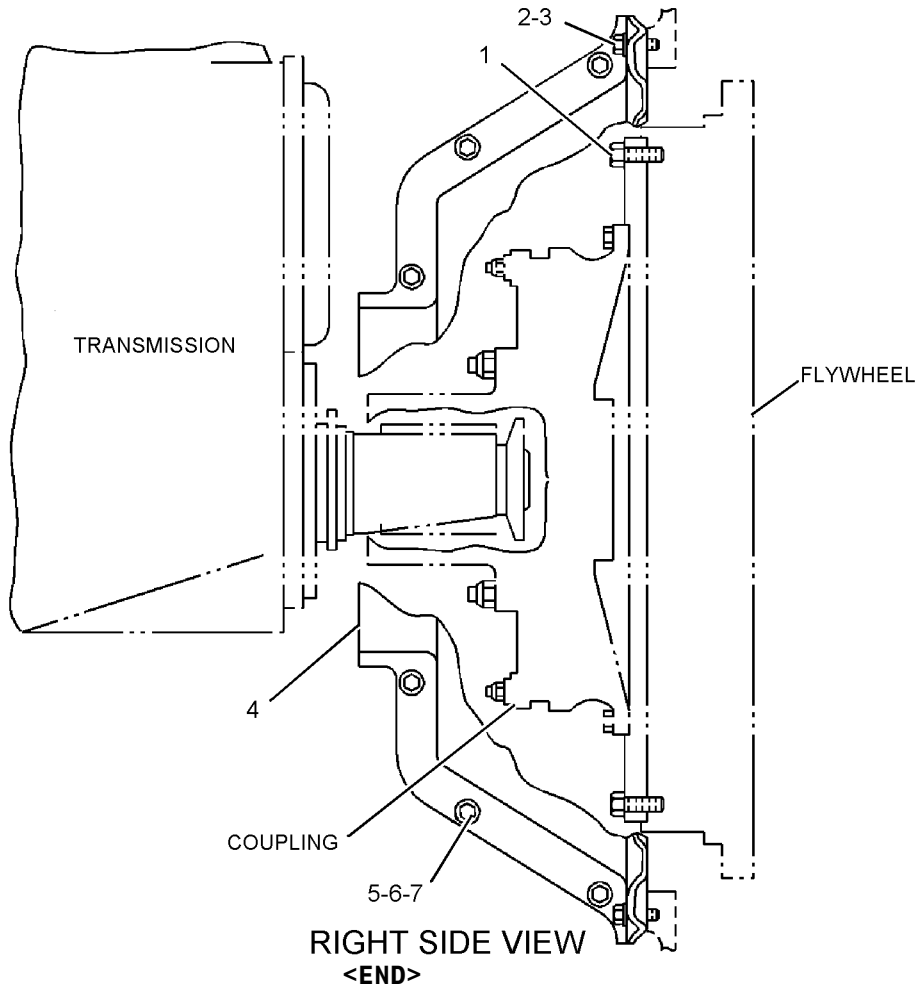
7C-9077 MOUNTING GP-MARINE TMSN

FOR USE WITH REINTJES TRANSMISSIONS
AN ATTACHMENT

SMCS-3300

i01978980

NOTE	REF NO	GRAPHIC REF	PART NUMBER	QTY	PART NAME						SEE PAGE
					1	2	3	4	5	6 (PRODUCT LEVEL)	
	1	1	OS-1589	12	BOLT (5/8-11X1.75-IN)						
	2	1	OS-1595	16	BOLT (1/2-13X1.25-IN)						
	3	1	7D-1649	16	WASHER-HARD (13.5X32X5-MM THK)						
	4	1	7C-8692	2	GUARD-COUPLING						
	5	1	OS-1588	6	BOLT (3/8-16X1.25-IN)						
	6	1	9L-9132	12	WASHER (10.2X25.5X2.5-MM THK)						
	7	1	9S-8752	6	NUT-FULL (3/8-16-THD)						



GRAPHIC #1

g01026064

ENCLOSURES, GUARDS AND BASES

8N-9698 RAIL GP-ENGINE SUPPORT-MARINE LEDGE

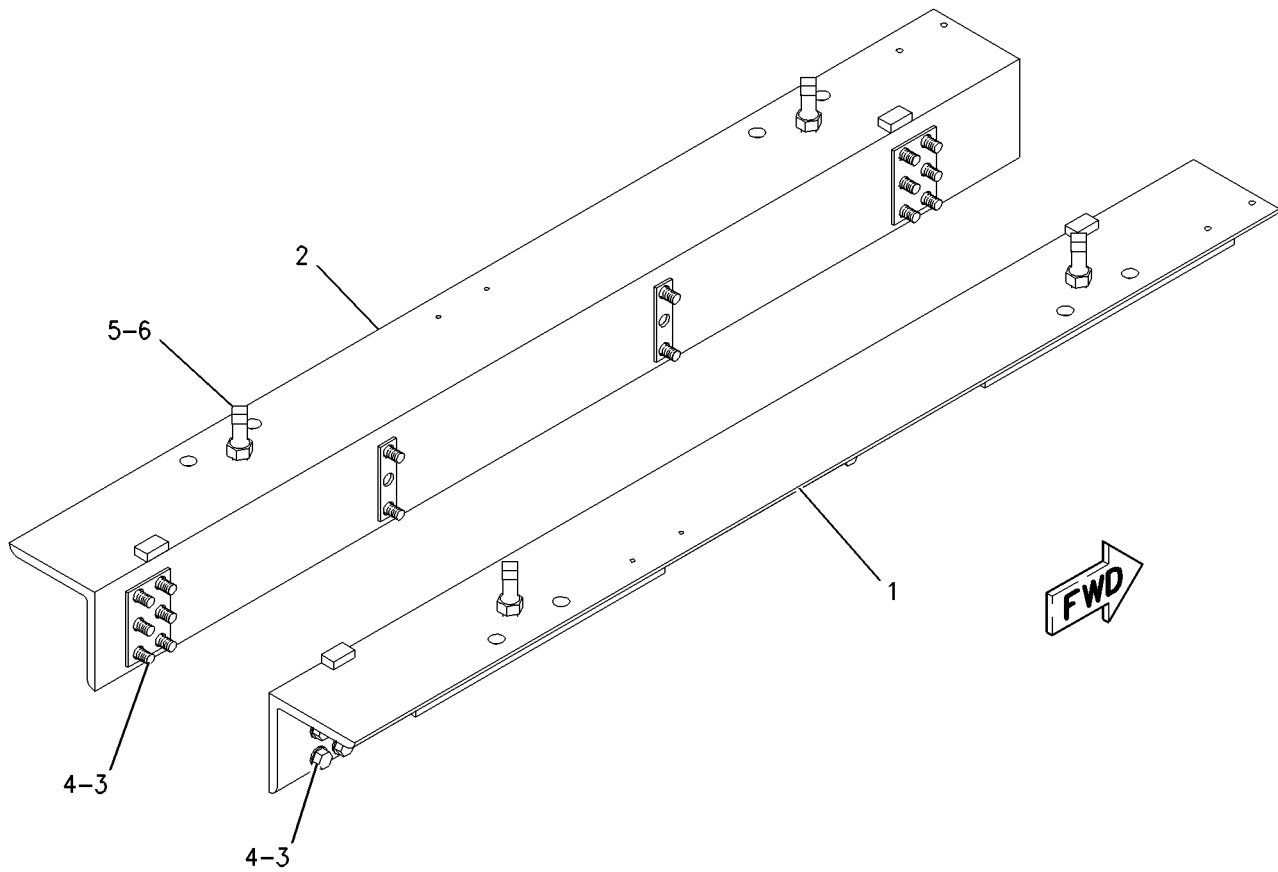
CANNOT BE USED WITH GENERATOR SET ARRANGEMENTS
AN ATTACHMENT

SMCS-7060

i02094540

NOTE	REF NO	GRAPHIC REF	PART NUMBER	QTY	PART NAME						SEE PAGE
					1	2	3	4	5	6 (PRODUCT LEVEL)	
	1	1	1N-3229	1	SUPPORT AS (RH)						
	2	1	1N-3228	1	SUPPORT AS (LH)						
	3	1	0S-1897	32	BOLT (3/4-16X2.25-IN)						
					-OR-						
BC		1	8T-9399	32	BOLT (3/4-10X2.25-IN)						
	4	1	8T-4994	32	WASHER-HARD (20X36.5X3.5-MM THK)						
	5	1	4L-6665	4	SETSCREW (1-14X3.88-IN)						
	6	1	1B-4209	4	NUT-FULL (1-14-THD)						

B-USE AS REQUIRED
C-CHANGE FROM PREVIOUS TYPE



GRAPHIC #1

<END>

g00898772

ENCLOSURES, GUARDS AND BASES

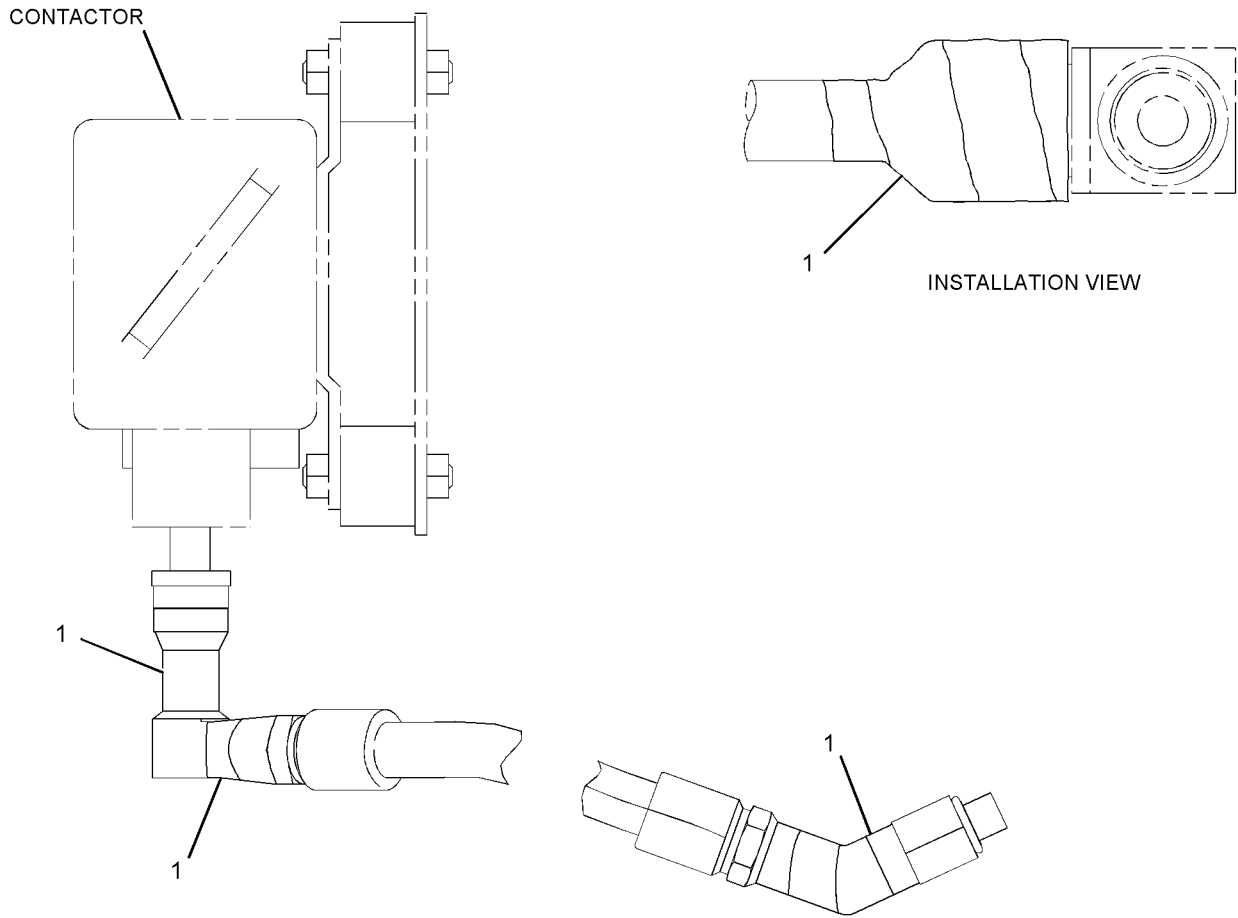
264-3074 SHIELD GP-CONTACTOR AN ATTACHMENT

SMCS-7274

i02617176

NOTE	REF NO	GRAPHIC REF	PART NUMBER	QTY	PART NAME	SEE PAGE
	1	1	280-9432		TAPE (ANTI-SPLASH, 35-MM WIDE) (60-CM)	

B-USE AS REQUIRED
E-ORDER BY THE CENTIMETER



FRONT VIEW

GRAPHIC #1

<END>

g01320494

SERVICE EQUIPMENT AND SUPPLIES

6L - 4502 CHART - PLATE & FILM

SMCS - 7557

i03182582

NOTE	PART NUMBER	QTY	PART NAME 1 2 3 4 5 6 (PRODUCT LEVEL)	SEE PAGE
	8L - 9765	1	FILM-FUEL RETURN (EXCESS) INSTALL FILM ON FUEL RETURN VALVE OR THE FUEL FILTER HOUSING.	
	5P - 1175	1	FILM-IDENTIFICATION (ENGINE OIL FILL) INSTALL FILM ON THE TOP OF THE OIL FILL CAP CENTERED BETWEEN THE HANDLE AND THE TOP EDGE OF THE OIL FILL CAP.	
	310 - 2132	1	FILM-INFORMATION (ROTATION, FIRING ORDER) INSTALL FILM ON THE LH CAM GEAR COVER IN A VISIBLE LOCATION, IF THAT COVER IS NOT AVAILABLE MOVE TO THE RH CAM GEAR COVER.	
	225 - 3226	2	FILM-WARNING (HOT SURFACE) INSTALL FILM ON THE VALVE COVERS FOR CYLS. #9 AND #10, IF EITHER OF THESE COVERS ARE NOT AVAILABLE MOVE FILM TO THE NEXT AVAILABLE VALVE COVER NEAREST TO THE TURBOCHARGER, VISIBLE FROM THE SIDE OF THE ENGINE.	
	308 - 4479	2	FILM-WARNING (NO WELD, READ OMM) INSTALL ONE FILM ON EACH SIDE OF THE ENGINE, ONE FILM ON TOP OF THE POWER DISTRIBUTION BOX, AND ONE FILM ON THE OPPOSITE SIDE OF THE ENGINE, CENTERED ON THE FIRST VISIBLE SIDE COVER FORM THE REAR OF THE ENGINE, IF THERE IS NO POWER DISTRIBUTION BOX, INSTALL BOTH FILMS ON THE FIRST VISIBLE SIDE COVER FROM THE REAR.	
	225 - 3227	2	FILM-WARNING (HOT SURFACE) INSTALL ONE FILM ON THE RH SIDE ON THE OIL COOLER, ABOVE THE DIPSTICK, AND ONE FILM ON THE LH SIDE OF THE ENGINE, ON THE CRANKCASE COVER NEAR THE MIDLINE OF THE ENGINE, BOTH FILMS SHOULD BE VISIBLE FROM THE SIDE OF THE ENGINE.	
	225 - 4256	1	FILM-WARNING (HOT FLUID UNDER PRESSURE, U.S.) INSTALL FILM ON THE TOP OF THE EXPANSION TANK CENTERED WITH THE FILL CAP ON THE RIGHT SIDE.	
	228 - 3369	4	FILM-WARNING (DO NOT OPERATE, READ OMM) INSTALL ONE FILM ON CYLS. #1, #2, #11 AND #12 VALVE COVER ROCKER BASES, IF THESE COVERS ARE NOT VISIBLE, MOVE FILM TO THE FIRST VISIBLE VALVE COVER ROCKER BASE.	
	115 - 5852	1	PLATE & FILM GP (ENGINE INFORMATION) CONTACT YOUR LOCAL DEALER INSTALL FILM ON THE LH, FRONT, LOWER HEAD FACE OF THE BLOCK BETWEEN CYL. #2 AND THE FRONT HOUSING READABLE FROM THE REAR OF ENGINE. INSTALL CLEAR LAMINATE OVER FILM.	
	298 - 5631	2	PLATE-IDENTIFICATION (CAT) INSTALL ONE ON RH REAR CAM COVER AND ONE ON THE LH FRONT CAM COVER IF VISIBLE. IF EITHER PRIMARY LOCATION IS NOT VISIBLE INSTALL PLATE ON THE NEXT VISIBLE CAM COVER LOCATION ON THAT SIDE OF THE ENGINE.	
	3N - 3790	1	PLATE-SERIAL NUMBER (ENGINE) CONTACT YOUR LOCAL DEALER. REFLATTEN AFTER STAMPING. INSTALL ON LH SIDE OF BLOCK NEAR REAR FACE ON CAMSHAFT COMPARTMENT USING 7B-3028 DRIVE SCREWS.	

SERVICE EQUIPMENT AND SUPPLIES

6L - 4502 CHART - PLATE & FILM (contd.)

i03182582

NOTE	PART NUMBER	QTY	PART NAME	SEE PAGE
------	-------------	-----	-----------	----------

1 2 3 4 5 6 (PRODUCT LEVEL)

STAMP SERIAL NUMBER IN BLOCK JUST BELOW
PLATE IN FIGURES 6 HIGH.

7B-3028

2

SCREW-DRIVE (NO 4X3/16-IN)

<END>

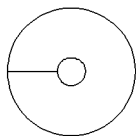
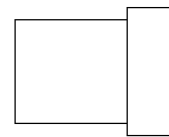
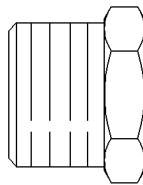
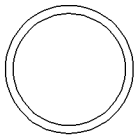
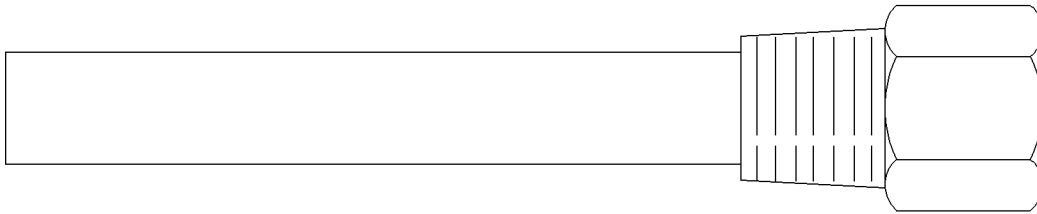
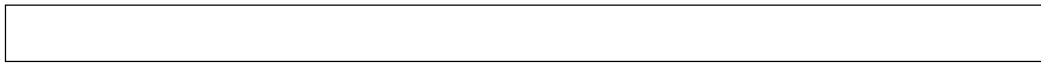
SERVICE EQUIPMENT AND SUPPLIES

7E-3127 KIT-SENSOR POCKET-TEMPERATURE CONTACTOR PART OF 4W-2640 CONTACTOR-TEMPERATURE AN ATTACHMENT

SMCS-1900, 7400

i02419883

NOTE	REF NO	GRAPHIC REF	PART NUMBER	QTY	PART NAME	SEE PAGE
					1 2 3 4 5 6 (PRODUCT LEVEL) (INCLUDES POCKET-SENSOR, RETAINERS, RING-ADAPTER, STRIP GAUGE AND WASHERS)	



GRAPHIC #1

<END>

g00768771

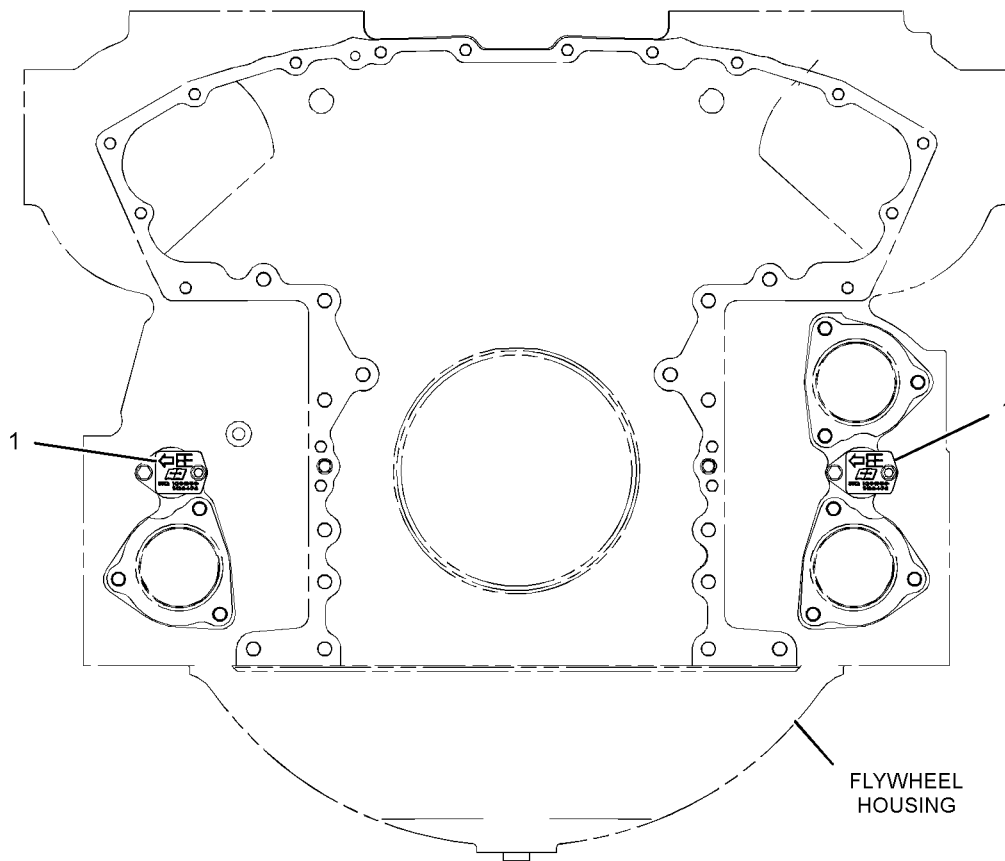
SERVICE EQUIPMENT AND SUPPLIES

311-1314 PLATE GP - INFORMATION

SMCS-7557

i03113240

NOTE	REF NO	GRAPHIC REF	PART NUMBER	QTY	PART NAME						SEE PAGE
					1	2	3	4	5	6 (PRODUCT LEVEL)	
	1	1	310-1028	2	TAG- INFORMATION						



FRONT VIEW OF ENGINE

GRAPHIC #1

<END>

g01618553

MEMORANDA

PART NUMBER INDEX

Part	Page	Part	Page	Part	Page	Part	Page
0							
			98		419		134
			99		425		135
OL-0701	120		109	OS-1589	425		139
	122		113	OS-1590	42		141
	124		129		54		143
OL-1143	93		131		61		146
	98		133		63		149
	109		143		72		151
	113		146		74		153
	133		149		83		165
	151		153		109		176
	236		155		117		191
	279		162		131		198
OL-1351	33		176		134		232
	37		193		135		238
	38		194		136		325
	44		196		166		328
	61		206		174		330
	63		336		198		334
	70		385		201		336
	91	OS-1585	61		204		381
	93		63		206		384
	98		113		238	OS-1595	8
	112		117		245		20
	115		141		325		33
	143		174		384		38
	170		176	OS-1591	10		122
	174	OS-1587	52		48		141
	176		56		49		146
	245		201		50		174
	247		204		87		176
	291	OS-1588	8		109		325
OL-1352	10		13		115		425
	69		59		131	OS-1608	115
	72		60		143		230
	109		61		191		334
	131		63		198	OS-1614	87
OL-2070	59		91		201	OS-1615	83
	60		93		204	OS-1617	115
	83		98		206		119
	143		99		232	OS-1618	139
	151		109		254		164
	238		115		384		169
	245		119	OS-1592	31		326
	247		131		35		328
	384		138		38		330
OS-0509	4		141	OS-1594	8		332
	53		149		10	OS-1619	91
	133		151		33		93
	198		153		35		98
	211		164		37		141
	216		191		38	OS-1621	48
	326		216		42		49
	332		228		58		50
	380		230		61		69
	384		232		63		76
	418		254		93		78
	419		325		98		174
OS-1566	155		334		102		176
	162		384		103		334
OS-1571	70		399		109	OS-1897	426
	71		400		115	OT-0055	31
	87		402		130		42
	91		404		131		143
	93		418		133	OT-0065	59

PART NUMBER INDEX

Part	Page	Part	Page	Part	Page	Part	Page
	60	1B-7182	139	1L-4031	279	1T-0720	198
	109		228		336	1T-0765	31
	141		230	1L-5316	169		35
	143		232	1L-8181	285		165
	238	1B-8706	93	1L-9048	377	1U-4738	120
	247	1B-9575	279	1L-9049	377		122
OT-0102	65		326	1L-9079	377		124
	398		332	1L-9080	377	1V-8638	48
OT-0320	377	1C-2251	143	1M-0644	91		49
OT-0573	91		174		93		50
	93		176		98	1W-0531	234
	94	1D-4539	238	1M-3381	115	1W-1564	61
	108		241	1M-6119	264		63
OV-0375	201		242		265	1W-2639	134
	204	1D-4540	278	1M-6120	264		135
		1D-4541	238		265	1W-3942	115
		1D-4574	91	1M-9968	359	1W-3943	115
			93		362	1W-3944	115
			98		372	1W-4072	176
		1D-4586	54	1M-9971	358	1W-4099	176
1A-0168	54	1D-4590	51		361	1W-4191	▶90
1A-1460	54	1D-4593	52		371		191
	191	1D-6306	58	1N-2895	228	1W-4257	115
1A-2029	4	1F-0750	254		230	1W-4820	115
	8		418		232	1W-4923	48
	12		419	1N-2914	8	1W-6005	117
	20		419	1N-3228	426	1W-6356	193
	28	1F-6660	30	1N-3229	426	1W-7548	230
	29	1F-7958	54	1N-3333	109	1W-8129	191
	61		113	1N-3482	27		236
	63		143	1N-3872	115		418
	136		146		143		419
	141		170	1N-4087	141	1W-8188	115
	143		191	1N-4636	249	1W-9070	216
	170	1H-1023	358	1N-4637	117		
	174		361	1N-4859	131		
	176		371		133		
	180	1H-2629	358	1N-4860	133		
	278		361	1N-5999	164	2A-0762	121
	325		371	1N-5274	232		172
1A-5183	138	1H-3244	259	1P-3861	112	2A-1162	164
	151	1H-3338	270	1P-5274	115	2A-1531	174
1A-5822	115	1H-4393	269		48		176
	143		406	1P-7115	49	2A-4429	24
	170		409		50	2A-4639	141
	201	1H-5959	119	1P-7625	245		143
	204	1H-7666	131		247		198
1A-5964	191	1H-9569	377	1R-0726	91	2A-5220	52
	236	1H-9570	377		93	2B-2694	115
	334	1H-9572	377		98	2B-2695	31
	418	1H-9573	377	1R-0756	228		33
	419	1H-9574	377		230		35
1A-8912	286	1H-9575	377		232		38
1A-9252	93	1H-9578	377		286		88
1A-9579	14	1H-9580	377	1S-2303	334		115
	86	1H-9581	377		336	2D-6392	358
	88	1H-9696	249		131		361
1B-2790	65	1J-9671	184	1S-5772	133		371
1B-4209	426	1K-6872	61		134	2F-0808	224
1B-4218	52		63		135	2F-6678	359
1B-4367	44	1K-6937	120		170		362
1B-5355	194		124		174		372
	196	1L-2072	377		174		372
1B-5357	194	1L-2073	226	1S-7446	358	2G-6303	115
	195		▶377		361	2G-6304	115
	196	1L-3769	234		371	2H-3429	234

1

2

PART NUMBER INDEX

Part	Page	Part	Page	Part	Page	Part	Page
	358	2W-0752	6		159		204
	361		8	3B-4605	405	3J-7354	22
	371		191	3B-4615	93		98
2H-3755	211	2W-1635	91	3B-7265	120		109
2H-3893	58		93		124		184
2H-3939	122		98	3B-7270	122		238
	336		109	3B-7329	129	3J-9173	93
2H-9523	245	2W-1969	91	3B-7745	112	3J-9196	83
	247		93		334	3K-0360	151
	285		98		336		180
2J-0157	234		109	3B-8453	165		230
2J-3506	54	2W-2288	16	3D-2824	151		238
	197	2W-2895	42		169		247
2J-3507	58	2W-2940	19		170	3K-2889	54
2J-8163	358		20	3D-9777	93		285
	361	2W-3037	▶57	3E-0357	406	3K-4897	215
	371	2W-3146	139		409	3K-8106	287
2K-3374	384	2W-3584	81	3E-3365	300	3K-8460	184
2K-4821	259		82		356	3L-3380	358
2L-6679	358	2W-5225	143	3E-3368	345		361
	361	2W-5285	12		346		371
	371	2W-5479	117	3E-3371	343	3L-4566	268
2L-8049	307	2W-5616	▶13		347	3L-5389	93
2L-8057	307	2W-6286	232		348	3L-6836	365
2L-8075	259	2W-6287	232		349		366
	300	2W-6289	232		355	3L-7314	270
	308	2W-6290	232	3E-3377	295	3L-7604	365
	310	2W-6618	117		304		366
2M-0849	143	2W-6667	232	3E-4367	295	3L-7634	365
2M-4453	153	2W-6672	232	3E-5394	297		366
2M-6835	206	2W-7226	109		305	3L-8187	375
2M-9780	191	2W-7755	195	3E-6916	201		406
	230	2W-7756	▶195		204		409
	238	2W-7871	▶196	3E-7430	30	3L-8993	226
2N-0931	174	2W-7872	196		334	3N-1341	174
	176	2W-7873	194		336		176
2N-1287	206		196	3E-7771	359	3N-1400	268
2N-7520	119	2W-8014	56		362	3N-1968	285
2N-7521	119	2W-8604	286		372		326
2N-7523	119		418	3E-7775	367		328
2N-7524	119		419		369		330
2N-7604	130	2W-9209	93	3E-8558	295		332
2N-8329	131	2W-9210	129	3E-9860	291	3N-2652	▶130
2N-9768	172	2W-9300	228		406	3N-3297	121
2P-2772	10		230		409	3N-3299	121
2P-5616	259		232	3E-9865	270	3N-3300	121
2P-7636	238	2W-9729	1	3F-1357	162	3N-3763	359
2P-8977	334		▶168	3F-1358	164		362
2R-6806	115			3F-1417	48		372
2R-7712	336				49	3N-3790	428
2R-8613	173				50	3N-4512	▶104
2S-2760	117			3F-2065	115	3N-4513	▶105
2S-5100	91	3A-3692	385	3H-2617	129	3N-4622	172
	93	3B-0623	22	3H-3433	112	3N-4868	▶106
	98	3B-0645	22	3H-5844	164	3N-4905	▶107
	228	3B-1915	98	3H-5939	130	3N-5863	176
	230		109		174	3N-6504	235
	232		143		176		236
2S-7056	37		168	3H-9675	220	3N-7054	374
2V-4387	278		228		222	3N-7055	374
	279		230	3J-1907	143	3N-7056	▶374
2V-7397	264		232		166	3N-7057	112
	265		254		238		122
2W-0013	129	3B-3638	300		247	3N-7281	328
2W-0694	115	3B-4507	157	3J-5389	201	3N-7320	176

3

PART NUMBER INDEX

Part	Page	Part	Page	Part	Page	Part	Page
3N-8213	157	3T-4709	358	4F-7387	143		247
	159		361		153	4P-0693	238
3N-8217	157		371	4H-6996	129		245
	159	3T-4710	358	4H-7869	2		247
3N-8218	157		361		10	4P-0870	325
	159		371	4J-0521	120	4P-3362	193
3N-8462	157	3T-5343	358		122	4P-3363	▶193
	159	3T-5440	358		124	4P-3563	151
3N-8463	157	3T-6354	259	4K-0367	148	4P-3784	102
	159	3T-9494	358	4K-9097	115	4P-3897	139
3P-0654	59		359	4L-2729	359	4P-4642	53
	60		361		362	4P-4926	▶115
	61		362		372	4P-4927	115
	63		371	4L-6155	365	4P-5211	54
3P-0655	109		372		366	4P-5242	120
3P-1896	12	3T-9524	359	4L-6454	285		122
3P-6061	143		362	4L-6459	285		124
	153		372	4L-6665	426	4P-5285	268
	155	3T-9525	358	4L-9337	206	4P-5295	170
	162		361		285	4P-5426	1
3R-1937	2		371	4M-1827	358		▶52
3R-8797	358	3V-2431	28		361	4P-5635	173
	361		29		371	4P-5637	117
	367	3V-3308	130	4M-1828	358	4P-5638	▶117
	369		143		361		118
	371				371	4P-5766	▶173
3R-8801	359			4M-1831	358	4P-5767	▶170
	362				361	4P-7428	285
	372				367		382
3S-1307	42	4B-0418	326		369		396
	44		328		371		402
3S-2093	270		330	4M-1853	358		404
	286		332		361	4P-7429	285
	376	4B-2043	259		371		382
3S-8664	174		270	4M-1854	358		396
	176	4B-2049	359		361	4P-7442	▶120
3S-9643	138		362		371	4P-7581	285
	180		372	4M-1896	359		326
3T-3048	321	4B-2363	61		362		328
3T-3418	361		63		372		330
	371	4B-3140	61	4M-2442	174		332
	358		63		176		376
3T-3422	361		102		285		378
	367		103	4M-3248	117		382
	369		109	4M-5281	254		385
	371	4B-3388	42	4M-6107	157		396
3T-3423	358	4B-4043	10		159	4P-7680	201
	359		153	4N-0683	20		204
	361	4B-4863	269		56	4P-8097	98
	362		270	4N-0933	10	4P-8134	216
	371		284	4N-1114	10		281
	372		287	4N-1320	131		285
3T-3424	358		406		141		378
	359		409	4N-1650	4		380
	361	4B-8407	10	4N-3311	173		381
	362		131		174		382
	371		141		176		385
	372	4B-9782	169	4N-3986	▶259		396
3T-3434	358		245		262		397
	361		247	4N-5834	169		398
	367	4D-0449	28	4P-0692	108		399
	369		29		113		400
	371	4D-1836	406		230		402
3T-4405	406		409		236		404
	409	4F-0411	170		238	4P-9226	88

4

PART NUMBER INDEX

Part	Page	Part	Page	Part	Page	Part	Page
4R-8605	172	5B-0841	143		69		404
4R-8658	191	5B-2638	143		72		418
4S-5719	98	5B-3265	155		83		419
	99		162		87	5M-3034	358
	109	5B-4399	143		91		361
4S-5882	91	5B-5821	4		93		371
	93	5B-7666	226		94	5M-3062	285
	98	5B-7890	26		98	5M-6214	119
	118		286		99	5N-0408	153
4S-5898	198		377		102	5N-1845	153
4V-7412	91	5B-9079	93		103		155
	93	5B-9603	170		108		162
	98		174		109	5N-1900	57
	93		176		113		►58
4W-0090	93	5D-1026	174		115	5N-1901	58
4W-0096	93		176		117	5N-1902	58
4W-0288	93	5D-5957	91		129	5N-1903	58
4W-0289	93		98		131	5N-1904	58
4W-0290	93		129		133	5N-1905	58
4W-0334	93		228		134	5N-1906	58
4W-0335	67		230		135	5N-1907	58
	68		232		139	5N-1939	165
4W-0343	93	5E-9295	298		141	5N-1940	153
4W-0530	143	5F-0304	10		143		165
4W-0531	143	5F-3106	153		149	5N-1941	153
4W-2109	334	5F-4899	109		151	5N-2126	376
4W-2110	334	5F-5990	235		153	5N-2317	80
4W-2640	275	5F-6371	112		155	5N-2438	►235
	►277		120		162	5N-2902	157
4W-2641	275		124		164		159
	►276		334		165	5N-2904	157
4W-2648	326	5F-6932	56		170		159
	328	5F-9657	19		174	5N-4383	166
	330		20		176	5N-6236	120
	332	5G-4313	236		191		122
4W-2768	►275	5H-6555	270		193		124
4W-3027	86	5H-6734	168		194	5N-6237	120
4W-3034	85	5H-7225	129		198		►121
	86	5J-5314	358		201		122
	285		361		204		124
4W-4313	109		371		216	5N-6241	►112
4W-4444	232	5L-1761	249		228	5N-6255	121
4W-4586	44	5L-4398	194		230	5N-6668	119
4W-4677	109		196		232	5N-6942	377
4W-4813	17	5L-5879	155		236	5N-8529	►189
	18		162		238	5N-8943	115
4W-5015	8	5L-6425	358		245	5N-9006	157
4W-5592	91	5L-6954	►188		247		159
	93	5M-2894	4		254	5N-9073	115
	98		8		278		268
4W-5596	109		10		291	5N-9117	268
4W-5597	109		12		325	5N-9527	►194
4W-6387	91		20		326	5P-0076	4
	98		26		328	5P-0537	83
4W-6491	98		31		330		87
4W-6492	98		42		332		120
4W-6664	4		48		334		172
4W-6960	91		49		336		228
4W-8459	91		50		380		230
	98		58		381		232
4W-8467	98		59		385		406
			60		398		409
			61		399		418
			63		400		419
			65		402	5P-0597	86
5B-0213	26						

PART NUMBER INDEX

Part	Page	Part	Page	Part	Page	Part	Page
	285		298		153	6F-0496	334
5P-0600	206		300		155		336
5P-0721	174		301		162	6F-4868	30
5P-0745	365		302	5P-8248	44		61
5P-0747	264		308		53		63
	265		309		54	6H-1717	143
5P-0840	12		321		197	6H-5431	270
	20	5P-5689	298	5P-8249	17	6H-8297	122
	31	5P-5846	109		18		334
	33		112	5P-8250	27		336
	35		115		40	6I-0744	115
	37	5P-5877	191		56	6I-1418	278
	38	5P-6009	312		58		279
	70	5P-6298	358		334		286
5P-1075	48		361		336	6I-3136	170
	49		371	5P-8291	53	6I-3754	228
	50	5P-6917	270	5P-8839	41		230
	53	5P-7530	83	5P-8872	61		232
	206	5P-7751	270		63	6I-4950	138
	286	5P-7807	259		87	6J-2245	83
5P-1175	428	5P-7817	109	5P-8937	326	6J-2680	143
5P-2228	285	5P-7818	61		328	6K-0806	297
5P-2251	334		63		330		305
	336	5P-8210	20		332	6K-3771	31
5P-2321	284		325	5P-9085	326		42
	310	5P-8228	232		328	6K-3772	33
5P-2546	33	5P-8245	8		330		35
	35		20		332		38
	38		31	5P-9617	326	6K-4934	113
5P-2566	47		33		328	6K-4935	113
	176		38		330	6K-9194	93
	285		42		332	6K-9591	268
5P-2675	270		48	5P-9890	115	6L-2280	155
5P-3418	259		49	5P-9959	297		162
5P-3419	259		50		305	6L-4502	▶428
5P-3426	206		51	5R-7136	31	6L-9849	176
	385		54		42	6M-7476	232
5P-3454	380		56	5R-7137	31	6M-9613	51
5P-4116	181		61		42	6N-1856	259
	182		63	5S-0003	238	6N-1870	259
	211		93	5S-7349	297	6N-1871	259
	286		113		305	6N-1872	259
5P-4295	174		118		367	6N-1873	259
	176		122		369	6N-1875	259
5P-4624	91		141	5S-7379	254	6N-1876	259
	93		143		285	6N-1925	259
	98		146	5S-7382	254	6N-1944	259
5P-4869	206		170	5S-7383	213	6N-1945	259
5P-4892	91		174		285	6N-1946	259
	93		176			6N-1968	259
	98		191			6N-3279	358
	109		194				361
5P-5421	91		195				371
	93		196	6B-0933	109	6N-3826	361
	99		201	6B-1557	236		367
5P-5599	220		204	6B-1667	112		369
	222		325	6B-5072	172		371
5P-5600	220		334	6B-6205	238	6N-4414	228
	222		385		384		230
5P-5621	298	5P-8247	10	6B-9081	334		232
5P-5622	307		31		336	6N-5595	119
5P-5624	298		35	6B-9202	109	6T-0363	358
	300		38	6D-3910	119		361
5P-5677	284		51	6D-5801	406		371
	294		54		409	6T-0371	358

6

PART NUMBER INDEX

Part	Page	Part	Page	Part	Page	Part	Page
	361		232	6V-8187	259	7C-4165	33
	371		238	6V-8188	146		37
6T-0372	358	6V-5039	146		286		38
	361	6V-5040	146		359		70
	371	6V-5048	91		362	7C-4354	334
6T-3631	375		93		367	7C-4415	90
	406		98		369	7C-4416	90
	409		109		372	7C-4417	90
6T-3632	375		129	6V-8189	183	7C-4419	90
	406		206	6V-8374	375	7C-4420	90
	409		228		406	7C-4421	90
6T-3633	375		230		409	7C-4422	90
	406		232	6V-8376	268	7C-4423	90
	409		326	6V-8378	367	7C-4715	61
6V-0267	98		328		369		63
	99		330	6V-8398	157	7C-4716	87
	109		332		159	7C-4910	406
6V-0268	98		385	6V-8626	113		409
	99		399	6V-8716	151	7C-5485	90
	109		400	6V-8791	151	7C-6209	16
6V-0511	▶358		402	6V-8801	170	7C-6366	▶102
	366		404		206	7C-6752	▶59
6V-0927	▶361	6V-5049	187		213	7C-7677	238
	365		228		286	7C-7678	238
6V-0973	87		230	6V-8823	94	7C-7682	238
6V-1322	358		232	6V-8918	181	7C-7683	238
	361		245		182	7C-7808	69
	371		247		244		72
6V-1392	405		385	6V-9007	151		74
6V-1454	141		397	6V-9027	138		76
	146		398		139		78
	174	6V-5054	216		148	7C-7909	198
	176	6V-5066	141	6V-9170	113	7C-7910	198
	180	6V-5100	115	6V-9350	113	7C-8199	198
6V-1581	285	6V-5101	59	6V-9746	151	7C-8390	90
	385		60	6V-9769	139	7C-8692	425
6V-1582	285		61	6V-9839	151	7C-9077	▶425
	385		63	6V-9853	151	7C-9217	109
6V-1612	385		198	6V-9874	151	7C-9597	143
6V-1846	236	6V-5103	198	6V-9995	53	7C-9784	1
6V-1867	143	6V-5134	113	6W-2928	113		▶103
6V-1868	143	6V-5839	146		334	7C-9786	103
6V-2369	298		149	6W-6672	286	7C-9938	1
6V-2689	308		176				▶60
6V-3348	12	6V-6228	3			7D-1649	425
	19	6V-6609	131			7D-3958	236
	20		133			7D-4903	232
	33		139	7B-2742	120	7D-6922	270
	35		141		228	7D-8793	94
	37	6V-6758	113		230	7D-9766	54
	38	6V-6759	113		232		285
	42	6V-6809	170	7B-3028	429	7E-0275	31
6V-3537	65		174	7B-3235	54		42
6V-3907	91		176		61	7E-0467	102
	93	6V-7351	13		63		103
	98	6V-7496	285	7B-8167	418	7E-2580	243
6V-3908	109	6V-7646	172		419	7E-2630	59
6V-4245	172	6V-7991	28	7C-0526	▶364		60
6V-4248	148		29	7C-1707	334	7E-2858	▶262
6V-4362	245	6V-8001	91		336	7E-3127	277
	247		94	7C-2668	▶290		▶430
6V-4363	238		98	7C-3258	31	7E-3921	238
6V-4589	109	6V-8002	94		42	7E-4500	170
	228	6V-8185	268	7C-3260	31	7E-4650	170
	230		285		42	7E-4836	▶54

7

PART NUMBER INDEX

Part	Page	Part	Page	Part	Page	Part	Page
7E-4839	54		247	7N-4758	164		135
7E-4879	170	7K-9197	326		169		170
7E-5324	44		328	7N-4782	83	7N-7010	133
7E-5639	286		330	7N-4851	1	7N-7012	133
7E-6016	134		332		▶41	7N-7057	40
	135	7L-0811	115	7N-4871	▶33	7N-7069	▶122
	149	7L-2894	358	7N-4885	▶172	7N-7539	31
7E-6017	134		361	7N-4927	138		33
	135		367		170		35
	149		369		174		38
7E-6247	▶323		371		176	7N-7660	▶40
7E-6369	98	7L-3201	137	7N-4932	131	7N-7697	109
	109	7L-5887	365		133	7N-7779	321
7E-6466	138		366		141	7N-7780	321
7E-6508	83	7L-6443	201	7N-4940	325	7N-7991	69
7E-6872	1		204	7N-4941	141		72
	▶53	7L-7871	▶264	7N-4944	141		74
7E-7209	146	7L-7872	▶265	7N-4945	8		76
	149	7L-8074	334		141		78
7E-7647	1	7M-0324	361		334	7N-8001	▶375
	▶31		371		336		406
7E-7731	172	7M-0325	359	7N-4951	12		409
	268		362	7N-4952	12	7N-8011	69
7F-0192	91		371	7N-5049	117		72
	93	7M-0326	358	7N-5057	117	7N-8041	▶69
	98		361	7N-5080	198	7N-8042	▶74
	228		371	7N-5120	133	7N-8374	31
	230	7M-0327	358		174		35
	232		361	7N-5123	174		38
7F-1866	117		371	7N-5127	176	7N-8599	▶244
7F-3488	358	7M-1808	109	7N-5239	42		245
	361	7M-8485	151	7N-5244	37		247
	371	7M-8651	358	7N-5245	42	7N-9044	141
7F-3491	358		362	7N-5246	42	7N-9737	321
	361		371	7N-5248	33	7R-3354	307
	371	7N-0060	264		35		380
7F-3525	358		265		38	7S-1197	269
	361	7N-1628	234	7N-5279	33		406
	371	7N-1961	26		35	7S-1198	284
7F-7621	259	7N-2003	16		38	7S-2245	129
7F-8698	243	7N-2043	65	7N-5413	109	7S-8420	131
7G-1239	87		91	7N-5416	109	7S-9323	234
7G-5984	385		93	7N-5449	117	7T-1099	406
7G-5985	385		98	7N-5487	243		409
7G-7920	298		117	7N-5641	19	7T-3267	367
7G-8478	169		129		20		369
7H-9678	234	7N-2044	20	7N-5796	87	7T-3268	367
7J-0204	164	7N-2046	17	7N-5798	87		369
7J-0728	334	7N-2047	20	7N-5874	31	7T-3276	367
	336		31		33		369
7J-0729	334		42		35	7T-3277	367
	336	7N-2326	53		38		369
7J-8114	33	7N-2328	53	7N-5875	33	7T-3278	367
	38	7N-2405	65		35		369
7J-8902	364	7N-2539	330		38	7T-3279	367
	365	7N-2597	54	7N-6460	115		369
	366	7N-3049	52	7N-6511	30	7T-3451	367
7K-1181	286	7N-3216	4	7N-6527	▶131		369
	295	7N-3297	139	7N-6570	112	7T-3454	367
	296	7N-3298	8	7N-6806	238		369
	378	7N-3368	139	7N-6965	▶133	7T-3974	358
	382	7N-4106	▶67	7N-6986	143		361
	384	7N-4319	10	7N-7008	133		367
	396	7N-4320	10	7N-7009	133		369
7K-3377	238	7N-4756	169		134		371

PART NUMBER INDEX

Part	Page	Part	Page	Part	Page	Part	Page
7T-9123	359	7X-1547	61	8C-9660	358	8N-6210	▶118
	362		63		361	8N-6211	238
	372	7X-2501	122		371	8N-6296	247
7W-0050	117		124	8D-7942	83	8N-6326	238
7W-0129	59		244	8F-1434	359	8N-6327	238
	60		285		362	8N-6423	168
	61	7X-3178	257		367	8N-6435	▶234
	63		285		369	8N-6564	▶68
7W-0284	▶56	7X-3189	285		372	8N-7103	1
7W-0285	56	7X-3373	358	8H-1141	367		▶16
7W-0287	56		361		369	8N-7174	1
7W-0408	▶263		367	8H-2778	234		▶42
7W-1929	136		369	8H-3128	166		83
7W-2033	170		371	8H-7202	234	8N-7197	139
7W-2034	170	7X-4805	20	8J-5985	198	8N-7639	141
7W-2122	238	7X-6222	295	8J-8919	48	8N-7641	1
7W-2124	151	7X-6315	283		49	8N-7643	▶138
7W-3031	48	7X-7730	170		50		20
	49	7X-7731	19	8K-2396	108	8N-8056	31
	50		20	8L-2786	136	8N-8210	35
7W-3032	48		112		228		164
	49		115		232	8N-8455	164
	50		120		245	8N-8456	164
7W-3579	80		124	8L-6557	232	8N-8461	153
7W-3629	▶80	7X-7925	17	8L-8413	264	8N-8462	164
7W-3813	1		18		265	8N-8464	▶153
	▶73	7Y-5074	406		284	8N-8466	▶70
7W-3816	93		409		308	8N-8467	▶71
	▶129				310	8N-8468	▶226
7W-5780	▶46				312	8N-8483	81
7W-5848	▶134			8L-8585	137	8N-8509	▶81
7W-5849	134			8L-9765	428	8N-8510	131
7W-6492	143	8B-7614	157	8M-2530	44	8N-8524	131
	166		159	8M-2933	166	8N-8535	336
7W-7336	211	8B-9725	141	8M-6701	259	8N-8550	170
7W-9703	▶124		174	8M-9024	13	8N-8570	170
7W-9741	1		176		61	8N-8571	1
	▶228		285		63	8N-8993	▶135
7W-9742	▶230	8C-1358	334		198		▶35
7X-0274	285		336		228	8N-9166	270
7X-0289	285	8C-3089	358		230	8N-9300	174
7X-0290	285		361		232	8N-9422	91
7X-0292	285		371	8N-0339	1	8N-9482	93
7X-0294	285	8C-3107	201		▶27		98
7X-0300	285		204	8N-0386	141		174
7X-0325	146	8C-3121	285	8N-1186	235	8N-9609	176
7X-0326	285	8C-3445	98	8N-1542	298		▶48
7X-0340	285		109	8N-1543	270	8N-9639	▶426
7X-0350	285	8C-3446	98	8N-1548	298	8N-9698	174
7X-0409	157		109	8N-1989	141	8N-9706	12
	159	8C-3654	305	8N-1991	98	8N-9885	278
7X-0440	285		312		109		8
7X-0448	286		321	8N-1992	98	8N-9992	8
7X-0519	268		400		109	8N-9993	191
7X-0562	359		402	8N-2929	109		33
	362	8C-3655	367	8N-3480	245	8P-1438	38
	367		369		247		206
	369	8C-4423	151		285	8R-1794	44
	372	8C-5236	164	8N-3896	▶365	8S-2331	27
7X-0579	286		169	8N-3898	▶366	8S-4757	285
7X-0584	154	8C-5917	264	8N-4707	17	8S-5383	51
	155		265	8N-5213	176	8S-9089	113
	161	8C-6354	296	8N-6151	1	8S-9191	131
	162		304		▶249		136
7X-1445	173	8C-8554	236	8N-6152	1		

8

PART NUMBER INDEX

Part	Page	Part	Page	Part	Page	Part	Page
	143		213		278	8T-9367	285
	206		254	8T-6766	155	8T-9368	325
8T-0099	20		286		162	8T-9377	170
8T-0209	157	8T-4971	244		164		285
	159	8T-4994	286		228		325
8T-0328	259		426		230	8T-9379	285
	359	8T-5447	405		232	8T-9392	285
	362	8T-6726	334	8T-6767	143	8T-9399	285
	367		336	8T-7008	285		426
	369	8T-6757	33	8T-7494	151	8T-9655	285
	372		35	8T-7525	151	8T-9757	264
8T-0707	157		37	8T-7547	244		265
	159		38	8T-7877	137	8T-9884	367
8T-1685	151	8T-6758	52		146		369
8T-1919	143		134		148	8V-9708	170
8T-2153	42		135	8T-8566	367		
8T-2353	385	8T-6759	23		369		
8T-2501	47		24	8T-8569	367		
	285		31		369		
8T-2502	137		33	8T-8729	288	9B-0701	115
	285		35	8T-8730	288	9B-0887	155
8T-2903	133		37	8T-8731	288		162
	170		38		297	9B-4202	30
	174		70		305	9B-7233	259
8T-2928	17		166		342	9D-3769	257
	18	8T-6761	8		353	9F-5599	358
8T-2929	17		10	8T-8732	288		361
	18		139		305		371
8T-4122	286		141		340	9F-6445	257
8T-4136	157		279		350	9F-7707	83
	159	8T-6762	19	8T-8733	300	9F-8122	40
8T-4192	155		20	8T-8735	295	9G-0003	264
	162		52		296		265
8T-4205	115		61	8T-8737	270	9G-0004	264
	122		63		295		265
	124		91		296	9G-2653	232
	244		98		298	9G-3695	298
	254		109		300	9G-4101	358
	257		134		307		361
	259		135		310		362
	268		139		312		371
	270		170		313		372
	286		173		314	9G-5127	384
	297		193		315	9H-2367	112
	305		198		316		115
	325		279		317	9H-3757	358
	358		336		318		361
	361	8T-6763	19		319		371
	367		20		320	9H-6673	94
	369	8T-6764	131		321	9H-8260	52
	371		164		322		201
8T-4223	47		166		338		204
	124		198		350	9K-6540	93
	146		216		380	9L-0672	112
	176	8T-6765	10		397		115
	286		52		398	9L-1480	61
8T-4224	183		109	8T-8827	270		63
	244		131		380		102
	286		133	8T-8911	285		103
	406		139	8T-8915	285	9L-2295	201
	409		141	8T-8917	124		204
8T-4244	154		169		285	9L-4234	286
	161		173	8T-9101	285	9L-7373	201
8T-4896	47		174	8T-9364	115		204
	170		176		254	9L-9132	48

9

PART NUMBER INDEX

Part	Page	Part	Page	Part	Page	Part	Page
	49	9R-5008	143	9S-8752	48		398
	50		236		49	9X-3401	343
	72	9R-7882	201		50	9X-3402	296
	74		204		91		312
	143	9S-1366	191		94	9X-4594	166
	151	9S-1368	334		98	9X-4813	297
	196		336		99		305
	425	9S-1374	51		108	9X-4814	305
9M-1974	14	9S-2009	259		109	9X-4824	367
	31	9S-2302	259		113		369
	33	9S-2390	259		115	9X-5392	▶350
	35	9S-2396	259		133		352
	38	9S-2544	259		134	9X-6138	13
	42		358		135	9X-6259	270
	65		361		143	9X-6279	157
	86		371		146		159
	88	9S-4182	91		149	9X-6381	405
	115		94		151	9X-6458	108
	139		98		153		143
	164		109		155		146
	169		129		162		149
	211		138		168		176
	228		139		176		198
	230		184		191		206
	232		228		193		211
	238		230		198		254
	278		232		206		279
	279		238		232		334
	291	9S-4183	170		236		385
	326	9S-4185	131		245		418
	328		133		247		419
	330		136		325	9X-6772	216
	332		139		328		270
9M-2151	168		141		330		281
9M-2342	234		151		334		286
9M-2610	129		228		336		295
9M-3786	164		230		385		296
	166		232		418		322
9M-4202	141	9S-4190	109		419		326
9M-4355	118		228		425		328
9M-4584	238		230	9S-8893	41		330
9M-4594	286		232	9V-7451	254		332
9M-4704	270	9S-4191	19	9W-0844	295		380
9M-4849	334		20		300		381
9M-4897	131		143		310		384
9M-5520	268		166	9W-0852	298		397
9M-7269	285		228	9W-1951	296		398
9M-7357	268		230		305		399
9M-7609	358		232	9X-0146	420		400
	361		238		422		402
	371		245	9X-0262	384		404
9N-0869	88		247	9X-0352	83	9X-7371	31
	241	9S-7381	232	9X-1386	343		35
	242	9S-8002	22		350		38
	278	9S-8004	187	9X-1813	342		69
	279	9S-8005	180		344		72
9N-0937	259	9S-8750	270		345		74
9N-0939	259		326		346		76
9N-0942	259		328		347		78
9N-0943	259		330		348		155
9N-1752	245		332		349		162
	247		406		355	9X-8124	270
9N-3388	259		409	9X-2500	259	9X-8243	321
9N-4053	238		418	9X-3265	295		400
9P-6895	405		419	9X-3271	397		402

PART NUMBER INDEX

Part	Page	Part	Page	Part	Page	Part	Page
9X-8872	8	030-7941	326		204	107-7330	65
9X-8873	51		328	100-3148	201	107-7331	65
	141		330		204	107-7332	65
	143		332	100-3237	241	107-7333	65
	146	030-7946	232		242	107-7334	65
	195	030-7966	334	100-3877	83	107-7335	65
	206	030-7972	238	100-3878	83	107-7361	▶37
9X-8875	51	030-7977	238	100-3879	83	107-7362	37
9X-8879	31	030-8307	334	100-3880	83	107-7954	201
	42		336	100-5805	297		204
9X-8880	148	030-8535	48		305	108-1434	108
9X-8887	44		49	100-6531	259		113
	197		50	100-6532	259		151
9X-9591	227	031-2701	183	100-8026	▶17		230
	▶287	031-4136	230		20		236
9X-9647	▶342	031-4155	88	100-8075	98		238
9X-9672	284		181		109		245
9X-9675	269		182	101-0831	1		247
	406	031-5744	334		▶14	108-9656	286
	409		336	101-1198	20	109-2332	87
9X-9720	264	032-1267	115	101-1269	1		98
9X-9730	265	032-1269	191		▶51		109
9X-9857	287	033-6031	85	101-1364	44		136
9Y-0047	241		86	101-1365	44	109-3038	295
	242	033-6042	19	101-1366	44	109-5738	417
			115	101-1367	44	109-6507	406
9Y-0635	26	036-9821	358	101-1368	44		409
9Y-2921	270		361	101-1369	44		420
9Y-3084	60		371	101-1370	44		422
	▶61	036-9823	358	101-1372	44	109-7411	198
9Y-3087	59		361	101-4197	14	109-8932	323
	▶63		367	101-4199	86		324
9Y-3108	334		369		88	110-6991	26
9Y-4888	▶87		371	102-2240	▶355	110-6994	20
9Y-4957	74	045-4065	359	102-7532	357	110-6995	143
	76		362	102-8634	52	110-8066	▶208
	78		372	102-8802	300	110-8314	201
9Y-5286	70	053-2294	74		356		204
	71		76		376	110-8714	295
9Y-6089	364		78	102-8803	339		310
	365	053-5065	70		343	110-8909	406
	366		71		347		409
9Y-6893	143	061-7539	244		348	110-9538	143
	146	061-8639	232		349	111-0349	278
9Y-7876	▶30	061-9456	109		355	111-1323	406
9Y-8067	166	061-9463	108	102-8804	295		409
9Y-8175	1	062-5388	268		296		420
	▶165	092-7436	308		304		422
9Y-8389	228	096-0028	305	103-6668	▶197	111-1324	420
	230	096-3001	297	104-1718	157		422
	232	096-5962	297		159	111-1349	117
	244		305	105-3762	259	111-2081	61
		097-7404	300	106-2779	▶18		63
			307		19	111-3388	238
			312	106-3512	138	111-3389	238
			321	107-0278	1	111-3684	384
001-9440	384				▶12	111-3820	98
002-6453	93			107-0466	37		109
003-8581	232			107-0475	1	111-4374	174
003-9163	112	1			▶139		176
	120			107-2482	406	111-4986	▶190
	122	100-3145	201		409	111-5052	143
	124		204			111-5056	143
	334	100-3146	201	107-3759	184	111-5822	195
	336		204	107-5565	157		
008-8694	119	100-3147	201		159	111-8276	139

PART NUMBER INDEX

Part	Page	Part	Page	Part	Page	Part	Page
111-8277	139		406	125-9955	406		85
111-8639	91		409		409		89
	93	121-0474	232	125-9956	406	133-6268	7
	98	121-0476	232		409		82
111-9374	139	121-1110	270	125-9957	406	133-6269	5
112-1567	198		380		409		6
112-4921	1	122-3374	198	126-0577	85	133-6270	15
	►91	122-4386	313	126-1768	296		85
112-6033	1		314	126-1774	295		89
	►88		315		296	133-6479	197
113-8432	73		316	126-9187	291	133-6480	197
113-8433	73		317	126-9188	291	133-6484	325
114-2040	143		318	126-9191	►291	133-8382	139
114-2413	61		319	126-9424	312	133-9306	23
114-2414	63		320	127-2176	139		24
114-3372	44	122-8856	139	127-2331	406	133-9313	91
114-3376	1	122-9458	227		409		93
	►141	123-0316	304	127-5400	31		98
114-5477	238	123-9694	406		33	134-0957	406
115-5154	►19		409		35		409
115-5852	428	124-0121	►338		38	134-2540	310
116-1352	109	124-0284	83		42		322
116-2652	298	124-0289	285		70	134-3100	334
	305	124-3176	406		166	134-5645	112
	314		409	127-8660	173	134-6258	298
	315		420		174		301
	316		422		176		302
	317	124-6333	146	128-0856	181		303
	318		149		182		305
	319	124-8395	1		183		309
	320		►44	128-4183	308	134-6275	325
116-3266	336	125-2784	113	128-4250	297	135-5009	300
116-7011	148	125-6535	359		304		307
116-9723	227		362		312		321
117-0066	8		372	128-4845	16		341
117-0067	399	125-6536	359	128-5988	89		354
	400		362	128-5993	4		357
	402		372	128-6786	16		380
	404	125-6537	359	128-8545	405	135-6740	406
117-8766	353		362	129-3083	143		409
117-9308	4		372	129-9528	198	135-9941	384
118-1651	216	125-7874	295	130-6196	►416	137-8219	143
118-1655	65		298	131-0420	26	140-2175	►284
118-1656	279		300	131-0421	26	140-9597	31
	336		305	131-1487	307		42
119-0838	3		310	131-1502	300	141-7047	►209
119-0839	3	125-7875	296	131-1578	286	141-7048	►210
119-3662	270		298	131-4731	297	141-7116	54
	295		305		304	141-9285	141
	296		310	131-4891	406	143-9207	155
	298		312		409	143-9208	155
	305		321	131-9131	406		162
	307		400	132-5559	284	144-0725	65
	310		402	132-6469	83	144-5692	20
119-7333	174	125-9751	44	132-7551	254	144-5695	65
119-7334	1	125-9794	61	132-8489	406	144-6074	148
	►174		63		409		155
120-4339	3	125-9941	406	133-0970	295		162
120-4498	►376		409		310	144-6076	155
120-4501	►93	125-9942	406	133-1207	353		162
120-4513	►268		409	133-6261	5	144-6080	►154
120-7420	131	125-9943	406		6		155
	133		409		7	144-6081	►155
120-7421	141	125-9944	406		82	144-8263	31
120-9079	269		409	133-6265	15		42

PART NUMBER INDEX

Part	Page	Part	Page	Part	Page	Part	Page
145-9929	▶288	150-7915	220	155-2567	82		402
146-3740	27		222	155-2571	15	174-3016	295
	▶28	150-8698	215	155-2572	85	175-4981	157
146-6769	157	151-9228	▶47		89		159
	159	151-9263	28	155-2573	5	175-4982	157
146-6775	269		29	155-2574	6		159
147-1443	304	151-9264	13	155-2575	7	175-4983	157
147-1960	269	153-1223	297	155-2583	▶6		159
147-3745	241		304	155-2585	▶85	175-4984	157
	242		312	155-2586	▶82		159
148-7983	157	153-2707	295	155-2594	▶89	175-4985	157
148-7984	157		297	155-4094	83		159
148-7985	157		301	156-6450	406	176-2942	397
	159		302		409		398
148-7986	157		303	156-9748	241	176-2943	297
148-7987	157		305		242		305
	159		309	156-9753	238		397
148-7988	157		310		▶241		398
	159	153-3723	405	156-9754	238	176-9299	312
148-7989	157	153-4906	20		▶242	177-7215	269
148-7990	157		326	157-0443	91	178-3339	409
148-7991	157		328		93	180-3007	86
	159		330		98	180-9340	344
148-7992	157		332	159-9322	295		353
	159	153-5043	356		296	183-8809	22
148-7994	157	153-9481	143		304	184-2472	283
	159	153-9963	143		312	186-3735	296
148-7995	157	154-1581	91	159-9496	297		298
	159		93		298		300
148-7996	154		98		304		304
	161	154-1616	139		305		312
148-7997	154	154-1617	139	160-7689	312		339
	161	154-3254	297	160-7690	295		340
148-7998	157		304		296		347
	159	154-6389	83		304		348
148-7999	157	155-0576	278	161-6244	148		349
	159		279	161-8071	206		350
148-8000	154	155-0726	53	161-9932	▶343		355
	▶157	155-1690	91	162-3906	244		356
148-8001	179		93	163-3972	412		376
148-8002	179		98	163-3973	412		420
148-8003	179	155-2255	295	163-3974	412		422
148-8004	179		310	164-2441	▶340	186-3736	83
148-8005	154	155-2258	310		341		295
	161	155-2260	295	165-3931	91		296
	▶179		321		93		298
148-8006	154		322		98		300
	161		338	166-4116	113		310
149-1982	23		344	166-4357	▶38		312
	24		345	166-4373	▶285		313
149-4156	157		346	166-4374	169		314
	159		400	166-4376	169		315
149-4311	157		402	168-6357	90		316
	159	155-2261	298	171-1359	47		317
149-4312	157	155-2270	83	171-4571	▶29		318
	159		295		56		319
149-5462	168		296	171-5349	296		320
149-6031	16		397		350		321
149-6032	16		398	174-0503	297		322
149-6033	16	155-2271	305		305		342
149-6034	16	155-2276	298		310		400
149-6035	16		312		312	187-7738	26
149-9297	87	155-2563	▶7		321	188-0324	176
149-9298	61	155-2564	▶5		322	193-2120	143
	63	155-2566	▶15		400	193-3282	65

PART NUMBER INDEX

Part	Page	Part	Page	Part	Page	Part	Page
193-3286	53		305		304		182
194-4897	24		307	212-3222	297		183
194-4902	24		321		304	220-2677	1
194-5226	345		380	212-3423	▶357		▶278
	346	203-9007	297		384	221-2498	406
194-6722	▶344		298	212-3425	▶341		409
	347		304		384	222-4059	6
194-6724	▶345		305	212-3426	▶352	222-5152	169
	348	204-2518	338		384	222-9921	51
194-6725	▶346		▶339	212-8177	168	223-1696	17
	349	204-5426	26		▶169		18
195-0383	▶424	204-5427	26	212-8179	166	223-6361	65
195-2150	▶356	204-5447	65	212-8180	169	225-0774	416
	397	204-5592	406	212-8183	166		▶417
	398		409	212-8184	169	225-3226	428
196-9530	16	204-5593	406	212-8188	181	225-3227	428
197-2691	406		409		182	225-4256	173
	409	204-5594	406	213-9250	215		174
197-6995	23		409	214-0728	180		176
	24	206-2710	278	214-0731	143		428
197-7006	24		279	214-5165	297	226-2773	▶185
197-7008	20		▶283		304	226-2779	185
197-7055	24	207-1332	194	214-6066	65		186
197-7062	24	207-1364	201	215-2327	215	227-0056	113
197-7063	24		204	215-2328	220	227-3801	28
197-9051	49	207-1556	▶367		222		29
197-9052	▶49	207-1562	364	215-2329	220	228-3369	428
198-4767	206		▶369		222	228-6559	▶275
199-5601	266	207-5432	310	215-2330	220	228-7091	113
		208-0589	414		222	228-7103	113
		208-9064	185	215-2331	220	228-8926	61
		209-0962	24		222		63
		209-3559	▶76	215-2419	220	229-3218	244
		209-3562	▶78		222	229-5332	201
200-2003	83	209-4453	▶181	215-2586	220		204
200-6504	▶324	209-4454	▶182		222	229-5333	201
201-4670	148	209-4455	181	215-2587	218		204
202-2099	270		182		219	229-8875	61
202-2109	300	209-4457	182		220		63
202-2141	297	210-1174	▶245		222	229-8876	63
	304	210-1470	245	215-2588	220	229-8877	61
203-8944	297		247		222	230-1072	141
	304	210-2535	238	215-2589	220		151
203-8945	297	210-2542	24		222	230-2619	83
	304	210-8958	270	215-2590	220	230-2620	83
203-8977	297		298		222	230-2621	83
	304		305	215-2706	▶215	230-2633	83
203-8993	266		321		220	230-4073	218
203-8995	266		347		222		219
203-8996	266		348	215-2707	220	230-4177	220
203-8999	270		349		222		222
	297		352	215-2710	220	230-5016	297
	298		380		222		304
	305		397	215-2711	220	230-5017	297
	307		398		222		304
	321		400	215-9090	151	231-3471	▶269
	380		402	217-5084	216		272
203-9000	270	210-9035	▶266	217-5085	216		273
	297		267	217-6692	86		274
	304	210-9214	▶72	218-4935	295	231-5867	61
	307	211-4317	266		296		63
	321	211-7826	17	219-3240	180	231-7069	1
	380	212-0848	▶351	219-7509	181		▶279
203-9001	270		384		182	231-7070	279
	297	212-3221	297	219-7510	181	231-9526	▶326
	298						

2

PART NUMBER INDEX

Part	Page	Part	Page	Part	Page	Part	Page
231-9863	270		398		384		384
231-9864	270		400	233-9231	384	236-8126	297
231-9866	270		402	233-9232	298		304
231-9873	326	232-0894	297		384	236-8130	292
	332		304	233-9233	298		304
231-9877	326	232-0895	300		384	237-1962	▶371
	332		312	233-9234	298	237-2715	245
231-9878	297		321		384	237-2719	230
	304		400	233-9235	298	237-3860	125
231-9879	297		402	233-9237	298		126
	304	232-0897	298	233-9517	297		127
231-9892	270		300		304		251
231-9895	298		307	234-4182	243		254
	313		312	234-8723	1	237-8994	▶300
	314		321		▶238		378
	315		380	234-8788	270	237-8995	281
	316		400	235-2484	54		▶321
	317		402		70	237-9022	227
	318	232-0900	297		71		▶308
	319		304	235-2761	304	237-9023	▶312
	320	232-4670	▶289	235-2762	313		409
	380		304		314	238-2928	▶381
231-9897	292	232-4671	289		315	238-2929	▶307
	293	232-4672	289		316		381
	294	232-4673	289		317	238-5081	113
	301	232-4674	289		318	238-9549	▶227
	302	232-4675	289		319	238-9591	312
	303	233-0643	41		320		321
	305	233-8525	155	235-2763	418		400
	309		162		419		402
	384	233-9216	304	235-2764	380	238-9733	312
231-9898	292	233-9217	292	235-2765	305		321
	293		293	235-2768	▶267		400
	294		294		270		402
	304		322	235-2771	304	238-9734	▶281
231-9899	292		384	235-2772	297	238-9802	300
	293	233-9218	297	235-2773	304		312
	294		304	235-2774	297		321
	384	233-9219	384	235-2775	297		400
231-9911	406	233-9220	297		304	238-9803	312
	409	233-9222	297	235-2776	297	239-1470	▶388
231-9915	301	233-9223	384		304	239-1471	▶301
	302	233-9224	297	235-3546	12		382
	303		304		33		388
	309	233-9225	384		35		395
	384	233-9226	292		37		396
231-9999	▶270		293		38	239-1472	▶396
232-0014	▶297		294		42	239-1473	▶313
	384		298		165		382
232-0019	297		308	235-3548	12		396
	304		310		31	239-1474	▶314
	310		312		33		382
232-0020	301		322		35		396
	302		384		37	239-1475	▶389
	303	233-9227	298		38	239-1476	▶309
	309		301		42		389
232-0858	▶328		302		70		390
232-0867	328		303	235-6280	▶312	239-1477	▶390
	330		309		404	239-1478	▶315
232-0889	▶378		384	236-2623	176		390
232-0893	298	233-9228	298	236-7941	297	239-1479	▶316
	305		310		304		390
	312	233-9229	298	236-8125	292	239-1480	▶391
	321		384		293	239-1481	▶302
	397	233-9230	298		294		391

PART NUMBER INDEX

Part	Page	Part	Page	Part	Page	Part	Page
	392	244-2478	▶251	252-8374	113	266-1523	334
239-1482	▶392	244-6567	▶253	252-9298	377	266-2259	232
239-1483	▶317	245-0522	384	253-1238	65	266-4387	243
	392	245-0523	384	253-2120	257	266-7484	▶336
239-1484	▶318	245-2876	174	253-2122	257	266-7485	336
	392	245-4622	184	253-2468	▶2	267-7346	336
239-1485	▶393	245-4907	243	253-3820	400	267-8623	406
239-1486	▶303	245-4908	243	253-3821	402		409
	393	246-0456	▶254	253-4777	109		▶413
	394	246-2932	297	253-4778	98		420
239-1487	▶394		304	253-6217	325		422
239-1488	▶319	246-2946	254	253-6218	▶325	267-9689	228
	394	246-2947	254	253-9546	▶380		230
239-1489	▶320	246-2948	254	253-9547	380		232
	394	246-2949	254	254-0331	270	268-0028	143
239-5374	304	246-2950	254	254-3402	325	269-8326	384
239-5375	304	246-6506	304	254-5668	321	269-8327	384
239-5794	270	246-7964	254		400	270-1732	▶295
239-6337	297	247-2954	254		402	271-7761	1
	305	247-3796	136	254-7277	▶257		▶8
239-6364	▶382	247-4696	1	254-7278	257	272-0758	5
239-6365	▶395		▶86	254-7279	257		6
239-6808	198	247-8340	3	255-0178	▶397		8
	201	247-8341	▶3	255-0179	397		191
	204		83	255-0180	▶398	272-0759	7
239-8154	304	248-2857	▶159	255-0181	398		8
240-5872	272		161	255-8691	250		81
	▶292	248-2858	▶161	255-8692	250		82
240-5874	273		162	256-7511	▶282	272-0760	14
	▶293	248-4792	176	256-7512	▶282		15
240-5876	274	248-5503	254	257-2719	295		85
	▶294		257		296		86
240-6651	1	249-6959	420	257-7948	▶422		88
	▶20		422		423		89
240-7032	83	249-6961	▶420	257-7952	▶423	272-7102	220
241-2738	▶232		423	258-1086	1		222
241-4903	▶247	249-6964	▶295		▶184	273-3285	▶236
241-5629	▶272		420	258-8952	334	273-3286	236
241-5630	▶273		422	258-8955	334	273-3553	23
241-5631	▶274	249-8126	420	259-2607	336		24
241-5928	139		422	259-2608	334	273-3554	23
241-6244	254	249-8926	254	260-8660	▶162		24
241-8224	406	250-1496	238	261-0195	3	274-0053	1
	409		245	261-6847	340		▶243
241-8266	384		247	261-6849	340	274-5759	▶216
241-8267	301	250-1497	230	261-7291	211	276-0785	▶296
	302		232	261-7293	211	276-1307	▶258
	303		238	261-7294	1	276-3875	23
	309	250-1498	230		▶211		24
241-9055	▶330		232	261-7296	143	276-3876	23
241-9056	▶332		238	262-4378	164		24
241-9399	270	250-1499	238		166	276-4666	201
242-6277	1	250-1500	254	262-6104	88		204
	▶109	250-1946	270	263-2905	216	276-9520	224
242-6278	▶98	250-1947	270	263-6674	83	278-0535	46
243-1286	▶191	250-8279	367	263-8955	65	278-0539	141
243-1288	191		369	264-0450	98	278-0540	141
243-1289	191	251-1255	251		109	278-1082	91
243-1290	▶108		253	264-3073	180		93
243-2288	139		254	264-3074	▶427		98
243-3216	41		258	265-7537	83	278-1083	93
243-5752	376	251-9436	115	265-7538	83	278-1774	232
244-0479	▶125	251-9450	409	265-9034	▶353	278-1775	232
244-0480	▶126	252-6464	54		354	278-1776	228
244-2258	108	252-6498	54	266-1520	▶334		230

PART NUMBER INDEX

Part	Page	Part	Page	Part	Page	Part	Page
278-1836	▶310		148		▶213	307-2046	▶404
	406	288-2758	216	296-8288	▶384	307-5472	198
	409		▶218	298-5631	428		201
278-4287	42	288-2759	216	298-6387	118		204
278-6469	384		▶219	299-3519	▶23	307-7541	▶414
279-0338	420	288-2762	218	299-3521	1		415
279-0339	422		▶220		▶26	307-7542	413
279-2064	▶304	288-2763	219				▶415
	384		▶222			307-8310	113
280-9432	253	288-5770	206			308-4479	428
	427	288-6174	46			308-5353	4
		288-6230	206	300-0478	▶409	308-5355	4
281-5919	113	288-6231	206	300-5617	137	308-5356	1
281-5975	113	288-8046	▶206	300-6871	148		▶83
281-6008	198	289-2090	1	300-7327	204	308-5361	1
281-6009	198		▶143	300-8567	54		▶4
281-6023	198	289-3571	151	300-8569	54	308-6822	151
281-6026	198	289-6327	▶412	300-8570	54	308-6830	1
281-6141	1	289-8498	▶187	301-0625	▶322		▶151
	▶65		218	301-4515	211	308-9775	420
281-6157	24		219	301-9248	23	308-9776	420
281-6159	83	289-9115	220		24		422
282-4134	151	289-9116	222	301-9564	183	308-9780	420
282-4140	113	289-9132	220	301-9565	▶183		422
282-4141	113	289-9133	222	302-4519	▶148	308-9781	420
282-4142	113	289-9745	22	302-5307	▶149		422
282-4144	113	290-1351	▶22	302-8728	119	308-9782	420
282-4145	151		23	302-8729	115		422
282-4146	151		24		▶119	308-9783	420
282-4155	201	290-1352	▶24	304-3638	224		422
	204		26	304-4418	148	308-9799	420
282-4156	201	290-3211	▶406	304-4419	148	309-7564	304
	204	290-7161	213	304-4420	146	309-9600	213
282-4159	201	290-7263	▶405	304-4423	146	310-1028	431
282-4165	151		406	304-4424	149	310-2132	428
282-4202	1		409	304-4497	149	310-7976	▶50
	▶113	291-4309	166	304-4498	137	310-7977	50
282-4209	113	291-4311	165	304-4499	137	311-1314	1
282-7944	83		▶166	304-4500	148		▶431
282-8537	143	291-4828	406	304-4501	176	311-3548	201
	▶180		409	304-5666	▶347		204
283-1107	367	291-6227	418		384	311-3922	289
	369		419	304-5667	▶348		297
283-1706	224	292-1893	1		384		304
283-4294	224	292-4520	▶418	304-5668	▶349	311-7510	304
283-5732	4	292-4521	▶419		399	311-7511	304
283-5738	4	293-3396	▶137		400	311-7792	136
283-9599	198	293-3397	▶176		402	311-9236	201
284-1085	159	293-3399	176		404		204
284-1086	159	293-3410	▶146	304-9860	▶204	312-0307	211
284-1087	159	293-3411	146	305-6244	214	312-0308	211
284-1088	159	293-3412	149	305-6245	214	312-3150	1
284-1596	201	293-3413	146	305-6250	214		▶136
	204	293-4388	185	305-6251	214	313-6221	151
285-8373	1	293-7467	183	305-6263	1	313-6222	151
	▶198	294-3312	334		▶214	313-7143	151
285-8374	1	294-9052	173	306-2157	▶127	313-7770	249
	▶201		174	306-3998	358		▶250
285-8436	198		176		361	314-4213	270
287-3046	1	295-4636	351		371	314-5006	65
	▶10		▶354	306-8879	▶321	315-5136	164
287-3390	254	295-5458	173		399	315-5137	153
287-7199	224		174	307-0008	▶399		▶164
287-7200	224		176	307-2044	▶400	315-5170	224
287-7296	137	296-0618	1	307-2045	▶402	316-2492	201
	146						

3

PART NUMBER INDEX

Part	Page	Part	Page	Part	Page	Part	Page
	204						
316-4292	206						
316-4345	137						
317-1121	83						
317-9956	186						
317-9957	186						
317-9958	▶186						
318-2082	359						
	362						
	372						
320-0275	▶1						
320-2785	206						
320-4711	▶224						
	225						
322-6347	143						
324-9728	213						
325-3816	1						
	▶225						
325-7324	214						
329-9238	159						
329-9239	159						
331-4777	183						

MEMORANDA



SEBP4669

3512C Marine Engine

E3W1-Up