



Customized Parts Catalog for Engine Model

QSK19-C700

CONSTRUCTION

Engine Serial Number: 37210353

Cummins Inc.
Box 3005
Columbus, Indiana, U.S.A., 47202

Copyright 2004
Cummins Inc.

Bulletin No.37210353 Printed in U.S.A.



Cummins Inc.

New Parts Warranty Heavy Duty

COVERAGE

PRODUCTS WARRANTED

These warranties apply to New Parts marketed by Cummins for its engines (except those for A, B, and C series engines). They apply anywhere in the world where service is available through a Cummins distributor or full service dealer.*

BASE WARRANTY

The Base Warranty covers any failures of parts on or after March 31, 1986, which result, under normal use and service, from defects in workmanship or material (Warrantable Failures). The coverage on cylinder kits designated by Cummins as "Premium Plus" extends two years, 200,000 miles (321,870 kilometers) or 7,200 hours of operation, whichever occurs first, from the date of first installation. The coverage on other parts extends one year, 100,000 miles (160,935 kilometers) or 3,600 hours of operation, whichever occurs first, from the date of first installation.

EXTENDED MAJOR COMPONENTS WARRANTY

The Extended Major Components Warranty covers Warrantable Failures on or after March 31, 1986, of engine cylinder blocks, crankshafts, flangeless NT camshafts* and connecting rods (Covered Parts). Bushing and bearing failures are not included. This coverage begins with the expiration of the Base Warranty and ends three years, 300,000 miles (482,805 kilometers) or 10,800 hours of operation, whichever occurs first, from the date of first installation.

Both the Base Warranty and Extended Major Components Warranty apply to all Owners in the chain of distribution, and coverage continues to all subsequent Owners until the end of the respective periods of coverage.

CUMMINS RESPONSIBILITIES

DURING THE BASE WARRANTY

Cummins will pay for all parts and labor needed to repair the damage to the engine resulting from the Warrantable Failure. All labor costs will be paid in accordance with Cummins published Standard Repair Operation guidelines.

Cummins will pay for the lubricating oil, antifreeze, filter elements, and other maintenance items that are not reusable due to the Warrantable Failure.

Cummins will pay reasonable labor costs for engine removal and reinstallation when necessary to make the warranty repair.

When the parts are installed in a non-automotive engine, Cummins will pay reasonable travel expenses for mechanics to and from the engine site, or the repair dock in the case of a marine engine, including meals, mileage and lodging when it is necessary for mechanics to make on-site warranty repairs.

DURING THE EXTENDED MAJOR COMPONENTS WARRANTY

Cummins will pay for the Covered Part and for any Covered Part damaged by a Warrantable Failure of another Covered Part.

OWNER RESPONSIBILITIES

DURING THE BASE WARRANTY

Before expiration of the warranty, Owner must give notice to Cummins distributor or full service dealer* of a failure considered to be warrantable and have the repair performed by such facility.

If the part was installed in an automotive engine, the Owner must deliver the engine to the repair location. If installed in a marine engine, Owner is responsible for the cost of towing the boat to a repair dock and for any associated docking and harbor charges.

Owner is responsible for the cost of lubricating oil, antifreeze, filter elements and other maintenance items replaced during warranty repairs except where such items are not reusable due to a Warrantable Failure.

DURING THE EXTENDED MAJOR COMPONENTS WARRANTY

Before expiration of the warranty, Owner must give notice to a Cummins distributor or full service dealer* of a failure considered to be warrantable and deliver the defective and damaged Covered Parts to such facility.

Owner is responsible for the cost of all parts needed for the repair except for the defective Covered Part and for any Covered Part damaged by a Warrantable Failure of another Covered Part.

Owner is responsible for the cost of all labor needed to repair the engine, including the labor to remove and reinstall the engine. When Cummins elects to repair a part instead of replacing it, Owner is not responsible for the labor needed to repair the part.

Owner is responsible for the cost of lubricating oil, antifreeze, filter elements and other maintenance items replaced during the repair.

DURING BOTH WARRANTIES

At the time when the parts are installed, Owner is responsible for the preparation of a written record containing the following: (1) the date of installation of the parts; (2) the engine serial number; (3) the engine miles, hours or kilometers of operation; (4) the parts installed, and (5) the location of the parts in the engine. The purpose of this record is to protect Owner's interests and support any claim for a Warrantable Failure.

Owner is responsible for the operation and maintenance of the engine as specified in Cummins Operation and Maintenance Manuals.

Owner is responsible for communication expenses, meals, lodging and similar costs incurred by Owner as a result of a Warrantable Failure. Owner is responsible for non-engine repairs and for "down time" expenses, cargo damage and all business costs and losses resulting from a Warrantable Failure. CUMMINS IS NOT RESPONSIBLE FOR INCIDENTAL OR CONSEQUENTIAL DAMAGES.

LIMITATIONS

Cummins is not responsible for failures resulting from Owner or Operator abuse or neglect, such as: operation without adequate coolant, fuel or lubricants; overfueling; overspeeding; lack of maintenance of lubricating, cooling or air intake systems; improper storage, starting, warm-up, run-in or shutdown practices. Cummins is also not responsible for failures caused by incorrect fuel, or by water, dirt or other contaminants in the fuel.

Cummins does not warrant parts supplied by Cummins which bear the name of another company. These parts are warranted by their manufacturers and not by Cummins. This category of parts includes, but is not limited to: hydraulic pumps, alternators, starters, fans, air conditioning compressors, clutches, steering pumps, transmissions, torque converters, marine gears, air cleaners, filters and non-Cummins air compressors, power steering pumps, and engine compression brakes.

Parts provided may be new Cummins, Cummins approved rebuilt parts, or repaired parts. Cummins is not responsible for failures resulting from the use of parts not approved by Cummins.

Before a claim for excessive oil consumption will be considered, Owner must submit adequate documentation to show that consumption exceeds Cummins published standards.

This warranty does not apply to parts furnished by Cummins at no charge to the Owner.



Customer Service Information

This Customized Parts Catalog contains parts information for the following Cummins Engine:

Engine Data

Model Number	QSK19-C700
Serial Number	37210353
Shop Order Number	SO20748
Build Plant	23JAN04
Build Date	23JAN04
Fuel Pump Part Number	
Fuel Pump Calibration	EK82
Engine Configuration Number	D193090CX03
CPL Number	CPL2559

Certain basic engine components have been matched to give optimum performance to your engine. The part numbers listed in this catalog for these components are for a standard engine configuration. When ordering any of the Control Parts List (CPL) components listed below, please order by part description and engine serial number. Reference to the CPL number stamped on the engine data (name) plate will also help identify the proper service parts for your engine.

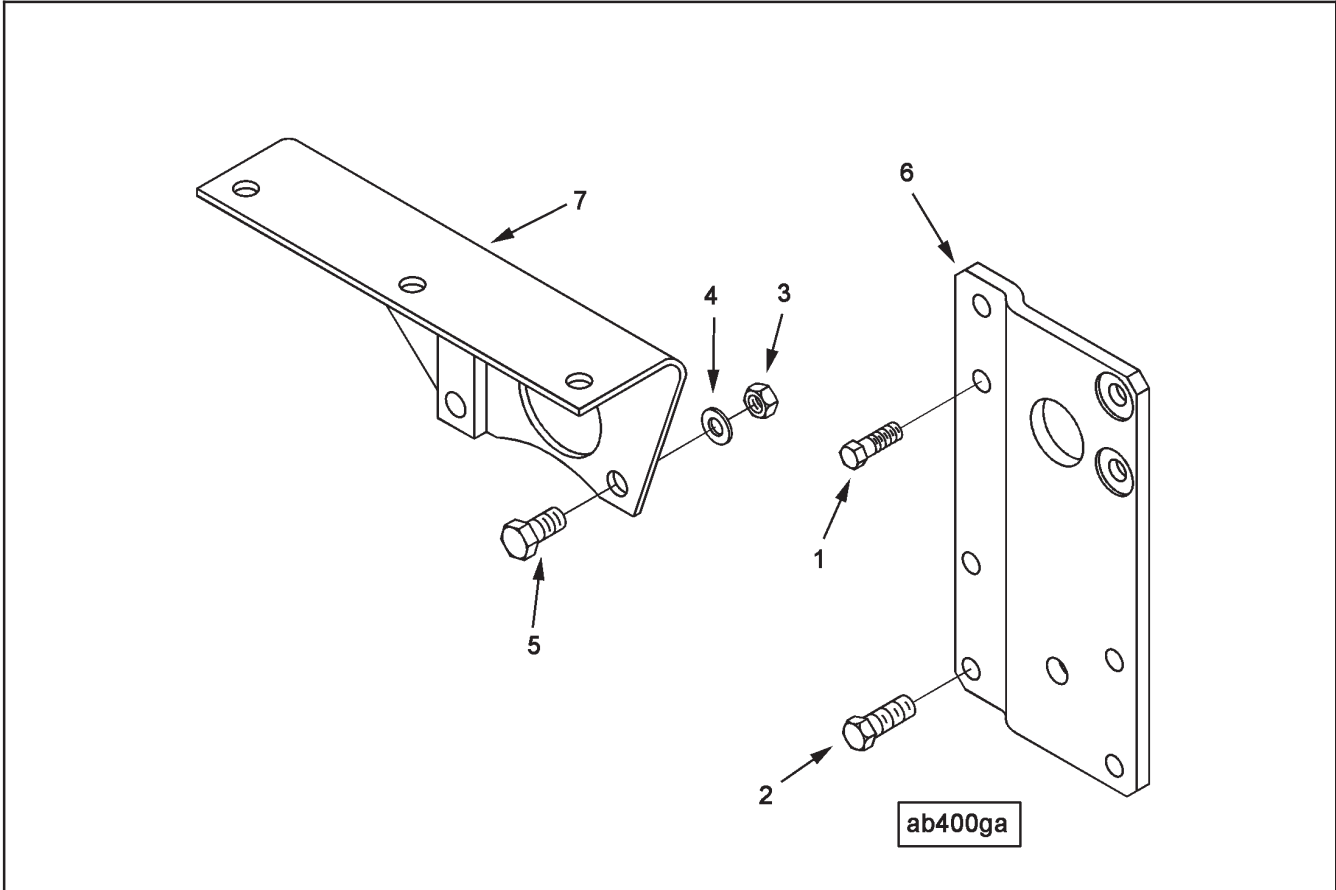
This catalog was compiled using the most current information as of 07-APR-04.

USER INFORMATION

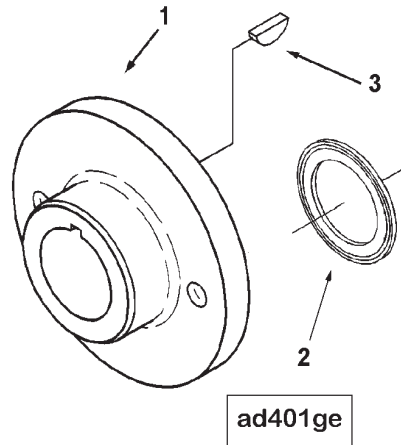
- . Parts numbers appearing in () are for identification purposes only and should not be used when ordering service replacement parts.
- . The reference numbers appearing on the art pages is for publication use only.
- . Assembly content is shown by part number indentation.
- . Options are engineered production part groupings, specifically used for compiling engine orders.
- . Option numbers are for reference only and are not sold for service.
- . Use assembly and not option content to determine service parts replacement.
- . Always specify engine model and serial number when ordering parts from this catalog.
- . Continual product improvement causes the constant obsolescence and replacement of part numbers. Service Parts you receive may not be the part number as those listed in this parts catalog.

Table of Contents

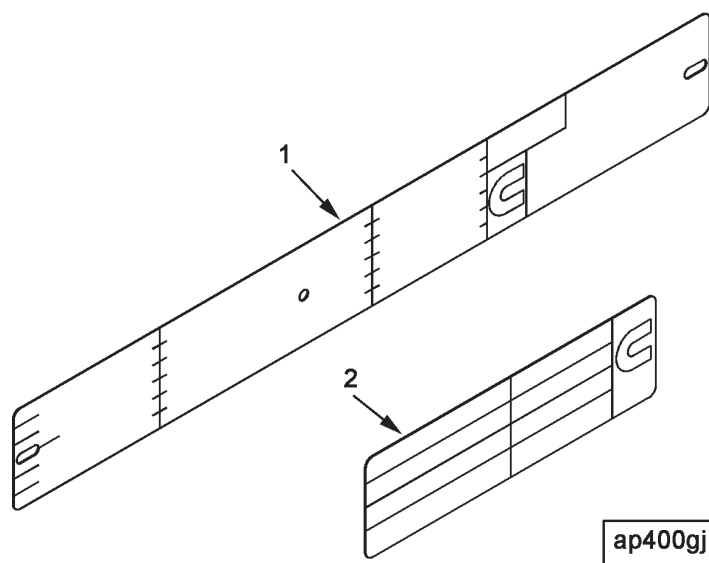
	Page No.		Page No.
Accessory Drive Pulley	110	Oil Level Gauge	75
Accessory Support	2	Oil Level Gauge Location	72
Aftercooler Water Plumbing	135	Oil Pan	83, 85
Agency Approval	5	Oil Pan Arrangement	87
Air Compressor	20	Oil Pan Cover	79
Alternator Drive Pulley	35	Oil Pan Plumbing	88
Alternator Guard	117	Paint	122
Alternator Mounting	33	Rocker Lever	113
Calibration Software	114	Shipping Bracket	119
Cam Follower	15	Starting Motor	123
Cam Follower Cover	19	Starting Motor Mounting	121
Camshaft	100	Thermostat	30
Connecting Rod	99	Thermostat Housing	127, 129
Corrosion Resistor	136	Timing Hub	3
Crankshaft And Main Bearin	11	Turbocharger	107
Customer Interface Softwar	28	Turbocharger Arrangement	125, 126
Cylinder Block	7	Turbocharger Plumbing	131
Cylinder Block Plumbing	16	Valve Cover	133
Cylinder Head	103	Vibration Damper	23
Cylinder Liner	8	Water Inlet Connection	138
Drain Location	27	Water Manifold	141
Engine Control Module	91	Water Outlet Connection	143
Engine Control Module Plum	95	Water Pump	145
Engine Oil Cooler	67	Option Number Index	A-1
Engine Oil Primer Plumbing	96	Part Number Index	B-1
Exhaust Outlet Connection	146		
Fan Drive	39		
Fan Drive Mounting	40		
Flywheel	60		
Flywheel Housing	45		
Flywheel Housing Plumbing	46		
Front Engine Support	36		
Front Gear Cover	63		
Front Gear Train Accessory	25, 26		
Fuel Filter	43		
Fuel Plumbing	59		
Fuel Pump	49		
Fuel Pump Coupling	53		
Fuel Pump Drive	29		
Fuel Rating	54		
Fuel System Accessories	57		
Full Flow Oil Filter	69		
Gear Cover Plate	12		
Injector	105		
Injector Plumbing	109		
Lifting Bracket	65		
Lower Engine Gasket Set	151		
Lube Oil Pump	77		
Oil Cooler Water Plumbing	137		
Oil Filler Arrangement	81		



Ref No.	Part Number	Part Name	Req	Remarks
		ACCESSORY SUPPORT OPTION AB4003		Support, accessory accessory bracket location: On #3 housing Lifting Bracket Location: On #1 and #4 housing or on #1 and #5 housing or on #1 and #6 housing distance from CL crank: 36.274inches distance from front face of block to mounting provision: 21.610inches. Mounting holes (center): 10.190inches. Used for mounting customer supplied accessories. Lifting engines must be done prior to adding equipment to brackets. Use with rear out turbocharger.
1	S 106	Screw, Hexagon Head Cap	2	1/2 - 13 X 1 3/4"
2	S 145	Screw, Hexagon Head Cap	2	1/2 - 13 X 1 1/4"
3	S 200	Nut, Heavy Hexagon	4	1/2 - 13 UNC.
4	3036900	Washer, Plain	4	1/2 Inch.
5	3052061	Screw, Hexagon Head Cap	4	1/2 - 13 X 1"
6	3090273	Bracket, Cus Accessory	1	
7	(3096485)	Bracket, Cus Accessory	1	

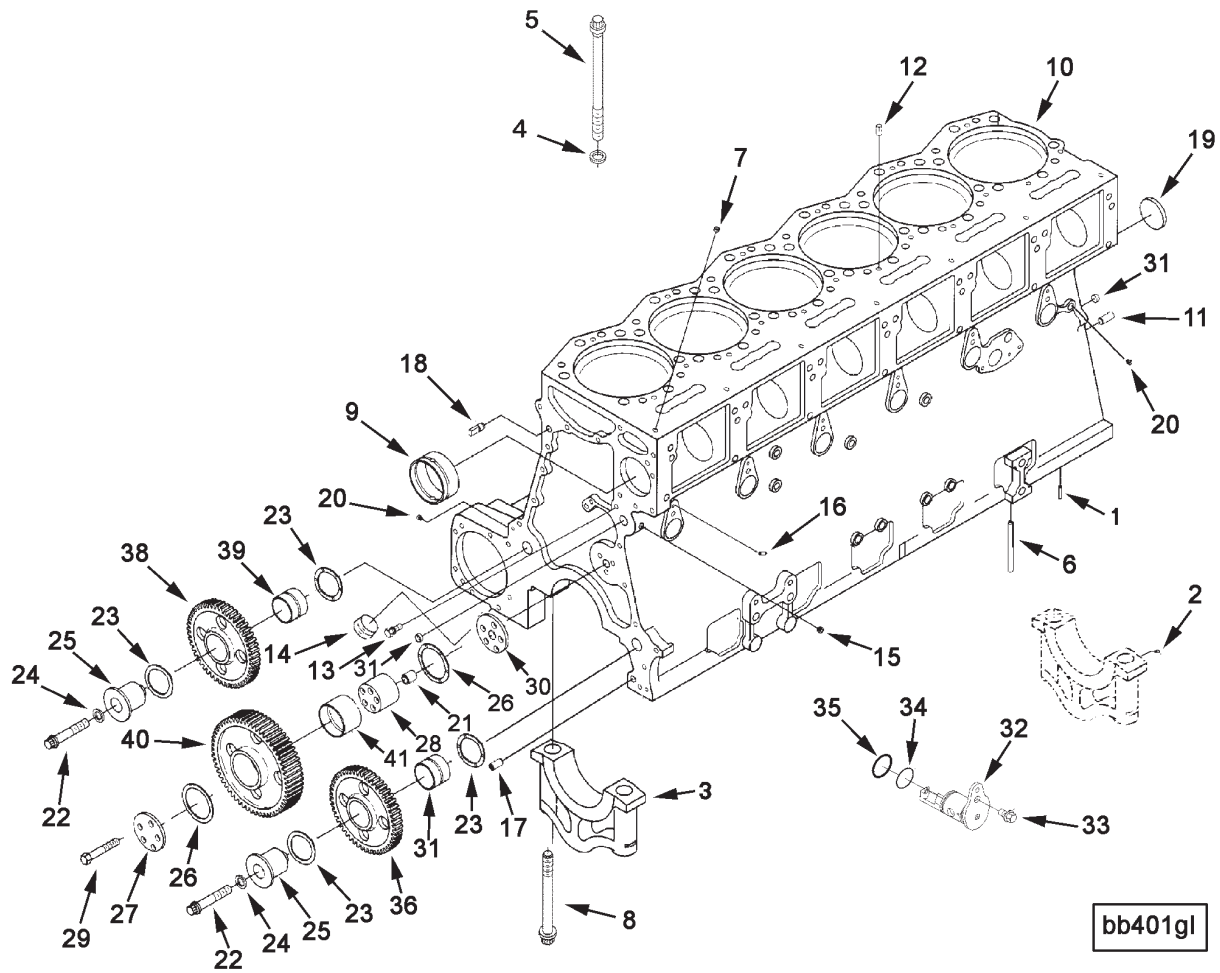


Ref No.	Part Number	Part Name	Req	Remarks
TIMING HUB OPTION AD4020				
1	3804993 (3086124)	Hub, Timing	1	Hub, timing no. of grooves: None mounted: Left side drive limitations: N/A Used To Drive: N/A.
2	3200287	Seal, Keyway	1	
3	S 316	Key, Plain Woodruff	1	

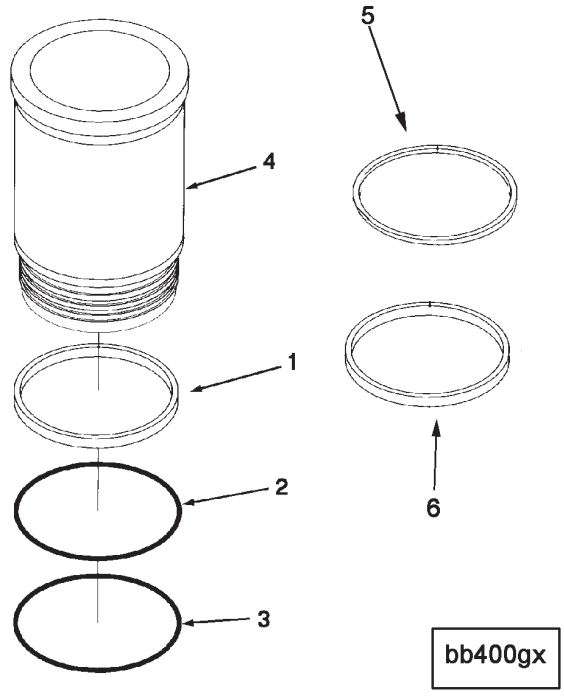


ap400gj

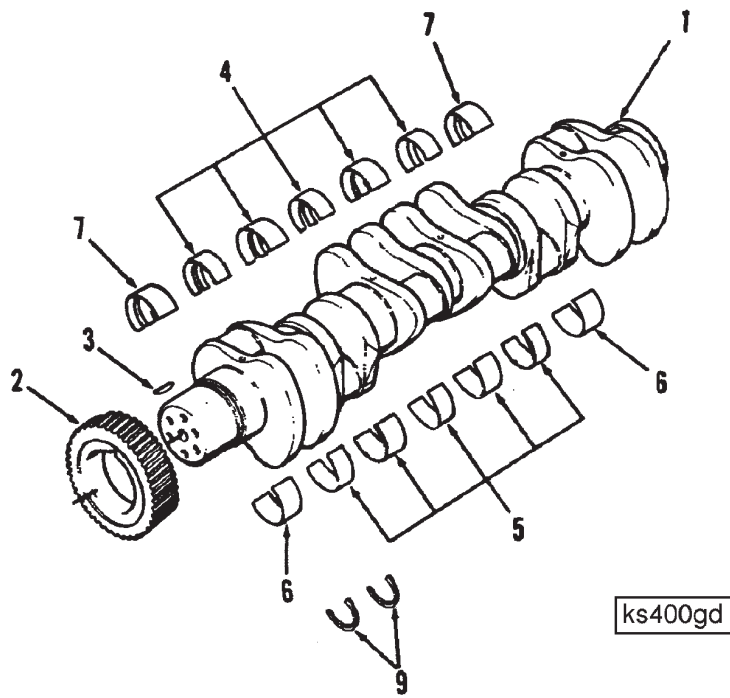
Ref No.	Part Number	Part Name	Req	Remarks
		AGENCY APPROVAL OPTION AP4029		Agency approval Certified By: None Application: Non road Cert level: None Special allowance: None Certification Agent: Msha, Canmet.
1	3077274	Dataplate	1	Engine datatags have a controlled distribution and sales are now restricted through MDC. For replacement datatags, please contact Mike T. Scott at 812-377-4326. Customers MUST be able to supply appropriate engine/ product information in order to process this request (ESN#, CPL#,shop order#, etc). No multiple datatag requests will be permit- ted...(1) datatag per approved ESN#.
2	(4067456)	Dataplate	1	



Ref No.	Part Number	Part Name	Req	Remarks
		CYLINDER BLOCK OPTION BB4706		Block, cylinder rear gear train: No hydraulic drive provision: Yes.
	3804663	Block, Cylinder	1	
	3090301	Block, Cylinder	1	
1	67211	Dowel, Rear Main Bearing	2	
2	124921	Dowel	2	
3	205021	Cap, Main Bearing	4	
3	205022	Cap, Main Bearing	1	
3	205023	Cap, Main Bearing	1	
3	205075	Cap, Main Bearing	1	
4	205059	Washer, Plain	36	3/4 Inch.
5	3081837	Screw, Twelve Point Cap	36	
6	3811993	Tube, Lub Oil Transfer	1	
7	3007632	Plug, Expansion	7	
8	3025482	Screw, Twelve Point Cap	14	
9	3081677	Bushing	7	
10	(3090300)	Block, Cylinder	1	
11	60408	Dowel, Pin	2	
12	68445	Pin, Groove	12	
13	3014766	Screw, Captive Washer Cap	14	3/8 - 16 X 1 3/64"
14	3066323	Plug, Threaded	1	1 5/8 - 12 un.
	3063166	Seal, O Ring	1	
15	3037536	Plug, Threaded	1	9/16 - 18 UNF
	3037537	Seal, O Ring	1	
16	69558	Dowel, Pin	6	
17	70645	Dowel, Pin	1	
18	102957	Dowel, Diamond	1	
19	156075	Plug, Expansion	2	
20	3066325	Plug, Threaded	2	3/8 - 24 UNF
	3034412	Seal, O Ring	1	
21	3402170	Dowel, Ring	1	
22	207527	Screw, Twelve Point Cap	2	5/8 - 18 X 3 Inch.
23	130083	Bearing, Thrust	4	
24	3200772	Washer, Plain	1	5/8 Inch.
25	3202114	Shaft, Idler	2	
26	3090255	Bearing, Thrust	2	
27	3090261	Retainer, Gear	1	
28	(3402169)	Shaft, Idler	1	
29	3081465	Screw, Hexagon Head Cap	5	
30	3090260	Plate, Thrust Bearing Wear	1	
31	3081529	Plug, Expansion	2	
	3804664	Nozzle, Piston Cooling	6	
32	4081128	Nozzle, Piston Cooling	1	
33	3067954	Screw, Captive Washer Cap	1	3/8 - 16 X 3/4 Inch.
34	3081494	Seal, O Ring	6	
35	3081724	Seal, Split Ring	6	
	3004739	Gear, Bushing Ps Idler	1	
36	(3004738)	Gear, Idler	1	
37	3004686	Bushing	1	
	3090488	Gear, Idler	1	
38	(3090487)	Gear, Idler	1	
39	3004686	Bushing	1	
	3090258	Gear, Idler	1	
40	3090257	Gear, Idler	1	
41	3090256	Bushing	1	

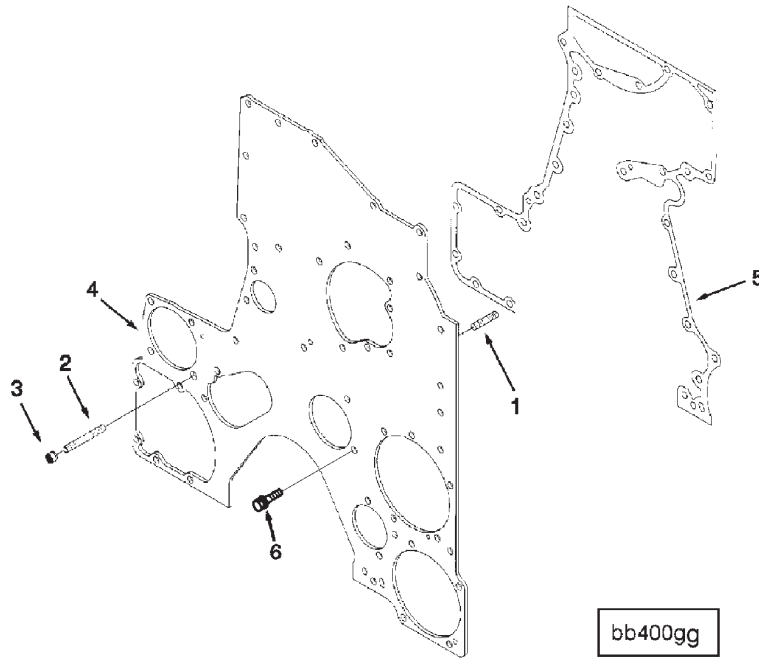


Ref No.	Part Number	Part Name	Req	Remarks
		CYLINDER LINER		
		OPTION BB4706		
	4009625	Kit, Liner	6	
	AR70577	PDC Kit	1	
1	3081489	Seal, Oil	1	
2	3011076	Seal, D Ring	1	
3	3014668	Seal, D Ring	1	
4	(4009220)	Liner, Cylinder	1	
5	3088298	Ring, Liner Seal	1	
6	4000504	Seal, Rectangular Ring	1	

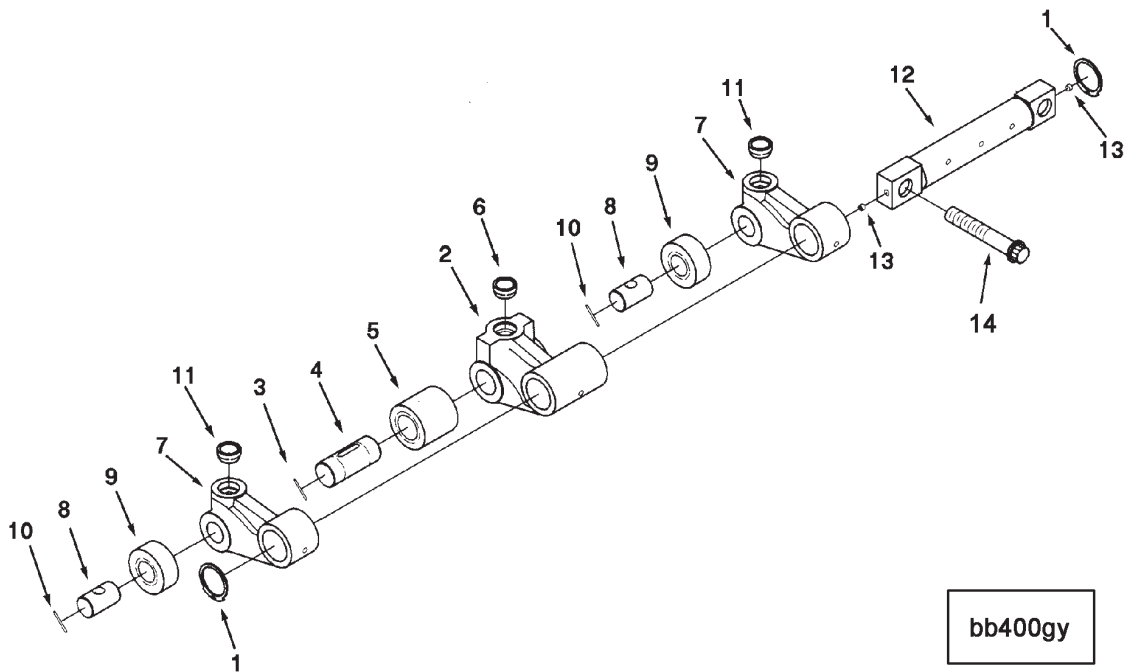


ks400gd

Ref No.	Part Number	Part Name	Req	Remarks
CRANKSHAFT AND MAIN BEARIN				
OPTION BB4706				
1	3331586	Crankshaft, Engine	1	
2	3096362	Gear, Crankshaft	1	
3	206904	Key, Woodruff	1	
	AR12270	Shell, Main Bearing	1	
4	205140	Bearing, Main	5	
5	205150	Bearing, Main	5	
6	205160	Bearing, Main	2	
7	205170	Bearing, Main	2	
9	205112	Bearing, Thrust	4	
	AR12271	Shell, Main Bearing .010		
4	205141	Bearing, Main	A/R	
5	205151	Bearing, Main	A/R	
6	205161	Bearing, Main	A/R	
7	205171	Bearing, Main	A/R	
9	205112	Bearing, Thrust	A/R	
	AR12272	Shell, Main Bearing	A/R	
4	205142	Bearing, Main	A/R	
5	205152	Bearing, Main	A/R	
6	205162	Bearing, Main	A/R	
7	205172	Bearing, Main	A/R	
9	205112	Bearing, Thrust	A/R	
	AR12273	Shell, Main Bearing	A/R	
4	205143	Bearing, Main	A/R	
5	205153	Bearing, Main	A/R	
6	205163	Bearing, Main	A/R	
7	205173	Bearing, Main	A/R	
9	205112	Bearing, Thrust	A/R	
THRUST RINGS - OVERSIZE				
9	3001196	Bearing, Thrust	A/R	
9	3001197	Bearing, Thrust	A/R	

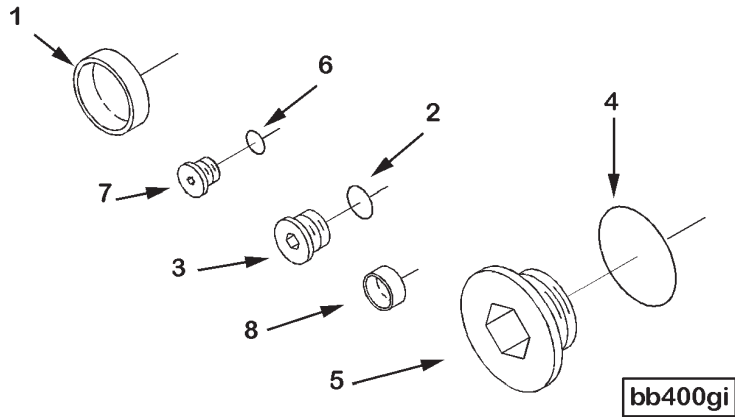


Ref No.	Part Number	Part Name	Req	Remarks
		GEAR COVER PLATE OPTION BB4706		
1	206217	Stud	3	
2	206218	Stud	1	
3	3019961	Nut, Plug	4	3/8 - 16 UNC.
4	(3331631)	Plate, Gear Cover	1	
5	3090320	Gasket, Gear Cover Plate	1	
6	3014766	Screw, Captive Washer Cap	12	3/8 - 16 X 1 3/64"

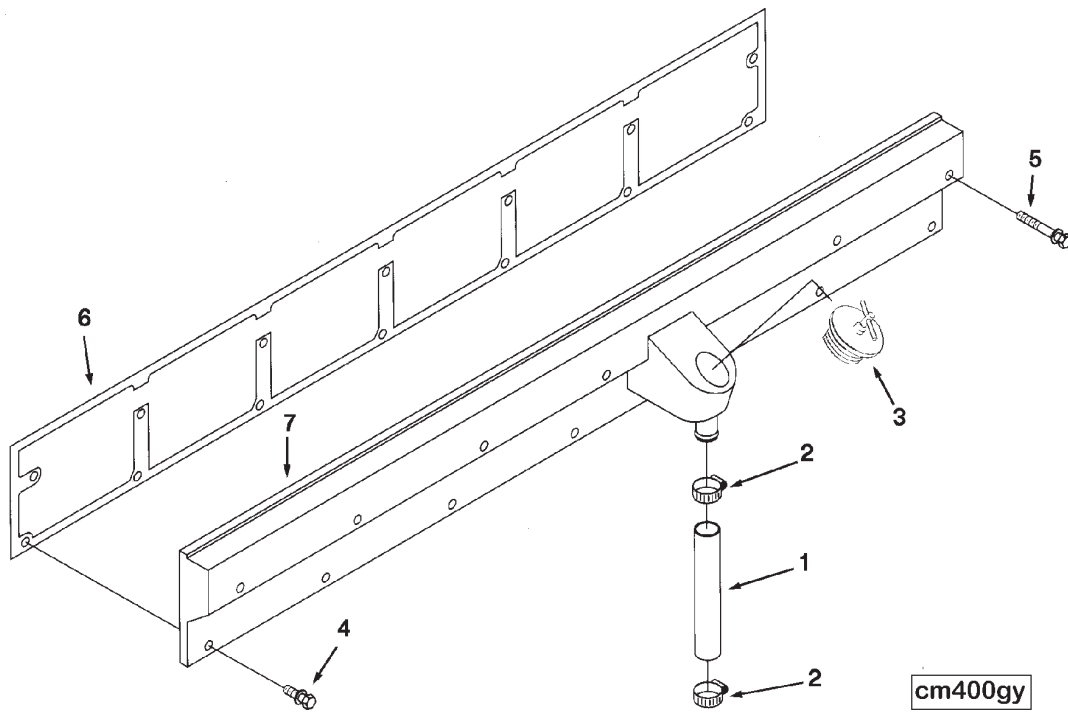


bb400gy

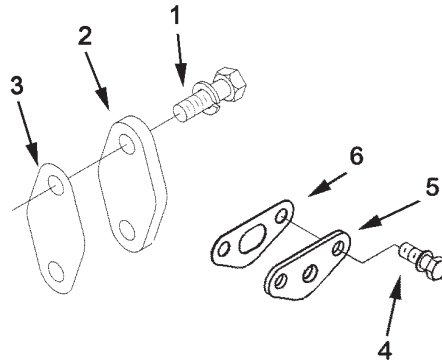
Ref No.	Part Number	Part Name	Req	Remarks
		CAM FOLLOWER OPTION BB4706		
1	(3408295) 3064523	Lever, Cam Follower TLA Ring, Retaining	6 2	
2	3408296	Lever, Cam Follower	1	
3	3408266	Lever, Cam Follower	1	
4	167157	Ball, Check	2	
5	4065751	Pin, Cam Follower Roller	1	
6	3090009	Roller, Cam Follower	1	
7	4006772	Socket, Cam Follower	1	
8	4065748	Lever, Cam Follower	2	
9	4065747	Lever, Cam Follower	1	
10	4065750	Pin, Cam Follower Roller	1	
11	3090010	Roller, Cam Follower	1	
12	167157	Ball, Check	1	
13	4006772	Socket, Cam Follower	1	
	3085715	Shaft, Cam Follower	1	
	(3085710)	Shaft, Cam Follower	1	
	205227	Plug, Expansion	2	



Ref No.	Part Number	Part Name	Req	Remarks
		CYLINDER BLOCK PLUMBING OPTION BB4709		Plumbing, cylinder block pre-lube: No.
1	156075	Plug, Expansion	2	
	3037536	Plug, Threaded	4	9/16 - 18 UNF
2	3037537	Seal, O Ring	4	
3	(3040813)	Plug, Threaded	4	
	3066323	Plug, Threaded	1	1 5/8 - 12 un.
4	3063166	Seal, O Ring	1	
5	(3066322)	Plug, Threaded	1	
	3066325	Plug, Threaded	2	3/8 - 24 UNF
6	3034412	Seal, O Ring	1	
7	(3066324)	Plug, Threaded	1	
8	3081529	Plug, Expansion	2	

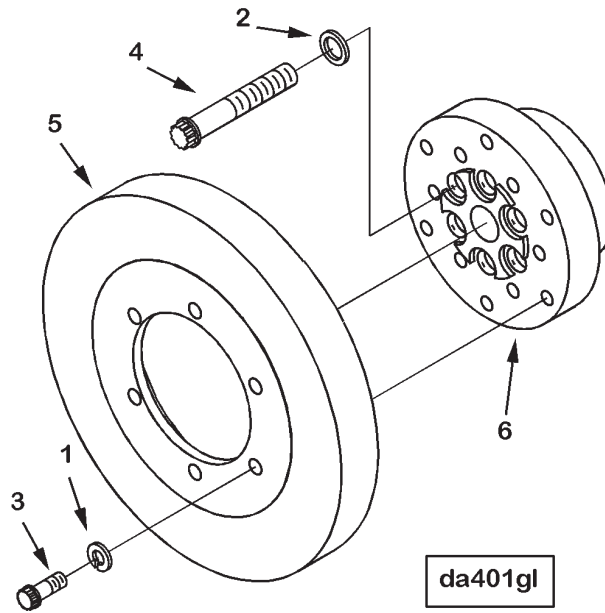


Ref No.	Part Number	Part Name	Req	Remarks
		CAM FOLLOWER COVER OPTION CM4701		Cam cover cylinder location: All six cylinders function: Oil fill; ventilation Oil Fill Extension: No.
1	AS16020 NF	Hose	1	
2	43828 A	Clamp, Hose	2	11 16 - 1 1/2"
3	107981	Cap, Filler	1	
4	3040838	Screw, Captive Washer Cap	7	3/8 - 16 X 1 1/4"
5	3060567	Screw, Captive Washer Cap	7	3/8 - 16 x 2 3/4 inch
6	4910190	Gasket, Camshaft Cover	1	
7	3090178	Cover, Camshaft	1	

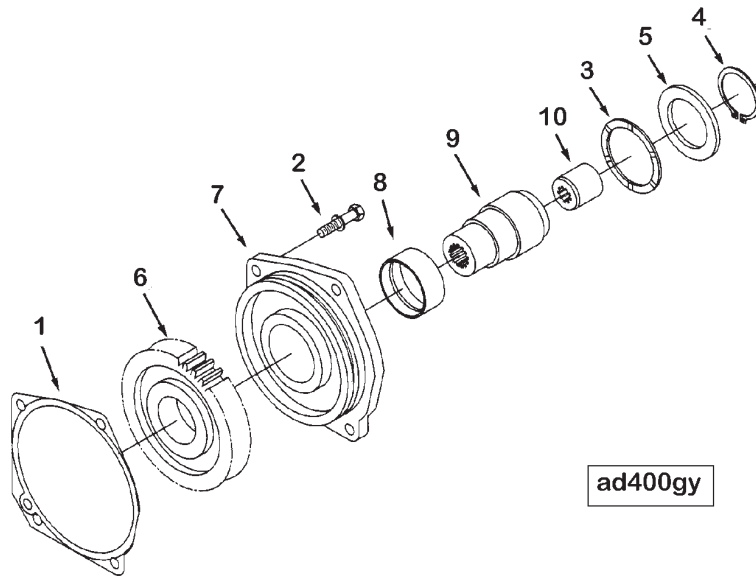


cp401gs

Ref No.	Part Number	Part Name	Req	Remarks
		AIR COMPRESSOR OPTION CP4060		Air compressor no air compressor Includes cover plate only.
1	3010596	Screw, Captive Washer Cap	2	3/8 - 16 X 1 1/4"
2	3011693	Plate, Cover	1	
3	3201388	Gasket, Flange	1	
4	3014766	Screw, Captive Washer Cap	2	3/8 - 16 X 1 3/64"
5	207112	Flange, Weld	1	
6	207117	Gasket, Air Compressor	1	

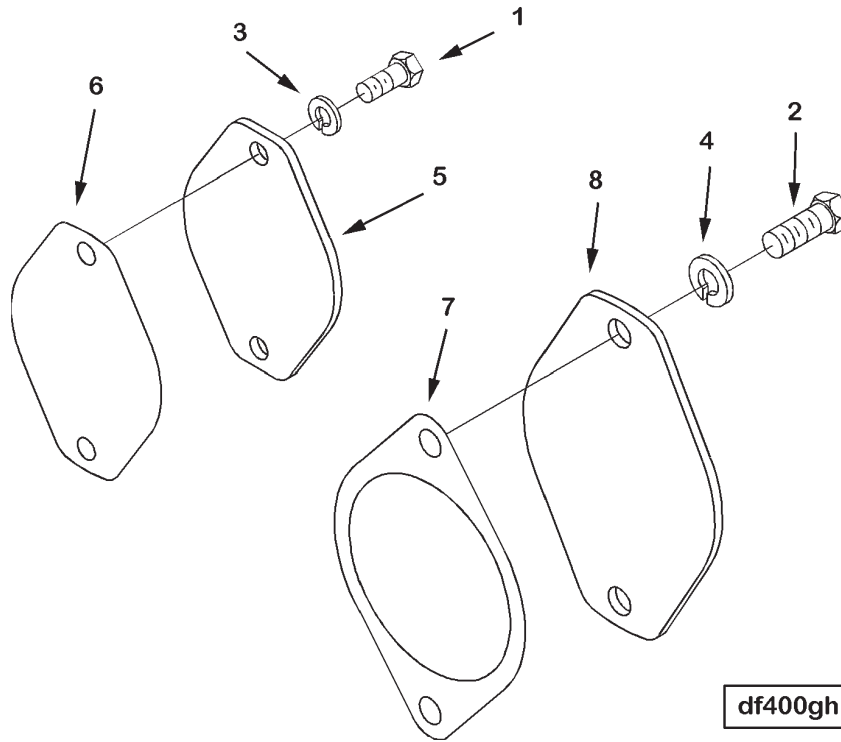


Ref No.	Part Number	Part Name	Req	Remarks
		VIBRATION DAMPER OPTION DA4051		Damper, vibration type: Viscous Provision For Mounting Front Power Takeoff: Yes damper diameter: 343mm (13.51in) Provision For Drive Fan: No.
1	S 608	Washer, Lock	6	1/2"
2	205059	Washer, Plain	6	3/4 Inch.
3	205378	Screw, Twelve Point Cap	6	1/2 - 13 X 1 1/4 Inch.
4	3036846	Screw, Twelve Point Cap	6	3/4 - 16 X 4 1/2 Inch.
5	(3081040)	Damper, Vibration	1	
6	3331601	Flange, Power Takeoff	1	



ad400gy

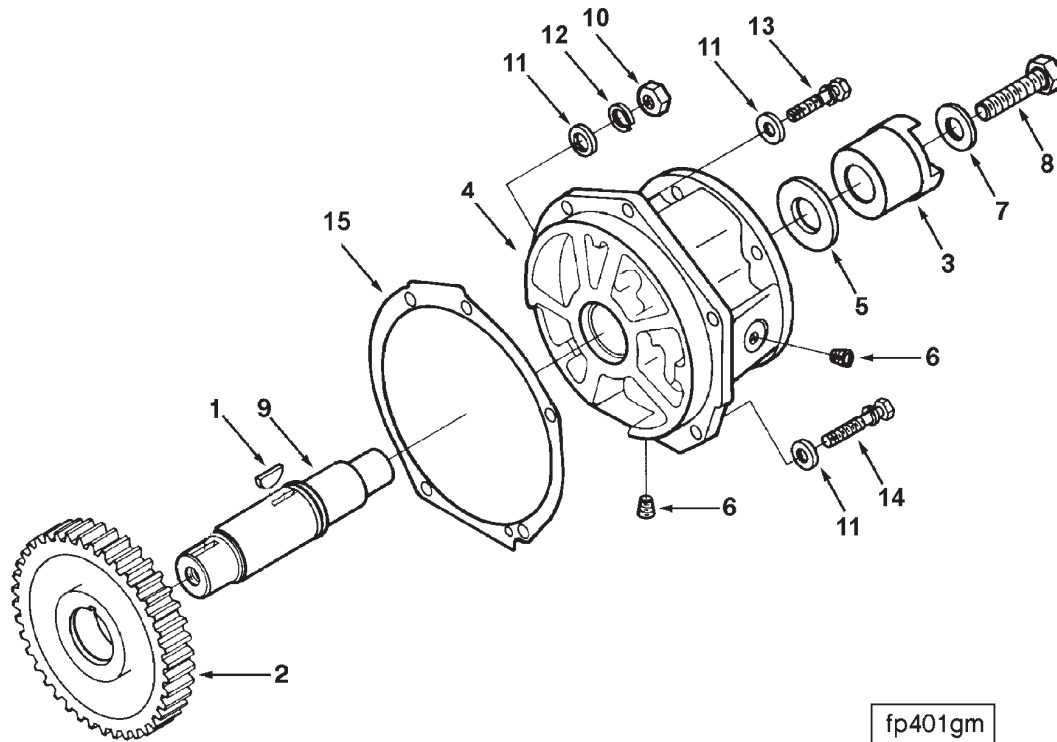
Ref No.	Part Number	Part Name	Req	Remarks
		FRONT GEAR TRAIN ACCESSORY OPTION DF4003		Drive, fro ger tra acc drive location front: Yes drive location rear: Yes hydraulic drive provision: Yes pump mounting flange type/size front: SAE "B" 2 bolt pump mounting flange type/size rear: SAE "A" 2 bolt
		Number Of Teeth On Spline Drive Front: 13 Number Of Teeth On Spline Drive Rear: 9 orientation of flange front: 60 degrees orienta- tion of flange rear: 44 degrees spline length front: Max 1.63inches (41mm) spline length rear: Max 1.31inches (33mm).		
1	3007380	Gasket, Hydraulic Pump	1	
2	3012472	Screw, Captive Washer Cap	4	3/8 - 16 X 1 1/2"
	3013748	Drive, Hydraulic Pump	1	
3	188040	Bearing, Thrust	2	
4	205781	Ring, Retaining	1	
5	205784	Washer, Clamping	1	
6	207256	Gear, Hydraulic Pump	1	
	3007391	Support, Hydraulic Pump	1	
7	(3007368)	Support, Hydraulic Pump	1	
8	3014993	Bushing	1	
	3200943	Shaft, Hyd Pump Drive	1	
9	205769	Shaft, Hyd Pump Drive	1	
10	(205771)	Sleeve, Spline Coupling	1	



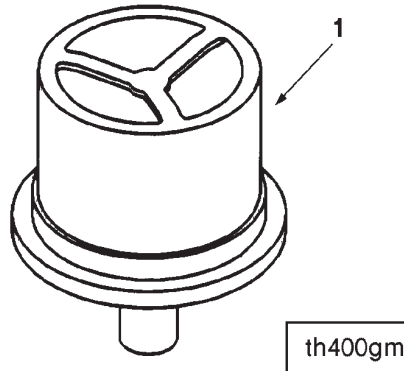
Ref No.	Part Number	Part Name	Req	Remarks
		FRONT GEAR TRAIN ACCESSORY OPTION DF4702		Drive, fro ger tra acc drive location front: Yes drive location rear: Yes hydraulic drive provision: Yes pump mounting flange type/size front: SAE "B" 2 bolt pump mounting flange type/size rear: SAE "A" 2 bolt Oil Fill Tube Provision: No.
1	S 109	Screw, Hexagon Head Cap	2	3/8 - 16 X 7/8 Inch.
2	S 145	Screw, Hexagon Head Cap	2	1/2 - 13 X 1 1/4"
3	S 604	Washer, Lock	2	3/8"
4	S 608	Washer, Lock	2	1/2"
5	204048	Plate, Cover	1	
6	(3004242)	Gasket, Hydraulic Pump	1	
7	3929751	Gasket, Acc Drive Cover	1	
8	3914868	Plate, Cover	1	

Ref No.	Part Number	Part Name	Req	Remarks
		<p style="text-align: center;">DRAIN LOCATION OPTION DL4005</p>		<p>Location, drain</p> <p>Fuel Drain Outlet Elbow Size: #12 Fuel Pump Type: HPI type air compressor: Cummins single cylinder or no air compressor drain connection location: Left side (fuel pump side)</p> <p>Drain Position: Vertical from crank centerline: 17.570inches from rear face of block: 16.033inches from engine centerline: 14.320inches</p> <p>Unique Characteristics: Includes check valves. No content option.</p>

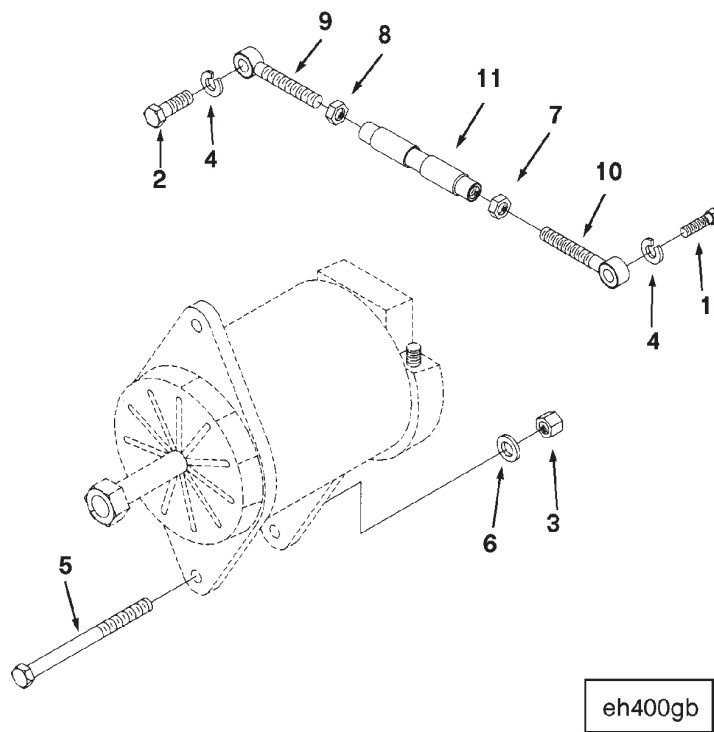
Ref No.	Part Number	Part Name	Req	Remarks
		<p align="center">CUSTOMER INTERFACE SOFTWARE OPTION DO4372</p>		<p>Software, cus interface Engine Control System: HPI Transmission: M6600 Allison common support: J1587 OEM Name: Atlas Copco Wagner OEM Model: MT5000 OEM Application: Underground Mine Truck Remote Throttle: No High Idle: 2226 RPM Low Idle: 650 RPM ISC Enabled: Yes ISC Validation: N/A Switched Speed Input: N/A Torque Curve Select: N/A ASG/min max governor: Min/max governor droop: 4% idle validation: Yes Multiple Unit Synchronization: N/A Output Driver Setup: N/A Calibration Voltage: 24volt Throttle Type: Foot jwac or LTA: LTA Used with IC/tvs injectors and compac pump only.</p>



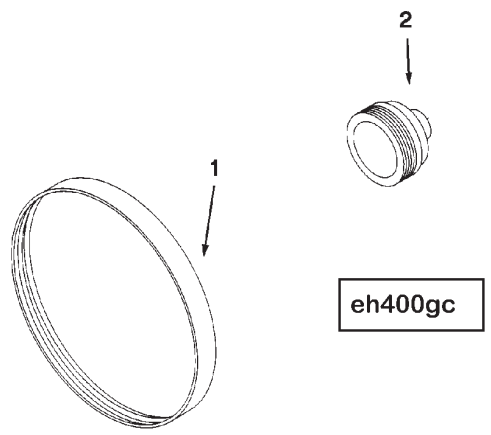
Ref No.	Part Number	Part Name	Req	Remarks
		FUEL PUMP DRIVE OPTION DP4701		Drive, Fuel Pump. Driven item: Fuel Pump
	3804998	Kit, Acc Drive TLA	1	
1	S 316	Key, Plain Woodruff	1	
2	207253	Gear, Accessory Drive	1	
3	3000175	Hub, Jaw Coupling	1	
4	3086231	Support, Accessory Drive	1	
5	3014103	Washer, Plain	1	1 1/32 Inch.
6	3040814	Plug, Pipe	2	7/16 - 20 UNF.
7	3045136	Washer, Plain	1	1/2 Inch.
8	3045137	Screw, Hexagon Head Cap	1	1/2 - 20 X 2 Inch.
	3804997	Kit, Acc Drive Shaft	1	
9	(3086122)	Shaft, Accessory Drive	1	
10	S 205	Nut, Regular Hexagon	1	3/8 - 24 UNF.
11	S 602	Washer, Plain	5	3/8"
12	S 604	Washer, Lock	1	3/8"
13	3033038	Screw, Captive Washer Cap	3	3/8 - 16 X 1 5/8"
14	3044413	Screw, Captive Washer Cap	1	3/8 - 16 X 2 Inch.
15	3410171	Gasket, Acc Drive Support	1	



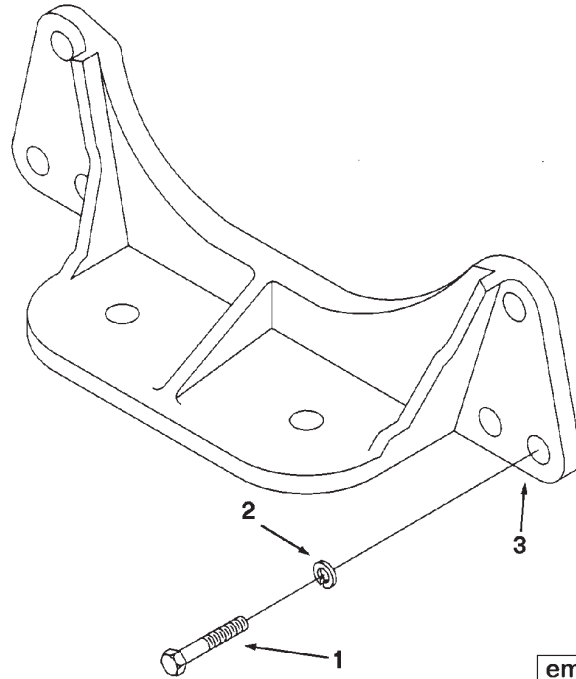
Ref No.	Part Number	Part Name	Req	Remarks
1	3076489	<p style="text-align: center;">THERMOSTAT OPTION EC4716</p> <p>Thermostat</p>	2	<p>Thermostat</p> <p>Starting to open temperature: 177-182 degrees F</p> <p>Full open temperature: 202 degrees F</p> <p>nominal temperature: 180 degrees F.</p>



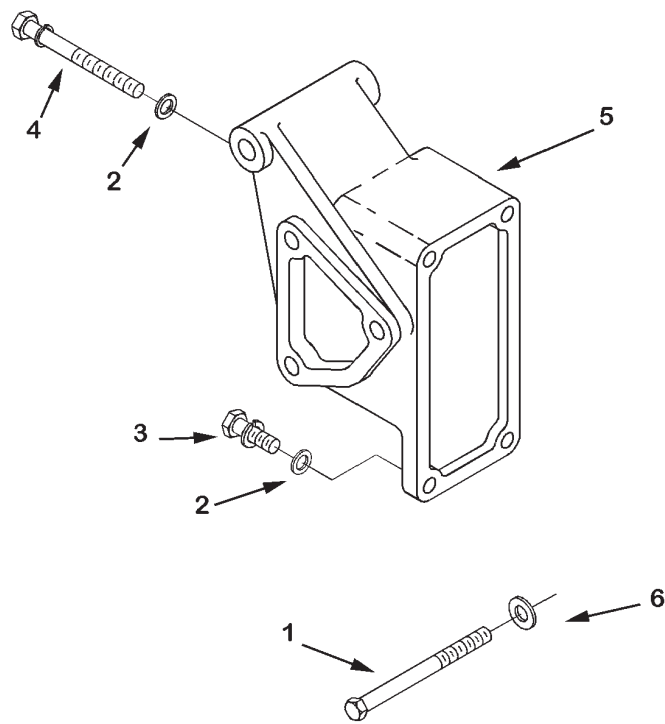
Ref No.	Part Number	Part Name	Req	Remarks
		ALTERNATOR MOUNTING OPTION EH4001		Mounting, Alternator For use with: Delco Remy Leece Neville Drive ratio: 2.92 times engine speed. Pulley description: 5 groove Pulley location: Right side (exhaust) from FFOB 4.45 inches (113MM). Attachment point: Crank centerline: above 17.66 inches (448MM). Crank centerline: above 3.79 inches (96MM). Engine centerline: 12.30 inches (312 MM) Engine centerline: 10.23 inches (260 MM). Belt description: 5 groove polyrib adjusting Adjusting link included: yes No. of alternators: 1
1	S 106	Screw, Hexagon Head Cap	1	1/2 - 13 X 1 3/4"
2	S 113	Screw, Hexagon Head Cap	1	1/2 - 13 X 1 1/2"
3	70897	Nut, Lock	1	1/2 - 20 UNF.
4	111445	Lckwshr	2	
5	158829	Screw, Hexagon Head Cap	1	1/2 - 20 X 6 1/2 Inch.
6	203310	Washer, Plain	3	9/16"
	3201188	Link, Adjusting	1	
7	S 253	Nut, Regular Hexagon Jam	1	1/2 - 20 UNF.
8	206202	Nut, Jam	1	1/2 - 20 UNF.
9	(3201185)	Bolt, Eye	1	
10	(3201186)	Bolt, Eye	1	
11	(3201187)	Link, Adjusting	1	



Ref No.	Part Number	Part Name	Req	Remarks
1 2	206996 3002323	<p style="text-align: center;">ALTERNATOR DRIVE PULLEY OPTION EH4702</p> <p>Belt, V Ribbed Pulley, Alternator</p>	1 1	<p>Pulley, Alternator drive. No. of alternators: 1. Drive ratio: 2.92 times engine speed. Belt description: Poly Vee Ribbed. Supplied in kit: yes. Pulley description : 5 grooves. Alternator manufacturer: Delco Remy/ Leece Neville. Use with fan drive: yes.</p>

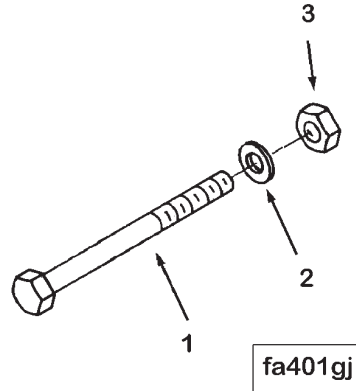


Ref No.	Part Number	Part Name	Req	Remarks
FRONT ENGINE SUPPORT OPTION EM4135				
1	S 173 A	Screw, Hexagon Head Cap	6	Support, Front engine Mounting location: front Type: Pad 2 bolt. For use with 3/4 inch Lord mount. 5/8 - 11 X 2 1/4 Inch.
2	S 603	Washer, Lock	6	
3	206343	Support, Front Engine	1	

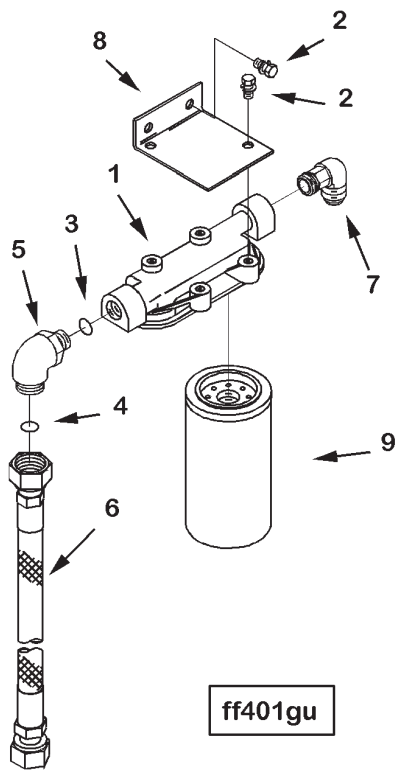


fa401go

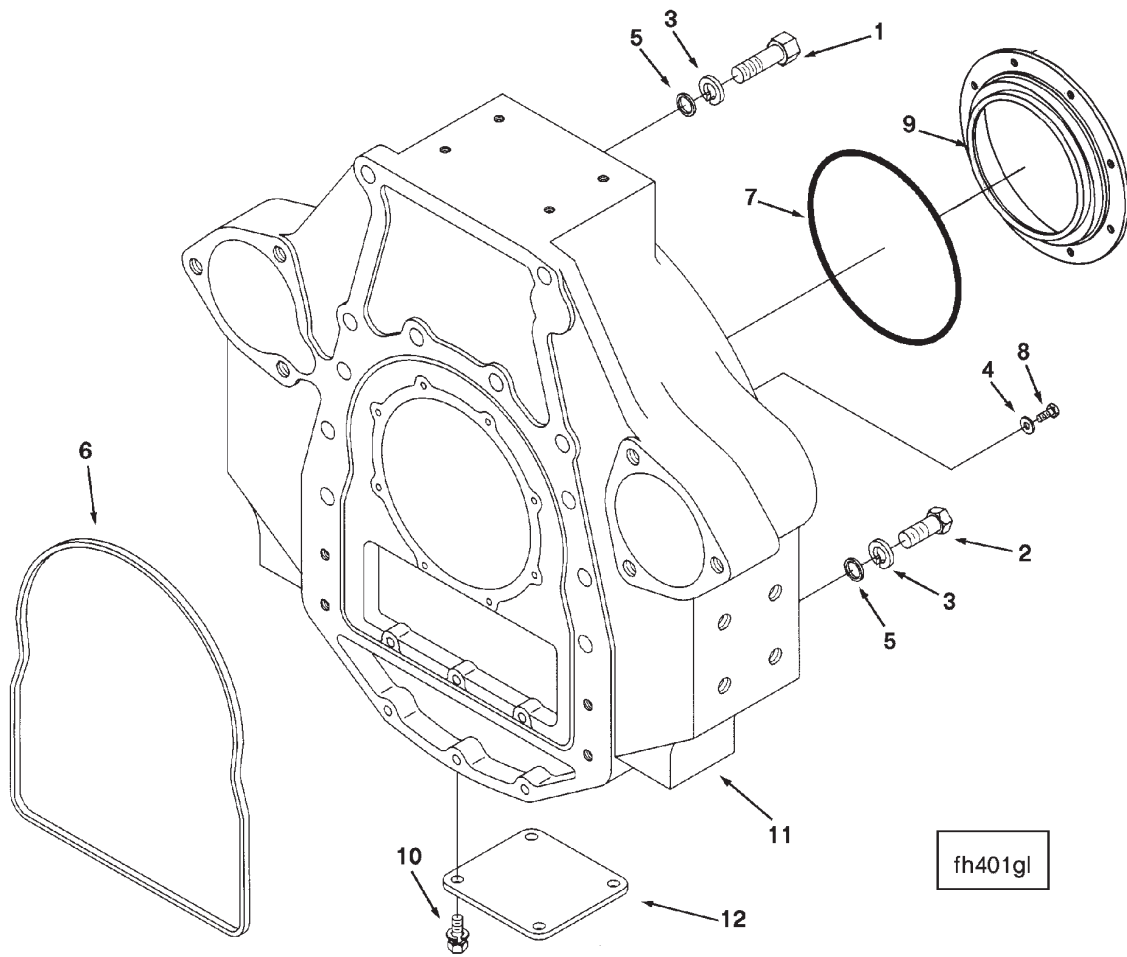
Ref No.	Part Number	Part Name	Req	Remarks
FAN DRIVE OPTION FA4115				
				Drive ,fan alternator bracket mounted: Yes Customer supplied fan drive.
1	S 197	Screw, Hexagon Head Cap	5	3/8 - 16 X 4 1/4 Inch.
2	127362	Washer, Plain	4	3/8 Inch.
3	3010596	Screw, Captive Washer Cap	2	3/8 - 16 X 1 1/4"
4	3010597	Screw, Captive Washer Cap	2	3/8 - 16 X 3 3/4"
5	3041859	Support, Alternator	1	
6	3042329	Washer, Plain	5	3/8 Inch.



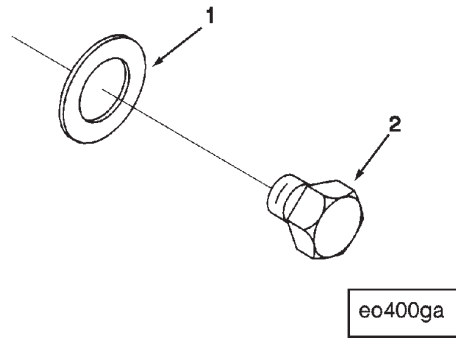
Ref No.	Part Number	Part Name	Req	Remarks
FAN DRIVE MOUNTING OPTION FA4703				
1	S 169 A	Screw, Hexagon Head Cap	3	Fan drive mounting
2	127362	Washer, Plain	6	Fan drive: No Freon compressor mounting: No
3	3201128	Nut, Regular Hexagon	3	No. of alternators: 0 or 1. 3/8 - 16 X 4 1/2 Inch. 3/8 Inch. 3/8 - 16 UNC.



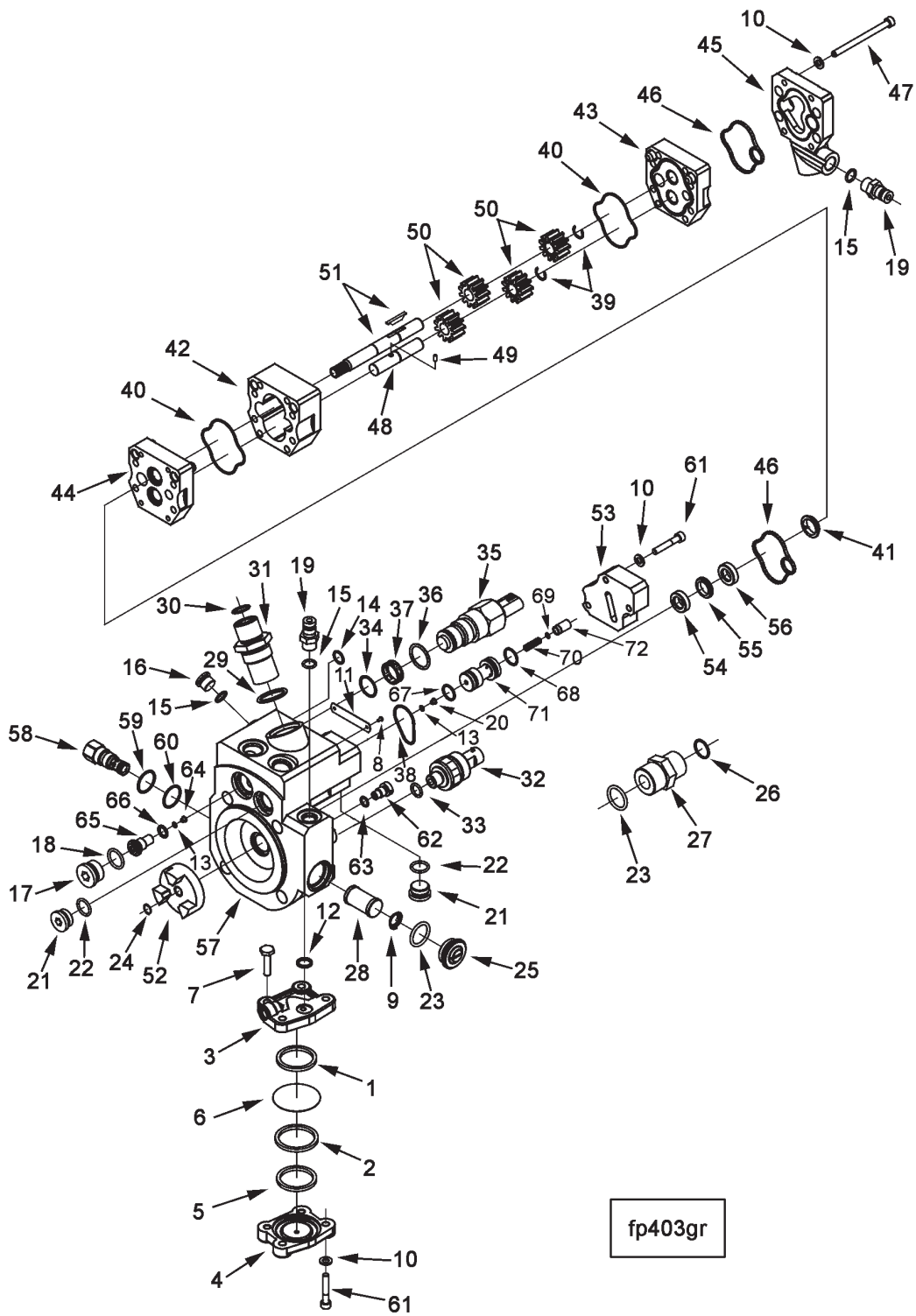
Ref No.	Part Number	Part Name	Req	Remarks
		FUEL FILTER OPTION FF4055		Filter, fuel Element Type: Spin-On Number of elements 2 mounting location: Remote water seperator: Yes line length: 36in (914.4mm) fuel pump inlet fitting orientation: Straight fuel filter inlet fitting description: 37 degree 1 1/16-12-un-2 a Includes disposable bracket for shipment.
1	212013	Head, Fuel Filter	1	
2	3012470	Screw, Captive Washer Cap	4	3/8 - 16 X 3/4"
	3081958	Elbow, Male Union	1	
3	3040817	Seal, O Ring	1	
4	3085709	Seal, O Ring	1	
5	(3085822)	Elbow, Male Union	1	
6	3090055	Hose, Flexible	1	
7	3175846	Elbow, Male Union	1	
8	(3201656)	Bracket, Shipping	1	
9	(3329289)	Separator, Fuel Water		



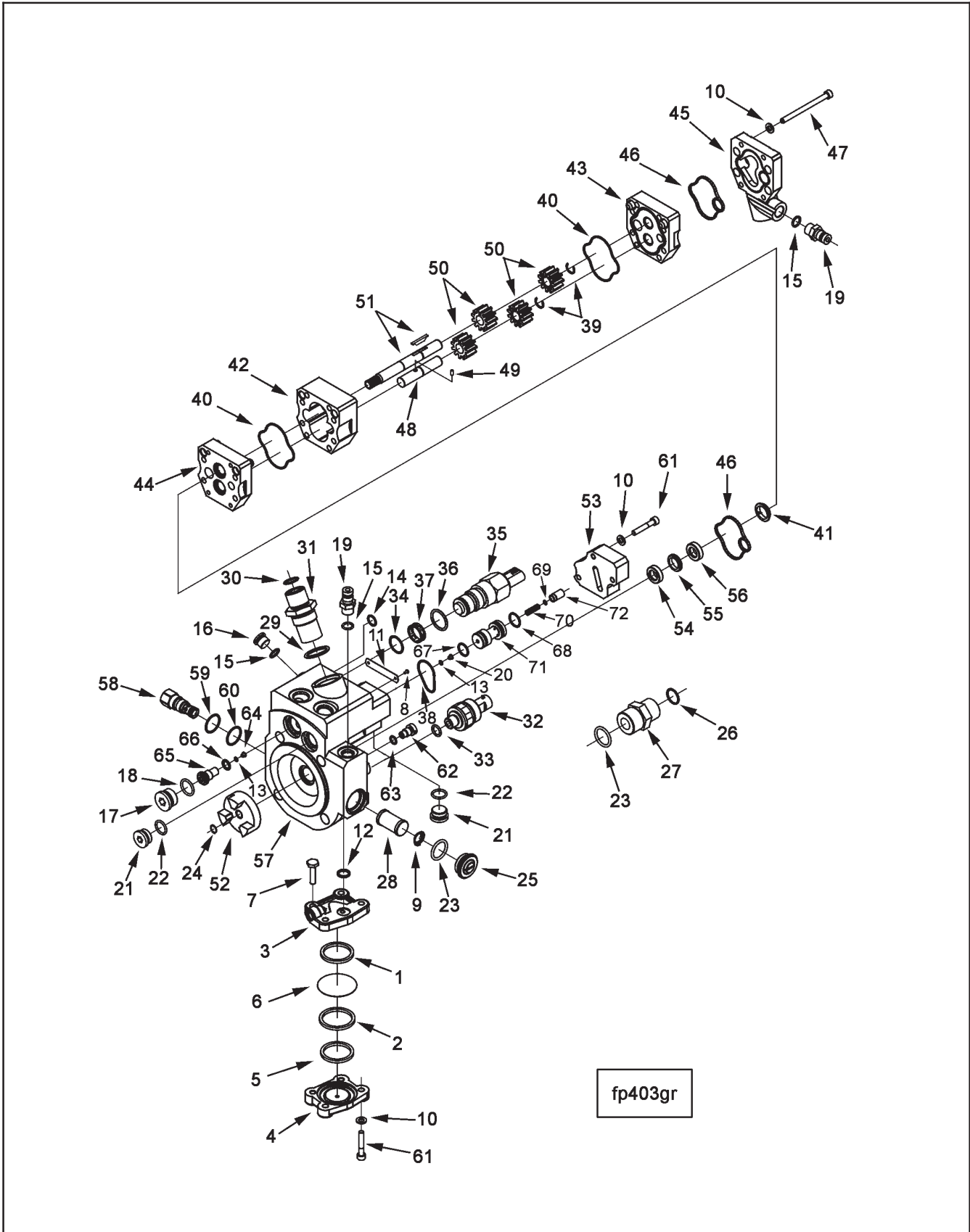
Ref No.	Part Number	Part Name	Req	Remarks
		FLYWHEEL HOUSING OPTION FH4150		Flywheel housing flywheel housing SAE size: 1 clutch type provision: Dry material: Cast Iron starter center distance: 10.85 tachometer sensor mounting hole nomenclature: 3/4 - 16 tachometer sensor mounting hole count: Two tachometer sensor mounting hole location: #1 (RS) #4 (ls) Engine mount type: Pad unique characteristics: Both sides machined for starter mounting.
1	S 103 A	Screw, Hexagon Head Cap	2	5/8 - 11 X 2"
2	S 116	Screw, Hexagon Head Cap	10	5/8 - 11 X 1 1/2 Inch.
3	S 603	Washer, Lock	12	5/8"
4	S 631	Washer, Plain	8	1/4"
5	172648	Seal, Rectangular Ring	12	
6	3096260	Seal, Rectangular Ring	1	
7	205247	Seal, O Ring	1	
8	205409	Screw, Hexagon Head Cap	8	1/4 - 20 X 5/8 Inch.
9	(3096479)	Seal, Oil	1	
10	3010595	Screw, Captive Washer Cap	4	3/8 - 16 X 1"
11	3081794	Housing, Flywheel	1	
12	3201056	Cover, Flywheel Housing	1	



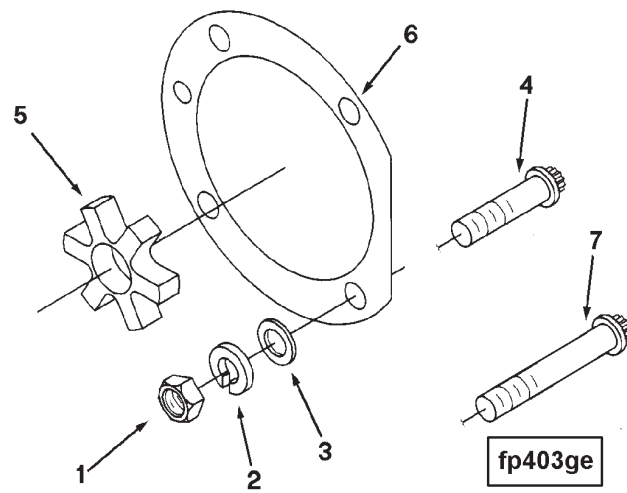
Ref No.	Part Number	Part Name	Req	Remarks
FLYWHEEL HOUSING PLUMBING OPTION FH4756				
1	553856	Gasket, Drain Plug	1	Plumbing, flywheel housing plug size: 3/4-16 plug count: Two.
2	3201759	Screw, Hexagon Head Cap	1	3/4 - 16 X 1/2 Inch.



Ref No.	Part Number	Part Name	Req	Remarks
		FUEL PUMP OPTION FP4428		Pump, fuel manufacturer/model: HPI Governor Type: Electronic magnetic pick-up included: No Check Valves: Yes Direction of rotation gear pump: RH Compact pump: Yes Orientation: Straight down. Recon equivalent 4009905 NX
	4009905	Pump, Fuel	1	
	BM76340	Damper, Fuel Pump	1	
1	100099	Seal, Rectangular Ring	1	
2	139988	Seal, Rectangular Ring	1	
3	153336	Body, Fuel Pump Damper	1	
4	153338	Cover, Fuel Pump Damper	1	
5	160514	Washer, Plain	1	1 11/16 Inch.
6	202897	Diaphragm, Ful Pump Damper	1	
7	3017051	Screw, Captive Washer Cap	2	1/4 - 20 X 1 1/8 Inch.
8	S 2286	Screw, Drive	2	
9	70700	Spring, Compression	1	
10	70704	Washer, Plain	5	1/4 inch
11	105375	Nameplate	1	
12	151900	Seal, Rectangular Ring	1	
13	173086	Gasket, Injector	1	
14	202557	Seal, O Ring	1	
	3037536	Plug, Threaded	1	9/16 - 18 UNF
15	3037537	Seal, O Ring	1	
16	(3040813)	Plug, Threaded	1	
	3040815	Plug, Threaded	1	7/18 - 14 UNF
17	(3040816)	Plug, Threaded	1	
18	3040817	Seal, O Ring	1	
	3042619	Nipple, Coupling	1	
15	3037537	Seal, O Ring	1	
19	3042620	Nipple, Coupling	1	
20	3045035	Plug, Injector Orifice	1	
	3046202	Plug, Threaded	4	3/4 - 16 UNF
21	(3040810)	Plug, Threaded	1	
22	3046201	Seal, O Ring	1	
23	3046943	Seal, O Ring	1	
24	(3080217)	Ring, Retaining	1	
25	3080223	Cap, Fuel Pump Filter	1	
	3081957	Union, Male	1	1 3/16-12 x 1 1/16-12
23	3046943	Seal, O Ring	1	
26	3085709	Seal, O Ring	1	
27	(3085830)	Union, Male	1	
28	3090769	Screen, Filter	1	
	3090992	Valve, Check	1	
29	3035228	Seal, O Ring	1	
30	3076102	Seal, O Ring	1	
31	(3867410)	Valve, Check	1	
	3160538	Sensor, Pressure	1	
32	(3160539)	Sensor, Pressure	1	
33	3330202	Seal, O Ring	1	
	3330600	Actuator, Etr Fuel Control	1	
34	3042542	Seal, O Ring	1	
35	(3331029)	Actuator, Etr Fuel Control	1	
36	3865398	Seal, O Ring	1	
37	3867393	Screen, Filter	1	

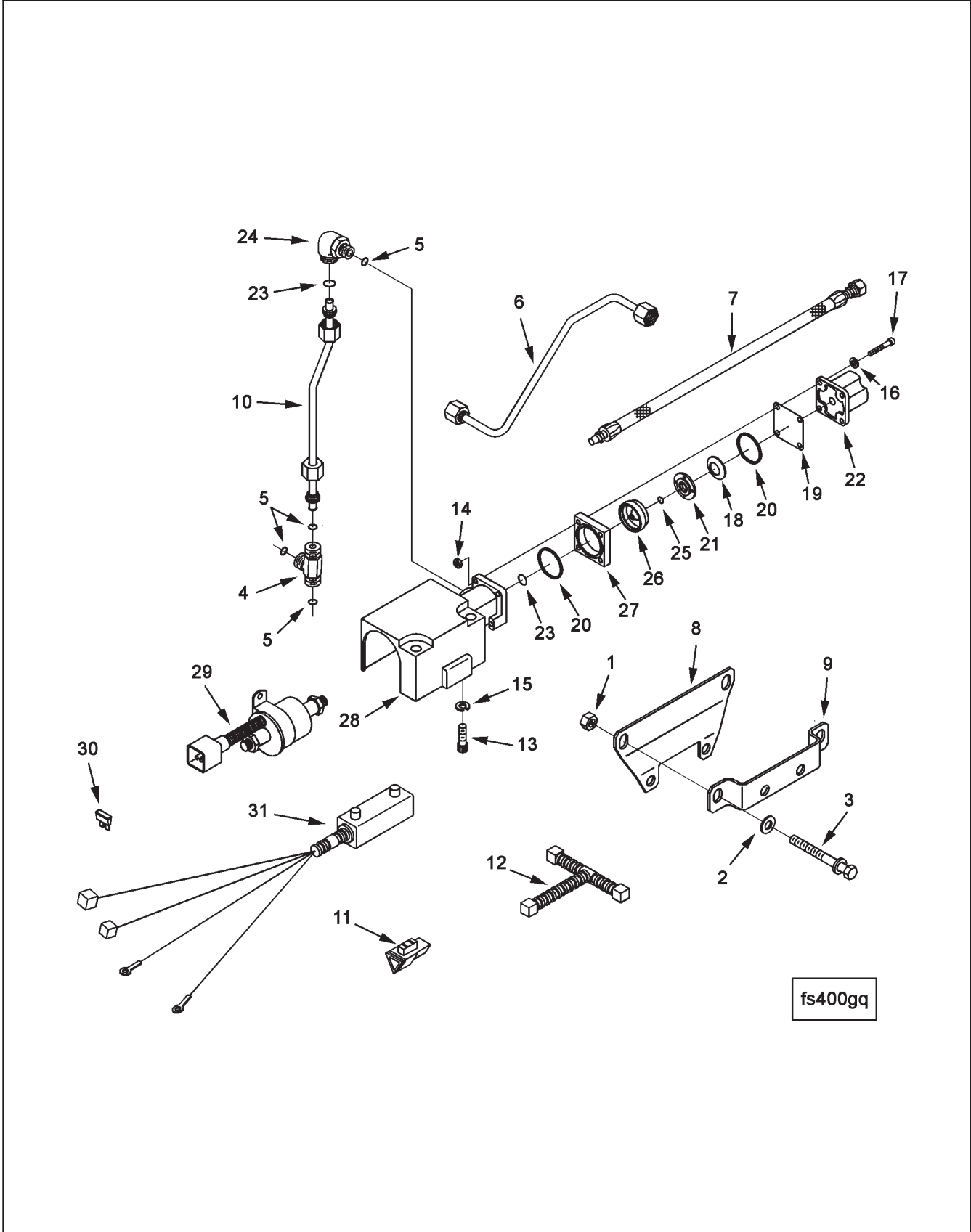


Ref No.	Part Number	Part Name	Req	Remarks
38	3347938	Seal, O Ring	1	
	(3348498)	Pump, Gear Fuel	1	
10	70704	Washer, Plain	4	1/4 inch
15	3037537	Seal, O Ring	1	
19	3042620	Nipple, Coupling	1	
39	(3080195)	Ring, Retaining	2	
40	(3330764)	Seal, O Ring	2	
41	(3347806)	Dowel, Ring	1	
42	(3348054)	Housing, Fuel Pump Gear	1	
43	(3348338)	Cover, Fuel Pump Gear	1	
44	(3348378)	Cover, Fuel Pump Gear	1	
45	(3348499)	Adapter, Fuel Connector	1	
46	3348618	Seal, Diamond Ring	1	
47	3348739	Screw, Socket Head Cap	4	
48	(3417162)	Shaft, Idler	1	
49	3867124	Pin, Straight	1	
50	(3867578)	Gear, Fuel Pumping	4	
51	(4001717)	Shaft, Fuel Pump Drive	1	
52	(3348500)	Hub, Jaw Coupling	1	
53	(3348501)	Plate, Cover	1	
	(3348503)	Support, Fuel Pump	1	
54	(3071643)	Seal, Oil	1	
	3803477	Kit, Oil Seal	1	
55	3074316	Spacer, Seal	1	
56	(3084713)	Seal, Oil	1	
57	(3330549)	Support, Fuel Pump	1	
	3348550	Valve, Pressure Regulator	1	
58	(3348549)	Valve, Pressure Regulator	1	
59	3348703	Seal, O Ring	1	
60	3867640	Seal, O Ring	1	
46	3348618	Seal, Diamond Ring	1	
47	3348739	Screw, Socket Head Cap	4	
61	3417104	Screw, Socket Head Cap	5	
	3417166	Valve, Check	1	
62	(3417165)	Valve, Check	1	
63	3678925	Seal, O Ring	1	M10 X 1.00
	3867737	Valve, Pressure Relief	1	
13	173086	Gasket, Injector	1	
64	3045012	Plug, Injector Orifice	1	
65	(3329676)	Valve, Pressure Relief	1	
66	3417238	Seal, O Ring	1	
	(4001749)	Valve, Pressure Regulator	1	
67	3045986	Seal, O Ring	1	
68	3066914	Seal, O Ring	1	
69	3071719	Shim	1	
70	(3867668)	Spring, Valve	1	
71	(4001750)	Barrel, Control Valve	1	
72	(4001751)	Plunger, Fuel Pressure Regulator	1	

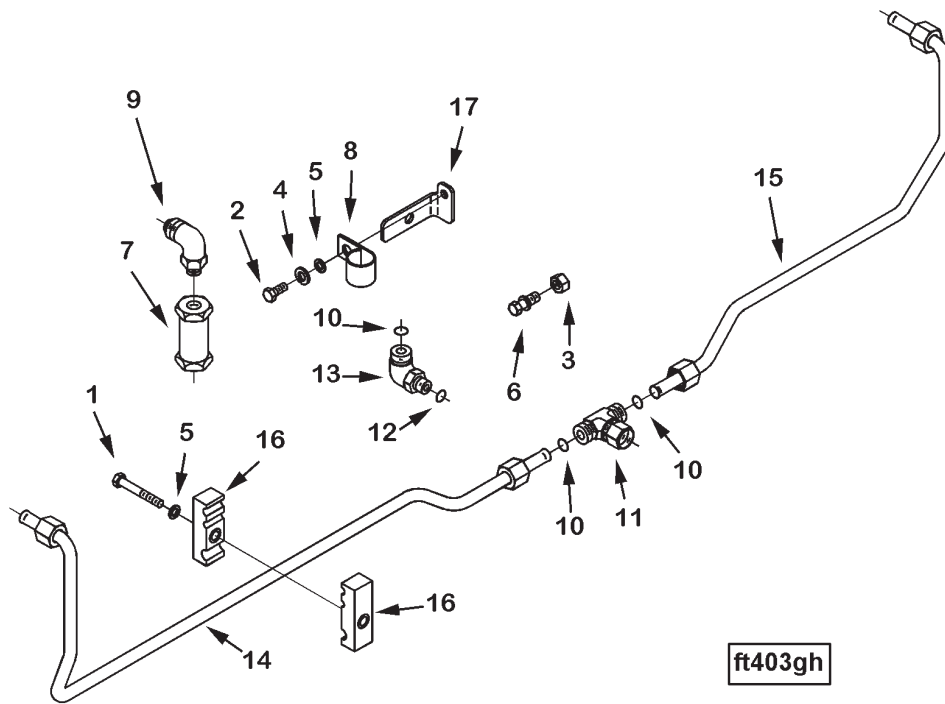


Ref No.	Part Number	Part Name	Req	Remarks
FUEL PUMP COUPLING OPTION FP4430				
				Fuel pump coupling
				Fuel Pump Type: Compact air compressor:
				No.
1	S 217	Nut, Heavy Hexagon	4	7/16 - 14 UNC.
2	S 610	Washer, Lock	4	7/16"
3	69324	Washer, Plain	8	3/8 Inch.
4	206328	Screw, Twelve Point Cap	2	7/16 - 14 X 1 3/4 Inch.
5	3046200	Spider, Jaw Coupling	1	
6	3069103	Gasket, Fuel Pump	1	
7	205643	Screw, Twelve Point Cap	2	7/16 - 14 X 2 3/4 Inch.

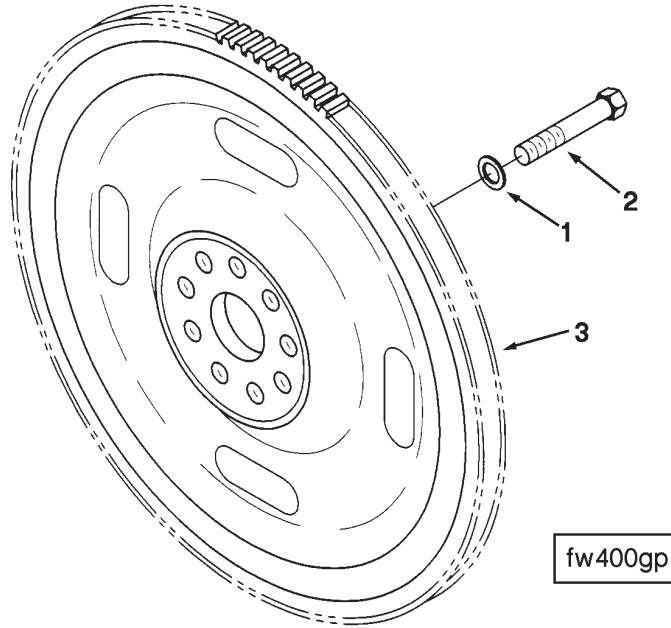
Ref No.	Part Number	Part Name	Req	Remarks
		<p style="text-align: center;">FUEL RATING OPTION FR4371</p>		<p>Fuel rating rated power: 0650 BHP at 2100 RPM</p> <p>Peak torque: 2275 FT LB at 1300 RPM</p> <p>Governed Power: 0650 BHP At 2100 RPM</p> <p>CPL: 2559</p> <p>Certified By: None cal restr: Msha, canmet</p> <p>Power Rating: N/A</p> <p>Engine Control System: HPI</p> <p>Application: Nonroad cert level: Tier 1</p> <p>Certification Agent: Msha, Camnet.</p>



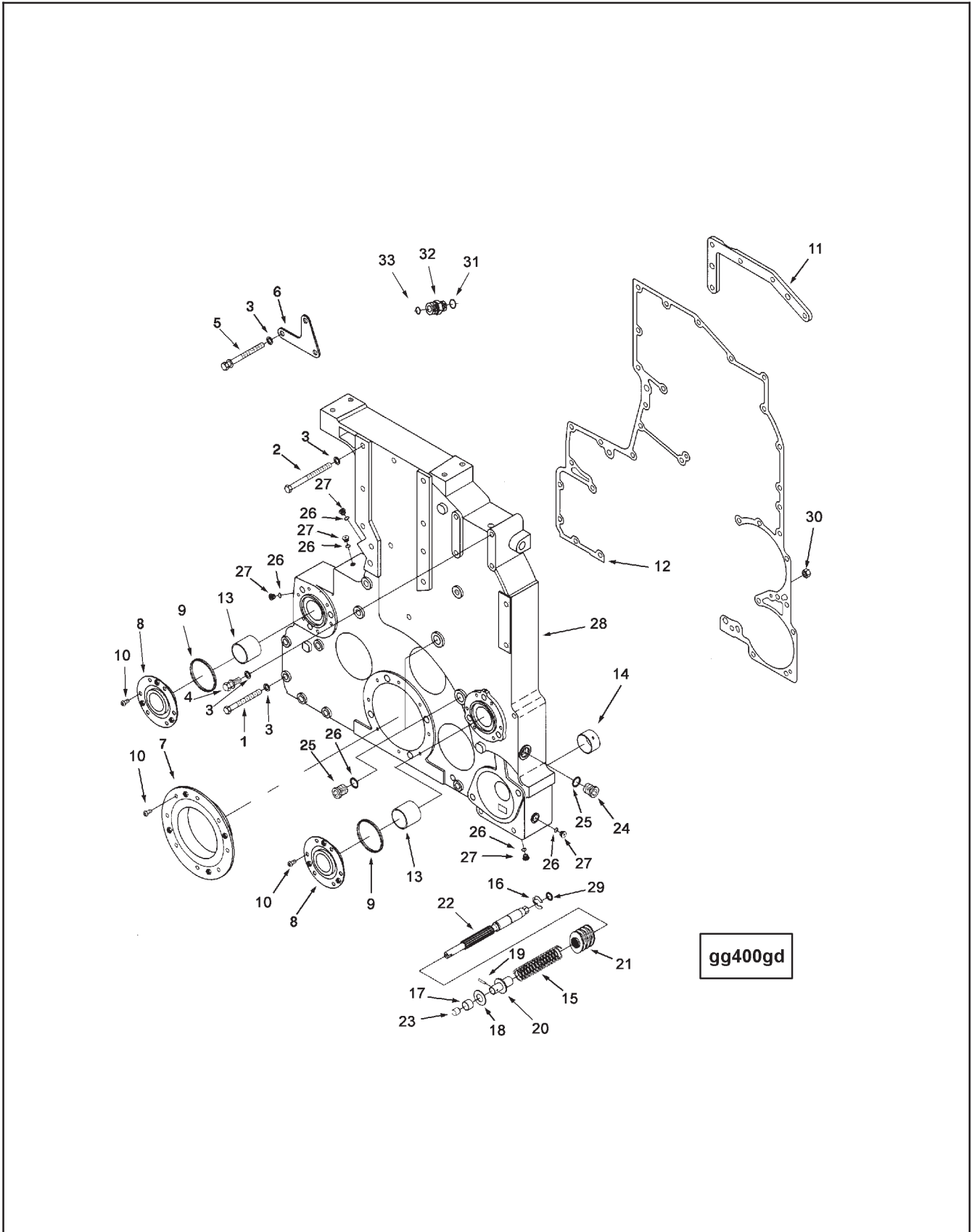
Ref No.	Part Number	Part Name	Req	Remarks
		FUEL SYSTEM ACCESSORIES		
		OPTION FS4038		Accessories, fuel system mounting location: Side- front, intake manifold
				Engine: Qsk19 C Consists Of: Hot Start Knock
	4001977	Kit, Hot Start Knock	1	
1	S 223	Nut, Heavy Hexagon	2	3/8 - 16 UNC
2	S 602	Washer, Plain	2	3/8"
3	3078053	Screw, Captive Washer Cap	2	3/8 - 16 x 3 1/2 inch.
	3081981	Tee, Male Union	1	
4	(3085847)	Tee, Male Union	1	
5	3922794	Seal, O Ring	3	
6	3348639	Tube, Fuel Supply	1	
7	4001985	Hose, Flexible	1	
8	4001988	Bracket, Module	1	
9	4001989	Bracket, Module	1	
10	4009250	Tube, Fuel Supply	1	
11	4010526	Connector, Electrical	1	
12	4010528	Harness, Wiring	1	
	(4080861)	Kit, Hot Start Knock	1	
13	S 150 B	Screw, Socket Head Cap	1	5/16 - 18 X 1 Inch.
14	S 257	Nut, Regular Hexagon	2	#10 - 32 UNF.
15	S 605	Washer, Lock	1	5/16"
16	S 607	Washer, Lock	6	#10.
17	118226	Screw, Socket Head Cap	4	#10 - 24 X 1 1/4 Inch.
18	129768	Spring, Valve	1	
19	129839	Shield, Shutoff Valve	1	
20	129888	Seal, Rectangular Ring	2	
21	196057	Disc, Valve	1	
22	3021420	Solenoid	1	
23	3037537	Seal, O Ring	1	
	3081951	Elbow, Male Union	1	
23	3037537	Seal, O Ring	1	
24	(3085821)	Elbow, Male Union	1	
5	3922794	Seal, O Ring	1	
25	131026	Seal, O Ring	1	
26	4088274	Disc, Actuator	1	
27	4088863	Housing, Actuator	1	
28	4001978	Body, Shutoff Valve	1	
29	4001979	Pump, Fuel	1	
	4010509	Module, Aut Stg Control	1	
30	3348642	Fuse	1	
31	(4010510)	Module, Aut Stg Control	1	



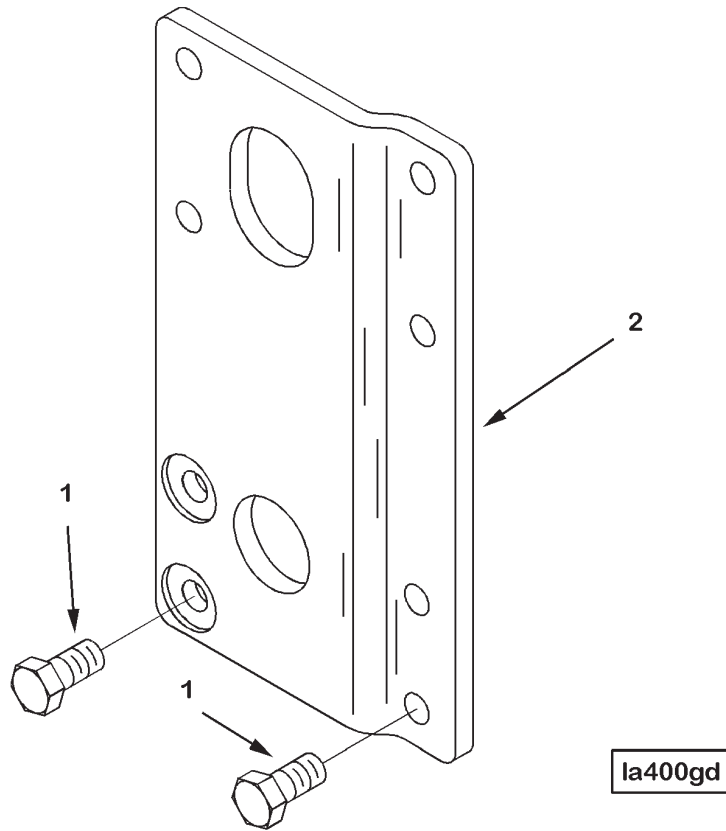
Ref No.	Part Number	Part Name	Req	Remarks
		FUEL PLUMBING OPTION FT40057		Plumbing, fuel Fuel Drain Outlet Elbow: #12 Fuel Pump Type: HPI type air compressor: Cummins single cylinder or no air compressor drain location used: DL4005 Drain Position: Vertical from crank centerline: 17.570inches from rear face of block: 16.033inches from engine centerline: 14.320inches hot start knock provision: No Unique Characteristics: With Check Valves ECM location: Forward location (front).
1	S 103	Screw, Hexagon Head Cap	6	5/16 - 10 - 2 1/4 inch
2	S 107	Screw, Hexagon Head Cap	1	5/16 - 18 X 3/4 Inch.
3	S 223	Nut, Heavy Hexagon	1	3/8 - 16 UNC
4	S 602	Washer, Plain	1	3/8"
5	127184	Washer, Plain	7	1/4 Inch.
6	3064321	Screw, Captive Washer Cap	1	3/8 - 16 X 7/8 Inch.
7	3028324	Valve, Check	1	
8	3048292	Clip	1	
9	3096470	Elbow, Male Union	1	
	3085702	Tee, Male Branch	1	
10	202557	Seal, O Ring	2	
11	(3085849)	Tee, Male Branch	1	
	3085769	Elbow, Male Union	1	
10	202557	Seal, O Ring	1	
12	3037537	Seal, O Ring	1	
13	(3085861)	Elbow, Male Union	1	
14	3086068	Tube, Fuel Drain	1	
15	3086070	Tube, Fuel Drain	1	
16	3086072	Clamp, Tube	12	
17	3090184	Bracket, Check Valve	1	



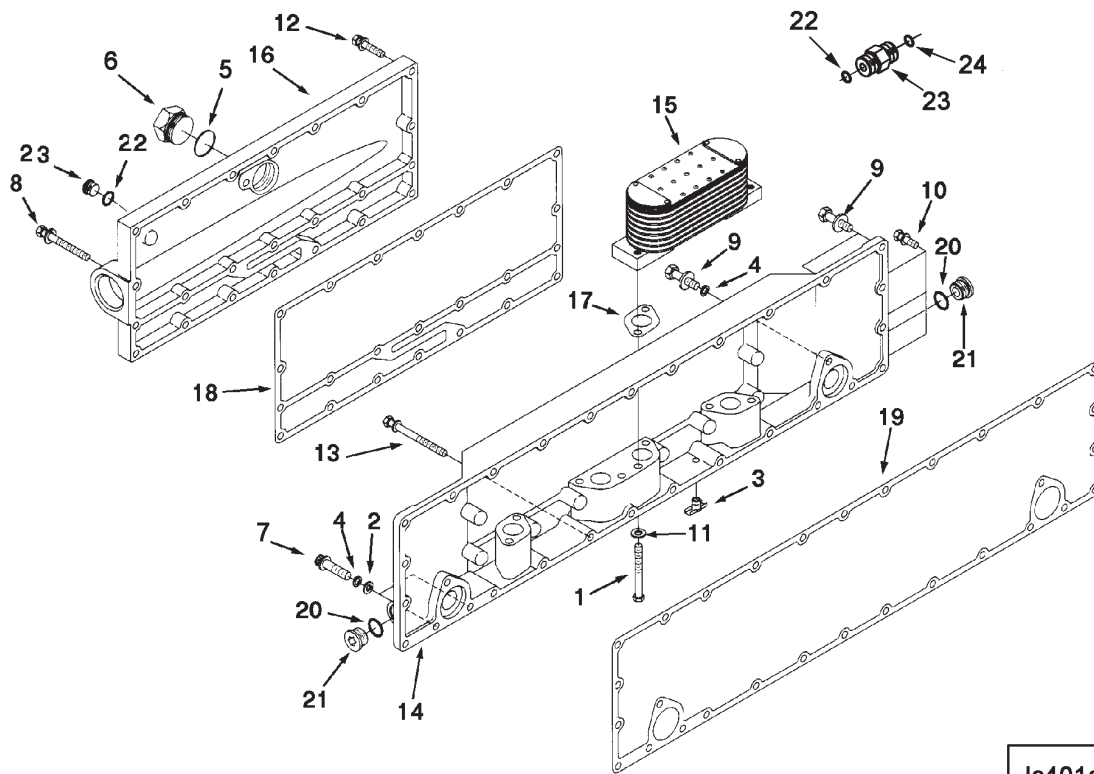
Ref No.	Part Number	Part Name	Req	Remarks
		FLYWHEEL OPTION FW4125		Flywheel SAE#1 flywheel for use with SAE # 1 flywheel housing and 14 inch over center clutch. For twin disc f-10,000 or f-11,500 series converters with dry application. For twin disc type 8 1600, 1700 and 1800 series converters with wet application in the 2000 and 2600 remote mounted transmissions. Heavy wall flywheel housing required if direct mounted. For capitol models HYH-7700 and HYH-2800 marine gears. Includes starter ring gear for right hand engine rotation.
1	200861	Washer, Plain	9	5/8 Inch.
2	207388	Screw, Head Locking	9	5/8 - 18 X 3 1/2 Inch.
3	3090797	Flywheel	1	
	4851	Gear, Flywheel Ring	1	



Ref No.	Part Number	Part Name	Req	Remarks
		FRONT GEAR COVER		
		OPTION GG4702		Cover, gear.
1	S 105	Screw, Hexagon Head Cap	8	3/8 - 16 X 3 1/2 Inch.
2	S 169 A	Screw, Hexagon Head Cap	2	3/8 - 16 x 4 1/2 inch
3	127362	Washer, Plain	14	3/8 Inch.
4	3010596	Screw, Captive Washer Cap	3	3/8 - 16 X 1 1/4"
5	3042890	Screw, Captive Washer Cap	3	3/8 - 16 X 4 Inch.
6	3085743	Brace, Tube	1	
7	(3096478)	Seal, Oil	1	
8	(3096480)	Seal, Oil	1	
9	3086120	Seal, O Ring	1	
10	3086121	Screw, Round Head Cap	14	
11	3086291	Plate, Clamping	1	
12	3086292	Gasket, Gear Cover	1	
13	132770	Bushing	2	
14	205133	Bushing	1	
15	3009620	Spring, Compression	1	
16	3015525	Ring, Retaining	1	
	3018914	Guide, Barring Shaft	1	
17	3018909	Bushing	1	
18	(3018910)	Bearing, Thrust	1	
19	(3018911)	Pin, Roll	1	
20	3019154	Guide, Barring Shaft	1	
21	3019152	Gear, Engine Barring	1	
22	3019153	Shaft, Barring	1	
23	3059831	Plug, Drive	1	
	(3090327)	Cover, Gear	1	
	3046202	Plug, Threaded	3	3/4 - 16 UNF
24	3040810	Plug, Threaded	1	
25	3046201	Seal, O Ring	1	
	3066325	Plug, Threaded	5	3/8 - 24 UNF
26	3034412	Seal, O Ring	1	
27	(3066324)	Plug, Threaded	1	
28	(3090326)	Cover, Gear	1	
29	3201125	Seal, O Ring	1	
30	3201128	Nut, Regular Hexagon	1	3/8 - 16 UNC.
	3081950	Union, Male	1	
31	3037537	Seal, O Ring	1	
32	(3085824)	Union, Male	1	
33	3922794	Seal, O Ring	1	

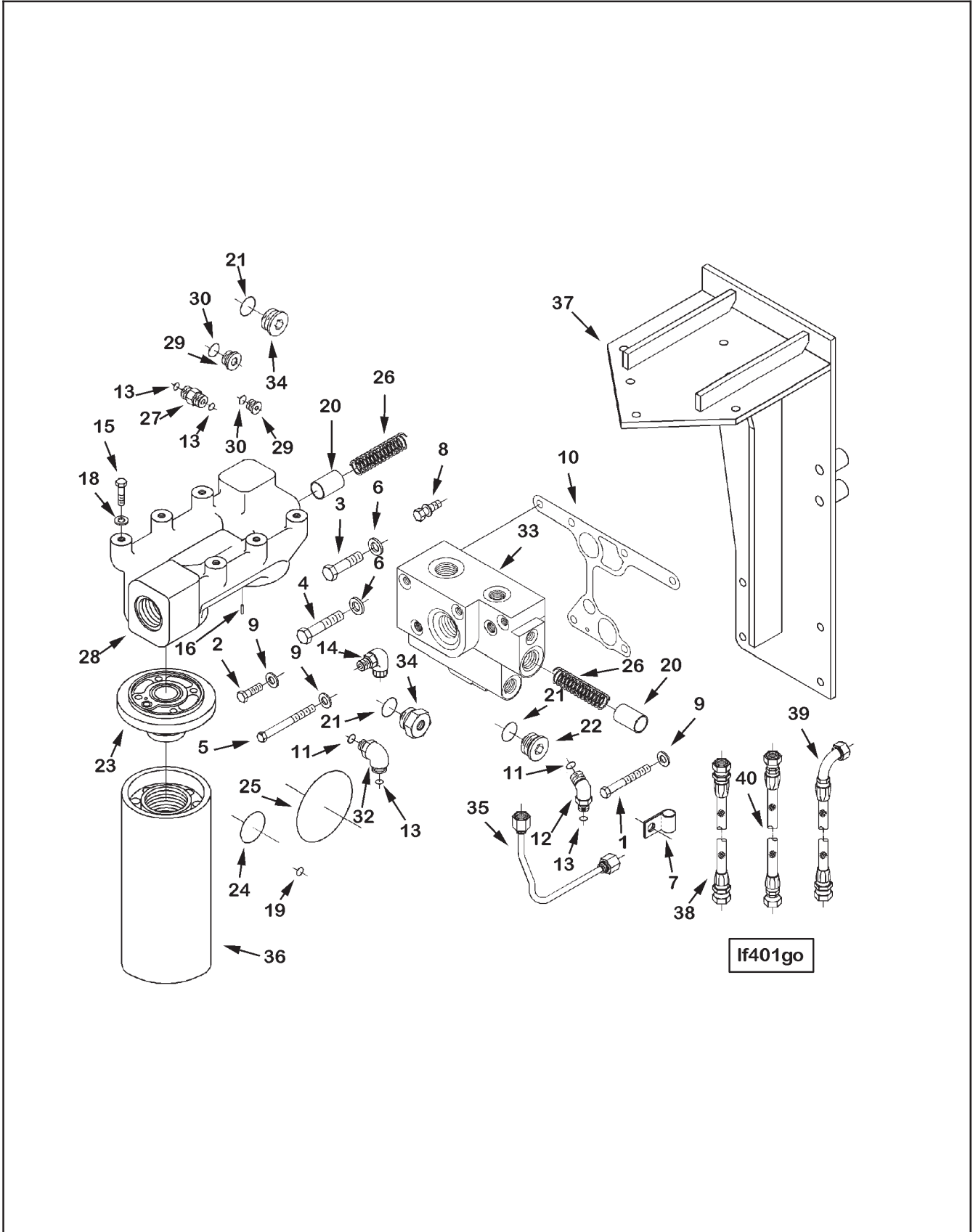


Ref No.	Part Number	Part Name	Req	Remarks
1 2	3052061 3090251	<p style="text-align: center;">LIFTING BRACKET OPTION LA4003</p> <p>Screw, Hexagon Head Cap Bracket, Lifting</p>	8 2	<p>Arrangement, lifting mounting locations: Front: #1 rocker housing. Rear: #5 rocker housing. Quantity of brackets: 2 Maximum weight limitation of arrangement: Always use an engine lifting fixture to ensure vertical lifting. Bracket bolt pattern: 4 bolt</p> <p>1/2 - 13 X 1"</p>

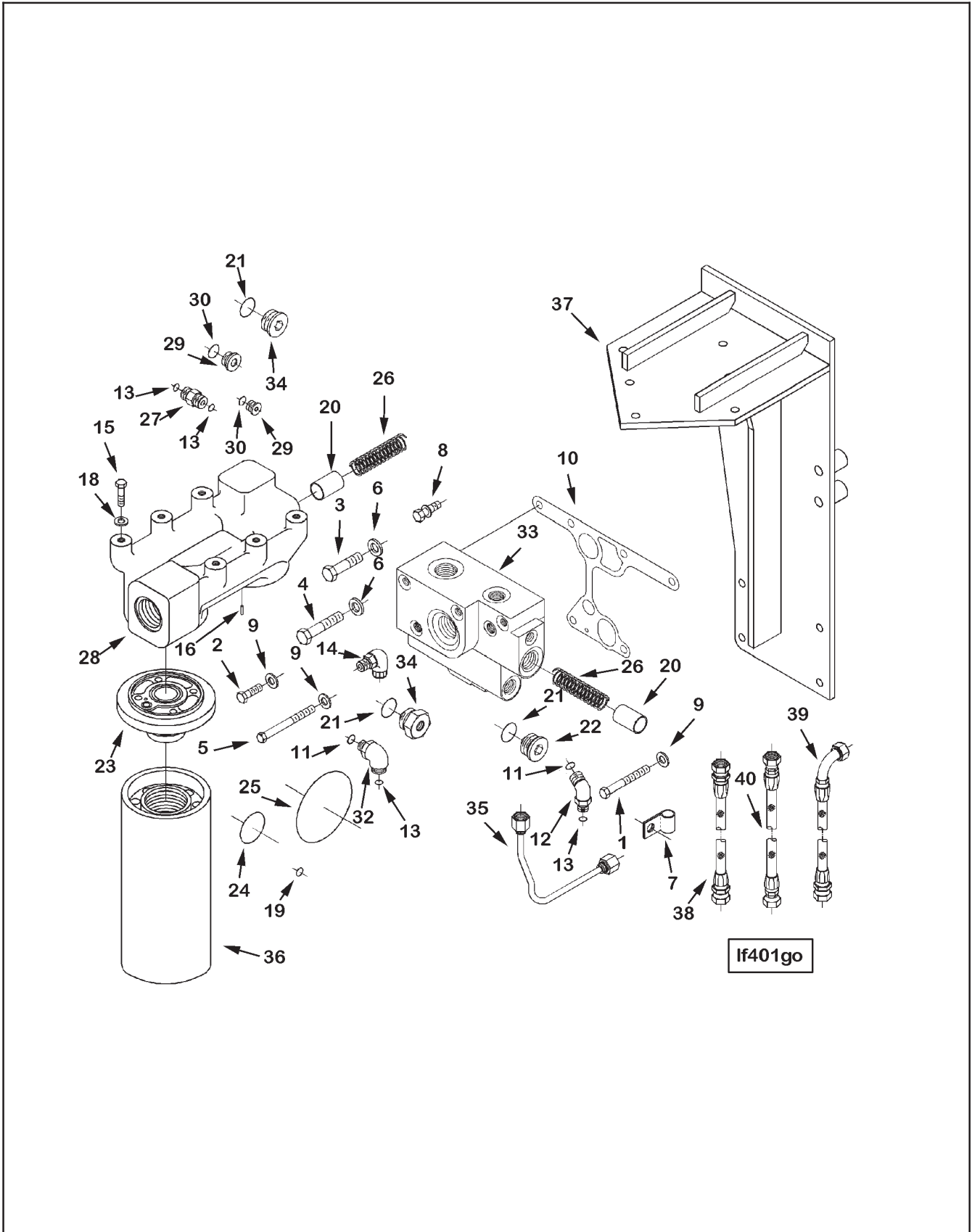


lc401gx

Ref No.	Part Number	Part Name	Req	Remarks
		ENGINE OIL COOLER OPTION LC4701		Cooler, engine oil type: Plate and fin mounting location: Right side (exhaust side) pressure relief valve: No oil flow control thermostat: No Torque Converter: None Unique Characteristics:.
1	S 116 A	Screw, Hexagon Head Cap	8	3/8 - 24 X 3 1/2 Inch.
2	S 604	Washer, Lock	4	3/8"
3	S 923 E	Draincock	1	
4	127362	Washer, Plain	6	3/8 Inch.
	3200781	Plug, Drain	1	
5	145540	Seal, O Ring	1	
6	206256	Plug, Threaded	1	1 3/4 - 18 UNS.
7	205275	Screw, Twelve Point Cap	4	3/8 - 16 X 1 3/4 Inch.
8	3012478	Screw, Captive Washer Cap	2	3/8 - 16 X 3 1/2 Inch.
9	3033038	Screw, Captive Washer Cap	2	3/8 - 16 X 1 5/8"
10	3040838	Screw, Captive Washer Cap	10	3/8 - 16 X 1 1/4"
11	3042329	Washer, Plain	8	3/8 Inch.
12	3042889	Screw, Captive Washer Cap	7	3/8 - 16 X 1 7/8 Inch.
13	3042890	Screw, Captive Washer Cap	14	3/8 - 16 X 4 Inch.
14	3085955	Housing, Oil Cooler	1	
15	3331667	Core, Cooler	2	
16	3090241	Cover, Lub Oil Cooler	1	
17	206973	Gasket, Oil Cooler Core	4	
18	3065791	Gasket, Tor Cnv Oil Cooler	1	
19	3065790	Gasket, Lub Oil Clr Hsg	1	
	3202101	Plug, Threaded	2	1 1/16 - 12 un.
20	3046943	Seal, O Ring	2	
21	(3050897)	Plug, Threaded	2	
	3037536	Plug, Threaded	1	9/16 - 18 UNF.
22	3037537	Seal, O Ring	1	
23	(3040813)	Plug, Threaded	1	
	3081950	Union, Male	1	
22	3037537	Seal, O Ring	1	
24	(3085824)	Union, Male	1	
25	3922794	Seal, O Ring	1	

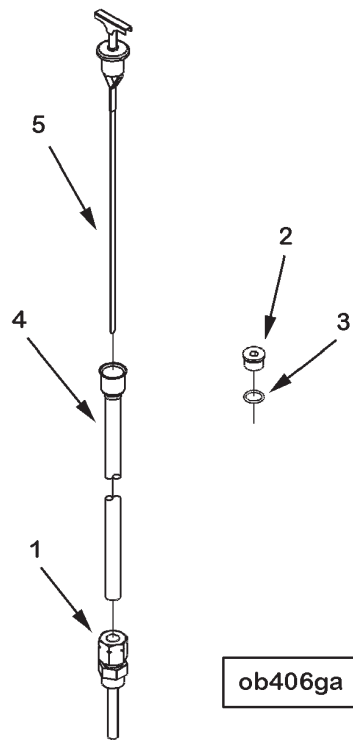


Ref No.	Part Number	Part Name	Req	Remarks
		FULL FLOW OIL FILTER OPTION LF4026		Option Note: Filter Full Flow Dual spin-on lube oil filter for use with LF3000 combo filters. Remote mounted high to rear of engine. Plumbing from fuel pump side (left side).
1	S 102 D	Screw, Hexagon Head Cap	1	3/8 - 16 X 3 Inch.
2	S 103 D	Screw, Hexagon Head Cap	2	3/8 - 16 X 1 1/4"
3	S 125	Screw, Hexagon Head Cap	2	1/2 - 13 X 2"
4	S 150	Screw, Hexagon Head Cap	2	1/2 - 13 X 2 1/2 Inch.
5	S 199 B	Screw, Hexagon Head Cap	2	3/8 - 16 3 3/4 Inch.
6	S 601	Washer, Plain	4	1/2 Inch.
7	3009101	Clip	1	
8	3040838	Screw, Captive Washer Cap	10	3/8 - 16 X 1 1/4"
9	3042329	Washer, Plain	5	3/8 Inch.
10	4000436	Gasket, Lub Oil Fil Cover	1	
	3086051	Elbow, Male Union	1	
11	3037537	Seal, O Ring	1	
12	3086052	Elbow, Male Union	1	
13	3922794	Seal, O Ring	1	
	3090447	Elbow, Female Adapter	1	
11	3037537	Seal, O Ring	1	
14	(3090440)	Elbow, Plain Union	1	
	3090238	Nut, Hose	2	
15	S 119	Screw, Hexagon Head Cap	8	5/16 - 18 X 1 1/4 Inch.
16	3028252	Pin, Roll	2	
	3037536	Plug, Threaded	1	9/16 - 18 UNF
11	3037537	Seal, O Ring	1	
17	(3040813)	Plug, Threaded	1	9/16 - 18 UNF
18	3042328	Washer, Plain	8	1/4 Inch.
19	3066938	Seal, O Ring	2	
20	3081507	Plunger, Filter Head	2	
	3081574	Plug, Threaded	1	
21	3035228	Seal, O Ring	1	
22	(3081558)	Plug, Threaded	1	
23	3090064	Adapter, Filter Head	2	
24	3090126	Seal, O Ring	2	
25	3090127	Seal, O Ring	2	
26	3090441	Spring, Valve	2	
	3090451	Valve, Check	1	
27	3090478	Valve, Check	1	
13	3922794	Seal, O Ring	2	
28	3096383	Head, Lub Oil Filter	1	
	3037536	Plug, Threaded	4	9/16 - 18 UNF
29	3037537	Seal, O Ring	1	
17	(3040813)	Plug, Threaded	1	
	3040815	Plug, Threaded	2	7/18 - 14 UNF.
29	(3040816)	Plug, Threaded	1	
30	3040817	Seal, O Ring	1	
	3040818	Plug, Threaded	1	1 3/16 - 12 un.
21	3035228	Seal, O Ring	1	
31	3040819	Plug, Threaded	1	
	3081951	Elbow, Male Union	2	
11	3037537	Seal, O Ring	2	
21	(3085821)	Elbow, Male Union	2	
13	3922794	Seal, O Ring	2	
33	3096385	Connection, Oil Transfer	1	
	3096388	Plug, Threaded	1	
21	3035228	Seal, O Ring	1	

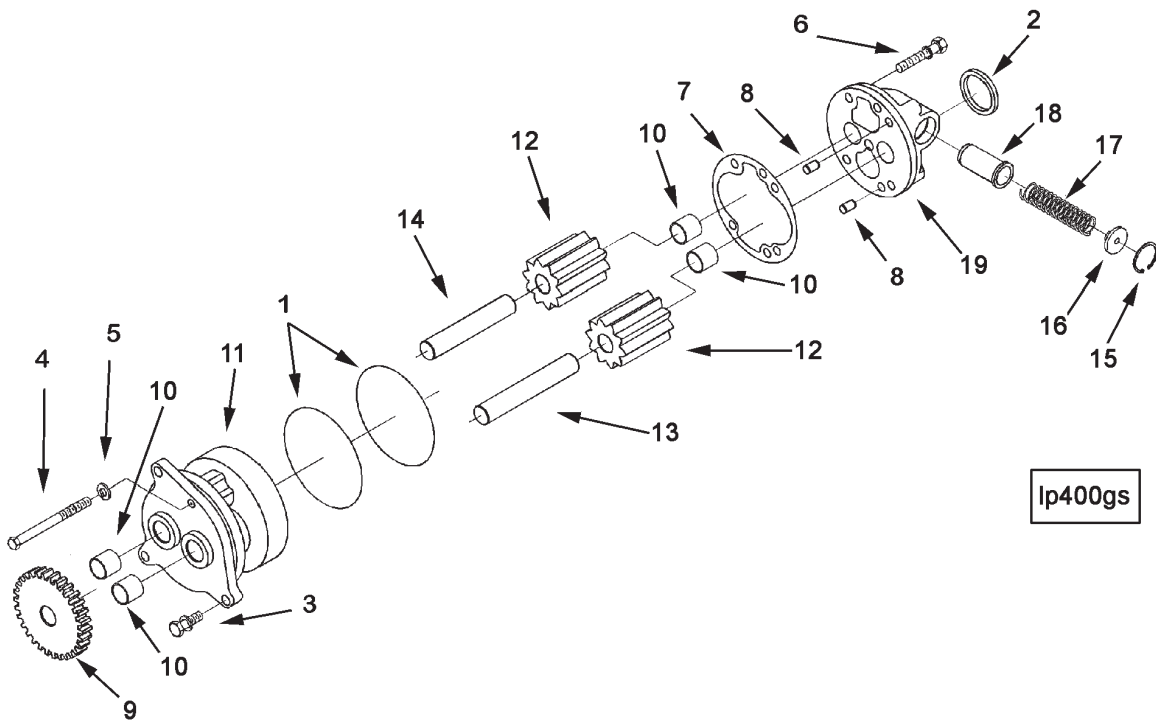


Ref No.	Part Number	Part Name	Req	Remarks
34	3096389	Plug, Threaded	1	
35	3096390	Tube, Vent	1	
36	3318853	Element, Lub Oil Filter	2	

Ref No.	Part Number	Part Name	Req	Remarks
		<p align="center">OIL LEVEL GAUGE LOCATION OPTION LG4167</p>		<p>Oil level gauge location Dipstick Count: One Dipstick Location: Right Side - Oil Pan Adapter boss Dipstick And Tube Length (mm): 358 (14.09in) Dipstick And Tube Horizontal Distance (mm): 395.0 (15.55in) Dipstick And Tube Vertical Distance (mm): 168.7 (6.64in) Dipstick And Tube Depth (mm): 996.9 (39.25in) Power Angle: 0 Degrees Tilt Angle: 0 Degrees.</p>

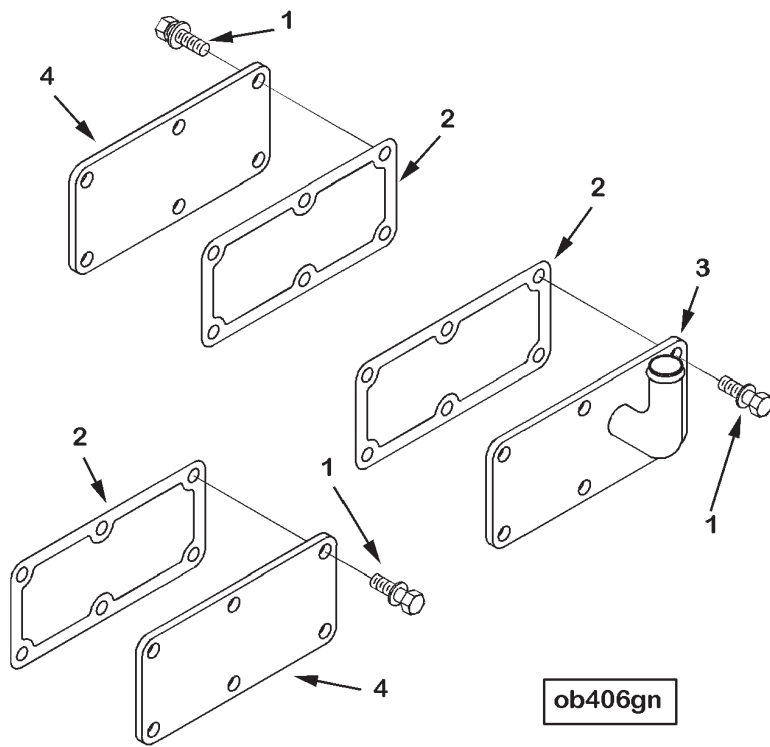


Ref No.	Part Number	Part Name	Req	Remarks
		OIL LEVEL GAUGE OPTION LG4786		Gauge, oil level Dipstick Location: Right Side- Oil Pan Adapter boss Dipstick And Tube Length (mm): 358 (14.09in) Dipstick And Tube Horizontal Distance (mm): 395.0 (15.55in) Dipstick And Tube Vertical Distance (mm): 168.7 (6.64in) Dipstick And Tube Depth (mm): 996.9 (39.25in) sump location: Shallow center rear (OP4053) shallow rear (OP4052) Power Angle: 0 Degrees power tilt: 0 degrees Rear Gear Drive: No.
1	3000508	Tube, Oil Gauge	1	
	3046202	Plug, Threaded	2	3/4 - 16 UNF
2	(3040810)	Plug, Threaded	1	
3	3046201	Seal, O Ring	1	
4	3064810	Tube, Oil Gauge	1	
5	216484	Dipstick	1	

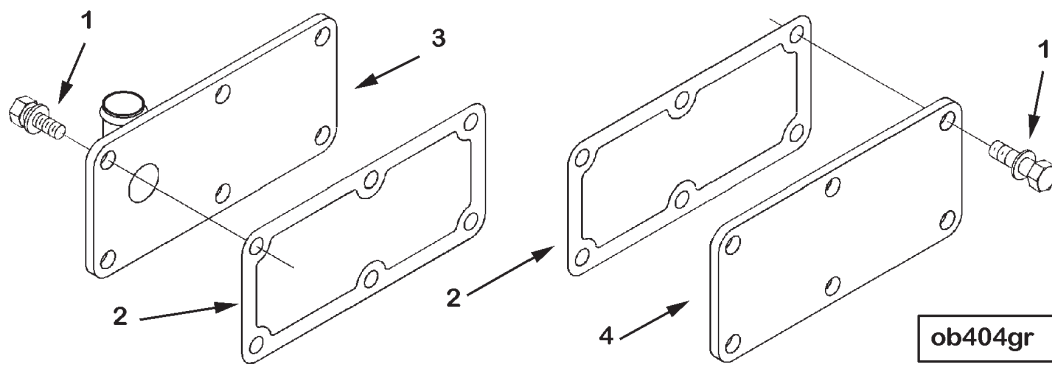


lp400gs

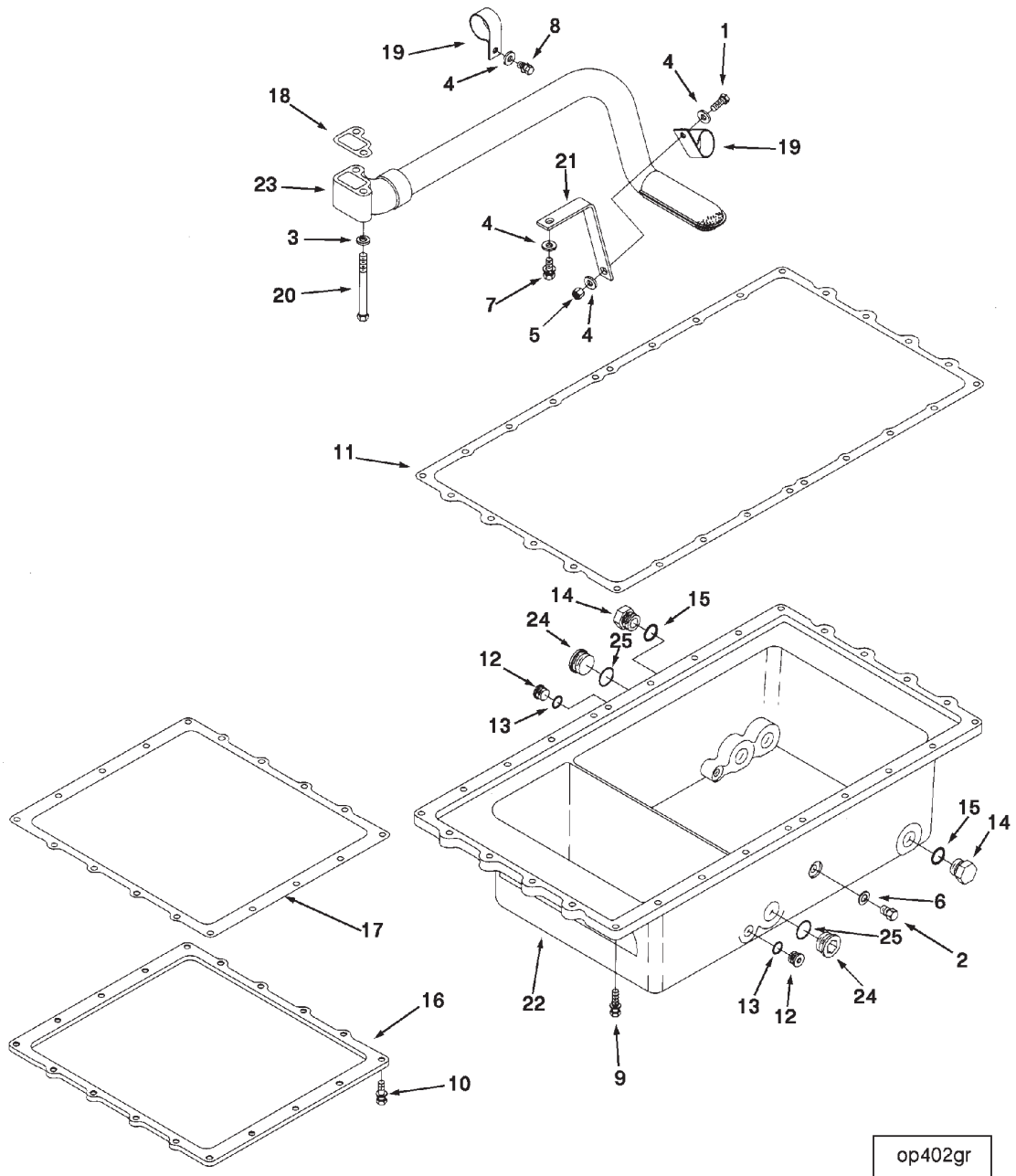
Ref No.	Part Number	Part Name	Req	Remarks
		LUBE OIL PUMP		
		OPTION LP4701		
				Lub oil pump for the Quantum engine.
1	205898	Seal, O Ring	2	
2	207135	Seal, Rectangular Ring	1	
3	3010596	Screw, Captive Washer Cap	3	3/8 - 16 X 1 1/4"
	3096326	Pump, Lubricating Oil	1	Recon equivalent 3096326 RX
4	S 197	Screw, Hexagon Head Cap	1	3/8 - 16 X 4 1/4 Inch.
5	S 604	Washer, Lock	1	3/8"
6	3012475	Screw, Captive Washer Cap	3	3/8 - 16 X 2 1/4"
7	3085989	Gasket, Lub Oil Pump	1	
8	70760	Dowel, Pin	2	
9	207252	Gear, Lubricating Oil Pump	1	
	3086007	Body, Lubricating Oil Pump	1	
10	69521	Bushing	2	
11	(3086006)	Body, Lubricating Oil Pump	1	
	3329510	Gear & Shaft	1	
12	3096368	Gear, Lubricating Oil Pump	1	
13	3086221	Shaft, Lub Oil Pump Drive	1	
	3329511	Gear & Shaft	1	
12	3096368	Gear, Lubricating Oil Pump	1	
14	3079701	Shaft, Idler	1	
	3096327	Cover, Lub Oil Pump	1	
10	69521	Bushing	2	
15	156676	Ring, Retaining	1	
16	3081668	Plug, Retainer	1	
17	3096323	Spring, Compression	1	
18	3096324	Plunger, Prs Regulator	1	
19	3096328	Cover, Lub Oil Pump	1	



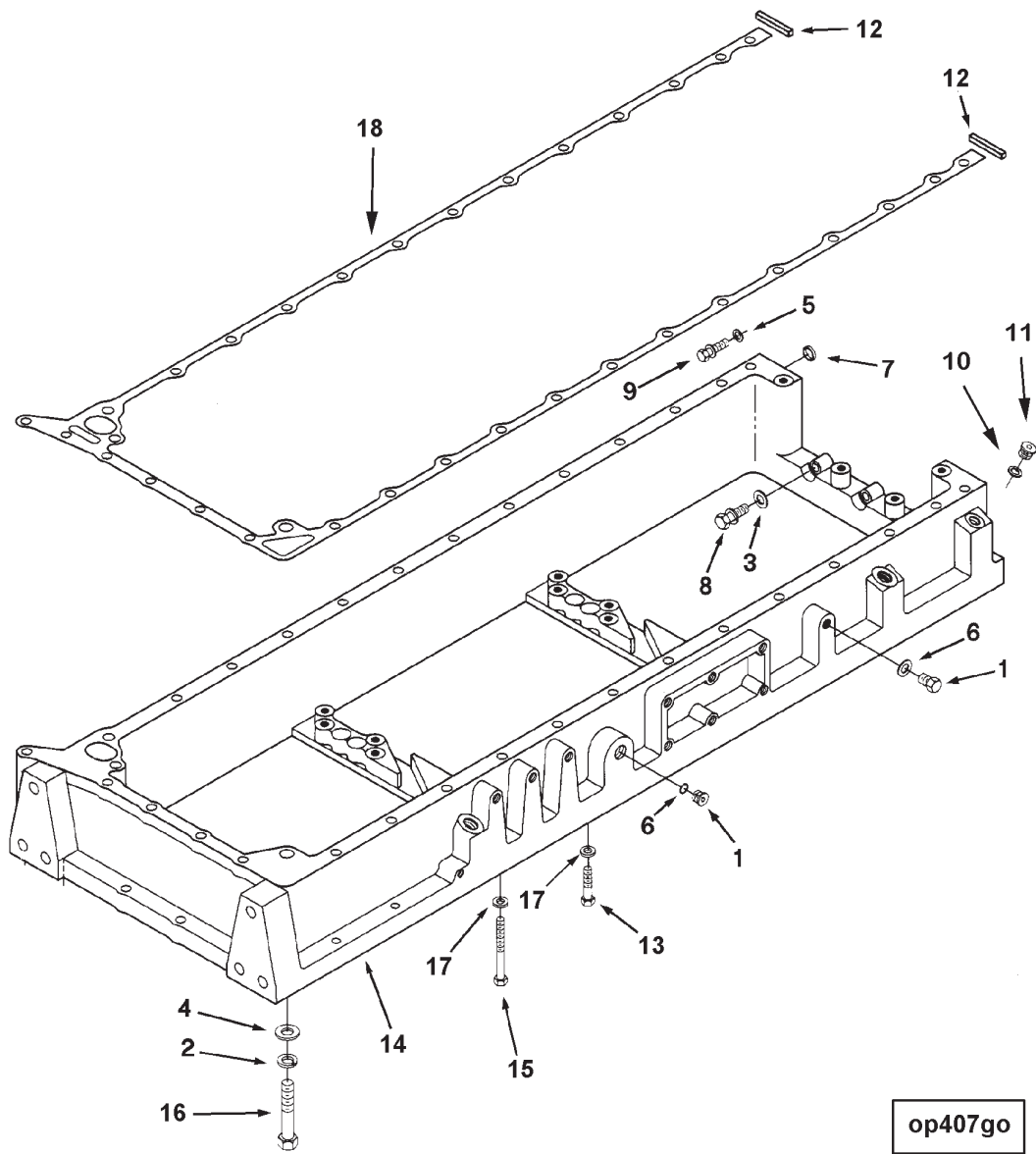
Ref No.	Part Number	Part Name	Req	Remarks
		OIL PAN COVER OPTION OB40028		Cover, oil pan Oil fill provision: None Dipstick Provision: None drain provision: Left side center. 3/8 - 16 X 1 1/4"
1	3040838	Screw, Captive Washer Cap	18	
2	3042586	Gasket, Hand Hole	3	
3	3069847	Cover, Hand Hole	1	
4	3201060	Cover, Hand Hole	2	
	(4057590)	Tag, Instruction	1	



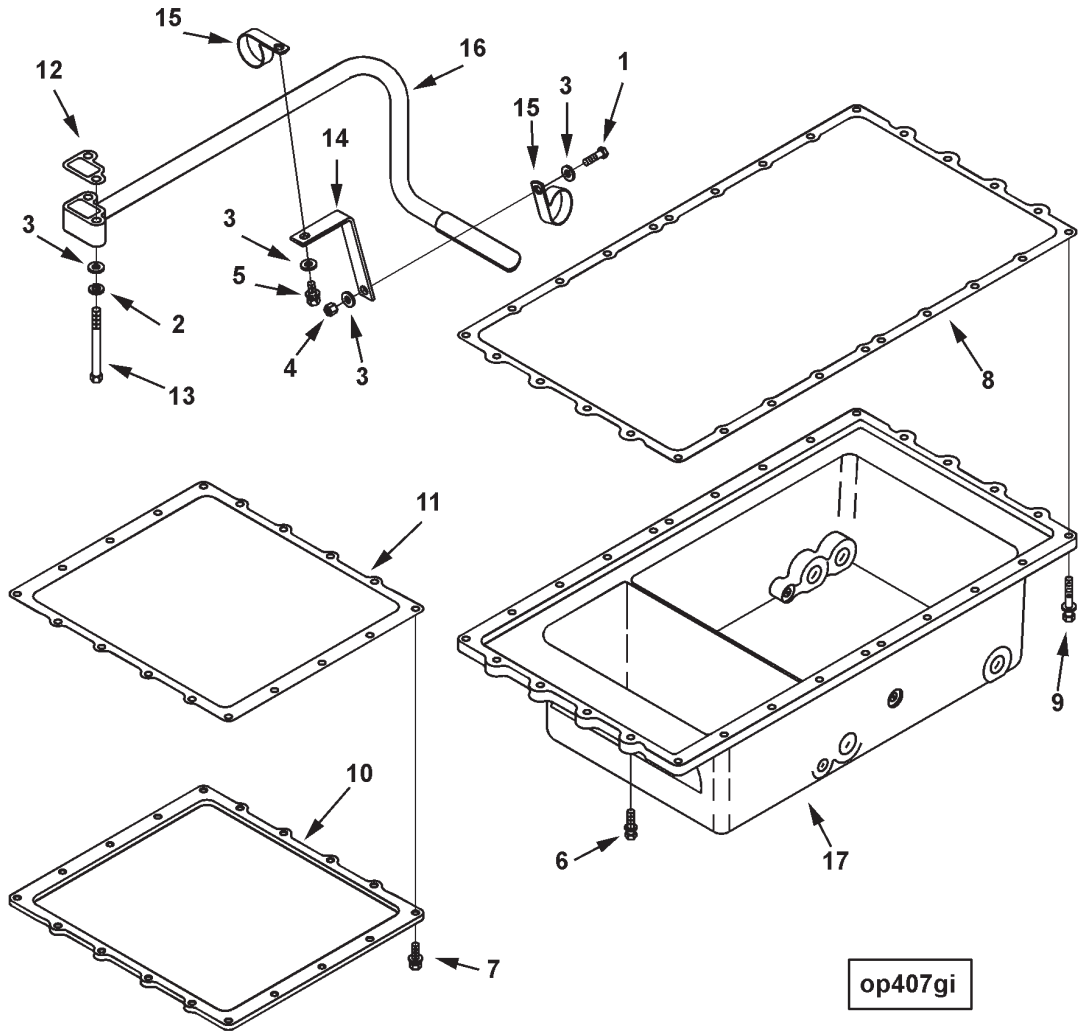
Ref No.	Part Number	Part Name	Req	Remarks
		OIL FILLER ARRANGEMENT OPTION OB4132		Arrangement, oil fill Oil fill location: None Dipstick Location: None. 3/8 - 16 X 1 1/4"
1	3040838	Screw, Captive Washer Cap	18	
2	3042586	Gasket, Hand Hole	3	
3	3069847	Cover, Hand Hole	1	
4	3201060	Cover, Hand Hole	2	



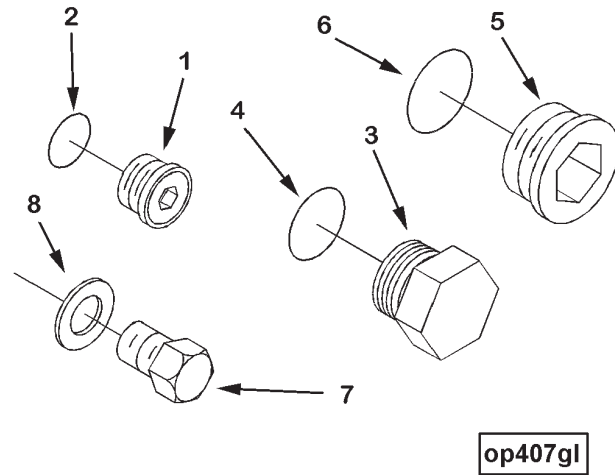
Ref No.	Part Number	Part Name	Req	Remarks
		<p style="text-align: center;">OIL PAN OPTION OP4053</p> <p>Content has been removed from option.</p>		<p>Oil Pan</p> <p>Sump Location: Shallow Center Rear</p> <p>High Oil Pan Capacity (GAL): 16</p> <p>Low Oil Pan Capacity (GAL): 13</p> <p>Material: Cast Aluminum</p> <p>Front Up Angularity (Degrees): 30</p> <p>Front Down Angularity (Degrees): 30</p> <p>Side to Side Angularity (Degrees): 30</p> <p>Drain Location: Left Side Rear Right Side Rear</p> <p>Left Side Access Ports: 1 5/16-12 UNF-2B Straight Thread 3/4-16 UNF-2B Straight Thread</p> <p>Right Side Access Ports: 1 5/16-12 UNF-2B Straight Thread 1/2-20 UNF-2B Straight Thread 3/4-16 UNF-2B Straight Thread.</p>



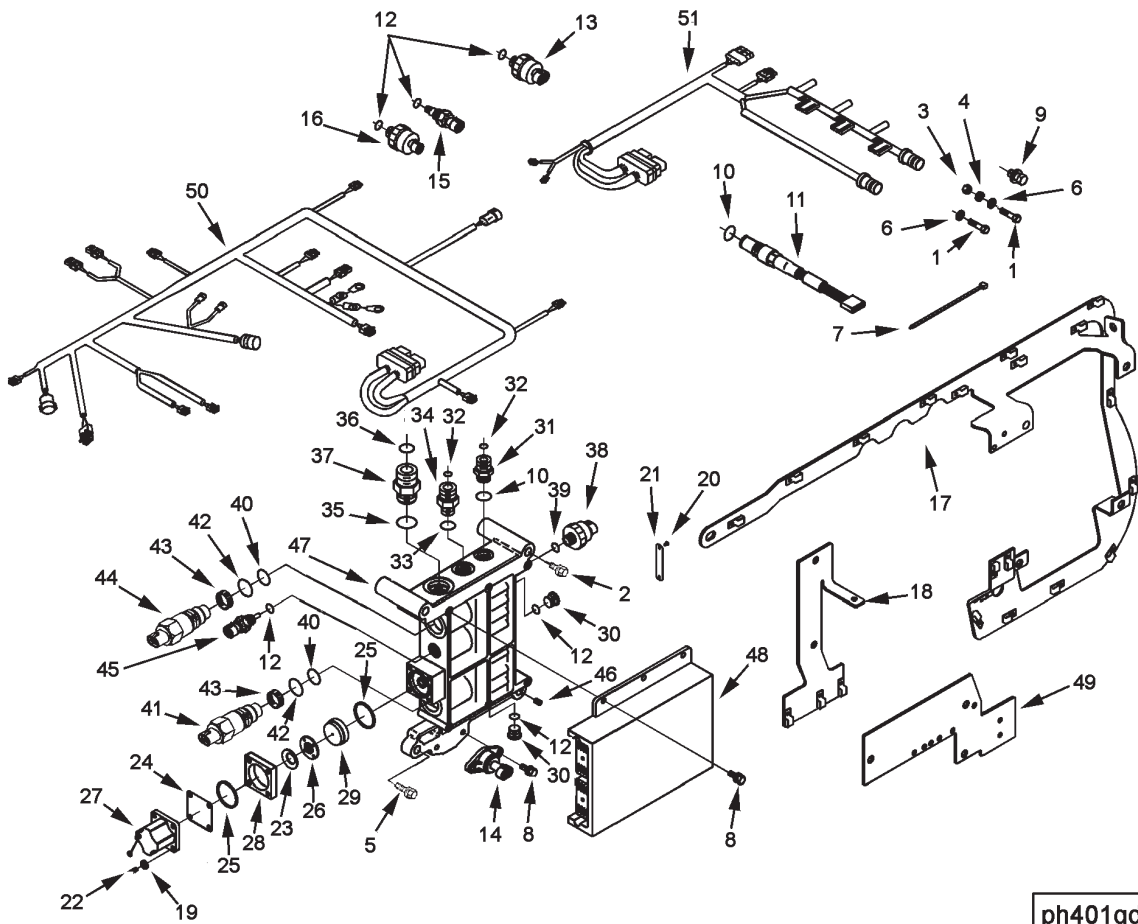
Ref No.	Part Number	Part Name	Req	Remarks
		OIL PAN OPTION OP4730		Oil pan adaptor Flywheel housing material: cast iron Bypass oil filter provision: both sides
1	S 181 C	Screw, Hexagon Head Cap	1	1/2 - 20 X 3/4 Inch.
2	S 609	Washer, Lock	1	9/16"
3	S 622	Washer, Plain	2	3/8"
4	S 689	Washer, Plain	1	1/2 Inch.
5	127362	Washer, Plain	2	3/8 Inch.
6	130914	Washer, Sealing	1	
7	153518	Seal, Rectangular Ring	4	
8	3012481	Screw, Captive Washer Cap	2	7/16 - 14 X 1 1/2 Inch.
9	3035624	Screw, Captive Washer Cap	5	3/8 - 16 X 1 1/2 Inch.
	3037536	Plug, Threaded	2	9/16 - 18 UNF
10	3037537	Seal, O Ring	1	
11	(3040813)	Plug, Threaded	1	
12	3069844	Seal, Rectangular Strip	2	
13	3070679	Screw, Hexagon Head Cap	19	3/8 - 16 X 1 3/4 Inch.
14	3085736	Adapter, Oil Pan	1	
15	3085751	Screw, Hexagon Head Cap	11	
16	3085753	Screw, Hexagon Head Cap	1	
17	3085886	Washer, Plain	30	
18	4000595	Gasket, Oil Pan Adapter	1	



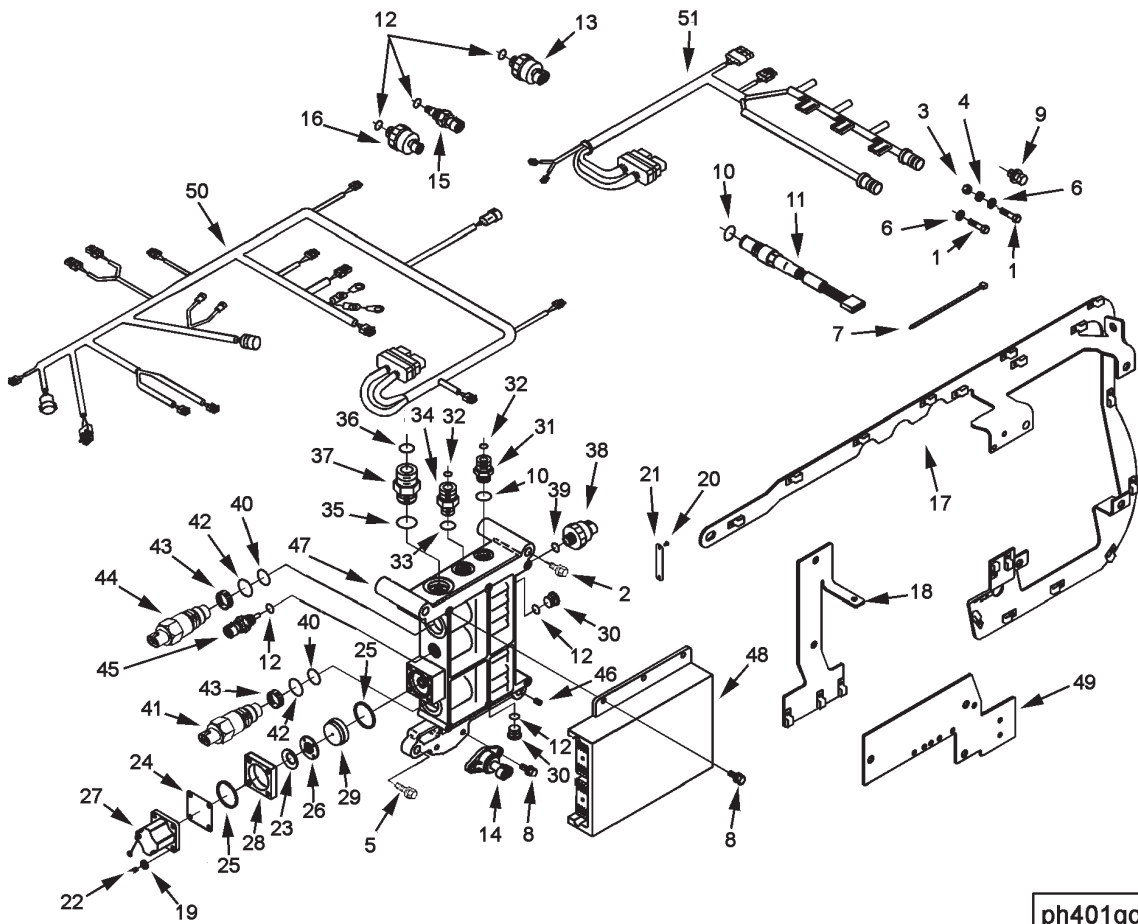
Ref No.	Part Number	Part Name	Req	Remarks
		OIL PAN ARRANGEMENT OPTION OP4758		Oil pan sump location: Shallow center rear high oil pan capacity (gal): 16 low oil pan capacity (gal): 13 Material: Cast Aluminun front up angularity (degrees): 30 front down angularity (degrees): 30 side to side angularity (degrees): 30 Drain Location: Left side rear right side rear left side access ports: 1 5/16-12 UNF-2 b straight thread 1/2- 20 UNF-2 b straight thread 3/4-16 UNF-2 b straight thread right side access ports: 1 5/16-12 UNF-2 b straight thread 3/4-16 UNF-2 b straight thread.
1	S 194	Screw, Hexagon Head Cap	1	3/8 - 24 X 1 1/4 Inch.
2	S 610	Washer, Lock	2	7/16"
3	108330	Washer, Plain	5	3/8 Inch.
4	129069	Nut, Lock	1	3/8 - 24 UNF.
5	3010595	Screw, Captive Washer Cap	2	3/8 - 16 X 1"
6	3035624	Screw, Captive Washer Cap	8	3/8 - 16 X 1 1/2 Inch.
7	3040838	Screw, Captive Washer Cap	18	3/8 - 16 X 1 1/4"
8	3042590	Gasket, Oil Pan	1	
9	3068533	Screw, Captive Washer Cap	20	3/8 - 16 X 2 1/2"
10	3070780	Cover, Oil Pan Adapter	1	
11	3073213	Gasket, Adapter	1	
12	3079754	Gasket, Oil Suc Connection	1	
13	3085752	Screw, Hexagon Head Cap	2	
14	3085851	Brace, Tube	1	
15	3086144	Clip	2	
16	3090313	Tube, Lub Oil Suction	1	
17	3410240	Pan, Oil	1	



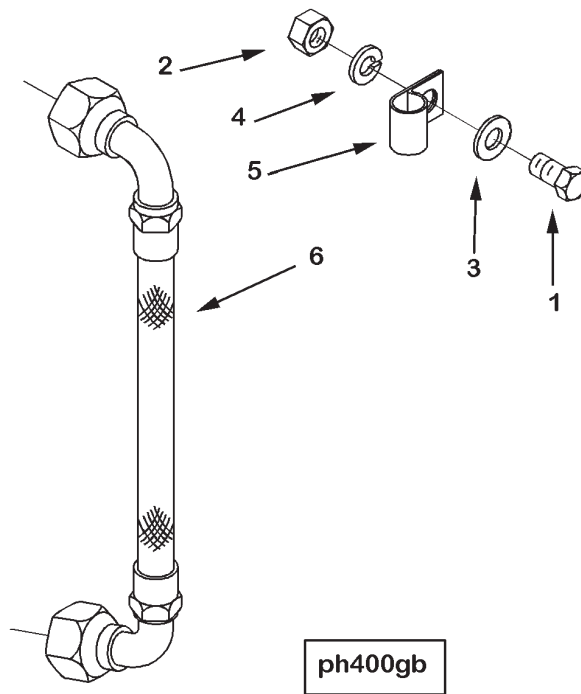
Ref No.	Part Number	Part Name	Req	Remarks
		OIL PAN PLUMBING OPTION OP4782		Oil pan plumbing high oil pan capacity (gal): 15 Provision For Sight Glass: No sump location: Shallow pre-lube: Yes engine heater included: No Remote Drain Included: No drain locations: Left side: 1/16-12 un-2 b right side: 1 1/16-12 un-2 b left side access ports: 1 5/16-12 UNF-2 b straight thread 3/4-16 UNF-2 b straight thread right side access ports: 3/4-16 UNF-2 b straight thread 1 5/16-12 UNF-2 b straight thread.
1	3046202 (3040810)	Plug, Threaded	2	3/4 - 16 UNF.
2	3046201	Plug, Threaded	1	
		Seal, O Ring	1	
3	3046942 (3046869)	Plug, Threaded	4	
4	3046943	Plug, Threaded	1	1 1/16 - 12 un.
		Seal, O Ring	1	
5	3201583	Plug, Threaded	2	1 5/16 - 12 un.
6	(3040911)	Plug, Threaded	1	
		Seal, O Ring	1	
7	3201585 (3081137)	Plug, Threaded	1	
		Screw, Hexagon Head Cap	1	1/2 - 20 X 3/4 Inch.
8	S 181 C 130914	Washer, Sealing	1	



Ref No.	Part Number	Part Name	Req	Remarks
		ENGINE CONTROL MODULE OPTION PH4720		Module, engine control Inlet fitting description: Outlet fitting description: Mounting location: Forward location (front opening) Unique characteristics: Includes rapid restart valve. Complete 24 vdc electrical system.
1	S 114	Screw, Hexagon Head Cap	4	1/4 - 20 X 3/4"
2	3035624	Screw, Captive Washer Cap	2	3/8 - 16 X 1 1/2 Inch.
3	S 224	Nut, Heavy Hexagon	2	1/4 - 20 UNC.
4	S 600	Washer, Lock	2	1/4"
5	3042890	Screw, Captive Washer Cap	2	3/8 - 16 X 4 Inch.
6	127018	Washer, Plain	4	1/4 Inch
7	3018920	Clamp, Wire Tie	26	
8	3066310	Screw, Captive Washer Cap	8	1/4 - 20 X 3/4 Inch.
9	3071225	Screw, Captive Washer Cap	1	3/8 - 16 X 3/4 Inch.
	3408503	Sensor, Position	1	
10	3046201	Seal, O Ring	1	
11	(3408502)	Sensor, Position	1	
	3080406	Sensor, Pressure	1	Recon equivalent 3080406 NX
12	3037537	Seal, O Ring	1	
13	(3083716)	Sensor, Pressure	1	
14	3085140	Sensor, Pressure	1	Recon equivalent 3085140 NX
	3085185	Sensor, Temperature	1	Recon equivalent 3085185 NX
12	3037537	Seal, O Ring	1	
15	(3085198)	Sensor, Temperature	1	
	3085244	Sensor, Pressure	1	
12	3037537	Seal, O Ring	1	
16	(3085245)	Sensor, Pressure	1	
17	3096527	Bracket, Wiring Retainer	1	
18	3096529	Bracket, Wiring Retainer	1	
	(4002040)	Valve, Etr Fuel Control	1	
8	3066310	Screw, Captive Washer Cap	6	1/4 - 20 X 3/4 Inch.
	3330369	Valve, Etr Cnt Pressure	1	
19	S 607	Washer, Lock	4	#10.
20	S 2286	Screw, Drive	2	
21	105375	Nameplate	1	
22	118226	Screw, Socket Head Cap	4	#10 - 24 X 1 1/4 Inch.
23	129768	Spring, Valve	1	
24	129839	Shield, Shutoff Valve	1	
25	129888	Seal, Rectangular Ring	2	
26	196057	Disc, Valve	1	
27	3021420	Solenoid	1	
28	4088863	Housing, Actuator	1	
29	4088274	Disc, Actuator	1	
	3037536	Plug, Threaded	2	9/16 - 18 UNF
12	3037537	Seal, O Ring	1	
30	(3040813)	Plug, Threaded	1	
	3081952	Union, Male	1	
10	3046201	Seal, O Ring	1	
31	(3085825)	Union, Male	1	
32	3922794	Seal, O Ring	1	
	3081953	Union, Male	1	
33	3040817	Seal, O Ring	1	
34	(3085826)	Union, Male	1	
32	3922794	Seal, O Ring	1	
	3081956	Union, Male	1	
35	3046943	Seal, O Ring	1	



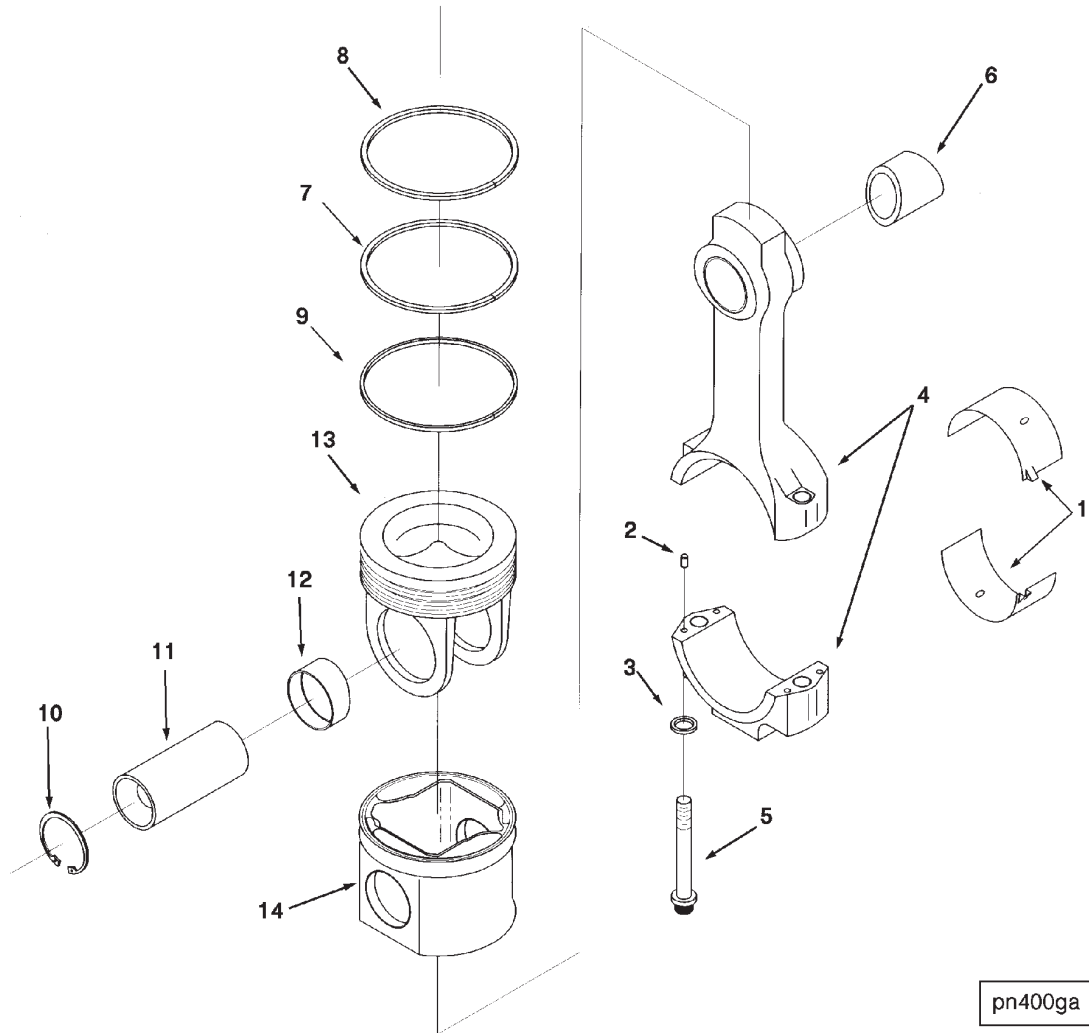
Ref No.	Part Number	Part Name	Req	Remarks
36	3076102	Seal, O Ring	1	
37	(3085829)	Union, Male	1	
	3408519	Sensor, Pressure	2	
38	(3408520)	Sensor, Pressure	1	
39	3330159	Seal, O Ring	1	
	3330600	Actuator, Etr Fuel Control	1	
40	3042542	Seal, O Ring	1	
41	(3331029)	Actuator, Etr Fuel Control	1	
42	3865398	Seal, O Ring	1	
43	3867393	Screen, Filter	1	
	3330601	Actuator, Etr Fuel Control	1	
40	3042542	Seal, O Ring	1	
44	(3331030)	Actuator, Etr Fuel Control	1	
42	3865398	Seal, O Ring	1	
43	3867393	Screen, Filter	1	
	3865312	Sensor, Temperature	1	Recon equivalent 3865312 NX
12	3037537	Seal, O Ring	1	
45	(3865323)	Sensor, Temperature	1	
	3867715	Body, Control Valve	1	
46	(113759)	Insert, Threaded	6	
47	(3867714)	Body, Control Valve	1	
48	(3330511)	Module, Electronic Control	1	
49	3331760	Bracket, Wiring Retainer	1	
50	3331774	Harness, Etr Cnt Mdl Wrg	1	
51	3331775	Harness, Etr Cnt Mdl Wrg	1	



ph400gb

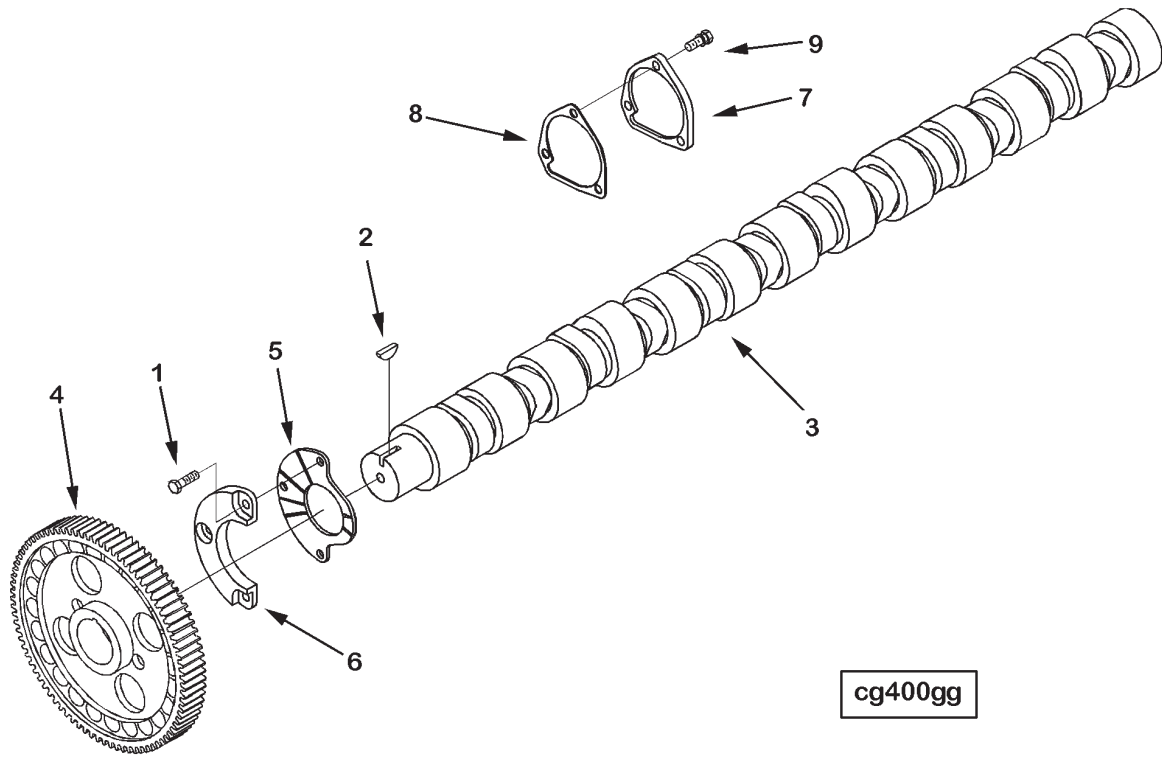
Ref No.	Part Number	Part Name	Req	Remarks
		ENGINE CONTROL MODULE PLUM OPTION PH4745		Plumbing, eng cnt module air compressor: Yes - one cylinder ECM location: Standard location (back).
1	S 117	Screw, Hexagon Head Cap	1	3/8 - 16 X 3/4"
2	S 223	Nut, Heavy Hexagon	1	3/8 - 16 UNC
3	S 602	Washer, Plain	1	3/8"
4	S 604	Washer, Lock	1	3/8"
5	100269	Clip	1	
6	4095098	Hose, Flexible	1	

Ref No.	Part Number	Part Name	Req	Remarks
		<p style="text-align: center;">ENGINE OIL PRIMER PLUMBING OPTION PL4701</p>		<p>Primer, engine lubricating prelube: None.</p>

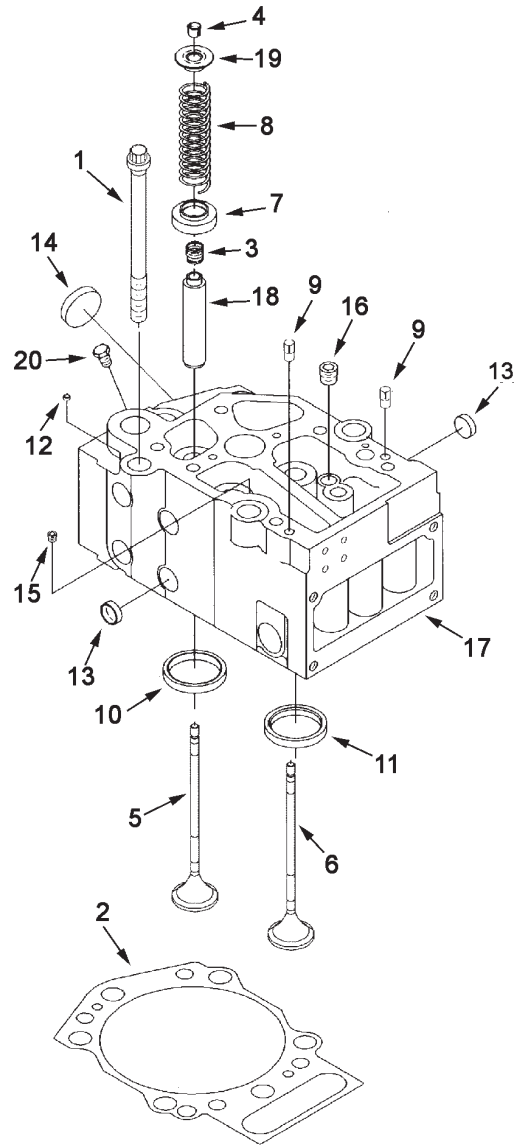


pn400ga

Ref No.	Part Number	Part Name	Req	Remarks
		CONNECTING ROD OPTION PP2559		Parts, performance Certified Model Name: Qsk19- C Timing Code: JF CPL: 2559 Certified By: EPA,CARB AFC: N/A ASC: N/A EFC: N/A ETC: N/A Exhaust Manifold Type: Dry Pulse Aftercooled: Jwac Engine Control System: HPI CM500 Application: CX Power Turbine: N/A Unique Characteristics: 600 HP and derates with IC injector/compac pump.
1	205840	Bearing, Connecting Rod	12	
	205841	Bearing, Connecting Rod	A/R	
	205842	Bearing, Connecting Rod	A/R	
	205843	Bearing, Connecting Rod	A/R	
	3811995	Rod, Engine Connecting	6	
2	69558	Dowel, Pin	4	
3	205126	Washer, Plain	2	5/8 Inch.
4	(3811994)	Rod, Engine Connecting	1	
5	3013265	Screw, Connecting Rod Cap	2	
6	3043909	Bushing	1	
	3804571	Set, Piston Ring	6	
7	3090460	Ring, Compression Piston	1	
8	4081176	Ring, Compression Piston	1	
9	3090450	Ring, Oil Piston	1	
	3804572	Kit, Engine Piston	6	
10	205269	Ring, Retaining	12	
11	4095010	Pin, Piston	6	
	(3090071)	Piston, Engine TLA	6	
	(3090444)	Top, Piston	1	
12	(3090232)	Bushing	2	
13	(3090446)	Top, Piston	1	
14	3090067	Skirt, Piston	1	

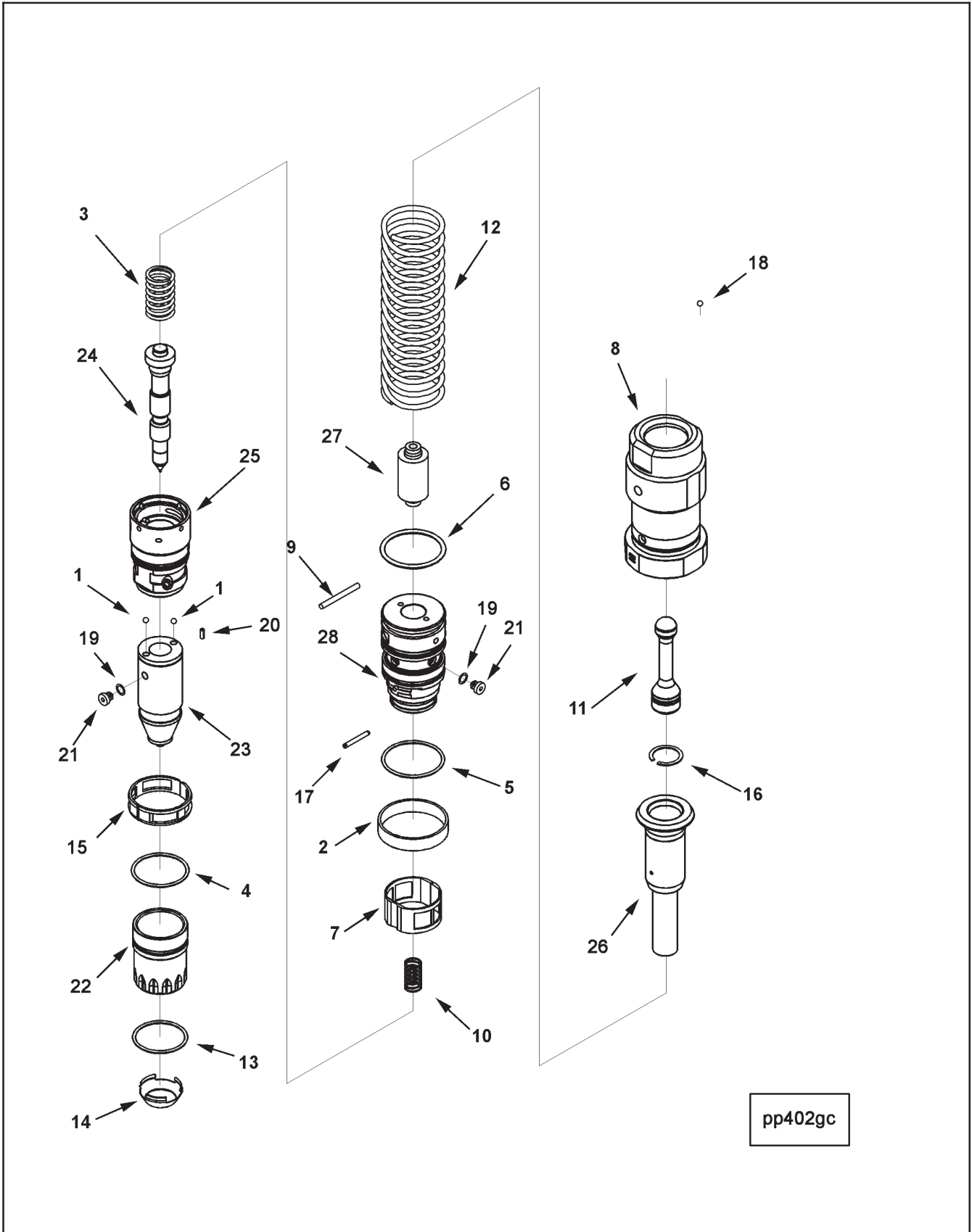


Ref No.	Part Number	Part Name	Req	Remarks
CAMSHAFT OPTION PP2559				
1	191772	Screw, Twelve Point Cap	3	3/8 - 16 X 1 1/4 Inch.
2	S 302	Key, Offset Woodruff	1	
3	3090000	Camshaft	1	
4	3329533	Gear, Camshaft	1	
5	3096458	Bearing, Camshaft Thrust	1	
6	3408249	Plate, Thrust Bearing	1	
7	3081620	Cover, Camshaft	1	
8	3081621	Gasket, Camshaft Cover	1	
9	3014766	Screw, Captive Washer Cap	3	3/8 - 16 X 1 3/64"



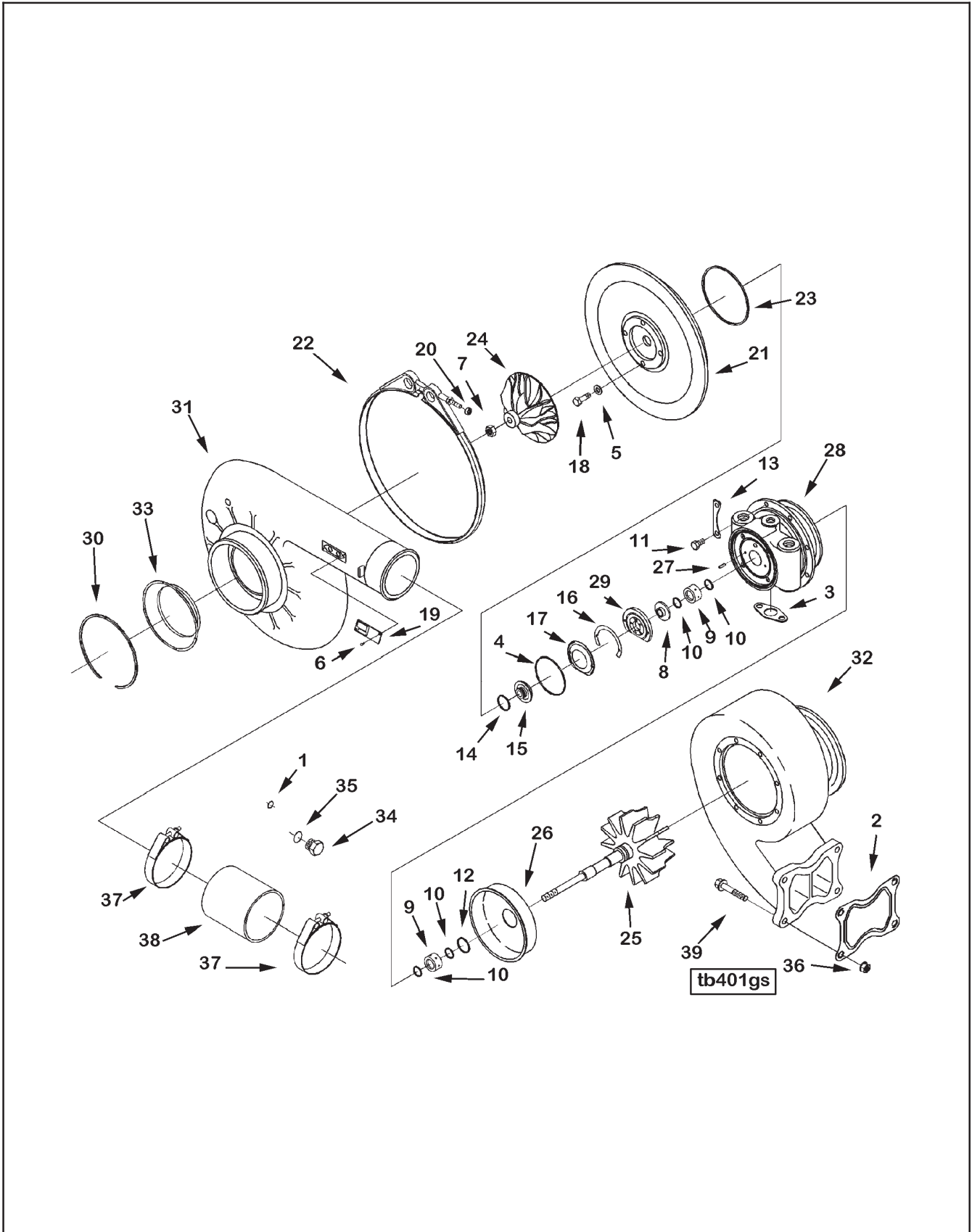
pp401gt

Ref No.	Part Number	Part Name	Req	Remarks
		CYLINDER HEAD		
		OPTION PP2559		
1	3081837	Screw, Twelve Point Cap	36	
2	3634664	Gasket, Cylinder Head	6	
	3331729	Head, Cylinder	1	Recon equivalent 3331729 RX
3	3170134	Seal, Valve Stem	4	
4	3081534	Collet, Valve	8	
5	(3090469)	Valve, Exhaust	2	
6	(4016438)	Valve, Intake	2	
7	4086649	Rotator, Valve	4	
8	3085962	Spring, Valve	4	
9	68445	Pin, Groove	2	
10	3086192	Insert, Valve	2	
11	3086193	Insert, Valve	2	
12	203933	Plug, Expansion	1	
13	205401	Plug, Expansion	8	
14	206224	Plug, Expansion	2	
15	3056416	Plug, Threaded	1	5/16 - 24 UNF.
	(3056003)	Plug, Threaded	1	
	3056415	Seal, O Ring	1	
16	3046202	Plug, Threaded	1	3/4 - 16 UNF
	3040810	Plug, Threaded	1	
	3046201	Seal, O Ring	1	
17	(3331732)	Head, Cylinder	1	
18	3170135	Guide, Valve Stem	4	
19	3085963	Retainer, Valve Spring	4	
20	3278093	Plug, Pipe	1	1/4 NPT

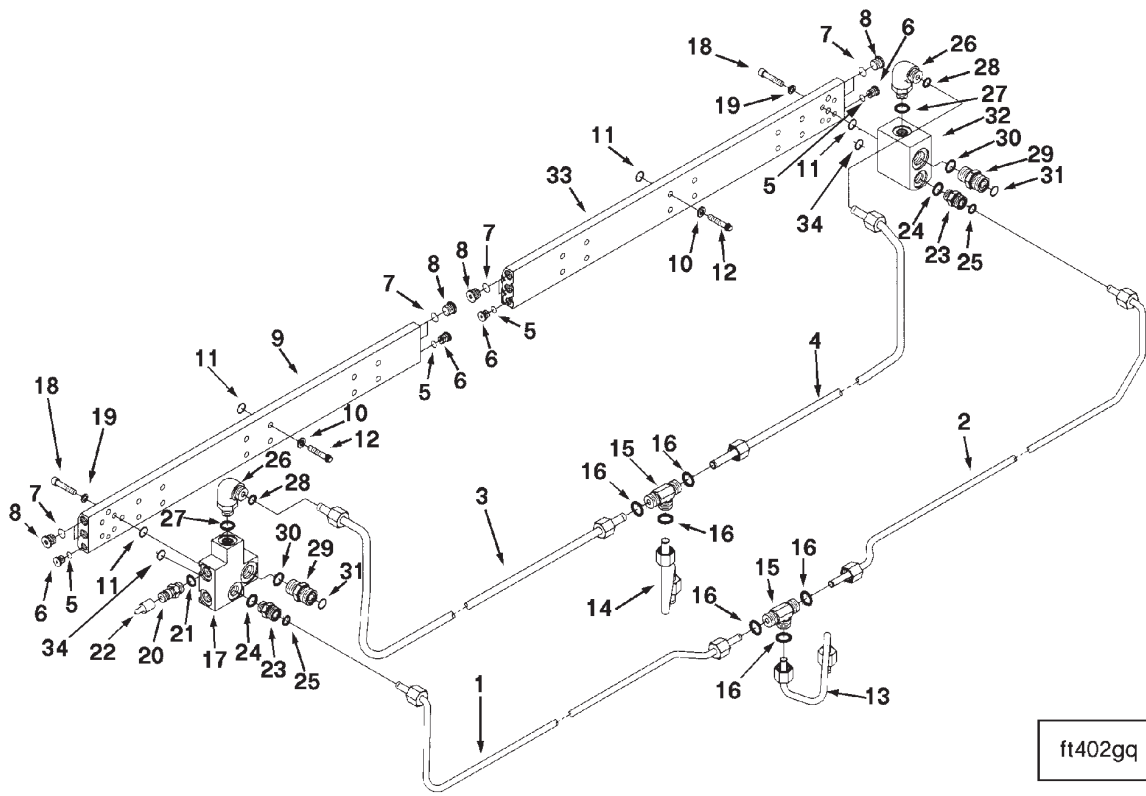


pp402gc

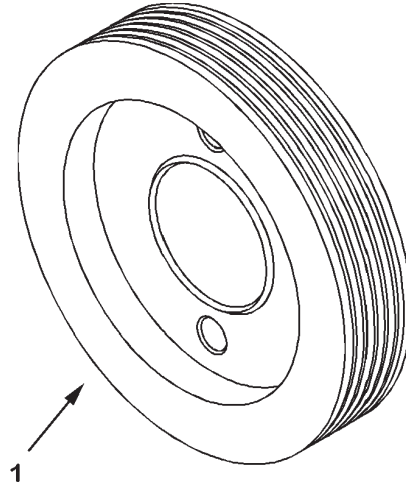
Ref No.	Part Number	Part Name	Req	Remarks
		INJECTOR OPTION PP2559		
				Quantum Celect injector qsk19-low bmep industrial rev 5.2 injector stroke = 15.24mm .600 inY nozzle config = 7 x10 x345 nozzle asm flow = 178 pph at 150 PSI barrel asm
	4087887	Injector	6	
1	167157	Ball, Check	1	
2	(3330087)	Ring, Injector Valve	1	
3	(3347828)	Spring, Injector	1	
4	3347937	Seal, O Ring	1	Green
5	4010577	Seal, O Ring	1	Blue
6	3347939	Seal, O Ring	1	Black
7	3348004	Screen, Filter	1	
8	(4076528)	Housing, Top Stop Spring	1	
9	3348515	Pin, Spiral	2	
10	(3348527)	Spring, Injector	1	
11	(3348552)	Link, Injector Plunger	1	
12	(3417290)	Spring, Injector	1	
13	3867651	Seal, O Ring	1	Brown
14	3867687	Seal, Injector	1	
15	4009692	Screen, Filter	1	
16	3867742	Retainer, Injector Link	1	
17	(4002127)	Pin, Roll	2	
	4087874	Nozzle & Plunger	1	
18	3076068	Ball, Check	2	
19	173086	Gasket, Injector	2	
20	203426	Pin, Roll	2	
21	(3045047)	Plug, Injector Orifice	2	
22	(3329999)	Retainer, Injector Nozzle	1	
23	4010129	Nozzle, Injector	1	
24	(4087871)	Plunger, Injector	1	
25	(4010578)	Housing, Injector Spring	1	
	(4009785)	Barrel & Plunger	1	
19	173086	Gasket, Injector	1	
21	(3045047)	Plug, Injector Orifice	1	
26	(4002138)	Plunger, Injector	1	
	(4002137)	Coupling, Injector Plunger	1	
	(4002136)	Coupling, Injector Plunger	1	
	(3867424)	Socket, Injector Coupling	1	
	(3348523)	Plunger, Injector	1	
27	(3348547)	Plunger, Injector Timing	1	
28	(4009787)	Barrel, Injector	1	



Ref No.	Part Number	Part Name	Req	Remarks
		TURBOCHARGER OPTION PP4724		Turbocharger HX82 for Q19 Attitudes: C - 355 deg T - 45 deg lockplates locked 750 Rear out turbo exhaust.
	3804730	Kit, Turbocharger	1	Recon equivalent 3804730 RX
1	3037537	Seal, O Ring	1	
2	3081824	Gasket, Turbocharger	1	
3	3202117	Gasket, Connection	1	
	3536017	Turbocharger	1	
4	3502449	Seal, Rectangular Ring	1	
5	(3504967)	Washer, Plain	4	
6	3519163	Screw, Drive	2	
7	3519535	Nut, Lock	1	M11 X 1.00.
8	3591522	Collar, Thrust	1	
9	3519627	Bearing, Turbcharger	2	
10	3519641	Ring, Retaining	4	
11	3521225	Screw, Hexagon Head Set	8	M8 X 1.25 X 16.
12	3521442	Seal, Split Ring	1	
13	3522904	Lockplate	4	
14	3523412	Seal, Split Ring	1	
15	3523980	Slinger, Oil	1	
16	3524418	Shim	1	
17	3524419	Baffle, Oil	1	
18	3525073	Screw, Hexagon Head Set	4	M8 x 1.25 x 25
19	(3527619)	Dataplate	1	
20	3529372	Nut, Regular Hexagon	1	1/4 - 28 UNF.
21	3532593	Diffuser, Turbocharger	1	
22	3532617	Clamp, V Band	1	
23	3534405	Seal, Rectangular Ring	1	
24	3593182	Impeller, Tur Compressor	1	
25	3536155	Shaft & Wheel	1	
26	3536588	Shield, Turbocharger Heat	1	
27	3522597	Pin, Roll	2	
28	(3536589)	Housing, Tur Bearing	1	
29	3536914	Bearing, Tur Thrust	1	
30	3537301	Ring, Retaining	1	
31	(3537339)	Housing, Compressor	1	
32	3537575	Housing, Turbine	1	
33	3537916	Baffle, Turbocharger Noi	1	
	3045782	Plug, Threaded	2	3/4 - 16 UNF.
34	(3043556)	Plug, Threaded	2	
35	3046201	Seal, O Ring	2	
36	3056158	Nut, Hexagon Flange	4	3/8 - 24 UNF.
37	3063809	Clamp, T Bolt	2	3 3/4 Inch.
38	3067370	Hose, Plain	1	
39	4000521	Screw, Hex Flange Head Cap	4	

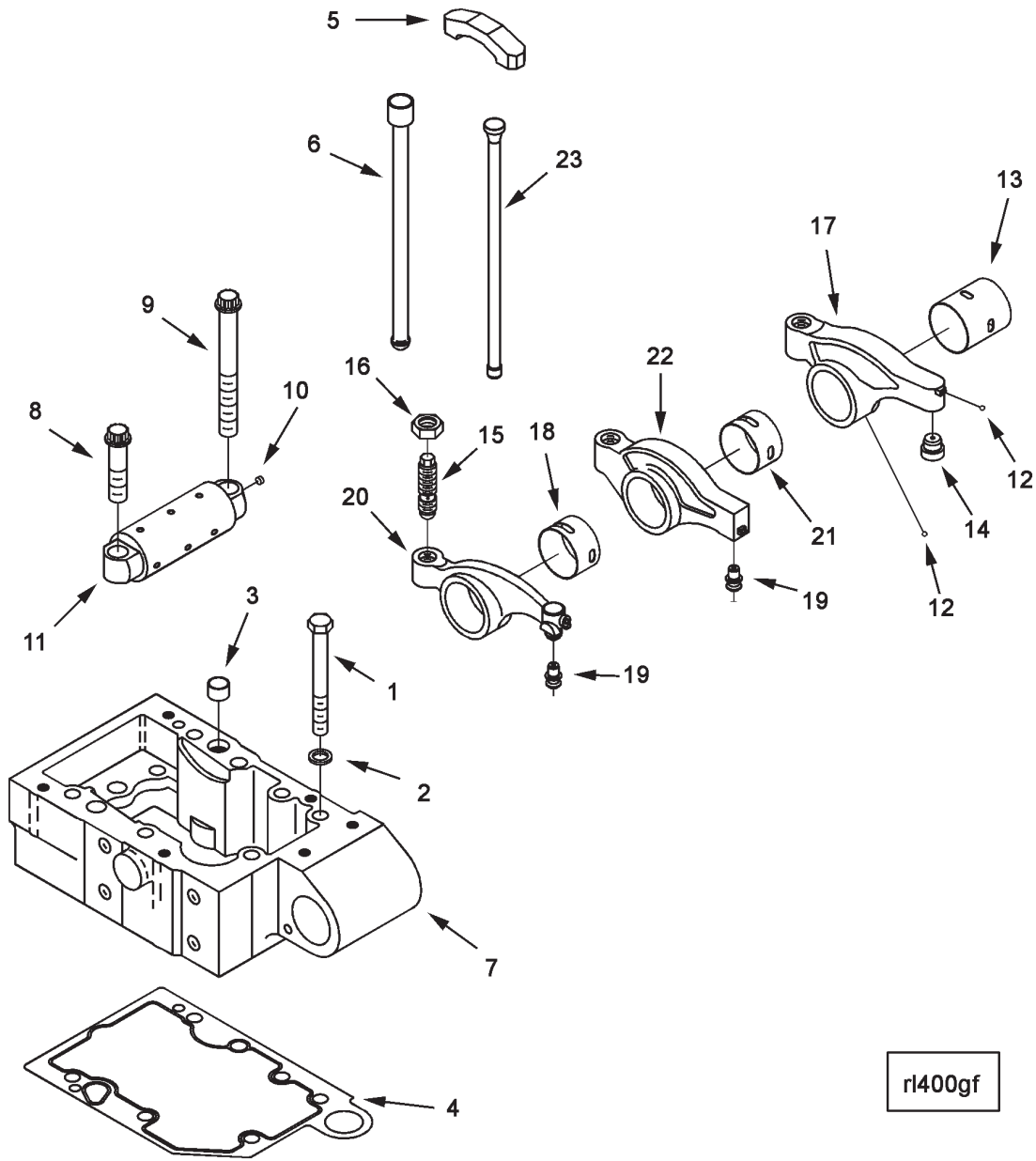


Ref No.	Part Number	Part Name	Req	Remarks
INJECTOR PLUMBING				
OPTION PP4730				
				Plumbing, injector ECM location: Forward location (front position) hotstart knock: No.
1	3086056	Tube, Fuel Supply	1	
2	3086058	Tube, Fuel Supply	1	
3	3086062	Tube, Var Timing Supply	1	
4	3086064	Tube, Var Timing Supply	2	
	3081877	Manifold, Fuel	1	
	3066325	Plug, Threaded	2	3/8 - 24 UNF
5	3034412	Seal, O Ring	1	
6	(3066324)	Plug, Threaded	1	
	3067424	Plug, Threaded	4	1/2 - 20 UNF.
7	3037236	Seal, O Ring	1	
8	(3067347)	Plug, Threaded	1	
9	(3081876)	Manifold, Fuel	1	
10	127018	Washer, Plain	24	1/4 Inch.
11	202557	Seal, O Ring	22	
12	3079794	Screw, Twelve Point Cap	24	
13	3090381	Tube, Fuel Supply	1	
14	3090383	Tube, Var Timing Supply	1	
	3081981	Tee, Male Union	2	
15	(3085847)	Tee, Male Union	1	
16	3922794	Seal, O Ring	3	
17	3086077	Connection, Fuel Block	1	
18	S 170 C	Screw, Socket Head Cap	8	1/4 - 20 X 1 1/4 Inch.
19	101626	Washer, Plain	8	1/4 Inch.
	3042619	Nipple, Coupling	2	
20	3042620	Nipple, Coupling	1	
21	3037537	Seal, O Ring	1	
22	3044896	Cover, Protective	1	
	3081950	Union, Male	2	
23	(3085824)	Union, Male	1	
24	3037537	Seal, O Ring	1	
25	3922794	Seal, O Ring	1	
	3081951	Elbow, Male Union	2	
26	(3085821)	Elbow, Male Union	1	
27	3037537	Seal, O Ring	1	
28	3922794	Seal, O Ring	1	
	3081954	Union, Male	2	
29	(3085827)	Union, Male	1	
30	3046201	Seal, O Ring	1	
31	202557	Seal, O Ring	1	
32	3086078	Connection, Fuel Block	1	
	3086080	Manifold, Fuel	1	
	3066325	Plug, Threaded	2	3/8 - 24 UNF
5	3034412	Seal, O Ring	1	
6	(3066324)	Plug, Threaded	1	
	3067424	Plug, Threaded	4	1/2 - 20 UNF.
7	3037236	Seal, O Ring	41	
8	(3067347)	Plug, Threaded	1	
33	(3086079)	Manifold, Fuel	1	
34	3922794	Seal, O Ring	2	



ad401ga

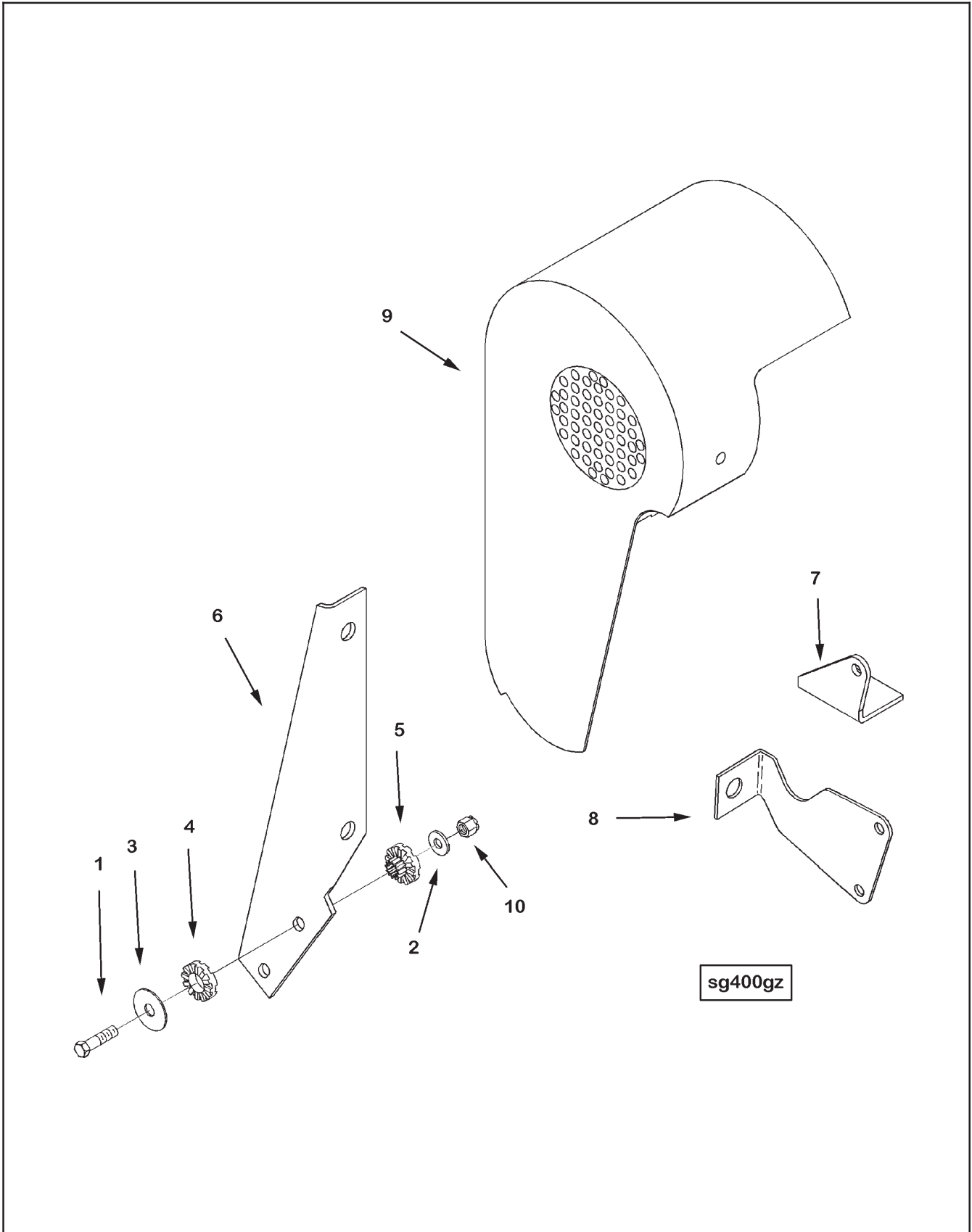
Ref No.	Part Number	Part Name	Req	Remarks
1	3002331	<p style="text-align: center;">ACCESSORY DRIVE PULLEY OPTION PU4701</p> <p>Pulley, Alternator</p>	1	<p>Pulley, accessory drive Pulley to drive alternator Right side of engine.</p>



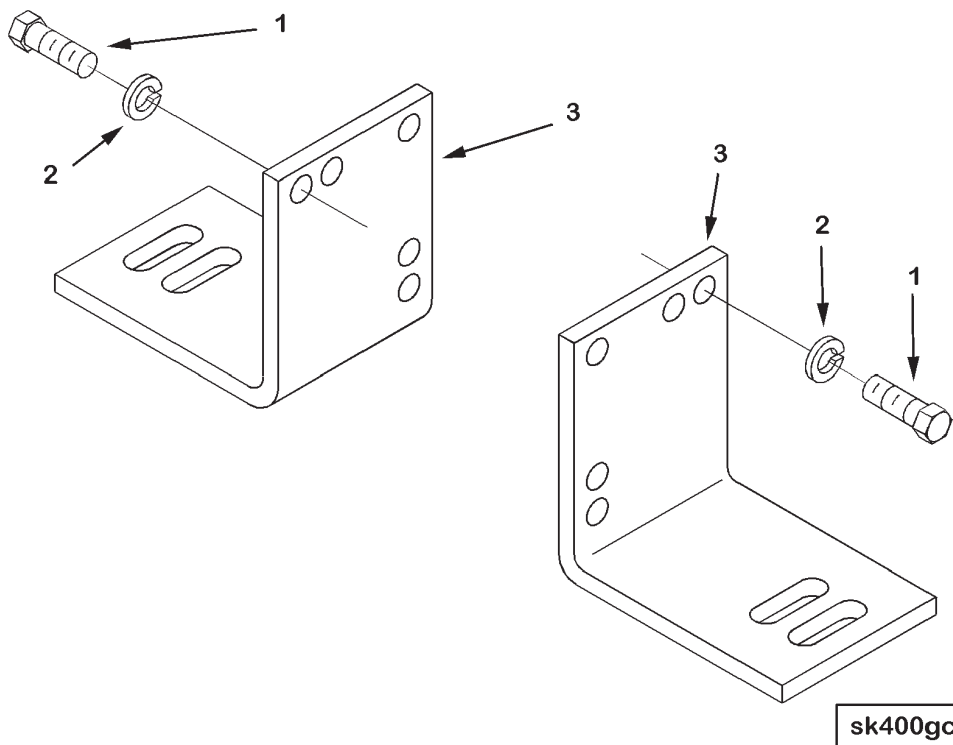
rl400gf

Ref No.	Part Number	Part Name	Req	Remarks
		ROCKER LEVER OPTION RL4703		Lever, rocker.
1	108604	Screw, Hexagon Head Cap	42	1/2 - 13 X 4 1/2 Inch.
2	205128	Washer, Plain	42	1/2 Inch.
3	3079743	Dowel, Ring	6	
4	3081895	Gasket, Rkr Lever Housing	6	
5	3085964	Crosshead, Valve	12	
6	3090378	Rod, Push	6	
7	3096320	Housing, Rocker Lever	6	
	(4065640)	Lever, Rocker TLA	6	
8	153582	Screw, Twelve Point Cap	6	5/8 - 11 X 2 1/2 Inch.
9	3081566	Screw, Twelve Point Cap	6	
	3089715	Shaft, Rocker Lever	1	
10	203933	Plug, Expansion	1	
11	(3089716)	Shaft, Rocker Lever	1	
	4065630	Lever, Rocker	1	
12	4065627	Plug, Drive	2	
13	3081514	Bushing	1	
14	3089177	Socket, Rocker Lever	1	
15	3090007	Screw, Rkr Lever Adjusting	1	
16	3680057	Nut, Regular Hexagon Jam	1	
17	4065629	Lever, Rocker	1	
	4065633	Lever, Rocker	1	
12	4065627	Plug, Drive	2	
18	3085972	Bushing	1	
19	3085978	Ball, Rocker Lever	1	
20	4065632	Lever, Rocker	1	
15	3090007	Screw, Rkr Lever Adjusting	1	
16	3680057	Nut, Regular Hexagon Jam	1	
	4065636	Lever, Rocker	1	
12	4065627	Plug, Drive	2	
21	3085973	Bushing	1	
19	3085978	Ball, Rocker Lever	1	
22	4065635	Lever, Rocker	1	
15	3090007	Screw, Rkr Lever Adjusting	1	
16	3680057	Nut, Regular Hexagon Jam	1	
23	3090377	Rod, Push	12	

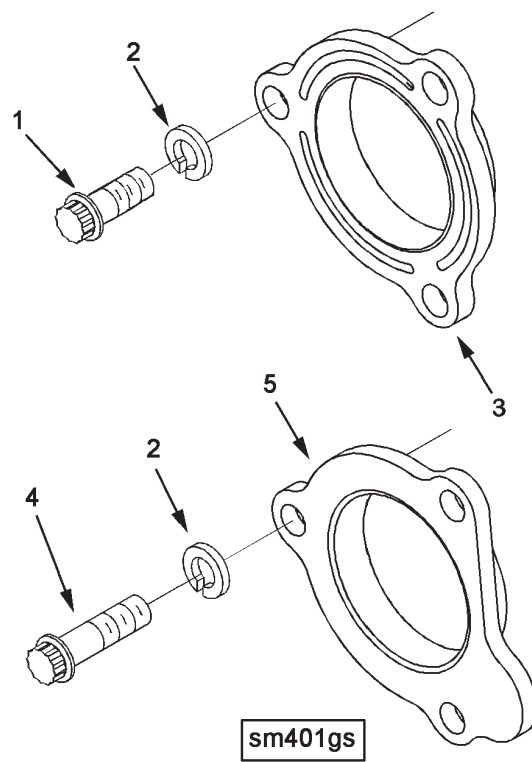
Ref No.	Part Number	Part Name	Req	Remarks
		<p style="text-align: center;">CALIBRATION SOFTWARE OPTION SC40082</p>		<p>Software calibration CPL: 2559 Engine Control System: HPI- CM500 Advertised Power: 650 BHP At 2100 RPM Peak torque: 2275 lbs. ft. at 1300 RPM Governed Power: 650 BHP At 2100 RPM Governed Torque: N/A Certified By: EPA,CARB,Eu Andmsha Application: Nonroad cal restr: IC/tvs/compac pump Power Rating: N/A Calibration Voltage: 24volts speed input: Cam 24 + 1 software version 5.9.5.4 Certification Level: Tier 1 ph 5.9.5.4 IC/tvs injectors and compac pump only.</p>



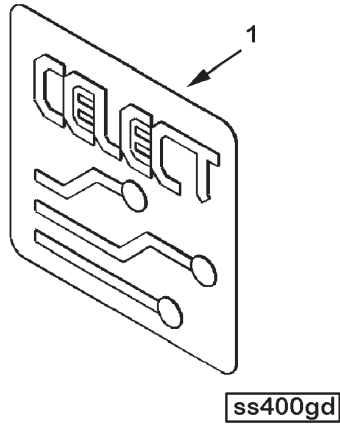
Ref No.	Part Number	Part Name	Req	Remarks
		ALTERNATOR GUARD OPTION SG4022		Guard, alternator components covered: Alternator belt fan drive: Engine mounted
1	108707	Screw, Hexagon Head Cap	4	3/8 - 16 X 1 1/2 Inch.
2	146172	Washer, Plain	4	3/8 Inch.
3	3033800	Washer, Plain	4	3/8 Inch.
4	3035083	Isolator, Vibration	4	
5	3035084	Isolator, Vibration	4	
6	3086309	Bracket, Belt Guard	1	
7	3086311	Bracket, Belt Guard	1	
8	3090385	Brace, Belt Guard	1	
9	3090386	Guard, Belt	1	
10	3175239	Nut, Lock	4	3/8 - 16 Inch.



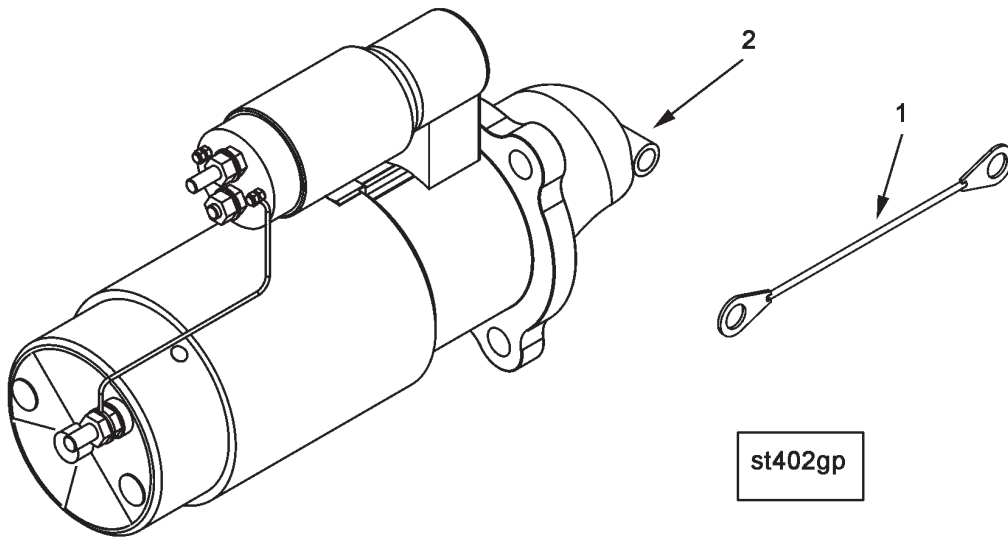
Ref No.	Part Number	Part Name	Req	Remarks
		SHIPPING BRACKET OPTION SK4706		Bracket, shipping Flywheel housing: SAE 1 less base rails or marine gear supports.
1	S 127 C	Screw, Hexagon Head Cap	4	5/8 - 11 X 1 3/4 Inch.
2	S 603	Washer, Lock	4	5/8"
3	(3201058)	Bracket, Shipping	2	



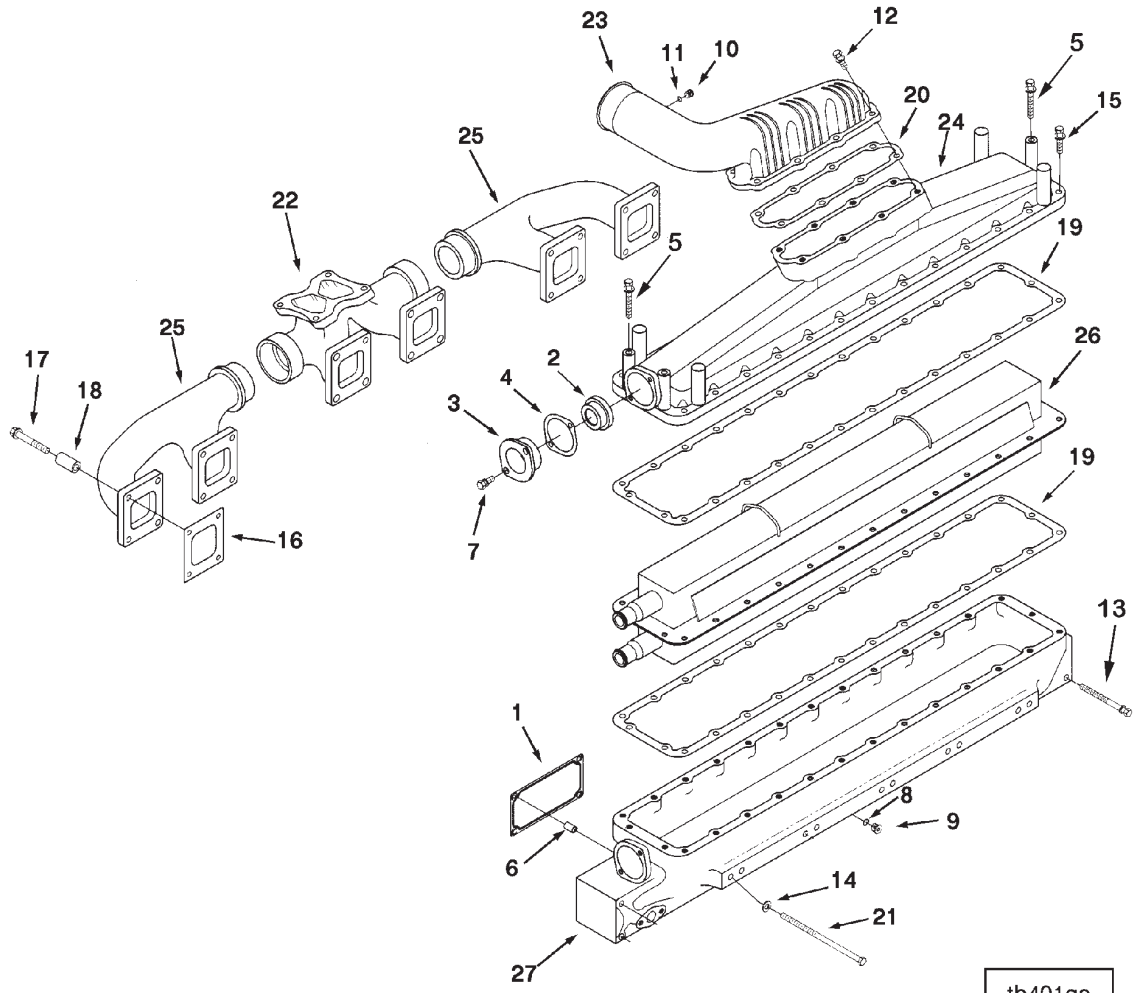
Ref No.	Part Number	Part Name	Req	Remarks
		STARTING MOTOR MOUNTING OPTION SM4712		Starting motor mounting Starting Motor Count: 1 starter location: 4 TH quadrant Starting Motor Spacer Thickness: .44 Flywheel Housing Material: Cast Iron Clutch Type Provision: Dry Power Supply: Electric.
1	3074628	Screw, Twelve Point Cap	3	
2	S 603	Washer, Lock	6	5/8"
3	70525	Spacer, Starting Motor	1	
4	202159	Screw, Twelve Point Cap	3	5/8 - 11 X 2 1/4 Inch.
5	206396	Cover, Starter Hole	1	



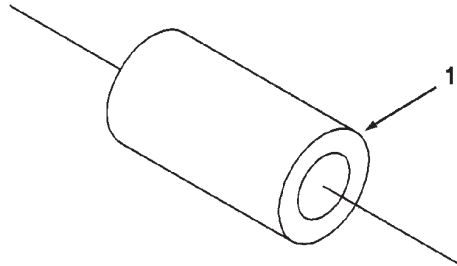
Ref No.	Part Number	Part Name	Req	Remarks
1	3082555 (3096522)	<p style="text-align: center;">PAINT</p> <p style="text-align: center;">OPTION SS4034</p> Nameplate Nameplate	1 1	Paint Cummins titanium black paint.



Ref No.	Part Number	Part Name	Req	Remarks
		STARTING MOTOR OPTION ST4062		Starting motor Starting Motor Count: 1 Starter supplier: Cummins Mounting location: 4 TH quadrant Manufacturer/Model: Prestolite/MS-7 Volts: 24 Power Supply: Electric Kilowatt rating: 8.25 Pinion gear pitch: 6/8 Solenoid angle (degrees) 37.5 Length (in): 21.1 (535.8mm).
1	3018924	Wire, Ground	1	
2	4081237	Motor, Starting	1	

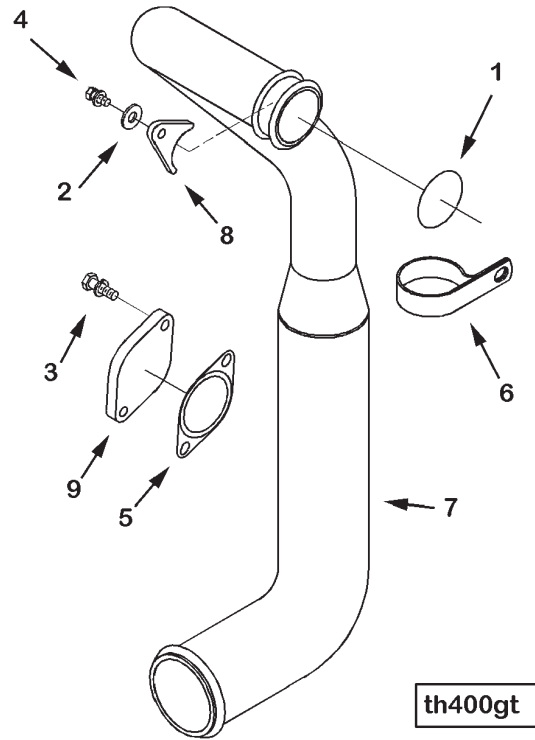


Ref No.	Part Number	Part Name	Req	Remarks
		TURBOCHARGER ARRANGEMENT OPTION TB4055		Arrangement, Turbocharger turbo mounting location: high. Direction of exhaust: rear out. Compressor housing rotatable: yes. Water cooled turbine casing: no. Water cooled bearing housing: yes. Water cooled exhaust manifold : no. Aspiration: Turbocharged aftercooled crossover location: over #2 valve cover.
1	206277	Gasket, Intake Manifold	6	
2	206808	Seal, Grommet	2	
3	3001301	Retainer, Seal	2	
4	3001305	Gasket, Connection	2	
5	3011829	Screw, Captive Washer Cap	3	3/8 - 16 X 4 7/8 Inch.
6	3014304	Seal, Rectangular Ring	12	
7	3014766	Screw, Captive Washer Cap	4	3/8 - 16 X 1 3/64"
	3037536	Plug, Threaded	1	9/16 - 18 UNF
8	3037537	Seal, O Ring	1	
9	(3040813)	Plug, Threaded	1	
	3040814	Plug, Threaded	1	7/16 - 20 UNF.
10	(3036665)	Plug, Threaded	1	
11	3036666	Seal, O Ring	1	
12	3040838	Screw, Captive Washer Cap	8	3/8 - 16 X 1 1/4"
13	3040839	Screw, Captive Washer Cap	14	
14	3042329	Washer, Plain	10	3/8 Inch.
15	3060567	Screw, Captive Washer Cap	26	3/8 - 16 x 2 3/4 inch
16	3043097	Gasket, Exhaust Manifold	6	
17	3046283	Screw, Hex Flange Head Cap	24	7/16 - 14 X 3 Inch.
18	3046286	Spacer, Mounting	20	
19	3079883	Gasket, Aft Housing	2	
20	3090299	Gasket, Aftercooler Cover	1	
21	3408212	Screw, Hexagon Head Cap	10	
22	3086284	Manifold, Exhaust	1	
23	3081869	Connection, Air Crossover	1	
24	3096367	Cover, Aftercooler	1	
25	3085747	Manifold, Exhaust	2	
26	3086222	Core, Aftercooler	1	
27	4000406	Housing, Aftercooler	1	

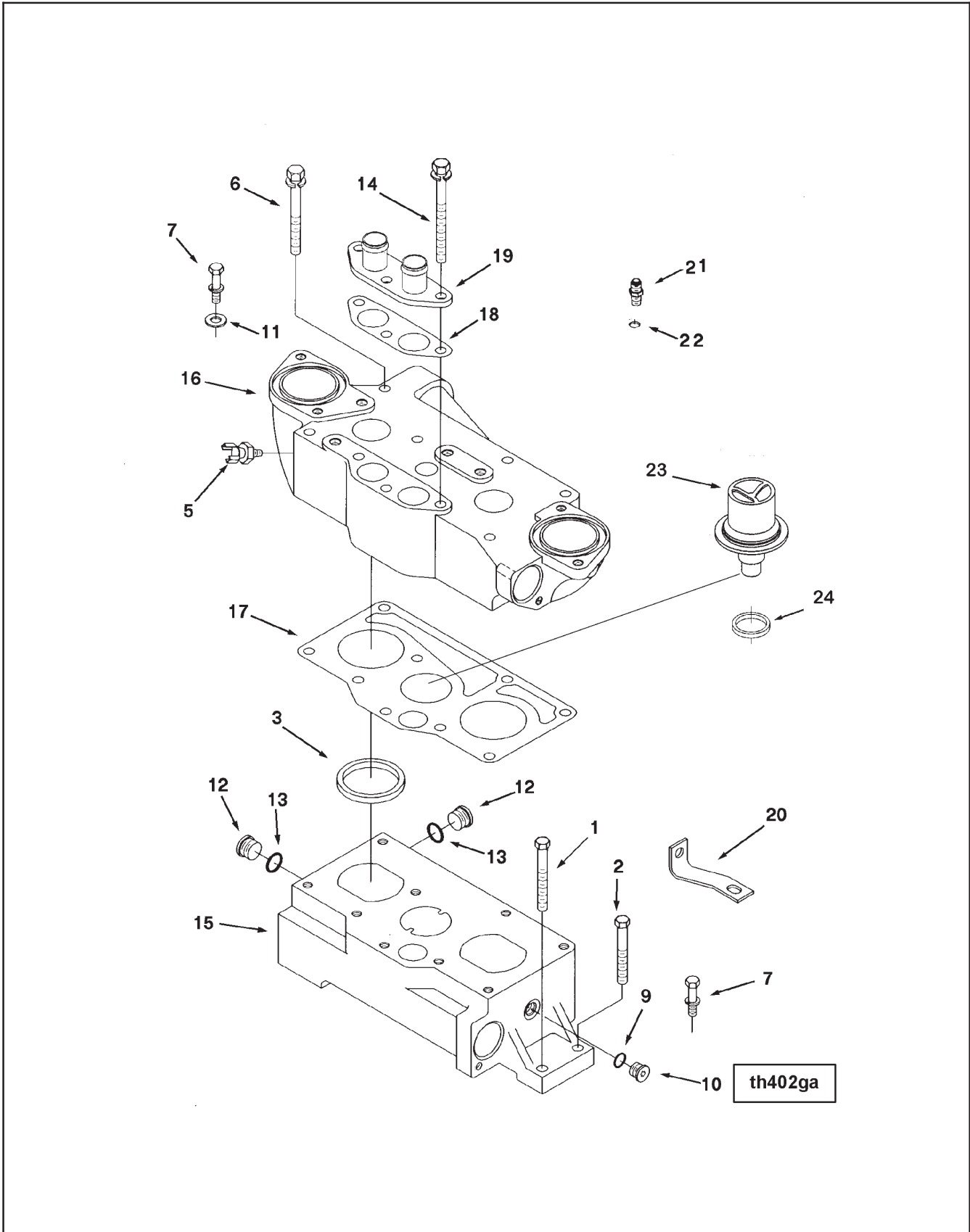


tb401gp

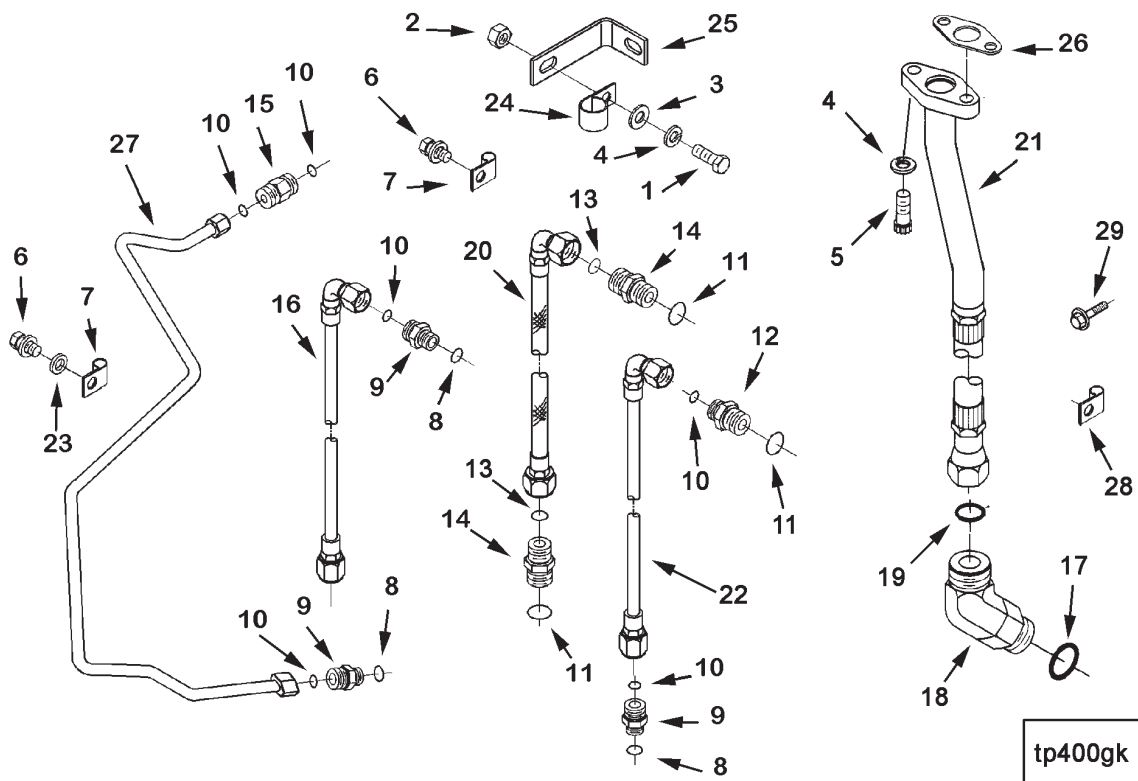
Ref No.	Part Number	Part Name	Req	Remarks
1	3046286	<p style="text-align: center;">TURBOCHARGER ARRANGEMENT OPTION TB4743</p> <p>Spacer, Mounting</p>	4	<p>Arrangement, turbocharger Exhaust Outlet Connection Material: Fabricated natural gas engine: All xs options except XS4039 diesel engine: All xs options except XS4022 and XS4048 Includes spacers.</p>



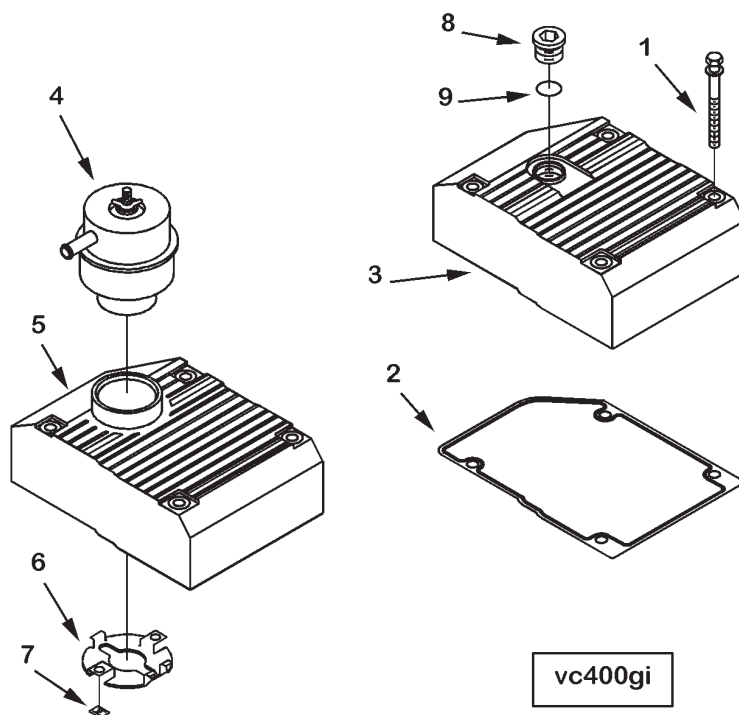
Ref No.	Part Number	Part Name	Req	Remarks
		THERMOSTAT HOUSING OPTION TH4017		
1	70624	Seal, O Ring	1	Plumbing, Thermostat housing water outlet configuration: cast in place outlet direction: pointing straight forward plumbed: bottom of radiator tank.
2	146162	Washer, Plain	1	
3	3010596	Screw, Captive Washer Cap	2	
4	3015283	Screw, Captive Washer Cap	1	
5	3060912	Gasket, Connection	1	
6	3090165	Clip	1	
7	3090166	Tube, Water Bypass	1	
8	3201287	Clip	1	
9	3201884	Plate, Cover	1	



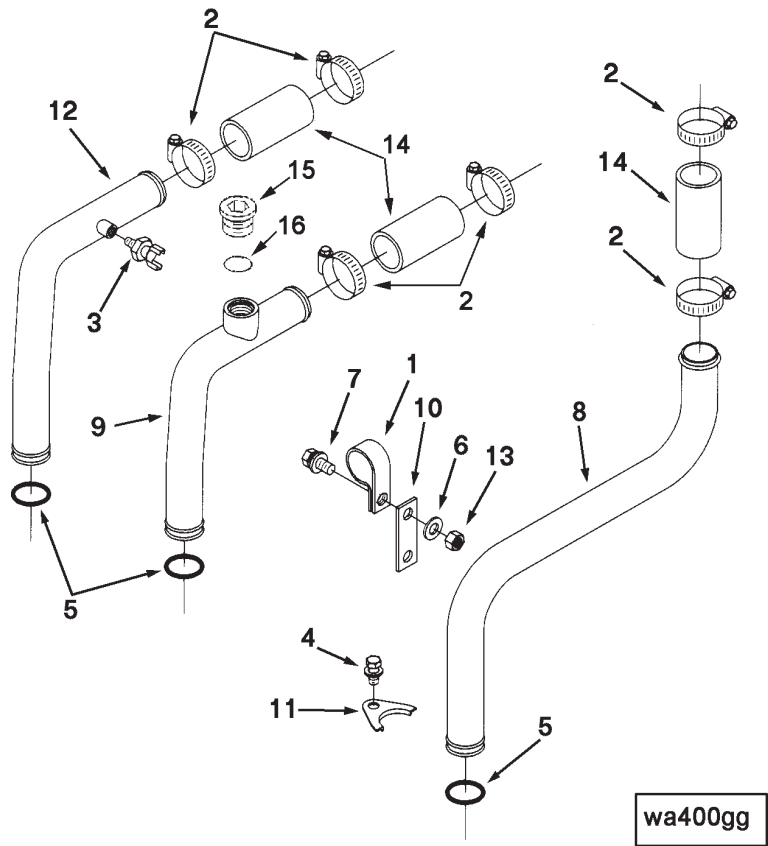
Ref No.	Part Number	Part Name	Req	Remarks
		THERMOSTAT HOUSING OPTION TH4703		Housing, thermostat low temperature aftercooled: yes. O.D. of water outlet: 3.0 in. Number of thermostats : 2 save
1	S 102 D	Screw, Hexagon Head Cap	1	3/8 - 16 X 3 Inch.
2	S 141	Screw, Hexagon Head Cap	1	3/8 - 16 X 2 3/4"
3	186780	Seal, Thermostat	2	
5	214345	Draincock	2	
6	3408216	Screw, Captive Washer Cap	6	
7	3012472	Screw, Captive Washer Cap	2	3/8 - 16 X 1 1/2"
	3037536	Plug, Threaded	2	9/16 - 18 UNF
9	3037537	Seal, O Ring	1	
10	(3040813)	Plug, Threaded	1	9/16 - 18 UNF
11	3042329	Washer, Plain	1	3/8 Inch.
	3046202	Plug, Threaded	4	3/4 - 16 UNF
12	3040810	Plug, Threaded	1	
13	3046201	Seal, O Ring	1	
14	3408217	Screw, Captive Washer Cap	3	
15	3090239	Support, Thm Housing	1	
16	3085793	Housing, Thermostat	1	
17	3085803	Gasket, Thermostat Housing	1	
18	3085804	Gasket, Connection	1	
19	3090461	Connection, Water Transfer	1	
20	3086026	Brace, Tube	1	
	3090245	Union, Male	2	
21	(3090332)	Union, Male	1	
22	3037537	Seal, O Ring	1	
23	4000464	Thermostat	1	
24	188318	Seal, Thermostat	1	



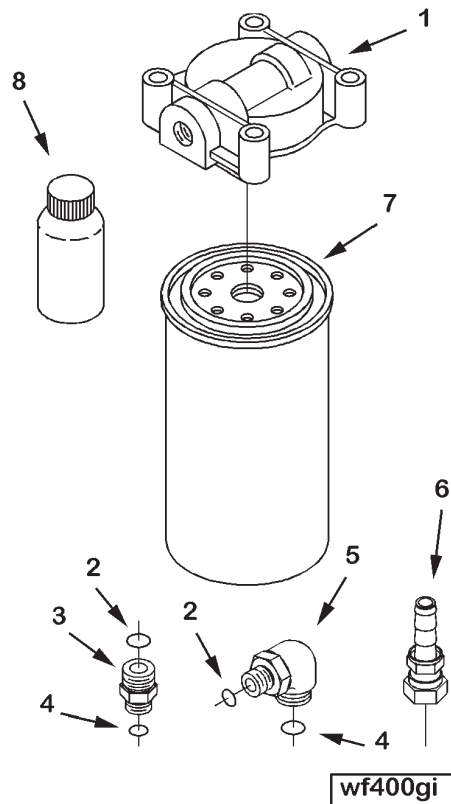
Ref No.	Part Number	Part Name	Req	Remarks
		TURBOCHARGER PLUMBING		
		OPTION TP4708		
				Plumbing, turbocharger
				Description: Rear Out Turbocharger Torque Converter: None Or Remote accessory bracket capability: Yes.
1	S 109	Screw, Hexagon Head Cap	1	3/8 - 16 x 7/8 inch
2	S 223	Nut, Heavy Hexagon	1	3/8 - 16 UNC
3	S 602	Washer, Plain	2	3/8"
4	S 604	Washer, Lock	3	3/8"
5	205354	Screw, Twelve Point Cap	2	3/8 - 16 X 1 Inch.
6	3071225	Screw, Captive Washer Cap	2	3/8 - 16 X 3/4 Inch.
7	3081825	Clip	2	
	3081950	Union, Male	2	
8	3037537	Seal, O Ring	2	
9	(3085824)	Union, Male	2	
10	3922794	Seal, O Ring	2	
	3081952	Union, Male	1	
11	3046201	Seal, O Ring	1	
12	(3085825)	Union, Male	1	
10	3922794	Seal, O Ring	1	
	3081954	Union, Male	2	
13	202557	Seal, O Ring	1	
11	3046201	Seal, O Ring	1	
14	(3085827)	Union, Male	1	
	3086016	Union, Male	1	
15	(3086040)	Union, Male	1	
10	3922794	Seal, O Ring	2	
16	3086054	Hose, Flexible	1	
	3086019	Elbow, Male Adapter	1	
17	3046943	Seal, O Ring	1	
18	3086041	Elbow, Male Adapter	1	
19	3086234	Seal, O Ring	1	
20	3086024	Hose, Flexible	1	
21	3086290	Connection, Tur Oil Drain	1	
22	3086055	Hose, Flexible	1	
23	3200281	Washer, Plain	1	3/8 Inch.
24	100269	Clip	1	
25	3201392	Brace, Turbocharger	1	
26	3202117	Gasket, Connection	1	
27	3331638	Tube, Lub Oil Supply	1	
28	108722	Clip	2	
29	3064321	Screw, Captive Washer Cap	1	3/8 - 16 X 7/8 Inch.



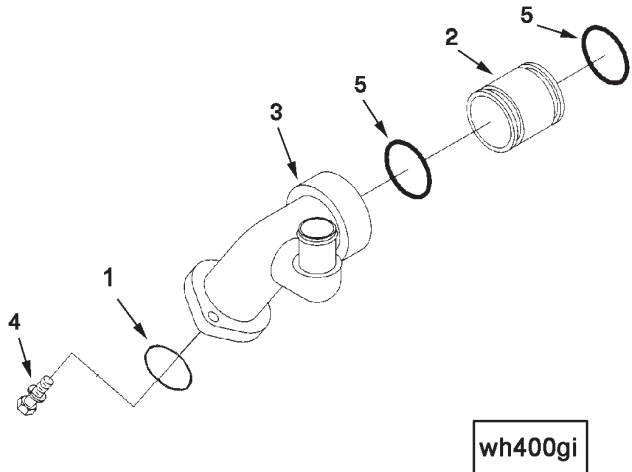
Ref No.	Part Number	Part Name	Req	Remarks
		VALVE COVER OPTION VC4005		Cover, valve Fill Location: None Number Of Covers: 6 breather location: Covers 1, 3, and 5 Breather Type: External Material: Cast Iron. 3/8 - 16 X 4 Inch.
1	3042890	Screw, Captive Washer Cap	24	
2	3081898	Gasket, Valve Cover	6	
3	3090495	Cover, Valve	3	
	3096465	Cover, Valve	3	
4	156810	Breather, Crankcase	3	
5	(3096429)	Cover, Valve	3	
6	3096430	Baffle, Breather	3	
7	3096431	Nut, Spring	2	
	3678611	Plug, Threaded	3	
8	(3678605)	Plug, Threaded	3	M27x2
9	3678606	Seal, O Ring	3	



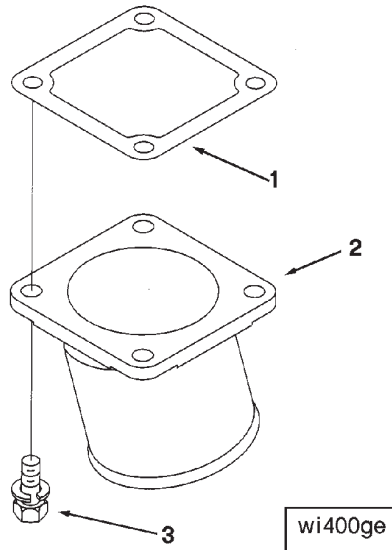
Ref No.	Part Number	Part Name	Req	Remarks
		AFTERCOOLER WATER PLUMBING OPTION WA4701		Plumbing, Aft water low temperature aftercooled: yes.
1	67950	Clip	4	
2	209773	Clamp, Hose	6	3/4 - 1 3/4"
3	214345	Draincock	1	
4	3015283	Screw, Captive Washer Cap	3	5/16 - 18 X 3/4"
5	3035026	Seal, O Ring	3	
6	3042329	Washer, Plain	4	3/8 Inch.
7	3064321	Screw, Captive Washer Cap	4	3/8 - 16 X 7/8 Inch.
8	3081689	Tube, Water Transfer	1	
9	3081846	Tube, Water Transfer	1	
10	3085742	Brace, Tube	1	
11	3090171	Clamp, Tube	3	
12	3090243	Tube, Water Transfer	1	
13	3201128	Nut, Regular Hexagon	4	3/8 - 16 UNC
14	3818271	Hose, Plain	3	
	3046202	Plug, Threaded	1	3/4 - 16 UNF
15	(3040810)	Plug, Threaded	1	
16	3046201	Seal, O Ring	1	



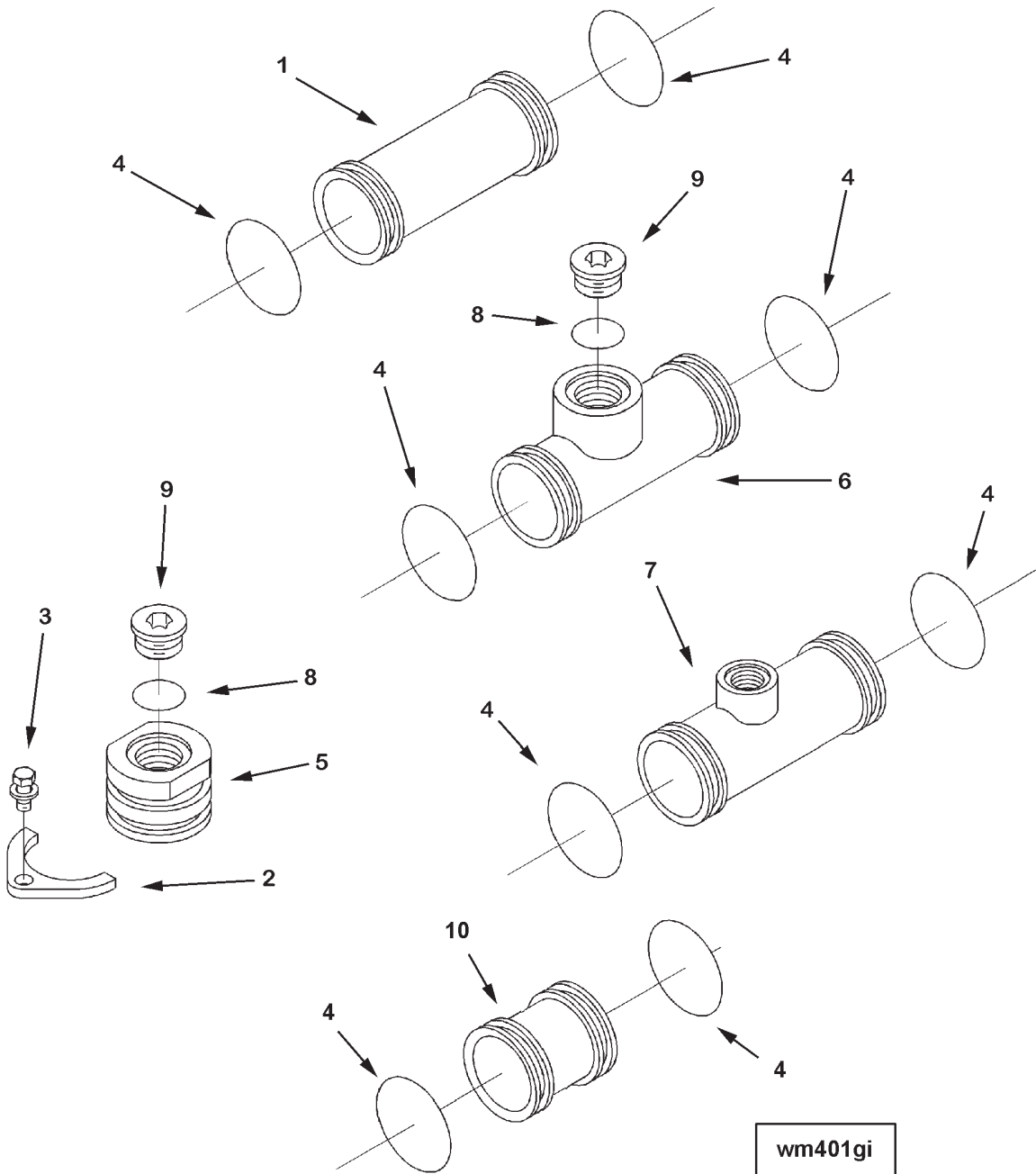
Ref No.	Part Number	Part Name	Req	Remarks
		CORROSION RESISTOR OPTION WF4029		Resistor, corrosion type of element: Spin-on mounting location: Remote mounted Number Of Filter Elements: 1 coolant system capacity 28 - 55gallons (106-208liters) units of corrosion inhibitor included: In filter: 23 in kit: 60 hardware supplied in kit. Purchase directly from
1	204163	Head, Corrosion Resistor	1	
	3081950	Union, Male	1	
2	3037537	Seal, O Ring	1	
3	(3085824)	Union, Male	1	
4	3922794	Seal, O Ring	1	
	3081951	Elbow, Male Union	1	
2	3037537	Seal, O Ring	1	
5	(3085821)	Elbow, Male Union	1	
4	3922794	Seal, O Ring	1	
6	3090240	Coupling, Plain Hose	2	
7	4058965	Resistor, Corrosion	1	
8	3888312	Inhibitor, Corrosion	3	



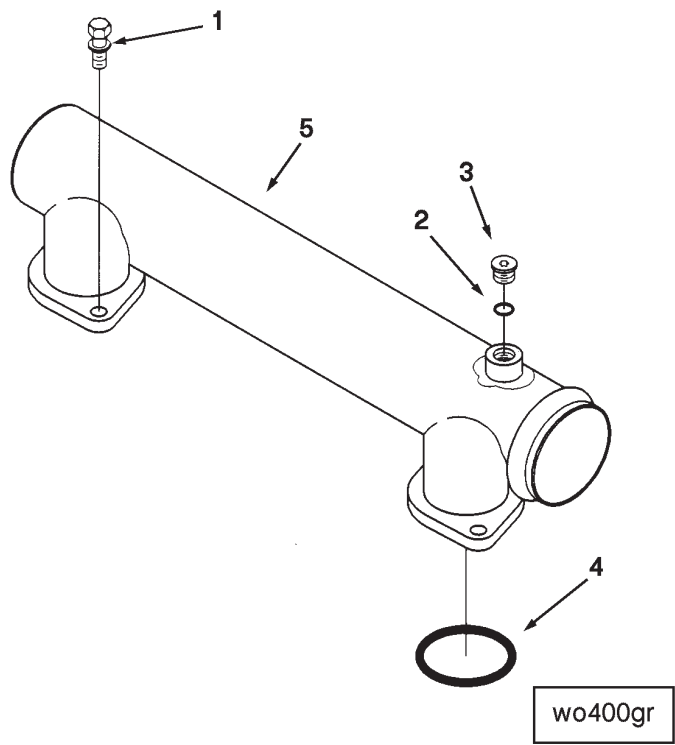
Ref No.	Part Number	Part Name	Req	Remarks
OIL COOLER WATER PLUMBING				
OPTION WH4716				
1	3099408	Seal, O Ring	1	Plumbing route: Water pump to lube oil cooler Torque Converter: None.
2	206998	Tube, Water Transfer	1	
3	4081156	Connection, Water Outlet	1	
4	3010596	Screw, Captive Washer Cap	2	
5	3028291	Seal, O Ring	2	
				3/8 - 16 X 1 1/4"



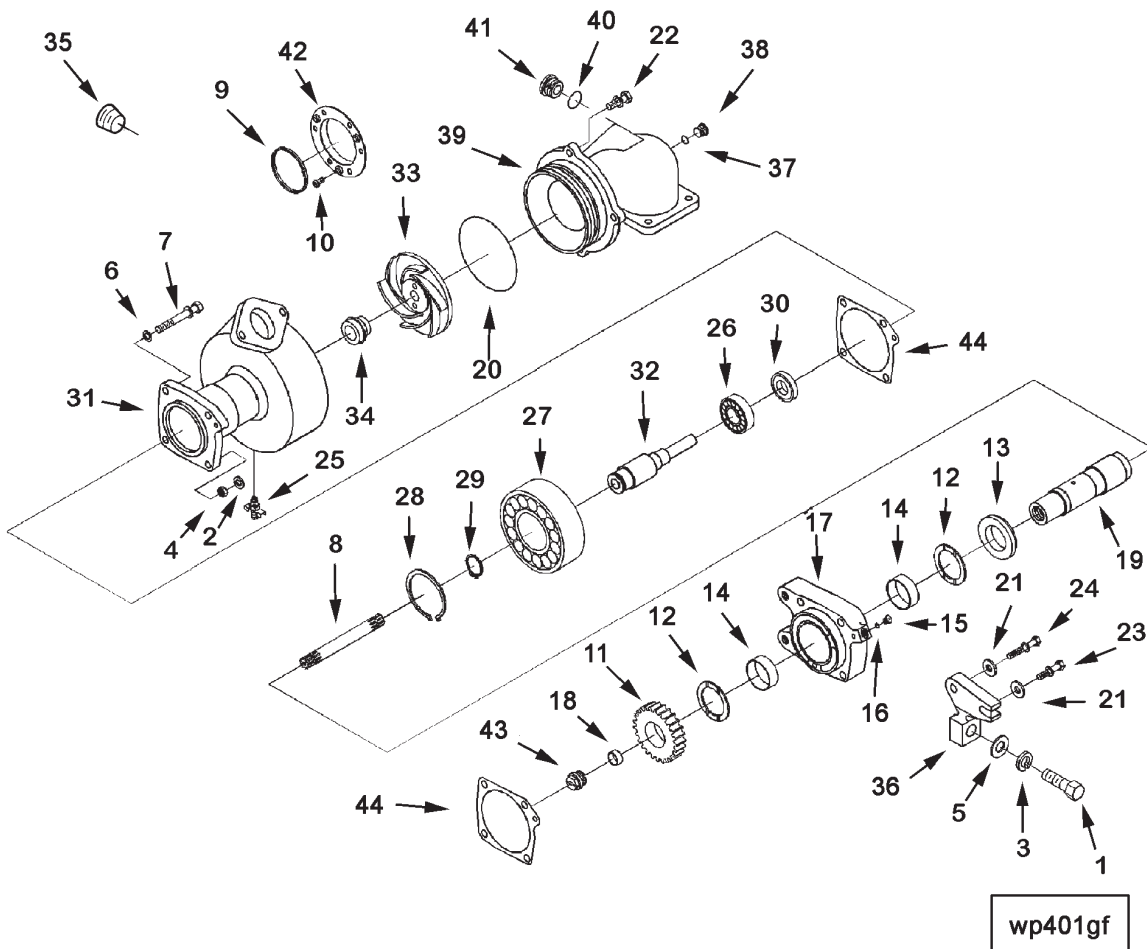
Ref No.	Part Number	Part Name	Req	Remarks
WATER INLET CONNECTION OPTION WI4007				
1	205288	Gasket, Wtr Trf Connection	1	Connection, water inlet Direction of inlet connection: pointing down Inlet OD/ID: 3.5 in O.D. Mounted behind the water pump.
2	3007701	Connection, Water Inlet	1	
3	3010595	Screw, Captive Washer Cap	4	



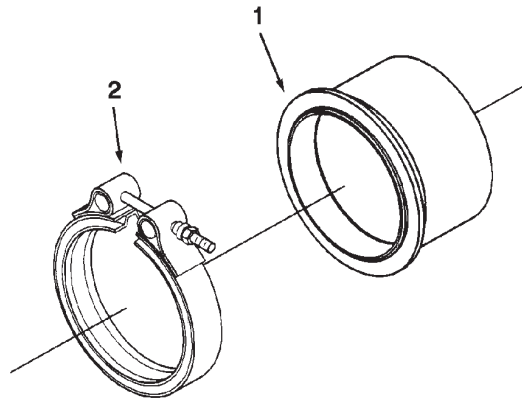
Ref No.	Part Number	Part Name	Req	Remarks
		WATER MANIFOLD OPTION WM4702		Manifold, water accessible ports: 2 accessible locations: between #1 and #2 between #3 and #4 thread size: 1 1/16-UN
1	207233	Tube, Water Transfer	3	
2	3002957	Clamp, Retaining	1	
3	3015283	Screw, Captive Washer Cap	1	5/16 - 18 X 3/4"
4	3028291	Seal, O Ring	13	
5	3085759	Plug, O Ring	1	
6	3085760	Connection, Water Transfer	1	
7	3086027	Connection, Water Transfer	1	
	3202101	Plug, Threaded	2	1 1/16 - 12 un.
8	3046943	Seal, O Ring	2	
9	(3050897)	Plug, Threaded	2	
10	207378	Tube, Water Transfer	1	



Ref No.	Part Number	Part Name	Req	Remarks
		WATER OUTLET CONNECTION OPTION WO4016		Connection, water outlet outlet OD: 3.0 in (76.2MM) Mounting location: Thermostat housing direction of outlet connection: pointing toward right side cooling system: Keel; remote
1	3011715	Screw, Captive Washer Cap	4	3/8 - 16 X 1 3/16" 9/16 - 18 UNF
	3037536	Plug, Threaded	1	
2	3037537	Seal, O Ring	1	
3	(3040813)	Plug, Threaded	1	
4	3081695	Seal, O Ring	2	
5	3090116	Connection, Water Transfer	1	
	(3921724)	Tag, Identificati	1	



Ref No.	Part Number	Part Name	Req	Remarks
		WATER PUMP		
		OPTION WP4702		Pump, water Water filter: remote mounted
1	S 103 A	Screw, Hexagon Head Cap	1	5/8 - 11 X 2"
2	S 205	Nut, Regular Hexagon	1	3/8 - 24 UNF.
3	S 603	Washer, Lock	1	5/8"
4	S 604	Washer, Lock	1	3/8"
5	S 658	Washer, Plain	1	5/8 Inch.
6	127362	Washer, Plain	3	3/8 Inch.
7	3012476	Screw, Captive Washer Cap	3	3/8 - 16 X 3"
8	3202007	Shaft, Water Pump	1	
9	3086120	Seal, Rectangular Ring	1	
10	3086121	Screw, Round Head Cap	6	
	3086132	Shaft, Water Pump TLA	1	
11	207251	Gear, Water Pump	1	
12	3026556	Bearing, Thrust	2	
13	3034721	Retainer, Shaft	1	
	3086177	Support, Water Pump	1	
14	205156	Bushing	2	
	3056416	Plug, Threaded	1	5/16 - 24 UNF.
15	(3056003)	Plug, Threaded	1	
16	3056415	Seal, O Ring	1	
17	(3086178)	Support, Water Pump	1	
	(3329524)	Shaft, Water Pump	1	
18	205498	Plug, Oil	1	
19	3086123	Shaft, Water Pump	1	
20	145623	Seal, O Ring	1	
21	3005594	Washer, Plain	2	3/8 Inch.
22	3010596	Screw, Captive Washer Cap	3	3/8 - 16 X 1 1/4"
23	3012472	Screw, Captive Washer Cap	1	3/8 - 16 X 1 1/2"
24	3012474	Screw, Captive Washer Cap	1	3/8 - 16 X 2 Inch.
	(4081093)	Pump, Water	1	
25	S 962 E	Draincock	1	
26	S 16002	Bearing, Ball	1	
27	S 16069	Bearing, Ball	1	
28	70183	Ring, Retaining	1	
29	205258	Ring, Retaining	1	
30	206948	Seal, Oil	1	
31	(4081090)	Body, Water Pump	1	
32	3042827	Shaft, Water Pump	1	
33	205243	Impeller, Water Pump	1	
34	3609826	Seal, Water Pump	1	
35	S 911 B	Plug, Pipe	1	1/8 NPT
36	3036096	Brace, Water Pump	1	
	3037536	Plug, Threaded	1	9/16 - 18 UNF.
37	3037537	Seal, O Ring	1	
38	(3040813)	Plug, Threaded	1	
39	3086259	Connection, Water Inlet	1	
	3202101	Plug, Threaded	1	1 1/16 - 12 un.
40	3046943	Seal, O Ring	1	
41	(3050897)	Plug, Threaded	1	
42	(3096480)	Seal, Oil	1	
43	3200968	Plug, Threaded	1	7/8 - 14 UNF.
44	3202283	Gasket, Water Pump	2	



xs400gx

Ref No.	Part Number	Part Name	Req	Remarks
EXHAUST OUTLET CONNECTION				
OPTION XS4026				
1	3016308	Tube, Exhaust Outlet	1	Connection, exhaust outlet description: 6 inch OD straight exhaust type of Marmon clamp: Half v-band clamp: yes. Number of v-band clamps: 1 Kitted: yes. Outlet O.D./I.D. 6 inch O.D. material: steel fabricated unique characteristics: Turbine outlet flange weight not to exceed 20 pounds.
2	3016306	Clamp, V Band	1	

Group No. 17.02

Gasket

Ref No.	Part Number	Part Name	Req	Remarks
		SET, UPPER ENGINE GASKET		
	3804667	Set, Upper Engine Gasket	1	
	70624	Seal, O Ring	1	
	202557	Seal, O Ring	28	
	206277	Gasket, Intake Manifold	6	
	206808	Seal, Grommet	2	
	207244	Seal, Injector	6	
	3001305	Gasket, Connection	2	
	3010926	Gasket, Flange	2	
	3014304	Seal, Rectangular Ring	12	
	3028291	Seal, O Ring	13	
	3035026	Seal, O Ring	5	
	3037537	Seal, O Ring	4	
	3040817	Seal, O Ring	2	
	3043097	Gasket, Exhaust Manifold	6	
	3046201	Seal, O Ring	3	
	3046943	Seal, O Ring	3	
	3079883	Gasket, Aft Housing	2	
	3081824	Gasket, Turbocharger	1	
	3081895	Gasket, Rkr Lever Housing	6	
	3081898	Gasket, Valve Cover	6	
	3086234	Seal, O Ring	2	
	3634664	Gasket, Cylinder Head	6	
	3090299	Gasket, Aftercooler Cover	1	
	3202117	Gasket, Connection	1	
	3347937	Seal, O Ring	6	Green
	3347938	Seal, O Ring	6	White
	3347939	Seal, O Ring	6	Black
	3678606	Seal, O Ring	1	
	3867651	Seal, O Ring	6	Brown
	3922794	Seal, O Ring	20	

Group No. 17.02

Gasket

Ref No.	Part Number	Part Name	Req	Remarks
		SET, SINGLE HEAD GASKET		
	3804668	Set, Single Head Gasket	1	
	70624	Seal, O Ring	1	
	202557	Seal, O Ring	28	
	206277	Gasket, Intake Manifold	6	
	207244	Seal, Injector	1	
	3010926	Gasket, Flange	1	
	3014304	Seal, Rectangular Ring	12	
	3028291	Seal, O Ring	5	
	3035026	Seal, O Ring	3	
	3037537	Seal, O Ring	4	
	3040817	Seal, O Ring	2	
	3043097	Gasket, Exhaust Manifold	2	
	3046201	Seal, O Ring	3	
	3046943	Seal, O Ring	1	
	3081824	Gasket, Turbocharger	1	
	3081895	Gasket, Rkr Lever Housing	1	
	3081898	Gasket, Valve Cover	1	
	3086234	Seal, O Ring	1	
	3090299	Gasket, Aftercooler Cover	1	
	3634664	Gasket, Cylinder Head	1	
	3202117	Gasket, Connection	1	
	3331672	Gasket, Camshaft	1	
	3922794	Seal, O Ring	15	

Group No. 17.02

Gasket

Ref No.	Part Number	Part Name	Req	Remarks
		SET, LOWER ENGINE GASKET		
	4025209	Set, Lower Engine Gasket	1	
	70624	Seal, O Ring	1	
	130914	Washer, Sealing	1	
	145540	Seal, O Ring	1	
	153518	Seal, Rectangular Ring	4	
	186780	Seal, Thermostat	2	
	205247	Seal, O Ring	1	
	205898	Seal, O Ring	2	
	207117	Gasket, Air Compressor	1	
	207135	Seal, Rectangular Ring	1	
	3007380	Gasket, Hydraulic Pump	1	
	3008400	Gasket, Hydraulic Pump	1	
	3010926	Gasket, Flange	1	
	3014449	Gasket, Flange	1	
	3028291	Seal, O Ring	4	
	3035026	Seal, O Ring	2	
	3040817	Seal, O Ring	1	
	3042586	Gasket, Hand Hole	3	
	3042590	Gasket, Oil Pan	1	
	3060912	Gasket, Connection	1	
	3065830	Seal, Oil	1	
	3066938	Seal, O Ring	2	
	3067259	Seal, Oil	1	
	3069103	Gasket, Fuel Pump	1	
	3069844	Seal, Rectangular Strip	2	
	3073213	Gasket, Adapter	1	
	3079754	Gasket, Oil Suc Connection	1	
	3081494	Seal, O Ring	6	
	4000436	Gasket, Lub Oil Fil Cover	1	
	4000595	Gasket, Oil Pan Adapter	1	
	3081621	Gasket, Camshaft Cover	1	
	3081695	Seal, O Ring	2	
	3081724	Seal, Split Ring	6	
	3085709	Seal, O Ring	1	
	3331672	Gasket, Camshaft Cover	1	
	3085867	Seal, Oil	1	
	3085989	Gasket, Lub Oil Pump	1	
	206973	Gasket, Oil Cooler Core	4	
	3065791	Gasket, Tor Cnv Oil Cooler	1	
	3065790	Gasket, Lub Oil Clr Hsg	1	
	3086120	Seal, O Ring	2	
	3410171	Gasket, Acc Drive Support	1	
	3086279	Seal, Dust	1	
	3086292	Gasket, Gear Cover	1	
	3090126	Seal, O Ring	2	
	3090127	Seal, O Ring	2	
	3090170	Gasket, Thermostat Housing	1	
	3090194	Seal, Dust	1	
	3090320	Gasket, Gear Cover Plate	1	
	3201125	Seal, O Ring	1	
	3201388	Gasket, Flange	1	
	3202283	Gasket, Water Pump	2	
	3804704	Rear Crank Seal Kit	1	
	205247	Seal, O Ring	1	
	3090392	Screw, Hexagon Head Cap	4	
	3090393	Tool, Seal Installation	1	
	3096361	Dowel, Pin	1	
	(3096479)	Seal, Oil	1	
	3804705	Accessory Drive Seal Kit	2	
	3086120	Seal, O Ring	1	
	3090392	Screw, Hexagon Head Cap	3	
	3090395	Tool, Seal Installation	1	

Group No. 17.02

Gasket

Ref No.	Part Number	Part Name	Req	Remarks
	(3096480)	Seal, Oil	1	
	3200287	Seal, Keyway	1	
	3804703	Kit, Front Oil Seal	1	
	3090391	Tool, Seal Installation	1	
	3090392	Screw, Hexagon Head Cap	4	
	3096361	Dowel, Pin	1	
	(3096478)	Seal, Oil	1	

Ref No.	Part Number	Part Name	Req	Remarks
LOWER ENGINE GASKET SET				
OPTION 4089717				
	130914	Washer, Sealing	1	
	145540	Seal, O Ring	1	
	153518	Seal, Rectangular Ring	4	
	172648	Seal, Rectangular Ring	14	
	186780	Seal, Thermostat	2	
	205247	Seal, O Ring	1	
	205898	Seal, O Ring	2	
	206973	Gasket, Oil Cooler Core	4	
	207117	Gasket, Air Compressor	1	
	207135	Seal, Rectangular Ring	1	
	3007380	Gasket, Hydraulic Pump	1	
	3008400	Gasket, Hydraulic Pump	1	
	3010926	Gasket, Flange	1	
	3014449	Gasket, Flange	1	
	3028291	Seal, O Ring	4	
	3035026	Seal, O Ring	2	
	3040817	Seal, O Ring	1	
	3042586	Gasket, Hand Hole	3	
	3042590	Gasket, Oil Pan	1	
	3060912	Gasket, Connection	1	
	3065790	Gasket, Lub Oil Clr Hsg	1	> 3065791 Gasket, Tor Cnv Oil Cooler 1

Option Index

Option No.	Description	Page No.
4089717	Lower Engine Gasket Set	
AB4003	Accessory Support	2
AD4020	Timing Hub	3
AP4029	Agency Approval	5
BB4706	Cam Follower	15
	Crankshaft And Main Bearin	11
	Cylinder Block	7
	Cylinder Liner	8
	Gear Cover Plate	12
BB4709	Cylinder Block Plumbing	16
CM4701	Cam Follower Cover	19
CP4060	Air Compressor	20
DA4051	Vibration Damper	23
DF4003	Front Gear Train Accessory	25
DF4702	Front Gear Train Accessory	26
DL4005	Drain Location	27
DO4372	Customer Interface Softwar	28
DP4701	Fuel Pump Drive	29
EC4716	Thermostat	30
EH4001	Alternator Mounting	33
EH4702	Alternator Drive Pulley	35
EM4135	Front Engine Support	36
FA4115	Fan Drive	39
FA4703	Fan Drive Mounting	40
FF4055	Fuel Filter	43
FH4150	Flywheel Housing	45
FH4756	Flywheel Housing Plumbing	46
FP4428	Fuel Pump	49
FP4430	Fuel Pump Coupling	53
FR4371	Fuel Rating	54
FS4038	Fuel System Accessories	57
FT40057	Fuel Plumbing	59
FW4125	Flywheel	60
GG4702	Front Gear Cover	63
LA4003	Lifting Bracket	65
LC4701	Engine Oil Cooler	67
LF4026	Full Flow Oil Filter	69
LG4167	Oil Level Gauge Location	72
LG4786	Oil Level Gauge	75
LP4701	Lube Oil Pump	77
OB4132	Oil Filler Arrangement	81
OB40028	Oil Pan Cover	79
OP4053	Oil Pan	83
OP4730	Oil Pan	85
OP4758	Oil Pan Arrangement	87
OP4782	Oil Pan Plumbing	88
PH4720	Engine Control Module	91
PH4745	Engine Control Module Plum	95
PL4701	Engine Oil Primer Plumbing	96
PP2559	Camshaft	100
	Connecting Rod	99
	Cylinder Head	103
	Injector	105

Option No.	Description	Page No.
PP4724	Turbocharger	107
PP4730	Injector Plumbing	109
PU4701	Accessory Drive Pulley	110
RL4703	Rocker Lever	113
SC40082	Calibration Software	114
SG4022	Alternator Guard	117
SK4706	Shipping Bracket	119
SM4712	Starting Motor Mounting	121
SS4034	Paint	122
ST4062	Starting Motor	123
TB4055	Turbocharger Arrangement	125
TB4743	Turbocharger Arrangement	126
TH4017	Thermostat Housing	127
TH4703	Thermostat Housing	129
TP4708	Turbocharger Plumbing	131
VC4005	Valve Cover	133
WA4701	Aftercooler Water Plumbing	135
WF4029	Corrosion Resistor	136
WH4716	Oil Cooler Water Plumbing	137
WI4007	Water Inlet Connection	138
WM4702	Water Manifold	141
WO4016	Water Outlet Connection	143
WP4702	Water Pump	145
XS4026	Exhaust Outlet Connection	146

INDEX

Part No.	Description	Page No.	Part No.	Description	Page No.
AR12270	Shell, Main Bearing	11	60408	Dowel, Pin	7
AR12271	Shell, Main Bearing .010	11	67211	Dowel, Rear Main Bearing	7
AR12272	Shell, Main Bearing	11	67950	Clip	135
AR12273	Shell, Main Bearing	11	68445	Pin, Groove	7, 103
AR70577	PDC Kit	8	69324	Washer, Plain	53
AS16020 NF	Hose	19	69521	Bushing	77
BM76340	Damper, Fuel Pump	49	69558	Dowel, Pin	7, 99
S 102 D	Screw, Hexagon Head Cap	69, 129	70183	Ring, Retaining	145
S 103	Screw, Hexagon Head Cap	59	70525	Spacer, Starting Motor	121
S 103 A	Screw, Hexagon Head Cap	45, 145	70624	Seal, O Ring	127, 147, 148, 149
S 103 D	Screw, Hexagon Head Cap	69			
S 105	Screw, Hexagon Head Cap	63	70645	Dowel, Pin	7
S 106	Screw, Hexagon Head Cap	2, 33	70700	Spring, Compression	49
S 107	Screw, Hexagon Head Cap	59	70704	Washer, Plain	49, 51
S 109	Screw, Hexagon Head Cap	26, 131	70760	Dowel, Pin	77
S 113	Screw, Hexagon Head Cap	33	70897	Nut, Lock	33
S 114	Screw, Hexagon Head Cap	91	100099	Seal, Rectangular Ring	49
S 116	Screw, Hexagon Head Cap	45	100269	Clip	95, 131
S 116 A	Screw, Hexagon Head Cap	67	101626	Washer, Plain	109
S 117	Screw, Hexagon Head Cap	95	102957	Dowel, Diamond	7
S 119	Screw, Hexagon Head Cap	69	105375	Nameplate	49, 91
S 125	Screw, Hexagon Head Cap	69	107981	Cap, Filler	19
S 127 C	Screw, Hexagon Head Cap	119	108330	Washer, Plain	87
S 141	Screw, Hexagon Head Cap	129	108604	Screw, Hexagon Head Cap	113
S 145	Screw, Hexagon Head Cap	2, 26	108707	Screw, Hexagon Head Cap	117
S 150	Screw, Hexagon Head Cap	69	108722	Clip	131
S 150 B	Screw, Socket Head Cap	57	111445	Lckwshr	33
S 169 A	Screw, Hexagon Head Cap	40, 63	113759	Insert, Threaded	93
S 170 C	Screw, Socket Head Cap	109	118226	Screw, Socket Head Cap	57, 91
S 173 A	Screw, Hexagon Head Cap	36	124921	Dowel	7
S 181 C	Screw, Hexagon Head Cap	85, 88	127018	Washer, Plain	91, 109
S 194	Screw, Hexagon Head Cap	87	127184	Washer, Plain	59
S 197	Screw, Hexagon Head Cap	39, 77	127362	Washer, Plain	39, 40, 63, 67, 85, 145
S 199 B	Screw, Hexagon Head Cap	69			
S 200	Nut, Heavy Hexagon	2	129069	Nut, Lock	87
S 205	Nut, Regular Hexagon	29, 145	129768	Spring, Valve	57, 91
S 217	Nut, Heavy Hexagon	53	129839	Shield, Shutoff Valve	57, 91
S 223	Nut, Heavy Hexagon	57, 59, 95, 131	129888	Seal, Rectangular Ring	57, 91
S 224	Nut, Heavy Hexagon	91	130083	Bearing, Thrust	7
S 253	Nut, Regular Hexagon Jam	33	130914	Washer, Sealing	85, 88, 149, 151
S 257	Nut, Regular Hexagon	57			
S 302	Key, Offset Woodruff	100	131026	Seal, O Ring	57
S 316	Key, Plain Woodruff	3, 29	132770	Bushing	63
S 600	Washer, Lock	91	139988	Seal, Rectangular Ring	49
S 601	Washer, Plain	69	145540	Seal, O Ring	67, 149, 151
S 602	Washer, Plain	29, 57, 59, 95, 131	145623	Seal, O Ring	145
			146162	Washer, Plain	127
S 603	Washer, Lock	36, 45, 119, 121, 145	146172	Washer, Plain	117
			151900	Seal, Rectangular Ring	49
S 604	Washer, Lock	26, 29, 67, 77, 95, 131, 145	153336	Body, Fuel Pump Damper	49
			153338	Cover, Fuel Pump Damper	49
S 605	Washer, Lock	57	153518	Seal, Rectangular Ring	85, 149, 151
S 607	Washer, Lock	57, 91	153582	Screw, Twelve Point Cap	113
S 608	Washer, Lock	23, 26	156075	Plug, Expansion	7, 16
S 609	Washer, Lock	85	156676	Ring, Retaining	77
S 610	Washer, Lock	53, 87	156810	Breather, Crankcase	133
S 622	Washer, Plain	85	158829	Screw, Hexagon Head Cap	33
S 631	Washer, Plain	45	160514	Washer, Plain	49
S 658	Washer, Plain	145	167157	Ball, Check	15, 105
S 689	Washer, Plain	85	172648	Seal, Rectangular Ring	45, 151
S 911 B	Plug, Pipe	145	173086	Gasket, Injector	49, 51, 105
S 923 E	Draincock	67	186780	Seal, Thermostat	129, 149, 151
S 2286	Screw, Drive	49, 91	188040	Bearing, Thrust	25
S 16002	Bearing, Ball	145	188318	Seal, Thermostat	129
S 16069	Bearing, Ball	145	191772	Screw, Twelve Point Cap	100
4851	Gear, Flywheel Ring	60	196057	Disc, Valve	57, 91
43828 A	Clamp, Hose	19	200861	Washer, Plain	60

INDEX

Part No.	Description	Page No.	Part No.	Description	Page No.
202159	Screw, Twelve Point Cap	121	206808	Seal, Grommet	125, 147
202557	Seal, O Ring	49, 59, 109, 131, 147, 148	206904	Key, Woodruff	11
202897	Diaphragm, Ful Pump		206948	Seal, Oil	145
	Damper	49	206973	Gasket, Oil Cooler Core	67, 149, 151
203310	Washer, Plain	33	206996	Belt, V Ribbed	35
203426	Pin, Roll	105	206998	Tube, Water Transfer	137
203933	Plug, Expansion	103, 113	207112	Flange, Weld	20
204048	Plate, Cover	26	207117	Gasket, Air Compressor	20, 149, 151
204163	Head, Corrosion Resistor	136	207135	Seal, Rectangular Ring	77, 149, 151
205021	Cap, Main Bearing	7	207233	Tube, Water Transfer	141
205022	Cap, Main Bearing	7	207244	Seal, Injector	147, 148
205023	Cap, Main Bearing	7	207251	Gear, Water Pump	145
205059	Washer, Plain	7, 23	207252	Gear, Lubricating Oil Pump	77
205075	Cap, Main Bearing	7	207253	Gear, Accessory Drive	29
205112	Bearing, Thrust	11	207256	Gear, Hydraulic Pump	25
205126	Washer, Plain	99	207378	Tube, Water Transfer	141
205128	Washer, Plain	113	207388	Screw, Head Locking	60
205133	Bushing	63	207527	Screw, Twelve Point Cap	7
205140	Bearing, Main	11	209773	Clamp, Hose	135
205141	Bearing, Main	11	212013	Head, Fuel Filter	43
205142	Bearing, Main	11	214345	Draincock	129, 135
205143	Bearing, Main	11	216484	Dipstick	75
205150	Bearing, Main	11	553856	Gasket, Drain Plug	46
205151	Bearing, Main	11	3000175	Hub, Jaw Coupling	29
205152	Bearing, Main	11	3000508	Tube, Oil Gauge	75
205153	Bearing, Main	11	3001196	Bearing, Thrust	11
205156	Bushing	145	3001197	Bearing, Thrust	11
205160	Bearing, Main	11	3001301	Retainer, Seal	125
205161	Bearing, Main	11	3001305	Gasket, Connection	125, 147
205162	Bearing, Main	11	3002323	Pulley, Alternator	35
205163	Bearing, Main	11	3002331	Pulley, Alternator	110
205170	Bearing, Main	11	3002957	Clamp, Retaining	141
205171	Bearing, Main	11	3004242	Gasket, Hydraulic Pump	26
205172	Bearing, Main	11	3004686	Bushing	7
205173	Bearing, Main	11	3004738	Gear, Idler	7
205227	Plug, Expansion	15	3004739	Gear, Bushing Ps Idler	7
205243	Impeller, Water Pump	145	3005594	Washer, Plain	145
205247	Seal, O Ring	45, 149, 151	3007368	Support, Hydraulic Pump	25
205258	Ring, Retaining	145	3007380	Gasket, Hydraulic Pump	25, 149, 151
205269	Ring, Retaining	99	3007391	Support, Hydraulic Pump	25
205275	Screw, Twelve Point Cap	67	3007632	Plug, Expansion	7
205288	Gasket, Wtr Trf Connection	138	3007701	Connection, Water Inlet	138
205354	Screw, Twelve Point Cap	131	3008400	Gasket, Hydraulic Pump	149, 151
205378	Screw, Twelve Point Cap	23	3009101	Clip	69
205401	Plug, Expansion	103	3009620	Spring, Compression	63
205409	Screw, Hexagon Head Cap	45	3010595	Screw, Captive Washer Cap	45, 87, 138
205498	Plug, Oil	145	3010596	Screw, Captive Washer Cap	20, 39, 63, 77, 127, 137, 145
205643	Screw, Twelve Point Cap	53	3010597	Screw, Captive Washer Cap	39
205769	Shaft, Hyd Pump Drive	25	3010926	Gasket, Flange	147, 148, 149, 151
205771	Sleeve, Spline Coupling	25	3011076	Seal, D Ring	8
205781	Ring, Retaining	25	3011693	Plate, Cover	20
205784	Washer, Clamping	25	3011715	Screw, Captive Washer Cap	143
205840	Bearing, Connecting Rod	99	3011829	Screw, Captive Washer Cap	125
205841	Bearing, Connecting Rod	99	3012470	Screw, Captive Washer Cap	43
205842	Bearing, Connecting Rod	99	3012472	Screw, Captive Washer Cap	25, 129, 145
205843	Bearing, Connecting Rod	99	3012474	Screw, Captive Washer Cap	145
205898	Seal, O Ring	77, 149, 151	3012475	Screw, Captive Washer Cap	77
206202	Nut, Jam	33	3012476	Screw, Captive Washer Cap	145
206217	Stud	12	3012478	Screw, Captive Washer Cap	67
206218	Stud	12	3012481	Screw, Captive Washer Cap	85
206224	Plug, Expansion	103	3013265	Screw, Connecting Rod Cap	99
206256	Plug, Threaded	67	3013748	Drive, Hydraulic Pump	25
206277	Gasket, Intake Manifold	125, 147, 148	3014103	Washer, Plain	29
206328	Screw, Twelve Point Cap	53	3014304	Seal, Rectangular Ring	125, 147, 148
206343	Support, Front Engine	36	3014449	Gasket, Flange	149, 151
206396	Cover, Starter Hole	121			

INDEX

Part No.	Description	Page No.	Part No.	Description	Page No.
3014668	Seal, D Ring	8	3040819	Plug, Threaded	69
3014766	Screw, Captive Washer Cap	7, 12, 20, 100, 125	3040838	Screw, Captive Washer Cap	19, 67, 69, 79, 81, 87, 125
3014993	Bushing	25	3040839	Screw, Captive Washer Cap	125
3015283	Screw, Captive Washer Cap	127, 135, 141	3040911	Plug, Threaded	88
3015525	Ring, Retaining	63	3041859	Support, Alternator	39
3016306	Clamp, V Band	146	3042328	Washer, Plain	69
3016308	Tube, Exhaust Outlet	146	3042329	Washer, Plain	39, 67, 69, 125, 129, 135
3017051	Screw, Captive Washer Cap	49	3042542	Seal, O Ring	49, 93
3018909	Bushing	63	3042586	Gasket, Hand Hole	79, 81, 149, 151
3018910	Bearing, Thrust	63	3042590	Gasket, Oil Pan	87, 149, 151
3018911	Pin, Roll	63	3042619	Nipple, Coupling	49, 109
3018914	Guide, Barring Shaft	63	3042620	Nipple, Coupling	49, 51, 109
3018920	Clamp, Wire Tie	91	3042827	Shaft, Water Pump	145
3018924	Wire, Ground	123	3042889	Screw, Captive Washer Cap	67
3019152	Gear, Engine Barring	63	3042890	Screw, Captive Washer Cap	63, 67, 91, 133
3019153	Shaft, Barring	63	3043097	Gasket, Exhaust Manifold	125, 147, 148
3019154	Guide, Barring Shaft	63	3043556	Plug, Threaded	107
3019961	Nut, Plug	12	3043909	Bushing	99
3021420	Solenoid	57, 91	3044413	Screw, Captive Washer Cap	29
3025482	Screw, Twelve Point Cap	7	3044896	Cover, Protective	109
3026556	Bearing, Thrust	145	3045012	Plug, Injector Orifice	51
3028252	Pin, Roll	69	3045035	Plug, Injector Orifice	49
3028291	Seal, O Ring	137, 141, 147, 148, 149, 151	3045047	Plug, Injector Orifice	105
3028324	Valve, Check	59	3045136	Washer, Plain	29
3033038	Screw, Captive Washer Cap	29, 67	3045137	Screw, Hexagon Head Cap	29
3033800	Washer, Plain	117	3045782	Plug, Threaded	107
3034412	Seal, O Ring	7, 16, 63, 109	3045986	Seal, O Ring	51
3034721	Retainer, Shaft	145	3046200	Spider, Jaw Coupling	53
3035026	Seal, O Ring	135, 147, 148, 149, 151	3046201	Seal, O Ring	49, 63, 75, 88, 91, 103, 107, 109, 129, 131, 135, 147, 148
3035083	Isolator, Vibration	117	3046202	Plug, Threaded	49, 63, 75, 88, 103, 129, 135
3035084	Isolator, Vibration	117	3046283	Screw, Hex Flange Head Cap	125
3035228	Seal, O Ring	49, 69	3046286	Spacer, Mounting	125, 126
3035624	Screw, Captive Washer Cap	85, 87, 91	3046869	Plug, Threaded	88
3036096	Brace, Water Pump	145	3046942	Plug, Threaded	88
3036665	Plug, Threaded	125	3046943	Seal, O Ring	49, 67, 88, 91, 131, 141, 145, 147, 148
3036666	Seal, O Ring	125	3048292	Clip	59
3036846	Screw, Twelve Point Cap	23	3050897	Plug, Threaded	67, 141, 145
3036900	Washer, Plain	2	3052061	Screw, Hexagon Head Cap	2, 65
3037236	Seal, O Ring	109	3056003	Plug, Threaded	103, 145
3037536	Plug, Threaded	7, 16, 49, 67, 69, 85, 91, 125, 129, 143, 145	3056158	Nut, Hexagon Flange	107
3037537	Seal, O Ring	7, 16, 49, 51, 57, 59, 63, 67, 69, 85, 91, 93, 107, 109, 125, 129, 131, 136, 143, 145, 147, 148	3056415	Seal, O Ring	103, 145
3040810	Plug, Threaded	49	3056416	Plug, Threaded	103, 145
3040810	Plug, Threaded	63	3059831	Plug, Drive	63
3040810	Plug, Threaded	75, 88	3060567	Screw, Captive Washer Cap	19, 125
3040810	Plug, Threaded	103, 129	3060912	Gasket, Connection	127, 149, 151
3040810	Plug, Threaded	135	3063166	Seal, O Ring	7, 16
3040813	Plug, Threaded	16, 49, 67, 69, 85, 91, 125, 129, 143, 145	3063809	Clamp, T Bolt	107
3040814	Plug, Pipe	29, 125	3064321	Screw, Captive Washer Cap	59, 131, 135
3040815	Plug, Threaded	49, 69	3064523	Ring, Retaining	15
3040816	Plug, Threaded	49, 69	3064810	Tube, Oil Gauge	75
3040817	Seal, O Ring	43, 49, 69, 91, 147, 148, 149, 151	3065790	Gasket, Lub Oil Clr Hsg	67, 149, 151
3040818	Plug, Threaded	69	3065791	Gasket, Tor Cnv Oil Cooler	67, 149
			3065830	Seal, Oil	149
			3066310	Screw, Captive Washer Cap	91
			3066322	Plug, Threaded	16
			3066323	Plug, Threaded	7, 16
			3066324	Plug, Threaded	16, 63, 109
			3066325	Plug, Threaded	7, 16, 63, 109

INDEX

Part No.	Description	Page No.	Part No.	Description	Page No.
3066914	Seal, O Ring	51	3081953	Union, Male	91
3066938	Seal, O Ring	69, 149	3081954	Union, Male	109, 131
3067259	Seal, Oil	149	3081956	Union, Male	91
3067347	Plug, Threaded	109	3081957	Union, Male	49
3067370	Hose, Plain	107	3081958	Elbow, Male Union	43
3067424	Plug, Threaded	109	3081981	Tee, Male Union	57, 109
3067954	Screw, Captive Washer Cap	7	3082555	Nameplate	122
3068533	Screw, Captive Washer Cap	87	3083716	Sensor, Pressure	91
3069103	Gasket, Fuel Pump	53, 149	3084713	Seal, Oil	51
3069844	Seal, Rectangular Strip	85, 149	3085140	Sensor, Pressure	91
3069847	Cover, Hand Hole	79, 81	3085185	Sensor, Temperature	91
3070679	Screw, Hexagon Head Cap	85	3085198	Sensor, Temperature	91
3070780	Cover, Oil Pan Adapter	87	3085244	Sensor, Pressure	91
3071225	Screw, Captive Washer Cap	91, 131	3085245	Sensor, Pressure	91
3071643	Seal, Oil	51	3085702	Tee, Male Branch	59
3071719	Shim	51	3085709	Seal, O Ring	43, 49, 149
3073213	Gasket, Adapter	87, 149	3085710	Shaft, Cam Follower	15
3074316	Spacer, Seal	51	3085715	Shaft, Cam Follower	15
3074628	Screw, Twelve Point Cap	121	3085736	Adapter, Oil Pan	85
3076068	Ball, Check	105	3085742	Brace, Tube	135
3076102	Seal, O Ring	49, 93	3085743	Brace, Tube	63
3076489	Thermostat	30	3085747	Manifold, Exhaust	125
3077274	Dataplate	5	3085751	Screw, Hexagon Head Cap	85
3078053	Screw, Captive Washer Cap	57	3085752	Screw, Hexagon Head Cap	87
3079701	Shaft, Idler	77	3085753	Screw, Hexagon Head Cap	85
3079743	Dowel, Ring	113	3085759	Plug, O Ring	141
3079754	Gasket, Oil Suc Connection	87, 149	3085760	Connection, Water Transfer	141
3079794	Screw, Twelve Point Cap	109	3085769	Elbow, Male Union	59
3079883	Gasket, Aft Housing	125, 147	3085793	Housing, Thermostat	129
3080195	Ring, Retaining	51	3085803	Gasket, Thermostat Housing	129
3080217	Ring, Retaining	49	3085804	Gasket, Connection	129
3080223	Cap, Fuel Pump Filter	49	3085821	Elbow, Male Union	57, 69, 109, 136
3080406	Sensor, Pressure	91			
3081040	Damper, Vibration	23	3085822	Elbow, Male Union	43
3081137	Plug, Threaded	88	3085824	Union, Male	63, 67, 109, 131, 136
3081465	Screw, Hexagon Head Cap	7			
3081489	Seal, Oil	8	3085825	Union, Male	91, 131
3081494	Seal, O Ring	7, 149	3085826	Union, Male	91
3081507	Plunger, Filter Head	69	3085827	Union, Male	109, 131
3081514	Bushing	113	3085829	Union, Male	93
3081529	Plug, Expansion	7, 16	3085830	Union, Male	49
3081534	Collet, Valve	103	3085847	Tee, Male Union	57, 109
3081558	Plug, Threaded	69	3085849	Tee, Male Branch	59
3081566	Screw, Twelve Point Cap	113	3085851	Brace, Tube	87
3081574	Plug, Threaded	69	3085861	Elbow, Male Union	59
3081620	Cover, Camshaft	100	3085867	Seal, Oil	149
3081621	Gasket, Camshaft Cover	100, 149	3085886	Washer, Plain	85
3081668	Plug, Retainer	77	3085955	Housing, Oil Cooler	67
3081677	Bushing	7	3085962	Spring, Valve	103
3081689	Tube, Water Transfer	135	3085963	Retainer, Valve Spring	103
3081695	Seal, O Ring	143, 149	3085964	Crosshead, Valve	113
3081724	Seal, Split Ring	7, 149	3085972	Bushing	113
3081794	Housing, Flywheel	45	3085973	Bushing	113
3081824	Gasket, Turbocharger	107, 147, 148	3085978	Ball, Rocker Lever	113
3081825	Clip	131	3085989	Gasket, Lub Oil Pump	77, 149
3081837	Screw, Twelve Point Cap	7, 103	3086006	Body, Lubricating Oil Pump	77
3081846	Tube, Water Transfer	135	3086007	Body, Lubricating Oil Pump	77
3081869	Connection, Air Crossover	125	3086016	Union, Male	131
3081876	Manifold, Fuel	109	3086019	Elbow, Male Adapter	131
3081877	Manifold, Fuel	109	3086024	Hose, Flexible	131
3081895	Gasket, Rkr Lever Housing	113, 147, 148	3086026	Brace, Tube	129
3081898	Gasket, Valve Cover	133, 147, 148	3086027	Connection, Water Transfer	141
3081950	Union, Male	63, 67, 109, 131, 136	3086040	Union, Male	131
			3086041	Elbow, Male Adapter	131
3081951	Elbow, Male Union	57, 69, 109, 136	3086051	Elbow, Male Union	69
			3086052	Elbow, Male Union	69
3081952	Union, Male	91, 131	3086054	Hose, Flexible	131

INDEX

Part No.	Description	Page No.	Part No.	Description	Page No.
3086055	Hose, Flexible	131	3090257	Gear, Idler	7
3086056	Tube, Fuel Supply	109	3090258	Gear, Idler	7
3086058	Tube, Fuel Supply	109	3090260	Plate, Thrust Bearing Wear	7
3086062	Tube, Var Timing Supply	109	3090261	Retainer, Gear	7
3086064	Tube, Var Timing Supply	109	3090273	Bracket, Cus Accessory	2
3086068	Tube, Fuel Drain	59	3090299	Gasket, Aftercooler Cover	125, 147, 148
3086070	Tube, Fuel Drain	59	3090300	Block, Cylinder	7
3086072	Clamp, Tube	59	3090301	Block, Cylinder	7
3086077	Connection, Fuel Block	109	3090313	Tube, Lub Oil Suction	87
3086078	Connection, Fuel Block	109	3090320	Gasket, Gear Cover Plate	12, 149
3086079	Manifold, Fuel	109	3090326	Cover, Gear	63
3086080	Manifold, Fuel	109	3090327	Cover, Gear	63
3086120	Seal, O Ring	63, 145, 149	3090332	Union, Male	129
3086121	Screw, Round Head Cap	63, 145	3090377	Rod, Push	113
3086122	Shaft, Accessory Drive	29	3090378	Rod, Push	113
3086123	Shaft, Water Pump	145	3090381	Tube, Fuel Supply	109
3086124	Hub, Timing	3	3090383	Tube, Var Timing Supply	109
3086132	Shaft, Water Pump TLA	145	3090385	Brace, Belt Guard	117
3086144	Clip	87	3090386	Guard, Belt	117
3086177	Support, Water Pump	145	3090391	Tool, Seal Installation	150
3086178	Support, Water Pump	145	3090392	Screw, Hexagon Head Cap	149, 150
3086192	Insert, Valve	103	3090393	Tool, Seal Installation	149
3086193	Insert, Valve	103	3090395	Tool, Seal Installation	149
3086221	Shaft, Lub Oil Pump Drive	77	3090440	Elbow, Plain Union	69
3086222	Core, Aftercooler	125	3090441	Spring, Valve	69
3086231	Support, Accessory Drive	29	3090444	Top, Piston	99
3086234	Seal, O Ring	131, 147, 148	3090446	Top, Piston	99
3086259	Connection, Water Inlet	145	3090447	Elbow, Female Adapter	69
3086279	Seal, Dust	149	3090450	Ring, Oil Piston	99
3086284	Manifold, Exhaust	125	3090451	Valve, Check	69
3086290	Connection, Tur Oil Drain	131	3090460	Ring, Compression Piston	99
3086291	Plate, Clamping	63	3090461	Connection, Water Transfer	129
3086292	Gasket, Gear Cover	63, 149	3090469	Valve, Exhaust	103
3086309	Bracket, Belt Guard	117	3090478	Valve, Check	69
3086311	Bracket, Belt Guard	117	3090487	Gear, Idler	7
3088298	Ring, Liner Seal	8	3090488	Gear, Idler	7
3089177	Socket, Rocker Lever	113	3090495	Cover, Valve	133
3089715	Shaft, Rocker Lever	113	3090769	Screen, Filter	49
3089716	Shaft, Rocker Lever	113	3090797	Flywheel	60
3090000	Camshaft	100	3090992	Valve, Check	49
3090007	Screw, Rkr Lever Adjusting	113	3096260	Seal, Rectangular Ring	45
3090009	Roller, Cam Follower	15	3096320	Housing, Rocker Lever	113
3090010	Roller, Cam Follower	15	3096323	Spring, Compression	77
3090055	Hose, Flexible	43	3096324	Plunger, Prs Regulator	77
3090064	Adapter, Filter Head	69	3096326	Pump, Lubricating Oil	77
3090067	Skirt, Piston	99	3096327	Cover, Lub Oil Pump	77
3090071	Piston, Engine TLA	99	3096328	Cover, Lub Oil Pump	77
3090116	Connection, Water Transfer	143	3096361	Dowel, Pin	149, 150
3090126	Seal, O Ring	69, 149	3096362	Gear, Crankshaft	11
3090127	Seal, O Ring	69, 149	3096367	Cover, Aftercooler	125
3090165	Clip	127	3096368	Gear, Lubricating Oil Pump	77
3090166	Tube, Water Bypass	127	3096383	Head, Lub Oil Filter	69
3090170	Gasket, Thermostat Housing	149	3096385	Connection, Oil Transfer	69
3090171	Clamp, Tube	135	3096388	Plug, Threaded	69
3090178	Cover, Camshaft	19	3096389	Plug, Threaded	71
3090184	Bracket, Check Valve	59	3096390	Tube, Vent	71
3090194	Seal, Dust	149	3096429	Cover, Valve	133
3090232	Bushing	99	3096430	Baffle, Breather	133
3090238	Nut, Hose	69	3096431	Nut, Spring	133
3090239	Support, Thm Housing	129	3096458	Bearing, Camshaft Thrust	100
3090240	Coupling, Plain Hose	136	3096465	Cover, Valve	133
3090241	Cover, Lub Oil Cooler	67	3096470	Elbow, Male Union	59
3090243	Tube, Water Transfer	135	3096478	Seal, Oil	63, 150
3090245	Union, Male	129	3096479	Seal, Oil	45, 149
3090251	Bracket, Lifting	65	3096480	Seal, Oil	63, 145, 150
3090255	Bearing, Thrust	7	3096485	Bracket, Cus Accessory	2
3090256	Bushing	7	3096522	Nameplate	122

INDEX

Part No.	Description	Page No.	Part No.	Description	Page No.
3096527	Bracket, Wiring Retainer	91	3331774	Harness, Etr Cnt Mdl Wrg	93
3096529	Bracket, Wiring Retainer	91	3331775	Harness, Etr Cnt Mdl Wrg	93
3099408	Seal, O Ring	137	3347806	Dowel, Ring	51
3160538	Sensor, Pressure	49	3347828	Spring, Injector	105
3160539	Sensor, Pressure	49	3347937	Seal, O Ring	105, 147
3170134	Seal, Valve Stem	103	3347938	Seal, O Ring	51, 147
3170135	Guide, Valve Stem	103	3347939	Seal, O Ring	105, 147
3175239	Nut, Lock	117	3348004	Screen, Filter	105
3175846	Elbow, Male Union	43	3348054	Housing, Fuel Pump Gear	51
3200281	Washer, Plain	131	3348338	Cover, Fuel Pump Gear	51
3200287	Seal, Keyway	3, 150	3348378	Cover, Fuel Pump Gear	51
3200772	Washer, Plain	7	3348498	Pump, Gear Fuel	51
3200781	Plug, Drain	67	3348499	Adapter, Fuel Connector	51
3200943	Shaft, Hyd Pump Drive	25	3348500	Hub, Jaw Coupling	51
3200968	Plug, Threaded	145	3348501	Plate, Cover	51
3201056	Cover, Flywheel Housing	45	3348503	Support, Fuel Pump	51
3201058	Bracket, Shipping	119	3348515	Pin, Spiral	105
3201060	Cover, Hand Hole	79, 81	3348523	Plunger, Injector	105
3201125	Seal, O Ring	63, 149	3348527	Spring, Injector	105
3201128	Nut, Regular Hexagon	40, 63, 135	3348547	Plunger, Injector Timing	105
3201185	Bolt, Eye	33	3348549	Valve, Pressure Regulator	51
3201186	Bolt, Eye	33	3348550	Valve, Pressure Regulator	51
3201187	Link, Adjusting	33	3348552	Link, Injector Plunger	105
3201188	Link, Adjusting	33	3348618	Seal, Diamond Ring	51
3201287	Clip	127	3348639	Tube, Fuel Supply	57
3201388	Gasket, Flange	20, 149	3348642	Fuse	57
3201392	Brace, Turbocharger	131	3348703	Seal, O Ring	51
3201583	Plug, Threaded	88	3348739	Screw, Socket Head Cap	51
3201585	Seal, O Ring	88	3402169	Shaft, Idler	7
3201656	Bracket, Shipping	43	3402170	Dowel, Ring	7
3201759	Screw, Hexagon Head Cap	46	3408212	Screw, Hexagon Head Cap	125
3201884	Plate, Cover	127	3408216	Screw, Captive Washer Cap	129
3202007	Shaft, Water Pump	145	3408217	Screw, Captive Washer Cap	129
3202101	Plug, Threaded	67, 141, 145	3408249	Plate, Thrust Bearing	100
3202114	Shaft, Idler	7	3408266	Lever, Cam Follower	15
3202117	Gasket, Connection	107, 131, 147, 148	3408295	Lever, Cam Follower TLA	15
3202283	Gasket, Water Pump	145, 149	3408296	Lever, Cam Follower	15
3278093	Plug, Pipe	103	3408502	Sensor, Position	91
3318853	Element, Lub Oil Filter	71	3408503	Sensor, Position	91
3329289	Separator, Fuel Water	43	3408519	Sensor, Pressure	93
3329510	Gear & Shaft	77	3408520	Sensor, Pressure	93
3329511	Gear & Shaft	77	3410171	Gasket, Acc Drive Support	29, 149
3329524	Shaft, Water Pump	145	3410240	Pan, Oil	87
3329533	Gear, Camshaft	100	3417104	Screw, Socket Head Cap	51
3329676	Valve, Pressure Relief	51	3417162	Shaft, Idler	51
3329999	Retainer, Injector Nozzle	105	3417165	Valve, Check	51
3330087	Ring, Injector Valve	105	3417166	Valve, Check	51
3330159	Seal, O Ring	93	3417238	Seal, O Ring	51
3330202	Seal, O Ring	49	3417290	Spring, Injector	105
3330369	Valve, Etr Cnt Pressure	91	3502449	Seal, Rectangular Ring	107
3330511	Module, Electronic Control	93	3504967	Washer, Plain	107
3330549	Support, Fuel Pump	51	3519163	Screw, Drive	107
3330600	Actuator, Etr Fuel Control	49, 93	3519535	Nut, Lock	107
3330601	Actuator, Etr Fuel Control	93	3519627	Bearing, Turbcharger	107
3330764	Seal, O Ring	51	3519641	Ring, Retaining	107
3331029	Actuator, Etr Fuel Control	49, 93	3521225	Screw, Hexagon Head Set	107
3331030	Actuator, Etr Fuel Control	93	3521442	Seal, Split Ring	107
3331586	Crankshaft, Engine	11	3522597	Pin, Roll	107
3331601	Flange, Power Takeoff	23	3522904	Lockplate	107
3331631	Plate, Gear Cover	12	3523412	Seal, Split Ring	107
3331638	Tube, Lub Oil Supply	131	3523980	Slinger, Oil	107
3331667	Core, Cooler	67	3524418	Shim	107
3331672	Gasket, Camshaft	148, 149	3524419	Baffle, Oil	107
3331729	Head, Cylinder	103	3525073	Screw, Hexagon Head Set	107
3331732	Head, Cylinder	103	3527619	Dataplate	107
3331760	Bracket, Wiring Retainer	93	3529372	Nut, Regular Hexagon	107
			3532593	Diffuser, Turbocharger	107

INDEX

Part No.	Description	Page No.	Part No.	Description	Page No.
3532617	Clamp, V Band	107	4000595	Gasket, Oil Pan Adapter	85, 149
3534405	Seal, Rectangular Ring	107	4001717	Shaft, Fuel Pump Drive	51
3536017	Turbocharger	107	4001749	Valve, Pressure Regulator	51
3536155	Shaft & Wheel	107	4001750	Barrel, Control Valve	51
3536588	Shield, Turbocharger Heat	107	4001751	Plunger, Ful Prs Regulator	51
3536589	Housing, Tur Bearing	107	4001977	Kit, Hot Start Knock	57
3536914	Bearing, Tur Thrust	107	4001978	Body, Shutoff Valve	57
3537301	Ring, Retaining	107	4001979	Pump, Fuel	57
3537339	Housing, Compressor	107	4001985	Hose, Flexible	57
3537575	Housing, Turbine	107	4001988	Bracket, Module	57
3537916	Baffle, Turbocharger Noi	107	4001989	Bracket, Module	57
3591522	Collar, Thrust	107	4002040	Valve, Etr Fuel Control	91
3593182	Impeller, Tur Compressor	107	4002127	Pin, Roll	105
3609826	Seal, Water Pump	145	4002136	Coupling, Injector Plunger	105
3634664	Gasket, Cylinder Head	103, 147, 148	4002137	Coupling, Injector Plunger	105
3678605	Plug, Threaded	133	4002138	Plunger, Injector	105
3678606	Seal, O Ring	133, 147	4006772	Socket, Cam Follower	15
3678611	Plug, Threaded	133	4009220	Liner, Cylinder	8
3678925	Seal, O Ring	51	4009250	Tube, Fuel Supply	57
3680057	Nut, Regular Hexagon Jam	113	4009625	Kit, Liner	8
3803477	Kit, Oil Seal	51	4009692	Screen, Filter	105
3804571	Set, Piston Ring	99	4009785	Barrel & Plunger	105
3804572	Kit, Engine Piston	99	4009787	Barrel, Injector	105
3804663	Block, Cylinder	7	4009905	Pump, Fuel	49
3804664	Nozzle, Piston Cooling	7	4010129	Nozzle, Injector	105
3804667	Set, Upper Engine Gasket	147	4010509	Module, Aut Stg Control	57
3804668	Set, Single Head Gasket	148	4010510	Module, Aut Stg Control	57
3804703	Kit, Front Oil Seal	150	4010526	Connector, Electrical	57
3804704	Rear Crank Seal Kit	149	4010528	Harness, Wiring	57
3804705	Accessory Drive Seal Kit	149	4010577	Seal, O Ring	105
3804730	Kit, Turbocharger	107	4010578	Housing, Injector Spring	105
3804993		3	4016438	Valve, Intake	103
3804997	Kit, Acc Drive Shaft	29	4025209	Set, Lower Engine Gasket	149
3804998	Kit, Acc Drive TLA	29	4057590	Tag, Instruction	79
3811993	Tube, Lub Oil Transfer	7	4058965	Resistor, Corrosion	136
3811994	Rod, Engine Connecting	99	4065627	Plug, Drive	113
3811995	Rod, Engine Connecting	99	4065629	Lever, Rocker	113
3818271	Hose, Plain	135	4065630	Lever, Rocker	113
3865312	Sensor, Temperature	93	4065632	Lever, Rocker	113
3865323	Sensor, Temperature	93	4065633	Lever, Rocker	113
3865398	Seal, O Ring	49, 93	4065635	Lever, Rocker	113
3867124	Pin, Straight	51	4065636	Lever, Rocker	113
3867393	Screen, Filter	49, 93	4065640	Lever, Rocker TLA	113
3867410	Valve, Check	49	4065747	Lever, Cam Follower	15
3867424	Socket, Injector Coupling	105	4065748	Lever, Cam Follower	15
3867578	Gear, Fuel Pumping	51	4065750	Pin, Cam Follower Roller	15
3867640	Seal, O Ring	51	4065751	Pin, Cam Follower Roller	15
3867651	Seal, O Ring	105, 147	4067456	Dataplate	5
3867668	Spring, Valve	51	4076528	Housing, Top Stop Spring	105
3867687	Seal, Injector	105	4080861	Kit, Hot Start Knock	57
3867714	Body, Control Valve	93	4081090	Body, Water Pump	145
3867715	Body, Control Valve	93	4081093	Pump, Water	145
3867737	Valve, Pressure Relief	51	4081128	Nozzle, Piston Cooling	7
3867742	Retainer, Injector Link	105	4081156	Connection, Water Outlet	137
3888312	Inhibitor, Corrosion	136	4081176	Ring, Compression Piston	99
3914868	Plate, Cover	26	4081237	Motor, Starting	123
3921724	Tag, Identificati	143	4086649	Rotator, Valve	103
3922794	Seal, O Ring	57, 63, 67, 69, 91, 109, 131, 136, 147, 148	4087871	Plunger, Injector	105
			4087874	Nozzle & Plunger	105
			4087887	Injector	105
3929751	Gasket, Acc Drive Cover	26	4088274	Disc, Actuator	57, 91
4000406	Housing, Aftercooler	125	4088863	Housing, Actuator	57, 91
4000436	Gasket, Lub Oil Fil Cover	69, 149	4095010	Pin, Piston	99
4000464	Thermostat	129	4095098	Hose, Flexible	95
4000504	Seal, Rectangular Ring	8	4910190	Gasket, Camshaft Cover	19
4000521	Screw, Hex Flange Head Cap	107			

