



# Parts Manual

---

## C27 Generator Set

---

AFH1-Up (Generator)  
AFK1-Up (Generator)  
AFN1-Up (Generator)  
AFR1-Up (Generator)  
GDS1-Up (Generator  
Set)  
MJE1-Up (Engine)

SR4B Generator



# Product and Dealer Information

Note: For product identification plate locations, see the section "Product Identification Information" in the Operation and Maintenance Manual.

Delivery Date: \_\_\_\_\_

## Product Information

Model: \_\_\_\_\_

Product Identification Number: \_\_\_\_\_

Engine Serial Number: \_\_\_\_\_

Transmission Serial Number: \_\_\_\_\_

Generator Serial Number: \_\_\_\_\_

Attachment Serial Numbers: \_\_\_\_\_

Attachment Information: \_\_\_\_\_

Customer Equipment Number: \_\_\_\_\_

Dealer Equipment Number: \_\_\_\_\_

## Dealer Information

Name: \_\_\_\_\_ Branch: \_\_\_\_\_

Address: \_\_\_\_\_

\_\_\_\_\_

\_\_\_\_\_

Dealer Contact

Phone Number

Hours

Sales: \_\_\_\_\_

Parts: \_\_\_\_\_

Service: \_\_\_\_\_

**MEMORANDA**

# TABLE OF CONTENTS

NAME	PAGE	NAME	PAGE
<b>GENERAL INFORMATION</b> .....	<b>A4</b>	V-BELT SET .....	72
<b>REPAIR ALTERNATIVES</b> .....	<b>A7</b>	VALVE GP-CHECK .....	73
<b>SUPPLEMENTAL COOLANT ADDITIVES</b> .....	<b>A8</b>	<b>LUBRICATION SYSTEM</b> .....	<b>74</b>
<b>MAINTENANCE PARTS</b> .....	<b>A9</b>	BASE AS-OIL FILTER.....	74
<b>INDEX</b> .....	<b>A12</b>	FASTENER GP-OIL PUMP MOUNTING .....	75
<b>ENGINE ARRANGEMENT</b> .....	<b>1</b>	FILLER GP-ENGINE OIL .....	76
ENGINE AR.....	1	FILTER GP-ENGINE OIL .....	79
ENGINE AR-COMPLETE .....	6	FUMES DISPOSAL GP .....	80
ENGINE AR-CORE .....	9	GAUGE GP-OIL LEVEL (DIPSTICK).....	82
GENERAL AR.....	10	LINES GP-ENGINE OIL .....	84
<b>BASIC ENGINE</b> .....	<b>11</b>	LINES GP-ENGINE OIL DRAIN.....	86
BASE GP-VALVE COVER & INJ HARN.....	11	LINES GP-TURBOCHARGER OIL.....	87
CAMSHAFT GP .....	13	PUMP GP-ENGINE OIL .....	91
COVER GP-ACCESS .....	14	REGULATOR GP-OIL LEVEL.....	92
COVER GP-CYLINDER BLOCK.....	15	<b>COOLING SYSTEM</b> .....	<b>96</b>
COVER GP-FRONT HOUSING.....	17	LINES GP-COOLANT .....	96
COVER GP-OIL PAN .....	18	LINES GP-WATER.....	97
COVER GP-VALVE MECHANISM.....	20	PUMP GP-WATER.....	100
CRANKSHAFT GP .....	21	RADIATOR & AFTERCOOLER GP.....	102
CYLINDER BLOCK AS.....	22	RADIATOR & FAN GP.....	104
CYLINDER BLOCK GP.....	24	<b>AIR INLET AND EXHAUST SYSTEM</b> .....	<b>106</b>
CYLINDER HEAD AS.....	27	AIR CLEANER GP.....	106
CYLINDER HEAD GP.....	29	CAP AS-AIR CLEANER .....	111
DAMPER & PULLEY GP .....	33	INSULATION GP-HEAT .....	112
DAMPER GP.....	35	LINES GP-AIR.....	113
DRIVE GP-FAN.....	36	MANIFOLD GP-EXHAUST .....	117
FASTENER GP-GENERATOR COUPLING .....	38	MANIFOLD GP-INLET .....	119
FLYWHEEL GP.....	39	MOUNTING GP-AIR CLEANER .....	120
GEAR GP-FRONT .....	40	PRECLEANER GP.....	121
GEAR GP-REAR.....	42	SHIELD GP-HEAT .....	122
GUARD AS-BELT.....	44	SHIELD GP-TURBOCHARGER.....	123
GUARD GP-BELT.....	46	SILENCER GP-INLET .....	126
GUARD GP-DAMPER .....	48	SUPPORT GP-AFTERCOOLER .....	128
HOUSING GP-FLYWHEEL.....	50	SUPPORT GP-AIR INLET .....	129
HOUSING GP-FRONT.....	51	TURBOCHARGER GP .....	130
HOUSING GP-REAR.....	52	<b>FUEL SYSTEM</b> .....	<b>132</b>
LIFTING GP-ENGINE.....	53	CONTROL AS-GOVERNOR.....	132
MECHANISM GP-FUEL PUMP & VALVE.....	55	COVER GP-FUEL FILTER BASE .....	133
MOUNTING GP-ALTERNATOR.....	56	FASTENER GP-FUEL TANK.....	134
PAN GP-OIL .....	58	FILTER GP-FUEL.....	135
PISTON & ROD GP .....	61	FILTER GP-WATER SEP & FUEL .....	137
PLUG GP-CYLINDER BLOCK .....	62	INJECTOR GP-FUEL.....	138
PLUG GP-CYLINDER HEAD.....	63	LINES GP-FUEL.....	140
PLUG GP-ENGINE.....	64	PUMP & MTG GP-FUEL TRANSFER.....	153
ROCKER ARM GP .....	65	PUMP GP-FUEL INJECTION .....	154
SEAL GP-CRANKSHAFT .....	68	PUMP GP-FUEL PRM & WATER SEP .....	158
SUPPORT GP-ENGINE .....	70	PUMP GP-FUEL TRANSFER .....	159
		TANK & MTG GP-FUEL.....	160
		TANK GP-FUEL .....	163

# TABLE OF CONTENTS

NAME	PAGE	NAME	PAGE
VALVE GP-CHECK .....	165	STARTING MOTOR GP-ELECTRIC .....	300
VALVE GP-FUEL BYPASS .....	168	STRIP GP-TERMINAL .....	304
<b>ELECTRICAL AND STARTING</b>		SUPPORT GP-BATTERY .....	314
<b>SYSTEM</b> .....	169	SWITCH GP-DISCONNECT .....	317
ALTERNATOR GP-CHARGING .....	169	SWITCH GP-MAGNETIC .....	319
BATTERY CHARGER .....	170	SWITCH GP-PRESSURE .....	322
BATTERY GP .....	171	SWITCH GP-TOGGLE .....	323
BLOCK AS-TERMINAL .....	174	TRANSFORMER GP-CURRENT .....	324
BOX & MOUNTING GP .....	178	TRANSFORMER GP-POTENTIAL .....	328
BOX AS-CONTROL .....	180	WIRING GP-ALTERNATOR .....	329
BOX AS-JUNCTION .....	181	WIRING GP-BOX .....	333
BOX GP-ELECTRONIC .....	182	WIRING GP-ELECTRIC STARTING .....	342
BOX GP-EXTENSION TERMINAL .....	189	WIRING GP-ENGINE .....	345
BOX GP-JUNCTION .....	200	WIRING GP-ENGINE ELECTRONIC .....	348
BUS BAR GP .....	201	WIRING GP-GENERATOR .....	350
BUS BAR GP-GENERATOR .....	202	WIRING GP-HEATER .....	356
CIRCUIT BREAKER AS .....	206	WIRING GP-JACKET WATER	
CIRCUIT BREAKER GP .....	215	HEATER .....	357
CONDUIT GP-ELECTRICAL .....	219	WIRING GP-PANEL .....	360
CONNECTION GP-ELECTRICAL .....	227	WIRING GP-SENSOR .....	368
CONTROL & MTG GP-		WIRING GP-SHUTOFF .....	371
ELECTRONIC .....	232	<b>ENCLOSURES, GUARDS AND</b>	
CONTROL GP-ELECTRONIC .....	235	<b>BASES</b> .....	372
CONTROL GP-UNPROGRAMMED .....	241	BASE GP-GENERATOR .....	372
COVER AS-EXTENSION BOX .....	242	CONTAINMENT GP-FLUID .....	373
COVER GP-EXTENSION BOX .....	243	COVER GP-ACCESS .....	374
ELEMENT GP-JACKET WATER		COVER GP-GENERATOR .....	375
HEATER .....	245	DOOR AS .....	380
FASTENER GP-WIRING HARNESS .....	247	DUCT GP-ENCLOSURE .....	381
GROUND GP-ELECTRICAL .....	248	ENCLOSURE GP-GENERATOR .....	383
HARNESS AS-ALARM .....	249	LINES GP-DRAIN .....	393
HARNESS AS-BOX .....	249	LOUVER GP-ENCLOSURE .....	394
HARNESS AS-CONTROL .....	251	MOUNTING GP-GENERATOR BASE .....	396
HARNESS AS-ENGINE .....	253	MOUNTING GP-VIBRATION	
HARNESS AS-LIGHTING .....	255	ISOLATOR .....	397
HARNESS AS-PANEL .....	255	PANEL GP-SOUND SUPPRESSION .....	398
HARNESS AS-POWER .....	260	SHIELD GP .....	399
HARNESS AS-SENSOR .....	267	<b>GENERATORS</b> .....	<b>400</b>
HARNESS AS-SWITCH .....	268	CABLE GP-GENERATOR GROUND .....	400
HARNESS AS-WIRING .....	269	CONNECTION GP-GENERATOR	
HEATER GP-JACKET WATER .....	272	LEADS .....	402
LAMP GP-FLOOD .....	280	GENERATOR AR .....	404
LIGHTING GP-GENERATOR .....	281	GENERATOR GP .....	426
LINES GP-JACKET WATER		HEAT SINK AS .....	503
HEATER .....	283	HEATER GP-SPACE .....	505
MOUNTING GP-BATTERY		MOUNTING GP-GENERATOR .....	506
CHARGER .....	285	REGULATOR AS-VOLTAGE .....	507
MOUNTING GP-ELECTRONIC		ROTOR AS .....	508
CONTROL .....	286	ROTOR GP-GENERATOR .....	516
PANEL GP-CIRCUIT BREAKER .....	287	SCREEN GP-AIR .....	518
PLATE AS-BRUSH .....	289	<b>OPERATOR STATION</b> .....	<b>520</b>
SENSOR GP-ENGINE .....	290	ALARM GP .....	520
SENSOR GP-LIQUID LEVEL .....	292	BOX GP-CONTROL PANEL .....	525
SENSOR GP-PRESSURE .....	293		
SENSOR GP-SPEED .....	296		
SENSOR GP-TEMPERATURE .....	299		

# TABLE OF CONTENTS

NAME	PAGE	NAME	PAGE
CONTROL GP-ENGINE			
MONITORING .....	530		
CONTROL GP-GENERATOR SET.....	532		
CONTROL GP-LOAD SHARE			
MODULE.....	534		
COVER GP-CONTROL PANEL .....	537		
MODULE GP-ALARM .....	538		
MODULE GP-RELAY DRIVER .....	543		
PANEL GP-ELECTRONIC .....	545		
POTENTIOMETER AS .....	546		
<b>SERVICE EQUIPMENT AND</b>			
<b>SUPPLIES</b> .....	547		
FILM GP.....	547		
KIT-INSTALLATION .....	549		
PLATE & FILM GP .....	549		
SHIM PACK.....	549		
<b>PART NUMBER INDEX.....</b>	<b>B1</b>		

# GENERAL INFORMATION

## 1. ENGINE IDENTIFICATION

Cat engines are identified with Serial Numbers and Arrangement Numbers. In some cases, Modification Numbers are also used. The serial number plate which shows these numbers is mounted on the engine.

Cat dealers need this information to determine which components were included on the engine when it was assembled at the factory. This permits accurate identification of replacement part numbers.

Effective First Quarter 2001 the Cat Product Identification Number (PIN) changed from 8 to 17 characters. In an effort to provide uniform equipment identification, Caterpillar and other construction equipment manufacturers are moving to comply with the latest version of the product identification numbering standard. Non-road machine PINs are defined by ISO 10261. The new PIN format will apply to all Cat machines and generator sets. The PIN plates and frame marking will display the 17 character PIN. The new format will look like the following:

\* C A T 0 7 8 9 B G 6 S L 1 2 3 4 5 \*

The diagram shows the PIN format: \* C A T 0 7 8 9 B G 6 S L 1 2 3 4 5 \*. Below the first four characters (C, A, T, 0), there are vertical lines leading to circles containing the numbers 1, 2, 3, and 4 respectively. This indicates that these four characters represent the first four positions of the PIN.

Where:

1. Caterpillar's World Manufacturing Code (characters 1-3)
2. Machine Descriptor (characters 4-8)
3. Check Character (character 9)
4. Machine Indicator Section (MIS) or Product Sequence Number (characters 10-17). These were previously referred to as the Serial Number.

Machines and generator sets produced before First Quarter 2001 will maintain their 8 character PIN format.

Components such as engines, transmissions, axles, etc. and work tools will continue to use an 8 character Serial Number (S/N).

## 2. ORDERING PARTS

### WARNING

**When replacement parts are required for this product Caterpillar recommends using Caterpillar replacement parts or parts with equivalent specifications including, but not limited to, physical dimensions, type, strength and material.**

**Failure to heed this warning can lead to premature failures, product damage, personal injury or death.**

Quality Cat replacement parts are available from Cat dealers throughout the world. Their parts inventories are up to date and include all parts normally required to protect your investment in Cat machines. Dealers may offer repair kits or remanufactured parts to allow selection of the most effective repair alternative for a particular situation. When ordering parts, your order should specify the quantity, part number, part name, and the serial number/product identification number of the engine for which the parts are needed.

## 3. PARTS MANUAL ORGANIZATION

Product information in this manual is presented as "information elements" that represent all of the components for the specific model. Engine Arrangement and Seat Group are examples of information elements. The information elements are organized alphabetically by part name and secondarily by part number within each major section of the manual.

## 4. TABLE OF CONTENTS

A table of contents (TOC) is found at the beginning of the manual. The TOC lists each section of the manual with a complete list of all information elements organized as they appear in the manual. Page numbers are provided for quick reference to detailed parts identification illustrations and serviceable consist lists.

## 5. MAINTENANCE PARTS INDEX

The Maintenance Parts Index, located near the beginning of the manual, references most frequently used maintenance part numbers, providing description, quantity, usage and page number. This information is organized alphabetically by part description.



# GENERAL INFORMATION

## 6. INDEX

The index located near the front of the manual is an alphabetical listing of all information elements included in the manual. Page numbers are provided for quick reference to detailed parts identification illustrations and serviceable consist lists.

## 7. PART NUMBER INDEX

A numerical index listing all part numbers and the corresponding page number(s) appears at the back of the manual.

## 8. CAPTIONS

Captions located at the beginning of each information element identify the part number and part name along with additional descriptive information. S/N information found in each caption should be used to select correct information for a specific engine. Field replacement options, identification of optional attachment components, and where used ("part of") information is also provided.

The first line of a caption is shown in larger type font to indicate the beginning of an information element. Captions for additional pages that may be required to illustrate an information element will be shown in standard type font and will include the term (*contd.*).

## 9. NON-SERVICED PARTS

In some instances it is necessary to display non-serviced parts that are a link to lower level serviceable consist lists. These non-serviced part numbers are shown in *italic* type indicating that they are not available. All consist lists have not been converted to reflect this enhancement.

## 10. PARTS LIST REFERENCE NUMBERS

Numbers shown in the Ref No column correspond to numbers used in the associated graphic(s). An alphabetic suffix may be added to a reference number to identify lower level consist items. Numbers shown in the Graphic Ref column refer to the graphic number identifier displayed in the lower left corner of each illustration. The Graphic Ref number may be used in combination with the item Ref No to determine the correct part number. There may be intentional omission of a Ref No in a consist list as information is updated to reflect the latest serviceable part numbers.

## 11. INDENTED PART NAMES

When a part name is indented in a parts list, it is part of (included in) the group or assembly under which it is indented.

## 12. ILLUSTRATION REFERENCE LETTERS

When necessary, illustrations contain reference letters (A, B, C etc.) that are intended to track lines and harnesses from one point to another. They are also used to show where to reconnect illustrations that have been separated.

## 13. ABBREVIATIONS AND SYMBOLS

O.D. – Outside Diameter  
I.D. – Inside Diameter  
A – Not Part Of This Group  
B – Use As Required  
C – Change From Previous Type  
D – Order By The Meter  
E – Order By The Centimeter  
F – Not Shown  
G – Order By The Inch  
I – Refer To Hydraulic Information System  
M – Metric Part  
R – Remfg Part May Be Available  
Y – Separate Illustration  
Z – Not Serviced Separately

## 14. REPLACEMENT PARTS FOR GENERATORS

Only those generators which are sold and serviced exclusively by Cat Dealers are illustrated on the following pages. Externally-regulated Cat Diesel Electric Sets are equipped with generators made by other manufacturers. Parts for these generators are NOT serviced by Caterpillar Inc. Parts lists and parts should be ordered from the manufacturer whose name is shown on the Generator Name Plate, always giving the generator rating and serial number shown.

## 15. DESCRIPTION OF TYPE CHANGES

Type - A type is defined as any configuration change that requires an additional Information Element for an Arrangement, Group, or Assembly. If serial number breaks for types are not available, a type # (Type 1, Type 2, etc.) will be displayed in the caption. These "type" changes are identified with a "C" note (change from previous type) in the Parts List. Only the "types" that apply to this Parts Manual will be included. Additional types may exist causing "C" notes to appear on an Information Element when no other types are shown.

## GENERAL INFORMATION

### 16. <END>

This symbol indicates the end of an information element.

### NOTE:

Continuing improvement and advancement of product design may cause changes to your machine which may not be included in this publication. Whenever a question arises regarding your Cat product or this publication, please consult your Cat dealer for the latest available information.

# REPAIR ALTERNATIVES

## REMANUFACTURED COMPONENTS

As an option when making repairs consider Cat Remanufactured Components. Components that are available through the Cat Remanufactured Program are identified three ways in the parts book:

- with the letter R in the note field of the parts list
- with an R\* at the beginning of the first line of the caption
- with an \*R at the end of the first line of the caption

Typical components included in the Remanufacturing Program include:

ALTERNATORS  
CONNECTING RODS  
CRANKSHAFTS - UNDERSIZE  
CRANKSHAFTS - UPGRADE TO NEW  
CYLINDER HEADS  
ELECTRONIC CONTROL MODULES (ECM)  
ELECTRONIC SENSORS  
FUEL INJECTORS  
FUEL NOZZLES  
FUEL PUMPS  
GOVERNORS  
OIL PUMPS  
PISTONS  
SHORT BLOCKS  
STARTERS  
TURBOCHARGERS - COMPLETE  
TURBOCHARGER CARTRIDGES  
WATER PUMPS

Cat Remanufactured engines for many engine arrangements are also available.

# SUPPLEMENTAL COOLANT ADDITIVES

## CUSTOMER BENEFITS:

Protects against cavitation, foam, erosion, corrosion, and scale buildup in cooling systems.

- Provides measured coolant conditioner.

## DESCRIPTION:

Additives deplete from the coolant with normal operation. For this reason, Supplemental Coolant Additives (SCA) must be added to all heavy duty coolants at regular intervals. In addition, when not using a fully formulated, pre-charged antifreeze, like Cat DEAC, an initial charge of SCA must be added to the cooling system. The amount of SCA added to the system is dependent on the capacity of the system.

The SCA for initial fill is provided as a liquid. SCA's for maintenance intervals are available in liquid form and as a spin-on element. (No Spin-on available for 3600 Family of Engines)

## NOTE:

The amount of SCA added at initial fill is not the same as the amount added at maintenance intervals.

The coolant additive elements can be used with any ethylene or propylene glycol type antifreeze which meets ASTM D4985 or ASTM D5345 Specifications.

## NOTE:

For use with standard heavy duty coolant only, not for use with Extended Life Coolant.

## PARTS NEEDED:

Cooling System Capacity		Liquid SCA at Initial Fill	Liquid SCA at Maintenance*	Spin-on SCA Maintenance Element*
Liters	Gallons			
22-30	(6-8)	3P-2044 (1)	6V-3542 (1)	111-2370 (1)
30-38	(8-10)	3P-2044 (1) 6V-3542 (1)	111-2372 (1)	111-2369 (1)
38-49	(10-13)	3P-2044 (1) 8T-1589 (1)	111-2372 (1)	111-2369 (1)
49-64	(13-17)	3P-2044 (2)	8T-1589 (1)	9N-3368 (1)
64-83	(17-22)	3P-2044 (2) 8T-1589 (1)	111-2372 (1) 6V-3542 (1)	111-2371 (1)
83-114	(22-30)	3P-2044 (3) 8T-1589 (1)	3P-2044 (1)	9N-3718 (1)
114-163	(30-43)	3P-2044 (5)	3P-2044 (1) 6V-3542 (1)	111-2371 (2)
163-242	(43-64)	3P-2044 (8)	3P-2044 (2)	9N-3718 (2)

\* Normal maintenance period is 250 hrs. See your Operation and Maintenance Manual for complete coolant maintenance instructions.

( ) Indicates quantity required.

# MAINTENANCE PARTS

DESCRIPTION	PART NUMBER	QTY	WHERE USED	PAGE
<b>AIR INLET AND EXHAUST SYSTEM</b>				
CAP AS-AIR CLEANER	4W-5828	2	AIR CLEANER GP	107
		2	AIR CLEANER GP	108
FILTER ELEMENT AS-AIR (PRIMARY)	142-1339	1	AIR CLEANER GP	106
FILTER ELEMENT AS-AIR (SECONDARY)	142-1404	2	AIR CLEANER GP	108
		2	AIR CLEANER GP	109
<b>BASIC ENGINE</b>				
BREATHER AS (CRANKCASE)	4W-3027	2	COVER GP-VALVE MECHANISM	20
PLUG-DRAIN	109-5839	1	PAN GP-OIL	60
PLUG-DRAIN (ENGINE OIL)	109-5839	1	PAN GP-OIL	58
SEAL (VALVE COVER BASE)	222-6456	1	BASE GP-VALVE COVER & INJ HARN	12
SEAL-CRANKSHAFT (REAR)	142-5868	1	SEAL GP-CRANKSHAFT	68
SEAL-INTEGRAL	234-8937	1	COVER GP-CYLINDER BLOCK	16
	280-4155	2	COVER GP-ACCESS	14
SEAL-VALVE COVER (CRANKCASE)	224-7506	6	COVER GP-VALVE MECHANISM	20
V-BELT (ALTERNATOR)	4N-8218	1	MOUNTING GP-ALTERNATOR	56
V-BELT SET (INCLUDES 4-BELTS)	7W-3222	1	DRIVE GP-FAN	36
<b>COOLING SYSTEM</b>				
CAP-PRESSURE VALVE	287-4786	1	RADIATOR & AFTERCOOLER GP	102
REGULATOR-TEMPERATURE (92-DEG C) (COOLANT)	248-5513	2	LINES GP-WATER	97
SEAL-LIP TYPE (WATER TEMPERATURE REGULATOR)	3S-9643	2	LINES GP-WATER	97
<b>ELECTRICAL AND STARTING SYSTEM</b>				
BATTERY (12-VOLT) (DRY)	9G-4232	2	BATTERY GP	171
CIRCUIT BREAKER (10-AMPERE)	172-6334	1	STRIP GP-TERMINAL	308
		4	STRIP GP-TERMINAL	311
	307-2056	1	STRIP GP-TERMINAL	304
CIRCUIT BREAKER (12.5-AMPERE)	310-6273	2	PANEL GP-CIRCUIT BREAKER	287
CIRCUIT BREAKER (60-AMPERE)	337-3561	1	STRIP GP-TERMINAL	313
CIRCUIT BREAKER AS (10-AMPERE)	128-8065	1	STRIP GP-TERMINAL	304
CIRCUIT BREAKER AS (20-AMPERE)	288-3687	4	PANEL GP-CIRCUIT BREAKER	287
CIRCUIT BREAKER AS (60-AMPERE)	244-9656	1	WIRING GP-JACKET WATER HEATER	358
CIRCUIT BREAKER AS (60-AMPERE) (ALTERNATOR)	171-2208	1	WIRING GP-ALTERNATOR	331
CIRCUIT BREAKER AS (60-AMPERE) (JACKET WATER HEATER)	244-9656	1	CIRCUIT BREAKER GP	218
CIRCUIT BREAKER AS (80-AMPERE) (ALTERNATOR)	171-2210	1	WIRING GP-ALTERNATOR	329
FUSE (0.5-AMPERE)	272-5835	3	STRIP GP-TERMINAL	304
FUSE (1.5-AMPERE)	370-6126	3	STRIP GP-TERMINAL	311
FUSE (10-AMPERE)	155-8755	3	STRIP GP-TERMINAL	304

# MAINTENANCE PARTS

DESCRIPTION	PART NUMBER	QTY	WHERE USED	PAGE
		3	STRIP GP-TERMINAL	311
FUSE (15-AMPERE)	370-6127	2	STRIP GP-TERMINAL	308
FUSE (2-AMPERE)	7X-1705	2	STRIP GP-TERMINAL	308
	8D-8724	1	BLOCK AS-TERMINAL	177
FUSE (20-AMPERE)	370-6128	1	STRIP GP-TERMINAL	308
KEY (BATTERY DISCONNECT)	8H-5306	1	SWITCH GP-DISCONNECT	317
LAMP AS (24-VOLT, GREEN)	308-9783	1	CONTROL GP-ELECTRONIC	237
LAMP AS-INDICATOR (RED)	308-9779	1	CONTROL GP-ELECTRONIC	237
LAMP-HALOGEN (24-VOLT, 70-WATT)	9X-3463	1	LAMP GP-FLOOD	280
REGULATOR-TEMPERATURE (COOLANT)	378-4327	1	HEATER GP-JACKET WATER	272
		1	HEATER GP-JACKET WATER	275
		1	HEATER GP-JACKET WATER	278
RELAY (12-AMPERE)	371-5029	2	STRIP GP-TERMINAL	310
<b>FUEL SYSTEM</b>				
CAP AS-FUEL	242-8298	1	TANK & MTG GP-FUEL	160
CAP AS-FUEL (FILLER)	242-8298	1	TANK GP-FUEL	163
CAP AS-FUEL (FUEL TANK)	242-8298	1	TANK & MTG GP-FUEL	162
FILTER AS-WATER SEP & FUEL (PRIMARY)	326-1643	1	FILTER GP-WATER SEP & FUEL	137
FILTER-FUEL (ADVANCED EFFICIENCY)	1R-0755	1	FILTER GP-FUEL	135
GASKET (FUEL PRIMING PUMP)	1P-0436	1	COVER GP-FUEL FILTER BASE	133
<b>GENERATORS</b>				
FUSE-CERAMIC (10-AMPERE)	9Y-6027	2	GENERATOR GP	428
		2	GENERATOR GP	430
		2	GENERATOR GP	434
		2	GENERATOR GP	436
		2	GENERATOR GP	440
		2	GENERATOR GP	442
		2	GENERATOR GP	446
		2	GENERATOR GP	448
		2	GENERATOR GP	452
		2	GENERATOR GP	454
		2	GENERATOR GP	458
		2	GENERATOR GP	460
		2	GENERATOR GP	464
		2	GENERATOR GP	466
		2	GENERATOR GP	470
		2	GENERATOR GP	472
		2	GENERATOR GP	476
		2	GENERATOR GP	478
		2	GENERATOR GP	482
		2	GENERATOR GP	484
		2	GENERATOR GP	488
		2	GENERATOR GP	490
		2	GENERATOR GP	494

# MAINTENANCE PARTS

DESCRIPTION	PART NUMBER	QTY	WHERE USED	PAGE
		2	GENERATOR GP	496
<b>LUBRICATION SYSTEM</b>				
CAP AS-ENGINE OIL FILLER	315-4134	1	FILLER GP-ENGINE OIL	76
	385-1450	1	FILLER GP-ENGINE OIL	78
FILTER-ENGINE OIL (ADVANCED EFFICIENCY)	1R-1808	2	FILTER GP-ENGINE OIL	79
SEAL-INTEGRAL	126-2702	2	LINES GP-TURBOCHARGER OIL	89
	198-6068	2	LINES GP-TURBOCHARGER OIL	89
<b>OPERATOR STATION</b>				
FUSE (1-AMPERE)	8K-4644	10	MODULE GP-RELAY DRIVER	544
LAMP (24-VOLT, 0.2-AMPERE)	7N-5876	1	ALARM GP	520
LAMP AS (120-VOLT, 3-WATT)	7G-9730	1	ALARM GP	520

# INDEX

NAME	PAGE	NAME	PAGE
<b>A</b>			
AIR CLEANER GP .....	106	CAP AS-ENGINE OIL FILLER .....	76
	107		78
	108	CAP AS-FUEL .....	160
ALARM GP-REMOTE .....	109	CAP AS-FUEL (FILLER) .....	163
	520	CAP AS-FUEL (FUEL TANK) .....	162
ALTERNATOR GP-CHARGING .....	522	CAP-PRESSURE VALVE .....	102
	169	CIRCUIT BREAKER (10-AMPERE) .....	304
<b>B</b>			
BASE AS-OIL FILTER-ENGINE .....	74		308
BASE GP-GENERATOR .....	372		311
BASE GP-VALVE COVER & INJ HARN .....	11	CIRCUIT BREAKER (12.5-AMPERE) .....	287
	12	CIRCUIT BREAKER (60-AMPERE) .....	313
BATTERY (12-VOLT) (DRY) .....	171	CIRCUIT BREAKER AS (10-AMPERE) .....	304
BATTERY CHARGER .....	170	CIRCUIT BREAKER AS (20-AMPERE) .....	287
BATTERY GP .....	171	CIRCUIT BREAKER AS (60-AMPERE) .....	358
	173	CIRCUIT BREAKER AS (60-AMPERE)	
BLOCK AS-TERMINAL-ANNUNCIATOR .....	175	(ALTERNATOR) .....	331
BLOCK AS-TERMINAL-DC TERMINAL		CIRCUIT BREAKER AS (60-AMPERE) (JACKET	
STRIP .....	177	WATER HEATER) .....	218
BLOCK AS-TERMINAL-LOAD SHARE .....	174	CIRCUIT BREAKER AS (80-AMPERE)	
BLOCK AS-TERMINAL-SWITCHGEAR .....	176	(ALTERNATOR) .....	329
BOX & MOUNTING GP .....	179	CIRCUIT BREAKER AS-IEC, ICCB, LSI, UV ...	208
BOX & MOUNTING GP-SIDE EXTENSION .....	178	CIRCUIT BREAKER AS-IEC, ICCB, LSIG,	
BOX AS-CONTROL-AC, DC .....	180	UV .....	209
BOX AS-JUNCTION .....	181	CIRCUIT BREAKER AS-MCCB, LSIG .....	214
BOX GP-CONTROL PANEL .....	525	CIRCUIT BREAKER AS-UL, ICCB, LSI, UV ...	206
	526		210
	528	CIRCUIT BREAKER AS-UL, ICCB, LSIG, UV ...	207
BOX GP-ELECTRONIC .....	183		211
	185	CIRCUIT BREAKER AS-UL, MCCB, LSI .....	212
	186	CIRCUIT BREAKER AS-UL, MCCB, LSIG .....	213
BOX GP-ELECTRONIC-JACKET WATER		CIRCUIT BREAKER GP .....	216
HEATER .....	182		218
BOX GP-EXTENSION TERMINAL .....	189	CIRCUIT BREAKER GP-60-AMPERE .....	215
	190	CONDUIT GP-ELECTRICAL .....	221
	191		222
	192		223
	194		224
	195		226
	197	CONDUIT GP-ELECTRICAL-JACKET WATER	
	198	HEATER .....	219
BOX GP-JUNCTION .....	200		220
BREATHING AS (CRANKCASE) .....	20	CONNECTION GP-ELECTRICAL .....	227
BUS BAR GP .....	201		228
BUS BAR GP-GENERATOR .....	202		230
	204	CONNECTION GP-GENERATOR LEADS .....	402
<b>C</b>			
CABLE GP-GENERATOR GROUND .....	400	CONTAINMENT GP-FLUID .....	373
CAMSHAFT GP .....	13	CONTROL & MTG GP-ELECTRONIC .....	232
CAP AS-AIR CLEANER .....	107		233
	108	CONTROL AS-GOVERNOR .....	132
	111	CONTROL GP-ELECTRONIC .....	236
			239
		CONTROL GP-ELECTRONIC-EMCP 4.3 .....	235
		CONTROL GP-ENGINE MONITORING (DISCRETE	
		INPUT/OUTPUT) .....	531
		CONTROL GP-ENGINE MONITORING (RESISTIVE	
		TEMPERATURE DEVICE) .....	530
		CONTROL GP-ENGINE MONITORING-INPUT/	
		OUTPUT .....	531
		CONTROL GP-ENGINE MONITORING-RESISTIVE	
		TEMPERATURE DEVICE .....	530





# INDEX

NAME	PAGE	NAME	PAGE
FILTER GP-ENGINE OIL .....	79	GENERATOR GP.....	426
FILTER GP-FUEL.....	135		428
FILTER GP-WATER SEP & FUEL.....	137		430
FILTER-ENGINE OIL (ADVANCED			432
EFFICIENCY).....	79		434
FILTER-FUEL (ADVANCED EFFICIENCY) .....	135		436
FLYWHEEL GP .....	39		438
FUMES DISPOSAL GP .....	80		440
	81		442
FUSE (0.5-AMPERE).....	304		444
FUSE (1-AMPERE) .....	544		446
FUSE (1.5-AMPERE).....	311		448
FUSE (10-AMPERE).....	304		450
	311		452
FUSE (15-AMPERE).....	308		454
FUSE (2-AMPERE) .....	177		456
	308		458
FUSE (20-AMPERE) .....	308		460
FUSE-CERAMIC (10-AMPERE) .....	428		462
	430		464
	434		466
	436		468
	440		470
	442		472
	446		474
	448		476
	452		478
	454		480
	458		482
	460		484
	464		486
	466		488
	470		490
	472		492
	476		494
	478		496
	482		498
	484		499
	488		500
	490		501
	494		503
	496	GROUND GP-ELECTRICAL .....	248
		GUARD AS-BELT.....	45
		GUARD AS-BELT-ALTERNATOR .....	44
		GUARD GP-BELT .....	46
		GUARD GP-DAMPER.....	48
		<b>H</b>	
		HARNESS AS-ALARM .....	249
			520
			522
		HARNESS AS-BOX.....	249
			250
		HARNESS AS-BOX (AC CONNECTIONS) .....	334
		HARNESS AS-BOX (JUMPER) .....	334
		HARNESS AS-BOX (PARALLEL CABINET	
		INTERFACE) .....	334

## G

GASKET (FUEL PRIMING PUMP) .....	133
GAUGE AS-FUEL LEVEL .....	160
	163
GAUGE GP-OIL LEVEL (DIPSTICK) .....	82
GEAR GP-FRONT .....	40
GEAR GP-REAR .....	42
GENERAL AR.....	10
GENERATOR AR.....	404-425

# INDEX

NAME	PAGE	NAME	PAGE
HARNESS AS-CONTROL .....	251	HARNESS AS-WIRING (CURRENT	
	252	TRANSFORMER) .....	336
	286		534
	360	HARNESS AS-WIRING (GROUND).....	400
	364	HARNESS AS-WIRING (JACKET WATER	
HARNESS AS-CONTROL (CAN DATA LINK) ...	362	HEATER) .....	219
	364		333
HARNESS AS-CONTROL (DISCRETE I/O,		HARNESS AS-WIRING (TERMINAL BLOCK)....	304
RTD) .....	362	HARNESS AS-WIRING (VOLTAGE	
HARNESS AS-CONTROL (LOAD SHARE		SENSING) .....	340
MODULE) .....	534		534
HARNESS AS-ENGINE .....	253	HEAT SINK AS .....	503
HARNESS AS-ENGINE (UNIT INJECTOR).....	12		504
HARNESS AS-LIGHTING .....	255	HEATER GP-JACKET WATER.....	272
HARNESS AS-PANEL.....	236		274
	239		275
	255		277
	256		278
	257	HEATER GP-SPACE (GENERATOR).....	505
	259	HEATER GP-SPACE-GENERATOR .....	505
	347	HOUSING GP-FLYWHEEL.....	50
HARNESS AS-PANEL (ANNUNCIATOR).....	352	HOUSING GP-FRONT .....	51
HARNESS AS-PANEL (CIRCUIT BREAKER)....	361	HOUSING GP-REAR.....	52
HARNESS AS-PANEL (DATA LINK).....	186		
HARNESS AS-PANEL (DATA LINK).....	352		
HARNESS AS-PANEL (HEATER) .....	186		
HARNESS AS-PANEL-DATA LINK.....	259		
HARNESS AS-POWER.....	260		
	261		
	262		
	263		
	264		
	265		
	266		
	333		
	336		
	339		
	361		
	366		
	367		
	371		
HARNESS AS-POWER-JACKET WATER			
HEATER .....	265		
HARNESS AS-SENSOR.....	267		
	268		
HARNESS AS-SENSOR (COOLANT LEVEL)....	368		
HARNESS AS-SWITCH .....	237		
	268		
HARNESS AS-WIRING.....	222		
	223		
	269		
	270		
	271		
	333		
	360		
	369		
HARNESS AS-WIRING (AC).....	336		
HARNESS AS-WIRING (CAN2 DATA LINK) ...	338		
HARNESS AS-WIRING (CIRCUIT BREAKER)....	212		
	213		
	214		
	214		
	214		

## I

INDICATOR-AIR FILTER CHANGE.....	107
	108
	109
INJECTOR GP-FUEL.....	138
	139
	154
INSULATION GP-HEAT .....	112

## K

KEY (BATTERY DISCONNECT) .....	317
KIT-INSTALLATION-EXCITER.....	549

## L

LAMP (24-VOLT, 0.2-AMPERE).....	520
LAMP AS (120-VOLT, 3-WATT).....	520
LAMP AS (24-VOLT, GREEN) .....	237
LAMP AS-INDICATOR (RED) .....	237
LAMP GP-FLOOD-VERTICAL.....	280
LAMP-HALOGEN (24-VOLT, 70-WATT).....	280
LIFTING GP-ENGINE .....	53
LIGHTING GP-GENERATOR.....	281
LINES GP-AIR .....	113
	115
LINES GP-COOLANT .....	96
LINES GP-DRAIN.....	393
LINES GP-ENGINE OIL .....	84
	85
LINES GP-ENGINE OIL DRAIN.....	86

# INDEX

NAME	PAGE	NAME	PAGE
LINES GP-FUEL.....	140	PUMP GP-ENGINE OIL.....	91
	141	PUMP GP-FUEL INJECTION.....	154
	143		156
	147	PUMP GP-FUEL PRIMING.....	158
	151	PUMP GP-FUEL PRM & WATER SEP.....	158
	152	PUMP GP-FUEL TRANSFER.....	159
LINES GP-JACKET WATER HEATER.....	283	PUMP GP-WATER.....	100
LINES GP-TURBOCHARGER OIL.....	87		101
	89		
LINES GP-WATER.....	97		
LOUVER GP-ENCLOSURE.....	394		
	395		

## M

MANIFOLD GP-EXHAUST.....	117
MANIFOLD GP-INLET.....	119
MECHANISM GP-FUEL PUMP & VALVE.....	55
MODULE GP-ALARM.....	538
	539
	540
	541
MODULE GP-ALARM-ANNUNCIATOR.....	542
MODULE GP-RELAY DRIVER.....	543
	544
MOUNTING GP-AIR CLEANER.....	120
MOUNTING GP-ALTERNATOR.....	56
MOUNTING GP-BATTERY CHARGER.....	285
MOUNTING GP-ELECTRONIC CONTROL.....	286
MOUNTING GP-GENERATOR.....	506
MOUNTING GP-GENERATOR BASE.....	396
MOUNTING GP-VIBRATION ISOLATOR.....	397

## P

PAN GP-OIL.....	58
	59
	60
PANEL GP-CIRCUIT BREAKER.....	287
PANEL GP-ELECTRONIC.....	545
PANEL GP-SOUND SUPPRESSION.....	398
PISTON & ROD GP.....	61
PLATE & FILM GP.....	549
PLATE AS-BRUSH-STARTING MOTOR.....	289
PLATE-SERIAL NUMBER (ENGINE).....	549
PLATE-SERIAL NUMBER (ENGLISH).....	422
	424
PLUG GP-CYLINDER BLOCK.....	62
PLUG GP-CYLINDER HEAD.....	63
PLUG GP-ENGINE.....	64
PLUG-DRAIN.....	60
PLUG-DRAIN (ENGINE OIL).....	58
POTENTIOMETER (10,000-OHM).....	534
POTENTIOMETER (10,000-OHM) (SPEED ADJUST).....	546
POTENTIOMETER AS (SPEED ADJUST).....	546
POTENTIOMETER AS-SPEED CONTROL.....	546
PRECLEANER GP-AIR CLEANER.....	121
PUMP & MTG GP-FUEL TRANSFER.....	153

## R

RADIATOR & AFTERCOOLER GP.....	102
RADIATOR & FAN GP.....	104
REGULATOR AS (ENGINE OIL LEVEL).....	92
	94
REGULATOR AS-VOLTAGE (DIGITAL).....	183
REGULATOR AS-VOLTAGE-GENERATOR.....	507
REGULATOR GP-OIL LEVEL.....	92
	94
REGULATOR-TEMPERATURE (92-DEG C) (COOLANT).....	97
REGULATOR-TEMPERATURE (COOLANT).....	272
	275
	278
RELAY (10-AMPERE, 24-VOLT).....	304
RELAY (10-AMPERE).....	311
RELAY (12-AMPERE).....	308
	310
RELAY (24-VOLT).....	306
	308
	310
	312
RELAY AS (24-VOLT).....	287
	348
ROCKER ARM GP.....	65
	66
	67
ROTOR AS.....	508
	509
	510
	512
	513
	514
	515
ROTOR GP-GENERATOR.....	516
	517

## S

SCREEN AS (INTAKE).....	518
SCREEN GP-AIR.....	518
	519
SEAL (VALVE COVER BASE).....	12
SEAL GP-CRANKSHAFT-FRONT.....	69
SEAL GP-CRANKSHAFT-REAR.....	68
SEAL-CRANKSHAFT (FRONT).....	69
SEAL-CRANKSHAFT (REAR).....	68

# INDEX

NAME	PAGE	NAME	PAGE
SEAL-INTEGRAL .....	14	SUPPORT GP-ENGINE-FRONT, WIDE.....	70
	16	SWITCH AS-PUSH BUTTON .....	371
	89	SWITCH AS-TOGGLE (ALARM) .....	236
SEAL-LIP TYPE (WATER TEMPERATURE			239
REGULATOR) .....	97		520
SEAL-VALVE COVER (CRANKCASE) .....	20		522
SENSOR AS (FUEL LEAK) .....	162	SWITCH AS-TOGGLE (FUEL PRIMING	
	163	PUMP) .....	323
SENSOR AS-FUEL LEVEL .....	160	SWITCH GP-DISCONNECT-BATTERY .....	317
SENSOR GP-ENGINE .....	290		318
SENSOR GP-LIQUID LEVEL .....	292	SWITCH GP-MAGNETIC .....	319
SENSOR GP-LIQUID LEVEL (COOLANT			320
LOSS) .....	368		321
SENSOR GP-PRESSURE .....	293	SWITCH GP-MAGNETIC (24-VOLT) .....	287
	294	SWITCH GP-MAGNETIC (24-VOLT) (AIR INLET	
	295	HEATER) .....	342
SENSOR GP-PRESSURE (ATMOSPHERIC) ...	290	SWITCH GP-MAGNETIC (24-VOLT)	
SENSOR GP-PRESSURE (ENGINE OIL).....	290	(STARTING).....	319
SENSOR GP-PRESSURE (FUEL).....	135	SWITCH GP-PRESSURE.....	322
SENSOR GP-PRESSURE (INTAKE MANIFOLD		SWITCH GP-PUSH BUTTON (LIGHT	
AIR) .....	290	SWITCH).....	237
SENSOR GP-SPEED .....	296	SWITCH GP-TOGGLE .....	323
	297	SWITCH-AUXILIARY (SINGLE POLE, DUAL	
	298	THROW) .....	206
SENSOR GP-SPEED (CRANKSHAFT).....	290		207
SENSOR GP-SPEED (ENGINE-CAMSHAFT)...	290		208
SENSOR GP-SPEED (ENGINE) .....	290		209
SENSOR GP-TEMPERATURE .....	299		210
SENSOR GP-TEMPERATURE (COOLANT) .....	290		211
SENSOR GP-TEMPERATURE (FUEL).....	135		212
SENSOR GP-TEMPERATURE (INTAKE			213
MANIFOLD) .....	290		214
SENSOR GP-TEMPERATURE (OIL, ENGINE) ..	290		216
SENSOR-PRESSURE .....	294		
SENSOR-TEMPERATURE .....	299		
SHIELD GP .....	399		
SHIELD GP-HEAT .....	122		
SHIELD GP-TURBOCHARGER .....	123		
	124		
	125		
SHIM PACK (INCLUDES 13-SHIMS) .....	38		
	506		
SHIM PACK-GENERATOR .....	549		
SILENCER GP-INLET .....	126		
SOLENOID AS-STARTING MOTOR (24-			
VOLT) .....	301		
STARTING MOTOR GP-ELECTRIC .....	300		
	301		
STRIP GP-TERMINAL.....	306		
	308		
	310		
	311		
	312		
	313		
STRIP GP-TERMINAL-AC .....	304		
SUPPORT GP-AFTERCOOLER .....	128		
SUPPORT GP-AIR INLET .....	129		
SUPPORT GP-BATTERY .....	314		
	315		
SUPPORT GP-ENGINE .....	71		

T

TANK & MTG GP-FUEL .....	160
	162
TANK GP-FUEL .....	163
TRANSFORMER GP-CURRENT .....	324
	325
	326
	327
TRANSFORMER GP-POTENTIAL .....	328
TUBE AS-OIL FILLER .....	76
TURBOCHARGER GP .....	130
	131

V

V-BELT (ALTERNATOR) .....	56
V-BELT SET (INCLUDES 4-BELTS).....	36
V-BELT SET-INCLUDES 4-BELTS, FAN	
DRIVE .....	72
VALVE GP-CHECK .....	165
	166
	167
VALVE GP-CHECK-FUEL .....	73
VALVE GP-FUEL BYPASS .....	168

# INDEX

NAME	PAGE	NAME	PAGE
<b>W</b>			
WATER SEP & FUEL PRM PUMP GP .....	158		
WIRING GP-ALTERNATOR.....	329		
	331		
WIRING GP-BOX .....	333		
	334		
	336		
	338		
	339		
	340		
WIRING GP-ELECTRIC STARTING .....	342		
	344		
WIRING GP-ENGINE.....	345		
	346		
	347		
WIRING GP-ENGINE ELECTRONIC.....	348		
WIRING GP-GENERATOR.....	351		
	354		
	355		
WIRING GP-GENERATOR-ANNUNCIATOR HARNESS .....	352		
WIRING GP-GENERATOR-VOLTAGE SENSING .....	350		
WIRING GP-HEATER .....	356		
WIRING GP-JACKET WATER HEATER .....	357		
	358		
WIRING GP-PANEL.....	360		
	361		
	362		
	364		
	365		
	367		
WIRING GP-PANEL-CIRCUIT BREAKER.....	366		
WIRING GP-SENSOR.....	368		
	369		
WIRING GP-SHUTOFF.....	371		

# ENGINE ARRANGEMENT

## 388-4919 ENGINE AR

S/N: MJE1-UP

SMCS-1000

i05261239

NOTE	PART NUMBER	QTY	PART NAME						SEE PAGE
			1	2	3	4	5	6 (PRODUCT LEVEL)	
YR	<b>5N-5692</b>	1	ALTERNATOR GP-CHARGING						169
Y	364-5713	1	BOX GP-JUNCTION						200
Y	396-2195	1	CONTROL & MTG GP-ELECTRONIC						233
Y	350-9971	1	COVER GP-ACCESS						14
Y	393-1537	1	COVER GP-CYLINDER BLOCK						15
Y	238-9863	1	COVER GP-FRONT HOUSING						17
Y	373-6589	1	COVER GP-VALVE MECHANISM						20
Y	419-0073	1	DAMPER & PULLEY GP						34
Y	385-9397	1	ENGINE AR-CORE						9
Y	349-7577	1	FILLER GP-ENGINE OIL						76
Y	264-1492	1	FILTER GP-ENGINE OIL (ENGINE)						79
Y	258-4884	1	FLYWHEEL GP						39
Y	417-3704	1	GAUGE GP-OIL LEVEL (DIPSTICK) (ENGINE)						82
Y	224-1213	1	GEAR GP-REAR						42
Y	353-3785	1	GUARD GP-DAMPER						48
Y	305-7067	1	HOUSING GP-FLYWHEEL						50
Y	235-2014	1	LIFTING GP-ENGINE						53
Y	310-8396	1	LINES GP-AIR						113
Y	122-1790	1	LINES GP-ENGINE OIL						84
Y	373-6409	1	LINES GP-FUEL (WATER SEPARATOR)						141
Y	377-0777	1	LINES GP-FUEL						143
Y	261-0502	1	LINES GP-TURBOCHARGER OIL						87
Y	255-5536	1	LINES GP-WATER (ENGINE OIL CLR/WTR TEMP RGLTR)						97
Y	261-0500	1	MANIFOLD GP-EXHAUST						117
Y	329-0099	1	MANIFOLD GP-INLET						119
Y	377-4751	1	MOUNTING GP-AIR CLEANER						120
Y	303-6241	1	MOUNTING GP-ALTERNATOR						56
Y	347-6578	1	PAN GP-OIL						58
Y	122-9798	1	PLATE & FILM GP						549
Y	282-4895	1	PLUG GP-CYLINDER BLOCK						62
Y	223-6407	1	PLUG GP-CYLINDER HEAD						63
Y	276-4879	1	PLUG GP-ENGINE						64
Y	223-6421	1	PUMP & MTG GP-FUEL TRANSFER						153
Y	230-4172	1	PUMP GP-WATER (JACKET WATER)						100
Y	373-6718	1	SENSOR GP-ENGINE						290
Y	391-7181	1	SHIELD GP-HEAT						122
Y	249-0635	1	STARTING MOTOR GP-ELECTRIC						300
Y	318-1713	1	SUPPORT GP-AFTERCOOLER						128
Y	7N-9078	1	SUPPORT GP-ENGINE (FRONT, WIDE)						70
Y	343-1685	1	SUPPORT GP-ENGINE (REAR)						71
Y	376-3092	1	WIRING GP-ALTERNATOR						329
Y	364-6730	1	WIRING GP-ELECTRIC STARTING						344
Y	373-6716	1	WIRING GP-ENGINE ELECTRONIC						348

PLEASE USE THE GASKET KIT LINK IN SIS OR CONTACT  
YOUR LOCAL DEALER FOR THE LATEST GASKET KIT  
INFORMATION

R - REMFG PART MAY BE AVAILABLE  
Y - SEPARATE ILLUSTRATION

<END>

# ENGINE ARRANGEMENT

## 388-4920 ENGINE AR

S/N: MJE1-UP

SAE #0 FLYWHEEL . 60-HERTZ LOW BSFC. SIDE MOUNTED TURBOS

SMCS-1000

i05242230

NOTE	PART NUMBER	QTY	PART NAME						SEE PAGE
			1	2	3	4	5	6 (PRODUCT LEVEL)	
YR	<b>5N-5692</b>	1	ALTERNATOR GP-CHARGING						169
Y	364-5713	1	BOX GP-JUNCTION						200
Y	396-2195	1	CONTROL & MTG GP-ELECTRONIC						233
Y	350-9971	1	COVER GP-ACCESS						14
Y	393-1537	1	COVER GP-CYLINDER BLOCK						15
Y	238-9863	1	COVER GP-FRONT HOUSING						17
Y	373-6589	1	COVER GP-VALVE MECHANISM						20
Y	419-0073	1	DAMPER & PULLEY GP						34
Y	385-9396	1	ENGINE AR-CORE						9
Y	349-7577	1	FILLER GP-ENGINE OIL						76
Y	264-1492	1	FILTER GP-ENGINE OIL						79
Y	258-4884	1	FLYWHEEL GP						39
Y	417-3704	1	GAUGE GP-OIL LEVEL (DIPSTICK)						82
Y	224-1213	1	GEAR GP-REAR						42
Y	353-3785	1	GUARD GP-DAMPER						48
Y	305-7067	1	HOUSING GP-FLYWHEEL						50
Y	235-2014	1	LIFTING GP-ENGINE						53
Y	310-8396	1	LINES GP-AIR						113
Y	122-1790	1	LINES GP-ENGINE OIL						84
Y	373-6409	1	LINES GP-FUEL						141
Y	377-0777	1	LINES GP-FUEL						143
Y	261-0502	1	LINES GP-TURBOCHARGER OIL						87
Y	255-5536	1	LINES GP-WATER (ENGINE OIL CLR/WTR TEMP RGLTR)						97
Y	261-0500	1	MANIFOLD GP-EXHAUST						117
Y	329-0099	1	MANIFOLD GP-INLET						119
Y	377-4751	1	MOUNTING GP-AIR CLEANER						120
Y	303-6241	1	MOUNTING GP-ALTERNATOR						56
Y	347-6578	1	PAN GP-OIL						58
Y	122-9798	1	PLATE & FILM GP						549
Y	282-4895	1	PLUG GP-CYLINDER BLOCK						62
Y	223-6407	1	PLUG GP-CYLINDER HEAD						63
Y	276-4879	1	PLUG GP-ENGINE						64
Y	223-6421	1	PUMP & MTG GP-FUEL TRANSFER						153
Y	230-4172	1	PUMP GP-WATER (JACKET WATER)						100
Y	373-6718	1	SENSOR GP-ENGINE						290
Y	391-7181	1	SHIELD GP-HEAT						122
Y	249-0635	1	STARTING MOTOR GP-ELECTRIC						300
Y	318-1713	1	SUPPORT GP-AFTERCOOLER						128
Y	7N-9078	1	SUPPORT GP-ENGINE						70
Y	343-1685	1	SUPPORT GP-ENGINE (REAR)						71
Y	376-3092	1	WIRING GP-ALTERNATOR						329
Y	364-6730	1	WIRING GP-ELECTRIC STARTING						344
Y	373-6716	1	WIRING GP-ENGINE ELECTRONIC						348

PLEASE USE THE GASKET KIT LINK IN SIS OR CONTACT  
YOUR LOCAL DEALER FOR THE LATEST GASKET KIT  
INFORMATION

R - REMFG PART MAY BE AVAILABLE  
Y - SEPARATE ILLUSTRATION

<END>



# ENGINE ARRANGEMENT

## 388-4921 ENGINE AR

S/N: MJE1-UP

SAE #0 FLYWHEEL. 60-HERTZ LOW BSFC. SIDE MOUNTED TURBOS

SMCS-1000

i05332727

NOTE	PART NUMBER	QTY	PART NAME						SEE PAGE
			1	2	3	4	5	6 (PRODUCT LEVEL)	
YR	<b>5N-5692</b>	1	ALTERNATOR GP-CHARGING						169
Y	364-5713	1	BOX GP-JUNCTION						200
Y	396-2195	1	CONTROL & MTG GP-ELECTRONIC						233
Y	350-9971	1	COVER GP-ACCESS						14
Y	397-5083	1	COVER GP-CYLINDER BLOCK						16
Y	238-9863	1	COVER GP-FRONT HOUSING						17
Y	373-6589	1	COVER GP-VALVE MECHANISM						20
Y	267-2104	1	DAMPER & PULLEY GP						33
Y	388-0983	1	DRIVE GP-FAN						36
Y	385-9396	1	ENGINE AR-CORE						9
Y	349-7577	1	FILLER GP-ENGINE OIL						76
Y	264-1492	1	FILTER GP-ENGINE OIL						79
Y	258-4884	1	FLYWHEEL GP						39
Y	417-3704	1	GAUGE GP-OIL LEVEL (DIPSTICK)						82
Y	224-1213	1	GEAR GP-REAR						42
Y	353-3778	1	GUARD GP-BELT						46
Y	305-7067	1	HOUSING GP-FLYWHEEL						50
Y	235-2014	1	LIFTING GP-ENGINE						53
Y	310-8396	1	LINES GP-AIR						113
Y	122-1790	1	LINES GP-ENGINE OIL						84
Y	373-6409	1	LINES GP-FUEL						141
Y	377-0777	1	LINES GP-FUEL						143
Y	261-0502	1	LINES GP-TURBOCHARGER OIL						87
Y	255-5536	1	LINES GP-WATER (ENGINE OIL CLR/WTR TEMP RGLTR)						97
Y	261-0500	1	MANIFOLD GP-EXHAUST						117
Y	329-0099	1	MANIFOLD GP-INLET						119
Y	377-4751	1	MOUNTING GP-AIR CLEANER						120
Y	303-6241	1	MOUNTING GP-ALTERNATOR						56
Y	394-4760	1	PAN GP-OIL						60
Y	122-9798	1	PLATE & FILM GP						549
Y	282-4895	1	PLUG GP-CYLINDER BLOCK						62
Y	223-6407	1	PLUG GP-CYLINDER HEAD						63
Y	276-4879	1	PLUG GP-ENGINE						64
Y	223-6421	1	PUMP & MTG GP-FUEL TRANSFER						153
Y	230-4172	1	PUMP GP-WATER (JACKET WATER)						100
Y	397-5686	1	REGULATOR GP-OIL LEVEL						94
Y	373-6718	1	SENSOR GP-ENGINE						290
Y	391-7181	1	SHIELD GP-HEAT						122
Y	249-0635	1	STARTING MOTOR GP-ELECTRIC						300
Y	318-1713	1	SUPPORT GP-AFTERCOOLER						128
Y	7N-9078	1	SUPPORT GP-ENGINE						70
Y	343-1685	1	SUPPORT GP-ENGINE (REAR)						71
Y	376-3092	1	WIRING GP-ALTERNATOR						329
Y	364-6730	1	WIRING GP-ELECTRIC STARTING						344
Y	373-6716	1	WIRING GP-ENGINE ELECTRONIC						348

PLEASE USE THE GASKET KIT LINK IN SIS OR CONTACT  
YOUR LOCAL DEALER FOR THE LATEST GASKET KIT  
INFORMATION

R - REMFG PART MAY BE AVAILABLE  
Y - SEPARATE ILLUSTRATION

<END>

# ENGINE ARRANGEMENT

## 394-4678 ENGINE AR

S/N: MJE1-UP

SMCS - 1000

i05322169

NOTE	PART NUMBER	QTY	PART NAME						SEE PAGE
			1	2	3	4	5	6 (PRODUCT LEVEL)	
YR	<b>5N-5692</b>	1	ALTERNATOR GP-CHARGING						169
Y	364-5713	1	BOX GP-JUNCTION						200
Y	396-2195	1	CONTROL & MTG GP-ELECTRONIC						233
Y	350-9971	1	COVER GP-ACCESS						14
Y	393-1537	1	COVER GP-CYLINDER BLOCK						15
Y	238-9863	1	COVER GP-FRONT HOUSING						17
Y	396-5693	1	COVER GP-OIL PAN						18
Y	373-6589	1	COVER GP-VALVE MECHANISM						20
Y	267-2104	1	DAMPER & PULLEY GP						33
Y	385-9396	1	ENGINE AR-CORE						9
Y	394-5282	1	FILLER GP-ENGINE OIL						77
Y	264-1492	1	FILTER GP-ENGINE OIL						79
Y	258-4884	1	FLYWHEEL GP						39
Y	417-3704	1	GAUGE GP-OIL LEVEL (DIPSTICK) (ENGINE)						82
Y	224-1213	1	GEAR GP-REAR						42
Y	305-7067	1	HOUSING GP-FLYWHEEL						50
Y	235-2014	1	LIFTING GP-ENGINE						53
Y	310-8396	1	LINES GP-AIR						113
Y	144-4306	1	LINES GP-ENGINE OIL						85
Y	373-6409	1	LINES GP-FUEL						141
Y	377-0777	1	LINES GP-FUEL						143
Y	361-6014	1	LINES GP-TURBOCHARGER OIL						89
Y	255-5536	1	LINES GP-WATER (ENGINE OIL CLR/WTR TEMP RGLTR)						97
Y	261-0500	1	MANIFOLD GP-EXHAUST						117
Y	329-0099	1	MANIFOLD GP-INLET						119
Y	377-4751	1	MOUNTING GP-AIR CLEANER						120
Y	303-6241	1	MOUNTING GP-ALTERNATOR						56
Y	384-5029	1	PAN GP-OIL						59
Y	282-4895	1	PLUG GP-CYLINDER BLOCK						62
Y	223-6407	1	PLUG GP-CYLINDER HEAD						63
Y	276-4879	1	PLUG GP-ENGINE						64
Y	223-6421	1	PUMP & MTG GP-FUEL TRANSFER						153
Y	230-4172	1	PUMP GP-WATER (JACKET WATER)						100
Y	373-6718	1	SENSOR GP-ENGINE						290
Y	391-7181	1	SHIELD GP-HEAT						122
Y	249-0635	1	STARTING MOTOR GP-ELECTRIC						300
Y	318-1713	1	SUPPORT GP-AFTERCOOLER						128
Y	7N-9078	1	SUPPORT GP-ENGINE						70
Y	343-1685	1	SUPPORT GP-ENGINE (REAR)						71
Y	376-3092	1	WIRING GP-ALTERNATOR						329
Y	364-6730	1	WIRING GP-ELECTRIC STARTING						344
Y	373-6716	1	WIRING GP-ENGINE ELECTRONIC						348

PLEASE USE THE GASKET KIT LINK IN SIS OR CONTACT  
YOUR LOCAL DEALER FOR THE LATEST GASKET KIT  
INFORMATION

R - REMFG PART MAY BE AVAILABLE  
Y - SEPARATE ILLUSTRATION

<END>

# ENGINE ARRANGEMENT

## 395-3458 ENGINE AR

S/N: GDS1-UP  
60-HERTZ. LOW BSFC  
AN ATTACHMENT

SMCS-1000

i05195739

NOTE	PART NUMBER	QTY	PART NAME						SEE PAGE
			1	2	3	4	5	6 (PRODUCT LEVEL)	
YR	<b>5N-5692</b>	1	ALTERNATOR GP-CHARGING						169
Y	364-5713	1	BOX GP-JUNCTION						200
Y	396-2195	1	CONTROL & MTG GP-ELECTRONIC						233
Y	350-9971	1	COVER GP-ACCESS						14
Y	397-5083	1	COVER GP-CYLINDER BLOCK						16
Y	238-9863	1	COVER GP-FRONT HOUSING						17
Y	396-5704	1	COVER GP-OIL PAN						19
Y	373-6589	1	COVER GP-VALVE MECHANISM						20
Y	267-2104	1	DAMPER & PULLEY GP						33
Y	385-9396	1	ENGINE AR-CORE						9
Y	394-5282	1	FILLER GP-ENGINE OIL						77
Y	264-1492	1	FILTER GP-ENGINE OIL						79
Y	258-4884	1	FLYWHEEL GP						39
Y	417-3704	1	GAUGE GP-OIL LEVEL (DIPSTICK) (ENGINE)						82
Y	224-1213	1	GEAR GP-REAR						42
Y	305-7067	1	HOUSING GP-FLYWHEEL						50
Y	235-2014	1	LIFTING GP-ENGINE						53
Y	310-8396	1	LINES GP-AIR						113
Y	144-4306	1	LINES GP-ENGINE OIL						85
Y	373-6409	1	LINES GP-FUEL						141
Y	377-0777	1	LINES GP-FUEL						143
Y	361-6014	1	LINES GP-TURBOCHARGER OIL						89
Y	255-5536	1	LINES GP-WATER (ENGINE OIL CLR/WTR TEMP RGLTR)						97
Y	261-0500	1	MANIFOLD GP-EXHAUST						117
Y	329-0099	1	MANIFOLD GP-INLET						119
Y	377-4751	1	MOUNTING GP-AIR CLEANER						120
Y	303-6241	1	MOUNTING GP-ALTERNATOR						56
Y	384-5029	1	PAN GP-OIL						59
Y	282-4895	1	PLUG GP-CYLINDER BLOCK						62
Y	223-6407	1	PLUG GP-CYLINDER HEAD						63
Y	276-4879	1	PLUG GP-ENGINE						64
Y	223-6421	1	PUMP & MTG GP-FUEL TRANSFER						153
Y	230-4172	1	PUMP GP-WATER (JACKET WATER)						100
Y	391-3034	1	REGULATOR GP-OIL LEVEL						92
Y	373-6718	1	SENSOR GP-ENGINE						290
Y	391-7181	1	SHIELD GP-HEAT						122
Y	249-0635	1	STARTING MOTOR GP-ELECTRIC						300
Y	318-1713	1	SUPPORT GP-AFTERCOOLER						128
Y	7N-9078	1	SUPPORT GP-ENGINE						70
Y	343-1685	1	SUPPORT GP-ENGINE (REAR)						71
Y	376-3092	1	WIRING GP-ALTERNATOR						329
Y	364-6730	1	WIRING GP-ELECTRIC STARTING						344
Y	373-6716	1	WIRING GP-ENGINE ELECTRONIC						348

PLEASE USE THE GASKET KIT LINK IN SIS OR CONTACT  
YOUR LOCAL DEALER FOR THE LATEST GASKET KIT  
INFORMATION

R - REMFG PART MAY BE AVAILABLE  
Y - SEPARATE ILLUSTRATION

<END>

# ENGINE ARRANGEMENT

## 349-5619 ENGINE AR-COMPLETE

S/N: MJE1-UP

PART OF 363-8269 GENERAL AR

SMCS-1000

i05259477

NOTE	PART NUMBER	QTY	PART NAME						SEE PAGE
			1	2	3	4	5	6 (PRODUCT LEVEL)	
YR	<b>5N-5692</b>	1	ALTERNATOR GP-CHARGING						169
Y	364-5713	1	BOX GP-JUNCTION						200
Y	396-2195	1	CONTROL & MTG GP-ELECTRONIC						233
Y	393-1537	1	COVER GP-CYLINDER BLOCK						15
Y	238-9863	1	COVER GP-FRONT HOUSING						17
Y	373-6589	1	COVER GP-VALVE MECHANISM						20
Y	267-2104	1	DAMPER & PULLEY GP						33
Y	388-0983	1	DRIVE GP-FAN						36
Y	385-9397	1	ENGINE AR-CORE						9
Y	349-7577	1	FILLER GP-ENGINE OIL						76
Y	264-1492	1	FILTER GP-ENGINE OIL (ENGINE)						79
Y	258-4884	1	FLYWHEEL GP						39
Y	417-3704	1	GAUGE GP-OIL LEVEL (DIPSTICK) (ENGINE)						82
Y	224-1213	1	GEAR GP-REAR						42
Y	353-3778	1	GUARD GP-BELT						46
Y	305-7067	1	HOUSING GP-FLYWHEEL						50
Y	235-2014	1	LIFTING GP-ENGINE						53
Y	310-8396	1	LINES GP-AIR						113
Y	122-1790	1	LINES GP-ENGINE OIL						84
Y	373-6409	1	LINES GP-FUEL (WATER SEPARATOR)						141
Y	377-0777	1	LINES GP-FUEL						143
Y	261-0502	1	LINES GP-TURBOCHARGER OIL						87
Y	255-5536	1	LINES GP-WATER (ENGINE OIL CLR/WTR TEMP RGLTR)						97
Y	261-0500	1	MANIFOLD GP-EXHAUST						117
Y	329-0099	1	MANIFOLD GP-INLET						119
Y	377-4751	1	MOUNTING GP-AIR CLEANER						120
Y	303-6241	1	MOUNTING GP-ALTERNATOR						56
Y	347-6578	1	PAN GP-OIL						58
Y	122-9798	1	PLATE & FILM GP						549
Y	282-4895	1	PLUG GP-CYLINDER BLOCK						62
Y	223-6407	1	PLUG GP-CYLINDER HEAD						63
Y	276-4879	1	PLUG GP-ENGINE						64
Y	223-6421	1	PUMP & MTG GP-FUEL TRANSFER						153
Y	230-4172	1	PUMP GP-WATER (JACKET WATER)						100
Y	373-6718	1	SENSOR GP-ENGINE						290
Y	391-7181	1	SHIELD GP-HEAT						122
Y	249-0635	1	STARTING MOTOR GP-ELECTRIC						300
Y	318-1713	1	SUPPORT GP-AFTERCOOLER						128
Y	7N-9078	1	SUPPORT GP-ENGINE (FRONT, WIDE)						70
Y	343-1685	1	SUPPORT GP-ENGINE (REAR)						71
Y	376-3092	1	WIRING GP-ALTERNATOR						329
Y	364-6730	1	WIRING GP-ELECTRIC STARTING						344
Y	373-6716	1	WIRING GP-ENGINE ELECTRONIC						348

PLEASE USE THE GASKET KIT LINK IN SIS OR CONTACT  
YOUR LOCAL DEALER FOR THE LATEST GASKET KIT  
INFORMATION

R - REMFG PART MAY BE AVAILABLE  
Y - SEPARATE ILLUSTRATION

<END>

# ENGINE ARRANGEMENT

## 349-5622 ENGINE AR-COMPLETE

S/N: MJE1-UP

PART OF 363-8270 GENERAL AR

SMCS-1000

i05259479

NOTE	PART NUMBER	QTY	PART NAME						SEE PAGE
			1	2	3	4	5	6 (PRODUCT LEVEL)	
YR	<b>5N-5692</b>	1	ALTERNATOR GP-CHARGING						169
Y	364-5713	1	BOX GP-JUNCTION						200
Y	396-2195	1	CONTROL & MTG GP-ELECTRONIC						233
Y	393-1537	1	COVER GP-CYLINDER BLOCK						15
Y	238-9863	1	COVER GP-FRONT HOUSING						17
Y	373-6589	1	COVER GP-VALVE MECHANISM						20
Y	267-2104	1	DAMPER & PULLEY GP						33
Y	388-0983	1	DRIVE GP-FAN						36
Y	385-9396	1	ENGINE AR-CORE						9
Y	349-7577	1	FILLER GP-ENGINE OIL						76
Y	264-1492	1	FILTER GP-ENGINE OIL (ENGINE)						79
Y	258-4884	1	FLYWHEEL GP						39
Y	417-3704	1	GAUGE GP-OIL LEVEL (DIPSTICK) (ENGINE)						82
Y	224-1213	1	GEAR GP-REAR						42
Y	353-3778	1	GUARD GP-BELT						46
Y	305-7067	1	HOUSING GP-FLYWHEEL						50
Y	235-2014	1	LIFTING GP-ENGINE						53
Y	310-8396	1	LINES GP-AIR						113
Y	122-1790	1	LINES GP-ENGINE OIL						84
Y	373-6409	1	LINES GP-FUEL (WATER SEPARATOR)						141
Y	377-0777	1	LINES GP-FUEL						143
Y	261-0502	1	LINES GP-TURBOCHARGER OIL						87
Y	255-5536	1	LINES GP-WATER (ENGINE OIL CLR/WTR TEMP RGLTR)						97
Y	261-0500	1	MANIFOLD GP-EXHAUST						117
Y	329-0099	1	MANIFOLD GP-INLET						119
Y	377-4751	1	MOUNTING GP-AIR CLEANER						120
Y	303-6241	1	MOUNTING GP-ALTERNATOR						56
Y	347-6578	1	PAN GP-OIL						58
Y	282-4895	1	PLUG GP-CYLINDER BLOCK						62
Y	223-6407	1	PLUG GP-CYLINDER HEAD						63
Y	276-4879	1	PLUG GP-ENGINE						64
Y	223-6421	1	PUMP & MTG GP-FUEL TRANSFER						153
Y	230-4172	1	PUMP GP-WATER (JACKET WATER)						100
Y	373-6718	1	SENSOR GP-ENGINE						290
Y	391-7181	1	SHIELD GP-HEAT						122
Y	249-0635	1	STARTING MOTOR GP-ELECTRIC						300
Y	318-1713	1	SUPPORT GP-AFTERCOOLER						128
Y	7N-9078	1	SUPPORT GP-ENGINE						70
Y	343-1685	1	SUPPORT GP-ENGINE (REAR)						71
Y	376-3092	1	WIRING GP-ALTERNATOR						329
Y	364-6730	1	WIRING GP-ELECTRIC STARTING						344
Y	373-6716	1	WIRING GP-ENGINE ELECTRONIC						348

PLEASE USE THE GASKET KIT LINK IN SIS OR CONTACT  
YOUR LOCAL DEALER FOR THE LATEST GASKET KIT  
INFORMATION

R - REMFG PART MAY BE AVAILABLE  
Y - SEPARATE ILLUSTRATION

<END>

# ENGINE ARRANGEMENT

## 389-2733 ENGINE AR-COMplete

S/N: GDS1-UP

SMCS-1000

i05227843

NOTE	PART NUMBER	QTY	PART NAME						SEE PAGE
			1	2	3	4	5	6 (PRODUCT LEVEL)	
Y	388-4919	1	ENGINE	AR					1

Y - SEPARATE ILLUSTRATION

<END>

## 389-2734 ENGINE AR-COMplete

S/N: GDS1-UP

SMCS-1000

i05233714

NOTE	PART NUMBER	QTY	PART NAME						SEE PAGE
			1	2	3	4	5	6 (PRODUCT LEVEL)	
Y	388-4920	1	ENGINE	AR					2

Y - SEPARATE ILLUSTRATION

<END>

## 389-2735 ENGINE AR-COMplete

S/N: GDS1-UP

SMCS-1000

i05233722

NOTE	PART NUMBER	QTY	PART NAME						SEE PAGE
			1	2	3	4	5	6 (PRODUCT LEVEL)	
Y	388-4921	1	ENGINE	AR					3

Y - SEPARATE ILLUSTRATION

<END>

## 389-2736 ENGINE AR-COMplete

S/N: GDS1-UP

SMCS-1000

i05262179

NOTE	PART NUMBER	QTY	PART NAME						SEE PAGE
			1	2	3	4	5	6 (PRODUCT LEVEL)	
Y	394-4678	1	ENGINE	AR					4

Y - SEPARATE ILLUSTRATION

<END>

## 397-4842 ENGINE AR-COMplete

S/N: GDS1-UP

1800 RPM. LOW BSFC

AN ATTACHMENT

SMCS-1000

i05195727

NOTE	PART NUMBER	QTY	PART NAME						SEE PAGE
			1	2	3	4	5	6 (PRODUCT LEVEL)	
Y	395-3458	1	ENGINE	AR					5

Y - SEPARATE ILLUSTRATION

<END>

# ENGINE ARRANGEMENT

## 385-9396 ENGINE AR-CORE

S/N: MJE1-UP; GDS1-UP

800 EKW-60 HZ

PART OF 388-4921 ENGINE AR, 349-5622 ENGINE AR-COMplete

ALSO AN ATTACHMENT

SMCS-1000

i05195758

NOTE	PART NUMBER	QTY	PART NAME						SEE PAGE
			1	2	3	4	5	6 (PRODUCT LEVEL)	
Y	223-6408	1	BASE GP-VALVE COVER & INJ HARN						11
Y	260-9307	1	CAMSHAFT GP						13
Y	225-6052	1	CRANKSHAFT GP						21
Y	349-2528	1	CYLINDER BLOCK GP						24
Y	284-8895	1	CYLINDER HEAD GP						29
Y	119-8583	1	FASTENER GP-OIL PUMP MOUNTING						75
Y	355-2286	1	GEAR GP-FRONT						40
Y	238-9862	1	HOUSING GP-FRONT						51
Y	350-8861	1	HOUSING GP-REAR						52
Y	260-9631	1	MECHANISM GP-FUEL PUMP & VALVE						55
Y	239-6114	12	PISTON & ROD GP						61
YR	116-1980	1	PUMP GP-ENGINE OIL						91
Y	235-1401	12	PUMP GP-FUEL INJECTION						154
Y	267-4742	1	TURBOCHARGER GP						130
	385-9199	1	ELECTRONICS GP-GENERATOR SET						

R - REMFG PART MAY BE AVAILABLE

Y - SEPARATE ILLUSTRATION

<END>

## 385-9397 ENGINE AR-CORE

S/N: MJE1-UP

800 EFW AT 60 HZ

FOR USE WITH EPG, DITTA, ATAAC

PART OF 349-5619 ENGINE AR-COMplete

SMCS-1000

i05238501

NOTE	PART NUMBER	QTY	PART NAME						SEE PAGE
			1	2	3	4	5	6 (PRODUCT LEVEL)	
Y	223-6408	1	BASE GP-VALVE COVER & INJ HARN						11
Y	260-9307	1	CAMSHAFT GP						13
Y	225-6052	1	CRANKSHAFT GP						21
Y	349-2528	1	CYLINDER BLOCK GP						24
Y	284-8895	1	CYLINDER HEAD GP						29
Y	119-8583	1	FASTENER GP-OIL PUMP MOUNTING						75
Y	355-2286	1	GEAR GP-FRONT						40
Y	238-9862	1	HOUSING GP-FRONT						51
Y	350-8861	1	HOUSING GP-REAR						52
Y	260-9631	1	MECHANISM GP-FUEL PUMP & VALVE						55
Y	239-6114	12	PISTON & ROD GP						61
YR	116-1980	1	PUMP GP-ENGINE OIL						91
Y	235-1401	12	PUMP GP-FUEL INJECTION						154
Y	267-4742	1	TURBOCHARGER GP						130
	385-9197	1	ELECTRONICS GP-GENERATOR SET						

R - REMFG PART MAY BE AVAILABLE

Y - SEPARATE ILLUSTRATION

<END>

# ENGINE ARRANGEMENT

## 363-8269 GENERAL AR

S/N: GDS1-UP

SMCS-1000, 4450

i05259475

NOTE	PART NUMBER	QTY	PART NAME						SEE PAGE
			1	2	3	4	5	6 (PRODUCT LEVEL)	
Y	349-5619	1	ENGINE AR-COMPLETE						6

Y - SEPARATE ILLUSTRATION

<END>

## 363-8270 GENERAL AR

S/N: GDS1-UP

SMCS-1000, 4450

i05259476

NOTE	PART NUMBER	QTY	PART NAME						SEE PAGE
			1	2	3	4	5	6 (PRODUCT LEVEL)	
Y	349-5622	1	ENGINE AR-COMPLETE						7

Y - SEPARATE ILLUSTRATION

<END>



# BASIC ENGINE

## 223-6408 BASE GP-VALVE COVER & INJ HARN

S/N: MJE1-UP; GDS1-UP

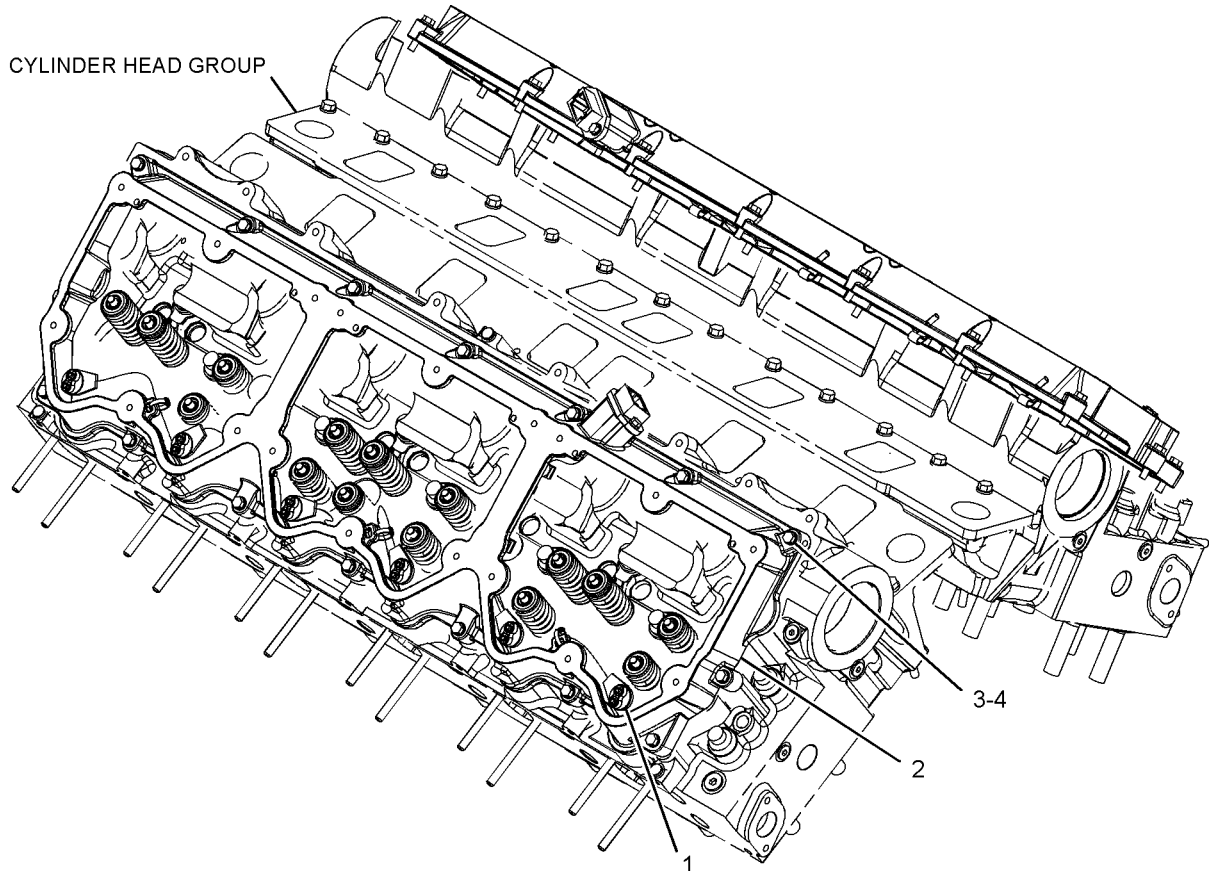
ALSO AN ATTACHMENT

SMCS-1120, 1408

i03456101

NOTE	REF NO	GRAPHIC REF	PART NUMBER	QTY	PART NAME						SEE PAGE
					1	2	3	4	5	6 (PRODUCT LEVEL)	
	1	1	<b>7E-6508</b>	12	CAP AS (UNIT INJECTOR)						
Y	2	1	226-4927	2	BASE GP-VALVE COVER & INJ HARN						12
	3	1	<b>1A-9579</b>	32	BOLT (5/16-18X1.5-IN)						
	4	1	<b>9M-1974</b>	32	WASHER-HARD (8.8X16X2-MM THK)						

Y - SEPARATE ILLUSTRATION



GRAPHIC #1

<END>

g01051256

# BASIC ENGINE

## 226-4927 BASE GP-VALVE COVER & INJ HARN

S/N: MJE1-UP; GDS1-UP

PART OF 223-6408 BASE GP-VALVE COVER & INJ HARN

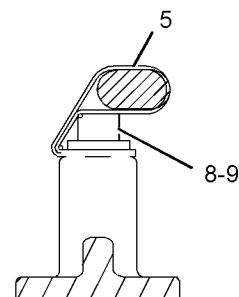
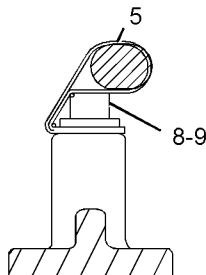
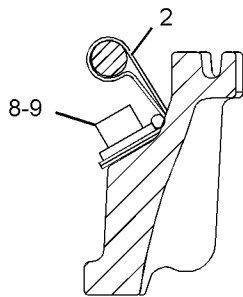
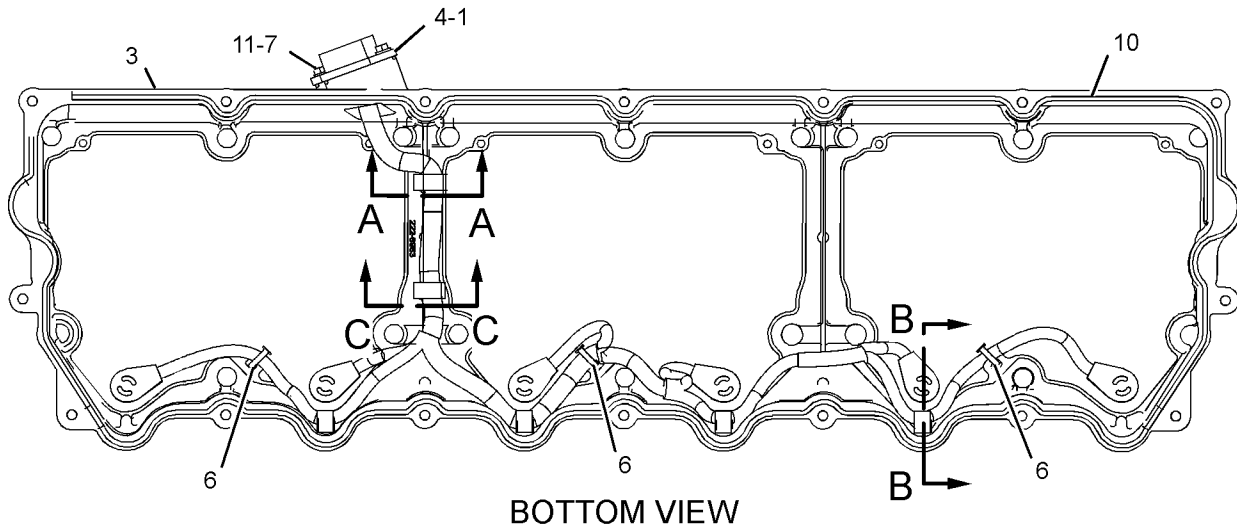
ALSO AN ATTACHMENT

SMCS-1120, 1408

i04975791

NOTE	REF NO	GRAPHIC REF	PART NUMBER	QTY	PART NAME						SEE PAGE
					1	2	3	4	5	6 (PRODUCT LEVEL)	
	1	1	<b>6V-0128</b>	1	SEAL-CONNECTOR						
	2	1	<b>100-5218</b>	4	CLIP						
	3	1	<b>222-6953</b>	1	BASE-VALVE MECHANISM COVER						
C	4	1	<b>285-6647</b>	1	HARNESS AS-ENGINE (UNIT INJECTOR)						
		1	<b>102-8801</b>	1	KIT-RECEPTACLE (12-PIN)						
					(INCLUDES RECPTACLE AS & WEDGE)						
		1	<b>103-8134</b>	1	KIT-RECEPTACLE (12-PIN)						
					(INCLUDES RECEPTACLE AS & WEDGE)						
		1	<b>8T-8737</b>	3	PLUG-SEAL						
		1	<b>9X-3401</b>	9	PIN-CONNECTOR (16-GA TO 18-GA)						
		1	<b>126-1767</b>	9	PIN-CONNECTOR (14-GA TO 16-GA)						
	5	1	<b>100-5219</b>	2	CLIP						
	6	1	<b>123-3202</b>	3	STRAP-CABLE						
	7	1	<b>1H-3337</b>	2	BOLT (1/4-20X0.875-IN)						
	8	1	<b>5P-0537</b>	6	WASHER-HARD (7.2X14.5X2-MM THK)						
	9	1	<b>8H-3127</b>	6	BOLT (1/4-20X0.75-IN)						
	10	1	<b>222-6456</b>	1	SEAL (VALVE COVER BASE)						
	11	1	<b>8T-4205</b>	2	WASHER-HARD (7.2X14.5X2-MM THK)						

C - CHANGE FROM PREVIOUS TYPE



GRAPHIC #1

<END>

g01907513

# BASIC ENGINE

## 260-9307 CAMSHAFT GP

S/N: MJE1-UP; GDS1-UP

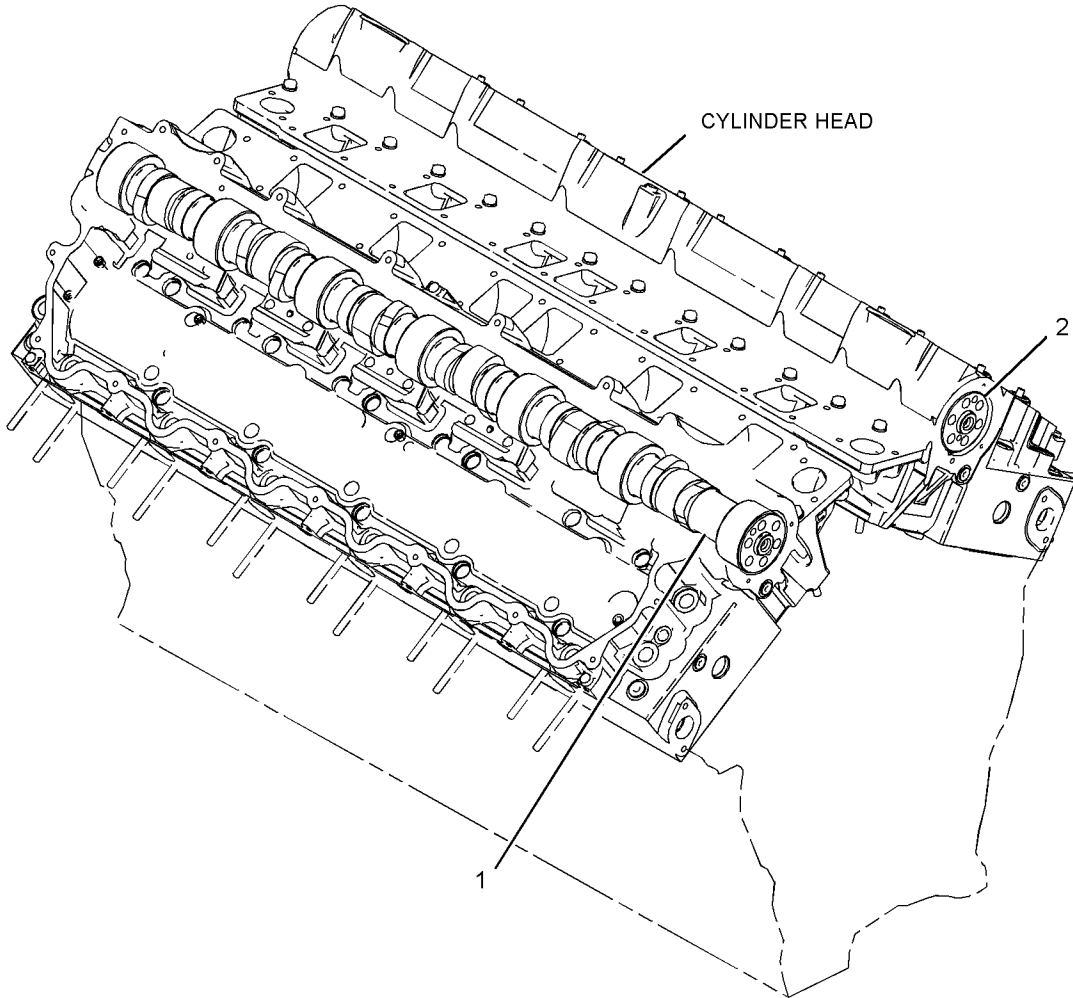
ALSO AN ATTACHMENT

SMCS-1210

i05195799

NOTE	REF NO	GRAPHIC REF	PART NUMBER	QTY	PART NAME						SEE PAGE
					1	2	3	4	5	6 (PRODUCT LEVEL)	
	1	1	421-0049	1	CAMSHAFT (RIGHT BANK)						
J	2	1	421-0071	1	CAMSHAFT (LEFT BANK)						

J - END MARKED "F" ON FRONT END OF ENGINE



GRAPHIC #1

<END>

g01765773

# BASIC ENGINE

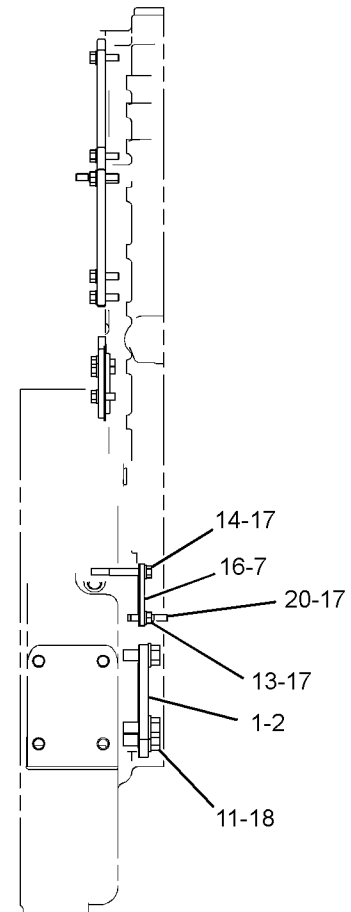
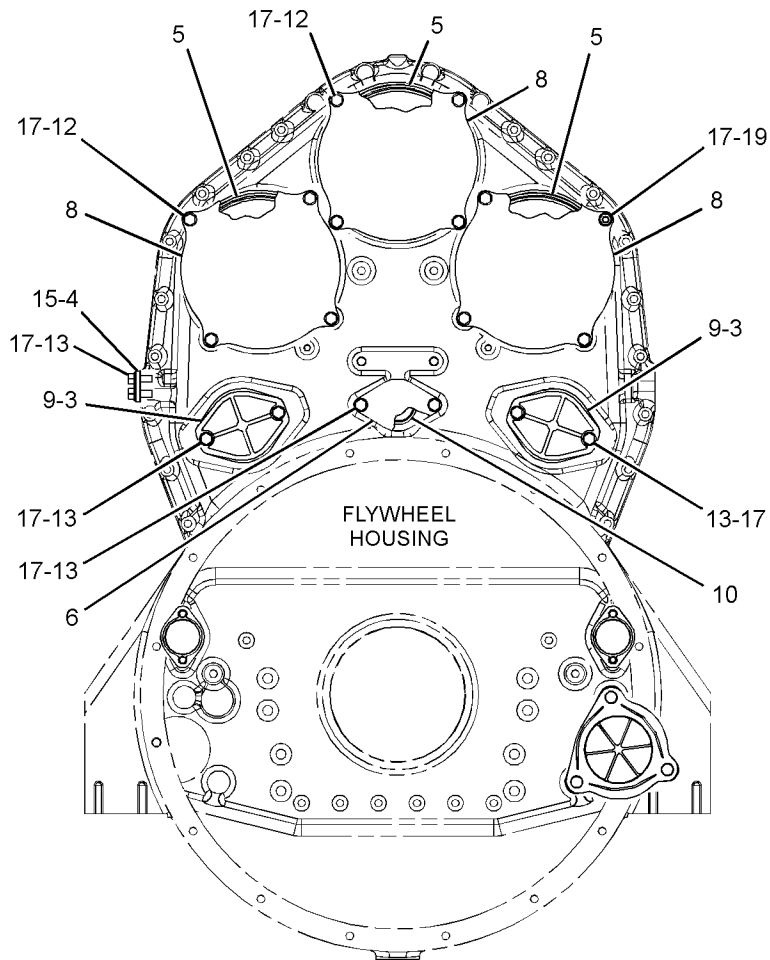
## 350-9971 COVER GP-ACCESS-REAR ENGINE

S/N: MJE1-UP; GDS1-UP  
PART OF 388-4921 ENGINE AR  
ALSO AN ATTACHMENT

SMCS-1122, 726A

i05200721

NOTE	REF NO	GRAPHIC REF	PART NUMBER	QTY	PART NAME						SEE PAGE
					1	2	3	4	5	6 (PRODUCT LEVEL)	
	1	1	4N-1114	1	COVER						
	2	1	9Y-6089	1	GASKET						
	3	1	133-9116	2	COVER						
	4	1	226-4753	1	GASKET						
	5	1	227-5538	3	SEAL-O-RING						
	6	1	232-3273	1	COVER						
	7	1	234-8937	2	SEAL-INTEGRAL						
	8	1	273-8703	3	COVER						
	9	1	280-4155	2	SEAL-INTEGRAL						
	10	1	061-9455	1	SEAL-O-RING						
	11	1	0S-1566	3	BOLT (5/8-11X1.5-IN)						
	12	1	0S-1588	11	BOLT (3/8-16X1.25-IN)						
	13	1	0S-1594	9	BOLT (3/8-16X1-IN)						
	14	1	0S-1619	2	BOLT (3/8-16X3-IN)						
	15	1	1A-0291	1	COVER-SHAFT						
	16	1	2P-2772	2	COVER						
	17	1	5M-2894	24	WASHER-HARD (10.2X18.5X2.5-MM THK)						
	18	1	5P-8247	3	WASHER-HARD (17X32X3.5-MM THK)						
	19	1	129-3172	1	STUD-MOUNTING (3/8-16X1.564-IN)						
	20	1	174-4883	1	STUD (3/8-16X2-IN)						



GRAPHIC #1

<END>

g03333958

# BASIC ENGINE

## 393-1537 COVER GP-CYLINDER BLOCK

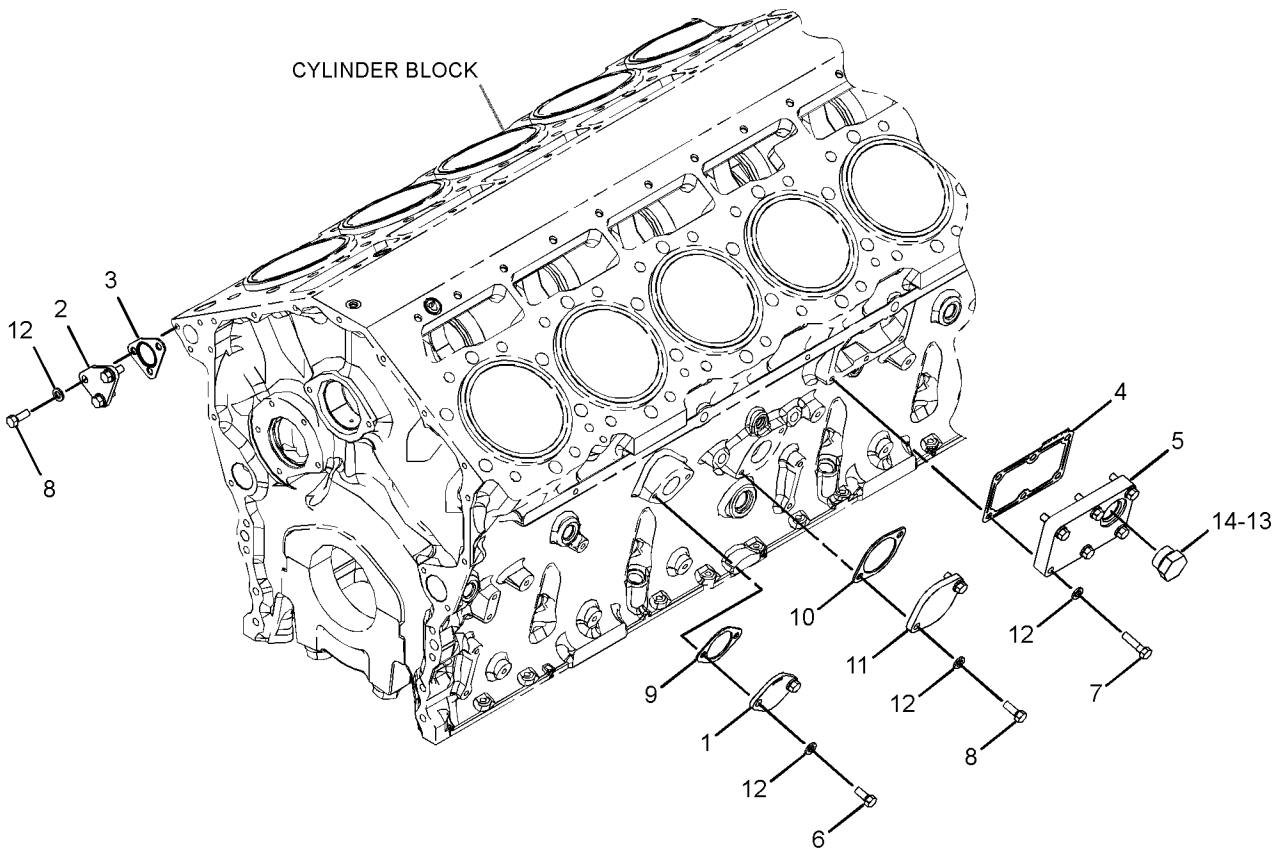
S/N: MJE1-UP

PART OF 349-5619, 349-5622 ENGINE AR-COMPLETE

SMCS-1201

i04938896

NOTE	REF NO	GRAPHIC REF	PART NUMBER	QTY	PART NAME						SEE PAGE
					1	2	3	4	5	6 (PRODUCT LEVEL)	
	1	1	<b>2P-2772</b>	1	COVER						
	2	1	<b>4N-1683</b>	1	COVER						
	3	1	<b>239-5571</b>	1	SEAL - INTEGRAL						
	4	1	<b>343-8888</b>	1	GASKET						
	5	1	<b>391-5624</b>	1	COVER						
	6	1	<b>0L-1351</b>	2	BOLT (3/8-16X0.875-IN)						
	7	1	<b>0S-1591</b>	6	BOLT (3/8-16X1.5-IN)						
	8	1	<b>0S-1594</b>	5	BOLT (3/8-16X1-IN)						
	9	1	<b>234-8937</b>	1	SEAL - INTEGRAL						
	10	1	<b>239-5572</b>	1	SEAL - INTEGRAL						
	11	1	<b>4N-0794</b>	1	COVER						
	12	1	<b>5M-2894</b>	13	WASHER - HARD (10.2X18.5X2.5-MM THK)						
	13	1	<b>7M-8485</b>	1	SEAL - O-RING						
	14	1	<b>9S-4181</b>	1	PLUG - O-RING						



GRAPHIC #1

<END>

g03151219

# BASIC ENGINE

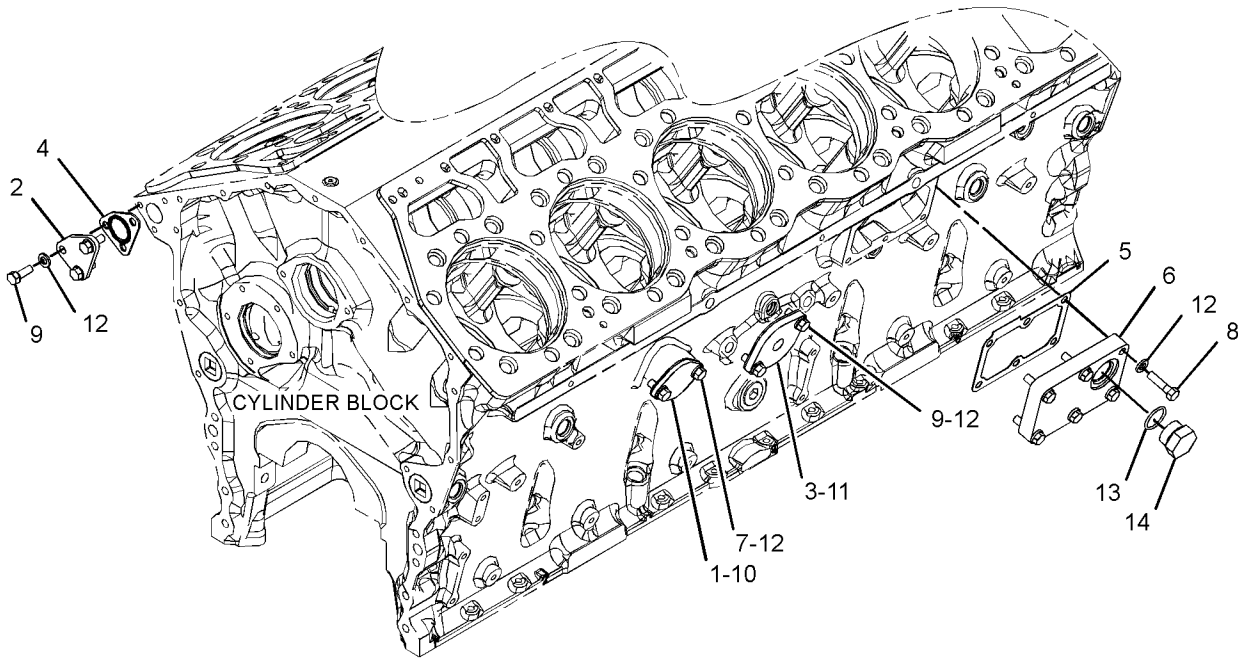
## 397-5083 COVER GP-CYLINDER BLOCK

S/N: MJE1-UP; GDS1-UP  
 FOR USE WITH 391-3034-PAGE: 92  
 PART OF 388-4921 ENGINE AR  
 ALSO AN ATTACHMENT

SMCS-1201

i05195874

NOTE	REF NO	GRAPHIC REF	PART NUMBER	QTY	PART NAME						SEE PAGE
					1	2	3	4	5	6	
	1	1	<b>2P-2772</b>	1	COVER						
	2	1	<b>4N-1683</b>	1	COVER						
	3	1	<b>6N-7854</b>	1	COVER						
	4	1	<b>239-5571</b>	1	SEAL-INTEGRAL						
	5	1	<b>343-8888</b>	1	GASKET						
	6	1	<b>391-5624</b>	1	COVER						
	7	1	<b>0L-1351</b>	2	BOLT (3/8-16X0.875-IN)						
	8	1	<b>0S-1591</b>	6	BOLT (3/8-16X1.5-IN)						
	9	1	<b>0S-1594</b>	5	BOLT (3/8-16X1-IN)						
	10	1	<b>234-8937</b>	1	SEAL-INTEGRAL						
	11	1	<b>239-5572</b>	1	SEAL-INTEGRAL						
	12	1	<b>5M-2894</b>	13	WASHER-HARD (10.2X18.5X2.5-MM THK)						
	13	1	<b>7M-8485</b>	1	SEAL-O-RING						
	14	1	<b>9S-4181</b>	1	PLUG-O-RING						



GRAPHIC #1

<END>

g03350387

# BASIC ENGINE

## 238-9863 COVER GP-FRONT HOUSING

S/N: MJE1-UP; GDS1-UP

FOR USE WITH DRY NARROW ENGINE

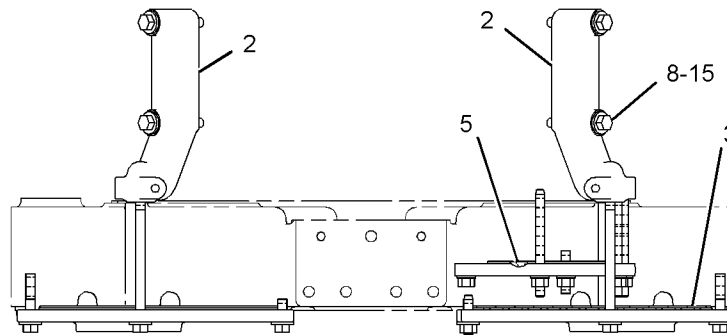
PART OF 388-4921 ENGINE AR, 349-5619, 349-5622 ENGINE AR-COMPLETE

ALSO AN ATTACHMENT

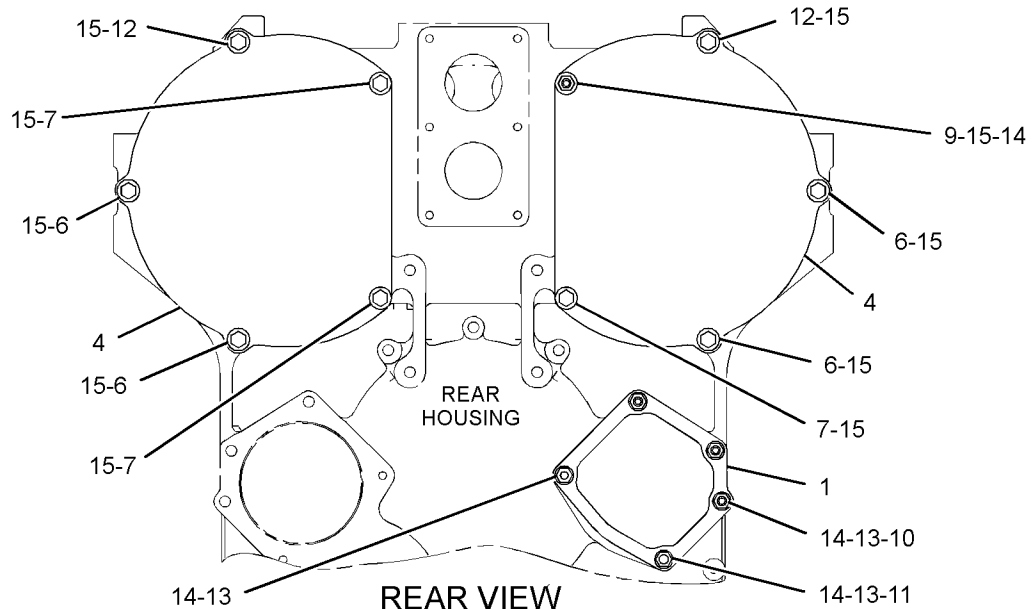
SMCS-1151, 1166

i04938914

NOTE	REF NO	GRAPHIC REF	PART NUMBER	QTY	PART NAME						SEE PAGE
					1	2	3	4	5	6 (PRODUCT LEVEL)	
	1	1	<b>4P-7820</b>	1	COVER-ACCESSORY DRIVE						
	2	1	<b>234-3441</b>	2	SUPPORT-HOUSING (LH)						
	3	1	<b>239-1139</b>	2	SEAL						
	4	1	<b>274-4051</b>	2	COVER-CAMSHAFT						
	5	1	<b>125-9794</b>	1	SEAL-O-RING						
	6	1	<b>0S-1590</b>	4	BOLT (3/8-16X2-IN)						
	7	1	<b>0S-1594</b>	3	BOLT (3/8-16X1-IN)						
	8	1	<b>0T-0573</b>	4	BOLT (3/8-16X2.75-IN)						
	9	1	<b>2M-1538</b>	1	STUD-TAPERLOCK (3/8-16X1.6-IN)						
	10	1	<b>2P-1974</b>	3	STUD-TAPERLOCK (3/8-16X4.2-IN)						
	11	1	<b>3K-3256</b>	1	STUD-TAPERLOCK (3/8-16X1.7-IN)						
	12	1	<b>5F-4899</b>	2	BOLT (3/8-16X5.5-IN)						
	13	1	<b>5M-2894</b>	5	WASHER-HARD (10.2X18.5X2.5-MM THK)						
	14	1	<b>9S-8752</b>	6	NUT-FULL (3/8-16-THD)						
	15	1	<b>9X-6458</b>	14	WASHER-HARD (10.2X22.5X3-MM THK)						



TOP VIEW



REAR VIEW

GRAPHIC #1

<END>

g01281926

# BASIC ENGINE

## 396-5693 COVER GP-OIL PAN

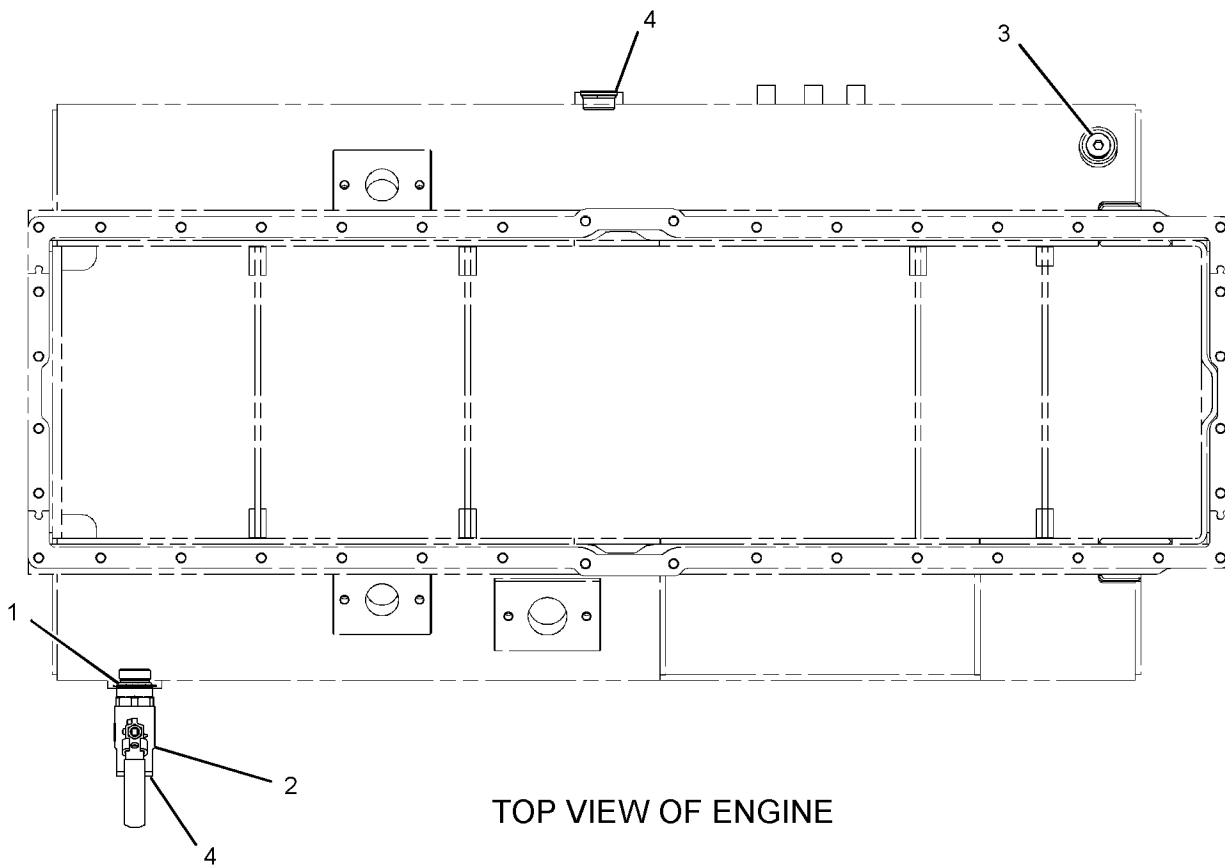
S/N: MJE1-UP

FOR USE WITH 384-5029-PAGE: 59, 394-5282-PAGE: 77

SMCS-1302

i05322170

NOTE	REF NO	GRAPHIC REF	PART NUMBER	QTY	PART NAME						SEE PAGE
					1	2	3	4	5	6 (PRODUCT LEVEL)	
	1	1	<b>238-5084</b>	1	SEAL-O-RING						
	2	1	<b>287-7301</b>	1	VALVE-BALL						
	3	1	<b>309-5131</b>	1	PLUG AS						
		1	<b>9S-8006</b>	1	PLUG-O-RING						
		1	<b>238-5081</b>	1	SEAL-O-RING						
4		1	<b>319-6234</b>	2	PLUG AS						
					(EACH INCLUDES)						
		1	<b>9S-9334</b>	1	PLUG-O-RING						
		1	<b>238-5084</b>	1	SEAL-O-RING						



GRAPHIC #1

<END>

g03054556



# BASIC ENGINE

## 396-5704 COVER GP-OIL PAN

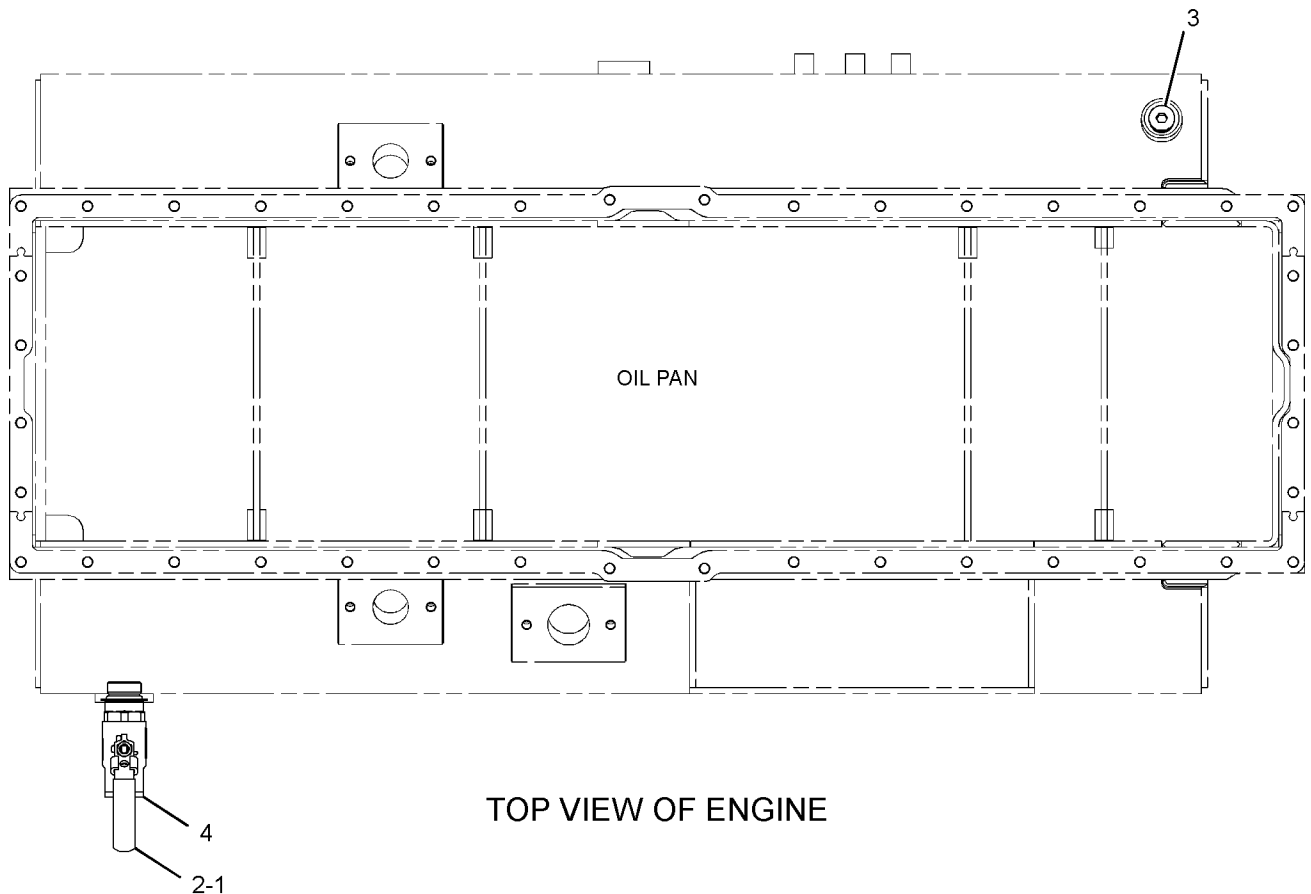
S/N: GDS1-UP

PROVIDES A COVER GP FOR 500 HRS OIL PAN WITH OIL LEVEL REGULATOR  
FOR USE WITH 384-5029-PAGE: 59, 394-5282-PAGE: 77, 391-3034-PAGE: 92  
AN ATTACHMENT

SMCS-1302

i05195877

NOTE	REF NO	GRAPHIC REF	PART NUMBER	QTY	PART NAME						SEE PAGE
					1	2	3	4	5	6 (PRODUCT LEVEL)	
	1	1	<b>238-5084</b>	1	SEAL-O-RING						
	2	1	<b>287-7301</b>	1	VALVE-BALL (DRAIN)						
	3	1	<b>309-5131</b>	1	PLUG AS						
		1	<b>9S-8006</b>	1	PLUG-O-RING						
		1	<b>238-5081</b>	1	SEAL-O-RING						
4		1	<b>319-6234</b>	1	PLUG AS						
		1	<b>9S-9334</b>	1	PLUG-O-RING						
		1	<b>238-5084</b>	1	SEAL-O-RING						



GRAPHIC #1

<END>

g03350787

# BASIC ENGINE

## 373-6589 COVER GP-VALVE MECHANISM

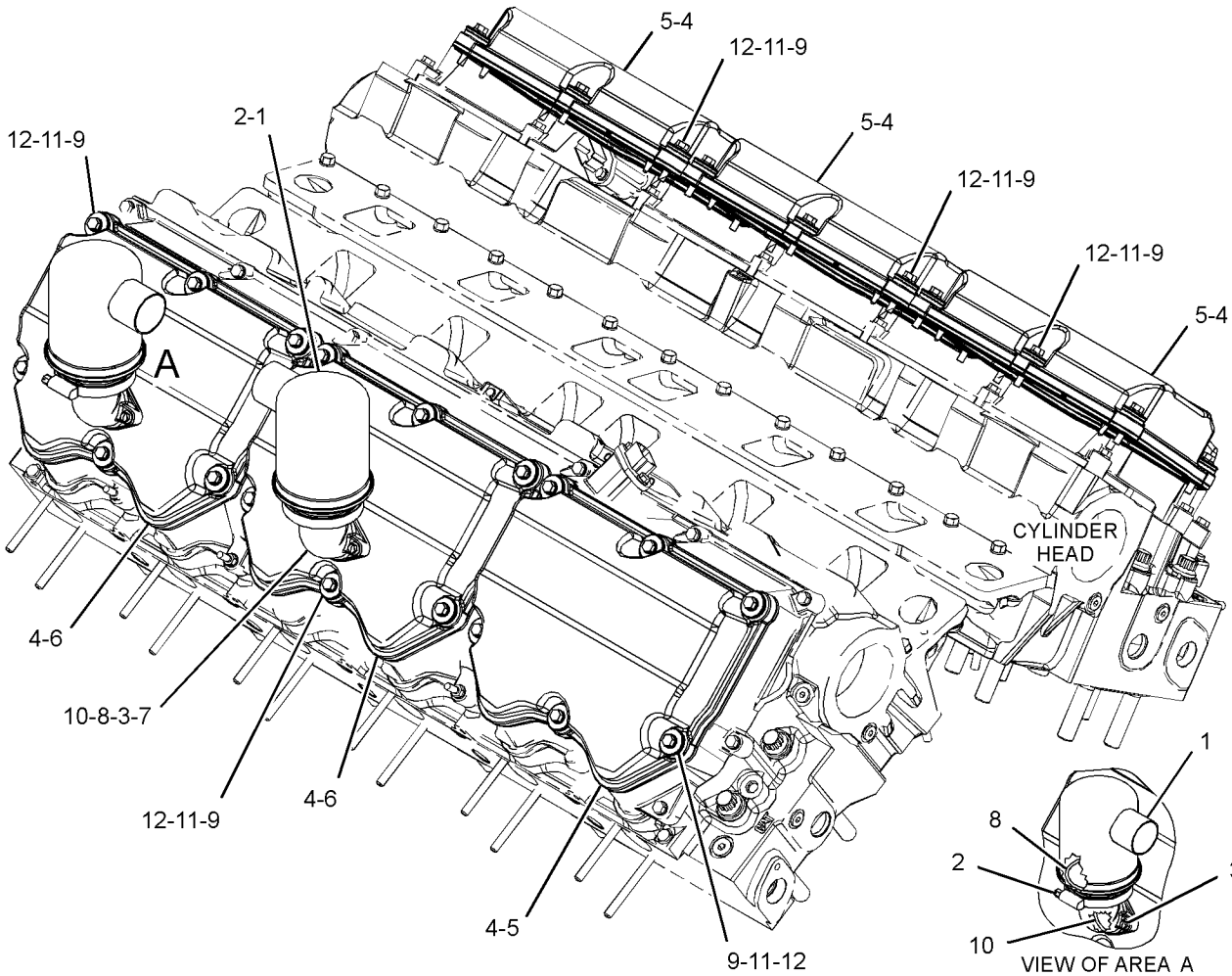
S/N: MJE1-UP; GDS1-UP

PART OF 388-4921 ENGINE AR, 349-5619, 349-5622 ENGINE AR-COMplete  
ALSO AN ATTACHMENT

SMCS-1107

i05195756

NOTE	REF NO	GRAPHIC REF	PART NUMBER	QTY	PART NAME						SEE PAGE
					1	2	3	4	5	6	
	1	1	4W-3027	2	BREATHER AS (CRANKCASE)						
	2	1	4W-3034	2	CLAMP-HOSE						
	3	1	126-0559	4	BOLT (5/16-18X1.25-IN)						
	4	1	224-7506	6	SEAL-VALVE COVER (CRANKCASE)						
	5	1	345-2009	4	COVER						
	6	1	345-2010	2	COVER						
	7	1	345-2011	2	ELBOW						
	8	1	033-6031	2	SEAL-O-RING						
	9	1	212-7728	36	WASHER-ISOLATOR						
	10	1	5P-8211	2	SEAL-O-RING						
	11	1	7X-0440	36	BOLT (5/16-18X1.75-IN)						
	12	1	8T-4224	36	WASHER-HARD (8.8X16X2-MM THK)						



GRAPHIC #1

<END>

g03336322

# BASIC ENGINE

## 225-6052 CRANKSHAFT GP

S/N: MJE1-UP; GDS1-UP

ALSO AN ATTACHMENT

SMCS-1202

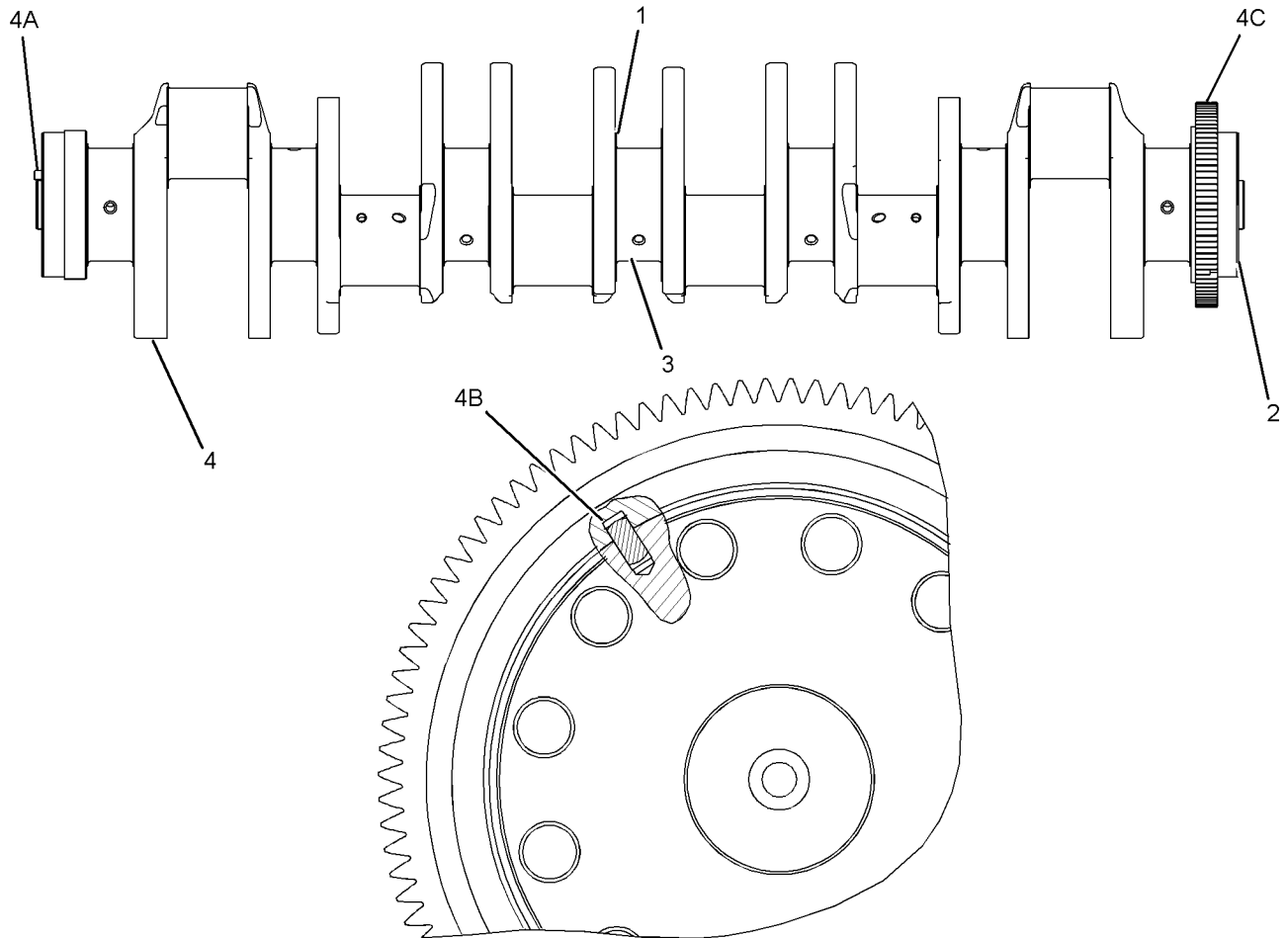
i04782530

NOTE	REF NO	GRAPHIC REF	PART NUMBER	QTY	PART NAME						SEE PAGE
					1	2	3	4	5	6 (PRODUCT LEVEL)	
J	1	1	<b>253-1752</b>	2	PLATE-THRUST						
Y	2	1	<b>319-7401</b>	1	SEAL GP-CRANKSHAFT (FRONT) (FRONT)						69
J	3	1	<b>317-8766</b>	7	BEARING-MAIN (STANDARD)						
AB		1	<b>4W-5698</b>		BEARING-MAIN (0.63-MM US)						
AB		1	<b>4W-5699</b>		BEARING-MAIN (1.27-MM US)						
AB		1	<b>4W-5700</b>		BEARING-MAIN (0.63-MM OS)						
AB		1	<b>4W-5701</b>		BEARING-MAIN (0.63-MM OS, 0.63-MM US)						
	4	1	<b>384-9907</b>	1	CRANKSHAFT AS						
	4A	1	<b>4N-0684</b>	1	DOWEL						
	4B	1	<b>7S-5005</b>	1	DOWEL						
	4C	1	<b>223-9135</b>	1	GEAR-CRANKSHAFT (99-TEETH)						

AVAILABLE REPAIR KIT(S) :

AJ	<b>243-6718</b>	KIT-CRANKSHAFT BEARING (STANDARD) (KIT INCLUDES A COMPLETE SET OF MAIN BEARINGS AND THRUST PLATES)
----	-----------------	---

A - NOT PART OF THIS GROUP  
 B - USE AS REQUIRED  
 J - KIT MARKED J INCLUDES PARTS MARKED J  
 Y - SEPARATE ILLUSTRATION



GRAPHIC #1

<END>

g01051082

# BASIC ENGINE

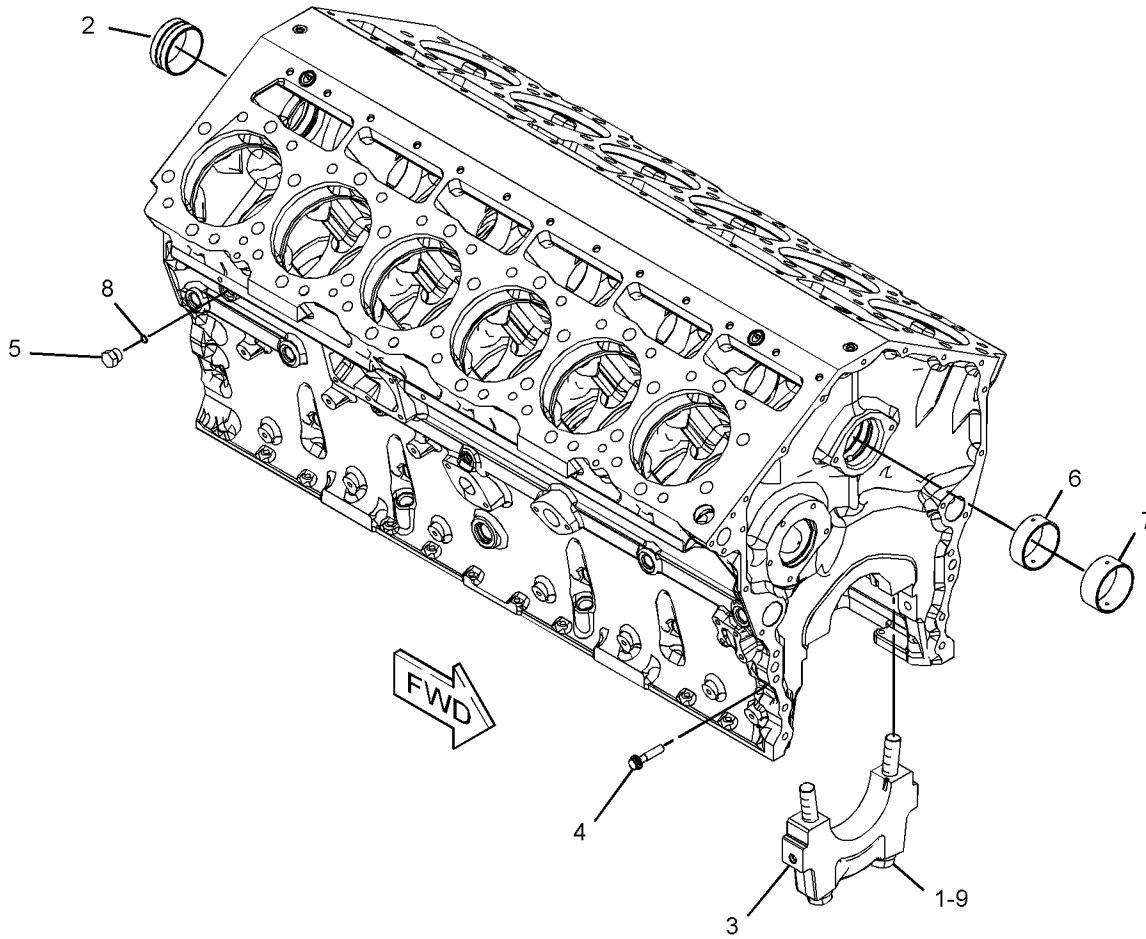
## 348-9904 CYLINDER BLOCK AS

S/N: MJE1-UP; GDS1-UP  
PART OF 348-9905 CYLINDER BLOCK AS  
ALSO AN ATTACHMENT

SMCS-1201

i05099652

NOTE	REF NO	GRAPHIC REF	PART NUMBER	QTY	PART NAME						SEE PAGE
					1	2	3	4	5	6	
	1	1	<b>3P-1323</b>	14	BOLT-BEARING CAP (7/8-14X7.75-IN)						
	2	1	<b>225-5966</b>	1	SLEEVE						
	3	1	<b>232-7607</b>	7	CAP-CRANKSHAFT						
	4	1	<b>365-4307</b>	14	BOLT-12 POINT HEAD (M11X1.25X50-MM)						
	5	1	<b>9S-4185</b>	2	PLUG-O-RING						
	6	1	<b>4N-0685</b>	1	BUSHING (1-IN WIDE)						
	7	1	<b>4N-6658</b>	1	BUSHING (1.3-IN WIDE)						
	8	1	<b>6V-6609</b>	2	SEAL-O-RING						
	9	1	<b>9H-1031</b>	14	WASHER-HARD (24X41.5X6-MM THK)						



GRAPHIC #1

<END>

g02025902

# BASIC ENGINE

## 348-9905 CYLINDER BLOCK AS

S/N: MJE1-UP; GDS1-UP

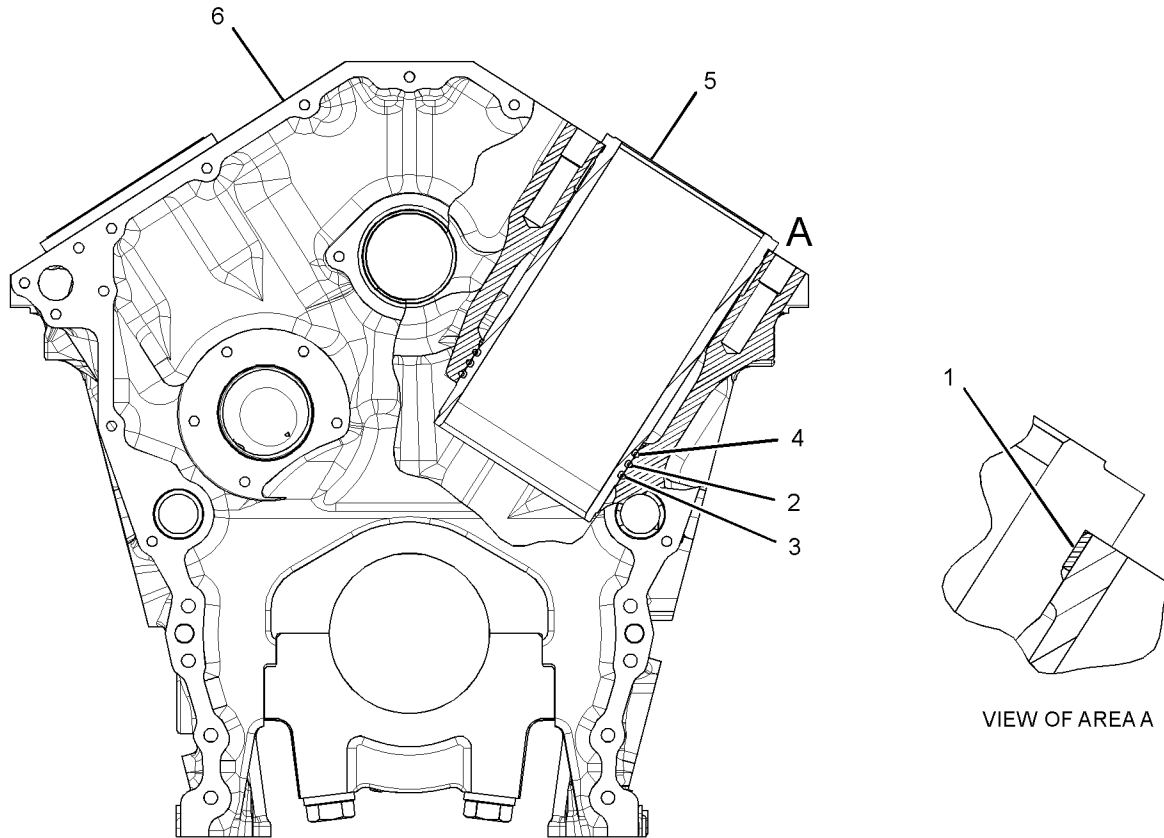
PART OF 349-2528 CYLINDER BLOCK GP  
ALSO AN ATTACHMENT

SMCS-1201

i03889632

NOTE	REF NO	GRAPHIC REF	PART NUMBER	QTY	PART NAME						SEE PAGE
					1	2	3	4	5	6 (PRODUCT LEVEL)	
	1	1	<b>9L-5854</b>	12	BAND-FILLER (130.2-MM ID)						
	2	1	<b>110-2220</b>	12	SEAL-LINER						
	3	1	<b>142-6217</b>	12	SEAL-O-RING						
	4	1	<b>142-7072</b>	12	SEAL-LINER						
	5	1	<b>197-9322</b>	12	LINER-CYLINDER BLOCK						
Y	6	1	<b>348-9904</b>	1	CYLINDER BLOCK AS						22

Y - SEPARATE ILLUSTRATION



FRONT VIEW OF ENGINE

GRAPHIC #1

<END>

g02026936

# BASIC ENGINE

## 349-2528 CYLINDER BLOCK GP

S/N: MJE1-UP; GDS1-UP

ALSO AN ATTACHMENT

SMCS-1201

i04026129

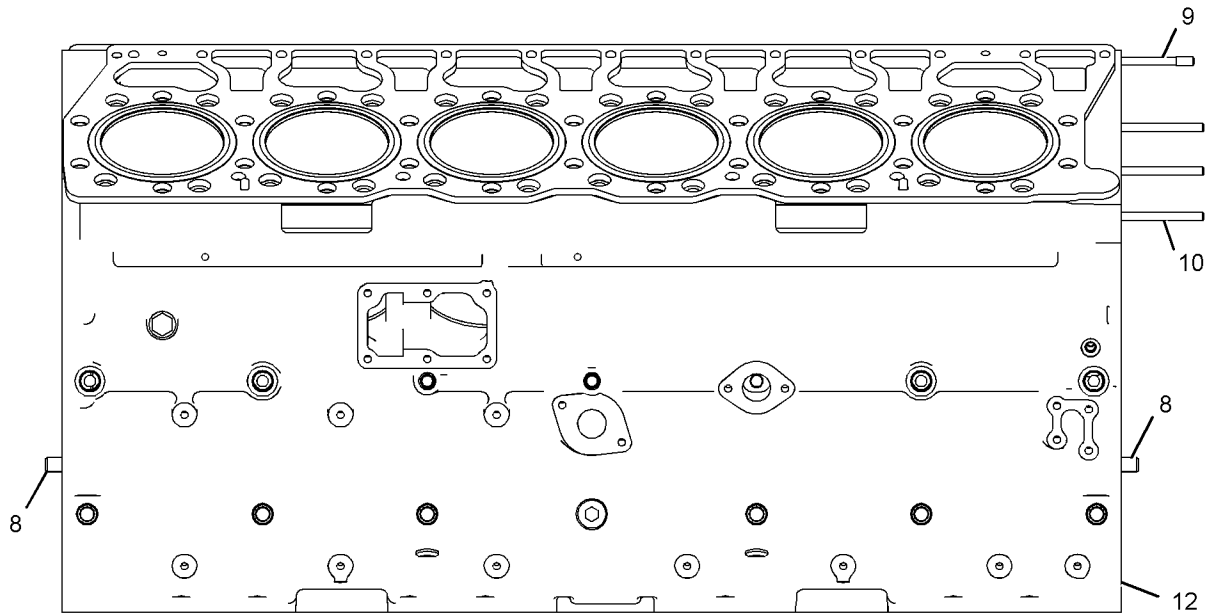
NOTE	REF NO	GRAPHIC REF	PART NUMBER	QTY	PART NAME 1 2 3 4 5 6 (PRODUCT LEVEL)	SEE PAGE
	1	2	<b>354-8484</b>	2	GASKET-PLATE	
	2	1	<b>240-9543</b>	14	WASHER (12.45X22.35X1.82-MM THK)	
	3	2	<b>5P-8356</b>	4	SEAL-O-RING	
	4	1	<b>4N-1650</b>	4	DOWEL	
	5	2	<b>315-9859</b>	2	PLUG AS (EACH INCLUDES)	
		2	<b>9S-8008</b>	1	PLUG-O-RING	
		2	<b>238-5082</b>	1	SEAL-O-RING	
	6	2	<b>225-3100</b>	2	PLATE-SPACER	
	7	1,2	<b>7C-9614</b>	4	PLUG-TAPERLOCK (1-5/8-12-THD)	
	8	1	<b>4N-0683</b>	4	DOWEL	
	9	1	<b>214-1728</b>	1	STUD (3/8-16, 1/8-27X3.5-IN)	
	10	1	<b>6L-4428</b>	3	STUD-TAPERLOCK (3/8-16X4.01-IN)	
	11	2	<b>8T-6757</b>	1	PLUG-PIPE	
Y	12	1	<b>348-9905</b>	1	CYLINDER BLOCK AS	23
	13	2	<b>307-2671</b>	1	PLUG AS	
		2	<b>9S-8002</b>	1	PLUG-O-RING	
		2	<b>214-7566</b>	1	SEAL-O-RING	
	14	2	<b>3B-0645</b>	1	PLUG-CUP	

Y - SEPARATE ILLUSTRATION

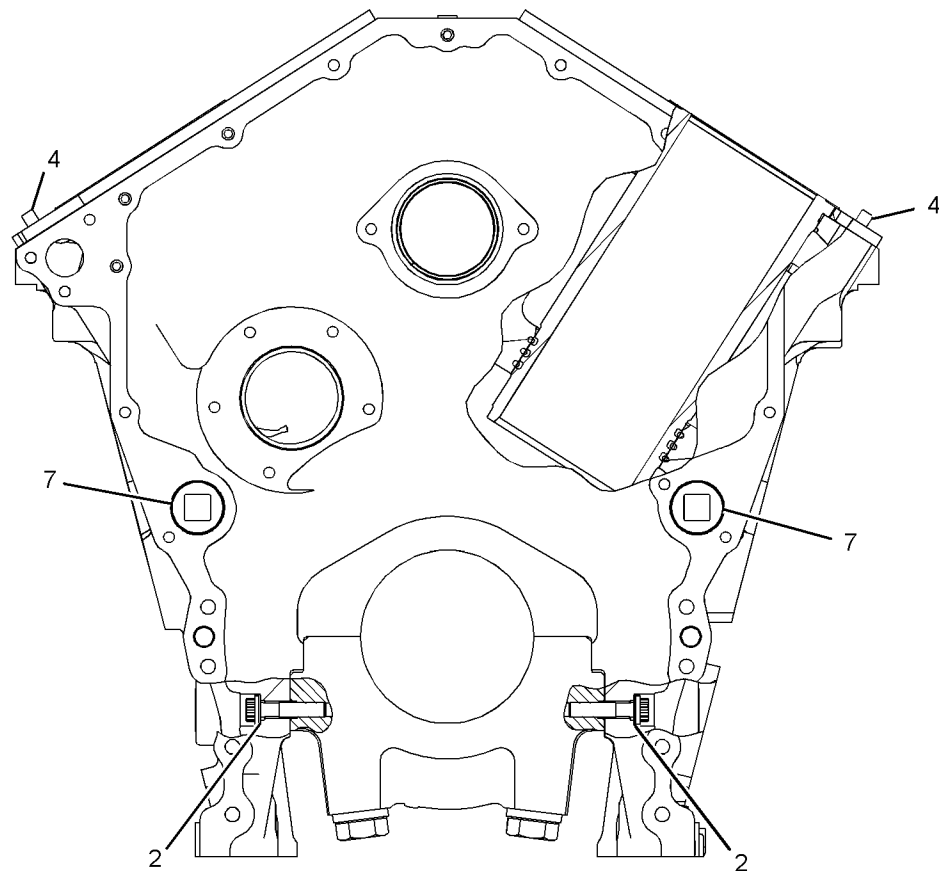
# BASIC ENGINE

349-2528 CYLINDER BLOCK GP (contd.)

i04026129



RIGHT SIDE VIEW OF ENGINE



FRONT VIEW OF ENGINE

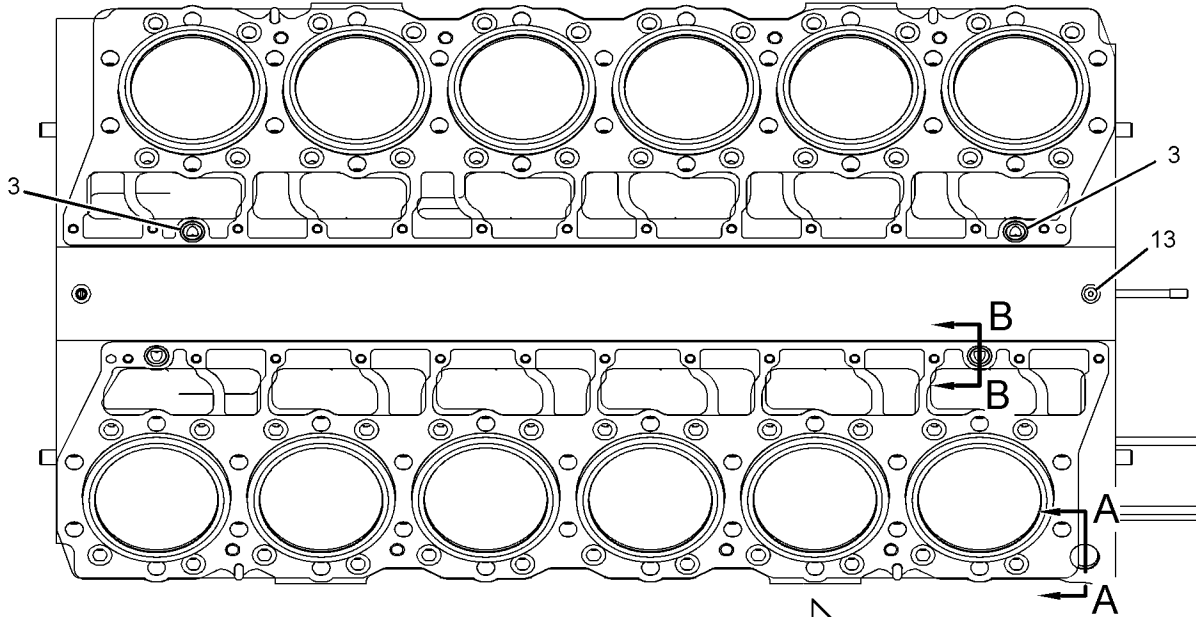
GRAPHIC #1

g02140829

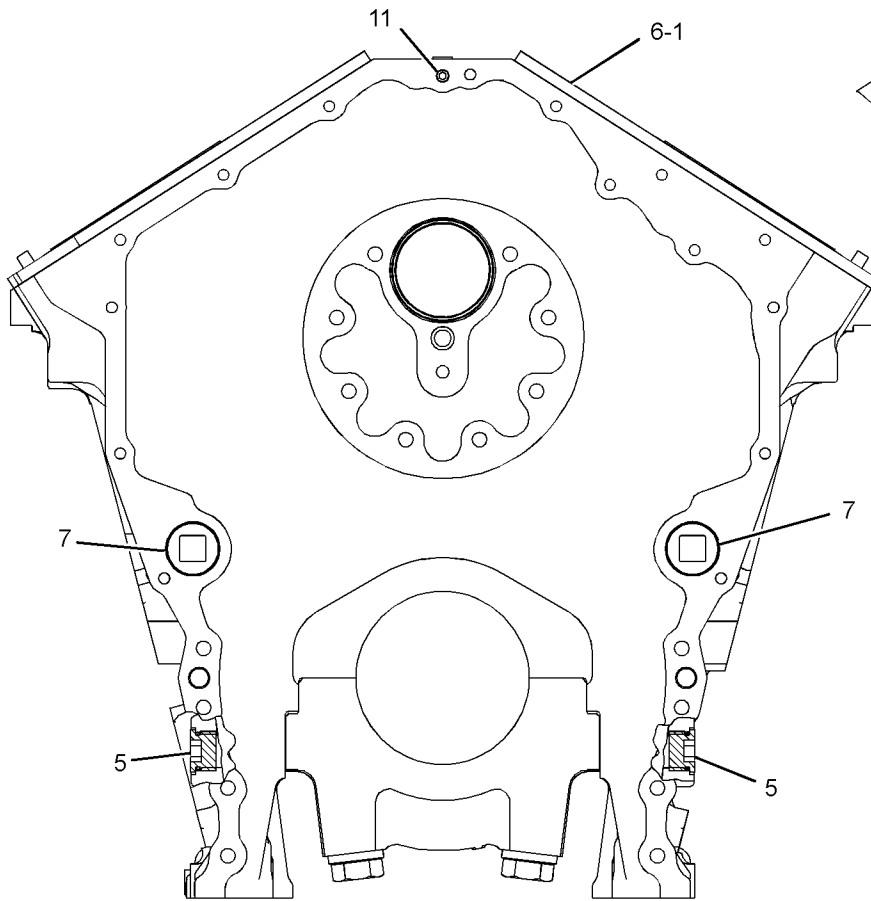
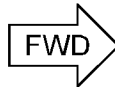
# BASIC ENGINE

349-2528 CYLINDER BLOCK GP (contd.)

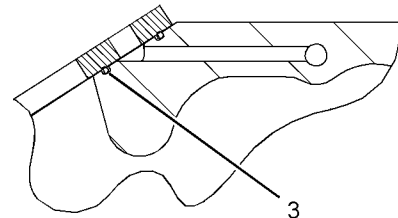
i04026129



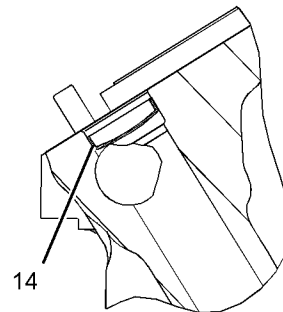
TOP VIEW OF ENGINE



REAR VIEW OF ENGINE



SECTION B-B



SECTION A-A

GRAPHIC #2

<END>

g02140830



# BASIC ENGINE

## 396-8374 CYLINDER HEAD AS

S/N: MJE1-UP; GDS1-UP

PART OF 396-8375 CYLINDER HEAD GP

ALSO AN ATTACHMENT

SMCS-1100, 1101

i04941681

NOTE	REF NO	GRAPHIC REF	PART NUMBER	QTY	PART NAME						SEE PAGE
					1	2	3	4	5	6 (PRODUCT LEVEL)	
	1	1	<b>122-7375</b>	24	GUIDE-VALVE (STANDARD)						
AB		1	<b>122-0447</b>		GUIDE-VALVE (0.51-MM OS)						
AB		1	<b>122-8612</b>		GUIDE-VALVE (0.13-MM OS)						
	2	1	<b>216-5582</b>	7	BUSHING (STANDARD)						
AB		1	<b>217-0751</b>		BUSHING (0.25-MM OS)						
AB		1	<b>217-0752</b>		BUSHING (0.762-MM OS)						
AB		1	<b>261-3429</b>		BUSHING (1.778-MM OS)						
AB		1	<b>261-3430</b>		BUSHING (1.27-MM OS)						
	3	1	<b>226-5561</b>	12	INSERT-VALVE SEAT (EXHAUST) (STANDARD)						
AB		1	<b>288-4883</b>		INSERT-VALVE SEAT (0.51-MM OS, EXHAUST)						
AB		1	<b>288-4884</b>		INSERT-VALVE SEAT (0.76-MM OS, EXHAUST)						
	4	1	<b>263-4920</b>	6	SLEEVE-INJECTOR (INLET)						
	5	1	<b>280-3979</b>	12	INSERT-VALVE SEAT (INLET) (STANDARD)						
AB		1	<b>288-4881</b>		INSERT-VALVE SEAT (INLET) (0.51-MM OS)						
AB		1	<b>288-4882</b>		INSERT-VALVE SEAT (0.76-MM OS, INLET)						
	6	1	<b>9X-7430</b>	6	SEAL-O-RING						
	7	1	<b>166-2904</b>	12	SEAL-O-RING						
	8	1	<b>3B-0623</b>	36	PLUG-CUP						
	9	1	<b>3B-0645</b>	2	PLUG-CUP						
	10	1	<b>8T-6757</b>	3	PLUG-PIPE						

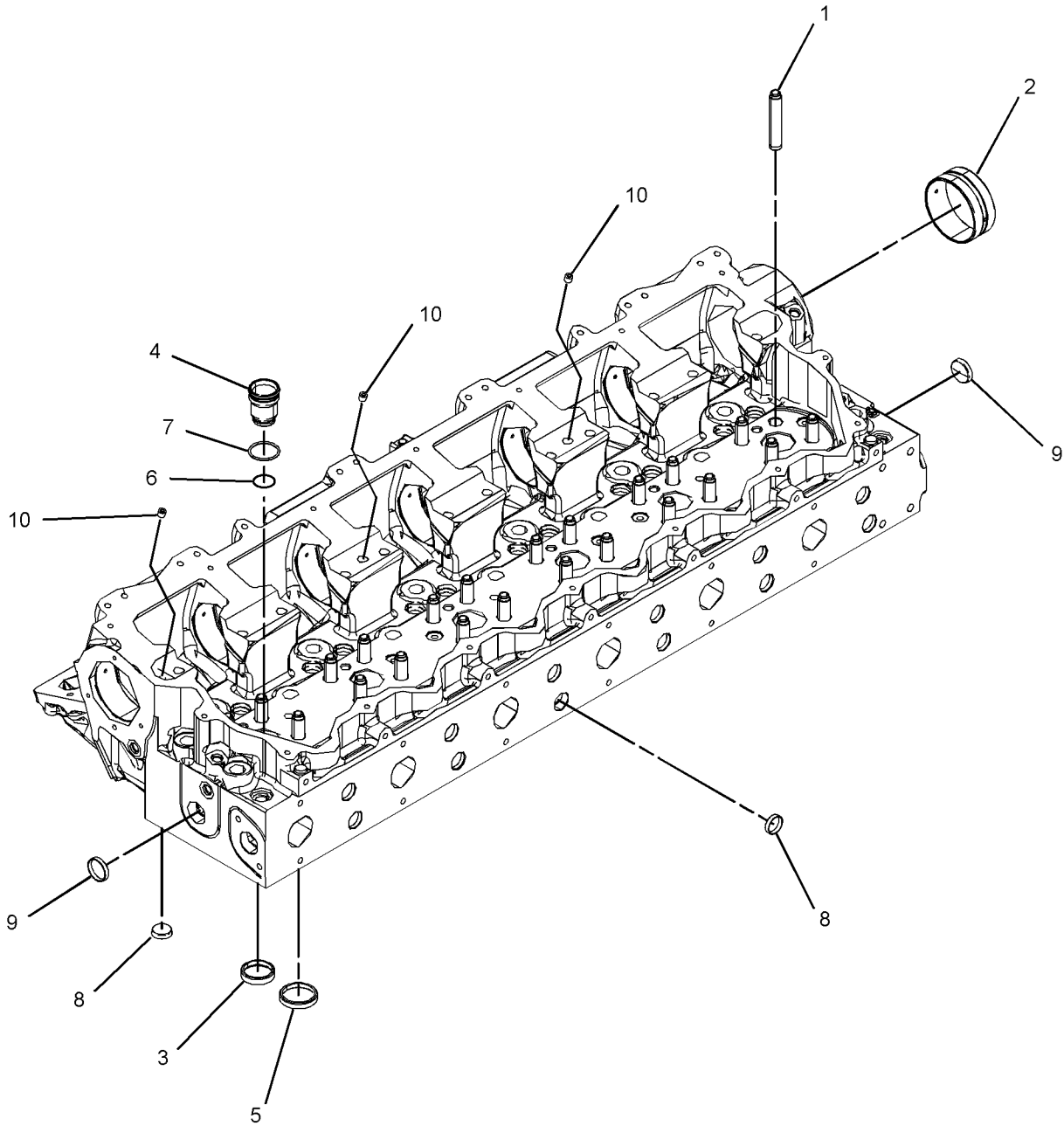
A - NOT PART OF THIS GROUP

B - USE AS REQUIRED

# BASIC ENGINE

396-8374 CYLINDER HEAD AS (contd.)

i04941681



GRAPHIC #1

<END>

g03149436

# BASIC ENGINE

## 284-8895 CYLINDER HEAD GP

S/N: MJE1-UP; GDS1-UP

ALSO AN ATTACHMENT

SMCS-1100

i05205978

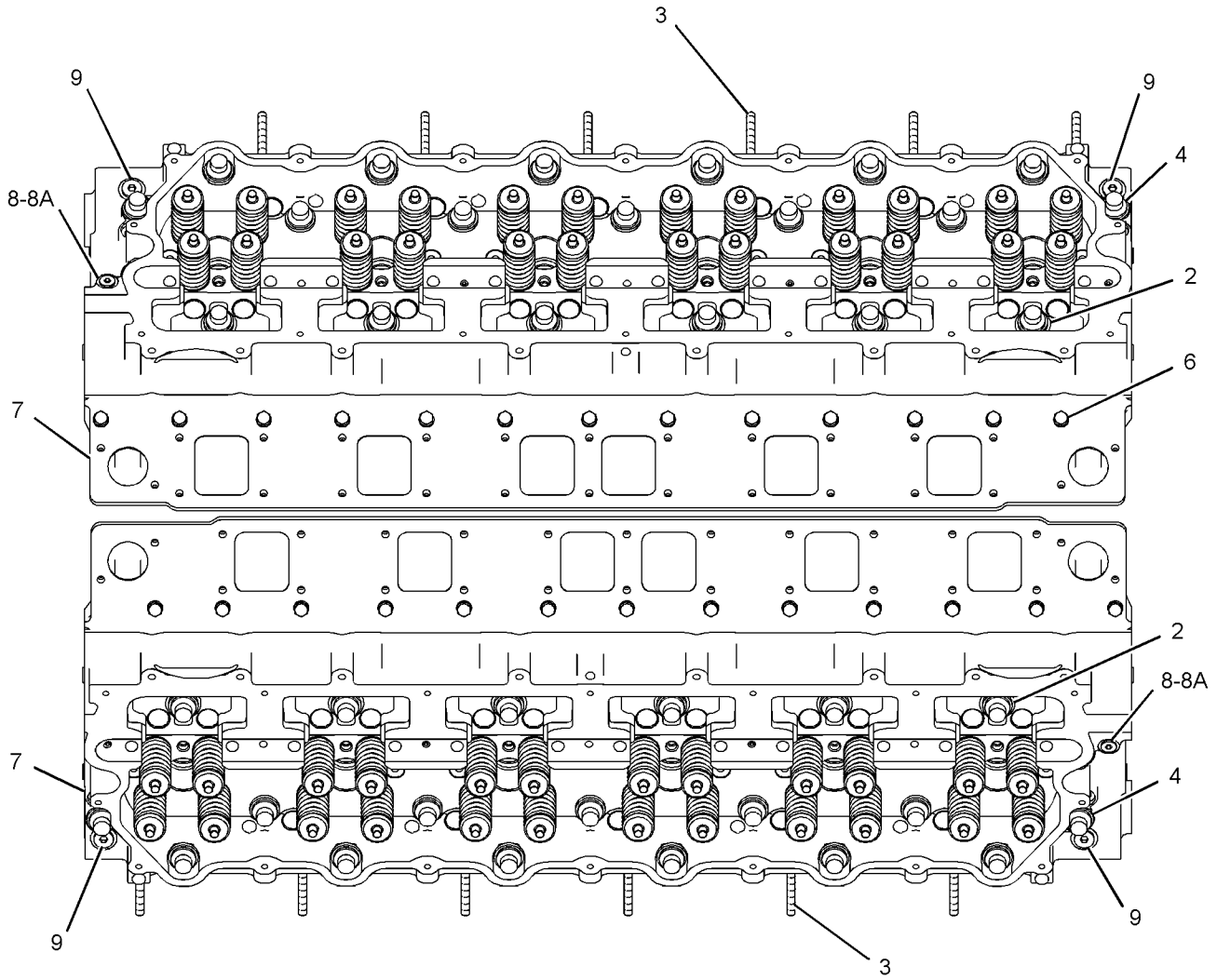
NOTE	REF NO	GRAPHIC REF	PART NUMBER	QTY	PART NAME						SEE PAGE
					1	2	3	4	5	6 (PRODUCT LEVEL)	
	1	1	<b>359-1439</b>	48	SEAL AS-WATER						
	2	1	<i>6I-4025</i>	32	FASTENER GP-CYLINDER HEAD (EACH INCLUDES)						
		1	<b>5H-1504</b>	1	WASHER-HARD (20X33.5X5-MM THK)						
		1	<b>124-1855</b>	1	BOLT-12 POINT HEAD (3/4-16X7.638-IN)						
	3	1	<b>106-1792</b>	24	STUD-TAPERLOCK (3/8-16X4-IN)						
	4	1	<i>106-5673</i>	20	FASTENER GP-CYLINDER HEAD (EACH INCLUDES)						
		1	<b>5H-1504</b>	1	WASHER-HARD (20X33.5X5-MM THK)						
		1	<b>124-1854</b>	1	BOLT-12 POINT HEAD (3/4-16X8.5-IN)						
	5	1	<b>225-3099</b>	2	GASKET-CYLINDER HEAD						
	6	1	<b>248-0036</b>	26	BOLT-WASHER HEAD (3/8-16X6-IN)						
CY	7	1	<b>396-8375</b>	2	CYLINDER HEAD GP						31
	8	1	<i>183-3407</i>	10	PLUG AS (EACH INCLUDES)						
		1	<b>9S-8004</b>	1	PLUG-O-RING						
	8A	1	<b>214-7568</b>	1	SEAL-O-RING						
	9	1	<i>353-5126</i>	4	PLUG AS (EACH INCLUDES)						
		1	<b>6V-6609</b>	1	SEAL-O-RING						
		1	<b>9S-8005</b>	1	PLUG-O-RING						

C - CHANGE FROM PREVIOUS TYPE  
Y - SEPARATE ILLUSTRATION

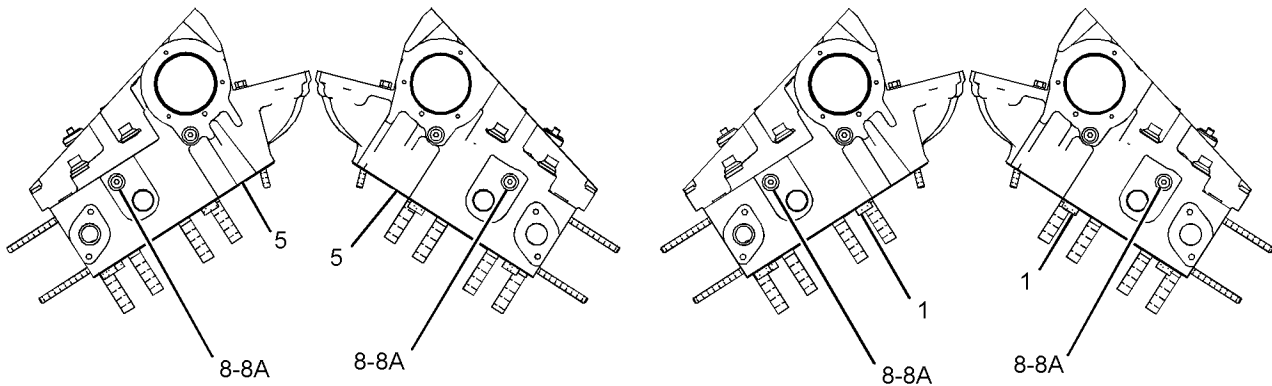
# BASIC ENGINE

284-8895 CYLINDER HEAD GP (contd.)

i05205978



TOP VIEW



REAR VIEW

FRONT VIEW

GRAPHIC #1

<END>

g02225133

# BASIC ENGINE

## 396-8375 CYLINDER HEAD GP

S/N: MJE1-UP; GDS1-UP  
 PART OF 284-8895 CYLINDER HEAD GP  
 ALSO AN ATTACHMENT

SMCS-1100

i04941611

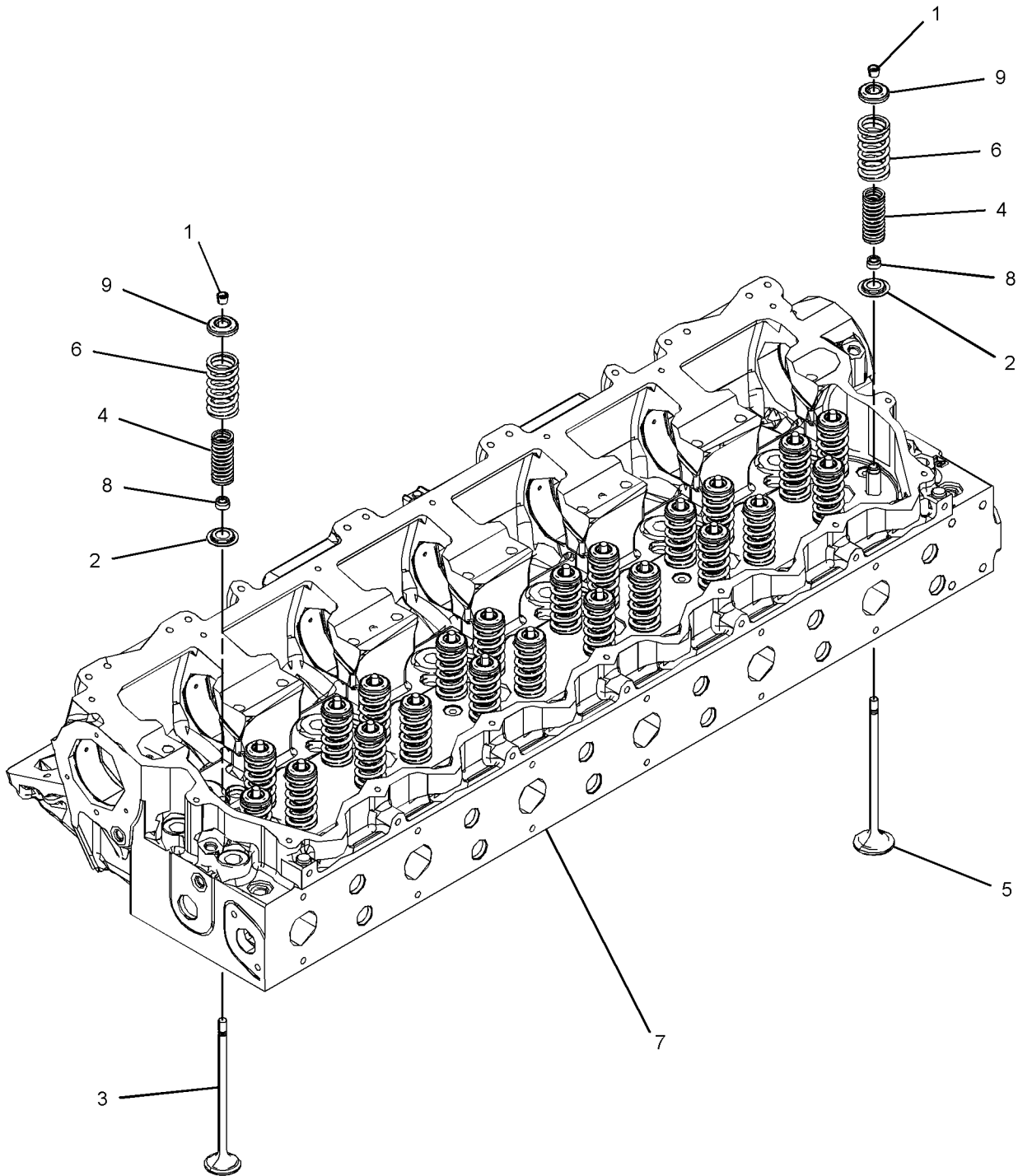
NOTE	REF NO	GRAPHIC REF	PART NUMBER	QTY	PART NAME						SEE PAGE
					1	2	3	4	5	6 (PRODUCT LEVEL)	
	1	1	<b>2A-4429</b>	48	LOCK-RETAINER						
	2	1	<b>6I-0928</b>	24	WASHER-SPECIAL						
	3	1	<b>153-7024</b>	12	VALVE-EXHAUST						
	4	1	<b>211-3122</b>	24	SPRING-VALVE						
	5	1	<b>236-5605</b>	12	VALVE-INLET						
	6	1	<b>247-9908</b>	24	SPRING-VALVE						
Y	7	1	<b>396-8374</b>	1	CYLINDER HEAD AS						27
	8	1	<b>163-2478</b>	24	SEAL-VALVE STEM						
	9	1	<b>186-2001</b>	24	ROTOCOIL AS						

Y - SEPARATE ILLUSTRATION

# BASIC ENGINE

396-8375 CYLINDER HEAD GP (contd.)

i04941611



GRAPHIC #1

<END>

g03148496

# BASIC ENGINE

## 267-2104 DAMPER & PULLEY GP

S/N: MJE1-UP; GDS1-UP

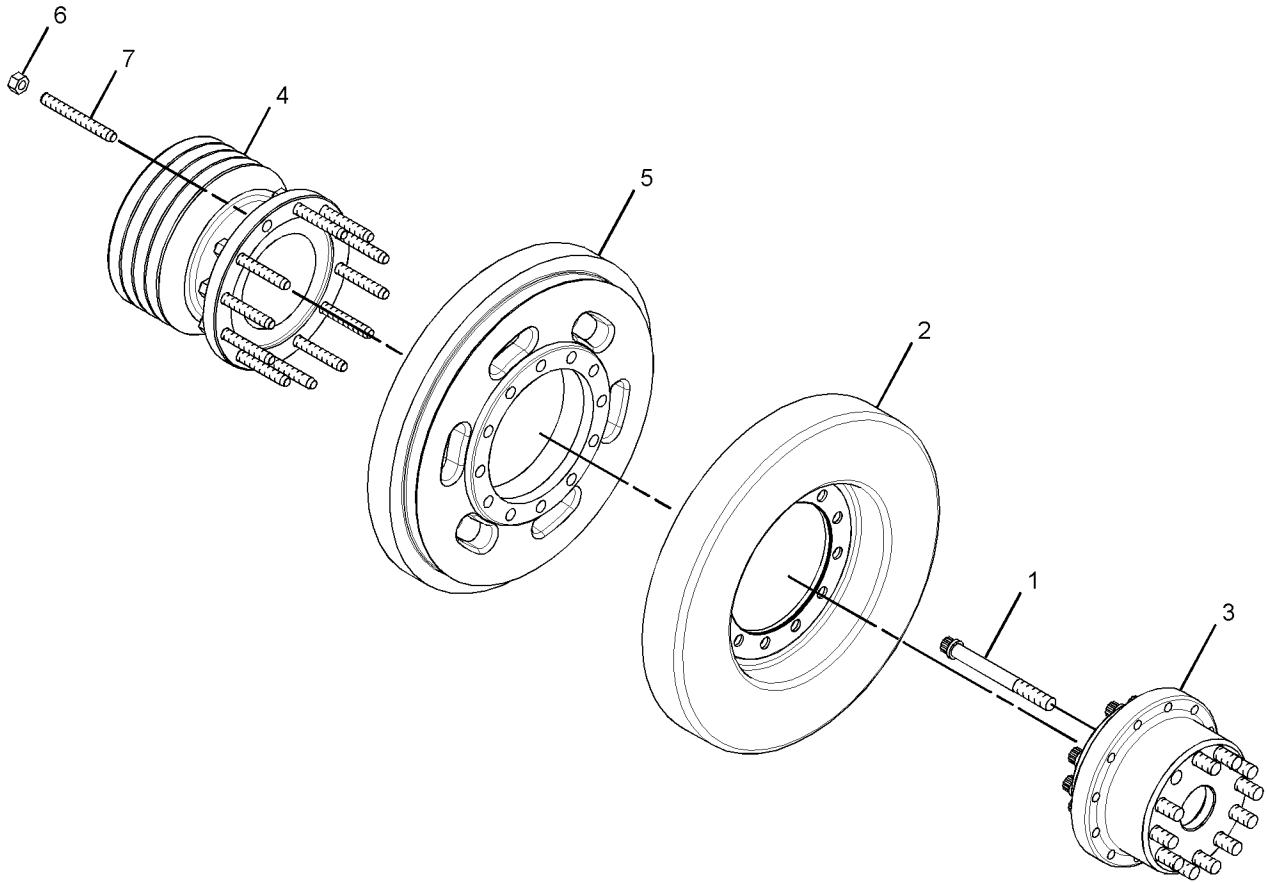
PART OF 388-4921 ENGINE AR, 349-5619, 349-5622 ENGINE AR-COMPLETE  
ALSO AN ATTACHMENT

SMCS-1205

i05195781

NOTE	REF NO	GRAPHIC REF	PART NUMBER	QTY	PART NAME						SEE PAGE
					1	2	3	4	5	6	
	1	1	<b>5P-7310</b>	12	BOLT-12 POINT HEAD (5/8-18X5.75-IN)						
R	2	1	<b>167-8130</b>	1	DAMPER AS						
	3	1	<b>264-6956</b>	1	ADAPTER-DAMPER						
	4	1	<b>301-4172</b>	1	PULLEY (4-GROOVE)						
	5	1	<b>304-6983</b>	1	PULLEY (1-GROOVE)						
	6	1	<b>1F-7958</b>	12	NUT-FULL (1/2-13-THD)						
	7	1	<b>9L-0553</b>	12	STUD-TAPERLOCK						

R - REMFG PART MAY BE AVAILABLE



GRAPHIC #1

<END>

g01405421

# BASIC ENGINE

## 419-0073 DAMPER & PULLEY GP

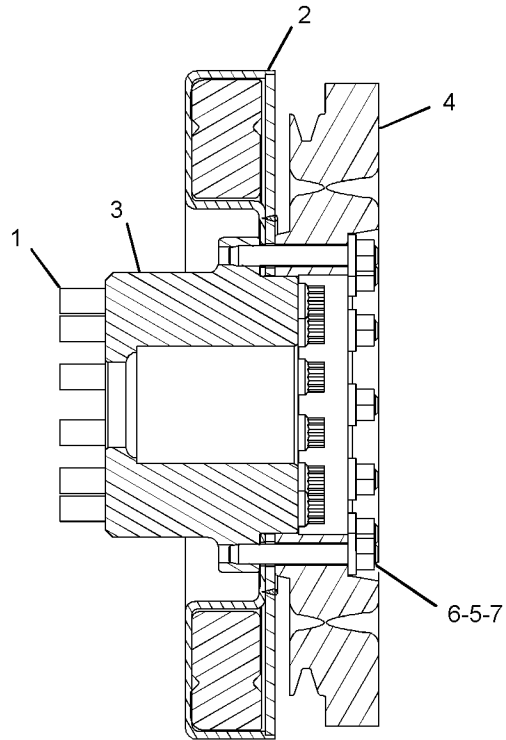
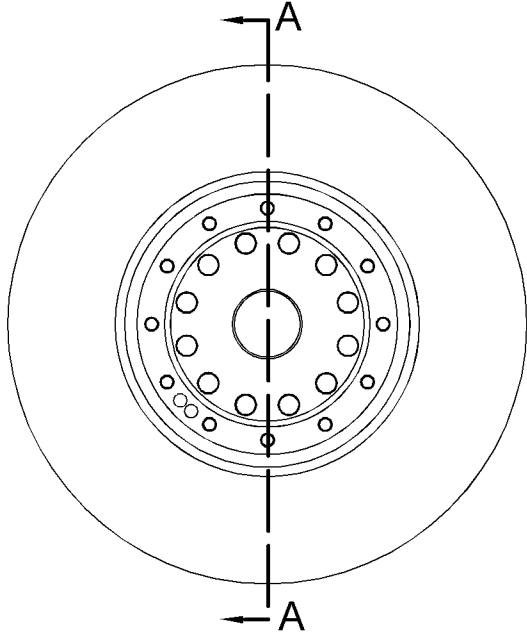
S/N: MJE1-UP

SMCS - 1205

i05242974

NOTE	REF NO	GRAPHIC REF	PART NUMBER	QTY	PART NAME						SEE PAGE
					1	2	3	4	5	6 (PRODUCT LEVEL)	
	1	1	<b>5P-7310</b>	12	BOLT-12 POINT HEAD (5/8-18X5.75-IN)						
R	2	1	<b>167-8130</b>	1	DAMPER AS						
	3	1	<b>264-6956</b>	1	ADAPTER-DAMPER						
	4	1	<b>304-6983</b>	1	PULLEY (1-GROOVE)						
	5	1	<b>1F-7958</b>	12	NUT-FULL (1/2-13-THD)						
	6	1	<b>2D-8155</b>	12	STUD-TAPERLOCK (1/2-13X3.58-IN)						
	7	1	<b>2M-0849</b>	12	WASHER-HARD (13.5X25.5X5-MM THK)						

R - REMFG PART MAY BE AVAILABLE



SECTION A-A

GRAPHIC #1

<END>

g03366491



# BASIC ENGINE

## 352-7936 DAMPER GP

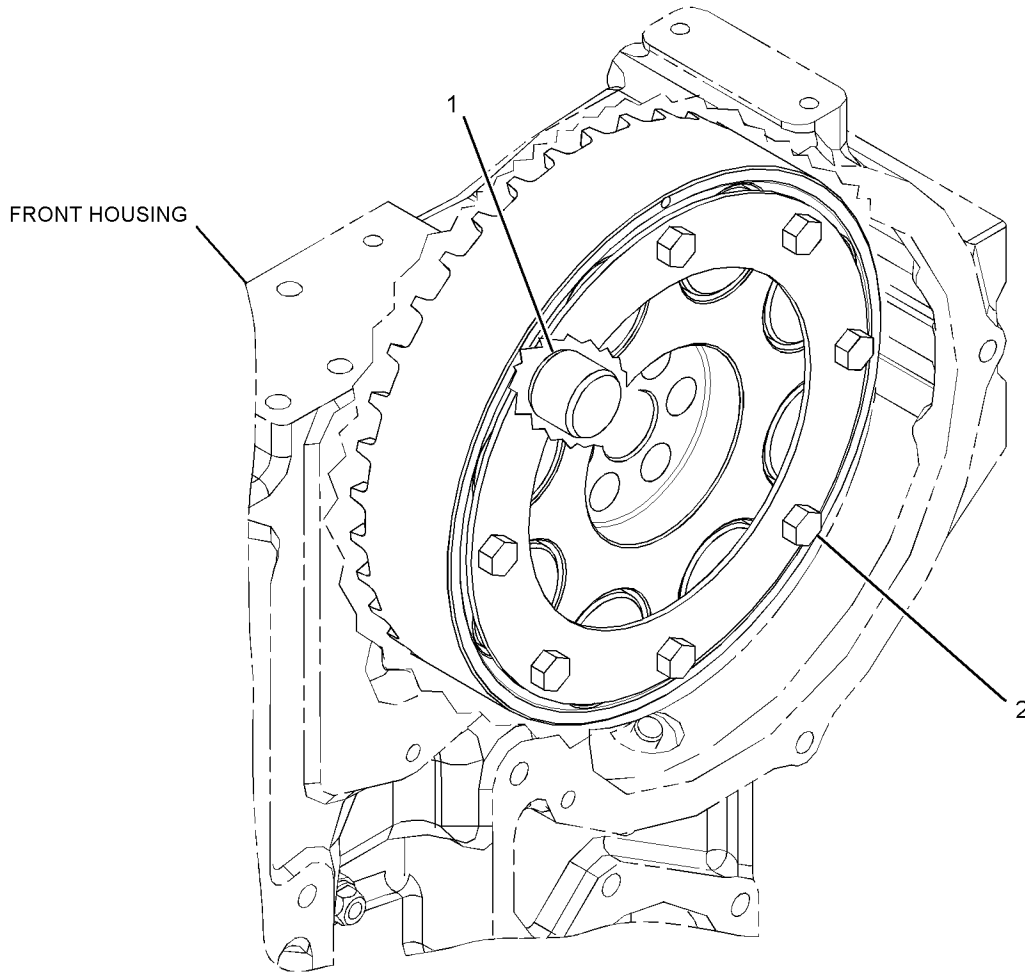
S/N: MJE1-UP; GDS1-UP

PART OF 355-2286 GEAR GP-FRONT  
ALSO AN ATTACHMENT

SMCS-1205

i03875059

NOTE	REF NO	GRAPHIC REF	PART NUMBER	QTY	PART NAME						SEE PAGE
					1	2	3	4	5	6 (PRODUCT LEVEL)	
1	1	1	103-0126	1	DOWEL						
2	1	1	0S-1571	8	BOLT (3/8-16X1.75-IN)						



GRAPHIC #1

<END>

g02124473

# BASIC ENGINE

## 388-0983 DRIVE GP-FAN

S/N: MJE1-UP

PART OF 388-4921 ENGINE AR, 349-5619, 349-5622 ENGINE AR-COMPLETE

SMCS-1359

i05242977

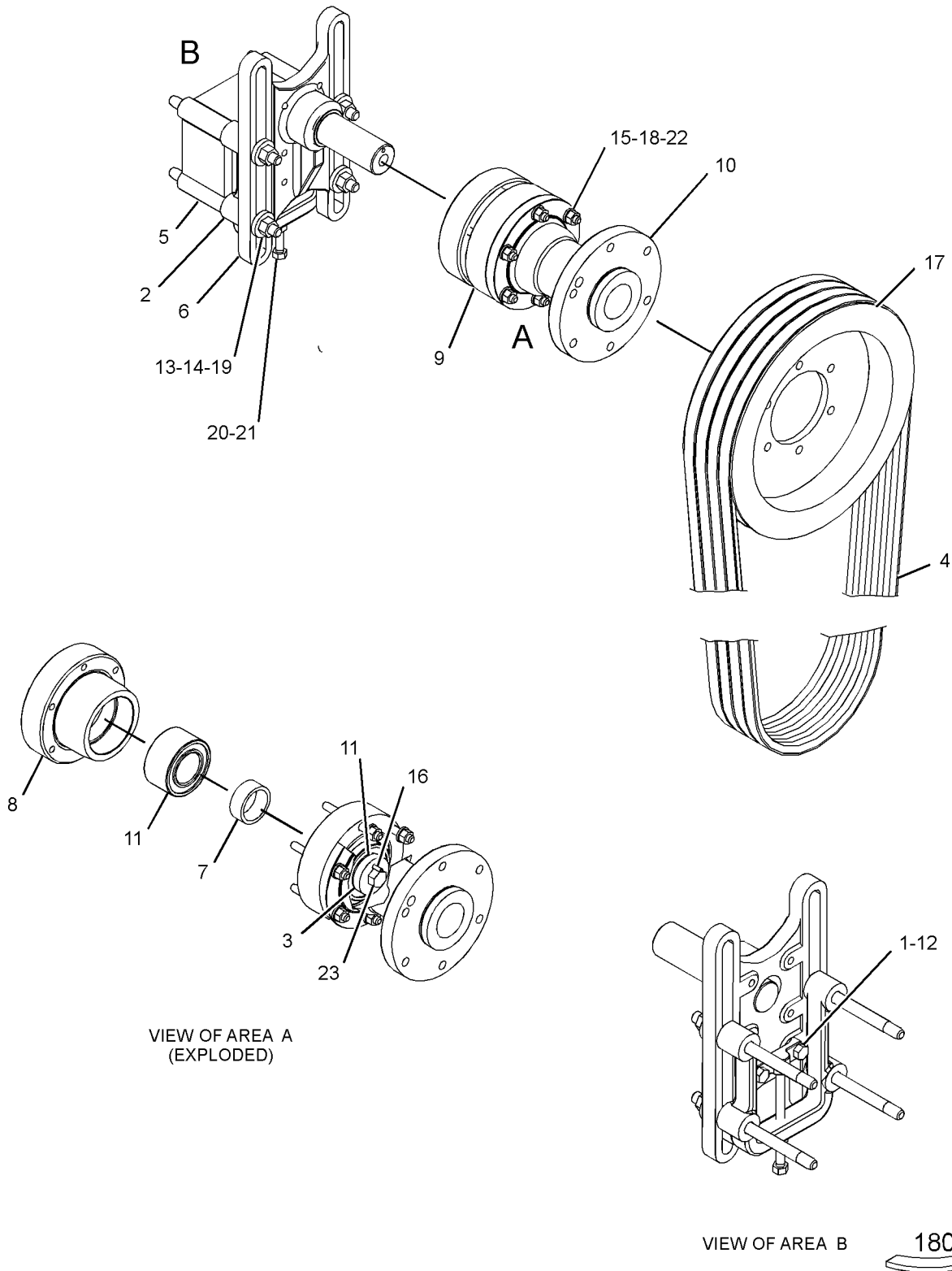
NOTE	REF NO	GRAPHIC REF	PART NUMBER	QTY	PART NAME	SEE PAGE
					1 2 3 4 5 6 (PRODUCT LEVEL)	
	1	1	6N-2538	1	BRACKET-FAN ADJUSTMENT	
	2	1	6N-2547	1	ADAPTER-FAN BRACKET	
	3	1	7E-4808	1	PLATE	
Y	4	1	7W-3222	1	V-BELT SET (INCLUDES 4-BELTS)	72
	5	1	272-1596	1	ADAPTER AS	
	6	1	333-0772	1	BRACKET AS	
		1	4N-0684	1	DOWEL	
	7	1	333-0773	1	SPACER-SPECIAL	
	8	1	333-0774	1	HUB	
	9	1	333-0776	1	SPACER-SPECIAL	
	10	1	333-0777	1	ADAPTER	
	11	1	333-2408	2	BALL BEARING	
	12	1	0S-1594	2	BOLT (3/8-16X1-IN)	
	13	1	1F-7960	4	WASHER (13.5X32X6-MM THK)	
	14	1	1Y-3844	4	STUD-TAPERLOCK	
	15	1	5M-2894	6	WASHER-HARD (10.2X18.5X2.5-MM THK)	
	16	1	6H-3956	1	PIN	
	17	1	6N-0597	1	PULLEY-FAN DRIVE (4-GROOVE)	
	18	1	6V-1427	6	STUD-TAPERLOCK (3/8-16X3.54-IN)	
	19	1	6V-8188	4	NUT (1/2-13-THD)	
	20	1	6V-8801	1	NUT (3/8-16-THD)	
	21	1	9L-5595	1	BOLT (3/8-16X5-IN)	
	22	1	9S-8752	6	NUT-FULL (3/8-16-THD)	
	23	1	9X-8874	1	BOLT (1/2-13X3-IN)	

Y - SEPARATE ILLUSTRATION

# BASIC ENGINE

388-0983 DRIVE GP-FAN (contd.)

i05242977



VIEW OF AREA A  
(EXPLODED)

VIEW OF AREA B



GRAPHIC #1

<END>

g03373929

# BASIC ENGINE

## 426-0983 FASTENER GP-GENERATOR COUPLING

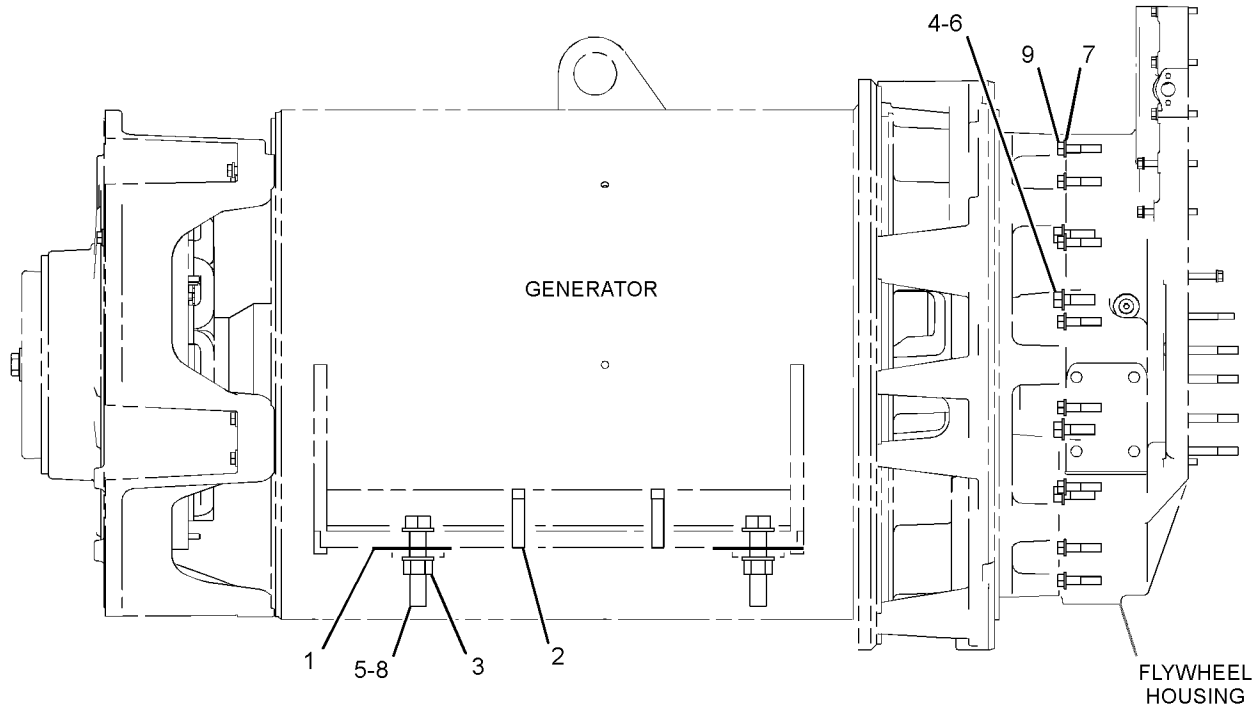
S/N: GDS1-UP  
AN ATTACHMENT

SMCS-4456

i05224235

NOTE	REF NO	GRAPHIC REF	PART NUMBER	QTY	PART NAME						SEE PAGE
					1	2	3	4	5	6 (PRODUCT LEVEL)	
BY	1	1	<b>137-8533</b>	4	SHIM PACK (INCLUDES 13-SHIMS)						549
	2	1	<b>260-0217</b>	4	SETSCREW (M24X2-THD)						
	3	1	<b>6V-8190</b>	4	NUT (1-8-THD)						
	4	1	<b>7X-0346</b>	6	BOLT (5/8-11X2-IN)						
	5	1	<b>7X-0412</b>	4	BOLT (1-8X4.75-IN)						
	6	1	<b>8T-4122</b>	6	WASHER-HARD (17X32X3.5-MM THK)						
	7	1	<b>8T-4223</b>	16	WASHER-HARD (13.5X25.5X3-MM THK)						
	8	1	<b>8T-5361</b>	8	WASHER-HARD (28X49X5-MM THK)						
	9	1	<b>8T-8919</b>	16	BOLT (1/2-13X1.75-IN)						

B - USE AS REQUIRED  
Y - SEPARATE ILLUSTRATION



RIGHT SIDE VIEW

GRAPHIC #1

<END>

g03374515

# BASIC ENGINE

## 258-4884 FLYWHEEL GP

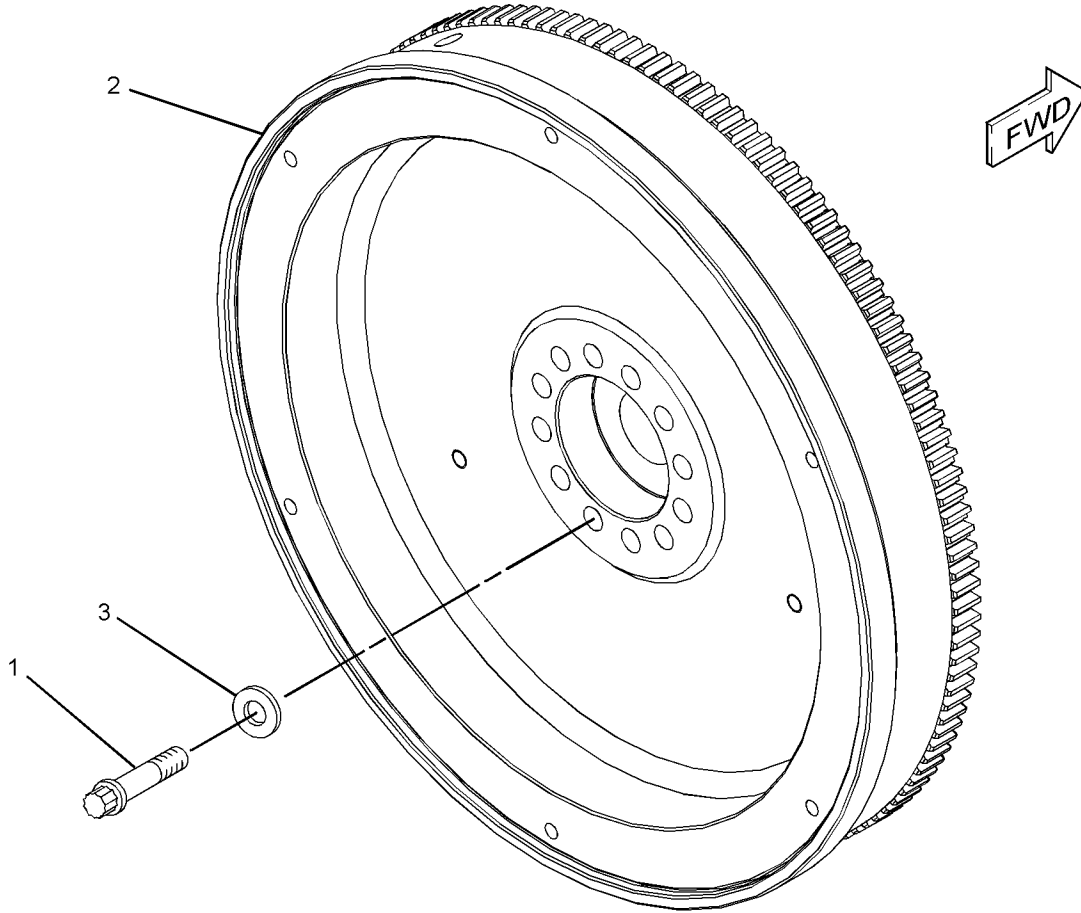
S/N: MJE1-UP; GDS1-UP

PART OF 388-4921 ENGINE AR, 349-5619, 349-5622 ENGINE AR-COMplete  
ALSO AN ATTACHMENT

SMCS-1156

i04431815

NOTE	REF NO	GRAPHIC REF	PART NUMBER	QTY	PART NAME						SEE PAGE
					1	2	3	4	5	6	
1	1	1	<b>1N-3825</b>	12	BOLT-12 POINT HEAD (5/8-18X6.75-IN)						
2	1	1	<b>2W-0765</b>	1	FLYWHEEL AS						
		1	<b>8M-6755</b>	1	GEAR-FLYWHEEL (136-TEETH)						
3	1	1	<b>3G-8856</b>	12	WASHER (17X30X5-MM THK)						



GRAPHIC #1

<END>

g01189794

# BASIC ENGINE

## 355-2286 GEAR GP-FRONT

S/N: MJE1-UP; GDS1-UP

ALSO AN ATTACHMENT

SMCS-1151, 1162, 1206

i03875062

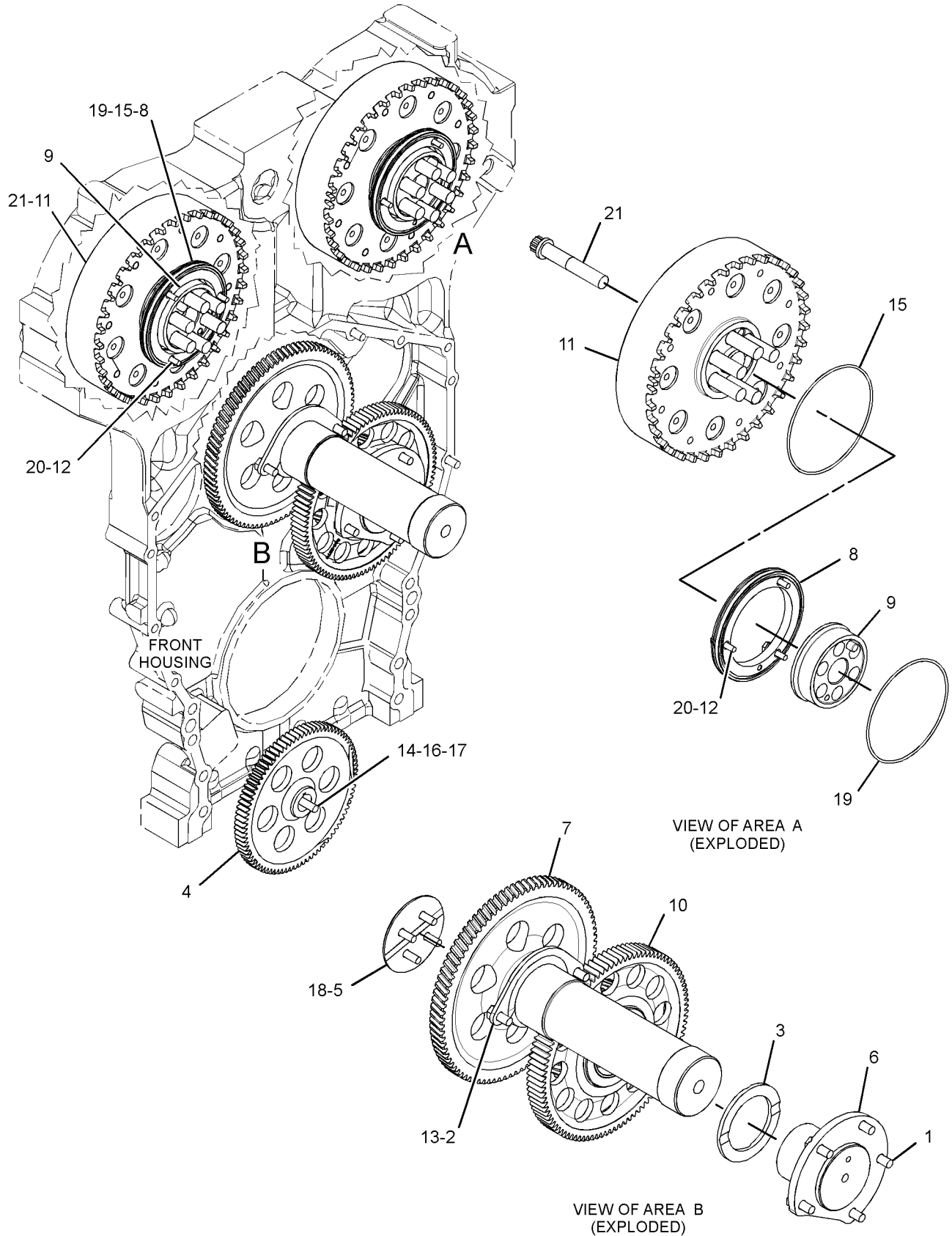
NOTE	REF NO	GRAPHIC REF	PART NUMBER	QTY	PART NAME						SEE PAGE
					1	2	3	4	5	6 (PRODUCT LEVEL)	
	1	1	<b>3G-2292</b>	5	BOLT-LOCKING (3/8-16X0.87-IN)						
	2	1	<b>4N-0342</b>	1	PLATE						
	3	1	<b>7N-2443</b>	1	WASHER-THRUST (2.508X3.5X0.188-IN THK)						
	4	1	<b>109-3416</b>	1	GEAR (85-TEETH)						
	5	1	<b>112-9217</b>	1	PLATE-THRUST						
	6	1	<b>117-9712</b>	1	SHAFT-DRIVE IDLER						
	7	1	<b>223-9137</b>	1	GEAR AS						
		1	<b>101-3374</b>	1	GEAR (86-TEETH)						
	8	1	<b>224-5332</b>	2	PLATE-SEALING						
	9	1	<b>236-4136</b>	2	ADAPTER AS						
					(EACH INCLUDES)						
		1	<b>4N-0684</b>	2	DOWEL						
	10	1	<b>300-5575</b>	1	GEAR AS-IDLER (99/43-TEETH)						
		1	<b>1B-8705</b>	1	KEY-WOODRUFF						
		1	<b>131-7123</b>	1	BUSHING						
Y	11	1	<b>352-7936</b>	2	DAMPER GP						35
	12	1	<b>031-5085</b>	6	BOLT-LOCKING (1/4-20X1-IN)						
	13	1	<b>0S-0509</b>	2	BOLT (3/8-16X0.75-IN)						
	14	1	<b>0S-1571</b>	1	BOLT (3/8-16X1.75-IN)						
	15	1	<b>117-8801</b>	2	SEAL-O-RING						
	16	1	<b>1B-8705</b>	1	KEY-WOODRUFF						
	17	1	<b>1P-7346</b>	1	WASHER-HARD (10.2X35X6-MM THK)						
	18	1	<b>2B-2695</b>	4	BOLT (5/16-18X0.875-IN)						
	19	1	<b>5E-8771</b>	2	SEAL-O-RING						
	20	1	<b>5P-0537</b>	6	WASHER-HARD (7.2X14.5X2-MM THK)						
	21	1	<b>7K-3116</b>	12	BOLT-12 POINT HEAD (5/8-11X3.5-IN)						

Y - SEPARATE ILLUSTRATION

# BASIC ENGINE

355-2286 GEAR GP-FRONT (contd.)

i03875062



GRAPHIC #1

<END>

g02124554

# BASIC ENGINE

## 224-1213 GEAR GP-REAR

S/N: MJE1-UP; GDS1-UP

PART OF 388-4921 ENGINE AR, 349-5619, 349-5622 ENGINE AR-COMplete  
ALSO AN ATTACHMENT

SMCS-1204

i04912263

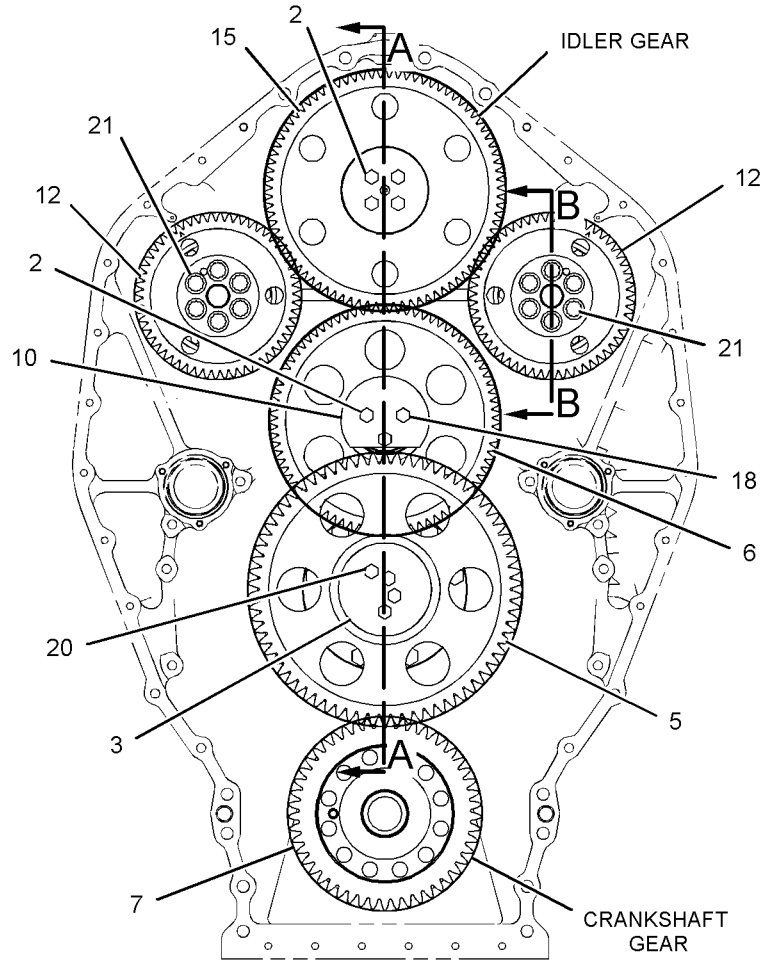
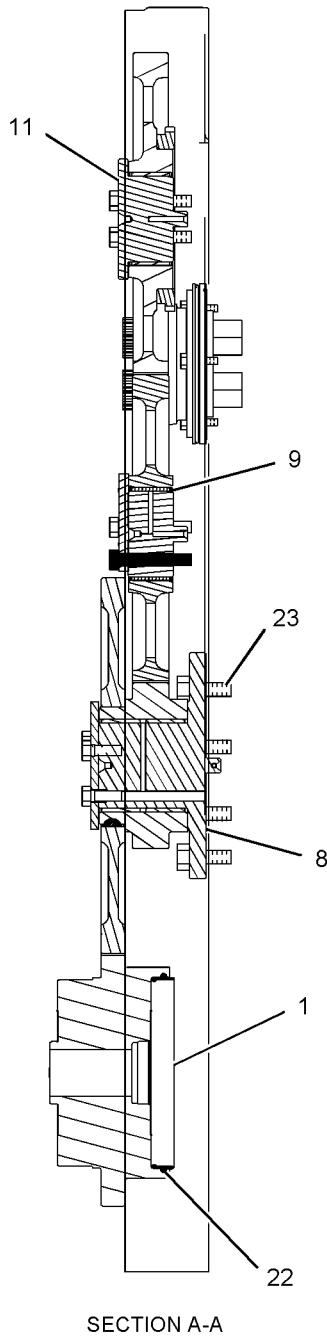
NOTE	REF NO	GRAPHIC REF	PART NUMBER	QTY	PART NAME						SEE PAGE
					1	2	3	4	5	6 (PRODUCT LEVEL)	
1	1	1	4N-0848	1	SLEEVE-WEAR						
2	1	1	5B-0213	6	BOLT (3/8-16X2.375-IN)						
3	1	1	101-1365	1	PLATE-THRUST						
4	1	1	102-5861	2	PLATE-THRUST (CAMSHAFT)						
5	1	1	331-6185	1	GEAR AS-IDLER (40/70-TEETH)						
		1	224-9664	2	BUSHING						
6	1	1	185-1497	1	GEAR AS-IDLER (79-TEETH)						
		1	224-9664	1	BUSHING						
7	1	1	224-1214	1	GEAR AS-CRANKSHAFT (49-TEETH)						
		1	4N-0684	1	DOWEL						
8	1	1	224-1215	1	SHAFT-STUB						
9	1	1	224-1219	1	SHAFT-STUB						
10	1	1	224-1220	1	PLATE						
11	1	1	224-1221	1	SHAFT-STUB						
12	1	1	331-6188	2	GEAR AS-CAMSHAFT (56-TEETH)						
13	1	1	224-5332	2	PLATE-SEALING						
14	1	1	224-9657	2	ADAPTER AS						
					(EACH INCLUDES)						
		1	4N-0684	1	DOWEL						
15	1	1	230-6202	1	GEAR AS-IDLER (70/83-TEETH) (CLUSTER)						
		1	224-9664	1	BUSHING						
16	1	1	031-5085	6	BOLT-LOCKING (1/4-20X1-IN)						
17	1	1	117-8801	2	SEAL-O-RING						
18	1	1	245-3804	1	BOLT (3/8-16X3.5-IN)						
19	1	1	5E-8771	2	SEAL-O-RING						
20	1	1	5P-4255	4	BOLT-LOCKING (3/8-16X1-IN)						
21	1	1	6J-3913	12	BOLT-12 POINT HEAD (5/8-11X3.25-IN)						
22	1	1	6V-3319	1	SEAL-O-RING						
23	1	1	7B-3235	8	BOLT (1/2-13X1.375-IN)						



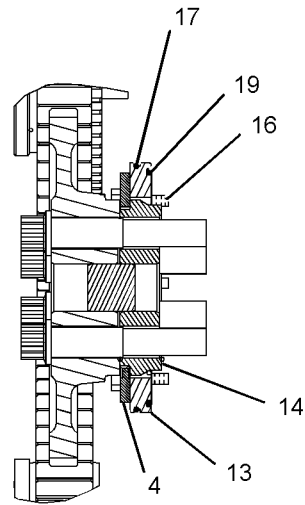
# BASIC ENGINE

224-1213 GEAR GP-REAR (contd.)

i04912263



REAR VIEW



SECTION B-B

GRAPHIC #1

<END>

g01101274

# BASIC ENGINE

## 388-2250 GUARD AS-BELT-ALTERNATOR

S/N: MJE1-UP

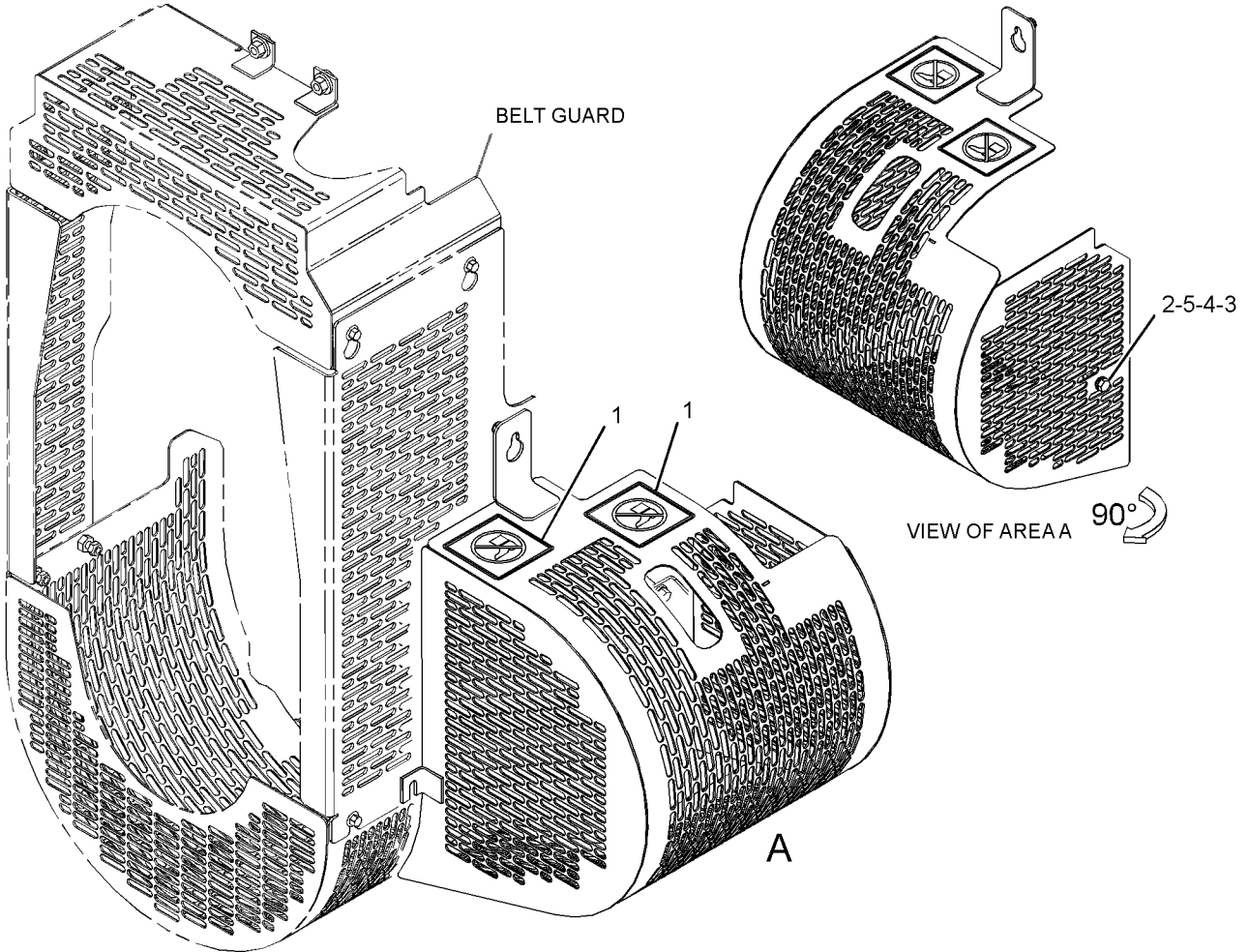
PART OF 353-3778 GUARD GP-BELT

SMCS-7174

i05255932

NOTE	REF NO	GRAPHIC REF	PART NUMBER	QTY	PART NAME						SEE PAGE
					1	2	3	4	5	6 (PRODUCT LEVEL)	
	1	1	326-9055	2	FILM-INSTRUCTION (NO STEP)						
M	2	1	8T-4908	1	BOLT (M8X1.25X25-MM)						
M	3	1	6V-9189	1	LOCKNUT (M8X1.25-THD)						
M	4	1	8T-3612	1	NUT-WELD (M8X1.25-THD)						
	5	1	8T-4224	1	WASHER-HARD (8.8X16X2-MM THK)						

M - METRIC PART



GRAPHIC #1

<END>

g03373374

# BASIC ENGINE

## 420-6140 GUARD AS-BELT

S/N: MJE1-UP

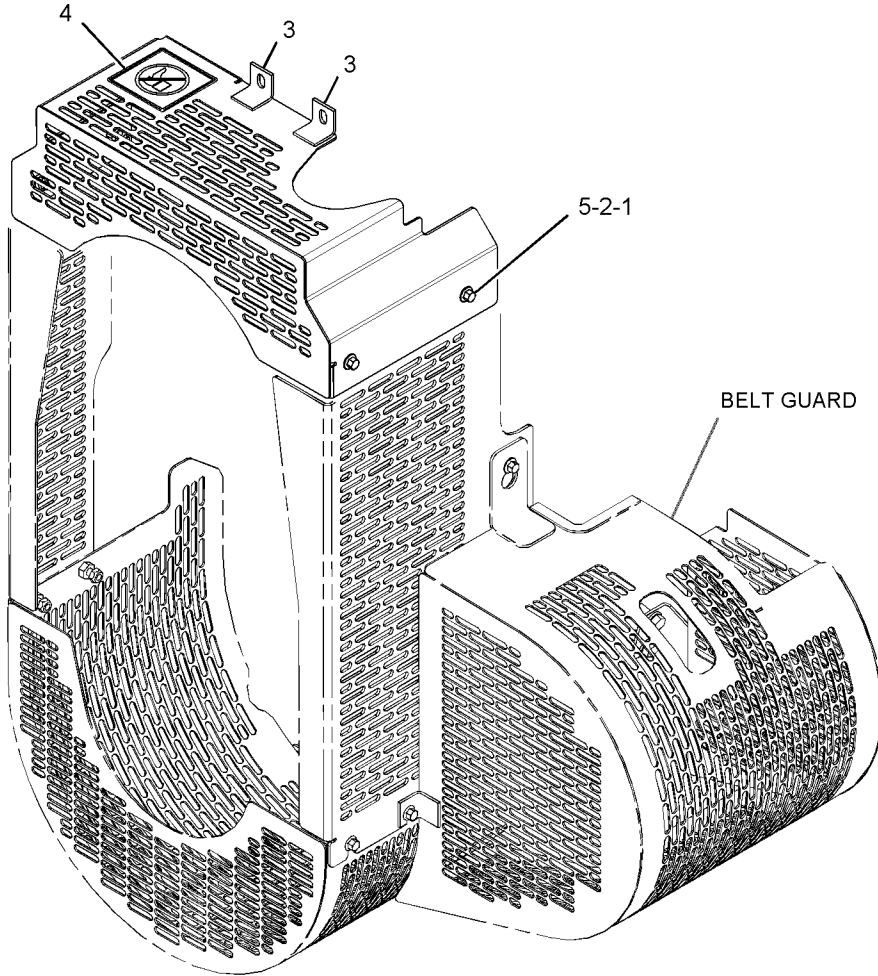
PART OF 353-3778 GUARD GP-BELT

SMCS-7174

i05208773

NOTE	REF NO	GRAPHIC REF	PART NUMBER	QTY	PART NAME						SEE PAGE
					1	2	3	4	5	6 (PRODUCT LEVEL)	
M	1	1	6V-9189	4	LOCKNUT (M8X1.25-THD)						
M	2	1	8T-3612	4	NUT-WELD (M8X1.25-THD)						
	3	1	281-3399	2	BRACKET						
	4	1	326-9055	1	FILM-INSTRUCTION (NO STEP)						
	5	1	342-9922	4	BOLT-FLANGE HEAD (M8X1.25X25-MM)						

M - METRIC PART



GRAPHIC #1

<END>

g03336642

# BASIC ENGINE

## 353-3778 GUARD GP-BELT

S/N: MJE1-UP

PART OF 388-4921 ENGINE AR, 349-5619, 349-5622 ENGINE AR-COMPLETE

SMCS-7174

i05254141

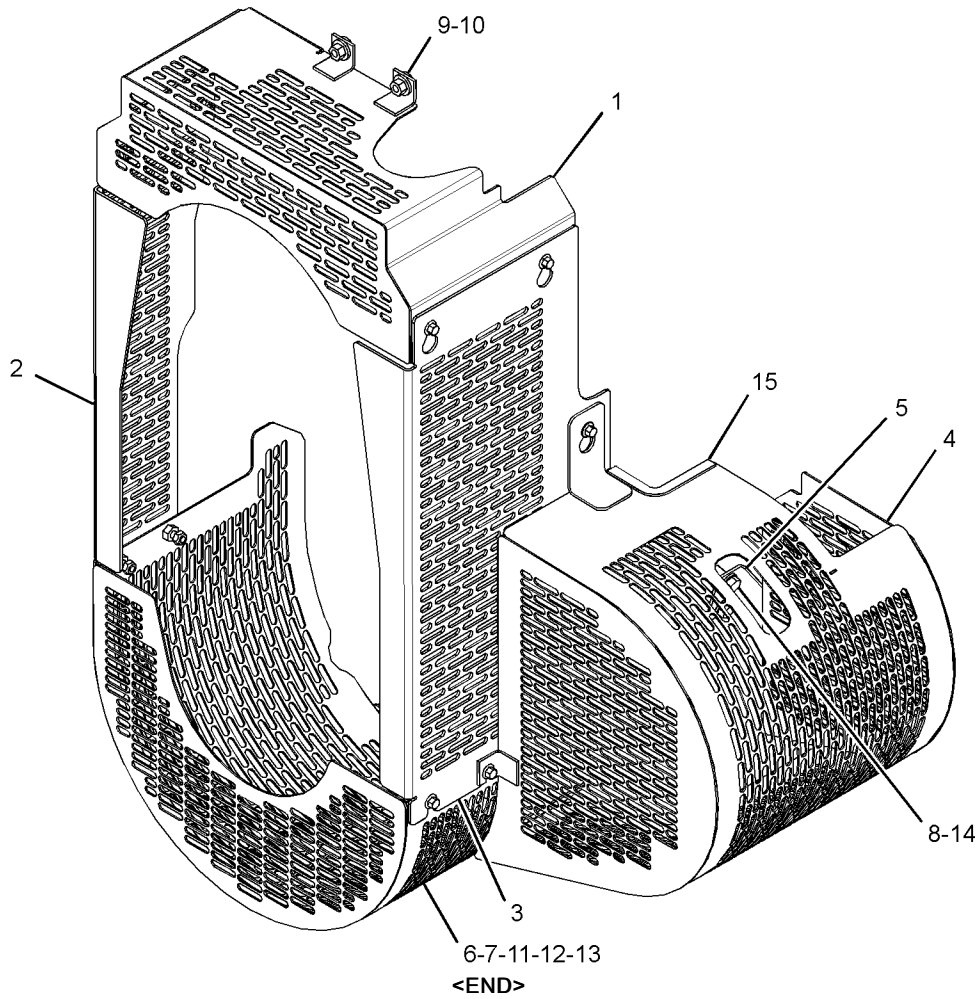
NOTE	REF NO	GRAPHIC REF	PART NUMBER	QTY	PART NAME						SEE PAGE
					1	2	3	4	5	6 (PRODUCT LEVEL)	
CY	1	1	<b>420-6140</b>	1	GUARD AS-BELT (TOP)						45
C	2	1	<b>420-6143</b>	1	GUARD-PULLEY (RH)						
C	3	1	<b>434-4547</b>	1	GUARD AS						
M		1	<b>6V-9189</b>	1	LOCKNUT (M8X1.25-THD)						
M		1	<b>8T-3612</b>	1	NUT-WELD (M8X1.25-THD)						
		1	<b>342-9922</b>	1	BOLT-FLANGE HEAD (M8X1.25X25-MM)						
Y	4	1	<b>388-2250</b>	1	GUARD AS-BELT (ALTERNATOR)						44
	5	1	<b>353-3768</b>	1	BRACKET						
	6	1	<b>353-3779</b>	1	GUARD AS-PULLEY						
C	7	1	<b>283-8650</b>	2	WASHER-HARD (10.2X18.5X5-MM THK)						
	8	1	<b>5S-7379</b>	2	BOLT (3/8-16X0.875-IN)						
C	9	1	<b>5P-1075</b>	4	WASHER-HARD (10.2X22.5X3-MM THK)						
C	10	1	<b>6V-8801</b>	2	NUT (3/8-16-THD)						
	11	1	<b>8T-4121</b>	4	WASHER-HARD (11X21X2.5-MM THK)						
M	12	1	<b>8T-4133</b>	2	NUT (M10X1.5-THD)						
M	13	1	<b>8T-4186</b>	2	BOLT (M10X1.5X40-MM)						
	14	1	<b>8T-4896</b>	2	WASHER-HARD (10.2X18.5X2.5-MM THK)						
E	15	1	<b>3E-6600</b>		SEAL (14-CM)						

C - CHANGE FROM PREVIOUS TYPE  
 E - ORDER BY THE CENTIMETER  
 M - METRIC PART  
 Y - SEPARATE ILLUSTRATION

# BASIC ENGINE

353-3778 GUARD GP-BELT (contd.)

i05254141



GRAPHIC #1

<END>

g03336516

# BASIC ENGINE

## 353-3785 GUARD GP-DAMPER

S/N: MJE1-UP; GDS1-UP

ALSO AN ATTACHMENT

SMCS-1205

i05201991

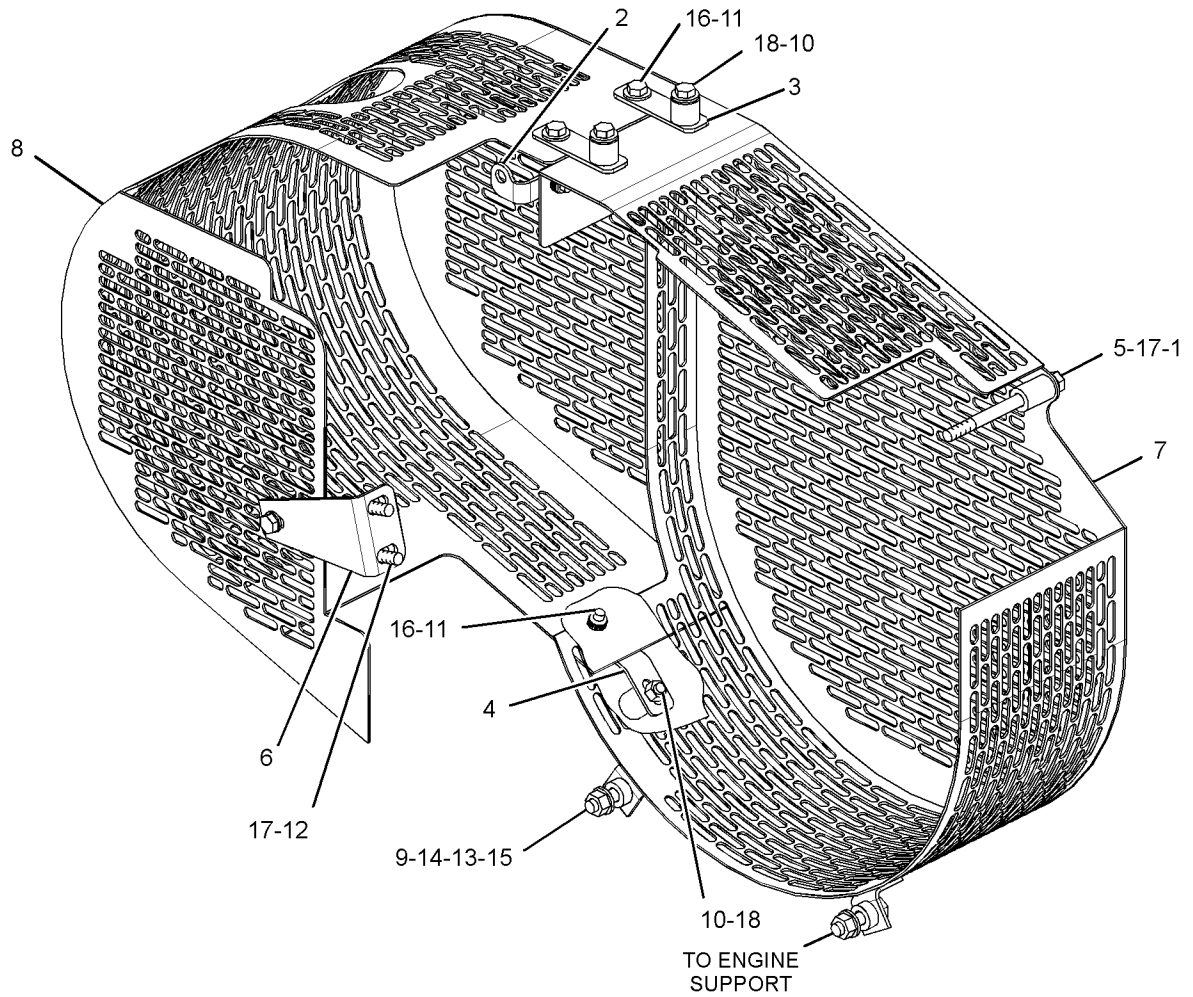
NOTE	REF NO	GRAPHIC REF	PART NUMBER	QTY	PART NAME						SEE PAGE
					1	2	3	4	5	6 (PRODUCT LEVEL)	
	1	1	<b>6G-2263</b>	1	SPACER (10.5X19X28.5-MM THK)						
	2	1	<b>293-3459</b>	1	BRACKET						
	3	1	<b>293-3460</b>	2	BRACKET						
	4	1	<b>293-3461</b>	1	BRACKET						
	5	1	<b>8T-9379</b>	1	BOLT (3/8-16X4.25-IN)						
	6	1	<b>353-3768</b>	1	BRACKET						
	7	1	<b>353-3786</b>	1	GUARD AS						
		1	<b>1F-0748</b>	3	NUT-WELD (1/2-13-THD)						
M		1	<b>3T-0852</b>	1	LOCKNUT (M8X1.25-THD)						
M		1	<b>8T-3612</b>	1	NUT-WELD (M8X1.25-THD)						
M		1	<b>112-8293</b>	1	BOLT-FLANGE HEAD (M8X1.25X30-MM)						
	8	1	<b>353-3790</b>	1	GUARD AS						
M		1	<b>8T-3612</b>	4	NUT-WELD (M8X1.25-THD)						
M		1	<b>8T-4186</b>	1	BOLT (M10X1.5X40-MM)						
		1	<b>8T-4224</b>	1	WASHER-HARD (8.8X16X2-MM THK)						
	9	1	<b>089-7338</b>	2	SLEEVE						
	10	1	<b>351-2245</b>	3	BOLT-SPECIAL (1/2-13X2-IN)						
	11	1	<b>5P-4116</b>	3	WASHER-HARD (8.8X20.5X2-MM THK)						
	12	1	<b>5S-7379</b>	2	BOLT (3/8-16X0.875-IN)						
	13	1	<b>8T-4121</b>	4	WASHER-HARD (11X21X2.5-MM THK)						
M	14	1	<b>8T-4133</b>	2	NUT (M10X1.5-THD)						
M	15	1	<b>8T-4186</b>	2	BOLT (M10X1.5X40-MM)						
M	16	1	<b>8T-4189</b>	3	BOLT (M8X1.25X20-MM)						
	17	1	<b>8T-4896</b>	3	WASHER-HARD (10.2X18.5X2.5-MM THK)						
	18	1	<b>8T-5360</b>	3	WASHER (12X22.5X2.5-MM THK)						

M - METRIC PART

# BASIC ENGINE

353-3785 GUARD GP-DAMPER (contd.)

i05201991



GRAPHIC #1

<END>

g02317353

# BASIC ENGINE

## 305-7067 HOUSING GP-FLYWHEEL

S/N: MJE1-UP; GDS1-UP

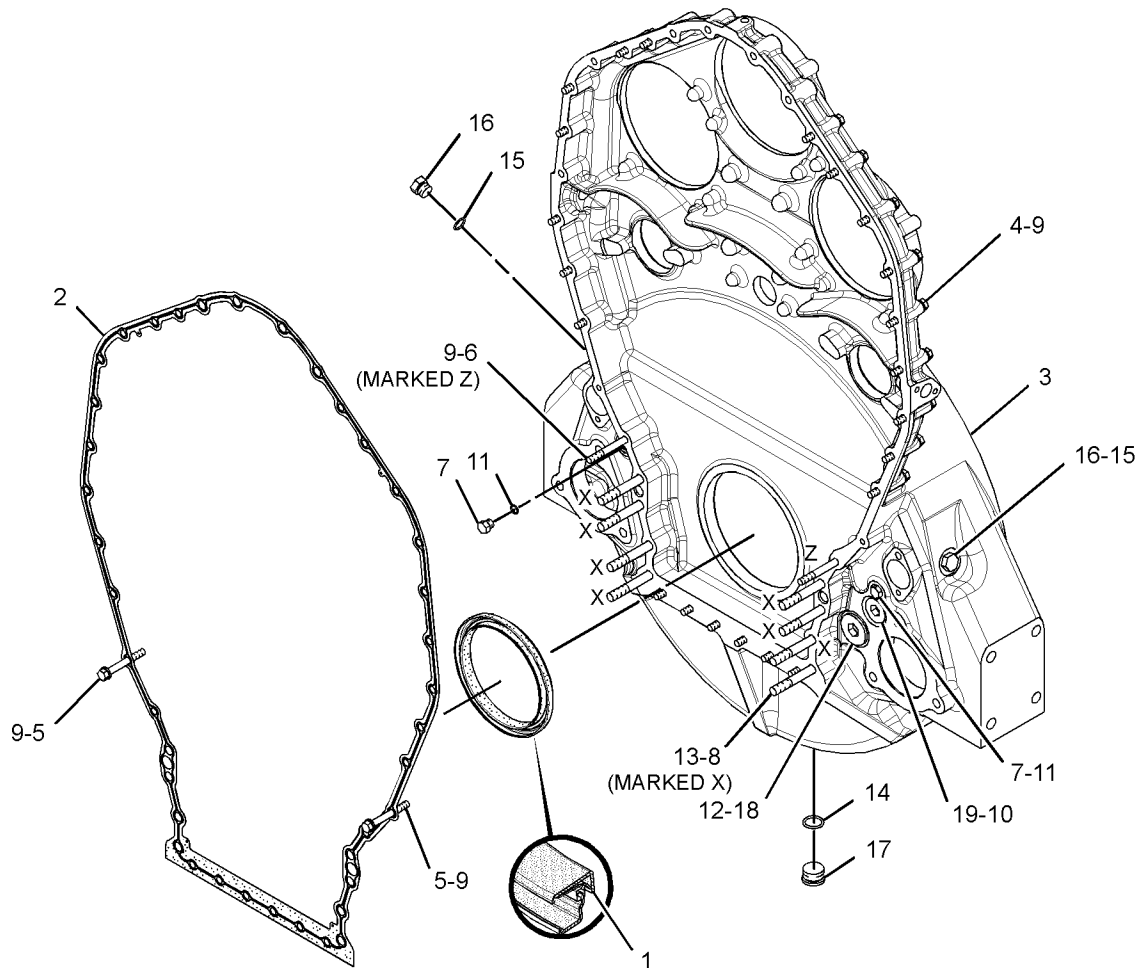
PART OF 388-4921 ENGINE AR, 349-5619, 349-5622 ENGINE AR-COMplete  
ALSO AN ATTACHMENT

SMCS-1157

i03451212

NOTE	REF NO	GRAPHIC REF	PART NUMBER	QTY	PART NAME						SEE PAGE
					1	2	3	4	5	6 (PRODUCT LEVEL)	
Y	1	1	<b>319-0785</b>	1	SEAL GP-CRANKSHAFT (REAR)						68
	2	1	<b>225-1242</b>	1	GASKET						
	3	1	<b>283-7271</b>	1	HOUSING-FLYWHEEL						
	4	1	<b>0L-1143</b>	22	BOLT (3/8-16X2.5-IN)						
	5	1	<b>0S-1619</b>	2	BOLT (3/8-16X3-IN)						
	6	1	<b>245-3803</b>	2	BOLT (3/8-16X5.93-IN) (MARKED Z)						
	7	1	<b>3K-8460</b>	2	PLUG						
	8	1	<b>2H-6488</b>	8	BOLT (1/2-13X5-IN) (MARKED X)						
	9	1	<b>5M-2894</b>	26	WASHER-HARD (10.2X18.5X2.5-MM THK)						
	10	1	<b>5P-7701</b>	1	SEAL-O-RING						
	11	1	<b>5P-7814</b>	2	SEAL-O-RING						
	12	1	<b>5P-7815</b>	1	SEAL-O-RING						
	13	1	<b>5P-8245</b>	8	WASHER-HARD (13.5X25.5X3-MM THK)						
	14	1	<b>6V-5050</b>	1	SEAL-O-RING						
	15	1	<b>8L-2786</b>	2	SEAL-O-RING						
	16	1	<b>9S-4185</b>	2	PLUG-O-RING						
	17	1	<b>9S-8008</b>	1	PLUG-O-RING						
	18	1	<b>9S-8010</b>	1	PLUG						
	19	1	<b>9S-9334</b>	1	PLUG-O-RING						

Y - SEPARATE ILLUSTRATION



GRAPHIC #1

<END>

g01419608



# BASIC ENGINE

## 238-9862 HOUSING GP-FRONT

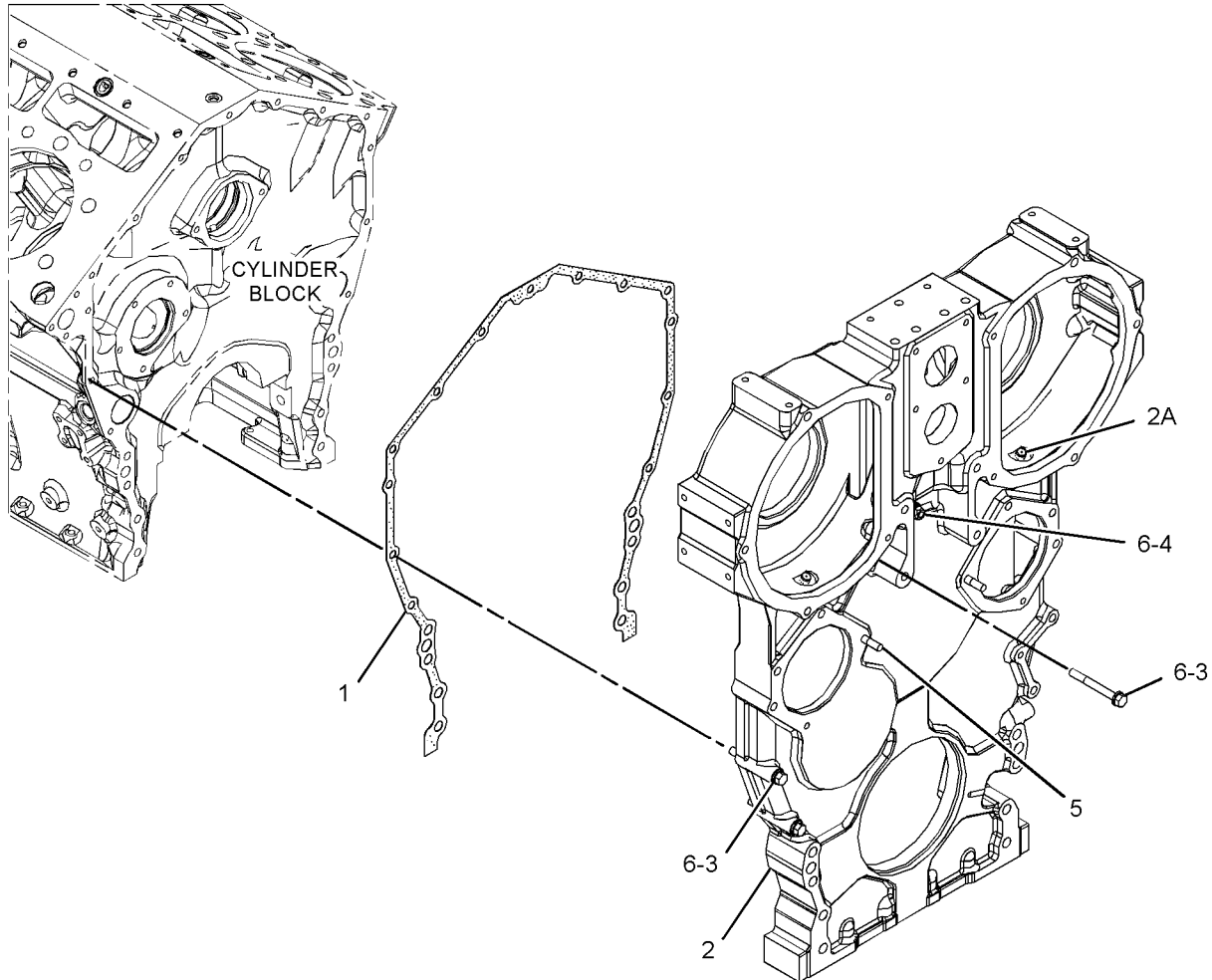
S/N: MJE1-UP; GDS1-UP

ALSO AN ATTACHMENT

SMCS-1151, 1162, 1206

i03883896

NOTE	REF NO	GRAPHIC REF	PART NUMBER	QTY	PART NAME						SEE PAGE
					1	2	3	4	5	6 (PRODUCT LEVEL)	
	1	1	<b>214-1727</b>	1	GASKET (CYLINDER BLOCK)						
	2	1	<b>350-1638</b>	1	HOUSING AS-FRONT						
	2A	1	<b>238-9860</b>	2	DOWEL						
	3	1	<b>0L-1352</b>	4	BOLT (3/8-16X3.25-IN)						
	4	1	<b>2K-4973</b>	1	LOCKNUT (3/8-16-THD)						
	5	1	<b>3K-3256</b>	2	STUD-TAPERLOCK (3/8-16X1.7-IN)						
	6	1	<b>5M-2894</b>	5	WASHER-HARD (10.2X18.5X2.5-MM THK)						



GRAPHIC #1

<END>

g02138011

# BASIC ENGINE

## 350-8861 HOUSING GP-REAR

S/N: MJE1-UP; GDS1-UP

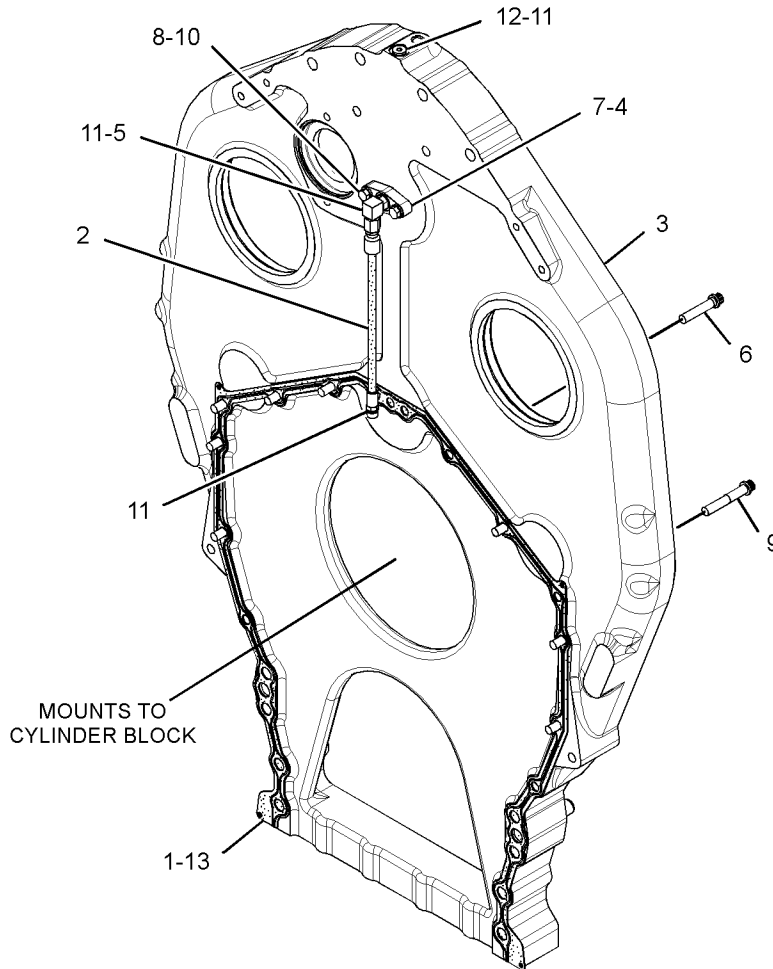
ALSO AN ATTACHMENT

SMCS-1166

i04926889

NOTE	REF NO	GRAPHIC REF	PART NUMBER	QTY	PART NAME						SEE PAGE
					1	2	3	4	5	6 (PRODUCT LEVEL)	
	1	1	<b>161-7293</b>	1	GASKET-CYLINDER						
	2	1	<b>316-9154</b>	1	HOSE AS						
	3	1	<b>232-3643</b>	1	HOUSING AS-REAR						
		1	<b>4N-0683</b>	2	DOWEL						
	4	1	<b>234-4279</b>	1	FLANGE						
	5	1	<b>030-7946</b>	1	ELBOW						
	6	1	<b>053-2294</b>	2	BOLT-12 POINT HEAD (3/8-16X1.75-IN)						
	7	1	<b>061-8639</b>	1	SEAL-O-RING						
	8	1	<b>0S-1616</b>	2	BOLT (1/4-20X1-IN)						
	9	1	<b>3S-0127</b>	8	BOLT-12 POINT HEAD (3/8-16X2.25-IN)						
	10	1	<b>5P-0537</b>	2	WASHER-HARD (7.2X14.5X2-MM THK)						
	11	1	<b>6V-5048</b>	3	SEAL-O-RING						
	12	1	<b>9S-8002</b>	1	PLUG-O-RING						
B	13	1	<b>4C-9612</b>		SEALANT-SILICONE						

B - USE AS REQUIRED



GRAPHIC #1

<END>

g02058694

# BASIC ENGINE

## 235-2014 LIFTING GP-ENGINE

S/N: MJE1-UP; GDS1-UP

PART OF 388-4921 ENGINE AR, 349-5619, 349-5622 ENGINE AR-COMPLETE  
ALSO AN ATTACHMENT

SMCS-1122

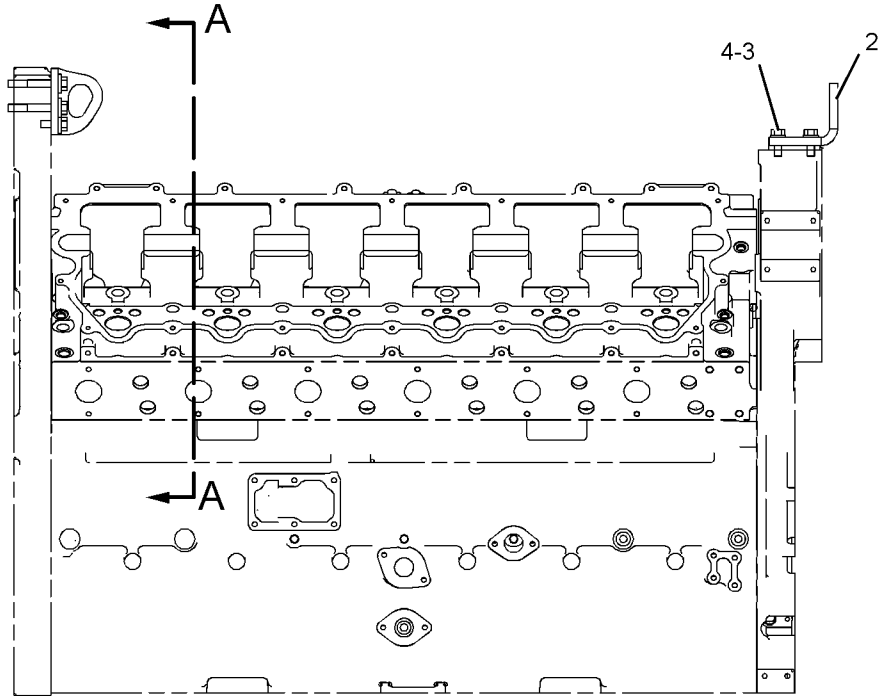
i03451213

NOTE	REF NO	GRAPHIC REF	PART NUMBER	QTY	PART NAME						SEE PAGE
					1	2	3	4	5	6 (PRODUCT LEVEL)	
	1	1	230-1550	1	EYE AS-LIFTING						
	2	1	235-1861	1	EYE-LIFTING						
	3	1	5P-8245	5	WASHER-HARD (13.5X25.5X3-MM THK)						
	4	1	7B-3235	7	BOLT (1/2-13X1.375-IN)						
	5	1	7D-1649	6	WASHER-HARD (13.5X32X5-MM THK)						
	6	1	9X-8875	4	BOLT (1/2-13X3.5-IN)						

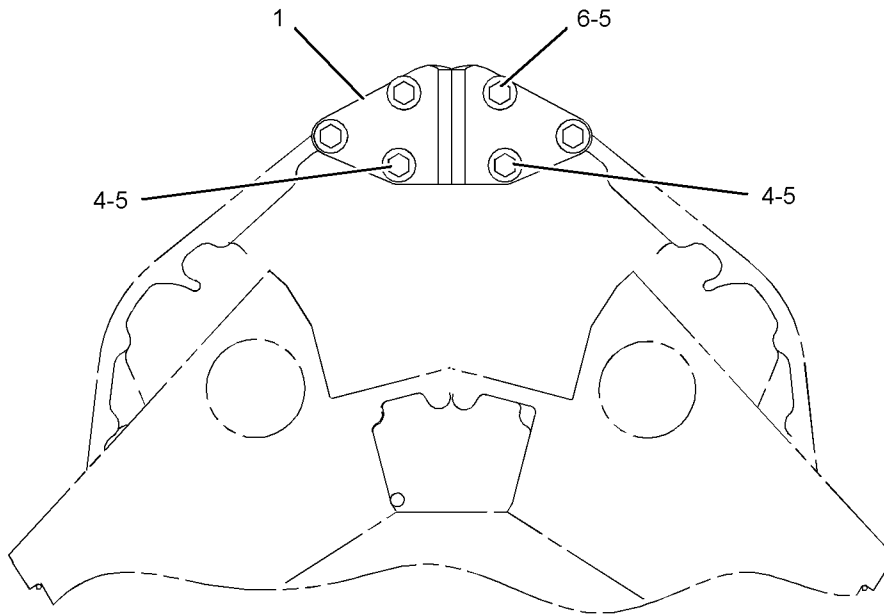
# BASIC ENGINE

235-2014 LIFTING GP-ENGINE (contd.)

i03451213



RIGHT SIDE VIEW



SECTION A-A  
<END>

GRAPHIC #1

g01051242

# BASIC ENGINE

## 260-9631 MECHANISM GP-FUEL PUMP & VALVE

S/N: MJE1-UP; GDS1-UP

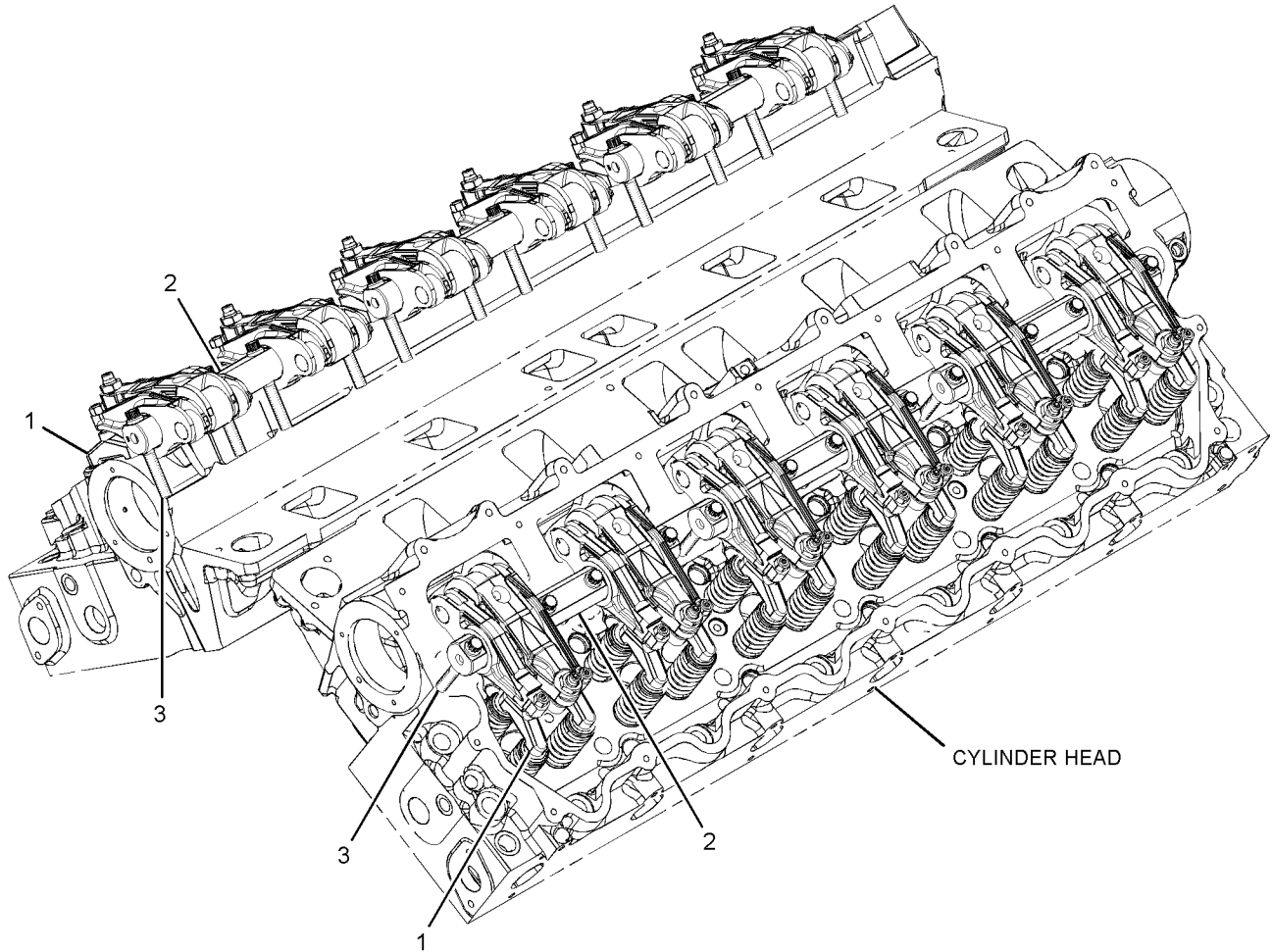
ALSO AN ATTACHMENT

SMCS-1102, 1123

i04941987

NOTE	REF NO	GRAPHIC REF	PART NUMBER	QTY	PART NAME						SEE PAGE
					1	2	3	4	5	6 (PRODUCT LEVEL)	
	1	1	<b>348-7743</b>	24	BRIDGE - VALVE						
CY	2	1	<i>392-0066</i>	6	ROCKER ARM GP						67
	3	1	<b>356-5212</b>	24	BOLT-12 POINT HEAD (1/2-13X3.5 IN)						

C - CHANGE FROM PREVIOUS TYPE  
Y - SEPARATE ILLUSTRATION



GRAPHIC #1

<END>

g01341846

# BASIC ENGINE

## 303-6241 MOUNTING GP-ALTERNATOR

S/N: MJE1-UP; GDS1-UP

PART OF 388-4921 ENGINE AR, 349-5619, 349-5622 ENGINE AR-COMplete  
ALSO AN ATTACHMENT

SMCS-1154, 1405

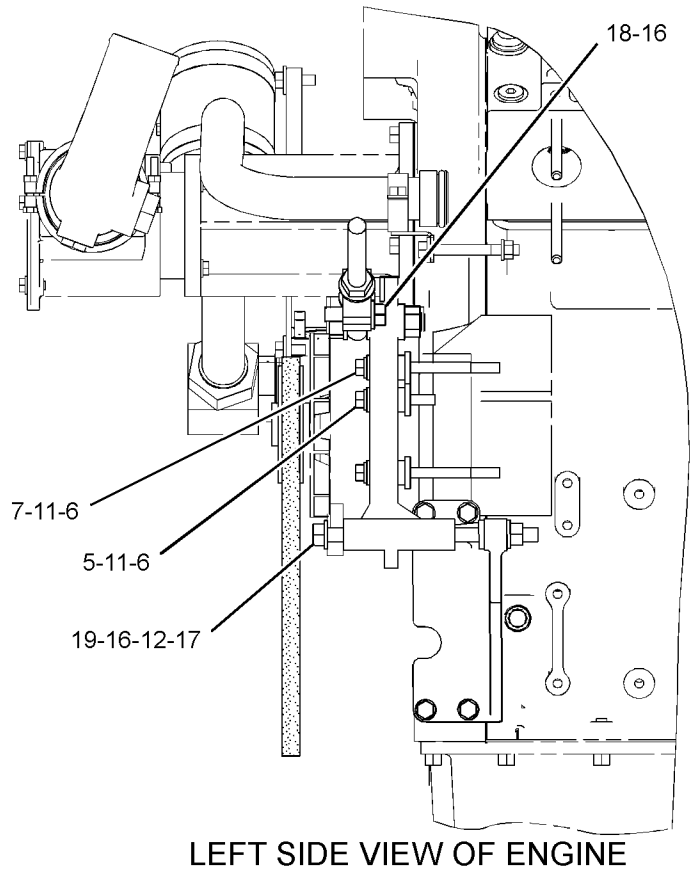
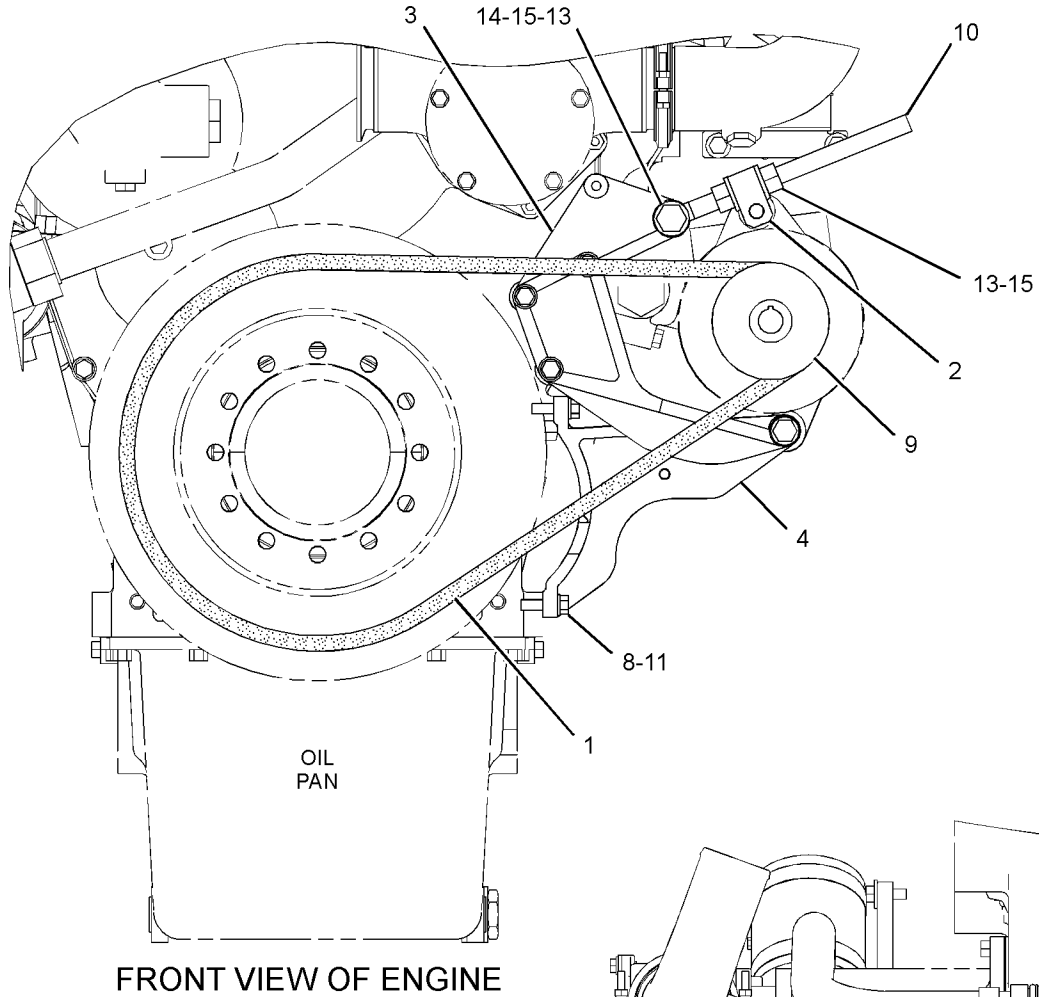
i05066730

NOTE	REF NO	GRAPHIC REF	PART NUMBER	QTY	PART NAME						SEE PAGE
					1	2	3	4	5	6 (PRODUCT LEVEL)	
	1	1	<b>4N-8218</b>	1	V-BELT (ALTERNATOR)						
	2	1	<b>8S-5383</b>	1	BLOCK						
	3	1	<b>126-7521</b>	1	SUPPORT-ALTERNATOR						
	4	1	<b>355-7067</b>	1	BRACKET AS						
		1	<b>249-6520</b>	1	BRACKET						
	5	1	<b>0L-1143</b>	1	BOLT (3/8-16X2.5-IN)						
	6	1	<b>189-5359</b>	3	WASHER-HARD (10.5X28.5X5-MM THK)						
	7	1	<b>1A-5183</b>	2	BOLT (3/8-16X4.75-IN)						
	8	1	<b>3B-1915</b>	4	BOLT (3/8-16X1.375-IN)						
	9	1	<b>4N-8225</b>	1	PULLEY-ALTERNATOR (1-GROOVE)						
	10	1	<b>4S-5780</b>	1	ROD (ADJUSTABLE)						
	11	1	<b>5M-2894</b>	7	WASHER-HARD (10.2X18.5X2.5-MM THK)						
	12	1	<b>6V-8188</b>	1	NUT (1/2-13-THD)						
	13	1	<b>7X-0448</b>	3	NUT (5/8-11-THD)						
	14	1	<b>8C-6362</b>	1	BOLT (5/8-11X2.75-IN)						
	15	1	<b>8T-4122</b>	3	WASHER-HARD (17X32X3.5-MM THK)						
	16	1	<b>8T-4223</b>	3	WASHER-HARD (13.5X25.5X3-MM THK)						
	17	1	<b>8T-7971</b>	1	WASHER-HARD (13.5X25.5X5-MM THK)						
	18	1	<b>8T-8919</b>	1	BOLT (1/2-13X1.75-IN)						
	19	1	<b>8T-9392</b>	1	BOLT (1/2-13X7.5-IN)						

# BASIC ENGINE

303-6241 MOUNTING GP-ALTERNATOR (contd.)

i05066730



GRAPHIC #1

<END>

g02156230

# BASIC ENGINE

## 347-6578 PAN GP-OIL

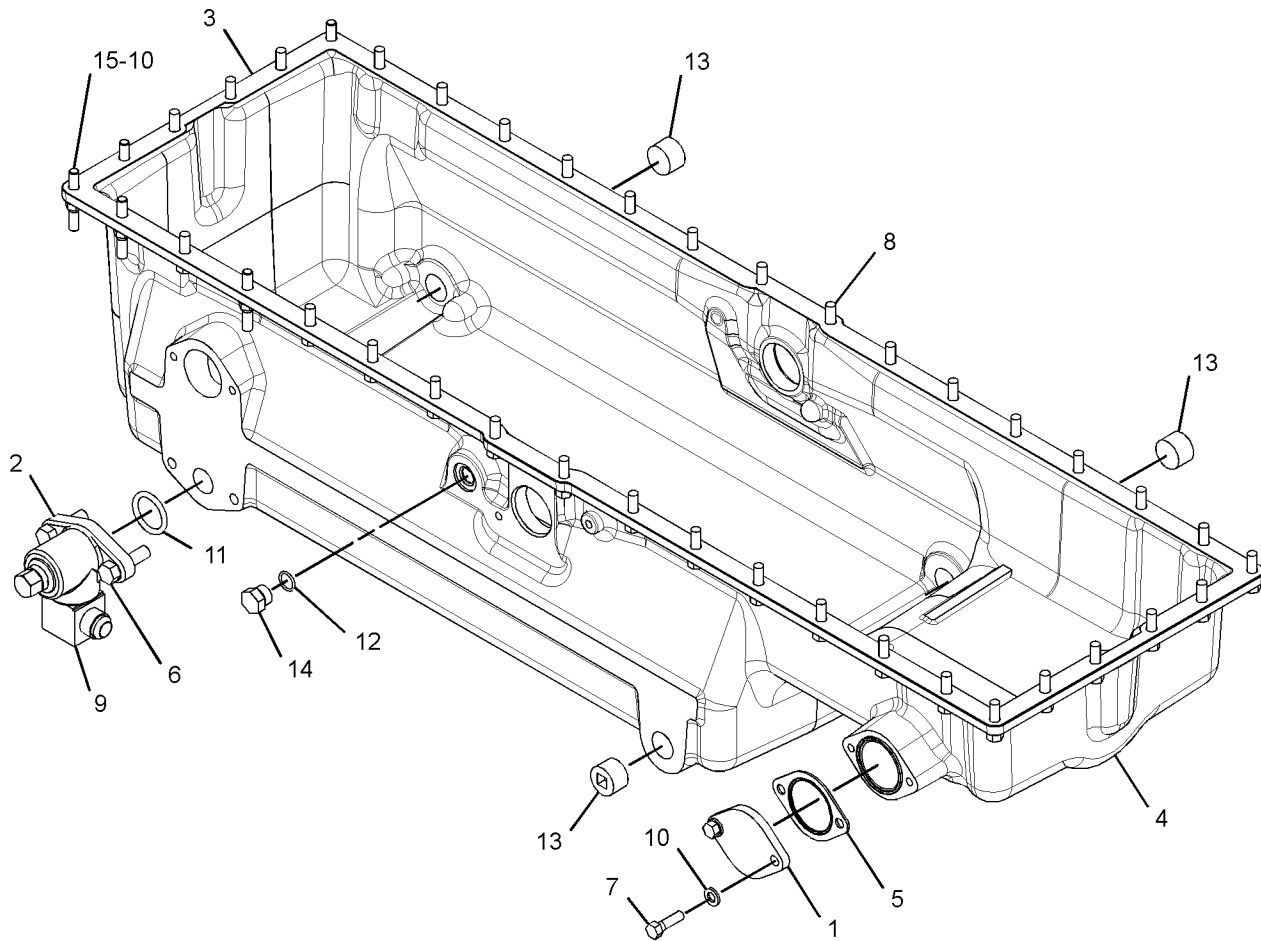
S/N: MJE1-UP

PART OF 349-5619, 349-5622 ENGINE AR-COMPLETE

SMCS - 1302

i05265175

NOTE	REF NO	GRAPHIC REF	PART NUMBER	QTY	PART NAME						SEE PAGE
					1	2	3	4	5	6 (PRODUCT LEVEL)	
	1	1	<b>4N-0794</b>	1	COVER						
	2	1	<b>4P-0519</b>	1	ADAPTER AS-DRAIN						
		1	<b>109-5839</b>	1	PLUG-DRAIN (ENGINE OIL)						
		1	<b>109-5840</b>	1	ADAPTER-PLUG						
3	1	1	<b>6N-1396</b>	1	GASKET-OIL PAN						
4	1	1	<b>9Y-9635</b>	1	PAN-OIL						
5	1	1	<b>239-5572</b>	1	SEAL-INTEGRAL						
6	1	1	<b>0S-1587</b>	2	BOLT (1/2-13X1.75-IN)						
7	1	1	<b>0S-1588</b>	2	BOLT (3/8-16X1.25-IN)						
8	1	1	<b>2P-3203</b>	35	BOLT-WASHER HEAD (3/8-16X1.25-IN)						
9	1	1	<b>2P-8511</b>	1	ELBOW-FLARED						
10	1	1	<b>5M-2894</b>	7	WASHER-HARD (10.2X18.5X2.5-MM THK)						
11	1	1	<b>379-5053</b>	1	SEAL-O-RING						
12	1	1	<b>8L-2786</b>	1	SEAL-O-RING						
13	1	1	<b>8T-6761</b>	3	PLUG-PIPE (1-11-1/2 NPT THD)						
14	1	1	<b>9S-4185</b>	1	PLUG-O-RING						
15	1	1	<b>249-2943</b>	5	STUD (3/8-16-THD)						



GRAPHIC #1

<END>

g03351971



# BASIC ENGINE

## 384-5029 PAN GP-OIL

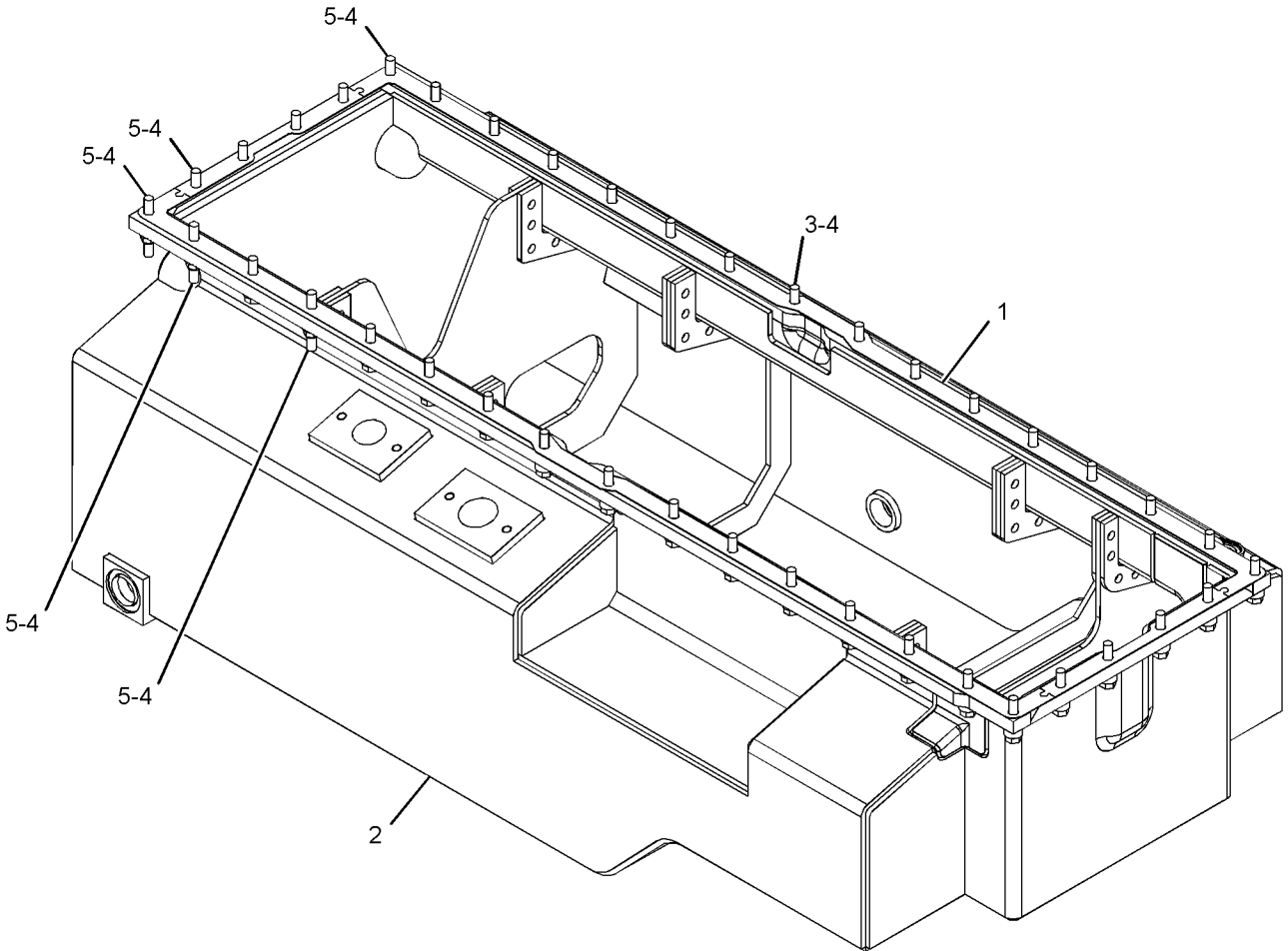
S/N: MJE1-UP; GDS1-UP

ALSO AN ATTACHMENT

SMCS-1302

i05299537

NOTE	REF NO	GRAPHIC REF	PART NUMBER	QTY	PART NAME						SEE PAGE
					1	2	3	4	5	6 (PRODUCT LEVEL)	
1	1	1	<b>353-1648</b>	1	GASKET-OIL PAN						
2	1	1	<b>383-8332</b>	1	PAN AS-OIL						
3	1	1	<b>OS-1571</b>	35	BOLT (3/8-16X1.75-IN)						
4	1	1	<b>7W-3447</b>	40	SPACER (10.2X19.05X10.2-MM THK)						
5	1	1	<b>170-0610</b>	5	STUD (3/8-16-THD)						



GRAPHIC #1

<END>

g03369558

# BASIC ENGINE

## 394-4760 PAN GP-OIL

S/N: MJE1-UP

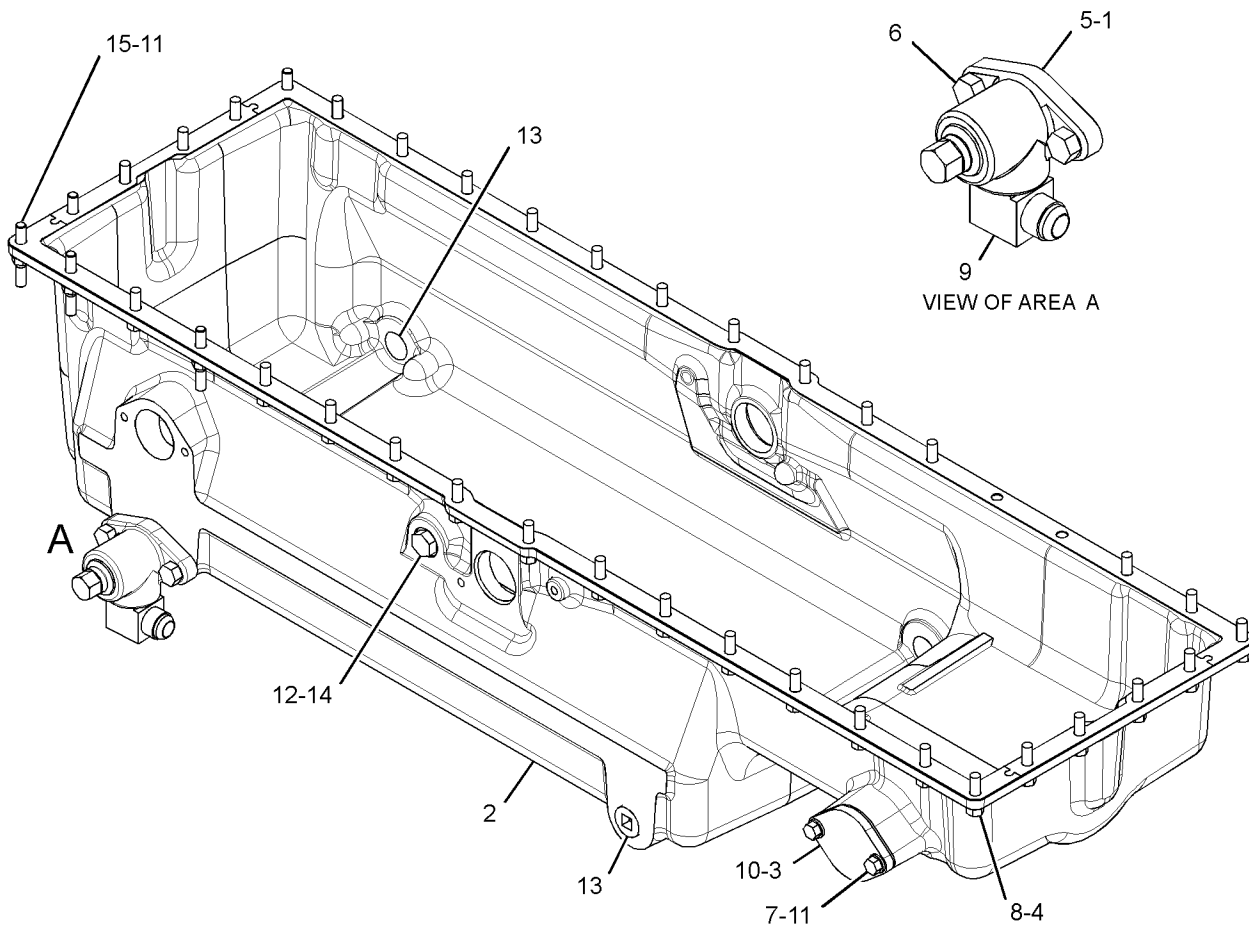
PROVIDES A FRONT SUMP 68L PAN GP-OIL FOR C27 TIER III ENGINE USED FOR NEWBERRY APPLICATIONS

PART OF 388-4921 ENGINE AR

SMCS-1302

i05265173

NOTE	REF NO	GRAPHIC REF	PART NUMBER	QTY	PART NAME						SEE PAGE
					1	2	3	4	5	6 (PRODUCT LEVEL)	
1	1	1	4P-0519	1	ADAPTER AS-DRAIN						
			109-5839	1	PLUG-DRAIN						
			109-5840	1	ADAPTER-PLUG						
2	1	1	9Y-9635	1	PAN-OIL						
3	1	1	239-5572	1	SEAL-INTEGRAL						
4	1	1	353-1648	1	GASKET-OIL PAN						
5	1	1	379-5053	1	SEAL-O-RING						
6	1	1	0S-1587	2	BOLT (1/2-13X1.75-IN)						
7	1	1	0S-1588	2	BOLT (3/8-16X1.25-IN)						
8	1	1	2P-3203	33	BOLT-WASHER HEAD (3/8-16X1.25-IN)						
9	1	1	2P-8511	1	ELBOW-FLARED						
10	1	1	4N-0794	1	COVER						
11	1	1	5M-2894	7	WASHER-HARD (10.2X18.5X2.5-MM THK)						
12	1	1	8L-2786	1	SEAL-O-RING						
13	1	1	8T-6761	2	PLUG-PIPE (1-11-1/2 NPT THD)						
14	1	1	9S-4185	1	PLUG-O-RING						
15	1	1	249-2943	5	STUD (3/8-16-THD)						



GRAPHIC #1

<END>

g03351951

# BASIC ENGINE

## 239-6114 PISTON & ROD GP

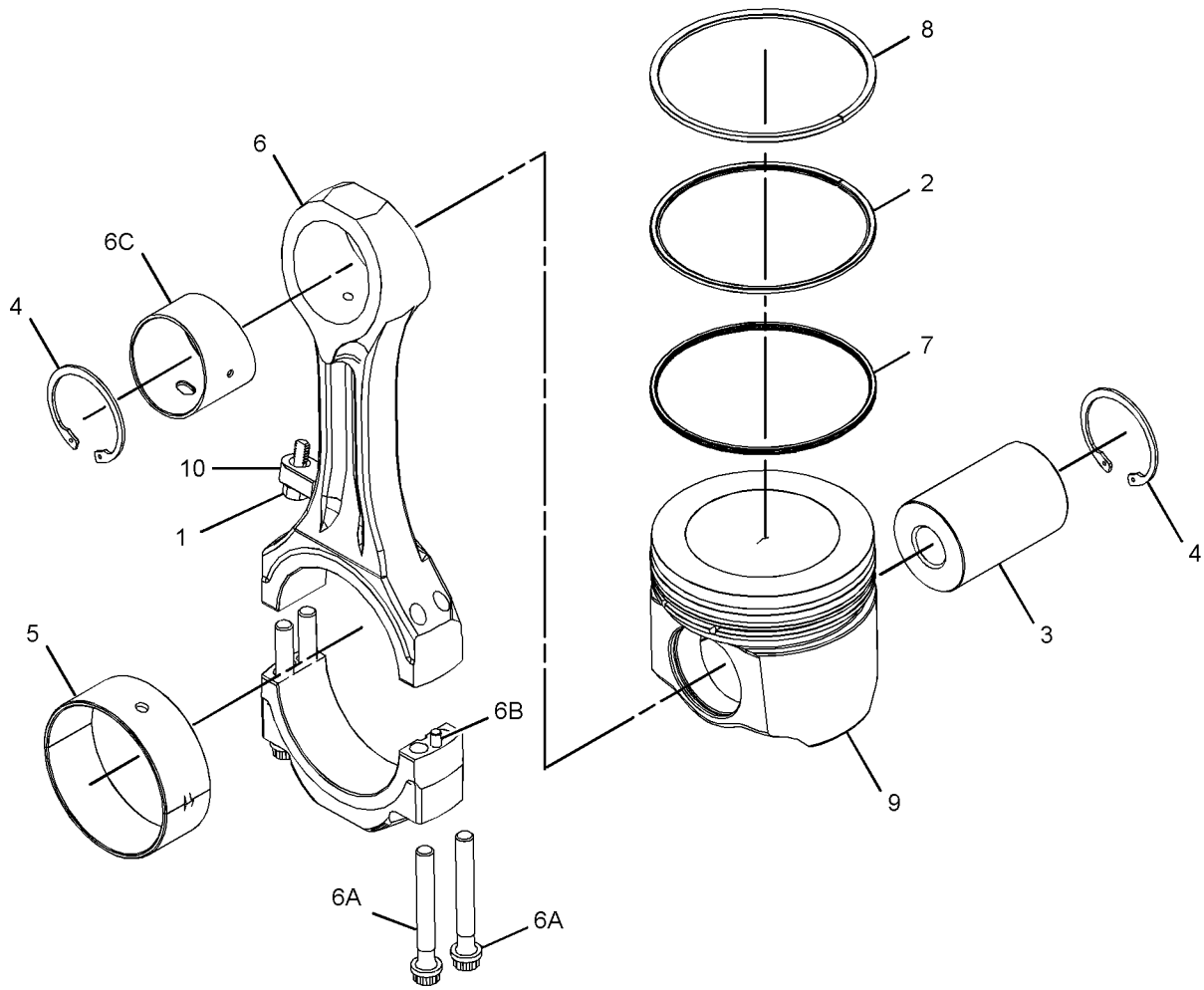
S/N: MJE1-UP; GDS1-UP  
 16.5:1 COMPRESSION RATIO  
 ALSO AN ATTACHMENT

SMCS-1225

i05195801

NOTE	REF NO	GRAPHIC REF	PART NUMBER	QTY	PART NAME						SEE PAGE
					1	2	3	4	5	6 (PRODUCT LEVEL)	
	1	1	150-1156	1	BOLT-SPECIAL (OIL JET)						
	2	1	164-4187	1	RING-PISTON (INTERMEDIATE)						
	3	1	180-7350	1	PIN-PISTON						
	4	1	250-2940	2	RETAINER-PIN						
	5	1	232-3226	1	BEARING-CONNECTING ROD (STANDARD)						
AB		1	341-0060		BEARING-CONNECTING ROD (0.63-MM US)						
R	6	1	232-3232	1	ROD AS						
	6A	1	213-3217	4	BOLT (M11X1.25X84-MM)						
	6B	1	219-4458	2	PIN-DOWEL						
	6C	1	229-6259	1	BEARING						
	7	1	306-4014	1	RING-PISTON (OIL) (OIL)						
	8	1	247-6130	1	RING-PISTON-TOP						
R	9	1	381-9250	1	BODY AS-PISTON						
	10	1	357-7163	1	TUBE AS-OIL JET (ENGINE)						

A - NOT PART OF THIS GROUP  
 B - USE AS REQUIRED  
 R - REMFG PART MAY BE AVAILABLE



GRAPHIC #1

<END>

g02597518

# BASIC ENGINE

## 282-4895 PLUG GP-CYLINDER BLOCK

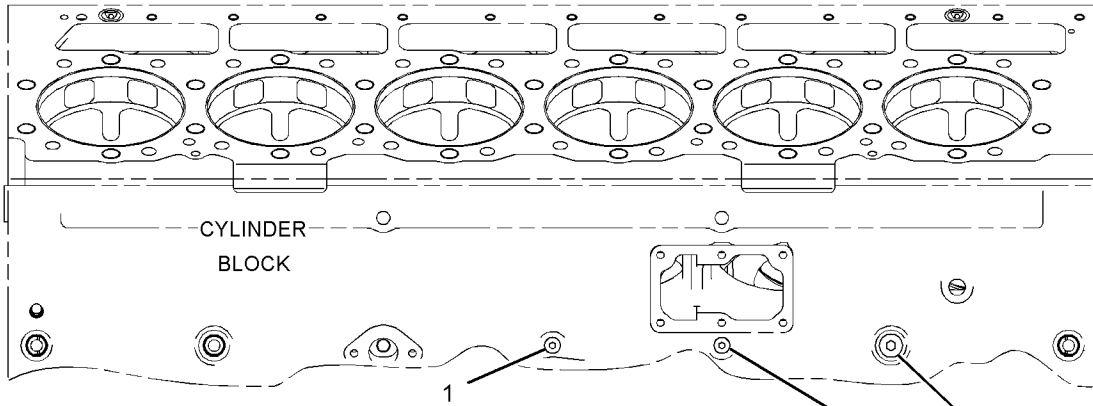
S/N: MJE1-UP; GDS1-UP

PART OF 388-4921 ENGINE AR, 349-5619, 349-5622 ENGINE AR-COMplete  
ALSO AN ATTACHMENT

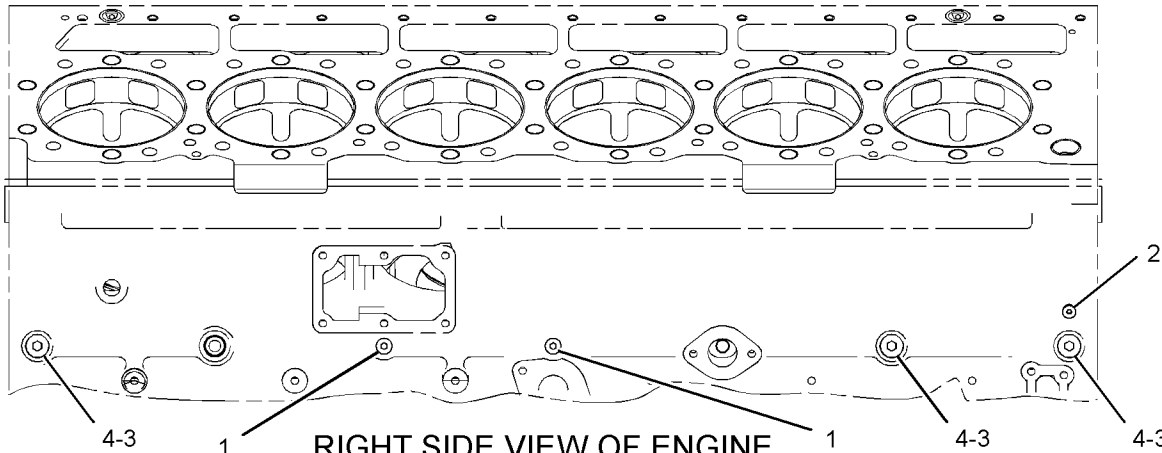
SMCS-1201

i03912341

NOTE	REF NO	GRAPHIC REF	PART NUMBER	QTY	PART NAME						SEE PAGE
					1	2	3	4	5	6 (PRODUCT LEVEL)	
1	1	1	183-3407	4	PLUG AS						
					(EACH INCLUDES)						
		1	9S-8004	1	PLUG-O-RING						
		1	214-7568	1	SEAL-O-RING						
2	1	1	307-2671	1	PLUG AS						
		1	9S-8002	1	PLUG-O-RING						
		1	214-7566	1	SEAL-O-RING						
3	1	1	6V-4589	4	SEAL-O-RING						
4	1	1	9S-8006	4	PLUG-O-RING						



LEFT SIDE VIEW OF ENGINE



RIGHT SIDE VIEW OF ENGINE

GRAPHIC #1

<END>

g02153486

# BASIC ENGINE

## 223-6407 PLUG GP-CYLINDER HEAD

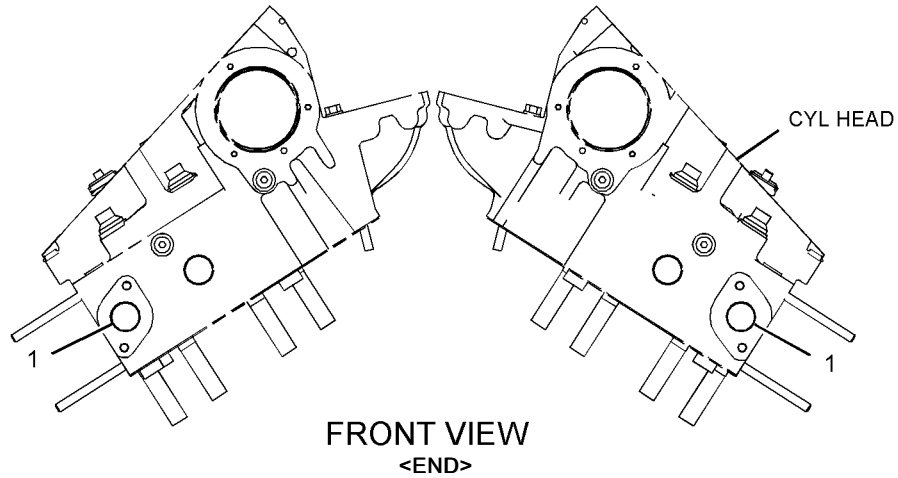
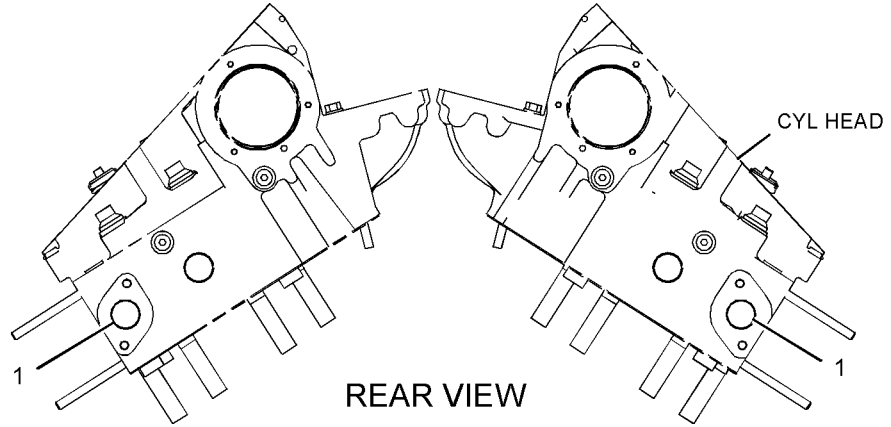
S/N: MJE1-UP; GDS1-UP

PART OF 388-4921 ENGINE AR, 349-5619, 349-5622 ENGINE AR-COMplete  
ALSO AN ATTACHMENT

SMCS-1100

i03451932

NOTE	REF NO	GRAPHIC REF	PART NUMBER	QTY	PART NAME						SEE PAGE
					1	2	3	4	5	6 (PRODUCT LEVEL)	
	1	1	<b>3B-0645</b>	4	PLUG-CUP						



GRAPHIC #1

g01051070

# BASIC ENGINE

## 276-4879 PLUG GP-ENGINE

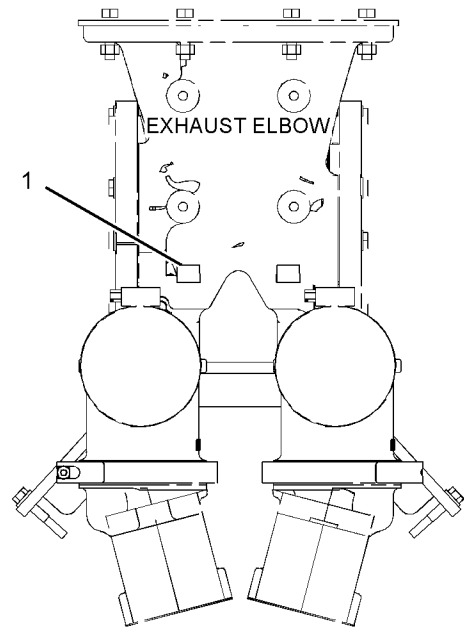
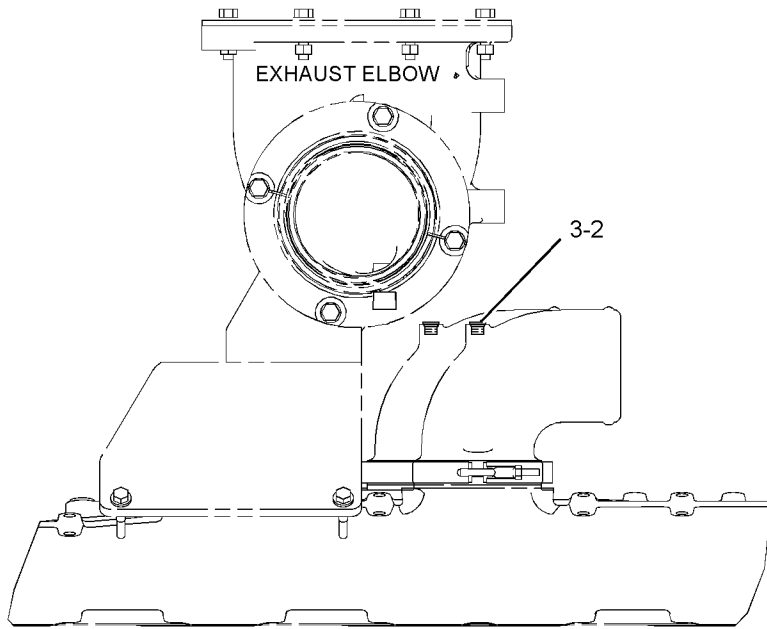
S/N: MJE1-UP; GDS1-UP

PART OF 388-4921 ENGINE AR, 349-5619, 349-5622 ENGINE AR-COMPLETE  
ALSO AN ATTACHMENT

SMCS-1100, 1201

i04965691

NOTE	REF NO	GRAPHIC REF	PART NUMBER	QTY	PART NAME						SEE PAGE
					1	2	3	4	5	6 (PRODUCT LEVEL)	
	1	1	<b>2B-0858</b>	2	PLUG-PIPE						
	2	1	<b>6V-5048</b>	2	SEAL-O-RING						
	3	1	<b>9S-8002</b>	2	PLUG-O-RING						



GRAPHIC #1

<END>

g01336247

# BASIC ENGINE

## 301-5352 ROCKER ARM GP\*R

S/N: MJE1-UP; GDS1-UP

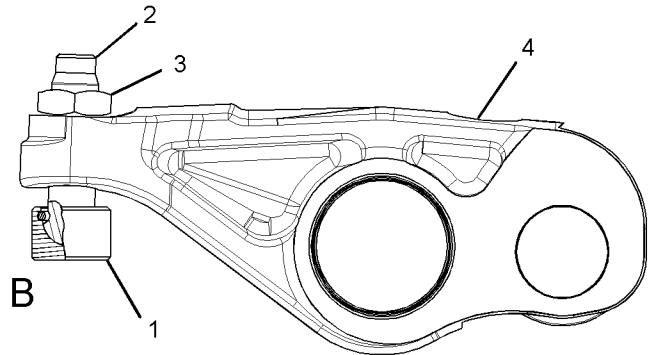
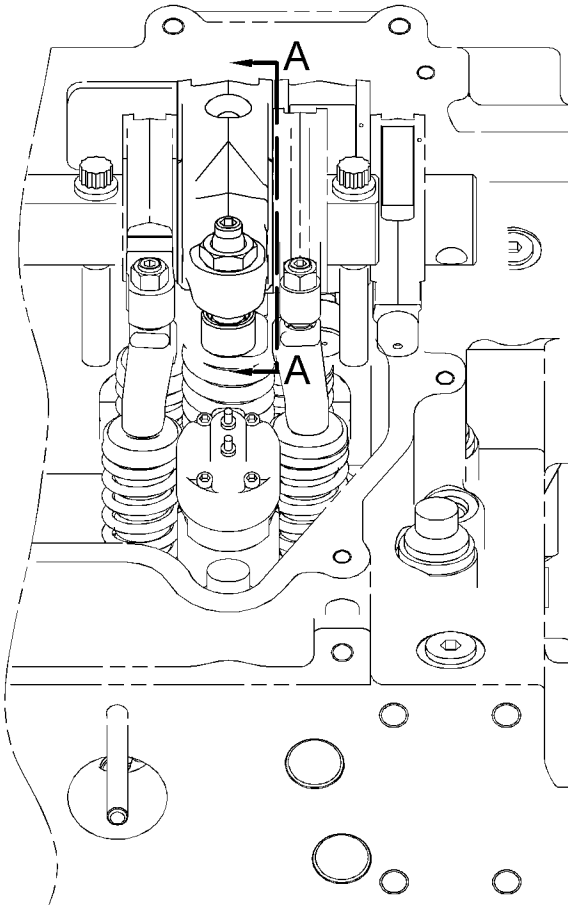
PART OF 392-0066 ROCKER ARM GP  
ALSO AN ATTACHMENT

SMCS-1123

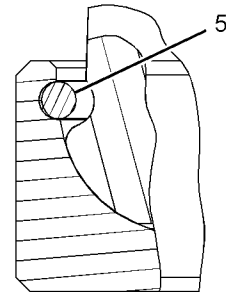
i03459782

NOTE	REF NO	GRAPHIC REF	PART NUMBER	QTY	PART NAME						SEE PAGE
					1	2	3	4	5	6 (PRODUCT LEVEL)	
	1	1	192-4151	1	BUTTON						
	2	1	196-5069	1	SCREW-ARM ADJUSTMENT						
	3	1	196-5070	1	NUT-JAM (9/16-18-THD)						
R	4	1	278-1363	1	ROCKER ARM AS						
	5	1	061-8639	1	SEAL-O-RING						

R - REMFG PART MAY BE AVAILABLE



VIEW A-A



VIEW OF AREA B

GRAPHIC #1

<END>

g01340074

# BASIC ENGINE

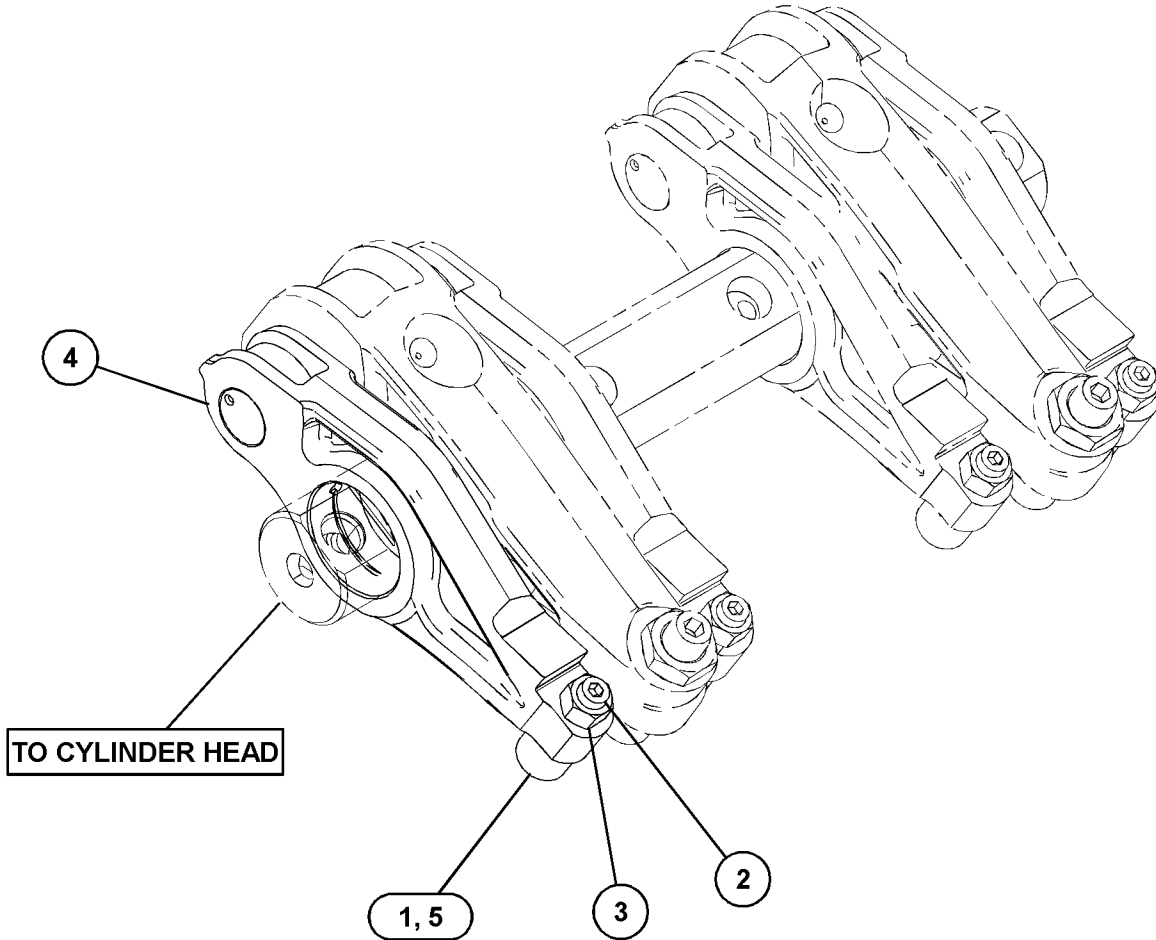
## 384-1365 ROCKER ARM GP

S/N: MJE1-UP; GDS1-UP  
PART OF 392-0066 ROCKER ARM GP  
ALSO AN ATTACHMENT

SMCS-1123

i04941732

NOTE	REF NO	GRAPHIC REF	PART NUMBER	QTY	PART NAME						SEE PAGE
					1	2	3	4	5	6 (PRODUCT LEVEL)	
	1	1	<b>258-8721</b>	1	BUTTON						
	2	1	<b>274-4491</b>	1	SCREW-ARM ADJUSTMENT (3/8-24X1.20-IN)						
	3	1	<b>276-5317</b>	1	NUT (3/8-24-THD)						
	4	1	<b>384-1366</b>	1	ROCKER ARM AS						
	5	1	<b>8L-2777</b>	1	SEAL-O-RING						



GRAPHIC #1

<END>

g03151579



# BASIC ENGINE

## 392-0066 ROCKER ARM GP

S/N: MJE1-UP; GDS1-UP

PART OF 260-9631 MECHANISM GP-FUEL PUMP & VALVE

ALSO AN ATTACHMENT

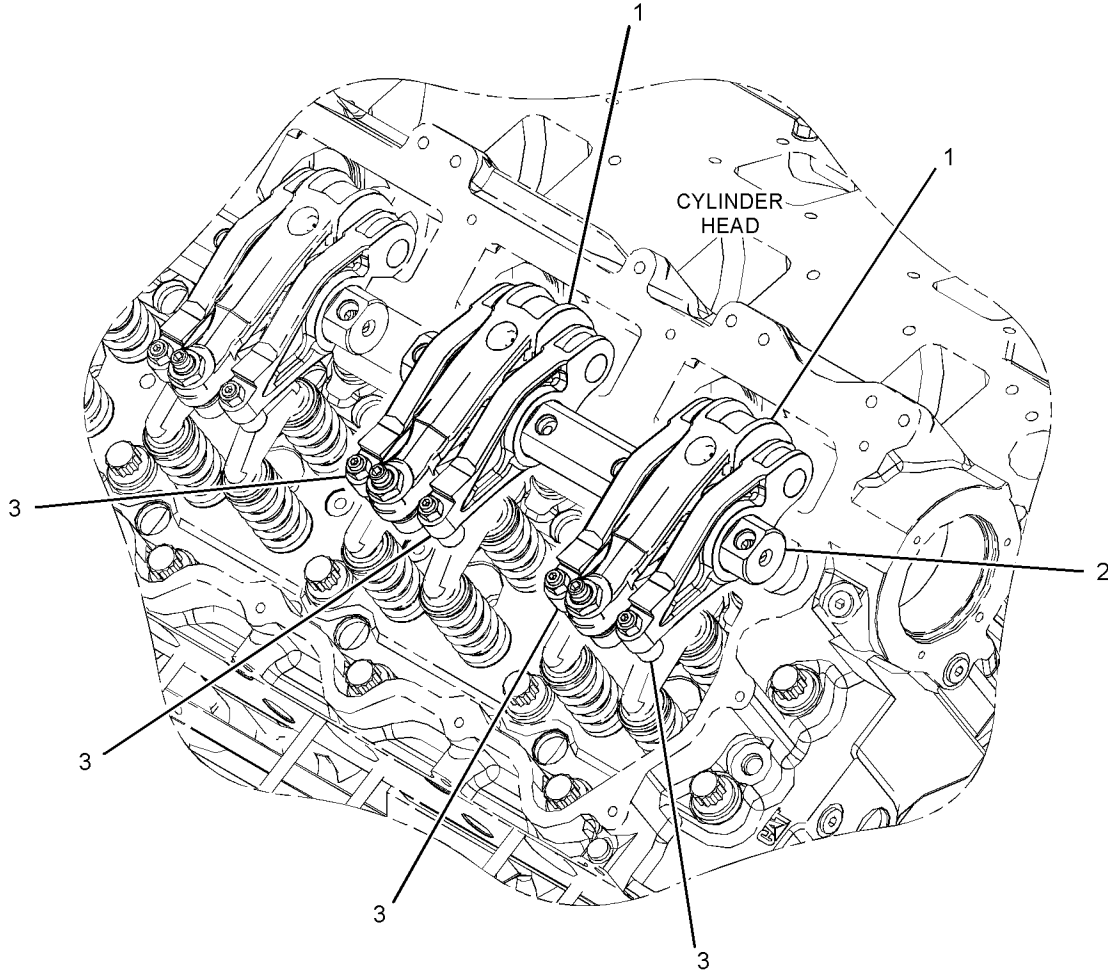
SMCS-1123

i04941701

NOTE	REF NO	GRAPHIC REF	PART NUMBER	QTY	PART NAME						SEE PAGE
					1	2	3	4	5	6 (PRODUCT LEVEL)	
YR	1	1	307-5352	2	ROCKER ARM GP (UNIT INJECTOR)						65
	2	1	313-4085	1	SHAFT AS-ROCKER ARM						
		1	4B-9782	2	BALL						
Y	3	1	384-1365	4	ROCKER ARM GP (EXHAUST)						66

R - REMFG PART MAY BE AVAILABLE

Y - SEPARATE ILLUSTRATION



GRAPHIC #1

<END>

g03151798

# BASIC ENGINE

## 319-0785 SEAL GP-CRANKSHAFT-REAR

S/N: MJE1-UP; GDS1-UP

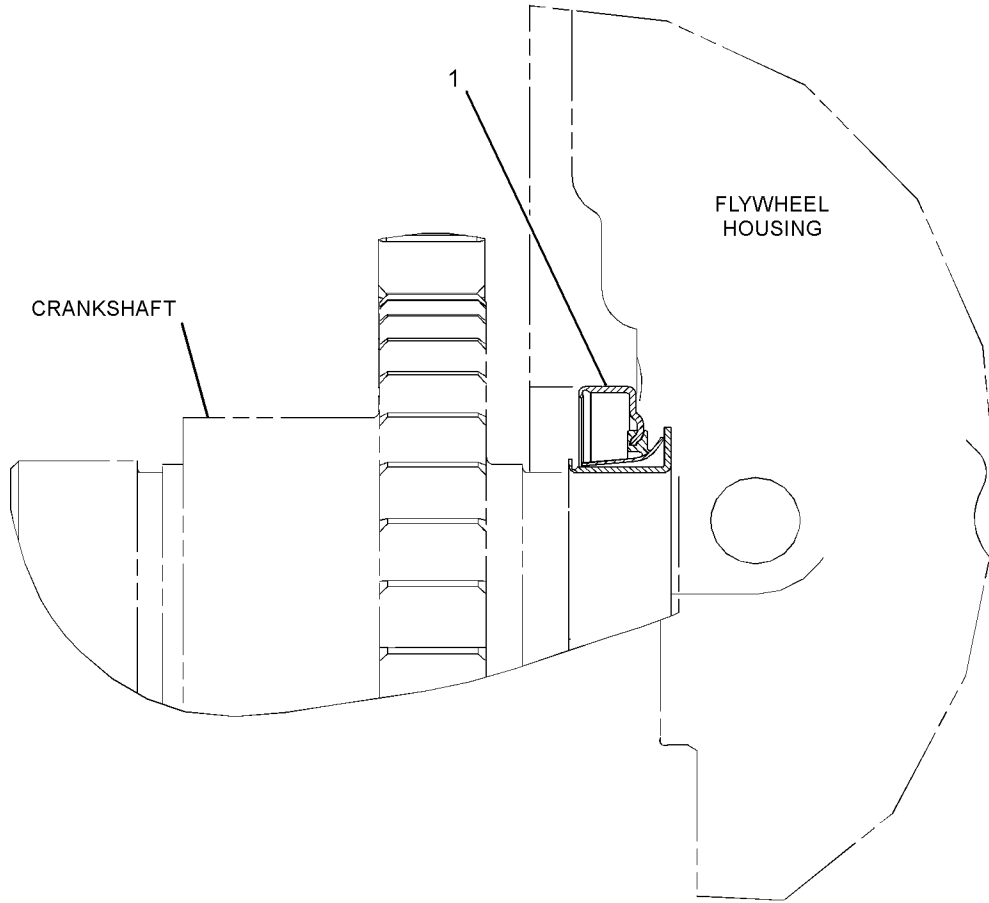
PART OF 305-7067 HOUSING GP-FLYWHEEL

ALSO AN ATTACHMENT

SMCS-1160, 1161

i04492499

NOTE	REF NO	GRAPHIC REF	PART NUMBER	QTY	PART NAME						SEE PAGE
					1	2	3	4	5	6 (PRODUCT LEVEL)	
	1	1	142-5868	1	SEAL-CRANKSHAFT (REAR)						



RIGHT SIDE VIEW OF ENGINE

GRAPHIC #1

<END>

g01496733

# BASIC ENGINE

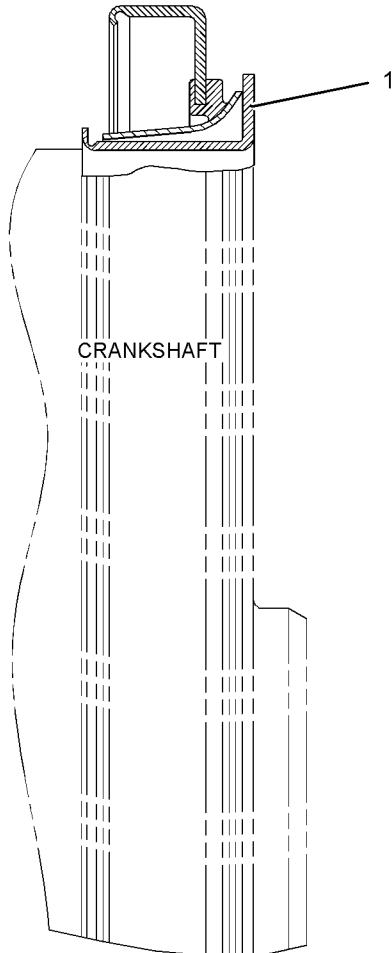
## 319-7401 SEAL GP-CRANKSHAFT-FRONT

S/N: MJE1-UP; GDS1-UP  
 PART OF 225-6052 CRANKSHAFT GP  
 ALSO AN ATTACHMENT

SMCS-1160, 1161

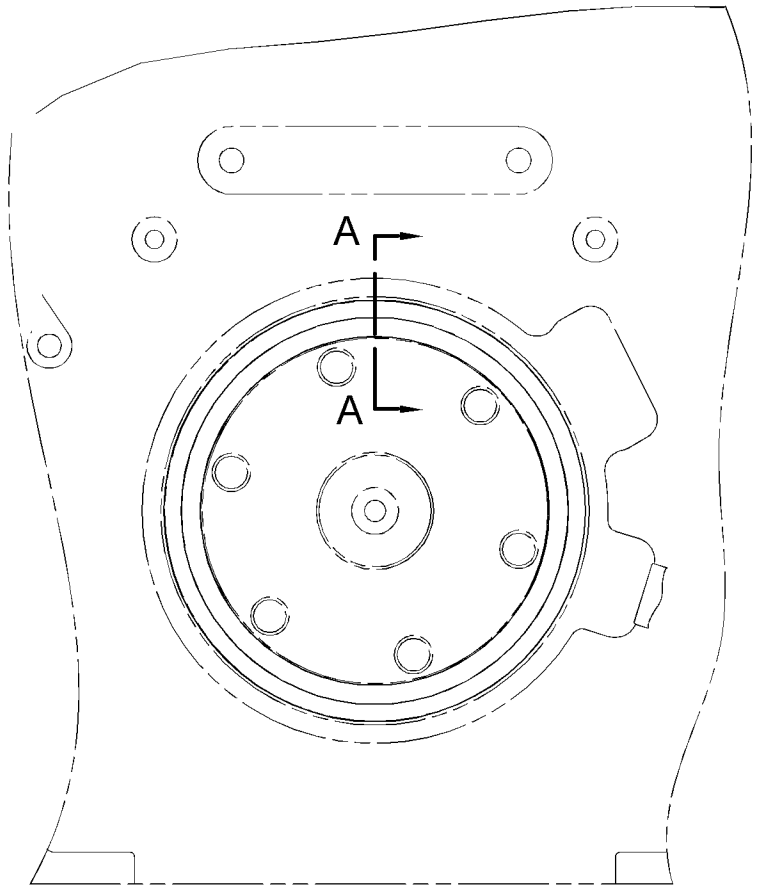
i05066892

NOTE	REF NO	GRAPHIC REF	PART NUMBER	QTY	PART NAME						SEE PAGE
					1	2	3	4	5	6 (PRODUCT LEVEL)	
	1	1	142-5867	1	SEAL-CRANKSHAFT (FRONT)						



SECTION A-A

GRAPHIC #1



FRONT VIEW OF ENGINE

<END>

g01516169

# BASIC ENGINE

## 7N-9078 SUPPORT GP-ENGINE-FRONT, WIDE

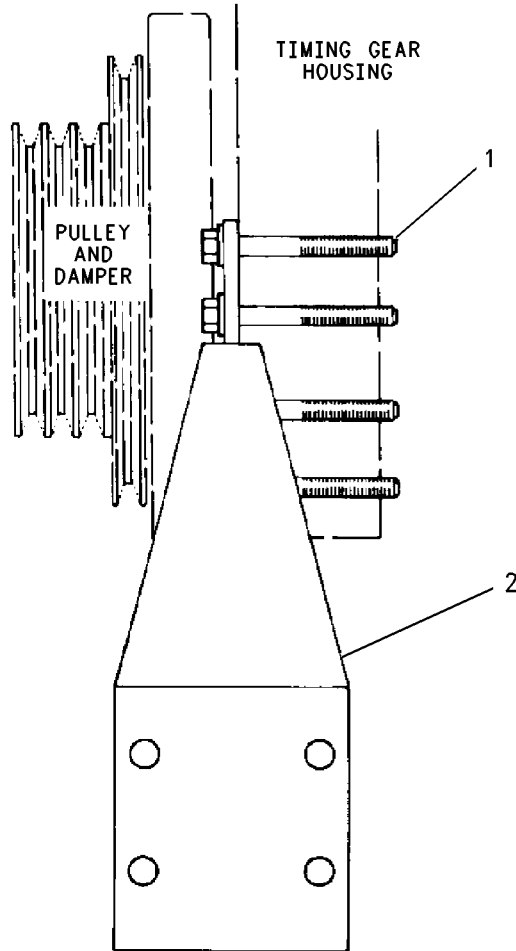
S/N: MJE1-UP; GDS1-UP

PART OF 388-4921 ENGINE AR, 349-5619, 349-5622 ENGINE AR-COMPLETE  
ALSO AN ATTACHMENT

SMCS-1152, 1153, 1154

i03451940

NOTE	REF NO	GRAPHIC REF	PART NUMBER	QTY	PART NAME						SEE PAGE
					1	2	3	4	5	6 (PRODUCT LEVEL)	
1	1	1	<b>1B-2886</b>	8	BOLT (1/2-13X3.75-IN)						
		1	<b>2M-0849</b>	8	WASHER-HARD (13.5X25.5X5-MM THK)						
2	1	1	<b>7N-9077</b>	1	SUPPORT AS-FRONT						



GRAPHIC #1

<END>

g00768298

# BASIC ENGINE

## 343-1685 SUPPORT GP-ENGINE

S/N: MJE1-UP; GDS1-UP

REAR

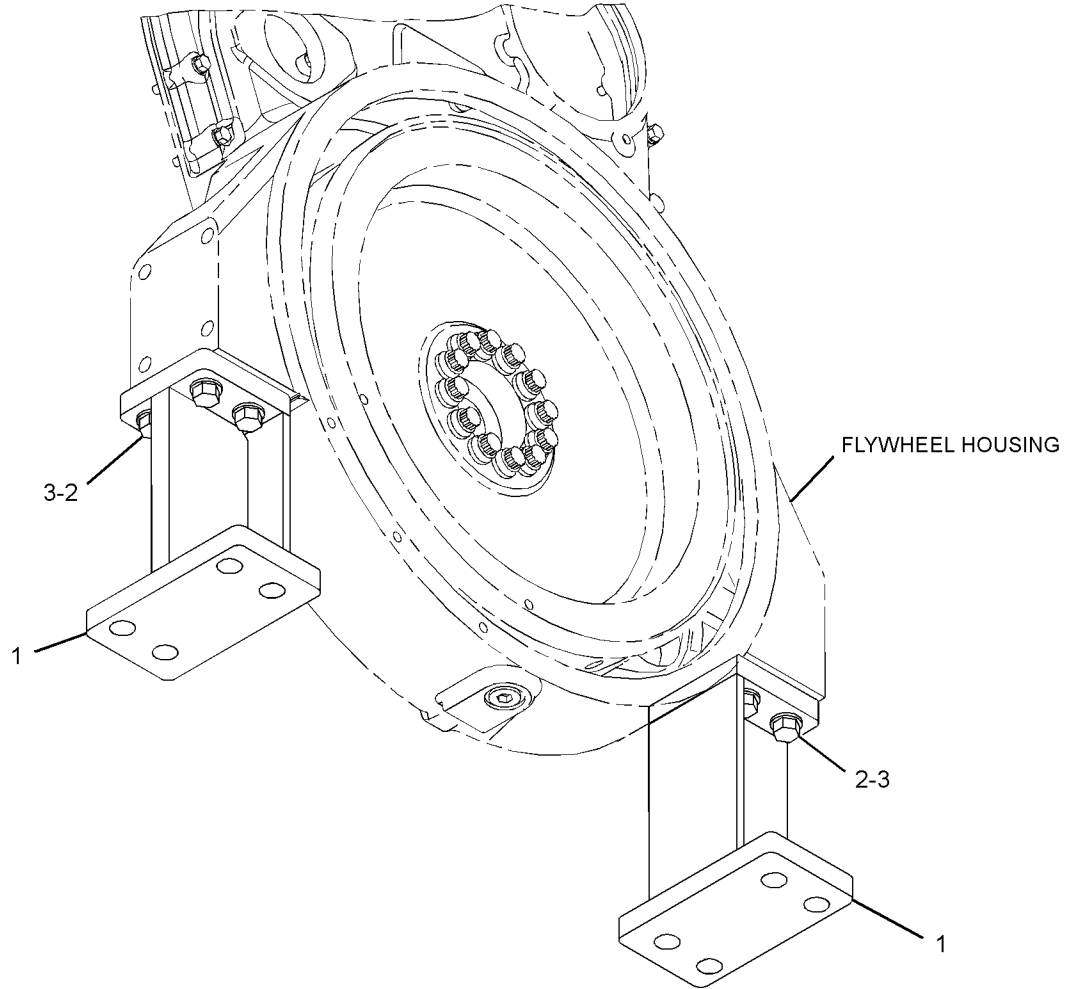
PART OF 388-4921 ENGINE AR, 349-5619, 349-5622 ENGINE AR-COMPLETE

ALSO AN ATTACHMENT

SMCS-1152, 1153, 1154

i03881774

NOTE	REF NO	GRAPHIC REF	PART NUMBER	QTY	PART NAME						SEE PAGE
					1	2	3	4	5	6 (PRODUCT LEVEL)	
	1	1	<b>314-7753</b>	2	SUPPORT AS						
	2	1	<b>0S-1589</b>	8	BOLT (5/8-11X1.75-IN)						
	3	1	<b>5P-8247</b>	8	WASHER-HARD (17X32X3.5-MM THK)						



GRAPHIC #1

<END>

g01906654

# BASIC ENGINE

## 7W-3222 V-BELT SET—INCLUDES 4-BELTS, FAN DRIVE

S/N: MJE1-UP

1854-MM (73-INCH) LONG. REQUIRES FAN DRIVE OR FAN DRIVE AND BELT TIGHTENER  
PART OF 388-0983 DRIVE GP-FAN

SMCS-1357

i05328459

NOTE	PART NUMBER	QTY	PART NAME 1 2 3 4 5 6 (PRODUCT LEVEL)	SEE PAGE
			(INCLUDES 4-BELTS)	
			<END>	

# BASIC ENGINE

## 327-0376 VALVE GP-CHECK-FUEL

S/N: MJE1-UP; GDS1-UP

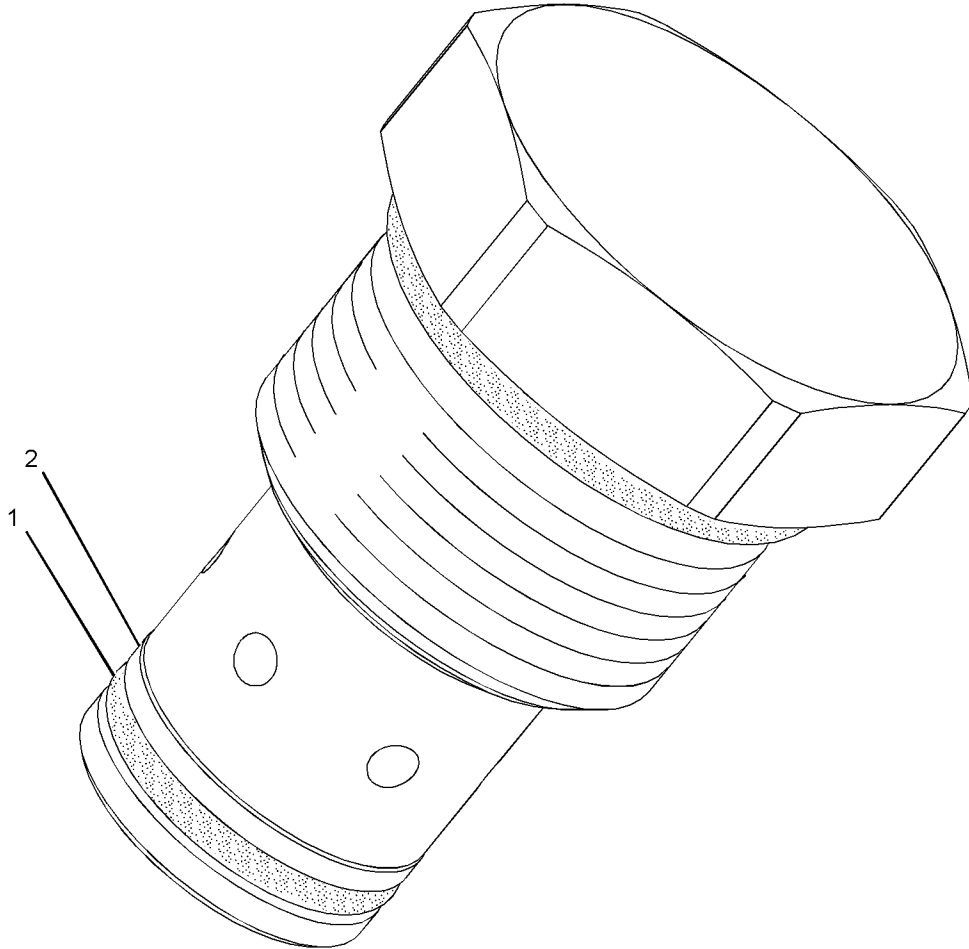
PART OF 327-4448 VALVE GP-CHECK

ALSO AN ATTACHMENT

SMCS-5067

i03659884

NOTE	REF NO	GRAPHIC REF	PART NUMBER	QTY	PART NAME						SEE PAGE
					1	2	3	4	5	6 (PRODUCT LEVEL)	
	1	1	033-6033	1	SEAL-O-RING						
	2	1	6V-6923	1	RING-BACKUP						



GRAPHIC #1

<END>

g01294010

# LUBRICATION SYSTEM

## 264-1491 BASE AS-OIL FILTER-ENGINE

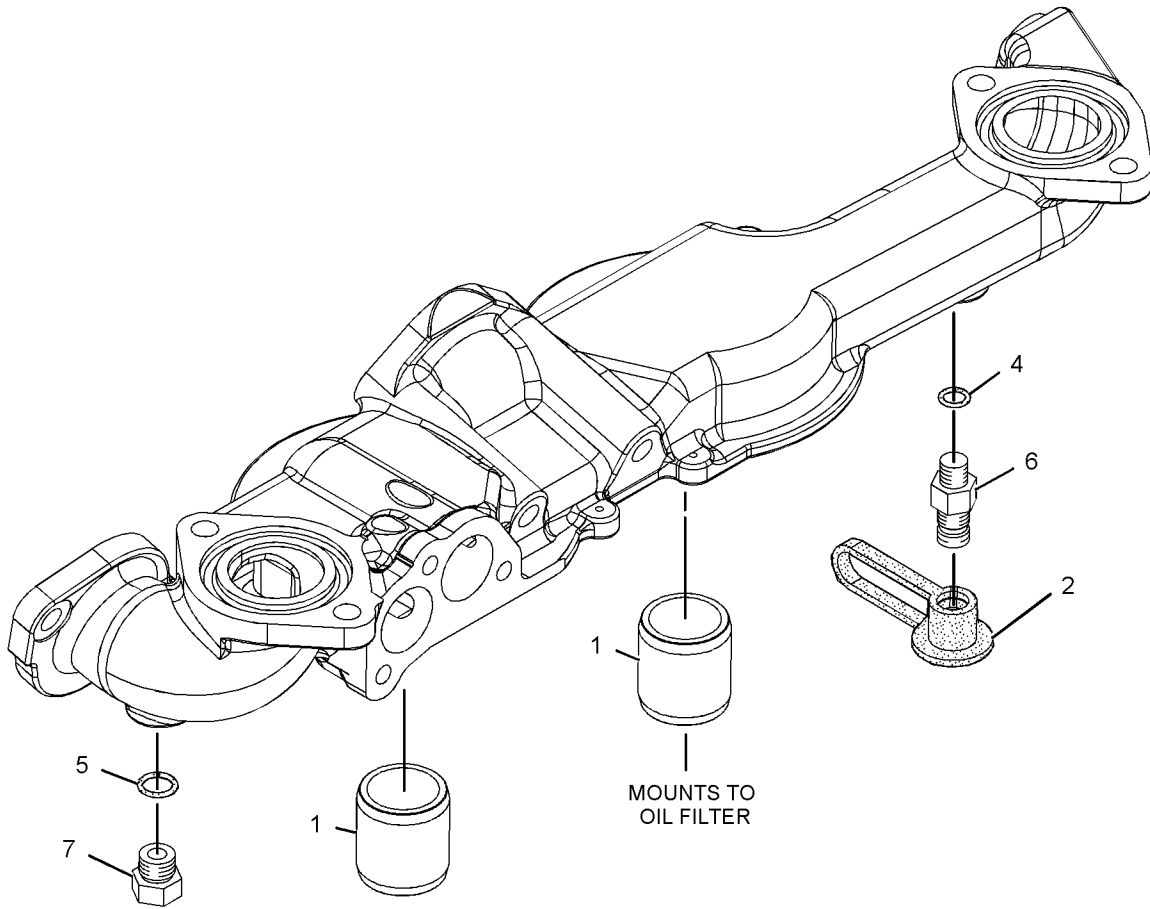
S/N: MJE1-UP; GDS1-UP

PART OF 264-1492 FILTER GP-ENGINE OIL  
ALSO AN ATTACHMENT

SMCS-1306

i03460740

NOTE	REF NO	GRAPHIC REF	PART NUMBER	QTY	PART NAME						SEE PAGE
					1	2	3	4	5	6	
	1	1	<b>2P-4304</b>	2	STUD-HOLLOW						
	2	1	<b>8C-3445</b>	1	CAP-DUST						
	4	1	<b>6V-5048</b>	1	SEAL-O-RING						
	5	1	<b>6V-5049</b>	1	SEAL-O-RING						
	6	1	<b>8C-3446</b>	1	VALVE-FLUID SAMPLING (ENGINE OIL)						
	7	1	<b>9S-4191</b>	1	PLUG-O-RING						



GRAPHIC #1

<END>

g01249628



# LUBRICATION SYSTEM

## 119-8583 FASTENER GP-OIL PUMP MOUNTING

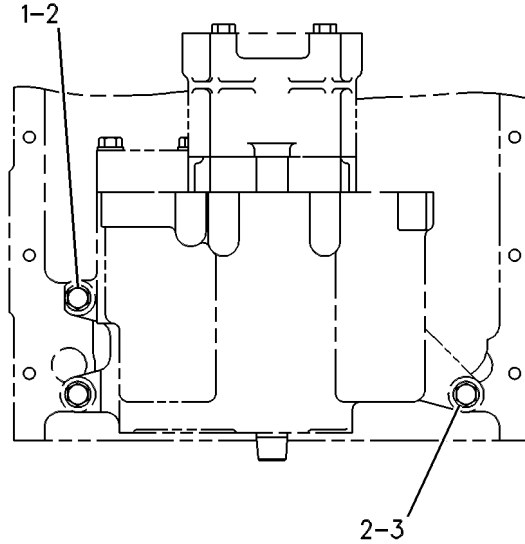
S/N: MJE1-UP; GDS1-UP

ALSO AN ATTACHMENT

SMCS-1304

i03456106

NOTE	REF NO	GRAPHIC REF	PART NUMBER	QTY	PART NAME						SEE PAGE
					1	2	3	4	5	6 (PRODUCT LEVEL)	
	1	1	<b>0L-1143</b>	1	BOLT (3/8-16X2.5-IN)						
	2	1	<b>5M-2894</b>	3	WASHER-HARD (10.2X18.5X2.5-MM THK)						
	3	1	<b>0S-1619</b>	2	BOLT (3/8-16X3-IN)						



GRAPHIC #1

<END>

g00086534

# LUBRICATION SYSTEM

## 349-7577 FILLER GP-ENGINE OIL

S/N: MJE1-UP

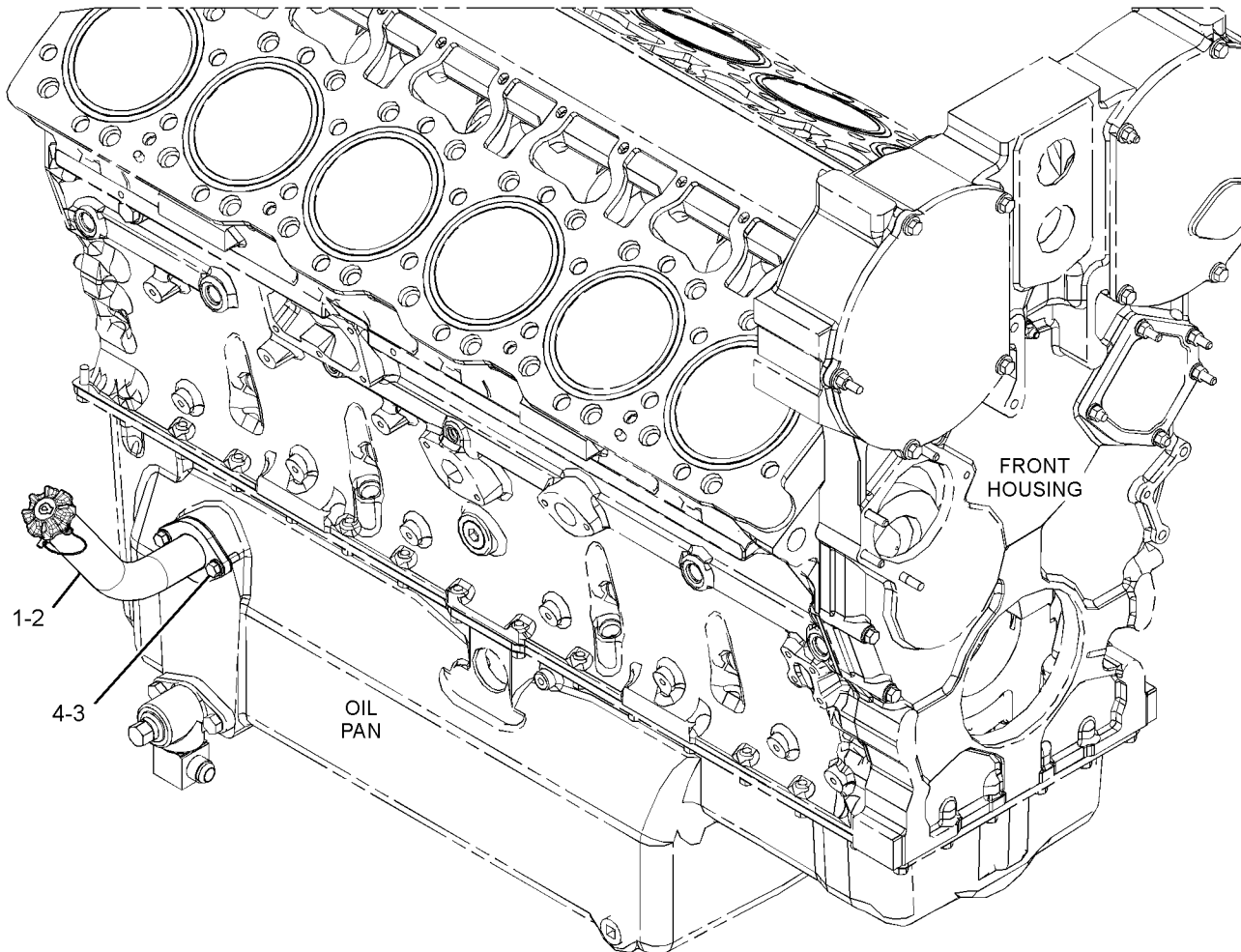
PART OF 388-4921 ENGINE AR, 349-5619, 349-5622 ENGINE AR-COMplete

SMCS-1316

i03879324

NOTE	REF NO	GRAPHIC REF	PART NUMBER	QTY	PART NAME						SEE PAGE
					1	2	3	4	5	6 (PRODUCT LEVEL)	
	1	1	<b>239-5572</b>	1	SEAL - INTEGRAL						
	2	1	<b>349-7578</b>	1	TUBE AS-OIL FILLER						
		1	<b>315-4134</b>	1	CAP AS-ENGINE OIL FILLER						
E		1	<b>205-4600</b>		CHAIN (18-CM)						
		1	<b>293-7589</b>	1	SEAL-O-RING						
	3	1	<b>0S-1588</b>	2	BOLT (3/8-16X1.25-IN)						
	4	1	<b>5M-2894</b>	2	WASHER-HARD (10.2X18.5X2.5-MM THK)						

E - ORDER BY THE CENTIMETER



GRAPHIC #1

<END>

g02143958

# LUBRICATION SYSTEM

## 394-5282 FILLER GP-ENGINE OIL

S/N: MJE1-UP; GDS1-UP

PROVIDE A FILLER GP-OIL FOR C27 EP NEWBERRY TIER II ENGINE

FOR USE WITH 384-5029-PAGE: 59

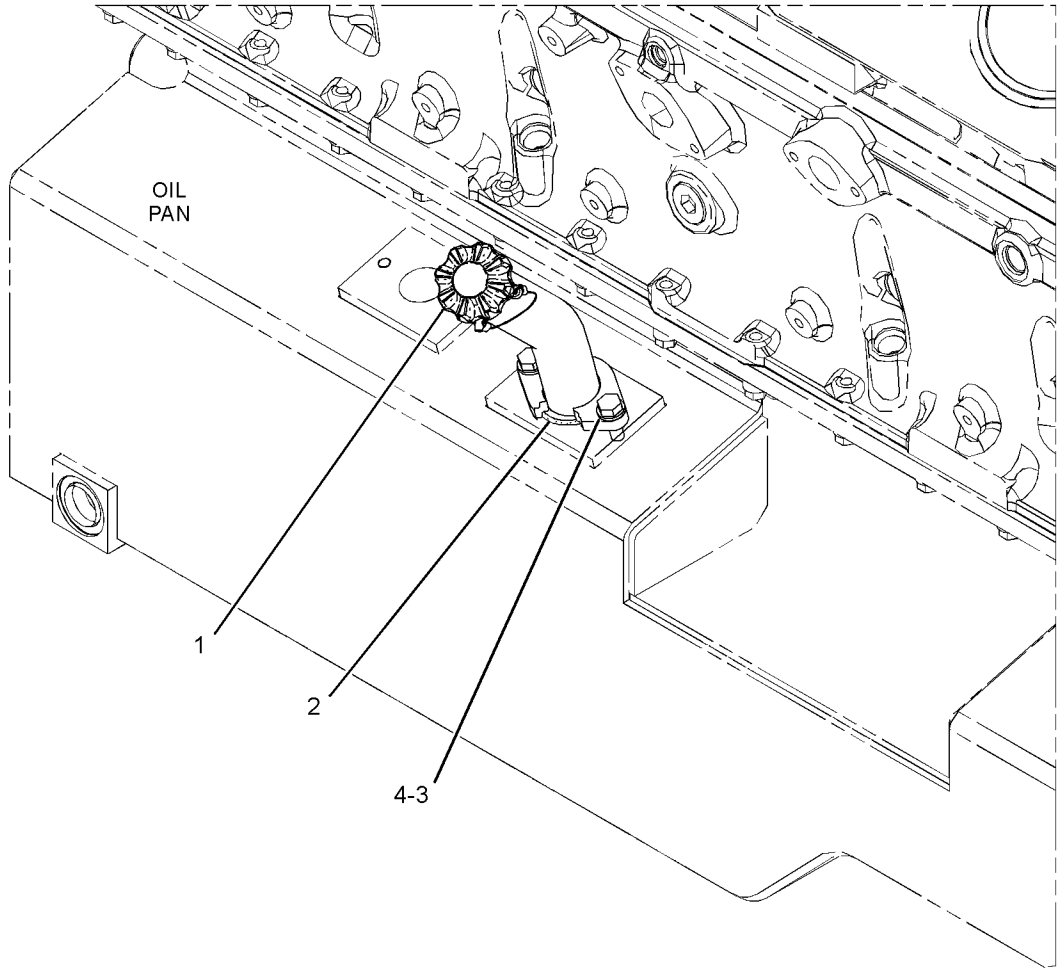
ALSO AN ATTACHMENT

SMCS-1316

i05195759

NOTE	REF NO	GRAPHIC REF	PART NUMBER	QTY	PART NAME						SEE PAGE
					1	2	3	4	5	6 (PRODUCT LEVEL)	
Y	1	1	394-5283	1	FILLER GP-ENGINE OIL						78
	2	1	5P-8211	1	SEAL-O-RING						
	3	1	1A-2029	2	BOLT (3/8-16X1.125-IN)						
	4	1	5M-2894	2	WASHER-HARD (10.2X18.5X2.5-MM THK)						

Y - SEPARATE ILLUSTRATION



GRAPHIC #1

<END>

g03054636

# LUBRICATION SYSTEM

## 394-5283 FILLER GP-ENGINE OIL

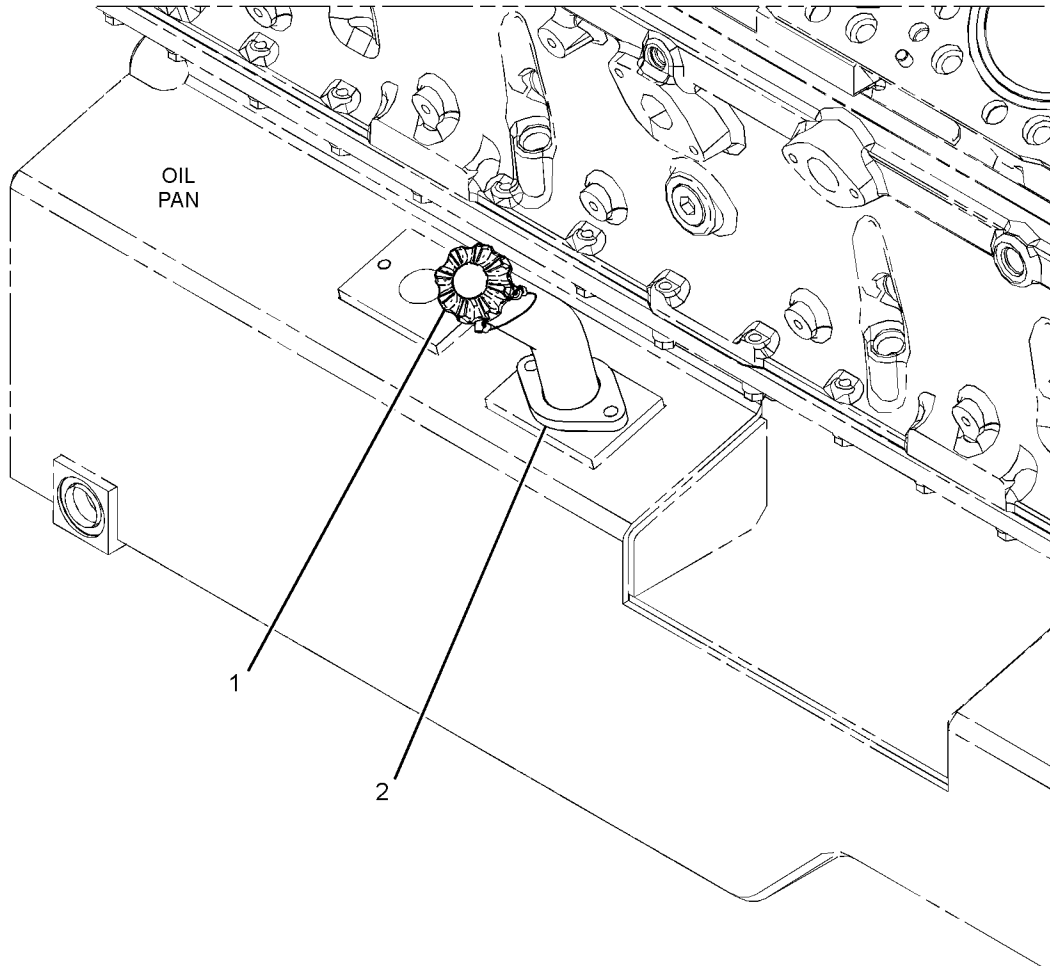
S/N: MJE1-UP; GDS1-UP

PART OF 394-5282 FILLER GP-ENGINE OIL  
ALSO AN ATTACHMENT

SMCS-1316

i05195788

NOTE	REF NO	GRAPHIC REF	PART NUMBER	QTY	PART NAME						SEE PAGE
					1	2	3	4	5	6 (PRODUCT LEVEL)	
1		1	<b>385-1450</b>	1	CAP AS-ENGINE OIL FILLER						
			<b>5P-7958</b>	2	SLEEVE-CABLE SPLICE						
			<b>293-7589</b>	1	SEAL-O-RING						
2		1	<b>394-5284</b>	1	TUBE AS-OIL FILLER						



GRAPHIC #1

<END>

g03054637

# LUBRICATION SYSTEM

## 264-1492 FILTER GP-ENGINE OIL

S/N: MJE1-UP; GDS1-UP

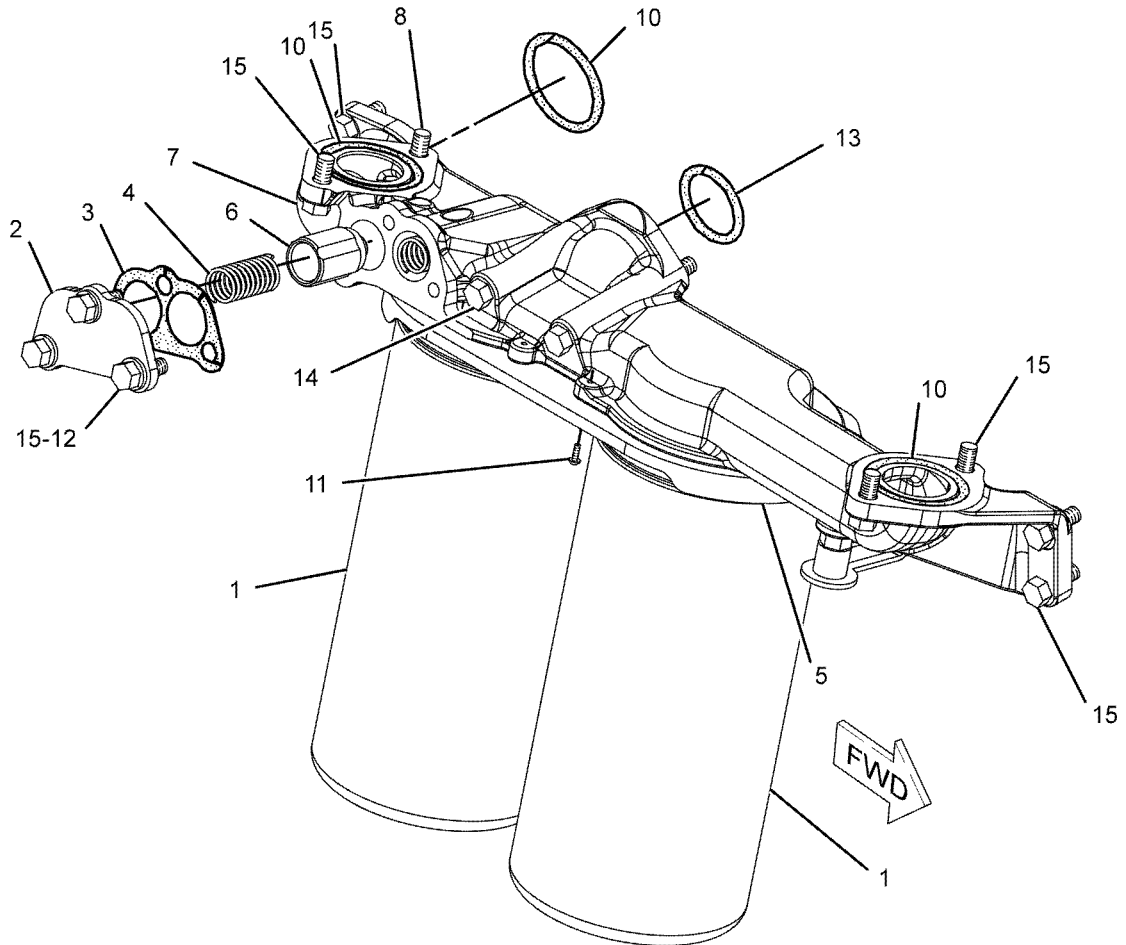
PART OF 388-4921 ENGINE AR, 349-5619, 349-5622 ENGINE AR-COMplete  
ALSO AN ATTACHMENT

SMCS-1306, 1308

i03451203

NOTE	REF NO	GRAPHIC REF	PART NUMBER	QTY	PART NAME						SEE PAGE
					1	2	3	4	5	6 (PRODUCT LEVEL)	
	1	1	<b>1R-1808</b>	2	FILTER-ENGINE OIL (ADVANCED EFFICIENCY)						
	2	1	<b>4N-0861</b>	1	COVER						
	3	1	<b>4N-0865</b>	1	GASKET						
	4	1	<b>4N-8150</b>	2	SPRING						
	5	1	<b>4N-8928</b>	1	SHIELD-OIL FILTER (ENGINE)						
	6	1	<b>9M-0853</b>	2	PLUNGER-VALVE						
Y	7	1	<b>264-1491</b>	1	BASE AS-OIL FILTER (ENGINE)						74
	8	1	<b>0L-2070</b>	1	BOLT (3/8-16X2.25-IN)						
	10	1	<b>3P-0650</b>	3	SEAL-O-RING						
	11	1	<b>4B-4161</b>	5	SCREW-DRIVE (NO 6X3/8-IN)						
	12	1	<b>5M-2894</b>	3	WASHER-HARD (10.2X18.5X2.5-MM THK)						
	13	1	<b>5P-8068</b>	1	SEAL-O-RING						
	14	1	<b>8S-9191</b>	2	BOLT (3/8-16X4-IN)						
	15	1	<b>0S-1594</b>	10	BOLT (3/8-16X1-IN)						

Y - SEPARATE ILLUSTRATION



GRAPHIC #1

<END>

g01150538

# LUBRICATION SYSTEM

## 389-2738 FUMES DISPOSAL GP

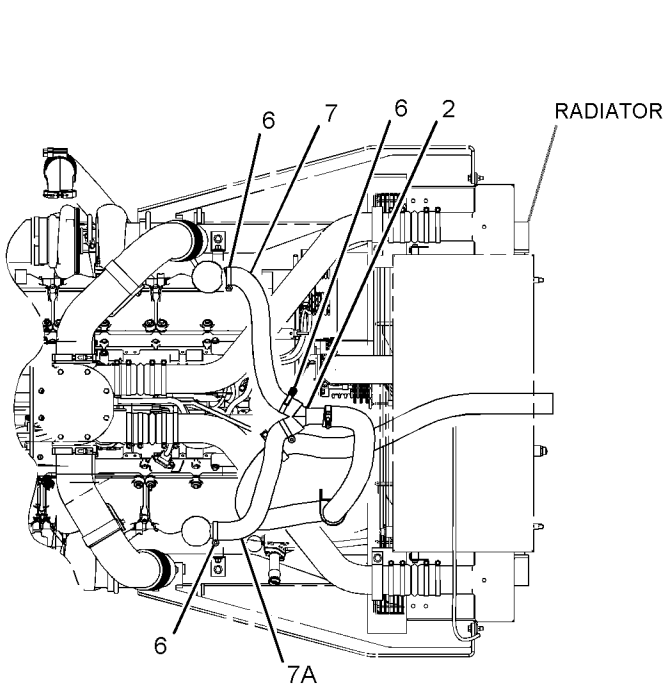
S/N: GDS1-UP  
AN ATTACHMENT

SMCS-1074, 1317

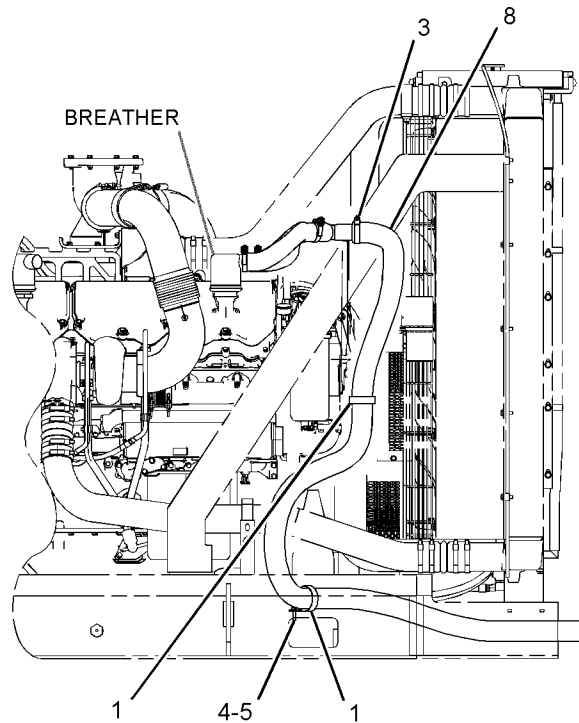
i05195533

NOTE	REF NO	GRAPHIC REF	PART NUMBER	QTY	PART NAME						SEE PAGE
					1	2	3	4	5	6 (PRODUCT LEVEL)	
	1	1	<b>204-1070</b>	2	CLIP						
	2	1	<b>391-1826</b>	1	CONNECTOR AS						
	3	1	<b>208-6054</b>	1	CLAMP						
	4	1	<b>8T-4121</b>	1	WASHER-HARD (11X21X2.5-MM THK)						
M	5	1	<b>8T-4186</b>	1	BOLT (M10X1.5X40-MM)						
	6	1	<b>8T-6703</b>	4	CLAMP-HOSE						
E	7	1	<b>5P-1293</b>		HOSE (61.5-CM)						
E	7A	1	<b>5P-1293</b>		HOSE (57.5-CM)						
E	8	1	<b>5P-1294</b>		HOSE (285-CM)						

E - ORDER BY THE CENTIMETER  
M - METRIC PART



TOP VIEW OF ENGINE



RIGHT SIDE VIEW OF ENGINE

GRAPHIC #1

<END>

g03350950

# LUBRICATION SYSTEM

## 427-3615 FUMES DISPOSAL GP

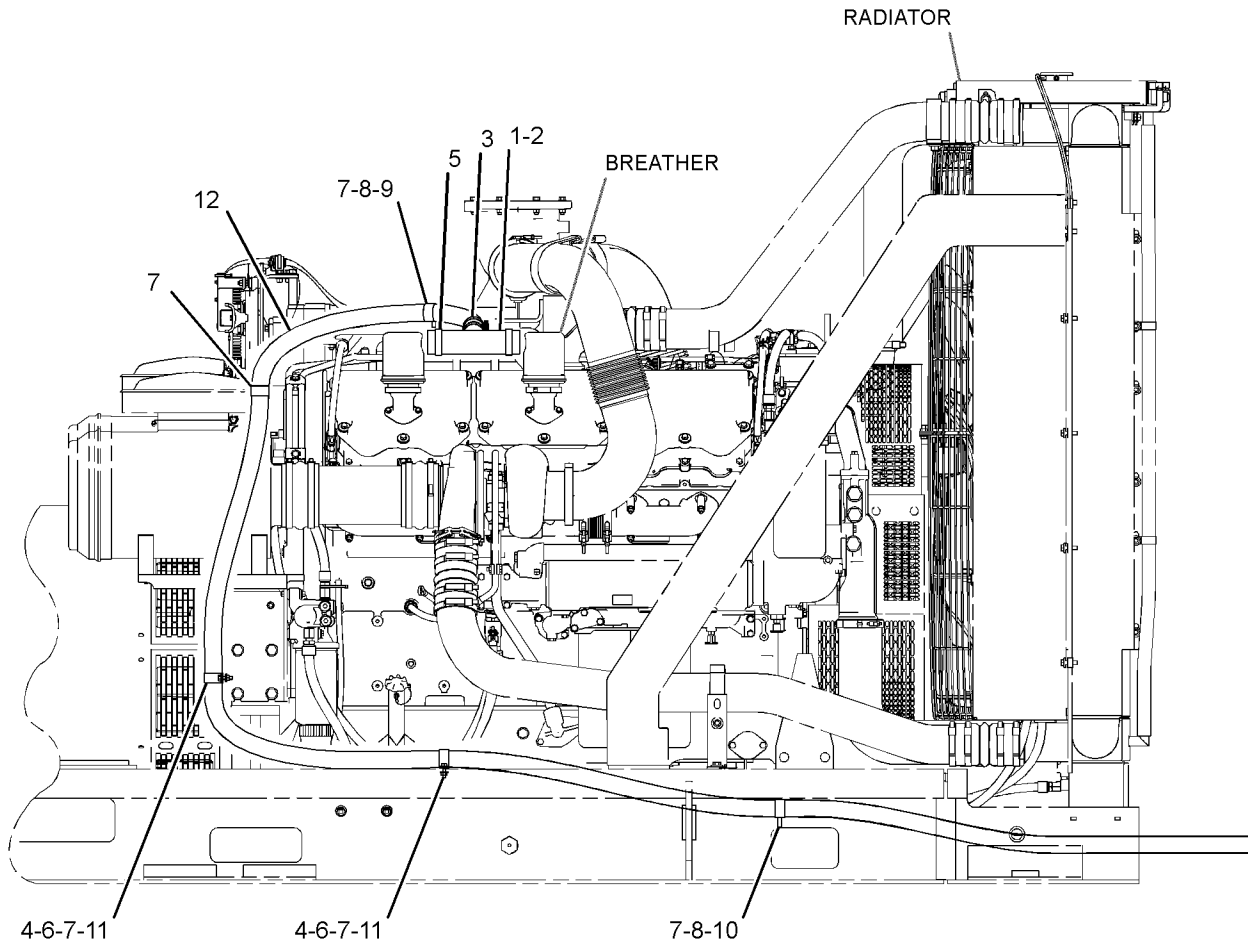
S/N: GDS1-UP  
AN ATTACHMENT

SMCS-1074, 1317

i05192531

NOTE	REF NO	GRAPHIC REF	PART NUMBER	QTY	PART NAME						SEE PAGE
					1	2	3	4	5	6 (PRODUCT LEVEL)	
	1	1	<b>389-8067</b>	1	HOSE - TEE						
	2	1	<b>392-7750</b>	1	TUBE AS						
	3	1	<b>124-6264</b>	2	CLAMP - HOSE						
M	4	1	<b>5C-7261</b>	2	NUT (M8X1.25-THD)						
	5	1	<b>5P-0597</b>	2	CLAMP - HOSE						
	6	1	<b>5P-4116</b>	4	WASHER - HARD (8.8X20.5X2-MM THK)						
	7	1	<b>7L-6326</b>	5	CLIP						
	8	1	<b>8T-4121</b>	2	WASHER - HARD (11X21X2.5-MM THK)						
M	9	1	<b>8T-4137</b>	1	BOLT (M10X1.5X20-MM)						
M	10	1	<b>8T-4195</b>	1	BOLT (M10X1.5X30-MM)						
M	11	1	<b>8T-7547</b>	2	BOLT (M8X1.25X30-MM)						
E	12	1	<b>5P-1469</b>		HOSE (454-CM)						

E - ORDER BY THE CENTIMETER  
M - METRIC PART



RIGHT SIDE VIEW

GRAPHIC #1

<END>

g03352013

# LUBRICATION SYSTEM

## 417-3704 GAUGE GP-OIL LEVEL (DIPSTICK)

S/N: MJE1-UP; GDS1-UP

REAR, RH

PART OF 388-4921 ENGINE AR, 349-5619, 349-5622 ENGINE AR-COMPLETE

ALSO AN ATTACHMENT

SMCS-1326

i05195873

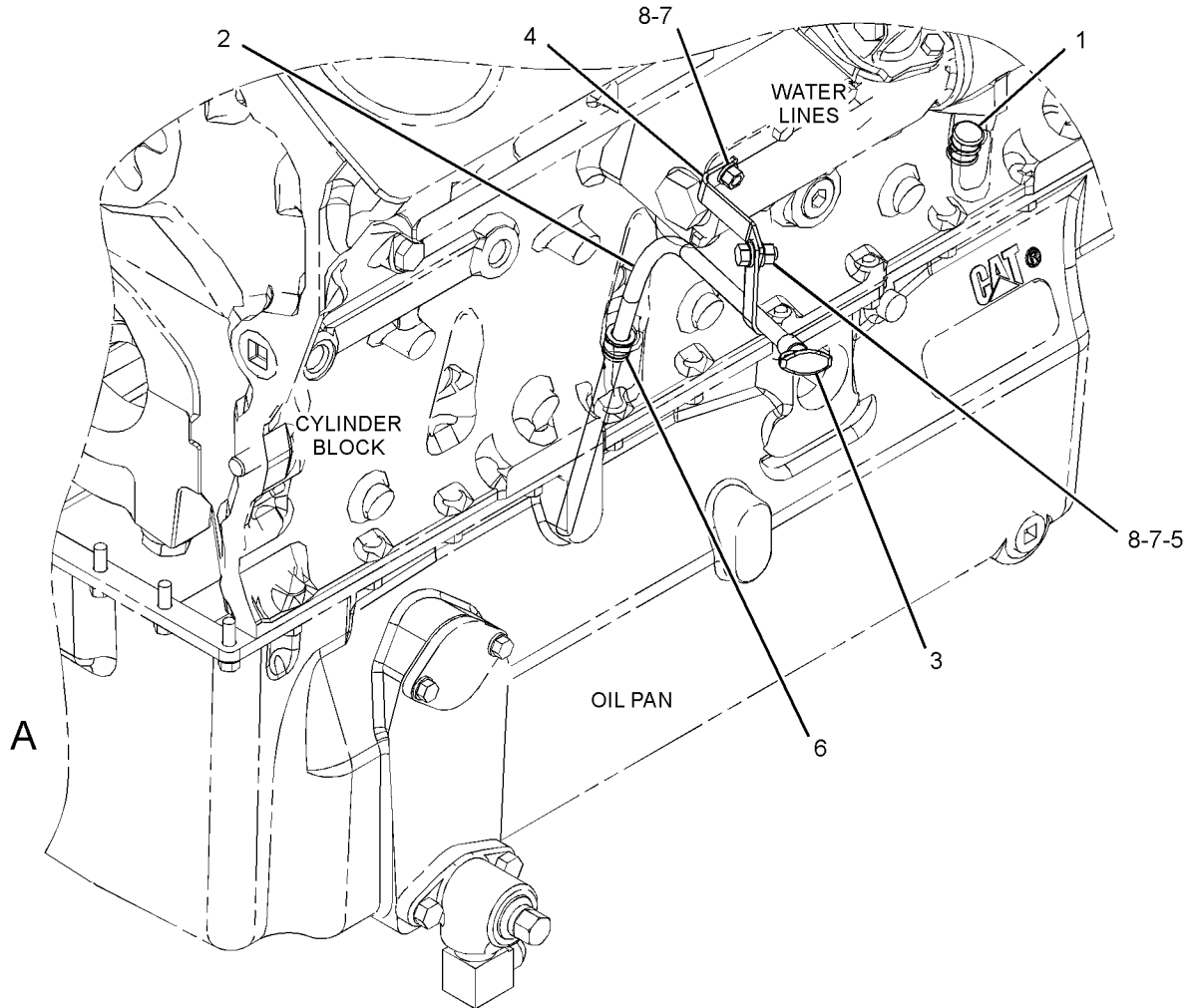
NOTE	REF NO	GRAPHIC REF	PART NUMBER	QTY	PART NAME						SEE PAGE
					1	2	3	4	5	6 (PRODUCT LEVEL)	
	1	1	165-6170	3	PLUG						
	2	1	283-2551	1	TUBE AS						
	3	1	417-3705	1	GAUGE AS-OIL LEVEL (DIPSTICK)						
	4	1	417-3706	1	BRACKET						
	5	1	0L-1351	1	BOLT (3/8-16X0.875-IN)						
	6	1	118-5068	1	SEAL-O-RING						
	7	1	5M-2894	3	WASHER-HARD (10.2X18.5X2.5-MM THK)						
	8	1	9S-8752	2	NUT-FULL (3/8-16-THD)						



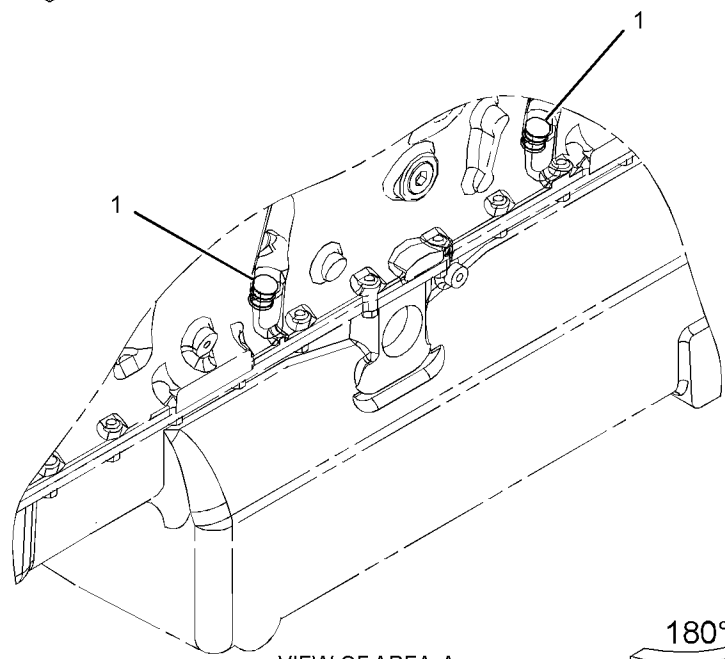
# LUBRICATION SYSTEM

417-3704 GAUGE GP-OIL LEVEL (DIPSTICK) (contd.)

i05195873



A



VIEW OF AREA A

180°

GRAPHIC #1

<END>

g03351046

# LUBRICATION SYSTEM

## 122-1790 LINES GP-ENGINE OIL

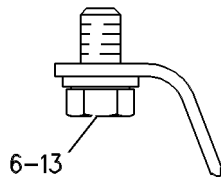
S/N: MJE1-UP

PART OF 388-4921 ENGINE AR, 349-5619, 349-5622 ENGINE AR-COMPLETE

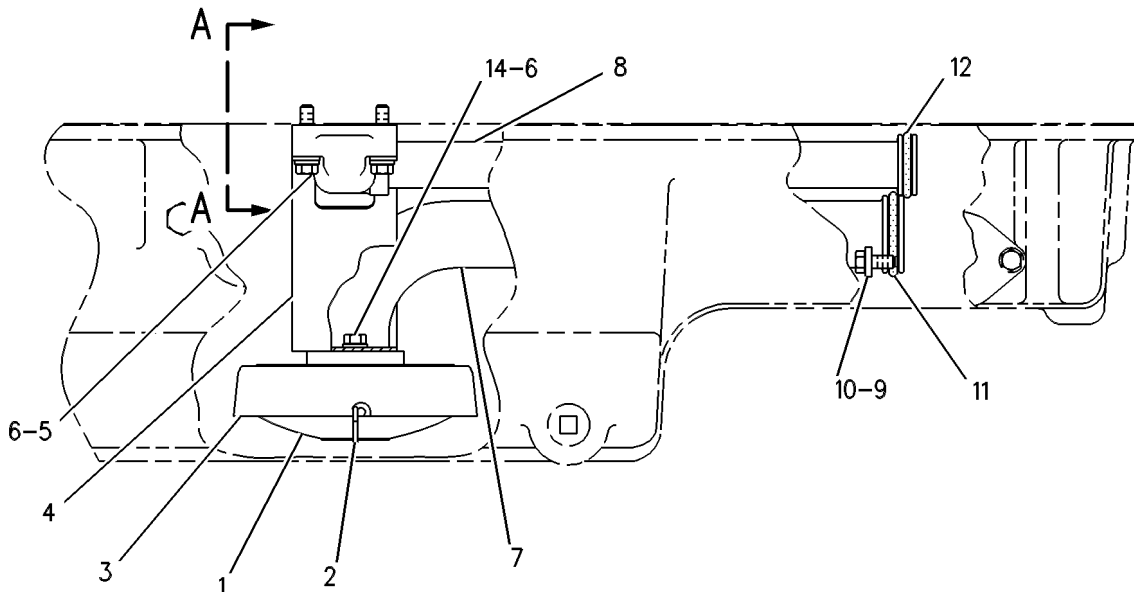
SMCS-1307

i03444065

NOTE	REF NO	GRAPHIC REF	PART NUMBER	QTY	PART NAME						SEE PAGE
					1	2	3	4	5	6 (PRODUCT LEVEL)	
	1	1	<b>4N-0913</b>	1	SCREEN-STRAINER (OIL PUMP)						
	2	1	<b>4N-0914</b>	1	CLIP						
	3	1	<b>8N-2104</b>	1	BELL AS-SUCTION						
		1	<b>1F-0750</b>	2	NUT-WELD (3/8-16-THD)						
	4	1	<b>6N-1381</b>	1	SUPPORT-BELL						
	5	1	<b>0S-1571</b>	2	BOLT (3/8-16X1.75-IN)						
	6	1	<b>5M-2894</b>	6	WASHER-HARD (10.2X18.5X2.5-MM THK)						
	7	1	<b>116-0765</b>	1	TUBE AS-OIL PUMP						
	8	1	<b>116-2699</b>	1	TUBE AS						
	9	1	<b>0L-1351</b>	1	BOLT (3/8-16X0.875-IN)						
	10	1	<b>8M-9024</b>	1	WASHER-HARD (10.2X22.5X5-MM THK)						
	11	1	<b>109-0076</b>	1	SEAL-O-RING						
	12	1	<b>109-0078</b>	1	SEAL-O-RING						
	13	1	<b>0S-0509</b>	2	BOLT (3/8-16X0.75-IN)						
	14	1	<b>1A-2029</b>	2	BOLT (3/8-16X1.125-IN)						



SECTION A-A



RIGHT SIDE VIEW

GRAPHIC #1

<END>

g00086540

# LUBRICATION SYSTEM

## 144-4306 LINES GP-ENGINE OIL

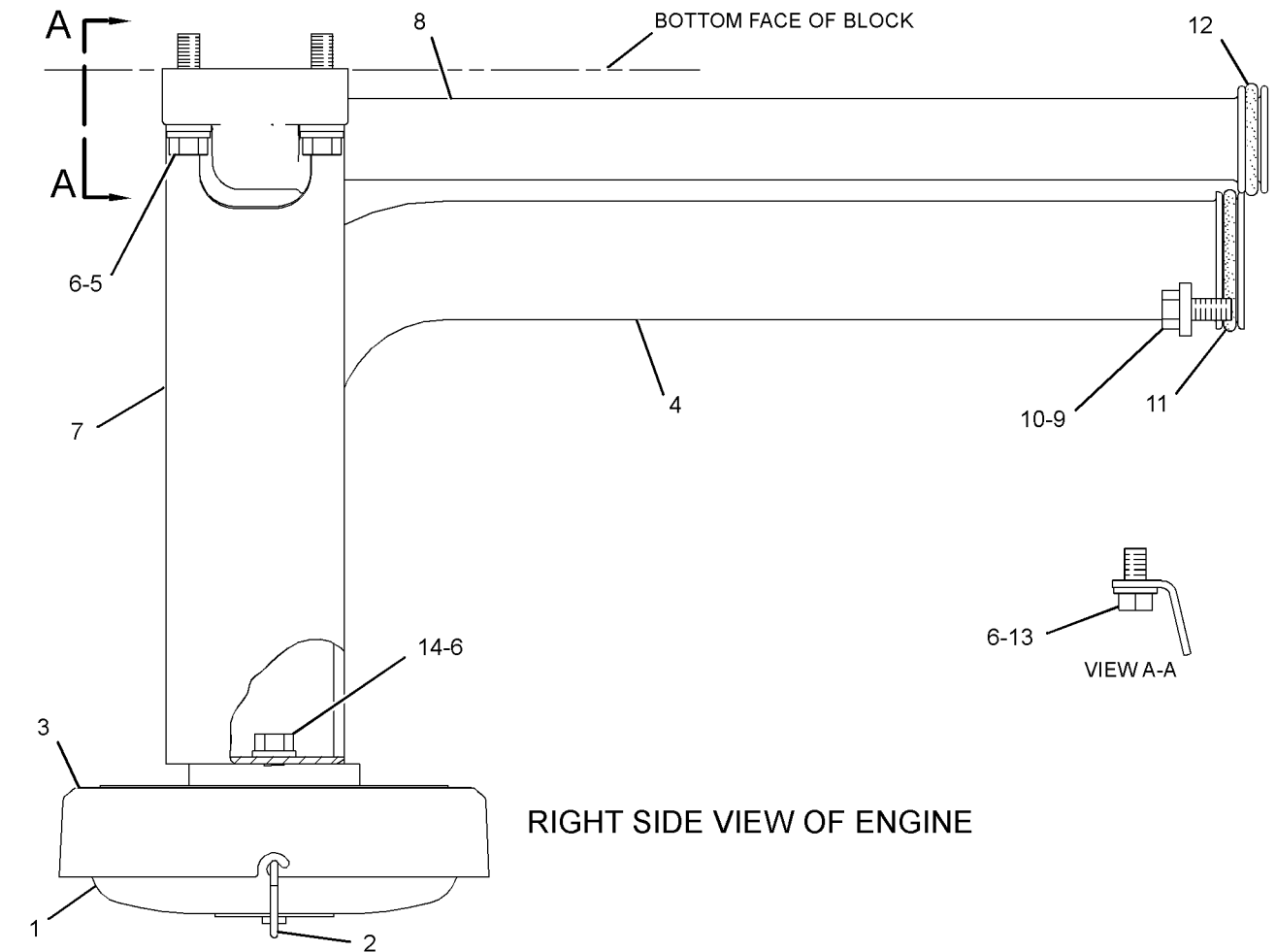
S/N: MJE1-UP; GDS1-UP

ALSO AN ATTACHMENT

SMCS-1307

i05195760

NOTE	REF NO	GRAPHIC REF	PART NUMBER	QTY	PART NAME						SEE PAGE
					1	2	3	4	5	6 (PRODUCT LEVEL)	
	1	1	4N-0913	1	SCREEN-STRAINER (ENGINE OIL LINES)						
	2	1	4N-0914	1	CLIP						
	3	1	8N-2104	1	BELL AS-SUCTION						
		1	1F-0750	2	NUT-WELD (3/8-16-THD)						
	4	1	139-6118	1	TUBE AS-SUCTION						
	5	1	0S-1571	2	BOLT (3/8-16X1.75-IN)						
	6	1	5M-2894	6	WASHER-HARD (10.2X18.5X2.5-MM THK)						
	7	1	6N-1050	1	SUPPORT-BELL						
	8	1	116-2699	1	TUBE AS						
	9	1	0L-1351	1	BOLT (3/8-16X0.875-IN)						
	10	1	8M-9024	1	WASHER-HARD (10.2X22.5X5-MM THK)						
	11	1	3P-0650	1	SEAL-O-RING						
	12	1	5P-8068	1	SEAL-O-RING						
	13	1	0S-0509	2	BOLT (3/8-16X0.75-IN)						
	14	1	1A-2029	2	BOLT (3/8-16X1.125-IN)						



RIGHT SIDE VIEW OF ENGINE

GRAPHIC #1

<END>

g01534446

# LUBRICATION SYSTEM

## 271-3843 LINES GP-ENGINE OIL DRAIN

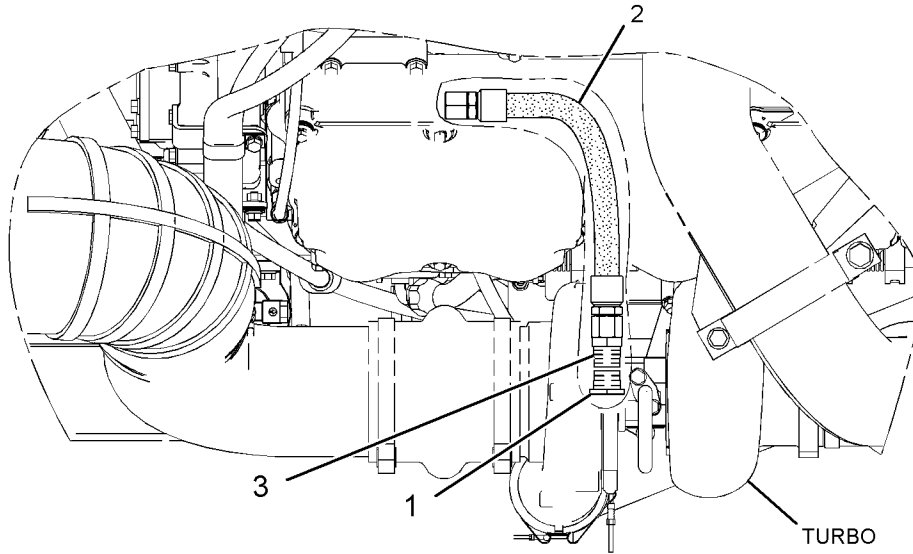
S/N: GDS1-UP  
AN ATTACHMENT

SMCS-1307

i03445375

NOTE	REF NO	GRAPHIC REF	PART NUMBER	QTY	PART NAME						SEE PAGE
					1	2	3	4	5	6 (PRODUCT LEVEL)	
	1	1	<b>137-5552</b>	1	PLUG-ADAPTER						
I	2	1	<b>273-3768</b>	1	HOSE AS						
C	3	1	<b>004-3099</b>	1	CONNECTOR						

C - CHANGE FROM PREVIOUS TYPE  
I - REFER TO HYDRAULIC INFORMATION SYSTEM



TOP VIEW OF ENGINE

GRAPHIC #1

<END>

g01520751

# LUBRICATION SYSTEM

## 261-0502 LINES GP-TURBOCHARGER OIL

S/N: MJE1-UP

PART OF 388-4921 ENGINE AR, 349-5619, 349-5622 ENGINE AR-COMPLETE

SMCS-1052, 1307

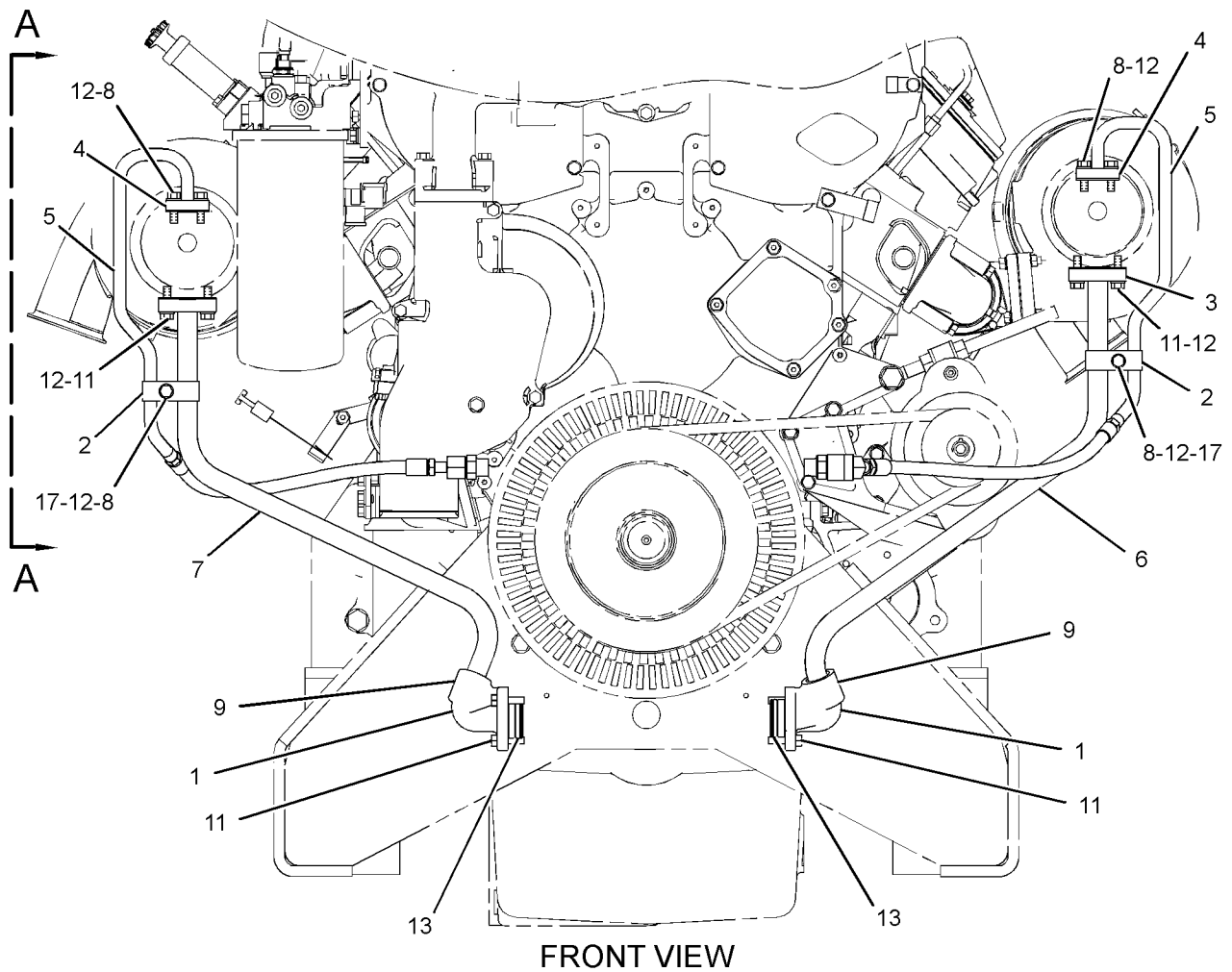
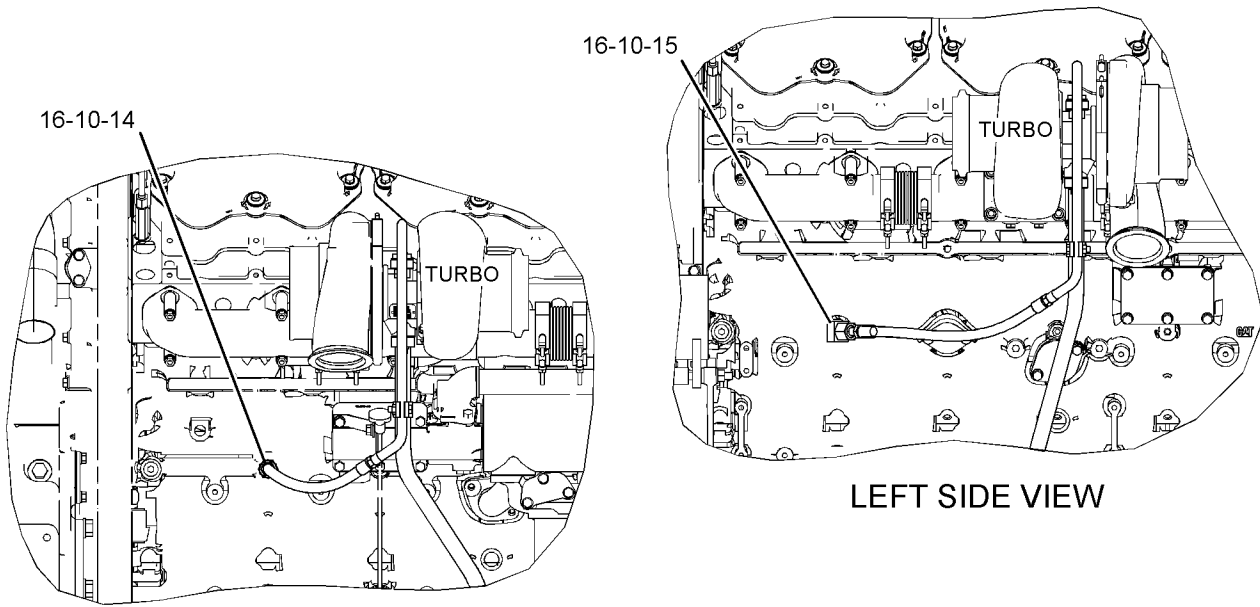
i03451217

NOTE	REF NO	GRAPHIC REF	PART NUMBER	QTY	PART NAME						SEE PAGE
					1	2	3	4	5	6 (PRODUCT LEVEL)	
	1	1	<b>7N-9008</b>	2	ELBOW						
	2	1	<b>9M-2564</b>	4	CLAMP-TUBE						
	3	1	<b>126-2702</b>	2	SEAL-INTEGRAL						
	4	1	<b>198-6068</b>	2	SEAL-INTEGRAL						
	5	1	<b>217-5678</b>	2	TUBE AS						
	6	1	<b>252-6821</b>	1	TUBE AS						
	7	1	<b>261-0973</b>	1	TUBE AS						
	8	1	<b>0S-1588</b>	6	BOLT (3/8-16X1.25-IN)						
	9	1	<b>112-3540</b>	2	SEAL-O-RING						
	10	1	<b>136-7227</b>	2	SEAL-O-RING						
	11	1	<b>3B-1915</b>	8	BOLT (3/8-16X1.375-IN)						
	12	1	<b>5M-2894</b>	12	WASHER-HARD (10.2X18.5X2.5-MM THK)						
	13	1	<b>5P-5846</b>	2	SEAL-O-RING						
	14	1	<b>6V-8642</b>	1	CONNECTOR						
	15	1	<b>6V-9003</b>	1	ELBOW						
	16	1	<b>8L-2746</b>	2	SEAL-O-RING						
	17	1	<b>9S-8752</b>	2	NUT-FULL (3/8-16-THD)						

# LUBRICATION SYSTEM

261-0502 LINES GP-TURBOCHARGER OIL (contd.)

i03451217



GRAPHIC #1

<END>

g01190606

# LUBRICATION SYSTEM

## 361-6014 LINES GP-TURBOCHARGER OIL

S/N: MJE1-UP; GDS1-UP  
FOR USE WITH LARGE CAPACITY PAN  
ALSO AN ATTACHMENT

SMCS-1052, 1307

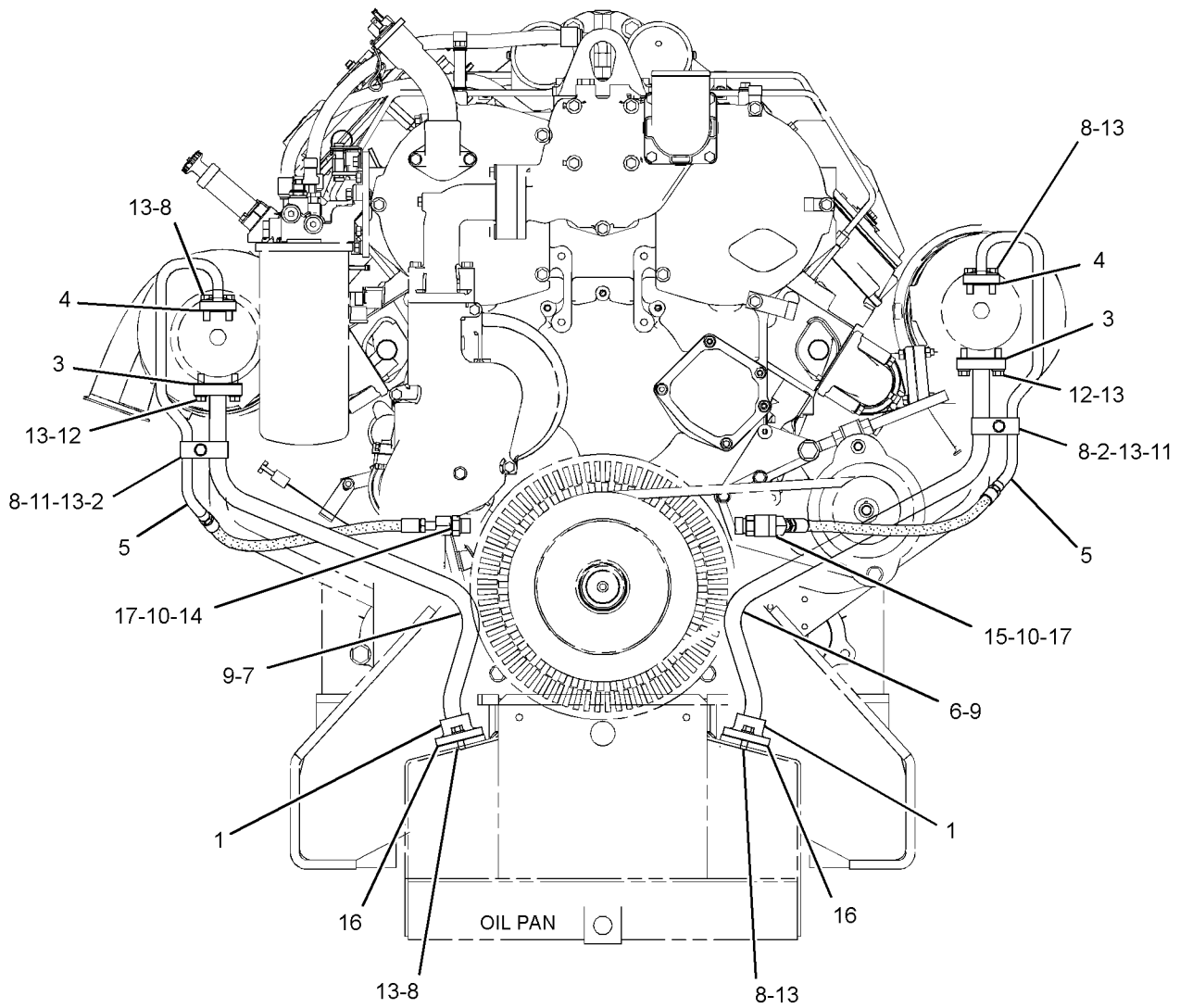
i05195763

NOTE	REF NO	GRAPHIC REF	PART NUMBER	QTY	PART NAME						SEE PAGE
					1	2	3	4	5	6 (PRODUCT LEVEL)	
	1	1	<b>7E-0311</b>	2	ADAPTER						
	2	1	<b>9M-2564</b>	4	CLAMP-TUBE						
	3	1	<b>126-2702</b>	2	SEAL-INTEGRAL						
	4	1	<b>198-6068</b>	2	SEAL-INTEGRAL						
	5	1	<b>217-5678</b>	2	TUBE AS						
	6	1	<b>361-6016</b>	1	TUBE AS						
	7	1	<b>361-6017</b>	1	TUBE AS						
	8	1	<b>0S-1588</b>	10	BOLT (3/8-16X1.25-IN)						
	9	1	<b>112-3540</b>	2	SEAL-O-RING						
	10	1	<b>238-5081</b>	2	SEAL-O-RING						
	11	1	<b>9S-8752</b>	2	NUT-FULL (3/8-16-THD)						
	12	1	<b>3B-1915</b>	4	BOLT (3/8-16X1.375-IN)						
	13	1	<b>5M-2894</b>	16	WASHER-HARD (10.2X18.5X2.5-MM THK)						
	14	1	<b>6V-8642</b>	1	CONNECTOR						
	15	1	<b>6V-9003</b>	1	ELBOW						
	16	1	<b>239-5572</b>	2	SEAL-INTEGRAL						
	17	1	<b>8L-2746</b>	2	SEAL-O-RING						

# LUBRICATION SYSTEM

361-6014 LINES GP-TURBOCHARGER OIL (contd.)

i05195763



FRONT VIEW OF ENGINE

GRAPHIC #1

<END>

g02682937



# LUBRICATION SYSTEM

## 116-1980 PUMP GP-ENGINE OIL\*R

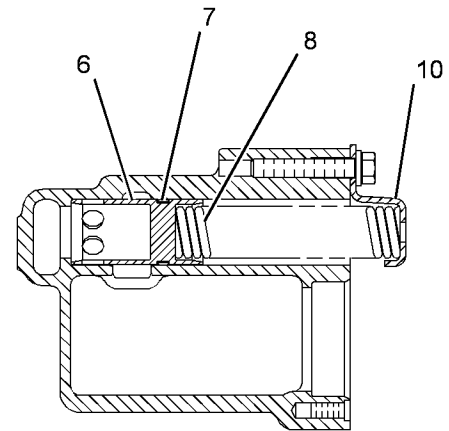
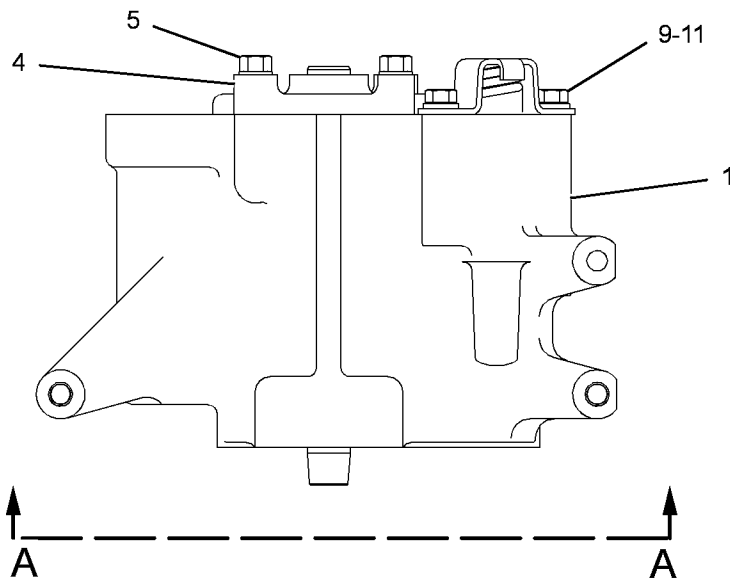
S/N: MJE1-UP; GDS1-UP

ALSO AN ATTACHMENT

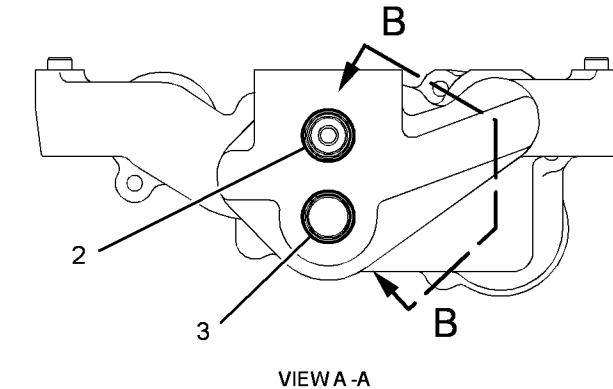
SMCS-1304, 1315

i04782534

NOTE	REF NO	GRAPHIC REF	PART NUMBER	QTY	PART NAME						SEE PAGE
					1	2	3	4	5	6 (PRODUCT LEVEL)	
	1	1	<b>116-1979</b>	1	BODY AS-OIL PUMP						
		1	<b>7N-2156</b>	2	BUSHING						
		1	<b>8M-8489</b>	2	DOWEL						
2	1	1	<b>105-1482</b>	1	SHAFT AS-PUMP DRIVE						
3	1	1	<b>107-7373</b>	1	SHAFT AS-IDLER						
4	1	1	<b>127-6356</b>	1	COVER AS-PUMP						
		1	<b>8S-6511</b>	2	BUSHING						
5	1	1	<b>2P-3205</b>	4	BOLT-WASHER HEAD (3/8-16X1.75-IN)						
6	1	1	<b>7C-1512</b>	1	PLUNGER						
7	1	1	<b>7C-1511</b>	1	RING-PLUNGER						
8	1	1	<b>2S-2760</b>	1	SPRING						
9	1	1	<b>1M-0644</b>	2	BOLT (3/8-16X2.25-IN)						
10	1	1	<b>122-9943</b>	1	RETAINER						
11	1	1	<b>5M-2894</b>	2	WASHER-HARD (10.2X18.5X2.5-MM THK)						



VIEW B-B



VIEW A-A

GRAPHIC #1

<END>

g01667814

# LUBRICATION SYSTEM

## 391-3034 REGULATOR GP-OIL LEVEL

S/N: GDS1-UP  
 C27 EP NEWSBERRY ENGINES  
 FOR USE WITH 186 LITER OIL PAN GP  
 AN ATTACHMENT

SMCS-1334

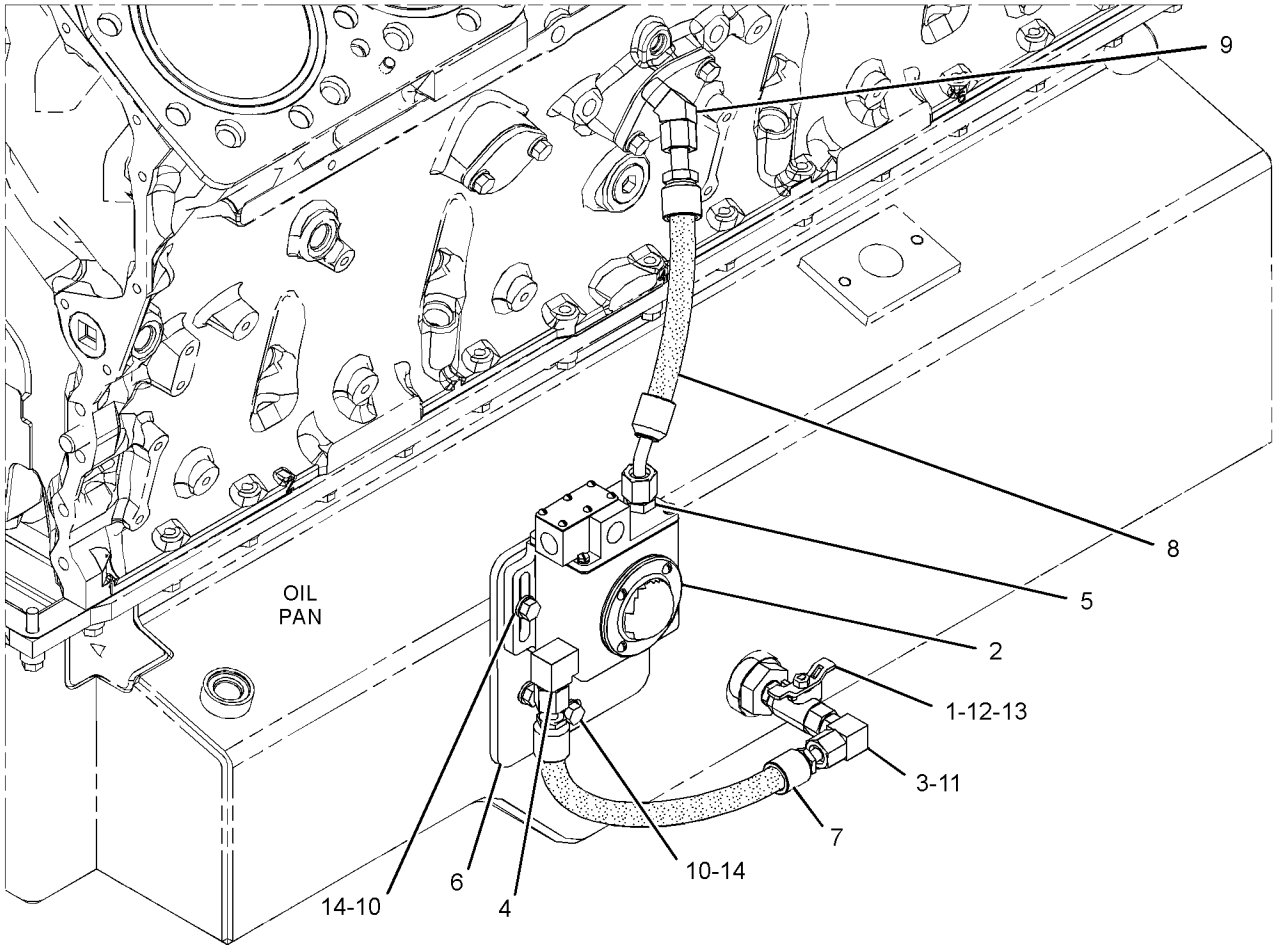
i05195768

NOTE	REF NO	GRAPHIC REF	PART NUMBER	QTY	PART NAME						SEE PAGE
					1	2	3	4	5	6 (PRODUCT LEVEL)	
	1	1	153-2767	1	VALVE-BALL (SHUTOFF, OIL)						
	2	1	213-6133	1	REGULATOR AS (ENGINE OIL LEVEL)						
	3	1	352-9919	1	VALVE AS-CHECK (SHUTOFF, OIL)						
		1	214-7568	1	SEAL-O-RING						
	4	1	367-5990	1	ELBOW AS						
		1	2T-1922	1	ELBOW						
		1	180-8424	1	SEAL-O-RING						
	5	1	369-6847	1	CONNECTOR AS						
		1	8C-6871	1	CONNECTOR						
		1	180-8424	1	SEAL-O-RING						
	6	1	390-4107	1	BRACKET AS						
	7	1	391-3035	1	HOSE AS						
	8	1	391-3036	1	HOSE AS						
	9	1	197-6355	1	ELBOW AS						
		1	3E-7449	1	ELBOW						
		1	6V-8398	1	SEAL-O-RING						
	10	1	1A-2029	6	BOLT (3/8-16X1.125-IN)						
	11	1	214-7568	1	SEAL-O-RING						
	12	1	228-7090	1	SEAL-O-RING						
	13	1	329-5454	1	PLUG AS						
		1	8J-0426	1	PLUG						
		1	238-5084	1	SEAL-O-RING						
	14	1	5M-2894	6	WASHER-HARD (10.2X18.5X2.5-MM THK)						

# LUBRICATION SYSTEM

391-3034 REGULATOR GP-OIL LEVEL (contd.)

i05195768



GRAPHIC #1

<END>

g03052737

# LUBRICATION SYSTEM

## 397-5686 REGULATOR GP-OIL LEVEL

S/N: MJE1-UP

PART OF 388-4921 ENGINE AR

SMCS-1334

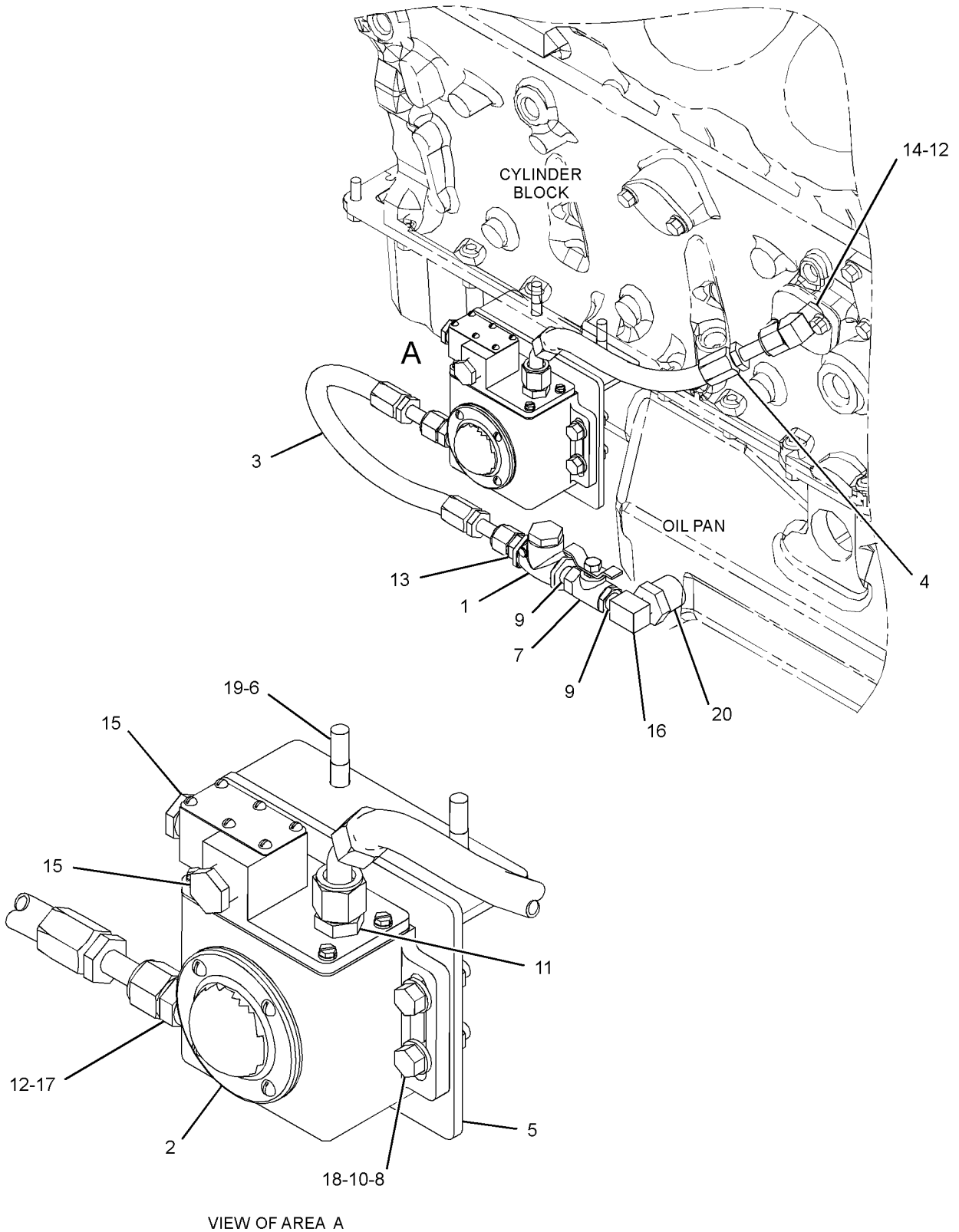
i05224228

NOTE	REF NO	GRAPHIC REF	PART NUMBER	QTY	PART NAME						SEE PAGE
					1	2	3	4	5	6 (PRODUCT LEVEL)	
	1	1	<b>7W-4979</b>	1	VALVE-CHECK						
	2	1	<b>213-6133</b>	1	REGULATOR AS (ENGINE OIL LEVEL)						
	3	1	<b>394-9366</b>	1	HOSE AS						
	4	1	<b>395-4047</b>	1	HOSE AS-AIR						
	5	1	<b>280-7394</b>	1	BRACKET AS						
	6	1	<b>2A-4639</b>	2	BOLT (3/8-16X1.625-IN)						
	7	1	<b>169-7326</b>	1	VALVE-BALL (SHUTOFF, OIL)						
	8	1	<b>3B-1915</b>	3	BOLT (3/8-16X1.375-IN)						
	9	1	<b>3B-7741</b>	2	NIPPLE-PIPE (CLOSE)						
	10	1	<b>5M-2894</b>	6	WASHER-HARD (10.2X18.5X2.5-MM THK)						
	11	1	<b>369-6847</b>	1	CONNECTOR AS						
		1	<b>8C-6871</b>	1	CONNECTOR						
		1	<b>180-8424</b>	1	SEAL-O-RING						
	12	1	<b>228-7090</b>	2	SEAL-O-RING						
	13	1	<b>352-6496</b>	1	ADAPTER AS						
		1	<b>8C-6871</b>	1	CONNECTOR						
		1	<b>228-7090</b>	1	SEAL-O-RING						
	14	1	<b>3E-7449</b>	1	ELBOW						
	15	1	<b>7W-6492</b>	2	PLUG-PIPE						
	16	1	<b>9M-5501</b>	1	ELBOW-STREET						
	17	1	<b>8C-6872</b>	1	CONNECTOR						
	18	1	<b>9S-8752</b>	3	NUT-FULL (3/8-16-THD)						
	19	1	<b>9X-6458</b>	2	WASHER-HARD (10.2X22.5X3-MM THK)						
	20	1	<b>6B-1628</b>	1	BUSHING-REDUCING						

# LUBRICATION SYSTEM

397-5686 REGULATOR GP-OIL LEVEL (contd.)

i05224228



GRAPHIC #1

<END>

g03374908

# COOLING SYSTEM

## 349-7546 LINES GP-COOLANT

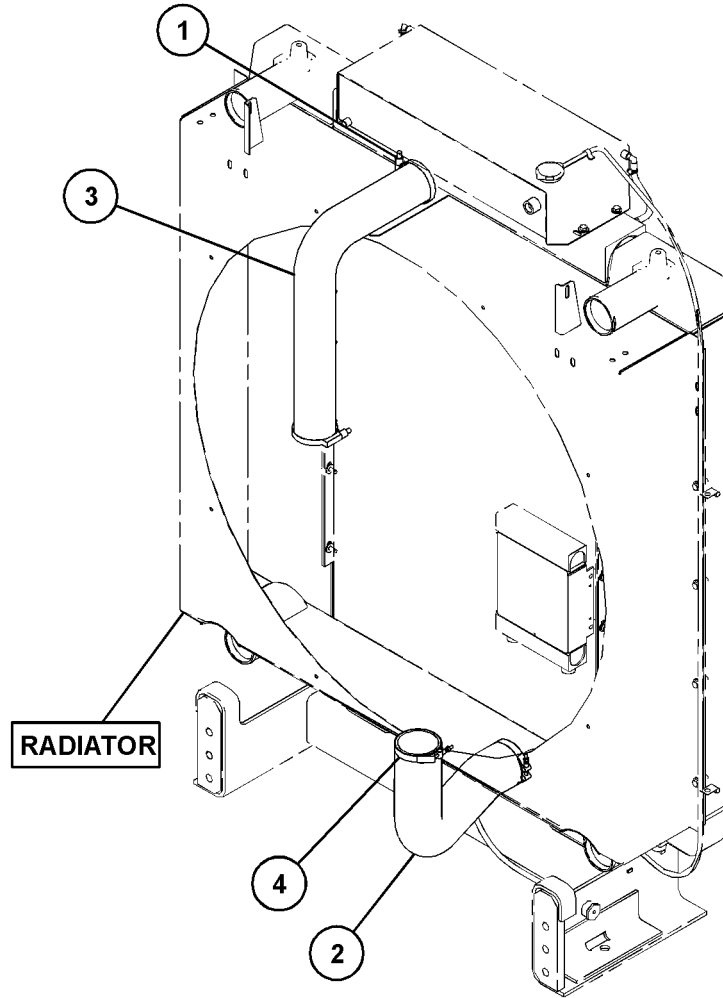
S/N: GDS1-UP

PART OF 349-2574 RADIATOR & FAN GP  
AN ATTACHMENT

SMCS-1380

i05202515

NOTE	REF NO	GRAPHIC REF	PART NUMBER	QTY	PART NAME						SEE PAGE
					1	2	3	4	5	6	
	1	1	9X-2201	2	CLAMP-HOSE						
	2	1	349-7543	1	HOSE-WATER INLET						
	3	1	349-7545	1	HOSE						
	4	1	212-6932	2	CLAMP						



GRAPHIC #1

<END>

g03337378

# COOLING SYSTEM

## 255-5536 LINES GP-WATER

S/N: MJE1-UP; GDS1-UP

PART OF 388-4921 ENGINE AR, 349-5619, 349-5622 ENGINE AR-COMplete  
ALSO AN ATTACHMENT

SMCS-1355, 1380, 1393

i04941477

NOTE	REF NO	GRAPHIC REF	PART NUMBER	QTY	PART NAME						SEE PAGE
					1	2	3	4	5	6 (PRODUCT LEVEL)	
	1	1	4N-0864	1	GASKET						
	2	1	4N-1946	1	GASKET						
	3	1	6N-0008	1	ADAPTER						
R	4	1	7C-0145	1	CORE AS-OIL COOLER (ENGINE)						
	5	1	192-4309	1	SEAL-O-RING						
	6	2	200-6410	1	SEAL-O-RING						
	7	1	230-1294	1	ELBOW						
	8	1	230-1296	1	ELBOW						
	9	1,2	230-1302	3	FLANGE						
	10	1	231-4708	5	SEAL-O-RING						
	11	2	233-4877	1	COVER-WATER PUMP						
	12	2	234-3438	1	ELBOW						
	13	2	235-4753	1	ELBOW						
	14	1	236-2502	2	COVER						
	15	2	239-5225	1	HOUSING AS (REGULATOR)						
		2	3B-0622	1	PLUG-CUP						
		2	3S-9643	2	SEAL-LIP TYPE (WATER TEMPERATURE REGULATOR)						
		2	111-4374	1	VALVE AS-VENT LINE						
	16	1	248-5513	2	REGULATOR-TEMPERATURE (92-DEG C) (COOLANT)						
	17	1	249-9383	1	BONNET						
	18	1	249-9384	1	TUBE AS-BYPASS						
	19	1	264-0310	1	BONNET-OIL COOLER						
	20	2	0L-1143	2	BOLT (3/8-16X2.5-IN)						
	21	2	0S-1588	4	BOLT (3/8-16X1.25-IN)						
	22	1,2	0S-1594	10	BOLT (3/8-16X1-IN)						
	23	2	0S-1608	3	BOLT (3/8-16X3.75-IN)						
	24	1	0T-0055	4	BOLT (3/8-16X4.25-IN)						
	25	1	0T-0065	5	BOLT (3/8-16X3.5-IN)						
	26	1	0T-0573	2	BOLT (3/8-16X2.75-IN)						
	27	1	107-5769	2	SEAL-O-RING						
	28	1	109-0074	1	SEAL-O-RING						
	29	2	109-0076	3	SEAL-O-RING						
	30	1	109-0077	2	SEAL-O-RING						
	31	1	112-3258	1	SEAL-O-RING						
	32	1,2	1C-2251	7	BOLT (3/8-16X1.87-IN)						
	33	1	5M-2894	4	WASHER-HARD (10.2X18.5X2.5-MM THK)						
	34	1	6V-5063	5	SEAL-O-RING						
	35	1	6V-5064	1	SEAL-O-RING						
	36	1,2	6V-6609	4	SEAL-O-RING						
	37	1,2	6V-9027	4	SEAL-O-RING						
	38	2	8T-1703	4	SEAL-O-RING						
	39	1	9S-4181	1	PLUG-O-RING						
	40	1,2	9S-4182	4	PLUG-O-RING						
	41	1	9S-4183	3	PLUG						
	42	1,2	9S-4185	4	PLUG-O-RING						
	43	1	9S-8008	1	PLUG-O-RING (WATER LINES GROUP)						
	44	1,2	9X-6458	10	WASHER-HARD (10.2X22.5X3-MM THK)						
	45	1	157-0670	1	CAP-DUST						
	46	1	8C-3446	1	VALVE-FLUID SAMPLING						
	47	1	6P-4975	1	ADAPTER						
	48	1	3J-7354	1	SEAL-O-RING						
	49	2	300-8720	2	STUD (3/8-16X0.393-IN)						
	50	1	143-9393	1	STUD (3/8-16-THD)						

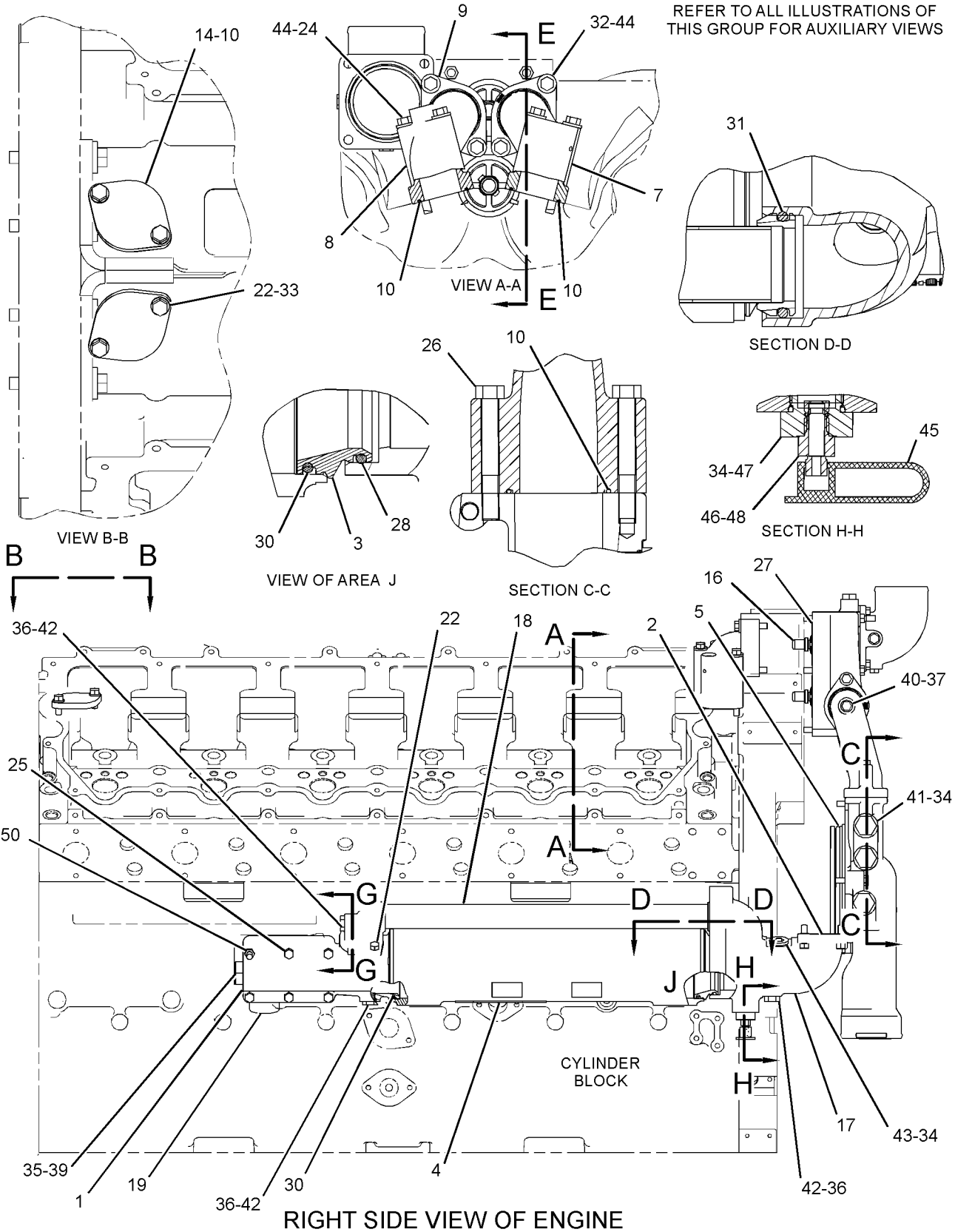
R - REMFG PART MAY BE AVAILABLE

# COOLING SYSTEM

255-5536 LINES GP-WATER (contd.)

i04941477

REFER TO ALL ILLUSTRATIONS OF THIS GROUP FOR AUXILIARY VIEWS



GRAPHIC #1

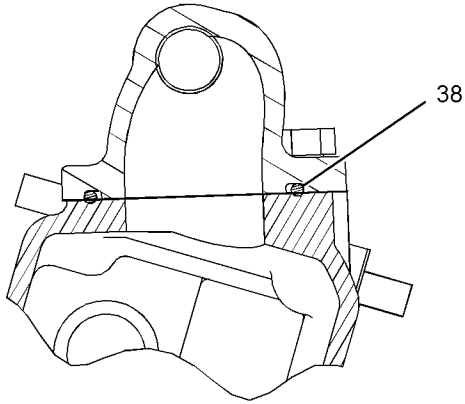
g03151819



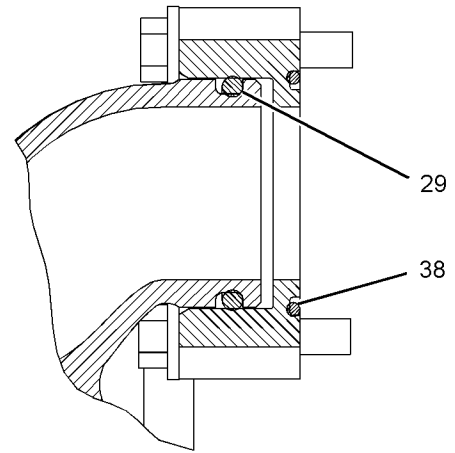
# COOLING SYSTEM

255-5536 LINES GP-WATER (contd.)

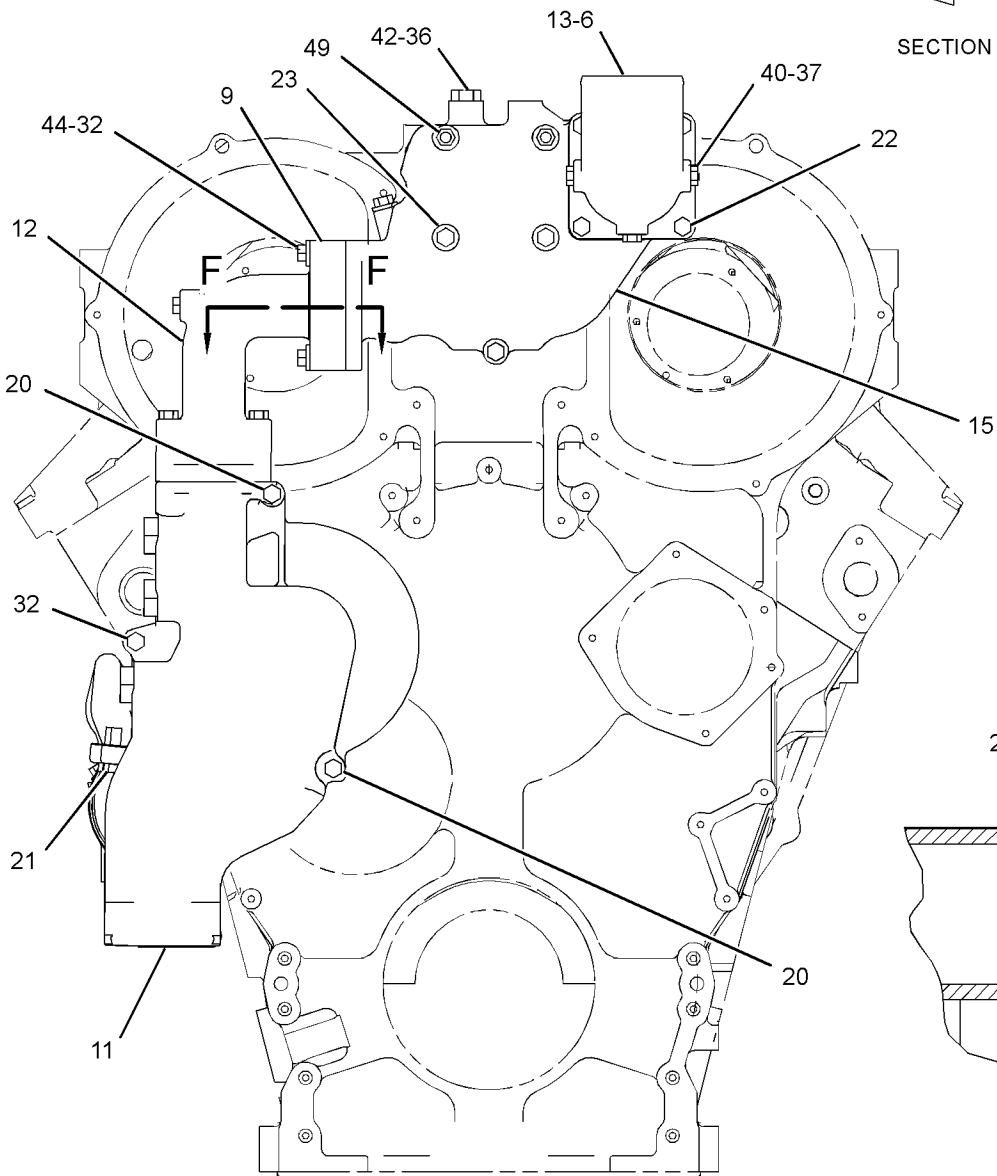
i04941477



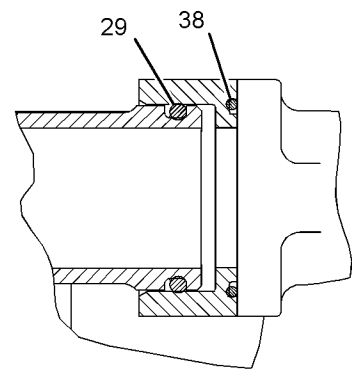
SECTION G-G



SECTION E-E



FRONT VIEW OF ENGINE



SECTION F-F

GRAPHIC #2

<END>

g03151820

# COOLING SYSTEM

## 230-4172 PUMP GP-WATER

S/N: MJE1-UP; GDS1-UP

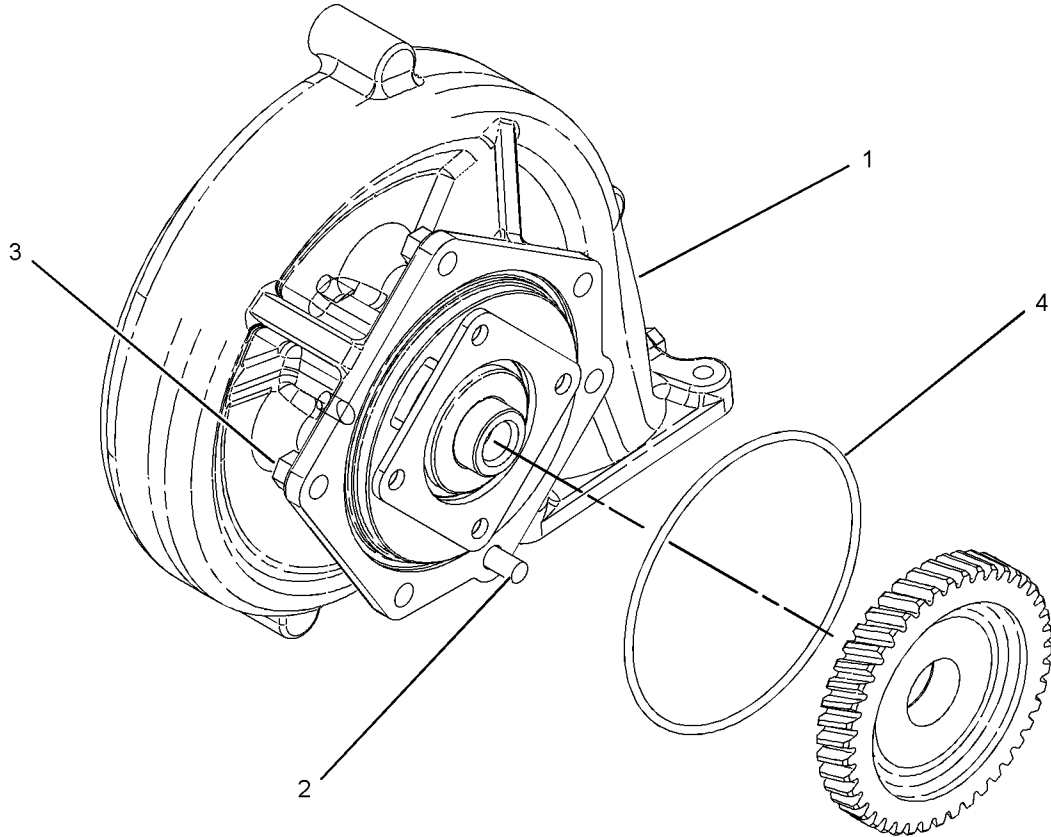
PART OF 388-4921 ENGINE AR, 349-5619, 349-5622 ENGINE AR-COMPLETE  
ALSO AN ATTACHMENT

SMCS-1361

i04432090

NOTE	REF NO	GRAPHIC REF	PART NUMBER	QTY	PART NAME						SEE PAGE
					1	2	3	4	5	6 (PRODUCT LEVEL)	
CYR	1	1	<b>352-0202</b>	1	PUMP GP-WATER (BASIC)						101
	2	1	<b>1A-2029</b>	1	BOLT (3/8-16X1.125-IN)						
	3	1	<b>9S-8752</b>	4	NUT-FULL (3/8-16-THD)						
	4	1	<b>9X-7371</b>	1	SEAL-O-RING						

C - CHANGE FROM PREVIOUS TYPE  
R - REMFG PART MAY BE AVAILABLE  
Y - SEPARATE ILLUSTRATION



GRAPHIC #1

<END>

g01052763

# COOLING SYSTEM

## 352-0202 PUMP GP-WATER\*R

S/N: MJE1-UP; GDS1-UP

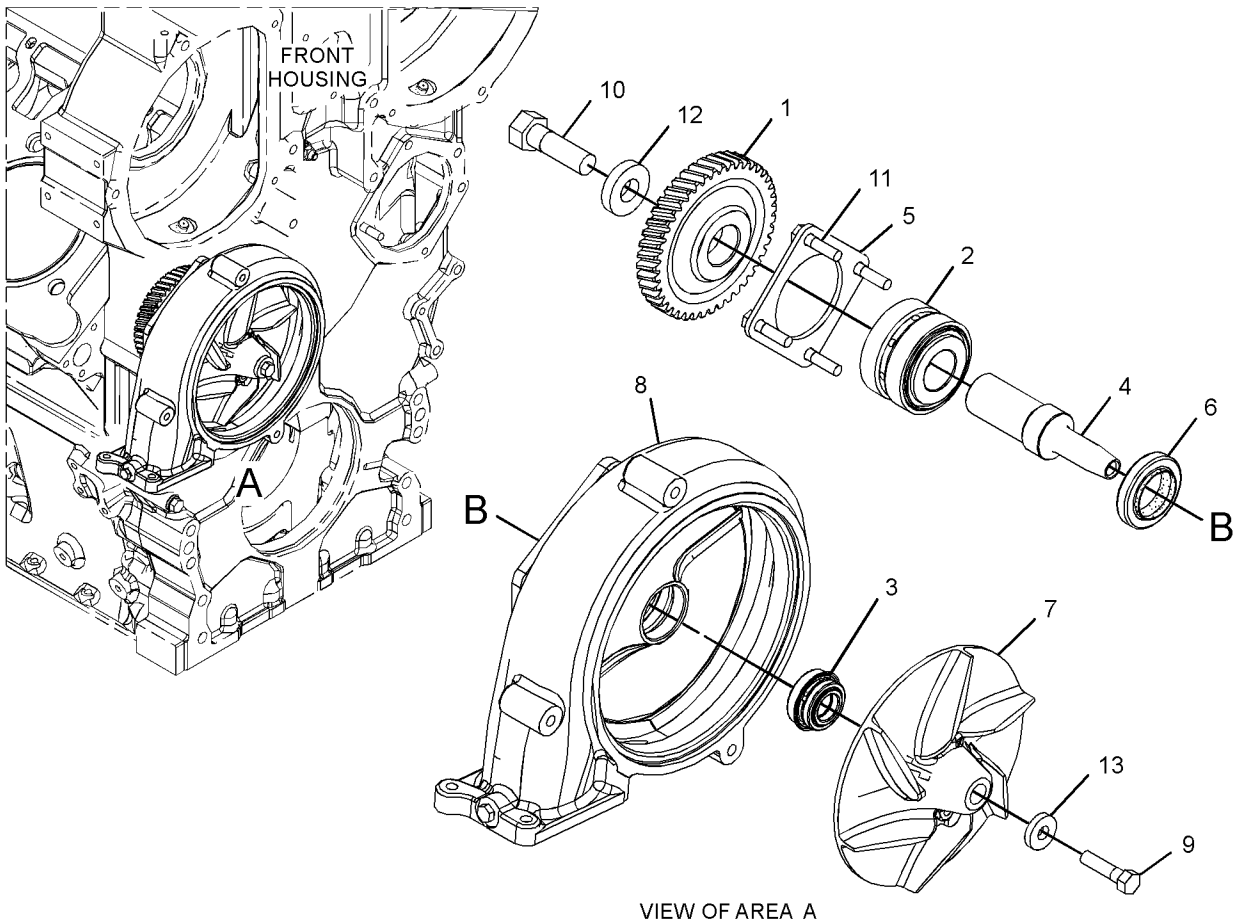
PART OF 230-4172 PUMP GP-WATER

ALSO AN ATTACHMENT

SMCS-1361

i04432374

NOTE	REF NO	GRAPHIC REF	PART NUMBER	QTY	PART NAME						SEE PAGE
					1	2	3	4	5	6	
	1	1	4N-1948	1	GEAR (43-TEETH)						
	2	1	108-7930	1	BEARING AS-ROLLER						
	3	1	349-2654	1	SEAL-WATER PUMP						
	4	1	135-4928	1	SHAFT-WATER PUMP						
	5	1	136-1107	1	RETAINER						
	6	1	153-1256	1	SEAL-LIP TYPE						
	7	1	219-4455	1	IMPELLER-PUMP						
	8	1	219-4456	1	HOUSING AS-PUMP						
			4M-1336	1	FERRULE						
			8T-6764	1	PLUG-PIPE (1/8-27-THD)						
			111-2721	1	PLUG-FELT						
9	1	1	0S-1591	1	BOLT (3/8-16X1.5-IN)						
10	1	1	1A-1135	1	BOLT (5/8-11X2-IN)						
11	1	1	1B-7182	4	BOLT (5/16-18X1.25-IN)						
12	1	1	5S-0581	1	WASHER-HARD (17X38X8-MM THK)						
13	1	1	9M-6527	1	WASHER-HARD (10.2X25.5X5-MM THK)						



GRAPHIC #1

<END>

g02627316

# COOLING SYSTEM

## 388-9966 RADIATOR & AFTERCOOLER GP

S/N: GDS1-UP

PART OF 349-2574 RADIATOR & FAN GP  
AN ATTACHMENT

SMCS-1063, 1353

i05202520

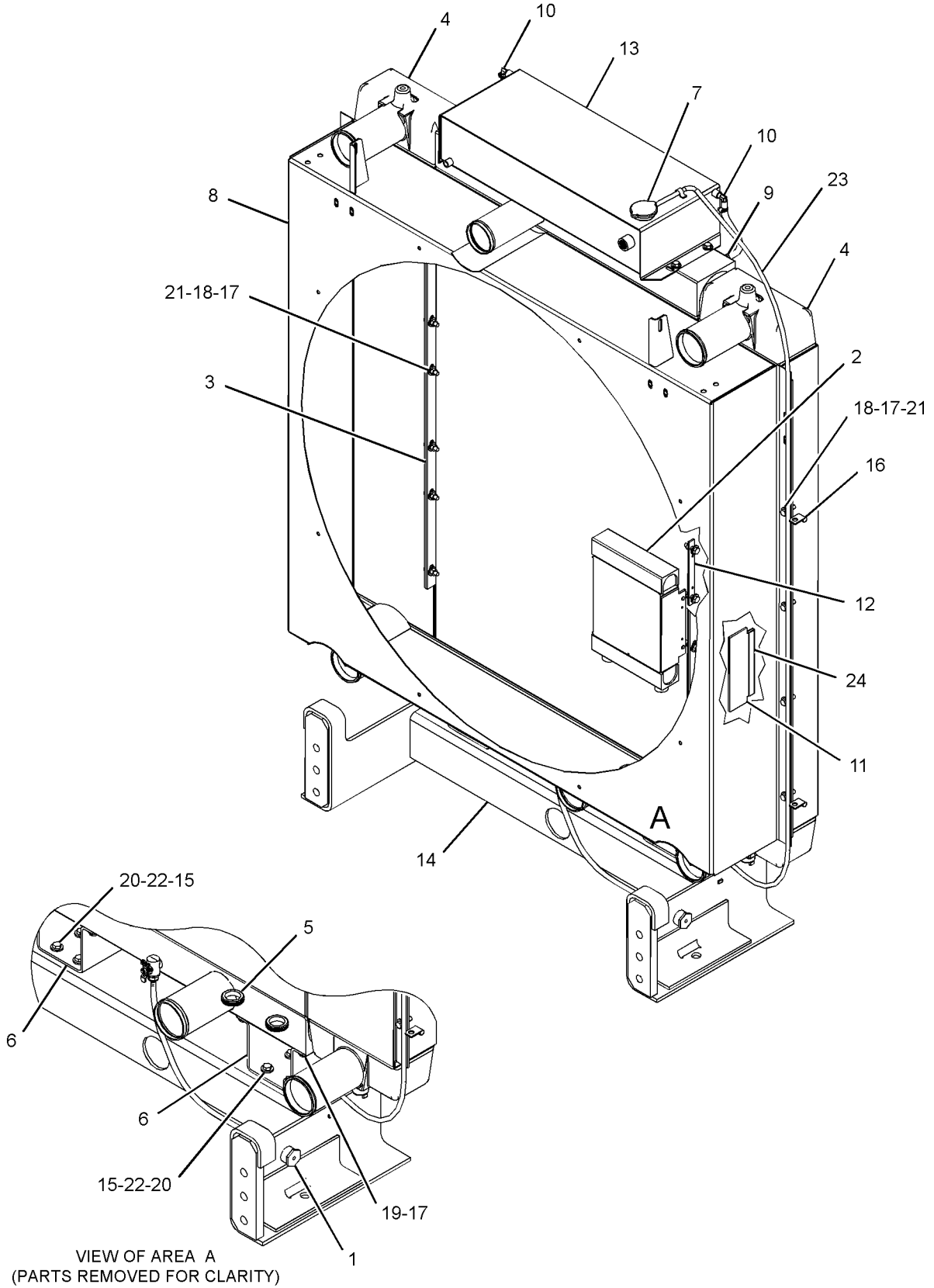
NOTE	REF NO	GRAPHIC REF	PART NUMBER	QTY	PART NAME						SEE PAGE
					1	2	3	4	5	6 (PRODUCT LEVEL)	
	1	1	137-5552	1	PLUG-ADAPTER						
	2	1	287-4781	1	COOLER GP-FUEL						
	3	1	287-4782	1	RADIATOR AS						
	4	1	287-4783	2	AFTERCOOLER						
	5	1	287-4784	2	GROMMET						
	6	1	287-4785	2	SUPPORT						
	7	1	287-4786	1	CAP-PRESSURE VALVE						
	8	1	287-4787	1	SHROUD AS						
	9	1	287-4794	2	ADAPTER						
	10	1	287-4795	2	ELBOW						
	11	1	288-5162	2	PLATE						
	12	1	288-5165	1	PLATE AS						
M		1	8T-4133	2	NUT (M10X1.5-THD)						
	13	1	346-1103	1	TANK-EXPANSION						
	14	1	349-2580	1	RAIL AS						
		1	277-3716	1	COUPLING						
	15	1	5P-1076	16	WASHER-HARD (13.5X30X4-MM THK)						
	16	1	6S-5993	2	CLIP						
	17	1	7X-7729	72	WASHER (11X25X3-MM THK)						
M	18	1	8T-4133	32	NUT (M10X1.5-THD)						
M	19	1	8T-4136	8	BOLT (M10X1.5X25-MM)						
M	20	1	8T-4184	8	BOLT (M12X1.75X45-MM)						
M	21	1	8T-4196	33	BOLT (M10X1.5X35-MM)						
M	22	1	8T-4244	8	NUT (M12X1.75-THD)						
E	23	1	8C-3681		HOSE (244-CM)						
E	24	1	288-5166		SEAL (20-CM)						

E - ORDER BY THE CENTIMETER  
M - METRIC PART

# COOLING SYSTEM

388-9966 RADIATOR & AFTERCOOLER GP (contd.)

i05202520



GRAPHIC #1

<END>

g03337164

# COOLING SYSTEM

## 349-2574 RADIATOR & FAN GP

S/N: GDS1-UP  
AN ATTACHMENT

SMCS-1353, 1356

i05202475

NOTE	REF NO	GRAPHIC REF	PART NUMBER	QTY	PART NAME						SEE PAGE
					1	2	3	4	5	6 (PRODUCT LEVEL)	
	1	1	<b>256-9938</b>	1	FAN AS						
Y	2	1	349-2579	1	LINES GP-FUEL						140
Y	3	1	349-7215	1	LINES GP-AIR						115
Y	4	1	349-7546	1	LINES GP-COOLANT						96
	5	1	<b>350-4028</b>	1	BRACE-RADIATOR (RH)						
	6	1	<b>350-4029</b>	1	BRACE-RADIATOR (LH)						
Y	7	1	363-0620	1	WIRING GP-SENSOR						368
	8	1	<b>379-0103</b>	2	GUARD AS-FAN						
					(EACH INCLUDES)						
M		1	<b>8T-3490</b>	4	NUT-WELD (M10X1.5-THD)						
Y	9	1	388-9966	1	RADIATOR & AFTERCOOLER GP						102
	10	1	<b>431-1971</b>	2	PLATE						
	11	1	<b>5P-1076</b>	4	WASHER-HARD (13.5X30X4-MM THK)						
M	12	1	<b>7X-2554</b>	4	BOLT (M16X2X70-MM)						
	13	1	<b>7X-7729</b>	8	WASHER (11X25X3-MM THK)						
	14	1	<b>8T-4121</b>	8	WASHER-HARD (11X21X2.5-MM THK)						
	15	1	<b>8T-4123</b>	12	WASHER (22X35X3.5-MM THK)						
M	16	1	<b>8T-4131</b>	6	NUT (M20X2.5-THD)						
M	17	1	<b>8T-4132</b>	4	NUT (M16X2-THD)						
M	18	1	<b>8T-4133</b>	4	NUT (M10X1.5-THD)						
M	19	1	<b>8T-4182</b>	4	BOLT (M10X1.5X45-MM)						
M	20	1	<b>8T-4187</b>	6	BOLT (M20X2.5X80-MM)						
M	21	1	<b>8T-4195</b>	16	BOLT (M10X1.5X30-MM)						
	22	1	<b>8T-4223</b>	6	WASHER-HARD (13.5X25.5X3-MM THK)						
	23	1	<b>8T-8919</b>	6	BOLT (1/2-13X1.75-IN)						
	24	1	<b>9X-8257</b>	8	WASHER (17.5X30X3.5-MM THK)						

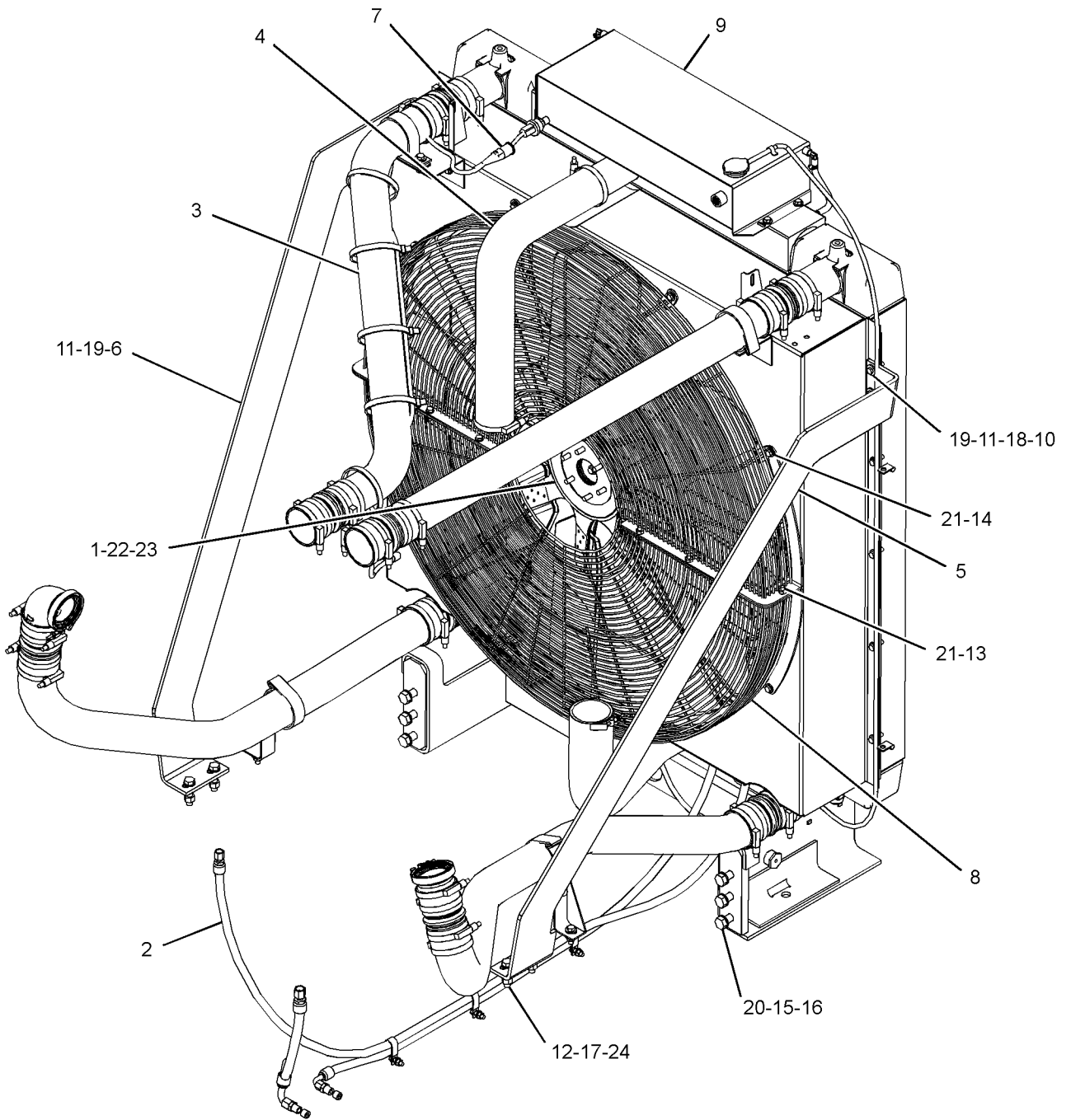
M - METRIC PART

Y - SEPARATE ILLUSTRATION

# COOLING SYSTEM

349-2574 RADIATOR & FAN GP (contd.)

i05202475



GRAPHIC #1

<END>

g03336764

# AIR INLET AND EXHAUST SYSTEM

## 151-7735 AIR CLEANER GP

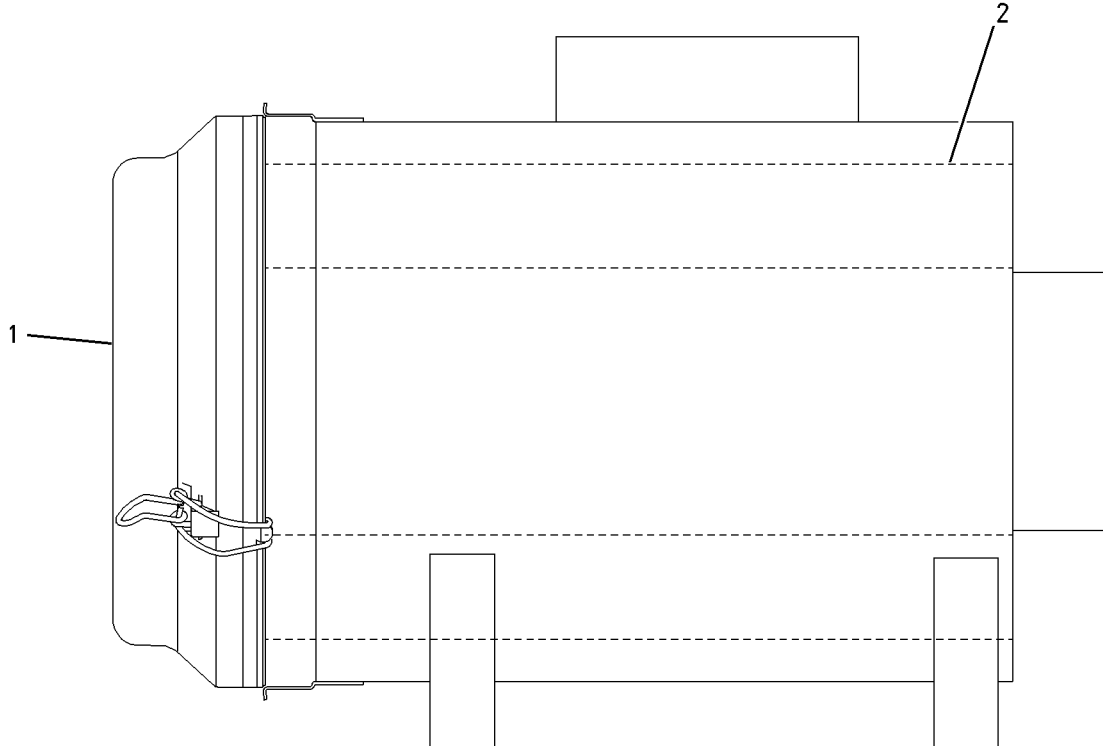
S/N: GDS1-UP

PART OF 376-7703, 376-7705, 376-7706 AIR CLEANER GP  
AN ATTACHMENT

SMCS-1051, 1054

i03872392

NOTE	REF NO	GRAPHIC REF	PART NUMBER	QTY	PART NAME						SEE PAGE
					1	2	3	4	5	6 (PRODUCT LEVEL)	
1	1	1	171-9892	1	COVER AS						
2	1	1	142-1339	1	FILTER ELEMENT AS-AIR (PRIMARY)						



GRAPHIC #1

<END>

g00733669



# AIR INLET AND EXHAUST SYSTEM

## 376-7703 AIR CLEANER GP

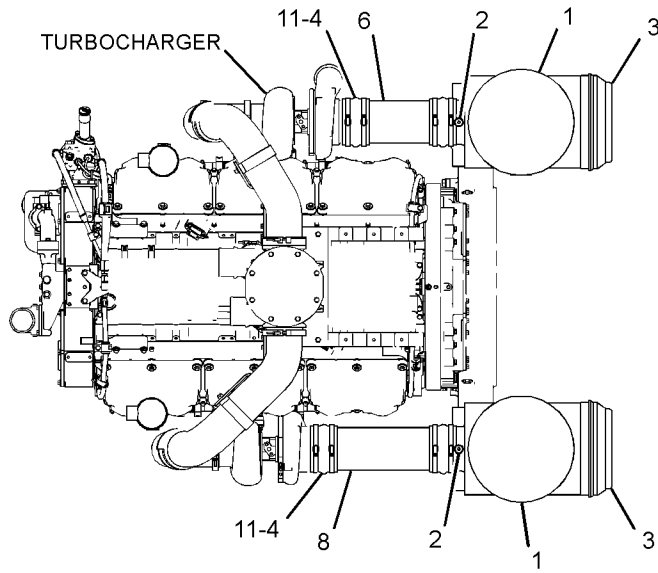
S/N: GDS1-UP  
AN ATTACHMENT

SMCS-1051, 1054

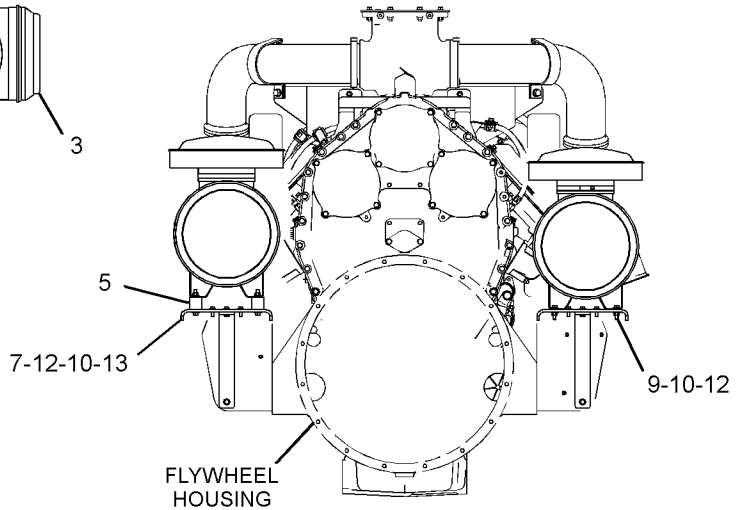
i05265142

NOTE	REF NO	GRAPHIC REF	PART NUMBER	QTY	PART NAME						SEE PAGE
					1	2	3	4	5	6 (PRODUCT LEVEL)	
Y	1	1	<b>4W-5828</b>	2	CAP AS-AIR CLEANER						111
	2	1	<b>096-5028</b>	2	INDICATOR-AIR FILTER CHANGE						
Y	3	1	<b>151-7735</b>	2	AIR CLEANER GP						106
	4	1	<b>162-2177</b>	4	HOSE						
	5	1	<b>343-1713</b>	4	BOSS						
	6	1	<b>377-1051</b>	1	TUBE-AIR						
Y	7	1	<b>378-7711</b>	1	SUPPORT GP-AIR INLET						129
	8	1	<b>380-8560</b>	1	TUBE-AIR						
	9	1	<b>4L-9337</b>	4	BOLT (3/8-16X1.5-IN)						
	10	1	<b>5P-1075</b>	16	WASHER-HARD (10.2X22.5X3-MM THK)						
	11	1	<b>5P-3860</b>	8	CLAMP-HOSE						
	12	1	<b>6V-8801</b>	8	NUT (3/8-16-THD)						
	13	1	<b>8T-7008</b>	4	BOLT (3/8-16X3-IN)						

Y - SEPARATE ILLUSTRATION



TOP VIEW OF ENGINE



REAR VIEW OF ENGINE

GRAPHIC #1

<END>

g03351953

# AIR INLET AND EXHAUST SYSTEM

## 376-7705 AIR CLEANER GP

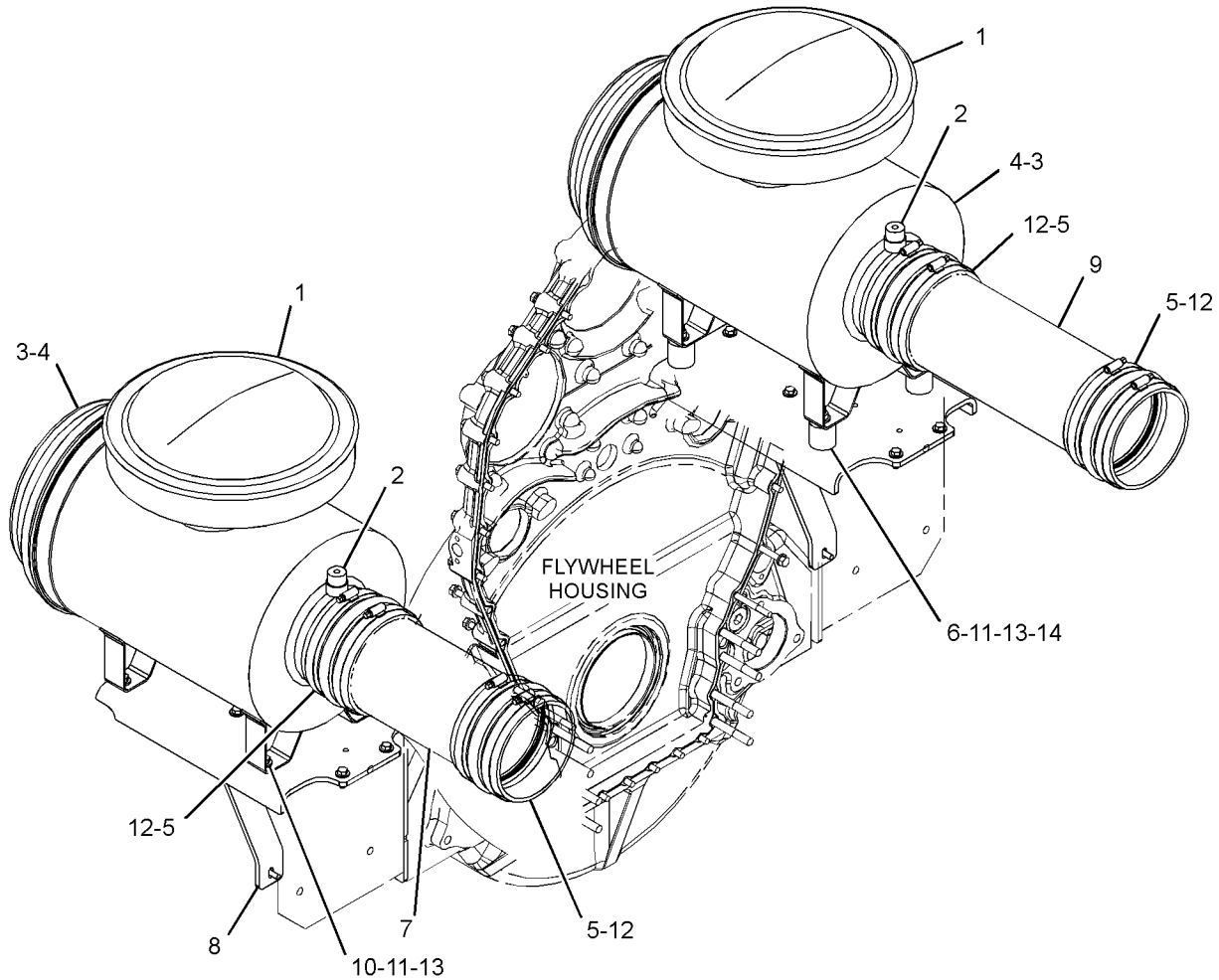
S/N: GDS1-UP  
AN ATTACHMENT

SMCS-1051, 1054

i05265171

NOTE	REF NO	GRAPHIC REF	PART NUMBER	QTY	PART NAME						SEE PAGE
					1	2	3	4	5	6 (PRODUCT LEVEL)	
Y	1	1	<b>4W-5828</b>	2	CAP AS-AIR CLEANER						111
	2	1	<b>096-5028</b>	2	INDICATOR-AIR FILTER CHANGE						
	3	1	<b>142-1404</b>	2	FILTER ELEMENT AS-AIR (SECONDARY)						
Y	4	1	<b>151-7735</b>	2	AIR CLEANER GP						106
	5	1	<b>162-2177</b>	4	HOSE						
	6	1	<b>343-1713</b>	4	BOSS						
	7	1	<b>377-1051</b>	1	TUBE-AIR						
Y	8	1	<b>378-7711</b>	1	SUPPORT GP-AIR INLET						129
	9	1	<b>380-8560</b>	1	TUBE-AIR						
	10	1	<b>4L-9337</b>	4	BOLT (3/8-16X1.5-IN)						
	11	1	<b>5P-1075</b>	16	WASHER-HARD (10.2X22.5X3-MM THK)						
	12	1	<b>5P-3860</b>	8	CLAMP-HOSE						
	13	1	<b>6V-8801</b>	8	NUT (3/8-16-THD)						
	14	1	<b>8T-7008</b>	4	BOLT (3/8-16X3-IN)						

Y - SEPARATE ILLUSTRATION



GRAPHIC #1

<END>

g03351920

# AIR INLET AND EXHAUST SYSTEM

## 376-7706 AIR CLEANER GP

S/N: GDS1-UP  
AN ATTACHMENT

SMCS-1051, 1054

i05265169

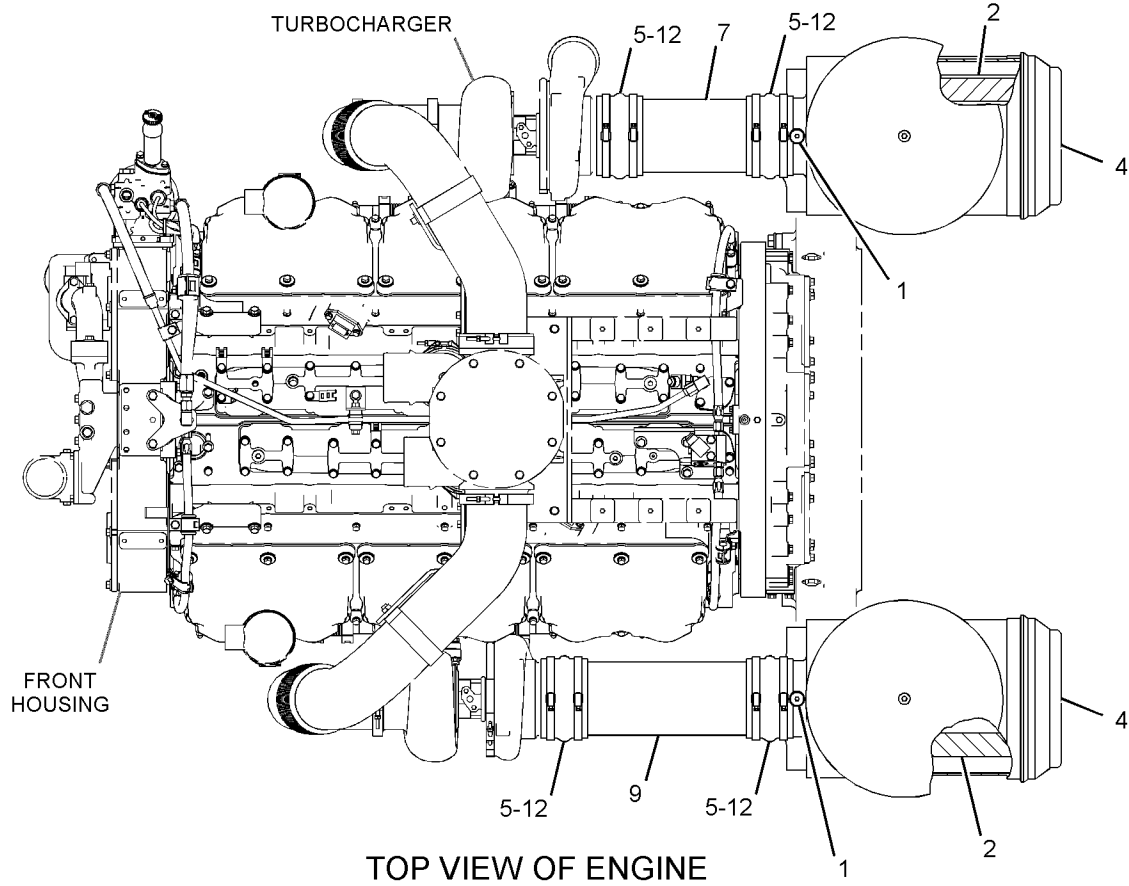
NOTE	REF NO	GRAPHIC REF	PART NUMBER	QTY	PART NAME						SEE PAGE
					1	2	3	4	5	6 (PRODUCT LEVEL)	
	1	1	<b>096-5028</b>	2	INDICATOR-AIR FILTER CHANGE						
	2	1	<b>142-1404</b>	2	FILTER ELEMENT AS-AIR (SECONDARY)						
Y	3	1	<b>150-1714</b>	2	PRECLEANER GP (AIR CLEANER)						121
Y	4	1	<b>151-7735</b>	2	AIR CLEANER GP						106
	5	1	<b>162-2177</b>	4	HOSE						
	6	1	<b>343-1713</b>	4	BOSS						
	7	1	<b>377-1051</b>	1	TUBE-AIR						
Y	8	1	<b>378-7711</b>	1	SUPPORT GP-AIR INLET						129
	9	1	<b>380-8560</b>	1	TUBE-AIR						
	10	1	<b>4L-9337</b>	4	BOLT (3/8-16X1.5-IN)						
	11	1	<b>5P-1075</b>	16	WASHER-HARD (10.2X22.5X3-MM THK)						
	12	1	<b>5P-3860</b>	8	CLAMP-HOSE						
	13	1	<b>6V-8801</b>	8	NUT (3/8-16-THD)						
	14	1	<b>8T-7008</b>	4	BOLT (3/8-16X3-IN)						

Y - SEPARATE ILLUSTRATION

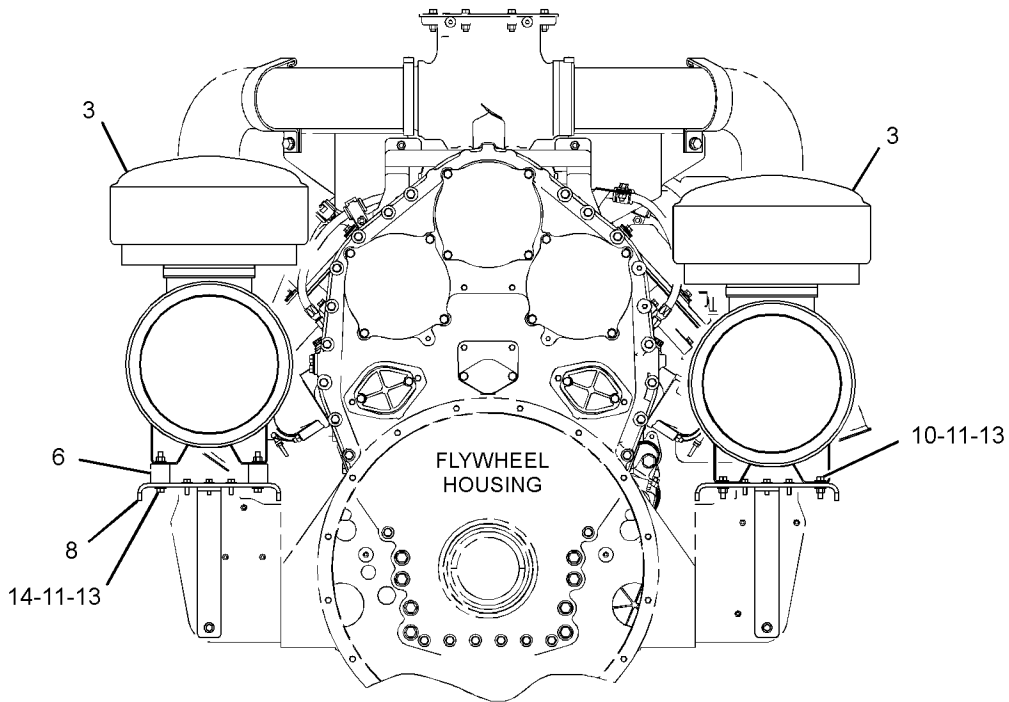
# AIR INLET AND EXHAUST SYSTEM

376-7706 AIR CLEANER GP (contd.)

i05265169



TOP VIEW OF ENGINE



REAR VIEW OF ENGINE

GRAPHIC #1

<END>

g03352355

# AIR INLET AND EXHAUST SYSTEM

## 4W-5828 CAP AS-AIR CLEANER

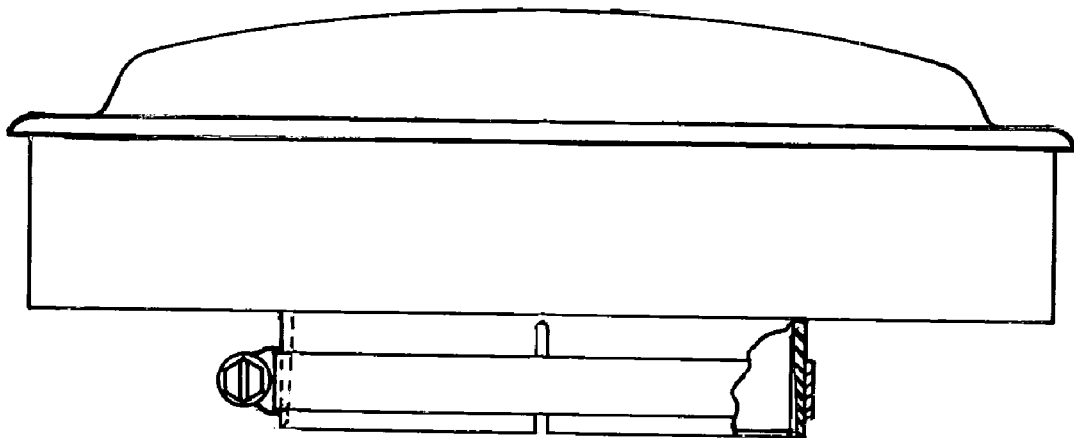
S/N: GDS1-UP

FOR USE WITH 179.3-MM DIA AIR INLET  
PART OF 376-7703, 376-7705 AIR CLEANER GP  
AN ATTACHMENT

SMCS-1051

i03873656

NOTE	REF NO	GRAPHIC REF	PART NUMBER	QTY	PART NAME						SEE PAGE
					1	2	3	4	5	6 (PRODUCT LEVEL)	
(NO SERVICED PARTS)											



GRAPHIC #1

<END>

g00728565

# AIR INLET AND EXHAUST SYSTEM

## 390-6900 INSULATION GP-HEAT

S/N: GDS1-UP

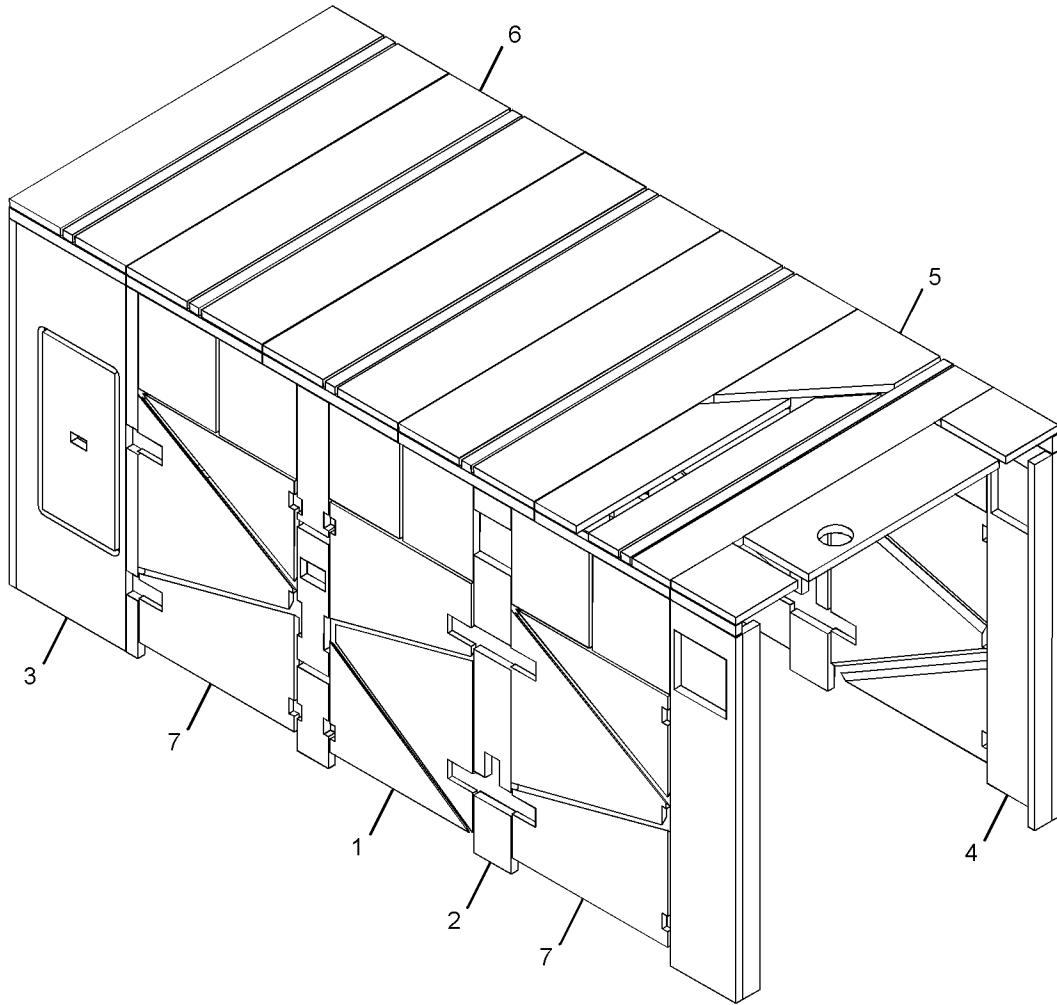
12-VOLT ENCLOSURE

PART OF 390-6901 ENCLOSURE GP-GENERATOR  
AN ATTACHMENT

SMCS-1067

i05207634

NOTE	REF NO	GRAPHIC REF	PART NUMBER	QTY	PART NAME						SEE PAGE
					1	2	3	4	5	6 (PRODUCT LEVEL)	
	1	1	<b>345-7545</b>	2	INSULATION AS						
	2	1	<b>395-2033</b>	1	INSULATION AS						
	3	1	<b>395-2045</b>	1	INSULATION AS						
	4	1	<b>395-2051</b>	1	INSULATION AS						
	5	1	<b>395-2060</b>	1	INSULATION AS						
	6	1	<b>395-2072</b>	1	INSULATION AS						
	7	1	<b>424-7070</b>	4	INSULATION AS						



GRAPHIC #1

<END>

g03350737

# AIR INLET AND EXHAUST SYSTEM

## 310-8396 LINES GP-AIR

S/N: MJE1-UP; GDS1-UP

PART OF 388-4921 ENGINE AR, 349-5619, 349-5622 ENGINE AR-COMPLETE  
ALSO AN ATTACHMENT

SMCS-1071

i04932999

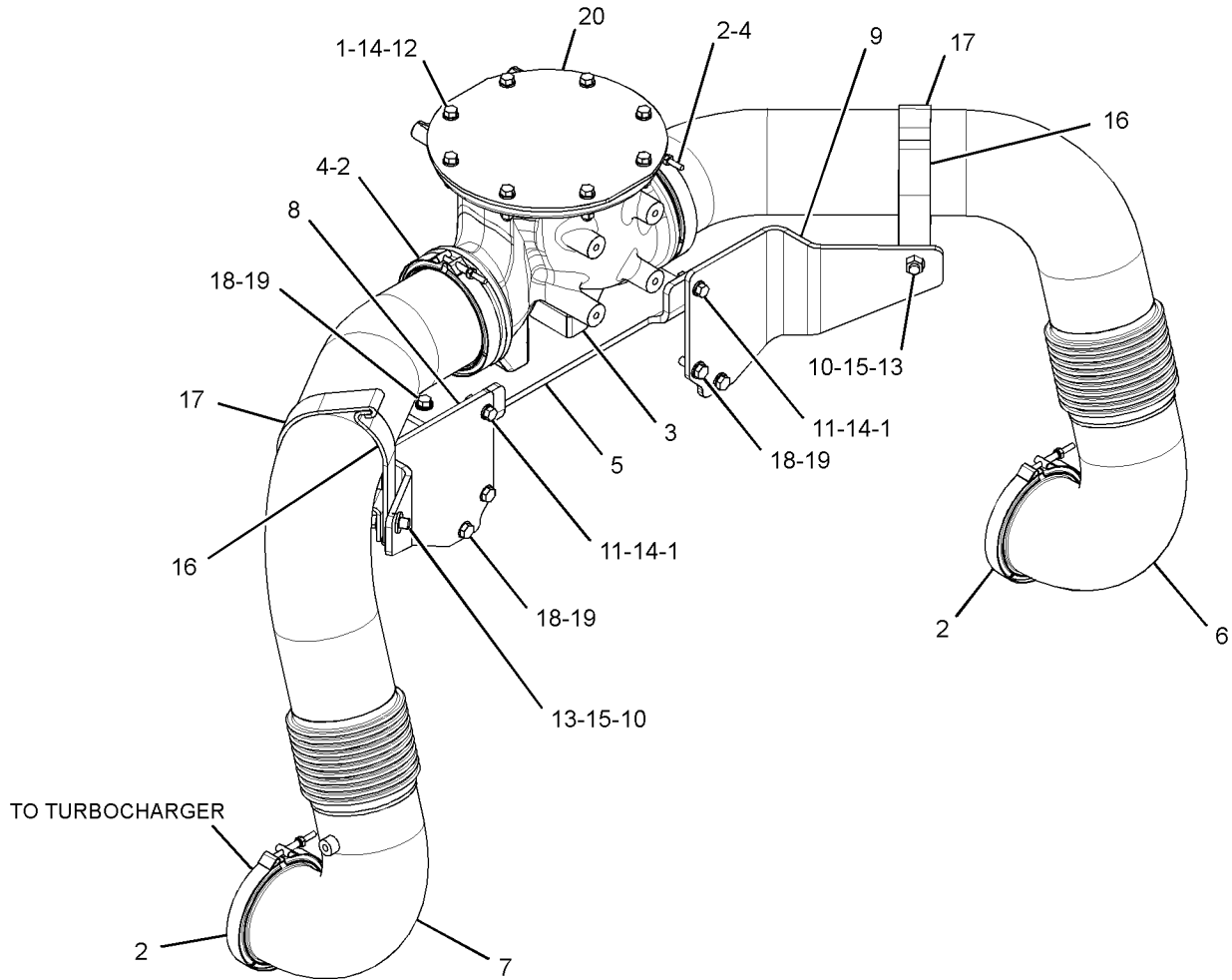
NOTE	REF NO	GRAPHIC REF	PART NUMBER	QTY	PART NAME						SEE PAGE
					1	2	3	4	5	6 (PRODUCT LEVEL)	
	1	1	<b>9S-8752</b>	10	NUT-FULL (3/8-16-THD)						
	2	1	<b>9N-1941</b>	4	CLAMP-V BAND						
	3	1	<b>236-1161</b>	1	ELBOW						
	4	1	<b>236-1637</b>	2	SEAL						
	5	1	<b>277-5470</b>	1	PLATE						
	6	1	<b>310-2839</b>	1	TUBE AS						
	7	1	<b>310-2840</b>	1	TUBE AS						
	8	1	<b>311-3986</b>	1	BRACKET						
	9	1	<b>311-3987</b>	1	BRACKET						
	10	1	<b>0S-1585</b>	2	BOLT (1/2-13X1.5-IN)						
	11	1	<b>0S-1588</b>	6	BOLT (3/8-16X1.25-IN)						
	12	1	<b>0S-1591</b>	8	BOLT (3/8-16X1.5-IN)						
	13	1	<b>1F-7958</b>	2	NUT-FULL (1/2-13-THD)						
	14	1	<b>5M-2894</b>	24	WASHER-HARD (10.2X18.5X2.5-MM THK)						
	15	1	<b>5P-8245</b>	4	WASHER-HARD (13.5X25.5X3-MM THK)						
	16	1	<b>7W-2033</b>	2	CLIP (TAB)						
	17	1	<b>7W-2034</b>	2	CLIP (SLOT)						
	18	1	<b>6V-5839</b>	8	WASHER (11X21X2.5-MM THK)						
M	19	1	<b>6V-1820</b>	8	BOLT (M10X1.5X30-MM)						
	20	1	<b>5N-4436</b>	1	COVER						

M - METRIC PART

# AIR INLET AND EXHAUST SYSTEM

310-8396 LINES GP-AIR (contd.)

i04932999



GRAPHIC #1

<END>

g03192118



# AIR INLET AND EXHAUST SYSTEM

## 349-7215 LINES GP-AIR

S/N: GDS1-UP

PART OF 349-2574 RADIATOR & FAN GP  
AN ATTACHMENT

SMCS-1071

i05202508

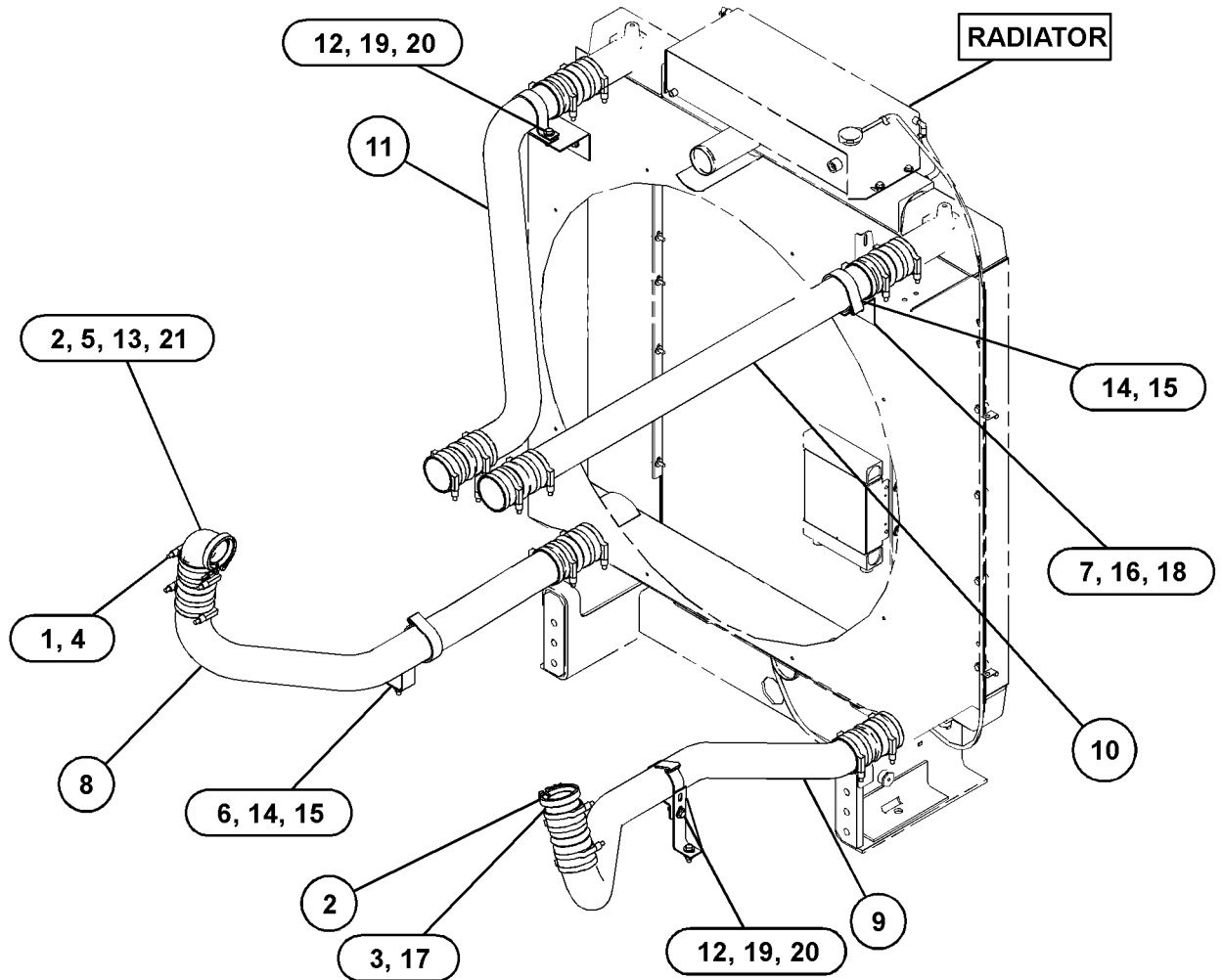
NOTE	REF NO	GRAPHIC REF	PART NUMBER	QTY	PART NAME						SEE PAGE
					1	2	3	4	5	6 (PRODUCT LEVEL)	
	1	1	<b>9X-2201</b>	32	CLAMP-HOSE						
	2	1	<b>127-0929</b>	2	CLAMP-V BAND						
	3	1	<b>129-6400</b>	1	ADAPTER						
	4	1	<b>217-7088</b>	8	HOSE						
	5	1	<b>217-8946</b>	1	ELBOW						
	6	1	<b>290-9666</b>	2	BRACKET AS						
	7	1	<b>309-4513</b>	2	BRACKET						
	8	1	<b>349-7381</b>	1	TUBE AS						
	9	1	<b>349-7382</b>	1	TUBE AS						
	10	1	<b>349-7416</b>	1	TUBE AS						
	11	1	<b>371-9342</b>	1	TUBE AS						
	12	1	<b>5P-1076</b>	12	WASHER-HARD (13.5X30X4-MM THK)						
	13	1	<b>6V-5048</b>	1	SEAL-O-RING						
	14	1	<b>6V-6782</b>	4	CLIP (SLOT)						
	15	1	<b>6V-6783</b>	4	CLIP (TAB)						
	16	1	<b>7X-7729</b>	4	WASHER (11X25X3-MM THK)						
	17	1	<b>8C-3089</b>	1	SEAL-O-RING						
M	18	1	<b>8T-4136</b>	4	BOLT (M10X1.5X25-MM)						
M	19	1	<b>8T-4184</b>	6	BOLT (M12X1.75X45-MM)						
M	20	1	<b>8T-4244</b>	6	NUT (M12X1.75-THD)						
	21	1	<b>9S-8002</b>	1	PLUG-O-RING						

M - METRIC PART

# AIR INLET AND EXHAUST SYSTEM

349-7215 LINES GP-AIR (contd.)

i05202508



GRAPHIC #1

<END>

g03336939

# AIR INLET AND EXHAUST SYSTEM

## 261-0500 MANIFOLD GP-EXHAUST

S/N: MJE1-UP; GDS1-UP

PART OF 388-4921 ENGINE AR, 349-5619, 349-5622 ENGINE AR-COMPLETE  
ALSO AN ATTACHMENT

SMCS-1059

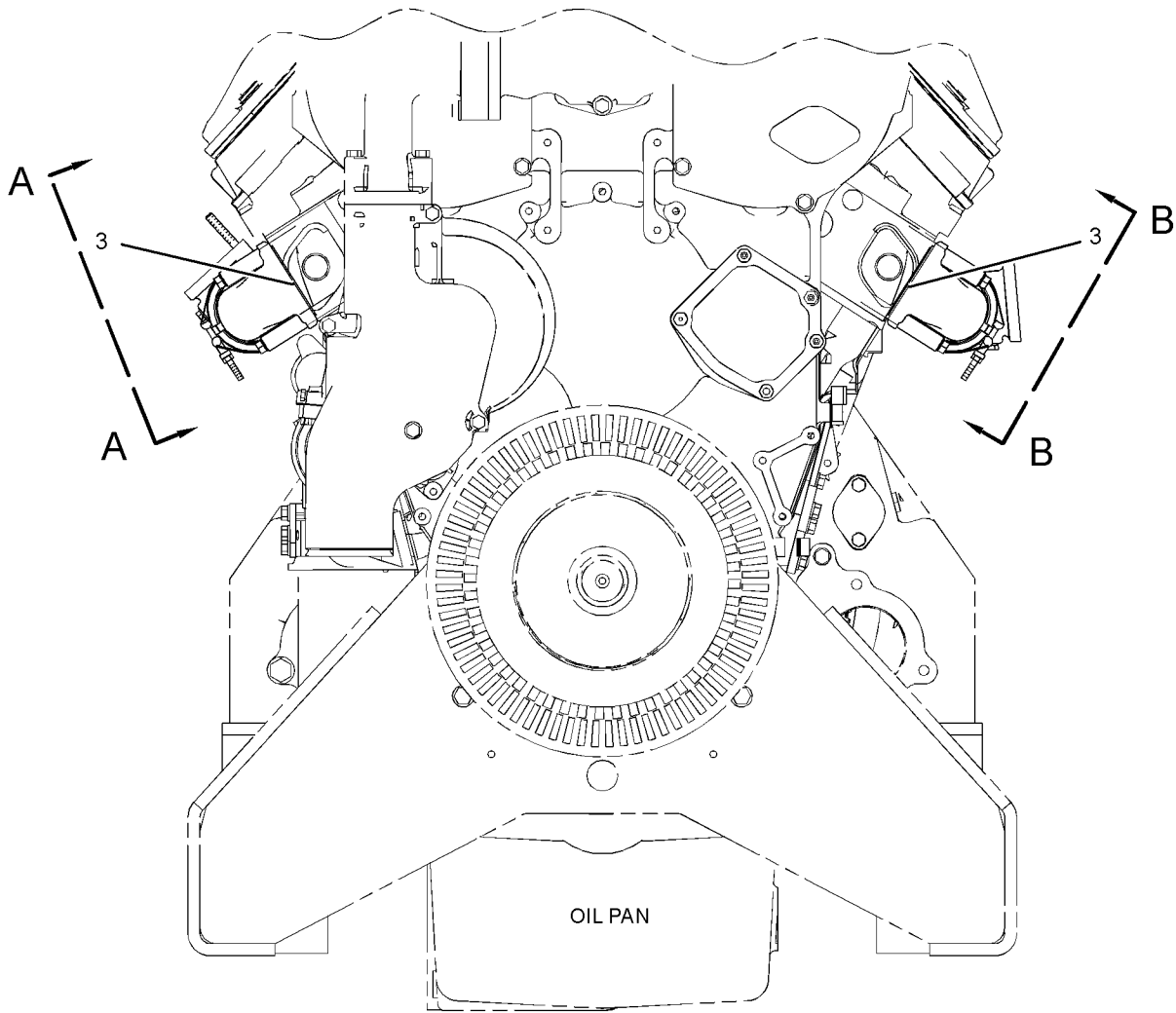
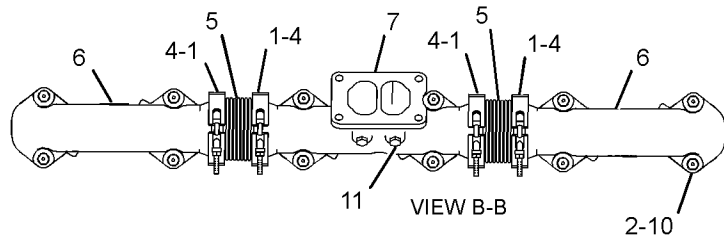
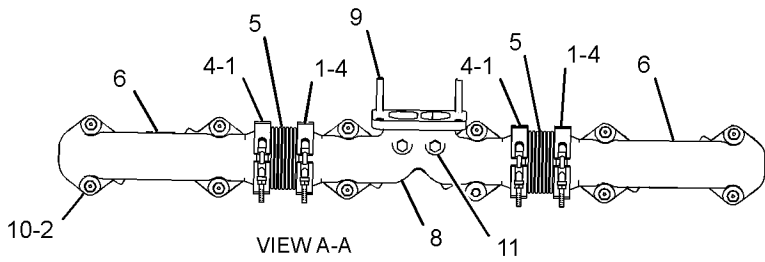
i03451381

NOTE	REF NO	GRAPHIC REF	PART NUMBER	QTY	PART NAME						SEE PAGE
					1	2	3	4	5	6	
	1	1	8N-0879	8	CLAMP						
	2	1	108-3612	24	SPACER (11.13X19.05X53-MM THK)						
	3	1	129-9452	12	GASKET-EXHAUST MANIFOLD						
	4	1	243-3565	8	SEAL-O-RING						
	5	1	243-3566	4	BELLOWS AS						
	6	1	250-6239	4	MANIFOLD-EXHAUST						
	7	1	250-9205	1	MANIFOLD-EXHAUST						
	8	1	250-9207	1	MANIFOLD-EXHAUST						
	9	1	106-1793	2	STUD-TAPERLOCK (3/8-16X2.36-IN)						
	10	1	2N-2766	24	LOCKNUT (3/8-16-THD)						
	11	1	5M-6213	4	PLUG-PIPE (1/4-18 NPTF)						

# AIR INLET AND EXHAUST SYSTEM

261-0500 MANIFOLD GP-EXHAUST (contd.)

i03451381



FRONT VIEW

GRAPHIC #1

<END>

g01189868

# AIR INLET AND EXHAUST SYSTEM

## 329-0099 MANIFOLD GP-INLET

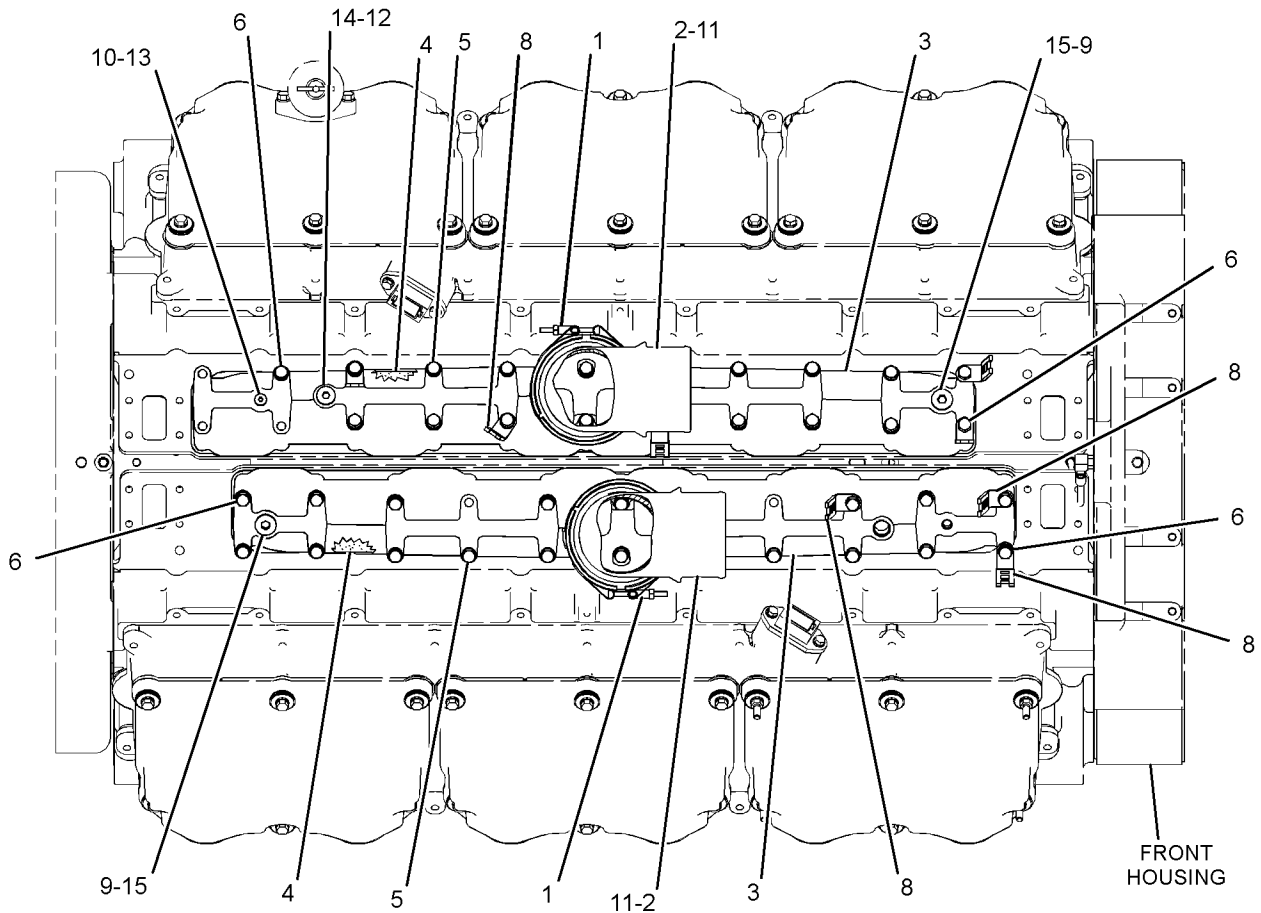
S/N: MJE1-UP; GDS1-UP

PART OF 388-4921 ENGINE AR, 349-5619, 349-5622 ENGINE AR-COMplete  
ALSO AN ATTACHMENT

SMCS-1058

i03736025

NOTE	REF NO	GRAPHIC REF	PART NUMBER	QTY	PART NAME						SEE PAGE
					1	2	3	4	5	6 (PRODUCT LEVEL)	
	1	1	<b>6L-3005</b>	2	CLAMP-BAND						
	2	1	<b>203-0351</b>	2	ELBOW-AIR						
	3	1	<b>223-1998</b>	2	MANIFOLD-INLET						
	4	1	<b>226-5613</b>	2	GASKET						
	5	1	<b>2P-3213</b>	26	BOLT-WASHER HEAD (3/8-16X4.50-IN)						
	6	1	<b>2P-7557</b>	13	BOLT (3/8-16X3.75-IN)						
	8	1	<b>4P-8134</b>	8	CLIP						
	9	1	<b>6V-4589</b>	2	SEAL-O-RING						
	10	1	<b>6V-5048</b>	1	SEAL-O-RING						
	11	1	<b>6V-6353</b>	2	SEAL-O-RING						
	12	1	<b>8L-2786</b>	1	SEAL-O-RING						
	13	1	<b>9S-8002</b>	1	PLUG-O-RING						
	14	1	<b>9S-8005</b>	1	PLUG-O-RING						
	15	1	<b>9S-8006</b>	2	PLUG-O-RING						



TOP VIEW OF ENGINE

GRAPHIC #1

<END>

g02025259

# AIR INLET AND EXHAUST SYSTEM

## 377-4751 MOUNTING GP-AIR CLEANER

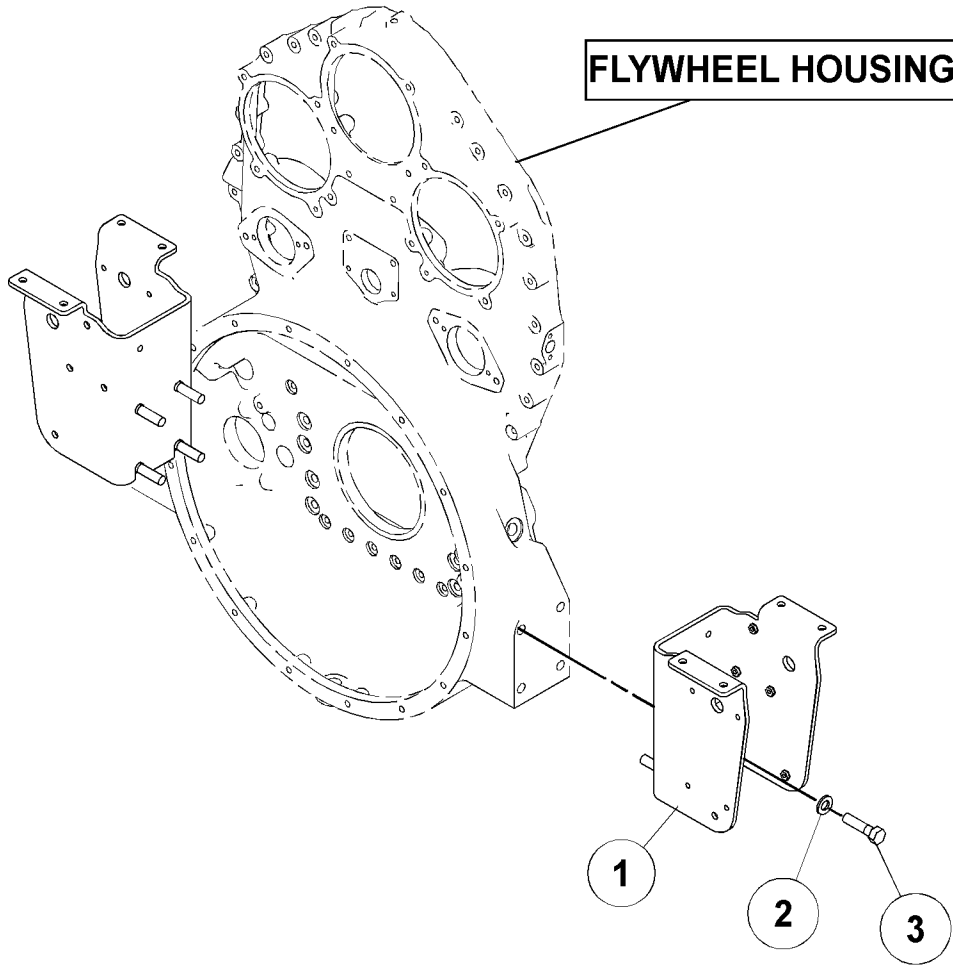
S/N: MJE1-UP; GDS1-UP

PART OF 388-4921 ENGINE AR, 349-5619, 349-5622 ENGINE AR-COMPLETE  
ALSO AN ATTACHMENT

SMCS-1051

i05195765

NOTE	REF NO	GRAPHIC REF	PART NUMBER	QTY	PART NAME						SEE PAGE
					1	2	3	4	5	6 (PRODUCT LEVEL)	
1	1	1	<b>377-4748</b>	2	BRACKET AS						
2	1	1	<b>8T-4122</b>	8	WASHER-HARD (17X32X3.5-MM THK)						
3	1	1	<b>8T-6871</b>	8	BOLT (5/8-11X2.5-IN)						



GRAPHIC #1

<END>

g03098090

# AIR INLET AND EXHAUST SYSTEM

## 150-1714 PRECLEANER GP-AIR CLEANER

S/N: GDS1-UP

FITS OVER 177.8-MM (7-INCH) DIA INLET TUBE

FOR USE WITH DUAL ELEMENT AIR CLEANER

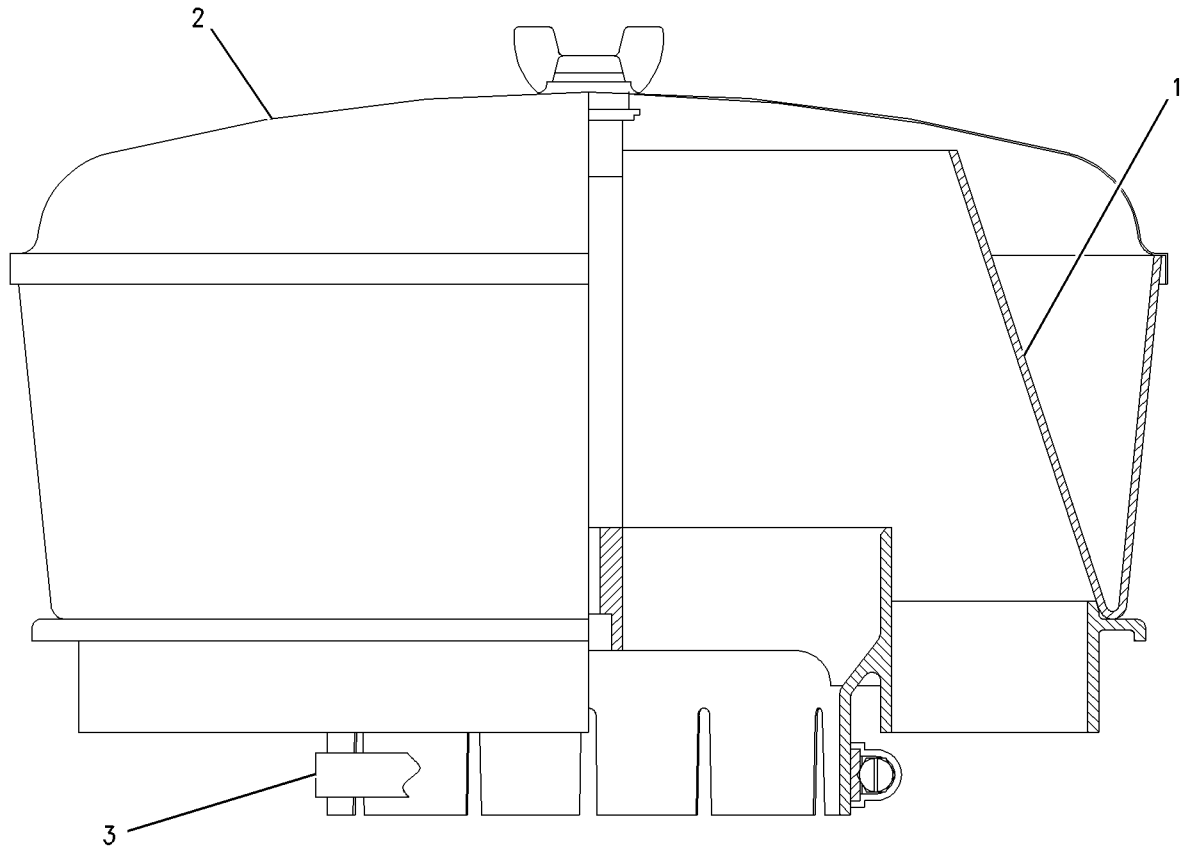
PART OF 376-7706 AIR CLEANER GP

AN ATTACHMENT

SMCS-1055

i03875838

NOTE	REF NO	GRAPHIC REF	PART NUMBER	QTY	PART NAME						SEE PAGE
					1	2	3	4	5	6 (PRODUCT LEVEL)	
	1	1	<b>2S-6708</b>	1	COLLECTOR-DUST (AIR PRECLEANER)						
	2	1	<b>2S-2493</b>	1	COVER AS-PRECLEANER						
	3	1	<b>5P-0600</b>	1	CLAMP-HOSE						



GRAPHIC #1

<END>

g00769430

# AIR INLET AND EXHAUST SYSTEM

## 391-7181 SHIELD GP-HEAT

S/N: MJE1-UP; GDS1-UP

FOR USE WITH C27/C32 APPLICATION

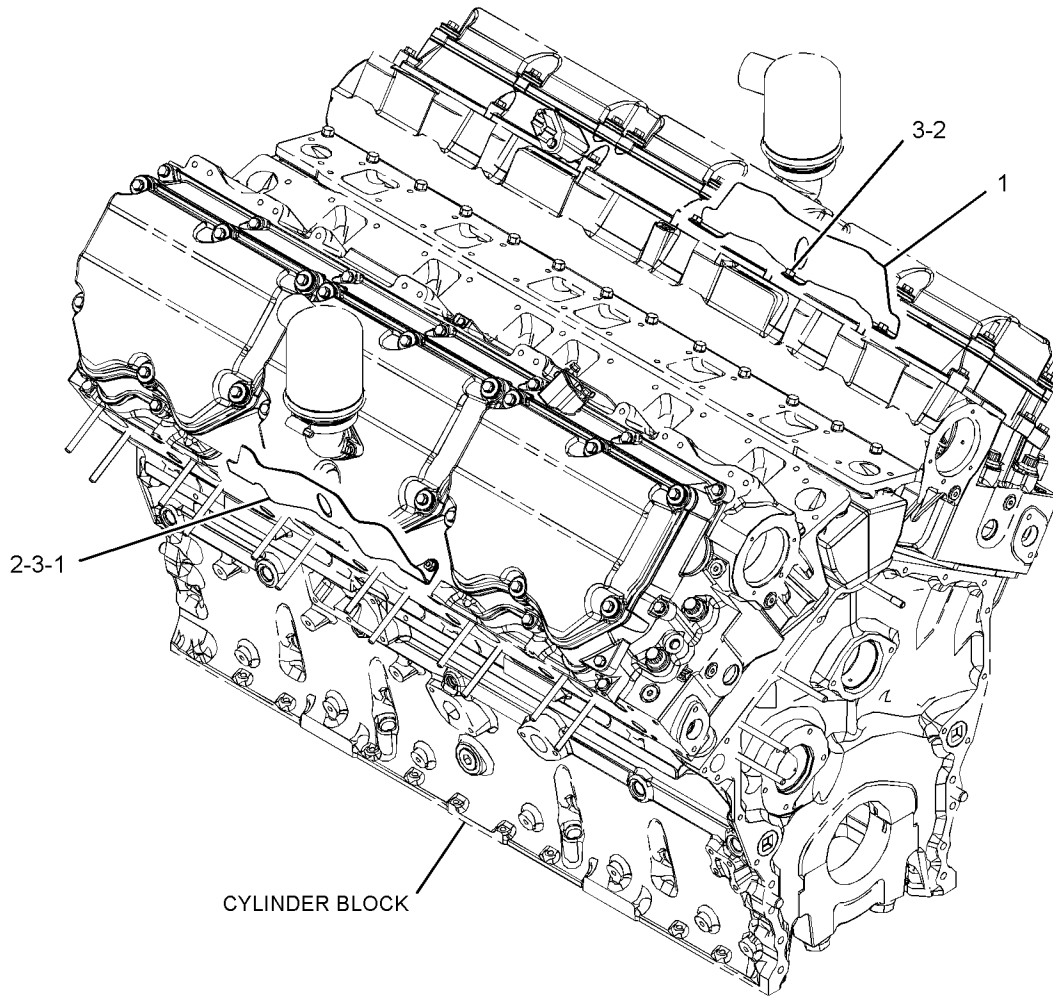
PART OF 388-4921 ENGINE AR, 349-5619, 349-5622 ENGINE AR-COMplete

ALSO AN ATTACHMENT

SMCS-1067

i04938912

NOTE	REF NO	GRAPHIC REF	PART NUMBER	QTY	PART NAME						SEE PAGE
					1	2	3	4	5	6 (PRODUCT LEVEL)	
1	1	1	<b>385-6106</b>	2	SHIELD-HEAT						
2	1	1	<b>6V-8189</b>	6	NUT (5/16-18-THD)						
3	1	1	<b>8T-4224</b>	6	WASHER-HARD (8.8X16X2-MM THK)						



GRAPHIC #1

<END>

g03119502



# AIR INLET AND EXHAUST SYSTEM

## 279-6505 SHIELD GP-TURBOCHARGER

S/N: GDS1-UP  
AN ATTACHMENT

SMCS-1073

i05197183

NOTE	PART NUMBER	QTY	PART NAME						SEE PAGE
			1	2	3	4	5	6 (PRODUCT LEVEL)	
	283-9438	1	SHIELD AS-HEAT (RH)						
	286-0349	1	SHIELD AS-HEAT (LH)						
	286-0350	1	SHIELD AS-HEAT (RH)						
<END>									

# AIR INLET AND EXHAUST SYSTEM

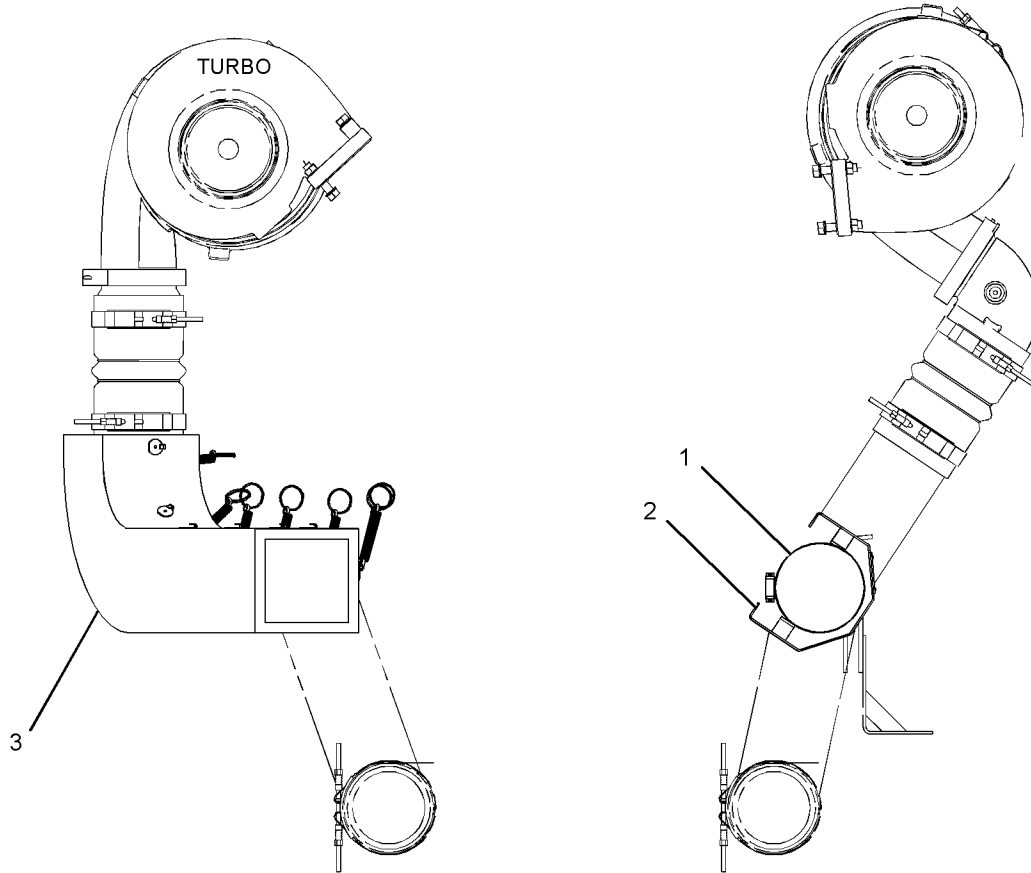
## 321-5230 SHIELD GP-TURBOCHARGER

S/N: GDS1-UP  
AN ATTACHMENT

SMCS-1073

i05206250

NOTE	REF NO	GRAPHIC REF	PART NUMBER	QTY	PART NAME						SEE PAGE
					1	2	3	4	5	6 (PRODUCT LEVEL)	
	1	1	<b>6L-4725</b>	2	CLAMP-HOSE						
	2	1	<b>274-6821</b>	1	GUARD AS						
		1	<b>7K-6536</b>	4	RIVET-POP						
		1	<b>249-5156</b>	1	FILM-WARNING (HOT SURFACE, HANDS CLEAR)						
3		1	<b>283-9438</b>	1	SHIELD AS-HEAT						



FRONT VIEW OF ENGINE

GRAPHIC #1

<END>

g01515805

# AIR INLET AND EXHAUST SYSTEM

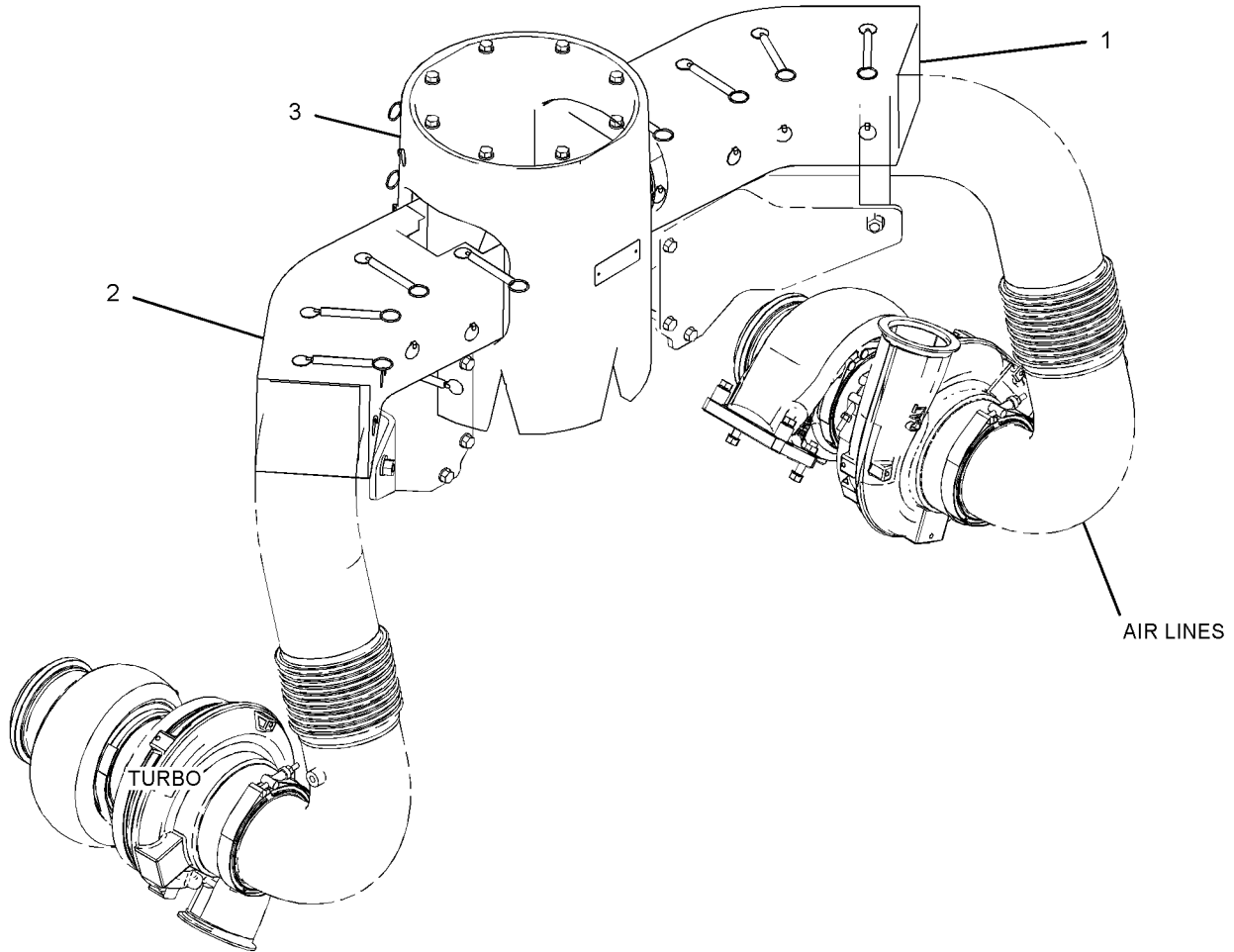
## 357-4262 SHIELD GP-TURBOCHARGER

S/N: GDS1-UP  
AN ATTACHMENT

SMCS-1073

i04927141

NOTE	REF NO	GRAPHIC REF	PART NUMBER	QTY	PART NAME						SEE PAGE
					1	2	3	4	5	6 (PRODUCT LEVEL)	
	1	1	355-0405	1	SHIELD AS-EXHAUST						
	2	1	355-0406	1	SHIELD AS-EXHAUST						
	3	1	355-0407	1	SHIELD AS-EXHAUST						



GRAPHIC #1

<END>

g02202785

# AIR INLET AND EXHAUST SYSTEM

## 397-2005 SILENCER GP-INLET

S/N: GDS1-UP  
AN ATTACHMENT

SMCS-1087

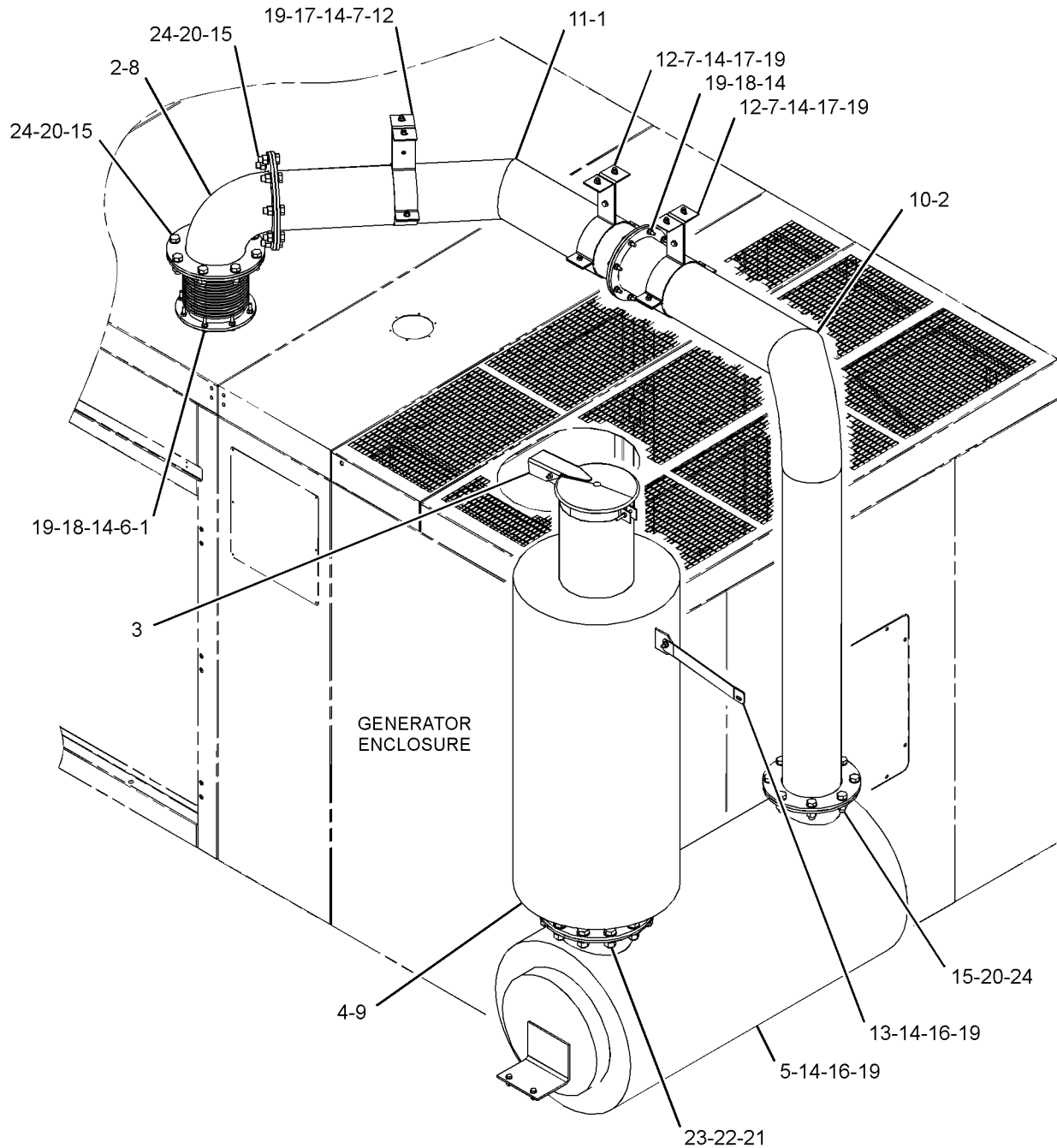
i05162068

NOTE	REF NO	GRAPHIC REF	PART NUMBER	QTY	PART NAME						SEE PAGE
					1	2	3	4	5	6 (PRODUCT LEVEL)	
	1	1	<b>5L-3773</b>	2	GASKET-EXHAUST ELBOW						
	2	1	<b>113-9848</b>	3	GASKET						
	3	1	<b>126-3884</b>	1	CAP AS-RAIN (EXHAUST)						
	4	1	<b>149-7946</b>	1	GASKET						
	5	1	<b>180-9426</b>	1	MUFFLER						
	6	1	<b>211-1008</b>	1	ADAPTER AS						
	7	1	<b>287-5235</b>	3	BRACKET-MOUNTING						
	8	1	<b>287-5240</b>	1	TUBE AS						
	9	1	<b>296-5054</b>	1	MUFFLER						
	10	1	<b>397-2007</b>	1	TUBE AS						
	11	1	<b>397-2013</b>	1	TUBE AS						
	12	1	<b>397-2019</b>	6	BRACKET-MOUNTING						
	13	1	<b>420-4907</b>	1	PLATE						
M	14	1	<b>2Y-5829</b>	35	NUT (M10X1.5-THD)						
M	15	1	<b>6V-3532</b>	24	BOLT (M20X2.5X60-MM)						
M	16	1	<b>6V-3822</b>	5	BOLT (M10X1.5X35-MM)						
M	17	1	<b>6V-4248</b>	14	BOLT (M10X1.5X25-MM)						
M	18	1	<b>6V-4249</b>	16	BOLT (M10X1.5X50-MM)						
	19	1	<b>6V-5839</b>	70	WASHER (11X21X2.5-MM THK)						
M	20	1	<b>6V-7742</b>	24	NUT-FULL (M20X2.5-THD)						
	21	1	<b>6V-8237</b>	24	WASHER (26X44X4-MM THK)						
M	22	1	<b>7X-0851</b>	12	NUT (M24X3-THD)						
M	23	1	<b>8T-0380</b>	12	BOLT (M24X3X60-MM)						
	24	1	<b>8T-3282</b>	48	WASHER-HARD (22X35X3.5-MM THK)						
	F		<b>292-1557</b>	1	INSULATION						
F - NOT SHOWN											
M - METRIC PART											

# AIR INLET AND EXHAUST SYSTEM

397-2005 SILENCER GP-INLET (contd.)

i05162068



GRAPHIC #1

<END>

g03350975

# AIR INLET AND EXHAUST SYSTEM

## 318-1713 SUPPORT GP-AFTERCooler

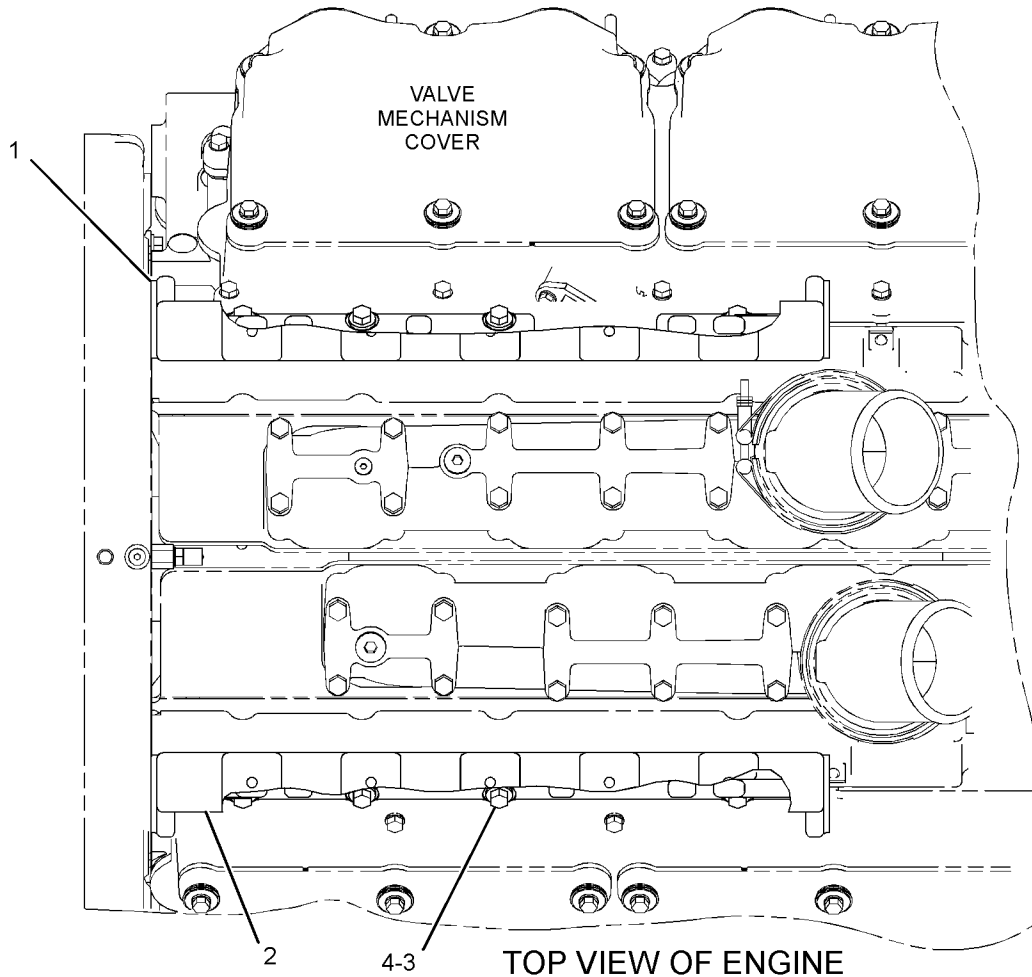
S/N: MJE1-UP; GDS1-UP

PART OF 388-4921 ENGINE AR, 349-5619, 349-5622 ENGINE AR-COMplete  
ALSO AN ATTACHMENT

SMCS-1063

i04926887

NOTE	REF NO	GRAPHIC REF	PART NUMBER	QTY	PART NAME						SEE PAGE
					1	2	3	4	5	6 (PRODUCT LEVEL)	
	1	1	<b>219-6923</b>	1	BRACE						
	2	1	<b>224-3158</b>	1	BRACE						
	3	1	<b>3B-1915</b>	8	BOLT (3/8-16X1.375-IN)						
	4	1	<b>9X-6458</b>	8	WASHER-HARD (10.2X22.5X3-MM THK)						



GRAPHIC #1

<END>

g01634053

# AIR INLET AND EXHAUST SYSTEM

## 378-7711 SUPPORT GP-AIR INLET

S/N: GDS1-UP

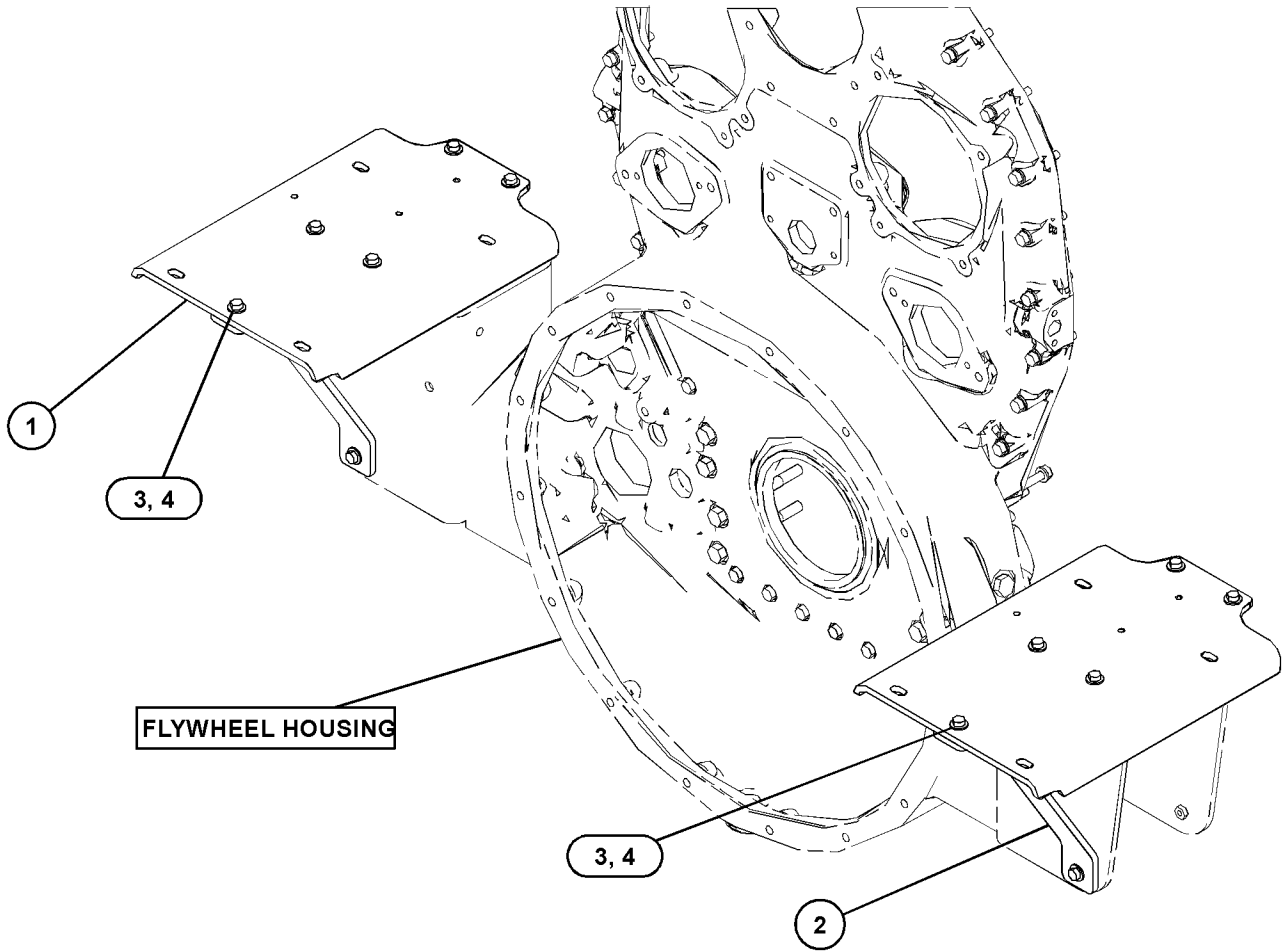
FOR USE WITH INSTRUMENT PANEL & AIR CLEANER ON LH SIDE, AIR CLEANER & FUEL FILTER ON RH SIDE

PART OF 376-7703, 376-7705, 376-7706 AIR CLEANER GP  
AN ATTACHMENT

SMCS-1087

i05267860

NOTE	REF NO	GRAPHIC REF	PART NUMBER	QTY	PART NAME						SEE PAGE
					1	2	3	4	5	6 (PRODUCT LEVEL)	
	1	1	<b>377-4749</b>	2	BRACKET						
	2	1	<b>377-4750</b>	2	BRACKET AS						
	3	1	<b>4M-6425</b>	12	BOLT (5/16-18X1-IN)						
	4	1	<b>5P-4116</b>	12	WASHER-HARD (8.8X20.5X2-MM THK)						



GRAPHIC #1

<END>

g03195297

# AIR INLET AND EXHAUST SYSTEM

## 267-4742 TURBOCHARGER GP

S/N: MJE1-UP; GDS1-UP

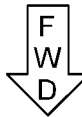
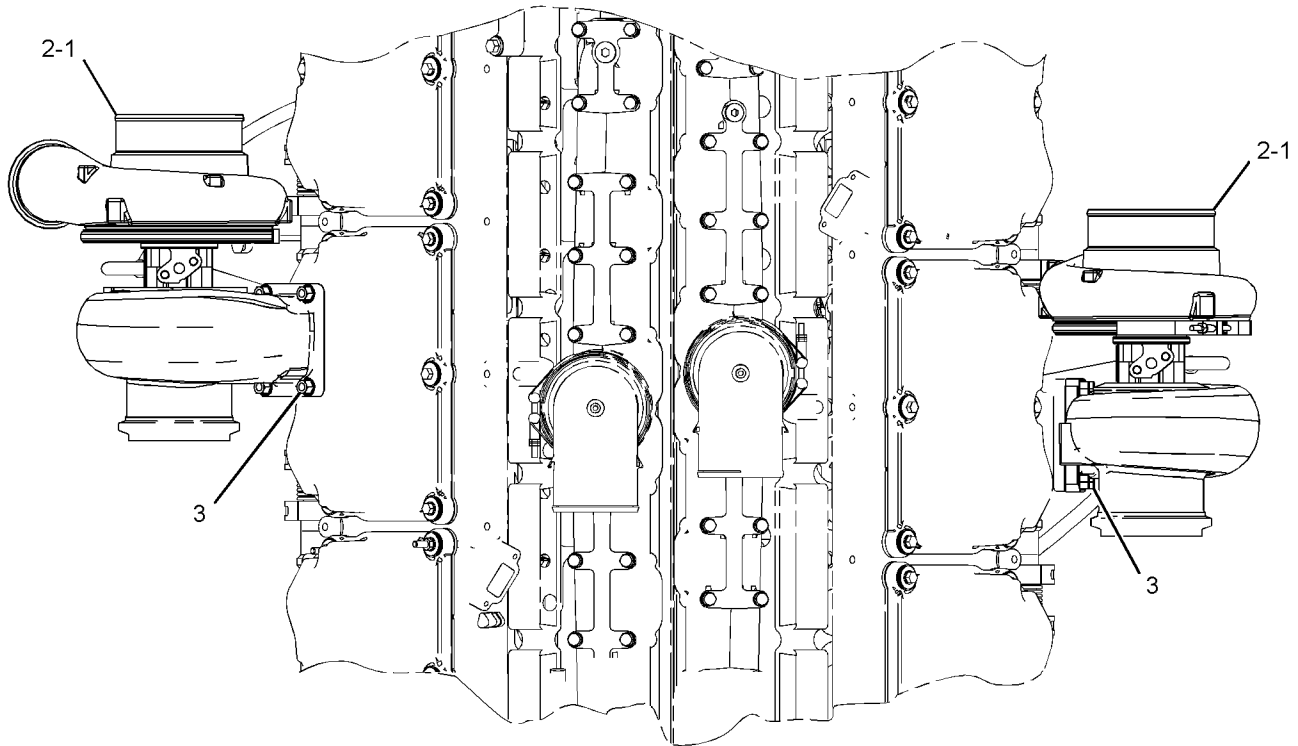
ALSO AN ATTACHMENT

SMCS-1052, 1053

i05195803

NOTE	REF NO	GRAPHIC REF	PART NUMBER	QTY	PART NAME						SEE PAGE
					1	2	3	4	5	6 (PRODUCT LEVEL)	
C	1	1	<b>357-1752</b>	2	GASKET						
YR	2	1	<b>271-1736</b>	2	TURBOCHARGER GP						131
C	3	1	<b>391-2167</b>	8	LOCKNUT-FLANGE (3/8X16-THD)						

C - CHANGE FROM PREVIOUS TYPE  
 R - REMFG PART MAY BE AVAILABLE  
 Y - SEPARATE ILLUSTRATION



TOP VIEW

<END>

GRAPHIC #1

g03332714



# AIR INLET AND EXHAUST SYSTEM

## 271-1736 TURBOCHARGER GP\*R

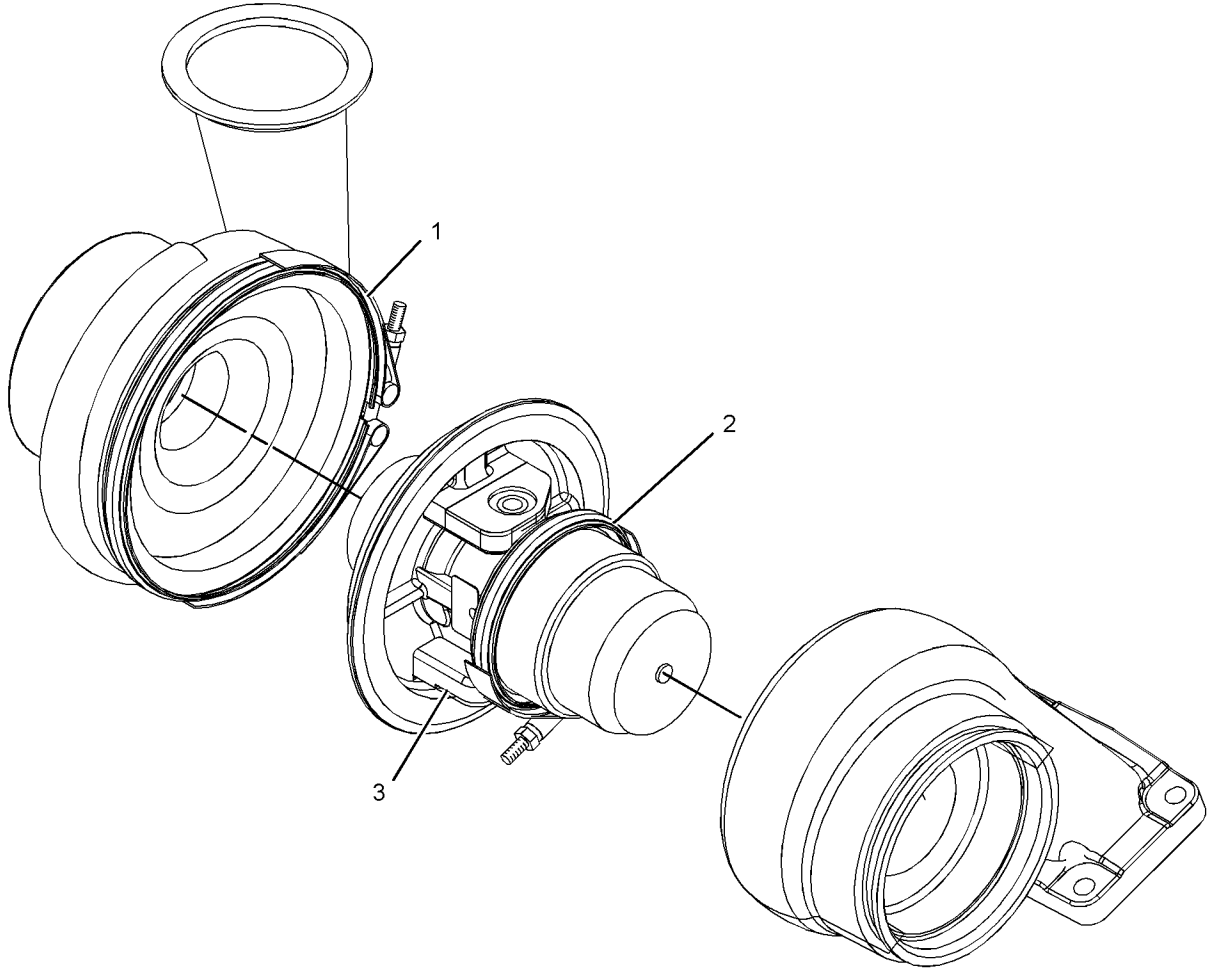
S/N: MJE1-UP; GDS1-UP  
PART OF 267-4742 TURBOCHARGER GP  
ALSO AN ATTACHMENT

SMCS-1052, 1053

i05259310

NOTE	REF NO	GRAPHIC REF	PART NUMBER	QTY	PART NAME						SEE PAGE
					1	2	3	4	5	6 (PRODUCT LEVEL)	
	1	1	<b>7W-2297</b>	1	CLAMP AS (COMPRESSOR)						
	2	1	<b>9N-2038</b>	1	CLAMP AS-TURBINE						
R	3	1	<b>286-3031</b>	1	CARTRIDGE GP-TURBOCHARGER						

R - REMFG PART MAY BE AVAILABLE



GRAPHIC #1

<END>

g01227041

# FUEL SYSTEM

## 309-1583 CONTROL AS-GOVERNOR

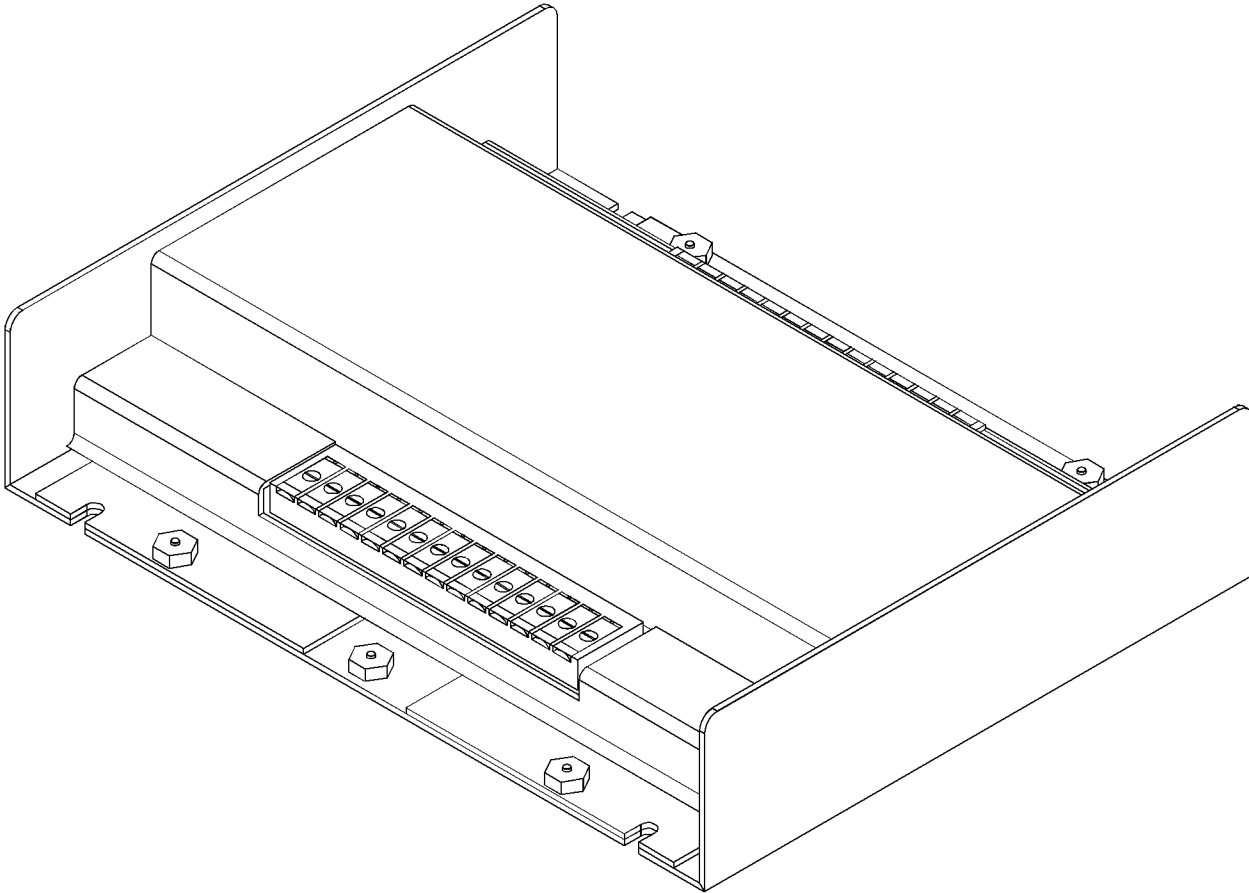
S/N: GDS1-UP

PART OF 383-4663 MOUNTING GP-ELECTRONIC CONTROL  
AN ATTACHMENT

SMCS-1264

i04907423

NOTE	REF NO	GRAPHIC REF	PART NUMBER	QTY	PART NAME						SEE PAGE
					1	2	3	4	5	6	
(NO SERVICED PARTS)											



GRAPHIC #1

<END>

g01388304

# FUEL SYSTEM

## 116-5410 COVER GP-FUEL FILTER BASE

S/N: MJE1-UP; GDS1-UP

PROVIDES COVER AND SEAL WHEN NO PRIMING PUMP IS REQUIRED

FOR USE WITH METRIC FUEL FILTER BASE, FUEL FILTER GPS

CANNOT BE USED WITH FUEL PRIMING PUMPS

PART OF 377-0779 FILTER GP-FUEL

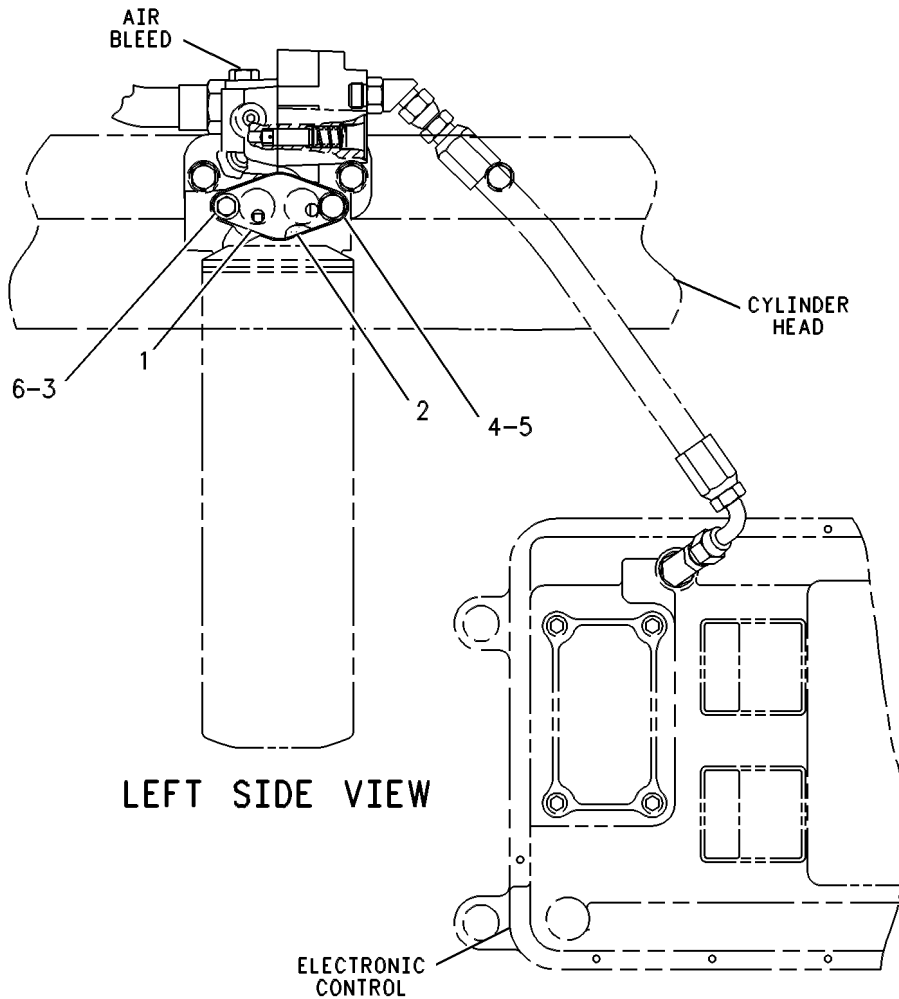
ALSO AN ATTACHMENT

SMCS-1262

i05195839

NOTE	REF NO	GRAPHIC REF	PART NUMBER	QTY	PART NAME						SEE PAGE
					1	2	3	4	5	6 (PRODUCT LEVEL)	
	1	1	6N-4414	1	COVER-FILTER BASE						
	2	1	1P-0436	1	GASKET (FUEL PRIMING PUMP)						
M	3	1	6V-2315	1	BOLT (M6X1X35-MM)						
M	4	1	6V-5218	1	BOLT (M8X1.25X35-MM)						
	5	1	9M-1974	1	WASHER-HARD (8.8X16X2-MM THK)						
	6	1	5P-0537	1	WASHER-HARD (7.2X14.5X2-MM THK)						

M - METRIC PART



GRAPHIC #1

<END>

g00251295

# FUEL SYSTEM

## 424-1184 FASTENER GP-FUEL TANK

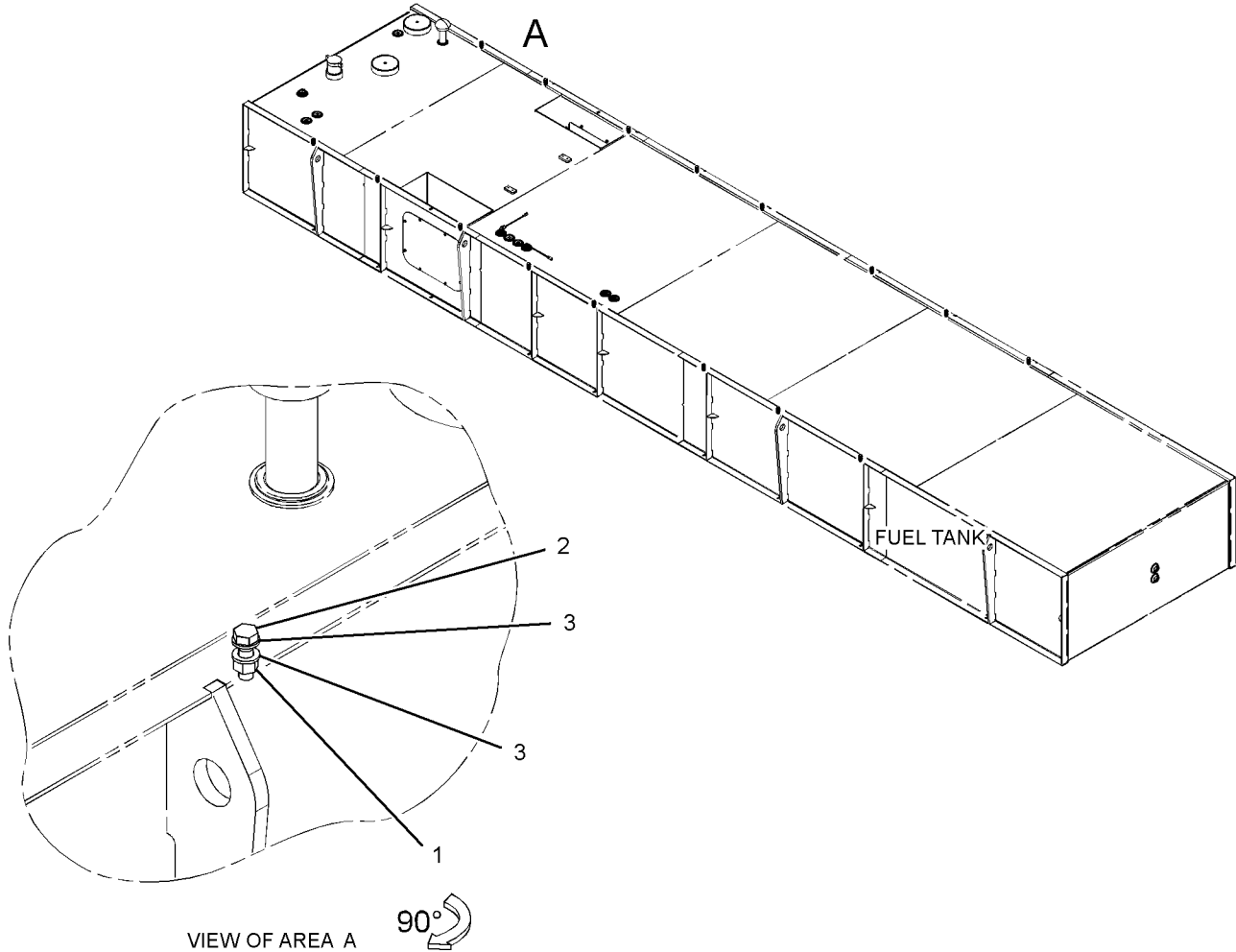
S/N: GDS1-UP  
AN ATTACHMENT

SMCS-1273, 7553

i05258274

NOTE	REF NO	GRAPHIC REF	PART NUMBER	QTY	PART NAME						SEE PAGE
					1	2	3	4	5	6 (PRODUCT LEVEL)	
M	1	1	8T-4132	16	NUT (M16X2-THD)						
M	2	1	8T-4193	16	BOLT (M16X2X50-MM)						
	3	1	9X-8257	32	WASHER (17.5X30X3.5-MM THK)						

M - METRIC PART



GRAPHIC #1

<END>

g03350823

# FUEL SYSTEM

## 377-0779 FILTER GP-FUEL

S/N: MJE1-UP; GDS1-UP  
PART OF 377-0777 LINES GP-FUEL  
ALSO AN ATTACHMENT

SMCS-1261

i05195824

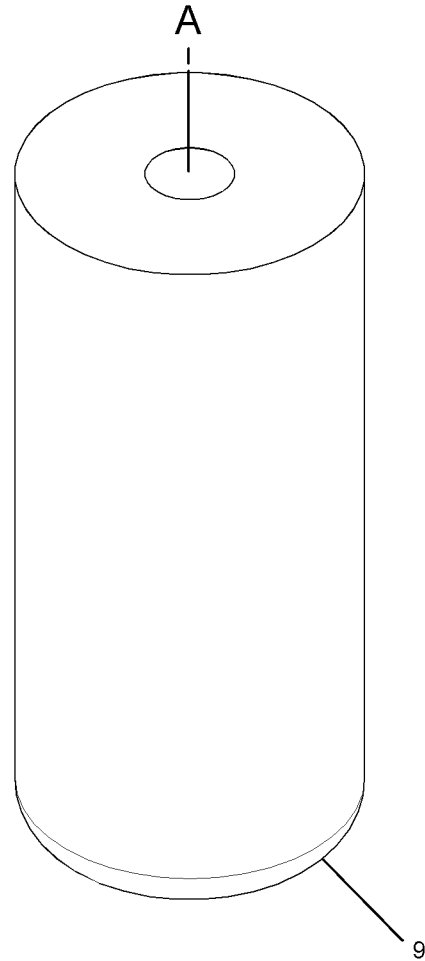
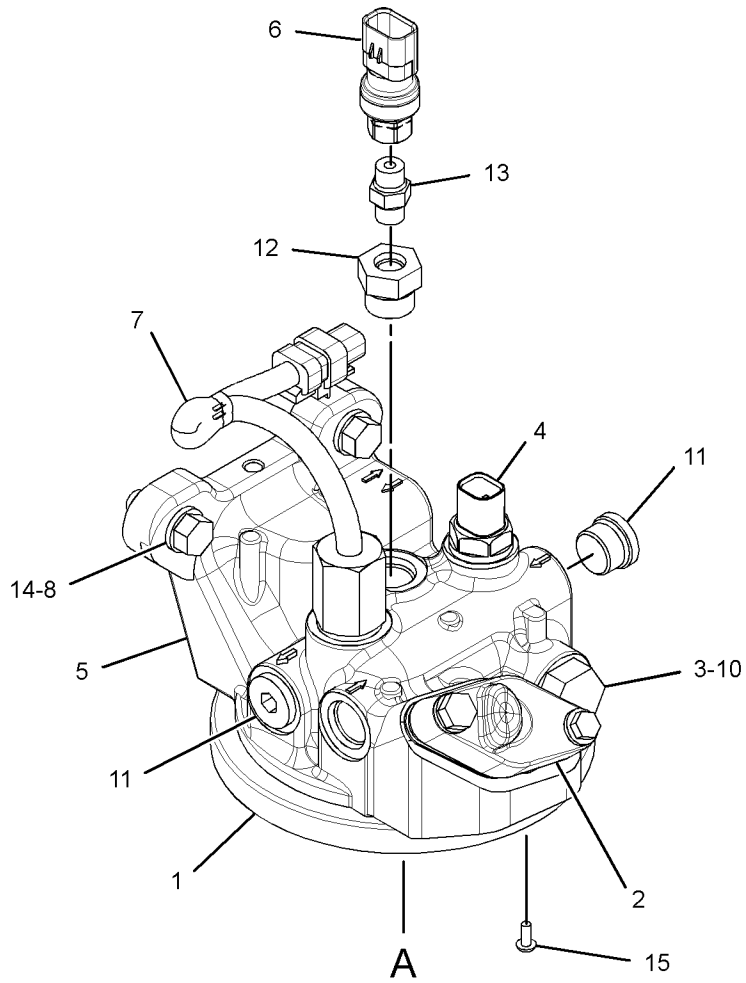
NOTE	REF NO	GRAPHIC REF	PART NUMBER	QTY	PART NAME						SEE PAGE
					1	2	3	4	5	6 (PRODUCT LEVEL)	
	1	1	<b>6N-1127</b>	1	SHIELD						
Y	2	1	116-5410	1	COVER GP-FUEL FILTER BASE						133
Y	3	1	<b>139-6873</b>	1	VALVE GP-FUEL BYPASS (FILTER)						168
Y	4	1	234-5013	1	SENSOR GP-TEMPERATURE (FUEL)						299
	5	1	<b>237-9311</b>	1	BASE AS						
		1	<b>237-9323</b>	1	STUD						
	6	1	<b>274-6719</b>	1	SENSOR GP-PRESSURE (FUEL)						
Y	7	1	<b>275-1253</b>	1	SWITCH GP-PRESSURE (FUEL FILTER)						322
	8	1	<b>1A-2029</b>	2	BOLT (3/8-16X1.125-IN)						
	9	1	<b>1R-0755</b>	1	FILTER-FUEL (ADVANCED EFFICIENCY)						
	10	1	<b>238-5081</b>	1	SEAL-O-RING						
	11	1	<b>307-2673</b>	1	PLUG AS						
		1	<b>9S-8005</b>	1	PLUG-O-RING						
		1	<b>238-5080</b>	1	SEAL-O-RING						
	12	1	321-8654	1	ADAPTER AS						
		1	<b>3P-1932</b>	1	ADAPTER						
		1	<b>238-5080</b>	1	SEAL-O-RING						
	13	1	353-5112	1	ADAPTER AS						
		1	<b>9X-0262</b>	1	ADAPTER						
		1	<b>214-7566</b>	2	SEAL-O-RING						
	14	1	<b>5M-2894</b>	2	WASHER-HARD (10.2X18.5X2.5-MM THK)						
	15	1	<b>7F-9090</b>	2	SCREW-DRIVE (NO 8X3/8-IN)						

Y - SEPARATE ILLUSTRATION

# FUEL SYSTEM

377-0779 FILTER GP-FUEL (contd.)

i05195824



GRAPHIC #1

<END>

g03347418

# FUEL SYSTEM

## 212-9580 FILTER GP-WATER SEP & FUEL

S/N: MJE1-UP; GDS1-UP

PART OF 213-4740 PUMP GP-FUEL PRM & WATER SEP

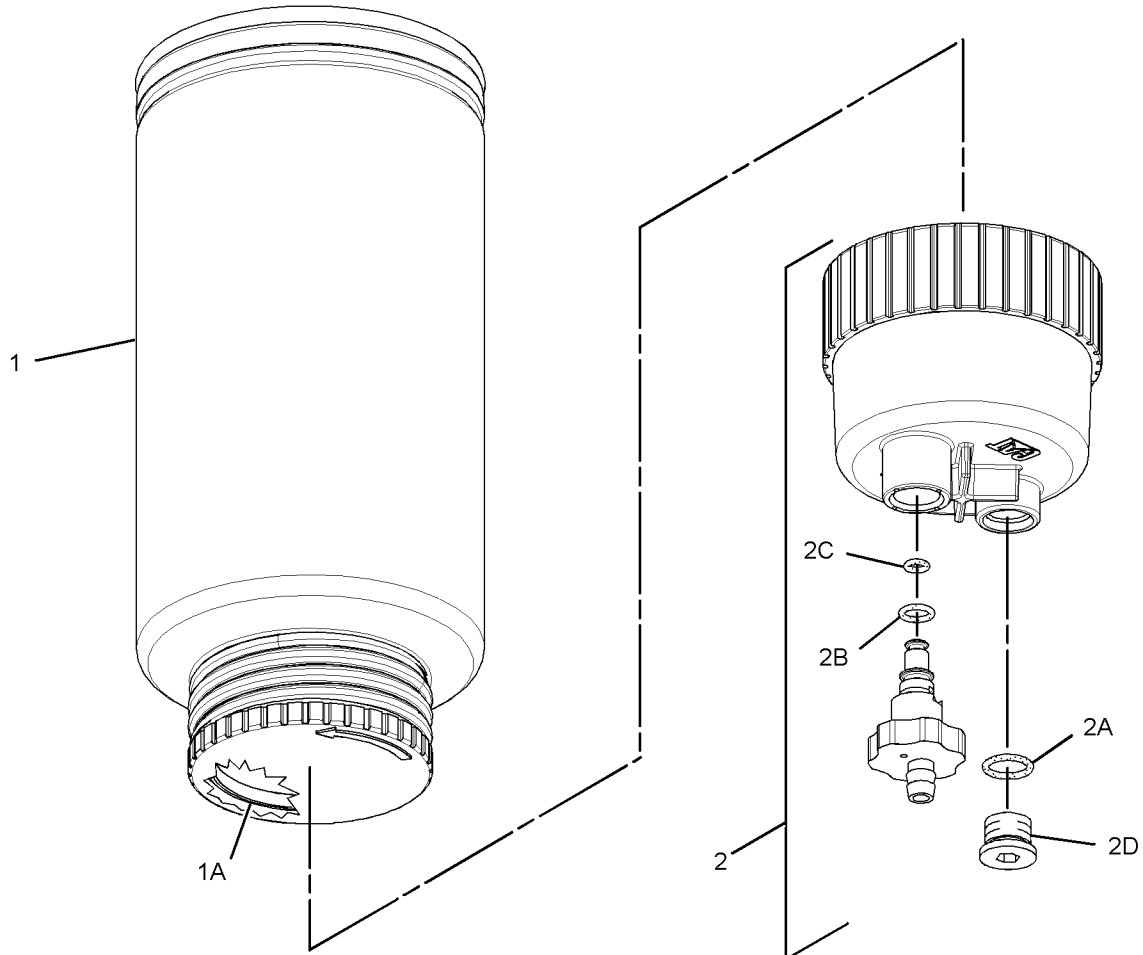
ALSO AN ATTACHMENT

SMCS-1261, 1263

i05320671

NOTE	REF NO	GRAPHIC REF	PART NUMBER	QTY	PART NAME						SEE PAGE
					1	2	3	4	5	6 (PRODUCT LEVEL)	
	1	1	<b>326-1643</b>	1	FILTER AS-WATER SEP & FUEL (PRIMARY)						
	1A	1	<b>220-8678</b>	1	SEAL-RING (FUEL FILTER)						
	2	1	<b>343-5527</b>	1	BOWL AS						
J	2A	1	<b>3J-1907</b>	1	SEAL-O-RING						
	2B	1	<b>5F-9144</b>	1	SEAL-O-RING						
	2C	1	<b>8F-7219</b>	1	SEAL-O-RING						
J	2D	1	<b>9S-8004</b>	1	PLUG-O-RING						

J - PARTS MARKED J ARE USED WITH BOWL ASSEMBLY WHEN PLASIC PLUG IS NOT USED.



GRAPHIC #1

<END>

g01944750

# FUEL SYSTEM

## 253-0615 INJECTOR GP-FUEL\*R

S/N: MJE1-UP; GDS1-UP

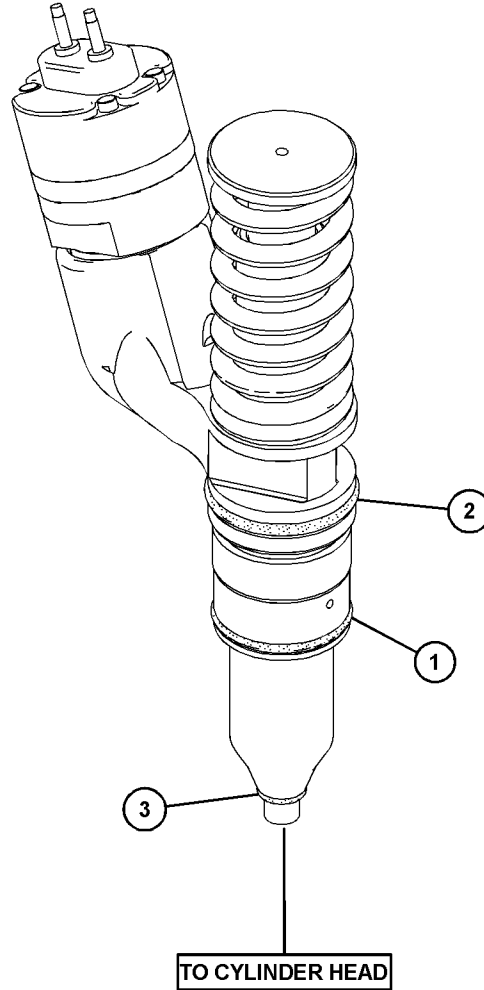
PART OF 235-1401 PUMP GP-FUEL INJECTION

ALSO AN ATTACHMENT

SMCS-1251, 1254, 1290, 1713

i05306484

NOTE	REF NO	GRAPHIC REF	PART NUMBER	QTY	PART NAME						SEE PAGE
					1	2	3	4	5	6 (PRODUCT LEVEL)	
	1	1	<b>230-3728</b>	1	SEAL-O-RING						
	2	1	<b>230-3775</b>	1	SEAL-O-RING						
	3	1	<b>9X-7317</b>	1	SEAL-O-RING						



GRAPHIC #1

<END>

g03160016



# FUEL SYSTEM

## 374-0750 INJECTOR GP-FUEL

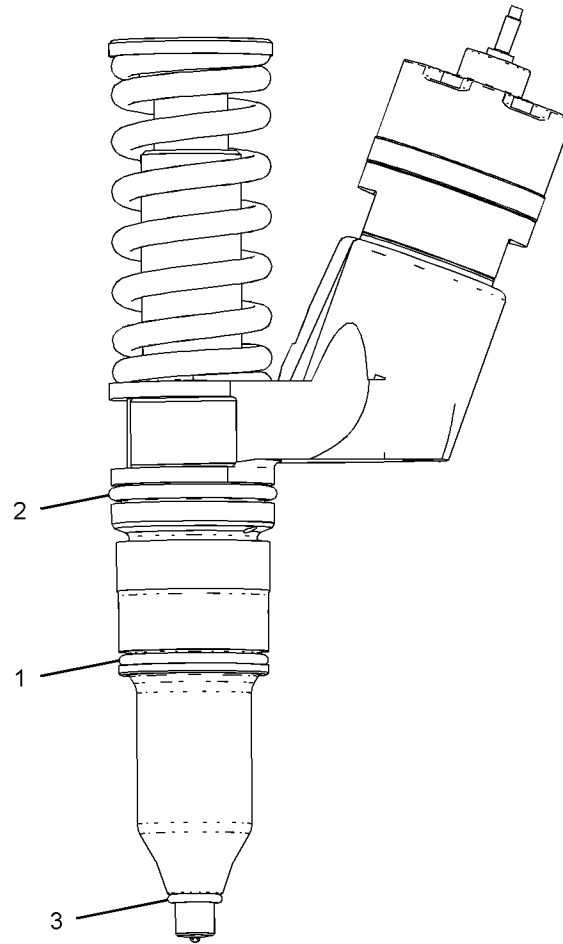
S/N: MJE1-UP; GDS1-UP

PART OF 235-1401 PUMP GP-FUEL INJECTION  
ALSO AN ATTACHMENT

SMCS-1251, 1254, 1290, 1713

i05244316

NOTE	REF NO	GRAPHIC REF	PART NUMBER	QTY	PART NAME						SEE PAGE
					1	2	3	4	5	6 (PRODUCT LEVEL)	
	1	1	230-3728	1	SEAL-O-RING						
	2	1	230-3775	1	SEAL-O-RING						
	3	1	9X-7317	1	SEAL-O-RING						



GRAPHIC #1

<END>

g03350614

# FUEL SYSTEM

## 349-2579 LINES GP-FUEL

S/N: GDS1-UP

PART OF 349-2574 RADIATOR & FAN GP  
AN ATTACHMENT

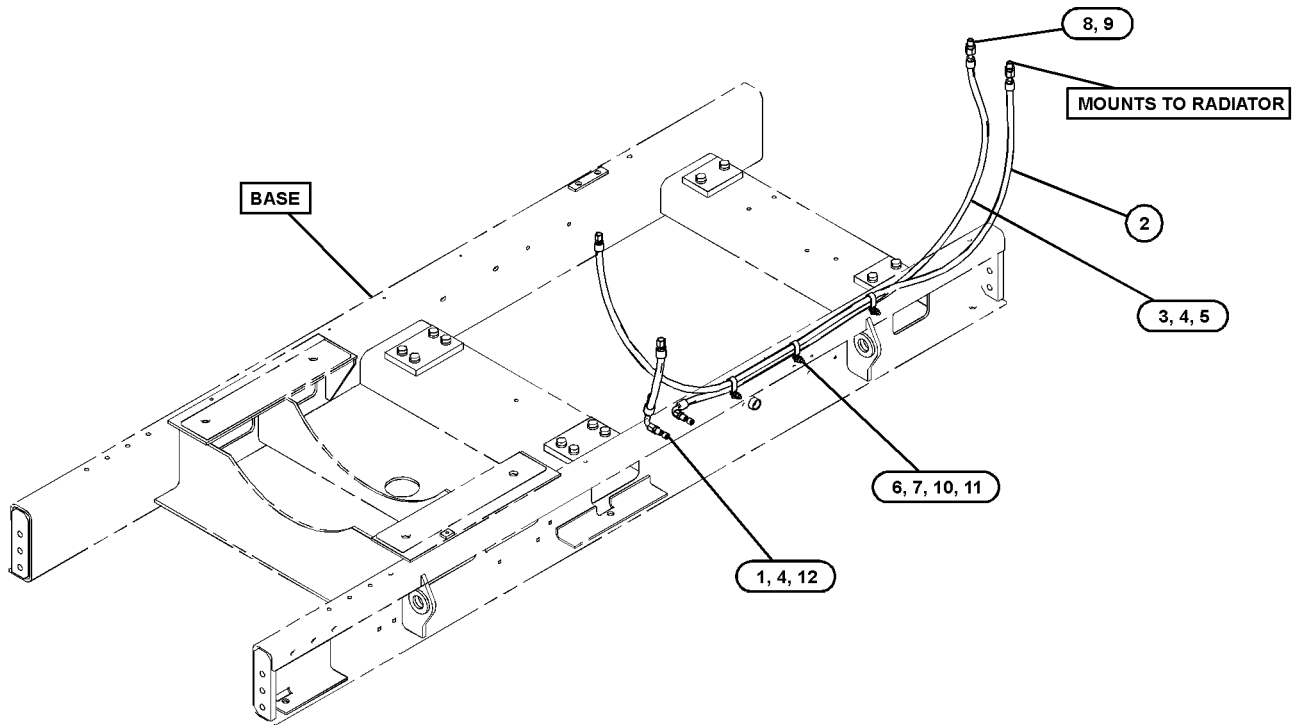
SMCS-1274

i05202493

NOTE	REF NO	GRAPHIC REF	PART NUMBER	QTY	PART NAME						SEE PAGE
					1	2	3	4	5	6	
I	1	1	352-5050	1	HOSE AS						
I	2	1	352-5051	1	HOSE AS						
I	3	1	352-5052	1	HOSE AS						
	4	1	2B-0858	2	PLUG-PIPE						
	5	1	3R-5387	1	CONNECTOR						
	6	1	6D-4247	3	CLIP						
	7	1	6V-5839	6	WASHER (11X21X2.5-MM THK)						
	8	1	7J-9108	2	SEAL-O-RING						
	9	1	8C-6873	2	CONNECTOR						
M	10	1	8T-4133	3	NUT (M10X1.5-THD)						
M	11	1	8T-4196	3	BOLT (M10X1.5X35-MM)						
	12	1	9M-6522	1	CONNECTOR						

I - REFER TO HYDRAULIC INFORMATION SYSTEM

M - METRIC PART



GRAPHIC #1

<END>

g03336203

# FUEL SYSTEM

## 373-6409 LINES GP-FUEL

S/N: MJE1-UP; GDS1-UP

WATER SEPARATOR

PART OF 388-4921 ENGINE AR, 349-5619, 349-5622 ENGINE AR-COMPLETE

ALSO AN ATTACHMENT

SMCS-1274

i05207113

NOTE	REF NO	GRAPHIC REF	PART NUMBER	QTY	PART NAME						SEE PAGE
					1	2	3	4	5	6 (PRODUCT LEVEL)	
E	1	1	<b>5P-1420</b>		HOSE (58-CM)						
	2	1	<b>4P-0693</b>	4	CLAMP AS						
	3	1	<b>8T-9655</b>	6	MOUNT-ISOLATION						
	4	1	<b>191-1782</b>	1	SPACER (8.5X12.7X38.2-MM THK)						
	5	1	<b>191-1783</b>	2	SPACER (8.5X12.7X87.3-MM THK)						
Y	6	1	<b>213-4740</b>	1	PUMP GP-FUEL PRM & WATER SEP						158
	7	1	<b>226-4753</b>	1	GASKET						
	8	1	<b>335-3732</b>	1	BRACKET						
	9	1	<i>353-5133</i>	1	ELBOW AS						
		1	<b>030-7949</b>	1	ELBOW						
		1	<b>238-5081</b>	1	SEAL-O-RING						
	10	1	<b>388-6994</b>	1	HOSE & TUBE AS						
	11	1	<b>377-3814</b>	1	BRACKET AS						
	12	1	<b>377-3815</b>	1	TUBE AS-FUEL						
	13	1	<b>0L-1143</b>	2	BOLT (3/8-16X2.5-IN)						
	14	1	<b>0T-0573</b>	2	BOLT (3/8-16X2.75-IN)						
	15	1	<b>1A-0291</b>	1	COVER-SHAFT						
	16	1	<b>1A-2029</b>	2	BOLT (3/8-16X1.125-IN)						
	17	1	<b>1D-4538</b>	1	BOLT (5/16-18X2.25-IN)						
	18	1	<b>1P-4278</b>	1	CLAMP-HOSE						
	19	1	<i>309-5131</i>	2	PLUG AS						
					(EACH INCLUDES)						
		1	<b>9S-8006</b>	1	PLUG-O-RING						
		1	<b>238-5081</b>	1	SEAL-O-RING						
	20	1	<b>3E-4352</b>	3	WASHER-HARD (8.8X20.5X2.5-MM THK)						
	21	1	<i>392-0772</i>	1	ELBOW AS						
		1	<b>238-5081</b>	1	SEAL-O-RING						
		1	<b>8K-6686</b>	1	ELBOW-FLARED						
	22	1	<b>8H-8769</b>	2	BOLT (5/16-18X4.25-IN)						
	23	1	<b>9S-8752</b>	1	NUT-FULL (3/8-16-THD)						
	24	1	<b>9X-6458</b>	7	WASHER-HARD (10.2X22.5X3-MM THK)						

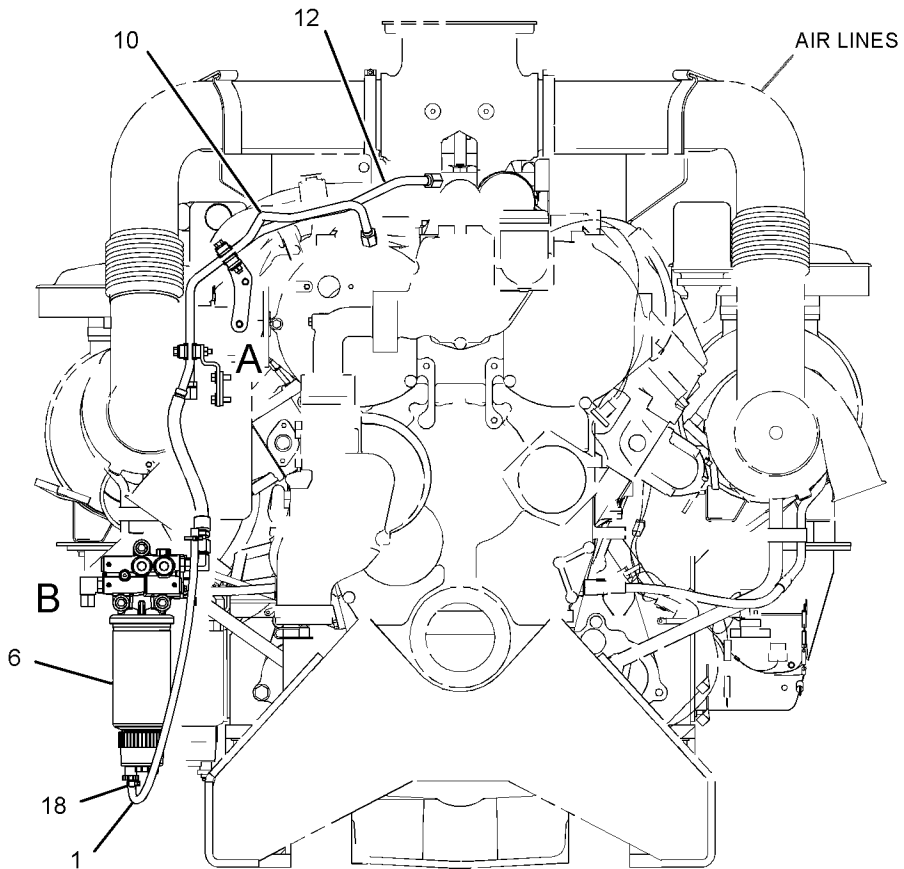
E - ORDER BY THE CENTIMETER

Y - SEPARATE ILLUSTRATION

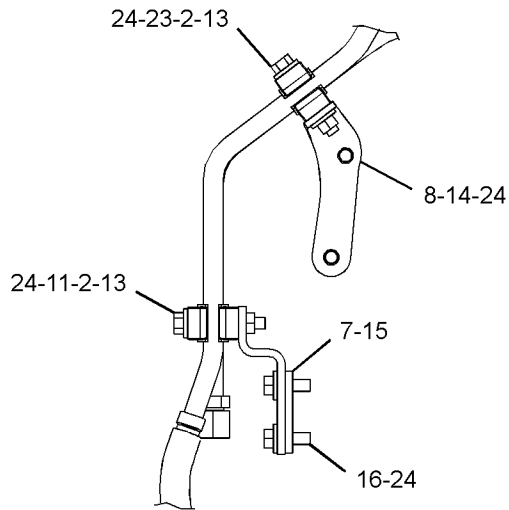
# FUEL SYSTEM

373-6409 LINES GP-FUEL (contd.)

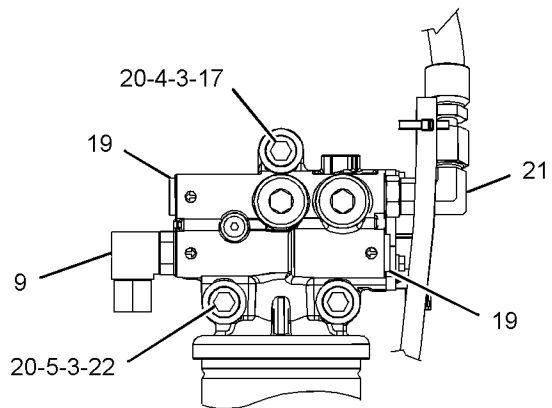
i05207113



FRONT VIEW OF ENGINE



VIEW OF AREA A



VIEW OF AREA B

GRAPHIC #1

<END>

g03347184

# FUEL SYSTEM

## 377-0777 LINES GP-FUEL

S/N: MJE1-UP; GDS1-UP

PART OF 388-4921 ENGINE AR, 349-5619, 349-5622 ENGINE AR-COMplete  
ALSO AN ATTACHMENT

SMCS-1274

i05269936

NOTE	REF NO	GRAPHIC REF	PART NUMBER	QTY	PART NAME						SEE PAGE
					1	2	3	4	5	6 (PRODUCT LEVEL)	
	1	2	<b>4P-0707</b>	6	CLAMP AS						
					(EACH INCLUDES)						
		2	<b>307-8373</b>	1	GROMMET						
	2	3	<b>127-5447</b>	1	SPACER (10.5X20X12-MM THK)						
	3	2	<b>237-4891</b>	1	PLATE						
Y	4	2	<b>420-1795</b>	1	VALVE GP-CHECK						167
C	5	3	<b>369-9380</b>	1	MANIFOLD-FUEL						
	6	3	<b>314-3174</b>	1	BRACKET AS						
I	7	3	<b>322-7615</b>	1	HOSE AS						
C	8	3	<b>361-1997</b>	1	LINE-FUEL						
	9	2	<b>325-5705</b>	2	BRACKET						
Y	10	3	<b>327-4448</b>	1	VALVE GP-CHECK (FUEL)						165
C	11	3	<b>385-4555</b>	1	BRACKET AS						
	12	3	<b>351-0258</b>	1	ELBOW AS						
		3	<b>1P-7625</b>	1	ELBOW						
		3	<b>238-5080</b>	1	SEAL-O-RING						
	13	2,3	<b>353-5134</b>	2	ELBOW AS						
					(EACH INCLUDES)						
		2,3	<b>118-4728</b>	1	ELBOW						
		2,3	<b>238-5080</b>	1	SEAL-O-RING						
	14	2	<b>354-3520</b>	1	BRACKET AS						
	15	3	<b>375-1045</b>	1	ELBOW AS						
		3	<b>6M-7476</b>	1	ELBOW						
		3	<b>238-5081</b>	1	SEAL-O-RING						
	16	2	<b>375-6122</b>	1	MANIFOLD-FUEL						
I	17	2	<b>375-6148</b>	2	HOSE AS						
	18	2	<b>376-2418</b>	1	BRACKET AS						
Y	19	2	<b>377-0779</b>	1	FILTER GP-FUEL						135
	20	1	<b>383-6032</b>	1	HOSE AS						
	21	2	<b>383-9585</b>	1	HOSE AS						
	22	3	<b>090-8635</b>	2	SPACER (11X22X5-MM THK)						
	23	2	<b>0L-1143</b>	3	BOLT (3/8-16X2.5-IN)						
C	24	2,3	<b>0L-1351</b>	6	BOLT (3/8-16X0.875-IN)						
	25	2	<b>8M-0547</b>	1	ELBOW-FLARED (SWIVEL)						
C	26	3	<b>1C-2251</b>	2	BOLT (3/8-16X1.87-IN)						
	27	3	<b>0S-1590</b>	1	BOLT (3/8-16X2-IN)						
	28	2	<b>0S-1594</b>	7	BOLT (3/8-16X1-IN)						
C	29	2,3	<b>9X-6458</b>	12	WASHER-HARD (10.2X22.5X3-MM THK)						
C	30	2	<b>9S-8752</b>	3	NUT-FULL (3/8-16-THD)						
	31	2,3	<b>389-3701</b>	4	CONNECTOR AS						
					(EACH INCLUDES)						
		2,3	<b>147-3396</b>	1	CONNECTOR-PORT						
		2,3	<b>214-7568</b>	1	SEAL-O-RING						
C	32	2	<b>1A-2029</b>	1	BOLT (3/8-16X1.125-IN)						
C	33	2,3	<b>1A-5183</b>	5	BOLT (3/8-16X4.75-IN)						
	34	2	<b>384-9218</b>	2	CONNECTOR AS						
					(EACH INCLUDES)						
		2	<b>1P-1376</b>	1	CONNECTOR-PORT						
		2	<b>214-7568</b>	1	SEAL-O-RING						
C	35	2,3	<b>8T-1890</b>	5	CLIP (TAB)						
C	36	2,3	<b>8T-1889</b>	5	CLIP (SLOT)						
	37	3	<b>307-2673</b>	1	PLUG AS						
		3	<b>9S-8005</b>	1	PLUG-O-RING						
		3	<b>238-5080</b>	1	SEAL-O-RING						
	38	2	<b>309-5131</b>	2	PLUG AS						
					(EACH INCLUDES)						
		2	<b>9S-8006</b>	1	PLUG-O-RING						

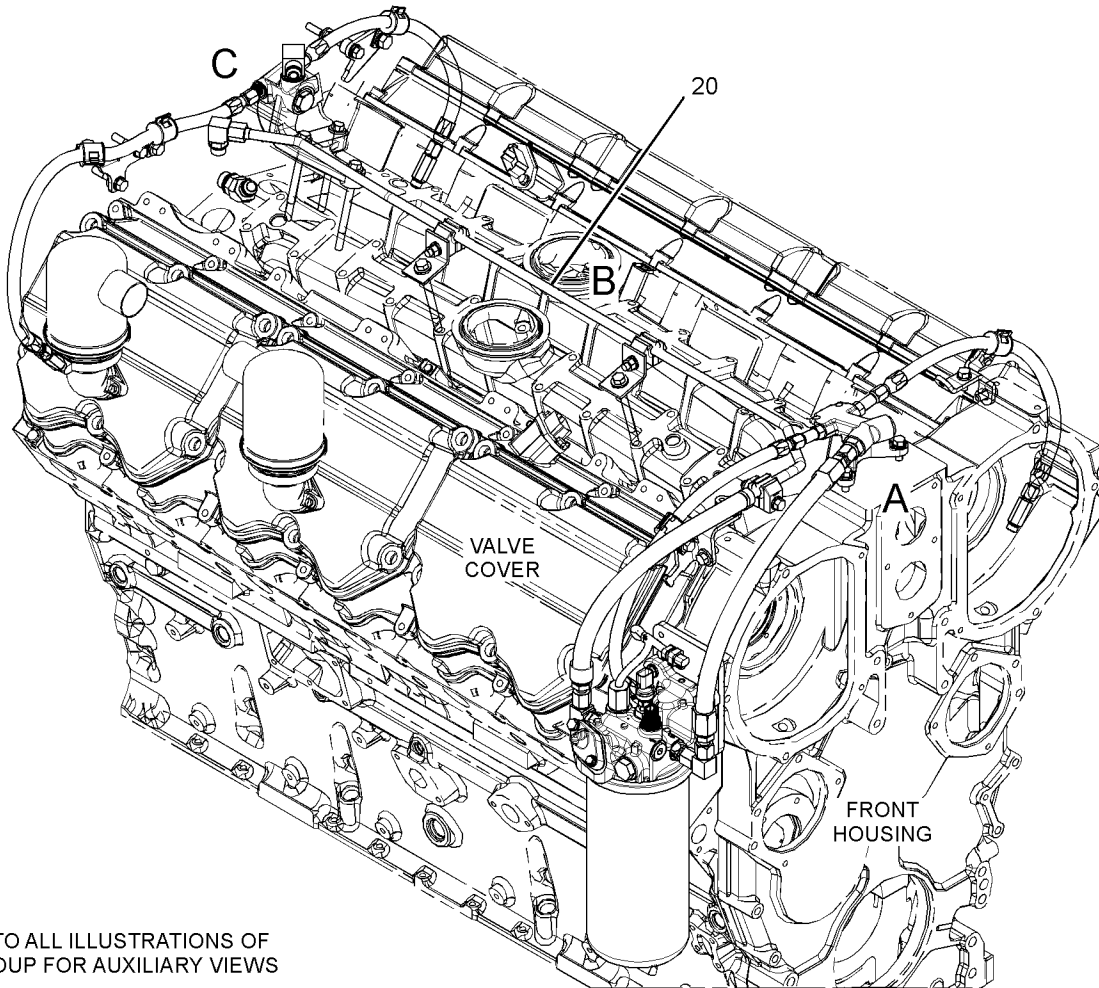
# FUEL SYSTEM

377-0777 LINES GP-FUEL (contd.)

i05269936

NOTE	REF NO	GRAPHIC REF	PART NUMBER	QTY	PART NAME						SEE PAGE
					1	2	3	4	5	6 (PRODUCT LEVEL)	
		2	<b>238-5081</b>	1	SEAL-O-RING						
Y	39	3	420-1792	2	VALVE GP-CHECK						166
C	40	2,3	<b>353-7954</b>	5	GROMMET						
	41	3	<b>3B-1915</b>	1	BOLT (3/8-16X1.375-IN)						
	42	3	<b>4F-8965</b>	1	BOLT (7/16-14X1.125-IN)						
C	43	2,3	<b>5M-2894</b>	13	WASHER-HARD (10.2X18.5X2.5-MM THK)						
	44	3	<b>5P-8244</b>	1	WASHER-HARD (12X22.5X2.5-MM THK)						
	45	2	386-6213	1	CONNECTOR AS						
		2	<b>6K-3607</b>	1	CONNECTOR						
		2	<b>238-5081</b>	1	SEAL-O-RING						

C - CHANGE FROM PREVIOUS TYPE  
 I - REFER TO HYDRAULIC INFORMATION SYSTEM  
 Y - SEPARATE ILLUSTRATION



REFER TO ALL ILLUSTRATIONS OF THIS GROUP FOR AUXILIARY VIEWS

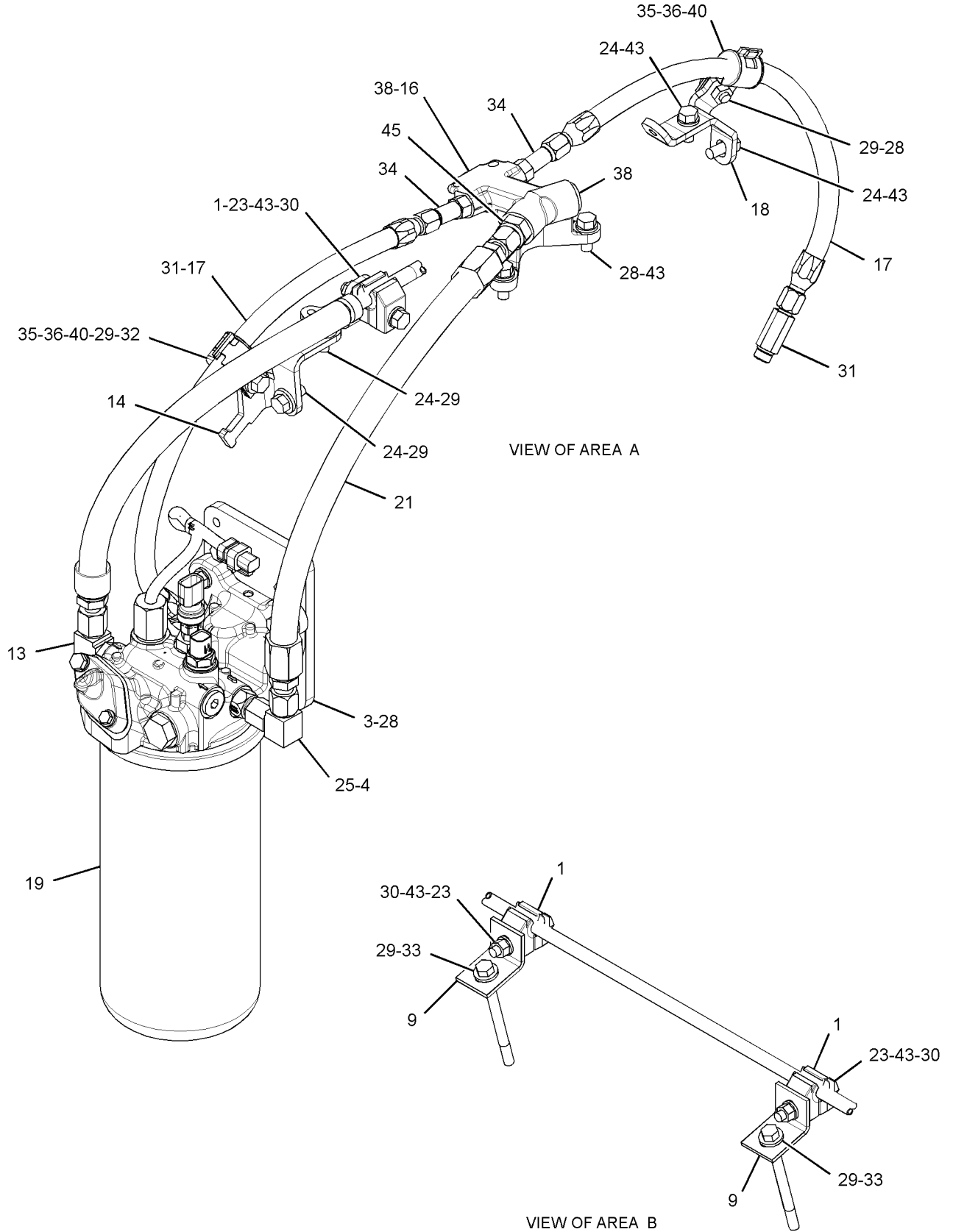
GRAPHIC #1

g03353018

# FUEL SYSTEM

377-0777 LINES GP-FUEL (contd.)

i05269936



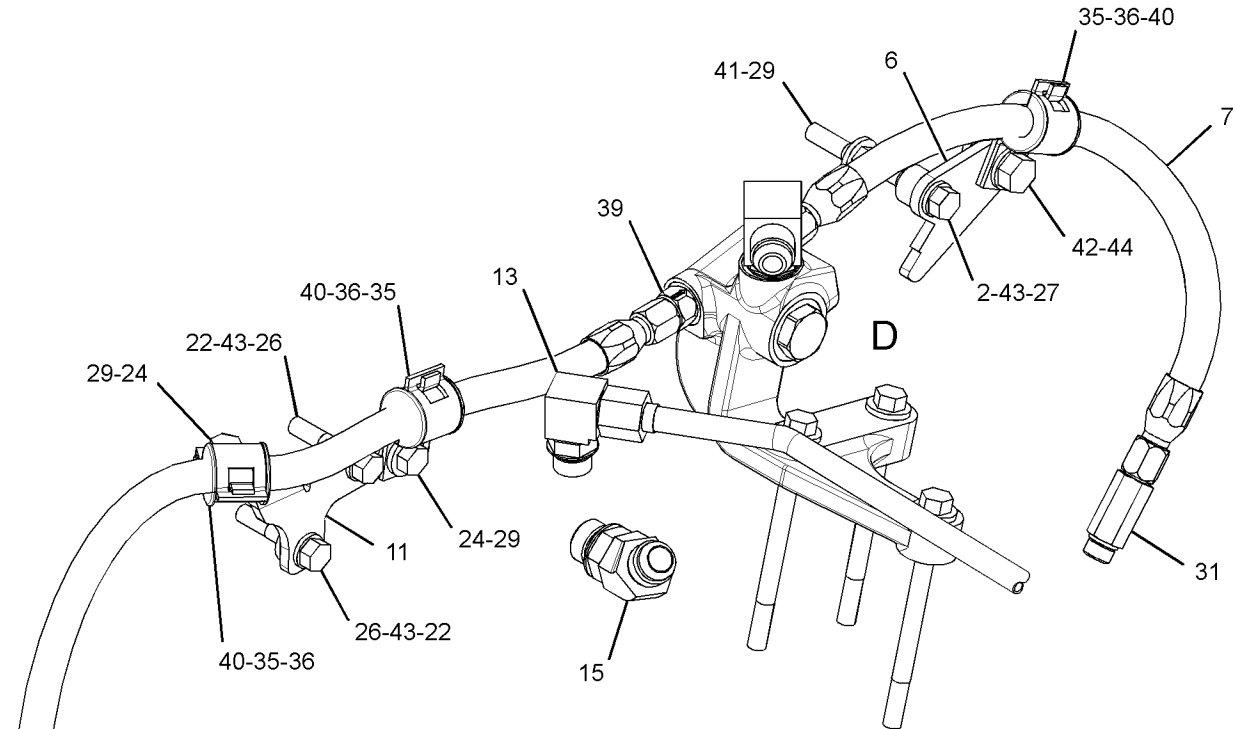
GRAPHIC #2

g03353019

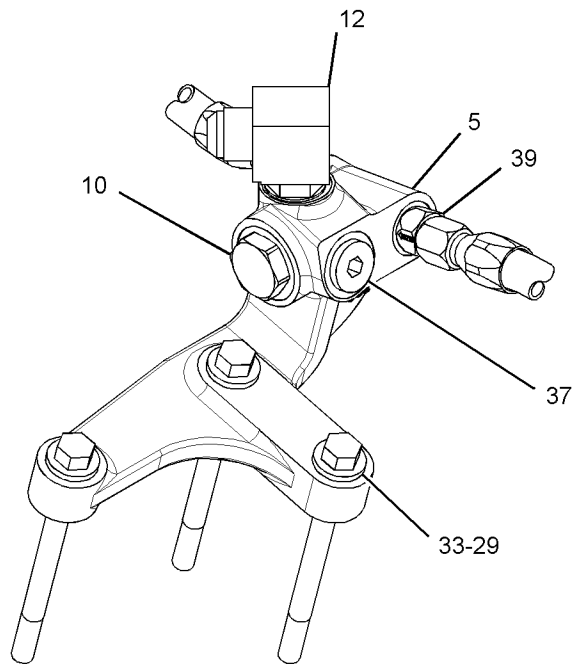
# FUEL SYSTEM

377-0777 LINES GP-FUEL (contd.)

i05269936



VIEW OF AREA C



VIEW OF AREA D 90°

GRAPHIC #3

<END>

g03353020



# FUEL SYSTEM

## 377-0777 LINES GP-FUEL

S/N: MJE1-UP

PART OF 349-5619, 349-5622 ENGINE AR-COMPLETE

SMCS-1274

i05195823

NOTE	REF NO	GRAPHIC REF	PART NUMBER	QTY	PART NAME						SEE PAGE
					1	2	3	4	5	6 (PRODUCT LEVEL)	
	1	2	<b>4P-0707</b>	6	CLAMP AS						
					(EACH INCLUDES)						
		2	<b>307-8373</b>	1	GROMMET						
	2	3	<b>127-5447</b>	1	SPACER (10.5X20X12-MM THK)						
	3	2	<b>237-4891</b>	1	PLATE						
	4	3	<b>299-9606</b>	1	PLATE AS						
	5	3	<b>314-3173</b>	1	MANIFOLD						
	6	3	<b>314-3174</b>	1	BRACKET AS						
I	7	3	<b>322-7615</b>	1	HOSE AS						
I	8	3	<b>322-7617</b>	1	HOSE AS						
	9	2	<b>325-5705</b>	2	BRACKET						
Y	10	3	<b>327-4448</b>	1	VALVE GP-CHECK (FUEL)						165
	11	3	<b>328-6200</b>	1	BRACKET						
	12	3	<i>351-0258</i>	1	ELBOW AS						
		3	<b>1P-7625</b>	1	ELBOW						
		3	<b>238-5080</b>	1	SEAL-O-RING						
	13	2,3	<i>353-5134</i>	3	ELBOW AS						
					(EACH INCLUDES)						
		2,3	<b>118-4728</b>	1	ELBOW						
		2,3	<b>238-5080</b>	1	SEAL-O-RING						
	14	2	<b>354-3520</b>	1	BRACKET AS						
	15	3	<i>375-1045</i>	1	ELBOW AS						
		3	<b>6M-7476</b>	1	ELBOW						
		3	<b>238-5081</b>	1	SEAL-O-RING						
	16	2	<b>375-6122</b>	1	MANIFOLD-FUEL						
I	17	2	<b>375-6148</b>	2	HOSE AS						
	18	2	<b>376-2418</b>	1	BRACKET AS						
Y	19	2	<i>377-0779</i>	1	FILTER GP-FUEL						135
	20	1	<b>383-6032</b>	1	HOSE AS						
	21	2	<b>383-9585</b>	1	HOSE AS						
	22	3	<b>090-8635</b>	2	SPACER (11X22X5-MM THK)						
	23	2	<b>0L-1143</b>	3	BOLT (3/8-16X2.5-IN)						
	24	2	<b>0L-1351</b>	4	BOLT (3/8-16X0.875-IN)						
	25	2	<b>0S-0509</b>	2	BOLT (3/8-16X0.75-IN)						
	26	3	<b>0S-1571</b>	2	BOLT (3/8-16X1.75-IN)						
	27	3	<b>0S-1590</b>	1	BOLT (3/8-16X2-IN)						
	28	2	<b>0S-1594</b>	7	BOLT (3/8-16X1-IN)						
	29	3	<b>0S-1619</b>	2	BOLT (3/8-16X3-IN)						
	30	2	<b>132-5789</b>	2	CLIP						
	31	2,3	<b>147-3396</b>	4	CONNECTOR-PORT						
	32	2,3	<b>1A-2029</b>	2	BOLT (3/8-16X1.125-IN)						
	33	2	<b>1A-5183</b>	2	BOLT (3/8-16X4.75-IN)						
	34	2	<b>1P-1376</b>	2	CONNECTOR-PORT						
	35	2,3	<b>214-7568</b>	6	SEAL-O-RING						
	36	2	<b>238-5081</b>	1	SEAL-O-RING						
	37	3	<i>307-2673</i>	1	PLUG AS						
		3	<b>9S-8005</b>	1	PLUG-O-RING						
		3	<b>238-5080</b>	1	SEAL-O-RING						
	38	2	<i>309-5131</i>	2	PLUG AS						
					(EACH INCLUDES)						
		2	<b>9S-8006</b>	1	PLUG-O-RING						
		2	<b>238-5081</b>	1	SEAL-O-RING						
	39	3	<i>313-9614</i>	2	ADAPTER AS						
					(EACH INCLUDES)						
		3	<b>2R-6806</b>	1	CONNECTOR-O-RING						
		3	<b>214-7568</b>	1	SEAL-O-RING						
	40	2,3	<b>353-7954</b>	4	GROMMET						
	41	3	<b>3B-1915</b>	1	BOLT (3/8-16X1.375-IN)						

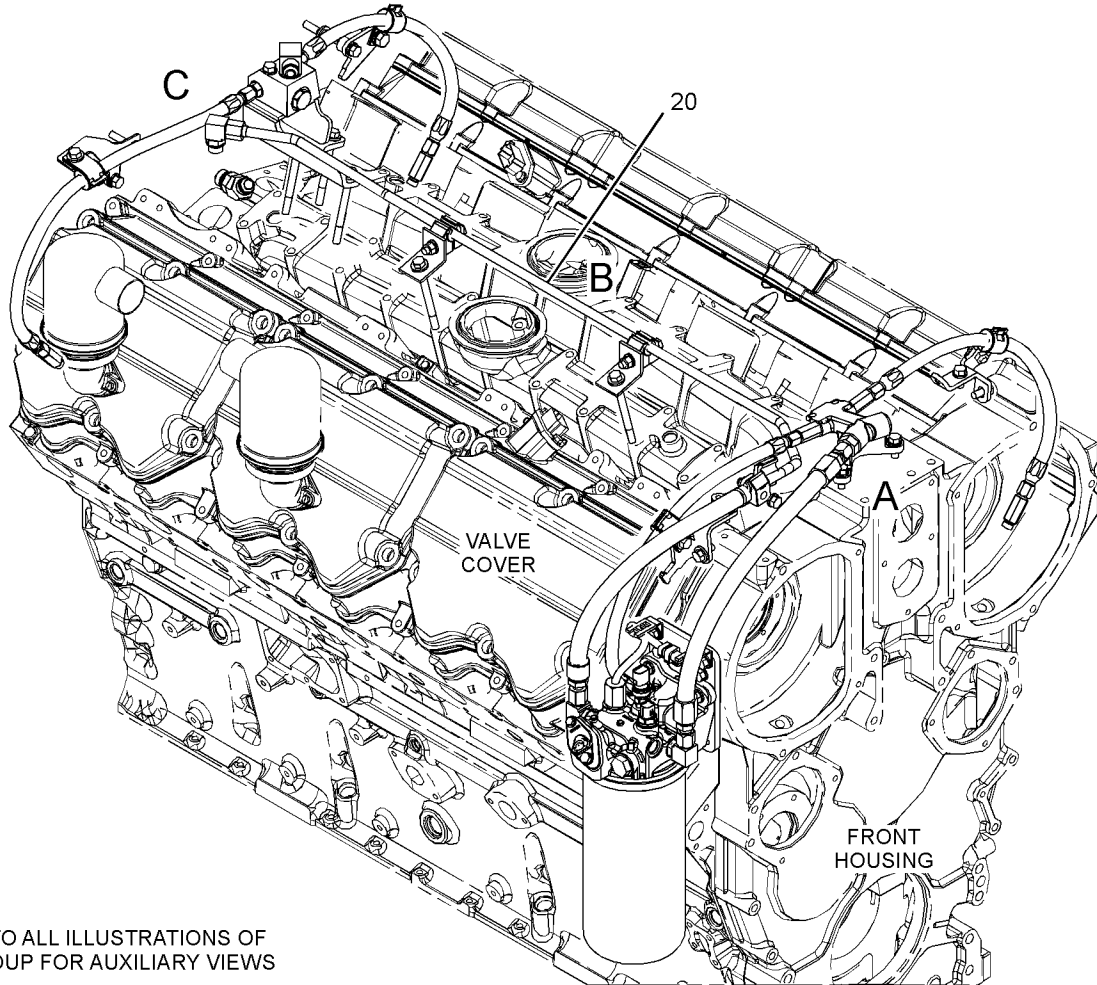
# FUEL SYSTEM

377-0777 LINES GP-FUEL (contd.)

i05195823

NOTE	REF NO	GRAPHIC REF	PART NUMBER	QTY	PART NAME	1 2 3 4 5 6 (PRODUCT LEVEL)						SEE PAGE
	42	3	<b>4F-8965</b>	1	BOLT (7/16-14X1.125-IN)							
	43	2,3	<b>5M-2894</b>	24	WASHER-HARD (10.2X18.5X2.5-MM THK)							
	44	3	<b>5P-8244</b>	1	WASHER-HARD (12X22.5X2.5-MM THK)							
	45	2	<b>6K-3607</b>	1	CONNECTOR							
	46	3	<b>8S-9191</b>	3	BOLT (3/8-16X4-IN)							
	47	2,3	<b>8T-1889</b>	4	CLIP (SLOT)							
	48	2,3	<b>8T-1890</b>	4	CLIP (TAB)							
	49	2,3	<b>9S-8752</b>	6	NUT-FULL (3/8-16-THD)							
	50	2,3	<b>9X-6458</b>	11	WASHER-HARD (10.2X22.5X3-MM THK)							

I - REFER TO HYDRAULIC INFORMATION SYSTEM  
 Y - SEPARATE ILLUSTRATION



REFER TO ALL ILLUSTRATIONS OF THIS GROUP FOR AUXILIARY VIEWS

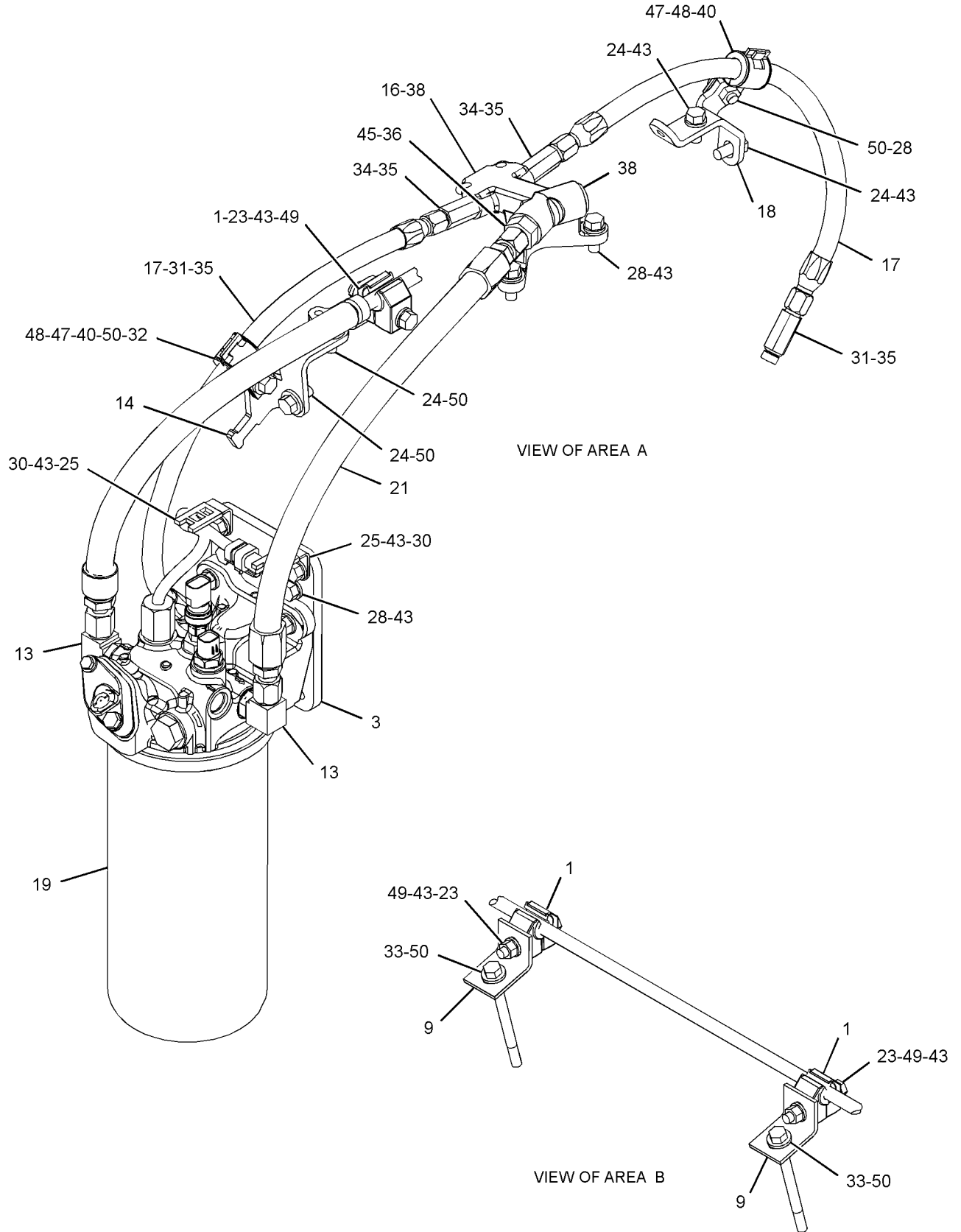
GRAPHIC #1

g03350600

# FUEL SYSTEM

377-0777 LINES GP-FUEL (contd.)

i05195823



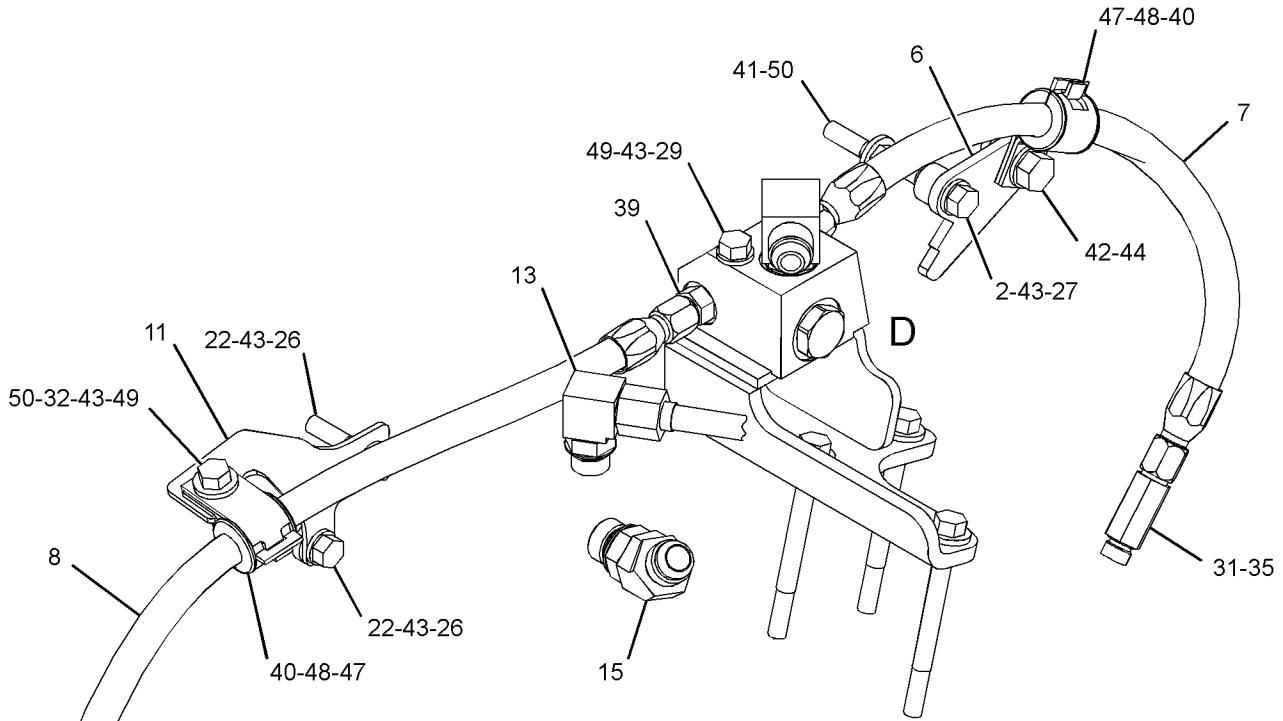
GRAPHIC #2

g03350692

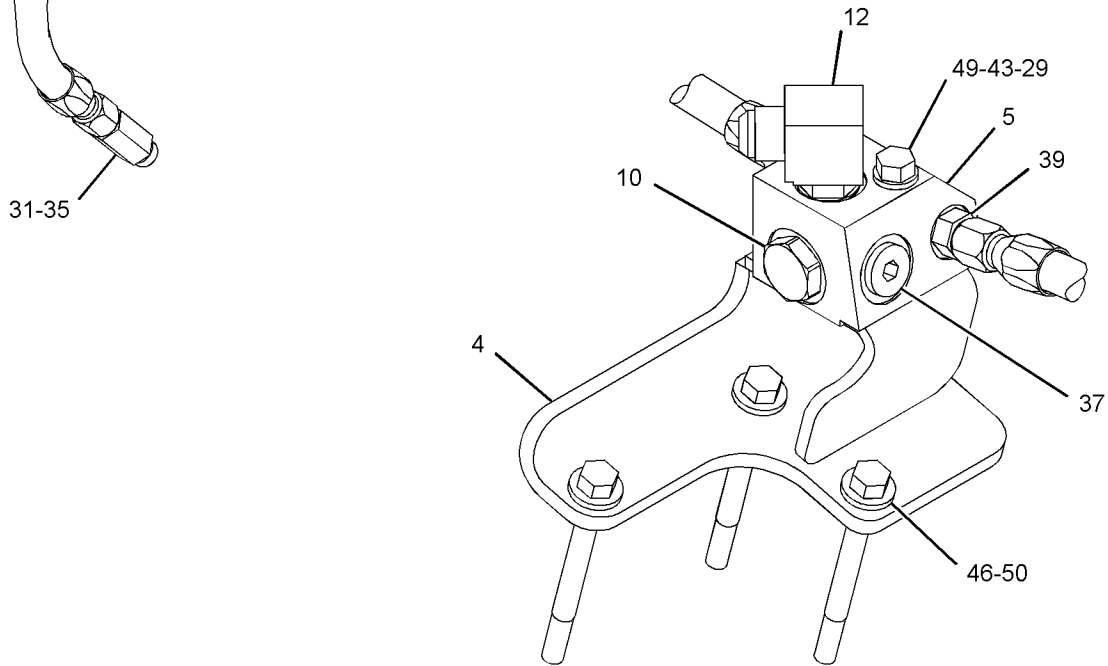
# FUEL SYSTEM

377-0777 LINES GP-FUEL (contd.)

i05195823



VIEW OF AREA C



VIEW OF AREA D



GRAPHIC #3

<END>

g03350731

# FUEL SYSTEM

## 390-6932 LINES GP-FUEL

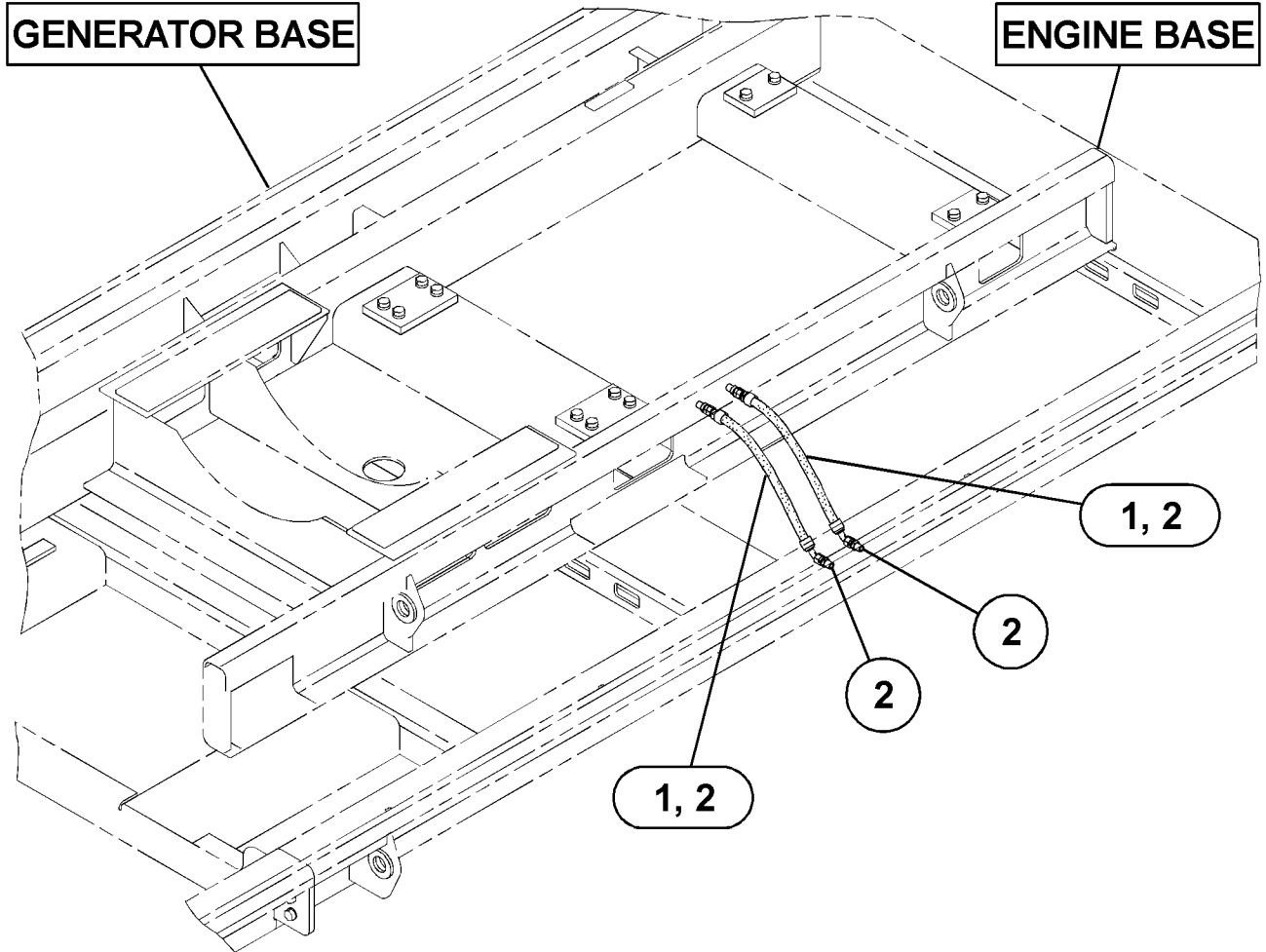
S/N: GDS1-UP  
AN ATTACHMENT

SMCS-1274

i05005990

NOTE	REF NO	GRAPHIC REF	PART NUMBER	QTY	PART NAME						SEE PAGE
					1	2	3	4	5	6	
I	1	1	390-6931	2	HOSE AS						
	2	1	9M-6522	4	CONNECTOR						

I - REFER TO HYDRAULIC INFORMATION SYSTEM



GRAPHIC #1

<END>

g03188596

# FUEL SYSTEM

## 398-0692 LINES GP-FUEL

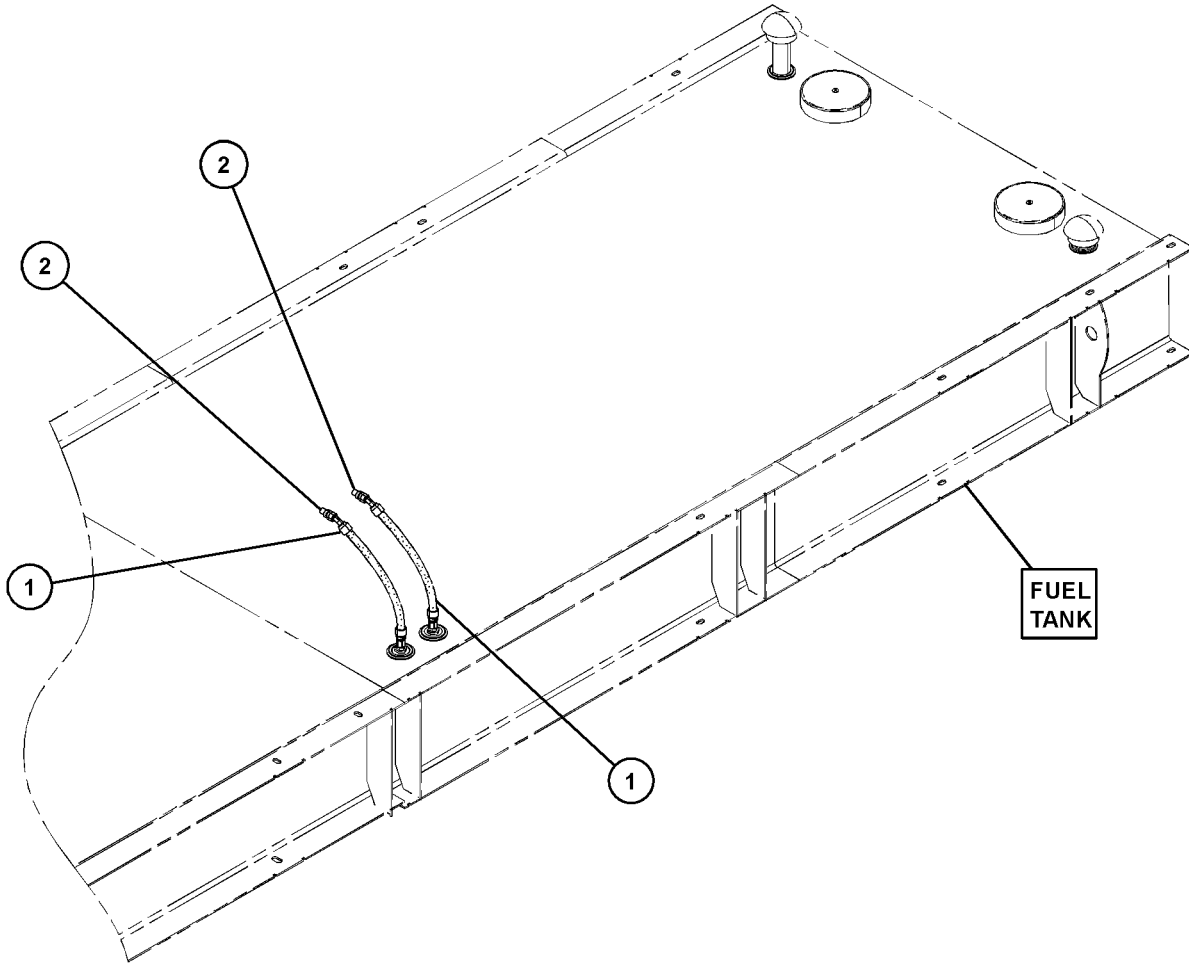
S/N: GDS1-UP  
AN ATTACHMENT

SMCS-1274

i04983831

NOTE	REF NO	GRAPHIC REF	PART NUMBER	QTY	PART NAME						SEE PAGE
					1	2	3	4	5	6 (PRODUCT LEVEL)	
I	1	1	<b>398-0693</b>	2	HOSE AS						
	2	1	<b>9M-6522</b>	2	CONNECTOR						

I - REFER TO HYDRAULIC INFORMATION SYSTEM



GRAPHIC #1

<END>

g03175936

# FUEL SYSTEM

## 223-6421 PUMP & MTG GP-FUEL TRANSFER

S/N: MJE1-UP; GDS1-UP

PART OF 388-4921 ENGINE AR, 349-5619, 349-5622 ENGINE AR-COMplete

ALSO AN ATTACHMENT

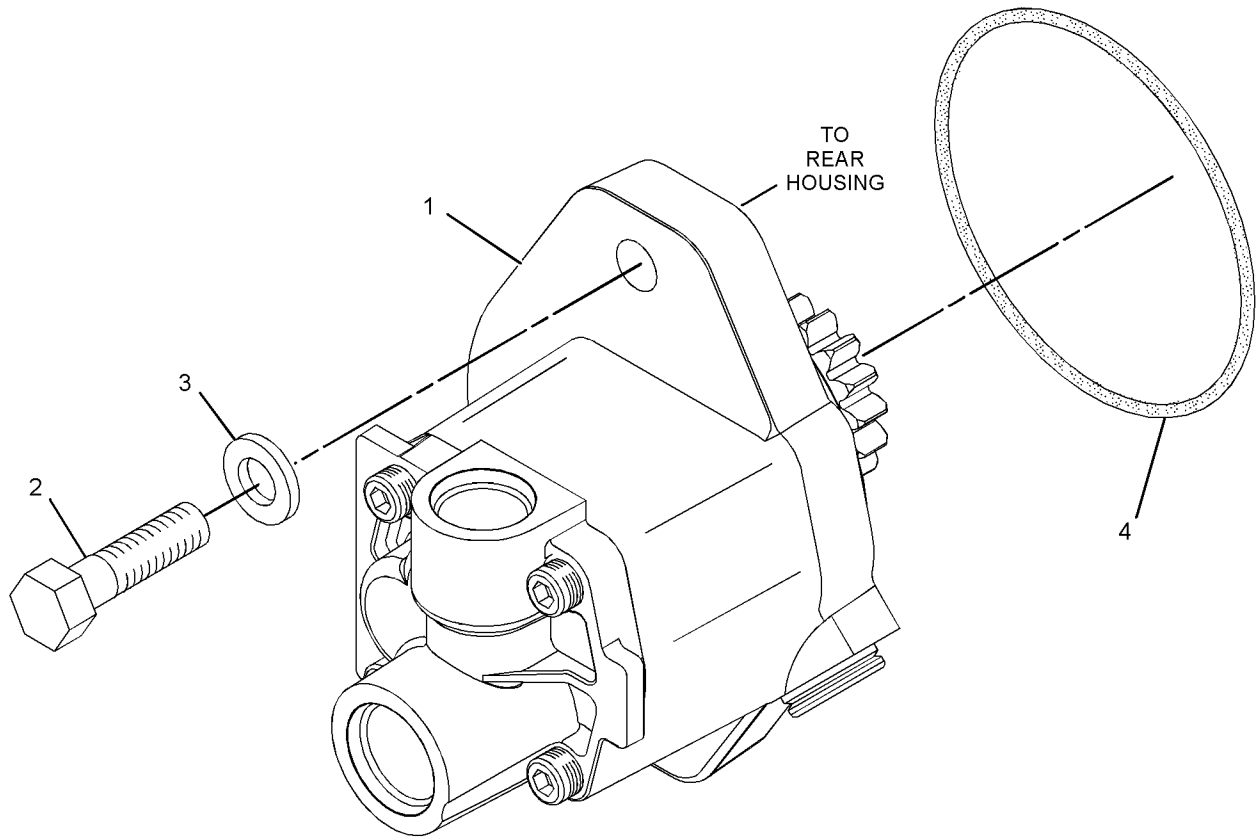
SMCS-1256

i03451934

NOTE	REF NO	GRAPHIC REF	PART NUMBER	QTY	PART NAME						SEE PAGE
					1	2	3	4	5	6 (PRODUCT LEVEL)	
CY	1	1	<b>286-2531</b>	1	PUMP GP-FUEL TRANSFER						159
	2	1	<b>3B-1915</b>	2	BOLT (3/8-16X1.375-IN)						
	3	1	<b>5M-2894</b>	2	WASHER-HARD (10.2X18.5X2.5-MM THK)						
	4	1	<b>8C-3089</b>	1	SEAL-O-RING						

C - CHANGE FROM PREVIOUS TYPE

Y - SEPARATE ILLUSTRATION



GRAPHIC #1

<END>

g01265412

# FUEL SYSTEM

## 235-1401 PUMP GP-FUEL INJECTION

S/N: MJE1-UP; GDS1-UP

ALSO AN ATTACHMENT

TYPE 1

SMCS-1251, 1290

i05306435

NOTE	REF NO	GRAPHIC REF	PART NUMBER	QTY	PART NAME						SEE PAGE
					1	2	3	4	5	6 (PRODUCT LEVEL)	
	1	1	<b>6I-0213</b>	1	CLAMP						
	2	1	<b>8S-9191</b>	1	BOLT (3/8-16X4-IN)						
	3	1	<b>100-5072</b>	1	SPACER (9.8X15.85X37.6-MM THK)						
CYR	4	1	<b>253-0615</b>	1	INJECTOR GP-FUEL						138

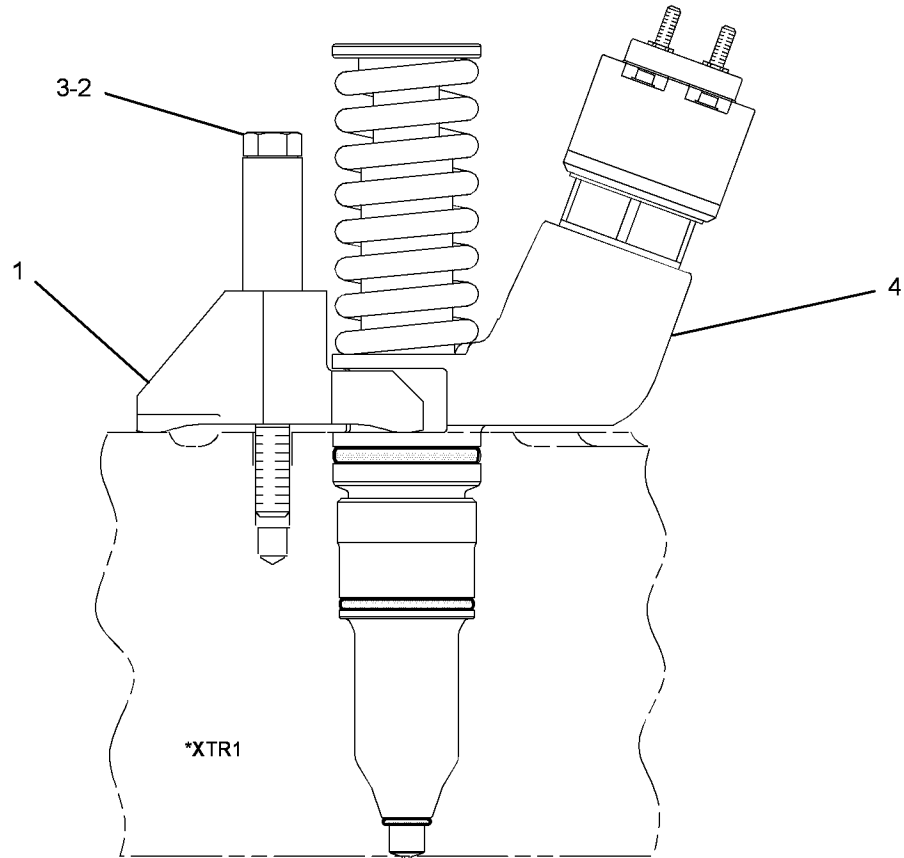
C - CHANGE FROM PREVIOUS TYPE  
R - REMFG PART MAY BE AVAILABLE  
Y - SEPARATE ILLUSTRATION



# FUEL SYSTEM

235-1401 PUMP GP-FUEL INJECTION (contd.)

i05306435



GRAPHIC #1

<END>

g03343920

# FUEL SYSTEM

## 235-1401 PUMP GP-FUEL INJECTION

S/N: MJE1-UP; GDS1-UP

ALSO AN ATTACHMENT

TYPE 2

SMCS-1251, 1290

i05306773

NOTE	REF NO	GRAPHIC REF	PART NUMBER	QTY	PART NAME						SEE PAGE
					1	2	3	4	5	6 (PRODUCT LEVEL)	
	1	1	<b>6I-0213</b>	1	CLAMP						
	2	1	<b>8S-9191</b>	1	BOLT (3/8-16X4-IN)						
	3	1	<b>100-5072</b>	1	SPACER (9.8X15.85X37.6-MM THK)						
CY	4	1	<b>374-0750</b>	1	INJECTOR GP-FUEL						139

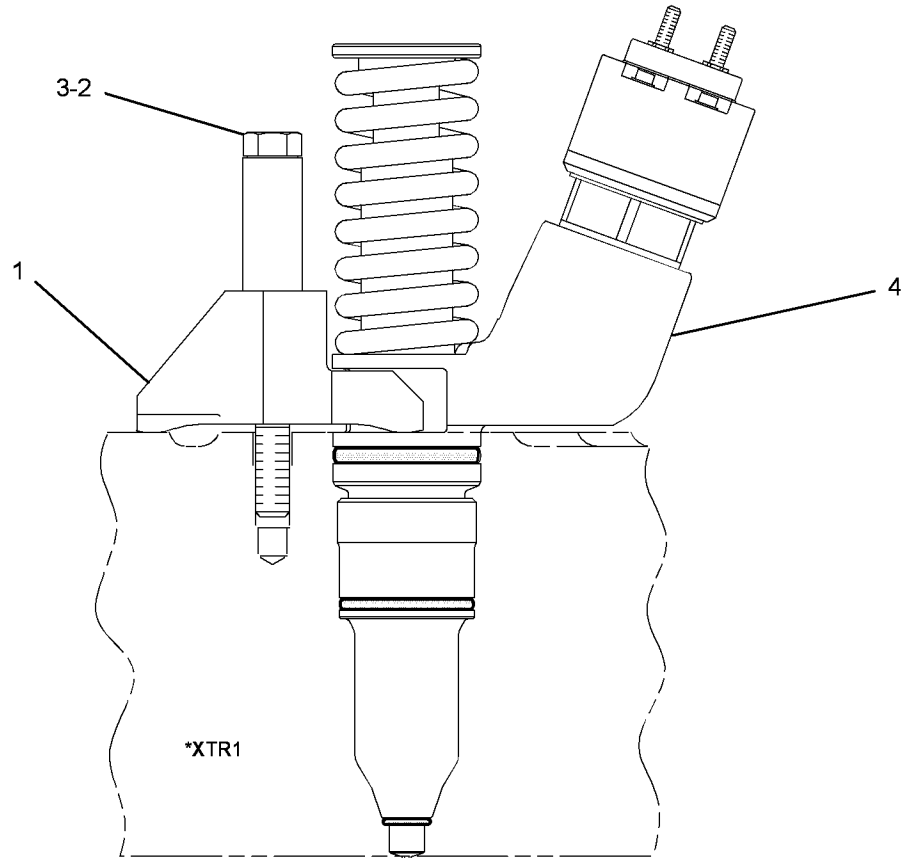
C - CHANGE FROM PREVIOUS TYPE

Y - SEPARATE ILLUSTRATION

# FUEL SYSTEM

235-1401 PUMP GP-FUEL INJECTION (contd.)

i05306773



GRAPHIC #1

<END>

g03343920

# FUEL SYSTEM

## 213-4740 PUMP GP-FUEL PRM & WATER SEP

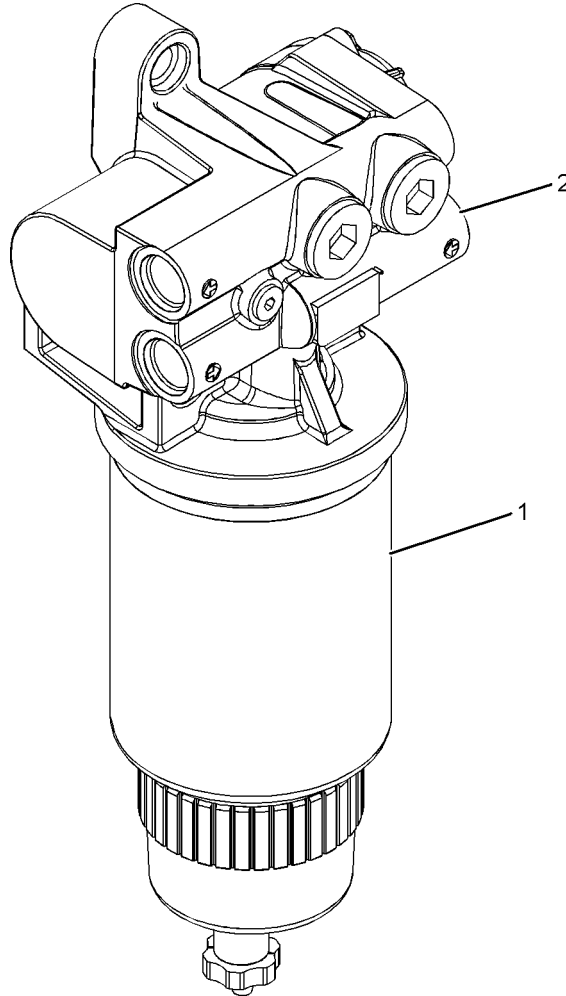
S/N: MJE1-UP; GDS1-UP  
PART OF 373-6409 LINES GP-FUEL  
ALSO AN ATTACHMENT

SMCS-1258, 1261, 1263

i03900812

NOTE	REF NO	GRAPHIC REF	PART NUMBER	QTY	PART NAME						SEE PAGE
					1	2	3	4	5	6 (PRODUCT LEVEL)	
Y	1	1	212-9580	1	FILTER GP-WATER SEP & FUEL (PRIMARY)						137
	2	1	247-6050	1	PUMP GP-FUEL PRIMING						

Y - SEPARATE ILLUSTRATION



GRAPHIC #1

<END>

g01089480

# FUEL SYSTEM

## 286-2531 PUMP GP-FUEL TRANSFER

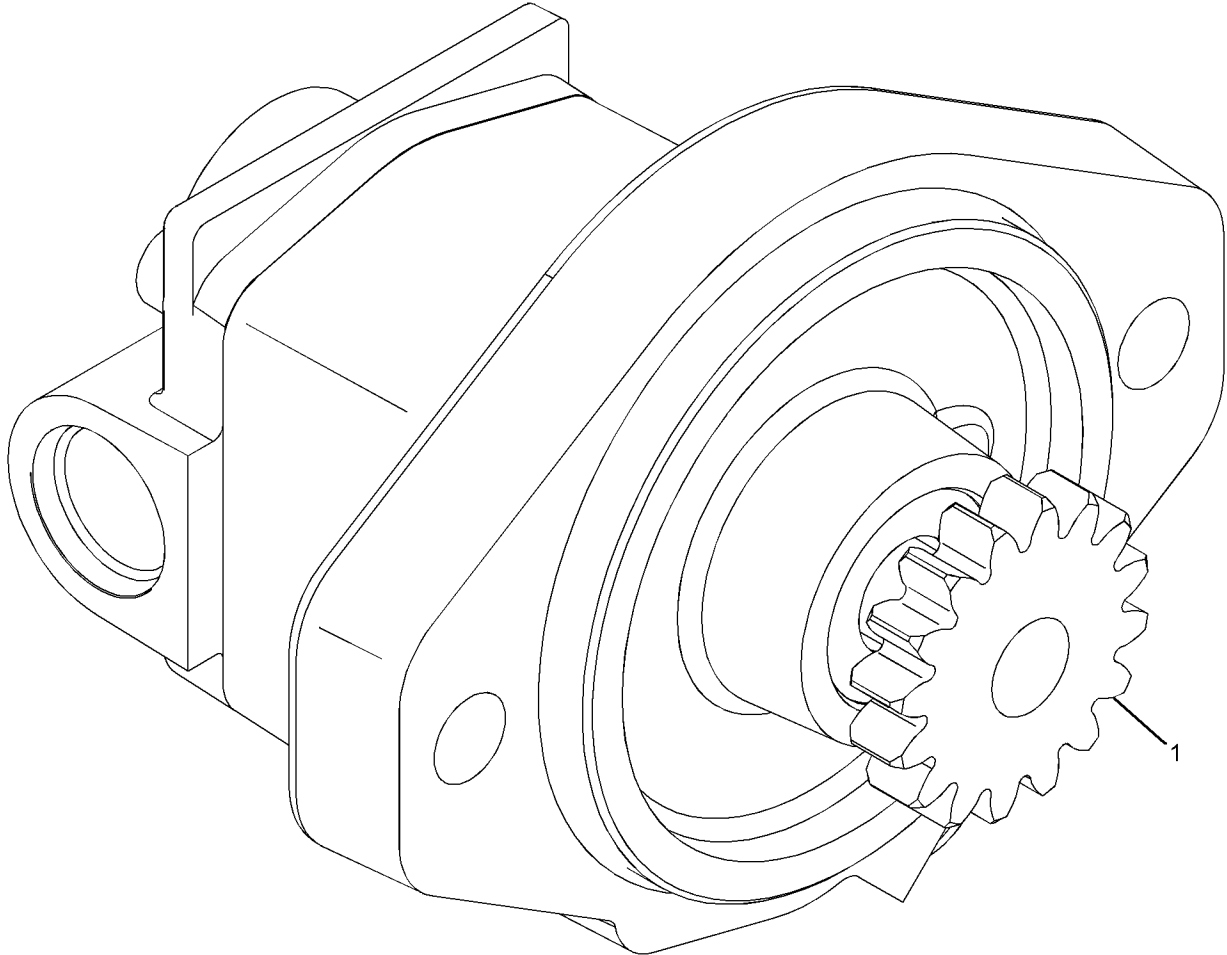
S/N: MJE1-UP; GDS1-UP

PART OF 223-6421 PUMP & MTG GP-FUEL TRANSFER  
ALSO AN ATTACHMENT

SMCS-1256

i03460745

NOTE	REF NO	GRAPHIC REF	PART NUMBER	QTY	PART NAME						SEE PAGE
					1	2	3	4	5	6 (PRODUCT LEVEL)	
	1	1	224-3242	1	GEAR-FUEL PUMP (16-TEETH)						



GRAPHIC #1

<END>

g01258987

# FUEL SYSTEM

## 393-0537 TANK & MTG GP-FUEL

S/N: GDS1-UP  
2000 GALLON  
AN ATTACHMENT

SMCS-1273

i05267832

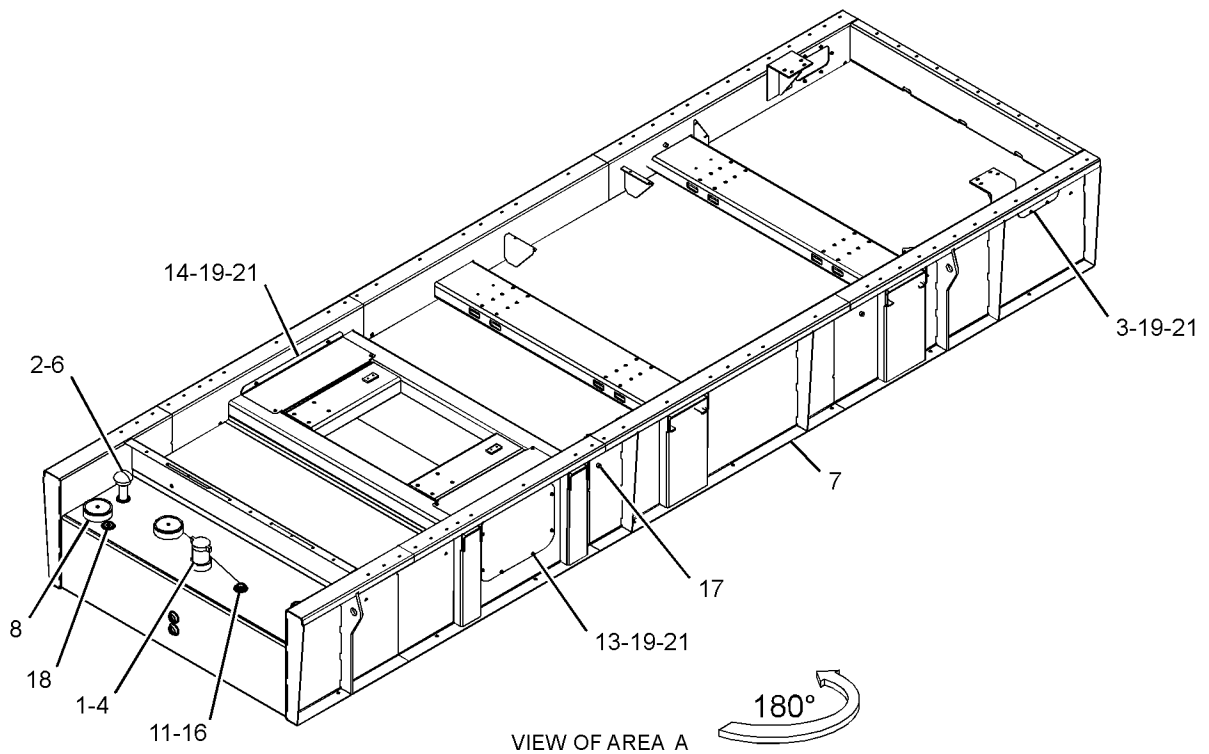
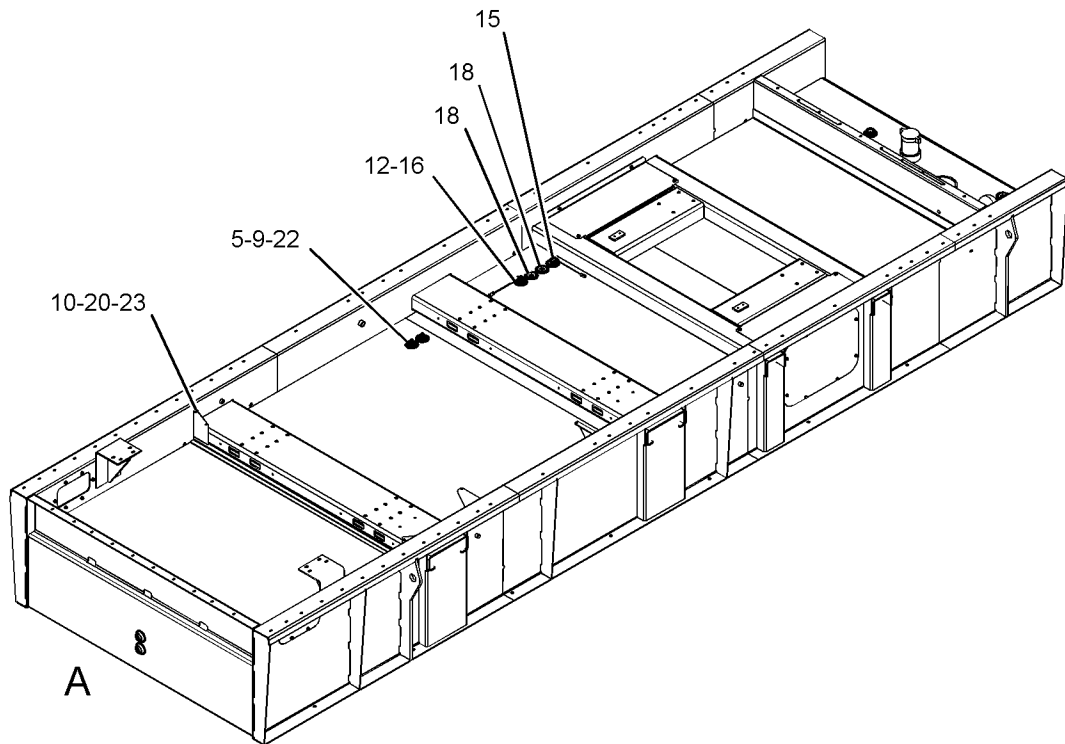
NOTE	REF NO	GRAPHIC REF	PART NUMBER	QTY	PART NAME						SEE PAGE
					1	2	3	4	5	6 (PRODUCT LEVEL)	
	1	1	242-8298	1	CAP AS-FUEL						
	2	1	245-2875	1	VENT						
	3	1	346-4956	2	PLATE						
	4	1	353-7879	1	PIPE						
	5	1	355-7237	2	PLATE-TAPPING						
	6	1	361-0702	1	PIPE						
	7	1	393-0060	1	TANK AS-FUEL						
	8	1	415-3339	2	VALVE (PRESSURE RELEASE)						
	9	1	415-3372	2	TUBE						
	10	1	422-2594	2	PLATE						
	11	1	422-6864	1	GAUGE AS-FUEL LEVEL						
		1	423-5773	1	GAUGE-FUEL LEVEL						
	12	1	422-6867	1	GAUGE AS-FUEL LEVEL						
		1	423-5774	1	GAUGE AS-FUEL LEVEL						
	13	1	423-0445	2	PLATE						
	14	1	423-0632	2	PLATE AS						
	15	1	423-5776	1	SENSOR AS-FUEL LEVEL						
	16	1	423-5778	2	ADAPTER						
	17	1	3J-5389	4	PLUG						
	18	1	6V-1897	5	PLUG-PIPE						
	19	1	8T-4121	36	WASHER-HARD (11X21X2.5-MM THK)						
M	20	1	8T-4138	4	BOLT (M6X1X20-MM)						
M	21	1	8T-4195	36	BOLT (M10X1.5X30-MM)						
	22	1	9M-6522	2	CONNECTOR						
	23	1	9X-8256	4	WASHER (6.6X12X2-MM THK)						

M - METRIC PART

# FUEL SYSTEM

393-0537 TANK & MTG GP-FUEL (contd.)

i05267832



GRAPHIC #1

<END>

g03374052

# FUEL SYSTEM

## 421-7212 TANK & MTG GP-FUEL

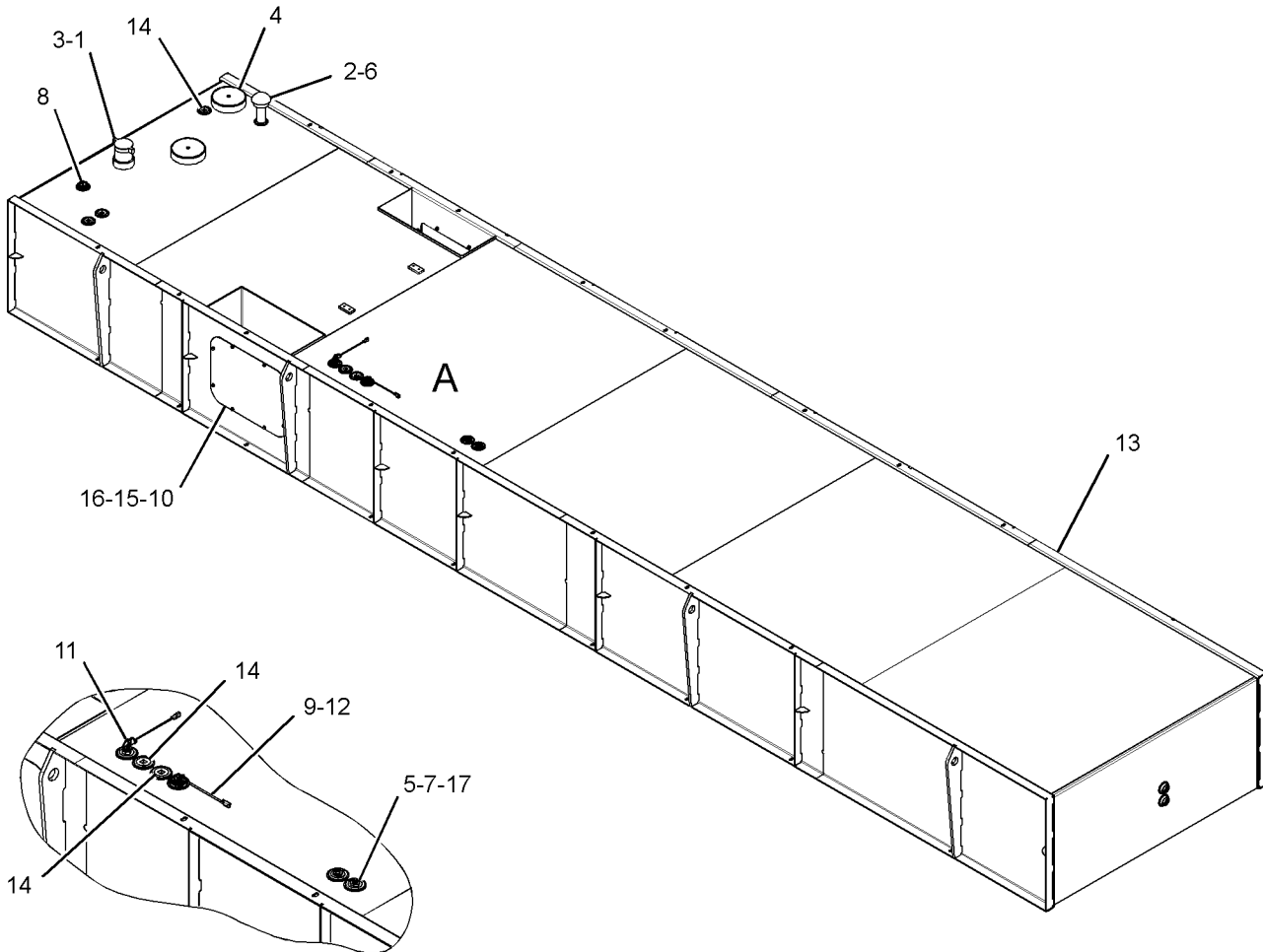
S/N: GDS1-UP  
3600 GALLON  
AN ATTACHMENT

SMCS-1273

i05325178

NOTE	REF NO	GRAPHIC REF	PART NUMBER	QTY	PART NAME						SEE PAGE
					1	2	3	4	5	6 (PRODUCT LEVEL)	
	1	1	242-8298	1	CAP AS-FUEL (FUEL TANK)						
	2	1	245-2875	1	VENT (FUEL)						
	3	1	353-7879	1	PIPE						
	4	1	353-7881	2	VALVE (PRESSURE RELEASE)						
	5	1	355-7237	2	PLATE-TAPPING						
	6	1	361-0702	1	PIPE						
	7	1	415-3372	2	TUBE						
	8	1	422-6865	1	GAUGE AS-FUEL LEVEL						
		1	423-5773	1	GAUGE-FUEL LEVEL						
	9	1	422-6868	1	GAUGE AS-FUEL LEVEL						
		1	423-5774	1	GAUGE AS-FUEL LEVEL						
	10	1	423-0445	2	PLATE						
	11	1	423-5777	1	SENSOR AS (FUEL LEAK)						
	12	1	423-5778	2	ADAPTER						
	13	1	424-1183	1	TANK AS-FUEL						
	14	1	6V-1897	5	PLUG-PIPE						
	15	1	8T-4121	16	WASHER-HARD (11X21X2.5-MM THK)						
M	16	1	8T-4195	16	BOLT (M10X1.5X30-MM)						
	17	1	9M-6522	2	CONNECTOR						

M - METRIC PART



VIEW OF AREA A

GRAPHIC #1

<END>

g03351271



# FUEL SYSTEM

## 421-7213 TANK GP-FUEL

S/N: GDS1-UP  
1000 GALLON  
AN ATTACHMENT

SMCS-1273

i05267833

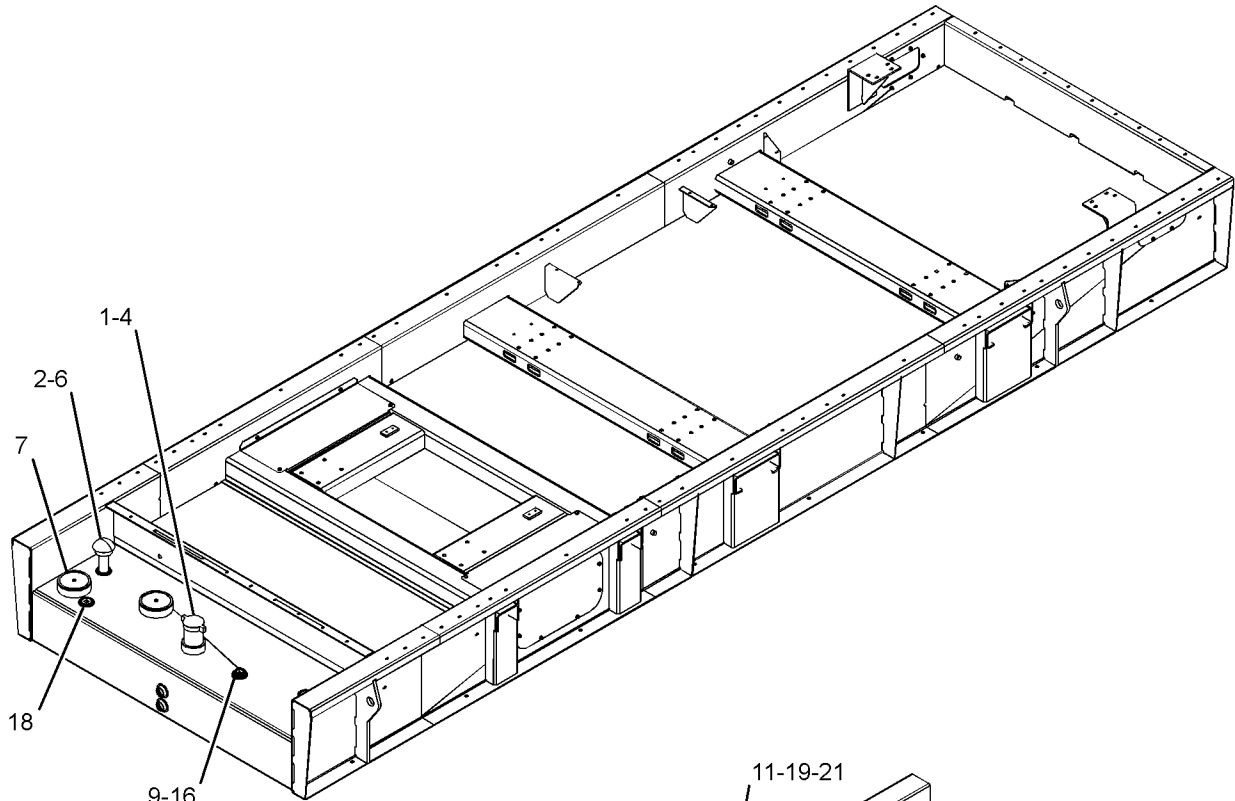
NOTE	REF NO	GRAPHIC REF	PART NUMBER	QTY	PART NAME						SEE PAGE
					1	2	3	4	5	6 (PRODUCT LEVEL)	
	1	1	242-8298	1	CAP AS-FUEL (FILLER)						
	2	1	245-2875	1	VENT						
	3	1	346-4956	2	PLATE						
	4	1	353-7879	1	PIPE						
	5	1	355-7237	2	PLATE-TAPPING						
	6	1	361-0702	1	PIPE						
	7	1	415-3339	2	VALVE (PRESSURE RELEASE)						
	8	1	422-2594	2	PLATE						
	9	1	422-6863	1	GAUGE AS-FUEL LEVEL						
		1	423-5773	1	GAUGE-FUEL LEVEL						
	10	1	422-6866	1	GAUGE AS-FUEL LEVEL						
		1	423-5774	1	GAUGE AS-FUEL LEVEL						
	11	1	423-0632	2	PLATE AS						
	12	1	423-1372	1	TANK AS-FUEL						
	13	1	423-1423	2	PLATE						
	14	1	423-1424	2	TUBE						
	15	1	423-5775	1	SENSOR AS (FUEL LEAK)						
	16	1	423-5778	2	ADAPTER						
	17	1	3J-5389	4	PLUG						
	18	1	6V-1897	5	PLUG-PIPE						
	19	1	8T-4121	36	WASHER-HARD (11X21X2.5-MM THK)						
M	20	1	8T-4138	4	BOLT (M6X1X20-MM)						
M	21	1	8T-4195	36	BOLT (M10X1.5X30-MM)						
	22	1	9M-6522	2	CONNECTOR						
	23	1	9X-8256	4	WASHER (6.6X12X2-MM THK)						

M - METRIC PART

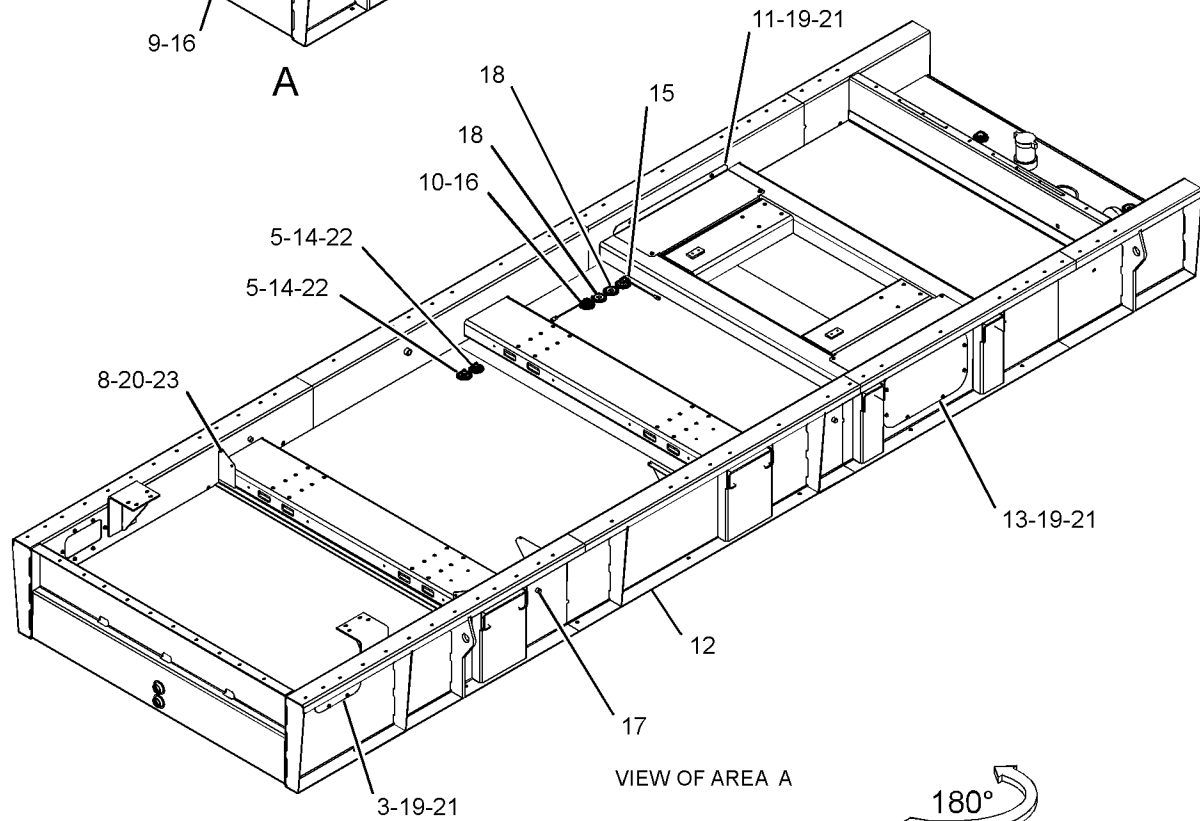
# FUEL SYSTEM

421-7213 TANK GP-FUEL (contd.)

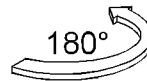
i05267833



A



VIEW OF AREA A



GRAPHIC #1

<END>

g03373433

# FUEL SYSTEM

## 327-4448 VALVE GP-CHECK

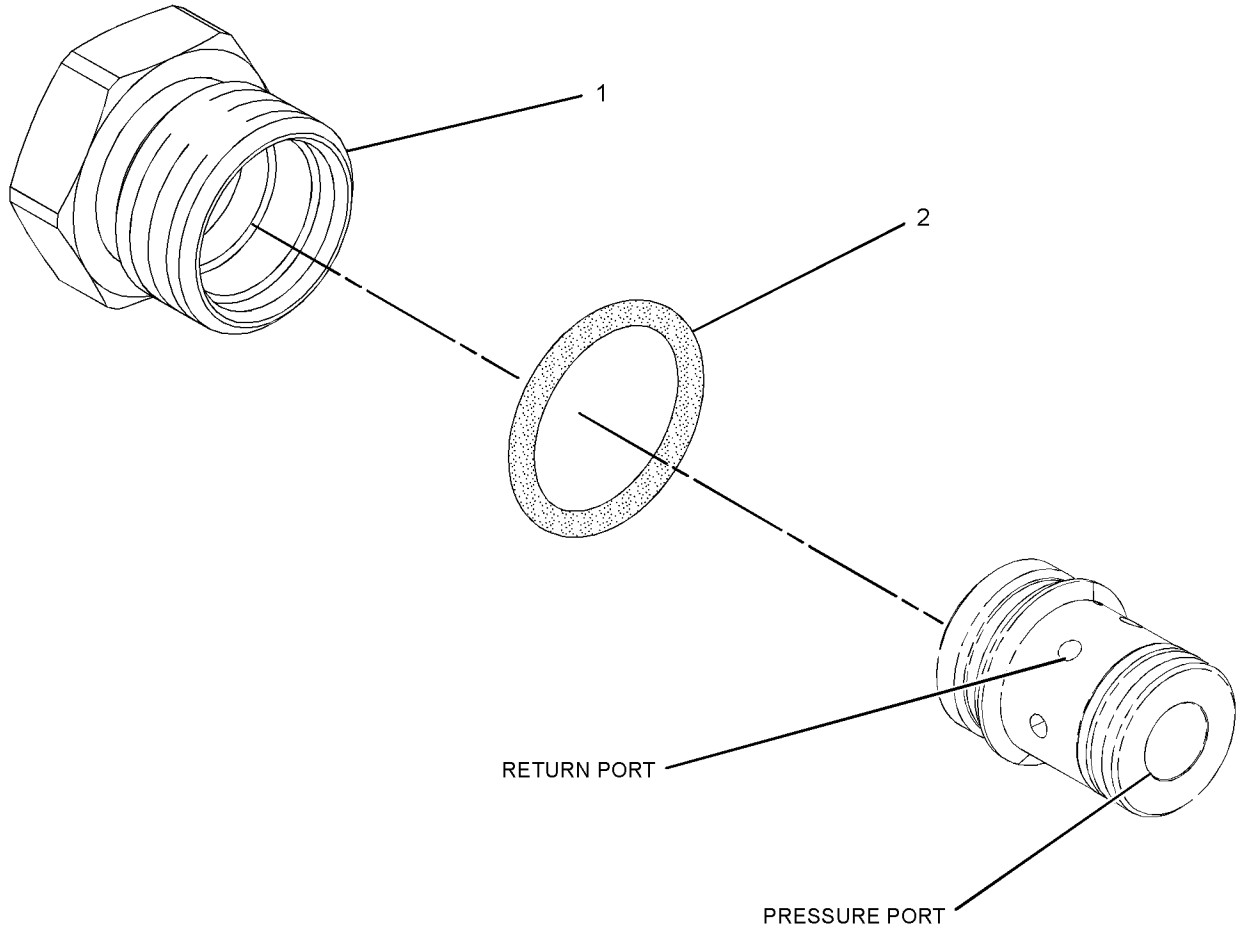
S/N: MJE1-UP; GDS1-UP  
FUEL PRESSURE REGULATING  
PART OF 377-0777 LINES GP-FUEL  
ALSO AN ATTACHMENT

SMCS-1262

i03659222

NOTE	REF NO	GRAPHIC REF	PART NUMBER	QTY	PART NAME						SEE PAGE
					1	2	3	4	5	6 (PRODUCT LEVEL)	
Y	1	1	327-0376	1	VALVE GP-CHECK						73
	2	1	033-6027	1	SEAL-O-RING						

Y - SEPARATE ILLUSTRATION



GRAPHIC #1

<END>

g01295058

# FUEL SYSTEM

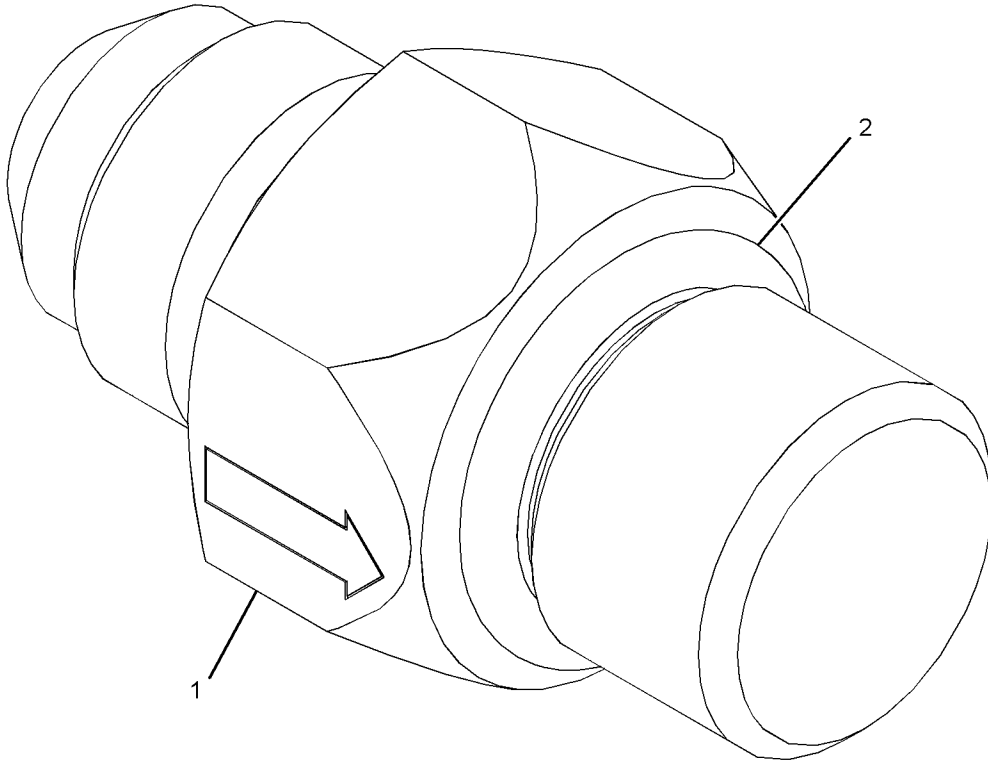
## 420-1792 VALVE GP-CHECK

S/N: MJE1-UP; GDS1-UP  
PART OF 377-0777 LINES GP-FUEL  
ALSO AN ATTACHMENT

SMCS-1262

i05159352

NOTE	REF NO	GRAPHIC REF	PART NUMBER	QTY	PART NAME						SEE PAGE
					1	2	3	4	5	6	
	1	1	420-1793	1	VALVE-CHECK						
	2	1	214-7568	1	SEAL-O-RING						



GRAPHIC #1

<END>

g03327209

# FUEL SYSTEM

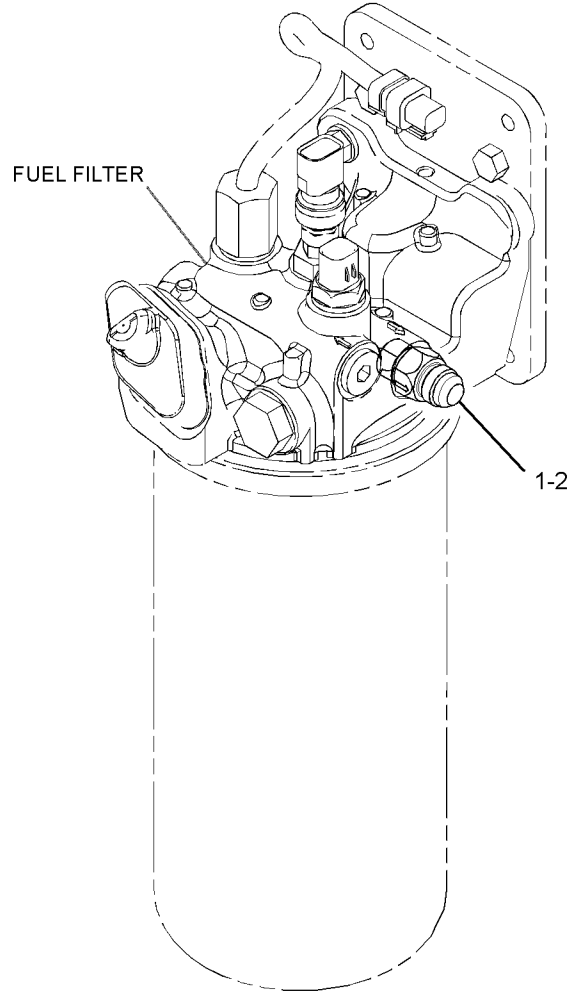
## 420-1795 VALVE GP-CHECK

S/N: MJE1-UP; GDS1-UP  
PART OF 377-0777 LINES GP-FUEL  
ALSO AN ATTACHMENT

SMCS-1262

i05187393

NOTE	REF NO	GRAPHIC REF	PART NUMBER	QTY	PART NAME						SEE PAGE
					1	2	3	4	5	6 (PRODUCT LEVEL)	
	1	1	420-1796	1	VALVE-CHECK						
	2	1	238-5080	1	SEAL-O-RING						



GRAPHIC #1

<END>

g03327156

# FUEL SYSTEM

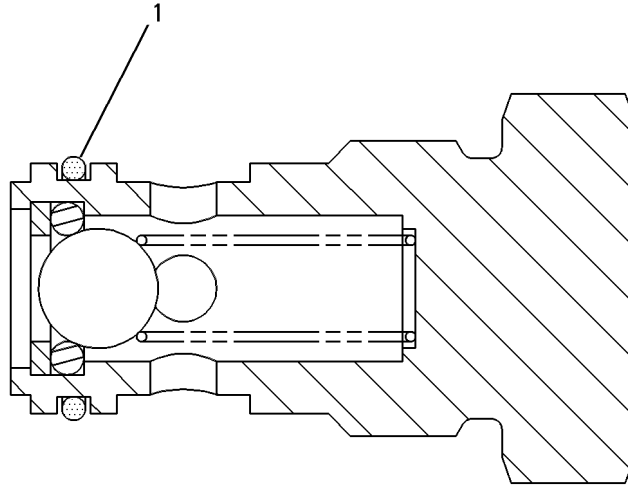
## 139-6873 VALVE GP-FUEL BYPASS

S/N: MJE1-UP; GDS1-UP  
PART OF 377-0779 FILTER GP-FUEL  
ALSO AN ATTACHMENT

SMCS-1256

i03459820

NOTE	REF NO	GRAPHIC REF	PART NUMBER	QTY	PART NAME						SEE PAGE
					1	2	3	4	5	6	
	1	1	9X-7737	1	SEAL-O-RING						



GRAPHIC #1

<END>

g00266124

# ELECTRICAL AND STARTING SYSTEM

## 5N-5692 ALTERNATOR GP-CHARGING\*R

S/N: MJE1-UP; GDS1-UP

24-VOLT, 45-AMPERE

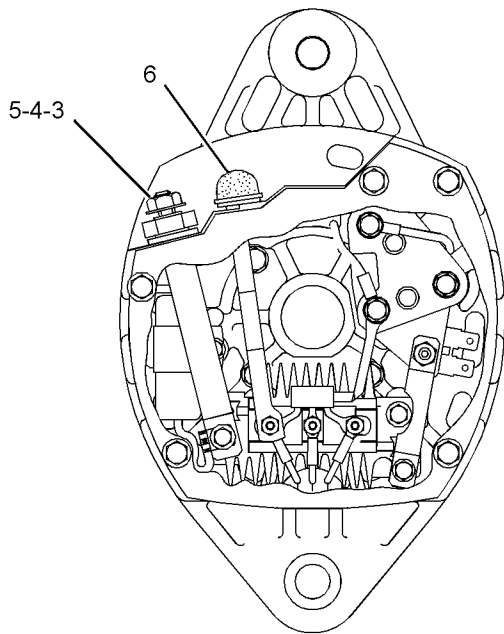
PART OF 388-4921 ENGINE AR, 349-5619, 349-5622 ENGINE AR-COMplete

ALSO AN ATTACHMENT

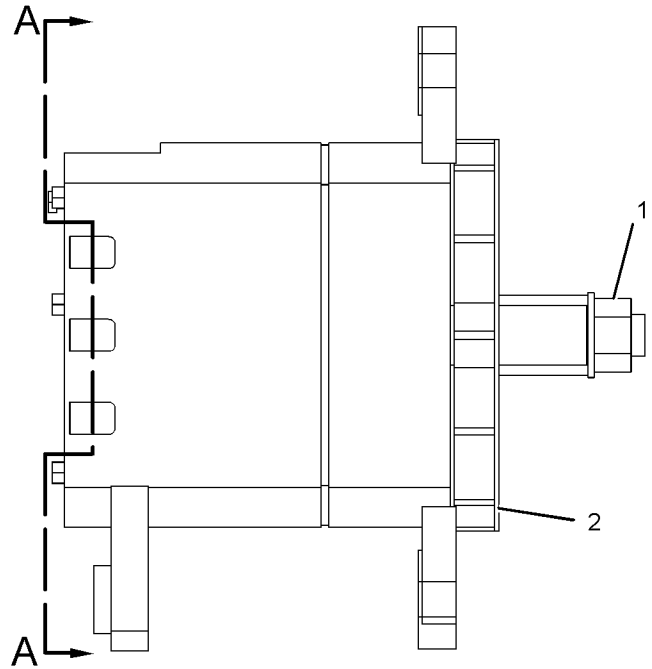
SMCS-1405

i03626928

NOTE	REF NO	GRAPHIC REF	PART NUMBER	QTY	PART NAME						SEE PAGE
					1	2	3	4	5	6 (PRODUCT LEVEL)	
	1	1	187-2034	1	NUT-FLANGE (5/8-18-THD)						
	2	1	3E-5454	1	FAN-ALTERNATOR (11-BLADE)						
	3	1	6V-8187	1	NUT (1/4-28-THD)						
	4	1	1H-3244	1	LOCKWASHER						
	5	1	8T-4205	1	WASHER-HARD (7.2X14.5X2-MM THK)						
	6	1	9L-6770	1	CAP-DUST						



SECTION A-A



GRAPHIC #1

<END>

g01947385

# ELECTRICAL AND STARTING SYSTEM

## 339-5996 BATTERY CHARGER

S/N: GDS1-UP

24-VOLT. 10-AMPERE

PART OF 422-8999 CONNECTION GP-ELECTRICAL  
AN ATTACHMENT

SMCS-1401, 1406

i03829728

NOTE	PART NUMBER	QTY	PART NAME 1 2 3 4 5 6 (PRODUCT LEVEL)	SEE PAGE
(NO SERVICED PARTS)				
<END>				



# ELECTRICAL AND STARTING SYSTEM

## 7L-7871 BATTERY GP

S/N: GDS1-UP

24-VOLT, 1000-COLD CRANKING AMPERE, 140-AMPERE HOUR

PART OF 295-6925 BATTERY GP

AN ATTACHMENT

SMCS-1401

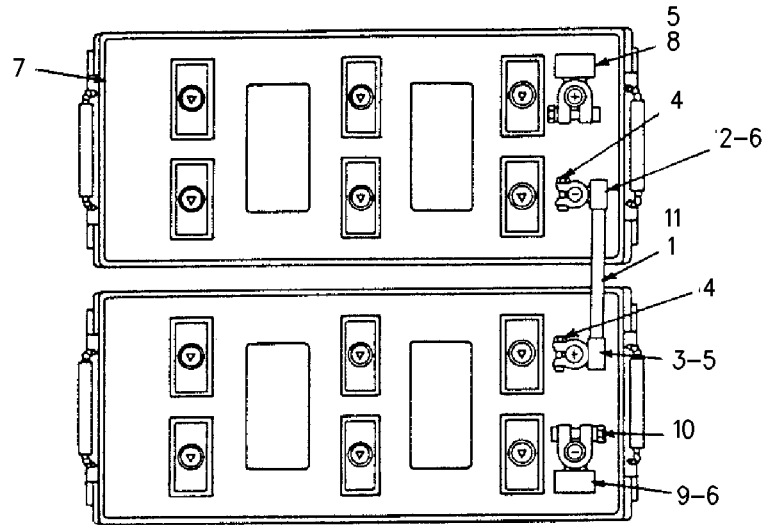
i03828649

NOTE	REF NO	GRAPHIC REF	PART NUMBER	QTY	PART NAME						SEE PAGE
					1	2	3	4	5	6	
C	1	1	2V-7397	1	CABLE AS						
E		1	5P-0747		CABLE (00-GA, BLACK) (20-CM)						
	2	1	5M-9205	1	TERMINAL AS (NEGATIVE)						
	3	1	5M-9204	1	TERMINAL AS (POSITIVE)						
					(EACH TERMINAL AS INCLUDES)						
	4	1	1M-6119	1	BOLT (5/16-18X1.375-IN)						
		1	1M-6120	1	NUT (5/16-18-THD)						
C	5	1	9G-0004	2	COVER AS-TERMINAL (RED)						
C	6	1	9G-0003	2	COVER AS-TERMINAL (BLACK)						
C	7	1	9G-4232	2	BATTERY (12-VOLT) (DRY)						
					(EACH INCLUDES)						
		1	7N-0060	6	VENT AS						
	8	1	5M-9204	1	TERMINAL AS (POSITIVE)						
	9	1	5M-9205	1	TERMINAL AS (NEGATIVE)						
					(EACH TERMINAL AS INCLUDES)						
	10	1	1M-6119	1	BOLT (5/16-18X1.375-IN)						
		1	1M-6120	1	NUT (5/16-18-THD)						
C	11	1	8L-8413	2	STRAP-CABLE						
C - CHANGE FROM PREVIOUS TYPE											
E - ORDER BY THE CENTIMETER											

# ELECTRICAL AND STARTING SYSTEM

7L-7871 BATTERY GP (contd.)

i03828649



GRAPHIC #1

<END>

g00637323

# ELECTRICAL AND STARTING SYSTEM

## 295-6925 BATTERY GP

S/N: GDS1-UP

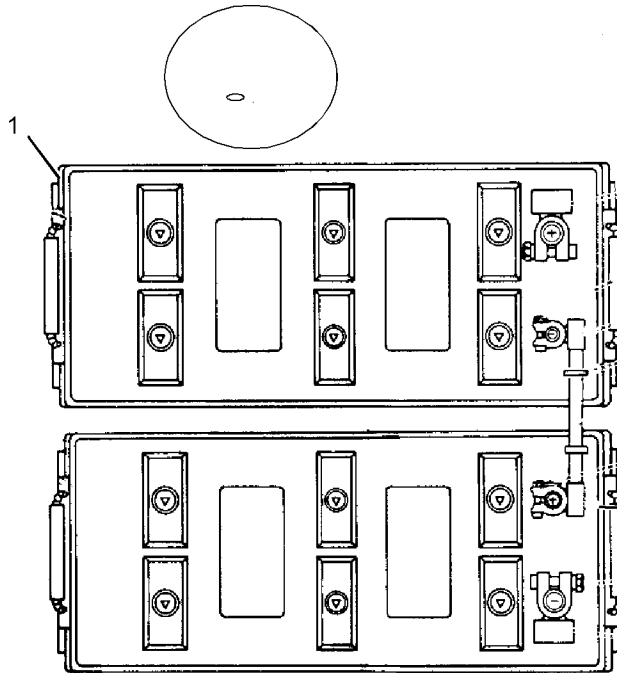
1000 COLD CRANKING AMPERE, 24 VOLT  
AN ATTACHMENT

SMCS-1401

i05325183

NOTE	REF NO	GRAPHIC REF	PART NUMBER	QTY	PART NAME						SEE PAGE
					1	2	3	4	5	6 (PRODUCT LEVEL)	
Y	1	1	7L-7871	1	BATTERY GP (24-VOLT)						171

Y - SEPARATE ILLUSTRATION



GRAPHIC #1

<END>

g02597357

# ELECTRICAL AND STARTING SYSTEM

## 244-9639 BLOCK AS-TERMINAL-LOAD SHARE

S/N: GDS1-UP

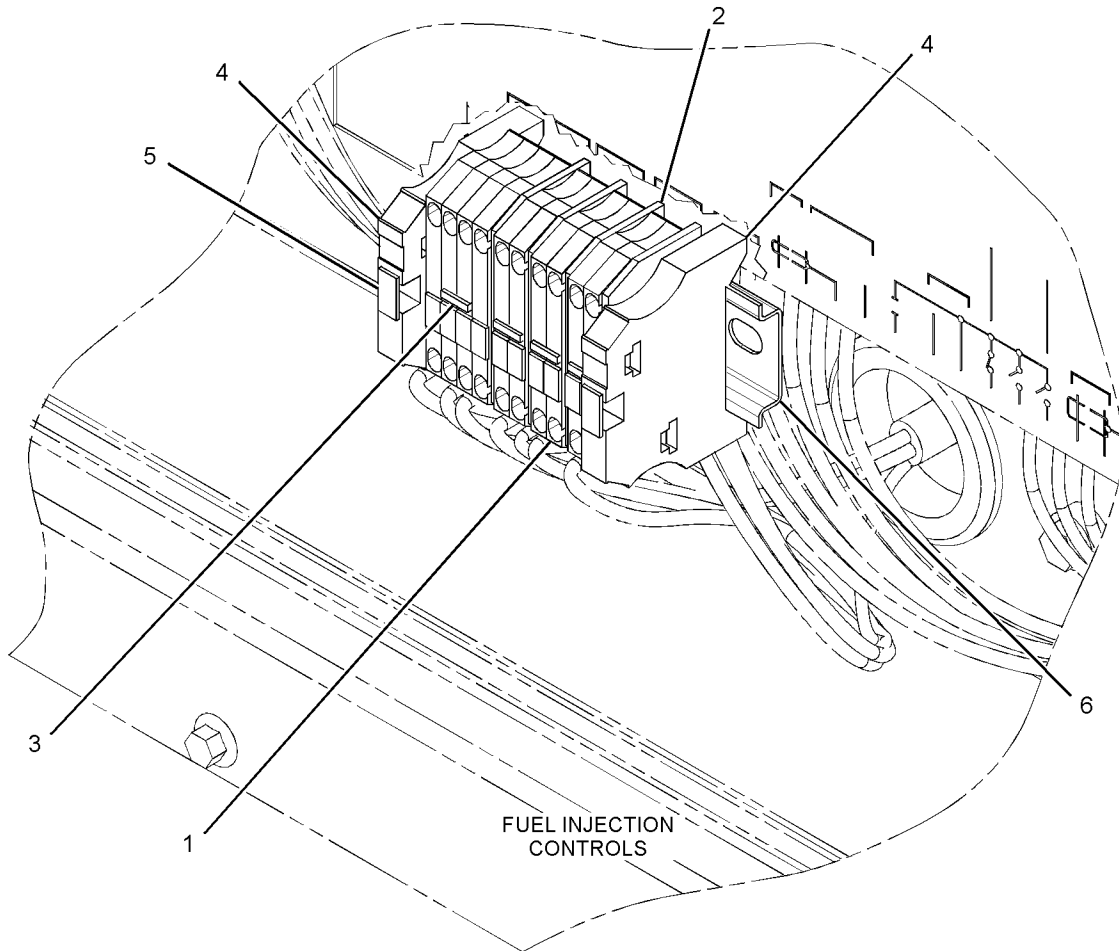
PART OF 422-2319 CONTROL GP-LOAD SHARE MODULE  
AN ATTACHMENT

SMCS-4460, 7426

i03839794

NOTE	REF NO	GRAPHIC REF	PART NUMBER	QTY	PART NAME						SEE PAGE
					1	2	3	4	5	6 (PRODUCT LEVEL)	
	1	1	<b>314-9098</b>	10	BLOCK-TERMINAL (600-VOLT, 25-AMPERE)						
	2	1	<b>314-9099</b>	4	COVER-TERMINAL						
B	3	1	<b>314-9100</b>	1	BAR-FIXED BRIDGE						
	4	1	<b>314-9101</b>	2	BRACKET-END						
	5	1	<b>328-4136</b>	1	KIT-MARKER						
E	6	1	<b>147-1960</b>		RAIL (14-CM)						

B - USE AS REQUIRED  
E - ORDER BY THE CENTIMETER



GRAPHIC #1

<END>

g02143811

# ELECTRICAL AND STARTING SYSTEM

## 373-9468 BLOCK AS-TERMINAL-ANNUNCIATOR

S/N: GDS1-UP

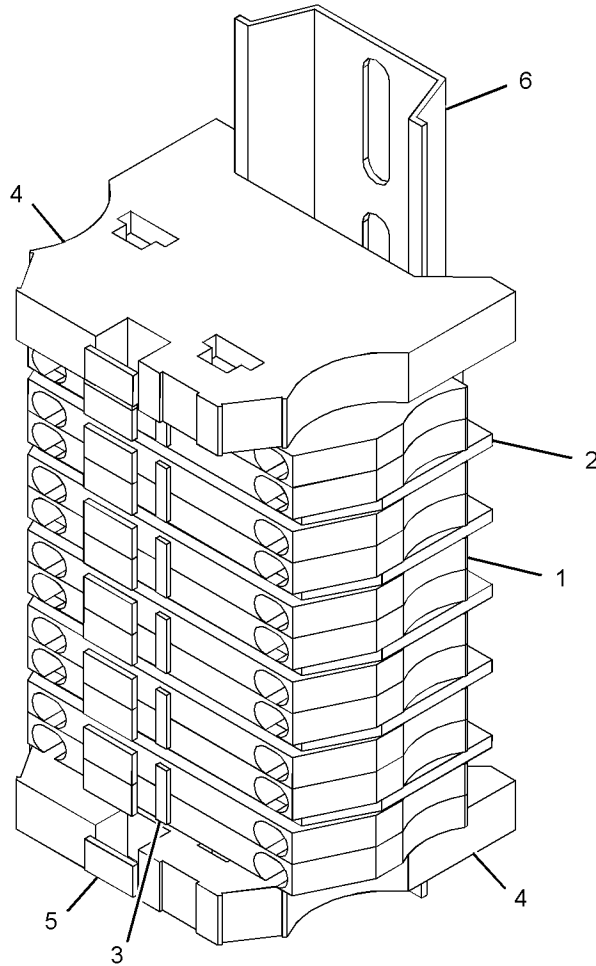
PART OF 373-9473, 382-7977 ALARM GP  
AN ATTACHMENT

SMCS-4460, 7426

i04490405

NOTE	REF NO	GRAPHIC REF	PART NUMBER	QTY	PART NAME						SEE PAGE
					1	2	3	4	5	6 (PRODUCT LEVEL)	
	1	1	<b>314-9098</b>	12	BLOCK-TERMINAL (600-VOLT, 25-AMPERE)						
	2	1	<b>314-9099</b>	5	COVER-TERMINAL						
	3	1	<b>314-9100</b>	2	BAR-FIXED BRIDGE						
	4	1	<b>314-9101</b>	2	BRACKET-END						
	5	1	<b>374-0874</b>	1	KIT-MARKER						
E	6	1	<b>147-1960</b>		RAIL (13-CM)						

E - ORDER BY THE CENTIMETER



GRAPHIC #1

<END>

g02675479

# ELECTRICAL AND STARTING SYSTEM

## 398-9319 BLOCK AS-TERMINAL-SWITCHGEAR

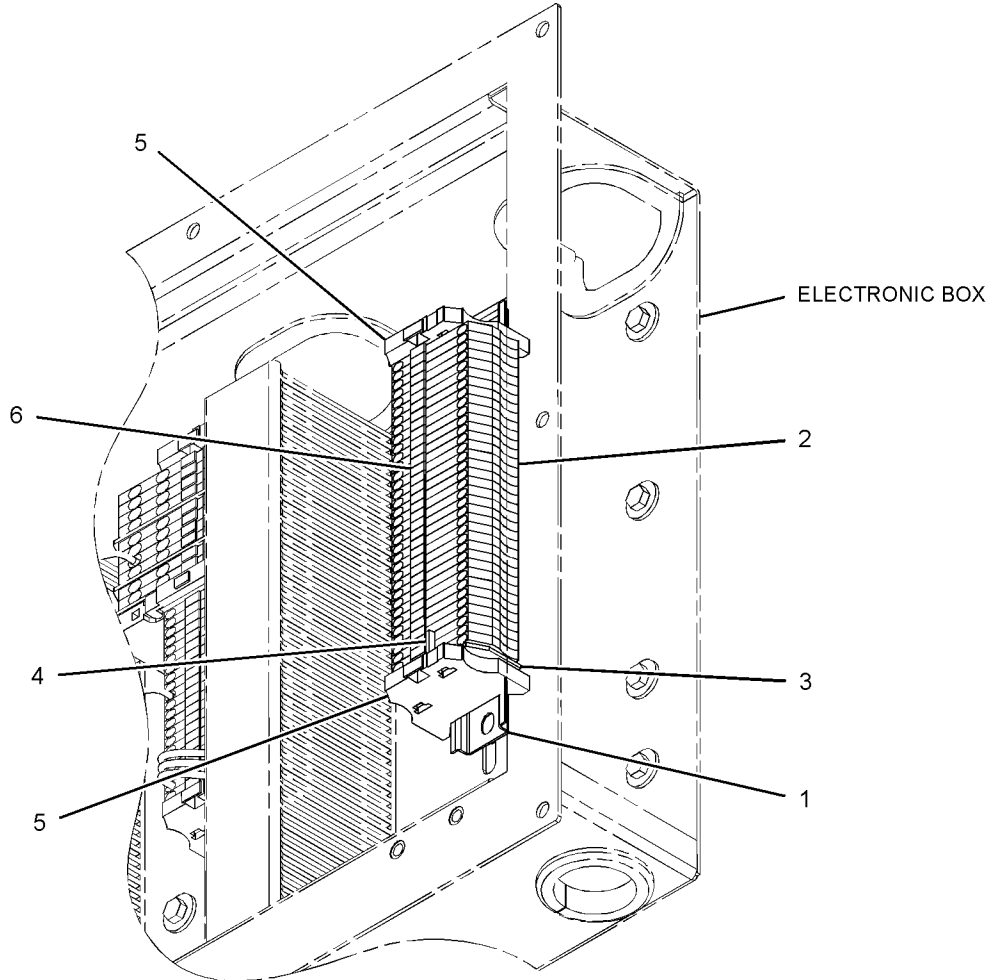
S/N: GDS1-UP

PART OF 368-4865 BOX GP-ELECTRONIC  
AN ATTACHMENT

SMCS-4460, 7426

i04997409

NOTE	REF NO	GRAPHIC REF	PART NUMBER	QTY	PART NAME						SEE PAGE
					1	2	3	4	5	6 (PRODUCT LEVEL)	
	1	1	<b>097-5921</b>	1	RAIL-MOUNTING						
	2	1	<b>314-9098</b>	35	BLOCK-TERMINAL (600-VOLT, 25-AMPERE)						
	3	1	<b>314-9099</b>	1	COVER-TERMINAL						
	4	1	<b>314-9100</b>	1	BAR-FIXED BRIDGE						
	5	1	<b>314-9101</b>	2	BRACKET-END						
	6	1	<b>398-9320</b>	1	KIT-MARKER						



GRAPHIC #1

<END>

g03155816

# ELECTRICAL AND STARTING SYSTEM

## 398-9321 BLOCK AS-TERMINAL-DC TERMINAL STRIP

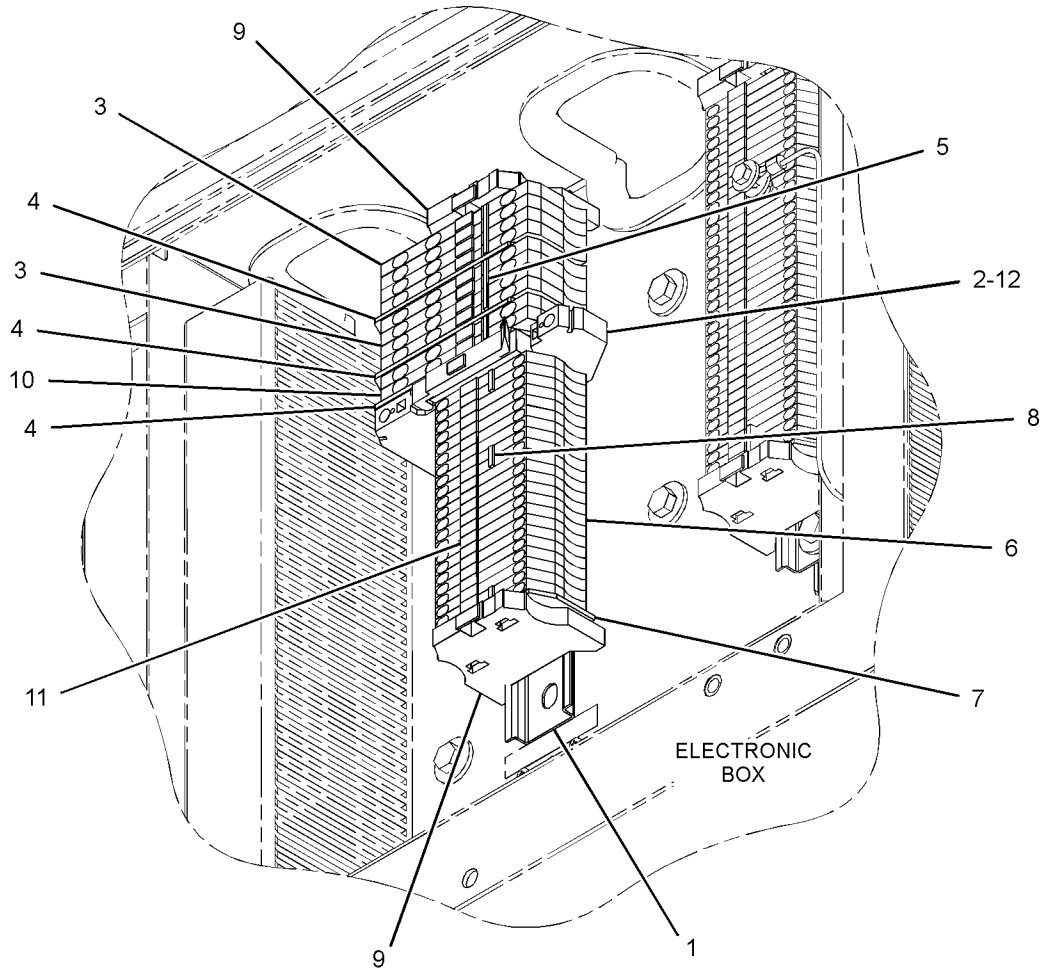
S/N: GDS1-UP

PART OF 368-4865 BOX GP-ELECTRONIC  
AN ATTACHMENT

SMCS-4460, 7426

i04997410

NOTE	REF NO	GRAPHIC REF	PART NUMBER	QTY	PART NAME						SEE PAGE
					1	2	3	4	5	6 (PRODUCT LEVEL)	
	1	1	<b>097-5921</b>	1	RAIL-MOUNTING						
	2	1	<b>197-4051</b>	1	BLOCK-TERMINAL (300-VOLT, 8-AMPERE)						
	3	1	<b>314-9086</b>	8	BLOCK-TERMINAL (600-VOLT, 33-AMPERE)						
	4	1	<b>314-9090</b>	3	COVER-TERMINAL						
	5	1	<b>314-9093</b>	1	BAR-FIXED BRIDGE						
	6	1	<b>314-9098</b>	22	BLOCK-TERMINAL (600-VOLT, 25-AMPERE)						
	7	1	<b>314-9099</b>	1	COVER-TERMINAL						
	8	1	<b>314-9100</b>	1	BAR-FIXED BRIDGE						
	9	1	<b>314-9101</b>	2	BRACKET-END						
	10	1	<b>324-8967</b>	2	BLOCK-TERMINAL (30-AMPERE)						
	11	1	<b>398-9322</b>	1	KIT-MARKER						
	12	1	<b>8D-8724</b>	1	FUSE (2-AMPERE)						



GRAPHIC #1

<END>

g03155936

# ELECTRICAL AND STARTING SYSTEM

## 383-4687 BOX & MOUNTING GP-SIDE EXTENSION

S/N: GDS1-UP

FOR USE WITH EMCP 4.3

PART OF 361-1616 BOX GP-EXTENSION TERMINAL  
AN ATTACHMENT

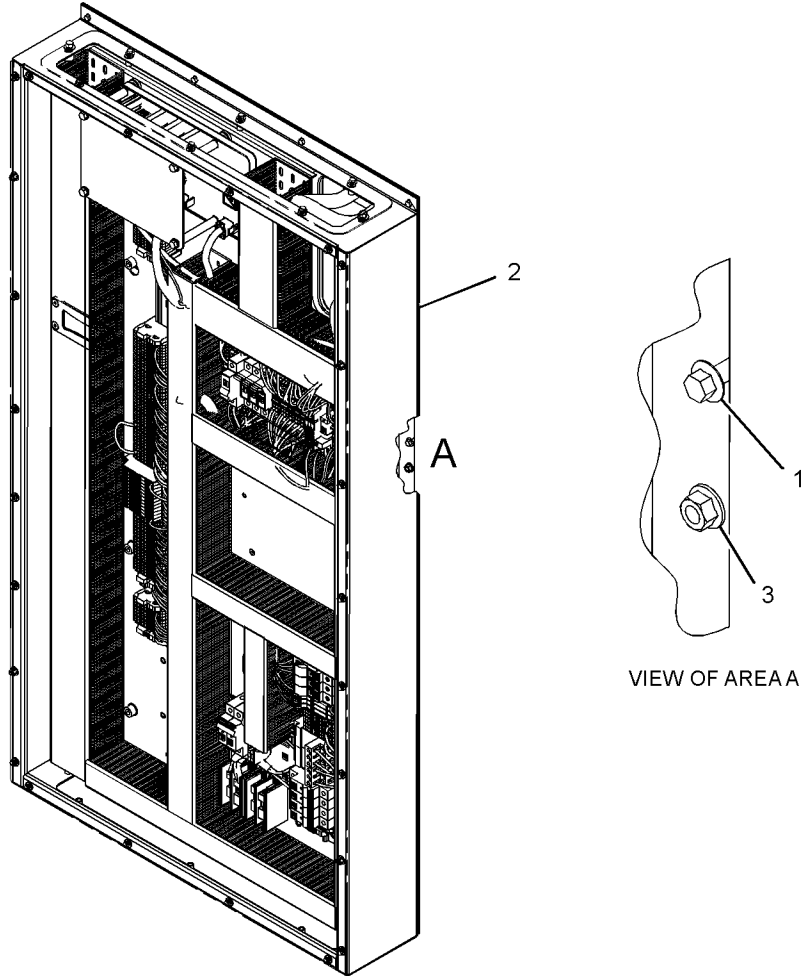
SMCS-4460, 7426

i05277243

NOTE	REF NO	GRAPHIC REF	PART NUMBER	QTY	PART NAME						SEE PAGE
					1	2	3	4	5	6 (PRODUCT LEVEL)	
M	1	1	235-4451	20	BOLT-FLANGE HEAD (M6X1X16-MM)						
Y	2	1	371-5034	1	BOX GP-EXTENSION TERMINAL						192
	3	1	243-5027	4	NUT AS (M6X1-THD)						

M - METRIC PART

Y - SEPARATE ILLUSTRATION



GRAPHIC #1

<END>

g02799956



# ELECTRICAL AND STARTING SYSTEM

## 383-4688 BOX & MOUNTING GP

S/N: GDS1-UP

SIDE MOUNT

PART OF 371-5035 BOX GP-EXTENSION TERMINAL

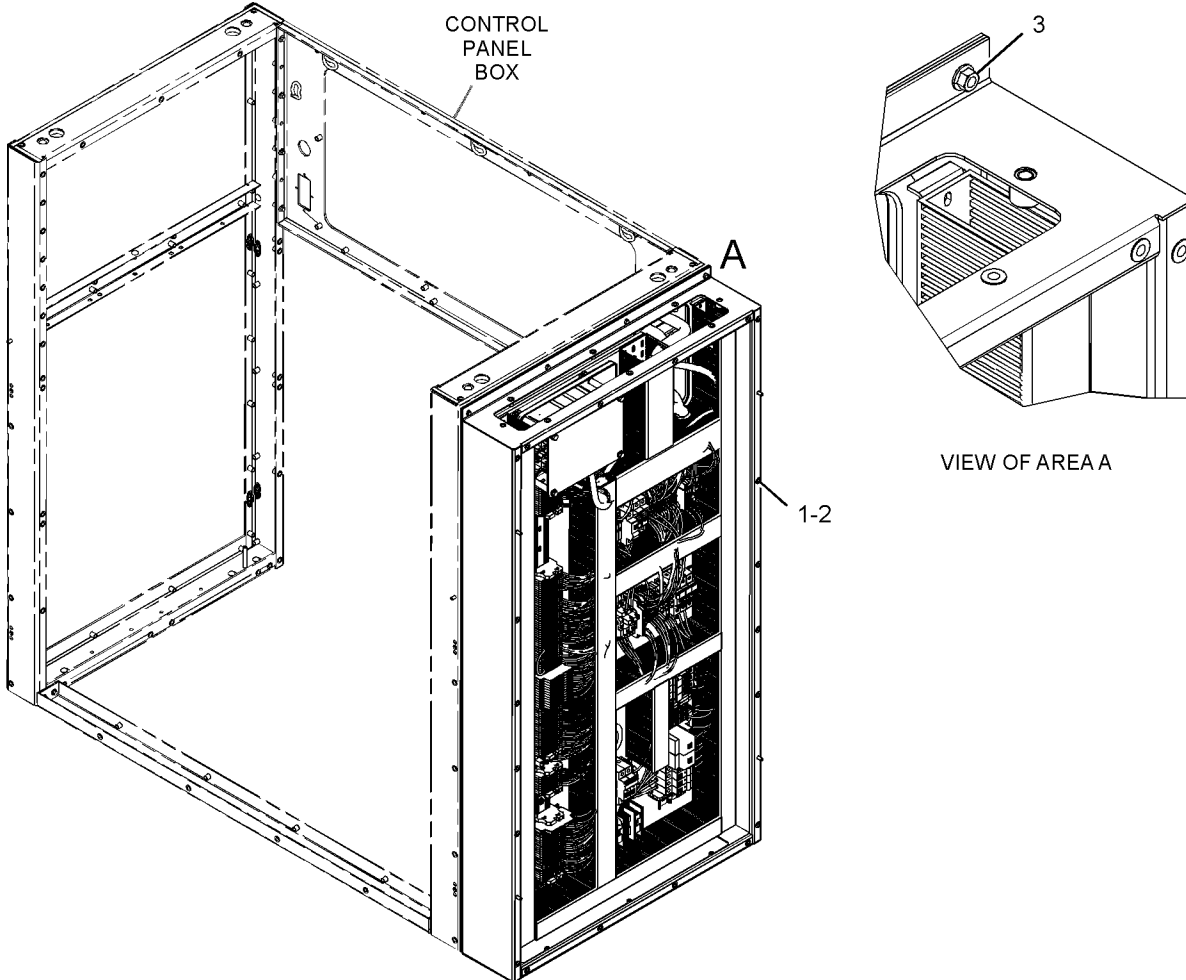
AN ATTACHMENT

SMCS-4460, 7426

i05277244

NOTE	REF NO	GRAPHIC REF	PART NUMBER	QTY	PART NAME						SEE PAGE
					1	2	3	4	5	6 (PRODUCT LEVEL)	
M	1	1	235-4451	20	BOLT-FLANGE HEAD (M6X1X16-MM)						
Y	2	1	371-5036	1	BOX GP-EXTENSION TERMINAL						195
	3	1	243-5027	4	NUT AS (M6X1-THD)						

M - METRIC PART  
Y - SEPARATE ILLUSTRATION



GRAPHIC #1

<END>

g03376181

# ELECTRICAL AND STARTING SYSTEM

## 351-9803 BOX AS-CONTROL-AC, DC

S/N: GDS1-UP

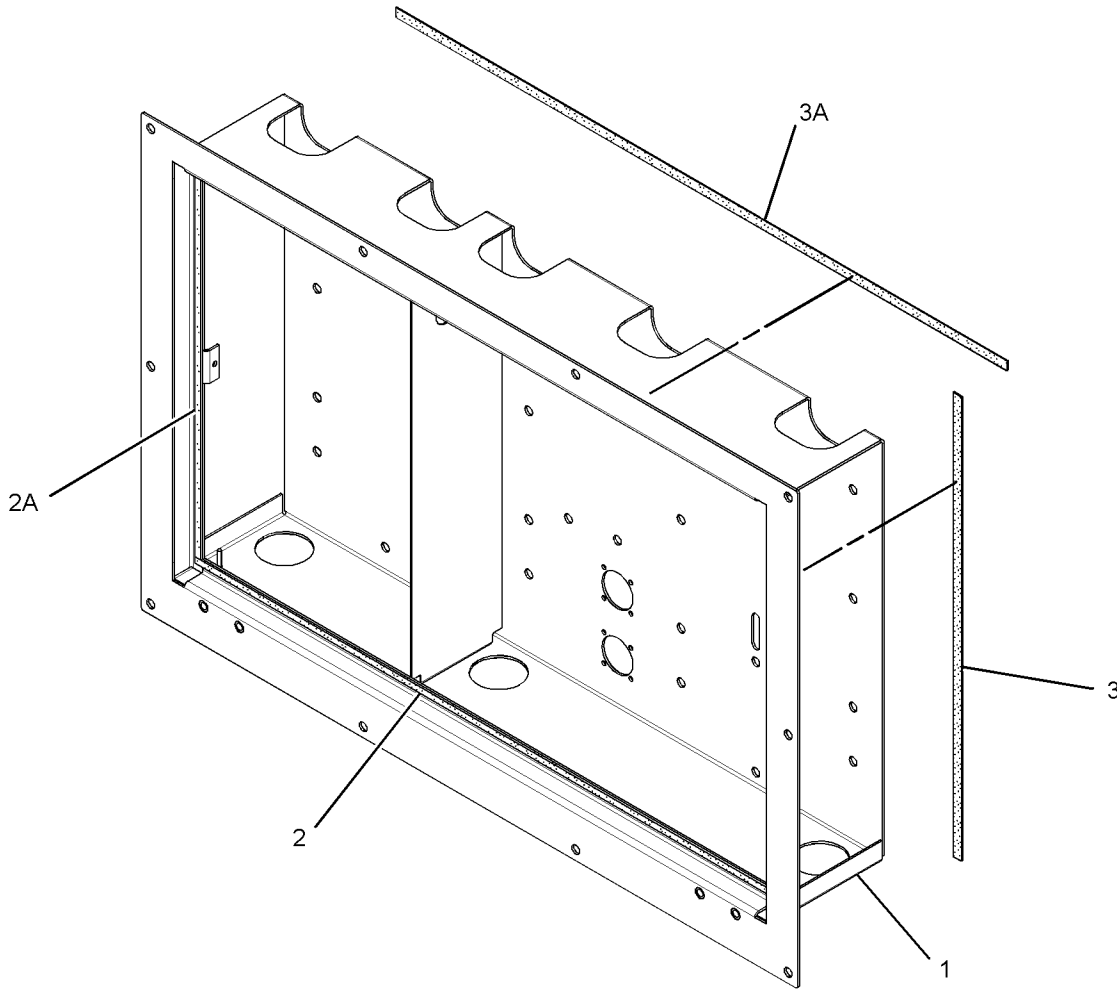
PART OF 368-4865 BOX GP-ELECTRONIC  
AN ATTACHMENT

SMCS-4460, 7426

i03829757

NOTE	REF NO	GRAPHIC REF	PART NUMBER	QTY	PART NAME						SEE PAGE
					1	2	3	4	5	6 (PRODUCT LEVEL)	
	1	1	<b>351-9801</b>	1	BOX AS						
M		1	<b>6V-9632</b>	4	NUT-WELD (M6X1-THD)						
D	2	1	<b>6V-9335</b>		SEAL (0.62-M EACH)						
D	2A	1	<b>6V-9335</b>		SEAL (0.35-M EACH)						
J	3	1	<b>244-9631</b>		SEAL (4.3-DM EACH)						
J	3A	1	<b>244-9631</b>		SEAL (6.5-DM)						

D - ORDER BY THE METER  
J - SOLD BY THE DECIMETER  
M - METRIC PART



GRAPHIC #1

<END>

g02058813

# ELECTRICAL AND STARTING SYSTEM

## 426-3243 BOX AS-JUNCTION

S/N: GDS1-UP

SHORE POWER

PART OF 430-6469 CONNECTION GP-ELECTRICAL

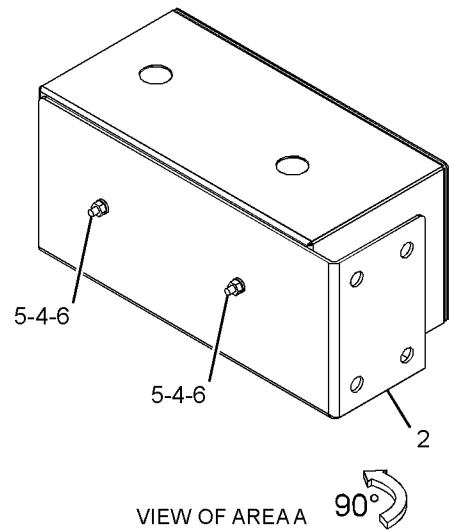
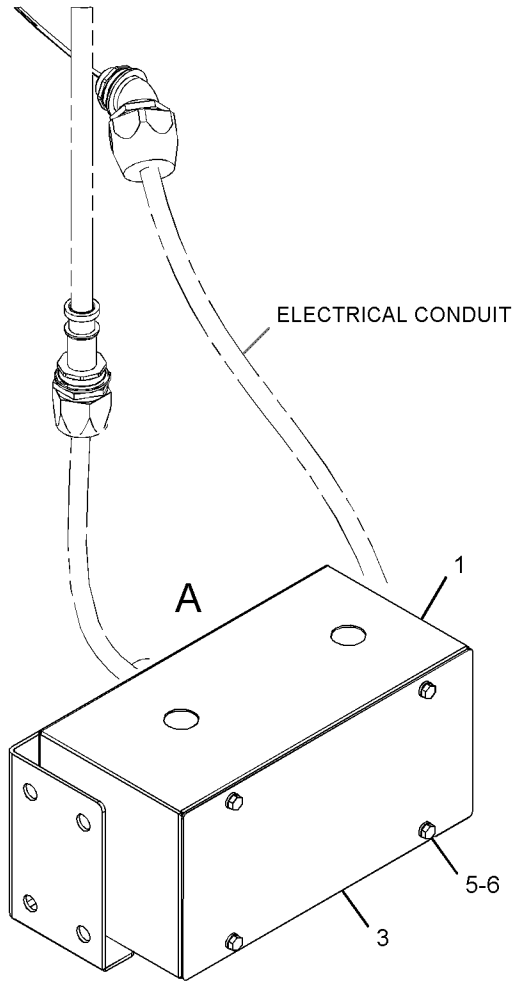
AN ATTACHMENT

SMCS-7426

i05192525

NOTE	REF NO	GRAPHIC REF	PART NUMBER	QTY	PART NAME						SEE PAGE
					1	2	3	4	5	6 (PRODUCT LEVEL)	
	1	1	<b>426-3240</b>	1	BOX AS						
M		1	<b>6V-9632</b>	4	NUT-WELD (M6X1-THD)						
	2	1	<b>426-3241</b>	1	BRACKET						
	3	1	<b>426-3242</b>	1	PLATE						
M	4	1	<b>5C-2890</b>	2	NUT (M6X1-THD)						
M	5	1	<b>8T-4138</b>	6	BOLT (M6X1X20-MM)						
	6	1	<b>9X-8256</b>	8	WASHER (6.6X12X2-MM THK)						

M - METRIC PART



GRAPHIC #1

<END>

g03352222

# ELECTRICAL AND STARTING SYSTEM

## 332-1128 BOX GP-ELECTRONIC-JACKET WATER HEATER

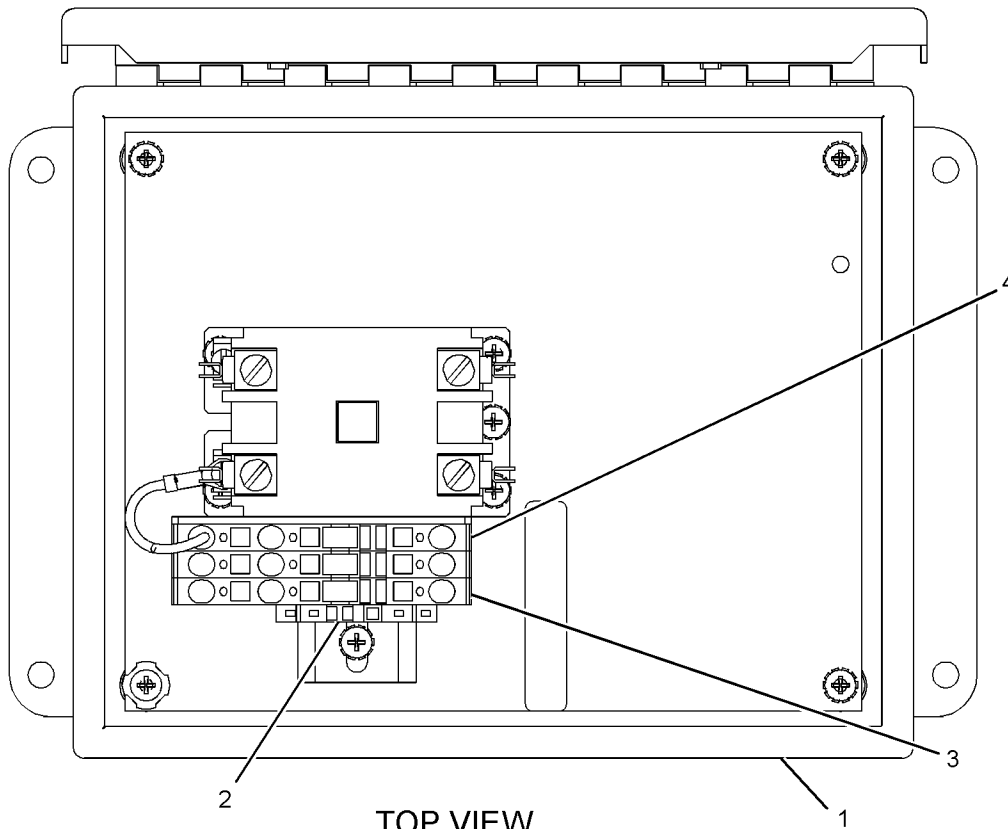
S/N: GDS1-UP

PART OF 369-1719, 399-2335, 417-7876 HEATER GP-JACKET WATER  
AN ATTACHMENT

SMCS-1417

i04237810

NOTE	REF NO	GRAPHIC REF	PART NUMBER	QTY	PART NAME						SEE PAGE
					1	2	3	4	5	6 (PRODUCT LEVEL)	
	1	1	<b>332-1130</b>	1	BOX AS-ELECTRICAL						
	2	1	<b>314-9101</b>	1	BRACKET-END						
	3	1	<b>295-3124</b>	1	BLOCK-TERMINAL (600-VOLT, 50-AMPERE)						
	4	1	<b>280-8705</b>	2	BLOCK-TERMINAL (600-VOLT, 50-AMPERE)						



TOP VIEW  
(DOOR OPEN)

GRAPHIC #1

<END>

g02065415

# ELECTRICAL AND STARTING SYSTEM

## 361-1632 BOX GP-ELECTRONIC

S/N: GDS1-UP

EMCP 4.3, 4.4

PART OF 361-1618 BOX GP-EXTENSION TERMINAL  
AN ATTACHMENT

SMCS-1417

i05253573

NOTE	REF NO	GRAPHIC REF	PART NUMBER	QTY	PART NAME						SEE PAGE
					1	2	3	4	5	6 (PRODUCT LEVEL)	
	1	1	<b>7C-5709</b>	4	SLEEVE						
	2	1	<b>166-6159</b>	4	DUCT-WIRE						
	3	1	<b>166-6162</b>	2	DUCT-WIRE						
	4	1	<b>166-6165</b>	3	DUCT-WIRE						
Y	5	1	<b>314-7755</b>	1	REGULATOR AS-VOLTAGE (DIGITAL)						507
C	6	1	<b>361-1633</b>	1	PLATE AS						
M		1	<b>6V-9632</b>	2	NUT-WELD (M6X1-THD)						
		1	<b>9D-6621</b>	4	NUT-WELD (10-24-THD)						
M		1	<b>9X-2032</b>	43	NUT-WELD (M4X0.7-THD)						
	7	1	<b>361-1635</b>	1	COVER						
	8	1	<b>361-1636</b>	4	SPACER						
Y	9	1	<i>361-1637</i>	1	STRIP GP-TERMINAL						306
Y	10	1	<b>361-1638</b>	1	STRIP GP-TERMINAL						308
Y	11	1	<i>361-1640</i>	1	STRIP GP-TERMINAL						311
Y	12	1	<i>361-1643</i>	1	STRIP GP-TERMINAL						313
	13	1	<b>361-1660</b>	2	BLOCK						
	14	1	<b>383-4686</b>	1	FILM-IDENTIFICATION (FUSES)						
	15	1	<b>204-6102</b>	4	WASHER-HARD (4.45X9.52X1-MM THK)						
	16	1	<b>4B-4274</b>	35	WASHER (5.5X13X1.2-MM THK)						
	17	1	<b>5P-4116</b>	8	WASHER-HARD (8.8X20.5X2-MM THK)						
	18	1	<b>6V-8185</b>	4	NUT (1/4-20-THD)						
M	19	1	<b>6V-9672</b>	4	SCREW-MACHINE (M4X0.7X16-MM)						
M	21	1	<b>8T-0337</b>	35	SCREW-MACHINE (M4X0.7X12-MM)						
	22	1	<b>8T-4205</b>	4	WASHER-HARD (7.2X14.5X2-MM THK)						
	23	1	<b>8T-8909</b>	4	BOLT (1/4-20X5-IN)						
	24	1	<b>9X-7344</b>	4	GROMMET						

C - CHANGE FROM PREVIOUS TYPE

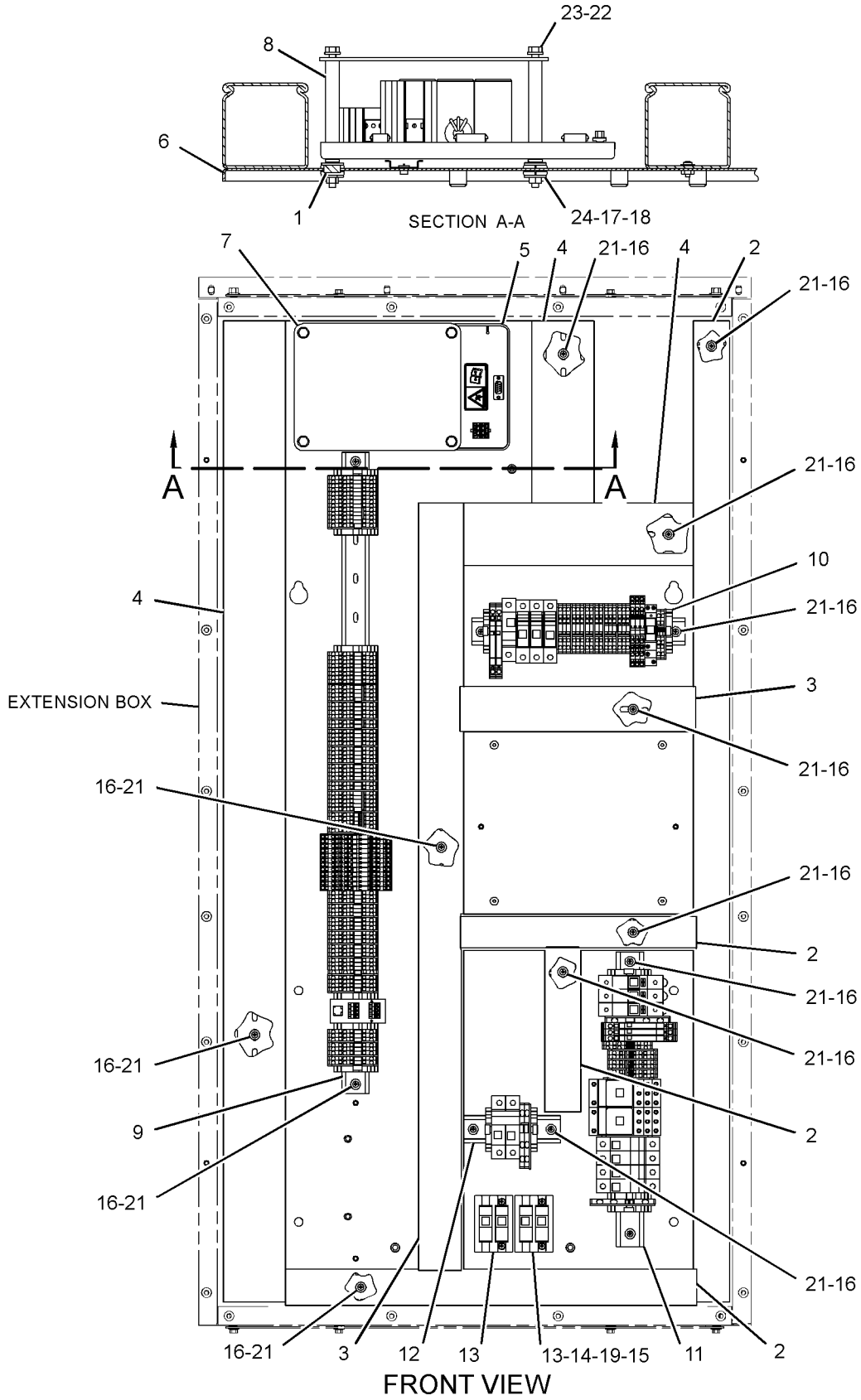
M - METRIC PART

Y - SEPARATE ILLUSTRATION

# ELECTRICAL AND STARTING SYSTEM

361-1632 BOX GP-ELECTRONIC (contd.)

i05253573



GRAPHIC #1

g03336790

# ELECTRICAL AND STARTING SYSTEM

## 361-7118 BOX GP-ELECTRONIC

S/N: GDS1-UP

EMCP 4.4

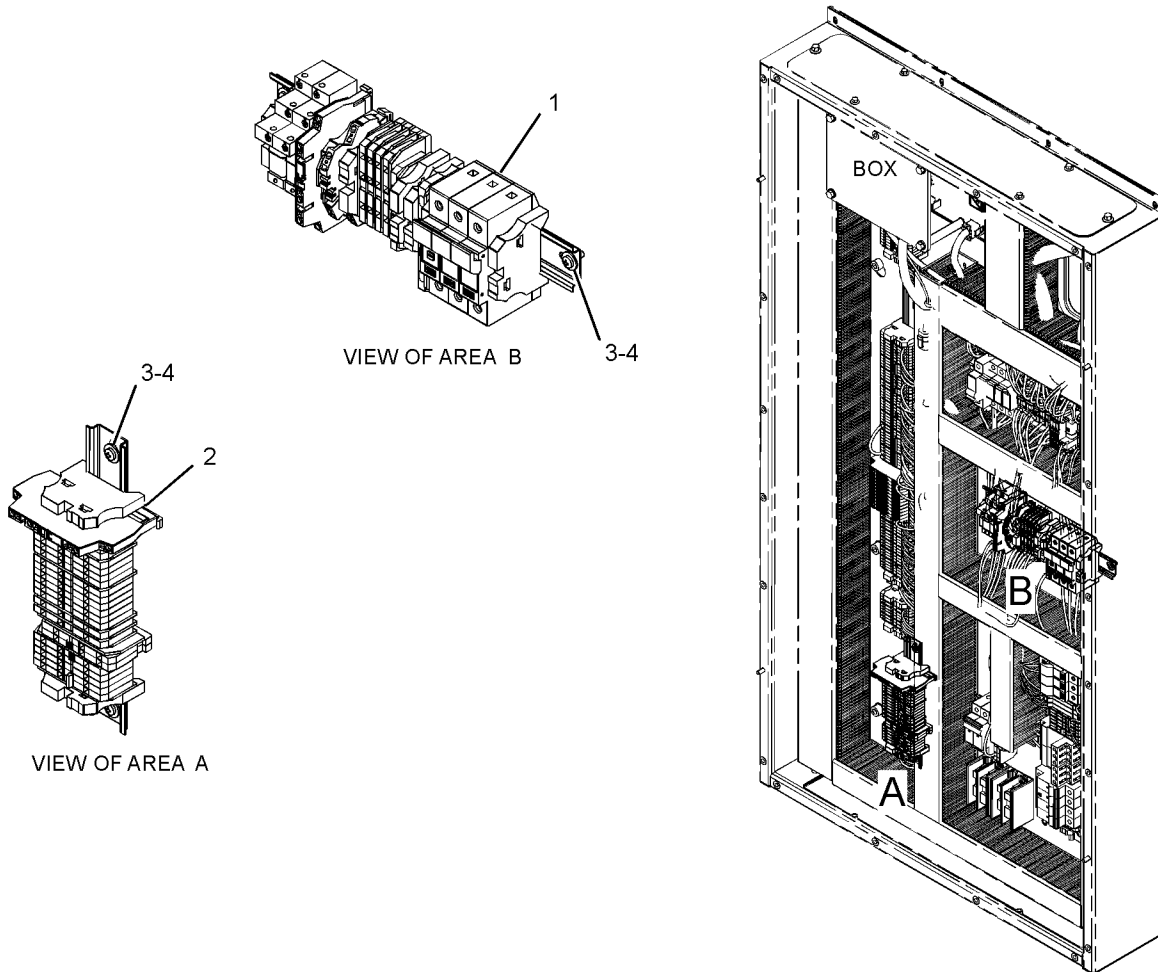
PART OF 371-5036 BOX GP-EXTENSION TERMINAL  
AN ATTACHMENT

SMCS-1417

i04385737

NOTE	REF NO	GRAPHIC REF	PART NUMBER	QTY	PART NAME						SEE PAGE
					1	2	3	4	5	6 (PRODUCT LEVEL)	
Y	1	1	361-1639	1	STRIP GP-TERMINAL						310
Y	2	1	361-1641	1	STRIP GP-TERMINAL						312
	3	1	4B-4274	4	WASHER (5.5X13X1.2-MM THK)						
M	4	1	8T-0337	4	SCREW-MACHINE (M4X0.7X12-MM)						

M - METRIC PART  
Y - SEPARATE ILLUSTRATION



GRAPHIC #1

<END>

g02559597

# ELECTRICAL AND STARTING SYSTEM

## 368-4865 BOX GP-ELECTRONIC

S/N: GDS1-UP

EMCP 4.2

FOR USE WITH CUSTOMER WIRING  
AN ATTACHMENT

SMCS-1417

i04966290

NOTE	REF NO	GRAPHIC REF	PART NUMBER	QTY	PART NAME						SEE PAGE
					1	2	3	4	5	6 (PRODUCT LEVEL)	
	1	1	<b>8C-8514</b>	2	SCREW-MACHINE (8-32X0.375-IN)						
	2	1	<b>8T-2882</b>	1	HANDLE-PULL						
	3	1	<b>9X-6772</b>	5	STRAP-CABLE						
	4	1	<b>132-8488</b>	2	NUT-RING						
	5	1	<b>135-6898</b>	2	LATCH AS						
Y	6	2	<b>244-9602</b>	1	STRIP GP-TERMINAL (AC)						304
	7	2	<b>246-8898</b>	1	FILM-IDENTIFICATION (SERVICE CONNECTOR)						
	8	2	<b>252-7455</b>	1	HARNESS AS-PANEL (DATA LINK)						
		2	<b>8T-8730</b>	3	SOCKET-CONNECTOR (16-GA TO 18-GA)						
		2	<b>109-3038</b>	3	END-WIRE (16-GA)						
		2	<b>134-2540</b>	1	RESISTOR AS-CONNECTION (3-PIN)						
E		2	<b>153-2707</b>		CABLE-ELECTRICAL (2-CONDUCTOR, 18-GA) (26-CM)						
		2	<b>174-0503</b>	1	KIT-CONNECTING PLUG (3-PIN) (INCLUDES PLUG AS AND WEDGE)						
	9	2	<b>252-7519</b>	2	STRAP						
Y	10	2	<b>398-9319</b>	1	BLOCK AS-TERMINAL						176
Y	11	2	<b>398-9321</b>	1	BLOCK AS-TERMINAL						177
	12	2	<b>276-8159</b>	1	HARNESS AS-PANEL (HEATER)						
		2	<b>110-8714</b>	12	END-WIRE (18-GA)						
		2	<b>112-7497</b>	4	END-WIRE (14-GA)						
	13	2	<b>287-7137</b>	1	STRAP AS-GROUND						
		2	<b>2L-8077</b>	2	TERMINAL-RING (14-GA TO 16-GA, 1/4-IN SCREW)						
	14	2	<b>293-2033</b>	8	SCREW-LOCK (4-40X0.5-IN)						
Y	15	1	<b>351-9799</b>	1	DOOR AS						380
Y	16	1	<b>351-9803</b>	1	BOX AS-CONTROL						180
	17	1	<b>351-9804</b>	2	HINGE						
Y	18	1	<b>359-9932</b>	1	HARNESS AS-BOX						249
M	19	1	<b>170-5632</b>	4	BOLT (M4X0.7X16-MM)						
	20	1	<b>198-4775</b>	5	WASHER-HARD (6.6X15X6-MM THK)						
	21	1	<b>1H-4393</b>	2	LOCKWASHER						
	22	1	<b>293-9452</b>	5	MOUNTING-CABLE TIE						
	23	1	<b>4D-3100</b>	3	GROMMET						
M	24	1,2	<b>5C-2890</b>	29	NUT (M6X1-THD)						
M	25	1	<b>5C-9553</b>	22	BOLT (M6X1X16-MM)						
	26	1	<b>5P-4115</b>	49	WASHER-HARD (7.2X19X2-MM THK)						
	27	1	<b>7X-0620</b>	8	WASHER-HARD (5.5X13X1.6-MM THK)						
M	28	1	<b>8T-2659</b>	4	LOCKNUT (M4X0.7-THD)						
M	29	1	<b>8T-4971</b>	5	BOLT (M6X1X30-MM)						
M	30	1	<b>8T-6412</b>	8	SCREW-MACHINE (M6X1X20-MM)						
	31	2	<b>9X-8256</b>	2	WASHER (6.6X12X2-MM THK)						
L	32	1,2	<b>217-7164</b>		DUCT-WIRE (315-MM EACH)						
E	33	1	<b>3E-6600</b>		SEAL (10-CM EACH)						
E	33A	1	<b>3E-6600</b>		SEAL (13.5-CM EACH)						

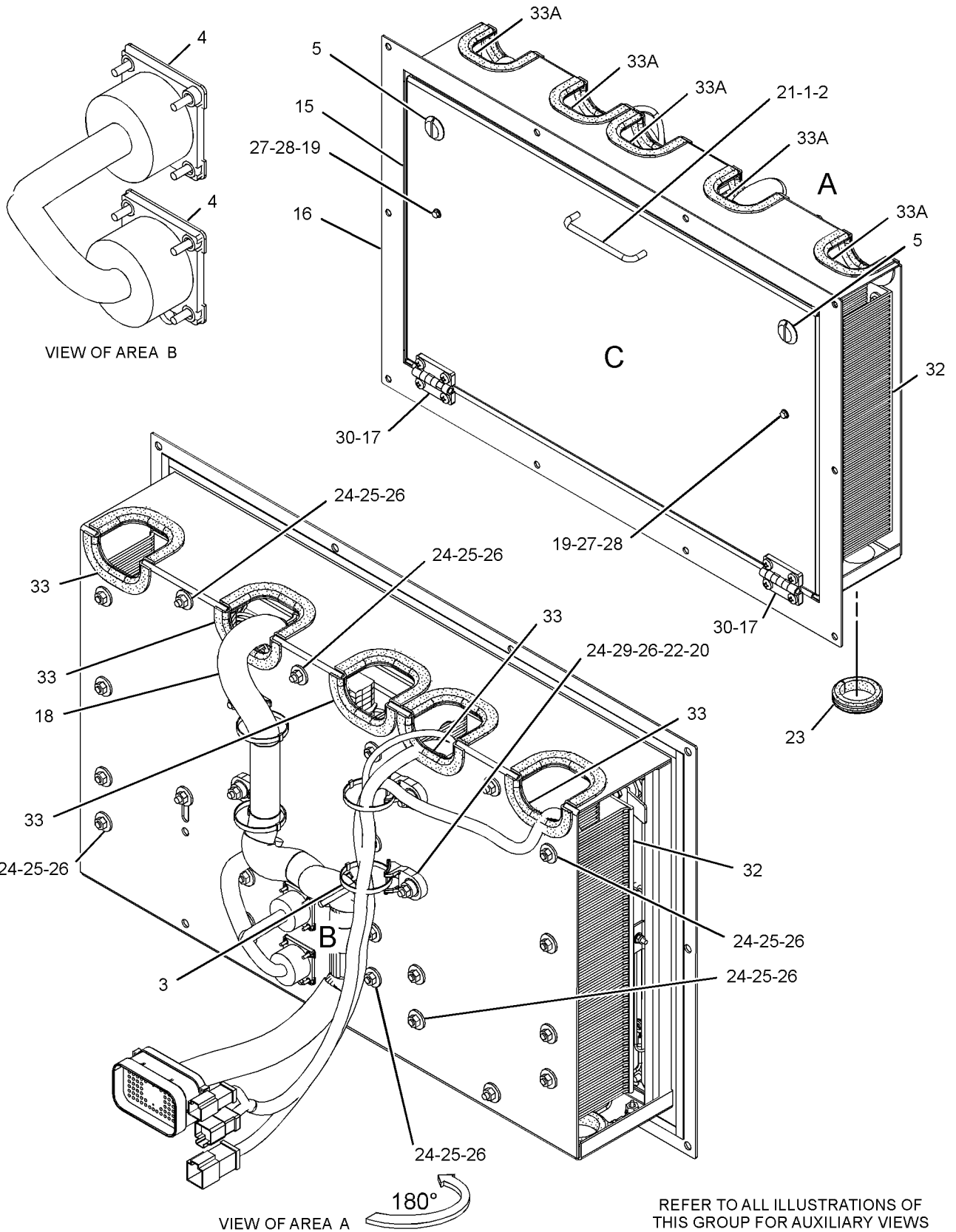
E - ORDER BY THE CENTIMETER  
L - ORDER BY THE MILLIMETER  
M - METRIC PART  
Y - SEPARATE ILLUSTRATION



# ELECTRICAL AND STARTING SYSTEM

368-4865 BOX GP-ELECTRONIC (contd.)

i04966290



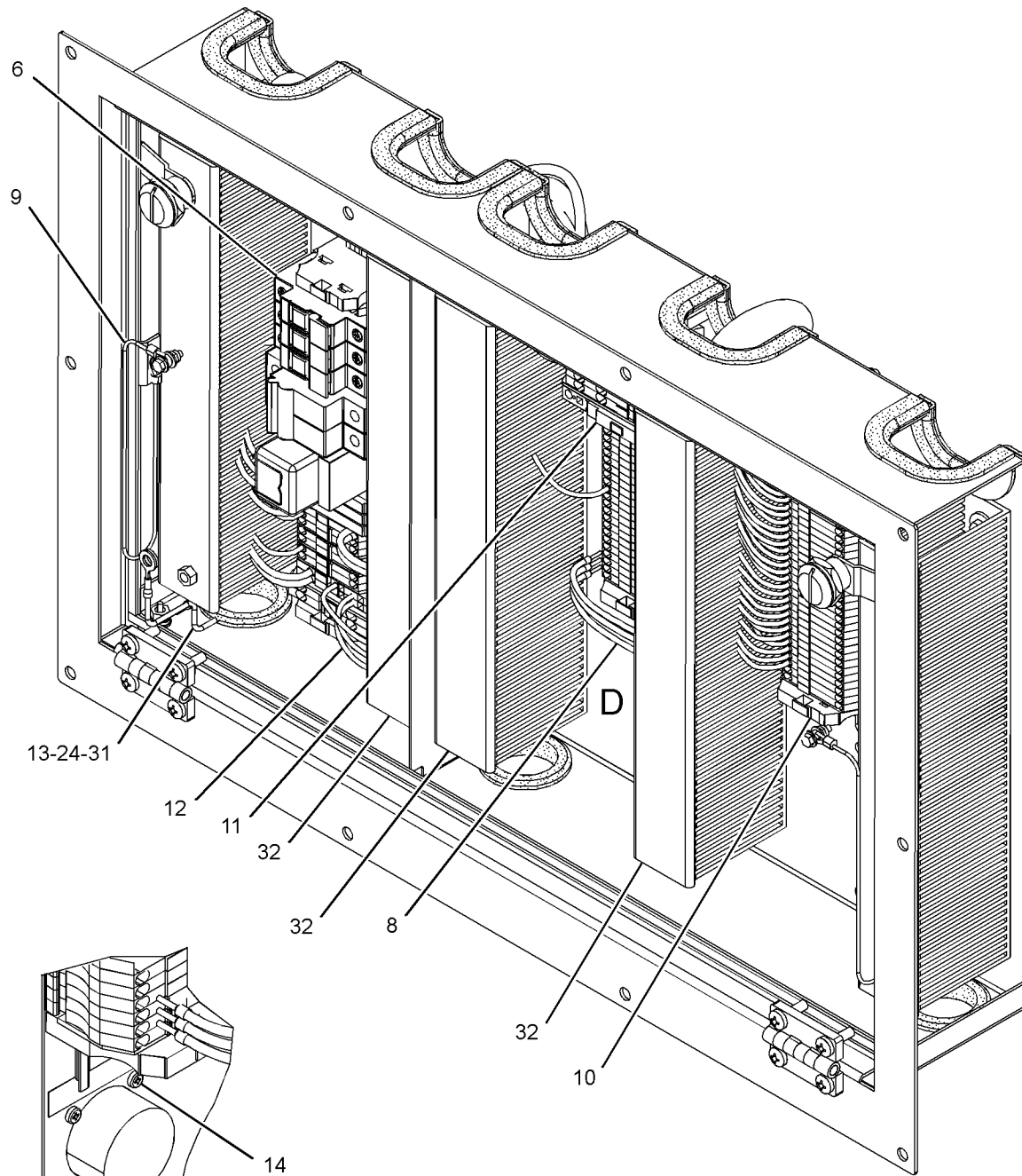
GRAPHIC #1

g03158616

# ELECTRICAL AND STARTING SYSTEM

368-4865 BOX GP-ELECTRONIC (contd.)

i04966290



VIEW OF AREA C  
(DOOR REMOVED FOR CLARITY)

VIEW OF AREA D

GRAPHIC #2

<END>

g02571357

# ELECTRICAL AND STARTING SYSTEM

## 361-1616 BOX GP-EXTENSION TERMINAL

S/N: GDS1-UP

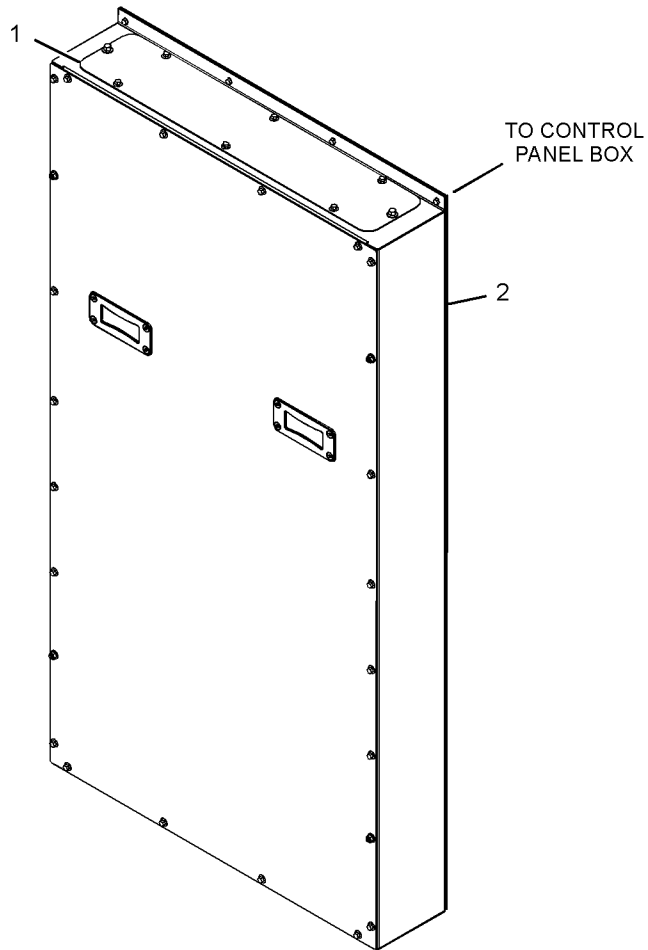
EMCP 4.3, 4.4, GLOBAL DESIGN ENCLOSURE  
AN ATTACHMENT

SMCS-4460

i04698833

NOTE	REF NO	GRAPHIC REF	PART NUMBER	QTY	PART NAME						SEE PAGE
					1	2	3	4	5	6 (PRODUCT LEVEL)	
Y	1	1	361-1625	1	COVER GP-EXTENSION BOX						243
Y	2	1	383-4687	1	BOX & MOUNTING GP						178

Y - SEPARATE ILLUSTRATION



GRAPHIC #1

<END>

g02799816

# ELECTRICAL AND STARTING SYSTEM

## 361-1617 BOX GP-EXTENSION TERMINAL

S/N: GDS1-UP

EMCP 4.3, 4.4

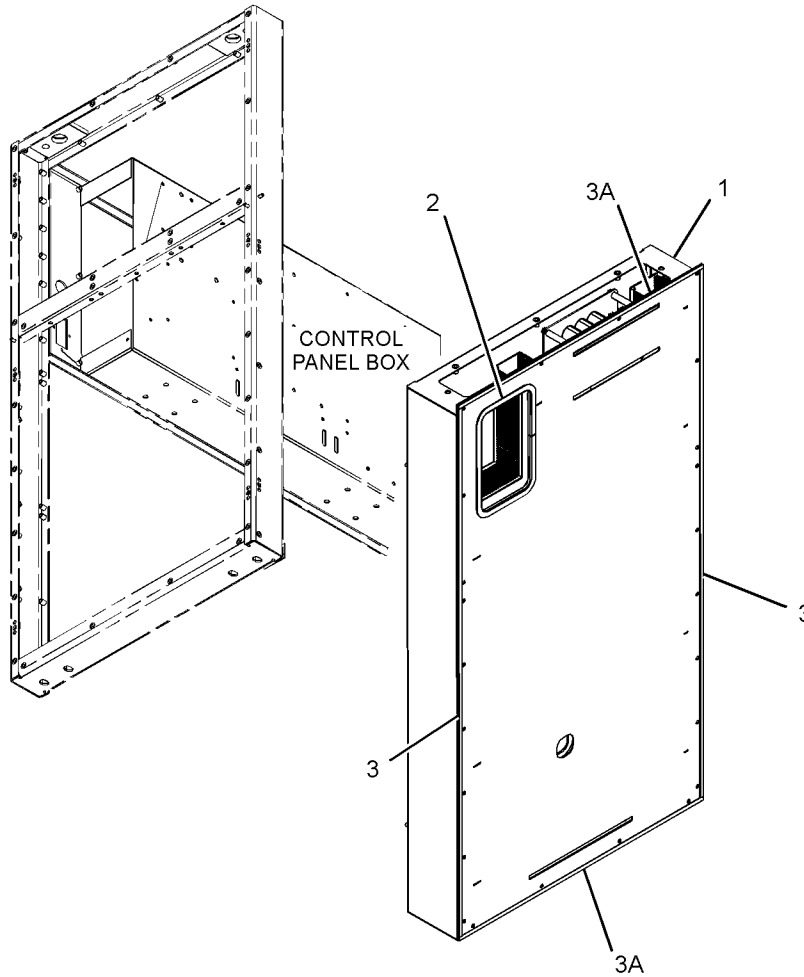
PART OF 371-5034, 371-5036 BOX GP-EXTENSION TERMINAL  
AN ATTACHMENT

SMCS-4460

i05208329

NOTE	REF NO	GRAPHIC REF	PART NUMBER	QTY	PART NAME						SEE PAGE
					1	2	3	4	5	6 (PRODUCT LEVEL)	
Y	1	1	361-1618	1	BOX GP-EXTENSION TERMINAL						191
CE	2	1	3E-6600		SEAL (76-CM)						
L	3	1	244-9631		SEAL (14-DM EACH)						
L	3A	1	244-9631		SEAL (8-DM EACH)						

C - CHANGE FROM PREVIOUS TYPE  
E - ORDER BY THE CENTIMETER  
L - ORDER BY THE DECIMETER  
Y - SEPARATE ILLUSTRATION



GRAPHIC #1

<END>

g03336590

# ELECTRICAL AND STARTING SYSTEM

## 361-1618 BOX GP-EXTENSION TERMINAL

S/N: GDS1-UP

EMCP 4.3, 4.4

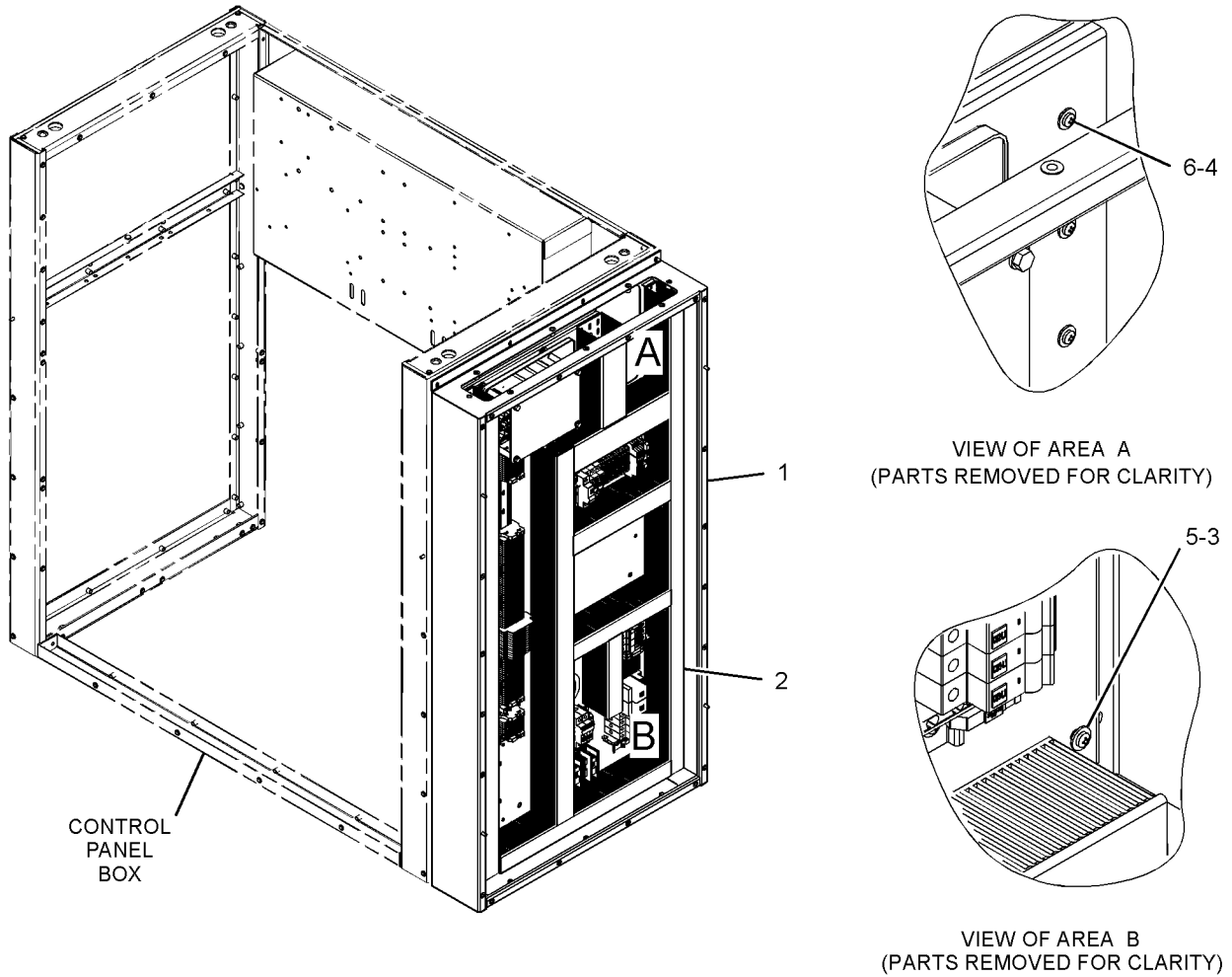
PART OF 361-1617 BOX GP-EXTENSION TERMINAL  
AN ATTACHMENT

SMCS-4460

i04966269

NOTE	REF NO	GRAPHIC REF	PART NUMBER	QTY	PART NAME						SEE PAGE
					1	2	3	4	5	6 (PRODUCT LEVEL)	
	1	1	<b>361-1619</b>	1	BOX AS-EXTENSION						
Y	2	1	<b>361-1632</b>	1	BOX GP-ELECTRONIC						183
M	3	1	<b>096-4835</b>	6	BOLT-SOCKET HEAD (M10X1.5X16-MM)						
	4	1	<b>4B-4274</b>	3	WASHER (5.5X13X1.2-MM THK)						
	5	1	<b>7F-6998</b>	4	LOCKWASHER						
M	6	1	<b>8T-0337</b>	3	SCREW-MACHINE (M4X0.7X12-MM)						

M - METRIC PART  
Y - SEPARATE ILLUSTRATION



GRAPHIC #1

<END>

g03156056

# ELECTRICAL AND STARTING SYSTEM

## 371-5034 BOX GP-EXTENSION TERMINAL

S/N: GDS1-UP

EMCP 4.3

PART OF 383-4687 BOX & MOUNTING GP  
AN ATTACHMENT

SMCS-4460

i04944766

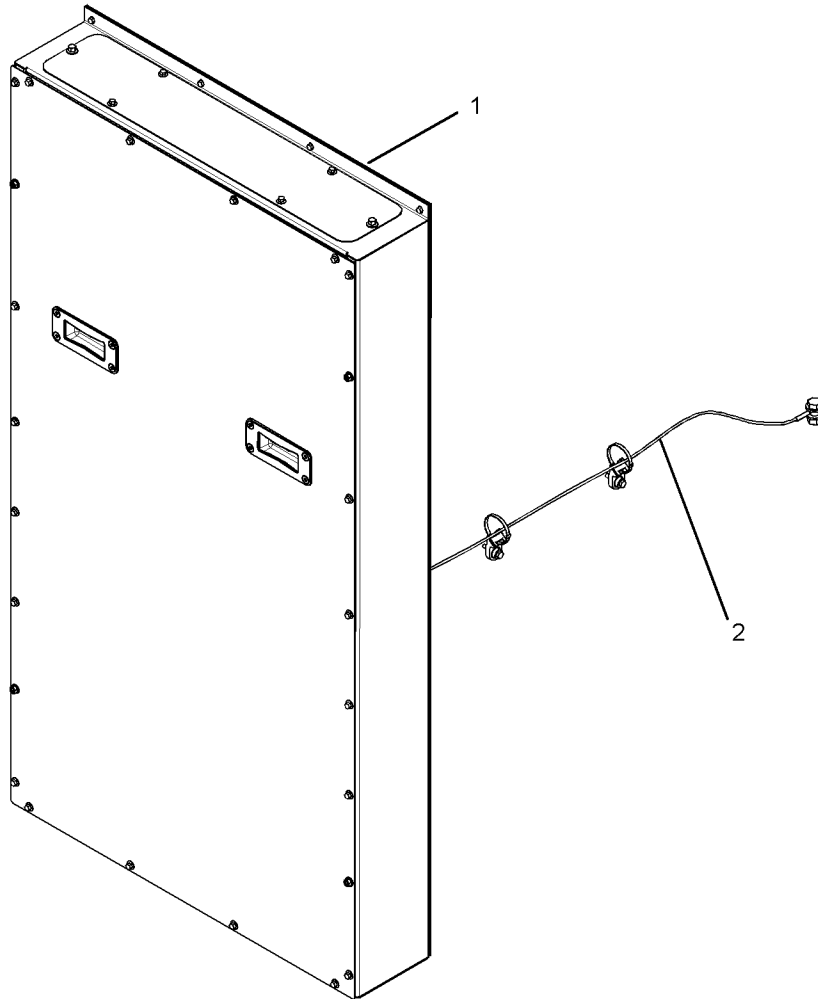
NOTE	REF NO	GRAPHIC REF	PART NUMBER	QTY	PART NAME	SEE PAGE
					1 2 3 4 5 6 (PRODUCT LEVEL)	
Y	1	1	361-1617	1	BOX GP-EXTENSION TERMINAL	190
Y	2	1	361-1631	1	WIRING GP-BOX	333

Y - SEPARATE ILLUSTRATION

# ELECTRICAL AND STARTING SYSTEM

371-5034 BOX GP-EXTENSION TERMINAL (contd.)

i04944766



GRAPHIC #1

<END>

g03132256

# ELECTRICAL AND STARTING SYSTEM

## 371-5035 BOX GP-EXTENSION TERMINAL

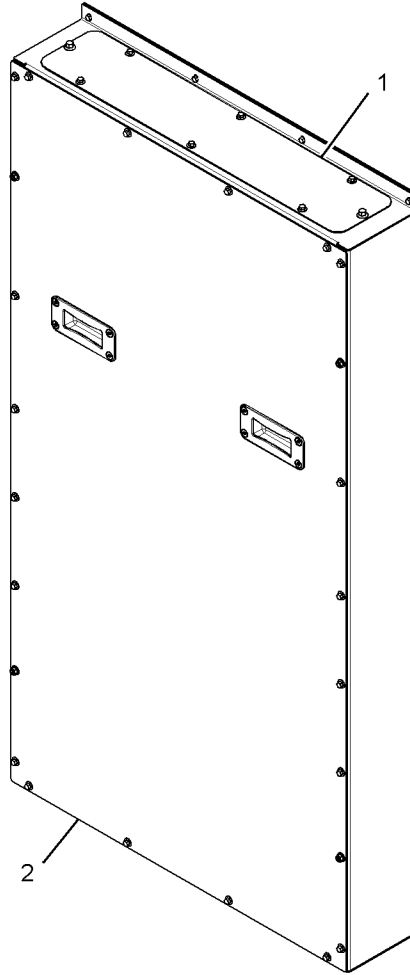
S/N: GDS1-UP  
EMCP 4.4, GLOBAL DESIGN ENCLOSURE  
AN ATTACHMENT

SMCS-4460

i04944768

NOTE	REF NO	GRAPHIC REF	PART NUMBER	QTY	PART NAME						SEE PAGE
					1	2	3	4	5	6	
Y	1	1	361-1625	1	COVER GP-EXTENSION BOX						243
Y	2	1	383-4688	1	BOX & MOUNTING GP						179

Y - SEPARATE ILLUSTRATION



GRAPHIC #1

<END>

g03137172



# ELECTRICAL AND STARTING SYSTEM

## 371-5036 BOX GP-EXTENSION TERMINAL

S/N: GDS1-UP

EMCP 4.4

PART OF 383-4688 BOX & MOUNTING GP  
AN ATTACHMENT

SMCS-4460

i04944770

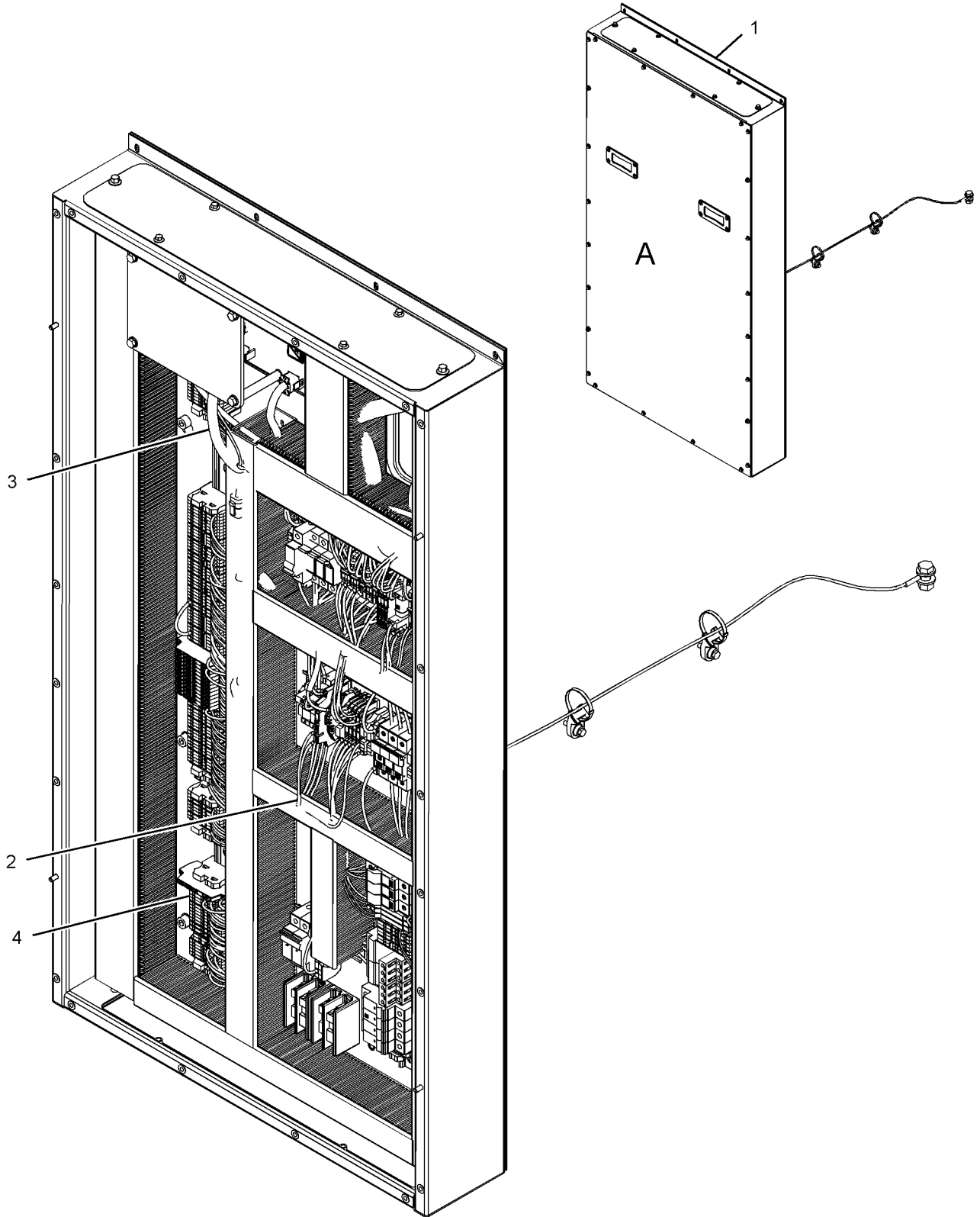
NOTE	REF NO	GRAPHIC REF	PART NUMBER	QTY	PART NAME	SEE PAGE
					1 2 3 4 5 6 (PRODUCT LEVEL)	
Y	1	1	361-1617	1	BOX GP-EXTENSION TERMINAL	190
Y	2	1	361-7119	1	WIRING GP-BOX	334
Y	3	1	361-1631	1	WIRING GP-BOX	333
Y	4	1	361-7118	1	BOX GP-ELECTRONIC	185

Y - SEPARATE ILLUSTRATION

# ELECTRICAL AND STARTING SYSTEM

371-5036 BOX GP-EXTENSION TERMINAL (contd.)

i04944770



VIEW OF AREA A  
(COVER REMOVED FOR CLARITY)

GRAPHIC #1

<END>

g03132277

# ELECTRICAL AND STARTING SYSTEM

## 373-3494 BOX GP-EXTENSION TERMINAL

S/N: GDS1-UP

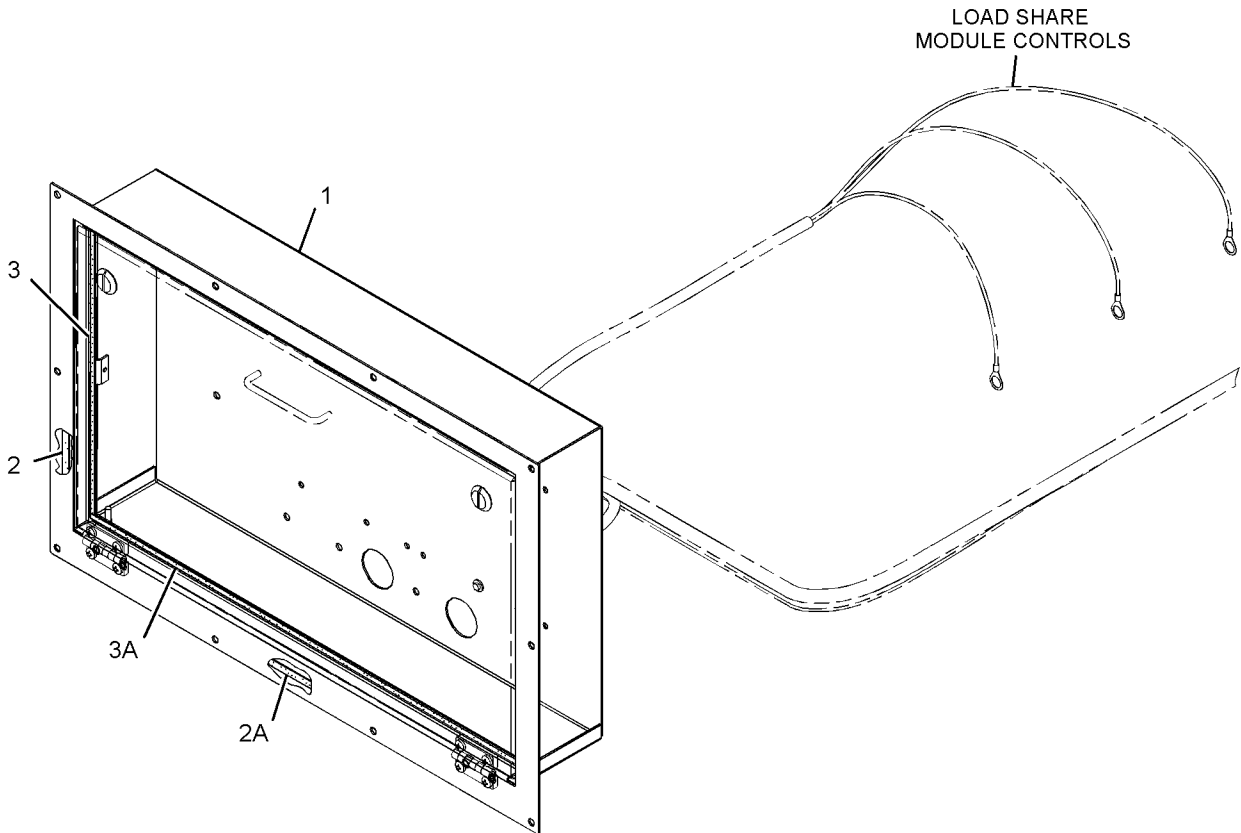
PART OF 422-2319 CONTROL GP-LOAD SHARE MODULE  
AN ATTACHMENT

SMCS-4460

i04527974

NOTE	REF NO	GRAPHIC REF	PART NUMBER	QTY	PART NAME						SEE PAGE
					1	2	3	4	5	6 (PRODUCT LEVEL)	
	1	1	<b>373-3493</b>	1	BOX AS						
J	2	1	<b>244-9631</b>		SEAL (4.3-DM EACH)						
J	2A	1	<b>244-9631</b>		SEAL (6.5-DM EACH)						
D	3	1	<b>6V-9335</b>		SEAL (0.4-M EACH)						
D	3A	1	<b>6V-9335</b>		SEAL (0.6-M EACH)						

D - ORDER BY THE METER  
J - ORDER BY THE DECIMETER



GRAPHIC #1

<END>

g02763359

# ELECTRICAL AND STARTING SYSTEM

## 422-2321 BOX GP-EXTENSION TERMINAL

S/N: GDS1-UP  
AN ATTACHMENT

SMCS-4460

i05162518

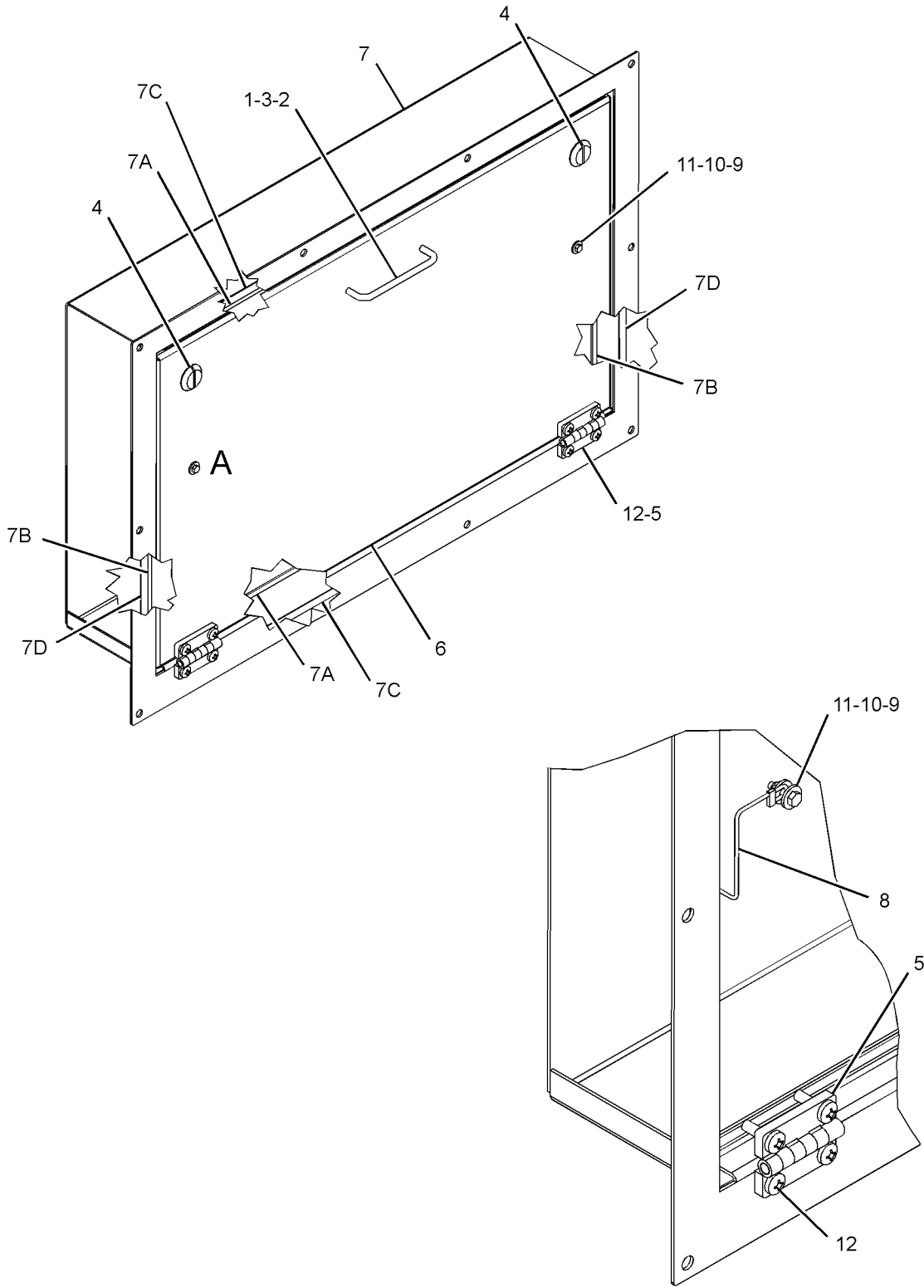
NOTE	REF NO	GRAPHIC REF	PART NUMBER	QTY	PART NAME						SEE PAGE
					1	2	3	4	5	6 (PRODUCT LEVEL)	
	1	1	<b>8C-8514</b>	2	SCREW-MACHINE (8-32X0.375-IN)						
	2	1	<b>8T-2882</b>	1	HANDLE-PULL						
	3	1	<b>9F-8125</b>	2	LOCKWASHER						
	4	1	<b>135-6898</b>	2	LATCH AS						
	5	1	<b>351-9804</b>	2	HINGE						
	6	1	<b>351-9799</b>	1	DOOR AS						
M		1	<b>6V-9632</b>	4	NUT-WELD (M6X1-THD)						
	7	1	<i>373-2165</i>	1	BOX AS-EXTENSION TERMINAL						
		1	<b>373-2164</b>	1	BOX AS						
D	7A	1	<b>6V-9335</b>		SEAL (0.6-M EACH)						
D	7B	1	<b>6V-9335</b>		SEAL (0.4-M EACH)						
H	7C	1	<b>244-9631</b>		SEAL (6.5-DM EACH)						
H	7D	1	<b>244-9631</b>		SEAL (4.5-DM EACH)						
	8	1	<b>252-7519</b>	2	STRAP						
M	9	1	<b>170-5632</b>	4	BOLT (M4X0.7X16-MM)						
M	10	1	<b>178-9983</b>	4	LOCKNUT (M4X0.7-THD)						
	11	1	<b>7X-0620</b>	8	WASHER-HARD (5.5X13X1.6-MM THK)						
M	12	1	<b>8T-8998</b>	8	SCREW-MACHINE (M6X1X20-MM)						

D - ORDER BY THE METER  
H - ORDER BY THE DECIMETER  
M - METRIC PART

# ELECTRICAL AND STARTING SYSTEM

422-2321 BOX GP-EXTENSION TERMINAL (contd.)

i05162518



VIEW OF AREA A  
(PARTS REMOVED FOR CLARITY)

GRAPHIC #1

<END>

g03321057

# ELECTRICAL AND STARTING SYSTEM

## 364-5713 BOX GP-JUNCTION

S/N: MJE1-UP; GDS1-UP

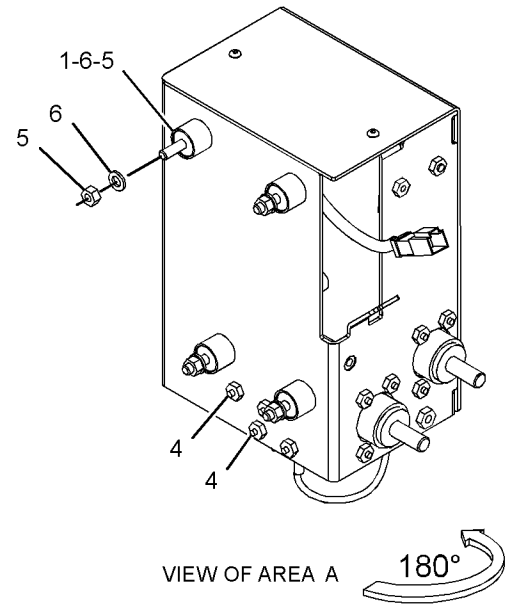
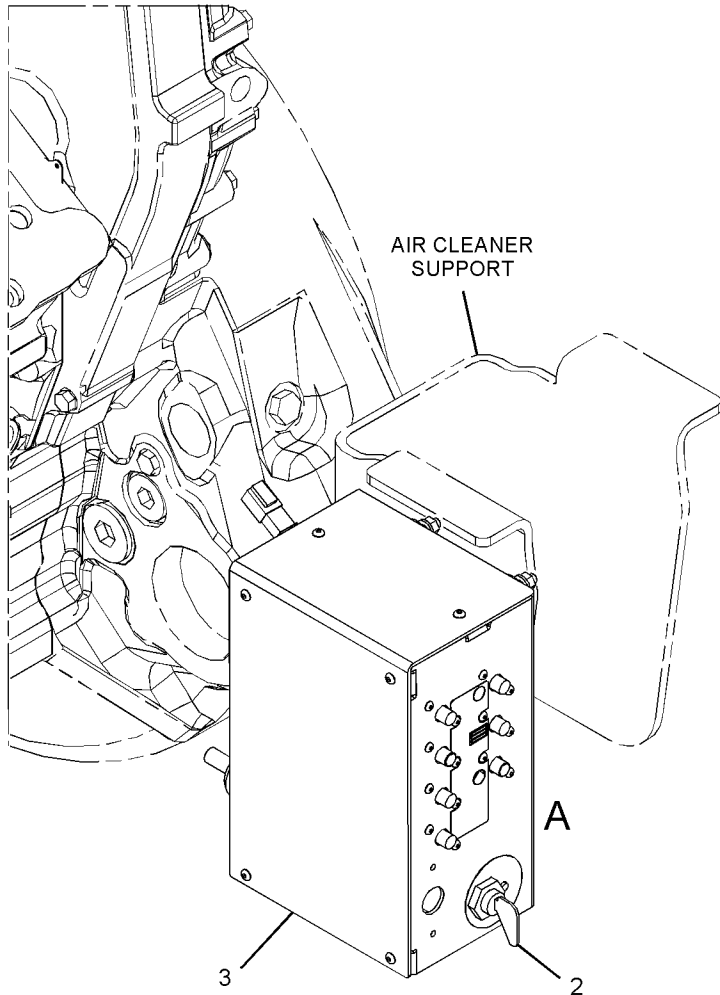
PART OF 388-4921 ENGINE AR, 349-5619, 349-5622 ENGINE AR-COMplete  
ALSO AN ATTACHMENT

SMCS-7426

i05188199

NOTE	REF NO	GRAPHIC REF	PART NUMBER	QTY	PART NAME						SEE PAGE
					1	2	3	4	5	6 (PRODUCT LEVEL)	
	1	1	<b>126-9187</b>	4	MOUNT-FLEXIBLE						
Y	2	1	363-7529	1	SWITCH GP-DISCONNECT (BATTERY)						318
Y	3	1	364-3929	1	PANEL GP-CIRCUIT BREAKER						287
	4	1	<b>193-4623</b>	4	SCREW-BUTTON HEAD (10-32X11.11-MM)						
	5	1	<b>6V-8189</b>	8	NUT (5/16-18-THD)						
	6	1	<b>8T-4224</b>	8	WASHER-HARD (8.8X16X2-MM THK)						

Y - SEPARATE ILLUSTRATION



GRAPHIC #1

<END>

g03350738

# ELECTRICAL AND STARTING SYSTEM

## 396-6359 BUS BAR GP

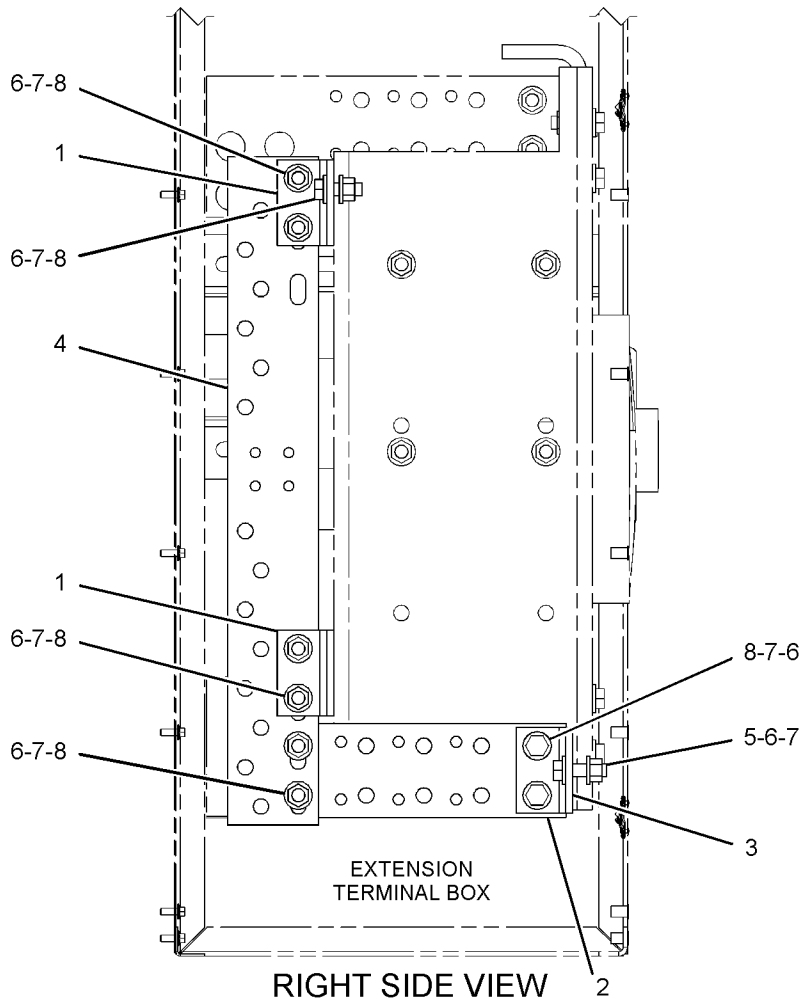
S/N: GDS1-UP  
SIDE, MASTERPACT  
AN ATTACHMENT

SMCS-445B

i05195529

NOTE	REF NO	GRAPHIC REF	PART NUMBER	QTY	PART NAME						SEE PAGE
					1	2	3	4	5	6 (PRODUCT LEVEL)	
	1	1	252-7604	2	PLATE						
	2	1	252-7656	1	PLATE						
	3	1	272-6638	1	BRACKET						
	4	1	274-7194	1	BAR-BUS						
M	5	1	8T-4183	1	BOLT (M12X1.75X40-MM)						
	6	1	8T-4223	20	WASHER-HARD (13.5X25.5X3-MM THK)						
M	7	1	8T-4244	10	NUT (M12X1.75-THD)						
M	8	1	8T-4956	9	BOLT (M12X1.75X35-MM)						

M - METRIC PART



GRAPHIC #1

<END>

g03350908

# ELECTRICAL AND STARTING SYSTEM

## 389-7402 BUS BAR GP-GENERATOR

S/N: GDS1-UP  
AN ATTACHMENT

SMCS-445B

i05267858

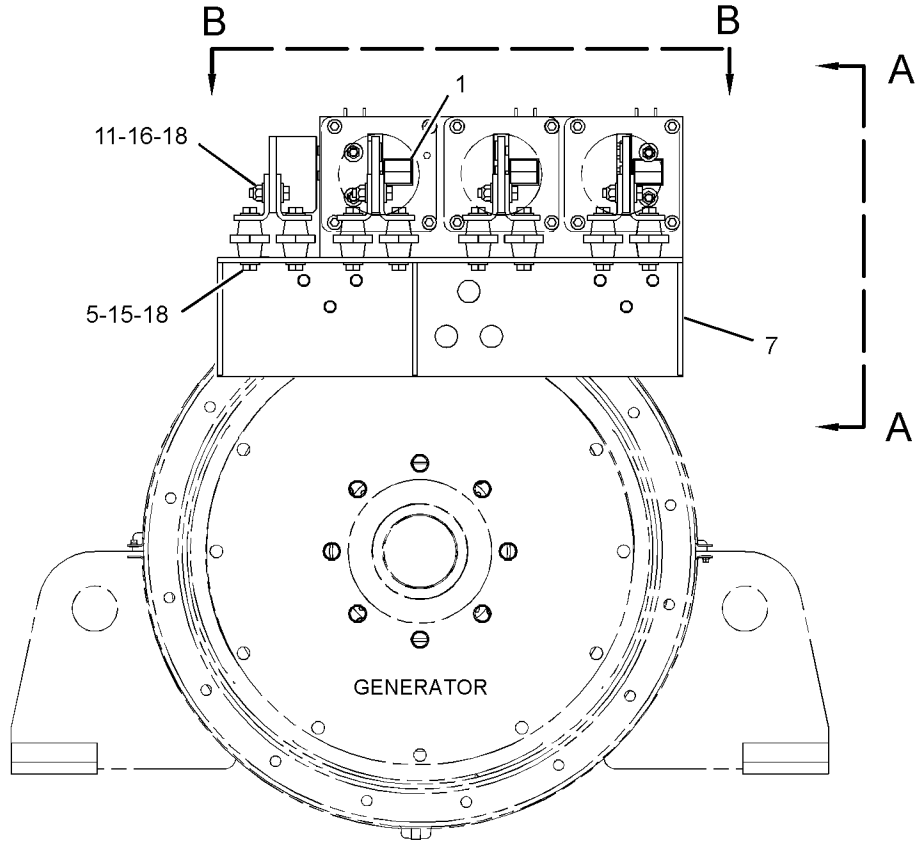
NOTE	REF NO	GRAPHIC REF	PART NUMBER	QTY	PART NAME						SEE PAGE
					1	2	3	4	5	6 (PRODUCT LEVEL)	
	1	1	9Y-4275	1	FILM-INFORMATION (TERMINAL STRIP)						
	2	1	279-0831	2	BRACKET						
	3	1	279-0832	8	BRACKET						
	4	1	279-3637	1	BAR-BUS						
	5	1	363-8866	8	INSULATOR						
	6	1	389-7399	1	INSULATOR						
	7	1	389-7400	1	BRACKET AS						
	8	1	389-7401	3	BAR-BUS						
M	9	1	118-6503	8	BOLT (M6X1X55-MM)						
	10	1	5P-4115	24	WASHER-HARD (7.2X19X2-MM THK)						
M	11	1	6V-7687	20	LOCKNUT (M12X1.75-THD)						
M	12	1	6V-7743	12	LOCKNUT (M6X1-THD)						
M	13	1	6V-9189	6	LOCKNUT (M8X1.25-THD)						
	14	1	7X-7729	16	WASHER (11X25X3-MM THK)						
M	15	1	8T-4179	16	BOLT (M12X1.75X20-MM)						
M	16	1	8T-4184	20	BOLT (M12X1.75X45-MM)						
M	17	1	8T-4195	8	BOLT (M10X1.5X30-MM)						
	18	1	8T-4223	56	WASHER-HARD (13.5X25.5X3-MM THK)						
	19	1	8T-4224	12	WASHER-HARD (8.8X16X2-MM THK)						
M	20	1	8T-6974	4	BOLT (M6X1X80-MM)						
M	21	1	8T-7547	6	BOLT (M8X1.25X30-MM)						
M	22	1	9X-6620	8	LOCKNUT (M10X1.5-THD)						
M - METRIC PART											



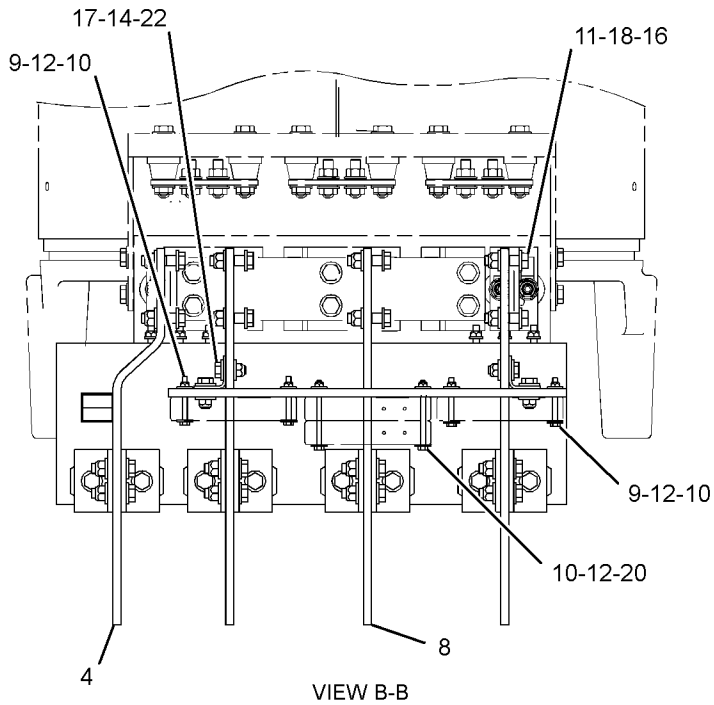
# ELECTRICAL AND STARTING SYSTEM

389-7402 BUS BAR GP-GENERATOR (contd.)

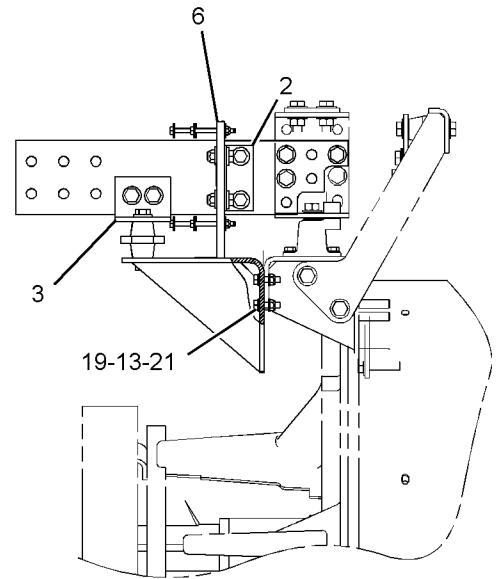
i05267858



REAR VIEW



VIEW B-B



VIEW A-A

GRAPHIC #1

<END>

g03355382

# ELECTRICAL AND STARTING SYSTEM

## 389-9736 BUS BAR GP-GENERATOR

S/N: GDS1-UP  
AN ATTACHMENT

SMCS-445B

i05267859

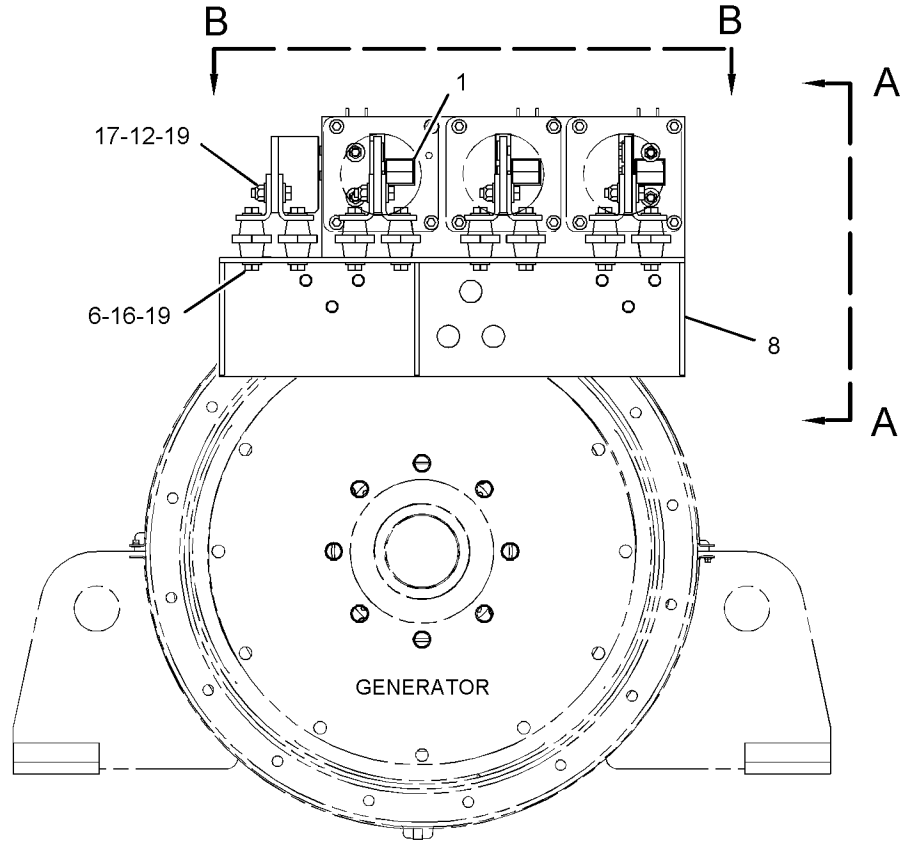
NOTE	REF NO	GRAPHIC REF	PART NUMBER	QTY	PART NAME						SEE PAGE
					1	2	3	4	5	6 (PRODUCT LEVEL)	
	1	1	9Y-4275	1	FILM-INFORMATION (TERMINAL STRIP)						
	2	1	279-0831	2	BRACKET						
	3	1	279-0832	8	BRACKET						
	4	1	279-0834	1	BAR-BUS						
	5	1	279-3637	1	BAR-BUS						
	6	1	363-8866	8	INSULATOR						
	7	1	389-7399	1	INSULATOR						
	8	1	389-7400	1	BRACKET AS						
	9	1	392-0923	2	BAR-BUS						
M	10	1	118-6503	8	BOLT (M6X1X55-MM)						
	11	1	5P-4115	24	WASHER-HARD (7.2X19X2-MM THK)						
M	12	1	6V-7687	20	LOCKNUT (M12X1.75-THD)						
M	13	1	6V-7743	12	LOCKNUT (M6X1-THD)						
M	14	1	6V-9189	6	LOCKNUT (M8X1.25-THD)						
	15	1	7X-7729	16	WASHER (11X25X3-MM THK)						
M	16	1	8T-4179	16	BOLT (M12X1.75X20-MM)						
M	17	1	8T-4184	20	BOLT (M12X1.75X45-MM)						
M	18	1	8T-4195	8	BOLT (M10X1.5X30-MM)						
	19	1	8T-4223	56	WASHER-HARD (13.5X25.5X3-MM THK)						
	20	1	8T-4224	12	WASHER-HARD (8.8X16X2-MM THK)						
M	21	1	8T-6974	4	BOLT (M6X1X80-MM)						
M	22	1	8T-7547	6	BOLT (M8X1.25X30-MM)						
M	23	1	9X-6620	8	LOCKNUT (M10X1.5-THD)						

M - METRIC PART

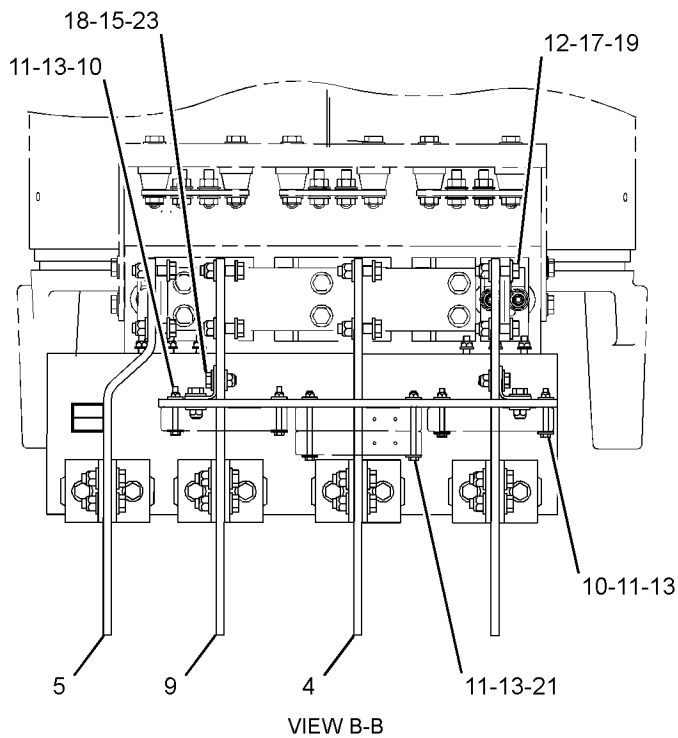
# ELECTRICAL AND STARTING SYSTEM

389-9736 BUS BAR GP-GENERATOR (contd.)

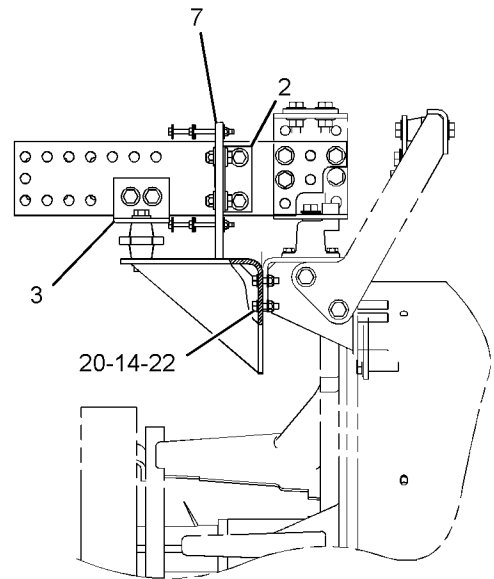
i05267859



REAR VIEW



VIEW B-B



VIEW A-A

GRAPHIC #1

<END>

g03355109

# ELECTRICAL AND STARTING SYSTEM

## 311-5765 CIRCUIT BREAKER AS-UL, ICCB, LSI, UV

S/N: GDS1-UP

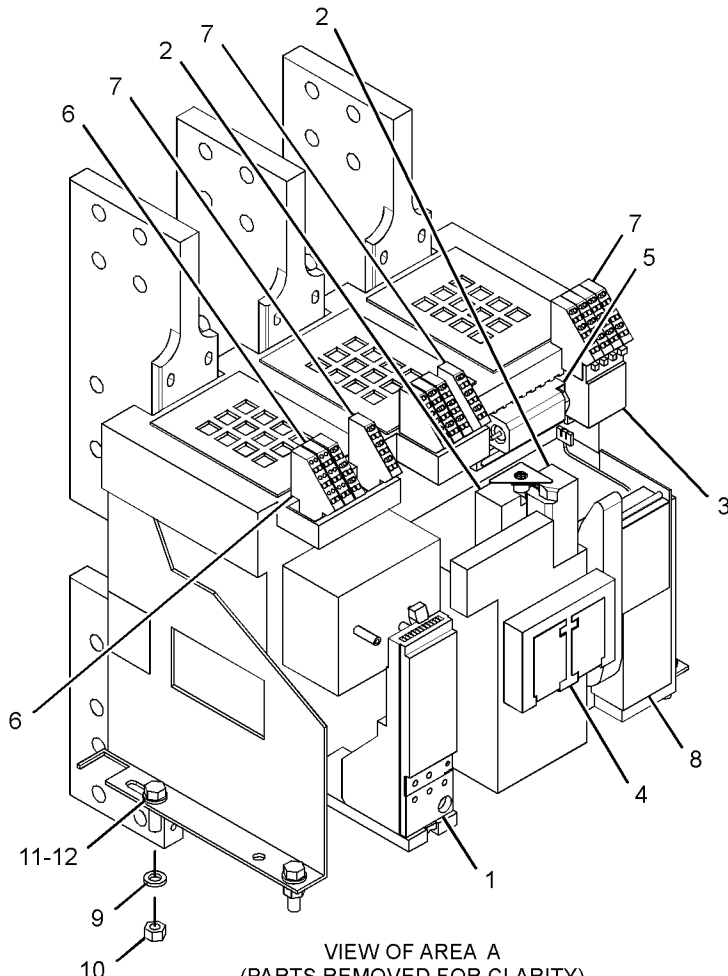
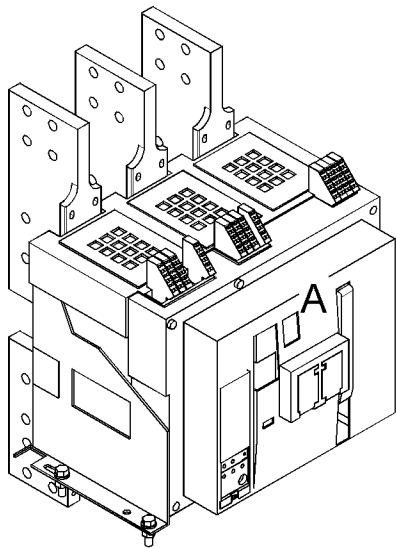
1600-AMPERE

FOR USE WITH EMCPII+P CONTROLS  
AN ATTACHMENT

SMCS-1420, 4461

i05295234

NOTE	REF NO	GRAPHIC REF	PART NUMBER	QTY	PART NAME						SEE PAGE
					1	2	3	4	5	6 (PRODUCT LEVEL)	
	1	1	244-9837	1	TRIP UNIT						
	2	1	244-9858	2	SHUNT-TRIP						
	3	1	244-9973	1	SWITCH-AUXILIARY (SINGLE POLE, DUAL THROW)						
	4	1	311-5776	1	COVER						
	5	1	311-5780	1	SHUNT-TRIP						
	6	1	381-8738	2	TERMINAL						
	7	1	381-8739	10	TERMINAL						
	8	1	381-8740	1	MOTOR (SPRING CHARGING)						
	9	1	3B-4506	4	LOCKWASHER						
	10	1	6V-8801	4	NUT (3/8-16-THD)						
	11	1	8T-4896	4	WASHER-HARD (10.2X18.5X2.5-MM THK)						
	12	1	9B-7237	4	BOLT (3/8-16X1.25-IN)						



VIEW OF AREA A  
(PARTS REMOVED FOR CLARITY)

GRAPHIC #1

<END>

g03335479

# ELECTRICAL AND STARTING SYSTEM

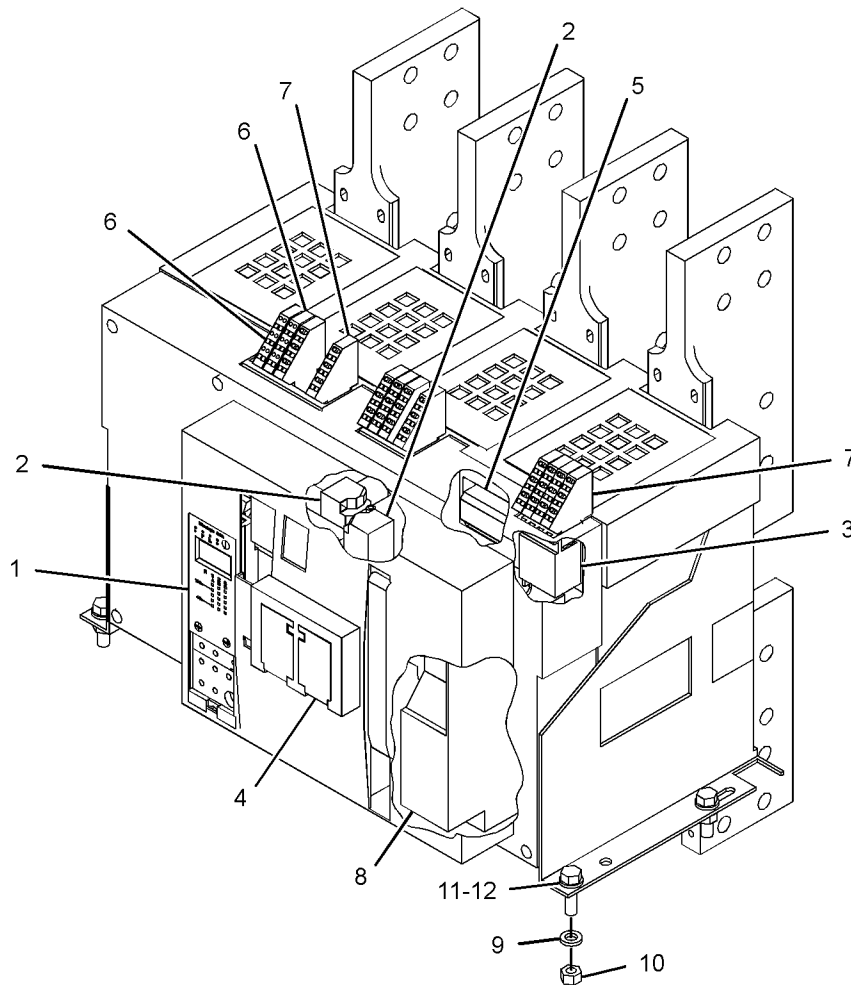
## 311-5766 CIRCUIT BREAKER AS-UL, ICCB, LSIG, UV

S/N: GDS1-UP  
1600-AMPERE  
FOR USE WITH EMCPII+P  
AN ATTACHMENT

SMCS-1420, 4461

i05295252

NOTE	REF NO	GRAPHIC REF	PART NUMBER	QTY	PART NAME						SEE PAGE
					1	2	3	4	5	6 (PRODUCT LEVEL)	
	1	1	<b>244-9833</b>	1	TRIP UNIT						
	2	1	<b>244-9858</b>	2	SHUNT-TRIP						
	3	1	<b>244-9973</b>	1	SWITCH-AUXILIARY (SINGLE POLE, DUAL THROW)						
	4	1	<b>311-5776</b>	1	COVER						
	5	1	<b>311-5780</b>	1	SHUNT-TRIP						
	6	1	<b>381-8738</b>	2	TERMINAL						
	7	1	<b>381-8739</b>	10	TERMINAL						
	8	1	<b>381-8740</b>	1	MOTOR (SPRING CHARGING)						
	9	1	<b>3B-4506</b>	4	LOCKWASHER						
	10	1	<b>6V-8801</b>	4	NUT (3/8-16-THD)						
	11	1	<b>8T-4896</b>	4	WASHER-HARD (10.2X18.5X2.5-MM THK)						
	12	1	<b>9B-7237</b>	4	BOLT (3/8-16X1.25-IN)						



GRAPHIC #1

<END>

g03097816

# ELECTRICAL AND STARTING SYSTEM

## 377-5313 CIRCUIT BREAKER AS-IEC, ICCB, LSI, UV

S/N: MJE1-UP; GDS1-UP

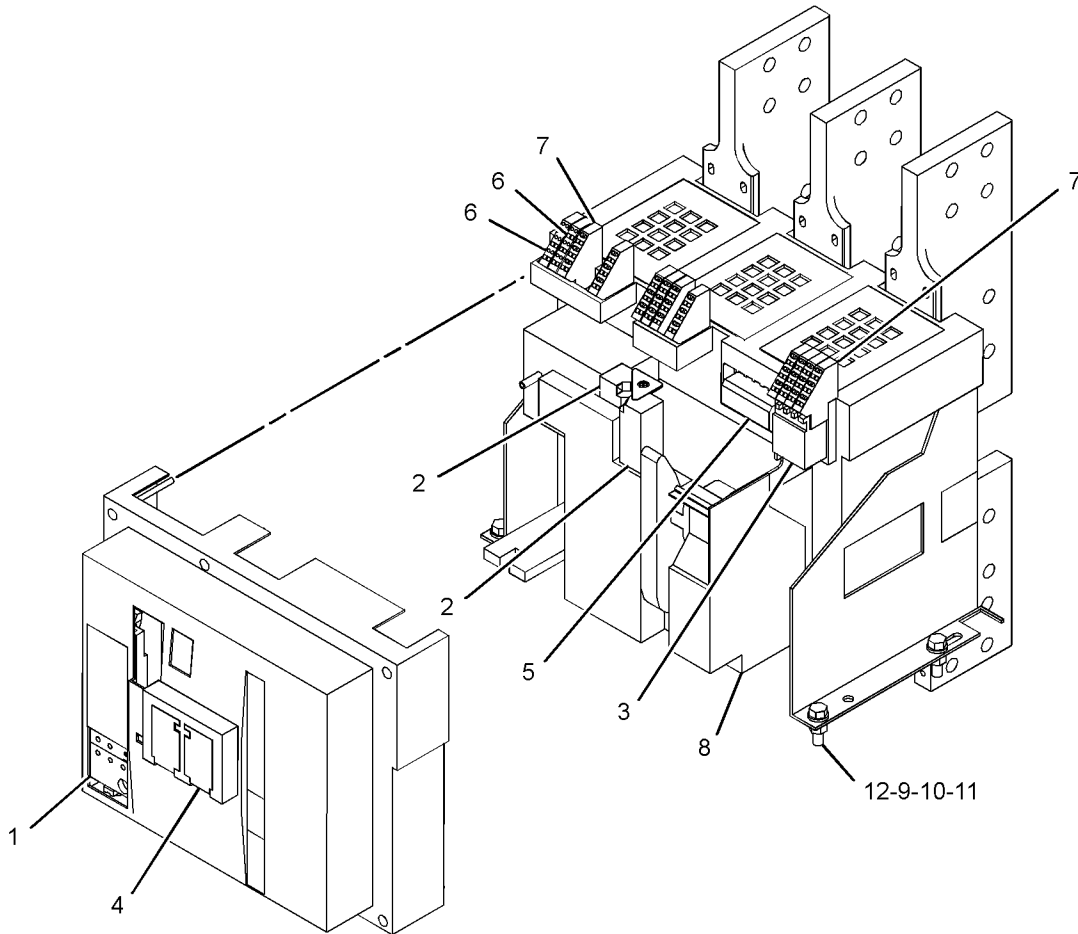
1600-AMPERE  
AN ATTACHMENT

SMCS-1420, 4461

i04954654

NOTE	REF NO	GRAPHIC REF	PART NUMBER	QTY	PART NAME						SEE PAGE
					1	2	3	4	5	6	
	1	1	<b>244-9837</b>	1	TRIP UNIT						
	2	1	<b>244-9858</b>	2	SHUNT-TRIP						
	3	1	<b>244-9973</b>	1	SWITCH-AUXILIARY (SINGLE POLE, DUAL THROW)						
	4	1	<b>311-5776</b>	1	COVER						
	5	1	<b>311-5780</b>	1	SHUNT-TRIP						
	6	1	<b>381-8738</b>	2	TERMINAL						
	7	1	<b>381-8739</b>	10	TERMINAL						
	8	1	<b>381-8740</b>	1	MOTOR (SPRING CHARGING)						
	9	1	<b>3B-4506</b>	4	LOCKWASHER						
	10	1	<b>6V-8801</b>	4	NUT (3/8-16-THD)						
	11	1	<b>8T-4896</b>	4	WASHER-HARD (10.2X18.5X2.5-MM THK)						
	12	1	<b>9B-7237</b>	4	BOLT (3/8-16X1.25-IN)						

PARTS SHOWN IN GRAPHIC(S) WITHOUT A REFERENCE NUMBER ARE NOT SERVICED SEPARATELY



GRAPHIC #1

<END>

g03152916

# ELECTRICAL AND STARTING SYSTEM

## 377-5314 CIRCUIT BREAKER AS-IEC, ICCB, LSIG, UV

S/N: MJE1-UP; GDS1-UP

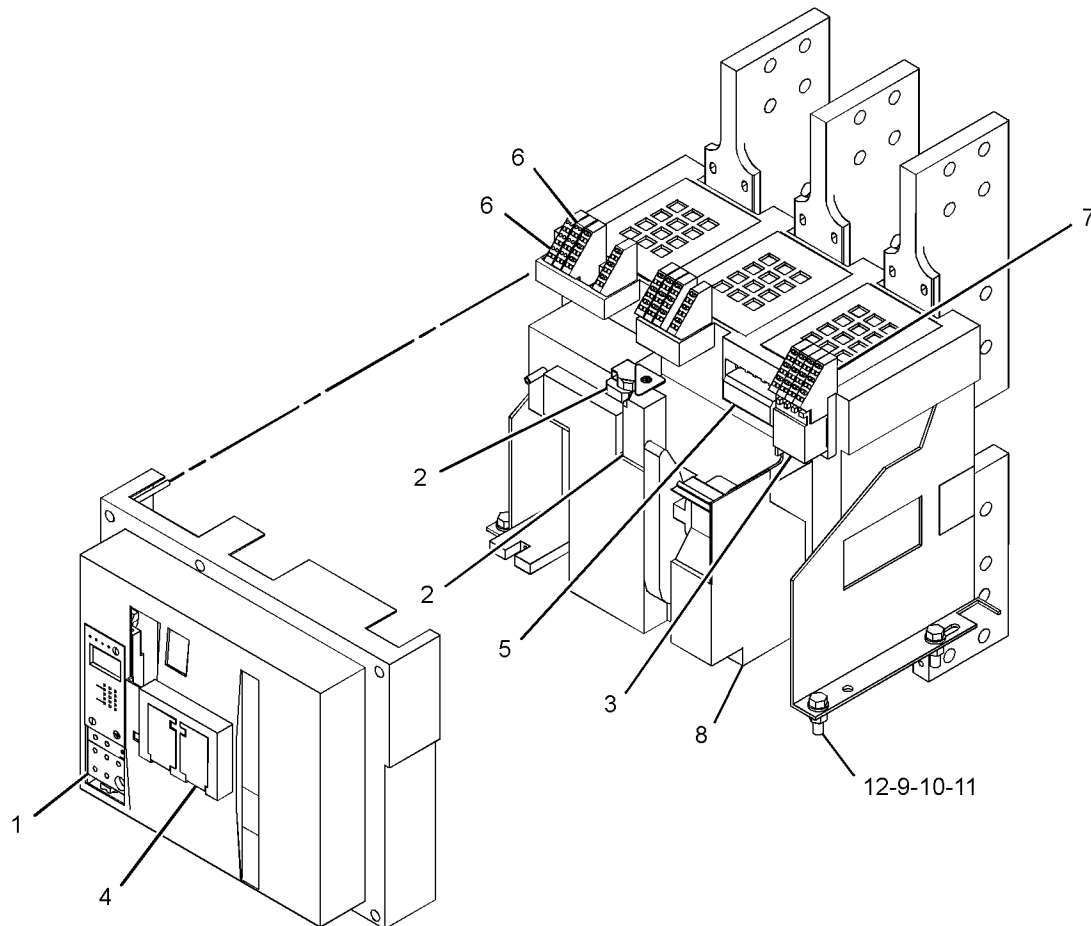
1600-AMPERE  
AN ATTACHMENT

SMCS-1420, 4461

i04954680

NOTE	REF NO	GRAPHIC REF	PART NUMBER	QTY	PART NAME						SEE PAGE
					1	2	3	4	5	6	
	1	1	<b>244-9833</b>	1	TRIP UNIT						
	2	1	<b>244-9858</b>	2	SHUNT-TRIP						
	3	1	<b>244-9973</b>	1	SWITCH-AUXILIARY (SINGLE POLE, DUAL THROW)						
	4	1	<b>311-5776</b>	1	COVER						
	5	1	<b>311-5780</b>	1	SHUNT-TRIP						
	6	1	<b>381-8738</b>	2	TERMINAL						
	7	1	<b>381-8739</b>	10	TERMINAL						
	8	1	<b>381-8740</b>	1	MOTOR (SPRING CHARGING)						
	9	1	<b>3B-4506</b>	4	LOCKWASHER						
	10	1	<b>6V-8801</b>	4	NUT (3/8-16-THD)						
	11	1	<b>8T-4896</b>	4	WASHER-HARD (10.2X18.5X2.5-MM THK)						
	12	1	<b>9B-7237</b>	4	BOLT (3/8-16X1.25-IN)						

PARTS SHOWN IN GRAPHIC(S) WITHOUT A REFERENCE NUMBER ARE NOT SERVICED SEPARATELY



GRAPHIC #1

<END>

g03151961

# ELECTRICAL AND STARTING SYSTEM

## 383-4673 CIRCUIT BREAKER AS-UL, ICCB, LSI, UV

S/N: MJE1-UP; GDS1-UP

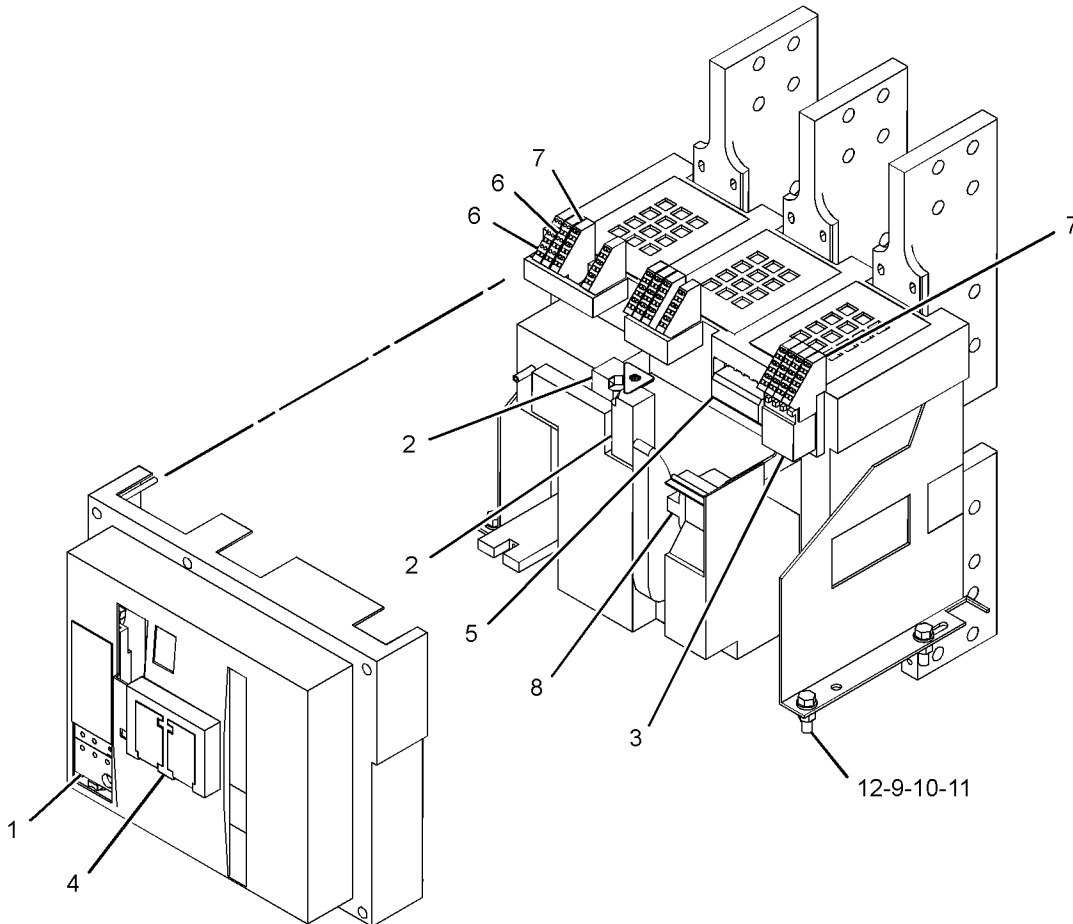
1200-AMPERE  
AN ATTACHMENT

SMCS-1420, 4461

i04954686

NOTE	REF NO	GRAPHIC REF	PART NUMBER	QTY	PART NAME						SEE PAGE
					1	2	3	4	5	6 (PRODUCT LEVEL)	
	1	1	<b>244-9837</b>	1	TRIP UNIT						
	2	1	<b>244-9858</b>	2	SHUNT-TRIP						
	3	1	<b>244-9973</b>	1	SWITCH-AUXILIARY (SINGLE POLE, DUAL THROW)						
	4	1	<b>311-5776</b>	1	COVER						
	5	1	<b>311-5780</b>	1	SHUNT-TRIP						
	6	1	<b>381-8738</b>	2	TERMINAL						
	7	1	<b>381-8739</b>	10	TERMINAL						
	8	1	<b>381-8740</b>	1	MOTOR (SPRING CHARGING)						
	9	1	<b>3B-4506</b>	4	LOCKWASHER						
	10	1	<b>6V-8801</b>	4	NUT (3/8-16-THD)						
	11	1	<b>8T-4896</b>	4	WASHER-HARD (10.2X18.5X2.5-MM THK)						
	12	1	<b>9B-7237</b>	4	BOLT (3/8-16X1.25-IN)						

PARTS SHOWN IN GRAPHIC(S) WITHOUT A REFERENCE NUMBER ARE NOT SERVICED SEPARATELY



GRAPHIC #1

<END>

g03151803



# ELECTRICAL AND STARTING SYSTEM

## 383-4674 CIRCUIT BREAKER AS-UL, ICCB, LSIG, UV

S/N: MJE1-UP; GDS1-UP

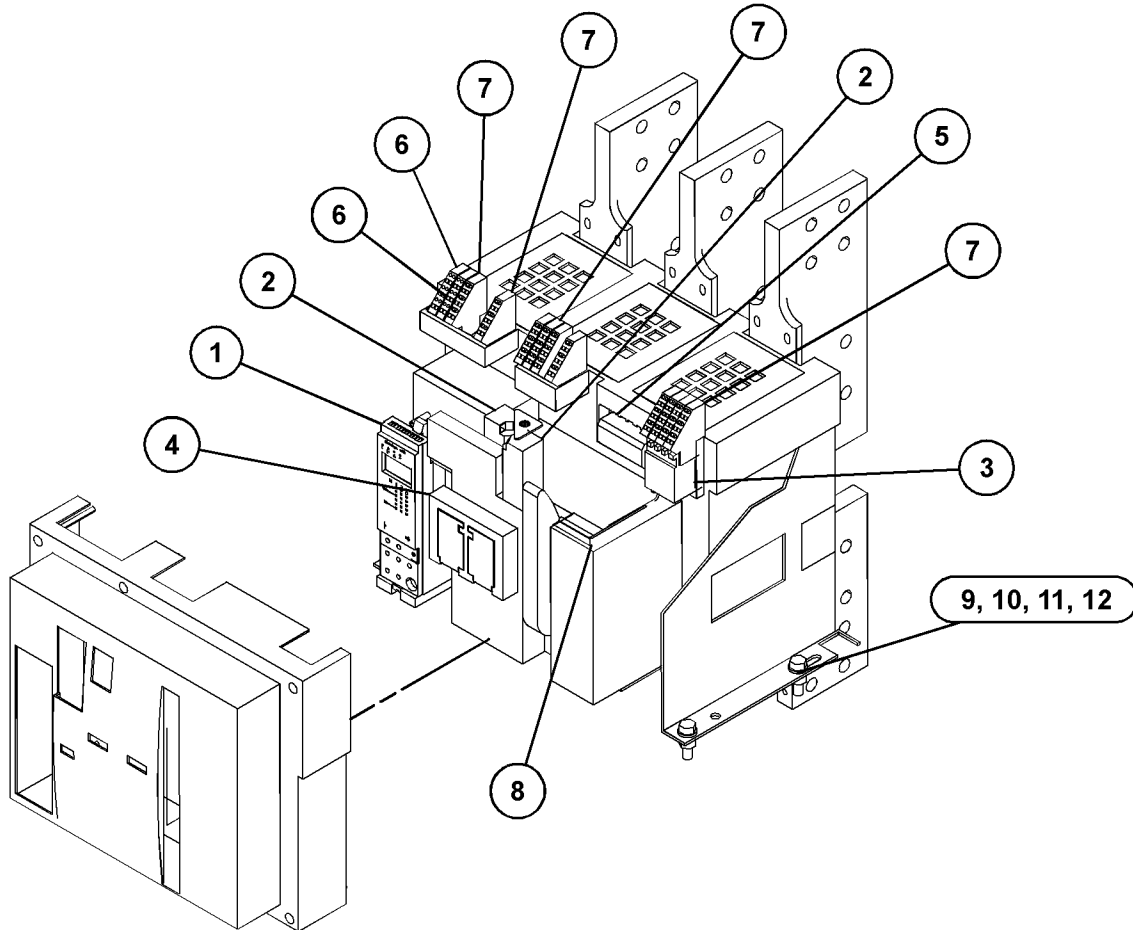
1200-AMPERE  
AN ATTACHMENT

SMCS-1420, 4461

i04954687

NOTE	REF NO	GRAPHIC REF	PART NUMBER	QTY	PART NAME						SEE PAGE
					1	2	3	4	5	6 (PRODUCT LEVEL)	
1		1	<b>244-9837</b>	1	TRIP UNIT						
2		1	<b>244-9858</b>	2	SHUNT-TRIP						
3		1	<b>244-9973</b>	1	SWITCH-AUXILIARY (SINGLE POLE, DUAL THROW)						
4		1	<b>311-5776</b>	1	COVER						
5		1	<b>311-5780</b>	1	SHUNT-TRIP						
6		1	<b>381-8738</b>	2	TERMINAL						
7		1	<b>381-8739</b>	10	TERMINAL						
8		1	<b>381-8740</b>	1	MOTOR (SPRING CHARGING)						
9		1	<b>3B-4506</b>	4	LOCKWASHER						
10		1	<b>6V-8801</b>	4	NUT (3/8-16-THD)						
11		1	<b>8T-4896</b>	4	WASHER-HARD (10.2X18.5X2.5-MM THK)						
12		1	<b>9B-7237</b>	4	BOLT (3/8-16X1.25-IN)						

PARTS SHOWN IN GRAPHIC(S) WITHOUT A REFERENCE NUMBER ARE NOT SERVICED SEPARATELY



GRAPHIC #1

<END>

g03150063

# ELECTRICAL AND STARTING SYSTEM

## 421-3235 CIRCUIT BREAKER AS-UL, MCCB, LSI

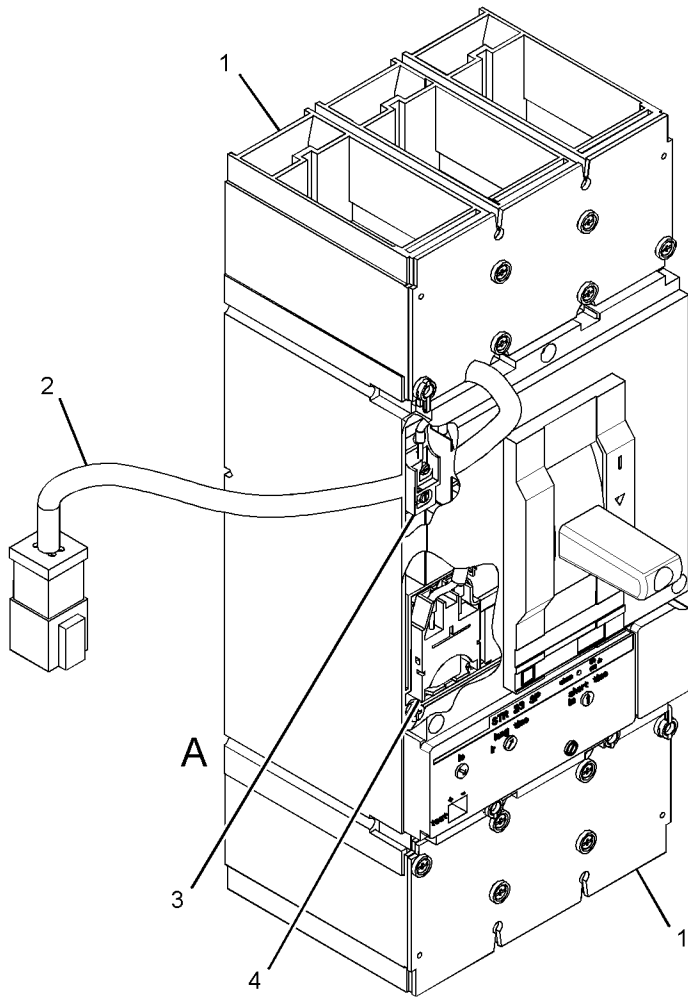
S/N: GDS1-UP  
400-AMPERE  
AN ATTACHMENT

SMCS-1420, 4461

i05271349

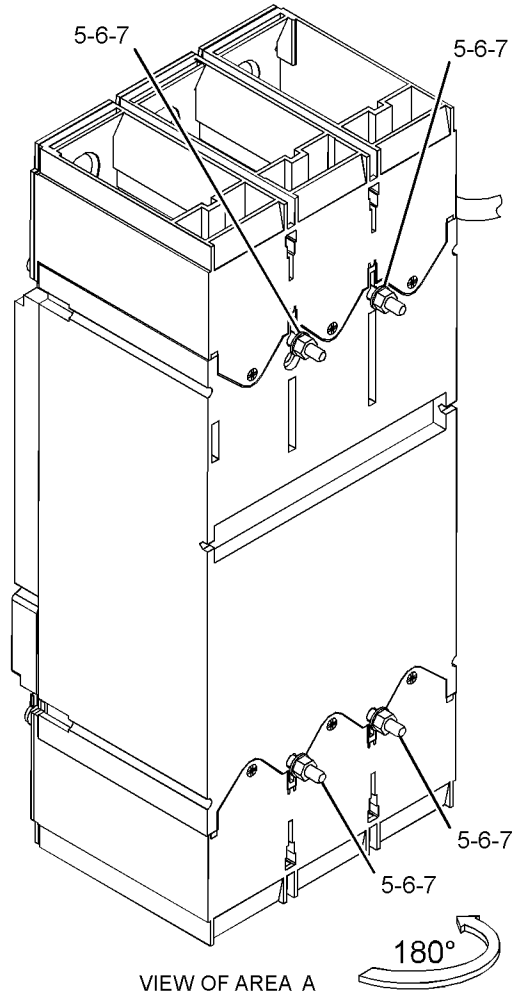
NOTE	REF NO	GRAPHIC REF	PART NUMBER	QTY	PART NAME						SEE PAGE
					1	2	3	4	5	6 (PRODUCT LEVEL)	
	1	1	<b>169-1855</b>	2	TERMINAL						
	2	1	<b>244-9750</b>	1	HARNESS AS-WIRING (CIRCUIT BREAKER)						
	3	1	<b>244-9824</b>	1	SWITCH-AUXILIARY (SINGLE POLE, DUAL THROW)						
	4	1	<b>244-9862</b>	1	SHUNT-TRIP						
	5	1	<b>336-4419</b>	4	BOLT (M5X0.8X85-MM)						
M	6	1	<b>5C-2874</b>	4	NUT (M5X0.8-THD)						
	7	1	<b>8T-3016</b>	4	WASHER (5.3X10X1-MM THK)						

M - METRIC PART



GRAPHIC #1

<END>



VIEW OF AREA A



g03374563

# ELECTRICAL AND STARTING SYSTEM

## 421-3237 CIRCUIT BREAKER AS-UL, MCCB, LSIG

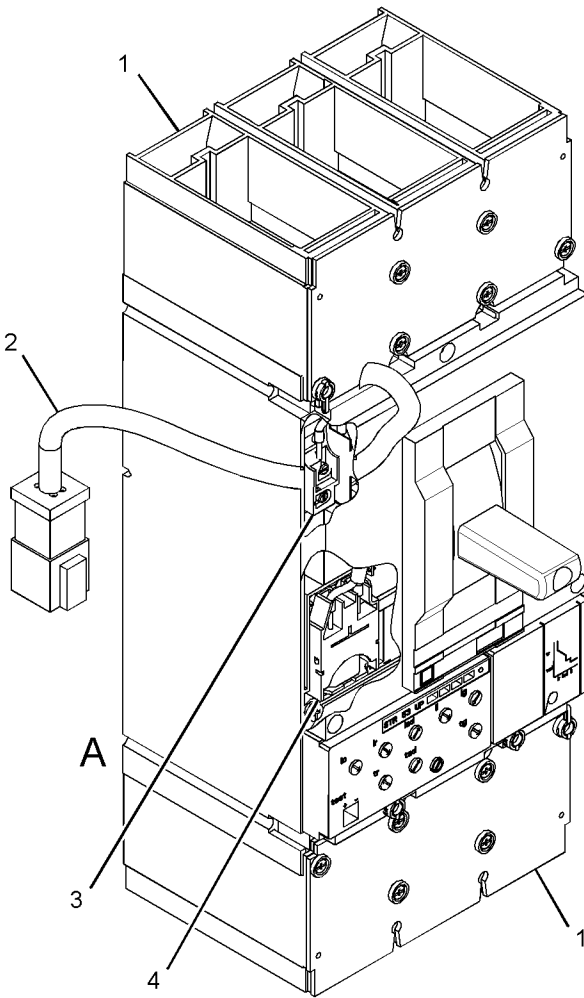
S/N: GDS1-UP  
400-AMPERE  
AN ATTACHMENT

SMCS-1420, 4461

i05271400

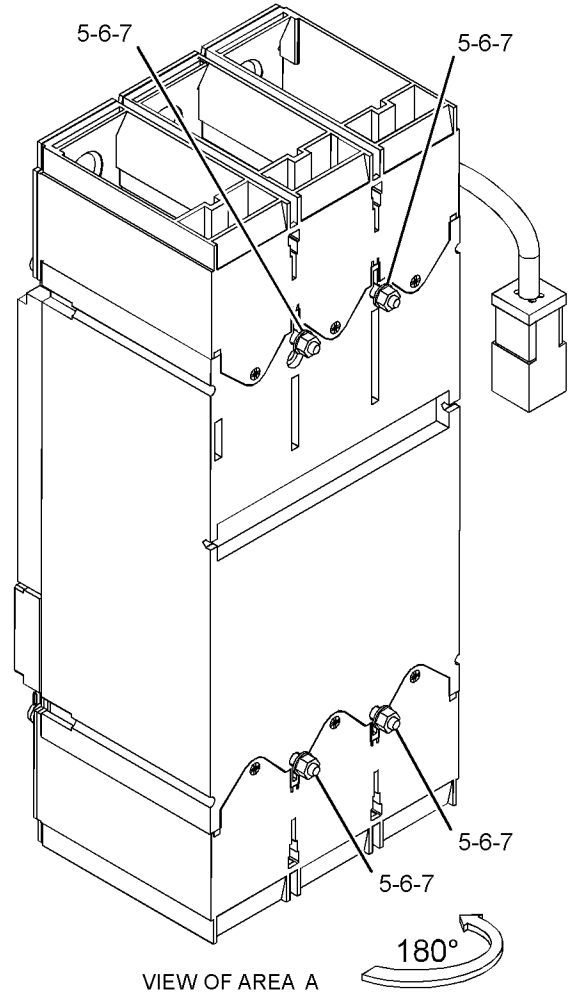
NOTE	REF NO	GRAPHIC REF	PART NUMBER	QTY	PART NAME						SEE PAGE
					1	2	3	4	5	6 (PRODUCT LEVEL)	
	1	1	<b>169-1855</b>	2	TERMINAL						
	2	1	<b>244-9750</b>	1	HARNESS AS-WIRING (CIRCUIT BREAKER)						
	3	1	<b>244-9824</b>	1	SWITCH-AUXILIARY (SINGLE POLE, DUAL THROW)						
	4	1	<b>244-9862</b>	1	SHUNT-TRIP						
	5	1	<b>336-4419</b>	4	BOLT (M5X0.8X85-MM)						
M	6	1	<b>5C-2874</b>	4	NUT (M5X0.8-THD)						
	7	1	<b>8T-3016</b>	4	WASHER (5.3X10X1-MM THK)						

M - METRIC PART

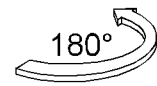


GRAPHIC #1

<END>



VIEW OF AREA A



g03374655

# ELECTRICAL AND STARTING SYSTEM

## 421-3239 CIRCUIT BREAKER AS-MCCB, LSIG

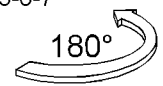
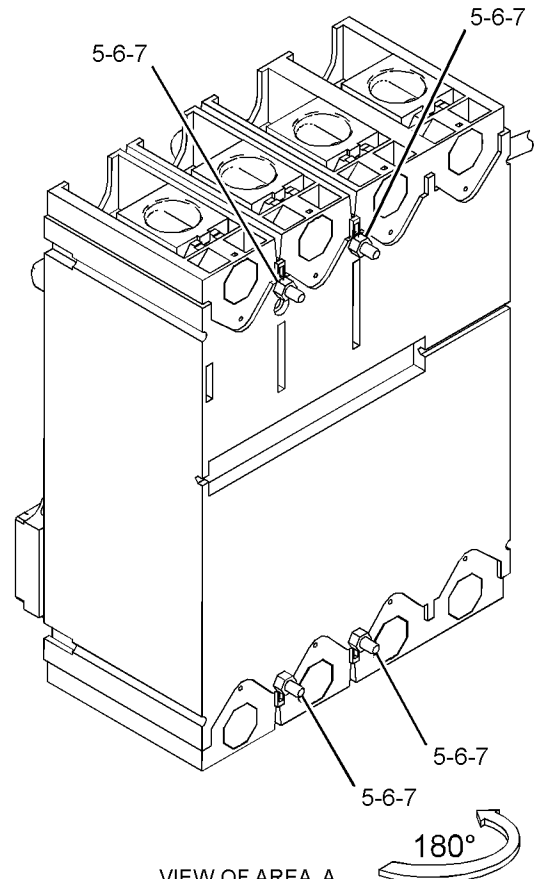
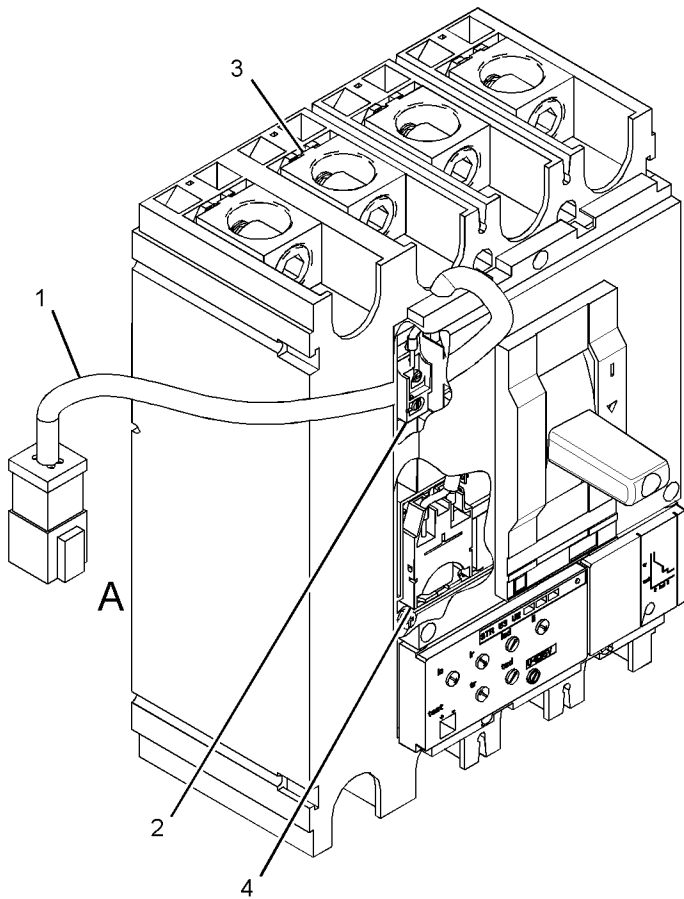
S/N: GDS1-UP  
400-AMPERE  
AN ATTACHMENT

SMCS-1420, 4461

i05271467

NOTE	REF NO	GRAPHIC REF	PART NUMBER	QTY	PART NAME						SEE PAGE
					1	2	3	4	5	6 (PRODUCT LEVEL)	
	1	1	<b>244-9750</b>	1	HARNESS AS-WIRING (CIRCUIT BREAKER)						
	2	1	<b>244-9824</b>	1	SWITCH-AUXILIARY (SINGLE POLE, DUAL THROW)						
	3	1	<b>244-9852</b>	2	LUG AS						
	4	1	<b>244-9862</b>	1	SHUNT-TRIP						
M	5	1	<b>5C-2874</b>	4	NUT (M5X0.8-THD)						
	6	1	<b>8T-3016</b>	4	WASHER (5.3X10X1-MM THK)						
	7	1	<b>336-4419</b>	4	BOLT (M5X0.8X85-MM)						

M - METRIC PART



VIEW OF AREA A

g03374663

GRAPHIC #1

<END>

# ELECTRICAL AND STARTING SYSTEM

## 6T-3645 CIRCUIT BREAKER GP-60-AMPERE

S/N: MJE1-UP; GDS1-UP

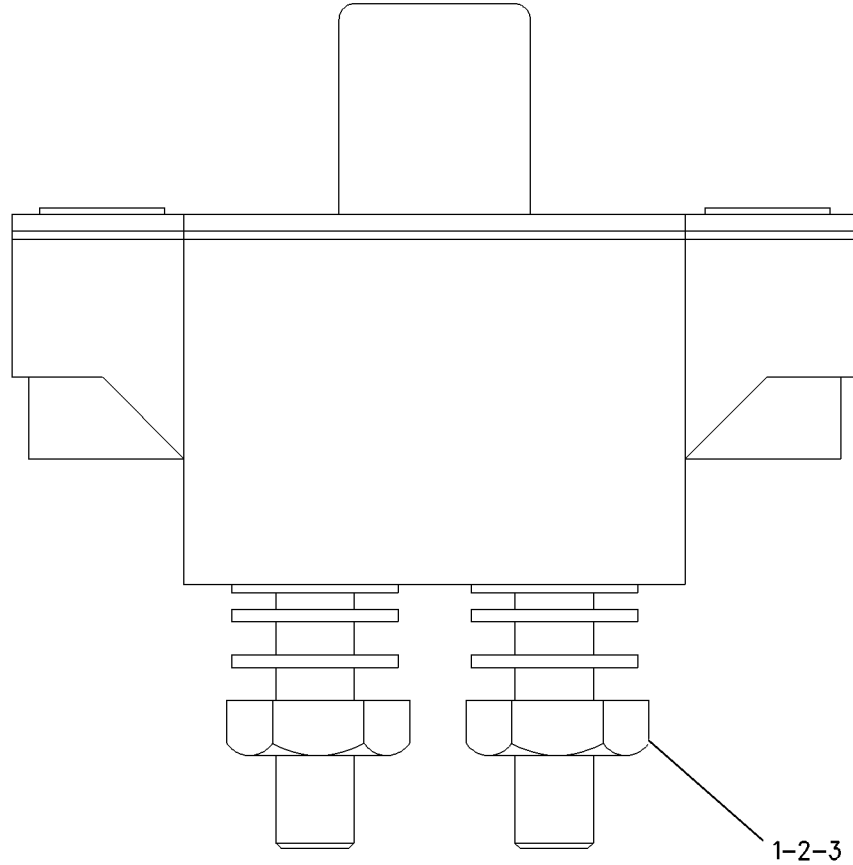
PART OF 364-3929 PANEL GP-CIRCUIT BREAKER

ALSO AN ATTACHMENT

SMCS-1420, 4461

i03457183

NOTE	REF NO	GRAPHIC REF	PART NUMBER	QTY	PART NAME						SEE PAGE
					1	2	3	4	5	6 (PRODUCT LEVEL)	
	1	1	6V-8378	2	NUT (10-32-THD)						
	2	1	8F-1434	2	LOCKWASHER						
	3	1	8T-0328	2	WASHER-HARD (5.5X10X1-MM THK)						



GRAPHIC #1

<END>

g00890488

# ELECTRICAL AND STARTING SYSTEM

## 394-6029 CIRCUIT BREAKER GP

S/N: GDS1-UP  
AN ATTACHMENT

SMCS-1420, 4461

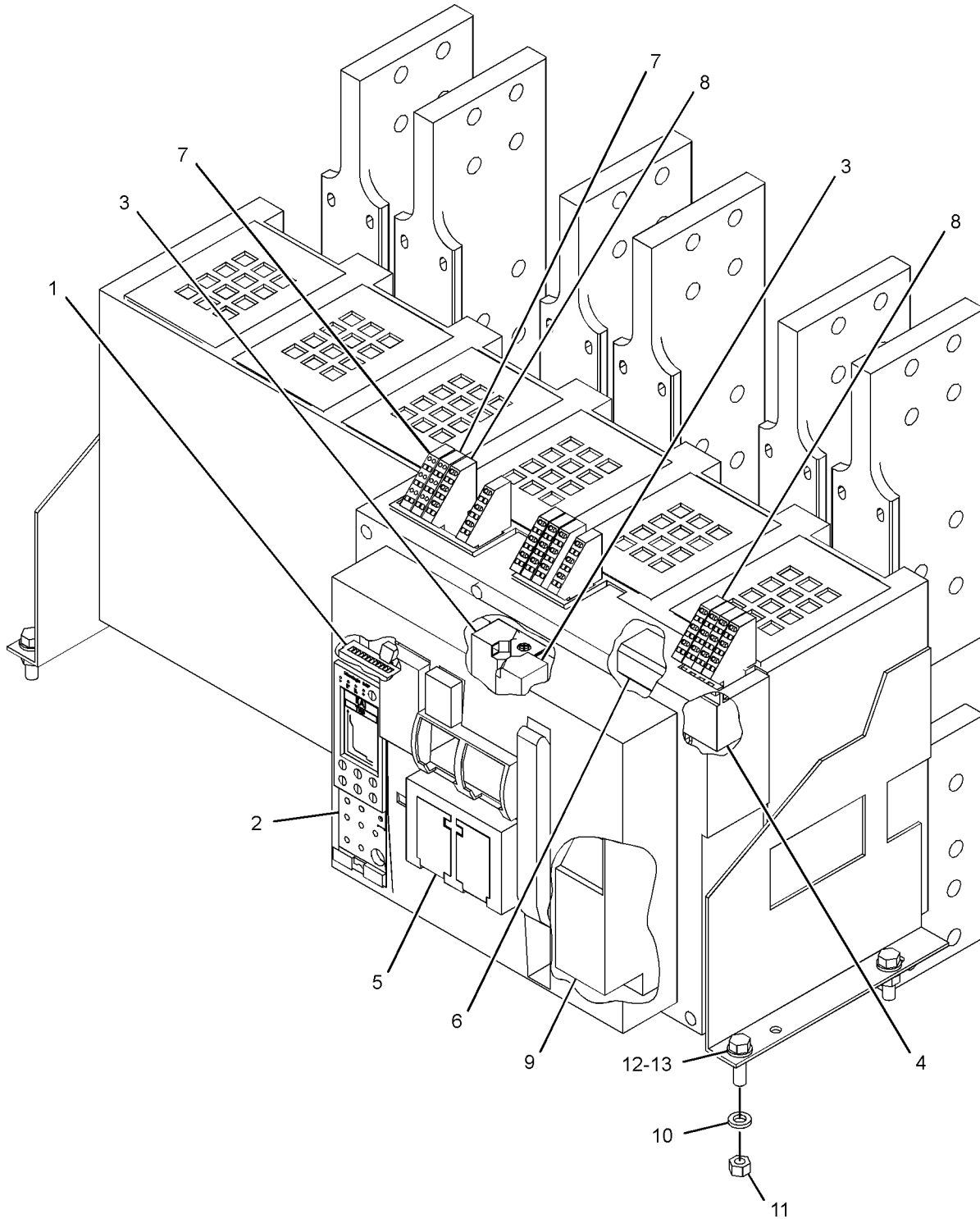
i04951122

NOTE	REF NO	GRAPHIC REF	PART NUMBER	QTY	PART NAME						SEE PAGE
					1	2	3	4	5	6 (PRODUCT LEVEL)	
	1	1	<b>244-9834</b>	1	MODULE (MODBUS COMMUNICATION)						
	2	1	<b>244-9835</b>	1	TRIP UNIT						
	3	1	<b>244-9858</b>	2	SHUNT-TRIP						
	4	1	<b>244-9973</b>	1	SWITCH-AUXILIARY (SINGLE POLE, DUAL THROW)						
	5	1	<b>311-5776</b>	1	COVER						
	6	1	<b>311-5780</b>	1	SHUNT-TRIP						
	7	1	<b>381-8738</b>	2	TERMINAL						
	8	1	<b>381-8739</b>	10	TERMINAL						
	9	1	<b>381-8740</b>	1	MOTOR (SPRING CHARGING)						
	10	1	<b>3B-4506</b>	4	LOCKWASHER						
	11	1	<b>6V-8801</b>	4	NUT (3/8-16-THD)						
	12	1	<b>8T-4896</b>	4	WASHER-HARD (10.2X18.5X2.5-MM THK)						
	13	1	<b>9B-7237</b>	4	BOLT (3/8-16X1.25-IN)						

# ELECTRICAL AND STARTING SYSTEM

394-6029 CIRCUIT BREAKER GP (contd.)

i04951122



GRAPHIC #1

<END>

g03099719

# ELECTRICAL AND STARTING SYSTEM

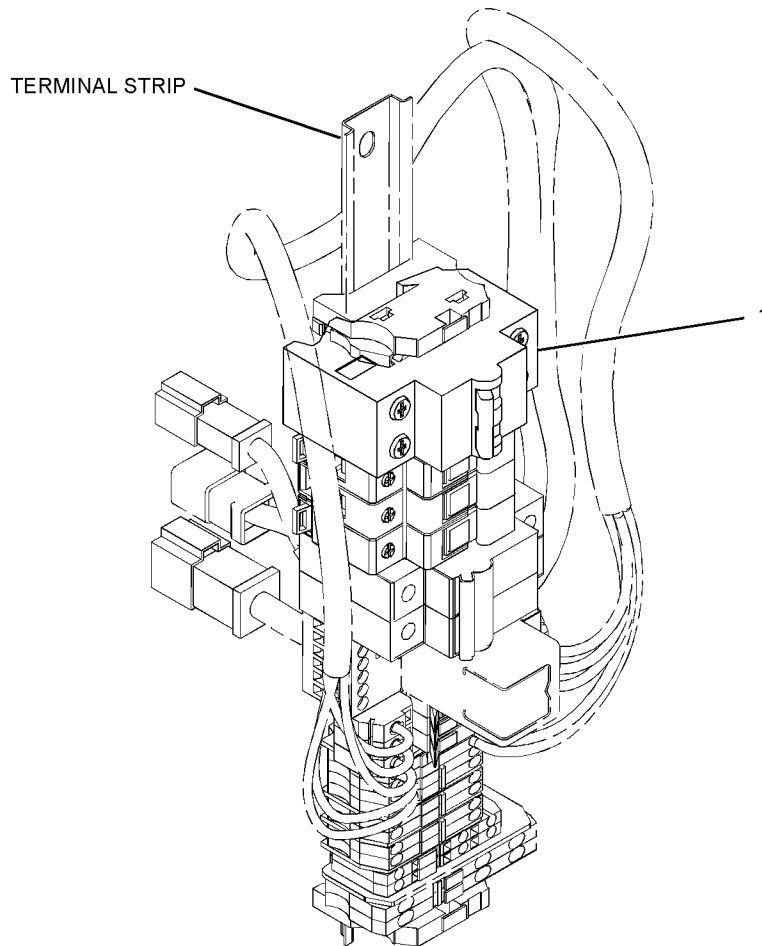
## 433-9367 CIRCUIT BREAKER GP

S/N: GDS1-UP  
AN ATTACHMENT

SMCS-1420, 4461

i05224223

NOTE	REF NO	GRAPHIC REF	PART NUMBER	QTY	PART NAME						SEE PAGE
					1	2	3	4	5	6 (PRODUCT LEVEL)	
	1	1	244-9656	1	CIRCUIT BREAKER AS (60-AMPERE) (JACKET WATER HEATER)						



GRAPHIC #1

<END>

g03351292



# ELECTRICAL AND STARTING SYSTEM

## 364-7507 CONDUIT GP-ELECTRICAL-JACKET WATER HEATER

S/N: GDS1-UP

273-CM

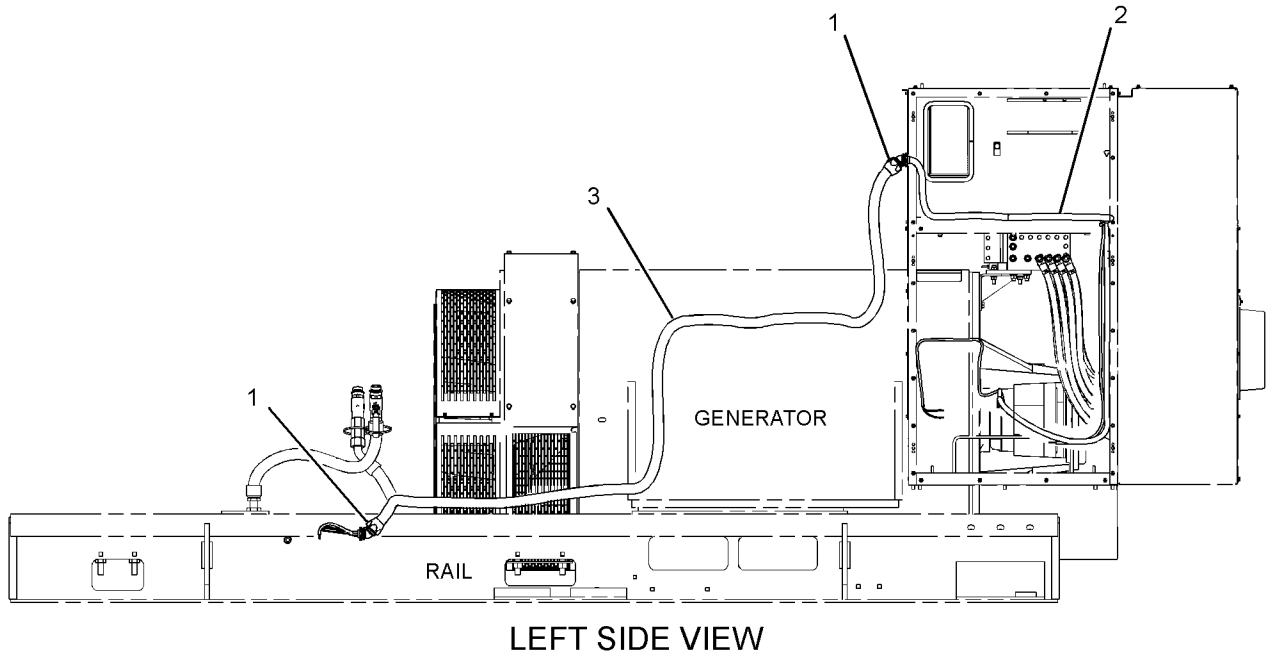
PART OF 364-7511 WIRING GP-JACKET WATER HEATER  
AN ATTACHMENT

SMCS-7553

i05227607

NOTE	REF NO	GRAPHIC REF	PART NUMBER	QTY	PART NAME						SEE PAGE
					1	2	3	4	5	6 (PRODUCT LEVEL)	
	1	1	397-3980	2	CONNECTOR AS						
		1	252-7454	1	CONNECTOR (45-DEG)						
		1	393-0722	1	LOCKNUT-NYLON						
Y	2	1	361-1649	1	HARNESS AS-WIRING (JACKET WATER HEATER)						269
E	3	1	252-7452		CONDUIT (292-CM)						

E - ORDER BY THE CENTIMETER  
Y - SEPARATE ILLUSTRATION



GRAPHIC #1

<END>

g03336196

# ELECTRICAL AND STARTING SYSTEM

## 372-7071 CONDUIT GP-ELECTRICAL-JACKET WATER HEATER

S/N: GDS1-UP

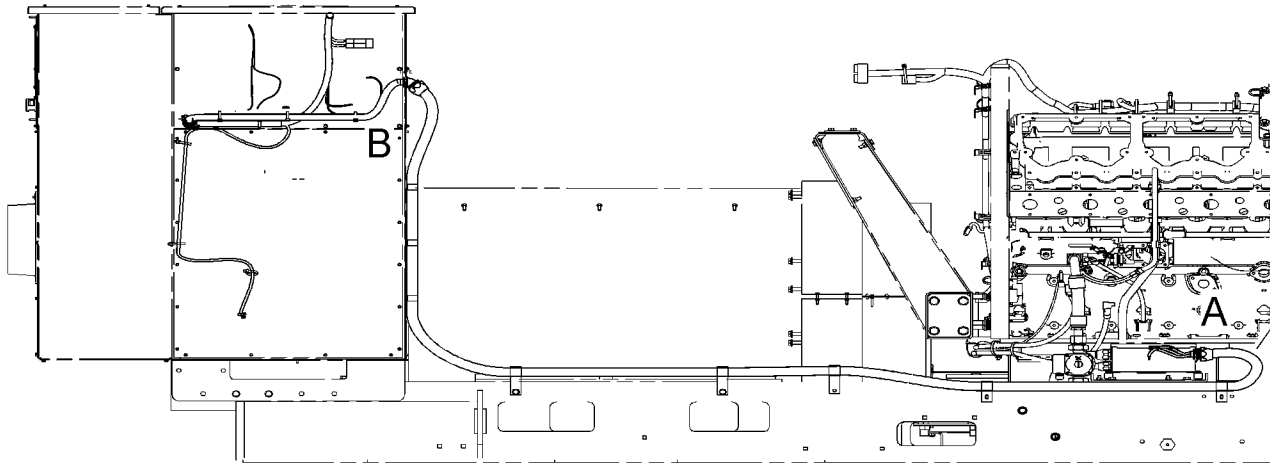
PART OF 372-7072 WIRING GP-JACKET WATER HEATER  
AN ATTACHMENT

SMCS-7553

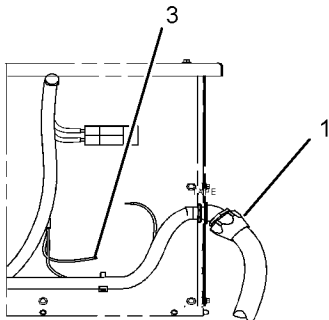
i04725329

NOTE	REF NO	GRAPHIC REF	PART NUMBER	QTY	PART NAME						SEE PAGE
					1	2	3	4	5	6 (PRODUCT LEVEL)	
	1	1	252-7454	1	CONNECTOR						
	2	1	307-0639	1	CONNECTOR						
Y	3	1	372-7070	1	HARNESS AS-POWER (JACKET WATER HEATER)						265
E	4	1	252-7452		CONDUIT (385-CM)						

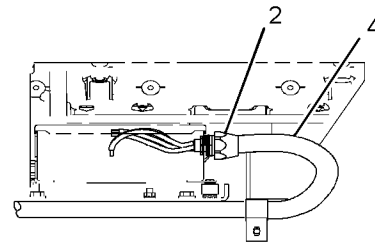
E - ORDER BY THE CENTIMETER  
Y - SEPARATE ILLUSTRATION



LEFT SIDE VIEW OF ENGINE



VIEW OF AREA B



VIEW OF AREA A

GRAPHIC #1

<END>

g02816557

# ELECTRICAL AND STARTING SYSTEM

## 423-0826 CONDUIT GP-ELECTRICAL

S/N: GDS1-UP

DC LIGHTING

PART OF 423-0825 LIGHTING GP-GENERATOR

AN ATTACHMENT

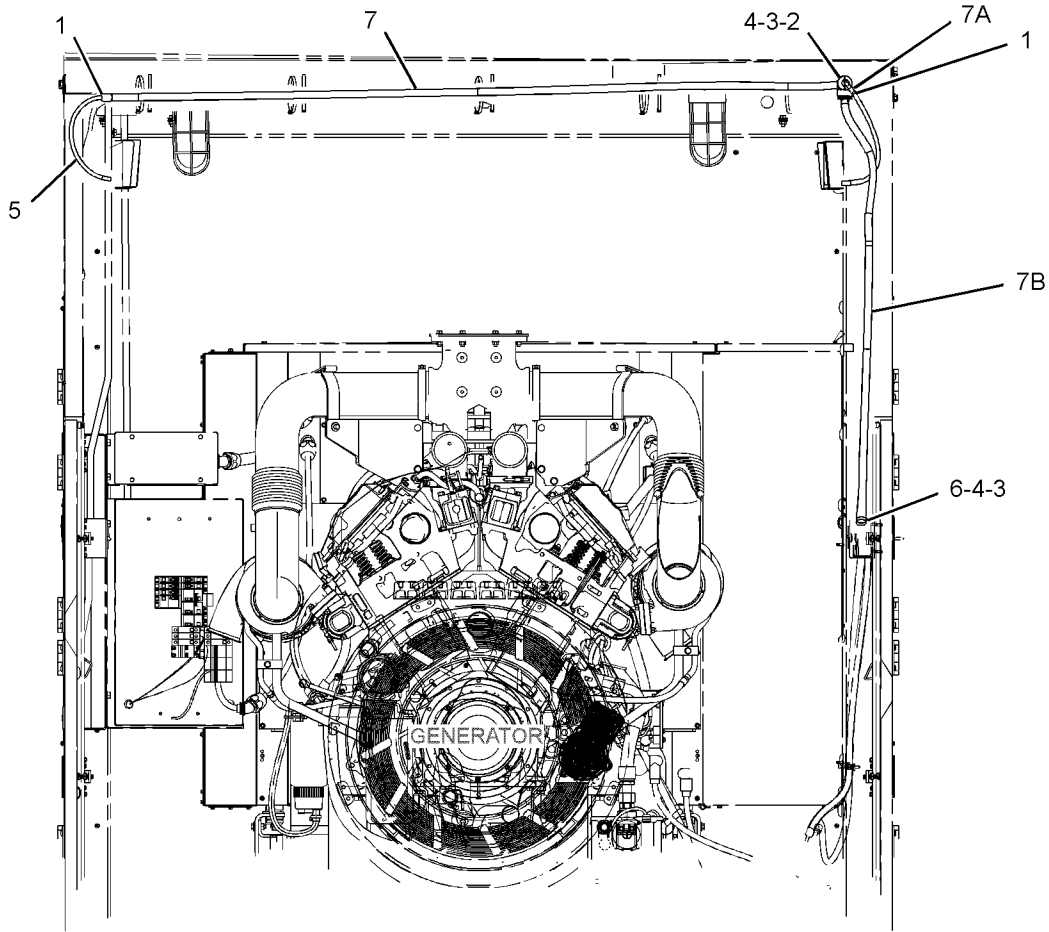
SMCS-7553

i05283471

NOTE	REF NO	GRAPHIC REF	PART NUMBER	QTY	PART NAME						SEE PAGE
					1	2	3	4	5	6 (PRODUCT LEVEL)	
	1	1	<b>1S-2294</b>	2	BOOT						
	2	1	<b>5N-9066</b>	1	TEE						
	3	1	<b>5N-9071</b>	4	COLLAR						
	4	1	<b>5N-9073</b>	4	CLIP						
Y	5	1	<b>423-0827</b>	1	HARNESS AS-LIGHTING						255
	6	1	<b>5N-8943</b>	1	ADAPTER						
E	7	1	<b>232-0897</b>		CONDUIT-FLEXIBLE (16.2-MM ID) (232.8-CM)						
E	7A	1	<b>232-0897</b>		CONDUIT-FLEXIBLE (16.2-MM ID) (8.5-CM)						
E	7B	1	<b>232-0897</b>		CONDUIT-FLEXIBLE (16.2-MM ID) (127-CM)						

E - ORDER BY THE CENTIMETER

Y - SEPARATE ILLUSTRATION



FRONT VIEW OF ENCLOSURE

GRAPHIC #1

<END>

g03372951

# ELECTRICAL AND STARTING SYSTEM

## 423-5603 CONDUIT GP-ELECTRICAL

S/N: GDS1-UP

JACKET WATER HEATER

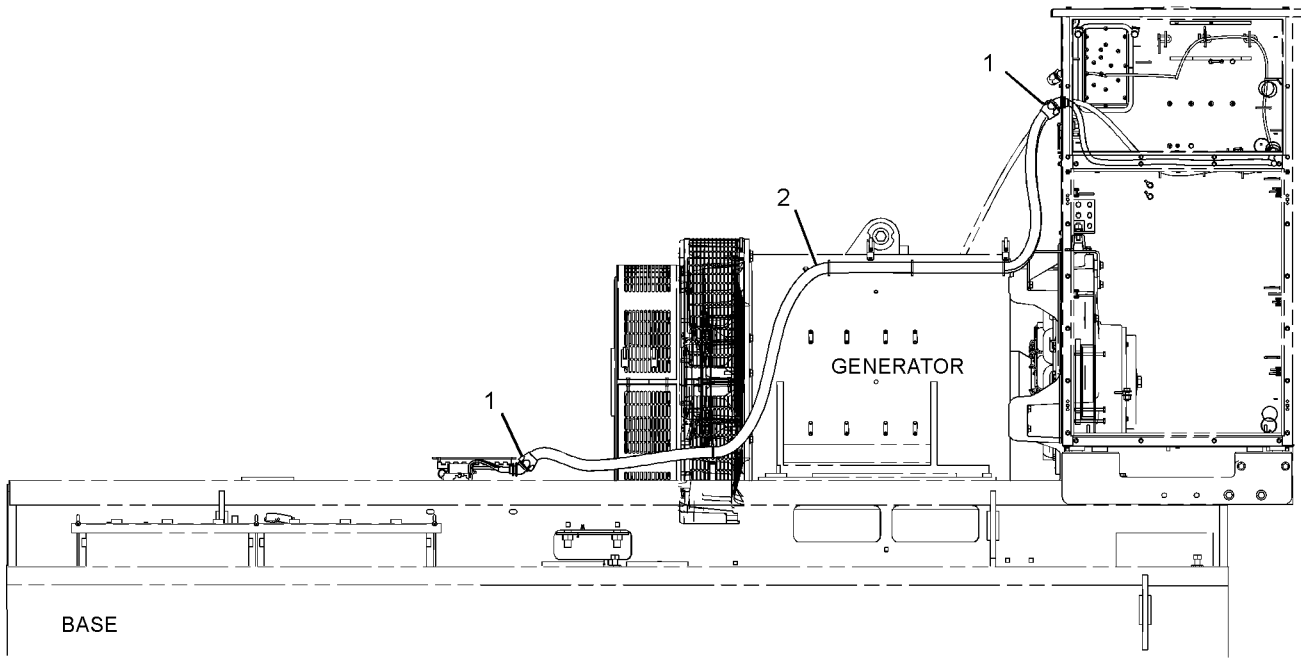
PART OF 423-5602 WIRING GP-HEATER

AN ATTACHMENT

SMCS-7553

i05199837

NOTE	REF NO	GRAPHIC REF	PART NUMBER	QTY	PART NAME						SEE PAGE
					1	2	3	4	5	6 (PRODUCT LEVEL)	
	1	1	252-7454	2	CONNECTOR (45-DEG)						
	2	1	423-5604	1	HARNESS AS-WIRING						
		1	109-3038	4	END-WIRE (16-GA)						



LEFT SIDE VIEW

GRAPHIC #1

<END>

g03351404

# ELECTRICAL AND STARTING SYSTEM

## 423-8587 CONDUIT GP-ELECTRICAL

S/N: GDS1-UP

SPACE HEATER

PART OF 430-6468 CONNECTION GP-ELECTRICAL

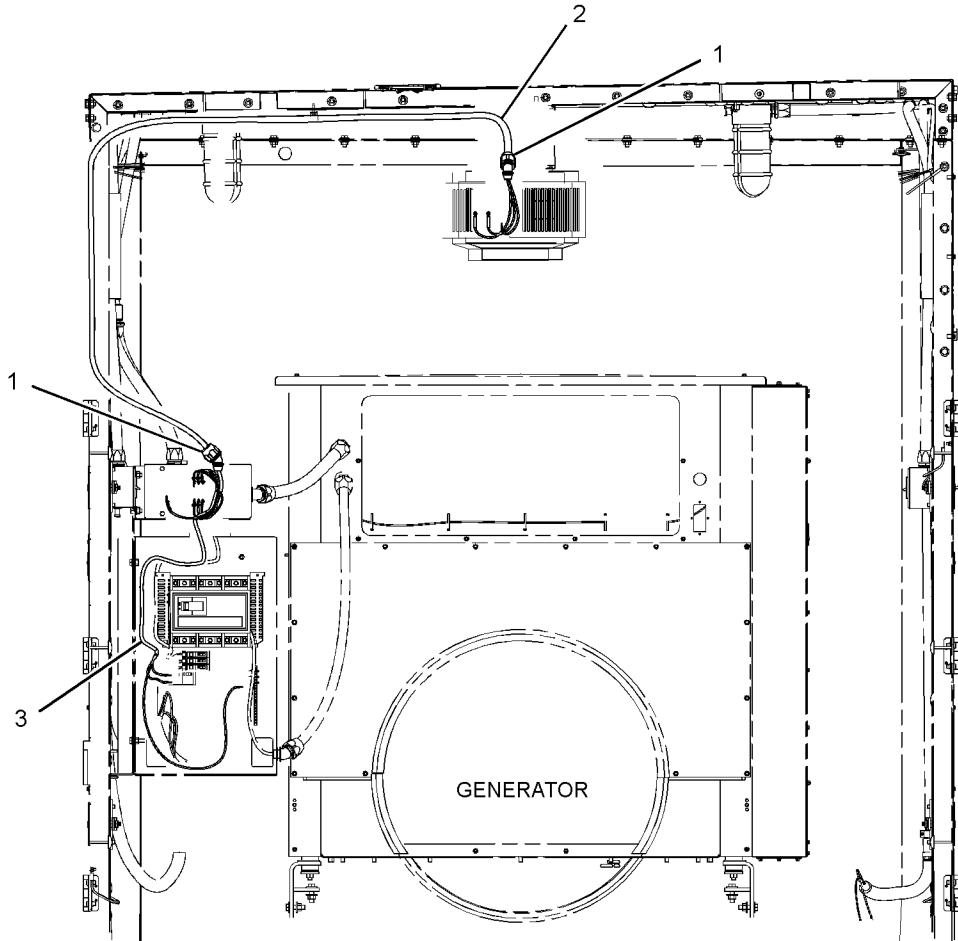
AN ATTACHMENT

SMCS-7553

i05317570

NOTE	REF NO	GRAPHIC REF	PART NUMBER	QTY	PART NAME						SEE PAGE
					1	2	3	4	5	6 (PRODUCT LEVEL)	
	1	1	<b>311-3046</b>	2	CONNECTOR						
E	2	1	<b>249-0652</b>		CONDUIT (233-CM)						
	3	1	<b>430-6465</b>	1	HARNESS AS-WIRING						
		1	<b>109-3038</b>	4	END-WIRE (16-GA)						
		1	<b>113-8961</b>	8	END-WIRE (10-GA)						
		1	<b>5P-1478</b>	2	TERMINAL-FORK (10-GA TO 12-GA, NO. 10 SCREW)						

E - ORDER BY THE CENTIMETER



FRONT VIEW OF ENGINE

GRAPHIC #1

<END>

g03373604

# ELECTRICAL AND STARTING SYSTEM

## 423-8588 CONDUIT GP-ELECTRICAL

S/N: GDS1-UP

DC LOUVER

PART OF 430-6469 CONNECTION GP-ELECTRICAL

AN ATTACHMENT

SMCS-7553

i05192521

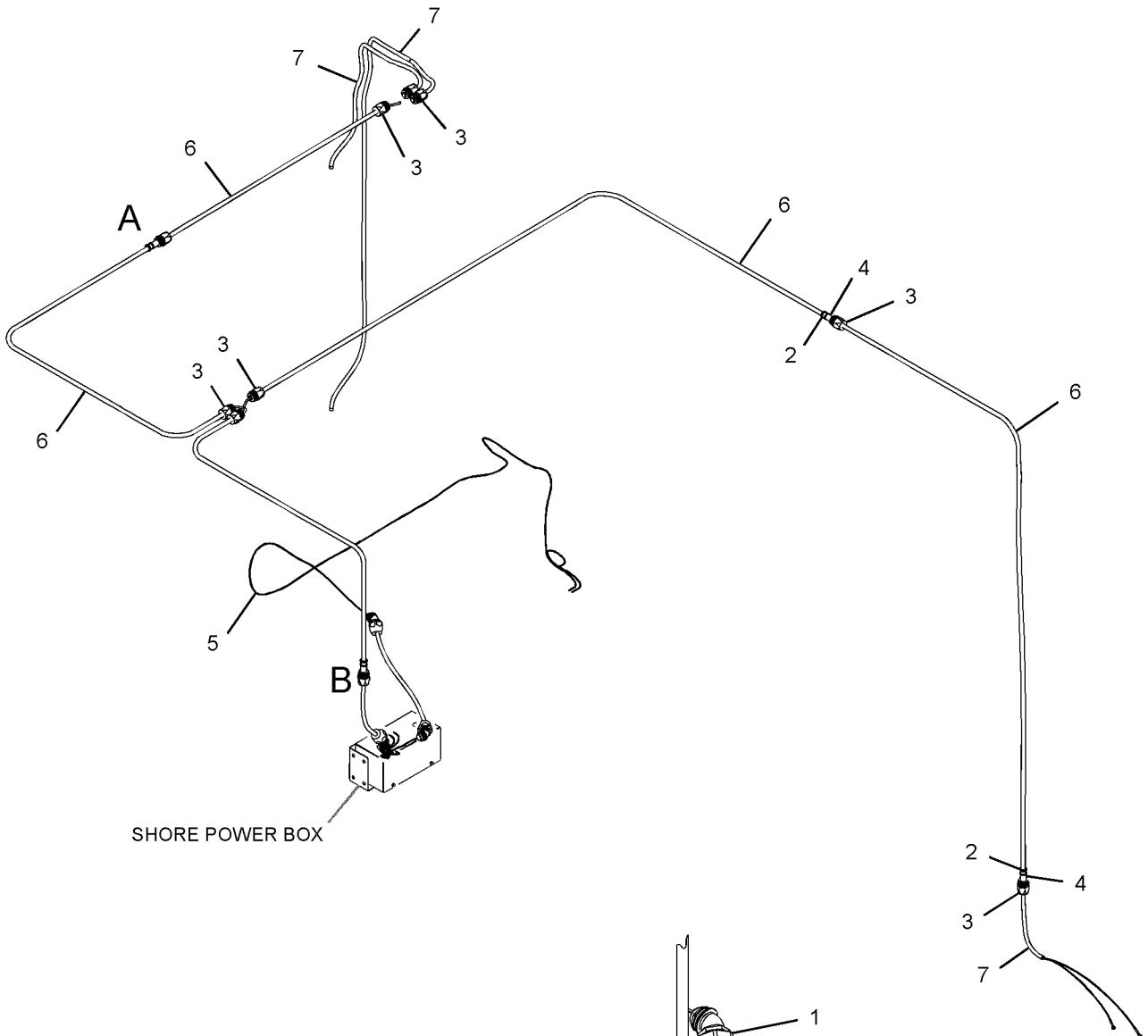
NOTE	REF NO	GRAPHIC REF	PART NUMBER	QTY	PART NAME						SEE PAGE
					1	2	3	4	5	6 (PRODUCT LEVEL)	
	1	1	252-7454	3	CONNECTOR (45-DEG)						
	2	1	321-3322	4	CONNECTOR-BOX						
	3	1	334-7799	10	CONNECTOR						
	4	1	336-6455	4	CONNECTOR						
	5	1	430-6466	1	HARNESS AS-POWER						
		1	109-3038	14	END-WIRE (16-GA)						
	6	1	288-3867	4	CONDUIT (0.5-IN EMT)						
D	7	1	6V-5818		CONDUIT-FLEXIBLE (18.62-MM ID, SPLIT) (4.4-M)						

D - ORDER BY THE METER

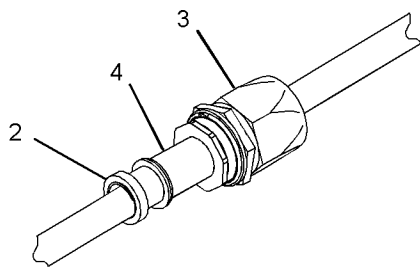
# ELECTRICAL AND STARTING SYSTEM

423-8588 CONDUIT GP-ELECTRICAL (contd.)

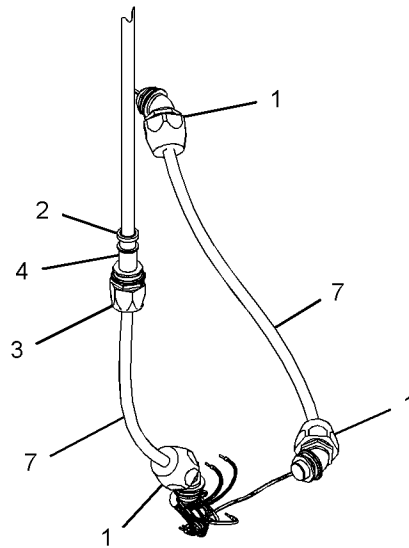
i05192521



SHORE POWER BOX



VIEW OF AREA A



VIEW OF AREA B

GRAPHIC #1

<END>

g03351975

# ELECTRICAL AND STARTING SYSTEM

## 431-7185 CONDUIT GP-ELECTRICAL

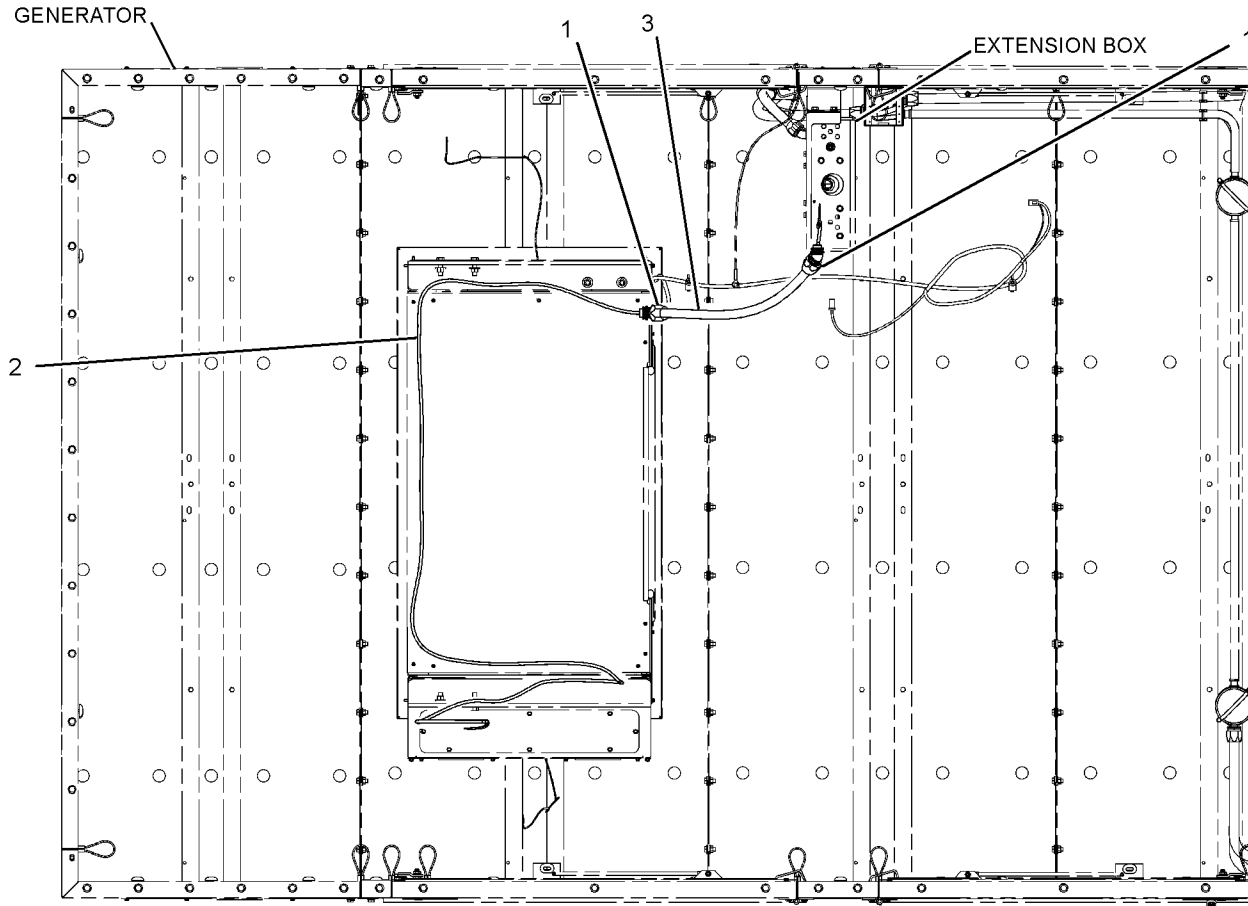
S/N: GDS1-UP  
DC SHOVER  
AN ATTACHMENT

SMCS-7553

i05195720

NOTE	REF NO	GRAPHIC REF	PART NUMBER	QTY	PART NAME						SEE PAGE
					1	2	3	4	5	6 (PRODUCT LEVEL)	
	1	1	252-7454	2	CONNECTOR (45-DEG)						
	2	1	423-8583	1	WIRE AS						
E	3	1	232-0897		CONDUIT-FLEXIBLE (16.2-MM ID) (93-CM)						

E - ORDER BY THE CENTIMETER



BOTTOM VIEW OF GENERATOR

GRAPHIC #1

<END>

g03372498



# ELECTRICAL AND STARTING SYSTEM

## 422-8999 CONNECTION GP-ELECTRICAL

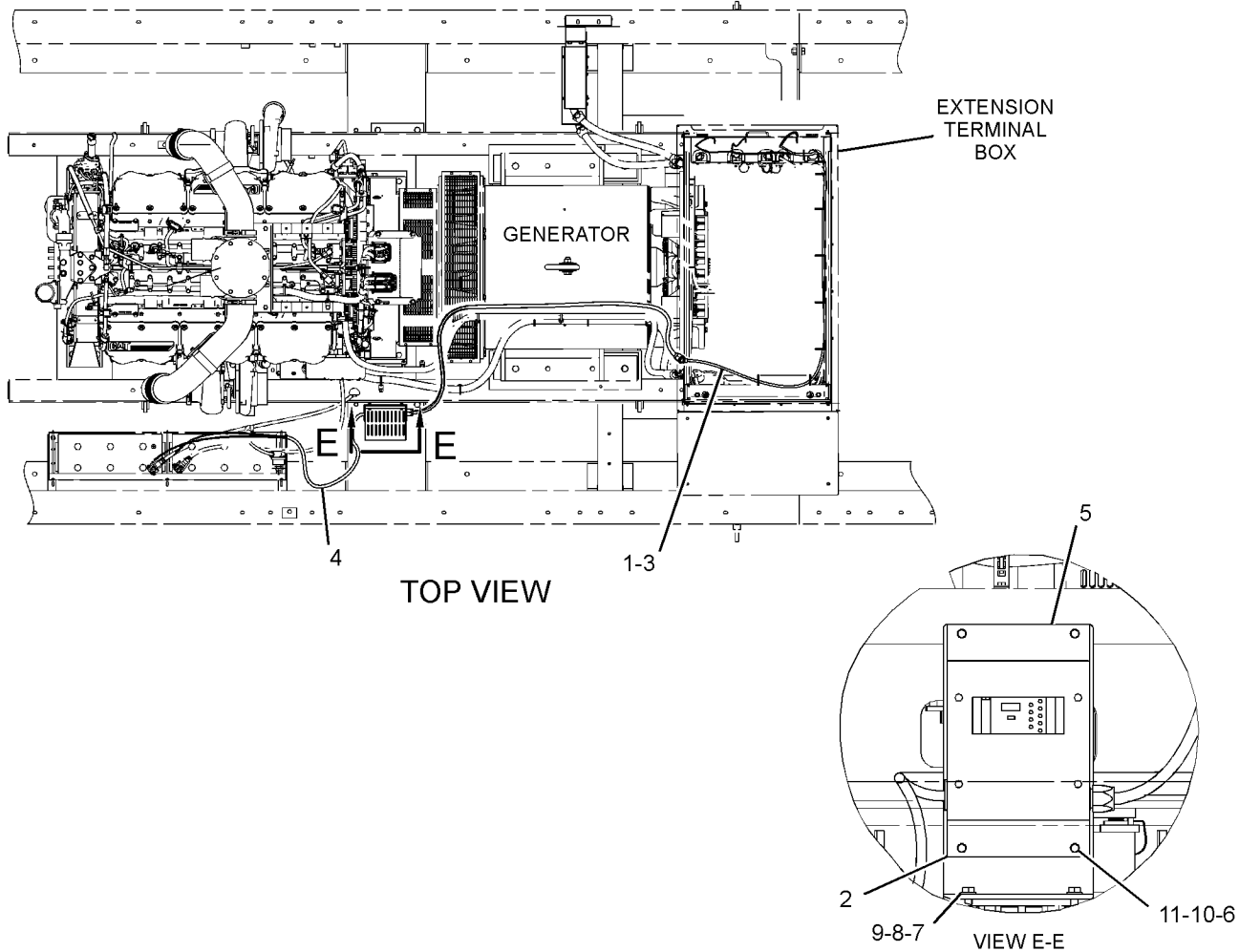
S/N: GDS1-UP  
BATTERY CHARGER  
AN ATTACHMENT

SMCS-1408

i05199408

NOTE	REF NO	GRAPHIC REF	PART NUMBER	QTY	PART NAME						SEE PAGE
					1	2	3	4	5	6 (PRODUCT LEVEL)	
	1	1	<b>7K-1181</b>	10	STRAP-CABLE						
Y	2	1	<b>339-5996</b>	1	BATTERY CHARGER						170
Y	3	1	<b>422-9000</b>	1	WIRING GP-GENERATOR						355
Y	4	1	<b>422-9001</b>	1	HARNESS AS-POWER						266
	5	1	<b>426-3246</b>	1	PLATE						
M	6	1	<b>5C-2890</b>	4	NUT (M6X1-THD)						
	7	1	<b>8T-4121</b>	2	WASHER-HARD (11X21X2.5-MM THK)						
M	8	1	<b>8T-4133</b>	2	NUT (M10X1.5-THD)						
M	9	1	<b>8T-4196</b>	2	BOLT (M10X1.5X35-MM)						
M	10	1	<b>8T-4971</b>	4	BOLT (M6X1X30-MM)						
	11	1	<b>9X-8256</b>	4	WASHER (6.6X12X2-MM THK)						

M - METRIC PART  
Y - SEPARATE ILLUSTRATION



GRAPHIC #1

<END>

g03351097

# ELECTRICAL AND STARTING SYSTEM

## 430-6468 CONNECTION GP-ELECTRICAL

S/N: GDS1-UP

SPACE HEATER

FOR USE WITH COMMON ENCLOSURE ON C27 AND C32 GENERATOR SETS  
AN ATTACHMENT

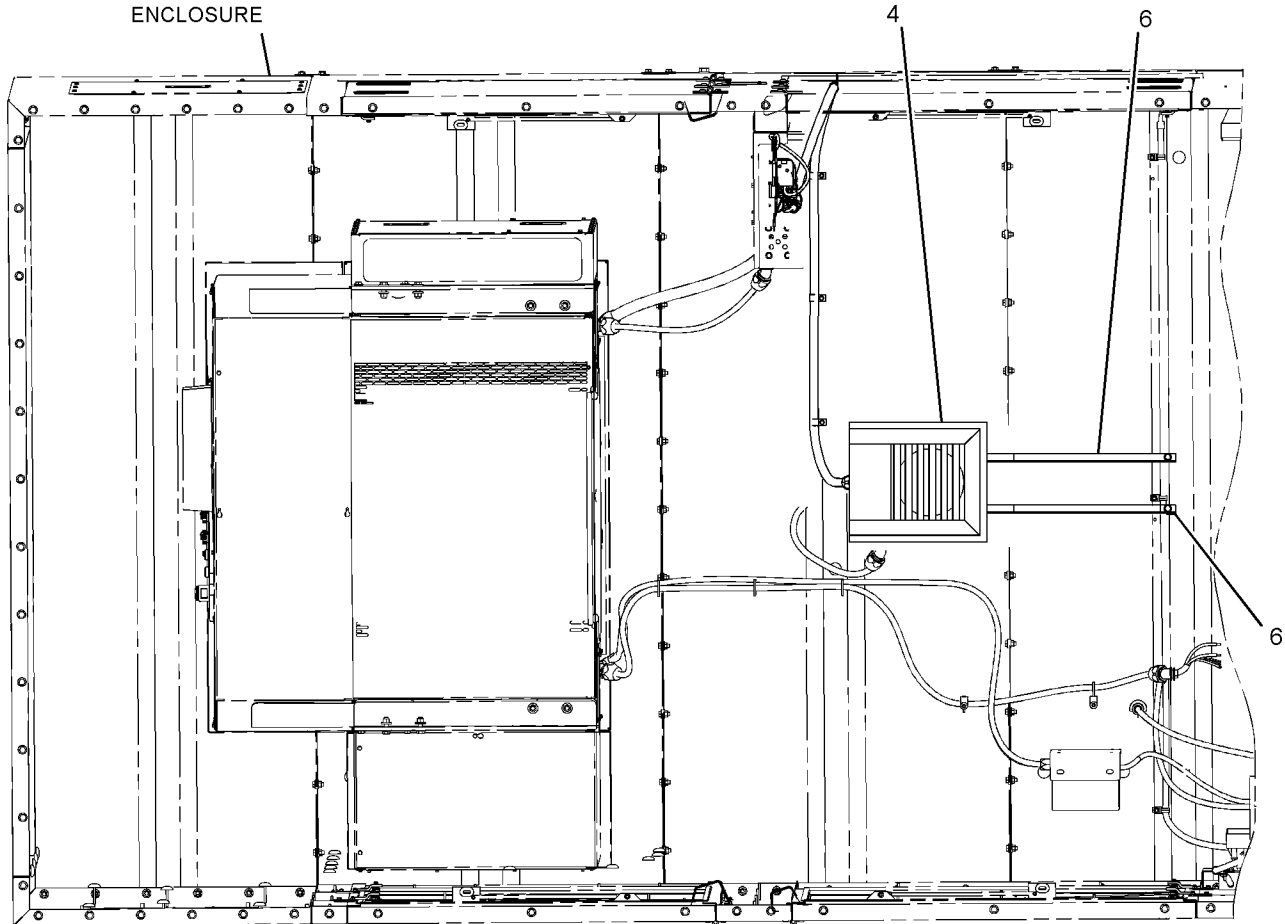
SMCS-1408

i05317569

NOTE	REF NO	GRAPHIC REF	PART NUMBER	QTY	PART NAME						SEE PAGE
					1	2	3	4	5	6 (PRODUCT LEVEL)	
	1	2	109-0147	3	SCREW (1/4-14X1-IN)						
	2	2	311-3567	1	CONTACTOR						
	4	1	423-7033	1	HEATER-SPACE						
Y	5	2	423-8587	1	CONDUIT GP-ELECTRICAL						223
	6	1	426-3244	2	BRACKET-HEATER						
	7	2	244-1370	4	SPACER (8.2X13X6-MM THK)						
	8	2	6D-4246	5	CLIP						
	9	2	6V-8918	4	BOLT (5/16-18X1.25-IN)						
	10	2	8T-4121	8	WASHER-HARD (11X21X2.5-MM THK)						
M	11	2	8T-4133	4	NUT (M10X1.5-THD)						
M	12	2	8T-4195	4	BOLT (M10X1.5X30-MM)						
	13	2	8T-4224	4	WASHER-HARD (8.8X16X2-MM THK)						

M - METRIC PART

Y - SEPARATE ILLUSTRATION



BOTTOM VIEW

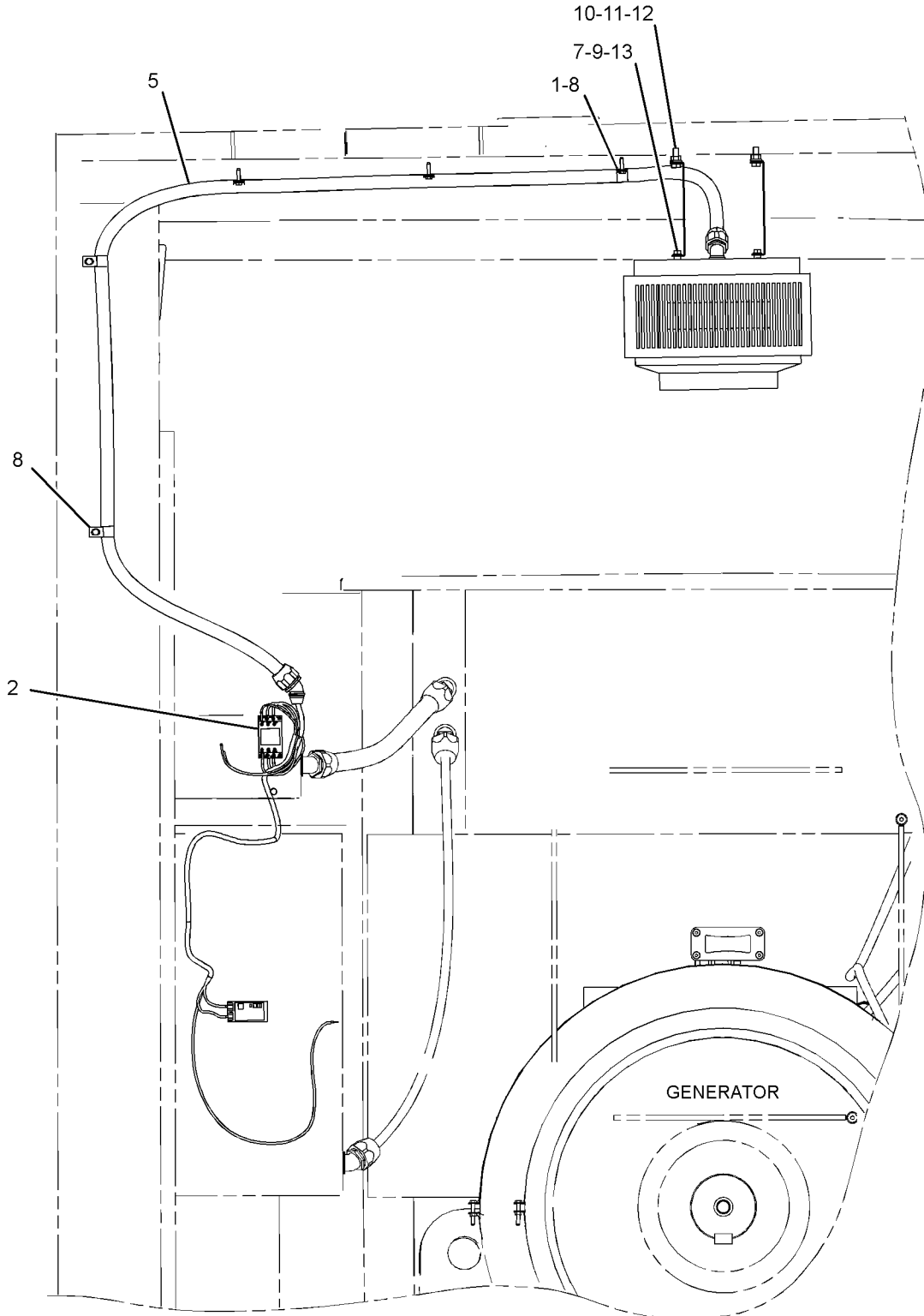
GRAPHIC #1

g03374331

# ELECTRICAL AND STARTING SYSTEM

430-6468 CONNECTION GP-ELECTRICAL (contd.)

i05317569



**FRONT VIEW**  
(ITEMS REMOVED FOR CLARITY)

GRAPHIC #2

<END>

g03374333

# ELECTRICAL AND STARTING SYSTEM

## 430-6469 CONNECTION GP-ELECTRICAL

S/N: GDS1-UP  
DC LOUVER  
AN ATTACHMENT

SMCS-1408

i05192520

NOTE	REF NO	GRAPHIC REF	PART NUMBER	QTY	PART NAME						SEE PAGE
					1	2	3	4	5	6 (PRODUCT LEVEL)	
	1	1	<b>3E-0105</b>	9	MOUNT						
	2	1	<b>7K-1181</b>	25	STRAP-CABLE						
	3	1	<b>109-0147</b>	17	SCREW (1/4-14X1-IN)						
	4	1	<b>252-7454</b>	1	CONNECTOR (45-DEG)						
	5	1	<b>314-9083</b>	2	BLOCK-TERMINAL (600-VOLT, 25-AMPERE)						
	6	1	<b>321-3315</b>	2	BOX						
	7	1	<b>323-2879</b>	13	HANGER						
	8	1	<b>336-9184</b>	1	BASE-RELAY						
Y	9	1	423-8588	1	CONDUIT GP-ELECTRICAL						224
Y	10	1	426-3243	1	BOX AS-JUNCTION						181
	11	1	<b>1P-3380</b>	2	SCREW-HEX HEAD						
	12	1	<b>313-9198</b>	4	CLIP						
	13	1	<b>8T-4121</b>	8	WASHER-HARD (11X21X2.5-MM THK)						
M	14	1	<b>8T-4133</b>	4	NUT (M10X1.5-THD)						
M	15	1	<b>8T-4136</b>	4	BOLT (M10X1.5X25-MM)						

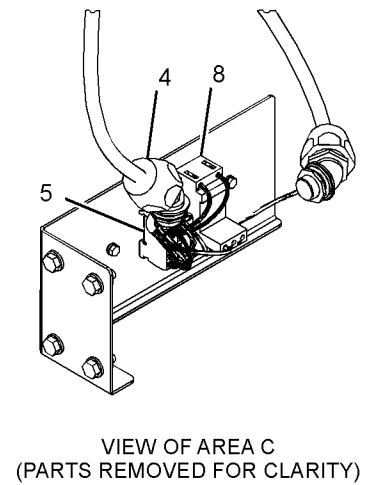
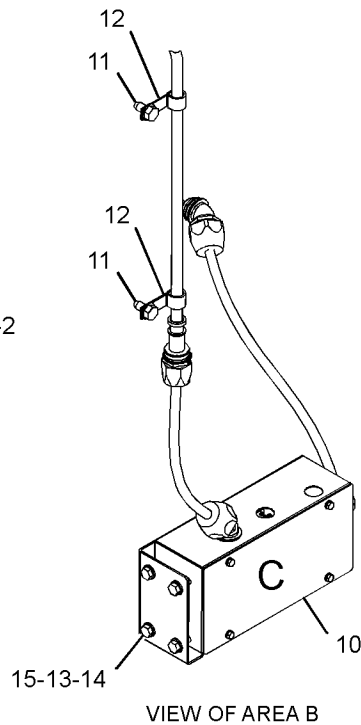
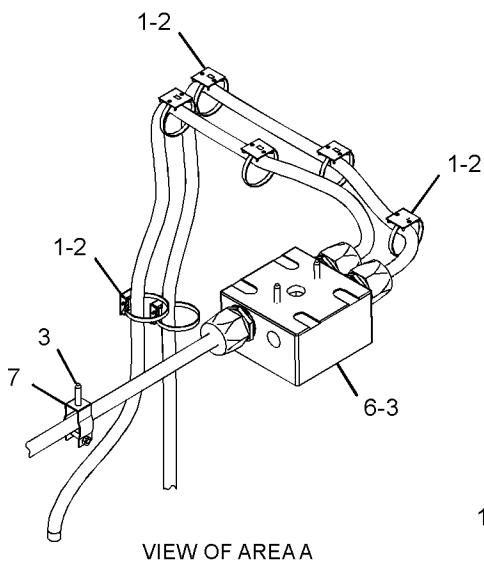
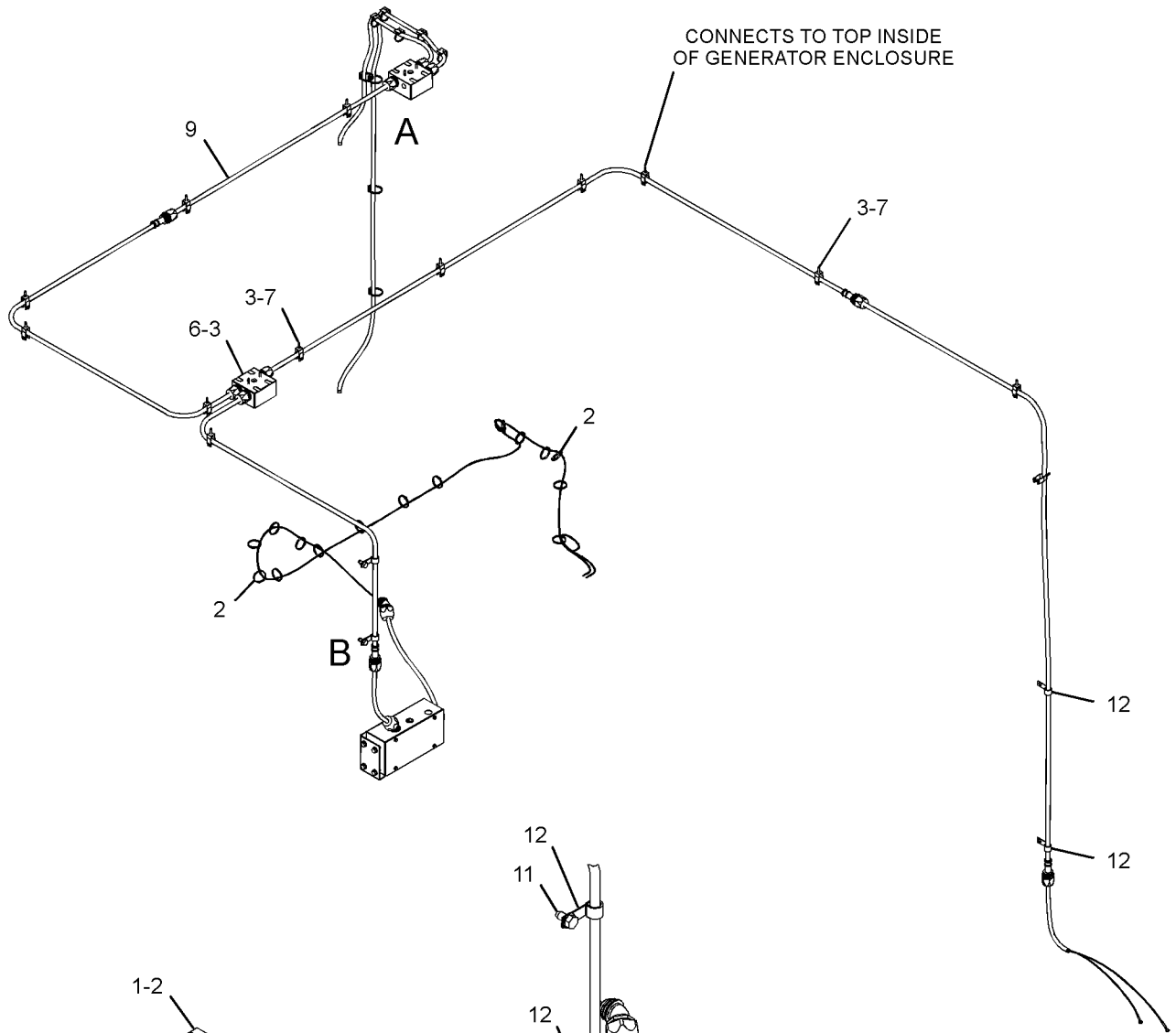
M - METRIC PART

Y - SEPARATE ILLUSTRATION

# ELECTRICAL AND STARTING SYSTEM

430-6469 CONNECTION GP-ELECTRICAL (contd.)

i05192520



GRAPHIC #1

<END>

g03352347

# ELECTRICAL AND STARTING SYSTEM

## 371-3765 CONTROL & MTG GP-ELECTRONIC

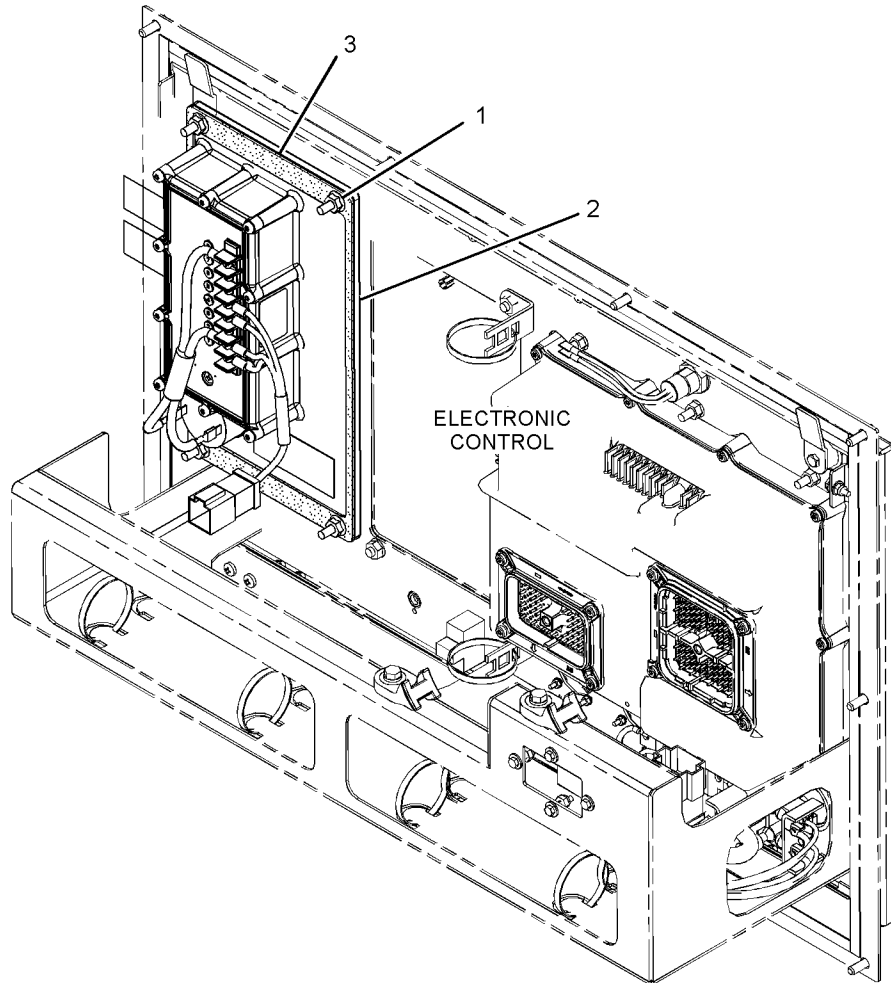
S/N: GDS1-UP  
EMCP 4.3, 4.4  
AN ATTACHMENT

SMCS-1901, 7610

i04966293

NOTE	REF NO	GRAPHIC REF	PART NUMBER	QTY	PART NAME						SEE PAGE
					1	2	3	4	5	6 (PRODUCT LEVEL)	
	1	1	<b>214-3966</b>	4	NUT (M6X1-THD)						
Y	2	1	236-1159	1	MODULE GP-ALARM (ANNUNCIATOR)						538
	3	1	<b>244-9613</b>	1	GASKET						

Y - SEPARATE ILLUSTRATION



GRAPHIC #1

<END>

g03155077

# ELECTRICAL AND STARTING SYSTEM

## 396-2195 CONTROL & MTG GP-ELECTRONIC

S/N: MJE1-UP; GDS1-UP

ELECTRONIC

PART OF 388-4921 ENGINE AR, 349-5619, 349-5622 ENGINE AR-COMPLETE

ALSO AN ATTACHMENT

SMCS-1901, 7610

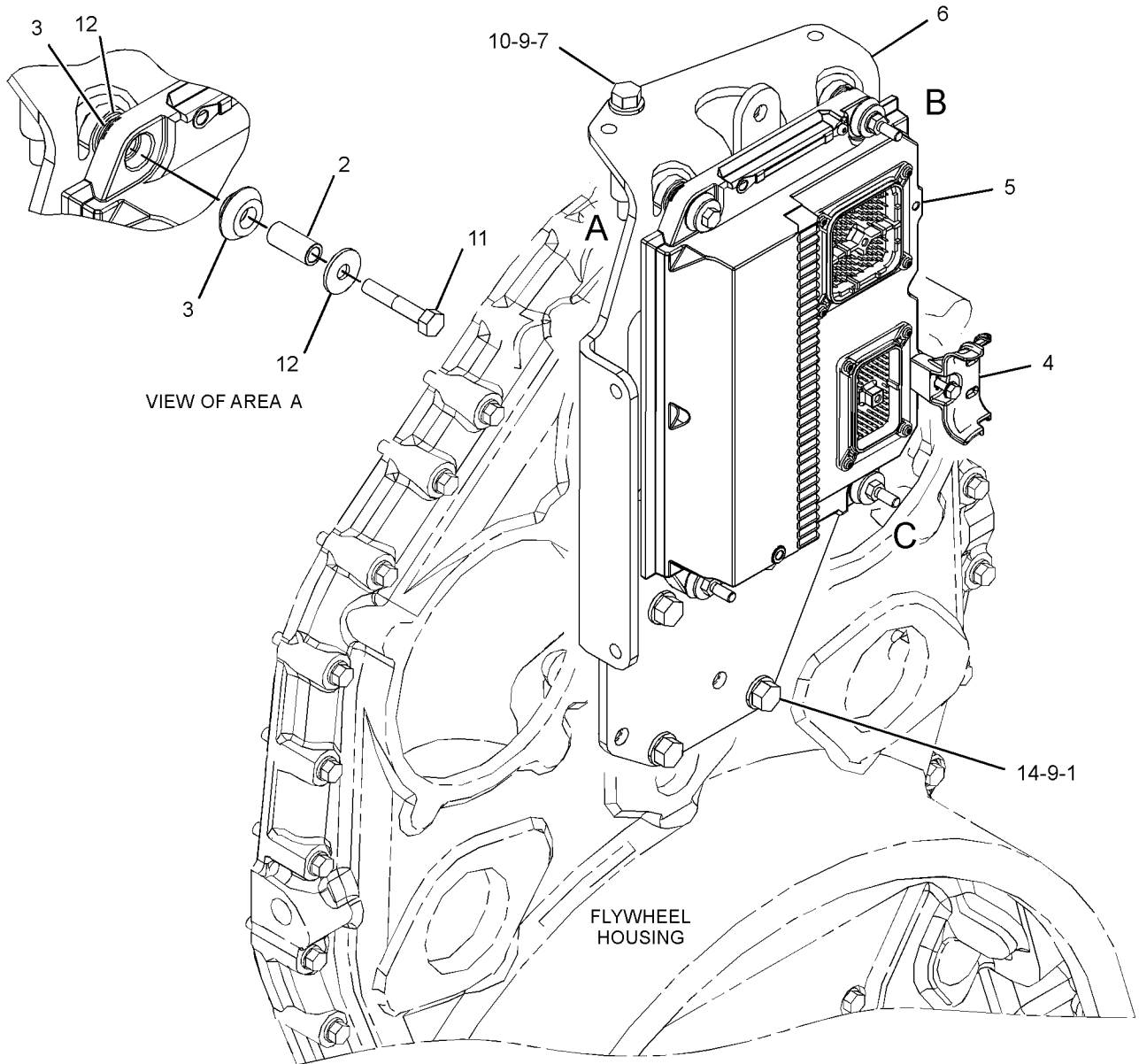
i05326635

NOTE	REF NO	GRAPHIC REF	PART NUMBER	QTY	PART NAME						SEE PAGE
					1	2	3	4	5	6 (PRODUCT LEVEL)	
	1	1	<b>2H-9233</b>	4	SPACER (0.563X1X1-IN THK)						
	2	1	<b>6I-1418</b>	4	SPACER (8.2X12.7X28.7-MM THK)						
	3	1	<b>8T-9655</b>	8	MOUNT-ISOLATION						
	4	1	<b>233-0891</b>	1	BRACKET AS						
Y	5	1	<b>239-7902</b>	1	CONTROL GP-UNPROGRAMMED						241
	6	1	<b>307-7514</b>	1	BRACKET AS						
	7	1	<b>0S-1573</b>	1	BOLT (1/2-13X4-IN)						
	8	1	<b>224-9907</b>	3	STUD (5/16-18-THD)						
	9	1	<b>5P-8245</b>	5	WASHER-HARD (13.5X25.5X3-MM THK)						
	10	1	<b>5V-6103</b>	1	SPACER (14.27X22.23X70-MM THK)						
	11	1	<b>7X-0440</b>	1	BOLT (5/16-18X1.75-IN)						
	12	1	<b>7X-0579</b>	8	WASHER-HARD (8.8X25.5X2-MM THK)						
	13	1	<b>8T-4224</b>	1	WASHER-HARD (8.8X16X2-MM THK)						
	14	1	<b>9X-8873</b>	4	BOLT (1/2-13X2.25-IN)						
Y - SEPARATE ILLUSTRATION											

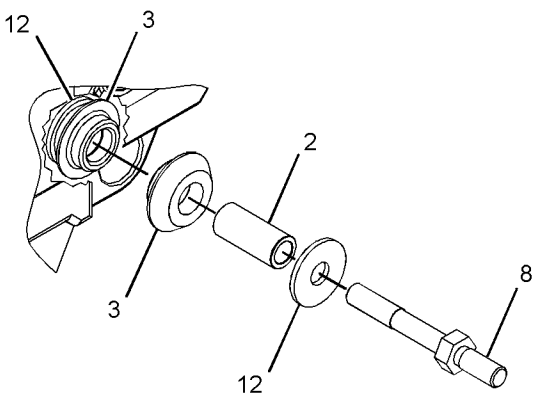
# ELECTRICAL AND STARTING SYSTEM

396-2195 CONTROL & MTG GP-ELECTRONIC (contd.)

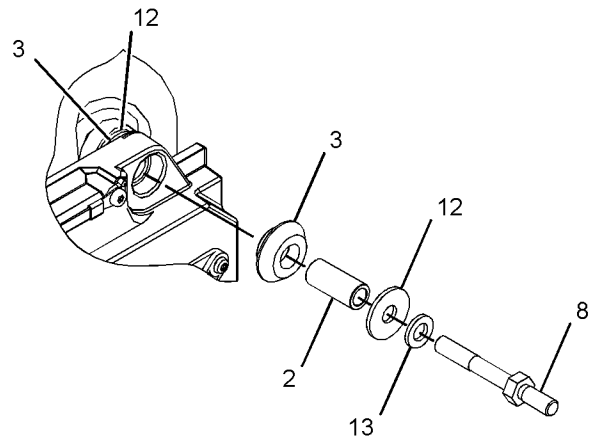
i05326635



VIEW OF AREA A



VIEW OF AREA C



VIEW OF AREA B

GRAPHIC #1

<END>

g03376321



# ELECTRICAL AND STARTING SYSTEM

## 351-2429 CONTROL GP-ELECTRONIC-EMCP 4.3

S/N: GDS1-UP

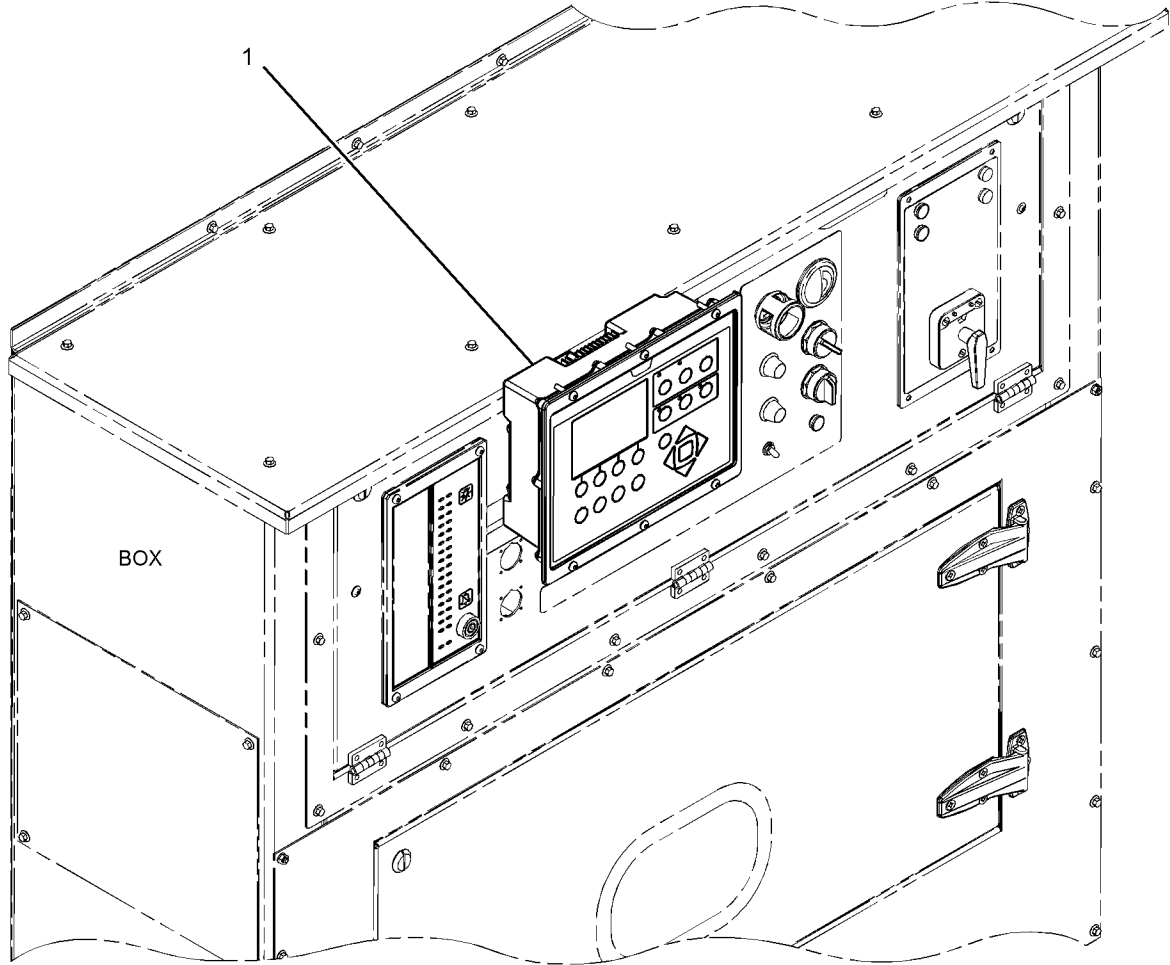
PART OF 371-3764 CONTROL GP-ELECTRONIC  
AN ATTACHMENT

SMCS-1917, 1924

i05110223

NOTE	REF NO	GRAPHIC REF	PART NUMBER	QTY	PART NAME						SEE PAGE
					1	2	3	4	5	6 (PRODUCT LEVEL)	
Y	1	1	355-1176	1	CONTROL GP-GENERATOR SET (EMCP 4.3)						533

Y - SEPARATE ILLUSTRATION



GRAPHIC #1

<END>

g02475429

# ELECTRICAL AND STARTING SYSTEM

## 361-1652 CONTROL GP-ELECTRONIC

S/N: GDS1-UP

FOR USE WITH EMCP 4.4, GLOBAL DESIGN ENCLOSURE  
AN ATTACHMENT

SMCS-1917, 1924

i04332765

NOTE	REF NO	GRAPHIC REF	PART NUMBER	QTY	PART NAME						SEE PAGE
					1	2	3	4	5	6 (PRODUCT LEVEL)	
	1	1	1H-4393	2	LOCKWASHER						
	2	1	8C-6354	2	CAP-RECEPTACLE (ET CONNECTOR)						
	3	1	8D-2676	1	SWITCH AS-TOGGLE (ALARM)						
		1	3L-8187	2	LOCKWASHER						
		1	6T-3631	2	NUT-HEX (15/32-32-THD)						
		1	6T-3632	1	LOCKWASHER						
		1	6T-3633	1	RING-LOCKING						
		1	6V-8374	2	SCREW-MACHINE (6-32X0.25-IN)						
M	4	1	8T-2659	4	LOCKNUT (M4X0.7-THD)						
	5	1	8T-2882	1	HANDLE-PULL						
	6	1	9X-6772	8	STRAP-CABLE						
M	7	1	099-6418	6	NUT (M6X1-THD)						
	8	1	103-6272	1	SEAL						
	9	1	135-6898	2	LATCH AS						
	10	1	167-3593	2	STRAP						
	11	1	234-1373	1	GROMMET-BLIND						
M	12	1	235-4451	10	BOLT-FLANGE HEAD (M6X1X16-MM)						
Y	13	1	252-7556	2	COVER GP-CONTROL PANEL (ANNUNCIATOR)						537
	14	1	316-6409	2	SOCKET AS-LAMP (CONSOLE) (EACH INCLUDES)						
		1	6V-8367	1	LOCKWASHER						
		1	6V-8382	1	NUT-HEX (11/16-27-THD)						
Y	15	1	350-7076	1	CONTROL GP-GENERATOR SET						532
	16	1	361-1653	1	DOOR AS-ACCESS						
J		1	244-9631		SEAL (22-DM)						
		1	361-1654	1	DOOR AS-ACCESS						
	17	1	361-1661	1	PLATE AS-SEAL						
J		1	244-9631		SEAL (22-DM)						
		1	361-1662	1	PLATE						
	18	1	361-1663	2	HINGE AS						
Y	19	1	361-7134	1	WIRING GP-SHUTOFF (EMERGENCY STOP)						371
	20	1	364-7513	1	HARNESS AS-PANEL						
E		1	153-2707		CABLE-ELECTRICAL (2-CONDUCTOR, 18-GA) (204-CM)						
		1	9X-3401	30	PIN-CONNECTOR (16-GA TO 18-GA)						
		1	155-2260	2	KIT-CONNECTING PLUG (3-PIN)						
		1	155-2274	2	KIT-CONNECTING PLUG (6-PIN)						
		1	174-0503	2	KIT-CONNECTING PLUG (3-PIN) (EACH PLUG KIT INCLUDES PLUG AS, WEDGE & INTERFACE SEAL)						
		1	8T-8737	15	PLUG-SEAL						
		1	102-8803	1	KIT-RECEPTACLE (3-PIN) (INCLUDES RECEPTACLE AS & WEDGE)						
		1	9X-0145	1	RECEPTACLE AS-CONNECTOR (24-PIN)						
		1	134-2540	2	RESISTOR AS-CONNECTION (3-PIN)						
		1	9W-1951	2	RECEPTACLE-CONNECTOR (9-PIN)						
		1	9X-3402	21	SOCKET-CONNECTOR (16-GA TO 18-GA)						
		1	3S-2093	35	STRAP-CABLE						
		1	5P-4571	4	TERMINAL-BLADE (14-GA TO 16-GA)						
		1	2L-8075	2	TERMINAL-RING (14-GA TO 16-GA, NO. 8 SCREW)						
E		1	119-3662		TUBE-HEAT SHRINK (10.85-MM DIA) (26-CM)						
E		1	125-7874		TUBE-HEAT SHRINK (5.72-MM DIA) (55-CM)						
E		1	125-7875		TUBE-HEAT SHRINK (7.44-MM DIA) (10-CM)						
E		1	125-7876		TUBE-HEAT SHRINK (17.78-MM DIA) (8-CM)						
	21	1	364-7514	2	STRAP						
	22	1	370-6123	1	FILM-IDENTIFICATION (CONTROL PANEL)						

# ELECTRICAL AND STARTING SYSTEM

361-1652 CONTROL GP-ELECTRONIC (contd.)

i04332765

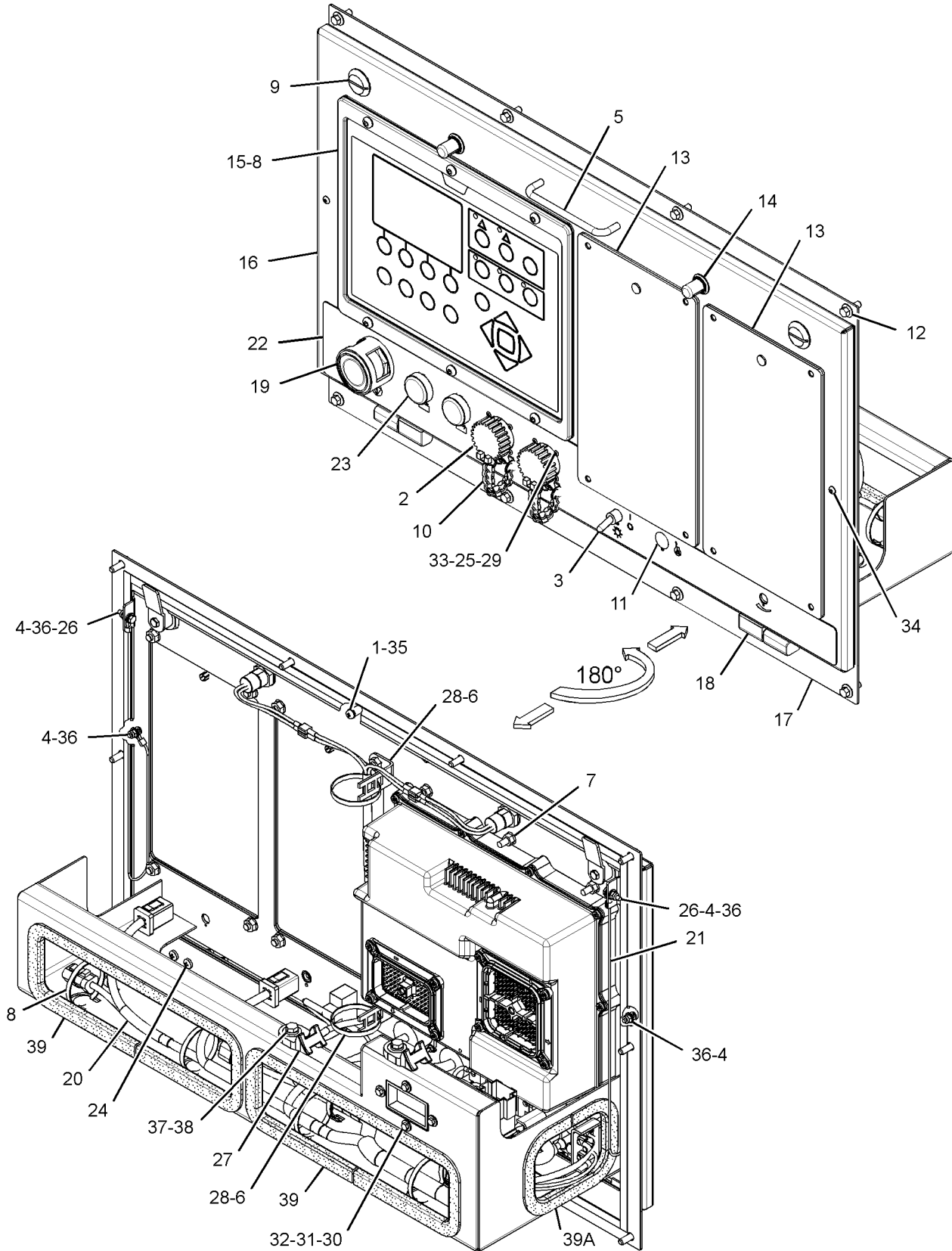
NOTE	REF NO	GRAPHIC REF	PART NUMBER	QTY	PART NAME						SEE PAGE
					1	2	3	4	5	6 (PRODUCT LEVEL)	
	23	1	371-5033	1	SWITCH GP-PUSH BUTTON (LIGHT SWITCH)						
		1	308-9776	2	BLOCK-CONTACT						
		1	308-9779	1	LAMP AS-INDICATOR (RED)						
		1	308-9783	1	LAMP AS (24-VOLT, GREEN)						
		1	308-9795	1	BUTTON-PUSH						
		1	308-9796	1	BUTTON-PUSH						
		1	361-7107	1	HARNESS AS-SWITCH						
		1	110-8714	6	END-WIRE (18-GA)						
		1	155-2265	1	KIT-CONNECTING PLUG (8-PIN)						
					(INCLUDES PLUG AS, WEDGE & INTERFACE SEAL)						
		1	8T-8737	2	PLUG-SEAL						
		1	9X-3402	6	SOCKET-CONNECTOR (16-GA TO 18-GA)						
		1	3S-2093	6	STRAP-CABLE						
E		1	125-7874		TUBE-HEAT SHRINK (5.72-MM DIA) (10-CM)						
M	24	1	096-2617	8	SCREW-MACHINE (M5X0.8X6-MM)						
	25	1	096-5962	8	WASHER-HARD (3.4X7X0.8-MM THK)						
M	26	1	170-5632	2	BOLT (M4X0.7X16-MM)						
	27	1	293-9452	2	MOUNTING-CABLE TIE						
	28	1	341-3624	2	CLIP						
M	29	1	3C-6969	8	NUT (M3X0.5-THD)						
	30	1	4B-4863	4	WASHER (4.7X11X1.2-MM THK)						
	31	1	5P-8394	4	SCREW-MACHINE (8-32X0.75-IN)						
	32	1	6D-5801	4	LOCKNUT (8-32-THD)						
M	33	1	6V-9671	8	SCREW-MACHINE (M3X0.5X12-MM)						
M	34	1	7Y-3173	2	SCREW-BUTTON HEAD (M4X0.7X12-MM)						
	35	1	8C-8514	2	SCREW-MACHINE (8-32X0.375-IN)						
	36	1	8T-0328	6	WASHER-HARD (5.5X10X1-MM THK)						
M	37	1	8T-4138	2	BOLT (M6X1X20-MM)						
	38	1	9X-8256	2	WASHER (6.6X12X2-MM THK)						
E	39	1	3E-6600		SEAL (64-CM EACH)						
E	39A	1	3E-6600		SEAL (31-CM)						

E - ORDER BY THE CENTIMETER  
 J - ORDER BY THE DECIMETER  
 M - METRIC PART  
 Y - SEPARATE ILLUSTRATION

# ELECTRICAL AND STARTING SYSTEM

361-1652 CONTROL GP-ELECTRONIC (contd.)

i04332765



GRAPHIC #1

<END>

g02521080

# ELECTRICAL AND STARTING SYSTEM

## 371-3764 CONTROL GP-ELECTRONIC

S/N: GDS1-UP  
EMCP 4.3, 4.4. GENERATOR  
AN ATTACHMENT

SMCS-1917, 1924

i05203049

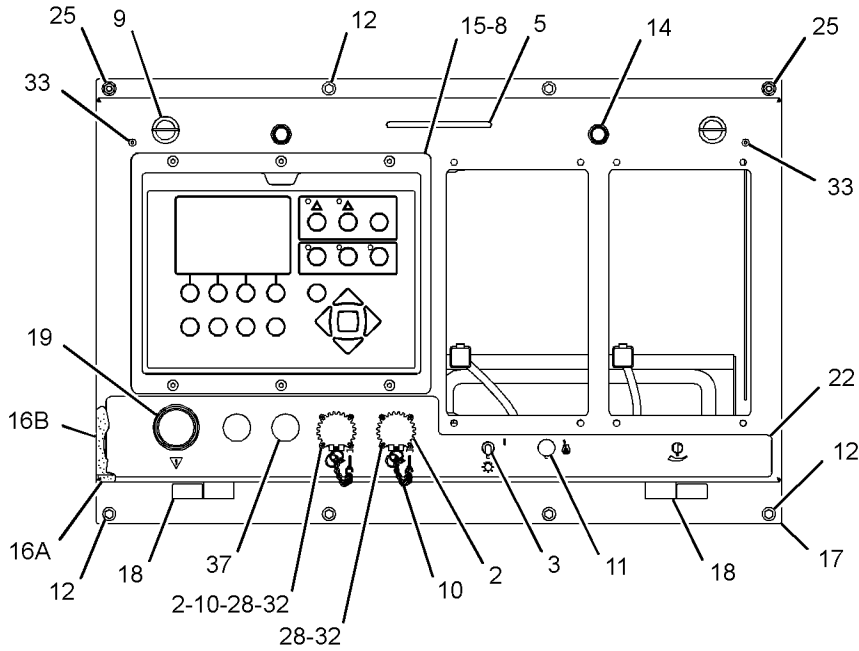
NOTE	REF NO	GRAPHIC REF	PART NUMBER	QTY	PART NAME						SEE PAGE
					1	2	3	4	5	6 (PRODUCT LEVEL)	
	1	1	1H-4393	2	LOCKWASHER						
	2	1	8C-6354	2	CAP-RECEPTACLE (ET CONNECTOR)						
	3	1	8D-2676	1	SWITCH AS-TOGGLE (ALARM)						
		1	3L-8187	2	LOCKWASHER						
		1	6T-3631	2	NUT-HEX (15/32-32-THD)						
		1	6T-3632	1	LOCKWASHER						
		1	6T-3633	1	RING-LOCKING						
		1	6V-8374	2	SCREW-MACHINE (6-32X0.25-IN)						
M	4	1	8T-2659	2	LOCKNUT (M4X0.7-THD)						
	5	1	8T-2882	1	HANDLE-PULL						
	6	1	7K-1181	1	STRAP-CABLE						
M	7	1	099-6418	6	NUT (M6X1-THD)						
	8	1	103-6272	1	SEAL						
	9	1	135-6898	2	LATCH AS						
	10	1	167-3593	2	STRAP						
	11	1	234-1373	1	GROMMET-BLIND						
M	12	1	235-4451	8	BOLT-FLANGE HEAD (M6X1X16-MM)						
	13	1	208-8469	2	LOCKNUT (M6X1-THD)						
	14	1	316-6409	2	SOCKET AS-LAMP						
					(EACH INCLUDES)						
		1	6V-8367	1	LOCKWASHER						
		1	6V-8382	1	NUT-HEX (11/16-27-THD)						
Y	15	1	351-2429	1	CONTROL GP-ELECTRONIC (EMCP 4.3)						235
	16	1	361-1654	1	DOOR AS-ACCESS						
J	16A	1	244-9631		SEAL (7-DM EACH)						
J	16B	1	244-9631		SEAL (3.8-DM EACH)						
	17	1	361-1661	1	PLATE AS-SEAL						
		1	361-1662	1	PLATE						
J	17A	1	244-9631		SEAL (4.3-DM EACH)						
J	17B	1	244-9631		SEAL (6.6-DM EACH)						
	18	1	361-1663	2	HINGE AS						
Y	19	1	367-7134	1	WIRING GP-SHUTOFF (EMERGENCY STOP)						371
Y	20	1	364-7513	1	HARNESS AS-PANEL						259
	21	1	364-7514	2	STRAP						
	22	1	370-6122	1	FILM-IDENTIFICATION (CONTROL PANEL)						
M	23	1	096-2617	8	SCREW-MACHINE (M5X0.8X6-MM)						
	24	1	7X-0620	4	WASHER-HARD (5.5X13X1.6-MM THK)						
	25	1	243-5027	2	NUT AS (M6X1-THD)						
	26	1	293-9452	2	MOUNTING-CABLE TIE						
	27	1	156-6175	2	CLIP						
	28	1	132-8488	2	NUT-RING						
	29	1	4B-4863	4	WASHER (4.7X11X1.2-MM THK)						
	30	1	5P-8394	4	SCREW-MACHINE (8-32X0.75-IN)						
	31	1	6D-5801	4	LOCKNUT (8-32-THD)						
	32	1	293-2033	8	SCREW-LOCK (4-40X0.5-IN)						
M	33	1	7Y-3173	2	SCREW-BUTTON HEAD (M4X0.7X12-MM)						
	34	1	8C-8514	2	SCREW-MACHINE (8-32X0.375-IN)						
	35	1	8T-0328	2	WASHER-HARD (5.5X10X1-MM THK)						
M	36	1	8T-4138	4	BOLT (M6X1X20-MM)						
	37	1	9R-2620	2	PLUG						
	38	1	9X-8256	2	WASHER (6.6X12X2-MM THK)						
E	39	1	3E-6600		SEAL (63.7-CM EACH)						
E	39A	1	3E-6600		SEAL (31-CM)						

E - ORDER BY THE CENTIMETER  
J - ORDER BY THE DECIMETER  
M - METRIC PART  
Y - SEPARATE ILLUSTRATION

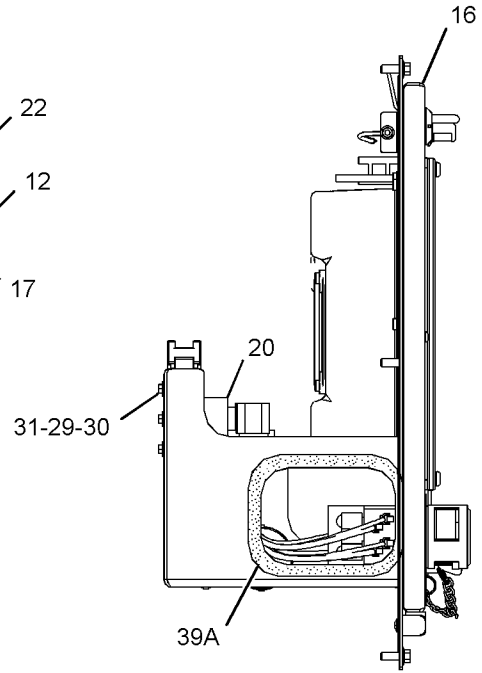
# ELECTRICAL AND STARTING SYSTEM

371-3764 CONTROL GP-ELECTRONIC (contd.)

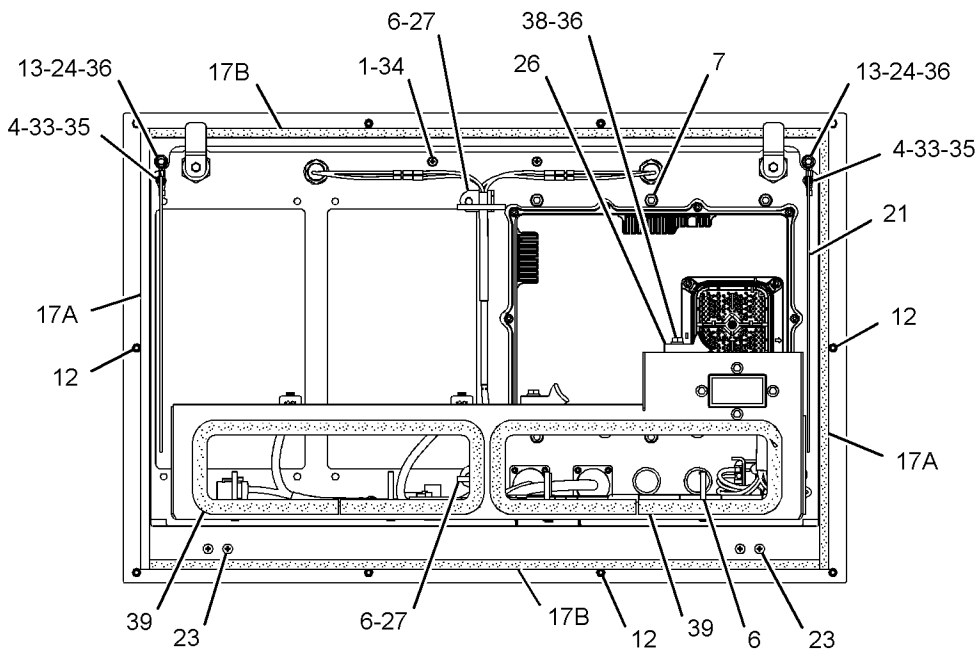
i05203049



FRONT VIEW



RIGHT SIDE VIEW



REAR VIEW

GRAPHIC #1

<END>

g03336437

# ELECTRICAL AND STARTING SYSTEM

## 239-7902 CONTROL GP-UNPROGRAMMED

S/N: MJE1-UP; GDS1-UP

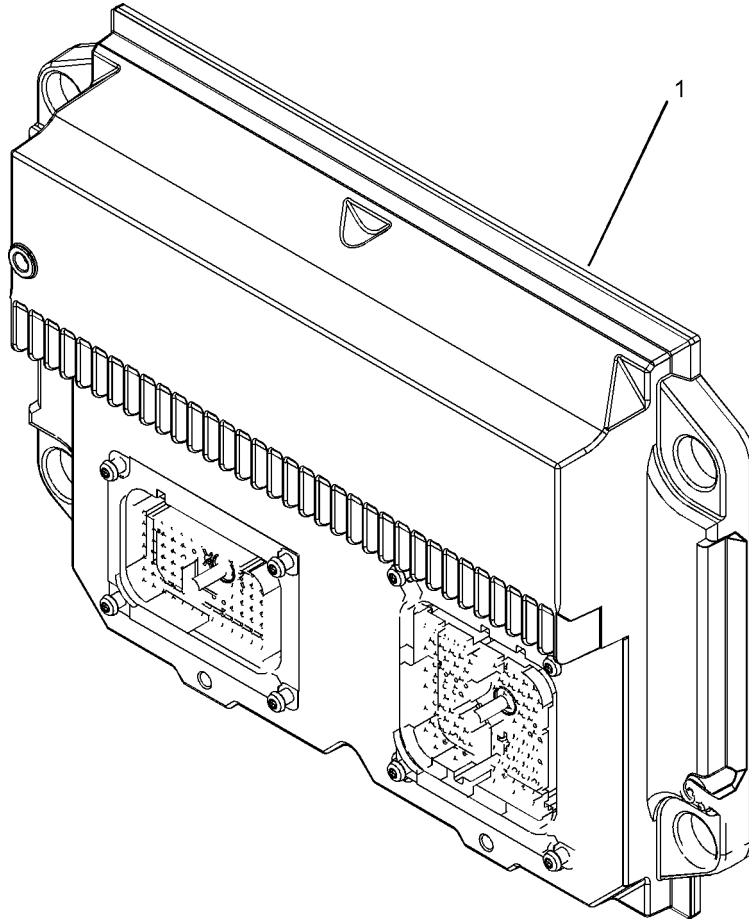
PART OF 396-2195 CONTROL & MTG GP-ELECTRONIC  
ALSO AN ATTACHMENT

SMCS-7610

i03460741

NOTE	REF NO	GRAPHIC REF	PART NUMBER	QTY	PART NAME						SEE PAGE
					1	2	3	4	5	6 (PRODUCT LEVEL)	
R	1	1	262-2876	1	CONTROL GP-ENGINE ELECTRONIC						

R - REMFG PART MAY BE AVAILABLE



GRAPHIC #1

<END>

g01040016

# ELECTRICAL AND STARTING SYSTEM

## 361-7133 COVER AS-EXTENSION BOX

S/N: GDS1-UP

EMCP 4.3, 4.4

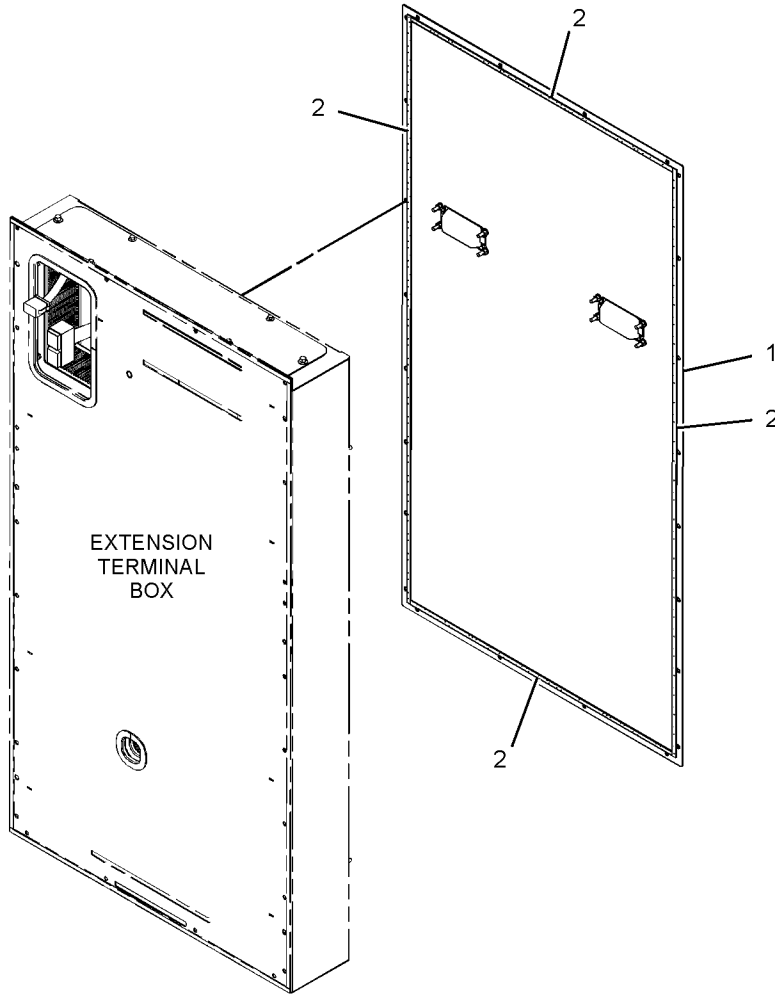
PART OF 361-1625 COVER GP-EXTENSION BOX  
AN ATTACHMENT

SMCS-4460

i04465071

NOTE	REF NO	GRAPHIC REF	PART NUMBER	QTY	PART NAME						SEE PAGE
					1	2	3	4	5	6 (PRODUCT LEVEL)	
	1	1	<b>361-7132</b>	1	COVER AS-EXTENSION BOX						
M		1	<b>5C-2890</b>	8	NUT (M6X1-THD)						
		1	<b>9X-8256</b>	8	WASHER (6.6X12X2-MM THK)						
		1	<b>204-1116</b>	2	HANDLE						
M		1	<b>260-6695</b>	8	SCREW-FLAT HEAD (M6X1X25-MM)						
	2	1	<b>244-9631</b>	1	SEAL						

M - METRIC PART



GRAPHIC #1

<END>

g02570997



# ELECTRICAL AND STARTING SYSTEM

## 361-1625 COVER GP-EXTENSION BOX

S/N: GDS1-UP

EMCP 4.3, 4.4. SHALLOW EXTENSION BOX

PART OF 361-1616, 371-5035 BOX GP-EXTENSION TERMINAL  
AN ATTACHMENT

SMCS-4460

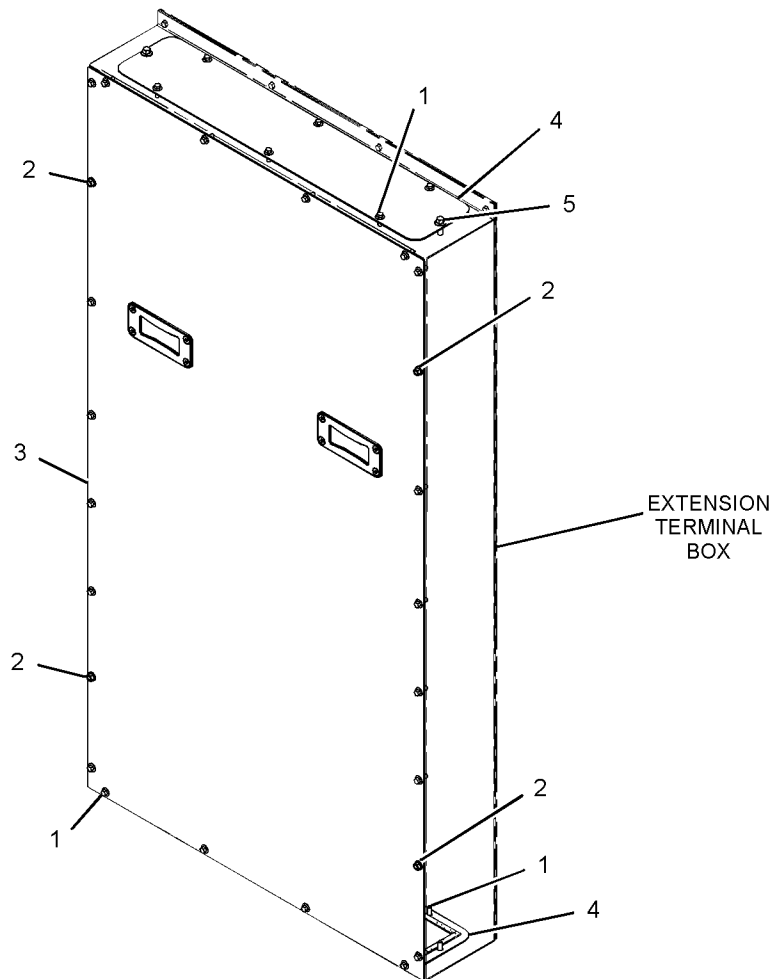
i04679617

NOTE	REF NO	GRAPHIC REF	PART NUMBER	QTY	PART NAME						SEE PAGE
					1	2	3	4	5	6	
M	1	1	235-4451	34	BOLT-FLANGE HEAD (M6X1X16-MM)						
	2	1	243-5027	4	NUT AS (M6X1-THD)						
Y	3	1	361-7133	1	COVER AS-EXTENSION BOX						242
	4	1	361-1627	2	COVER AS						
					(EACH INCLUDES)						
L		1	244-9631		SEAL (14-DM)						
		1	361-1628	1	COVER						
	5	1	208-9281	2	BOLT-FLANGE HEAD (M8X1.25X20-MM)						

L - ORDER BY DECIMETER

M - METRIC PART

Y - SEPARATE ILLUSTRATION



GRAPHIC #1

<END>

g02799877

# ELECTRICAL AND STARTING SYSTEM

## 396-6362 COVER GP-EXTENSION BOX

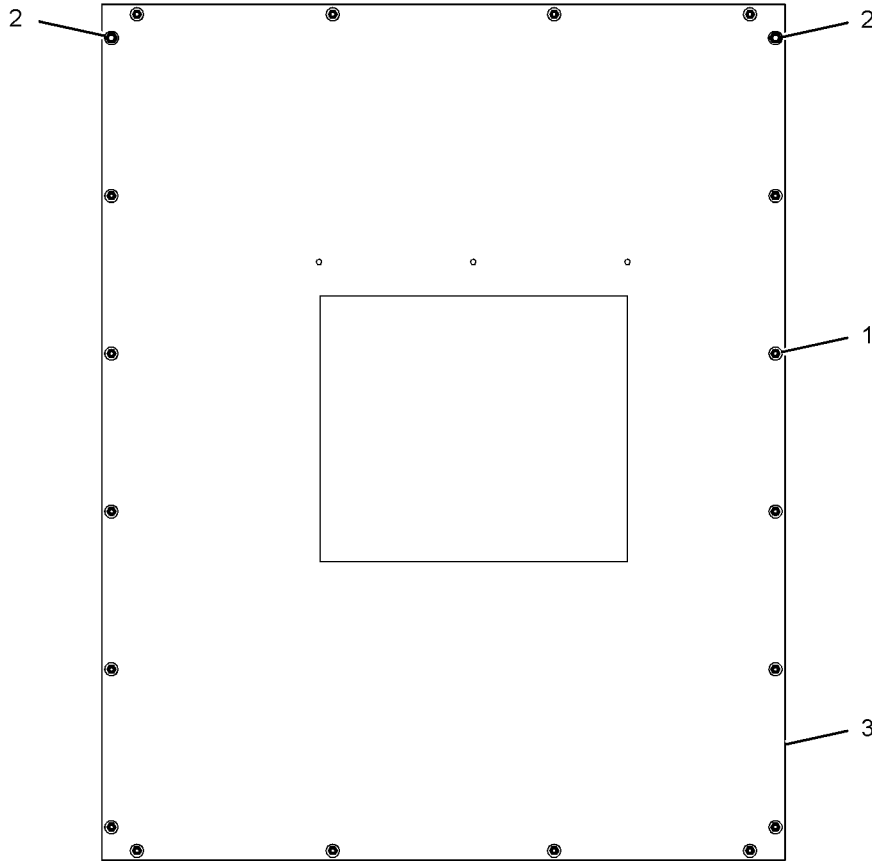
S/N: GDS1-UP  
SIDE, MASTERPACT  
AN ATTACHMENT

SMCS-4460

i05194321

NOTE	REF NO	GRAPHIC REF	PART NUMBER	QTY	PART NAME						SEE PAGE
					1	2	3	4	5	6 (PRODUCT LEVEL)	
M	1	1	<b>235-4451</b>	18	BOLT-FLANGE HEAD (M6X1X16-MM)						
	2	1	<b>243-5027</b>	2	NUT AS (M6X1-THD)						
	3	1	<b>396-6361</b>	1	COVER AS						

M - METRIC PART



GRAPHIC #1

<END>

g03350925

# ELECTRICAL AND STARTING SYSTEM

## 307-3276 ELEMENT GP-JACKET WATER HEATER

S/N: GDS1-UP

240-VOLT, 9000-WATT

PART OF 369-1719, 399-2335 HEATER GP-JACKET WATER

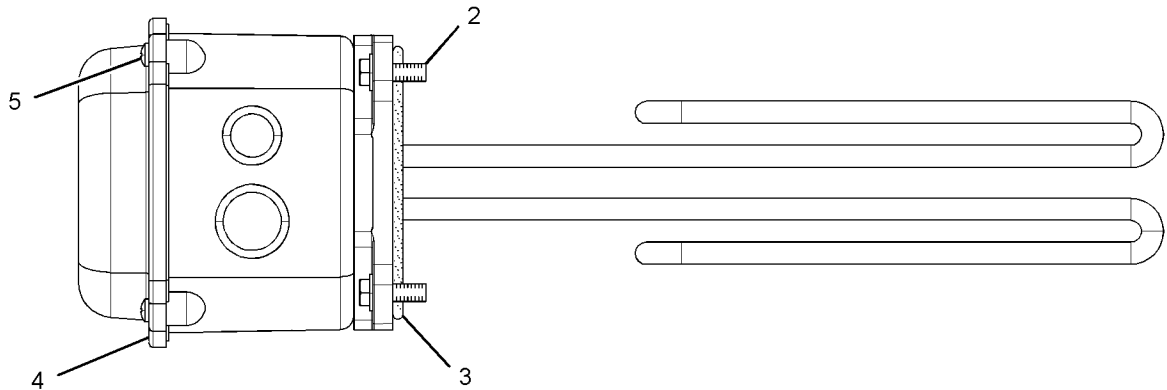
AN ATTACHMENT

TYPE 1

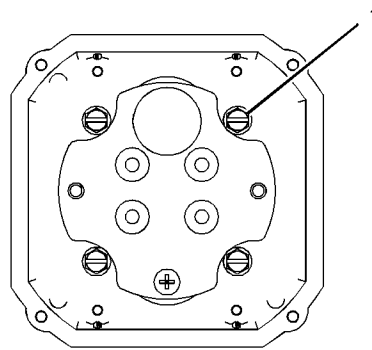
SMCS-1383

i05001455

NOTE	REF NO	GRAPHIC REF	PART NUMBER	QTY	PART NAME						SEE PAGE
					1	2	3	4	5	6 (PRODUCT LEVEL)	
	1	1	<b>4B-2043</b>	4	NUT (8-32-THD)						
	2	1	<b>5P-7921</b>	4	SCREW-WASHER HEAD (1/4-20X0.75-IN)						
	3	1	<b>169-2182</b>	1	SEAL						
	4	1	<b>308-2363</b>	1	KIT-COVER (INCLUDES COVER & GASKET)						
	5	1	<b>212-3416</b>	4	SCREW-PAN HEAD (8-16X0.5-IN)						



RIGHT SIDE VIEW



FRONT VIEW  
(COVER REMOVED)

GRAPHIC #1

<END>

g01450125

# ELECTRICAL AND STARTING SYSTEM

## 307-3276 ELEMENT GP-JACKET WATER HEATER

S/N: GDS1-UP

240-VOLT, 9000-WATT

PART OF 417-7876 HEATER GP-JACKET WATER

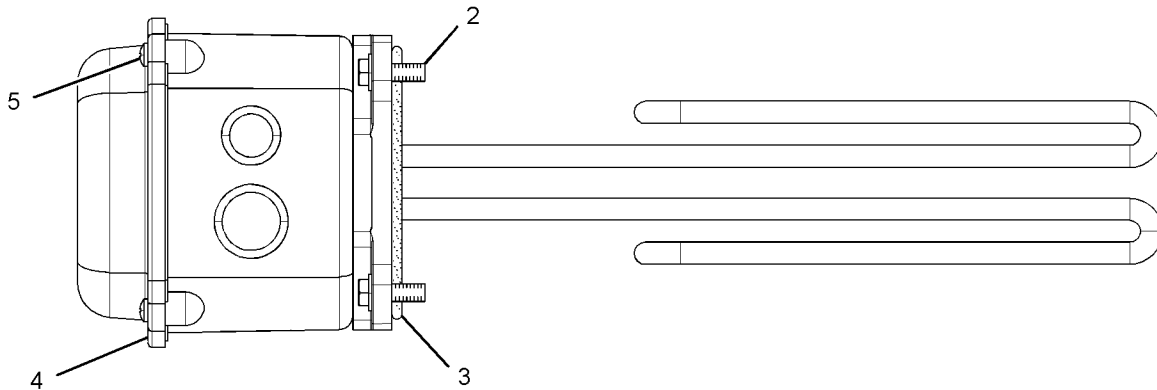
AN ATTACHMENT

TYPE 2

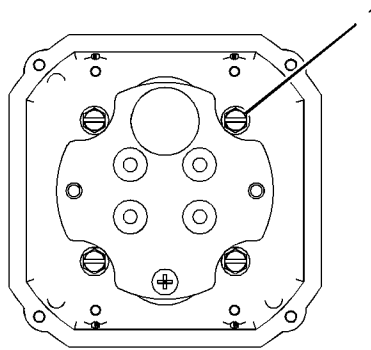
SMCS-1383

i03325181

NOTE	REF NO	GRAPHIC REF	PART NUMBER	QTY	PART NAME						SEE PAGE
					1	2	3	4	5	6 (PRODUCT LEVEL)	
	1	1	<b>4B-2043</b>	4	NUT (8-32-THD)						
	2	1	<b>5P-7921</b>	4	SCREW-WASHER HEAD (1/4-20X0.75-IN)						
	3	1	<b>169-2182</b>	1	SEAL						
	4	1	<b>308-2363</b>	1	KIT-COVER (INCLUDES COVER & GASKET)						
	5	1	<b>212-3416</b>	4	SCREW-PAN HEAD (8-16X0.5-IN)						



RIGHT SIDE VIEW



FRONT VIEW  
(COVER REMOVED)

GRAPHIC #1

<END>

g01450125

# ELECTRICAL AND STARTING SYSTEM

## 393-4942 FASTENER GP-WIRING HARNESS

S/N: GDS1-UP

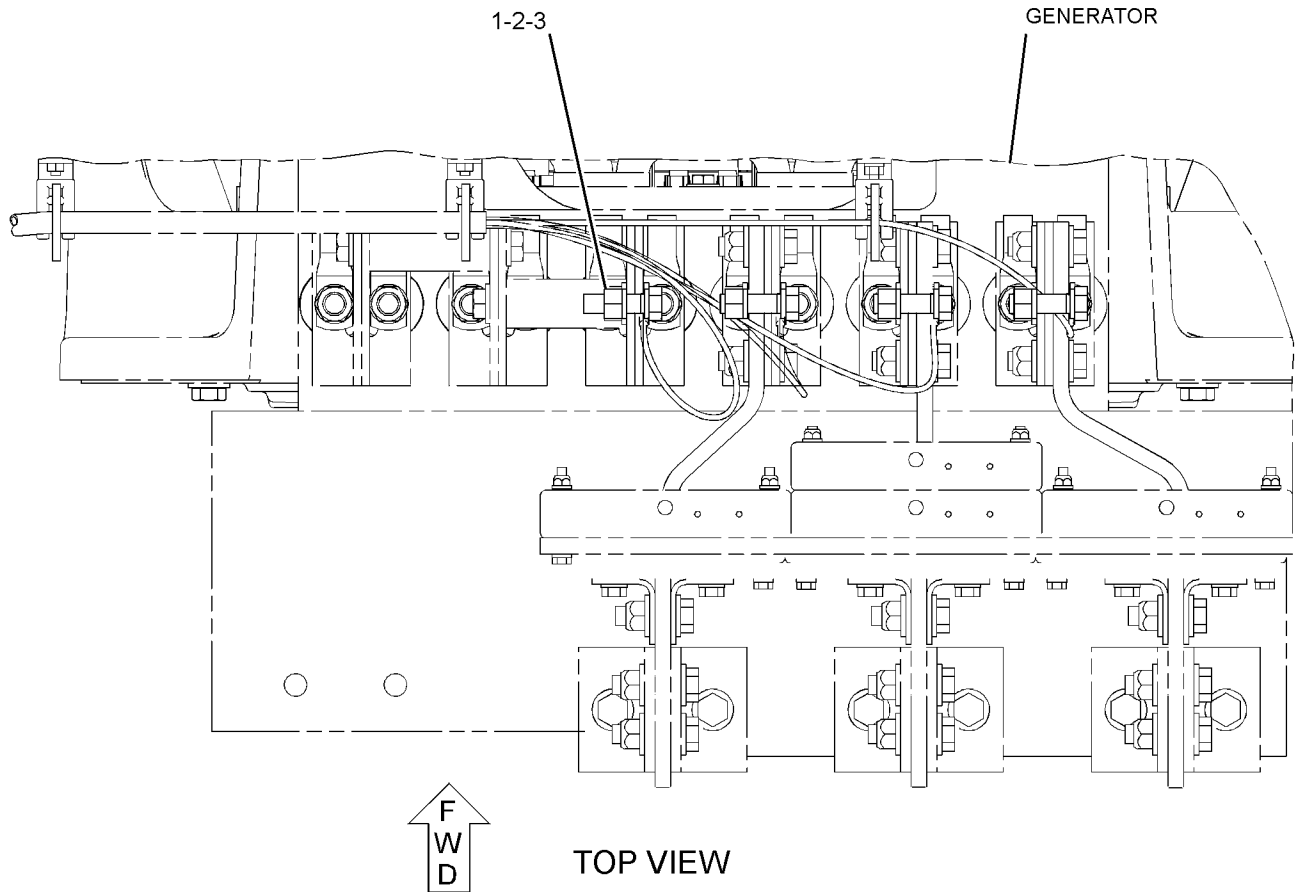
PART OF 361-7128 WIRING GP-BOX, 330-3453 WIRING GP-GENERATOR, 361-7120 WIRING GP-PANEL  
AN ATTACHMENT

SMCS-1408, 7553

i05066075

NOTE	REF NO	GRAPHIC REF	PART NUMBER	QTY	PART NAME						SEE PAGE
					1	2	3	4	5	6 (PRODUCT LEVEL)	
	1	1	<b>9Y-7066</b>	8	WASHER (12.7X18X3-MM THK)						
M	2	1	<b>8T-4183</b>	4	BOLT (M12X1.75X40-MM)						
M	3	1	<b>8T-4244</b>	4	NUT (M12X1.75-THD)						

M - METRIC PART



GRAPHIC #1

<END>

g03240500

# ELECTRICAL AND STARTING SYSTEM

## 397-2016 GROUND GP-ELECTRICAL

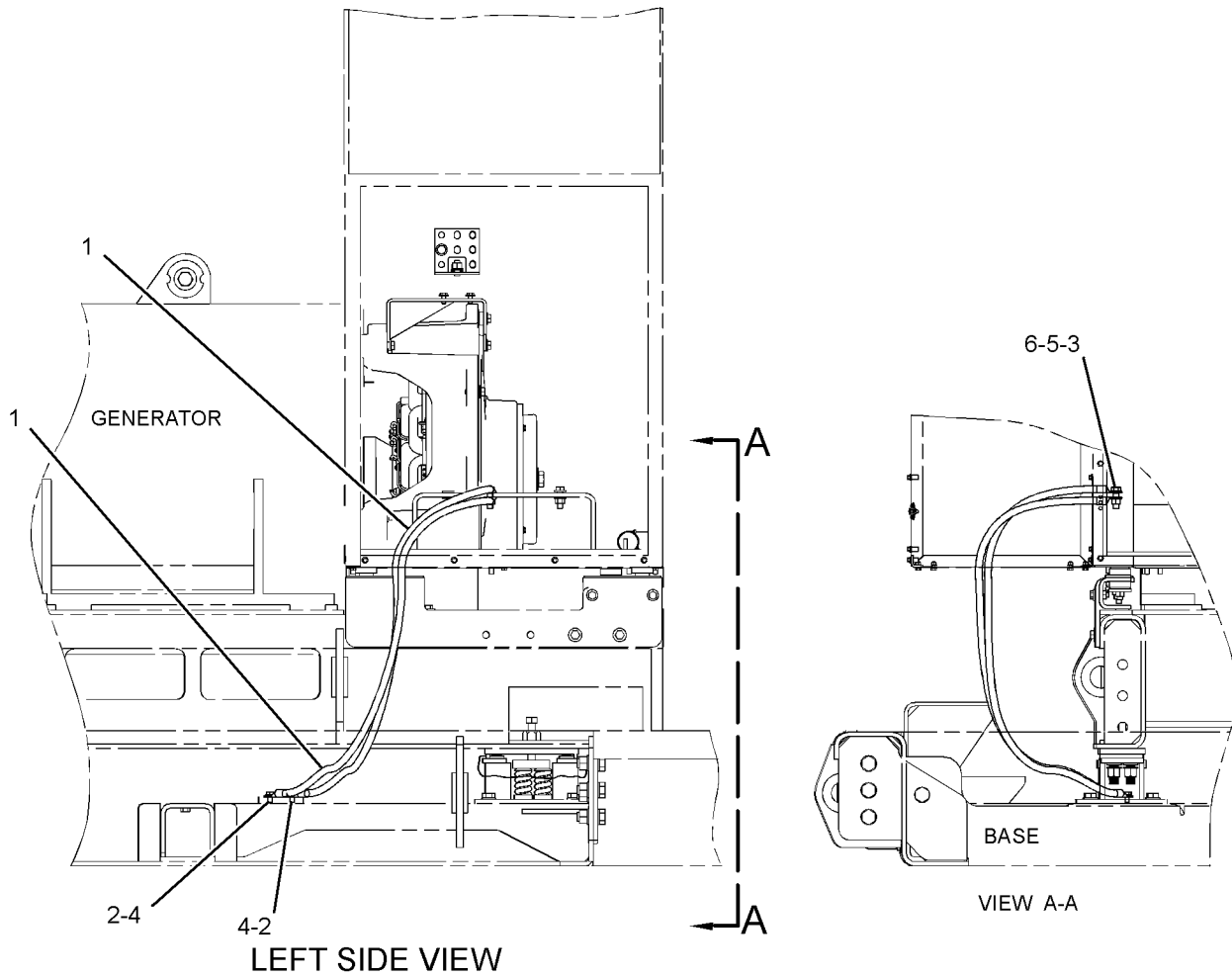
S/N: GDS1-UP  
AN ATTACHMENT

SMCS-1405

i05233696

NOTE	REF NO	GRAPHIC REF	PART NUMBER	QTY	PART NAME						SEE PAGE
					1	2	3	4	5	6 (PRODUCT LEVEL)	
	1	1	360-0788	2	CABLE AS						
					(EACH INCLUDES)						
		1	5P-2600	2	RING-TERMINAL (000-GA, 1/2-IN SCREW)						
E		1	188-3111		CABLE (000-GA, GREEN, YELLOW STRIPE) (153-CM)						
	2	1	8T-4121	2	WASHER-HARD (11X21X2.5-MM THK)						
M	3	1	8T-4183	1	BOLT (M12X1.75X40-MM)						
M	4	1	8T-4191	2	BOLT (M10X1.5X16-MM)						
	5	1	8T-4223	2	WASHER-HARD (13.5X25.5X3-MM THK)						
M	6	1	8T-4244	1	NUT (M12X1.75-THD)						

E - ORDER BY THE CENTIMETER  
M - METRIC PART



GRAPHIC #1

<END>

g03351083

# ELECTRICAL AND STARTING SYSTEM

## 373-9469 HARNESS AS-ALARM

S/N: GDS1-UP

EMCP 4

AN ATTACHMENT

SMCS-1408

i05027258

NOTE	PART NUMBER	QTY	PART NAME						SEE PAGE
			1	2	3	4	5	6 (PRODUCT LEVEL)	
	109-3038	8	END-WIRE (16-GA)						
	155-2265	1	KIT-CONNECTING PLUG (8-PIN)						
			(INCLUDES PLUG AS, WEDGE, & INTERFACE SEAL)						
	8T-8737	3	PLUG-SEAL						
	8T-8730	5	SOCKET-CONNECTOR (16-GA TO 18-GA)						
	7K-1181	10	STRAP-CABLE						
	128-5669	2	TERMINAL-BLADE (14-GA TO 16-GA)						
	2L-8074	2	TERMINAL-RING (14-GA TO 16-GA, NO. 6 SCREW)						
D	5P-6001		TUBE-HEAT SHRINK (4.75-MM DIA) (0.1-M)						
E	125-7876		TUBE-HEAT SHRINK (17.78-MM DIA) (5-CM)						
D - ORDER BY THE METER									
E - ORDER BY THE CENTIMETER									

<END>

## 359-9932 HARNESS AS-BOX

S/N: GDS1-UP

EMCP 4.2

PART OF 368-4865 BOX GP-ELECTRONIC

AN ATTACHMENT

SMCS-1408

i04941310

NOTE	PART NUMBER	QTY	PART NAME						SEE PAGE
			1	2	3	4	5	6 (PRODUCT LEVEL)	
	112-7497	4	END-WIRE (14-GA)						
	109-3038	6	END-WIRE (16-GA)						
	110-8714	44	END-WIRE (18-GA)						
	8T-8729	12	PIN-CONNECTOR (16-GA TO 18-GA)						
	9X-3401	54	PIN-CONNECTOR (16-GA TO 18-GA)						
	126-1767	4	PIN-CONNECTOR (14-GA TO 16-GA)						
	8T-8737	18	PLUG-SEAL						
	133-8753	1	RECEPTACLE AS-CONNECTOR (70-PIN)						
	9W-1951	2	RECEPTACLE-CONNECTOR (9-PIN)						
B	7K-1181	12	STRAP-CABLE						
E	119-3662		TUBE-HEAT SHRINK (10.85-MM DIA) (33-CM)						
E	125-7875		TUBE-HEAT SHRINK (7.44-MM DIA) (5-CM)						

B - USE AS REQUIRED

E - ORDER BY THE CENTIMETER

<END>

# ELECTRICAL AND STARTING SYSTEM

## 361-1650 HARNESS AS-BOX

S/N: GDS1-UP

EMCP 4.3

PART OF 361-7119 WIRING GP-BOX  
AN ATTACHMENT

SMCS-1408

i04969970

NOTE	PART NUMBER	QTY	PART NAME						SEE PAGE
			1	2	3	4	5	6 (PRODUCT LEVEL)	
	8T-8737	7	PLUG-SEAL						
	109-3038	32	END-WIRE (16-GA)						
	110-8714	2	END-WIRE (18-GA)						
	112-7497	14	END-WIRE (14-GA)						
E	119-3662		TUBE-HEAT SHRINK (10.85-MM DIA) (13-CM)						
E	125-7876		TUBE-HEAT SHRINK (17.78-MM DIA) (20-CM)						
	9X-3402	33	SOCKET-CONNECTOR (16-GA TO 18-GA)						
			-OR-						
	126-1768	33	SOCKET-CONNECTOR (14-GA TO 16-GA)						
	183-5784	1	PLUG AS-CONNECTOR (40-PIN)						
	3E-4367	1	RING-RETAINING						
M	3E-8557	1	BOLT (M5X0.8X39.37-MM)						
	9X-3490	2	SEAL-CONNECTOR (40-PIN)						
E - ORDER BY THE CENTIMETER M - METRIC PART									
<END>									

## 361-1651 HARNESS AS-BOX

S/N: GDS1-UP

EMCP 4.4

PART OF 361-7119 WIRING GP-BOX  
AN ATTACHMENT

SMCS-1408

i04969972

NOTE	PART NUMBER	QTY	PART NAME						SEE PAGE
			1	2	3	4	5	6 (PRODUCT LEVEL)	
	8T-8737	8	PLUG-SEAL						
	112-7497	4	END-WIRE (14-GA)						
	9X-3402	4	SOCKET-CONNECTOR (16-GA TO 18-GA)						
			-OR-						
	126-1768	4	SOCKET-CONNECTOR (14-GA TO 16-GA)						
	155-2256	1	KIT-CONNECTING PLUG (12-PIN)						
			(INCLUDES PLUG AS, WEDGE, & INTERFACE SEAL)						
<END>									

## 361-7123 HARNESS AS-BOX

S/N: GDS1-UP

EMCP 4.4

PART OF 361-7119 WIRING GP-BOX  
AN ATTACHMENT

SMCS-1408

i04970131

NOTE	PART NUMBER	QTY	PART NAME						SEE PAGE
			1	2	3	4	5	6 (PRODUCT LEVEL)	
	109-3038	4	END-WIRE (16-GA)						
	112-7497	10	END-WIRE (14-GA)						
	3S-2093	15	STRAP-CABLE						
<END>									



# ELECTRICAL AND STARTING SYSTEM

## 361-1644 HARNESS AS-CONTROL

S/N: GDS1-UP

EMCP 4.3

PART OF 383-4663 MOUNTING GP-ELECTRONIC CONTROL, 361-1664 WIRING GP-PANEL  
AN ATTACHMENT

SMCS-1408

i05029151

NOTE	PART NUMBER	QTY	PART NAME						SEE PAGE
			1	2	3	4	5	6 (PRODUCT LEVEL)	
	102-8806	1	KIT-RECEPTACLE (8-PIN)						
			(INCLUDES RECEPTACLE AS & WEDGE)						
	155-2274	1	KIT-CONNECTING PLUG (6-PIN)						
			(INCLUDES PLUG AS, WEDGE, & INTERFACE SEAL)						
	112-7497	1	END-WIRE (14-GA)						
E	125-7876		TUBE-HEAT SHRINK (17.78-MM DIA) (5-CM)						
	9X-3402	6	SOCKET-CONNECTOR (16-GA TO 18-GA)						
			-OR-						
	126-1768	6	SOCKET-CONNECTOR (14-GA TO 16-GA)						
	162-4171	6	TERMINAL AS (18-GA TO 20-GA)						
			(EACH INCLUDES)						
E	125-7875		TUBE-HEAT SHRINK (7.44-MM DIA) (4-CM)						
	5P-2321	9	TERMINAL-FORK (14-GA TO 16-GA, NO. 6 SCREW)						
	9X-3401	8	PIN-CONNECTOR (16-GA TO 18-GA)						
			-OR-						
	126-1767	8	PIN-CONNECTOR (14-GA TO 16-GA)						
E - ORDER BY THE CENTIMETER									

<END>

## 361-7112 HARNESS AS-CONTROL

S/N: GDS1-UP

EMCP 4.3, 4.4

PART OF 361-7121 WIRING GP-PANEL  
AN ATTACHMENT

SMCS-1408

i05136953

NOTE	PART NUMBER	QTY	PART NAME						SEE PAGE
			1	2	3	4	5	6 (PRODUCT LEVEL)	
	3S-2093	10	STRAP-CABLE						
	9X-7147	1	PLUG AS-CONNECTOR (40-PIN)						
	3E-4367	1	RING-RETAINING						
M	3E-8557	1	BOLT (M5X0.8X39.37-MM)						
	9X-3490	2	SEAL-CONNECTOR (40-PIN)						
	110-8714	40	END-WIRE (18-GA)						
	112-7497	1	END-WIRE (14-GA)						
	2L-8075	1	TERMINAL-RING (14-GA TO 16-GA, NO. 8 SCREW)						
	9X-3402	40	SOCKET-CONNECTOR (16-GA TO 18-GA)						
			-OR-						
	126-1768	40	SOCKET-CONNECTOR (14-GA TO 16-GA)						
M - METRIC PART									

<END>

# ELECTRICAL AND STARTING SYSTEM

## 361-7113 HARNESS AS-CONTROL

S/N: GDS1-UP

EMCP 4.3, 4.4

PART OF 361-7121, 364-7509 WIRING GP-PANEL  
AN ATTACHMENT

SMCS-1408

i05027211

NOTE	PART NUMBER	QTY	PART NAME						SEE PAGE
			1	2	3	4	5	6 (PRODUCT LEVEL)	
	102-8802	1	KIT-RECEPTACLE (2-PIN)						
			(INCLUDES RECEPTACLE AS & WEDGE)						
	8T-8737	3	PLUG-SEAL						
E	125-7876		TUBE-HEAT SHRINK (17.78-MM DIA) (10-CM)						
	9X-3402	8	SOCKET-CONNECTOR (16-GA TO 18-GA)						
			-OR-						
	126-1768	8	SOCKET-CONNECTOR (14-GA TO 16-GA)						
	9X-3401	2	PIN-CONNECTOR (16-GA TO 18-GA)						
			-OR-						
	126-1767	2	PIN-CONNECTOR (14-GA TO 16-GA)						
	155-2265	1	KIT-CONNECTING PLUG (8-PIN)						
	155-2260	1	KIT-CONNECTING PLUG (3-PIN)						
			(EACH PLUG KIT INCLUDES PLUG AS, WEDGE, & INTERFACE SEAL)						
E - ORDER BY THE CENTIMETER									
<END>									

## 361-7131 HARNESS AS-CONTROL

S/N: GDS1-UP

EMCP 4.3, 4.4

PART OF 364-7509 WIRING GP-PANEL  
AN ATTACHMENT

SMCS-1408

i05136958

NOTE	PART NUMBER	QTY	PART NAME						SEE PAGE
			1	2	3	4	5	6 (PRODUCT LEVEL)	
	112-7497	1	END-WIRE (14-GA)						
	2L-8075	1	TERMINAL-RING (14-GA TO 16-GA, NO. 8 SCREW)						
<END>									

# ELECTRICAL AND STARTING SYSTEM

## 376-7221 HARNESS AS-ENGINE

S/N: MJE1-UP; GDS1-UP

PART OF 373-6716 WIRING GP-ENGINE ELECTRONIC  
ALSO AN ATTACHMENT

SMCS-1408

i05223868

NOTE	PART NUMBER	QTY	PART NAME						SEE PAGE
			1	2	3	4	5	6 (PRODUCT LEVEL)	
	<b>6I-4348</b>	1	BOOT (40-PIN)						
E	<b>134-6258</b>		CABLE-ELECTRICAL (16-GA) (176-CM)						
E	<b>153-2707</b>		CABLE-ELECTRICAL (2-CONDUCTOR, 18-GA) (106-CM)						
	<b>8C-6354</b>	1	CAP-RECEPTACLE (ET CONNECTOR)						
	<b>237-0336</b>	1	COVER (CONNECTOR)						
	<b>133-0967</b>	2	PIN-CONNECTOR (16-GA TO 18-GA)						
	<b>9X-3401</b>	15	PIN-CONNECTOR (16-GA TO 18-GA)						
			-OR-						
	<b>126-1767</b>	15	PIN-CONNECTOR (14-GA TO 16-GA)						
	<b>9X-3401</b>	2	PIN-CONNECTOR (16-GA TO 18-GA)						
			-OR-						
	<b>126-1767</b>	2	PIN-CONNECTOR (14-GA TO 16-GA)						
	<b>3E-5519</b>	1	PLUG AS-CONNECTOR (5-PIN)						
	<b>8T-9834</b>	1	PLUG AS-CONNECTOR (40-PIN)						
M	<b>3E-8557</b>	1	BOLT (M5X0.8X39.37-MM)						
	<b>3E-4367</b>	1	RING-RETAINING						
	<b>9X-3132</b>	2	SEAL-CONNECTOR (40-PIN)						
	<b>155-2265</b>	1	KIT-CONNECTING PLUG (8-PIN)						
	<b>155-2270</b>	3	KIT-CONNECTING PLUG (2-PIN)						
			(EACH PLUG KIT INCLUDES PLUG AS, WEDGE & INTERFACE SEAL)						
	<b>160-7689</b>	1	PLUG AS-CONNECTOR (70-PIN)						
	<b>159-9322</b>	1	SEAL-O-RING						
	<b>230-4011</b>	1	PLUG AS-CONNECTOR (2-PIN)						
	<b>264-7029</b>	1	SEAL-CONNECTOR						
	<b>174-3016</b>	1	PLUG AS-CONNECTOR (3-PIN)						
	<b>160-8124</b>	2	PLUG AS (2-PIN)						
			(EACH INCLUDES)						
	<b>8T-8737</b>	2	PLUG-SEAL						
	<b>102-8802</b>	1	KIT-RECEPTACLE (2-PIN)						
			(INCLUDES RECEPTACLE AS & WEDGE)						
	<b>8T-8737</b>	61	PLUG-SEAL						
	<b>7G-7919</b>	1	PLUG-SEAL						
	<b>102-8806</b>	1	KIT-RECEPTACLE (8-PIN)						
	<b>176-9299</b>	1	KIT-RECEPTACLE (3-PIN)						
			(EACH RECEPTACLE KIT INCLUDES RECEPTACLE AS & WEDGE)						
	<b>239-7357</b>	1	RECEPTACLE AS-CONNECTOR (12-PIN)						
	<b>8T-8736</b>	1	RECEPTACLE-CONNECTOR (9-PIN)						
	<b>9X-3402</b>	75	SOCKET-CONNECTOR (16-GA TO 18-GA)						
			-OR-						
	<b>126-1768</b>	75	SOCKET-CONNECTOR (14-GA TO 16-GA)						
	<b>133-0969</b>	3	CONNECTOR-SOCKET (16-GA TO 18-GA)						
	<b>3S-2093</b>	3	STRAP-CABLE						
B	<b>329-3734</b>		TAPE						
	<b>9G-4343</b>	1	TERMINAL-RING (4-GA, 1/4-IN SCREW)						
	<b>9G-4344</b>	1	TERMINAL-RING (4-GA, 1/2-IN SCREW)						
	<b>131-1487</b>	1	TERMINAL AS (6-GA TO 8-GA)						
	<b>4K-4639</b>	1	TERMINAL-SOLDER (6-GA TO 8-GA, NO. 10 SCREW)						
E	<b>119-3662</b>		TUBE-HEAT SHRINK (10.85-MM DIA) (4-CM)						
	<b>131-1488</b>	1	TERMINAL AS-RING (6-GA TO 8-GA)						
	<b>6H-3586</b>	1	TERMINAL-RING (6-GA TO 8-GA, 1/4-IN SCREW)						
E	<b>119-3662</b>		TUBE-HEAT SHRINK (10.85-MM DIA) (4-CM)						
	<b>131-1492</b>	1	TERMINAL AS-RING (6-GA TO 8-GA)						
	<b>3K-4528</b>	1	TERMINAL-RING (6-GA TO 8-GA, 1/2-IN SCREW)						
E	<b>119-3662</b>		TUBE-HEAT SHRINK (10.85-MM DIA) (4-CM)						

# ELECTRICAL AND STARTING SYSTEM

376-7221 HARNESS AS-ENGINE (contd.)

i05223868

NOTE	PART NUMBER	QTY	PART NAME						SEE PAGE
			1	2	3	4	5	6 (PRODUCT LEVEL)	
	2L-8066	4	TERMINAL-RING (10-GA TO 12-GA, NO. 10 SCREW)						
	2L-8071	1	TERMINAL-RING (10-GA TO 12-GA, 1/2-IN SCREW)						
	2L-8076	2	TERMINAL-RING (14-GA TO 16-GA, NO. 10 SCREW)						
	9X-1055	2	TERMINAL-RECEPTACLE (12-GA)						
	9X-1056	4	TERMINAL-RECEPTACLE (14-GA TO 16-GA)						
	100-5041	2	TERMINAL-RECEPTACLE (18-GA TO 20-GA)						
E	119-3662		TUBE-HEAT SHRINK (10.85-MM DIA) (25-CM)						
E	125-7874		TUBE-HEAT SHRINK (5.72-MM DIA) (100-CM)						
E	125-7876		TUBE-HEAT SHRINK (17.78-MM DIA) (23-CM)						
D	5P-6001		TUBE-HEAT SHRINK (4.75-MM DIA) (0.3-M)						

B - USE AS REQUIRED  
D - ORDER BY THE METER  
E - ORDER BY THE CENTIMETER  
M - METRIC PART

<END>

# ELECTRICAL AND STARTING SYSTEM

## 423-0827 HARNESS AS-LIGHTING

S/N: GDS1-UP

DC LIGHTING

PART OF 423-0826 CONDUIT GP-ELECTRICAL  
AN ATTACHMENT

SMCS-1408

i05283117

NOTE	PART NUMBER	QTY	PART NAME						SEE PAGE
			1	2	3	4	5	6 (PRODUCT LEVEL)	
	155-2270	2	KIT-CONNECTING PLUG (2-PIN)						
			(INCLUDES PLUG AS, WEDGE & INTERFACE SEAL)						
	8T-8730	4	SOCKET-CONNECTOR (16-GA TO 18-GA)						
	5P-2766	1	TERMINAL-RING (18-GA TO 22-GA, NO. 6 SCREW)						
E	119-3662		TUBE-HEAT SHRINK (10.85-MM DIA) (13-CM)						

E - ORDER BY THE CENTIMETER

<END>

## 361-7122 HARNESS AS-PANEL

S/N: GDS1-UP

EMCP 4.4

PART OF 361-7120 WIRING GP-PANEL  
AN ATTACHMENT

SMCS-1408

i04941316

NOTE	PART NUMBER	QTY	PART NAME						SEE PAGE
			1	2	3	4	5	6 (PRODUCT LEVEL)	
	102-8802	1	KIT-RECEPTACLE (2-PIN)						
	102-8801	1	KIT-RECEPTACLE (12-PIN)						
			(EACH RECEPTACLE KIT INCLUDES RECEPTACLE AS & WEDGE)						
	9X-3401	13	PIN-CONNECTOR (16-GA TO 18-GA)						
			-OR-						
	126-1767	13	PIN-CONNECTOR (14-GA TO 16-GA)						
	8T-8737	1	PLUG-SEAL						
E	125-7874		TUBE-HEAT SHRINK (5.72-MM DIA) (10-CM)						

E - ORDER BY THE CENTIMETER

<END>

# ELECTRICAL AND STARTING SYSTEM

## 361-7124 HARNESS AS-PANEL

S/N: GDS1-UP

PART OF 430-4323 WIRING GP-ENGINE  
AN ATTACHMENT

SMCS-1408

i04970153

NOTE	PART NUMBER	QTY	PART NAME 1 2 3 4 5 6 (PRODUCT LEVEL)	SEE PAGE
	6I-4348	2	BOOT (40-PIN)	
	155-2271	1	KIT-CONNECTING PLUG (4-PIN) (INCLUDES PLUG AS AND WEDGE)	
	9X-3401	37	PIN-CONNECTOR (16-GA TO 18-GA) -OR-	
	126-1767	37	PIN-CONNECTOR (14-GA TO 16-GA)	
	8T-9834	1	PLUG AS-CONNECTOR (40-PIN)	
	3E-4367	1	RING-RETAINING	
M	3E-8557	1	BOLT (M5X0.8X39.37-MM)	
	9X-3132	2	SEAL-CONNECTOR (40-PIN)	
	8T-8737	4	PLUG-SEAL	
	9X-1339	1	RECEPTACLE AS-CONNECTOR (40-PIN)	
	9X-3402	43	SOCKET-CONNECTOR (16-GA TO 18-GA) -OR-	
	126-1768	43	SOCKET-CONNECTOR (14-GA TO 16-GA)	
E	119-3662		TUBE-HEAT SHRINK (10.85-MM DIA) (7-CM)	
E	125-7874		TUBE-HEAT SHRINK (5.72-MM DIA) (5-CM)	

E - ORDER BY THE CENTIMETER  
M - METRIC PART

<END>

# ELECTRICAL AND STARTING SYSTEM

## 361-7126 HARNESS AS-PANEL

S/N: GDS1-UP

EMCP 4.3, 4.4

PART OF 425-8635 WIRING GP-ENGINE

AN ATTACHMENT

SMCS-1408

i05197511

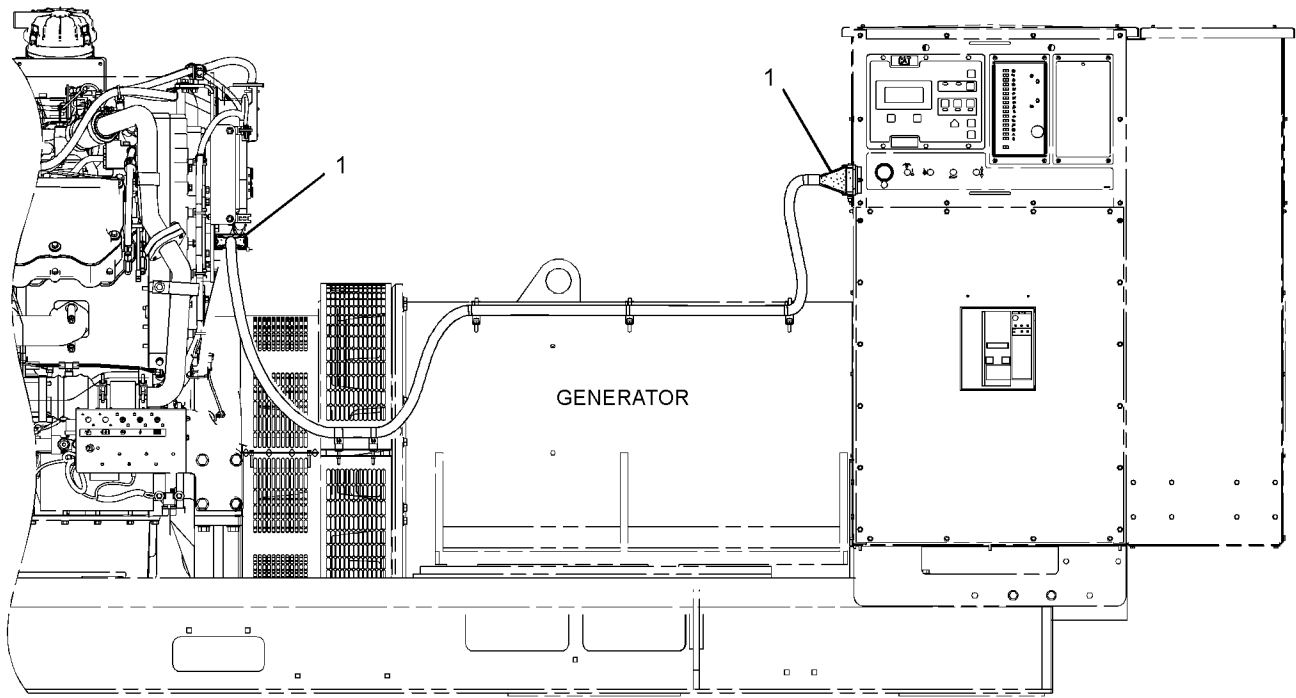
NOTE	REF NO	GRAPHIC REF	PART NUMBER	QTY	PART NAME						SEE PAGE
					1	2	3	4	5	6	
	1	1	<b>6I-4348</b>	2	BOOT (40-PIN)						
EF			<b>379-1795</b>		CABLE (296-CM)						
EF			<b>379-2338</b>		CABLE-ELECTRICAL (2-CONDUCTOR, 18-GA) (296-CM)						
F			<b>9X-3401</b>	37	PIN-CONNECTOR (16-GA TO 18-GA)						
					-OR-						
F			<b>126-1767</b>	37	PIN-CONNECTOR (14-GA TO 16-GA)						
F			<b>8T-9834</b>	1	PLUG AS-CONNECTOR (40-PIN)						
M			<b>3E-8557</b>	1	BOLT (M5X0.8X39.37-MM)						
			<b>3E-4367</b>	1	RING-RETAINING						
			<b>9X-3132</b>	2	SEAL-CONNECTOR (40-PIN)						
F			<b>8T-8737</b>	6	PLUG-SEAL						
F			<b>9X-1339</b>	1	RECEPTACLE AS-CONNECTOR (40-PIN)						
F			<b>9X-3402</b>	37	SOCKET-CONNECTOR (16-GA TO 18-GA)						
					-OR-						
F			<b>126-1768</b>	37	SOCKET-CONNECTOR (14-GA TO 16-GA)						
DF			<b>5P-6001</b>		TUBE-HEAT SHRINK (4.75-MM DIA) (0.02-M)						
EF			<b>125-7876</b>		TUBE-HEAT SHRINK (17.78-MM DIA) (20-CM)						

D - ORDER BY THE METER  
 E - ORDER BY THE CENTIMETER  
 F - NOT SHOWN  
 M - METRIC PART

# ELECTRICAL AND STARTING SYSTEM

361-7126 HARNESS AS-PANEL (contd.)

i05197511



LEFT SIDE VIEW OF ENGINE

GRAPHIC #1

<END>

g02561129



# ELECTRICAL AND STARTING SYSTEM

## 364-7513 HARNESS AS-PANEL

S/N: GDS1-UP

PART OF 371-3764 CONTROL GP-ELECTRONIC  
AN ATTACHMENT

SMCS-1408

i04964732

NOTE	PART NUMBER	QTY	PART NAME						SEE PAGE
			1	2	3	4	5	6 (PRODUCT LEVEL)	
	155-2260	2	KIT-CONNECTING PLUG (3-PIN)						
	155-2274	2	KIT-CONNECTING PLUG (6-PIN)						
	174-0503	2	KIT-CONNECTING PLUG (3-PIN)						
			(EACH PLUG KIT INCLUDES PLUG AS, WEDGE, & INTERFACE SEAL)						
	8T-8737	14	PLUG-SEAL						
	9W-1951	2	RECEPTACLE-CONNECTOR (9-PIN)						
	9X-0145	1	RECEPTACLE AS-CONNECTOR (24-PIN)						
E	125-7874		TUBE-HEAT SHRINK (5.72-MM DIA) (80-CM)						
E	125-7875		TUBE-HEAT SHRINK (7.44-MM DIA) (10-CM)						
	9X-3402	21	SOCKET-CONNECTOR (16-GA TO 18-GA)						
			-OR-						
	126-1768	21	SOCKET-CONNECTOR (14-GA TO 16-GA)						
	5P-4571	4	TERMINAL-BLADE (14-GA TO 16-GA)						
	2L-8075	2	TERMINAL-RING (14-GA TO 16-GA, NO. 8 SCREW)						
	134-2540	2	RESISTOR AS-CONNECTION (3-PIN)						
	9X-3401	31	PIN-CONNECTOR (16-GA TO 18-GA)						
			-OR-						
	126-1767	31	PIN-CONNECTOR (14-GA TO 16-GA)						
	274-3775	2	CAP-CONNECTOR						
	274-3777	2	CAP-CONNECTOR						
E - ORDER BY THE CENTIMETER									
<END>									

## 372-6306 HARNESS AS-PANEL-DATA LINK

S/N: GDS1-UP

RS TERM. RESISTOR

FOR USE WITH RS485 SIGNALS

PART OF 372-6303 WIRING GP-GENERATOR  
AN ATTACHMENT

SMCS-1408

i04765152

NOTE	PART NUMBER	QTY	PART NAME						SEE PAGE
			1	2	3	4	5	6 (PRODUCT LEVEL)	
	134-2540	1	RESISTOR AS-CONNECTION (3-PIN)						
	194-5226	3	WIRE AS (16-GA)						
			-OR-						
	194-5227	3	WIRE AS (14-GA)						
			-OR-						
	110-8714	2	END-WIRE (18-GA)						
	109-3038	2	END-WIRE (16-GA)						
	9X-3402	3	SOCKET-CONNECTOR (16-GA TO 18-GA)						
			-OR-						
	126-1768	3	SOCKET-CONNECTOR (14-GA TO 16-GA)						
D	5P-6001		TUBE-HEAT SHRINK (4.75-MM DIA) (0.1-M)						
E	119-3662		TUBE-HEAT SHRINK (10.85-MM DIA) (5-CM)						
			-OR-						
	155-2260	1	KIT-CONNECTING PLUG (3-PIN)						
			(INCLUDES PLUG AS, WEDGE, & INTERFACE SEAL)						
D - ORDER BY THE METER									
E - ORDER BY THE CENTIMETER									
<END>									

# ELECTRICAL AND STARTING SYSTEM

## 361-1646 HARNESS AS-POWER

S/N: GDS1-UP

EMCP 4.3, 4.4

PART OF 361-1631 WIRING GP-BOX  
AN ATTACHMENT

SMCS-1408

i05202452

NOTE	PART NUMBER	QTY	PART NAME						SEE PAGE
			1	2	3	4	5	6 (PRODUCT LEVEL)	
	<b>102-8805</b>	2	KIT-RECEPTACLE (6-PIN)						
			(EACH INCLUDES RECEPTACLE AS & WEDGE)						
	<b>155-2265</b>	1	KIT-CONNECTING PLUG (8-PIN)						
	<b>174-0503</b>	1	KIT-CONNECTING PLUG (3-PIN)						
			(EACH PLUG KIT INCLUDES PLUG AS, WEDGE, & INTERFACE SEAL)						
	<b>8T-8737</b>	16	PLUG-SEAL						
	<b>9X-0347</b>	1	PLUG AS-CONNECTOR (70-PIN)						
	<b>3E-4367</b>	1	RING-RETAINING						
M	<b>3E-8557</b>	1	BOLT (M5X0.8X39.37-MM)						
	<b>9X-4391</b>	1	PLUG AS-CONNECTOR (70-PIN)						
	<b>3E-4367</b>	1	RING-RETAINING						
M	<b>3E-8557</b>	1	BOLT (M5X0.8X39.37-MM)						
	<b>9X-5615</b>	2	SEAL (INTERFACE, 70-PIN)						
	<b>110-8714</b>	29	END-WIRE (18-GA)						
	<b>112-7497</b>	38	END-WIRE (14-GA)						
E	<b>119-3662</b>		TUBE-HEAT SHRINK (10.85-MM DIA) (39-CM)						
E	<b>125-7875</b>		TUBE-HEAT SHRINK (7.44-MM DIA) (15-CM)						
E	<b>125-7876</b>		TUBE-HEAT SHRINK (17.78-MM DIA) (140-CM)						
	<b>9X-3402</b>	136	SOCKET-CONNECTOR (16-GA TO 18-GA)						
			-OR-						
	<b>126-1768</b>	136	SOCKET-CONNECTOR (14-GA TO 16-GA)						
	<b>134-2540</b>	1	RESISTOR AS-CONNECTION (3-PIN)						
	<b>9X-3401</b>	11	PIN-CONNECTOR (16-GA TO 18-GA)						
			-OR-						
	<b>126-1767</b>	11	PIN-CONNECTOR (14-GA TO 16-GA)						
	<b>234-1857</b>	1	PLUG-CONNECTOR (9-PIN)						
	<b>234-1858</b>	1	PLUG-CONNECTOR (12-PIN)						
	<b>244-0452</b>	21	END-WIRE (14-GA TO 20-GA)						
	<b>246-7014</b>	1	SEAL (9-POSITION)						
	<b>246-7015</b>	1	SEAL (12-POSITION)						

E - ORDER BY THE CENTIMETER  
M - METRIC PART

<END>

# ELECTRICAL AND STARTING SYSTEM

## 361-1647 HARNESS AS-POWER

S/N: GDS1-UP

EMCP 4.3, 4.4

PART OF 361-1631 WIRING GP-BOX  
AN ATTACHMENT

SMCS-1408

i04930803

NOTE	PART NUMBER	QTY	PART NAME 1 2 3 4 5 6 (PRODUCT LEVEL)	SEE PAGE
	9X-7144	1	PLUG AS-CONNECTOR (24-PIN)	
	3E-4367	1	RING-RETAINING	
M	3E-8558	1	BOLT (M5X0.8X39.37-MM)	
	9X-3265	2	SEAL-CONNECTOR (24-PIN)	
M	3E-8558	1	BOLT (M5X0.8X39.37-MM)	
	112-7497	11	END-WIRE (14-GA)	
	109-3038	8	END-WIRE (16-GA)	
	244-0452	6	END-WIRE (14-GA TO 20-GA)	
	155-2260	1	KIT-CONNECTING PLUG (3-PIN)	
	155-2274	1	KIT-CONNECTING PLUG (6-PIN)	
			(EACH PLUG KIT INCLUDES PLUG AS, WEDGE & INTERFACE SEAL)	
	8T-8737	7	PLUG-SEAL	
	234-1856	1	PLUG-CONNECTOR (6-PIN)	
	3E-4367	1	RING-RETAINING	
	246-7013	1	SEAL (6-POSITION)	
	9X-3265	1	SEAL-CONNECTOR (24-PIN)	
	9X-3402	26	SOCKET-CONNECTOR (16-GA TO 18-GA)	
			-OR-	
	126-1768	26	SOCKET-CONNECTOR (14-GA TO 16-GA)	
E	125-7874		TUBE-HEAT SHRINK (5.72-MM DIA) (15-CM)	

E - ORDER BY THE CENTIMETER  
M - METRIC PART

<END>

# ELECTRICAL AND STARTING SYSTEM

## 361-1666 HARNESS AS-POWER

S/N: GDS1-UP

EMCP 4.3, 4.4

PART OF 361-7128 WIRING GP-BOX  
AN ATTACHMENT

SMCS-1408

i04941309

NOTE	PART NUMBER	QTY	PART NAME 1 2 3 4 5 6 (PRODUCT LEVEL)	SEE PAGE
	102-8803	1	KIT-RECEPTACLE (3-PIN)	
	102-8804	2	KIT-RECEPTACLE (4-PIN)	
	102-8806	1	KIT-RECEPTACLE (8-PIN)	
			(EACH RECEPTACLE KIT INCLUDES RECEPTACLE AS & WEDGE)	
	155-2265	3	KIT-CONNECTING PLUG (8-PIN)	
	155-2260	2	KIT-CONNECTING PLUG (3-PIN)	
	155-2270	3	KIT-CONNECTING PLUG (2-PIN)	
	155-2271	4	KIT-CONNECTING PLUG (4-PIN)	
			(EACH PLUG KIT INCLUDES PLUG AS, WEDGE, & INTERFACE SEAL)	
	8T-8737	82	PLUG-SEAL	
	9X-1343	1	RECEPTACLE AS-CONNECTOR (40-PIN)	
	103-0213	1	RECEPTACLE AS-CONNECTOR (70-PIN)	
E	119-3662		TUBE-HEAT SHRINK (10.85-MM DIA) (26-CM)	
E	125-7874		TUBE-HEAT SHRINK (5.72-MM DIA) (55-CM)	
E	125-7876		TUBE-HEAT SHRINK (17.78-MM DIA) (175-CM)	
	9X-3402	141	SOCKET-CONNECTOR (16-GA TO 18-GA)	
			-OR-	
	126-1768	141	SOCKET-CONNECTOR (14-GA TO 16-GA)	
	9X-3401	172	PIN-CONNECTOR (16-GA TO 18-GA)	
			-OR-	
	126-1767	172	PIN-CONNECTOR (14-GA TO 16-GA)	
	175-7061	1	RECEPTACLE AS-CONNECTOR	
	264-5732	1	PLUG AS-CONNECTOR (120-PIN)	
	288-7324	1	SEAL-CONNECTOR	
	274-3774	3	CAP-CONNECTOR	
	274-3775	1	CAP-CONNECTOR	
	274-3776	1	CAP-SEAL	
	7X-6222	1	PLUG AS-CONNECTOR (24-PIN)	
	3E-4367	1	RING-RETAINING	
M	3E-8558	1	BOLT (M5X0.8X39.37-MM)	
	9X-4714	1	CAP	

E - ORDER BY THE CENTIMETER  
M - METRIC PART

<END>

# ELECTRICAL AND STARTING SYSTEM

## 361-7105 HARNESS AS-POWER

S/N: GDS1-UP

EMCP 4.4

PART OF 361-7120 WIRING GP-PANEL  
AN ATTACHMENT

SMCS-1408

i05202448

NOTE	PART NUMBER	QTY	PART NAME						SEE PAGE
			1	2	3	4	5	6 (PRODUCT LEVEL)	
	331-4233	1	KIT-RECEPTACLE CONNECTOR (INCLUDES RECEPTACLE AS & WEDGE)						
	9X-3401	4	PIN-CONNECTOR (16-GA TO 18-GA) -OR-						
	126-1767	4	PIN-CONNECTOR (14-GA TO 16-GA)						
	8T-8737	8	PLUG-SEAL						
	2L-8081	4	TERMINAL-RING (14-GA TO 16-GA, 1/2-IN SCREW)						
			<END>						

## 361-7109 HARNESS AS-POWER

S/N: GDS1-UP

EMCP 4.4

PART OF 361-7120 WIRING GP-PANEL  
AN ATTACHMENT

SMCS-1408

i05029191

NOTE	PART NUMBER	QTY	PART NAME						SEE PAGE
			1	2	3	4	5	6 (PRODUCT LEVEL)	
	160-7690	1	PLUG AS-CONNECTOR (70-PIN)						
	159-9322	1	SEAL-O-RING						
	183-5785	1	RECEPTACLE AS (40-PIN)						
	155-2255	1	KIT-CONNECTING PLUG (12-PIN) (INCLUDES PLUG AS, WEDGE, & INTERFACE SEAL)						
	102-8806	1	KIT-RECEPTACLE (8-PIN) (INCLUDES RECEPTACLE AS & WEDGE)						
	9X-3401	39	PIN-CONNECTOR (16-GA TO 18-GA) -OR-						
	126-1767	39	PIN-CONNECTOR (14-GA TO 16-GA)						
	8T-8737	50	PLUG-SEAL						
	9X-3402	41	SOCKET-CONNECTOR (16-GA TO 18-GA) -OR-						
	126-1768	41	SOCKET-CONNECTOR (14-GA TO 16-GA)						
E	125-7875		TUBE-HEAT SHRINK (7.44-MM DIA) (5-CM)						
E	125-7876		TUBE-HEAT SHRINK (17.78-MM DIA) (20-CM)						
E - ORDER BY THE CENTIMETER									
			<END>						

# ELECTRICAL AND STARTING SYSTEM

## 361-7111 HARNESS AS-POWER

S/N: GDS1-UP

EMCP 4.3, 4.4

PART OF 361-7120, 383-4682 WIRING GP-PANEL  
AN ATTACHMENT

SMCS-1408

i05029209

NOTE	PART NUMBER	QTY	PART NAME						SEE PAGE
			1	2	3	4	5	6 (PRODUCT LEVEL)	
	102-8803	1	KIT-RECEPTACLE (3-PIN)						
			(INCLUDES RECEPTACLE AS & WEDGE)						
	155-2265	1	KIT-CONNECTING PLUG (8-PIN)						
			(INCLUDES PLUG AS, WEDGE, & INTERFACE SEAL)						
	8T-8737	1	PLUG-SEAL						
	9X-3402	7	SOCKET-CONNECTOR (16-GA TO 18-GA)						
			-OR-						
	126-1768	7	SOCKET-CONNECTOR (14-GA TO 16-GA)						
	9X-3401	3	PIN-CONNECTOR (16-GA TO 18-GA)						
			-OR-						
	126-1767	3	PIN-CONNECTOR (14-GA TO 16-GA)						
			<END>						

## 361-7127 HARNESS AS-POWER

S/N: GDS1-UP

EMCP 4.3, 4.4

PART OF 361-1631 WIRING GP-BOX  
AN ATTACHMENT

SMCS-1408

i04941313

NOTE	PART NUMBER	QTY	PART NAME						SEE PAGE
			1	2	3	4	5	6 (PRODUCT LEVEL)	
	112-7497	2	END-WIRE (14-GA)						
			<END>						

## 361-7135 HARNESS AS-POWER

S/N: GDS1-UP

EMCP 4.3, 4.4

PART OF 361-7134 WIRING GP-SHUTOFF  
AN ATTACHMENT

SMCS-1408

i05029529

NOTE	PART NUMBER	QTY	PART NAME						SEE PAGE
			1	2	3	4	5	6 (PRODUCT LEVEL)	
	102-8806	1	KIT-RECEPTACLE (8-PIN)						
			(INCLUDES RECEPTACLE AS & WEDGE)						
	110-8714	6	END-WIRE (18-GA)						
	112-7497	2	END-WIRE (14-GA)						
	9X-3401	8	PIN-CONNECTOR (16-GA TO 18-GA)						
			-OR-						
	126-1767	8	PIN-CONNECTOR (14-GA TO 16-GA)						
			<END>						

# ELECTRICAL AND STARTING SYSTEM

## 369-9885 HARNESS AS-POWER

S/N: GDS1-UP

EMCP 4.4

PART OF 371-1435 WIRING GP-BOX  
AN ATTACHMENT

SMCS-1408

i04388362

NOTE	PART NUMBER	QTY	PART NAME						SEE PAGE
			1	2	3	4	5	6 (PRODUCT LEVEL)	
	155-2271	1	KIT-CONNECTING PLUG (4-PIN) (INCLUDES PLUG AS, WEDGE & INTERFACE SEAL)						
	9X-3402	1	SOCKET-CONNECTOR (16-GA TO 18-GA) -OR-						
	126-1768	1	SOCKET-CONNECTOR (14-GA TO 16-GA)						
E	125-7875		TUBE-HEAT SHRINK (7.44-MM DIA) (5-CM)						
E - ORDER BY THE CENTIMETER									
<END>									

## 372-7070 HARNESS AS-POWER-JACKET WATER HEATER

S/N: GDS1-UP

PART OF 372-7071 CONDUIT GP-ELECTRICAL  
AN ATTACHMENT

SMCS-1408

i05029968

NOTE	PART NUMBER	QTY	PART NAME						SEE PAGE
			1	2	3	4	5	6 (PRODUCT LEVEL)	
	3S-2093	11	STRAP-CABLE						
	109-3038	4	END-WIRE (16-GA)						
	2L-8054	1	TERMINAL-RING (6-GA, 1/2-IN SCREW) -OR-						
	2L-8061	1	TERMINAL-RING (8-GA, 1/2-IN SCREW)						
E	119-3662		TUBE-HEAT SHRINK (10.85-MM DIA) (4-CM)						
E - ORDER BY THE CENTIMETER									
<END>									

## 385-9260 HARNESS AS-POWER

S/N: GDS1-UP

EMCP 4.3

PART OF 383-4679 WIRING GP-PANEL  
AN ATTACHMENT

SMCS-1408

i05028809

NOTE	PART NUMBER	QTY	PART NAME						SEE PAGE
			1	2	3	4	5	6 (PRODUCT LEVEL)	
	155-2265	2	KIT-CONNECTING PLUG (8-PIN) (EACH PLUG KIT INCLUDES PLUG AS, WEDGE, & INTERFACE SEAL)						
	8T-8737	2	PLUG-SEAL						
	9X-3402	14	SOCKET-CONNECTOR (16-GA TO 18-GA) -OR-						
	126-1768	14	SOCKET-CONNECTOR (14-GA TO 16-GA)						
<END>									

# ELECTRICAL AND STARTING SYSTEM

## 422-9001 HARNESS AS-POWER

S/N: GDS1-UP

DC CHARGER, STARTER

PART OF 422-8999 CONNECTION GP-ELECTRICAL  
AN ATTACHMENT

SMCS-1408

i05199418

NOTE	PART NUMBER	QTY	PART NAME						SEE PAGE
			1	2	3	4	5	6 (PRODUCT LEVEL)	
	5N-8943	1	ADAPTER						
	5N-9073	1	CLIP						
	5N-9071	1	COLLAR						
	113-8961	2	END-WIRE (10-GA)						
	4P-4890	1	NUT-SPECIAL (1/2-14-THD)						
	2L-8078	2	TERMINAL-RING (14-GA TO 16-GA, 5/16-IN SCREW)						

<END>

## 430-6466 HARNESS AS-POWER

S/N: GDS1-UP

AN ATTACHMENT

SMCS-1408

i05296280

NOTE	PART NUMBER	QTY	PART NAME						SEE PAGE
			1	2	3	4	5	6 (PRODUCT LEVEL)	
	2L-8078	2	TERMINAL-RING (14-GA TO 16-GA, 5/16-IN SCREW)						
E	119-3662		TUBE-HEAT SHRINK (10.85-MM DIA) (13-CM)						

E - ORDER BY THE CENTIMETER

<END>



# ELECTRICAL AND STARTING SYSTEM

## 373-6717 HARNESS AS-SENSOR

S/N: MJE1-UP; GDS1-UP

PART OF 373-6716 WIRING GP-ENGINE ELECTRONIC  
ALSO AN ATTACHMENT

SMCS-1408

i05223865

NOTE	PART NUMBER	QTY	PART NAME 1 2 3 4 5 6 (PRODUCT LEVEL)	SEE PAGE
	344-2466	1	COVER AS	
	9X-3401	2	PIN-CONNECTOR (16-GA TO 18-GA)	
			-OR-	
	126-1767	2	PIN-CONNECTOR (14-GA TO 16-GA)	
	130-0793	1	PLUG AS	
	8T-8737	3	PLUG-SEAL	
	102-8803	1	KIT-RECEPTACLE (3-PIN)	
			(INCLUDES RECEPTACLE AS & WEDGE)	
	155-2255	2	KIT-CONNECTING PLUG (12-PIN)	
	155-2260	1	KIT-CONNECTING PLUG (3-PIN)	
	155-2270	2	KIT-CONNECTING PLUG (2-PIN)	
			(EACH PLUG KIT INCLUDES PLUG AS, WEDGE & INTERFACE SEAL)	
	230-4011	5	PLUG AS-CONNECTOR (2-PIN)	
			(EACH INCLUDES)	
	264-7029	1	SEAL-CONNECTOR	
	237-0227	2	PLUG AS-CONNECTOR (3-PIN)	
	230-4013	2	PLUG AS-CONNECTOR (3-PIN)	
			(EACH PLUG AS INCLUDES)	
	264-7030	1	SEAL-CONNECTOR	
	239-7356	1	PLUG AS-CONNECTOR (12-PIN)	
	264-7034	1	SEAL-CONNECTOR	
	264-5732	1	PLUG AS-CONNECTOR (120-PIN)	
	288-7324	1	SEAL-CONNECTOR	
	278-8844	1	PLUG AS-CONNECTOR	
	230-4011	1	PLUG AS-CONNECTOR (2-PIN)	
	264-7029	1	SEAL-CONNECTOR	
	8T-8737	2	PLUG-SEAL	
	160-8124	1	PLUG AS (2-PIN)	
	8T-8737	2	PLUG-SEAL	
	102-8802	1	KIT-RECEPTACLE (2-PIN)	
			(INCLUDES RECEPTACLE AS & WEDGE)	
	8T-8737	91	PLUG-SEAL	
	230-4012	1	RECEPTACLE AS-CONNECTOR (2-PIN)	
	8T-8730	3	SOCKET-CONNECTOR (16-GA TO 18-GA)	
	9X-3402	91	SOCKET-CONNECTOR (16-GA TO 18-GA)	
			-OR-	
	126-1768	91	SOCKET-CONNECTOR (14-GA TO 16-GA)	
	3S-2093	4	STRAP-CABLE	
	6K-0806	1	STRAP-CABLE	
B	329-3734		TAPE	
E	125-7874		TUBE-HEAT SHRINK (5.72-MM DIA) (30-CM)	

B - USE AS REQUIRED

E - ORDER BY THE CENTIMETER

<END>

# ELECTRICAL AND STARTING SYSTEM

## 423-8595 HARNESS AS-SENSOR

S/N: GDS1-UP

C32 FUEL TANK SENSOR

PART OF 423-8594 WIRING GP-SENSOR

AN ATTACHMENT

SMCS-1408

i05191328

NOTE	PART NUMBER	QTY	PART NAME						SEE PAGE
			1	2	3	4	5	6 (PRODUCT LEVEL)	
	1S-2294	1	BOOT						
D	6V-5819		CONDUIT-FLEXIBLE (12.54-MM ID, SPLIT) (3.2-M)						
	110-8714	6	END-WIRE (18-GA)						
	199-3062	6	FILM-IDENTIFICATION (WIRE)						
	155-2270	1	KIT-CONNECTING PLUG (2-PIN)						
			(INCLUDES PLUG AS, WEDGE & INTERFACE SEAL)						
	247-8195	1	PLUG AS						
	8T-8730	5	SOCKET-CONNECTOR (16-GA TO 18-GA)						
	6K-0806	92	STRAP-CABLE						
E	125-7876		TUBE-HEAT SHRINK (17.78-MM DIA) (5-CM)						
D	5P-6001		TUBE-HEAT SHRINK (4.75-MM DIA) (2-M)						

D - ORDER BY THE METER  
E - ORDER BY THE CENTIMETER

<END>

## 354-2743 HARNESS AS-SWITCH

S/N: GDS1-UP

PART OF 355-3351 WIRING GP-ENGINE

AN ATTACHMENT

SMCS-1408

i05208792

NOTE	PART NUMBER	QTY	PART NAME						SEE PAGE
			1	2	3	4	5	6 (PRODUCT LEVEL)	
	6I-4348	2	BOOT (40-PIN)						
E	134-6258		CABLE-ELECTRICAL (16-GA) (315-CM)						
E	153-2707		CABLE-ELECTRICAL (2-CONDUCTOR, 18-GA) (315-CM)						
	199-3062	12	FILM-IDENTIFICATION (WIRE)						
	155-2265	1	KIT-CONNECTING PLUG (8-PIN)						
			(INCLUDES PLUG AS, WEDGE & INTERFACE SEAL)						
	8T-8729	16	PIN-CONNECTOR (16-GA TO 18-GA)						
	126-1767	8	PIN-CONNECTOR (14-GA TO 16-GA)						
	8T-9834	1	PLUG AS-CONNECTOR (40-PIN)						
M	3E-8557	1	BOLT (M5X0.8X39.37-MM)						
	9X-3132	2	SEAL-CONNECTOR (40-PIN)						
	3E-4367	1	RING-RETAINING						
	8T-8737	33	PLUG-SEAL						
	9X-1339	1	RECEPTACLE AS-CONNECTOR (40-PIN)						
	8T-8730	17	SOCKET-CONNECTOR (16-GA TO 18-GA)						
	126-1768	14	SOCKET-CONNECTOR (14-GA TO 16-GA)						
E	125-7874		TUBE-HEAT SHRINK (5.72-MM DIA) (5-CM)						
D	5P-6006		TUBE-HEAT SHRINK (9.52-MM DIA) (0.1-M)						
E	124-0284		TUBE-HEAT SHRINK (3.2-MM DIA) (40-CM)						

D - ORDER BY THE METER  
E - ORDER BY THE CENTIMETER  
M - METRIC PART

<END>

# ELECTRICAL AND STARTING SYSTEM

## 361-1645 HARNESS AS-WIRING

S/N: GDS1-UP

EMCP 4.3

PART OF 361-1664 WIRING GP-PANEL  
AN ATTACHMENT

SMCS-1408

i05028832

NOTE	PART NUMBER	QTY	PART NAME						SEE PAGE
			1	2	3	4	5	6 (PRODUCT LEVEL)	
	9X-3401	3	PIN-CONNECTOR (16-GA TO 18-GA)						
			-OR-						
	126-1767	3	PIN-CONNECTOR (14-GA TO 16-GA)						
	155-2265	1	KIT-CONNECTING PLUG (8-PIN)						
			(INCLUDES PLUG AS, WEDGE & INTERFACE SEAL)						
	102-8803	1	KIT-RECEPTACLE (3-PIN)						
			(INCLUDES RECEPTACLE AS & WEDGE)						
	126-1766	8	SOCKET-CONNECTOR (14-GA TO 18-GA)						
	3S-2093	7	STRAP-CABLE						
	5P-2321	3	TERMINAL-FORK (14-GA TO 16-GA, NO. 6 SCREW)						
E	125-7875		TUBE-HEAT SHRINK (7.44-MM DIA) (10-CM)						
E - ORDER BY THE CENTIMETER									
<END>									

## 361-1648 HARNESS AS-WIRING

S/N: GDS1-UP

EMCP 4.3, 4.4

PART OF 361-1631 WIRING GP-BOX  
AN ATTACHMENT

SMCS-1408

i04391754

NOTE	PART NUMBER	QTY	PART NAME						SEE PAGE
			1	2	3	4	5	6 (PRODUCT LEVEL)	
	112-7497	8	END-WIRE (14-GA)						
	3S-2093	3	STRAP-CABLE						
<END>									

## 361-1649 HARNESS AS-WIRING

S/N: GDS1-UP

EMCP 4.3, 4.4

PART OF 364-7507 CONDUIT GP-ELECTRICAL  
AN ATTACHMENT

SMCS-1408

i04388409

NOTE	PART NUMBER	QTY	PART NAME						SEE PAGE
			1	2	3	4	5	6 (PRODUCT LEVEL)	
	109-3038	4	END-WIRE (16-GA)						
	3K-4528	1	TERMINAL-RING (6-GA TO 8-GA, 1/2-IN SCREW)						
E	119-3662		TUBE-HEAT SHRINK (10.85-MM DIA) (4-CM)						
E - ORDER BY THE CENTIMETER									
<END>									

# ELECTRICAL AND STARTING SYSTEM

## 361-7106 HARNESS AS-WIRING

S/N: GDS1-UP

EMCP 4.3, 4.4

PART OF 361-7128 WIRING GP-BOX  
AN ATTACHMENT

SMCS-1408

i04930804

NOTE	PART NUMBER	QTY	PART NAME						SEE PAGE
			1	2	3	4	5	6 (PRODUCT LEVEL)	
	102-8802	1	KIT-RECEPTACLE (2-PIN)						
	102-8804	1	KIT-RECEPTACLE (4-PIN)						
	102-8806	1	KIT-RECEPTACLE (8-PIN)						
			(EACH RECEPTACLE KIT INCLUDES RECEPTACLE AS & WEDGE)						
	2L-8081	7	TERMINAL-RING (14-GA TO 16-GA, 1/2-IN SCREW)						
	8T-8737	11	PLUG-SEAL						
	9X-7143	1	RECEPTACLE AS-CONNECTOR (24-PIN)						
	2L-8075	2	TERMINAL-RING (14-GA TO 16-GA, NO. 8 SCREW)						
	9X-3401	27	PIN-CONNECTOR (16-GA TO 18-GA)						
			-OR-						
	126-1767	27	PIN-CONNECTOR (14-GA TO 16-GA)						
			<END>						

## 361-7110 HARNESS AS-WIRING

S/N: GDS1-UP

EMCP 4.3, 4.4

PART OF 361-1631 WIRING GP-BOX  
AN ATTACHMENT

SMCS-1408

i04391746

NOTE	PART NUMBER	QTY	PART NAME						SEE PAGE
			1	2	3	4	5	6 (PRODUCT LEVEL)	
	109-3038	4	END-WIRE (16-GA)						
	112-7497	8	END-WIRE (14-GA)						
	3S-2093	5	STRAP-CABLE						
			<END>						

## 364-7519 HARNESS AS-WIRING

S/N: GDS1-UP

EMCP 4.3, 4.4

PART OF 361-7128 WIRING GP-BOX  
AN ATTACHMENT

SMCS-1408

i05028836

NOTE	PART NUMBER	QTY	PART NAME						SEE PAGE
			1	2	3	4	5	6 (PRODUCT LEVEL)	
	102-8804	1	KIT-RECEPTACLE (4-PIN)						
			(INCLUDES RECEPTACLE AS & WEDGE)						
	2L-8075	6	TERMINAL-RING (14-GA TO 16-GA, NO. 8 SCREW)						
E	119-3662		TUBE-HEAT SHRINK (10.85-MM DIA) (7-CM)						
	2L-8081	1	TERMINAL-RING (14-GA TO 16-GA, 1/2-IN SCREW)						
	9X-3401	4	PIN-CONNECTOR (16-GA TO 18-GA)						
			-OR-						
	126-1767	4	PIN-CONNECTOR (14-GA TO 16-GA)						
E - ORDER BY THE CENTIMETER			<END>						

# ELECTRICAL AND STARTING SYSTEM

## 383-4664 HARNESS AS-WIRING

S/N: GDS1-UP

PART OF 383-4663 MOUNTING GP-ELECTRONIC CONTROL  
AN ATTACHMENT

SMCS-1408

i04983492

NOTE	PART NUMBER	QTY	PART NAME						SEE PAGE
			1	2	3	4	5	6 (PRODUCT LEVEL)	
	126-1767	3	PIN-CONNECTOR (14-GA TO 16-GA)						
	155-2265	2	KIT-CONNECTING PLUG (8-PIN) (EACH INCLUDES PLUG AS, WEDGE & INTERFACE SEAL)						
	8T-8737	8	PLUG-SEAL						
	102-8803	1	KIT-RECEPTACLE (3-PIN) (INCLUDES RECEPTACLE AS & WEDGE)						
	126-1768	8	SOCKET-CONNECTOR (14-GA TO 16-GA)						
	5P-2321	3	TERMINAL-FORK (14-GA TO 16-GA, NO. 6 SCREW)						
E	125-7875		TUBE-HEAT SHRINK (7.44-MM DIA) (10-CM)						
E - ORDER BY THE CENTIMETER									

<END>

## 383-4684 HARNESS AS-WIRING

S/N: GDS1-UP

PART OF 383-4683 CABLE GP-GENERATOR GROUND  
AN ATTACHMENT

SMCS-1408

i04965138

NOTE	PART NUMBER	QTY	PART NAME						SEE PAGE
			1	2	3	4	5	6 (PRODUCT LEVEL)	
	113-8961	1	END-WIRE (10-GA)						
	2L-8071	1	TERMINAL-RING (10-GA TO 12-GA, 1/2-IN SCREW)						
<END>									

# ELECTRICAL AND STARTING SYSTEM

## 369-1719 HEATER GP-JACKET WATER

S/N: GDS1-UP

240-VOLT

AN ATTACHMENT

SMCS-1383

i05193128

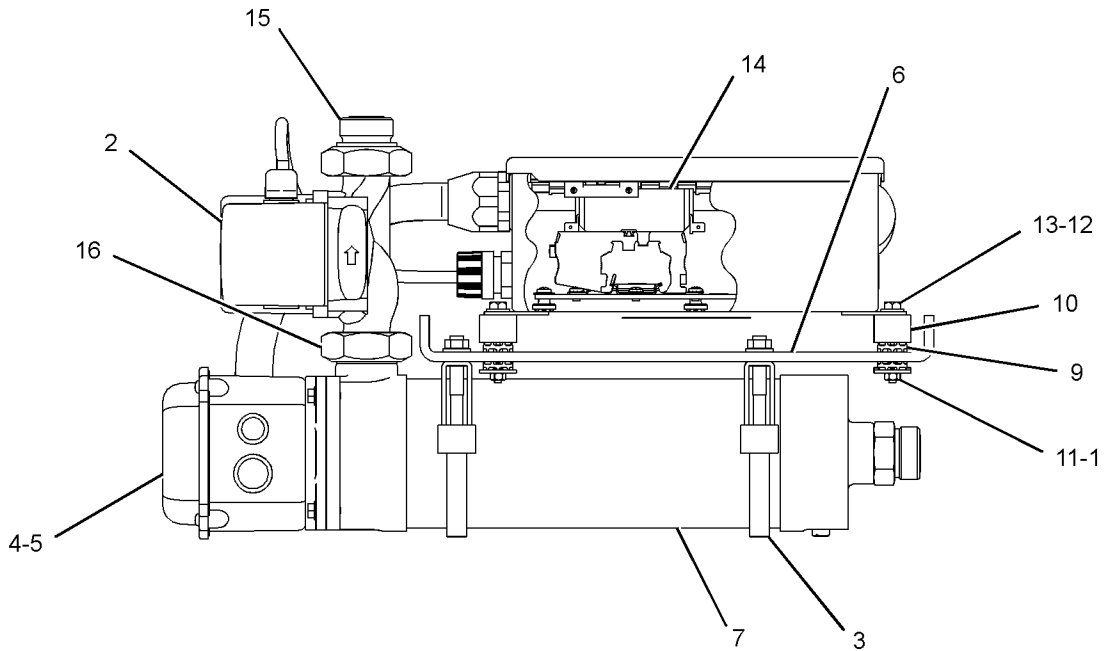
NOTE	REF NO	GRAPHIC REF	PART NUMBER	QTY	PART NAME	SEE PAGE
					1 2 3 4 5 6 (PRODUCT LEVEL)	
	1	1	<b>089-7960</b>	4	WASHER (5.3X25X1.6-MM THK)	
	2	1	<b>369-2293</b>	1	PUMP	
	3	1	<b>370-5924</b>	2	CLAMP	
	4	1	<b>378-4327</b>	1	REGULATOR-TEMPERATURE (COOLANT)	
Y	5	1	<b>307-3276</b>	1	ELEMENT GP-JACKET WATER HEATER (240-VOLT, 9000-WATT)	245
	6	1	<b>358-5228</b>	1	BRACKET	
	7	1	<b>369-2294</b>	1	KIT-RESERVOIR (INCLUDES SLEEVE, TANK, PLUG, SEAL, & SCREWS)	
Y	8	1	<b>332-1128</b>	1	BOX GP-ELECTRONIC	182
	9	1	<b>332-1133</b>	4	KIT-ISOLATOR SPRING (EACH KIT INLCUDES BUSHING & RING)	
	10	1	<b>332-1134</b>	4	MOUNT-ISOLATOR	
	11	1	<b>4L-1250</b>	4	LOCKNUT (10-32-THD)	
	12	1	<b>5P-4115</b>	4	WASHER-HARD (7.2X19X2-MM THK)	
	13	1	<b>5S-7349</b>	4	BOLT (1/4-20X0.5-IN)	
	14	1	<b>332-1131</b>	1	CONTACTOR	
	15	1	<b>369-7762</b>	1	ADAPTER AS	
		1	<b>5K-9090</b>	1	SEAL-O-RING	
	16	1	<b>369-7764</b>	1	ADAPTER AS	
		1	<b>7M-8485</b>	1	SEAL-O-RING	
	17	1	<b>369-7765</b>	1	ADAPTER AS	
		1	<b>5K-9090</b>	1	SEAL-O-RING	
		1	<b>7M-8485</b>	1	SEAL-O-RING	

Y - SEPARATE ILLUSTRATION

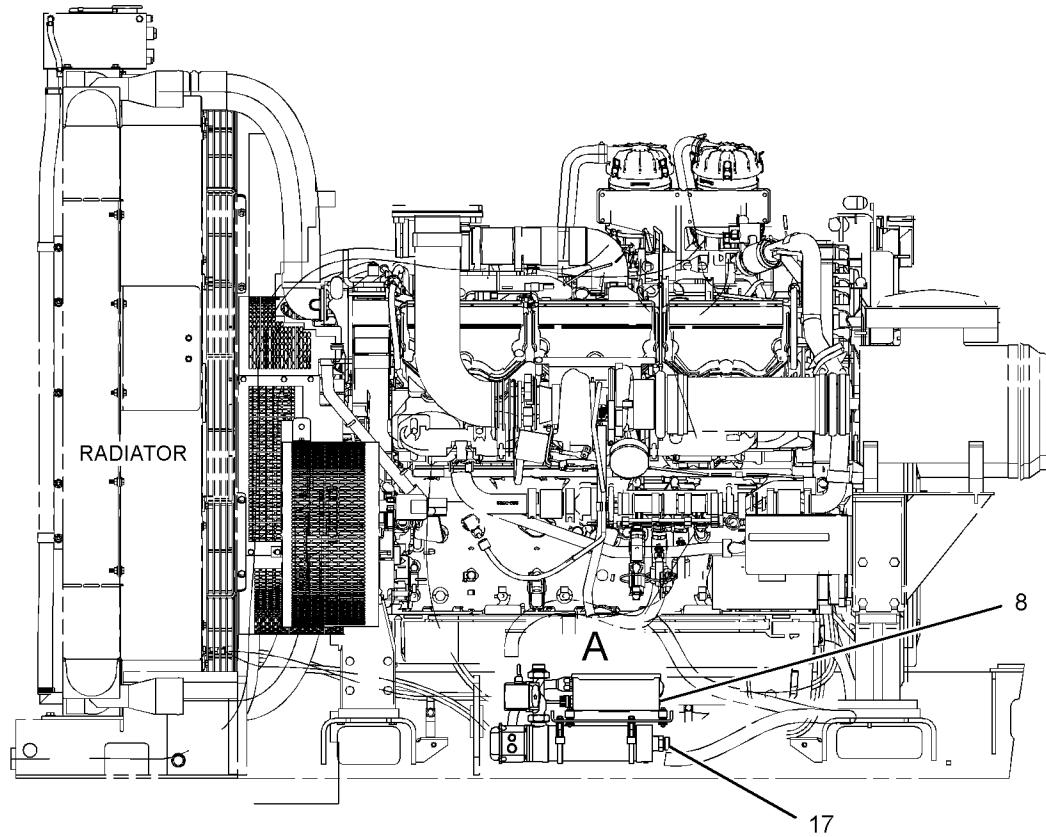
# ELECTRICAL AND STARTING SYSTEM

369-1719 HEATER GP-JACKET WATER (contd.)

i05193128



VIEW OF AREA A



LEFT SIDE VIEW OF ENGINE

GRAPHIC #1

<END>

g02412896

# ELECTRICAL AND STARTING SYSTEM

## 399-2334 HEATER GP-JACKET WATER

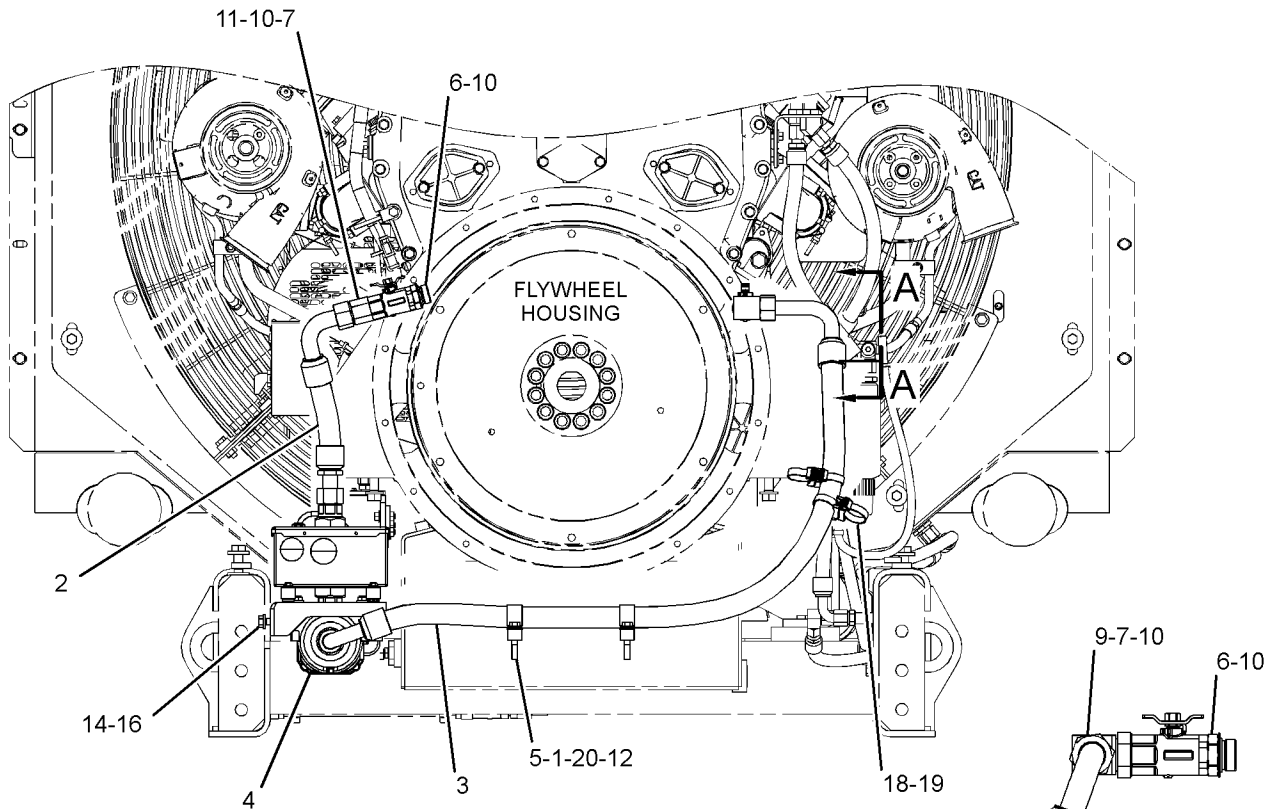
S/N: GDS1-UP  
AN ATTACHMENT

SMCS-1383

i05155700

NOTE	REF NO	GRAPHIC REF	PART NUMBER	QTY	PART NAME						SEE PAGE
					1	2	3	4	5	6 (PRODUCT LEVEL)	
M	1	1	8T-6466	2	BOLT (M10X1.5X60-MM)						
I	2	1	399-2332	1	HOSE AS						
I	3	1	399-2333	1	HOSE AS						
Y	4	1	399-2335	1	HEATER GP-JACKET WATER						275
	5	1	242-6099	2	CLIP						
	6	1	172-8024	2	VALVE AS-FLOW CONTROL						
	7	1	5K-9090	2	SEAL-O-RING						
	9	1	6V-9008	1	ELBOW						
	10	1	7M-8485	4	SEAL-O-RING						
	11	1	8C-5723	1	CONNECTOR						
	12	1	8T-4121	2	WASHER-HARD (11X21X2.5-MM THK)						
M	14	1	8T-4183	2	BOLT (M12X1.75X40-MM)						
	16	1	8T-4223	2	WASHER-HARD (13.5X25.5X3-MM THK)						
	18	1	204-2281	4	STRAP-CABLE						
	19	1	200-6345	2	MOUNT (DUAL SWIVEL)						
	20	1	091-9035	2	SPACER (11X25X20-MM THK)						

I - REFER TO HYDRAULIC INFORMATION SYSTEM  
M - METRIC PART  
Y - SEPARATE ILLUSTRATION



REAR VIEW OF ENGINE

VIEW A-A

GRAPHIC #1

<END>

g03374888



# ELECTRICAL AND STARTING SYSTEM

## 399-2335 HEATER GP-JACKET WATER

S/N: GDS1-UP

208/240-VOLT

PART OF 399-2334 HEATER GP-JACKET WATER

AN ATTACHMENT

SMCS-1383

i05067129

NOTE	REF NO	GRAPHIC REF	PART NUMBER	QTY	PART NAME						SEE PAGE
					1	2	3	4	5	6 (PRODUCT LEVEL)	
	1	1	<b>089-7960</b>	4	WASHER (5.3X25X1.6-MM THK)						
	2	1	<b>369-2293</b>	1	PUMP						
	3	1	<b>370-5924</b>	2	CLAMP						
	4	1	<b>378-4327</b>	1	REGULATOR-TEMPERATURE (COOLANT)						
Y	5	1	<b>307-3276</b>	1	ELEMENT GP-JACKET WATER HEATER (240-VOLT, 9000-WATT)						245
	6	1	<b>399-2331</b>	1	BRACKET AS						
M		1	<b>8T-3597</b>	2	NUT-WELD (M12X1.75-THD)						
	7	1	<b>369-2294</b>	1	KIT-RESERVOIR						
		1	<b>2B-7409</b>	1	PLUG-PIPE						
		1	<b>5P-7921</b>	4	SCREW-WASHER HEAD (1/4-20X0.75-IN)						
		1	<b>169-2182</b>	1	SEAL						
Y	8	1	<b>332-1128</b>	1	BOX GP-ELECTRONIC						182
	9	1	<b>332-1133</b>	4	KIT-ISOLATOR SPRING						
	10	1	<b>332-1134</b>	4	MOUNT-ISOLATOR						
	11	1	<b>4L-1250</b>	4	LOCKNUT (10-32-THD)						
	12	1	<b>5P-4115</b>	4	WASHER-HARD (7.2X19X2-MM THK)						
	13	1	<b>5S-7349</b>	4	BOLT (1/4-20X0.5-IN)						
	14	1	<b>332-1131</b>	1	CONTACTOR						
	15	1	<b>369-7762</b>	1	ADAPTER AS						
		1	<b>5K-9090</b>	1	SEAL-O-RING						
	16	1	<b>369-7764</b>	1	ADAPTER AS						
		1	<b>7M-8485</b>	1	SEAL-O-RING						
	17	1	<b>369-7765</b>	1	ADAPTER AS						
		1	<b>5K-9090</b>	1	SEAL-O-RING						
		1	<b>7M-8485</b>	1	SEAL-O-RING						

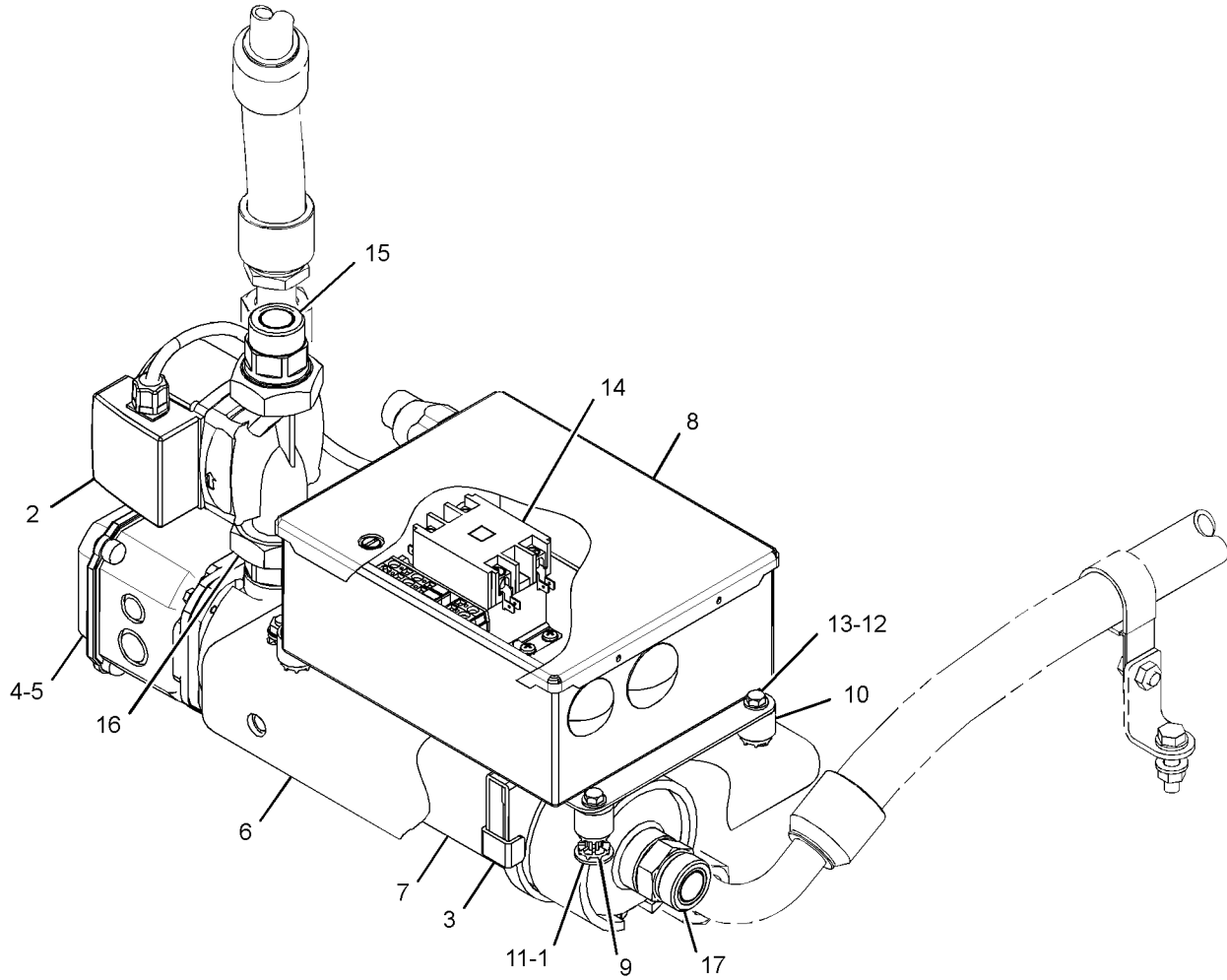
M - METRIC PART

Y - SEPARATE ILLUSTRATION

# ELECTRICAL AND STARTING SYSTEM

399-2335 HEATER GP-JACKET WATER (contd.)

i05067129



GRAPHIC #1

<END>

g03191644

# ELECTRICAL AND STARTING SYSTEM

## 417-7875 HEATER GP-JACKET WATER

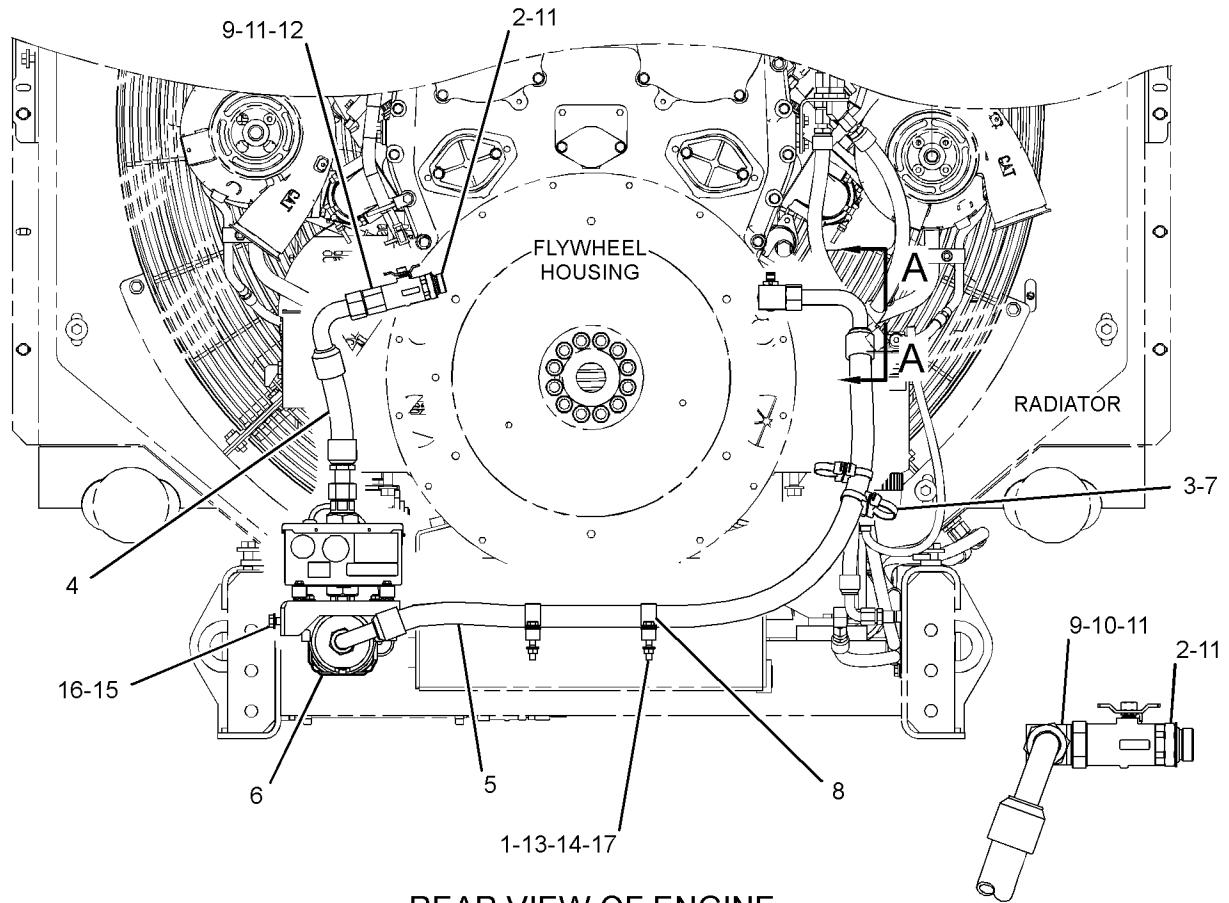
S/N: GDS1-UP  
50-HERTZ  
AN ATTACHMENT

SMCS-1383

i05155705

NOTE	REF NO	GRAPHIC REF	PART NUMBER	QTY	PART NAME						SEE PAGE
					1	2	3	4	5	6 (PRODUCT LEVEL)	
	1	1	091-9035	2	SPACER (11X25X20-MM THK)						
	2	1	172-8024	2	VALVE AS-FLOW CONTROL						
	3	1	204-2281	4	STRAP-CABLE						
I	4	1	399-2332	1	HOSE AS						
I	5	1	399-2333	1	HOSE AS						
Y	6	1	417-7876	1	HEATER GP-JACKET WATER						278
	7	1	200-6345	2	MOUNT (DUAL SWIVEL)						
	8	1	242-6099	2	CLIP						
	9	1	5K-9090	2	SEAL-O-RING						
	10	1	6V-9008	1	ELBOW						
	11	1	7M-8485	4	SEAL-O-RING						
	12	1	8C-5723	1	CONNECTOR						
	13	1	8T-4121	4	WASHER-HARD (11X21X2.5-MM THK)						
M	14	1	8T-4133	2	NUT (M10X1.5-THD)						
M	15	1	8T-4183	2	BOLT (M12X1.75X40-MM)						
	16	1	8T-4223	2	WASHER-HARD (13.5X25.5X3-MM THK)						
M	17	1	8T-6466	2	BOLT (M10X1.5X60-MM)						

I - REFER TO HYDRAULIC INFORMATION SYSTEM  
M - METRIC PART  
Y - SEPARATE ILLUSTRATION



REAR VIEW OF ENGINE

VIEW A-A

GRAPHIC #1

<END>

g03374618

# ELECTRICAL AND STARTING SYSTEM

## 417-7876 HEATER GP-JACKET WATER

S/N: GDS1-UP

PART OF 417-7875 HEATER GP-JACKET WATER  
AN ATTACHMENT

SMCS-1383

i05067130

NOTE	REF NO	GRAPHIC REF	PART NUMBER	QTY	PART NAME						SEE PAGE
					1	2	3	4	5	6 (PRODUCT LEVEL)	
	1	1	<b>089-7960</b>	4	WASHER (5.3X25X1.6-MM THK)						
	2	1	<b>370-6911</b>	1	PUMP						
	3	1	<b>370-5924</b>	2	CLAMP						
	4	1	<b>378-4327</b>	1	REGULATOR-TEMPERATURE (COOLANT)						
Y	5	1	<b>307-3276</b>	1	ELEMENT GP-JACKET WATER HEATER (240-VOLT, 9000-WATT)						245
	6	1	<b>399-2331</b>	1	BRACKET AS						
M		1	<b>8T-3597</b>	2	NUT-WELD (M12X1.75-THD)						
	7	1	<b>369-2294</b>	1	KIT-RESERVOIR						
		1	<b>2B-7409</b>	1	PLUG-PIPE						
		1	<b>5P-7921</b>	4	SCREW-WASHER HEAD (1/4-20X0.75-IN)						
		1	<b>169-2182</b>	1	SEAL						
Y	8	1	<b>332-1128</b>	1	BOX GP-ELECTRONIC						182
	9	1	<b>332-1133</b>	4	KIT-ISOLATOR SPRING						
	10	1	<b>332-1134</b>	4	MOUNT-ISOLATOR						
	11	1	<b>4L-1250</b>	4	LOCKNUT (10-32-THD)						
	12	1	<b>5P-4115</b>	4	WASHER-HARD (7.2X19X2-MM THK)						
	13	1	<b>5S-7349</b>	4	BOLT (1/4-20X0.5-IN)						
	14	1	<b>332-1131</b>	1	CONTACTOR						
	15	1	<b>369-7762</b>	1	ADAPTER AS						
		1	<b>5K-9090</b>	1	SEAL-O-RING						
	16	1	<b>369-7764</b>	1	ADAPTER AS						
		1	<b>7M-8485</b>	1	SEAL-O-RING						
	17	1	<b>369-7765</b>	1	ADAPTER AS						
		1	<b>5K-9090</b>	1	SEAL-O-RING						
		1	<b>7M-8485</b>	1	SEAL-O-RING						

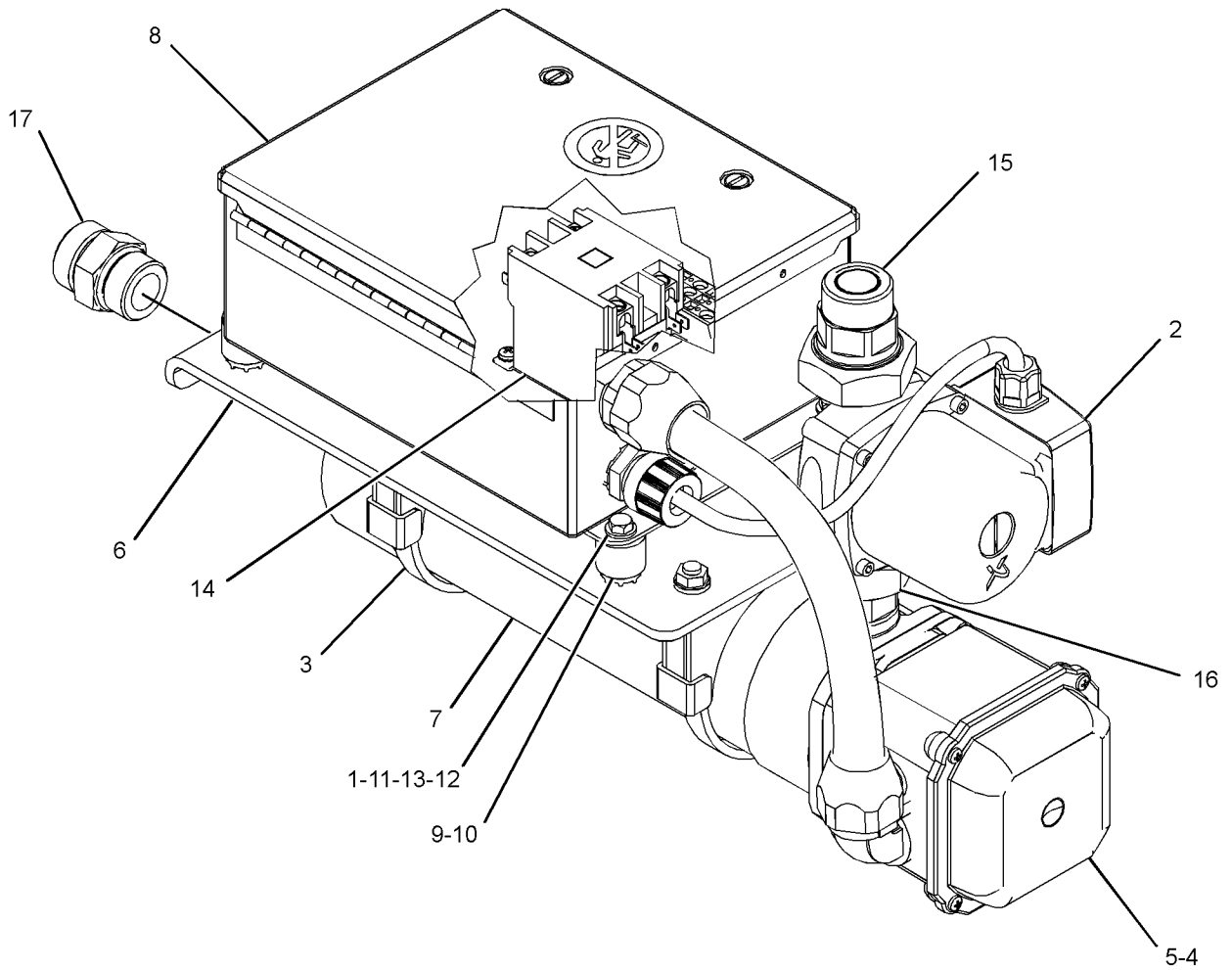
M - METRIC PART

Y - SEPARATE ILLUSTRATION

# ELECTRICAL AND STARTING SYSTEM

417-7876 HEATER GP-JACKET WATER (contd.)

i05067130



GRAPHIC #1

<END>

g03195976

# ELECTRICAL AND STARTING SYSTEM

## 172-9973 LAMP GP-FLOOD-VERTICAL

S/N: GDS1-UP

24-VOLT, 70-WATT

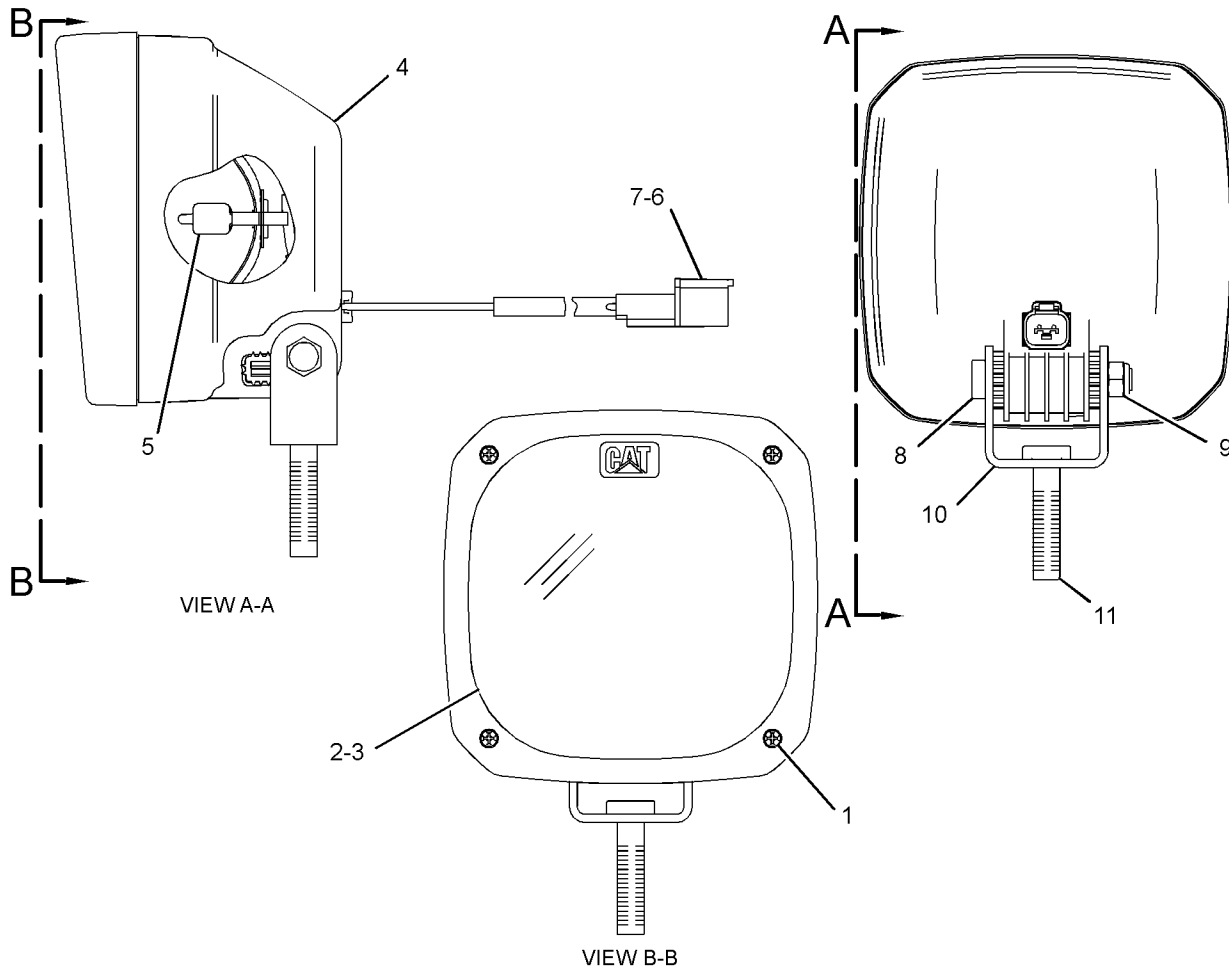
PART OF 423-0825 LIGHTING GP-GENERATOR  
AN ATTACHMENT

SMCS-1434

i05030063

NOTE	REF NO	GRAPHIC REF	PART NUMBER	QTY	PART NAME						SEE PAGE
					1	2	3	4	5	6	
	1	1	107-5851	4	SCREW (M4X32-MM)						
	2	1	107-5853	1	LENS AS (FLOODLIGHT)						
	3	1	107-5852	1	SEAL						
	4	1	139-8660	1	BODY AS-LAMP						
	5	1	9X-3463	1	LAMP-HALOGEN (24-VOLT, 70-WATT)						
	6	1	102-8802	1	KIT-RECEPTACLE (2-PIN)						
					(INCLUDES RECEPTACLE AS & WEDGE)						
	7	1	8T-8729	2	PIN-CONNECTOR (16-GA TO 18-GA)						
M	8	1	8T-6912	1	BOLT (M8X1.25X50-MM)						
M	9	1	8T-7963	1	LOCKNUT (M8X1.25-THD)						
	10	1	165-0699	1	KIT-MOUNTING BRACKET (LAMP)						
					(INCLUDES BRACKET, BOLTS, & LOCKNUT)						
M	11	1	8T-4182	1	BOLT (M10X1.5X45-MM)						

M - METRIC PART



GRAPHIC #1

<END>

g01291456

# ELECTRICAL AND STARTING SYSTEM

## 423-0825 LIGHTING GP-GENERATOR

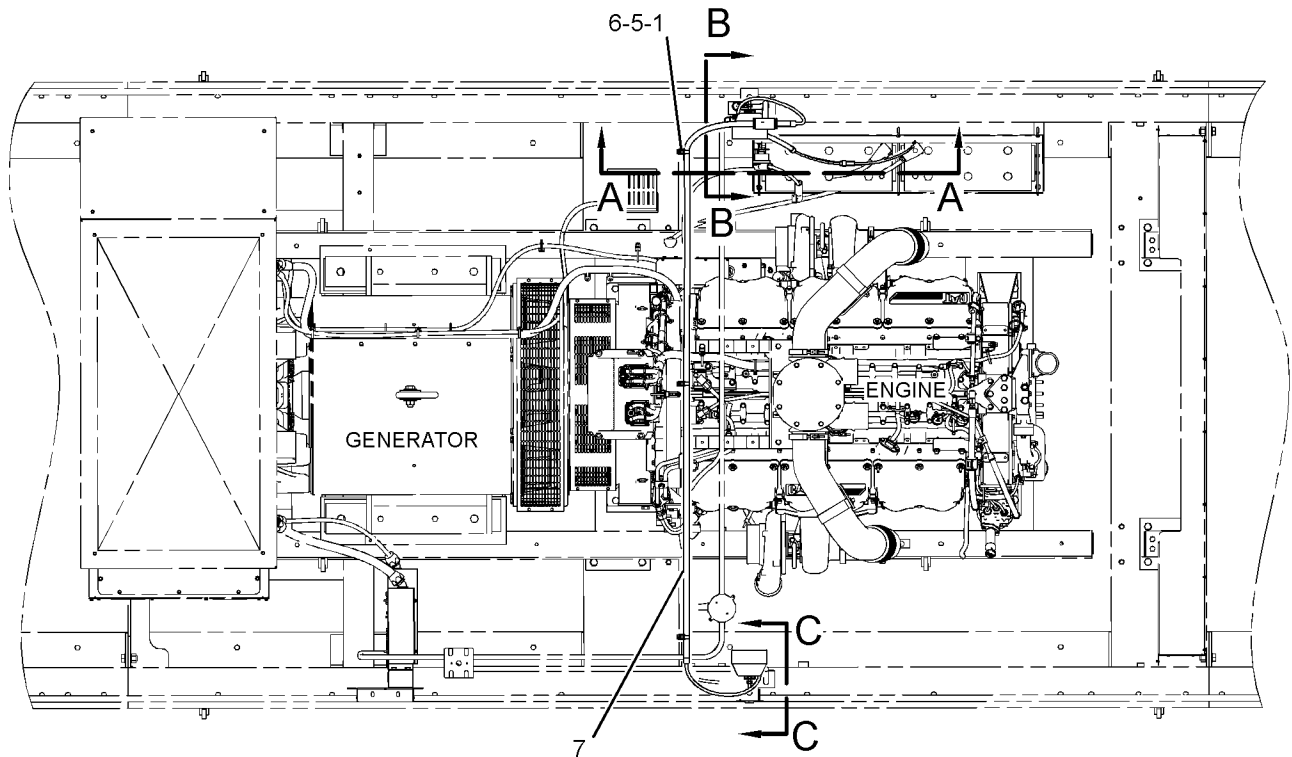
S/N: GDS1-UP  
DC LIGHTING  
AN ATTACHMENT

SMCS-1429

i05199838

NOTE	REF NO	GRAPHIC REF	PART NUMBER	QTY	PART NAME						SEE PAGE
					1	2	3	4	5	6 (PRODUCT LEVEL)	
	1	1,2	<b>4E-8722</b>	3	NUT (RETAINER)						
	2	2	<b>158-8021</b>	1	BOX (ELECTRICAL)						
Y	3	2	<b>172-9973</b>	2	LAMP GP-FLOOD (24-VOLT) (FRONT)						280
	4	2	<b>179-1937</b>	1	TIMER AS (60-MINUTE)						
	5	1,2	<b>208-9277</b>	4	BOLT-FLANGE HEAD (M6X1X20-MM)						
	6	1,2	<b>310-2447</b>	4	STRAP-CABLE						
Y	7	1	<b>423-0826</b>	1	CONDUIT GP-ELECTRICAL						221
	8	2	<b>8T-4121</b>	2	WASHER-HARD (11X21X2.5-MM THK)						
M	9	2	<b>8T-4133</b>	2	NUT (M10X1.5-THD)						

M - METRIC PART  
Y - SEPARATE ILLUSTRATION



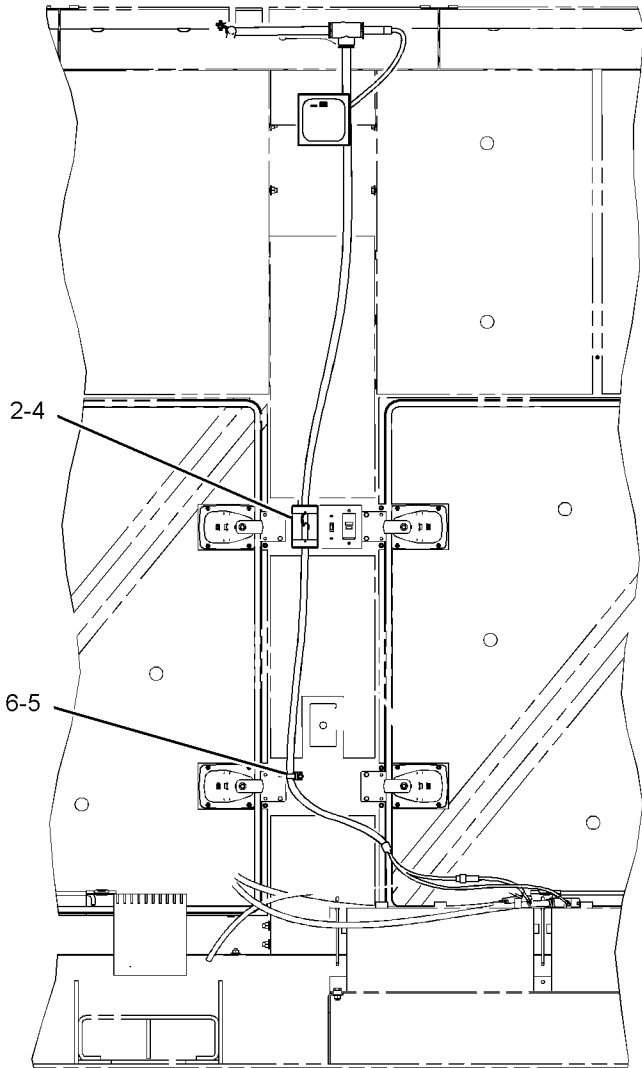
GRAPHIC #1

g03351495

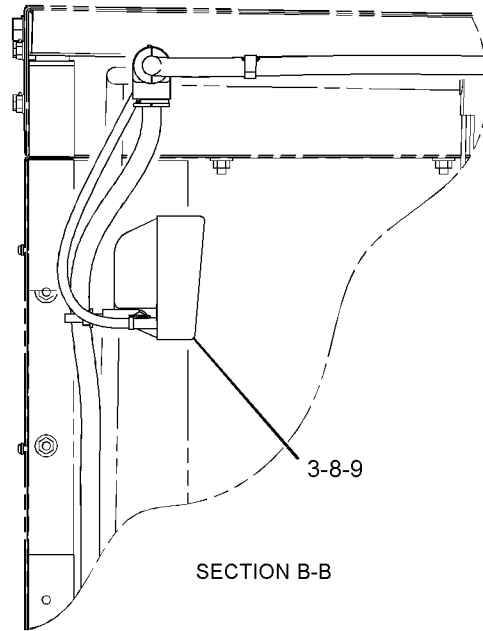
# ELECTRICAL AND STARTING SYSTEM

423-0825 LIGHTING GP-GENERATOR (contd.)

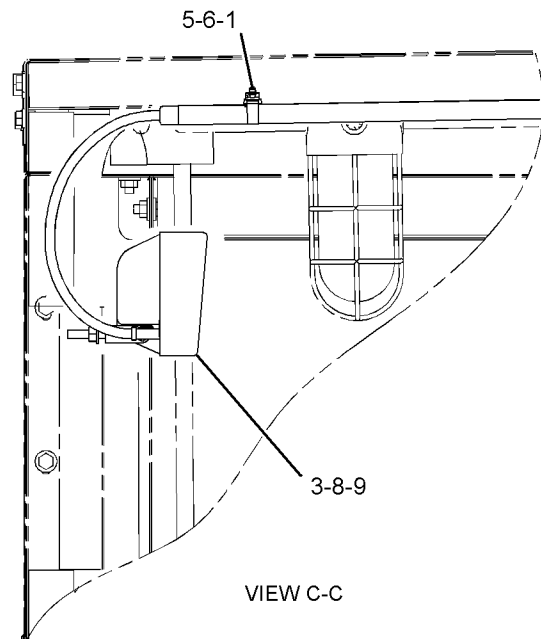
i05199838



SECTION A-A



SECTION B-B



VIEW C-C

GRAPHIC #2

<END>

g03351496



# ELECTRICAL AND STARTING SYSTEM

## 369-3553 LINES GP-JACKET WATER HEATER

S/N: GDS1-UP  
AN ATTACHMENT

SMCS-1383

i04970301

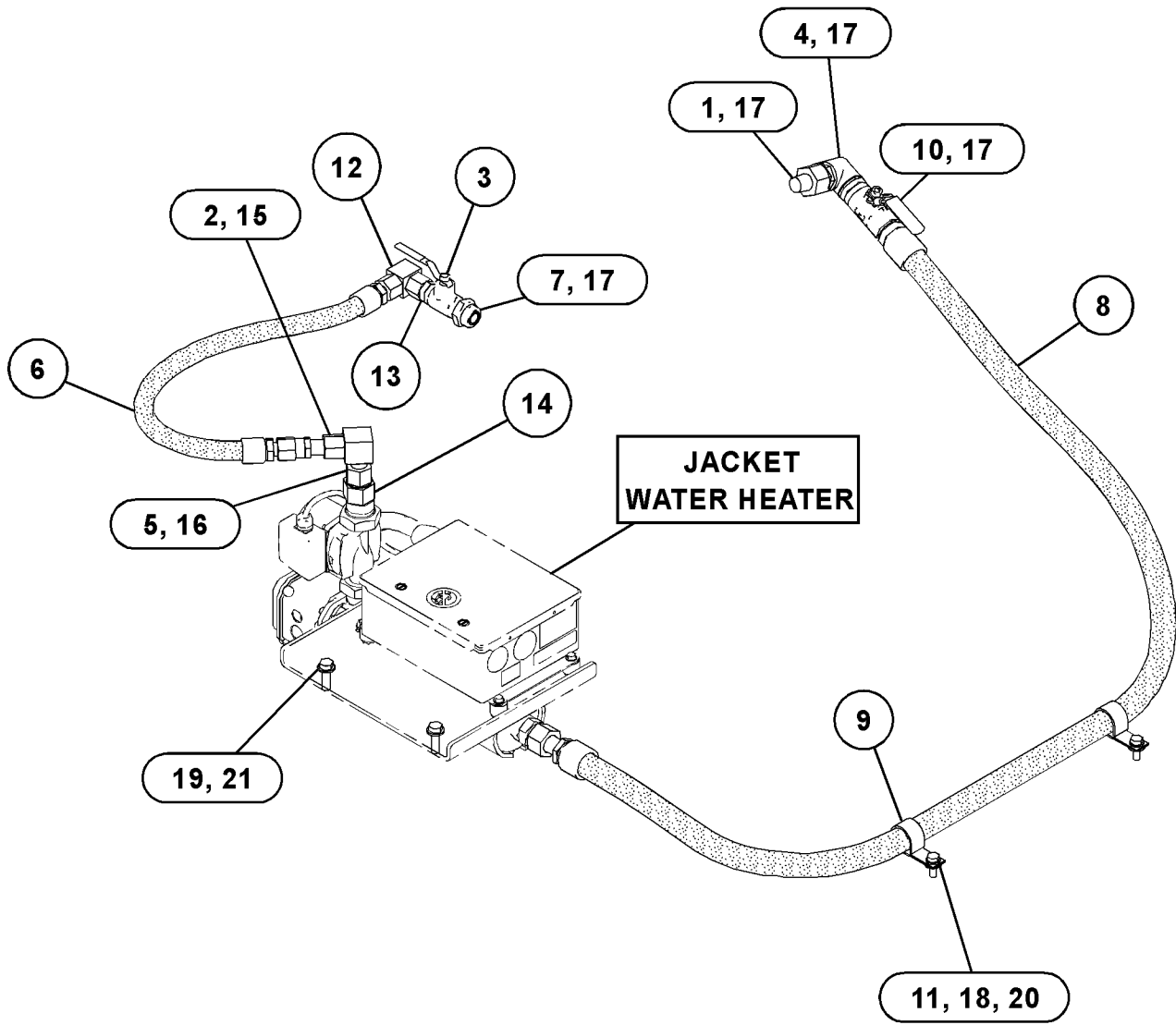
NOTE	REF NO	GRAPHIC REF	PART NUMBER	QTY	PART NAME						SEE PAGE
					1	2	3	4	5	6 (PRODUCT LEVEL)	
	1	1	<b>8C-5053</b>	1	ADAPTER						
C	2	1	<b>8C-7313</b>	1	ADAPTER						
C	3	1	<b>112-4036</b>	1	VALVE AS-SHUTOFF						
	4	1	<b>173-0064</b>	1	ELBOW						
C	5	1	<b>250-2343</b>	1	SEAL-O-RING						
CI	6	1	<b>280-9893</b>	1	HOSE AS						
C	7	1	<b>281-7821</b>	1	CONNECTOR						
I	8	1	<b>368-4955</b>	1	HOSE AS						
	9	1	<b>242-6099</b>	2	CLIP						
C	10	1	<b>287-7301</b>	1	VALVE-BALL						
	11	1	<b>3E-4353</b>	2	WASHER-HARD (11X25X3-MM THK)						
C	12	1	<b>3R-9704</b>	1	ELBOW						
C	13	1	<b>4S-6678</b>	1	CONNECTOR						
C	14	1	<b>6V-8946</b>	1	REDUCER						
C	15	1	<b>6V-9746</b>	1	SEAL-O-RING						
C	16	1	<b>6V-9853</b>	1	ELBOW						
C	17	1	<b>7M-8485</b>	4	SEAL-O-RING						
	18	1	<b>8T-4121</b>	2	WASHER-HARD (11X21X2.5-MM THK)						
M	19	1	<b>8T-4183</b>	2	BOLT (M12X1.75X40-MM)						
CM	20	1	<b>8T-4195</b>	2	BOLT (M10X1.5X30-MM)						
	21	1	<b>8T-4223</b>	2	WASHER-HARD (13.5X25.5X3-MM THK)						

C - CHANGE FROM PREVIOUS TYPE  
I - REFER TO HYDRAULIC INFORMATION SYSTEM  
M - METRIC PART

# ELECTRICAL AND STARTING SYSTEM

369-3553 LINES GP-JACKET WATER HEATER (contd.)

i04970301



GRAPHIC #1

<END>

g03162478

# ELECTRICAL AND STARTING SYSTEM

## 423-3278 MOUNTING GP-BATTERY CHARGER

S/N: GDS1-UP

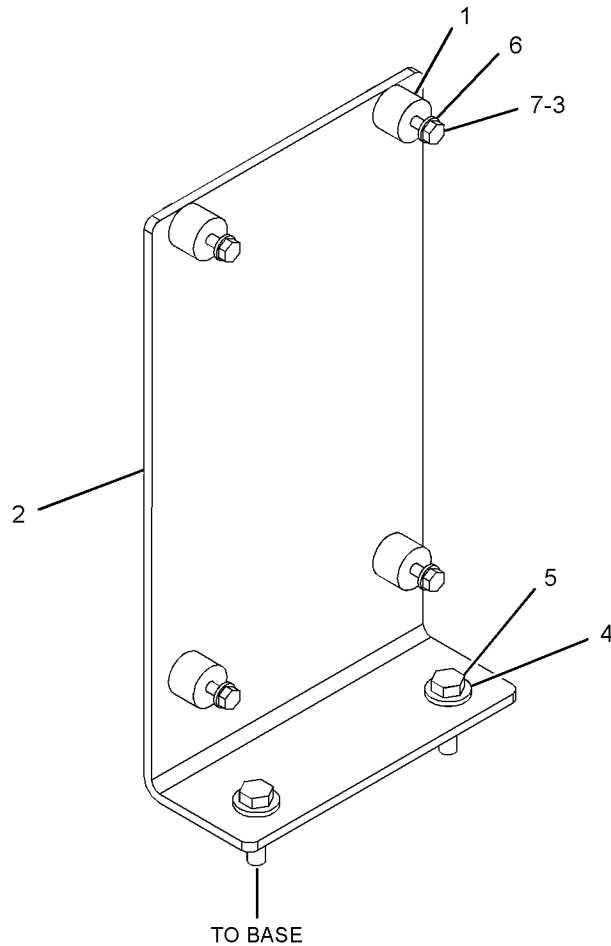
FOR USE WITH C27/C32 12-VOLT COMMON ENCLOSURE  
AN ATTACHMENT

SMCS-1406

i05036171

NOTE	REF NO	GRAPHIC REF	PART NUMBER	QTY	PART NAME						SEE PAGE
					1	2	3	4	5	6	
	1	1	104-6564	4	MOUNT						
	2	1	423-3279	1	BRACKET						
	3	1	6V-8185	4	NUT (1/4-20-THD)						
	4	1	7X-7729	2	WASHER (11X25X3-MM THK)						
M	5	1	8T-4186	2	BOLT (M10X1.5X40-MM)						
	6	1	8T-4205	8	WASHER-HARD (7.2X14.5X2-MM THK)						
	7	1	8T-9364	4	BOLT (1/4-20X0.625-IN)						

M - METRIC PART



GRAPHIC #1

<END>

g03210636

# ELECTRICAL AND STARTING SYSTEM

## 383-4663 MOUNTING GP-ELECTRONIC CONTROL

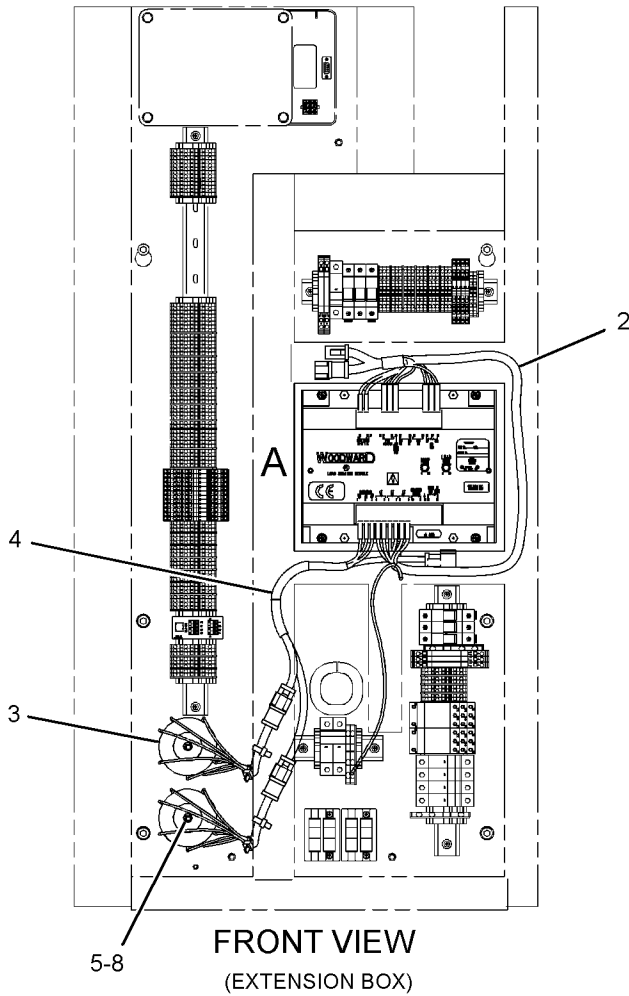
S/N: GDS1-UP  
AN ATTACHMENT

SMCS-1901

i04983440

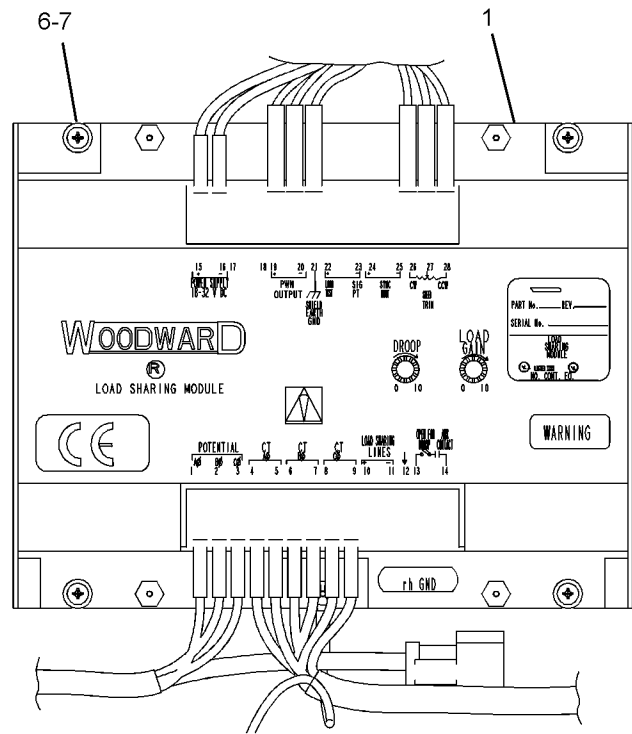
NOTE	REF NO	GRAPHIC REF	PART NUMBER	QTY	PART NAME						SEE PAGE
					1	2	3	4	5	6 (PRODUCT LEVEL)	
Y	1	1	<b>309-1583</b>	1	CONTROL AS-GOVERNOR (LOAD SHARE)						132
Y	2	1	<b>361-1644</b>	1	HARNESS AS-CONTROL						251
Y	3	1	<b>383-4653</b>	2	WIRING GP-GENERATOR (POTENTIAL TRANSFORMER)						354
Y	4	1	<b>383-4664</b>	1	HARNESS AS-WIRING						271
M	5	1	<b>118-6503</b>	2	BOLT (M6X1X55-MM)						
	6	1	<b>4B-4274</b>	4	WASHER (5.5X13X1.2-MM THK)						
	7	1	<b>6V-2687</b>	4	SCREW-PAN HEAD (10-24X1-IN)						
	8	1	<b>9X-8256</b>	2	WASHER (6.6X12X2-MM THK)						

M - METRIC PART  
Y - SEPARATE ILLUSTRATION



GRAPHIC #1

<END>



VIEW OF AREA A

g03214257

# ELECTRICAL AND STARTING SYSTEM

## 364-3929 PANEL GP-CIRCUIT BREAKER

S/N: MJE1-UP; GDS1-UP

PART OF 364-5713 BOX GP-JUNCTION

ALSO AN ATTACHMENT

SMCS-1417, 1420, 4461

i05203044

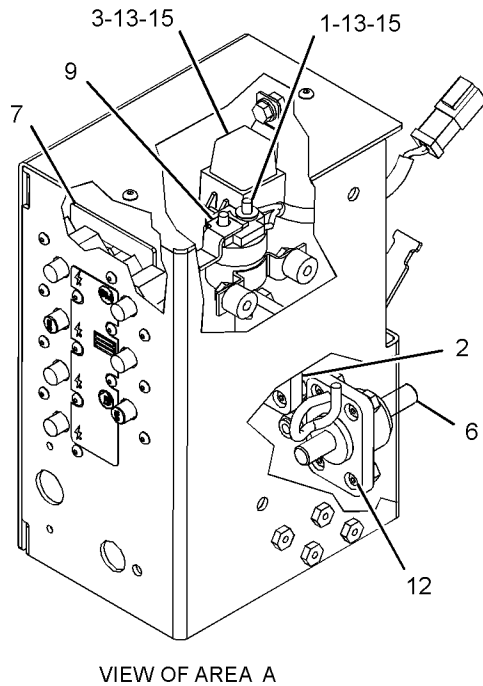
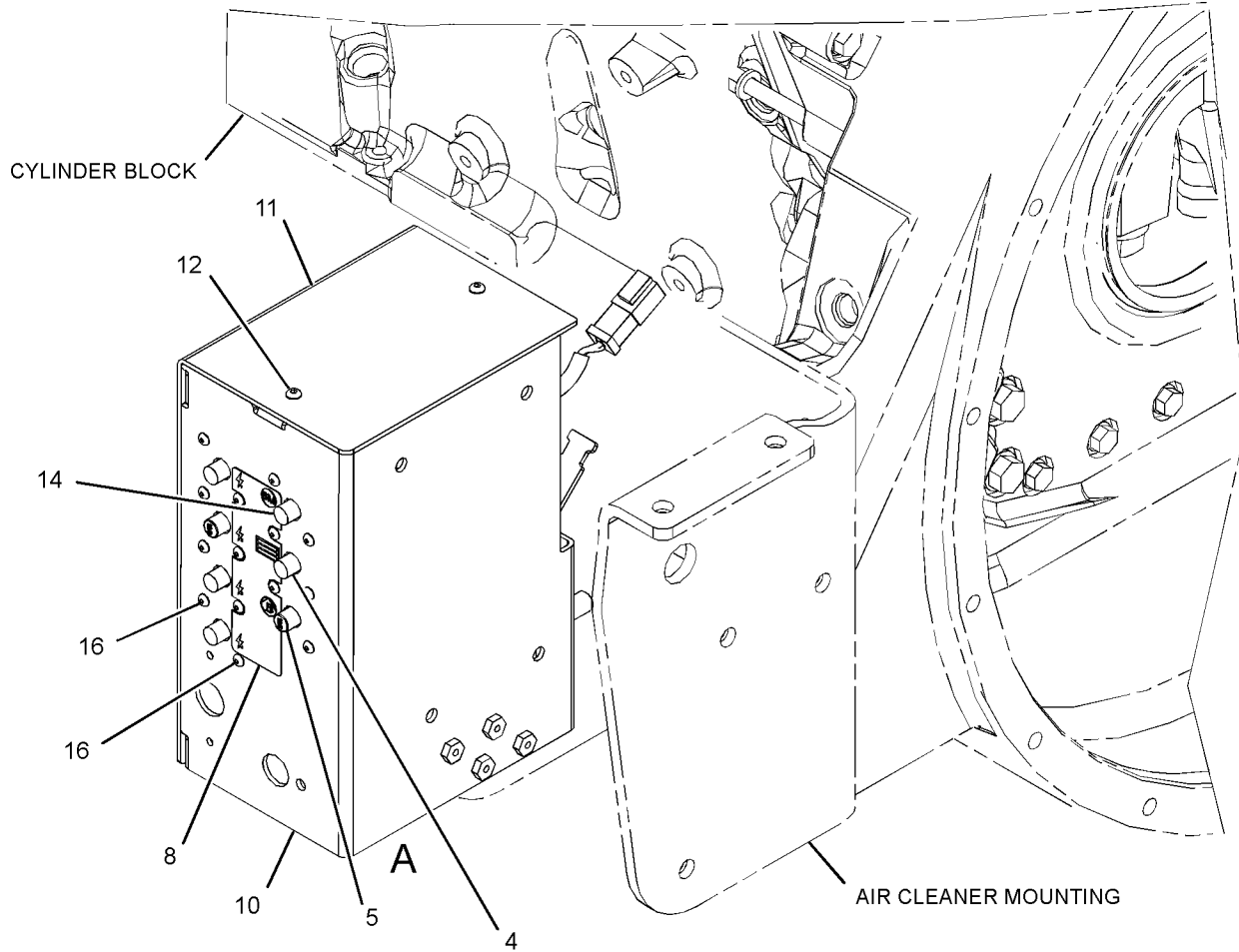
NOTE	REF NO	GRAPHIC REF	PART NUMBER	QTY	PART NAME						SEE PAGE
					1	2	3	4	5	6 (PRODUCT LEVEL)	
Y	1	1	<b>148-0757</b>	1	SWITCH GP-MAGNETIC (24-VOLT)						319
	2	1	<b>187-8674</b>	1	BLOCK AS-JUNCTION						
	3	1	<b>231-3930</b>	1	RELAY AS (24-VOLT)						
	4	1	<b>288-3687</b>	4	CIRCUIT BREAKER AS (20-AMPERE)						
					(EACH INCLUDES)						
		1	<b>6V-8378</b>	2	NUT (10-32-THD)						
		1	<b>8F-1434</b>	2	LOCKWASHER						
		1	<b>8T-0328</b>	2	WASHER-HARD (5.5X10X1-MM THK)						
	5	1	<b>310-6273</b>	2	CIRCUIT BREAKER (12.5-AMPERE)						
					(EACH INCLUDES)						
		1	<b>6V-8378</b>	2	NUT (10-32-THD)						
		1	<b>8F-1434</b>	2	LOCKWASHER						
		1	<b>8T-0328</b>	2	WASHER-HARD (5.5X10X1-MM THK)						
	6	1	<b>324-7659</b>	1	BLOCK AS-JUNCTION						
	7	1	<b>363-5187</b>	1	BAR-BUS						
	8	1	<b>364-3010</b>	1	FILM-CIRCUIT BREAKER						
	9	1	<b>366-7887</b>	1	BAR-BUS						
	10	1	<b>379-2193</b>	1	BRACKET AS-CIRCUIT BREAKER						
		1	<b>4F-9101</b>	4	LUG (1/4-20-THD)						
		1	<b>4K-9097</b>	2	NUT-WELD (5/16-18-THD)						
		1	<b>7T-1099</b>	1	LINK						
		1	<b>4K-9230</b>	18	NUT-WELD (10-32-THD)						
	11	1	<b>379-2204</b>	1	COVER						
	12	1	<b>193-4623</b>	14	SCREW-BUTTON HEAD (10-32X11.11-MM)						
	13	1	<b>5S-7349</b>	3	BOLT (1/4-20X0.5-IN)						
Y	14	1	<b>6T-3645</b>	1	CIRCUIT BREAKER GP (60-AMPERE)						215
	15	1	<b>8T-4205</b>	3	WASHER-HARD (7.2X14.5X2-MM THK)						
	16	1	<b>9X-6016</b>	14	SCREW-HEX SOCKET (8-32X0.875-IN)						

Y - SEPARATE ILLUSTRATION

# ELECTRICAL AND STARTING SYSTEM

364-3929 PANEL GP-CIRCUIT BREAKER (contd.)

i05203044



GRAPHIC #1

<END>

g03336193

# ELECTRICAL AND STARTING SYSTEM

## 3T-9525 PLATE AS-BRUSH-STARTING MOTOR

S/N: MJE1-UP; GDS1-UP

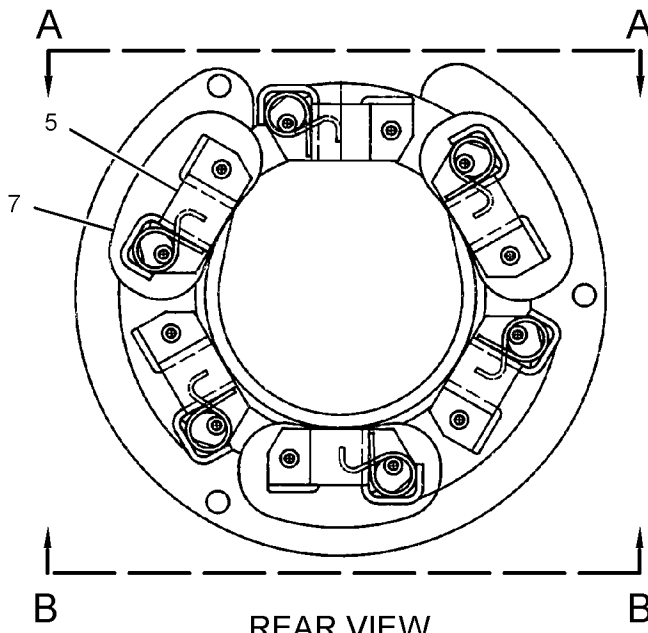
PART OF 338-3454 STARTING MOTOR GP-ELECTRIC

ALSO AN ATTACHMENT

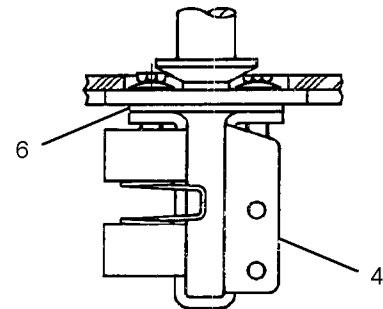
SMCS-4463

i04205348

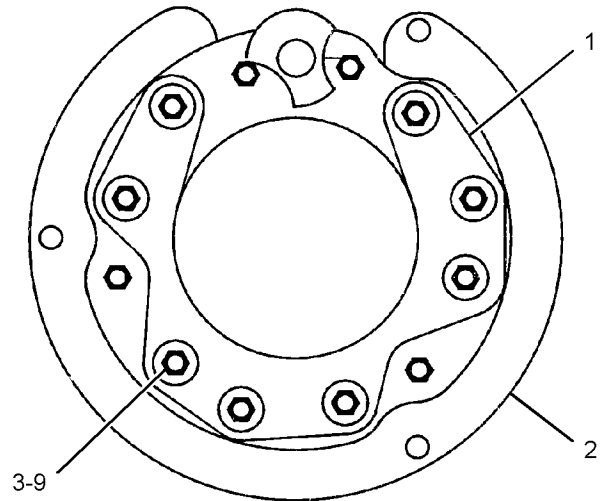
NOTE	REF NO	GRAPHIC REF	PART NUMBER	QTY	PART NAME						SEE PAGE
					1	2	3	4	5	6 (PRODUCT LEVEL)	
	1	1	6T-0372	1	PLATE						
	2	1	6T-0371	1	INSULATOR						
	3	1	9F-5599	12	LOCKWASHER						
	4	1	6T-0363	6	HOLDER AS-BRUSH						
					(EACH INCLUDES)						
		1	3T-9494	1	SPRING						
	5	1	3T-4709	3	PLATE						
	6	1	3T-4710	3	PLATE						
	7	1	2L-6679	3	PLATE-INSULATOR						
	8	1	7F-3525	6	WASHER-BUSHING (0.207X0.39X0.09-IN THK)						
	9	1	5P-6298	12	SCREW-MACHINE (10-32X0.5-IN)						



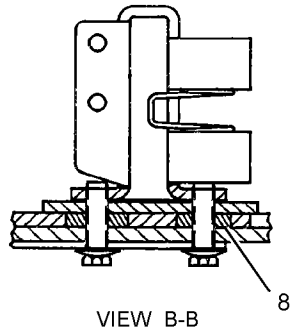
REAR VIEW



VIEW A-A



FRONT VIEW



VIEW B-B

GRAPHIC #1

<END>

g02294074

# ELECTRICAL AND STARTING SYSTEM

## 373-6718 SENSOR GP-ENGINE

S/N: MJE1-UP; GDS1-UP

PART OF 388-4921 ENGINE AR, 349-5619, 349-5622 ENGINE AR-COMPLETE  
ALSO AN ATTACHMENT

SMCS-1000, 1050, 1718, 1906, 1907, 1912, 1917, 1923,  
1924, 1925, 1928, 1929, 7400, 7422

i05196046

NOTE	REF NO	GRAPHIC REF	PART NUMBER	QTY	PART NAME						SEE PAGE
					1	2	3	4	5	6 (PRODUCT LEVEL)	
	1	1	<b>3E-5276</b>	1	ADAPTER						
Y	2	1	<b>4P-5820</b>	1	SENSOR GP-SPEED (ENGINE)						296
	3	1	<b>7K-1181</b>	3	STRAP-CABLE						
	4	1	<b>125-5835</b>	1	PLUG-FELT						
Y	5	1	<i>234-5013</i>	1	SENSOR GP-TEMPERATURE (OIL, ENGINE)						299
Y	5A	1	<i>234-5013</i>	1	SENSOR GP-TEMPERATURE (COOLANT)						299
Y	5B	1	<i>234-5013</i>	1	SENSOR GP-TEMPERATURE (INTAKE MANIFOLD)						299
Y	6	1	<i>266-8650</i>	1	SENSOR GP-PRESSURE (INTAKE MANIFOLD AIR)						293
Y	7	1	<i>276-8548</i>	1	SENSOR GP-PRESSURE (ATMOSPHERIC)						294
Y	8	1	<i>276-9067</i>	1	SENSOR GP-PRESSURE (ENGINE OIL)						295
Y	9	1	<i>300-9805</i>	1	SENSOR GP-SPEED (CRANKSHAFT)						297
Y	10	1	<i>300-9806</i>	1	SENSOR GP-SPEED (ENGINE-CAMSHAFT)						298
	11	1	<b>0S-0509</b>	1	BOLT (3/8-16X0.75-IN)						
	12	1	<b>132-5789</b>	1	CLIP						
	13	1	<b>238-5081</b>	2	SEAL-O-RING						
	14	1	<b>2H-3755</b>	2	BOLT (5/16-18X0.43-IN)						
	15	1	<b>5M-2894</b>	1	WASHER-HARD (10.2X18.5X2.5-MM THK)						
	16	1	<b>6V-3265</b>	1	CLIP						
	17	1	<b>6V-5048</b>	1	SEAL-O-RING						
	18	1	<b>6V-7420</b>	1	ADAPTER						
	19	1	<b>9M-1974</b>	2	WASHER-HARD (8.8X16X2-MM THK)						
	20	1	<b>9X-0262</b>	1	ADAPTER						

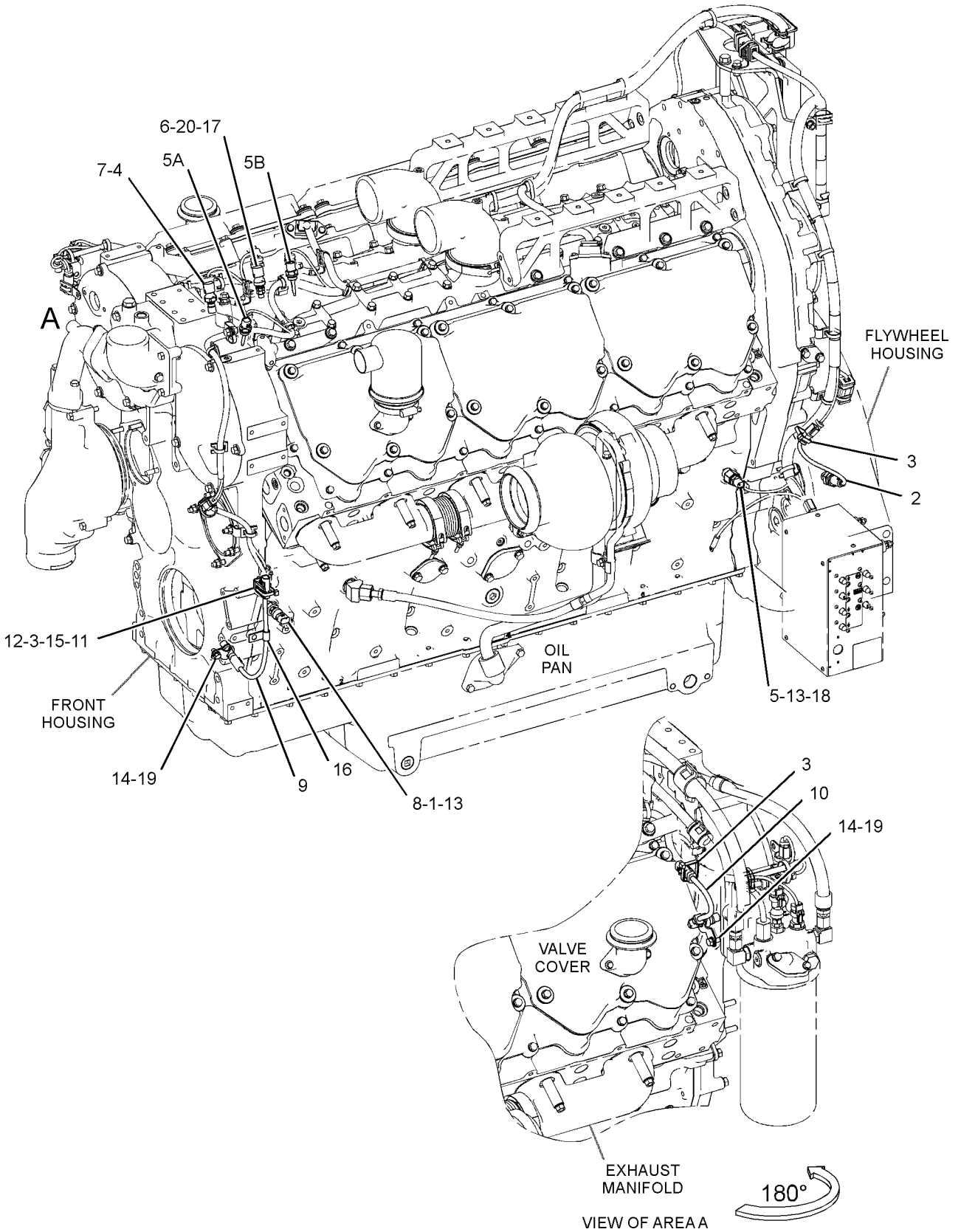
Y - SEPARATE ILLUSTRATION



# ELECTRICAL AND STARTING SYSTEM

373-6718 SENSOR GP-ENGINE (contd.)

i05196046



GRAPHIC #1

<END>

g0333354

# ELECTRICAL AND STARTING SYSTEM

## 204-2518 SENSOR GP-LIQUID LEVEL

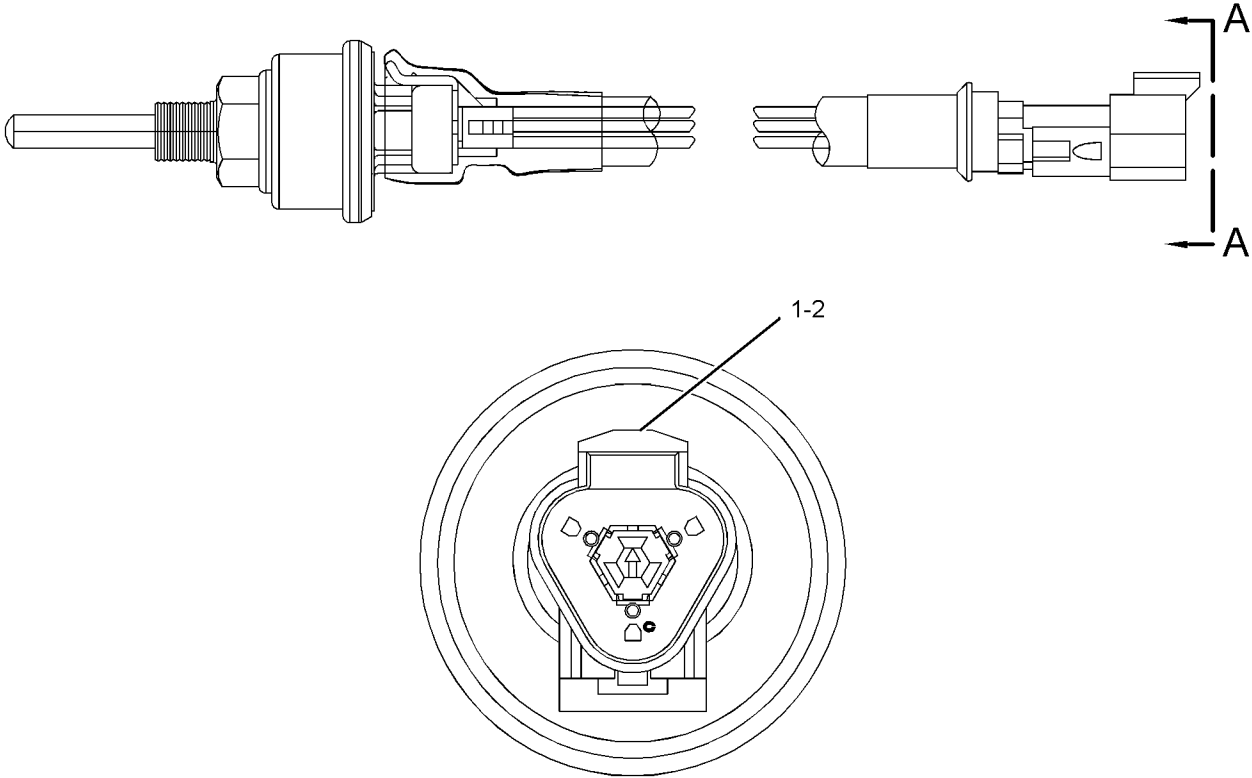
S/N: GDS1-UP

PART OF 363-0620 WIRING GP-SENSOR  
AN ATTACHMENT

SMCS-7422

i05030805

NOTE	REF NO	GRAPHIC REF	PART NUMBER	QTY	PART NAME						SEE PAGE
					1	2	3	4	5	6 (PRODUCT LEVEL)	
1	1	1	8T-8729	3	PIN-CONNECTOR (16-GA TO 18-GA)						
2	1	1	102-8803	1	KIT-RECEPTACLE (3-PIN)						
(INCLUDES RECEPTACLE AS & WEDGE)											



VIEW A-A

GRAPHIC #1

<END>

g01203130

# ELECTRICAL AND STARTING SYSTEM

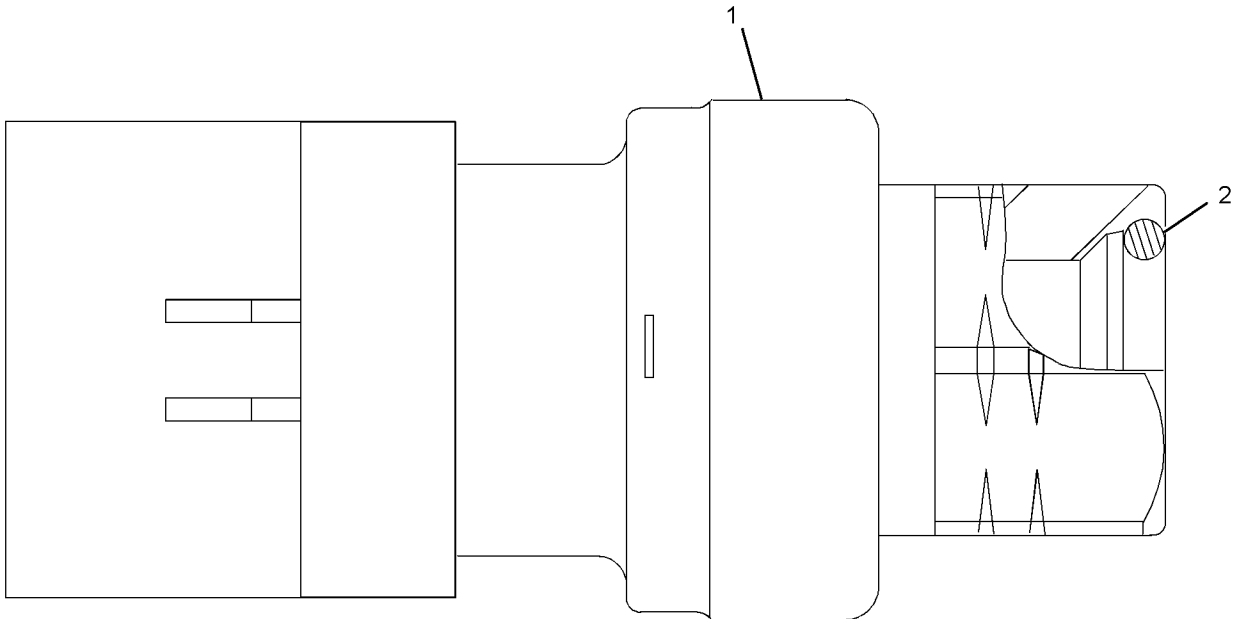
## 266-8650 SENSOR GP-PRESSURE

S/N: MJE1-UP; GDS1-UP  
PART OF 373-6718 SENSOR GP-ENGINE  
ALSO AN ATTACHMENT

SMCS-1718, 1916, 1917, 1923, 1924, 1925

i03784316

NOTE	REF NO	GRAPHIC REF	PART NUMBER	QTY	PART NAME						SEE PAGE
					1	2	3	4	5	6 (PRODUCT LEVEL)	
	1	1	276-6793	1	SENSOR GP-PRESSURE						
	2	1	214-7566	1	SEAL-O-RING						



GRAPHIC #1

<END>

g01164254

# ELECTRICAL AND STARTING SYSTEM

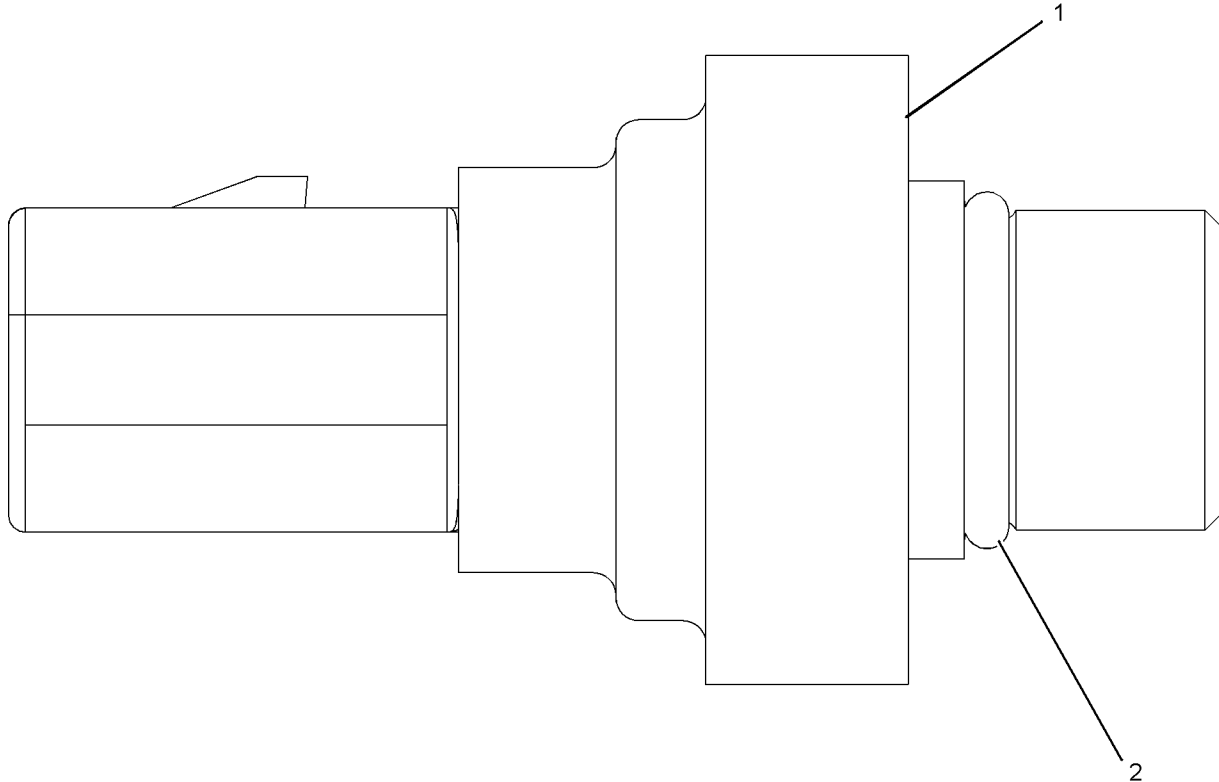
## 276-8548 SENSOR GP-PRESSURE

S/N: MJE1-UP; GDS1-UP  
PART OF 373-6718 SENSOR GP-ENGINE  
ALSO AN ATTACHMENT

SMCS-1718, 1916, 1917, 1923, 1924, 1925

i03784729

NOTE	REF NO	GRAPHIC REF	PART NUMBER	QTY	PART NAME						SEE PAGE
					1	2	3	4	5	6 (PRODUCT LEVEL)	
	1	1	274-6717	1	SENSOR - PRESSURE						
	2	1	214-7568	1	SEAL - O-RING						



GRAPHIC #1

<END>

g01064278

# ELECTRICAL AND STARTING SYSTEM

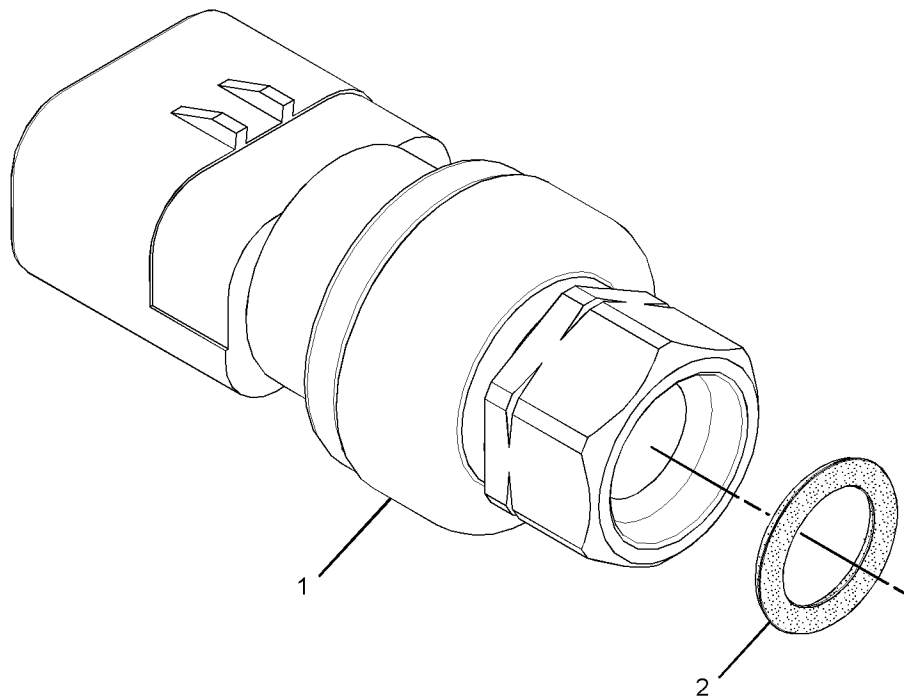
## 276-9067 SENSOR GP-PRESSURE

S/N: MJE1-UP; GDS1-UP  
PART OF 373-6718 SENSOR GP-ENGINE  
ALSO AN ATTACHMENT

SMCS-1718, 1916, 1917, 1923, 1924, 1925

i03920336

NOTE	REF NO	GRAPHIC REF	PART NUMBER	QTY	PART NAME						SEE PAGE
					1	2	3	4	5	6 (PRODUCT LEVEL)	
	1	1	<b>274-6719</b>	1	SENSOR GP-PRESSURE						
		1	<b>3J-7354</b>	1	SEAL-O-RING						
		1	<b>237-0227</b>	1	PLUG AS-CONNECTOR (3-PIN)						
2		1	<b>214-7566</b>	1	SEAL-O-RING						



GRAPHIC #1

<END>

g01994176

# ELECTRICAL AND STARTING SYSTEM

## 4P-5820 SENSOR GP-SPEED

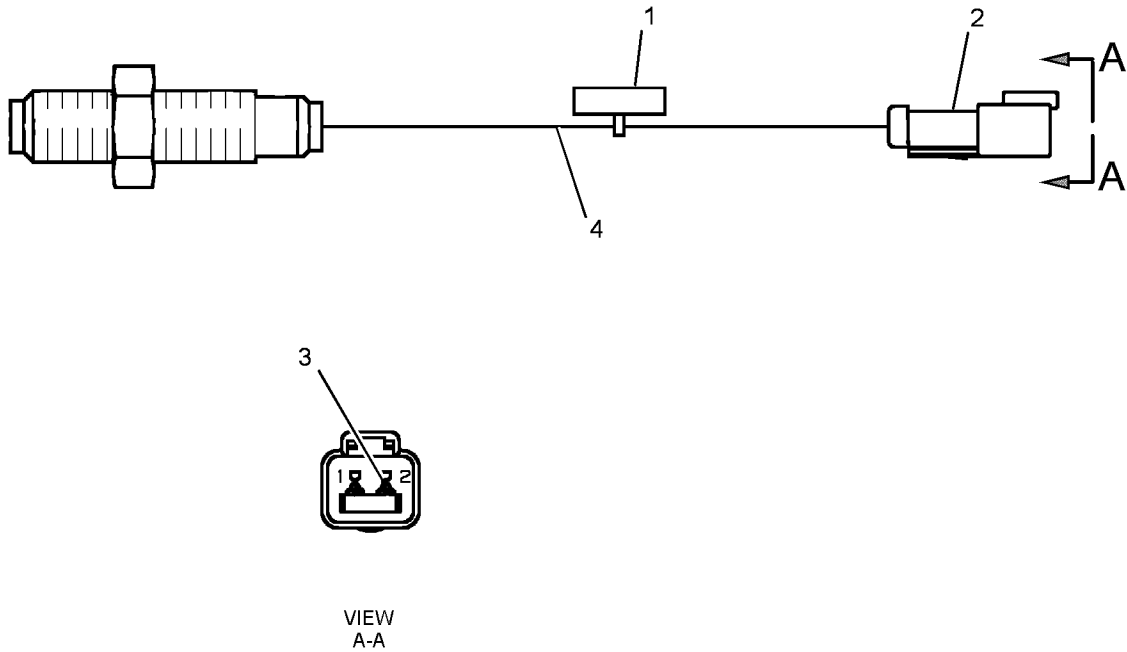
S/N: MJE1-UP; GDS1-UP  
PART OF 373-6718 SENSOR GP-ENGINE  
ALSO AN ATTACHMENT

SMCS-1907

i03456471

NOTE	REF NO	GRAPHIC REF	PART NUMBER	QTY	PART NAME						SEE PAGE
					1	2	3	4	5	6	
	1	1	171-5349	1	STRAP-MARKER						
	2	1	102-8802	2	KIT-RECEPTACLE (2-PIN)						
					(EACH INCLUDES RECEPTACLE AS & WEDGE)						
	3	1	186-3735	2	PIN-CONNECTOR (16-GA TO 18-GA)						
E	4	1	9X-1386		SLEEVE (14-CM)						

E - ORDER BY THE CENTIMETER



GRAPHIC #1

<END>

g01242242

# ELECTRICAL AND STARTING SYSTEM

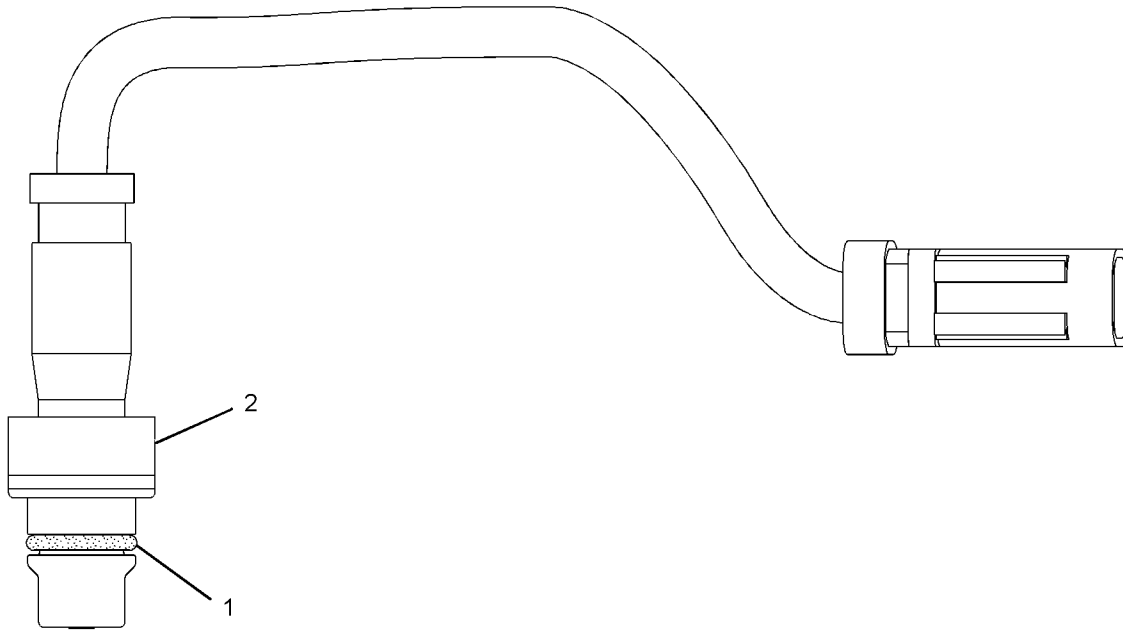
## 300-9805 SENSOR GP-SPEED

S/N: MJE1-UP; GDS1-UP  
PART OF 373-6718 SENSOR GP-ENGINE  
ALSO AN ATTACHMENT

SMCS-1907

i04450501

NOTE	REF NO	GRAPHIC REF	PART NUMBER	QTY	PART NAME						SEE PAGE
					1	2	3	4	5	6 (PRODUCT LEVEL)	
	1	1	228-4947	1	SEAL-O-RING						
	2	1	279-9828	1	SENSOR GP-SPEED						



GRAPHIC #1

<END>

g02168513

# ELECTRICAL AND STARTING SYSTEM

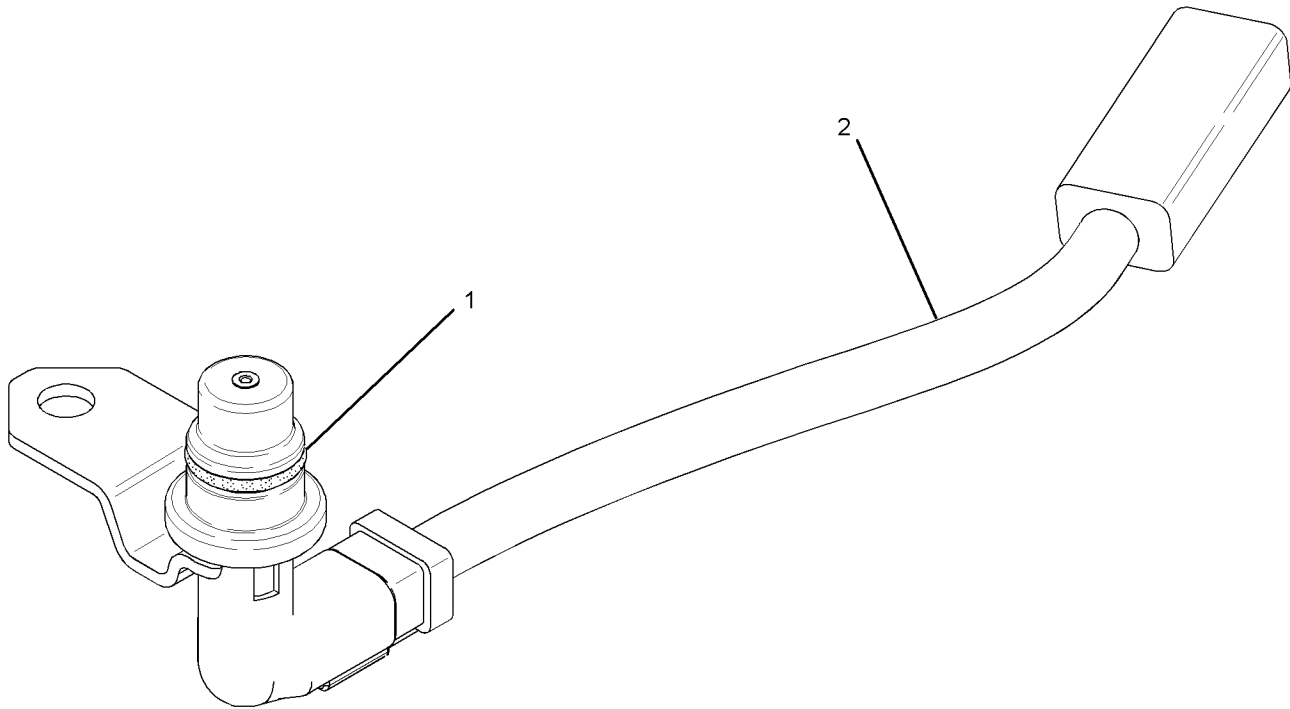
## 300-9806 SENSOR GP-SPEED

S/N: MJE1-UP; GDS1-UP  
PART OF 373-6718 SENSOR GP-ENGINE  
ALSO AN ATTACHMENT

SMCS-1907

i04450490

NOTE	REF NO	GRAPHIC REF	PART NUMBER	QTY	PART NAME						SEE PAGE
					1	2	3	4	5	6	
	1	1	228-4947	1	SEAL-O-RING						
	2	1	279-9829	1	SENSOR GP-SPEED						



GRAPHIC #1

<END>

g01333640



# ELECTRICAL AND STARTING SYSTEM

## 234-5013 SENSOR GP-TEMPERATURE

S/N: MJE1-UP; GDS1-UP

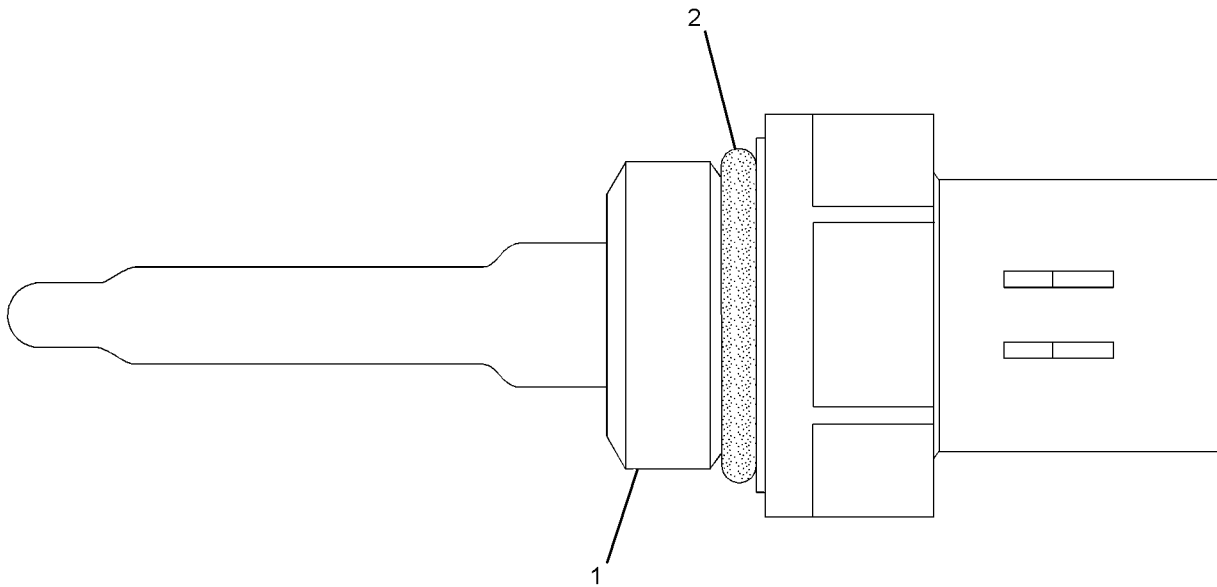
PART OF 377-0779 FILTER GP-FUEL, 373-6718 SENSOR GP-ENGINE

ALSO AN ATTACHMENT

SMCS-1906, 1919, 1921, 1922, 1928, 1929

i03828640

NOTE	REF NO	GRAPHIC REF	PART NUMBER	QTY	PART NAME						SEE PAGE
					1	2	3	4	5	6 (PRODUCT LEVEL)	
	1	1	<b>256-6453</b>	1	SENSOR - TEMPERATURE						
	2	1	<b>238-5080</b>	1	SEAL - O - RING						



GRAPHIC #1

<END>

g01164268

# ELECTRICAL AND STARTING SYSTEM

## 249-0635 STARTING MOTOR GP-ELECTRIC

S/N: MJE1-UP; GDS1-UP

LH, 24-VOLT

PART OF 388-4921 ENGINE AR, 349-5619, 349-5622 ENGINE AR-COMPLETE

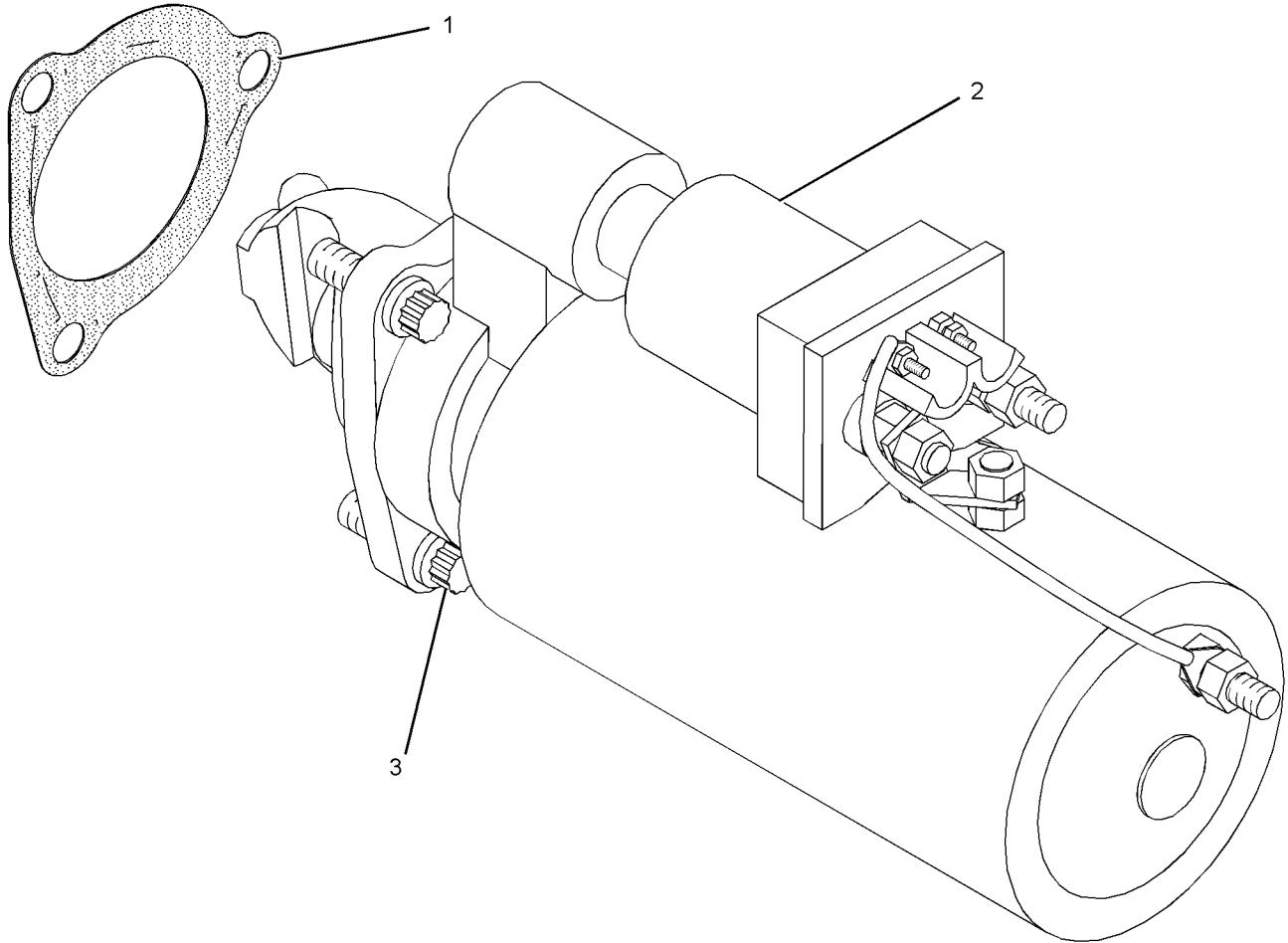
ALSO AN ATTACHMENT

SMCS-1453

i04257713

NOTE	REF NO	GRAPHIC REF	PART NUMBER	QTY	PART NAME						SEE PAGE
					1	2	3	4	5	6 (PRODUCT LEVEL)	
	1	1	<b>9Y-6089</b>	1	GASKET						
CYR	2	1	<b>338-3454</b>	1	STARTING MOTOR GP-ELECTRIC (24-VOLT)						301
	3	1	<b>176-2543</b>	3	BOLT-12 POINT HEAD (5/8-11X1.75-IN)						

C - CHANGE FROM PREVIOUS TYPE  
R - REMFG PART MAY BE AVAILABLE  
Y - SEPARATE ILLUSTRATION



GRAPHIC #1

<END>

g01435031

# ELECTRICAL AND STARTING SYSTEM

## 338-3454 STARTING MOTOR GP-ELECTRIC\*R

S/N: MJE1-UP; GDS1-UP

24-VOLT

PART OF 249-0635 STARTING MOTOR GP-ELECTRIC

ALSO AN ATTACHMENT

SMCS-1453

i05215962

NOTE	REF NO	GRAPHIC REF	PART NUMBER	QTY	PART NAME						SEE PAGE
					1	2	3	4	5	6 (PRODUCT LEVEL)	
	1	1	7M-0326	1	CONNECTOR						
	2	1	9H-3757	2	WASHER (0.516X1X0.094-IN THK)						
	3	1	1S-7446	3	SCREW-MACHINE (8-32X0.437-IN)						
	4	1	8C-9660	3	WASHER (4.6X7.9X0.8-MM THK)						
	5	1	9S-2544	9	SCREW-HEX HEAD (8-32X11.13-MM)						
	6	1	7M-0327	1	WASHER-THRUST (17.4X25.4X1.6-MM THK)						
	7	1	3T-3418	1	FRAME AS-END						
		1	3T-3423	1	CUP						
		1	3T-3424	1	PLUG-FELT						
		1	9G-4101	1	BUSHING-END						
Y	8	1	3T-9525	1	PLATE AS-BRUSH (STARTING MOTOR)						289
	9	1	1T-0808	2	WASHER (0.516X0.812X0.09-IN THK)						
	10	1	3T-3422	1	WIRE AS						
	11	1	2J-8163	2	SEAL-O-RING						
	12	1	7X-3373	1	BOLT (5/16-18X0.88-IN)						
	13	1	3T-3434	6	PLUG						
	14	1	5J-5314	5	BOLT (5/16-18X1.5-IN)						
	15	1	3L-3380	1	BUSHING-TERMINAL						
	16	1	8C-3089	1	SEAL-O-RING						
	17	1	4M-1853	1	LEVER AS-SHIFT						
	18	1	5M-3034	1	LOCKNUT (5/16-24-THD)						
	19	1	7L-2894	4	GASKET						
	20	1	4M-1831	4	PLUG-LEVER HOUSING						
	21	1	4M-1854	1	SHAFT-LEVER						
	22	1	1H-1023	1	SEAL-O-RING						
	23	1	2D-6392	1	SEAL-O-RING						
	24	1	7T-3974	1	HOUSING AS-DRIVE						
	25	1	6N-3826	1	DRIVE AS-MOTOR						
	26	1	2H-3429	1	RING-RETAINING						
	27	1	6V-1322	4	BOLT (1/4-20X0.375-IN)						
	28	1	8T-4205	4	WASHER-HARD (7.2X14.5X2-MM THK)						
	29	1	6N-3279	1	INSULATOR						
	30	1	0S-1597	13	BOLT (1/4-28X1-IN)						
	31	1	1M-9971	1	SPACER (0.835X1.72X0.188-IN THK)						
	32	1	1H-2629	3	STRIP-INSULATION						
	33	1	7M-0324	1	COIL AS-FIELD						
	34	1	3R-8797	12	SCREW & WASHER AS (3/8-24X0.72-IN)						
	35	1	7F-3488	6	SHOE-POLE						
	36	1	7M-8651	1	ARMATURE AS						
	37	1	7M-0325	1	INSULATOR						
	38	1	3T-9524	6	BRUSH AS						
	39	1	3N-3763	1	KIT-TERMINAL (STARTING MOTOR)						
					(INCLUDES BUSHINGS & WASHERS)						
	40	1	338-3453	1	SOLENOID AS-STARTING MOTOR (24-VOLT)						
	40A	1	3R-8801	1	CLAMP						
	42	1	8F-1434	2	LOCKWASHER						
	43	1	6V-8188	6	NUT (1/2-13-THD)						
	44	1	7X-0562	6	WASHER-HARD (13.5X19X0.8-MM THK)						
	45	1	4B-2049	6	NUT (10-32-THD)						
	46	1	8T-0328	10	WASHER-HARD (5.5X10X1-MM THK)						
	47	1	3T-9494	6	SPRING						
	48	1	3E-7771	1	HOUSING AS (STARTING MOTOR)						
	49	1	9G-4101	1	BUSHING-END						
	50	1	3T-3424	3	PLUG-FELT						
	51	1	3T-3423	3	CUP						
	52	1	1M-9968	1	BUSHING						

# ELECTRICAL AND STARTING SYSTEM

338-3454 **STARTING MOTOR GP-ELECTRIC (contd.)**

**i05215962**

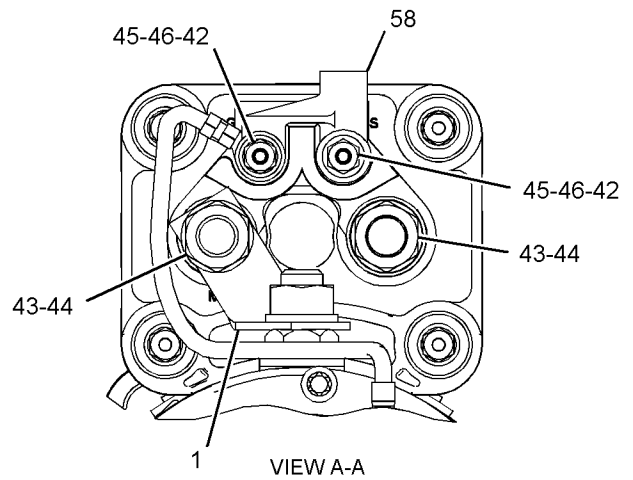
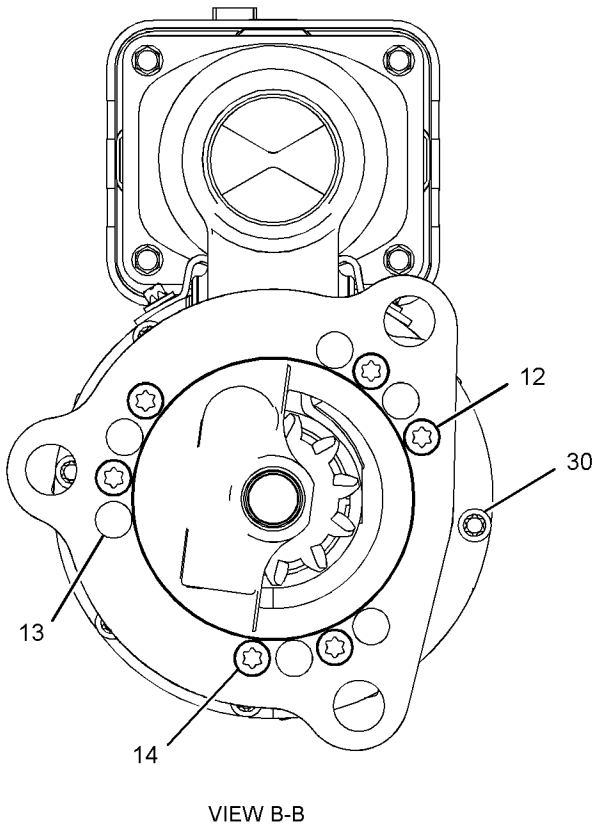
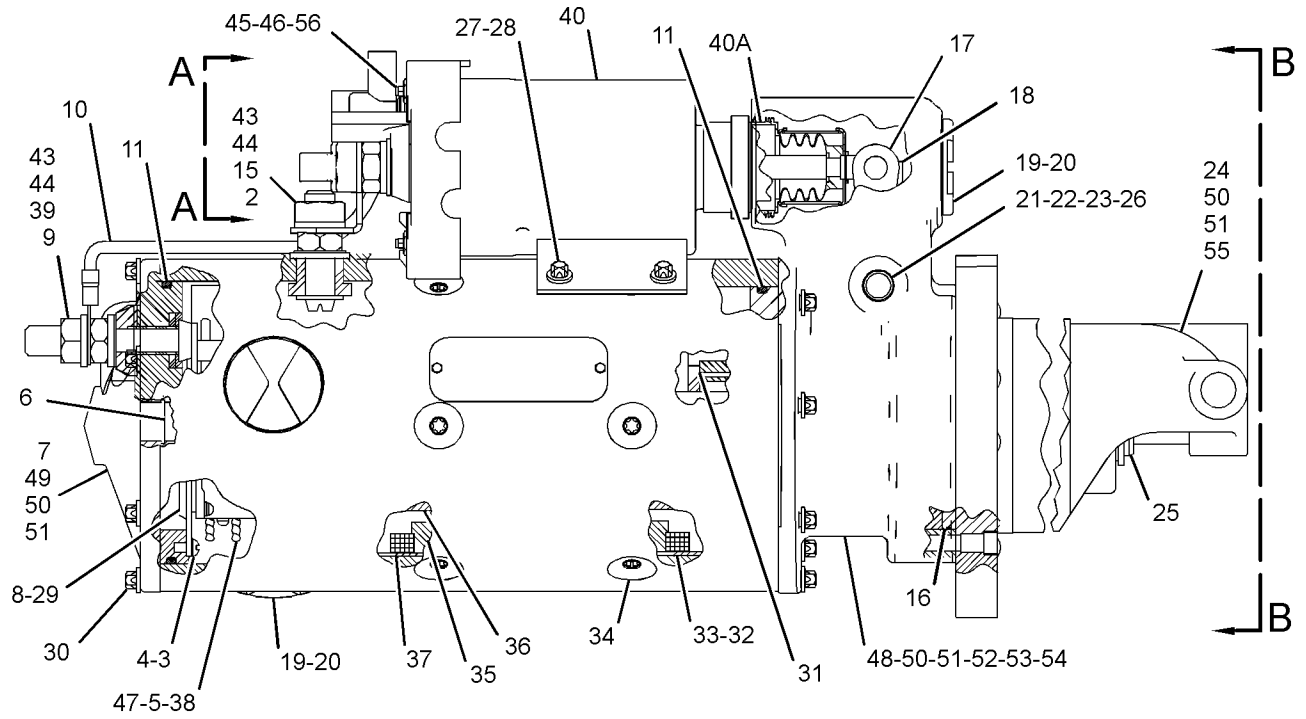
NOTE	REF NO	GRAPHIC REF	PART NUMBER	QTY	PART NAME						SEE PAGE
					1	2	3	4	5	6 (PRODUCT LEVEL)	
	53	1	<b>2F-6678</b>	1	SEAL-LIP TYPE						
	54	1	<b>4L-2729</b>	1	WASHER (0.844X1.9X0.188-IN THK)						
	55	1	<b>4M-1896</b>	1	BUSHING-TERMINAL						
	56	1	<b>045-4065</b>	4	SCREW-MACHINE (10-32X0.75-IN)						
	58	1	<b>125-6535</b>	1	COVER-STARTING MOTOR						

Y - SEPARATE ILLUSTRATION

# ELECTRICAL AND STARTING SYSTEM

338-3454 STARTING MOTOR GP-ELECTRIC (contd.)

i05215962



GRAPHIC #1

<END>

g03090296

# ELECTRICAL AND STARTING SYSTEM

## 244-9602 STRIP GP-TERMINAL-AC

S/N: GDS1-UP

PART OF 368-4865 BOX GP-ELECTRONIC  
AN ATTACHMENT

SMCS-4460, 7426

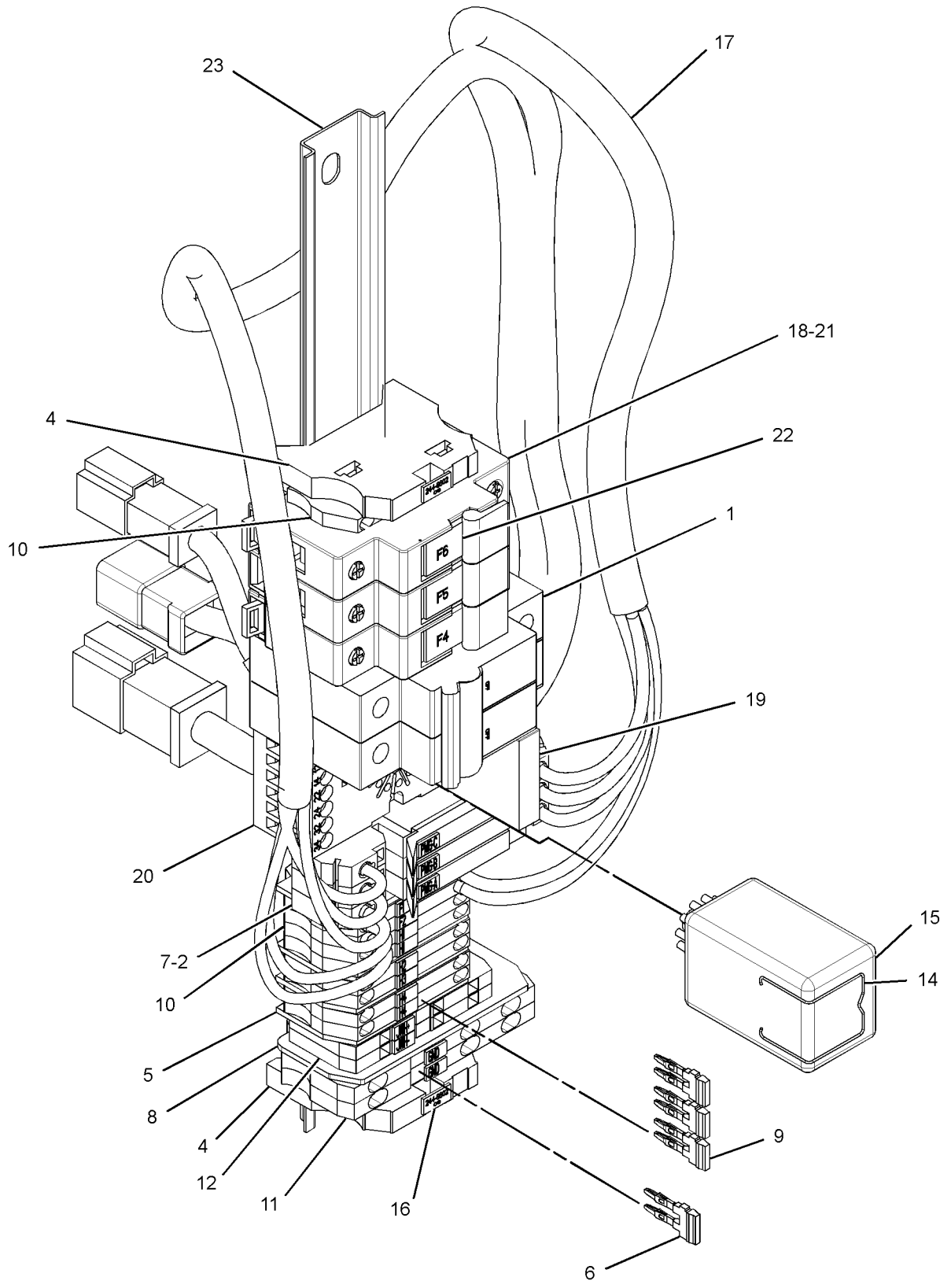
i05031026

NOTE	REF NO	GRAPHIC REF	PART NUMBER	QTY	PART NAME						SEE PAGE
					1	2	3	4	5	6 (PRODUCT LEVEL)	
	1	1	<b>128-8065</b>	1	CIRCUIT BREAKER AS (10-AMPERE)						
					(NACD MARKETS)						
					-OR-						
			<b>307-2056</b>	1	CIRCUIT BREAKER (10-AMPERE)						
					(ALL MARKETS OUTSIDE NACD)						
	2	1	<b>155-8755</b>	3	FUSE (10-AMPERE)						
	4	1	<b>314-9101</b>	2	BRACKET-END						
	5	1	<b>314-9099</b>	4	COVER-TERMINAL						
	6	1	<b>314-9093</b>	1	BAR-FIXED BRIDGE						
	7	1	<b>321-2524</b>	3	BLOCK-TERMINAL (300-VOLT, 15-AMPERE)						
	8	1	<b>314-9090</b>	1	COVER-TERMINAL						
	9	1	<b>314-9100</b>	1	BAR-FIXED BRIDGE						
	10	1	<b>314-9098</b>	9	BLOCK-TERMINAL (600-VOLT, 25-AMPERE)						
	11	1	<b>324-8967</b>	2	BLOCK-TERMINAL (30-AMPERE)						
	12	1	<b>314-9083</b>	2	BLOCK-TERMINAL (600-VOLT, 25-AMPERE)						
	14	1	<b>211-0640</b>	1	SPRING (RELAY)						
	15	1	<b>223-6470</b>	1	RELAY (10-AMPERE, 24-VOLT)						
	16	1	<b>328-4133</b>	1	MARKER-TERMINAL						
	17	1	<b>244-9657</b>	1	HARNESS AS-WIRING (TERMINAL BLOCK)						
		1	<b>102-8802</b>	1	KIT-RECEPTACLE (2-PIN)						
		1	<b>102-8804</b>	1	KIT-RECEPTACLE (4-PIN)						
		1	<b>102-8805</b>	1	KIT-RECEPTACLE (6-PIN)						
					(EACH RECEPTACLE KIT INCLUDES RECEPTACLE AS & WEDGE)						
		1	<b>6K-0806</b>	9	STRAP-CABLE						
		1	<b>8T-8737</b>	1	PLUG-SEAL						
	18	1	<b>246-9818</b>	1	HOLDER-FUSE						
	19	1	<b>252-1731</b>	1	MODULE-DIODE						
	20	1	<b>252-1732</b>	1	BASE-RELAY						
	21	1	<b>272-5835</b>	3	FUSE (0.5-AMPERE)						
	22	1	<b>252-7497</b>	1	FILM (FUSE BLOCK)						
	23	1	<b>097-5921</b>	1	RAIL-MOUNTING						

# ELECTRICAL AND STARTING SYSTEM

244-9602 STRIP GP-TERMINAL (contd.)

i05031026



GRAPHIC #1

<END>

g01907913

# ELECTRICAL AND STARTING SYSTEM

## 361-1637 STRIP GP-TERMINAL

S/N: GDS1-UP

EMCP 4.3, 4.4

PART OF 361-1632 BOX GP-ELECTRONIC

AN ATTACHMENT

SMCS-4460, 7426

i04395277

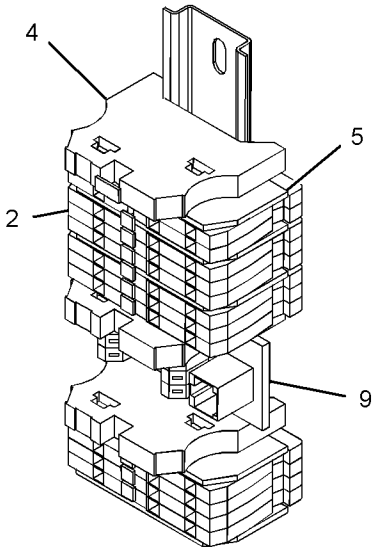
NOTE	REF NO	GRAPHIC REF	PART NUMBER	QTY	PART NAME						SEE PAGE
					1	2	3	4	5	6 (PRODUCT LEVEL)	
	1	1	097-5921	1	RAIL-MOUNTING						
	2	1	314-9083	85	BLOCK-TERMINAL (600-VOLT, 25-AMPERE)						
	3	1	314-9100	5	BAR-FIXED BRIDGE						
	4	1	314-9101	6	BRACKET-END						
	5	1	325-1788	21	COVER-TERMINAL						
	6	1	347-0328	12	RELAY (24-VOLT)						
	7	1	347-0329	1	COVER-RELAY						
	8	1	347-0337	2	STRIP-CONTACT						
	9	1	350-3459	1	MODULE						
	10	1	369-4689	1	KIT-MARKER						



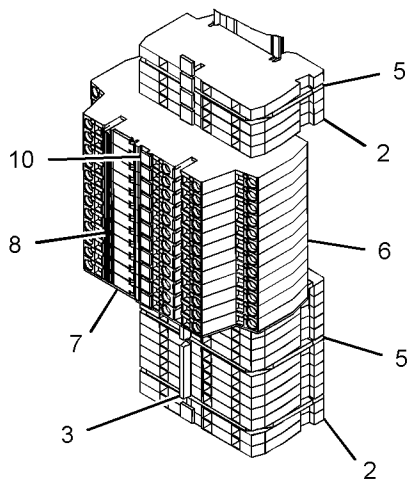
# ELECTRICAL AND STARTING SYSTEM

361-1637 STRIP GP-TERMINAL (contd.)

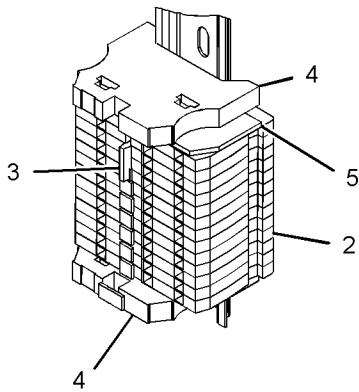
i04395277



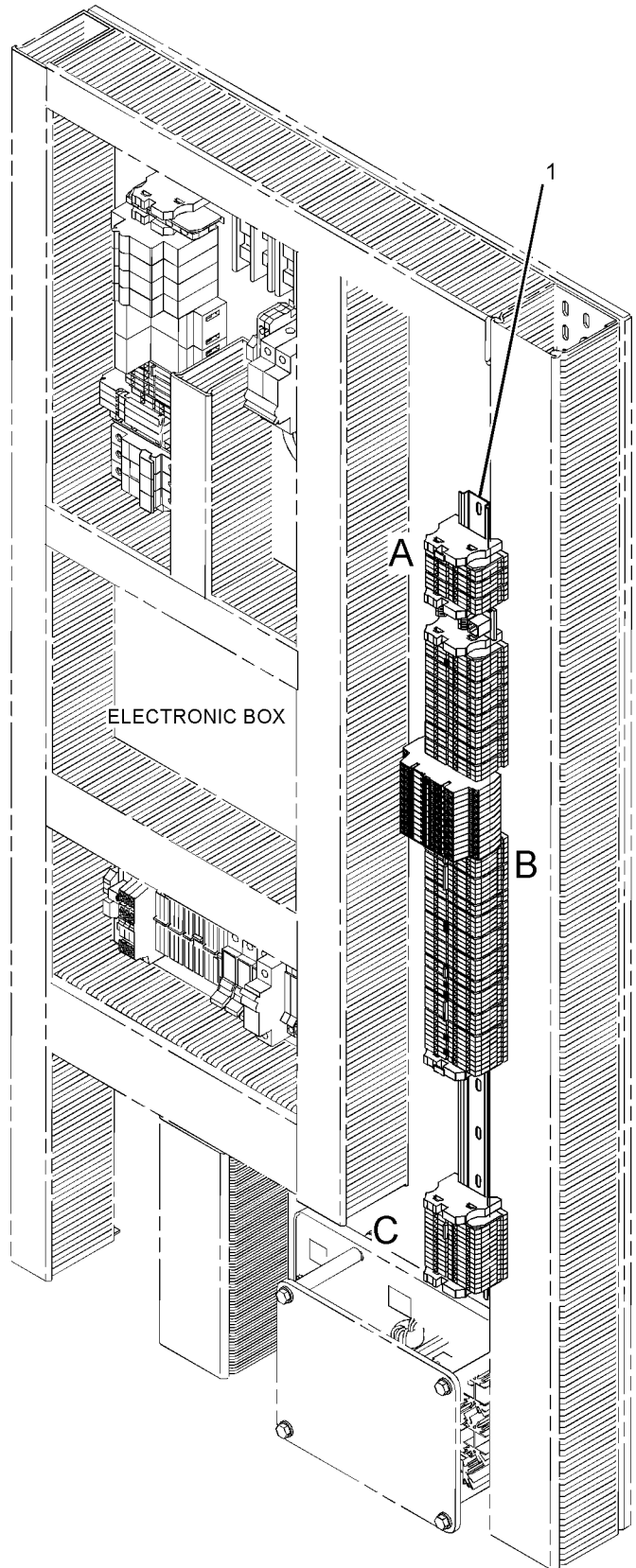
VIEW OF AREA A



VIEW OF AREA B



VIEW OF AREA C



ELECTRONIC BOX

GRAPHIC #1

<END>

g02571417

# ELECTRICAL AND STARTING SYSTEM

## 361-1638 STRIP GP-TERMINAL

S/N: GDS1-UP

EMCP 4.3, 4.4

PART OF 361-1632 BOX GP-ELECTRONIC  
AN ATTACHMENT

SMCS-4460, 7426

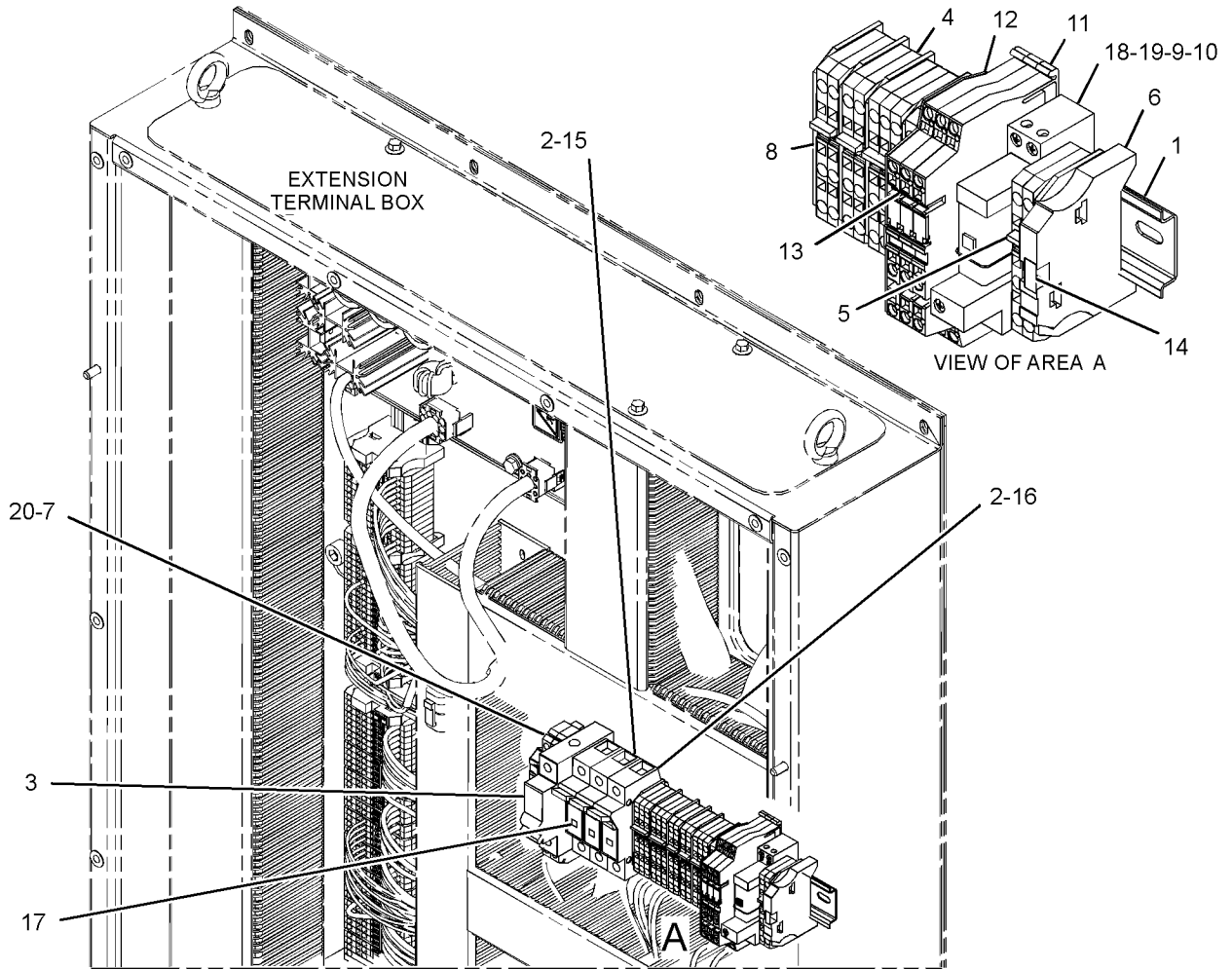
i05202445

NOTE	REF NO	GRAPHIC REF	PART NUMBER	QTY	PART NAME						SEE PAGE
					1	2	3	4	5	6 (PRODUCT LEVEL)	
	1	1	097-5921	1	RAIL-MOUNTING						
	2	1	355-3073	3	HOLDER-FUSE						
	3	1	172-6334	1	CIRCUIT BREAKER (10-AMPERE)						
	4	1	314-9083	18	BLOCK-TERMINAL (600-VOLT, 25-AMPERE)						
	5	1	314-9100	7	BAR-FIXED BRIDGE						
	6	1	314-9101	2	BRACKET-END						
	7	1	321-2524	2	BLOCK-TERMINAL (300-VOLT, 15-AMPERE)						
	8	1	325-1788	7	COVER-TERMINAL						
	9	1	336-8570	1	DIODE						
	10	1	336-8571	1	RETAINING CLAMP						
	11	1	347-0328	3	RELAY (24-VOLT)						
	12	1	347-0329	1	COVER-RELAY						
	13	1	347-0337	1	STRIP-CONTACT						
	14	1	369-4690	1	MARKER-TERMINAL						
	15	1	370-6127	2	FUSE (15-AMPERE)						
	16	1	370-6128	1	FUSE (20-AMPERE)						
	17	1	370-6129	1	FILM-IDENTIFICATION (FUSES)						
	18	1	371-5027	1	BASE-RELAY						
	19	1	371-5029	1	RELAY (12-AMPERE)						
	20	1	7X-1705	2	FUSE (2-AMPERE)						

# ELECTRICAL AND STARTING SYSTEM

361-1638 STRIP GP-TERMINAL (contd.)

i05202445



GRAPHIC #1

<END>

g02571139

# ELECTRICAL AND STARTING SYSTEM

## 361-1639 STRIP GP-TERMINAL

S/N: GDS1-UP

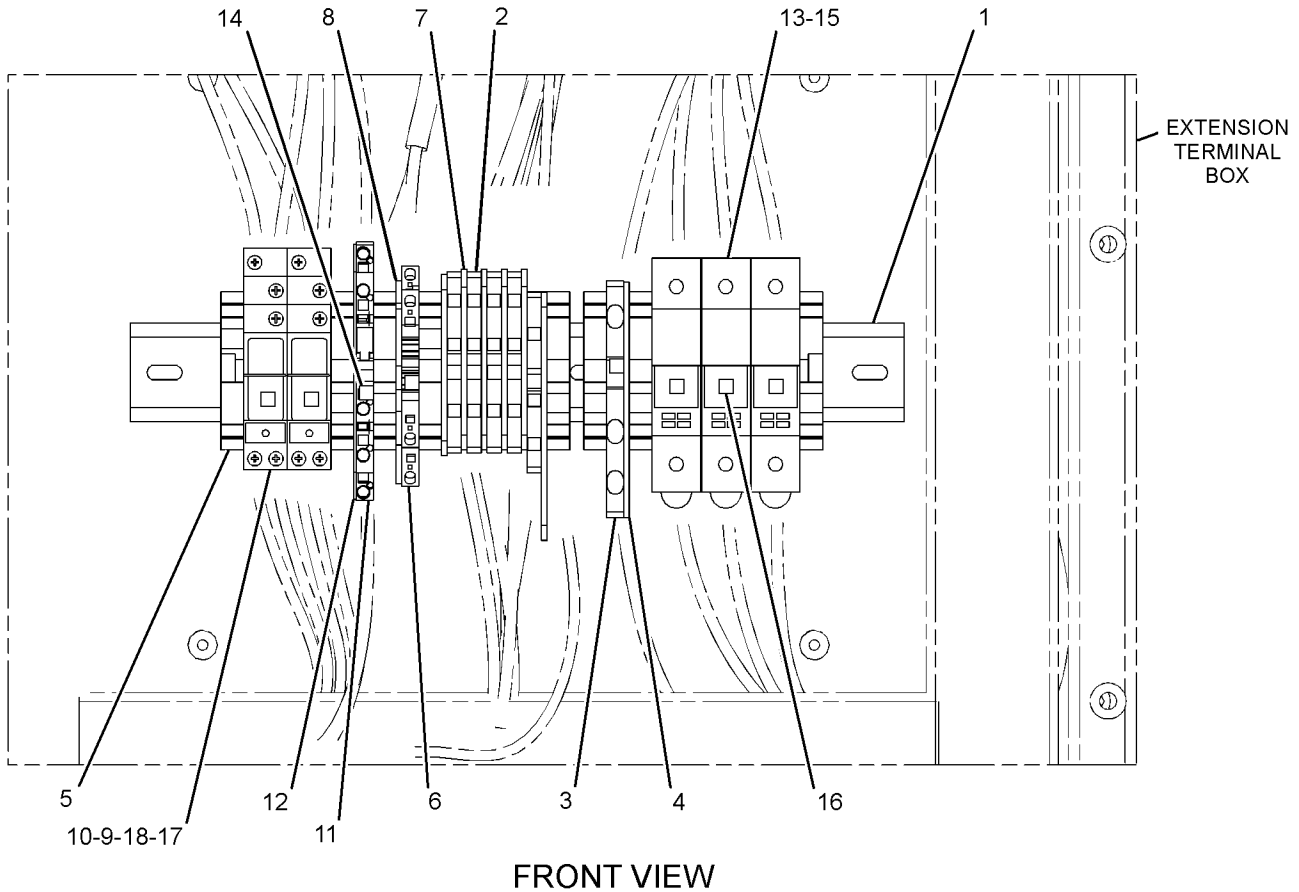
EMCP 4.4

PART OF 361-7118 BOX GP-ELECTRONIC  
AN ATTACHMENT

SMCS-4460, 7426

i04385936

NOTE	REF NO	GRAPHIC REF	PART NUMBER	QTY	PART NAME						SEE PAGE
					1	2	3	4	5	6 (PRODUCT LEVEL)	
	1	1	<b>097-5921</b>	1	RAIL-MOUNTING						
	2	1	<b>314-9083</b>	5	BLOCK-TERMINAL (600-VOLT, 25-AMPERE)						
	3	1	<b>314-9086</b>	1	BLOCK-TERMINAL (600-VOLT, 33-AMPERE)						
	4	1	<b>314-9090</b>	1	COVER-TERMINAL						
	5	1	<b>314-9101</b>	8	BRACKET-END						
	6	1	<b>316-2585</b>	1	BLOCK-TERMINAL (DIODE)						
	7	1	<b>325-1788</b>	6	COVER-TERMINAL						
	8	1	<b>334-1072</b>	1	COVER-TERMINAL						
	9	1	<b>336-8570</b>	2	DIODE						
	10	1	<b>336-8571</b>	2	RETAINING CLAMP						
	11	1	<b>347-0328</b>	1	RELAY (24-VOLT)						
	12	1	<b>347-0329</b>	1	COVER-RELAY						
	13	1	<b>350-2810</b>	1	HOLDER-FUSE						
	14	1	<b>369-4691</b>	1	TAG-INFORMATION (EMCP 4.4)						
	15	1	<b>370-6126</b>	3	FUSE (1.5-AMPERE)						
	16	1	<b>370-6131</b>	1	FILM-INFORMATION (EMCP 4.4)						
	17	1	<b>371-5027</b>	2	BASE-RELAY						
	18	1	<b>371-5029</b>	2	RELAY (12-AMPERE)						



GRAPHIC #1

<END>

g02570937

# ELECTRICAL AND STARTING SYSTEM

## 361-1640 STRIP GP-TERMINAL

S/N: GDS1-UP

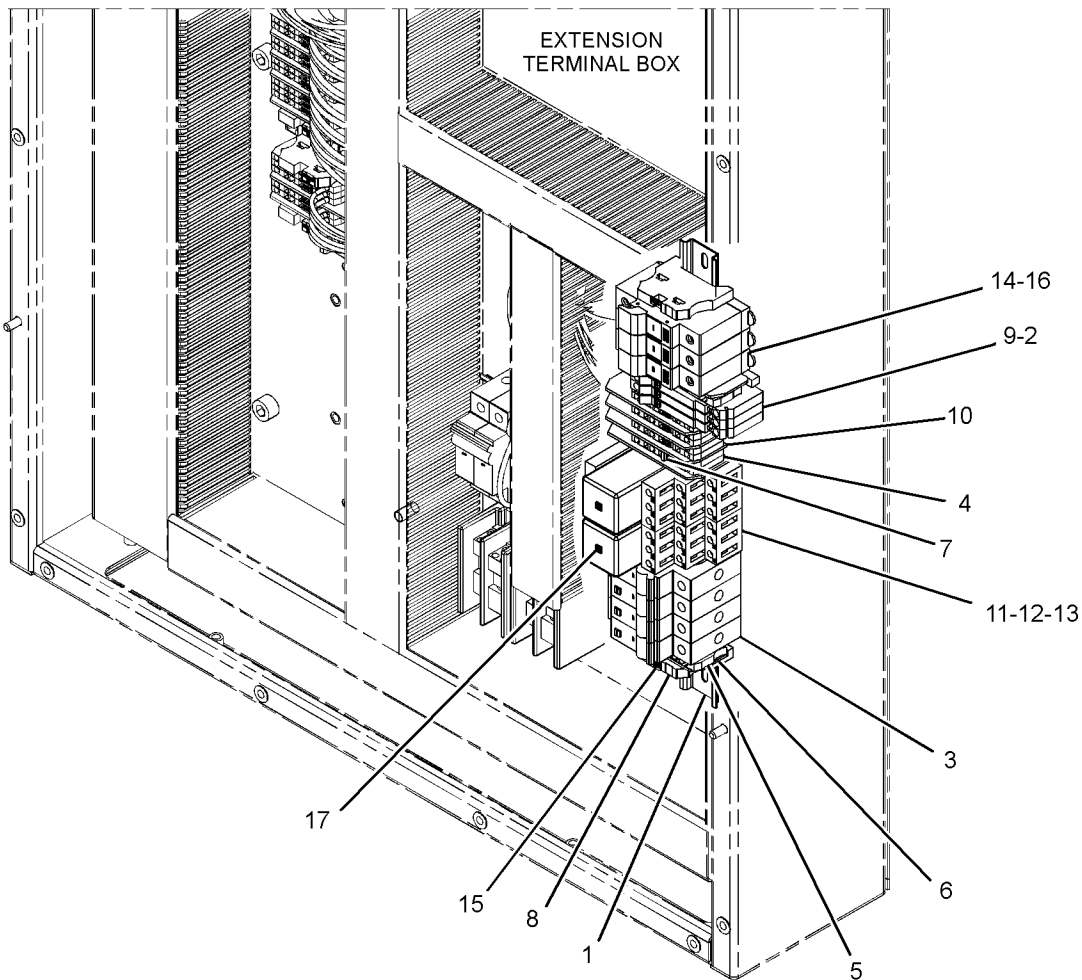
EMCP 4.3, 4.4

PART OF 361-1632 BOX GP-ELECTRONIC  
AN ATTACHMENT

SMCS-4460, 7426

i05067250

NOTE	REF NO	GRAPHIC REF	PART NUMBER	QTY	PART NAME						SEE PAGE
					1	2	3	4	5	6 (PRODUCT LEVEL)	
	1	1	097-5921	1	RAIL -MOUNTING						
	2	1	155-8755	3	FUSE (10-AMPERE)						
	3	1	172-6334	4	CIRCUIT BREAKER (10-AMPERE)						
	4	1	314-9083	8	BLOCK-TERMINAL (600-VOLT, 25-AMPERE)						
	5	1	314-9086	2	BLOCK-TERMINAL (600-VOLT, 33-AMPERE)						
	6	1	314-9090	2	COVER-TERMINAL						
	7	1	314-9100	1	BAR-FIXED BRIDGE						
	8	1	314-9101	3	BRACKET-END						
	9	1	321-2524	3	BLOCK-TERMINAL (300-VOLT, 15-AMPERE)						
	10	1	325-1788	5	COVER-TERMINAL						
	11	1	336-9184	2	BASE-RELAY						
	12	1	336-9185	2	RELAY (10-AMPERE)						
	13	1	336-9186	2	MODULE-DIODE						
	14	1	350-2810	1	HOLDER-FUSE						
	15	1	369-4692	1	MARKER-TERMINAL						
	16	1	370-6126	3	FUSE (1.5-AMPERE)						
	17	1	370-6130	1	FILM-IDENTIFICATION (AC TERMINAL STRIP)						



GRAPHIC #1

<END>

g02572027

# ELECTRICAL AND STARTING SYSTEM

## 361-1641 STRIP GP-TERMINAL

S/N: GDS1-UP

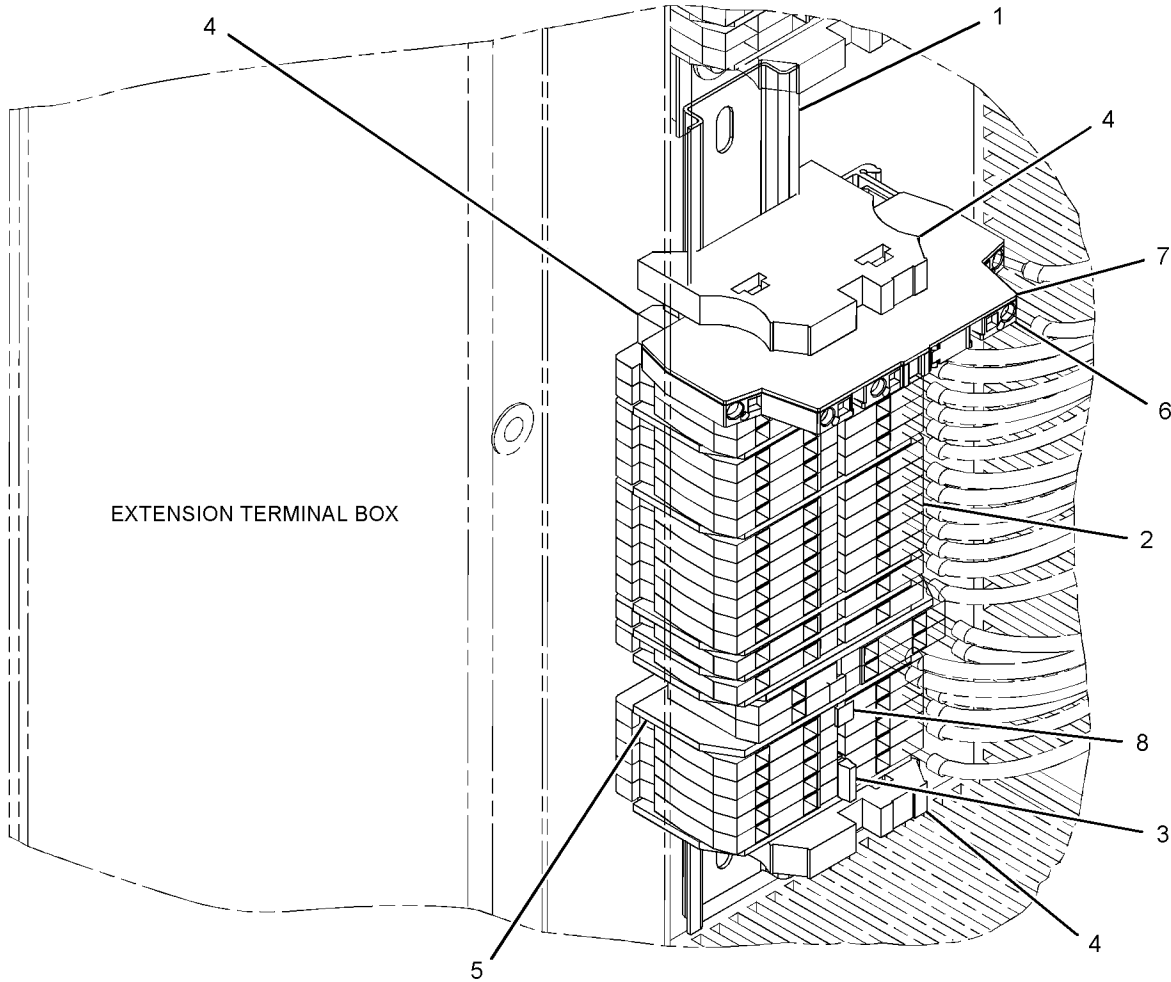
EMCP 4.4

PART OF 361-7118 BOX GP-ELECTRONIC  
AN ATTACHMENT

SMCS-4460, 7426

i04385939

NOTE	REF NO	GRAPHIC REF	PART NUMBER	QTY	PART NAME						SEE PAGE
					1	2	3	4	5	6 (PRODUCT LEVEL)	
	1	1	<b>097-5921</b>	1	RAIL-MOUNTING						
	2	1	<b>314-9083</b>	21	BLOCK-TERMINAL (600-VOLT, 25-AMPERE)						
	3	1	<b>314-9100</b>	1	BAR-FIXED BRIDGE						
	4	1	<b>314-9101</b>	3	BRACKET-END						
	5	1	<b>325-1788</b>	8	COVER-TERMINAL						
	6	1	<b>347-0328</b>	1	RELAY (24-VOLT)						
	7	1	<b>347-0329</b>	1	COVER-RELAY						
	8	1	<b>369-4693</b>	1	MARKER-TERMINAL						



GRAPHIC #1

<END>

g02564122

# ELECTRICAL AND STARTING SYSTEM

## 361-1643 STRIP GP-TERMINAL

S/N: GDS1-UP

EMCP 4.3, 4.4

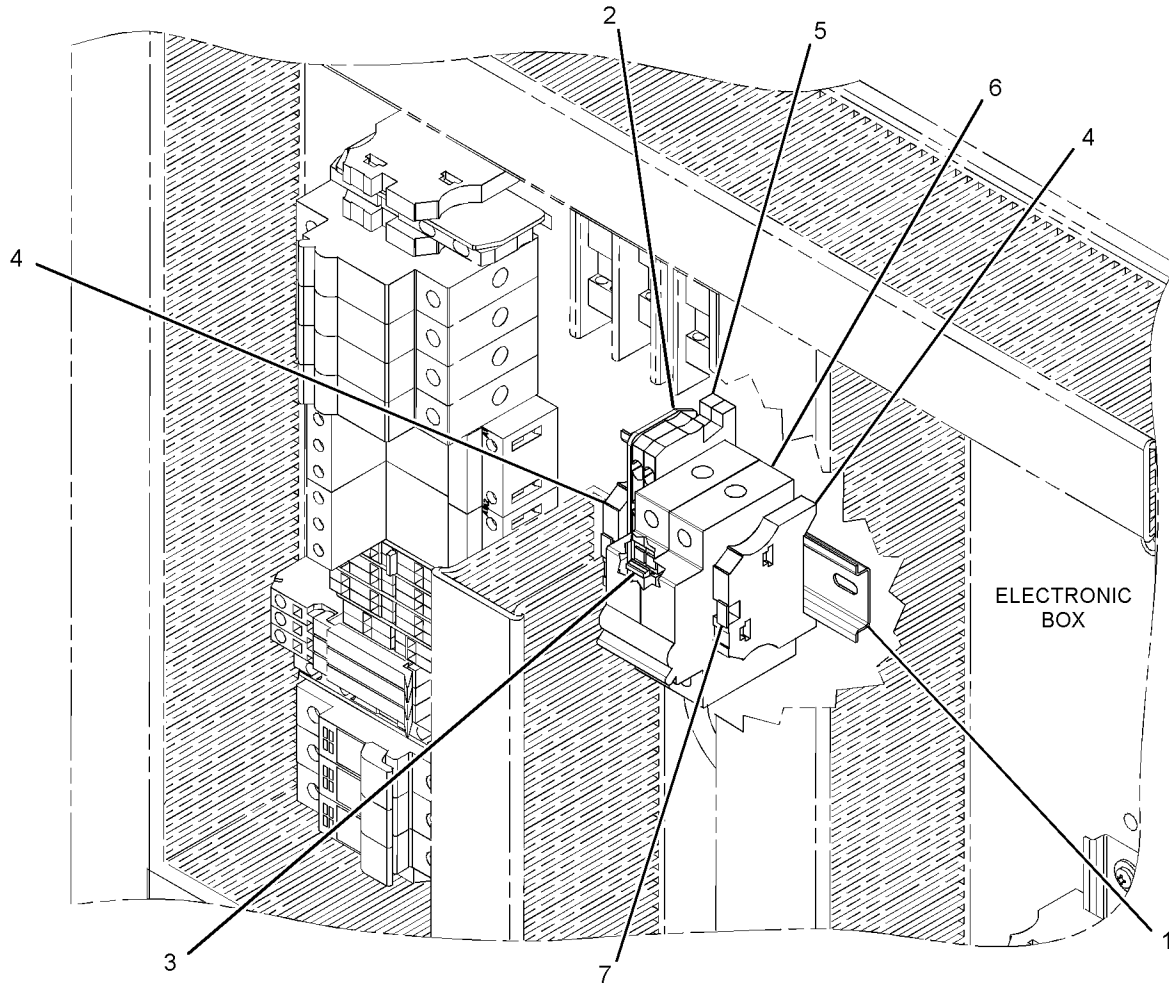
PART OF 361-1632 BOX GP-ELECTRONIC

AN ATTACHMENT

SMCS-4460, 7426

i04395269

NOTE	REF NO	GRAPHIC REF	PART NUMBER	QTY	PART NAME						SEE PAGE
					1	2	3	4	5	6	
	1	1	<b>097-5921</b>	1	RAIL-MOUNTING						
	2	1	<b>314-9090</b>	1	COVER-TERMINAL						
	3	1	<b>314-9100</b>	1	BAR-FIXED BRIDGE						
	4	1	<b>314-9101</b>	2	BRACKET-END						
	5	1	<b>324-8967</b>	2	BLOCK-TERMINAL						
	6	1	<b>337-3561</b>	1	CIRCUIT BREAKER (60-AMPERE)						
	7	1	<b>369-4694</b>	1	MARKER-TERMINAL						



GRAPHIC #1

<END>

g02570842

# ELECTRICAL AND STARTING SYSTEM

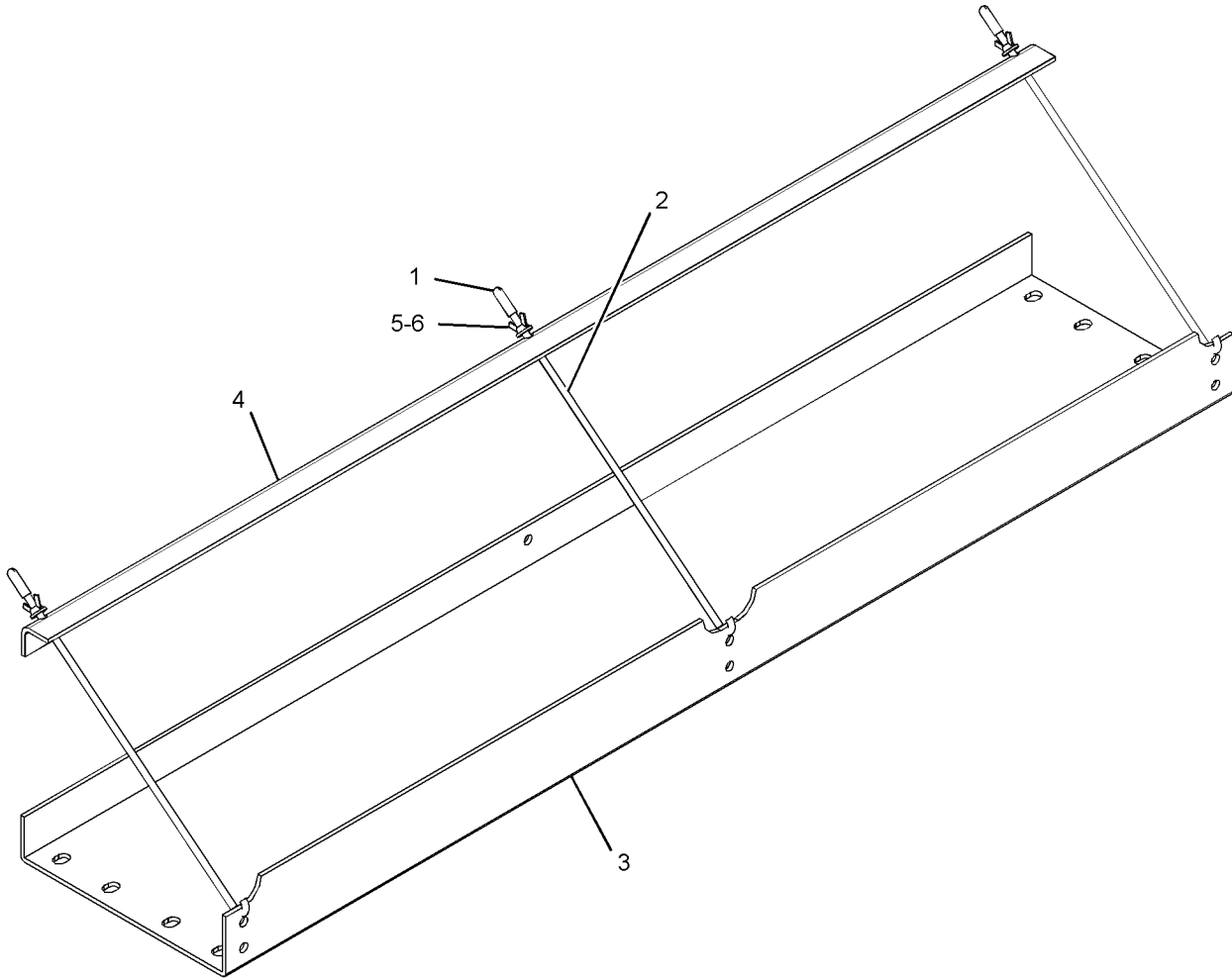
## 342-5296 SUPPORT GP-BATTERY

S/N: GDS1-UP  
AN ATTACHMENT

SMCS-7257

i04385053

NOTE	REF NO	GRAPHIC REF	PART NUMBER	QTY	PART NAME						SEE PAGE
					1	2	3	4	5	6 (PRODUCT LEVEL)	
	1	1	<b>3E-4096</b>	3	CAP						
	2	1	<b>5N-2144</b>	3	BOLT-SPECIAL (BATTERY HOLD-DOWN)						
	3	1	<b>142-2456</b>	1	SUPPORT GP-BATTERY						
	4	1	<b>142-2457</b>	1	ANGLE						
	5	1	<b>1F-1739</b>	3	NUT-WING (1/4-20)						
	6	1	<b>8T-4205</b>	3	WASHER-HARD (7.2X14.5X2-MM THK)						



GRAPHIC #1

<END>

g02563983



# ELECTRICAL AND STARTING SYSTEM

## 422-2477 SUPPORT GP-BATTERY

S/N: GDS1-UP

FOR USE WITH C27/C32 12-VOLT COMMON ENCLOSURE  
AN ATTACHMENT

SMCS-7257

i05036131

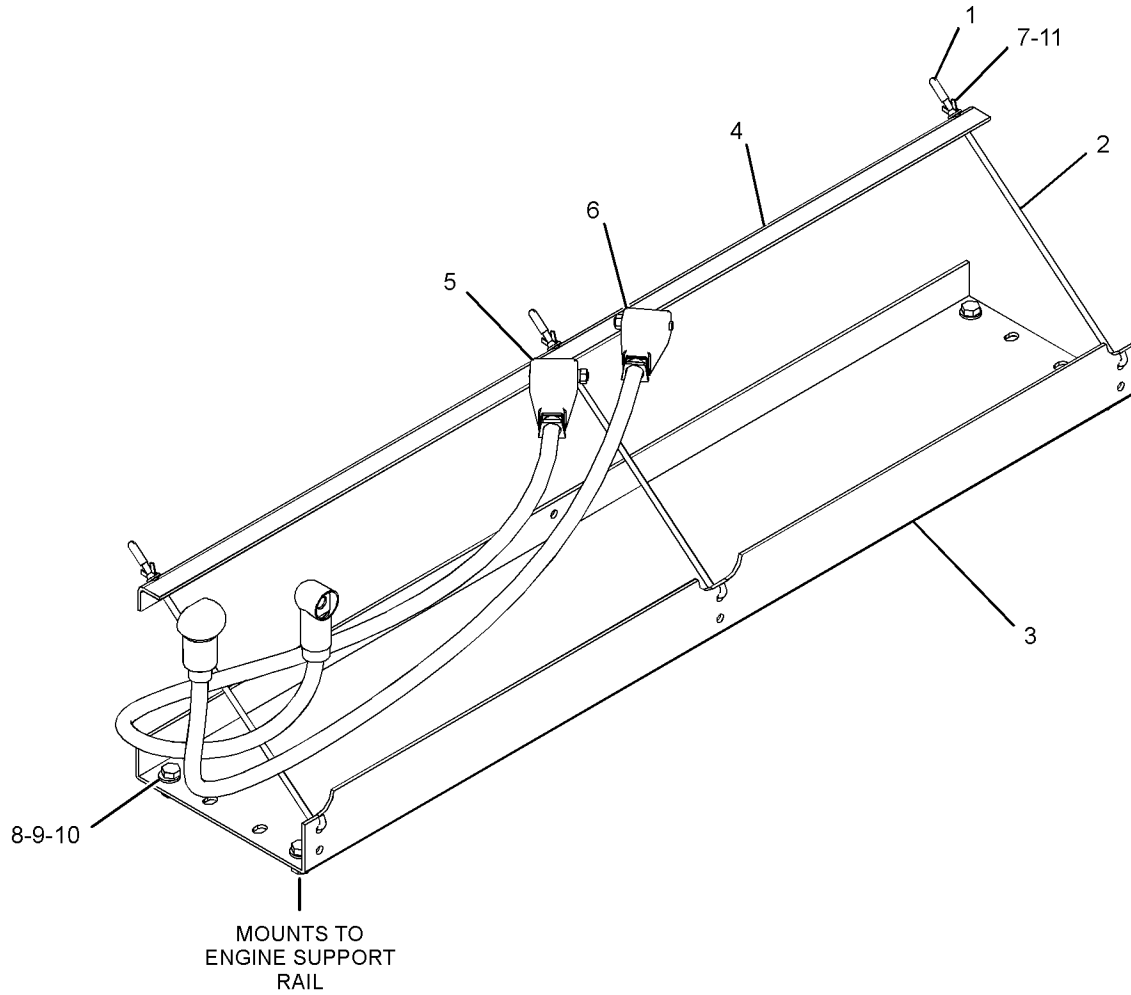
NOTE	REF NO	GRAPHIC REF	PART NUMBER	QTY	PART NAME						SEE PAGE
					1	2	3	4	5	6 (PRODUCT LEVEL)	
	1	1	<b>3E-4096</b>	3	CAP						
	2	1	<b>5N-2144</b>	3	BOLT-SPECIAL (BATTERY HOLD-DOWN)						
	3	1	<b>142-2456</b>	1	SUPPORT GP-BATTERY						
	4	1	<b>142-2457</b>	1	ANGLE						
	5	1	<b>422-2478</b>	1	CABLE AS						
		1	<b>1S-7251</b>	1	TERMINAL-CABLE (00-GA, 1/2-IN SCREW)						
E		1	<b>159-8049</b>		CABLE (00-GA, RED) (121-CM)						
		1	<b>301-0091</b>	1	COVER-TERMINAL (RED)						
		1	<b>3S-6049</b>	1	TERMINAL AS-BATTERY (POSITIVE)						
		1	<b>1M-6119</b>	2	BOLT (5/16-18X1.375-IN)						
		1	<b>1M-6120</b>	1	NUT (5/16-18-THD)						
		1	<b>352-4708</b>	1	BOOT AS						
		1	<b>8L-8413</b>	1	STRAP-CABLE						
6		1	<b>422-2479</b>	1	CABLE AS						
		1	<b>1S-7252</b>	1	TERMINAL-CABLE (00-GA, 3/8-IN SCREW)						
		1	<b>9G-8909</b>	1	COVER-TERMINAL (BLACK)						
E		1	<b>159-8050</b>		CABLE (00-GA, BLACK) (121-CM)						
		1	<b>3S-6050</b>	1	TERMINAL AS-BATTERY (NEGATIVE)						
		1	<b>1M-6119</b>	2	BOLT (5/16-18X1.375-IN)						
		1	<b>1M-6120</b>	1	NUT (5/16-18-THD)						
		1	<b>352-4709</b>	1	COVER AS-TERMINAL (BLACK)						
		1	<b>8L-8413</b>	1	STRAP-CABLE						
7		1	<b>1F-1739</b>	3	NUT-WING (1/4-20)						
8		1	<b>8T-4121</b>	8	WASHER-HARD (11X21X2.5-MM THK)						
M	9	1	<b>8T-4133</b>	4	NUT (M10X1.5-THD)						
M	10	1	<b>8T-4136</b>	4	BOLT (M10X1.5X25-MM)						
	11	1	<b>8T-4205</b>	3	WASHER-HARD (7.2X14.5X2-MM THK)						

E - ORDER BY THE CENTIMETER  
M - METRIC PART

# ELECTRICAL AND STARTING SYSTEM

422-2477 SUPPORT GP-BATTERY (contd.)

i05036131



GRAPHIC #1

<END>

g03210358

# ELECTRICAL AND STARTING SYSTEM

## 7N-0718 SWITCH GP-DISCONNECT-BATTERY

S/N: MJE1-UP; GDS1-UP

12-VOLT

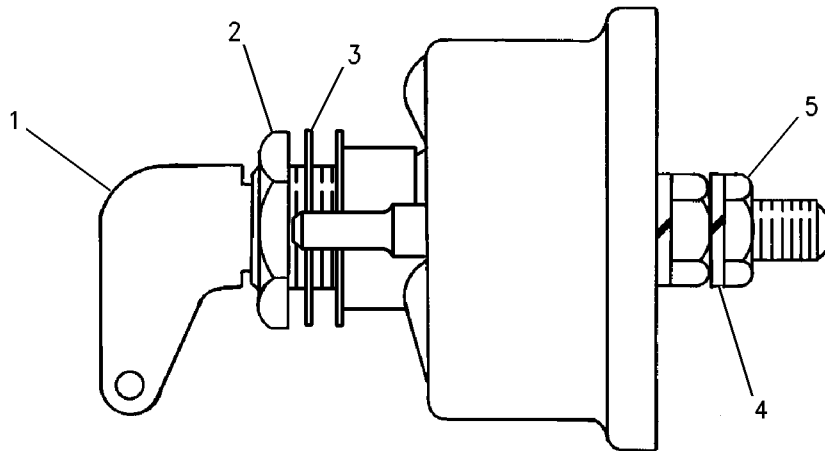
PART OF 363-7529 SWITCH GP-DISCONNECT

ALSO AN ATTACHMENT

SMCS-1411

i03349807

NOTE	REF NO	GRAPHIC REF	PART NUMBER	QTY	PART NAME						SEE PAGE
					1	2	3	4	5	6 (PRODUCT LEVEL)	
	1	1	<b>8H-5306</b>	1	KEY (BATTERY DISCONNECT)						
	2	1	<b>8H-5303</b>	1	NUT (3/4-16-THD)						
	3	1	<b>2H-3922</b>	2	LOCKWASHER						
	4	1	<b>9F-5644</b>	2	LOCKWASHER						
	5	1	<b>6F-7045</b>	2	NUT-FULL (3/8-24-THD)						



GRAPHIC #1

<END>

g00715584

# ELECTRICAL AND STARTING SYSTEM

## 363-7529 SWITCH GP-DISCONNECT-BATTERY

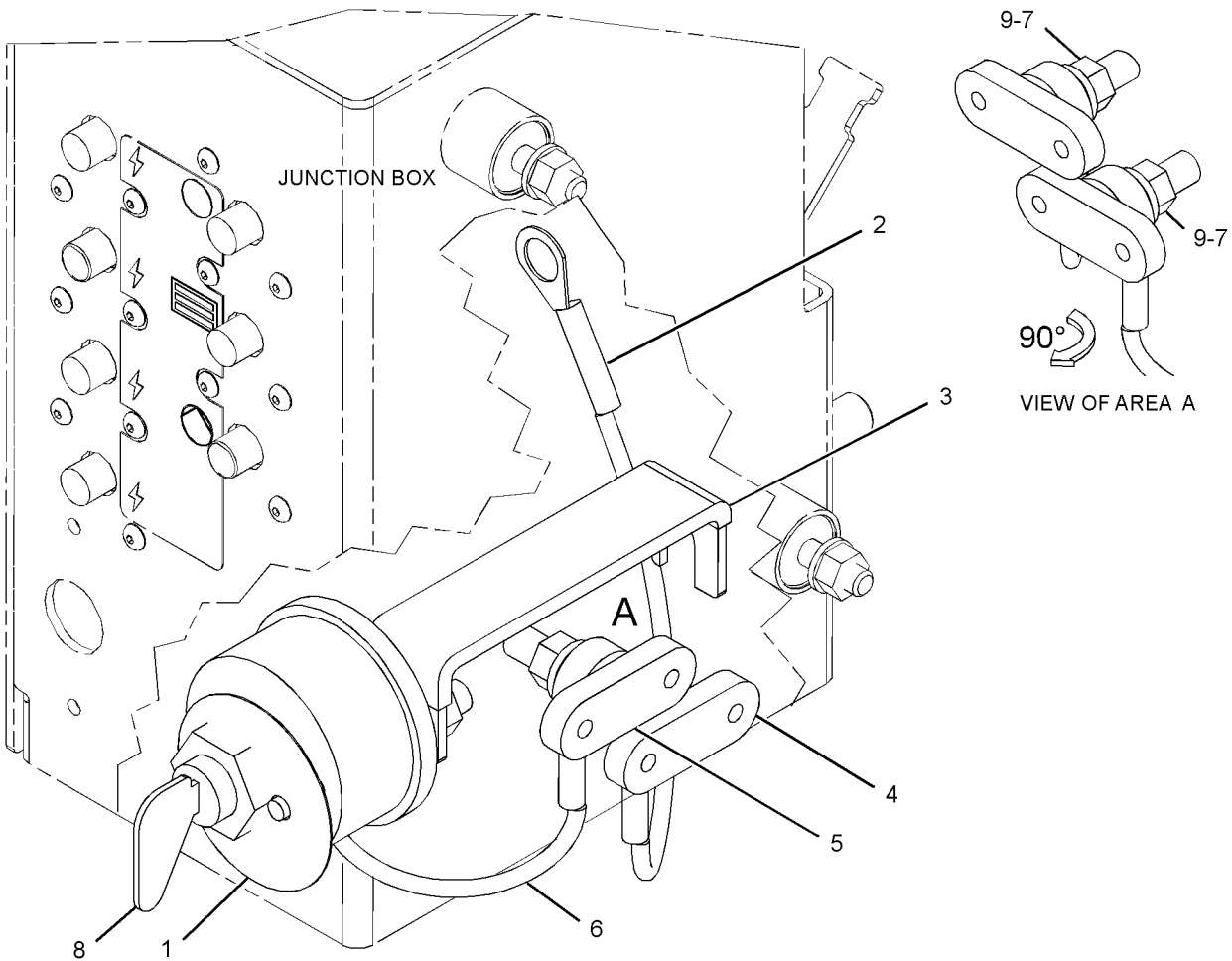
S/N: MJE1-UP; GDS1-UP  
PART OF 364-5713 BOX GP-JUNCTION  
ALSO AN ATTACHMENT

SMCS-1411

i04396382

NOTE	REF NO	GRAPHIC REF	PART NUMBER	QTY	PART NAME						SEE PAGE
					1	2	3	4	5	6 (PRODUCT LEVEL)	
	1	1	144-3852	1	FILM-INFORMATION (BATTERY POWER DISCONNECT)						
	2	1	363-7814	1	WIRE AS						
	3	1	364-4218	1	BAR-BUS						
	4	1	364-5428	1	BLOCK-JUNCTION (BLACK)						
	5	1	364-5429	1	BLOCK-JUNCTION (RED)						
	6	1	368-1361	1	WIRE AS-FUSE						
	7	1	5M-2894	2	WASHER-HARD (10.2X18.5X2.5-MM THK)						
Y	8	1	7N-0718	1	SWITCH GP-DISCONNECT (BATTERY)						317
	9	1	9S-8752	2	NUT-FULL (3/8-16-THD)						

Y - SEPARATE ILLUSTRATION



GRAPHIC #1

<END>

g02575866

# ELECTRICAL AND STARTING SYSTEM

## 148-0757 SWITCH GP-MAGNETIC

S/N: MJE1-UP; GDS1-UP

24 VOLT. STARTING MOTOR

PART OF 364-3929 PANEL GP-CIRCUIT BREAKER, 363-7521 WIRING GP-ELECTRIC STARTING  
ALSO AN ATTACHMENT

SMCS-7499

i03827305

NOTE	PART NUMBER	QTY	PART NAME						SEE PAGE
			1	2	3	4	5	6 (PRODUCT LEVEL)	
Y	175-2329	1	SWITCH GP-MAGNETIC (24-VOLT) (STARTING)						320
			-OR-						
Y	175-2330	1	SWITCH GP-MAGNETIC (24-VOLT) (STARTING)						321
Y - SEPARATE ILLUSTRATION									

<END>

# ELECTRICAL AND STARTING SYSTEM

## 175-2329 SWITCH GP-MAGNETIC

S/N: MJE1-UP; GDS1-UP

24-VOLT. STARTING MOTOR

PART OF 148-0757 SWITCH GP-MAGNETIC

ALSO AN ATTACHMENT

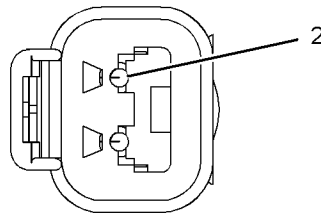
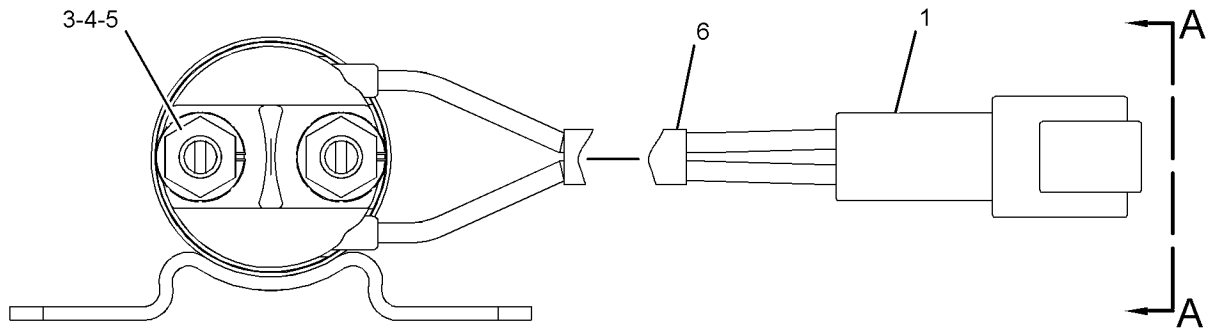
SMCS-7499

i03827308

NOTE	REF NO	GRAPHIC REF	PART NUMBER	QTY	PART NAME						SEE PAGE
					1	2	3	4	5	6	
	1	1	<b>102-8802</b>	1	KIT-RECEPTACLE (2-PIN)						
					(INCLUDES RECEPTACLE AS AND WEDGE)						
	2	1	<b>186-3735</b>	2	PIN-CONNECTOR (16-GA TO 18-GA)						
	3	1	<b>1H-3338</b>	2	LOCKWASHER (EXTERNAL TOOTH)						
	4	1	<b>012-0380</b>	2	LOCKWASHER						
M	5	1	<b>5C-2890</b>	2	NUT (M6X1-THD)						
E	6	1	<b>9X-1813</b>		SLEEVE (16-CM)						

E - ORDER BY THE CENTIMETER

M - METRIC PART



VIEW A-A

GRAPHIC #1

<END>

g01374550

# ELECTRICAL AND STARTING SYSTEM

## 175-2330 SWITCH GP-MAGNETIC

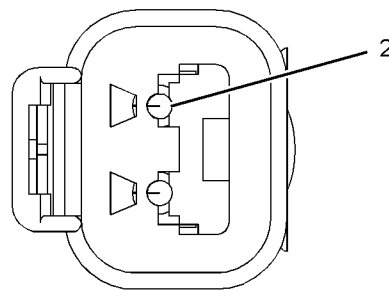
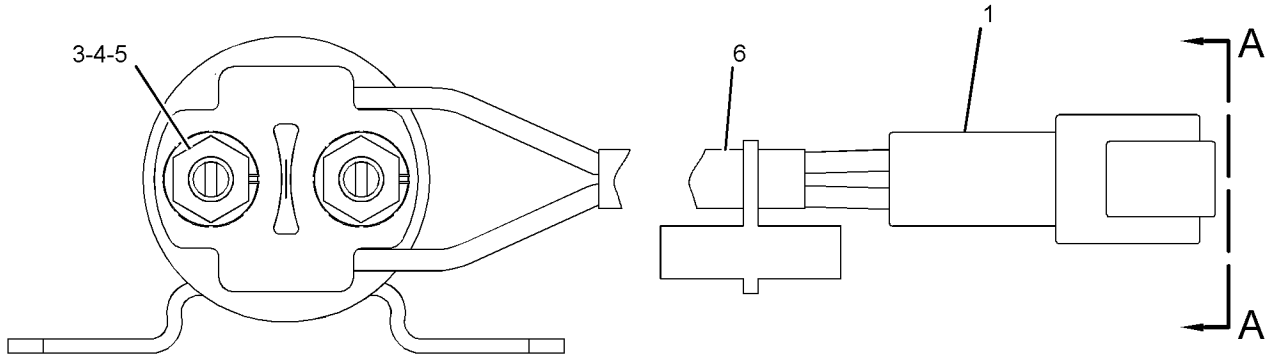
S/N: MJE1-UP; GDS1-UP  
 24-VOLT. STARTING MOTOR  
 PART OF 148-0757 SWITCH GP-MAGNETIC  
 ALSO AN ATTACHMENT

SMCS-7499

i03827310

NOTE	REF NO	GRAPHIC REF	PART NUMBER	QTY	PART NAME						SEE PAGE
					1	2	3	4	5	6	
	1	1	102-8802	1	KIT-RECEPTACLE (2-PIN)						
					(INCLUDES RECEPTACLE AS AND WEDGE)						
	2	1	186-3735	2	PIN-CONNECTOR (16-GA TO 18-GA)						
	3	1	1H-3338	2	LOCKWASHER (EXTERNAL TOOTH)						
	4	1	012-0380	2	LOCKWASHER						
M	5	1	5C-2890	2	NUT (M6X1-THD)						
E	6	1	9X-1813		SLEEVE (16-CM)						

E - ORDER BY THE CENTIMETER  
 M - METRIC PART



VIEW A-A

GRAPHIC #1

<END>

g01374551

# ELECTRICAL AND STARTING SYSTEM

## 275-1253 SWITCH GP-PRESSURE

S/N: MJE1-UP; GDS1-UP

AMPSEAL CONNECTOR

PART OF 377-0779 FILTER GP-FUEL

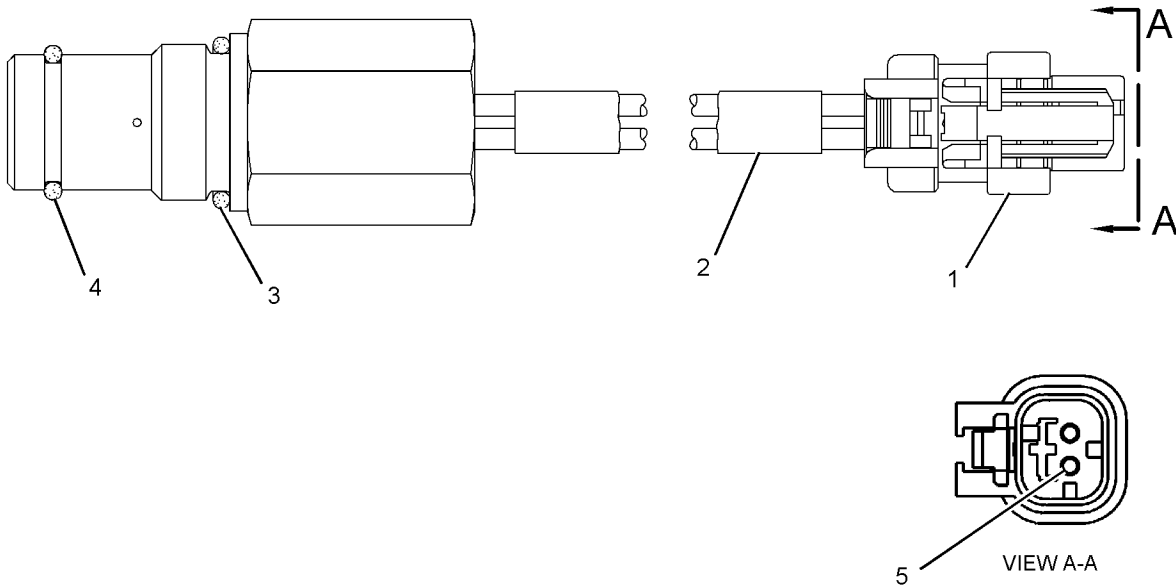
ALSO AN ATTACHMENT

SMCS-7400, 7421

i03879690

NOTE	REF NO	GRAPHIC REF	PART NUMBER	QTY	PART NAME						SEE PAGE
					1	2	3	4	5	6 (PRODUCT LEVEL)	
	1	1	<b>230-4011</b>	1	PLUG AS-CONNECTOR (2-PIN)						
			<b>264-7029</b>	1	SEAL-CONNECTOR						
E	2	1	<b>9X-1813</b>	1	SLEEVE (14-CM)						
	3	1	<b>6V-4589</b>	1	SEAL-O-RING						
	4	1	<b>9X-7737</b>	1	SEAL-O-RING						
	5	1	<b>144-1636</b>	2	PIN-CONNECTOR (14-GA TO 18-GA)						

E - ORDER BY THE CENTIMETER



GRAPHIC #1

<END>

g01238534



# ELECTRICAL AND STARTING SYSTEM

## 371-3767 SWITCH GP-TOGGLE

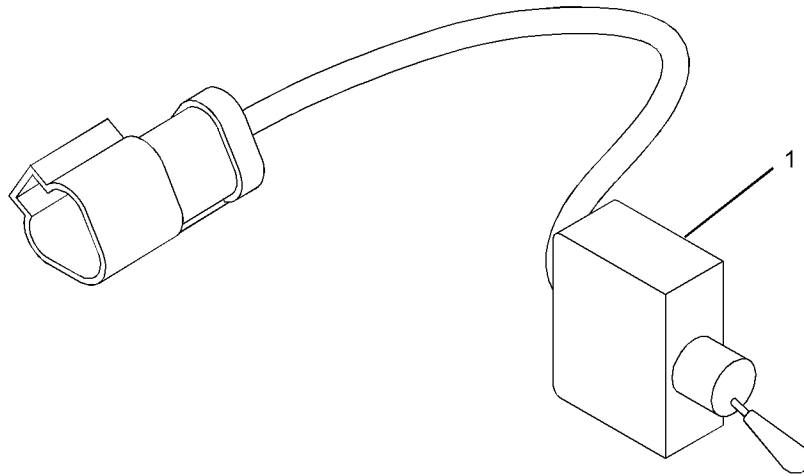
S/N: GDS1-UP

FOR USE WITH EMCP 4.3, 4.4 WITH GLOBAL DESIGN ENCLOSURE  
AN ATTACHMENT

SMCS-7332

i04315170

NOTE	REF NO	GRAPHIC REF	PART NUMBER	QTY	PART NAME						SEE PAGE
					1	2	3	4	5	6 (PRODUCT LEVEL)	
	1	1	260-5864	1	SWITCH AS-TOGGLE (FUEL PRIMING PUMP)						
		1	102-8803	1	KIT-RECEPTACLE (3-PIN)						
					(INCLUDES RECEPTACLE AS & WEDGE)						
		1	8T-8729	3	PIN-CONNECTOR (16-GA TO 18-GA)						



GRAPHIC #1

<END>

g02476980

# ELECTRICAL AND STARTING SYSTEM

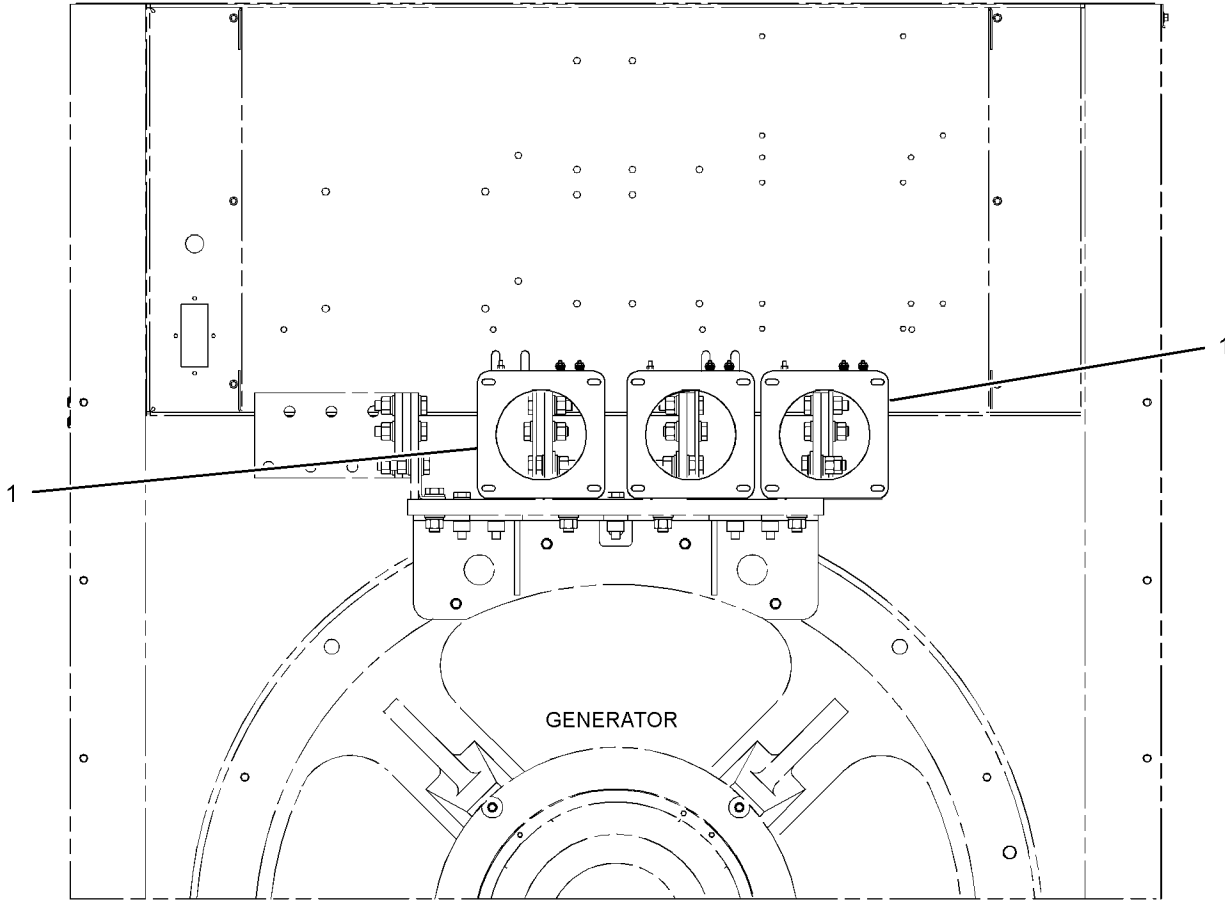
## 383-4669 TRANSFORMER GP-CURRENT

S/N: GDS1-UP  
RATIO 1500:5  
AN ATTACHMENT

SMCS-4476

i05032256

NOTE	REF NO	GRAPHIC REF	PART NUMBER	QTY	PART NAME						SEE PAGE
					1	2	3	4	5	6	
	1	1	357-1219	4	TRANSFORMER (RATIO 1500:5)						



REAR VIEW

GRAPHIC #1

<END>

g03101958

# ELECTRICAL AND STARTING SYSTEM

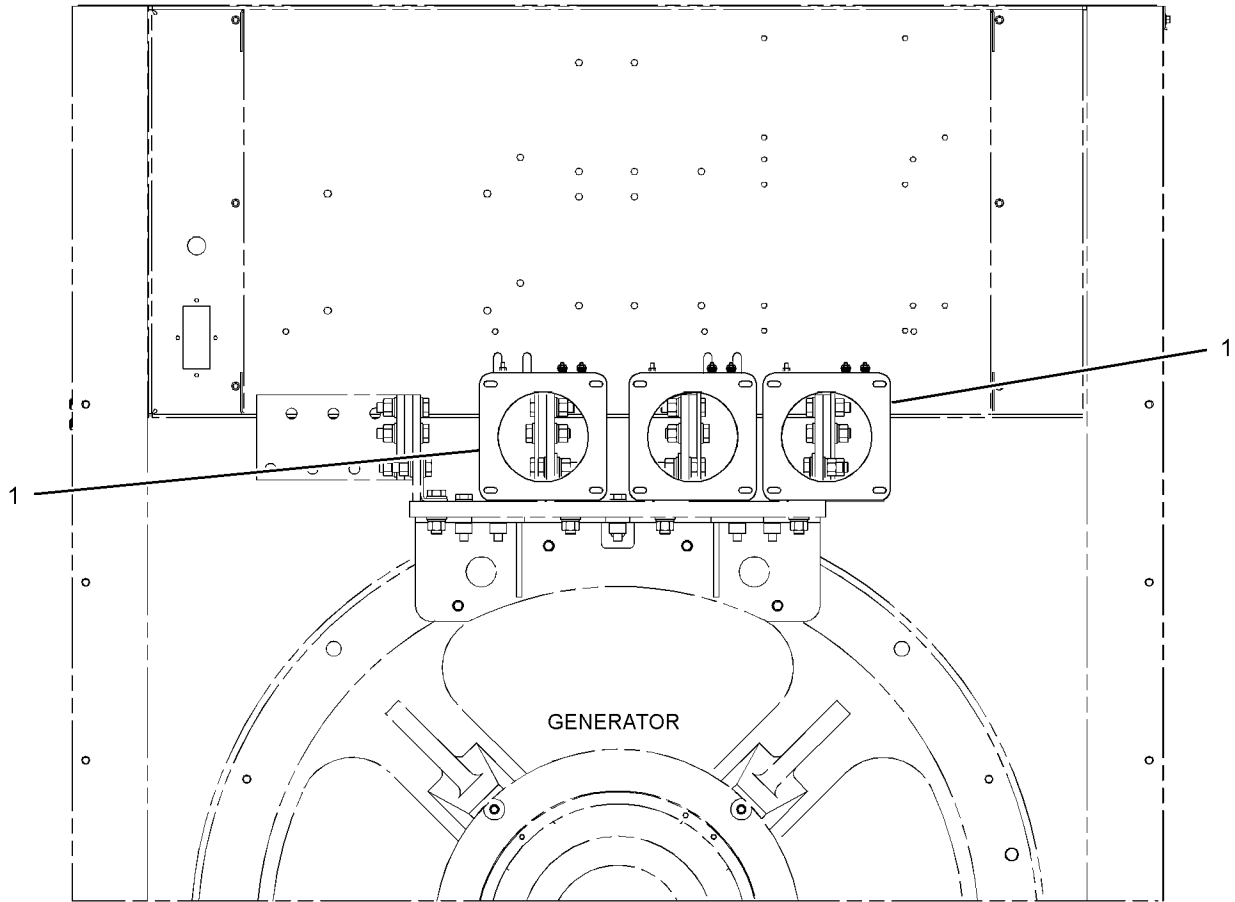
## 383-4670 TRANSFORMER GP-CURRENT

S/N: GDS1-UP  
RATIO 2000:5  
AN ATTACHMENT

SMCS-4476

i05032279

NOTE	REF NO	GRAPHIC REF	PART NUMBER	QTY	PART NAME						SEE PAGE
					1	2	3	4	5	6 (PRODUCT LEVEL)	
	1	1	356-1430	4	TRANSFORMER (RATIO 2000:5)						



REAR VIEW

GRAPHIC #1

<END>

g03101958

# ELECTRICAL AND STARTING SYSTEM

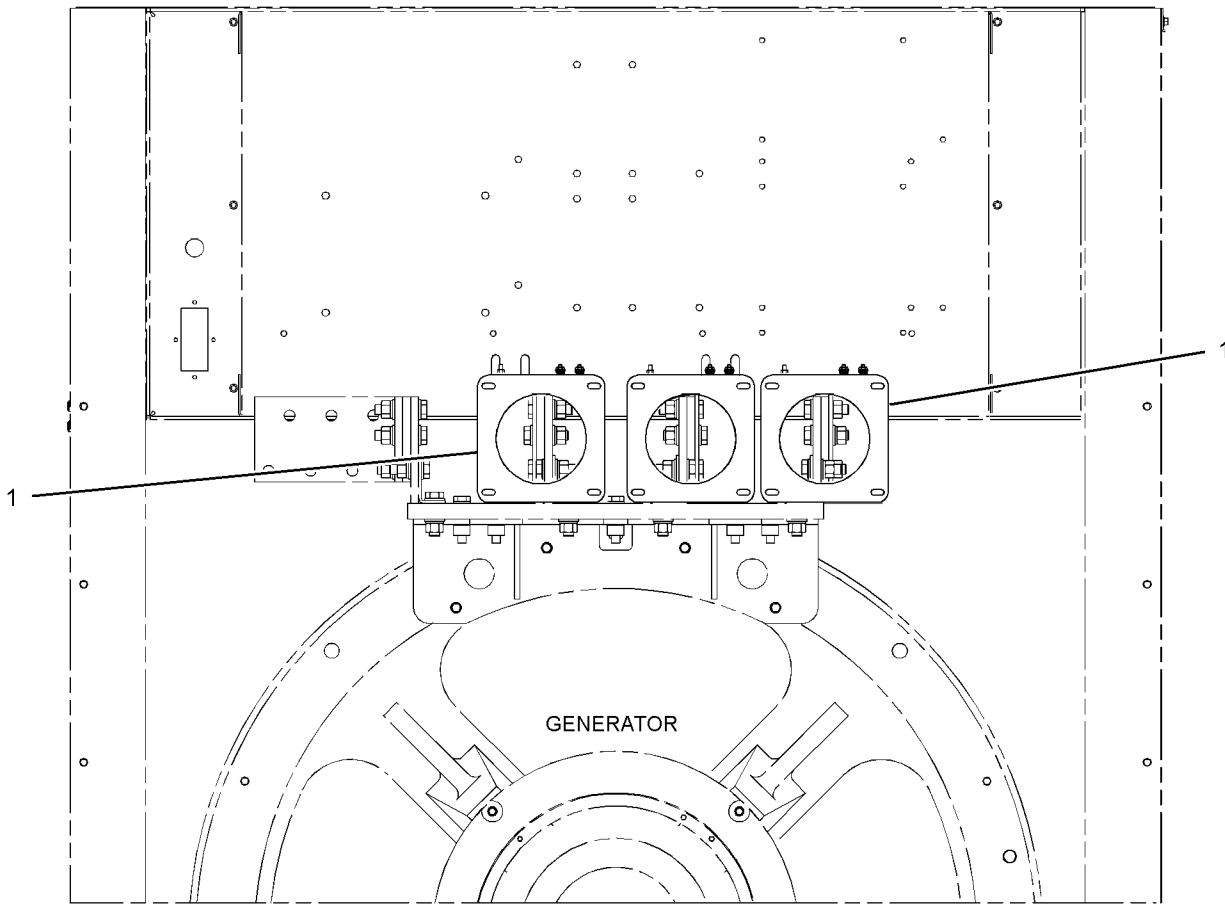
## 383-4671 TRANSFORMER GP-CURRENT

S/N: GDS1-UP  
RATIO 3000:5  
AN ATTACHMENT

SMCS-4476

i05032243

NOTE	REF NO	GRAPHIC REF	PART NUMBER	QTY	PART NAME						SEE PAGE
					1	2	3	4	5	6	
	1	1	356-1431	4	TRANSFORMER (RATIO 3000:5)						



REAR VIEW

GRAPHIC #1

<END>

g03101958

# ELECTRICAL AND STARTING SYSTEM

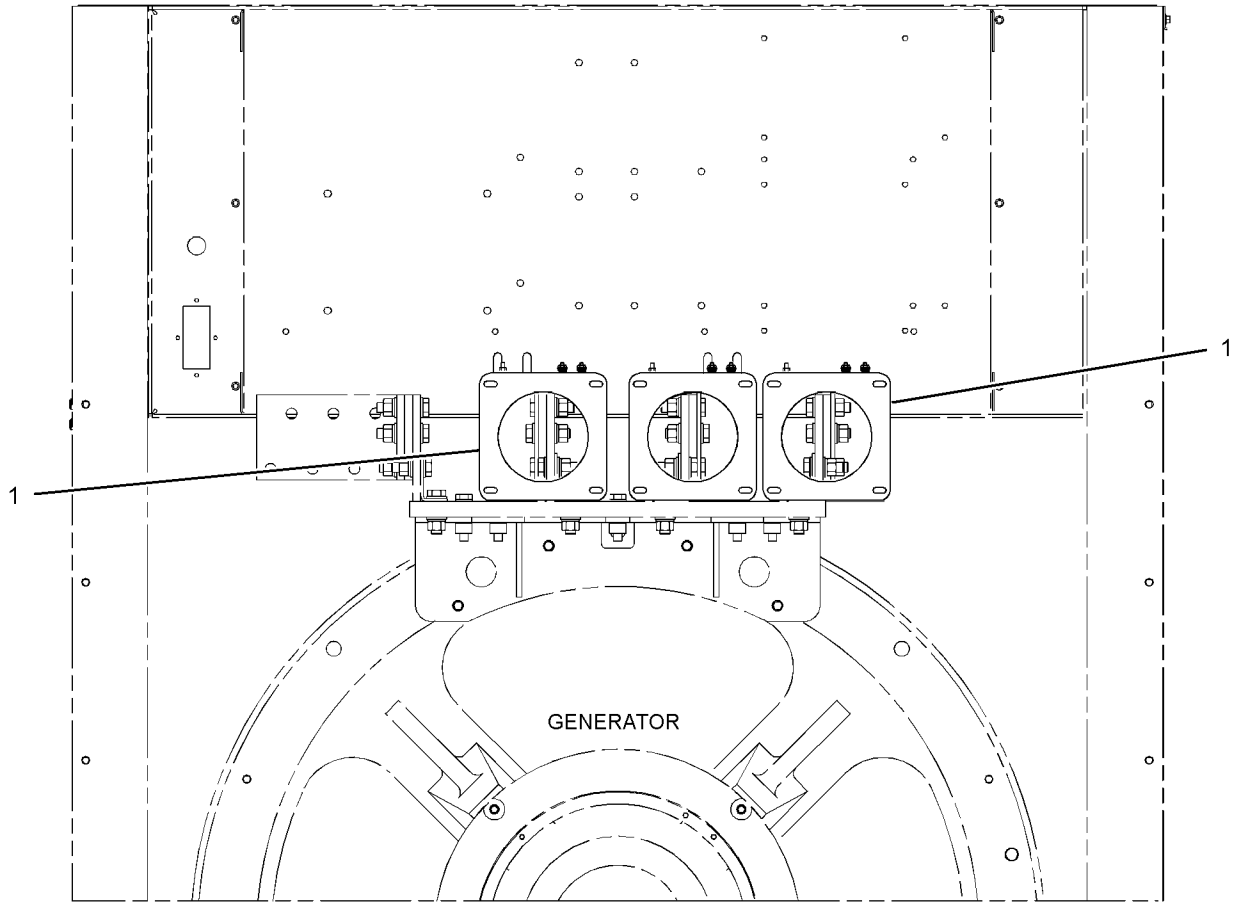
## 383-4672 TRANSFORMER GP-CURRENT

S/N: GDS1-UP  
RATIO 4000:5  
AN ATTACHMENT

SMCS-4476

i05032248

NOTE	REF NO	GRAPHIC REF	PART NUMBER	QTY	PART NAME						SEE PAGE
					1	2	3	4	5	6 (PRODUCT LEVEL)	
	1	1	356-1432	4	TRANSFORMER-CURRENT (RATIO 4000:5)						



REAR VIEW

GRAPHIC #1

<END>

g03101958

# ELECTRICAL AND STARTING SYSTEM

## 252-7365 TRANSFORMER GP-POTENTIAL

S/N: GDS1-UP

LOW VOLTAGE

PART OF 422-2319 CONTROL GP-LOAD SHARE MODULE

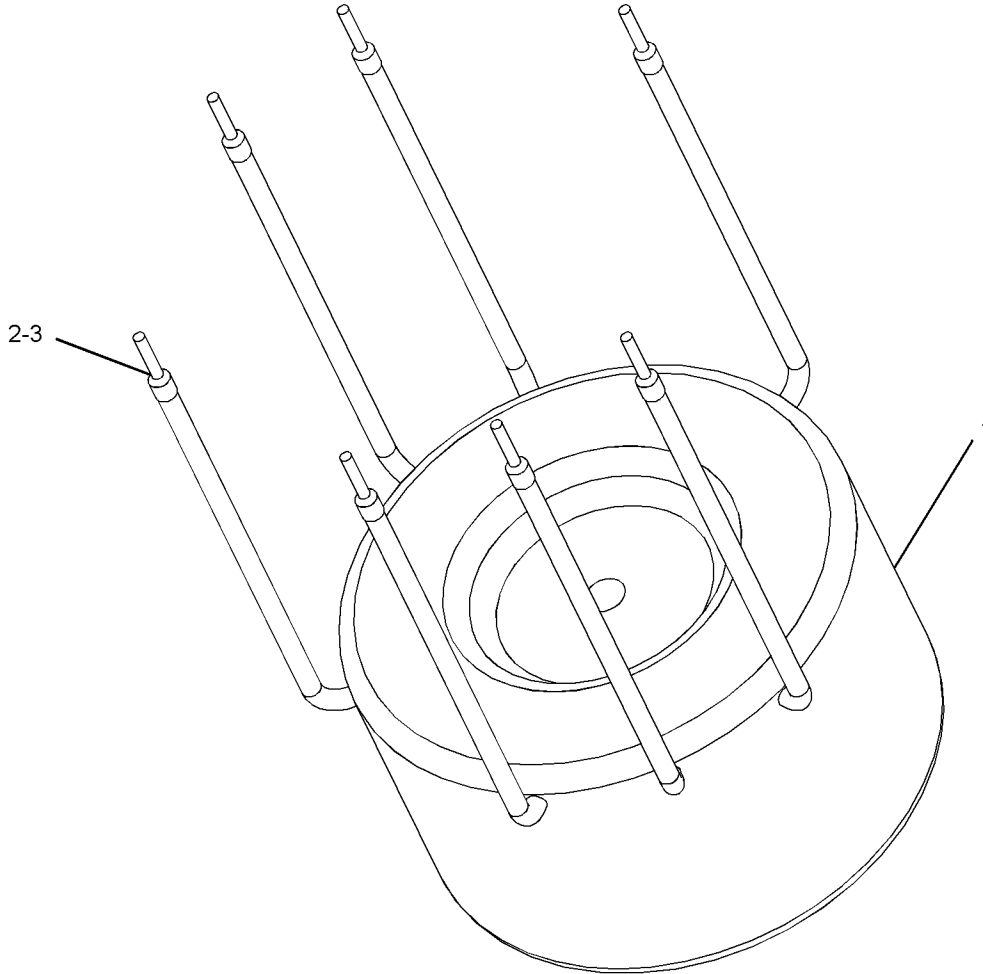
AN ATTACHMENT

SMCS-1409

i03875440

NOTE	REF NO	GRAPHIC REF	PART NUMBER	QTY	PART NAME						SEE PAGE
					1	2	3	4	5	6 (PRODUCT LEVEL)	
	1	1	<b>154-3488</b>	1	TRANSFORMER AS (LOW VOLTAGE)						
E	2	1	<b>114-8843</b>		SLEEVE-PLASTIC (20-CM EACH)						
	3	1	<b>110-8714</b>	7	END-WIRE (18-GA)						

E - ORDER BY THE CENTIMETER



GRAPHIC #1

<END>

g01289949

# ELECTRICAL AND STARTING SYSTEM

## 376-3092 WIRING GP-ALTERNATOR

S/N: MJE1-UP; GDS1-UP

PART OF 388-4921 ENGINE AR, 349-5619, 349-5622 ENGINE AR-COMplete  
ALSO AN ATTACHMENT

SMCS-1405, 1408

i05289758

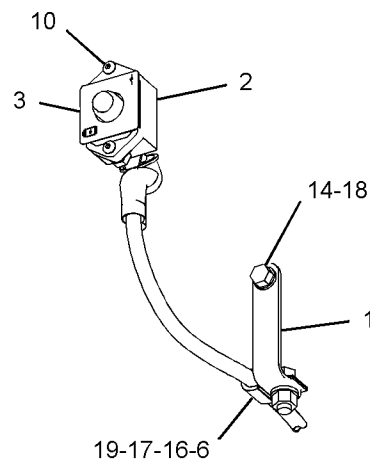
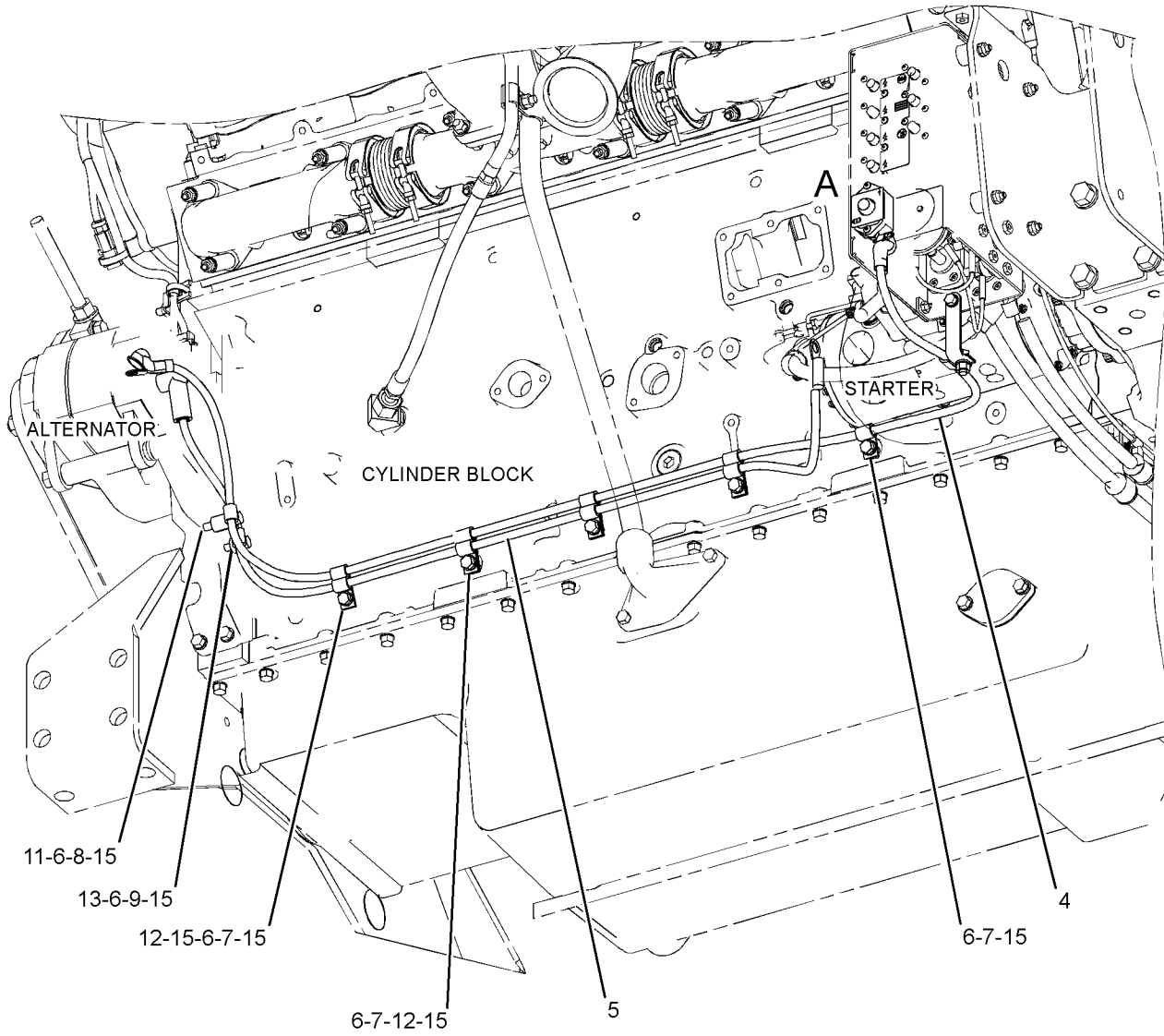
NOTE	REF NO	GRAPHIC REF	PART NUMBER	QTY	PART NAME						SEE PAGE
					1	2	3	4	5	6 (PRODUCT LEVEL)	
	1	1	<b>8R-9137</b>	1	ANGLE						
C	2	1	<b>171-2210</b>	1	CIRCUIT BREAKER AS (80-AMPERE) (ALTERNATOR)						
		1	<b>4E-5724</b>	2	WASHER (7X12X1-MM THK)						
		1	<b>8T-0122</b>	2	NUT-FULL (1/4-28-THD)						
		1	<b>1H-3244</b>	2	LOCKWASHER						
	3	1	<b>299-8482</b>	1	FILM-CIRCUIT BREAKER (ALTERNATOR)						
C	4	1	<b>389-5981</b>	1	CABLE AS						
		1	<b>135-2543</b>	2	BOOT (RED)						
B		1	<b>1P-0810</b>		TAPE-ELECTRICAL						
		1	<b>9G-4343</b>	1	TERMINAL-RING (4-GA, 1/4-IN SCREW)						
		1	<b>3T-4688</b>	1	TERMINAL-RING (4-GA, 7/16-IN SCREW)						
D		1	<b>6V-2369</b>		CABLE (4-GA, BLACK) (2-M)						
C	5	1	<b>389-5982</b>	1	CABLE AS						
		1	<b>091-8402</b>	1	BOOT (BLACK)						
B		1	<b>1P-0810</b>		TAPE-ELECTRICAL						
		1	<b>9G-4343</b>	1	TERMINAL-RING (4-GA, 1/4-IN SCREW)						
		1	<b>9G-4344</b>	1	TERMINAL-RING (4-GA, 1/2-IN SCREW)						
D		1	<b>6V-2369</b>		CABLE (4-GA, BLACK) (1.3-M)						
	6	1	<b>033-8248</b>	8	CLIP						
	7	1	<b>0S-0509</b>	5	BOLT (3/8-16X0.75-IN)						
C	8	1	<b>0S-1571</b>	1	BOLT (3/8-16X1.75-IN)						
	9	1	<b>0S-1594</b>	1	BOLT (3/8-16X1-IN)						
	10	1	<b>113-8373</b>	2	SCREW-BUTTON HEAD (10-32X0.75-IN)						
C	11	1	<b>122-5855</b>	1	SPACER (11.5X20X26-MM THK)						
C	12	1	<b>147-0385</b>	4	CLIP						
	13	1	<b>161-3357</b>	1	SPACER (12X20X10-MM THK)						
	14	1	<b>5K-0906</b>	1	BOLT (5/16-18X0.625-IN)						
C	15	1	<b>5M-2894</b>	8	WASHER-HARD (10.2X18.5X2.5-MM THK)						
	16	1	<b>5S-7379</b>	1	BOLT (3/8-16X0.875-IN)						
	17	1	<b>6V-8801</b>	1	NUT (3/8-16-THD)						
	18	1	<b>8T-4224</b>	1	WASHER-HARD (8.8X16X2-MM THK)						
	19	1	<b>8T-4896</b>	2	WASHER-HARD (10.2X18.5X2.5-MM THK)						

B - USE AS REQUIRED  
C - CHANGE FROM PREVIOUS TYPE  
D - ORDER BY THE METER

# ELECTRICAL AND STARTING SYSTEM

376-3092 WIRING GP-ALTERNATOR (contd.)

i05289758



VIEW OF AREA A

GRAPHIC #1

<END>

g03373900



# ELECTRICAL AND STARTING SYSTEM

## 376-3092 WIRING GP-ALTERNATOR

S/N: MJE1-UP

PART OF 349-5619, 349-5622 ENGINE AR-COMplete

SMCS-1405, 1408

i05195770

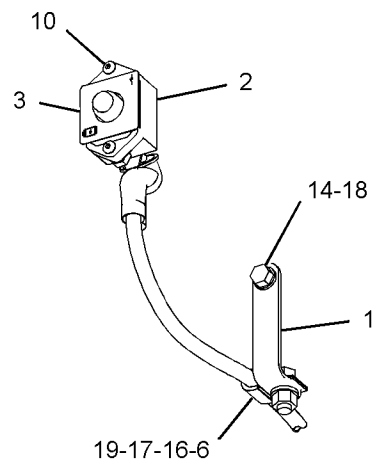
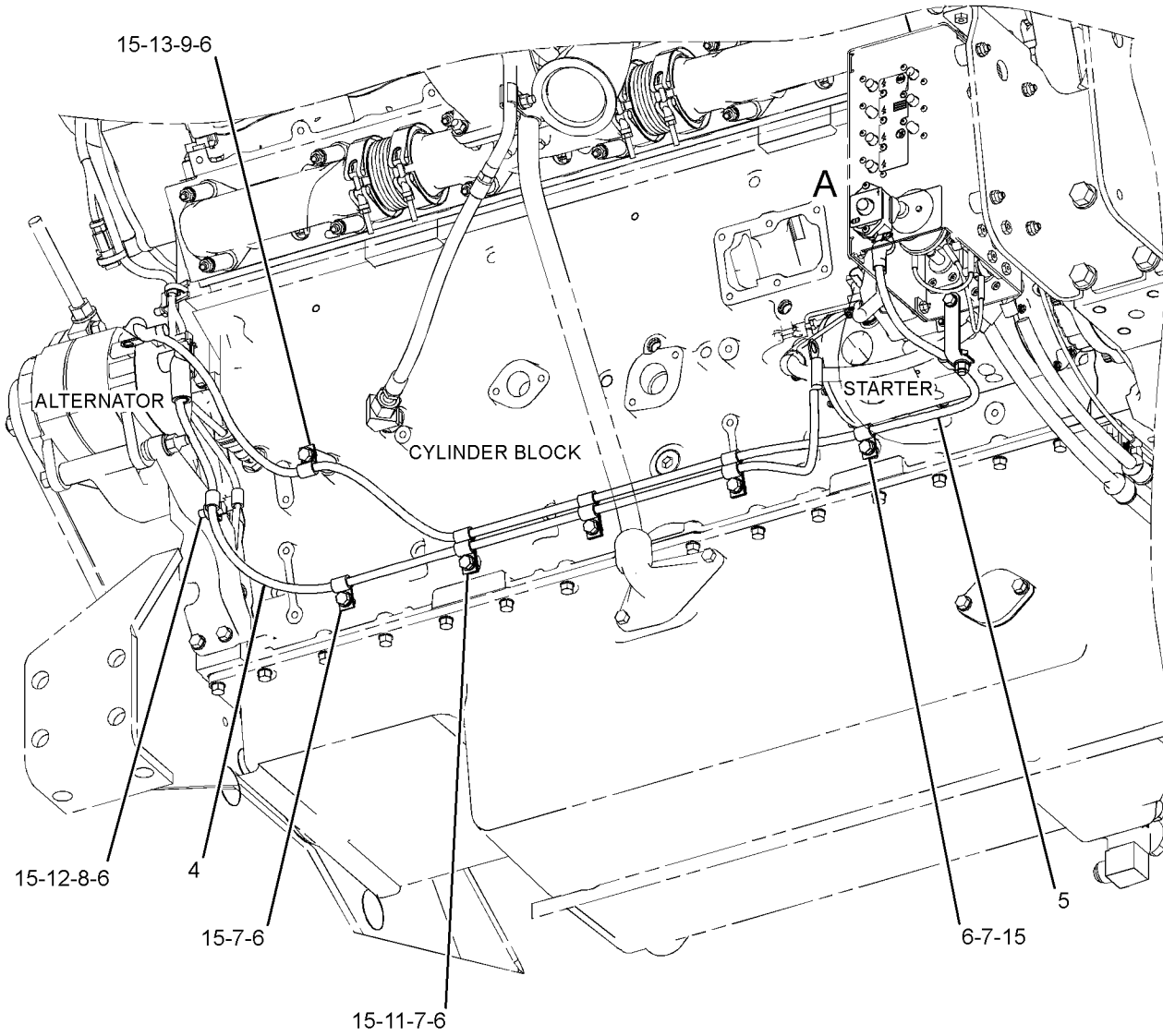
NOTE	REF NO	GRAPHIC REF	PART NUMBER	QTY	PART NAME						SEE PAGE
					1	2	3	4	5	6	
	1	1	<b>8R-9137</b>	1	ANGLE						
	2	1	<b>171-2208</b>	1	CIRCUIT BREAKER AS (60-AMPERE) (ALTERNATOR)						
		1	<b>4E-5724</b>	2	WASHER (7X12X1-MM THK)						
		1	<b>8T-0122</b>	2	NUT-FULL (1/4-28-THD)						
		1	<b>253-2111</b>	2	LOCKWASHER						
	3	1	<b>299-8482</b>	1	FILM-CIRCUIT BREAKER (ALTERNATOR)						
	4	1	<b>359-5502</b>	1	CABLE AS						
		1	<b>091-8402</b>	1	BOOT (BLACK)						
B		1	<b>1P-0810</b>		TAPE-ELECTRICAL						
		1	<b>9G-4343</b>	1	TERMINAL-RING (4-GA, 1/4-IN SCREW)						
		1	<b>9G-4344</b>	1	TERMINAL-RING (4-GA, 1/2-IN SCREW)						
D		1	<b>6V-2369</b>		CABLE (4-GA, BLACK) (1.5-M)						
	5	1	<b>365-0554</b>	1	CABLE AS						
		1	<b>135-2543</b>	2	BOOT (RED)						
B		1	<b>1P-0810</b>		TAPE-ELECTRICAL						
		1	<b>9G-4343</b>	1	TERMINAL-RING (4-GA, 1/4-IN SCREW)						
		1	<b>3T-4688</b>	1	TERMINAL-RING (4-GA, 7/16-IN SCREW)						
D		1	<b>6V-2369</b>		CABLE (4-GA, BLACK) (1.9-M)						
	6	1	<b>033-8248</b>	8	CLIP						
	7	1	<b>0S-0509</b>	5	BOLT (3/8-16X0.75-IN)						
	8	1	<b>0S-1594</b>	1	BOLT (3/8-16X1-IN)						
	9	1	<b>0T-0573</b>	1	BOLT (3/8-16X2.75-IN)						
	10	1	<b>113-8373</b>	2	SCREW-BUTTON HEAD (10-32X0.75-IN)						
	11	1	<b>147-0385</b>	3	CLIP						
	12	1	<b>161-3357</b>	1	SPACER (12X20X10-MM THK)						
	13	1	<b>190-4885</b>	1	SPACER (11X22X50-MM THK)						
	14	1	<b>5K-0906</b>	1	BOLT (5/16-18X0.625-IN)						
	15	1	<b>5M-2894</b>	7	WASHER-HARD (10.2X18.5X2.5-MM THK)						
	16	1	<b>5S-7379</b>	1	BOLT (3/8-16X0.875-IN)						
	17	1	<b>6V-8801</b>	1	NUT (3/8-16-THD)						
	18	1	<b>8T-4224</b>	1	WASHER-HARD (8.8X16X2-MM THK)						
	19	1	<b>8T-4896</b>	2	WASHER-HARD (10.2X18.5X2.5-MM THK)						

B - USE AS REQUIRED  
D - ORDER BY THE METER

# ELECTRICAL AND STARTING SYSTEM

376-3092 WIRING GP-ALTERNATOR (contd.)

i05195770



VIEW OF AREA A

GRAPHIC #1

<END>

g03350505

# ELECTRICAL AND STARTING SYSTEM

## 361-1631 WIRING GP-BOX

S/N: GDS1-UP

EMCP 4.3, 4.4

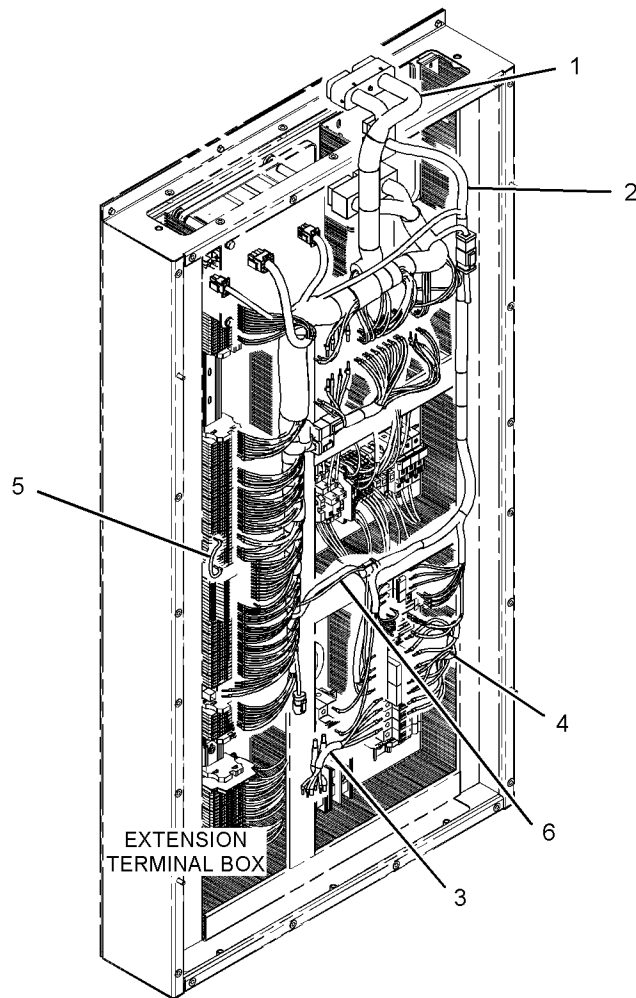
PART OF 371-5034, 371-5036 BOX GP-EXTENSION TERMINAL  
AN ATTACHMENT

SMCS-1408, 7426

i04970216

NOTE	REF NO	GRAPHIC REF	PART NUMBER	QTY	PART NAME						SEE PAGE
					1	2	3	4	5	6 (PRODUCT LEVEL)	
Y	1	1	<b>361-1646</b>	1	HARNESS AS-POWER						260
Y	2	1	<b>361-1647</b>	1	HARNESS AS-POWER						261
CY	3	1	<b>361-1648</b>	1	HARNESS AS-WIRING (JACKET WATER HEATER)						269
CY	4	1	<b>361-7110</b>	1	HARNESS AS-WIRING						270
Y	5	1	<b>361-7127</b>	1	HARNESS AS-POWER						264
C	6	1	<b>383-4689</b>	1	HARNESS AS-POWER						
		1	<b>112-7497</b>	2	END-WIRE (14-GA)						

C - CHANGE FROM PREVIOUS TYPE  
Y - SEPARATE ILLUSTRATION



GRAPHIC #1

<END>

g03155659

# ELECTRICAL AND STARTING SYSTEM

## 361-7119 WIRING GP-BOX

S/N: GDS1-UP

FOR USE WITH EMCP 4.4, GLOBAL DESIGN ENCLOSURE  
PART OF 371-5036 BOX GP-EXTENSION TERMINAL  
AN ATTACHMENT

SMCS-1408, 7426

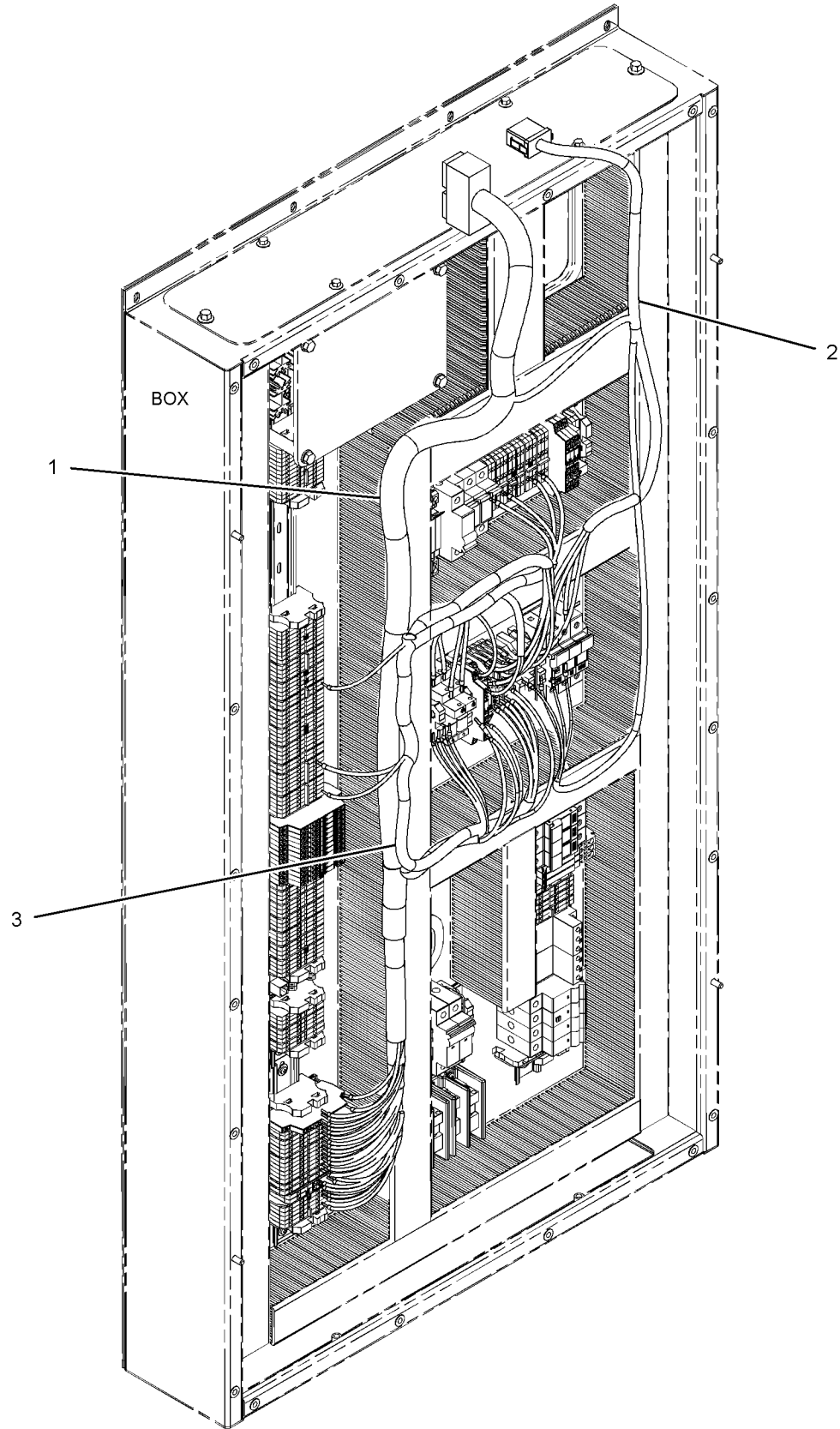
i04966275

NOTE	REF NO	GRAPHIC REF	PART NUMBER	QTY	PART NAME						SEE PAGE
					1	2	3	4	5	6 (PRODUCT LEVEL)	
Y	1	1	361-1650	1	HARNESS AS-BOX (PARALLEL CABINET INTERFACE)						250
Y	2	1	361-1651	1	HARNESS AS-BOX (AC CONNECTIONS)						250
Y	3	1	361-7123	1	HARNESS AS-BOX (JUMPER)						250
Y - SEPARATE ILLUSTRATION											

# ELECTRICAL AND STARTING SYSTEM

361-7119 WIRING GP-BOX (contd.)

i04966275



GRAPHIC #1

<END>

g03162298

# ELECTRICAL AND STARTING SYSTEM

## 361-7128 WIRING GP-BOX

S/N: GDS1-UP

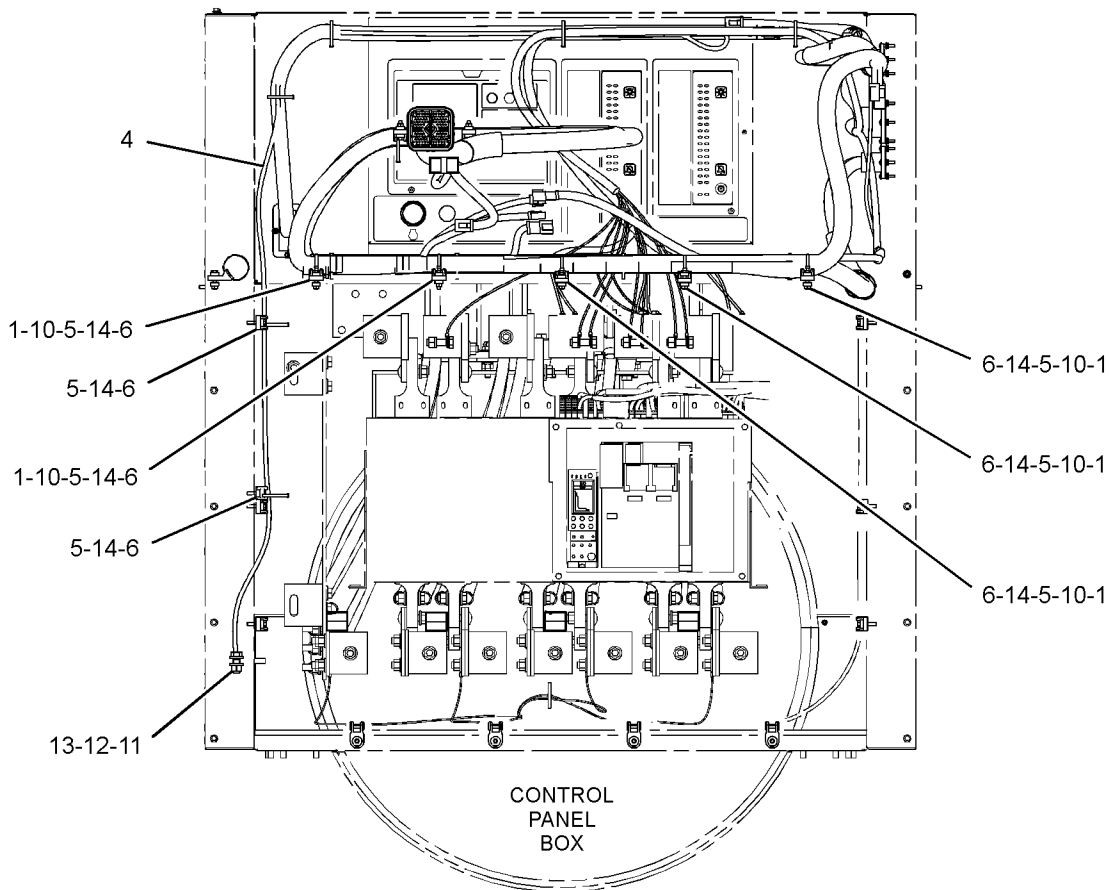
EMCP 4.3 AND EMCP 4.4. STANDARD AC VOLTAGE  
AN ATTACHMENT

SMCS-1408, 7426

i05210194

NOTE	REF NO	GRAPHIC REF	PART NUMBER	QTY	PART NAME						SEE PAGE
					1	2	3	4	5	6 (PRODUCT LEVEL)	
	1	1,2	<b>7K-1181</b>	28	STRAP-CABLE						
Y	2	2	<b>361-1666</b>	1	HARNESS AS-POWER						262
Y	3	2	<b>361-7106</b>	1	HARNESS AS-WIRING (AC)						270
Y	4	1	<b>364-7519</b>	1	HARNESS AS-WIRING (CURRENT TRANSFORMER)						270
C	5	1,2	<b>198-4775</b>	32	WASHER-HARD (6.6X15X6-MM THK)						
C	6	1,2	<b>293-9452</b>	22	MOUNTING-CABLE TIE						
C	7	2	<b>3K-8106</b>	16	SCREW-MACHINE (8-32X1-IN)						
C	8	2	<b>4B-2043</b>	16	NUT (8-32-THD)						
C	9	2	<b>4B-4863</b>	32	WASHER (4.7X11X1.2-MM THK)						
M	10	1,2	<b>5C-2890</b>	10	NUT (M6X1-THD)						
M	11	1	<b>8T-4139</b>	1	BOLT (M12X1.75X30-MM)						
	12	1	<b>8T-4223</b>	2	WASHER-HARD (13.5X25.5X3-MM THK)						
M	13	1	<b>8T-4244</b>	1	NUT (M12X1.75-THD)						
CM	14	1,2	<b>8T-4971</b>	22	BOLT (M6X1X30-MM)						
Y	15	2	<b>393-4942</b>	1	FASTENER GP-WIRING HARNESS						247

C - CHANGE FROM PREVIOUS TYPE  
M - METRIC PART  
Y - SEPARATE ILLUSTRATION



FRONT VIEW

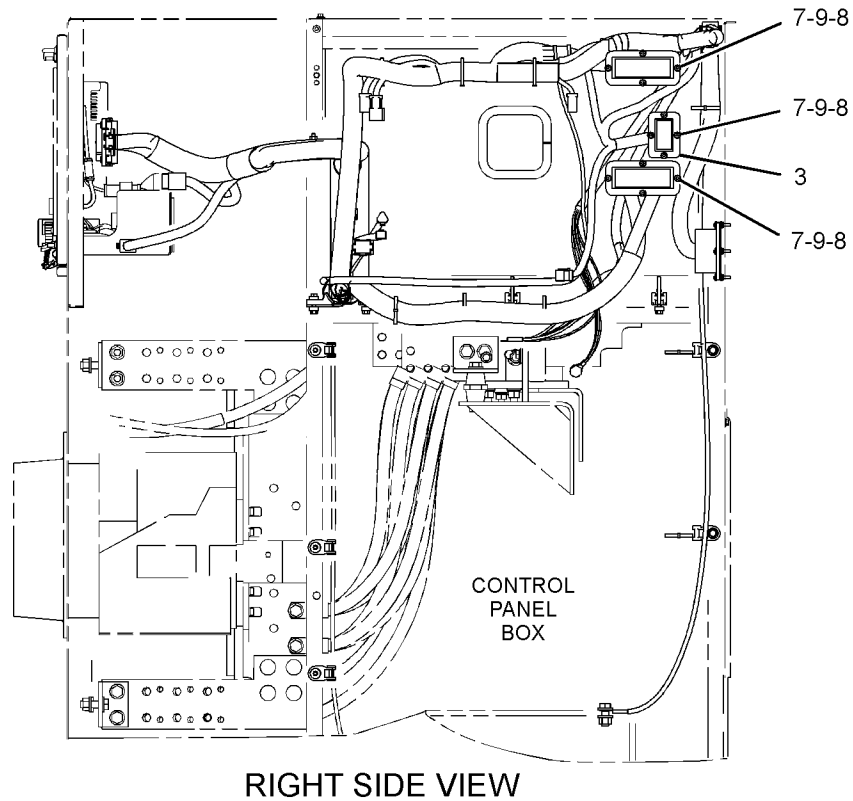
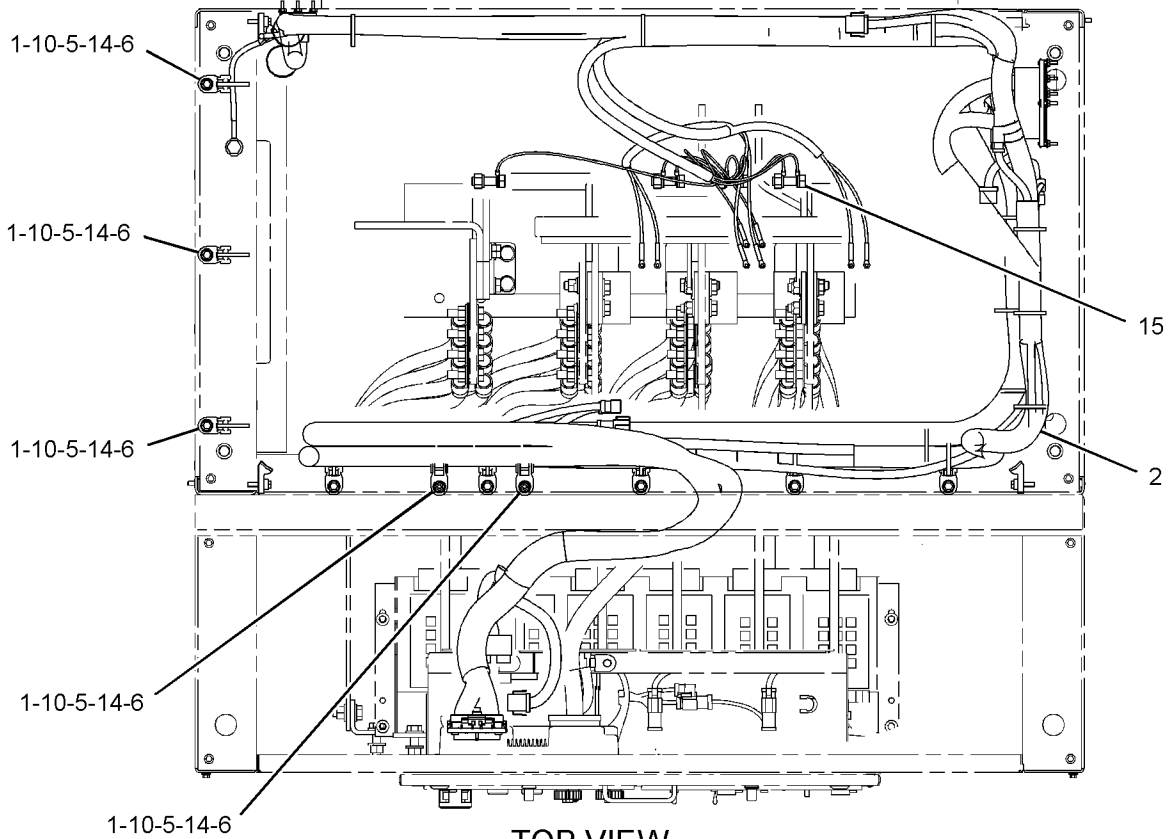
GRAPHIC #1

g03337446

# ELECTRICAL AND STARTING SYSTEM

361-7128 WIRING GP-BOX (contd.)

i05210194



GRAPHIC #2

<END>

g03337447

# ELECTRICAL AND STARTING SYSTEM

## 364-7510 WIRING GP-BOX

S/N: GDS1-UP

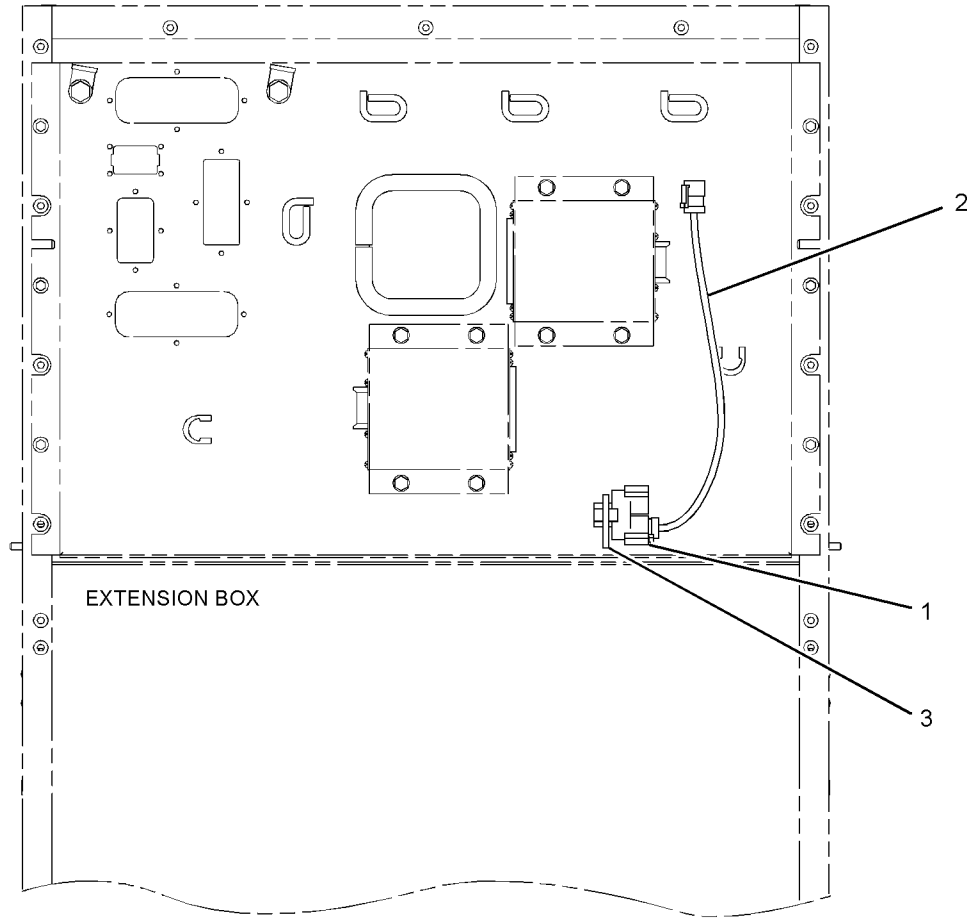
FOR USE WITH EMCP 4.3, 4.4, GLOBAL DESIGN ENCLOSURE  
AN ATTACHMENT

SMCS-1408, 7426

i04967445

NOTE	REF NO	GRAPHIC REF	PART NUMBER	QTY	PART NAME						SEE PAGE
					1	2	3	4	5	6 (PRODUCT LEVEL)	
C	1	1	<b>133-0970</b>	1	RECEPTACLE AS-CONNECTOR (TEE)						
C	2	1	<b>361-7108</b>	1	HARNESS AS-WIRING (CAN2 DATA LINK)						
E		1	<b>125-7876</b>		TUBE-HEAT SHRINK (17.78-MM DIA) (10-CM)						
		1	<b>9X-3402</b>	6	SOCKET-CONNECTOR (16-GA TO 18-GA)						
					-OR-						
		1	<b>126-1768</b>	6	SOCKET-CONNECTOR (14-GA TO 16-GA)						
		1	<b>155-2260</b>	1	KIT-CONNECTING PLUG (3-PIN)						
					(KIT INCLUDES PLUG AS, WEDGE, & INTERFACE SEAL)						
C	3	1	<b>9X-6772</b>	1	STRAP-CABLE						

C - CHANGE FROM PREVIOUS TYPE  
E - ORDER BY THE CENTIMETER



REAR VIEW

<END>

GRAPHIC #1

g03155028



# ELECTRICAL AND STARTING SYSTEM

## 371-1435 WIRING GP-BOX

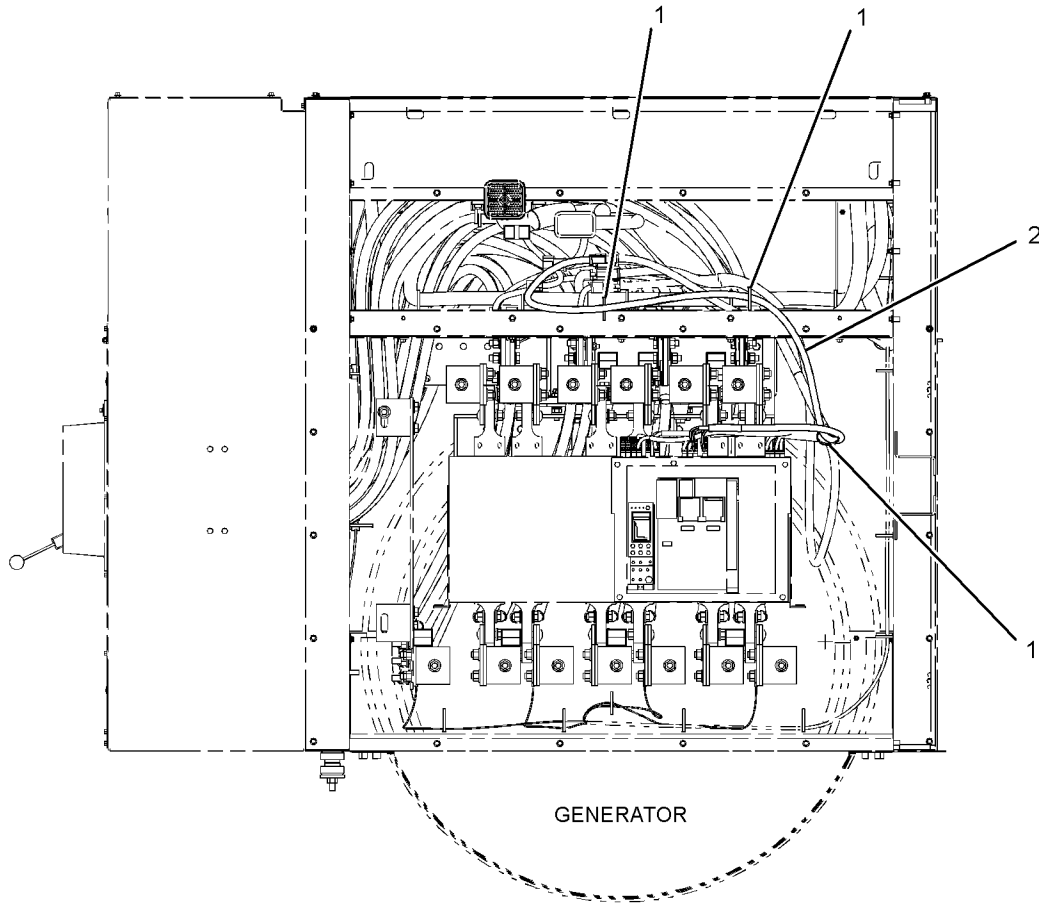
S/N: GDS1-UP  
EMCP 4.4  
AN ATTACHMENT

SMCS-1408, 7426

i04385533

NOTE	REF NO	GRAPHIC REF	PART NUMBER	QTY	PART NAME						SEE PAGE
					1	2	3	4	5	6 (PRODUCT LEVEL)	
	1	1	<b>9X-6772</b>	3	STRAP-CABLE						
Y	2	1	<b>369-9885</b>	1	HARNES AS-POWER						265

Y - SEPARATE ILLUSTRATION



FRONT VIEW

<END>

GRAPHIC #1

g02561780

# ELECTRICAL AND STARTING SYSTEM

## 393-4941 WIRING GP-BOX

S/N: GDS1-UP

PART OF 330-3453 WIRING GP-GENERATOR  
AN ATTACHMENT

SMCS-1408, 7426

i05066111

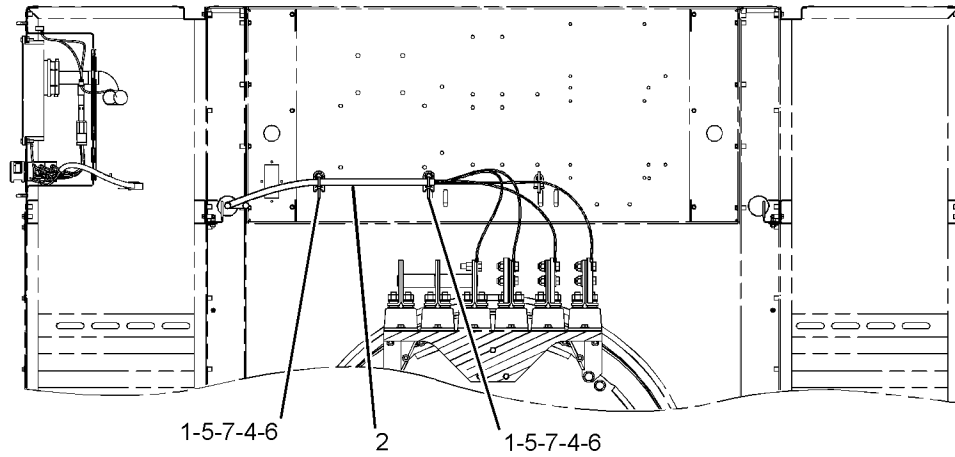
NOTE	REF NO	GRAPHIC REF	PART NUMBER	QTY	PART NAME						SEE PAGE
					1	2	3	4	5	6 (PRODUCT LEVEL)	
	1	1	<b>9X-6772</b>	2	STRAP-CABLE						
	2	1	<b>278-4898</b>	1	HARNESS AS-WIRING (VOLTAGE SENSING)						
		1	<b>2L-8081</b>	4	TERMINAL-RING (14-GA TO 16-GA, 1/2-IN SCREW)						
		1	<b>109-3038</b>	4	END-WIRE (16-GA)						
	3	1	<b>324-5608</b>	1	HARNESS AS-WIRING (VOLTAGE SENSING)						
		1	<b>8T-8729</b>	4	PIN-CONNECTOR (16-GA TO 18-GA)						
		1	<b>8T-8737</b>	8	PLUG-SEAL						
		1	<b>109-3038</b>	4	END-WIRE (16-GA)						
		1	<b>227-6731</b>	1	KIT-RECEPTACLE (12-PIN)						
					(INCLUDES RECEPTACLE AS & WEDGE)						
	4	1	<b>198-4775</b>	2	WASHER-HARD (6.6X15X6-MM THK)						
	5	1	<b>293-9452</b>	2	MOUNTING-CABLE TIE						
M	6	1	<b>5C-2890</b>	2	NUT (M6X1-THD)						
M	7	1	<b>8T-4971</b>	2	BOLT (M6X1X30-MM)						

M - METRIC PART

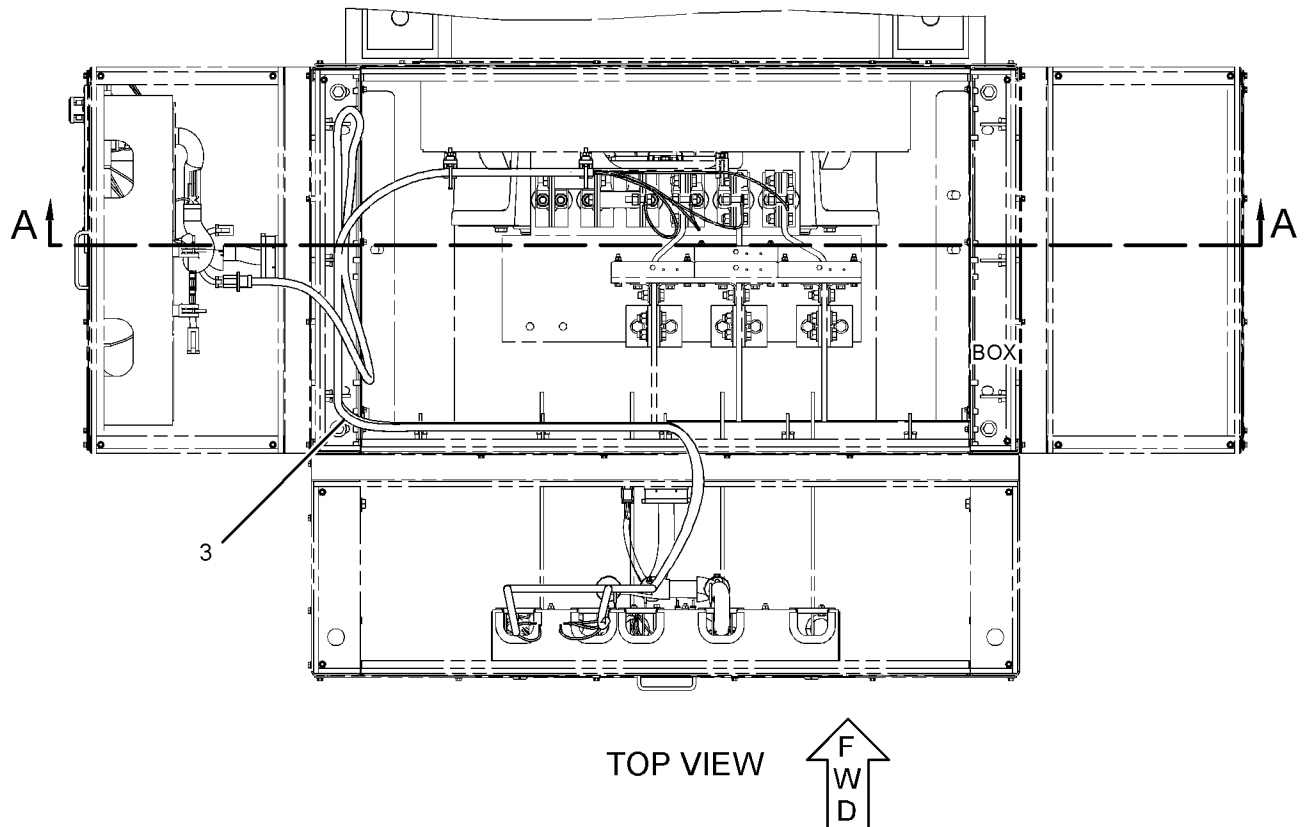
# ELECTRICAL AND STARTING SYSTEM

393-4941 WIRING GP-BOX (contd.)

i05066111



SECTION A-A



TOP VIEW



GRAPHIC #1

<END>

g03239277

# ELECTRICAL AND STARTING SYSTEM

## 363-7521 WIRING GP-ELECTRIC STARTING

S/N: GDS1-UP

DUAL

AN ATTACHMENT

SMCS-1408, 1453

i05188669

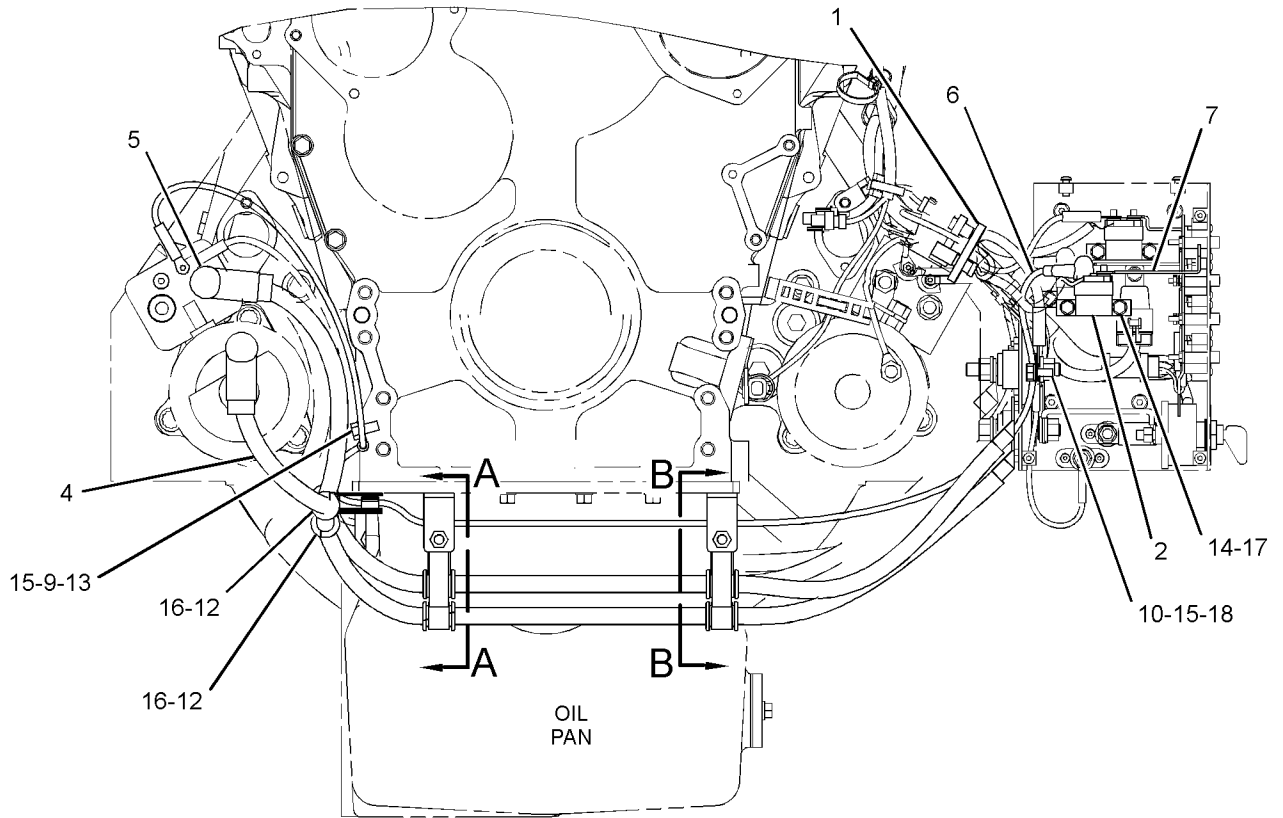
NOTE	REF NO	GRAPHIC REF	PART NUMBER	QTY	PART NAME						SEE PAGE
					1	2	3	4	5	6 (PRODUCT LEVEL)	
	1	1	7K-1181	1	STRAP-CABLE						
Y	2	1	148-0757	1	SWITCH GP-MAGNETIC (24-VOLT) (AIR INLET HEATER)						319
	3	1	355-4676	2	BRACKET AS						
					(EACH INCLUDES)						
		1	1F-0750	1	NUT-WELD (3/8-16-THD)						
	4	1	363-7499	1	CABLE AS						
E		1	159-8050		CABLE (00-GA, BLACK) (129-CM)						
		1	9G-8909	1	COVER-TERMINAL (BLACK)						
B		1	1P-0810		TAPE-ELECTRICAL						
		1	1S-7251	1	TERMINAL-CABLE (00-GA, 1/2-IN SCREW)						
		1	274-9183	1	TERMINAL-RING						
E		1	351-9309		TUBE-HEAT SHRINK (32-MM DIA) (5-CM)						
	5	1	363-7501	1	CABLE AS						
E		1	159-8049		CABLE (00-GA, RED) (132-CM)						
		1	301-0091	1	COVER-TERMINAL (RED)						
B		1	1P-0810		TAPE-ELECTRICAL						
		1	1S-7251	1	TERMINAL-CABLE (00-GA, 1/2-IN SCREW)						
		1	274-9183	1	TERMINAL-RING						
E		1	351-9309		TUBE-HEAT SHRINK (32-MM DIA) (5-CM)						
	6	1	366-7880	1	WIRE AS						
	7	1	366-7888	1	BAR-BUS						
	8	1	0S-1588	2	BOLT (3/8-16X1.25-IN)						
	9	1	0S-0509	1	BOLT (3/8-16X0.75-IN)						
	10	1	0S-1617	1	BOLT (5/16-18X0.75-IN)						
	11	1	8D-9671	2	CLIP						
	12	1	2V-1771	7	GROMMET						
	13	1	5M-2894	3	WASHER-HARD (10.2X18.5X2.5-MM THK)						
	14	1	5S-7349	2	BOLT (1/4-20X0.5-IN)						
	15	1	8M-2772	5	CLIP						
	16	1	8S-0948	5	CLIP						
	17	1	8T-4205	2	WASHER-HARD (7.2X14.5X2-MM THK)						
	18	1	9M-1974	1	WASHER-HARD (8.8X16X2-MM THK)						

B - USE AS REQUIRED  
 E - ORDER BY THE CENTIMETER  
 Y - SEPARATE ILLUSTRATION

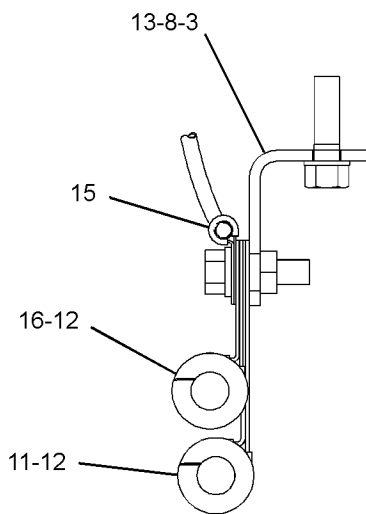
# ELECTRICAL AND STARTING SYSTEM

363-7521 WIRING GP-ELECTRIC STARTING (contd.)

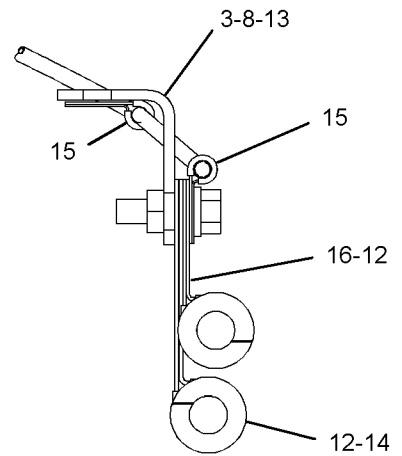
i05188669



FRONT VIEW OF ENGINE



SECTION B-B



SECTION A-A

GRAPHIC #1

<END>

g03374836

# ELECTRICAL AND STARTING SYSTEM

## 364-6730 WIRING GP-ELECTRIC STARTING

S/N: MJE1-UP; GDS1-UP

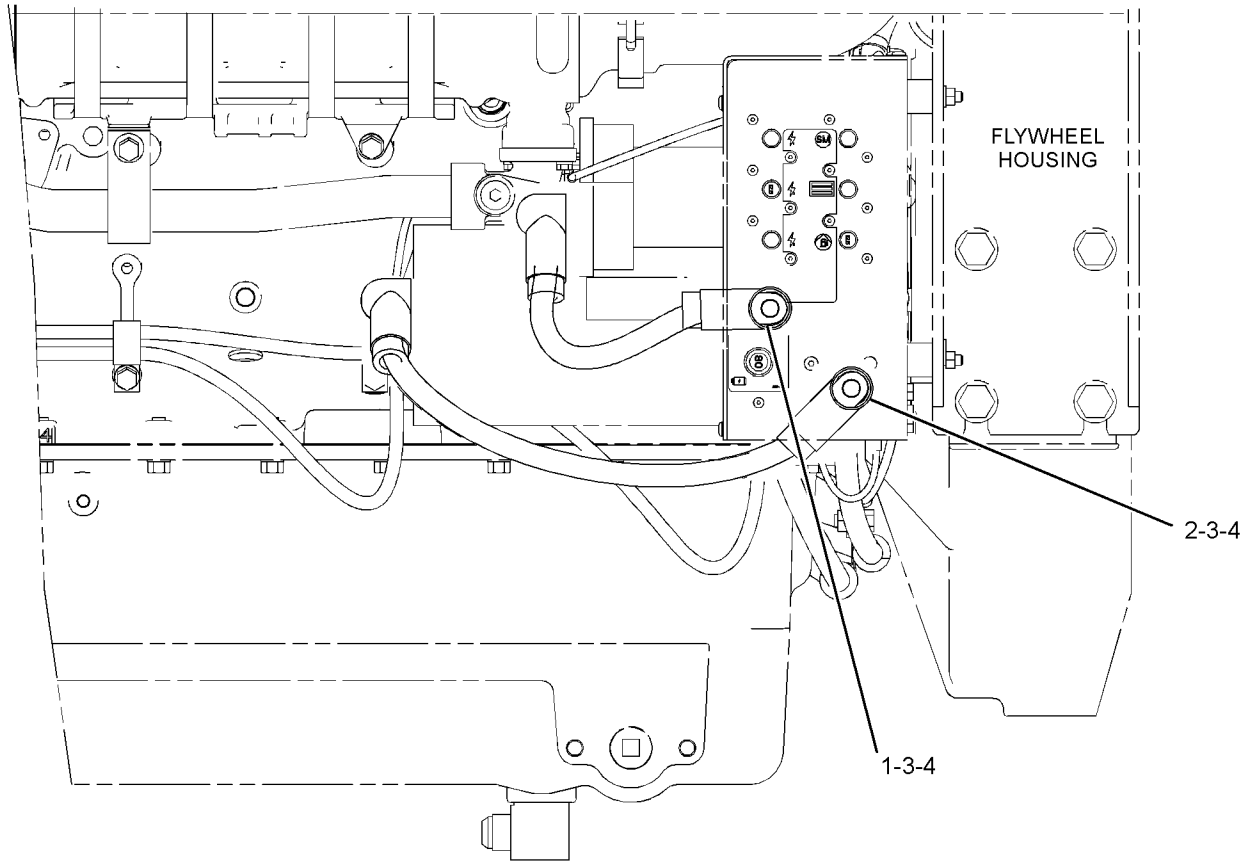
PART OF 388-4921 ENGINE AR, 349-5619, 349-5622 ENGINE AR-COMplete  
ALSO AN ATTACHMENT

SMCS-1408, 1453

i04397202

NOTE	REF NO	GRAPHIC REF	PART NUMBER	QTY	PART NAME						SEE PAGE
					1	2	3	4	5	6 (PRODUCT LEVEL)	
	1	1	<b>363-7492</b>	1	CABLE AS (POWER)						
		1	<b>1S-7251</b>	2	TERMINAL-CABLE (00-GA, 1/2-IN SCREW)						
E		1	<b>159-8049</b>		CABLE (00-GA, RED) (30-CM)						
		1	<b>301-0091</b>	2	COVER-TERMINAL (RED)						
	2	1	<b>363-7493</b>	1	CABLE AS (GROUND)						
		1	<b>1S-7251</b>	2	TERMINAL-CABLE (00-GA, 1/2-IN SCREW)						
		1	<b>037-5197</b>	2	BOOT						
E		1	<b>159-8050</b>		CABLE (00-GA, BLACK) (47-CM)						
	3	1	<b>6V-8188</b>	2	NUT (1/2-13-THD)						
	4	1	<b>8T-4223</b>	2	WASHER-HARD (13.5X25.5X3-MM THK)						

E - ORDER BY THE CENTIMETER



LEFT SIDE VIEW OF ENGINE

GRAPHIC #1

<END>

g02564360

# ELECTRICAL AND STARTING SYSTEM

## 355-3351 WIRING GP-ENGINE

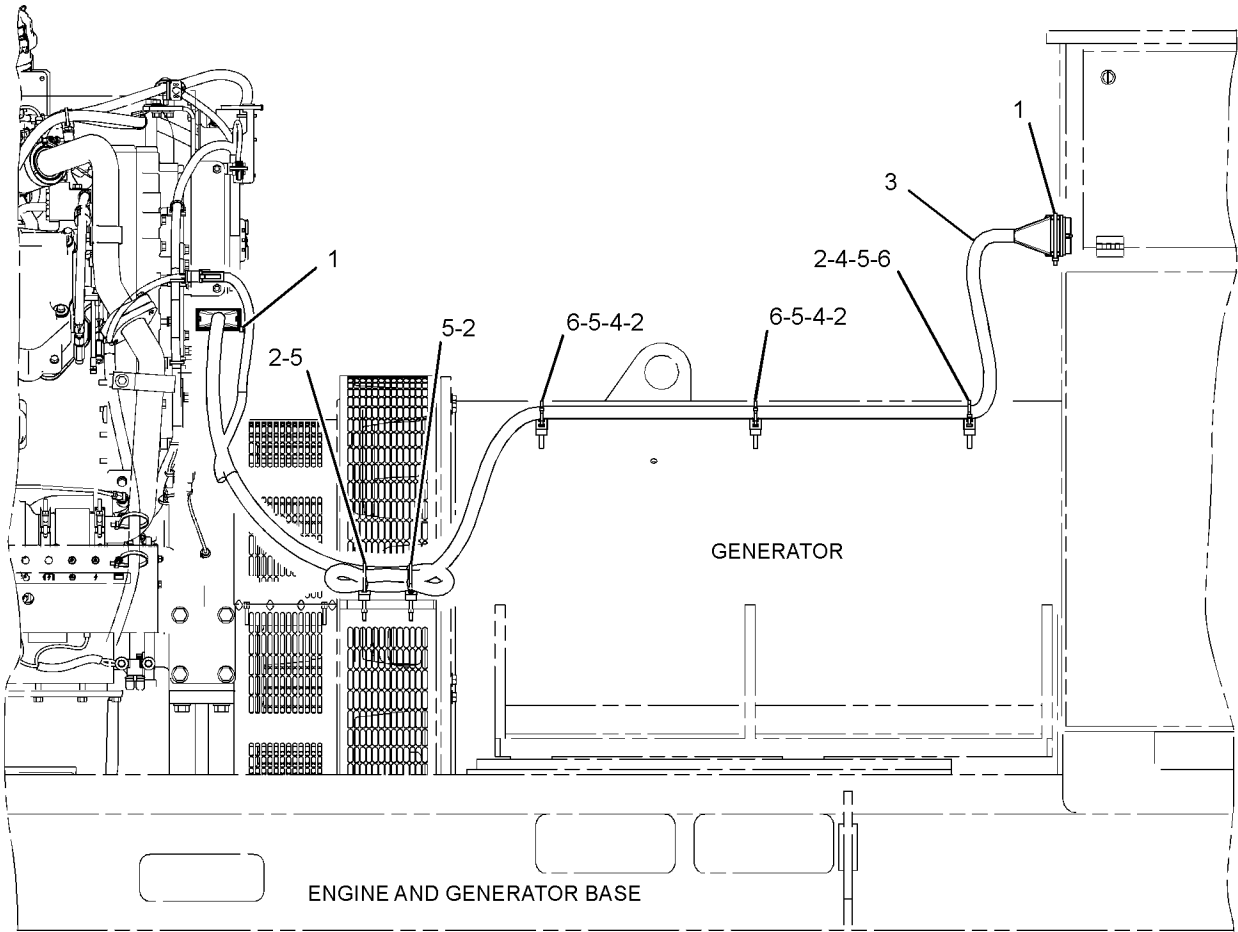
S/N: GDS1-UP  
AN ATTACHMENT

SMCS-1000, 1408

i05208793

NOTE	REF NO	GRAPHIC REF	PART NUMBER	QTY	PART NAME						SEE PAGE
					1	2	3	4	5	6 (PRODUCT LEVEL)	
	1	1	<b>6K-0806</b>	2	STRAP - CABLE						
	2	1	<b>4P-8134</b>	5	CLIP						
Y	3	1	<b>354-2743</b>	1	HARNESS AS-SWITCH						268
M	4	1	<b>8T-7547</b>	3	BOLT (M8X1.25X30-MM)						
	5	1	<b>7K-1181</b>	5	STRAP - CABLE						
	6	1	<b>8T-4224</b>	3	WASHER - HARD (8.8X16X2-MM THK)						

M - METRIC PART  
Y - SEPARATE ILLUSTRATION



LEFT SIDE VIEW OF ENGINE

GRAPHIC #1

<END>

g03171604

# ELECTRICAL AND STARTING SYSTEM

## 425-8635 WIRING GP-ENGINE

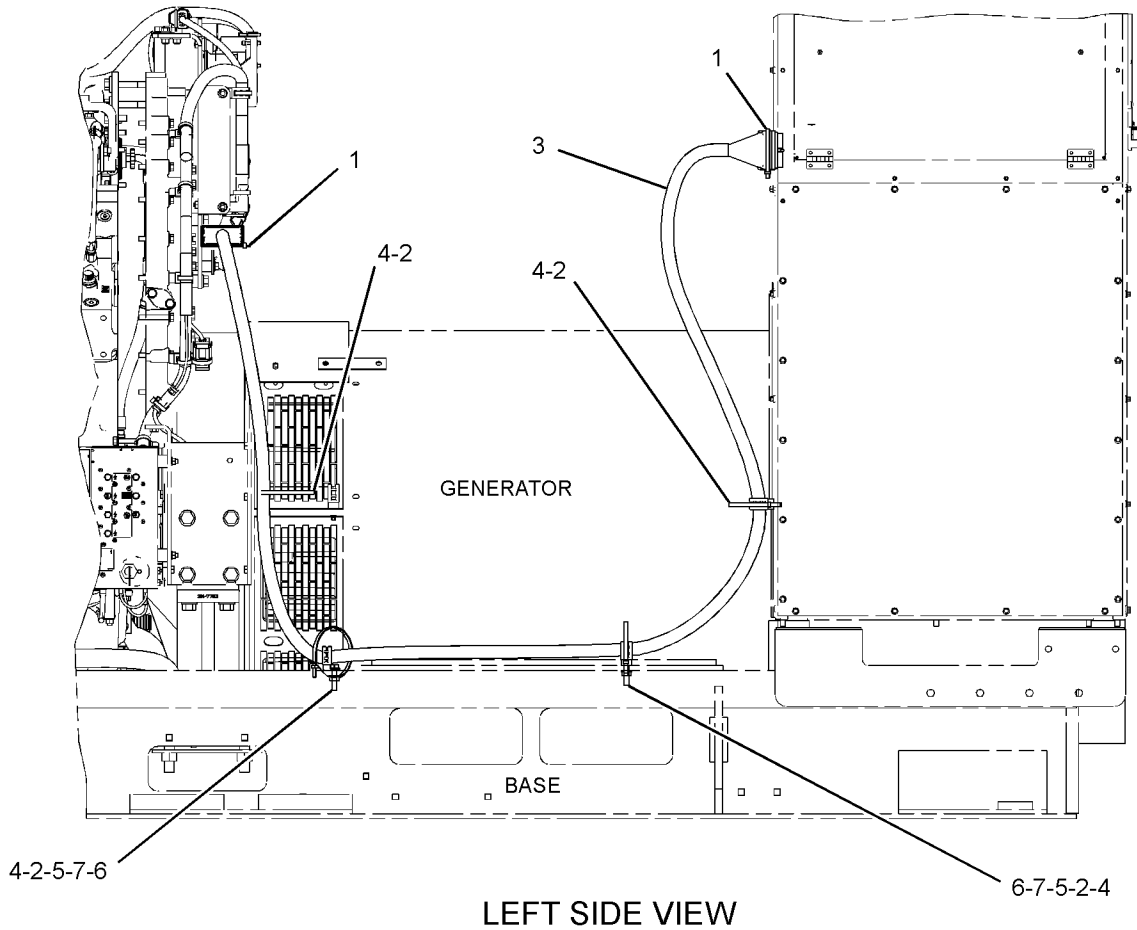
S/N: GDS1-UP  
AN ATTACHMENT

SMCS-1000, 1408

i05279633

NOTE	REF NO	GRAPHIC REF	PART NUMBER	QTY	PART NAME						SEE PAGE
					1	2	3	4	5	6 (PRODUCT LEVEL)	
	1	1	<b>6K-0806</b>	2	STRAP-CABLE						
	2	1	<b>156-6175</b>	4	CLIP						
Y	3	1	<b>361-7126</b>	1	HARNESS AS-PANEL						257
	4	1	<b>7K-1181</b>	4	STRAP-CABLE						
	5	1	<b>8T-4121</b>	4	WASHER-HARD (11X21X2.5-MM THK)						
M	6	1	<b>8T-4133</b>	2	NUT (M10X1.5-THD)						
M	7	1	<b>8T-4182</b>	2	BOLT (M10X1.5X45-MM)						

M - METRIC PART  
Y - SEPARATE ILLUSTRATION



GRAPHIC #1

<END>

g03351337



# ELECTRICAL AND STARTING SYSTEM

## 430-4323 WIRING GP-ENGINE

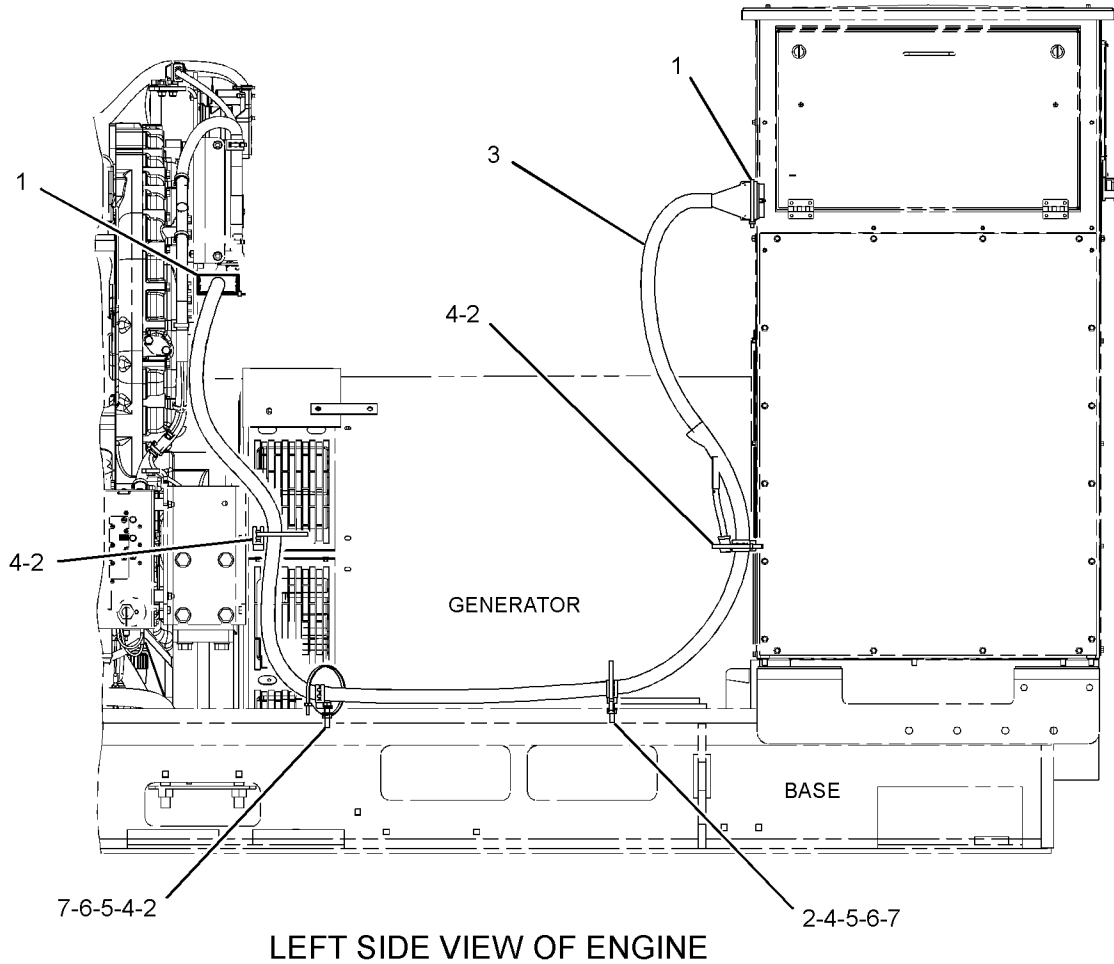
S/N: GDS1-UP  
AN ATTACHMENT

SMCS-1000, 1408

i05279634

NOTE	REF NO	GRAPHIC REF	PART NUMBER	QTY	PART NAME						SEE PAGE
					1	2	3	4	5	6 (PRODUCT LEVEL)	
	1	1	<b>6K-0806</b>	2	STRAP - CABLE						
	2	1	<b>156-6175</b>	4	CLIP						
Y	3	1	<b>361-7124</b>	1	HARNESS AS - PANEL						256
	4	1	<b>7K-1181</b>	4	STRAP - CABLE						
	5	1	<b>8T-4121</b>	4	WASHER - HARD (11X21X2.5-MM THK)						
M	6	1	<b>8T-4133</b>	2	NUT (M10X1.5-THD)						
M	7	1	<b>8T-4182</b>	2	BOLT (M10X1.5X45-MM)						

M - METRIC PART  
Y - SEPARATE ILLUSTRATION



GRAPHIC #1

<END>

g03372283

# ELECTRICAL AND STARTING SYSTEM

## 373-6716 WIRING GP-ENGINE ELECTRONIC

S/N: MJE1-UP; GDS1-UP

PART OF 388-4921 ENGINE AR, 349-5619, 349-5622 ENGINE AR-COMPLETE  
ALSO AN ATTACHMENT

SMCS-1408, 1900

i05223860

NOTE	REF NO	GRAPHIC REF	PART NUMBER	QTY	PART NAME						SEE PAGE
					1	2	3	4	5	6 (PRODUCT LEVEL)	
	1	1	<b>3E-5239</b>	1	RELAY AS (24-VOLT)						
	2	1	<b>7K-1181</b>	41	STRAP-CABLE						
	3	1	<b>224-9222</b>	1	BRACKET						
	4	1	<b>316-9351</b>	1	MOUNTING-CABLE TIE						
	5	1	<b>350-2473</b>	1	BRACKET AS						
Y	6	1	<b>373-6717</b>	1	HARNESS AS-SENSOR						267
Y	7	1	<b>376-7221</b>	1	HARNESS AS-ENGINE						253
	8	1	<b>0S-0509</b>	1	BOLT (3/8-16X0.75-IN)						
	9	1	<b>0S-1571</b>	2	BOLT (3/8-16X1.75-IN)						
	10	1	<b>0S-1594</b>	7	BOLT (3/8-16X1-IN)						
	11	1	<b>132-5789</b>	20	CLIP						
	12	1	<b>352-3968</b>	1	CLIP						
	13	1	<b>4P-7581</b>	3	CLIP						
	14	1	<b>4P-8134</b>	10	CLIP						
	15	1	<b>5M-2894</b>	15	WASHER-HARD (10.2X18.5X2.5-MM THK)						
	16	1	<b>5S-0003</b>	3	NUT (5/16-18-THD)						
	17	1	<b>5S-7349</b>	1	BOLT (1/4-20X0.5-IN)						
	18	1	<b>6V-5839</b>	2	WASHER (11X21X2.5-MM THK)						
M	19	1	<b>6V-6317</b>	2	BOLT (M10X1.5X20-MM)						
	20	1	<b>7X-0579</b>	1	WASHER-HARD (8.8X25.5X2-MM THK)						
	21	1	<b>8T-4205</b>	1	WASHER-HARD (7.2X14.5X2-MM THK)						
	22	1	<b>9M-1974</b>	3	WASHER-HARD (8.8X16X2-MM THK)						
	23	1	<b>9S-8752</b>	5	NUT-FULL (3/8-16-THD)						

M - METRIC PART  
Y - SEPARATE ILLUSTRATION



# ELECTRICAL AND STARTING SYSTEM

## 330-3453 WIRING GP-GENERATOR-VOLTAGE SENSING

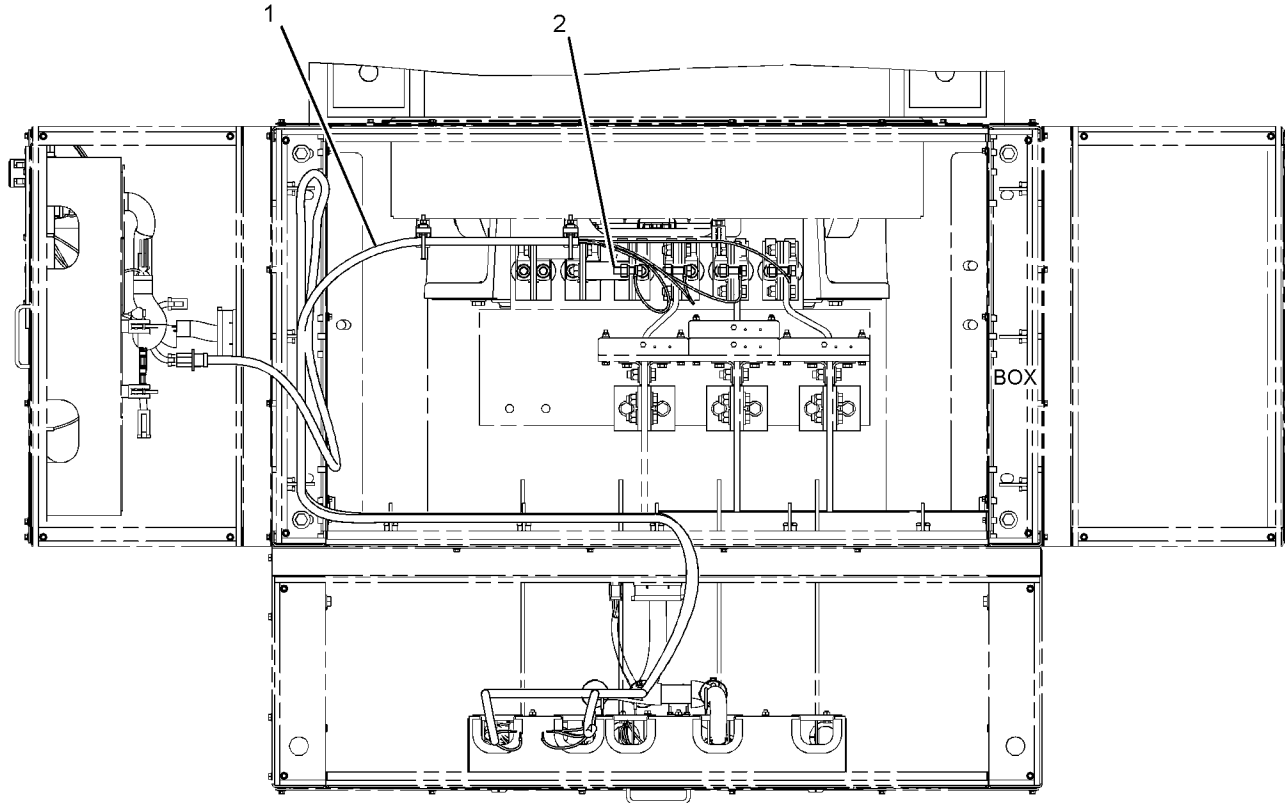
S/N: GDS1-UP  
FOR USE WITH LOW VOLTAGE  
AN ATTACHMENT

SMCS-1404, 1408, 4459

i05065972

NOTE	REF NO	GRAPHIC REF	PART NUMBER	QTY	PART NAME						SEE PAGE
					1	2	3	4	5	6 (PRODUCT LEVEL)	
CY	1	1	393-4941	1	WIRING GP-BOX						340
CY	2	1	393-4942	1	FASTENER GP-WIRING HARNESS						247

C - CHANGE FROM PREVIOUS TYPE  
Y - SEPARATE ILLUSTRATION



TOP VIEW



GRAPHIC #1

<END>

g03239016

# ELECTRICAL AND STARTING SYSTEM

## 368-8600 WIRING GP-GENERATOR

S/N: GDS1-UP

EMCP 4.3

PART OF 361-1664 WIRING GP-PANEL

AN ATTACHMENT

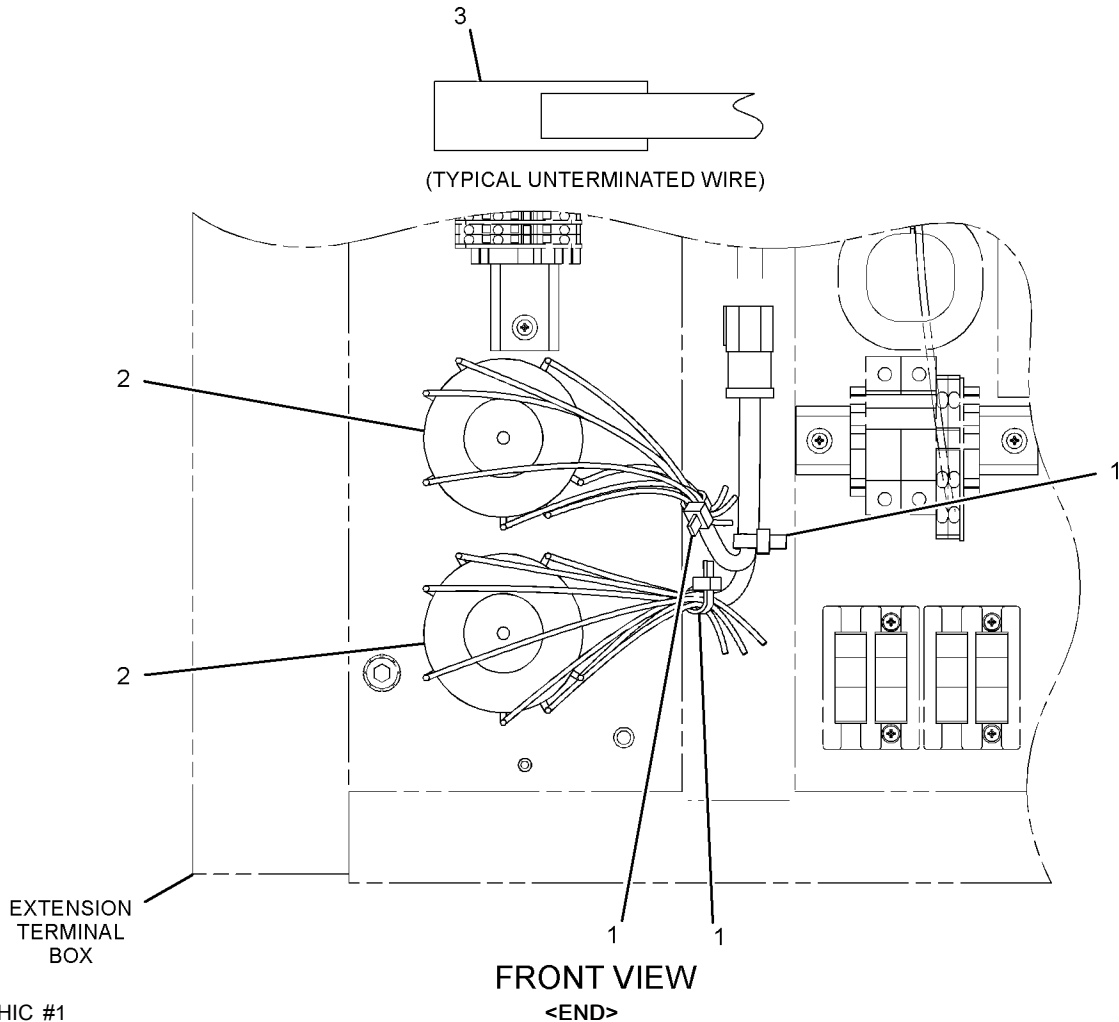
SMCS-1404, 1408, 4459

i04329194

NOTE	REF NO	GRAPHIC REF	PART NUMBER	QTY	PART NAME						SEE PAGE
					1	2	3	4	5	6 (PRODUCT LEVEL)	
	1	1	<b>6K-0806</b>	3	STRAP-CABLE						
	2	1	<b>154-3488</b>	2	TRANSFORMER AS						
E	3	1	<b>125-7874</b>		TUBE-HEAT SHRINK (5.72-MM DIA) (18-CM)						
F			<b>102-8806</b>	1	KIT-RECEPTACLE (8-PIN) (INCLUDES RECEPTACLE AS & WEGDE)						
F			<b>9X-3401</b>	8	PIN-CONNECTOR (16-GA TO 18-GA) -OR-						
F			<b>126-1767</b>	8	PIN-CONNECTOR (14-GA TO 16-GA)						

E - ORDER BY THE CENTIMETER

F - NOT SHOWN



GRAPHIC #1

g02559596

# ELECTRICAL AND STARTING SYSTEM

## 372-6303 WIRING GP-GENERATOR-ANNUNCIATOR HARNESS

S/N: GDS1-UP  
FOR USE WITH RS485  
AN ATTACHMENT

SMCS-1404, 1408, 4459

i04731555

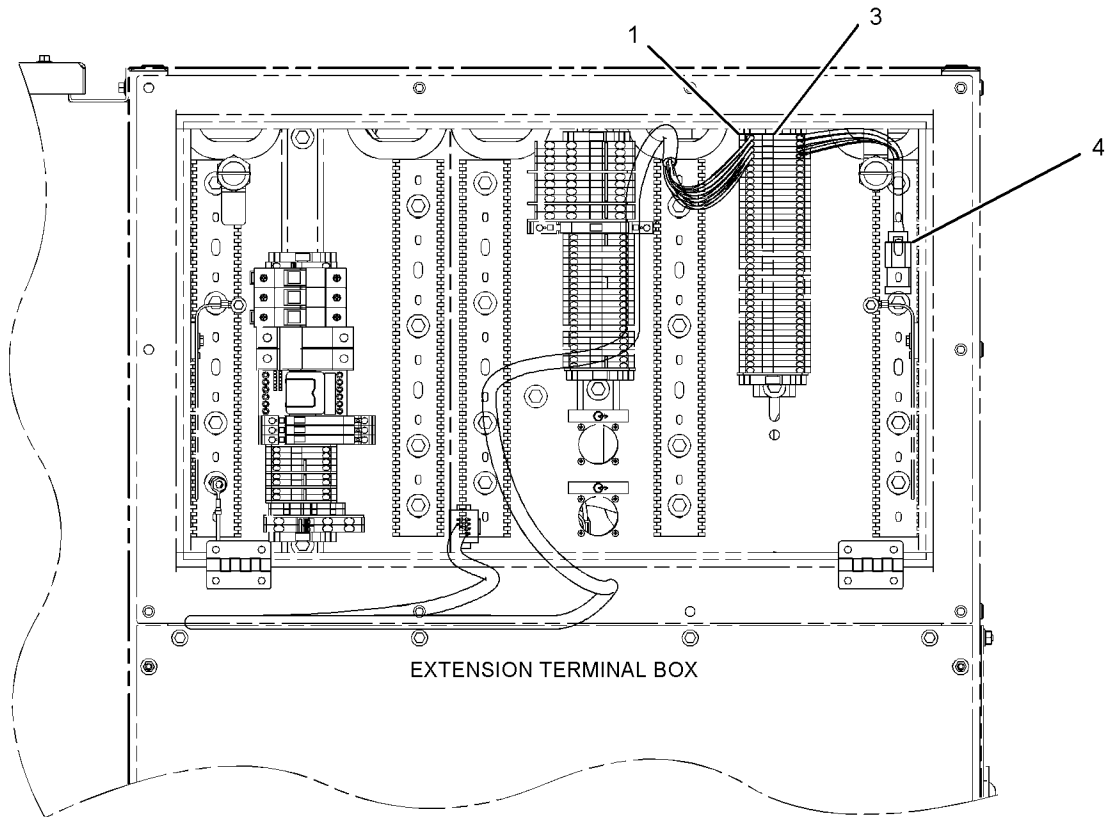
NOTE	REF NO	GRAPHIC REF	PART NUMBER	QTY	PART NAME						SEE PAGE
					1	2	3	4	5	6 (PRODUCT LEVEL)	
	1	1	<b>314-9098</b>	4	BLOCK-TERMINAL (600-VOLT, 25-AMPERE)						
	2	1	<b>372-6304</b>	1	HARNESS AS-PANEL (ANNUNCIATOR)						
		1	<b>102-8806</b>	1	KIT-RECEPTACLE (8-PIN) (KIT INCLUDES RECEPTACLE AS & WEDGE)						
D		1	<b>5P-6001</b>		TUBE-HEAT SHRINK (4.75-MM DIA) (1-M)						
		1	<b>8T-8737</b>	4	PLUG-SEAL						
		1	<b>110-8714</b>	4	END-WIRE (18-GA)						
E		1	<b>125-7876</b>		TUBE-HEAT SHRINK (17.78-MM DIA) (5-CM)						
		1	<b>9X-3401</b>	4	PIN-CONNECTOR (16-GA TO 18-GA) -OR-						
		1	<b>126-1767</b>	4	PIN-CONNECTOR (14-GA TO 16-GA)						
	3	1	<b>372-6305</b>	1	KIT-MARKER						
Y	4	1	<b>372-6306</b>	1	HARNESS AS-PANEL (DATA LINK)						259

D - ORDER BY THE METER  
E - ORDER BY THE CENTIMETER  
Y - SEPARATE ILLUSTRATION

# ELECTRICAL AND STARTING SYSTEM

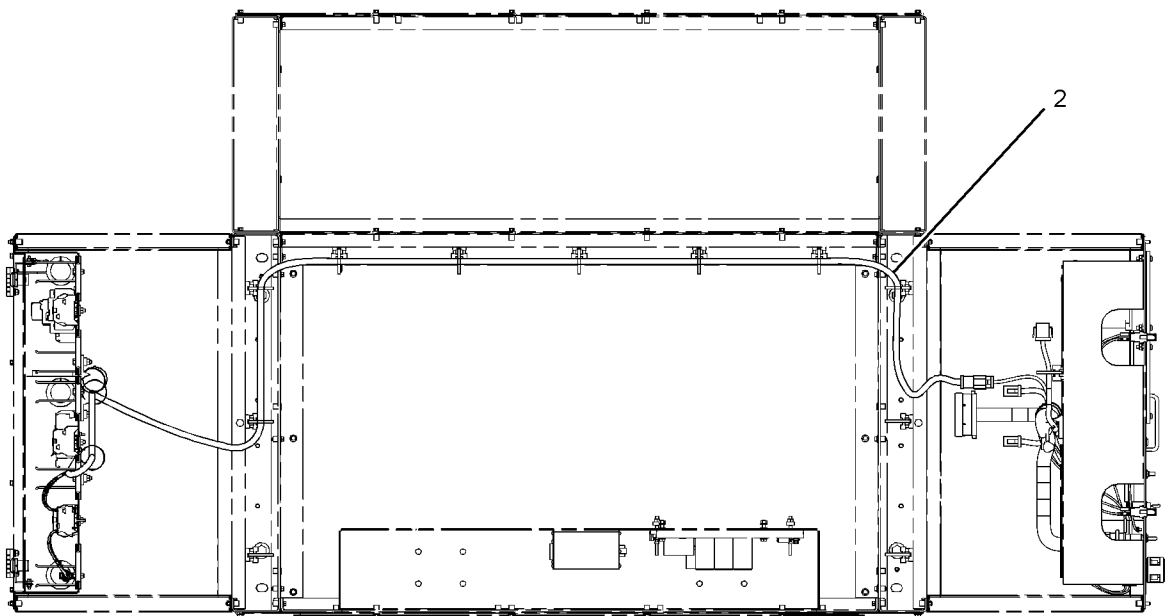
372-6303 WIRING GP-GENERATOR (contd.)

i04731555



EXTENSION TERMINAL BOX

RIGHT SIDE VIEW



TOP VIEW

GRAPHIC #1

<END>

g02743797

# ELECTRICAL AND STARTING SYSTEM

## 383-4653 WIRING GP-GENERATOR

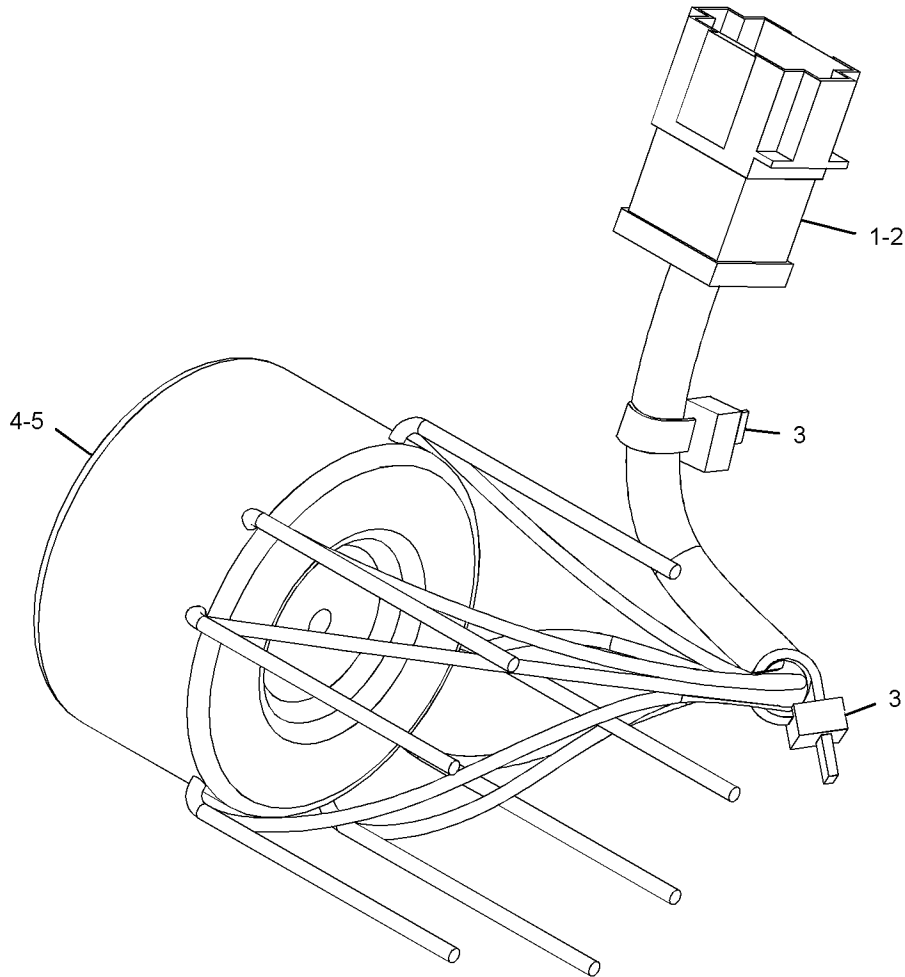
S/N: GDS1-UP

PART OF 383-4663 MOUNTING GP-ELECTRONIC CONTROL  
AN ATTACHMENT

SMCS-1404, 1408, 4459

i04970409

NOTE	REF NO	GRAPHIC REF	PART NUMBER	QTY	PART NAME						SEE PAGE
					1	2	3	4	5	6 (PRODUCT LEVEL)	
1	1	1	<b>9X-3401</b>	1	PIN-CONNECTOR (16-GA TO 18-GA)						
					-OR-						
		1	<b>126-1767</b>	1	PIN-CONNECTOR (14-GA TO 16-GA)						
2	1	1	<b>102-8806</b>	1	KIT-RECEPTACLE (8-PIN)						
					(INCLUDES RECEPTACLE AS AND WEDGE)						
3	1		<b>6K-0806</b>	2	STRAP-CABLE						
4	1		<b>154-3488</b>	1	TRANSFORMER AS						
5	1		<b>8T-8737</b>	1	PLUG-SEAL						



GRAPHIC #1

<END>

g03177876



# ELECTRICAL AND STARTING SYSTEM

## 422-9000 WIRING GP-GENERATOR

S/N: GDS1-UP

AC BATTERY CHARGER

PART OF 422-8999 CONNECTION GP-ELECTRICAL

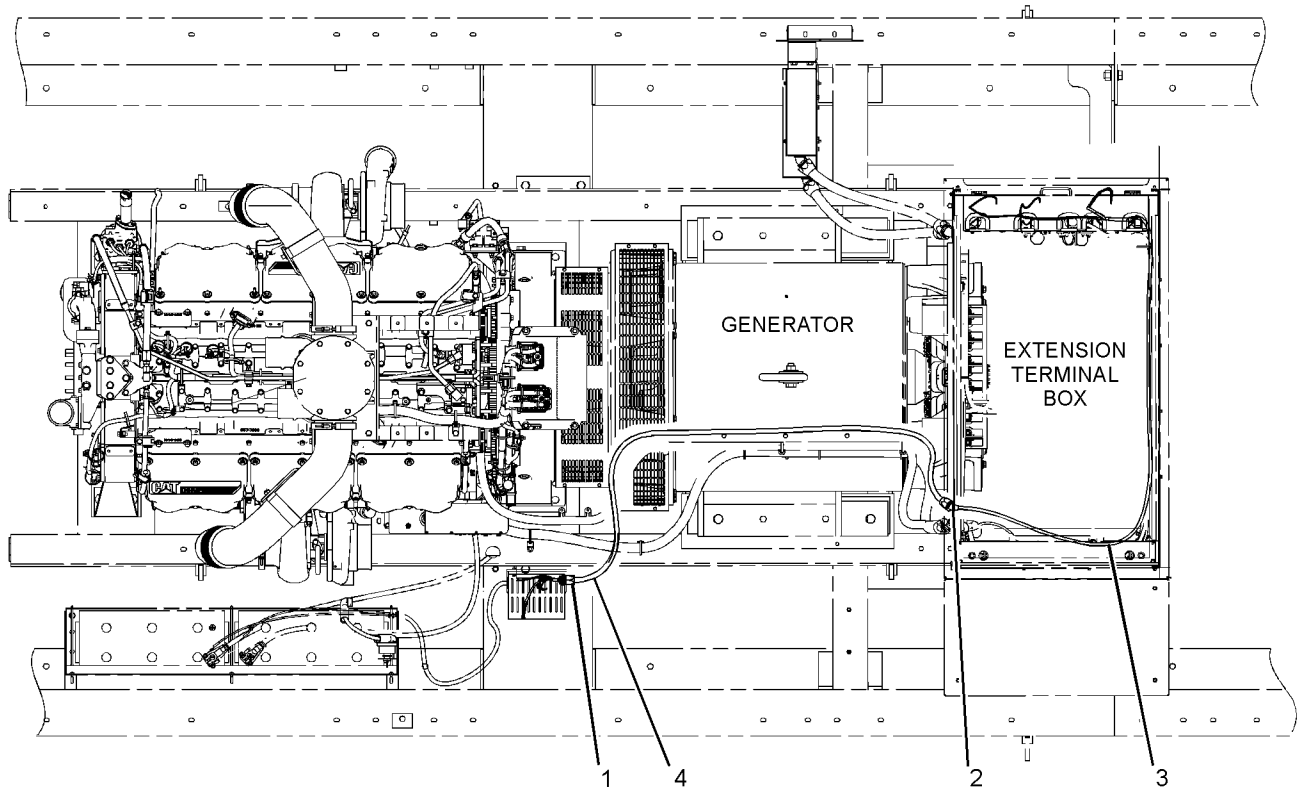
AN ATTACHMENT

SMCS-1404, 1408, 4459

i05199413

NOTE	REF NO	GRAPHIC REF	PART NUMBER	QTY	PART NAME						SEE PAGE
					1	2	3	4	5	6 (PRODUCT LEVEL)	
	1	1	<b>334-7798</b>	1	CONNECTOR						
	2	1	<b>334-7801</b>	1	CONNECTOR (45-DEG)						
	3	1	<b>422-9002</b>	1	HARNESS AS-POWER						
		1	<b>110-8714</b>	4	END-WIRE (18-GA)						
		1	<b>112-7497</b>	6	END-WIRE (14-GA)						
E	4	1	<b>205-6419</b>		CONDUIT (280-CM)						

E - ORDER BY THE CENTIMETER



TOP VIEW

GRAPHIC #1

<END>

g03351188

# ELECTRICAL AND STARTING SYSTEM

## 423-5602 WIRING GP-HEATER

S/N: GDS1-UP  
 JACKET WATER HEATER  
 AN ATTACHMENT

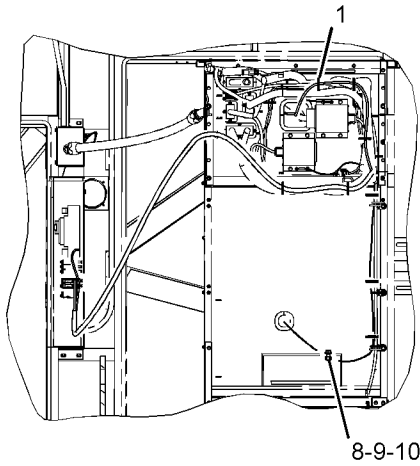
SMCS-1090, 1408

i05199836

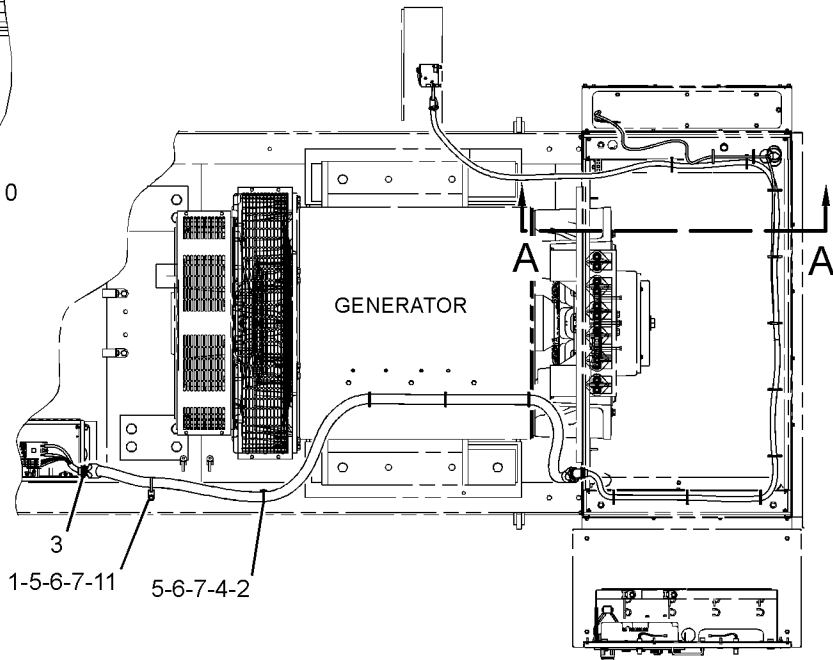
NOTE	REF NO	GRAPHIC REF	PART NUMBER	QTY	PART NAME						SEE PAGE
					1	2	3	4	5	6 (PRODUCT LEVEL)	
	1	1	<b>7K-1181</b>	21	STRAP-CABLE						
	2	1	<b>358-6893</b>	1	SPACER (7X16X50-MM THK)						
Y	3	1	<b>423-5603</b>	1	CONDUIT GP-ELECTRICAL						222
M	4	1	<b>8T-6974</b>	1	BOLT (M6X1X80-MM)						
	5	1	<b>156-6175</b>	2	CLIP						
M	6	1	<b>5C-2890</b>	2	NUT (M6X1-THD)						
	7	1	<b>5P-4116</b>	4	WASHER-HARD (8.8X20.5X2-MM THK)						
M	8	1	<b>8T-4139</b>	1	BOLT (M12X1.75X30-MM)						
	9	1	<b>8T-4223</b>	1	WASHER-HARD (13.5X25.5X3-MM THK)						
M	10	1	<b>8T-4244</b>	1	NUT (M12X1.75-THD)						
M	11	1	<b>8T-4971</b>	1	BOLT (M6X1X30-MM)						

M - METRIC PART

Y - SEPARATE ILLUSTRATION



VIEW A-A



TOP VIEW

GRAPHIC #1

<END>

g03351274

# ELECTRICAL AND STARTING SYSTEM

## 364-7511 WIRING GP-JACKET WATER HEATER

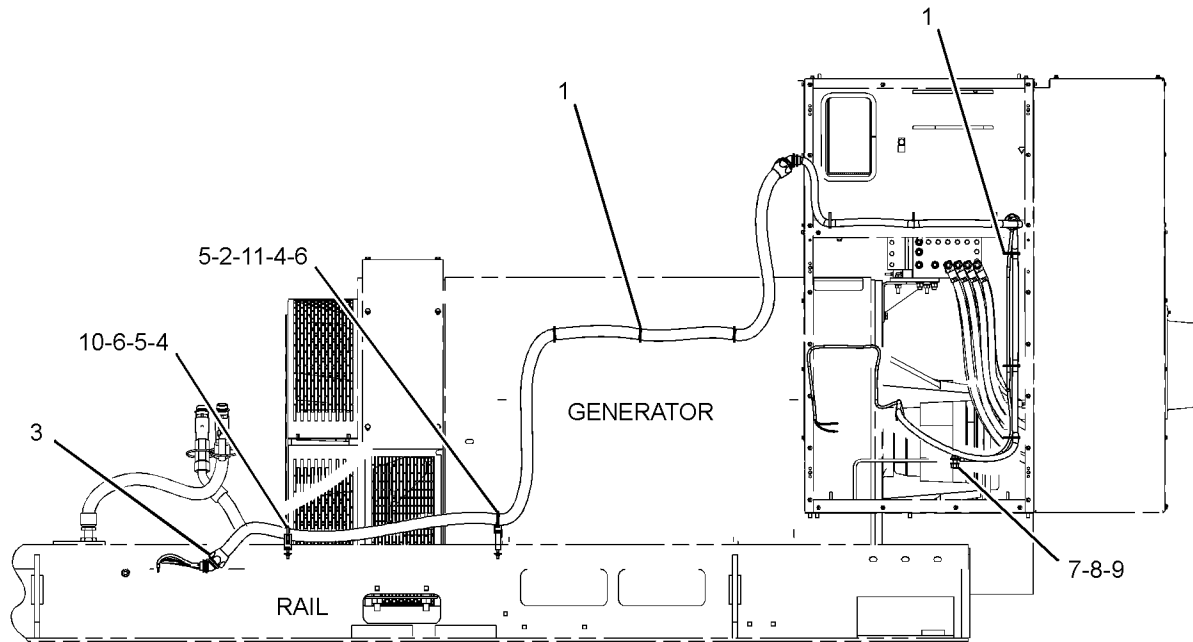
S/N: GDS1-UP  
EMCP 4.3, 4.4  
AN ATTACHMENT

SMCS-1383

i05289754

NOTE	REF NO	GRAPHIC REF	PART NUMBER	QTY	PART NAME						SEE PAGE
					1	2	3	4	5	6 (PRODUCT LEVEL)	
C	1	1	7K-1181	16	STRAP-CABLE						
C	2	1	358-6893	1	SPACER (7X16X50-MM THK)						
Y	3	1	364-7507	1	CONDUIT GP-ELECTRICAL						219
C	4	1	156-6175	2	CLIP						
CM	5	1	5C-2890	2	NUT (M6X1-THD)						
C	6	1	5P-4116	4	WASHER-HARD (8.8X20.5X2-MM THK)						
M	7	1	8T-4139	1	BOLT (M12X1.75X30-MM)						
	8	1	8T-4223	2	WASHER-HARD (13.5X25.5X3-MM THK)						
M	9	1	8T-4244	1	NUT (M12X1.75-THD)						
CM	10	1	8T-4971	1	BOLT (M6X1X30-MM)						
CM	11	1	8T-6974	1	BOLT (M6X1X80-MM)						

C - CHANGE FROM PREVIOUS TYPE  
M - METRIC PART  
Y - SEPARATE ILLUSTRATION



LEFT SIDE VIEW

GRAPHIC #1

<END>

g03374504

# ELECTRICAL AND STARTING SYSTEM

## 372-7072 WIRING GP-JACKET WATER HEATER

S/N: GDS1-UP

EMCP 4.2

AN ATTACHMENT

SMCS-1383

i04725310

NOTE	REF NO	GRAPHIC REF	PART NUMBER	QTY	PART NAME	SEE PAGE
					1 2 3 4 5 6 (PRODUCT LEVEL)	
	1	1	244-9656	1	CIRCUIT BREAKER AS (60-AMPERE)	
Y	2	1	372-7071	1	CONDUIT GP-ELECTRICAL (JACKET WATER HEATER)	220
	3	1	096-1357	3	CLIP	
	4	1	1A-8912	2	WASHER (6.7X12.7X1.6-MM THK)	
	5	1	323-0049	3	CLIP	
	6	1	339-6169	2	CLIP	
M	7	1	6V-8225	1	NUT (M6X1-THD)	
M	8	1	6V-8837	1	BOLT (M6X1X16-MM)	
	9	1	7X-1387	5	WASHER (10.26X22.22X1.9-MM THK)	
M	10	1	8T-4195	5	BOLT (M10X1.5X30-MM)	
	11	1	9X-6772	12	STRAP-CABLE	

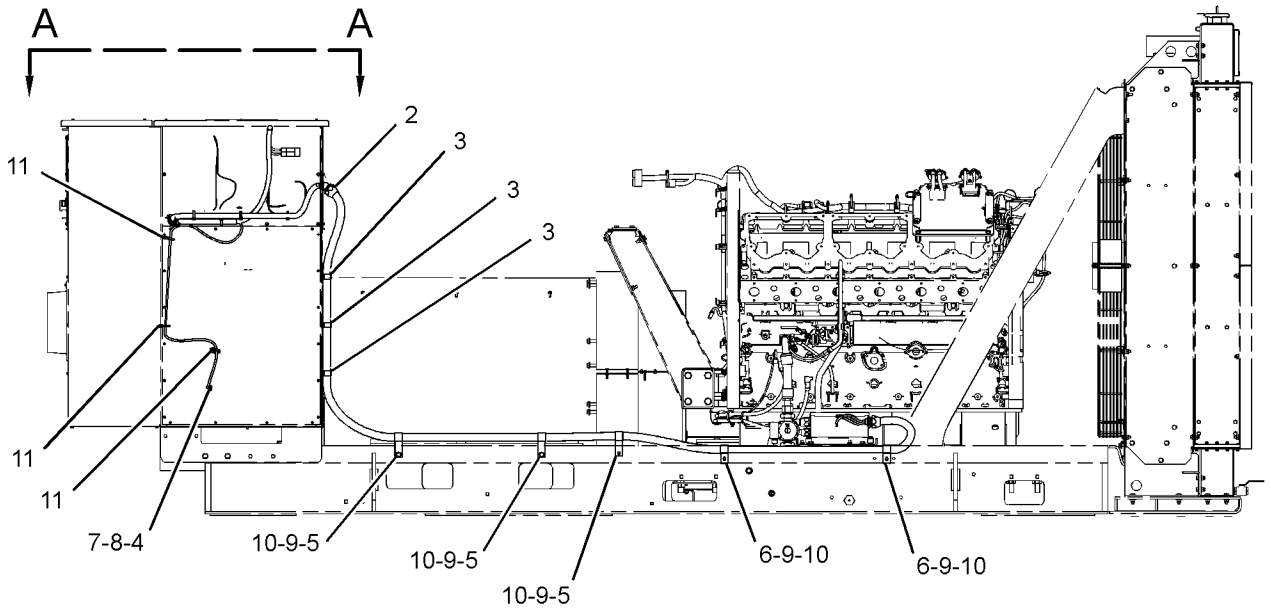
M - METRIC PART

Y - SEPARATE ILLUSTRATION

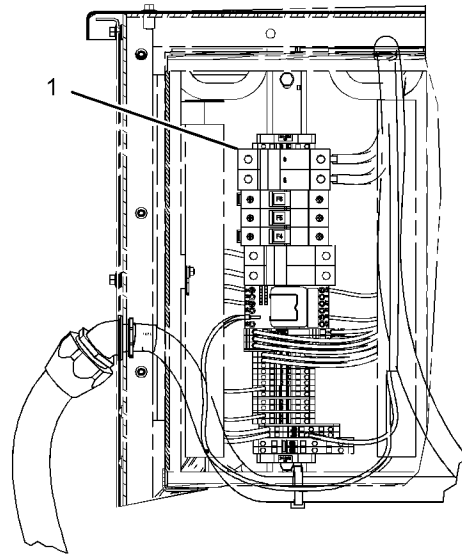
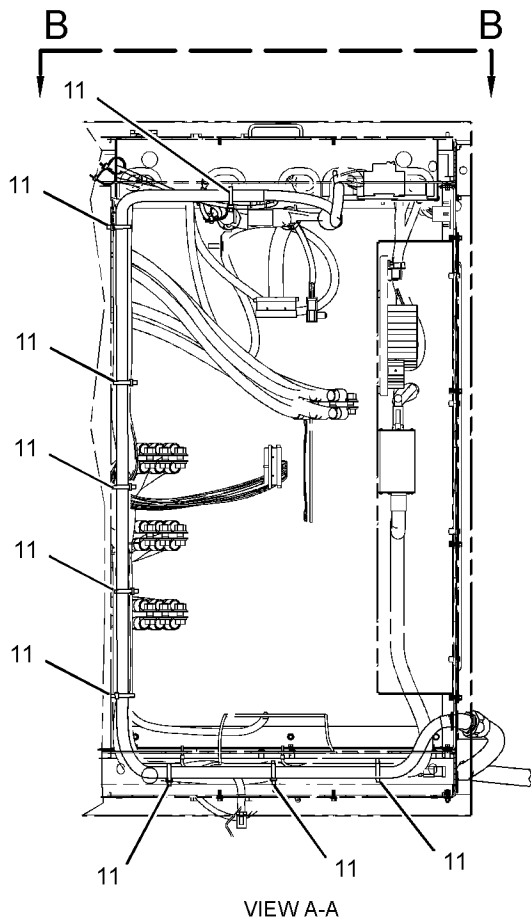
# ELECTRICAL AND STARTING SYSTEM

372-7072 WIRING GP-JACKET WATER HEATER (contd.)

i04725310



LEFT SIDE VIEW OF ENGINE



VIEW B-B  
(PARTS REMOVED FOR CLARITY)

GRAPHIC #1

<END>

g02809363

# ELECTRICAL AND STARTING SYSTEM

## 361-1664 WIRING GP-PANEL

S/N: GDS1-UP

FOR USE WITH EMCP 4.3, GLOBAL DESIGN ENCLOSURE  
AN ATTACHMENT

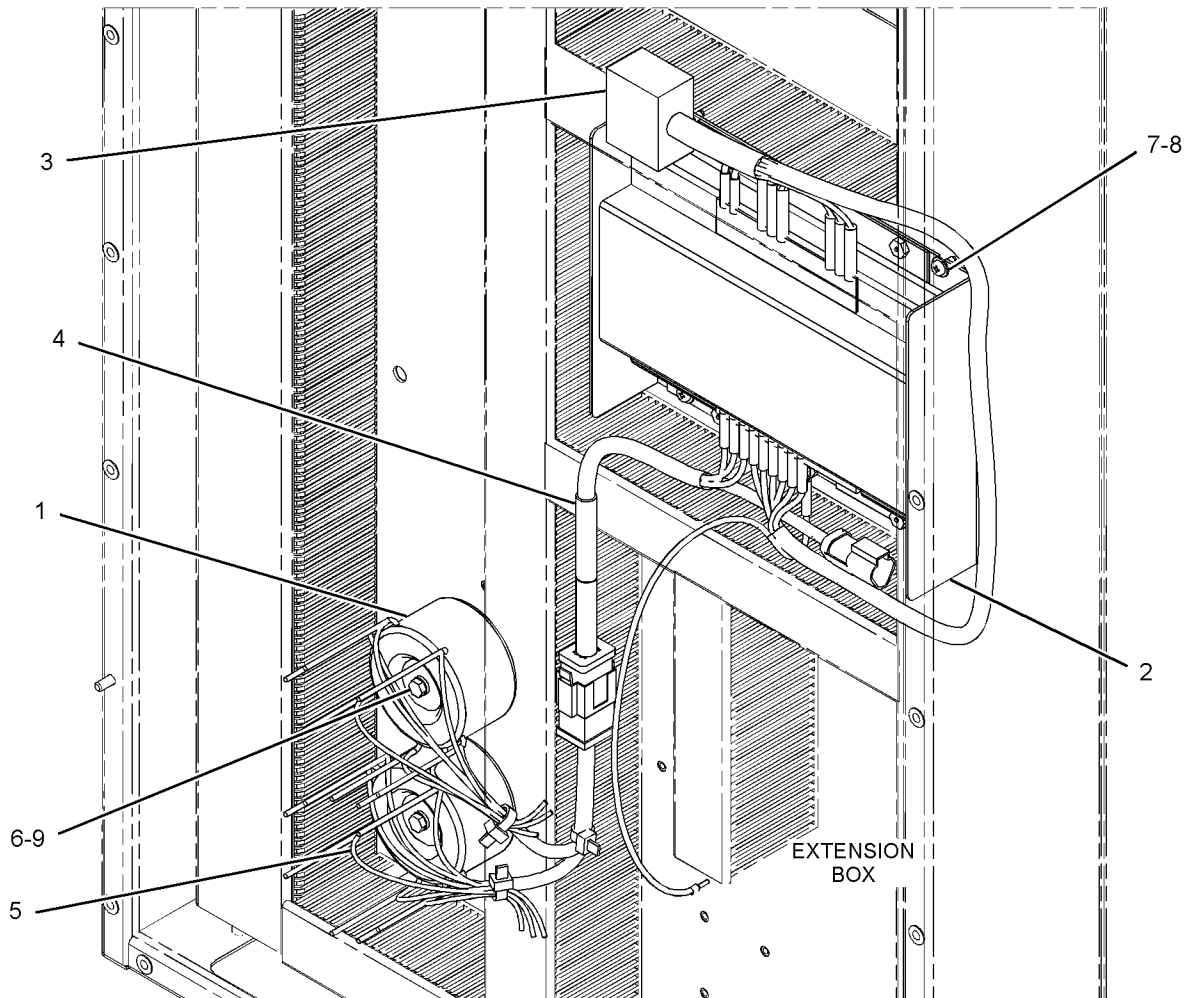
SMCS-4459

i04390741

NOTE	REF NO	GRAPHIC REF	PART NUMBER	QTY	PART NAME						SEE PAGE
					1	2	3	4	5	6 (PRODUCT LEVEL)	
	1	1	154-3488	2	TRANSFORMER AS						
	2	1	309-1583	1	CONTROL AS-GOVERNOR (LOAD SHARE)						
Y	3	1	361-1644	1	HARNESS AS-CONTROL						251
Y	4	1	361-1645	1	HARNESS AS-WIRING						269
Y	5	1	368-8600	1	WIRING GP-GENERATOR (POTENTIAL TRANSFORMER)						351
M	6	1	118-6503	2	BOLT (M6X1X55-MM)						
	7	1	4B-4274	4	WASHER (5.5X13X1.2-MM THK)						
	8	1	6V-2687	4	SCREW-PAN HEAD (10-24X1-IN)						
	9	1	9X-8256	2	WASHER (6.6X12X2-MM THK)						

M - METRIC PART

Y - SEPARATE ILLUSTRATION



GRAPHIC #1

<END>

g02521321

# ELECTRICAL AND STARTING SYSTEM

## 361-7120 WIRING GP-PANEL

S/N: GDS1-UP

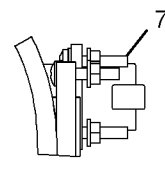
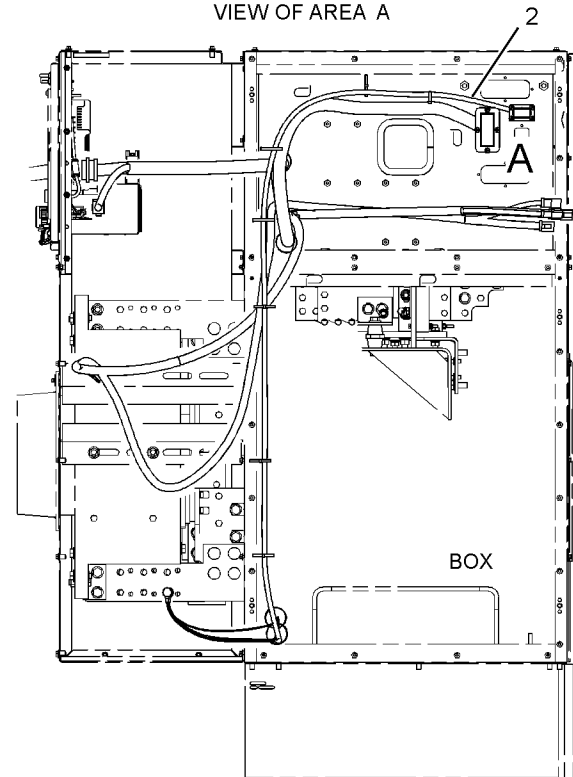
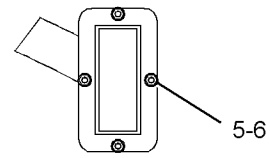
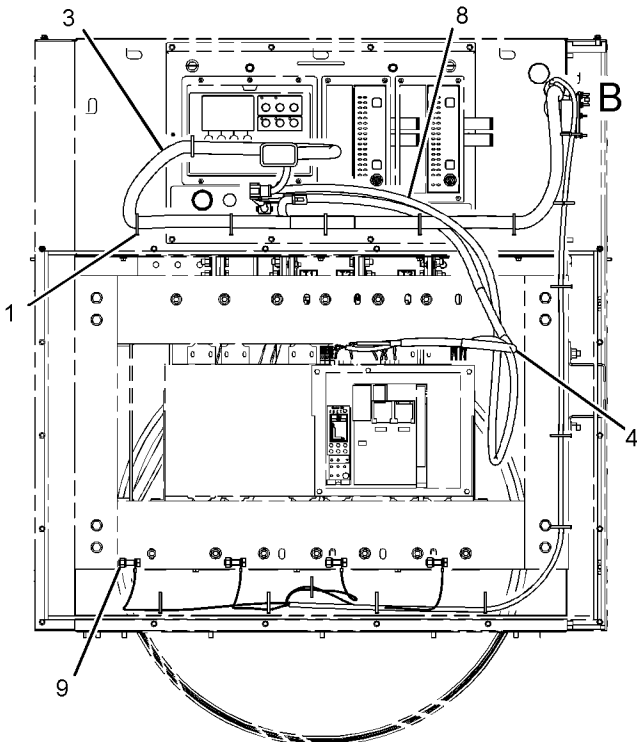
EMCP 4.3, 4.4. PARALLEL AC VOLTAGE  
AN ATTACHMENT

SMCS-4459

i05202451

NOTE	REF NO	GRAPHIC REF	PART NUMBER	QTY	PART NAME						SEE PAGE
					1	2	3	4	5	6 (PRODUCT LEVEL)	
	1	1	<b>7K-1181</b>	18	STRAP-CABLE						
Y	2	1	<b>361-7105</b>	1	HARNESS AS-POWER						263
Y	3	1	<b>361-7109</b>	1	HARNESS AS-POWER						263
Y	4	1	<b>361-7122</b>	1	HARNESS AS-PANEL (CIRCUIT BREAKER)						255
	5	1	<b>4B-4863</b>	16	WASHER (4.7X11X1.2-MM THK)						
	6	1	<b>4B-2043</b>	8	NUT (8-32-THD)						
	7	1	<b>3K-8106</b>	8	SCREW-MACHINE (8-32X1-IN)						
Y	8	1	<b>361-7111</b>	1	HARNESS AS-POWER						264
Y	9	1	<b>393-4942</b>	1	FASTENER GP-WIRING HARNESS						247

Y - SEPARATE ILLUSTRATION



GRAPHIC #1

<END>

g0333716

# ELECTRICAL AND STARTING SYSTEM

## 361-7121 WIRING GP-PANEL

S/N: GDS1-UP

FOR USE WITH EMCP, 4.3, 4.4, GLOBAL DESIGN ENCLOSURE  
AN ATTACHMENT

SMCS-4459

i04388622

NOTE	REF NO	GRAPHIC REF	PART NUMBER	QTY	PART NAME	SEE PAGE
					1 2 3 4 5 6 (PRODUCT LEVEL)	
	1	1	<b>9X-6772</b>	2	STRAP-CABLE	
Y	2	1	<b>249-1174</b>	1	CONTROL GP-ENGINE MONITORING (DISCRETE INPUT/OUTPUT)	531
	3	1	<i>361-1642</i>	1	BLOCK AS-TERMINAL	
		1	<b>314-9091</b>	1	COVER-TERMINAL	
		1	<b>314-9101</b>	2	BRACKET-END	
		1	<b>322-9819</b>	20	BLOCK-TERMINAL	
		1	<b>322-9821</b>	1	KIT-MARKER	
Y	4	1	<b>361-7112</b>	1	HARNESS AS-CONTROL (DISCRETE I/O, RTD)	251
Y	5	1	<b>361-7113</b>	1	HARNESS AS-CONTROL (CAN DATA LINK)	252
	6	1	<b>4V-4125</b>	1	CLIP	
	7	1	<b>8T-4121</b>	1	WASHER-HARD (11X21X2.5-MM THK)	
M	8	1	<b>8T-4137</b>	1	BOLT (M10X1.5X20-MM)	
	9	1	<b>8T-4205</b>	4	WASHER-HARD (7.2X14.5X2-MM THK)	
	10	1	<b>8T-9364</b>	4	BOLT (1/4-20X0.625-IN)	

M - METRIC PART

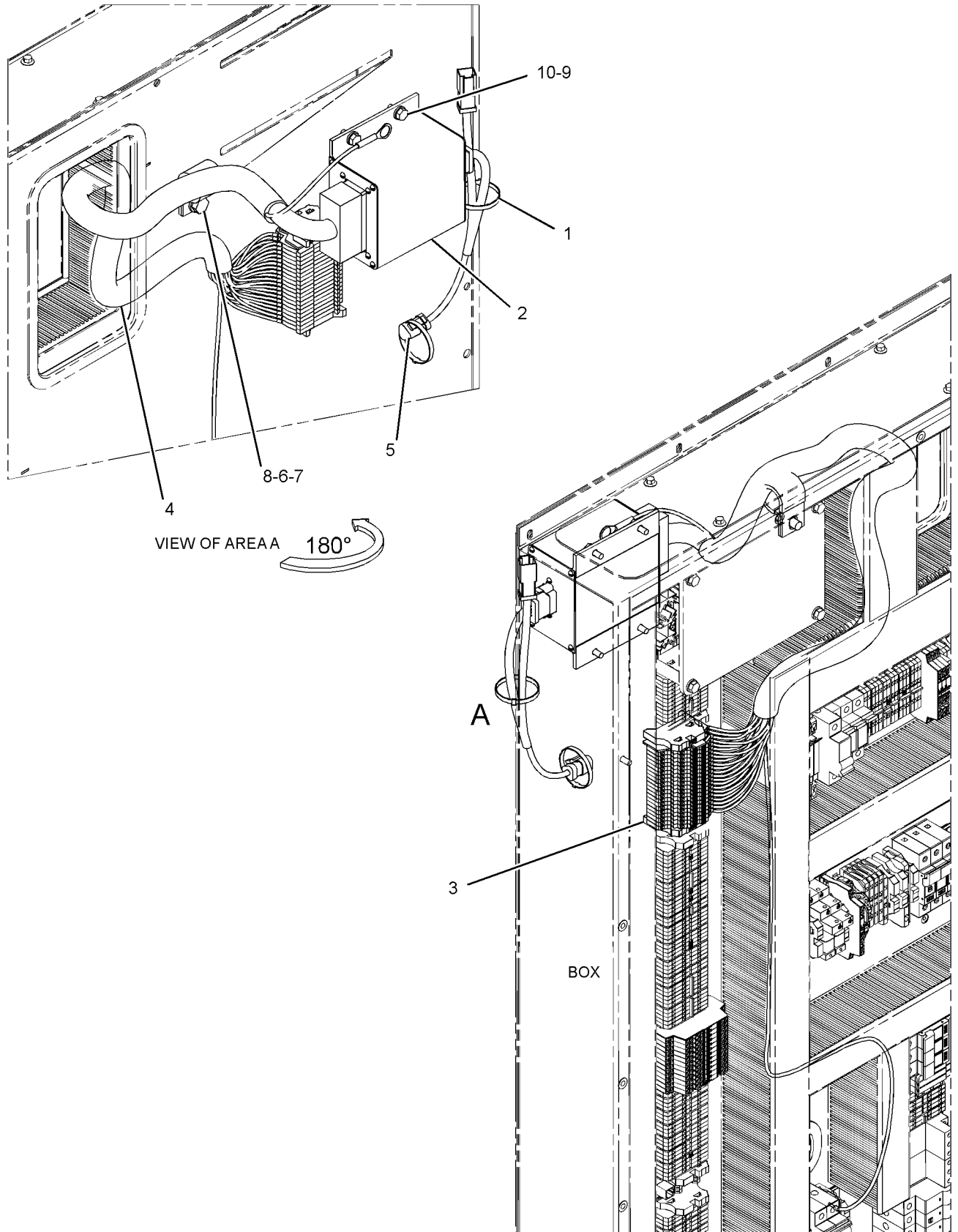
Y - SEPARATE ILLUSTRATION



# ELECTRICAL AND STARTING SYSTEM

361-7121 WIRING GP-PANEL (contd.)

i04388622



GRAPHIC #1

<END>

g02523111

# ELECTRICAL AND STARTING SYSTEM

## 364-7509 WIRING GP-PANEL

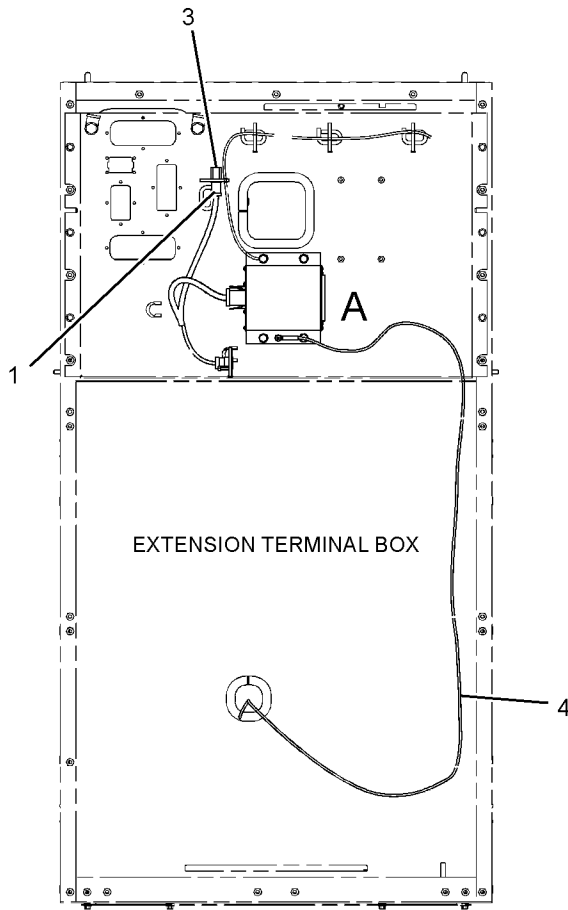
S/N: GDS1-UP  
EMCP 4.3, 4.4  
AN ATTACHMENT

SMCS-4459

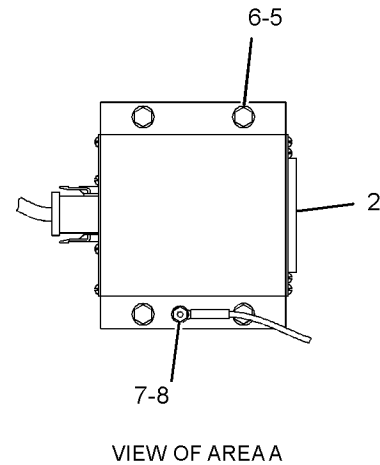
i05137232

NOTE	REF NO	GRAPHIC REF	PART NUMBER	QTY	PART NAME						SEE PAGE
					1	2	3	4	5	6 (PRODUCT LEVEL)	
C	1	1	<b>9X-6772</b>	2	STRAP-CABLE						
Y	2	1	237-0125	1	CONTROL GP-ENGINE MONITORING (RESISTIVE TEMPERATURE DEVICE)						530
Y	3	1	<b>361-7113</b>	1	HARNESS AS-CONTROL (CAN DATA LINK)						252
Y	4	1	<b>361-7131</b>	1	HARNESS AS-CONTROL						252
	5	1	<b>8T-4205</b>	4	WASHER-HARD (7.2X14.5X2-MM THK)						
	6	1	<b>8T-9364</b>	4	BOLT (1/4-20X0.625-IN)						
C	7	1	<b>4B-4863</b>	1	WASHER (4.7X11X1.2-MM THK)						
C	8	1	<b>4B-2043</b>	1	NUT (8-32-THD)						

C - CHANGE FROM PREVIOUS TYPE  
Y - SEPARATE ILLUSTRATION



REAR VIEW



VIEW OF AREA A

GRAPHIC #1

<END>

g03316961

# ELECTRICAL AND STARTING SYSTEM

## 383-4679 WIRING GP-PANEL

S/N: GDS1-UP

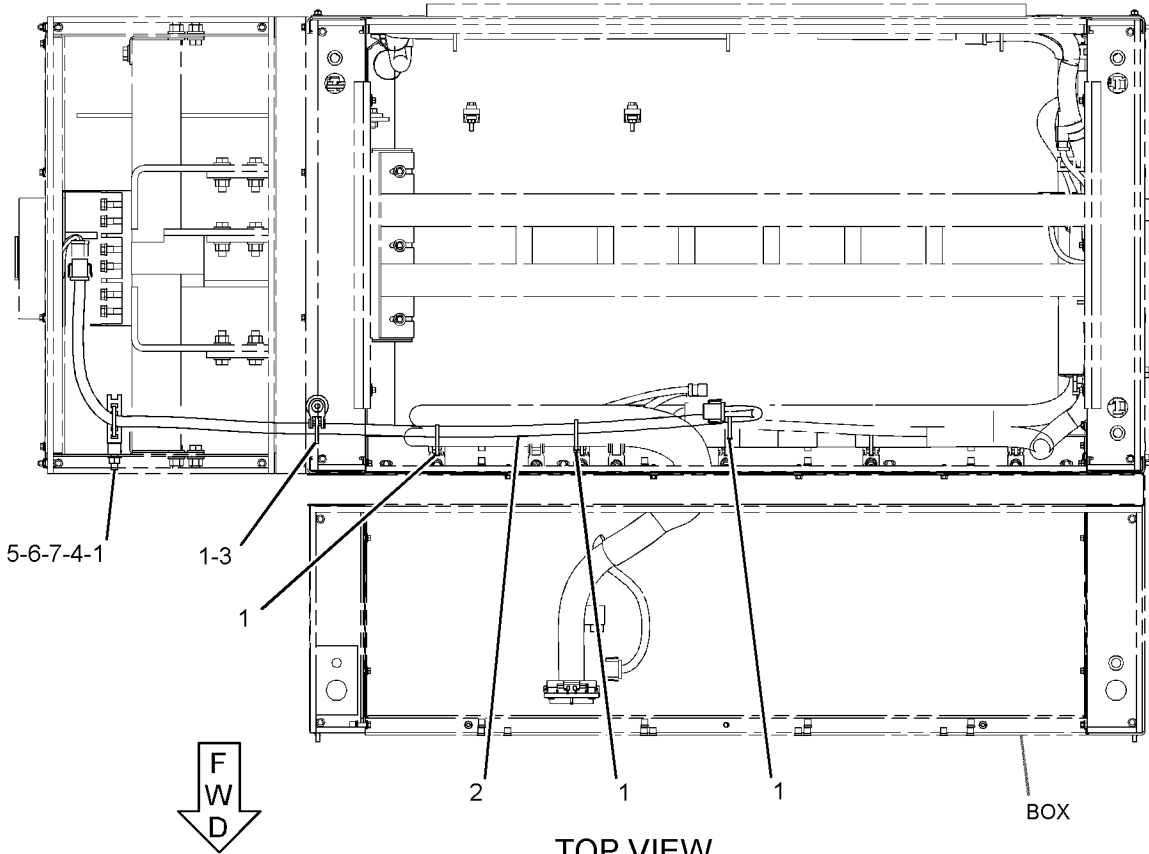
FOR USE WITH EMCP 4.3 GD-STANDARD BREAKER  
AN ATTACHMENT

SMCS-4459

i04986509

NOTE	REF NO	GRAPHIC REF	PART NUMBER	QTY	PART NAME						SEE PAGE
					1	2	3	4	5	6 (PRODUCT LEVEL)	
	1	1	7K-1181	5	STRAP-CABLE						
Y	2	1	385-9260	1	HARNESS AS-POWER						265
	3	1	293-9452	1	MOUNTING-CABLE TIE						
	4	1	310-1898	1	CLIP						
	5	1	8T-4121	2	WASHER-HARD (11X21X2.5-MM THK)						
M	6	1	8T-4133	1	NUT (M10X1.5-THD)						
M	7	1	8T-4195	1	BOLT (M10X1.5X30-MM)						

M - METRIC PART  
Y - SEPARATE ILLUSTRATION



GRAPHIC #1

<END>

g03171737

# ELECTRICAL AND STARTING SYSTEM

## 383-4681 WIRING GP-PANEL-CIRCUIT BREAKER

S/N: GDS1-UP

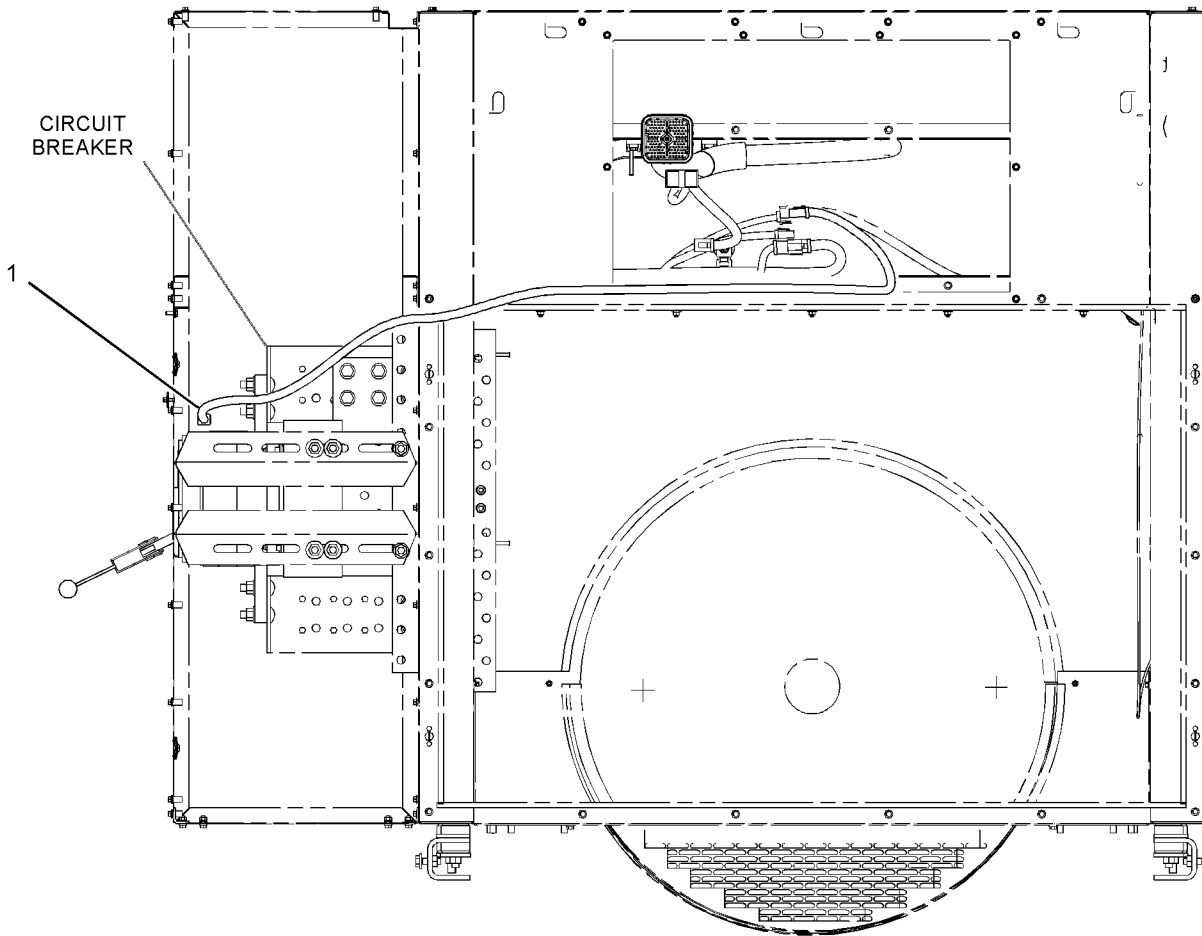
EMCP 4.3

AN ATTACHMENT

SMCS-4459

i05018388

NOTE	REF NO	GRAPHIC REF	PART NUMBER	QTY	PART NAME						SEE PAGE
					1	2	3	4	5	6 (PRODUCT LEVEL)	
	1	1	<b>385-9261</b>	1	HARNES AS-POWER						
		1	<b>9X-3402</b>	8	SOCKET-CONNECTOR (16-GA TO 18-GA)						
					-OR-						
		1	<b>126-1768</b>	8	SOCKET-CONNECTOR (14-GA TO 16-GA)						
		1	<b>155-2271</b>	2	KIT-CONNECTING PLUG (4-PIN)						
(EACH INCLUDES PLUG AS, WEDGE, & INTERFACE SEAL)											



FRONT VIEW

<END>

GRAPHIC #1

g03184781

# ELECTRICAL AND STARTING SYSTEM

## 383-4682 WIRING GP-PANEL

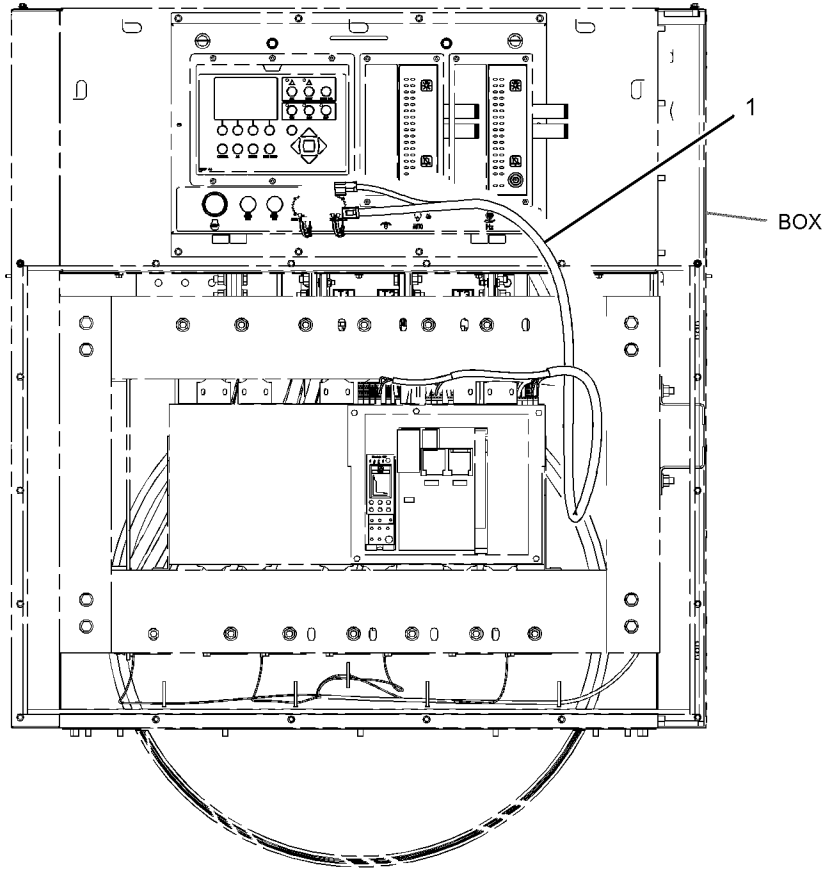
S/N: GDS1-UP  
AN ATTACHMENT

SMCS-4459

i04989573

NOTE	REF NO	GRAPHIC REF	PART NUMBER	QTY	PART NAME						SEE PAGE
					1	2	3	4	5	6 (PRODUCT LEVEL)	
Y	1	1	361-7111	1	HARNESS AS-POWER						264

Y - SEPARATE ILLUSTRATION



FRONT VIEW

<END>

GRAPHIC #1

g03175356

# ELECTRICAL AND STARTING SYSTEM

## 363-0620 WIRING GP-SENSOR

S/N: GDS1-UP

HIGH AMBIENT

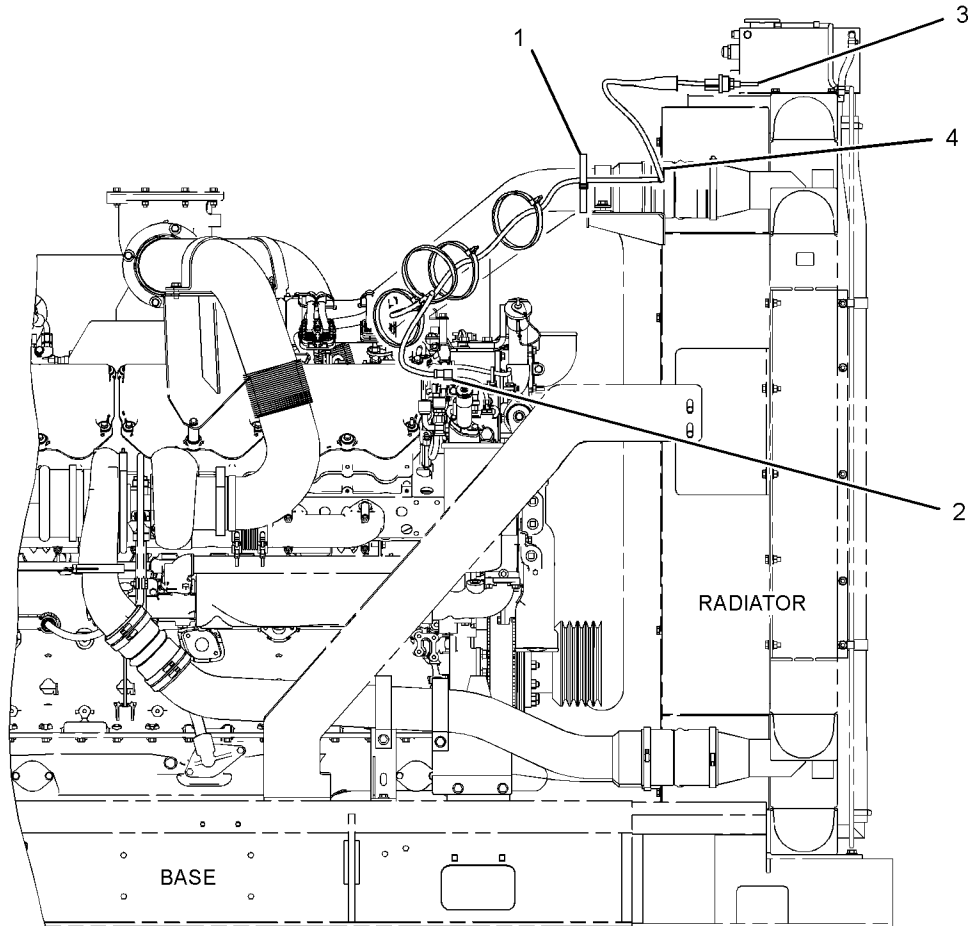
PART OF 349-2574 RADIATOR & FAN GP  
AN ATTACHMENT

SMCS-1408, 1900

i04956989

NOTE	REF NO	GRAPHIC REF	PART NUMBER	QTY	PART NAME						SEE PAGE
					1	2	3	4	5	6 (PRODUCT LEVEL)	
	1	1	<b>7K-1181</b>	5	STRAP-CABLE						
	2	1	<b>121-3365</b>	1	HARNES AS-SENSOR (COOLANT LEVEL)						
		1	<b>155-2260</b>	2	KIT-CONNECTING PLUG (3-PIN) (EACH INCLUDES PLUG AS, WEDGE, & INTERFACE SEAL)						
		1	<b>102-8803</b>	1	KIT-RECEPTACLE (3-PIN) (INCLUDES RECEPTACLE AS & WEDGE)						
		1	<b>6I-4347</b>	1	BOOT (4-PIN)						
		1	<b>8T-8729</b>	3	PIN-CONNECTOR (16-GA TO 18-GA)						
		1	<b>8T-8730</b>	3	SOCKET-CONNECTOR (16-GA TO 18-GA)						
		1	<b>8T-8737</b>	3	PLUG-SEAL						
Y	3	1	<b>204-2518</b>	1	SENSOR GP-LIQUID LEVEL (COOLANT LOSS)						292
	4	1	<b>124-1479</b>	1	CLIP						

Y - SEPARATE ILLUSTRATION



GRAPHIC #1

<END>

g02359578

# ELECTRICAL AND STARTING SYSTEM

## 423-8594 WIRING GP-SENSOR

S/N: GDS1-UP  
FUEL TANK SENSORS  
AN ATTACHMENT

SMCS-1408, 1900

i05191326

NOTE	REF NO	GRAPHIC REF	PART NUMBER	QTY	PART NAME						SEE PAGE
					1	2	3	4	5	6 (PRODUCT LEVEL)	
	1	1	7K-1181	2	STRAP-CABLE						
	2	1	358-6893	2	SPACER (7X16X50-MM THK)						
Y	3	1	423-8595	1	HARNESS AS-SENSOR						268
	4	1	431-4431	1	HARNESS AS-WIRING						
		1	8T-8730	1	SOCKET-CONNECTOR (16-GA TO 18-GA)						
		1	110-8714	1	END-WIRE (18-GA)						
	5	1	156-6175	2	CLIP						
M	6	1	5C-2890	2	NUT (M6X1-THD)						
	7	1	5P-4116	4	WASHER-HARD (8.8X20.5X2-MM THK)						
M	8	1	8T-6974	2	BOLT (M6X1X80-MM)						

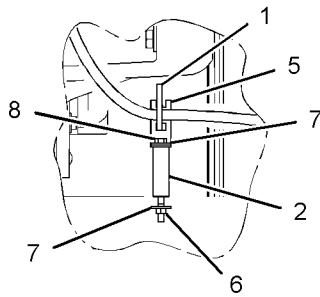
M - METRIC PART

Y - SEPARATE ILLUSTRATION

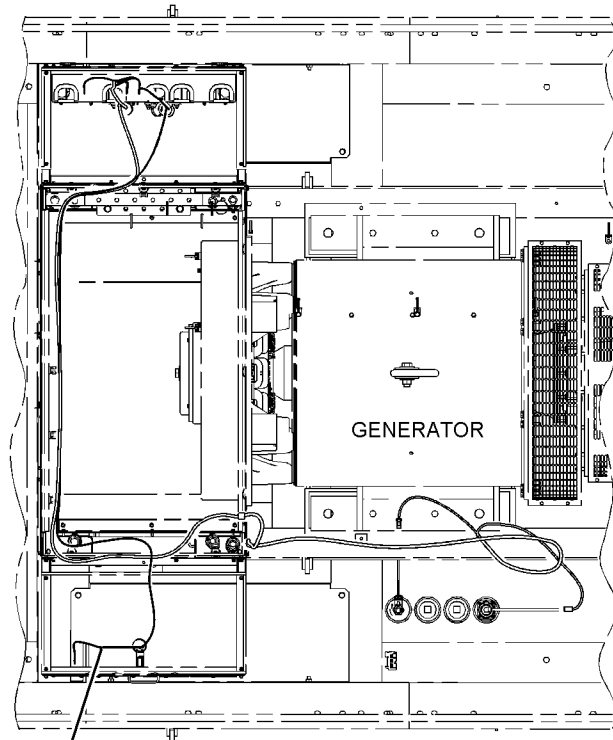
# ELECTRICAL AND STARTING SYSTEM

423-8594 WIRING GP-SENSOR (contd.)

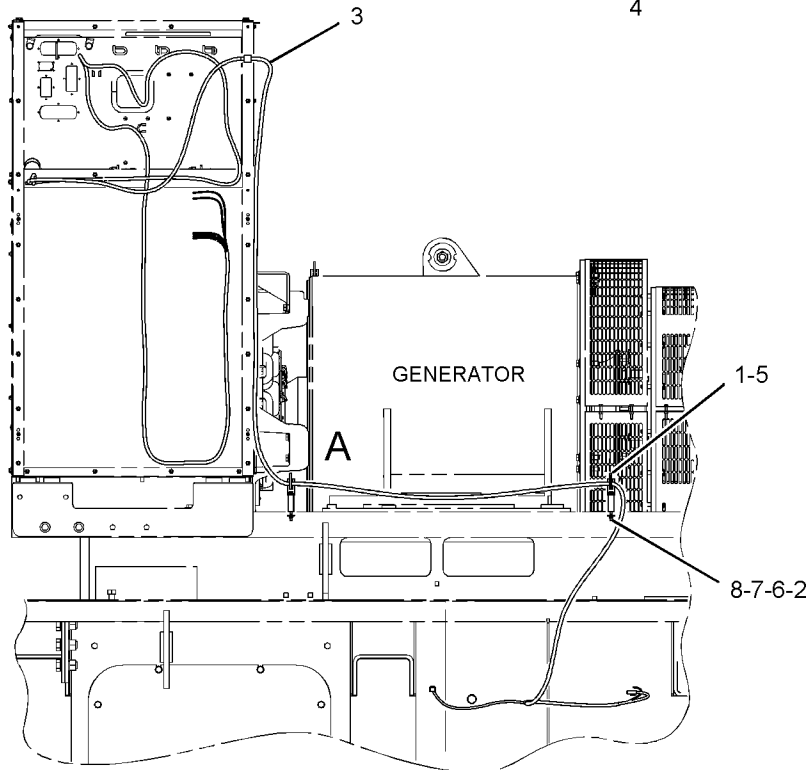
i05191326



VIEW OF AREA A



TOP VIEW  
(OPTIONAL VIEW)



RIGHT SIDE VIEW

GRAPHIC #1

<END>

g03350959



# ELECTRICAL AND STARTING SYSTEM

## 361-7134 WIRING GP-SHUTOFF

S/N: GDS1-UP

EMCP 4.3, 4.4

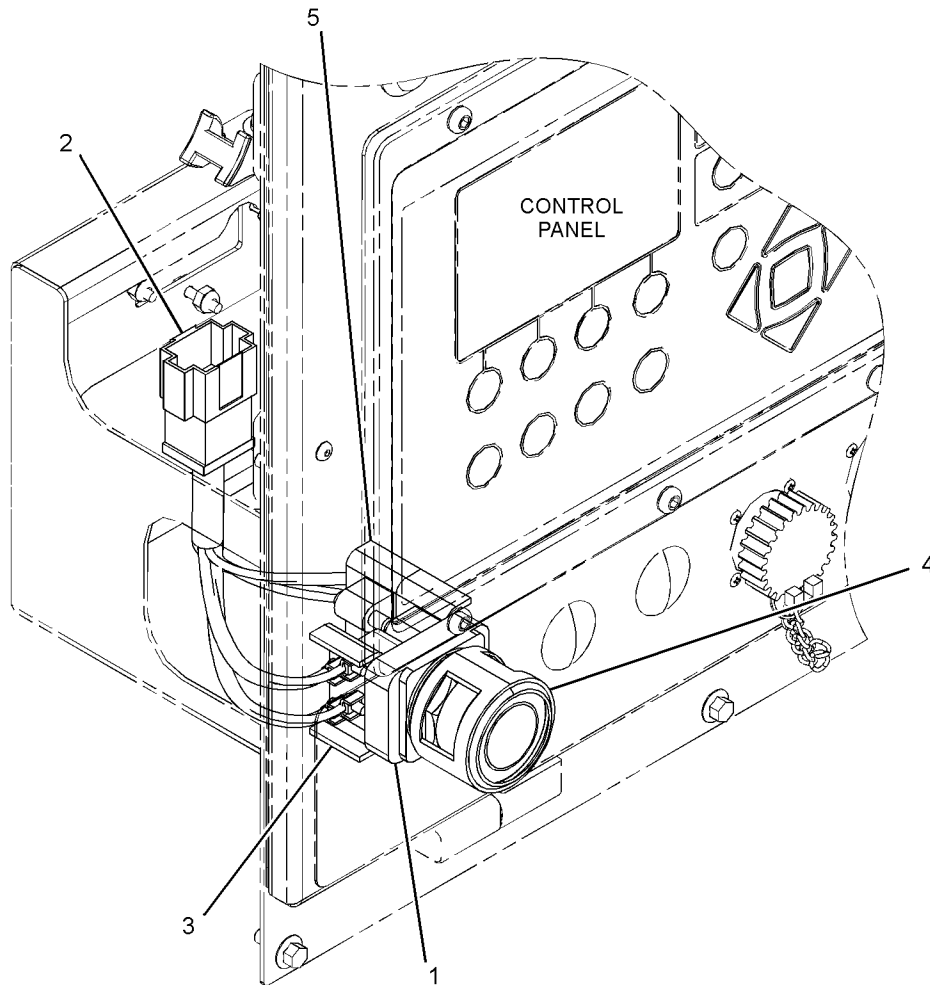
PART OF 361-1652, 371-3764 CONTROL GP-ELECTRONIC  
AN ATTACHMENT

SMCS-1408, 7418

i04963800

NOTE	REF NO	GRAPHIC REF	PART NUMBER	QTY	PART NAME						SEE PAGE
					1	2	3	4	5	6 (PRODUCT LEVEL)	
	1	1	109-6507	1	SWITCH AS-PUSH BUTTON						
Y	2	1	361-7135	1	HARNESS AS-POWER						264
	3	1	111-1325	1	BLOCK-CONTACT (2-POLE)						
	4	1	124-3176	1	COVER						
	5	1	138-8367	1	BLOCK-CONTACT						

Y - SEPARATE ILLUSTRATION



GRAPHIC #1

<END>

g03154077

# ENCLOSURES, GUARDS AND BASES

## 390-6909 BASE GP-GENERATOR

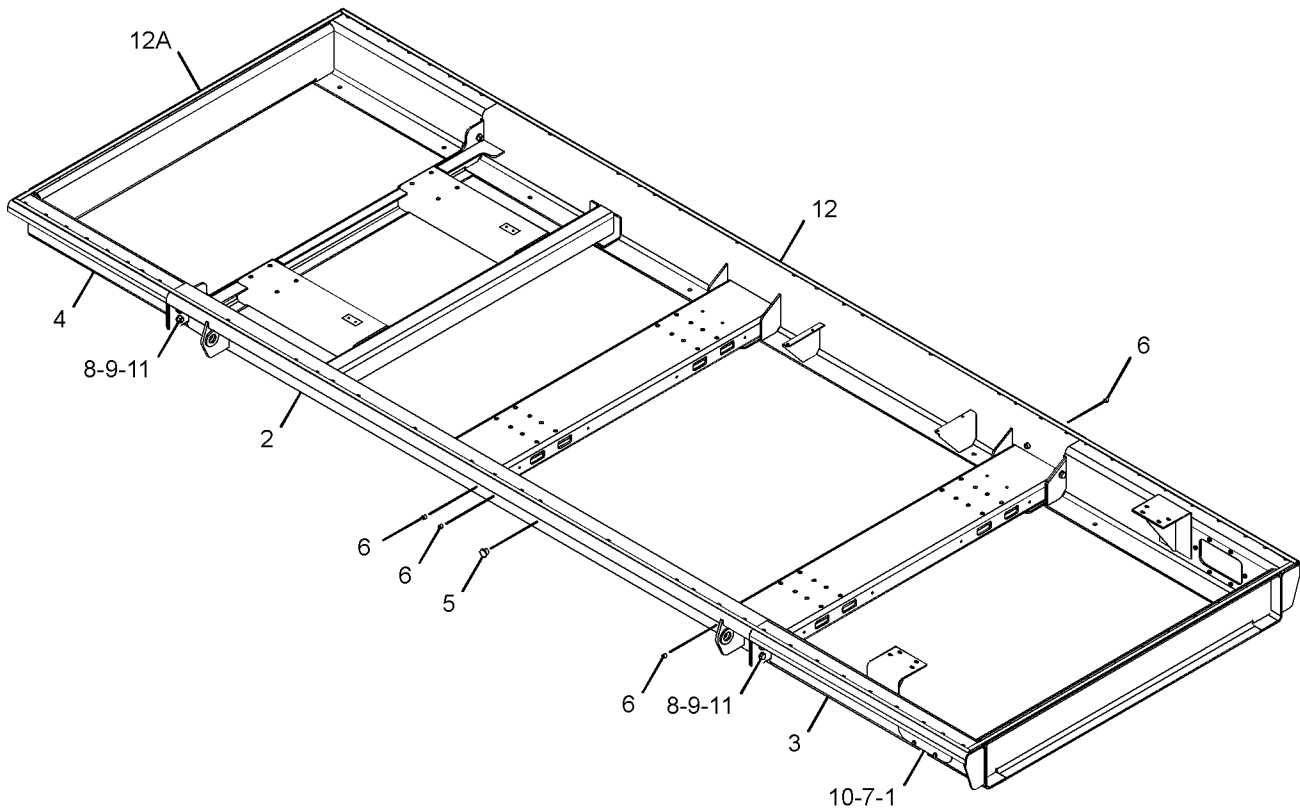
S/N: GDS1-UP  
AN ATTACHMENT

SMCS-7060

i05289661

NOTE	REF NO	GRAPHIC REF	PART NUMBER	QTY	PART NAME						SEE PAGE
					1	2	3	4	5	6 (PRODUCT LEVEL)	
	1	1	<b>346-4956</b>	2	PLATE						
	2	1	<b>390-6910</b>	1	BASE AS						
	3	1	<b>390-6911</b>	1	BASE AS						
	4	1	<b>390-6912</b>	1	BASE AS						
	5	1	<b>090-9019</b>	1	PLUG-PIPE						
	6	1	<b>2B-0858</b>	4	PLUG-PIPE						
	7	1	<b>8T-4121</b>	12	WASHER-HARD (11X21X2.5-MM THK)						
	8	1	<b>8T-4123</b>	32	WASHER (22X35X3.5-MM THK)						
M	9	1	<b>8T-4131</b>	16	NUT (M20X2.5-THD)						
M	10	1	<b>8T-4195</b>	12	BOLT (M10X1.5X30-MM)						
M	11	1	<b>8T-6430</b>	16	BOLT (M20X2.5X50-MM)						
S	12	1	<b>244-9631</b>		SEAL (69.9-DM EACH)						
S	12A	1	<b>244-9631</b>		SEAL (22.6-DM EACH)						

M - METRIC PART  
S - SOLD BY DECIMETER



GRAPHIC #1

<END>

g03366030

# ENCLOSURES, GUARDS AND BASES

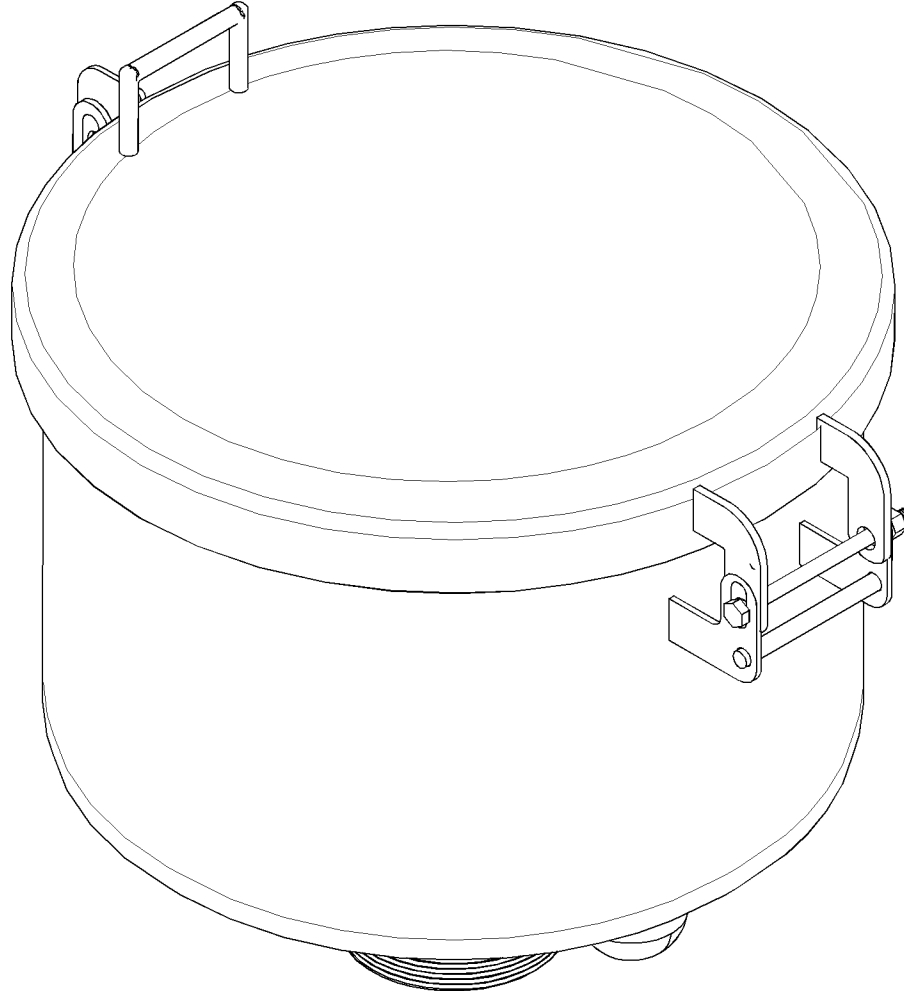
## 430-6294 CONTAINMENT GP-FLUID

S/N: GDS1-UP  
AN ATTACHMENT

SMCS-7274

i05191309

NOTE	REF NO	GRAPHIC REF	PART NUMBER	QTY	PART NAME						SEE PAGE
					1	2	3	4	5	6 (PRODUCT LEVEL)	
(NO SERVICED PARTS)											



GRAPHIC #1

<END>

g03351275

# ENCLOSURES, GUARDS AND BASES

## 383-4690 COVER GP-ACCESS

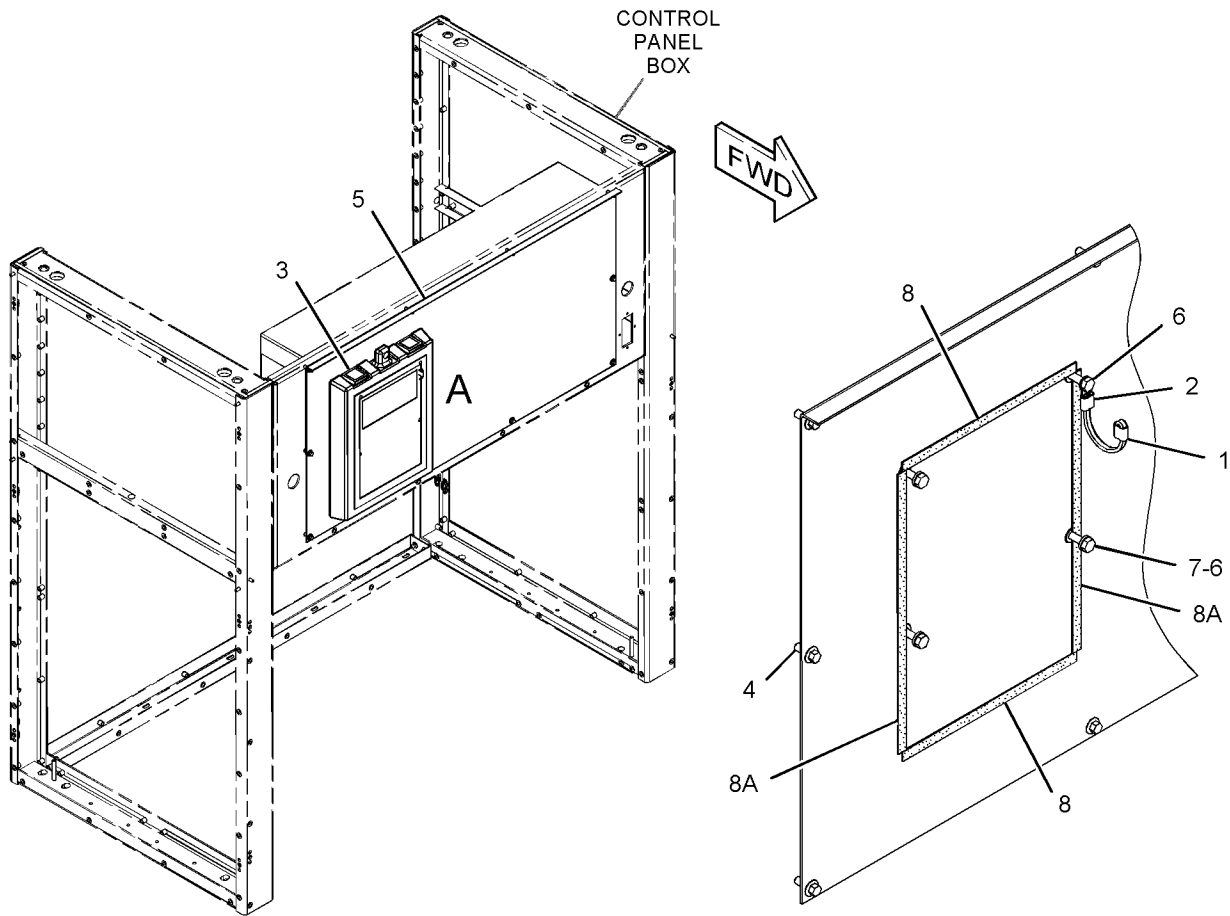
S/N: GDS1-UP  
FRONT BOX  
AN ATTACHMENT

SMCS-726A

i04985809

NOTE	REF NO	GRAPHIC REF	PART NUMBER	QTY	PART NAME						SEE PAGE
					1	2	3	4	5	6 (PRODUCT LEVEL)	
	1	1	<b>5P-7957</b>	1	LANYARD						
	2	1	<b>5P-7958</b>	1	SLEEVE-CABLE SPLICE						
	3	1	<b>5P-9796</b>	1	COMPARTMENT AS						
M	4	1	<b>235-4451</b>	10	BOLT-FLANGE HEAD (M6X1X16-MM)						
	5	1	<b>383-4691</b>	1	COVER AS-ACCESS						
L		1	<b>244-9631</b>		SEAL (28-DM)						
		1	<b>383-4692</b>	1	PLATE AS-COVER						
M		1	<b>3E-4304</b>	4	INSERT-THREADED (M6X1-THD)						
M	6	1	<b>8T-4138</b>	4	BOLT (M6X1X20-MM)						
	7	1	<b>9X-8256</b>	3	WASHER (6.6X12X2-MM THK)						
L	8	1	<b>244-9631</b>		SEAL (1.9-DM EACH)						
L	8A	1	<b>244-9631</b>		SEAL (2.6-DM EACH)						

L - ORDER BY THE DECIMETERS  
M - METRIC PART



GRAPHIC #1

<END>

g03177171

# ENCLOSURES, GUARDS AND BASES

## 372-6573 COVER GP-GENERATOR

S/N: GDS1-UP  
590 FRAME GENERATOR  
AN ATTACHMENT

SMCS-7274

i05332602

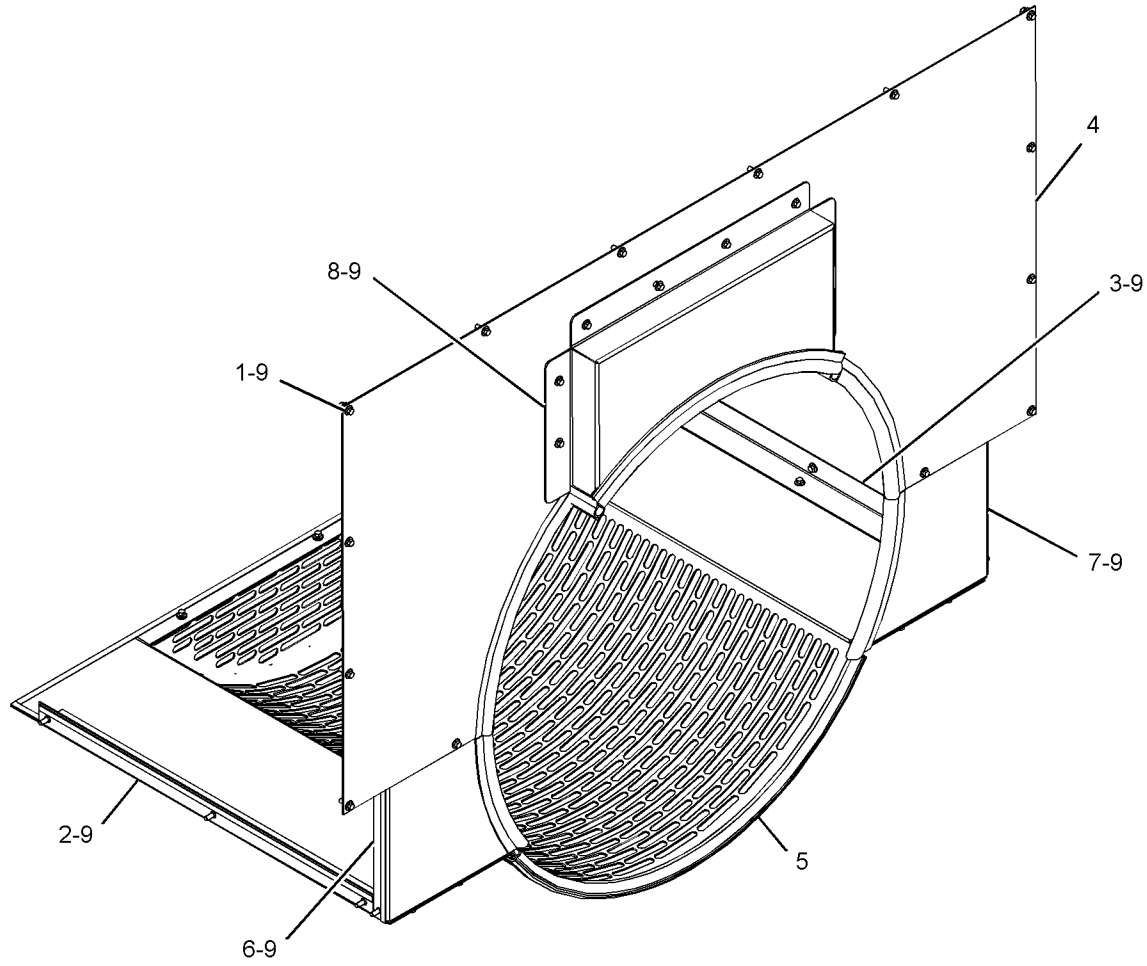
NOTE	REF NO	GRAPHIC REF	PART NUMBER	QTY	PART NAME						SEE PAGE
					1	2	3	4	5	6 (PRODUCT LEVEL)	
	1	1	243-5027	2	NUT AS (M6X1-THD)						
	2	1	303-8266	1	BRACKET AS						
J		1	244-9631	1	SEAL (13-DM)						
		1	303-8267	1	BRACKET						
	3	1	303-8271	1	BRACKET AS						
J		1	244-9631		SEAL (13-DM)						
		1	303-8272	1	BRACKET						
	4	1	372-6577	1	COVER AS						
E		1	142-6868		SEAL (74-CM)						
J		1	244-9631		SEAL (30-DM)						
		1	426-4835	1	COVER AS						
Y	5	1	372-6579	1	SCREEN GP-AIR						518
	6	1	426-4430	1	COVER AS						
E		1	142-6868		SEAL (24-CM)						
J		1	244-9631		SEAL (5-DM)						
		1	426-4429	1	COVER AS						
	7	1	426-4432	1	COVER AS						
E		1	142-6868		SEAL (24-CM)						
J		1	244-9631		SEAL (5-DM)						
		1	426-4431	1	COVER AS						
	8	1	426-4832	1	COVER AS						
E		1	142-6868		SEAL (57-CM)						
J		1	244-9631		SEAL (10-DM)						
		1	426-4831	1	COVER						
M	9	1	235-4451	45	BOLT-FLANGE HEAD (M6X1X16-MM)						

E - ORDER BY THE CENTIMETER  
J - SOLD BY THE DECIMETER  
M - METRIC PART  
Y - SEPARATE ILLUSTRATION

# ENCLOSURES, GUARDS AND BASES

372-6573 COVER GP-GENERATOR (contd.)

i05332602



GRAPHIC #1

<END>

g03336808

# ENCLOSURES, GUARDS AND BASES

## 385-0643 COVER GP-GENERATOR

S/N: GDS1-UP  
1200 FRAME  
AN ATTACHMENT

SMCS-7274

i05254158

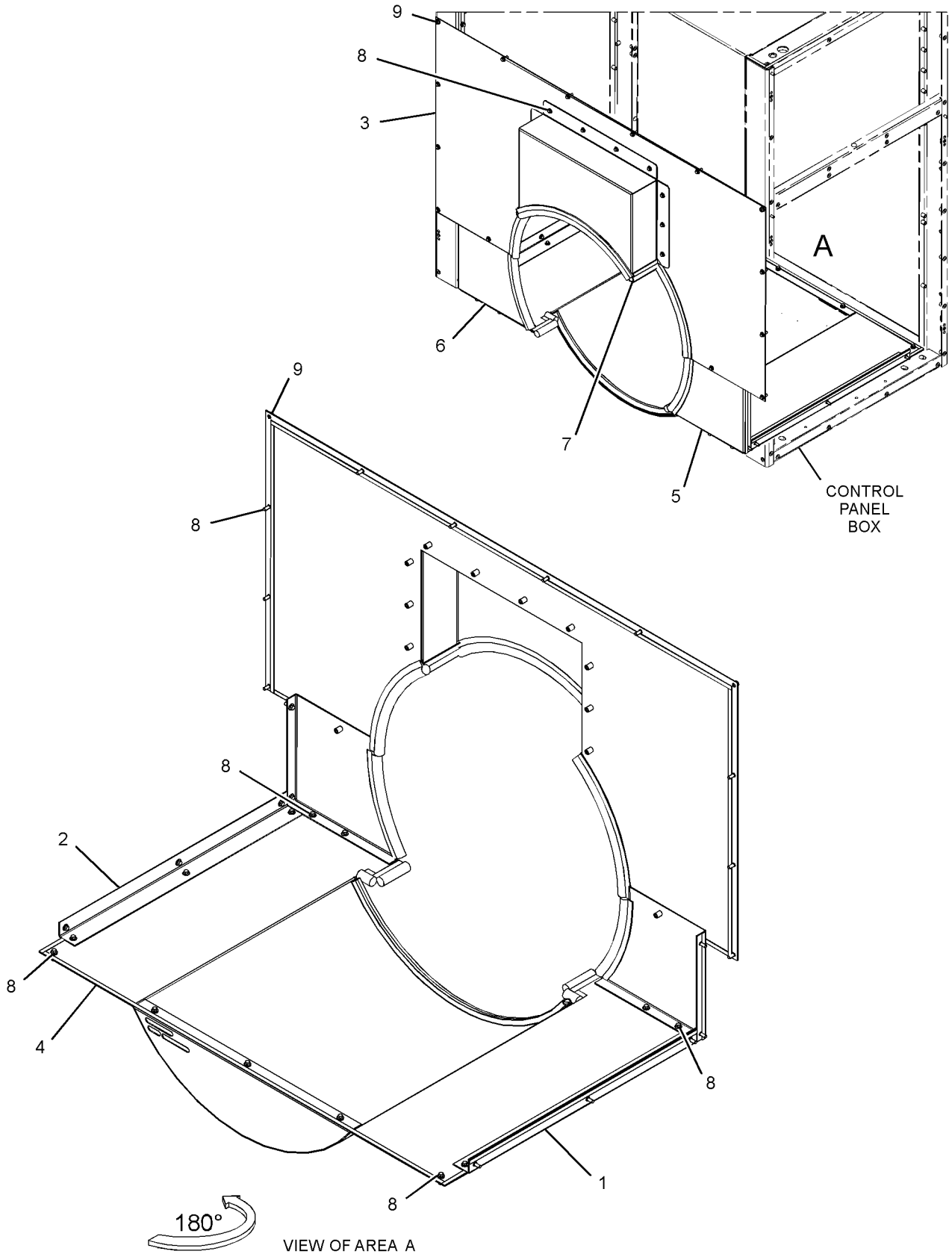
NOTE	REF NO	GRAPHIC REF	PART NUMBER	QTY	PART NAME						SEE PAGE
					1	2	3	4	5	6 (PRODUCT LEVEL)	
	1	1	303-8266	1	BRACKET AS						
J		1	244-9631		SEAL (13-DM)						
		1	303-8267	1	BRACKET						
	2	1	303-8271	1	BRACKET AS						
J		1	244-9631		SEAL (13-DM)						
		1	303-8272	1	BRACKET						
	3	1	385-0644	1	COVER AS						
E		1	142-6868		SEAL (61-CM)						
J		1	244-9631		SEAL (32-DM)						
		1	420-0745	1	COVER AS						
M		1	3E-4304	10	INSERT-THREADED (M6X1-THD)						
Y	4	1	385-0646	1	SCREEN GP-AIR						519
	5	1	417-3090	1	COVER AS						
E		1	142-6868		SEAL (23-CM)						
J		1	244-9631		SEAL (6-DM)						
		1	417-3089	1	COVER AS						
M		1	3E-4304	1	INSERT-THREADED (M6X1-THD)						
	6	1	417-3092	1	COVER AS						
E		1	142-6868		SEAL (23-CM)						
J		1	244-9631		SEAL (6-DM)						
		1	417-3091	1	COVER AS						
M		1	3E-4304	1	INSERT-THREADED (M6X1-THD)						
	7	1	419-8871	1	COVER AS						
E		1	142-6868		SEAL (68-CM)						
J		1	244-9631		SEAL (10-DM)						
		1	419-8870	1	COVER						
M	8	1	235-4451	47	BOLT-FLANGE HEAD (M6X1X16-MM)						
	9	1	243-5027	2	NUT AS (M6X1-THD)						

E - ORDER BY THE CENTIMETER  
J - ORDER BY THE DECIMETER  
M - METRIC PART  
Y - SEPARATE ILLUSTRATION

# ENCLOSURES, GUARDS AND BASES

385-0643 COVER GP-GENERATOR (contd.)

i05254158



GRAPHIC #1

<END>

g03350322



# ENCLOSURES, GUARDS AND BASES

## 430-9024 COVER GP-GENERATOR

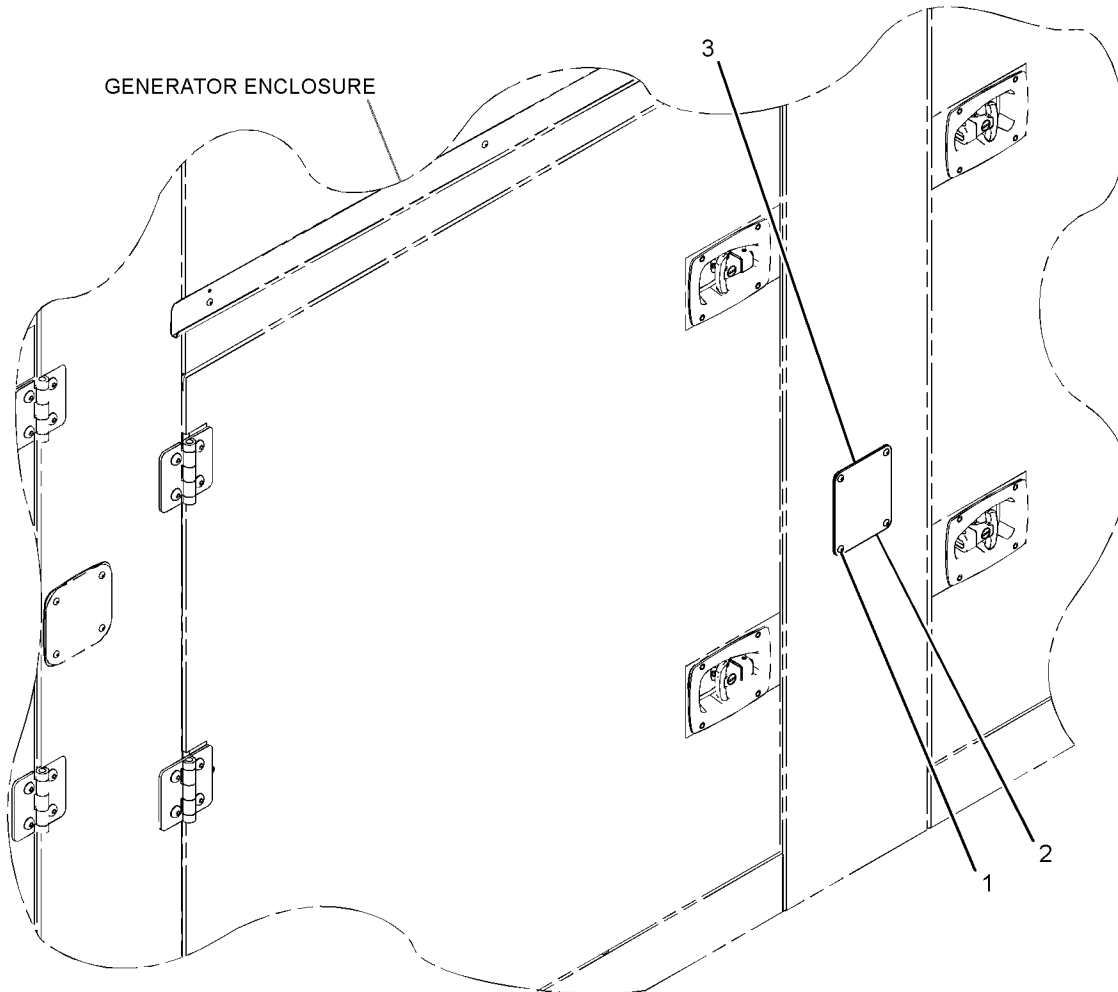
S/N: GDS1-UP  
AN ATTACHMENT

SMCS-7274

i05194036

NOTE	REF NO	GRAPHIC REF	PART NUMBER	QTY	PART NAME						SEE PAGE
					1	2	3	4	5	6 (PRODUCT LEVEL)	
	1	1	142-8194	4	RIVET						
	2	1	430-9025	1	COVER						
J	3	1	244-9631		SEAL (4.7-DM)						

J - ORDER BY THE DECIMETER



GRAPHIC #1

<END>

g03351313

# ENCLOSURES, GUARDS AND BASES

## 351-9799 DOOR AS-WITH STORAGE

S/N: GDS1-UP

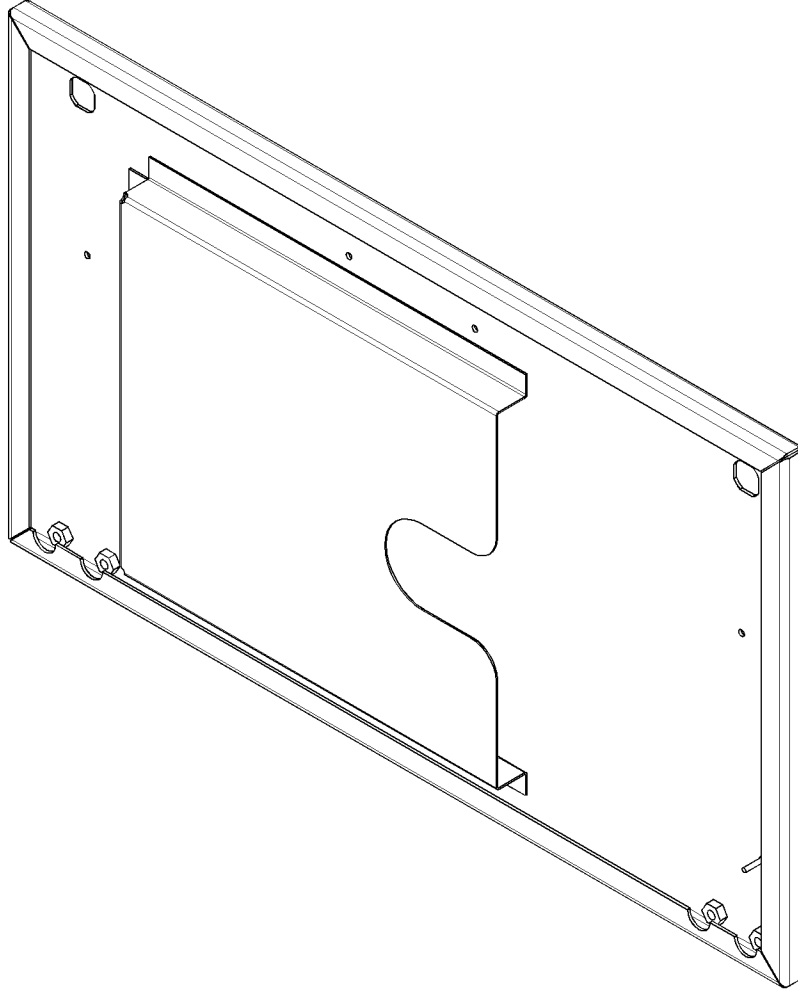
PART OF 368-4865 BOX GP-ELECTRONIC  
AN ATTACHMENT

SMCS-7274

i03829756

NOTE	REF NO	GRAPHIC REF	PART NUMBER	QTY	PART NAME						SEE PAGE
					1	2	3	4	5	6 (PRODUCT LEVEL)	
M	1	1	6V-9632	4	NUT-WELD (M6X1-THD)						

M - METRIC PART



GRAPHIC #1

<END>

g02058750

# ENCLOSURES, GUARDS AND BASES

## 397-1993 DUCT GP-ENCLOSURE

S/N: GDS1-UP  
AN ATTACHMENT

SMCS-7274

i05241682

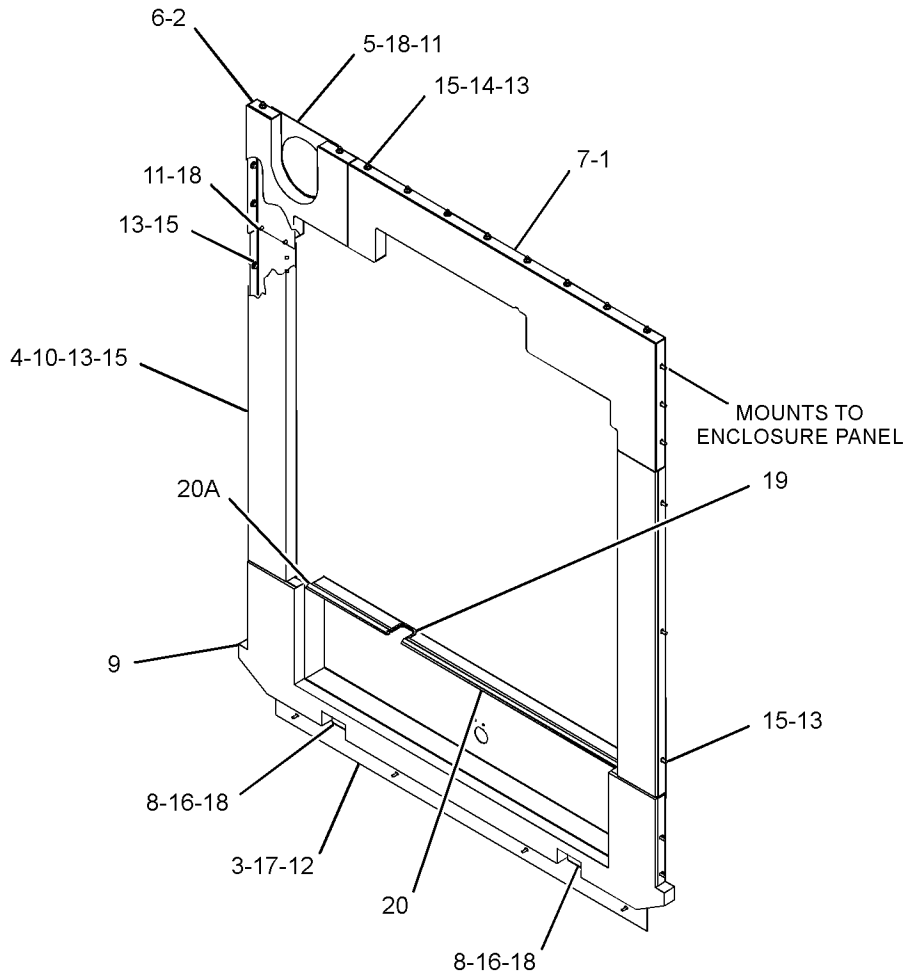
NOTE	REF NO	GRAPHIC REF	PART NUMBER	QTY	PART NAME						SEE PAGE
					1	2	3	4	5	6 (PRODUCT LEVEL)	
	1	1	<b>397-1997</b>	1	INSULATION						
	2	1	<b>397-1998</b>	1	INSULATION						
	3	1	<b>397-1999</b>	1	DUCT AS-ENCLOSURE						
	4	1	<b>397-2003</b>	2	PLATE						
	5	1	<b>419-9362</b>	1	PLATE						
	6	1	<b>419-9364</b>	1	PLATE AS						
	7	1	<b>419-9531</b>	1	PLATE AS						
	8	1	<b>422-2595</b>	2	PLATE						
	9	1	<b>422-4311</b>	1	INSULATION						
	10	1	<b>422-4312</b>	2	INSULATION						
M	11	1	<b>5C-9553</b>	12	BOLT (M6X1X16-MM)						
	12	1	<b>5P-4116</b>	4	WASHER-HARD (8.8X20.5X2-MM THK)						
	13	1	<b>7X-7729</b>	38	WASHER (11X25X3-MM THK)						
M	14	1	<b>8T-4133</b>	10	NUT (M10X1.5-THD)						
M	15	1	<b>8T-4136</b>	28	BOLT (M10X1.5X25-MM)						
M	16	1	<b>8T-4138</b>	4	BOLT (M6X1X20-MM)						
M	17	1	<b>8T-4908</b>	4	BOLT (M8X1.25X25-MM)						
	18	1	<b>9X-8256</b>	16	WASHER (6.6X12X2-MM THK)						
E	19	1	<b>7W-9991</b>		SEAL (17-CM)						
E	20	1	<b>142-6868</b>		SEAL (109.5-CM)						
E	20A	1	<b>142-6868</b>		SEAL (40-CM)						

E - ORDER BY THE CENTIMETER  
M - METRIC PART

# ENCLOSURES, GUARDS AND BASES

397-1993 DUCT GP-ENCLOSURE (contd.)

i05241682



GRAPHIC #1

<END>

g03351466

# ENCLOSURES, GUARDS AND BASES

## 390-6901 ENCLOSURE GP-GENERATOR

S/N: GDS1-UP

YELLOW

AN ATTACHMENT

SMCS-7274

i05207609

NOTE	REF NO	GRAPHIC REF	PART NUMBER	QTY	PART NAME						SEE PAGE
					1	2	3	4	5	6 (PRODUCT LEVEL)	
	1	1	<b>4P-1991</b>	12	BUTTON						
	2	1	<b>5P-8500</b>	2	KEY						
	3	2	<b>8C-4413</b>	6	BALL JOINT						
	4	1,2	<b>142-8194</b>	64	RIVET						
	5	2	<b>142-8236</b>	6	CABLE AS						
					(EACH INCLUDES)						
		2	<b>2L-8050</b>	2	TERMINAL-RING (6-GA, 1/4-IN SCREW)						
	6	2	<b>144-7183</b>	220	RING-RETAINING						
	7	1	<b>145-5579</b>	2	GASKET						
	8	1	<b>204-1116</b>	3	HANDLE						
M	9	1	<b>260-6695</b>	12	SCREW-FLAT HEAD (M6X1X25-MM)						
	10	2	<b>219-7350</b>	6	STAY						
	11	2	<b>232-4944</b>	6	GROMMET						
	12	2	<b>237-5068</b>	6	GROMMET						
	13	2	<b>237-5069</b>	6	GROMMET						
	14	2	<b>242-2983</b>	6	BRACKET						
	15	2	<b>242-2984</b>	6	BRACKET						
	16	1	<b>307-9598</b>	1	COVER-ACCESS						
	17	2	<b>311-3564</b>	12	PAWL						
	18	1	<b>360-5106</b>	18	HINGE AS						
	19	2	<b>361-2911</b>	12	GASKET						
	20	2	<b>366-0083</b>	12	BRACKET AS						
	21	2	<b>368-5702</b>	12	LATCH AS						
					(EACH INCLUDES)						
		2	<b>9B-0453</b>	2	LOCKWASHER						
M		2	<b>5C-2890</b>	4	NUT (M6X1-THD)						
		2	<b>1H-3244</b>	4	LOCKWASHER						
M		2	<b>095-1207</b>	2	NUT (M12X1.75-THD)						
		2	<b>326-0612</b>	2	WASHER-TAB						
Y	22	1	<b>390-6900</b>	1	INSULATION GP-HEAT						112
Y	23	2	<b>390-6902</b>	1	ENCLOSURE GP-GENERATOR						387
	24	2	<b>423-7055</b>	30	CABLE AS						
	25	2	<b>425-3430</b>	1	CABLE AS						
	26	2	<b>095-0827</b>	12	LOCKWASHER						
M	27	2	<b>129-3178</b>	12	LOCKNUT (M6X1-THD)						
M	28	2	<b>131-3540</b>	6	LOCKNUT (M8X1.25-THD)						
M	29	1,2	<b>142-4901</b>	104	SCREW (M10X1.5X20-MM)						
	30	1	<b>311-5307</b>	32	SCREW-BUTTON HEAD (M6X1X16-MM)						
M	31	1	<b>5C-2890</b>	12	NUT (M6X1-THD)						
M	32	1	<b>7X-2552</b>	8	BOLT (M16X2X30-MM)						
	33	2	<b>7X-7729</b>	799	WASHER (11X25X3-MM THK)						
	34	1,2	<b>8T-4121</b>	73	WASHER-HARD (11X21X2.5-MM THK)						
M	35	2	<b>8T-4133</b>	381	NUT (M10X1.5-THD)						
M	36	2	<b>8T-4136</b>	331	BOLT (M10X1.5X25-MM)						
M	37	2	<b>8T-4137</b>	40	BOLT (M10X1.5X20-MM)						
M	38	2	<b>8T-4186</b>	35	BOLT (M10X1.5X40-MM)						
M	39	2	<b>8T-4191</b>	1	BOLT (M10X1.5X16-MM)						
M	40	2	<b>8T-4195</b>	50	BOLT (M10X1.5X30-MM)						
	41	2	<b>8T-4223</b>	14	WASHER-HARD (13.5X25.5X3-MM THK)						
	42	2	<b>8T-4224</b>	12	WASHER-HARD (8.8X16X2-MM THK)						
M	43	2	<b>8T-4244</b>	14	NUT (M12X1.75-THD)						
	44	1,2	<b>9X-8256</b>	56	WASHER (6.6X12X2-MM THK)						
	45	1	<b>9X-8257</b>	8	WASHER (17.5X30X3.5-MM THK)						
J	46	1	<b>244-9631</b>		SEAL (88.6-DM)						
J	46A	1	<b>244-9631</b>		SEAL (37.7-DM EACH)						
J	46B	1	<b>244-9631</b>		SEAL (16.3-DM EACH)						

# ENCLOSURES, GUARDS AND BASES

390-6901 ENCLOSURE GP-GENERATOR (contd.)

i05207609

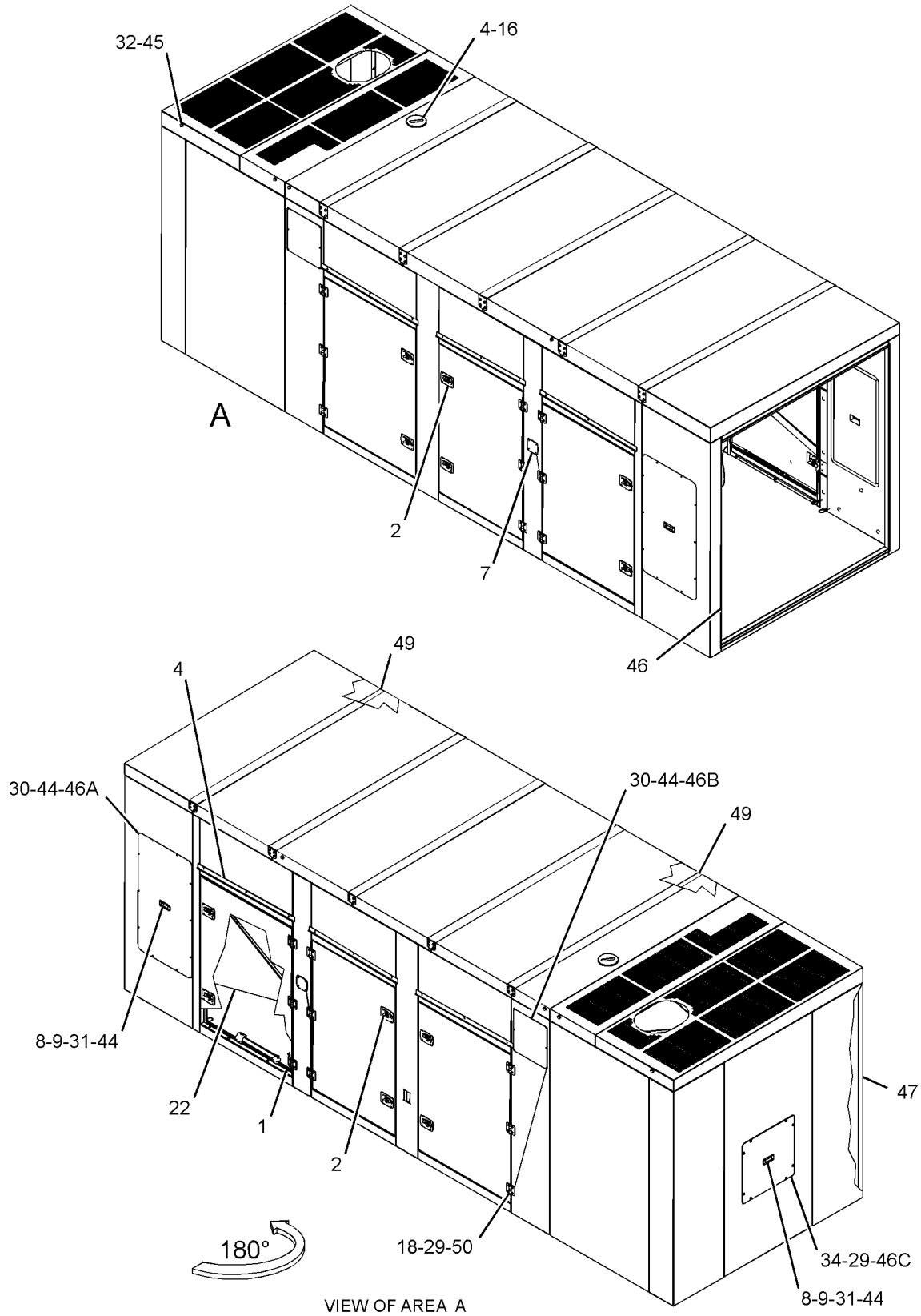
NOTE	REF NO	GRAPHIC REF	PART NUMBER	QTY	PART NAME						SEE PAGE
					1	2	3	4	5	6 (PRODUCT LEVEL)	
J	46C	1	<b>244-9631</b>		SEAL (16.8-DM)						
E	47	1	<b>3E-6600</b>		SEAL (6657-CM)						
J	48	2	<b>398-7367</b>		SEAL (51-DM EACH)						
J	48A	2	<b>398-7367</b>		SEAL (53.1-DM EACH)						
E	49	1	<b>356-0095</b>		SEAL (1210-CM)						
	50	1	<b>142-4899</b>	72	LOCKWASHER						

E - ORDER BY THE CENTIMETER  
 J - ORDER BY THE DECIMETER  
 M - METRIC PART  
 Y - SEPARATE ILLUSTRATION

# ENCLOSURES, GUARDS AND BASES

390-6901 ENCLOSURE GP-GENERATOR (contd.)

i05207609



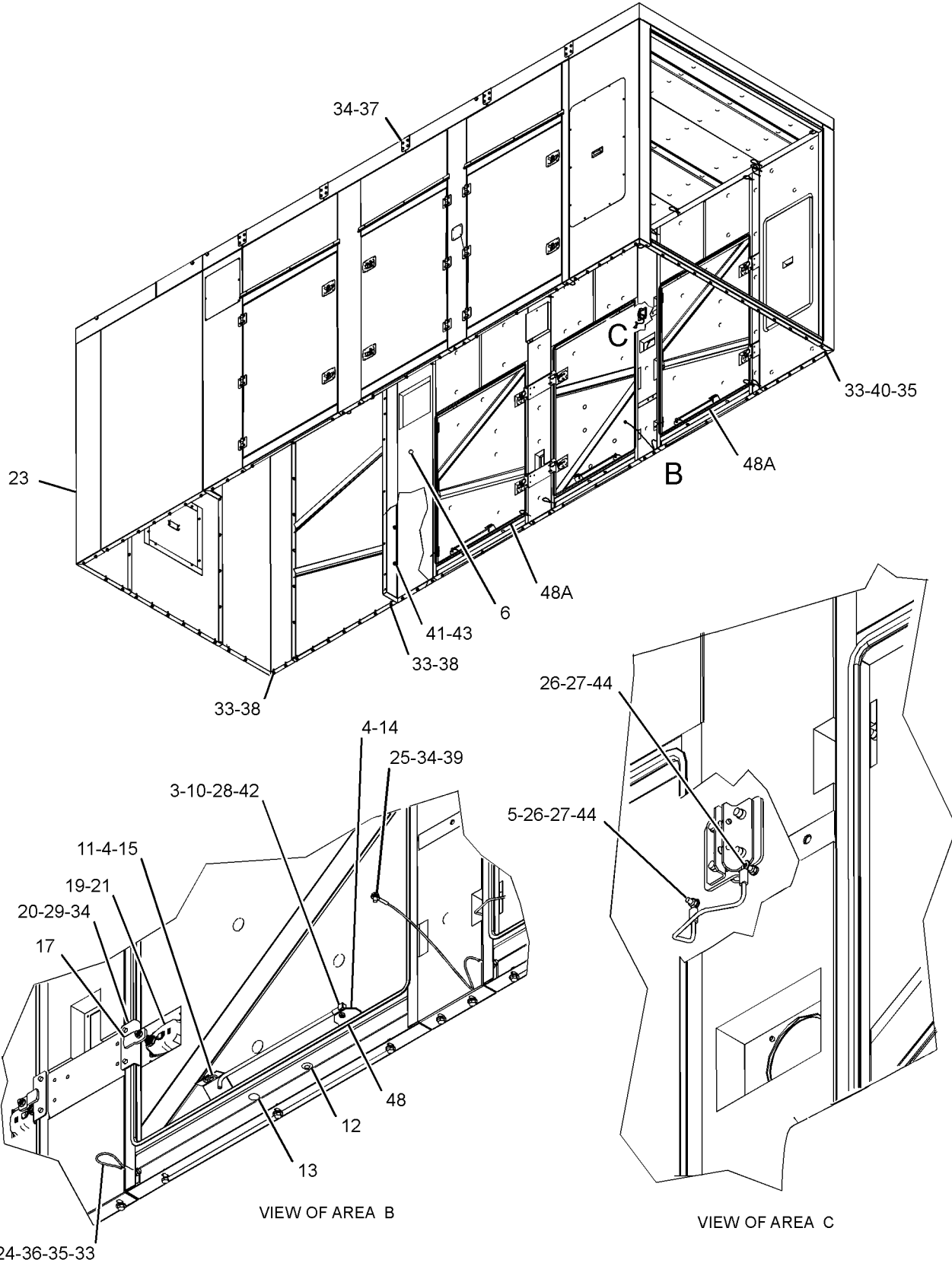
GRAPHIC #1

g03377293

# ENCLOSURES, GUARDS AND BASES

390-6901 ENCLOSURE GP-GENERATOR (contd.)

i05207609



GRAPHIC #2

<END>

g03377294



# ENCLOSURES, GUARDS AND BASES

## 390-6902 ENCLOSURE GP-GENERATOR

S/N: GDS1-UP

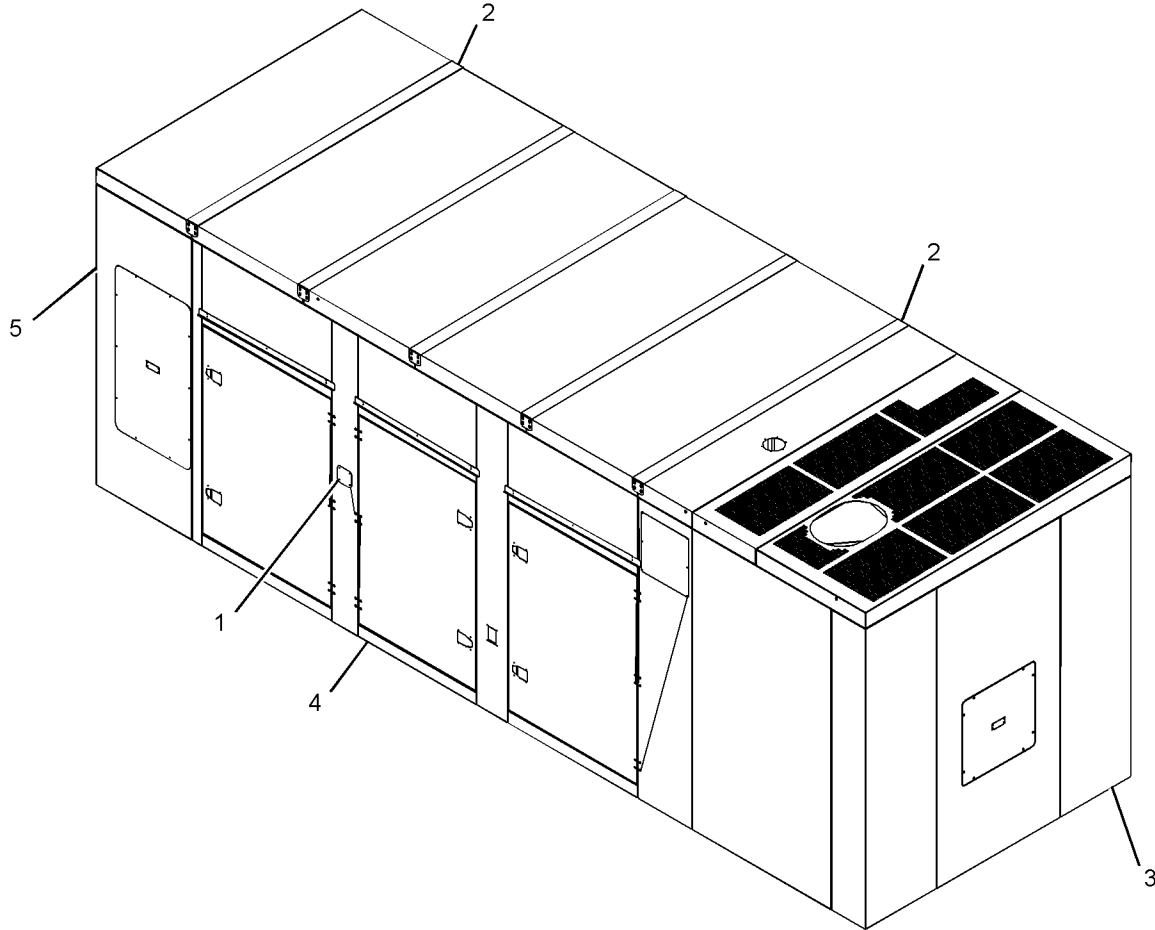
PART OF 390-6901 ENCLOSURE GP-GENERATOR  
AN ATTACHMENT

SMCS-7274

i05207639

NOTE	REF NO	GRAPHIC REF	PART NUMBER	QTY	PART NAME						SEE PAGE
					1	2	3	4	5	6 (PRODUCT LEVEL)	
	1	1	<b>335-4020</b>	1	PLATE						
	2	1	<b>390-6223</b>	5	PLATE						
Y	3	1	<b>390-6903</b>	1	ENCLOSURE GP-GENERATOR						388
Y	4	1	<b>390-6904</b>	1	ENCLOSURE GP-GENERATOR						389
Y	5	1	<b>390-6906</b>	1	ENCLOSURE GP-GENERATOR						391

Y - SEPARATE ILLUSTRATION



GRAPHIC #1

<END>

g03350714

# ENCLOSURES, GUARDS AND BASES

## 390-6903 ENCLOSURE GP-GENERATOR

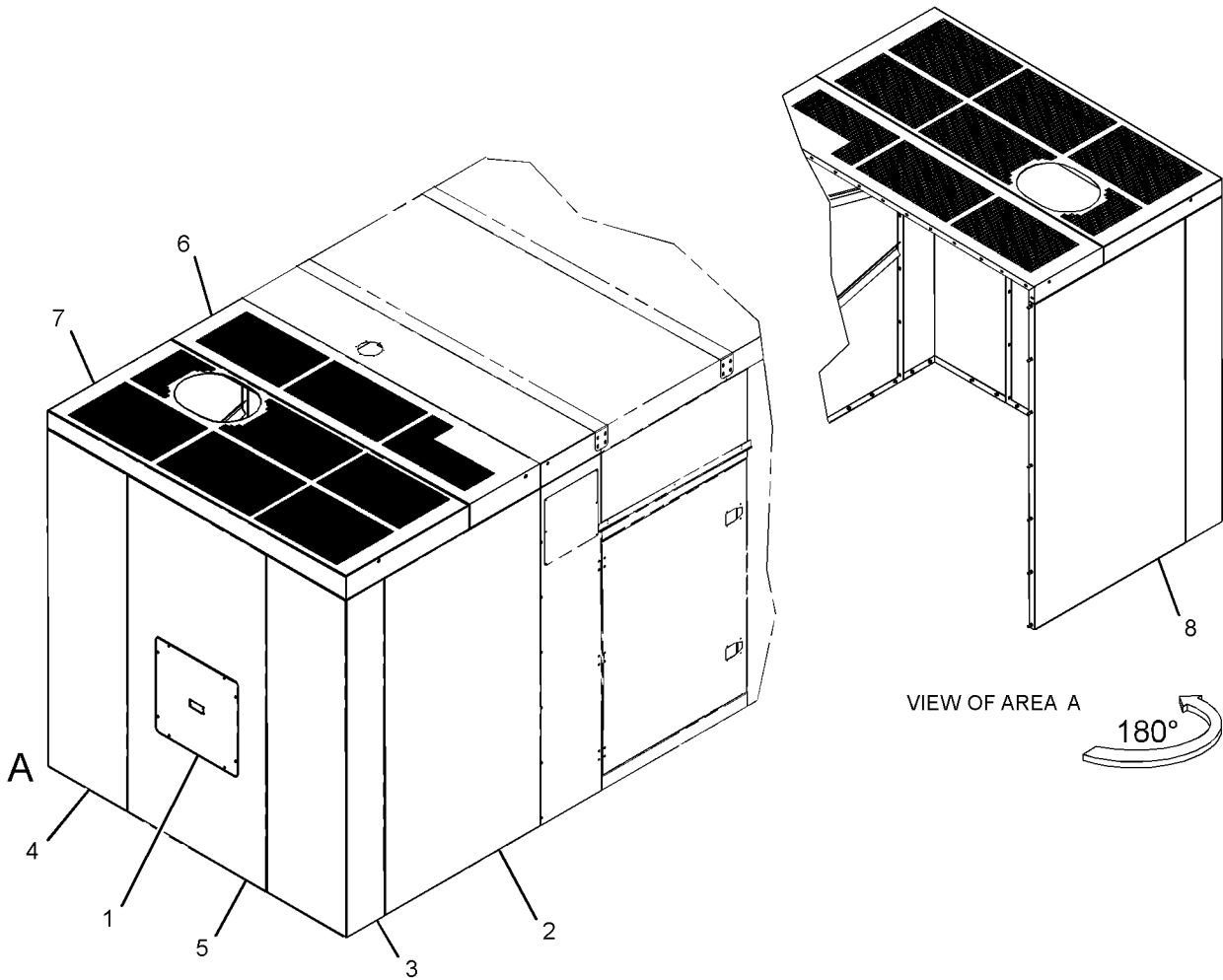
S/N: GDS1-UP

PART OF 390-6902 ENCLOSURE GP-GENERATOR  
AN ATTACHMENT

SMCS-7274

i05208781

NOTE	REF NO	GRAPHIC REF	PART NUMBER	QTY	PART NAME						SEE PAGE
					1	2	3	4	5	6 (PRODUCT LEVEL)	
	1	1	346-0210	1	PLATE						
	2	1	390-6140	1	PANEL AS						
	3	1	390-6142	1	PANEL AS						
	4	1	390-6144	1	PANEL AS						
	5	1	390-6146	1	PANEL AS						
	6	1	390-6148	1	PANEL AS-ROOF						
	7	1	390-6151	1	PANEL AS-ROOF						
	8	1	421-7881	1	PANEL AS						



GRAPHIC #1

<END>

g03350734

# ENCLOSURES, GUARDS AND BASES

## 390-6904 ENCLOSURE GP-GENERATOR

S/N: GDS1-UP

PART OF 390-6902 ENCLOSURE GP-GENERATOR  
AN ATTACHMENT

SMCS-7274

i05208783

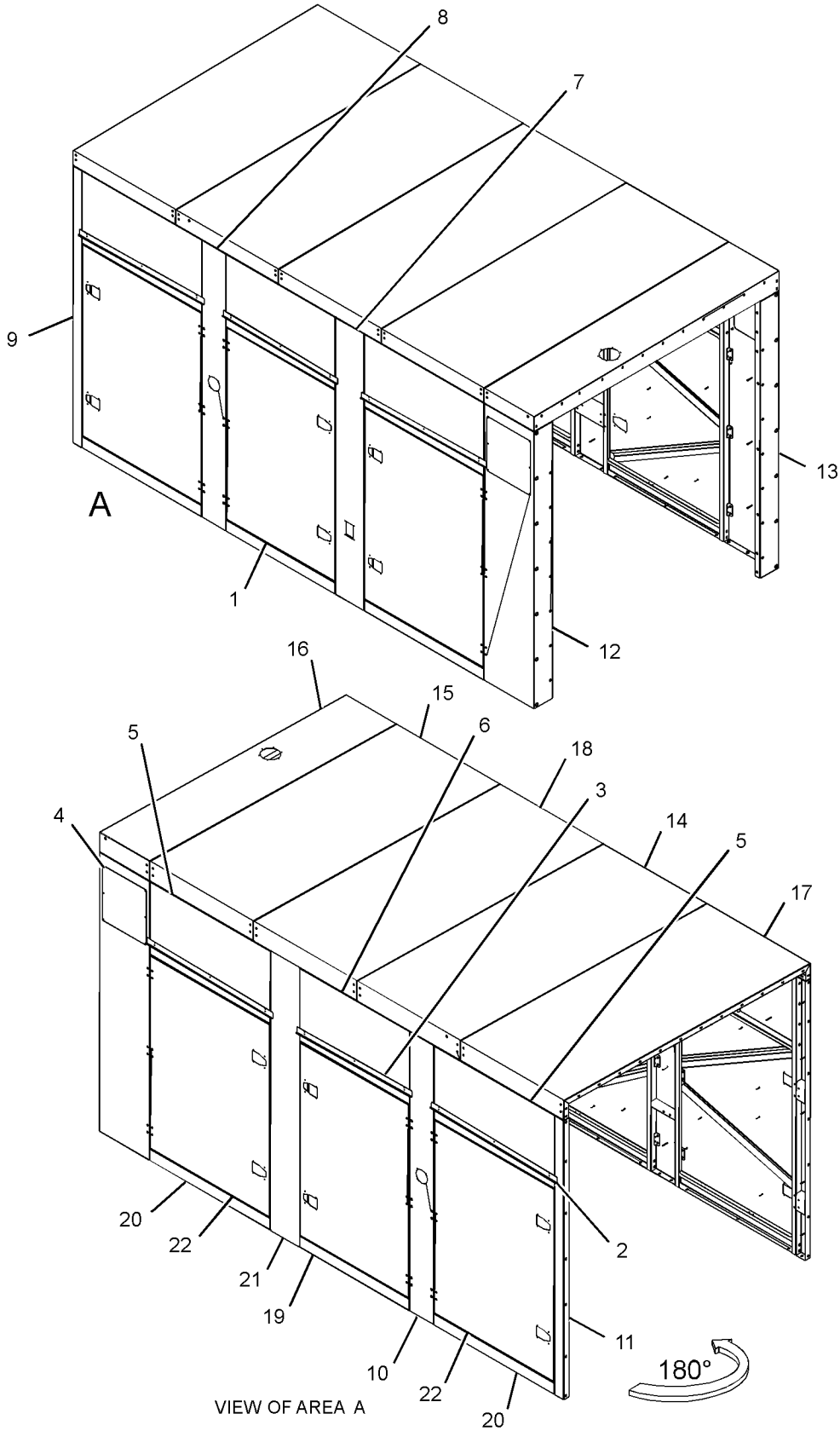
NOTE	REF NO	GRAPHIC REF	PART NUMBER	QTY	PART NAME						SEE PAGE
					1	2	3	4	5	6 (PRODUCT LEVEL)	
	1	1	345-7511	2	DOOR AS						
	2	1	346-6673	4	PLATE						
	3	1	346-6674	2	PLATE						
	4	1	347-0542	2	PLATE						
	5	1	390-6155	4	PANEL AS						
	6	1	390-6158	2	PANEL AS						
	7	1	390-6160	1	PANEL AS						
	8	1	390-6162	1	PANEL AS						
	9	1	390-6165	1	PANEL AS						
	10	1	390-6167	1	PANEL AS						
	11	1	390-6170	1	PANEL AS						
	12	1	390-6176	1	PANEL AS						
	13	1	390-6178	1	PANEL AS						
	14	1	390-6195	1	PANEL AS-ROOF						
	15	1	390-6201	1	PANEL AS-ROOF						
	16	1	390-6204	1	PANEL AS-ROOF						
	17	1	396-5825	1	PANEL AS-ROOF						
	18	1	396-6460	1	PANEL AS-ROOF						
	19	1	424-0157	2	PANEL						
	20	1	424-0158	4	PANEL						
	21	1	424-1232	1	PANEL AS						
M		1	6V-9632	8	NUT-WELD (M6X1-THD)						
	22	1	424-7074	4	DOOR AS						
					(EACH INCLUDES)						
		1	142-8194	6	RIVET						
		1	142-8212	3	BRACKET						

M - METRIC PART

# ENCLOSURES, GUARDS AND BASES

390-6904 ENCLOSURE GP-GENERATOR (contd.)

i05208783



VIEW OF AREA A

<END>

GRAPHIC #1

g03351156

# ENCLOSURES, GUARDS AND BASES

## 390-6906 ENCLOSURE GP-GENERATOR

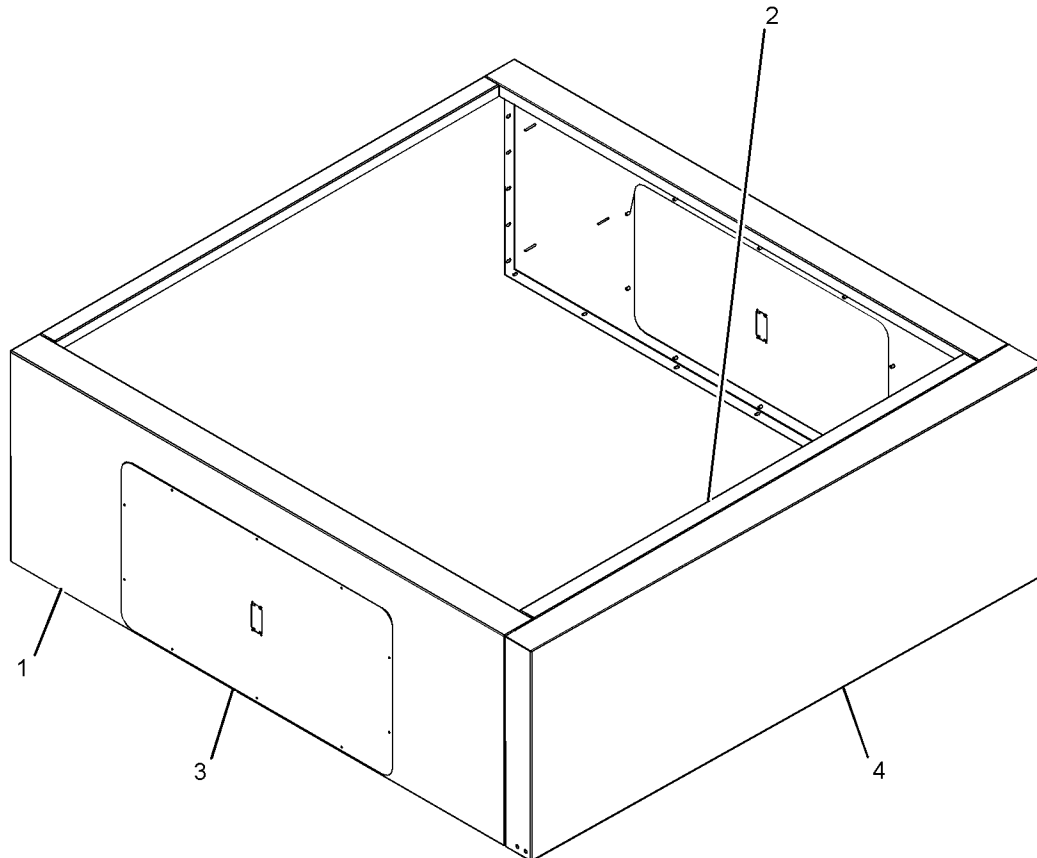
S/N: GDS1-UP

PART OF 390-6902 ENCLOSURE GP-GENERATOR  
AN ATTACHMENT

SMCS-7274

i05208784

NOTE	REF NO	GRAPHIC REF	PART NUMBER	QTY	PART NAME						SEE PAGE
					1	2	3	4	5	6	
	1	1	390-6188	2	PANEL AS						
	2	1	390-6189	2	PANEL AS						
	3	1	390-6190	2	COVER						
	4	1	390-6907	1	PANEL AS-ROOF						



GRAPHIC #1

<END>

g03351396

# ENCLOSURES, GUARDS AND BASES

## 396-5819 ENCLOSURE GP-GENERATOR

S/N: GDS1-UP

BACKDRAFT DAMPER

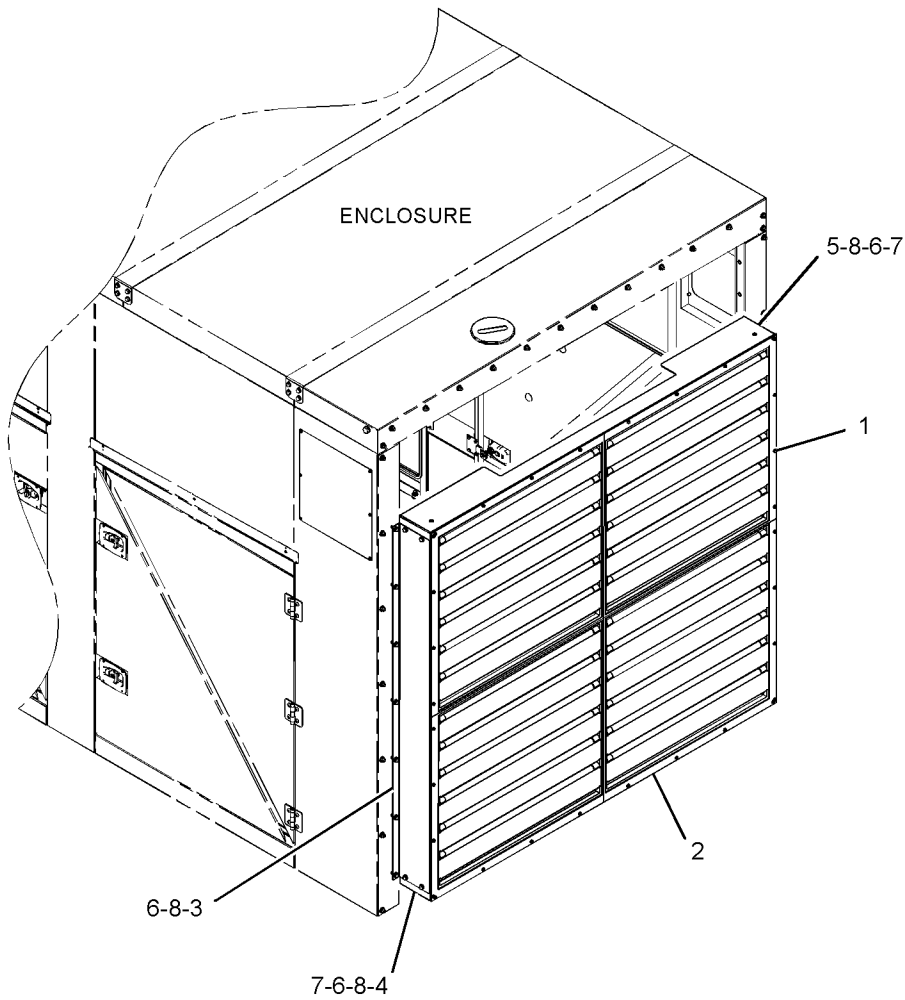
FOR USE WITH C27/C32 12-VOLT COMMON ENCLOSURE  
AN ATTACHMENT

SMCS-7274

i05036071

NOTE	REF NO	GRAPHIC REF	PART NUMBER	QTY	PART NAME						SEE PAGE
					1	2	3	4	5	6 (PRODUCT LEVEL)	
	1	1	109-0147	32	SCREW (1/4-14X1-IN)						
	2	1	396-5820	1	DAMPER AS						
	3	1	415-7153	2	PLATE						
	4	1	415-7154	1	PLATE						
	5	1	421-7875	1	PLATE AS						
	6	1	8T-4121	30	WASHER-HARD (11X21X2.5-MM THK)						
M	7	1	8T-4133	8	NUT (M10X1.5-THD)						
M	8	1	8T-4136	22	BOLT (M10X1.5X25-MM)						

M - METRIC PART



GRAPHIC #1

<END>

g03209957

# ENCLOSURES, GUARDS AND BASES

## 398-3649 LINES GP-DRAIN

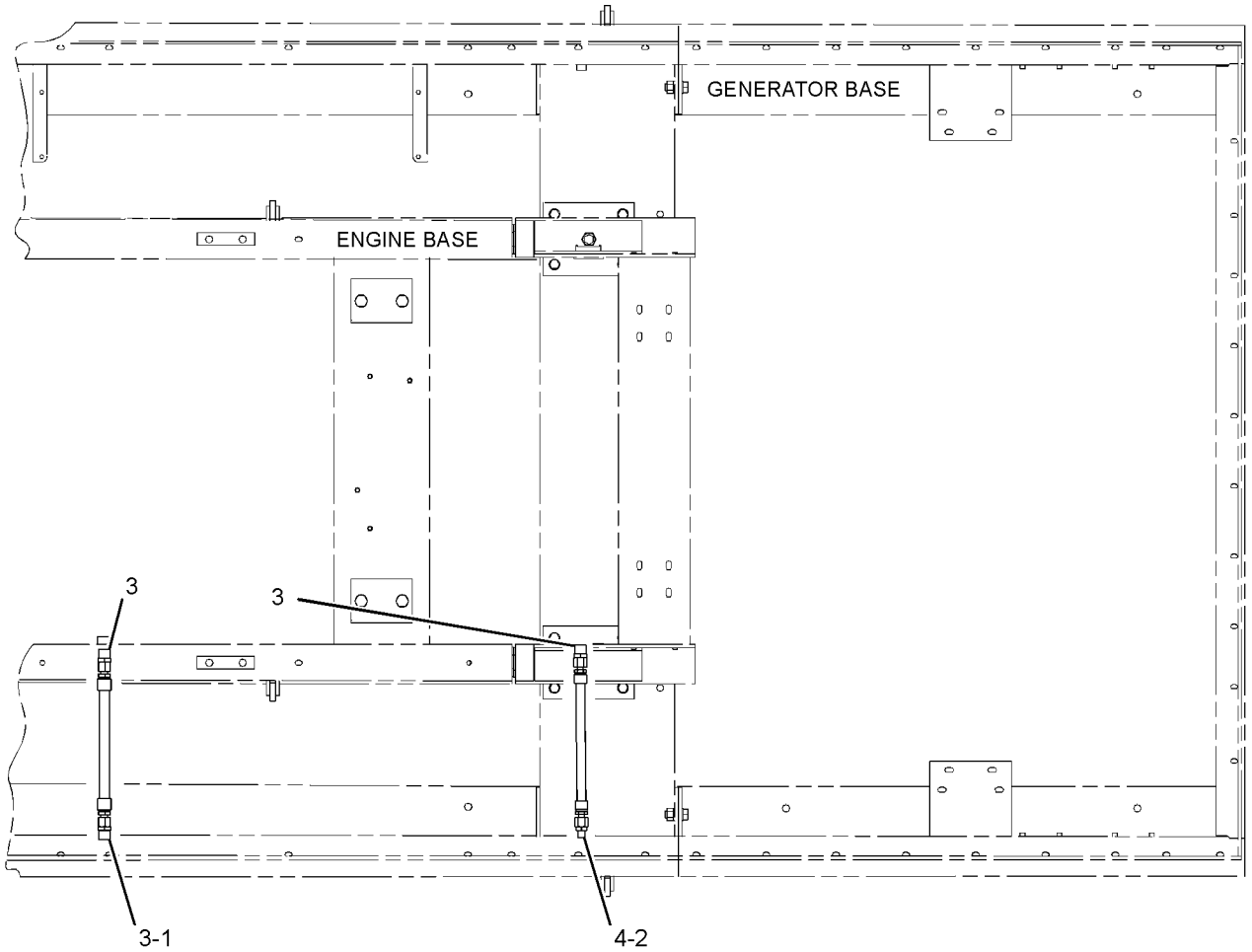
S/N: GDS1-UP  
AN ATTACHMENT

SMCS-7274

i05242632

NOTE	REF NO	GRAPHIC REF	PART NUMBER	QTY	PART NAME						SEE PAGE
					1	2	3	4	5	6 (PRODUCT LEVEL)	
I	1	1	<b>390-6934</b>	1	HOSE AS						
I	2	1	<b>398-3650</b>	1	HOSE AS						
	3	1	<b>004-3099</b>	3	CONNECTOR						
	4	1	<b>030-8310</b>	1	CONNECTOR						

I - REFER TO HYDRAULIC INFORMATION SYSTEM



TOP VIEW

<END>

GRAPHIC #1

g03350370

# ENCLOSURES, GUARDS AND BASES

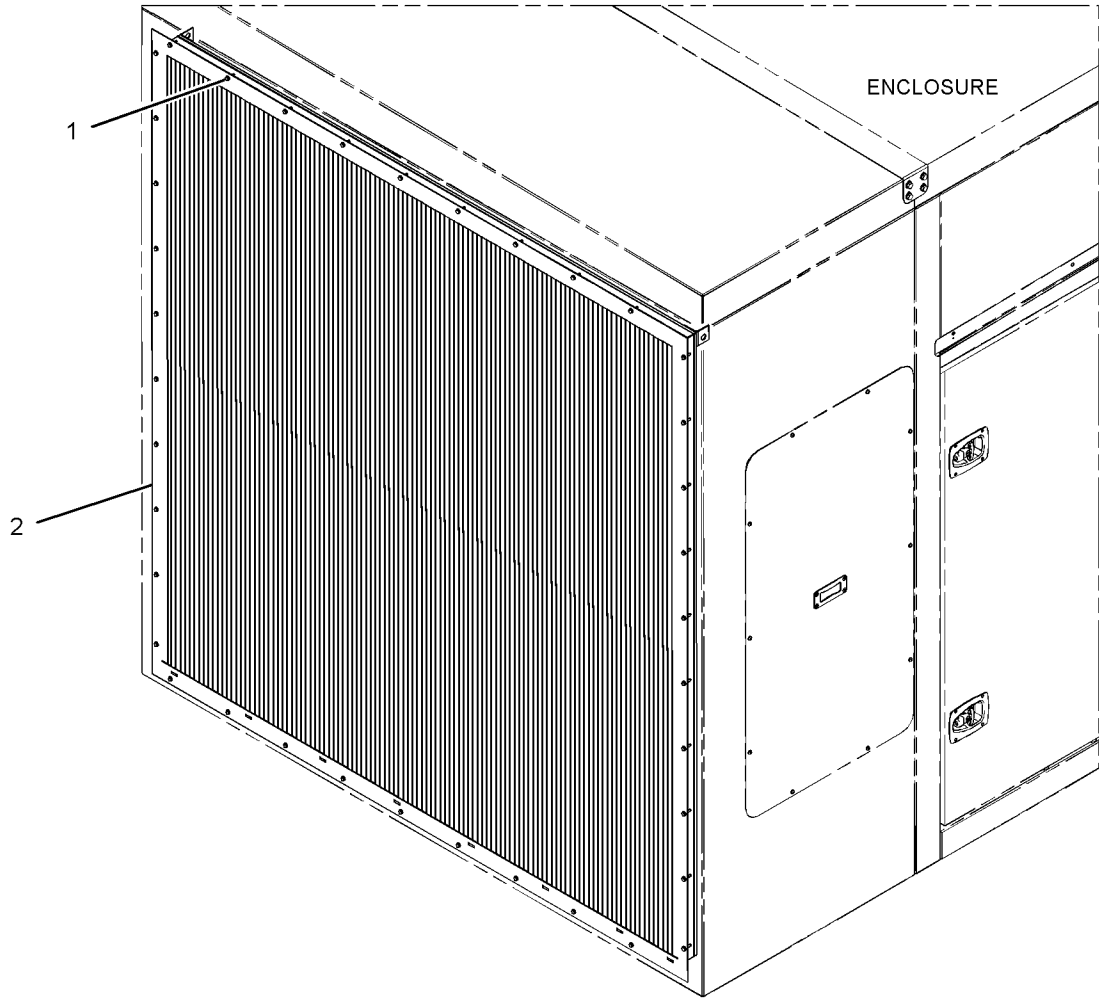
## 396-5815 LOUVER GP-ENCLOSURE

S/N: GDS1-UP  
LOUVER  
AN ATTACHMENT

SMCS-7274

i05035973

NOTE	REF NO	GRAPHIC REF	PART NUMBER	QTY	PART NAME						SEE PAGE
					1	2	3	4	5	6 (PRODUCT LEVEL)	
	1	1	109-0147	38	SCREW (1/4-14X1-IN)						
	2	1	396-5816	1	LOUVER AS						



GRAPHIC #1

<END>

g03210619



# ENCLOSURES, GUARDS AND BASES

## 396-5817 LOUVER GP-ENCLOSURE

S/N: GDS1-UP

LOUVER, WITH MOTORIZED DAMPER

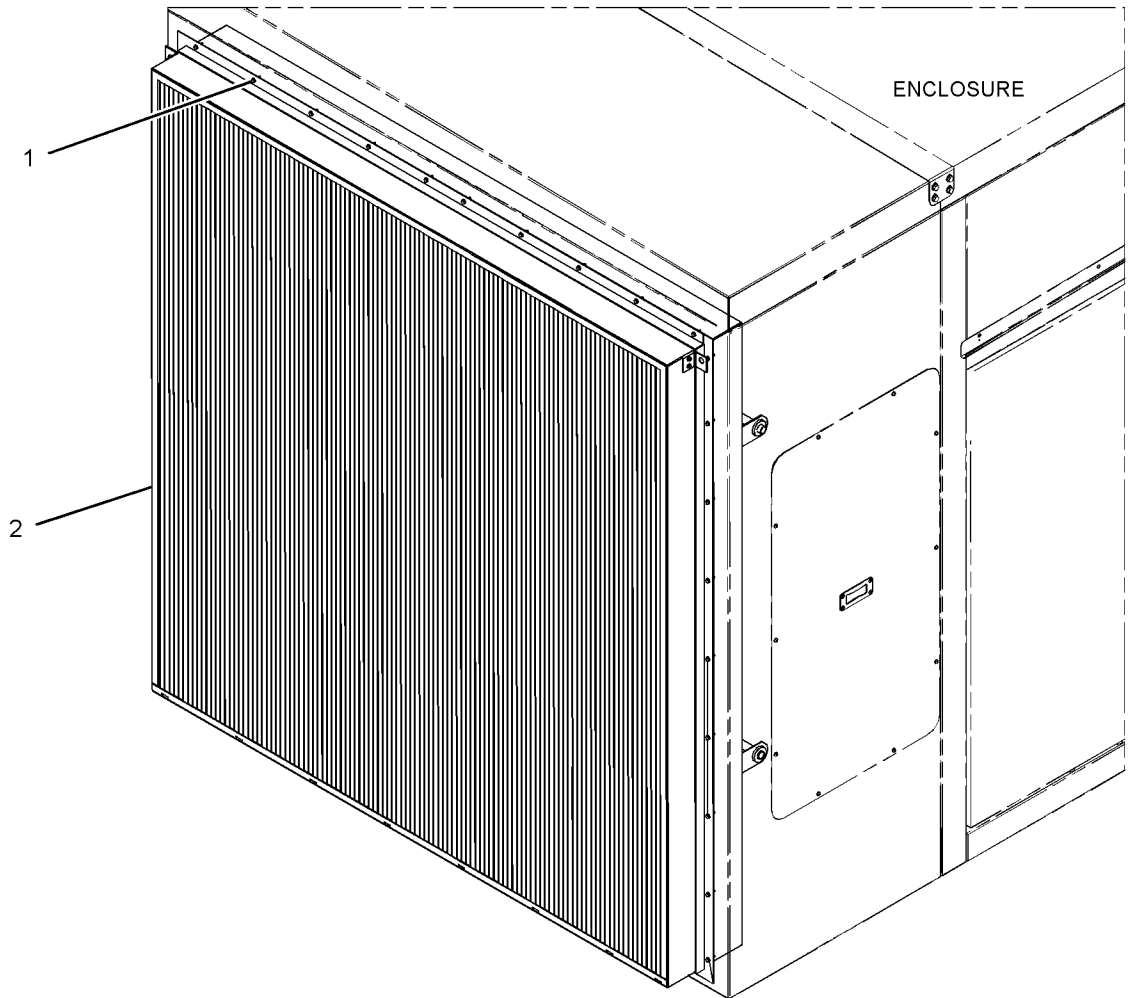
FOR USE WITH C27/C32 12-VOLT COMMON ENCLOSURE

AN ATTACHMENT

SMCS-7274

i05036031

NOTE	REF NO	GRAPHIC REF	PART NUMBER	QTY	PART NAME						SEE PAGE
					1	2	3	4	5	6 (PRODUCT LEVEL)	
	1	1	109-0147	38	SCREW (1/4-14X1-IN)						
	2	1	396-5818	1	LOUVER AS						



GRAPHIC #1

<END>

g03210060

# ENCLOSURES, GUARDS AND BASES

## 436-3027 MOUNTING GP-GENERATOR BASE

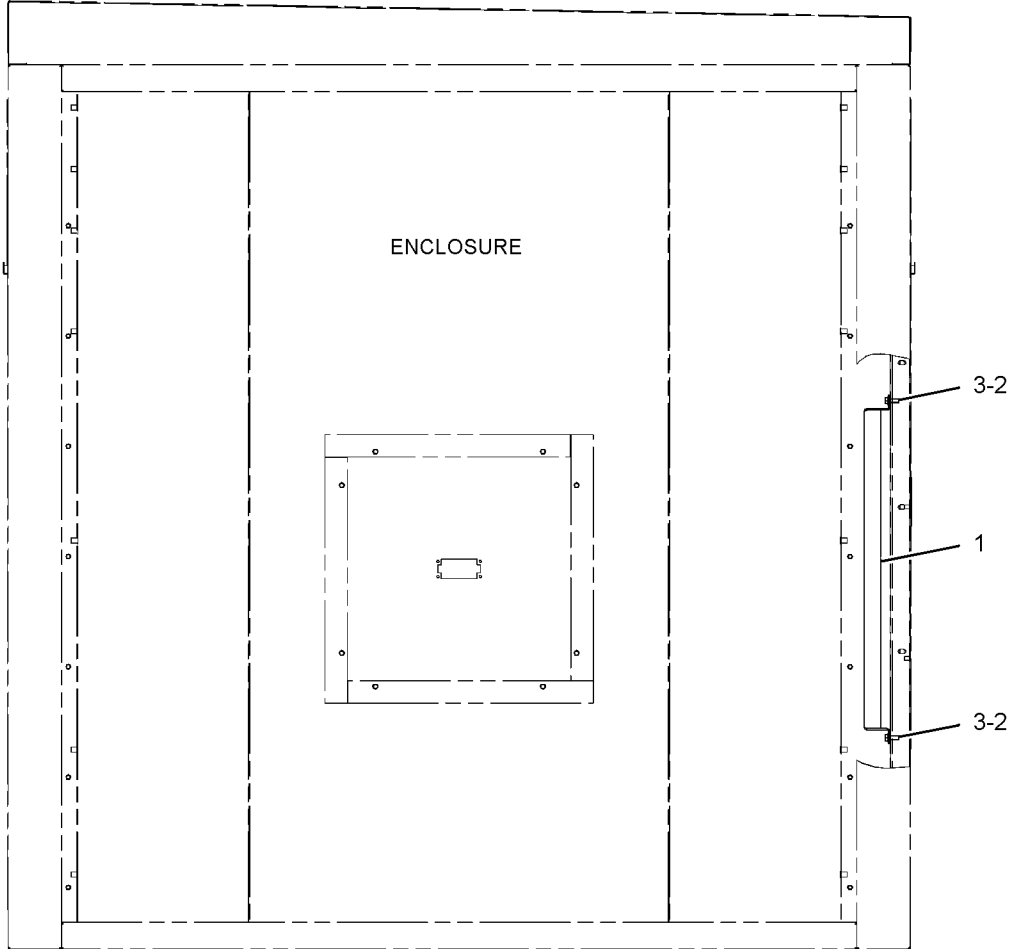
S/N: GDS1-UP  
AN ATTACHMENT

SMCS-7060

i05260199

NOTE	REF NO	GRAPHIC REF	PART NUMBER	QTY	PART NAME						SEE PAGE
					1	2	3	4	5	6 (PRODUCT LEVEL)	
	1	1	<b>422-8199</b>	1	PLATE						
	2	1	<b>8T-4121</b>	4	WASHER-HARD (11X21X2.5-MM THK)						
M	3	1	<b>8T-4195</b>	4	BOLT (M10X1.5X30-MM)						

M - METRIC PART



FRONT VIEW

<END>

GRAPHIC #1

g03351474

# ENCLOSURES, GUARDS AND BASES

## 390-6953 MOUNTING GP-VIBRATION ISOLATOR

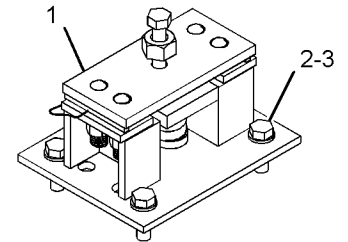
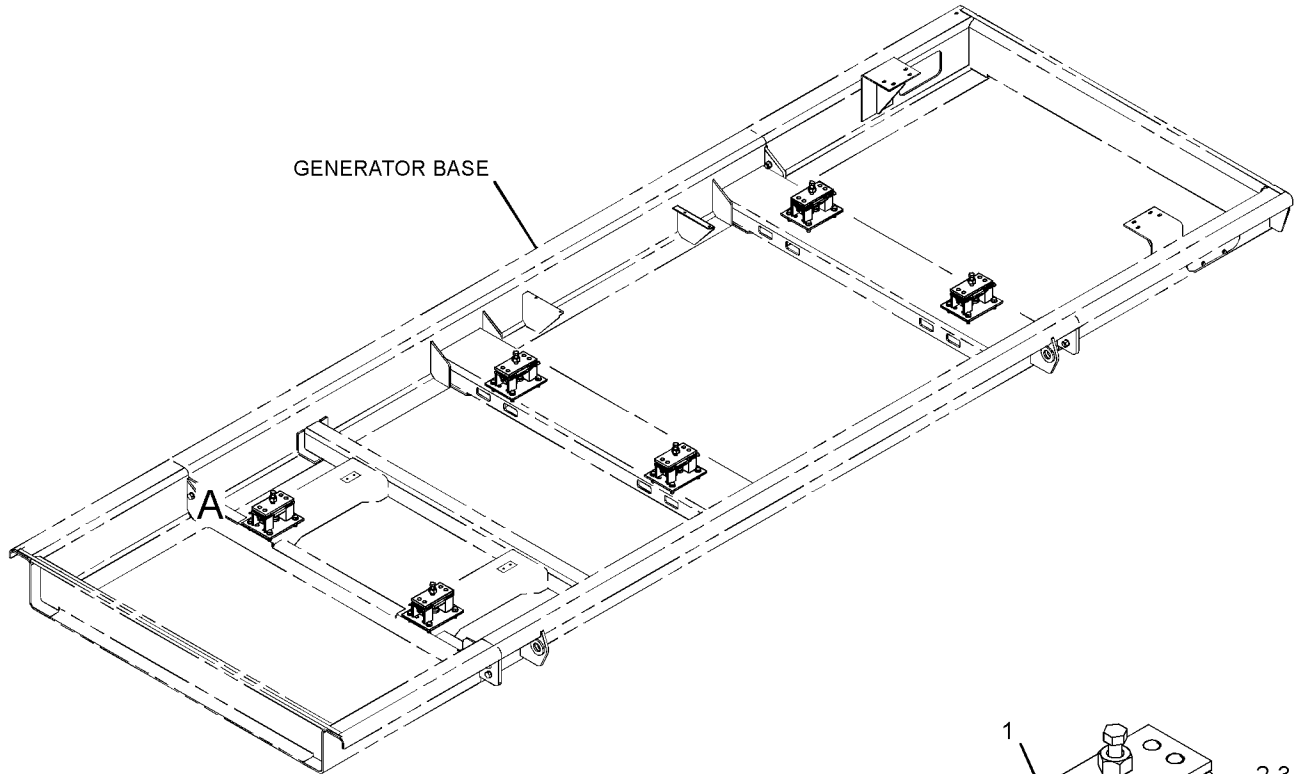
S/N: GDS1-UP  
AN ATTACHMENT

SMCS-1021, 7002

i04983830

NOTE	REF NO	GRAPHIC REF	PART NUMBER	QTY	PART NAME						SEE PAGE
					1	2	3	4	5	6 (PRODUCT LEVEL)	
	1	1	<b>347-7773</b>	6	MOUNTING GP- ISOLATOR						
M	2	1	<b>8T-4193</b>	24	BOLT (M16X2X50-MM)						
	3	1	<b>9X-8257</b>	24	WASHER (17.5X30X3.5-MM THK)						

M - METRIC PART



VIEW OF AREA A

GRAPHIC #1

<END>

g03171476

# ENCLOSURES, GUARDS AND BASES

## 423-4172 PANEL GP-SOUND SUPPRESSION

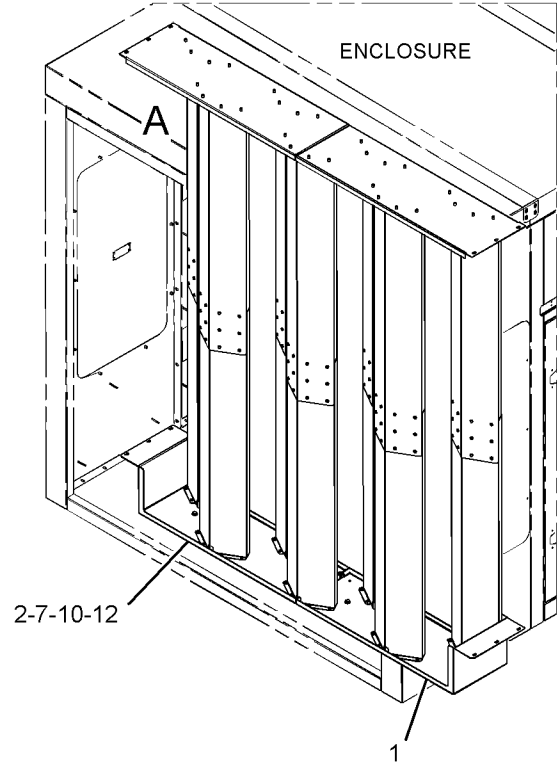
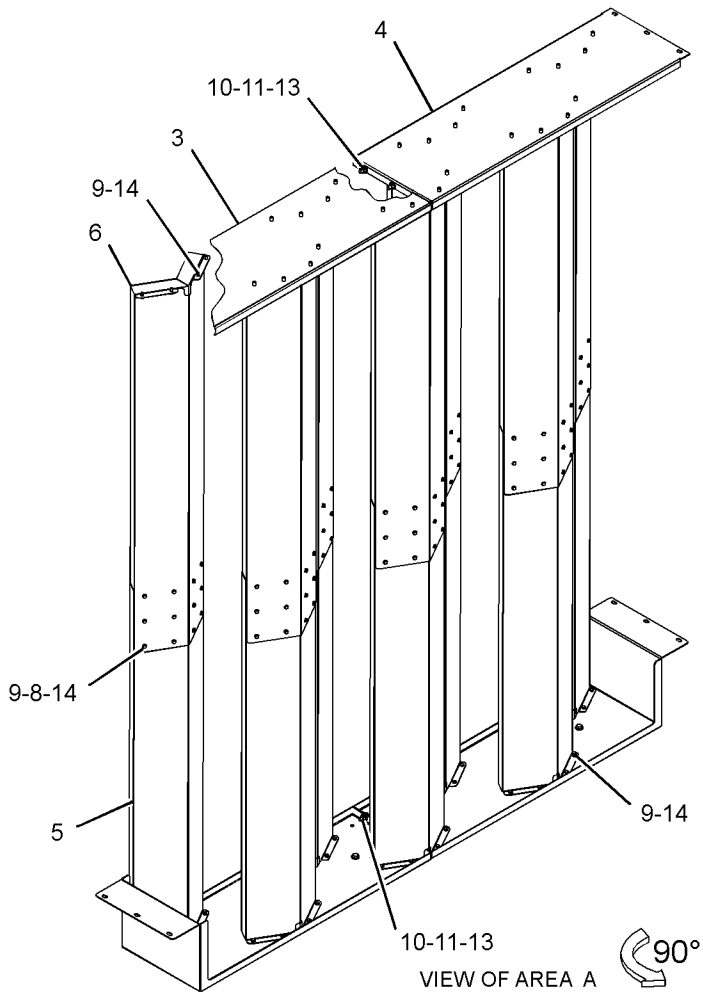
S/N: GDS1-UP  
AN ATTACHMENT

SMCS-1801

i05161752

NOTE	REF NO	GRAPHIC REF	PART NUMBER	QTY	PART NAME						SEE PAGE
					1	2	3	4	5	6 (PRODUCT LEVEL)	
	1	1	423-4173	1	PLATE AS						
	2	1	423-4175	1	PLATE AS						
	3	1	423-4177	1	PLATE AS						
	4	1	423-4179	1	PLATE AS						
	5	1	423-4181	14	PLATE						
	6	1	423-4182	1	INSULATION AS						
	7	1	423-7056	1	PLATE AS						
M	8	1	5C-2890	84	NUT (M6X1-THD)						
	9	1	208-9277	140	BOLT-FLANGE HEAD (M6X1X20-MM)						
	10	1	7X-7729	16	WASHER (11X25X3-MM THK)						
M	11	1	8T-4133	6	NUT (M10X1.5-THD)						
M	12	1	8T-4137	4	BOLT (M10X1.5X20-MM)						
M	13	1	8T-4195	6	BOLT (M10X1.5X30-MM)						
	14	1	8T-4205	84	WASHER-HARD (7.2X14.5X2-MM THK)						

M - METRIC PART



GRAPHIC #1

VIEW OF AREA A

90°  
<END>

g03351551

# ENCLOSURES, GUARDS AND BASES

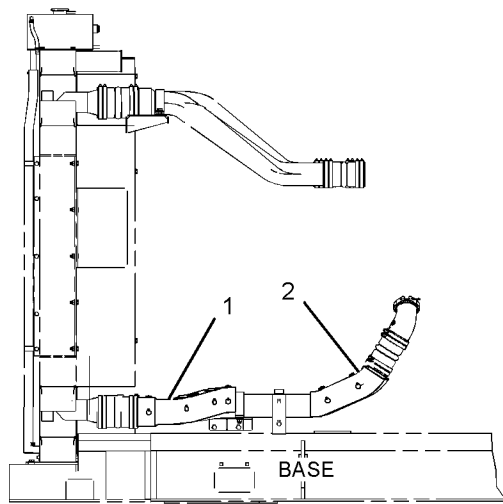
## 355-6308 SHIELD GP

S/N: GDS1-UP  
AN ATTACHMENT

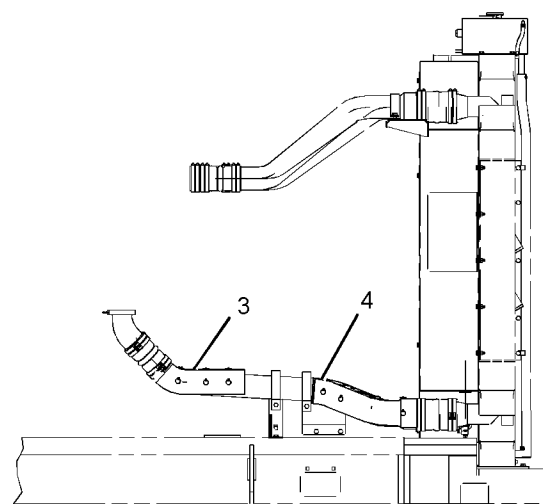
SMCS-7274

i04162211

NOTE	REF NO	GRAPHIC REF	PART NUMBER	QTY	PART NAME						SEE PAGE
					1	2	3	4	5	6 (PRODUCT LEVEL)	
	1	1	351-1660	1	SHIELD AS-EXHAUST						
	2	1	351-1661	1	SHIELD AS-EXHAUST						
	3	1	351-1662	1	SHIELD AS-EXHAUST						
	4	1	351-1663	1	SHIELD AS-EXHAUST						



LEFT SIDE VIEW OF ENGINE



RIGHT SIDE VIEW OF ENGINE

GRAPHIC #1

<END>

g02346976

# GENERATORS

## 383-4683 CABLE GP-GENERATOR GROUND

S/N: GDS1-UP  
AN ATTACHMENT

SMCS-4459

i05277240

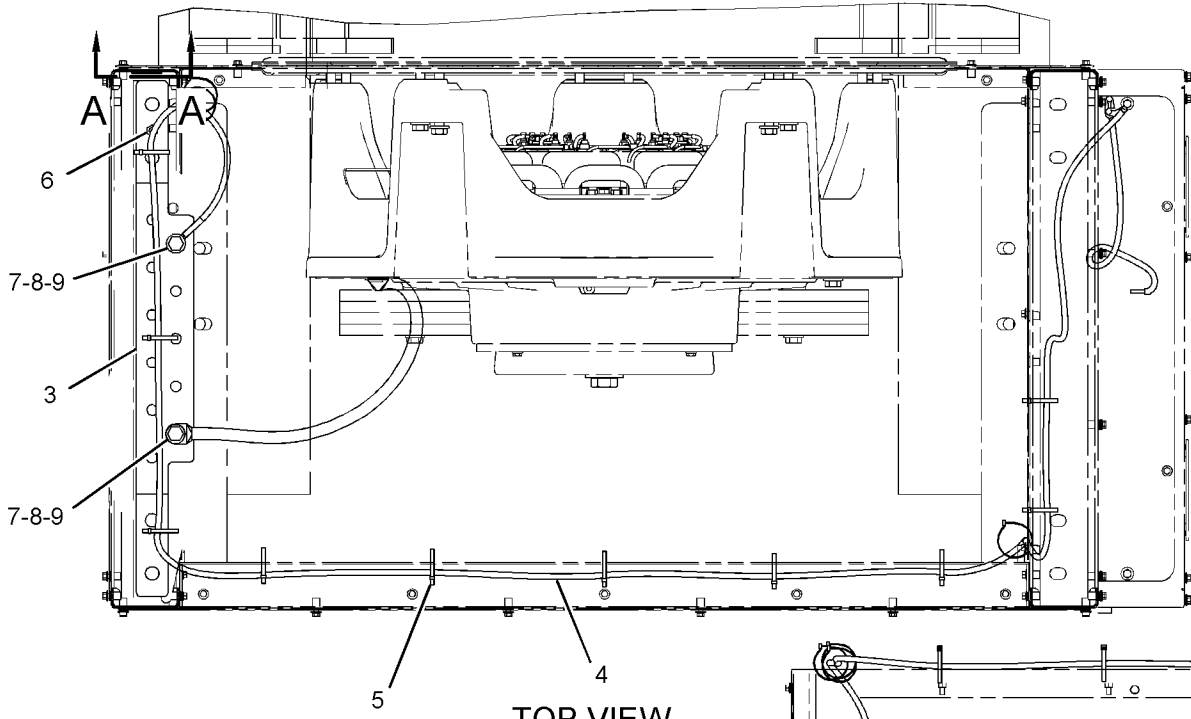
NOTE	REF NO	GRAPHIC REF	PART NUMBER	QTY	PART NAME						SEE PAGE
					1	2	3	4	5	6 (PRODUCT LEVEL)	
	1	1	<b>228-4798</b>	1	FILM-IDENTIFICATION (GROUND)						
	2	1	<i>301-0561</i>	1	CABLE AS						
		1	<b>5P-2600</b>	2	RING-TERMINAL (000-GA, 1/2-IN SCREW)						
E		1	<b>188-3111</b>		CABLE (000-GA, GREEN, YELLOW STRIPE) (65-CM)						
	3	1	<b>307-3521</b>	1	BAR-BUS						
Y	4	1	<b>383-4684</b>	1	HARNESS AS-WIRING (GROUND)						271
	5	1	<b>3S-2093</b>	13	STRAP-CABLE						
M	6	1	<b>5C-7261</b>	1	NUT (M8X1.25-THD)						
M	7	1	<b>8T-4183</b>	2	BOLT (M12X1.75X40-MM)						
	8	1	<b>8T-4223</b>	4	WASHER-HARD (13.5X25.5X3-MM THK)						
M	9	1	<b>8T-4244</b>	2	NUT (M12X1.75-THD)						

E - ORDER BY THE CENTIMETER  
M - METRIC PART  
Y - SEPARATE ILLUSTRATION

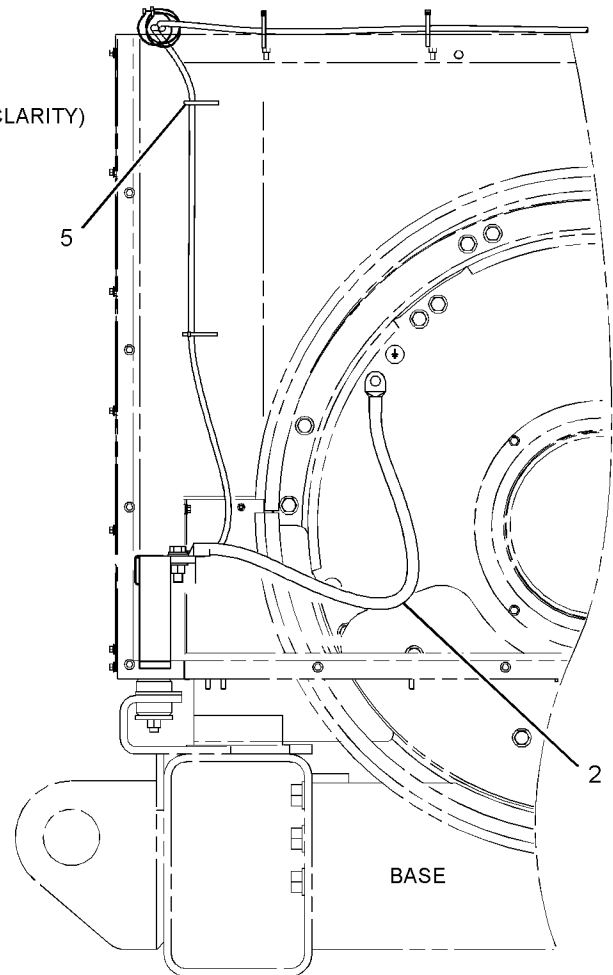
# GENERATORS

383-4683 CABLE GP-GENERATOR GROUND (contd.)

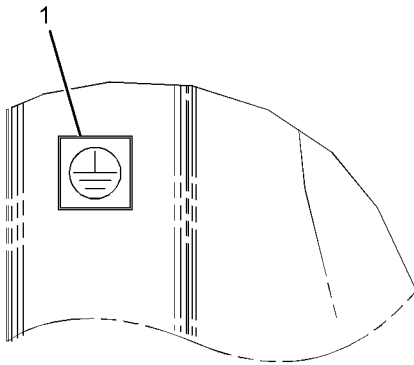
i05277240



TOP VIEW  
(ITEMS REMOVED FOR CLARITY)



REAR VIEW  
(ITEMS REMOVED FOR CLARITY)



SECTION A-A

GRAPHIC #1

<END>

g03374362

# GENERATORS

## 368-7989 CONNECTION GP-GENERATOR LEADS

S/N: GDS1-UP  
AN ATTACHMENT

SMCS-4460

i05210196

NOTE	REF NO	GRAPHIC REF	PART NUMBER	QTY	PART NAME						SEE PAGE
					1	2	3	4	5	6 (PRODUCT LEVEL)	
M	1	1	<b>8T-4244</b>	24	NUT (M12X1.75-THD)						
	2	1	<b>9Y-4275</b>	1	FILM-INFORMATION (TERMINAL STRIP)						
B	3	1	<b>247-5509</b>	1	DISPENSER GP-MARKER TAPE (T0, T1, T2, T3)						
BE		1	<b>255-5166</b>		TAPE-IDENTIFICATION (T1) (125-CM)						
BE		1	<b>255-5167</b>		TAPE-IDENTIFICATION (T2) (125-CM)						
BE		1	<b>255-5168</b>		TAPE-IDENTIFICATION (T3) (125-CM)						
BE		1	<b>255-5169</b>		TAPE-IDENTIFICATION (T0) (125-CM)						
	4	1	<b>278-8014</b>	6	CABLE AS (EACH INCLUDES)						
		1	<b>3L-7634</b>	2	TERMINAL-RING (0000-GA, 1/2-IN SCREW)						
E		1	<b>314-6905</b>		CABLE (0000-GA, BLACK) (101-CM)						
	5	1	<b>278-8015</b>	6	CABLE AS (EACH INCLUDES)						
		1	<b>3L-7634</b>	2	TERMINAL-RING (0000-GA, 1/2-IN SCREW)						
E		1	<b>314-6905</b>		CABLE (0000-GA, BLACK) (106-CM)						
	6	1	<b>278-8016</b>	6	CABLE AS (EACH INCLUDES)						
		1	<b>3L-7634</b>	2	TERMINAL-RING (0000-GA, 1/2-IN SCREW)						
E		1	<b>314-6905</b>		CABLE (0000-GA, BLACK) (111-CM)						
		1	<b>349-5637</b>	2	TERMINAL-RING						
E		1	<b>351-7310</b>		CABLE (111-CM)						
	7	1	<b>278-8019</b>	6	CABLE AS (EACH INCLUDES)						
		1	<b>3L-7634</b>	2	TERMINAL-RING (0000-GA, 1/2-IN SCREW)						
E		1	<b>314-6905</b>		CABLE (0000-GA, BLACK) (126-CM)						
	8	1	<b>329-1293</b>	44	STRAP-CABLE						
M	9	1	<b>8T-4184</b>	24	BOLT (M12X1.75X45-MM)						
	10	1	<b>8T-4223</b>	48	WASHER-HARD (13.5X25.5X3-MM THK)						

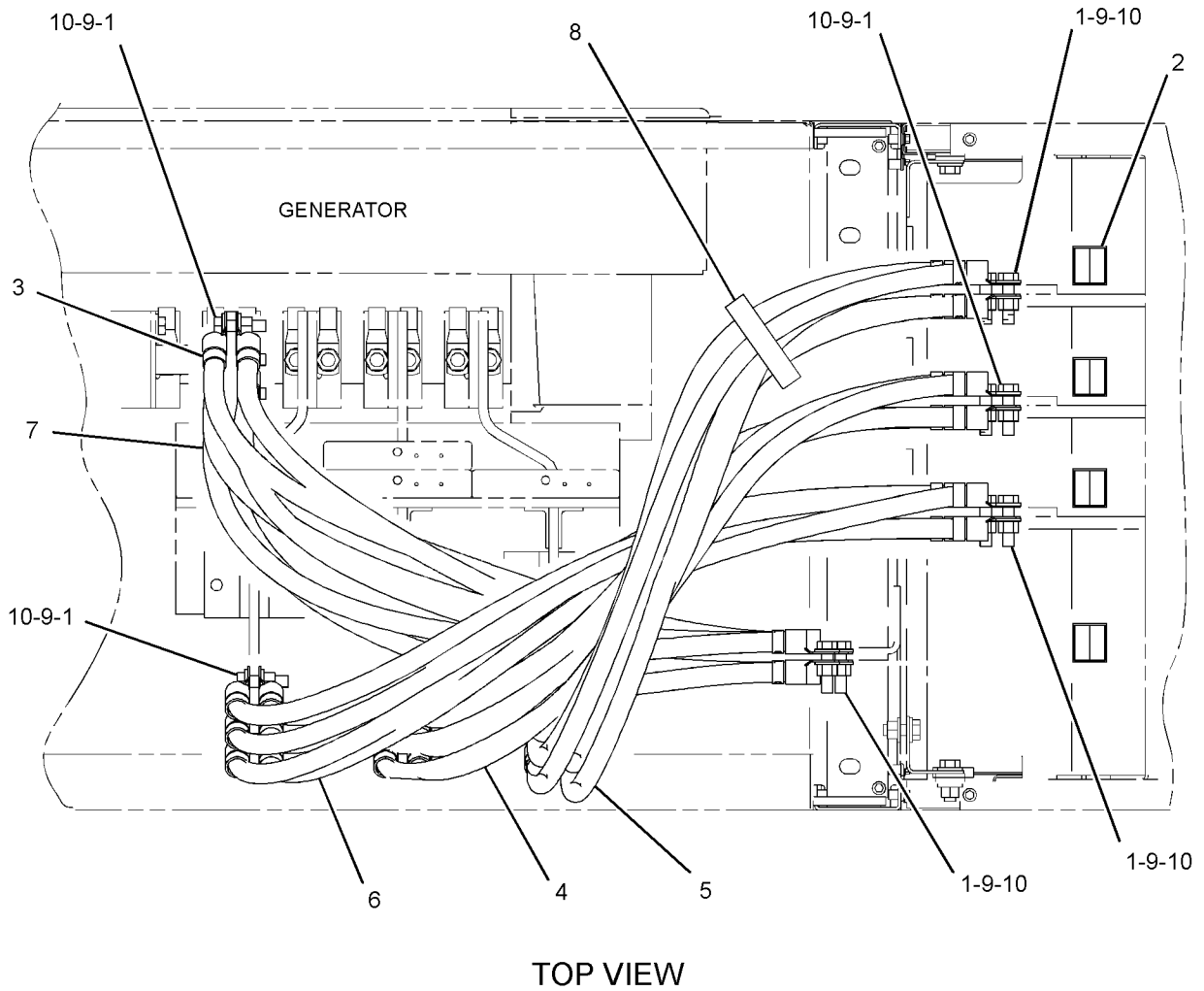
B - USE AS REQUIRED  
E - ORDER BY THE CENTIMETER  
M - METRIC PART



# GENERATORS

368-7989 CONNECTION GP-GENERATOR LEADS (contd.)

i05210196



GRAPHIC #1

<END>

g03337345

# GENERATORS

## 136-6579 GENERATOR AR

S/N: AFR1-UP

60 HERTZ, 240-480 VOLTS

SMCS-4450

i02314787

NOTE	PART NUMBER	QTY	PART NAME						SEE PAGE
			1	2	3	4	5	6 (PRODUCT LEVEL)	
Y	136-6642	1	GENERATOR GP						426
	118-8452	1	FILM (INFORMATION) (GENERATOR)						
			(INSTALL ON LH SIDE OF GENERATOR BARREL OR ON LH REMOVABLE SIDE PANEL. APPLY CLEAR LAMINATE OVER INSTALLED GENERATOR FILM)						
	7W-5893	1	FILM-GENERATOR LIFTING						
			(INSTALL ON BARREL NEAR LIFTING HOLE ON GENERATOR)						
	142-7542	2	FILM-WARNING (HOT SURFACE)						
			(INSTALL ON LEFT HAND AND RIGHT HAND SIDE OF GENERATOR HOUSING TOWARD GENERATOR FAN COVER ASSEMBLY)						
	1W-7848	1	PLATE-SERIAL NUMBER (ENGLISH)						
			(INSTALL ON RIGHT HAND SIDE OF GENERATOR BARREL AT FRONT USING DRIVE SCREWS TO INSTALL)						
	2K-3219	2	SCREW-DRIVE (NO 6X0.25-IN)						
			(INSTALL GENERATOR SERIAL NUMBER PLATE)						
Y - SEPARATE ILLUSTRATION									
<END>									

## 136-6580 GENERATOR AR

S/N: AFR1-UP

60 HERTZ, 240-480 VOLTS

SMCS-4450

i02314790

NOTE	PART NUMBER	QTY	PART NAME						SEE PAGE
			1	2	3	4	5	6 (PRODUCT LEVEL)	
Y	136-6643	1	GENERATOR GP						428
	118-8452	1	FILM (INFORMATION) (GENERATOR)						
			(INSTALL ON LH SIDE OF GENERATOR BARREL OR ON LH REMOVABLE SIDE PANEL. APPLY CLEAR LAMINATE OVER INSTALLED GENERATOR FILM)						
	7W-5893	1	FILM-GENERATOR LIFTING						
			(INSTALL ON BARREL NEAR LIFTING HOLE ON GENERATOR)						
	142-7542	2	FILM-WARNING (HOT SURFACE)						
			(INSTALL ON LEFT HAND AND RIGHT HAND SIDE OF GENERATOR HOUSING TOWARD GENERATOR FAN COVER ASSEMBLY)						
	1W-7848	1	PLATE-SERIAL NUMBER (ENGLISH)						
			(INSTALL ON RIGHT HAND SIDE OF GENERATOR BARREL AT FRONT USING DRIVE SCREWS TO INSTALL)						
	2K-3219	2	SCREW-DRIVE (NO 6X0.25-IN)						
			(INSTALL GENERATOR SERIAL NUMBER PLATE)						
Y - SEPARATE ILLUSTRATION									
<END>									

# GENERATORS

## 136-6581 GENERATOR AR

S/N: AFR1-UP

60 HERTZ, 240-480 VOLTS

SMCS-4450

i02314795

NOTE	PART NUMBER	QTY	PART NAME						SEE PAGE
			1	2	3	4	5	6 (PRODUCT LEVEL)	
	118-8452	1	FILM (INFORMATION) (GENERATOR)						
			(INSTALL ON LH SIDE OF GENERATOR BARREL OR ON LH REMOVABLE SIDE PANEL. APPLY CLEAR LAMINATE OVER INSTALLED GENERATOR FILM)						
	7W-5893	1	FILM-GENERATOR LIFTING						
			(INSTALL ON BARREL NEAR LIFTING HOLE ON GENERATOR)						
	142-7542	2	FILM-WARNING (HOT SURFACE)						
			(INSTALL ON LEFT HAND AND RIGHT HAND SIDE OF GENERATOR HOUSING TOWARD GENERATOR FAN COVER ASSEMBLY)						
Y	136-6645	1	GENERATOR GP						430
	1W-7848	1	PLATE-SERIAL NUMBER (ENGLISH)						
			(INSTALL ON RIGHT HAND SIDE OF GENERATOR BARREL AT FRONT USING DRIVE SCREWS TO INSTALL)						
	2K-3219	2	SCREW-DRIVE (NO 6X0.25-IN)						
			(INSTALL GENERATOR SERIAL NUMBER PLATE)						
Y - SEPARATE ILLUSTRATION									
<END>									

## 136-6582 GENERATOR AR

S/N: AFR1-UP

60 HERTZ, 380 VOLTS

SMCS-4450

i02314798

NOTE	PART NUMBER	QTY	PART NAME						SEE PAGE
			1	2	3	4	5	6 (PRODUCT LEVEL)	
	118-8452	1	FILM (INFORMATION) (GENERATOR)						
			(INSTALL ON LH SIDE OF GENERATOR BARREL OR ON LH REMOVABLE SIDE PANEL. APPLY CLEAR LAMINATE OVER INSTALLED GENERATOR FILM)						
	7W-5893	1	FILM-GENERATOR LIFTING						
			(INSTALL ON BARREL NEAR LIFTING HOLE ON GENERATOR)						
	142-7542	2	FILM-WARNING (HOT SURFACE)						
			(INSTALL ON LEFT HAND AND RIGHT HAND SIDE OF GENERATOR HOUSING TOWARD GENERATOR FAN COVER ASSEMBLY)						
Y	136-6646	1	GENERATOR GP						432
	1W-7848	1	PLATE-SERIAL NUMBER (ENGLISH)						
			(INSTALL ON RIGHT HAND SIDE OF GENERATOR BARREL AT FRONT USING DRIVE SCREWS TO INSTALL)						
	2K-3219	2	SCREW-DRIVE (NO 6X0.25-IN)						
			(INSTALL GENERATOR SERIAL NUMBER PLATE)						
Y - SEPARATE ILLUSTRATION									
<END>									

# GENERATORS

## 136-6583 GENERATOR AR

S/N: AFR1-UP  
60 HERTZ, 380 VOLTS

SMCS-4450

i02314802

NOTE	PART NUMBER	QTY	PART NAME 1 2 3 4 5 6 (PRODUCT LEVEL)	SEE PAGE
	<b>118-8452</b>	1	FILM (INFORMATION) (GENERATOR) (INSTALL ON LH SIDE OF GENERATOR BARREL OR ON LH REMOVABLE SIDE PANEL. APPLY CLEAR LAMINATE OVER INSTALLED GENERATOR FILM)	
	<b>7W-5893</b>	1	FILM-GENERATOR LIFTING (INSTALL ON BARREL NEAR LIFTING HOLE ON GENERATOR)	
	<b>142-7542</b>	2	FILM-WARNING (HOT SURFACE) (INSTALL ON LEFT HAND AND RIGHT HAND SIDE OF GENERATOR HOUSING TOWARD GENERATOR FAN COVER ASSEMBLY)	
Y	<i>136-6647</i>	1	GENERATOR GP	434
	<b>1W-7848</b>	1	PLATE-SERIAL NUMBER (ENGLISH) (INSTALL ON RIGHT HAND SIDE OF GENERATOR BARREL AT FRONT USING DRIVE SCREWS TO INSTALL)	
	<b>2K-3219</b>	2	SCREW-DRIVE (NO 6X0.25-IN) (INSTALL GENERATOR SERIAL NUMBER PLATE)	
Y - SEPARATE ILLUSTRATION				
<END>				

## 136-6584 GENERATOR AR

S/N: AFR1-UP  
60 HERTZ, 380 VOLTS

SMCS-4450

i02314806

NOTE	PART NUMBER	QTY	PART NAME 1 2 3 4 5 6 (PRODUCT LEVEL)	SEE PAGE
	<b>118-8452</b>	1	FILM (INFORMATION) (GENERATOR) (INSTALL ON LH SIDE OF GENERATOR BARREL OR ON LH REMOVABLE SIDE PANEL. APPLY CLEAR LAMINATE OVER INSTALLED GENERATOR FILM)	
	<b>7W-5893</b>	1	FILM-GENERATOR LIFTING (INSTALL ON BARREL NEAR LIFTING HOLE ON GENERATOR)	
	<b>142-7542</b>	2	FILM-WARNING (HOT SURFACE) (INSTALL ON LEFT HAND AND RIGHT HAND SIDE OF GENERATOR HOUSING TOWARD GENERATOR FAN COVER ASSEMBLY)	
Y	<i>136-6648</i>	1	GENERATOR GP	436
	<b>1W-7848</b>	1	PLATE-SERIAL NUMBER (ENGLISH) (INSTALL ON RIGHT HAND SIDE OF GENERATOR BARREL AT FRONT USING DRIVE SCREWS TO INSTALL)	
	<b>2K-3219</b>	2	SCREW-DRIVE (NO 6X0.25-IN) (INSTALL GENERATOR SERIAL NUMBER PLATE)	
Y - SEPARATE ILLUSTRATION				
<END>				

# GENERATORS

## 136-6585 GENERATOR AR

S/N: AFR1-UP  
60 HERTZ, 600 VOLTS

SMCS-4450

i02314809

NOTE	PART NUMBER	QTY	PART NAME						SEE PAGE
			1	2	3	4	5	6 (PRODUCT LEVEL)	
	118-8452	1	FILM (INFORMATION) (GENERATOR)						
			(INSTALL ON LH SIDE OF GENERATOR BARREL OR ON LH REMOVABLE SIDE PANEL. APPLY CLEAR LAMINATE OVER INSTALLED GENERATOR FILM)						
	7W-5893	1	FILM-GENERATOR LIFTING						
			(INSTALL ON BARREL NEAR LIFTING HOLE ON GENERATOR)						
	142-7542	2	FILM-WARNING (HOT SURFACE)						
			(INSTALL ON LEFT HAND AND RIGHT HAND SIDE OF GENERATOR HOUSING TOWARD GENERATOR FAN COVER ASSEMBLY)						
Y	136-6649	1	GENERATOR GP						438
	1W-7848	1	PLATE-SERIAL NUMBER (ENGLISH)						
			(INSTALL ON RIGHT HAND SIDE OF GENERATOR BARREL AT FRONT USING DRIVE SCREWS TO INSTALL)						
	2K-3219	2	SCREW-DRIVE (NO 6X0.25-IN)						
			(INSTALL GENERATOR SERIAL NUMBER PLATE)						
Y - SEPARATE ILLUSTRATION									
<END>									

## 136-6586 GENERATOR AR

S/N: AFR1-UP  
60 HERTZ, 600 VOLTS

SMCS-4450

i02314813

NOTE	PART NUMBER	QTY	PART NAME						SEE PAGE
			1	2	3	4	5	6 (PRODUCT LEVEL)	
	118-8452	1	FILM (INFORMATION) (GENERATOR)						
			(INSTALL ON LH SIDE OF GENERATOR BARREL OR ON LH REMOVABLE SIDE PANEL. APPLY CLEAR LAMINATE OVER INSTALLED GENERATOR FILM)						
	7W-5893	1	FILM-GENERATOR LIFTING						
			(INSTALL ON BARREL NEAR LIFTING HOLE ON GENERATOR)						
	142-7542	2	FILM-WARNING (HOT SURFACE)						
			(INSTALL ON LEFT HAND AND RIGHT HAND SIDE OF GENERATOR HOUSING TOWARD GENERATOR FAN COVER ASSEMBLY)						
Y	136-6650	1	GENERATOR GP						440
	1W-7848	1	PLATE-SERIAL NUMBER (ENGLISH)						
			(INSTALL ON RIGHT HAND SIDE OF GENERATOR BARREL AT FRONT USING DRIVE SCREWS TO INSTALL)						
	2K-3219	2	SCREW-DRIVE (NO 6X0.25-IN)						
			(INSTALL GENERATOR SERIAL NUMBER PLATE)						
Y - SEPARATE ILLUSTRATION									
<END>									

# GENERATORS

## 136-6587 GENERATOR AR

S/N: AFR1-UP  
60 HERTZ, 600 VOLTS

SMCS-4450

i02314816

NOTE	PART NUMBER	QTY	PART NAME						SEE PAGE
			1	2	3	4	5	6 (PRODUCT LEVEL)	
	118-8452	1	FILM (INFORMATION) (GENERATOR)						
			(INSTALL ON LH SIDE OF GENERATOR BARREL OR ON LH REMOVABLE SIDE PANEL. APPLY CLEAR LAMINATE OVER INSTALLED GENERATOR FILM)						
	7W-5893	1	FILM-GENERATOR LIFTING						
			(INSTALL ON BARREL NEAR LIFTING HOLE ON GENERATOR)						
	142-7542	2	FILM-WARNING (HOT SURFACE)						
			(INSTALL ON LEFT HAND AND RIGHT HAND SIDE OF GENERATOR HOUSING TOWARD GENERATOR FAN COVER ASSEMBLY)						
Y	136-6651	1	GENERATOR GP						442
	1W-7848	1	PLATE-SERIAL NUMBER (ENGLISH)						
			(INSTALL ON RIGHT HAND SIDE OF GENERATOR BARREL AT FRONT USING DRIVE SCREWS TO INSTALL)						
	2K-3219	2	SCREW-DRIVE (NO 6X0.25-IN)						
			(INSTALL GENERATOR SERIAL NUMBER PLATE)						
Y - SEPARATE ILLUSTRATION									
<END>									

## 136-6588 GENERATOR AR

S/N: AFN1-UP  
60 HERTZ, 240-480 VOLTS

SMCS-4450

i02314820

NOTE	PART NUMBER	QTY	PART NAME						SEE PAGE
			1	2	3	4	5	6 (PRODUCT LEVEL)	
	118-8452	1	FILM (INFORMATION) (GENERATOR)						
			(INSTALL ON LH SIDE OF GENERATOR BARREL OR ON LH REMOVABLE SIDE PANEL. APPLY CLEAR LAMINATE OVER INSTALLED GENERATOR FILM)						
	7W-5893	1	FILM-GENERATOR LIFTING						
			(INSTALL ON BARREL NEAR LIFTING HOLE ON GENERATOR)						
	142-7542	2	FILM-WARNING (HOT SURFACE)						
			(INSTALL ON LEFT HAND AND RIGHT HAND SIDE OF GENERATOR HOUSING TOWARD GENERATOR FAN COVER ASSEMBLY)						
Y	136-6652	1	GENERATOR GP						444
	1W-7848	1	PLATE-SERIAL NUMBER (ENGLISH)						
			(INSTALL ON RIGHT HAND SIDE OF GENERATOR BARREL AT FRONT USING DRIVE SCREWS TO INSTALL)						
	2K-3219	2	SCREW-DRIVE (NO 6X0.25-IN)						
			(INSTALL GENERATOR SERIAL NUMBER PLATE)						
Y - SEPARATE ILLUSTRATION									
<END>									

# GENERATORS

## 136-6589 GENERATOR AR

S/N: AFN1-UP

60 HERTZ, 240-480 VOLTS

SMCS-4450

i02314824

NOTE	PART NUMBER	QTY	PART NAME						SEE PAGE
			1	2	3	4	5	6 (PRODUCT LEVEL)	
	118-8452	1	FILM (INFORMATION) (GENERATOR)						
			(INSTALL ON LH SIDE OF GENERATOR BARREL OR ON LH REMOVABLE SIDE PANEL. APPLY CLEAR LAMINATE OVER INSTALLED GENERATOR FILM)						
	7W-5893	1	FILM-GENERATOR LIFTING						
			(INSTALL ON BARREL NEAR LIFTING HOLE ON GENERATOR)						
	142-7542	2	FILM-WARNING (HOT SURFACE)						
			(INSTALL ON LEFT HAND AND RIGHT HAND SIDE OF GENERATOR HOUSING TOWARD GENERATOR FAN COVER ASSEMBLY)						
Y	136-6653	1	GENERATOR GP						446
	1W-7848	1	PLATE-SERIAL NUMBER (ENGLISH)						
			(INSTALL ON RIGHT HAND SIDE OF GENERATOR BARREL AT FRONT USING DRIVE SCREWS TO INSTALL)						
	2K-3219	2	SCREW-DRIVE (NO 6X0.25-IN)						
			(INSTALL GENERATOR SERIAL NUMBER PLATE)						
Y - SEPARATE ILLUSTRATION									
<END>									

## 136-6590 GENERATOR AR

S/N: AFN1-UP

60 HERTZ, 240-480 VOLTS

SMCS-4450

i02314825

NOTE	PART NUMBER	QTY	PART NAME						SEE PAGE
			1	2	3	4	5	6 (PRODUCT LEVEL)	
	118-8452	1	FILM (INFORMATION) (GENERATOR)						
			(INSTALL ON LH SIDE OF GENERATOR BARREL OR ON LH REMOVABLE SIDE PANEL. APPLY CLEAR LAMINATE OVER INSTALLED GENERATOR FILM)						
	7W-5893	1	FILM-GENERATOR LIFTING						
			(INSTALL ON BARREL NEAR LIFTING HOLE ON GENERATOR)						
	142-7542	2	FILM-WARNING (HOT SURFACE)						
			(INSTALL ON LEFT HAND AND RIGHT HAND SIDE OF GENERATOR HOUSING TOWARD GENERATOR FAN COVER ASSEMBLY)						
Y	136-6654	1	GENERATOR GP						448
	1W-7848	1	PLATE-SERIAL NUMBER (ENGLISH)						
			(INSTALL ON RIGHT HAND SIDE OF GENERATOR BARREL AT FRONT USING DRIVE SCREWS TO INSTALL)						
	2K-3219	2	SCREW-DRIVE (NO 6X0.25-IN)						
			(INSTALL GENERATOR SERIAL NUMBER PLATE)						
Y - SEPARATE ILLUSTRATION									
<END>									

# GENERATORS

## 136-6591 GENERATOR AR

S/N: AFN1-UP  
60 HERTZ, 380 VOLTS

SMCS-4450

i02314827

NOTE	PART NUMBER	QTY	PART NAME 1 2 3 4 5 6 (PRODUCT LEVEL)	SEE PAGE
	<b>118-8452</b>	1	FILM (INFORMATION) (GENERATOR) (INSTALL ON LH SIDE OF GENERATOR BARREL OR ON LH REMOVABLE SIDE PANEL. APPLY CLEAR LAMINATE OVER INSTALLED GENERATOR FILM)	
	<b>7W-5893</b>	1	FILM-GENERATOR LIFTING (INSTALL ON BARREL NEAR LIFTING HOLE ON GENERATOR)	
	<b>142-7542</b>	2	FILM-WARNING (HOT SURFACE) (INSTALL ON LEFT HAND AND RIGHT HAND SIDE OF GENERATOR HOUSING TOWARD GENERATOR FAN COVER ASSEMBLY)	
Y	<i>136-6655</i>	1	GENERATOR GP	450
	<b>1W-7848</b>	1	PLATE-SERIAL NUMBER (ENGLISH) (INSTALL ON RIGHT HAND SIDE OF GENERATOR BARREL AT FRONT USING DRIVE SCREWS TO INSTALL)	
	<b>2K-3219</b>	2	SCREW-DRIVE (NO 6X0.25-IN) (INSTALL GENERATOR SERIAL NUMBER PLATE)	
Y - SEPARATE ILLUSTRATION				
<END>				

## 136-6592 GENERATOR AR

S/N: AFN1-UP  
60 HERTZ, 380 VOLTS

SMCS-4450

i02314828

NOTE	PART NUMBER	QTY	PART NAME 1 2 3 4 5 6 (PRODUCT LEVEL)	SEE PAGE
	<b>118-8452</b>	1	FILM (INFORMATION) (GENERATOR) (INSTALL ON LH SIDE OF GENERATOR BARREL OR ON LH REMOVABLE SIDE PANEL. APPLY CLEAR LAMINATE OVER INSTALLED GENERATOR FILM)	
	<b>7W-5893</b>	1	FILM-GENERATOR LIFTING (INSTALL ON BARREL NEAR LIFTING HOLE ON GENERATOR)	
	<b>142-7542</b>	2	FILM-WARNING (HOT SURFACE) (INSTALL ON LEFT HAND AND RIGHT HAND SIDE OF GENERATOR HOUSING TOWARD GENERATOR FAN COVER ASSEMBLY)	
Y	<i>136-6656</i>	1	GENERATOR GP	452
	<b>1W-7848</b>	1	PLATE-SERIAL NUMBER (ENGLISH) (INSTALL ON RIGHT HAND SIDE OF GENERATOR BARREL AT FRONT USING DRIVE SCREWS TO INSTALL)	
	<b>2K-3219</b>	2	SCREW-DRIVE (NO 6X0.25-IN) (INSTALL GENERATOR SERIAL NUMBER PLATE)	
Y - SEPARATE ILLUSTRATION				
<END>				



# GENERATORS

## 136-6593 GENERATOR AR

S/N: AFN1-UP  
60 HERTZ, 380 VOLTS

SMCS-4450

i02314830

NOTE	PART NUMBER	QTY	PART NAME						SEE PAGE
			1	2	3	4	5	6 (PRODUCT LEVEL)	
	118-8452	1	FILM (INFORMATION) (GENERATOR)						
			(INSTALL ON LH SIDE OF GENERATOR BARREL OR ON LH REMOVABLE SIDE PANEL. APPLY CLEAR LAMINATE OVER INSTALLED GENERATOR FILM)						
	7W-5893	1	FILM-GENERATOR LIFTING						
			(INSTALL ON BARREL NEAR LIFTING HOLE ON GENERATOR)						
	142-7542	2	FILM-WARNING (HOT SURFACE)						
			(INSTALL ON LEFT HAND AND RIGHT HAND SIDE OF GENERATOR HOUSING TOWARD GENERATOR FAN COVER ASSEMBLY)						
Y	136-6657	1	GENERATOR GP						454
	1W-7848	1	PLATE-SERIAL NUMBER (ENGLISH)						
			(INSTALL ON RIGHT HAND SIDE OF GENERATOR BARREL AT FRONT USING DRIVE SCREWS TO INSTALL)						
	2K-3219	2	SCREW-DRIVE (NO 6X0.25-IN)						
			(INSTALL GENERATOR SERIAL NUMBER PLATE)						
Y - SEPARATE ILLUSTRATION									
<END>									

## 136-6594 GENERATOR AR

S/N: AFN1-UP  
60 HERTZ, 600 VOLTS

SMCS-4450

i02314831

NOTE	PART NUMBER	QTY	PART NAME						SEE PAGE
			1	2	3	4	5	6 (PRODUCT LEVEL)	
	118-8452	1	FILM (INFORMATION) (GENERATOR)						
			(INSTALL ON LH SIDE OF GENERATOR BARREL OR ON LH REMOVABLE SIDE PANEL. APPLY CLEAR LAMINATE OVER INSTALLED GENERATOR FILM)						
	7W-5893	1	FILM-GENERATOR LIFTING						
			(INSTALL ON BARREL NEAR LIFTING HOLE ON GENERATOR)						
	142-7542	2	FILM-WARNING (HOT SURFACE)						
			(INSTALL ON LEFT HAND AND RIGHT HAND SIDE OF GENERATOR HOUSING TOWARD GENERATOR FAN COVER ASSEMBLY)						
Y	136-6658	1	GENERATOR GP						456
	1W-7848	1	PLATE-SERIAL NUMBER (ENGLISH)						
			(INSTALL ON RIGHT HAND SIDE OF GENERATOR BARREL AT FRONT USING DRIVE SCREWS TO INSTALL)						
	2K-3219	2	SCREW-DRIVE (NO 6X0.25-IN)						
			(INSTALL GENERATOR SERIAL NUMBER PLATE)						
Y - SEPARATE ILLUSTRATION									
<END>									

# GENERATORS

## 136-6595 GENERATOR AR

S/N: AFN1-UP  
60 HERTZ, 600 VOLTS

SMCS-4450

i02314832

NOTE	PART NUMBER	QTY	PART NAME 1 2 3 4 5 6 (PRODUCT LEVEL)	SEE PAGE
	<b>118-8452</b>	1	FILM (INFORMATION) (GENERATOR) (INSTALL ON LH SIDE OF GENERATOR BARREL OR ON LH REMOVABLE SIDE PANEL. APPLY CLEAR LAMINATE OVER INSTALLED GENERATOR FILM)	
	<b>7W-5893</b>	1	FILM-GENERATOR LIFTING (INSTALL ON BARREL NEAR LIFTING HOLE ON GENERATOR)	
	<b>142-7542</b>	2	FILM-WARNING (HOT SURFACE) (INSTALL ON LEFT HAND AND RIGHT HAND SIDE OF GENERATOR HOUSING TOWARD GENERATOR FAN COVER ASSEMBLY)	
Y	<i>136-6659</i>	1	GENERATOR GP	458
	<b>1W-7848</b>	1	PLATE-SERIAL NUMBER (ENGLISH) (INSTALL ON RIGHT HAND SIDE OF GENERATOR BARREL AT FRONT USING DRIVE SCREWS TO INSTALL)	
	<b>2K-3219</b>	2	SCREW-DRIVE (NO 6X0.25-IN) (INSTALL GENERATOR SERIAL NUMBER PLATE)	
Y - SEPARATE ILLUSTRATION				
<END>				

## 136-6596 GENERATOR AR

S/N: AFN1-UP  
60 HERTZ, 600 VOLTS

SMCS-4450

i02314833

NOTE	PART NUMBER	QTY	PART NAME 1 2 3 4 5 6 (PRODUCT LEVEL)	SEE PAGE
	<b>118-8452</b>	1	FILM (INFORMATION) (GENERATOR) (INSTALL ON LH SIDE OF GENERATOR BARREL OR ON LH REMOVABLE SIDE PANEL. APPLY CLEAR LAMINATE OVER INSTALLED GENERATOR FILM)	
	<b>7W-5893</b>	1	FILM-GENERATOR LIFTING (INSTALL ON BARREL NEAR LIFTING HOLE ON GENERATOR)	
	<b>142-7542</b>	2	FILM-WARNING (HOT SURFACE) (INSTALL ON LEFT HAND AND RIGHT HAND SIDE OF GENERATOR HOUSING TOWARD GENERATOR FAN COVER ASSEMBLY)	
Y	<i>136-6660</i>	1	GENERATOR GP	460
	<b>1W-7848</b>	1	PLATE-SERIAL NUMBER (ENGLISH) (INSTALL ON RIGHT HAND SIDE OF GENERATOR BARREL AT FRONT USING DRIVE SCREWS TO INSTALL)	
	<b>2K-3219</b>	2	SCREW-DRIVE (NO 6X0.25-IN) (INSTALL GENERATOR SERIAL NUMBER PLATE)	
Y - SEPARATE ILLUSTRATION				
<END>				

# GENERATORS

## 136-6597 GENERATOR AR

S/N: AFK1-UP

60 HERTZ, 240-480 VOLTS

SMCS-4450

i02314834

NOTE	PART NUMBER	QTY	PART NAME						SEE PAGE
			1	2	3	4	5	6 (PRODUCT LEVEL)	
	118-8452	1	FILM (INFORMATION) (GENERATOR)						
			(INSTALL ON LH SIDE OF GENERATOR BARREL OR ON LH REMOVABLE SIDE PANEL. APPLY CLEAR LAMINATE OVER INSTALLED GENERATOR FILM)						
	7W-5893	1	FILM-GENERATOR LIFTING						
			(INSTALL ON BARREL NEAR LIFTING HOLE ON GENERATOR)						
	142-7542	2	FILM-WARNING (HOT SURFACE)						
			(INSTALL ON LEFT HAND AND RIGHT HAND SIDE OF GENERATOR HOUSING TOWARD GENERATOR FAN COVER ASSEMBLY)						
Y	136-6661	1	GENERATOR GP						462
	1W-7848	1	PLATE-SERIAL NUMBER (ENGLISH)						
			(INSTALL ON RIGHT HAND SIDE OF GENERATOR BARREL AT FRONT USING DRIVE SCREWS TO INSTALL)						
	2K-3219	2	SCREW-DRIVE (NO 6X0.25-IN)						
			(INSTALL GENERATOR SERIAL NUMBER PLATE)						
Y - SEPARATE ILLUSTRATION									
<END>									

## 136-6598 GENERATOR AR

S/N: AFK1-UP

60 HERTZ, 240-480 VOLTS

SMCS-4450

i02314835

NOTE	PART NUMBER	QTY	PART NAME						SEE PAGE
			1	2	3	4	5	6 (PRODUCT LEVEL)	
	118-8452	1	FILM (INFORMATION) (GENERATOR)						
			(INSTALL ON LH SIDE OF GENERATOR BARREL OR ON LH REMOVABLE SIDE PANEL. APPLY CLEAR LAMINATE OVER INSTALLED GENERATOR FILM)						
	7W-5893	1	FILM-GENERATOR LIFTING						
			(INSTALL ON BARREL NEAR LIFTING HOLE ON GENERATOR)						
	142-7542	2	FILM-WARNING (HOT SURFACE)						
			(INSTALL ON LEFT HAND AND RIGHT HAND SIDE OF GENERATOR HOUSING TOWARD GENERATOR FAN COVER ASSEMBLY)						
Y	136-6662	1	GENERATOR GP						464
	1W-7848	1	PLATE-SERIAL NUMBER (ENGLISH)						
			(INSTALL ON RIGHT HAND SIDE OF GENERATOR BARREL AT FRONT USING DRIVE SCREWS TO INSTALL)						
	2K-3219	2	SCREW-DRIVE (NO 6X0.25-IN)						
			(INSTALL GENERATOR SERIAL NUMBER PLATE)						
Y - SEPARATE ILLUSTRATION									
<END>									

# GENERATORS

## 136-6599 GENERATOR AR

S/N: AFK1-UP

60 HERTZ, 240-480 VOLTS

SMCS-4450

i02314836

NOTE	PART NUMBER	QTY	PART NAME						SEE PAGE
			1	2	3	4	5	6 (PRODUCT LEVEL)	
	118-8452	1	FILM (INFORMATION) (GENERATOR)						
			(INSTALL ON LH SIDE OF GENERATOR BARREL OR ON LH REMOVABLE SIDE PANEL. APPLY CLEAR LAMINATE OVER INSTALLED GENERATOR FILM)						
	7W-5893	1	FILM-GENERATOR LIFTING						
			(INSTALL ON BARREL NEAR LIFTING HOLE ON GENERATOR)						
	142-7542	2	FILM-WARNING (HOT SURFACE)						
			(INSTALL ON LEFT HAND AND RIGHT HAND SIDE OF GENERATOR HOUSING TOWARD GENERATOR FAN COVER ASSEMBLY)						
Y	136-6663	1	GENERATOR GP						466
	1W-7848	1	PLATE-SERIAL NUMBER (ENGLISH)						
			(INSTALL ON RIGHT HAND SIDE OF GENERATOR BARREL AT FRONT USING DRIVE SCREWS TO INSTALL)						
	2K-3219	2	SCREW-DRIVE (NO 6X0.25-IN)						
			(INSTALL GENERATOR SERIAL NUMBER PLATE)						
Y - SEPARATE ILLUSTRATION									
<END>									

## 136-6600 GENERATOR AR

S/N: AFK1-UP

60 HERTZ, 380 VOLTS

SMCS-4450

i02314837

NOTE	PART NUMBER	QTY	PART NAME						SEE PAGE
			1	2	3	4	5	6 (PRODUCT LEVEL)	
	118-8452	1	FILM (INFORMATION) (GENERATOR)						
			(INSTALL ON LH SIDE OF GENERATOR BARREL OR ON LH REMOVABLE SIDE PANEL. APPLY CLEAR LAMINATE OVER INSTALLED GENERATOR FILM)						
	7W-5893	1	FILM-GENERATOR LIFTING						
			(INSTALL ON BARREL NEAR LIFTING HOLE ON GENERATOR)						
	142-7542	2	FILM-WARNING (HOT SURFACE)						
			(INSTALL ON LEFT HAND AND RIGHT HAND SIDE OF GENERATOR HOUSING TOWARD GENERATOR FAN COVER ASSEMBLY)						
Y	136-6664	1	GENERATOR GP						468
	1W-7848	1	PLATE-SERIAL NUMBER (ENGLISH)						
			(INSTALL ON RIGHT HAND SIDE OF GENERATOR BARREL AT FRONT USING DRIVE SCREWS TO INSTALL)						
	2K-3219	2	SCREW-DRIVE (NO 6X0.25-IN)						
			(INSTALL GENERATOR SERIAL NUMBER PLATE)						
Y - SEPARATE ILLUSTRATION									
<END>									

# GENERATORS

## 136-6601 GENERATOR AR

S/N: AFK1-UP  
60 HERTZ, 380 VOLTS

SMCS-4450

i02314838

NOTE	PART NUMBER	QTY	PART NAME 1 2 3 4 5 6 (PRODUCT LEVEL)	SEE PAGE
	<b>118-8452</b>	1	FILM (INFORMATION) (GENERATOR) (INSTALL ON LH SIDE OF GENERATOR BARREL OR ON LH REMOVABLE SIDE PANEL. APPLY CLEAR LAMINATE OVER INSTALLED GENERATOR FILM)	
	<b>7W-5893</b>	1	FILM-GENERATOR LIFTING (INSTALL ON BARREL NEAR LIFTING HOLE ON GENERATOR)	
	<b>142-7542</b>	2	FILM-WARNING (HOT SURFACE) (INSTALL ON LEFT HAND AND RIGHT HAND SIDE OF GENERATOR HOUSING TOWARD GENERATOR FAN COVER ASSEMBLY)	
Y	<i>136-6665</i>	1	GENERATOR GP	470
	<b>1W-7848</b>	1	PLATE-SERIAL NUMBER (ENGLISH) (INSTALL ON RIGHT HAND SIDE OF GENERATOR BARREL AT FRONT USING DRIVE SCREWS TO INSTALL)	
	<b>2K-3219</b>	2	SCREW-DRIVE (NO 6X0.25-IN) (INSTALL GENERATOR SERIAL NUMBER PLATE)	
Y - SEPARATE ILLUSTRATION				
<END>				

## 136-6602 GENERATOR AR

S/N: AFK1-UP  
60 HERTZ, 380 VOLTS

SMCS-4450

i02314839

NOTE	PART NUMBER	QTY	PART NAME 1 2 3 4 5 6 (PRODUCT LEVEL)	SEE PAGE
	<b>118-8452</b>	1	FILM (INFORMATION) (GENERATOR) (INSTALL ON LH SIDE OF GENERATOR BARREL OR ON LH REMOVABLE SIDE PANEL. APPLY CLEAR LAMINATE OVER INSTALLED GENERATOR FILM)	
	<b>7W-5893</b>	1	FILM-GENERATOR LIFTING (INSTALL ON BARREL NEAR LIFTING HOLE ON GENERATOR)	
	<b>142-7542</b>	2	FILM-WARNING (HOT SURFACE) (INSTALL ON LEFT HAND AND RIGHT HAND SIDE OF GENERATOR HOUSING TOWARD GENERATOR FAN COVER ASSEMBLY)	
Y	<i>136-6666</i>	1	GENERATOR GP	472
	<b>1W-7848</b>	1	PLATE-SERIAL NUMBER (ENGLISH) (INSTALL ON RIGHT HAND SIDE OF GENERATOR BARREL AT FRONT USING DRIVE SCREWS TO INSTALL)	
	<b>2K-3219</b>	2	SCREW-DRIVE (NO 6X0.25-IN) (INSTALL GENERATOR SERIAL NUMBER PLATE)	
Y - SEPARATE ILLUSTRATION				
<END>				

# GENERATORS

## 136-6603 GENERATOR AR

S/N: AFK1-UP  
60 HERTZ, 600 VOLTS

SMCS-4450

i02314840

NOTE	PART NUMBER	QTY	PART NAME 1 2 3 4 5 6 (PRODUCT LEVEL)	SEE PAGE
	<b>118-8452</b>	1	FILM (INFORMATION) (GENERATOR) (INSTALL ON LH SIDE OF GENERATOR BARREL OR ON LH REMOVABLE SIDE PANEL. APPLY CLEAR LAMINATE OVER INSTALLED GENERATOR FILM)	
	<b>7W-5893</b>	1	FILM-GENERATOR LIFTING (INSTALL ON BARREL NEAR LIFTING HOLE ON GENERATOR)	
	<b>142-7542</b>	2	FILM-WARNING (HOT SURFACE) (INSTALL ON LEFT HAND AND RIGHT HAND SIDE OF GENERATOR HOUSING TOWARD GENERATOR FAN COVER ASSEMBLY)	
Y	<i>136-6667</i>	1	GENERATOR GP	474
	<b>1W-7848</b>	1	PLATE-SERIAL NUMBER (ENGLISH) (INSTALL ON RIGHT HAND SIDE OF GENERATOR BARREL AT FRONT USING DRIVE SCREWS TO INSTALL)	
	<b>2K-3219</b>	2	SCREW-DRIVE (NO 6X0.25-IN) (INSTALL GENERATOR SERIAL NUMBER PLATE)	
Y - SEPARATE ILLUSTRATION				
<END>				

## 136-6604 GENERATOR AR

S/N: AFK1-UP  
60 HERTZ, 600 VOLTS

SMCS-4450

i02314841

NOTE	PART NUMBER	QTY	PART NAME 1 2 3 4 5 6 (PRODUCT LEVEL)	SEE PAGE
	<b>118-8452</b>	1	FILM (INFORMATION) (GENERATOR) (INSTALL ON LH SIDE OF GENERATOR BARREL OR ON LH REMOVABLE SIDE PANEL. APPLY CLEAR LAMINATE OVER INSTALLED GENERATOR FILM)	
	<b>7W-5893</b>	1	FILM-GENERATOR LIFTING (INSTALL ON BARREL NEAR LIFTING HOLE ON GENERATOR)	
	<b>142-7542</b>	2	FILM-WARNING (HOT SURFACE) (INSTALL ON LEFT HAND AND RIGHT HAND SIDE OF GENERATOR HOUSING TOWARD GENERATOR FAN COVER ASSEMBLY)	
Y	<i>136-6668</i>	1	GENERATOR GP	476
	<b>1W-7848</b>	1	PLATE-SERIAL NUMBER (ENGLISH) (INSTALL ON RIGHT HAND SIDE OF GENERATOR BARREL AT FRONT USING DRIVE SCREWS TO INSTALL)	
	<b>2K-3219</b>	2	SCREW-DRIVE (NO 6X0.25-IN) (INSTALL GENERATOR SERIAL NUMBER PLATE)	
Y - SEPARATE ILLUSTRATION				
<END>				

# GENERATORS

## 136-6605 GENERATOR AR

S/N: AFK1-UP  
60 HERTZ, 600 VOLTS

SMCS-4450

i02314842

NOTE	PART NUMBER	QTY	PART NAME						SEE PAGE
			1	2	3	4	5	6 (PRODUCT LEVEL)	
	118-8452	1	FILM (INFORMATION) (GENERATOR)						
			(INSTALL ON LH SIDE OF GENERATOR BARREL OR ON LH REMOVABLE SIDE PANEL. APPLY CLEAR LAMINATE OVER INSTALLED GENERATOR FILM)						
	7W-5893	1	FILM-GENERATOR LIFTING						
			(INSTALL ON BARREL NEAR LIFTING HOLE ON GENERATOR)						
	142-7542	2	FILM-WARNING (HOT SURFACE)						
			(INSTALL ON LEFT HAND AND RIGHT HAND SIDE OF GENERATOR HOUSING TOWARD GENERATOR FAN COVER ASSEMBLY)						
Y	136-6669	1	GENERATOR GP						478
	1W-7848	1	PLATE-SERIAL NUMBER (ENGLISH)						
			(INSTALL ON RIGHT HAND SIDE OF GENERATOR BARREL AT FRONT USING DRIVE SCREWS TO INSTALL)						
	2K-3219	2	SCREW-DRIVE (NO 6X0.25-IN)						
			(INSTALL GENERATOR SERIAL NUMBER PLATE)						
Y - SEPARATE ILLUSTRATION									
<END>									

## 136-6606 GENERATOR AR

S/N: AFH1-UP; AFK1-UP  
60 HERTZ, 240-480 VOLTS

SMCS-4450

i02314843

NOTE	PART NUMBER	QTY	PART NAME						SEE PAGE
			1	2	3	4	5	6 (PRODUCT LEVEL)	
	118-8452	1	FILM (INFORMATION) (GENERATOR)						
			(INSTALL ON LH SIDE OF GENERATOR BARREL OR ON LH REMOVABLE SIDE PANEL. APPLY CLEAR LAMINATE OVER INSTALLED GENERATOR FILM)						
	7W-5893	1	FILM-GENERATOR LIFTING						
			(INSTALL ON BARREL NEAR LIFTING HOLE ON GENERATOR)						
	142-7542	2	FILM-WARNING (HOT SURFACE)						
			(INSTALL ON LEFT HAND AND RIGHT HAND SIDE OF GENERATOR HOUSING TOWARD GENERATOR FAN COVER ASSEMBLY)						
Y	136-6670	1	GENERATOR GP						480
	1W-7848	1	PLATE-SERIAL NUMBER (ENGLISH)						
			(INSTALL ON RIGHT HAND SIDE OF GENERATOR BARREL AT FRONT USING DRIVE SCREWS TO INSTALL)						
	2K-3219	2	SCREW-DRIVE (NO 6X0.25-IN)						
			(INSTALL GENERATOR SERIAL NUMBER PLATE)						
Y - SEPARATE ILLUSTRATION									
<END>									

# GENERATORS

## 136-6607 GENERATOR AR

S/N: AFH1-UP

60 HERTZ, 240-480 VOLTS

SMCS-4450

i02314844

NOTE	PART NUMBER	QTY	PART NAME						SEE PAGE
			1	2	3	4	5	6 (PRODUCT LEVEL)	
	118-8452	1	FILM (INFORMATION) (GENERATOR)						
			(INSTALL ON LH SIDE OF GENERATOR BARREL OR ON LH REMOVABLE SIDE PANEL. APPLY CLEAR LAMINATE OVER INSTALLED GENERATOR FILM)						
	7W-5893	1	FILM-GENERATOR LIFTING						
			(INSTALL ON BARREL NEAR LIFTING HOLE ON GENERATOR)						
	142-7542	2	FILM-WARNING (HOT SURFACE)						
			(INSTALL ON LEFT HAND AND RIGHT HAND SIDE OF GENERATOR HOUSING TOWARD GENERATOR FAN COVER ASSEMBLY)						
Y	136-6671	1	GENERATOR GP						482
	1W-7848	1	PLATE-SERIAL NUMBER (ENGLISH)						
			(INSTALL ON RIGHT HAND SIDE OF GENERATOR BARREL AT FRONT USING DRIVE SCREWS TO INSTALL)						
	2K-3219	2	SCREW-DRIVE (NO 6X0.25-IN)						
			(INSTALL GENERATOR SERIAL NUMBER PLATE)						
Y - SEPARATE ILLUSTRATION									
<END>									

## 136-6608 GENERATOR AR

S/N: AFH1-UP

60 HERTZ, 240-480 VOLTS

SMCS-4450

i02314846

NOTE	PART NUMBER	QTY	PART NAME						SEE PAGE
			1	2	3	4	5	6 (PRODUCT LEVEL)	
	118-8452	1	FILM (INFORMATION) (GENERATOR)						
			(INSTALL ON LH SIDE OF GENERATOR BARREL OR ON LH REMOVABLE SIDE PANEL. APPLY CLEAR LAMINATE OVER INSTALLED GENERATOR FILM)						
	7W-5893	1	FILM-GENERATOR LIFTING						
			(INSTALL ON BARREL NEAR LIFTING HOLE ON GENERATOR)						
	142-7542	2	FILM-WARNING (HOT SURFACE)						
			(INSTALL ON LEFT HAND AND RIGHT HAND SIDE OF GENERATOR HOUSING TOWARD GENERATOR FAN COVER ASSEMBLY)						
Y	136-6672	1	GENERATOR GP						484
	1W-7848	1	PLATE-SERIAL NUMBER (ENGLISH)						
			(INSTALL ON RIGHT HAND SIDE OF GENERATOR BARREL AT FRONT USING DRIVE SCREWS TO INSTALL)						
	2K-3219	2	SCREW-DRIVE (NO 6X0.25-IN)						
			(INSTALL GENERATOR SERIAL NUMBER PLATE)						
Y - SEPARATE ILLUSTRATION									
<END>									



# GENERATORS

## 136-6609 GENERATOR AR

S/N: AFH1-UP  
60 HERTZ, 380 VOLTS

SMCS-4450

i02314848

NOTE	PART NUMBER	QTY	PART NAME 1 2 3 4 5 6 (PRODUCT LEVEL)	SEE PAGE
	<b>118-8452</b>	1	FILM (INFORMATION) (GENERATOR) (INSTALL ON LH SIDE OF GENERATOR BARREL OR ON LH REMOVABLE SIDE PANEL. APPLY CLEAR LAMINATE OVER INSTALLED GENERATOR FILM)	
	<b>7W-5893</b>	1	FILM-GENERATOR LIFTING (INSTALL ON BARREL NEAR LIFTING HOLE ON GENERATOR)	
	<b>142-7542</b>	2	FILM-WARNING (HOT SURFACE) (INSTALL ON LEFT HAND AND RIGHT HAND SIDE OF GENERATOR HOUSING TOWARD GENERATOR FAN COVER ASSEMBLY)	
Y	<i>136-6673</i>	1	GENERATOR GP	486
	<b>1W-7848</b>	1	PLATE-SERIAL NUMBER (ENGLISH) (INSTALL ON RIGHT HAND SIDE OF GENERATOR BARREL AT FRONT USING DRIVE SCREWS TO INSTALL)	
	<b>2K-3219</b>	2	SCREW-DRIVE (NO 6X0.25-IN) (INSTALL GENERATOR SERIAL NUMBER PLATE)	
Y - SEPARATE ILLUSTRATION				
<END>				

## 136-6610 GENERATOR AR

S/N: AFH1-UP  
60 HERTZ, 380 VOLTS

SMCS-4450

i02314849

NOTE	PART NUMBER	QTY	PART NAME 1 2 3 4 5 6 (PRODUCT LEVEL)	SEE PAGE
	<b>118-8452</b>	1	FILM (INFORMATION) (GENERATOR) (INSTALL ON LH SIDE OF GENERATOR BARREL OR ON LH REMOVABLE SIDE PANEL. APPLY CLEAR LAMINATE OVER INSTALLED GENERATOR FILM)	
	<b>7W-5893</b>	1	FILM-GENERATOR LIFTING (INSTALL ON BARREL NEAR LIFTING HOLE ON GENERATOR)	
	<b>142-7542</b>	2	FILM-WARNING (HOT SURFACE) (INSTALL ON LEFT HAND AND RIGHT HAND SIDE OF GENERATOR HOUSING TOWARD GENERATOR FAN COVER ASSEMBLY)	
Y	<i>136-6674</i>	1	GENERATOR GP	488
	<b>1W-7848</b>	1	PLATE-SERIAL NUMBER (ENGLISH) (INSTALL ON RIGHT HAND SIDE OF GENERATOR BARREL AT FRONT USING DRIVE SCREWS TO INSTALL)	
	<b>2K-3219</b>	2	SCREW-DRIVE (NO 6X0.25-IN) (INSTALL GENERATOR SERIAL NUMBER PLATE)	
Y - SEPARATE ILLUSTRATION				
<END>				

# GENERATORS

## 136-6611 GENERATOR AR

S/N: AFH1-UP  
60 HERTZ, 380 VOLTS

SMCS-4450

i02314850

NOTE	PART NUMBER	QTY	PART NAME 1 2 3 4 5 6 (PRODUCT LEVEL)	SEE PAGE
	<b>118-8452</b>	1	FILM (INFORMATION) (GENERATOR) (INSTALL ON LH SIDE OF GENERATOR BARREL OR ON LH REMOVABLE SIDE PANEL. APPLY CLEAR LAMINATE OVER INSTALLED GENERATOR FILM)	
	<b>7W-5893</b>	1	FILM-GENERATOR LIFTING (INSTALL ON BARREL NEAR LIFTING HOLE ON GENERATOR)	
	<b>142-7542</b>	2	FILM-WARNING (HOT SURFACE) (INSTALL ON LEFT HAND AND RIGHT HAND SIDE OF GENERATOR HOUSING TOWARD GENERATOR FAN COVER ASSEMBLY)	
Y	<i>136-6675</i>	1	GENERATOR GP	490
	<b>1W-7848</b>	1	PLATE-SERIAL NUMBER (ENGLISH) (INSTALL ON RIGHT HAND SIDE OF GENERATOR BARREL AT FRONT USING DRIVE SCREWS TO INSTALL)	
	<b>2K-3219</b>	2	SCREW-DRIVE (NO 6X0.25-IN) (INSTALL GENERATOR SERIAL NUMBER PLATE)	
Y - SEPARATE ILLUSTRATION				
<END>				

## 136-6612 GENERATOR AR

S/N: AFH1-UP  
60 HERTZ, 600 VOLTS

SMCS-4450

i02314852

NOTE	PART NUMBER	QTY	PART NAME 1 2 3 4 5 6 (PRODUCT LEVEL)	SEE PAGE
	<b>118-8452</b>	1	FILM (INFORMATION) (GENERATOR) (INSTALL ON LH SIDE OF GENERATOR BARREL OR ON LH REMOVABLE SIDE PANEL. APPLY CLEAR LAMINATE OVER INSTALLED GENERATOR FILM)	
	<b>7W-5893</b>	1	FILM-GENERATOR LIFTING (INSTALL ON BARREL NEAR LIFTING HOLE ON GENERATOR)	
	<b>142-7542</b>	2	FILM-WARNING (HOT SURFACE) (INSTALL ON LEFT HAND AND RIGHT HAND SIDE OF GENERATOR HOUSING TOWARD GENERATOR FAN COVER ASSEMBLY)	
Y	<i>136-6676</i>	1	GENERATOR GP	492
	<b>1W-7848</b>	1	PLATE-SERIAL NUMBER (ENGLISH) (INSTALL ON RIGHT HAND SIDE OF GENERATOR BARREL AT FRONT USING DRIVE SCREWS TO INSTALL)	
	<b>2K-3219</b>	2	SCREW-DRIVE (NO 6X0.25-IN) (INSTALL GENERATOR SERIAL NUMBER PLATE)	
Y - SEPARATE ILLUSTRATION				
<END>				

# GENERATORS

## 136-6613 GENERATOR AR

S/N: AFH1-UP  
60 HERTZ, 600 VOLTS

SMCS-4450

i02314854

NOTE	PART NUMBER	QTY	PART NAME 1 2 3 4 5 6 (PRODUCT LEVEL)	SEE PAGE
	<b>118-8452</b>	1	FILM (INFORMATION) (GENERATOR) (INSTALL ON LH SIDE OF GENERATOR BARREL OR ON LH REMOVABLE SIDE PANEL. APPLY CLEAR LAMINATE OVER INSTALLED GENERATOR FILM)	
	<b>7W-5893</b>	1	FILM-GENERATOR LIFTING (INSTALL ON BARREL NEAR LIFTING HOLE ON GENERATOR)	
	<b>142-7542</b>	2	FILM-WARNING (HOT SURFACE) (INSTALL ON LEFT HAND AND RIGHT HAND SIDE OF GENERATOR HOUSING TOWARD GENERATOR FAN COVER ASSEMBLY)	
Y	<i>136-6677</i>	1	GENERATOR GP	494
	<b>1W-7848</b>	1	PLATE-SERIAL NUMBER (ENGLISH) (INSTALL ON RIGHT HAND SIDE OF GENERATOR BARREL AT FRONT USING DRIVE SCREWS TO INSTALL)	
	<b>2K-3219</b>	2	SCREW-DRIVE (NO 6X0.25-IN) (INSTALL GENERATOR SERIAL NUMBER PLATE)	
Y - SEPARATE ILLUSTRATION				
<END>				

## 136-6614 GENERATOR AR

S/N: AFH1-UP  
60 HERTZ, 600 VOLTS

SMCS-4450

i02314855

NOTE	PART NUMBER	QTY	PART NAME 1 2 3 4 5 6 (PRODUCT LEVEL)	SEE PAGE
	<b>118-8452</b>	1	FILM (INFORMATION) (GENERATOR) (INSTALL ON LH SIDE OF GENERATOR BARREL OR ON LH REMOVABLE SIDE PANEL. APPLY CLEAR LAMINATE OVER INSTALLED GENERATOR FILM)	
	<b>7W-5893</b>	1	FILM-GENERATOR LIFTING (INSTALL ON BARREL NEAR LIFTING HOLE ON GENERATOR)	
	<b>142-7542</b>	2	FILM-WARNING (HOT SURFACE) (INSTALL ON LEFT HAND AND RIGHT HAND SIDE OF GENERATOR HOUSING TOWARD GENERATOR FAN COVER ASSEMBLY)	
Y	<i>136-6678</i>	1	GENERATOR GP	496
	<b>1W-7848</b>	1	PLATE-SERIAL NUMBER (ENGLISH) (INSTALL ON RIGHT HAND SIDE OF GENERATOR BARREL AT FRONT USING DRIVE SCREWS TO INSTALL)	
	<b>2K-3219</b>	2	SCREW-DRIVE (NO 6X0.25-IN) (INSTALL GENERATOR SERIAL NUMBER PLATE)	
Y - SEPARATE ILLUSTRATION				
<END>				

# GENERATORS

## 351-9016 GENERATOR AR

S/N: AFR1-UP

12 LEAD, 60 HERTZ, 480 VOLTS, 0.8 PF AT 800 KW  
AN ATTACHMENT

SMCS-4450

i04406338

NOTE	PART NUMBER	QTY	PART NAME						SEE PAGE
			1	2	3	4	5	6 (PRODUCT LEVEL)	
Y	351-9015	1	GENERATOR GP						498
	118-8452	1	FILM (INFORMATION) (GENERATOR)						
			(INSTALL ON LH SIDE OF GENERATOR BARREL OR ON LH REMOVABLE SIDE PANEL. APPLY CLEAR LAMINATE OVER INSTALLED GENERATOR FILM)						
	7W-5893	1	FILM-GENERATOR LIFTING						
			(INSTALL ON BARREL NEAR LIFTING HOLE ON GENERATOR)						
	142-7542	2	FILM-WARNING (HOT SURFACE)						
			(INSTALL ON LEFT HAND AND RIGHT HAND SIDE OF GENERATOR HOUSING TOWARD GENERATOR FAN COVER ASSEMBLY)						
	1W-7848	1	PLATE-SERIAL NUMBER (ENGLISH)						
			(INSTALL ON RIGHT HAND SIDE OF GENERATOR BARREL AT FRONT USING DRIVE SCREWS TO INSTALL)						
	2K-3219	2	SCREW-DRIVE (NO 6X0.25-IN)						
			(INSTALL GENERATOR SERIAL NUMBER PLATE)						
Y - SEPARATE ILLUSTRATION									
<END>									

## 367-8046 GENERATOR AR

S/N: AFR1-UP

SR4-B 600-VOLT, 60 HERTZ  
FOR USE WITH C27 TRANSITION NEWBERRY

SMCS-4450

i04967553

NOTE	PART NUMBER	QTY	PART NAME						SEE PAGE
			1	2	3	4	5	6 (PRODUCT LEVEL)	
Y	367-8045	1	GENERATOR GP						498
Y - SEPARATE ILLUSTRATION									
<END>									

## 367-8050 GENERATOR AR

S/N: AFN1-UP

SR4-B 600-VOLTS, 60HZ  
FOR USE WITH C27 T2 TRANSITION NEWBERRY  
AN ATTACHMENT

SMCS-4450

i05163218

NOTE	PART NUMBER	QTY	PART NAME						SEE PAGE
			1	2	3	4	5	6 (PRODUCT LEVEL)	
Y	367-8049	1	GENERATOR GP						499
Y - SEPARATE ILLUSTRATION									
<END>									

# GENERATORS

## 367-8052 GENERATOR AR

S/N: AFR1-UP

SR4-B 60-HZ, 600-VOLTS

FOR USE WITH C27 TRANSITION TO NB

SMCS-4450

i04970391

NOTE	PART NUMBER	QTY	PART NAME 1 2 3 4 5 6 (PRODUCT LEVEL)	SEE PAGE
Y	367-8051	1	GENERATOR GP	499

Y - SEPARATE ILLUSTRATION

<END>

## 367-8058 GENERATOR AR

S/N: AFN1-UP

SR4-B 60-HZ, 240-VOLT/480-VOLT

AN ATTACHMENT

SMCS-4450

i04970471

NOTE	PART NUMBER	QTY	PART NAME 1 2 3 4 5 6 (PRODUCT LEVEL)	SEE PAGE
Y	367-8057	1	GENERATOR GP	499

Y - SEPARATE ILLUSTRATION

<END>

## 367-8060 GENERATOR AR

S/N: AFR1-UP

SR4-B 60 HERTZ, 240/480 VOLTS

SMCS-4450

i04970532

NOTE	PART NUMBER	QTY	PART NAME 1 2 3 4 5 6 (PRODUCT LEVEL)	SEE PAGE
Y	367-8059	1	GENERATOR GP	499

Y - SEPARATE ILLUSTRATION

<END>

# GENERATORS

## 367-8062 GENERATOR AR

S/N: AFR1-UP

60 HERTZ, 240/480 VOLTS

SMCS-4450

i05159329

NOTE	PART NUMBER	QTY	PART NAME						SEE PAGE
			1	2	3	4	5	6 (PRODUCT LEVEL)	
Y	367-8061	1	GENERATOR GP						500
	118-8452	1	FILM (INFORMATION) (GENERATOR) (INSTALL ON LH SIDE OF GENERATOR BARREL OR ON LH REMOVABLE SIDE PANEL. APPLY CLEAR LAMINATE OVER INSTALLED GENERATOR FILM)						
	7W-5893	1	FILM-GENERATOR LIFTING (INSTALL ON BARREL NEAR LIFTING HOLE ON GENERATOR)						
	142-7542	2	FILM-WARNING (HOT SURFACE) (INSTALL ON LEFT HAND AND RIGHT HAND SIDE OF GENERATOR HOUSING TOWARD GENERATOR FAN COVER ASSEMBLY)						
	1W-7848	1	PLATE-SERIAL NUMBER (ENGLISH) (INSTALL ON RIGHT HAND SIDE OF GENERATOR BARREL AT FRONT USING DRIVE SCREWS TO INSTALL)						
	2K-3219	2	SCREW-DRIVE (NO 6X0.25-IN) (INSTALL GENERATOR SERIAL NUMBER PLATE)						
Y - SEPARATE ILLUSTRATION									
<END>									

## 367-8086 GENERATOR AR

S/N: AFR1-UP

60 HERTZ, 380 VOLTS

SMCS-4450

i05182910

NOTE	PART NUMBER	QTY	PART NAME						SEE PAGE
			1	2	3	4	5	6 (PRODUCT LEVEL)	
Y	367-8085	1	GENERATOR GP						500
	118-8452	1	FILM (INFORMATION) (GENERATOR) (INSTALL ON LH SIDE OF GENERATOR BARREL OR ON LH REMOVABLE SIDE PANEL. APPLY CLEAR LAMINATE OVER INSTALLED GENERATOR FILM)						
	7W-5893	1	FILM-GENERATOR LIFTING (INSTALL ON BARREL NEAR LIFTING HOLE ON GENERATOR)						
	142-7542	2	FILM-WARNING (HOT SURFACE) (INSTALL ON LEFT HAND AND RIGHT HAND SIDE OF GENERATOR HOUSING TOWARD GENERATOR FAN COVER ASSEMBLY)						
	1W-7848	1	PLATE-SERIAL NUMBER (ENGLISH) (INSTALL ON RIGHT HAND SIDE OF GENERATOR BARREL AT FRONT USING DRIVE SCREWS TO INSTALL)						
	2K-3219	2	SCREW-DRIVE (NO 6X0.25-IN) (INSTALL GENERATOR SERIAL NUMBER PLATE)						
Y - SEPARATE ILLUSTRATION									
<END>									

# GENERATORS

## 372-7130 GENERATOR AR

S/N: AFR1-UP

60 HERTZ, 600 VOLT. 598 FRAME PM EXCITED, RANDOM WOUND, 6 LEAD GENERATOR  
AN ATTACHMENT

SMCS-4450

i05188709

NOTE	PART NUMBER	QTY	PART NAME 1 2 3 4 5 6 (PRODUCT LEVEL)	SEE PAGE
Y	372-7129	1	GENERATOR GP	501
Y - SEPARATE ILLUSTRATION				

<END>

## 387-0790 GENERATOR AR

S/N: AFK1-UP

60 HERTZ, 240/480 VOLT. 596 FRAME, SELF EXCITED, CENTER POST BUSS BARS, 1400 FRAME  
FOOT  
AN ATTACHMENT

SMCS-4450

i05188873

NOTE	PART NUMBER	QTY	PART NAME 1 2 3 4 5 6 (PRODUCT LEVEL)	SEE PAGE
Y	387-0791	1	GENERATOR GP	503
Y - SEPARATE ILLUSTRATION				

<END>

## 387-0792 GENERATOR AR

S/N: AFN1-UP

60 HERTZ, 240/480 VOLT  
AN ATTACHMENT

SMCS-4450

i05188921

NOTE	PART NUMBER	QTY	PART NAME 1 2 3 4 5 6 (PRODUCT LEVEL)	SEE PAGE
Y	387-0793	1	GENERATOR GP	503
Y - SEPARATE ILLUSTRATION				

<END>

## 387-0794 GENERATOR AR

S/N: AFR1-UP

60 HERTZ, 240/480 VOLT. 598 FRAME, SELF-EXCITED, CENTER POST BUSS BARS  
AN ATTACHMENT

SMCS-4450

i05188721

NOTE	PART NUMBER	QTY	PART NAME 1 2 3 4 5 6 (PRODUCT LEVEL)	SEE PAGE
Y	387-0795	1	GENERATOR GP	503
Y - SEPARATE ILLUSTRATION				

<END>

# GENERATORS

## 136-6642 GENERATOR GP

S/N: AFR1-UP

PART OF 136-6579 GENERATOR AR

SMCS-4450

i02568364

NOTE	REF NO	GRAPHIC REF	PART NUMBER	QTY	PART NAME						SEE PAGE
					1	2	3	4	5	6 (PRODUCT LEVEL)	
	1	1	<b>153-3185</b>	1	STATOR AS						
Y	2	1	<b>144-9438</b>	1	ROTOR GP-GENERATOR						516
	3	1	<b>2N-2030</b>	1	FAN-VENT						
	4	1	<b>4P-1798</b>	1	DEFLECTOR-UPPER						
	5	1	<b>4P-4532</b>	1	DEFLECTOR-LOWER						
	6	1	<b>7E-9592</b>	1	COVER-DRIP						
	7	1	<b>5P-0059</b>	4	BOLT (5/16-18X6-IN)						
	8	1	<b>9M-1974</b>	17	WASHER-HARD (8.8X16X2-MM THK)						
	9	1	<b>5L-2087</b>	4	SPACER (9.25X13.72X50.8-MM THK)						
	10	1	<b>4B-3388</b>	5	BOLT (5/16-18X1.125-IN)						
	11	1	<b>7E-3030</b>	1	SPACER (8.3X11.9X16.1-MM THK)						
	12	1	<b>108-6950</b>	1	ROTOR-EXCITER						
	13	1	<b>108-6949</b>	1	STATOR-EXCITER						
	14	1	<b>124-3289</b>	1	BRACKET-BEARING						
	15	1	<b>108-7822</b>	2	RETAINER						
	16	1	<b>5P-2955</b>	4	BOLT (5/16-18X2.5-IN)						
	17	1	<b>124-3295</b>	1	SLEEVE-SHAFT						
	18	1	<b>4P-3153</b>	1	SPACER (20.6X77X27.8-MM THK)						
C	19	1	<b>290-5565</b>	1	HEAT SINK AS						
	20	1	<b>124-3294</b>	1	COVER AS-EXCITER						
	21	1	<b>4M-5282</b>	4	BOLT (1/4-20X1.5-IN)						
	22	1	<b>108-8265</b>	2	SCREEN AS						
	23	1	<b>1B-9575</b>	4	BOLT (5/16-18X1.56-IN)						
	24	1	<b>5M-6214</b>	2	PLUG-PIPE						
	25	1	<b>108-1468</b>	1	PLATE-COUPLING						
B	26	1	<b>7L-5452</b>	2	SHIM (0.8-MM THK)						
	27	1	<b>9X-2119</b>	8	BOLT-12 POINT HEAD (7/8-9X2.5-IN)						
	28	1	<b>5P-8249</b>	8	WASHER-HARD (24X41.5X4-MM THK)						

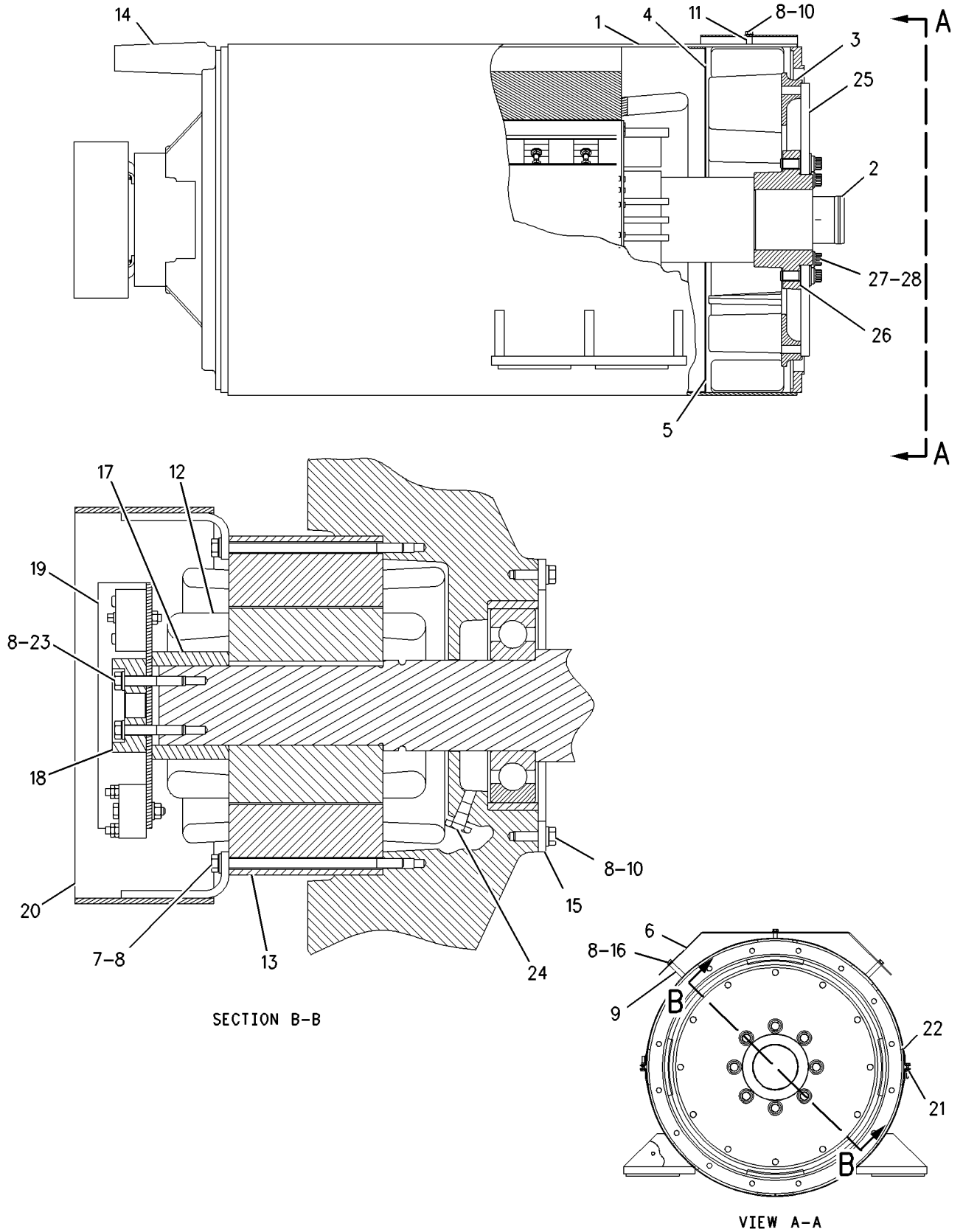
B - USE AS REQUIRED  
 C - CHANGE FROM PREVIOUS TYPE  
 Y - SEPARATE ILLUSTRATION



# GENERATORS

136-6642 GENERATOR GP (contd.)

i02568364



GRAPHIC #1

<END>

g00721805

# GENERATORS

## 136-6643 GENERATOR GP

S/N: AFR1-UP

PART OF 136-6580 GENERATOR AR

SMCS-4450

i02637039

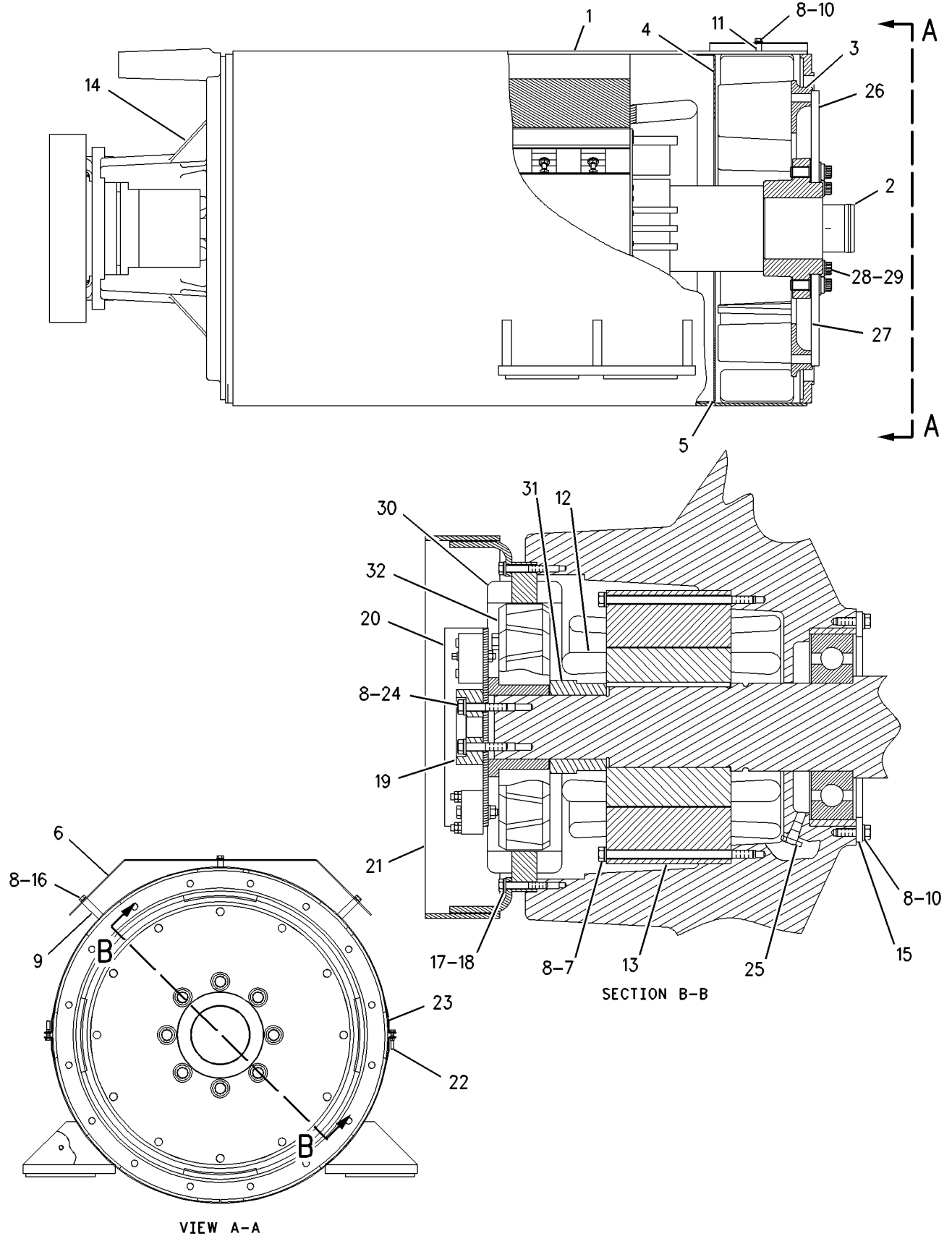
NOTE	REF NO	GRAPHIC REF	PART NUMBER	QTY	PART NAME						SEE PAGE
					1	2	3	4	5	6 (PRODUCT LEVEL)	
	1	1	<b>153-3185</b>	1	STATOR AS						
Y	2	1	<b>144-9439</b>	1	ROTOR GP-GENERATOR						517
	3	1	<b>2N-2030</b>	1	FAN-VENT						
	4	1	<b>4P-1798</b>	1	DEFLECTOR-UPPER						
	5	1	<b>4P-4532</b>	1	DEFLECTOR-LOWER						
	6	1	<b>7E-9592</b>	1	COVER-DRIP						
	7	1	<b>5P-0059</b>	4	BOLT (5/16-18X6-IN)						
	8	1	<b>9M-1974</b>	17	WASHER-HARD (8.8X16X2-MM THK)						
	9	1	<b>5L-2087</b>	4	SPACER (9.25X13.72X50.8-MM THK)						
	10	1	<b>4B-3388</b>	5	BOLT (5/16-18X1.125-IN)						
	11	1	<b>7E-3030</b>	1	SPACER (8.3X11.9X16.1-MM THK)						
	12	1	<b>108-6950</b>	1	ROTOR-EXCITER						
	13	1	<b>108-6949</b>	1	STATOR-EXCITER						
	14	1	<b>4P-1775</b>	1	BRACKET-BEARING						
	15	1	<b>108-7822</b>	2	RETAINER						
	16	1	<b>5P-2955</b>	4	BOLT (5/16-18X2.5-IN)						
	17	1	<b>5P-0537</b>	4	WASHER-HARD (7.2X14.5X2-MM THK)						
	18	1	<b>1B-2713</b>	4	BOLT (1/4-20X1.75-IN)						
	19	1	<b>4P-3153</b>	1	SPACER (20.6X77X27.8-MM THK)						
C	20	1	<b>290-5564</b>	1	HEAT SINK AS						
	21	1	<b>4P-1792</b>	1	COVER AS-EXCITER						
	22	1	<b>4M-5282</b>	4	BOLT (1/4-20X1.5-IN)						
	23	1	<b>108-8265</b>	2	SCREEN AS						
	24	1	<b>1B-9575</b>	4	BOLT (5/16-18X1.56-IN)						
	25	1	<b>5M-6214</b>	2	PLUG-PIPE						
	26	1	<b>108-1468</b>	1	PLATE-COUPLING						
B	27	1	<b>7L-5452</b>	2	SHIM (0.8-MM THK)						
	28	1	<b>9X-2119</b>	8	BOLT-12 POINT HEAD (7/8-9X2.5-IN)						
	29	1	<b>5P-8249</b>	8	WASHER-HARD (24X41.5X4-MM THK)						
	30	1	<b>108-4396</b>	1	STATOR AS-MAGNET						
		1	<b>7E-8266</b>	2	HOLDER AS-FUSE						
		1	<b>9Y-6027</b>	2	FUSE-CERAMIC (10-AMPERE)						
	31	1	<b>108-5748</b>	1	SLEEVE-SHAFT						
	32	1	<b>108-5749</b>	1	ROTOR (MAGNETIC)						

B - USE AS REQUIRED  
 C - CHANGE FROM PREVIOUS TYPE  
 Y - SEPARATE ILLUSTRATION

# GENERATORS

136-6643 GENERATOR GP (contd.)

i02637039



GRAPHIC #1

<END>

g00731297

# GENERATORS

## 136-6645 GENERATOR GP

S/N: AFR1-UP

PART OF 136-6581 GENERATOR AR

SMCS-4450

i02770505

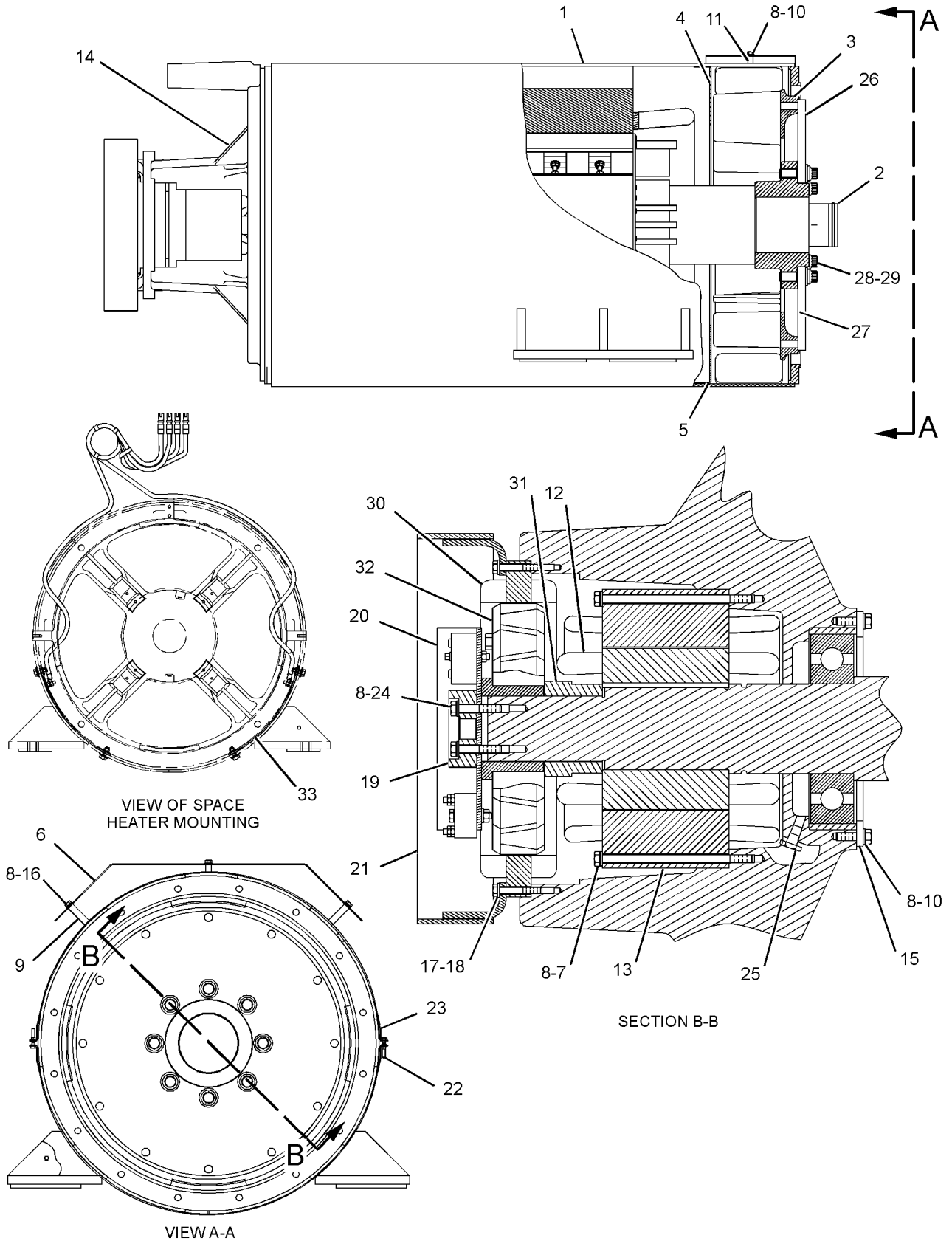
NOTE	REF NO	GRAPHIC REF	PART NUMBER	QTY	PART NAME						SEE PAGE
					1	2	3	4	5	6 (PRODUCT LEVEL)	
	1	1	<b>172-5670</b>	1	STATOR AS						
Y	2	1	<b>172-5699</b>	1	ROTOR AS						510
	3	1	<b>2N-2030</b>	1	FAN-VENT						
	4	1	<b>4P-1798</b>	1	DEFLECTOR-UPPER						
	5	1	<b>4P-4532</b>	1	DEFLECTOR-LOWER						
	6	1	<b>7E-9592</b>	1	COVER-DRIP						
	7	1	<b>5P-0059</b>	4	BOLT (5/16-18X6-IN)						
	8	1	<b>9M-1974</b>	17	WASHER-HARD (8.8X16X2-MM THK)						
	9	1	<b>5L-2087</b>	4	SPACER (9.25X13.72X50.8-MM THK)						
	10	1	<b>4B-3388</b>	5	BOLT (5/16-18X1.125-IN)						
	11	1	<b>7E-3030</b>	1	SPACER (8.3X11.9X16.1-MM THK)						
	12	1	<b>108-6950</b>	1	ROTOR-EXCITER						
	13	1	<b>108-6949</b>	1	STATOR-EXCITER						
	14	1	<b>4P-1775</b>	1	BRACKET-BEARING						
	15	1	<b>108-7822</b>	2	RETAINER						
	16	1	<b>5P-2955</b>	4	BOLT (5/16-18X2.5-IN)						
	17	1	<b>5P-0537</b>	4	WASHER-HARD (7.2X14.5X2-MM THK)						
	18	1	<b>1B-2713</b>	4	BOLT (1/4-20X1.75-IN)						
	19	1	<b>4P-3153</b>	1	SPACER (20.6X77X27.8-MM THK)						
C	20	1	<b>290-5564</b>	1	HEAT SINK AS						
	21	1	<b>4P-1792</b>	1	COVER AS-EXCITER						
	22	1	<b>4M-5282</b>	4	BOLT (1/4-20X1.5-IN)						
	23	1	<b>108-8265</b>	2	SCREEN AS						
	24	1	<b>1B-9575</b>	4	BOLT (5/16-18X1.56-IN)						
	25	1	<b>5M-6214</b>	2	PLUG-PIPE						
	26	1	<b>108-1468</b>	1	PLATE-COUPLING						
B	27	1	<b>7L-5452</b>	2	SHIM (0.8-MM THK)						
	28	1	<b>9X-2119</b>	8	BOLT-12 POINT HEAD (7/8-9X2.5-IN)						
	29	1	<b>5P-8249</b>	8	WASHER-HARD (24X41.5X4-MM THK)						
	30	1	<b>108-4396</b>	1	STATOR AS-MAGNET						
		1	<b>7E-8266</b>	2	HOLDER AS-FUSE						
		1	<b>9Y-6027</b>	2	FUSE-CERAMIC (10-AMPERE)						
	31	1	<b>108-5748</b>	1	SLEEVE-SHAFT						
	32	1	<b>108-5749</b>	1	ROTOR (MAGNETIC)						
Y	33	1	<b>194-5188</b>	1	HEATER GP-SPACE						505

B - USE AS REQUIRED  
 C - CHANGE FROM PREVIOUS TYPE  
 Y - SEPARATE ILLUSTRATION

# GENERATORS

136-6645 GENERATOR GP (contd.)

i02770505



GRAPHIC #1

<END>

g01329357

# GENERATORS

## 136-6646 GENERATOR GP

S/N: AFR1-UP

PART OF 136-6582 GENERATOR AR

SMCS-4450

i02568350

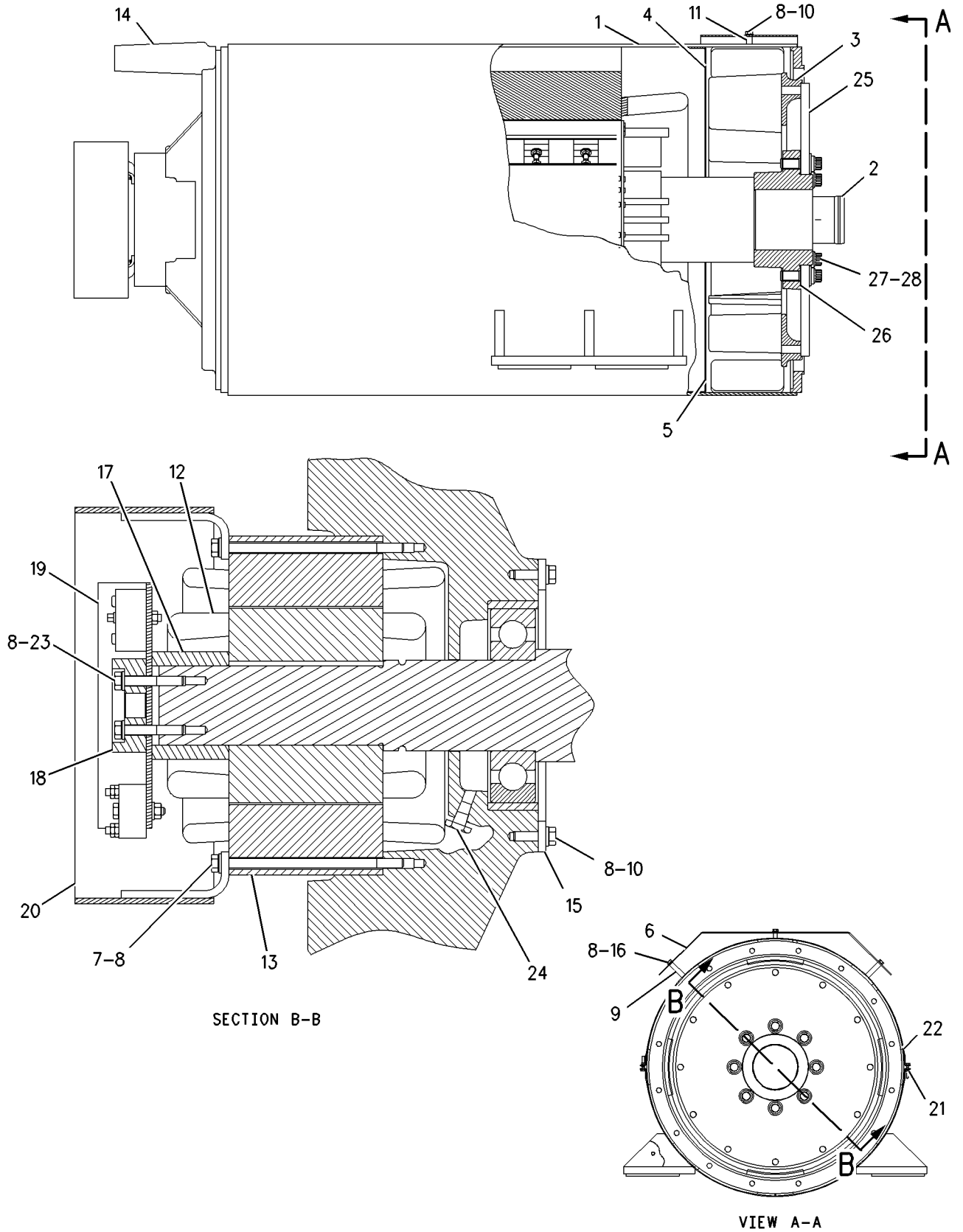
NOTE	REF NO	GRAPHIC REF	PART NUMBER	QTY	PART NAME						SEE PAGE
					1	2	3	4	5	6 (PRODUCT LEVEL)	
	1	1	<b>153-3186</b>	1	STATOR AS						
Y	2	1	<b>144-9438</b>	1	ROTOR GP-GENERATOR						516
	3	1	<b>2N-2030</b>	1	FAN-VENT						
	4	1	<b>4P-1798</b>	1	DEFLECTOR-UPPER						
	5	1	<b>4P-4532</b>	1	DEFLECTOR-LOWER						
	6	1	<b>7E-9592</b>	1	COVER-DRIP						
	7	1	<b>5P-0059</b>	4	BOLT (5/16-18X6-IN)						
	8	1	<b>9M-1974</b>	17	WASHER-HARD (8.8X16X2-MM THK)						
	9	1	<b>5L-2087</b>	4	SPACER (9.25X13.72X50.8-MM THK)						
	10	1	<b>4B-3388</b>	5	BOLT (5/16-18X1.125-IN)						
	11	1	<b>7E-3030</b>	1	SPACER (8.3X11.9X16.1-MM THK)						
	12	1	<b>108-6950</b>	1	ROTOR-EXCITER						
	13	1	<b>108-6949</b>	1	STATOR-EXCITER						
	14	1	<b>124-3289</b>	1	BRACKET-BEARING						
	15	1	<b>108-7822</b>	2	RETAINER						
	16	1	<b>5P-2955</b>	4	BOLT (5/16-18X2.5-IN)						
	17	1	<b>124-3295</b>	1	SLEEVE-SHAFT						
	18	1	<b>4P-3153</b>	1	SPACER (20.6X77X27.8-MM THK)						
C	19	1	<b>290-5565</b>	1	HEAT SINK AS						
	20	1	<b>124-3294</b>	1	COVER AS-EXCITER						
	21	1	<b>4M-5282</b>	4	BOLT (1/4-20X1.5-IN)						
	22	1	<b>108-8265</b>	2	SCREEN AS						
	23	1	<b>1B-9575</b>	4	BOLT (5/16-18X1.56-IN)						
	24	1	<b>5M-6214</b>	2	PLUG-PIPE						
	25	1	<b>108-1468</b>	1	PLATE-COUPLING						
B	26	1	<b>7L-5452</b>	2	SHIM (0.8-MM THK)						
	27	1	<b>9X-2119</b>	8	BOLT-12 POINT HEAD (7/8-9X2.5-IN)						
	28	1	<b>5P-8249</b>	8	WASHER-HARD (24X41.5X4-MM THK)						

B - USE AS REQUIRED  
 C - CHANGE FROM PREVIOUS TYPE  
 Y - SEPARATE ILLUSTRATION

# GENERATORS

136-6646 GENERATOR GP (contd.)

i02568350



GRAPHIC #1

<END>

g00721805

# GENERATORS

## 136-6647 GENERATOR GP

S/N: AFR1-UP

PART OF 136-6583 GENERATOR AR

SMCS-4450

i02636964

NOTE	REF NO	GRAPHIC REF	PART NUMBER	QTY	PART NAME						SEE PAGE
					1	2	3	4	5	6 (PRODUCT LEVEL)	
	1	1	<b>153-3186</b>	1	STATOR AS						
Y	2	1	<b>144-9439</b>	1	ROTOR GP-GENERATOR						517
	3	1	<b>2N-2030</b>	1	FAN-VENT						
	4	1	<b>4P-1798</b>	1	DEFLECTOR-UPPER						
	5	1	<b>4P-4532</b>	1	DEFLECTOR-LOWER						
	6	1	<b>7E-9592</b>	1	COVER-DRIP						
	7	1	<b>5P-0059</b>	4	BOLT (5/16-18X6-IN)						
	8	1	<b>9M-1974</b>	17	WASHER-HARD (8.8X16X2-MM THK)						
	9	1	<b>5L-2087</b>	4	SPACER (9.25X13.72X50.8-MM THK)						
	10	1	<b>4B-3388</b>	5	BOLT (5/16-18X1.125-IN)						
	11	1	<b>7E-3030</b>	1	SPACER (8.3X11.9X16.1-MM THK)						
	12	1	<b>108-6950</b>	1	ROTOR-EXCITER						
	13	1	<b>108-6949</b>	1	STATOR-EXCITER						
	14	1	<b>4P-1775</b>	1	BRACKET-BEARING						
	15	1	<b>108-7822</b>	2	RETAINER						
	16	1	<b>5P-2955</b>	4	BOLT (5/16-18X2.5-IN)						
	17	1	<b>5P-0537</b>	4	WASHER-HARD (7.2X14.5X2-MM THK)						
	18	1	<b>1B-2713</b>	4	BOLT (1/4-20X1.75-IN)						
	19	1	<b>4P-3153</b>	1	SPACER (20.6X77X27.8-MM THK)						
C	20	1	<b>290-5564</b>	1	HEAT SINK AS						
	21	1	<b>4P-1792</b>	1	COVER AS-EXCITER						
	22	1	<b>4M-5282</b>	4	BOLT (1/4-20X1.5-IN)						
	23	1	<b>108-8265</b>	2	SCREEN AS						
	24	1	<b>1B-9575</b>	4	BOLT (5/16-18X1.56-IN)						
	25	1	<b>5M-6214</b>	2	PLUG-PIPE						
	26	1	<b>108-1468</b>	1	PLATE-COUPLING						
B	27	1	<b>7L-5452</b>	2	SHIM (0.8-MM THK)						
	28	1	<b>9X-2119</b>	8	BOLT-12 POINT HEAD (7/8-9X2.5-IN)						
	29	1	<b>5P-8249</b>	8	WASHER-HARD (24X41.5X4-MM THK)						
	30	1	<b>108-4396</b>	1	STATOR AS-MAGNET						
		1	<b>7E-8266</b>	2	HOLDER AS-FUSE						
		1	<b>9Y-6027</b>	2	FUSE-CERAMIC (10-AMPERE)						
	31	1	<b>108-5748</b>	1	SLEEVE-SHAFT						
	32	1	<b>108-5749</b>	1	ROTOR (MAGNETIC)						

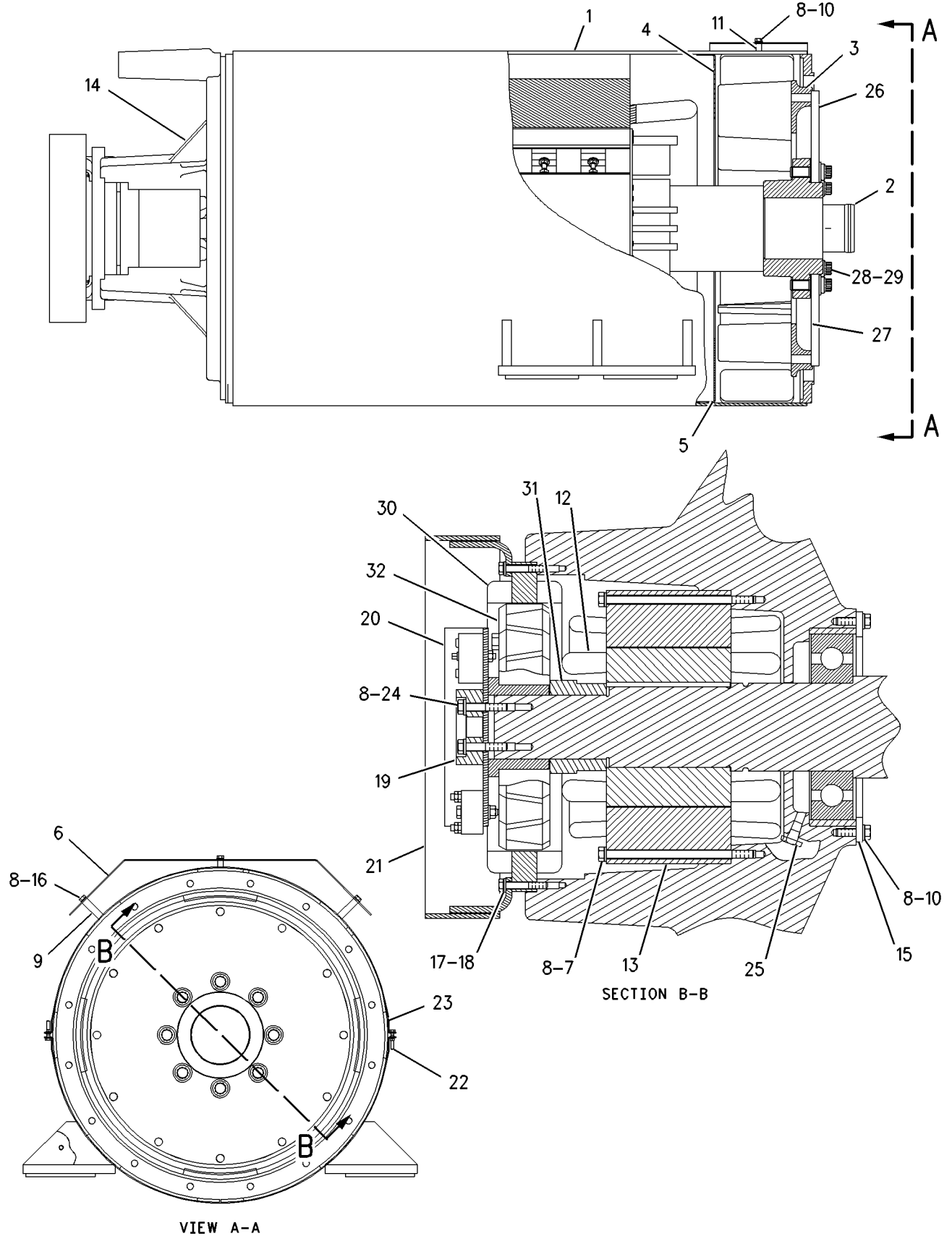
B - USE AS REQUIRED  
 C - CHANGE FROM PREVIOUS TYPE  
 Y - SEPARATE ILLUSTRATION



# GENERATORS

136-6647 GENERATOR GP (contd.)

i02636964



GRAPHIC #1

<END>

g00723566

# GENERATORS

## 136-6648 GENERATOR GP

S/N: AFR1-UP

PART OF 136-6584 GENERATOR AR

SMCS-4450

i02665741

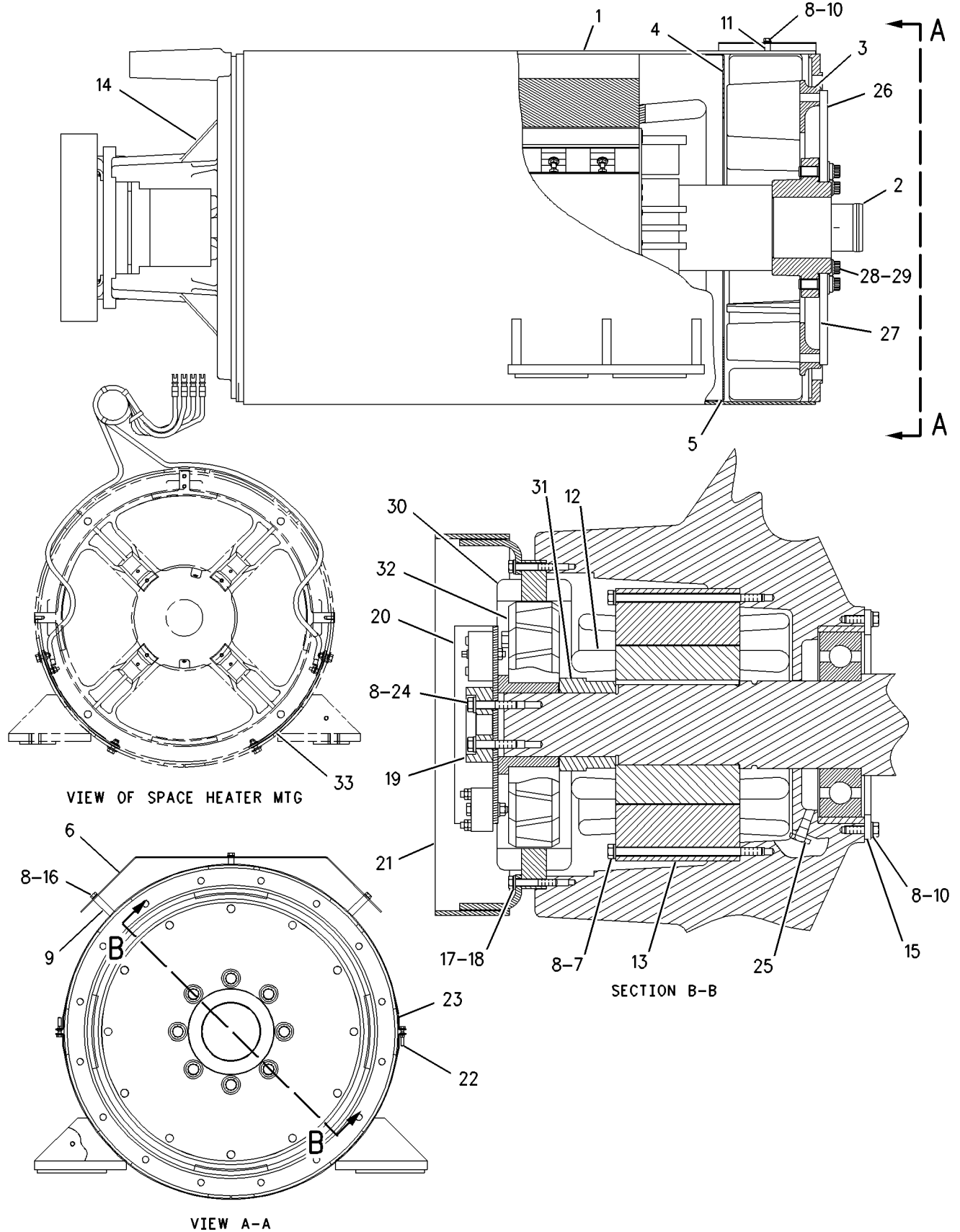
NOTE	REF NO	GRAPHIC REF	PART NUMBER	QTY	PART NAME						SEE PAGE
					1	2	3	4	5	6 (PRODUCT LEVEL)	
	1	1	172-5671	1	STATOR AS						
Y	2	1	172-5699	1	ROTOR AS						510
	3	1	2N-2030	1	FAN-VENT						
	4	1	4P-1798	1	DEFLECTOR-UPPER						
	5	1	4P-4532	1	DEFLECTOR-LOWER						
	6	1	7E-9592	1	COVER-DRIP						
	7	1	5P-0059	4	BOLT (5/16-18X6-IN)						
	8	1	9M-1974	17	WASHER-HARD (8.8X16X2-MM THK)						
	9	1	5L-2087	4	SPACER (9.25X13.72X50.8-MM THK)						
	10	1	4B-3388	5	BOLT (5/16-18X1.125-IN)						
	11	1	7E-3030	1	SPACER (8.3X11.9X16.1-MM THK)						
	12	1	108-6950	1	ROTOR-EXCITER						
	13	1	108-6949	1	STATOR-EXCITER						
	14	1	4P-1775	1	BRACKET-BEARING						
	15	1	108-7822	2	RETAINER						
	16	1	5P-2955	4	BOLT (5/16-18X2.5-IN)						
	17	1	5P-0537	4	WASHER-HARD (7.2X14.5X2-MM THK)						
	18	1	1B-2713	4	BOLT (1/4-20X1.75-IN)						
	19	1	4P-3153	1	SPACER (20.6X77X27.8-MM THK)						
C	20	1	290-5564	1	HEAT SINK AS						
	21	1	4P-1792	1	COVER AS-EXCITER						
	22	1	4M-5282	4	BOLT (1/4-20X1.5-IN)						
	23	1	108-8265	2	SCREEN AS						
	24	1	1B-9575	4	BOLT (5/16-18X1.56-IN)						
	25	1	5M-6214	2	PLUG-PIPE						
	26	1	108-1468	1	PLATE-COUPLING						
B	27	1	7L-5452	2	SHIM (0.8-MM THK)						
	28	1	9X-2119	8	BOLT-12 POINT HEAD (7/8-9X2.5-IN)						
	29	1	5P-8249	8	WASHER-HARD (24X41.5X4-MM THK)						
	30	1	108-4396	1	STATOR AS-MAGNET						
		1	7E-8266	2	HOLDER AS-FUSE						
		1	9Y-6027	2	FUSE-CERAMIC (10-AMPERE)						
	31	1	108-5748	1	SLEEVE-SHAFT						
	32	1	108-5749	1	ROTOR (MAGNETIC)						
Y	33	1	194-5188	1	HEATER GP-SPACE						505

B - USE AS REQUIRED  
 C - CHANGE FROM PREVIOUS TYPE  
 Y - SEPARATE ILLUSTRATION

# GENERATORS

136-6648 GENERATOR GP (contd.)

i02665741



GRAPHIC #1

<END>

g00722844

# GENERATORS

## 136-6649 GENERATOR GP

S/N: AFR1-UP

PART OF 136-6585 GENERATOR AR

SMCS-4450

i02568322

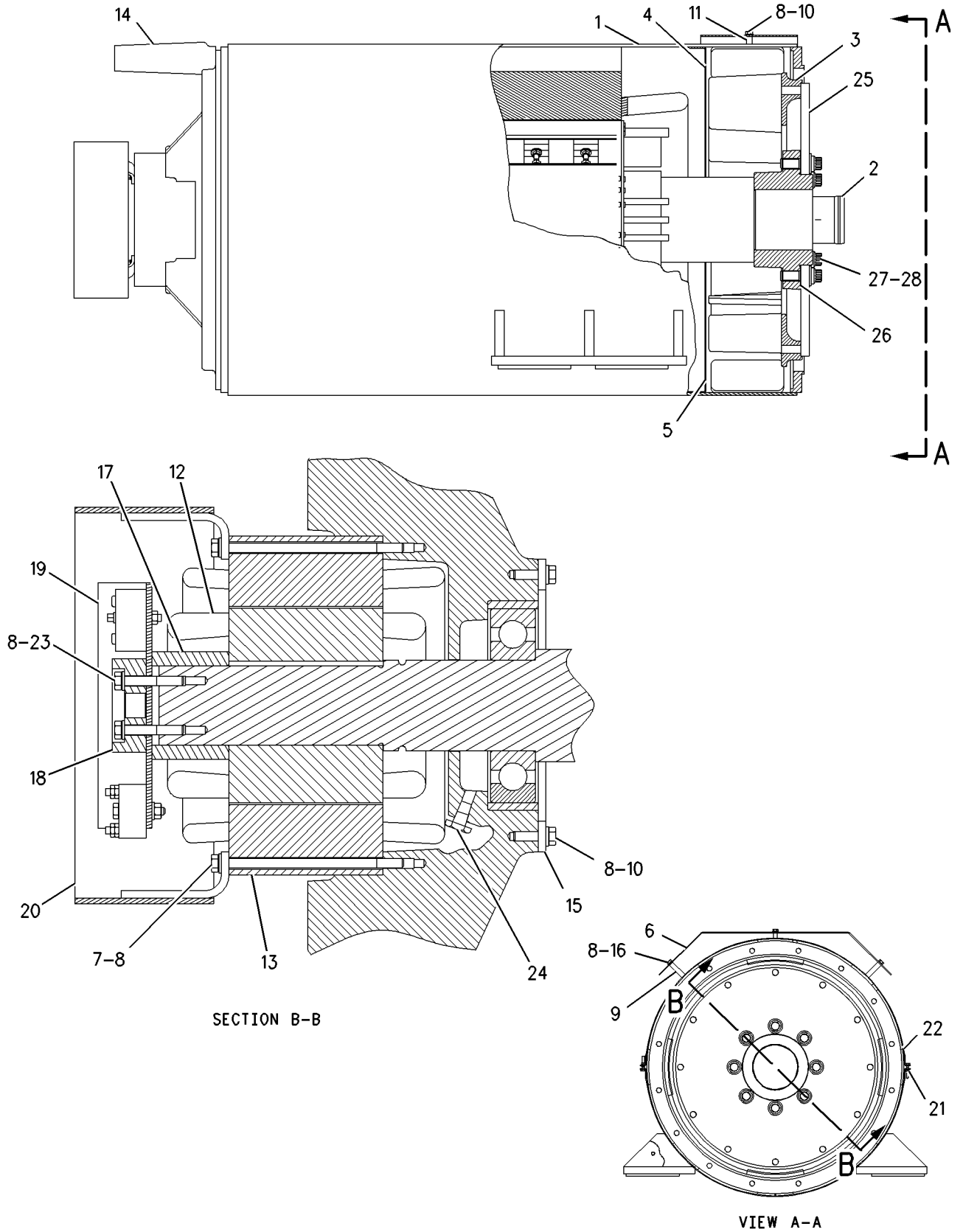
NOTE	REF NO	GRAPHIC REF	PART NUMBER	QTY	PART NAME						SEE PAGE
					1	2	3	4	5	6 (PRODUCT LEVEL)	
	1	1	<b>172-5672</b>	1	STATOR AS						
Y	2	1	<b>144-9438</b>	1	ROTOR GP-GENERATOR						516
	3	1	<b>2N-2030</b>	1	FAN-VENT						
	4	1	<b>4P-1798</b>	1	DEFLECTOR-UPPER						
	5	1	<b>4P-4532</b>	1	DEFLECTOR-LOWER						
	6	1	<b>7E-9592</b>	1	COVER-DRIP						
	7	1	<b>5P-0059</b>	4	BOLT (5/16-18X6-IN)						
	8	1	<b>9M-1974</b>	17	WASHER-HARD (8.8X16X2-MM THK)						
	9	1	<b>5L-2087</b>	4	SPACER (9.25X13.72X50.8-MM THK)						
	10	1	<b>4B-3388</b>	5	BOLT (5/16-18X1.125-IN)						
	11	1	<b>7E-3030</b>	1	SPACER (8.3X11.9X16.1-MM THK)						
	12	1	<b>108-6950</b>	1	ROTOR-EXCITER						
	13	1	<b>108-6949</b>	1	STATOR-EXCITER						
	14	1	<b>124-3289</b>	1	BRACKET-BEARING						
	15	1	<b>108-7822</b>	2	RETAINER						
	16	1	<b>5P-2955</b>	4	BOLT (5/16-18X2.5-IN)						
	17	1	<b>124-3295</b>	1	SLEEVE-SHAFT						
	18	1	<b>4P-3153</b>	1	SPACER (20.6X77X27.8-MM THK)						
C	19	1	<b>290-5565</b>	1	HEAT SINK AS						
	20	1	<b>124-3294</b>	1	COVER AS-EXCITER						
	21	1	<b>4M-5282</b>	4	BOLT (1/4-20X1.5-IN)						
	22	1	<b>108-8265</b>	2	SCREEN AS						
	23	1	<b>1B-9575</b>	4	BOLT (5/16-18X1.56-IN)						
	24	1	<b>5M-6214</b>	2	PLUG-PIPE						
	25	1	<b>108-1468</b>	1	PLATE-COUPLING						
B	26	1	<b>7L-5452</b>	2	SHIM (0.8-MM THK)						
	27	1	<b>9X-2119</b>	8	BOLT-12 POINT HEAD (7/8-9X2.5-IN)						
	28	1	<b>5P-8249</b>	8	WASHER-HARD (24X41.5X4-MM THK)						

B - USE AS REQUIRED  
 C - CHANGE FROM PREVIOUS TYPE  
 Y - SEPARATE ILLUSTRATION

# GENERATORS

136-6649 GENERATOR GP (contd.)

i02568322



GRAPHIC #1

<END>

g00721805

# GENERATORS

## 136-6650 GENERATOR GP

S/N: AFR1-UP

PART OF 136-6586 GENERATOR AR

SMCS-4450

i02637038

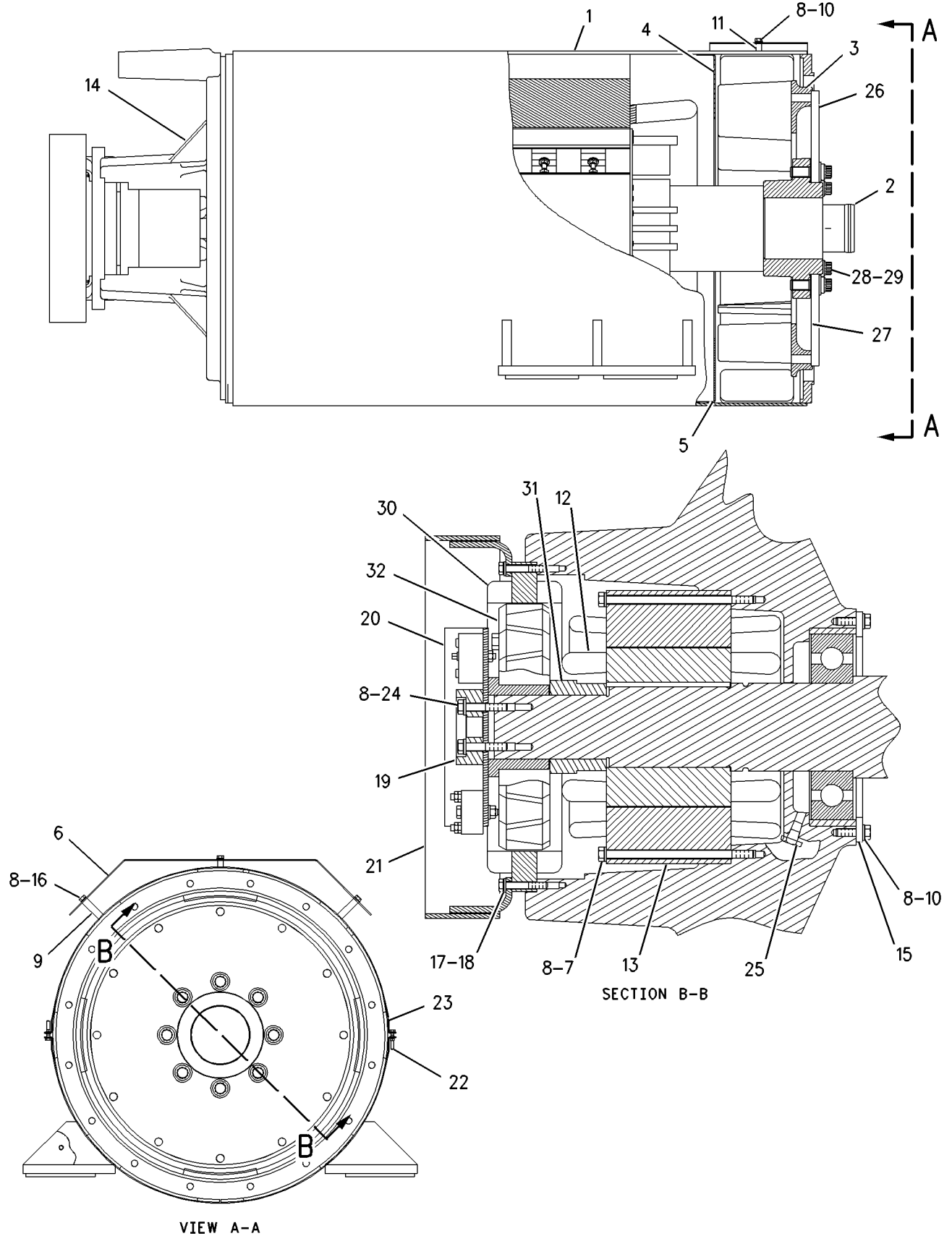
NOTE	REF NO	GRAPHIC REF	PART NUMBER	QTY	PART NAME						SEE PAGE
					1	2	3	4	5	6 (PRODUCT LEVEL)	
	1	1	<b>172-5672</b>	1	STATOR AS						
Y	2	1	<b>144-9439</b>	1	ROTOR GP-GENERATOR						517
	3	1	<b>2N-2030</b>	1	FAN-VENT						
	4	1	<b>4P-1798</b>	1	DEFLECTOR-UPPER						
	5	1	<b>4P-4532</b>	1	DEFLECTOR-LOWER						
	6	1	<b>7E-9592</b>	1	COVER-DRIP						
	7	1	<b>5P-0059</b>	4	BOLT (5/16-18X6-IN)						
	8	1	<b>9M-1974</b>	17	WASHER-HARD (8.8X16X2-MM THK)						
	9	1	<b>5L-2087</b>	4	SPACER (9.25X13.72X50.8-MM THK)						
	10	1	<b>4B-3388</b>	5	BOLT (5/16-18X1.125-IN)						
	11	1	<b>7E-3030</b>	1	SPACER (8.3X11.9X16.1-MM THK)						
	12	1	<b>108-6950</b>	1	ROTOR-EXCITER						
	13	1	<b>108-6949</b>	1	STATOR-EXCITER						
	14	1	<b>4P-1775</b>	1	BRACKET-BEARING						
	15	1	<b>108-7822</b>	2	RETAINER						
	16	1	<b>5P-2955</b>	4	BOLT (5/16-18X2.5-IN)						
	17	1	<b>5P-0537</b>	4	WASHER-HARD (7.2X14.5X2-MM THK)						
	18	1	<b>1B-2713</b>	4	BOLT (1/4-20X1.75-IN)						
	19	1	<b>4P-3153</b>	1	SPACER (20.6X77X27.8-MM THK)						
C	20	1	<b>290-5564</b>	1	HEAT SINK AS						
	21	1	<b>4P-1792</b>	1	COVER AS-EXCITER						
	22	1	<b>4M-5282</b>	4	BOLT (1/4-20X1.5-IN)						
	23	1	<b>108-8265</b>	2	SCREEN AS						
	24	1	<b>1B-9575</b>	4	BOLT (5/16-18X1.56-IN)						
	25	1	<b>5M-6214</b>	2	PLUG-PIPE						
	26	1	<b>108-1468</b>	1	PLATE-COUPLING						
B	27	1	<b>7L-5452</b>	2	SHIM (0.8-MM THK)						
	28	1	<b>9X-2119</b>	8	BOLT-12 POINT HEAD (7/8-9X2.5-IN)						
	29	1	<b>5P-8249</b>	8	WASHER-HARD (24X41.5X4-MM THK)						
	30	1	<b>108-4396</b>	1	STATOR AS-MAGNET						
		1	<b>7E-8266</b>	2	HOLDER AS-FUSE						
		1	<b>9Y-6027</b>	2	FUSE-CERAMIC (10-AMPERE)						
	31	1	<b>108-5748</b>	1	SLEEVE-SHAFT						
	32	1	<b>108-5749</b>	1	ROTOR (MAGNETIC)						

B - USE AS REQUIRED  
 C - CHANGE FROM PREVIOUS TYPE  
 Y - SEPARATE ILLUSTRATION

# GENERATORS

136-6650 GENERATOR GP (contd.)

i02637038



GRAPHIC #1

<END>

g00723566

# GENERATORS

## 136-6651 GENERATOR GP

S/N: AFR1-UP

60-HERTZ. 600-VOLTS. 598-FRAME

PART OF 136-6587 GENERATOR AR

SMCS-4450

i02581950

NOTE	REF NO	GRAPHIC REF	PART NUMBER	QTY	PART NAME						SEE PAGE
					1	2	3	4	5	6 (PRODUCT LEVEL)	
	1	1	<b>172-5673</b>	1	STATOR AS						
Y	2	1	<b>172-5699</b>	1	ROTOR AS						510
	3	1	<b>2N-2030</b>	1	FAN-VENT						
	4	1	<b>4P-1798</b>	1	DEFLECTOR-UPPER						
	5	1	<b>4P-4532</b>	1	DEFLECTOR-LOWER						
	6	1	<b>7E-9592</b>	1	COVER-DRIP						
	7	1	<b>5P-0059</b>	4	BOLT (5/16-18X6-IN)						
	8	1	<b>9M-1974</b>	17	WASHER-HARD (8.8X16X2-MM THK)						
	9	1	<b>5L-2087</b>	4	SPACER (9.25X13.72X50.8-MM THK) (2-IN THK)						
	10	1	<b>4B-3388</b>	5	BOLT (5/16-18X1.125-IN)						
	11	1	<b>7E-3030</b>	1	SPACER (8.3X11.9X16.1-MM THK) (16.1-MM THK)						
	12	1	<b>108-6950</b>	1	ROTOR-EXCITER						
	13	1	<b>108-6949</b>	1	STATOR-EXCITER						
	14	1	<b>4P-1775</b>	1	BRACKET-BEARING						
	15	1	<b>108-7822</b>	2	RETAINER						
	16	1	<b>5P-2955</b>	4	BOLT (5/16-18X2.5-IN)						
	17	1	<b>5P-0537</b>	4	WASHER-HARD (7.2X14.5X2-MM THK)						
	18	1	<b>1B-2713</b>	4	BOLT (1/4-20X1.75-IN)						
	19	1	<b>4P-3153</b>	1	SPACER (20.6X77X27.8-MM THK) (27.8-MM THK)						
C	20	1	<b>290-5564</b>	1	HEAT SINK AS						
	21	1	<b>4P-1792</b>	1	COVER AS-EXCITER						
	22	1	<b>4M-5282</b>	4	BOLT (1/4-20X1.5-IN)						
	23	1	<b>108-8265</b>	2	SCREEN AS						
	24	1	<b>1B-9575</b>	4	BOLT (5/16-18X1.56-IN)						
	25	1	<b>5M-6214</b>	2	PLUG-PIPE						
	26	1	<b>108-1468</b>	1	PLATE-COUPLING						
	27	1	<b>7L-5452</b>	2	SHIM (0.8-MM THK)						
	28	1	<b>9X-2119</b>	8	BOLT-12 POINT HEAD (7/8-9X2.5-IN)						
	29	1	<b>5P-8249</b>	8	WASHER-HARD (24X41.5X4-MM THK)						
	30	1	<b>108-4396</b>	1	STATOR AS-MAGNET						
		1	<b>7E-8266</b>	2	HOLDER AS-FUSE						
		1	<b>9Y-6027</b>	2	FUSE-CERAMIC (10-AMPERE)						
	31	1	<b>108-5748</b>	1	SLEEVE-SHAFT						
	32	1	<b>108-5749</b>	1	ROTOR (MAGNETIC)						
Y	33	1	<b>194-5188</b>	1	HEATER GP-SPACE						505

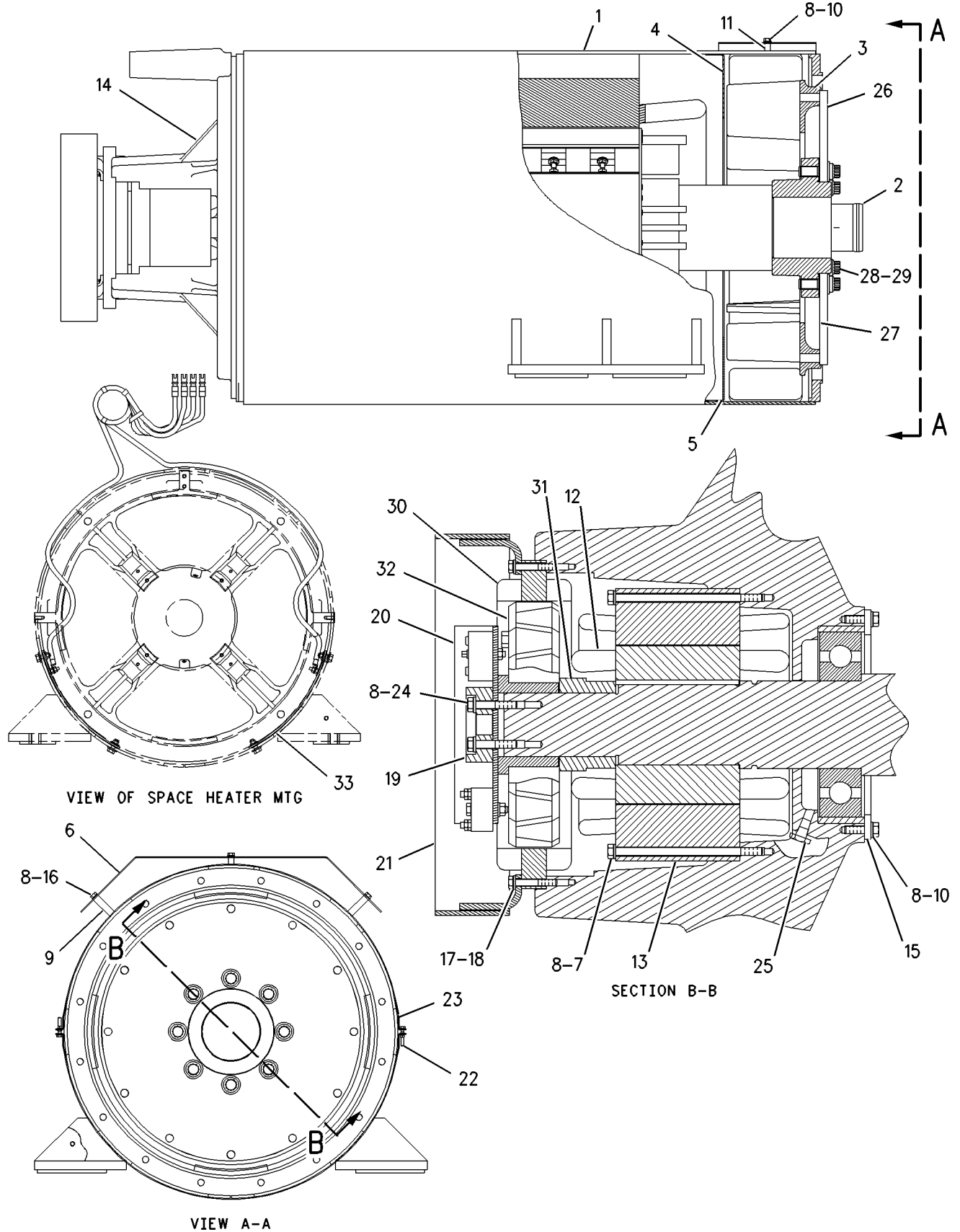
C - CHANGE FROM PREVIOUS TYPE  
 Y - SEPARATE ILLUSTRATION



# GENERATORS

136-6651 GENERATOR GP (contd.)

i02581950



GRAPHIC #1

<END>

g00722844

# GENERATORS

## 136-6652 GENERATOR GP

S/N: AFN1-UP

PART OF 136-6588 GENERATOR AR

SMCS-4450

i02568071

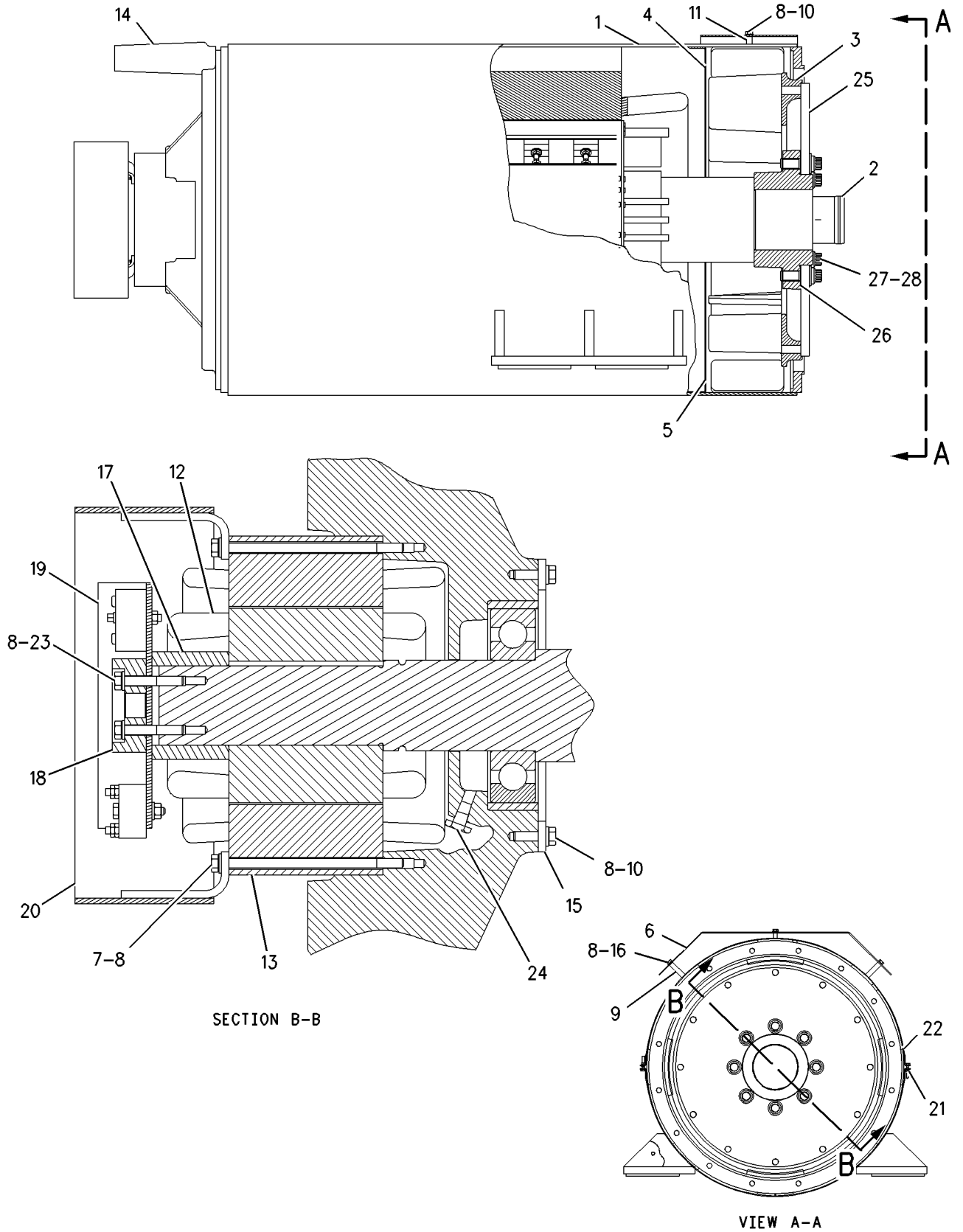
NOTE	REF NO	GRAPHIC REF	PART NUMBER	QTY	PART NAME						SEE PAGE
					1	2	3	4	5	6 (PRODUCT LEVEL)	
	1	1	<b>153-3183</b>	1	STATOR AS						
Y	2	1	<b>172-5700</b>	1	ROTOR AS						512
	3	1	<b>2N-2030</b>	1	FAN-VENT						
	4	1	<b>4P-1798</b>	1	DEFLECTOR-UPPER						
	5	1	<b>4P-4532</b>	1	DEFLECTOR-LOWER						
	6	1	<b>7E-9592</b>	1	COVER-DRIP						
	7	1	<b>5P-0059</b>	4	BOLT (5/16-18X6-IN)						
	8	1	<b>9M-1974</b>	17	WASHER-HARD (8.8X16X2-MM THK)						
	9	1	<b>5L-2087</b>	4	SPACER (9.25X13.72X50.8-MM THK)						
	10	1	<b>4B-3388</b>	5	BOLT (5/16-18X1.125-IN)						
	11	1	<b>7E-3030</b>	1	SPACER (8.3X11.9X16.1-MM THK)						
	12	1	<b>108-6950</b>	1	ROTOR-EXCITER						
	13	1	<b>108-6949</b>	1	STATOR-EXCITER						
	14	1	<b>124-3289</b>	1	BRACKET-BEARING						
	15	1	<b>108-7822</b>	2	RETAINER						
	16	1	<b>5P-2955</b>	4	BOLT (5/16-18X2.5-IN)						
	17	1	<b>124-3295</b>	1	SLEEVE-SHAFT						
	18	1	<b>4P-3153</b>	1	SPACER (20.6X77X27.8-MM THK)						
C	19	1	<b>290-5565</b>	1	HEAT SINK AS						
	20	1	<b>124-3294</b>	1	COVER AS-EXCITER						
	21	1	<b>4M-5282</b>	4	BOLT (1/4-20X1.5-IN)						
	22	1	<b>108-8265</b>	2	SCREEN AS						
	23	1	<b>1B-9575</b>	4	BOLT (5/16-18X1.56-IN)						
	24	1	<b>5M-6214</b>	2	PLUG-PIPE						
	25	1	<b>108-1468</b>	1	PLATE-COUPLING						
B	26	1	<b>7L-5452</b>	2	SHIM (0.8-MM THK)						
	27	1	<b>9X-2119</b>	8	BOLT-12 POINT HEAD (7/8-9X2.5-IN)						
	28	1	<b>5P-8249</b>	8	WASHER-HARD (24X41.5X4-MM THK)						

B - USE AS REQUIRED  
 C - CHANGE FROM PREVIOUS TYPE  
 Y - SEPARATE ILLUSTRATION

# GENERATORS

136-6652 GENERATOR GP (contd.)

i02568071



GRAPHIC #1

<END>

g00721805

# GENERATORS

## 136-6653 GENERATOR GP

S/N: AFN1-UP

PART OF 136-6589 GENERATOR AR

SMCS-4450

i02636968

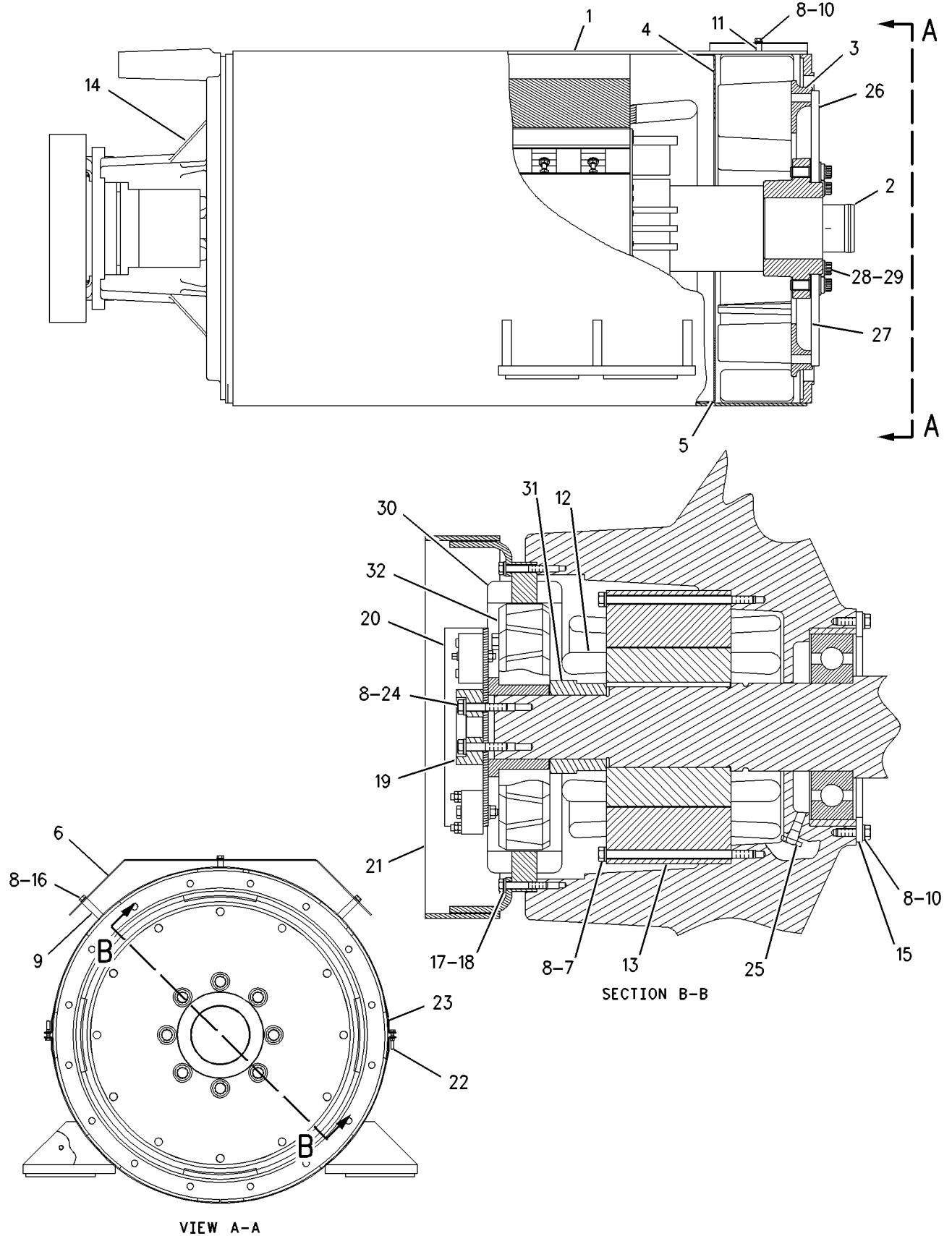
NOTE	REF NO	GRAPHIC REF	PART NUMBER	QTY	PART NAME						SEE PAGE
					1	2	3	4	5	6 (PRODUCT LEVEL)	
	1	1	<b>153-3183</b>	1	STATOR AS						
Y	2	1	<b>153-3190</b>	1	ROTOR AS						509
	3	1	<b>2N-2030</b>	1	FAN-VENT						
	4	1	<b>4P-1798</b>	1	DEFLECTOR-UPPER						
	5	1	<b>4P-4532</b>	1	DEFLECTOR-LOWER						
	6	1	<b>7E-9592</b>	1	COVER-DRIP						
	7	1	<b>5P-0059</b>	4	BOLT (5/16-18X6-IN)						
	8	1	<b>9M-1974</b>	17	WASHER-HARD (8.8X16X2-MM THK)						
	9	1	<b>5L-2087</b>	4	SPACER (9.25X13.72X50.8-MM THK)						
	10	1	<b>4B-3388</b>	5	BOLT (5/16-18X1.125-IN)						
	11	1	<b>7E-3030</b>	1	SPACER (8.3X11.9X16.1-MM THK)						
	12	1	<b>108-6950</b>	1	ROTOR-EXCITER						
	13	1	<b>108-6949</b>	1	STATOR-EXCITER						
	14	1	<b>4P-1775</b>	1	BRACKET-BEARING						
	15	1	<b>108-7822</b>	2	RETAINER						
	16	1	<b>5P-2955</b>	4	BOLT (5/16-18X2.5-IN)						
	17	1	<b>5P-0537</b>	4	WASHER-HARD (7.2X14.5X2-MM THK)						
	18	1	<b>1B-2713</b>	4	BOLT (1/4-20X1.75-IN)						
	19	1	<b>4P-3153</b>	1	SPACER (20.6X77X27.8-MM THK)						
C	20	1	<b>290-5564</b>	1	HEAT SINK AS						
	21	1	<b>4P-1792</b>	1	COVER AS-EXCITER						
	22	1	<b>4M-5282</b>	4	BOLT (1/4-20X1.5-IN)						
	23	1	<b>108-8265</b>	2	SCREEN AS						
	24	1	<b>1B-9575</b>	4	BOLT (5/16-18X1.56-IN)						
	25	1	<b>5M-6214</b>	2	PLUG-PIPE						
	26	1	<b>108-1468</b>	1	PLATE-COUPLING						
B	27	1	<b>7L-5452</b>	2	SHIM (0.8-MM THK)						
	28	1	<b>8T-9400</b>	8	BOLT (7/8-9X2.5-IN)						
	29	1	<b>5P-8249</b>	8	WASHER-HARD (24X41.5X4-MM THK)						
	30	1	<b>108-4396</b>	1	STATOR AS-MAGNET						
		1	<b>7E-8266</b>	2	HOLDER AS-FUSE						
		1	<b>9Y-6027</b>	2	FUSE-CERAMIC (10-AMPERE)						
	31	1	<b>108-5748</b>	1	SLEEVE-SHAFT						
	32	1	<b>108-5749</b>	1	ROTOR (MAGNETIC)						

B - USE AS REQUIRED  
 C - CHANGE FROM PREVIOUS TYPE  
 Y - SEPARATE ILLUSTRATION

# GENERATORS

136-6653 GENERATOR GP (contd.)

i02636968



GRAPHIC #1

<END>

g00723566

# GENERATORS

## 136-6654 GENERATOR GP

S/N: AFN1-UP

50/60-HERTZ. 400/480-VOLTS. 597-FRAME

PART OF 136-6590 GENERATOR AR

SMCS-4450

i02581953

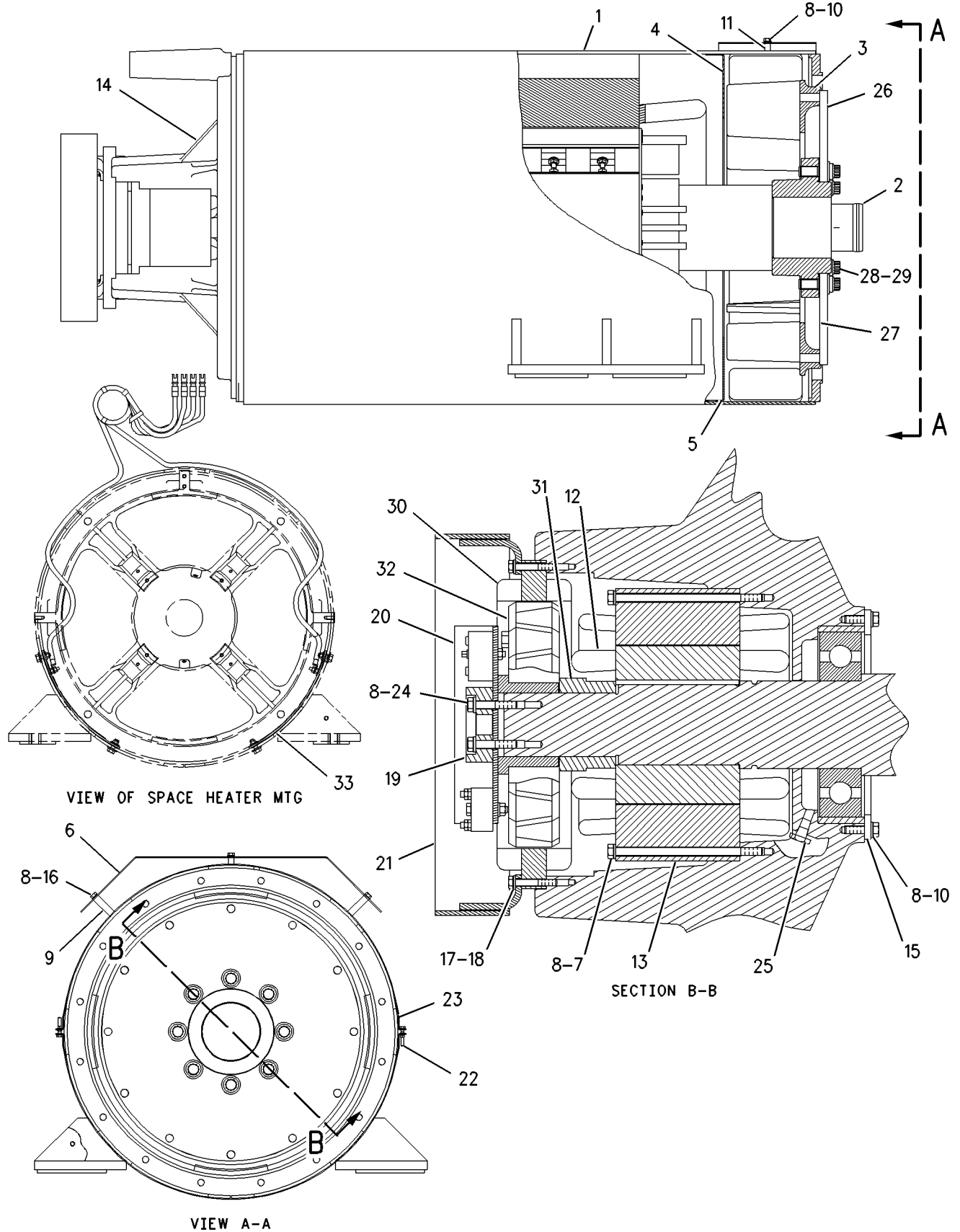
NOTE	REF NO	GRAPHIC REF	PART NUMBER	QTY	PART NAME						SEE PAGE
					1	2	3	4	5	6 (PRODUCT LEVEL)	
	1	1	172-5674	1	STATOR AS						
Y	2	1	172-5701	1	ROTOR AS						513
	3	1	2N-2030	1	FAN-VENT						
	4	1	4P-1798	1	DEFLECTOR-UPPER						
	5	1	4P-4532	1	DEFLECTOR-LOWER						
	6	1	7E-9592	1	COVER-DRIP						
	7	1	5P-0059	4	BOLT (5/16-18X6-IN)						
	8	1	9M-1974	17	WASHER-HARD (8.8X16X2-MM THK)						
	9	1	5L-2087	4	SPACER (9.25X13.72X50.8-MM THK)						
	10	1	4B-3388	5	BOLT (5/16-18X1.125-IN)						
	11	1	7E-3030	1	SPACER (8.3X11.9X16.1-MM THK)						
	12	1	108-6950	1	ROTOR-EXCITER						
	13	1	108-6949	1	STATOR-EXCITER						
	14	1	4P-1775	1	BRACKET-BEARING						
	15	1	108-7822	2	RETAINER						
	16	1	5P-2955	4	BOLT (5/16-18X2.5-IN)						
	17	1	5P-0537	4	WASHER-HARD (7.2X14.5X2-MM THK)						
	18	1	1B-2713	4	BOLT (1/4-20X1.75-IN)						
	19	1	4P-3153	1	SPACER (20.6X77X27.8-MM THK)						
C	20	1	290-5564	1	HEAT SINK AS						
	21	1	4P-1792	1	COVER AS-EXCITER						
	22	1	4M-5282	4	BOLT (1/4-20X1.5-IN)						
	23	1	108-8265	2	SCREEN AS						
	24	1	1B-9575	4	BOLT (5/16-18X1.56-IN)						
	25	1	5M-6214	2	PLUG-PIPE						
	26	1	108-1468	1	PLATE-COUPLING						
	27	1	7L-5452	2	SHIM (0.8-MM THK)						
	28	1	9X-2119	8	BOLT-12 POINT HEAD (7/8-9X2.5-IN)						
	29	1	5P-8249	8	WASHER-HARD (24X41.5X4-MM THK)						
	30	1	108-4396	1	STATOR AS-MAGNET						
		1	7E-8266	2	HOLDER AS-FUSE						
		1	9Y-6027	2	FUSE-CERAMIC (10-AMPERE)						
	31	1	108-5748	1	SLEEVE-SHAFT						
	32	1	108-5749	1	ROTOR (MAGNETIC)						
Y	33	1	194-5188	1	HEATER GP-SPACE						505

C - CHANGE FROM PREVIOUS TYPE  
Y - SEPARATE ILLUSTRATION

# GENERATORS

136-6654 GENERATOR GP (contd.)

i02581953



GRAPHIC #1

<END>

g00722844

# GENERATORS

## 136-6655 GENERATOR GP

S/N: AFN1-UP

PART OF 136-6591 GENERATOR AR

SMCS-4450

i02568014

NOTE	REF NO	GRAPHIC REF	PART NUMBER	QTY	PART NAME						SEE PAGE
					1	2	3	4	5	6 (PRODUCT LEVEL)	
	1	1	<b>153-3184</b>	1	STATOR AS						
Y	2	1	<b>172-5700</b>	1	ROTOR AS						512
	3	1	<b>2N-2030</b>	1	FAN-VENT						
	4	1	<b>4P-1798</b>	1	DEFLECTOR-UPPER						
	5	1	<b>4P-4532</b>	1	DEFLECTOR-LOWER						
	6	1	<b>7E-9592</b>	1	COVER-DRIP						
	7	1	<b>5P-0059</b>	4	BOLT (5/16-18X6-IN)						
	8	1	<b>9M-1974</b>	17	WASHER-HARD (8.8X16X2-MM THK)						
	9	1	<b>5L-2087</b>	4	SPACER (9.25X13.72X50.8-MM THK)						
	10	1	<b>4B-3388</b>	5	BOLT (5/16-18X1.125-IN)						
	11	1	<b>7E-3030</b>	1	SPACER (8.3X11.9X16.1-MM THK)						
	12	1	<b>108-6950</b>	1	ROTOR-EXCITER						
	13	1	<b>108-6949</b>	1	STATOR-EXCITER						
	14	1	<b>124-3289</b>	1	BRACKET-BEARING						
	15	1	<b>108-7822</b>	2	RETAINER						
	16	1	<b>5P-2955</b>	4	BOLT (5/16-18X2.5-IN)						
	17	1	<b>124-3295</b>	1	SLEEVE-SHAFT						
	18	1	<b>4P-3153</b>	1	SPACER (20.6X77X27.8-MM THK)						
C	19	1	<b>290-5565</b>	1	HEAT SINK AS						
	20	1	<b>124-3294</b>	1	COVER AS-EXCITER						
	21	1	<b>4M-5282</b>	4	BOLT (1/4-20X1.5-IN)						
	22	1	<b>108-8265</b>	2	SCREEN AS						
	23	1	<b>1B-9575</b>	4	BOLT (5/16-18X1.56-IN)						
	24	1	<b>5M-6214</b>	2	PLUG-PIPE						
	25	1	<b>108-1468</b>	1	PLATE-COUPLING						
B	26	1	<b>7L-5452</b>	2	SHIM (0.8-MM THK)						
	27	1	<b>9X-2119</b>	8	BOLT-12 POINT HEAD (7/8-9X2.5-IN)						
	28	1	<b>5P-8249</b>	8	WASHER-HARD (24X41.5X4-MM THK)						

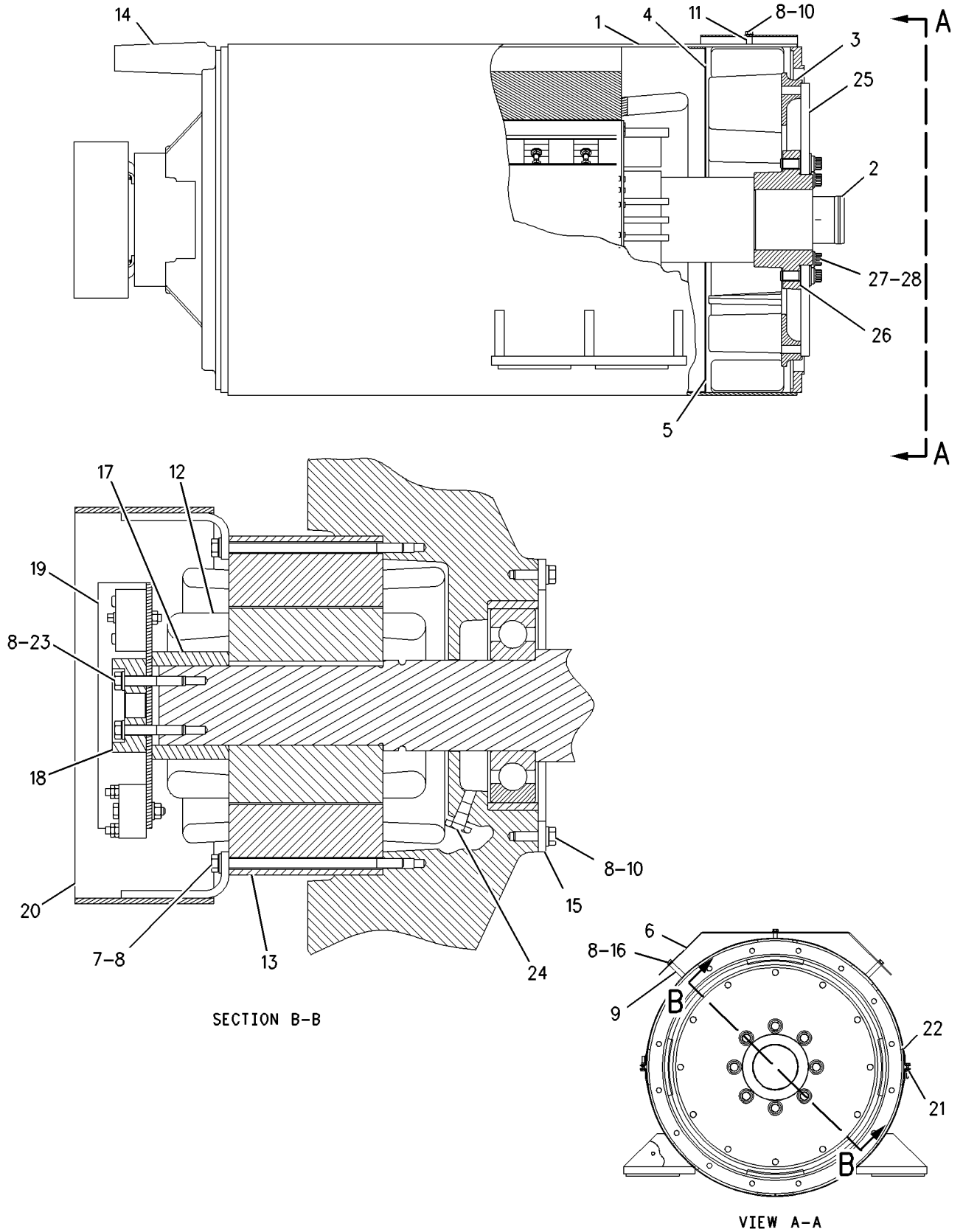
B - USE AS REQUIRED  
 C - CHANGE FROM PREVIOUS TYPE  
 Y - SEPARATE ILLUSTRATION



# GENERATORS

136-6655 GENERATOR GP (contd.)

i02568014



GRAPHIC #1

<END>

g00721805

# GENERATORS

## 136-6656 GENERATOR GP

S/N: AFN1-UP

PART OF 136-6592 GENERATOR AR

SMCS-4450

i02636967

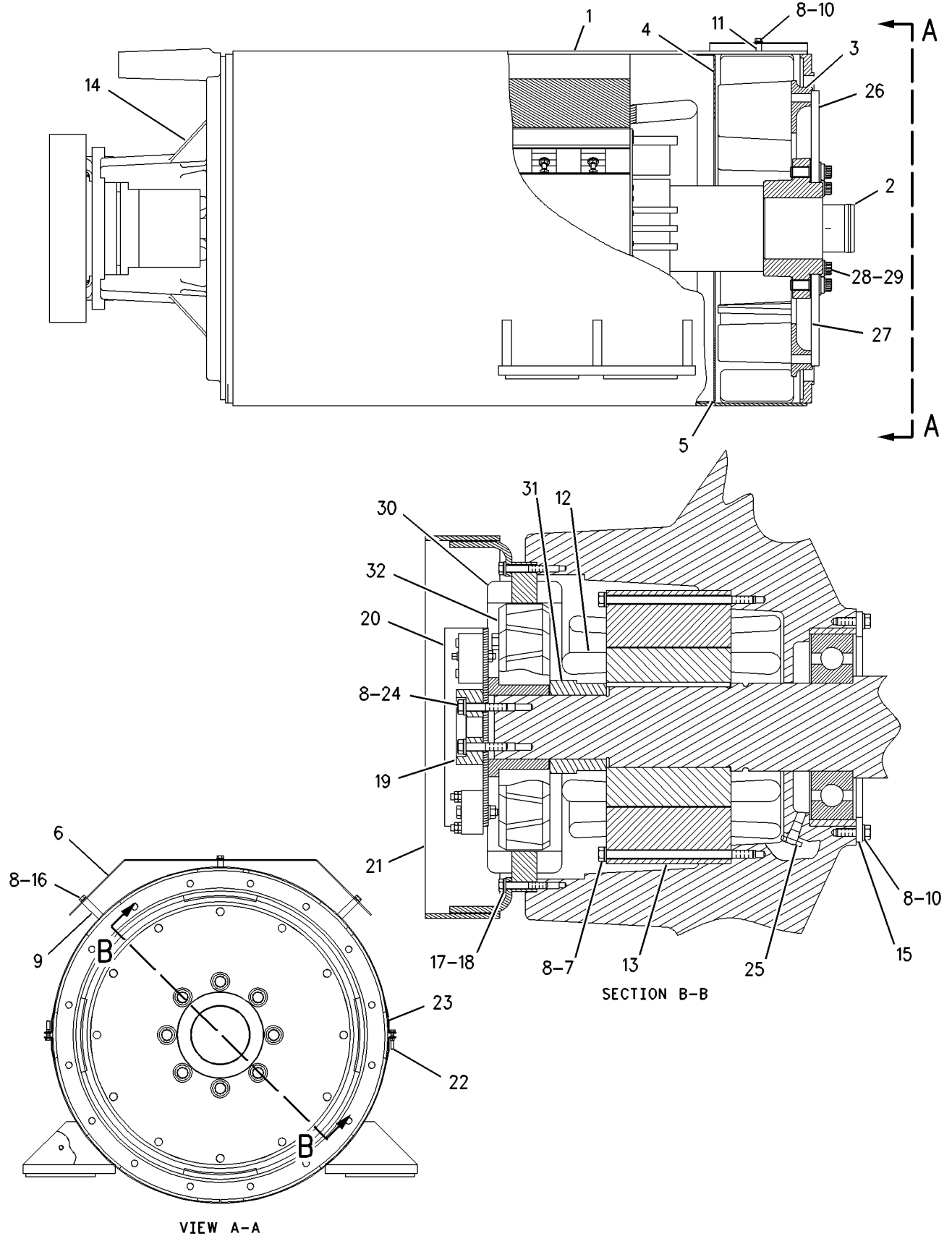
NOTE	REF NO	GRAPHIC REF	PART NUMBER	QTY	PART NAME						SEE PAGE
					1	2	3	4	5	6 (PRODUCT LEVEL)	
	1	1	<b>153-3184</b>	1	STATOR AS						
Y	2	1	<b>153-3190</b>	1	ROTOR AS						509
	3	1	<b>2N-2030</b>	1	FAN-VENT						
	4	1	<b>4P-1798</b>	1	DEFLECTOR-UPPER						
	5	1	<b>4P-4532</b>	1	DEFLECTOR-LOWER						
	6	1	<b>7E-9592</b>	1	COVER-DRIP						
	7	1	<b>5P-0059</b>	4	BOLT (5/16-18X6-IN)						
	8	1	<b>9M-1974</b>	17	WASHER-HARD (8.8X16X2-MM THK)						
	9	1	<b>5L-2087</b>	4	SPACER (9.25X13.72X50.8-MM THK)						
	10	1	<b>4B-3388</b>	5	BOLT (5/16-18X1.125-IN)						
	11	1	<b>7E-3030</b>	1	SPACER (8.3X11.9X16.1-MM THK)						
	12	1	<b>108-6950</b>	1	ROTOR-EXCITER						
	13	1	<b>108-6949</b>	1	STATOR-EXCITER						
	14	1	<b>4P-1775</b>	1	BRACKET-BEARING						
	15	1	<b>108-7822</b>	2	RETAINER						
	16	1	<b>5P-2955</b>	4	BOLT (5/16-18X2.5-IN)						
	17	1	<b>5P-0537</b>	4	WASHER-HARD (7.2X14.5X2-MM THK)						
	18	1	<b>1B-2713</b>	4	BOLT (1/4-20X1.75-IN)						
	19	1	<b>4P-3153</b>	1	SPACER (20.6X77X27.8-MM THK)						
C	20	1	<b>290-5564</b>	1	HEAT SINK AS						
	21	1	<b>4P-1792</b>	1	COVER AS-EXCITER						
	22	1	<b>4M-5282</b>	4	BOLT (1/4-20X1.5-IN)						
	23	1	<b>108-8265</b>	2	SCREEN AS						
	24	1	<b>1B-9575</b>	4	BOLT (5/16-18X1.56-IN)						
	25	1	<b>5M-6214</b>	2	PLUG-PIPE						
	26	1	<b>108-1468</b>	1	PLATE-COUPLING						
B	27	1	<b>7L-5452</b>	2	SHIM (0.8-MM THK)						
	28	1	<b>8T-9400</b>	8	BOLT (7/8-9X2.5-IN)						
	29	1	<b>5P-8249</b>	8	WASHER-HARD (24X41.5X4-MM THK)						
	30	1	<b>108-4396</b>	1	STATOR AS-MAGNET						
		1	<b>7E-8266</b>	2	HOLDER AS-FUSE						
		1	<b>9Y-6027</b>	2	FUSE-CERAMIC (10-AMPERE)						
	31	1	<b>108-5748</b>	1	SLEEVE-SHAFT						
	32	1	<b>108-5749</b>	1	ROTOR (MAGNETIC)						

B - USE AS REQUIRED  
 C - CHANGE FROM PREVIOUS TYPE  
 Y - SEPARATE ILLUSTRATION

# GENERATORS

136-6656 GENERATOR GP (contd.)

i02636967



GRAPHIC #1

<END>

g00723566

# GENERATORS

## 136-6657 GENERATOR GP

S/N: AFN1-UP

60-HERTZ. 380-VOLTS. 597-FRAME

PART OF 136-6593 GENERATOR AR

SMCS-4450

i03622021

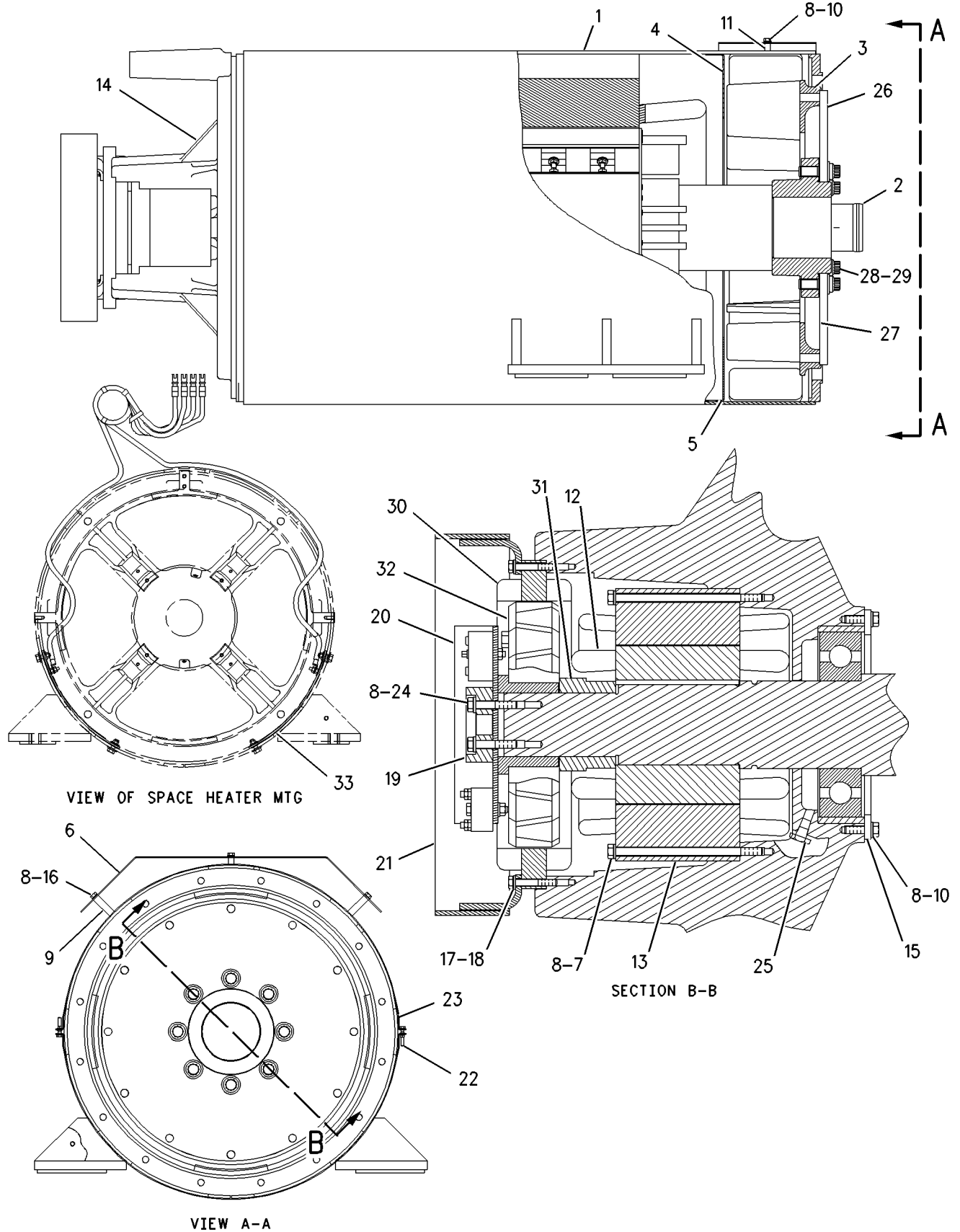
NOTE	REF NO	GRAPHIC REF	PART NUMBER	QTY	PART NAME						SEE PAGE
					1	2	3	4	5	6 (PRODUCT LEVEL)	
	1	1	172-5675	1	STATOR AS						
Y	2	1	172-5701	1	ROTOR AS						513
	3	1	2N-2030	1	FAN-VENT						
	4	1	4P-1798	1	DEFLECTOR-UPPER						
	5	1	4P-4532	1	DEFLECTOR-LOWER						
	6	1	7E-9592	1	COVER-DRIP						
	7	1	5P-0059	4	BOLT (5/16-18X6-IN)						
	8	1	9M-1974	17	WASHER-HARD (8.8X16X2-MM THK)						
	9	1	5L-2087	4	SPACER (9.25X13.72X50.8-MM THK)						
	10	1	4B-3388	5	BOLT (5/16-18X1.125-IN)						
	11	1	7E-3030	1	SPACER (8.3X11.9X16.1-MM THK)						
	12	1	108-6950	1	ROTOR-EXCITER						
	13	1	108-6949	1	STATOR-EXCITER						
	14	1	4P-1775	1	BRACKET-BEARING						
	15	1	108-7822	2	RETAINER						
	16	1	5P-2955	4	BOLT (5/16-18X2.5-IN)						
	17	1	5P-0537	4	WASHER-HARD (7.2X14.5X2-MM THK)						
	18	1	1B-2713	4	BOLT (1/4-20X1.75-IN)						
	19	1	4P-3153	1	SPACER (20.6X77X27.8-MM THK)						
CY	20	1	290-5564	1	HEAT SINK AS						503
	21	1	4P-1792	1	COVER AS-EXCITER						
	22	1	4M-5282	4	BOLT (1/4-20X1.5-IN)						
	23	1	108-8265	2	SCREEN AS						
	24	1	1B-9575	4	BOLT (5/16-18X1.56-IN)						
	25	1	5M-6214	2	PLUG-PIPE						
	26	1	108-1468	1	PLATE-COUPLING						
	27	1	7L-5452	2	SHIM (0.8-MM THK)						
	28	1	9X-2119	8	BOLT-12 POINT HEAD (7/8-9X2.5-IN)						
	29	1	5P-8249	8	WASHER-HARD (24X41.5X4-MM THK)						
	30	1	108-4396	1	STATOR AS-MAGNET						
		1	7E-8266	2	HOLDER AS-FUSE						
		1	9Y-6027	2	FUSE-CERAMIC (10-AMPERE)						
	31	1	108-5748	1	SLEEVE-SHAFT						
	32	1	108-5749	1	ROTOR (MAGNETIC)						
Y	33	1	194-5188	1	HEATER GP-SPACE						505

C - CHANGE FROM PREVIOUS TYPE  
Y - SEPARATE ILLUSTRATION

# GENERATORS

136-6657 GENERATOR GP (contd.)

i03622021



GRAPHIC #1

<END>

g00722844

# GENERATORS

## 136-6658 GENERATOR GP

S/N: AFN1-UP

PART OF 136-6594 GENERATOR AR

SMCS-4450

i02568031

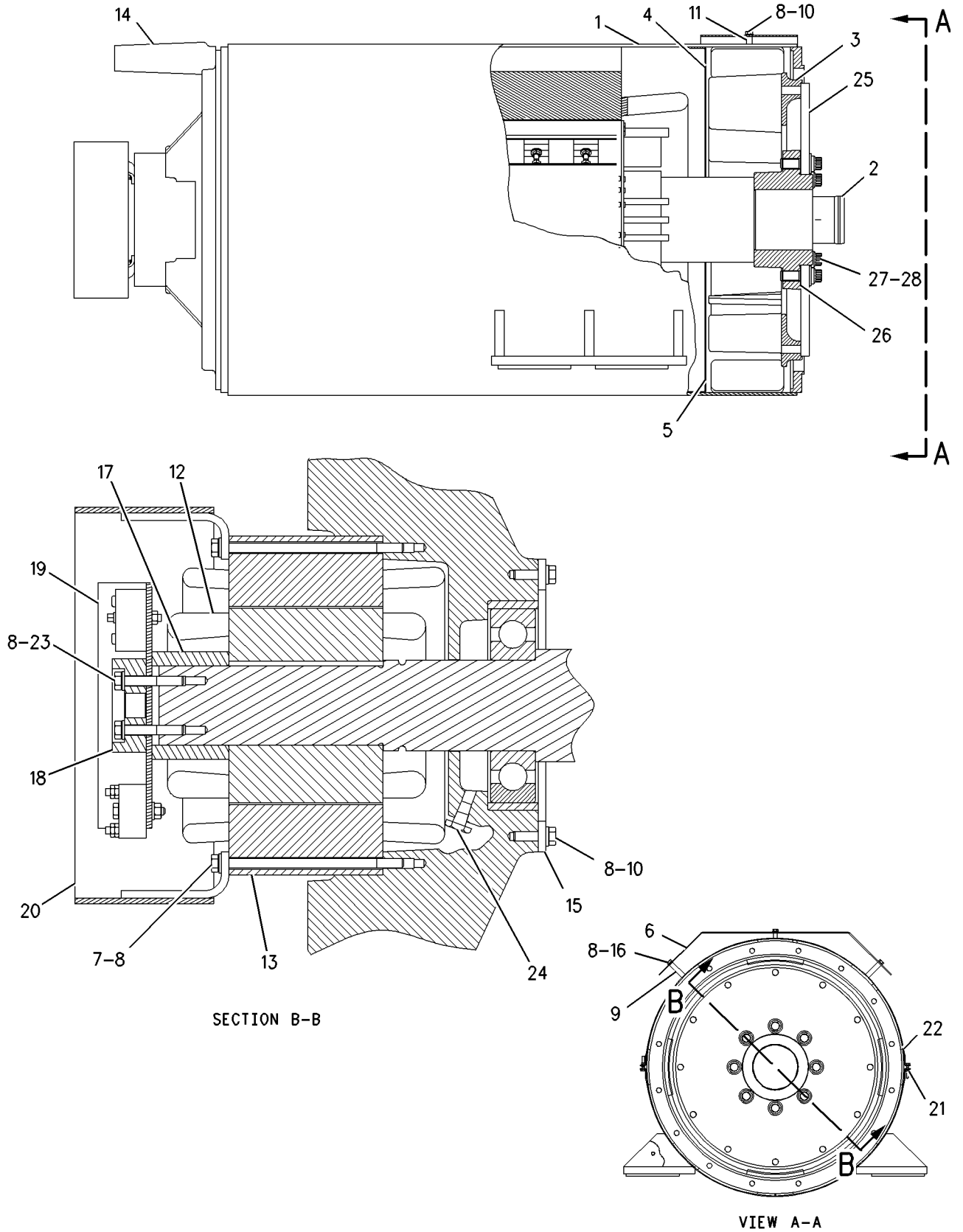
NOTE	REF NO	GRAPHIC REF	PART NUMBER	QTY	PART NAME						SEE PAGE
					1	2	3	4	5	6 (PRODUCT LEVEL)	
	1	1	<b>172-5676</b>	1	STATOR AS						
Y	2	1	<b>172-5700</b>	1	ROTOR AS						512
	3	1	<b>2N-2030</b>	1	FAN-VENT						
	4	1	<b>4P-1798</b>	1	DEFLECTOR-UPPER						
	5	1	<b>4P-4532</b>	1	DEFLECTOR-LOWER						
	6	1	<b>7E-9592</b>	1	COVER-DRIP						
	7	1	<b>5P-0059</b>	4	BOLT (5/16-18X6-IN)						
	8	1	<b>9M-1974</b>	17	WASHER-HARD (8.8X16X2-MM THK)						
	9	1	<b>5L-2087</b>	4	SPACER (9.25X13.72X50.8-MM THK)						
	10	1	<b>4B-3388</b>	5	BOLT (5/16-18X1.125-IN)						
	11	1	<b>7E-3030</b>	1	SPACER (8.3X11.9X16.1-MM THK)						
	12	1	<b>108-6950</b>	1	ROTOR-EXCITER						
	13	1	<b>108-6949</b>	1	STATOR-EXCITER						
	14	1	<b>124-3289</b>	1	BRACKET-BEARING						
	15	1	<b>108-7822</b>	2	RETAINER						
	16	1	<b>5P-2955</b>	4	BOLT (5/16-18X2.5-IN)						
	17	1	<b>124-3295</b>	1	SLEEVE-SHAFT						
	18	1	<b>4P-3153</b>	1	SPACER (20.6X77X27.8-MM THK)						
C	19	1	<b>290-5565</b>	1	HEAT SINK AS						
	20	1	<b>124-3294</b>	1	COVER AS-EXCITER						
	21	1	<b>4M-5282</b>	4	BOLT (1/4-20X1.5-IN)						
	22	1	<b>108-8265</b>	2	SCREEN AS						
	23	1	<b>1B-9575</b>	4	BOLT (5/16-18X1.56-IN)						
	24	1	<b>5M-6214</b>	2	PLUG-PIPE						
	25	1	<b>108-1468</b>	1	PLATE-COUPLING						
B	26	1	<b>7L-5452</b>	2	SHIM (0.8-MM THK)						
	27	1	<b>9X-2119</b>	8	BOLT-12 POINT HEAD (7/8-9X2.5-IN)						
	28	1	<b>5P-8249</b>	8	WASHER-HARD (24X41.5X4-MM THK)						

B - USE AS REQUIRED  
 C - CHANGE FROM PREVIOUS TYPE  
 Y - SEPARATE ILLUSTRATION

# GENERATORS

136-6658 GENERATOR GP (contd.)

i02568031



GRAPHIC #1

<END>

g00721805

# GENERATORS

## 136-6659 GENERATOR GP

S/N: AFN1-UP

PART OF 136-6595 GENERATOR AR

SMCS-4450

i02636966

NOTE	REF NO	GRAPHIC REF	PART NUMBER	QTY	PART NAME						SEE PAGE
					1	2	3	4	5	6 (PRODUCT LEVEL)	
	1	1	<b>172-5676</b>	1	STATOR AS						
Y	2	1	<b>153-3190</b>	1	ROTOR AS						509
	3	1	<b>2N-2030</b>	1	FAN-VENT						
	4	1	<b>4P-1798</b>	1	DEFLECTOR-UPPER						
	5	1	<b>4P-4532</b>	1	DEFLECTOR-LOWER						
	6	1	<b>7E-9592</b>	1	COVER-DRIP						
	7	1	<b>5P-0059</b>	4	BOLT (5/16-18X6-IN)						
	8	1	<b>9M-1974</b>	17	WASHER-HARD (8.8X16X2-MM THK)						
	9	1	<b>5L-2087</b>	4	SPACER (9.25X13.72X50.8-MM THK)						
	10	1	<b>4B-3388</b>	5	BOLT (5/16-18X1.125-IN)						
	11	1	<b>7E-3030</b>	1	SPACER (8.3X11.9X16.1-MM THK)						
	12	1	<b>108-6950</b>	1	ROTOR-EXCITER						
	13	1	<b>108-6949</b>	1	STATOR-EXCITER						
	14	1	<b>4P-1775</b>	1	BRACKET-BEARING						
	15	1	<b>108-7822</b>	2	RETAINER						
	16	1	<b>5P-2955</b>	4	BOLT (5/16-18X2.5-IN)						
	17	1	<b>5P-0537</b>	4	WASHER-HARD (7.2X14.5X2-MM THK)						
	18	1	<b>1B-2713</b>	4	BOLT (1/4-20X1.75-IN)						
	19	1	<b>4P-3153</b>	1	SPACER (20.6X77X27.8-MM THK)						
C	20	1	<b>290-5564</b>	1	HEAT SINK AS						
	21	1	<b>4P-1792</b>	1	COVER AS-EXCITER						
	22	1	<b>4M-5282</b>	4	BOLT (1/4-20X1.5-IN)						
	23	1	<b>108-8265</b>	2	SCREEN AS						
	24	1	<b>1B-9575</b>	4	BOLT (5/16-18X1.56-IN)						
	25	1	<b>5M-6214</b>	2	PLUG-PIPE						
	26	1	<b>108-1468</b>	1	PLATE-COUPLING						
B	27	1	<b>7L-5452</b>	2	SHIM (0.8-MM THK)						
	28	1	<b>8T-9400</b>	8	BOLT (7/8-9X2.5-IN)						
	29	1	<b>5P-8249</b>	8	WASHER-HARD (24X41.5X4-MM THK)						
	30	1	<b>108-4396</b>	1	STATOR AS-MAGNET						
		1	<b>7E-8266</b>	2	HOLDER AS-FUSE						
		1	<b>9Y-6027</b>	2	FUSE-CERAMIC (10-AMPERE)						
	31	1	<b>108-5748</b>	1	SLEEVE-SHAFT						
	32	1	<b>108-5749</b>	1	ROTOR (MAGNETIC)						

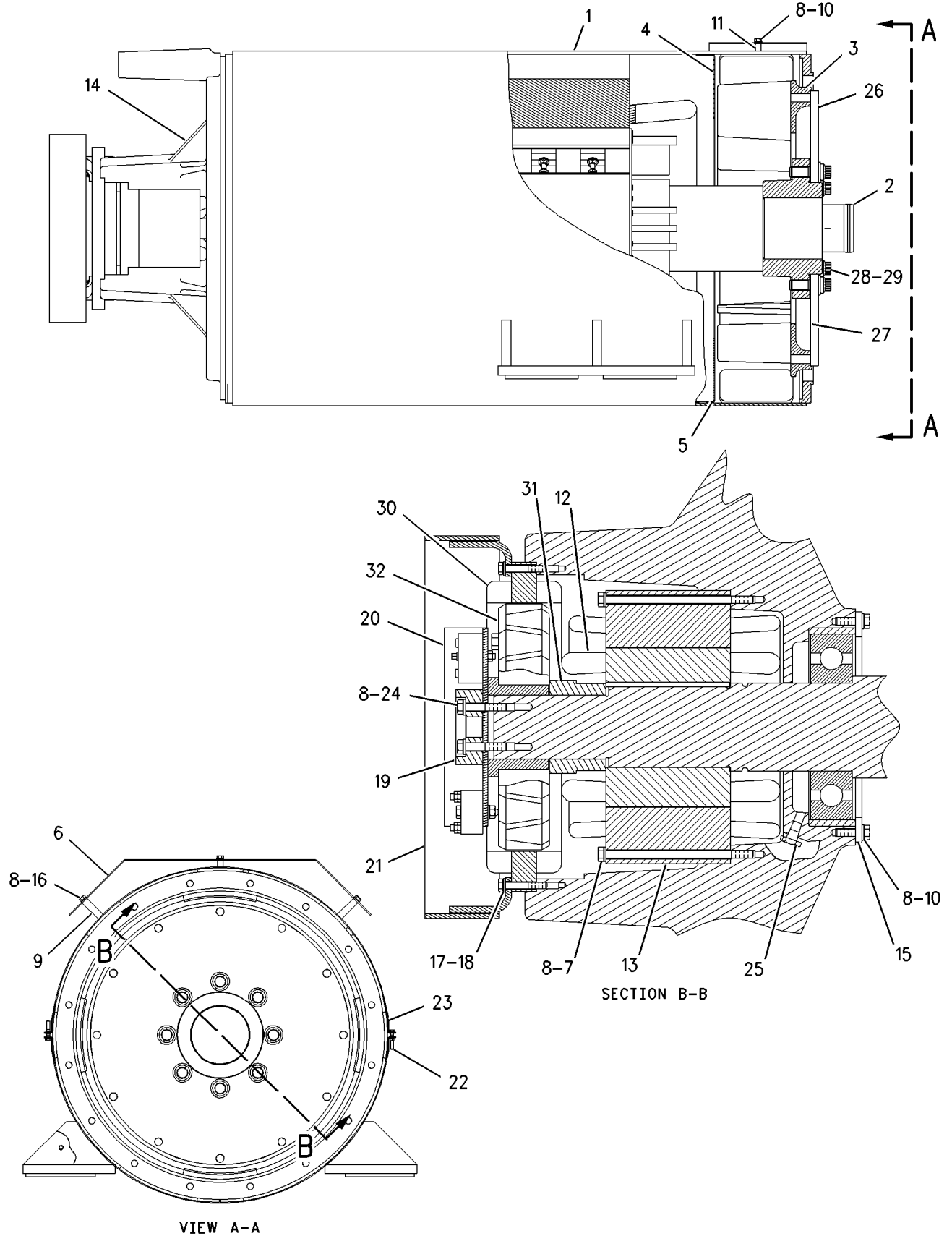
B - USE AS REQUIRED  
 C - CHANGE FROM PREVIOUS TYPE  
 Y - SEPARATE ILLUSTRATION



# GENERATORS

136-6659 GENERATOR GP (contd.)

i02636966



GRAPHIC #1

<END>

g00723566

# GENERATORS

## 136-6660 GENERATOR GP

S/N: AFN1-UP

60-HERTZ. 600-VOLTS. 597-FRAME

PART OF 136-6596 GENERATOR AR

SMCS-4450

i02581955

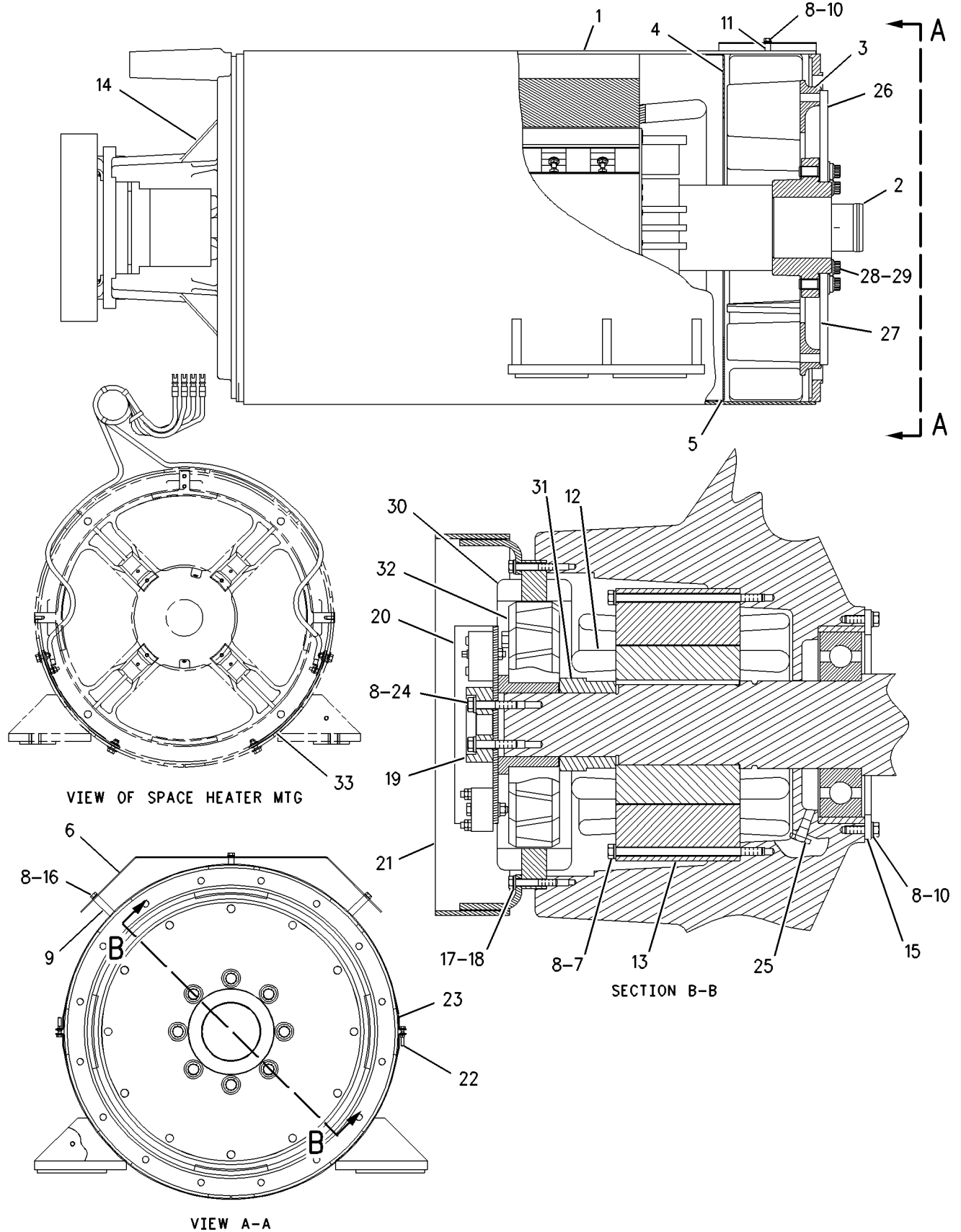
NOTE	REF NO	GRAPHIC REF	PART NUMBER	QTY	PART NAME						SEE PAGE
					1	2	3	4	5	6 (PRODUCT LEVEL)	
	1	1	172-5677	1	STATOR AS						
Y	2	1	172-5701	1	ROTOR AS						513
	3	1	2N-2030	1	FAN-VENT						
	4	1	4P-1798	1	DEFLECTOR-UPPER						
	5	1	4P-4532	1	DEFLECTOR-LOWER						
	6	1	7E-9592	1	COVER-DRIP						
	7	1	5P-0059	4	BOLT (5/16-18X6-IN)						
	8	1	9M-1974	17	WASHER-HARD (8.8X16X2-MM THK)						
	9	1	5L-2087	4	SPACER (9.25X13.72X50.8-MM THK)						
	10	1	4B-3388	5	BOLT (5/16-18X1.125-IN)						
	11	1	7E-3030	1	SPACER (8.3X11.9X16.1-MM THK)						
	12	1	108-6950	1	ROTOR-EXCITER						
	13	1	108-6949	1	STATOR-EXCITER						
	14	1	4P-1775	1	BRACKET-BEARING						
	15	1	108-7822	2	RETAINER						
	16	1	5P-2955	4	BOLT (5/16-18X2.5-IN)						
	17	1	5P-0537	4	WASHER-HARD (7.2X14.5X2-MM THK)						
	18	1	1B-2713	4	BOLT (1/4-20X1.75-IN)						
	19	1	4P-3153	1	SPACER (20.6X77X27.8-MM THK)						
C	20	1	290-5564	1	HEAT SINK AS						
	21	1	4P-1792	1	COVER AS-EXCITER						
	22	1	4M-5282	4	BOLT (1/4-20X1.5-IN)						
	23	1	108-8265	2	SCREEN AS						
	24	1	1B-9575	4	BOLT (5/16-18X1.56-IN)						
	25	1	5M-6214	2	PLUG-PIPE						
	26	1	108-1468	1	PLATE-COUPLING						
	27	1	7L-5452	2	SHIM (0.8-MM THK)						
	28	1	9X-2119	8	BOLT-12 POINT HEAD (7/8-9X2.5-IN)						
	29	1	5P-8249	8	WASHER-HARD (24X41.5X4-MM THK)						
	30	1	108-4396	1	STATOR AS-MAGNET						
		1	7E-8266	2	HOLDER AS-FUSE						
		1	9Y-6027	2	FUSE-CERAMIC (10-AMPERE)						
	31	1	108-5748	1	SLEEVE-SHAFT						
	32	1	108-5749	1	ROTOR (MAGNETIC)						
Y	33	1	194-5188	1	HEATER GP-SPACE						505

C - CHANGE FROM PREVIOUS TYPE  
Y - SEPARATE ILLUSTRATION

# GENERATORS

136-6660 GENERATOR GP (contd.)

i02581955



GRAPHIC #1

<END>

g00722844

# GENERATORS

## 136-6661 GENERATOR GP

S/N: AFK1-UP

PART OF 136-6597 GENERATOR AR

SMCS-4450

i02568038

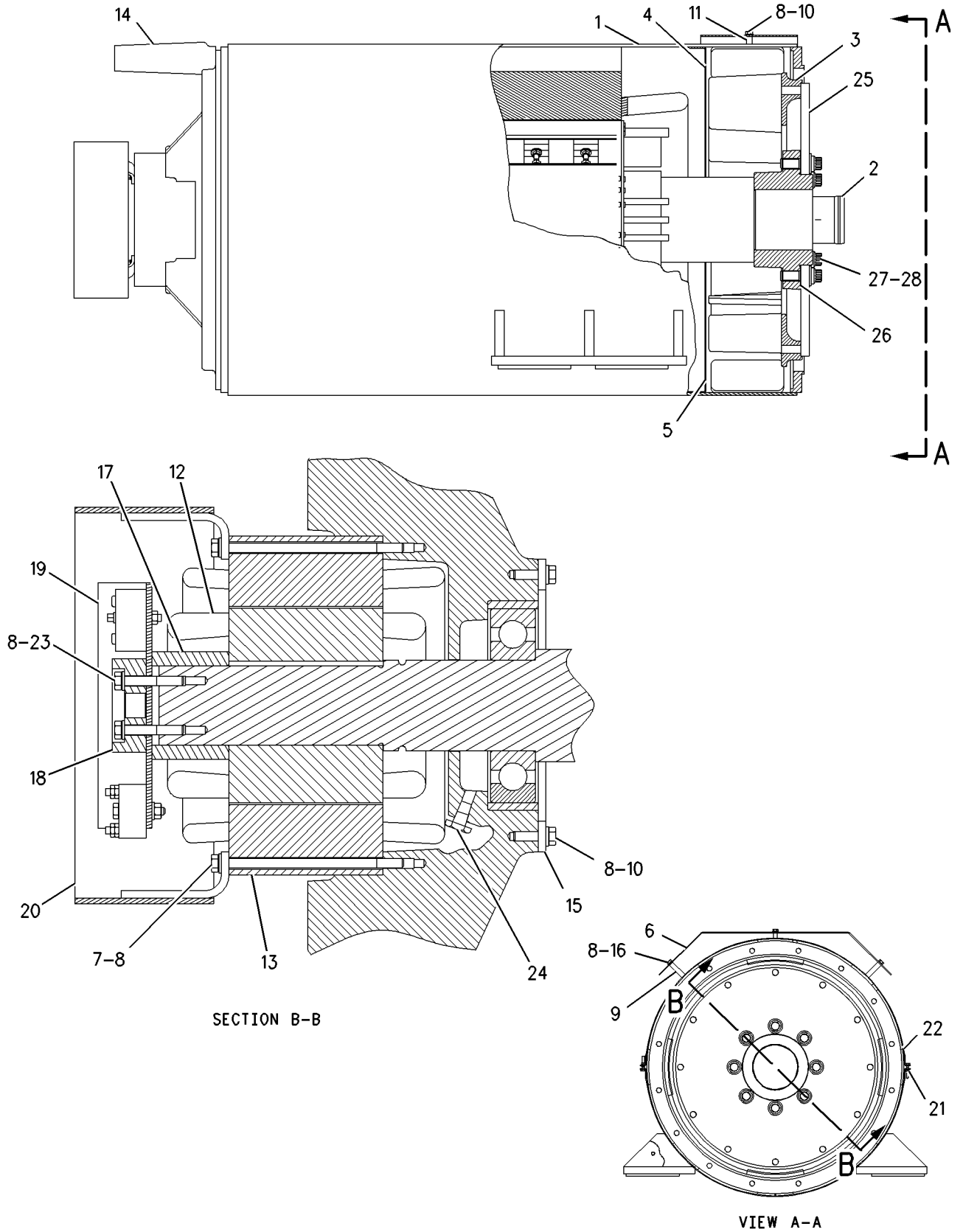
NOTE	REF NO	GRAPHIC REF	PART NUMBER	QTY	PART NAME						SEE PAGE
					1	2	3	4	5	6 (PRODUCT LEVEL)	
	1	1	<b>153-3181</b>	1	STATOR AS						
Y	2	1	<b>172-5700</b>	1	ROTOR AS						512
	3	1	<b>2N-2030</b>	1	FAN-VENT						
	4	1	<b>4P-1798</b>	1	DEFLECTOR-UPPER						
	5	1	<b>4P-4532</b>	1	DEFLECTOR-LOWER						
	6	1	<b>7E-9592</b>	1	COVER-DRIP						
	7	1	<b>5P-0059</b>	4	BOLT (5/16-18X6-IN)						
	8	1	<b>9M-1974</b>	17	WASHER-HARD (8.8X16X2-MM THK)						
	9	1	<b>5L-2087</b>	4	SPACER (9.25X13.72X50.8-MM THK)						
	10	1	<b>4B-3388</b>	5	BOLT (5/16-18X1.125-IN)						
	11	1	<b>7E-3030</b>	1	SPACER (8.3X11.9X16.1-MM THK)						
	12	1	<b>108-6950</b>	1	ROTOR-EXCITER						
	13	1	<b>108-6949</b>	1	STATOR-EXCITER						
	14	1	<b>124-3289</b>	1	BRACKET-BEARING						
	15	1	<b>108-7822</b>	2	RETAINER						
	16	1	<b>5P-2955</b>	4	BOLT (5/16-18X2.5-IN)						
	17	1	<b>124-3295</b>	1	SLEEVE-SHAFT						
	18	1	<b>4P-3153</b>	1	SPACER (20.6X77X27.8-MM THK)						
C	19	1	<b>290-5565</b>	1	HEAT SINK AS						
	20	1	<b>124-3294</b>	1	COVER AS-EXCITER						
	21	1	<b>4M-5282</b>	4	BOLT (1/4-20X1.5-IN)						
	22	1	<b>108-8265</b>	2	SCREEN AS						
	23	1	<b>1B-9575</b>	4	BOLT (5/16-18X1.56-IN)						
	24	1	<b>5M-6214</b>	2	PLUG-PIPE						
	25	1	<b>108-1468</b>	1	PLATE-COUPLING						
B	26	1	<b>7L-5452</b>	2	SHIM (0.8-MM THK)						
	27	1	<b>9X-2119</b>	8	BOLT-12 POINT HEAD (7/8-9X2.5-IN)						
	28	1	<b>5P-8249</b>	8	WASHER-HARD (24X41.5X4-MM THK)						

B - USE AS REQUIRED  
 C - CHANGE FROM PREVIOUS TYPE  
 Y - SEPARATE ILLUSTRATION

# GENERATORS

136-6661 GENERATOR GP (contd.)

i02568038



GRAPHIC #1

<END>

g00721805

# GENERATORS

## 136-6662 GENERATOR GP

S/N: AFK1-UP

PART OF 136-6598 GENERATOR AR

SMCS-4450

i02568046

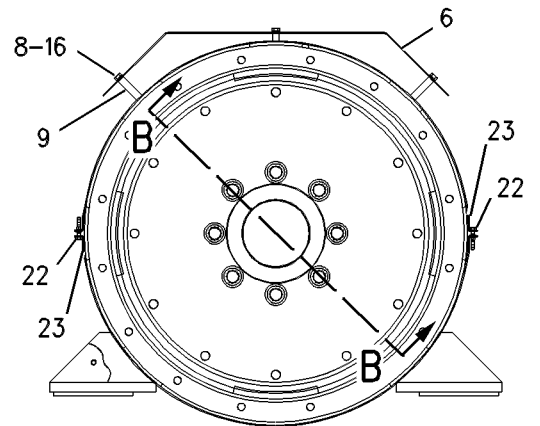
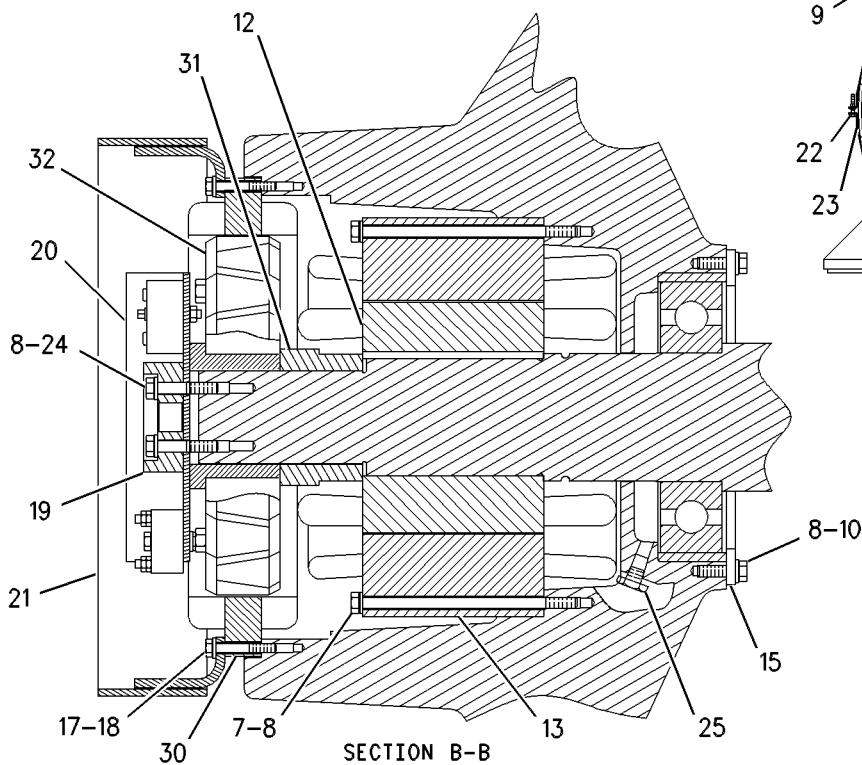
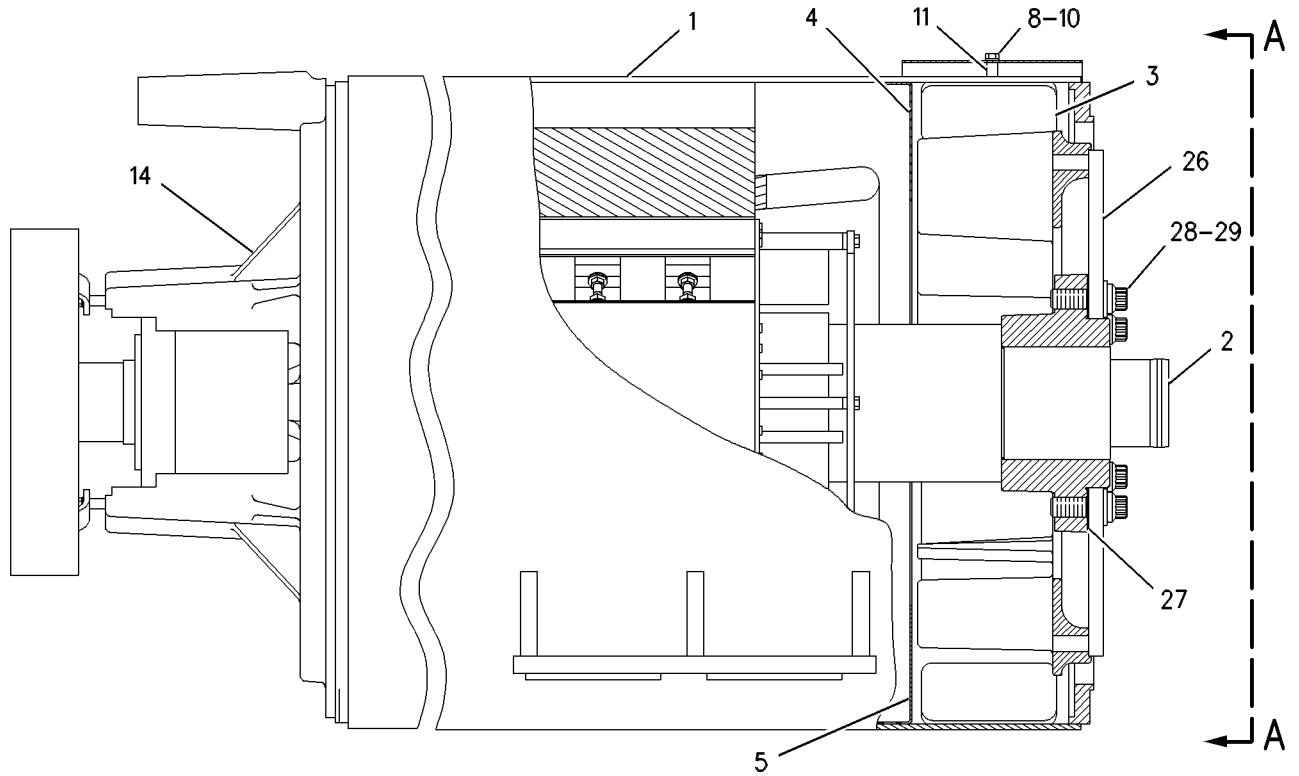
NOTE	REF NO	GRAPHIC REF	PART NUMBER	QTY	PART NAME						SEE PAGE
					1	2	3	4	5	6 (PRODUCT LEVEL)	
	1	1	<b>153-3181</b>	1	STATOR AS						
Y	2	1	<b>153-3190</b>	1	ROTOR AS						509
	3	1	<b>2N-2030</b>	1	FAN-VENT						
	4	1	<b>4P-1798</b>	1	DEFLECTOR-UPPER						
	5	1	<b>4P-4532</b>	1	DEFLECTOR-LOWER						
	6	1	<b>7E-9592</b>	1	COVER-DRIP						
	7	1	<b>5P-0059</b>	4	BOLT (5/16-18X6-IN)						
	8	1	<b>9M-1974</b>	17	WASHER-HARD (8.8X16X2-MM THK)						
	9	1	<b>5L-2087</b>	4	SPACER (9.25X13.72X50.8-MM THK)						
	10	1	<b>4B-3388</b>	5	BOLT (5/16-18X1.125-IN)						
	11	1	<b>7E-3030</b>	1	SPACER (8.3X11.9X16.1-MM THK)						
	12	1	<b>108-6950</b>	1	ROTOR-EXCITER						
	13	1	<b>108-6949</b>	1	STATOR-EXCITER						
	14	1	<b>4P-1775</b>	1	BRACKET-BEARING						
	15	1	<b>108-7822</b>	2	RETAINER						
	16	1	<b>5P-2955</b>	4	BOLT (5/16-18X2.5-IN)						
	17	1	<b>5P-0537</b>	4	WASHER-HARD (7.2X14.5X2-MM THK)						
	18	1	<b>1B-2713</b>	4	BOLT (1/4-20X1.75-IN)						
	19	1	<b>4P-3153</b>	1	SPACER (20.6X77X27.8-MM THK)						
C	20	1	<b>290-5564</b>	1	HEAT SINK AS						
	21	1	<b>4P-1792</b>	1	COVER AS-EXCITER						
	22	1	<b>4M-5282</b>	4	BOLT (1/4-20X1.5-IN)						
	23	1	<b>108-8265</b>	2	SCREEN AS						
	24	1	<b>1B-9575</b>	4	BOLT (5/16-18X1.56-IN)						
	25	1	<b>5M-6214</b>	2	PLUG-PIPE						
	26	1	<b>108-1468</b>	1	PLATE-COUPLING						
B	27	1	<b>7L-5452</b>	2	SHIM (0.8-MM THK)						
	28	1	<b>8T-9400</b>	8	BOLT (7/8-9X2.5-IN)						
	29	1	<b>5P-8249</b>	8	WASHER-HARD (24X41.5X4-MM THK)						
	30	1	<b>108-4396</b>	1	STATOR AS-MAGNET						
		1	<b>7E-8266</b>	2	HOLDER AS-FUSE						
		1	<b>9Y-6027</b>	2	FUSE-CERAMIC (10-AMPERE)						
	31	1	<b>108-5748</b>	1	SLEEVE-SHAFT						
	32	1	<b>108-5749</b>	1	ROTOR (MAGNETIC)						

B - USE AS REQUIRED  
 C - CHANGE FROM PREVIOUS TYPE  
 Y - SEPARATE ILLUSTRATION

# GENERATORS

136-6662 GENERATOR GP (contd.)

i02568046



GRAPHIC #1

<END>

g00438749

# GENERATORS

## 136-6663 GENERATOR GP

S/N: AFK1-UP

50/60-HERTZ. 400/480-VOLTS. 596-FRAME

PART OF 136-6599 GENERATOR AR

SMCS-4450

i02581959

NOTE	REF NO	GRAPHIC REF	PART NUMBER	QTY	PART NAME						SEE PAGE
					1	2	3	4	5	6 (PRODUCT LEVEL)	
	1	1	172-5678	1	STATOR AS						
Y	2	1	172-5701	1	ROTOR AS						513
	3	1	2N-2030	1	FAN-VENT						
	4	1	4P-1798	1	DEFLECTOR-UPPER						
	5	1	4P-4532	1	DEFLECTOR-LOWER						
	6	1	7E-9592	1	COVER-DRIP						
	7	1	5P-0059	4	BOLT (5/16-18X6-IN)						
	8	1	9M-1974	17	WASHER-HARD (8.8X16X2-MM THK)						
	9	1	5L-2087	4	SPACER (9.25X13.72X50.8-MM THK)						
	10	1	4B-3388	5	BOLT (5/16-18X1.125-IN)						
	11	1	7E-3030	1	SPACER (8.3X11.9X16.1-MM THK)						
	12	1	108-6950	1	ROTOR-EXCITER						
	13	1	108-6949	1	STATOR-EXCITER						
	14	1	4P-1775	1	BRACKET-BEARING						
	15	1	108-7822	2	RETAINER						
	16	1	5P-2955	4	BOLT (5/16-18X2.5-IN)						
	17	1	5P-0537	4	WASHER-HARD (7.2X14.5X2-MM THK)						
	18	1	1B-2713	4	BOLT (1/4-20X1.75-IN)						
	19	1	4P-3153	1	SPACER (20.6X77X27.8-MM THK)						
C	20	1	290-5564	1	HEAT SINK AS						
	21	1	4P-1792	1	COVER AS-EXCITER						
	22	1	4M-5282	4	BOLT (1/4-20X1.5-IN)						
	23	1	108-8265	2	SCREEN AS						
	24	1	1B-9575	4	BOLT (5/16-18X1.56-IN)						
	25	1	5M-6214	2	PLUG-PIPE						
	26	1	108-1468	1	PLATE-COUPLING						
	27	1	7L-5452	2	SHIM (0.8-MM THK)						
	28	1	9X-2119	8	BOLT-12 POINT HEAD (7/8-9X2.5-IN)						
	29	1	5P-8249	8	WASHER-HARD (24X41.5X4-MM THK)						
	30	1	108-4396	1	STATOR AS-MAGNET						
		1	7E-8266	2	HOLDER AS-FUSE						
		1	9Y-6027	2	FUSE-CERAMIC (10-AMPERE)						
	31	1	108-5748	1	SLEEVE-SHAFT						
	32	1	108-5749	1	ROTOR (MAGNETIC)						
Y	33	1	194-5188	1	HEATER GP-SPACE						505

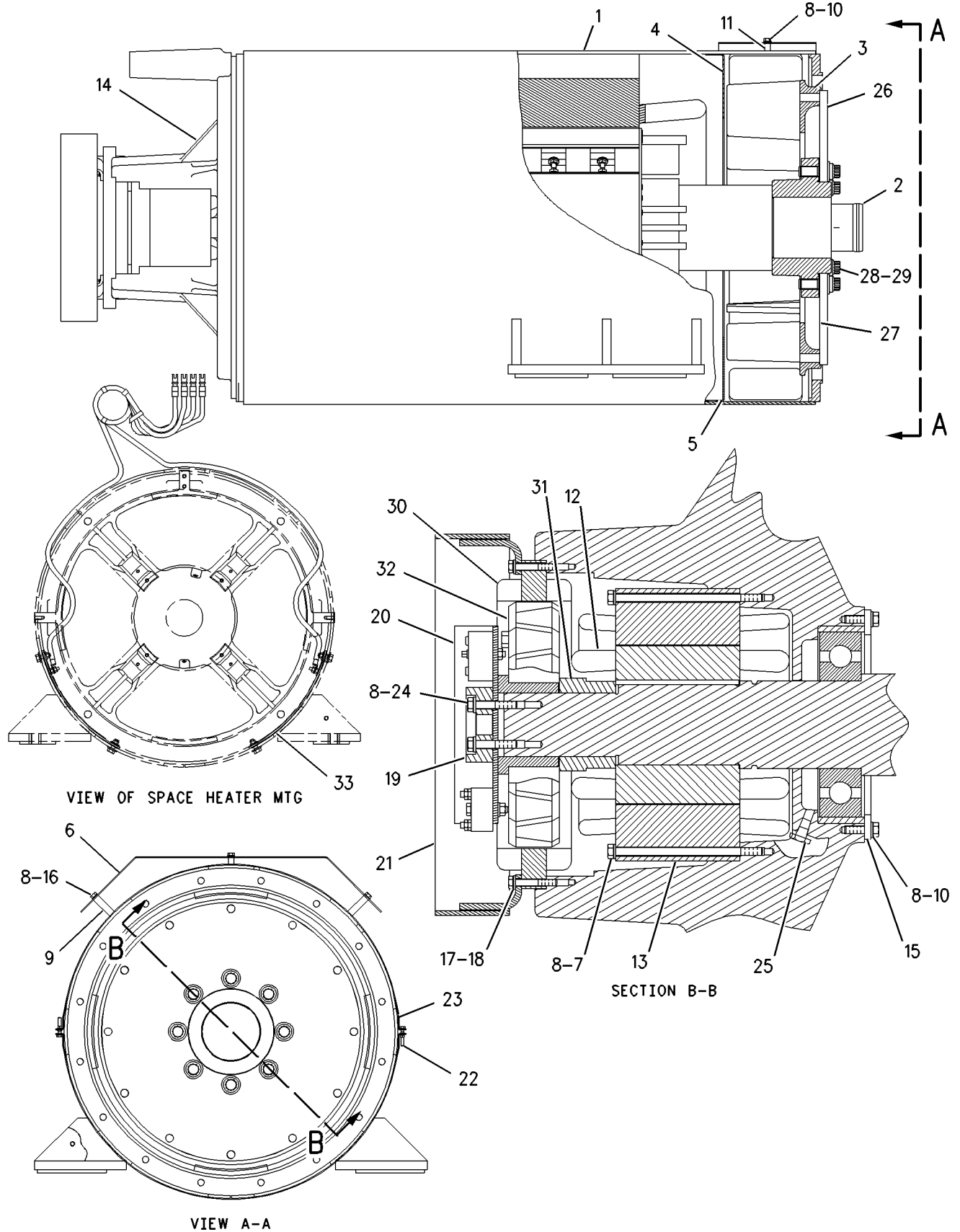
C - CHANGE FROM PREVIOUS TYPE  
Y - SEPARATE ILLUSTRATION



# GENERATORS

136-6663 GENERATOR GP (contd.)

i02581959



GRAPHIC #1

<END>

g00722844

# GENERATORS

## 136-6664 GENERATOR GP

S/N: AFK1-UP

PART OF 136-6600 GENERATOR AR

SMCS-4450

i02568051

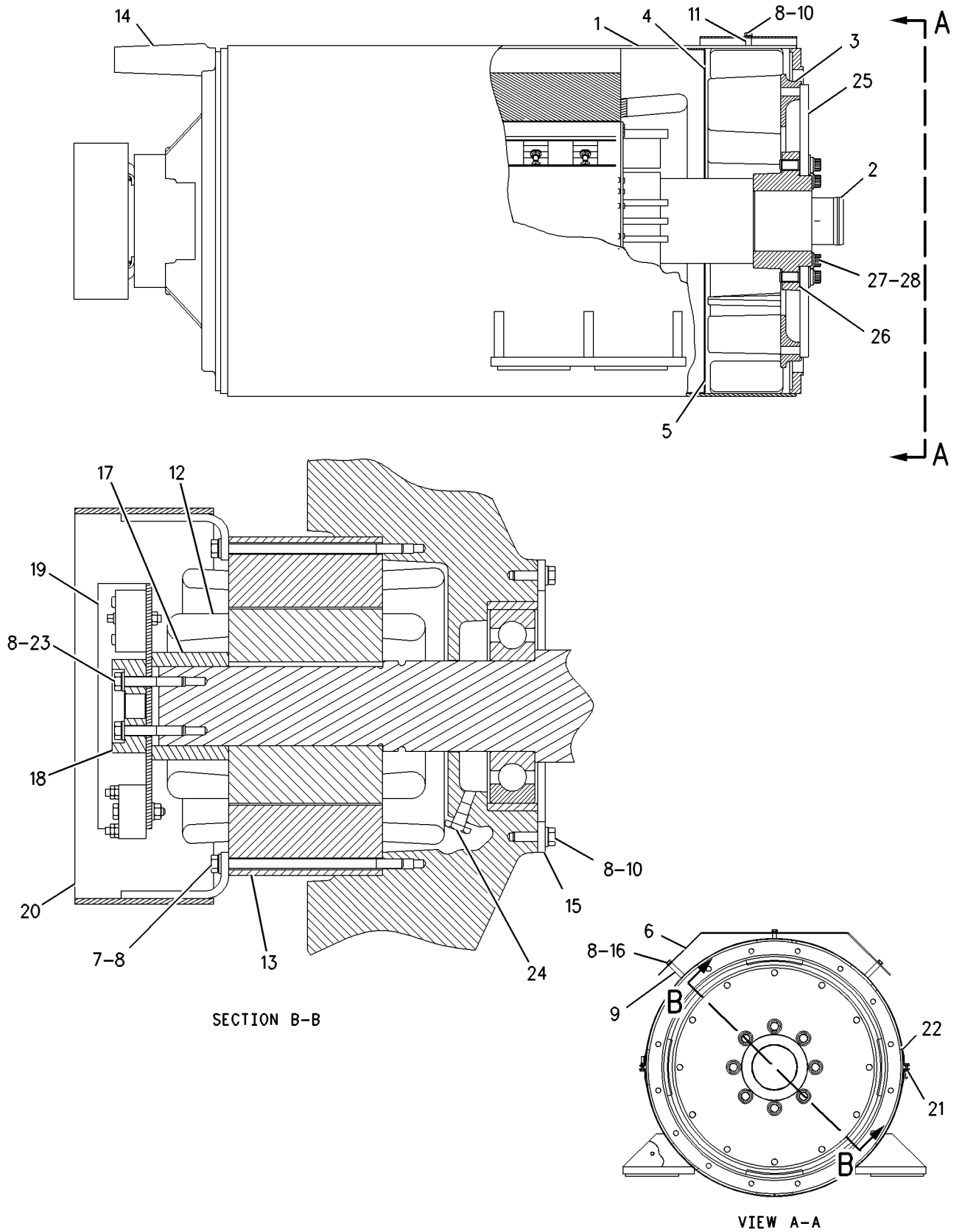
NOTE	REF NO	GRAPHIC REF	PART NUMBER	QTY	PART NAME						SEE PAGE
					1	2	3	4	5	6 (PRODUCT LEVEL)	
	1	1	<b>153-3182</b>	1	STATOR AS						
Y	2	1	<b>172-5700</b>	1	ROTOR AS						512
	3	1	<b>2N-2030</b>	1	FAN-VENT						
	4	1	<b>4P-1798</b>	1	DEFLECTOR-UPPER						
	5	1	<b>4P-4532</b>	1	DEFLECTOR-LOWER						
	6	1	<b>7E-9592</b>	1	COVER-DRIP						
	7	1	<b>5P-0059</b>	4	BOLT (5/16-18X6-IN)						
	8	1	<b>9M-1974</b>	17	WASHER-HARD (8.8X16X2-MM THK)						
	9	1	<b>5L-2087</b>	4	SPACER (9.25X13.72X50.8-MM THK)						
	10	1	<b>4B-3388</b>	5	BOLT (5/16-18X1.125-IN)						
	11	1	<b>7E-3030</b>	1	SPACER (8.3X11.9X16.1-MM THK)						
	12	1	<b>108-6950</b>	1	ROTOR-EXCITER						
	13	1	<b>108-6949</b>	1	STATOR-EXCITER						
	14	1	<b>124-3289</b>	1	BRACKET-BEARING						
	15	1	<b>108-7822</b>	2	RETAINER						
	16	1	<b>5P-2955</b>	4	BOLT (5/16-18X2.5-IN)						
	17	1	<b>124-3295</b>	1	SLEEVE-SHAFT						
	18	1	<b>4P-3153</b>	1	SPACER (20.6X77X27.8-MM THK)						
C	19	1	<b>290-5565</b>	1	HEAT SINK AS						
	20	1	<b>124-3294</b>	1	COVER AS-EXCITER						
	21	1	<b>4M-5282</b>	4	BOLT (1/4-20X1.5-IN)						
	22	1	<b>108-8265</b>	2	SCREEN AS						
	23	1	<b>1B-9575</b>	4	BOLT (5/16-18X1.56-IN)						
	24	1	<b>5M-6214</b>	2	PLUG-PIPE						
	25	1	<b>108-1468</b>	1	PLATE-COUPLING						
B	26	1	<b>7L-5452</b>	2	SHIM (0.8-MM THK)						
	27	1	<b>9X-2119</b>	8	BOLT-12 POINT HEAD (7/8-9X2.5-IN)						
	28	1	<b>5P-8249</b>	8	WASHER-HARD (24X41.5X4-MM THK)						

B - USE AS REQUIRED  
 C - CHANGE FROM PREVIOUS TYPE  
 Y - SEPARATE ILLUSTRATION

# GENERATORS

136-6664 GENERATOR GP (contd.)

i02568051



GRAPHIC #1

<END>

g00721805

# GENERATORS

## 136-6665 GENERATOR GP

S/N: AFK1-UP

PART OF 136-6601 GENERATOR AR

SMCS-4450

i02568062

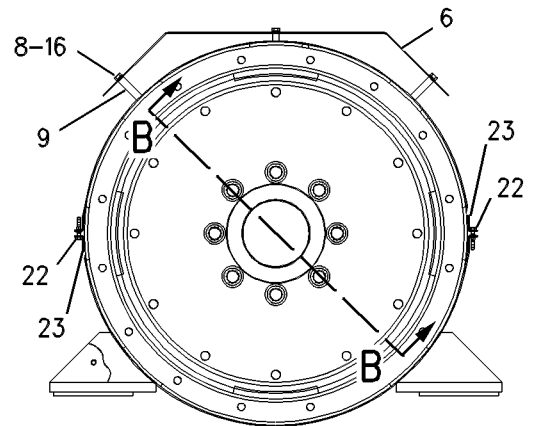
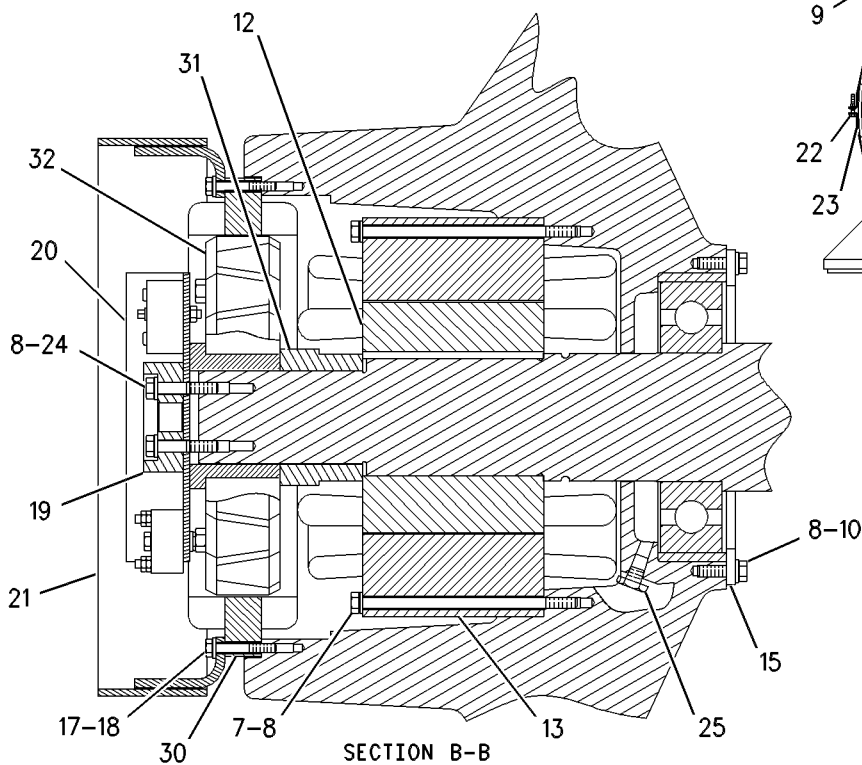
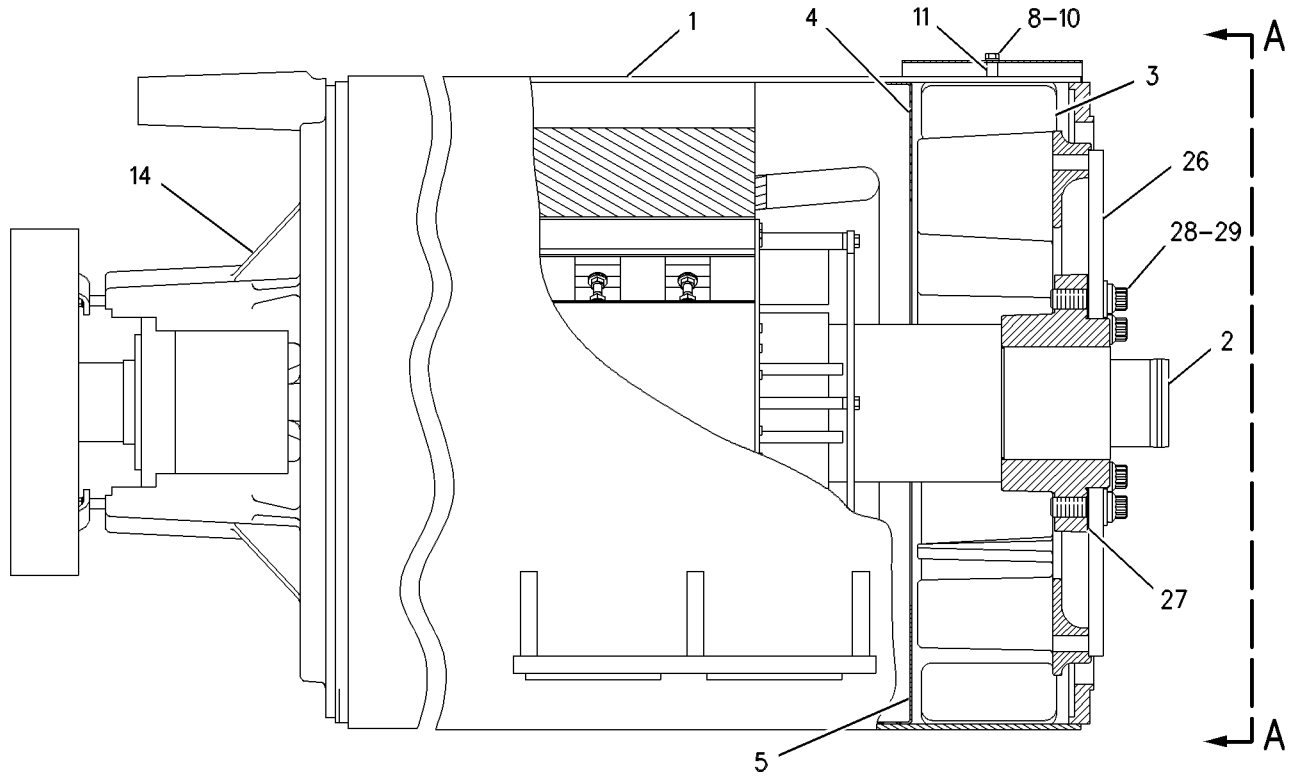
NOTE	REF NO	GRAPHIC REF	PART NUMBER	QTY	PART NAME						SEE PAGE
					1	2	3	4	5	6 (PRODUCT LEVEL)	
	1	1	<b>153-3182</b>	1	STATOR AS						
Y	2	1	<b>153-3190</b>	1	ROTOR AS						509
	3	1	<b>2N-2030</b>	1	FAN-VENT						
	4	1	<b>4P-1798</b>	1	DEFLECTOR-UPPER						
	5	1	<b>4P-4532</b>	1	DEFLECTOR-LOWER						
	6	1	<b>7E-9592</b>	1	COVER-DRIP						
	7	1	<b>5P-0059</b>	4	BOLT (5/16-18X6-IN)						
	8	1	<b>9M-1974</b>	17	WASHER-HARD (8.8X16X2-MM THK)						
	9	1	<b>5L-2087</b>	4	SPACER (9.25X13.72X50.8-MM THK)						
	10	1	<b>4B-3388</b>	5	BOLT (5/16-18X1.125-IN)						
	11	1	<b>7E-3030</b>	1	SPACER (8.3X11.9X16.1-MM THK)						
	12	1	<b>108-6950</b>	1	ROTOR-EXCITER						
	13	1	<b>108-6949</b>	1	STATOR-EXCITER						
	14	1	<b>4P-1775</b>	1	BRACKET-BEARING						
	15	1	<b>108-7822</b>	2	RETAINER						
	16	1	<b>5P-2955</b>	4	BOLT (5/16-18X2.5-IN)						
	17	1	<b>5P-0537</b>	4	WASHER-HARD (7.2X14.5X2-MM THK)						
	18	1	<b>1B-2713</b>	4	BOLT (1/4-20X1.75-IN)						
	19	1	<b>4P-3153</b>	1	SPACER (20.6X77X27.8-MM THK)						
C	20	1	<b>290-5564</b>	1	HEAT SINK AS						
	21	1	<b>4P-1792</b>	1	COVER AS-EXCITER						
	22	1	<b>4M-5282</b>	4	BOLT (1/4-20X1.5-IN)						
	23	1	<b>108-8265</b>	2	SCREEN AS						
	24	1	<b>1B-9575</b>	4	BOLT (5/16-18X1.56-IN)						
	25	1	<b>5M-6214</b>	2	PLUG-PIPE						
	26	1	<b>108-1468</b>	1	PLATE-COUPLING						
B	27	1	<b>7L-5452</b>	2	SHIM (0.8-MM THK)						
	28	1	<b>8T-9400</b>	8	BOLT (7/8-9X2.5-IN)						
	29	1	<b>5P-8249</b>	8	WASHER-HARD (24X41.5X4-MM THK)						
	30	1	<b>108-4396</b>	1	STATOR AS-MAGNET						
		1	<b>7E-8266</b>	2	HOLDER AS-FUSE						
		1	<b>9Y-6027</b>	2	FUSE-CERAMIC (10-AMPERE)						
	31	1	<b>108-5748</b>	1	SLEEVE-SHAFT						
	32	1	<b>108-5749</b>	1	ROTOR (MAGNETIC)						

B - USE AS REQUIRED  
 C - CHANGE FROM PREVIOUS TYPE  
 Y - SEPARATE ILLUSTRATION

# GENERATORS

136-6665 GENERATOR GP (contd.)

i02568062



GRAPHIC #1

<END>

g00438749

# GENERATORS

## 136-6666 GENERATOR GP

S/N: AFK1-UP

60-HERTZ. 380-VOLTS. 596-FRAME

PART OF 136-6602 GENERATOR AR

SMCS-4450

i02581960

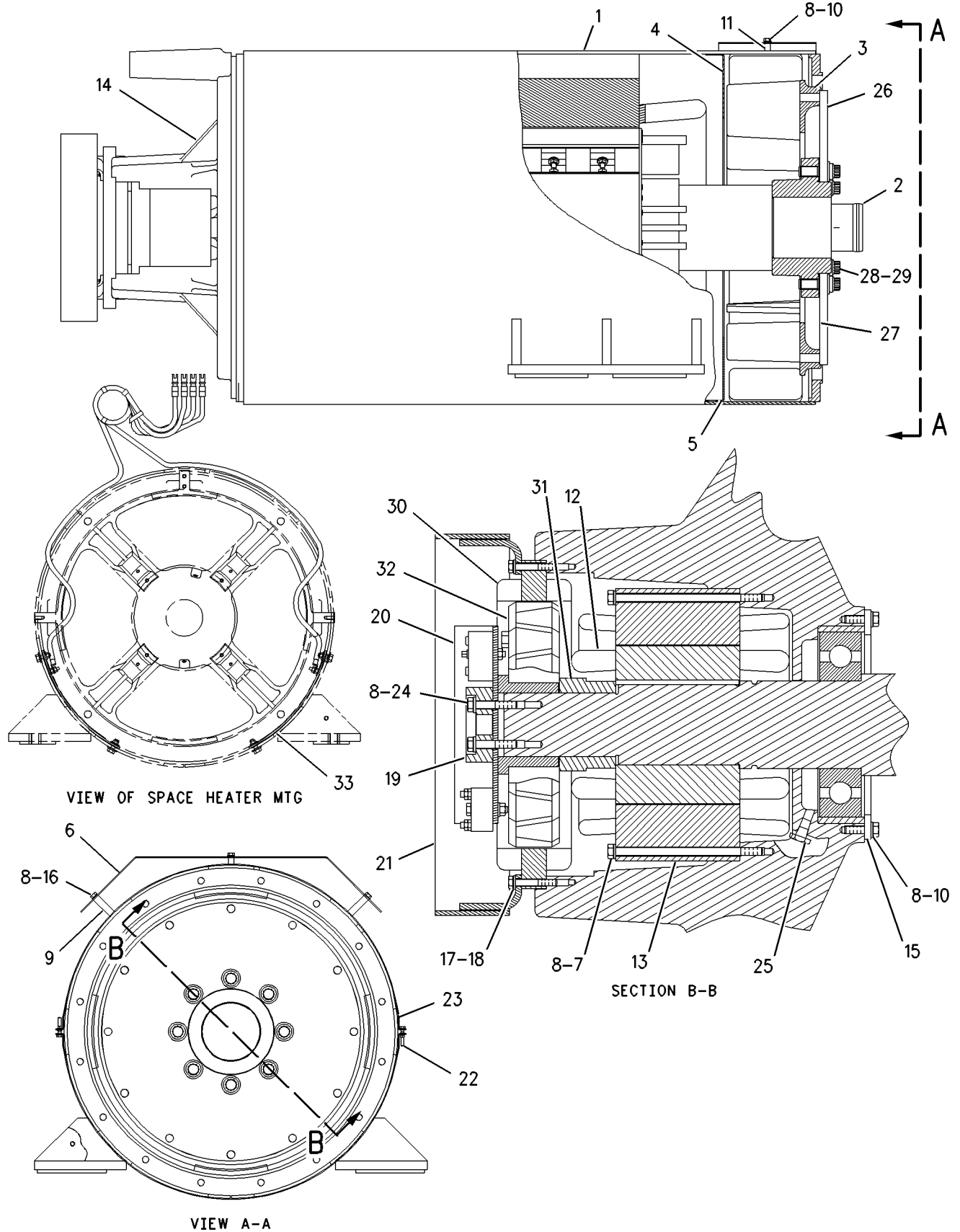
NOTE	REF NO	GRAPHIC REF	PART NUMBER	QTY	PART NAME						SEE PAGE
					1	2	3	4	5	6 (PRODUCT LEVEL)	
	1	1	172-5679	1	STATOR AS						
Y	2	1	172-5701	1	ROTOR AS						513
	3	1	2N-2030	1	FAN-VENT						
	4	1	4P-1798	1	DEFLECTOR-UPPER						
	5	1	4P-4532	1	DEFLECTOR-LOWER						
	6	1	7E-9592	1	COVER-DRIP						
	7	1	5P-0059	4	BOLT (5/16-18X6-IN)						
	8	1	9M-1974	17	WASHER-HARD (8.8X16X2-MM THK)						
	9	1	5L-2087	4	SPACER (9.25X13.72X50.8-MM THK)						
	10	1	4B-3388	5	BOLT (5/16-18X1.125-IN)						
	11	1	7E-3030	1	SPACER (8.3X11.9X16.1-MM THK)						
	12	1	109-6950	1	HOSE-TRANSFER						
	13	1	108-6949	1	STATOR-EXCITER						
	14	1	4P-1775	1	BRACKET-BEARING						
	15	1	108-7822	2	RETAINER						
	16	1	5P-2955	4	BOLT (5/16-18X2.5-IN)						
	17	1	5P-0537	4	WASHER-HARD (7.2X14.5X2-MM THK)						
	18	1	1B-2713	4	BOLT (1/4-20X1.75-IN)						
	19	1	4P-3153	1	SPACER (20.6X77X27.8-MM THK)						
C	20	1	290-5564	1	HEAT SINK AS						
	21	1	4P-1792	1	COVER AS-EXCITER						
	22	1	4M-5282	4	BOLT (1/4-20X1.5-IN)						
	23	1	108-8265	2	SCREEN AS						
	24	1	1B-9575	4	BOLT (5/16-18X1.56-IN)						
	25	1	5M-6214	2	PLUG-PIPE						
	26	1	108-1468	1	PLATE-COUPLING						
	27	1	7L-5452	2	SHIM (0.8-MM THK)						
	28	1	9X-2119	8	BOLT-12 POINT HEAD (7/8-9X2.5-IN)						
	29	1	5P-8249	8	WASHER-HARD (24X41.5X4-MM THK)						
	30	1	108-4396	1	STATOR AS-MAGNET						
		1	7E-8266	2	HOLDER AS-FUSE						
		1	9Y-6027	2	FUSE-CERAMIC (10-AMPERE)						
	31	1	108-5748	1	SLEEVE-SHAFT						
	32	1	108-5749	1	ROTOR (MAGNETIC)						
Y	33	1	194-5188	1	HEATER GP-SPACE						505

C - CHANGE FROM PREVIOUS TYPE  
Y - SEPARATE ILLUSTRATION

# GENERATORS

136-6666 GENERATOR GP (contd.)

i02581960



GRAPHIC #1

<END>

g00722844

# GENERATORS

## 136-6667 GENERATOR GP

S/N: AFK1-UP

PART OF 136-6603 GENERATOR AR

SMCS-4450

i02568069

NOTE	REF NO	GRAPHIC REF	PART NUMBER	QTY	PART NAME						SEE PAGE
					1	2	3	4	5	6 (PRODUCT LEVEL)	
	1	1	<b>172-5680</b>	1	STATOR AS						
Y	2	1	<b>172-5700</b>	1	ROTOR AS						512
	3	1	<b>2N-2030</b>	1	FAN-VENT						
	4	1	<b>4P-1798</b>	1	DEFLECTOR-UPPER						
	5	1	<b>4P-4532</b>	1	DEFLECTOR-LOWER						
	6	1	<b>7E-9592</b>	1	COVER-DRIP						
	7	1	<b>5P-0059</b>	4	BOLT (5/16-18X6-IN)						
	8	1	<b>9M-1974</b>	17	WASHER-HARD (8.8X16X2-MM THK)						
	9	1	<b>5L-2087</b>	4	SPACER (9.25X13.72X50.8-MM THK)						
	10	1	<b>4B-3388</b>	5	BOLT (5/16-18X1.125-IN)						
	11	1	<b>7E-3030</b>	1	SPACER (8.3X11.9X16.1-MM THK)						
	12	1	<b>108-6950</b>	1	ROTOR-EXCITER						
	13	1	<b>108-6949</b>	1	STATOR-EXCITER						
	14	1	<b>124-3289</b>	1	BRACKET-BEARING						
	15	1	<b>108-7822</b>	2	RETAINER						
	16	1	<b>5P-2955</b>	4	BOLT (5/16-18X2.5-IN)						
	17	1	<b>124-3295</b>	1	SLEEVE-SHAFT						
	18	1	<b>4P-3153</b>	1	SPACER (20.6X77X27.8-MM THK)						
C	19	1	<b>290-5565</b>	1	HEAT SINK AS						
	20	1	<b>124-3294</b>	1	COVER AS-EXCITER						
	21	1	<b>4M-5282</b>	4	BOLT (1/4-20X1.5-IN)						
	22	1	<b>108-8265</b>	2	SCREEN AS						
	23	1	<b>1B-9575</b>	4	BOLT (5/16-18X1.56-IN)						
	24	1	<b>5M-6214</b>	2	PLUG-PIPE						
	25	1	<b>108-1468</b>	1	PLATE-COUPLING						
B	26	1	<b>7L-5452</b>	2	SHIM (0.8-MM THK)						
	27	1	<b>9X-2119</b>	8	BOLT-12 POINT HEAD (7/8-9X2.5-IN)						
	28	1	<b>5P-8249</b>	8	WASHER-HARD (24X41.5X4-MM THK)						

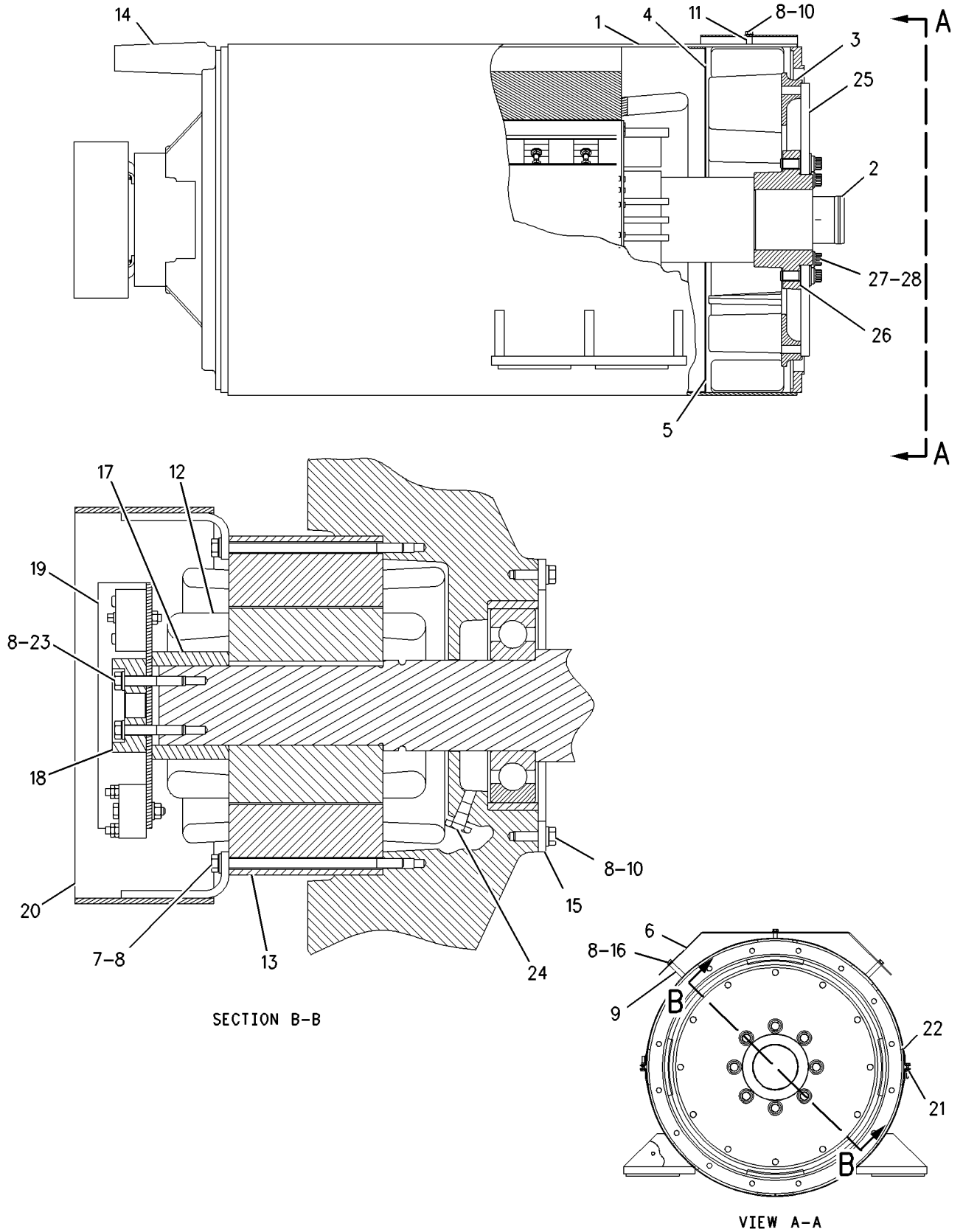
B - USE AS REQUIRED  
 C - CHANGE FROM PREVIOUS TYPE  
 Y - SEPARATE ILLUSTRATION



# GENERATORS

136-6667 GENERATOR GP (contd.)

i02568069



GRAPHIC #1

<END>

g00721805

# GENERATORS

## 136-6668 GENERATOR GP

S/N: AFK1-UP

PART OF 136-6604 GENERATOR AR

SMCS-4450

i03595020

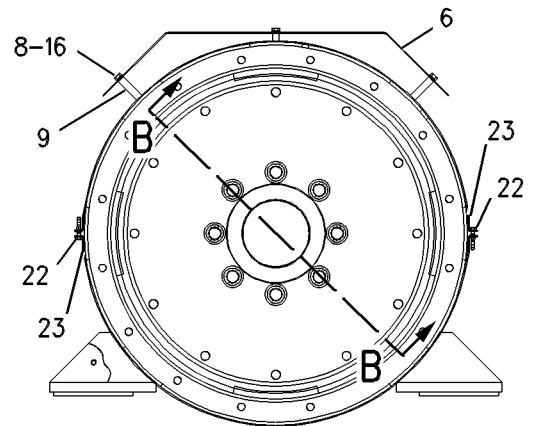
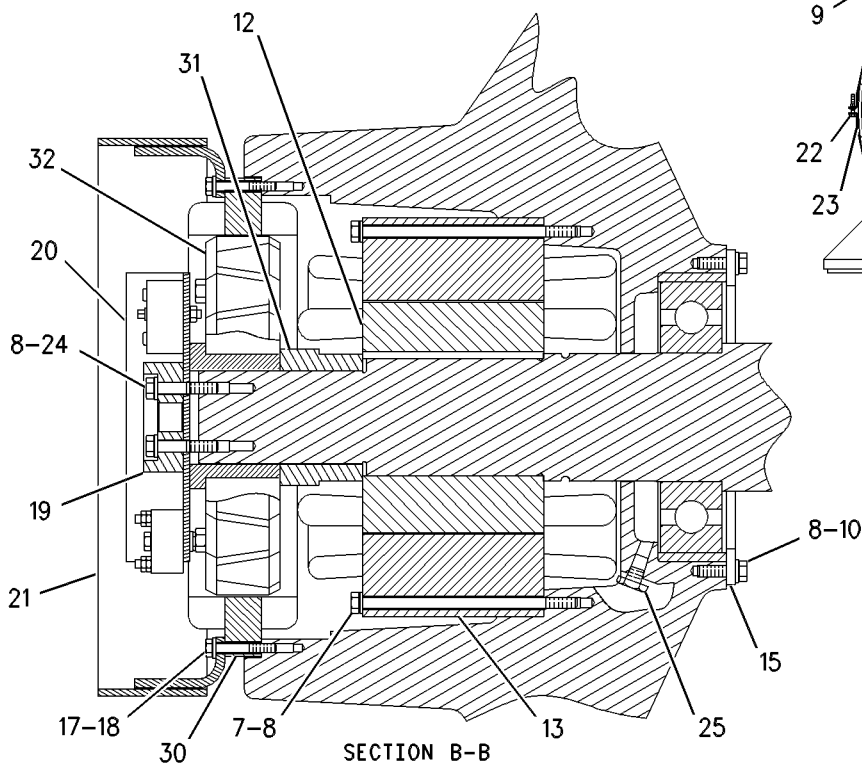
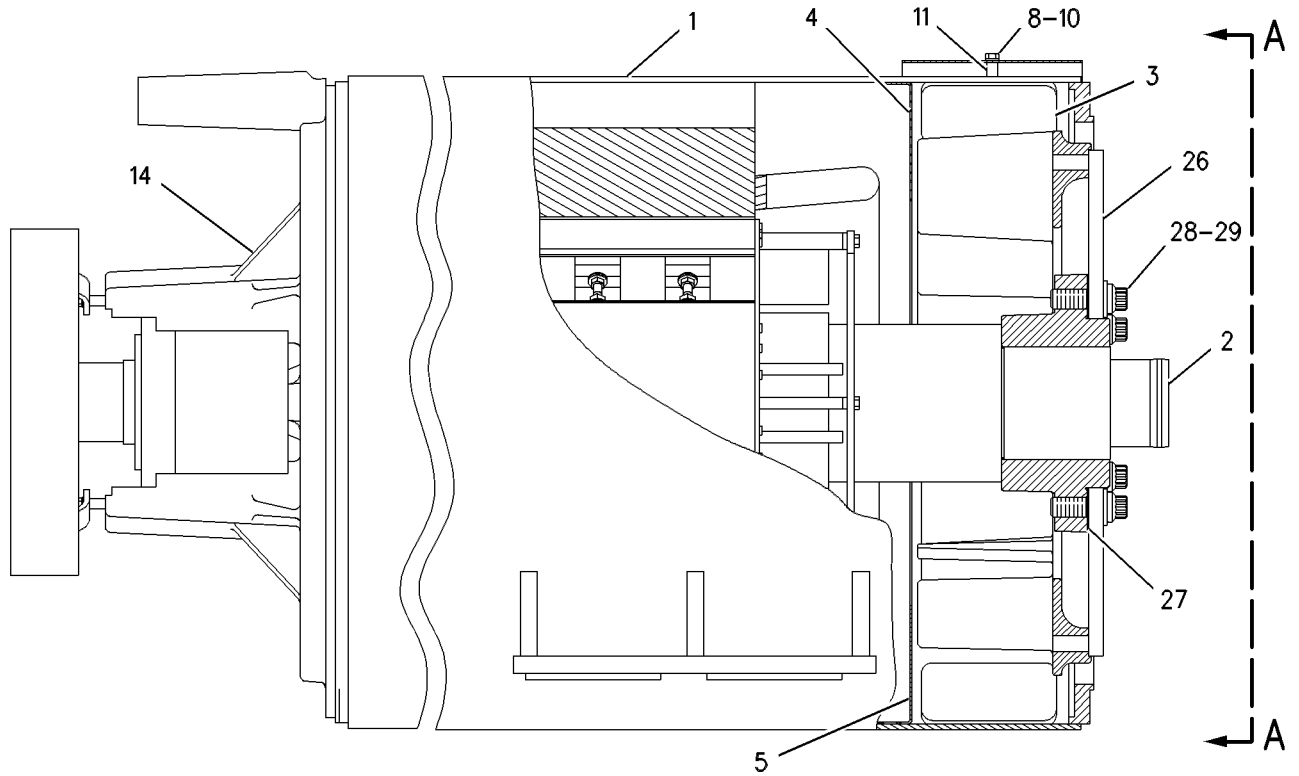
NOTE	REF NO	GRAPHIC REF	PART NUMBER	QTY	PART NAME						SEE PAGE
					1	2	3	4	5	6 (PRODUCT LEVEL)	
	1	1	<b>172-5680</b>	1	STATOR AS						
Y	2	1	<b>153-3190</b>	1	ROTOR AS						509
	3	1	<b>2N-2030</b>	1	FAN-VENT						
	4	1	<b>4P-1798</b>	1	DEFLECTOR-UPPER						
	5	1	<b>4P-4532</b>	1	DEFLECTOR-LOWER						
	6	1	<b>7E-9592</b>	1	COVER-DRIP						
	7	1	<b>5P-0059</b>	4	BOLT (5/16-18X6-IN)						
	8	1	<b>9M-1974</b>	17	WASHER-HARD (8.8X16X2-MM THK)						
	9	1	<b>5L-2087</b>	4	SPACER (9.25X13.72X50.8-MM THK)						
	10	1	<b>4B-3388</b>	5	BOLT (5/16-18X1.125-IN)						
	11	1	<b>7E-3030</b>	1	SPACER (8.3X11.9X16.1-MM THK)						
	12	1	<b>108-6950</b>	1	ROTOR-EXCITER						
	13	1	<b>108-6949</b>	1	STATOR-EXCITER						
	14	1	<b>4P-1775</b>	1	BRACKET-BEARING						
	15	1	<b>108-7822</b>	2	RETAINER						
	16	1	<b>5P-2955</b>	4	BOLT (5/16-18X2.5-IN)						
	17	1	<b>5P-0537</b>	4	WASHER-HARD (7.2X14.5X2-MM THK)						
	18	1	<b>1B-2713</b>	4	BOLT (1/4-20X1.75-IN)						
	19	1	<b>4P-3153</b>	1	SPACER (20.6X77X27.8-MM THK)						
Y	20	1	<b>290-5564</b>	1	HEAT SINK AS						503
	21	1	<b>4P-1792</b>	1	COVER AS-EXCITER						
	22	1	<b>4M-5282</b>	4	BOLT (1/4-20X1.5-IN)						
	23	1	<b>108-8265</b>	2	SCREEN AS						
	24	1	<b>1B-9575</b>	4	BOLT (5/16-18X1.56-IN)						
	25	1	<b>5M-6214</b>	2	PLUG-PIPE						
	26	1	<b>108-1468</b>	1	PLATE-COUPLING						
B	27	1	<b>7L-5452</b>	2	SHIM (0.8-MM THK)						
	28	1	<b>8T-9400</b>	8	BOLT (7/8-9X2.5-IN)						
	29	1	<b>5P-8249</b>	8	WASHER-HARD (24X41.5X4-MM THK)						
	30	1	<b>108-4396</b>	1	STATOR AS-MAGNET						
		1	<b>7E-8266</b>	2	HOLDER AS-FUSE						
		1	<b>9Y-6027</b>	2	FUSE-CERAMIC (10-AMPERE)						
	31	1	<b>108-5748</b>	1	SLEEVE-SHAFT						
	32	1	<b>108-5749</b>	1	ROTOR (MAGNETIC)						

B - USE AS REQUIRED  
Y - SEPARATE ILLUSTRATION

# GENERATORS

136-6668 GENERATOR GP (contd.)

i03595020



GRAPHIC #1

<END>

g00438749

# GENERATORS

## 136-6669 GENERATOR GP

S/N: AFK1-UP

60-HERTZ. 600-VOLTS. 596-FRAME

PART OF 136-6605 GENERATOR AR

SMCS-4450

i02581961

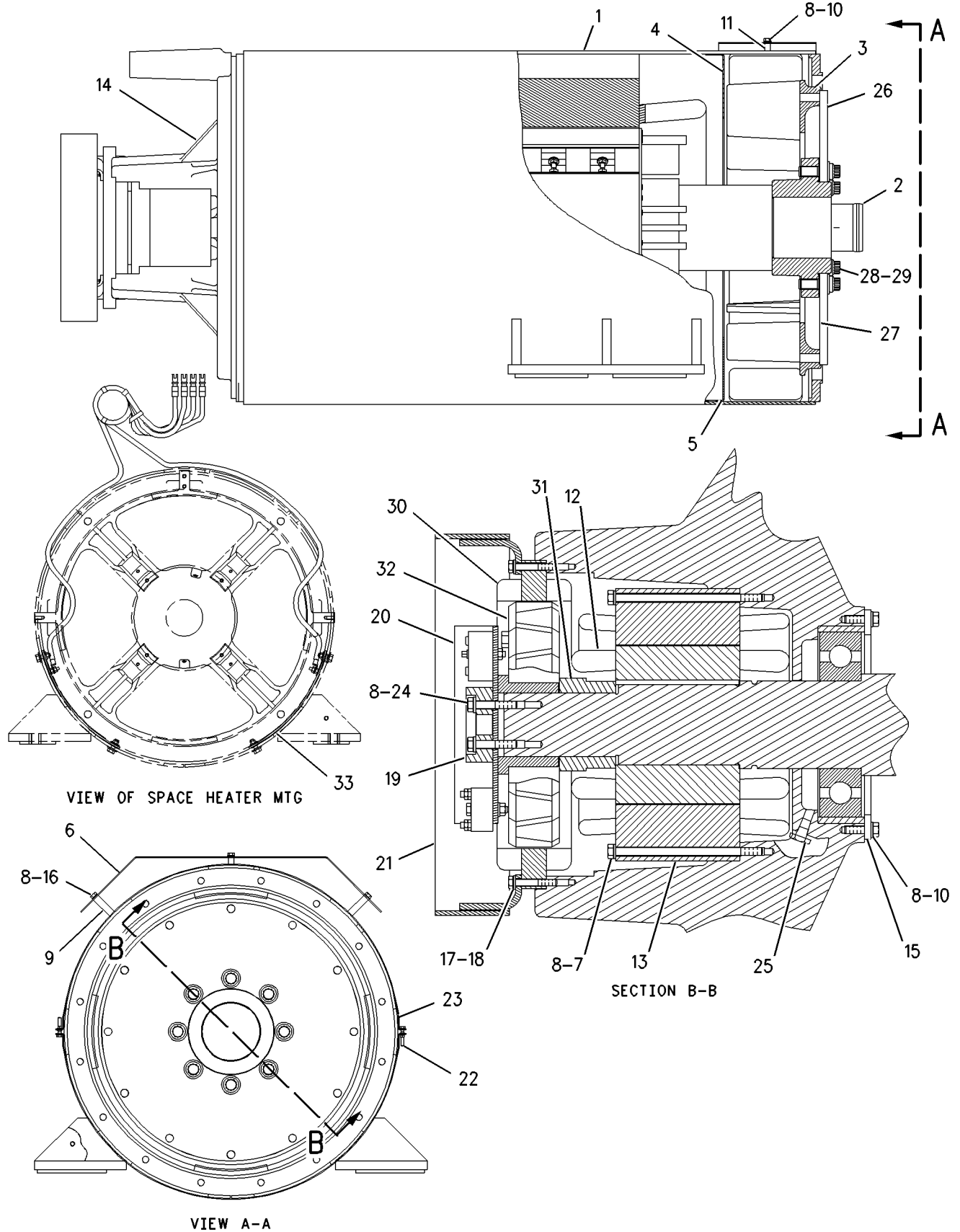
NOTE	REF NO	GRAPHIC REF	PART NUMBER	QTY	PART NAME						SEE PAGE
					1	2	3	4	5	6 (PRODUCT LEVEL)	
	1	1	172-5681	1	STATOR AS						
Y	2	1	172-5701	1	ROTOR AS						513
	3	1	2N-2030	1	FAN-VENT						
	4	1	4P-1798	1	DEFLECTOR-UPPER						
	5	1	4P-4532	1	DEFLECTOR-LOWER						
	6	1	7E-9592	1	COVER-DRIP						
	7	1	5P-0059	4	BOLT (5/16-18X6-IN)						
	8	1	9M-1974	17	WASHER-HARD (8.8X16X2-MM THK)						
	9	1	5L-2087	4	SPACER (9.25X13.72X50.8-MM THK)						
	10	1	4B-3388	5	BOLT (5/16-18X1.125-IN)						
	11	1	7E-3030	1	SPACER (8.3X11.9X16.1-MM THK)						
	12	1	108-6950	1	ROTOR-EXCITER						
	13	1	108-6949	1	STATOR-EXCITER						
	14	1	4P-1775	1	BRACKET-BEARING						
	15	1	108-7822	2	RETAINER						
	16	1	5P-2955	4	BOLT (5/16-18X2.5-IN)						
	17	1	5P-0537	4	WASHER-HARD (7.2X14.5X2-MM THK)						
	18	1	1B-2713	4	BOLT (1/4-20X1.75-IN)						
	19	1	4P-3153	1	SPACER (20.6X77X27.8-MM THK)						
C	20	1	290-5564	1	HEAT SINK AS						
	21	1	4P-1792	1	COVER AS-EXCITER						
	22	1	4M-5282	4	BOLT (1/4-20X1.5-IN)						
	23	1	108-8265	2	SCREEN AS						
	24	1	1B-9575	4	BOLT (5/16-18X1.56-IN)						
	25	1	5M-6214	2	PLUG-PIPE						
	26	1	108-1468	1	PLATE-COUPLING						
	27	1	7L-5452	2	SHIM (0.8-MM THK)						
	28	1	9X-2119	8	BOLT-12 POINT HEAD (7/8-9X2.5-IN)						
	29	1	5P-8249	8	WASHER-HARD (24X41.5X4-MM THK)						
	30	1	108-4396	1	STATOR AS-MAGNET						
		1	7E-8266	2	HOLDER AS-FUSE						
		1	9Y-6027	2	FUSE-CERAMIC (10-AMPERE)						
	31	1	108-5748	1	SLEEVE-SHAFT						
	32	1	108-5749	1	ROTOR (MAGNETIC)						
Y	33	1	194-5188	1	HEATER GP-SPACE						505

C - CHANGE FROM PREVIOUS TYPE  
Y - SEPARATE ILLUSTRATION

# GENERATORS

136-6669 GENERATOR GP (contd.)

i02581961



GRAPHIC #1

<END>

g00722844

# GENERATORS

## 136-6670 GENERATOR GP

S/N: AFH1-UP; AFK1-UP  
PART OF 136-6606 GENERATOR AR

SMCS-4450

i02667269

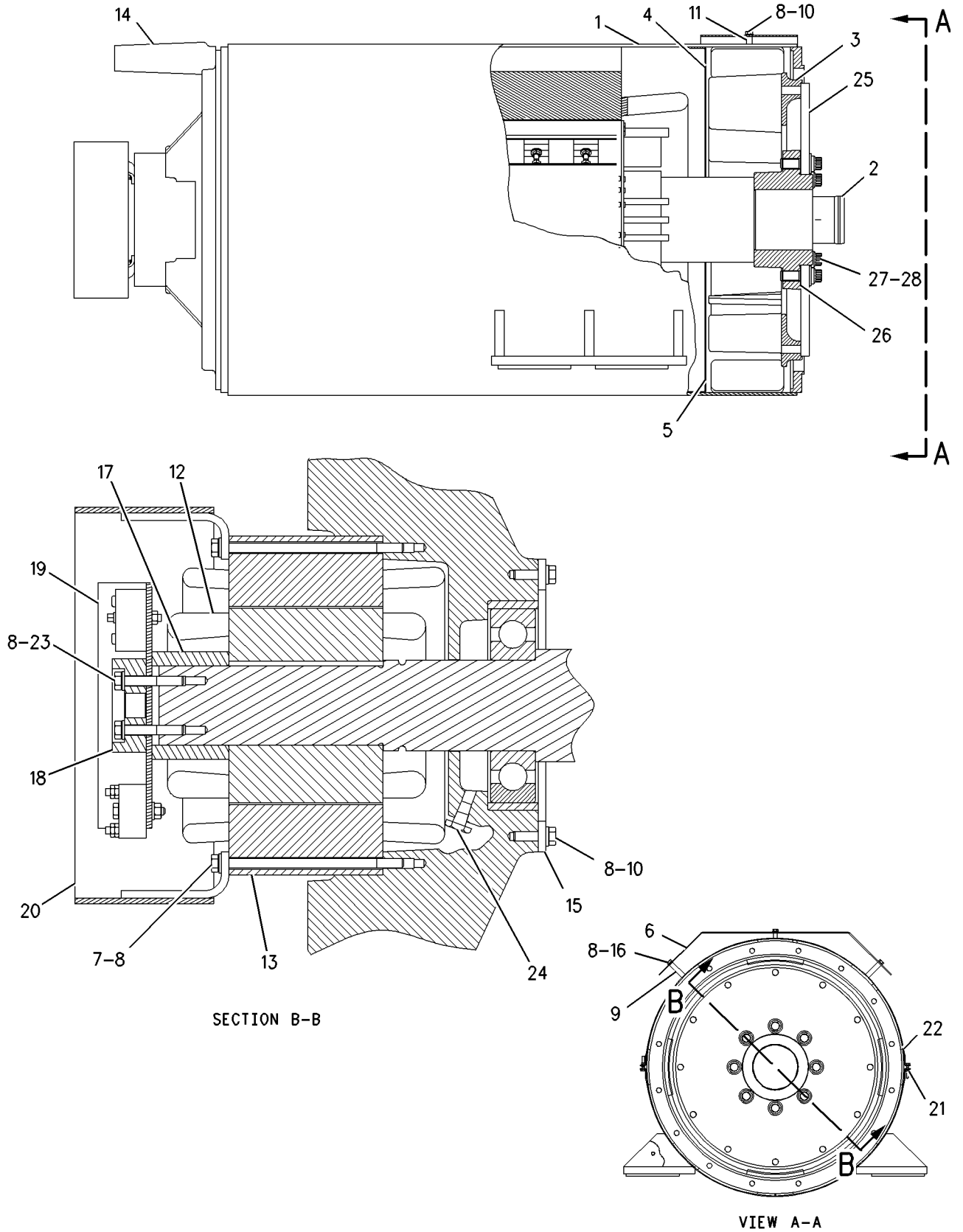
NOTE	REF NO	GRAPHIC REF	PART NUMBER	QTY	PART NAME						SEE PAGE
					1	2	3	4	5	6 (PRODUCT LEVEL)	
	1	1	<b>153-3179</b>	1	STATOR AS						
Y	2	1	<b>172-5702</b>	1	ROTOR AS						514
	3	1	<b>2N-2030</b>	1	FAN-VENT						
	4	1	<b>4P-1798</b>	1	DEFLECTOR-UPPER						
	5	1	<b>4P-4532</b>	1	DEFLECTOR-LOWER						
	6	1	<b>7E-9592</b>	1	COVER-DRIP						
	7	1	<b>5P-0059</b>	4	BOLT (5/16-18X6-IN)						
	8	1	<b>9M-1974</b>	17	WASHER-HARD (8.8X16X2-MM THK)						
	9	1	<b>5L-2087</b>	4	SPACER (9.25X13.72X50.8-MM THK)						
	10	1	<b>4B-3388</b>	5	BOLT (5/16-18X1.125-IN)						
	11	1	<b>7E-3030</b>	1	SPACER (8.3X11.9X16.1-MM THK)						
	12	1	<b>108-6950</b>	1	ROTOR-EXCITER						
	13	1	<b>108-6949</b>	1	STATOR-EXCITER						
	14	1	<b>124-3289</b>	1	BRACKET-BEARING						
	15	1	<b>108-7822</b>	2	RETAINER						
	16	1	<b>5P-2955</b>	4	BOLT (5/16-18X2.5-IN)						
	17	1	<b>124-3295</b>	1	SLEEVE-SHAFT						
	18	1	<b>4P-3153</b>	1	SPACER (20.6X77X27.8-MM THK)						
CY	19	1	<b>290-5565</b>	1	HEAT SINK AS						504
	20	1	<b>124-3294</b>	1	COVER AS-EXCITER						
	21	1	<b>4M-5282</b>	4	BOLT (1/4-20X1.5-IN)						
	22	1	<b>108-8265</b>	2	SCREEN AS						
	23	1	<b>1B-9575</b>	4	BOLT (5/16-18X1.56-IN)						
	24	1	<b>5M-6214</b>	2	PLUG-PIPE						
	25	1	<b>108-1468</b>	1	PLATE-COUPLING						
B	26	1	<b>7L-5452</b>	2	SHIM (0.8-MM THK)						
	27	1	<b>9X-2119</b>	8	BOLT-12 POINT HEAD (7/8-9X2.5-IN)						
	28	1	<b>5P-8249</b>	8	WASHER-HARD (24X41.5X4-MM THK)						

B - USE AS REQUIRED  
C - CHANGE FROM PREVIOUS TYPE  
Y - SEPARATE ILLUSTRATION

# GENERATORS

136-6670 GENERATOR GP (contd.)

i02667269



GRAPHIC #1

<END>

g00721805

# GENERATORS

## 136-6671 GENERATOR GP

S/N: AFH1-UP

PART OF 136-6607 GENERATOR AR

SMCS-4450

i02770478

NOTE	REF NO	GRAPHIC REF	PART NUMBER	QTY	PART NAME						SEE PAGE
					1	2	3	4	5	6 (PRODUCT LEVEL)	
	1	1	<b>153-3179</b>	1	STATOR AS						
Y	2	1	<b>153-3189</b>	1	ROTOR AS						508
	3	1	<b>2N-2030</b>	1	FAN-VENT						
	4	1	<b>4P-1798</b>	1	DEFLECTOR-UPPER						
	5	1	<b>4P-4532</b>	1	DEFLECTOR-LOWER						
	6	1	<b>7E-9592</b>	1	COVER-DRIP						
	7	1	<b>5P-0059</b>	4	BOLT (5/16-18X6-IN)						
	8	1	<b>9M-1974</b>	17	WASHER-HARD (8.8X16X2-MM THK)						
	9	1	<b>5L-2087</b>	4	SPACER (9.25X13.72X50.8-MM THK)						
	10	1	<b>4B-3388</b>	5	BOLT (5/16-18X1.125-IN)						
	11	1	<b>7E-3030</b>	1	SPACER (8.3X11.9X16.1-MM THK)						
	12	1	<b>108-6950</b>	1	ROTOR-EXCITER						
	13	1	<b>108-6949</b>	1	STATOR-EXCITER						
	14	1	<b>4P-1775</b>	1	BRACKET-BEARING						
	15	1	<b>108-7822</b>	2	RETAINER						
	16	1	<b>5P-2955</b>	4	BOLT (5/16-18X2.5-IN)						
	17	1	<b>5P-0537</b>	4	WASHER-HARD (7.2X14.5X2-MM THK)						
	18	1	<b>1B-2713</b>	4	BOLT (1/4-20X1.75-IN)						
	19	1	<b>4P-3153</b>	1	SPACER (20.6X77X27.8-MM THK)						
C	20	1	<b>290-5564</b>	1	HEAT SINK AS						
	21	1	<b>4P-1792</b>	1	COVER AS-EXCITER						
	22	1	<b>4M-5282</b>	4	BOLT (1/4-20X1.5-IN)						
	23	1	<b>108-8265</b>	2	SCREEN AS						
	24	1	<b>1B-9575</b>	4	BOLT (5/16-18X1.56-IN)						
	25	1	<b>5M-6214</b>	2	PLUG-PIPE						
	26	1	<b>108-1468</b>	1	PLATE-COUPLING						
B	27	1	<b>7L-5452</b>	2	SHIM (0.8-MM THK)						
	28	1	<b>8T-9400</b>	8	BOLT (7/8-9X2.5-IN)						
	29	1	<b>5P-8249</b>	8	WASHER-HARD (24X41.5X4-MM THK)						
	30	1	<b>108-4396</b>	1	STATOR AS-MAGNET						
		1	<b>7E-8266</b>	2	HOLDER AS-FUSE						
		1	<b>9Y-6027</b>	2	FUSE-CERAMIC (10-AMPERE)						
	31	1	<b>108-5748</b>	1	SLEEVE-SHAFT						
	32	1	<b>108-5749</b>	1	ROTOR (MAGNETIC)						

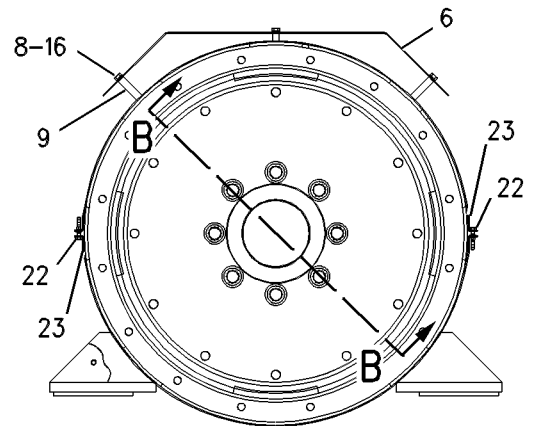
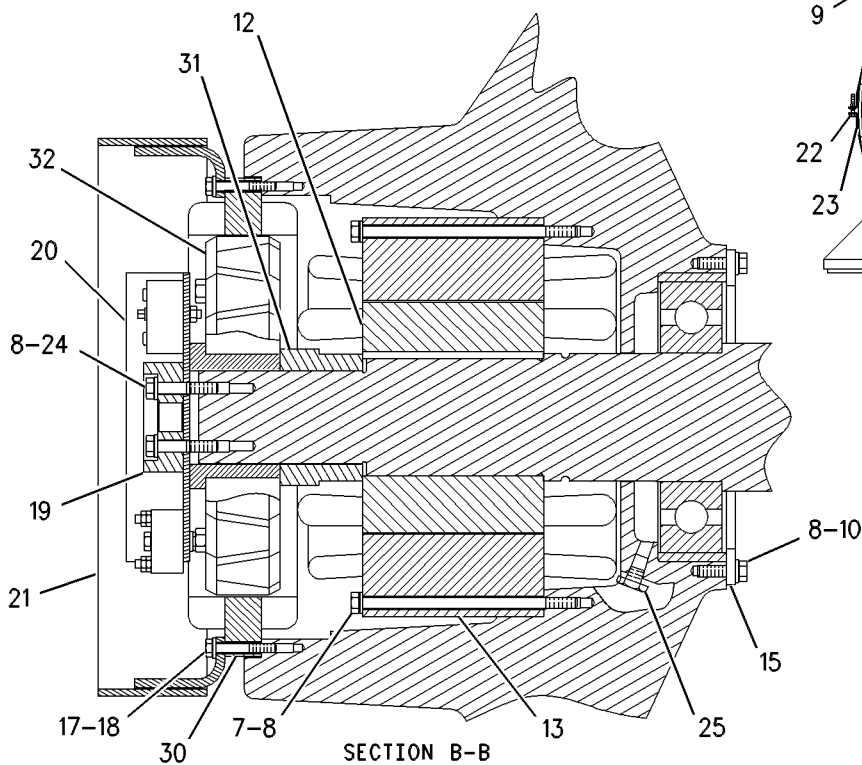
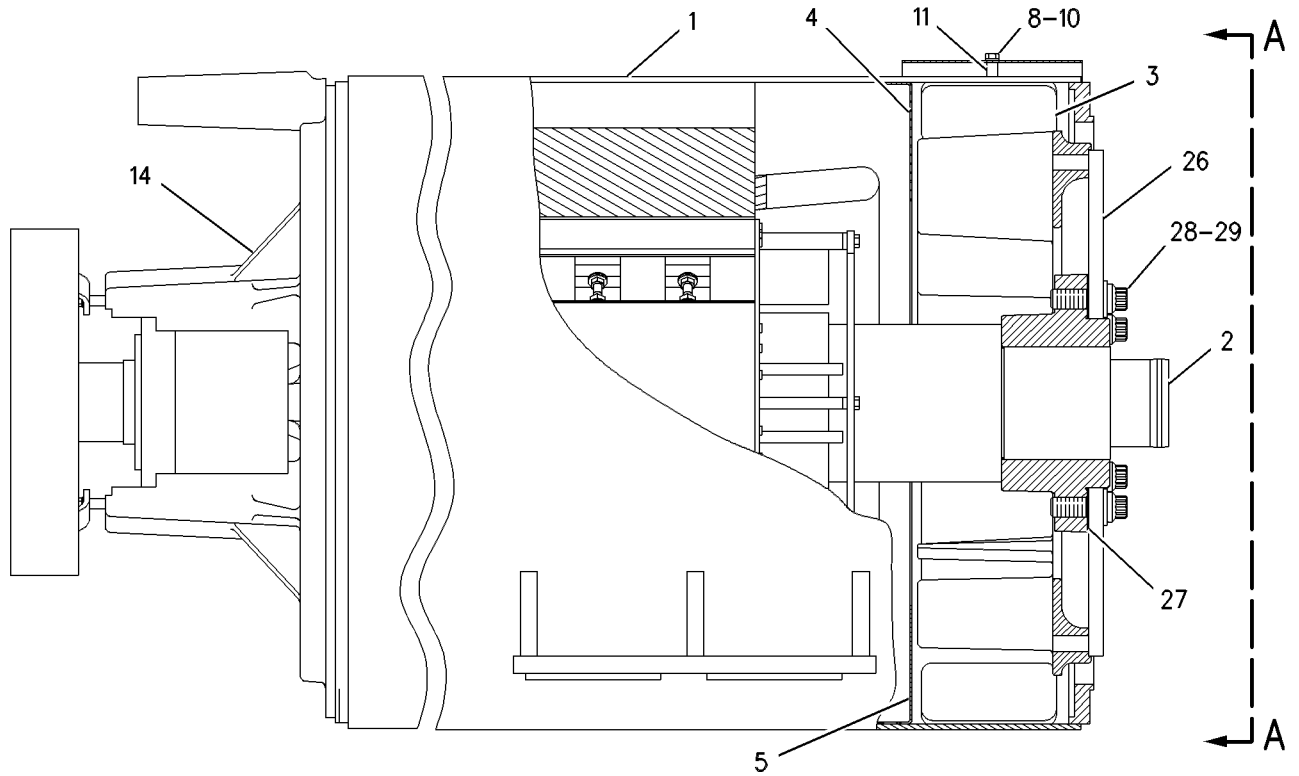
B - USE AS REQUIRED  
 C - CHANGE FROM PREVIOUS TYPE  
 Y - SEPARATE ILLUSTRATION



# GENERATORS

136-6671 GENERATOR GP (contd.)

i02770478



GRAPHIC #1

<END>

g00438749

# GENERATORS

## 136-6672 GENERATOR GP

S/N: AFH1-UP

50/60-HERTZ. 400/480-VOLTS. 595-FRAME

PART OF 136-6608 GENERATOR AR

SMCS-4450

i02581964

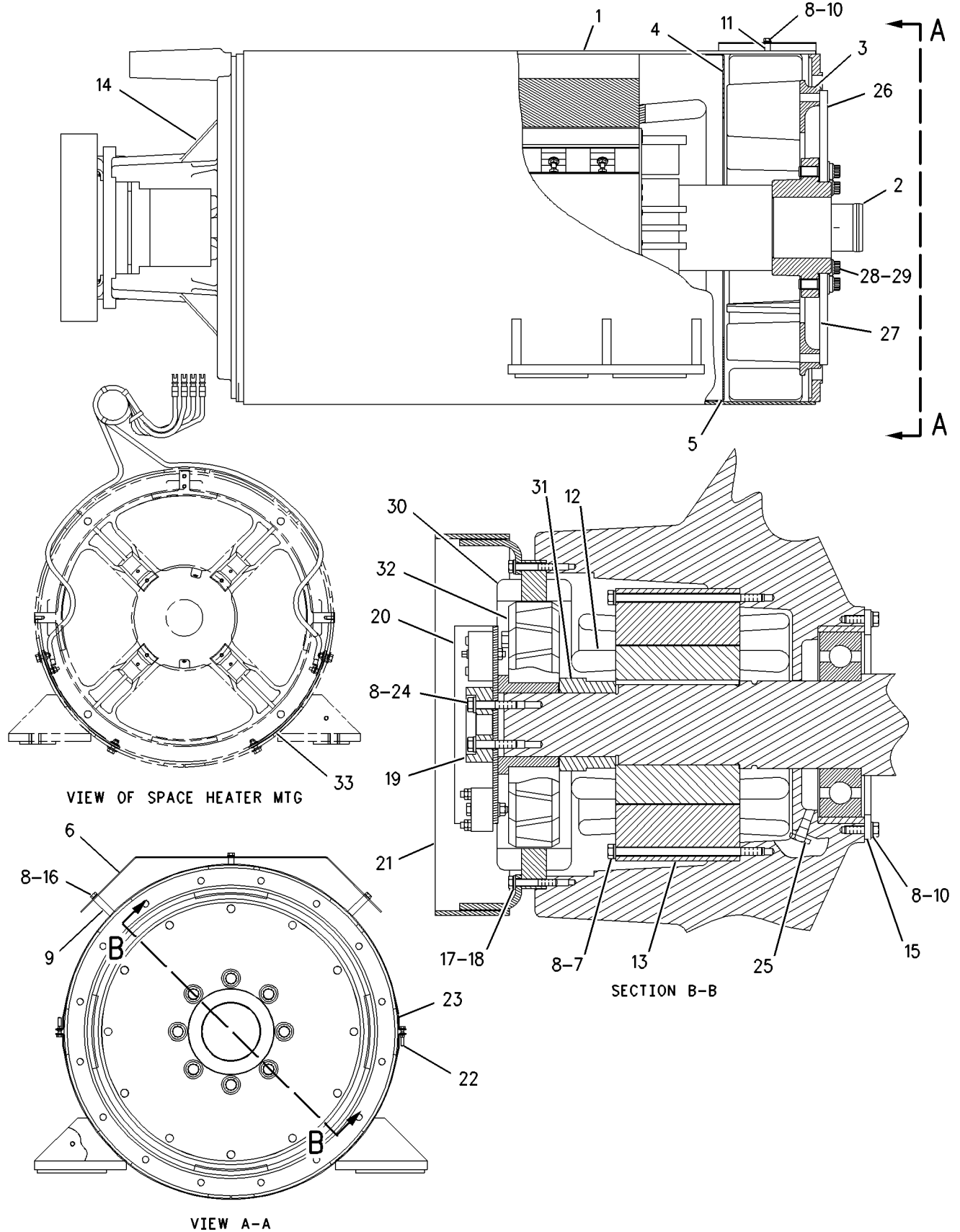
NOTE	REF NO	GRAPHIC REF	PART NUMBER	QTY	PART NAME						SEE PAGE
					1	2	3	4	5	6 (PRODUCT LEVEL)	
	1	1	172-5682	1	STATOR AS						
Y	2	1	172-5703	1	ROTOR AS						515
	3	1	2N-2030	1	FAN-VENT						
	4	1	4P-1798	1	DEFLECTOR-UPPER						
	5	1	4P-4532	1	DEFLECTOR-LOWER						
	6	1	7E-9592	1	COVER-DRIP						
	7	1	5P-0059	4	BOLT (5/16-18X6-IN)						
	8	1	9M-1974	17	WASHER-HARD (8.8X16X2-MM THK)						
	9	1	5L-2087	4	SPACER (9.25X13.72X50.8-MM THK)						
	10	1	4B-3388	5	BOLT (5/16-18X1.125-IN)						
	11	1	7E-3030	1	SPACER (8.3X11.9X16.1-MM THK)						
	12	1	108-6950	1	ROTOR-EXCITER						
	13	1	108-6949	1	STATOR-EXCITER						
	14	1	4P-1775	1	BRACKET-BEARING						
	15	1	108-7822	2	RETAINER						
	16	1	5P-2955	4	BOLT (5/16-18X2.5-IN)						
	17	1	5P-0537	4	WASHER-HARD (7.2X14.5X2-MM THK)						
	18	1	1B-2713	4	BOLT (1/4-20X1.75-IN)						
	19	1	4P-3153	1	SPACER (20.6X77X27.8-MM THK)						
C	20	1	290-5564	1	HEAT SINK AS						
	21	1	4P-1792	1	COVER AS-EXCITER						
	22	1	4M-5282	4	BOLT (1/4-20X1.5-IN)						
	23	1	108-8265	2	SCREEN AS						
	24	1	1B-9575	4	BOLT (5/16-18X1.56-IN)						
	25	1	5M-6214	2	PLUG-PIPE						
	26	1	108-1468	1	PLATE-COUPLING						
	27	1	7L-5452	2	SHIM (0.8-MM THK)						
	28	1	9X-2119	8	BOLT-12 POINT HEAD (7/8-9X2.5-IN)						
	29	1	5P-8249	8	WASHER-HARD (24X41.5X4-MM THK)						
	30	1	108-4396	1	STATOR AS-MAGNET						
		1	7E-8266	2	HOLDER AS-FUSE						
		1	9Y-6027	2	FUSE-CERAMIC (10-AMPERE)						
	31	1	108-5748	1	SLEEVE-SHAFT						
	32	1	108-5749	1	ROTOR (MAGNETIC)						
Y	33	1	194-5188	1	HEATER GP-SPACE						505

C - CHANGE FROM PREVIOUS TYPE  
Y - SEPARATE ILLUSTRATION

# GENERATORS

136-6672 GENERATOR GP (contd.)

i02581964



GRAPHIC #1

<END>

g00722844

# GENERATORS

## 136-6673 GENERATOR GP

S/N: AFH1-UP

PART OF 136-6609 GENERATOR AR

SMCS-4450

i02568368

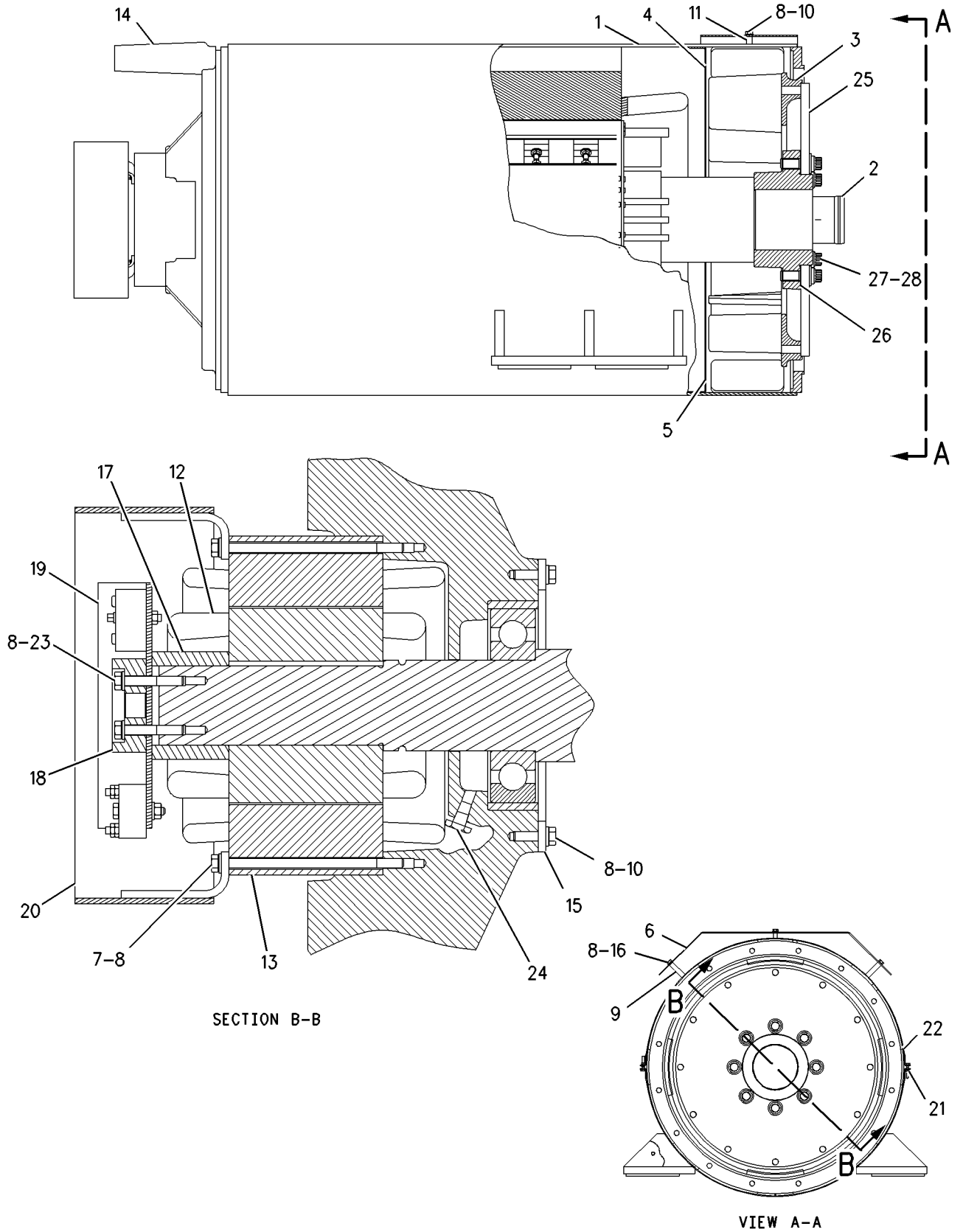
NOTE	REF NO	GRAPHIC REF	PART NUMBER	QTY	PART NAME						SEE PAGE
					1	2	3	4	5	6 (PRODUCT LEVEL)	
	1	1	<b>153-3180</b>	1	STATOR AS						
Y	2	1	<b>172-5702</b>	1	ROTOR AS						514
	3	1	<b>2N-2030</b>	1	FAN-VENT						
	4	1	<b>4P-1798</b>	1	DEFLECTOR-UPPER						
	5	1	<b>4P-4532</b>	1	DEFLECTOR-LOWER						
	6	1	<b>7E-9592</b>	1	COVER-DRIP						
	7	1	<b>5P-0059</b>	4	BOLT (5/16-18X6-IN)						
	8	1	<b>9M-1974</b>	17	WASHER-HARD (8.8X16X2-MM THK)						
	9	1	<b>5L-2087</b>	4	SPACER (9.25X13.72X50.8-MM THK)						
	10	1	<b>4B-3388</b>	5	BOLT (5/16-18X1.125-IN)						
	11	1	<b>7E-3030</b>	1	SPACER (8.3X11.9X16.1-MM THK)						
	12	1	<b>108-6950</b>	1	ROTOR-EXCITER						
	13	1	<b>108-6949</b>	1	STATOR-EXCITER						
	14	1	<b>124-3289</b>	1	BRACKET-BEARING						
	15	1	<b>108-7822</b>	2	RETAINER						
	16	1	<b>5P-2955</b>	4	BOLT (5/16-18X2.5-IN)						
	17	1	<b>124-3295</b>	1	SLEEVE-SHAFT						
	18	1	<b>4P-3153</b>	1	SPACER (20.6X77X27.8-MM THK)						
C	19	1	<b>290-5565</b>	1	HEAT SINK AS						
	20	1	<b>124-3294</b>	1	COVER AS-EXCITER						
	21	1	<b>4M-5282</b>	4	BOLT (1/4-20X1.5-IN)						
	22	1	<b>108-8265</b>	2	SCREEN AS						
	23	1	<b>1B-9575</b>	4	BOLT (5/16-18X1.56-IN)						
	24	1	<b>5M-6214</b>	2	PLUG-PIPE						
	25	1	<b>108-1468</b>	1	PLATE-COUPLING						
B	26	1	<b>7L-5452</b>	2	SHIM (0.8-MM THK)						
	27	1	<b>9X-2119</b>	8	BOLT-12 POINT HEAD (7/8-9X2.5-IN)						
	28	1	<b>5P-8249</b>	8	WASHER-HARD (24X41.5X4-MM THK)						

B - USE AS REQUIRED  
 C - CHANGE FROM PREVIOUS TYPE  
 Y - SEPARATE ILLUSTRATION

# GENERATORS

136-6673 GENERATOR GP (contd.)

i02568368



GRAPHIC #1

<END>

g00721805

# GENERATORS

## 136-6674 GENERATOR GP

S/N: AFH1-UP

PART OF 136-6610 GENERATOR AR

SMCS-4450

i02568377

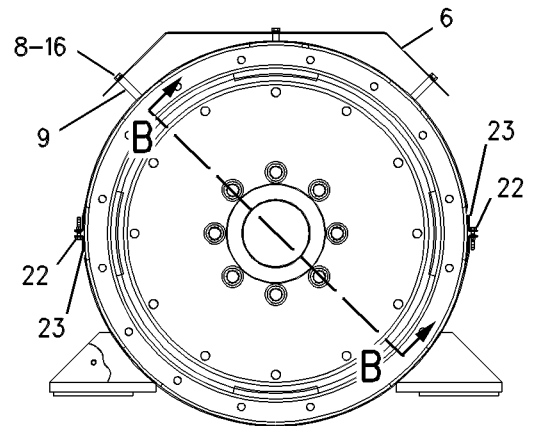
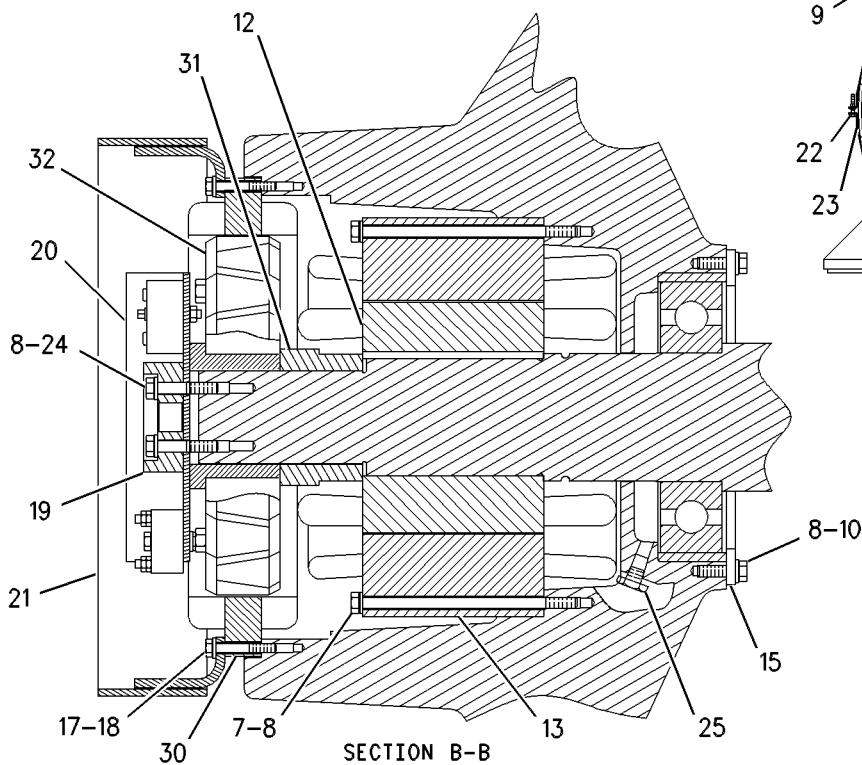
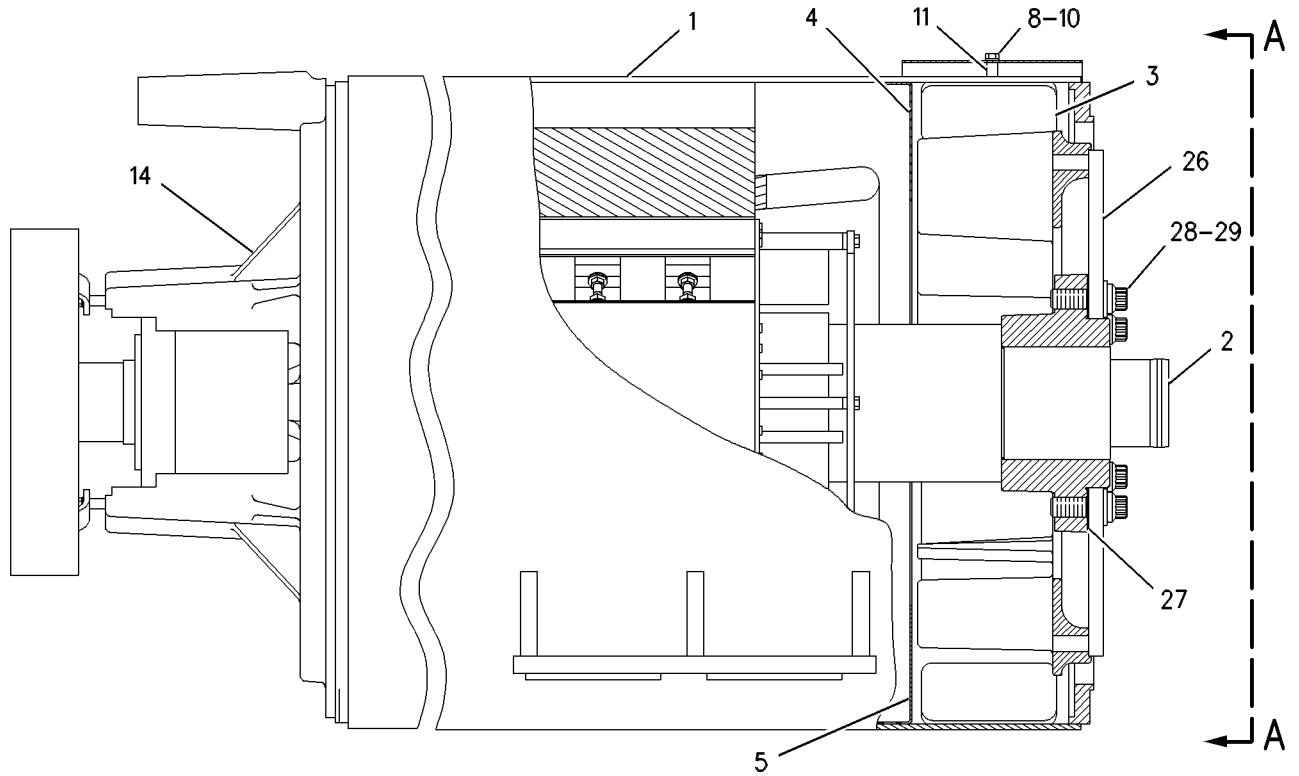
NOTE	REF NO	GRAPHIC REF	PART NUMBER	QTY	PART NAME						SEE PAGE
					1	2	3	4	5	6 (PRODUCT LEVEL)	
	1	1	<b>153-3180</b>	1	STATOR AS						
Y	2	1	<b>153-3189</b>	1	ROTOR AS						508
	3	1	<b>2N-2030</b>	1	FAN-VENT						
	4	1	<b>4P-1798</b>	1	DEFLECTOR-UPPER						
	5	1	<b>4P-4532</b>	1	DEFLECTOR-LOWER						
	6	1	<b>7E-9592</b>	1	COVER-DRIP						
	7	1	<b>5P-0059</b>	4	BOLT (5/16-18X6-IN)						
	8	1	<b>9M-1974</b>	17	WASHER-HARD (8.8X16X2-MM THK)						
	9	1	<b>5L-2087</b>	4	SPACER (9.25X13.72X50.8-MM THK)						
	10	1	<b>4B-3388</b>	5	BOLT (5/16-18X1.125-IN)						
	11	1	<b>7E-3030</b>	1	SPACER (8.3X11.9X16.1-MM THK)						
	12	1	<b>108-6950</b>	1	ROTOR-EXCITER						
	13	1	<b>108-6949</b>	1	STATOR-EXCITER						
	14	1	<b>4P-1775</b>	1	BRACKET-BEARING						
	15	1	<b>108-7822</b>	2	RETAINER						
	16	1	<b>5P-2955</b>	4	BOLT (5/16-18X2.5-IN)						
	17	1	<b>5P-0537</b>	4	WASHER-HARD (7.2X14.5X2-MM THK)						
	18	1	<b>1B-2713</b>	4	BOLT (1/4-20X1.75-IN)						
	19	1	<b>4P-3153</b>	1	SPACER (20.6X77X27.8-MM THK)						
C	20	1	<b>290-5564</b>	1	HEAT SINK AS						
	21	1	<b>4P-1792</b>	1	COVER AS-EXCITER						
	22	1	<b>4M-5282</b>	4	BOLT (1/4-20X1.5-IN)						
	23	1	<b>108-8265</b>	2	SCREEN AS						
	24	1	<b>1B-9575</b>	4	BOLT (5/16-18X1.56-IN)						
	25	1	<b>5M-6214</b>	2	PLUG-PIPE						
	26	1	<b>108-1468</b>	1	PLATE-COUPLING						
B	27	1	<b>7L-5452</b>	2	SHIM (0.8-MM THK)						
	28	1	<b>8T-9400</b>	8	BOLT (7/8-9X2.5-IN)						
	29	1	<b>5P-8249</b>	8	WASHER-HARD (24X41.5X4-MM THK)						
	30	1	<b>108-4396</b>	1	STATOR AS-MAGNET						
		1	<b>7E-8266</b>	2	HOLDER AS-FUSE						
		1	<b>9Y-6027</b>	2	FUSE-CERAMIC (10-AMPERE)						
	31	1	<b>108-5748</b>	1	SLEEVE-SHAFT						
	32	1	<b>108-5749</b>	1	ROTOR (MAGNETIC)						

B - USE AS REQUIRED  
 C - CHANGE FROM PREVIOUS TYPE  
 Y - SEPARATE ILLUSTRATION

# GENERATORS

136-6674 GENERATOR GP (contd.)

i02568377



GRAPHIC #1

<END>

g00438749

# GENERATORS

## 136-6675 GENERATOR GP

S/N: AFH1-UP

60-HERTZ. 380-VOLTS. 595-FRAME

PART OF 136-6611 GENERATOR AR

SMCS-4450

i02581970

NOTE	REF NO	GRAPHIC REF	PART NUMBER	QTY	PART NAME						SEE PAGE
					1	2	3	4	5	6 (PRODUCT LEVEL)	
	1	1	<b>172-5684</b>	1	STATOR AS						
Y	2	1	<b>172-5703</b>	1	ROTOR AS						515
	3	1	<b>2N-2030</b>	1	FAN-VENT						
	4	1	<b>4P-1798</b>	1	DEFLECTOR-UPPER						
	5	1	<b>4P-4532</b>	1	DEFLECTOR-LOWER						
	6	1	<b>7E-9592</b>	1	COVER-DRIP						
	7	1	<b>5P-0059</b>	4	BOLT (5/16-18X6-IN)						
	8	1	<b>9M-1974</b>	17	WASHER-HARD (8.8X16X2-MM THK)						
	9	1	<b>5L-2087</b>	4	SPACER (9.25X13.72X50.8-MM THK)						
	10	1	<b>4B-3388</b>	5	BOLT (5/16-18X1.125-IN)						
	11	1	<b>7E-3030</b>	1	SPACER (8.3X11.9X16.1-MM THK)						
	12	1	<b>108-6950</b>	1	ROTOR-EXCITER						
	13	1	<b>108-6949</b>	1	STATOR-EXCITER						
	14	1	<b>4P-1775</b>	1	BRACKET-BEARING						
	15	1	<b>108-7822</b>	2	RETAINER						
	16	1	<b>5P-2955</b>	4	BOLT (5/16-18X2.5-IN)						
	17	1	<b>5P-0537</b>	4	WASHER-HARD (7.2X14.5X2-MM THK)						
	18	1	<b>1B-2713</b>	4	BOLT (1/4-20X1.75-IN)						
	19	1	<b>4P-3153</b>	1	SPACER (20.6X77X27.8-MM THK)						
C	20	1	<b>290-5564</b>	1	HEAT SINK AS						
	21	1	<b>4P-1792</b>	1	COVER AS-EXCITER						
	22	1	<b>4M-5282</b>	4	BOLT (1/4-20X1.5-IN)						
	23	1	<b>108-8265</b>	2	SCREEN AS						
	24	1	<b>1B-9575</b>	4	BOLT (5/16-18X1.56-IN)						
	25	1	<b>5M-6214</b>	2	PLUG-PIPE						
	26	1	<b>108-1468</b>	1	PLATE-COUPLING						
	27	1	<b>7L-5452</b>	2	SHIM (0.8-MM THK)						
	28	1	<b>9X-2119</b>	8	BOLT-12 POINT HEAD (7/8-9X2.5-IN)						
	29	1	<b>5P-8249</b>	8	WASHER-HARD (24X41.5X4-MM THK)						
	30	1	<b>108-4396</b>	1	STATOR AS-MAGNET						
		1	<b>7E-8266</b>	2	HOLDER AS-FUSE						
		1	<b>9Y-6027</b>	2	FUSE-CERAMIC (10-AMPERE)						
	31	1	<b>108-5748</b>	1	SLEEVE-SHAFT						
	32	1	<b>108-5749</b>	1	ROTOR (MAGNETIC)						
Y	33	1	<b>194-5188</b>	1	HEATER GP-SPACE						505

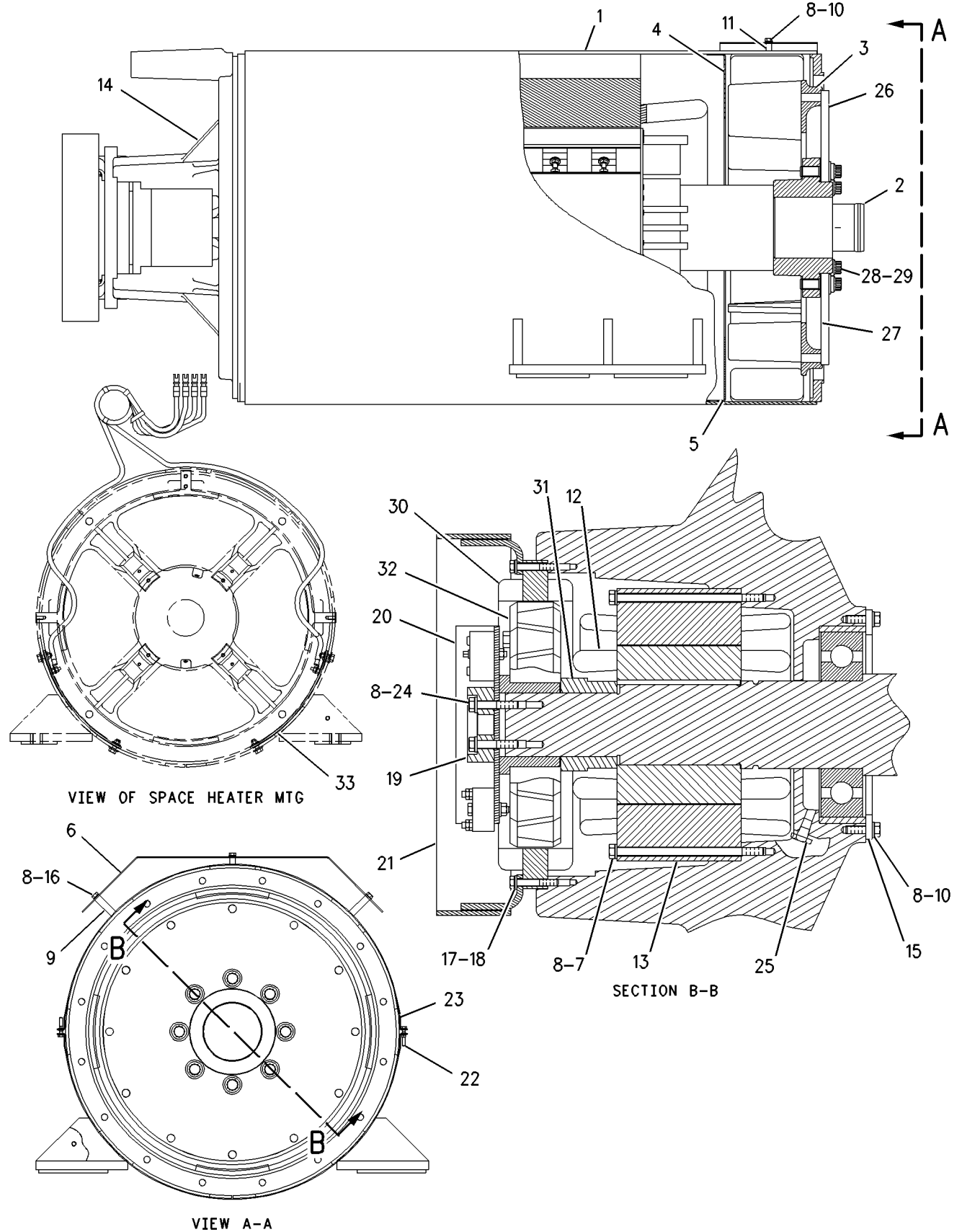
C - CHANGE FROM PREVIOUS TYPE  
 Y - SEPARATE ILLUSTRATION



# GENERATORS

136-6675 GENERATOR GP (contd.)

i02581970



GRAPHIC #1

<END>

g00722844

# GENERATORS

## 136-6676 GENERATOR GP

S/N: AFH1-UP

PART OF 136-6612 GENERATOR AR

SMCS-4450

i02568387

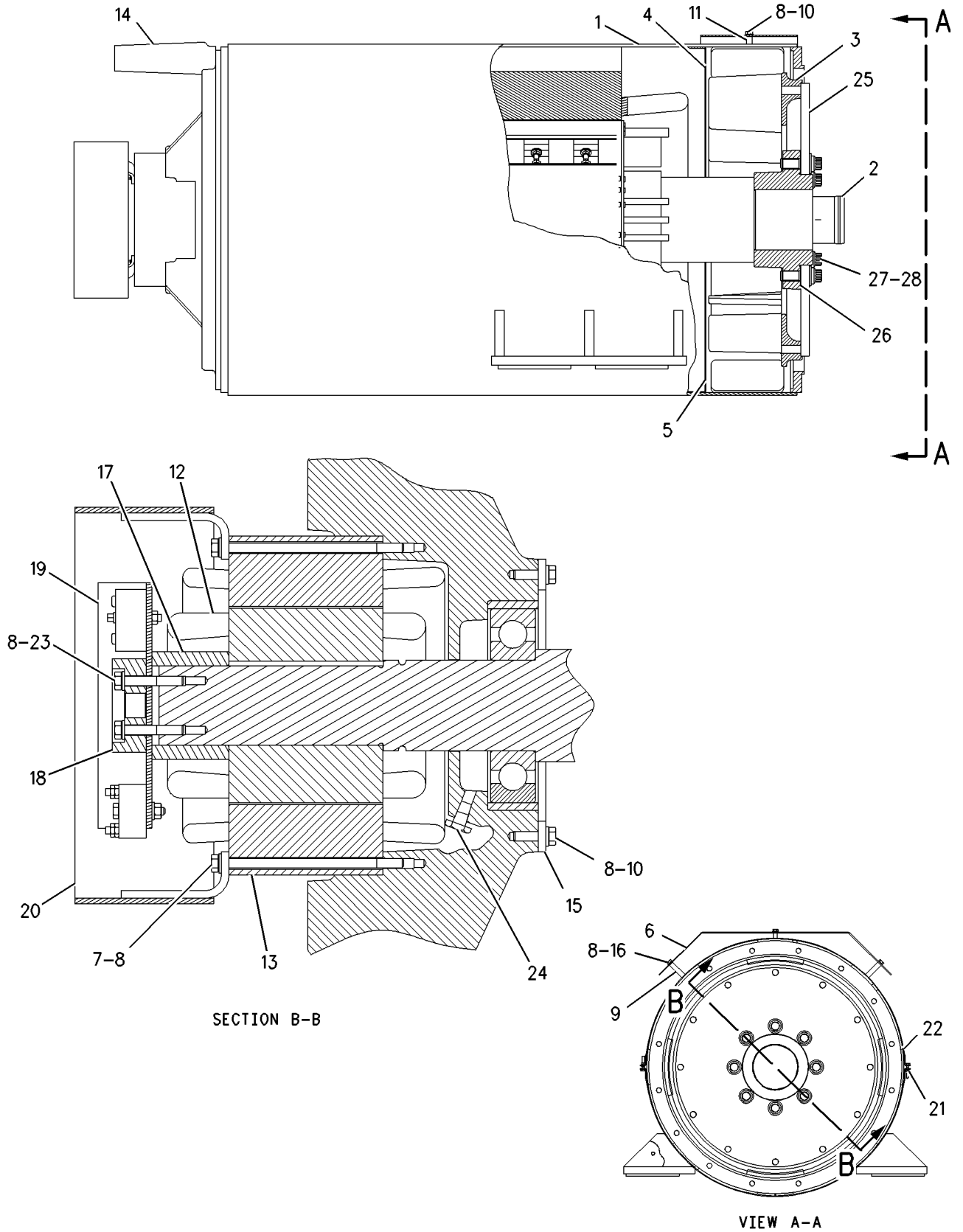
NOTE	REF NO	GRAPHIC REF	PART NUMBER	QTY	PART NAME						SEE PAGE
					1	2	3	4	5	6 (PRODUCT LEVEL)	
	1	1	<b>172-5685</b>	1	STATOR AS						
Y	2	1	<b>172-5702</b>	1	ROTOR AS						514
	3	1	<b>2N-2030</b>	1	FAN-VENT						
	4	1	<b>4P-1798</b>	1	DEFLECTOR-UPPER						
	5	1	<b>4P-4532</b>	1	DEFLECTOR-LOWER						
	6	1	<b>7E-9592</b>	1	COVER-DRIP						
	7	1	<b>5P-0059</b>	4	BOLT (5/16-18X6-IN)						
	8	1	<b>9M-1974</b>	17	WASHER-HARD (8.8X16X2-MM THK)						
	9	1	<b>5L-2087</b>	4	SPACER (9.25X13.72X50.8-MM THK)						
	10	1	<b>4B-3388</b>	5	BOLT (5/16-18X1.125-IN)						
	11	1	<b>7E-3030</b>	1	SPACER (8.3X11.9X16.1-MM THK)						
	12	1	<b>108-6950</b>	1	ROTOR-EXCITER						
	13	1	<b>108-6949</b>	1	STATOR-EXCITER						
	14	1	<b>124-3289</b>	1	BRACKET-BEARING						
	15	1	<b>108-7822</b>	2	RETAINER						
	16	1	<b>5P-2955</b>	4	BOLT (5/16-18X2.5-IN)						
	17	1	<b>124-3295</b>	1	SLEEVE-SHAFT						
	18	1	<b>4P-3153</b>	1	SPACER (20.6X77X27.8-MM THK)						
C	19	1	<b>290-5565</b>	1	HEAT SINK AS						
	20	1	<b>124-3294</b>	1	COVER AS-EXCITER						
	21	1	<b>4M-5282</b>	4	BOLT (1/4-20X1.5-IN)						
	22	1	<b>108-8265</b>	2	SCREEN AS						
	23	1	<b>1B-9575</b>	4	BOLT (5/16-18X1.56-IN)						
	24	1	<b>5M-6214</b>	2	PLUG-PIPE						
	25	1	<b>108-1468</b>	1	PLATE-COUPLING						
B	26	1	<b>7L-5452</b>	2	SHIM (0.8-MM THK)						
	27	1	<b>9X-2119</b>	8	BOLT-12 POINT HEAD (7/8-9X2.5-IN)						
	28	1	<b>5P-8249</b>	8	WASHER-HARD (24X41.5X4-MM THK)						

B - USE AS REQUIRED  
 C - CHANGE FROM PREVIOUS TYPE  
 Y - SEPARATE ILLUSTRATION

# GENERATORS

136-6676 GENERATOR GP (contd.)

i02568387



GRAPHIC #1

<END>

g00721805

# GENERATORS

## 136-6677 GENERATOR GP

S/N: AFH1-UP

PART OF 136-6613 GENERATOR AR

SMCS-4450

i02568395

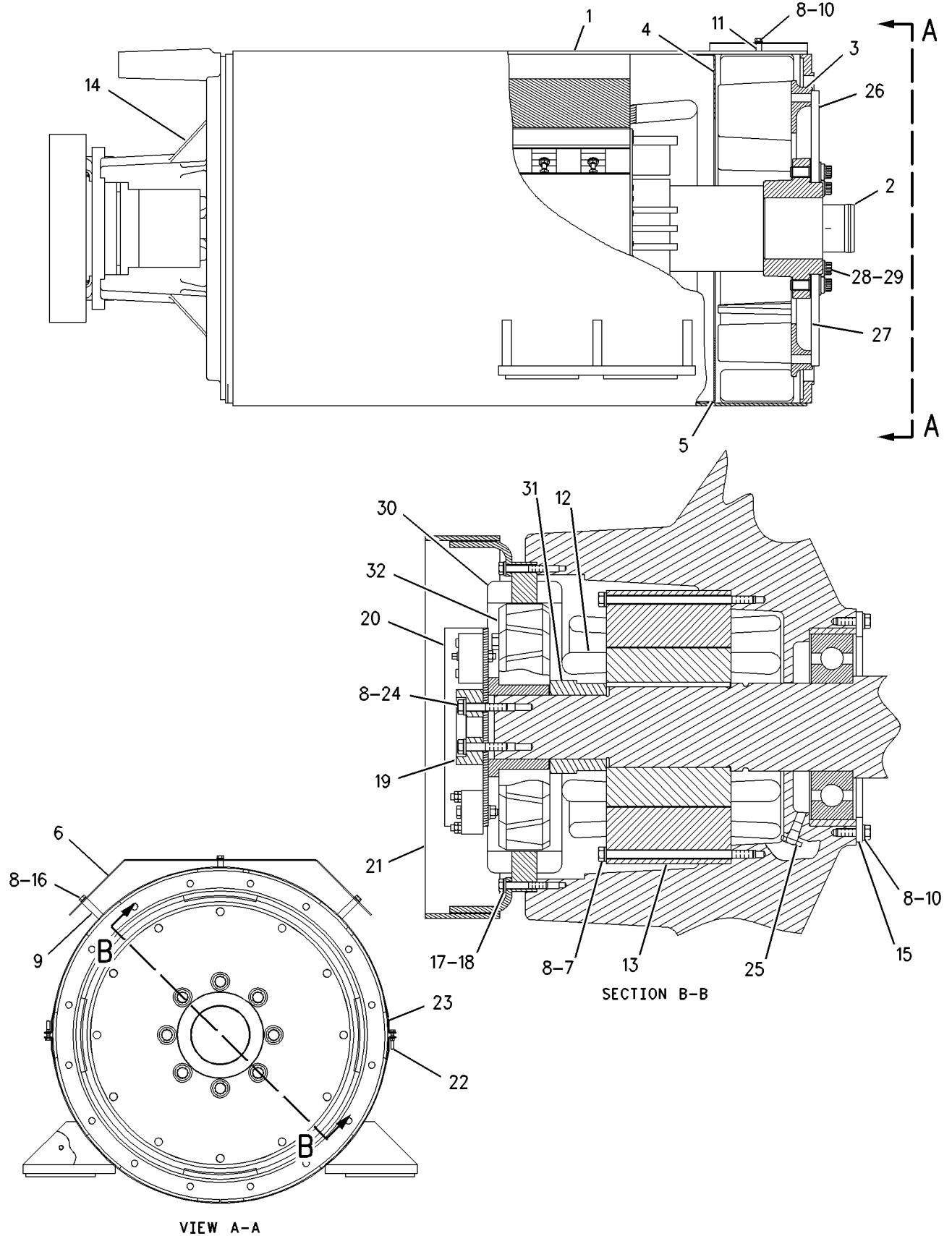
NOTE	REF NO	GRAPHIC REF	PART NUMBER	QTY	PART NAME						SEE PAGE
					1	2	3	4	5	6 (PRODUCT LEVEL)	
	1	1	<b>172-5685</b>	1	STATOR AS						
Y	2	1	<b>153-3189</b>	1	ROTOR AS						508
	3	1	<b>2N-2030</b>	1	FAN-VENT						
	4	1	<b>4P-1798</b>	1	DEFLECTOR-UPPER						
	5	1	<b>4P-4532</b>	1	DEFLECTOR-LOWER						
	6	1	<b>7E-9592</b>	1	COVER-DRIP						
	7	1	<b>5P-0059</b>	4	BOLT (5/16-18X6-IN)						
	8	1	<b>9M-1974</b>	17	WASHER-HARD (8.8X16X2-MM THK)						
	9	1	<b>5L-2087</b>	4	SPACER (9.25X13.72X50.8-MM THK)						
	10	1	<b>4B-3388</b>	5	BOLT (5/16-18X1.125-IN)						
	11	1	<b>7E-3030</b>	1	SPACER (8.3X11.9X16.1-MM THK)						
	12	1	<b>108-6950</b>	1	ROTOR-EXCITER						
	13	1	<b>108-6949</b>	1	STATOR-EXCITER						
	14	1	<b>4P-1775</b>	1	BRACKET-BEARING						
	15	1	<b>108-7822</b>	2	RETAINER						
	16	1	<b>5P-2955</b>	4	BOLT (5/16-18X2.5-IN)						
	17	1	<b>5P-0537</b>	4	WASHER-HARD (7.2X14.5X2-MM THK)						
	18	1	<b>1B-2713</b>	4	BOLT (1/4-20X1.75-IN)						
	19	1	<b>4P-3153</b>	1	SPACER (20.6X77X27.8-MM THK)						
C	20	1	<b>290-5564</b>	1	HEAT SINK AS						
	21	1	<b>4P-1792</b>	1	COVER AS-EXCITER						
	22	1	<b>4M-5282</b>	4	BOLT (1/4-20X1.5-IN)						
	23	1	<b>108-8265</b>	2	SCREEN AS						
	24	1	<b>1B-9575</b>	4	BOLT (5/16-18X1.56-IN)						
	25	1	<b>5M-6214</b>	2	PLUG-PIPE						
	26	1	<b>108-1468</b>	1	PLATE-COUPLING						
B	27	1	<b>7L-5452</b>	2	SHIM (0.8-MM THK)						
	28	1	<b>8T-9400</b>	8	BOLT (7/8-9X2.5-IN)						
	29	1	<b>5P-8249</b>	8	WASHER-HARD (24X41.5X4-MM THK)						
	30	1	<b>108-4396</b>	1	STATOR AS-MAGNET						
		1	<b>7E-8266</b>	2	HOLDER AS-FUSE						
		1	<b>9Y-6027</b>	2	FUSE-CERAMIC (10-AMPERE)						
	31	1	<b>108-5748</b>	1	SLEEVE-SHAFT						
	32	1	<b>108-5749</b>	1	ROTOR (MAGNETIC)						

B - USE AS REQUIRED  
 C - CHANGE FROM PREVIOUS TYPE  
 Y - SEPARATE ILLUSTRATION

# GENERATORS

136-6677 GENERATOR GP (contd.)

i02568395



GRAPHIC #1

<END>

g00723949

# GENERATORS

## 136-6678 GENERATOR GP

S/N: AFH1-UP

60-HERTZ. 600-VOLTS. 595-FRAME

PART OF 136-6614 GENERATOR AR

SMCS-4450

i02581972

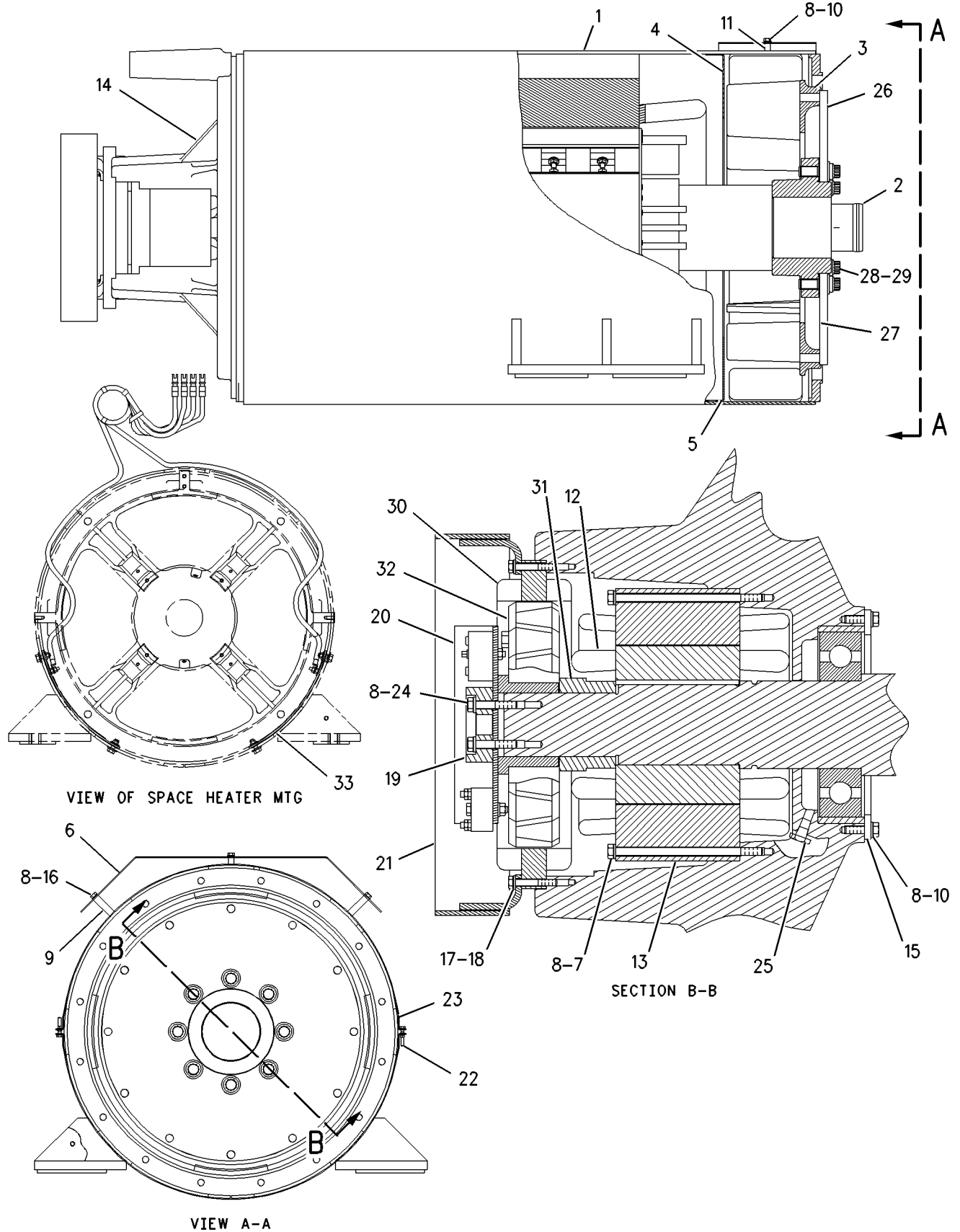
NOTE	REF NO	GRAPHIC REF	PART NUMBER	QTY	PART NAME						SEE PAGE
					1	2	3	4	5	6 (PRODUCT LEVEL)	
	1	1	<b>172-5686</b>	1	STATOR AS						
Y	2	1	<b>172-5703</b>	1	ROTOR AS						515
	3	1	<b>2N-2030</b>	1	FAN-VENT						
	4	1	<b>4P-1798</b>	1	DEFLECTOR-UPPER						
	5	1	<b>4P-4532</b>	1	DEFLECTOR-LOWER						
	6	1	<b>7E-9592</b>	1	COVER-DRIP						
	7	1	<b>5P-0059</b>	4	BOLT (5/16-18X6-IN)						
	8	1	<b>9M-1974</b>	17	WASHER-HARD (8.8X16X2-MM THK)						
	9	1	<b>5L-2087</b>	4	SPACER (9.25X13.72X50.8-MM THK)						
	10	1	<b>4B-3388</b>	5	BOLT (5/16-18X1.125-IN)						
	11	1	<b>7E-3030</b>	1	SPACER (8.3X11.9X16.1-MM THK)						
	12	1	<b>108-6950</b>	1	ROTOR-EXCITER						
	13	1	<b>108-6949</b>	1	STATOR-EXCITER						
	14	1	<b>4P-1775</b>	1	BRACKET-BEARING						
	15	1	<b>108-7822</b>	2	RETAINER						
	16	1	<b>5P-2955</b>	4	BOLT (5/16-18X2.5-IN)						
	17	1	<b>5P-0537</b>	4	WASHER-HARD (7.2X14.5X2-MM THK)						
	18	1	<b>1B-2713</b>	4	BOLT (1/4-20X1.75-IN)						
	19	1	<b>4P-3153</b>	1	SPACER (20.6X77X27.8-MM THK)						
C	20	1	<b>290-5564</b>	1	HEAT SINK AS						
	21	1	<b>4P-1792</b>	1	COVER AS-EXCITER						
	22	1	<b>4M-5282</b>	4	BOLT (1/4-20X1.5-IN)						
	23	1	<b>108-8265</b>	2	SCREEN AS						
	24	1	<b>1B-9575</b>	4	BOLT (5/16-18X1.56-IN)						
	25	1	<b>5M-6214</b>	2	PLUG-PIPE						
	26	1	<b>108-1468</b>	1	PLATE-COUPLING						
	27	1	<b>7L-5452</b>	2	SHIM (0.8-MM THK)						
	28	1	<b>9X-2119</b>	8	BOLT-12 POINT HEAD (7/8-9X2.5-IN)						
	29	1	<b>5P-8249</b>	8	WASHER-HARD (24X41.5X4-MM THK)						
	30	1	<b>108-4396</b>	1	STATOR AS-MAGNET						
		1	<b>7E-8266</b>	2	HOLDER AS-FUSE						
		1	<b>9Y-6027</b>	2	FUSE-CERAMIC (10-AMPERE)						
	31	1	<b>108-5748</b>	1	SLEEVE-SHAFT						
	32	1	<b>108-5749</b>	1	ROTOR (MAGNETIC)						
Y	33	1	<b>194-5188</b>	1	HEATER GP-SPACE						505

C - CHANGE FROM PREVIOUS TYPE  
Y - SEPARATE ILLUSTRATION

# GENERATORS

136-6678 GENERATOR GP (contd.)

i02581972



GRAPHIC #1

<END>

g00722844

# GENERATORS

## 351-9015 GENERATOR GP

S/N: AFR1-UP

12 LEAD, 60 HERTZ, 480 VOLTS. 0.8 PF AT 800 KW

PART OF 351-9016 GENERATOR AR

AN ATTACHMENT

SMCS-4450

i04406461

NOTE	PART NUMBER	QTY	PART NAME						SEE PAGE
			1	2	3	4	5	6 (PRODUCT LEVEL)	
Y	290-5564	1	HEAT SINK AS						503
Y	194-5188	1	HEATER GP-SPACE						505
Y	144-9439	1	ROTOR GP-GENERATOR						517
	1B-2713	4	BOLT (1/4-20X1.75-IN)						
	1B-9575	4	BOLT (5/16-18X1.56-IN)						
	4B-3388	5	BOLT (5/16-18X1.125-IN)						
	4M-5282	4	BOLT (1/4-20X1.5-IN)						
	5P-0059	4	BOLT (5/16-18X6-IN)						
	5P-2955	4	BOLT (5/16-18X2.5-IN)						
	9X-2119	8	BOLT-12 POINT HEAD (7/8-9X2.5-IN)						
	360-4434	1	BRACKET-BEARING						
	234-5059	1	BUSHING						
	7E-9592	1	COVER-DRIP						
	4P-4532	1	DEFLECTOR-LOWER						
	4P-1798	1	DEFLECTOR-UPPER						
	2N-2030	1	FAN-VENT						
	108-1468	1	PLATE-COUPLING						
	5M-6214	2	PLUG-PIPE						
	108-7822	2	RETAINER						
	108-5749	1	ROTOR (MAGNETIC)						
	108-6950	1	ROTOR-EXCITER						
	108-8265	2	SCREEN AS						
	7L-5452	2	SHIM (0.8-MM THK)						
	108-5748	1	SLEEVE-SHAFT						
	4P-3153	1	SPACER (20.6X77X27.8-MM THK)						
	5L-2087	4	SPACER (9.25X13.72X50.8-MM THK)						
	7E-3030	1	SPACER (8.3X11.9X16.1-MM THK)						
	269-3993	1	STATOR AS (PERMANENT MAGNET)						
	360-4433	1	STATOR AS						
	108-6949	1	STATOR-EXCITER						
	5P-0537	4	WASHER-HARD (7.2X14.5X2-MM THK)						
	5P-8249	8	WASHER-HARD (24X41.5X4-MM THK)						
	9M-1974	17	WASHER-HARD (8.8X16X2-MM THK)						

Y - SEPARATE ILLUSTRATION

<END>

## 367-8045 GENERATOR GP

S/N: AFR1-UP

600-VOLT, 60-HZ, 900KW

PART OF 367-8046 GENERATOR AR

SMCS-4450

i04967514

NOTE	PART NUMBER	QTY	PART NAME						SEE PAGE
			1	2	3	4	5	6 (PRODUCT LEVEL)	
			(NO SERVICED PARTS)						
			<END>						



# GENERATORS

## 367-8049 GENERATOR GP

S/N: AFN1-UP  
600-VOLT, 60-HZ, 800-KW  
PART OF 367-8050 GENERATOR AR  
AN ATTACHMENT

SMCS-4450

i04967630

NOTE	PART NUMBER	QTY	PART NAME						SEE PAGE
			1	2	3	4	5	6 (PRODUCT LEVEL)	
(NO SERVICED PARTS)									
<END>									

## 367-8051 GENERATOR GP

S/N: AFR1-UP  
60-HZ, 900-KW, 600-VOLTS  
PART OF 367-8052 GENERATOR AR

SMCS-4450

i04970418

NOTE	PART NUMBER	QTY	PART NAME						SEE PAGE
			1	2	3	4	5	6 (PRODUCT LEVEL)	
(NO SERVICED PARTS)									
<END>									

## 367-8057 GENERATOR GP

S/N: AFN1-UP  
THREE PHASE GENERATOR RATINGS. 60-HZ, 800-KW STANDBY 1000KVA, 240V-480V, 0.8RF, AT 1800RPM. 60-HZ, 725-KW CONTINUOUS 906-KVA, 240V-480V, 0.8RF, AT 1800 RPM. 50-HZ, 640-KW STANDBY 800-KVA, 200V-400V, 0.8, AT 1500 RPM. 60-HZ, 580-KW CONTINUOUS 725-KVA, 200V-400V, 0.8RF, AT 1500 RPM  
PART OF 367-8058 GENERATOR AR  
AN ATTACHMENT

SMCS-4450

i04970489

NOTE	PART NUMBER	QTY	PART NAME						SEE PAGE
			1	2	3	4	5	6 (PRODUCT LEVEL)	
	5M-6214	1	PLUG-PIPE						
	5L-2087	3	SPACER (9.25X13.72X50.8-MM THK)						
<END>									

## 367-8059 GENERATOR GP

S/N: AFR1-UP  
60-HZ, 800-KW, 480-VOLTS, 0.8-PF AT 1800 RPM. SAE 0 FLYWHEEL HOUSING, SAE 18 FLYWHEEL  
PART OF 367-8060 GENERATOR AR

SMCS-4450

i04970549

NOTE	PART NUMBER	QTY	PART NAME						SEE PAGE
			1	2	3	4	5	6 (PRODUCT LEVEL)	
(NO SERVICED PARTS)									
<END>									

# GENERATORS

## 367-8061 GENERATOR GP

S/N: AFR1-UP

60 HERTZ, 240-480 VOLTS. 598 FRAME, SINGLE BEARING, THREE PHASE  
PART OF 367-8062 GENERATOR AR

SMCS-4450

i05159331

NOTE	PART NUMBER	QTY	PART NAME 1 2 3 4 5 6 (PRODUCT LEVEL)	SEE PAGE
(NO SERVICED PARTS)				
<END>				

## 367-8085 GENERATOR GP

S/N: AFR1-UP

60 HERTZ, 208 VOLT. SINGLE BEARING, 12 LEAD  
PART OF 367-8086 GENERATOR AR

SMCS-4450

i05182907

NOTE	PART NUMBER	QTY	PART NAME 1 2 3 4 5 6 (PRODUCT LEVEL)	SEE PAGE
(NO SERVICED PARTS)				
<END>				

# GENERATORS

## 372-7129 GENERATOR GP

S/N: AFR1-UP

**60 HERTZ, 600 VOLT. 598 FRAME PM EXCITED, RANDOM WOUND, 6 LEAD GENERATOR  
PART OF 372-7130 GENERATOR AR  
AN ATTACHMENT**

SMCS-4450

i05188712

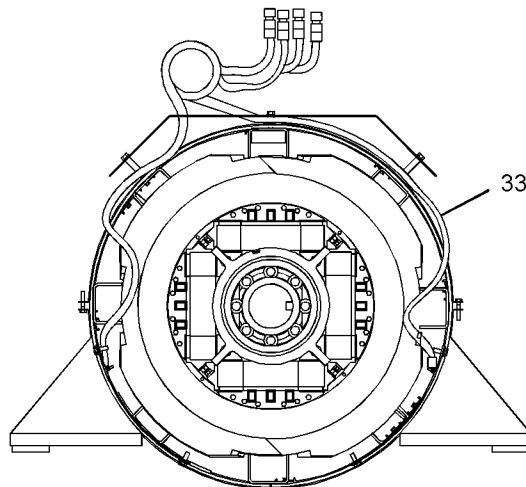
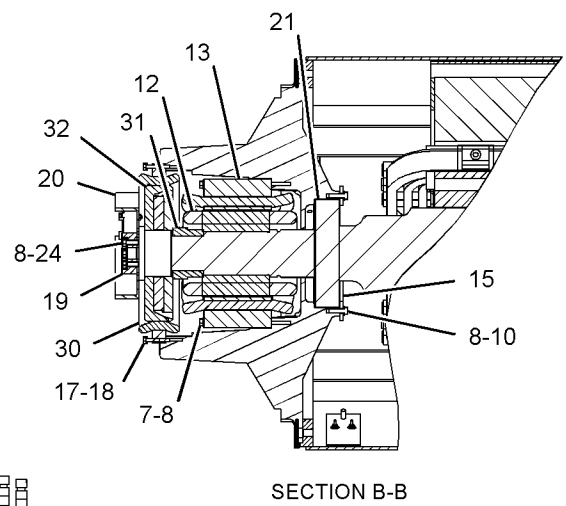
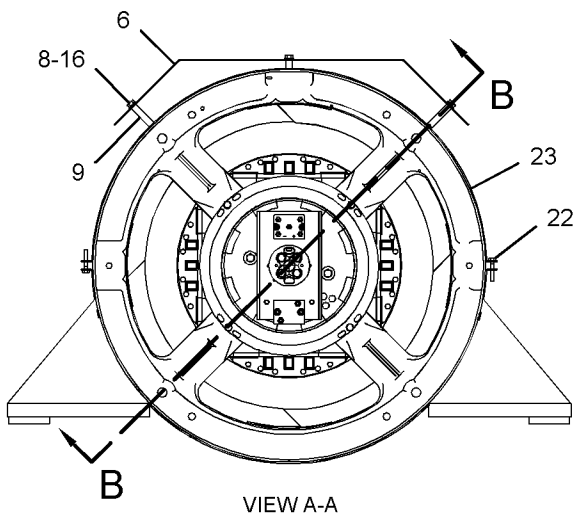
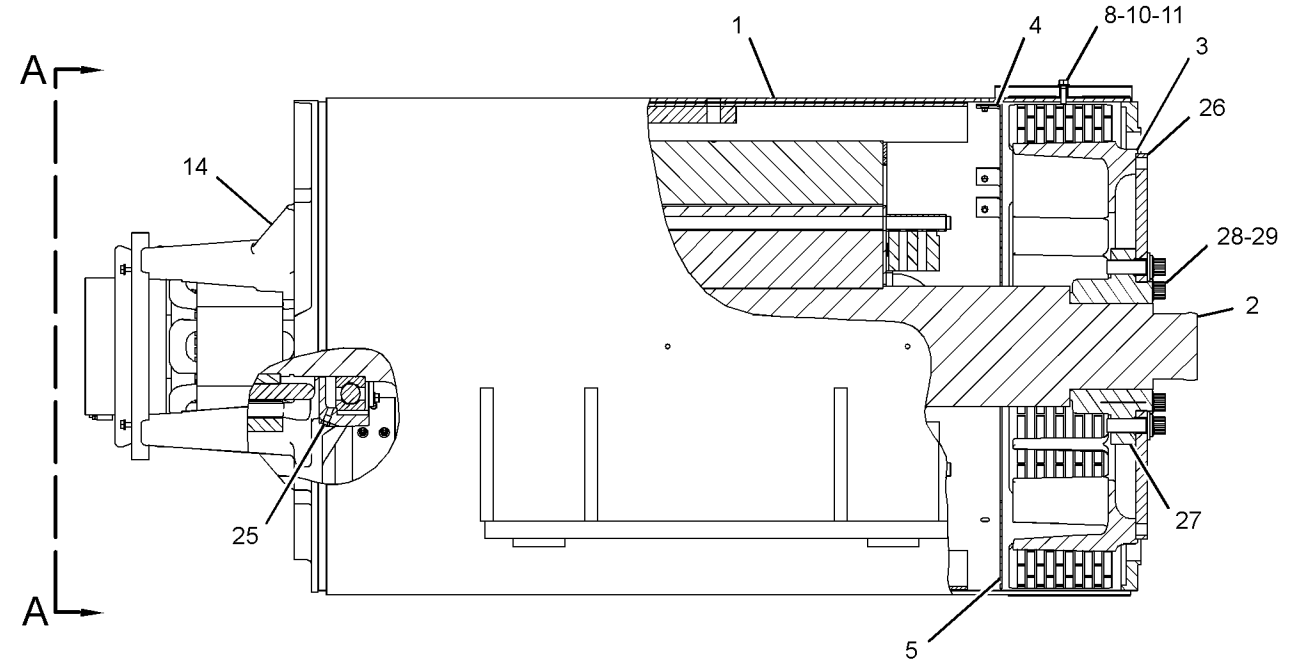
NOTE	REF NO	GRAPHIC REF	PART NUMBER	QTY	PART NAME						SEE PAGE
					1	2	3	4	5	6 (PRODUCT LEVEL)	
	1	1	<b>399-4964</b>	1	STATOR AS						
Y	2	1	<b>144-9439</b>	1	ROTOR GP-GENERATOR						517
	3	1	<b>2N-2030</b>	1	FAN-VENT						
	4	1	<b>4P-1798</b>	1	DEFLECTOR-UPPER						
	5	1	<b>4P-4532</b>	1	DEFLECTOR-LOWER						
	6	1	<b>7E-9592</b>	1	COVER-DRIP						
	7	1	<b>5P-0059</b>	4	BOLT (5/16-18X6-IN)						
	8	1	<b>9M-1974</b>	17	WASHER-HARD (8.8X16X2-MM THK)						
	9	1	<b>5L-2087</b>	4	SPACER (9.25X13.72X50.8-MM THK)						
	10	1	<b>4B-3388</b>	5	BOLT (5/16-18X1.125-IN)						
	11	1	<b>7E-3030</b>	1	SPACER (8.3X11.9X16.1-MM THK)						
	12	1	<b>108-6950</b>	1	ROTOR-EXCITER						
	13	1	<b>108-6949</b>	1	STATOR-EXCITER						
	14	1	<b>360-4434</b>	1	BRACKET-BEARING						
	15	1	<b>108-7822</b>	2	RETAINER						
	16	1	<b>5P-2955</b>	4	BOLT (5/16-18X2.5-IN)						
	17	1	<b>5P-0537</b>	4	WASHER-HARD (7.2X14.5X2-MM THK)						
	18	1	<b>1B-2713</b>	4	BOLT (1/4-20X1.75-IN)						
	19	1	<b>4P-3153</b>	1	SPACER (20.6X77X27.8-MM THK)						
	20	1	<b>290-5564</b>	1	HEAT SINK AS						
	21	1	<b>234-5059</b>	1	BUSHING						
	22	1	<b>4M-5282</b>	4	BOLT (1/4-20X1.5-IN)						
	23	1	<b>108-8265</b>	2	SCREEN AS						
	24	1	<b>1B-9575</b>	4	BOLT (5/16-18X1.56-IN)						
	25	1	<b>5M-6214</b>	2	PLUG-PIPE						
	26	1	<b>108-1468</b>	1	PLATE-COUPLING						
	27	1	<b>7L-5452</b>	2	SHIM (0.8-MM THK)						
	28	1	<b>9X-2119</b>	8	BOLT-12 POINT HEAD (7/8-9X2.5-IN)						
	29	1	<b>5P-8249</b>	8	WASHER-HARD (24X41.5X4-MM THK)						
	30	1	<b>269-3993</b>	1	STATOR AS (PERMANENT MAGNET)						
	31	1	<b>108-5748</b>	1	SLEEVE-SHAFT						
	32	1	<b>108-5749</b>	1	ROTOR (MAGNETIC)						
Y	33	1	<b>194-5188</b>	1	HEATER GP-SPACE						505

Y - SEPARATE ILLUSTRATION

# GENERATORS

372-7129 GENERATOR GP (contd.)

i05188712



GRAPHIC #1

VIEW A-A  
(OPTIONAL VIEW)  
<END>

g03379738

# GENERATORS

## 387-0791 GENERATOR GP

S/N: AFK1-UP

60 HERTZ, 480 VOLT. THREE PHASE, 596 FRAME, SELF EXCITED  
PART OF 387-0790 GENERATOR AR  
AN ATTACHMENT

SMCS-4450

i05188880

NOTE	PART NUMBER	QTY	PART NAME						SEE PAGE
			1	2	3	4	5	6 (PRODUCT LEVEL)	
(NO SERVICED PARTS)									
<END>									

## 387-0793 GENERATOR GP

S/N: AFN1-UP

60 GERTZ, 480 VOLT. THREE PHASE, 597 FRAME, SELF EXCITED,  
PART OF 387-0792 GENERATOR AR  
AN ATTACHMENT

SMCS-4450

i05188923

NOTE	PART NUMBER	QTY	PART NAME						SEE PAGE
			1	2	3	4	5	6 (PRODUCT LEVEL)	
(NO SERVICED PARTS)									
<END>									

## 387-0795 GENERATOR GP

S/N: AFR1-UP

60 HERTZ, 240/480 VOLT. THREE PHASE, 598 FRAME, SELF-EXCITED  
PART OF 387-0794 GENERATOR AR  
AN ATTACHMENT

SMCS-4450

i05188727

NOTE	PART NUMBER	QTY	PART NAME						SEE PAGE
			1	2	3	4	5	6 (PRODUCT LEVEL)	
(NO SERVICED PARTS)									
<END>									

## 290-5564 HEAT SINK AS

S/N: AFH1-UP; AFK1-UP; AFN1-UP; AFR1-UP

PART OF 136-6657, 136-6668, 351-9015 GENERATOR GP  
ALSO AN ATTACHMENT AND FIELD INSTALLATION

SMCS-4472

i02610335

NOTE	PART NUMBER	QTY	PART NAME						SEE PAGE
			1	2	3	4	5	6 (PRODUCT LEVEL)	
(NO SERVICED PARTS)									
<END>									

# GENERATORS

## 290-5565 HEAT SINK AS

S/N: AFH1-UP; AFK1-UP; AFN1-UP; AFR1-UP  
PART OF 136-6670 GENERATOR GP  
ALSO FIELD INSTALLATION

SMCS-4472

i02583931

NOTE	PART NUMBER	QTY	PART NAME 1 2 3 4 5 6 (PRODUCT LEVEL)	SEE PAGE
(NO SERVICED PARTS)				
<END>				

# GENERATORS

## 194-5188 HEATER GP-SPACE-GENERATOR

S/N: AFH1-UP; AFK1-UP; AFN1-UP; AFR1-UP

PART OF 136-6645, 136-6648, 136-6651, 136-6654, 136-6657, 136-6660, 136-6663, 136-6666, 136-6669, 136-6672, 136-6675, 136-6678, 351-9015, 372-7129 GENERATOR GP

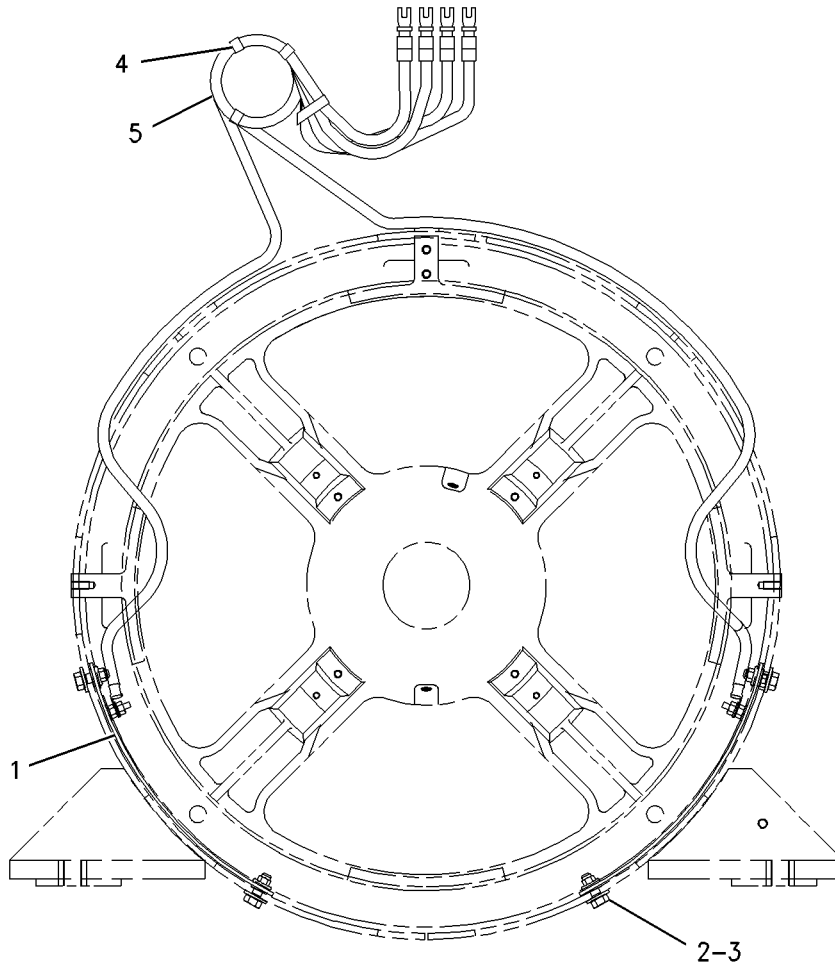
ALSO AN ATTACHMENT

SMCS-7274

i03622670

NOTE	REF NO	GRAPHIC REF	PART NUMBER	QTY	PART NAME						SEE PAGE
					1	2	3	4	5	6 (PRODUCT LEVEL)	
	1	1	<b>4P-1801</b>	2	HEATER GP-SPACE (GENERATOR)						
	2	1	<b>8T-9043</b>	4	BOLT (5/16-18X0.875-IN)						
	3	1	<b>5P-4116</b>	4	WASHER-HARD (8.8X20.5X2-MM THK)						
B	4	1	<b>8L-8413</b>	8	STRAP-CABLE						
	5	1	<b>155-6651</b>	1	LEAD AS						

B - USE AS REQUIRED



GRAPHIC #1

<END>

g00724899

# GENERATORS

## 368-0710 MOUNTING GP-GENERATOR

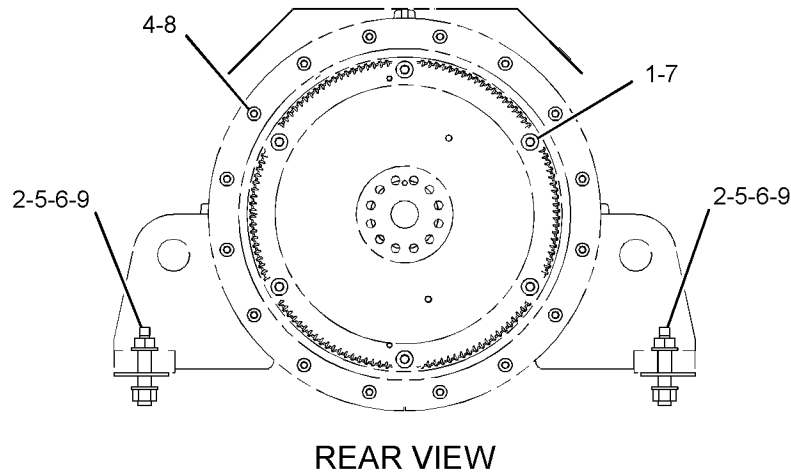
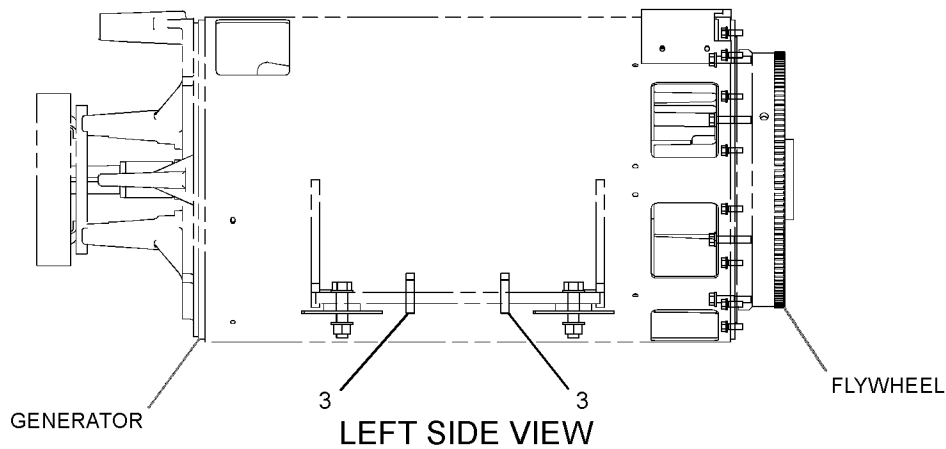
S/N: GDS1-UP  
AN ATTACHMENT

SMCS-4450, 7060

i05159335

NOTE	REF NO	GRAPHIC REF	PART NUMBER	QTY	PART NAME						SEE PAGE
					1	2	3	4	5	6 (PRODUCT LEVEL)	
	1	1	<b>6C-3244</b>	6	BOLT (5/8-11X3.25-IN)						
BY	2	1	<b>137-8533</b>	4	SHIM PACK (INCLUDES 13-SHIMS)						549
	3	1	<b>260-0217</b>	4	SETSCREW (M24X2-THD)						
	4	1	<b>5P-2566</b>	16	BOLT (1/2-13X1.5-IN)						
	5	1	<b>6V-8190</b>	4	NUT (1-8-THD)						
	6	1	<b>7X-0411</b>	4	BOLT (1-8X4.25-IN)						
	7	1	<b>8T-4122</b>	6	WASHER-HARD (17X32X3.5-MM THK)						
	8	1	<b>8T-4223</b>	16	WASHER-HARD (13.5X25.5X3-MM THK)						
	9	1	<b>8T-5361</b>	8	WASHER-HARD (28X49X5-MM THK)						

B - USE AS REQUIRED  
Y - SEPARATE ILLUSTRATION



GRAPHIC #1

<END>

g03324076



# GENERATORS

## 314-7755 REGULATOR AS-VOLTAGE-GENERATOR

S/N: GDS1-UP

DIGITAL

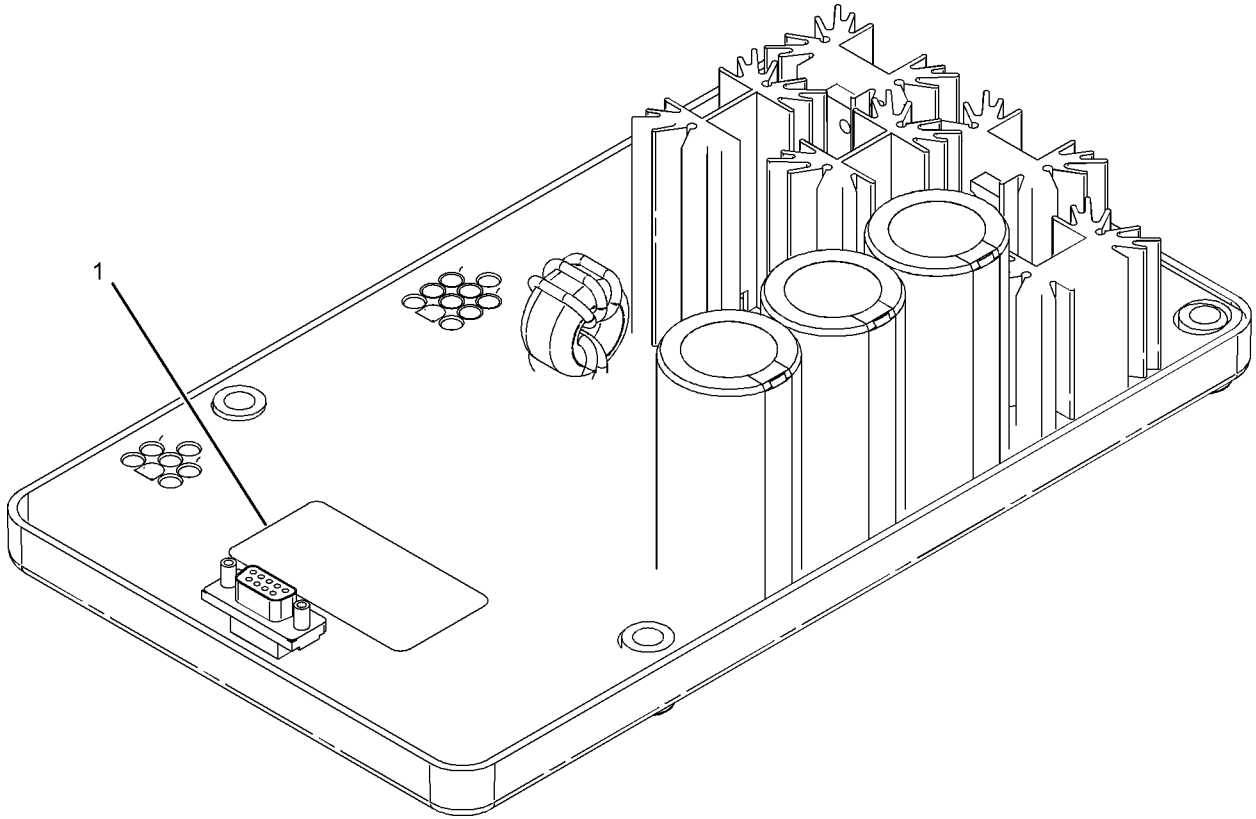
PART OF 361-1632 BOX GP-ELECTRONIC

AN ATTACHMENT

SMCS-4467

i04908316

NOTE	REF NO	GRAPHIC REF	PART NUMBER	QTY	PART NAME	SEE PAGE
	1	1	241-0158	1	1 2 3 4 5 6 (PRODUCT LEVEL) FILM-WARNING (SHOCK, ELECTROCUTION HAZARD)	



GRAPHIC #1

<END>

g01035161

# GENERATORS

## 153-3189 ROTOR AS

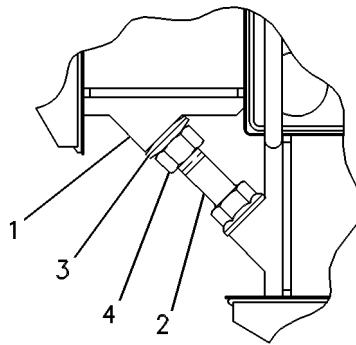
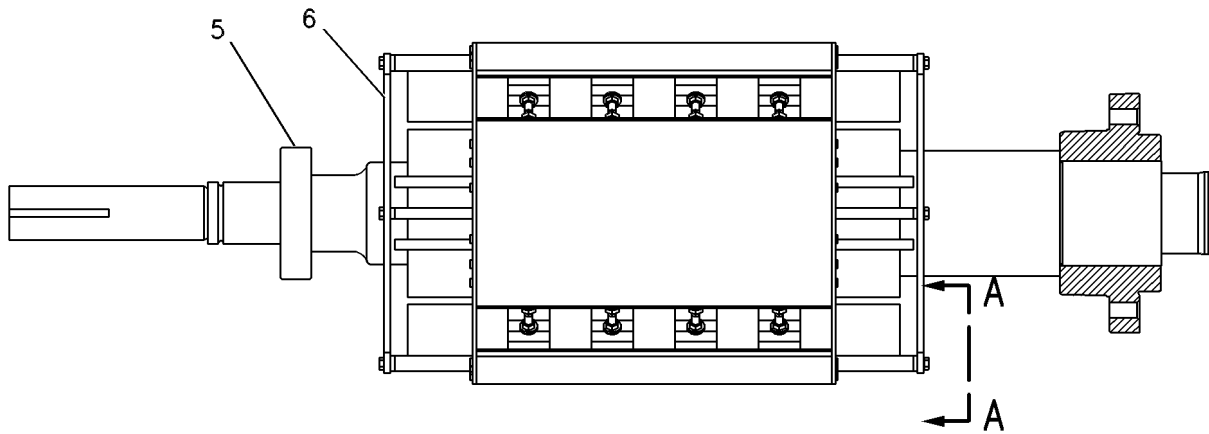
S/N: AFH1-UP

PART OF 136-6671, 136-6674, 136-6677 GENERATOR GP

SMCS-4457

i01367433

NOTE	REF NO	GRAPHIC REF	PART NUMBER	QTY	PART NAME						SEE PAGE
					1	2	3	4	5	6 (PRODUCT LEVEL)	
	1	1	<b>145-8521</b>	32	WEDGE - POLE						
	2	1	<b>1J-8668</b>	16	STUD-TAPERLOCK (3/8-16X1.97-IN)						
	3	1	<b>8L-5394</b>	64	WASHER-SPRING						
	4	1	<b>9S-8752</b>	32	NUT-FULL (3/8-16-THD)						
	5	1	<b>6Y-6488</b>	1	BALL BEARING						
	6	1	<b>4P-1773</b>	1	DISC						



VIEW A-A

GRAPHIC #1

<END>

g00250386

# GENERATORS

## 153-3190 ROTOR AS

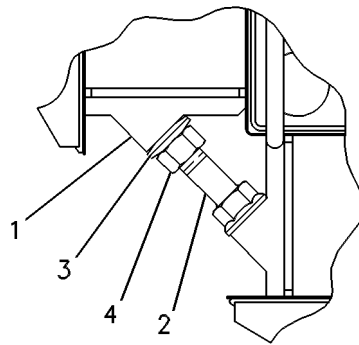
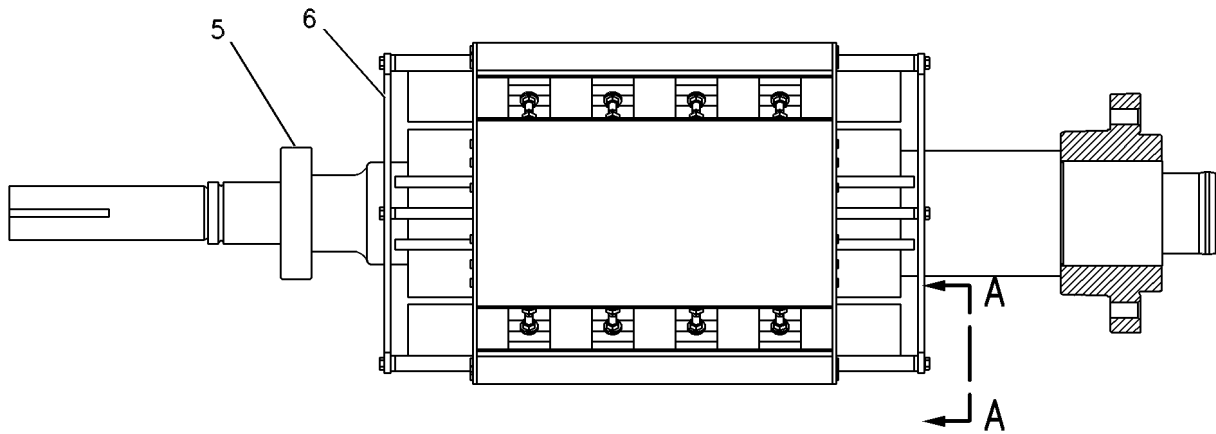
S/N: AFK1-UP; AFN1-UP

PART OF 136-6653, 136-6656, 136-6659, 136-6662, 136-6665, 136-6668 GENERATOR GP

SMCS-4457

i01367438

NOTE	REF NO	GRAPHIC REF	PART NUMBER	QTY	PART NAME						SEE PAGE
					1	2	3	4	5	6 (PRODUCT LEVEL)	
	1	1	<b>145-8521</b>	40	WEDGE - POLE						
	2	1	<b>1J-8668</b>	20	STUD-TAPERLOCK (3/8-16X1.97-IN)						
	3	1	<b>8L-5394</b>	80	WASHER-SPRING						
	4	1	<b>9S-8752</b>	40	NUT-FULL (3/8-16-THD)						
	5	1	<b>6Y-6488</b>	1	BALL BEARING						
	6	1	<b>4P-1773</b>	1	DISC						



VIEW A-A

GRAPHIC #1

<END>

g00250386

# GENERATORS

## 172-5699 ROTOR AS

S/N: AFR1-UP

PART OF 136-6645, 136-6648, 136-6651 GENERATOR GP

SMCS-4457

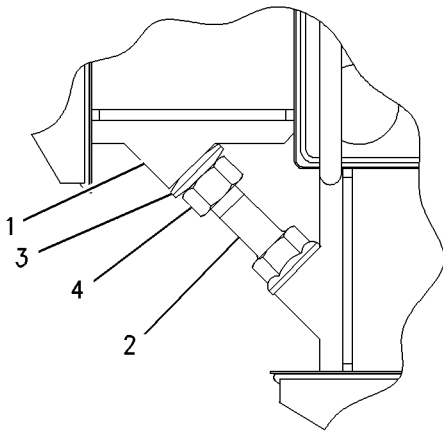
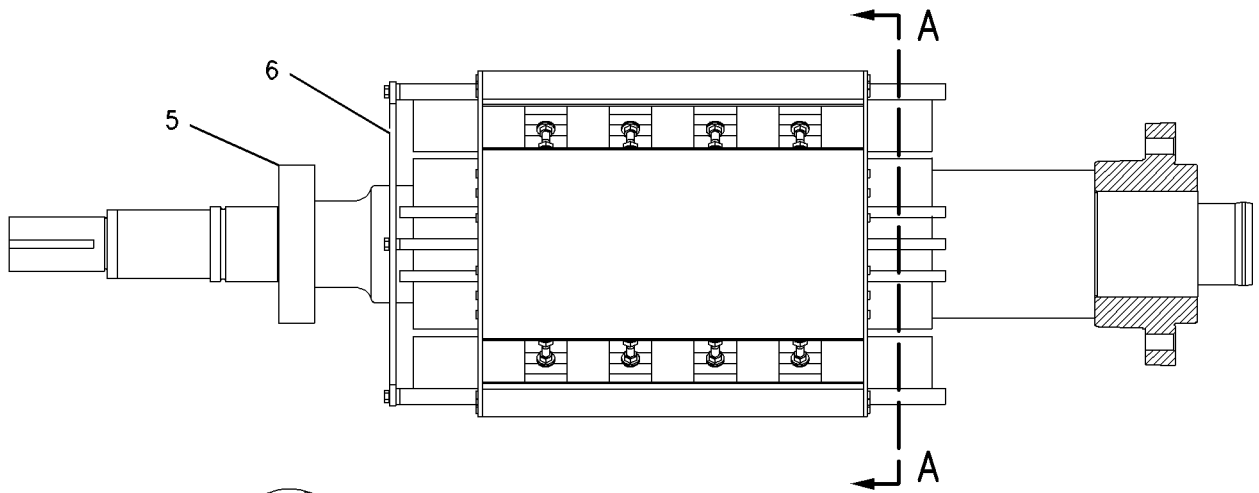
i01371558

NOTE	REF NO	GRAPHIC REF	PART NUMBER	QTY	PART NAME						SEE PAGE
					1	2	3	4	5	6 (PRODUCT LEVEL)	
	1	1	145-8521	40	WEDGE - POLE						
	2	1	1J-8668	20	STUD-TAPERLOCK (3/8-16X1.97-IN)						
	3	1	8L-5394	80	WASHER-SPRING						
	4	1	9S-8752	40	NUT-FULL (3/8-16-THD)						
	5	1	6Y-6488	1	BALL BEARING						
	6	1	4P-1773	1	DISC						

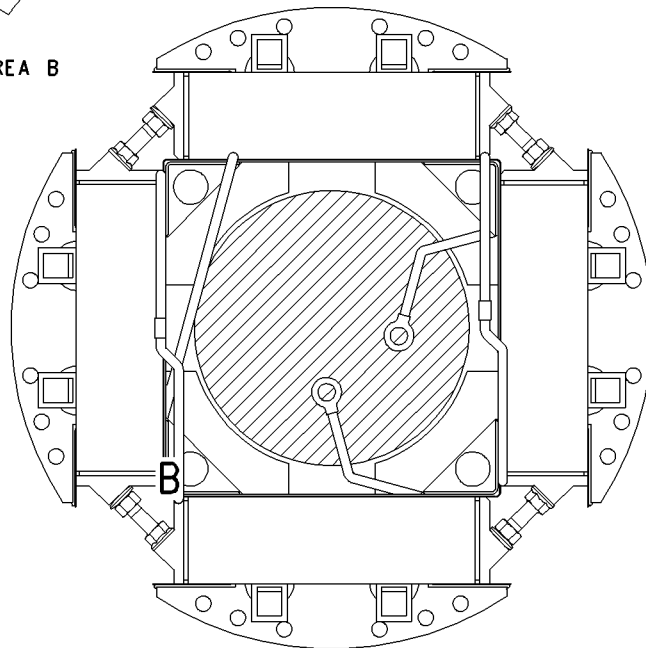
# GENERATORS

172-5699 ROTOR AS (contd.)

i01371558



VIEW OF AREA B



VIEW A-A

GRAPHIC #1

<END>

g00731525

# GENERATORS

## 172-5700 ROTOR AS

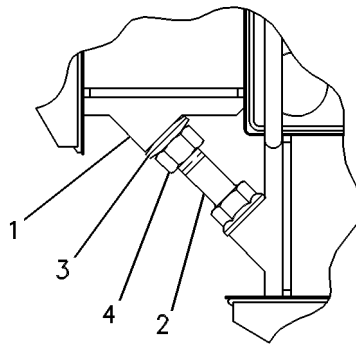
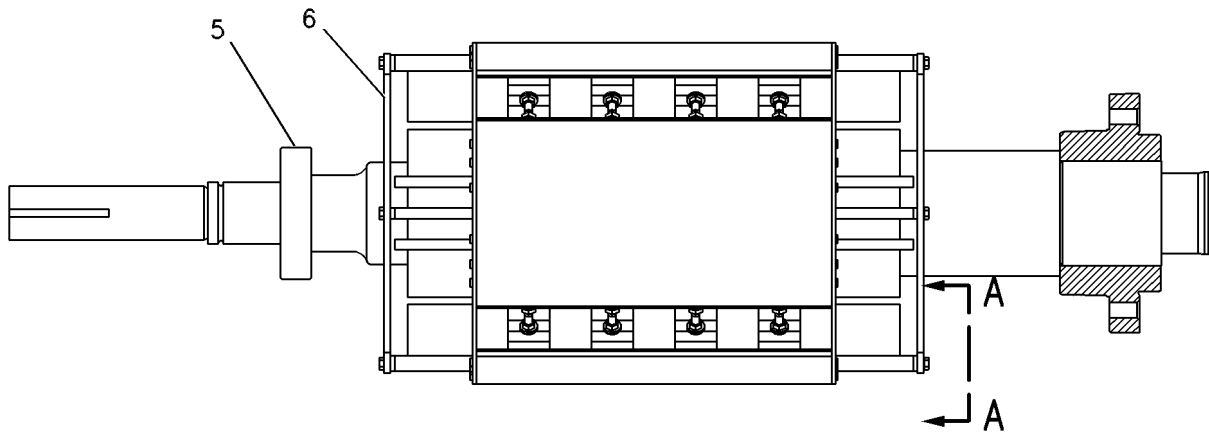
S/N: AFK1-UP; AFN1-UP

PART OF 136-6652, 136-6655, 136-6658, 136-6661, 136-6664, 136-6667 GENERATOR GP

SMCS-4457

i01367459

NOTE	REF NO	GRAPHIC REF	PART NUMBER	QTY	PART NAME						SEE PAGE
					1	2	3	4	5	6 (PRODUCT LEVEL)	
	1	1	<b>145-8521</b>	40	WEDGE - POLE						
	2	1	<b>1J-8668</b>	20	STUD-TAPERLOCK (3/8-16X1.97-IN)						
	3	1	<b>8L-5394</b>	80	WASHER-SPRING						
	4	1	<b>9S-8752</b>	40	NUT-FULL (3/8-16-THD)						
	5	1	<b>6Y-6488</b>	1	BALL BEARING						
	6	1	<b>4P-1773</b>	1	DISC						



GRAPHIC #1

<END>

g00250386

# GENERATORS

## 172-5701 ROTOR AS

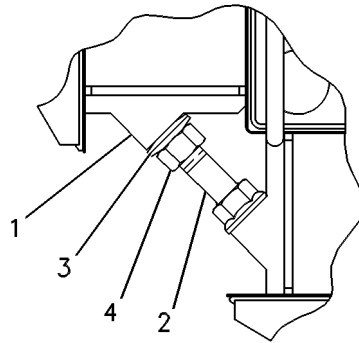
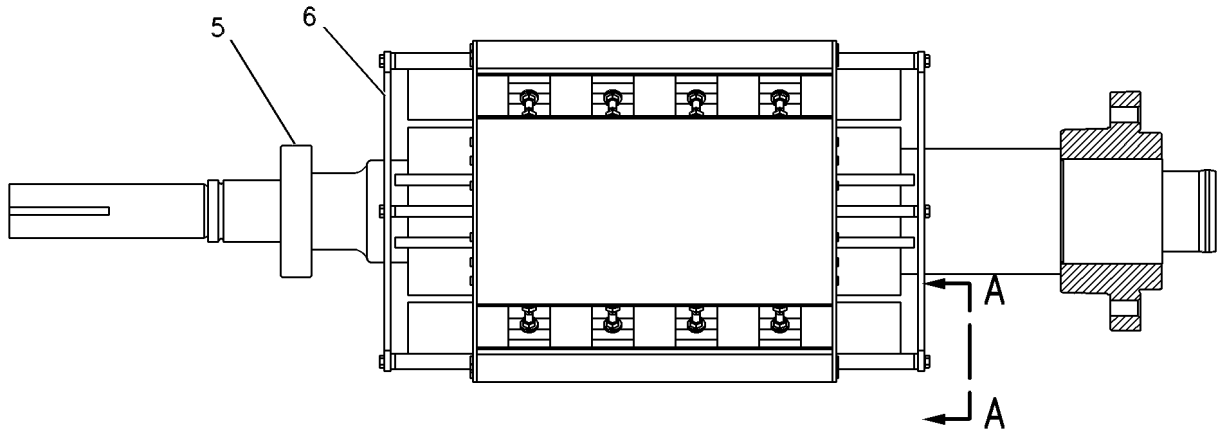
S/N: AFK1-UP; AFN1-UP

PART OF 136-6654, 136-6657, 136-6660, 136-6663, 136-6666, 136-6669 GENERATOR GP

SMCS-4457

i01367465

NOTE	REF NO	GRAPHIC REF	PART NUMBER	QTY	PART NAME						SEE PAGE
					1	2	3	4	5	6 (PRODUCT LEVEL)	
	1	1	<b>145-8521</b>	40	WEDGE - POLE						
	2	1	<b>1J-8668</b>	20	STUD-TAPERLOCK (3/8-16X1.97-IN)						
	3	1	<b>8L-5394</b>	80	WASHER-SPRING						
	4	1	<b>9S-8752</b>	40	NUT-FULL (3/8-16-THD)						
	5	1	<b>6Y-6488</b>	1	BALL BEARING						
	6	1	<b>4P-1773</b>	1	DISC						



VIEW A-A

GRAPHIC #1

<END>

g00250386

# GENERATORS

## 172-5702 ROTOR AS

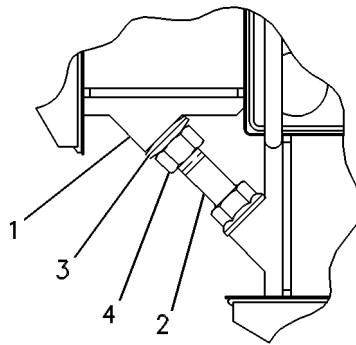
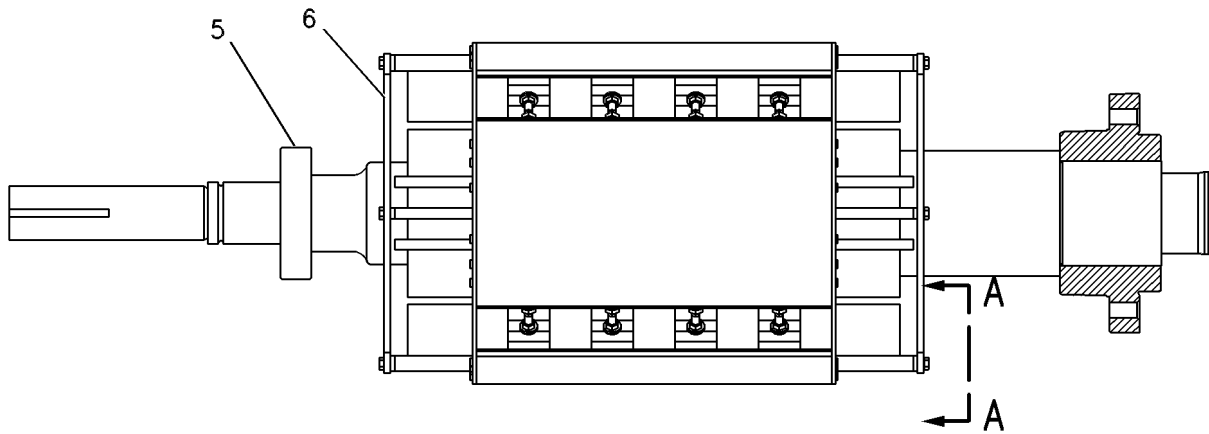
S/N: AFH1-UP; AFK1-UP

PART OF 136-6670, 136-6673, 136-6676 GENERATOR GP

SMCS-4457

i01367476

NOTE	REF NO	GRAPHIC REF	PART NUMBER	QTY	PART NAME						SEE PAGE
					1	2	3	4	5	6 (PRODUCT LEVEL)	
	1	1	<b>145-8521</b>	32	WEDGE - POLE						
	2	1	<b>1J-8668</b>	16	STUD-TAPERLOCK (3/8-16X1.97-IN)						
	3	1	<b>8L-5394</b>	64	WASHER-SPRING						
	4	1	<b>9S-8752</b>	32	NUT-FULL (3/8-16-THD)						
	5	1	<b>6Y-6488</b>	1	BALL BEARING						
	6	1	<b>4P-1773</b>	1	DISC						



VIEW A-A

GRAPHIC #1

<END>

g00250386



# GENERATORS

## 172-5703 ROTOR AS

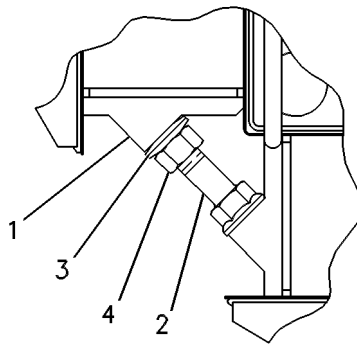
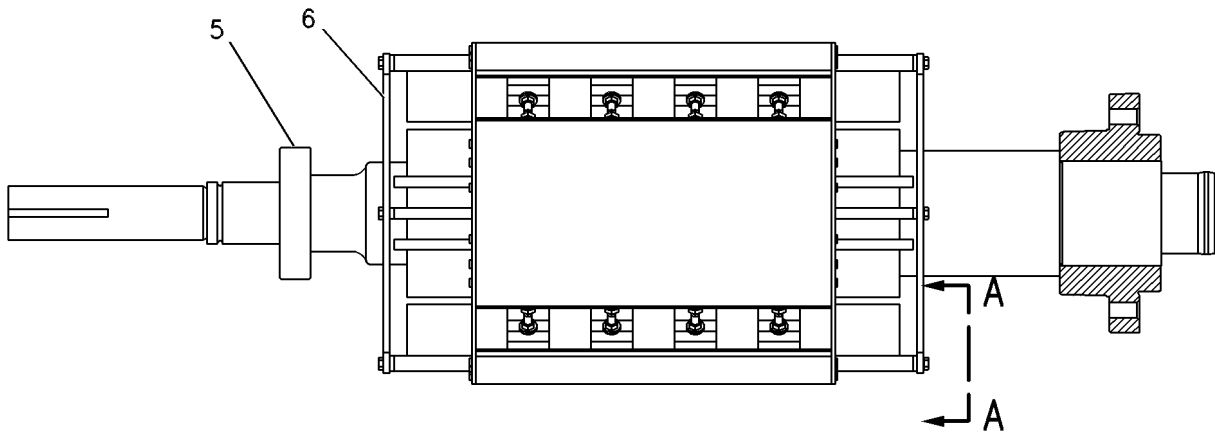
S/N: AFH1-UP

PART OF 136-6672, 136-6675, 136-6678 GENERATOR GP

SMCS-4457

i01367487

NOTE	REF NO	GRAPHIC REF	PART NUMBER	QTY	PART NAME						SEE PAGE
					1	2	3	4	5	6 (PRODUCT LEVEL)	
	1	1	<b>145-8521</b>	32	WEDGE - POLE						
	2	1	<b>1J-8668</b>	16	STUD-TAPERLOCK (3/8-16X1.97-IN)						
	3	1	<b>8L-5394</b>	64	WASHER-SPRING						
	4	1	<b>9S-8752</b>	32	NUT-FULL (3/8-16-THD)						
	5	1	<b>6Y-6488</b>	1	BALL BEARING						
	6	1	<b>4P-1773</b>	1	DISC						



VIEW A-A

GRAPHIC #1

<END>

g00250386

# GENERATORS

## 144-9438 ROTOR GP-GENERATOR

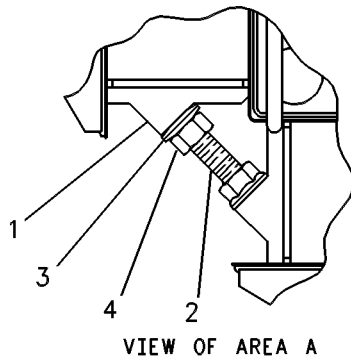
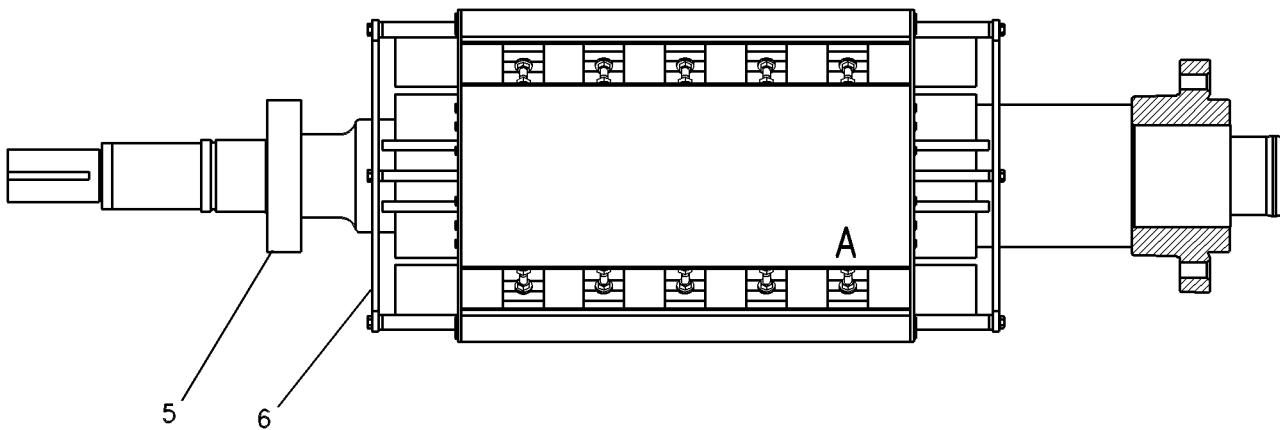
S/N: AFR1-UP

PART OF 136-6642, 136-6646, 136-6649 GENERATOR GP

SMCS-4457

i00701771

NOTE	REF NO	GRAPHIC REF	PART NUMBER	QTY	PART NAME						SEE PAGE
					1	2	3	4	5	6 (PRODUCT LEVEL)	
	1	1	<b>145-8521</b>	40	WEDGE - POLE						
	2	1	<b>1J-8668</b>	20	STUD-TAPERLOCK (3/8-16X1.97-IN)						
	3	1	<b>8L-5394</b>	80	WASHER-SPRING						
	4	1	<b>9S-8752</b>	40	NUT-FULL (3/8-16-THD)						
	5	1	<b>6Y-6488</b>	1	BALL BEARING						
	6	1	<b>4P-1773</b>	2	DISC						



GRAPHIC #1

<END>

g00285256

# GENERATORS

## 144-9439 ROTOR GP-GENERATOR

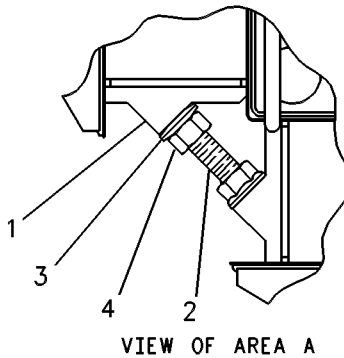
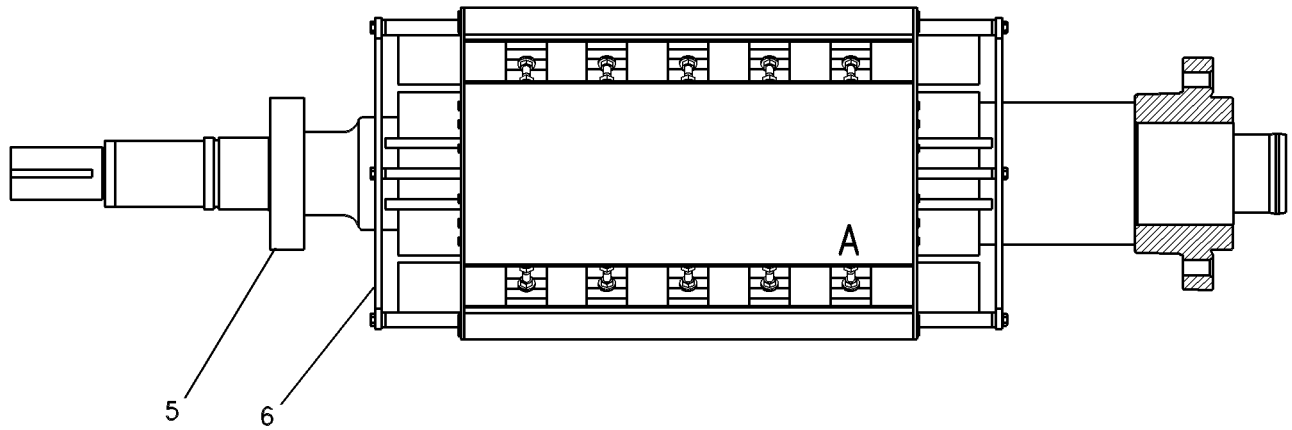
S/N: AFR1-UP

PART OF 136-6643, 136-6647, 136-6650, 351-9015, 372-7129 GENERATOR GP  
ALSO AN ATTACHMENT

SMCS-4457

i02016001

NOTE	REF NO	GRAPHIC REF	PART NUMBER	QTY	PART NAME						SEE PAGE
					1	2	3	4	5	6 (PRODUCT LEVEL)	
1		1	145-8521	40	WEDGE-POLE						
2		1	1J-8668	20	STUD-TAPERLOCK (3/8-16X1.97-IN)						
3		1	8L-5394	80	WASHER-SPRING						
4		1	9S-8752	40	NUT-FULL (3/8-16-THD)						
5		1	6Y-6488	1	BALL BEARING						
6		1	4P-1773	1	DISC						



GRAPHIC #1

<END>

g00285256

# GENERATORS

## 372-6579 SCREEN GP-AIR

S/N: GDS1-UP

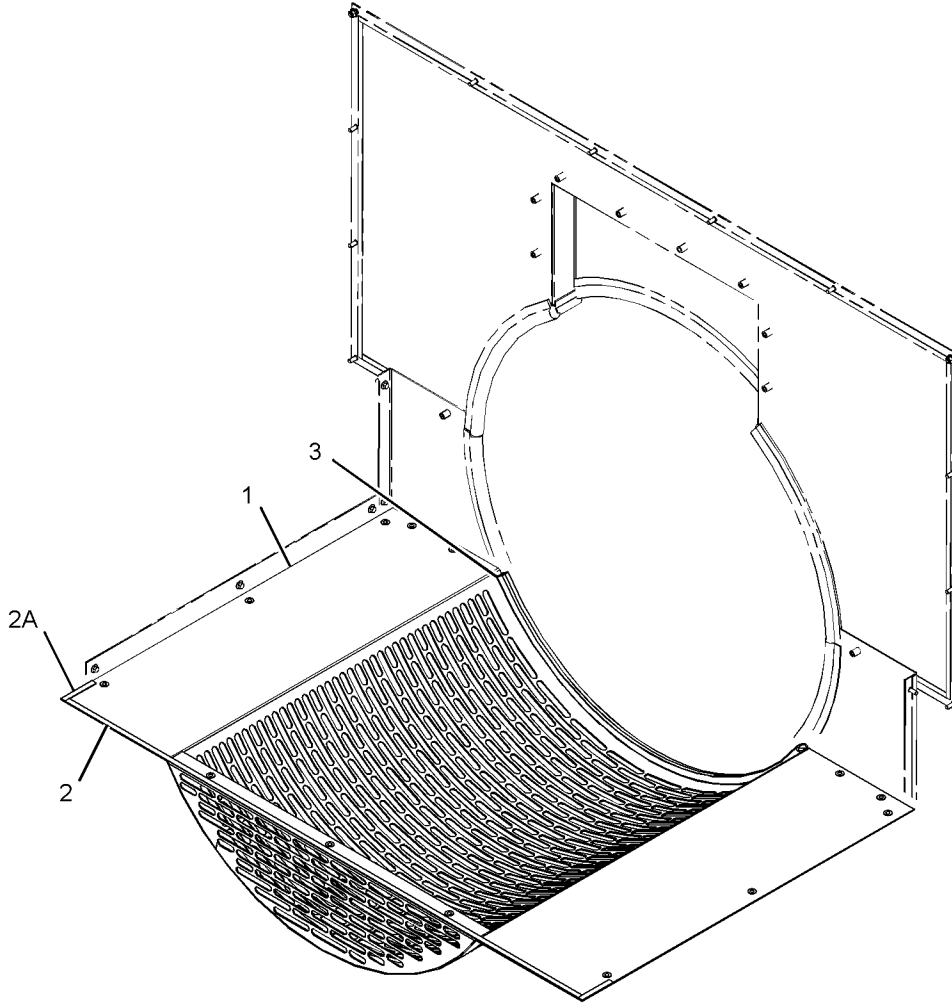
PART OF 372-6573 COVER GP-GENERATOR  
AN ATTACHMENT

SMCS-1051, 4450

i05159343

NOTE	REF NO	GRAPHIC REF	PART NUMBER	QTY	PART NAME						SEE PAGE
					1	2	3	4	5	6 (PRODUCT LEVEL)	
	1	1	<b>372-6578</b>	1	SCREEN AS (INTAKE)						
J	2	1	<b>244-9631</b>		SEAL (10.9-DM)						
J	2A	1	<b>244-9631</b>		SEAL (0.7-DM EACH)						
J	3	1	<b>197-8039</b>		SEAL (7.8-DM)						

J - ORDER BY DECIMETER



GRAPHIC #1

<END>

g03350732

# GENERATORS

## 385-0646 SCREEN GP-AIR

S/N: GDS1-UP

1200 FRAME

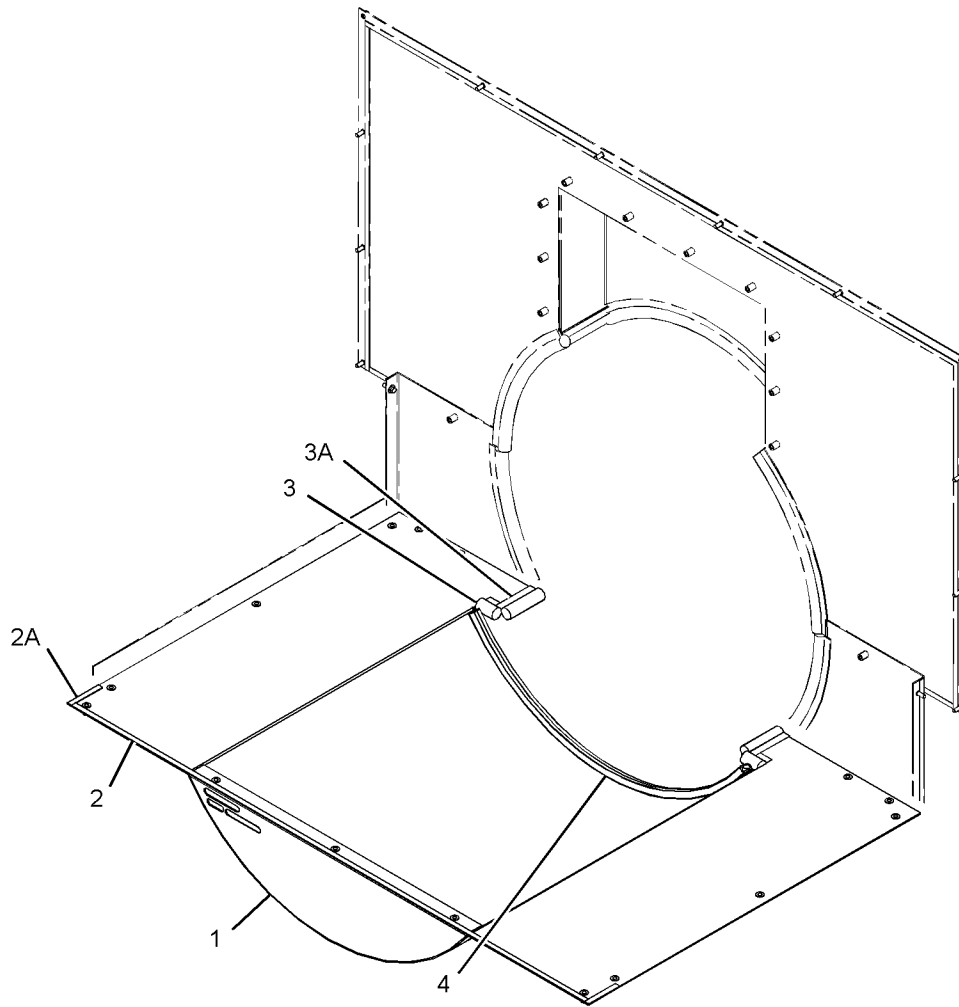
PART OF 385-0643 COVER GP-GENERATOR  
AN ATTACHMENT

SMCS-1051, 4450

i05254159

NOTE	REF NO	GRAPHIC REF	PART NUMBER	QTY	PART NAME						SEE PAGE
					1	2	3	4	5	6 (PRODUCT LEVEL)	
	1	1	<b>385-0647</b>	1	SCREEN AS						
M		1	<b>3E-4304</b>	15	INSERT-THREADED (M6X1-THD)						
J	2	1	<b>244-9631</b>		SEAL (11.1-DM)						
J	2A	1	<b>244-9631</b>		SEAL (0.66-DM EACH)						
E	3	1	<b>142-6868</b>		SEAL (3.5-CM EACH)						
E	3A	1	<b>142-6868</b>		SEAL (7.3-CM EACH)						
J	4	1	<b>197-8039</b>		SEAL (7-DM)						

E - ORDER BY THE CENTIMETER  
J - ORDER BY THE DECIMETER  
M - METRIC PART



GRAPHIC #1

<END>

g03350350

# OPERATOR STATION

## 373-9473 ALARM GP-REMOTE

S/N: GDS1-UP

FOR USE WITH RS485

PART OF 375-2303 MODULE GP-ALARM

AN ATTACHMENT

SMCS-7400, 7407

i04490038

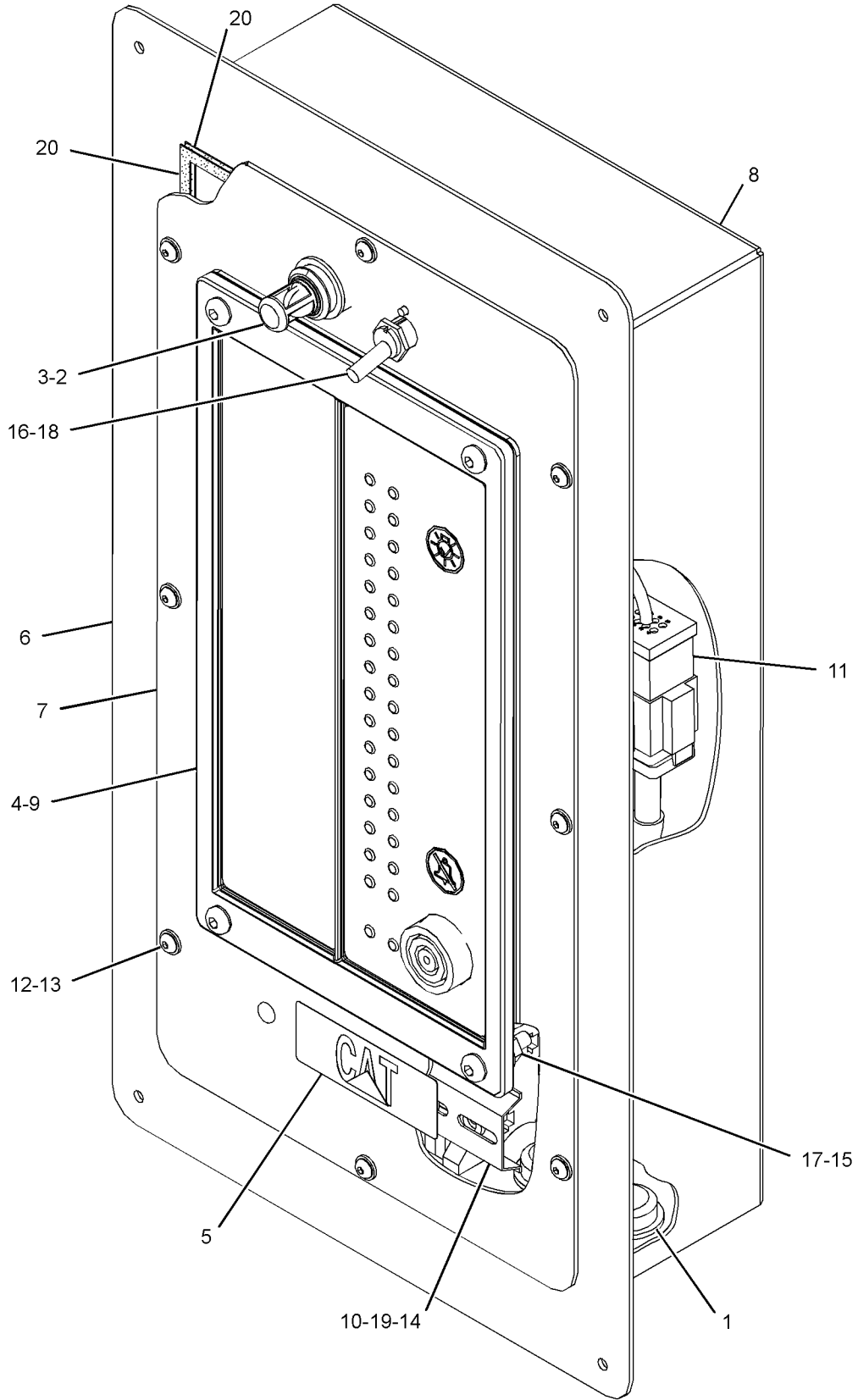
NOTE	REF NO	GRAPHIC REF	PART NUMBER	QTY	PART NAME						SEE PAGE
					1	2	3	4	5	6 (PRODUCT LEVEL)	
	1	1	5H-4871	2	PLUG						
	2	1	7G-9730	1	LAMP AS (120-VOLT, 3-WATT)						
		1	6V-8367	1	LOCKWASHER						
		1	6V-8382	1	NUT-HEX (11/16-27-THD)						
		1	316-6409	1	SOCKET AS-LAMP						
		1	5P-5694	2	TERMINAL-BLADE (14-GA TO 16-GA)						
		1	6V-8367	1	LOCKWASHER						
		1	6V-8382	1	NUT-HEX (11/16-27-THD)						
	3	1	7N-5876	1	LAMP (24-VOLT, 0.2-AMPERE)						
	4	1	244-9613	1	GASKET						
	5	1	245-2987	1	FILM-IDENTIFICATION (CAT)						
	6	1	272-1065	1	PLATE						
	7	1	272-1079	1	LID						
	8	1	351-1718	1	BOX AS						
		1	205-7047	8	INSERT-THREADED (M4X0.7-THD)						
Y	9	1	358-5994	1	MODULE GP-ALARM						540
Y	10	1	373-9468	1	BLOCK AS-TERMINAL						175
	11	1	373-9469	1	HARNESS AS-ALARM						
D		1	5P-6001		TUBE-HEAT SHRINK (4.75-MM DIA) (0.1-M)						
		1	7K-1181	10	STRAP-CABLE						
		1	8T-8730	5	SOCKET-CONNECTOR (16-GA TO 18-GA)						
		1	8T-8737	3	PLUG-SEAL						
E		1	125-7876		TUBE-HEAT SHRINK (17.78-MM DIA) (5-CM)						
		1	128-5669	2	TERMINAL-BLADE (14-GA TO 16-GA)						
		1	2L-8074	2	TERMINAL-RING (14-GA TO 16-GA, NO. 6 SCREW)						
		1	155-2265	1	KIT-CONNECTING PLUG (8-PIN) (INCLUDES PLUG AS, WEDGE, & INTERFACE SEAL)						
M	12	1	123-0707	8	SCREW-HEX SOCKET (M4X0.7X20-MM)						
	13	1	151-4977	8	WASHER (4.445X9.525X1.092-MM THK)						
	14	1	4B-2041	2	NUT (6-32-THD)						
M	15	1	6V-8225	4	NUT (M6X1-THD)						
	16	1	8D-2676	1	SWITCH AS-TOGGLE (ALARM)						
		1	3L-8187	2	LOCKWASHER						
		1	6T-3631	2	NUT-HEX (15/32-32-THD)						
		1	6T-3632	1	LOCKWASHER						
		1	6T-3633	1	RING-LOCKING						
		1	6V-8374	2	SCREW-MACHINE (6-32X0.25-IN)						
	17	1	8T-4205	4	WASHER-HARD (7.2X14.5X2-MM THK)						
	18	1	9B-7233	2	LOCKWASHER						
	19	1	9X-8256	2	WASHER (6.6X12X2-MM THK)						
E	20	1	8C-7524		SEAL (115.5-CM EACH)						

D - ORDER BY THE METER  
 E - ORDER BY THE CENTIMETER  
 M - METRIC PART  
 Y - SEPARATE ILLUSTRATION

# OPERATOR STATION

373-9473 ALARM GP (contd.)

i04490038



GRAPHIC #1

<END>

g02675261

# OPERATOR STATION

## 382-7977 ALARM GP-REMOTE

S/N: GDS1-UP  
FOR USE WITH RS485  
AN ATTACHMENT

SMCS-7400, 7407

i04528394

NOTE	REF NO	GRAPHIC REF	PART NUMBER	QTY	PART NAME						SEE PAGE
					1	2	3	4	5	6 (PRODUCT LEVEL)	
	1	2	5H-4871	2	PLUG						
	2	1	244-9613	1	GASKET						
	3	1	245-2987	1	FILM-IDENTIFICATION (CAT)						
	4	1	272-1065	1	PLATE						
	5	1	272-1079	1	LID						
	6	1	316-6409	1	SOCKET AS-LAMP						
		1	5P-5694	2	TERMINAL-BLADE (14-GA TO 16-GA)						
		1	6V-8367	1	LOCKWASHER						
		1	6V-8382	1	NUT-HEX (11/16-27-THD)						
	7	1	351-1718	1	BOX AS						
		1	205-7047	8	INSERT-THREADED (M4X0.7-THD)						
Y	8	1	358-5996	1	MODULE GP-ALARM						541
Y	9	2	373-9468	1	BLOCK AS-TERMINAL						175
	10	1	373-9469	1	HARNESS AS-ALARM						
D		1	5P-6001		TUBE-HEAT SHRINK (4.75-MM DIA) (0.1-M)						
		1	7K-1181	10	STRAP-CABLE						
		1	8T-8730	5	SOCKET-CONNECTOR (16-GA TO 18-GA)						
		1	8T-8737	3	PLUG-SEAL						
E		1	125-7876		TUBE-HEAT SHRINK (17.78-MM DIA) (5-CM)						
		1	128-5669	2	TERMINAL-BLADE (14-GA TO 16-GA)						
		1	2L-8074	2	TERMINAL-RING (14-GA TO 16-GA, NO. 6 SCREW)						
		1	155-2265	1	KIT-CONNECTING PLUG (8-PIN)						
					(INCLUDES PLUG AS, WEDGE, & INTERFACE SEAL)						
M	11	1	123-0707	8	SCREW-HEX SOCKET (M4X0.7X20-MM)						
	12	1	151-4977	8	WASHER (4.445X9.525X1.092-MM THK)						
	13	2	4B-2041	2	NUT (6-32-THD)						
M	14	2	6V-8225	4	NUT (M6X1-THD)						
	15	1	8D-2676	1	SWITCH AS-TOGGLE (ALARM)						
		1	3L-8187	2	LOCKWASHER						
		1	6T-3631	2	NUT-HEX (15/32-32-THD)						
		1	6T-3632	1	LOCKWASHER						
		1	6T-3633	1	RING-LOCKING						
		1	6V-8374	2	SCREW-MACHINE (6-32X0.25-IN)						
	16	2	8T-4205	4	WASHER-HARD (7.2X14.5X2-MM THK)						
	17	2	9B-7233	2	LOCKWASHER						
	18	2	9X-8256	2	WASHER (6.6X12X2-MM THK)						
E	19	1	8C-7524		SEAL (115.5-CM EACH)						

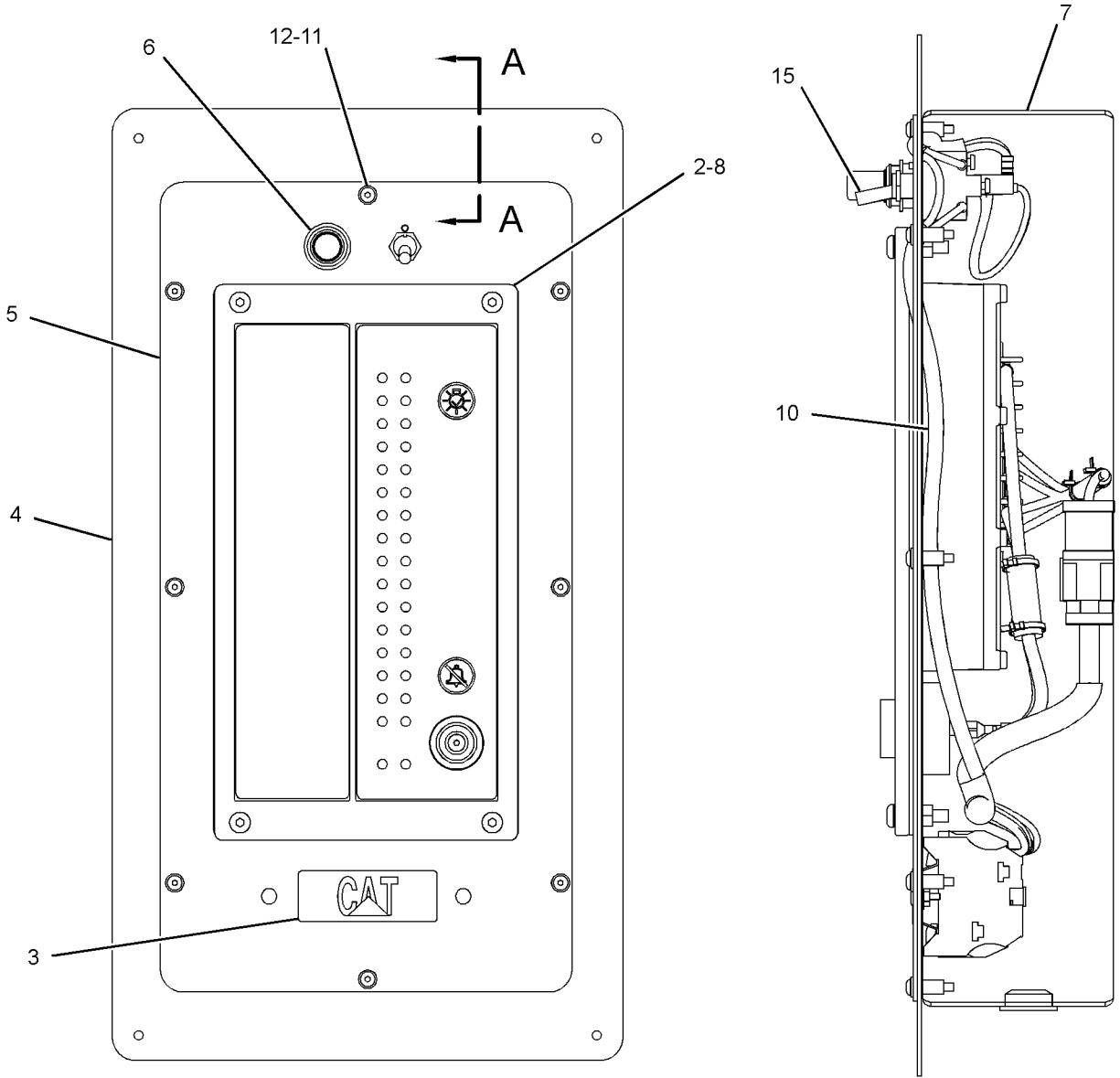
D - ORDER BY THE METER  
E - ORDER BY THE CENTIMETER  
M - METRIC PART  
Y - SEPARATE ILLUSTRATION



# OPERATOR STATION

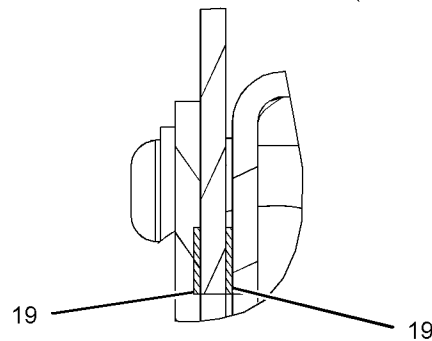
382-7977 ALARM GP (contd.)

i04528394



FRONT VIEW

LEFT SIDE VIEW  
(PARTS REMOVED FOR CLARITY)



SECTION A-A

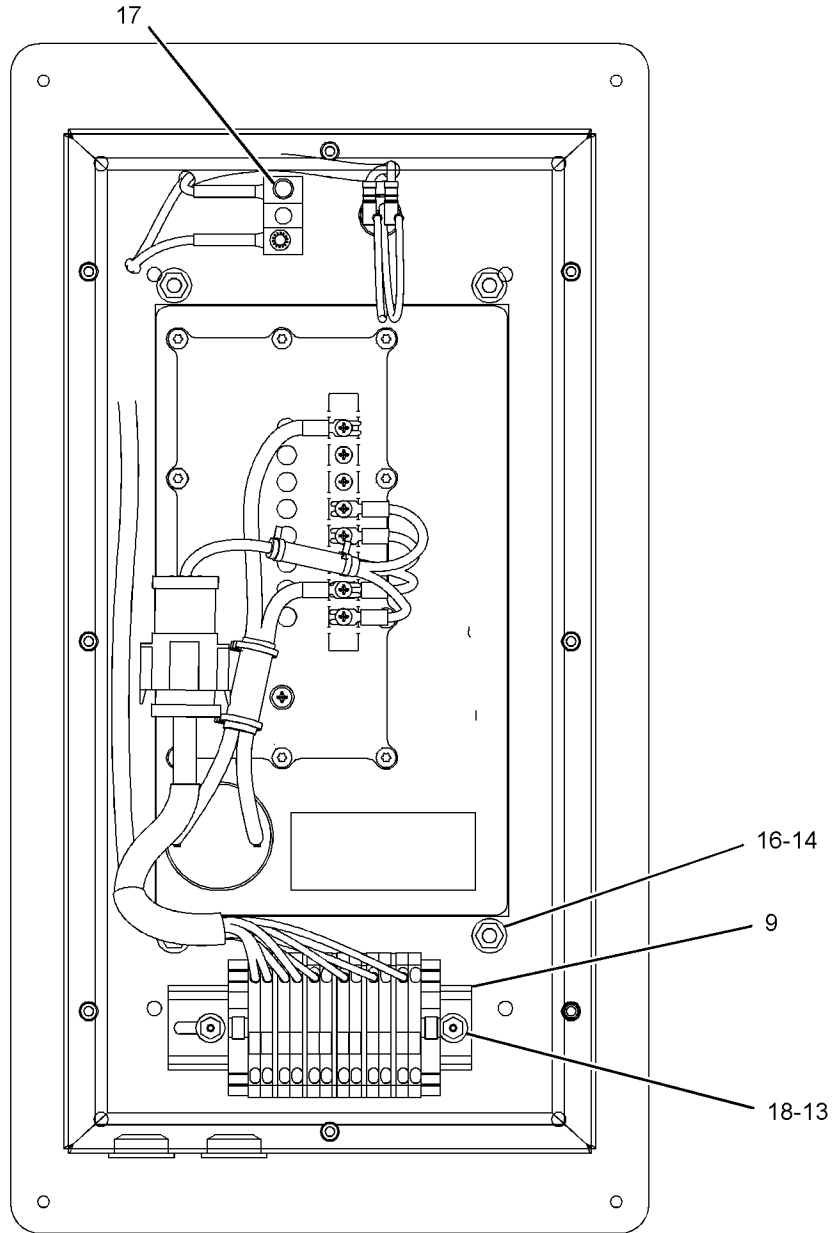
GRAPHIC #1

g02753917

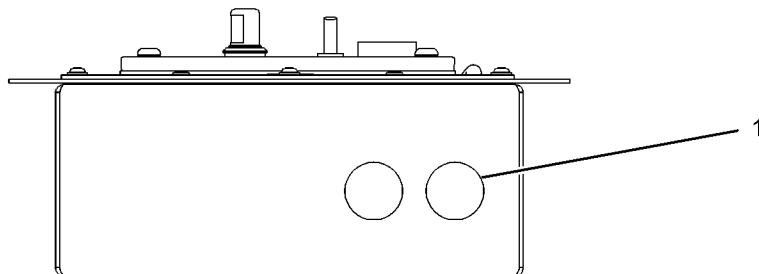
# OPERATOR STATION

382-7977 ALARM GP (contd.)

i04528394



**REAR VIEW**  
(PARTS REMOVED FOR CLARITY)



**BOTTOM VIEW**

<END>

GRAPHIC #2

g02753918

# OPERATOR STATION

## 361-7117 BOX GP-CONTROL PANEL

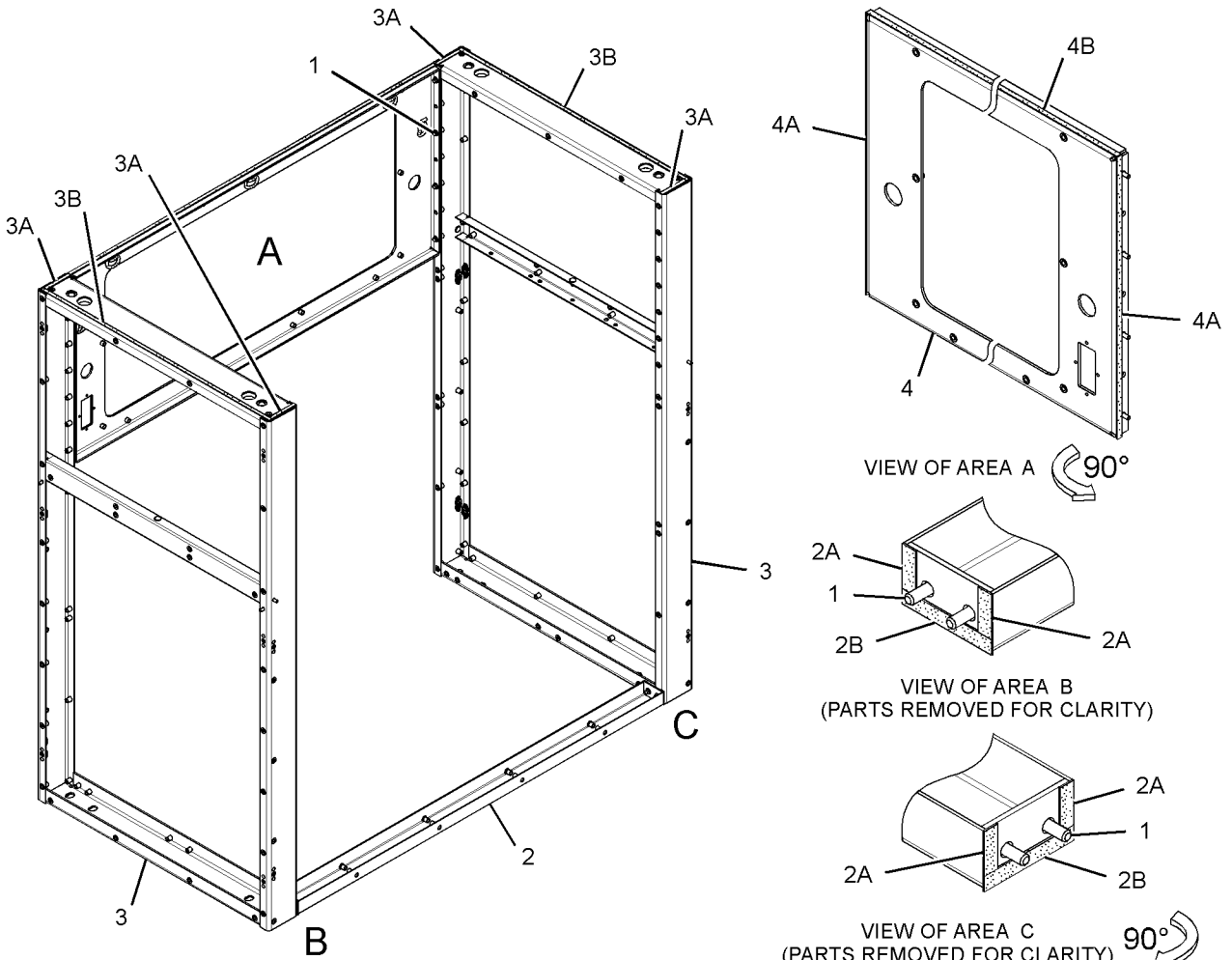
S/N: GDS1-UP  
EMCP 4.3, 4.4  
AN ATTACHMENT

SMCS-4490, 7451

i05073190

NOTE	REF NO	GRAPHIC REF	PART NUMBER	QTY	PART NAME						SEE PAGE
					1	2	3	4	5	6 (PRODUCT LEVEL)	
M	1	1	<b>235-4451</b>	12	BOLT-FLANGE HEAD (M6X1X16-MM)						
	2	1	<b>242-8831</b>	1	BRACE AS						
J	2A	1	<b>244-9631</b>		SEAL (0.26-DM EACH)						
J	2B	1	<b>244-9631</b>		SEAL (0.6-DM EACH)						
	3	1	<b>391-8987</b>	2	FRAME AS						
					(EACH INCLUDES)						
J	3A	1	<b>244-9631</b>		SEAL (0.75-DM EACH)						
J	3B	1	<b>244-9631</b>		SEAL (7-DM)						
		1	<b>391-8986</b>	1	FRAME AS						
	4	1	<b>361-7115</b>	1	BOX AS						
J	4A	1	<b>244-9631</b>		SEAL (4.95-DM EACH)						
J	4B	1	<b>244-9631</b>		SEAL (11.2-DM)						

J - ORDER BY THE DECIMETER  
M - METRIC PART



# OPERATOR STATION

## 431-0361 BOX GP-CONTROL PANEL

S/N: GDS1-UP  
MAIN BOX  
AN ATTACHMENT

SMCS-4490, 7451

i05198913

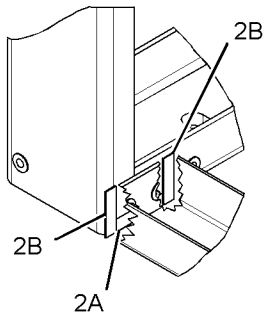
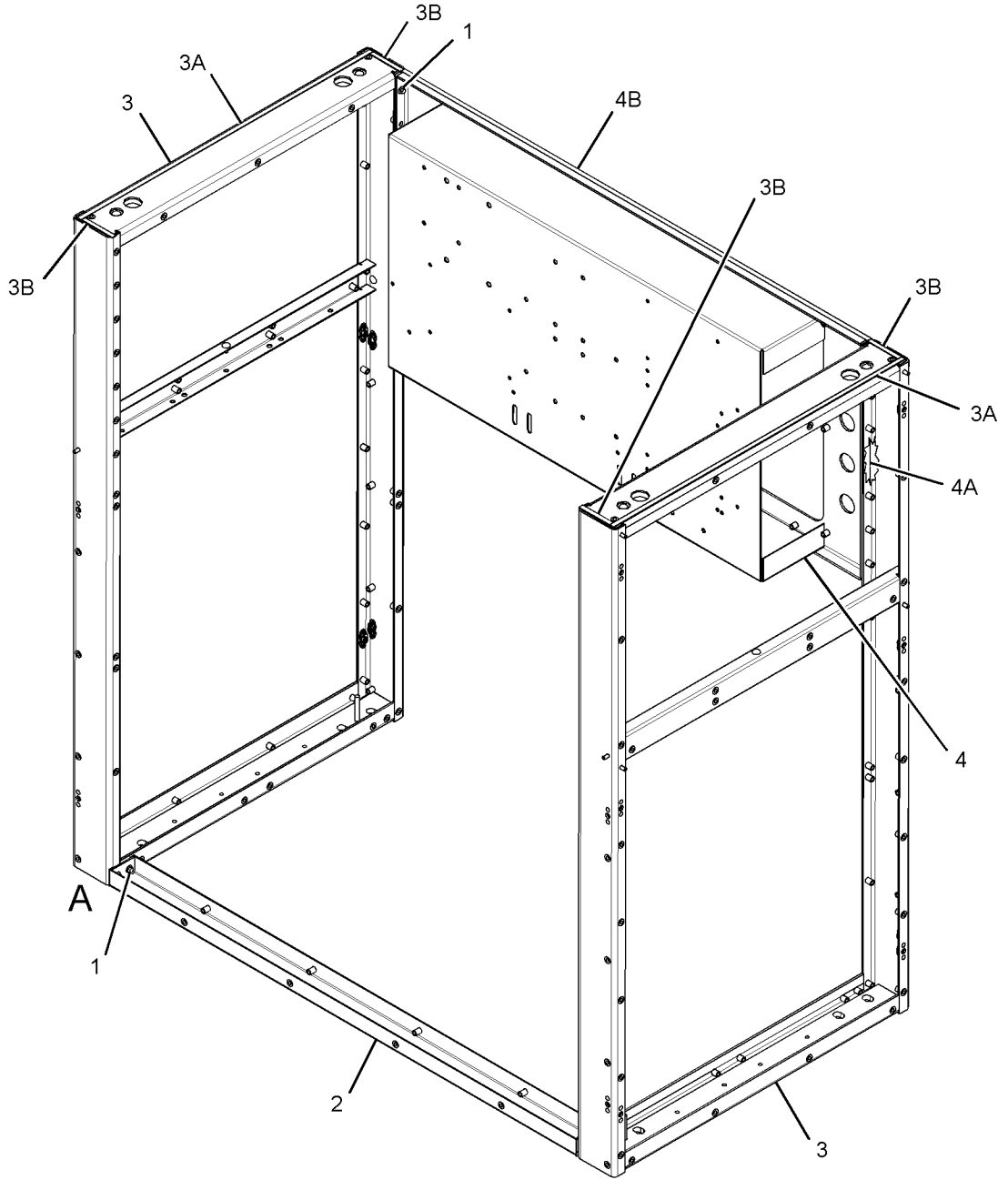
NOTE	REF NO	GRAPHIC REF	PART NUMBER	QTY	PART NAME						SEE PAGE
					1	2	3	4	5	6 (PRODUCT LEVEL)	
M	1	1	<b>235-4451</b>	12	BOLT-FLANGE HEAD (M6X1X16-MM)						
	2	1	245-0039	1	BRACE AS						
		1	<b>242-8831</b>	1	BRACE AS						
M		1	<b>3E-4304</b>	8	INSERT-THREADED (M6X1-THD)						
J	2A	1	<b>244-9631</b>		SEAL (0.6-DM EACH)						
J	2B	1	<b>244-9631</b>		SEAL (0.26-DM EACH)						
	3	1	391-8987	2	FRAME AS						
					(EACH INCLUDES)						
J	3A	1	<b>244-9631</b>		SEAL (7-DM)						
J	3B	1	<b>244-9631</b>		SEAL (0.75-DM EACH)						
		1	<b>391-8986</b>	1	FRAME AS						
M		1	<b>3E-4304</b>	71	INSERT-THREADED (M6X1-THD)						
		1	<b>103-8089</b>	20	RIVET-POP						
		1	<b>235-8354</b>	10	FASTENER						
	4	1	426-5057	1	BOX AS						
J	4A	1	<b>244-9631</b>		SEAL (4.95-DM EACH)						
J	4B	1	<b>244-9631</b>		SEAL (11.2-DM)						
		1	<b>426-5056</b>	1	BOX AS						
M		1	<b>3E-4304</b>	14	INSERT-THREADED (M6X1-THD)						

J - ORDER BY DECIMETER  
M - METRIC PART

# OPERATOR STATION

431-0361 BOX GP-CONTROL PANEL (contd.)

i05198913



VIEW OF AREA A

GRAPHIC #1

<END>

g03351525

# OPERATOR STATION

## 431-0362 BOX GP-CONTROL PANEL

S/N: GDS1-UP  
MAIN BOX  
AN ATTACHMENT

SMCS-4490, 7451

i05198922

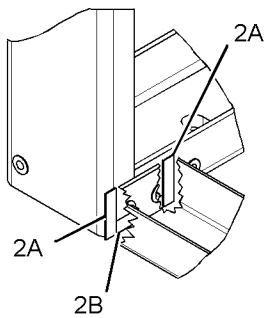
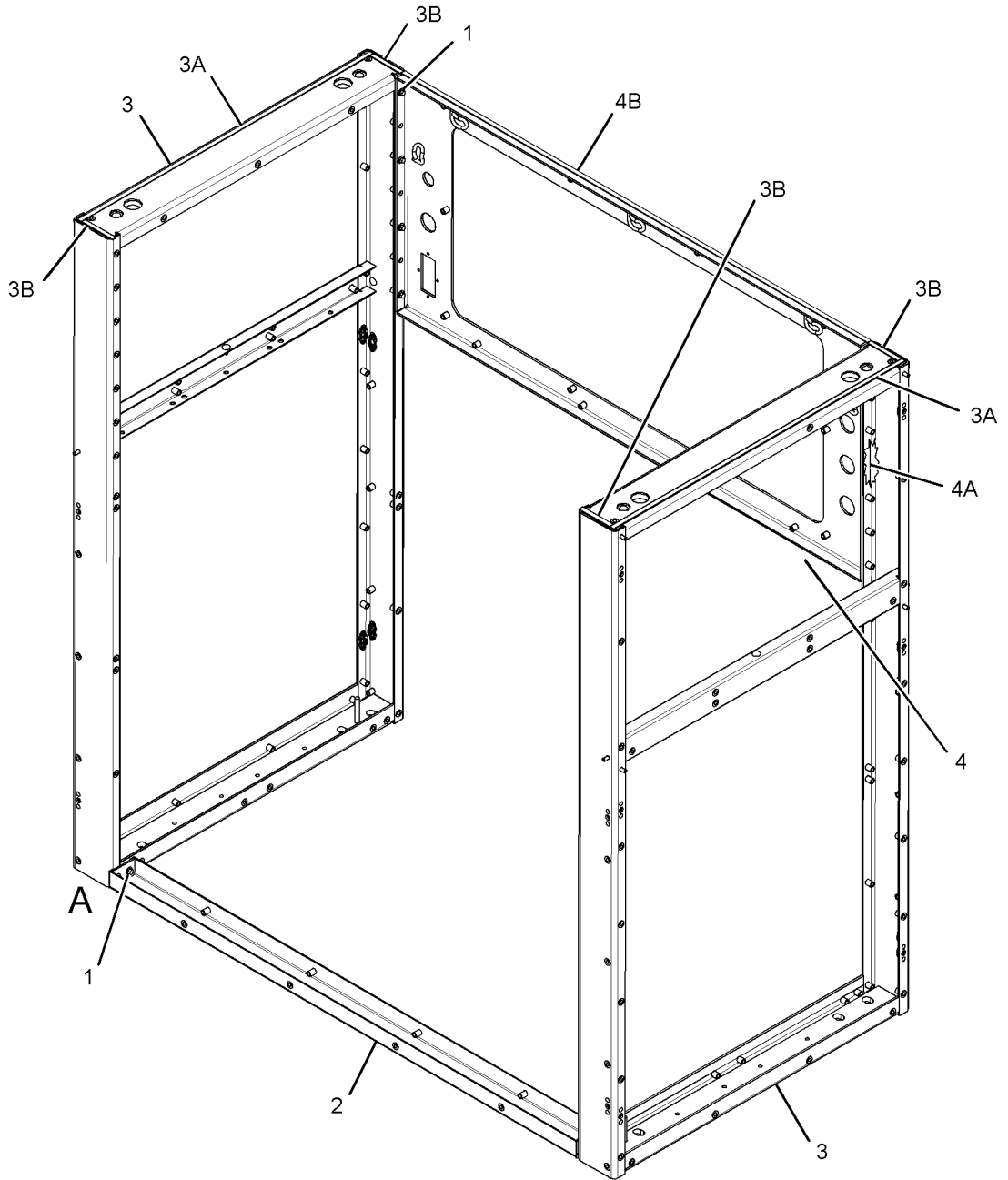
NOTE	REF NO	GRAPHIC REF	PART NUMBER	QTY	PART NAME						SEE PAGE
					1	2	3	4	5	6 (PRODUCT LEVEL)	
M	1	1	<b>235-4451</b>	12	BOLT-FLANGE HEAD (M6X1X16-MM)						
	2	1	245-0039	1	BRACE AS						
		1	<b>242-8831</b>	1	BRACE AS						
M		1	<b>3E-4304</b>	8	INSERT-THREADED (M6X1-THD)						
J	2A	1	<b>244-9631</b>		SEAL (0.26-DM EACH)						
J	2B	1	<b>244-9631</b>		SEAL (0.6-DM EACH)						
	3	1	391-8987	2	FRAME AS						
					(EACH INCLUDES)						
J	3A	1	<b>244-9631</b>		SEAL (7-DM)						
J	3B	1	<b>244-9631</b>		SEAL (0.75-DM EACH)						
		1	<b>391-8986</b>	1	FRAME AS						
M		1	<b>3E-4304</b>	71	INSERT-THREADED (M6X1-THD)						
		1	<b>103-8089</b>	20	RIVET-POP						
		1	<b>235-8354</b>	10	FASTENER						
	4	1	426-5059	1	BOX AS						
J	4A	1	<b>244-9631</b>		SEAL (4.95-DM EACH)						
J	4B	1	<b>244-9631</b>		SEAL (11.2-DM)						
		1	<b>426-5058</b>	1	BOX AS						
M		1	<b>3E-4304</b>	14	INSERT-THREADED (M6X1-THD)						
		1	<b>7T-1099</b>	5	LINK						

J - ORDER BY THE DECIMETER  
M - METRIC PART

# OPERATOR STATION

431-0362 BOX GP-CONTROL PANEL (contd.)

i05198922



VIEW OF AREA A

GRAPHIC #1

<END>

g03351550

# OPERATOR STATION

## 237-0125 CONTROL GP-ENGINE MONITORING-RESISTIVE TEMPERATURE DEVICE

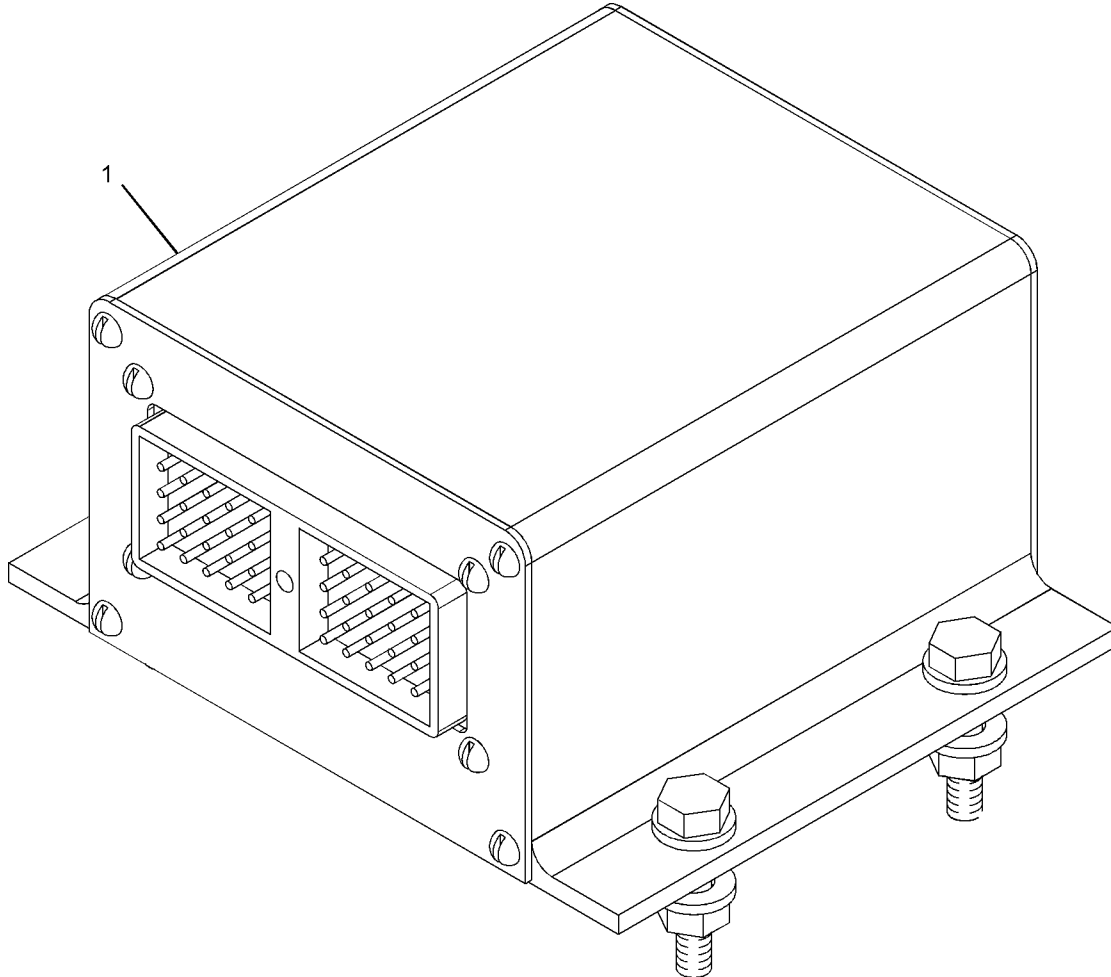
S/N: GDS1-UP

PART OF 364-7509 WIRING GP-PANEL  
AN ATTACHMENT

SMCS-1901, 7490

i03459420

NOTE	REF NO	GRAPHIC REF	PART NUMBER	QTY	PART NAME						SEE PAGE
					1	2	3	4	5	6 (PRODUCT LEVEL)	
	1	1	234-1645	1	CONTROL GP-ENGINE MONITORING (RESISTIVE TEMPERATURE DEVICE)						



GRAPHIC #1

<END>

g01076585



# OPERATOR STATION

## 249-1174 CONTROL GP-ENGINE MONITORING-INPUT/OUTPUT

S/N: GDS1-UP

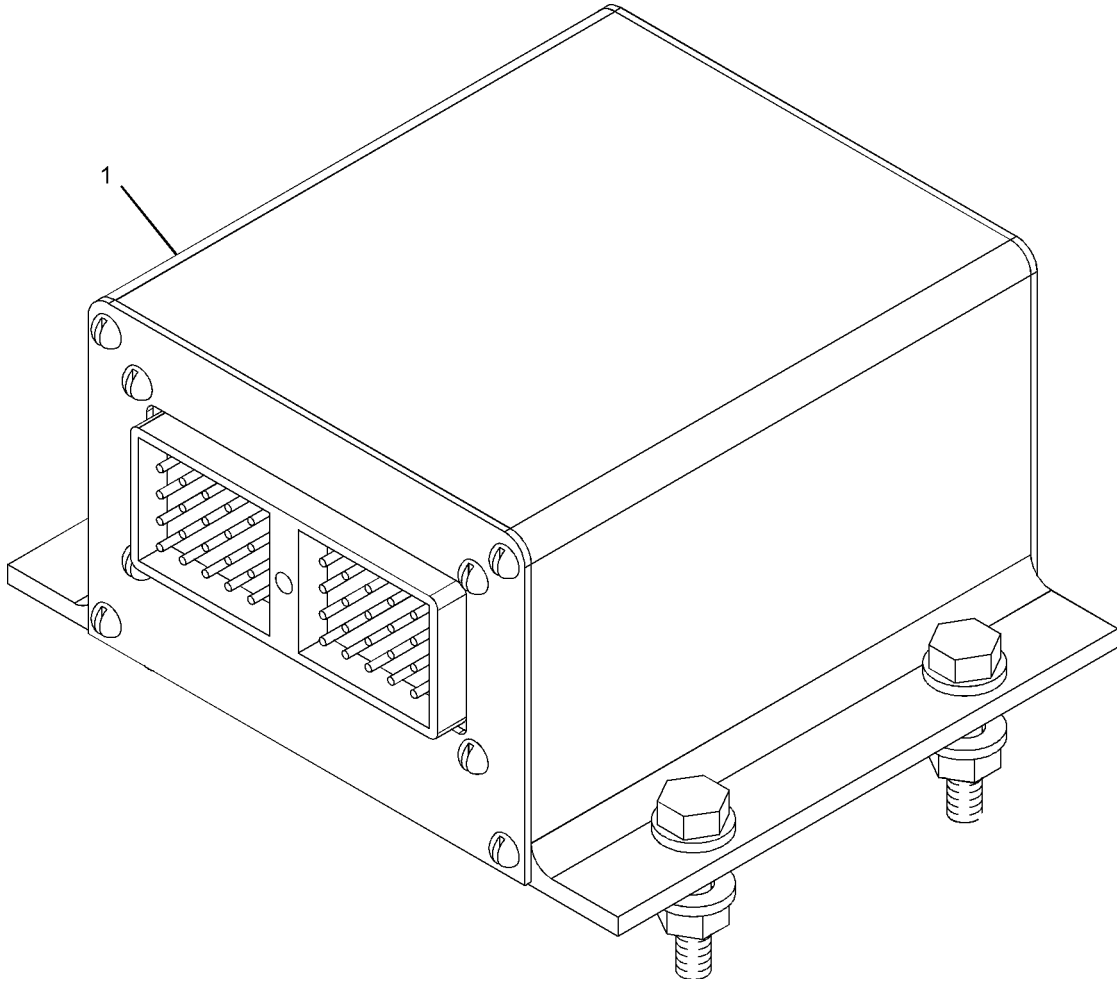
PART OF 361-7121 WIRING GP-PANEL

AN ATTACHMENT

SMCS-1901, 7490

i04739132

NOTE	REF NO	GRAPHIC REF	PART NUMBER	QTY	PART NAME						SEE PAGE
					1	2	3	4	5	6 (PRODUCT LEVEL)	
	1	1	234-0275	1	CONTROL GP-ENGINE MONITORING (DISCRETE INPUT/OUTPUT)						



GRAPHIC #1

<END>

g01076585

# OPERATOR STATION

## 350-7076 CONTROL GP-GENERATOR SET

S/N: GDS1-UP

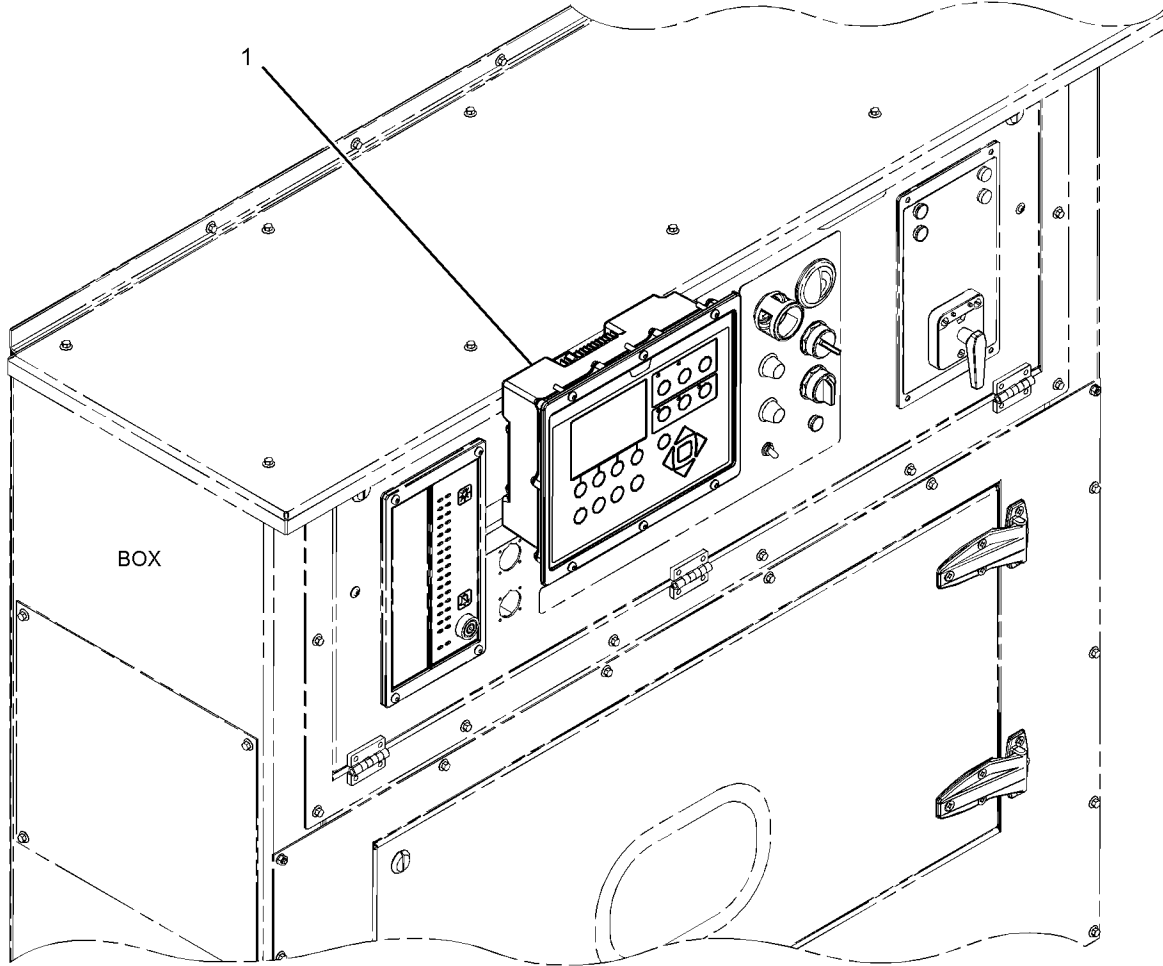
PART OF 361-1652 CONTROL GP-ELECTRONIC  
AN ATTACHMENT

SMCS-4490

i04277289

NOTE	REF NO	GRAPHIC REF	PART NUMBER	QTY	PART NAME						SEE PAGE
					1	2	3	4	5	6 (PRODUCT LEVEL)	
	1	1	353-9992	1	CONTROL GP-GENERATOR SET						
M		1	166-3777	6	SCREW-BUTTON HEAD (M6X1X28-MM)						
		1	350-7093	1	CONTROL AS-UNPROGRAMMED						
		1	113-8277	10	SCREW-PAN HEAD (8-32X12.7-MM)						

M - METRIC PART



GRAPHIC #1

<END>

g02475429

# OPERATOR STATION

## 355-1176 CONTROL GP-GENERATOR SET

S/N: GDS1-UP

EMCP 4.3

PART OF 351-2429 CONTROL GP-ELECTRONIC

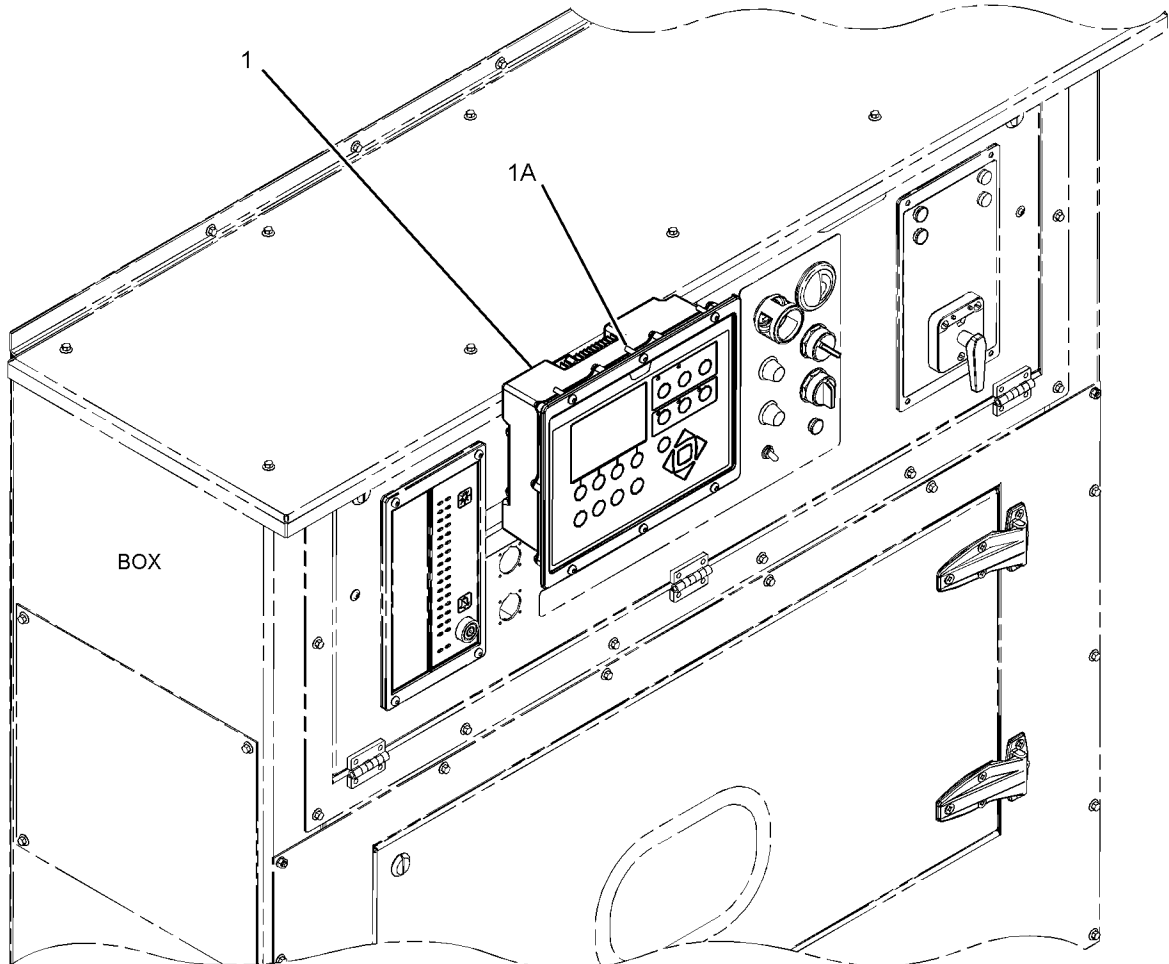
AN ATTACHMENT

SMCS-4490

i04400624

NOTE	REF NO	GRAPHIC REF	PART NUMBER	QTY	PART NAME						SEE PAGE
					1	2	3	4	5	6 (PRODUCT LEVEL)	
	1	1	359-3748	1	CONTROL GP-GENERATOR SET						
M	1A	1	166-3777	6	SCREW-BUTTON HEAD (M6X1X28-MM)						

M - METRIC PART



GRAPHIC #1

<END>

g02583256

# OPERATOR STATION

## 422-2319 CONTROL GP-LOAD SHARE MODULE

S/N: GDS1-UP  
FOR USE WITH EUI, LOW VOLTAGE  
AN ATTACHMENT

SMCS-4490

i05162487

NOTE	REF NO	GRAPHIC REF	PART NUMBER	QTY	PART NAME						SEE PAGE
					1	2	3	4	5	6 (PRODUCT LEVEL)	
	1	1	4W-5972	1	KNOB						
	2	1	5L-5180	1	WASHER (0.49X0.875X0.05-IN THK)						
	3	1	7C-4550	1	SEAL (ROTATING SHAFT)						
	4	1	8C-8514	2	SCREW-MACHINE (8-32X0.375-IN)						
	5	1	8T-2882	1	HANDLE-PULL						
	6	1	9X-6772	1	STRAP-CABLE						
	7	1	127-9070	1	POTENTIOMETER (10,000-OHM)						
J	8	1	135-6898	2	LATCH AS						
	9	1	351-9804	2	HINGE						
	10	1	351-9799	1	DOOR AS						
M		1	6V-9632	4	NUT-WELD (M6X1-THD)						
Y	11	1	244-9639	1	BLOCK AS-TERMINAL						174
	12	1	244-9642	1	HARNESS AS-WIRING (VOLTAGE SENSING)						
		1	7K-1181	1	STRAP-CABLE						
		1	109-3038	5	END-WIRE (16-GA)						
		1	162-4171	3	TERMINAL AS (18-GA TO 20-GA) (EACH INCLUDES)						
		1	5P-1475	1	TERMINAL-FORK (14-GA TO 16-GA, NO. 8 SCREW)						
13		1	244-9643	1	HARNESS AS-WIRING (CURRENT TRANSFORMER)						
		1	102-8804	1	KIT-RECEPTACLE (4-PIN) (INCLUDES RECEPTACLE AS & WEDGE)						
		1	8T-8729	4	PIN-CONNECTOR (16-GA TO 18-GA)						
		1	8T-8730	4	SOCKET-CONNECTOR (16-GA TO 18-GA)						
		1	125-9993	6	TERMINAL-FORK (14-GA TO 16-GA, NO. 6 SCREW)						
		1	155-2271	1	KIT-CONNECTING PLUG (4-PIN) (INCLUDES PLUG AS, WEDGE & INTERFACE SEAL)						
14		1	244-9644	1	HARNESS AS-CONTROL (LOAD SHARE MODULE)						
		1	7K-1181	2	STRAP-CABLE						
		1	8T-8729	6	PIN-CONNECTOR (16-GA TO 18-GA)						
		1	8T-8737	62	PLUG-SEAL						
		1	125-9997	7	TERMINAL-FORK (16-GA TO 22-GA, NO. 6 SCREW)						
		1	126-1767	2	PIN-CONNECTOR (14-GA TO 16-GA)						
		1	2L-8075	1	TERMINAL-RING (14-GA TO 16-GA, NO. 8 SCREW)						
		1	133-8753	1	RECEPTACLE AS-CONNECTOR (70-PIN)						
Y	15	1	373-3494	1	BOX GP-EXTENSION TERMINAL						197
Y	16	1	252-7365	2	TRANSFORMER GP-POTENTIAL						328
	17	1	252-7425	1	HARNESS AS-WIRING (VOLTAGE SENSING)						
		1	2L-8081	3	TERMINAL-RING (14-GA TO 16-GA, 1/2-IN SCREW)						
		1	7K-1181	6	STRAP-CABLE						
		1	109-3038	3	END-WIRE (16-GA)						
18		1	252-7519	2	STRAP						
19		1	287-7137	1	STRAP AS-GROUND						
		1	2L-8077	2	TERMINAL-RING (14-GA TO 16-GA, 1/4-IN SCREW)						
20		1	309-1583	1	CONTROL AS-GOVERNOR (LOAD SHARE)						
M	21	1	170-5632	8	BOLT (M4X0.7X16-MM)						
	22	1	198-4775	2	WASHER-HARD (6.6X15X6-MM THK)						
M	23	1	178-9983	8	LOCKNUT (M4X0.7-THD)						
	24	1	293-9452	1	MOUNTING-CABLE TIE						
	25	1	1D-4533	2	BOLT (1/4-20X2.25-IN)						
	26	1	1H-4393	2	LOCKWASHER						
	27	1	4D-3100	4	GROMMET						
M	28	1	5C-2890	5	NUT (M6X1-THD)						
M	29	1	5C-9553	2	BOLT (M6X1X16-MM)						
	30	1	5P-0537	4	WASHER-HARD (7.2X14.5X2-MM THK)						
	31	1	7X-0620	16	WASHER-HARD (5.5X13X1.6-MM THK)						
M	32	1	8T-4971	1	BOLT (M6X1X30-MM)						

# OPERATOR STATION

422-2319 CONTROL GP-LOAD SHARE MODULE (contd.)

i05162487

NOTE	REF NO	GRAPHIC REF	PART NUMBER	QTY	PART NAME						SEE PAGE
					1	2	3	4	5	6 (PRODUCT LEVEL)	
	33	1	<b>9S-8750</b>	2	NUT-FULL (1/4-20-THD)						
	34	1	<b>9X-8256</b>	6	WASHER (6.6X12X2-MM THK)						
M	35	1	<b>8T-8998</b>	8	SCREW-MACHINE (M6X1X20-MM)						

J - REQUIRES CORPORATE KEY

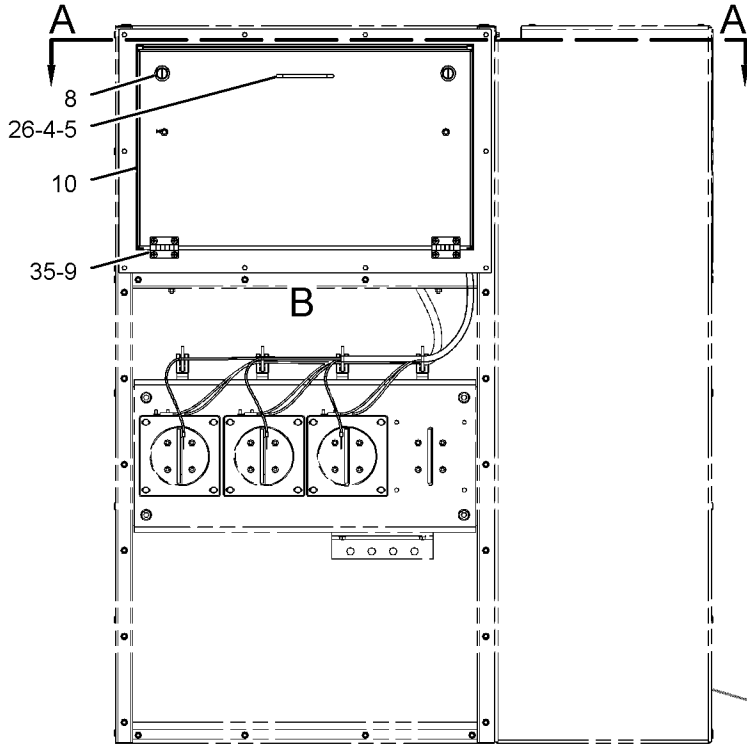
M - METRIC PART

Y - SEPARATE ILLUSTRATION

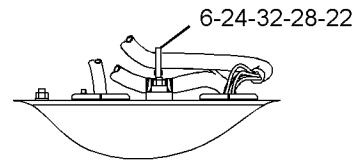
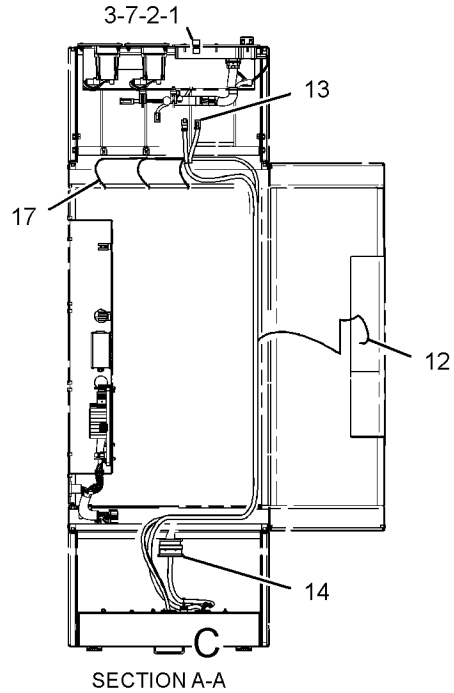
# OPERATOR STATION

422-2319 CONTROL GP-LOAD SHARE MODULE (contd.)

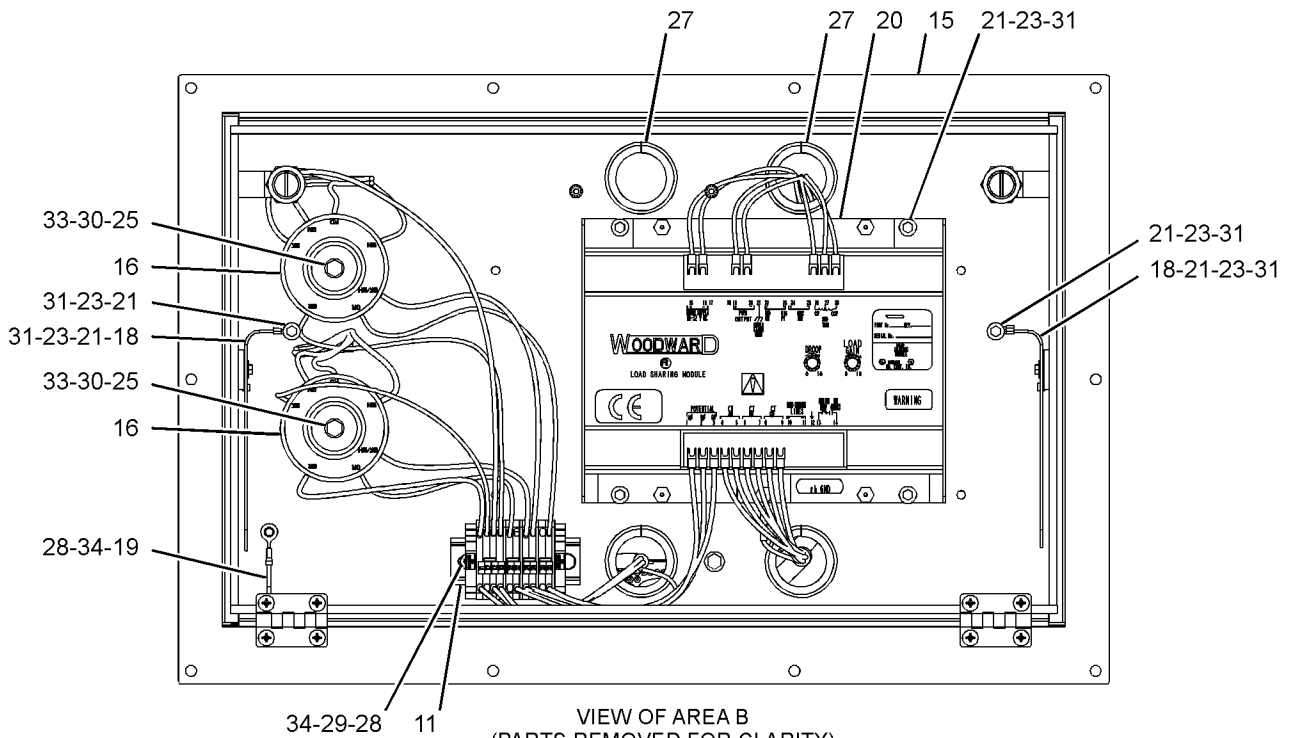
i05162487



LEFT SIDE VIEW



VIEW OF AREA C



VIEW OF AREA B  
(PARTS REMOVED FOR CLARITY)

<END>

GRAPHIC #1

g03318260

# OPERATOR STATION

## 252-7556 COVER GP-CONTROL PANEL-ANNUNCIATOR

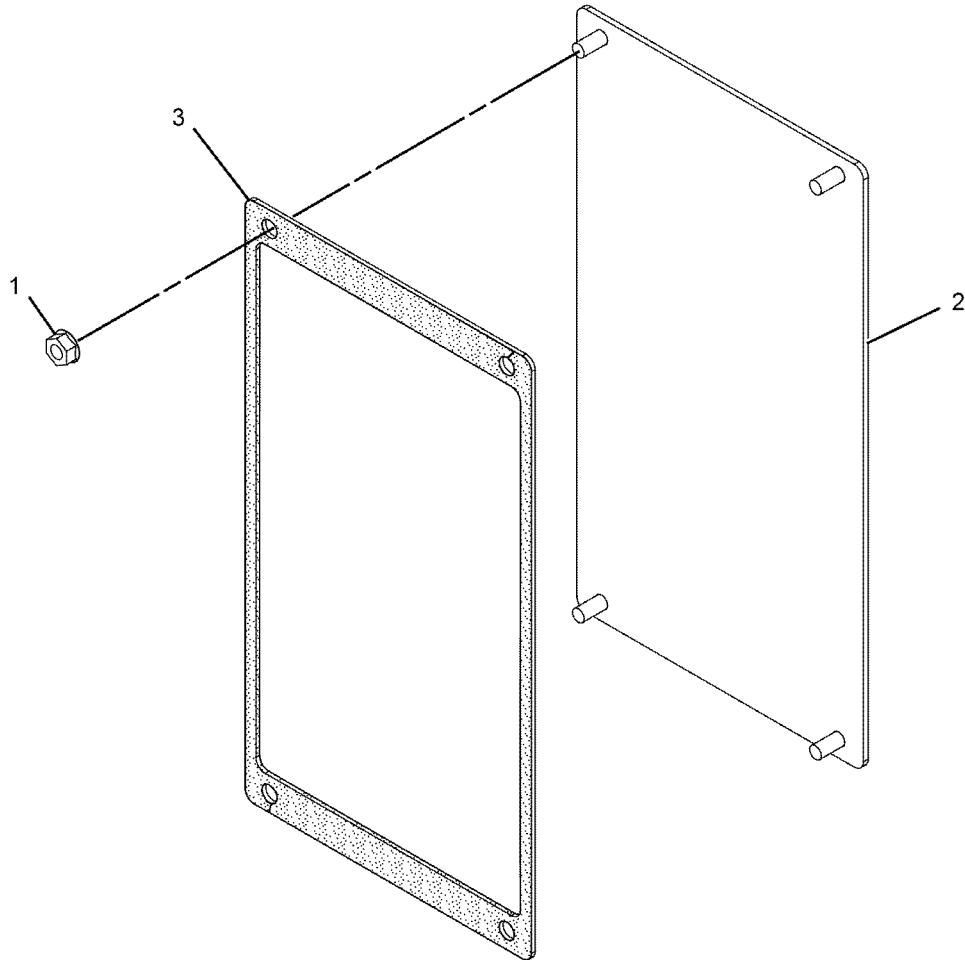
S/N: GDS1-UP

PART OF 361-1652 CONTROL GP-ELECTRONIC  
AN ATTACHMENT

SMCS-7451

i03391172

NOTE	REF NO	GRAPHIC REF	PART NUMBER	QTY	PART NAME						SEE PAGE
					1	2	3	4	5	6 (PRODUCT LEVEL)	
	1	1	173-7181	4	NUT (1/4-20-THD)						
	2	1	186-1658	1	PANEL AS						
		1	9R-2595	1	PLUG-BUTTON						
	3	1	244-9613	1	GASKET						



GRAPHIC #1

<END>

g01134815

# OPERATOR STATION

## 236-1159 MODULE GP-ALARM

S/N: GDS1-UP

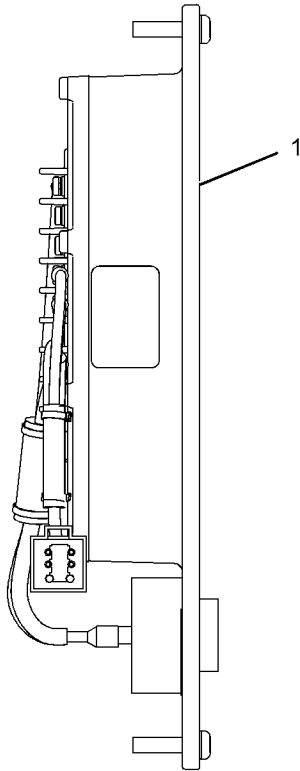
PART OF 371-3765 CONTROL & MTG GP-ELECTRONIC  
AN ATTACHMENT

SMCS-7400

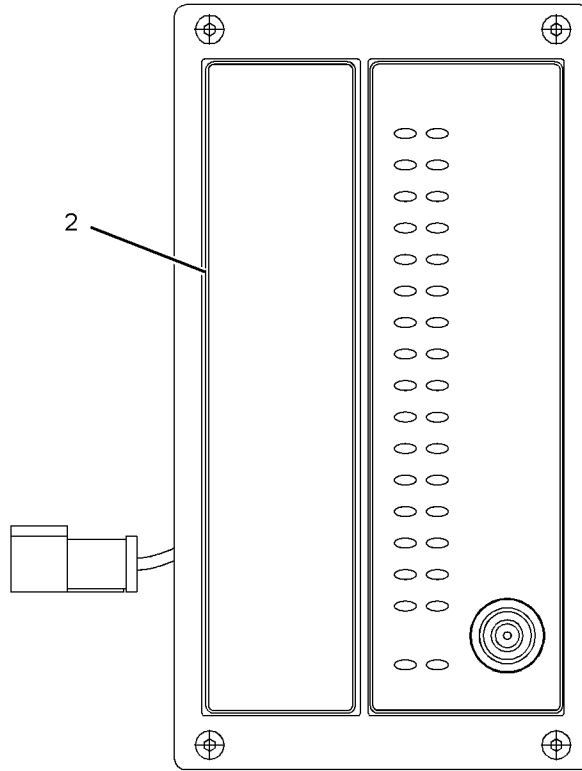
i03979649

NOTE	REF NO	GRAPHIC REF	PART NUMBER	QTY	PART NAME						SEE PAGE
					1	2	3	4	5	6 (PRODUCT LEVEL)	
C	1	1	279-0515	1	MODULE GP-ALARM						
C	2	1	280-7028	1	FILM-INFORMATION (ANNUNCIATOR)						

C - CHANGE FROM PREVIOUS TYPE



LEFT SIDE VIEW



FRONT VIEW

GRAPHIC #1

<END>

g02168718



# OPERATOR STATION

## 356-5379 MODULE GP-ALARM

S/N: GDS1-UP

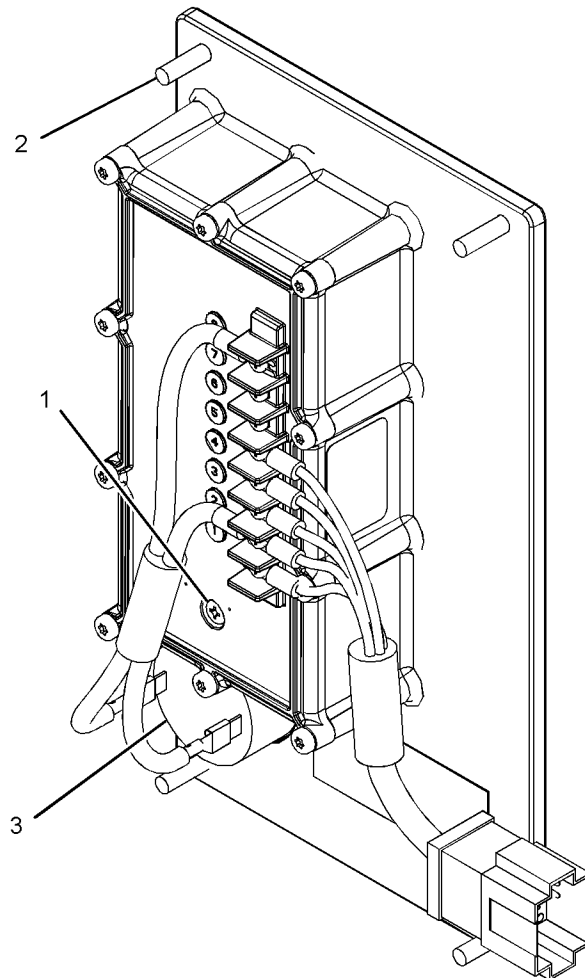
PART OF 358-5994, 358-5996 MODULE GP-ALARM  
AN ATTACHMENT

SMCS-7400

i04433223

NOTE	REF NO	GRAPHIC REF	PART NUMBER	QTY	PART NAME						SEE PAGE
					1	2	3	4	5	6 (PRODUCT LEVEL)	
	1	1	124-0312	1	SCREW-PAN HEAD (8-16X0.32-IN)						
M	2	1	166-3777	4	SCREW-BUTTON HEAD (M6X1X28-MM)						
	3	1	217-5364	1	HORN						
BF		1	356-6633	1	FILM-INFORMATION (EMCP 4 ANNUNCIATOR, SCR)						
BF		1	356-6635	1	FILM-IDENTIFICATION (EMCP 4 ANNUNCIATOR, FIXED)						
BF		1	356-6638	1	FILM-INFORMATION (EMCP 4 ANNUNCIATOR, SPARE)						
BF		1	356-6649	1	FILM-IDENTIFICATION (EMCP 4 ANNUNCIATOR, CUSTOM)						
BF		1	356-6636	1	KIT-FILM (ANNUNCIATOR)						

B - USE AS REQUIRED  
F - NOT SHOWN  
M - METRIC PART



GRAPHIC #1

<END>

g02344337

# OPERATOR STATION

## 358-5994 MODULE GP-ALARM

S/N: GDS1-UP

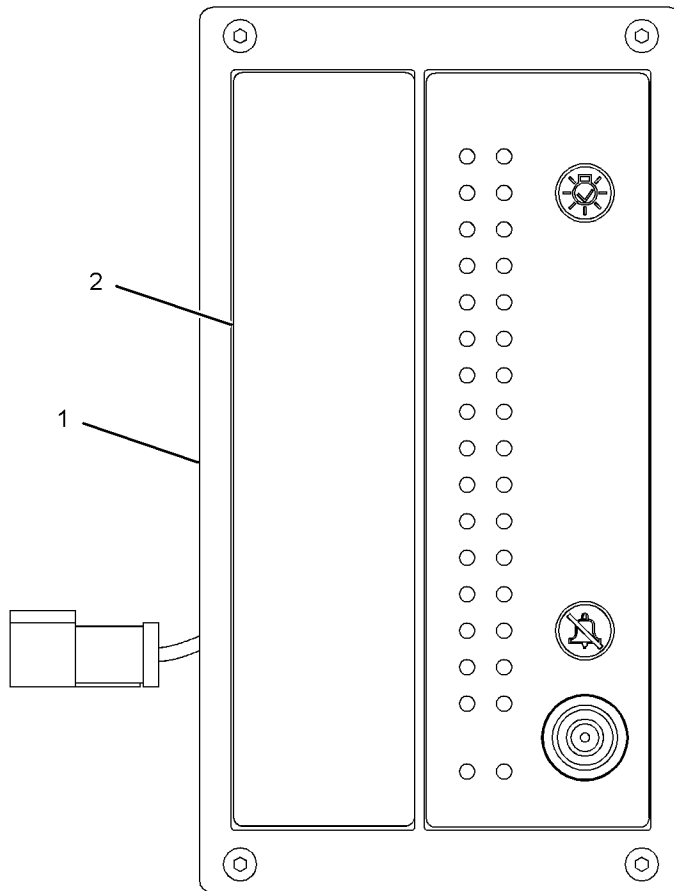
**SERIAL ANNUNCIATOR ALARM GROUP #3. EMPC 4 CONTROLLER WITH BASIC FILM #1 WITH LOW FUEL  
LEVEL, ENGINE RUNNING, AND SCR  
PART OF 373-9473 ALARM GP  
AN ATTACHMENT**

SMCS-7400

i04433222

NOTE	REF NO	GRAPHIC REF	PART NUMBER	QTY	PART NAME						SEE PAGE
					1	2	3	4	5	6 (PRODUCT LEVEL)	
Y	1	1	356-5379	1	MODULE GP-ALARM						539
	2	1	356-6635	1	FILM-IDENTIFICATION (EMCP 4 ANNUNCIATOR, FIXED)						

Y - SEPARATE ILLUSTRATION



GRAPHIC #1

<END>

g02343358

# OPERATOR STATION

## 358-5996 MODULE GP-ALARM

S/N: GDS1-UP

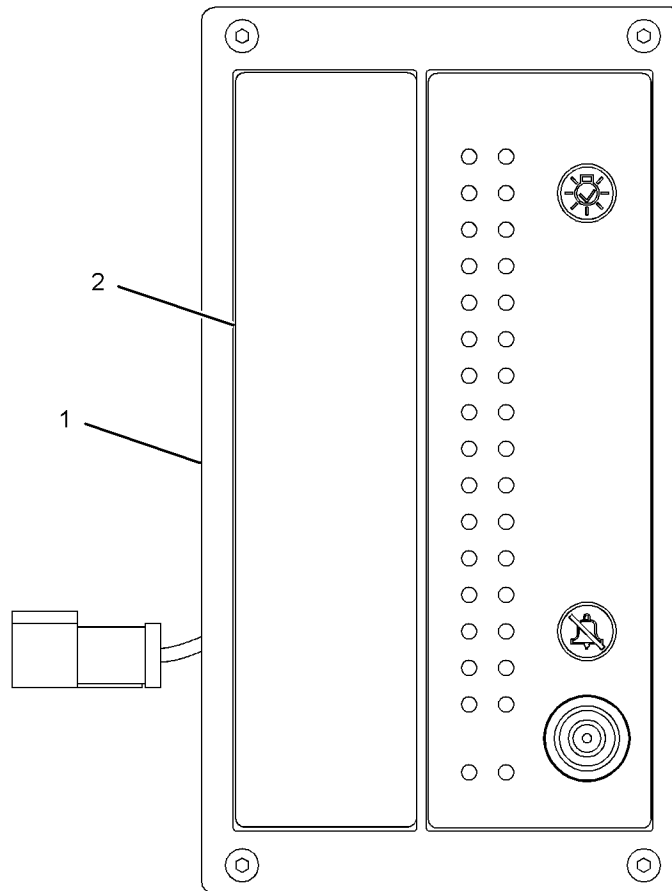
**SERIAL ANNUNCIATOR ALARM GROUP #4. EMCP 4 CONTROLLER WITH BASIC FILM #3 WITH LOW FUEL LEVEL, AIR DAMPER SHUTDOWN, AND BLANK PART OF 382-7977 ALARM GP AN ATTACHMENT**

SMCS-7400

i04528019

NOTE	REF NO	GRAPHIC REF	PART NUMBER	QTY	PART NAME						SEE PAGE
					1	2	3	4	5	6 (PRODUCT LEVEL)	
Y	1	1	356-5379	1	MODULE GP-ALARM						539
	2	1	356-6638	1	FILM-INFORMATION (EMCP 4 ANNUNCIATOR, SPARE) (EMCP 4 ANNUNCIATOR)						

Y - SEPARATE ILLUSTRATION



GRAPHIC #1

<END>

g02343358

# OPERATOR STATION

## 375-2303 MODULE GP-ALARM-ANNUNCIATOR

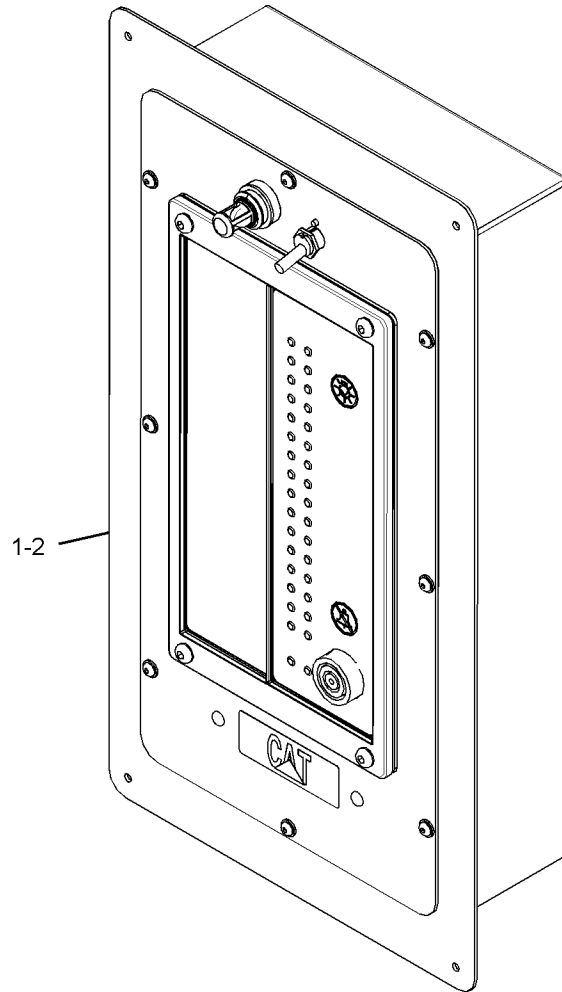
S/N: GDS1-UP  
AN ATTACHMENT

SMCS-7400

i05110194

NOTE	REF NO	GRAPHIC REF	PART NUMBER	QTY	PART NAME						SEE PAGE
					1	2	3	4	5	6 (PRODUCT LEVEL)	
	1	1	<b>356-6649</b>	1	FILM-IDENTIFICATION (EMCP 4 ANNUNCIATOR, CUSTOM)						
Y	2	1	373-9473	1	ALARM GP (REMOTE)						520

Y - SEPARATE ILLUSTRATION



GRAPHIC #1

<END>

g02675237

# OPERATOR STATION

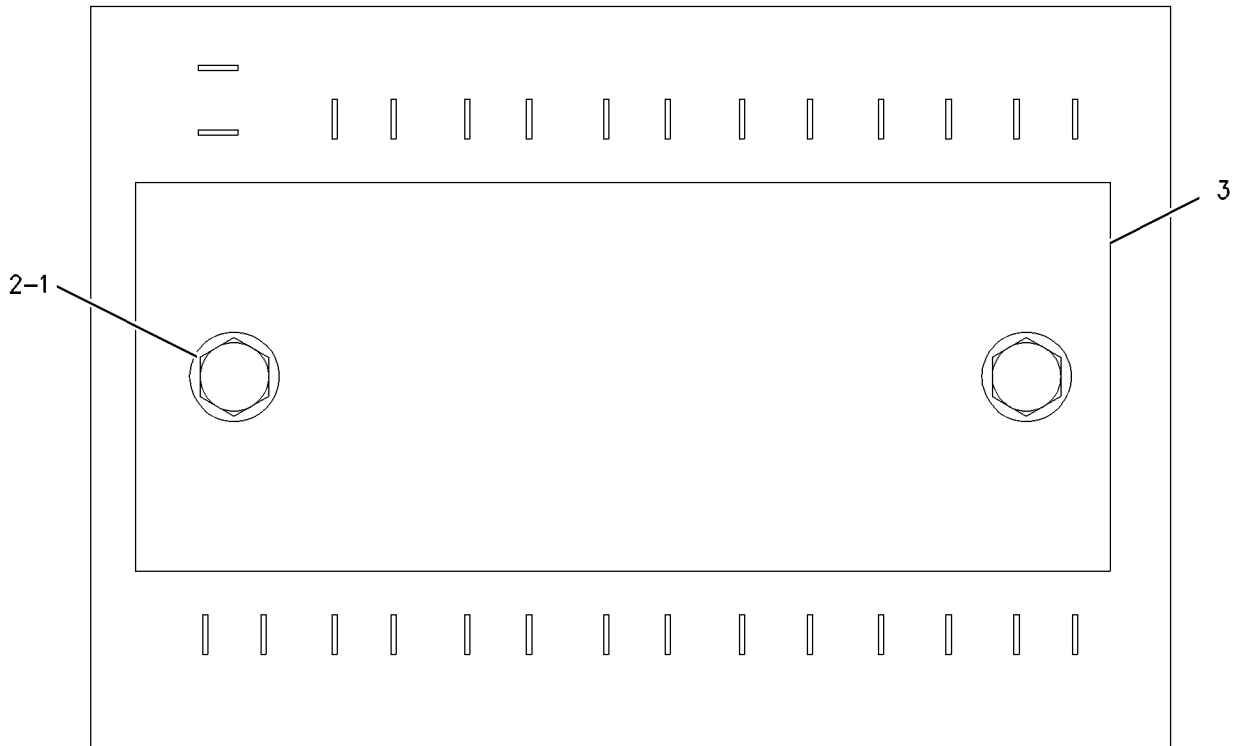
## 123-7450 MODULE GP-RELAY DRIVER

S/N: AFH1-UP; AFK1-UP; AFN1-UP; AFR1-UP  
 PART OF 148-5368 MODULE GP-RELAY DRIVER  
 AN ATTACHMENT

SMCS-1927

i04907933

NOTE	REF NO	GRAPHIC REF	PART NUMBER	QTY	PART NAME						SEE PAGE
					1	2	3	4	5	6 (PRODUCT LEVEL)	
	1	1	<b>2D-7563</b>	2	BOLT (1/4-28X1.75-IN)						
	2	1	<b>5P-0537</b>	2	WASHER-HARD (7.2X14.5X2-MM THK)						
	3	1	<b>127-3330</b>	1	FILM-IDENTIFICATION (CATERPILLAR)						



GRAPHIC #1

<END>

g00626753

# OPERATOR STATION

## 148-5368 MODULE GP-RELAY DRIVER

S/N: AFH1-UP; AFK1-UP; AFN1-UP; AFR1-UP  
FOR USE WITH GENERATOR MOUNTED EMCP II+ CONTROL PANEL  
AN ATTACHMENT

SMCS-1927

i02532872

NOTE	PART NUMBER	QTY	PART NAME						SEE PAGE
			1	2	3	4	5	6 (PRODUCT LEVEL)	
Y	123-7450	1	MODULE GP-RELAY DRIVER						543
	9Y-6497	1	BOARD AS-RELAY						
E	6V-1075		TRACK-RELAY (34-CM)						
	8K-4644	10	FUSE (1-AMPERE)						
	6V-2687	2	SCREW-PAN HEAD (10-24X1-IN)						

E - ORDER BY THE CENTIMETER  
Y - SEPARATE ILLUSTRATION

<END>

# OPERATOR STATION

## 361-1657 PANEL GP-ELECTRONIC

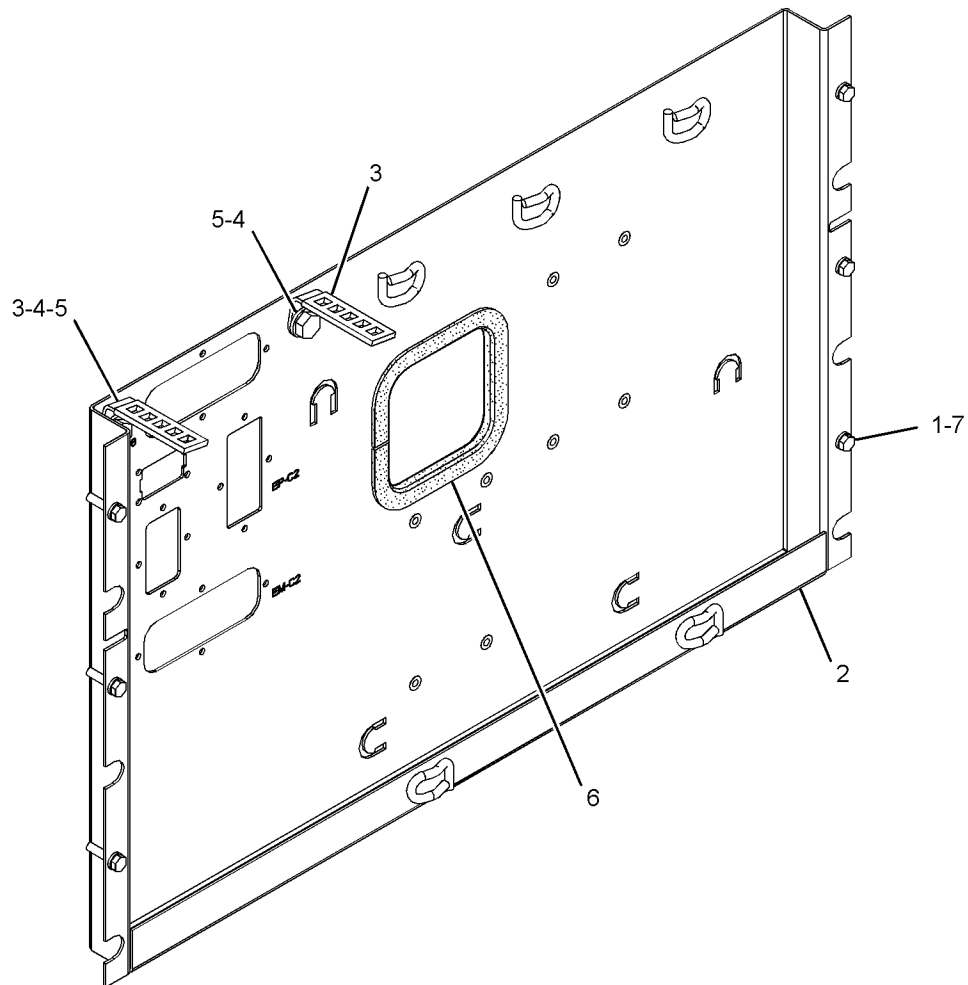
S/N: GDS1-UP  
EMCP 4.3, 4.4  
AN ATTACHMENT

SMCS-4490, 7490

i04966272

NOTE	REF NO	GRAPHIC REF	PART NUMBER	QTY	PART NAME						SEE PAGE
					1	2	3	4	5	6 (PRODUCT LEVEL)	
M	1	1	<b>6V-7357</b>	6	BOLT (M6X1X25-MM)						
	2	1	<b>361-1658</b>	1	PLATE AS						
	3	1	<b>352-3968</b>	2	CLIP						
	4	1	<b>8T-4121</b>	2	WASHER-HARD (11X21X2.5-MM THK)						
M	5	1	<b>8T-4137</b>	2	BOLT (M10X1.5X20-MM)						
E	6	1	<b>3E-6600</b>		SEAL (37-CM)						
	7	1	<b>9X-8256</b>	6	WASHER (6.6X12X2-MM THK)						

E - ORDER BY THE CENTIMETER  
M - METRIC PART



GRAPHIC #1

<END>

g03154960

# OPERATOR STATION

## 371-3766 POTENTIOMETER AS-SPEED CONTROL

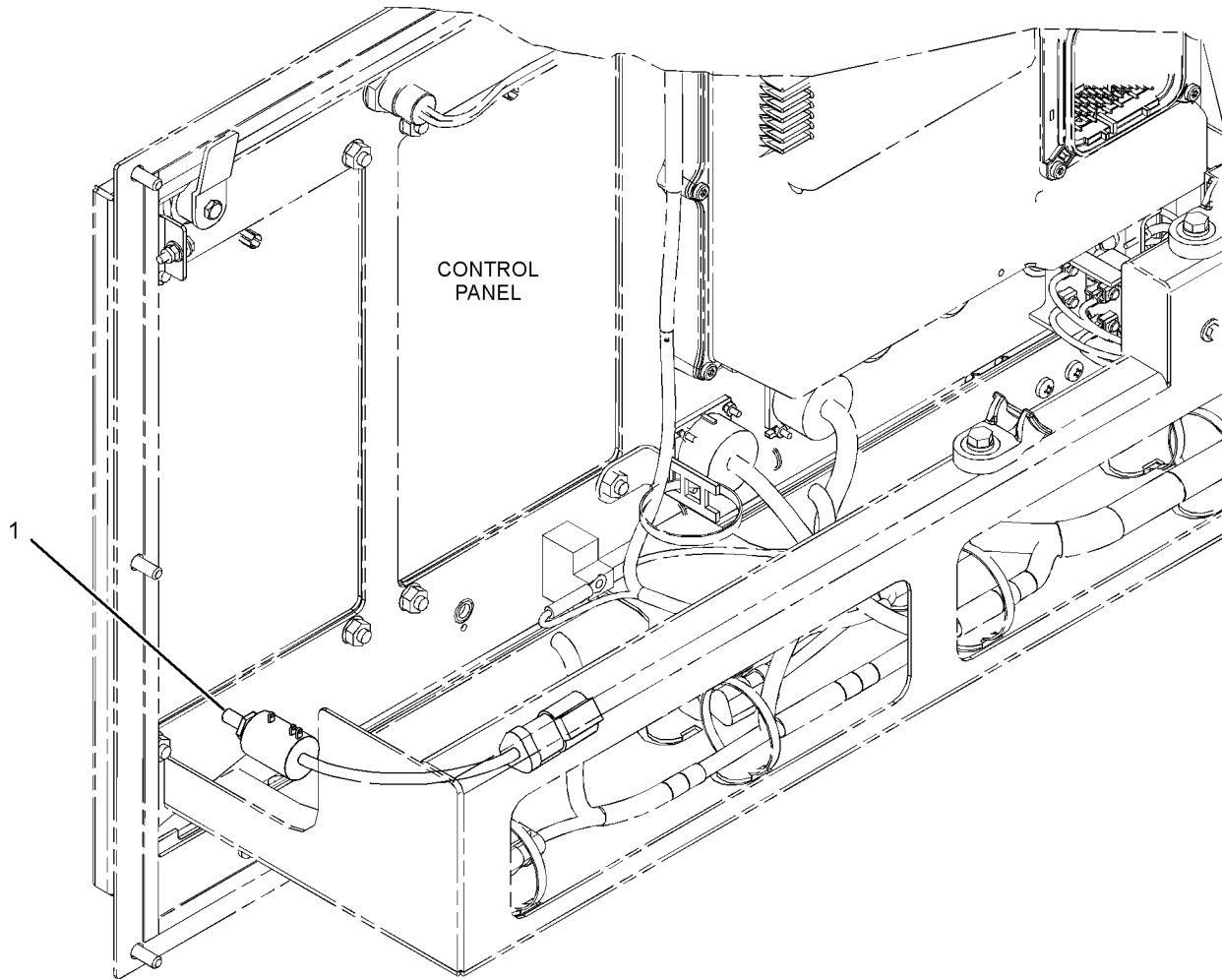
S/N: GDS1-UP

FOR USE WITH EMCP 4.3, 4.4 WITH GLOBAL DESIGN ENCLOSURE  
AN ATTACHMENT

SMCS-5721

i04315166

NOTE	REF NO	GRAPHIC REF	PART NUMBER	QTY	PART NAME						SEE PAGE
					1	2	3	4	5	6 (PRODUCT LEVEL)	
	1	1	328-4465	1	POTENTIOMETER AS (SPEED ADJUST)						
		1	102-8803	1	KIT-RECEPTACLE (3-PIN) (INCLUDES RECEPTACLE AS & WEDGE)						
		1	6K-0806	1	STRAP-CABLE						
		1	127-9070	1	POTENTIOMETER (10,000-OHM) (SPEED ADJUST)						
		1	9X-3401	3	PIN-CONNECTOR (16-GA TO 18-GA)						
					-OR-						
		1	126-1767	3	PIN-CONNECTOR (14-GA TO 16-GA)						



GRAPHIC #1

<END>

g02476380



# SERVICE EQUIPMENT AND SUPPLIES

## 423-0727 FILM GP

S/N: GDS1-UP  
AN ATTACHMENT

SMCS-7405, 7557

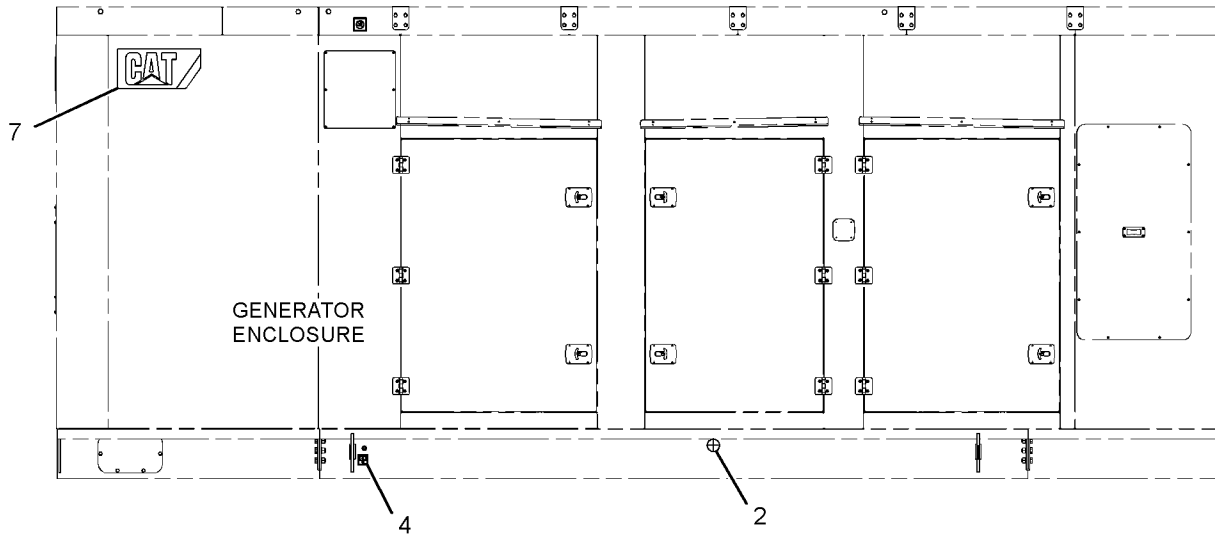
i05207100

NOTE	REF NO	GRAPHIC REF	PART NUMBER	QTY	PART NAME						SEE PAGE
					1	2	3	4	5	6 (PRODUCT LEVEL)	
	1	1	<b>1P-2807</b>	4	FILM-IDENTIFICATION (LIFT EYE LOCATION)						
	2	1	<b>3N-9344</b>	2	FILM-INFORMATION (CENTER OF GRAVITY)						
	3	1	<b>144-0875</b>	1	FILM-INFORMATION (OIL DRAIN)						
	4	1	<b>144-0876</b>	2	FILM-INFORMATION (COOLANT DRAIN)						
	5	1	<b>263-5804</b>	1	FILM-IDENTIFICATION (FUEL)						
	6	1	<b>303-3430</b>	1	FILM-IDENTIFICATION (CAT)						
	7	1	<b>303-3440</b>	2	FILM-IDENTIFICATION (CAT)						
	8	1	<b>326-9055</b>	2	FILM-INSTRUCTION (NO STEP)						
	9	1	<b>394-9102</b>	1	FILM-IDENTIFICATION (FUEL FLOW)						

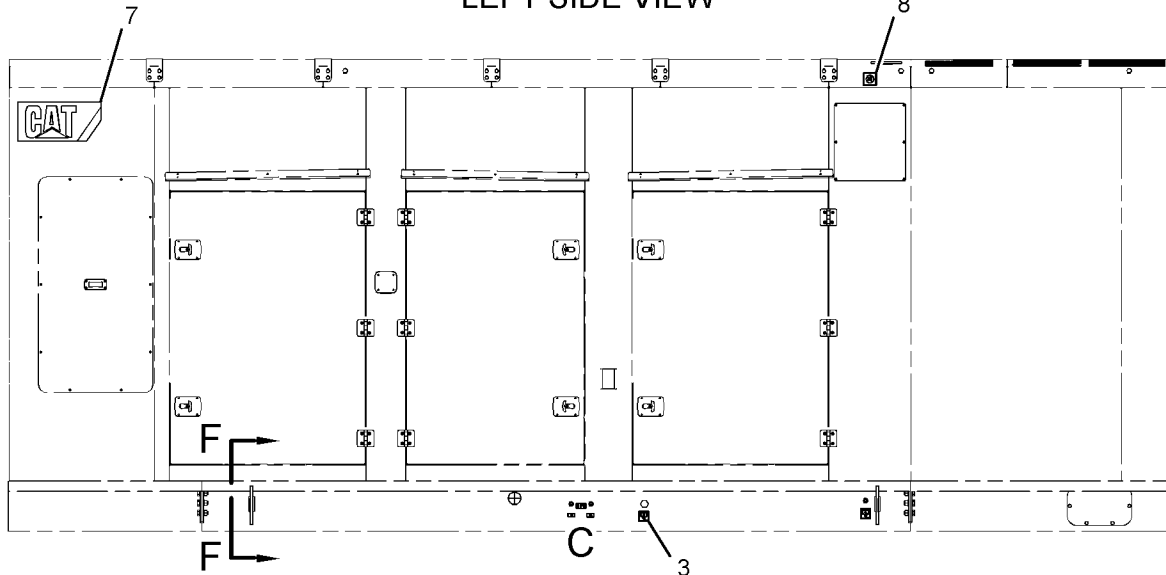
# SERVICE EQUIPMENT AND SUPPLIES

423-0727 FILM GP (contd.)

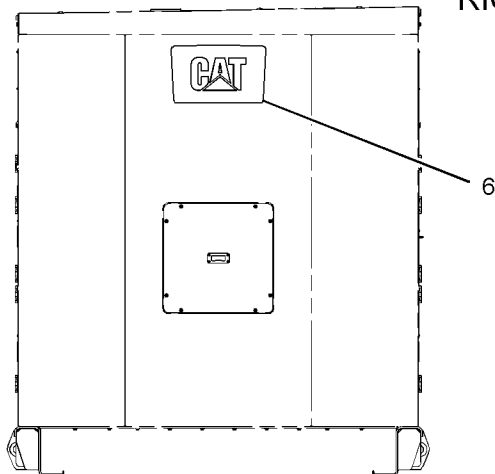
i05207100



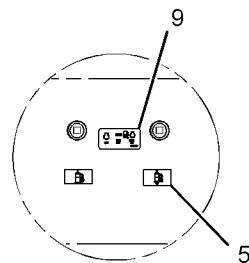
LEFT SIDE VIEW



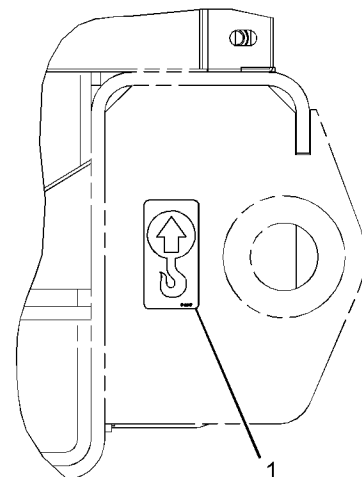
RIGHT SIDE VIEW



FRONT VIEW



VIEW OF AREA C



VIEW F-F

GRAPHIC #1

<END>

g03351227

# SERVICE EQUIPMENT AND SUPPLIES

## 4P-3317 KIT-INSTALLATION-EXCITER

S/N: AFH1-UP; AFK1-UP; AFN1-UP; AFR1-UP

CONTAINS STEPPED KEY AND KEY  
FIELD INSTALLATION

SMCS-1000

i01948874

NOTE	PART NUMBER	QTY	PART NAME 1 2 3 4 5 6 (PRODUCT LEVEL)	SEE PAGE
			(NO SERVICED PARTS)	
<END>				

## 122-9798 PLATE & FILM GP

S/N: MJE1-UP

PART OF 388-4921 ENGINE AR, 349-5619 ENGINE AR-COMplete

SMCS-7405, 7557

i05229797

NOTE	PART NUMBER	QTY	PART NAME 1 2 3 4 5 6 (PRODUCT LEVEL)	SEE PAGE
	3N-3790	1	PLATE-SERIAL NUMBER (ENGINE)	
			ON LH SIDE OF BLOCK NEAR FRONT FACE AT BOTTOM OF WATER JACKET	
<END>				

## 137-8533 SHIM PACK-GENERATOR

S/N: GDS1-UP

INCLUDES 13-SHIMS, PROVIDE ALIGNMENT OF DRIVEN EQUIPMENT

PART OF 426-0983 FASTENER GP-GENERATOR COUPLING, 368-0710 MOUNTING GP-GENERATOR  
AN ATTACHMENT

SMCS-1306, 4450

i03319289

NOTE	PART NUMBER	QTY	PART NAME 1 2 3 4 5 6 (PRODUCT LEVEL)	SEE PAGE
B	137-8534	1	SHIM (0.025-MM THK)	
B	137-8535	1	SHIM (0.0508-MM THK)	
B	137-8536	1	SHIM (0.076-MM THK)	
B	137-8537	1	SHIM (0.102-MM THK)	
B	137-8538	1	SHIM (0.127-MM THK)	
B	137-8539	1	SHIM (0.254-MM THK)	
B	137-8540	1	SHIM (0.381-MM THK)	
B	137-8541	1	SHIM (0.508-MM THK)	
B	137-8542	1	SHIM (0.635-MM THK)	
B	137-8543	1	SHIM (1.27-MM THK)	
B	137-8544	1	SHIM (1.91-MM THK)	
B	137-8545	1	SHIM (2.54-MM THK)	
B	137-8546	1	SHIM (3.05-MM THK)	
B - USE AS REQUIRED				
<END>				

# PART NUMBER INDEX

Part	Page	Part	Page	Part	Page	Part	Page	
<b>0</b>								
OL-1143 . . . . .	50		50		454	1P-3380 . . . . .	230	
	56		75		456	1P-4278 . . . . .	141	
	75	OT-0055 . . . . .	97		458	1P-7346 . . . . .	40	
	97	OT-0065 . . . . .	97		460	1P-7625 . . . . .	143	
	141	OT-0573 . . . . .	17		462		147	
	143		97		464	1R-0755 . . . . .	135	
	147		141		466	1R-1808 . . . . .	79	
OL-1351 . . . . .	15		331		468	1S-2294 . . . . .	221	
	16				470		268	
	82	<b>1</b>				472	1S-7251 . . . . .	315
	84				474		342	
	85	1A-0291 . . . . .	14		476		344	
	143		141		478	1S-7252 . . . . .	315	
	147	1A-1135 . . . . .	101		480	1S-7446 . . . . .	301	
OL-1352 . . . . .	51	1A-2029 . . . . .	77		482	1T-0808 . . . . .	301	
OL-2070 . . . . .	79		84		484	1W-7848 . . . . .	404	
OS-0509 . . . . .	40		85		486		405	
	84		92		488		406	
	85		100		490		407	
	147		135		492		408	
	290		141		494		409	
	329		143		496		410	
	331		147		498		411	
	342	1A-5183 . . . . .	56	1C-2251 . . . . .	97		412	
	348		143		143		413	
OS-1566 . . . . .	14		147	1D-4533 . . . . .	534		414	
OS-1571 . . . . .	35		147	1D-4538 . . . . .	141		415	
	40	1A-8912 . . . . .	358	1F-0748 . . . . .	48		416	
	59	1A-9579 . . . . .	11	1F-0750 . . . . .	84		417	
	84	1B-2713 . . . . .	428		85		418	
	85		430		342		419	
	147		434	1F-1739 . . . . .	314		420	
	329		436		315		421	
	348		440	1F-7958 . . . . .	33		422	
OS-1573 . . . . .	233		442		34	1Y-3844 . . . . .	36	
OS-1585 . . . . .	113		446		113			
OS-1587 . . . . .	58		448	1F-7960 . . . . .	36			
	60		452	1H-1023 . . . . .	301			
OS-1588 . . . . .	14		454	1H-2629 . . . . .	301			
	58		458	1H-3244 . . . . .	169			
	60		460		329	2A-4429 . . . . .	31	
	76		464		383	2A-4639 . . . . .	94	
	87		466	1H-3337 . . . . .	12	2B-0858 . . . . .	64	
	89		470	1H-3338 . . . . .	320		140	
	97		472		321		372	
	113		476	1H-4393 . . . . .	186	2B-2695 . . . . .	40	
	342		478		236	2B-7409 . . . . .	275	
OS-1589 . . . . .	71		482		239		278	
OS-1590 . . . . .	17		484	1J-8668 . . . . .	508	2D-6392 . . . . .	301	
	143		488		509	2D-7563 . . . . .	543	
	147		490		510	2D-8155 . . . . .	34	
OS-1591 . . . . .	15		494		512	2F-6678 . . . . .	302	
	16		496		513	2H-3429 . . . . .	301	
	101		498		514	2H-3755 . . . . .	290	
	113		501		515	2H-3922 . . . . .	317	
OS-1594 . . . . .	14	1B-2886 . . . . .	70		516	2H-6488 . . . . .	50	
	15	1B-7182 . . . . .	101		517	2H-9233 . . . . .	233	
	16	1B-8705 . . . . .	40	1M-0644 . . . . .	91	2J-8163 . . . . .	301	
	17	1B-9575 . . . . .	426	1M-6119 . . . . .	171	2K-3219 . . . . .	404	
	36		428		315		405	
	79		430	1M-6120 . . . . .	171		406	
	97		432		315		407	
	143		434	1M-9968 . . . . .	301		408	
	147		436	1M-9971 . . . . .	301		409	
	329		438	1N-3825 . . . . .	39		410	
	331		440	1P-0436 . . . . .	133		411	
	348		442	1P-0810 . . . . .	329		412	
OS-1597 . . . . .	301		444		331		413	
OS-1608 . . . . .	97		446		342		414	
OS-1616 . . . . .	52		448		143		415	
OS-1617 . . . . .	342		450	1P-1376 . . . . .	147		416	
OS-1619 . . . . .	14		452	1P-2807 . . . . .	547		417	
							418	

# PART NUMBER INDEX

Part	Page	Part	Page	Part	Page	Part	Page
	419		15		384		
	420		16		545		
	421	2P-3203 . . . . .	58	3E-7449 . . . . .	92	4B-2041 . . . . .	520
	422		60		94		522
	424	2P-3205 . . . . .	91	3E-7771 . . . . .	301	4B-2043 . . . . .	245
2K-4973 . . . . .	51	2P-3213 . . . . .	119	3E-8557 . . . . .	250		246
2L-6679 . . . . .	289	2P-4304 . . . . .	74		251		336
2L-8050 . . . . .	383	2P-7557 . . . . .	119		253		361
2L-8054 . . . . .	265	2P-8511 . . . . .	58		256		364
2L-8061 . . . . .	265		60		257	4B-2049 . . . . .	301
2L-8066 . . . . .	254	2R-6806 . . . . .	147		260	4B-3388 . . . . .	426
2L-8071 . . . . .	254	2S-2493 . . . . .	121		268		428
	271	2S-2760 . . . . .	91	3E-8558 . . . . .	261		430
2L-8074 . . . . .	249	2S-6708 . . . . .	121		262		432
	520	2T-1922 . . . . .	92	3G-2292 . . . . .	40		434
	522	2V-1771 . . . . .	342	3G-8856 . . . . .	39		436
2L-8075 . . . . .	236	2V-7397 . . . . .	171	3J-1907 . . . . .	137		438
	251	2W-0765 . . . . .	39	3J-5389 . . . . .	160		440
	252	2Y-5829 . . . . .	126		163		442
	259			3J-7354 . . . . .	97		444
	270				295		446
	534			3K-3256 . . . . .	17		448
2L-8076 . . . . .	254				51		450
2L-8077 . . . . .	186			3K-4528 . . . . .	253		452
	534	3B-0622 . . . . .	97		269		454
2L-8078 . . . . .	266	3B-0623 . . . . .	27	3K-8106 . . . . .	336		456
2L-8081 . . . . .	263	3B-0645 . . . . .	24		361		458
	270		27	3K-8460 . . . . .	50		460
	340		63	3L-3380 . . . . .	301		462
	534	3B-1915 . . . . .	56	3L-7634 . . . . .	402		464
2M-0849 . . . . .	34		87	3L-8187 . . . . .	236		466
	70		89		239		468
2M-1538 . . . . .	17		94		520		470
2N-2030 . . . . .	426		128		522		472
	428		144	3N-3763 . . . . .	301		474
	430		147	3N-3790 . . . . .	549		476
	432		153	3N-9344 . . . . .	547		478
	434	3B-4506 . . . . .	206	3P-0650 . . . . .	79		480
	436		207		85		482
	438		208	3P-1323 . . . . .	22		484
	440		209	3P-1932 . . . . .	135		486
	442		210	3R-5387 . . . . .	140		488
	444		211	3R-8797 . . . . .	301		490
	446		216	3R-8801 . . . . .	301		492
	448	3B-7741 . . . . .	94	3R-9704 . . . . .	283		494
	448	3C-6969 . . . . .	237	3S-0127 . . . . .	52		496
	450	3E-0105 . . . . .	230	3S-2093 . . . . .	236		498
	452	3E-4096 . . . . .	314		237		501
	454		315		250	4B-4161 . . . . .	79
	456	3E-4304 . . . . .	374		251	4B-4274 . . . . .	183
	458		377		253		185
	460		519		265		191
	462		526		267		286
	464		528		269		360
	466	3E-4352 . . . . .	141		270	4B-4863 . . . . .	237
	468	3E-4353 . . . . .	283		400		239
	470	3E-4367 . . . . .	250		315		336
	472		251	3S-6049 . . . . .	315		361
	474		253	3S-6050 . . . . .	97		364
	476		256	3S-9643 . . . . .	97		364
	478		257	3T-0852 . . . . .	48	4B-9782 . . . . .	67
	480		260	3T-3418 . . . . .	301	4C-9612 . . . . .	52
	482		261	3T-3422 . . . . .	301	4D-3100 . . . . .	186
	484		262	3T-3423 . . . . .	301		534
	486		268	3T-3424 . . . . .	301	4E-5724 . . . . .	329
	488		268	3T-3434 . . . . .	301		331
	490	3E-5239 . . . . .	348	3T-3434 . . . . .	329	4E-8722 . . . . .	281
	492	3E-5276 . . . . .	290	3T-4688 . . . . .	331	4F-8965 . . . . .	144
	494	3E-5454 . . . . .	169		289		148
	496	3E-5519 . . . . .	253	3T-4709 . . . . .	289	4F-9101 . . . . .	287
	498	3E-6600 . . . . .	46	3T-4710 . . . . .	289	4K-4639 . . . . .	253
	501		186	3T-9494 . . . . .	301	4K-9097 . . . . .	287
2N-2766 . . . . .	117		190		301	4K-9230 . . . . .	287
2P-1974 . . . . .	17		237	3T-9524 . . . . .	301	4L-1250 . . . . .	272
2P-2772 . . . . .	14		239	3T-9525 . . . . .	289		275
					301		

**4**

**3**

# PART NUMBER INDEX

Part	Page	Part	Page	Part	Page	Part	Page
	278	4N-6658 . . . . .	22		440		430
4L-2729 . . . . .	302	4N-8150 . . . . .	79		442		432
4L-9337 . . . . .	107	4N-8218 . . . . .	56		444		434
	108	4N-8225 . . . . .	56		446		436
	109	4N-8928 . . . . .	79		448		438
4M-1336 . . . . .	101	4P-0519 . . . . .	58		450		440
4M-1831 . . . . .	301		60		452		442
4M-1853 . . . . .	301	4P-0693 . . . . .	141		454		444
4M-1854 . . . . .	301	4P-0707 . . . . .	143		456		446
4M-1896 . . . . .	302		147		458		448
4M-5282 . . . . .	426	4P-1773 . . . . .	508		460		450
	428		509		462		452
	430		510		464		454
	432		512		466		456
	434		513		468		458
	436		514		470		460
	438		515		472		462
	440		516		474		464
	442		517		476		466
	444	4P-1775 . . . . .	428		478		468
	446		430		480		470
	448		434		482		472
	450		436		484		474
	452		440		486		476
	454		442		488		478
	456		446		490		480
	458		448		492		482
	460		452		494		484
	462		454		496		486
	464		458		498		488
	466		460		501		490
	468		464	4P-1801 . . . . .	505		492
	470		466	4P-1991 . . . . .	383		494
	472		470	4P-3153 . . . . .	426		496
	474		472		428		498
	476		476		430		501
	478		478		432	4P-4890 . . . . .	266
	480		482		434	4P-5820 . . . . .	290
	482		484		436		296
	484		488		438	4P-7581 . . . . .	348
	486		490		440	4P-7820 . . . . .	17
	488		494		442	4P-8134 . . . . .	119
	490		496		444		345
	492	4P-1792 . . . . .	428		446		348
	494		430		448	4S-5780 . . . . .	56
	496		434		450	4S-6678 . . . . .	283
	498		436		452	4V-4125 . . . . .	362
	501		440		454	4W-3027 . . . . .	20
4M-6425 . . . . .	129		442		456	4W-3034 . . . . .	20
4N-0342 . . . . .	40		446		458	4W-5698 . . . . .	21
4N-0683 . . . . .	24		448		460	4W-5699 . . . . .	21
	52		452		462	4W-5700 . . . . .	21
4N-0684 . . . . .	21		454		464	4W-5701 . . . . .	21
	36		458		466	4W-5828 . . . . .	107
	40		460		468		108
	42		464		470		111
4N-0685 . . . . .	22		466		472	4W-5972 . . . . .	534
4N-0794 . . . . .	15		470		474		
	58		472		476		
	60		476		478		
4N-0848 . . . . .	42		478		480		
4N-0861 . . . . .	79		482		482		
4N-0864 . . . . .	97		484		484	5B-0213 . . . . .	42
4N-0865 . . . . .	79		488		486	5C-2874 . . . . .	212
4N-0913 . . . . .	84		490		488		213
	85		494		490		214
4N-0914 . . . . .	84		496		492	5C-2890 . . . . .	181
	85	4P-1798 . . . . .	426		494		186
4N-1114 . . . . .	14		428		496		227
4N-1650 . . . . .	24		430		498		242
4N-1683 . . . . .	15		432		501		320
	16		434	4P-3317 . . . . .	549		321
4N-1946 . . . . .	97		436	4P-4532 . . . . .	426		336
4N-1948 . . . . .	101		438		428		340

# PART NUMBER INDEX

Part	Page	Part	Page	Part	Page	Part	Page
	356		56		2		482
	357		58		3		484
	369		60		4		488
	383		75		5		490
	398		76		6		494
	534		77		7		496
5C-7261 . . . . .	81		79		169		498
	400		82	5N-8943 . . . . .	221		501
5C-9553 . . . . .	186		84		266		534
	381		85	5N-9066 . . . . .	221		543
	534		87	5N-9071 . . . . .	221	5P-0597 . . . . .	81
5E-8771 . . . . .	40		89		266	5P-0600 . . . . .	121
	42		91	5N-9073 . . . . .	221	5P-0747 . . . . .	171
5F-4899 . . . . .	17		92		266	5P-1075 . . . . .	46
5F-9144 . . . . .	137		94	5P-0059 . . . . .	426		107
5H-1504 . . . . .	29		97		428		108
5H-4871 . . . . .	520		113		430		109
	522		135		432	5P-1076 . . . . .	102
5J-5314 . . . . .	301		144		434		104
5K-0906 . . . . .	329		148		436		115
	331		153		438	5P-1293 . . . . .	80
5K-9090 . . . . .	272		290		440	5P-1294 . . . . .	80
	274		318		442	5P-1420 . . . . .	141
	275		329		444	5P-1469 . . . . .	81
	277		331		446	5P-1475 . . . . .	534
	278		342		448	5P-1478 . . . . .	223
5L-2087 . . . . .	426		348		450	5P-2321 . . . . .	251
	428	5M-3034 . . . . .	301		452		269
	430	5M-6213 . . . . .	117		454		271
	432	5M-6214 . . . . .	426		456	5P-2566 . . . . .	506
	434		428		458	5P-2600 . . . . .	248
	436		430		460		400
	438		432		462	5P-2766 . . . . .	255
	440		434		464	5P-2955 . . . . .	426
	442		436		466		428
	444		438		468		430
	446		440		470		432
	448		442		472		434
	450		444		474		436
	452		446		476		438
	454		448		478		440
	456		450		480		442
	458		452		482		444
	460		454		484		446
	462		456		486		448
	464		458		488		450
	466		460		490		452
	468		462		492		454
	470		464		494		456
	472		466		496		458
	474		468		498		460
	476		470		501		462
	478		472	5P-0537 . . . . .	12		464
	480		474		40		466
	482		476		52		468
	484		478		133		470
	486		480		428		472
	488		482		430		474
	490		484		434		476
	492		486		436		478
	494		488		440		480
	496		490		442		482
	498		492		446		484
	499		494		448		486
	501		496		452		488
5L-3773 . . . . .	126		498		454		490
5L-5180 . . . . .	534		499		458		492
5M-2894 . . . . .	14		501		460		494
	15	5M-9204 . . . . .	171		464		496
	16	5M-9205 . . . . .	171		466		498
	17	5N-2144 . . . . .	314		470		501
	36		315		472	5P-3860 . . . . .	107
	50	5N-4436 . . . . .	113		476		108
	51	5N-5692 . . . . .	1		478		109

# PART NUMBER INDEX

Part	Page	Part	Page	Part	Page	Part	Page
5P-4115 . . . . .	186		464	6L-3005 . . . . .	119		140
	202		466	6L-4428 . . . . .	24		348
	204		468	6L-4725 . . . . .	124	6V-6317 . . . . .	348
	272		470	6M-7476 . . . . .	143	6V-6353 . . . . .	119
	275		472		147	6V-6609 . . . . .	22
	278		474	6N-0008 . . . . .	97		29
5P-4116 . . . . .	48		476	6N-0597 . . . . .	36		97
	81		478	6N-1050 . . . . .	85	6V-6782 . . . . .	115
	129		480	6N-1127 . . . . .	135	6V-6783 . . . . .	115
	183		482	6N-1381 . . . . .	84	6V-6923 . . . . .	73
	356		484	6N-1396 . . . . .	58	6V-7357 . . . . .	545
	357		486	6N-2538 . . . . .	36	6V-7420 . . . . .	290
	369		488	6N-2547 . . . . .	36	6V-7687 . . . . .	202
	381		490	6N-3279 . . . . .	301		204
	505		492	6N-3826 . . . . .	301	6V-7742 . . . . .	126
5P-4255 . . . . .	42		494	6N-4414 . . . . .	133	6V-7743 . . . . .	202
5P-4571 . . . . .	236		496	6N-7854 . . . . .	16		204
	259		498	6P-4975 . . . . .	97	6V-8185 . . . . .	183
5P-5694 . . . . .	520		501	6S-5993 . . . . .	102		285
	522	5P-8356 . . . . .	24	6T-0363 . . . . .	289	6V-8187 . . . . .	169
5P-5846 . . . . .	87	5P-8394 . . . . .	237	6T-0371 . . . . .	289	6V-8188 . . . . .	36
5P-6001 . . . . .	249		239	6T-0372 . . . . .	289		56
	254	5P-8500 . . . . .	383	6T-3631 . . . . .	236		301
	257	5P-9796 . . . . .	374		239		344
	259	5S-0003 . . . . .	348		520	6V-8189 . . . . .	122
	268	5S-0581 . . . . .	101		522		200
	352	5S-7349 . . . . .	272	6T-3632 . . . . .	236	6V-8190 . . . . .	38
	520		275		239		506
	522		278		520	6V-8225 . . . . .	358
5P-6006 . . . . .	268		287		522		520
5P-6298 . . . . .	289		342	6T-3633 . . . . .	236		522
5P-7310 . . . . .	33		348		239	6V-8237 . . . . .	126
	34	5S-7379 . . . . .	46		520	6V-8367 . . . . .	236
	50		48		522		239
5P-7701 . . . . .	50		329	6T-3645 . . . . .	215		520
5P-7814 . . . . .	50		331		287		522
5P-7815 . . . . .	50		331	6V-0128 . . . . .	12	6V-8374 . . . . .	236
5P-7921 . . . . .	245		233	6V-1075 . . . . .	544		239
	246			6V-1322 . . . . .	301		520
	275			6V-1427 . . . . .	36		522
	278			6V-1820 . . . . .	113	6V-8378 . . . . .	215
5P-7957 . . . . .	374			6V-1897 . . . . .	160		287
5P-7958 . . . . .	78				162	6V-8382 . . . . .	236
	374	6B-1628 . . . . .	94		163		239
5P-8068 . . . . .	79	6C-3244 . . . . .	506	6V-2315 . . . . .	133		520
	85	6D-4246 . . . . .	228	6V-2369 . . . . .	329		522
5P-8211 . . . . .	20	6D-4247 . . . . .	140		331	6V-8398 . . . . .	92
	77	6D-5801 . . . . .	237		286	6V-8642 . . . . .	87
	144		239	6V-2687 . . . . .	360		89
	148	6F-7045 . . . . .	317		544	6V-8801 . . . . .	36
5P-8245 . . . . .	50	6G-2263 . . . . .	48		290		46
	53	6H-3586 . . . . .	253	6V-3265 . . . . .	290		107
	113	6H-3956 . . . . .	36	6V-3319 . . . . .	42		108
	233	6I-0213 . . . . .	154	6V-3532 . . . . .	126		109
5P-8247 . . . . .	14		156	6V-3822 . . . . .	126		206
	71	6I-0928 . . . . .	31	6V-4248 . . . . .	126		207
5P-8249 . . . . .	426	6I-1418 . . . . .	233	6V-4249 . . . . .	126		208
	428	6I-4025 . . . . .	29	6V-4589 . . . . .	62		209
	430	6I-4347 . . . . .	368		119		210
	432	6I-4348 . . . . .	253		322		211
	434		256	6V-5048 . . . . .	52		216
	436		257		64		329
	438		268		74		331
	440	6J-3913 . . . . .	42		115	6V-8837 . . . . .	358
	442	6K-0806 . . . . .	267		119	6V-8918 . . . . .	228
	444		268		290	6V-8946 . . . . .	283
	446		304	6V-5049 . . . . .	74	6V-9003 . . . . .	87
	448		345	6V-5050 . . . . .	50		89
	450		346	6V-5063 . . . . .	97	6V-9008 . . . . .	274
	452		347	6V-5064 . . . . .	97		277
	454		351	6V-5218 . . . . .	133	6V-9027 . . . . .	97
	456		354	6V-5818 . . . . .	224	6V-9189 . . . . .	44
	458		546	6V-5819 . . . . .	268		45
	460	6K-3607 . . . . .	144	6V-5839 . . . . .	113		46
	462		148		126		

## 6



# PART NUMBER INDEX

Part	Page	Part	Page	Part	Page	Part	Page
	202		494	7J-9108 . . . . .	140		277
	204		496	7K-1181 . . . . .	227		278
6V-9335 . . . . .	180		498		230		283
	197		501		239	7M-8651 . . . . .	301
	198	7E-4808 . . . . .	36		249	7N-0060 . . . . .	171
6V-9632 . . . . .	180	7E-6508 . . . . .	11		290	7N-0718 . . . . .	▶317
	181	7E-8266 . . . . .	428		336		318
	183		430		342	7N-2156 . . . . .	91
	198		434		345	7N-2443 . . . . .	40
	380		436		346	7N-5876 . . . . .	520
	389		440		347	7N-9008 . . . . .	87
	534		442		348	7N-9077 . . . . .	70
6V-9671 . . . . .	237		446		356	7N-9078 . . . . .	1
6V-9672 . . . . .	183		448		357		2
6V-9746 . . . . .	283		452		361		3
6V-9853 . . . . .	283		454		365		4
6Y-6488 . . . . .	508		458		368		5
	509		460		369		6
	510		464		520		7
	512		466		522		70
	513		470		534	7S-5005 . . . . .	21
	514		472	7K-3116 . . . . .	40	7T-1099 . . . . .	287
	515		476	7K-6536 . . . . .	124		528
	516		478	7L-2894 . . . . .	301	7T-3974 . . . . .	301
	517		482	7L-5452 . . . . .	426	7W-2033 . . . . .	113
			484		428	7W-2034 . . . . .	113
			488		430	7W-2297 . . . . .	131
			490		432	7W-3222 . . . . .	36
			494		434		72
			496		436	7W-3447 . . . . .	59
7B-3235 . . . . .	42	7E-9592 . . . . .	426		438	7W-4979 . . . . .	94
	53		428		440	7W-5893 . . . . .	404
7C-0145 . . . . .	97		430		442		405
7C-1511 . . . . .	91		432		444		406
7C-1512 . . . . .	91		434		446		407
7C-4550 . . . . .	534		436		448		408
7C-5709 . . . . .	183		438		450		409
7C-9614 . . . . .	24		440		452		410
7D-1649 . . . . .	53		442		454		411
7E-0311 . . . . .	89		444		456		412
7E-3030 . . . . .	426		446		458		413
	428		448		460		414
	430		450		462		415
	432		452		464		416
	434		454		466		417
	436		456		468		418
	438		458		470		419
	440		460		472		420
	442		462		474		421
	444		464		476		422
	446		466		478		424
	448		468		480	7W-6492 . . . . .	94
	450		470		482	7W-9991 . . . . .	381
	452		472		484	7X-0346 . . . . .	38
	454		474		486	7X-0411 . . . . .	506
	456		476		488	7X-0412 . . . . .	38
	458		478		490	7X-0440 . . . . .	20
	460		480		492		233
	462		482		494	7X-0448 . . . . .	56
	464		484		496	7X-0562 . . . . .	301
	466		486		498	7X-0579 . . . . .	233
	468		488		501		348
	470		490	7L-6326 . . . . .	81	7X-0620 . . . . .	186
	472		492	7L-7871 . . . . .	▶171		198
	474		494		173		239
	476		496	7M-0324 . . . . .	301		534
	478		498	7M-0325 . . . . .	301	7X-0851 . . . . .	126
	480		501	7M-0326 . . . . .	301	7X-1387 . . . . .	358
	482	7F-3488 . . . . .	301	7M-0327 . . . . .	301	7X-1705 . . . . .	308
	484	7F-3525 . . . . .	289	7M-8485 . . . . .	15	7X-2552 . . . . .	383
	486	7F-6998 . . . . .	191		16	7X-2554 . . . . .	104
	488	7F-9090 . . . . .	135		272	7X-3373 . . . . .	301
	490	7G-7919 . . . . .	253		274	7X-6222 . . . . .	262
	492	7G-9730 . . . . .	520		275	7X-7729 . . . . .	102

7

# PART NUMBER INDEX

Part	Page	Part	Page	Part	Page	Part	Page
	104		516		315		115
	115		517		346		202
	202	8L-8413 . . . . .	171		347		204
	204		315		362		402
	285		505		365	8T-4186 . . . . .	46
	381	8M-0547 . . . . .	143		372		48
	383	8M-2772 . . . . .	342		383		80
	398	8M-6755 . . . . .	39		392		285
7Y-3173 . . . . .	237	8M-8489 . . . . .	91		396		383
	239	8M-9024 . . . . .	84		545	8T-4187 . . . . .	104
			85	8T-4122 . . . . .	38	8T-4189 . . . . .	48
		8N-0879 . . . . .	117		56	8T-4191 . . . . .	248
		8N-2104 . . . . .	84		120		383
			85		506	8T-4193 . . . . .	134
		8R-9137 . . . . .	329	8T-4123 . . . . .	104		397
8C-3089 . . . . .	115		331		372	8T-4195 . . . . .	81
	153	8S-0948 . . . . .	342	8T-4131 . . . . .	104		104
	301	8S-5383 . . . . .	56		372		160
8C-3445 . . . . .	74	8S-6511 . . . . .	91	8T-4132 . . . . .	104		162
8C-3446 . . . . .	74	8S-9191 . . . . .	79		134		163
	97		148	8T-4133 . . . . .	46		202
8C-3681 . . . . .	102		154		48		204
8C-4413 . . . . .	383		156		102		228
8C-5053 . . . . .	283	8T-0122 . . . . .	329		104		283
8C-5723 . . . . .	274		331		140		358
	277	8T-0328 . . . . .	215		227		365
8C-6354 . . . . .	236		237		228		372
	239		239		230		383
	253		287		277		396
8C-6362 . . . . .	56		301		281		398
8C-6871 . . . . .	92	8T-0337 . . . . .	183		315	8T-4196 . . . . .	102
	94		185		346		140
8C-6872 . . . . .	94		191		347		227
8C-6873 . . . . .	140	8T-0380 . . . . .	126		365	8T-4205 . . . . .	12
8C-7313 . . . . .	283	8T-1703 . . . . .	97		381		169
8C-7524 . . . . .	520	8T-1889 . . . . .	143		383		183
	522		148		392		285
8C-8514 . . . . .	186	8T-1890 . . . . .	143		398		287
	198		148	8T-4136 . . . . .	102		301
	237	8T-2659 . . . . .	186		115		314
	239		236		230		315
	534		239		315		342
8C-9660 . . . . .	301	8T-2882 . . . . .	186		381		348
8D-2676 . . . . .	236		198		383		362
	239		236		392		364
	520		239	8T-4137 . . . . .	81		398
	522		534		362		520
8D-8724 . . . . .	177	8T-3016 . . . . .	212		383		522
8D-9671 . . . . .	342		213		398	8T-4223 . . . . .	38
8F-1434 . . . . .	215		214		545		56
	287	8T-3282 . . . . .	126	8T-4138 . . . . .	160		104
	301	8T-3490 . . . . .	104		163		201
8F-7219 . . . . .	137	8T-3597 . . . . .	275		181		202
8H-3127 . . . . .	12		278		237		204
8H-5303 . . . . .	317	8T-3612 . . . . .	44		239		248
8H-5306 . . . . .	317		45		374		274
8H-8769 . . . . .	141		46		381		277
8J-0426 . . . . .	92		48	8T-4139 . . . . .	336		283
8K-4644 . . . . .	544	8T-4121 . . . . .	46		356		336
8K-6686 . . . . .	141		48		357		344
8L-2746 . . . . .	87		80	8T-4179 . . . . .	202		356
	89		81		204		357
8L-2777 . . . . .	66		104	8T-4182 . . . . .	104		383
8L-2786 . . . . .	50		160		280		400
	58		162		346		402
	60		163		347		506
	119		227	8T-4183 . . . . .	201	8T-4224 . . . . .	20
8L-5394 . . . . .	508		228		247		44
	509		230		248		48
	510		248		274		122
	512		274		277		200
	513		277		283		202
	514		281		400		204
	515		283	8T-4184 . . . . .	102		228

8

# PART NUMBER INDEX

Part	Page	Part	Page	Part	Page	Part	Page
	233	8T-8730 . . . . .	186		522	9M-2564 . . . . .	87
	329		249	9B-7237 . . . . .	206		89
	331		255		207	9M-5501 . . . . .	94
	345		267		208	9M-6522 . . . . .	140
8T-4244 . . . . .	383		268		209		151
	102		368		210		152
	115		369		211		160
	201		520		216		162
	247		522	9D-6621 . . . . .	183		163
	248		534	9F-5599 . . . . .	289	9M-6527 . . . . .	101
	336	8T-8736 . . . . .	253	9F-5644 . . . . .	317	9N-1941 . . . . .	113
	356	8T-8737 . . . . .	12	9F-8125 . . . . .	198	9N-2038 . . . . .	131
	357		236	9G-0003 . . . . .	171	9R-2595 . . . . .	537
	383		237	9G-0004 . . . . .	171	9R-2620 . . . . .	239
	400		249	9G-4101 . . . . .	301	9S-2544 . . . . .	301
	402		250	9G-4232 . . . . .	171	9S-4181 . . . . .	15
8T-4896 . . . . .	46		252	9G-4343 . . . . .	253		16
	48		253		329		97
	206		255		331	9S-4182 . . . . .	97
	207		256	9G-4344 . . . . .	253	9S-4183 . . . . .	97
	208		257		329	9S-4185 . . . . .	22
	209		259		331		50
	210		260	9G-8909 . . . . .	315		58
	211		261		342		60
	216		262		22		97
	329		263	9H-1031 . . . . .	22		97
	331		264	9H-3757 . . . . .	301	9S-4191 . . . . .	74
8T-4908 . . . . .	44		265	9L-0553 . . . . .	33	9S-8002 . . . . .	24
	381		267	9L-5595 . . . . .	36		52
8T-4956 . . . . .	201		268	9L-5854 . . . . .	23		62
8T-4971 . . . . .	186		270	9L-6770 . . . . .	169		64
	227		271	9M-0853 . . . . .	79		115
	336		304	9M-1974 . . . . .	11		119
	340		340		133	9S-8004 . . . . .	29
	356		340		290		62
	357		352		342		137
	534		354		348	9S-8005 . . . . .	29
8T-5360 . . . . .	48		368		426		119
8T-5361 . . . . .	38		520		428		135
	506		522		430		143
8T-6412 . . . . .	186	8T-8909 . . . . .	183		432		147
8T-6430 . . . . .	372	8T-8919 . . . . .	38		434	9S-8006 . . . . .	18
8T-6466 . . . . .	274		56		436		19
	277		104		438		62
8T-6703 . . . . .	80	8T-8998 . . . . .	198		440		119
8T-6757 . . . . .	24		104		442		141
	27		535		444		143
8T-6761 . . . . .	58	8T-9043 . . . . .	505		446		147
	60	8T-9364 . . . . .	285		448	9S-8008 . . . . .	24
8T-6764 . . . . .	101		362		450		50
8T-6871 . . . . .	120		364		452		97
8T-6912 . . . . .	280	8T-9379 . . . . .	48		454	9S-8010 . . . . .	50
8T-6974 . . . . .	202	8T-9392 . . . . .	56		456	9S-8750 . . . . .	535
	204	8T-9400 . . . . .	446		458	9S-8752 . . . . .	17
	356		452		460		36
	357		458		462		82
	369		464		464		87
8T-7008 . . . . .	107		470		466		89
	108		476		468		94
	109		482		470		100
8T-7547 . . . . .	81		488		472		113
	202		494		474		141
	204	8T-9655 . . . . .	141		476		143
	345		233		478		148
8T-7963 . . . . .	280	8T-9834 . . . . .	253		480		318
8T-7971 . . . . .	56		256		482		348
8T-8729 . . . . .	249		257		484		508
	268		268		486		509
	280				488		510
	292				490		512
	323				492		513
	340				494		514
	368				496		515
	534	9B-0453 . . . . .	383		498		516
		9B-7233 . . . . .	520		501		517

# PART NUMBER INDEX

Part	Page	Part	Page	Part	Page	Part	Page
9S-9334 . . . . .	18		270		545		331
	19		351	9X-8257 . . . . .	104	091-9035 . . . . .	274
	50		352		134		277
9W-1951 . . . . .	236		354		383	095-0827 . . . . .	383
	249		546		397	095-1207 . . . . .	383
	259	9X-3402 . . . . .	236	9X-8873 . . . . .	233	096-1357 . . . . .	358
9X-0145 . . . . .	236		237	9X-8874 . . . . .	36	096-2617 . . . . .	237
	259		250	9X-8875 . . . . .	53		239
9X-0262 . . . . .	135		251	9Y-4275 . . . . .	202	096-4835 . . . . .	191
	290		252		204	096-5028 . . . . .	107
9X-0347 . . . . .	260		253		402		108
9X-1055 . . . . .	254		256	9Y-6027 . . . . .	428		109
9X-1056 . . . . .	254		257		430	096-5962 . . . . .	237
9X-1339 . . . . .	256		259		434	097-5921 . . . . .	176
	257		260		436		177
	268		261		440		304
9X-1343 . . . . .	262		262		442		306
9X-1386 . . . . .	296		263		446		308
9X-1813 . . . . .	320		264		448		310
	321		265		452		311
	322		267		454		312
9X-2032 . . . . .	183		338		458		313
9X-2119 . . . . .	426		366		460	099-6418 . . . . .	236
	428	9X-3463 . . . . .	280		464		239
	430	9X-3490 . . . . .	250		466		
	432		251		470		
	434	9X-4391 . . . . .	260		472		
	436	9X-4714 . . . . .	262		476		
	438	9X-5615 . . . . .	260		478		
	440	9X-6016 . . . . .	287		482	100-5041 . . . . .	254
	442	9X-6458 . . . . .	17		484	100-5072 . . . . .	154
	444		94		488		156
	448		97		490	100-5218 . . . . .	12
	450		128		494	100-5219 . . . . .	12
	454		141		496	101-1365 . . . . .	42
	456		143	9Y-6089 . . . . .	14	101-3374 . . . . .	40
	460		148		300	102-5861 . . . . .	42
	462	9X-6620 . . . . .	202	9Y-6497 . . . . .	544	102-8801 . . . . .	12
	466		204	9Y-7066 . . . . .	247		255
	468	9X-6772 . . . . .	186	9Y-9635 . . . . .	58	102-8802 . . . . .	252
	472		236		60		253
	474		338				255
	478		339				267
	480		340				270
	484		358				280
	486		362				296
	490		364	004-3099 . . . . .	86		304
	492		534		393		320
	496	9X-7143 . . . . .	270	012-0380 . . . . .	320		321
	498	9X-7144 . . . . .	261		321	102-8803 . . . . .	236
	501	9X-7147 . . . . .	251	030-7946 . . . . .	52		262
9X-2201 . . . . .	96	9X-7317 . . . . .	138	030-7949 . . . . .	141		264
	115		139	030-8310 . . . . .	393		267
9X-3132 . . . . .	253	9X-7344 . . . . .	183	031-5085 . . . . .	40		269
	256	9X-7371 . . . . .	100		42		271
	257	9X-7430 . . . . .	27	033-6027 . . . . .	165		292
	268	9X-7737 . . . . .	168	033-6031 . . . . .	20		323
9X-3265 . . . . .	261		322	033-6033 . . . . .	73		368
9X-3401 . . . . .	12	9X-8256 . . . . .	160	033-8248 . . . . .	329		546
	236		163		331	102-8804 . . . . .	262
	249		181	037-5197 . . . . .	344		270
	251		186	045-4065 . . . . .	302		304
	252		227	053-2294 . . . . .	52		534
	253		237	061-8639 . . . . .	52	102-8805 . . . . .	260
	255		239		65		304
	256		242	061-9455 . . . . .	14	102-8806 . . . . .	251
	257		286	089-7338 . . . . .	48		253
	259		360	089-7960 . . . . .	272		262
	260		374		275		263
	262		381		278		264
	263		383	090-8635 . . . . .	143		270
	264		520		147		351
	267		522	090-9019 . . . . .	372		352
	269		535	091-8402 . . . . .	329		354

1

0

# PART NUMBER INDEX

Part	Page	Part	Page	Part	Page	Part	Page
103-0126	35		482		458		456
103-0213	262		484		460		458
103-6272	236		488		462		460
	239		490		464		462
103-8089	526		494		466		464
	528		496		468		466
103-8134	12	108-5748	428		470		468
104-6564	285		430		472		470
105-1482	91		434		474		472
106-1792	29		436		476		474
106-1793	117		440		478		476
106-5673	29		442		480		478
107-5769	97		446		482		480
107-5851	280		448		484		482
107-5852	280		452		486		484
107-5853	280		454		488		486
107-7373	91		458		490		488
108-1468	426		460		492		490
	428		464		494		492
	430		466		496		494
	432		470		498		496
	434		472		501		498
	436		476	108-6950	426		501
	438		478		428	108-7930	101
	440		482		430	108-8265	426
	442		484		432		428
	444		488		434		430
	446		490		436		432
	448		494		438		434
	450		496		440		436
	452		498		442		438
	454		501		444		440
	456	108-5749	428		446		442
	458		430		448		444
	460		434		450		446
	462		436		452		448
	464		440		454		450
	466		442		456		452
	468		446		458		454
	470		448		460		456
	472		452		462		458
	474		454		464		460
	476		458		466		462
	478		460		468		464
	480		464		470		466
	482		466		474		468
	484		470		476		470
	486		472		478		472
	488		476		480		474
	490		478		482		476
	492		482		484		478
	494		484		486		480
	496		488		488		482
	498		490		490		484
	501		494		492		486
108-3612	117		496		494		488
108-4396	428		498		496		490
	430		501		498		492
	434	108-6949	426		501		494
	436		428	108-7822	426		496
	440		430		428		498
	442		432		430		501
	446		434		432	109-0074	97
	448		436		434	109-0076	84
	452		438		436		97
	454		440		438	109-0077	97
	458		442		440	109-0078	84
	460		444		442	109-0147	228
	464		446		444		230
	466		448		446		392
	470		450		448		394
	472		452		450		395
	476		454		452	109-3038	186
	478		456		454		222

# PART NUMBER INDEX

Part	Page	Part	Page	Part	Page	Part	Page
	223	118-5068 . . . . .	82		456	126-1767 . . . . .	12
	224	118-6503 . . . . .	202		462		249
	249		204		468		251
	250		286		474		252
	259		360		480		253
	261	118-8452 . . . . .	404		486		255
	265		405		492		256
	269		406	124-3294 . . . . .	426		257
	270		407		432		259
	340		408		438		260
	534		409		444		262
109-3416 . . . . .	40		410		450		263
109-5839 . . . . .	58		411		456		264
	60		412		462		267
109-5840 . . . . .	58		413		468		268
	60		414		474		269
109-6507 . . . . .	371		415		480		270
109-6950 . . . . .	472		416		486		271
110-2220 . . . . .	23		417		492		351
110-8714 . . . . .	186		418	124-3295 . . . . .	426		352
	237		419		432		354
	249		420		438		534
	250		421		444		546
	251		422		450	126-1768 . . . . .	250
	259		424		456		251
	260	119-3662 . . . . .	236		462		252
	264		249		468		253
	268		250		474		256
	328		253		480		257
	352		254		486		259
	355		255		492		260
	369		256	124-6264 . . . . .	81		261
111-1325 . . . . .	371		259	125-5835 . . . . .	290		262
111-2721 . . . . .	101		260	125-6535 . . . . .	302		263
111-4374 . . . . .	97		262	125-7874 . . . . .	236		264
112-3258 . . . . .	97		265		237		265
112-3540 . . . . .	87		266		254		267
	89		269		255		268
112-4036 . . . . .	283		270		256		271
112-7497 . . . . .	186	119-8583 . . . . .	9		259		338
	249		►75		261		366
	250	121-3365 . . . . .	368		262	126-2702 . . . . .	87
	251	122-0447 . . . . .	27		267		89
	252	122-1790 . . . . .	1		268	126-3884 . . . . .	126
	260		2		351	126-7521 . . . . .	56
	261		3	125-7875 . . . . .	236	126-9187 . . . . .	200
	264		6		249	127-0929 . . . . .	115
	269		7		251	127-3330 . . . . .	543
	270		►84		259	127-5447 . . . . .	143
	333	122-5855 . . . . .	329		260		147
	355	122-7375 . . . . .	27		263	127-6356 . . . . .	91
112-8293 . . . . .	48	122-8612 . . . . .	27		265	127-9070 . . . . .	534
112-9217 . . . . .	40	122-9798 . . . . .	1		269		546
113-8277 . . . . .	532		2		271	128-5669 . . . . .	249
113-8373 . . . . .	329		3	125-7876 . . . . .	236		520
	331		6		249		522
113-8961 . . . . .	223		►549		250	128-8065 . . . . .	304
	266	122-9943 . . . . .	91		251	129-3172 . . . . .	14
	271	123-0707 . . . . .	520		252	129-3178 . . . . .	383
			522		254	129-6400 . . . . .	115
113-9848 . . . . .	126	123-3202 . . . . .	12		257	129-9452 . . . . .	117
114-8843 . . . . .	328	123-7450 . . . . .	►543		260	130-0793 . . . . .	267
116-0765 . . . . .	84		544		262	131-1487 . . . . .	253
116-1979 . . . . .	91	124-0284 . . . . .	268		263	131-1488 . . . . .	253
116-1980 . . . . .	9	124-0312 . . . . .	539		268	131-1492 . . . . .	253
	►91	124-1479 . . . . .	368		338	131-3540 . . . . .	383
116-2699 . . . . .	84	124-1854 . . . . .	29		352	131-7123 . . . . .	40
	85	124-1855 . . . . .	29		520	132-5789 . . . . .	147
116-5410 . . . . .	►133	124-3176 . . . . .	371		522		290
	135	124-3289 . . . . .	426	125-9794 . . . . .	17		348
117-8801 . . . . .	40		432	125-9993 . . . . .	534	132-8488 . . . . .	186
	42		438	125-9997 . . . . .	534		239
117-9712 . . . . .	40		444	126-0559 . . . . .	20	133-0967 . . . . .	253
118-4728 . . . . .	143		450	126-1766 . . . . .	269	133-0969 . . . . .	253
	147						

# PART NUMBER INDEX

Part	Page	Part	Page	Part	Page	Part	Page
133-0970	338		▶444	139-6873	135	147-0385	329
133-8753	249	136-6653	409		▶168		331
	534		▶446	139-8660	280	147-1960	174
133-9116	14	136-6654	409	142-1339	106		175
134-2540	186		▶448	142-1404	108	147-3396	143
	236	136-6655	410		109		147
	259		▶450	142-2456	314	148-0757	287
	260	136-6656	410		315		▶319
134-6258	253		▶452	142-2457	314		342
	268	136-6657	411		315	148-5368	▶544
135-2543	329		▶454	142-4899	384	149-7946	126
	331	136-6658	411	142-4901	383	150-1156	61
135-4928	101		▶456	142-5867	69	150-1714	109
135-6898	186	136-6659	412	142-5868	68		▶121
	198		▶458	142-6217	23	151-4977	520
	236	136-6660	412	142-6868	375		522
	239		▶460		377	151-7735	▶106
	534	136-6661	413		381		107
136-1107	101		▶462		519		108
136-6579	▶404	136-6662	413	142-7072	23		109
136-6580	▶404		▶464	142-7542	404	153-1256	101
136-6581	▶405	136-6663	414		405	153-2707	186
136-6582	▶405		▶466		406		236
136-6583	▶406	136-6664	414		407		253
136-6584	▶406		▶468		408		268
136-6585	▶407	136-6665	415		409	153-2767	92
136-6586	▶407		▶470		410	153-3179	480
136-6587	▶408	136-6666	415		411		482
136-6588	▶408		▶472		412	153-3180	486
136-6589	▶409	136-6667	416		413		488
136-6590	▶409		▶474		414	153-3181	462
136-6591	▶410	136-6668	416		415		464
136-6592	▶410		▶476		416	153-3182	468
136-6593	▶411	136-6669	417		417		470
136-6594	▶411		▶478		418	153-3183	444
136-6595	▶412	136-6670	417		419		446
136-6596	▶412		▶480		420	153-3184	450
136-6597	▶413	136-6671	418		421		452
136-6598	▶413		▶482		422	153-3185	426
136-6599	▶414	136-6672	418		424		428
136-6600	▶414		▶484	142-8194	379	153-3186	432
136-6601	▶415	136-6673	419		383		434
136-6602	▶415		▶486		389	153-3189	482
136-6603	▶416	136-6674	419	142-8212	389		488
136-6604	▶416		▶488	142-8236	383		494
136-6605	▶417	136-6675	420	143-9393	97		▶508
136-6606	▶417		▶490	144-0875	547	153-3190	446
136-6607	▶418	136-6676	420	144-0876	547		452
136-6608	▶418		▶492	144-1636	322		458
136-6609	▶419	136-6677	421	144-3852	318		464
136-6610	▶419		▶494	144-4306	4		470
136-6611	▶420	136-6678	421		5		476
136-6612	▶420		▶496		▶85		▶509
136-6613	▶421	136-7227	87	144-7183	383	153-7024	31
136-6614	▶421	137-5552	86	144-9438	426	154-3488	328
136-6642	404		102		432		351
	▶426	137-8533	38		438		354
136-6643	404		506		▶516		360
	▶428		▶549	144-9439	428	155-2255	263
136-6645	405	137-8534	549		434		267
	▶430	137-8535	549		440	155-2256	250
136-6646	405	137-8536	549		498	155-2260	236
	▶432	137-8537	549		501		252
136-6647	406	137-8538	549		▶517		259
	▶434	137-8539	549	145-5579	383		261
136-6648	406	137-8540	549	145-8521	508		262
	▶436	137-8541	549		509		267
136-6649	407	137-8542	549		510		338
	▶438	137-8543	549		512		368
136-6650	407	137-8544	549		513	155-2265	237
	▶440	137-8545	549		514		249
136-6651	408	137-8546	549		515		252
	▶442	138-8367	371		516		253
136-6652	408	139-6118	85		517		260

# PART NUMBER INDEX

Part	Page	Part	Page	Part	Page	Part	Page
	262	169-7326 . . . . .	94	175-7061 . . . . .	262		383
	264	170-0610 . . . . .	59	176-2543 . . . . .	300	204-2281 . . . . .	274
	265	170-5632 . . . . .	186	176-9299 . . . . .	253		277
	268		198	178-9983 . . . . .	198	204-2518 . . . . .	▶292
	269		237		534		368
	271		534	179-1937 . . . . .	281	204-6102 . . . . .	183
	520	171-2208 . . . . .	331	180-7350 . . . . .	61	205-4600 . . . . .	76
	522	171-2210 . . . . .	329	180-8424 . . . . .	92	205-6419 . . . . .	355
155-2270 . . . . .	253	171-5349 . . . . .	296		94	205-7047 . . . . .	520
	255	171-9892 . . . . .	106	180-9426 . . . . .	126		522
	262	172-5670 . . . . .	430	183-3407 . . . . .	29	208-6054 . . . . .	80
	267	172-5671 . . . . .	436		62	208-8469 . . . . .	239
155-2271 . . . . .	268	172-5672 . . . . .	438	183-5784 . . . . .	250	208-9277 . . . . .	281
	256		440	183-5785 . . . . .	263		398
	262	172-5673 . . . . .	442	185-1497 . . . . .	42	208-9281 . . . . .	243
	265	172-5674 . . . . .	448	186-1658 . . . . .	537	211-0640 . . . . .	304
	366	172-5675 . . . . .	454	186-2001 . . . . .	31	211-1008 . . . . .	126
	534	172-5676 . . . . .	456	186-3735 . . . . .	296	211-3122 . . . . .	31
155-2274 . . . . .	236		458		320	212-3416 . . . . .	245
	251	172-5677 . . . . .	460		321		246
	259	172-5678 . . . . .	466	187-2034 . . . . .	169	212-6932 . . . . .	96
	261	172-5679 . . . . .	472	187-8674 . . . . .	287	212-7728 . . . . .	20
155-6651 . . . . .	505	172-5680 . . . . .	474	188-3111 . . . . .	248	212-9580 . . . . .	▶137
155-8755 . . . . .	304		476		400		158
	311	172-5681 . . . . .	478	189-5359 . . . . .	56	213-3217 . . . . .	61
156-6175 . . . . .	239	172-5682 . . . . .	484	190-4885 . . . . .	331	213-4740 . . . . .	141
	346	172-5684 . . . . .	490	191-1782 . . . . .	141		▶158
	347	172-5685 . . . . .	492	191-1783 . . . . .	141	213-6133 . . . . .	92
	356		494	192-4151 . . . . .	65		94
	357	172-5686 . . . . .	496	192-4309 . . . . .	97	214-1727 . . . . .	51
	369	172-5699 . . . . .	430	193-4623 . . . . .	200	214-1728 . . . . .	24
157-0670 . . . . .	97		436		287	214-3966 . . . . .	232
158-8021 . . . . .	281		442	194-5188 . . . . .	430	214-7566 . . . . .	24
159-8049 . . . . .	315		▶510		436		62
	342	172-5700 . . . . .	444		442		135
	344		450		448		293
159-8050 . . . . .	315		456		454		295
	342		462		460	214-7568 . . . . .	29
	344		468		466		62
159-9322 . . . . .	253		474		472		92
	263		▶512		478		143
160-7689 . . . . .	253	172-5701 . . . . .	448		484		147
160-7690 . . . . .	263		454		490		166
160-8124 . . . . .	253		460		496		294
	267		466		498	216-5582 . . . . .	27
161-3357 . . . . .	329		472		501	217-0751 . . . . .	27
	331		478		▶505	217-0752 . . . . .	27
161-7293 . . . . .	52		▶513	194-5226 . . . . .	259	217-5364 . . . . .	539
162-2177 . . . . .	107	172-5702 . . . . .	480	194-5227 . . . . .	259	217-5678 . . . . .	87
	108		486	196-5069 . . . . .	65		89
	109		492	196-5070 . . . . .	65	217-7088 . . . . .	115
162-4171 . . . . .	251		▶514	197-4051 . . . . .	177	217-7164 . . . . .	186
	534	172-5703 . . . . .	484	197-6355 . . . . .	92	217-8946 . . . . .	115
163-2478 . . . . .	31		490	197-8039 . . . . .	518	219-4455 . . . . .	101
164-4187 . . . . .	61		496		519	219-4456 . . . . .	101
165-0699 . . . . .	280		▶515	197-9322 . . . . .	23	219-4458 . . . . .	61
165-6170 . . . . .	82	172-6334 . . . . .	308	198-4775 . . . . .	186	219-6923 . . . . .	128
166-2904 . . . . .	27		311		336	219-7350 . . . . .	383
166-3777 . . . . .	532	172-8024 . . . . .	274		340	220-8678 . . . . .	137
	533		277		534	222-6456 . . . . .	12
	539	172-9973 . . . . .	▶280	198-6068 . . . . .	87	222-6953 . . . . .	12
166-6159 . . . . .	183		281		89	223-1998 . . . . .	119
166-6162 . . . . .	183	173-0064 . . . . .	283	199-3062 . . . . .	268	223-6407 . . . . .	1
166-6165 . . . . .	183	173-7181 . . . . .	537				2
167-3593 . . . . .	236	174-0503 . . . . .	186				3
	239		236				4
167-8130 . . . . .	33		259				5
	34		260				6
169-1855 . . . . .	212	174-3016 . . . . .	253	200-6345 . . . . .	274		6
	213	174-4883 . . . . .	14		277		7
169-2182 . . . . .	245	175-2329 . . . . .	319	200-6410 . . . . .	97		▶63
	246		▶320	203-0351 . . . . .	119	223-6408 . . . . .	9
	275	175-2330 . . . . .	319	204-1070 . . . . .	80		▶11
	278		▶321	204-1116 . . . . .	242	223-6421 . . . . .	1
							2



# PART NUMBER INDEX

Part	Page	Part	Page	Part	Page	Part	Page
	3	231-4708	97	238-5080	135		520
	4	232-0897	221		143		522
	5		226		147		537
	6	232-3226	61		167	244-9631	180
	7	232-3232	61		299		190
	▶153	232-3273	14	238-5081	18		197
223-6470	304	232-3643	52		19		198
223-9135	21	232-4944	383		89		236
223-9137	40	232-7607	22		135		239
224-1213	1	233-0891	233		141		242
	2	233-4877	97		143		243
	3	234-0275	531		144		372
	4	234-1373	236		147		374
	5		239		290		375
	6	234-1645	530	238-5082	24		377
	7	234-1856	261	238-5084	18		379
	▶42	234-1857	260		19		383
224-1214	42	234-1858	260		92		384
224-1215	42	234-3438	97	238-9860	51		518
224-1219	42	234-3441	17	238-9862	9		519
224-1220	42	234-4279	52		▶51		525
224-1221	42	234-5013	135	238-9863	1		526
224-3158	128		290		2		528
224-3242	159		▶299		3	244-9639	▶174
224-5332	40	234-5059	498		4		534
	42		501		5	244-9642	534
224-7506	20	234-8937	14		6	244-9643	534
224-9222	348		15		7	244-9644	534
224-9657	42		16		▶17	244-9656	218
224-9664	42	235-1401	9	239-1139	17		358
224-9907	233		▶154	239-5225	97	244-9657	304
225-1242	50		▶156	239-5571	15	244-9750	212
225-3099	29	235-1861	53		16		213
225-3100	24	235-2014	1	239-5572	15		214
225-5966	22		2		16	244-9824	212
225-6052	9		3		58		213
	▶21		4		60		214
226-4753	14		5		76	244-9833	207
	141		6		89		209
226-4927	11		7	239-6114	9	244-9834	216
	▶12		▶53		▶61	244-9835	216
226-5561	27	235-4451	178	239-7356	267	244-9837	206
226-5613	119		179	239-7357	253		208
227-5538	14		236	239-7902	233		210
227-6731	340		239		▶241		211
228-4798	400		243	240-9543	24	244-9852	214
228-4947	297		244	241-0158	507	244-9858	206
	298		374	242-2983	383		207
228-7090	92		375	242-2984	383		208
	94		377	242-6099	274		209
229-6259	61		525		277		210
230-1294	97		526		283		211
230-1296	97		528	242-8298	160		216
230-1302	97	235-4753	97		162	244-9862	212
230-1550	53	235-8354	526		163		213
230-3728	138		528	242-8831	525		214
	139	236-1159	232		526	244-9973	206
230-3775	138		▶538		528		207
	139	236-1161	113	243-3565	117		208
230-4011	253	236-1637	113	243-3566	117		209
	267	236-2502	97	243-5027	178		210
	322	236-4136	40		179		211
230-4012	267	236-5605	31		239		216
230-4013	267	237-0125	364		243	245-0039	526
230-4172	1		▶530		244		528
	2	237-0227	267		375	245-2875	160
	3		295		377		162
	4	237-0336	253	243-6718	21		163
	5	237-4891	143	244-0452	260	245-2987	520
	6		147		261		522
	7	237-5068	383	244-1370	228	245-3803	50
	▶100	237-5069	383	244-9602	186	245-3804	42
230-6202	42	237-9311	135		▶304	246-7013	261
231-3930	287	237-9323	135	244-9613	232	246-7014	260

# PART NUMBER INDEX

Part	Page	Part	Page	Part	Page	Part	Page
246-7015	260		2	272-1079	520	283-7271	50
246-8898	186		3		522	283-8650	46
246-9818	304		4	272-1596	36	283-9438	123
247-5509	402		5	272-5835	304		124
247-6050	158		6	272-6638	201	284-8895	9
247-6130	61		7	273-3768	86		▶29
247-8195	268		▶39	273-8703	14	285-6647	12
247-9908	31	258-8721	66	274-3774	262	286-0349	123
248-0036	29	260-0217	38	274-3775	259	286-0350	123
248-5513	97		506		262	286-2531	153
249-0635	1	260-5864	323	274-3776	262		▶159
	2	260-6695	242	274-3777	259	286-3031	131
	3		383	274-4051	17	287-4781	102
	4	260-9307	9	274-4491	66	287-4782	102
	5		▶13	274-6717	294	287-4783	102
	6	260-9631	9	274-6719	135	287-4784	102
	7		▶55		295	287-4785	102
	▶300	261-0500	1	274-6821	124	287-4786	102
249-0652	223		2	274-7194	201	287-4787	102
249-1174	362		3	274-9183	342	287-4794	102
	▶531		4	275-1253	135	287-4795	102
249-2943	58		5		▶322	287-5235	126
	60		6	276-4879	1	287-5240	126
249-5156	124		7		2	287-7137	186
249-6520	56		▶117		3		534
249-9383	97	261-0502	1		4	287-7301	18
249-9384	97		2		5		19
250-2343	283		3		6		283
250-2940	61		6		7	288-3687	287
250-6239	117		7		▶64	288-3867	224
250-9205	117		▶87	276-5317	66	288-4881	27
250-9207	117	261-0973	87	276-6793	293	288-4882	27
252-1731	304	261-3429	27	276-8159	186	288-4883	27
252-1732	304	261-3430	27	276-8548	290	288-4884	27
252-6821	87	262-2876	241		▶294	288-5162	102
252-7365	▶328	263-4920	27	276-9067	290	288-5165	102
	534	263-5804	547		▶295	288-5166	102
252-7425	534	264-0310	97	277-3716	102	288-7324	262
252-7452	219	264-1491	▶74	277-5470	113		267
	220		79	278-1363	65	290-5564	428
252-7454	219	264-1492	1	278-4898	340		430
	220		2	278-8014	402		434
	222		3	278-8015	402		436
	224		4	278-8016	402		440
	226		5	278-8019	402		442
	230		6	278-8844	267		446
252-7455	186		7	279-0515	538		448
252-7497	304		▶79	279-0831	202		452
252-7519	186	264-5732	262		204		454
	198		267	279-0832	202		458
	534	264-6956	33		204		460
252-7556	236		34	279-0834	204		464
	▶537	264-7029	253	279-3637	202		466
252-7604	201		267		204		470
252-7656	201		322	279-6505	▶123		472
253-0615	▶138	264-7030	267	279-9828	297		476
	154	264-7034	267	279-9829	298		478
253-1752	21	266-8650	290	280-3979	27		482
253-2111	331		▶293	280-4155	14		484
255-5166	402	267-2104	3	280-7028	538		488
255-5167	402		4	280-7394	94		490
255-5168	402		5	280-8705	182		494
255-5169	402		6	280-9893	283		496
255-5536	1		7	281-3399	45		498
	2		▶33	281-7821	283		501
	3	267-4742	9	282-4895	1		▶503
	4		▶130		2	290-5565	426
	5	269-3993	498		3		432
	6		501		4		438
	7	271-1736	130		5		444
	▶97		▶131		6		450
256-6453	299	271-3843	▶86		7		456
256-9938	104	272-1065	520		▶62		462
258-4884	1		522	283-2551	82		468

# PART NUMBER INDEX

Part	Page	Part	Page	Part	Page	Part	Page
	474	307-0639	220		147		▶128
	480	307-2056	304	314-6905	402	319-0785	50
	486	307-2671	24	314-7753	71		▶68
	492		62	314-7755	183	319-6234	18
	▶504	307-2673	135		▶507		19
290-9666	115		143	314-9083	230	319-7401	21
292-1557	126		147		304		▶69
293-2033	186	307-3276	▶245		306	321-2524	304
	239		▶246		308		308
293-3459	48		272		310		311
293-3460	48		275		311	321-3315	230
293-3461	48		278		312	321-3322	224
293-7589	76	307-3521	400	314-9086	177	321-5230	▶124
	78	307-7514	233		310	321-8654	135
293-9452	186	307-8373	143		311	322-7615	143
	237		147	314-9090	177		147
	239	307-9598	383		304	322-7617	147
	336	308-2363	245		310	322-9819	362
	340		246		311	322-9821	362
	365	308-9776	237		313	323-0049	358
	534	308-9779	237	314-9091	362	323-2879	230
295-3124	182	308-9783	237	314-9093	177	324-5608	340
295-6925	▶173	308-9795	237		304	324-7659	287
296-5054	126	308-9796	237	314-9098	174	324-8967	177
299-8482	329	309-1583	▶132		175		304
	331		286		176		313
299-9606	147		360		177	325-1788	306
			534		304		308
		309-4513	115		352		310
		309-5131	18	314-9099	174		311
			19		175		312
			141		176	325-5705	143
			143		177		147
			147		304	326-0612	383
		310-1898	365	314-9100	174	326-1643	137
		310-2447	281		175	326-9055	44
		310-2839	113		176		45
		310-2840	113		177		547
		310-6273	287		304	327-0376	▶73
		310-8396	1		306		165
			2		308	327-4448	143
			3		311		147
			4		312		▶165
			5		313	328-4133	304
			6	314-9101	174	328-4136	174
			7		175	328-4465	546
			▶113		176	328-6200	147
		311-3046	223		177	329-0099	1
		311-3564	383		182		2
		311-3567	228		304		3
		311-3986	113		306		4
		311-3987	113		308		5
		311-5307	383		310		6
		311-5765	▶206		311		7
		311-5766	▶207		312		▶119
303-8266	375	311-5776	206		313	329-1293	402
	377		207		362	329-3734	253
303-8267	375		208	315-4134	76		267
	377		209	315-9859	24	329-5454	92
303-8271	375		210	316-2585	310	330-3453	▶350
	377		211	316-6409	236	331-4233	263
303-8272	375		216		239	331-6185	42
	377	311-5780	206		520	331-6188	42
304-6983	33		207		522	332-1128	▶182
	34		208		52		272
305-7067	1		209	316-9154	348		275
	2		210	317-8766	21		278
	3		211	318-1713	1	332-1130	182
	4		216		2	332-1131	272
	5	313-4085	67		3		275
	6	313-9198	230		4		278
	7	313-9614	147		5	332-1133	272
	▶50	314-3173	147		6		275
306-4014	61	314-3174	143		7		278

3

# PART NUMBER INDEX

Part	Page	Part	Page	Part	Page	Part	Page
332-1134	272	347-0337	306	351-9016	▶422	356-1432	327
	275		308	351-9309	342	356-5212	55
	278	347-0542	389	351-9799	186	356-5379	▶539
333-0772	36	347-6578	1		198		540
333-0773	36		2		▶380		541
333-0774	36		6		534	356-6633	539
333-0776	36		7	351-9801	180	356-6635	539
333-0777	36		▶58	351-9803	▶180		540
333-2408	36	347-7773	397		186	356-6636	539
334-1072	310	348-7743	55	351-9804	186	356-6638	539
334-7798	355	348-9904	▶22		198		541
334-7799	224		23		534	356-6649	539
334-7801	355	348-9905	▶23	352-0202	100		542
335-3732	141		24		▶101	357-1219	324
335-4020	387	349-2528	9	352-3968	348	357-1752	130
336-4419	212		▶24		545	357-4262	▶125
	213	349-2574	▶104	352-4708	315	357-7163	61
	214	349-2579	104	352-4709	315	358-5228	272
336-6455	224		▶140	352-5050	140	358-5994	520
336-8570	308	349-2580	102	352-5051	140		▶540
	310	349-2654	101	352-5052	140	358-5996	522
336-8571	308	349-5619	▶6	352-6496	94		▶541
	310		10	352-7936	▶35	358-6893	356
336-9184	230	349-5622	▶7		40		357
	311		10	352-9919	92		369
336-9185	311	349-5637	402	353-1648	59	359-1439	29
336-9186	311	349-7215	104		60	359-3748	533
337-3561	313		▶115	353-3768	46	359-5502	331
338-3453	301	349-7381	115		48	359-9932	186
338-3454	300	349-7382	115	353-3778	3		▶249
	▶301	349-7416	115		6	360-0788	248
339-5996	▶170	349-7543	96		7	360-4433	498
	227	349-7545	96		▶46	360-4434	498
339-6169	358	349-7546	▶96	353-3779	46		501
341-0060	61		104	353-3785	1	360-5106	383
341-3624	237	349-7577	1		2	361-0702	160
342-5296	▶314		2		▶48		162
342-9922	45		3	353-3786	48		163
	46		6	353-3790	48	361-1616	▶189
343-1685	1		7	353-5112	135	361-1617	▶190
	2		▶76	353-5126	29		192
	3	349-7578	76	353-5133	141		195
	4	350-1638	51	353-5134	143	361-1618	190
	5	350-2473	348		147		▶191
	6	350-2810	310	353-7879	160	361-1619	191
	7		311		162	361-1625	189
	▶71	350-3459	306		163		194
343-1713	107	350-4028	104	353-7881	162		▶243
	108	350-4029	104	353-7954	144	361-1627	243
	109	350-7076	236		147	361-1628	243
343-5527	137		▶532	353-9992	532	361-1631	192
343-8888	15	350-7093	532	354-2743	▶268		195
	16	350-8861	9		345		▶333
344-2466	267		▶52	354-3520	143	361-1632	▶183
345-2009	20	350-9971	1		147		191
345-2010	20		2	354-8484	24	361-1633	183
345-2011	20		3	355-0405	125	361-1635	183
345-7511	389		4	355-0406	125	361-1636	183
345-7545	112		5	355-0407	125	361-1637	183
346-0210	388		▶14	355-1176	235		▶306
346-1103	102	351-0258	143		▶533	361-1638	183
346-4956	160		147	355-2286	9		▶308
	163	351-1660	399		▶40	361-1639	185
	372	351-1661	399	355-3073	308		▶310
346-6673	389	351-1662	399	355-3351	▶345	361-1640	183
346-6674	389	351-1663	399	355-4676	342		▶311
347-0328	306	351-1718	520	355-6308	▶399	361-1641	185
	308		522	355-7067	56		▶312
	310	351-2245	48	355-7237	160	361-1642	362
	312	351-2429	▶235		162	361-1643	183
347-0329	306		239		163		▶313
	308	351-7310	402	356-0095	384	361-1644	▶251
	310	351-9015	422	356-1430	325		286
	312		▶498	356-1431	326		360

# PART NUMBER INDEX

Part	Page	Part	Page	Part	Page	Part	Page
361-1645	▶269 360	361-7131	▶252 364	367-8052	▶423 423	371-5036	179 ▶195
361-1646	▶260 333	361-7132	242	367-8057	▶499	371-9342	115
361-1647	▶261 333	361-7133	▶242 243	367-8058	▶423	372-6303	▶352
361-1648	▶269 333	361-7134	236 239	367-8059	423 ▶499	372-6304	352
361-1649	219 ▶269	361-7135	▶264 371	367-8060	▶423	372-6305	352
361-1650	▶250 334	363-0620	104 ▶368	367-8061	424 ▶500	372-6306	▶259 352
361-1651	▶250 334	363-5187	287	367-8062	▶424	372-6573	▶375
361-1652	▶236	363-7492	344	367-8085	424 ▶500	372-6577	375
361-1653	236	363-7493	344	367-8086	▶424	372-6578	518
361-1654	236	363-7499	342	368-0710	▶506	372-6579	375 ▶518
361-1657	▶545	363-7501	342	368-1361	318	372-7070	220 ▶265
361-1658	545	363-7521	▶342	368-4865	▶186	372-7071	▶220 358
361-1660	183	363-7529	200 ▶318	368-4955	283	372-7072	▶358
361-1661	236 239	363-7814	318	368-5702	383	372-7129	425 ▶501
361-1662	236 239	363-8269	▶10	368-7989	▶402	372-7130	▶425
361-1663	236 239	363-8270	▶10	368-8600	▶351 360	373-2164	198
361-1664	▶360	363-8866	202 204	369-1719	▶272	373-2165	198
361-1666	▶262 336	364-3010	287	369-2293	272 275	373-3493	197 ▶197
361-1997	143	364-3929	200 ▶287	369-2294	272 275 278	373-3494	534
361-2911	383	364-4218	318	369-3553	▶283	373-6409	1 2
361-6014	4 5 ▶89	364-5428	318	369-4689	306		3
	89	364-5429	318	369-4690	308		4
361-6016	89	364-5429	318	369-4691	310		5
361-6017	89	364-5713	1 2 3	369-4692	311		6
361-7105	▶263 361		4	369-4693	312		7
361-7106	▶270 336	364-6730	1 2	369-4694	313		▶141
361-7107	237		3	369-6847	92	373-6589	1 2
361-7108	338		5		94		3
361-7109	▶263 361		6	369-7762	272 275		4
361-7110	▶270 333		7		278		5
361-7111	▶264 361		▶200	369-7764	272 275 278		6
361-7112	▶251 362	364-6730	1 2		272		7
361-7113	▶252 362		3	369-7765	272 275 278	373-6716	1 2 3
361-7115	525		4		278		▶20
361-7117	▶525	364-6730	1 2	369-9380	143		4
361-7118	▶185 195	364-7507	▶219 357	369-9885	▶265 339		5 6
361-7119	195 ▶334	364-7509	▶364	370-5924	272 275		7
361-7120	▶361	364-7510	▶338		278		▶348
361-7121	▶362	364-7511	▶357	370-6122	239	373-6717	▶267 348
361-7122	▶255 361	364-7513	236 239	370-6123	236	373-6718	1 2
361-7123	▶250 334		▶259	370-6126	310 311		3
361-7124	▶256 347	364-7514	236 239	370-6127	308		4
361-7126	▶257 346	364-7519	▶270 336	370-6128	308		5
361-7127	▶264 333	365-0554	331	370-6129	308		6
361-7128	▶336	365-4307	22	370-6130	311		7
		366-0083	383	370-6131	310		▶290
		366-7880	342	370-6911	278	373-9468	▶175 520
		366-7887	287	371-1435	▶339		522
		366-7888	342	371-3764	▶239		▶249
		367-5990	92	371-3765	▶232		520
		367-8045	422 ▶498	371-3766	▶546		522
		367-8046	▶422	371-3767	▶323		▶520
		367-8049	422 ▶499	371-5027	308 310	373-9473	▶520 542
		367-8050	▶422	371-5029	308 310	374-0750	▶139 156
		367-8051	▶423 ▶499	371-5033	237	374-0874	175
				371-5034	178 ▶192	375-1045	143 147
				371-5035	▶194	375-2303	▶542

# PART NUMBER INDEX

Part	Page	Part	Page	Part	Page	Part	Page
375-6122	143	381-8739	206	385-9397	1	390-6904	387
	147		207		6		▶389
375-6148	143		208		▶9	390-6906	387
	147		209	386-6213	144		▶391
376-2418	143		210	387-0790	▶425	390-6907	391
	147		211	387-0791	425	390-6909	▶372
376-3092	1	381-8740	206		▶503	390-6910	372
	2		207	387-0792	▶425	390-6911	372
	3		208	387-0793	425	390-6912	372
	4		209		▶503	390-6931	151
	5		210	387-0794	▶425	390-6932	▶151
	6		211	387-0795	425	390-6934	393
	7		216		▶503	390-6953	▶397
	▶329	381-9250	61	388-0983	3	391-1826	80
	▶331		6		6	391-2167	130
376-7221	▶253	382-7977	▶522		7	391-3034	5
	348	383-4653	286		▶36		▶92
376-7703	▶107		▶354	388-2250	▶44	391-3035	92
376-7705	▶108	383-4663	▶286		46	391-3036	92
376-7706	▶109	383-4664	▶271	388-4919	▶1	391-5624	15
377-0777	1		286		8		16
	2	383-4669	▶324	388-4920	▶2	391-7181	1
	3	383-4670	▶325		8		2
	4	383-4671	▶326	388-4921	▶3		3
	5	383-4672	▶327		8		4
	6	383-4673	▶210	388-6994	141		5
	7	383-4674	▶211	388-9966	▶102		6
	▶143	383-4679	▶365		104		7
	▶147	383-4681	▶366	389-2733	▶8		▶122
377-0779	▶135	383-4682	▶367	389-2734	▶8	391-8986	525
	143	383-4683	▶400	389-2735	▶8		526
	147	383-4684	▶271	389-2736	▶8		528
377-1051	107		400	389-2738	▶80	391-8987	525
	108	383-4686	183	389-3701	143		526
	109	383-4687	▶178	389-5981	329		528
377-3814	141		189	389-5982	329	392-0066	55
377-3815	141	383-4688	▶179	389-7399	202		▶67
377-4748	120		194		204	392-0772	141
377-4749	129	383-4689	333	389-7400	202	392-0923	204
377-4750	129	383-4690	▶374		204	392-7750	81
377-4751	1	383-4691	374	389-7401	202	393-0060	160
	2	383-4692	374	389-7402	▶202	393-0537	▶160
	3	383-6032	143	389-8067	81	393-0722	219
	4		147	389-9736	▶204	393-1537	1
	5	383-8332	59	390-4107	92		2
	6	383-9585	143	390-6140	388		4
	7		147	390-6142	388		6
	▶120	384-1365	▶66	390-6144	388		7
377-5313	▶208		67	390-6146	388		▶15
377-5314	▶209	384-1366	66	390-6148	388	393-4941	▶340
378-4327	272	384-5029	4	390-6151	388		350
	275		5	390-6155	389	393-4942	▶247
	278		▶59	390-6158	389		336
378-7711	107	384-9218	143	390-6160	389		350
	108	384-9907	21	390-6162	389		361
	109	385-0643	▶377	390-6165	389	394-4678	▶4
	▶129	385-0644	377	390-6167	389		8
379-0103	104	385-0646	377	390-6170	389	394-4760	3
379-1795	257		▶519	390-6176	389		▶60
379-2193	287	385-0647	519	390-6178	389	394-5282	4
379-2204	287	385-1450	78	390-6188	391		5
379-2338	257	385-4555	143	390-6189	391		▶77
379-5053	58	385-6106	122	390-6190	391	394-5283	77
	60	385-9197	9	390-6195	389		▶78
380-8560	107	385-9199	9	390-6201	389	394-5284	78
	108	385-9260	▶265	390-6204	389	394-6029	▶216
	109		365	390-6223	387	394-9102	547
381-8738	206	385-9261	366	390-6900	▶112	394-9366	94
	207	385-9396	2		383	395-2033	112
	208		3	390-6901	▶383	395-2045	112
	209		4	390-6902	383	395-2051	112
	210		5		▶387	395-2060	112
	211		7	390-6903	387	395-2072	112
	216		▶9		▶388	395-3458	▶5

# PART NUMBER INDEX

Part	Page	Part	Page	Part	Page	Part	Page
	8	415-3372	160	423-0632	160	426-5059	528
395-4047	94		162		163	427-3615	▶81
396-2195	1	415-7153	392	423-0727	▶547	430-4323	▶347
	2	415-7154	392	423-0825	▶281	430-6294	▶373
	3	417-3089	377	423-0826	▶221	430-6465	223
	4	417-3090	377		281	430-6466	224
	5	417-3091	377	423-0827	221		▶266
	6	417-3092	377		▶255	430-6468	▶228
	7	417-3704	1	423-1372	163	430-6469	▶230
	▶233		2	423-1423	163	430-9024	▶379
396-5693	4		3	423-1424	163	430-9025	379
	▶18		4	423-3278	▶285	431-0361	▶526
396-5704	5		5	423-3279	285	431-0362	▶528
	▶19		6	423-4172	▶398	431-1971	104
396-5815	▶394		7	423-4173	398	431-4431	369
396-5816	394		▶82	423-4175	398	431-7185	▶226
396-5817	▶395	417-3705	82	423-4177	398	433-9367	▶218
396-5818	395	417-3706	82	423-4179	398	434-4547	46
396-5819	▶392	417-7875	▶277	423-4181	398	436-3027	▶396
396-5820	392	417-7876	277	423-4182	398		
396-5825	389		▶278	423-5602	▶356		
396-6359	▶201	419-0073	1	423-5603	▶222		
396-6361	244		2		356		
396-6362	▶244		▶34	423-5604	222		
396-6460	389	419-8870	377	423-5773	160		
396-8374	▶27	419-8871	377		162		
	31	419-9362	381		163		
396-8375	29	419-9364	381	423-5774	160		
	▶31	419-9531	381		162		
397-1993	▶381	420-0745	377		163		
397-1997	381	420-1792	144	423-5775	163		
397-1998	381		▶166	423-5776	160		
397-1999	381	420-1793	166	423-5777	162		
397-2003	381	420-1795	143	423-5778	160		
397-2005	▶126		▶167		162		
397-2007	126	420-1796	167		163		
397-2013	126	420-4907	126	423-7033	228		
397-2016	▶248	420-6140	▶45	423-7055	383		
397-2019	126		46	423-7056	398		
397-3980	219	420-6143	46	423-8583	226		
397-4842	▶8	421-0049	13	423-8587	▶223		
397-5083	3	421-0071	13		228		
	5	421-3235	▶212	423-8588	▶224		
	▶16	421-3237	▶213		230		
397-5686	3	421-3239	▶214	423-8594	▶369		
	▶94	421-7212	▶162	423-8595	▶268		
398-0692	▶152	421-7213	▶163		369		
398-0693	152	421-7875	392	424-0157	389		
398-3649	▶393	421-7881	388	424-0158	389		
398-3650	393	422-2319	▶534	424-1183	162		
398-7367	384	422-2321	▶198	424-1184	▶134		
398-9319	▶176	422-2477	▶315	424-1232	389		
	186	422-2478	315	424-7070	112		
398-9320	176	422-2479	315	424-7074	389		
398-9321	▶177	422-2594	160	425-3430	383		
	186		163	425-8635	▶346		
398-9322	177	422-2595	381	426-0983	▶38		
399-2331	275	422-4311	381	426-3240	181		
	278	422-4312	381	426-3241	181		
399-2332	274	422-6863	163	426-3242	181		
	277	422-6864	160	426-3243	▶181		
399-2333	274	422-6865	162		230		
	277	422-6866	163	426-3244	228		
399-2334	▶274	422-6867	160	426-3246	227		
399-2335	274	422-6868	162	426-4429	375		
	▶275	422-8199	396	426-4430	375		
399-4964	501	422-8999	▶227	426-4431	375		
		422-9000	227	426-4432	375		
			▶355	426-4831	375		
		422-9001	227	426-4832	375		
			▶266	426-4835	375		
		422-9002	355	426-5056	526		
415-3339	160	423-0445	160	426-5057	526		
	163		162	426-5058	528		

4







**SEBP6167-01**

**C27 Generator Set**

**AFH1-UP**