

Parts Manual



See "General Information"
for New Parts Manual
Features.

G3508 Engine

9TG1-Up (Engine)



Product and Dealer Information

Note: For product identification plate locations, see the section "Product Identification Information" in the Operation and Maintenance Manual.

Delivery Date: _____

Product Information

Model: _____

Product Identification Number: _____

Engine Serial Number: _____

Transmission Serial Number: _____

Generator Serial Number: _____

Attachment Serial Numbers: _____

Attachment Information: _____

Customer Equipment Number: _____

Dealer Equipment Number: _____

Dealer Information

Name: _____ Branch: _____

Address: _____

Dealer Contact

Phone Number

Hours

Sales: _____

Parts: _____

Service: _____

MEMORANDA

TABLE OF CONTENTS

Name	Page	Name	Page
GENERAL INFORMATION	A4	LUBRICATION SYSTEM	120
REPAIR ALTERNATIVES	A6	BREATHER GP.....	120
SUPPLEMENTAL COOLANT ADDITIVES	A7	DRAIN GP-ENGINE OIL.....	122
MAINTENANCE PARTS	A8	FILLER GP-ENGINE OIL.....	123
INDEX	A10	FILTER GP-ENGINE OIL.....	124
ENGINE ARRANGEMENT	1	GAUGE AS-OIL FILTER PRESS DIFF.....	139
CONVERSION AR.....	1	GAUGE GP-OIL LEVEL (DIPSTICK).....	140
CONVERSION AR-ENGINE.....	12	HOSE AS.....	141
ENGINE AR.....	14	INDICATOR GP-FILTER CHANGE.....	142
BASIC ENGINE	24	LINES GP-ENGINE OIL.....	144
BALANCER GP-FRONT.....	24	LINES GP-OIL DRAIN.....	154
BARRING GP.....	25	LINES GP-OIL SUPPLY.....	155
CAMSHAFT GP.....	26	LINES GP-PRELUBE.....	156
COUPLING GP-FLEXIBLE.....	28	LINES GP-TURBOCHARGER OIL.....	158
COUPLING GP-GENERATOR.....	29	PUMP GP-ENGINE OIL.....	162
COVER GP-CYLINDER BLOCK.....	30	PUMP GP-PRELUBE.....	166
COVER GP-FLYWHEEL HOUSING.....	31	PUMP GP-SUMP.....	172
COVER GP-FRONT HOUSING.....	32	REGULATOR GP-OIL LEVEL.....	175
COVER GP-OIL PAN.....	36	VALVE GP-FLUID CONTROL.....	178
COVER GP-VALVE MECHANISM.....	37	COOLING SYSTEM	180
CRANKSHAFT GP.....	38	CONNECTION GP-WATER.....	180
CYLINDER BLOCK AS.....	39	COOLER GP-ENGINE OIL.....	185
CYLINDER BLOCK GP.....	45	CORE GP-OIL COOLER.....	187
CYLINDER HEAD AS.....	55	FLANGE GP.....	188
CYLINDER HEAD GP.....	59	JOINT AS-TUBE.....	189
DAMPER GP.....	64	LINES GP-AUXILIARY.....	190
DRAIN GP-OIL PAN.....	65	LINES GP-VENT.....	194
DRIVE GP-ACCESSORY.....	68	LINES GP-WATER.....	196
FASTENER GP-COUPLING.....	80	PUMP GP-AUXILIARY FRESH WATER.....	235
FASTENER GP-VALVE MECHANISM.....	81	PUMP GP-WATER.....	237
FLYWHEEL GP.....	82	REGULATOR GP-TEMPERATURE.....	252
GEAR GP-FRONT.....	84	CONTROL GP-TEMPERATURE.....	255
GEAR GP-REAR.....	90	REGULATOR GP-TEMPERATURE.....	256
GUARD GP-BELT.....	92	TANK GP-EXPANSION.....	257
GUARD GP-COUPLING.....	93	TANK GP-WATER.....	262
GUARD GP-DAMPER.....	94	VALVE & MTG GP-THERMOSTATIC.....	266
HOUSING GP-FLYWHEEL.....	95	VALVE GP-THERMOSTATIC.....	267
HOUSING GP-FRONT.....	96	AIR INLET AND EXHAUST SYSTEM	272
HUB-FLEXIBLE COUPLING.....	97	ACCUMULATOR GP-TURBO OIL.....	272
LIFTING GP-ENGINE.....	98	ADAPTER GP-AIR CLEANER.....	274
MOUNTING GP-ENGINE FLEXIBLE.....	99	AFTERCOOLER GP-RAW WATER.....	276
PAN GP-OIL.....	101	AFTERCOOLER GP-TREATED WATER.....	278
PISTON & ROD GP.....	106	AIR CLEANER GP.....	280
PULLEY AS-CRANKSHAFT.....	112	ARRESTOR GP-FLAME.....	288
SEAL GP-CRANKSHAFT.....	114	BYPASS GP-EXHAUST.....	289
SHAFT GP-STUB.....	116	CARTRIDGE GP-TURBOCHARGER.....	294
VALVE GP-CRKCSE EXPLOSION RLF.....	117	CONTROL GP-TEMPERATURE.....	304
VALVE MECHANISM GP.....	118	ELBOW GP-EXHAUST.....	306
		ELBOW-EXHAUST.....	307
		FITTING GP-EXHAUST.....	308
		FLANGE GP-EXHAUST.....	311
		LINES GP-AIR.....	314
		LINES GP-TURBOCHARGER VENT.....	320

TABLE OF CONTENTS

Name	Page	Name	Page
MANIFOLD GP-EXHAUST.....	322	HARNES GP-WIRING.....	519
MUFFLER.....	328	IGNITION GP.....	524
THERMOCOUPLE GP.....	329	IGNITION GP-GAS ENGINE.....	528
TURBOCHARGER GP.....	330	INDICATOR AS-VOLT.....	540
FUEL SYSTEM.....	342	JUNCTION BOX GP.....	542
ACTUATOR AR.....	342	LINES GP-AIR START.....	566
ACTUATOR AS-WOODWARD.....	343	LUBRICATOR GP-AIR MOTOR.....	570
ACTUATOR GP-ELECTRONIC.....	344	MAGNETIC PICKUP GP.....	573
ACTUATOR GP-FUEL RATIO.....	345	MOUNTING GP-ALTERNATOR.....	574
ACTUATOR GP-GOVERNOR.....	346	MOUNTING GP-CONTACTOR.....	575
CARBURETOR GP.....	348	MOUNTING GP-JACKET WTR HEATER.....	576
CONTROL AS-GOVERNOR.....	356	MOUNTING GP-JUNCTION BOX.....	582
CONTROL GP-CARBURETOR.....	361	RELAY GP-AUXILIARY.....	583
CONTROL GP-GOVERNOR.....	369	SENSOR & MTG GP-RADIATOR.....	584
DRIVE GP-GOVERNOR.....	372	SENSOR AS-LIQUID LEVEL.....	585
DRIVE GP-TACHOMETER.....	375	SENSOR GP-ELECTRONIC.....	587
GOVERNOR GP.....	376	SENSOR GP-LIQUID LEVEL.....	594
GOVERNOR GP-ELECTRIC.....	382	SENSOR GP-PRESSURE.....	595
GOVERNOR GP-ELECTRONIC.....	384	SENSOR GP-SPEED.....	600
LINES GP-GAS.....	386	SENSOR GP-TEMPERATURE.....	602
REGULATOR AS.....	388	SHUTOFF GP-ELECTRICAL.....	604
REGULATOR GP.....	390	SILENCER GP-AIR STARTING.....	608
REGULATOR GP-GAS PRESSURE.....	392	SOLENOID AS-STARTING MOTOR.....	610
THROTTLE GP.....	404	STARTING MOTOR GP-AIR.....	612
VALVE GP-FUEL.....	406	STARTING MOTOR GP-ELECTRIC.....	617
VALVE GP-MANUAL.....	407	SUPPORT GP-BATTERY.....	668
ELECTRICAL AND STARTING SYSTEM.....	408	SWITCH AS-MAGNETIC.....	669
ALTERNATOR GP-CHARGING.....	408	SWITCH AS-PUSH BUTTON.....	670
BATTERY CHARGER.....	422	SWITCH AS-TEMPERATURE.....	671
BATTERY GP.....	423	SWITCH GP.....	673
CIRCUIT BREAKER GP.....	426	SWITCH GP-ENGINE START.....	675
CONTROL & COVER GP-ENG ELEK.....	428	SWITCH GP-GOVERNOR.....	676
COVER & CONTROL GP-ENG ELEK.....	432	SWITCH GP-MAGNETIC.....	677
CONTROL & COVER GP-ENG ELEK.....	436	SWITCH GP.....	678
COVER & CONTROL GP-ENG ELEK.....	438	SWITCH GP-PYROMETER.....	679
CONTROL & COVER GP-ENG ELEK.....	440	SWITCH GP.....	680
CONTROL GP-AIR STARTING.....	442	TRANSFORMER GP.....	682
CONTROL GP-ENG RATINGS ELEK.....	452	VALVE AS-SOLENOID.....	685
CONTROL GP-ENGINE ELECTRONIC.....	455	VALVE GP-AIR CONTROL.....	686
CONTROL GP-ELECTRONIC.....	457	VALVE GP-PRESSURE REDUCING.....	688
CONTROL GP-ENGINE ELECTRONIC.....	458	VALVE GP-SOLENOID.....	689
CONTROL GP.....	462	WIRING GP.....	698
CONTROL GP-ENGINE ELECTRONIC.....	463	WIRING GP-EIS.....	710
CONTROL GP.....	464	WIRING GP-ENGINE.....	714
CONTROL GP-ENGINE ELECTRONIC.....	465	WIRING GP-INSTR & IGNITION.....	719
CONTROL GP-ENGINE MONITORING.....	467	WIRING GP-SENSOR.....	721
CONTROL GP-WATER TEMPERATURE.....	487	OPERATOR STATION.....	722
CONTROL GP-ENGINE ELECTRONIC.....	488	BOX GP-INSTRUMENT PANEL.....	722
DIODE AS.....	489	CONTROL GP-ALARM MODULE.....	727
FASTENER GP-WIRING HARNESS.....	490	CONTROL GP-ANNUNCIATOR ELEK.....	728
HARNES AS.....	491	CONTROL GP-EMCP ELECTRONIC.....	732
HARNES AS-ELECTRICAL.....	512	GAUGE AS-AMMETER.....	738
HARNES AS-WIRING.....	516	GAUGE AS.....	739
		GAUGE AS-MANIFOLD PRESSURE.....	742

TABLE OF CONTENTS

Name	Page	Name	Page
GAUGE AS.	743		
GAUGE AS-MANIFOLD VACUUM.	744		
GAUGE AS.	745		
GAUGE AS-PRESSURE.	747		
GAUGE AS-PYROMETER.	749		
GAUGE AS.	754		
GAUGE AS-TEMPERATURE.	755		
GAUGE AS.	756		
GAUGE AS-TEMPERATURE.	758		
GAUGE AS-WATER PRESS DIFF.	760		
GAUGE AS.	762		
GAUGE AS-WATER PRESSURE.	766		
GAUGE GP.	768		
GAUGE GP-AMMETER.	774		
GAUGE GP-MANIFOLD AIR TEMP.	775		
GAUGE GP-MANIFOLD PRESSURE.	776		
GAUGE GP-TEMPERATURE.	777		
GAUGE GP-WATER LEVEL.	778		
LINES GP-INSTRUMENT PANEL.	779		
METER AS-VOLT.	785		
METER GP-SERVICE.	786		
MODULE GP-ALARM.	790		
MOUNTING GP-INSTRUMENT.	792		
MOUNTING GP-INSTRUMENT PANEL.	797		
PANEL AS-CONTROL.	800		
PANEL GP-ELECTRONIC.	807		
PANEL GP-INSTRUMENT.	808		
PYROMETER GP.	831		
TACHOMETER GP.	833		
TACHOMETER GP-ELECTRIC.	834		
ENCLOSURES, GUARDS AND BASES.	835		
GUARD GP-EXTENSION.	835		
RAIL GP-ENGINE SUPPORT.	837		
GENERATORS.	838		
INSTALLATION AR-GENERATOR.	838		
SHIM GP-GENERATOR.	840		
SERVICE EQUIPMENT AND SUPPLIES.	841		
CHART-PLATE & FILM.	841		
KIT-INSERT.	842		
PROGRAMMER.	843		
PART NUMBER INDEX.	B1		

GENERAL INFORMATION

1. ENGINE IDENTIFICATION

Caterpillar engines are identified with Serial Numbers and Arrangement Numbers. In some cases, Modification Numbers are also used. The serial number plate which shows these numbers is mounted on the engine.

Caterpillar dealers need this information to determine which components were included on the engine when it was assembled at the factory. This permits accurate identification of replacement part numbers.

2. ORDERING PARTS

WARNING

When replacement parts are required for this product Caterpillar recommends using Caterpillar replacement parts or parts with equivalent specifications including, but not limited to, physical dimensions, type, strength and material.

Failure to heed this warning can lead to premature failures, product damage, personal injury or death.

Quality Caterpillar replacement parts are available from Caterpillar dealers throughout the world. Their parts inventories are up to date and include all parts normally required to protect your investment in Caterpillar Engines. Dealers may offer repair kits or remanufactured parts to allow selection of the most effective repair alternative for a particular situation. When ordering parts, your order should specify the quantity, part number, part name, and the serial number/product identification number of the engine for which the parts are needed.

3. PARTS MANUAL ORGANIZATION

Product information in this manual is presented as "information elements" that represent all of the components for the specific model. An Engine Arrangement is an example of an information element. The information elements are organized alphabetically by part name and secondarily by part number within each major section of the manual.

4. TABLE OF CONTENTS

New Feature

A table of contents (TOC) is found at the beginning of the manual. The TOC lists each section of the manual with a complete list of all information elements organized as they appear in the manual. Page numbers are provided for quick reference to detailed parts identification illustrations and serviceable consist lists.

5. MAINTENANCE PARTS INDEX

The Maintenance Parts Index, located near the beginning of the manual, references most frequently used maintenance part numbers, providing description, quantity, usage and page number. This information is organized alphabetically by part description.

6. INDEX

The index located near the front of the manual is an alphabetical listing of all information elements included in the manual. Page numbers are provided for quick reference to detailed parts identification illustrations and serviceable consist lists.

7. PART NUMBER INDEX

A numerical index listing all part numbers and the corresponding page number(s) appears at the back of the manual.

8. CAPTIONS

Captions located at the top of each page of an information element identify the part number and part name along with additional descriptive information. S/N information found in each caption should be used to select correct information for a specific engine. Field replacement options, identification of optional attachment components, and where used ("part of") information is also provided.

New Feature

The first line of a caption is shown in larger type font to indicate the beginning of an information element. Captions for additional pages that may be required to illustrate an information element will be shown in standard type font and will include the term (*contd.*)

GENERAL INFORMATION

9. NON-SERVICED PARTS

New Feature

In some instances it is necessary to display non-serviced parts that are a link to lower level serviceable consist lists. These non-serviced part numbers are shown in *italic* type indicating that they are not available. All consist lists have not been converted to reflect this enhancement.

NOTE:

Continuing improvement and advancement of product design may cause changes to your engine which may not be included in this publication. Whenever a question arises regarding your Caterpillar product or this publication, please consult your Caterpillar dealer for the latest available information.

10. PARTS LIST REFERENCE NUMBERS

New Feature

Numbers shown in the Ref No column correspond to numbers used in the associated graphic(s). An alphabetic suffix may be added to a reference number to identify lower level consist items. Numbers shown in the Graphic Ref column refer to the graphic number identifier displayed in the lower left corner of each illustration. The Graphic Ref number may be used in combination with the item Ref No to determine the correct part number. There may be intentional omission of a Ref No in a consist list as information is updated to reflect the latest serviceable part numbers.

11. INDENTED PART NAMES

When a part name is indented in a parts list, it is part of (included in) the group or assembly under which it is indented.

12. ILLUSTRATION REFERENCE LETTERS

When necessary, illustrations contain reference letters (A, B, C etc.) that are intended to track lines and harnesses from one point to another. They are also used to show where to reconnect illustrations that have been separated.

13. ABBREVIATIONS AND SYMBOLS

O.D. – Outside Diameter
I.D. – Inside Diameter
A – Not Part Of This Group
B – Use As Required
C – Change From Previous Type
D – Order By The Meter
E – Order By The Centimeter
F – Not Shown
G – Order By The Inch
I – See Hose Fabrication Guide
M – Metric Part
R – Remfg Part May Be Available
Y – Separate Illustration
Z – Not Serviced Separately

REPAIR ALTERNATIVES

REMANUFACTURED COMPONENTS

As an option when making repairs consider Caterpillar Remanufactured Components. Components that are available through the Caterpillar Remanufactured Program are identified three ways in the parts book:

- with the letter R in the note field of the parts list
- with an R* at the beginning of the first line of the caption
- with an *R at the end of the first line of the caption

Typical components included in the Remanufacturing Program include:

ALTERNATORS
CONNECTING RODS
CRANKSHAFTS - UNDERSIZE
CRANKSHAFTS - UPGRADE TO NEW
CYLINDER HEADS
ELECTRONIC CONTROL MODULES (ECM)
ELECTRONIC SENSORS
FUEL INJECTORS
FUEL NOZZLES
FUEL PUMPS
GOVERNORS
OIL PUMPS
PISTONS
SHORT BLOCKS
STARTERS
TURBOCHARGERS - COMPLETE
TURBOCHARGER CARTRIDGES
WATER PUMPS

Caterpillar Remanufactured engines for many engine arrangements are also available.

SUPPLEMENTAL COOLANT ADDITIVES

CUSTOMER BENEFITS:

Protects against cavitation, foam, erosion, corrosion, and scale buildup in cooling systems.

- Provides measured coolant conditioner.

DESCRIPTION:

Additives deplete from the coolant with normal operation. For this reason, Supplemental Coolant Additives (SCA) must be added to all heavy duty coolants at regular intervals. In addition, when not using a fully formulated, pre-charged antifreeze, like Caterpillar's DEAC, an initial charge of SCA must be added to the cooling system. The amount of SCA added to the system is dependent on the capacity of the system.

The SCA for initial fill is provided as a liquid. SCA's for maintenance intervals are available in liquid form and as a spin-on element. (No Spin-on available for 3600 Family of Engines)

NOTE:

The amount of SCA added at initial fill is not the same as the amount added at maintenance intervals.

The coolant additive elements can be used with any ethylene or propylene glycol type antifreeze which meets ASTM D4985 or ASTM D5345 Specifications.

NOTE:

For use with standard heavy duty coolant only, not for use with Extended Life Coolant.

PARTS NEEDED:

Cooling System Capacity		Liquid SCA at Initial Fill	Liquid SCA at Maintenance*	Spin-on SCA Maintenance Element*
Liters	Gallons			
22-30	(6-8)	3P-2044 (1)	6V-3542 (1)	111-2370 (1)
30-38	(8-10)	3P-2044 (1) 6V-3542 (1)	111-2372 (1)	111-2369 (1)
38-49	(10-13)	3P-2044 (1) 8T-1589 (1)	111-2372 (1)	111-2369 (1)
49-64	(13-17)	3P-2044 (2)	8T-1589 (1)	9N-3368 (1)
64-83	(17-22)	3P-2044 (2) 8T-1589 (1)	111-2372 (1) 6V-3542 (1)	111-2371 (1)
83-114	(22-30)	3P-2044 (3) 8T-1589 (1)	3P-2044 (1)	9N-3718 (1)
114-163	(30-43)	3P-2044 (5)	3P-2044 (1) 6V-3542 (1)	111-2371 (2)
163-242	(43-64)	3P-2044 (8)	3P-2044 (2)	9N-3718 (2)

* Normal maintenance period is 250 hrs. See your Operation and Maintenance Manual for complete coolant maintenance instructions.

() Indicates quantity required.

MAINTENANCE PARTS

DESCRIPTION	PART NUMBER	QTY	WHERE USED	PAGE
BATTERY (12 VOLT)	9G-4232	2	BATTERY GP	423
	9X-9720	2	BATTERY GP	424
BATTERY (12 VOLT)(DRY)	9X-9730	2	BATTERY GP	425
BELT (ALTERNATOR)	7E-4841	1	MOUNTING GP-ALTERNATOR	574
BREATHER AS	4W-3027	1	BREATHER GP	121
BREATHER AS (CRANKCASE)	9Y-2988	1	BREATHER GP	120
CAP AS-PROTECTION	3E-5165	1	BOX GP-INSTRUMENT PANEL	724
			JUNCTION BOX GP	562
			WIRING GP-ENGINE	714
CIRCUIT BREAKER AS (20AMP)	9H-1958	1	SWITCH GP-MAGNETIC	677
ELEMENT AS-FILTER	4P-2839	4	FILTER GP-ENGINE OIL	128
			FILTER GP-ENGINE OIL	132
			FILTER GP-ENGINE OIL	136
ELEMENT AS-FILTER (OIL)	4P-2839	3	FILTER GP-ENGINE OIL	124
ELEMENT AS-PRIMARY (AIR)	8N-6309	1	AIR CLEANER GP	283
			AIR CLEANER GP	284
			AIR CLEANER GP	287
FILTER	4N-5834	2	PUMP GP-WATER	237
			PUMP GP-WATER	240
			PUMP GP-WATER	245
			PUMP GP-WATER	248
			PUMP GP-WATER	249
			PUMP GP-WATER	250
FUSE (10 AMP)	3K-8782	8	JUNCTION BOX GP	559
		10	PANEL AS-CONTROL	800
			PANEL AS-CONTROL	804
			PANEL GP-INSTRUMENT	821
			PANEL GP-INSTRUMENT	825
GASKET-SPARK PLUG	9Y-6792	1	IGNITION GP	524
			IGNITION GP	526
			IGNITION GP-GAS ENGINE	530
			IGNITION GP-GAS ENGINE	532
			IGNITION GP-GAS ENGINE	534
			IGNITION GP-GAS ENGINE	536
LAMP AS	7G-9730	2	PANEL GP-ELECTRONIC	807

MAINTENANCE PARTS

DESCRIPTION	PART NUMBER	QTY	WHERE USED	PAGE	
LAMP-MINIATURE (28 VOLT)	7N-5876	3	JUNCTION BOX GP	550	
			PANEL GP-ELECTRONIC	807	
			PANEL GP-INSTRUMENT	808	
			PANEL GP-INSTRUMENT	812	
			PANEL GP-INSTRUMENT	816	
			PANEL GP-INSTRUMENT	820	
			PANEL GP-INSTRUMENT	824	
			PANEL GP-INSTRUMENT	828	
LAMP (28 VOLT)	7N-5876	4	BOX GP-INSTRUMENT PANEL	724	
			3	JUNCTION BOX GP	554
				JUNCTION BOX GP	558
				JUNCTION BOX GP	562
PLUG-SPARK	4P-8294	8	IGNITION GP-GAS ENGINE	528	
REGULATOR GP-TEMPERATURE	7C-3095	4	REGULATOR GP-TEMPERATURE	256	
REGULATOR-WATER	7E-7933	4	REGULATOR GP-TEMPERATURE	254	
REGULATOR-WATER TEMPERATURE (92 DEG C.)	4W-4794	1	LINES GP-ENGINE OIL	148	
SPARK PLUG	106-4128	8	IGNITION GP-GAS ENGINE	530	

INDEX

Name	Page	Name	Page
A			292
ACCUMULATOR GP-TURBO OIL.....	272		
ACTUATOR AR.....	342		
ACTUATOR AS-WOODWARD.....	343		
ACTUATOR GP-ELECTRONIC.....	344		
ACTUATOR GP-FUEL RATIO.....	345		
ACTUATOR GP-GOVERNOR.....	346		
	347		
ADAPTER GP-AIR CLEANER.....	274		
	275		
AFTERCOOLER GP-RAW WATER.....	276		
	277		
AFTERCOOLER GP-TREATED WATER.....	278		
	279		
AIR CLEANER GP.....	280		
	281		
	282		
	283		
	284		
	285		
	286		
	287		
ALTERNATOR GP-CHARGING.....	408		
	410		
	413		
	414		
	415		
	416		
	418		
	420		
	421		
ARRESTOR GP-FLAME.....	288		
B			
BALANCER GP-FRONT.....	24		
BARRING GP.....	25		
BATTERY CHARGER.....	422		
BATTERY GP.....	423		
	424		
	425		
BATTERY (12 VOLT).....	423		
	424		
BATTERY (12 VOLT)(DRY).....	425		
BELT (ALTERNATOR).....	574		
BOX GP-INSTRUMENT PANEL.....	722		
	724		
BREATHER AS.....	121		
BREATHER AS (CRANKCASE).....	120		
BREATHER GP.....	120		
	121		
BYPASS GP-EXHAUST.....	289		
	290		
	291		
		C	
		CAMSHAFT GP.....	26
			27
		CAP AS-PROTECTION.....	562
			714
			724
		CAP-PRESSURE VALVE.....	258
		CARBURETOR GP.....	348
			349
			350
			352
			353
			354
			355
		CARTRIDGE GP-TURBOCHARGER.....	294
			296
			298
			300
			302
		CHART-PLATE & FILM.....	841
		CIRCUIT BREAKER AS (12.5 AMP).....	800
			804
		CIRCUIT BREAKER AS (20 AMP).....	426
		CIRCUIT BREAKER AS (20AMP).....	677
		CIRCUIT BREAKER GP.....	426
			427
		CIRCUIT BREAKER (60 AMP).....	427
		CONNECTION GP-WATER.....	180
			182
			183
			184
		CONTROL & COVER GP-ENG ELEK.....	428
			430
			436
			440
		CONTROL AS-GOVERNOR.....	356
			357
			358
			359
			360
		CONTROL GP.....	462
			464
		CONTROL GP-AIR STARTING.....	442
			444
			446
			449
			450
			451
		CONTROL GP-ALARM MODULE.....	727
		CONTROL GP-ANNUNCIATOR ELEK.....	728
			729
			730

INDEX

Name	Page	Name	Page
CONTROL GP-CARBURETOR.....	361	CONVERSION AR.....	1
	362		2
	364		3
	366		4
	368		6
CONTROL GP-ELECTRONIC.....	457		8
CONTROL GP-ELECTRONIC			10
(SPEED SENSOR).....	432		11
CONTROL GP-ELECTRONIC		CONVERSION AR-ENGINE.....	12
(SPEED TIMING SENSOR).....	428		13
CONTROL GP-EMCP ELECTRONIC.....	732	COOLER GP-ENGINE OIL.....	185
	734		186
	735	CORE GP-OIL COOLER.....	187
	736	COUPLING GP-FLEXIBLE.....	28
	737	COUPLING GP-GENERATOR.....	29
CONTROL GP-ENG RATINGS ELEK.....	452	COVER & CONTROL GP-ENG ELEK.....	432
	453		434
	454		438
CONTROL GP-ENGINE ELECTRONIC.....	455	COVER GP-CYLINDER BLOCK.....	30
	456	COVER GP-FLYWHEEL HOUSING.....	31
	458	COVER GP-FRONT HOUSING.....	32
	459		33
	460		34
	461	COVER GP-OIL PAN.....	36
	463	COVER GP-VALVE MECHANISM.....	37
	465	CRANKSHAFT GP.....	38
	466	CYLINDER BLOCK AS.....	39
	488		40
CONTROL GP-ENGINE MONITORING.....	467		41
	468		42
	469		43
	470		44
	471	CYLINDER BLOCK GP.....	45
	472		46
	473		48
	474		50
	475		52
	476		54
	477	CYLINDER HEAD AS.....	55
	478		56
	479		57
	480		58
	481	CYLINDER HEAD GP.....	59
	482		60
	483		61
	484		62
	485		63
	486		
CONTROL GP-GOVERNOR.....	369		
	370		
	371		
CONTROL GP-TEMPERATURE.....	255		
	304		
	305		
CONTROL GP-WATER TEMPERATURE.....	487		

D

DAMPER GP.....	64
DIODE AS.....	489
DRAIN GP-ENGINE OIL.....	122
DRAIN GP-OIL PAN.....	65
	66

INDEX

Name	Page	Name	Page
DRIVE GP-ACCESSORY.....	68		804
	70		821
	72		825
	74		
	76		
	78		
DRIVE GP-GOVERNOR.....	372		
	374		
DRIVE GP-TACHOMETER.....	375		
E			
ELBOW-EXHAUST.....	307		
ELBOW GP-EXHAUST.....	306		
ELECTRONIC ENGINE RATINGS CONTROL....	464		
ELEMENT AS-FILTER.....	128		
	132		
	136		
ELEMENT AS-FILTER (OIL).....	124		
ELEMENT AS-PRIMARY (AIR).....	283		
	284		
	287		
ENGINE AR.....	14		
	16		
	18		
	20		
	22		
F			
FASTENER GP-COUPLING.....	80		
FASTENER GP-VALVE MECHANISM.....	81		
FASTENER GP-WIRING HARNESS.....	490		
FILLER GP-ENGINE OIL.....	123		
FILM-WARNING.....	841		
FILTER.....	237		
	240		
	245		
	248		
	249		
	250		
FILTER GP-ENGINE OIL.....	124		
	128		
	132		
	136		
FITTING GP-EXHAUST.....	308		
	309		
	310		
FLANGE GP.....	188		
FLANGE GP-EXHAUST.....	311		
	312		
	313		
FLYWHEEL GP.....	82		
FUSE (10 AMP).....	559		
	800		
G			
GASKET-SPARK PLUG.....			524
			526
			530
			532
			534
			536
GAUGE AS.....			739
			740
			741
			743
			745
			746
			754
			756
			757
			762
			763
			764
GAUGE AS-AMMETER.....			738
GAUGE AS-MANIFOLD PRESSURE.....			742
GAUGE AS-MANIFOLD VACUUM.....			744
GAUGE AS-OIL FILTER PRESS DIFF.....			139
GAUGE AS-PRESSURE.....			747
			748
GAUGE AS-PYROMETER.....			749
			750
			751
			752
			753
GAUGE AS-TEMPERATURE.....			755
			758
GAUGE AS-WATER PRESS DIFF.....			760
GAUGE AS-WATER PRESSURE.....			766
			767
GAUGE GP.....			768
			769
			770
			772
GAUGE GP-AMMETER.....			774
GAUGE GP-MANIFOLD AIR TEMP.....			775
GAUGE GP-MANIFOLD PRESSURE.....			776
GAUGE GP-OIL LEVEL (DIPSTICK).....			140
GAUGE GP-TEMPERATURE.....			777
GAUGE GP-WATER LEVEL.....			778
GEAR GP-FRONT.....			84
			86
			88
GEAR GP-REAR.....			90
			91

INDEX

Name	Page	Name	Page
		I	
GOVERNOR GP.....	376	IGNITION GP.....	524
	377		526
	378	IGNITION GP-GAS ENGINE.....	528
	379		530
	380		532
	381		534
GOVERNOR GP-ELECTRIC.....	382		536
	383		538
GOVERNOR GP-ELECTRONIC.....	384	INDICATOR AS-DIFF PRESSURE.....	139
	385		746
GUARD GP-BELT.....	92		770
GUARD GP-COUPLING.....	93	INDICATOR AS-FUEL PRESSURE.....	742
GUARD GP-DAMPER.....	94		776
GUARD GP-EXTENSION.....	835	INDICATOR AS-PRESSURE.....	745
	836		762
H			770
HARNESS AS.....	491	INDICATOR AS-PRESSURE (ENGINE OIL).....	747
	492	INDICATOR AS-PRESSURE (WATER).....	748
	493	INDICATOR AS-VOLT.....	540
	494	INDICATOR GP-FILTER CHANGE.....	142
	495		143
	496	INSTALLATION AR-GENERATOR.....	838
	497		839
	498	J	
	499	JOINT AS-TUBE.....	189
	500	JUNCTION BOX GP.....	542
	501		544
	502		548
	503		550
	504		554
	505		558
	506		562
	507		564
	508	K	
	509	KIT-BEARING.....	294
	510		300
	511		302
HARNESS AS-ELECTRICAL.....	512		642
	514		650
HARNESS AS-WIRING.....	516		662
	517	KIT-BEARING (ALTERNATOR).....	418
	518	KIT-BEARING	
HARNESS GP-WIRING.....	519	(INCL BEARINGS, SEAL, & SPACERS).....	648
	520	KIT-BRUSH.....	642
	521		653
	522		657
	523		662
HOSE AS.....	141		664
HOUSING GP-FLYWHEEL.....	95		666
HOUSING GP-FRONT.....	96		
HUB-FLEXIBLE COUPLING.....	97		

INDEX

Name	Page	Name	Page
KIT-BRUSH (INCL BRUSHES).....	648		627
KIT-BRUSH (INCLUDES BRUSHES).....	650		631
KIT-BUSHING.....	653		635
	657	KIT-TERMINAL (ALTERNATOR).....	408
	664	KIT-TERMINAL (ALTERNATOR NEG).....	418
	666	KIT-TERMINAL (ALTERNATOR POS).....	418
KIT-CAPACITOR (ALTERNATOR).....	416	KIT-TERMINAL (ALTERNATOR RELAY).....	418
KIT-CARTRIDGE.....	294	KIT-TERMINAL GROUND (ALTERNATOR).....	416
	300	KIT-TERMINAL (OUTPUT).....	408
KIT-CONNECTING PLUG (2 PIN).....	451	KIT-TURBOCHARGER CARTRIDGE.....	296
	594		298
KIT-DRIVE HOUSING.....	612	KIT-WASHER.....	642
	614		662
KIT-FAN (ALTERNATOR).....	416		
KIT-HARDWARE.....	642	L	
	648	LAMP AS.....	807
	650	LAMP-MINIATURE (28 VOLT).....	550
	662		807
KIT-HARDWARE (ALTERNATOR).....	418		808
KIT-INSERT.....	842		812
KIT-INSULATOR.....	653		816
	657		820
	664		824
	666		828
KIT-LEVER.....	653	LAMP (28 VOLT).....	554
	657		558
	664		562
	666		724
KIT-LEVER (INCL LEVER, CLIP & SEALS).....	648	LIFTING GP-ENGINE.....	98
KIT-LEVER (INCLUDES LEVER, CLIP & SEALS).....	650	LINES GP-AIR.....	314
KIT-OUTPUT TERMINAL (ALTERNATOR).....	416		316
KIT-PLUG (4 PIN).....	718		317
KIT-RECEPTACLE.....	596		318
	598		319
	599	LINES GP-AIR START.....	566
	603		568
	669	LINES GP-AUXILIARY.....	190
KIT-RECEPTACLE (CONNECTOR).....	586		192
KIT-RECEPTACLE (2 PIN).....	696	LINES GP-ENGINE OIL.....	144
KIT-REGULATOR TERMINAL (ALTERNATOR)...	416		148
KIT-RELAY TERMINAL (ALTERNATOR).....	416		152
KIT-SEAL & VANE.....	612	LINES GP-GAS.....	386
	614	LINES GP-INSTRUMENT PANEL.....	779
KIT-SEAL (INCL SEALS & RINGS).....	648		780
KIT-SEAL (INCLUDES SEALS & RINGS).....	650		782
KIT-SERVICE METER.....	788		783
KIT-SOLENOID.....	650		784
KIT-STARTING MOTOR PIN.....	642	LINES GP-OIL DRAIN.....	154
	662	LINES GP-OIL SUPPLY.....	155
KIT-STARTING MOTOR SEAL.....	642	LINES GP-PRELUBE.....	156
	662	LINES GP-TURBOCHARGER OIL.....	158
KIT-TERMINAL.....	410		160
	619	LINES GP-TURBOCHARGER VENT.....	320
	623	LINES GP-VENT.....	194

INDEX

Name	Page	Name	Page
	195		104
LINES GP-WATER.....	196	PANEL AS-CONTROL.....	800
	198		804
	202	PANEL GP-ELECTRONIC.....	807
	204	PANEL GP-INSTRUMENT.....	808
	206		812
	208		816
	210		820
	214		824
	216		828
	220		830
	224	PISTON & ROD GP.....	106
	228		107
	230		108
	232		109
	233		110
	234		111
LUBRICATOR GP-AIR MOTOR.....	570	PLUG-SPARK.....	528
	571	PRELUBE PUMP.....	166
	572		170
		PROGRAMMER.....	843
		PULLEY AS-CRANKSHAFT.....	112
			113
		PUMP GP-AUXILIARY FRESH WATER.....	235
			236
		PUMP GP-ENGINE OIL.....	162
			163
			164
			165
		PUMP GP-PRELUBE.....	166
			168
			170
		PUMP GP-SUMP.....	172
			173
			174
		PUMP GP-WATER.....	237
			238
			239
			240
			241
			242
			243
			244
			245
			246
			247
			248
			249
			250
		PYROMETER GP.....	831
			832
 M 			
MAGNETIC PICKUP GP.....	573		
MANIFOLD GP-EXHAUST.....	322		
	326		
MANUAL VALVE-CYLINDER PRESSURE.....	407		
METER AS-VOLT.....	785		
METER GP-SERVICE.....	786		
	787		
	788		
	789		
METER-SERVICE.....	786		
	787		
	789		
MODULE GP-ALARM.....	790		
MOUNTING GP-ALTERNATOR.....	574		
MOUNTING GP-CONTACTOR.....	575		
MOUNTING GP-ENGINE FLEXIBLE.....	99		
	100		
MOUNTING GP-INSTRUMENT.....	792		
	794		
	796		
MOUNTING GP-INSTRUMENT PANEL.....	797		
	798		
MOUNTING GP-JACKET WTR HEATER.....	576		
	578		
	580		
MOUNTING GP-JUNCTION BOX.....	582		
MUFFLER.....	328		
 P 			
PAN GP-OIL.....	101		
	102		
 R 			
		RAIL GP-ENGINE SUPPORT.....	837

INDEX

Name	Page	Name	Page
REGULATOR AS.....	388		436
REGULATOR GP.....	390		600
REGULATOR GP-GAS PRESSURE.....	392		601
	394	SENSOR GP-TEMPERATURE.....	602
	396		603
	398	SHAFT GP-STUB.....	116
	400	SHIM GP-GENERATOR.....	840
	402	SHUTOFF GP-ELECTRICAL.....	604
REGULATOR GP-OIL LEVEL.....	175		606
	176	SILENCER GP-AIR STARTING.....	608
REGULATOR GP-TEMPERATURE.....	252		609
	254	SOLENOID AS.....	642
	256		652
REGULATOR-WATER.....	254		656
REGULATOR-WATER TEMPERATURE			662
(92 DEG C.).....	148		664
RELAY GP-AUXILIARY.....	583		666
RELIEF VALVE.....	117	SOLENOID AS-STARTING MOTOR.....	610
			611
			617
			618
			622
			626
			630
		SPARK PLUG.....	530
		STARTING MOTOR GP-AIR.....	612
			614
			616
		STARTING MOTOR GP-ELECTRIC.....	617
			618
			622
			625
			626
			630
			634
			637
			638
			639
			640
			642
			644
			645
			646
			647
			648
			650
			652
			656
			659
			660
			662
			664
			666
		SUPPORT GP-BATTERY.....	668
		SWITCH.....	670

S

SEAL GP.....	246
SEAL GP-CRANKSHAFT.....	114
	115
SENSOR & MTG GP-RADIATOR.....	584
SENSOR AS.....	587
	590
	593
SENSOR AS-LIQUID LEVEL.....	584
	585
	586
SENSOR AS-MAGNETIC.....	440
	712
	713
SENSOR AS-PRESSURE.....	589
SENSOR AS-SPEED.....	786
	788
SENSOR AS-SPEED (TACHOMETER).....	573
SENSOR GP-ELECTRONIC.....	587
	588
	589
	590
	592
	593
SENSOR GP-LIQUID LEVEL.....	594
SENSOR GP-PRESSURE.....	440
	595
	596
	597
	598
	599
SENSOR GP-PRESSURE (OIL).....	428
	430
SENSOR GP-SPEED.....	430
	434

INDEX

Name	Page	Name	Page
	800		816
	804		820
	808		824
	812		828
	816	SWITCH-OPERATOR	
	820	(EMERGENCY STOP BUTTON).....	558
	824	SWITCH-OPERATOR	
SWITCH AS.....	673	(SYSTEM SHUT DOWN BUTTON).....	544
	674	SWITCH (REMOTE START & STOP).....	550
	724		554
	807		558
SWITCH AS (DIAGNOSTIC).....	724	SWITCH (SECONDARY STOP BUTTON).....	550
SWITCH AS (DIAGNOSTIC RESET).....	551	SWITCH-SELECTOR.....	679
	555		749
	559		750
SWITCH AS (MAGNETIC).....	677		751
SWITCH AS-MAGNETIC.....	669		752
SWITCH AS-MAGNETIC (STARTER RELAY)....	678	SWITCH (SPEED).....	724
SWITCH AS-MAGNETIC (24V).....	800	SWITCH (SYSTEM SHUT DOWN BUTTON)....	542
	804	SWITCH-TOGGLE.....	562
SWITCH AS-PRESSURE (OIL).....	168		804
	170		812
SWITCH AS-PUSH BUTTON.....	670		816
	675		820
SWITCH AS (RPM DISPLAY).....	550		824
	554		828
	558	SWITCH-TOGGLE (DIAGNOSTIC RESET).....	808
SWITCH AS-TEMPERATURE.....	487	SWITCH (4-POSITION).....	828
	604		
	606		
	671		
	672		
SWITCH AS-TOGGLE (GOVERNOR).....	676		
SWITCH AS-TOGGLE			
(OXYGEN SENSOR CALIBRA.).....	551		
	555		
	559		
SWITCH AS-TOGGLE (O2 SENSOR).....	724		
SWITCH (EMERGENCY STOP BUTTON).....	554		
SWITCH GP.....	673		
	674		
	678		
	680		
	681		
SWITCH GP-ENGINE START.....	675		
SWITCH GP-GOVERNOR.....	676		
SWITCH GP-MAGNETIC.....	677		
SWITCH GP-PYROMETER.....	679		
SWITCH-LIQUID LEVEL.....	262		
SWITCH-LIQUID LEVEL (LIQUID).....	778		
SWITCH-OPERATOR.....	548		
	562		
	800		
	804		
	812		

T

TACHOMETER GP.....	833
TACHOMETER GP-ELECTRIC.....	834
TANK GP-EXPANSION.....	257
	258
TANK GP-WATER.....	262
	264
THERMOCOUPLE GP.....	329
THROTTLE GP.....	404
	405
TRANSFORMER GP.....	682
	683
	684
TURBOCHARGER GP.....	330
	331
	332
	333
	334
	335
	336
	337
	338
	339
	340
	341

INDEX

Name	Page	Name	Page
V			
VALVE.....	566		
	568		
VALVE & MTG GP-THERMOSTATIC.....	266		
VALVE AS-SOLENOID.....	685		
VALVE GP-AIR CONTROL.....	686		
	687		
VALVE GP-CRKCSE EXPLOSION RLF.....	117		
VALVE GP-FLUID CONTROL.....	178		
VALVE GP-FUEL.....	406		
VALVE GP-MANUAL.....	407		
VALVE GP-PRESSURE REDUCING.....	688		
VALVE GP-SOLENOID.....	689		
	690		
	691		
	692		
	693		
	694		
	695		
	696		
VALVE GP-THERMOSTATIC.....	267		
	268		
	269		
	270		
VALVE MECHANISM GP.....	118		
W			
WIRING GP.....	698		
	700		
	702		
	704		
	706		
	708		
WIRING GP-EIS.....	710		
	711		
	712		
	713		
WIRING GP-ENGINE.....	714		
	716		
	718		
WIRING GP-INSTR & IGNITION.....	719		
	720		
WIRING GP-SENSOR.....	721		

ENGINE ARRANGEMENT

7E-1340 CONVERSION AR

AN ATTACHMENT

SMCS-1000

i00659967

NOTE	PART NUMBER	QTY	PART NAME						SEE PAGE
			1	2	3	4	5	6 (PRODUCT LEVEL)	
Y	7E-0010	1	CONNECTION GP-WATER						180
Y	9Y-3474	1	LINES GP-ENGINE OIL						148
Y	7E-0008	1	LINES GP-WATER						208
Y	7E-3887	1	LINES GP-WATER						224
Y	7E-0011	1	PUMP GP-WATER						243
Y-SEPARATE ILLUSTRATION									

ENGINE ARRANGEMENT

7E-3781 CONVERSION AR AN ATTACHMENT

SMCS-1000

i00660794

NOTE	PART NUMBER	QTY	PART NAME						SEE PAGE
			1	2	3	4	5	6 (PRODUCT LEVEL)	
Y	7E-0010	1	CONNECTION GP-WATER						180
Y	9Y-3474	1	LINES GP-ENGINE OIL						148
Y	7E-3886	1	LINES GP-WATER						220
Y	7E-3785	1	LINES GP-WATER						216
Y	7E-3784	1	LINES GP-WATER						214
Y	9Y-8175	1	PUMP GP-WATER						247
Y	7E-3783	1	REGULATOR GP-TEMPERATURE						252
Y- SEPARATE ILLUSTRATION									

ENGINE ARRANGEMENT

7E-8723 CONVERSION AR AN ATTACHMENT

SMCS-1000

i00660587

NOTE	PART NUMBER	QTY	PART NAME						SEE PAGE
			1	2	3	4	5	6 (PRODUCT LEVEL)	
Y	4P-0663	1	CARBURETOR GP						349
Y	7E-0010	1	CONNECTION GP-WATER						180
Y	9Y-3474	1	LINES GP-ENGINE OIL						148
Y	7E-0008	1	LINES GP-WATER						208
Y	7E-1354	1	LINES GP-WATER						210
			-OR-						
Y	7E-3886	1	LINES GP-WATER						220
Y	7E-0011	1	PUMP GP-WATER						243

Y-SEPARATE ILLUSTRATION

ENGINE ARRANGEMENT

116-6803 CONVERSION AR FOR USE WITH 1500 RPM LOW PRESSURE G3508 AN ATTACHMENT

SMCS-1000

i00931438

NOTE	PART NUMBER	QTY	PART NAME						SEE PAGE
			1	2	3	4	5	6 (PRODUCT LEVEL)	
Y	4W-5770	1	LINES GP - TURBOCHARGER OIL						158
Y	6I-2083	1	TURBOCHARGER GP						330
Y - SEPARATE ILLUSTRATION									

MEMORANDA

ENGINE ARRANGEMENT

133-4817 CONVERSION AR AN ATTACHMENT

SMCS - 1000

i00657212

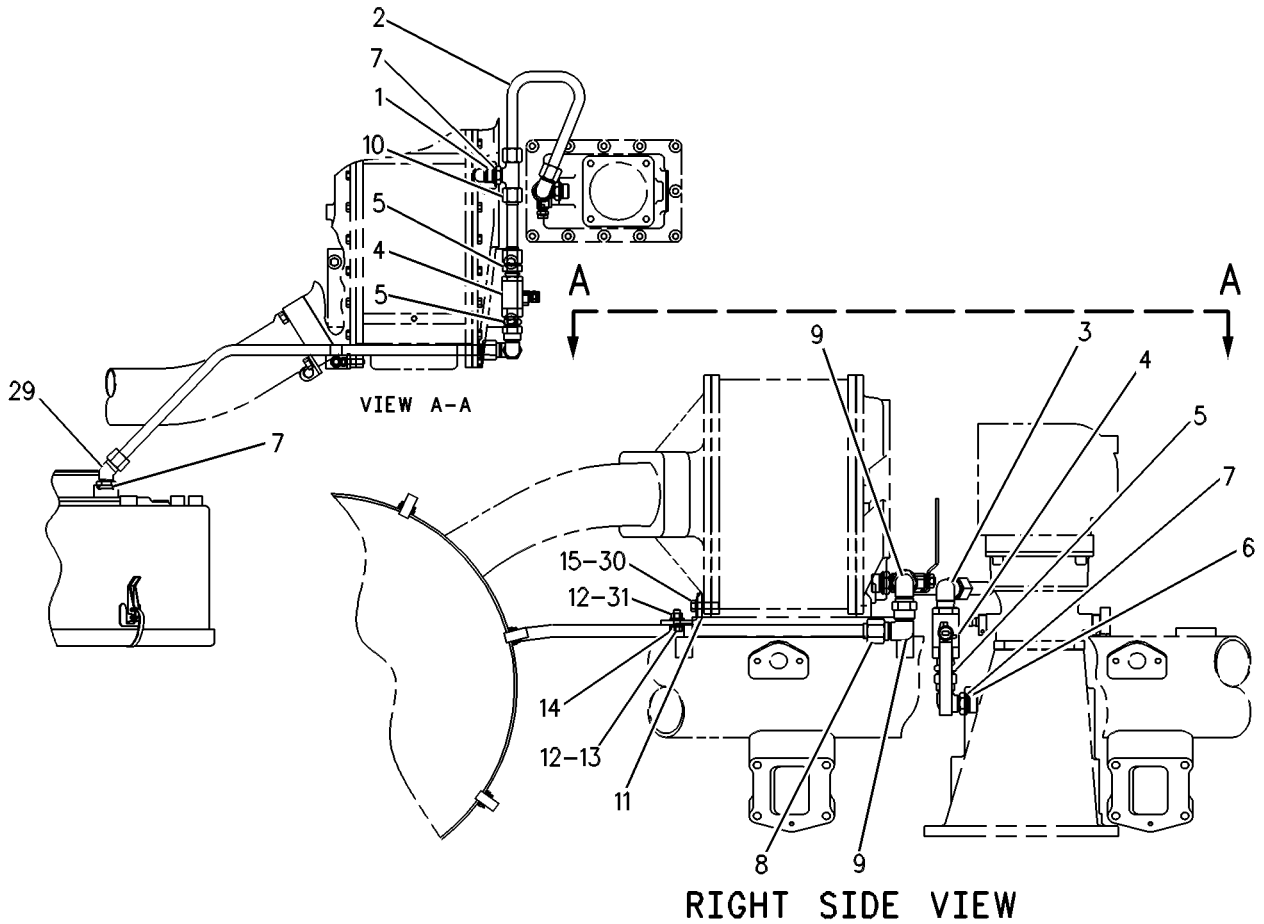
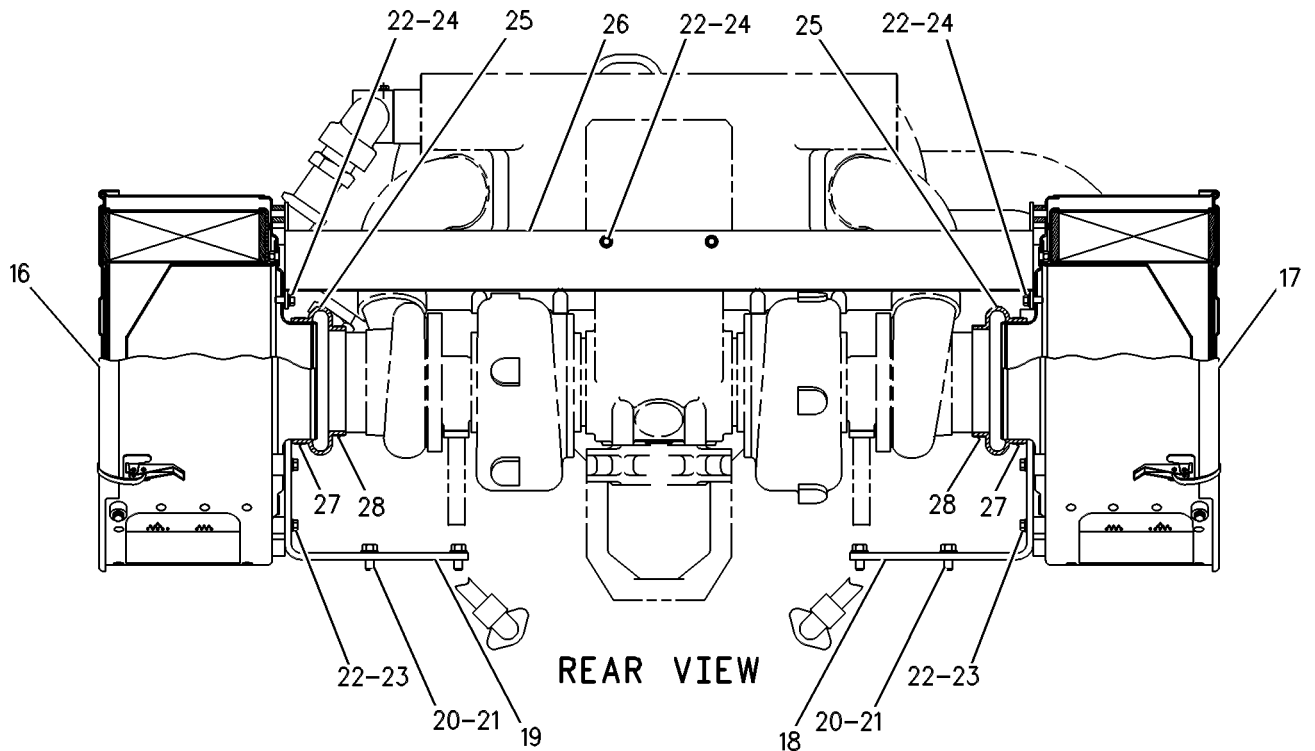
NOTE	REF NO	GRAPHIC REF	PART NUMBER	QTY	PART NAME						SEE PAGE
					1	2	3	4	5	6 (PRODUCT LEVEL)	
	1	1	2P-1297	1	TEE						
	2	1	6I-0667	1	TUBE AS						
	3	1	001-6301	1	ELBOW-FLARED						
	4	1	8C-1358	2	VALVE						
	5	1	4S-6678	3	CONNECTOR						
	6	1	031-0919	1	ELBOW						
	7	1	3D-2824	3	SEAL-O-RING (23.47MM ID)						
	8	1	133-4818	1	TUBE AS						
	9	1	3R-9704	2	ELBOW-SWIVEL						
	10	1	133-4819	1	TUBE AS						
	11	1	133-7400	1	BRACKET						
	12	1	3V-3308	2	WASHER (2.5MM THK)						
	13	1	0S-1594	1	BOLT (3/8-16X1IN)						
	14	1	8M-2773	1	CLIP (17.46MM ID)						
	15	1	3B-1915	1	BOLT (3/8-16X1.375IN)						
Y	16	1	8N-3378	1	AIR CLEANER GP						284
Y	17	1	133-7380	1	AIR CLEANER GP						287
	18	1	9Y-1705	1	BRACKET AS						
	19	1	9Y-1707	1	BRACKET AS						
	20	1	5P-8245	6	WASHER (3MM THK)						
	21	1	6H-1717	6	BOLT (1/2-13X1.125IN)						
	22	1	5M-2894	12	WASHER (2.5MM THK)						
	23	1	1A-2029	6	BOLT (3/8-16X1.125IN)						
	24	1	0L-1351	6	BOLT (3/8-16X.875IN)						
	25	1	8N-5254	2	HOSE-REDUCER						
	26	1	9Y-1704	1	SUPPORT-AIR CLEANER						
	27	1	5P-4869	2	CLAMP-HOSE						
	28	1	5P-3860	2	CLAMP-HOSE						
	29	1	030-7944	1	ELBOW						
	30	1	9L-9132	1	WASHER (2.5MM THK)						
	31	1	9S-8752	1	NUT-FULL (3/8-16 THD)						

Y - SEPARATE ILLUSTRATION

ENGINE ARRANGEMENT

133-4817 CONVERSION AR (contd.)

i00657212



GRAPHIC #1

g00271854

ENGINE ARRANGEMENT

133-7396 CONVERSION AR AN ATTACHMENT

SMCS-1000

i00657224

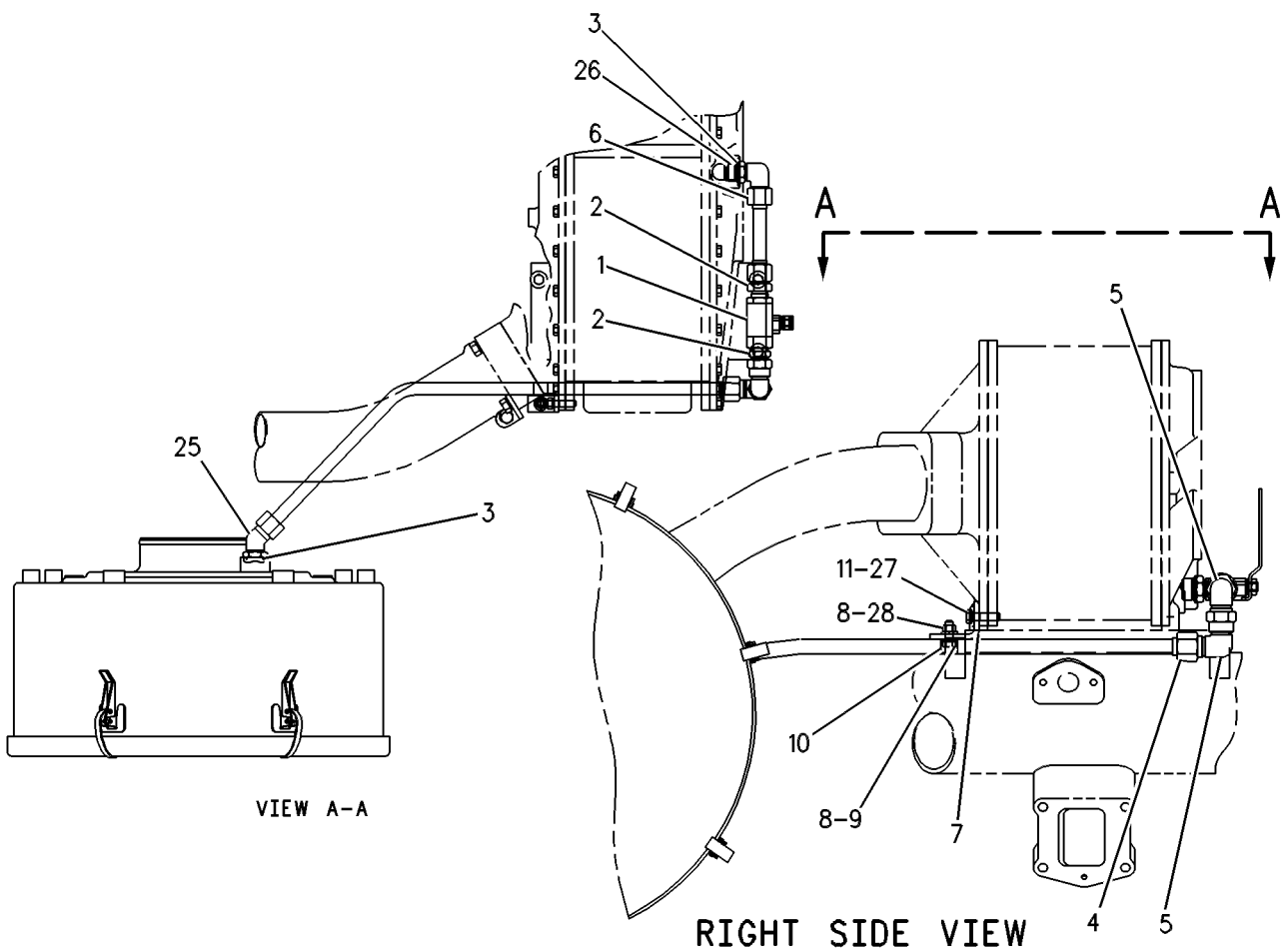
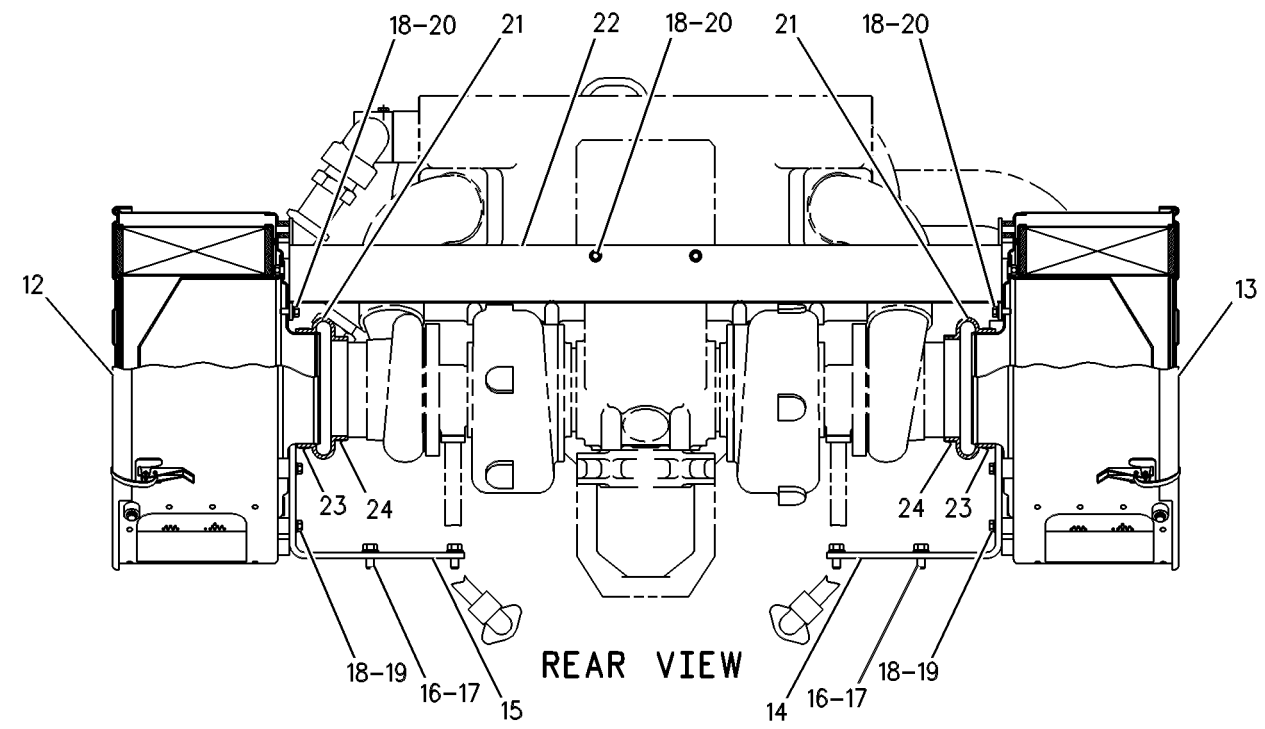
NOTE	REF NO	GRAPHIC REF	PART NUMBER	QTY	PART NAME						SEE PAGE
					1	2	3	4	5	6 (PRODUCT LEVEL)	
	1	1	8C-1358	1	VALVE						
	2	1	4S-6678	2	CONNECTOR						
	3	1	3D-2824	2	SEAL-O-RING (23.47MM ID)						
	4	1	133-4818	1	TUBE AS						
	5	1	3R-9704	2	ELBOW-SWIVEL						
	6	1	133-4819	1	TUBE AS						
	7	1	133-7400	1	BRACKET						
	8	1	3V-3308	2	WASHER (2.5MM THK)						
	10	1	8M-2773	1	CLIP (17.46MM ID)						
	11	1	3B-1915	1	BOLT (3/8-16X1.375IN)						
Y	12	1	8N-3378	1	AIR CLEANER GP						284
Y	13	1	133-7380	1	AIR CLEANER GP						287
	14	1	9Y-1705	1	BRACKET AS						
	15	1	9Y-1707	1	BRACKET AS						
	16	1	5P-8245	6	WASHER (3MM THK)						
	17	1	6H-1717	6	BOLT (1/2-13X1.125IN)						
	18	1	5M-2894	12	WASHER (2.5MM THK)						
	19	1	1A-2029	6	BOLT (3/8-16X1.125IN)						
	20	1	0L-1351	6	BOLT (3/8-16X.875IN)						
	21	1	8N-5254	2	HOSE-REDUCER						
	22	1	9Y-1704	1	SUPPORT-AIR CLEANER						
	23	1	5P-4869	2	CLAMP-HOSE						
	24	1	5P-3860	2	CLAMP-HOSE						
	25	1	030-7944	1	ELBOW						
	26	1	030-7950	1	ELBOW (1 1/16-12 STR THD)						
	27	1	9L-9132	1	WASHER (2.5MM THK)						
	28	1	9S-8752	1	NUT-FULL (3/8-16 THD)						

Y-SEPARATE ILLUSTRATION

ENGINE ARRANGEMENT

133-7396 CONVERSION AR (contd.)

i00657224



GRAPHIC #1

g00271894

ENGINE ARRANGEMENT

158-6171 CONVERSION AR AN ATTACHMENT

SMCS - 1000

i00914452

NOTE	PART NUMBER	QTY	PART NAME						SEE PAGE
			1	2	3	4	5	6 (PRODUCT LEVEL)	
Y	118-0175	1	CONTROL GP - EMCP ELECTRONIC						735
	137-5526	1	CONTROL GP - EMCP ELECTRONIC						
	130-9715	1	FILM-CONTROL PANEL						
Y-SEPARATE ILLUSTRATION									

ENGINE ARRANGEMENT

158-6172 CONVERSION AR AN ATTACHMENT

SMCS - 1000

i00914882

NOTE	PART NUMBER	QTY	PART NAME						SEE PAGE
			1	2	3	4	5	6 (PRODUCT LEVEL)	
Y	118-0175	1	CONTROL GP - EMCP ELECTRONIC						735
	137-5526	1	CONTROL GP - EMCP ELECTRONIC						
	130-9715	1	FILM-CONTROL PANEL						
	149-3403	1	TRANSFORMER AS						
Y-SEPARATE ILLUSTRATION									

ENGINE ARRANGEMENT

118-0804 CONVERSION AR-ENGINE AN ATTACHMENT

SMCS-1000

i00660053

NOTE	PART NUMBER	QTY	PART NAME						SEE PAGE
			1	2	3	4	5	6 (PRODUCT LEVEL)	
Y	4P-9565	1	CONTROL GP-TIMING						428
Y	4P-9895	1	WIRING GP						698
Y-SEPARATE ILLUSTRATION									

ENGINE ARRANGEMENT

133 - 3693 CONVERSION AR - ENGINE AN ATTACHMENT

SMCS - 1000

i00660175

NOTE	PART NUMBER	QTY	PART NAME						SEE PAGE
			1	2	3	4	5	6 (PRODUCT LEVEL)	
Y	135-5013	1	COVER & CONTROL GP - ENG ELEK						438
Y	130-7387	1	IGNITION GP - GAS ENGINE						538
Y	123-6323	1	PANEL GP - INSTRUMENT						830
Y	131-3877	1	WIRING GP						704
Y - SEPARATE ILLUSTRATION									

ENGINE ARRANGEMENT

4P-8327 ENGINE AR

S/N 9TG1-UP

SMCS-1000

i00948811

NOTE	PART NUMBER	QTY	PART NAME						SEE PAGE
			1	2	3	4	5	6 (PRODUCT LEVEL)	
Y	4P-8882	1	AFTERCOOLER GP - TREATED WATER						278
Y	9Y-5313	8	ARRESTOR GP - FLAME						288
Y	7N-8711	1	BALANCER GP						24
Y	4P-8312	1	BREATHER GP						121
Y	4W-5947	1	BYPASS GP - EXHAUST						289
Y	4P-8320	1	CAMSHAFT GP						26
			S/N 9TG1 - 14						
Y	114-2903	1	CAMSHAFT GP						27
			S/N 9TG15-UP						
Y	2W-1469	1	CARBURETOR GP						348
Y	7W-6372	1	CONNECTION GP - WATER						182
Y	4P-6940	1	CONTROL GP - CARBURETOR						368
			S/N 9TG23-UP						
	4P-8885	1	CONTROL GP - ELECTRONIC						
			S/N 9TG1 - 14						
Y	4P-8888	1	CONTROL GP - ENGINE ELECTRONIC						456
			S/N 9TG15-UP						
Y	4W-5893	1	COOLER GP - ENGINE OIL						185
Y	4P-8325	1	COVER GP - CYLINDER BLOCK						30
Y	4P-8309	1	COVER GP - FLYWHEEL HOUSING						31
Y	4P-8304	1	COVER GP - FRONT HOUSING						32
Y	4P-8310	7	COVER GP - VALVE MECHANISM						37
Y	7N-8707	1	CRANKSHAFT GP						38
Y	4P-8319	1	CYLINDER BLOCK GP						46
			S/N 9TG1 - 26						
Y	115-3502	1	CYLINDER BLOCK GP						52
			S/N 9TG27-UP						
Y	4P-6569	8	CYLINDER HEAD GP						59
Y	8N-7182	1	DAMPER GP						64
Y	1W-9553	1	DRIVE GP - ACCESSORY						68
Y	7N-4871	1	DRIVE GP - ACCESSORY						72
Y	7N-1875	1	FILLER GP - ENGINE OIL						123
Y	4W-6874	1	FILTER GP - ENGINE OIL						124
Y	2W-8772	1	FLYWHEEL GP						82
Y	7C-6366	1	GAUGE GP - OIL LEVEL (DIPSTICK)						140
Y	8N-5620	1	GEAR GP - FRONT						84
			S/N 9TG1 - 55						
Y	122-9281	1	GEAR GP - FRONT						88
			S/N 9TG56-UP						
Y	4P-8323	1	GEAR GP - REAR						90
			S/N 9TG1 - 26						
Y	112-5677	1	GEAR GP - REAR						91
			S/N 9TG27-UP						
Y	1W-8887	1	GOVERNOR GP						376
Y	4P-8307	1	HOUSING GP - FLYWHEEL						95
Y	7W-3724	1	HOUSING GP - FRONT						96
Y	4P-8192	1	IGNITION GP - GAS ENGINE						528
Y	4W-5450	1	LIFTING GP - ENGINE						98
Y	4P-8330	1	LINES GP - AIR						314
			S/N 9TG23-UP						
Y	9Y-0779	1	LINES GP - AIR						318
Y	9Y-1221	1	LINES GP - AIR						319
Y	2W-1461	1	LINES GP - AUXILIARY						190
			S/N 9TG1 - 85						
Y	130-7222	1	LINES GP - AUXILIARY						192
			S/N 9TG86-UP						

ENGINE ARRANGEMENT

4P-8327 ENGINE AR (contd.)

i00948811

NOTE	PART NUMBER	QTY	PART NAME						SEE PAGE
			1	2	3	4	5	6 (PRODUCT LEVEL)	
Y	4W-6062	1	LINES GP-ENGINE OIL						144
			S/N 9TG1 - 165						
Y	134-3749	1	LINES GP-ENGINE OIL						152
			S/N 9TG166-UP						
Y	4W-5770	1	LINES GP-TURBOCHARGER OIL						158
			S/N 9TG1 - 22						
Y	9Y-3476	1	LINES GP-TURBOCHARGER OIL						160
			S/N 9TG23-UP						
Y	122-8619	1	LINES GP-VENT						195
			S/N 9TG128-UP						
Y	1N-4171	1	LINES GP-WATER						196
Y	4P-8322	1	LINES GP-WATER						202
Y	4W-5771	1	LINES GP-WATER						206
			S/N 9TG1 - 22						
Y	7E-8457	1	LINES GP-WATER						228
			S/N 9TG23-UP						
Y	9Y-9185	1	LINES GP-WATER						230
Y	4P-7324	1	MANIFOLD GP-EXHAUST						322
			S/N 9TG1 - 127						
Y	9Y-0781	1	MANIFOLD GP-EXHAUST						326
			S/N 9TG128-UP						
Y	7C-6887	1	PAN GP-OIL						101
Y	102-2256	8	PISTON & ROD GP						107
Y	1W-9554	1	PUMP GP-AUXILIARY FRESH WATER						235
Y	7N-8715	1	PUMP GP-ENGINE OIL						163
Y	2W-9726	1	PUMP GP-WATER						238
Y	4P-8326	1	REGULATOR GP-GAS PRESSURE						392
			S/N 9TG1 - 14						
Y	105-8847	1	REGULATOR GP-GAS PRESSURE						400
			S/N 9TG15-UP						
Y	9Y-9090	1	REGULATOR GP-TEMPERATURE						256
Y	7W-3813	1	SEAL GP-CRANKSHAFT						114
	4P-8324	1	TURBOCHARGER GP						
			S/N 9TG1 - 14						
Y	7E-8464	1	TURBOCHARGER GP						334
			S/N 9TG15-UP						
Y	7W-1427	1	VALVE & MTG GP-THERMOSTATIC						266
Y	9Y-6061	1	VALVE GP-SOLENOID						692
			S/N 9TG23-UP						
Y	1W-8465	8	VALVE MECHANISM GP						118
			AVAILABLE GASKET KIT(S) :						
	9X-6591	1	KIT-GASKET (AFTERCOOLER & LINES)						
	118-7852	1	KIT-GASKET (CENTRAL LOWER STRUCTURE)						
	118-7859	1	KIT-GASKET (OIL COOLER & LINES)						
	118-7855	1	KIT-GASKET (OIL PUMP)						
	118-7861	1	KIT-GASKET (REAR STRUCTURE)						
	137-1934	1	KIT-GASKET (SINGLE CYLINDER LINER)						
	118-8101	1	KIT-GASKET (TURBOCHARGER)						
	118-8102	1	KIT-GASKET (WATER LINES)						
	3E-8893	1	KIT-GASKET (WATER PUMP)						
	118-7856	1	KIT-GASKET (MANIFOLD)						
	105-2546	1	KIT-GASKET (RAW OR AFTERCOOLER)						
Y-SEPARATE ILLUSTRATION									

ENGINE ARRANGEMENT

4P-8355 ENGINE AR

S/N 9TG1-UP

SMCS-1000

i00935337

NOTE	PART NUMBER	QTY	PART NAME						SEE PAGE
			1	2	3	4	5	6 (PRODUCT LEVEL)	
Y	4P-8882	1	AFTERCOOLER GP-TREATED WATER						278
Y	9Y-5313	8	ARRESTOR GP-FLAME						288
Y	7N-8711	1	BALANCER GP						24
Y	4P-8312	1	BREATHER GP						121
Y	4W-5947	1	BYPASS GP-EXHAUST						289
Y	4P-8320	1	CAMSHAFT GP						26
			S/N 9TG1-14						
Y	114-2903	1	CAMSHAFT GP						27
			S/N 9TG15-UP						
Y	7E-8282	1	CARBURETOR GP						352
Y	7W-6372	1	CONNECTION GP-WATER						182
Y	4P-6741	1	CONTROL GP-CARBURETOR						362
Y	104-4219	1	CONTROL GP-ENGINE ELECTRONIC						457
Y	4W-5893	1	COOLER GP-ENGINE OIL						185
Y	4P-8325	1	COVER GP-CYLINDER BLOCK						30
Y	4P-8309	1	COVER GP-FLYWHEEL HOUSING						31
Y	4P-8305	1	COVER GP-FRONT HOUSING						33
Y	4P-8310	7	COVER GP-VALVE MECHANISM						37
Y	7N-8707	1	CRANKSHAFT GP						38
Y	4P-8319	1	CYLINDER BLOCK GP						46
			S/N 9TG1-26						
Y	115-3502	1	CYLINDER BLOCK GP						52
			S/N 9TG27-UP						
Y	4P-6569	8	CYLINDER HEAD GP						59
			S/N 9TG1-32, 40-UP						
Y	123-8649	8	CYLINDER HEAD GP						62
			S/N 9TG33-39						
Y	8N-7182	1	DAMPER GP						64
Y	7E-7647	1	DRIVE GP-ACCESSORY						70
Y	7N-4871	1	DRIVE GP-ACCESSORY						72
Y	7N-1875	1	FILLER GP-ENGINE OIL						123
Y	4W-6874	1	FILTER GP-ENGINE OIL						124
Y	2W-8772	1	FLYWHEEL GP						82
Y	7C-6366	1	GAUGE GP-OIL LEVEL (DIPSTICK)						140
Y	8N-7174	1	GEAR GP-FRONT						86
Y	4P-8323	1	GEAR GP-REAR						90
			S/N 9TG1-26						
Y	112-5677	1	GEAR GP-REAR						91
			S/N 9TG27-UP						
Y	9Y-7584	1	GOVERNOR GP-ELECTRONIC						385
			S/N 9TG1-33						
Y	118-7591	1	GOVERNOR GP-ELECTRIC						383
			S/N 9TG34-UP						
Y	4P-8307	1	HOUSING GP-FLYWHEEL						95
Y	7W-3724	1	HOUSING GP-FRONT						96
Y	4P-8192	1	IGNITION GP-GAS ENGINE						528
Y	4W-5450	1	LIFTING GP-ENGINE						98
Y	4W-1126	1	LINES GP-AIR						316
			S/N 9TG1-26						
Y	4P-8330	1	LINES GP-AIR						314
			S/N 9TG27-UP						
Y	9Y-0779	1	LINES GP-AIR						318
Y	9Y-1221	1	LINES GP-AIR						319
Y	2W-1461	1	LINES GP-AUXILIARY						190
			S/N 9TG1-85						
Y	130-7222	1	LINES GP-AUXILIARY						192
			S/N 9TG86-UP						

ENGINE ARRANGEMENT

4P-8355 ENGINE AR (contd.)

i00935337

NOTE	PART NUMBER	QTY	PART NAME						SEE PAGE
			1	2	3	4	5	6 (PRODUCT LEVEL)	
Y	4W-6062	1	LINES GP-ENGINE OIL						144
			S/N 9TG1-165						
Y	134-3749	1	LINES GP-ENGINE OIL						152
			S/N 9TG166-UP						
Y	7E-8191	1	LINES GP-GAS						386
Y	4W-5770	1	LINES GP-TURBOCHARGER OIL						158
Y	116-9850	1	LINES GP-TURBOCHARGER VENT						320
			S/N 9TG34-39						
Y	121-3119	1	LINES GP-VENT						194
			S/N 9TG40-UP						
Y	1N-4171	1	LINES GP-WATER						196
Y	4P-8322	1	LINES GP-WATER						202
Y	4P-9409	1	LINES GP-WATER						204
Y	4W-5771	1	LINES GP-WATER						206
Y	9Y-9185	1	LINES GP-WATER						230
Y	4P-7324	1	MANIFOLD GP-EXHAUST						322
			S/N 9TG1-127						
Y	9Y-0781	1	MANIFOLD GP-EXHAUST						326
			S/N 9TG128-UP						
Y	7C-6887	1	PAN GP-OIL						101
Y	102-2257	8	PISTON & ROD GP						108
			S/N 9TG1-14						
Y	112-5662	8	PISTON & ROD GP						109
			S/N 9TG15-82						
Y	126-9498	8	PISTON & ROD GP						111
			S/N 9TG83-UP						
Y	1W-9554	1	PUMP GP-AUXILIARY FRESH WATER						235
Y	7N-8715	1	PUMP GP-ENGINE OIL						163
Y	2W-9726	1	PUMP GP-WATER						238
Y	7E-8190	1	REGULATOR GP-GAS PRESSURE						396
Y	9Y-9090	1	REGULATOR GP-TEMPERATURE						256
Y	7W-3813	1	SEAL GP-CRANKSHAFT						114
Y	7E-8284	1	THROTTLE GP						404
Y	6I-2083	1	TURBOCHARGER GP						330
			S/N 9TG1-53						
Y	7C-2374	1	TURBOCHARGER GP						332
			S/N 9TG54-127						
Y	138-4183	1	TURBOCHARGER GP						341
			S/N 9TG128-UP						
Y	7W-1427	1	VALVE & MTG GP-THERMOSTATIC						266
Y	1W-8465	8	VALVE MECHANISM GP						118
			AVAILABLE GASKET KIT(S) :						
	9X-6591	1	KIT-GASKET (AFTERCOOLER & LINES)						
	118-7852	1	KIT-GASKET (CENTRAL & LOWER STRUCTURE)						
	118-7855	1	KIT-GASKET (FRONT STRUCTURE)						
	118-7854	1	KIT-GASKET (FUEL SYSTEM)						
	118-7859	1	KIT-GASKET (OIL COOLER & LINES)						
	118-7860	1	KIT-GASKET (OIL PUMP)						
	118-7861	1	KIT-GASKET (REAR STRUCTURE)						
	116-6744	1	KIT-GASKET (SINGLE CYLINDER HEAD)						
	118-8101	1	KIT-GASKET (TURBOCHARGER)						
	7X-7688	1	KIT-GASKET (WATER PUMP)						

Y-SEPARATE ILLUSTRATION

ENGINE ARRANGEMENT

4P-8961 ENGINE AR

S/N 9TG1-165

SMCS-1000

i00942079

NOTE	PART NUMBER	QTY	PART NAME						SEE PAGE
			1	2	3	4	5	6 (PRODUCT LEVEL)	
Y	108-4886	1	ACTUATOR GP-ELECTRONIC						344
Y	4P-8882	1	AFTERCOOLER GP-TREATED WATER						278
Y	9Y-5313	8	ARRESTOR GP-FLAME						288
Y	7N-8711	1	BALANCER GP						24
Y	4P-8312	1	BREATHER GP						121
Y	4W-5947	1	BYPASS GP-EXHAUST						289
Y	114-2903	1	CAMSHAFT GP						27
Y	2W-1469	1	CARBURETOR GP						348
Y	7W-6372	1	CONNECTION GP-WATER						182
Y	4P-6741	1	CONTROL GP-CARBURETOR						362
Y	4P-8888	1	CONTROL GP-ENGINE ELECTRONIC						456
Y	4W-5893	1	COOLER GP-ENGINE OIL						185
Y	4P-8325	1	COVER GP-CYLINDER BLOCK						30
Y	4P-8309	1	COVER GP-FLYWHEEL HOUSING						31
Y	4P-8305	1	COVER GP-FRONT HOUSING						33
Y	4P-8310	7	COVER GP-VALVE MECHANISM						37
Y	7N-8707	1	CRANKSHAFT GP						38
Y	4P-8319	1	CYLINDER BLOCK GP						46
			S/N 9TG1-26						
Y	115-3502	1	CYLINDER BLOCK GP						52
			S/N 9TG27-165						
Y	4P-6569	8	CYLINDER HEAD GP						59
			S/N 9TG1-32, 40-165						
Y	123-8649	8	CYLINDER HEAD GP						62
			S/N 9TG33-39						
Y	8N-7182	1	DAMPER GP						64
Y	1W-9553	1	DRIVE GP-ACCESSORY						68
Y	7N-4871	1	DRIVE GP-ACCESSORY						72
Y	7N-1875	1	FILLER GP-ENGINE OIL						123
Y	4W-6874	1	FILTER GP-ENGINE OIL						124
Y	2W-8772	1	FLYWHEEL GP						82
Y	7C-6366	1	GAUGE GP-OIL LEVEL (DIPSTICK)						140
Y	8N-5620	1	GEAR GP-FRONT						84
Y	4P-8323	1	GEAR GP-REAR						90
			S/N 9TG1-26						
Y	112-5677	1	GEAR GP-REAR						91
			S/N 9TG27-165						
Y	4P-8307	1	HOUSING GP-FLYWHEEL						95
Y	7W-3724	1	HOUSING GP-FRONT						96
Y	4P-8192	1	IGNITION GP-GAS ENGINE						528
Y	4W-5450	1	LIFTING GP-ENGINE						98
Y	4P-8330	1	LINES GP-AIR						314
Y	9Y-0779	1	LINES GP-AIR						318
Y	9Y-1221	1	LINES GP-AIR						319
Y	2W-1461	1	LINES GP-AUXILIARY						190
			S/N 9TG1-85						
Y	130-7222	1	LINES GP-AUXILIARY						192
			S/N 9TG86-165						
Y	4W-6062	1	LINES GP-ENGINE OIL						144
Y	9Y-3476	1	LINES GP-TURBOCHARGER OIL						160
Y	122-8619	1	LINES GP-VENT						195
			S/N 9TG139-165						
Y	1N-4171	1	LINES GP-WATER						196
Y	4P-8322	1	LINES GP-WATER						202
Y	4P-9409	1	LINES GP-WATER						204
Y	4W-5771	1	LINES GP-WATER						206
Y	9Y-9185	1	LINES GP-WATER						230

ENGINE ARRANGEMENT

4P-8961 ENGINE AR (contd.)

i00942079

NOTE	PART NUMBER	QTY	PART NAME						SEE PAGE
			1	2	3	4	5	6 (PRODUCT LEVEL)	
Y	9Y-0781	1	MANIFOLD GP-EXHAUST						326
Y	7C-6887	1	PAN GP-OIL						101
Y	6I-4610	8	PISTON & ROD GP						106
Y	1W-9554	1	PUMP GP-AUXILIARY FRESH WATER						235
Y	7N-8715	1	PUMP GP-ENGINE OIL						163
Y	2W-9726	1	PUMP GP-WATER						238
Y	4P-8326	1	REGULATOR GP-GAS PRESSURE						392
Y	9Y-9090	1	REGULATOR GP-TEMPERATURE						256
Y	7W-3813	1	SEAL GP-CRANKSHAFT						114
Y	7E-8464	1	TURBOCHARGER GP						334
Y	7W-1427	1	VALVE & MTG GP-THERMOSTATIC						266
Y	9Y-6061	1	VALVE GP-SOLENOID						692
Y	1W-8465	8	VALVE MECHANISM GP						118
AVAILABLE GASKET KIT(S) :									
	9X-6591	1	KIT-GASKET (AFTERCOOLER & LINES)						
	118-7852	1	KIT-GASKET (CENTRAL & LOWER STRUCTURE)						
	118-7855	1	KIT-GASKET (FRONT STRUCTURE)						
	118-7859	1	KIT-GASKET (OIL COOLER & LINES)						
	118-7855	1	KIT-GASKET (OIL PUMP)						
	118-7861	1	KIT-GASKET (REAR STRUCTURE)						
	137-1934	1	KIT-GASKET (SINGLE CYLINDER LINER)						
	119-0836	1	KIT-GASKET (TURBOCHARGER)						
	118-8102	1	KIT-GASKET (WATER LINES)						
	3E-8893	1	KIT-GASKET (WATER PUMP)						
	118-9622	1	KIT-GASKET (MANIFOLD)						
	105-2546	1	KIT-GASKET (RAW OR AFTERCOOLER)						
Y-SEPARATE ILLUSTRATION									

ENGINE ARRANGEMENT

105-4174 ENGINE AR

S/N 9TG1-UP

SMCS - 1000

i00942249

NOTE	PART NUMBER	QTY	PART NAME						SEE PAGE
			1	2	3	4	5	6 (PRODUCT LEVEL)	
Y	4P-8882	1	AFTERCOOLER GP - TREATED WATER						278
Y	9Y-5313	8	ARRESTOR GP - FLAME						288
Y	7N-8711	1	BALANCER GP						24
Y	4P-8312	1	BREATHER GP						121
Y	4W-5947	1	BYPASS GP - EXHAUST						289
Y	4P-8320	1	CAMSHAFT GP						26
			S/N 9TG1 - 14						
Y	114-2903	1	CAMSHAFT GP						27
			S/N 9TG15-UP						
Y	2W-1469	1	CARBURETOR GP						348
Y	7W-6372	1	CONNECTION GP - WATER						182
Y	4P-6741	1	CONTROL GP - CARBURETOR						362
			S/N 9TG1 - 118						
Y	4P-6940	1	CONTROL GP - CARBURETOR						368
			S/N 9TG119-UP						
Y	4P-8888	1	CONTROL GP - ENGINE ELECTRONIC						456
Y	4W-5893	1	COOLER GP - ENGINE OIL						185
Y	4P-8325	1	COVER GP - CYLINDER BLOCK						30
Y	4P-8309	7	COVER GP - FLYWHEEL HOUSING						31
Y	4P-8305	1	COVER GP - FRONT HOUSING						33
			S/N 9TG1 - 118						
Y	4P-8304	1	COVER GP - FRONT HOUSING						32
			S/N 9TG119-UP						
Y	4P-8310	1	COVER GP - VALVE MECHANISM						37
Y	7N-8707	1	CRANKSHAFT GP						38
Y	4P-8319	1	CYLINDER BLOCK GP						46
			S/N 9TG1 - 26						
Y	115-3502	1	CYLINDER BLOCK GP						52
			S/N 9TG27-UP						
Y	4P-6569	8	CYLINDER HEAD GP						59
Y	8N-7182	1	DAMPER GP						64
Y	7E-7647	1	DRIVE GP - ACCESSORY						70
Y	7N-4871	1	DRIVE GP - ACCESSORY						72
Y	7N-1875	1	FILLER GP - ENGINE OIL						123
Y	4W-6874	1	FILTER GP - ENGINE OIL						124
Y	2W-8772	1	FLYWHEEL GP						82
Y	7C-6366	1	GAUGE GP - OIL LEVEL (DIPSTICK)						140
Y	8N-7174	1	GEAR GP - FRONT						86
Y	4P-8323	1	GEAR GP - REAR						90
			S/N 9TG1 - 26						
Y	112-5677	1	GEAR GP - REAR						91
			S/N 9TG27-UP						
Y	1W-8887	1	GOVERNOR GP						376
Y	4P-8307	1	HOUSING GP - FLYWHEEL						95
Y	7W-3724	1	HOUSING GP - FRONT						96
Y	4P-8192	1	IGNITION GP - GAS ENGINE						528
Y	4W-5450	1	LIFTING GP - ENGINE						98
Y	4P-8330	1	LINES GP - AIR						314
Y	9Y-0779	1	LINES GP - AIR						318
Y	9Y-1221	1	LINES GP - AIR						319
Y	2W-1461	1	LINES GP - AUXILIARY						190
			S/N 9TG1 - 85						
Y	130-7222	1	LINES GP - AUXILIARY						192
			S/N 9TG86-UP						
Y	4W-6062	1	LINES GP - ENGINE OIL						144
			S/N 9TG1 - 165						

ENGINE ARRANGEMENT

105-4174 ENGINE AR (contd.)

i00942249

NOTE	PART NUMBER	QTY	PART NAME						SEE PAGE
			1	2	3	4	5	6 (PRODUCT LEVEL)	
Y	134-3749	1	LINES GP-ENGINE OIL						152
			S/N 9TG166-UP						
Y	9Y-3476	1	LINES GP-TURBOCHARGER OIL						160
			S/N 9TG1-85						
Y	4W-5770	1	LINES GP-TURBOCHARGER OIL						158
			S/N 9TG86-UP						
Y	121-3119	1	LINES GP-VENT						194
			S/N 9TG34-UP						
Y	1N-4171	1	LINES GP-WATER						196
Y	4P-8322	1	LINES GP-WATER						202
Y	4P-9409	1	LINES GP-WATER						204
Y	4W-5771	1	LINES GP-WATER						206
Y	9Y-9185	1	LINES GP-WATER						230
Y	9Y-0781	1	MANIFOLD GP-EXHAUST						326
Y	7C-6887	1	PAN GP-OIL						101
Y	102-2256	8	PISTON & ROD GP						107
Y	1W-9554	1	PUMP GP-AUXILIARY FRESH WATER						235
Y	8N-6152	1	PUMP GP-ENGINE OIL						165
Y	2W-9729	1	PUMP GP-WATER						241
Y	4P-8326	1	REGULATOR GP-GAS PRESSURE						392
			S/N 9TG1-21						
Y	105-8847	1	REGULATOR GP-GAS PRESSURE						400
			S/N 9TG22-UP						
Y	9Y-9090	1	REGULATOR GP-TEMPERATURE						256
Y	7W-3813	1	SEAL GP-CRANKSHAFT						114
Y	9Y-7034	1	TURBOCHARGER GP						337
			S/N 9TG1-21						
Y	107-4653	1	TURBOCHARGER GP						339
			S/N 9TG22-UP						
Y	7W-1427	1	VALVE & MTG GP-THERMOSTATIC						266
Y	9Y-6061	1	VALVE GP-SOLENOID						692
Y	1W-8465	8	VALVE MECHANISM GP						118
			AVAILABLE GASKET KIT(S) :						
	9X-6591	1	KIT-GASKET (AFTERCOOLER & LINES)						
	118-8102	1	KIT-GASKET (AIR COMPRESSOR)						
	118-7852	1	KIT-GASKET (CENTRAL & LOWER STRUCTURE)						
	118-7855	1	KIT-GASKET (FRONT STRUCTURE)						
	118-7859	1	KIT-GASKET (OIL COOLER & LINES)						
	118-7860	1	KIT-GASKET (OIL PUMP)						
	118-7861	1	KIT-GASKET (REAR STRUCTURE)						
	116-6744	1	KIT-GASKET (SINGLE CYLINDER HEAD)						
	119-0836	1	KIT-GASKET (TURBOCHARGER)						
	3E-8893	1	KIT-GASKET (WATER PUMP)						
Y-SEPARATE ILLUSTRATION									

ENGINE ARRANGEMENT

123-0979 ENGINE AR

S/N 9TG64-UP

SMCS-1000

i00931440

NOTE	PART NUMBER	QTY	PART NAME						SEE PAGE
			1	2	3	4	5	6 (PRODUCT LEVEL)	
Y	4P-8882	1	AFTERCOOLER GP - TREATED WATER						278
Y	9Y-5313	8	ARRESTOR GP - FLAME						288
Y	7N-8711	1	BALANCER GP						24
Y	4P-8312	1	BREATHER GP						121
Y	4W-5947	1	BYPASS GP - EXHAUST						289
Y	114-2903	1	CAMSHAFT GP						27
Y	7E-8282	1	CARBURETOR GP						352
Y	7W-6372	1	CONNECTION GP - WATER						182
Y	4P-6741	1	CONTROL GP - CARBURETOR						362
Y	104-4219	1	CONTROL GP - ENGINE ELECTRONIC						457
Y	4W-5893	1	COOLER GP - ENGINE OIL						185
Y	4P-8325	1	COVER GP - CYLINDER BLOCK						30
Y	4P-8309	1	COVER GP - FLYWHEEL HOUSING						31
Y	4P-8305	1	COVER GP - FRONT HOUSING						33
Y	4P-8310	7	COVER GP - VALVE MECHANISM						37
Y	7N-8707	1	CRANKSHAFT GP						38
Y	115-3502	1	CYLINDER BLOCK GP						52
Y	4P-6569	8	CYLINDER HEAD GP						59
Y	8N-7182	1	DAMPER GP						64
Y	7N-4871	1	DRIVE GP - ACCESSORY						72
Y	7E-7647	1	DRIVE GP - ACCESSORY						70
Y	7N-1875	1	FILLER GP - ENGINE OIL						123
Y	4W-6874	1	FILTER GP - ENGINE OIL						124
Y	2W-8772	1	FLYWHEEL GP						82
Y	7C-6366	1	GAUGE GP - OIL LEVEL (DIPSTICK)						140
Y	8N-7174	1	GEAR GP - FRONT						86
Y	112-5677	1	GEAR GP - REAR						91
Y	118-7591	1	GOVERNOR GP - ELECTRIC						383
Y	4P-8307	1	HOUSING GP - FLYWHEEL						95
Y	7W-3724	1	HOUSING GP - FRONT						96
Y	4P-8192	1	IGNITION GP - GAS ENGINE						528
Y	4W-5450	1	LIFTING GP - ENGINE						98
Y	9Y-0779	1	LINES GP - AIR						318
Y	9Y-1221	1	LINES GP - AIR						319
Y	4P-8330	1	LINES GP - AIR						314
Y	2W-1461	1	LINES GP - AUXILIARY						190
			S/N 9TG64-85						
Y	130-7222	1	LINES GP - AUXILIARY						192
			S/N 9TG86-UP						
Y	4W-6062	1	LINES GP - ENGINE OIL						144
			S/N 9TG64-351						
Y	134-3749	1	LINES GP - ENGINE OIL						152
			S/N 9TG352-UP						
Y	7E-8191	1	LINES GP - GAS						386
Y	4W-5770	1	LINES GP - TURBOCHARGER OIL						158
Y	121-3119	1	LINES GP - VENT						194
Y	1N-4171	1	LINES GP - WATER						196
Y	4P-8322	1	LINES GP - WATER						202
Y	4P-9409	1	LINES GP - WATER						204
Y	4W-5771	1	LINES GP - WATER						206
Y	9Y-9185	1	LINES GP - WATER						230
Y	4P-7324	1	MANIFOLD GP - EXHAUST						322
			S/N 9TG64-127						
Y	9Y-0781	1	MANIFOLD GP - EXHAUST						326
			S/N 9TG128-UP						
Y	7C-6887	1	PAN GP - OIL						101

ENGINE ARRANGEMENT

123-0979 ENGINE AR (contd.)

i00931440

NOTE	PART NUMBER	QTY	PART NAME						SEE PAGE
			1	2	3	4	5	6 (PRODUCT LEVEL)	
Y	6I-4610	8	PISTON & ROD GP						106
			S/N 9TG64-83						
Y	126-9496	8	PISTON & ROD GP						110
			S/N 9TG84-UP						
Y	1W-9554	1	PUMP GP-AUXILIARY FRESH WATER						235
Y	7N-8715	1	PUMP GP-ENGINE OIL						163
Y	2W-9726	1	PUMP GP-WATER						238
Y	7E-8190	1	REGULATOR GP-GAS PRESSURE						396
Y	9Y-9090	1	REGULATOR GP-TEMPERATURE						256
Y	7W-3813	1	SEAL GP-CRANKSHAFT						114
Y	7E-8284	1	THROTTLE GP						404
Y	7C-2374	1	TURBOCHARGER GP						332
			S/N 9TG64-127						
Y	138-4183	1	TURBOCHARGER GP						341
			S/N 9TG128-UP						
Y	7W-1427	1	VALVE & MTG GP-THERMOSTATIC						266
Y	1W-8465	8	VALVE MECHANISM GP						118
			(GASKET KITS WILL BE PROVIDED WHEN AVAILABLE)						
Y-SEPARATE ILLUSTRATION									

BASIC ENGINE

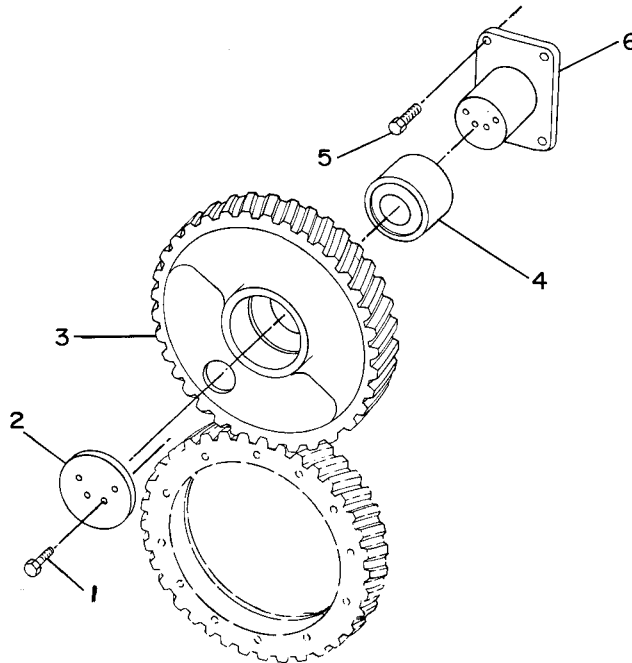
7N-8711 BALANCER GP-FRONT

SMCS-1220

i00112840

NOTE	REF NO	GRAPHIC REF	PART NUMBER	QTY	PART NAME						SEE PAGE
					1	2	3	4	5	6 (PRODUCT LEVEL)	
	1	1	0L-1351	4	BOLT (3/8-16X.875IN)						
	2	1	7N-5254	1	PLATE-THRUST						
	3	1	8N-1286	1	GEAR AS-BALANCER (CLUSTER IDLER)						
	4	1	7N-6983	1	BEARING-SLEEVE						
	5	1	0S-1595	4	BOLT (1/2-13X1.25IN)						
C	6	1	4W-4998	1	SHAFT-CLUSTER GEAR						

C- CHANGE FROM PREVIOUS TYPE



GRAPHIC #1

g00081838

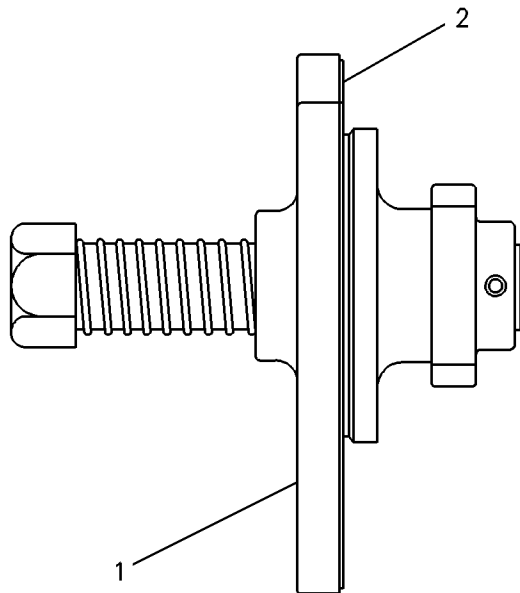
BASIC ENGINE

5R-7425 BARRING GP AN ATTACHMENT

SMCS-1235

i00640921

NOTE	REF NO	GRAPHIC REF	PART NUMBER	QTY	PART NAME						SEE PAGE
					1	2	3	4	5	6 (PRODUCT LEVEL)	
	1	1	3R-1937	1	TOOL-BARRING						
	2	1	4H-7869	1	GASKET						



GRAPHIC #1

g00232879

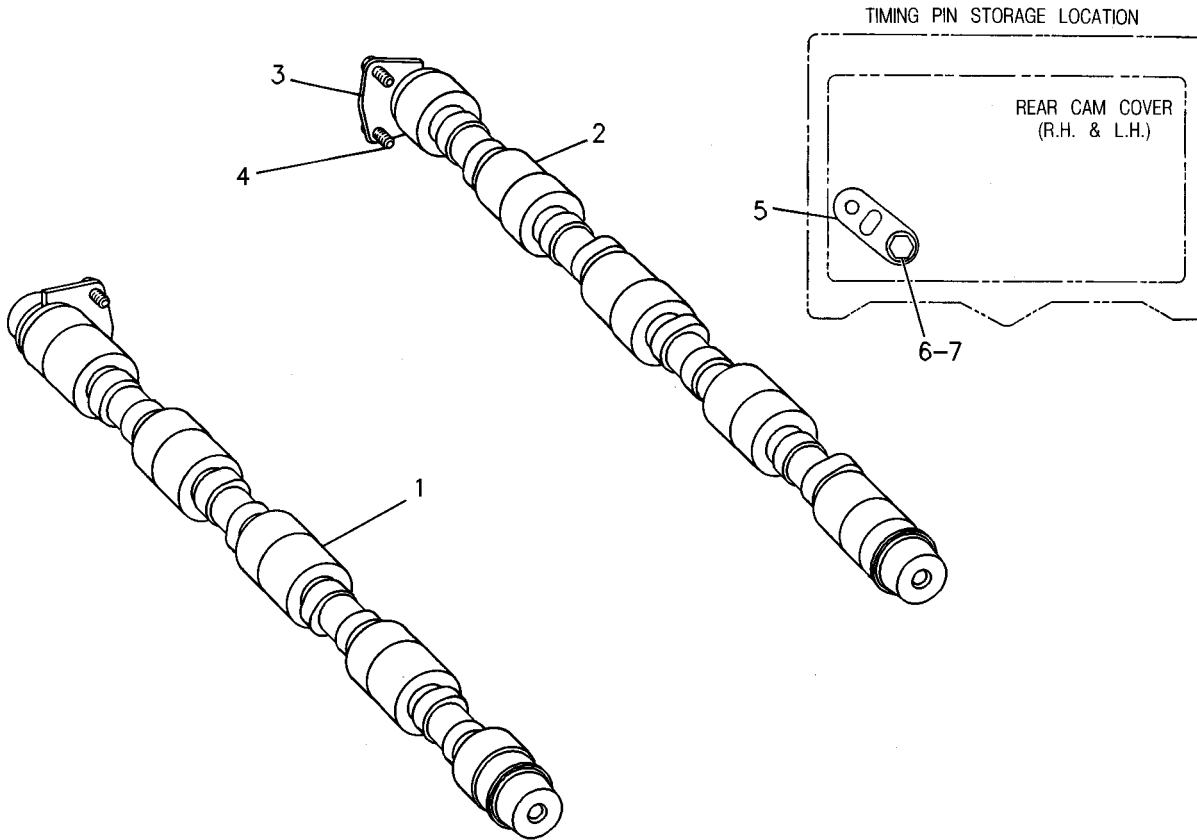
BASIC ENGINE

4P-8320 CAMSHAFT GP

SMCS-1210, 1211, 1212

i00660205

NOTE	REF NO	GRAPHIC REF	PART NUMBER	QTY	PART NAME						SEE PAGE
					1	2	3	4	5	6 (PRODUCT LEVEL)	
	1	1	7C-2241	1	CAMSHAFT-RH						
	2	1	4P-8321	1	CAMSHAFT AS (- (LH))						
		1	5B-5821	1	DOWEL						
	3	1	7N-3218	2	WASHER-THRUST						
	4	1	0L-1351	4	BOLT (3/8-16X.875IN)						
	5	1	4W-6664	2	PLATE AS-TIMING						
	6	1	0S-0509	2	BOLT (3/8-16X.75IN)						
	7	1	5M-2894	2	WASHER (2.5MM THK)						



GRAPHIC #1

g00234030

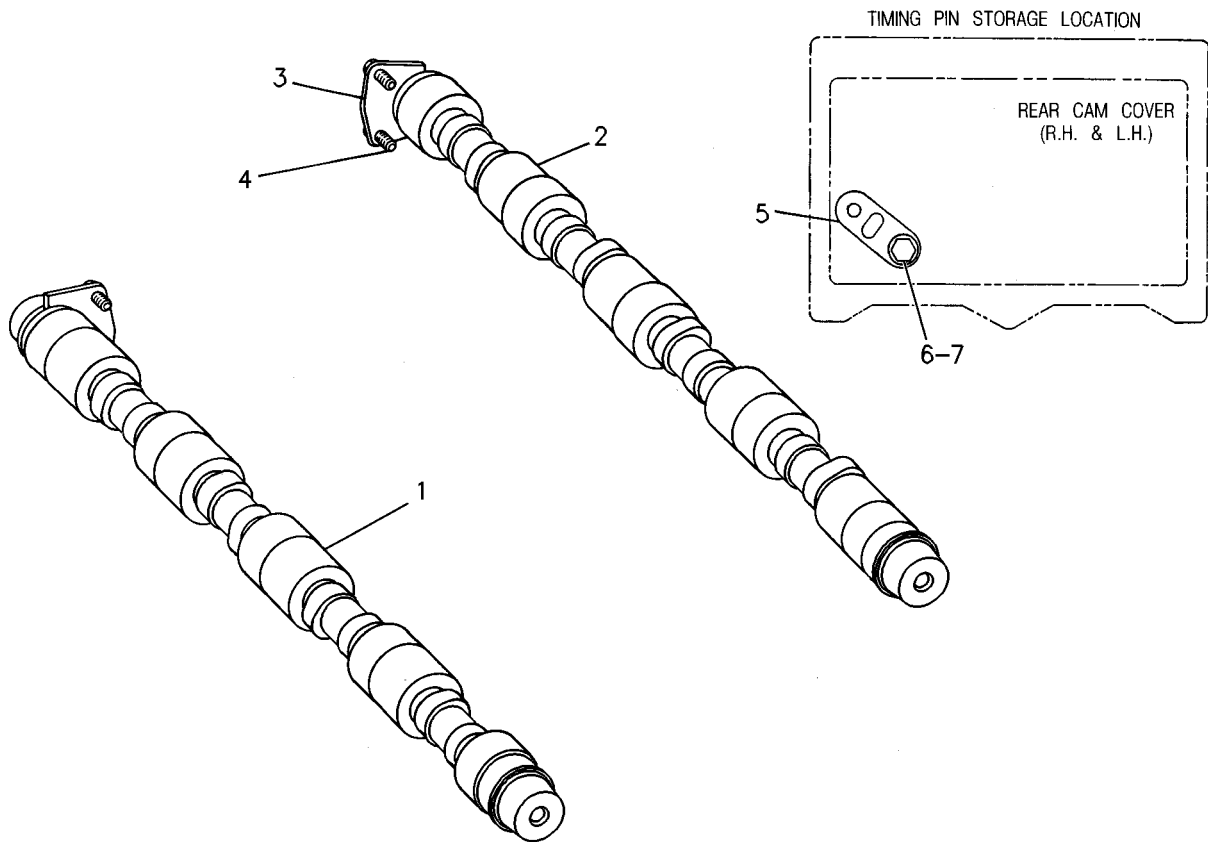
BASIC ENGINE

114-2903 CAMSHAFT GP

SMCS-1210, 1211, 1212

i00660037

NOTE	REF NO	GRAPHIC REF	PART NUMBER	QTY	PART NAME						SEE PAGE
					1	2	3	4	5	6 (PRODUCT LEVEL)	
	1	1	109-4358	1	CAMSHAFT (RH)						
	2	1	114-2904	1	CAMSHAFT AS-LH						
		1	5B-5821	1	DOWEL						
	4	1	0L-1351	4	BOLT (3/8-16X.875IN)						
	5	1	4W-6664	2	PLATE AS-TIMING						
	6	1	0S-0509	2	BOLT (3/8-16X.75IN)						
	7	1	5M-2894	2	WASHER (2.5MM THK)						



GRAPHIC #1

g00234030

BASIC ENGINE

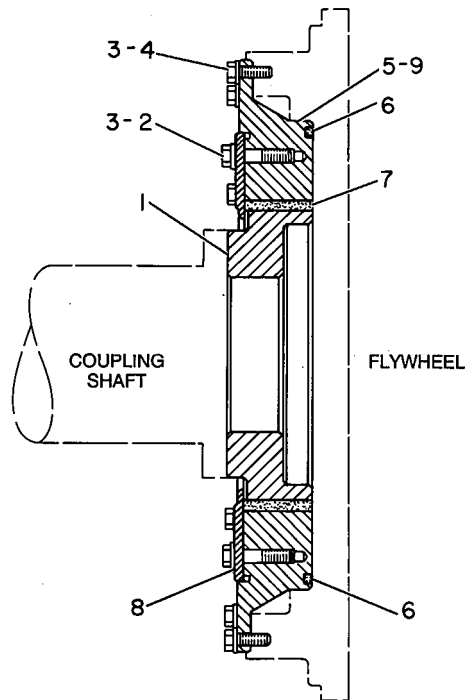
5N-3765 COUPLING GP-FLEXIBLE

VISCIOUS DAMPED
FOR USE WITH "00" FLYWHEEL & FLYWHEEL HOUSING
AN ATTACHMENT

SMCS-3252, 3279

i00883856

NOTE	REF NO	GRAPHIC REF	PART NUMBER	QTY	PART NAME						SEE PAGE
					1	2	3	4	5	6 (PRODUCT LEVEL)	
	1	1	3N-6666	1	COUPLING-DRIVE						
	2	1	1A-8537	12	BOLT (5/8-11X2.75IN)						
	3	1	4D-3704	24	WASHER-HARD (5MM THK)						
	4	1	0S-1589	12	BOLT (5/8-11X1.75IN)						
	5	1	5N-3284	1	COUPLING-OUTER						
	6	1	9H-0846	2	SEAL-O-RING (494.66MM ID)						
	7	1	5N-3272	3	BOOT-RUBBER COUPLING						
	8	1	5N-3274	1	PLATE						
	9	1	5N-5561	2	LUBRICANT-SILICONE						



GRAPHIC #1

g00146793

BASIC ENGINE

8N-7152 COUPLING GP-GENERATOR

FLEXIBLE

PART OF 7W-8708 INSTALLATION AR-GENERATOR
AN ATTACHMENT

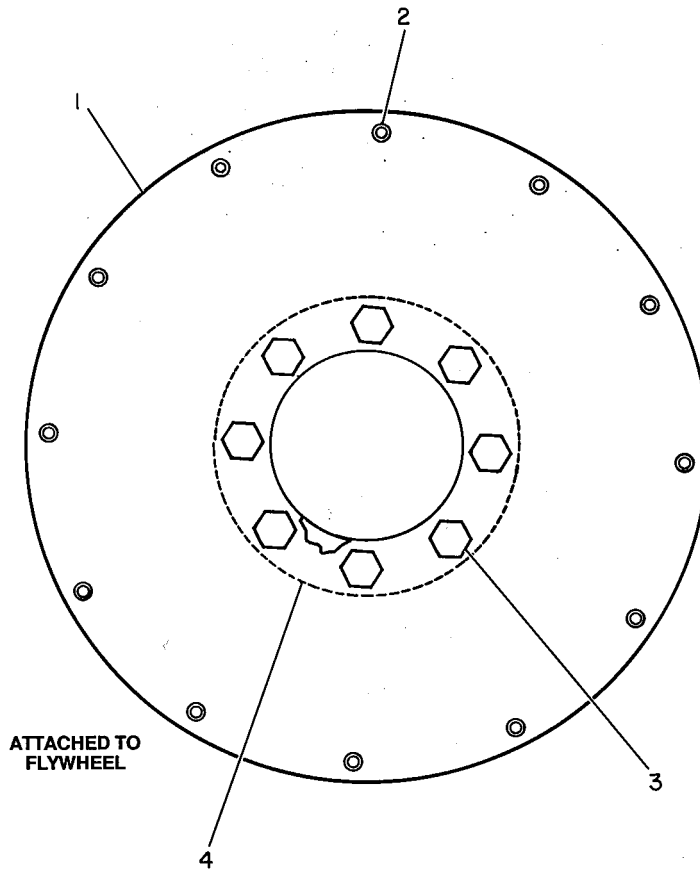
SMCS-4456

i00660668

NOTE	REF NO	GRAPHIC REF	PART NUMBER	QTY	PART NAME						SEE PAGE
					1	2	3	4	5	6 (PRODUCT LEVEL)	
	1	1	5N-4478	1	PLATE AS						
	2	1	1D-4585	12	BOLT (5/8-11X3.25IN)						
		1	5P-8247	12	WASHER-HARD (3.5MM THK)						
C	3	1	8S-9093	8	BOLT (1-8X2.25IN)						
		1	5P-8250	8	WASHER (5.0MM THK)						
BC	4	1	5N-4479	3	SHIM						

B-USE AS REQUIRED

C-CHANGE FROM PREVIOUS TYPE



GRAPHIC #1

g00167024

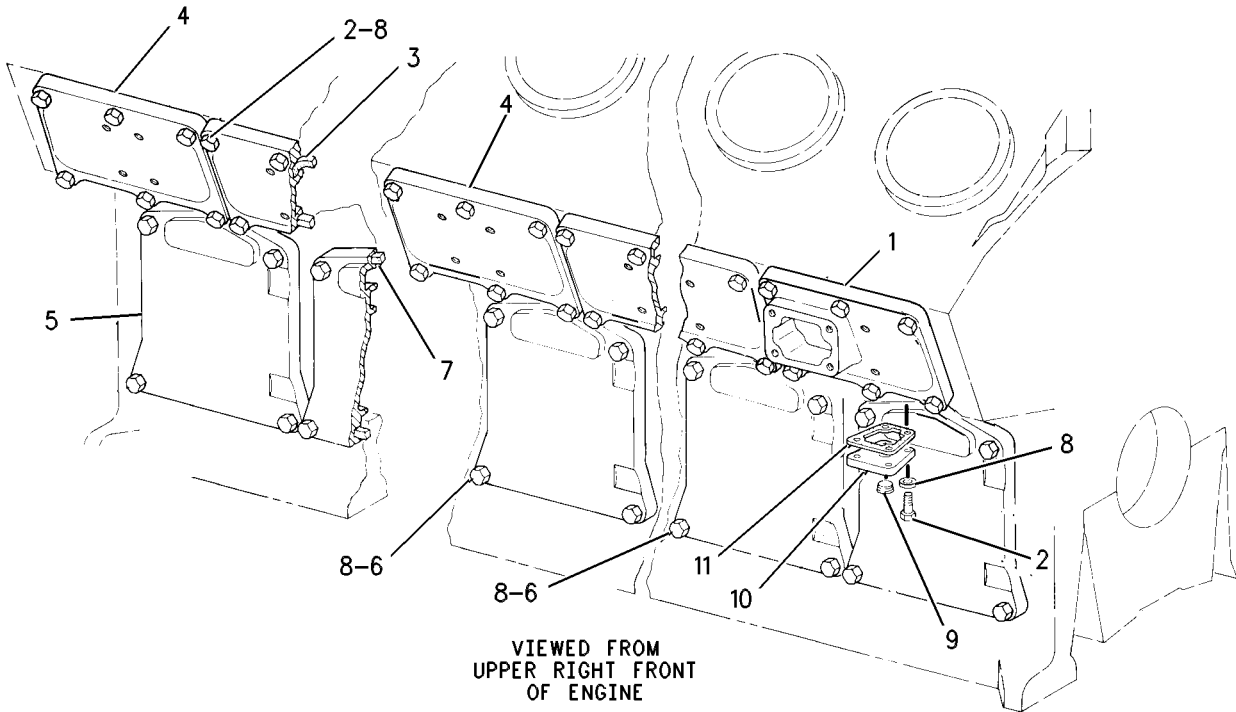
BASIC ENGINE

4P-8325 COVER GP-CYLINDER BLOCK

SMCS-1201

i00647061

NOTE	REF NO	GRAPHIC REF	PART NUMBER	QTY	PART NAME						SEE PAGE
					1	2	3	4	5	6 (PRODUCT LEVEL)	
S	1	1	8N-9993	1	COVER-CAMSHAFT						
	2	1	0S-1594	48	BOLT (3/8-16X1IN)						
	3	1	2W-2072	6	SEAL-O-RING (221.62MM ID)						
	4	1	8N-9992	5	COVER-CAMSHAFT						
	5	1	1N-2914	8	COVER-CYLINDER BLOCK SIDE						
	6	1	9X-8872	32	BOLT-LOCKING (3/8-16X0.875IN)						
	7	1	2W-2073	8	SEAL-O-RING						
	8	1	5M-2894	68	WASHER (2.5MM THK)						
J	9	1	8T-6761	3	PLUG-PIPE (1-11-1/2 NPTF THD)						
J	10	1	7N-3298	3	COVER-BLOCK						
J	11	1	7N-4945	3	GASKET						
					J-MTD AT CYLS 1,2,8						
					S-MTD AT CYL 1 OR 8						



GRAPHIC #1

g00287778

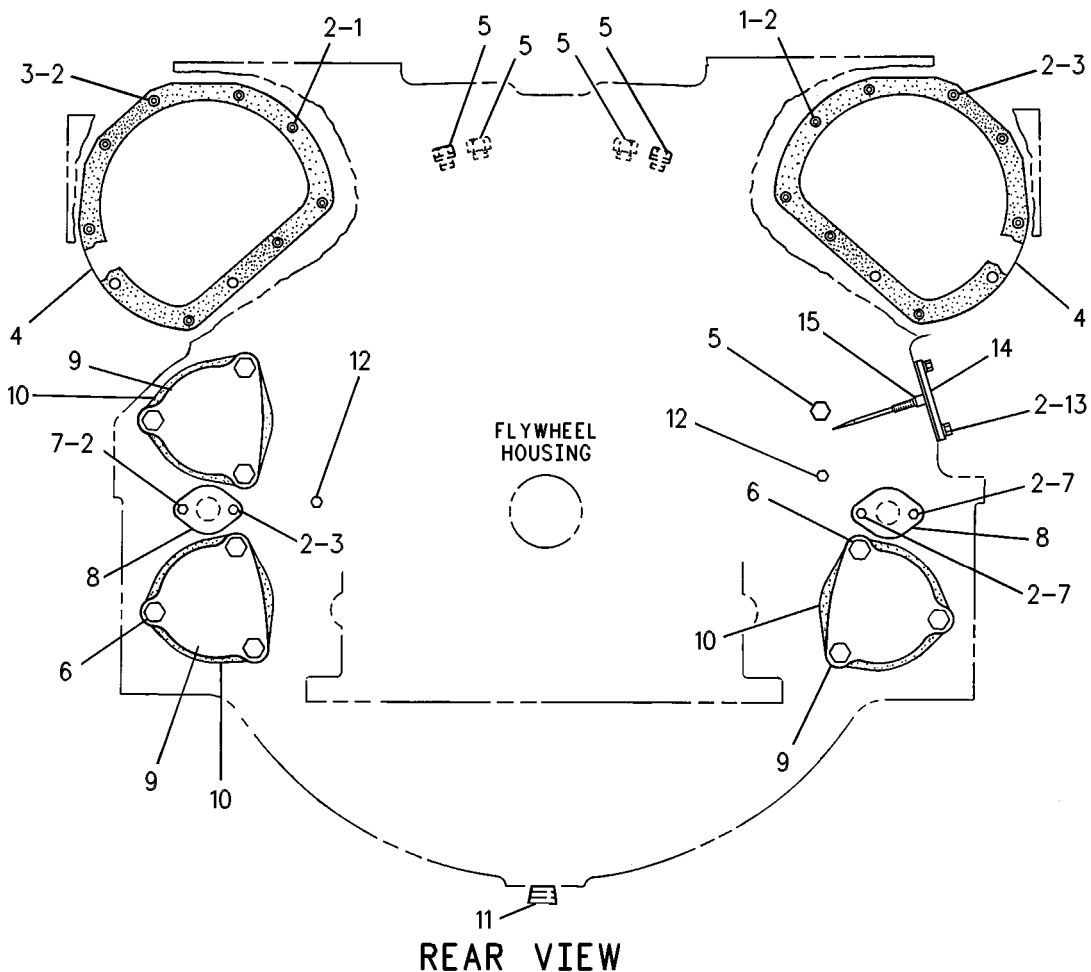
BASIC ENGINE

4P-8309 COVER GP-FLYWHEEL HOUSING

SMCS-1157

i00659552

NOTE	REF NO	GRAPHIC REF	PART NUMBER	QTY	PART NAME						SEE PAGE
					1	2	3	4	5	6 (PRODUCT LEVEL)	
	1	1	0S-1591	4	BOLT (3/8-16X1.5IN)						
	2	1	5M-2894	28	WASHER (2.5MM THK)						
	3	1	0S-1594	18	BOLT (3/8-16X1IN)						
	4	1	7N-4319	2	COVER						
		1	7N-4320	2	GASKET						
	5	1	5F-0304	5	PLUG-DRAIN						
		1	4B-8407	5	GASKET						
	6	1	4B-4043	9	BOLT (5/8-11X1.375IN)						
		1	5P-8247	9	WASHER-HARD (3.5MM THK)						
	7	1	0L-1352	2	BOLT (3/8-16X3.25IN)						
	8	1	2P-2772	2	COVER						
		1	4N-0933	2	GASKET						
	9	1	4N-1114	3	COVER						
	10	1	4N-1059	3	GASKET						
	11	1	8T-6761	1	PLUG-PIPE (1-11-1/2 NPTF THD)						
	12	1	8T-6765	2	PLUG-PIPE (1/4-18 NPTF THD)						
	13	1	0L-1351	4	BOLT (3/8-16X.875IN)						
	14	1	7F-7670	1	COVER						
		1	2S-1251	1	GASKET-ADAPTER						
	15	1	2W-7504	1	POINTER-TIMING						



GRAPHIC #1

g00261264

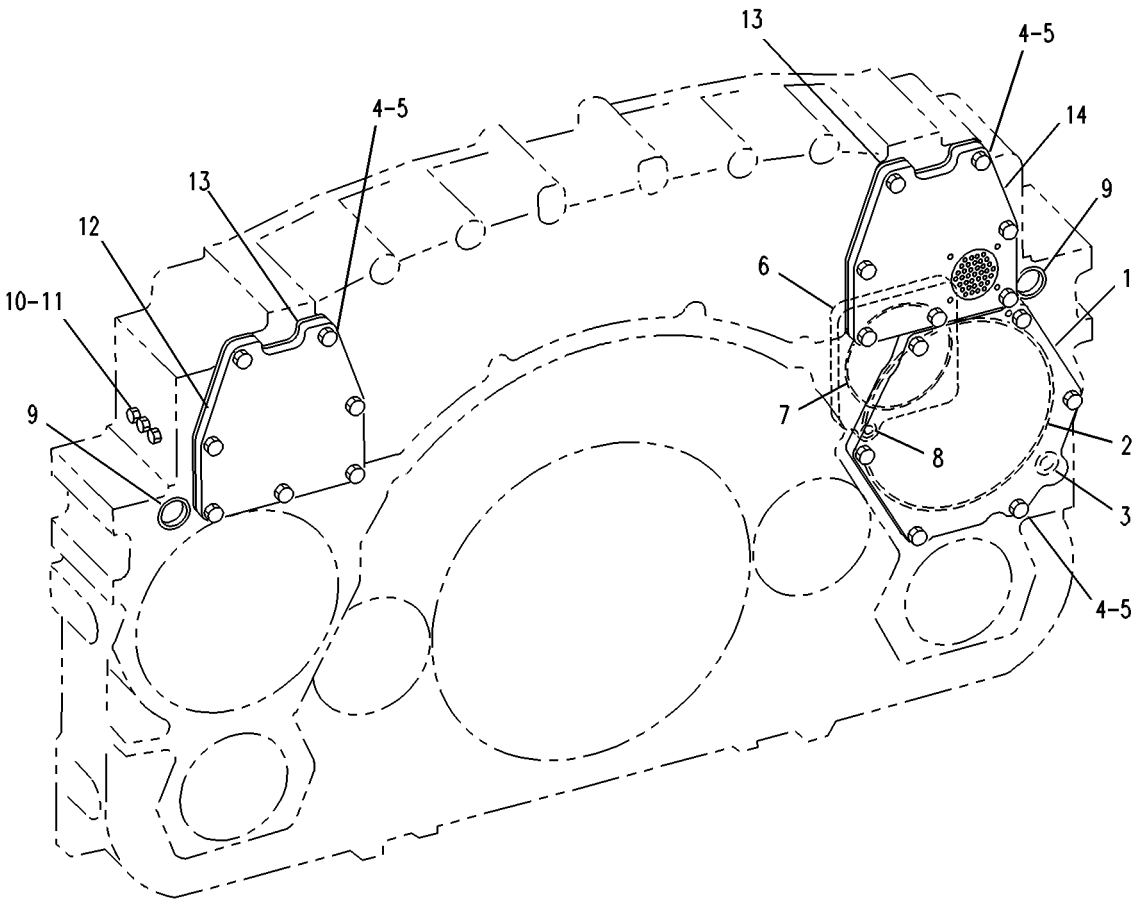
BASIC ENGINE

4P-8304 COVER GP-FRONT HOUSING

SMCS-1151, 1162, 1166

i00659544

NOTE	REF NO	GRAPHIC REF	PART NUMBER	QTY	PART NAME						SEE PAGE
					1	2	3	4	5	6 (PRODUCT LEVEL)	
	1	1	7N-4951	1	COVER						
	2	1	1T-0132	1	SEAL-O-RING (234.54MM ID)						
	3	1	3B-8453	1	SEAL-O-RING (18.42MM ID)						
	4	1	1A-2029	24	BOLT (3/8-16X1.125IN)						
	5	1	5M-2894	24	WASHER (2.5MM THK)						
	6	1	7N-4952	1	COVER						
	7	1	8M-5255	1	SEAL-O-RING (120.24MM ID)						
	8	1	2M-4453	1	SEAL-O-RING						
	9	1	3P-1896	2	PLUG-CUP (35.31MM AVG OD)						
	10	1	1B-4218	6	WASHER						
	11	1	2A-5220	6	PLUG-DRAIN						
	12	1	2W-5285	1	COVER						
	13	1	8N-9885	2	GASKET-DRIVE HOUSING						
	14	1	4P-6596	1	COVER						



GRAPHIC #1

g00231409

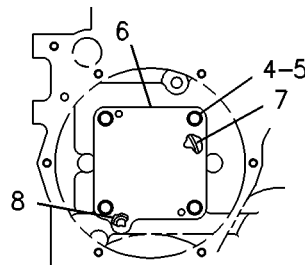
BASIC ENGINE

4P-8305 COVER GP-FRONT HOUSING

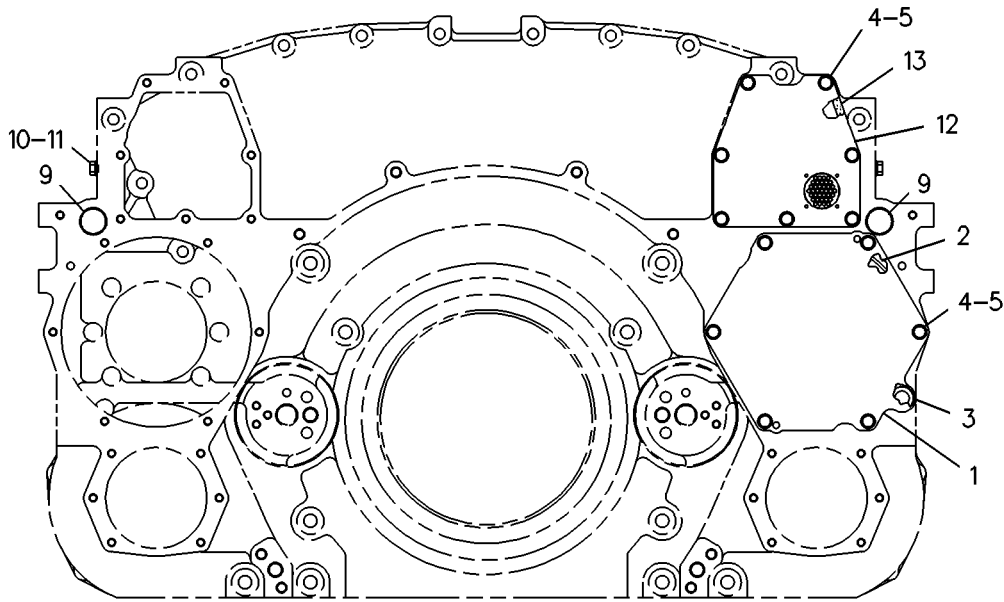
SMCS-1151, 1162, 1166

i00659550

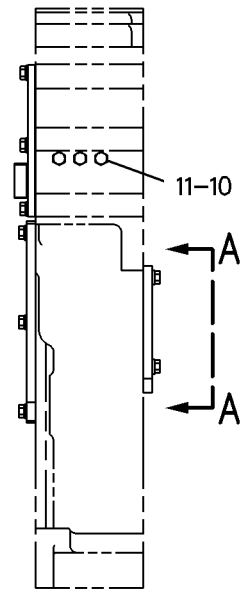
NOTE	REF NO	GRAPHIC REF	PART NUMBER	QTY	PART NAME						SEE PAGE
					1	2	3	4	5	6 (PRODUCT LEVEL)	
	1	1	7N-4951	1	COVER						
	2	1	1T-0132	1	SEAL-O-RING (234.54MM ID)						
	3	1	3B-8453	1	SEAL-O-RING (18.42MM ID)						
	4	1	1A-2029	17	BOLT (3/8-16X1.125IN)						
	5	1	5M-2894	17	WASHER (2.5MM THK)						
	6	1	7N-4952	1	COVER						
	7	1	8M-5255	1	SEAL-O-RING (120.24MM ID)						
	8	1	2M-4453	1	SEAL-O-RING						
	9	1	3P-1896	2	PLUG-CUP (35.31MM AVG OD)						
	10	1	1B-4218	6	WASHER						
	11	1	2A-5220	6	PLUG-DRAIN						
	12	1	4P-6596	1	COVER						
	13	1	8N-9885	1	GASKET-DRIVE HOUSING						



VIEW A-A



FRONT VIEW



LEFT SIDE VIEW

GRAPHIC #1

g00230932

BASIC ENGINE

4W-4839 COVER GP-FRONT HOUSING

FRONT HOUSING

FOR USE WITH RAW WATER AFTERCOOLER & AIR LINES. CANNOT BE USED WITH 7W-1530

HOUSING GP-FRONT

AN ATTACHMENT

SMCS-1151, 1162, 1166

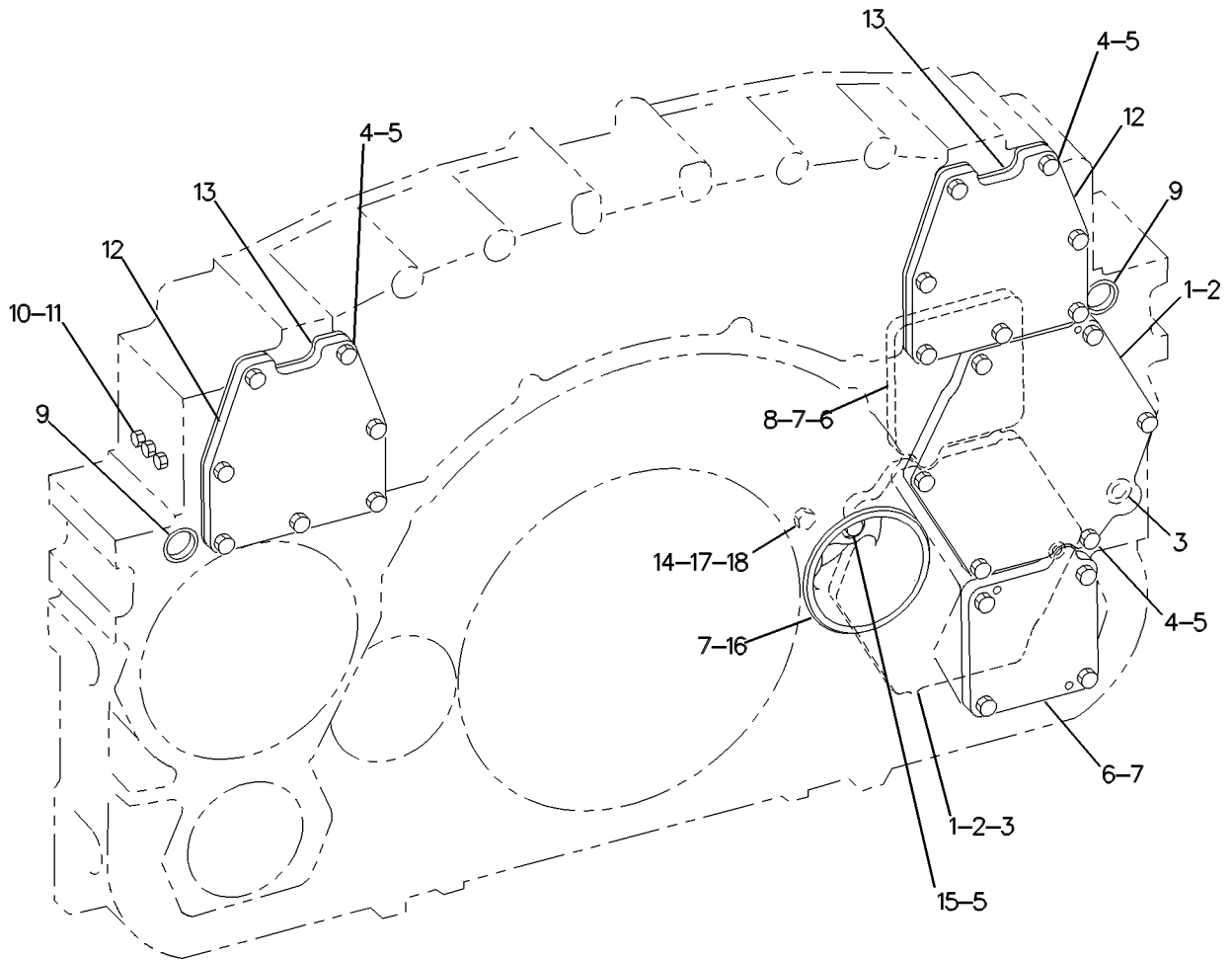
i00902415

NOTE	REF NO	GRAPHIC REF	PART NUMBER	QTY	PART NAME						SEE PAGE
					1	2	3	4	5	6 (PRODUCT LEVEL)	
	1	1	7N-4951	2	COVER						
	2	1	1T-0132	2	SEAL-O-RING (234.54MM ID)						
	3	1	3B-8453	2	SEAL-O-RING (18.42MM ID)						
	4	1	1A-2029	34	BOLT (3/8-16X1.125IN)						
	5	1	5M-2894	35	WASHER (2.5MM THK)						
	6	1	7N-4952	2	COVER						
	7	1	8M-5255	3	SEAL-O-RING (120.24MM ID)						
	8	1	2M-4453	2	SEAL-O-RING						
	9	1	3P-1896	2	PLUG-CUP (35.31MM AVG OD)						
	10	1	1B-4218	6	WASHER						
	11	1	2A-5220	6	PLUG-DRAIN						
	12	1	2W-5285	2	COVER						
	13	1	8N-9885	2	GASKET-DRIVE HOUSING						
	14	1	0L-1329	2	BOLT (1/2-13X3IN)						
	15	1	1C-2251	1	BOLT (3/8-16X1.87IN)						
		1	5R-7136	1	WASHER-SEAL (1.27MM THK)						
	16	1	8N-9658	1	PLUG						
	17	1	5P-8245	2	WASHER (3MM THK)						
	18	1	5R-7137	2	WASHER-SEAL (1.27MM THK)						

BASIC ENGINE

4W-4839 COVER GP - FRONT HOUSING (contd.)

i00902415



GRAPHIC #1

g00377792

BASIC ENGINE

2W-5616 COVER GP-OIL PAN

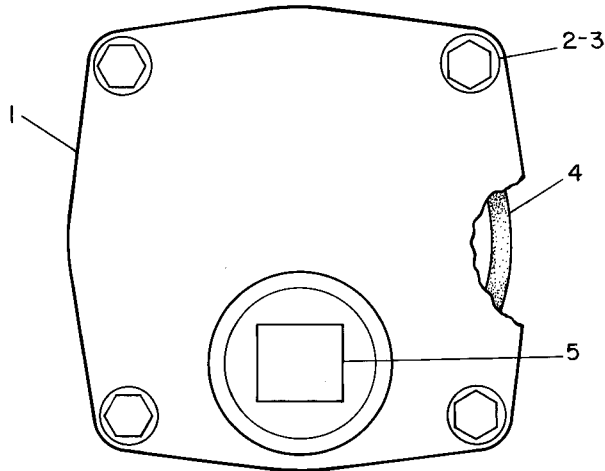
PROVIDES THE MEANS TO ADAPT THE OIL PAN DRAIN TO THE DRAIN LINE FOR
PETROLEUM LAND RIGS
AN ATTACHMENT

SMCS-1302

i00651388

NOTE	REF NO	GRAPHIC REF	PART NUMBER	QTY	PART NAME						SEE PAGE
					1	2	3	4	5	6 (PRODUCT LEVEL)	
C	1	1	9Y-4893	1	COVER						
	2	1	0L-1351	4	BOLT (3/8-16X.875IN)						
	3	1	5M-2894	4	WASHER (2.5MM THK)						
	4	1	6V-4314	1	SEAL-O-RING						
	5	1	9X-6138	1	PLUG-PIPE						

C- CHANGE FROM PREVIOUS TYPE



GRAPHIC #1

g00197160

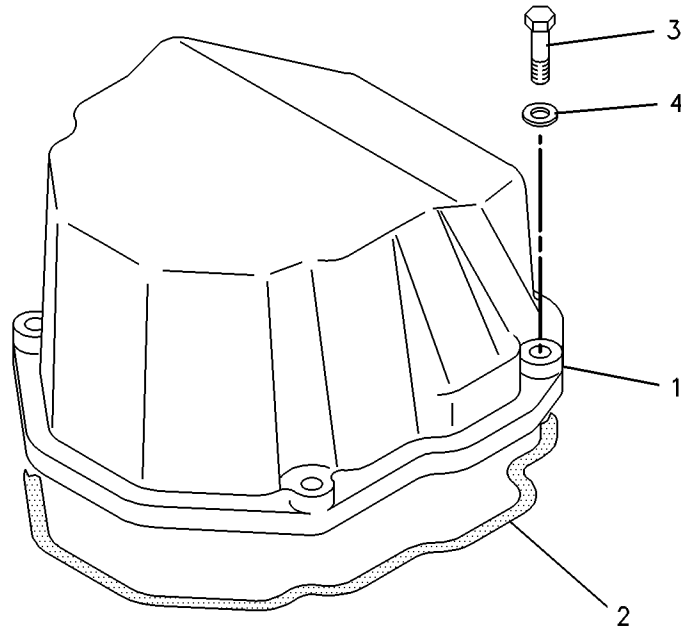
BASIC ENGINE

4P-8310 COVER GP-VALVE MECHANISM

SMCS-1107, 1120

i00659556

NOTE	REF NO	GRAPHIC REF	PART NUMBER	QTY	PART NAME						SEE PAGE
					1	2	3	4	5	6 (PRODUCT LEVEL)	
	1	1	4P-8311	1	COVER-VALVE MECHANISM						
	2	1	4W-1596	1	SEAL-O-RING						
	3	1	1A-9579	4	BOLT (5/16-18X1.5IN)						
	4	1	9M-1974	4	WASHER-HARD (2MM THK)						



GRAPHIC #1

g00230813

BASIC ENGINE

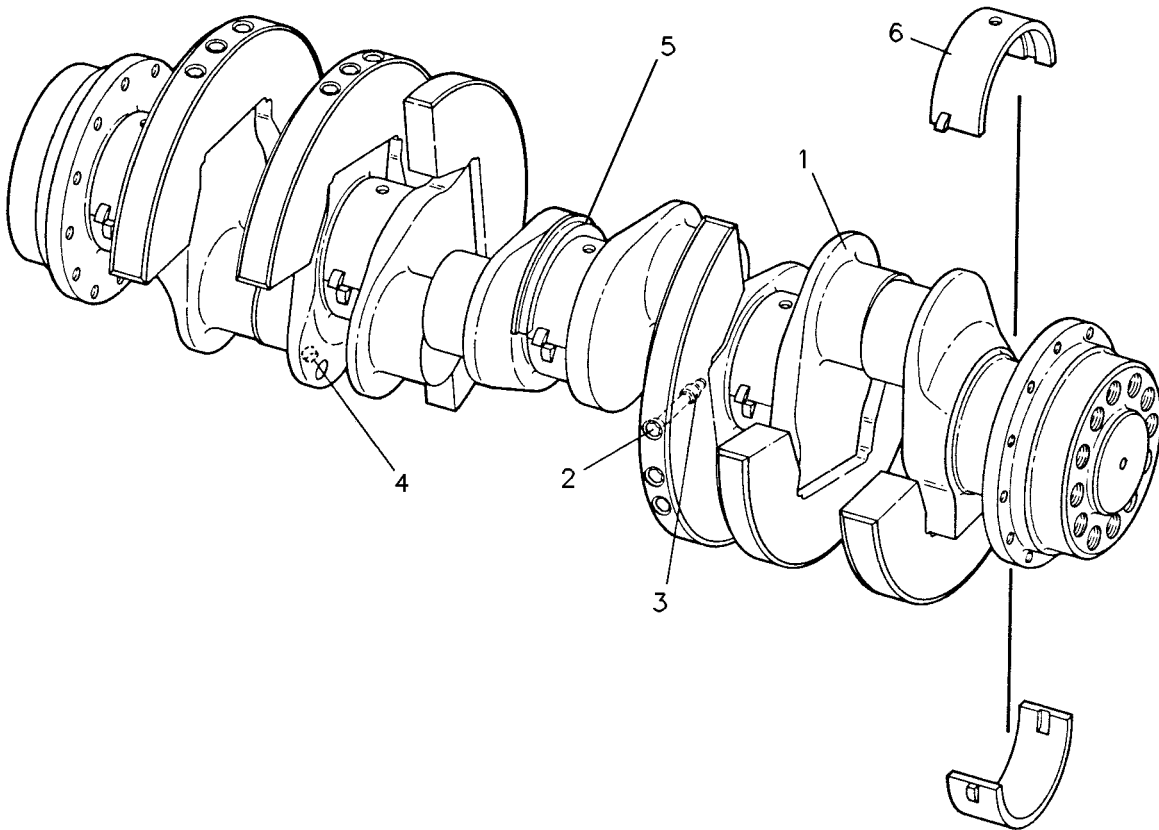
7N-8707 CRANKSHAFT GP

SMCS-1202, 1203, 1204, 1230, 1231, 1232

i00112831

NOTE	REF NO	GRAPHIC REF	PART NUMBER	QTY	PART NAME						SEE PAGE
					1	2	3	4	5	6 (PRODUCT LEVEL)	
CR	1	1	7E-3912	1	CRANKSHAFT AS						
C	2	1	7E-4201	18	BOLT-12 POINT HEAD						
C		1	7E-4202	18	WASHER-HARD						
	3	1	7N-2003	12	DOWEL						
	4	1	2W-2288	6	PLUG						
	5	1	2W-0646	2	PLATE-THRUST						
	6	1	105-0253	5	BEARING-MAIN (STANDARD)						
A		1	105-0254	5	BEARING-MAIN (0.63MM US)						
A		1	105-0255	5	BEARING-MAIN (1.27MM US)						
A		1	105-0256	5	BEARING-MAIN (0.63MM OS)						
A		1	105-0257	5	BEARING-MAIN (0.63MM US-0.63MM OS)						

A - NOT PART OF THIS GROUP
 C - CHANGE FROM PREVIOUS TYPE
 R - REMFG PART MAY BE AVAILABLE



GRAPHIC #1

g00082992

BASIC ENGINE

7E-4659 CYLINDER BLOCK AS

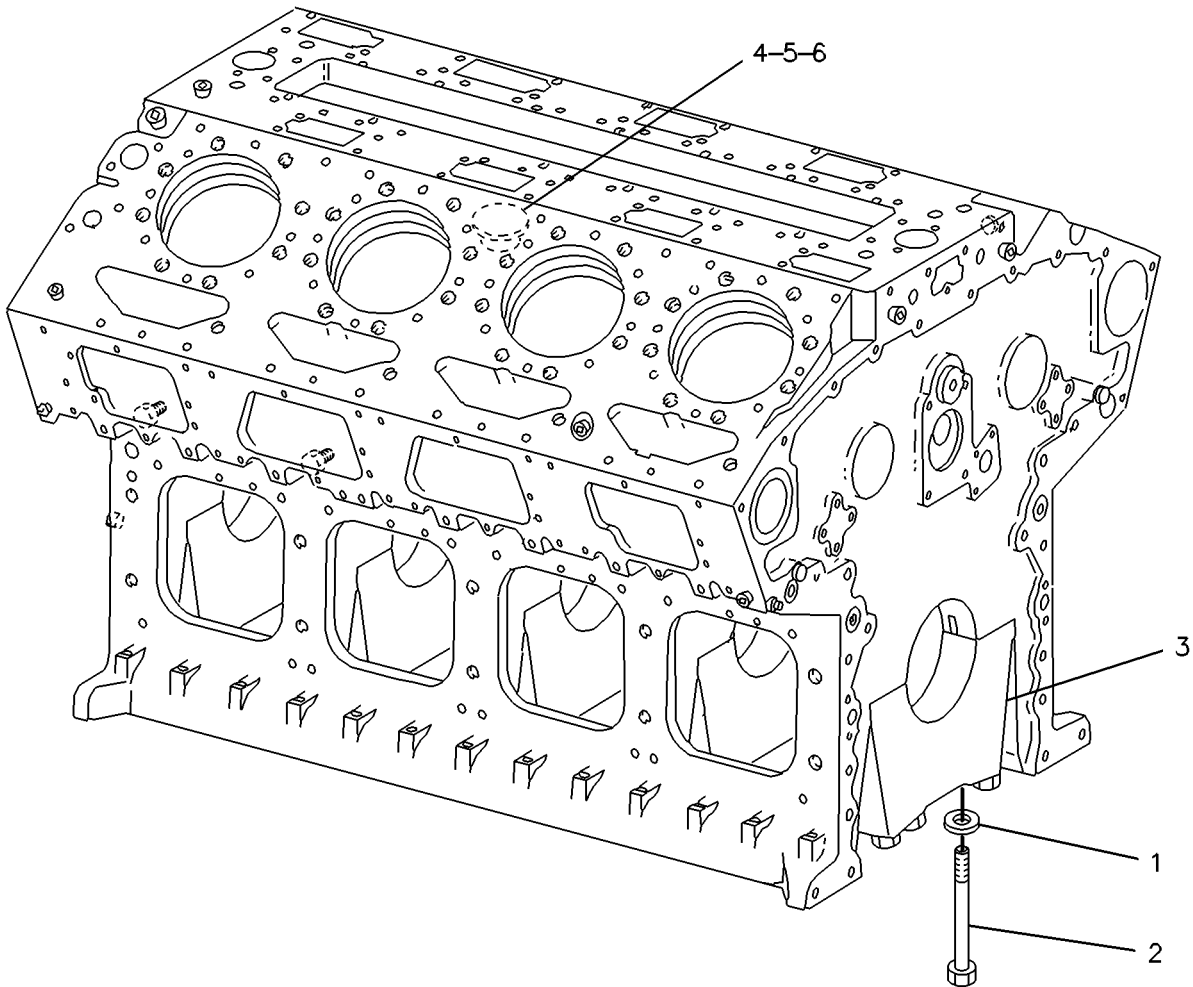
PART OF 4P-7262 CYLINDER BLOCK GP

FIELD INSTALLATION

SMCS-1117, 1200, 1201, 1211, 1216, 1217, 1221, 1222,
1223, 1224, 1238, 1239, 1240, 1331

i00117759

NOTE	REF NO	GRAPHIC REF	PART NUMBER	QTY	PART NAME						SEE PAGE
					1	2	3	4	5	6 (PRODUCT LEVEL)	
	1	1	5P-8249	20	WASHER (4.0MM THK)						
	2	1	7X-7925	20	BOLT						
	3	1	9Y-9175	5	CAP-CRANKSHAFT BEARING						
	4	1	4W-4813	1	PLUG						
	5	1	8T-2929	1	SEAL (63.2MM ID)						
	6	1	8T-2928	1	SEAL (53.1MM ID)						



GRAPHIC #1

g00082318

BASIC ENGINE

7E-4939 CYLINDER BLOCK AS

S/N 9TG1-14

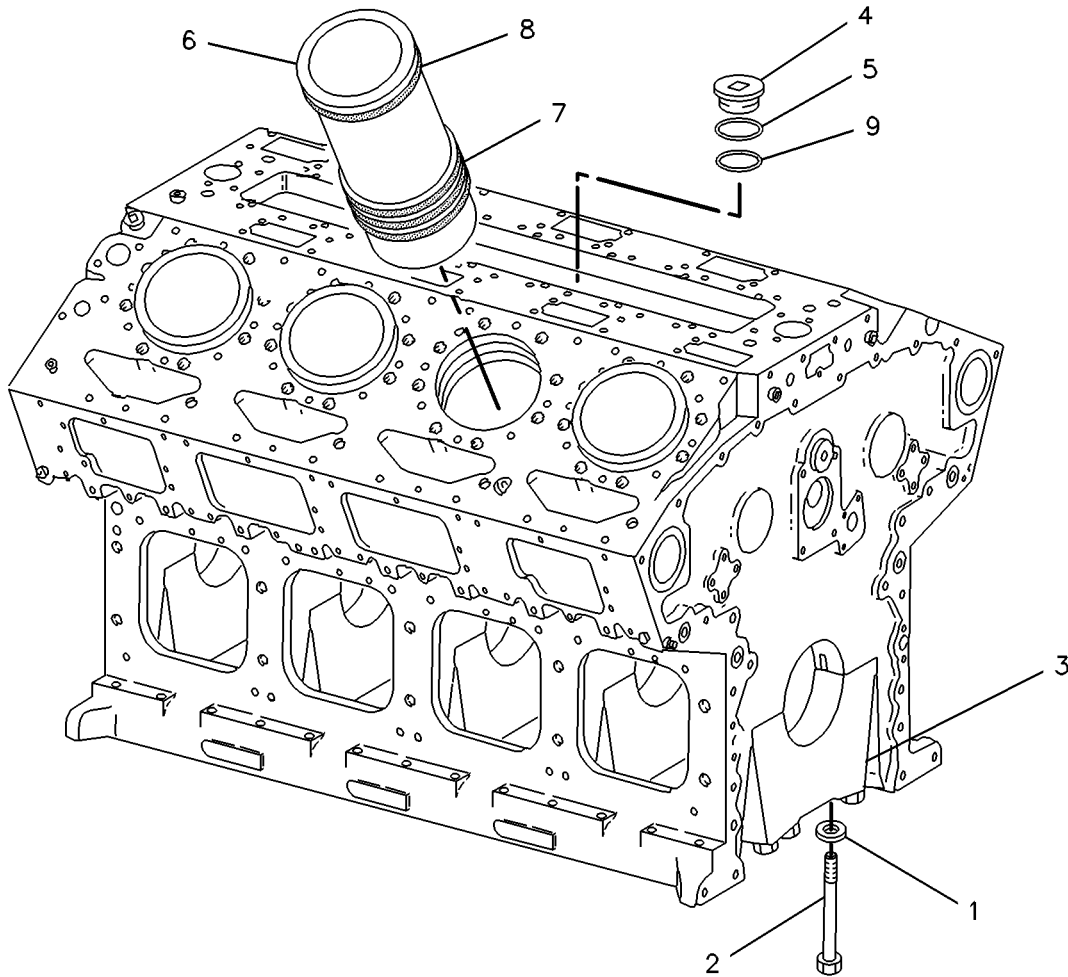
PART OF 4P-8319 CYLINDER BLOCK GP

FIELD REPLACEMENT ORDER 4P-7262-PAGE 45

SMCS-1117, 1200, 1201, 1211, 1216, 1217, 1221, 1222,
1223, 1224, 1238, 1239, 1240, 1331

i00117762

NOTE	REF NO	GRAPHIC REF	PART NUMBER	QTY	PART NAME						SEE PAGE
					1	2	3	4	5	6 (PRODUCT LEVEL)	
	1	1	5P-8249	20	WASHER (4.0MM THK)						
	2	1	7X-7925	20	BOLT						
	3	1	9Y-9175	5	CAP-CRANKSHAFT BEARING						
	4	1	4W-4813	1	PLUG						
	5	1	8T-2929	1	SEAL (63.2MM ID)						
	6	1	8N-6861	8	LINER-CYLINDER						
	7	1	7N-2046	24	SEAL-O-RING						
	8	1	8N-4707	8	BAND-FILLER						
	9	1	8T-2928	1	SEAL (53.1MM ID)						



GRAPHIC #1

g00082316

BASIC ENGINE

101-1171 CYLINDER BLOCK AS

S/N 9TG27-UP

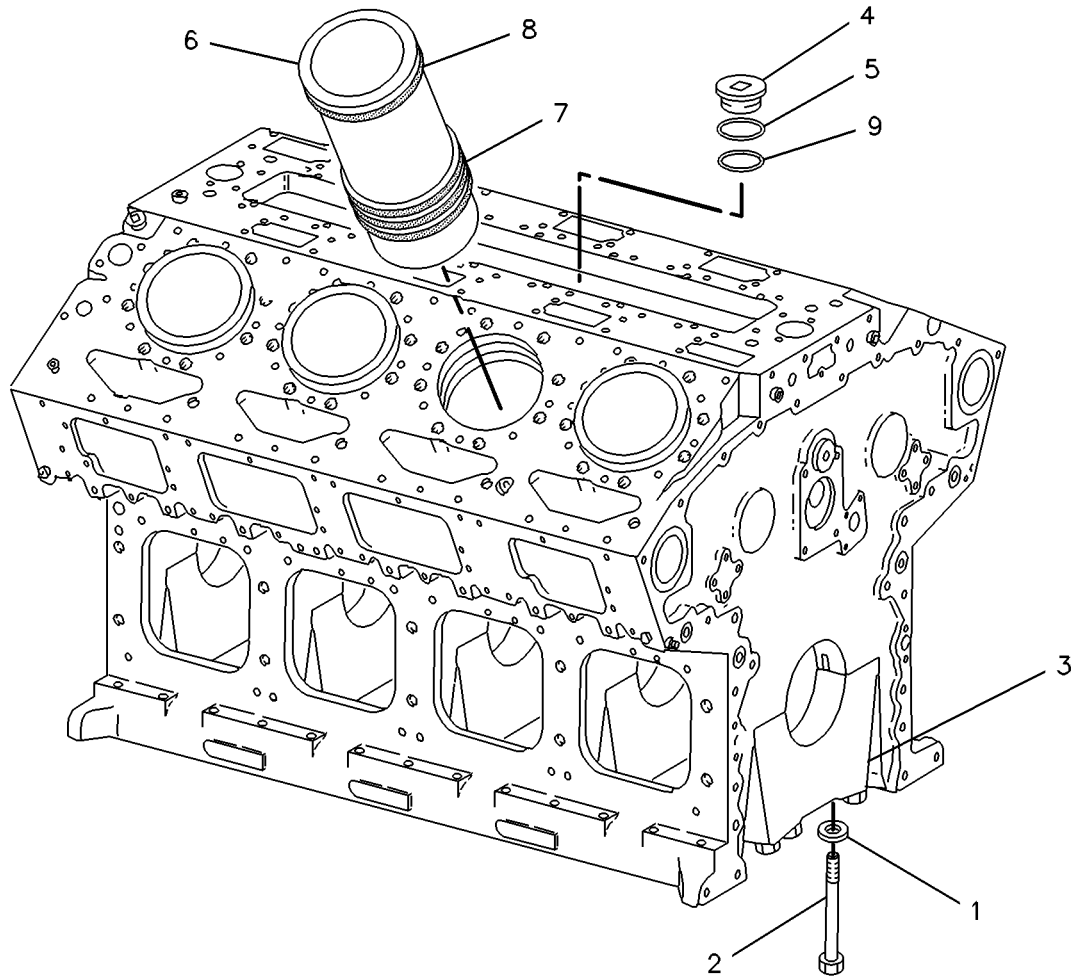
PART OF 115-3502 CYLINDER BLOCK GP

FIELD REPLACEMENT ORDER 115-3503-PAGE 54

SMCS-1117, 1200, 1201, 1211, 1216, 1217, 1221, 1222,
1223, 1224, 1238, 1239, 1240, 1331

i00547372

NOTE	REF NO	GRAPHIC REF	PART NUMBER	QTY	PART NAME						SEE PAGE
					1	2	3	4	5	6 (PRODUCT LEVEL)	
	1	1	5P-8249	20	WASHER (4.0MM THK)						
	2	1	7X-7925	20	BOLT						
	3	1	9Y-9175	5	CAP-CRANKSHAFT BEARING						
	4	1	4W-4813	1	PLUG						
	5	1	8T-2929	1	SEAL (63.2MM ID)						
	6	1	118-9494	8	LINER-CYLINDER						
	7	1	7N-2046	24	SEAL-O-RING						
	8	1	8N-4707	8	BAND-FILLER						
	9	1	8T-2928	1	SEAL (53.1MM ID)						



GRAPHIC #1

g00082316

BASIC ENGINE

101-1226 CYLINDER BLOCK AS

S/N 9TG1-26

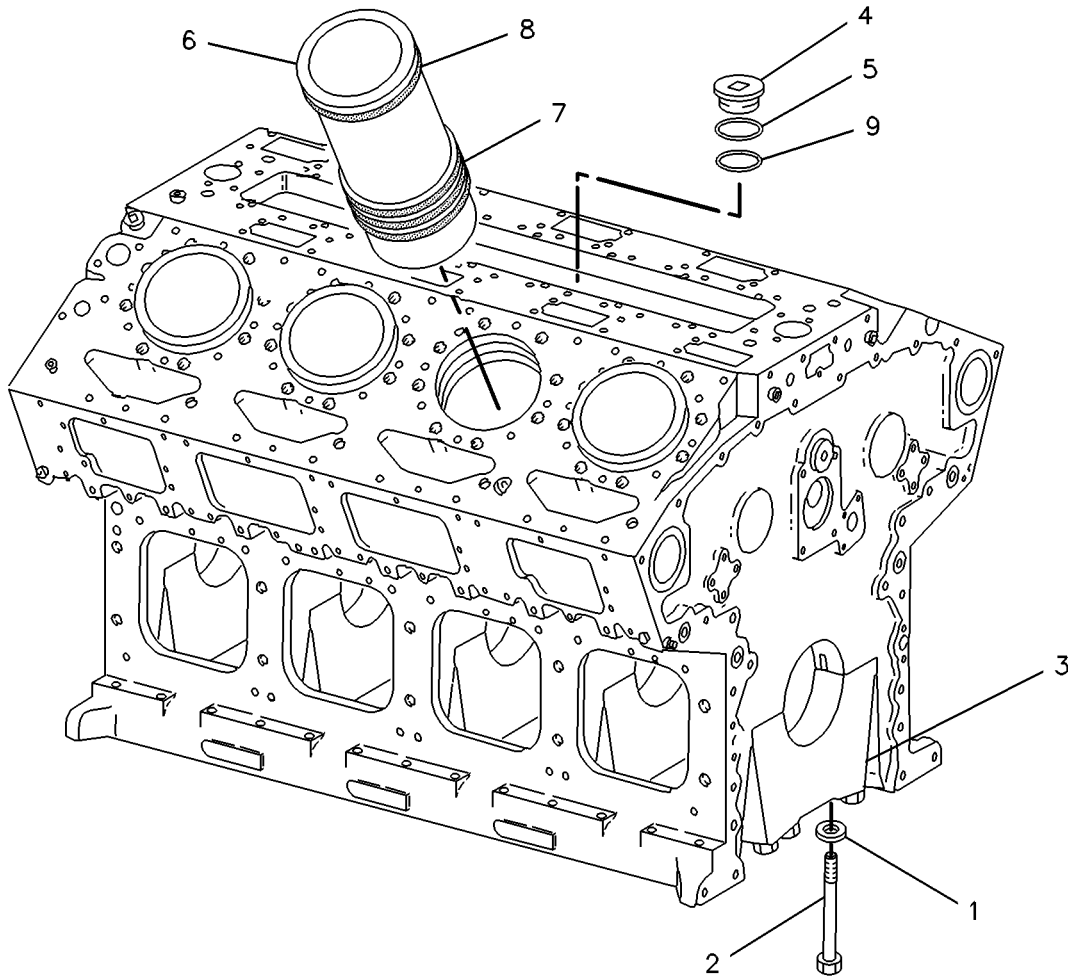
PART OF 4P-8319 CYLINDER BLOCK GP

FIELD REPLACEMENT ORDER 101-1243-PAGE 50

SMCS-1117, 1200, 1201, 1211, 1216, 1217, 1221, 1222,
1223, 1224, 1238, 1239, 1240, 1331

i00112139

NOTE	REF NO	GRAPHIC REF	PART NUMBER	QTY	PART NAME						SEE PAGE
					1	2	3	4	5	6 (PRODUCT LEVEL)	
	1	1	5P-8249	20	WASHER (4.0MM THK)						
	2	1	7X-7925	20	BOLT						
	3	1	9Y-9175	5	CAP-CRANKSHAFT BEARING						
	4	1	4W-4813	1	PLUG						
	5	1	8T-2929	1	SEAL (63.2MM ID)						
	6	1	110-6993	8	LINER-CYLINDER						
	7	1	7N-2046	24	SEAL-O-RING						
	8	1	8N-4707	8	BAND-FILLER						
	9	1	8T-2928	1	SEAL (53.1MM ID)						



GRAPHIC #1

g00082316

BASIC ENGINE

101-1229 CYLINDER BLOCK AS

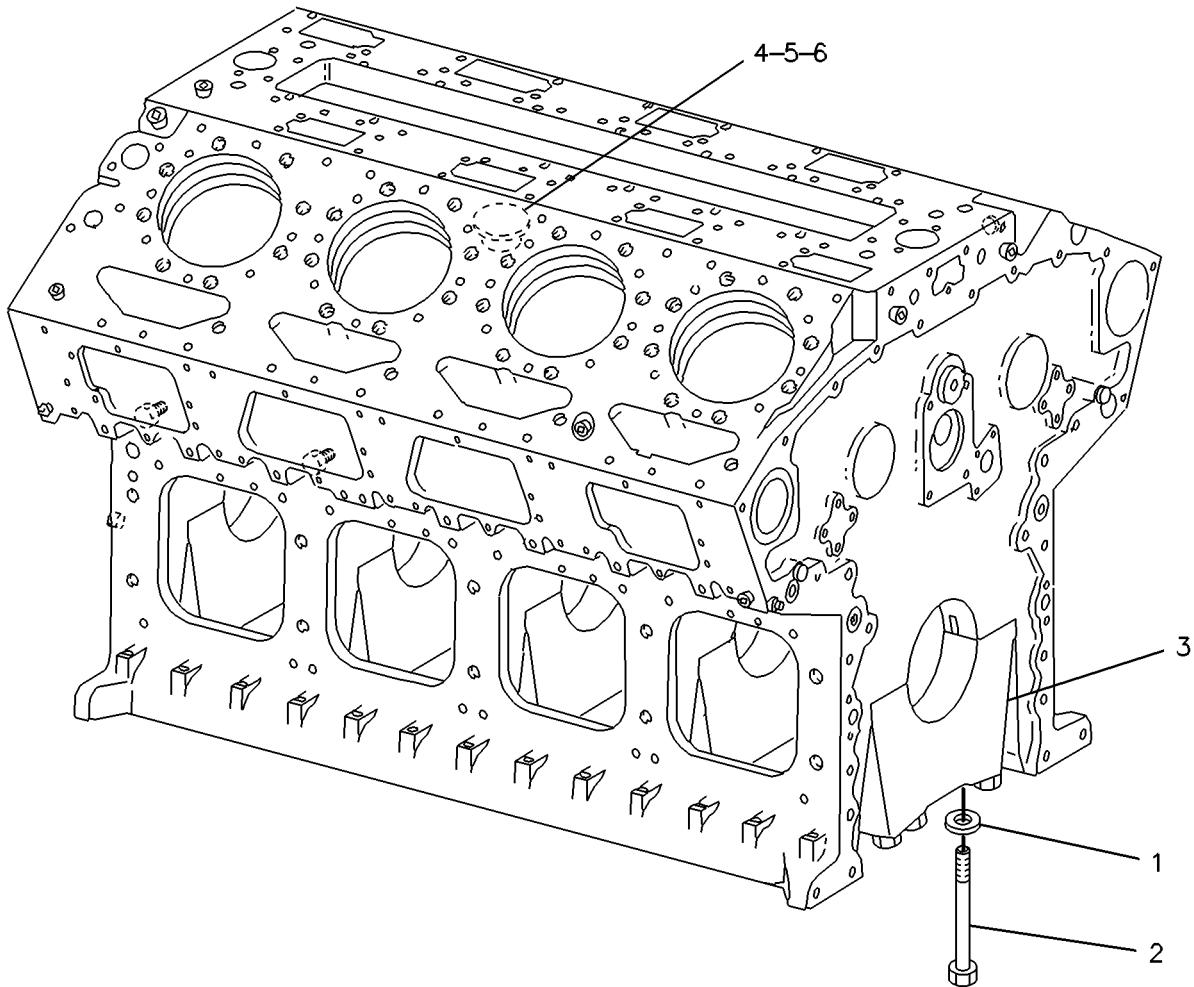
S/N 9TG1-26

PART OF 101-1243 CYLINDER BLOCK GP

SMCS-1117, 1200, 1201, 1211, 1216, 1217, 1221, 1222,
1223, 1224, 1238, 1239, 1240, 1331

i00112104

NOTE	REF NO	GRAPHIC REF	PART NUMBER	QTY	PART NAME						SEE PAGE
					1	2	3	4	5	6 (PRODUCT LEVEL)	
	1	1	5P-8249	20	WASHER (4.0MM THK)						
	2	1	7X-7925	20	BOLT						
	3	1	9Y-9175	5	CAP-CRANKSHAFT BEARING						
	4	1	4W-4813	1	PLUG						
	5	1	8T-2929	1	SEAL (63.2MM ID)						
	6	1	8T-2928	1	SEAL (53.1MM ID)						



GRAPHIC #1

g00082318

BASIC ENGINE

106-2778 CYLINDER BLOCK AS

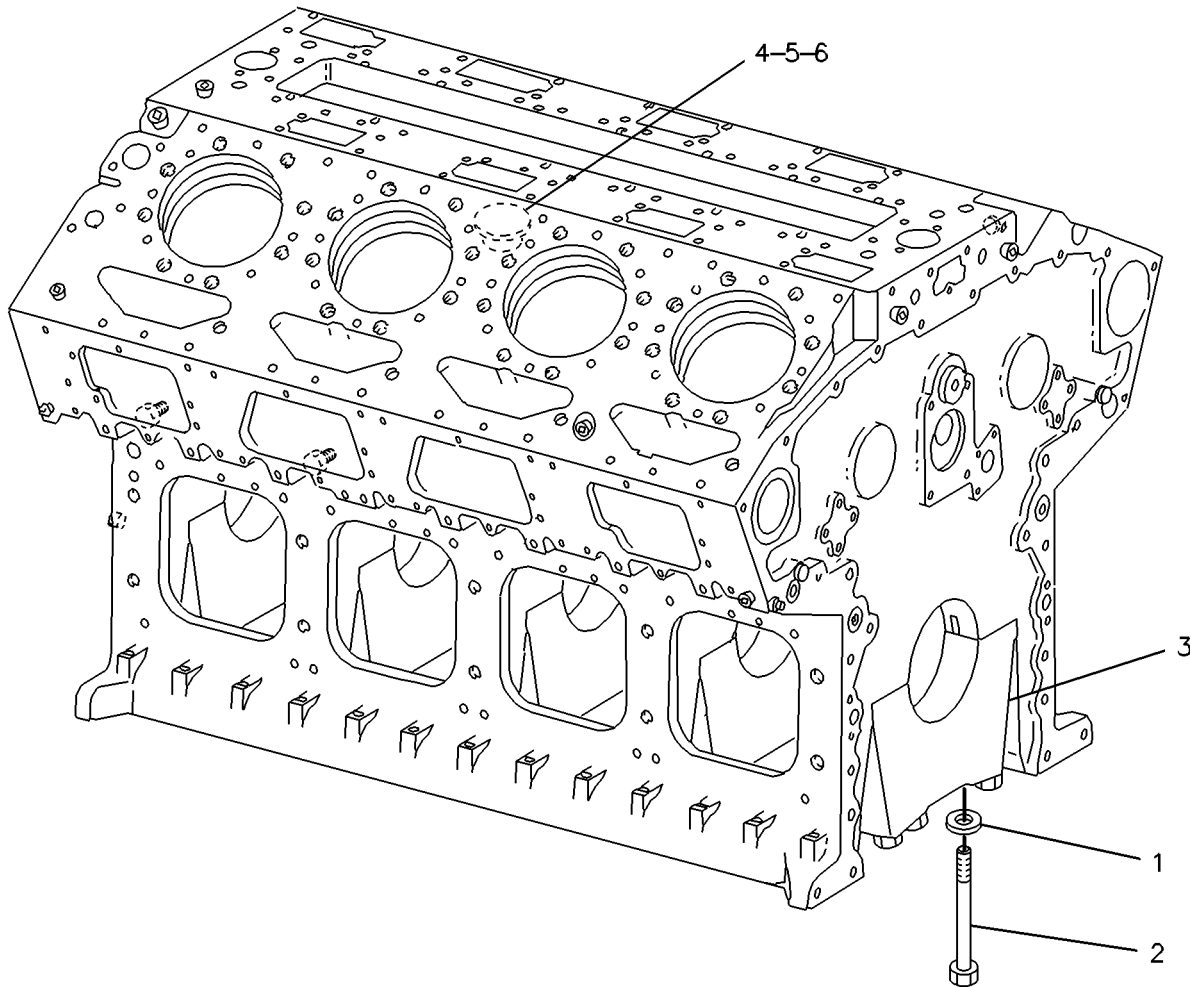
S/N 9TG27-UP

PART OF 115-3503 CYLINDER BLOCK GP

SMCS-1117, 1200, 1201, 1211, 1216, 1217, 1221, 1222,
1223, 1224, 1238, 1239, 1240, 1331

i00112168

NOTE	REF NO	GRAPHIC REF	PART NUMBER	QTY	PART NAME						SEE PAGE
					1	2	3	4	5	6 (PRODUCT LEVEL)	
	1	1	5P-8249	20	WASHER (4.0MM THK)						
	2	1	7X-7925	20	BOLT						
	3	1	9Y-9175	5	CAP-CRANKSHAFT BEARING						
	4	1	4W-4813	2	PLUG						
	5	1	8T-2929	2	SEAL (63.2MM ID)						
	6	1	8T-2928	2	SEAL (53.1MM ID)						



GRAPHIC #1

g00082318

BASIC ENGINE

4P-7262 CYLINDER BLOCK GP

FIELD REPLACEMENT FOR 7E-4939—PAGE 40

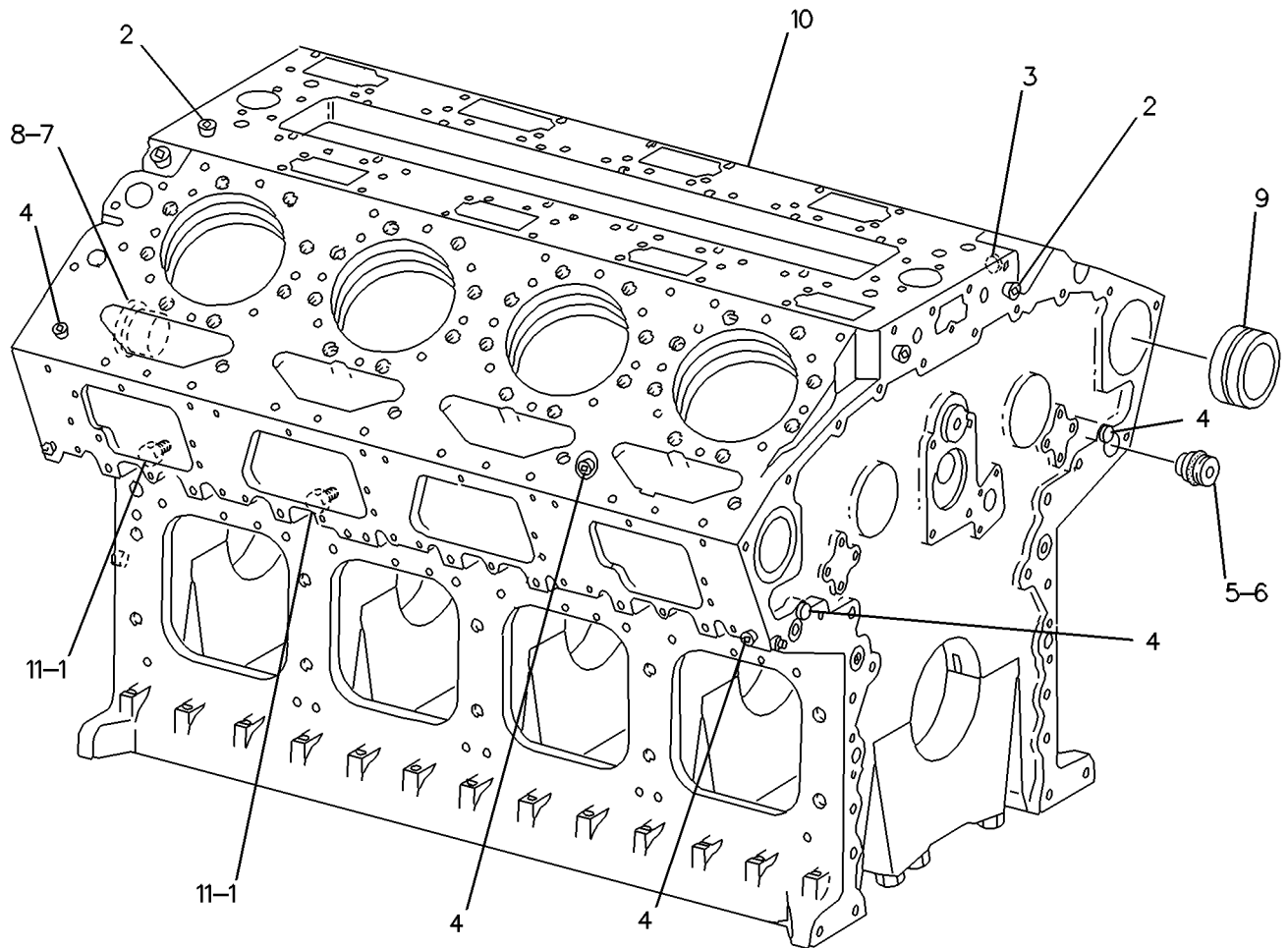
FIELD INSTALLATION

SMCS-1117, 1200, 1201, 1211, 1216, 1217, 1221, 1222,
1223, 1224, 1238, 1239, 1240, 1331

i00938636

NOTE	REF NO	GRAPHIC REF	PART NUMBER	QTY	PART NAME						SEE PAGE
					1	2	3	4	5	6 (PRODUCT LEVEL)	
	1	1	9S-4191	6	PLUG-O-RING (9/16-18 THD)						
	2	1	2B-0858	4	PLUG-PIPE (1/2-14 NPTF)						
	3	1	1B-5174	2	PLUG-PIPE (3/4-14 NPTF)						
	4	1	7H-3171	20	PLUG-PIPE (1/4-18 NPTF)						
	5	1	2W-2940	8	PLUG-OIL MANIFOLD						
	6	1	6V-3348	8	SEAL-O-RING						
	7	1	7N-5641	2	PLUG-MANIFOLD						
	8	1	5F-9657	4	SEAL-O-RING (36.09MM ID)						
	9	1	7N-2048	10	BEARING-CAMSHAFT						
Y	10	1	7E-4659	1	CYLINDER BLOCK AS						39
	11	1	033-6042	6	SEAL-O-RING						

Y-SEPARATE ILLUSTRATION



GRAPHIC #1

g00099891

BASIC ENGINE

4P-8319 CYLINDER BLOCK GP

SMCS-1117, 1200, 1201, 1211, 1216, 1217, 1221, 1222,
1223, 1224, 1238, 1239, 1240, 1331

i00660199

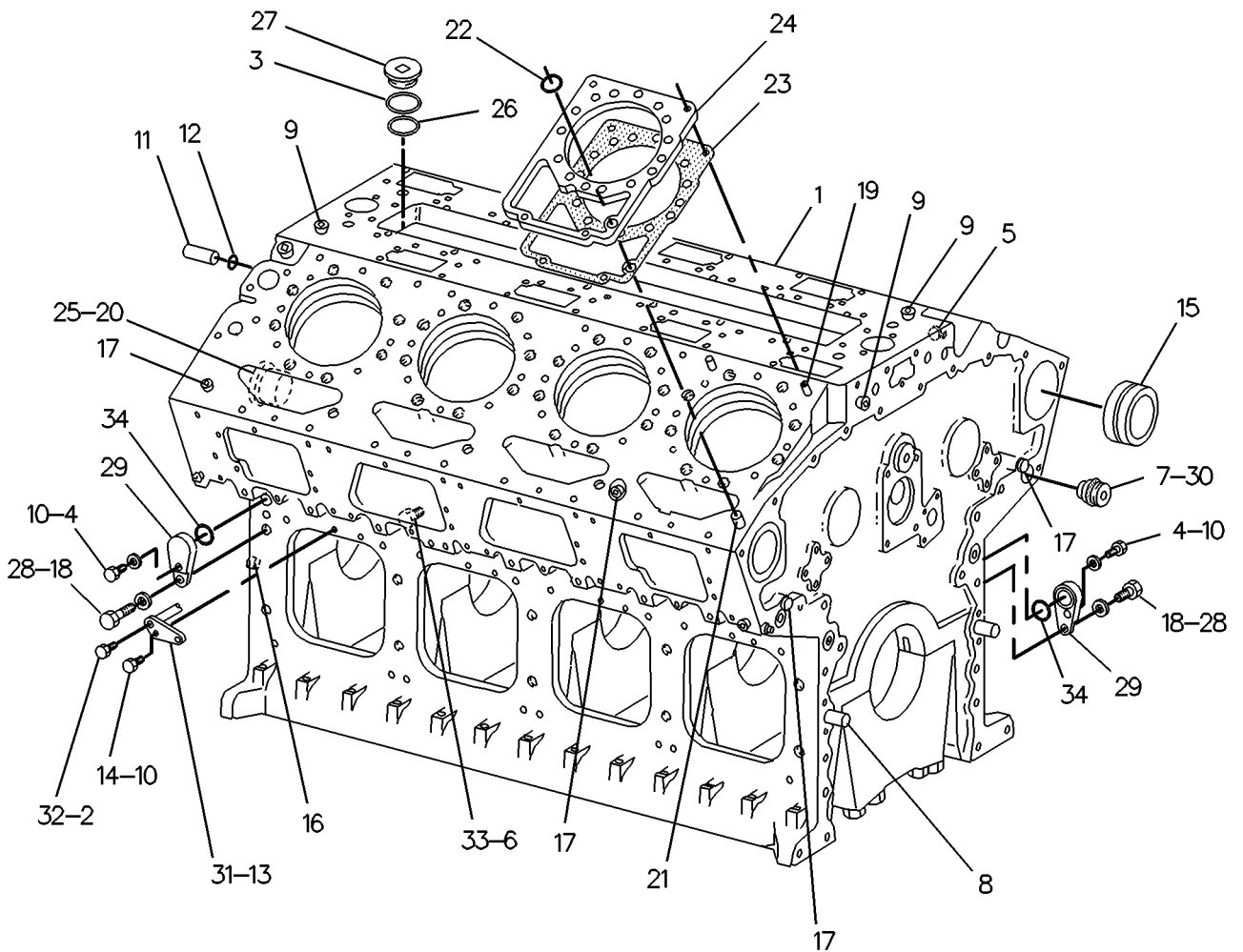
NOTE	REF NO	GRAPHIC REF	PART NUMBER	QTY	PART NAME						SEE PAGE
					1	2	3	4	5	6 (PRODUCT LEVEL)	
Y	1	1	7E-4939	1	CYLINDER BLOCK AS						40
	2	1	9M-1974	8	WASHER-HARD (2MM THK)						
	3	1	8T-2929	1	SEAL (63.2MM ID)						
	4	1	1A-2029	2	BOLT (3/8-16X1.125IN)						
	5	1	7X-7731	2	PLUG-PIPE (3/4-14 NPTF THD)						
	6	1	033-6042	6	SEAL-O-RING						
	7	1	2W-2940	8	PLUG-OIL MANIFOLD						
	8	1	7N-2044	2	DOWEL						
	9	1	8T-6762	3	PLUG-PIPE						
	10	1	5M-2894	10	WASHER (2.5MM THK)						
	11	1	7N-2047	3	DOWEL						
	12	1	7X-4805	3	SEAL-O-RING						
	13	1	9Y-4121	8	JET AS-OIL COOLING						
	14	1	0T-0102	8	BOLT (3/8-16X0.625IN)						
	15	1	7N-2048	10	BEARING-CAMSHAFT						
	16	1	4N-0683	2	DOWEL						
	17	1	8T-6763	20	PLUG						
	18	1	0S-1595	2	BOLT (1/2-13X1.25IN)						
	19	1	8T-0099	16	DOWEL						
	20	1	7N-5641	2	PLUG-MANIFOLD						
	21	1	7N-2049	8	DOWEL						
	22	1	5P-0840	16	SEAL-O-RING (12.29MM ID)						
	23	1	100-7886	8	GASKET-PLATE						
	24	1	9Y-1485	8	PLATE-SPACER						
	25	1	5F-9657	4	SEAL-O-RING (36.09MM ID)						
	26	1	8T-2928	1	SEAL (53.1MM ID)						
	27	1	4W-4813	1	PLUG						
	28	1	5P-8245	2	WASHER (3MM THK)						
	29	1	8N-8056	2	COVER						
	30	1	6V-3348	8	SEAL-O-RING						
	31	1	1W-4188	8	RETAINER AS-JET						
		1	6V-3537	1	DOWEL						
	32	1	1B-2790	8	BOLT (5/16-18X1.375IN)						
	33	1	9S-4191	6	PLUG-O-RING (9/16-18 THD)						
	34	1	5P-8210	2	SEAL-O-RING (31.34MM ID)						

Y-SEPARATE ILLUSTRATION

BASIC ENGINE

4P-8319 CYLINDER BLOCK GP (contd.)

i00660199



GRAPHIC #1

g00234021

BASIC ENGINE

4P-8319 CYLINDER BLOCK GP

S/N 9TG1-26

SMCS-1117, 1200, 1201, 1211, 1216, 1217, 1221, 1222,
1223, 1224, 1238, 1239, 1240, 1331

i00656604

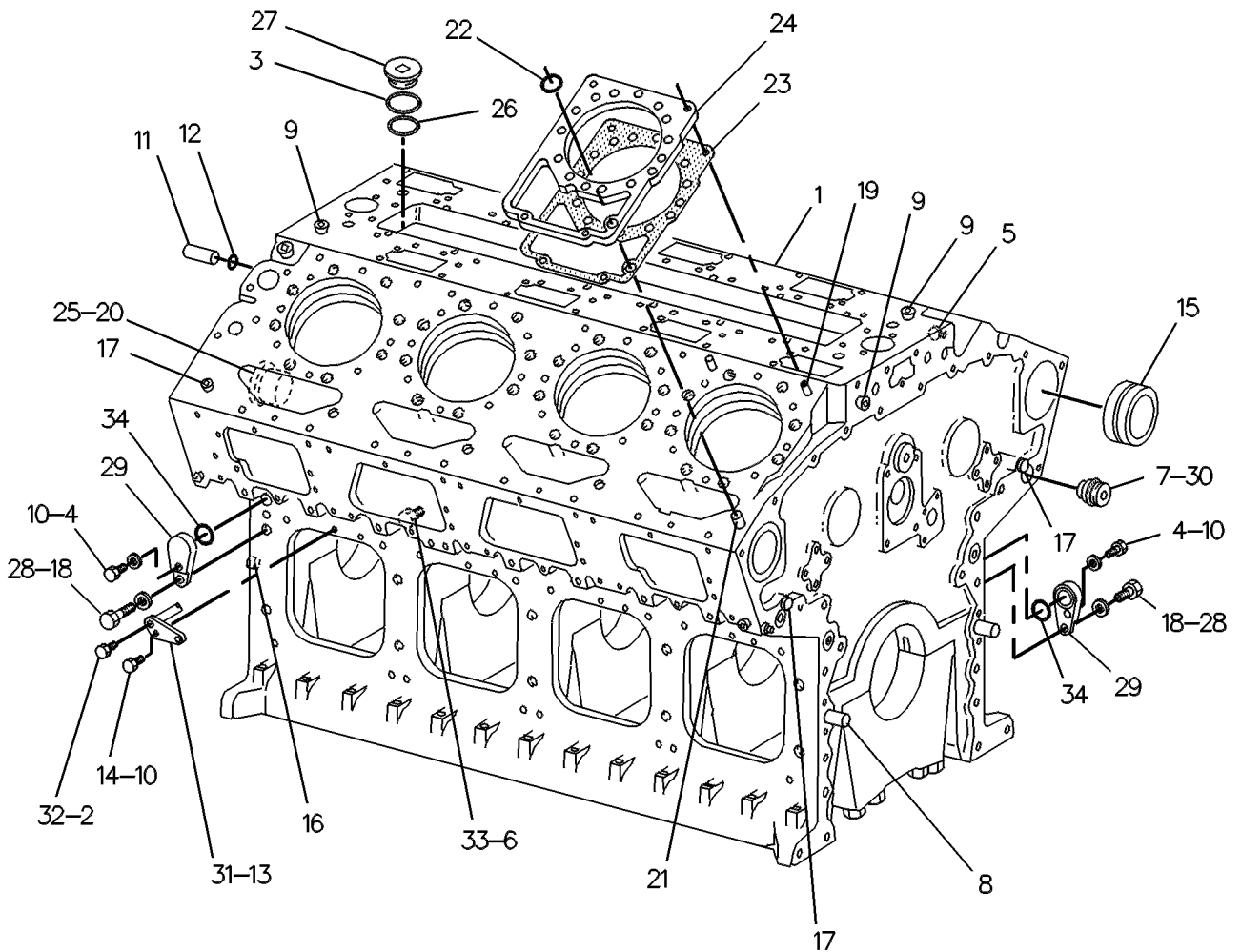
NOTE	REF NO	GRAPHIC REF	PART NUMBER	QTY	PART NAME						SEE PAGE
					1	2	3	4	5	6 (PRODUCT LEVEL)	
CY	1	1	101-1226	1	CYLINDER BLOCK AS						42
	2	1	9M-1974	8	WASHER-HARD (2MM THK)						
	3	1	8T-2929	1	SEAL (63.2MM ID)						
	4	1	1A-2029	2	BOLT (3/8-16X1.125IN)						
	5	1	7X-7731	2	PLUG-PIPE (3/4-14 NPTF THD)						
	6	1	033-6042	6	SEAL-O-RING						
	7	1	2W-2940	8	PLUG-OIL MANIFOLD						
	8	1	7N-2044	2	DOWEL						
	9	1	8T-6762	3	PLUG-PIPE						
	10	1	5M-2894	10	WASHER (2.5MM THK)						
	11	1	7N-2047	3	DOWEL						
	12	1	7X-4805	3	SEAL-O-RING						
	13	1	9Y-4121	8	JET AS-OIL COOLING						
	14	1	0T-0102	8	BOLT (3/8-16X0.625IN)						
	15	1	7N-2048	10	BEARING-CAMSHAFT						
	C	16	1	4N-0683	2	DOWEL					
17		1	8T-6763	18	PLUG						
18		1	0S-1595	2	BOLT (1/2-13X1.25IN)						
19		1	8T-0099	16	DOWEL						
20		1	7N-5641	2	PLUG-MANIFOLD						
21		1	7N-2049	8	DOWEL						
22		1	5P-0840	16	SEAL-O-RING (12.29MM ID)						
C		23	1	110-6992	8	GASKET-PLATE					
C		24	1	110-6994	8	PLATE-SPACER					
25		1	5F-9657	4	SEAL-O-RING (36.09MM ID)						
26	1	8T-2928	1	SEAL (53.1MM ID)							
27	1	4W-4813	1	PLUG							
28	1	5P-8245	2	WASHER (3MM THK)							
29	1	8N-8056	2	COVER							
30	1	6V-3348	8	SEAL-O-RING							
31	1	1W-4188	8	RETAINER AS-JET							
				6V-3537	1	DOWEL					
32	1	1B-2790	8	BOLT (5/16-18X1.375IN)							
33	1	9S-4191	6	PLUG-O-RING (9/16-18 THD)							
34	1	5P-8210	2	SEAL-O-RING (31.34MM ID)							

C- CHANGE FROM PREVIOUS TYPE
Y- SEPARATE ILLUSTRATION

BASIC ENGINE

4P-8319 CYLINDER BLOCK GP (contd.)

i00656604



GRAPHIC #1

g00240507

BASIC ENGINE

101-1243 CYLINDER BLOCK GP

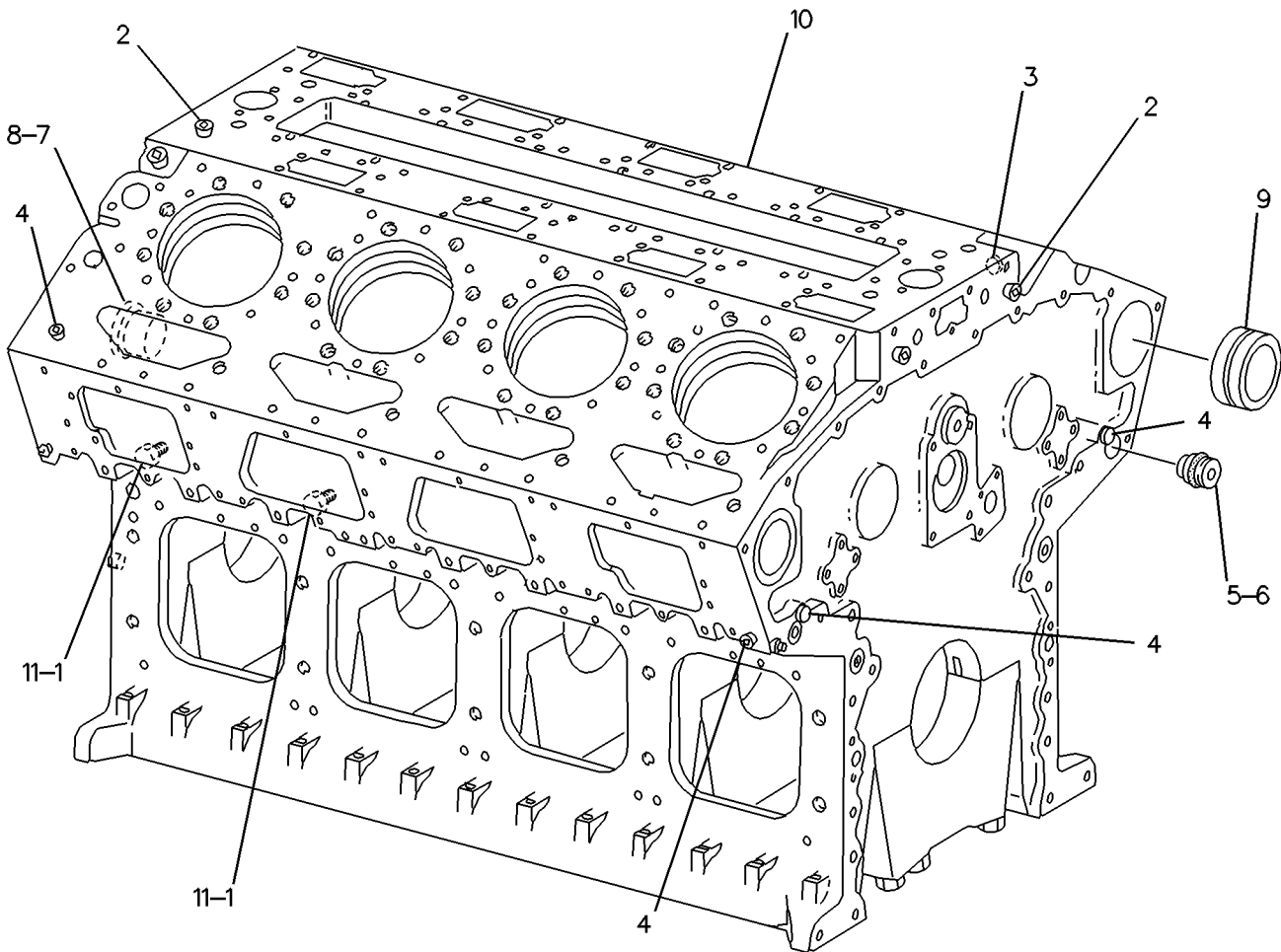
FIELD REPLACEMENT FOR 101-1226—PAGE 42

SMCS-1117, 1200, 1201, 1211, 1216, 1217, 1221, 1222,
1223, 1224, 1238, 1239, 1240, 1331

i00112108

NOTE	REF NO	GRAPHIC REF	PART NUMBER	QTY	PART NAME						SEE PAGE
					1	2	3	4	5	6 (PRODUCT LEVEL)	
	1	1	9S-4191	6	PLUG-O-RING (9/16-18 THD)						
	2	1	2B-0858	4	PLUG-PIPE (1/2-14 NPTF)						
	3	1	1B-5174	2	PLUG-PIPE (3/4-14 NPTF)						
	4	1	7H-3171	18	PLUG-PIPE (1/4-18 NPTF)						
	5	1	2W-2940	8	PLUG-OIL MANIFOLD						
	6	1	6V-3348	8	SEAL-O-RING						
	7	1	7N-5641	2	PLUG-MANIFOLD						
	8	1	5F-9657	4	SEAL-O-RING (36.09MM ID)						
	9	1	7N-2048	10	BEARING-CAMSHAFT						
Y	10	1	101-1229	1	CYLINDER BLOCK AS						43
	11	1	033-6042	6	SEAL-O-RING						

Y-SEPARATE ILLUSTRATION



GRAPHIC #1

g00084190

MEMORANDA

BASIC ENGINE

115-3502 CYLINDER BLOCK GP

SMCS-1117, 1200, 1201, 1211, 1216, 1217, 1221, 1222,
1223, 1224, 1238, 1239, 1240, 1331

i00892876

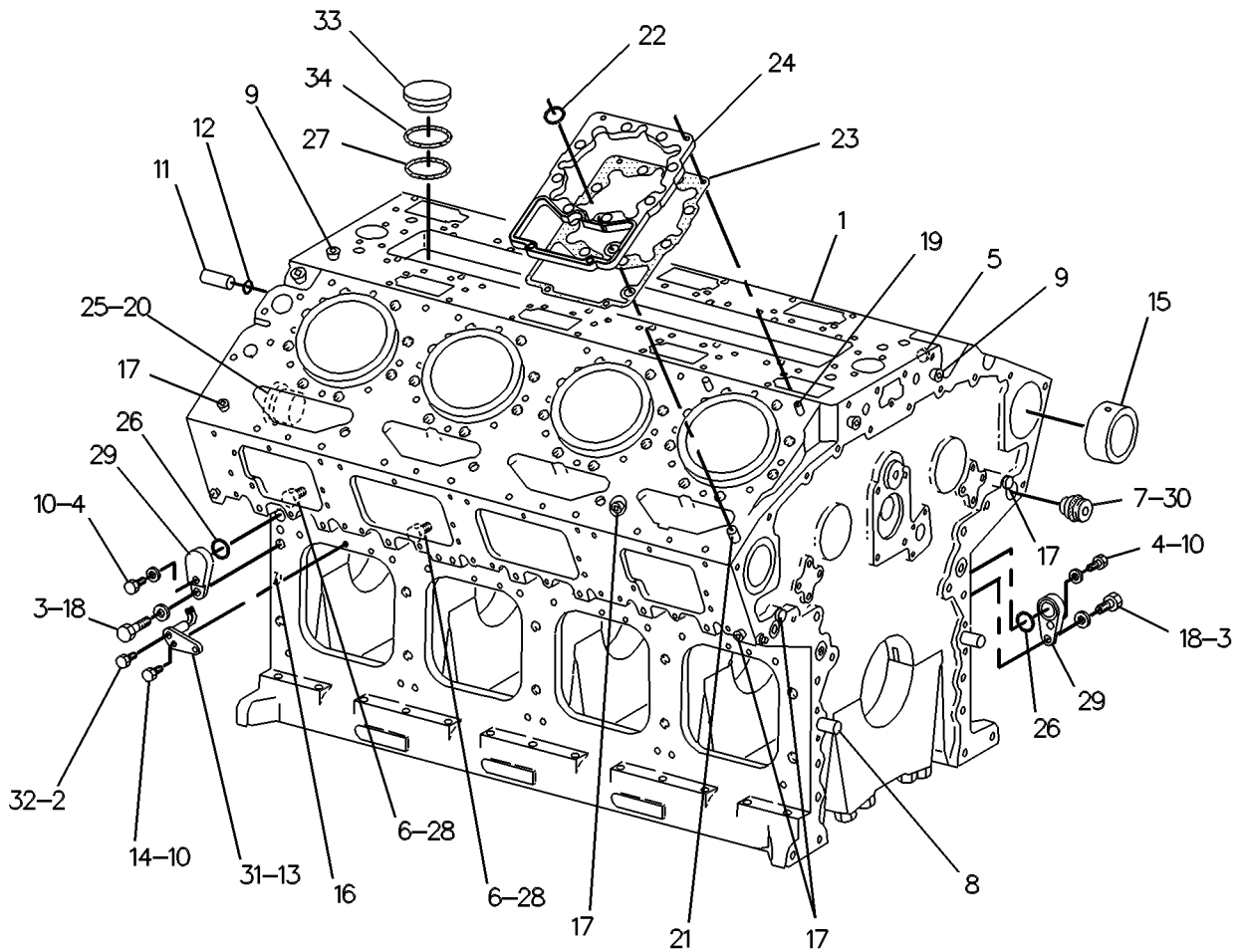
NOTE	REF NO	GRAPHIC REF	PART NUMBER	QTY	PART NAME						SEE PAGE
					1	2	3	4	5	6 (PRODUCT LEVEL)	
Y	1	1	101-1171	1	CYLINDER BLOCK AS						41
	2	1	9M-1974	8	WASHER-HARD (2MM THK)						
	3	1	5P-8245	2	WASHER (3MM THK)						
	4	1	1A-2029	2	BOLT (3/8-16X1.125IN)						
	5	1	7X-7731	2	PLUG-PIPE (3/4-14 NPTF THD)						
	6	1	9S-4191	6	PLUG-O-RING (9/16-18 THD)						
	7	1	2W-2940	8	PLUG-OIL MANIFOLD						
	8	1	7N-2044	2	DOWEL						
	9	1	8T-6762	3	PLUG-PIPE (9.52 CF SQ HOLE)						
	10	1	5M-2894	10	WASHER (2.5MM THK)						
	11	1	7N-2047	3	DOWEL						
	12	1	7X-4805	3	SEAL-O-RING						
	13	1	116-3254	8	TUBE AS-OIL JET						
	14	1	0T-0102	8	BOLT (3/8-16X0.625IN) (3/8-16X0.63IN)						
	15	1	116-1359	10	BEARING-CAMSHAFT						
	16	1	4N-0683	2	DOWEL						
	17	1	8T-6763	18	PLUG						
	18	1	0S-1595	2	BOLT (1/2-13X1.25IN)						
	19	1	8T-0099	16	DOWEL						
	20	1	7N-5641	2	PLUG-MANIFOLD						
	21	1	7N-2049	8	DOWEL						
	22	1	5P-0840	16	SEAL-O-RING (12.29MM ID)						
	23	1	144-5692	8	GASKET-PLATE						
	24	1	110-6994	8	PLATE-SPACER						
	25	1	5F-9657	4	SEAL-O-RING (36.09MM ID)						
	26	1	5P-8210	2	SEAL-O-RING (31.34MM ID)						
	27	1	8T-2928	1	SEAL (53.1MM ID)						
	28	1	033-6042	6	SEAL-O-RING						
	29	1	8N-8056	2	COVER						
	30	1	6V-3348	8	SEAL-O-RING						
	31	1	1W-4188	8	RETAINER AS-JET						
		1	6V-3537	1	DOWEL						
	32	1	1B-2790	8	BOLT (5/16-18X1.375IN)						
	33	1	4W-4813	1	PLUG						
	34	1	8T-2929	1	SEAL (63.2MM ID)						

Y-SEPARATE ILLUSTRATION

BASIC ENGINE

115-3502 CYLINDER BLOCK GP (contd.)

i00892876



GRAPHIC #1

g00262257

BASIC ENGINE

115-3503 CYLINDER BLOCK GP

S/N 9TG27-UP

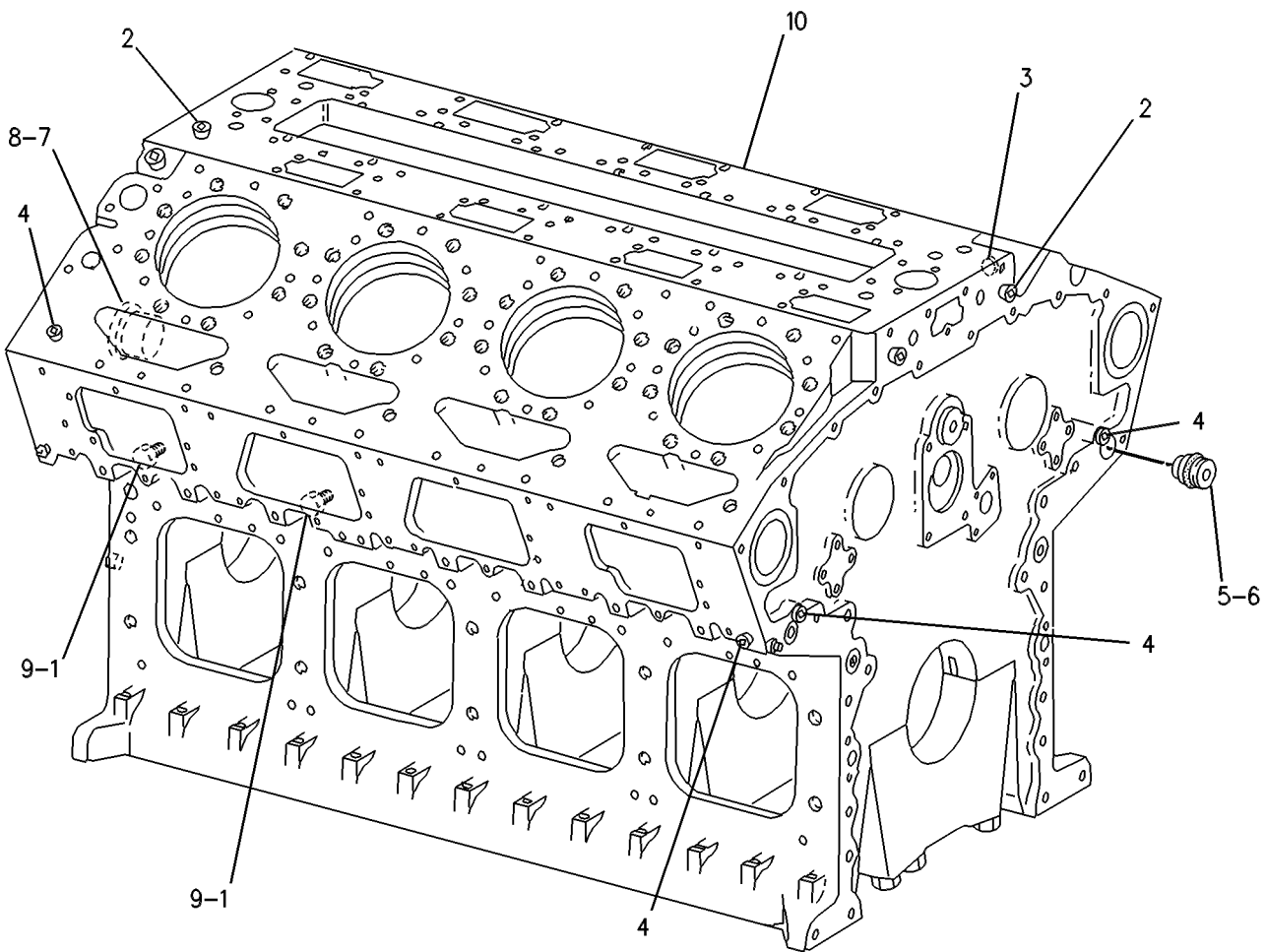
FIELD REPLACEMENT FOR 101-1171—PAGE 41
FIELD INSTALLATION

SMCS-1117, 1200, 1201, 1211, 1216, 1217, 1221, 1222,
1223, 1224, 1238, 1239, 1240, 1331

i00112855

NOTE	REF NO	GRAPHIC REF	PART NUMBER	QTY	PART NAME						SEE PAGE
					1	2	3	4	5	6 (PRODUCT LEVEL)	
	1	1	9S-4191	6	PLUG-O-RING (9/16-18 THD)						
	2	1	8T-6762	4	PLUG-PIPE						
	3	1	7X-7731	2	PLUG-PIPE (3/4-14 NPTF THD)						
	4	1	8T-6763	18	PLUG						
	5	1	2W-2940	8	PLUG-OIL MANIFOLD						
	6	1	6V-3348	8	SEAL-O-RING						
	7	1	7N-5641	2	PLUG-MANIFOLD						
	8	1	5F-9657	4	SEAL-O-RING (36.09MM ID)						
	9	1	033-6042	6	SEAL-O-RING						
Y	10	1	106-2778	1	CYLINDER BLOCK AS						44

Y-SEPARATE ILLUSTRATION



GRAPHIC #1

g00087344

BASIC ENGINE

4P-6571 CYLINDER HEAD AS

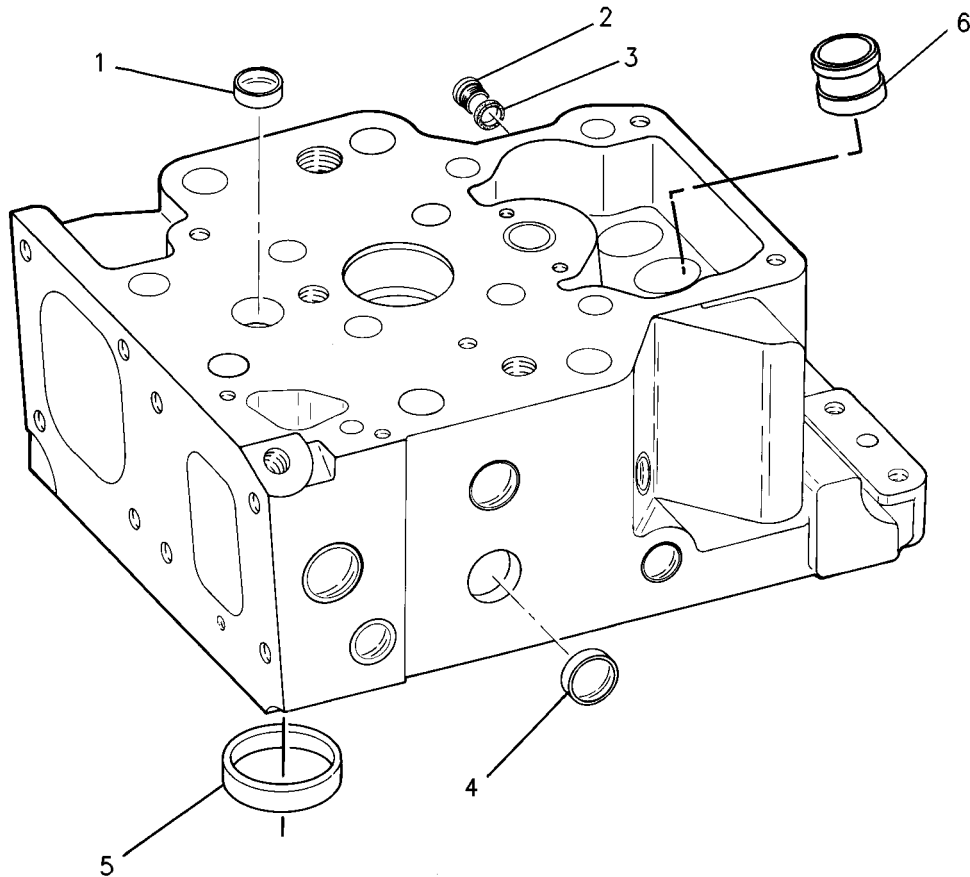
S/N 9TG1-UP

PART OF 122-8851, 4P-8300 CYLINDER HEAD AS, 4P-6570 CYLINDER HEAD GP
FIELD REPLACEMENT ORDER 4P-8300-PAGE 56

SMCS-1100, 1101, 1103, 1104, 1105, 1106, 1108, 1109,
1115, 1117, 1121, 1124, 1125

i00656504

NOTE	REF NO	GRAPHIC REF	PART NUMBER	QTY	PART NAME						SEE PAGE
					1	2	3	4	5	6 (PRODUCT LEVEL)	
	1	1	3B-0623	5	PLUG-CUP (25.73MM AVG OD)						
	2	1	9S-8002	2	PLUG-O-RING (7/16-20 THD)						
	3	1	3J-7354	2	SEAL-O-RING (8.92MM ID)						
	4	1	3B-0645	5	PLUG-CUP (32.08MM AVG OD)						
	5	1	6I-1713	4	INSERT-VALVE SEAT						
	6	1	4P-6925	1	SLEEVE-OIL						



GRAPHIC #1

g00229168

BASIC ENGINE

4P-8300 CYLINDER HEAD AS

S/N 9TG1-32, 40-UP

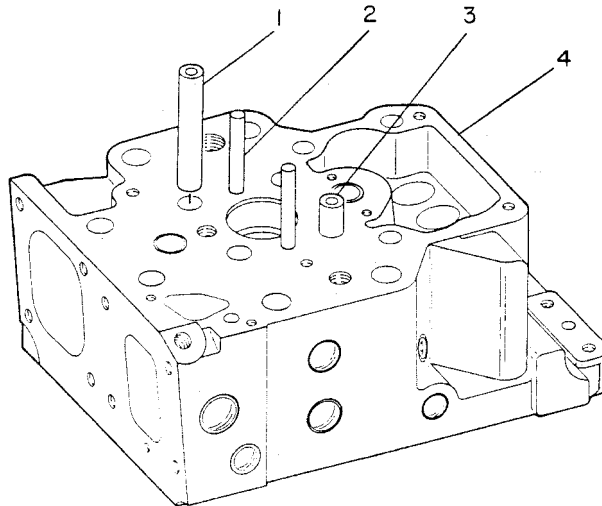
FIELD REPLACEMENT FOR 4P-6571—PAGE 55
FIELD INSTALLATION

SMCS-1100, 1101, 1103, 1104, 1105, 1106, 1108, 1109,
1115, 1117, 1121, 1124, 1125

i00656593

NOTE	REF NO	GRAPHIC REF	PART NUMBER	QTY	PART NAME						SEE PAGE
					1	2	3	4	5	6 (PRODUCT LEVEL)	
	1	1	9Y-1847	2	GUIDE-VALVE						
	2	1	7N-1902	2	DOWEL						
	3	1	9Y-1846	2	GUIDE-VALVE						
Y	4	1	4P-6571	1	CYLINDER HEAD AS						55

Y-SEPARATE ILLUSTRATION



GRAPHIC #1

g00184762

BASIC ENGINE

122-8851 CYLINDER HEAD AS

S/N 9TG33-39

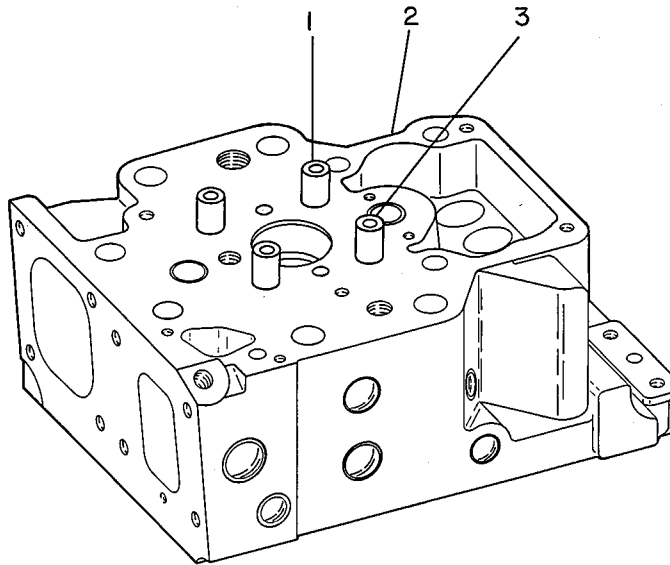
PART OF 123-6072 CYLINDER HEAD AS, 123-8650 CYLINDER HEAD GP
FIELD REPLACEMENT ORDER 123-6072 CYLINDER HEAD AS

SMCS-1100, 1101, 1103, 1104, 1105, 1106, 1108, 1109,
1115, 1117, 1121, 1124, 1125

i00656997

NOTE	REF NO	GRAPHIC REF	PART NUMBER	QTY	PART NAME						SEE PAGE
					1	2	3	4	5	6 (PRODUCT LEVEL)	
	1	1	9Y-6883	2	GUIDE-VALVE						
Y	2	1	4P-6571	1	CYLINDER HEAD AS						55
	3	1	9Y-6882	2	GUIDE-VALVE						

Y-SEPARATE ILLUSTRATION



GRAPHIC #1

g00201375

BASIC ENGINE

123-6072 CYLINDER HEAD AS

S/N 9TG33-39

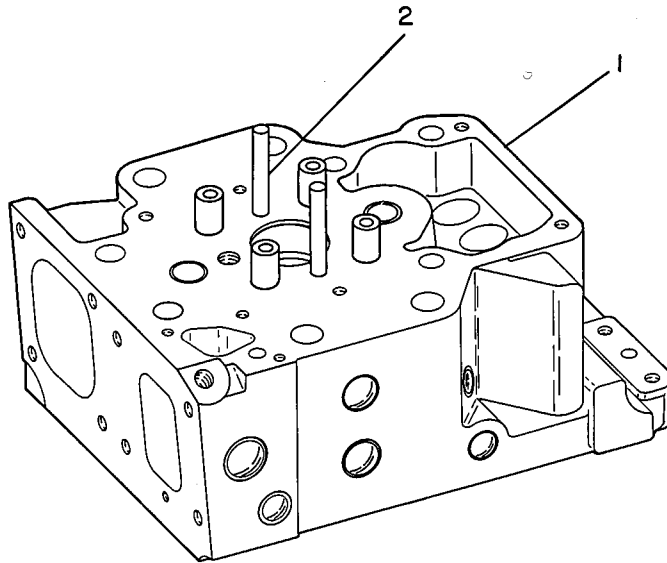
FIELD REPLACEMENT FOR 122-8851 CYLINDER HEAD AS
FIELD INSTALLATION

SMCS-1100, 1101, 1103, 1104, 1105, 1106, 1108, 1109,
1115, 1117, 1121, 1124, 1125

i00661859

NOTE	REF NO	GRAPHIC REF	PART NUMBER	QTY	PART NAME						SEE PAGE
					1	2	3	4	5	6 (PRODUCT LEVEL)	
Y	1	1	122-8851	1	CYLINDER HEAD AS						57
	2	1	7N-1902	2	DOWEL						

Y - SEPARATE ILLUSTRATION



GRAPHIC #1

g00201377

BASIC ENGINE

4P-6569 CYLINDER HEAD GP

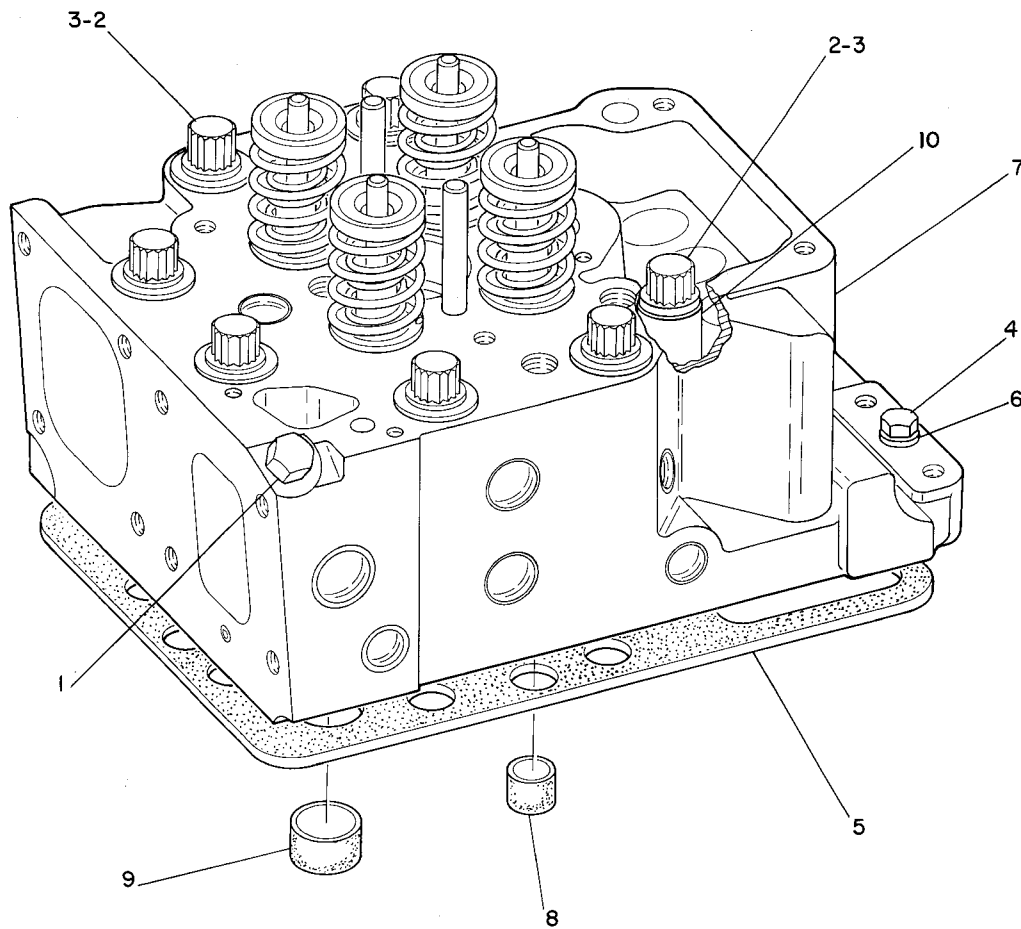
S/N 9TG1-14

SMCS-1100, 1101, 1103, 1104, 1105, 1106, 1108, 1109,
1115, 1117, 1121, 1124, 1125

i00656494

NOTE	REF NO	GRAPHIC REF	PART NUMBER	QTY	PART NAME						SEE PAGE
					1	2	3	4	5	6 (PRODUCT LEVEL)	
	1	1	5B-7890	1	PLUG-PIPE						
	2	1	7N-1961	8	BOLT-12 POINT HEAD						
	3	1	5P-8248	8	WASHER-HARD (3.5MM THK)						
	4	1	0L-2070	2	BOLT (3/8-16X2.25IN)						
	5	1	101-1188	1	GASKET-HEAD						
	6	1	5M-2894	2	WASHER (2.5MM THK)						
YR	7	1	4P-6570	1	CYLINDER HEAD GP						61
	8	1	6I-1357	4	SEAL-WATER						
	9	1	6I-1356	4	SEAL-WATER						
	10	1	9Y-0635	2	SPACER						

R-REMFG PART MAY BE AVAILABLE
Y-SEPARATE ILLUSTRATION



GRAPHIC #1

g00196608

BASIC ENGINE

4P-6569 CYLINDER HEAD GP

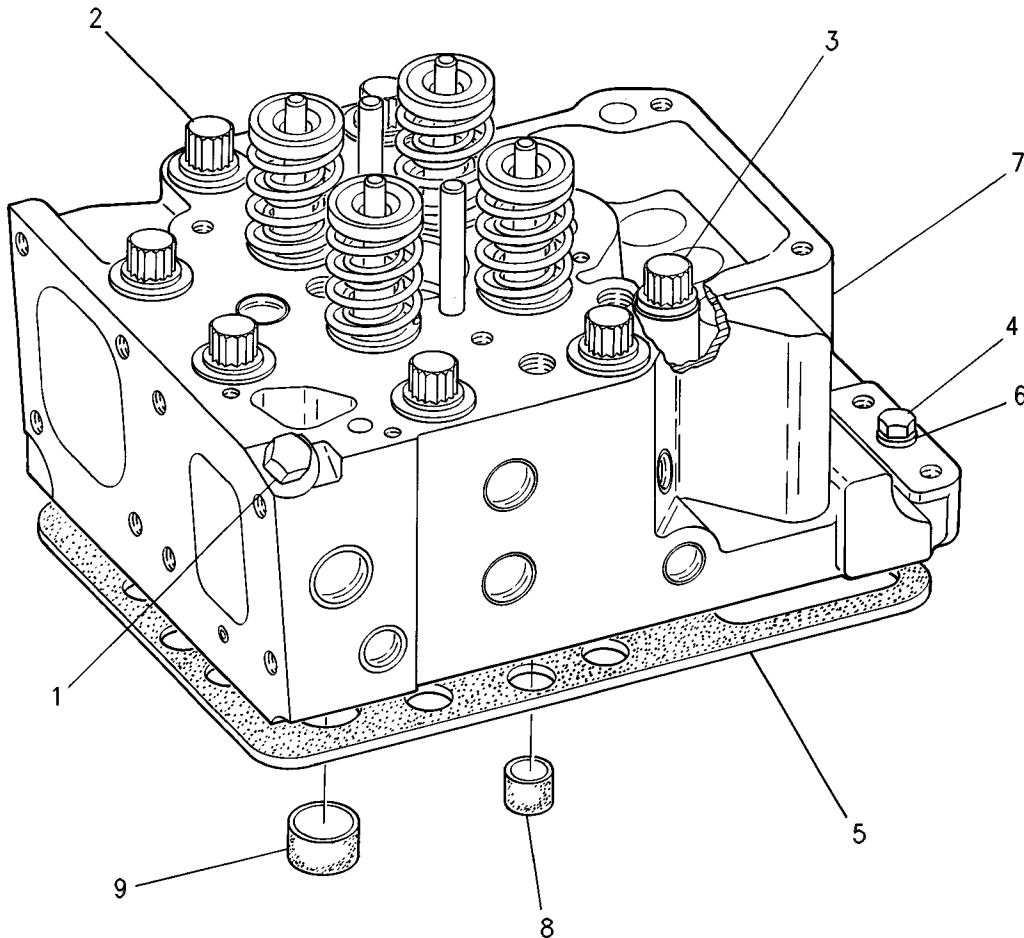
S/N 9TG15-UP

SMCS-1100, 1101, 1103, 1104, 1105, 1106, 1108, 1109,
1115, 1117, 1121, 1124, 1125

i00894493

NOTE	REF NO	GRAPHIC REF	PART NUMBER	QTY	PART NAME						SEE PAGE
					1	2	3	4	5	6 (PRODUCT LEVEL)	
	1	1	5B-7890	1	PLUG-PIPE						
	2	1	131-0420	6	FASTENER GP-CYLINDER HEAD (EACH INCLUDES)						
		1	5P-8248	1	WASHER-HARD (3.5MM THK)						
		1	7N-1961	1	BOLT-12 POINT HEAD						
	3	1	131-0421	2	FASTENER GP-CYLINDER HEAD (EACH INCLUDES)						
		1	5P-8248	1	WASHER-HARD (3.5MM THK)						
		1	7N-1961	1	BOLT-12 POINT HEAD						
		1	9Y-0635	1	SPACER						
	4	1	5B-0213	2	BOLT (3/8-16 X 2.375IN)						
	5	1	110-6991	1	GASKET-CYLINDER HEAD						
	6	1	5M-2894	2	WASHER (2.5MM THK)						
YR	7	1	4P-6570	1	CYLINDER HEAD GP						61
	8	1	126-1112	4	SEAL-WATER						
	9	1	126-1113	4	SEAL-WATER						

R-REMFG PART MAY BE AVAILABLE
Y-SEPARATE ILLUSTRATION



GRAPHIC #1

g00296142

BASIC ENGINE

4P-6570 CYLINDER HEAD GP*R

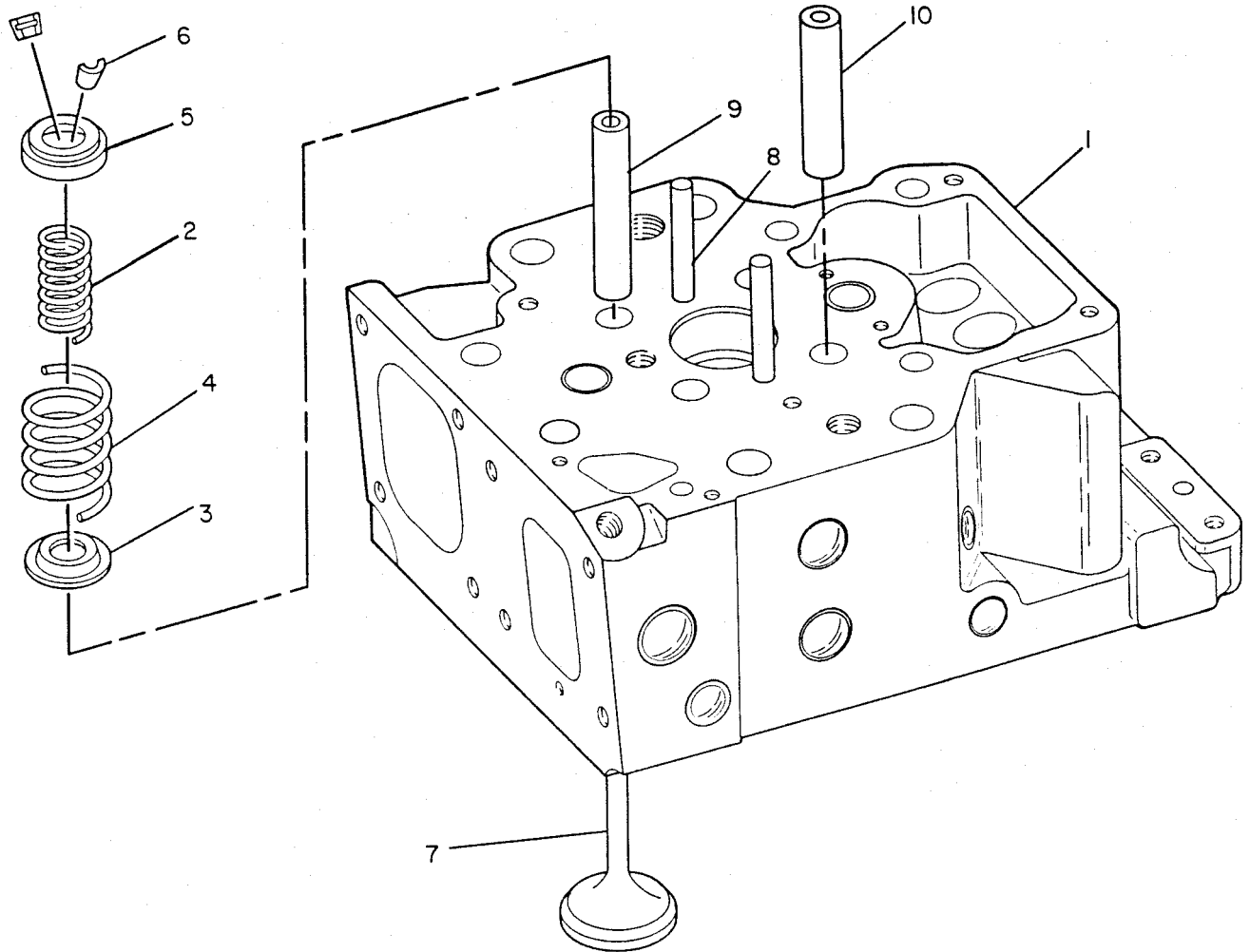
PART OF 4P-6569 CYLINDER HEAD GP

SMCS-1100, 1101, 1103, 1104, 1105, 1106, 1108, 1109,
1115, 1117, 1121, 1124, 1125

i00656499

NOTE	REF NO	GRAPHIC REF	PART NUMBER	QTY	PART NAME						SEE PAGE
					1	2	3	4	5	6 (PRODUCT LEVEL)	
Y	1	1	4P-6571	1	CYLINDER HEAD AS						55
	2	1	7N-1903	4	SPRING-VALVE INNER						
	3	1	2W-2662	4	WASHER						
	4	1	7N-1904	4	SPRING-VALVE OUTER						
	5	1	133-3814	4	ROTOCOIL AS						
	6	1	2A-4429	8	LOCK-RETAINER						
	7	1	104-7184	4	VALVE						
	8	1	7N-1902	2	DOWEL						
	9	1	9Y-1847	2	GUIDE-VALVE						
	10	1	9Y-1846	2	GUIDE-VALVE						

Y-SEPARATE ILLUSTRATION



GRAPHIC #1

g00184759

BASIC ENGINE

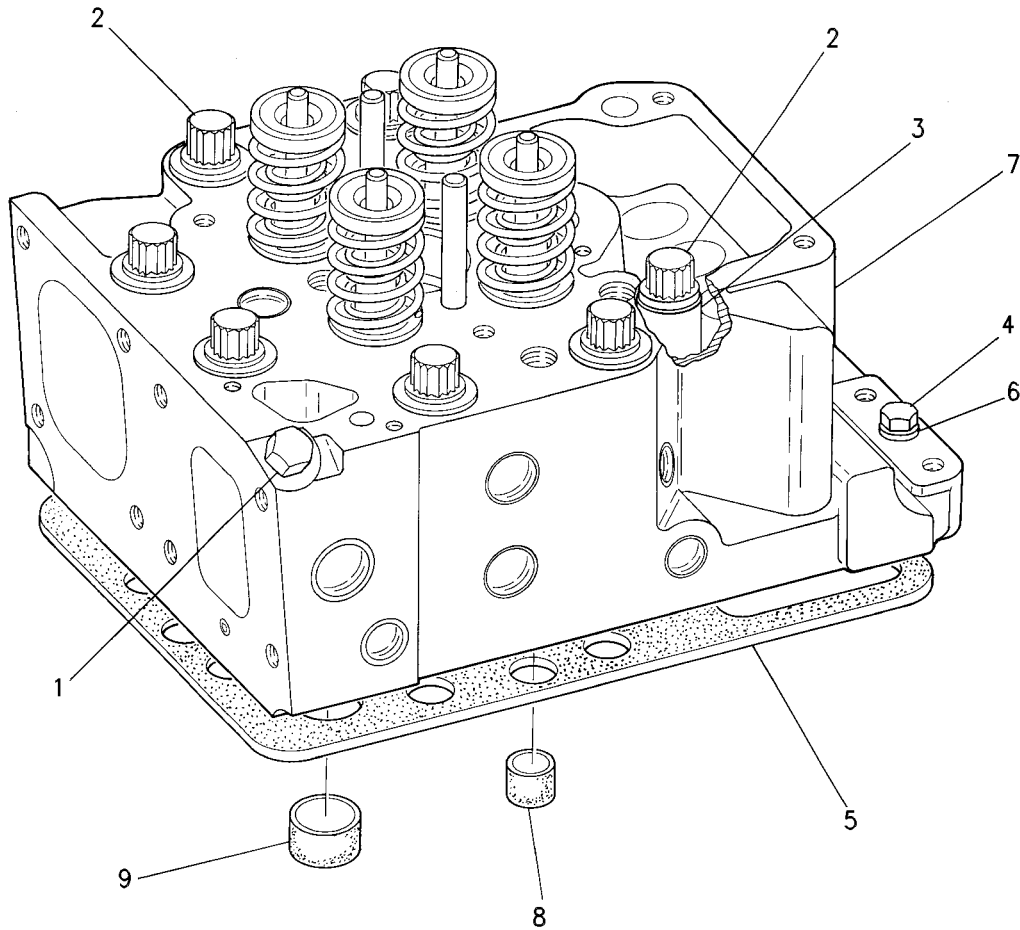
123-8649 CYLINDER HEAD GP

SMCS-1100, 1101, 1103, 1104, 1105, 1106, 1108, 1109,
1115, 1117, 1121, 1124, 1125

i00894596

NOTE	REF NO	GRAPHIC REF	PART NUMBER	QTY	PART NAME						SEE PAGE
					1	2	3	4	5	6 (PRODUCT LEVEL)	
	1	1	5B-7890	1	PLUG-PIPE						
	2	1	131-0420	6	FASTENER GP-CYLINDER HEAD (EACH INCL)						
		1	5P-8248	1	WASHER-HARD (3.5MM THK)						
		1	7N-1961	1	BOLT-12 POINT HEAD						
	3	1	131-0421	2	FASTENER GP-CYLINDER HEAD (EACH INCL)						
		1	5P-8248	1	WASHER-HARD (3.5MM THK)						
		1	7N-1961	1	BOLT-12 POINT HEAD						
		1	9Y-0635	1	SPACER						
	4	1	5B-0213	2	BOLT (3/8-16 X 2.375IN)						
	5	1	110-6991	1	GASKET-CYLINDER HEAD						
	6	1	5M-2894	2	WASHER (2.5MM THK)						
YR	7	1	123-8650	1	CYLINDER HEAD GP						63
	8	1	126-1112	4	SEAL-WATER						
	9	1	126-1113	4	SEAL-WATER						

R-REMFG PART MAY BE AVAILABLE
Y-SEPARATE ILLUSTRATION



GRAPHIC #1

g00268026

BASIC ENGINE

123-8650 CYLINDER HEAD GP*R

S/N 9TG33-39

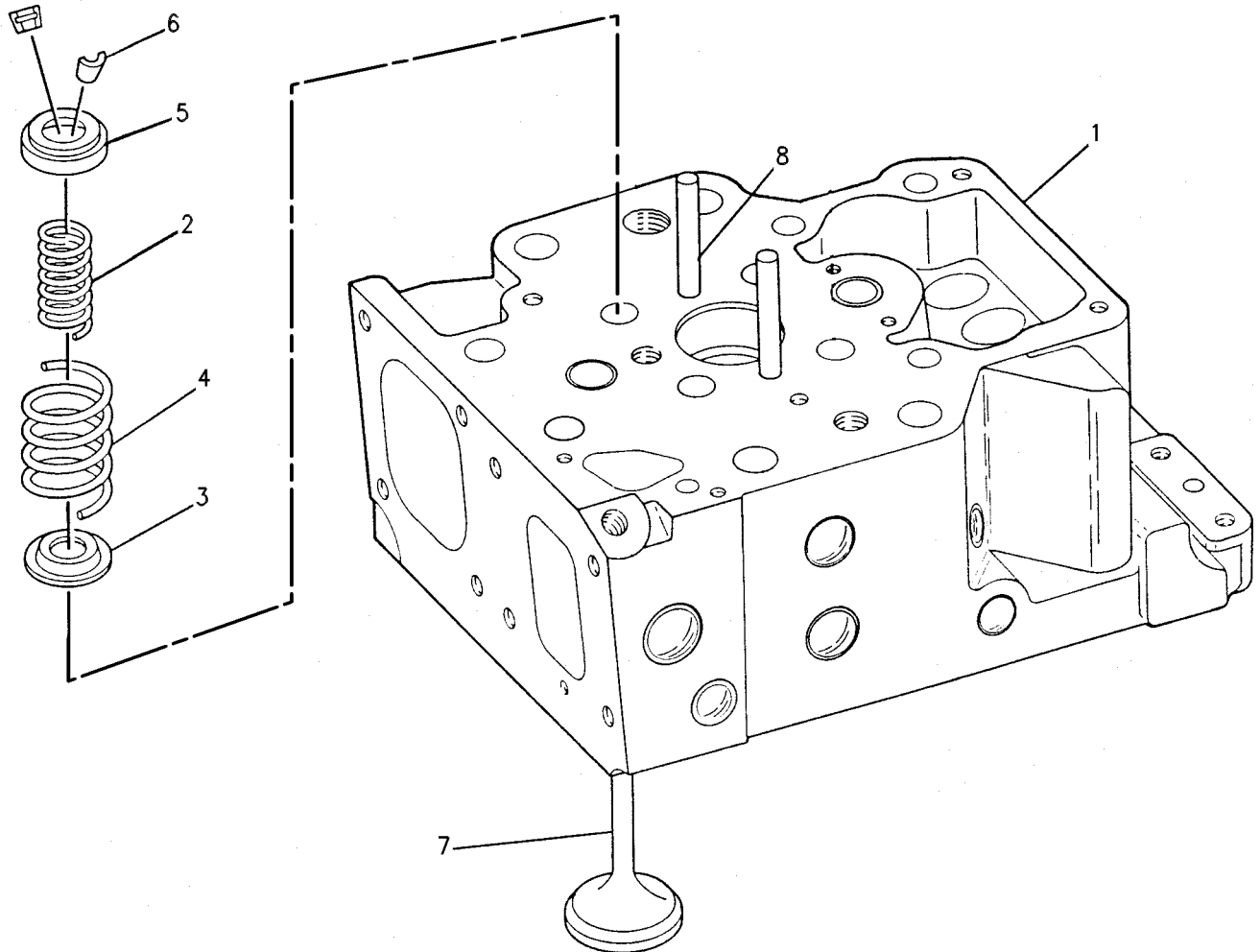
PART OF 123-8649 CYLINDER HEAD GP

SMCS-1100, 1101, 1103, 1104, 1105, 1106, 1108, 1109,
1115, 1117, 1121, 1124, 1125

i00657002

NOTE	REF NO	GRAPHIC REF	PART NUMBER	QTY	PART NAME						SEE PAGE
					1	2	3	4	5	6 (PRODUCT LEVEL)	
Y	1	1	122-8851	1	CYLINDER HEAD AS						57
	2	1	7N-1903	4	SPRING-VALVE INNER						
	3	1	2W-2662	4	WASHER						
	4	1	7N-1904	4	SPRING-VALVE OUTER						
	5	1	133-3814	4	ROTOCOIL AS						
	6	1	2A-4429	8	LOCK-RETAINER						
	7	1	104-7184	4	VALVE						
	8	1	7N-1902	2	DOWEL (89.0MM LONG)						

Y-SEPARATE ILLUSTRATION



GRAPHIC #1

g00269147

BASIC ENGINE

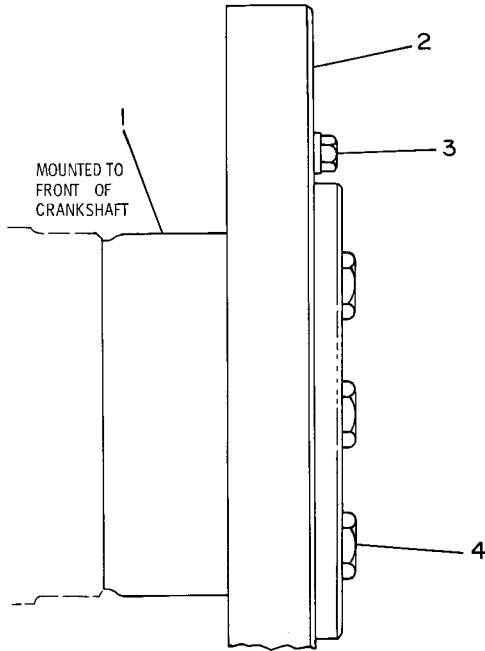
8N-7182 DAMPER GP

SMCS-1205

i00112808

NOTE	REF NO	GRAPHIC REF	PART NUMBER	QTY	PART NAME						SEE PAGE	
					1	2	3	4	5	6 (PRODUCT LEVEL)		
C	1	1	7W-3409	1	ADAPTER-DAMPER							
	2	1	7C-5265	1	DAMPER AS							
			1	5M-9709	2	PLUG-EXPANSION						
	3		1	7B-3235	10	BOLT (1/2-13X1.375IN)						
			1	2M-0849	10	WASHER (5MM THK)						
	4		1	8S-4757	6	BOLT						
		1	5P-8250	6	WASHER (5.0MM THK)							

C- CHANGE FROM PREVIOUS TYPE



GRAPHIC #1

g00081844

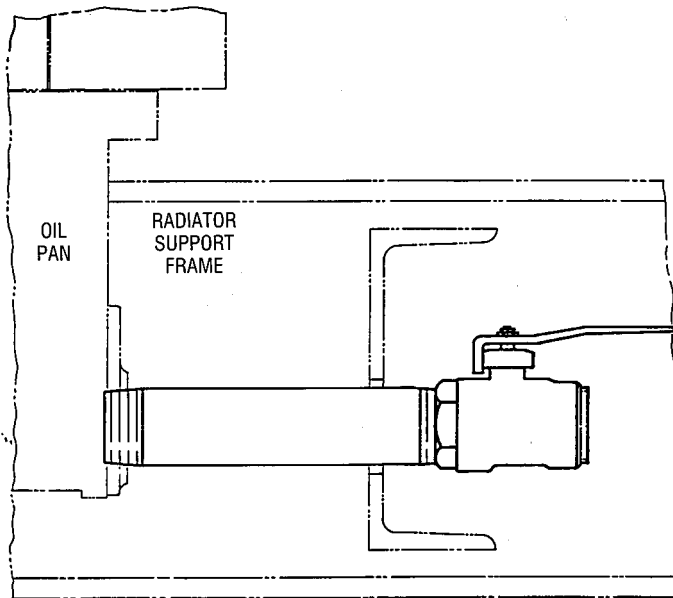
BASIC ENGINE

9Y-5497 DRAIN GP-OIL PAN FOR USE WITH 2 INCH PIPE THREAD DRAIN COVER AN ATTACHMENT

SMCS-1302

i00652948

NOTE	REF NO	GRAPHIC REF	PART NUMBER	QTY	PART NAME	SEE PAGE
					1 2 3 4 5 6 (PRODUCT LEVEL)	
(INDIVIDUAL PARTS ARE NOT SERVICED SEPARATELY)						



GRAPHIC #1

g00203033

BASIC ENGINE

9Y-7876 DRAIN GP-OIL PAN

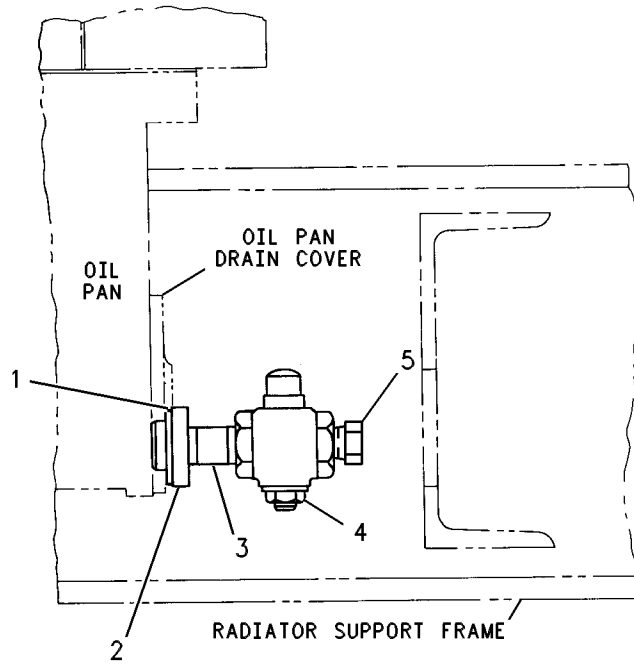
FOR USE WITH FABRICATED OIL PANS. CANNOT BE USED WITH COVER
AN ATTACHMENT

SMCS-1302

i00884460

NOTE	REF NO	GRAPHIC REF	PART NUMBER	QTY	PART NAME						SEE PAGE
					1	2	3	4	5	6 (PRODUCT LEVEL)	
	1	1	6F-4868	1	GASKET						
	2	1	7N-6511	1	ADAPTER						
	3	1	1F-6660	1	NIPPLE-PIPE						
	4	1	9B-4202	1	COCK						
B	5	1	3M-7045	1	PLUG						

B-USE AS REQUIRED



GRAPHIC #1

g00299899

MEMORANDA

BASIC ENGINE

1W-9553 DRIVE GP-ACCESSORY-LH

LOWER

SMCS-1207

i00894582

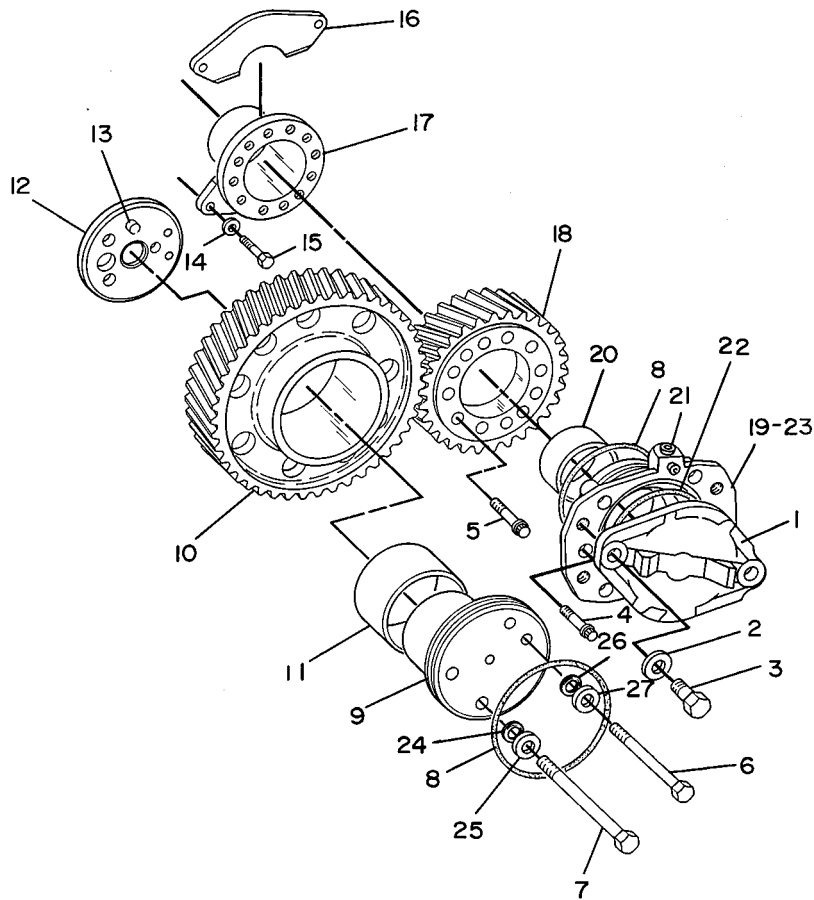
NOTE	REF NO	GRAPHIC REF	PART NUMBER	QTY	PART NAME						SEE PAGE
					1	2	3	4	5	6 (PRODUCT LEVEL)	
	1	1	7N-8374	1	COVER-DRIVE OPENING						
	2	1	5P-8247	2	WASHER-HARD (3.5MM THK)						
	3	1	0S-1592	2	BOLT (5/8-11X1.25IN)						
	4	1	1T-0765	6	BOLT (3/8-16X1.00IN)						
	5	1	6K-3771	12	BOLT-12 POINT HEAD						
C	6	1	0T-0055	2	BOLT (3/8-16X4.25IN)						
C	7	1	9X-8879	2	BOLT (1/2-13X5.5IN)						
	8	1	8M-5255	2	SEAL-O-RING (120.24MM ID)						
C	9	1	7C-3259	1	SHAFT-GOVERNOR CONTROL						
	10	1	116-3242	1	GEAR AS-IDLER (66 TEETH)						
	11	1	8N-5301	1	BEARING						
C	12	1	7C-3258	1	WASHER AS-THRUST						
	13	1	7N-2047	1	DOWEL						
	14	1	9M-1974	4	WASHER-HARD (2MM THK)						
	15	1	2B-2695	4	BOLT (5/16-18X.875IN)						
	16	1	7N-7539	2	WASHER-THRUST						
	17	1	7N-5874	1	SHAFT-AUXILIARY DRIVE						
	18	1	2W-7320	1	GEAR-ACCESSORY DRIVE (46 TEETH)						
	19	1	8N-8210	1	ADAPTER AS						
	20	1	7N-5244	1	BEARING-SLEEVE						
	21	1	8T-6759	2	PLUG-PIPE (1/16-27 THD)						
	22	1	5F-3106	1	SEAL-O-RING (126.59MM ID)						
	23	1	2M-4453	1	SEAL-O-RING						
C	24	1	5R-7137	2	WASHER-SEAL (1.27MM THK)						
C	25	1	5P-8245	2	WASHER (3MM THK)						
C	26	1	5R-7136	2	WASHER-SEAL (1.27MM THK)						
C	27	1	5M-2894	2	WASHER (2.5MM THK)						

C- CHANGE FROM PREVIOUS TYPE

BASIC ENGINE

1W-9553 DRIVE GP - ACCESSORY (contd.)

i00894582



GRAPHIC #1

g00188934

BASIC ENGINE

7E-7647 DRIVE GP-ACCESSORY

SMCS-1207

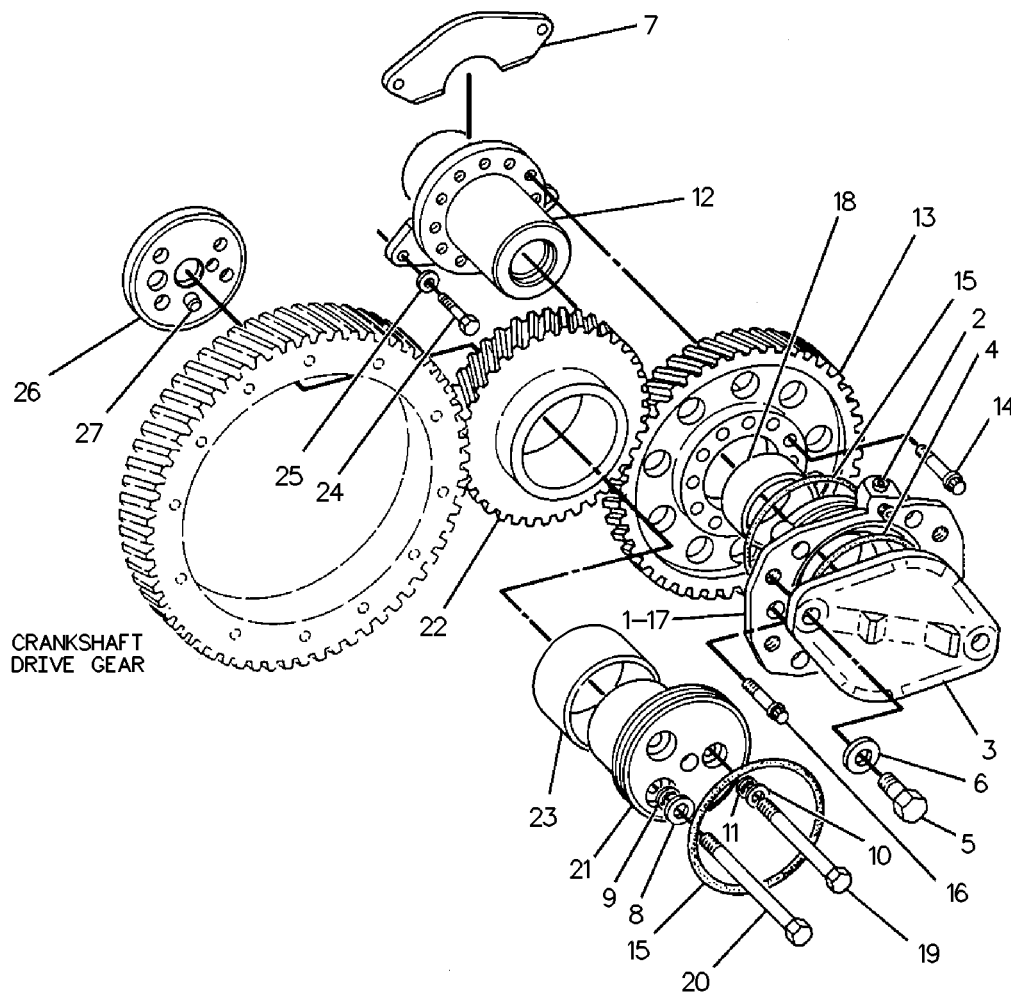
i00655632

NOTE	REF NO	GRAPHIC REF	PART NUMBER	QTY	PART NAME						SEE PAGE
					1	2	3	4	5	6 (PRODUCT LEVEL)	
	1	1	2M-4453	1	SEAL-O-RING						
	2	1	8T-6759	2	PLUG-PIPE (1/16-27 THD)						
	3	1	7N-8374	1	COVER-DRIVE OPENING						
	4	1	5F-3106	1	SEAL-O-RING (126.59MM ID)						
	5	1	0S-1592	2	BOLT (5/8-11X1.25IN)						
	6	1	5P-8247	2	WASHER-HARD (3.5MM THK)						
	7	1	7N-7539	2	WASHER-THRUST						
	8	1	5P-8245	2	WASHER (3MM THK)						
	9	1	5R-7137	2	WASHER-SEAL (1.27MM THK)						
	10	1	5M-2894	1	WASHER (2.5MM THK)						
	11	1	5R-7136	1	WASHER-SEAL (1.27MM THK)						
	12	1	7N-5874	1	SHAFT-AUXILIARY DRIVE						
	13	1	7E-0275	1	GEAR-WATER PUMP DRIVE (69 TEETH)						
	14	1	6K-3771	12	BOLT-12 POINT HEAD						
	15	1	8M-5255	2	SEAL-O-RING (120.24MM ID)						
	16	1	1T-0765	6	BOLT (3/8-16X1.00IN)						
	17	1	8N-8210	1	ADAPTER AS						
	18	1	7N-5244	1	BEARING-SLEEVE						
	19	1	0T-0055	1	BOLT (3/8-16X4.25IN)						
	20	1	9X-8879	2	BOLT						
	21	1	7C-3260	1	SHAFT-GOVERNOR CONTROL						
	22	1	144-8263	1	GEAR AS-IDLER (53 TEETH)						
	23	1	140-9597	1	BEARING-SLEEVE						
	24	1	2B-2695	4	BOLT (5/16-18X.875IN)						
	25	1	9M-1974	4	WASHER-HARD (2MM THK)						
	26	1	7C-3258	1	WASHER AS-THRUST						
	27	1	7N-2047	1	DOWEL						

BASIC ENGINE

7E-7647 DRIVE GP-ACCESSORY (contd.)

i00655632



CRANKSHAFT
DRIVE GEAR

GRAPHIC #1

g00212562

BASIC ENGINE

7N-4871 DRIVE GP-ACCESSORY

UPPER RH

SMCS-1207

i00851970

NOTE	REF NO	GRAPHIC REF	PART NUMBER	QTY	PART NAME						SEE PAGE	
					1	2	3	4	5	6 (PRODUCT LEVEL)		
C	1	1	0S-1595	2	BOLT (1/2-13X1.25IN)							
	2	1	5P-8245	2	WASHER (3MM THK)							
C	3	1	8P-1438	1	COVER							
	4	1	7J-8114	1	GASKET							
	5	1	7C-4165	1	ADAPTER AS							
	6	1	7N-5244	1	BEARING-SLEEVE							
	7	1	8M-5255	1	SEAL-O-RING (120.24MM ID)							
	8	1	7N-5875	1	GEAR-AUXILIARY DRIVE (63 TEETH) (RH)							
	9	1	7N-5874	1	SHAFT-AUXILIARY DRIVE							
	10	1	2B-2695	4	BOLT (5/16-18X.875IN)							
	11	1	9M-1974	4	WASHER-HARD (2MM THK)							
	12	1	7N-7539	2	WASHER-THRUST							
	13	1	1T-0132	1	SEAL-O-RING (234.54MM ID)							
	14	1	7N-5279	1	ADAPTER AS							
	15	1	7N-5244	1	BEARING-SLEEVE							
	16	1	0S-1594	6	BOLT (3/8-16X1IN)							
	B	17	1	8T-6757	1	PLUG-PIPE (1/8-27 NPTF THD)						
		17A	1	8T-6757	1	PLUG-PIPE (1/8-27 NPTF THD)						
18		1	3B-8453	1	SEAL-O-RING (18.42MM ID)							
19		1	6K-3772	12	BOLT-12 POINT HEAD							
20		1	7N-5248	1	GEAR-AUXILIARY DRIVE (63 TEETH) (LH)							
21		1	5P-2546	12	BOLT-12 POINT HEAD (7/16-14X1.25IN)							
22		1	0L-1351	4	BOLT (3/8-16X.875IN)							
23		1	8T-6759	1	PLUG-PIPE (1/16-27 THD)							
24	1	2M-4453	1	SEAL-O-RING								

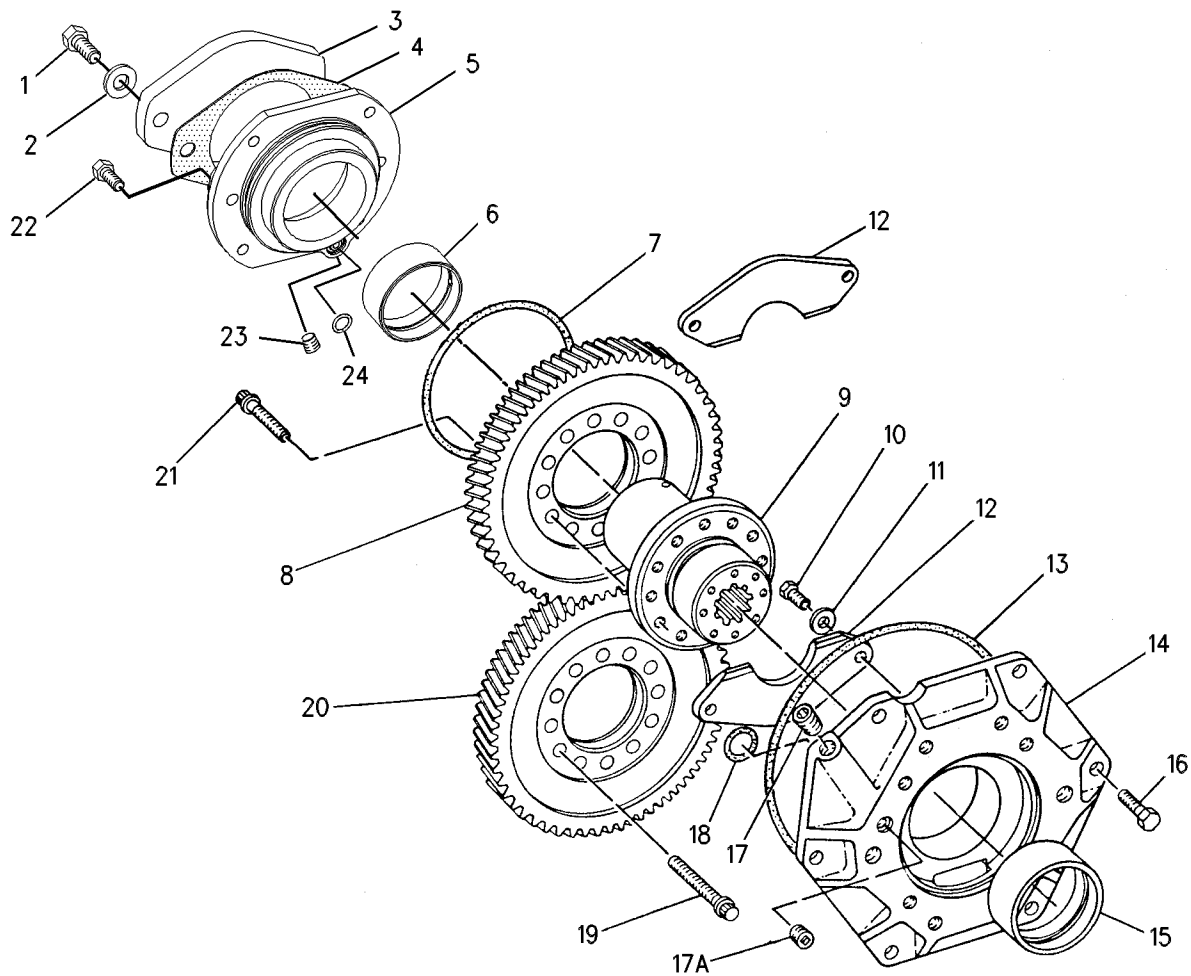
B- USE AS REQUIRED

C- CHANGE FROM PREVIOUS TYPE

BASIC ENGINE

7N-4871 DRIVE GP-ACCESSORY (contd.)

i00851970



GRAPHIC #1

g00428143

BASIC ENGINE

8N-5678 DRIVE GP-ACCESSORY

LOWER LH
FOR USE WITH NA ENGINES
AN ATTACHMENT

SMCS-1207

i00884375

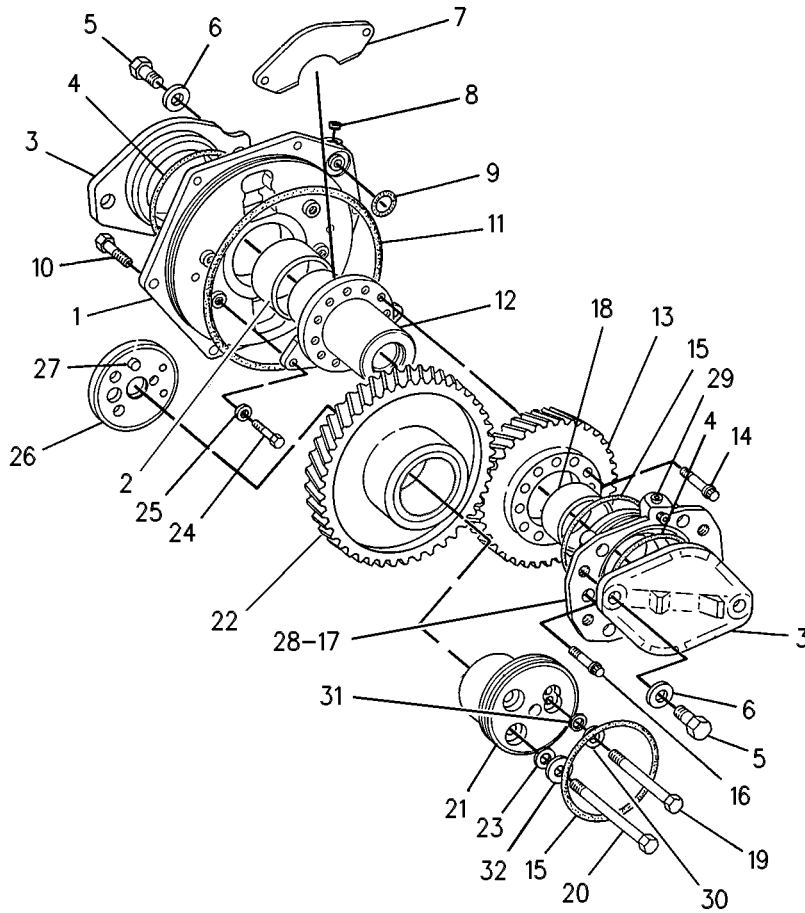
NOTE	REF NO	GRAPHIC REF	PART NUMBER	QTY	PART NAME						SEE PAGE
					1	2	3	4	5	6 (PRODUCT LEVEL)	
	1	1	7N-5279	1	ADAPTER AS						
	2	1	7N-5244	1	BEARING-SLEEVE						
	3	1	7N-8374	2	COVER-DRIVE OPENING						
	4	1	5F-3106	2	SEAL-O-RING (126.59MM ID)						
	5	1	0S-1592	4	BOLT (5/8-11X1.25IN)						
	6	1	5P-8247	4	WASHER-HARD (3.5MM THK)						
	7	1	7N-7539	2	WASHER-THRUST						
	8	1	9F-2247	2	PLUG-PIPE						
	9	1	3B-8453	1	SEAL-O-RING (18.42MM ID)						
	10	1	0S-1594	6	BOLT (3/8-16X1IN)						
	11	1	1T-0132	1	SEAL-O-RING (234.54MM ID)						
	12	1	7N-5874	1	SHAFT-AUXILIARY DRIVE						
	13	1	2W-7320	1	GEAR-ACCESSORY DRIVE (69 TEETH)						
B	14	1	6K-3771	12	BOLT-12 POINT HEAD						
	15	1	8M-5255	2	SEAL-O-RING (120.24MM ID)						
	16	1	1T-0765	6	BOLT (3/8-16X1.00IN)						
	17	1	8N-8210	1	ADAPTER AS						
	18	1	7N-5244	1	BEARING-SLEEVE						
	19	1	0T-0055	2	BOLT (3/8-16X4.25IN)						
	20	1	1D-4572	2	BOLT (1/2-13X5.5IN)						
C	21	1	7C-3259	1	SHAFT-GOVERNOR CONTROL						
	22	1	116-3242	1	GEAR AS-IDLER (66 TEETH)						
C	23	1	5R-7137	2	WASHER-SEAL (1.27MM THK)						
	24	1	2B-2695	4	BOLT (5/16-18X.875IN)						
	25	1	9M-1974	4	WASHER-HARD (2MM THK)						
C	26	1	7C-3257	1	WASHER-THRUST						
	27	1	7N-2047	1	DOWEL						
	28	1	2M-4453	1	SEAL-O-RING						
	29	1	4D-0514	2	PLUG-PIPE (1/16-27 NPTF)						
C	30	1	5M-2894	2	WASHER (2.5MM THK)						
C	31	1	5R-7136	2	WASHER-SEAL (1.27MM THK)						
C	32	1	5P-8245	2	WASHER (3MM THK)						

B- USE AS REQUIRED
C- CHANGE FROM PREVIOUS TYPE

BASIC ENGINE

8N-5678 DRIVE GP-ACCESSORY (contd.)

i00884375



GRAPHIC #1

g00261573

BASIC ENGINE

8N-9166 DRIVE GP-ACCESSORY

UPPER LH

FOR USE WITH E317-E318, LOWER LH ACCESSORY DRIVE GP
AN ATTACHMENT

SMCS-1207

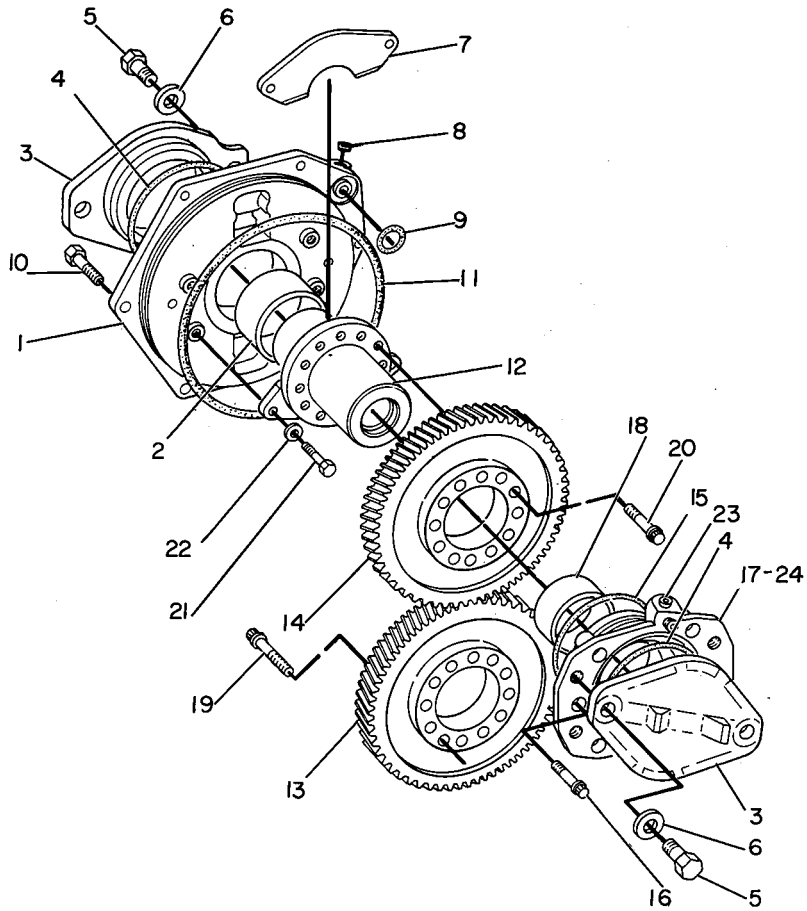
i00651355

NOTE	REF NO	GRAPHIC REF	PART NUMBER	QTY	PART NAME						SEE PAGE
					1	2	3	4	5	6 (PRODUCT LEVEL)	
	1	1	7N-5279	1	ADAPTER AS						
	2	1	7N-5244	1	BEARING-SLEEVE						
	3	1	7N-8374	2	COVER-DRIVE OPENING						
	4	1	5F-3106	2	SEAL-O-RING (126.59MM ID)						
	5	1	0S-1592	4	BOLT (5/8-11X1.25IN)						
	6	1	5P-8247	4	WASHER-HARD (3.5MM THK)						
	7	1	7N-7539	2	WASHER-THRUST						
	8	1	9F-2247	2	PLUG-PIPE						
	9	1	3B-8453	1	SEAL-O-RING (18.42MM ID)						
	10	1	0S-1594	6	BOLT (3/8-16X1IN)						
	11	1	1T-0132	1	SEAL-O-RING (234.54MM ID)						
	12	1	7N-5874	1	SHAFT-AUXILIARY DRIVE						
	13	1	7N-5248	1	GEAR-AUXILIARY DRIVE (63 TEETH) (LH)						
	14	1	7N-5875	1	GEAR-AUXILIARY DRIVE (63 TEETH) (RH)						
	15	1	8M-5255	1	SEAL-O-RING (120.24MM ID)						
	16	1	1T-0765	6	BOLT (3/8-16X1.00IN)						
	17	1	8N-8210	1	ADAPTER AS						
	18	1	7N-5244	1	BEARING-SLEEVE						
	19	1	6K-3772	12	BOLT-12 POINT HEAD						
	20	1	5P-2546	12	BOLT-12 POINT HEAD (7/16-14X1.25IN)						
	21	1	2B-2695	4	BOLT (5/16-18X.875IN)						
	22	1	9M-1974	4	WASHER-HARD (2MM THK)						
	23	1	4D-0514	2	PLUG-PIPE (1/16-27 NPTF)						
	24	1	2M-4453	1	SEAL-O-RING						

BASIC ENGINE

8N-9166 DRIVE GP - ACCESSORY (contd.)

i00651355



GRAPHIC #1

g00146617

BASIC ENGINE

8N-9167 DRIVE GP-ACCESSORY

LOWER LH
AN ATTACHMENT

SMCS-1207

i00651363

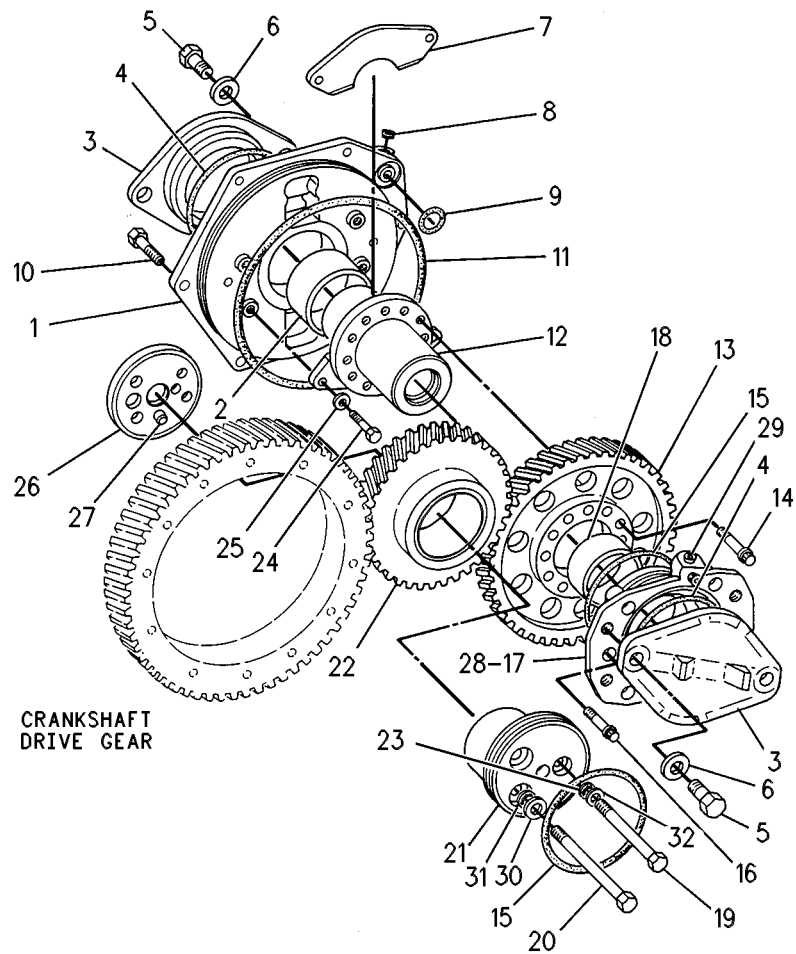
NOTE	REF NO	GRAPHIC REF	PART NUMBER	QTY	PART NAME						SEE PAGE
					1	2	3	4	5	6 (PRODUCT LEVEL)	
	1	1	7N-5279	1	ADAPTER AS						
	2	1	7N-5244	1	BEARING-SLEEVE						
	3	1	7N-8374	2	COVER-DRIVE OPENING						
	4	1	5F-3106	2	SEAL-O-RING (126.59MM ID)						
	5	1	0S-1592	4	BOLT (5/8-11X1.25IN)						
	6	1	5P-8247	4	WASHER-HARD (3.5MM THK)						
	7	1	7N-7539	2	WASHER-THRUST						
	8	1	9F-2247	2	PLUG-PIPE						
	9	1	3B-8453	1	SEAL-O-RING (18.42MM ID)						
	10	1	0S-1594	6	BOLT (3/8-16X1IN)						
	11	1	1T-0132	1	SEAL-O-RING (234.54MM ID)						
	12	1	7N-5874	1	SHAFT-AUXILIARY DRIVE						
	13	1	7E-0275	1	GEAR-WATER PUMP DRIVE (69 TEETH)						
B	14	1	6K-3771	12	BOLT-12 POINT HEAD						
	15	1	8M-5255	2	SEAL-O-RING (120.24MM ID)						
	16	1	1T-0765	6	BOLT (3/8-16X1.00IN)						
	17	1	8N-8210	1	ADAPTER AS						
	18	1	7N-5244	1	BEARING-SLEEVE						
C	19	1	0T-0055	1	BOLT (3/8-16X4.25IN)						
C	20	1	1D-4572	2	BOLT (1/2-13X5.5IN)						
C	21	1	7C-3260	1	SHAFT-GOVERNOR CONTROL						
	22	1	144-8263	1	GEAR AS-IDLER (53 TEETH)						
C	23	1	5R-7136	1	WASHER-SEAL (1.27MM THK)						
	24	1	2B-2695	4	BOLT (5/16-18X.875IN)						
	25	1	9M-1974	4	WASHER-HARD (2MM THK)						
C	26	1	7C-3258	1	WASHER AS-THRUST						
	27	1	7N-2047	1	DOWEL						
	28	1	2M-4453	1	SEAL-O-RING						
	29	1	8T-6759	2	PLUG-PIPE (1/16-27 THD)						
C	30	1	5P-8245	2	WASHER (3MM THK)						
C	31	1	5R-7137	2	WASHER-SEAL (1.27MM THK)						
C	32	1	5M-2894	1	WASHER (2.5MM THK)						

B- USE AS REQUIRED
C- CHANGE FROM PREVIOUS TYPE

BASIC ENGINE

8N-9167 DRIVE GP - ACCESSORY (contd.)

i00651363



GRAPHIC #1

g00283891

BASIC ENGINE

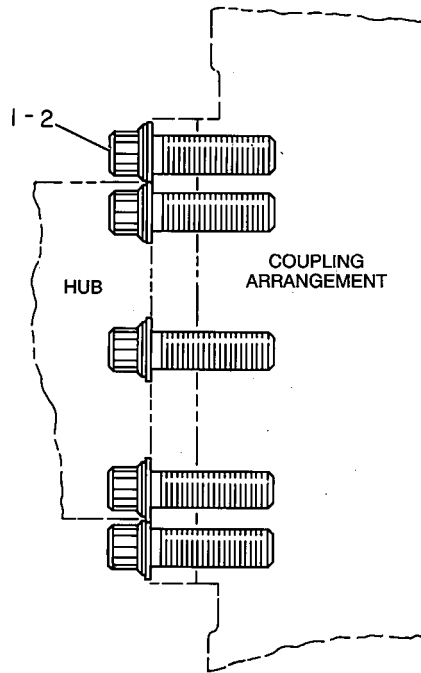
3N-8647 FASTENER GP-COUPLING

PROVIDES NECESSARY HARDWARE TO MOUNT 3N5596 FLEXIBLE COUPLING HUB FOR USE IN BETWEEN GENERATORS, TANDEM SHAFTS, , OR TAPER SHAFT GE572 GENERATOR AN ATTACHMENT

SMCS-3252, 3279, 4456

i00649219

NOTE	REF NO	GRAPHIC REF	PART NUMBER	QTY	PART NAME						SEE PAGE
					1	2	3	4	5	6 (PRODUCT LEVEL)	
	1	1	7J-7868	8	BOLT						
	2	1	4M-6953	8	WASHER-HARD						



GRAPHIC #1

g00141005

BASIC ENGINE

1W-8109 FASTENER GP-VALVE MECHANISM

OIL & FUEL FILTER DIFFERENTIAL LINES-R.H.

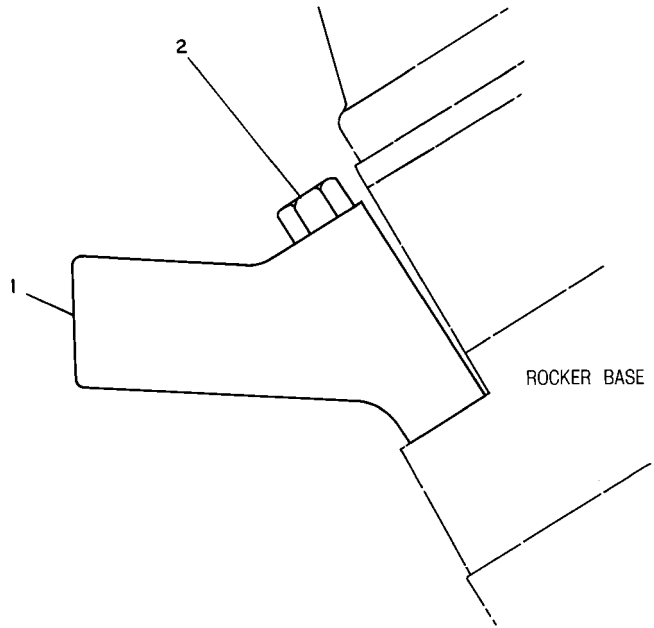
AN ATTACHMENT

SMCS-1102, 1107, 1121, 1123, 1208, 1209

i00649344

NOTE	REF NO	GRAPHIC REF	PART NUMBER	QTY	PART NAME						SEE PAGE
					1	2	3	4	5	6 (PRODUCT LEVEL)	
	1	1	1W-8129	1	SUPPORT						
C	2	1	0T-0055	2	BOLT (3/8-16X4.25IN)						

C-CHANGE FROM PREVIOUS TYPE



GRAPHIC #1

g00166425

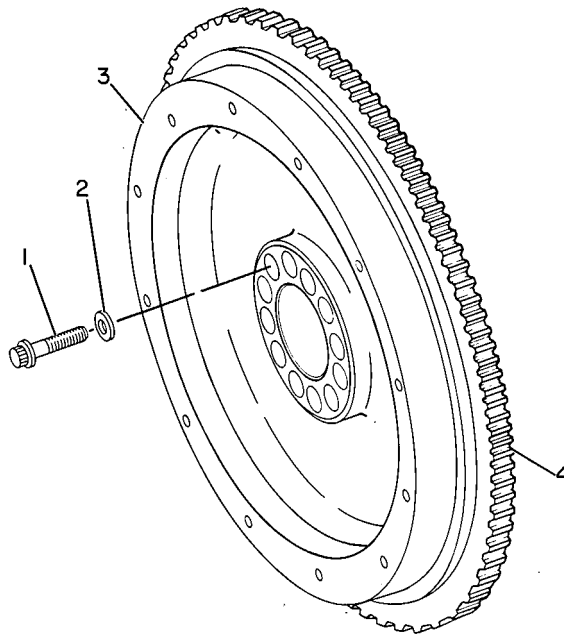
BASIC ENGINE

2W-8772 FLYWHEEL GP

SMCS-1156, 1158

i00655847

NOTE	REF NO	GRAPHIC REF	PART NUMBER	QTY	PART NAME						SEE PAGE
					1	2	3	4	5	6 (PRODUCT LEVEL)	
	1	1	9S-8893	12	BOLT - 12 POINT HEAD						
	2	1	5P-8839	12	WASHER - HARD						
	3	1	2W-8773	1	FLYWHEEL AS						
	4	1	1N-5742	1	GEAR-STARTING MOTOR (183 T)						



GRAPHIC #1

g00167069

MEMORANDA

BASIC ENGINE

8N-5620 GEAR GP-FRONT

SAE STANDARD ENGINE ROTATION

SMCS-1206

i00651203

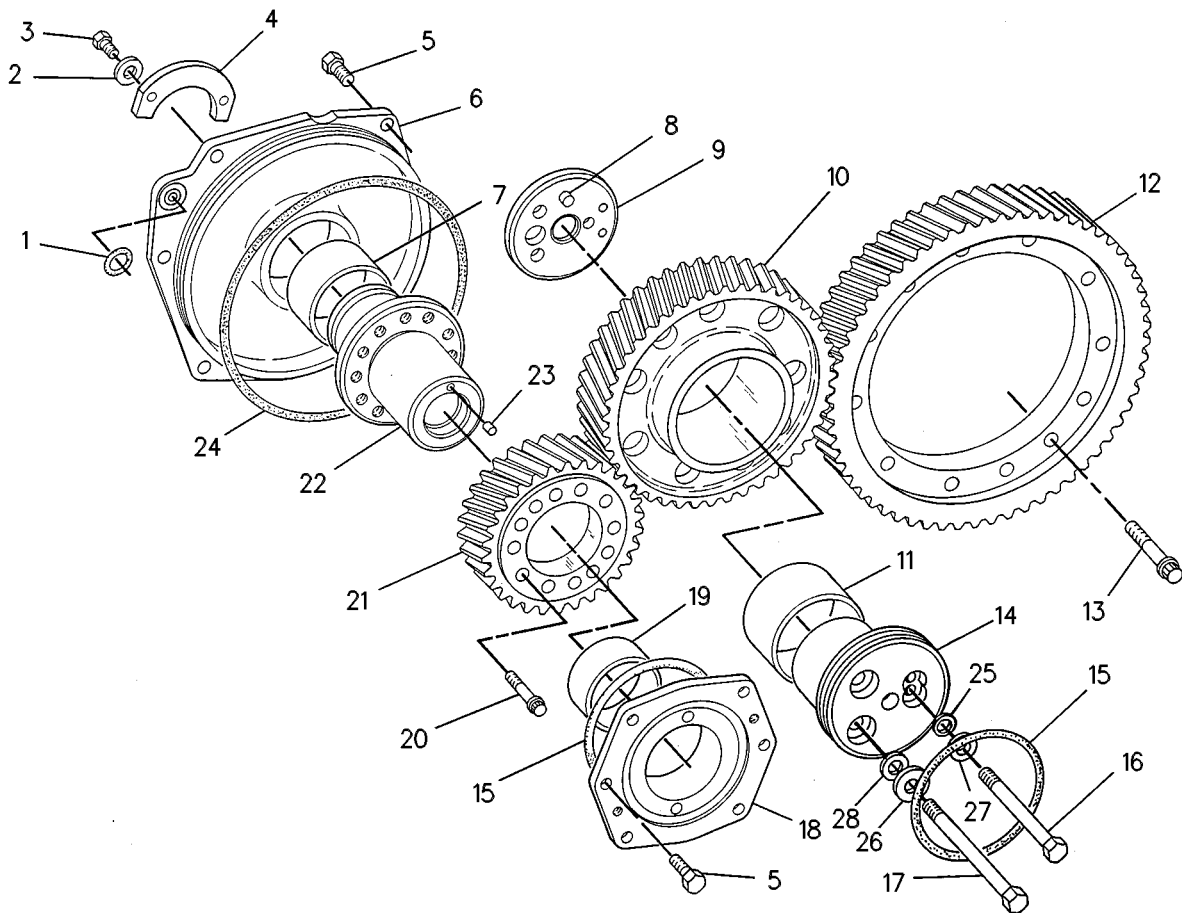
NOTE	REF NO	GRAPHIC REF	PART NUMBER	QTY	PART NAME						SEE PAGE
					1	2	3	4	5	6 (PRODUCT LEVEL)	
	1	1	3B-8453	1	SEAL-O-RING (18.42MM ID)						
	2	1	9M-1974	4	WASHER-HARD (2MM THK)						
	3	1	4B-3388	4	BOLT (5/16-18X1.125IN)						
	4	1	7N-5246	2	WASHER-THRUST						
	5	1	0S-1594	7	BOLT (3/8-16X1IN)						
	6	1	7N-5263	1	ADAPTER AS-PUMP (OIL)						
	7	1	7N-5244	1	BEARING-SLEEVE						
	8	1	7N-2047	1	DOWEL						
C	9	1	7C-3257	1	WASHER-THRUST						
	10	1	116-3242	1	GEAR AS-IDLER						
	11	1	116-1365	1	BEARING						
	12	1	2W-2895	1	GEAR-CRANKSHAFT (92 TEETH)						
	13	1	3S-1307	12	BOLT-12 POINT HEAD						
C	14	1	7C-3259	1	SHAFT-GOVERNOR CONTROL						
	15	1	8M-5255	2	SEAL-O-RING (120.24MM ID)						
C	16	1	0T-0055	2	BOLT (3/8-16X4.25IN)						
C	17	1	1D-4572	2	BOLT (1/2-13X5.5IN)						
	18	1	7N-5245	1	ADAPTER AS-PUMP (WATER)						
	19	1	7N-5244	1	BEARING-SLEEVE						
	20	1	6K-3771	12	BOLT-12 POINT HEAD						
	21	1	2W-7320	1	GEAR-ACCESSORY DRIVE (46 TEETH)						
	22	1	7N-5239	1	SHAFT AS-PUMP DRIVE						
	23	1	2F-4547	1	DOWEL						
	24	1	1T-0132	1	SEAL-O-RING (234.54MM ID)						
C	25	1	5M-2894	2	WASHER (2.5MM THK)						
C	26	1	5P-8245	2	WASHER (3MM THK)						
C	27	1	5R-7136	2	WASHER-SEAL (1.27MM THK)						
C	28	1	5R-7137	2	WASHER-SEAL (1.27MM THK)						

C- CHANGE FROM PREVIOUS TYPE

BASIC ENGINE

8N-5620 GEAR GP - FRONT (contd.)

i00651203



GRAPHIC #1

g00251215

BASIC ENGINE

8N-7174 GEAR GP-FRONT

SAE STANDARD ENGINE ROTATION

SMCS-1206

i00547846

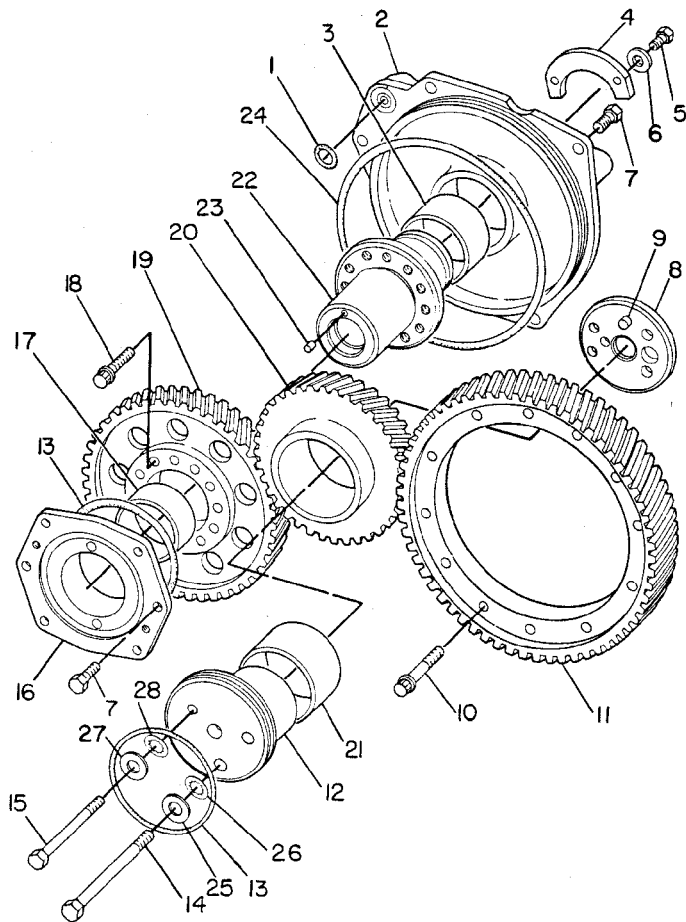
NOTE	REF NO	GRAPHIC REF	PART NUMBER	QTY	PART NAME						SEE PAGE
					1	2	3	4	5	6 (PRODUCT LEVEL)	
	1	1	3B-8453	1	SEAL-O-RING (18.42MM ID)						
	2	1	7N-5263	1	ADAPTER AS-PUMP (OIL)						
	3	1	7N-5244	1	BEARING-SLEEVE						
	4	1	7N-5246	2	WASHER-THRUST						
	5	1	4B-3388	4	BOLT (5/16-18X1.125IN)						
	6	1	9M-1974	4	WASHER-HARD (2MM THK)						
	7	1	0S-1594	7	BOLT (3/8-16X1IN)						
C	8	1	7C-3258	1	WASHER AS-THRUST						
	9	1	7N-2047	1	DOWEL						
	10	1	3S-1307	12	BOLT-12 POINT HEAD						
C	11	1	2W-2895	1	GEAR-CRANKSHAFT (92 TEETH)						
C	12	1	7C-3260	1	SHAFT-GOVERNOR CONTROL						
	13	1	8M-5255	2	SEAL-O-RING (120.24MM ID)						
C	14	1	1D-4572	2	BOLT (1/2-13X5.5IN)						
C	15	1	0T-0055	1	BOLT (3/8-16X4.25IN)						
	16	1	7N-5245	1	ADAPTER AS-PUMP (WATER)						
	17	1	7N-5244	1	BEARING-SLEEVE						
B	18	1	6K-3771	12	BOLT-12 POINT HEAD						
	19	1	7E-0275	1	GEAR-WATER PUMP DRIVE (69 TEETH)						
	20	1	144-8263	1	GEAR AS-IDLER (53 TEETH)						
	21	1	140-9597	1	BEARING-SLEEVE						
	22	1	7N-5239	1	SHAFT AS-PUMP DRIVE						
	23	1	2F-4547	1	DOWEL						
	24	1	1T-0132	1	SEAL-O-RING (234.54MM ID)						
C	25	1	5P-8245	2	WASHER (3MM THK)						
C	26	1	5R-7137	2	WASHER-SEAL (1.27MM THK)						
C	27	1	5M-2894	1	WASHER (2.5MM THK)						
C	28	1	5R-7136	1	WASHER-SEAL (1.27MM THK)						

B- USE AS REQUIRED
C- CHANGE FROM PREVIOUS TYPE

BASIC ENGINE

8N-7174 GEAR GP - FRONT (contd.)

i00547846



GRAPHIC #1

g00081904

BASIC ENGINE

122-9281 GEAR GP-FRONT

SMCS-1206

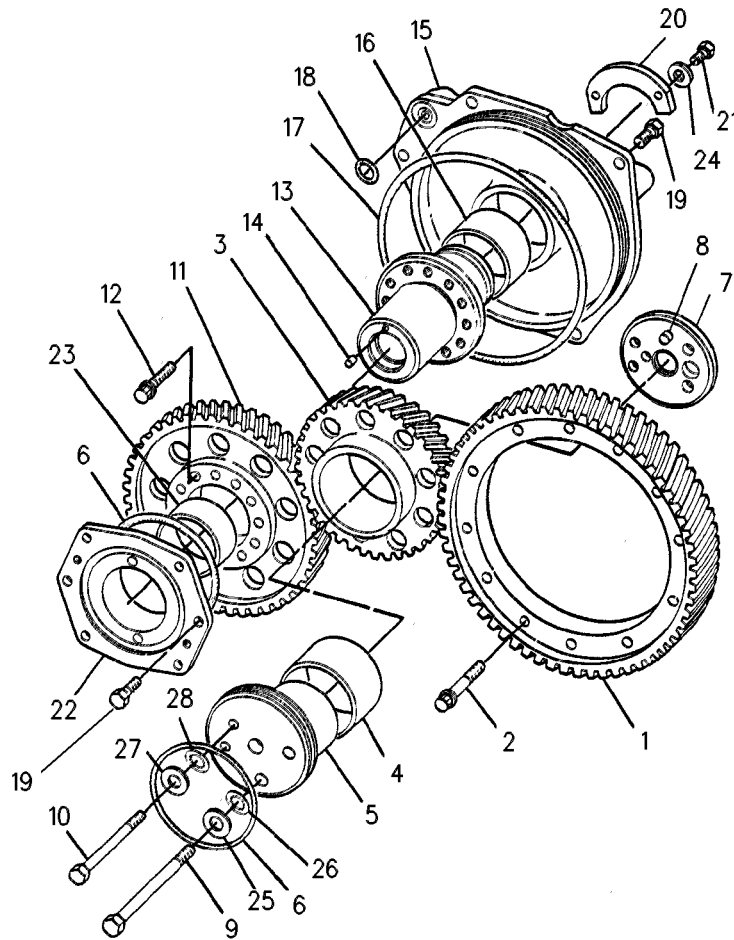
i00655592

NOTE	REF NO	GRAPHIC REF	PART NUMBER	QTY	PART NAME						SEE PAGE
					1	2	3	4	5	6 (PRODUCT LEVEL)	
	1	1	2W-2895	1	GEAR-CRANKSHAFT (92 TEETH)						
	2	1	3S-1307	12	BOLT-12 POINT HEAD						
	3	1	116-3242	1	GEAR AS-IDLER (66 TEETH)						
	4	1	116-1365	1	BEARING						
	5	1	7C-3259	1	SHAFT-GOVERNOR CONTROL						
	6	1	8M-5255	2	SEAL-O-RING (120.24MM ID)						
	7	1	7C-3258	1	WASHER AS-THRUST						
		1	7C-3257	1	WASHER-THRUST						
	8	1	7N-2047	1	DOWEL						
	9	1	9X-8879	2	BOLT						
	10	1	0T-0055	2	BOLT (3/8-16X4.25IN)						
	11	1	2W-7320	1	GEAR-ACCESSORY DRIVE (44 TEETH)						
	12	1	6K-3771	12	BOLT-12 POINT HEAD						
	13	1	7N-5239	1	SHAFT AS-PUMP DRIVE						
	14	1	8T-2153	1	SETSCREW-SOCKET						
	15	1	7N-5263	1	ADAPTER AS-PUMP						
	16	1	127-5400	1	BEARING-SLEEVE						
	17	1	1T-0132	1	SEAL-O-RING (234.54MM ID)						
	18	1	3B-8453	1	SEAL-O-RING (18.42MM ID)						
	19	1	0S-1594	7	BOLT (3/8-16X1IN)						
	20	1	7N-5246	2	WASHER-THRUST						
	21	1	4B-3388	4	BOLT (5/16-18X1.125IN)						
	22	1	7N-5245	1	ADAPTER AS-PUMP						
	23	1	127-5400	1	BEARING-SLEEVE						
	24	1	9M-1974	4	WASHER-HARD (2MM THK)						
	25	1	5P-8245	2	WASHER (3MM THK)						
	26	1	5R-7137	2	WASHER-SEAL (1.27MM THK)						
	27	1	5M-2894	2	WASHER (2.5MM THK)						
	28	1	5R-7136	2	WASHER-SEAL (1.27MM THK)						

BASIC ENGINE

122-9281 GEAR GP - FRONT (contd.)

i00655592



GRAPHIC #1

g00253162

BASIC ENGINE

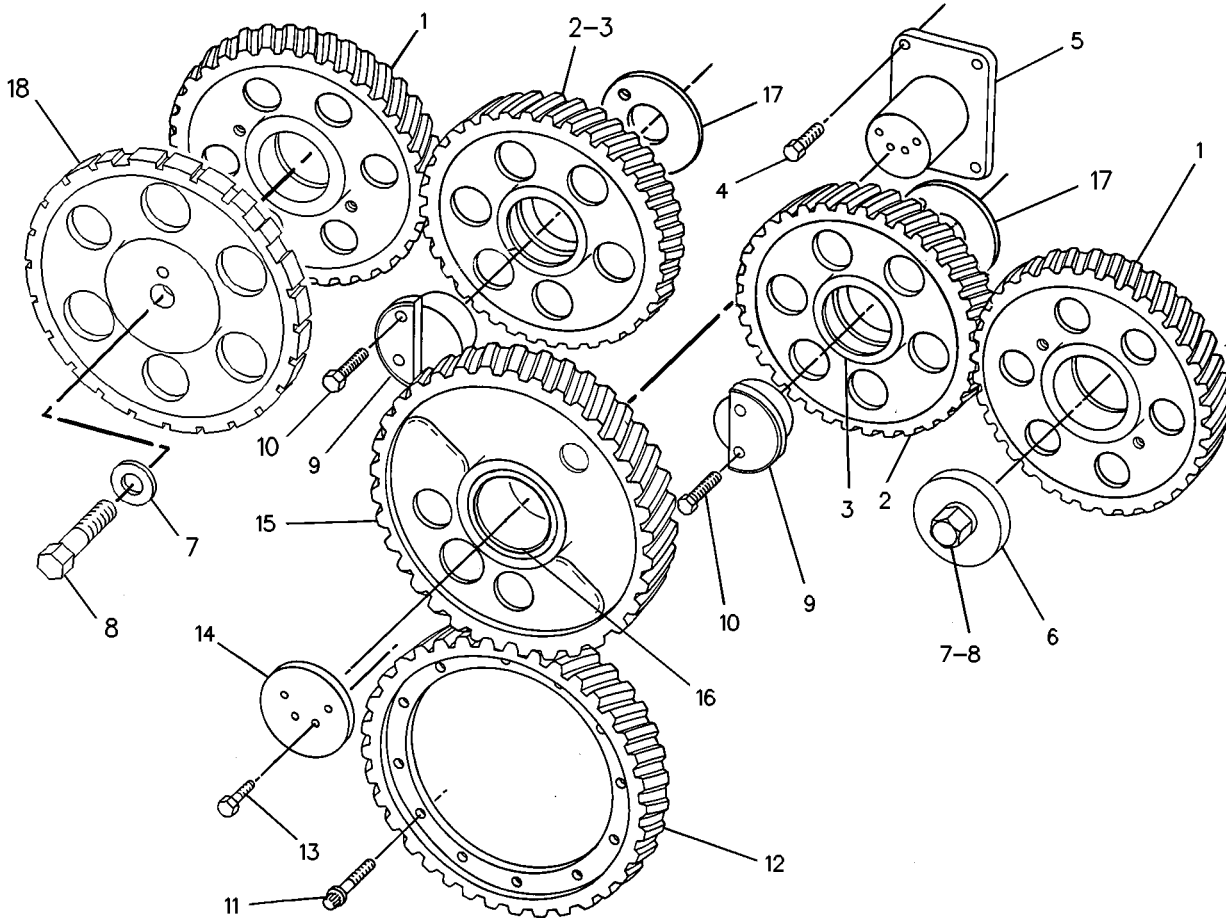
4P-8323 GEAR GP-REAR

SMCS-1204

i00660209

NOTE	REF NO	GRAPHIC REF	PART NUMBER	QTY	PART NAME						SEE PAGE
					1	2	3	4	5	6 (PRODUCT LEVEL)	
	1	1	7E-3897	2	GEAR-CAMSHAFT DRIVE (88 TEETH)						
	2	1	4P-5440	2	GEAR AS-IDLER (88 TEETH) (CAMSHAFT) (EACH INCLUDES)						
	3	1	4P-5439	1	BEARING-SLEEVE						
	4	1	0S-1595	4	BOLT (1/2-13X1.25IN)						
	5	1	4P-5437	1	SHAFT-GEAR						
	6	1	4W-4586	1	PLATE						
	7	1	5P-8248	2	WASHER-HARD (3.5MM THK)						
	8	1	9X-8887	2	BOLT (3/4-10X3IN)						
C	9	1	4P-5090	2	SHAFT-IDLER						
C	10	1	1B-4367	4	BOLT (5/8-11X3IN)						
	11	1	3S-1307	12	BOLT-12 POINT HEAD						
	12	1	2W-2895	1	GEAR-CRANKSHAFT (92 TEETH)						
	13	1	0L-1351	4	BOLT (3/8-16X.875IN)						
	14	1	7N-5254	1	PLATE-THRUST						
	15	1	4P-5459	1	GEAR AS-BALANCER (44 & 92 TEETH)						
	16	1	4P-5438	1	BEARING-SLEEVE						
	17	1	4P-5091	2	WASHER-THRUST						
	18	1	7E-5324	1	RING						

C- CHANGE FROM PREVIOUS TYPE



GRAPHIC #1

g00083452

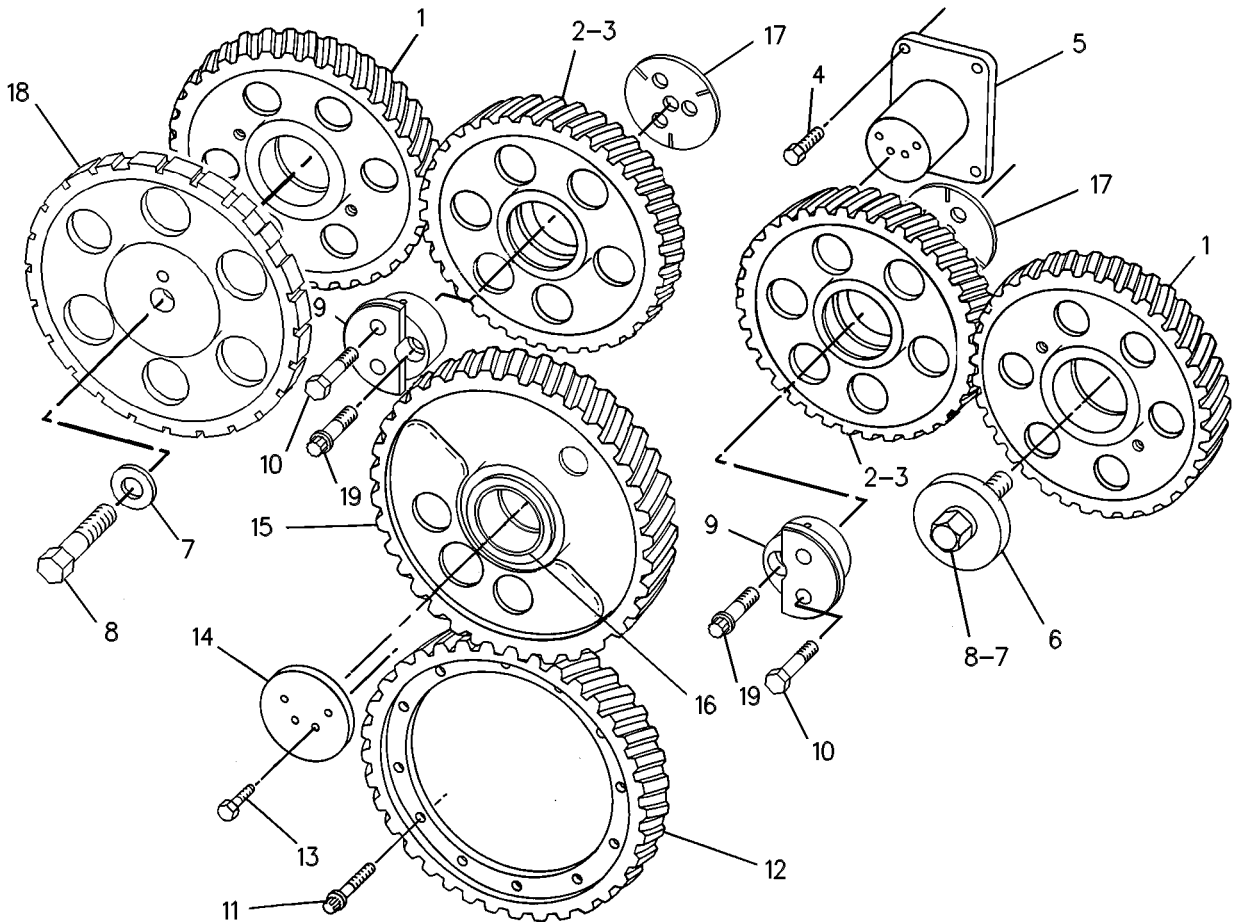
BASIC ENGINE

112-5677 GEAR GP-REAR

SMCS-1204

i00117804

NOTE	REF NO	GRAPHIC REF	PART NUMBER	QTY	PART NAME						SEE PAGE
					1	2	3	4	5	6 (PRODUCT LEVEL)	
	1	1	7E-3897	2	GEAR-CAMSHAFT DRIVE (88 TEETH)						
	2	1	112-1554	2	GEAR AS-IDLER (88 T) (CAMSHAFT)						
					(EACH INCLUDES)						
	3	1	125-9751	1	BEARING-SLEEVE						
	4	1	0S-1595	4	BOLT (1/2-13X1.25IN)						
	5	1	4P-5437	1	SHAFT-GEAR						
	6	1	4W-4586	1	PLATE						
	7	1	5P-8248	2	WASHER-HARD (3.5MM THK)						
	8	1	9X-8887	2	BOLT (3/4-10X3IN)						
	9	1	112-1552	2	SHAFT-IDLER						
	10	1	1B-4367	4	BOLT (5/8-11X3IN)						
	11	1	3S-1307	12	BOLT-12 POINT HEAD						
	12	1	2W-2895	1	GEAR-CRANKSHAFT (92 TEETH)						
	13	1	0L-1351	4	BOLT (3/8-16X.875IN)						
	14	1	7N-5254	1	PLATE-THRUST						
	15	1	4P-5459	1	GEAR AS-BALANCER (44 & 92 TEETH)						
	16	1	4P-5438	1	BEARING-SLEEVE						
	17	1	101-1368	2	WASHER-THRUST						
	18	1	7E-5324	1	RING						
	19	1	8S-2331	2	BOLT-12 POINT HEAD						



GRAPHIC #1

g00106377

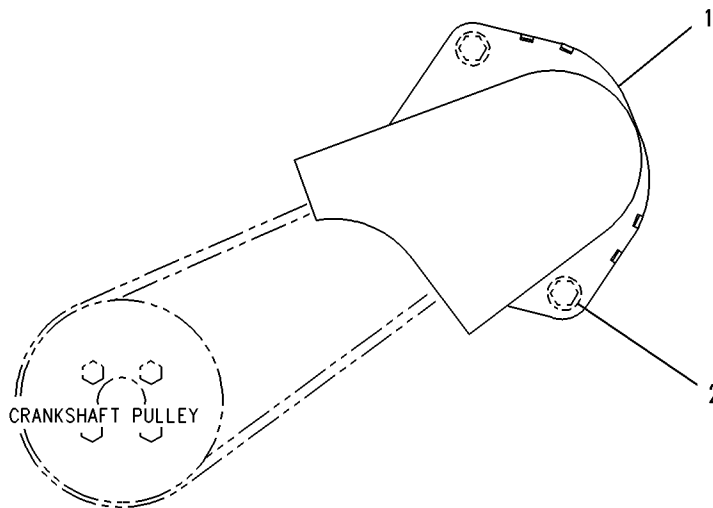
BASIC ENGINE

7W-5780 GUARD GP-BELT AN ATTACHMENT

SMCS-1357, 7174

i00103399

NOTE	REF NO	GRAPHIC REF	PART NUMBER	QTY	PART NAME						SEE PAGE
					1	2	3	4	5	6 (PRODUCT LEVEL)	
	1	1	100-8061	1	GUARD-ALTERNATOR						
	2	1	7E-5639	1	SPACER						



GRAPHIC #1

g00083682

BASIC ENGINE

3N-5765 GUARD GP-COUPLING

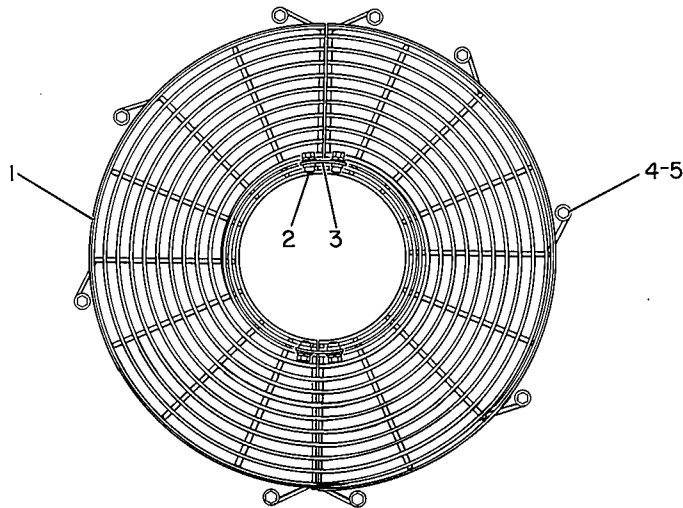
CANNOT BE USED WITH FLYWHEEL HOUSING MOUNTED ATTACHMENTS
AN ATTACHMENT

SMCS-3279, 7153

i00649130

NOTE	REF NO	GRAPHIC REF	PART NUMBER	QTY	PART NAME						SEE PAGE
					1	2	3	4	5	6 (PRODUCT LEVEL)	
C	1	1	5N-4817	1	GUARD AS-COUPLING						
	2	1	0S-1594	4	BOLT (3/8-16X1IN)						
		1	2N-3385	4	NUT-CLIP						
		1	3B-4506	4	LOCKWASHER						
C		1	3L-9689	4	WASHER						
	3	1	1V-0623	2	PLATE						
C	4	1	0S-1621	10	BOLT (1/2-13X1IN)						
	5	1	3B-4508	10	LOCKWASHER (3.84MM THK)						
		1	4B-4280	10	WASHER (2.5MM THK)						

C-CHANGE FROM PREVIOUS TYPE



GRAPHIC #1

g00166620

BASIC ENGINE

8N-9639 GUARD GP - DAMPER

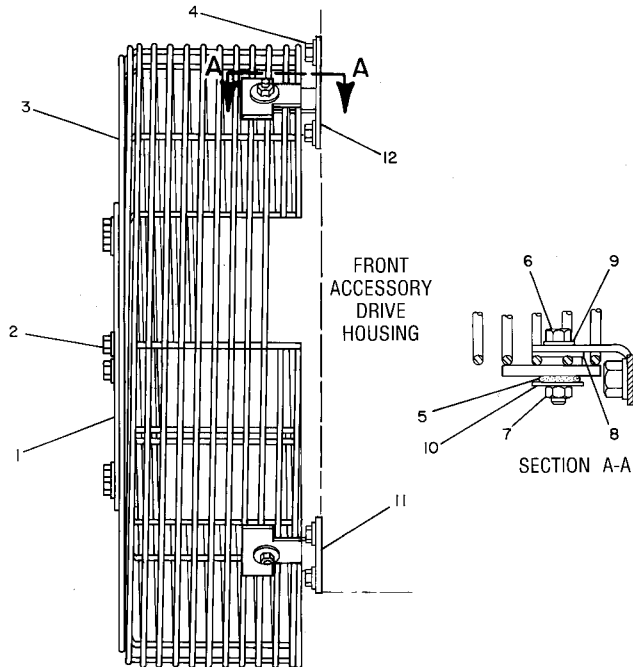
CANNOT BE USED WITH FRONT POWER TAKE OFF OR HYDRAULIC PUMP DRIVE MOUNTING
AN ATTACHMENT

SMCS-1205

i00651382

NOTE	REF NO	GRAPHIC REF	PART NUMBER	QTY	PART NAME						SEE PAGE
					1	2	3	4	5	6 (PRODUCT LEVEL)	
	1	1	8J-8919	1	COVER						
	2	1	030-8535	6	BOLT-LOCKING (3/8-16X.875IN)						
		1	5P-1075	6	WASHER-HARD (3MM THK)						
	3	1	1W-4923	1	DAMPER & GUARD AS						
	4	1	0S-1621	8	BOLT (1/2-13X1IN)						
		1	5P-8245	8	WASHER (3MM THK)						
C	5	1	1P-7115	4	GROMMET AS						
C	6	1	0S-1591	4	BOLT (3/8-16X1.5IN)						
C	7	1	9S-8752	4	NUT-FULL (3/8-16 THD)						
C	8	1	3F-1417	4	WASHER						
C	9	1	5M-2894	4	WASHER (2.5MM THK)						
C	10	1	9L-9132	4	WASHER (2.5MM THK)						
C	11	1	7W-3031	2	BRACKET (SHORT)						
C	12	1	7W-3032	2	BRACKET (LONG)						

C- CHANGE FROM PREVIOUS TYPE



GRAPHIC #1

g00197189

BASIC ENGINE

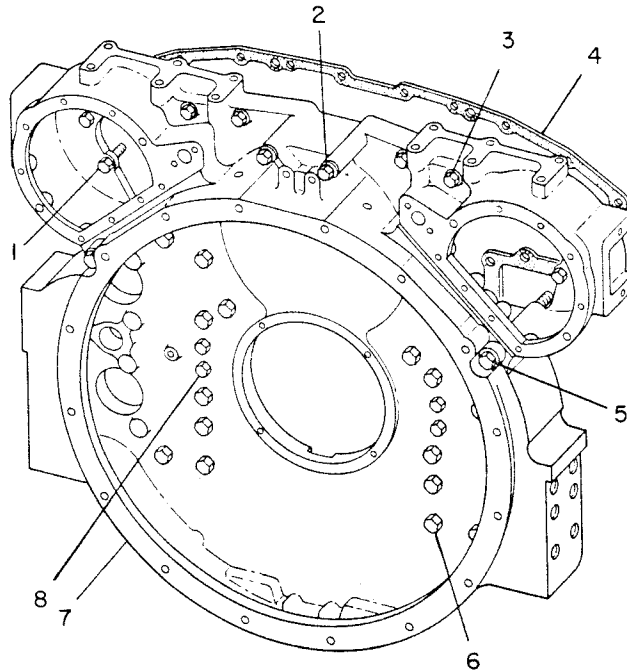
4P-8307 HOUSING GP-FLYWHEEL

SMCS-1157

i00656597

NOTE	REF NO	GRAPHIC REF	PART NUMBER	QTY	PART NAME						SEE PAGE
					1	2	3	4	5	6 (PRODUCT LEVEL)	
	1	1	0S-1595	6	BOLT (1/2-13X1.25IN)						
B	2	1	1A-7669	2	BOLT (1/2-13X7IN)						
	3	1	9X-8875	4	BOLT (1/2-13X3.5IN)						
	4	1	7N-3049	1	GASKET						
	5	1	9S-1374	2	BOLT (1/2-13X8IN)						
	6	1	1D-4590	16	BOLT (5/8-11X4.75IN)						
	7	1	4P-8308	1	HOUSING-FLYWHEEL						
	8	1	8S-9089	4	BOLT (1/2-13X4.5IN)						

B-USE AS REQUIRED



GRAPHIC #1

g00230810

BASIC ENGINE

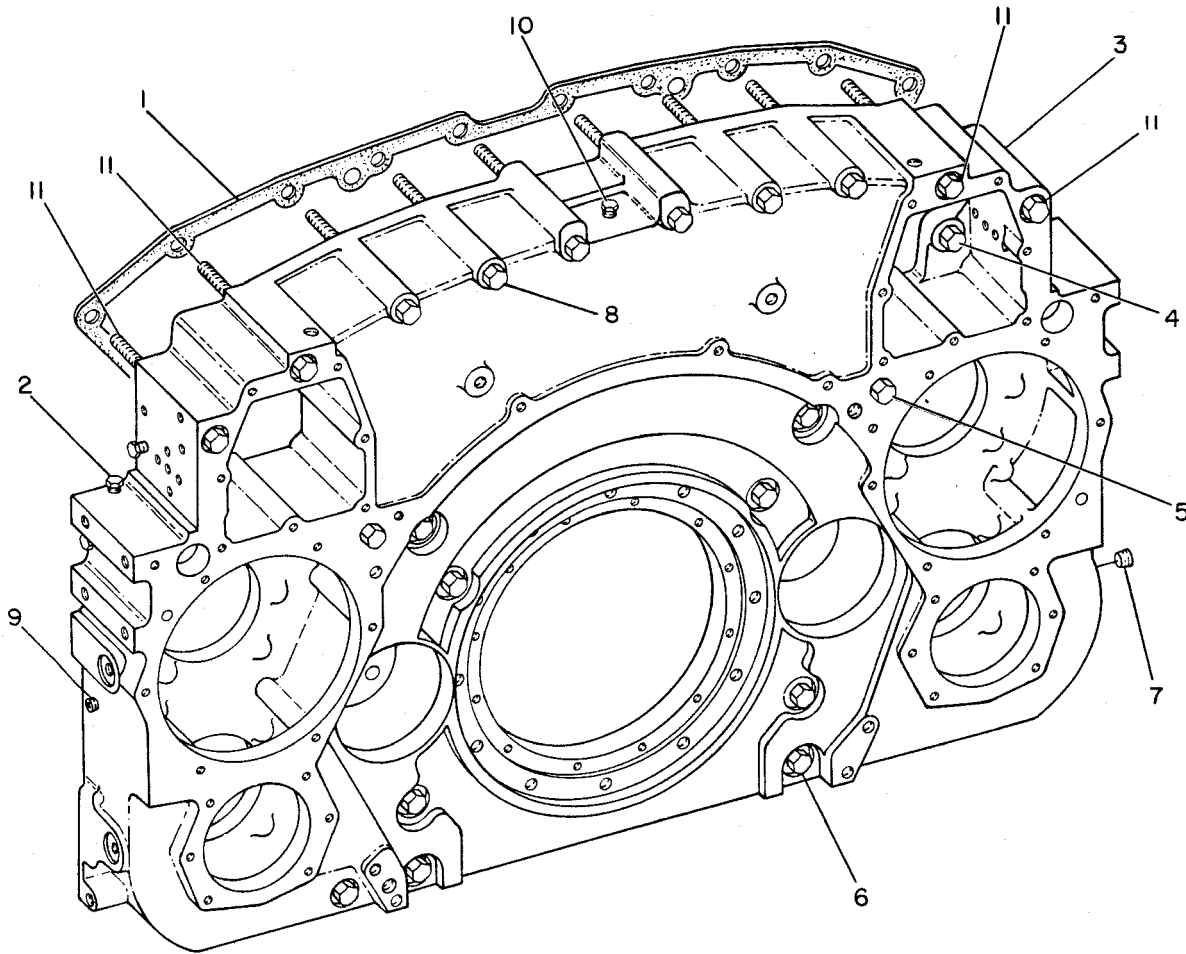
7W-3724 HOUSING GP-FRONT

SMCS-1151, 1162, 1166

i00095620

NOTE	REF NO	GRAPHIC REF	PART NUMBER	QTY	PART NAME						SEE PAGE
					1	2	3	4	5	6 (PRODUCT LEVEL)	
	1	1	7N-3049	1	GASKET						
	2	1	8T-6765	6	PLUG-PIPE (1/4-18 NPTF THD)						
	3	1	102-8634	1	HOUSING-ACCESSORY DRIVE						
	4	1	0S-1587	4	BOLT (1/2-13X1.75IN)						
B	5	1	1D-4597	2	BOLT (5/8-11X6.5IN)						
	6	1	1D-4593	10	BOLT (5/8-11X5.5IN)						
	7	1	8T-6762	1	PLUG-PIPE						
	8	1	9H-8260	4	BOLT (15.89CM LONG)						
	9	1	8T-6758	1	PLUG-PIPE						
B	10	1	8T-6765	1	PLUG-PIPE (1/4-18 NPTF THD)						
B	11	1	9H-8260	6	BOLT						

B-USE AS REQUIRED



GRAPHIC #1

g00081864

BASIC ENGINE

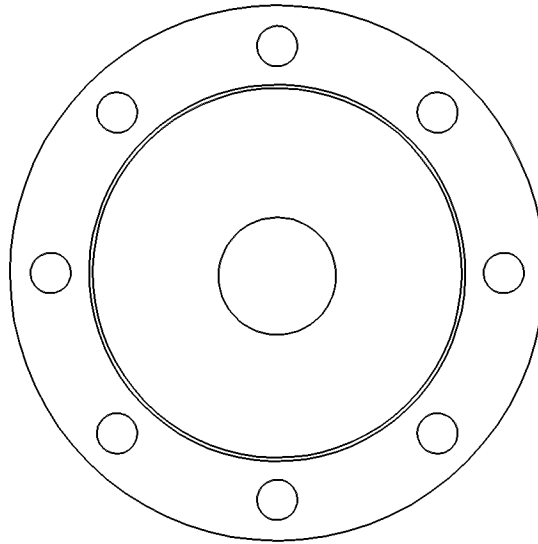
3N-5596 HUB - FLEXIBLE COUPLING

FOR USE WITH 5N-3765 COUPLING GP-FLEXIBLE, 3N-8996 COUPLING AR-SHAFT TO SHAFT
AN ATTACHMENT

SMCS-3252

i00884856

NOTE	REF NO	GRAPHIC REF	PART NUMBER	QTY	PART NAME	SEE PAGE
					1 2 3 4 5 6 (PRODUCT LEVEL)	
INDIVIDUAL PARTS ARE NOT SERVICED SEPARATELY						



GRAPHIC #1

g00284158

BASIC ENGINE

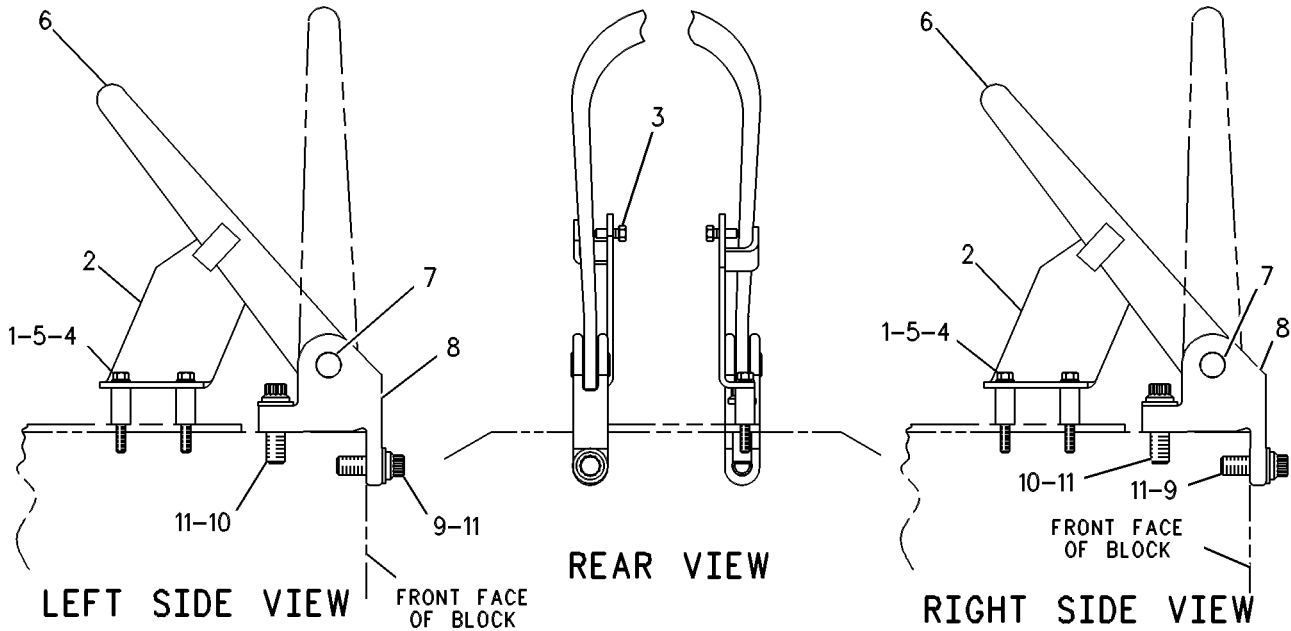
4W-5450 LIFTING GP-ENGINE

REAR

SMCS-1000, 1122

i00894462

NOTE	REF NO	GRAPHIC REF	PART NUMBER	QTY	PART NAME						SEE PAGE
					1	2	3	4	5	6 (PRODUCT LEVEL)	
	1	1	6W-6672	4	SPACER						
	2	1	4W-5887	2	BRACKET AS						
	3	1	5P-4255	2	BOLT-LOCKING						
	4	1	0T-0573	4	BOLT (3/8-16X2.75IN)						
	5	1	5M-2894	4	WASHER (2.5MM THK)						
	6	1	7N-2326	2	EYE-LIFTING						
	7	1	7N-2328	4	DOWEL						
	8	1	155-0726	2	BRACKET AS						
					(EACH INCLUDES)						
	9	1	5P-8291	2	BOLT (12 POINT HEAD)						
	10	1	6V-9995	2	BOLT-12 POINT HEAD						
	11	1	5P-8248	4	WASHER-HARD (3.5MM THK)						



GRAPHIC #1

g00453945

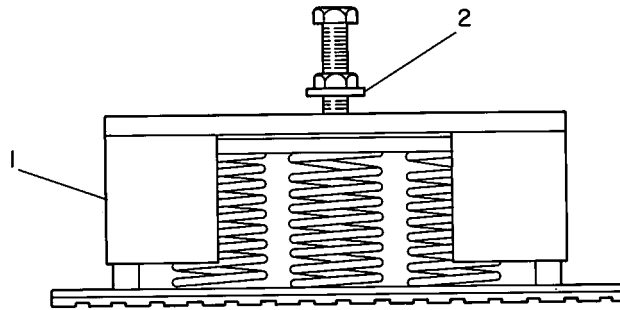
BASIC ENGINE

8N-9567 MOUNTING GP-ENGINE FLEXIBLE FOR USE WITH GENERATOR SET RAILS. CANNOT BE USED WITH RADIATOR AN ATTACHMENT

SMCS-1152

i00893958

NOTE	REF NO	GRAPHIC REF	PART NUMBER	QTY	PART NAME						SEE PAGE
					1	2	3	4	5	6 (PRODUCT LEVEL)	
	1	1	153-3865	6	MOUNT AS						
	2	1	5P-7197	6	WASHER						



GRAPHIC #1

g00146421

BASIC ENGINE

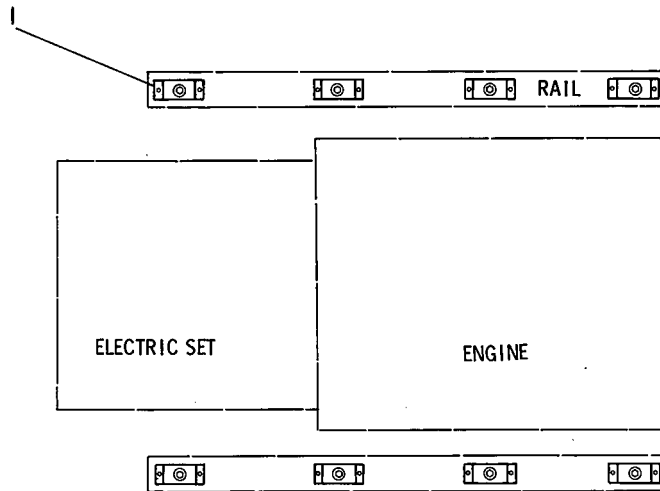
8N-9570 MOUNTING GP-ENGINE FLEXIBLE

CANNOT BE USED WITH MARINE LEDGE TYPE RAILS
AN ATTACHMENT

SMCS-1152

i00654364

NOTE	REF NO	GRAPHIC REF	PART NUMBER	QTY	PART NAME						SEE PAGE
					1	2	3	4	5	6 (PRODUCT LEVEL)	
	1	1	8N-9970	8	MOUNT AS						
		1	5P-7197	8	WASHER						



GRAPHIC #1

g00146910

BASIC ENGINE

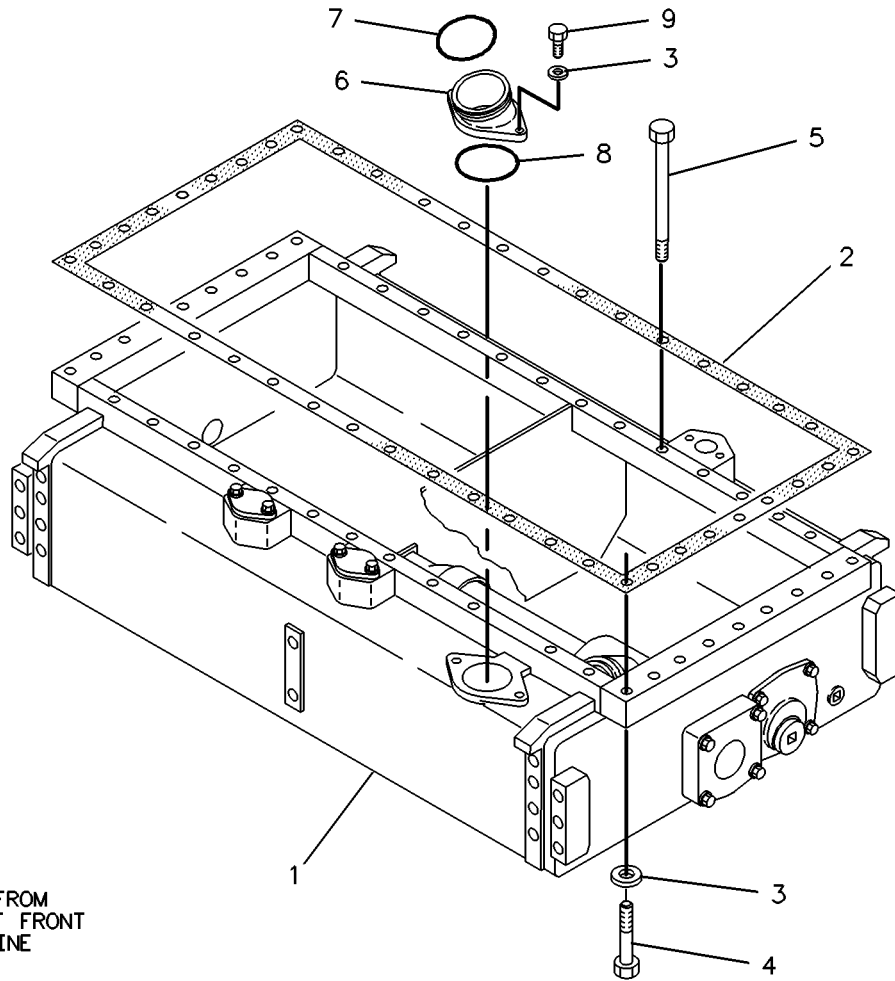
7C-6887 PAN GP-OIL

SMCS-1302

i00650040

NOTE	REF NO	GRAPHIC REF	PART NUMBER	QTY	PART NAME						SEE PAGE
					1	2	3	4	5	6	
Y	1	1	9Y-3086	1	PAN GP-OIL						102
	2	1	7E-2631	1	GASKET-OIL PAN						
	3	1	5M-2894	20	WASHER (2.5MM THK)						
	4	1	0L-2070	18	BOLT (3/8-16X2.25IN)						
	5	1	0T-0065	26	BOLT (3/8-16X3.5IN)						
	6	1	7W-0129	1	FLANGE						
	7	1	6V-5101	1	SEAL-O-RING						
	8	1	3P-0654	1	SEAL (85.09MM ID)						
	9	1	0S-1588	2	BOLT (3/8-16X1.25IN)						

Y-SEPARATE ILLUSTRATION



GRAPHIC #1

g00210444

BASIC ENGINE

9Y-3086 PAN GP-OIL

PART OF 7C-6887 PAN GP-OIL

TYPE 1

SMCS-1302

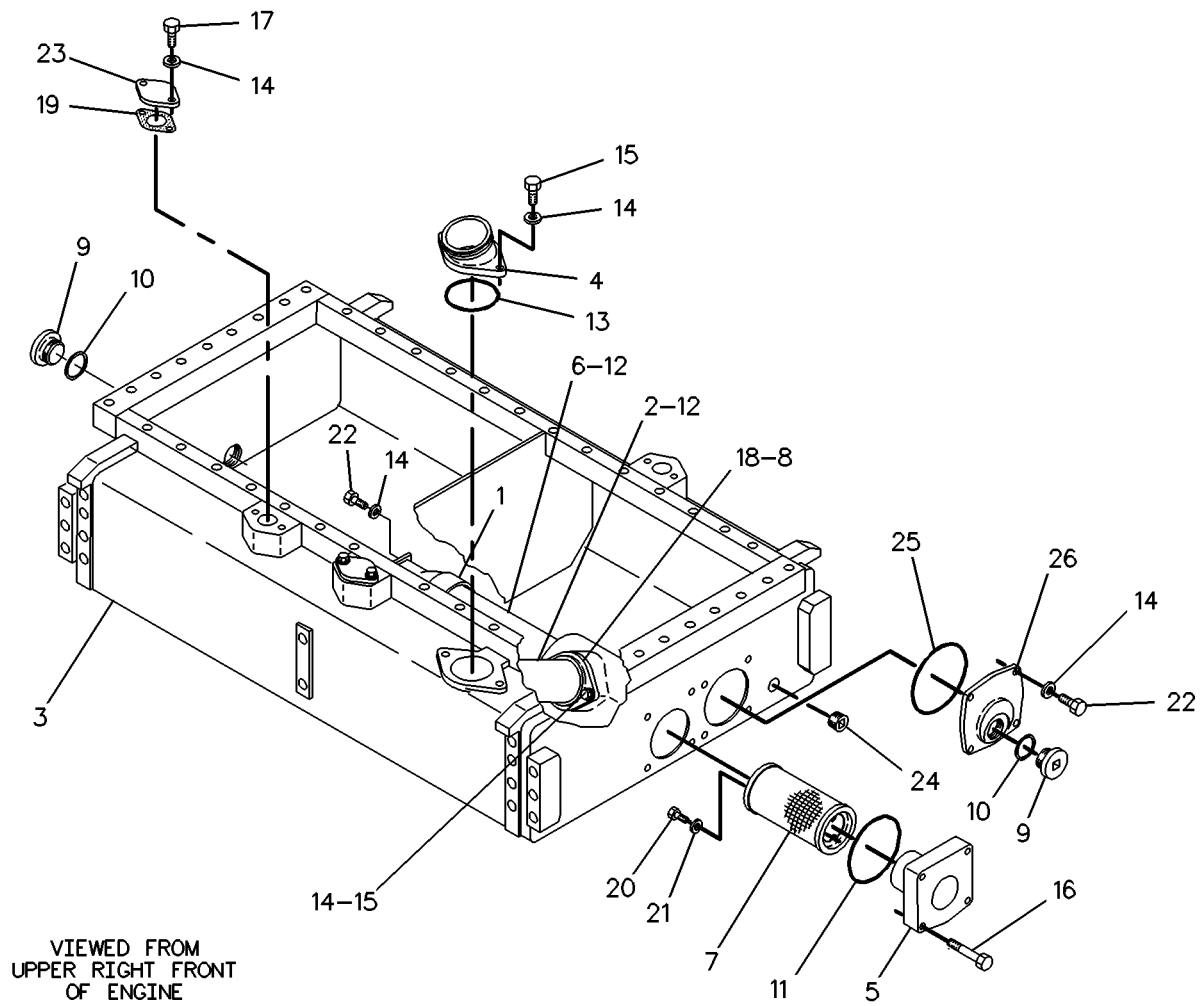
i00651694

NOTE	REF NO	GRAPHIC REF	PART NUMBER	QTY	PART NAME						SEE PAGE
					1	2	3	4	5	6 (PRODUCT LEVEL)	
	1	1	7C-9059	1	ELBOW						
	2	1	7C-4823	1	TUBE						
	3	1	7C-6888	1	PAN AS-OIL						
	4	1	7C-4715	1	CONNECTOR						
	5	1	7C-4717	1	ADAPTER						
	6	1	7C-6886	1	TUBE-SUCTION						
	7	1	7C-4716	1	SCREEN AS						
	8	1	6V-5101	2	SEAL-O-RING						
	9	1	4B-2363	2	PLUG-DRAIN						
	10	1	6F-4868	2	GASKET						
	11	1	5P-8872	1	SEAL-O-RING						
	12	1	3P-0654	4	SEAL (85.09MM ID)						
	13	1	5P-7818	1	SEAL-O-RING						
	14	1	5M-2894	16	WASHER (2.5MM THK)						
	15	1	0S-1588	6	BOLT (3/8-16X1.25IN)						
	16	1	0S-1571	4	BOLT (3/8-16X1.75IN)						
	17	1	0S-1594	4	BOLT (3/8-16X1IN)						
	18	1	7W-0129	2	FLANGE						
	19	1	9L-1480	2	GASKET						
	20	1	2A-0762	2	BOLT (1/4-20X.625IN)						
	21	1	5P-0537	2	WASHER (2MM THK)						
	22	1	0L-1351	6	BOLT (3/8-16X.875IN)						
	23	1	4B-3140	2	COVER						
	24	1	2B-0858	1	PLUG-PIPE (1/2-14 NPTF)						
	25	1	6V-4314	1	SEAL-O-RING						
	26	1	7N-6387	1	COVER						

BASIC ENGINE

9Y-3086 PAN GP-OIL (contd.)

i00651694



GRAPHIC #1

g00210429

BASIC ENGINE

9Y-3086 PAN GP-OIL

PART OF 7C-6887 PAN GP-OIL

TYPE 2

SMCS-1302

i00884959

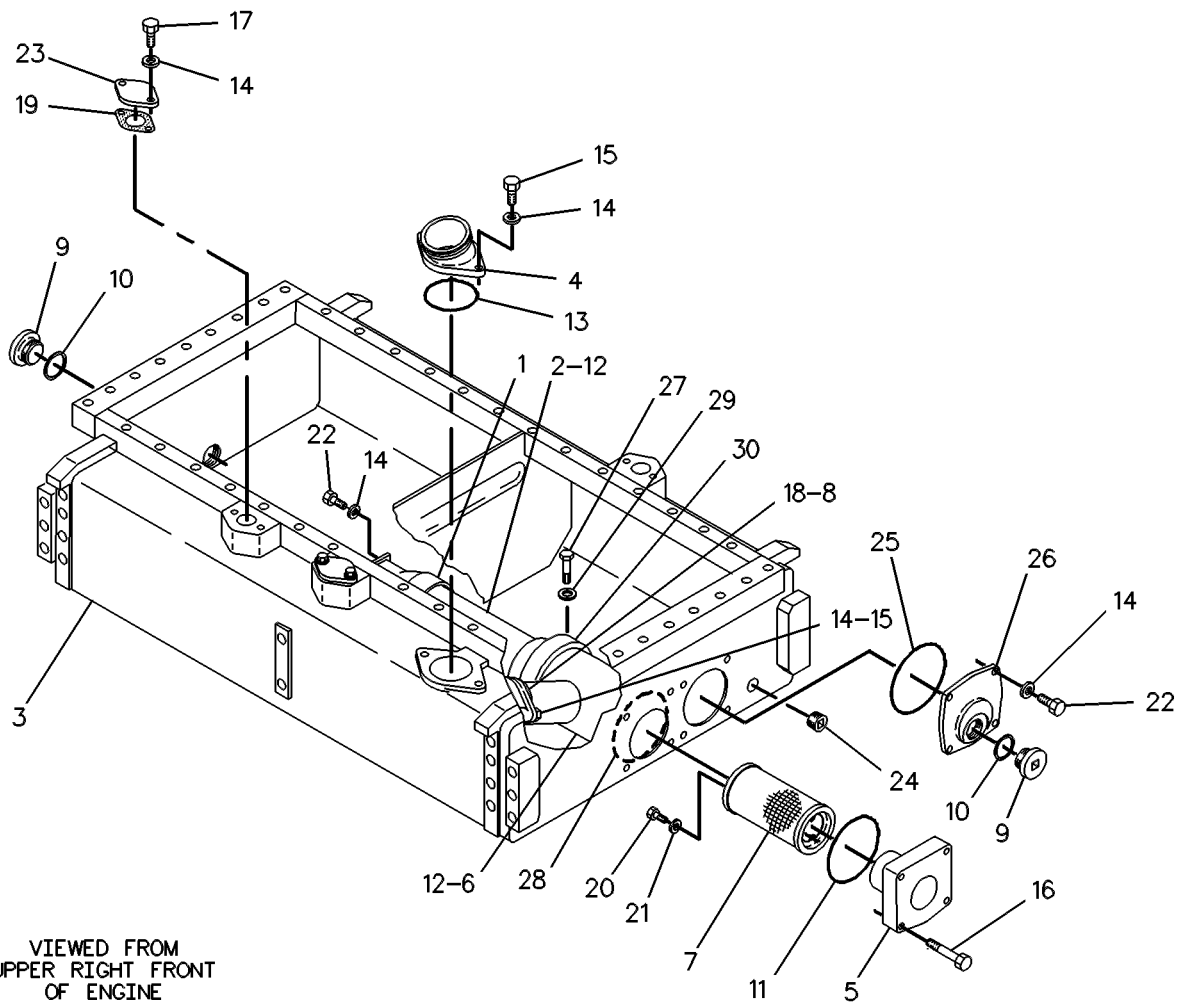
NOTE	REF NO	GRAPHIC REF	PART NUMBER	QTY	PART NAME						SEE PAGE
					1	2	3	4	5	6 (PRODUCT LEVEL)	
C	1	1	111-3812	1	ELBOW						
C	2	1	111-3829	1	TUBE-SUCTION						
C	3	1	118-4606	1	PAN AS-OIL						
	4	1	7C-4715	1	CONNECTOR						
C	5	1	116-3263	1	ADAPTER						
	6	1	114-2414	1	TUBE AS						
	7	1	7C-4716	1	SCREEN AS						
C	8	1	6V-5101	1	SEAL-O-RING						
	9	1	4B-2363	2	PLUG-DRAIN						
	10	1	6F-4868	2	GASKET						
	11	1	5P-8872	1	SEAL-O-RING (113.66MM ID)						
C	12	1	3P-0654	3	SEAL (85.09MM ID)						
	13	1	5P-7818	1	SEAL-O-RING						
C	14	1	5M-2894	14	WASHER (2.5MM THK)						
C	15	1	0S-1588	4	BOLT (3/8-16X1.25IN)						
	16	1	0S-1571	4	BOLT (3/8-16X1.75IN)						
	17	1	0S-1594	4	BOLT (3/8-16X1IN)						
C	18	1	7W-0129	1	FLANGE						
	19	1	9L-1480	2	GASKET						
	20	1	2A-0762	2	BOLT (1/4-20X.625IN)						
	21	1	5P-0537	2	WASHER (2MM THK)						
	22	1	0L-1351	6	BOLT (3/8-16X.875IN)						
	23	1	4B-3140	2	COVER						
	24	1	2B-0858	1	PLUG-PIPE (1/2-14 NPTF)						
	25	1	6V-4314	1	SEAL-O-RING						
	26	1	7N-6387	1	COVER						
C	27	1	0S-1590	2	BOLT (3/8-16X2IN)						
C	28	1	7X-1547	2	SEAL-O-RING						
C	29	1	8M-9024	2	WASHER-HARD (5MM THK)						
C	30	1	111-2081	1	HOUSING-OIL						

C- CHANGE FROM PREVIOUS TYPE

BASIC ENGINE

9Y-3086 PAN GP-OIL (contd.)

i00884959



VIEWED FROM
UPPER RIGHT FRONT
OF ENGINE

GRAPHIC #1

g00250173

BASIC ENGINE

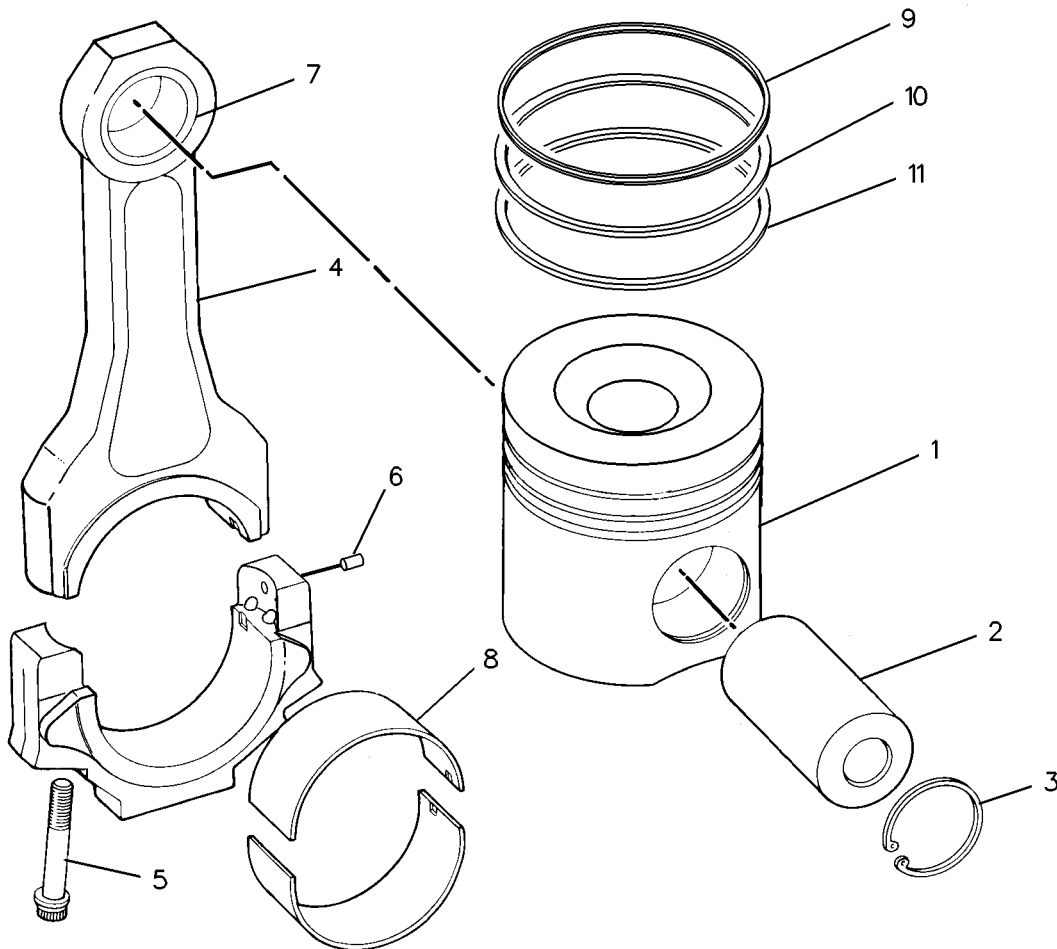
6I-4610 PISTON & ROD GP

SMCS-1214, 1215, 1218, 1219, 1225

i00656966

NOTE	REF NO	GRAPHIC REF	PART NUMBER	QTY	PART NAME						SEE PAGE
					1	2	3	4	5	6 (PRODUCT LEVEL)	
	1	1	6I-4609	1	BODY AS-PISTON						
	2	1	138-8506	1	PIN-PISTON						
	3	1	8N-7296	2	RETAINER-PIN						
	4	1	118-1654	1	ROD AS-CONNECTING						
	5	1	7N-2405	4	BOLT-CONNECTING ROD						
	6	1	7N-2043	1	DOWEL						
	7	1	118-1655	1	BEARING-SLEEVE						
	8	1	107-7330	1	BEARING-CONNECTING ROD						
AJ		1	107-7331	1	BEARING-CONNECTING ROD (.63MM(.025IN)US)						
AJ		1	107-7332	1	BEARING-CONNECTING ROD (1.27MM(.05IN)US)						
AJ		1	107-7333	1	BEARING-CONNECTING ROD (.25MM / .01IN. O.S.)						
AJ		1	107-7334	1	BEARING-CONNECTING ROD (.63MM(.025IN)US) .25MM / .01IN. O.S.						
AJ		1	107-7335	1	BEARING-CONNECTING ROD (1.27MM(.05IN)US) (.25MM / .01IN. O.S.)						
	9	1	7E-7581	1	RING-PISTON						
	10	1	8N-1234	1	RING						
	11	1	7W-2221	1	RING						

A - NOT PART OF THIS GROUP
 J - INCLUDES A COMPLETE SET OF BEARINGS FOR ONE PISTON



GRAPHIC #1

g00206543

BASIC ENGINE

102-2256 PISTON & ROD GP

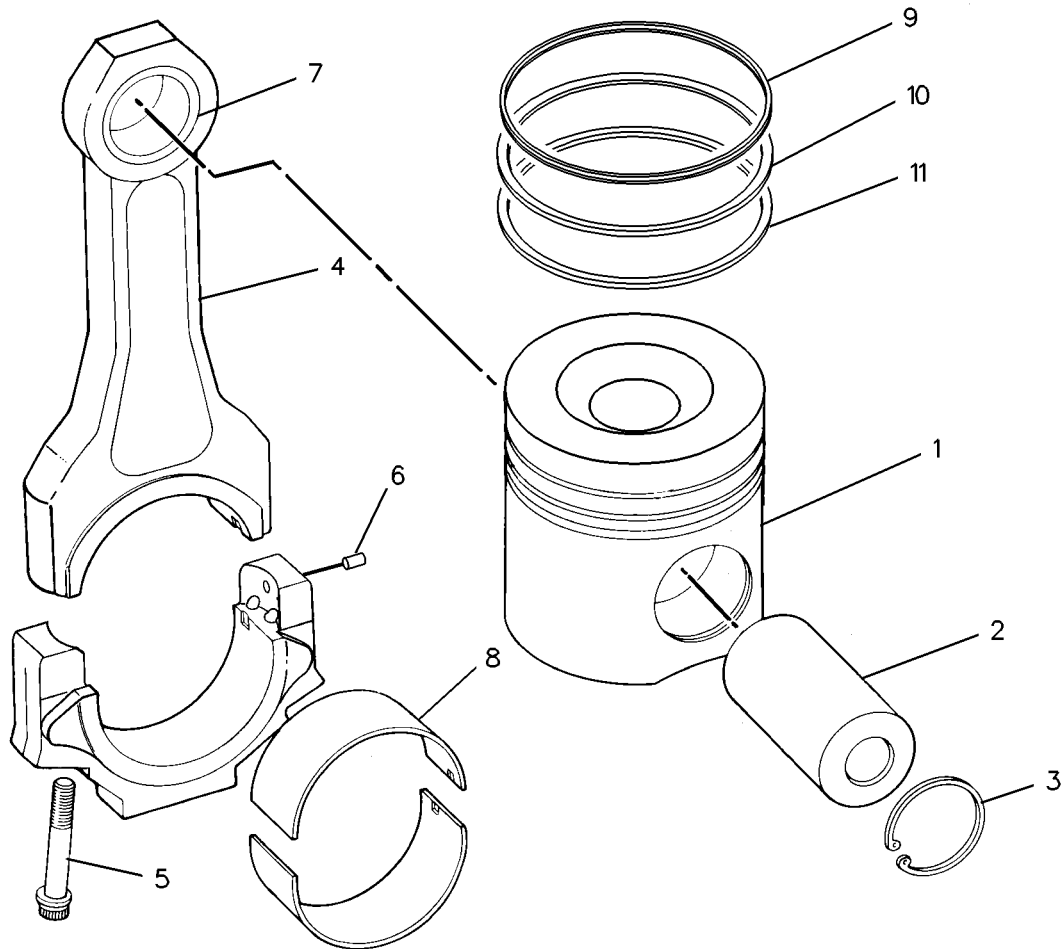
SMCS-1214, 1215, 1218, 1219, 1225

i00654681

NOTE	REF NO	GRAPHIC REF	PART NUMBER	QTY	PART NAME						SEE PAGE
					1	2	3	4	5	6 (PRODUCT LEVEL)	
	1	1	101-4140	1	BODY AS-PISTON						
	2	1	138-8506	1	PIN-PISTON						
	3	1	8N-7296	2	RETAINER-PIN						
	4	1	118-1654	1	ROD AS-CONNECTING						
	5	1	7N-2405	4	BOLT-CONNECTING ROD						
	6	1	7N-2043	1	DOWEL						
	7	1	118-1655	1	BEARING-SLEEVE						
	8	1	107-7330	1	BEARING-CONNECTING ROD						
AJ		1	107-7331	1	BEARING-CONNECTING ROD (.63MM(.025IN)US)						
AJ		1	107-7332	1	BEARING-CONNECTING ROD (1.27MM(.05IN)US)						
AJ		1	107-7333	1	BEARING-CONNECTING ROD (.25MM / .01IN. O.S.)						
AJ		1	107-7334	1	BEARING-CONNECTING ROD (.63MM(.025IN)US) (.25MM / .01IN. O.S.)						
AJ		1	107-7335	1	BEARING-CONNECTING ROD (1.27MM(.05IN)US) (.25MM / .02IN. O.S.)						
	9	1	7E-7581	1	RING-PISTON						
	10	1	8N-1234	1	RING						
	11	1	7W-2221	1	RING						

A-NOT PART OF THIS GROUP

J- (INCLUDES A COMPLETE SET OF BEARINGS FOR ONE PISTON)



GRAPHIC #1

g00206543

BASIC ENGINE

102-2257 PISTON & ROD GP

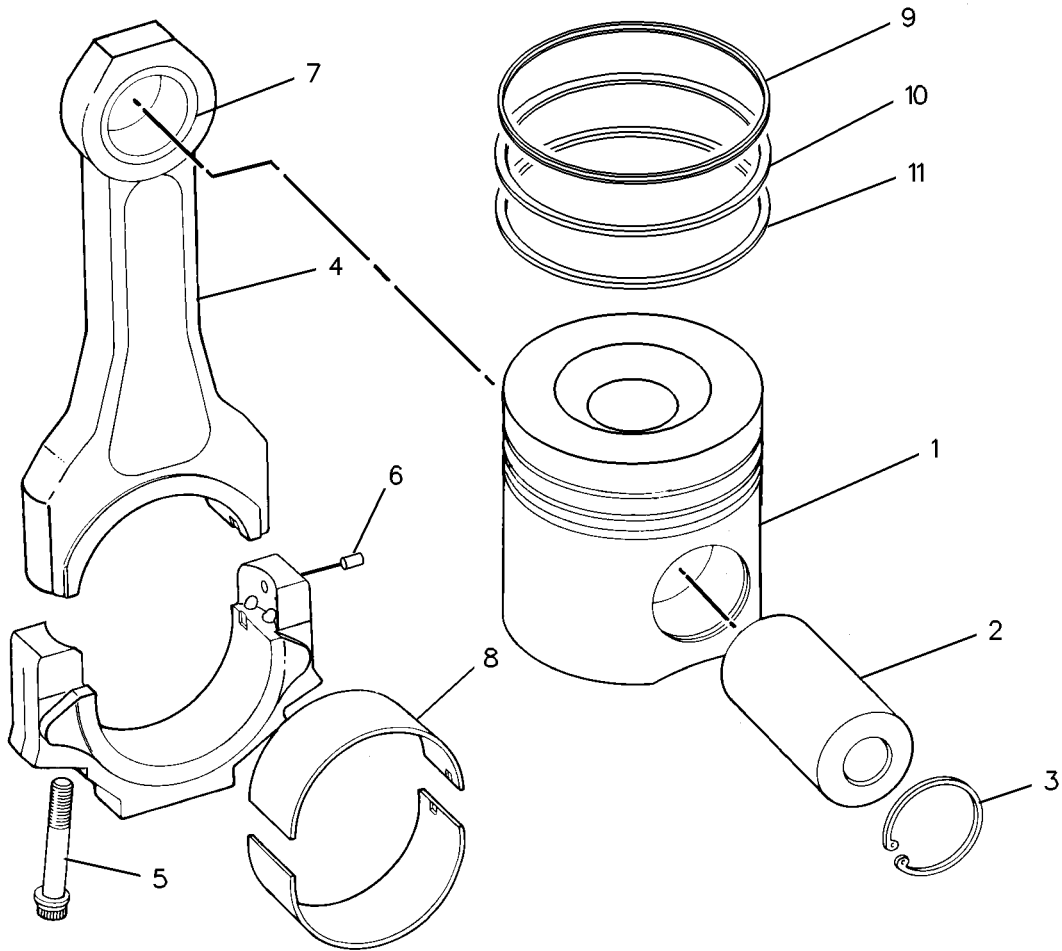
SMCS-1214, 1215, 1218, 1219, 1225

i00656536

NOTE	REF NO	GRAPHIC REF	PART NUMBER	QTY	PART NAME						SEE PAGE
					1	2	3	4	5	6 (PRODUCT LEVEL)	
	1	1	101-4142	1	BODY AS-PISTON						
	2	1	4W-8484	1	PIN-PISTON						
	3	1	8N-7296	2	RETAINER-PIN						
	4	1	101-3281	1	ROD AS-CONNECTING						
	5	1	7N-2405	4	BOLT-CONNECTING ROD						
	6	1	7N-2043	1	DOWEL						
	7	1	7C-8609	1	BEARING-SLEEVE						
	8	1	107-7330	1	BEARING-CONNECTING ROD						
AJ		1	107-7331	1	BEARING-CONNECTING ROD (.63MM(.025IN)US)						
AJ		1	107-7332	1	BEARING-CONNECTING ROD (1.27MM(.05IN)US)						
AJ		1	107-7333	1	BEARING-CONNECTING ROD (.25MM(.01IN)OS)						
AJ		1	107-7334	1	BEARING-CONNECTING ROD (.63MM(.025IN)US)						
AJ		1	107-7335	1	BEARING-CONNECTING ROD (1.27MM(.05IN)US)						
	9	1	7E-7581	1	RING-PISTON						
	10	1	8N-1234	1	RING						
	11	1	7W-2221	1	RING						

A - NOT PART OF THIS GROUP

J - INCLUDES A COMPLETE SET OF BEARINGS FOR ONE PISTON



GRAPHIC #1

g00206543

BASIC ENGINE

112-5662 PISTON & ROD GP

12.0:1 RATIO

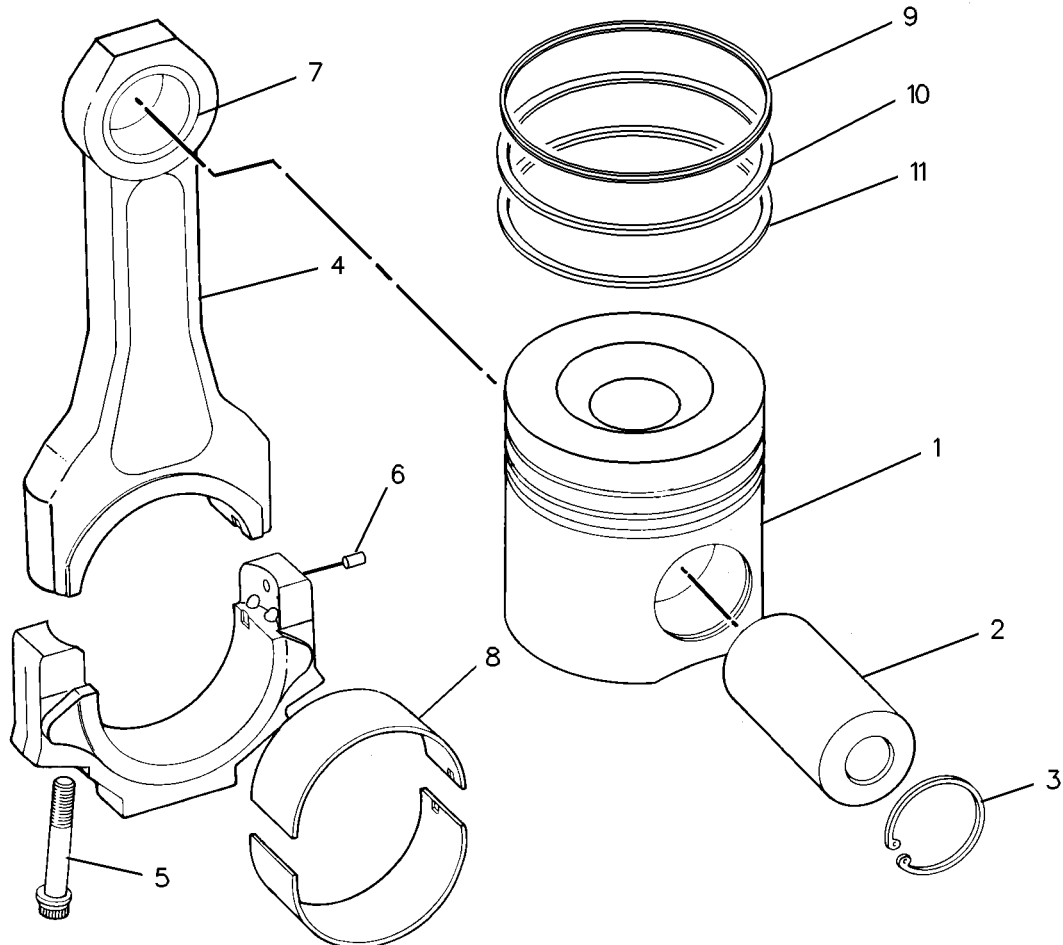
SMCS-1214, 1215, 1218, 1219, 1225

i00657334

NOTE	REF NO	GRAPHIC REF	PART NUMBER	QTY	PART NAME						SEE PAGE
					1	2	3	4	5	6 (PRODUCT LEVEL)	
	1	1	112-5661	1	BODY AS-PISTON						
	2	1	4W-8484	1	PIN-PISTON						
	3	1	8N-7296	2	RETAINER-PIN						
	4	1	101-3281	1	ROD AS-CONNECTING						
	5	1	7N-2405	4	BOLT-CONNECTING ROD						
	6	1	7N-2043	1	DOWEL						
	7	1	7C-8609	1	BEARING-SLEEVE						
	8	1	107-7330	1	BEARING-CONNECTING ROD						
AJ		1	107-7331	1	BEARING-CONNECTING ROD (.63MM(.025IN)US)						
AJ		1	107-7332	1	BEARING-CONNECTING ROD (1.27MM(.05IN)US)						
AJ		1	107-7333	1	BEARING-CONNECTING ROD (.25MM / .01IN OS)						
AJ		1	107-7334	1	BEARING-CONNECTING ROD (.63MM(.025IN)US) (.25MM / .01IN OS)						
AJ		1	107-7335	1	BEARING-CONNECTING ROD (1.27MM(.05IN)US) (.25MM / .02IN OS)						
	9	1	7E-7581	1	RING-PISTON						
	10	1	8N-1234	1	RING						
	11	1	7W-2221	1	RING						

A - NOT PART OF THIS GROUP

J - INCLUDES A COMPLETE SET OF BEARINGS FOR ONE PISTON



GRAPHIC #1

g00206543

BASIC ENGINE

126-9496 PISTON & ROD GP

11.0:1 RATIO

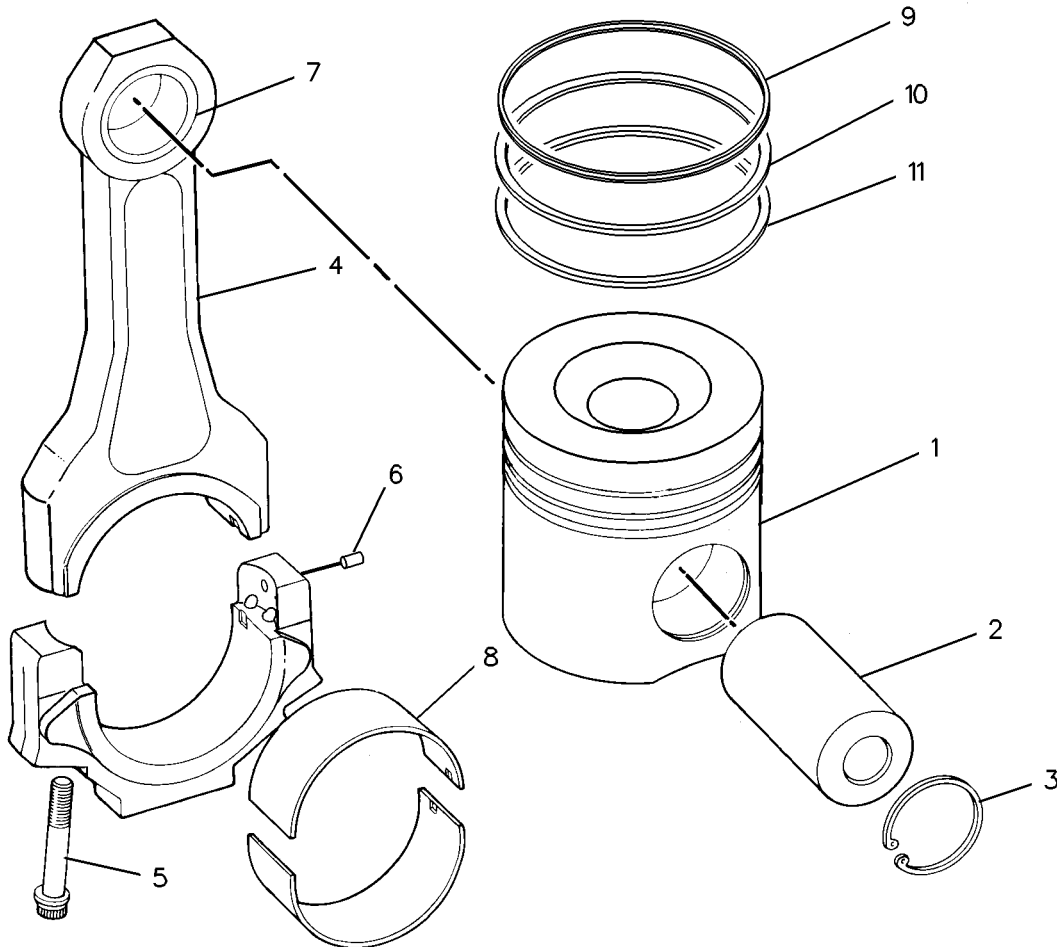
SMCS-1214, 1215, 1218, 1219, 1225

i00657004

NOTE	REF NO	GRAPHIC REF	PART NUMBER	QTY	PART NAME						SEE PAGE
					1	2	3	4	5	6 (PRODUCT LEVEL)	
	1	1	126-9495	1	BODY AS-PISTON						
	2	1	138-8506	1	PIN-PISTON						
	3	1	8N-7296	2	RETAINER-PIN						
	4	1	118-1654	1	ROD AS-CONNECTING						
	5	1	7N-2405	4	BOLT-CONNECTING ROD						
	6	1	7N-2043	1	DOWEL						
	7	1	118-1655	1	BEARING-SLEEVE						
	8	1	107-7330	1	BEARING-CONNECTING ROD						
AJ		1	107-7331	1	BEARING-CONNECTING ROD (.63MM(.025IN)US)						
AJ		1	107-7332	1	BEARING-CONNECTING ROD (1.27MM(.05IN)US)						
AJ		1	107-7333	1	BEARING-CONNECTING ROD (.25MM(.01IN)OS)						
AJ		1	107-7334	1	BEARING-CONNECTING ROD (.63MM(.025IN)US) (.25MM(.01IN)OS)						
AJ		1	107-7335	1	BEARING-CONNECTING ROD (1.27MM(.05IN)US) (.25MM(.01IN)OS)						
	9	1	7E-7581	1	RING-PISTON						
	10	1	8N-1234	1	RING						
	11	1	7W-2221	1	RING						

A - NOT PART OF THIS GROUP

J - INCLUDES A COMPLETE SET OF BEARINGS FOR ONE PISTON



GRAPHIC #1

g00206543

BASIC ENGINE

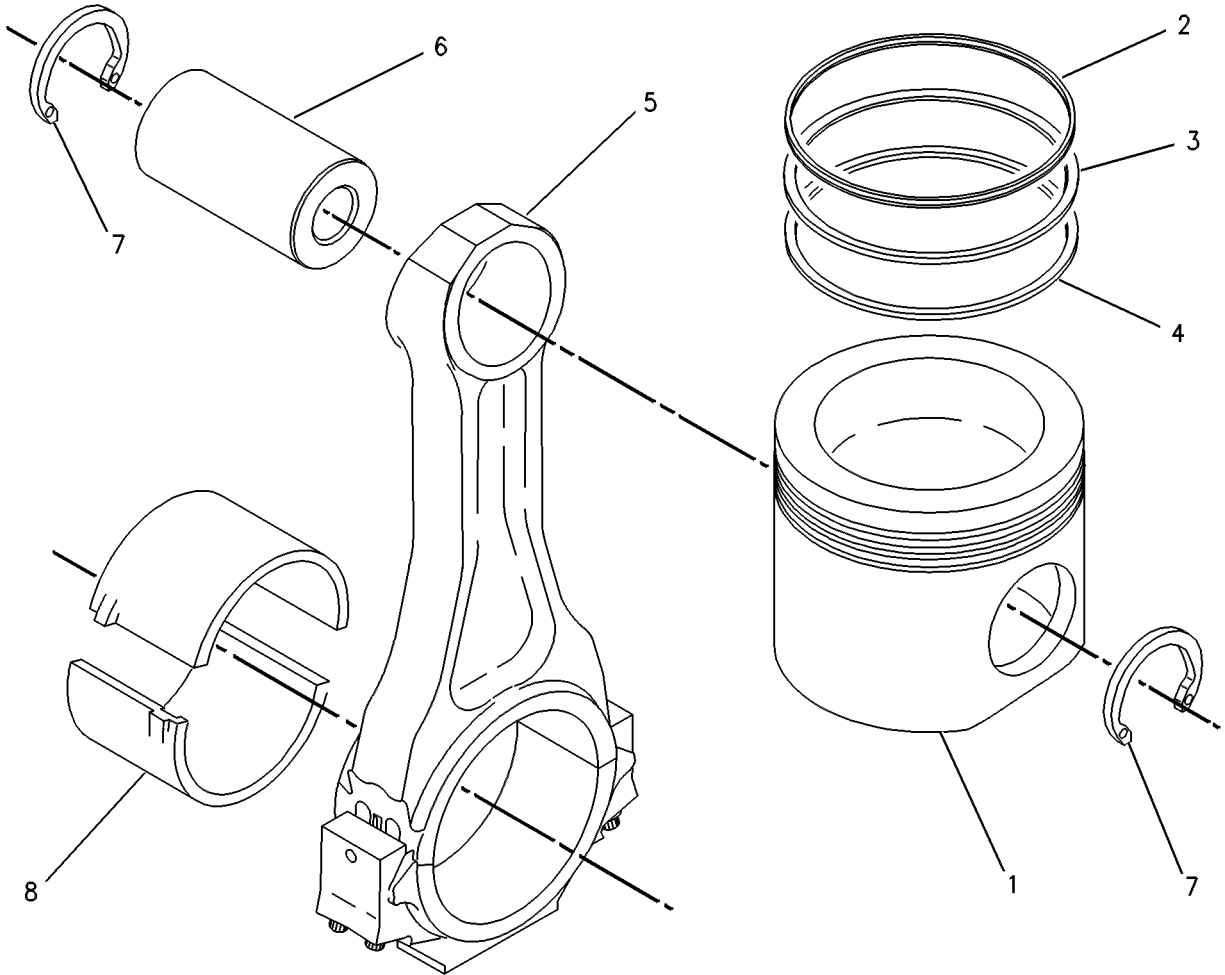
126-9498 PISTON & ROD GP

12.0:1 RATIO

SMCS-1214, 1215, 1218, 1219, 1225

i00660251

NOTE	REF NO	GRAPHIC REF	PART NUMBER	QTY	PART NAME						SEE PAGE
					1	2	3	4	5	6 (PRODUCT LEVEL)	
	1	1	126-9497	1	BODY AS-PISTON						
	2	1	7E-7581	1	RING-PISTON						
	3	1	8N-1234	1	RING						
	4	1	7W-2221	1	RING						
	5	1	118-1654	1	ROD AS-CONNECTING						
		1	7N-2043	1	DOWEL						
		1	7N-2405	4	BOLT-CONNECTING ROD						
		1	118-1655	1	BEARING-SLEEVE						
6	1	1	138-8506	1	PIN-PISTON						
7	1	1	8N-7296	2	RETAINER-PIN						
8	1	1	107-7330	1	BEARING-CONNECTING ROD						



GRAPHIC #1

g00261547

BASIC ENGINE

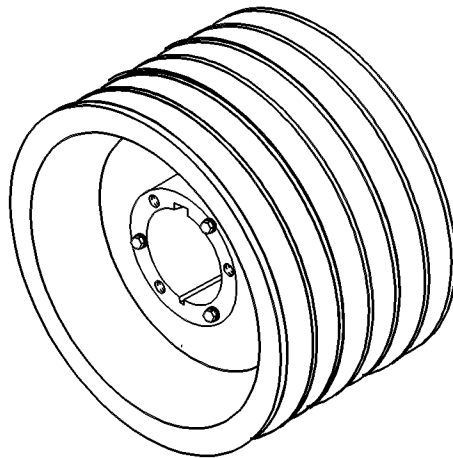
7N-4106 PULLEY AS-CRANKSHAFT

196.9 DIA.
AN ATTACHMENT

SMCS-1205

i00884878

NOTE	REF NO	GRAPHIC REF	PART NUMBER	QTY	PART NAME	SEE PAGE
					1 2 3 4 5 6 (PRODUCT LEVEL)	
INDIVIDUAL PARTS ARE NOT SERVICED SEPARATELY						



GRAPHIC #1

g00284157

BASIC ENGINE

8N-6564 PULLEY AS-CRANKSHAFT

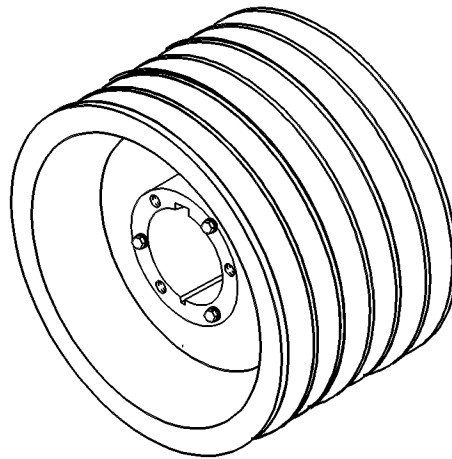
247.65 DIA

FOR USE WITH LOW KW STUB SHAFT GP
AN ATTACHMENT

SMCS-1205

i00884955

NOTE	REF NO	GRAPHIC REF	PART NUMBER	QTY	PART NAME	SEE PAGE
					1 2 3 4 5 6 (PRODUCT LEVEL)	
INDIVIDUAL PARTS ARE NOT SERVICED SEPARATELY						



GRAPHIC #1

g00284157

BASIC ENGINE

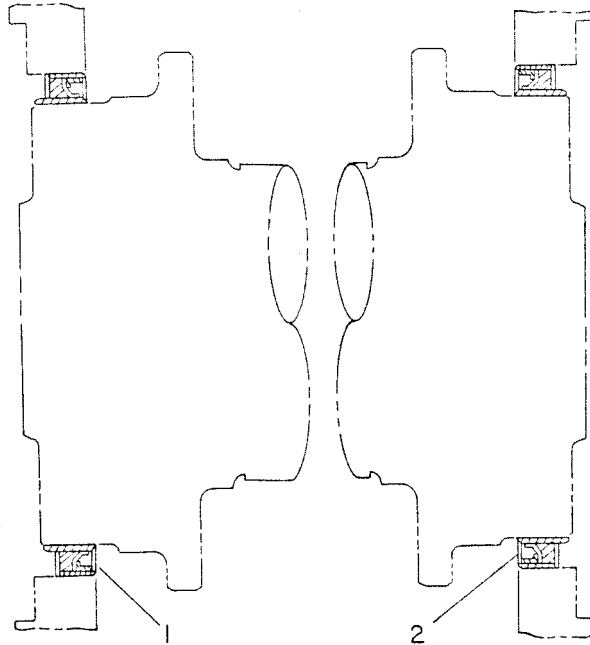
7W-3813 SEAL GP - CRANKSHAFT

S/N 9TG1-28

SMCS-1160, 1161

i00112967

NOTE	REF NO	GRAPHIC REF	PART NUMBER	QTY	PART NAME						SEE PAGE
					1	2	3	4	5	6 (PRODUCT LEVEL)	
	1	1	6I-3809	1	SEAL GP - CRANKSHAFT (INSTALL IN FRONT HSG ON STD ROTATION ENGINES & IN FLYWHEEL HSG ON REVERSE ROTATION ENGINES)						
	2	1	6I-3810	1	SEAL GP - CRANKSHAFT (INSTALL IN FLYWHEEL HSG ON STD ROTATION ENGINES & IN FRONT HSG ON REVERSE ROTATION ENGINES)						



GRAPHIC #1

g00081890

BASIC ENGINE

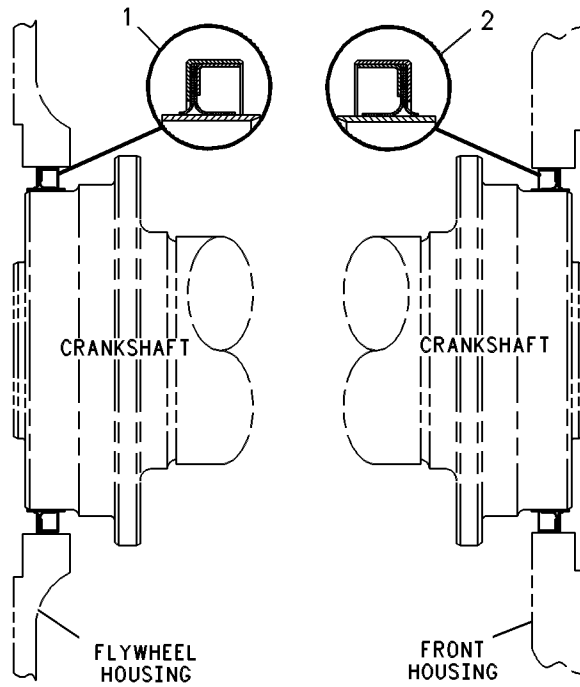
7W-3813 SEAL GP - CRANKSHAFT

S/N 9TG29-UP

SMCS-1160, 1161

i00112956

NOTE	REF NO	GRAPHIC REF	PART NUMBER	QTY	PART NAME						SEE PAGE
					1	2	3	4	5	6 (PRODUCT LEVEL)	
	1	1	113-8433	1	SEAL GP - CRANKSHAFT (CCW ROT) (INSTALL IN FLYWHEEL HSG ON STD ROTATION ENGINES & IN FRONT HSG ON REVERSE ROTATION ENGINES)						
	2	1	113-8432	1	SEAL GP - CRANKSHAFT (CW ROT) (INSTALL IN FRONT HSG ON STD ROTATION ENGINES & IN FLYWHEEL HSG ON REVERSE ROTATION ENGINES)						



GRAPHIC #1

g00085658

BASIC ENGINE

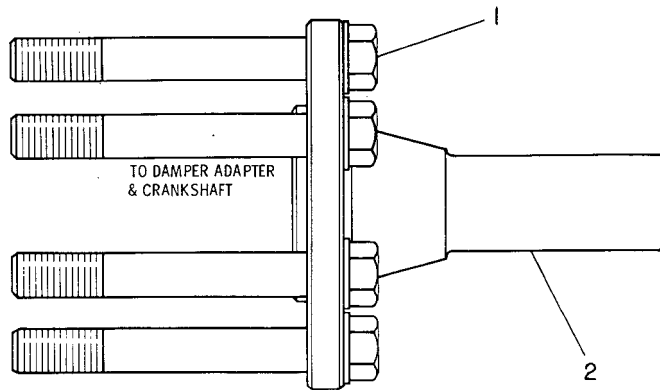
7N-7660 SHAFT GP-STUB

LOW KW
AN ATTACHMENT

SMCS-1237

i00095614

NOTE	REF NO	GRAPHIC REF	PART NUMBER	QTY	PART NAME						SEE PAGE
					1	2	3	4	5	6 (PRODUCT LEVEL)	
	1	1	9F-8122	6	BOLT						
		1	5P-8250	6	WASHER (5.0MM THK)						
	2	1	7N-7057	1	SHAFT-STUB						



GRAPHIC #1

g00081652

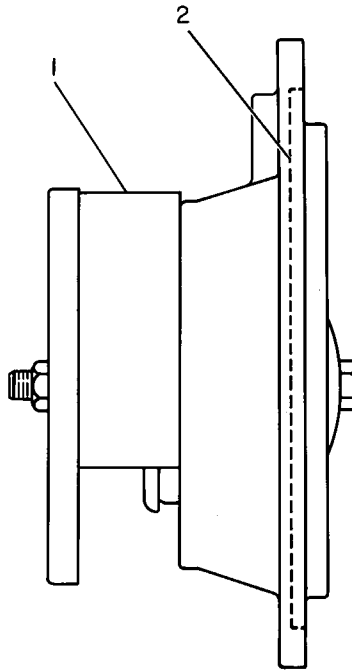
BASIC ENGINE

5N-4830 VALVE GP-CRKCSE EXPLOSION RLF CRANKCASE EXPLOSION RELIEF AN ATTACHMENT

SMCS-1233

i00651096

NOTE	REF NO	GRAPHIC REF	PART NUMBER	QTY	PART NAME						SEE PAGE
					1	2	3	4	5	6 (PRODUCT LEVEL)	
	1	1	8N-8509	2	VALVE GP-CRKCSE EXPLOSION RLF (EACH INCLUDES)						
		1	8N-8508	1	HOUSING-RELIEF VALVE						
	2	1	2W-2073	1	SEAL-O-RING						



GRAPHIC #1

g00149347

BASIC ENGINE

1W-8465 VALVE MECHANISM GP

SMCS-1102, 1112, 1121, 1123, 1208, 1209

i00897356

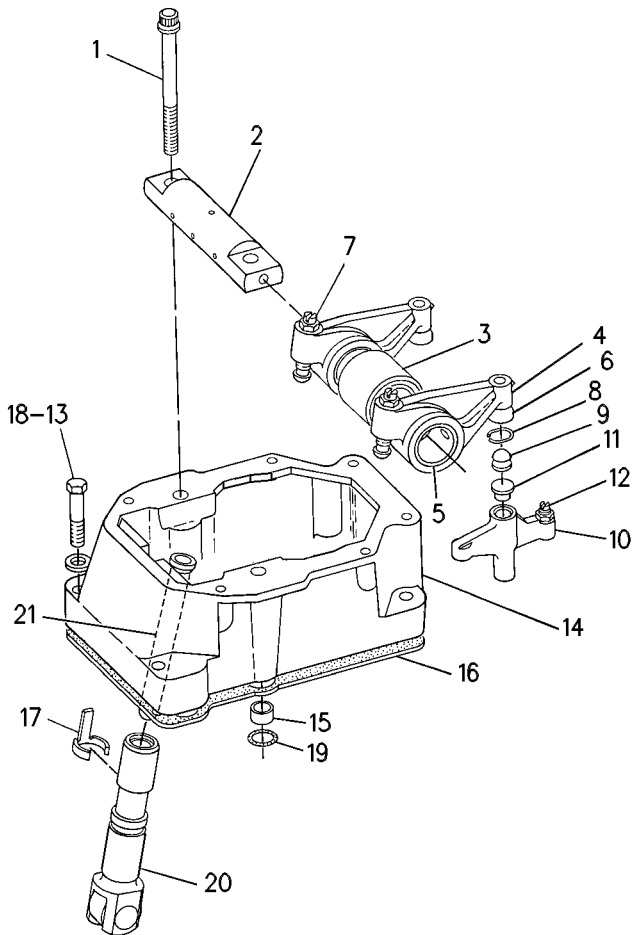
NOTE	REF NO	GRAPHIC REF	PART NUMBER	QTY	PART NAME						SEE PAGE
					1	2	3	4	5	6 (PRODUCT LEVEL)	
	1	1	8T-7581	2	BOLT - 12 POINT HEAD						
	2	1	7C-2377	1	SHAFT AS-ARM						
		1	1W-2421	1	DOWEL - HOLLOW						
	3	1	2W-7954	1	SPACER						
C	4	1	9Y-1741	2	ROCKER ARM AS (EACH INCLUDES)						
	5	1	1W-4594	1	BEARING-SLEEVE						
	6	1	9Y-1770	1	SOCKET-ROCKER ARM						
C	7	1	7C-0204	2	SCREW-ADJUSTMENT						
		1	3J-9196	2	NUT-JAM						
	8	1	9F-7707	2	RING-RETAINER						
	9	1	8F-8858	2	BUTTON						
	10	1	129-4181	2	BRIDGE AS (EACH INCLUDES)						
	11	1	8N-7191	1	SEAT-WEAR						
	12	1	2N-5842	2	SCREW						
		1	9L-7712	2	NUT (3/8-24 THD)						
	13	1	0S-1590	4	BOLT (3/8-16X2IN)						
	14	1	138-3249	1	BASE AS						
	15	1	8N-4387	2	DOWEL - HOLLOW						
	16	1	7E-3772	1	GASKET						
	17	1	7N-4782	2	SPRING-LIFTER GUIDE						
	18	1	5M-2894	4	WASHER (2.5MM THK)						
	19	1	2J-0157	2	SEAL-O-RING (15.47MM ID)						
	20	1	132-9439	2	LIFTER AS (EACH INCLUDES)						
		1	7N-3421	1	INSERT-LIFTER						
	21	1	4W-6682	2	PUSHROD-VALVE						

C- CHANGE FROM PREVIOUS TYPE

BASIC ENGINE

1W-8465 VALVE MECHANISM GP (contd.)

i00897356



GRAPHIC #1

g00270908

LUBRICATION SYSTEM

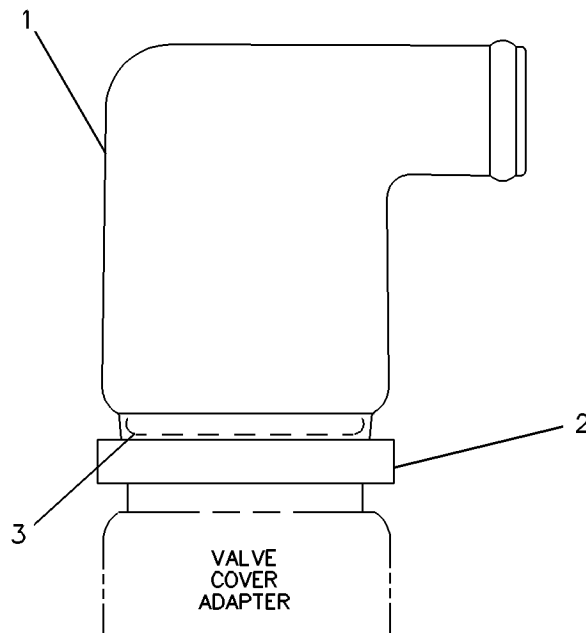
2N-8220 BREATHER GP AN ATTACHMENT

SMCS-1317

i00119674

NOTE	REF NO	GRAPHIC REF	PART NUMBER	QTY	PART NAME						SEE PAGE
					1	2	3	4	5	6 (PRODUCT LEVEL)	
C	1	1	9Y-2988	1	BREATHER AS (CRANKCASE)						
	2	1	2N-8109	1	CLAMP						
	3	1	4F-7390	1	SEAL (53.34MM ID)						

C- CHANGE FROM PREVIOUS TYPE



GRAPHIC #1

g00099929

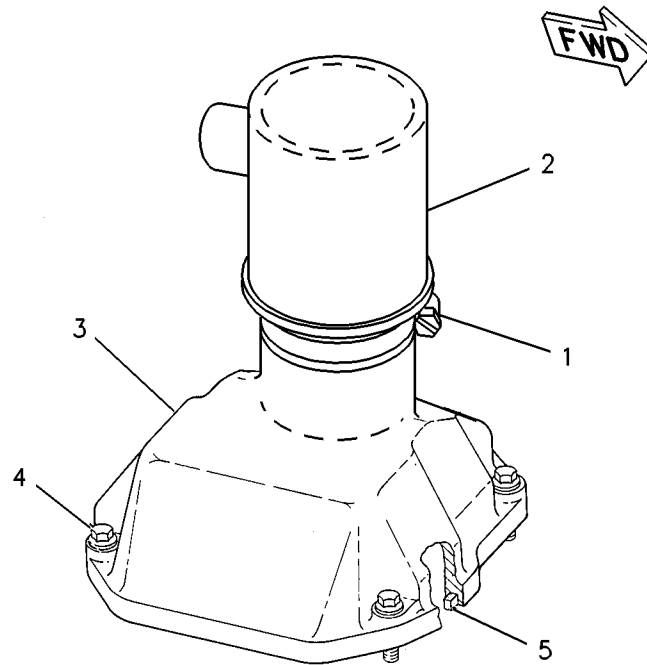
LUBRICATION SYSTEM

4P-8312 BREATHER GP

SMCS-1317

i00659558

NOTE	REF NO	GRAPHIC REF	PART NUMBER	QTY	PART NAME						SEE PAGE
					1	2	3	4	5	6 (PRODUCT LEVEL)	
	1	1	4W-3034	1	CLAMP						
	2	1	4W-3027	1	BREATHER AS						
		1	033-6031	1	SEAL-O-RING						
	3	1	4P-8313	1	COVER AS-VALVE MECHANISM						
	4	1	1A-9579	4	BOLT (5/16-18X1.5IN)						
		1	9M-1974	4	WASHER-HARD (2MM THK)						
	5	1	4W-1596	1	SEAL-O-RING						



GRAPHIC #1

g00230936

LUBRICATION SYSTEM

142-0006 DRAIN GP-ENGINE OIL AN ATTACHMENT

SMCS-1307

i00925680

NOTE	PART NUMBER	QTY	PART NAME						SEE PAGE
			1	2	3	4	5	6 (PRODUCT LEVEL)	
	1A-2029	4	BOLT (3/8-16X1.125IN)						
	9X-6138	1	PLUG-PIPE						
	6V-4314	1	SEAL-O-RING						
	136-7800	1	TUBE AS						
	5M-2894	4	WASHER (2.5MM THK)						

LUBRICATION SYSTEM

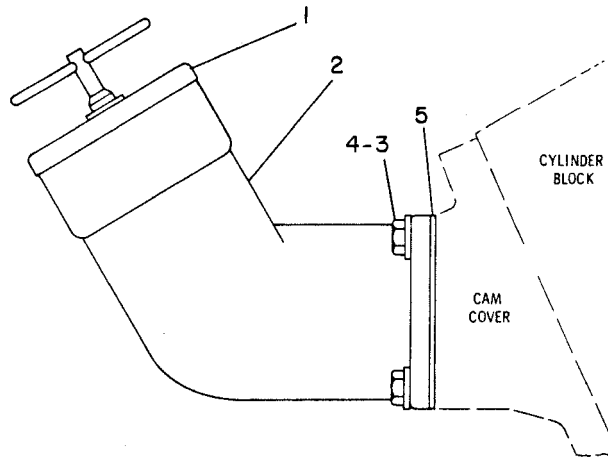
7N-1875 FILLER GP-ENGINE OIL

SMCS-1316

i00689266

NOTE	REF NO	GRAPHIC REF	PART NUMBER	QTY	PART NAME						SEE PAGE
					1	2	3	4	5	6 (PRODUCT LEVEL)	
	1	1	7L-4447	1	CAP AS-FILLER						
	2	1	7N-5336	1	ELBOW-OIL FILLER						
	3	1	0S-1588	4	BOLT (3/8-16X1.25IN)						
	4	1	5M-2894	4	WASHER (2.5MM THK)						
C	5	1	2W-0752	1	GASKET						

C-CHANGE FROM PREVIOUS TYPE



GRAPHIC #1

g00082130

LUBRICATION SYSTEM

4W-6874 FILTER GP-ENGINE OIL

SMCS-1306, 1308

i00884861

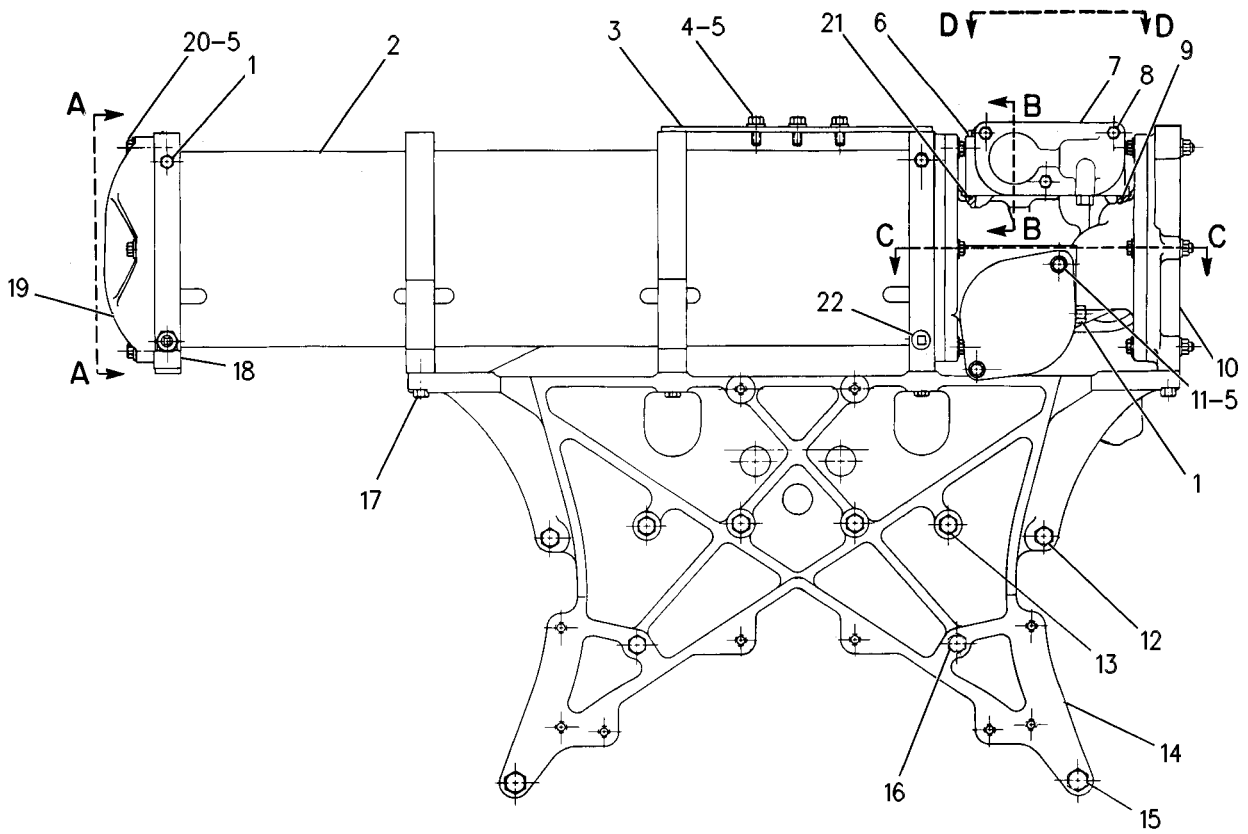
NOTE	REF NO	GRAPHIC REF	PART NUMBER	QTY	PART NAME						SEE PAGE
					1	2	3	4	5	6 (PRODUCT LEVEL)	
	1	1	9S-4182	4	PLUG (7/16-20 THD)						
		1	6V-5048	4	SEAL-O-RING (8.92MM ID)						
	2	1	1W-2963	1	HOUSING AS-FILTER						
	3	1	133-9313	1	PLATE						
	4	1	0L-1351	3	BOLT (3/8-16X.875IN)						
	5	1	5M-2894	8	WASHER (2.5MM THK)						
	6	1	0S-1619	1	BOLT (3/8-16X3IN)						
	7	1	4W-8468	1	COVER-VALVE						
	8	1	1M-0644	3	BOLT (3/8-16X2-1/4 IN)						
	9	1	5P-4892	2	SEAL-O-RING						
	10	1	4W-6960	1	SUPPORT-HOUSING						
	11	1	0S-1571	2	BOLT (3/8-16X1.75IN)						
	12	1	4S-5882	2	BOLT						
B	13	1	5P-5421	4	BOLT (7/16-14X11.5IN)						
	14	1	8N-9482	1	SUPPORT-OIL FILTER						
	15	1	5P-4624	2	BOLT (9/16-12X11.5IN)						
B	16	1	1D-4574	2	BOLT (1/2-13X6IN)						
	17	1	0S-1588	8	BOLT (3/8-16X1.25IN)						
	18	1	2S-5100	1	VALVE AS-NEEDLE						
	19	1	2W-9299	1	COVER-FILTER HOUSING						
	20	1	7F-0192	3	BOLT (3/8-16X2.0IN)						
	21	1	6V-8001	1	SEAL-O-RING (85.32MM ID)						
C	22	1	2B-0858	1	PLUG-PIPE (1/2-14 NPTF)						
	23	2	1N-2895	1	SPRING						
	24	2	113-4634	1	RETAINER-FILTER						
	25	2	6V-3907	4	SEAL-O-RING						
	26	2	4P-2839	3	ELEMENT AS-FILTER (OIL) (EACH INCLUDES)						
		2	4W-3251	2	SEAL						
	27	2	2W-8378	1	ADAPTER						
	28	2	4W-6387	1	HOUSING AS						
		2	7N-2043	3	DOWEL						
	29	2	0L-1143	4	BOLT (3/8-16X2.5IN)						
	30	2	9S-8752	3	NUT-FULL (3/8-16 THD)						
	31	2	5M-2894	9	WASHER (2.5MM THK)						
	32	2	4W-8459	1	COVER						
		2	5D-5957	1	SEAL-O-RING						
C	33	2	0S-1571	3	BOLT (3/8-16X1.75IN)						
	34	2	5P-4892	2	SEAL-O-RING						
	35	2	2W-1635	1	SPRING						
	36	2	4W-5592	1	COVER						
	37	2	2W-1969	1	VALVE-BYPASS						
	38	2	0S-1619	1	BOLT (3/8-16X3IN)						

B- USE AS REQUIRED
C- CHANGE FROM PREVIOUS TYPE

LUBRICATION SYSTEM

4W-6874 FILTER GP-ENGINE OIL (contd.)

i00884861



REFER TO ALL ILLUSTRATIONS OF THIS GROUP FOR AUXILIARY VIEWS

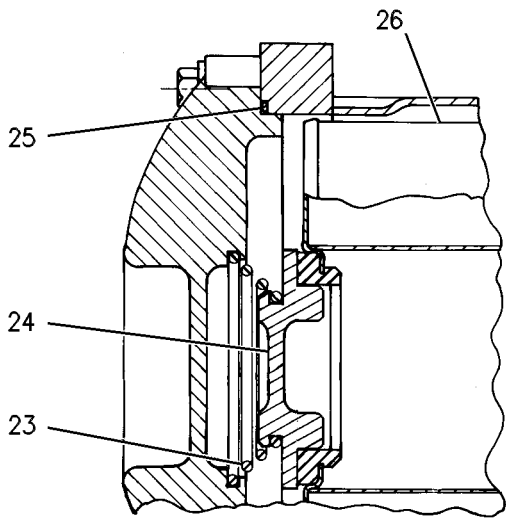
GRAPHIC #1

g00404624

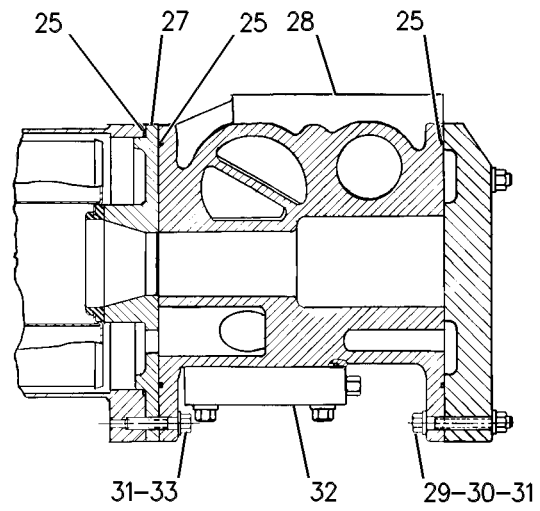
LUBRICATION SYSTEM

4W-6874 FILTER GP-ENGINE OIL (contd.)

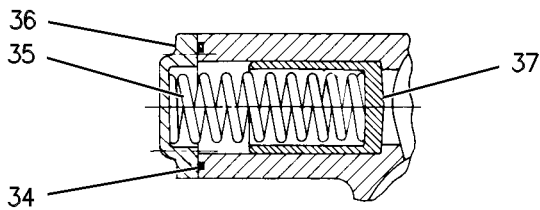
i00884861



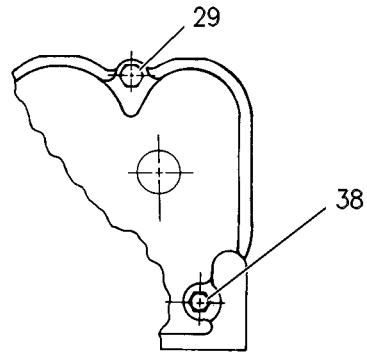
SECTION A-A



SECTION C-C



SECTION B



VIEW D-D

GRAPHIC #2

g00404625

MEMORANDA

LUBRICATION SYSTEM

4W-9968 FILTER GP-ENGINE OIL

AN ATTACHMENT

SMCS-1306, 1308

i00650154

NOTE	REF NO	GRAPHIC REF	PART NUMBER	QTY	PART NAME						SEE PAGE
					1	2	3	4	5	6 (PRODUCT LEVEL)	
	1	1	0L-1143	1	BOLT (3/8-16X2.5IN)						
	2	1	0S-1619	1	BOLT (3/8-16X3IN)						
	3	1	6V-3907	6	SEAL-O-RING						
	4	1	2W-8378	2	ADAPTER						
CY	5	1	7W-3816	1	VALVE GP-FLUID CONTROL						178
	6	1	2W-9209	1	VALVE AS-CHECK						
	7	1	4P-2839	4	ELEMENT AS-FILTER						
	8	1	3J-9173	1	BOLT-SHOULDER						
	9	1	2W-9299	2	COVER-FILTER HOUSING						
	10	1	1N-2895	2	SPRING						
	11	1	113-4634	2	RETAINER-FILTER						
	12	1	0S-1571	6	BOLT (3/8-16X1.75IN)						
C	13	1	5M-2894	21	WASHER (2.5MM THK)						
	14	1	9K-6540	1	WASHER-SPRING						
	15	1	2N-8613	1	WASHER						
	16	1	5P-8245	1	WASHER (3MM THK)						
	17	1	4W-5592	1	COVER						
	18	1	2W-1635	1	SPRING						
	19	1	5P-4892	4	SEAL-O-RING						
	20	1	2W-1969	1	VALVE-BYPASS						
	21	1	5P-4624	2	BOLT (9/16-12X11.5IN)						
B	22	1	1D-4574	2	BOLT (1/2-13X6IN)						
B	23	1	5P-5421	4	BOLT (7/16-14X11.5IN)						
	24	1	4S-5882	2	BOLT						
C	25	1	9S-4182	4	PLUG (7/16-20 THD)						
C	26	1	6V-5048	4	SEAL-O-RING (8.92MM ID)						
	27	1	4W-0288	1	TUBE AS						
	28	1	3L-5389	1	TIE ROD						
	29	1	5B-9079	2	NUT-JAM (3/8-24 THD)						
	30	1	1A-9252	2	END-ADJUSTMENT ROD						
	31	1	9H-6673	2	PIN						
	32	1	3B-4615	2	PIN-COTTER						
	33	1	4W-0290	1	VALVE AS-TOGGLE						
	34	1	4W-0334	1	PLUNGER AS-BALL						
	35	1	2S-5100	2	VALVE AS-NEEDLE						
	36	1	4W-0090	1	BLOCK						
	37	1	002-6453	1	ELBOW-PIPE (1/2-14 NPTF)						
	38	1	6L-4502	1	CHART-PLATE & FILM						
	39	1	6K-9194	1	ELBOW						
	40	1	7F-0192	6	BOLT (3/8-16X2.0IN)						
	41	1	4W-0096	1	LEVER						
	42	1	0S-1594	1	BOLT (3/8-16X1IN)						
	43	1	4W-0289	1	TUBE AS						
	44	1	137-6857	1	HOUSING AS-OIL FILTER						
		1	8P-2813	1	BOSS (3/8-16 THD)						
	45	1	7D-8793	2	ELBOW-FLARED						
	46	1	3D-9777	1	LEVER						
	47	1	1B-8706	1	KEY-WOODRUFF						
	48	1	9S-8752	1	NUT-FULL (3/8-16 THD)						
	49	1	6V-8001	1	SEAL-O-RING (85.32MM ID)						
	50	1	4W-8468	1	COVER-VALVE						
	51	1	0L-1351	3	BOLT (3/8-16X.875IN)						
	52	1	133-9313	1	PLATE						
	53	1	1W-2963	1	HOUSING AS-FILTER						
	54	1	0S-1588	8	BOLT (3/8-16X1.25IN)						
	55	1	6V-8002	1	SEAL-O-RING (88.49MM ID)						
	56	1	1M-0644	3	BOLT (3/8-16X2-1/4 IN)						

LUBRICATION SYSTEM

4W-9968 FILTER GP-ENGINE OIL (contd.)

i00650154

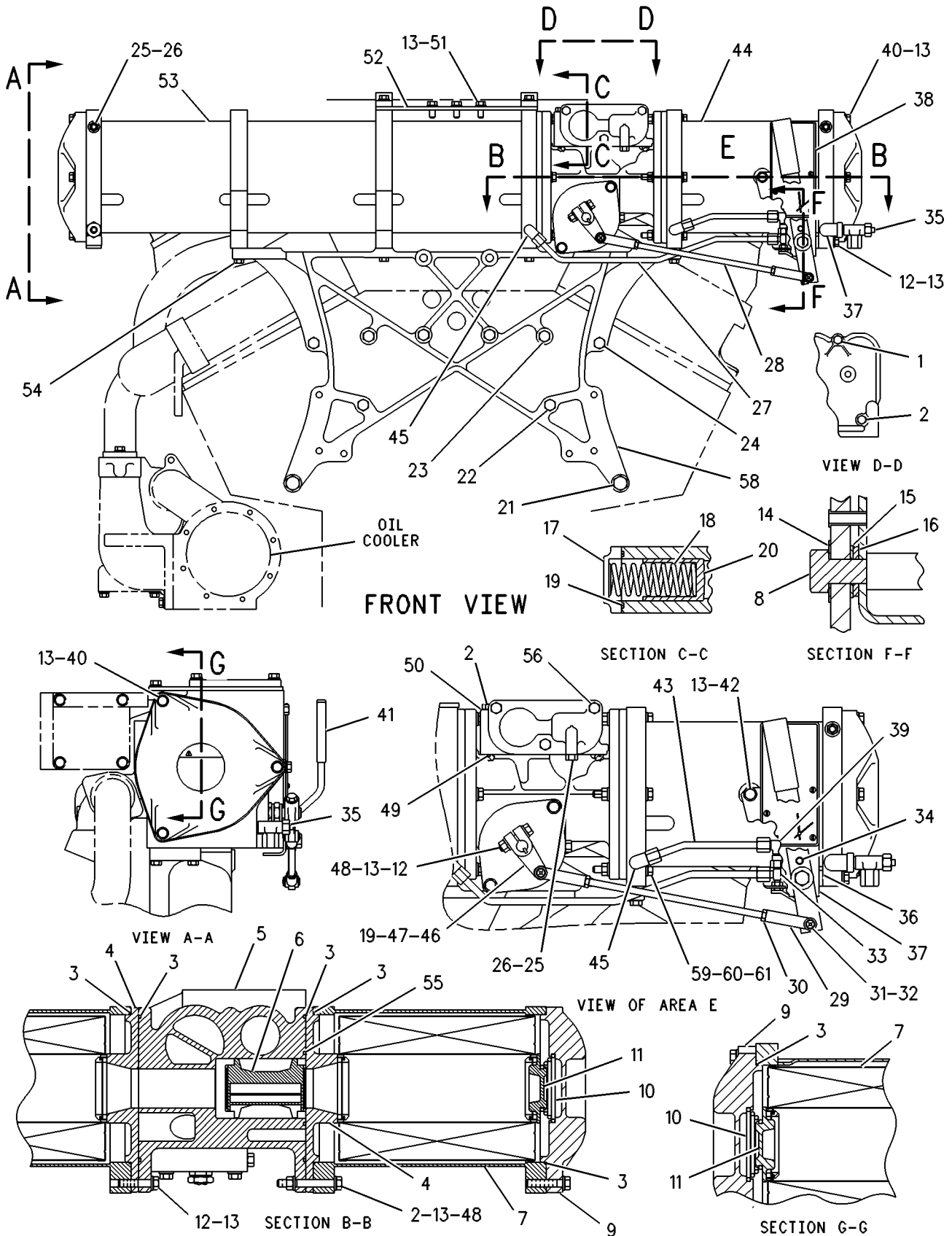
NOTE	REF NO	GRAPHIC REF	PART NUMBER	QTY	PART NAME						SEE PAGE
					1	2	3	4	5	6 (PRODUCT LEVEL)	
	57	1	4W-0343	1	BRACKET						
	58	1	8N-9482	1	SUPPORT-OIL FILTER						
B	59	1	0S-1619	1	BOLT (3/8-16X3IN)						
B	60	1	5M-2894	2	WASHER (2.5MM THK)						
B	61	1	9S-8752	1	NUT-FULL (3/8-16 THD)						

B- USE AS REQUIRED
 C- CHANGE FROM PREVIOUS TYPE
 Y- SEPARATE ILLUSTRATION

LUBRICATION SYSTEM

4W-9968 FILTER GP-ENGINE OIL (contd.)

i00650154



GRAPHIC #1

g00267279

MEMORANDA

LUBRICATION SYSTEM

134-0975 FILTER GP-ENGINE OIL

AN ATTACHMENT

TYPE 1

SMCS-1306, 1308

i00925683

NOTE	REF NO	GRAPHIC REF	PART NUMBER	QTY	PART NAME						SEE PAGE
					1	2	3	4	5	6 (PRODUCT LEVEL)	
	1	1	0L-1143	1	BOLT						
	2	1	0S-1619	5	BOLT						
	3	1	6V-3907	6	SEAL-O-RING						
	4	1	2W-8378	2	ADAPTER						
Y	5	1	7W-3816	1	VALVE GP-FLUID CONTROL						178
	6	1	2W-9209	1	VALVE AS-CHECK						
	7	1	4P-2839	4	ELEMENT AS-FILTER						
		1	4W-3251	2	SEAL						
	8	1	3J-9173	1	BOLT-SHOULDER (1/2-13X1.25IN)						
	9	1	2W-9299	2	COVER-FILTER HOUSING						
	10	1	1N-2895	2	SPRING						
	11	1	113-4634	2	RETAINER-FILTER						
	12	1	0S-1571	6	BOLT (3/8-16X1.75IN)						
	13	1	5M-2894	23	WASHER (2.5MM THK)						
	14	1	9K-6540	1	WASHER-SPRING						
	15	1	2N-8613	1	WASHER						
	16	1	5P-8245	1	WASHER (3MM THK)						
	17	1	4W-5592	1	COVER						
	18	1	2W-1635	1	SPRING						
	19	1	5P-4892	4	SEAL-O-RING						
	20	1	2W-1969	1	VALVE-BYPASS						
	21	1	5P-4624	2	BOLT (9/16-12X11.5IN)						
	22	1	1D-4574	2	BOLT (1/2-13X6IN)						
	23	1	5P-5421	4	BOLT (7/16-14X11.5IN)						
	24	1	4S-5882	2	BOLT						
	25	1	9S-4182	4	PLUG (7/16-20 THD)						
	26	1	6V-5048	4	SEAL-O-RING (8.92MM ID)						
	27	1	4W-0288	1	TUBE AS						
	28	1	3L-5389	1	TIE ROD						
	29	1	5B-9079	2	NUT-JAM (3/8-24 THD)						
	30	1	1A-9252	2	END-ADJUSTMENT ROD						
	31	1	9H-6673	2	PIN						
	32	1	3B-4615	2	PIN-COTTER						
	33	1	4W-0290	1	VALVE AS-TOGGLE						
	34	1	4W-0334	1	PLUNGER AS-BALL						
	35	1	2S-5100	2	VALVE AS-NEEDLE						
	36	1	4W-0090	1	BLOCK						
	37	1	002-6453	1	ELBOW-PIPE (1/2-14 NPTF)						
	38	1	8N-9482	1	SUPPORT-OIL FILTER						
	39	1	6K-9194	1	ELBOW						
	40	1	7F-0192	6	BOLT (3/8-16X2.0IN)						
	41	1	4W-0096	1	LEVER						
	42	1	0S-1594	1	BOLT						
	43	1	4W-0289	1	TUBE AS						
	44	1	137-6857	1	HOUSING AS-OIL FILTER						
		1	8P-2813	1	BOSS (3/8-16 THD)						
	45	1	7D-8793	2	ELBOW-FLARED						
	46	1	3D-9777	1	LEVER						
	47	1	1B-8706	1	KEY-WOODRUFF						
	48	1	9S-8752	4	NUT-FULL (3/8-16 THD)						
	49	1	6V-8001	1	SEAL-O-RING (85.32MM ID)						
	50	1	4W-8468	1	COVER-VALVE						
	51	1	0L-1351	3	BOLT						
	52	1	133-9313	1	PLATE						
	53	1	1W-2963	1	HOUSING AS-FILTER						
	54	1	0S-1588	8	BOLT						

LUBRICATION SYSTEM

134-0975 FILTER GP-ENGINE OIL (contd.)

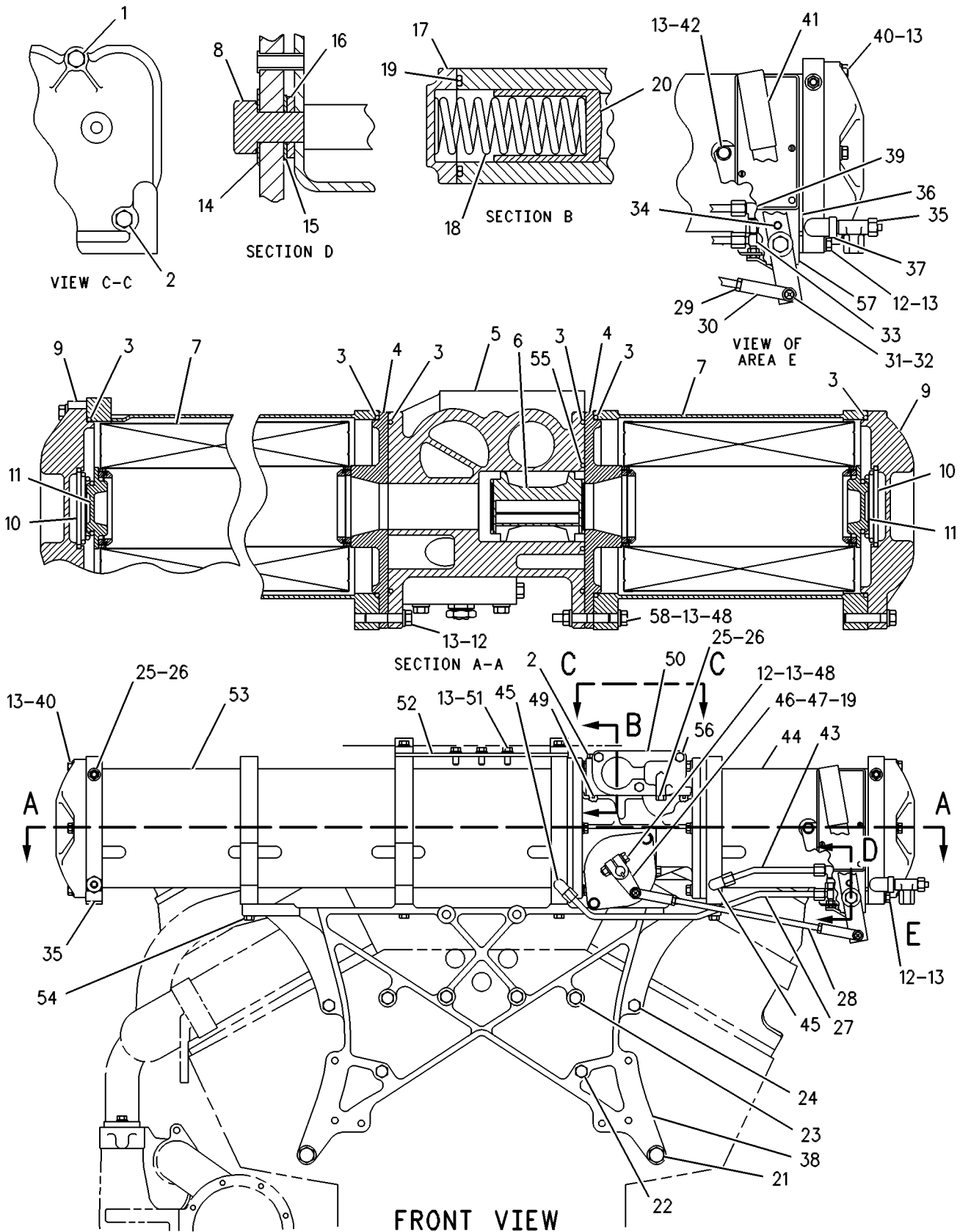
i00925683

NOTE	REF NO	GRAPHIC REF	PART NUMBER	QTY	PART NAME						SEE PAGE
					1	2	3	4	5	6 (PRODUCT LEVEL)	
	55	1	6V-8002	1	SEAL-O-RING (88.49MM ID)						
	56	1	1M-0644	3	BOLT (3/8-16X2-1/4 IN)						
	57	1	4W-0343	1	BRACKET						
	58	1	0T-0573	3	BOLT (3/8-16X2.75IN)						
Y-SEPARATE ILLUSTRATION											

LUBRICATION SYSTEM

134-0975 FILTER GP-ENGINE OIL (contd.)

i00925683



GRAPHIC #1

g00273210

MEMORANDA

LUBRICATION SYSTEM

134-0975 FILTER GP-ENGINE OIL

AN ATTACHMENT

TYPE 2

SMCS-1306, 1308

i00931252

NOTE	REF NO	GRAPHIC REF	PART NUMBER	QTY	PART NAME						SEE PAGE
					1	2	3	4	5	6 (PRODUCT LEVEL)	
	1	1	0L-1143	1	BOLT						
	2	1	0S-1619	5	BOLT						
	3	1	6V-3907	6	SEAL-O-RING						
C	4	1	155-1690	2	ADAPTER AS						
Y	5	1	7W-3816	1	VALVE GP-FLUID CONTROL						178
	6	1	2W-9209	1	VALVE AS-CHECK						
	7	1	4P-2839	4	ELEMENT AS-FILTER						
		1	4W-3251	2	SEAL						
	8	1	3J-9173	1	BOLT-SHOULDER (1/2-13X1.25IN)						
C	9	1	157-0443	2	COVER AS						
	10	1	4W-0343	1	BRACKET						
	11	1	0T-0573	3	BOLT (3/8-16X2.75IN)						
	12	1	0S-1571	6	BOLT (3/8-16X1.75IN)						
	13	1	5M-2894	23	WASHER (2.5MM THK)						
	14	1	9K-6540	1	WASHER-SPRING						
	15	1	2N-8613	1	WASHER						
	16	1	5P-8245	1	WASHER (3MM THK)						
	17	1	4W-5592	1	COVER						
	18	1	2W-1635	1	SPRING						
	19	1	5P-4892	4	SEAL-O-RING						
	20	1	2W-1969	1	VALVE-BYPASS						
	21	1	5P-4624	2	BOLT (9/16-12X11.5IN)						
	22	1	1D-4574	2	BOLT (1/2-13X6IN)						
	23	1	5P-5421	4	BOLT (7/16-14X11.5IN)						
	24	1	4S-5882	2	BOLT						
	25	1	9S-4182	4	PLUG (7/16-20 THD)						
	26	1	6V-5048	4	SEAL-O-RING (8.92MM ID)						
	27	1	4W-0288	1	TUBE AS						
	28	1	3L-5389	1	TIE ROD						
	29	1	5B-9079	2	NUT-JAM (3/8-24 THD)						
	30	1	1A-9252	2	END-ADJUSTMENT ROD						
	31	1	9H-6673	2	PIN						
	32	1	3B-4615	2	PIN-COTTER						
	33	1	4W-0290	1	VALVE AS-TOGGLE						
	34	1	4W-0334	1	PLUNGER AS-BALL						
	35	1	2S-5100	2	VALVE AS-NEEDLE						
	36	1	4W-0090	1	BLOCK						
	37	1	002-6453	1	ELBOW-PIPE (1/2-14 NPTF)						
	38	1	8N-9482	1	SUPPORT-OIL FILTER						
	39	1	6K-9194	1	ELBOW						
	40	1	7F-0192	6	BOLT (3/8-16X2.0IN)						
	41	1	4W-0096	1	LEVER						
	42	1	0S-1594	1	BOLT						
	43	1	4W-0289	1	TUBE AS						
C	44	1	161-6934	1	HOUSING AS-FILTER						
	45	1	7D-8793	2	ELBOW-FLARED						
	46	1	3D-9777	1	LEVER						
	47	1	1B-8706	1	KEY-WOODRUFF						
	48	1	9S-8752	4	NUT-FULL (3/8-16 THD)						
	49	1	6V-8001	1	SEAL-O-RING (85.32MM ID)						
	50	1	4W-8468	1	COVER-VALVE						
	51	1	0L-1351	3	BOLT						
	52	1	133-9313	1	PLATE						
C	53	1	161-6933	1	HOUSING AS-FILTER						
	54	1	0S-1588	8	BOLT						
	55	1	6V-8002	1	SEAL-O-RING (88.49MM ID)						

LUBRICATION SYSTEM

134-0975 FILTER GP-ENGINE OIL (contd.)

i00931252

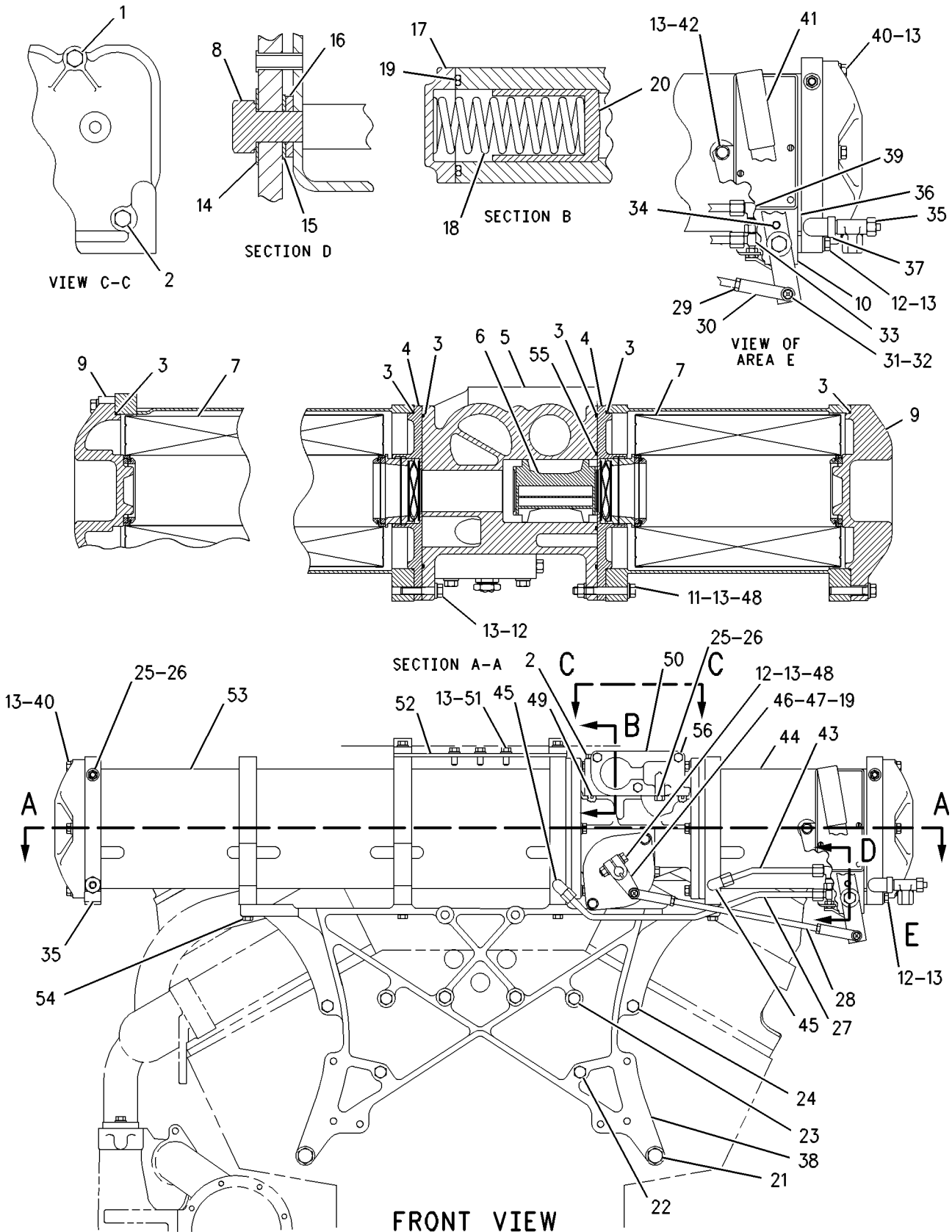
NOTE	REF NO	GRAPHIC REF	PART NUMBER	QTY	PART NAME						SEE PAGE
					1	2	3	4	5	6 (PRODUCT LEVEL)	
	56	1	1M-0644	3	BOLT (3/8-16X2-1/4 IN)						

C-CHANGE FROM PREVIOUS TYPE
Y-SEPARATE ILLUSTRATION

LUBRICATION SYSTEM

134-0975 FILTER GP-ENGINE OIL (contd.)

i00931252



GRAPHIC #1

g00475786

LUBRICATION SYSTEM

130-8164 GAUGE AS-OIL FILTER PRESS DIFF

AN ATTACHMENT

SMCS-1308, 7475

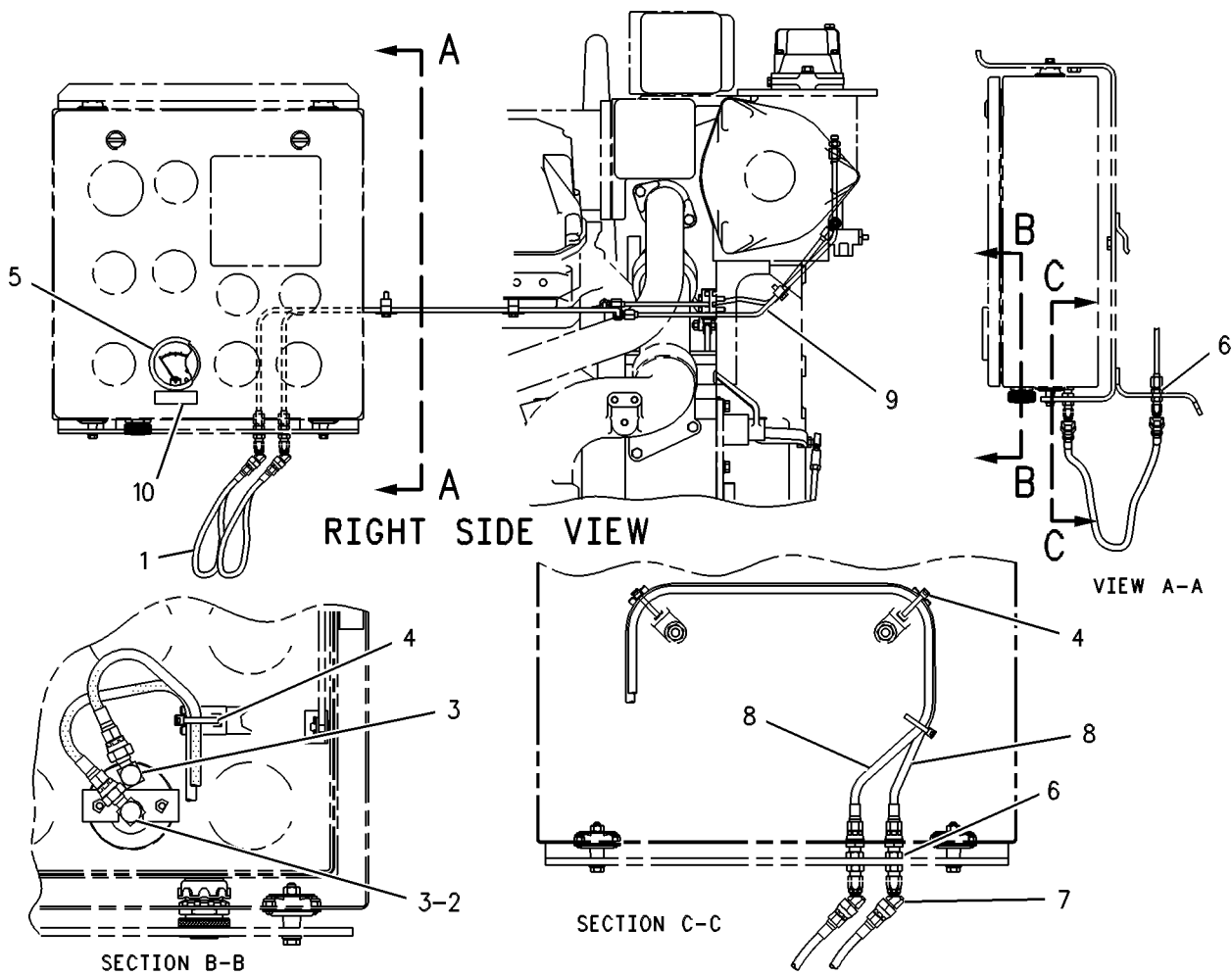
i00661977

NOTE	REF NO	GRAPHIC REF	PART NUMBER	QTY	PART NAME						SEE PAGE
					1	2	3	4	5	6 (PRODUCT LEVEL)	
I	1	1	2T-1411	2	HOSE AS						
	2	1	3F-6166	1	EXTENSION						
	3	1	3S-1099	2	ELBOW-FLARED						
B	4	1	3S-2093	5	STRAP-CABLE (1.75IN DIA)						
	5	1	4W-0508	1	INDICATOR AS-DIFF PRESSURE						
		1	4B-2049	2	NUT (10-32 THD)						
		1	8F-1434	2	LOCKWASHER (5MM ID)						
	6	1	5B-3254	4	NUT (7/16-20 THD)						
	7	1	7K-6462	4	ELBOW						
	8	1	119-8891	2	HOSE AS						
	9	1	130-8165	1	LINES GP-INSTRUMENT PANEL						
Y	10	1	3N-5989	1	PLATE-OIL FILTER DIFF INFO						

B-USE AS REQUIRED

I-SEE HOSE FABRICATION GUIDE

Y-SEPARATE ILLUSTRATION



GRAPHIC #1

g00262981

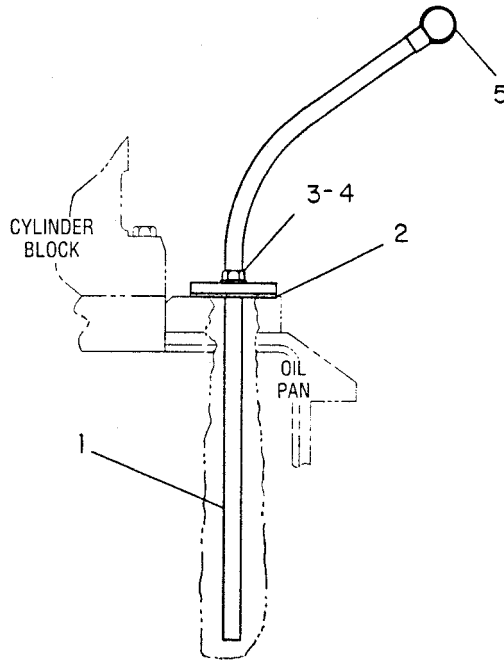
LUBRICATION SYSTEM

7C-6366 GAUGE GP-OIL LEVEL (DIPSTICK)

SMCS-1326

i00649943

NOTE	REF NO	GRAPHIC REF	PART NUMBER	QTY	PART NAME						SEE PAGE
					1	2	3	4	5	6 (PRODUCT LEVEL)	
	1	1	7E-0467	1	TUBE AS-OIL LEVEL						
	2	1	9L-1480	1	GASKET						
	3	1	0S-1594	2	BOLT (3/8-16X1IN)						
	4	1	5M-2894	2	WASHER (2.5MM THK)						
	5	1	4P-3784	1	GAUGE AS-OIL LEVEL (DIPSTICK)						



GRAPHIC #1

g00194710

LUBRICATION SYSTEM

3N-4869 HOSE AS*I AN ATTACHMENT

SMCS-1307

i00884854

NOTE	PART NUMBER	QTY	PART NAME 1 2 3 4 5 6 (PRODUCT LEVEL)	SEE PAGE
INDIVIDUAL PARTS ARE NOT SERVICED SEPARATELY				

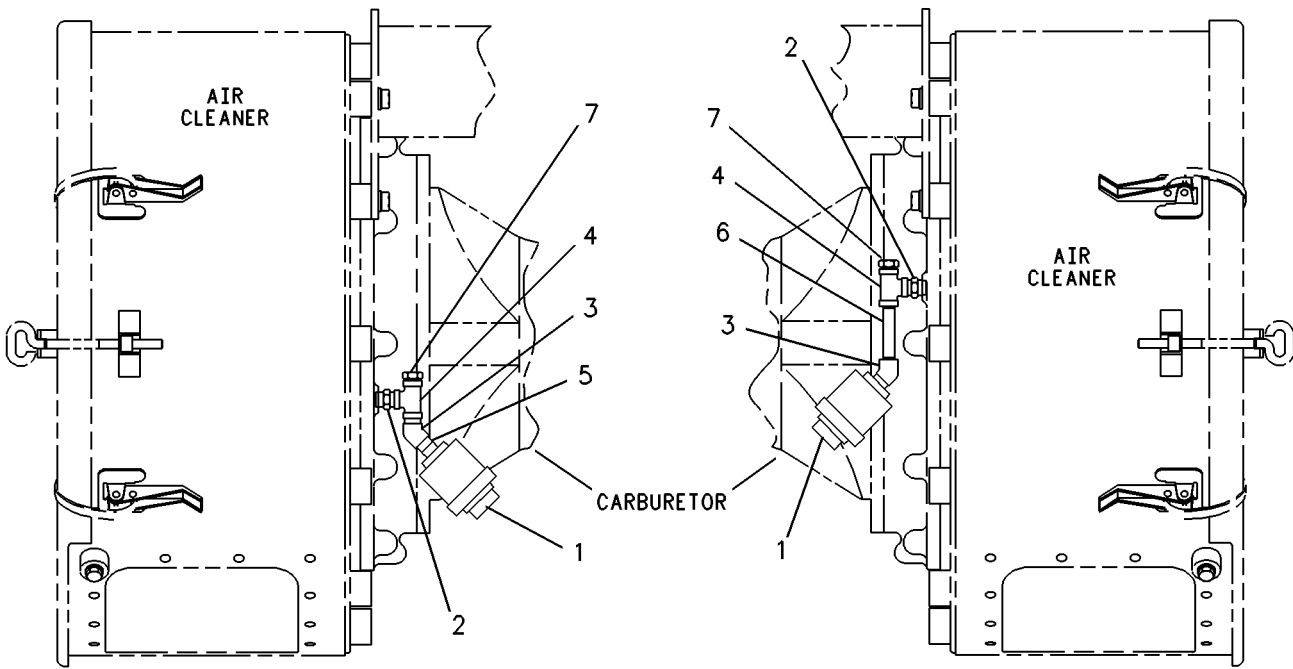
LUBRICATION SYSTEM

4P-9597 INDICATOR GP-FILTER CHANGE AN ATTACHMENT

SMCS-1308, 7475

i00656855

NOTE	REF NO	GRAPHIC REF	PART NUMBER	QTY	PART NAME						SEE PAGE
					1	2	3	4	5	6 (PRODUCT LEVEL)	
	1	1	4W-5820	2	INDICATOR						
	2	1	5L-3233	2	FITTING						
	3	1	8L-5008	2	ELBOW-PIPE						
	4	1	5P-3741	2	TEE-PIPE						
	5	1	6V-2610	1	NIPPLE-CLOSE						
	6	1	3B-7285	1	NIPPLE-PIPE						
	7	1	8T-6764	2	PLUG-PIPE (1/8-27 NPTF THD)						



FRONT VIEW

GRAPHIC #1

g00228872

LUBRICATION SYSTEM

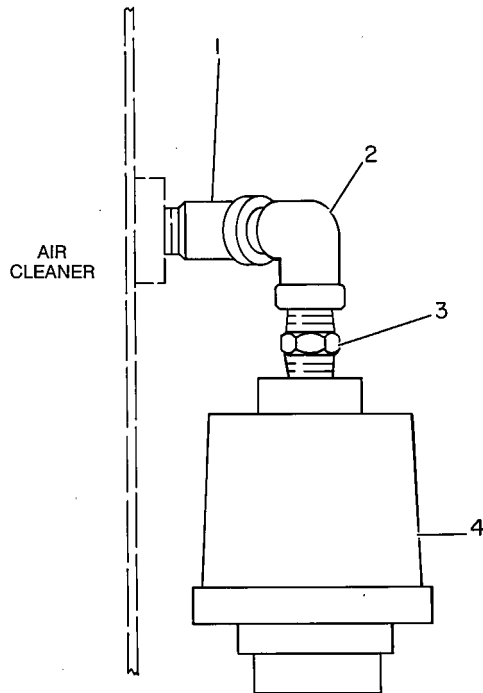
7W-1678 INDICATOR GP-FILTER CHANGE

AIR
FOR USE WITH TURBOCHARGED AFTERCOOLED ENGINES
AN ATTACHMENT

SMCS-1308, 7475

i00657991

NOTE	REF NO	GRAPHIC REF	PART NUMBER	QTY	PART NAME						SEE PAGE
					1	2	3	4	5	6 (PRODUCT LEVEL)	
	1	1	8L-5008	2	ELBOW-PIPE (45 DEGREE)						
	2	1	3B-6552	2	ELBOW (90 DEGREE)						
	3	1	5L-3233	2	FITTING						
	4	1	4W-5820	2	INDICATOR (AIR FILTER SERVICE)						



GRAPHIC #1

g00166394

LUBRICATION SYSTEM

4W-6062 LINES GP-ENGINE OIL

SMCS-1307

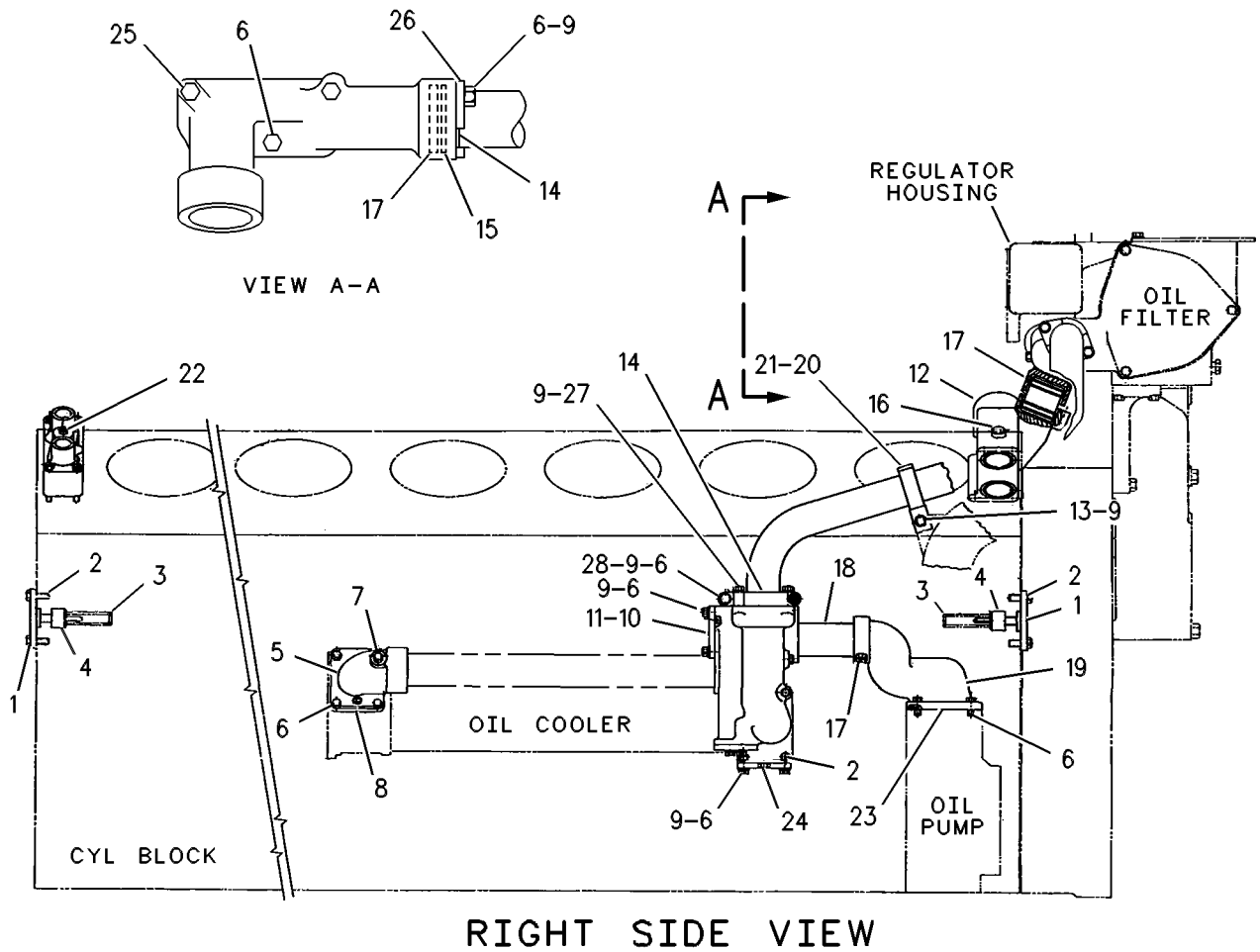
i00883748

NOTE	REF NO	GRAPHIC REF	PART NUMBER	QTY	PART NAME						SEE PAGE
					1	2	3	4	5	6 (PRODUCT LEVEL)	
1	1	1	8N-2929	2	COVER						
2	1	1	0S-1588	6	BOLT (3/8-16X1.25IN)						
3	1	1	6B-9202	2	SPRING						
4	1	1	7N-7697	2	PLUNGER AS (SEQUENCE VALVE)						
					(EACH INCLUDES)						
		1	7M-1808	1	DOWEL						
5	1	1	7N-5413	1	ELBOW						
6	1	1	0S-1594	19	BOLT (3/8-16X1IN)						
7	1	1	8T-6765	1	PLUG-PIPE (1/4-18 NPTF THD)						
8	1	1	3P-0655	1	SEAL-O-RING						
9	1	1	5M-2894	17	WASHER (2.5MM THK)						
10	1	1	4B-3140	1	COVER						
11	1	1	5P-5846	1	SEAL-O-RING (40.64MM ID)						
12	1	1	107-7348	1	ADAPTER						
13	1	1	3B-1915	1	BOLT (3/8-16X1.375IN)						
14	1	1	8N-1991	1	RING-RETAINING						
15	1	1	111-3820	2	RING-RETAINER						
16	1	1	9S-4190	1	PLUG-O-RING (7/16-20 THD)						
	1	1	6V-4589	1	SEAL-O-RING (19.18MM ID)						
17	1	1	109-2332	5	SEAL-O-RING						
18	1	1	1N-3333	1	TUBE						
19	1	1	7N-5416	1	ELBOW-OUTLET						
20	1	1	6V-0267	1	CLIP (TAB)						
		1	6V-0268	1	CLIP (SLOT)						
21	1	1	3H-7131	1	LUG						
22	1	1	2B-0858	1	PLUG-PIPE (1/2-14 NPTF)						
23	1	1	6V-3908	1	SEAL-O-RING						
24	1	1	4W-5597	1	COVER						
25	1	1	0T-0573	2	BOLT (3/8-16X2.75IN)						
26	1	1	8N-1992	2	RETAINER						
27	2	2	5P-4892	3	SEAL-O-RING						
28	2	2	4W-5596	1	COVER (BY-PASS VALVE)						
29	2	2	0L-1143	4	BOLT (3/8-16X2.5IN)						
30	2	2	3P-0655	2	SEAL-O-RING						
31	2	2	0S-1591	2	BOLT (3/8-16X1.5IN)						
		2	5M-2894	2	WASHER (2.5MM THK)						
32	2	2	5F-4899	1	BOLT (3/8-16X5.5IN)						
33	2	2	2W-1969	1	VALVE-BYPASS						
34	2	2	7C-9217	1	ELBOW-COOLER BYPASS						
35	2	2	109-2332	1	SEAL-O-RING						
36	2	2	4W-4677	1	TUBE						
37	2	2	121-5486	1	ADAPTER						
		2	6V-5048	1	SEAL-O-RING (8.92MM ID)						
38	2	2	4W-6066	1	TUBE						
39	2	2	4W-4313	1	ADAPTER						
40	2	2	2W-1053	1	PLUG						
		2	5P-7817	1	SEAL-O-RING						
41	2	2	0T-0065	4	BOLT (3/8-16X3.5IN)						
42	2	2	061-9456	4	SEAL-O-RING						
43	2	2	2W-7226	1	ADAPTER						
44	2	2	2B-0858	1	PLUG-PIPE (1/2-14 NPTF)						
45	2	2	2W-1635	1	SPRING						

LUBRICATION SYSTEM

4W-6062 LINES GP-ENGINE OIL (contd.)

i00883748



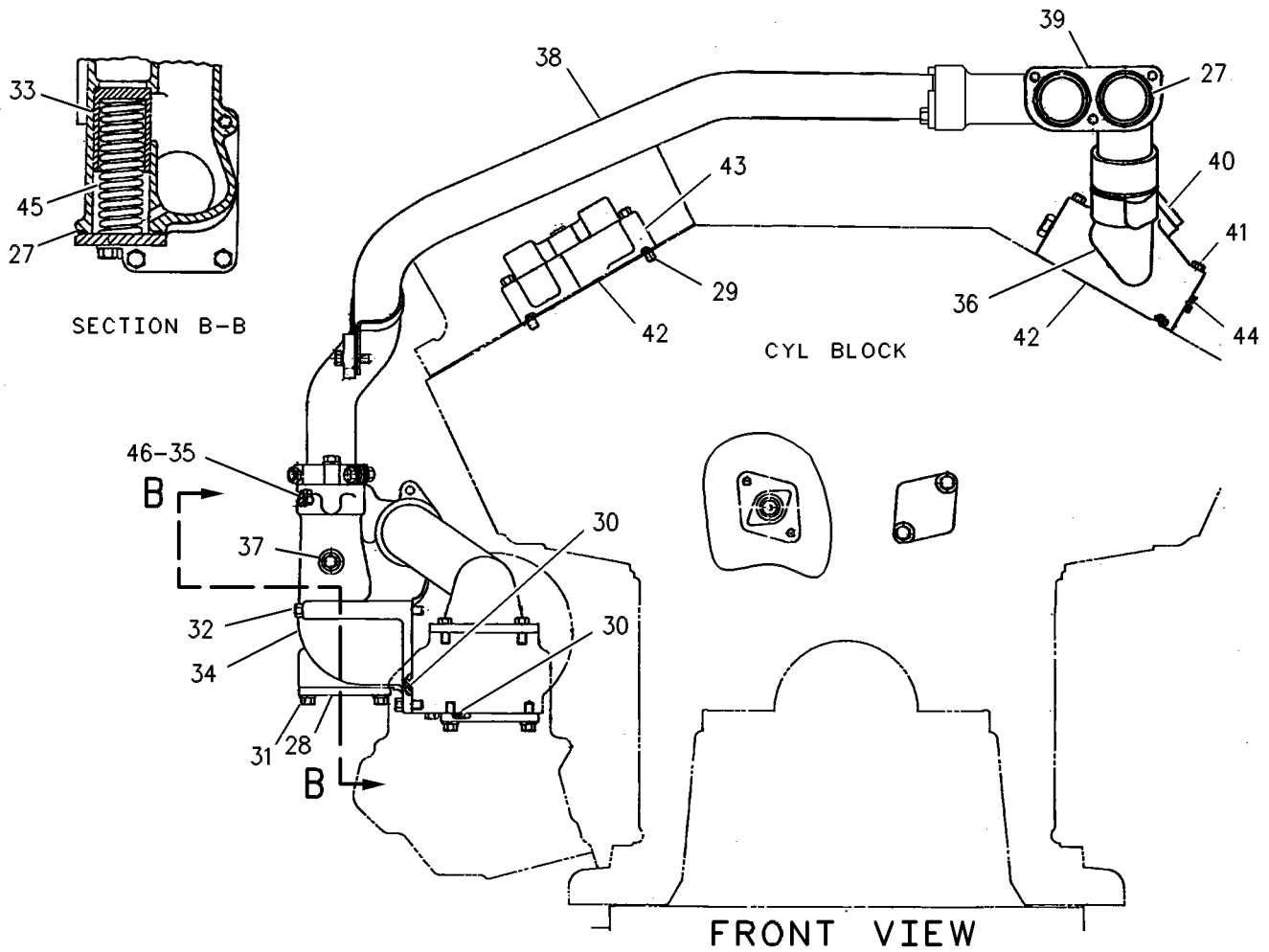
GRAPHIC #1

g00404622

LUBRICATION SYSTEM

4W-6062 LINES GP-ENGINE OIL (contd.)

i00883748



GRAPHIC #2

g00404623

MEMORANDA

LUBRICATION SYSTEM

9Y-3474 LINES GP-ENGINE OIL PART OF 7E-1340, 7E-3781, 7E-8723 CONVERSION AR AN ATTACHMENT

SMCS-1307

i00924449

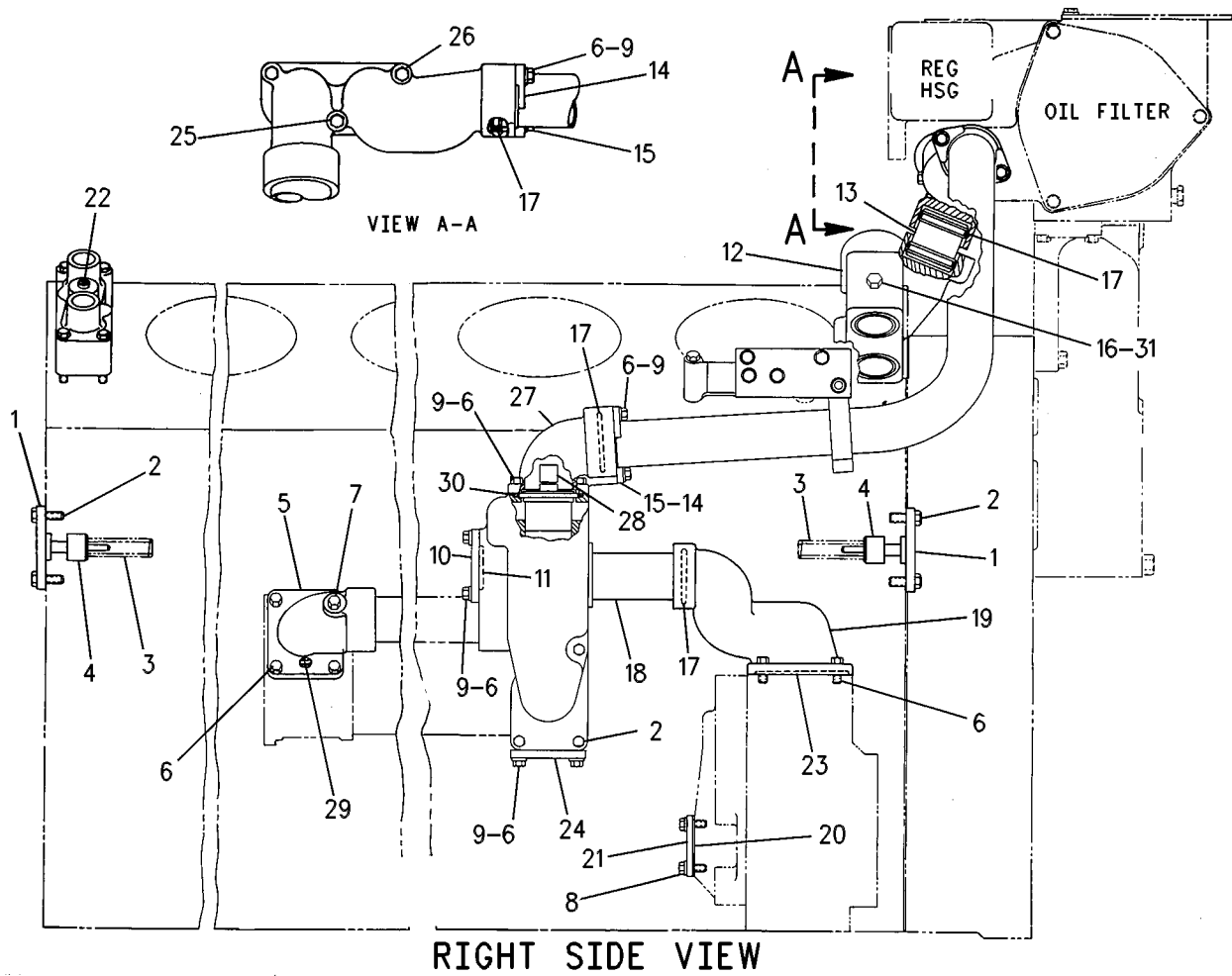
NOTE	REF NO	GRAPHIC REF	PART NUMBER	QTY	PART NAME	SEE PAGE
	1	1	8N-2929	2	COVER	
	2	1	0S-1588	6	BOLT (3/8X1.25)	
	3	1	6B-9202	2	SPRING	
	4	1	7N-7697	2	PLUNGER AS (EACH INCLUDES)	
		1	7M-1808	1	DOWEL	
	5	1	7N-5413	1	ELBOW	
	6	1	0S-1594	22	BOLT (3/8X1.0IN)	
	7	1	8T-6765	1	PLUG-PIPE (1/4-18 NPTF THD)	
	8	1	0S-1618	4	BOLT (5/16-18X1.0IN)	
		1	9M-1974	4	WASHER-HARD (2MM THK)	
	9	1	5M-2894	10	WASHER (2.5MM THK)	
	10	1	4B-3140	1	COVER	
	11	1	5P-5846	1	SEAL-O-RING (40.64MM ID)	
	12	1	107-7348	1	ADAPTER	
	13	1	4W-4677	1	TUBE	
	14	1	8N-1992	4	RETAINER	
	15	1	8N-1991	2	RING-RETAINING	
	16	1	9S-4190	1	PLUG-O-RING (7/16-20 THD)	
	17	1	109-2332	6	SEAL-O-RING	
	18	1	1N-3333	1	TUBE	
	19	1	7N-5416	1	ELBOW-OUTLET	
	20	1	1Y-7578	1	GASKET-COVER	
	21	1	5R-1036	1	COVER	
	22	1	8T-6762	1	PLUG-PIPE	
	23	1	6V-3908	1	SEAL-O-RING	
	24	1	4W-5597	1	COVER	
	25	1	0L-1352	1	BOLT (3/8-16X3.25IN)	
	26	1	0S-1571	2	BOLT (3/8-16X1.75IN)	
	27	1	9Y-3013	1	ELBOW-OIL OUTLET	
	28	1	4W-4794	1	REGULATOR-WATER TEMPERATURE (92 DEG C.)	
	29	1	3P-0655	1	SEAL-O-RING	
	30	1	6V-5051	1	SEAL-O-RING (75.57MM ID)	
	31	1	6V-4589	1	SEAL-O-RING (19.18MM ID)	
	32	2	5P-4892	2	SEAL-O-RING	
	33	2	0T-0573	2	BOLT (3/8-16X2.75IN)	
	34	2	0L-1143	4	BOLT	
	35	2	3P-0655	2	SEAL-O-RING	
	36	2	5M-2894	6	WASHER (2.5MM THK)	
	37	2	5F-4899	1	BOLT (3/8-16X5.5IN)	
	38	2	1W-8129	1	SUPPORT	
	39	2	9S-8752	3	NUT-FULL (3/8-16 THD)	
	40	2	7J-8417	2	PIPE	
	41	2	0S-1588	1	BOLT (3/8X1.25)	
	42	2	0S-1571	2	BOLT (3/8-16X1.75IN)	
	43	2	9Y-3011	1	TUBE	
	44	2	4W-4313	1	ADAPTER	
	45	2	2W-1053	1	PLUG	
		2	5P-7817	1	SEAL-O-RING	
	46	2	0T-0065	4	BOLT (3/8-16X3.5IN)	
	47	2	061-9456	4	SEAL-O-RING	
	48	2	2W-7226	1	ADAPTER	
	49	2	8T-6762	1	PLUG-PIPE	
	50	2	6V-0267	1	CLIP (TAB)	
		2	6V-0268	1	CLIP (SLOT)	
	51	2	9Y-3012	1	HOUSING	

LUBRICATION SYSTEM

9Y-3474 LINES GP-ENGINE OIL (contd.)

i00924449

NOTE	REF NO	GRAPHIC REF	PART NUMBER	QTY	PART NAME						SEE PAGE
					1	2	3	4	5	6 (PRODUCT LEVEL)	
	52	2	9Y-3008	1	BRACKET						
	53	2	0S-1590	2	BOLT (3/8-16X2IN)						



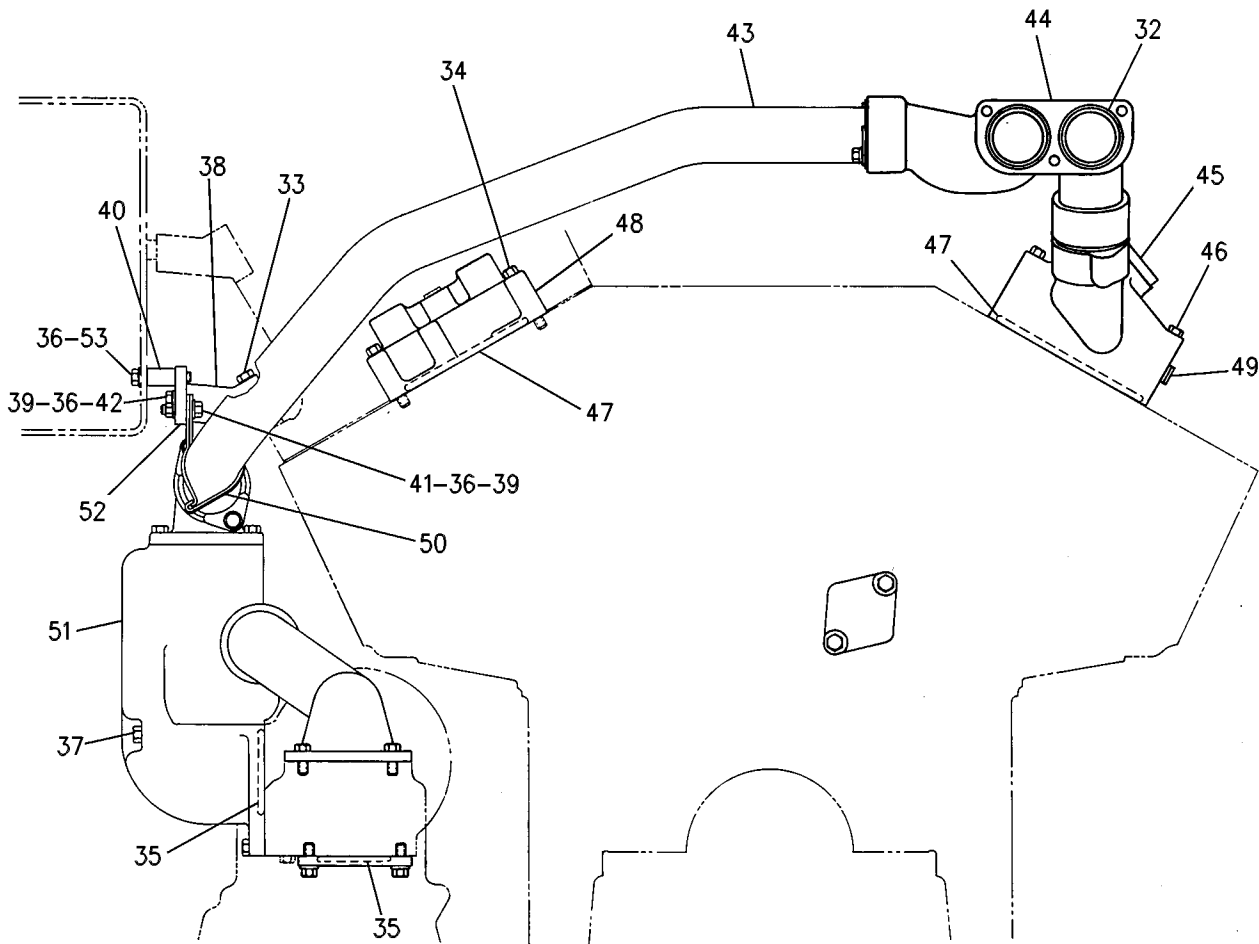
GRAPHIC #1

g00478401

LUBRICATION SYSTEM

9Y-3474 LINES GP-ENGINE OIL (contd.)

i00924449



FRONT VIEW

GRAPHIC #2

g00478402

MEMORANDA

LUBRICATION SYSTEM

134-3749 LINES GP-ENGINE OIL

SMCS-1307

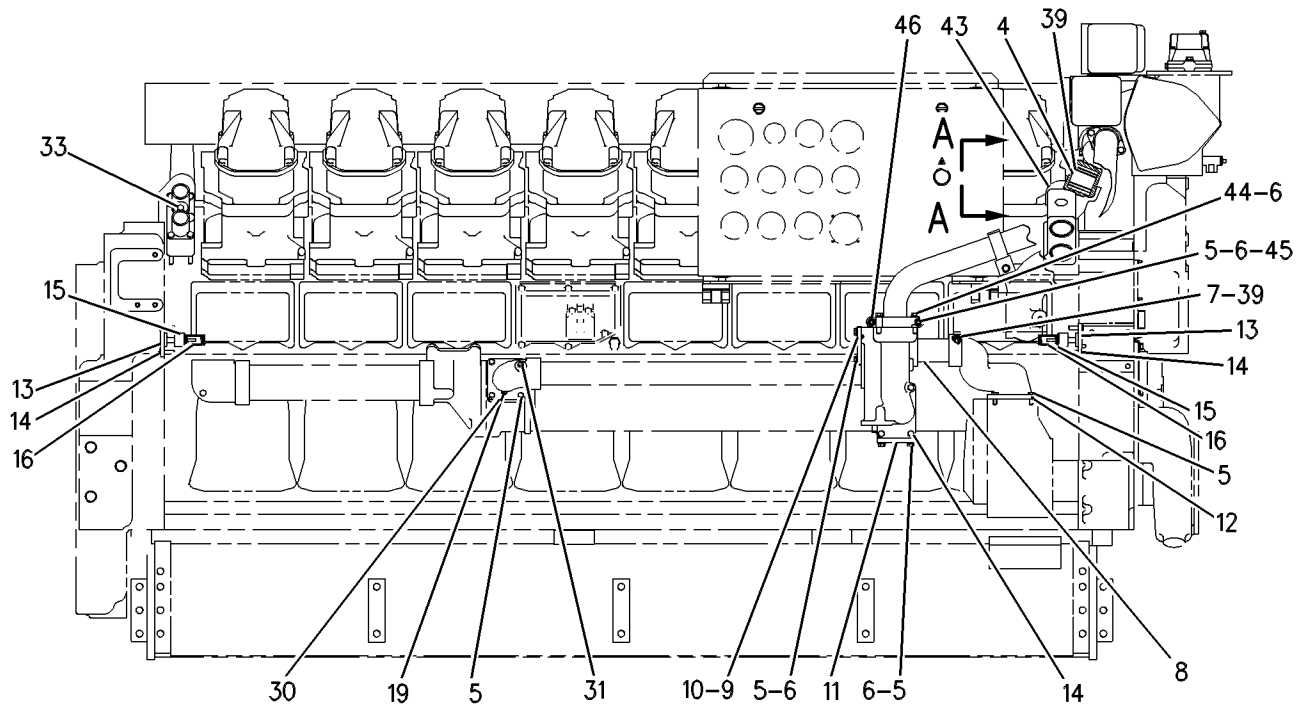
i00894593

NOTE	REF NO	GRAPHIC REF	PART NUMBER	QTY	PART NAME						SEE PAGE
					1	2	3	4	5	6 (PRODUCT LEVEL)	
	1	1	6V-0268	1	CLIP (SLOT)						
	2	1	0S-1590	2	BOLT (3/8-16X2IN)						
	3	1	0L-1352	1	BOLT (3/8-16X3.25IN)						
	4	1	4W-4677	1	TUBE						
	5	1	0S-1594	18	BOLT						
	6	1	5M-2894	17	WASHER (2.5MM THK)						
	7	1	7N-5416	1	ELBOW-OUTLET						
	8	1	1N-3333	1	TUBE						
	9	1	4B-3140	1	COVER						
	10	1	5P-5846	1	SEAL-O-RING (40.64MM ID)						
	11	1	4W-5597	1	COVER						
	12	1	6V-3908	1	SEAL-O-RING						
	13	1	8N-2929	2	COVER						
	14	1	0S-1588	6	BOLT						
	15	1	7N-7697	2	PLUNGER AS (EACH INCLUDES)						
		1	7M-1808	1	DOWEL						
	16	1	6B-9202	2	SPRING						
	17	1	6V-0267	1	CLIP (TAB)						
	18	1	5F-4899	1	BOLT (3/8-16X5.5IN)						
	19	1	3P-0655	3	SEAL-O-RING						
	20	1	2W-7226	1	ADAPTER						
	21	1	0L-1143	4	BOLT						
	22	1	4W-6066	1	TUBE						
	23	1	0T-0065	4	BOLT (3/8-16X3.5IN)						
	24	1	9S-4190	1	PLUG-O-RING (7/16-20 THD)						
	25	1	6V-4589	1	SEAL-O-RING (19.18MM ID)						
	26	1	4W-4313	1	ADAPTER						
	27	1	5P-4892	3	SEAL-O-RING						
	28	1	2W-1053	1	PLUG						
	29	1	5P-7817	1	SEAL-O-RING						
	30	1	7N-5413	1	ELBOW						
	31	1	8T-6765	1	PLUG-PIPE (1/4-18 NPTF THD)						
	32	1	061-9456	4	SEAL-O-RING						
	33	1	8T-6762	2	PLUG-PIPE						
	34	1	7C-9217	1	ELBOW-COOLER BYPASS						
	35	1	3B-1915	1	BOLT (3/8-16X1.375IN)						
	36	1	4W-5596	1	COVER						
	37	1	3H-7131	1	LUG						
	38	1	0S-1591	2	BOLT (3/8-16X1.5IN)						
	39	1	109-2332	6	SEAL-O-RING						
	40	1	111-3820	2	RING-RETAINER						
	41	1	6V-5048	1	SEAL-O-RING (8.92MM ID)						
	42	1	9S-4182	1	PLUG (7/16-20 THD)						
	43	1	107-7348	1	ADAPTER						
	44	1	0S-1571	2	BOLT (3/8-16X1.75IN)						
	45	1	9S-8752	2	NUT-FULL (3/8-16 THD)						
	46	1	100-8075	2	CLAMP AS						
	47	1	8N-1992	2	RETAINER						
	48	1	8N-1991	1	RING-RETAINING						
	49	1	2W-1635	1	SPRING						
	50	1	2W-1969	1	VALVE-BYPASS						

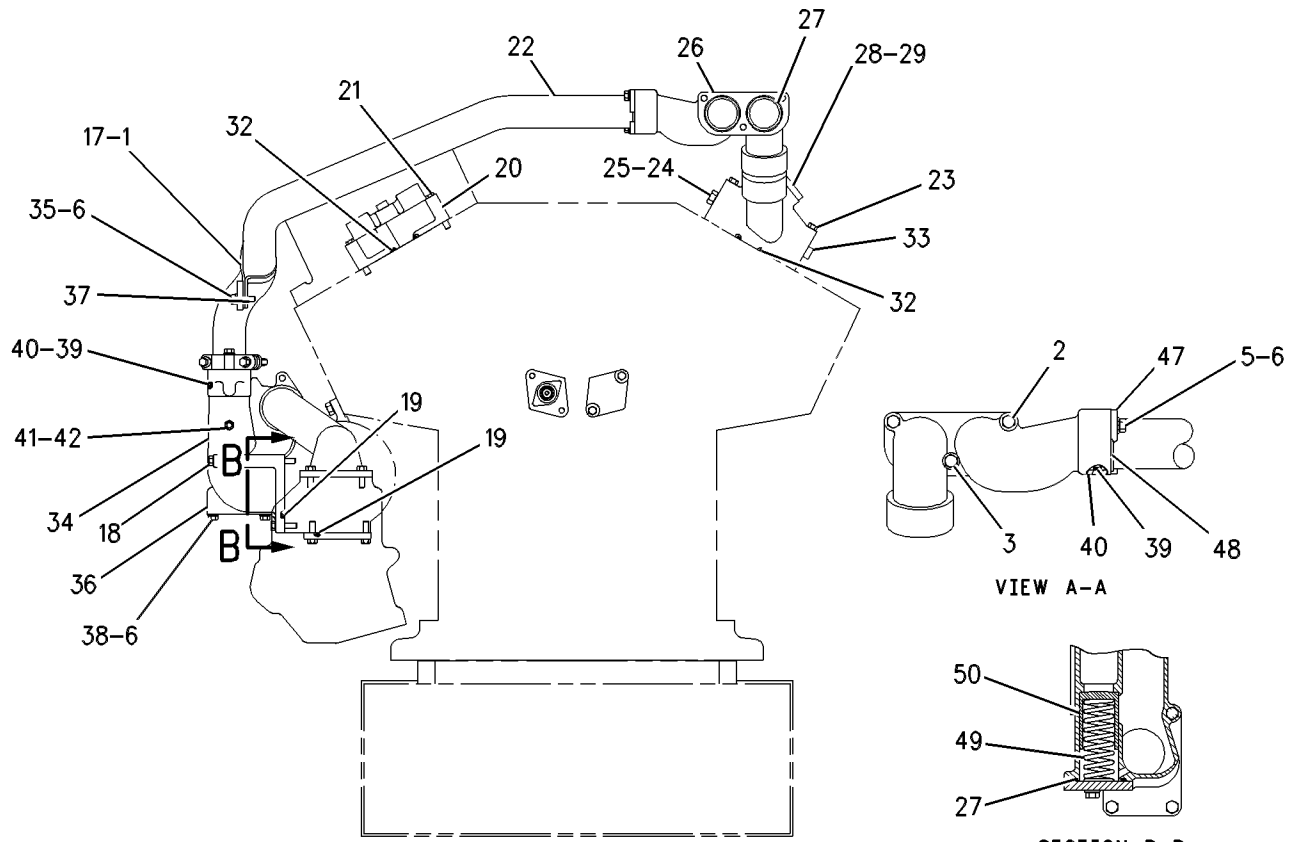
LUBRICATION SYSTEM

134-3749 LINES GP-ENGINE OIL (contd.)

i00894593



RIGHT SIDE VIEW



FRONT VIEW

GRAPHIC #1

g00351329

LUBRICATION SYSTEM

142-0005 LINES GP-OIL DRAIN AN ATTACHMENT

SMCS-1307

i00658120

NOTE	PART NUMBER	QTY	PART NAME						SEE PAGE
			1	2	3	4	5	6 (PRODUCT LEVEL)	
	1A-2029	4	BOLT (3/8-16X1.125IN)						
	9X-6138	1	PLUG-PIPE						
	6V-4314	1	SEAL-O-RING						
	134-1820	1	TUBE AS						
	5M-2894	4	WASHER (2.5MM THK)						

LUBRICATION SYSTEM

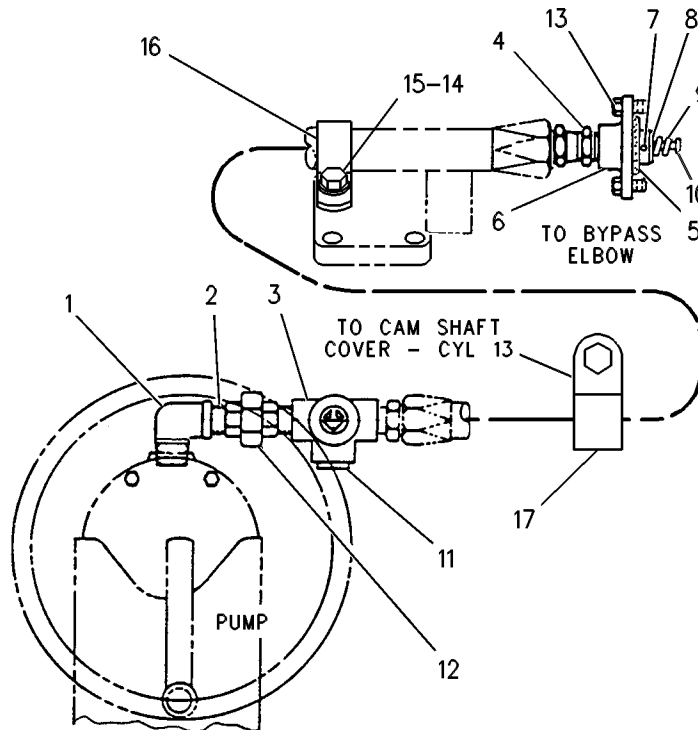
5N-6241 LINES GP-OIL SUPPLY-RH AN ATTACHMENT

SMCS-1307

i00894461

NOTE	REF NO	GRAPHIC REF	PART NUMBER	QTY	PART NAME						SEE PAGE
					1	2	3	4	5	6 (PRODUCT LEVEL)	
	1	1	003-9163	1	ELBOW						
C	2	1	3B-7745	2	NIPPLE-CLOSE						
	3	1	3N-7057	1	VALVE AS						
		1	9H-6761	1	SEAL (21.89MM ID)						
		1	3D-2992	1	SEAL (26.64MM ID)						
4	1	1	5F-6371	1	CONNECTOR						
5	1	1	5P-5846	1	SEAL-O-RING (40.64MM ID)						
6	1	1	7N-6570	1	ADAPTER AS						
7	1	1	3H-3433	1	PIN-SPRING						
8	1	1	9L-0672	1	VALVE-CHECK						
9	1	1	9H-2367	1	SPRING-VALVE						
10	1	1	1P-5274	1	PIN-VALVE SPRING						
	11	1	7X-7731	1	PLUG-PIPE (3/4-14 NPTF THD)						
C	12	1	6B-1667	1	UNION						
	13	1	0L-1351	2	BOLT						
	14	1	5M-2894	1	WASHER (2.5MM THK)						
	15	1	1A-2029	1	BOLT (3/8-16X1.125IN)						
	16	1	134-5645	1	CLIP-LOOP						
B	17	1	5M-2894	1	WASHER (2.5MM THK)						
B		1	0L-1351	1	BOLT						
B		1	6L-3351	1	CLIP-TUBE						

B-USE AS REQUIRED
C-CHANGE FROM PREVIOUS TYPE



GRAPHIC #1

g00261578

LUBRICATION SYSTEM

113-4238 LINES GP-PRELUBE

AN ATTACHMENT

SMCS-1307, 1319

i00659551

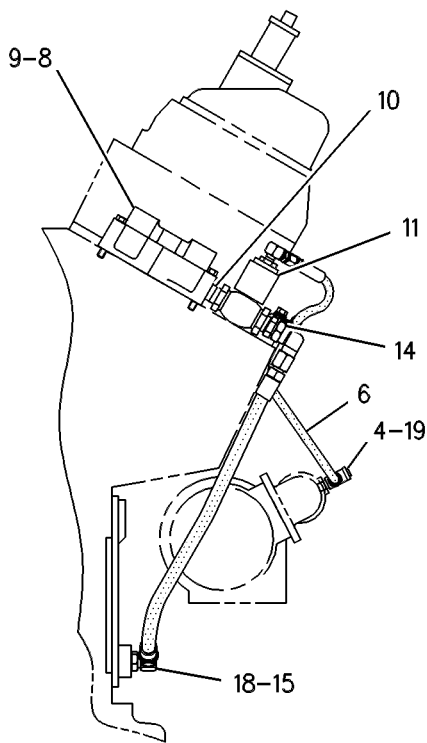
NOTE	REF NO	GRAPHIC REF	PART NUMBER	QTY	PART NAME						SEE PAGE
					1	2	3	4	5	6 (PRODUCT LEVEL)	
	1	1	0S-0509	1	BOLT (3/8-16X.75IN)						
	2	1	5M-2894	1	WASHER (2.5MM THK)						
	3	1	8M-2773	1	CLIP (17.46MM ID)						
	4	1	2D-7325	1	TEE						
	5	1	032-1267	1	CONNECTOR-FLARED						
	6	1	031-1030	1	HOSE AS						
	7	1	5P-9464	1	ELBOW-SWIVEL						
	8	1	113-8148	1	ADAPTER						
	9	1	061-9456	2	SEAL-O-RING						
	10	1	3B-7745	1	NIPPLE-CLOSE						
	11	1	113-8147	1	VALVE						
	12	1	8M-0547	1	ELBOW						
I	13	1	2V-8571	1	HOSE AS						
	14	1	004-7626	1	CONNECTOR						
	15	1	030-7948	1	ELBOW						
	16	1	2W-2073	1	SEAL-O-RING						
	17	1	113-8149	1	COVER AS						
	18	1	3K-0360	1	SEAL-O-RING (16.36MM ID)						
	19	1	8T-6763	1	PLUG						
	20	1	4S-6399	1	CONNECTOR						

I-SEE HOSE FABRICATION GUIDE

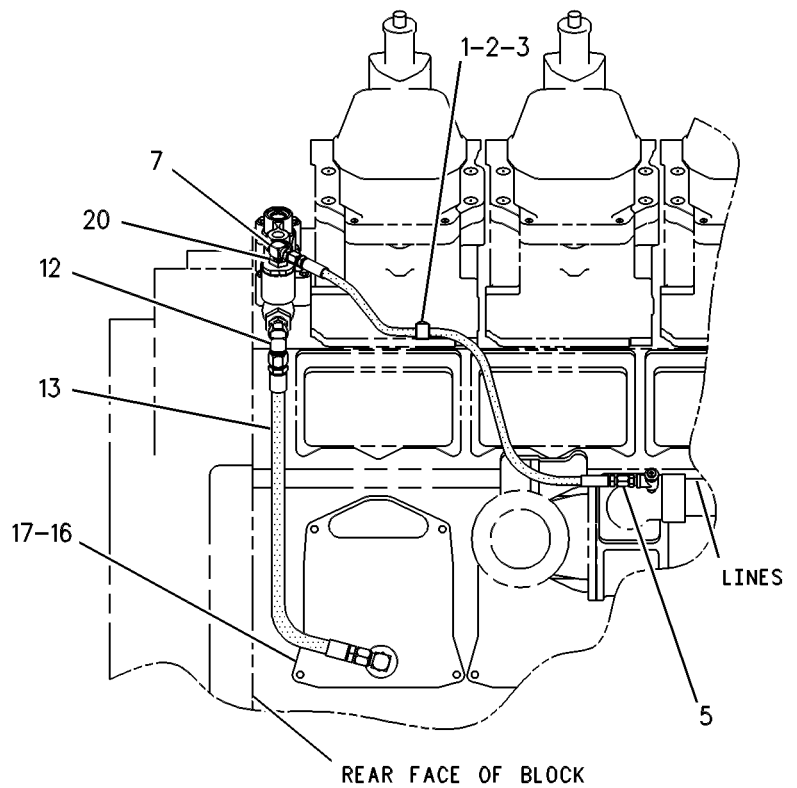
LUBRICATION SYSTEM

113-4238 LINES GP-PRELUBE (contd.)

i00659551



REAR VIEW



RIGHT SIDE VIEW

GRAPHIC #1

g00259632

LUBRICATION SYSTEM

4W-5770 LINES GP -TURBOCHARGER OIL

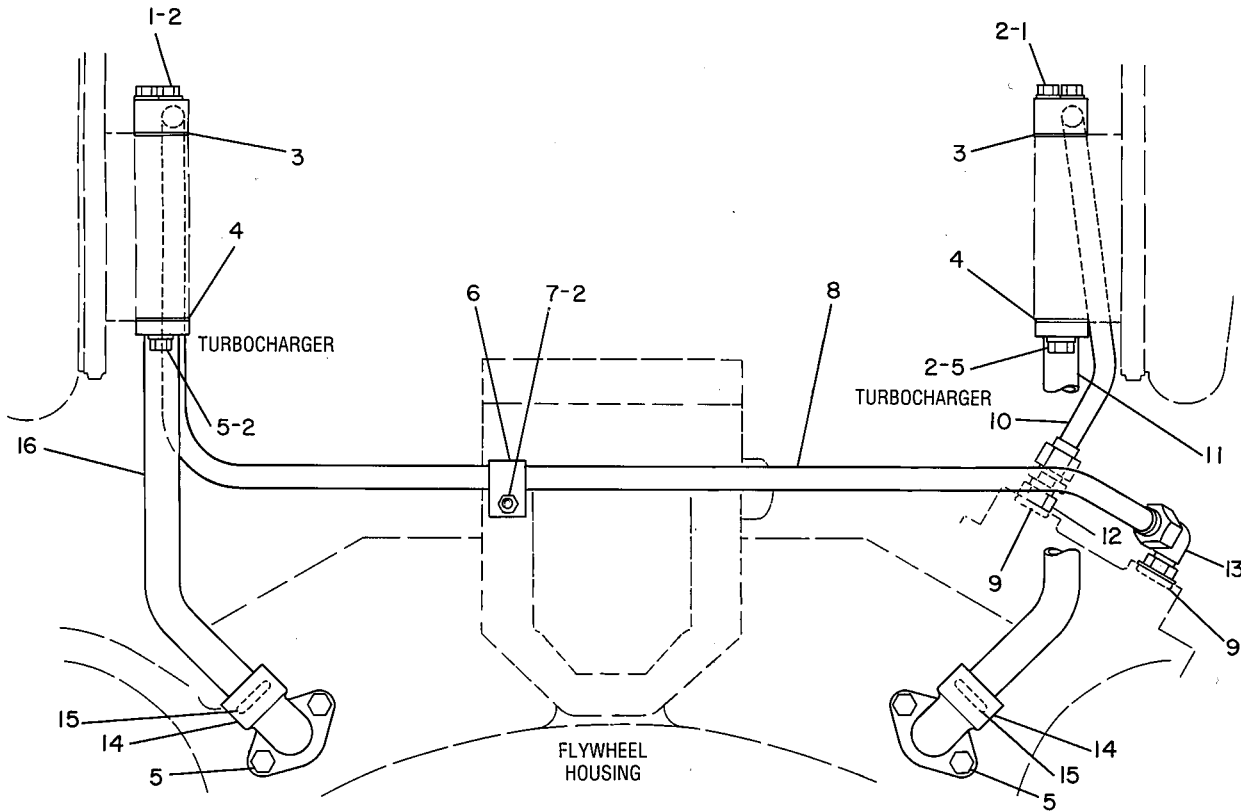
PART OF 116-6803 CONVERSION AR

ALSO AN ATTACHMENT

SMCS-1052, 1307

i00655842

NOTE	REF NO	GRAPHIC REF	PART NUMBER	QTY	PART NAME						SEE PAGE
					1	2	3	4	5	6 (PRODUCT LEVEL)	
	1	1	0S-1591	4	BOLT (3/8-16X1.5IN)						
	2	1	5M-2894	9	WASHER (2.5MM THK)						
	3	1	1S-6595	2	GASKET						
	4	1	1S-4810	2	GASKET-OIL DRAIN						
	5	1	0S-1594	8	BOLT (3/8-16X1IN)						
	6	1	4P-0692	2	CLAMP AS						
	7	1	0L-2070	1	BOLT (3/8-16X2.25IN)						
	8	1	9Y-1042	1	TUBE AS-OIL (LH)						
	9	1	6V-4589	2	SEAL-O-RING (19.18MM ID)						
	10	1	9Y-1041	1	TUBE AS-OIL (RH)						
	11	1	9Y-1039	1	TUBE AS-DRAIN (RH)						
	12	1	9M-4584	1	CONNECTOR-FLARED						
	13	1	030-7949	1	ELBOW						
	14	1	1W-7214	2	ELBOW-DRAIN						
			6L-1694	2	GASKET						
	15	1	5P-9890	2	SEAL-O-RING (23.16MM ID)						
	16	1	9Y-1040	1	TUBE AS-TURBOCHARGER (LH)						



GRAPHIC #1

g00203355

MEMORANDA

LUBRICATION SYSTEM

9Y-3476 LINES GP - TURBOCHARGER OIL

SMCS-1052, 1307

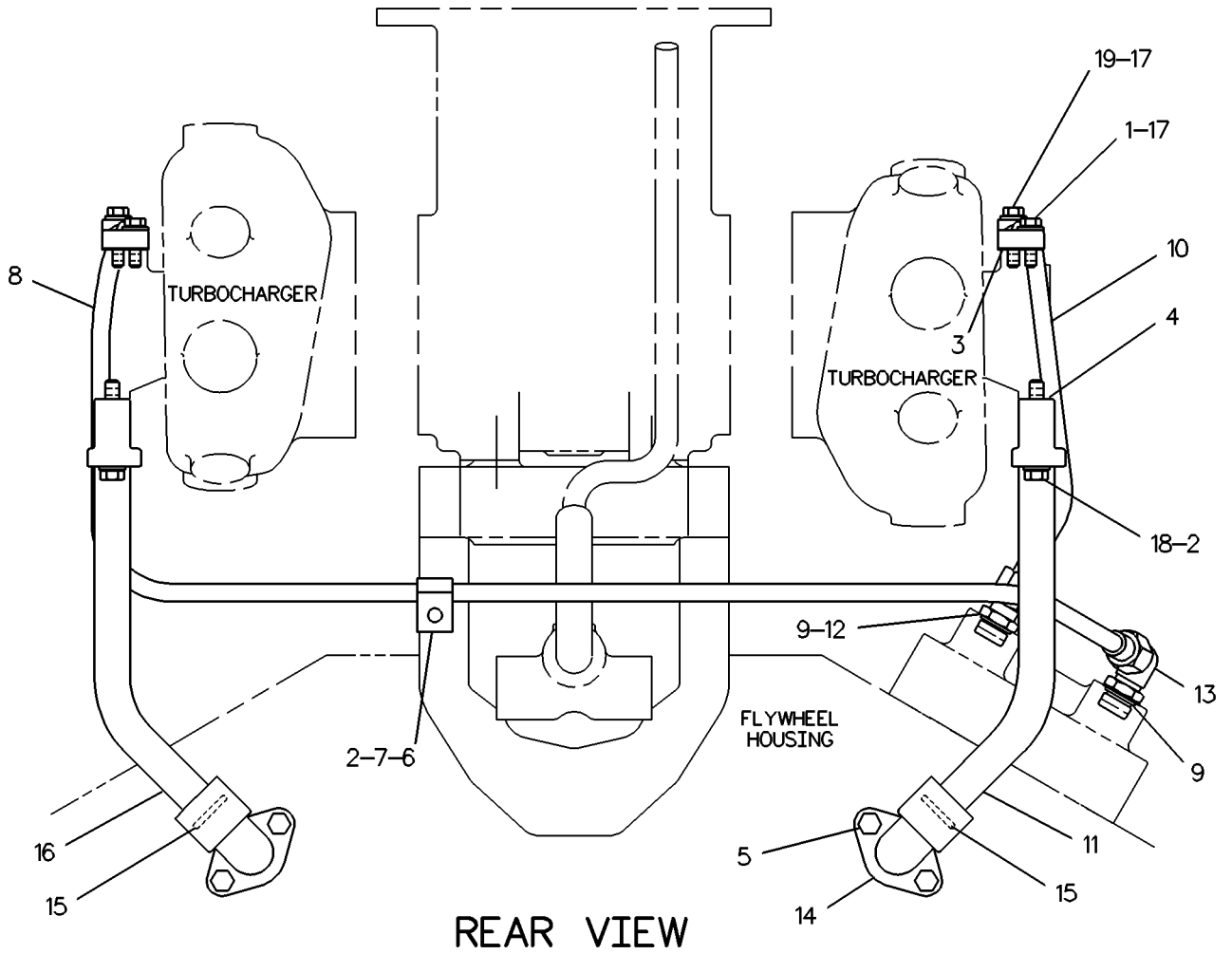
i00659455

NOTE	REF NO	GRAPHIC REF	PART NUMBER	QTY	PART NAME						SEE PAGE
					1	2	3	4	5	6 (PRODUCT LEVEL)	
1	1		1B-7182	2	BOLT (5/16-18X1.25IN)						
2	1		5M-2894	5	WASHER (2.5MM THK)						
3	1		8H-9788	2	GASKET						
4	1		1P-1255	2	GASKET-OIL DRAIN						
5	1		0S-1594	4	BOLT (3/8-16X1IN)						
6	1		4P-0707	2	CLAMP AS						
					(EACH INCLUDES)						
		1	7C-2199	1	CLAMP						
7	1		0L-2070	1	BOLT (3/8-16X2.25IN)						
8	1		9Y-3472	1	TUBE AS-OIL						
9	1		2M-9780	2	SEAL-O-RING (19.18MM ID)						
10	1		9Y-3471	1	TUBE AS-OIL						
11	1		9Y-3473	1	TUBE AS-DRAIN						
12	1		6K-3607	1	CONNECTOR-FLARED						
13	1		005-4173	1	ELBOW						
14	1		1W-7214	2	ELBOW-DRAIN						
		1	6L-1694	2	GASKET						
15	1		8F-4994	2	SEAL-O-RING						
16	1		9Y-3475	1	TUBE AS-DRAIN						
17	1		9M-1974	4	WASHER-HARD (2MM THK)						
18	1		0L-1143	4	BOLT (3/8-16X2.5IN)						
19	1		1A-9579	2	BOLT (5/16-18X1.5IN)						

LUBRICATION SYSTEM

9Y-3476 LINES GP - TURBOCHARGER OIL (contd.)

i00659455



GRAPHIC #1

g00212443

LUBRICATION SYSTEM

4P-5638 PUMP GP-ENGINE OIL

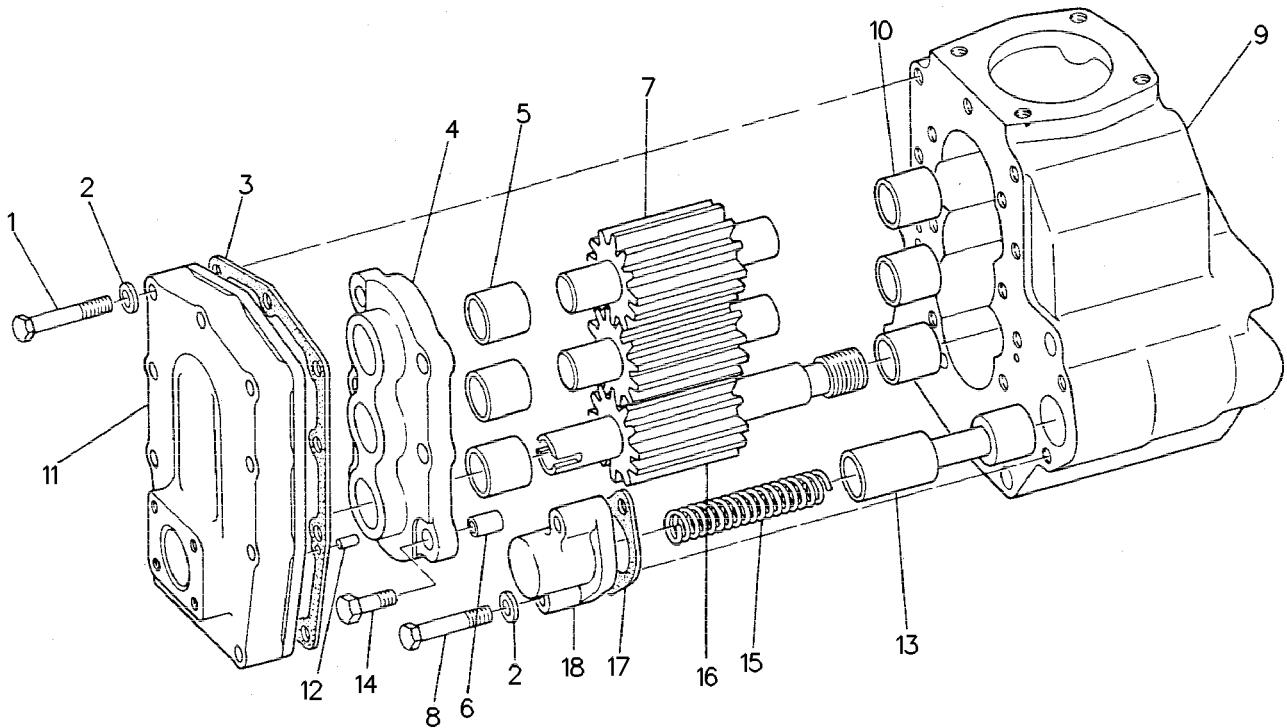
PART OF 8N-6152 PUMP GP-ENGINE OIL

SMCS-1304, 1315

i00095442

NOTE	REF NO	GRAPHIC REF	PART NUMBER	QTY	PART NAME						SEE PAGE
					1	2	3	4	5	6 (PRODUCT LEVEL)	
	1	1	0S-1590	9	BOLT (3/8-16X2IN)						
	2	1	5M-2894	11	WASHER (2.5MM THK)						
	3	1	7N-5057	1	GASKET						
	4	1	7W-0050	1	COVER AS-PUMP						
C	5	1	7W-0060	3	BEARING-SLEEVE						
	6	1	4M-3248	2	DOWEL -HOLLOW						
	7	1	2W-5479	2	SHAFT AS-PUMP						
	8	1	7F-1866	2	BOLT (3/8-16X3.0IN)						
C	9	1	4P-5637	1	BODY AS-OIL PUMP						
	10	1	7W-0060	3	BEARING-SLEEVE						
	11	1	1N-4637	1	COVER AS-PUMP						
	12	1	7N-2043	2	DOWEL						
	13	1	7N-5449	1	SPOOL -PRESSURE RELIEF						
	14	1	0S-1585	6	BOLT (1/2-13X1.50IN)						
	15	1	2S-2760	1	SPRING						
	16	1	2W-6618	1	SHAFT AS-PUMP DRIVE						
	17	1	111-1349	1	GASKET						
	18	1	7N-5049	1	COVER-RELIEF VALVE						

C- CHANGE FROM PREVIOUS TYPE



GRAPHIC #1

g00082052

LUBRICATION SYSTEM

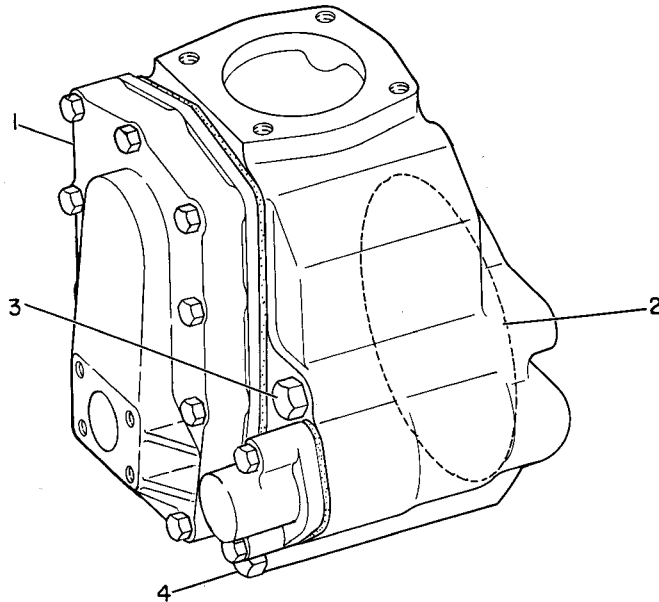
7N-8715 PUMP GP-ENGINE OIL

SMCS-1304, 1315

i00112841

NOTE	REF NO	GRAPHIC REF	PART NUMBER	QTY	PART NAME						SEE PAGE
					1	2	3	4	5	6 (PRODUCT LEVEL)	
CYR	1	1	7W-0053	1	PUMP GP-ENGINE OIL						164
C	2	1	6V-7681	1	SEAL-O-RING (164.69MM ID)						
	3	1	4S-5882	1	BOLT						
		1	5P-8245	1	WASHER (3MM THK)						
B	4	1	4S-5882	2	BOLT						
B		1	5P-8245	2	WASHER (3MM THK)						

B-USE AS REQUIRED
 C-CHANGE FROM PREVIOUS TYPE
 R-REMFG PART MAY BE AVAILABLE
 Y-SEPARATE ILLUSTRATION



GRAPHIC #1

g00081872

LUBRICATION SYSTEM

7W-0053 PUMP GP-ENGINE OIL

TWO SECTION GEAR

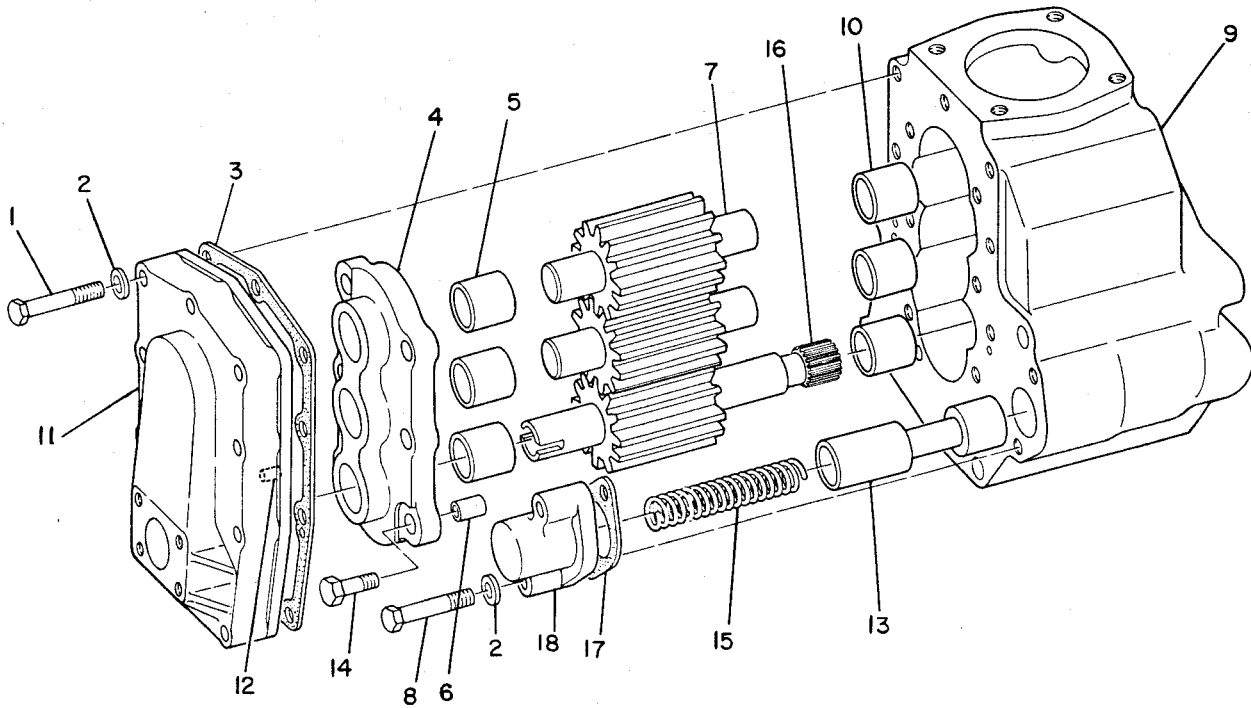
PART OF 7N-8715 PUMP GP-ENGINE OIL

SMCS-1304, 1315

i00112842

NOTE	REF NO	GRAPHIC REF	PART NUMBER	QTY	PART NAME						SEE PAGE
					1	2	3	4	5	6 (PRODUCT LEVEL)	
	1	1	0S-1590	9	BOLT (3/8-16X2IN)						
	2	1	5M-2894	11	WASHER (2.5MM THK)						
	3	1	7N-5057	1	GASKET						
	4	1	7W-0050	1	COVER AS-PUMP						
	5	1	1W-6005	3	BEARING-SLEEVE						
	6	1	4M-3248	2	DOWEL-HOLLOW						
	7	1	2W-5476	2	SHAFT AS-IDLER						
	8	1	7F-1866	2	BOLT (3/8-16X3.0IN)						
	9	1	7W-0051	1	BODY AS-OIL PUMP						
C	10	1	1W-6005	3	BEARING-SLEEVE						
	11	1	1N-4637	1	COVER AS-PUMP						
	12	1	7N-2043	2	DOWEL						
	13	1	7N-5449	1	SPOOL-PRESSURE RELIEF						
	14	1	0S-1585	6	BOLT (1/2-13X1.50IN)						
	15	1	2S-2760	1	SPRING						
	16	1	2W-6619	1	SHAFT AS-PUMP DRIVE						
	17	1	111-1349	1	GASKET						
	18	1	7N-5049	1	COVER-RELIEF VALVE						

C- CHANGE FROM PREVIOUS TYPE



GRAPHIC #1

g00082118

LUBRICATION SYSTEM

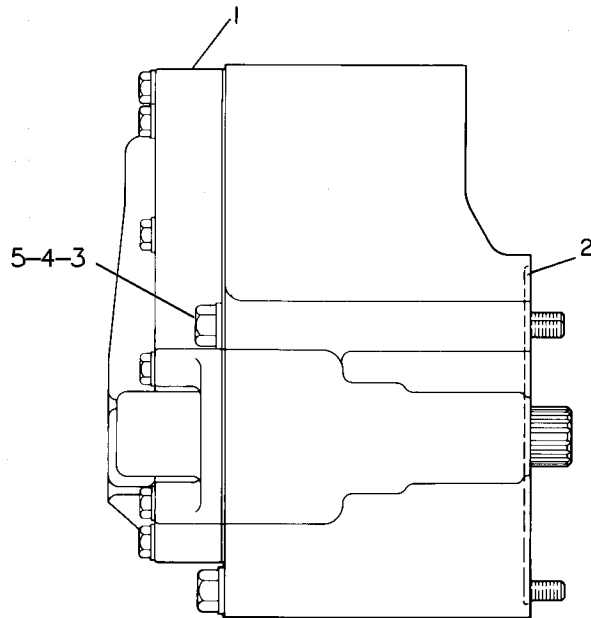
8N-6152 PUMP GP-ENGINE OIL TWO SECTION GEAR

SMCS-1304, 1315

i00095650

NOTE	REF NO	GRAPHIC REF	PART NUMBER	QTY	PART NAME						SEE PAGE
					1	2	3	4	5	6 (PRODUCT LEVEL)	
CYR	1	1	4P-5638	1	PUMP GP-ENGINE OIL						162
	2	1	6V-7681	1	SEAL-O-RING (164.69MM ID)						
	3	1	4S-5882	3	BOLT						
	4	1	5P-8245	3	WASHER (3MM THK)						
C	5	1	9M-4355	3	DAMPER-BOLT						

C-CHANGE FROM PREVIOUS TYPE
R-REMG PART MAY BE AVAILABLE
Y-SEPARATE ILLUSTRATION



GRAPHIC #1

g00082676

LUBRICATION SYSTEM

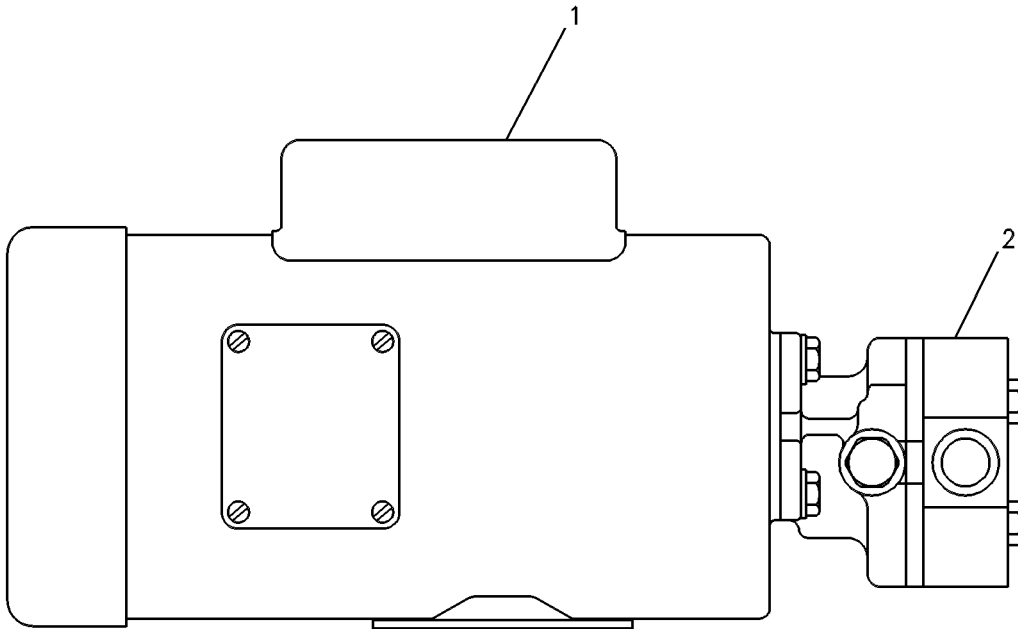
2N-7613 PUMP GP-PRELUBE

PART OF 113-4174 PUMP GP-PRELUBE
AN ATTACHMENT

SMCS-1319

i00657080

NOTE	REF NO	GRAPHIC REF	PART NUMBER	QTY	PART NAME						SEE PAGE
					1	2	3	4	5	6 (PRODUCT LEVEL)	
	1	1	7N-4510	1	MOTOR AS						
		1	7N-4509	1	CAPACITOR						
	2	1	7N-4517	1	PUMP AS-GEAR						



GRAPHIC #1

g00253042

MEMORANDA

LUBRICATION SYSTEM

113-4174 PUMP GP - PRELUBE

AN ATTACHMENT

SMCS-1319

i00670161

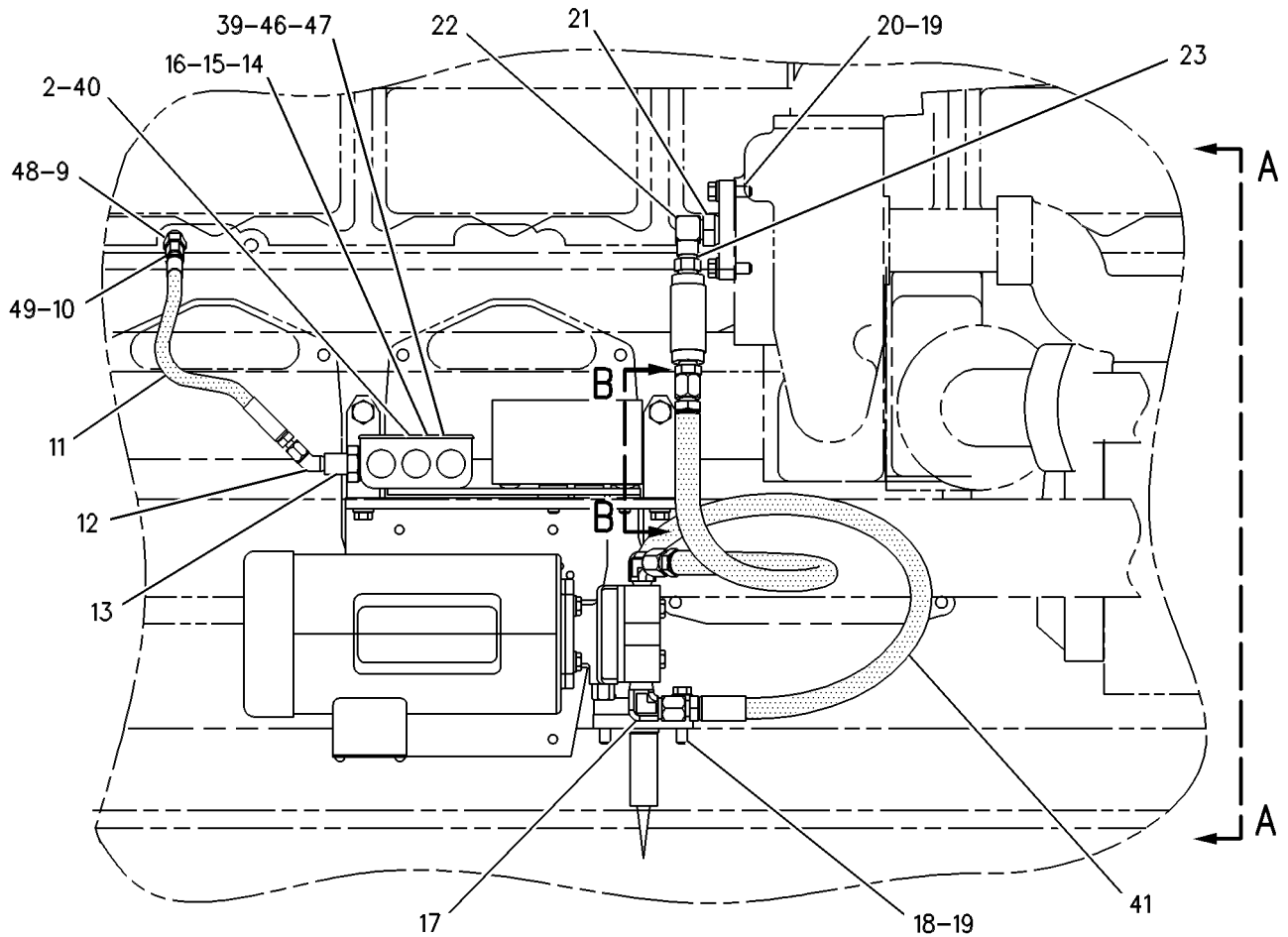
NOTE	REF NO	GRAPHIC REF	PART NUMBER	QTY	PART NAME						SEE PAGE
					1	2	3	4	5	6 (PRODUCT LEVEL)	
	1	1	7L-5219	1	RELAY (OIL PRESSURE)						
	2	1	5L-2579	3	GROMMET						
	3	1	4B-1227	3	SCREW-MACHINE						
	4	1	2W-3406	1	SUPPORT-SWITCH						
	5	1	0S-1594	7	BOLT (3/8-16X1IN)						
	6	1	9L-9132	3	WASHER (2.5MM THK)						
	7	1	6N-8744	3	MOUNT						
	8	1	113-5787	1	BRACKET AS						
	9	1	5P-9617	1	ADAPTER						
	10	1	5D-9231	1	CONNECTOR						
I	11	1	3N-4579	1	HOSE AS						
	12	1	5J-7303	1	ELBOW (FLARED)						
	13	1	9M-7357	1	COUPLING AS						
	14	1	2H-1258	1	BOX-HANDY						
	15	1	2H-1259	1	COVER-HANDY BOX						
	16	1	006-7750	1	SWITCH AS-PRESSURE (OIL)						
		1	6V-8376	2	SCREW-MACHINE (8-32X.25IN)						
	17	1	2N-3378	1	ELBOW						
	18	1	0S-1571	2	BOLT (3/8-16X1.75IN)						
	19	1	5M-2894	10	WASHER (2.5MM THK)						
	20	1	0S-1588	2	BOLT (3/8-16X1.25IN)						
	21	1	6B-4661	1	BUSHING-REDUCER						
	22	1	003-2143	1	ELBOW						
	23	1	004-6683	1	NIPPLE-PIPE						
	24	1	3R-1059	2	FLANGE						
	25	1	3N-6935	1	VALVE-CHECK						
	26	1	8M-0755	1	CONNECTOR						
I	27	1	9G-2653	1	HOSE AS						
Y	28	1	2N-7613	1	PUMP GP - PRELUBE						166
	29	1	7L-7262	1	ELBOW-FLARED						
	30	1	1A-5822	4	BOLT (1/2-13X2.75IN)						
	31	1	1N-3872	2	SUPPORT						
	32	1	1W-4257	1	BRACKET AS						
		1	4K-9097	2	NUT-WELD (5/16-18 THD)						
	33	1	1B-9575	4	BOLT (5/16-18X1.75IN)						
	34	1	9M-1974	6	WASHER-HARD (2MM THK)						
	35	1	1M-3381	4	SPACER						
	36	1	2G-6304	1	STRAINER AS						
	37	1	1W-4821	1	HOSE AS-PAN						
	38	1	004-7626	1	CONNECTOR						
	39	1	4B-1243	2	SCREW-MACHINE						
	40	1	113-5788	2	WIRE AS						
I	41	1	9W-5215	1	HOSE AS						
	42	1	2B-2695	2	BOLT (5/16-18X.875IN)						
	43	1	2G-6303	1	SEAL						
	44	1	5P-5846	2	SEAL-O-RING (40.64MM ID)						
	45	1	3B-4502	3	LOCKWASHER (1.19MM THK)						
	46	1	3B-4503	2	LOCKWASHER						
	47	1	0L-1325	1	WASHER						
	48	1	6V-5048	1	SEAL-O-RING (8.92MM ID)						
	49	1	033-6042	1	SEAL-O-RING						

I-SEE HOSE FABRICATION GUIDE
Y-SEPARATE ILLUSTRATION

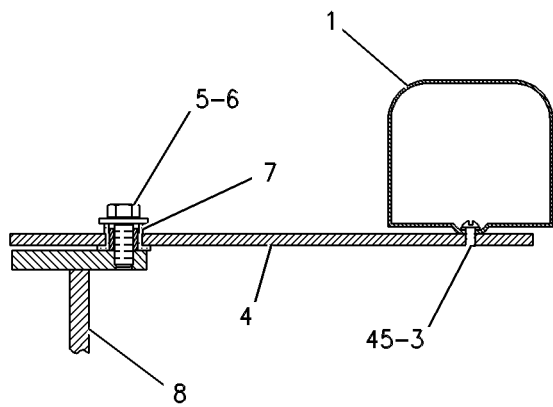
LUBRICATION SYSTEM

113-4174 PUMP GP - PRELUDE (contd.)

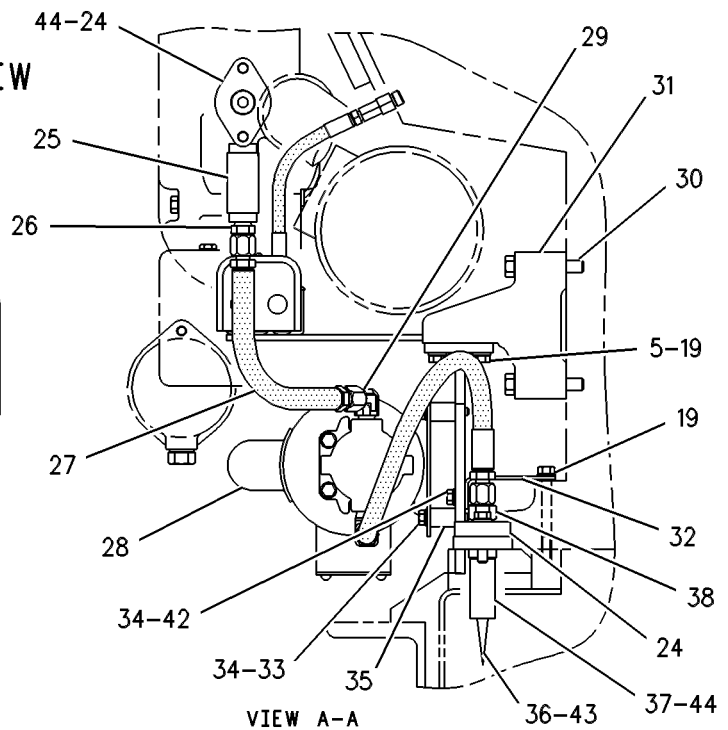
i00670161



RIGHT SIDE VIEW



SECTION B-B



VIEW A-A

GRAPHIC #1

g00253038

LUBRICATION SYSTEM

113-6996 PUMP GP - PRELUBE

AN ATTACHMENT

SMCS-1319

i00655942

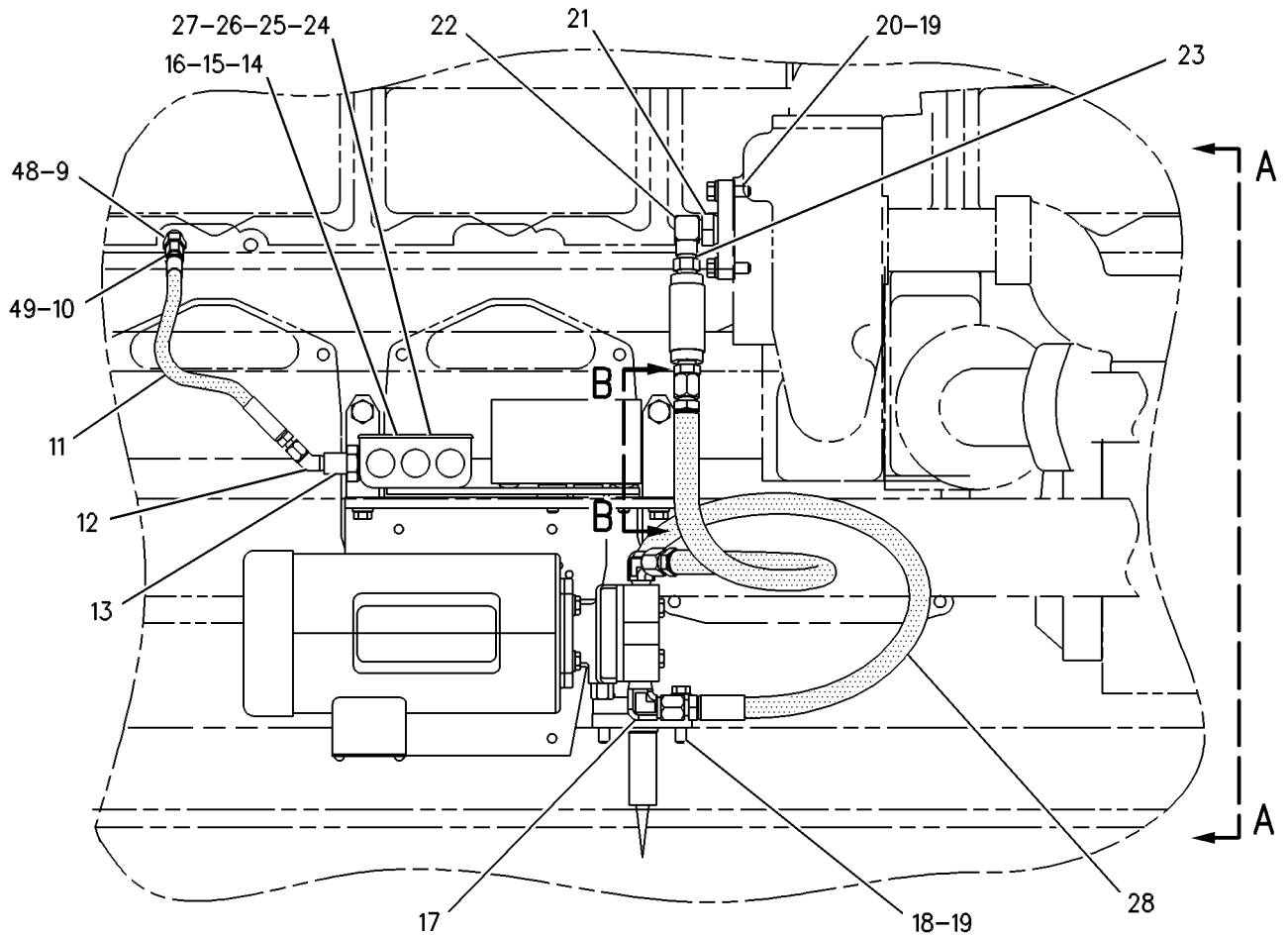
NOTE	REF NO	GRAPHIC REF	PART NUMBER	QTY	PART NAME						SEE PAGE
					1	2	3	4	5	6 (PRODUCT LEVEL)	
	1	1	7L-5219	1	RELAY						
	2	1	5L-2579	3	GROMMET						
	3	1	4B-1227	3	SCREW-MACHINE						
	4	1	2W-3406	1	SUPPORT-SWITCH						
	5	1	0S-1594	7	BOLT (3/8-16X1IN)						
	6	1	9L-9132	3	WASHER (2.5MM THK)						
	7	1	6N-8744	3	MOUNT						
	8	1	113-5787	1	BRACKET AS						
	9	1	5P-9617	1	ADAPTER						
	10	1	5D-9231	1	CONNECTOR						
I	11	1	3N-4579	1	HOSE AS						
	12	1	5J-7303	1	ELBOW (FLARED)						
	13	1	9M-7357	1	COUPLING AS						
	14	1	2H-1258	1	BOX-HANDY						
	15	1	2H-1259	1	COVER-HANDY BOX						
	16	1	006-7750	1	SWITCH AS-PRESSURE (OIL)						
		1	6V-8376	2	SCREW-MACHINE (8-32X.25IN)						
	17	1	2N-3378	1	ELBOW						
	18	1	0S-1571	2	BOLT (3/8-16X1.75IN)						
	19	1	5M-2894	10	WASHER (2.5MM THK)						
	20	1	0S-1588	2	BOLT (3/8-16X1.25IN)						
	21	1	6B-4661	1	BUSHING-REDUCER						
	22	1	003-2143	1	ELBOW						
	23	1	004-6683	1	NIPPLE-PIPE						
	24	1	113-5788	2	WIRE AS						
	25	1	4B-1243	2	SCREW-MACHINE						
	26	1	3B-4503	2	LOCKWASHER						
	27	1	0L-1325	1	WASHER						
I	28	1	9W-5215	1	HOSE AS						
	29	1	3B-4502	3	LOCKWASHER (1.19MM THK)						
	30	1	3R-1059	2	FLANGE						
	31	1	5P-5846	2	SEAL-O-RING (40.64MM ID)						
	32	1	3N-6935	1	VALVE-CHECK						
	33	1	8M-0755	1	CONNECTOR						
I	34	1	9G-2653	1	HOSE AS						
	35	1	2W-0652	1	MOTOR AS-PUMP						
		1	3T-9374	1	CAPACITOR						
		1	7N-4517	1	PUMP AS-GEAR						
	36	1	1B-9575	4	BOLT (5/16-18X1.75IN)						
	37	1	9M-1974	6	WASHER-HARD (2MM THK)						
	38	1	2B-2695	2	BOLT (5/16-18X.875IN)						
	39	1	1M-3381	4	SPACER						
	40	1	2G-6304	1	STRAINER AS						
	41	1	2G-6303	1	SEAL						
	42	1	1W-4821	1	HOSE AS-PAN						
	43	1	004-7626	1	CONNECTOR						
	44	1	1W-4257	1	BRACKET AS						
		1	4K-9097	2	NUT-WELD (5/16-18 THD)						
	45	1	1N-3872	2	SUPPORT						
	46	1	1A-5822	4	BOLT (1/2-13X2.75IN)						
	47	1	7L-7262	4	ELBOW-FLARED						
	48	1	6V-5048	1	SEAL-O-RING (8.92MM ID)						
	49	1	033-6042	1	SEAL-O-RING						

I - SEE HOSE FABRICATION GUIDE

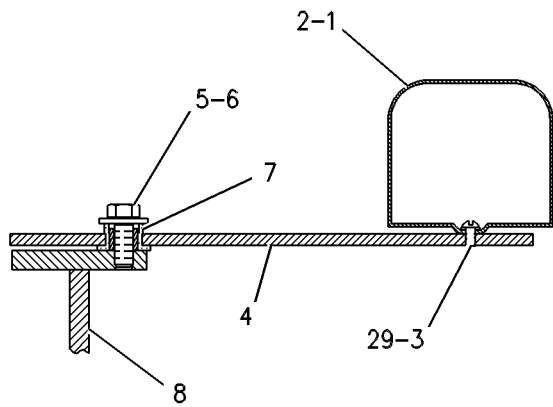
LUBRICATION SYSTEM

113-6996 PUMP GP - PRELUBE (contd.)

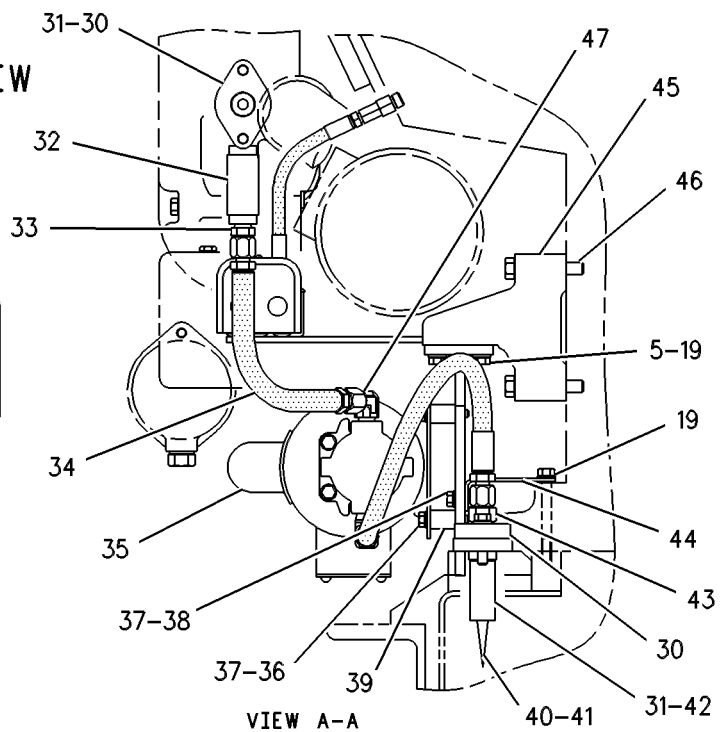
i00655942



RIGHT SIDE VIEW



SECTION B-B



VIEW A-A

GRAPHIC #1

g00252996

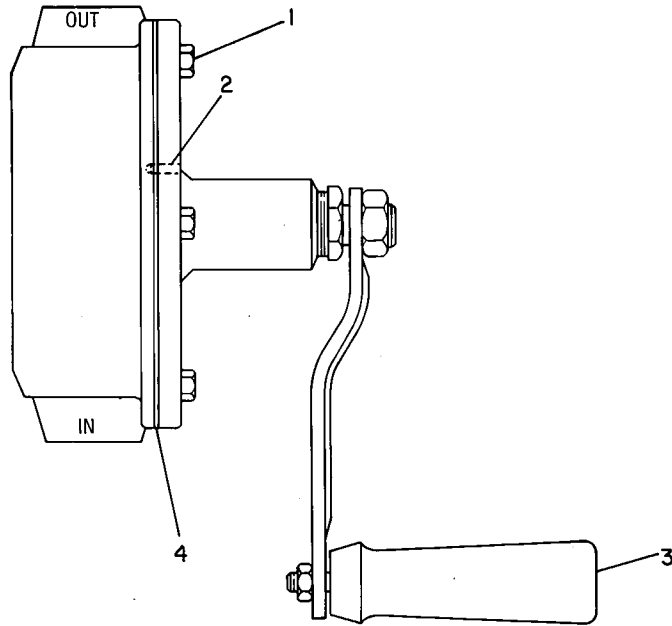
LUBRICATION SYSTEM

5N-6237 PUMP GP-SUMP PART OF 7W-9704 PUMP GP-SUMP AN ATTACHMENT

SMCS-1324

i00651266

NOTE	REF NO	GRAPHIC REF	PART NUMBER	QTY	PART NAME						SEE PAGE
					1	2	3	4	5	6 (PRODUCT LEVEL)	
	1	1	2A-0762	6	BOLT (1/4-20X.625IN)						
	2	1	3N-3297	2	PIN-TAPER						
	3	1	5N-6255	1	HANDLE AS						
B	4	1	3N-3299	1	GASKET SET						
AVAILABLE REPAIR KIT(S):											
			3N-3300	1	KIT-PUMP						
(INCLUDES VANE, SPRING, PACKING, NUT & GASKET)											
B-USE AS REQUIRED											



GRAPHIC #1

g00145128

LUBRICATION SYSTEM

7W-9704 PUMP GP-SUMP

AN ATTACHMENT

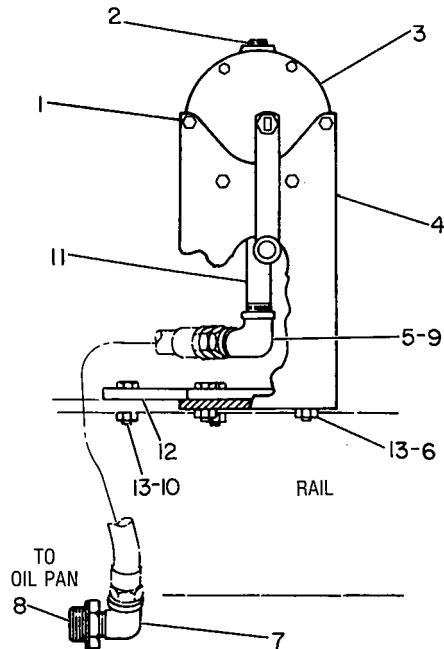
TYPE 1

SMCS-1324

i00652955

NOTE	REF NO	GRAPHIC REF	PART NUMBER	QTY	PART NAME						SEE PAGE
					1	2	3	4	5	6 (PRODUCT LEVEL)	
	1	1	7B-2742	4	BOLT (1/4-20X1.25IN)						
		1	5P-0537	8	WASHER (2MM THK)						
	2	1	7X-7731	1	PLUG-PIPE (3/4-14 NPTF THD)						
Y	3	1	5N-6237	1	PUMP GP-SUMP						172
	4	1	5N-6236	1	BRACKET						
	5	1	1K-6937	1	ELBOW-PIPE						
	6	1	0S-1585	2	BOLT (1/2-13X1.50IN)						
	7	1	003-9163	1	ELBOW						
	8	1	7N-6511	1	ADAPTER						
		1	6F-4868	1	GASKET						
	9	1	5F-6371	1	CONNECTOR						
	10	1	0S-1587	2	BOLT (1/2-13X1.75IN)						
	11	1	3B-7265	1	NIPPLE-PIPE						
	12	1	5N-6235	1	PLATE						
	13	1	1F-7958	4	NUT-FULL (1/2-13 THD)						
		1	5P-8245	8	WASHER (3MM THK)						

Y-SEPARATE ILLUSTRATION



GRAPHIC #1

g00177252

LUBRICATION SYSTEM

7W-9704 PUMP GP-SUMP

AN ATTACHMENT

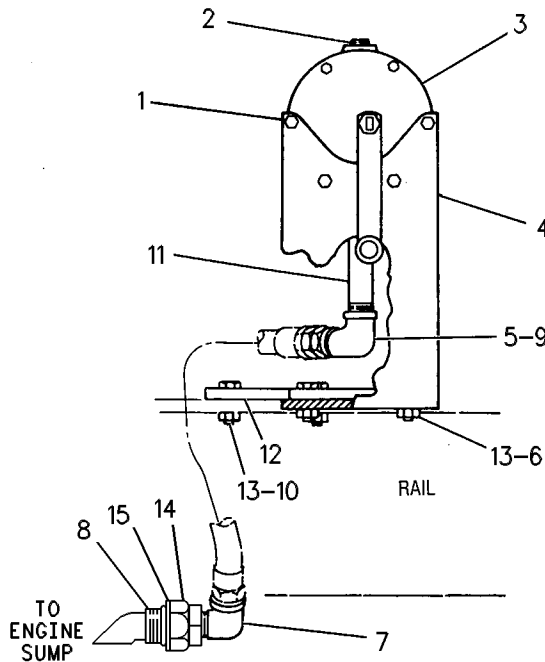
TYPE 2

SMCS-1324

i00652953

NOTE	REF NO	GRAPHIC REF	PART NUMBER	QTY	PART NAME						SEE PAGE
					1	2	3	4	5	6 (PRODUCT LEVEL)	
	1	1	7B-2742	4	BOLT (1/4-20X1.25IN)						
		1	5P-0537	8	WASHER (2MM THK)						
	2	1	7X-7731	1	PLUG-PIPE (3/4-14 NPTF THD)						
Y	3	1	5N-6237	1	PUMP GP-SUMP						172
	4	1	5N-6236	1	BRACKET						
	5	1	1K-6937	1	ELBOW-PIPE						
	6	1	0S-1585	2	BOLT (1/2-13X1.50IN)						
	7	1	003-9163	1	ELBOW						
C	8	1	4P-5242	1	PICKUP AS-OIL						
C		1	4J-0521	1	SEAL-O-RING (34.52MM ID)						
	9	1	5F-6371	1	CONNECTOR						
	10	1	0S-1587	2	BOLT (1/2-13X1.75IN)						
	11	1	3B-7265	1	NIPPLE-PIPE						
	12	1	5N-6235	1	PLATE						
	13	1	1F-7958	4	NUT-FULL (1/2-13 THD)						
		1	5P-8245	8	WASHER (3MM THK)						
C	14	1	0L-0701	1	NUT						
C	15	1	1U-4738	1	WASHER						

C- CHANGE FROM PREVIOUS TYPE
Y- SEPARATE ILLUSTRATION



GRAPHIC #1

g00239040

LUBRICATION SYSTEM

5N-4659 REGULATOR GP-OIL LEVEL

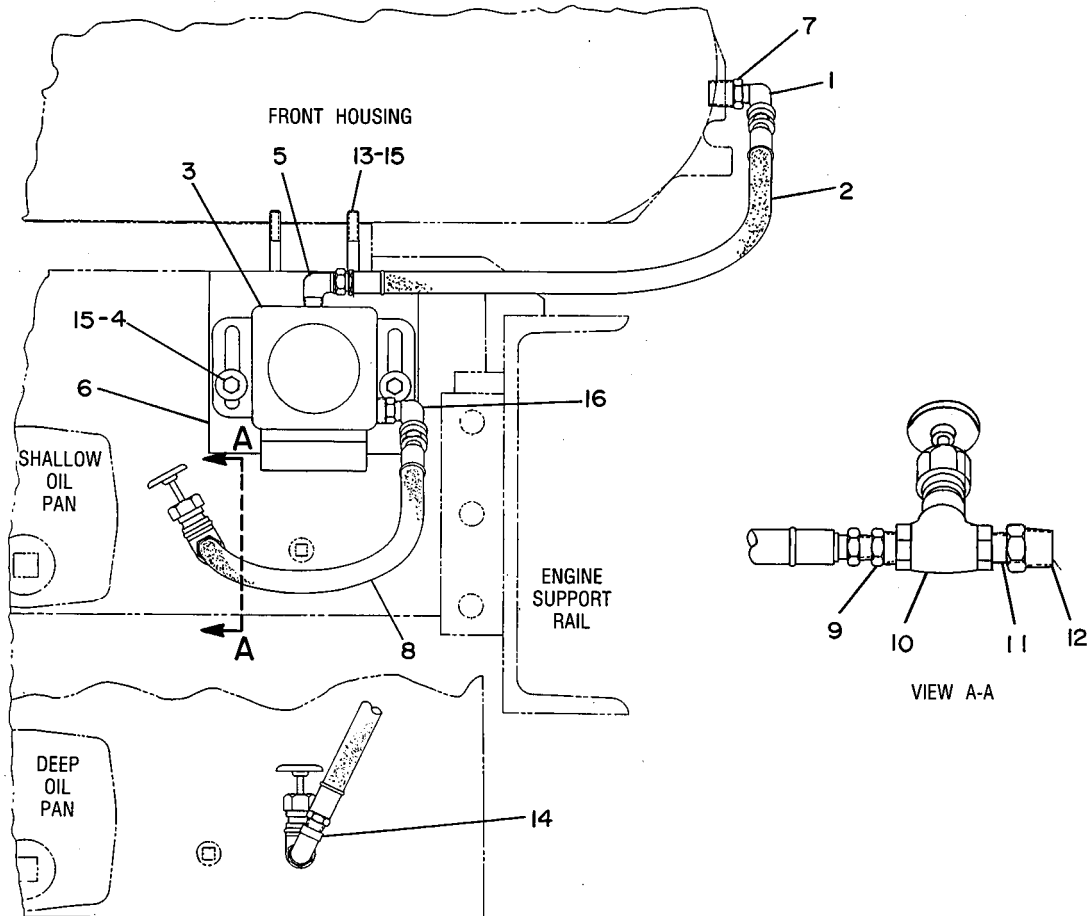
FOR USE WITH LARGE FRONT ACCESSORY DRIVE HOUSING. CANNOT BE USED WITH MOBIL APPLICATIONS
AN ATTACHMENT

SMCS-1326, 1334

i00651093

NOTE	REF NO	GRAPHIC REF	PART NUMBER	QTY	PART NAME						SEE PAGE
					1	2	3	4	5	6 (PRODUCT LEVEL)	
C	1	1	032-1268	1	ELBOW (FLARED)						
CI	2	1	8V-0536	1	HOSE AS						
	3	1	5L-5006	1	REGULATOR-LEVEL						
	4	1	0S-1594	2	BOLT (3/8-16X1IN)						
C	5	1	8T-0169	1	ELBOW-90 DEGREE						
	6	1	7W-7457	1	BRACKET						
	7	1	6B-5072	2	BUSHING-TERMINAL						
CI	8	1	5N-7766	1	HOSE AS						
	9	1	3B-7722	1	BUSHING-PIPE (REDUCING)						
	10	1	5L-6296	1	VALVE-GLOBE						
	11	1	3B-7741	1	NIPPLE (CLOSE)						
	12	1	3B-7255	1	BUSHING-TERMINAL (REDUCING)						
	13	1	0L-1143	2	BOLT (3/8-16X2.5IN)						
	14	1	7J-8611	1	ELBOW (1/4-18 NPTF THD) (PIPE)						
BC	14	1	7J-8611	1	ELBOW (1/4-18 NPTF THD) (PIPE)						
C	15	1	5M-2894	4	WASHER (2.5MM THK)						
C	16	1	002-6453	1	ELBOW-PIPE (1/2-14 NPTF)						

B-USE AS REQUIRED
C-CHANGE FROM PREVIOUS TYPE
I-SEE HOSE FABRICATION GUIDE



GRAPHIC #1

g00185207

LUBRICATION SYSTEM

7W-7319 REGULATOR GP-OIL LEVEL

FOR USE WITH SMALL FRONT ACCESSORY DRIVE HOUSING. CANNOT BE USED WITH MOBILE
APPLICATIONS
AN ATTACHMENT

SMCS-1326, 1334

i00884159

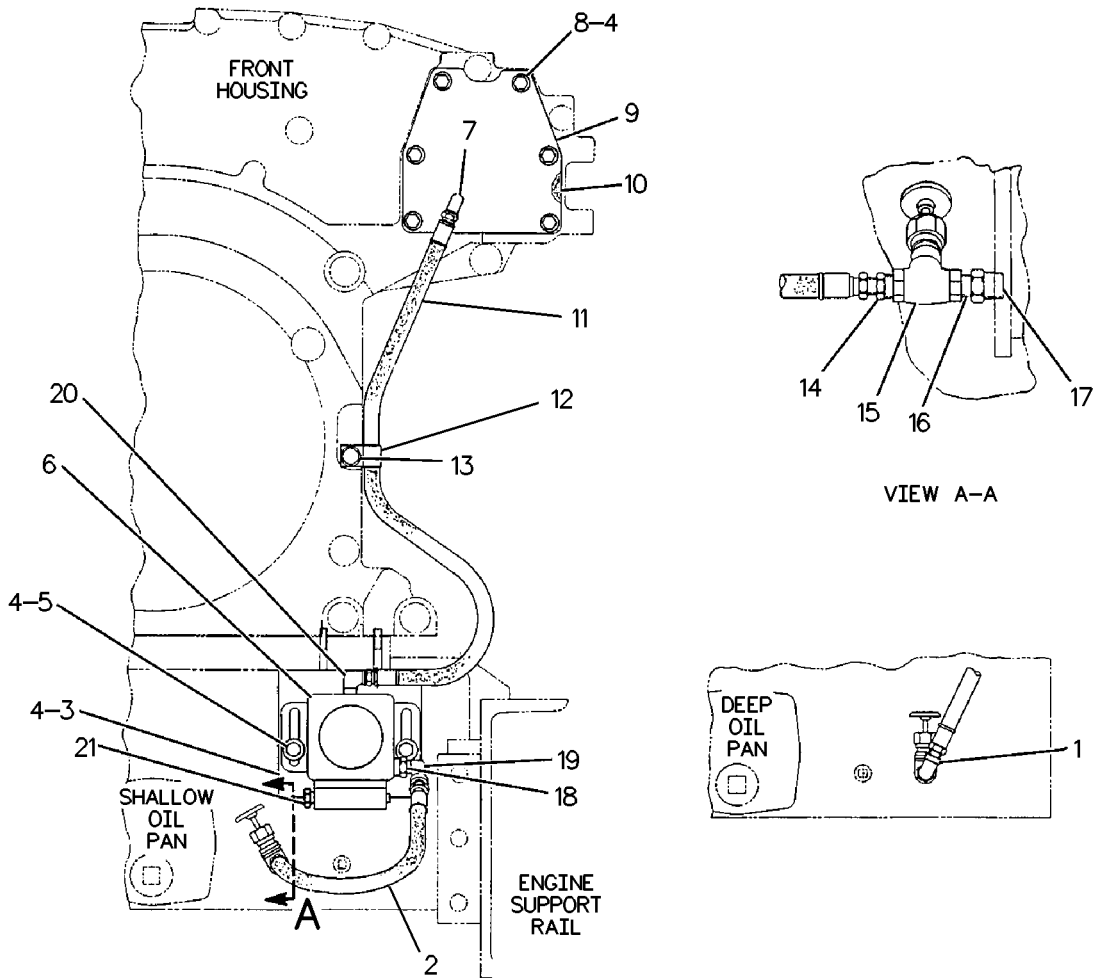
NOTE	REF NO	GRAPHIC REF	PART NUMBER	QTY	PART NAME						SEE PAGE
					1	2	3	4	5	6 (PRODUCT LEVEL)	
B	1	1	7J-8611	1	ELBOW (1/4-18 NPTF THD)						
I	2	1	5N-7766	1	HOSE AS						
	3	1	7W-7457	1	BRACKET						
		1	0L-1143	2	BOLT (3/8-16X2.5IN)						
	4	1	5M-2894	11	WASHER (2.5MM THK)						
	5	1	0S-1594	2	BOLT (3/8-16X1IN)						
	6	1	5L-5006	1	REGULATOR-LEVEL (OIL)						
	7	1	032-1268	1	ELBOW						
	8	1	1A-2029	7	BOLT (3/8-16X1.125IN)						
	9	1	7W-7409	1	COVER						
	10	1	8N-9885	1	GASKET-DRIVE HOUSING						
I	11	1	7V-0917	1	HOSE AS						
	12	1	9F-5977	1	CLIP						
	13	1	0S-1621	1	BOLT (1/2-13X1IN)						
		1	5P-8245	1	WASHER (3MM THK)						
	14	1	3B-7722	1	BUSHING-PIPE						
	15	1	5L-6296	1	VALVE-GLOBE						
	16	1	3B-7741	1	NIPPLE						
	17	1	3B-7255	1	BUSHING-TERMINAL						
	18	1	6B-5072	1	BUSHING-TERMINAL						
	19	1	002-6453	1	ELBOW-PIPE (1/2-14 NPTF)						
	20	1	8T-0169	1	ELBOW-90 DEGREE						
	21	1	3J-5389	1	PLUG						

B-USE AS REQUIRED
I-SEE HOSE FABRICATION GUIDE

LUBRICATION SYSTEM

7W-7319 REGULATOR GP-OIL LEVEL (contd.)

i00884159



GRAPHIC #1

g00213946

LUBRICATION SYSTEM

7W-3816 VALVE GP-FLUID CONTROL

DUPLEX OIL

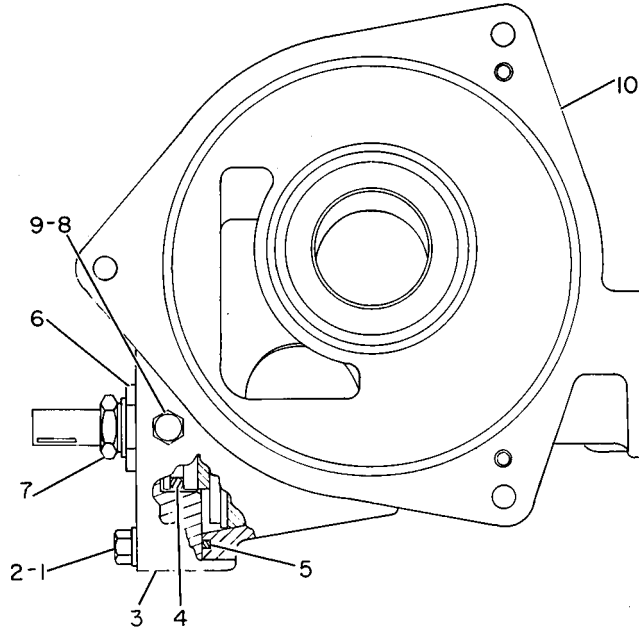
PART OF 134-0975, 4W-9968 FILTER GP-ENGINE OIL
AN ATTACHMENT

SMCS-7560

i00651627

NOTE	REF NO	GRAPHIC REF	PART NUMBER	QTY	PART NAME						SEE PAGE
					1	2	3	4	5	6 (PRODUCT LEVEL)	
	1	1	0S-1571	2	BOLT (3/8-16X1.75IN)						
	2	1	5M-2894	2	WASHER (2.5MM THK)						
	3	1	2W-0013	1	COVER AS						
		1	7S-2245	1	DOWEL (.095CM OD)						
C		1	3H-2617	1	PIN-SPRING (.098CM OD)						
	4	1	9M-2610	1	SEAL-O-RING						
	5	1	5D-5957	1	SEAL-O-RING						
	6	1	3B-7329	1	NUT						
	7	1	5H-7225	1	NUT-RETAINER						
	8	1	9S-4182	1	PLUG (7/16-20 THD)						
	9	1	6V-5048	1	SEAL-O-RING (8.92MM ID)						
	10	1	2W-9210	1	VALVE AS-OIL (DUPLEX)						

C- CHANGE FROM PREVIOUS TYPE



GRAPHIC #1

g00172506

MEMORANDA

COOLING SYSTEM

7E-0010 CONNECTION GP-WATER PART OF 7E-1340, 7E-3781, 7E-8723 CONVERSION AR AN ATTACHMENT

SMCS-1380

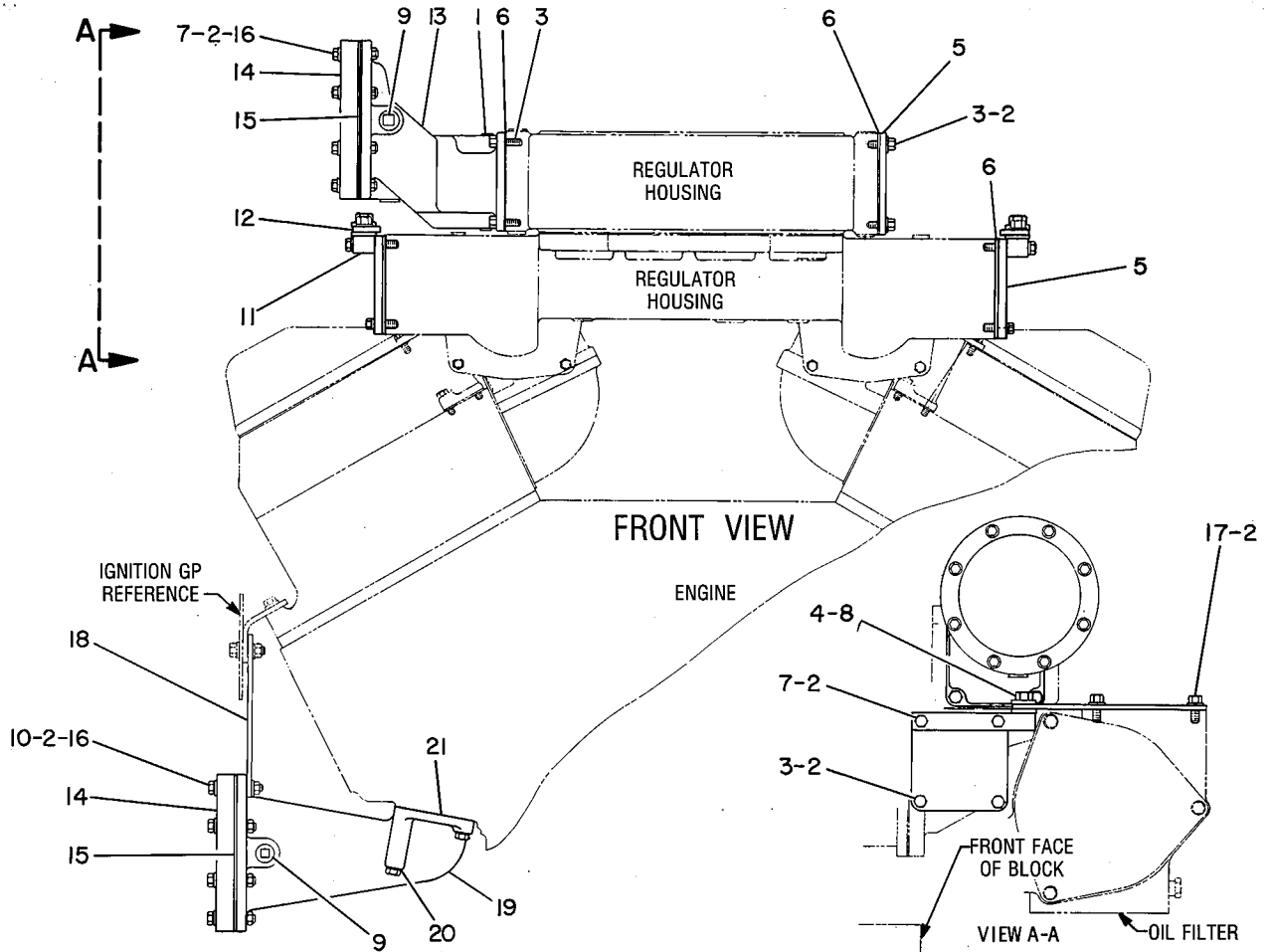
i00661472

NOTE	REF NO	GRAPHIC REF	PART NUMBER	QTY	PART NAME						SEE PAGE
					1	2	3	4	5	6 (PRODUCT LEVEL)	
1		1	7F-9504	2	PLUG-PIPE						
2		1	5M-2894	34	WASHER (2.5MM THK)						
3		1	0S-1594	12	BOLT (3/8-16X1IN)						
4		1	0S-1585	2	BOLT (1/2-13X1.50IN)						
5		1	7N-4923	3	COVER						
6		1	3N-3008	4	GASKET						
7		1	0S-1590	18	BOLT (3/8-16X2IN)						
8		1	5P-1076	4	WASHER-HARD (4MM THK)						
9		1	2B-0858	5	PLUG-PIPE (1/2-14 NPTF)						
10		1	0L-1143	2	BOLT (3/8-16X2.5IN)						
11		1	2W-4334	2	BAR						
12		1	2W-4335	2	PLATE						
13		1	1W-2639	1	ADAPTER-EXCHANGER						
14		1	7N-7009	2	FLANGE						
15		1	1S-5772	2	GASKET						
		1	8N-6984	2	COVER						
16		1	1D-4717	16	NUT (3/8-16 THD)						
17		1	0L-1351	4	BOLT (3/8-16X.875IN)						
18		1	7E-0018	1	SUPPORT						
19		1	7E-0017	1	ELBOW-BLOCK INLET						
20		1	0T-0065	2	BOLT (3/8-16X3.5IN)						
		1	0S-1588	2	BOLT (3/8-16X1.25IN)						
21		1	7N-4945	1	GASKET						

COOLING SYSTEM

7E-0010 CONNECTION GP-WATER (contd.)

i00661472



GRAPHIC #1

g00206560

COOLING SYSTEM

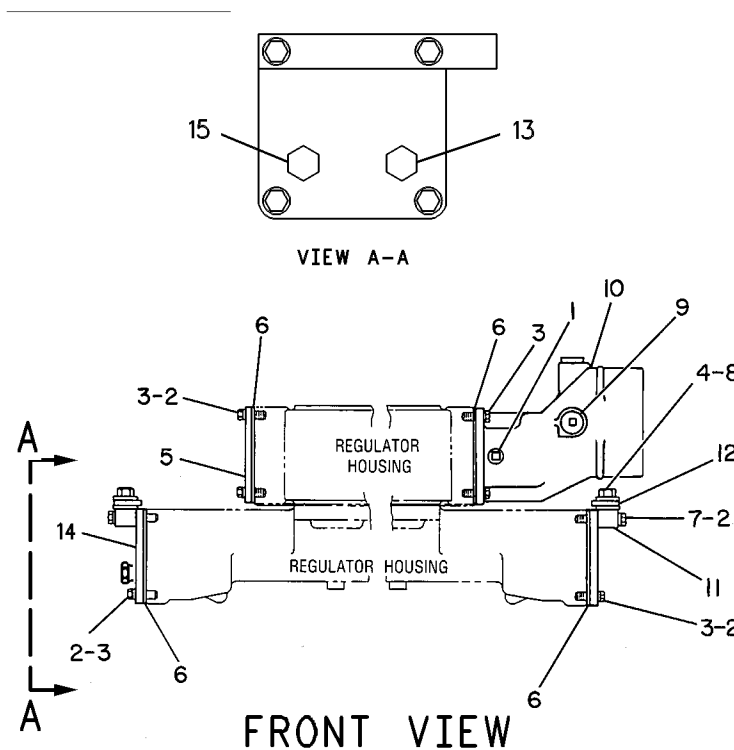
7W-6372 CONNECTION GP-WATER OUTLET

CANNOT BE USED WITH SPIN-ON FUEL FILTERS

SMCS-1380

i00651182

NOTE	REF NO	GRAPHIC REF	PART NUMBER	QTY	PART NAME						SEE PAGE
					1	2	3	4	5	6 (PRODUCT LEVEL)	
	1	1	8T-6758	2	PLUG-PIPE						
	2	1	5M-2894	12	WASHER (2.5MM THK)						
	3	1	0S-1594	12	BOLT (3/8-16X1IN)						
	4	1	0S-1585	2	BOLT (1/2-13X1.50IN)						
	5	1	7E-6017	2	COVER						
	6	1	7E-6016	4	GASKET						
	7	1	0S-1590	4	BOLT (3/8-16X2IN)						
	8	1	5P-1076	4	WASHER-HARD (4MM THK)						
	9	1	8T-6762	3	PLUG-PIPE						
	10	1	7N-6560	1	ADAPTER-CONNECTOR						
	11	1	2W-4334	2	BAR						
	12	1	7E-6334	2	PLATE						
	13	1	7W-6492	1	PLUG-PIPE (1/2-14'NPTF THD)						
	14	1	119-6294	1	COVER						
	15	1	3E-7430	1	PLUG-PIPE						



GRAPHIC #1

g00248639

COOLING SYSTEM

8N-8993 CONNECTION GP-WATER

INLET & OUTLET

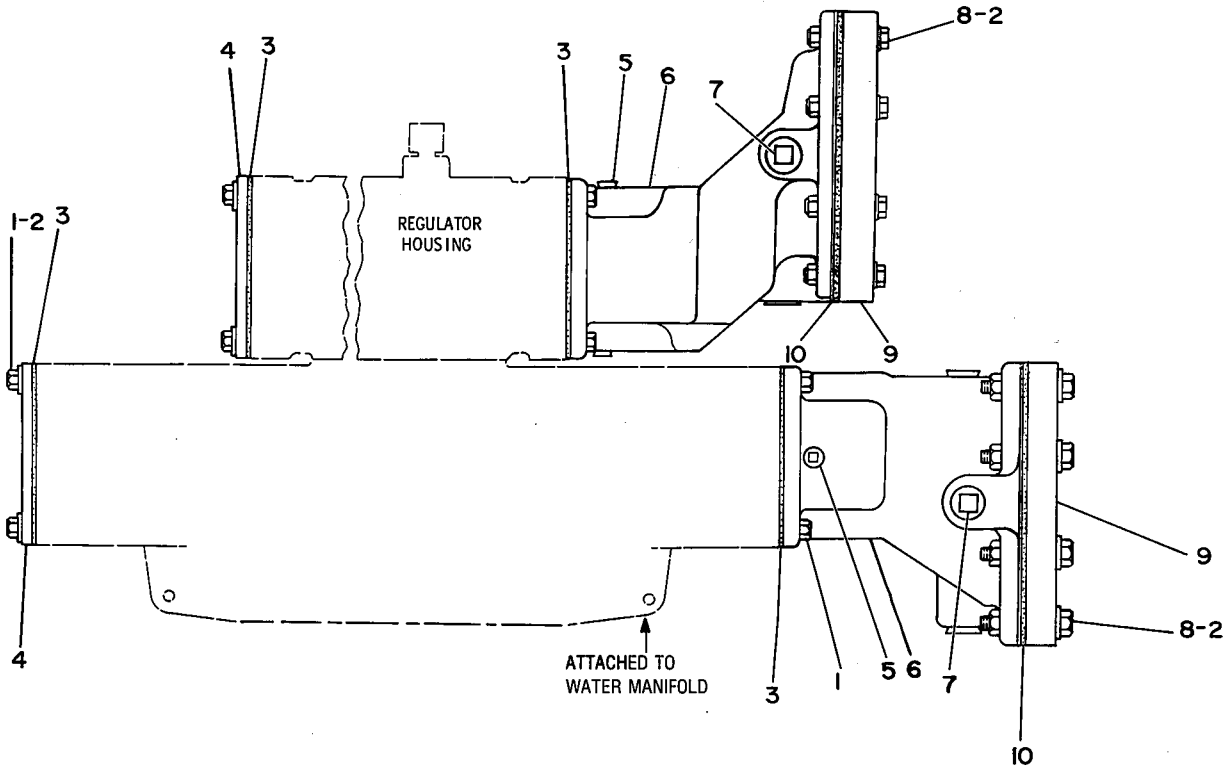
PART OF 4P-4694 TANK GP-EXPANSION

FOR USE WITH EXPANSION TANK & STANDBY GEN SET ENGINE, E317-ONLY, 1W-8061
ENGINE AR, E318 ONLY, 2W-1450 ENGINE AR, E318, E317, 8N-7717 TANK GP-EXPANSION,
E318, E317, 8N-7643 REGULATOR GP-TEMPERATURE
AN ATTACHMENT

SMCS-1380

i00651271

NOTE	REF NO	GRAPHIC REF	PART NUMBER	QTY	PART NAME						SEE PAGE
					1	2	3	4	5	6 (PRODUCT LEVEL)	
	1	1	0S-1594	16	BOLT (3/8-16X1IN)						
	2	1	5M-2894	24	WASHER (2.5MM THK)						
	3	1	7E-6016	4	GASKET						
	4	1	7E-6017	2	COVER						
	5	1	7F-9504	4	PLUG-PIPE						
	6	1	1W-2639	2	ADAPTER-EXCHANGER						
	7	1	2B-0858	6	PLUG-PIPE (1/2-14 NPTF)						
	8	1	0S-1590	16	BOLT (3/8-16X2IN)						
		1	9S-8752	16	NUT-FULL (3/8-16 THD)						
	9	1	7N-7009	2	FLANGE						
	10	1	1S-5772	2	GASKET						



GRAPHIC #1

g00147614

COOLING SYSTEM

9Y-8179 CONNECTION GP-WATER

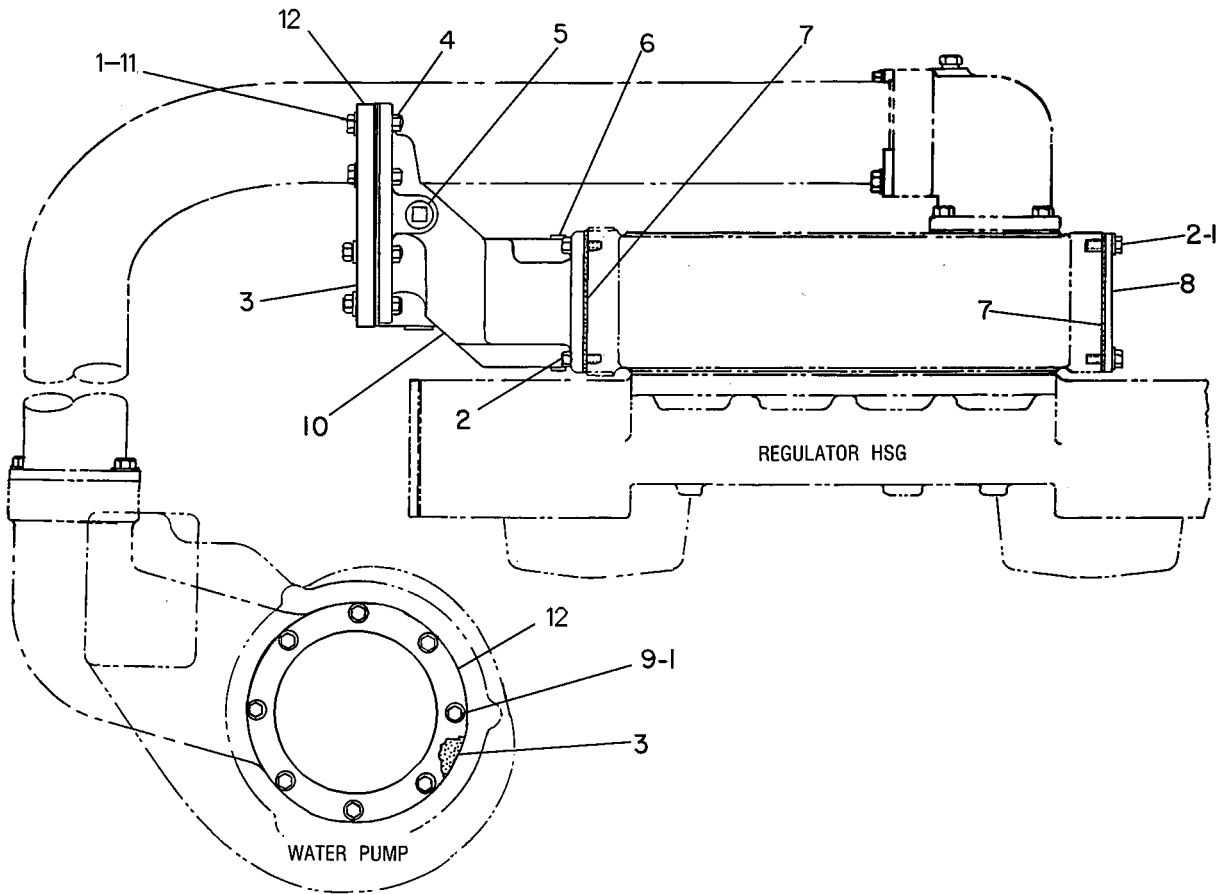
INLET & OUTLET

CANNOT BE USED WITH 2 CIRCUIT AND 3 CIRCUIT HIGH TEMPERATURE WATER CONVERSION AR.
AN ATTACHMENT

SMCS-1380

i00655097

NOTE	REF NO	GRAPHIC REF	PART NUMBER	QTY	PART NAME						SEE PAGE
					1	2	3	4	5	6 (PRODUCT LEVEL)	
	1	1	5M-2894	20	WASHER (2.5MM THK)						
	2	1	0S-1594	8	BOLT (3/8-16X1IN)						
	3	1	1S-5772	2	GASKET						
	4	1	1D-4717	8	NUT (3/8-16 THD)						
	5	1	2B-0858	3	PLUG-PIPE (1/2-14 NPTF)						
	6	1	7F-9504	2	PLUG-PIPE						
	7	1	7E-6016	2	GASKET						
	8	1	7E-6017	1	COVER						
	9	1	0S-1591	8	BOLT (3/8-16X1.5IN)						
	10	1	1W-2639	1	ADAPTER-EXCHANGER						
	11	1	0S-1590	8	BOLT (3/8-16X2IN)						
	12	1	7N-7009	2	FLANGE						



GRAPHIC #1

g00224105

COOLING SYSTEM

4W-5893 COOLER GP-ENGINE OIL

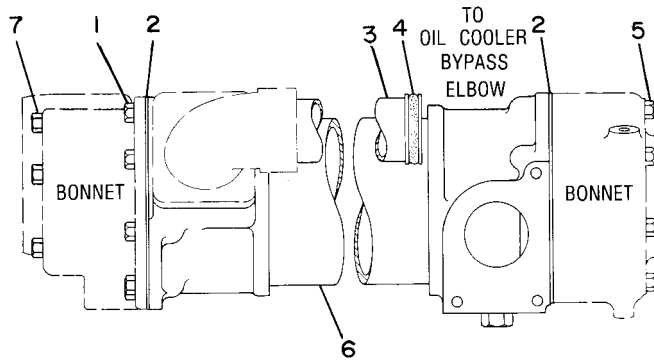
S/N 9TG1-77

SMCS-1378

i00112511

NOTE	REF NO	GRAPHIC REF	PART NUMBER	QTY	PART NAME						SEE PAGE
					1	2	3	4	5	6 (PRODUCT LEVEL)	
	1	1	3B-1915	5	BOLT (3/8-16X1.375IN)						
	2	1	4L-8606	2	GASKET						
	3	1	7W-1928	1	TUBE						
	4	1	109-2332	2	SEAL-O-RING						
	5	1	8S-9191	8	BOLT (3/8-16X4IN)						
YR	6	1	4W-5409	1	CORE GP-OIL COOLER						187
	7	1	1A-5183	3	BOLT (3/8-16X4.75IN)						

R- REMFG PART MAY BE AVAILABLE
Y- SEPARATE ILLUSTRATION



GRAPHIC #1

g00081842

COOLING SYSTEM

4W-5893 COOLER GP-ENGINE OIL

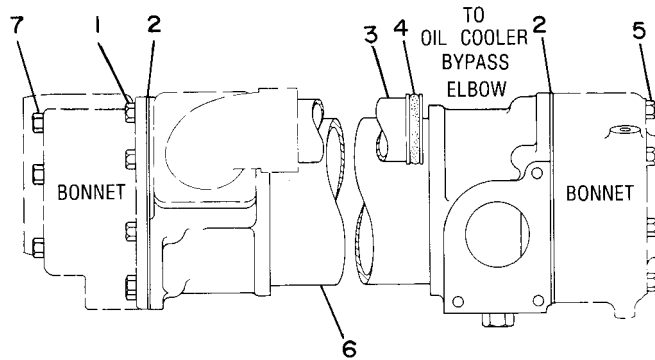
S/N 9TG78-UP

SMCS-1378

i00112514

NOTE	REF NO	GRAPHIC REF	PART NUMBER	QTY	PART NAME						SEE PAGE
					1	2	3	4	5	6 (PRODUCT LEVEL)	
	1	1	3B-1915	5	BOLT (3/8-16X1.375IN)						
	2	1	4L-8606	2	GASKET						
	3	1	7W-1928	1	TUBE						
	4	1	109-2332	2	SEAL-O-RING						
	5	1	8S-9191	8	BOLT (3/8-16X4IN)						
CR	6	1	124-5142	1	CORE AS-OIL COOLER						
	7	1	1A-5183	3	BOLT (3/8-16X4.75IN)						

C- CHANGE FROM PREVIOUS TYPE
R- REMFG PART MAY BE AVAILABLE



GRAPHIC #1

g00081842

COOLING SYSTEM

4W-5409 CORE GP-OIL COOLER

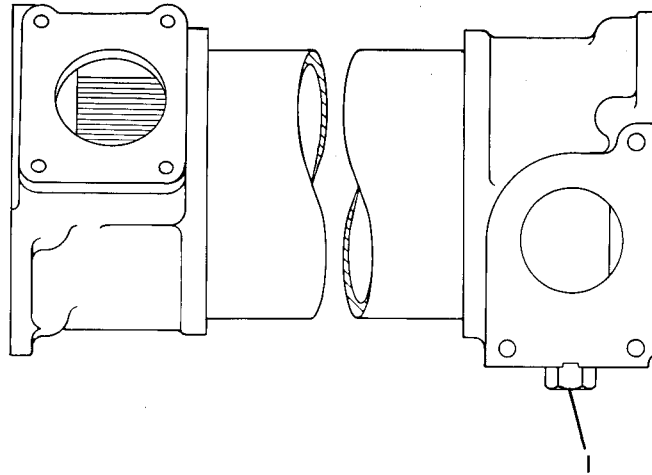
S/N 9TG1-77

PART OF 4W-5893 COOLER GP-ENGINE OIL

SMCS-1378

i00112836

NOTE	REF NO	GRAPHIC REF	PART NUMBER	QTY	PART NAME						SEE PAGE
					1	2	3	4	5	6 (PRODUCT LEVEL)	
	1	1	9S-4185	1	PLUG-O-RING (3/4-16 THD)						
		1	8L-2786	1	SEAL-O-RING (16.36MM ID)						



GRAPHIC #1

g00081840

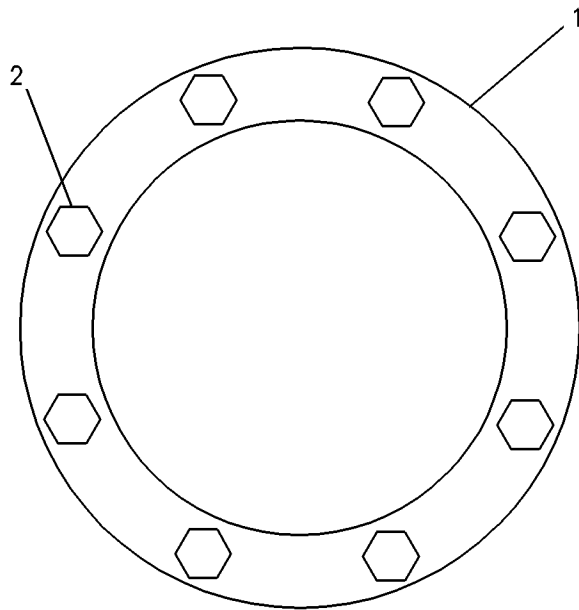
COOLING SYSTEM

6I-0999 FLANGE GP AN ATTACHMENT

SMCS-1380

i00656071

NOTE	REF NO	GRAPHIC REF	PART NUMBER	QTY	PART NAME						SEE PAGE
					1	2	3	4	5	6 (PRODUCT LEVEL)	
	1	1	7N-7009	1	FLANGE						
	2	1	0S-1591	8	BOLT (3/8-16X1.5IN)						
		1	5M-2894	8	WASHER (2.5MM THK)						



GRAPHIC #1

g00232811

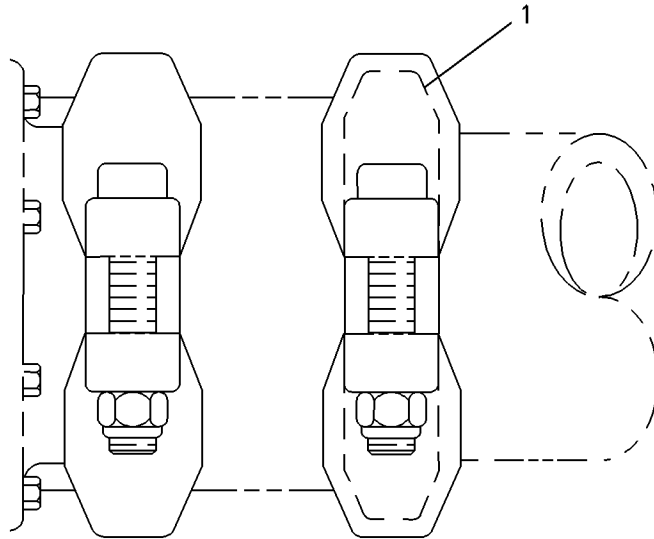
COOLING SYSTEM

5P-9130 JOINT AS-TUBE AN ATTACHMENT

SMCS-1380

i00114361

NOTE	REF NO	GRAPHIC REF	PART NUMBER	QTY	PART NAME						SEE PAGE
					1	2	3	4	5	6 (PRODUCT LEVEL)	
	1	1	5P-9131	2	SEAL (141.3MM ID)						
					-OR-						
		1	9X-7540	2	SEAL (140.46MM ID)						



GRAPHIC #1

g00065398

COOLING SYSTEM

2W-1461 LINES GP-AUXILIARY FRESH WATER-AFTERCooler

SMCS-1380

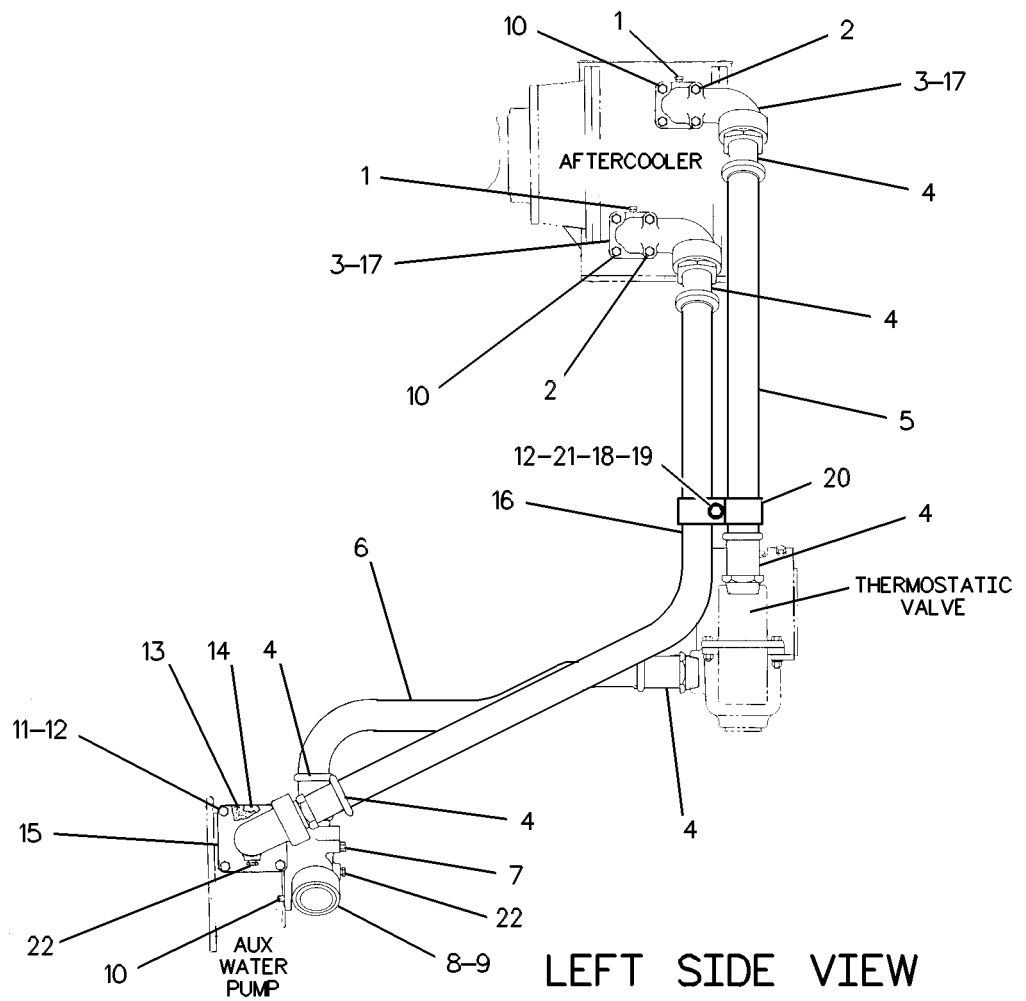
i00655752

NOTE	REF NO	GRAPHIC REF	PART NUMBER	QTY	PART NAME						SEE PAGE
					1	2	3	4	5	6 (PRODUCT LEVEL)	
	1	1	8T-6765	2	PLUG-PIPE (1/4-18 NPTF THD)						
	2	1	0S-1619	4	BOLT (3/8-16X3IN)						
	3	1	7W-3448	2	ELBOW						
	4	1	8T-2657	6	JOINT AS-TUBE (EACH INCLUDES)						
		1	2N-8198	1	SEAL						
	5	1	7W-2728	1	TUBE						
	6	1	7W-2727	1	TUBE						
	7	1	1A-5964	2	BOLT (3/8-16X4.5IN)						
	8	1	7W-1446	1	ELBOW						
	9	1	4F-7387	1	SEAL-O-RING (100.97MM ID)						
	10	1	0S-1594	6	BOLT (3/8-16X1IN)						
	11	1	0S-1591	4	BOLT (3/8-16X1.5IN)						
	12	1	9S-8752	5	NUT-FULL (3/8-16 THD)						
	13	1	3P-6061	2	GASKET						
	14	1	5N-0408	1	PLATE-ORIFICE						
	15	1	7W-3297	1	ELBOW						
	16	1	7W-2729	1	TUBE						
	17	1	5G-1442	2	GASKET						
	18	1	0S-1590	1	BOLT (3/8-16X2IN)						
	19	1	1B-4971	1	SPACER						
	20	1	1S-2067	2	CLIP						
	21	1	5M-2894	2	WASHER (2.5MM THK)						
B	22	1	8T-6765	2	PLUG-PIPE (1/4-18 NPTF THD)						
B-USE AS REQUIRED											

COOLING SYSTEM

2W-1461 LINES GP-AUXILIARY (contd.)

i00655752



GRAPHIC #1

g00239629

COOLING SYSTEM

130-7222 LINES GP-AUXILIARY

SMCS-1380

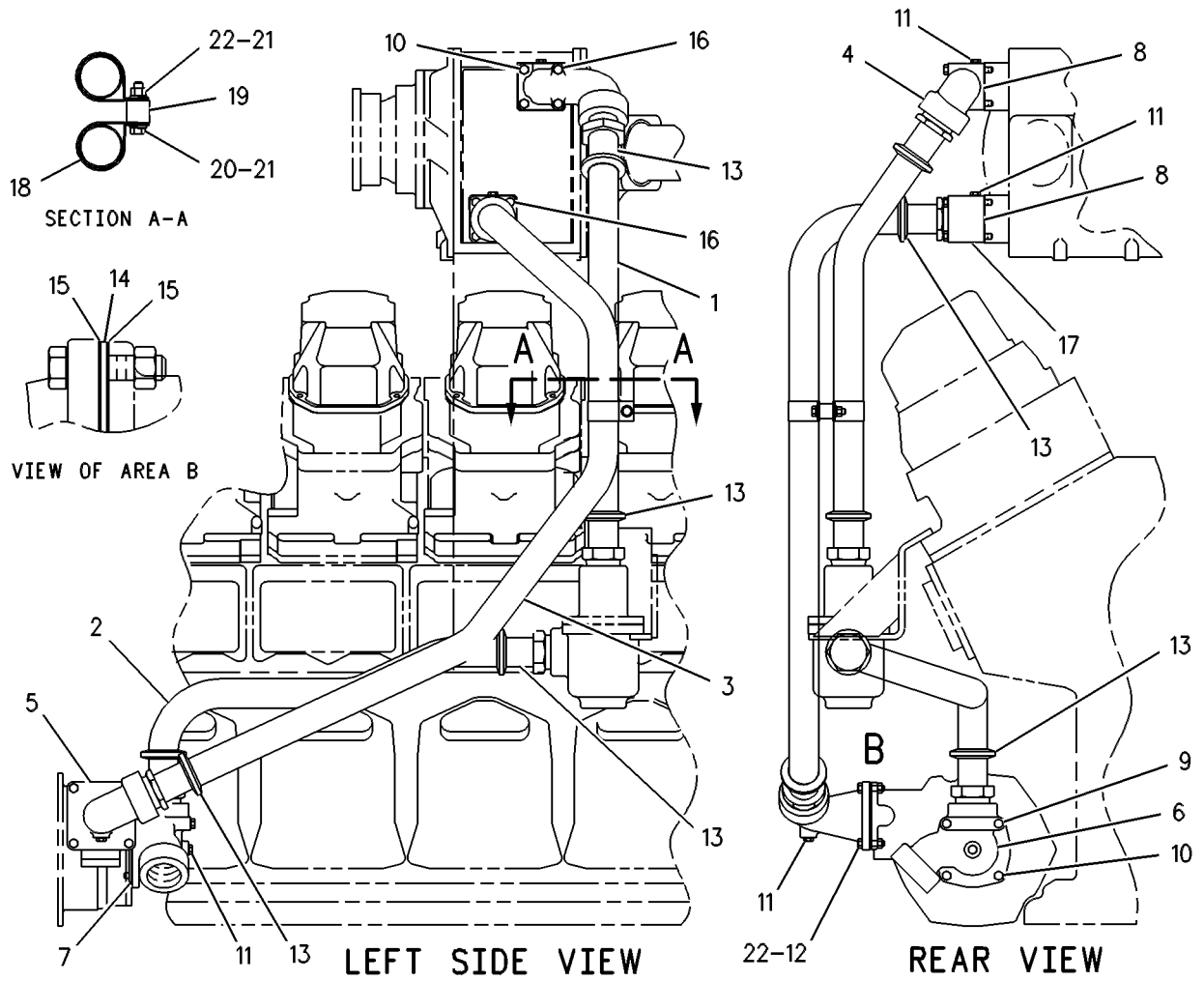
i00660167

NOTE	REF NO	GRAPHIC REF	PART NUMBER	QTY	PART NAME						SEE PAGE
					1	2	3	4	5	6 (PRODUCT LEVEL)	
	1	1	7W-2728	1	TUBE						
	2	1	7W-2727	1	TUBE						
	3	1	130-7223	1	TUBE						
	4	1	7W-3448	1	ELBOW						
	5	1	7W-3297	1	ELBOW						
	6	1	7W-1446	1	ELBOW						
	7	1	4F-7387	1	SEAL-O-RING (100.97MM ID)						
	8	1	5G-1442	2	GASKET						
	9	1	1A-5964	2	BOLT (3/8-16X4.5IN)						
	10	1	0S-1594	4	BOLT (3/8-16X1IN)						
	11	1	8T-6765	4	PLUG-PIPE (1/4-18 NPTF THD)						
	12	1	0S-1591	4	BOLT (3/8-16X1.5IN)						
	13	1	8T-2657	6	JOINT AS-TUBE						
		1	2N-8198	1	SEAL						
	14	1	5N-0408	1	PLATE-ORIFICE						
	15	1	3P-6061	2	GASKET						
	16	1	0S-1619	6	BOLT (3/8-16X3IN)						
	17	1	130-7224	1	ADAPTER						
	18	1	1S-2067	2	CLIP						
	19	1	1B-4971	1	SPACER						
	20	1	0S-1590	1	BOLT (3/8-16X2IN)						
	21	1	5M-2894	2	WASHER (2.5MM THK)						
	22	1	9S-8752	5	NUT-FULL (3/8-16 THD)						

COOLING SYSTEM

130-7222 LINES GP-AUXILIARY (contd.)

i00660167



GRAPHIC #1

g00263384

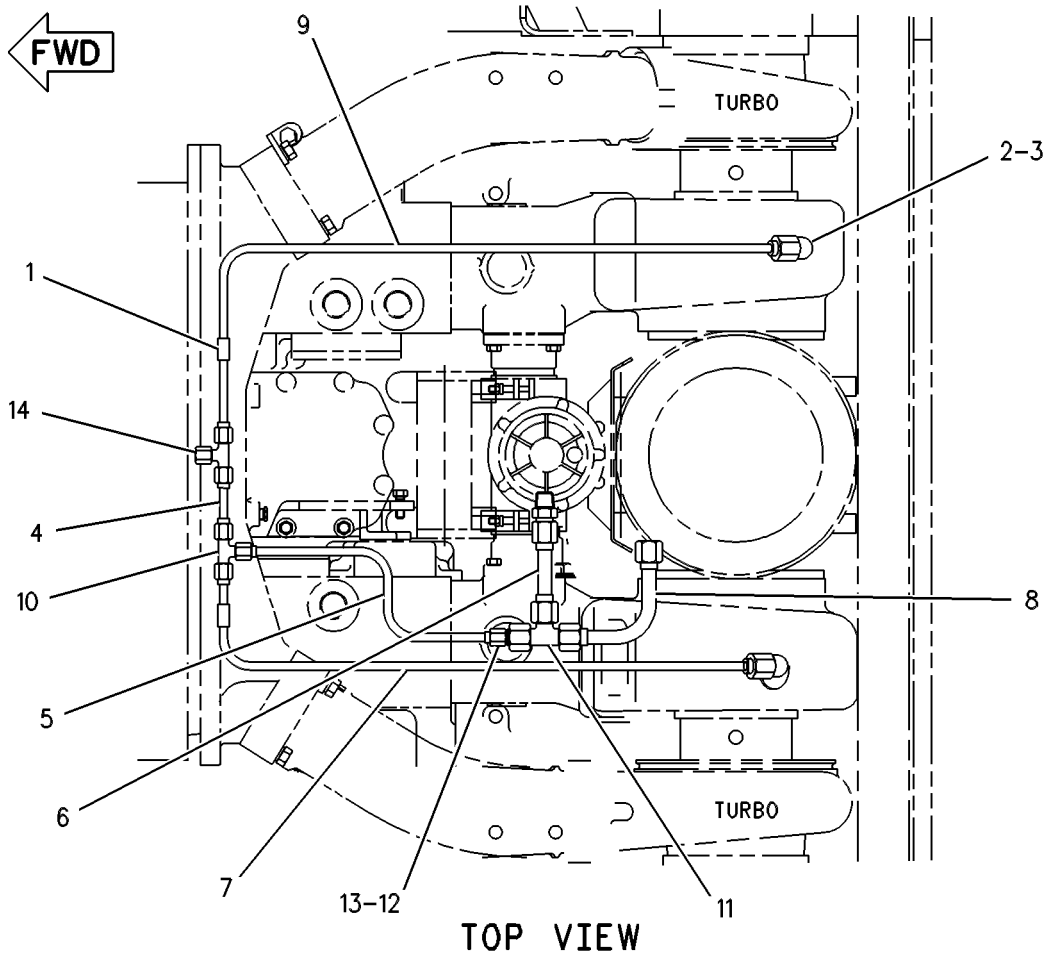
COOLING SYSTEM

121-3119 LINES GP-VENT

SMCS-1380

i00656958

NOTE	REF NO	GRAPHIC REF	PART NUMBER	QTY	PART NAME						SEE PAGE
					1	2	3	4	5	6 (PRODUCT LEVEL)	
	1	1	7H-7055	2	CLIP (9.52MM ID)						
	2	1	2N-8037	2	ELBOW						
	3	1	011-5224	2	BUSHING-TERMINAL						
	4	1	116-2390	1	TUBE AS						
	5	1	121-3209	1	TUBE AS						
	6	1	116-2392	1	TUBE AS						
	7	1	121-3210	1	TUBE AS						
	8	1	116-2394	1	TUBE AS						
	9	1	121-3211	1	TUBE AS						
	10	1	4S-3652	2	TEE-UNION						
	11	1	003-8581	1	TEE-UNION						
	12	1	5H-0275	1	NUT-FITTING						
	13	1	030-8145	1	REDUCER-FLARED						
	14	1	8S-4950	1	CAP						



GRAPHIC #1

g00263033

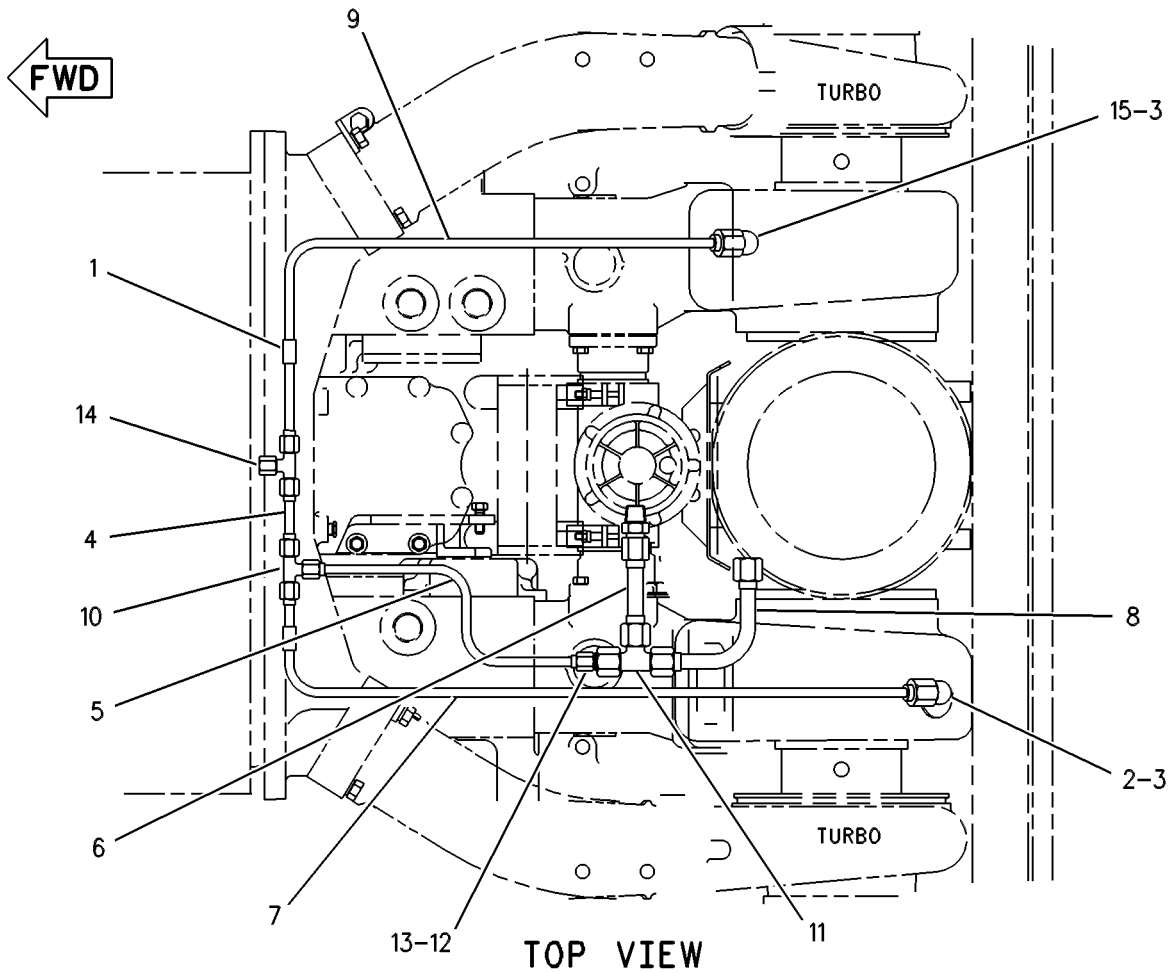
COOLING SYSTEM

122-8619 LINES GP-VENT

SMCS-1380

i00656994

NOTE	REF NO	GRAPHIC REF	PART NUMBER	QTY	PART NAME						SEE PAGE
					1	2	3	4	5	6 (PRODUCT LEVEL)	
	1	1	7H-7055	2	CLIP (9.52MM ID)						
	2	1	2N-8037	1	ELBOW						
	3	1	011-5224	2	BUSHING-TERMINAL						
	4	1	116-2390	1	TUBE AS						
	5	1	121-3209	1	TUBE AS						
	6	1	116-2392	1	TUBE AS						
	7	1	122-8621	1	TUBE AS						
	8	1	116-2394	1	TUBE AS						
	9	1	122-8620	1	TUBE AS						
	10	1	4S-3652	2	TEE-UNION						
	11	1	003-8581	1	TEE-UNION						
	12	1	5H-0275	1	NUT-FITTING						
	13	1	030-8145	1	REDUCER-FLARED						
	14	1	8S-4950	1	CAP						
	15	1	4W-4076	1	ELBOW-45 DEGREE						



GRAPHIC #1

g00262787

COOLING SYSTEM

1N-4171 LINES GP-WATER-LOWER

SMCS-1355, 1380, 1393

i00650391

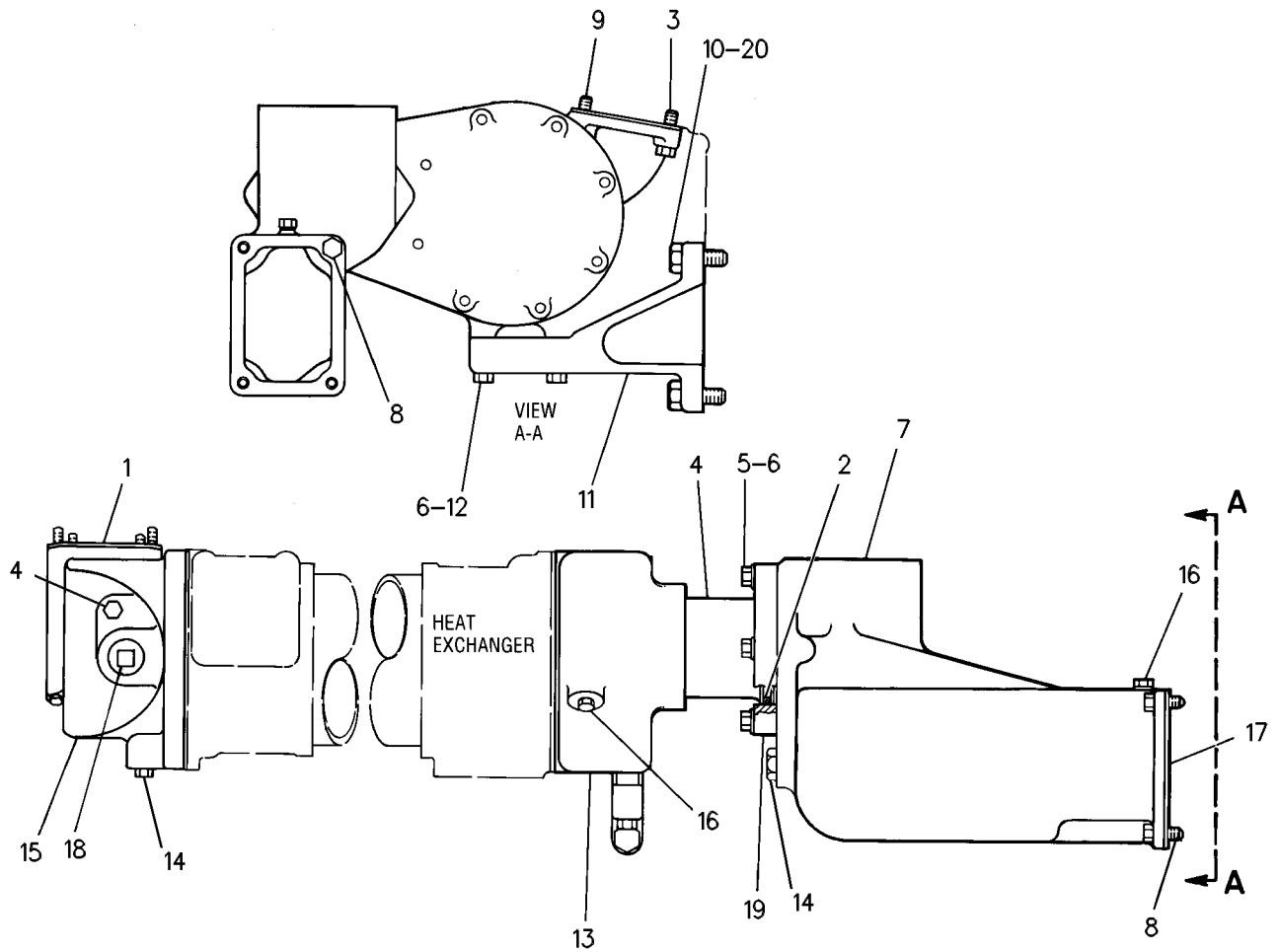
NOTE	REF NO	GRAPHIC REF	PART NUMBER	QTY	PART NAME						SEE PAGE
					1	2	3	4	5	6 (PRODUCT LEVEL)	
	1	1	7N-4945	1	GASKET						
C	2	1	6V-5066	2	SEAL-O-RING						
	3	1	1A-2029	2	BOLT (3/8-16X1.125IN)						
	4	1	8N-7641	1	TUBE						
	5	1	2A-4639	4	BOLT (3/8-16X1.625IN)						
	6	1	5M-2894	4	WASHER (2.5MM THK)						
	7	1	120-7421	1	ADAPTER						
	8	1	0S-1594	6	BOLT (3/8-16X1IN)						
	9	1	1D-4706	2	BOLT (3/8-16X6IN)						
	10	1	0S-1585	2	BOLT (1/2-13X1.50IN)						
	11	1	7N-4940	1	BRACKET						
	12	1	0S-1571	2	BOLT (3/8-16X1.75IN)						
	13	1	7N-4939	1	BONNET-OIL COOLER						
	14	1	9S-4185	2	PLUG-O-RING (3/4-16 THD)						
C		1	6V-6609	2	SEAL-O-RING (16.36MM ID)						
	15	1	7N-6426	1	BONNET-OIL COOLER						
	16	1	5M-6213	3	PLUG						
	17	1	7N-4932	1	GASKET						
	18	1	3B-0551	1	PLUG-PIPE (1-11 1/2 NPTF THD)						
	19	1	8N-0386	1	FLANGE						
		1	4N-1320	1	GASKET-ADAPTER						
	20	1	5P-8245	2	WASHER (3MM THK)						

C- CHANGE FROM PREVIOUS TYPE

COOLING SYSTEM

1N-4171 LINES GP-WATER (contd.)

i00650391



GRAPHIC #1

g00265495

COOLING SYSTEM

2W-1464 LINES GP-WATER-UPPER

PART OF 4P-4694 TANK GP-EXPANSION

AN ATTACHMENT

SMCS-1355, 1380, 1393

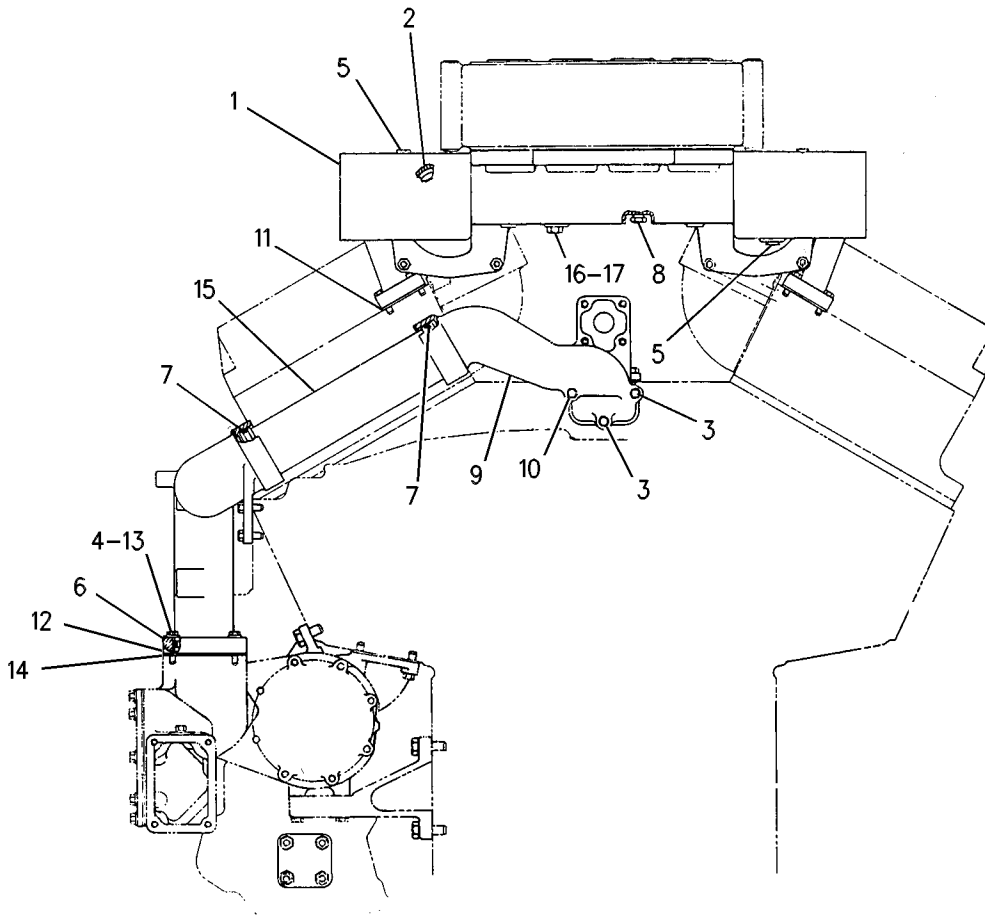
i00894578

NOTE	REF NO	GRAPHIC REF	PART NUMBER	QTY	PART NAME						SEE PAGE
					1	2	3	4	5	6 (PRODUCT LEVEL)	
1	1	1	8N-9623	1	HOUSING-REGULATOR						
2	1	1	6V-6809	1	SEAL-O-RING						
3	1	1	0S-1619	2	BOLT						
4	1	1	5M-2894	4	WASHER (2.5MM THK)						
5	1	1	8T-6762	3	PLUG-PIPE						
6	1	1	6V-5066	1	SEAL-O-RING						
7	1	1	6V-1454	2	SEAL-O-RING						
8	1	1	7W-6492	1	PLUG-PIPE (1/2-14 NPTF THD)						
9	1	1	7W-0900	1	ELBOW						
10	1	1	0T-0055	1	BOLT (3/8-16X4.25IN)						
11	1	1	127-2176	8	SEAL						
12	1	1	8N-0386	1	FLANGE						
13	1	1	2A-4639	4	BOLT (3/8-16X1.625IN)						
14	1	1	4N-1320	1	GASKET-ADAPTER						
15	1	1	8N-1989	1	TUBE						
16	1	1	9S-4182	1	PLUG (7/16-20 THD)						
17	1	1	6V-9027	1	SEAL-O-RING (8.92MM ID)						
18	2	2	1N-4087	1	ELBOW						
19	2	2	7N-3368	1	GASKET						
20	2	2	0S-1594	4	BOLT						
21	2	2	5M-2894	16	WASHER (2.5MM THK)						
22	2	2	1A-2029	5	BOLT (3/8-16X1.125IN)						
23	2	2	0S-1590	4	BOLT (3/8-16X2IN)						
24	2	2	6H-6698	2	COVER						
25	2	2	1A-9066	4	GASKET						
26	2	2	5R-1036	1	COVER						
27	2	2	1Y-7578	1	GASKET-COVER						
28	2	2	9S-8752	4	NUT-FULL (3/8-16 THD)						
29	2	2	1B-7182	16	BOLT (5/16-18X1.25IN)						
30	2	2	7E-8890	8	COLLAR						
31	2	2	7E-8888	8	ELBOW						
32	2	2	6V-9769	8	SEAL-O-RING						
33	2	2	7E-8889	8	TUBE						
34	2	2	5P-7204	16	SEAL-O-RING (34.29 ID)						
35	2	2	0S-1619	16	BOLT						
36	2	2	9M-1974	4	WASHER-HARD (2MM THK)						
37	2	2	0S-1618	4	BOLT (5/16-18X1.0IN)						

COOLING SYSTEM

2W-1464 LINES GP-WATER (contd.)

i00894578



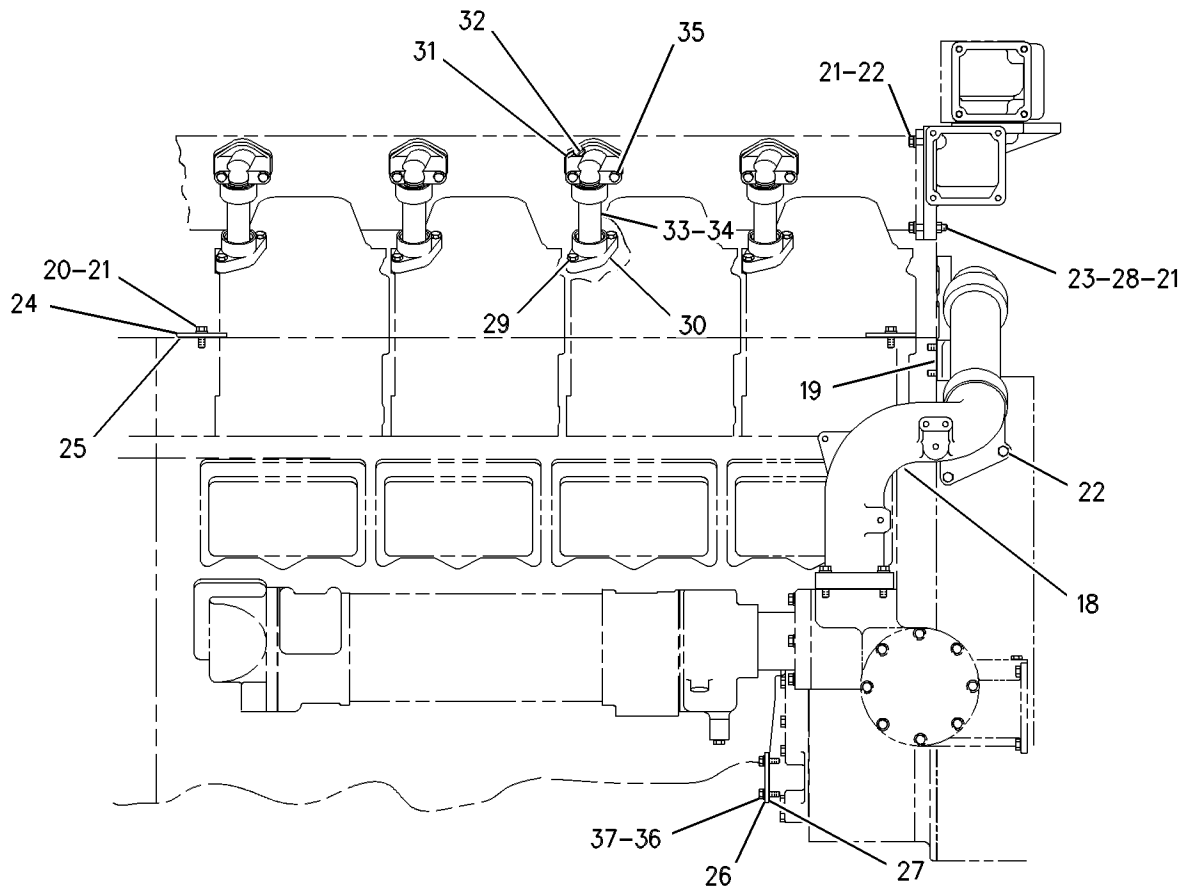
GRAPHIC #1

g00377751

COOLING SYSTEM

2W-1464 LINES GP-WATER (contd.)

i00894578



GRAPHIC #2

g00377752

MEMORANDA

COOLING SYSTEM

4P-8322 LINES GP-WATER

SMCS-1355, 1380, 1393

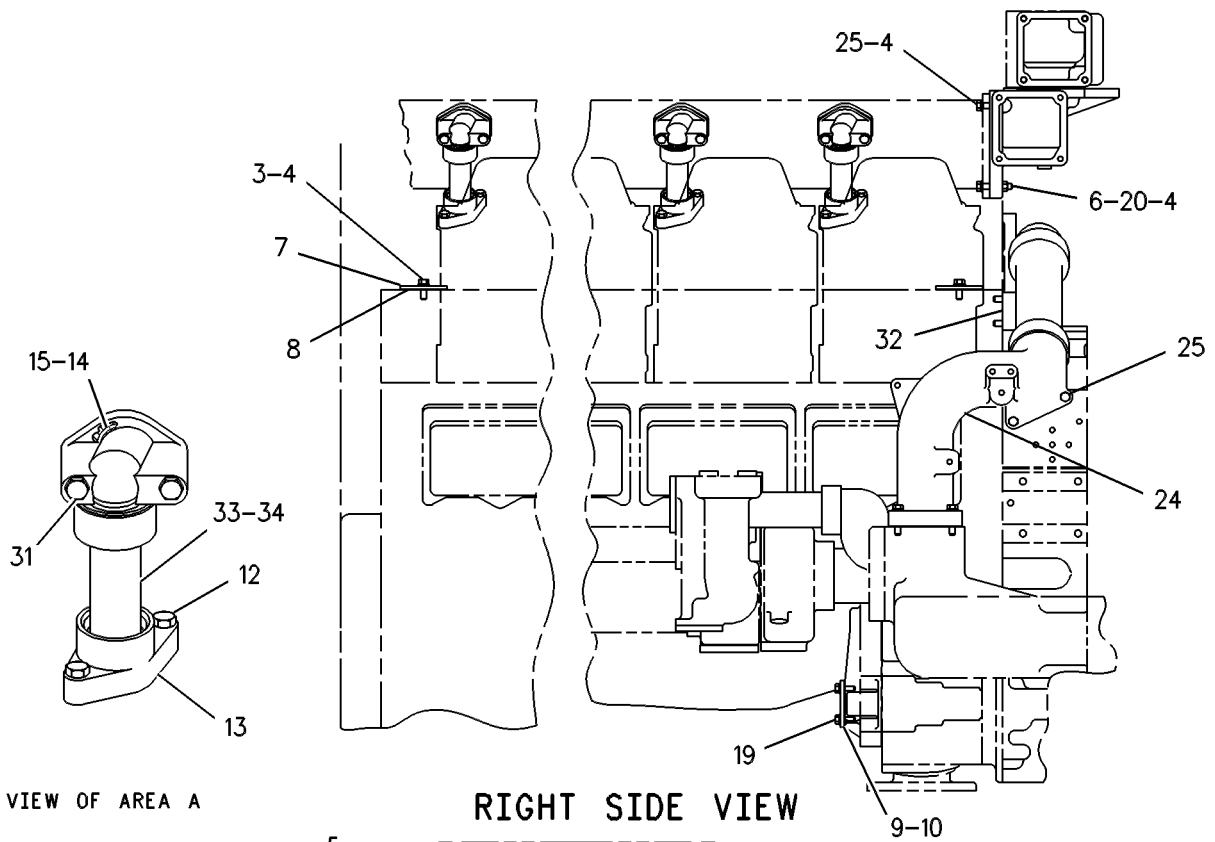
i00656633

NOTE	REF NO	GRAPHIC REF	PART NUMBER	QTY	PART NAME						SEE PAGE
					1	2	3	4	5	6 (PRODUCT LEVEL)	
	1	1	9Y-8540	1	HOUSING-REGULATOR						
	2	1	6V-6809	2	SEAL-O-RING						
	3	1	0S-1594	4	BOLT (3/8-16X1IN)						
	4	1	5M-2894	16	WASHER (2.5MM THK)						
	5	1	8T-6762	3	PLUG-PIPE						
	6	1	0S-1590	4	BOLT (3/8-16X2IN)						
	7	1	6H-6698	2	COVER						
	8	1	1A-9066	2	GASKET						
	9	1	5R-1036	1	COVER						
	10	1	1Y-7578	1	GASKET-COVER						
	11	1	127-2176	8	SEAL						
	12	1	1B-7182	16	BOLT (5/16-18X1.25IN)						
	13	1	7E-8890	8	COLLAR						
	14	1	7E-8888	8	ELBOW						
	15	1	6V-9769	8	SEAL-O-RING						
	16	1	9S-4182	1	PLUG (7/16-20 THD)						
	17	1	6V-9027	1	SEAL-O-RING (8.92MM ID)						
	18	1	7W-6492	1	PLUG-PIPE (1/2-14'NPTF THD)						
	19	1	0S-1618	4	BOLT (5/16X18X1IN)						
		1	9M-1974	4	WASHER-HARD (2MM THK)						
	20	1	9S-8752	4	NUT-FULL (3/8-16 THD)						
	21	1	4N-1320	1	GASKET-ADAPTER						
	22	1	8N-0386	1	FLANGE						
	23	1	2A-4639	4	BOLT (3/8-16X1.625IN)						
	24	1	1N-4087	1	ELBOW						
	25	1	1A-2029	6	BOLT (3/8-16X1.125IN)						
	26	1	6V-5066	1	SEAL-O-RING						
	27	1	6V-1454	2	SEAL-O-RING						
	28	1	8N-1989	1	TUBE						
	29	1	7W-0900	1	ELBOW						
	30	1	0T-0055	1	BOLT (3/8-16X4.25IN)						
	31	1	0S-1619	18	BOLT (3/8-16X3IN)						
	32	1	7N-3368	1	GASKET						
	33	1	5P-7204	16	SEAL-O-RING						
	34	1	7E-8889	8	TUBE						

COOLING SYSTEM

4P-8322 LINES GP-WATER (contd.)

i00656633



VIEW OF AREA A

RIGHT SIDE VIEW

FRONT VIEW

GRAPHIC #1

g00259665

COOLING SYSTEM

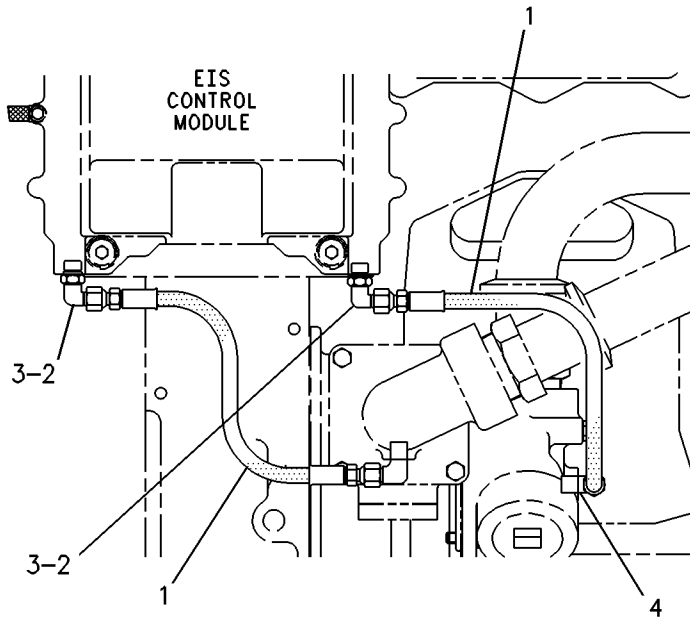
4P-9409 LINES GP-WATER

SMCS-1355, 1380, 1393

i00659142

NOTE	REF NO	GRAPHIC REF	PART NUMBER	QTY	PART NAME						SEE PAGE
					1	2	3	4	5	6 (PRODUCT LEVEL)	
I	1	1	6N-8659	2	HOSE AS						
	2	1	7J-4026	2	ELBOW (9/16-18 STR THD)						
	3	1	6V-5049	2	SEAL-O-RING (11.89MM ID)						
	4	1	6K-1972	2	ELBOW-FLARED (1/4 NPT)						

I-SEE HOSE FABRICATION GUIDE



LEFT SIDE VIEW

GRAPHIC #1

g00233486

MEMORANDA

COOLING SYSTEM

4W-5771 LINES GP-WATER TURBOCHARGER & EXHAUST ELBOW

SMCS-1355, 1380, 1393

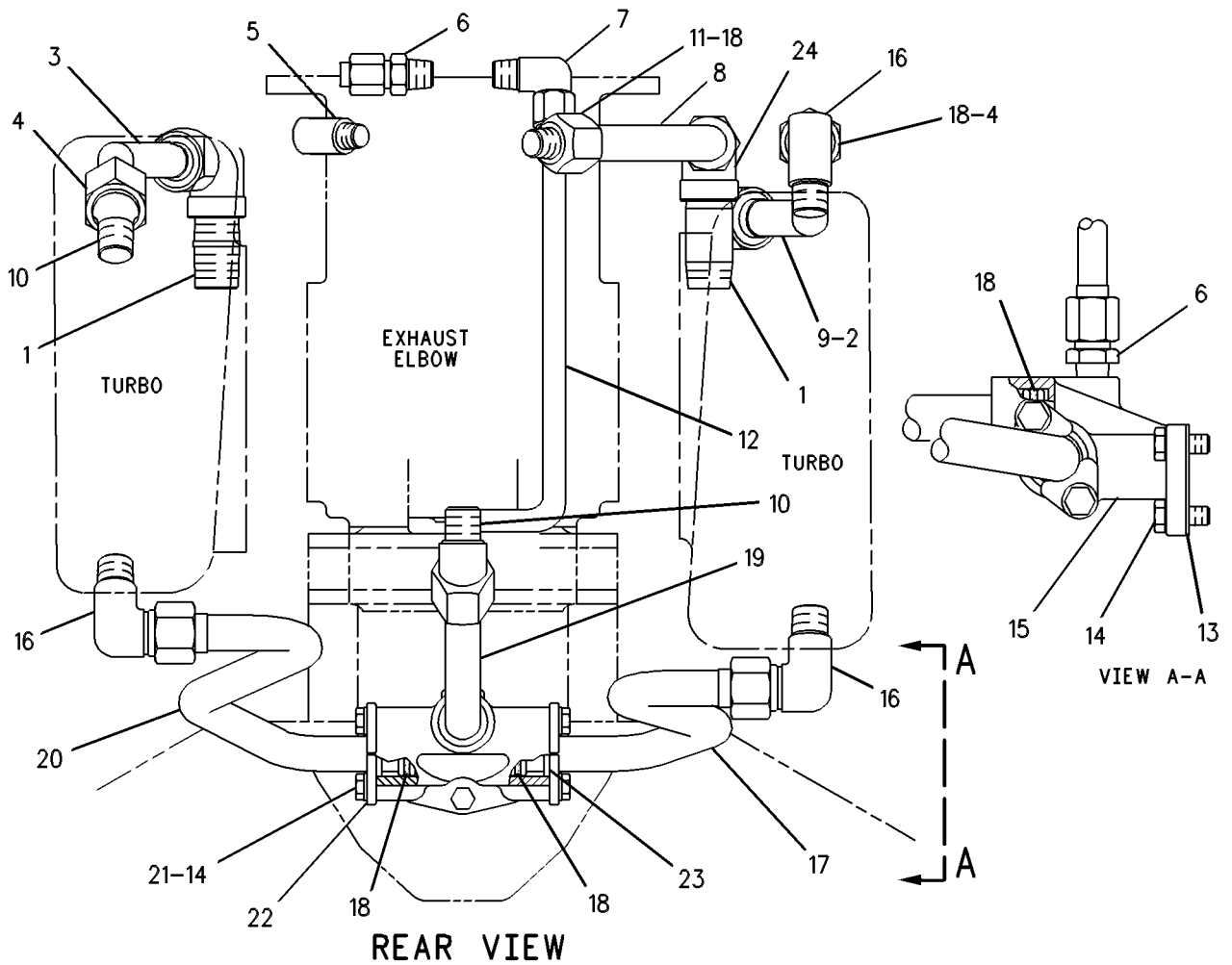
i00655856

NOTE	REF NO	GRAPHIC REF	PART NUMBER	QTY	PART NAME						SEE PAGE
					1	2	3	4	5	6 (PRODUCT LEVEL)	
1	1	1	6B-8128	2	NIPPLE-PIPE						
2	1	1	9S-7296	1	ELBOW-FLARED						
3	1	1	4P-5925	1	TUBE AS						
4	1	1	7E-1282	2	COUPLING						
5	1	1	090-3000	1	ELBOW-FLARED						
6	1	1	001-7004	2	CONNECTOR						
7	1	1	006-2325	1	ELBOW-FLARED						
8	1	1	7E-6764	1	TUBE AS						
9	1	1	4P-5924	1	TUBE AS						
10	1	1	001-7042	2	ELBOW						
11	1	1	7E-6762	1	FITTING						
12	1	1	7C-3917	1	TUBE AS						
13	1	1	7N-3368	1	GASKET						
14	1	1	0S-1594	7	BOLT (3/8-16X1IN)						
15	1	1	7E-6761	1	HOUSING						
16	1	1	6V-8649	3	ELBOW-FLARED						
17	1	1	2W-7964	1	TUBE AS						
18	1	1	7L-4773	6	SEAL-O-RING						
19	1	1	2W-7977	1	TUBE AS						
20	1	1	2W-7963	1	TUBE AS						
21	1	1	5M-2894	4	WASHER (2.5MM THK)						
22	1	1	4W-2109	4	RETAINER						
23	1	1	4W-2110	2	RING-RETAINER						
24	1	1	3N-3893	2	ELBOW-FLARED						

COOLING SYSTEM

4W-5771 LINES GP-WATER (contd.)

i00655856



GRAPHIC #1

g00261267

COOLING SYSTEM

7E-0008 LINES GP-WATER

OIL COOLER

PART OF 7E-1340, 7E-8723 CONVERSION AR
AN ATTACHMENT

SMCS-1355, 1380, 1393

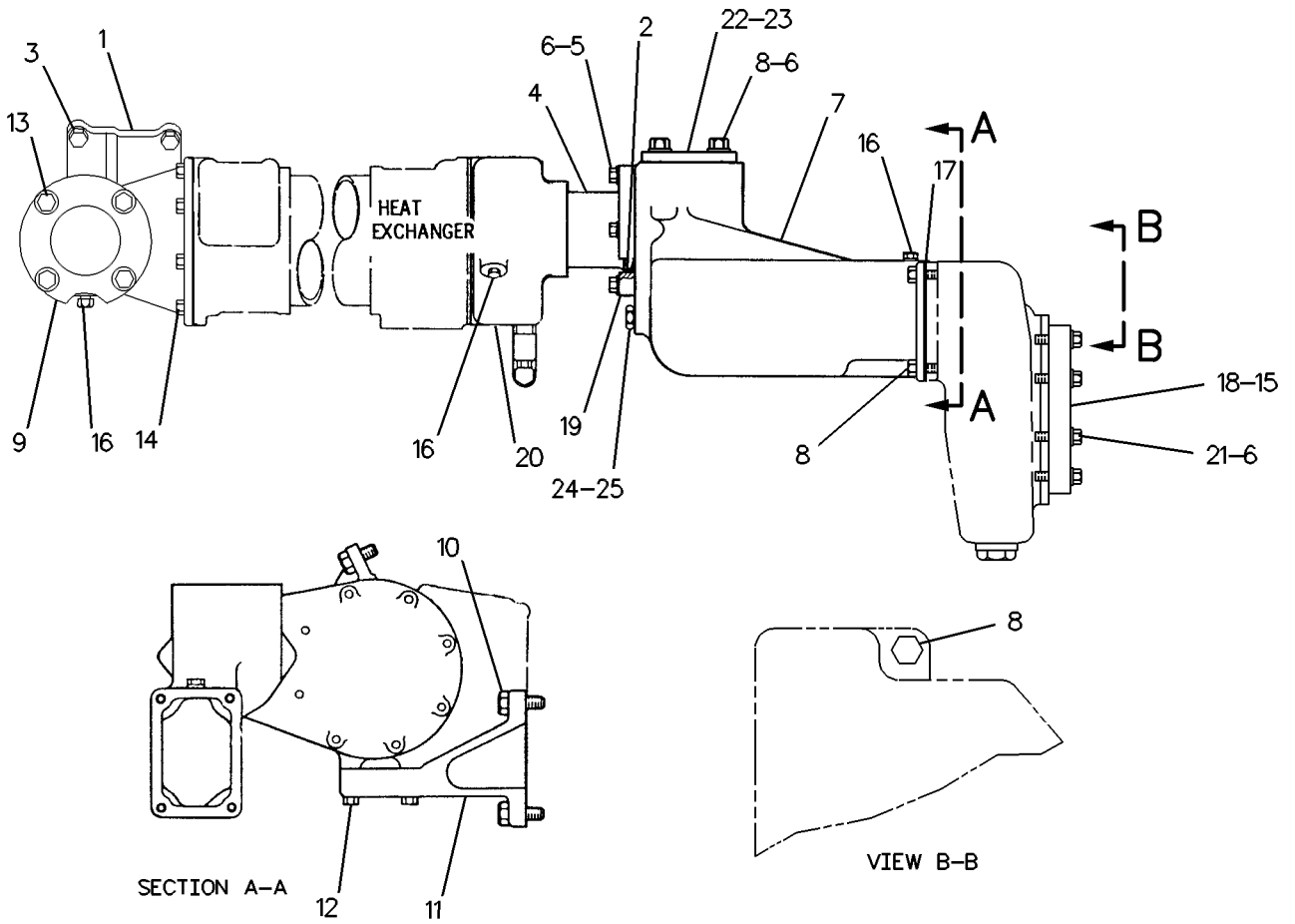
i00661429

NOTE	REF NO	GRAPHIC REF	PART NUMBER	QTY	PART NAME						SEE PAGE
					1	2	3	4	5	6 (PRODUCT LEVEL)	
	1	1	9Y-6895	1	ADAPTER-OIL COOLER						
	2	1	6V-5066	2	SEAL-O-RING						
	3	1	0S-1595	2	BOLT (1/2-13X1.25IN)						
	4	1	8N-7641	1	TUBE						
	5	1	2A-4639	4	BOLT (3/8-16X1.625IN)						
	6	1	5M-2894	16	WASHER (2.5MM THK)						
	7	1	120-7421	1	ADAPTER						
	8	1	0S-1594	8	BOLT (3/8-16X1IN)						
	9	1	2W-5225	1	FLANGE						
		1	9Y-6893	1	GASKET						
10		1	0S-1585	2	BOLT (1/2-13X1.50IN)						
11		1	7N-4940	1	BRACKET						
12		1	0S-1571	2	BOLT (3/8-16X1.75IN)						
13		1	1A-1460	4	BOLT (1/2-13X2IN)						
		1	5P-8245	4	WASHER (3MM THK)						
		1	1D-4719	4	NUT-FULL (1/2-13 THD)						
14		1	1A-2029	2	BOLT (3/8-16X1.125IN)						
15		1	1S-5772	1	GASKET						
16		1	5M-6213	3	PLUG						
17		1	7N-4932	1	GASKET						
18		1	7N-7009	1	FLANGE						
19		1	8N-0386	1	FLANGE						
		1	4N-1320	1	GASKET-ADAPTER						
20		1	7N-4939	1	BONNET-OIL COOLER						
21		1	0S-1591	8	BOLT (3/8-16X1.5IN)						
22		1	7E-0016	1	COVER						
23		1	4N-1320	1	GASKET-ADAPTER						
24		1	6V-6609	1	SEAL-O-RING (16.36MM ID)						
25		1	9S-4185	1	PLUG-O-RING (3/4-16 THD)						

COOLING SYSTEM

7E-0008 LINES GP-WATER (contd.)

i00661429



GRAPHIC #1

g00252939

COOLING SYSTEM

7E-1354 LINES GP-WATER

UPPER

PART OF 7E-8723 CONVERSION AR
AN ATTACHMENT

SMCS-1355, 1380, 1393

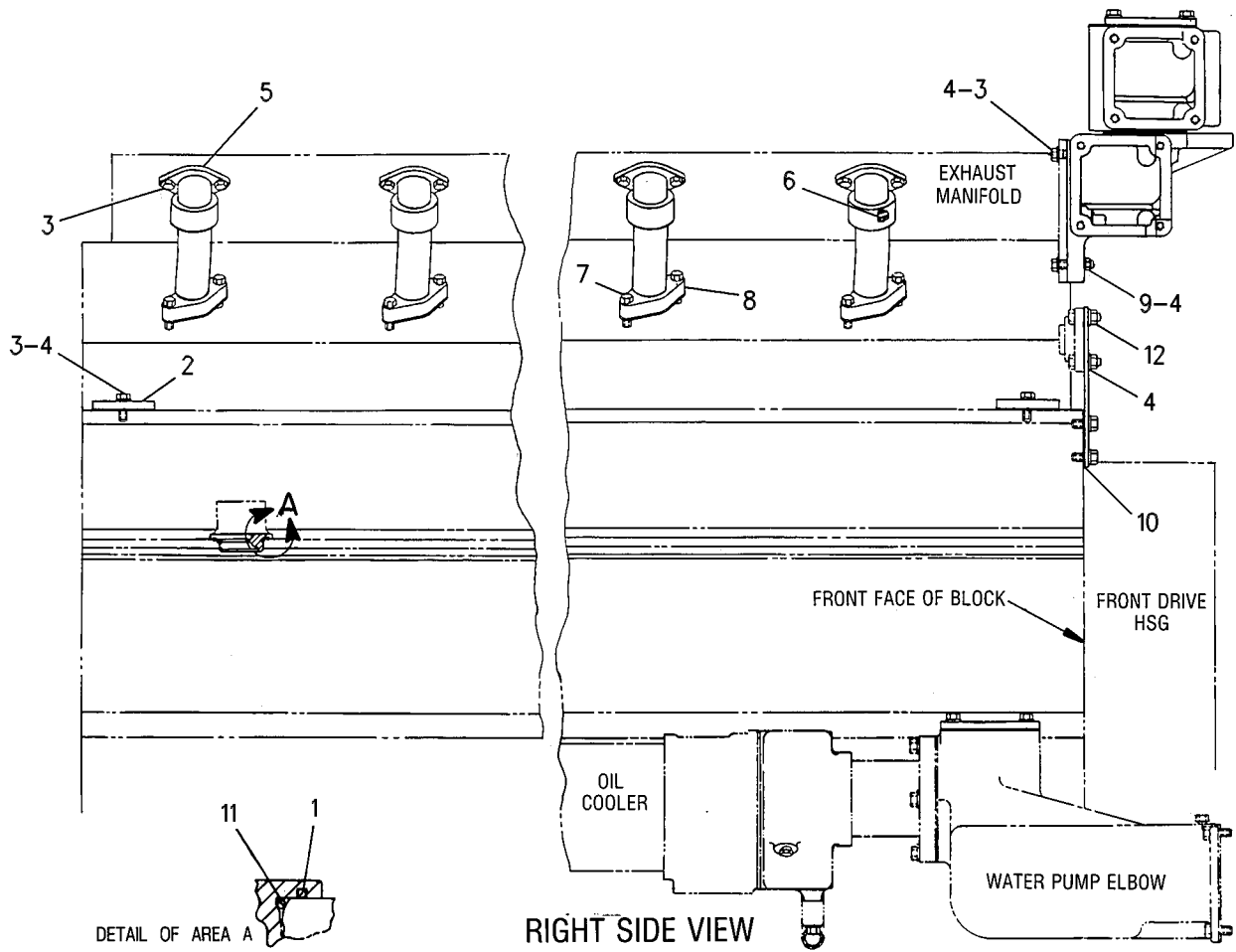
i00934849

NOTE	REF NO	GRAPHIC REF	PART NUMBER	QTY	PART NAME						SEE PAGE
					1	2	3	4	5	6 (PRODUCT LEVEL)	
	1	1	4W-4813	1	PLUG						
		1	8T-2929	2	SEAL (63.2MM ID)						
	2	1	6H-6698	2	COVER						
		1	1A-9066	2	GASKET						
		1	1A-2029	4	BOLT (3/8-16X1.125IN)						
	3	1	0S-1594	28	BOLT						
	4	1	5M-2894	16	WASHER (2.5MM THK)						
	5	1	7N-7081	12	ELBOW						
	6	1	6V-9769	24	SEAL-O-RING						
	7	1	1B-7182	24	BOLT (5/16-18X1.25IN)						
	8	1	8N-7642	12	ELBOW						
	9	1	0S-1590	4	BOLT (3/8-16X2IN)						
	10	1	7N-3368	1	GASKET						
	11	1	8T-2928	2	SEAL (53.1MM ID)						
	12	1	9S-8752	8	NUT-FULL (3/8-16 THD)						
	13	2	4N-1320	1	GASKET-ADAPTER						
	14	2	7E-0016	1	COVER						
	15	2	2N-0931	2	GASKET						
	16	2	0S-1594	8	BOLT (LOCATIONS X)						
	17	2	5M-2894	16	WASHER (2.5MM THK) (LOCATIONS A)						
	18	2	7N-4928	2	COVER						
	19	2	8N-7640	12	GASKET						
	20	2	9Y-8540	1	HOUSING-REGULATOR						
	21	2	2B-0858	3	PLUG-PIPE (1/2-14 NPTF)						
	22	2	6V-6809	2	SEAL-O-RING						
	23	2	3J-5389	1	PLUG						
	24	2	9S-4182	1	PLUG (7/16-20 THD)						
		2	6V-9027	1	SEAL-O-RING (8.92MM ID)						
	25	2	0L-1351	3	BOLT						
	26	2	9Y-7763	1	SUPPORT						
	27	2	1D-4706	5	BOLT (3/8-16X6IN) (LOCATIONS Y)						
	28	2	7N-4927	1	GASKET-HOUSING COVER						
	29	2	9Y-8539	1	HOUSING-REGULATOR						

COOLING SYSTEM

7E-1354 LINES GP-WATER (contd.)

i00934849



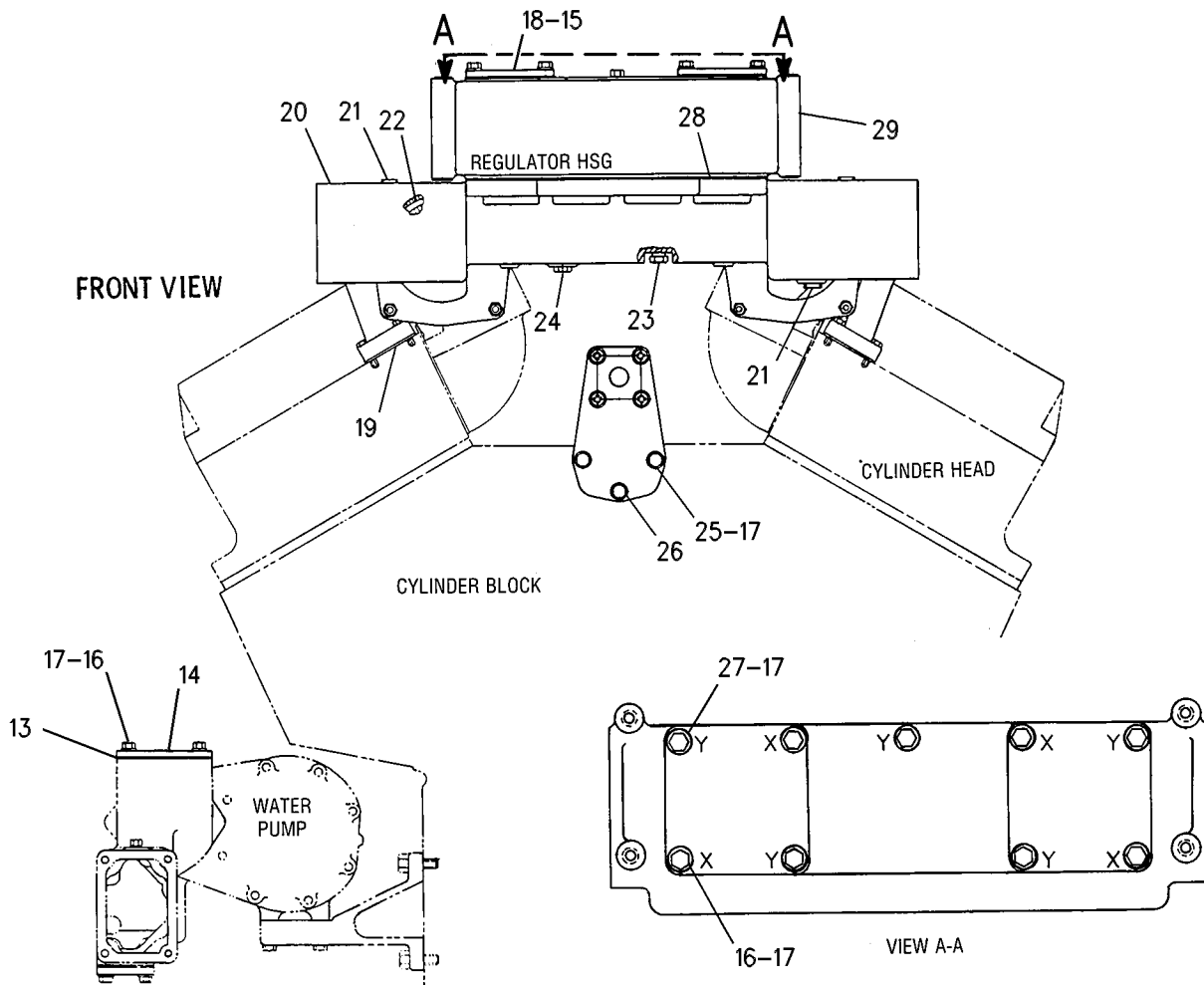
GRAPHIC #1

g00377710

COOLING SYSTEM

7E-1354 LINES GP-WATER (contd.)

i00934849



GRAPHIC #2

g00377711

MEMORANDA

COOLING SYSTEM

7E-3784 LINES GP-WATER

AFTERCOOLER

PART OF 7E-3781 CONVERSION AR
AN ATTACHMENT

SMCS-1355, 1380, 1393

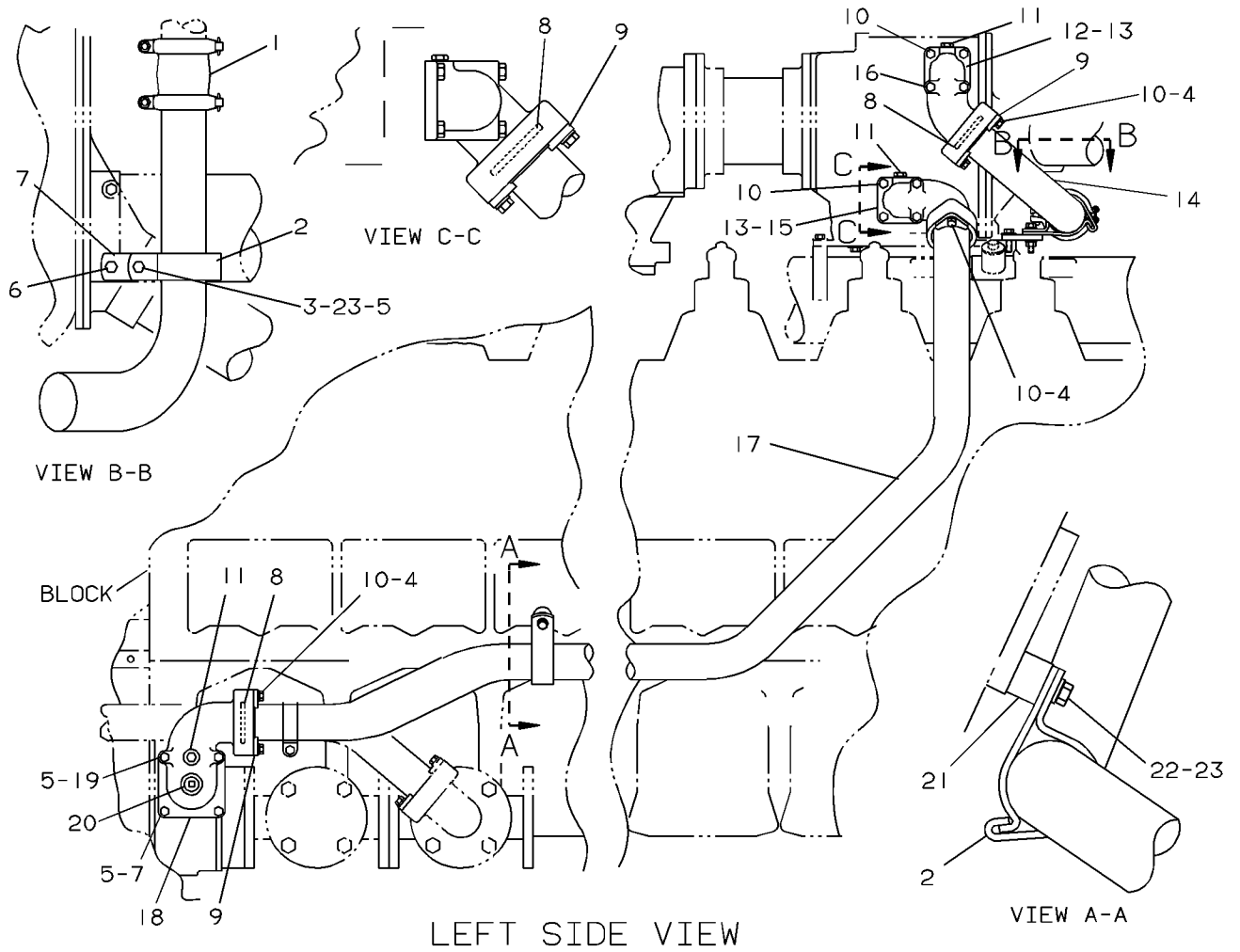
i00660809

NOTE	REF NO	GRAPHIC REF	PART NUMBER	QTY	PART NAME						SEE PAGE
					1	2	3	4	5	6 (PRODUCT LEVEL)	
	1	1	9S-9635	1	JOINT AS-TUBE						
		1	7K-1978	2	SEAL						
	2	1	6V-1582	2	CLIP (TAB)						
		1	6V-1581	2	CLIP (SLOT)						
	3	1	0S-1571	1	BOLT (3/8-16X1.75IN)						
	4	1	5M-2894	6	WASHER (2.5MM THK)						
	5	1	1D-4717	5	NUT (3/8-16 THD)						
	6	1	9Y-6897	1	BRACKET						
	7	1	0S-1591	3	BOLT (3/8-16X1.5IN)						
	8	1	8T-1919	3	SEAL-O-RING						
	9	1	4W-0530	3	RING-RETAINING						
		1	4W-0531	6	RETAINER						
	10	1	0S-1594	10	BOLT (3/8-16X1IN)						
	11	1	5M-6213	3	PLUG						
	12	1	9Y-8283	1	ELBOW-AFTERCOOLER						
	13	1	5G-1442	2	GASKET						
	14	1	9Y-8284	1	TUBE						
	15	1	9Y-8282	1	ELBOW-AFTERCOOLER						
	16	1	0T-0065	4	BOLT (3/8-16X3.5IN)						
	17	1	7E-3787	1	TUBE						
	18	1	9Y-8263	1	ELBOW-AUXILIARY PUMP						
		1	3P-6061	1	GASKET						
	19	1	0T-0055	2	BOLT (3/8-16X4.25IN)						
	20	1	2B-0858	1	PLUG-PIPE (1/2-14 NPTF)						
	21	1	1S-5137	1	SPACER						
	22	1	0S-1590	1	BOLT (3/8-16X2IN)						
	23	1	9L-9132	3	WASHER (2.5MM THK)						

COOLING SYSTEM

7E-3784 LINES GP-WATER (contd.)

i00660809



GRAPHIC #1

g00210487

COOLING SYSTEM

7E-3785 LINES GP-WATER

OIL COOLER

PART OF 7E-3781 CONVERSION AR AN ATTACHMENT

SMCS-1355, 1380, 1393

i00924400

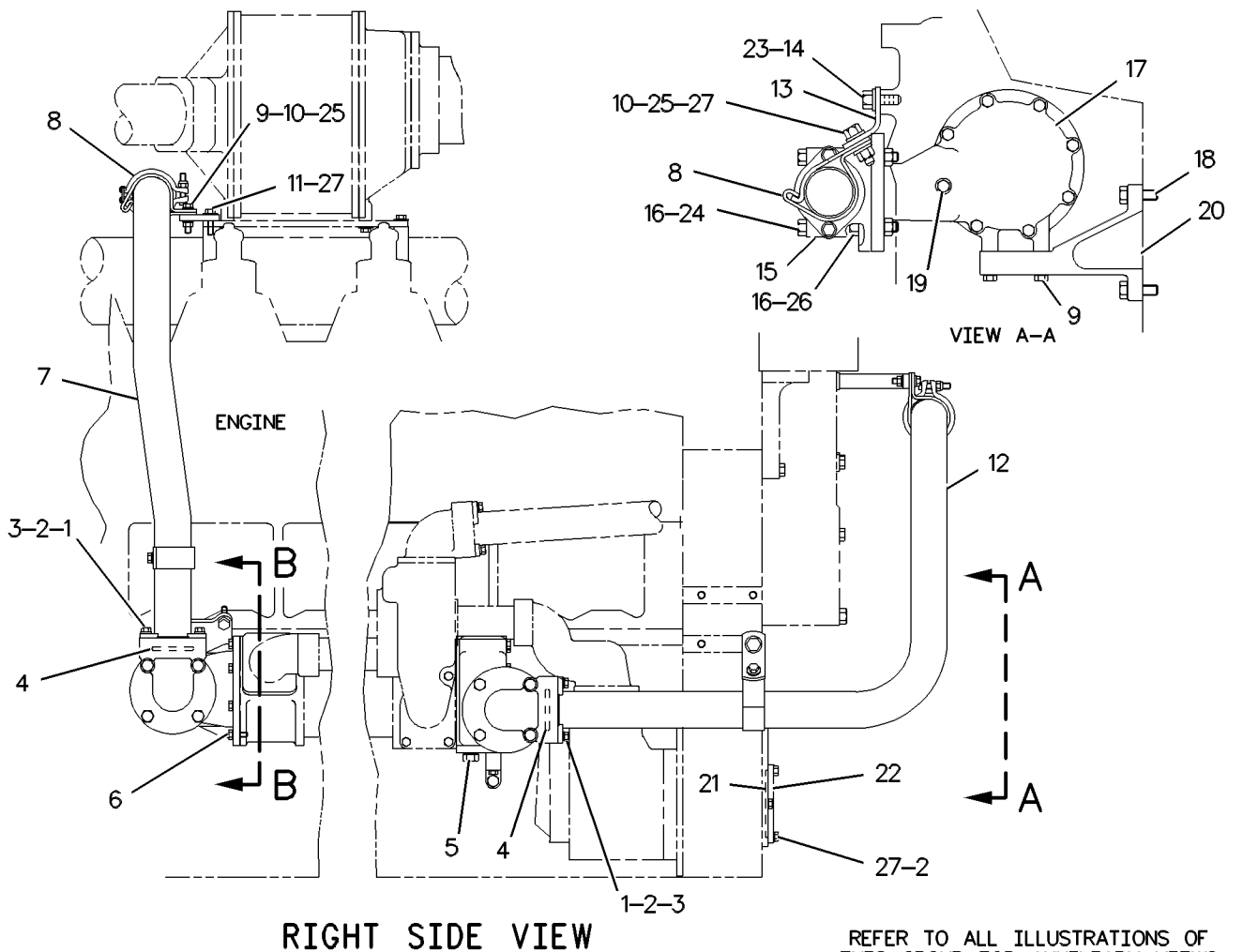
NOTE	REF NO	GRAPHIC REF	PART NUMBER	QTY	PART NAME						SEE PAGE
					1	2	3	4	5	6 (PRODUCT LEVEL)	
1		1	0S-1594	4	BOLT (3/8X1.0IN)						
2		1	5M-2894	8	WASHER (2.5MM THK)						
3		1	4W-0531	4	RETAINER						
		1	4W-0530	2	RING-RETAINING						
4		1	8T-1919	2	SEAL-O-RING						
5		1	9M-4202	1	PLUG-DRAIN						
		1	4B-8407	1	GASKET						
6		1	1A-2029	2	BOLT (3/8-16X1.125IN)						
7		1	7E-3786	1	TUBE						
8		1	6V-1582	2	CLIP (TAB)						
		1	6V-1581	2	CLIP (SLOT)						
9		1	0S-1571	3	BOLT (3/8-16X1.75IN)						
10		1	1D-4717	2	NUT (3/8-16 THD)						
11		1	9Y-6897	1	BRACKET						
12		1	7E-3378	1	TUBE						
13		1	7E-3377	1	BRACKET						
14		1	6H-1717	1	BOLT (1/2-13X1.125IN)						
15		1	9Y-6887	1	ELBOW-OIL COOLER						
		1	9Y-6893	1	GASKET						
16		1	1D-4719	4	NUT-FULL (1/2-13 THD)						
17		1	9Y-6894	1	ADAPTER-OIL COOLER						
18		1	0S-1585	2	BOLT (1/2-13X1.50IN)						
19		1	1A-5183	1	BOLT (3/8-16X4.75IN)						
20		1	7N-4940	1	BRACKET						
21		1	5H-6734	1	SEAL-O-RING (113.89MM ID)						
22		1	7E-3376	1	COVER						
23		1	5P-8245	2	WASHER (3MM THK)						
24		1	8S-9089	2	BOLT (1/2-13X4.5IN)						
25		1	9L-9132	4	WASHER (2.5MM THK)						
26		1	1A-1460	2	BOLT (1/2-13X2IN)						
27		1	0S-1591	6	BOLT (3/8-16X1.5IN)						
28		2	8T-1919	1	SEAL-O-RING						
29		2	9Y-8264	1	ELBOW						
30		2	8S-9092	4	BOLT (5/8-11X2.25IN)						
		2	4K-0367	4	NUT (5/8-11 THD)						
31		2	9Y-8069	1	GASKET						
32		2	4W-0531	2	RETAINER						
		2	4W-0530	1	RING-RETAINING						
33		2	0S-1594	3	BOLT (3/8X1.0IN)						
34		2	5M-2894	2	WASHER (2.5MM THK)						
35		2	0S-1595	4	BOLT (1/2-13X1.25IN)						
36		2	1D-4717	4	NUT (3/8-16 THD)						
37		2	5M-6213	2	PLUG						
38		2	6V-1582	4	CLIP (TAB)						
		2	6V-1581	4	CLIP (SLOT)						
39		2	9Y-6890	1	BRACKET						
40		2	0S-1594	3	BOLT (3/8X1.0IN)						
41		2	5P-8245	2	WASHER (3MM THK)						
42		2	9S-9635	1	JOINT AS-TUBE						
43		2	7E-3379	1	TUBE AS						
44		2	1D-4719	4	NUT-FULL (1/2-13 THD)						
45		2	1A-1460	2	BOLT (1/2-13X2IN)						
46		2	9Y-6887	1	ELBOW-OIL COOLER						
		2	9Y-6893	1	GASKET						
47		2	8S-9089	2	BOLT (1/2-13X4.5IN)						

COOLING SYSTEM

7E-3785 LINES GP-WATER (contd.)

i00924400

NOTE	REF NO	GRAPHIC REF	PART NUMBER	QTY	PART NAME						SEE PAGE
					1	2	3	4	5	6 (PRODUCT LEVEL)	
	48	2	7E-3939	1	BRACKET						
	49	2	9Y-6895	1	ADAPTER-OIL COOLER						
	50	2	0S-1591	2	BOLT (3/8-16X1.5IN)						
	51	2	7E-3470	1	BRACKET						
	52	2	2A-4639	2	BOLT (3/8-16X1.625IN)						
	53	2	9L-9132	9	WASHER (2.5MM THK)						
	54	2	6H-1717	1	BOLT (1/2-13X1.125IN)						



REFER TO ALL ILLUSTRATIONS OF THIS GROUP FOR AUXILIARY VIEWS

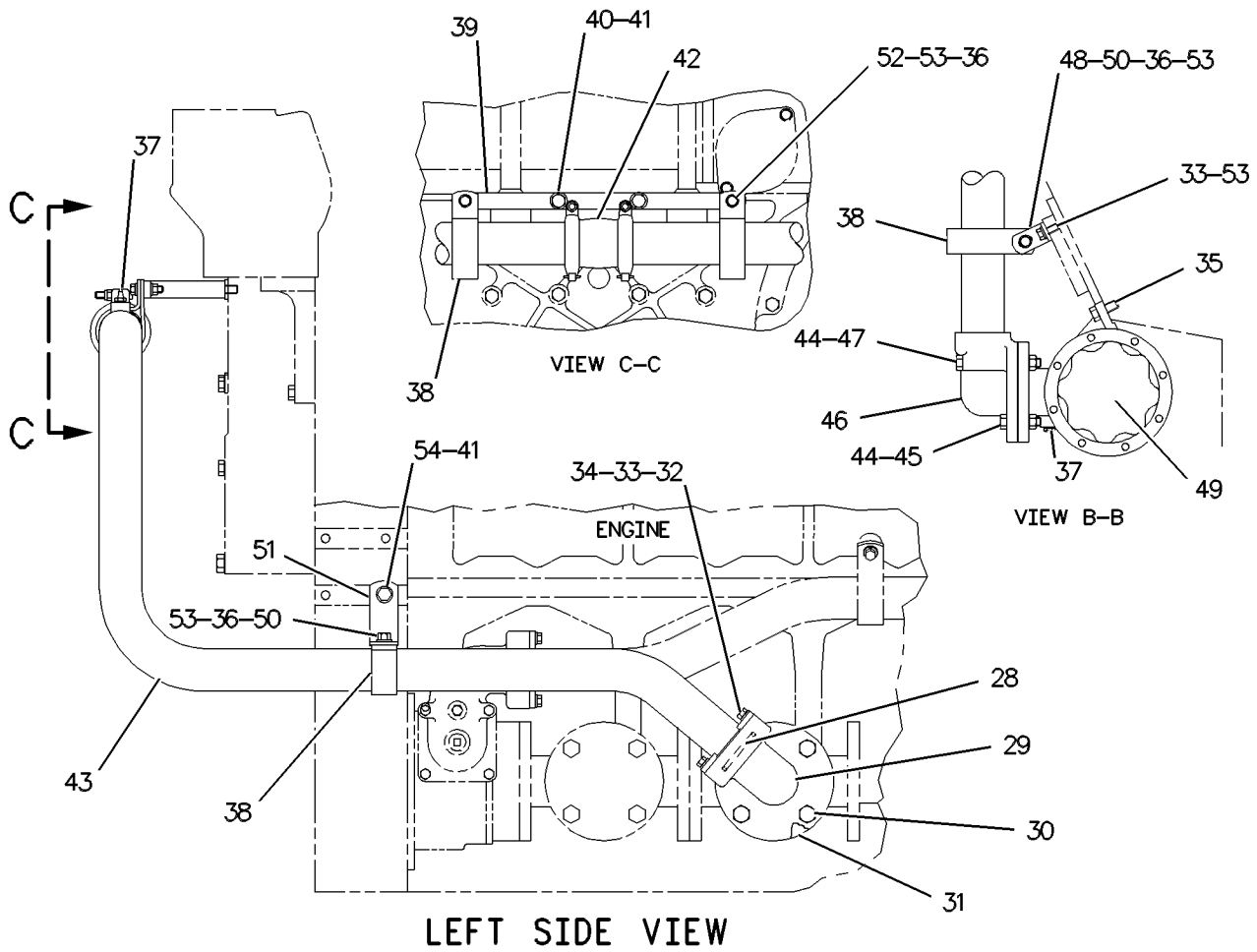
GRAPHIC #1

g00478060

COOLING SYSTEM

7E-3785 LINES GP-WATER (contd.)

i00924400



GRAPHIC #2

g00478061

MEMORANDA

COOLING SYSTEM

7E-3886 LINES GP-WATER

UPPER

PART OF 7E-3781, 7E-8723 CONVERSION AR
AN ATTACHMENT

SMCS-1355, 1380, 1393

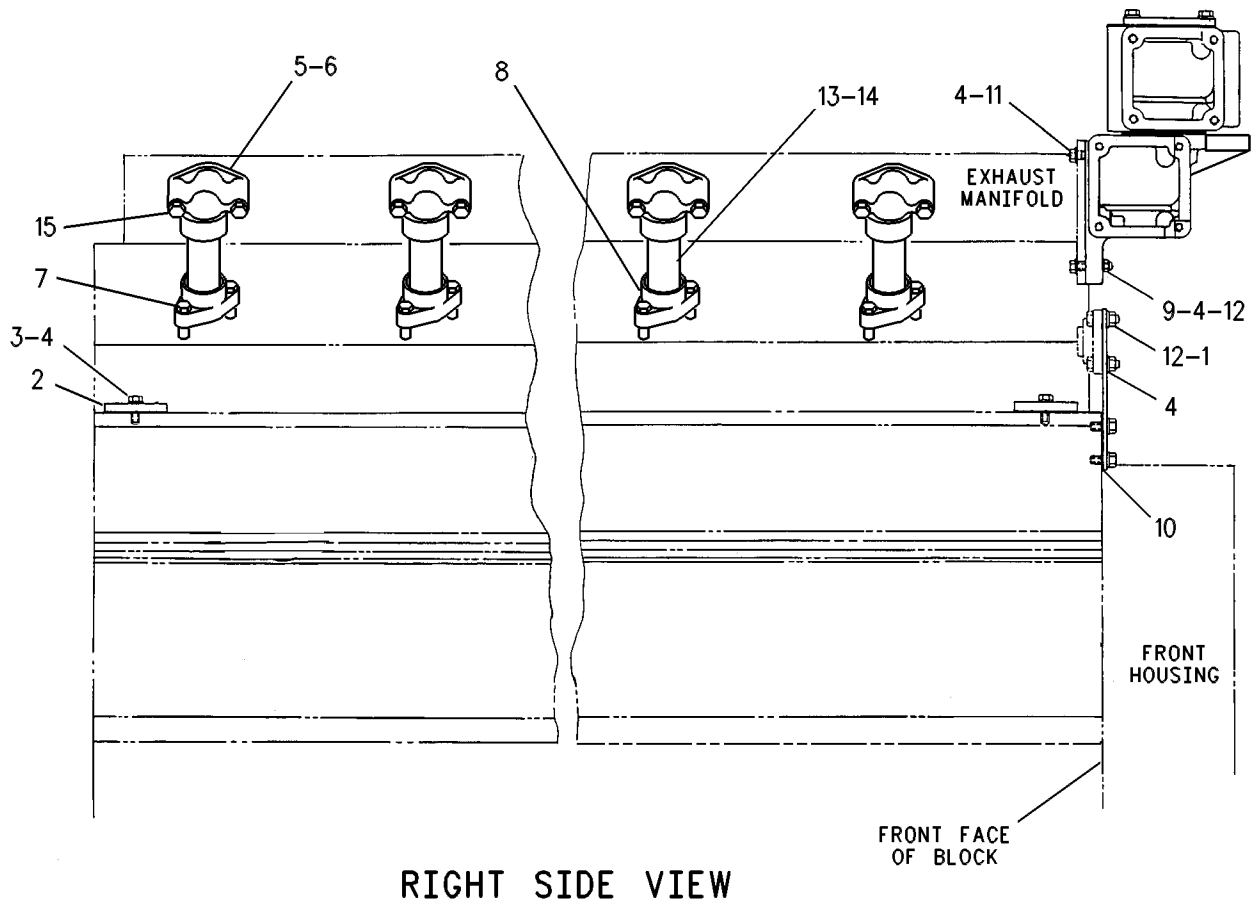
i00924447

NOTE	REF NO	GRAPHIC REF	PART NUMBER	QTY	PART NAME						SEE PAGE
					1	2	3	4	5	6 (PRODUCT LEVEL)	
	1	1	3B-1915	4	BOLT (3/8-16X1.375IN)						
	2	1	6H-6698	2	COVER						
		1	1A-9066	2	GASKET						
	3	1	0S-1594	4	BOLT (3/8X1.0IN)						
	4	1	5M-2894	16	WASHER (2.5MM THK)						
	5	1	7E-8888	12	ELBOW						
	6	1	6V-9769	12	SEAL-O-RING						
	7	1	1B-7182	24	BOLT (5/16-18X1.25IN)						
	8	1	7E-8890	12	COLLAR						
	9	1	0S-1590	4	BOLT (3/8-16X2IN)						
	10	1	7N-3368	1	GASKET						
	11	1	1A-2029	4	BOLT (3/8-16X1.125IN)						
	12	1	9S-8752	8	NUT-FULL (3/8-16 THD)						
	13	1	7E-8889	12	TUBE						
	14	1	5P-7204	24	SEAL-O-RING (34.29 ID)						
	15	1	0S-1619	24	BOLT (3/8X3.0IN)						
	16	2	9Y-8539	1	HOUSING-REGULATOR						
	17	2	7N-4927	1	GASKET-HOUSING COVER						
	18	2	2N-0931	2	GASKET						
	19	2	0S-1594	4	BOLT (3/8X1.0IN) (LOCATIONS X)						
	20	2	5M-2894	12	WASHER (2.5MM THK)						
	21	2	7N-4928	2	COVER						
	22	2	127-2176	12	SEAL						
	23	2	9Y-8540	1	HOUSING-REGULATOR						
	24	2	8T-6762	3	PLUG-PIPE						
	25	2	6V-6809	2	SEAL-O-RING						
	26	2	7W-6492	1	PLUG-PIPE (1/2-14 NPTF THD)						
	27	2	9S-4182	1	PLUG (7/16-20 THD)						
		2	6V-9027	1	SEAL-O-RING (8.92MM ID)						
	28	2	0L-1351	3	BOLT (3/8X.875IN)						
	29	2	9Y-7763	1	SUPPORT						
	30	2	1D-4706	5	BOLT (3/8-16X6IN) (LOCATIONS Y)						

COOLING SYSTEM

7E-3886 LINES GP-WATER (contd.)

i00924447



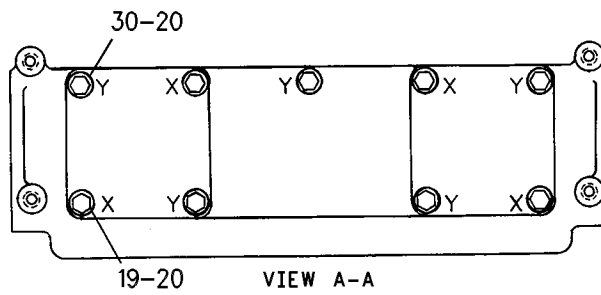
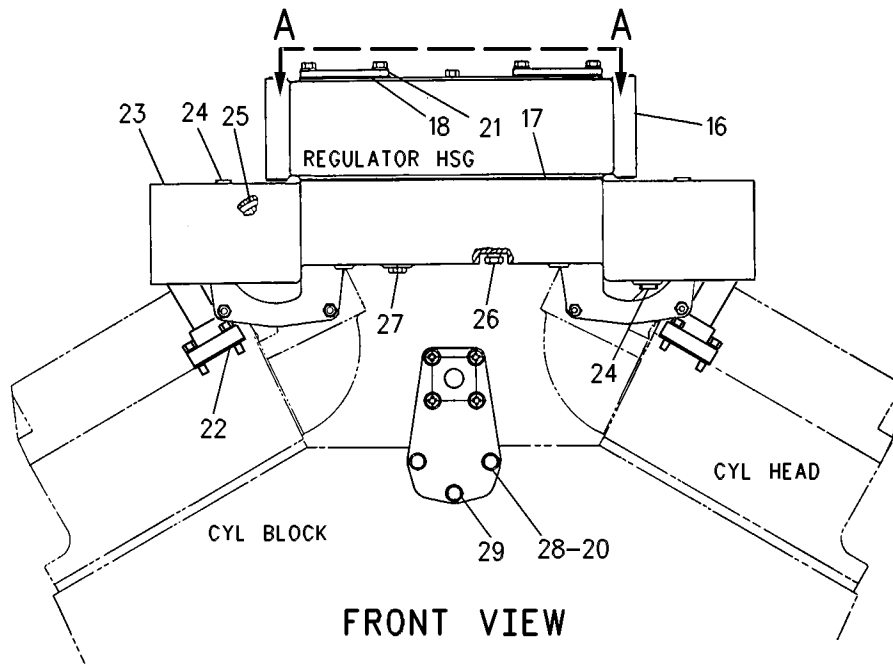
GRAPHIC #1

g00478309

COOLING SYSTEM

7E-3886 LINES GP-WATER (contd.)

i00924447



GRAPHIC #2

g00478314

MEMORANDA

COOLING SYSTEM

7E-3887 LINES GP-WATER

UPPER

PART OF 7E-1340 CONVERSION AR
AN ATTACHMENT

SMCS-1355, 1380, 1393

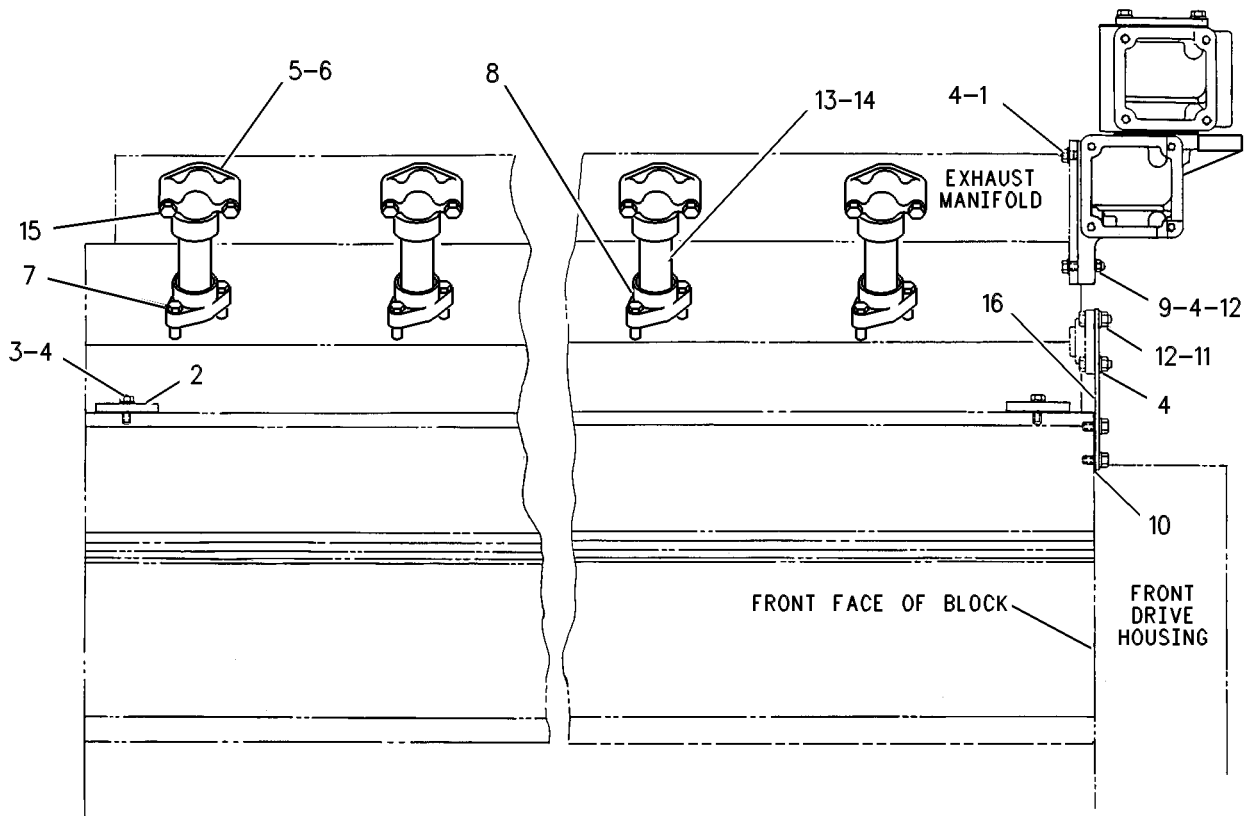
i00930203

NOTE	REF NO	GRAPHIC REF	PART NUMBER	QTY	PART NAME						SEE PAGE
					1	2	3	4	5	6 (PRODUCT LEVEL)	
	1	1	1A-2029	4	BOLT (3/8-16X1.125IN)						
	2	1	6H-6698	2	COVER						
		1	1A-9066	2	GASKET						
	3	1	0S-1594	40	BOLT (3/8X1.0IN)						
	4	1	5M-2894	16	WASHER (2.5MM THK)						
	5	1	7N-7081	16	ELBOW						
	6	1	6V-9769	32	SEAL-O-RING						
	7	1	1B-7182	32	BOLT (5/16-18X1.25IN)						
	8	1	8N-7642	16	ELBOW						
	9	1	0S-1571	4	BOLT (3/8-16X1.75IN)						
	10	1	7N-3368	1	GASKET						
	11	1	3B-1915	4	BOLT (3/8-16X1.375IN)						
	12	1	9S-8752	8	NUT-FULL (3/8-16 THD)						
	13	1	7E-8889	16	TUBE						
	14	1	5P-7204	32	SEAL-O-RING (34.29 ID)						
	15	1	0S-1619	32	BOLT (3/8X3.0IN)						
	16	1	153-1810	1	SEAL-INTEGRAL						
	17	2	9Y-8539	1	HOUSING-REGULATOR						
	18	2	2N-0931	2	GASKET						
	19	2	0S-1594	4	BOLT (3/8X1.0IN) (LOCATIONS X)						
	20	2	5M-2894	12	WASHER (2.5MM THK) (LOCATIONS A)						
	21	2	7N-4928	2	COVER						
	22	2	127-2176	16	SEAL						
	23	2	9Y-8540	1	HOUSING-REGULATOR						
	24	2	8T-6762	3	PLUG-PIPE						
	25	2	6V-6809	2	SEAL-O-RING						
	26	2	7W-6492	3	PLUG-PIPE (1/2-14 NPTF THD)						
	27	2	9S-4182	1	PLUG (7/16-20 THD)						
		2	6V-9027	1	SEAL-O-RING (8.92MM ID)						
	28	2	0L-1351	3	BOLT (3/8X.875IN)						
	29	2	9Y-7763	1	SUPPORT						
	30	2	1D-4706	5	BOLT (3/8-16X6IN) (LOCATIONS Y)						

COOLING SYSTEM

7E-3887 LINES GP-WATER (contd.)

i00930203



RIGHT SIDE VIEW

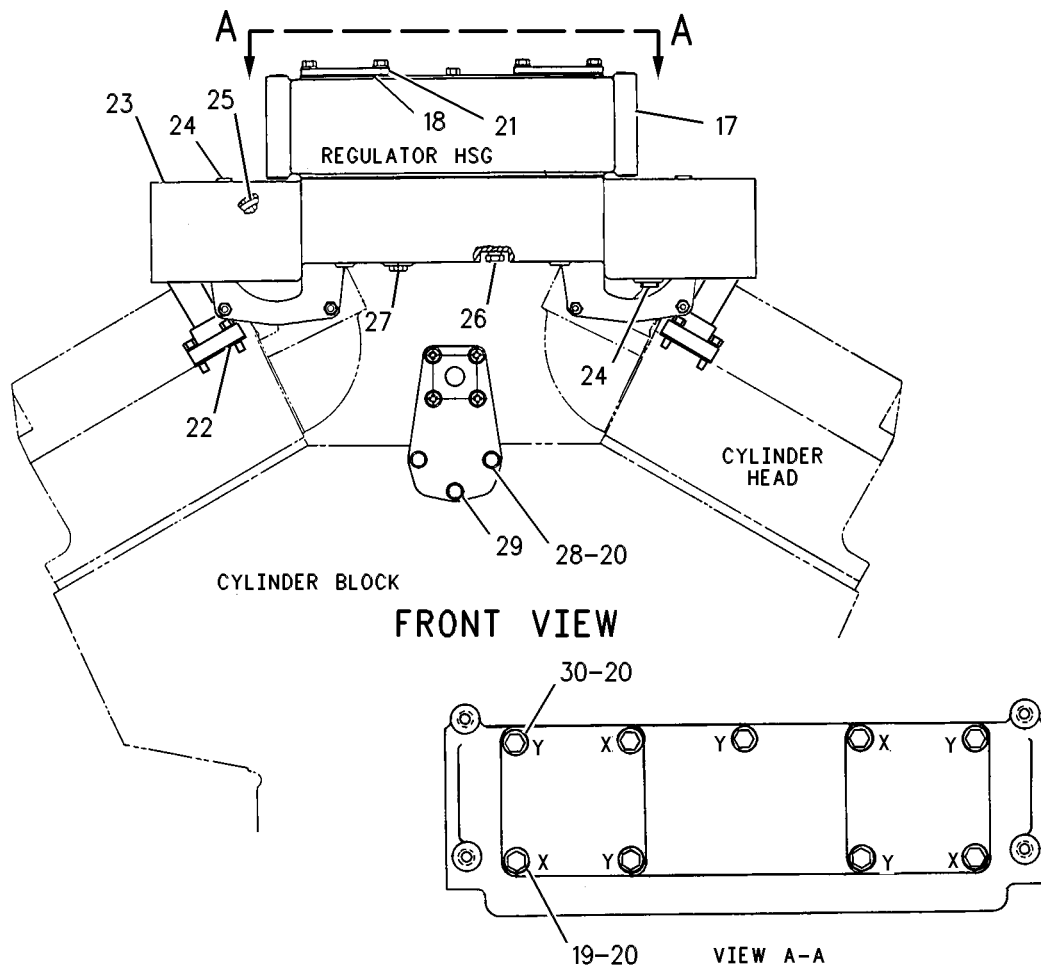
GRAPHIC #1

g00456020

COOLING SYSTEM

7E-3887 LINES GP-WATER (contd.)

i00930203



GRAPHIC #2

g00468598

MEMORANDA

COOLING SYSTEM

7E-8457 LINES GP-WATER TURBOCHARGER

SMCS-1355, 1380, 1393

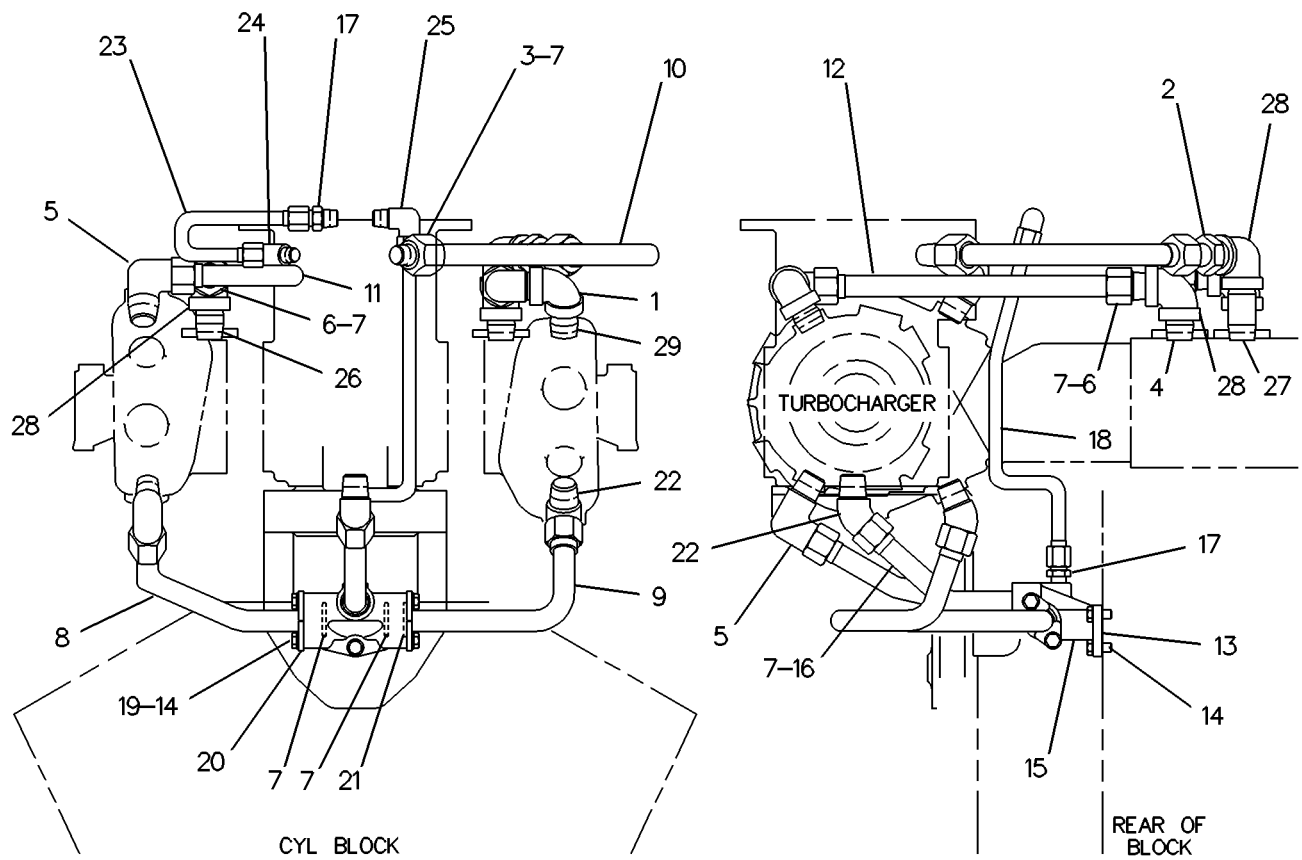
i00655854

NOTE	REF NO	GRAPHIC REF	PART NUMBER	QTY	PART NAME						SEE PAGE
					1	2	3	4	5	6 (PRODUCT LEVEL)	
	1	1	4B-5984	1	ELBOW						
	2	1	009-4440	1	CONNECTOR						
	3	1	7E-6762	1	FITTING						
	4	1	3B-7749	1	NIPPLE-CLOSE						
	5	1	6V-8649	3	ELBOW-FLARED						
	6	1	7N-7415	2	FITTING						
	7	1	7L-4773	6	SEAL-O-RING						
	8	1	4P-5776	1	TUBE AS						
	9	1	4P-8048	1	TUBE AS						
	10	1	7E-8462	1	TUBE AS						
	11	1	7E-8461	1	TUBE AS						
	12	1	7E-8459	1	TUBE AS						
	13	1	7N-3368	1	GASKET						
	14	1	0S-1594	7	BOLT (3/8-16X1IN)						
	15	1	7E-6761	1	HOUSING						
	16	1	2W-7977	1	TUBE AS						
	17	1	001-7004	2	CONNECTOR						
	18	1	7C-3917	1	TUBE AS						
	19	1	5M-2894	4	WASHER (2.5MM THK)						
	20	1	4W-2109	4	RETAINER						
	21	1	4W-2110	2	RING-RETAINER						
	22	1	001-7042	2	ELBOW						
	23	1	7C-3918	1	TUBE AS						
	24	1	090-3000	1	ELBOW-FLARED						
	25	1	006-2325	1	ELBOW-FLARED						
	26	1	3B-7280	1	NIPPLE						
	27	1	6B-8128	1	NIPPLE-PIPE						
	28	1	1L-0254	3	ELBOW						
	29	1	3B-7745	1	NIPPLE-CLOSE						

COOLING SYSTEM

7E-8457 LINES GP-WATER (contd.)

i00655854



GRAPHIC #1

g00219920

COOLING SYSTEM

9Y-9185 LINES GP-WATER BYPASS

SMCS-1355, 1380, 1393

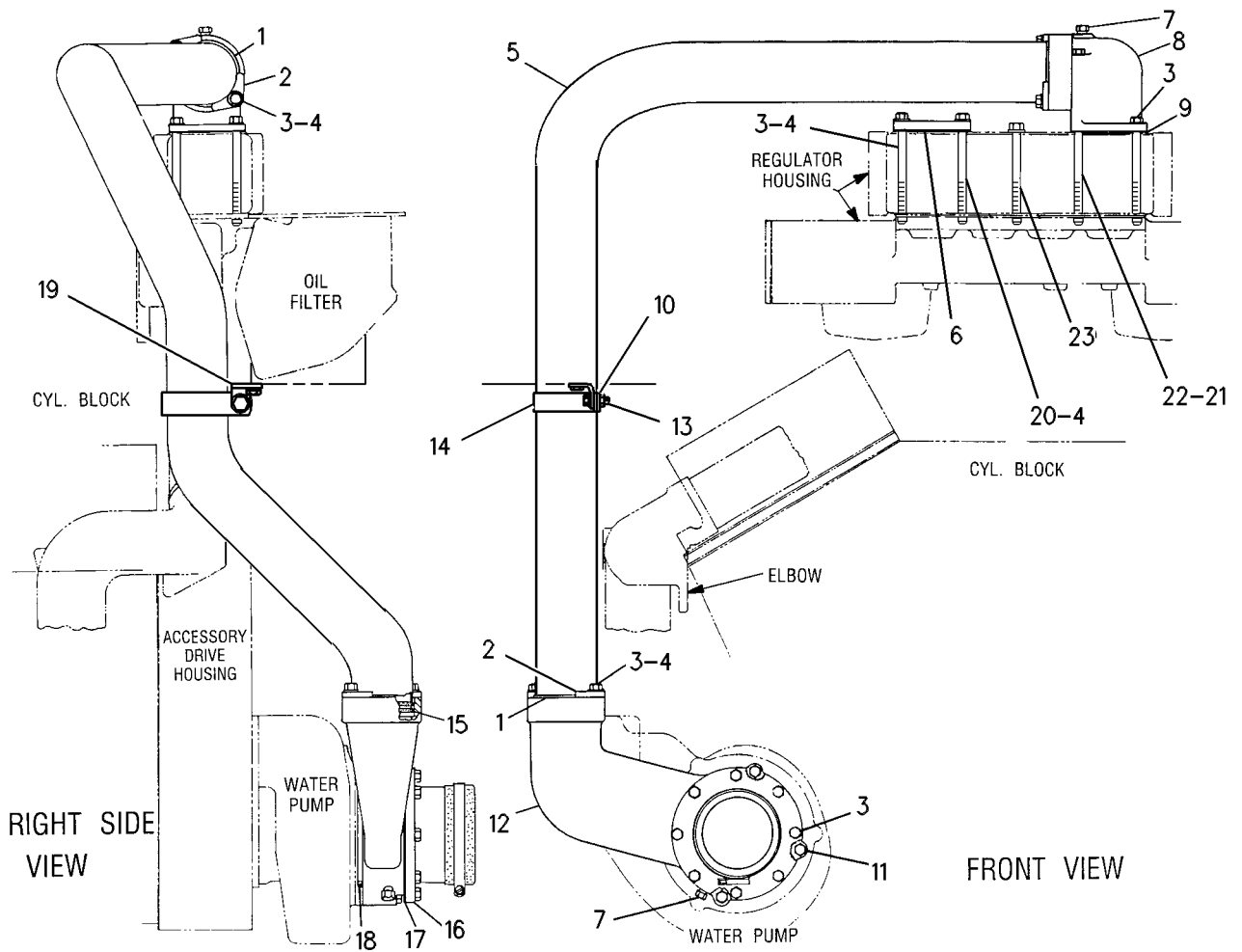
i00655084

NOTE	REF NO	GRAPHIC REF	PART NUMBER	QTY	PART NAME						SEE PAGE
					1	2	3	4	5	6 (PRODUCT LEVEL)	
	1	1	8N-3640	2	RING-RETAINING						
	2	1	8N-3639	4	RETAINER						
	3	1	0S-1594	16	BOLT (3/8-16X1IN)						
	4	1	5M-2894	9	WASHER (2.5MM THK)						
	5	1	7E-9075	1	TUBE						
	6	1	7N-4928	1	COVER						
		1	4W-3100	1	GASKET						
	7	1	8T-6765	2	PLUG-PIPE (1/4-18 NPTF THD)						
	8	1	7E-9584	1	ELBOW						
	9	1	2N-0931	1	GASKET						
	10	1	6V-4357	1	CLIP (SLOT)						
	11	1	0L-1143	3	BOLT (3/8-16X2.5IN)						
	12	1	7C-3043	1	ELBOW-PUMP INLET						
	13	1	0S-1595	1	BOLT (1/2-13X1.25IN)						
		1	5P-8245	2	WASHER (3MM THK)						
		1	1F-7958	1	NUT-FULL (1/2-13 THD)						
	14	1	6V-4356	1	CLIP (TAB)						
	15	1	6V-5066	2	SEAL-O-RING						
	16	1	8N-6432	1	ADAPTER-INLET						
	17	1	1S-5772	1	GASKET						
	18	1	6V-6809	1	SEAL-O-RING						
	19	1	110-4341	1	BRACKET						
	20	1	1D-4706	3	BOLT (3/8-16X6IN)						
	21	1	5B-2638	1	BOLT (3/8-16X5.25IN)						
	22	1	7L-7524	1	BOLT (3/8-16X10.25IN)						
		1	5M-2894	1	WASHER (2.5MM THK)						
	23	1	7F-3425	1	BOLT (3/8-16X5.75IN)						

COOLING SYSTEM

9Y-9185 LINES GP-WATER (contd.)

i00655084



GRAPHIC #1

g00268205

COOLING SYSTEM

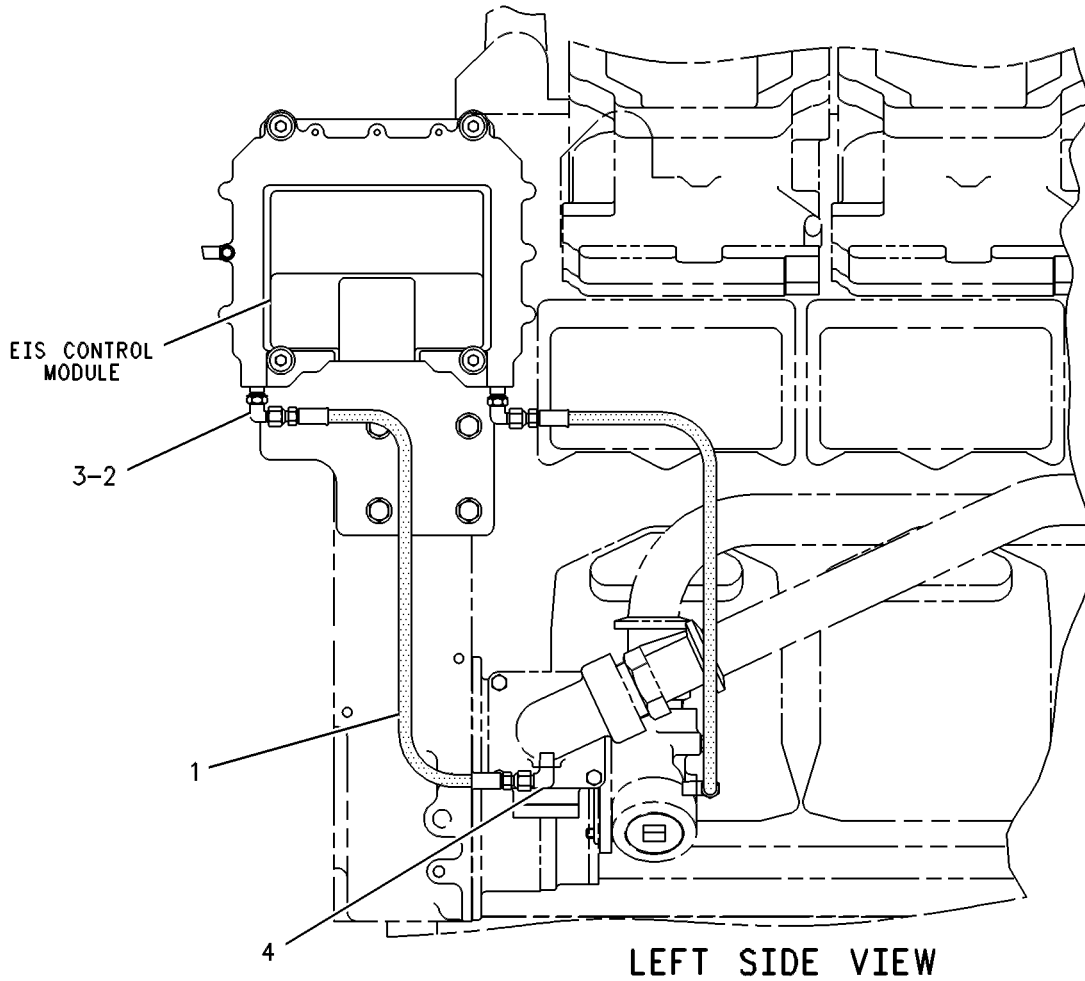
127-1906 LINES GP-WATER AN ATTACHMENT

SMCS-1355, 1380, 1393

i00660252

NOTE	REF NO	GRAPHIC REF	PART NUMBER	QTY	PART NAME						SEE PAGE
					1	2	3	4	5	6 (PRODUCT LEVEL)	
I	1	1	3N-7281	2	HOSE AS						
	2	1	7J-4026	2	ELBOW (9/16-18 STR THD)						
	3	1	6V-5049	2	SEAL-O-RING (11.89MM ID)						
	4	1	6K-1972	2	ELBOW-FLARED (1/4 NPT)						

I-SEE HOSE FABRICATION GUIDE



GRAPHIC #1

g00253000

COOLING SYSTEM

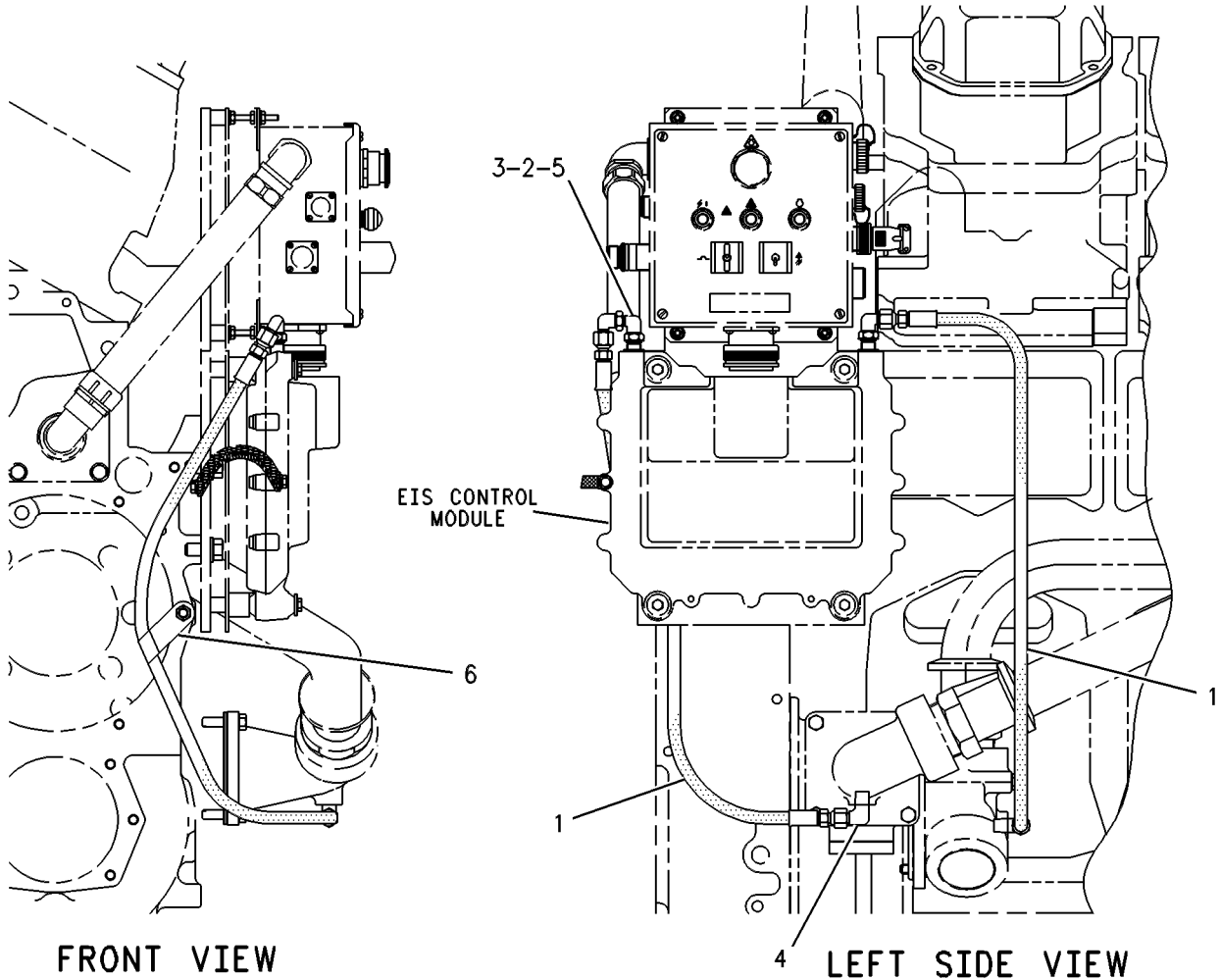
131-3855 LINES GP-WATER AN ATTACHMENT

SMCS-1355, 1380, 1393

i00657844

NOTE	REF NO	GRAPHIC REF	PART NUMBER	QTY	PART NAME						SEE PAGE
					1	2	3	4	5	6 (PRODUCT LEVEL)	
I	1	1	7N-2539	2	HOSE AS						
	2	1	7J-4026	2	ELBOW (9/16-18 STR THD)						
	3	1	6V-5049	2	SEAL-O-RING (11.89MM ID)						
	4	1	6K-1972	2	ELBOW-FLARED (1/4 NPT)						
	5	1	067-6495	2	ELBOW-FLARED						
	6	1	124-0174	1	CLIP (12.7MM ID)						

I-SEE HOSE FABRICATION GUIDE



GRAPHIC #1

g00261625

COOLING SYSTEM

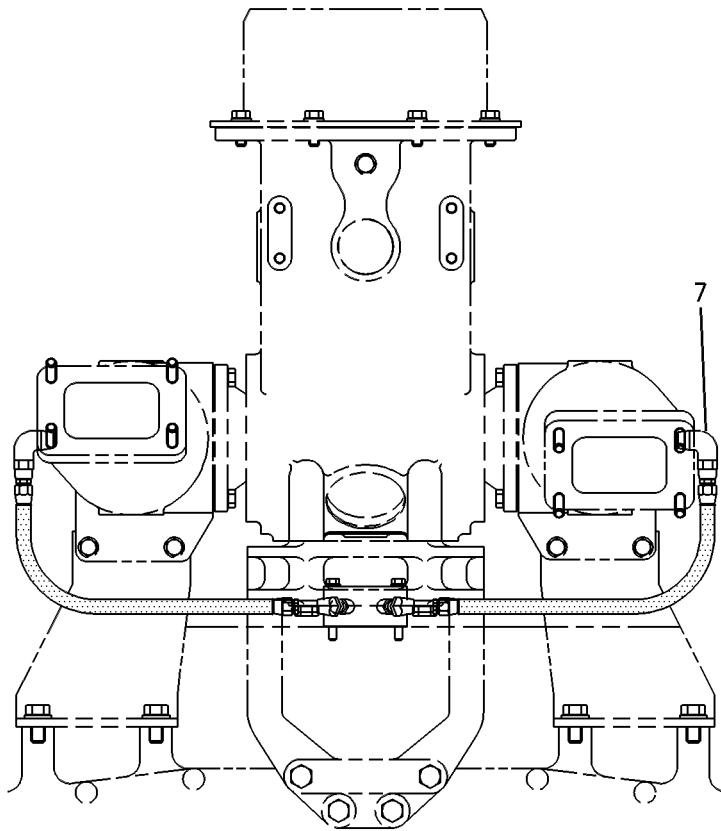
133-3689 LINES GP-WATER AN ATTACHMENT

SMCS-1355, 1380, 1393

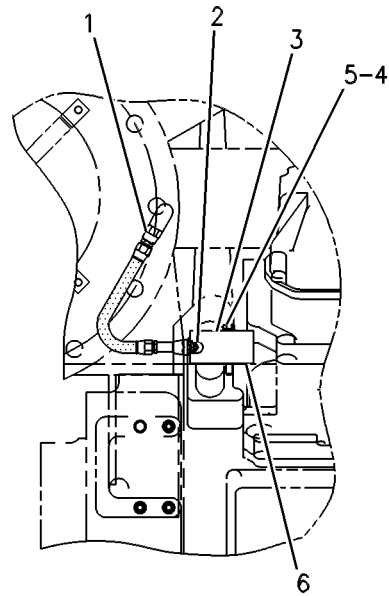
i00657494

NOTE	REF NO	GRAPHIC REF	PART NUMBER	QTY	PART NAME						SEE PAGE
					1	2	3	4	5	6 (PRODUCT LEVEL)	
C	1	1	109-8080	2	HOSE AS						
	2	1	9M-6522	2	CONNECTOR-FLARED						
	3	1	133-1775	1	HOUSING						
	4	1	0T-0573	2	BOLT (3/8-16X2.75IN)						
	5	1	5M-2894	2	WASHER (2.5MM THK)						
C	6	1	009-2062	1	SEAL-O-RING (63.17MM ID)						
C	7	1	032-1269	2	ELBOW-FLARED						

C- CHANGE FROM PREVIOUS TYPE



REAR VIEW



RIGHT SIDE VIEW

GRAPHIC #1

g00269985

COOLING SYSTEM

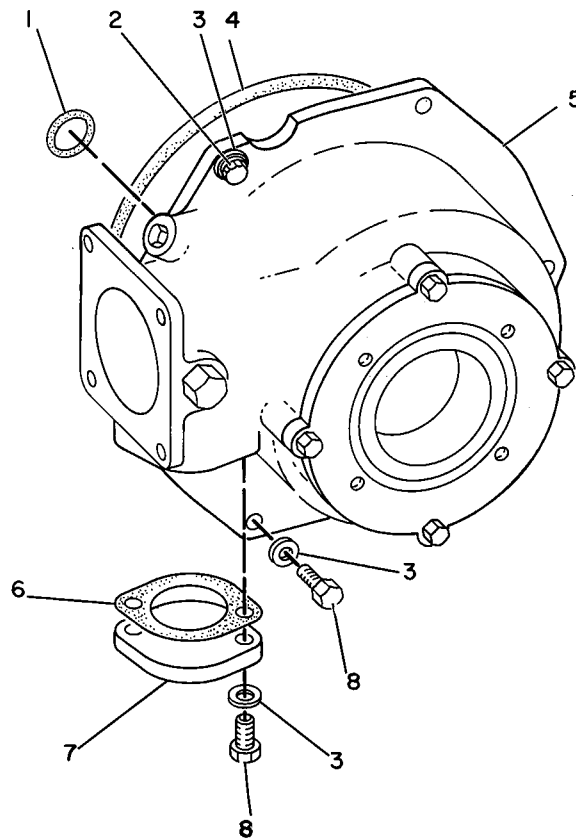
1W-9554 PUMP GP-AUXILIARY FRESH WATER

SMCS-1371

i00655747

NOTE	REF NO	GRAPHIC REF	PART NUMBER	QTY	PART NAME						SEE PAGE
					1	2	3	4	5	6 (PRODUCT LEVEL)	
	1	1	3B-8453	1	SEAL-O-RING (18.42MM ID)						
	2	1	1T-0765	1	BOLT (3/8-16X1.00IN)						
	3	1	5M-2894	8	WASHER (2.5MM THK)						
	4	1	1T-0132	1	SEAL-O-RING (234.54MM ID)						
YR	5	1	7E-9781	1	PUMP GP-AUXILIARY FRESH WATER						236
	6	1	5N-1940	1	GASKET						
	7	1	5N-1939	1	COVER						
	8	1	0S-1594	7	BOLT (3/8-16X1IN)						

R-REMFG PART MAY BE AVAILABLE
Y-SEPARATE ILLUSTRATION



GRAPHIC #1

g00166304

COOLING SYSTEM

7E-9781 PUMP GP-AUXILIARY FRESH WATER

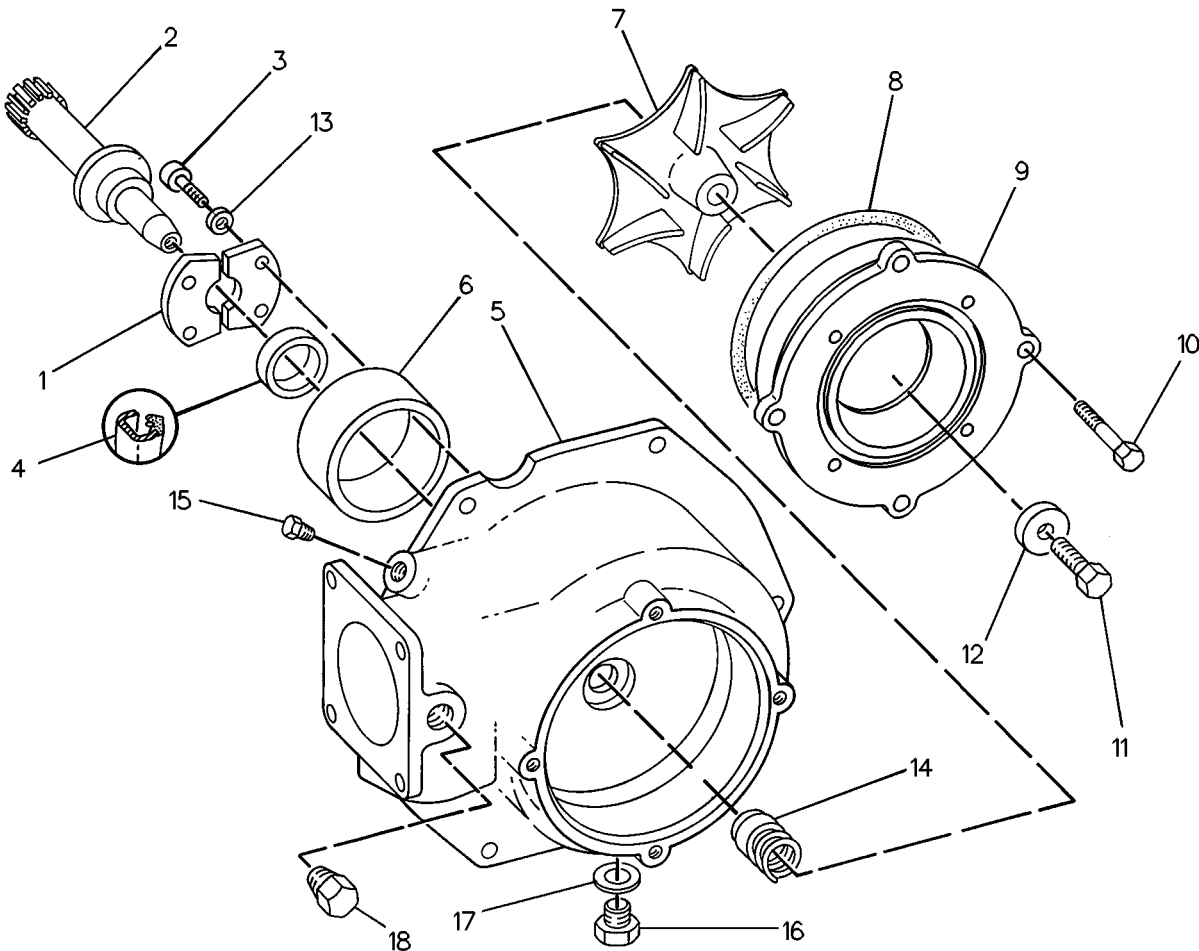
PART OF 1W-9554 PUMP GP-AUXILIARY FRESH WATER

SMCS-1371

i00095553

NOTE	REF NO	GRAPHIC REF	PART NUMBER	QTY	PART NAME						SEE PAGE
					1	2	3	4	5	6 (PRODUCT LEVEL)	
	1	1	5N-4383	2	WASHER-THRUST						
	2	1	5N-4384	1	SHAFT AS						
	3	1	8H-3128	4	BOLT-SOCKET HEAD						
	4	1	9X-4594	1	SEAL-LIP						
	5	1	7E-9780	1	HOUSING AS						
	6	1	7N-5244	1	BEARING-SLEEVE						
	7	1	7W-5769	1	IMPELLER-PUMP						
	8	1	9M-3786	1	SEAL-O-RING (139.06MM ID)						
	9	1	5N-2611	1	ADAPTER-INLET						
	10	1	0S-1594	4	BOLT (3/8-16X1IN)						
	11	1	0S-1591	1	BOLT (3/8-16X1.5IN)						
	12	1	8M-7145	1	WASHER (5MM THK)						
	13	1	8M-2933	4	SHIM-CARRIER						
	14	1	4W-3864	1	SEAL GP						
	15	1	8T-6765	1	PLUG-PIPE (1/4-18 NPTF THD)						
B	16	1	9S-4191	1	PLUG-O-RING (9/16-18 THD)						
B	17	1	3J-1907	1	SEAL-O-RING (11.89MM ID)						
	18	1	7W-6492	1	PLUG-PIPE (1/2-14'NPTF'THD)						

B-USE AS REQUIRED



GRAPHIC #1

g00082460

COOLING SYSTEM

2W-9725 PUMP GP-WATER

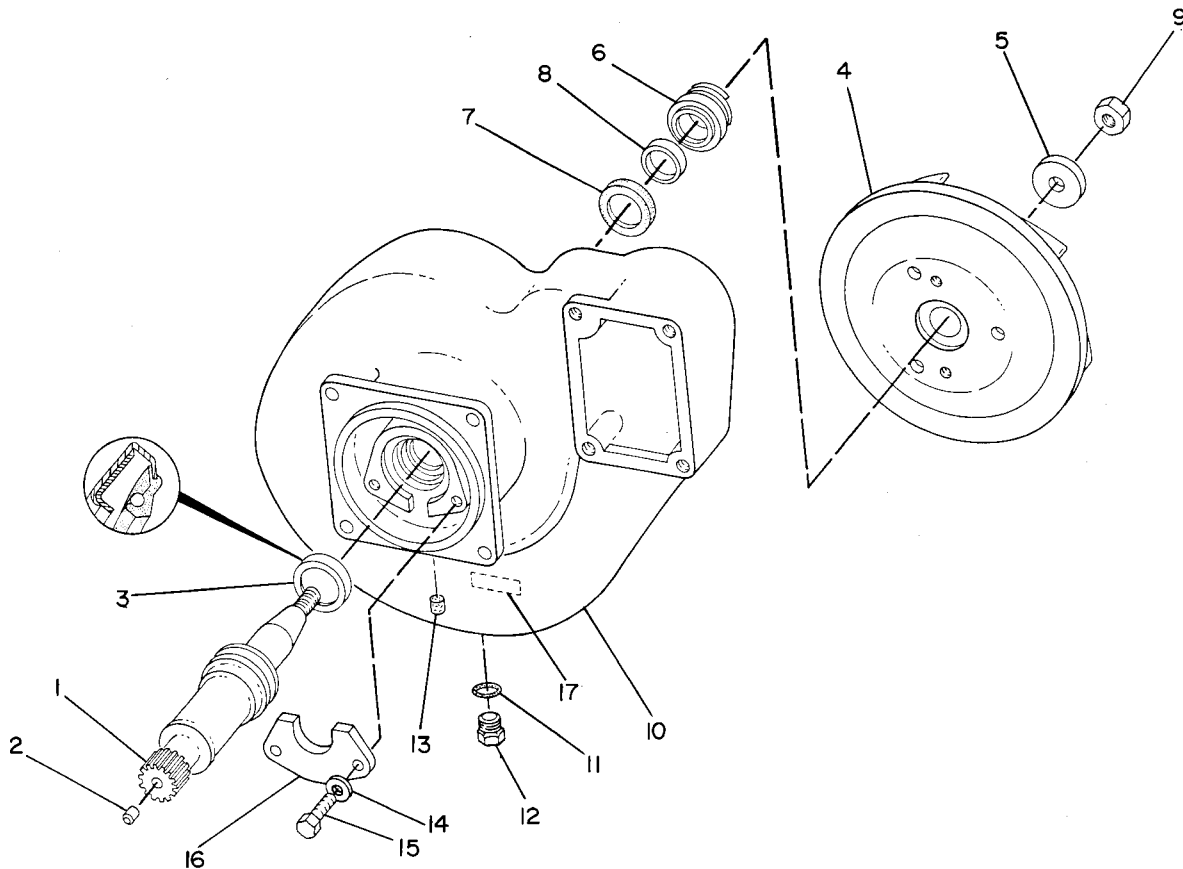
S/N 9TG1-64

PART OF 2W-9726 PUMP GP-WATER

SMCS-1361, 1363, 1364, 1373, 1384, 1389, 1394

i00112776

NOTE	REF NO	GRAPHIC REF	PART NUMBER	QTY	PART NAME						SEE PAGE
					1	2	3	4	5	6 (PRODUCT LEVEL)	
	1	1	2W-9723	1	SHAFT AS-PUMP DRIVE						
	2	1	6F-7172	1	DOWEL						
	3	1	8C-5236	1	SEAL-LIP						
	4	1	2W-9724	1	IMPELLER-PUMP						
	5	1	2P-3696	1	RETAINER						
	6	1	6N-9313	1	SEAL GP-PUMP						
	7	1	6N-5476	1	RING-SEAL						
	8	1	6N-5475	1	SEAL-WATER PUMP						
	9	1	6V-8287	1	LOCKNUT						
	10	1	7N-4756	1	HOUSING AS-PUMP						
	11	1	3D-2824	1	SEAL-O-RING (23.47MM ID)						
	12	1	9S-4183	1	PLUG (1 1/16-12 THD)						
	13	1	4N-5834	2	FILTER						
	14	1	9M-1974	2	WASHER-HARD (2MM THK)						
	15	1	0S-1618	2	BOLT (5/16X18X1IN)						
	16	1	7N-4758	1	WASHER-THRUST						
	17	1	4W-0064	1	PLATE-IDENTIFICATION						
		1	4B-4158	2	SCREW (DRIVE)						



GRAPHIC #1

g00081740

COOLING SYSTEM

2W-9726 PUMP GP-WATER

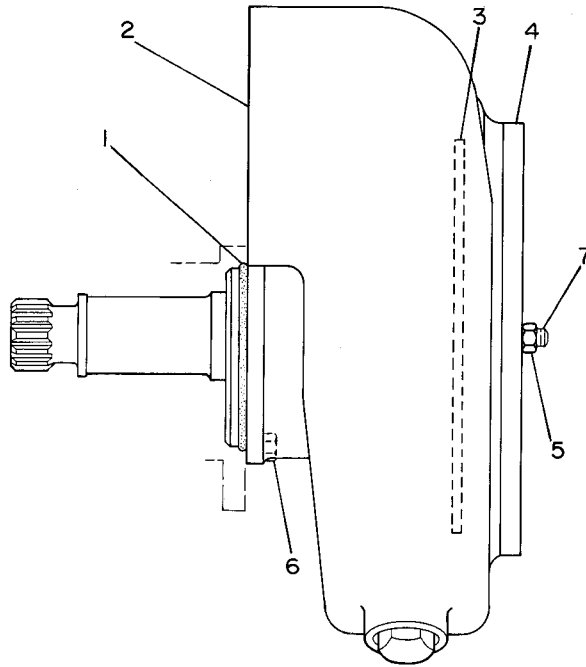
S/N 9TG1-64

SMCS-1361, 1363, 1364, 1373, 1384, 1389, 1394

i00112782

NOTE	REF NO	GRAPHIC REF	PART NUMBER	QTY	PART NAME						SEE PAGE
					1	2	3	4	5	6 (PRODUCT LEVEL)	
	1	1	5H-6734	1	SEAL-O-RING (113.89MM ID)						
YR	2	1	2W-9726	1	PUMP GP-WATER						237
	3	1	1H-8278	1	SEAL-O-RING						
	4	1	8N-6423	1	COVER-PUMP INLET						
	5	1	9S-8752	3	NUT-FULL (3/8-16 THD)						
	6	1	3B-1915	4	BOLT (3/8-16X1.375IN)						
	7	1	9M-2151	3	STUD-TAPERLOCK (3/8-16X1.38IN)						

R- REMFG PART MAY BE AVAILABLE
Y- SEPARATE ILLUSTRATION



GRAPHIC #1

g00081738

COOLING SYSTEM

2W-9726 PUMP GP-WATER

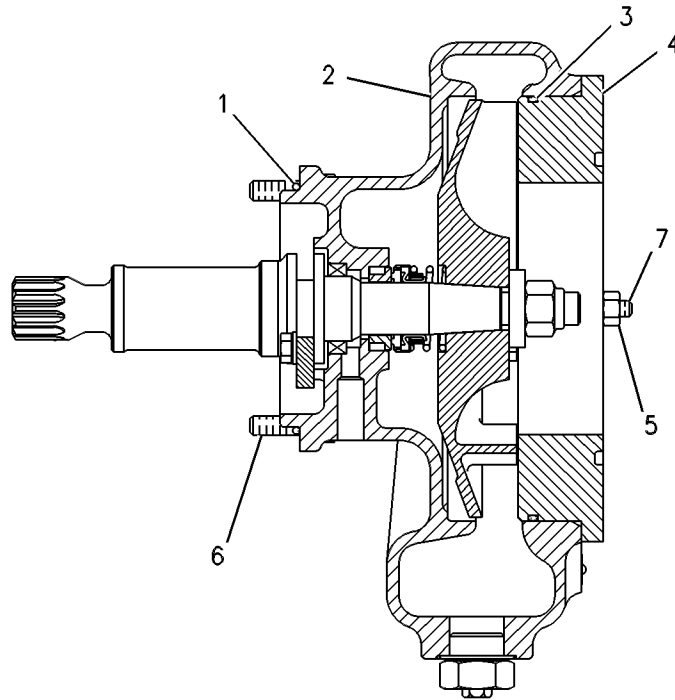
S/N 9TG65-UP

SMCS-1361, 1363, 1364, 1373, 1384, 1389, 1394

i00563466

NOTE	REF NO	GRAPHIC REF	PART NUMBER	QTY	PART NAME						SEE PAGE
					1	2	3	4	5	6 (PRODUCT LEVEL)	
	1	1	5H-6734	1	SEAL-O-RING (113.89MM ID)						
CY	2	1	122-0501	1	PUMP GP-WATER						249
	3	1	1H-8278	1	SEAL-O-RING						
	4	1	8N-6423	1	COVER-PUMP INLET						
	5	1	9S-8752	3	NUT-FULL (3/8-16 THD)						
	6	1	3B-1915	4	BOLT (3/8-16X1.375IN)						
	7	1	9M-2151	3	STUD-TAPERLOCK (3/8-16X1.38IN)						

C- CHANGE FROM PREVIOUS TYPE
Y- SEPARATE ILLUSTRATION



GRAPHIC #1

g00278114

COOLING SYSTEM

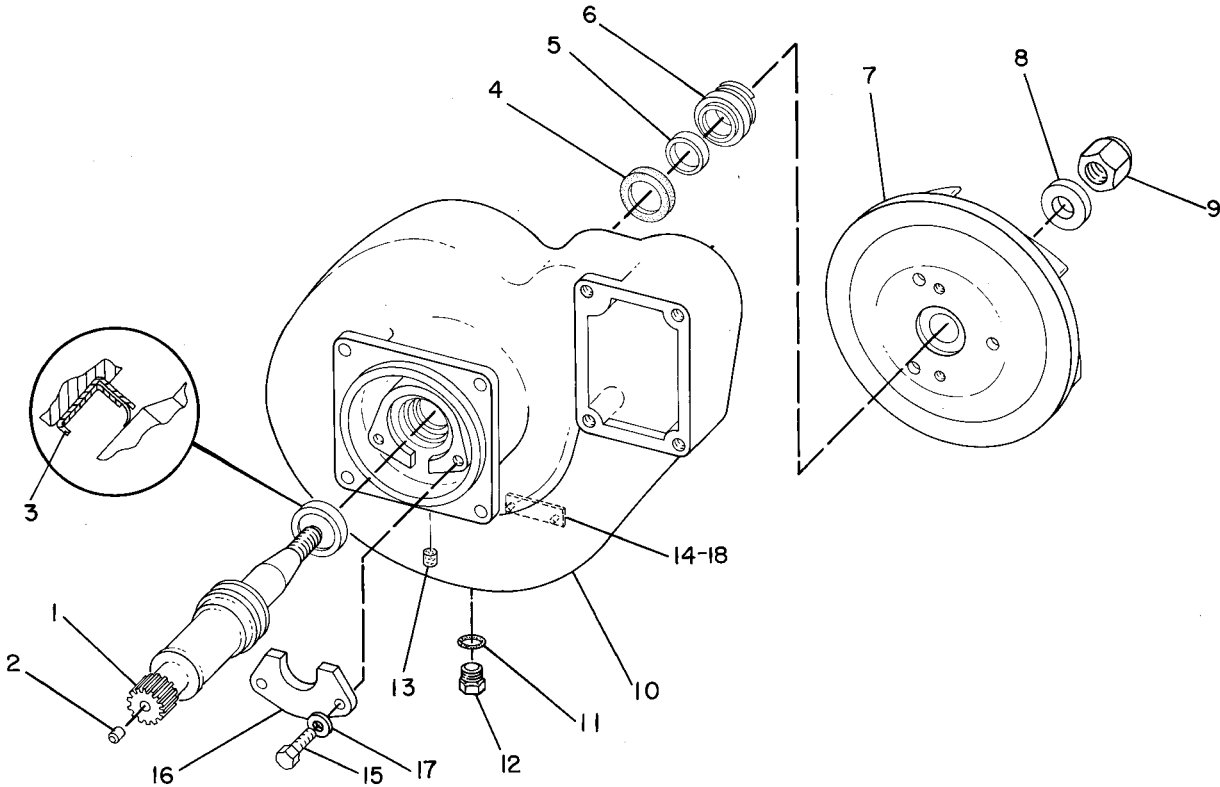
2W-9728 PUMP GP - WATER

PART OF 2W-9729 PUMP GP - WATER

SMCS-1361, 1363, 1364, 1373, 1384, 1389, 1394

i00095436

NOTE	REF NO	GRAPHIC REF	PART NUMBER	QTY	PART NAME						SEE PAGE
					1	2	3	4	5	6 (PRODUCT LEVEL)	
	1	1	2W-9723	1	SHAFT AS-PUMP DRIVE						
	2	1	6F-7172	1	DOWEL						
	3	1	8C-5236	1	SEAL-LIP						
	4	1	6N-5476	1	RING-SEAL						
	5	1	6N-5475	1	SEAL-WATER PUMP						
	6	1	6N-9313	1	SEAL GP-PUMP						
	7	1	2W-9727	1	IMPELLER-PUMP						
	8	1	2P-3696	1	RETAINER						
	9	1	6V-8287	1	LOCKNUT						
	10	1	7N-4756	1	HOUSING AS-PUMP						
	11	1	3D-2824	1	SEAL-O-RING (23.47MM ID)						
	12	1	9S-4183	1	PLUG (1 1/16-12 THD)						
	13	1	4N-5834	2	FILTER						
	14	1	4W-0063	1	PLATE-IDENTIFICATION						
	15	1	0S-1618	2	BOLT (5/16X18X1IN)						
	16	1	7N-4758	1	WASHER-THRUST						
	17	1	9M-1974	2	WASHER-HARD (2MM THK)						
	18	1	4B-4158	2	SCREW (DRIVE)						



GRAPHIC #1

g00082136

COOLING SYSTEM

2W-9729 PUMP GP-WATER

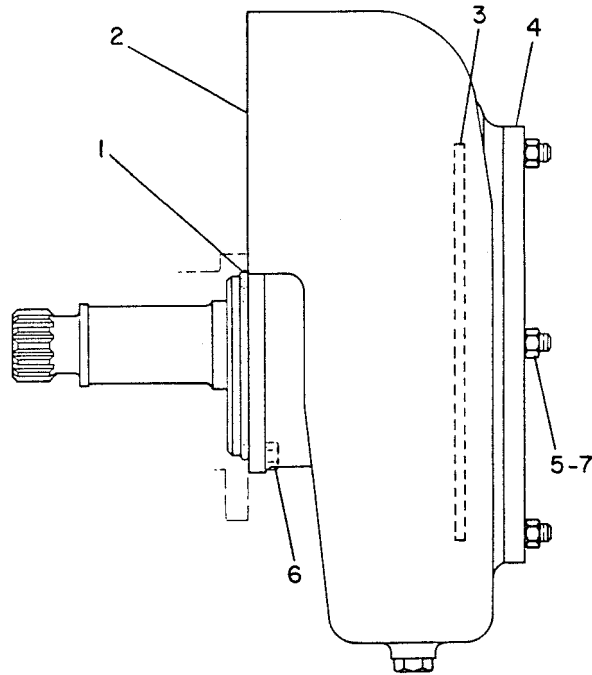
TYPE 1

SMCS-1361, 1363, 1364, 1373, 1384, 1389, 1394

i00095441

NOTE	REF NO	GRAPHIC REF	PART NUMBER	QTY	PART NAME						SEE PAGE
					1	2	3	4	5	6 (PRODUCT LEVEL)	
	1	1	5H-6734	1	SEAL-O-RING (113.89MM ID)						
YR	2	1	2W-9728	1	PUMP GP-WATER						240
	3	1	1H-8278	1	SEAL-O-RING						
	4	1	8N-6423	1	COVER-PUMP INLET						
	5	1	1D-4717	3	NUT (3/8-16 THD)						
	6	1	3B-1915	4	BOLT (3/8-16X1.375IN)						
	7	1	9M-2151	3	STUD-TAPERLOCK (3/8-16X1.38IN)						

R-REMFG PART MAY BE AVAILABLE
Y-SEPARATE ILLUSTRATION



GRAPHIC #1

g00081688

COOLING SYSTEM

2W-9729 PUMP GP-WATER

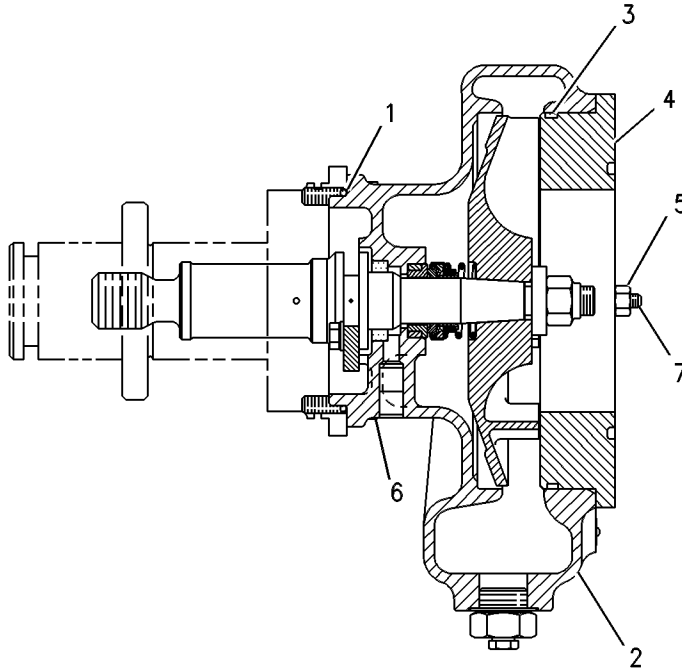
TYPE 2

SMCS-1361, 1363, 1364, 1373, 1384, 1389, 1394

i00571666

NOTE	REF NO	GRAPHIC REF	PART NUMBER	QTY	PART NAME						SEE PAGE
					1	2	3	4	5	6 (PRODUCT LEVEL)	
	1	1	5H-6734	1	SEAL-O-RING (113.89MM ID)						
YC	2	1	122-0500	1	PUMP GP-WATER						248
	3	1	1H-8278	1	SEAL-O-RING						
	4	1	8N-6423	1	COVER-PUMP INLET						
C	5	1	9S-8752	3	NUT-FULL (3/8-16 THD)						
	6	1	3B-1915	4	BOLT (3/8-16X1.375IN)						
	7	1	9M-2151	3	STUD-TAPERLOCK (3/8-16X1.38IN)						

C- CHANGE FROM PREVIOUS TYPE
Y- SEPARATE ILLUSTRATION



GRAPHIC #1

g00278946

COOLING SYSTEM

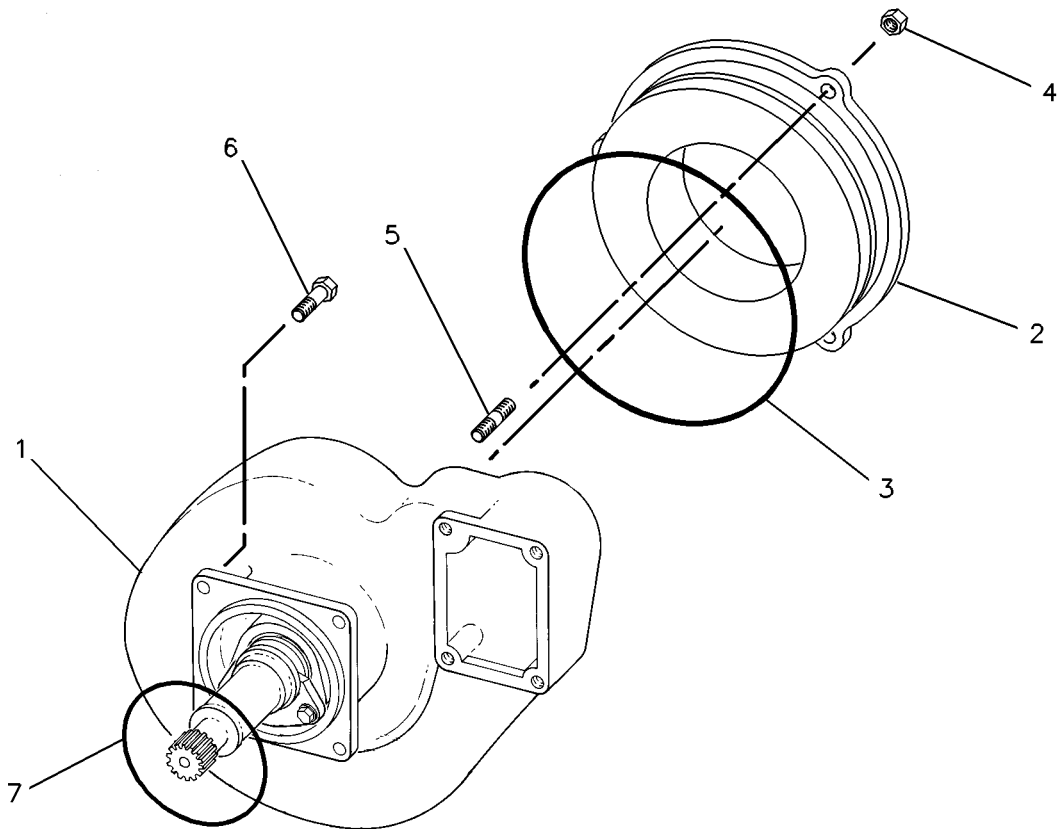
7E-0011 PUMP GP-WATER PART OF 7E-1340, 7E-8723 CONVERSION AR AN ATTACHMENT TYPE 1

SMCS-1361, 1363, 1364, 1373, 1384, 1389, 1394

i00661503

NOTE	REF NO	GRAPHIC REF	PART NUMBER	QTY	PART NAME						SEE PAGE
					1	2	3	4	5	6 (PRODUCT LEVEL)	
Y	1	1	7E-0012	1	PUMP GP-WATER						245
	2	1	7E-0014	1	COVER-WATER INLET						
	3	1	1H-8278	1	SEAL-O-RING						
	4	1	1D-4717	3	NUT (3/8-16 THD)						
	5	1	9M-2151	3	STUD-TAPERLOCK (3/8-16X1.38IN)						
	6	1	3B-1915	4	BOLT (3/8-16X1.375IN)						
	7	1	5H-6734	1	SEAL-O-RING (113.89MM ID)						

Y-SEPARATE ILLUSTRATION



GRAPHIC #1

g00206561

COOLING SYSTEM

7E-0011 PUMP GP-WATER

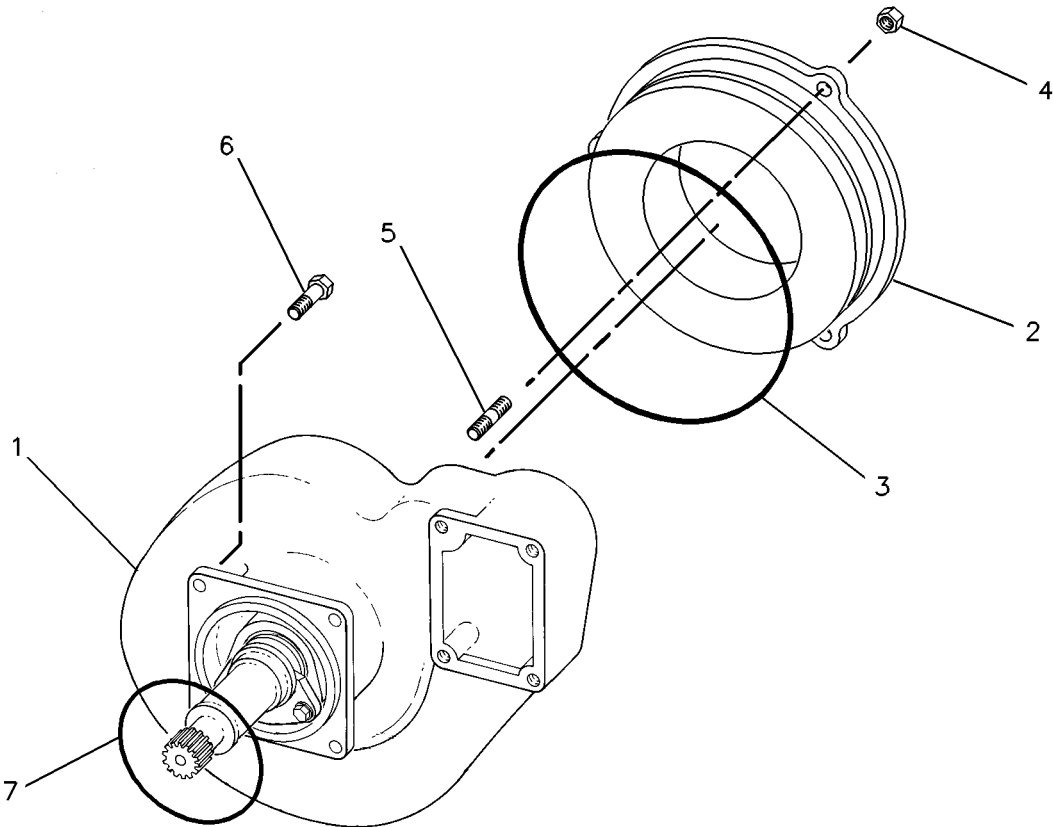
PART OF 7E-1340, 7E-8723 CONVERSION AR
AN ATTACHMENT
TYPE 2

SMCS-1361, 1363, 1364, 1373, 1384, 1389, 1394

i00661479

NOTE	REF NO	GRAPHIC REF	PART NUMBER	QTY	PART NAME						SEE PAGE
					1	2	3	4	5	6 (PRODUCT LEVEL)	
Y	1	1	122-0502	1	PUMP GP-WATER						250
	2	1	7E-0014	1	COVER-WATER INLET						
	3	1	1H-8278	1	SEAL-O-RING						
	4	1	9S-8752	3	NUT-FULL (3/8-16 THD)						
	5	1	9M-2151	3	STUD-TAPERLOCK (3/8-16X1.38IN)						
	6	1	3B-1915	4	BOLT (3/8-16X1.375IN)						
	7	1	5H-6734	1	SEAL-O-RING (113.89MM ID)						

Y-SEPARATE ILLUSTRATION



GRAPHIC #1

g00206561

COOLING SYSTEM

7E-0012 PUMP GP-WATER

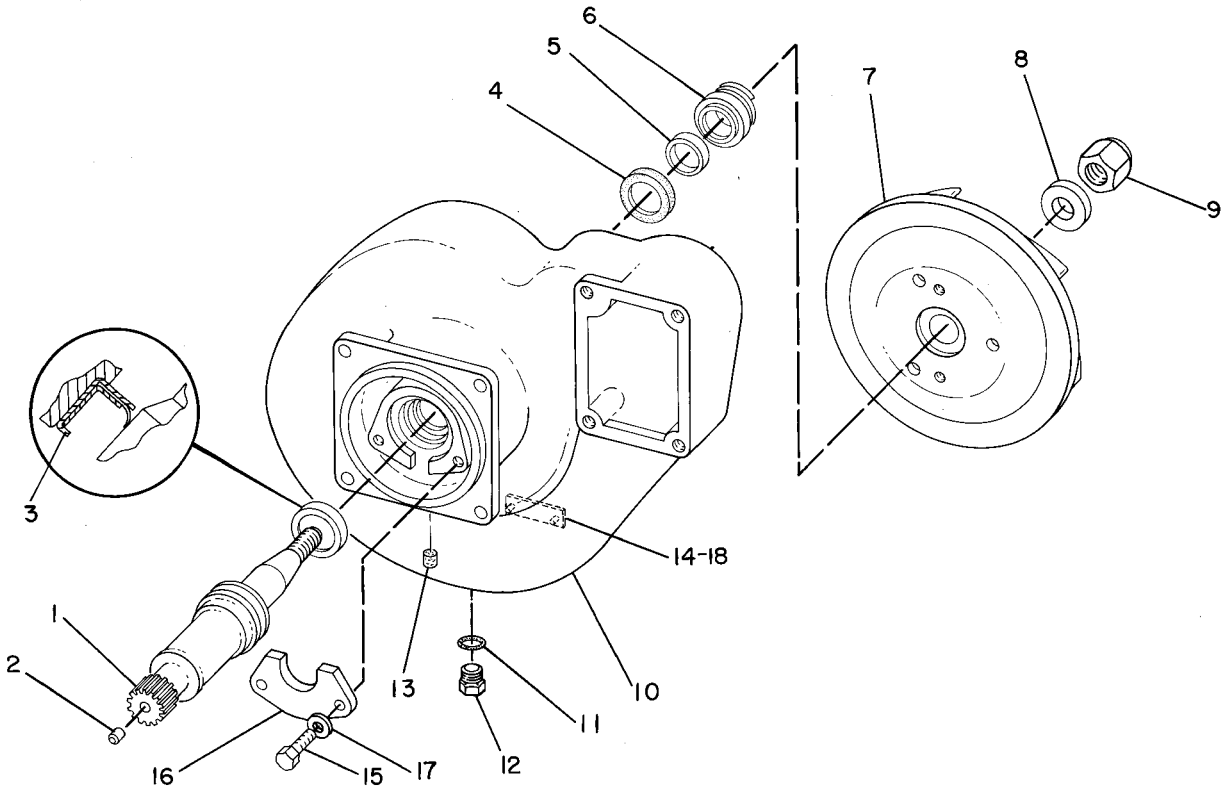
PART OF 7E-0011 PUMP GP-WATER

AN ATTACHMENT

SMCS-1361, 1363, 1364, 1373, 1384, 1389, 1394

i00661511

NOTE	REF NO	GRAPHIC REF	PART NUMBER	QTY	PART NAME						SEE PAGE
					1	2	3	4	5	6 (PRODUCT LEVEL)	
	1	1	2W-9723	1	SHAFT AS-PUMP DRIVE						
	2	1	6F-7172	1	DOWEL						
	3	1	8C-5236	1	SEAL-LIP						
	4	1	6N-5476	1	RING-SEAL						
	5	1	6N-5475	1	SEAL-WATER PUMP						
	6	1	6N-4743	1	SEAL AS-PUMP						
	7	1	7E-0013	1	IMPELLER						
	8	1	2P-3696	1	RETAINER						
	9	1	6V-8287	1	LOCKNUT						
	10	1	7N-4756	1	HOUSING AS-PUMP						
	11	1	3D-2824	1	SEAL-O-RING (23.47MM ID)						
	12	1	9S-4183	1	PLUG (1 1/16-12 THD)						
	13	1	4N-5834	2	FILTER						
	14	1	7E-0038	1	PLATE-IDENTIFICATION						
	15	1	0S-1618	2	BOLT (5/16X18X1IN)						
	16	1	7N-4758	1	WASHER-THRUST						
	17	1	9M-1974	2	WASHER-HARD (2MM THK)						
	18	1	4B-4158	2	SCREW (DRIVE)						



GRAPHIC #1

g00082136

COOLING SYSTEM

7E-9782 PUMP GP-WATER

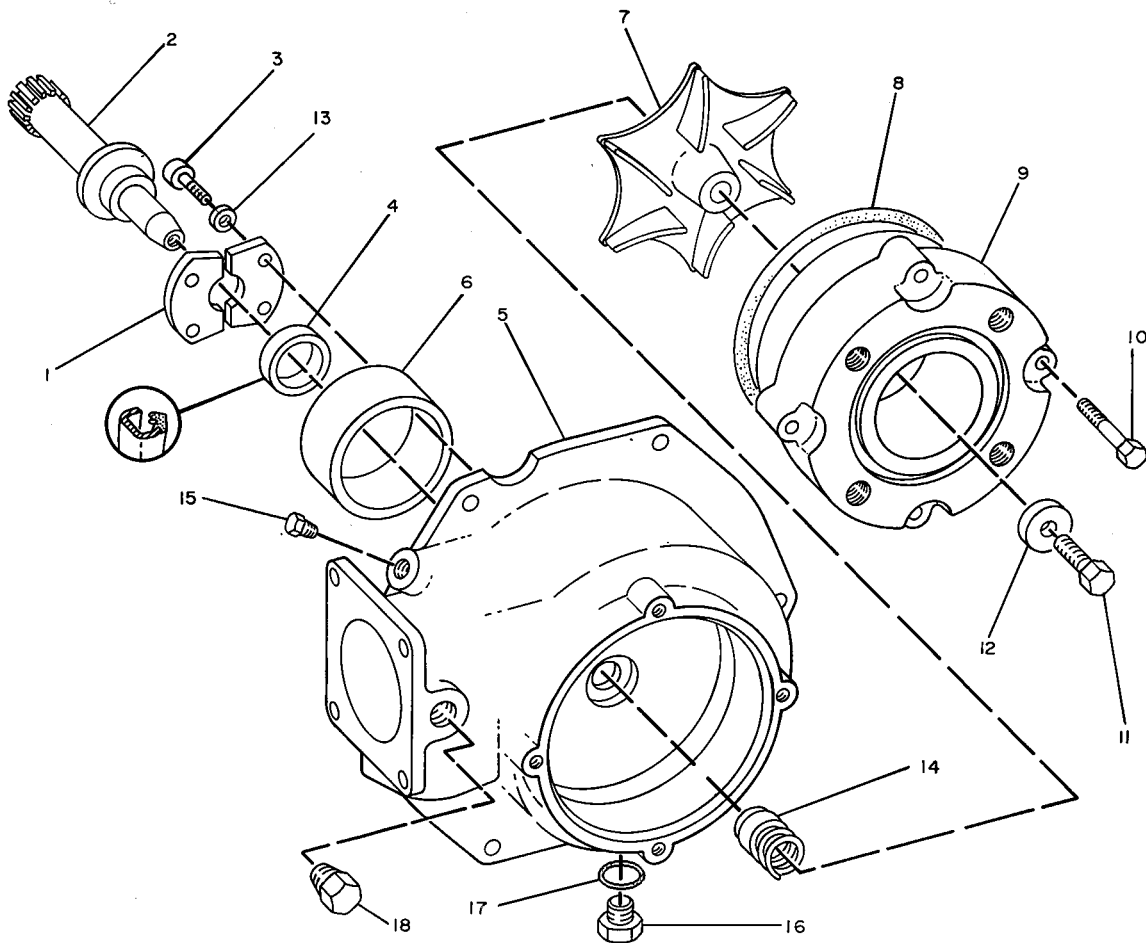
PART OF 9Y-8175 PUMP GP-WATER

AN ATTACHMENT

SMCS-1361, 1363, 1364, 1373, 1384, 1389, 1394

i00655897

NOTE	REF NO	GRAPHIC REF	PART NUMBER	QTY	PART NAME						SEE PAGE
					1	2	3	4	5	6 (PRODUCT LEVEL)	
	1	1	5N-4383	2	WASHER-THRUST						
	2	1	5N-4384	1	SHAFT AS						
	3	1	8H-3128	4	BOLT-SOCKET HEAD						
	4	1	9X-4594	1	SEAL-LIP						
	5	1	7E-9780	1	HOUSING AS						
	6	1	7N-5244	1	BEARING-SLEEVE						
	7	1	7W-5769	1	IMPELLER-PUMP						
	8	1	9M-3786	1	SEAL-O-RING (139.06MM ID)						
	9	1	9Y-8067	1	ADAPTER						
	10	1	0S-1590	4	BOLT (3/8-16X2IN)						
	11	1	0S-1591	1	BOLT (3/8-16X1.5IN)						
	12	1	8M-7145	1	WASHER (5MM THK)						
	13	1	8M-2933	4	SHIM-CARRIER						
	14	1	4W-3864	1	SEAL GP						
	15	1	8T-6764	1	PLUG-PIPE (1/8-27 NPTF THD)						
	16	1	9S-4191	1	PLUG-O-RING (9/16-18 THD)						
	17	1	3J-1907	1	SEAL-O-RING (11.89MM ID)						
	18	1	7W-6492	1	PLUG-PIPE (1/2-14' NPTF THD)						



GRAPHIC #1

g00225307

COOLING SYSTEM

9Y-8175 PUMP GP-WATER

AFTERCOOLER

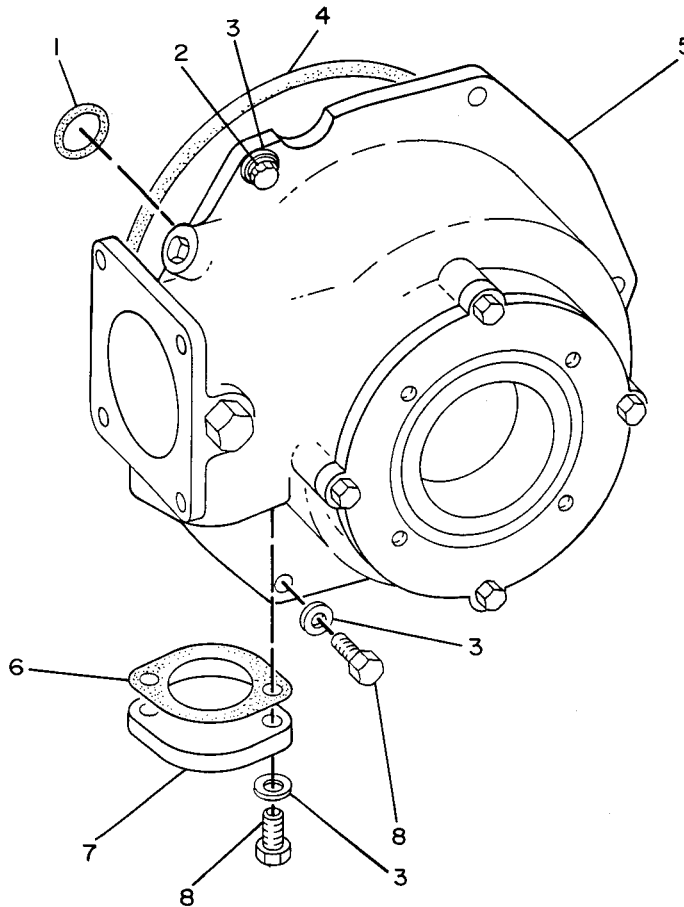
PART OF 7E-3781 CONVERSION AIR
AN ATTACHMENT

SMCS-1361, 1363, 1364, 1373, 1384, 1389, 1394

i00655884

NOTE	REF NO	GRAPHIC REF	PART NUMBER	QTY	PART NAME						SEE PAGE
					1	2	3	4	5	6 (PRODUCT LEVEL)	
	1	1	3B-8453	1	SEAL-O-RING (18.42MM ID)						
	2	1	1T-0765	1	BOLT (3/8-16X1.00IN)						
	3	1	5M-2894	8	WASHER (2.5MM THK)						
	4	1	1T-0132	1	SEAL-O-RING (234.54MM ID)						
Y	5	1	7E-9782	1	PUMP GP-WATER						246
	6	1	5N-1940	1	GASKET						
	7	1	5N-1939	1	COVER						
	8	1	OS-1594	7	BOLT (3/8-16X1IN)						

Y-SEPARATE ILLUSTRATION



GRAPHIC #1

g00201132

COOLING SYSTEM

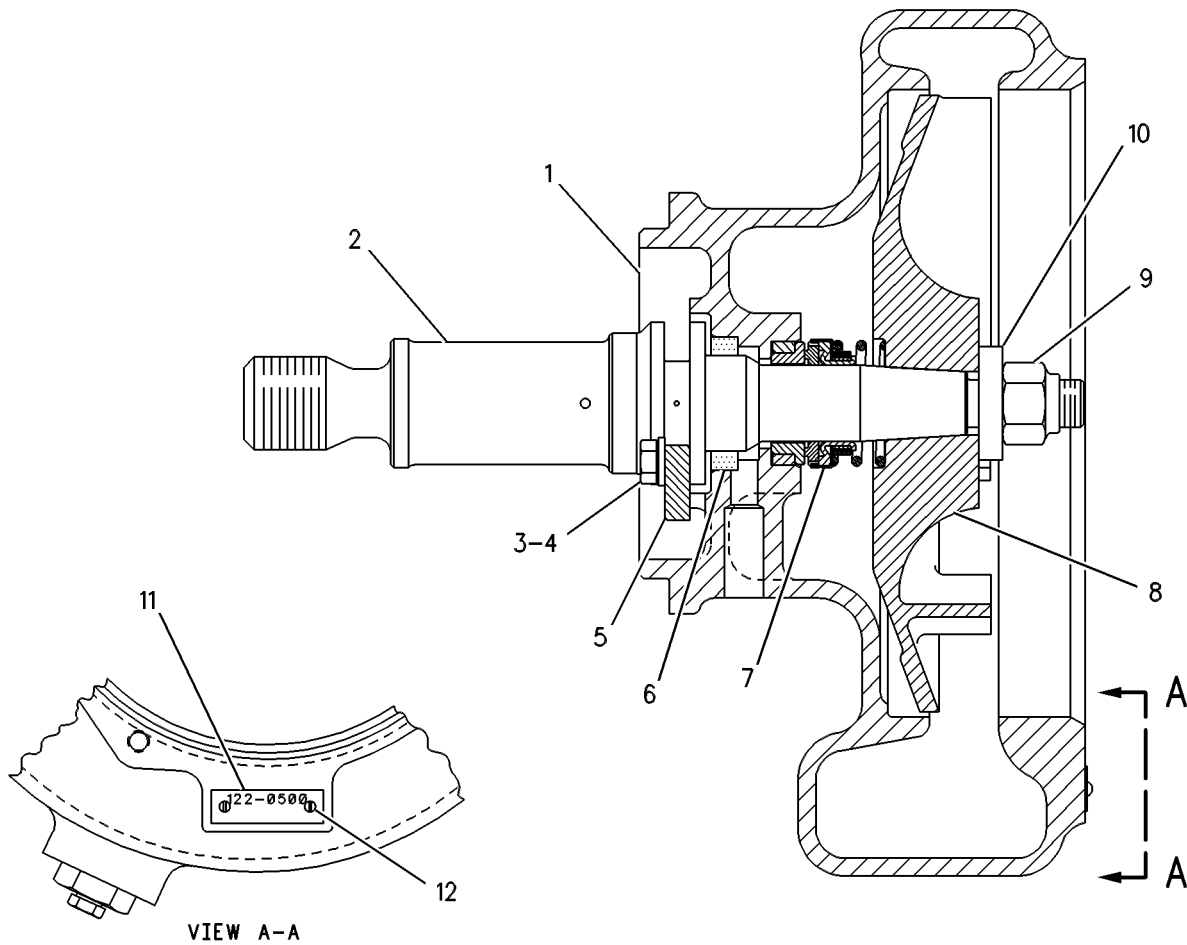
122-0500 PUMP GP-WATER

PART OF 2W-9729 PUMP GP-WATER

SMCS-1361, 1363, 1364, 1373, 1384, 1389, 1394

i00549602

NOTE	REF NO	GRAPHIC REF	PART NUMBER	QTY	PART NAME						SEE PAGE
					1	2	3	4	5	6 (PRODUCT LEVEL)	
	1	1	7N-4756	1	HOUSING AS-PUMP						
		1	7G-8478	1	ADAPTER-O-RING						
		1	3D-2824	1	SEAL-O-RING (23.47MM ID)						
		1	4N-5834	2	FILTER						
		1	8T-6765	1	PLUG-PIPE (1/4-18 NPTF THD)						
2	1		2W-9723	1	SHAFT AS-PUMP DRIVE						
		1	6F-7172	1	DOWEL						
3	1		0S-1618	2	BOLT (5/16X18X1IN)						
4	1		9M-1974	2	WASHER-HARD (2MM THK)						
5	1		7N-4758	1	WASHER-THRUST						
6	1		8C-5236	1	SEAL-LIP						
7	1		120-7550	1	SEAL GP-FACE						
8	1		2W-9727	1	IMPELLER-PUMP						
9	1		6V-8287	1	LOCKNUT						
10	1		5S-0581	1	WASHER-HARD (8MM THK)						
11	1		122-3370	1	PLATE-IDENTIFICATION						
12	1		4B-4158	2	SCREW (DRIVE)						



GRAPHIC #1

g00085800

COOLING SYSTEM

122-0501 PUMP GP-WATER

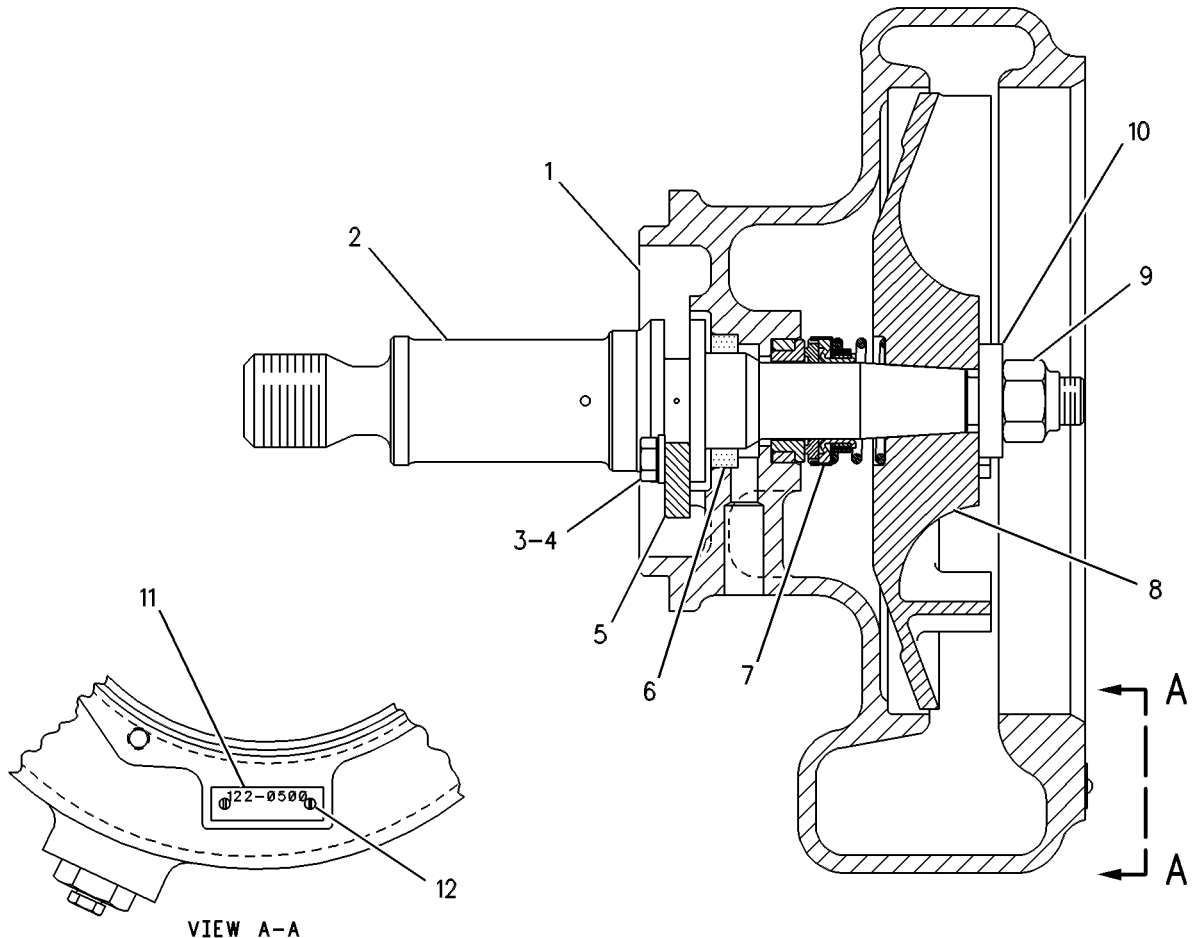
S/N 9TG65-UP

PART OF 2W-9726 PUMP GP-WATER

SMCS-1361, 1363, 1364, 1373, 1384, 1389, 1394

i00116863

NOTE	REF NO	GRAPHIC REF	PART NUMBER	QTY	PART NAME						SEE PAGE
					1	2	3	4	5	6 (PRODUCT LEVEL)	
	1	1	7N-4756	1	HOUSING AS-PUMP						
		1	3D-2824	1	SEAL-O-RING (23.47MM ID)						
		1	4N-5834	2	FILTER						
		1	8T-6765	1	PLUG-PIPE (1/4-18 NPTF THD)						
		1	7G-8478	1	ADAPTER-O-RING						
2	1	1	2W-9723	1	SHAFT AS-PUMP DRIVE						
		1	6F-7172	1	DOWEL						
3	1	1	0S-1618	2	BOLT (5/16X18X1IN)						
4	1	1	9M-1974	2	WASHER-HARD (2MM THK)						
5	1	1	7N-4758	1	WASHER-THRUST						
6	1	1	8C-5236	1	SEAL-LIP						
7	1	1	124-5245	1	SEAL GP-FACE						
		1	7N-8268	1	TOOL-INSTALLATION						
8	1	1	2W-9724	1	IMPELLER-PUMP						
9	1	1	6V-8287	1	LOCKNUT						
10	1	1	5S-0581	1	WASHER-HARD (8MM THK)						
11	1	1	122-3371	1	PLATE-IDENTIFICATION						
12	1	1	4B-4158	2	SCREW (DRIVE)						



GRAPHIC #1

g00085800

COOLING SYSTEM

122-0502 PUMP GP-WATER

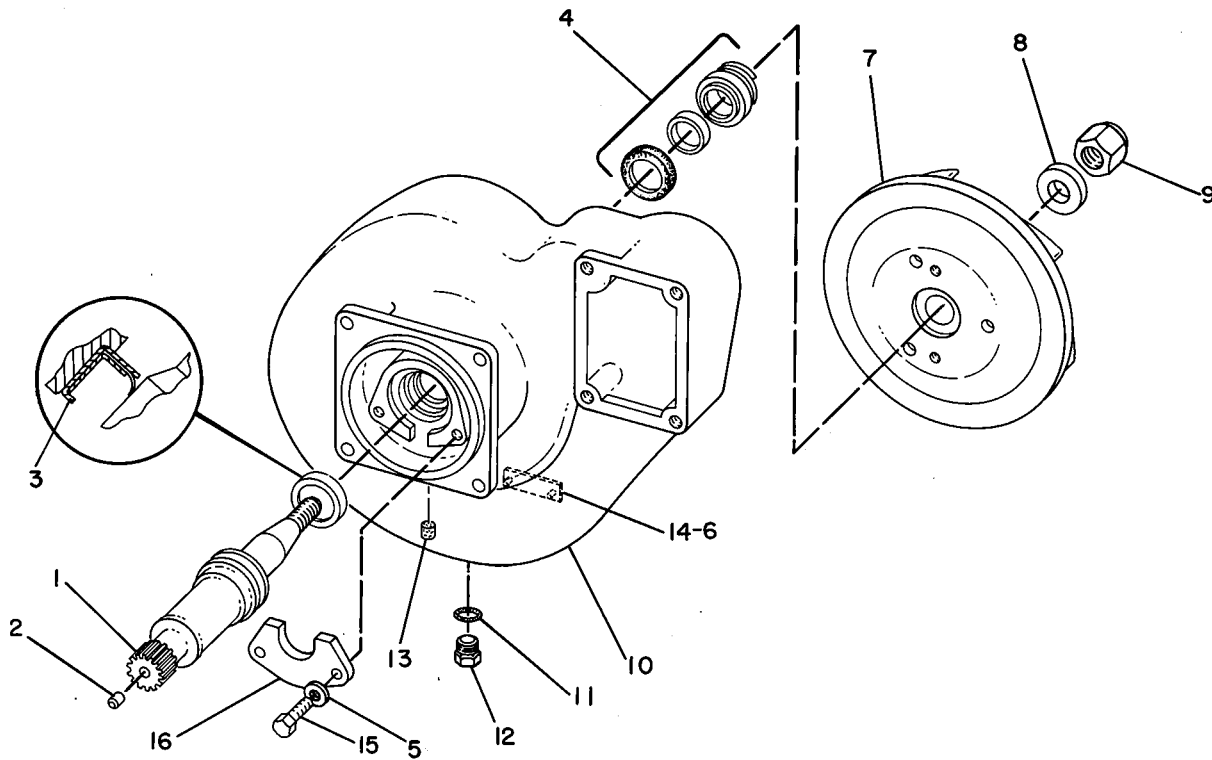
PART OF 7E-0011 PUMP GP-WATER

AN ATTACHMENT

SMCS-1361, 1363, 1364, 1373, 1384, 1389, 1394

i00657987

NOTE	REF NO	GRAPHIC REF	PART NUMBER	QTY	PART NAME						SEE PAGE
					1	2	3	4	5	6 (PRODUCT LEVEL)	
	1	1	2W-9723	1	SHAFT AS-PUMP DRIVE						
	2	1	6F-7172	1	DOWEL						
	3	1	8C-5236	1	SEAL-LIP						
	4	1	120-7550	1	SEAL GP-FACE						
		1	7N-8268	1	TOOL-INSTALLATION						
	5	1	9M-1974	2	WASHER-HARD (2MM THK)						
	6	1	4B-4158	2	SCREW (DRIVE)						
	7	1	7E-0013	1	IMPELLER						
	8	1	5S-0581	2	WASHER-HARD (8MM THK)						
	9	1	6V-8287	1	LOCKNUT						
	10	1	7N-4756	1	HOUSING AS-PUMP						
	11	1	3D-2824	1	SEAL-O-RING (23.47MM ID)						
	12	1	9S-4183	1	PLUG (1 1/16-12 THD)						
	13	1	4N-5834	2	FILTER						
	14	1	122-3362	1	PLATE-IDENTIFICATION						
	15	1	0S-1618	2	BOLT (5/16X18X1IN)						
	16	1	7N-4758	1	WASHER-THRUST						



GRAPHIC #1

g00201128

MEMORANDA

COOLING SYSTEM

7E-3783 REGULATOR GP-TEMPERATURE

AFTERCOOLER

PART OF 7E-3781 CONVERSION AIR
AN ATTACHMENT

SMCS-1355

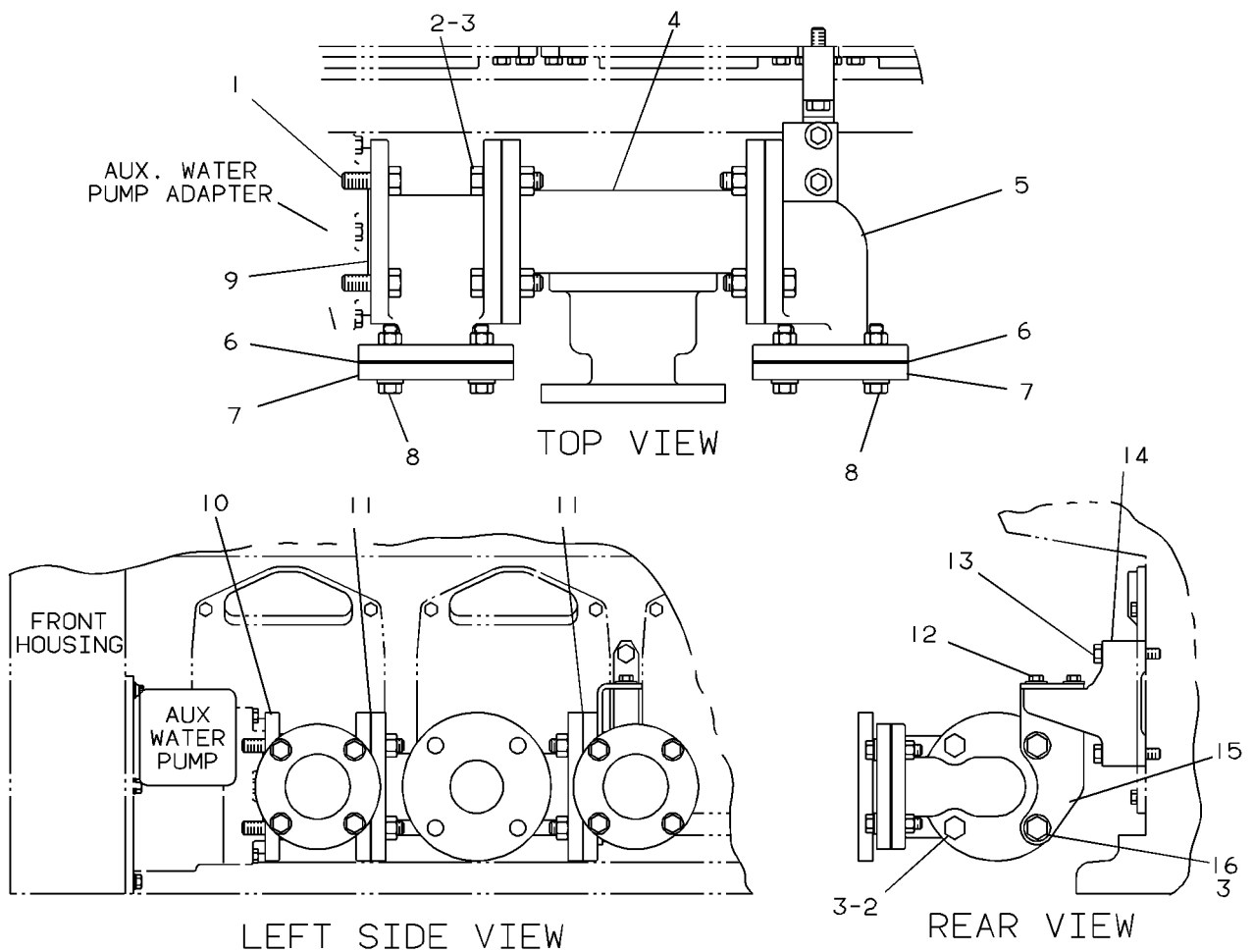
i00655750

NOTE	REF NO	GRAPHIC REF	PART NUMBER	QTY	PART NAME						SEE PAGE
					1	2	3	4	5	6 (PRODUCT LEVEL)	
	1	1	5B-0841	4	BOLT (5/8-18X1.75IN)						
	2	1	8S-9092	6	BOLT (5/8-11X2.25IN)						
	3	1	4K-0367	8	NUT (5/8-11 THD)						
Y	4	1	7E-4711	1	VALVE GP-THERMOSTATIC						267
	5	1	7E-3472	1	ELBOW-VALVE						
	6	1	9Y-6893	2	GASKET						
	7	1	2W-5225	2	FLANGE						
	8	1	2B-0947	8	BOLT (1/2-13X2.25IN)						
		1	5P-8245	8	WASHER (3MM THK)						
		1	1D-4719	8	NUT-FULL (1/2-13 THD)						
9	1	1	4F-7387	1	SEAL-O-RING (100.97MM ID)						
10	1	1	7E-3471	1	TEE-VALVE & PUMP						
11	1	1	9Y-8069	2	GASKET						
12	1	1	0L-1351	2	BOLT (3/8-16X.875IN)						
		1	9L-9132	2	WASHER (2.5MM THK)						
13	1	1	1A-5822	2	BOLT (1/2-13X2.75IN)						
14	1	1	1N-3872	1	SUPPORT						
15	1	1	7E-3473	1	BRACKET						
16	1	1	1A-8537	2	BOLT (5/8-11X2.75IN)						
		1	5P-8247	2	WASHER-HARD (3.5MM THK)						
Y-SEPARATE ILLUSTRATION											

COOLING SYSTEM

7E-3783 REGULATOR GP-TEMPERATURE (contd.)

i00655750



GRAPHIC #1

g00204127

COOLING SYSTEM

8N-7643 REGULATOR GP-TEMPERATURE

PART OF 4P-4694 TANK GP-EXPANSION

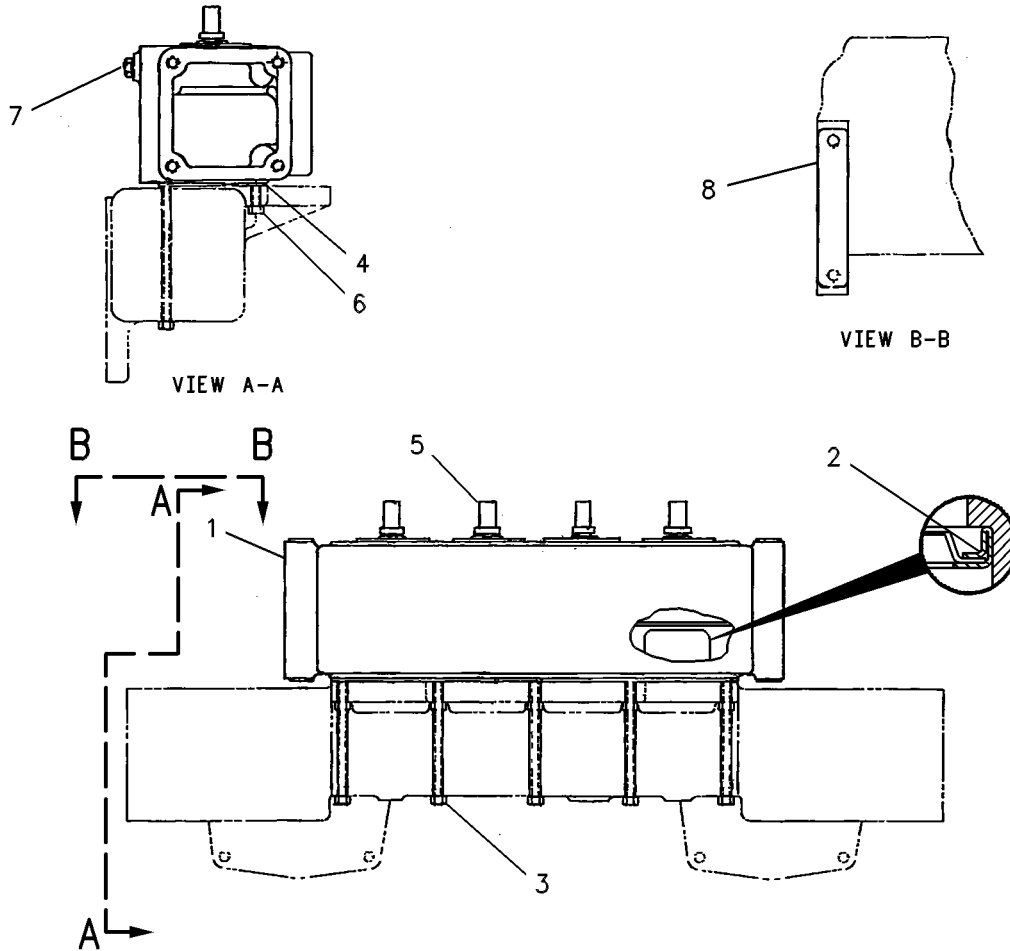
FOR USE WITH E317-ONLY, 1W-8061 ENGINE AR, E317-ONLY, 8N-7717 TANK GP-EXPANSION,
E317-ONLY, 8N-8993 CONNECTION GP-WATER, E318-ONLY, 2W-1450 ENGINE AR, E318-ONLY,
8N-7717 TANK GP-EXPANSION, E318-ONLY, 8N-8993 CONNECTION GP-WATER
AN ATTACHMENT

SMCS-1355

i00651540

NOTE	REF NO	GRAPHIC REF	PART NUMBER	QTY	PART NAME						SEE PAGE
					1	2	3	4	5	6 (PRODUCT LEVEL)	
	1	1	7E-6466	1	HOUSING AS-REGULATOR						
	2	1	3S-9643	4	SEAL-LIP						
	3	1	1A-5183	5	BOLT (3/8-16X4.75IN)						
	4	1	7N-4927	1	GASKET-HOUSING COVER						
C	5	1	7E-7933	4	REGULATOR-WATER						
	6	1	0S-1588	5	BOLT (3/8-16X1.25IN)						
C	7	1	6V-9027	1	SEAL-O-RING (8.92MM ID)						
CB		1	9S-4182	1	PLUG (7/16-20 THD)						
CB	8	1	106-3512	2	PLATE						

B- USE AS REQUIRED
C- CHANGE FROM PREVIOUS TYPE



GRAPHIC #1

g00239048

COOLING SYSTEM

9Y-8724 CONTROL GP-TEMPERATURE-OIL FOR USE WITH LANDFILL ENGINE AR AN ATTACHMENT

SMCS-1355

i00659938

NOTE	PART NUMBER	QTY	PART NAME						SEE PAGE
			1	2	3	4	5	6 (PRODUCT LEVEL)	
	7W-0371	1	REGULATOR-TEMPERATURE						
	6V-5051	1	SEAL-O-RING (75.57MM ID)						

COOLING SYSTEM

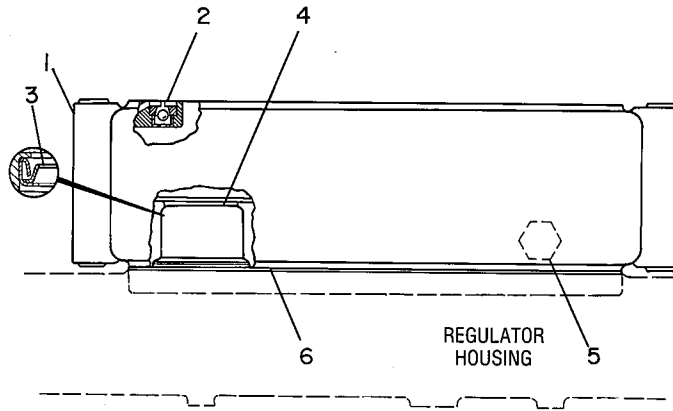
9Y-9090 REGULATOR GP-TEMPERATURE OUTLET CONTROL

SMCS-1355

i00893707

NOTE	REF NO	GRAPHIC REF	PART NUMBER	QTY	PART NAME						SEE PAGE
					1	2	3	4	5	6 (PRODUCT LEVEL)	
	1	1	9Y-9089	1	HOUSING AS-REGULATOR						
		1	9Y-8539	1	HOUSING-REGULATOR						
	2	1	111-4374	1	VALVE AS-LINE						
	3	1	3S-9643	4	SEAL-LIP						
C	4	1	7C-3095	4	REGULATOR GP-TEMPERATURE						
	5	1	3J-5389	1	PLUG						
	6	1	7N-4927	1	GASKET-HOUSING COVER						

C- CHANGE FROM PREVIOUS TYPE



FRONT VIEW

GRAPHIC #1

g00203381

COOLING SYSTEM

4P-4694 TANK GP-EXPANSION AN ATTACHMENT

SMCS-1354

i00656048

NOTE	PART NUMBER	QTY	PART NAME						SEE PAGE
			1	2	3	4	5	6 (PRODUCT LEVEL)	
Y	8N-8993	1	CONNECTION GP-WATER						183
Y	2W-1464	1	LINES GP-WATER						198
Y	8N-7643	1	REGULATOR GP-TEMPERATURE						254
Y	8N-7717	1	TANK GP-EXPANSION						258
Y-SEPARATE ILLUSTRATION									

COOLING SYSTEM

8N-7717 TANK GP-EXPANSION

PART OF 4P-4694 TANK GP-EXPANSION

FOR USE WITH E317--ONLY, 1W-8061 ENGINE AR, E318--ONLY, 2W-1450 ENGINE AR, E317 & E318, 8N-8993 CONNECTION GP-WATER, E317 & E318, 8N-7643 REGULATOR GP-TEMPERATURE AN ATTACHMENT

SMCS-1354

i00940591

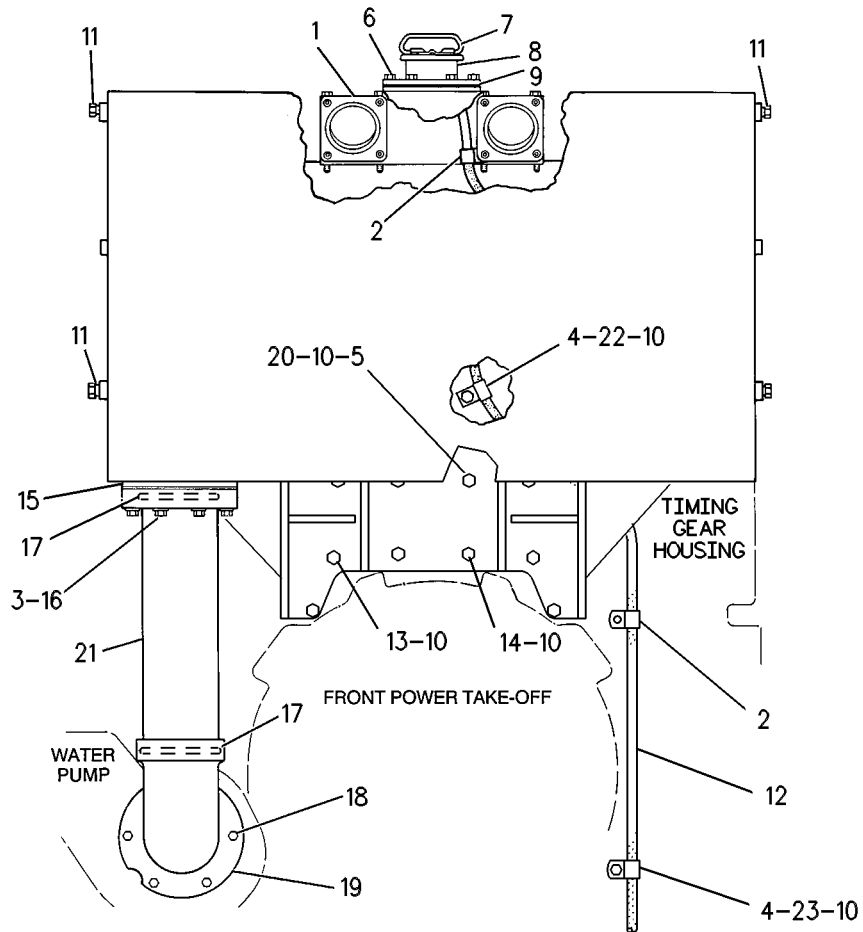
NOTE	REF NO	GRAPHIC REF	PART NUMBER	QTY	PART NAME						SEE PAGE
					1	2	3	4	5	6 (PRODUCT LEVEL)	
	1	1	8N-9609	2	FLANGE						
		1	2N-0931	2	GASKET						
	2	1	3S-8664	1	CLIP (19.05MM ID)						
	3	1	5M-2894	8	WASHER (2.5MM THK)						
	4	1	5P-4295	2	CLIP (19.05MM ID)						
	5	1	4M-2442	4	BOLT						
	6	1	0L-1351	6	BOLT (3/8X.875IN)						
	7	1	4N-3311	1	CAP-PRESSURE VALVE						
	8	1	3N-1341	1	ADAPTER AS-NECK						
	9	1	3H-5939	1	GASKET-HEAT EXCHANGER						
	10	1	5P-8245	12	WASHER (3MM THK)						
	11	1	8T-6765	4	PLUG-PIPE (1/4-18 NPTF THD)						
E	12	1	5P-0721		HOSE (193 CM LG)						
	13	1	2A-1531	2	BOLT (1/2-13X6.5IN)						
C	14	1	0S-1585	4	BOLT (1/2-13X1.50IN)						
	15	1	7N-5120	1	FLANGE						
		1	1S-5772	1	GASKET						
	16	1	0S-1590	8	BOLT (3/8-16X2IN)						
C	17	1	8T-2903	2	SEAL-O-RING						
	18	1	1A-2029	4	BOLT (3/8-16X1.125IN)						
	19	1	8N-9422	1	ELBOW						
C	20	1	8B-9725	4	BOSS						
	21	1	7N-5123	1	TUBE						
	22	1	0S-1595	1	BOLT (1/2-13X1.25IN)						
	23	1	0S-1621	1	BOLT (1/2-13X1IN)						
	24	2	7N-4927	1	GASKET-HOUSING COVER						
	25	2	7N-5127	1	HOUSING AS						
		2	4W-3108	1	VALVE AS-LINE						
	26	2	8N-9706	2	TUBE						
	27	2	5B-9603	10	BOLT (3/8-16X5IN)						
	28	2	2N-0931	2	GASKET						
	29	2	8N-9609	2	FLANGE						
	30	2	6V-1454	4	SEAL-O-RING						
C	31	2	6V-6809	1	SEAL-O-RING						
	32	2	5D-1026	1	CLAMP-HOSE						
	33	2	1C-2251	16	BOLT (3/8-16X1.87IN)						
C	34	2	7E-7597	1	TANK AS						
C	35	2	5M-2894	16	WASHER (2.5MM THK)						
	36	2	8T-6765	1	PLUG-PIPE (1/4-18 NPTF THD)						

C- CHANGE FROM PREVIOUS TYPE
E- ORDER BY THE CENTIMETER

COOLING SYSTEM

8N-7717 TANK GP - EXPANSION (contd.)

i00940591



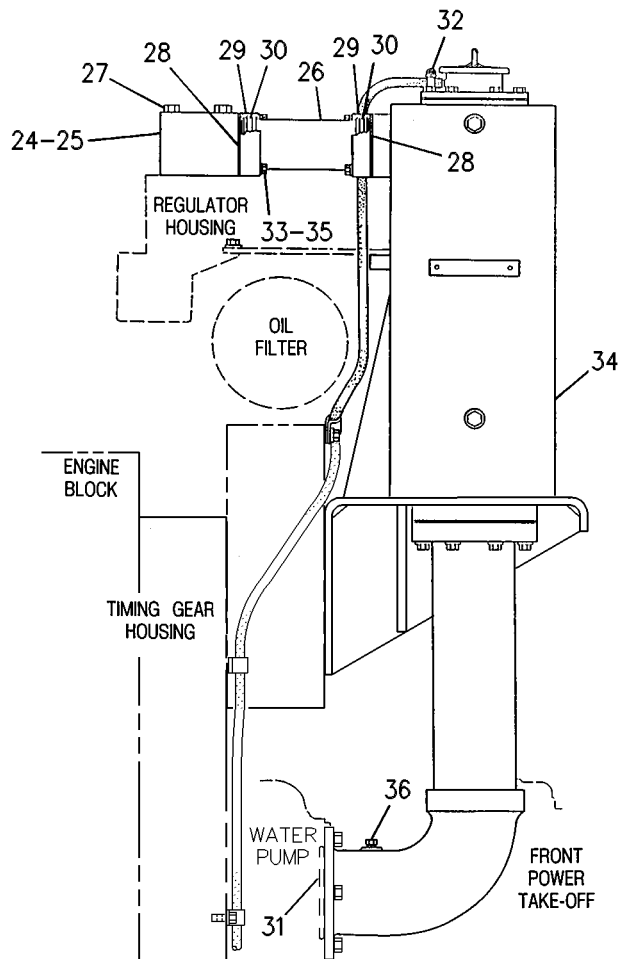
GRAPHIC #1

g00472842

COOLING SYSTEM

8N-7717 TANK GP - EXPANSION (contd.)

i00940591



GRAPHIC #2

g00472843

MEMORANDA

COOLING SYSTEM

120-8876 TANK GP-WATER

AN ATTACHMENT

TYPE 1

SMCS-1354, 1377

i00656954

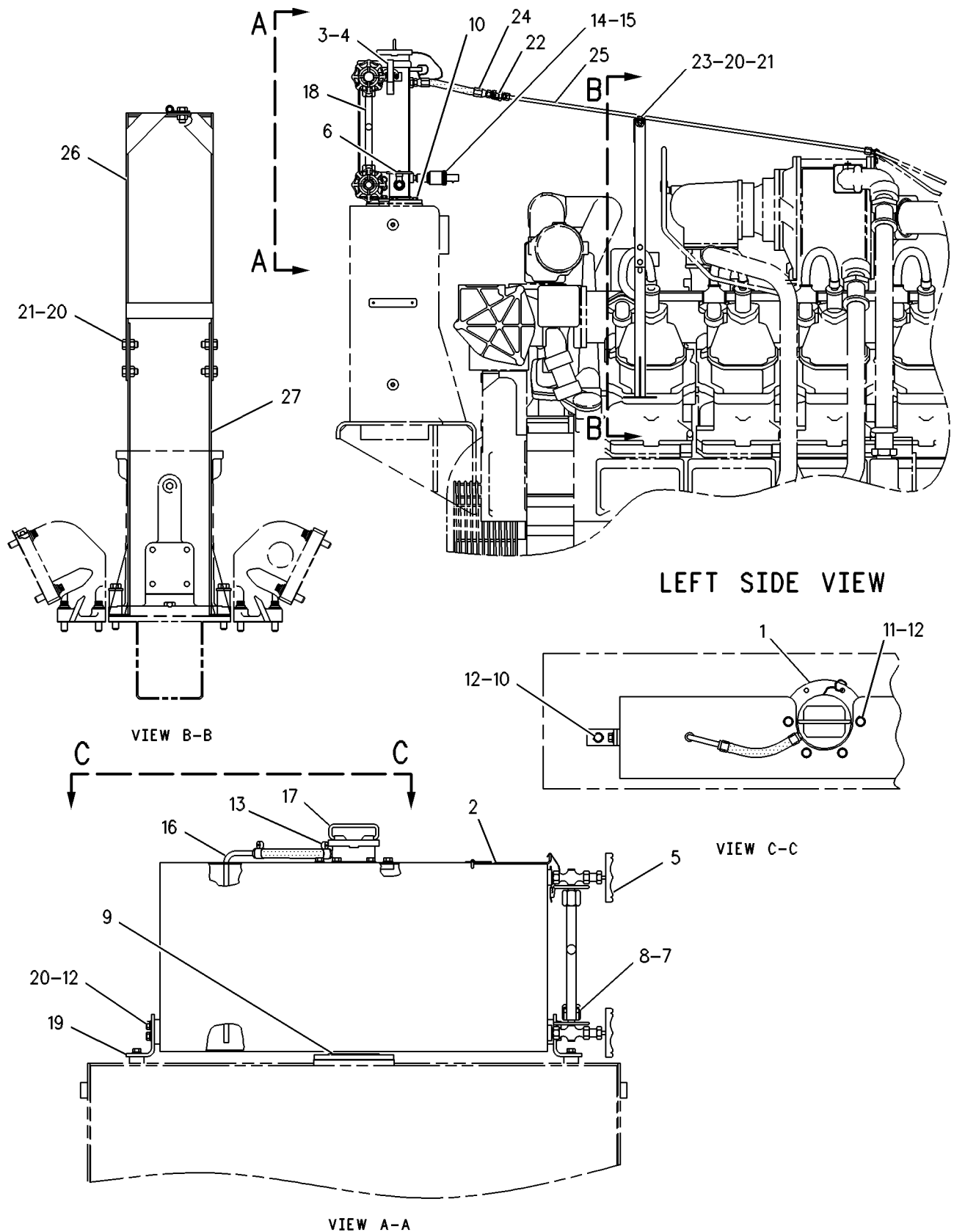
NOTE	REF NO	GRAPHIC REF	PART NUMBER	QTY	PART NAME						SEE PAGE
					1	2	3	4	5	6 (PRODUCT LEVEL)	
	1	1	113-9476	1	TUBE AS						
	2	1	113-9479	1	TANK AS						
	3	1	6K-9602	1	LATCH AS						
	4	1	2N-3478	2	SCREW-MACHINE (10-24X.375IN)						
	5	1	4P-0306	2	VALVE AS						
	6	1	6V-5016	1	VALVE-BALL						
	7	1	4P-2349	2	SEAL						
	8	1	4P-2352	2	WASHER						
	9	1	3H-5939	1	GASKET-HEAT EXCHANGER						
	10	1	0L-1351	8	BOLT (3/8-16X.875IN)						
	11	1	0T-0102	4	BOLT (3/8-16X0.625IN)						
	12	1	5M-2894	10	WASHER (2.5MM THK)						
	13	1	5D-1026	1	CLAMP-HOSE						
	14	1	098-6183	1	SWITCH-LIQUID LEVEL						
	15	1	2M-9780	1	SEAL-O-RING (19.18MM ID)						
	16	1	115-3494	1	HOSE AS						
	17	1	115-9128	1	CAP-RESERVOIR						
	18	1	115-3581	1	TUBE AS						
	19	1	115-3493	2	BRACKET						
	20	1	0S-0509	9	BOLT (3/8-16X.75IN)						
	21	1	9S-8752	5	NUT-FULL (3/8-16 THD)						
	22	1	061-6737	1	UNION-FLARED						
	23	1	8S-8820	1	CLIP (9.52MM ID)						
I	24	1	9L-5141	1	HOSE AS-END						
	25	1	120-8879	1	TUBE AS						
	26	1	116-2396	1	SUPPORT AS						
	27	1	116-2399	2	SUPPORT AS						

I-SEE HOSE FABRICATION GUIDE

COOLING SYSTEM

120-8876 TANK GP-WATER (contd.)

i00656954



LEFT SIDE VIEW

VIEW B-B

VIEW C-C

VIEW A-A

GRAPHIC #1

g00264975

COOLING SYSTEM

120-8876 TANK GP-WATER

AN ATTACHMENT

TYPE 2

SMCS-1354, 1377

i00656905

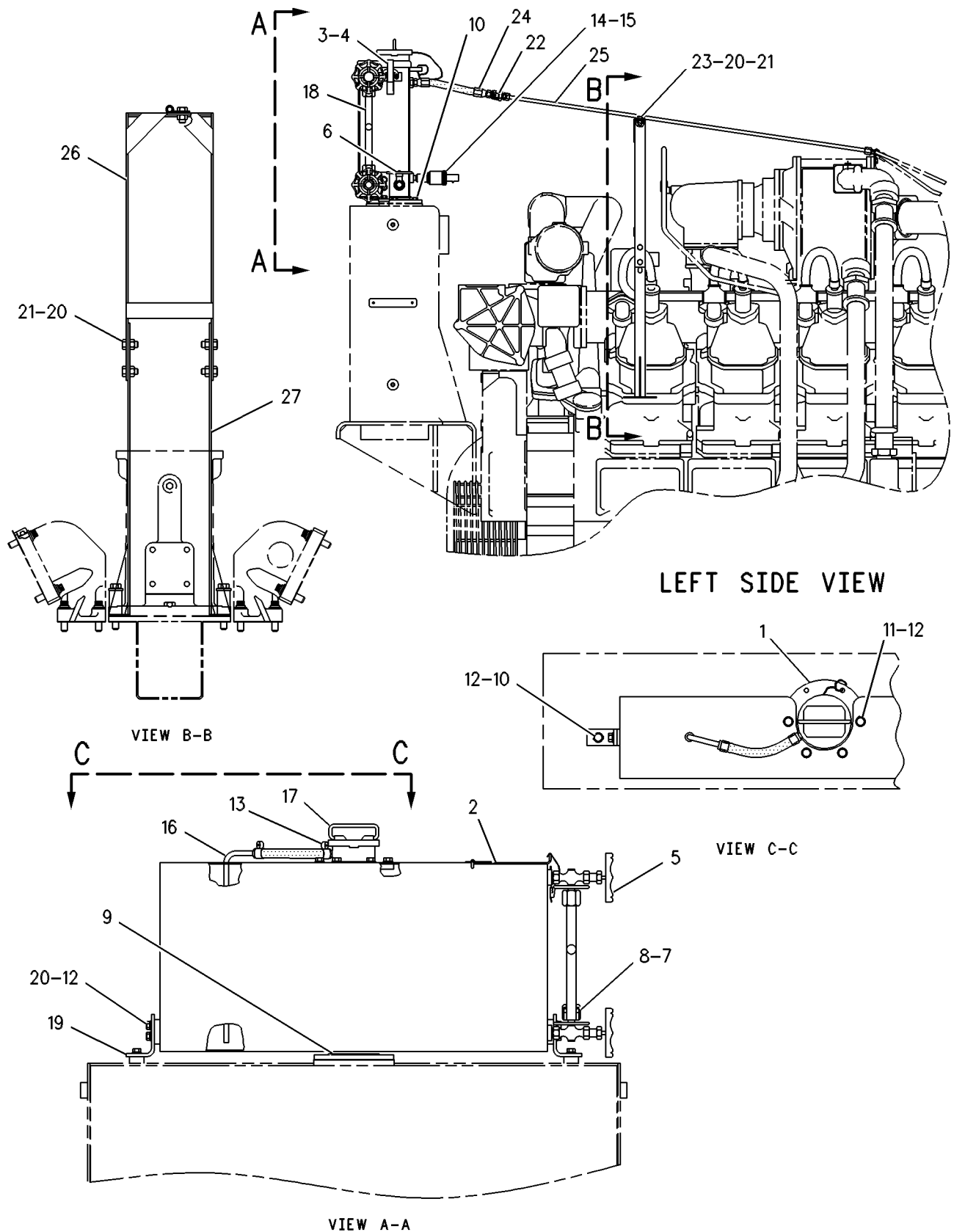
NOTE	REF NO	GRAPHIC REF	PART NUMBER	QTY	PART NAME						SEE PAGE
					1	2	3	4	5	6 (PRODUCT LEVEL)	
	1	1	113-9476	1	TUBE AS						
	2	1	113-9479	1	TANK AS						
	3	1	6K-9602	1	LATCH AS						
	4	1	2N-3478	2	SCREW-MACHINE (10-24X.375IN)						
	5	1	4P-0306	2	VALVE AS						
	6	1	6V-5016	1	VALVE-BALL						
	7	1	4P-2349	2	SEAL						
	8	1	4P-2352	2	WASHER						
	9	1	3H-5939	1	GASKET-HEAT EXCHANGER						
	10	1	0L-1351	8	BOLT (3/8-16X.875IN)						
	11	1	0T-0102	4	BOLT (3/8-16X0.625IN)						
	12	1	5M-2894	10	WASHER (2.5MM THK)						
	13	1	5D-1026	1	CLAMP-HOSE						
CY	14	1	143-8540	1	SENSOR GP-LIQUID LEVEL						594
	15	1	2M-9780	1	SEAL-O-RING (19.18MM ID)						
	16	1	115-3494	1	HOSE AS						
	17	1	115-9128	1	CAP-RESERVOIR						
	18	1	115-3581	1	TUBE AS						
	19	1	115-3493	2	BRACKET						
	20	1	0S-0509	9	BOLT (3/8-16X.75IN)						
	21	1	9S-8752	5	NUT-FULL (3/8-16 THD)						
	22	1	061-6737	1	UNION-FLARED						
	23	1	8S-8820	1	CLIP (9.52MM ID)						
I	24	1	9L-5141	1	HOSE AS-END						
	25	1	120-8879	1	TUBE AS						
	26	1	116-2396	1	SUPPORT AS						
	27	1	116-2399	2	SUPPORT AS						

C- CHANGE FROM PREVIOUS TYPE
 I- SEE HOSE FABRICATION GUIDE
 Y- SEPARATE ILLUSTRATION

COOLING SYSTEM

120-8876 TANK GP-WATER (contd.)

i00656905



GRAPHIC #1

g00264975

COOLING SYSTEM

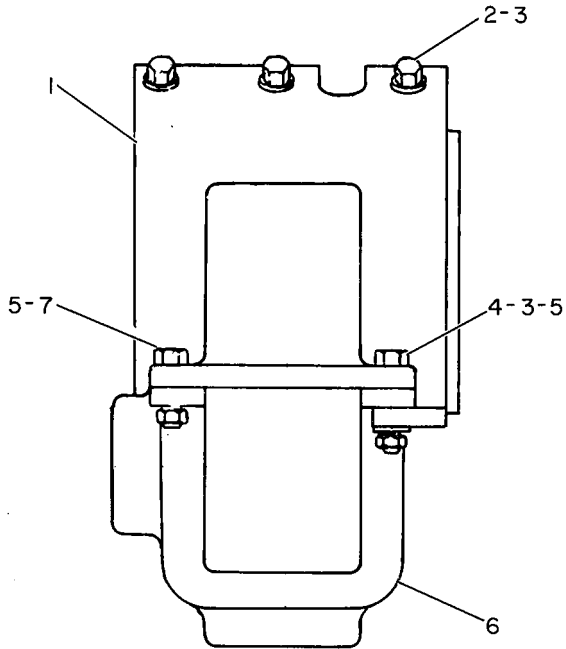
7W-1427 VALVE & MTG GP-THERMOSTATIC

SMCS-5074

i00657826

NOTE	REF NO	GRAPHIC REF	PART NUMBER	QTY	PART NAME						SEE PAGE
					1	2	3	4	5	6 (PRODUCT LEVEL)	
	1	1	7W-1493	1	SUPPORT AS-VALVE						
	2	1	0S-1594	3	BOLT (3/8-16X1IN)						
	3	1	5M-2894	6	WASHER (2.5MM THK)						
C	4	1	0L-2070	3	BOLT (3/8-16X2.25IN)						
	5	1	9S-8752	4	NUT-FULL (3/8-16 THD)						
Y	6	1	7W-1497	1	VALVE GP-THERMOSTATIC						268
C	7	1	0S-1571	1	BOLT (3/8-16X1.75IN)						

C- CHANGE FROM PREVIOUS TYPE
Y- SEPARATE ILLUSTRATION



GRAPHIC #1

g00170361

COOLING SYSTEM

7E-4711 VALVE GP-THERMOSTATIC

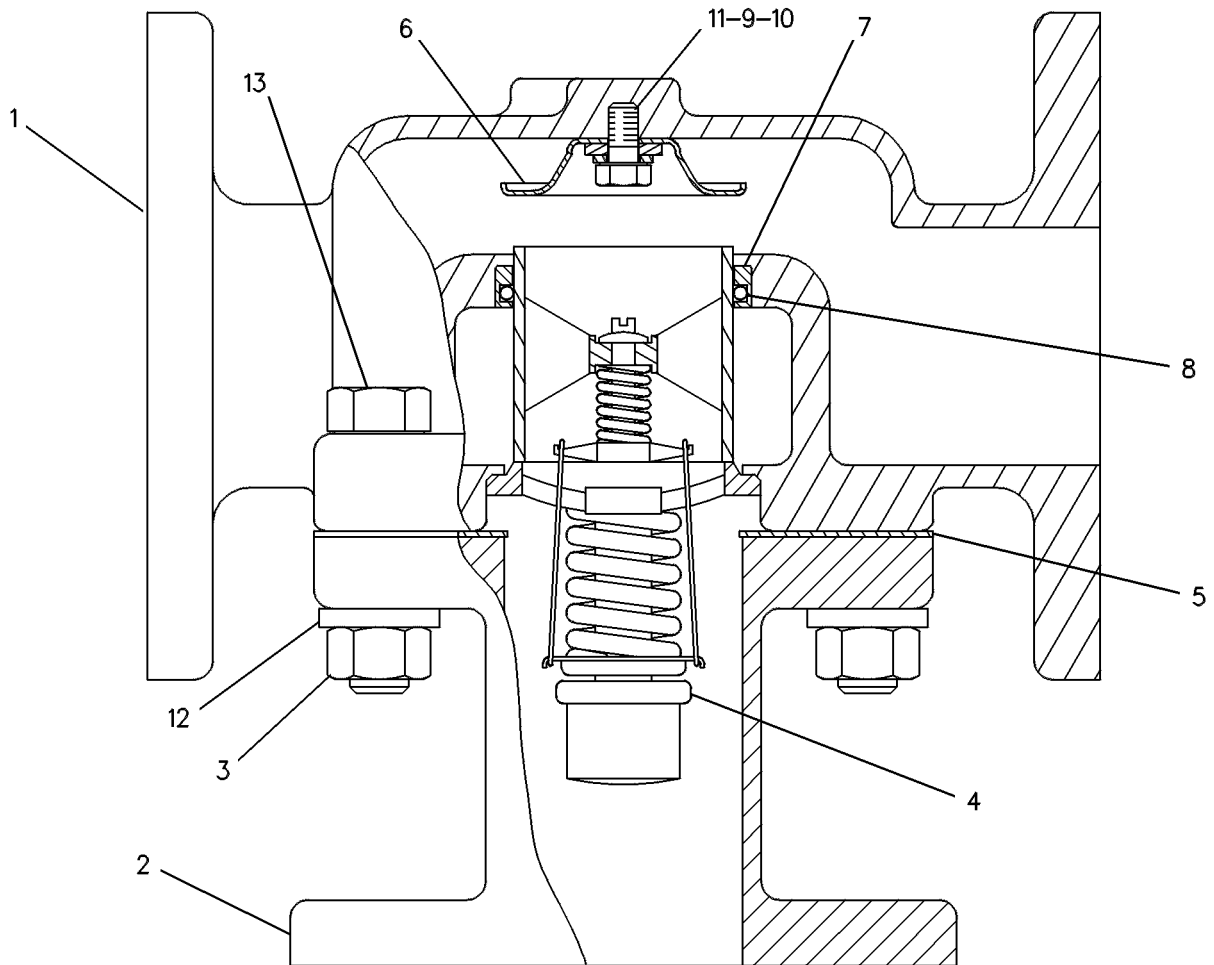
PART OF 7E-3783 REGULATOR GP-TEMPERATURE

AN ATTACHMENT

SMCS-5074

i00933115

NOTE	REF NO	GRAPHIC REF	PART NUMBER	QTY	PART NAME						SEE PAGE
					1	2	3	4	5	6 (PRODUCT LEVEL)	
	1	1	4P-1523	1	HOUSING-UPPER						
	2	1	4P-1524	1	HOUSING-LOWER						
	3	1	7X-0448	4	NUT (5/8-11 THD)						
	4	1	4P-1505	2	REGULATOR AS						
	5	1	6V-1454	2	SEAL-O-RING						
	6	1	4P-1525	2	SEAT						
	7	1	4P-1511	2	SLEEVE						
	8	1	8T-1703	2	SEAL-O-RING						
	9	1	1Y-0462	2	WASHER						
	10	1	8T-4224	2	WASHER-HARD (2MM THK)						
	11	1	2H-3755	2	BOLT						
	12	1	5P-8247	4	WASHER-HARD (3.5MM THK)						
	13	1	7X-0347	4	BOLT (5/8-11X2.25IN)						



GRAPHIC #1

g00239699

COOLING SYSTEM

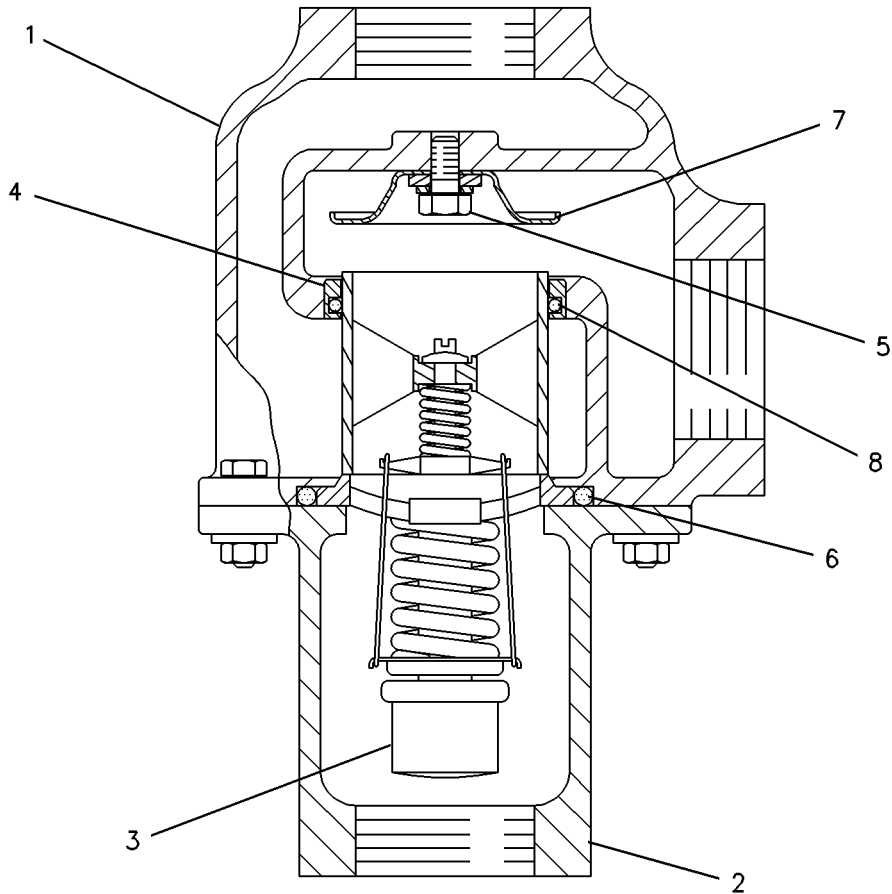
7W-1497 VALVE GP-THERMOSTATIC

PART OF 7W-1427 VALVE & MTG GP-THERMOSTATIC

SMCS-5074

i00657835

NOTE	REF NO	GRAPHIC REF	PART NUMBER	QTY	PART NAME						SEE PAGE
					1	2	3	4	5	6 (PRODUCT LEVEL)	
	1	1	4P-1503	1	HOUSING-UPPER						
	2	1	4P-1504	1	HOUSING-LOWER						
	3	1	4P-1505	1	REGULATOR AS						
	4	1	4P-1511	1	SLEEVE						
	5	1	2H-3755	1	BOLT (5/16-18X.625IN)						
		1	8T-4224	1	WASHER-HARD (2MM THK)						
		1	1Y-0462	1	WASHER (.125IN THK)						
	6	1	6V-1454	1	SEAL-O-RING						
	7	1	4P-1525	1	SEAT						
	8	1	8T-1703	1	SEAL-O-RING						



GRAPHIC #1

g00233563

COOLING SYSTEM

7W-6555 VALVE GP-THERMOSTATIC

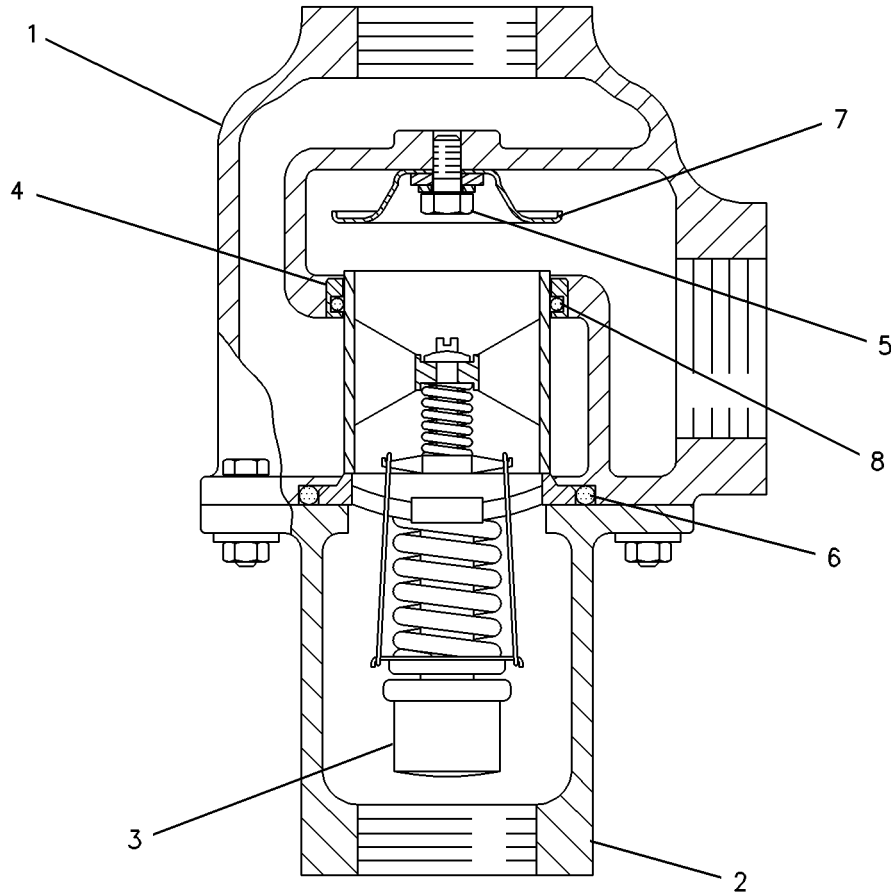
FOR USE WITH SI TA ENGINES

AN ATTACHMENT

SMCS-5074

i00658225

NOTE	REF NO	GRAPHIC REF	PART NUMBER	QTY	PART NAME						SEE PAGE
					1	2	3	4	5	6 (PRODUCT LEVEL)	
	1	1	4P-1503	1	HOUSING-UPPER						
	2	1	4P-1504	1	HOUSING-LOWER						
	3	1	4P-1506	1	REGULATOR AS						
	4	1	4P-1511	1	SLEEVE						
	5	1	2H-3755	1	BOLT (5/16-18X.625IN)						
		1	8T-4224	1	WASHER-HARD (2MM THK)						
		1	1Y-0462	1	WASHER						
	6	1	6V-1454	1	SEAL-O-RING						
	7	1	4P-1525	1	SEAT						
	8	1	8T-1703	1	SEAL-O-RING						



GRAPHIC #1

g00233563

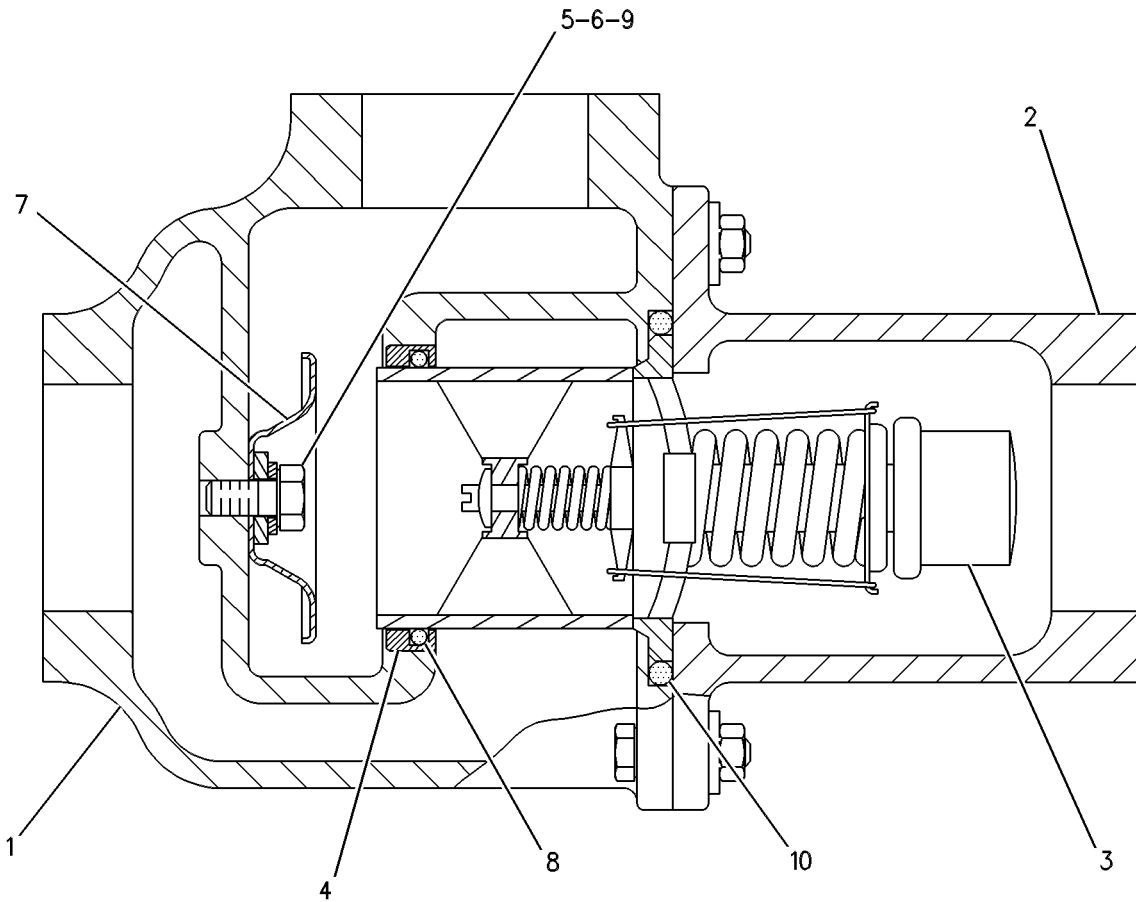
COOLING SYSTEM

116-7839 VALVE GP - THERMOSTATIC AN ATTACHMENT

SMCS-5074

i00656889

NOTE	REF NO	GRAPHIC REF	PART NUMBER	QTY	PART NAME						SEE PAGE
					1	2	3	4	5	6 (PRODUCT LEVEL)	
	1	1	4P-1503	1	HOUSING-UPPER						
	2	1	4P-1504	1	HOUSING-LOWER						
	3	1	116-7840	1	REGULATOR AS						
	4	1	4P-1511	1	SLEEVE						
	5	1	2H-3755	1	BOLT (5/16-18X.625IN)						
	6	1	8T-4224	1	WASHER-HARD (2MM THK)						
	7	1	4P-1525	1	SEAT						
	8	1	8T-1703	1	SEAL-O-RING						
	9	1	1Y-0462	1	WASHER						
	10	1	6V-1454	1	SEAL-O-RING						



GRAPHIC #1

g00253022

MEMORANDA

AIR INLET AND EXHAUST SYSTEM

9Y-3187 ACCUMULATOR GP-TURBO OIL

TURBOCHARGER OIL

FOR USE WITH ENGINES EQUIPPED WITH AIR TO AIR AFTERCOOLER
AN ATTACHMENT

SMCS-1052, 1320

i00894001

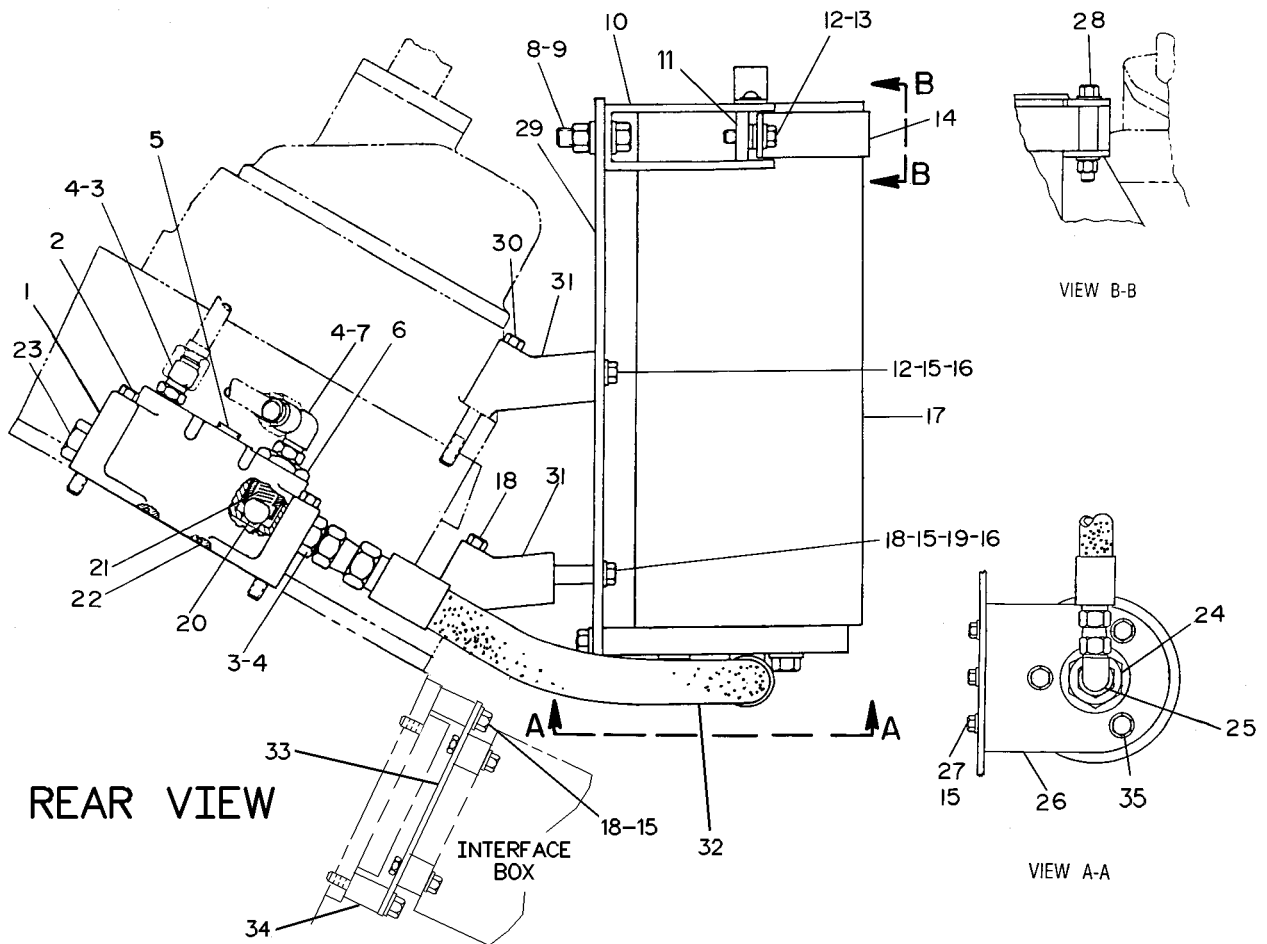
NOTE	REF NO	GRAPHIC REF	PART NUMBER	QTY	PART NAME						SEE PAGE
					1	2	3	4	5	6 (PRODUCT LEVEL)	
	1	1	9Y-3188	1	ADAPTER-SUPPLY (TURBO OIL)						
	2	1	0L-1352	4	BOLT (3/8-16X3.25IN)						
	3	1	9M-4584	2	CONNECTOR-FLARED						
	4	1	2M-9780	3	SEAL-O-RING (19.18MM ID)						
	5	1	8T-6762	1	PLUG-PIPE						
	6	1	7M-8485	1	SEAL-O-RING (29.74MM ID)						
		1	9Y-3189	1	PLUG						
	7	1	030-7949	1	ELBOW						
	8	1	7B-3235	2	BOLT (1/2-13X1.375IN)						
		1	5P-8245	7	WASHER (3MM THK)						
	9	1	1F-7958	2	NUT-FULL (1/2-13 THD)						
	10	1	9C-4434	1	BRACKET AS						
	11	1	9C-4453	1	BAR						
	12	1	0S-1588	5	BOLT						
B	13	1	5M-2894	3	WASHER (2.5MM THK)						
	14	1	9C-4433	1	STRAP						
C	15	1	5M-2894	15	WASHER (2.5MM THK)						
	16	1	9S-8752	8	NUT-FULL (3/8-16 THD)						
	17	1	9Y-5587	1	ACCUMULATOR AS						
C	18	1	0T-0573	12	BOLT (3/8-16X2.75IN)						
	19	1	068-3704	4	SPACER						
	20	1	5F-6199	1	BALL						
	21	1	3K-5670	1	SPRING						
	22	1	061-9456	2	SEAL-O-RING						
	23	1	9S-4183	1	PLUG (1 1/16-12 THD)						
		1	3D-2824	1	SEAL-O-RING (23.47MM ID)						
	24	1	5P-3903	1	ADAPTER-O-RING						
		1	6K-6307	1	SEAL-O-RING (43.69MM ID)						
	25	1	1P-7625	1	ELBOW-FLARED						
		1	3K-0360	1	SEAL-O-RING (16.36MM ID)						
	26	1	9Y-3192	1	PLATE						
	27	1	0L-1351	3	BOLT						
	28	1	1D-4556	1	BOLT (7/16-14X2.75IN)						
		1	3S-1546	1	NUT-FULL (7/16-14 THD)						
		1	5P-8244	2	WASHER (2.5MM THK)						
	29	1	9Y-3191	1	PLATE						
	30	1	8S-9191	4	BOLT (3/8-16X4IN)						
	31	1	1W-8129	4	SUPPORT						
I	32	1	6S-5874	1	HOSE AS						
C	33	1	9Y-5312	1	PLATE						
C	34	1	8B-2026	4	SPACER						
	35	1	4K-7502	3	BOLT (1/2-20X1.375IN)						

B- USE AS REQUIRED
C- CHANGE FROM PREVIOUS TYPE
I- SEE HOSE FABRICATION GUIDE

AIR INLET AND EXHAUST SYSTEM

9Y-3187 ACCUMULATOR GP-TURBO OIL (contd.)

i00894001



GRAPHIC #1

g00239677

AIR INLET AND EXHAUST SYSTEM

7N-8549 ADAPTER GP-AIR CLEANER

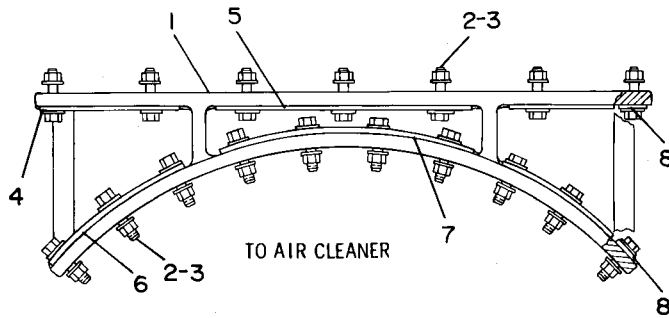
AN ATTACHMENT

SMCS-1051

i00650228

NOTE	REF NO	GRAPHIC REF	PART NUMBER	QTY	PART NAME						SEE PAGE
					1	2	3	4	5	6 (PRODUCT LEVEL)	
	1	1	7N-7416	2	ADAPTER-AIR CLEANER						
C	2	1	0S-1618	84	BOLT (5/16X18X1IN)						
		1	5S-0003	84	NUT-FULL (5/16-18 THD)						
C		1	9M-1974	168	WASHER-HARD (2MM THK)						
	3	1	7D-4493	84	TUBE						
C	4	1	1W-0431	8	STRIP						
C	5	1	1W-0432	4	STRIP						
C	6	1	1W-0433	8	STRIP						
C	7	1	1W-0434	4	STRIP						
C	8	1	1W-0494	8	STRIP						

C- CHANGE FROM PREVIOUS TYPE



GRAPHIC #1

g00147171

AIR INLET AND EXHAUST SYSTEM

7W-9828 ADAPTER GP-AIR CLEANER

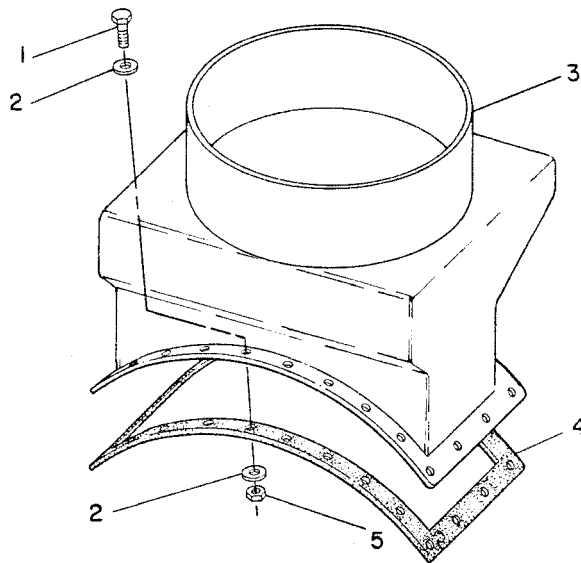
AN ATTACHMENT

SMCS-1051

i00652977

NOTE	REF NO	GRAPHIC REF	PART NUMBER	QTY	PART NAME						SEE PAGE
					1	2	3	4	5	6 (PRODUCT LEVEL)	
	1	1	2B-2695	48	BOLT (5/16-18X.875IN)						
	2	1	9M-1974	96	WASHER-HARD (2MM THK)						
	3	1	7W-9829	2	ADAPTER AS						
	4	1	5N-7830	2	GASKET						
	5	1	031-4155	48	LOCKNUT (5/16-18 THD)						

QUANTITIES SHOWN ARE THOSE REQUIRED
FOR BOTH L.H. & R.H. SIDES



GRAPHIC #1

g00184070

AIR INLET AND EXHAUST SYSTEM

4P-5698 AFTERCOOLER GP-RAW WATER

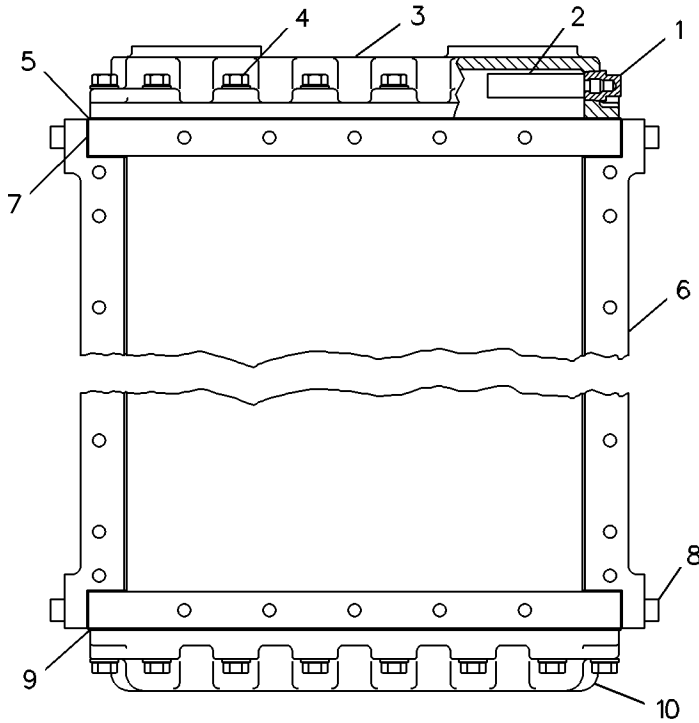
PART OF 4P-7448 AFTERCOOLER GP-RAW WATER

AN ATTACHMENT

SMCS-1063

i00656401

NOTE	REF NO	GRAPHIC REF	PART NUMBER	QTY	PART NAME						SEE PAGE
					1	2	3	4	5	6 (PRODUCT LEVEL)	
	1	1	5B-9169	2	PLUG-DRAIN						
	2	1	6L-2288	2	ROD						
	3	1	4P-0331	1	BONNET-AFTERCOOLER						
	4	1	0S-1588	40	BOLT (3/8-16X1.25IN)						
		1	5M-2894	40	WASHER (2.5MM THK)						
	5	1	7W-5901	1	GASKET						
	6	1	7W-8315	1	CORE AS-AFTERCOOLER						
	7	1	7W-5902	4	GASKET						
	8	1	2D-4534	24	BOLT (3/8-16 THD)						
	9	1	7W-5900	1	GASKET						
	10	1	7W-5956	1	BONNET-WATER						



GRAPHIC #1

g00224984

AIR INLET AND EXHAUST SYSTEM

4P-7448 AFTERCOOLER GP-RAW WATER

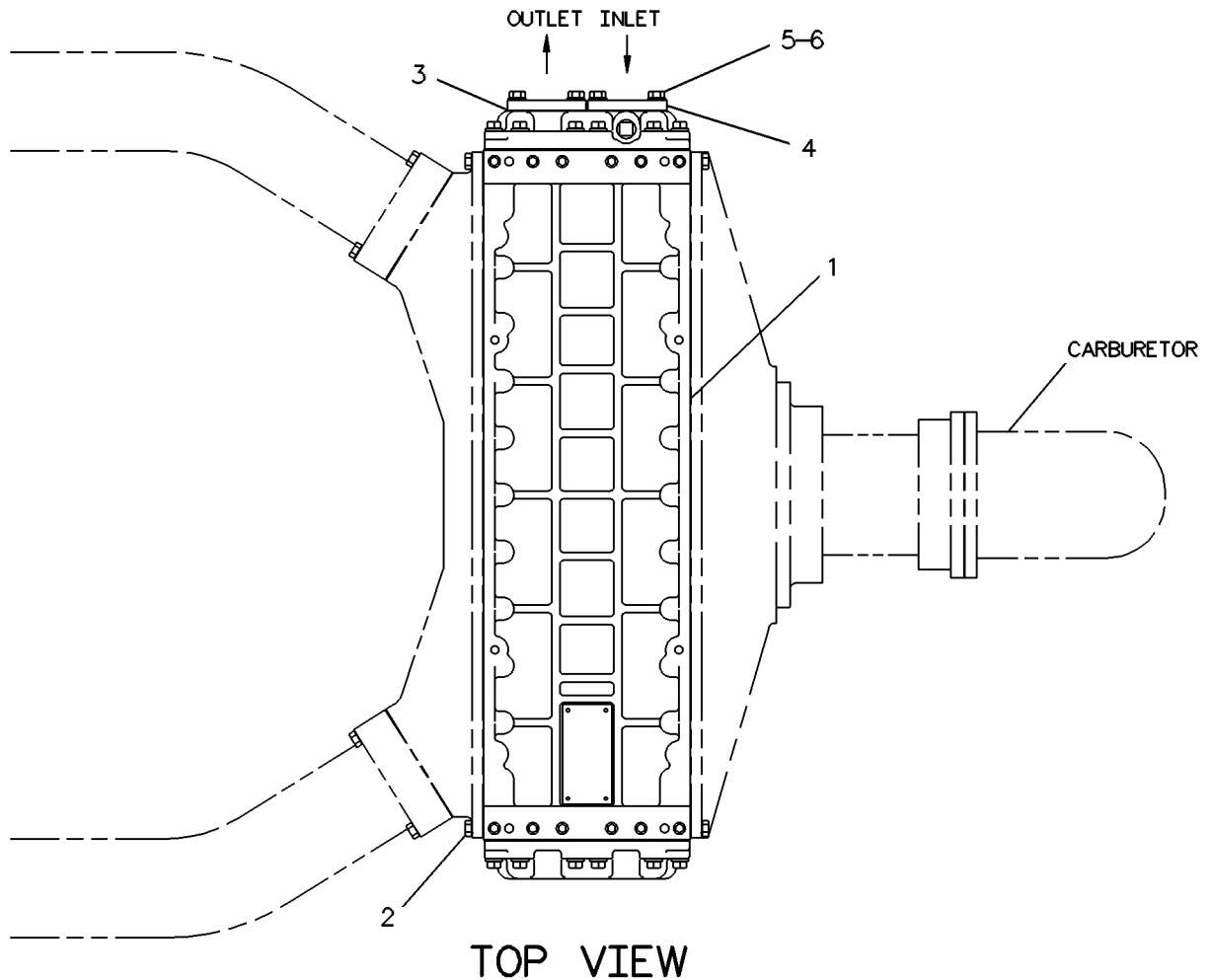
AN ATTACHMENT

SMCS-1063

i00656590

NOTE	REF NO	GRAPHIC REF	PART NUMBER	QTY	PART NAME						SEE PAGE
					1	2	3	4	5	6 (PRODUCT LEVEL)	
Y	1	1	4P-5698	1	AFTERCOOLER GP-RAW WATER						276
	2	1	OS-1594	20	BOLT (3/8-16X1IN)						
	3	1	4P-0334	2	GASKET-ELBOW						
	4	1	4P-7719	2	FLANGE						
	5	1	1A-2029	8	BOLT (3/8-16X1.125IN)						
	6	1	5M-2894	8	WASHER (2.5MM THK)						

Y-SEPARATE ILLUSTRATION



GRAPHIC #1

g00224985

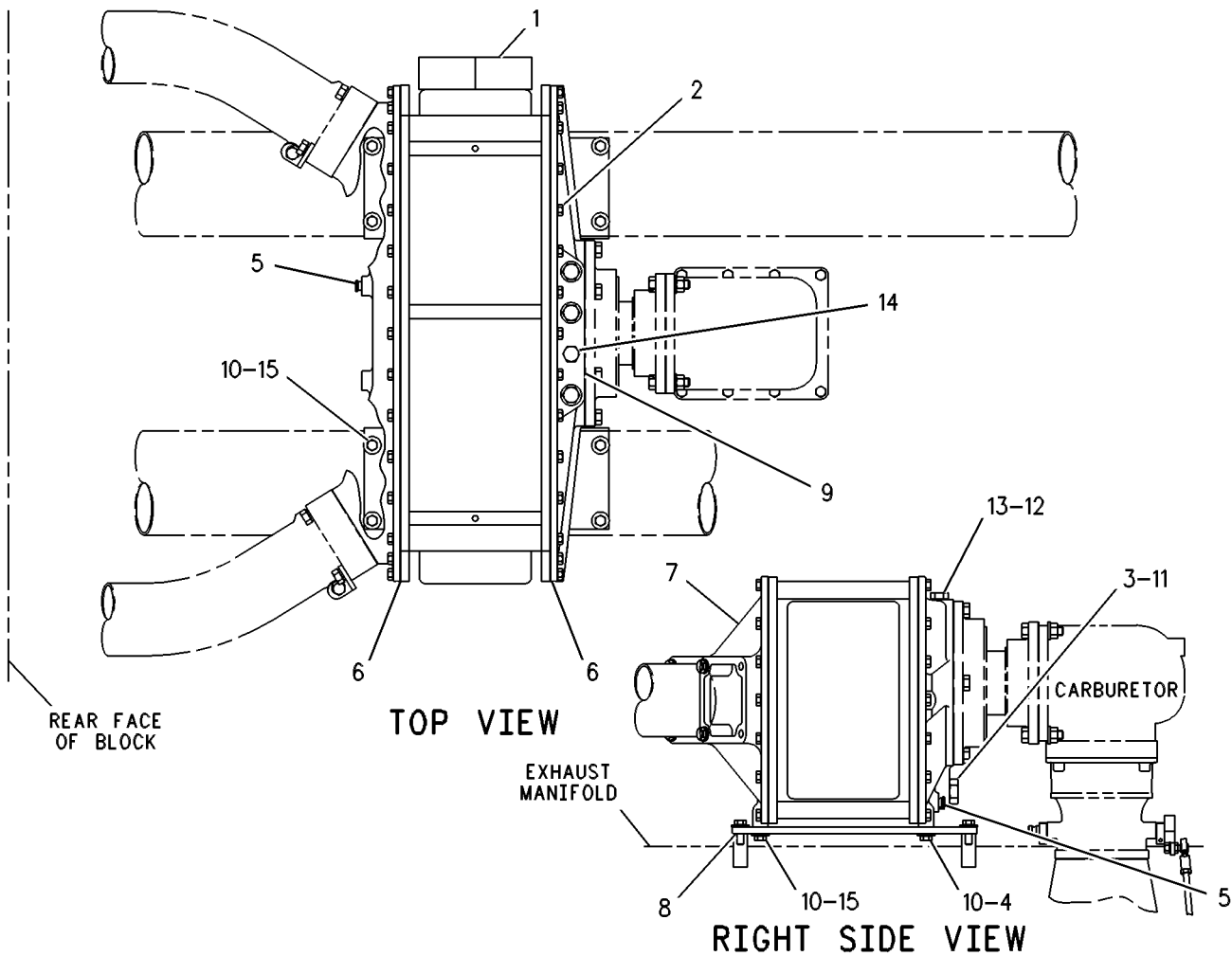
AIR INLET AND EXHAUST SYSTEM

4P-8882 AFTERCOOLER GP-TREATED WATER

SMCS-1063

i00894485

NOTE	REF NO	GRAPHIC REF	PART NUMBER	QTY	PART NAME						SEE PAGE
					1	2	3	4	5	6 (PRODUCT LEVEL)	
	1	1	7E-3568	1	CORE AS-AFTERCOOLER						
	2	1	0S-1594	72	BOLT						
	3	1	3D-2824	1	SEAL-O-RING (23.47MM ID)						
	4	1	9L-9132	4	WASHER (2.5MM THK)						
	5	1	8T-6765	2	PLUG-PIPE (1/4-18 NPTF THD)						
	6	1	152-5705	2	GASKET						
	7	1	4W-9852	1	HOUSING						
	8	1	4W-6493	2	PLATE						
	9	1	7E-3350	1	HOUSING-FRONT						
	10	1	1A-2029	16	BOLT (3/8-16X1.125IN)						
	11	1	9S-4183	1	PLUG (1 1/16-12 THD)						
	12	1	9S-4185	3	PLUG-O-RING (3/4-16 THD)						
	13	1	3K-0360	3	SEAL-O-RING (16.36MM ID)						
	14	1	7W-6492	1	PLUG-PIPE (1/2-14 NPTF THD)						
	15	1	5M-2894	12	WASHER (2.5MM THK)						



GRAPHIC #1

g00269781

AIR INLET AND EXHAUST SYSTEM

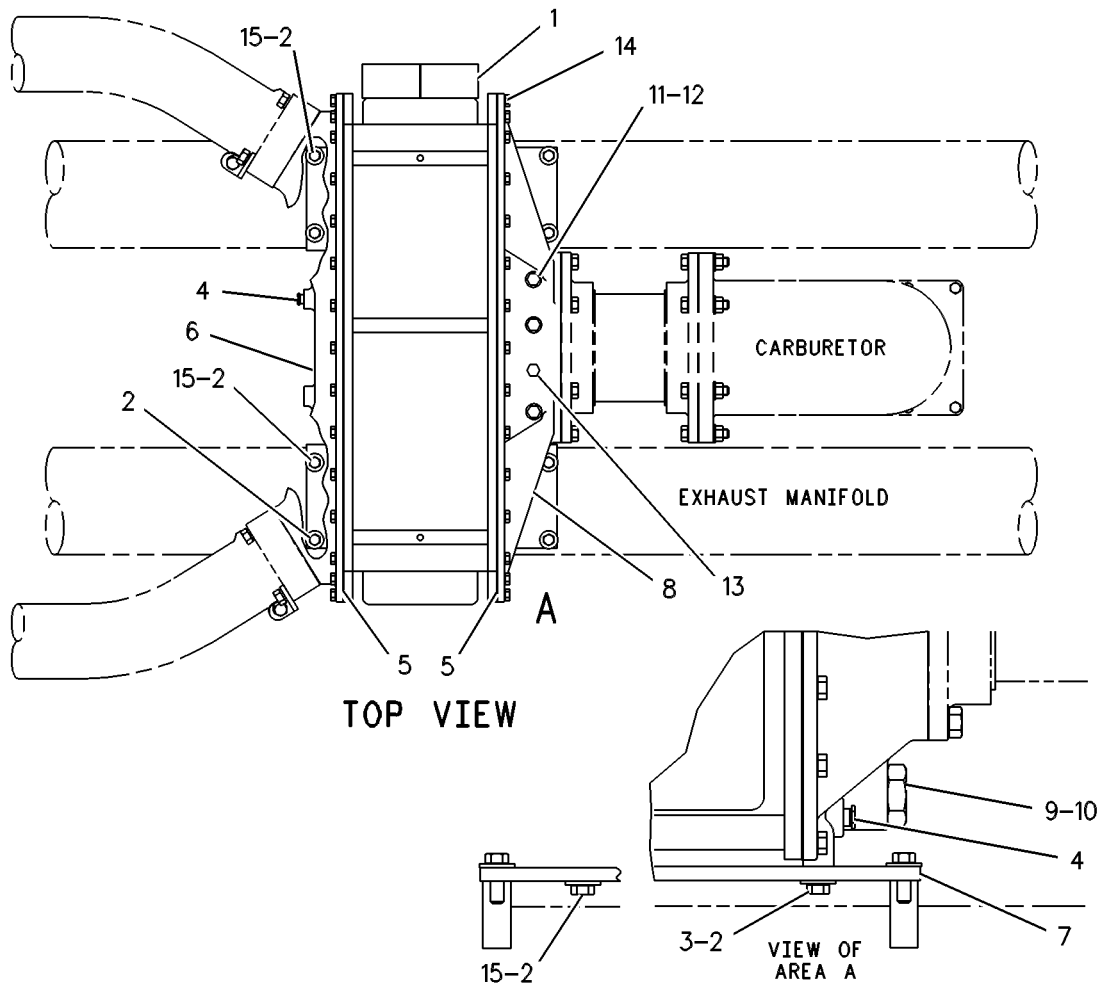
115-1577 AFTERCOOLER GP-TREATED WATER

AN ATTACHMENT

SMCS-1063

i00894631

NOTE	REF NO	GRAPHIC REF	PART NUMBER	QTY	PART NAME						SEE PAGE
					1	2	3	4	5	6 (PRODUCT LEVEL)	
	1	1	115-1576	1	CORE AS-AFTERCOOLER						
	2	1	1A-2029	16	BOLT (3/8-16X1.125IN)						
	3	1	9L-9132	4	WASHER (2.5MM THK)						
	4	1	8T-6765	2	PLUG-PIPE (1/4-18 NPTF THD)						
	5	1	152-5705	2	GASKET						
	6	1	4W-9852	1	HOUSING						
	7	1	4W-6493	2	PLATE						
	8	1	7E-1823	1	HOUSING-FRONT						
	9	1	9S-4181	1	PLUG-STRAIGHT THREAD (1-5/16-12 THD)						
	10	1	7M-8485	1	SEAL-O-RING (29.74MM ID)						
	11	1	9S-4185	3	PLUG-O-RING (3/4-16 THD)						
	12	1	3K-0360	3	SEAL-O-RING (16.36MM ID)						
	13	1	7W-6492	1	PLUG-PIPE (1/2-14 NPTF THD)						
	14	1	0S-1594	72	BOLT						
	15	1	5M-2894	12	WASHER (2.5MM THK)						



GRAPHIC #1

g00273052

AIR INLET AND EXHAUST SYSTEM

4P-9088 AIR CLEANER GP

CANNOT BE USED WITH 1000 RPM OR 1500 RPM LOW PRESSURE GAS ENGINES

AN ATTACHMENT

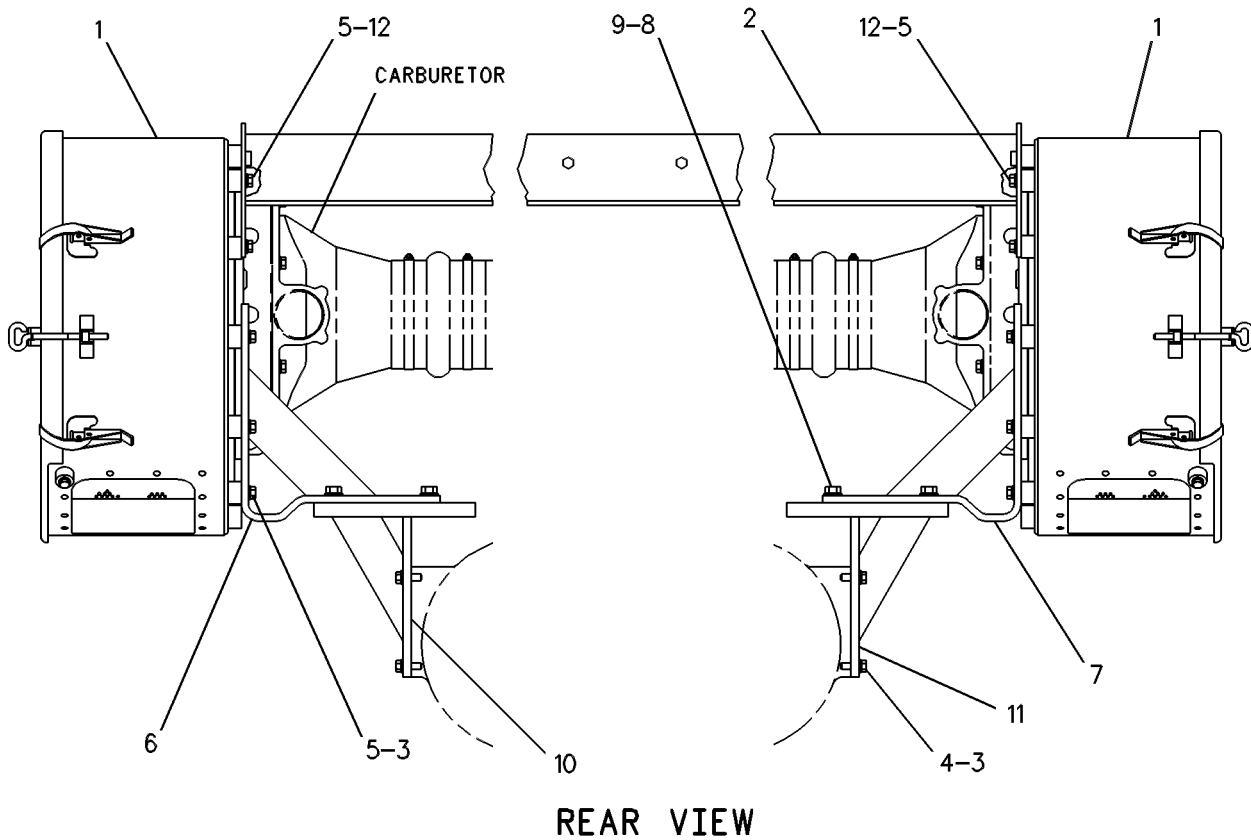
TYPE 1

SMCS-1051, 1054

i00656682

NOTE	REF NO	GRAPHIC REF	PART NUMBER	QTY	PART NAME						SEE PAGE
					1	2	3	4	5	6 (PRODUCT LEVEL)	
Y	1	1	7E-9632	2	AIR CLEANER GP						283
	2	1	4P-9093	1	SUPPORT AS						
	3	1	5M-2894	16	WASHER (2.5MM THK)						
	4	1	1A-2029	10	BOLT (3/8-16X1.125IN)						
	5	1	0L-1351	10	BOLT (3/8-16X.875IN)						
	6	1	4P-9096	1	SUPPORT AS						
	7	1	4P-9097	1	SUPPORT AS						
	8	1	0S-1595	8	BOLT (1/2-13X1.25IN)						
	9	1	5P-8245	8	WASHER (3MM THK)						
	10	1	4P-9094	1	SUPPORT AS						
	11	1	4P-9095	1	SUPPORT AS						
	12	1	3V-3308	4	WASHER (2.5MM THK)						

Y-SEPARATE ILLUSTRATION



GRAPHIC #1

g00252938

AIR INLET AND EXHAUST SYSTEM

4P-9088 AIR CLEANER GP

CANNOT BE USED WITH 1000 RPM OR 1500 RPM LOW PRESSURE GAS ENGINES

AN ATTACHMENT

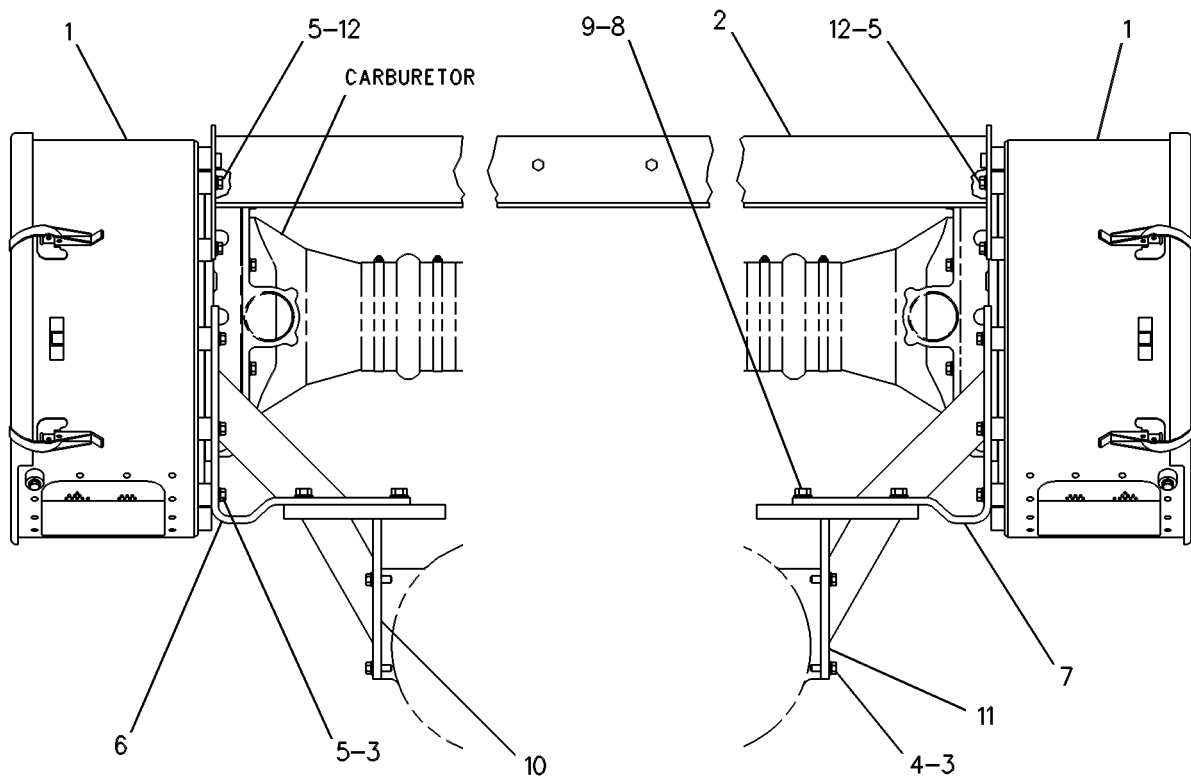
TYPE 2

SMCS-1051, 1054

i00660737

NOTE	REF NO	GRAPHIC REF	PART NUMBER	QTY	PART NAME						SEE PAGE
					1	2	3	4	5	6 (PRODUCT LEVEL)	
Y	1	1	131-2183	2	AIR CLEANER GP						286
	2	1	4P-9093	1	SUPPORT AS						
	3	1	5M-2894	16	WASHER (2.5MM THK)						
	4	1	1A-2029	10	BOLT (3/8-16X1.125IN)						
	5	1	0L-1351	10	BOLT (3/8-16X.875IN)						
	6	1	4P-9096	1	SUPPORT AS						
	7	1	4P-9097	1	SUPPORT AS						
	8	1	0S-1595	8	BOLT (1/2-13X1.25IN)						
	9	1	5P-8245	8	WASHER (3MM THK)						
	10	1	4P-9094	1	SUPPORT AS						
	11	1	4P-9095	1	SUPPORT AS						
	12	1	3V-3308	4	WASHER (2.5MM THK)						

Y-SEPARATE ILLUSTRATION



REAR VIEW

GRAPHIC #1

g00261729

AIR INLET AND EXHAUST SYSTEM

7E-8228 AIR CLEANER GP

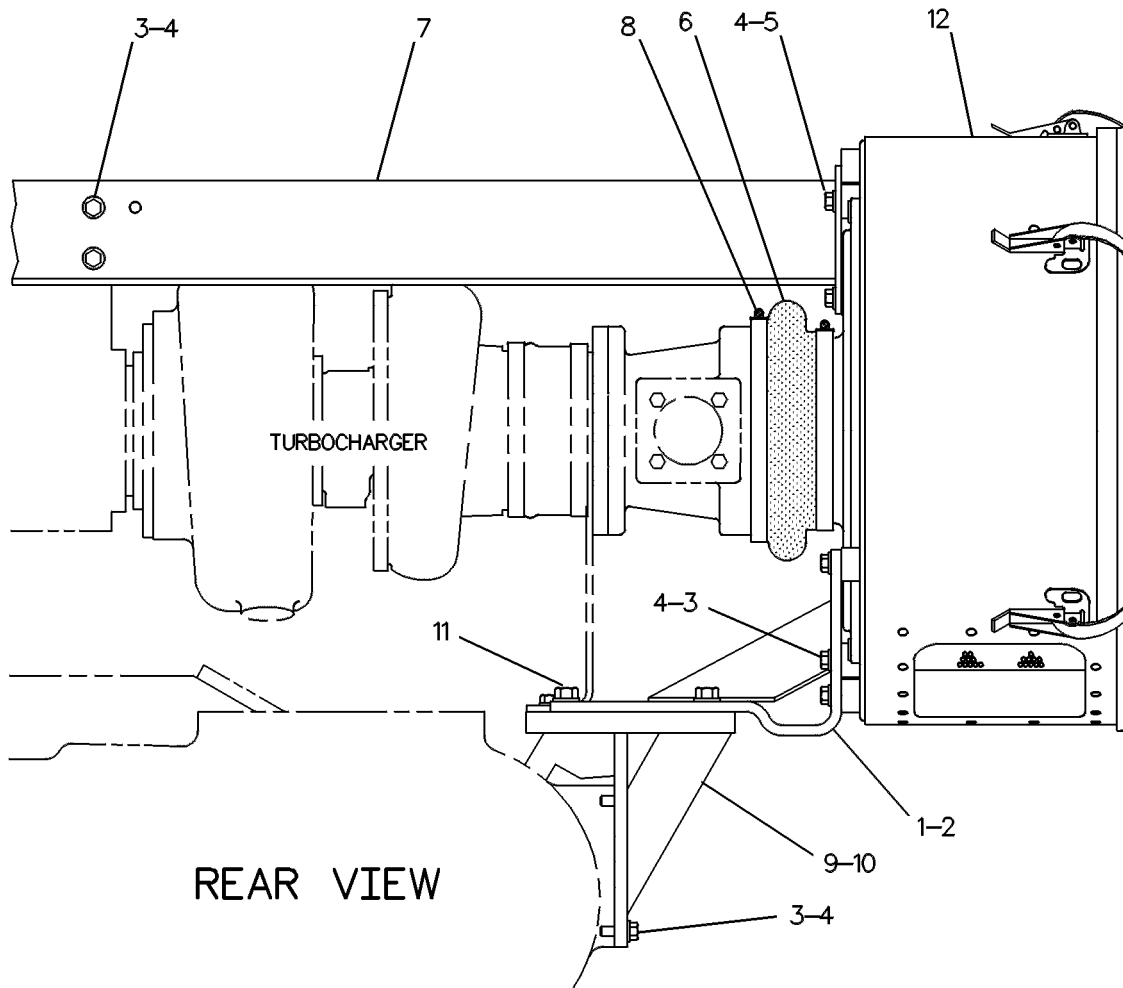
AN ATTACHMENT

SMCS-1051, 1054

i00655788

NOTE	REF NO	GRAPHIC REF	PART NUMBER	QTY	PART NAME						SEE PAGE
					1	2	3	4	5	6 (PRODUCT LEVEL)	
	1	1	8N-8880	1	BRACKET AS-RH						
	2	1	8N-8879	1	BRACKET AS-LH						
	3	1	1A-2029	18	BOLT (3/8-16X1.125IN)						
	4	1	5M-2894	22	WASHER (2.5MM THK)						
	5	1	0L-1351	4	BOLT (3/8-16X.875IN)						
	6	1	7E-8224	2	HOSE-REDUCER						
	7	1	7E-8225	1	SUPPORT AS						
	8	1	5P-0600	4	CLAMP						
	9	1	7E-8226	1	SUPPORT AS (LH)						
	10	1	7E-8227	1	SUPPORT AS (RH)						
	11	1	0S-1595	6	BOLT (1/2-13X1.25IN)						
			5P-8245	6	WASHER (3MM THK)						
Y	12	1	8N-3378	2	AIR CLEANER GP						284

Y-SEPARATE ILLUSTRATION



GRAPHIC #1

g00239674

AIR INLET AND EXHAUST SYSTEM

7E-9632 AIR CLEANER GP

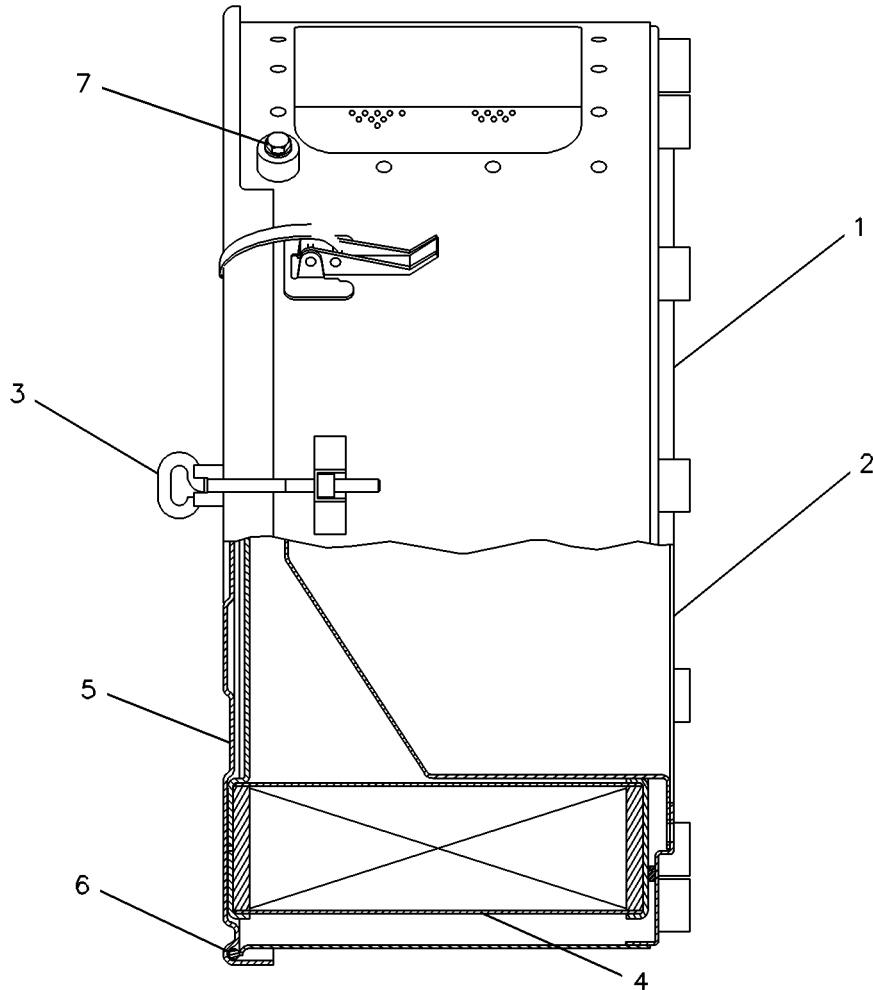
PART OF 4P-9088 AIR CLEANER GP
AN ATTACHMENT

SMCS-1051, 1054

i00657331

NOTE	REF NO	GRAPHIC REF	PART NUMBER	QTY	PART NAME						SEE PAGE
					1	2	3	4	5	6 (PRODUCT LEVEL)	
	1	1	7E-9633	1	HOUSING AS						
C	2	1	7W-0495	1	GUIDE AS						
	3	1	9M-3695	2	ROD AS						
	4	1	8N-6309	1	ELEMENT AS-PRIMARY (AIR)						
	5	1	7E-9634	1	COVER AS						
	6	1	8N-2559	1	GASKET-AIR CLEANER COVER						
C	7	1	1B-7182	2	BOLT (5/16-18X1.25IN)						
C		1	5E-0003	2	CLAMP						
C		1	7K-3215	2	BOSS						
C		1	9M-1974	2	WASHER-HARD (2MM THK)						

C-CHANGE FROM PREVIOUS TYPE



GRAPHIC #1

g00228345

AIR INLET AND EXHAUST SYSTEM

8N-3378 AIR CLEANER GP

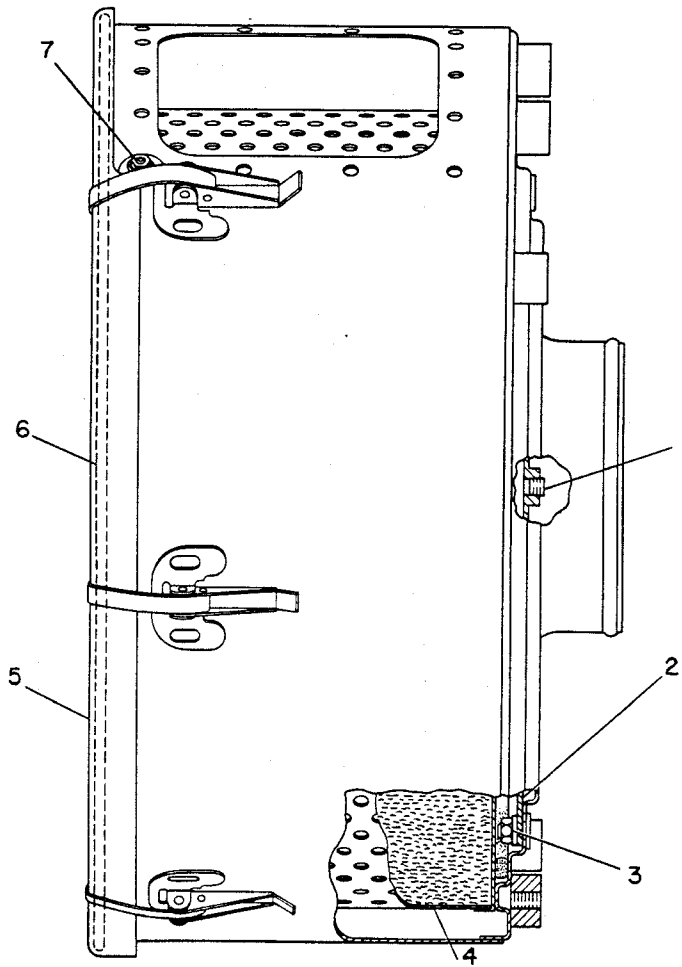
PART OF 7E-8228, 9Y-0673 AIR CLEANER GP, 133-4817, 133-7396 CONVERSION AIR
AN ATTACHMENT

SMCS-1051, 1054

i00647045

NOTE	REF NO	GRAPHIC REF	PART NUMBER	QTY	PART NAME						SEE PAGE
					1	2	3	4	5	6 (PRODUCT LEVEL)	
C	1	1	8T-6757	2	PLUG-PIPE (1/8-27 NPTF THD)						
C	2	1	7W-0495	1	GUIDE AS						
C	3	1	2K-4973	4	LOCKNUT (3/8-16 THD)						
	4	1	8N-6309	1	ELEMENT AS-PRIMARY (AIR)						
	5	1	8N-6534	1	COVER AS						
	6	1	8N-2559	1	GASKET-AIR CLEANER COVER						
C	7	1	1B-7182	2	BOLT (5/16-18X1.25IN)						
C		1	5S-0003	2	NUT-FULL (5/16-18 THD)						
C		1	7K-3215	2	BOSS						
C		1	9M-1974	2	WASHER-HARD (2MM THK)						

C- CHANGE FROM PREVIOUS TYPE



GRAPHIC #1

g00172325

AIR INLET AND EXHAUST SYSTEM

9Y-0673 AIR CLEANER GP

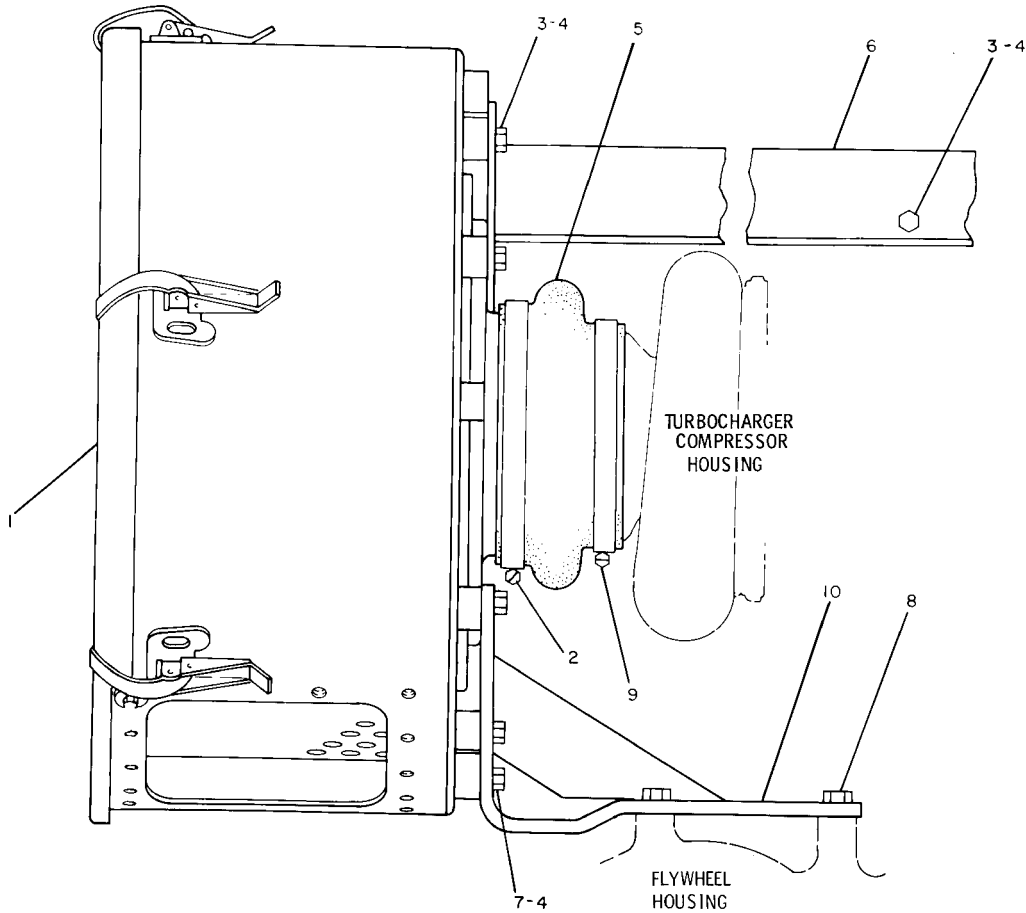
INDUSTRIAL
AN ATTACHMENT

SMCS-1051, 1054

i00659381

NOTE	REF NO	GRAPHIC REF	PART NUMBER	QTY	PART NAME						SEE PAGE	
					1	2	3	4	5	6 (PRODUCT LEVEL)		
Y	1	1	8N-3378	2	AIR CLEANER GP						284	
C	2	1	5P-3860	2	CLAMP-HOSE							
	3	1	0L-1351	6	BOLT (3/8-16X.875IN)							
	4	1	5M-2894	12	WASHER (2.5MM THK)							
	5	1	8N-5254	2	HOSE-REDUCER							
	6	1	9Y-1704	1	SUPPORT-AIR CLEANER							
	7	1	1A-2029	6	BOLT (3/8-16X1.125IN)							
	8	1	6H-1717	6	BOLT (1/2-13X1.125IN)							
			1	5P-8245	6	WASHER (3MM THK)						
	9	1	5P-4869	2	CLAMP-HOSE							
	10	1	9Y-1707	1	BRACKET AS (LH)							
		1	9Y-1705	1	BRACKET AS (RH)							

C- CHANGE FROM PREVIOUS TYPE
Y- SEPARATE ILLUSTRATION



GRAPHIC #1

g00149673

AIR INLET AND EXHAUST SYSTEM

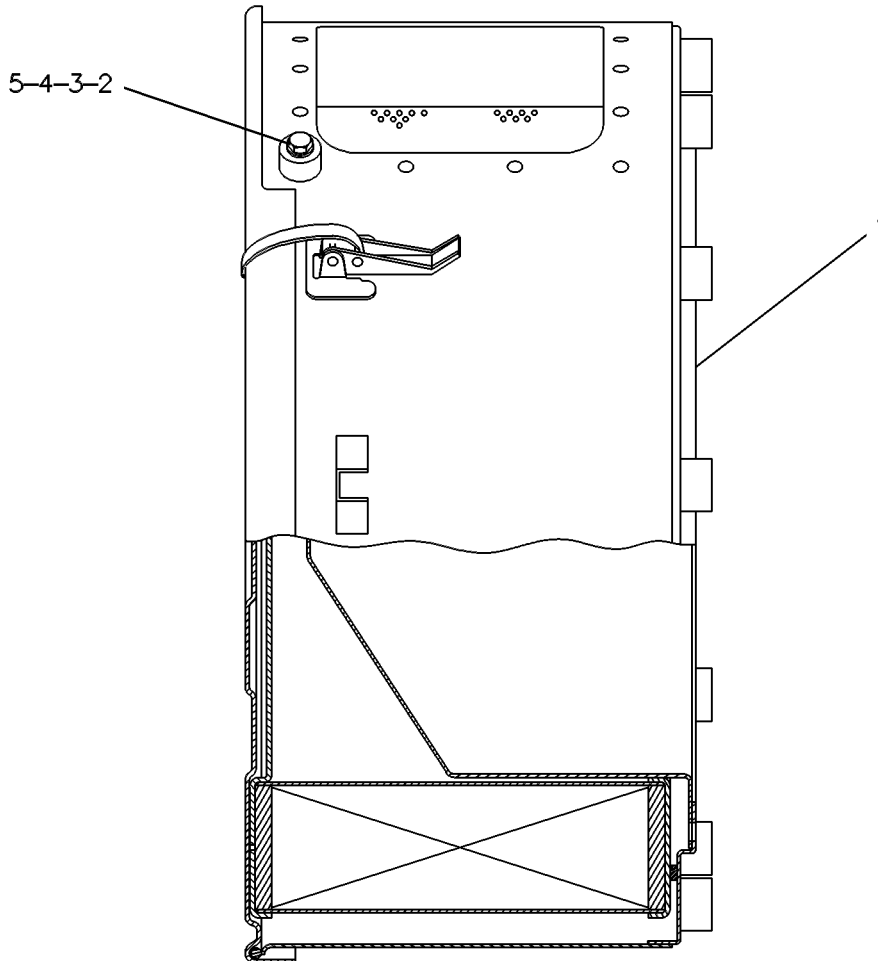
131-2183 AIR CLEANER GP

PART OF 4P-9088 AIR CLEANER GP
AN ATTACHMENT

SMCS-1051, 1054

i00659927

NOTE	REF NO	GRAPHIC REF	PART NUMBER	QTY	PART NAME						SEE PAGE
					1	2	3	4	5	6 (PRODUCT LEVEL)	
	1	1	7E-9633	1	HOUSING AS						
		1	7W-0495	1	GUIDE AS						
	2	1	1B-7182	2	BOLT (5/16-18X1.25IN)						
	3	1	7K-3215	2	BOSS						
	4	1	9M-1974	2	WASHER-HARD (2MM THK)						
	5	1	5S-0003	2	NUT-FULL (5/16-18 THD)						



GRAPHIC #1

g00261586

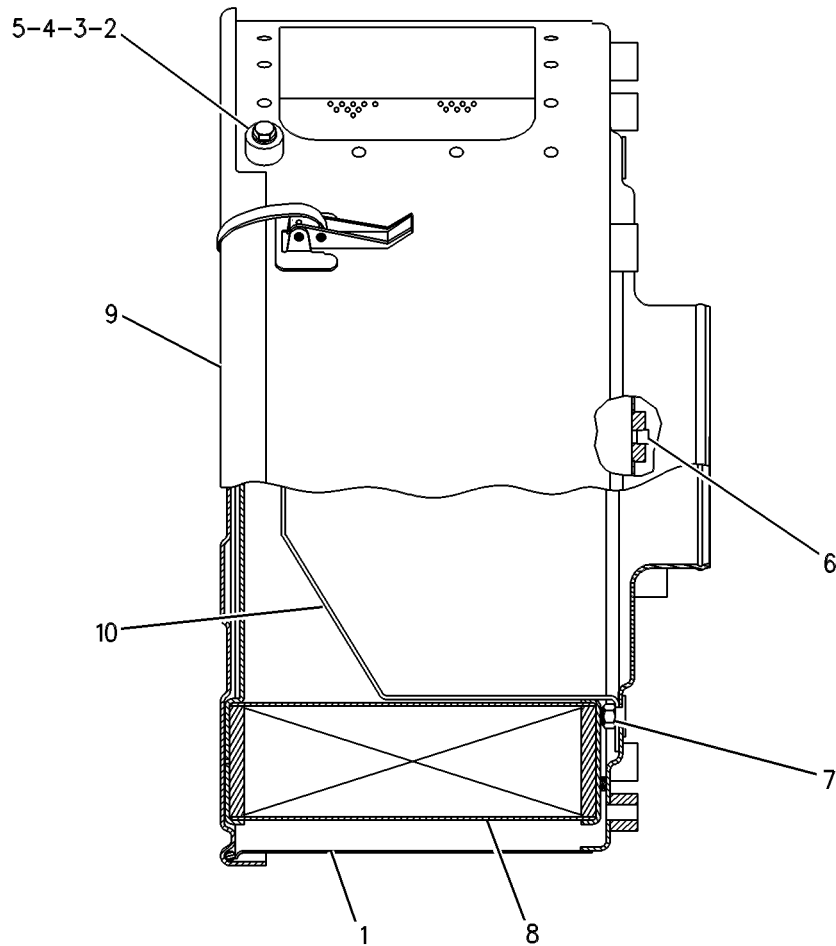
AIR INLET AND EXHAUST SYSTEM

133-7380 AIR CLEANER GP PART OF 133-4817, 133-7396 CONVERSION AR AN ATTACHMENT

SMCS-1051, 1054

i00657219

NOTE	REF NO	GRAPHIC REF	PART NUMBER	QTY	PART NAME						SEE PAGE
					1	2	3	4	5	6 (PRODUCT LEVEL)	
	1	1	133-7379	1	HOUSING AS-AIR CLEANER						
		1	7J-5225	1	FITTING (1 1/16X12 THD)						
	2	1	1B-7182	2	BOLT (5/16-18X1.25IN)						
	3	1	7K-3215	2	BOSS						
	4	1	9M-1974	2	WASHER-HARD (2MM THK)						
	5	1	5S-0003	2	NUT-FULL (5/16-18 THD)						
	6	1	8T-6757	2	PLUG-PIPE (1/8-27 NPTF THD)						
	7	1	2K-4973	4	LOCKNUT (3/8-16 THD)						
	8	1	8N-6309	1	ELEMENT AS-PRIMARY (AIR)						
	9	1	8N-6534	1	COVER AS						
		1	8N-2559	1	GASKET-AIR CLEANER COVER						
	10	1	7W-0495	1	GUIDE AS						



GRAPHIC #1

g00271873

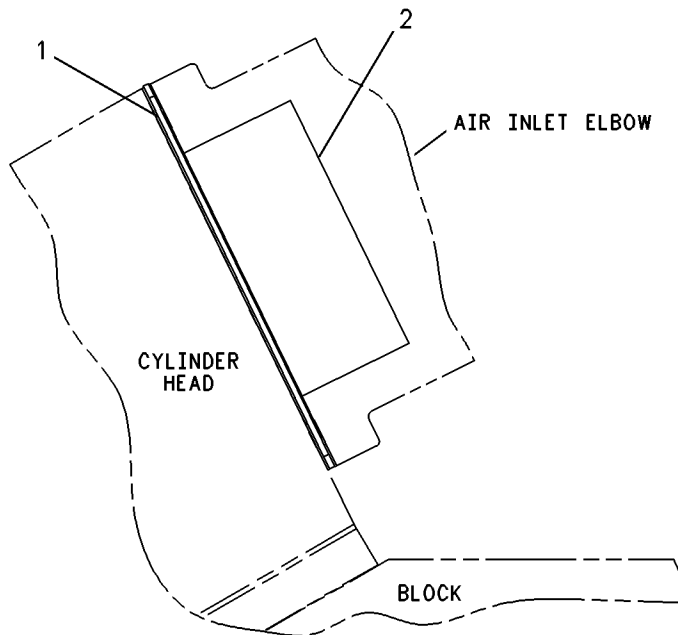
AIR INLET AND EXHAUST SYSTEM

9Y-5313 ARRESTOR GP-FLAME

SMCS-1050, 1058, 1061, 1087, 1092

i00659506

NOTE	REF NO	GRAPHIC REF	PART NUMBER	QTY	PART NAME						SEE PAGE
					1	2	3	4	5	6 (PRODUCT LEVEL)	
	1	1	7N-5080	1	GASKET-MANIFOLD						
	2	1	102-2674	1	ARRESTOR AS						



GRAPHIC #1

g00231001

AIR INLET AND EXHAUST SYSTEM

4W-5947 BYPASS GP - EXHAUST

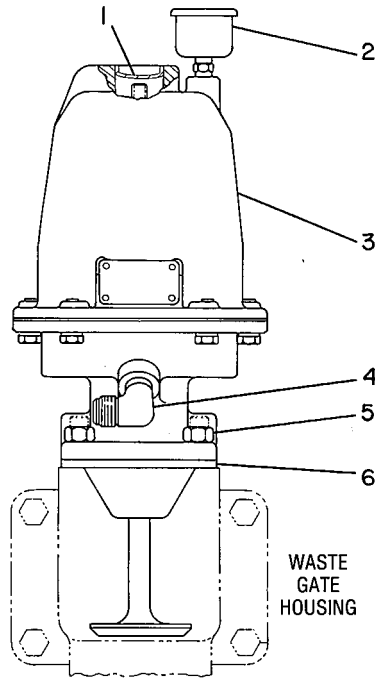
S/N 9TG1-164

SMCS-1057, 1061

i00655883

NOTE	REF NO	GRAPHIC REF	PART NUMBER	QTY	PART NAME						SEE PAGE
					1	2	3	4	5	6 (PRODUCT LEVEL)	
	1	1	3B-0645	1	PLUG-CUP (32.08MM AVG OD)						
	2	1	8M-2665	1	BREATHER AS						
Y	3	1	<i>7E-4299</i>	1	BYPASS GP-EXHAUST						291
	4	1	032-1268	1	ELBOW						
	5	1	1B-5355	4	NUT-FULL (3/8-16THD)						
	6	1	7C-9710	1	GASKET						

Y-SEPARATE ILLUSTRATION



GRAPHIC #1

g00203277

AIR INLET AND EXHAUST SYSTEM

4W-5947 BYPASS GP - EXHAUST

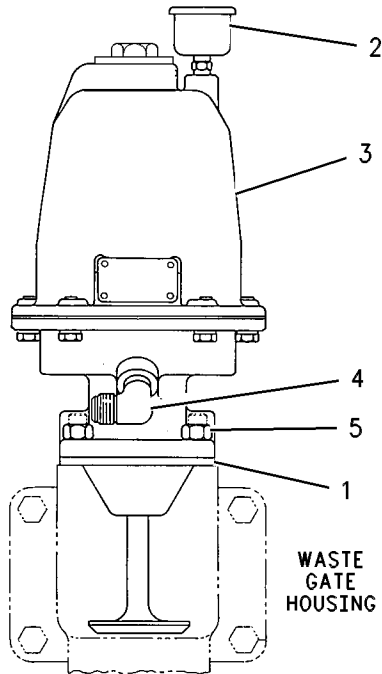
S/N 9TG165-UP

SMCS-1057, 1061

i00655885

NOTE	REF NO	GRAPHIC REF	PART NUMBER	QTY	PART NAME						SEE PAGE
					1	2	3	4	5	6 (PRODUCT LEVEL)	
	1	1	7C-9710	1	GASKET						
	2	1	8M-2665	1	BREATHER AS						
CY	3	1	<i>146-0758</i>	1	BYPASS GP - EXHAUST						292
	4	1	032-1268	1	ELBOW						
	5	1	1B-5355	4	NUT-FULL (3/8-16THD)						

C - CHANGE FROM PREVIOUS TYPE
Y - SEPARATE ILLUSTRATION



GRAPHIC #1

g00286297

AIR INLET AND EXHAUST SYSTEM

7E-4299 BYPASS GP - EXHAUST

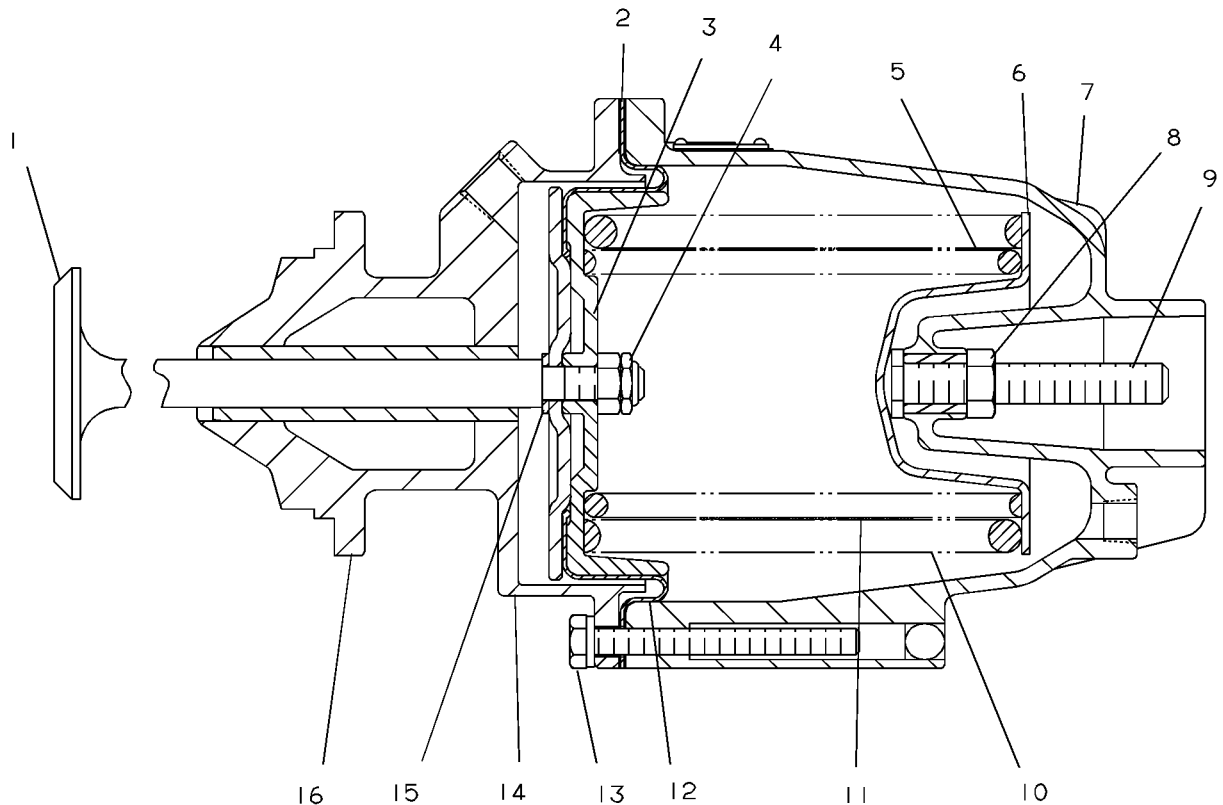
PART OF 4W-5947 BYPASS GP - EXHAUST

SMCS-1057, 1061

i00655571

NOTE	REF NO	GRAPHIC REF	PART NUMBER	QTY	PART NAME						SEE PAGE
					1	2	3	4	5	6 (PRODUCT LEVEL)	
	1	1	4W-5224	1	VALVE						
	2	1	3S-5849	2	GASKET						
	3	1	7S-7815	1	RETAINER-DIAPHRAGM						
	4	1	7S-7816	1	LOCKNUT						
	5	1	7E-4676	1	SPRING-INNER						
	6	1	7C-9046	1	RETAINER						
	7	1	7C-9044	1	COVER AS						
	8	1	1B-2578	1	NUT (3/8-16 THD)						
	9	1	7C-9047	1	SCREW-ADJUSTMENT						
	10	1	7E-4677	1	SPRING						
	11	1	1P-9897	1	SLEEVE						
	12	1	3S-6228	1	DIAPHRAGM						
M	13	1	7C-9721	5	SCREW-MACHINE						
		1	3B-4504	5	LOCKWASHER (.077IN THK)						
	14	1	7S-7814	1	PLATE-RETAINER						
	15	1	1P-0659	1	WASHER						
	16	1	7E-3860	1	BASE AS						

M-METRIC PART



GRAPHIC #1

g00205146

AIR INLET AND EXHAUST SYSTEM

146-0758 BYPASS GP - EXHAUST

S/N 9TG165-UP

PART OF 4W-5947 BYPASS GP - EXHAUST

SMCS-1057, 1061

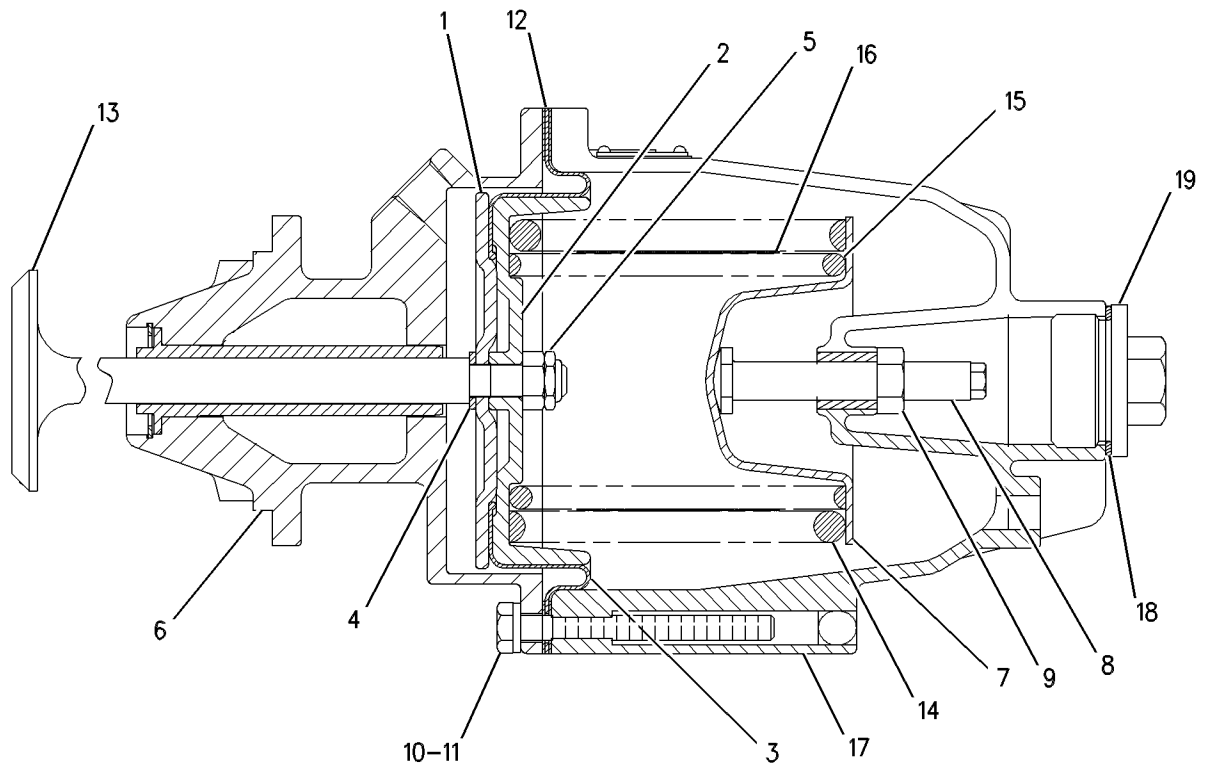
i00658237

NOTE	REF NO	GRAPHIC REF	PART NUMBER	QTY	PART NAME						SEE PAGE
					1	2	3	4	5	6 (PRODUCT LEVEL)	
	1	1	7S-7814	1	PLATE - RETAINER						
	2	1	7S-7815	1	RETAINER - DIAPHRAGM						
	3	1	113-1572	1	DIAPHRAGM						
	4	1	1P-0659	1	WASHER						
	5	1	7S-7816	1	LOCKNUT						
	6	1	100-8019	1	BASE AS						
	7	1	7C-9046	1	RETAINER						
	8	1	146-0752	1	SETSCREW						
	9	1	1B-2578	1	NUT (3/8 - 16 THD)						
M	10	1	7C-9721	5	SCREW - MACHINE						
	11	1	3B-4504	5	LOCKWASHER (.077IN THK)						
	12	1	3S-5849	2	GASKET						
	13	1	4W-5224	1	VALVE						
	14	1	7E-4677	1	SPRING						
	15	1	7E-4676	1	SPRING - INNER						
	16	1	1P-9897	1	SLEEVE						
	17	1	146-0751	1	COVER AS						
	18	1	9X-7712	1	SEAL - O - RING						
	19	1	9S-4205	1	PLUG - O - RING						
M - METRIC PART											

AIR INLET AND EXHAUST SYSTEM

146-0758 BYPASS GP - EXHAUST (contd.)

i00658237



GRAPHIC #1

g00283309

AIR INLET AND EXHAUST SYSTEM

2W-3558 CARTRIDGE GP - TURBOCHARGER*R

S/N 9TG22-UP

PART OF 107-3127, 7C-4470 TURBOCHARGER GP

SMCS-1052, 1053, 1056, 1077

i00649185

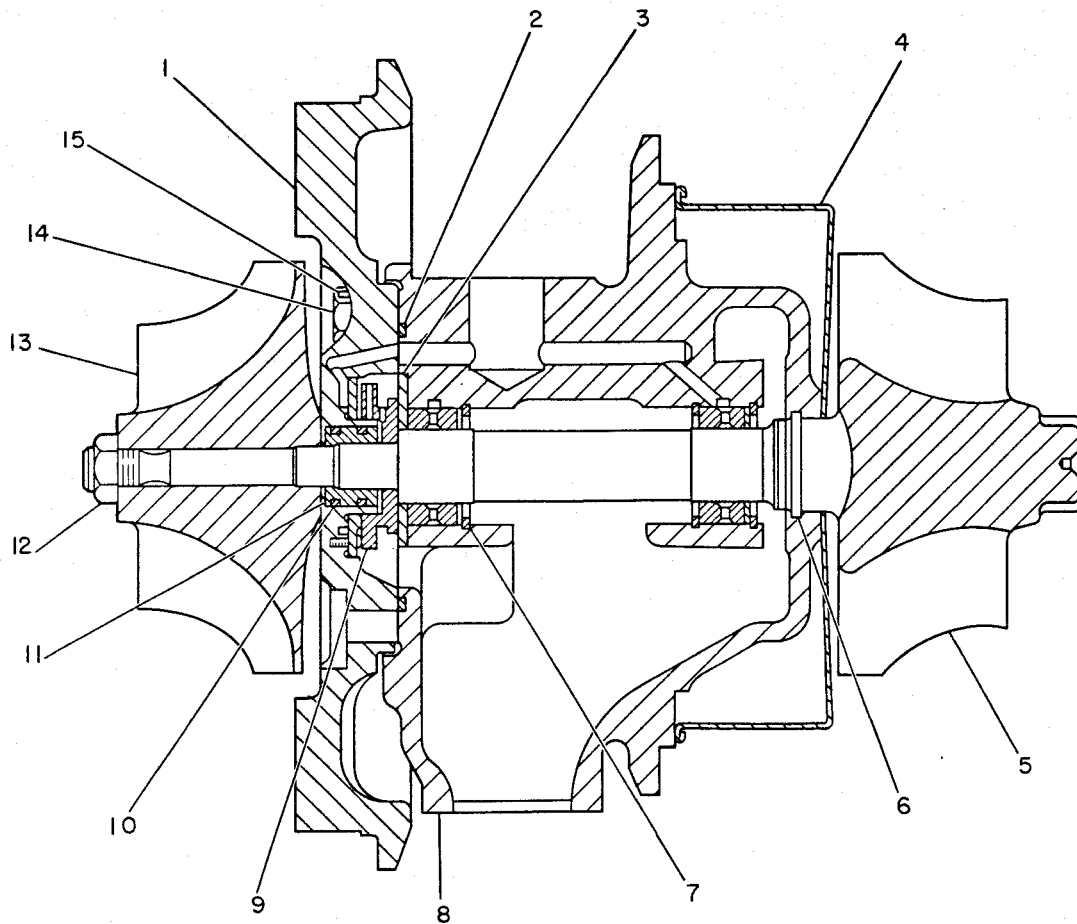
NOTE	REF NO	GRAPHIC REF	PART NUMBER	QTY	PART NAME						SEE PAGE
					1	2	3	4	5	6 (PRODUCT LEVEL)	
R	1	1	8N-0819	1	PLATE AS-BACKING						
J	2	1	1P-1120	1	RING-SEAL						
J	3	1	6N-5004	1	BEARING-THRUST						
	4	1	9N-3701	1	SHROUD-TURBINE WHEEL						
	5	1	6N-8486	1	WHEEL & SHAFT AS						
J	6	1	7N-3759	1	RING-PISTON						
J	7	1	9M-8915	3	RING-RETAINING						
R	8	1	9N-2035	1	HOUSING AS-CENTER						
		1	4M-6646	2	PIN-GROOVED						
C		1	7W-2368	1	RING-SEAL						
	9	1	9M-8911	1	COLLAR-THRUST						
J	10	1	9M-8919	2	RING-SEAL						
	11	1	9N-2046	1	SPACER-THRUST						
J	12	1	3S-4484	1	LOCKNUT-TURBOCHARGER						
	13	1	1W-8420	1	WHEEL-COMPRESSOR						
	14	1	0S-1616	4	BOLT (1/4-20X1 IN)						
J	15	1	9N-2036	4	PLATE-LOCKING						
F		1	1W-4795	1	PLATE-IDENTIFICATION						
F		1	2F-0808	2	SCREW						
					AVAILABLE REPAIR KIT(S) :						
			2W-0715	1	KIT-CARTRIDGE						
					(INCLUDES PARTS MARKED J)						
J			9N-2041	1	KIT-BEARING						

C- CHANGE FROM PREVIOUS TYPE
 F- NOT SHOWN
 R- REMFG PART MAY BE AVAILABLE

AIR INLET AND EXHAUST SYSTEM

2W-3558 CARTRIDGE GP - TURBOCHARGER (contd.)

i00649185



GRAPHIC #1

g00194118

AIR INLET AND EXHAUST SYSTEM

4W-2277 CARTRIDGE GP - TURBOCHARGER*R

PART OF 7E-8465 TURBOCHARGER GP

TYPE 1

SMCS-1052, 1053, 1056, 1077

i00654691

NOTE	REF NO	GRAPHIC REF	PART NUMBER	QTY	PART NAME						SEE PAGE
					1	2	3	4	5	6 (PRODUCT LEVEL)	
J	1	1	1P-1125	1	LOCKNUT - TURBOCHARGER						
	2	1	4W-2280	1	WHEEL - COMPRESSOR						
	3	1	1P-1111	1	BEARING - THRUST						
J	4	1	2P-9607	4	RING - RETAINING						
J	5	1	7N-6609	1	RING - PISTON						
	6	1	7W-1610	1	WHEEL & SHAFT AS						
	7	1	7N-0012	1	SHROUD - TURBINE WHEEL						
J	8	1	1P-1114	2	BEARING - TURBOCHARGER						
R	9	1	2P-9635	1	HOUSING AS - CENTER						
		1	4M-6646	2	PIN - GROOVED						
J	10	1	1P-1120	1	RING - SEAL						
	11	1	4W-2278	1	PLATE AS - BACKING						
J	12	1	1P-1124	1	RING - PISTON						
	13	1	1P-1123	1	COLLAR - THRUST						
J	14	1	1P-1117	2	PLATE - LOCKING						
	15	1	2A-0762	4	BOLT (1/4-20X.625IN)						
F		1	7N-2434	1	PLATE - CARTRIDGE IDENTIFICATION (FORM - CARTRIDGE AS.)						
AVAILABLE REPAIR KIT(S) :											
J			2W-0716	1	KIT - TURBOCHARGER CARTRIDGE						

F - NOT SHOWN

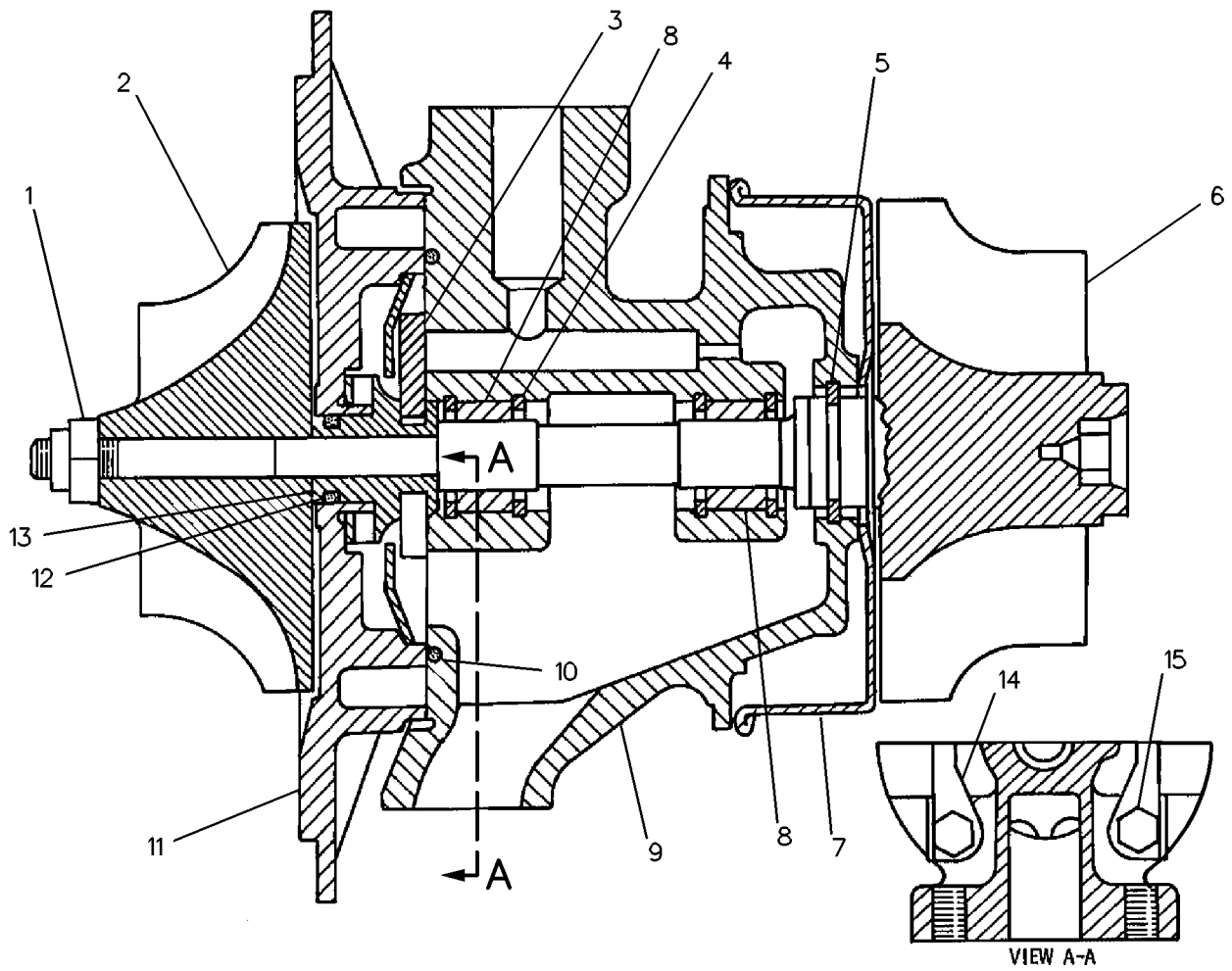
J - KIT(S) MARKED J INCLUDES PART(S) MARKED J

R - REMFG PART MAY BE AVAILABLE

AIR INLET AND EXHAUST SYSTEM

4W-2277 CARTRIDGE GP - TURBOCHARGER (contd.)

i00654691



GRAPHIC #1

g00210897

AIR INLET AND EXHAUST SYSTEM

4W-2277 CARTRIDGE GP-TURBOCHARGER*R

PART OF 7E-8465 TURBOCHARGER GP

TYPE 2

SMCS-1052, 1053, 1056, 1077

i00933109

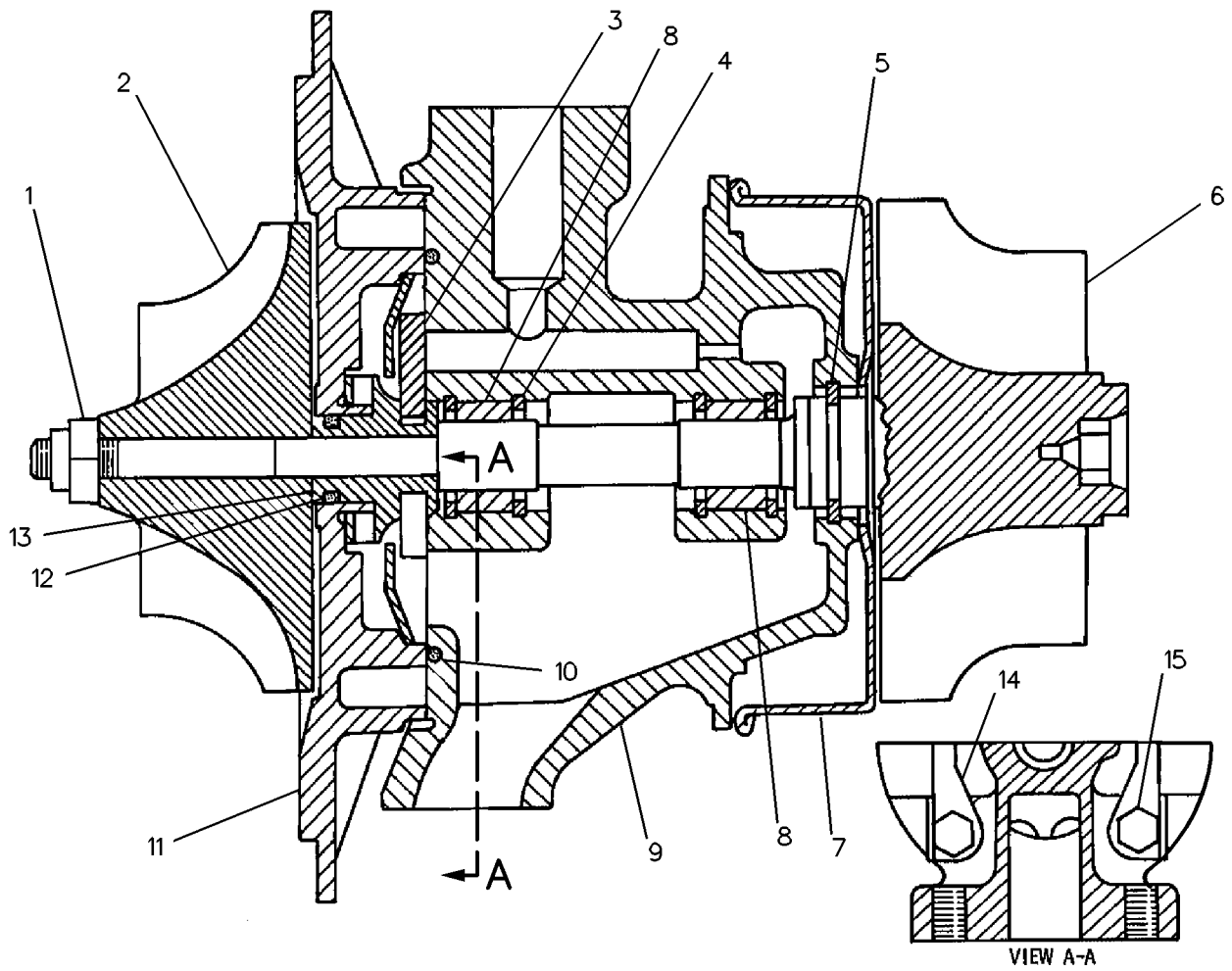
NOTE	REF NO	GRAPHIC REF	PART NUMBER	QTY	PART NAME						SEE PAGE
					1	2	3	4	5	6 (PRODUCT LEVEL)	
J	1	1	155-5237	1	NUT						
	2	1	4W-2280	1	WHEEL - COMPRESSOR						
	3	1	1P-1111	1	BEARING - THRUST						
J	4	1	2P-9607	4	RING - RETAINING						
J	5	1	7N-6609	1	RING - PISTON						
	6	1	155-5236	1	SHAFT AS - TURBINE						
	7	1	7N-0012	1	SHROUD - TURBINE WHEEL						
J	8	1	1P-1114	2	BEARING - TURBOCHARGER						
R	9	1	2P-9635	1	HOUSING AS - CENTER						
		1	4M-6646	2	PIN - GROOVED						
J	10	1	1P-1120	1	RING - SEAL						
	11	1	4W-2278	1	PLATE AS - BACKING						
J	12	1	1P-1124	1	RING - PISTON						
	13	1	1P-1123	1	COLLAR - THRUST						
J	14	1	1P-1117	2	PLATE - LOCKING						
	15	1	2A-0762	4	BOLT						
AVAILABLE REPAIR KIT(S) :											
J			2W-0716	1	KIT - TURBOCHARGER CARTRIDGE						

J - KIT MARKED J INCLUDES PART(S) MARKED J
R - REMFG PART MAY BE AVAILABLE

AIR INLET AND EXHAUST SYSTEM

4W-2277 CARTRIDGE GP - TURBOCHARGER (contd.)

i00933109



GRAPHIC #1

g00210897

AIR INLET AND EXHAUST SYSTEM

8N-5497 CARTRIDGE GP-TURBOCHARGER

S/N 9TG1-53

PART OF 6I-2084 TURBOCHARGER GP
ALSO AN ATTACHMENT

SMCS-1052, 1053, 1056, 1077

i00647367

NOTE	REF NO	GRAPHIC REF	PART NUMBER	QTY	PART NAME						SEE PAGE
					1	2	3	4	5	6 (PRODUCT LEVEL)	
	1	1	8N-0818	1	WHEEL-COMPRESSOR						
	2	1	9N-2046	1	SPACER-THRUST						
	3	1	0S-1616	4	BOLT (1/4-20X1 IN)						
		1	9N-2036	4	PLATE-LOCKING						
J	4	1	6N-5004	1	BEARING-THRUST						
R	5	1	8N-0819	1	PLATE AS-BACKING						
	6	1	1P-1120	1	RING-SEAL						
R	7	1	9N-2035	1	HOUSING AS-CENTER						
		1	4M-6646	2	PIN-GROOVED						
	8	1	9N-3701	1	SHROUD-TURBINE WHEEL						
	9	1	6N-8486	1	WHEEL & SHAFT AS						
	10	1	7N-3759	1	RING-PISTON						
J	11	1	9M-8915	3	RING-RETAINING						
	12	1	9M-8911	1	COLLAR-THRUST						
J	13	1	9M-8919	2	RING-SEAL						
J	14	1	3S-4484	1	LOCKNUT-TURBOCHARGER						
J	15	1	9N-2041	1	KIT-BEARING						
F		1	7N-3193	1	KIT-BEARING (.005IN OVERSIZE OD & .005IN UNDERSIZE ID)						
					-OR-						
F		1	7N-3194	1	KIT-BEARING (.010IN OVERSIZE OD & .010IN UNDERSIZE ID)						
F		1	9N-2047	1	PLATE-CARTRIDGE IDENTIFICATION						
F		1	2F-0808	2	SCREW (MOUNTED ON CARTRIDGE AS)						
					AVAILABLE REPAIR KIT(S) :						
J			6N-7239	1	KIT-CARTRIDGE						

F-NOT SHOWN

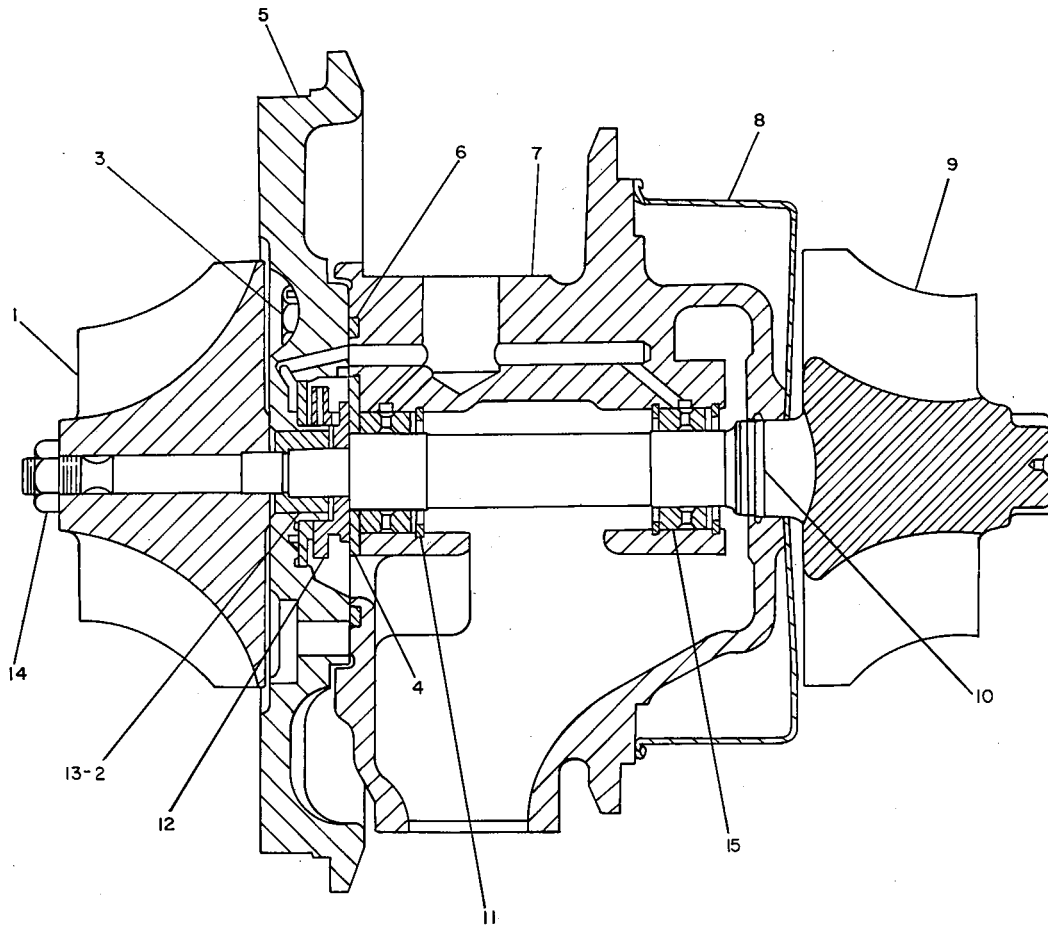
J-KIT MARKED J INCLUDES PARTS MARKED J

R-REMFG PART MAY BE AVAILABLE

AIR INLET AND EXHAUST SYSTEM

8N-5497 CARTRIDGE GP - TURBOCHARGER (contd.)

i00647367



GRAPHIC #1

g00201550

AIR INLET AND EXHAUST SYSTEM

9Y-7014 CARTRIDGE GP-TURBOCHARGER

S/N 9TG1-21

PART OF 9Y-1037 TURBOCHARGER GP

SMCS-1052, 1053, 1056, 1077

i00656086

NOTE	REF NO	GRAPHIC REF	PART NUMBER	QTY	PART NAME						SEE PAGE
					1	2	3	4	5	6 (PRODUCT LEVEL)	
	1	1	7C-4020	1	PLATE AS-BACKING						
		1	7W-0130	1	BEARING-THRUST						
		1	7W-0131	3	STUD-DRIVE						
	2	1	1P-1120	1	RING-SEAL						
	3	1	6N-5004	1	BEARING-THRUST						
	4	1	7N-3759	1	RING-PISTON						
	5	1	1N-3751	1	SHROUD-TURBINE WHEEL						
R	6	1	9N-2043	1	WHEEL & SHAFT AS						
	7	1	9M-8915	3	RING-RETAINING						
R	8	1	9N-2035	1	HOUSING AS-CENTER						
		1	4M-6646	2	PIN-GROOVED						
		1	7W-2368	1	RING-SEAL						
	9	1	9M-8911	1	COLLAR-THRUST						
	10	1	9N-2046	1	SPACER-THRUST						
		1	9M-8919	2	RING-SEAL						
	11	1	1S-1770	1	LOCKNUT-TURBOCHARGER						
	12	1	9Y-7011	1	WHEEL-COMPRESSOR						
	13	1	0S-1616	4	BOLT (1/4-20X1 IN)						
		1	9N-2036	4	PLATE-LOCKING						
F		1	1W-4795	1	PLATE-IDENTIFICATION						
					AVAILABLE REPAIR KIT(S) :						
			9N-2041	1	KIT-BEARING						

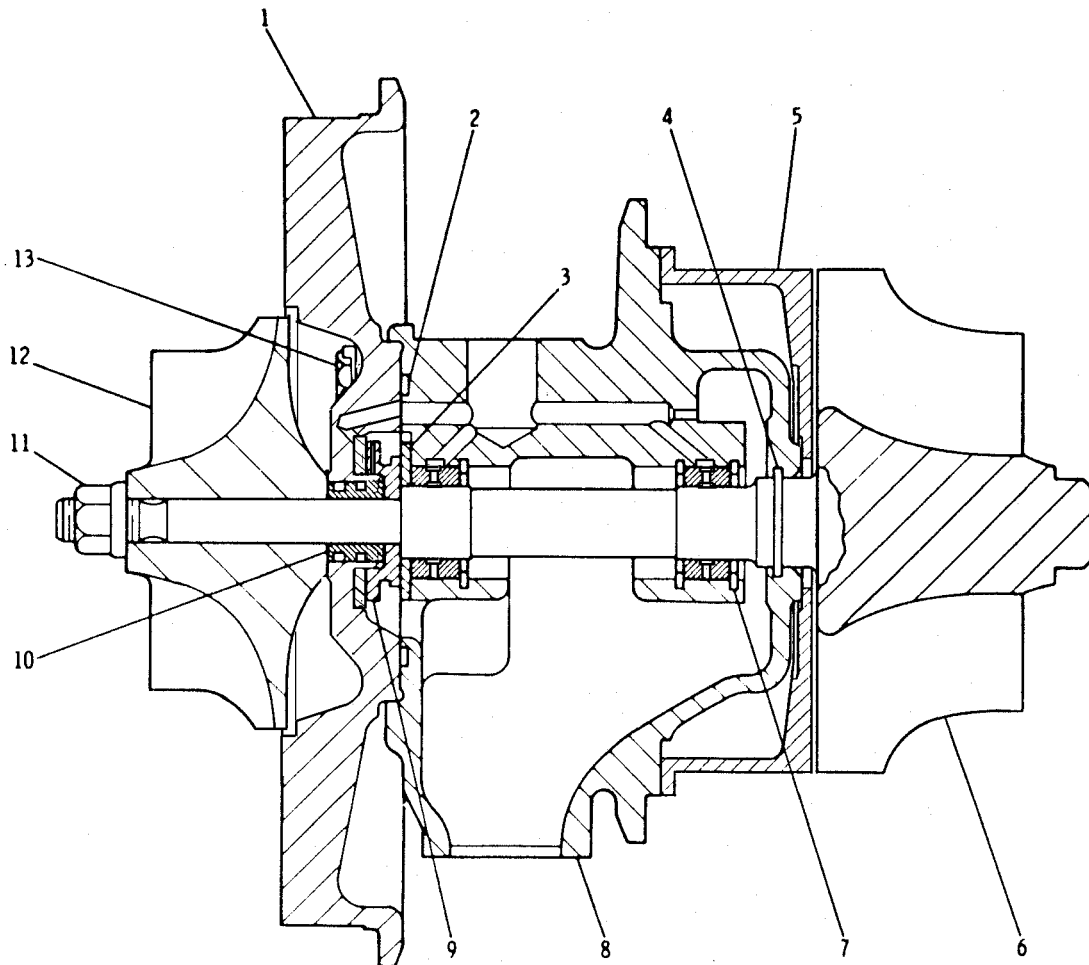
F - NOT SHOWN

R - REMFG PART MAY BE AVAILABLE

AIR INLET AND EXHAUST SYSTEM

9Y-7014 CARTRIDGE GP - TURBOCHARGER (contd.)

i00656086



GRAPHIC #1

g00201310

AIR INLET AND EXHAUST SYSTEM

7C-1193 CONTROL GP-TEMPERATURE

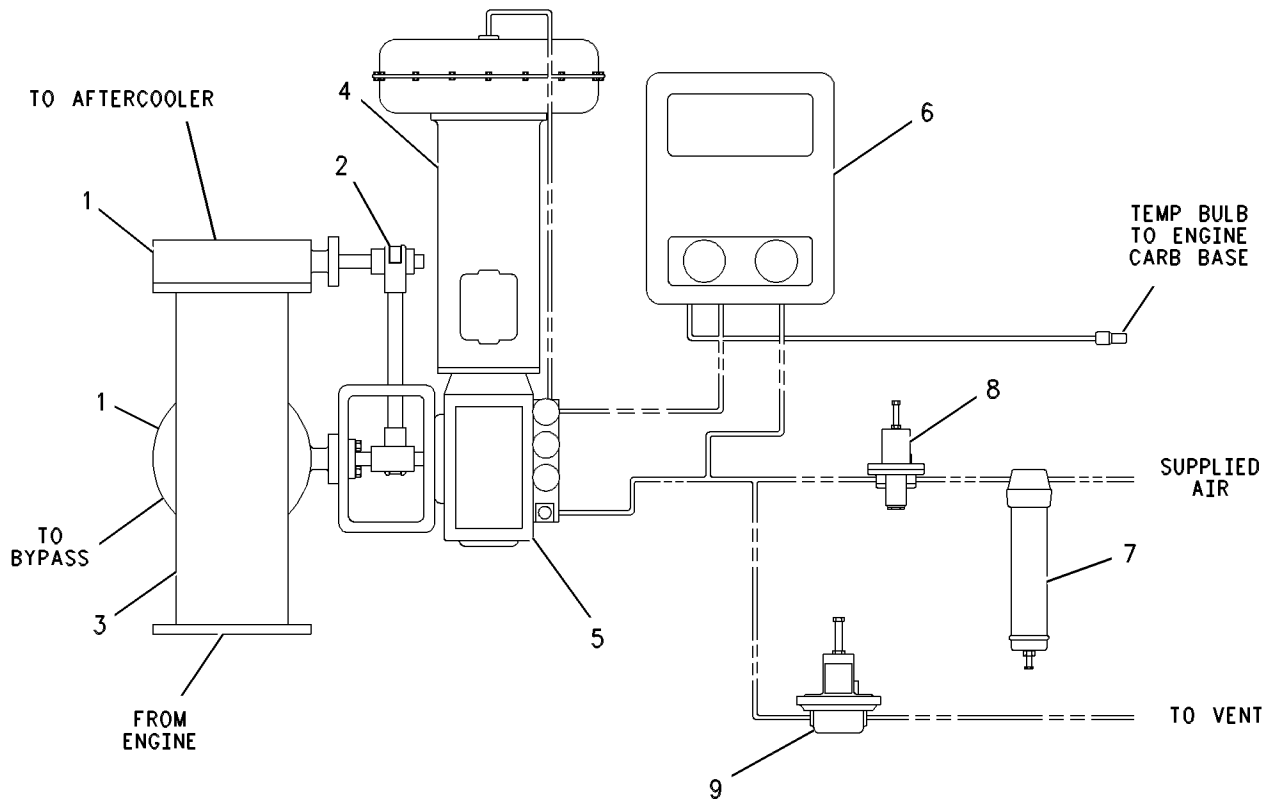
PART OF 7C-6462 CONTROL GP-AIR TEMPERATURE

AN ATTACHMENT

SMCS-1921

i00657037

NOTE	REF NO	GRAPHIC REF	PART NUMBER	QTY	PART NAME						SEE PAGE
					1	2	3	4	5	6 (PRODUCT LEVEL)	
	1	1	139-4761	2	VALVE						
	2	1	139-4762	1	LINKAGE AS						
	3	1	139-4763	1	TEE						
	4	1	139-4764	1	ACTUATOR						
	5	1	139-4765	1	POSITIONER						
	6	1	139-4766	1	CONTROLLER						
	7	1	139-4767	1	FILTER						
	8	1	139-4768	1	REGULATOR						
	9	1	139-4769	1	VALVE						



GRAPHIC #1

g00285176

AIR INLET AND EXHAUST SYSTEM

7C-6462 CONTROL GP-TEMPERATURE

AIR
FOR USE WITH AIR TO AIR AFTERCOOLING
AN ATTACHMENT

SMCS-1921

i00657211

NOTE	PART NUMBER	QTY	PART NAME						SEE PAGE
			1	2	3	4	5	6 (PRODUCT LEVEL)	
Y	7C-1193	1	CONTROL GP-TEMPERATURE						304
	5N-3727	1	VALVE-FLOAT						
Y-SEPARATE ILLUSTRATION									

AIR INLET AND EXHAUST SYSTEM

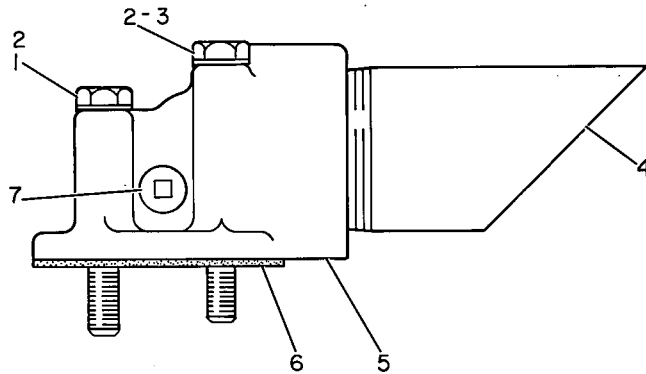
8N-8487 ELBOW GP - EXHAUST AN ATTACHMENT

SMCS-1061

i00652144

NOTE	REF NO	GRAPHIC REF	PART NUMBER	QTY	PART NAME						SEE PAGE
					1	2	3	4	5	6 (PRODUCT LEVEL)	
C	1	1	1D-4566	2	BOLT (1/2-13X3.5IN)						
	2	1	5P-8245	4	WASHER (3MM THK)						
C	3	1	1D-4569	2	BOLT (1/2-13X4.25IN)						
	4	1	6N-4857	1	FITTING						
	5	1	8N-8447	1	ELBOW						
	6	1	8N-8452	1	GASKET						
	7	1	2B-0858	1	PLUG-PIPE (1/2-14 NPTF)						

C- CHANGE FROM PREVIOUS TYPE



GRAPHIC #1

g00149625

AIR INLET AND EXHAUST SYSTEM

5N-2458 ELBOW-EXHAUST

FOR USE WITH 10" PIPE

AN ATTACHMENT

SMCS-1061

i00816547

NOTE	PART NUMBER	QTY	PART NAME	SEE PAGE
(INDIVIDUAL PARTS ARE NOT SERVICED SEPARATELY)				

AIR INLET AND EXHAUST SYSTEM

5N-2457 FITTING GP-EXHAUST

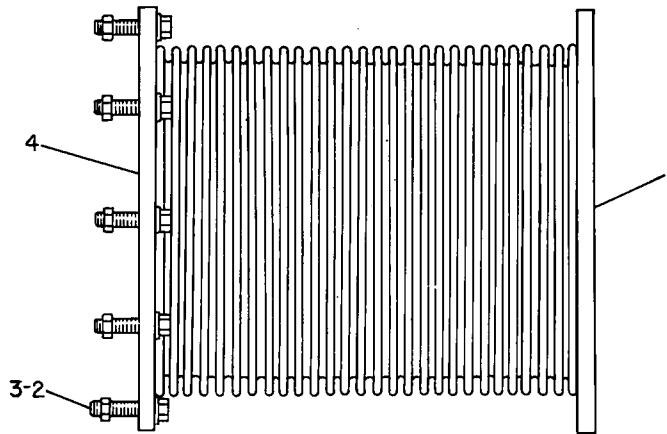
203 MM (8 IN.)

AN ATTACHMENT

SMCS-1061

i00651080

NOTE	REF NO	GRAPHIC REF	PART NUMBER	QTY	PART NAME						SEE PAGE
					1	2	3	4	5	6 (PRODUCT LEVEL)	
	1	1	5L-6297	1	ADAPTER AS-FLEXIBLE						
	2	1	0S-1571	8	BOLT (3/8-16X1.75IN)						
		1	9S-8752	8	NUT-FULL (3/8-16 THD)						
					(USE WITH HOT EXHAUST)						
	3	1	3V-3308	8	WASHER (2.5MM THK)						
	4	1	5L-3773	1	GASKET-EXHAUST ELBOW						
		1	0S-1588	8	BOLT (3/8-16X1.25IN)						
					(USED WITH WATER COOLED EXHAUST)						



GRAPHIC #1

g00145073

AIR INLET AND EXHAUST SYSTEM

7N-6967 FITTING GP-EXHAUST

305 MM (12 IN)

FOR USE WITH TA ENGINE FOR E317, TA ENGINE FOR E318
AN ATTACHMENT

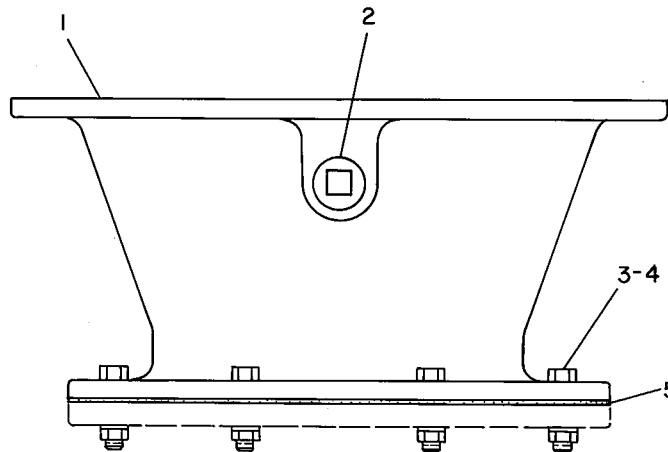
SMCS-1061

i00652577

NOTE	REF NO	GRAPHIC REF	PART NUMBER	QTY	PART NAME						SEE PAGE
					1	2	3	4	5	6 (PRODUCT LEVEL)	
	1	1	7N-6959	1	ADAPTER						
	2	1	2B-0858	1	PLUG-PIPE (1/2-14 NPTF)						
B	3	1	0S-1591	8	BOLT (3/8-16X1.5IN)						
B	4	1	9S-8752	8	NUT-FULL (3/8-16 THD)						
CB		1	3V-3308	8	WASHER (2.5MM THK)						
	5	1	5L-3773	1	GASKET-EXHAUST ELBOW						

B-USE AS REQUIRED

C-CHANGE FROM PREVIOUS TYPE



GRAPHIC #1

g00172863

AIR INLET AND EXHAUST SYSTEM

7N-6968 FITTING GP-EXHAUST

254 MM (10 IN)

FOR USE WITH (E317, E318) TA ENGINE
AN ATTACHMENT

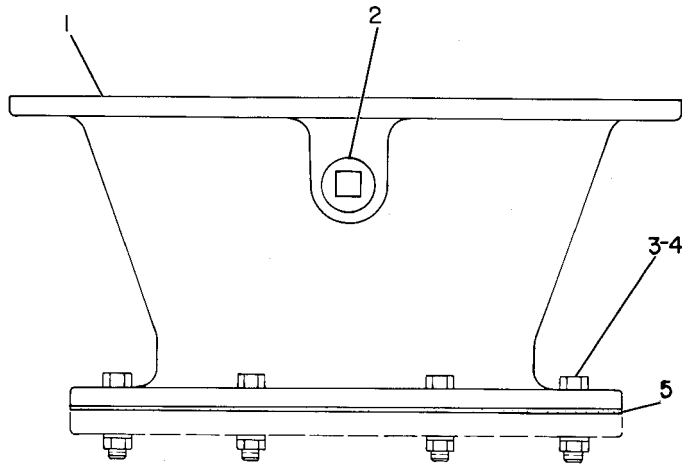
SMCS-1061

i00649715

NOTE	REF NO	GRAPHIC REF	PART NUMBER	QTY	PART NAME						SEE PAGE
					1	2	3	4	5	6 (PRODUCT LEVEL)	
	1	1	7N-5971	1	ADAPTER						
	2	1	2B-0858	1	PLUG-PIPE (1/2-14 NPTF)						
B	3	1	0S-1591	8	BOLT (3/8-16X1.5IN)						
	4	1	9S-8752	8	NUT-FULL (3/8-16 THD)						
CB		1	3V-3308	8	WASHER (2.5MM THK)						
	5	1	5L-3773	1	GASKET-EXHAUST ELBOW						

B-USE AS REQUIRED

C-CHANGE FROM PREVIOUS TYPE



GRAPHIC #1

g00172410

AIR INLET AND EXHAUST SYSTEM

2W-7866 FLANGE GP - EXHAUST

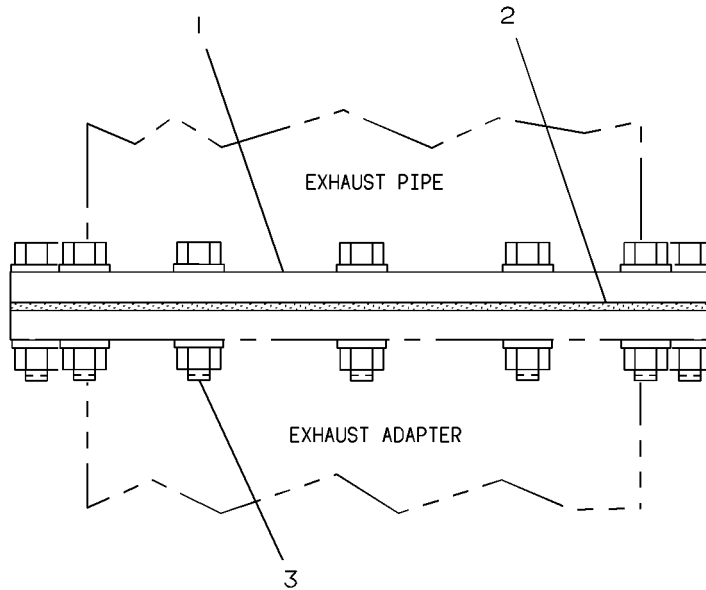
254 MM (10 IN.)

AN ATTACHMENT

SMCS-1061

i00647242

NOTE	REF NO	GRAPHIC REF	PART NUMBER	QTY	PART NAME						SEE PAGE
					1	2	3	4	5	6 (PRODUCT LEVEL)	
	1	1	2W-7867	1	FLANGE - EXHAUST						
	2	1	2W-7868	1	GASKET - EXHAUST						
	3	1	5L-4398	12	BOLT (1/2-13X2.25IN)						
		1	1B-5357	12	NUT - FULL (1/2-13 THD)						
		1	5P-8245	24	WASHER (3MM THK)						



GRAPHIC #1

g00166431

AIR INLET AND EXHAUST SYSTEM

2W-7871 FLANGE GP - EXHAUST

305 MM (12 IN.)

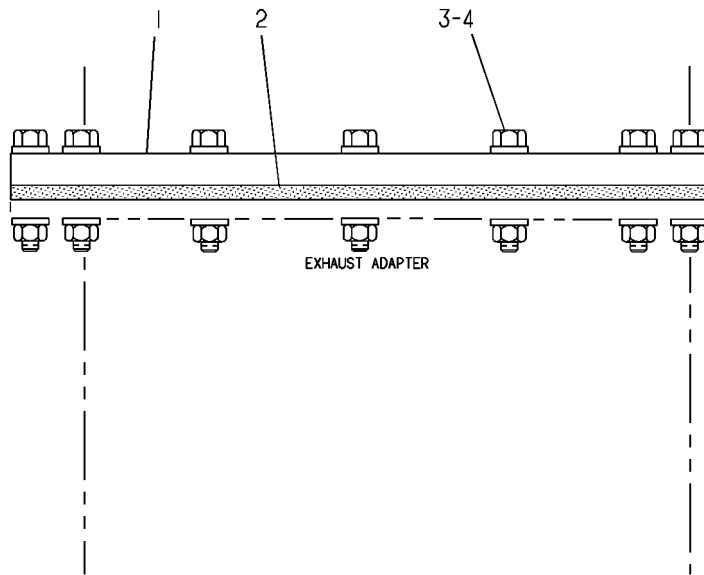
AN ATTACHMENT

SMCS-1061

i00653208

NOTE	REF NO	GRAPHIC REF	PART NUMBER	QTY	PART NAME						SEE PAGE
					1	2	3	4	5	6 (PRODUCT LEVEL)	
	1	1	2W-7872	1	FLANGE - EXHAUST						
	2	1	2W-7873	1	GASKET - EXHAUST						
B	3	1	0S-1571	12	BOLT (3/8-16X1.75IN)						
B		1	1B-5355	12	NUT - FULL (3/8-16THD)						
B		1	9L-9132	24	WASHER (2.5MM THK)						
					-OR-						
B	4	1	5L-4398	12	BOLT (1/2-13X2.25IN)						
B		1	1B-5357	12	NUT - FULL (1/2-13 THD)						
B		1	5P-8245	24	WASHER (3MM THK)						

B-USE AS REQUIRED



GRAPHIC #1

g00176444

AIR INLET AND EXHAUST SYSTEM

7N-6962 FLANGE GP - EXHAUST

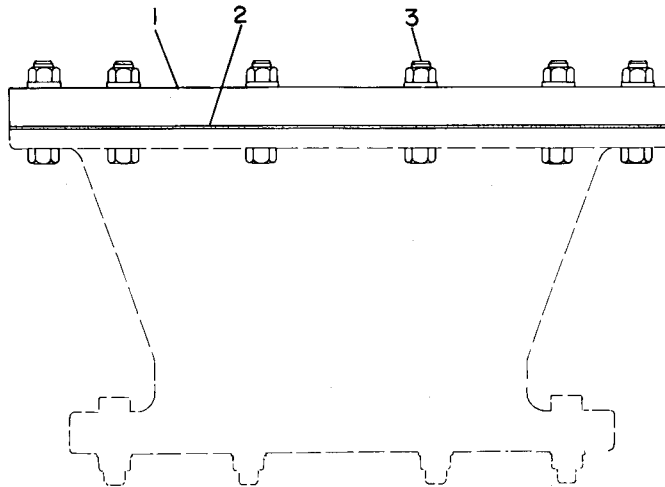
254 MM (10 IN)

FOR USE WITH TA ENGINE E317, E318
AN ATTACHMENT

SMCS-1061

i00651607

NOTE	REF NO	GRAPHIC REF	PART NUMBER	QTY	PART NAME						SEE PAGE
					1	2	3	4	5	6 (PRODUCT LEVEL)	
	1	1	7N-6954	1	FLANGE						
	2	1	7N-6957	1	GASKET						
	3	1	0S-1571	12	BOLT (3/8-16X1.75IN)						
		1	9S-8752	12	NUT-FULL (3/8-16 THD)						
		1	5M-2894	12	WASHER (2.5MM THK)						



GRAPHIC #1

g00145070

AIR INLET AND EXHAUST SYSTEM

4P-8330 LINES GP-AIR

SMCS-1058, 1087

i00656638

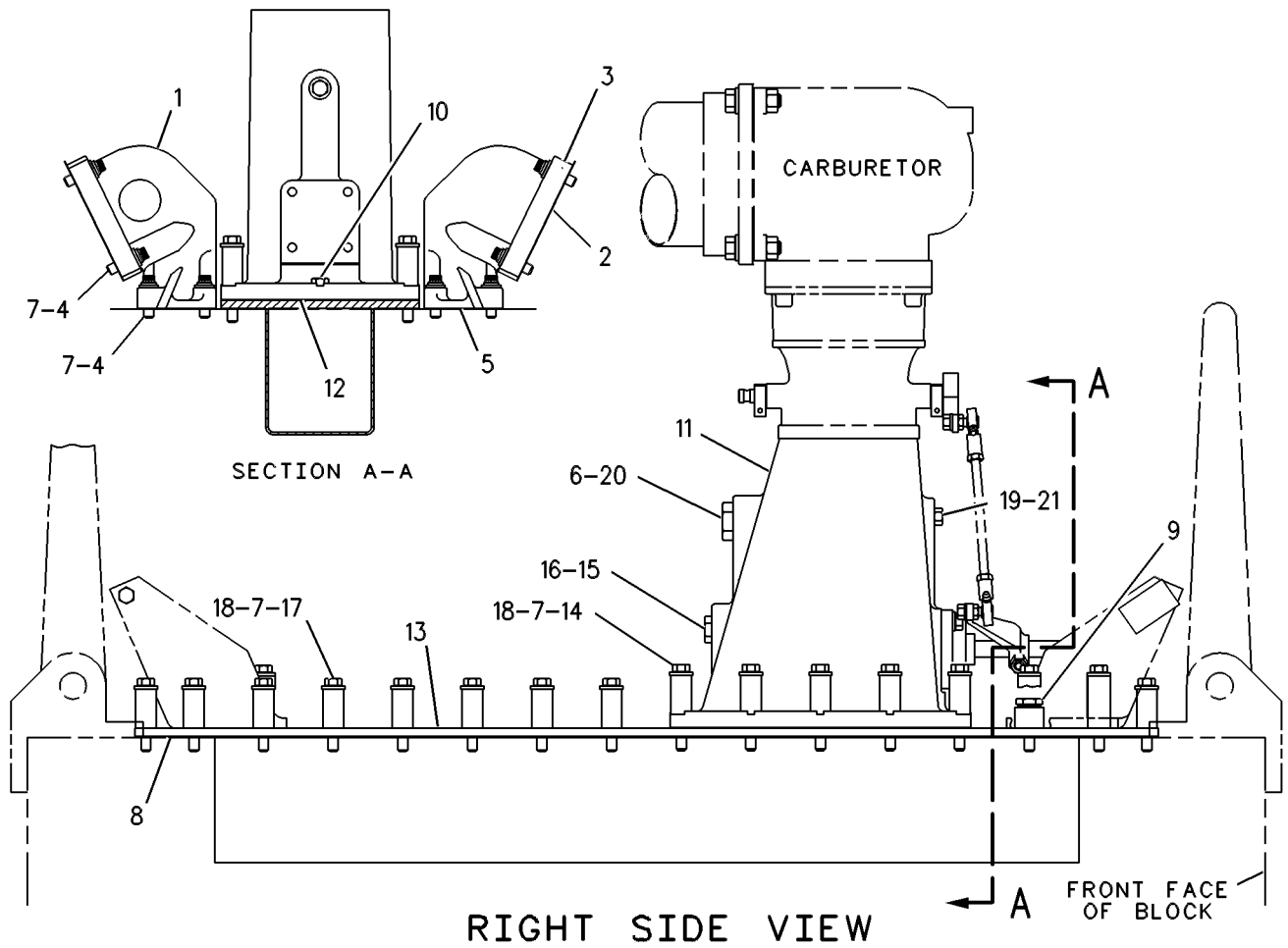
NOTE	REF NO	GRAPHIC REF	PART NUMBER	QTY	PART NAME						SEE PAGE
					1	2	3	4	5	6 (PRODUCT LEVEL)	
	1	1	7N-5079	8	ELBOW						
	2	1	7N-5080	8	GASKET-MANIFOLD						
	3	1	7N-5085	8	FLANGE						
		1	6V-5504	8	SEAL-O-RING						
	4	1	5P-0076	64	BOLT-12 POINT HEAD (3/8-16X1.50IN)						
	5	1	7N-5089	8	GASKET						
	6	1	3D-2824	1	SEAL-O-RING (23.47MM ID)						
	7	1	5M-2894	92	WASHER (2.5MM THK)						
	8	1	8N-2928	1	GASKET						
	9	1	7W-6492	2	PLUG-PIPE (1/2-14'NPTF THD)						
	10	1	0S-1591	2	BOLT (3/8-16X1.5IN)						
	11	1	4P-8331	1	ADAPTER-INLET						
	12	1	4W-9024	1	GASKET						
	13	1	7W-8749	1	PLATE						
	14	1	0S-1619	10	BOLT (3/8-16X3IN)						
	15	1	9S-4185	1	PLUG-O-RING (3/4-16 THD)						
	16	1	3K-0360	1	SEAL-O-RING (16.36MM ID)						
	17	1	0L-1143	18	BOLT (3/8-16X2.5IN)						
	18	1	6W-6672	28	SPACER						
B	19	1	9S-4182	1	PLUG (7/16-20 THD)						
	20	1	9S-4183	1	PLUG (1 1/16-12 THD)						
B	21	1	3J-7354	1	SEAL-O-RING (8.92MM ID)						

B-USE AS REQUIRED

AIR INLET AND EXHAUST SYSTEM

4P-8330 LINES GP-AIR (contd.)

i00656638



GRAPHIC #1

g00265129

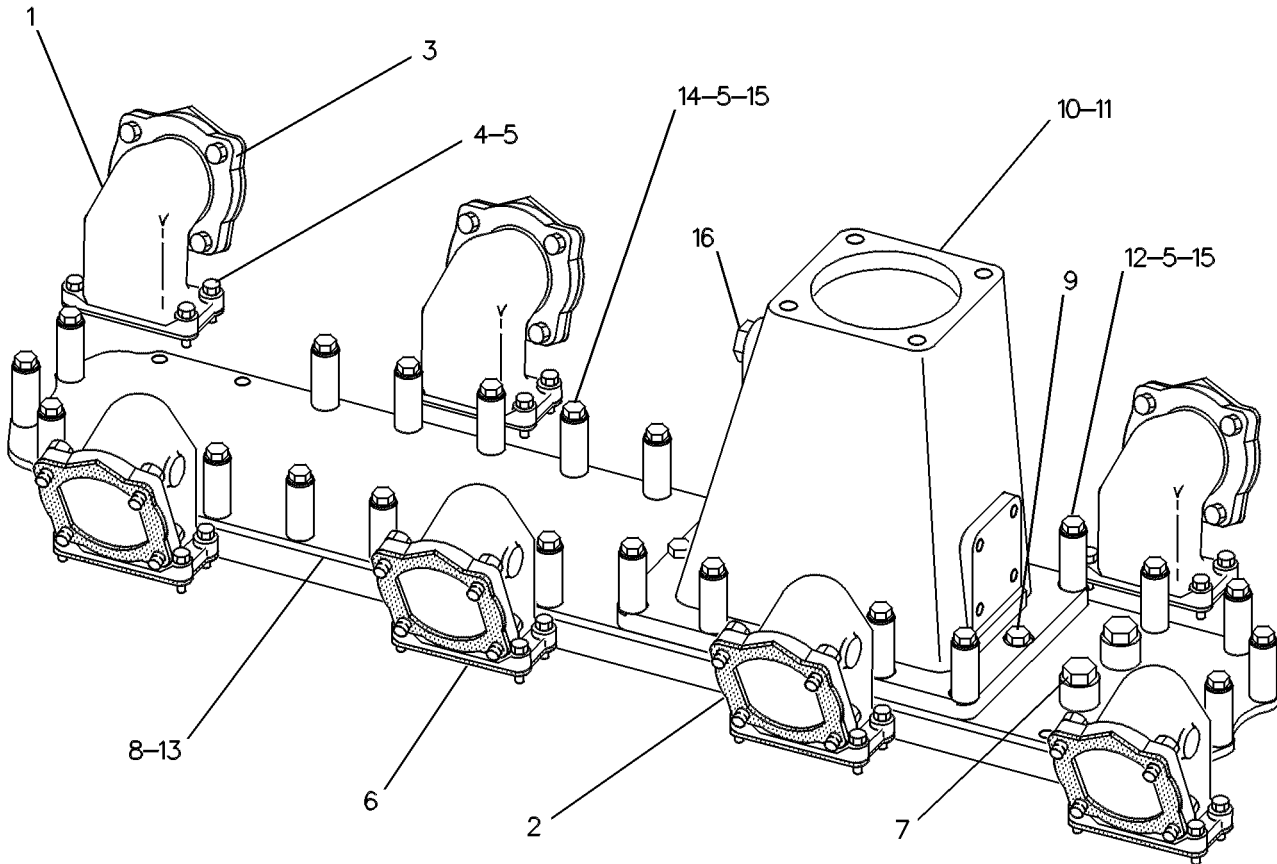
AIR INLET AND EXHAUST SYSTEM

4W-1126 LINES GP-AIR

SMCS-1058, 1087

i00656979

NOTE	REF NO	GRAPHIC REF	PART NUMBER	QTY	PART NAME						SEE PAGE
					1	2	3	4	5	6 (PRODUCT LEVEL)	
	1	1	7N-5079	8	ELBOW						
	2	1	7N-5080	8	GASKET-MANIFOLD						
	3	1	7N-5085	8	FLANGE						
		1	6V-5504	8	SEAL-O-RING						
	4	1	5P-0076	64	BOLT-12 POINT HEAD (3/8-16X1.50IN)						
	5	1	5M-2894	92	WASHER (2.5MM THK)						
	6	1	7N-5089	8	GASKET						
	7	1	3J-5389	2	PLUG						
	8	1	8N-2928	1	GASKET						
	9	1	0S-1591	2	BOLT (3/8-16X1.5IN)						
	10	1	7E-9270	1	ADAPTER-INLET						
	11	1	4W-9024	1	GASKET						
	12	1	0S-1619	10	BOLT (3/8-16X3IN)						
	13	1	7W-8749	1	PLATE						
		1	5M-9679	2	BOSS						
	14	1	0L-1143	18	BOLT (3/8-16X2.5IN)						
	15	1	6W-6672	28	SPACER						
	16	1	9S-4185	1	PLUG-O-RING (3/4-16 THD)						
		1	3K-0360	1	SEAL-O-RING (16.36MM ID)						



GRAPHIC #1

g00239599

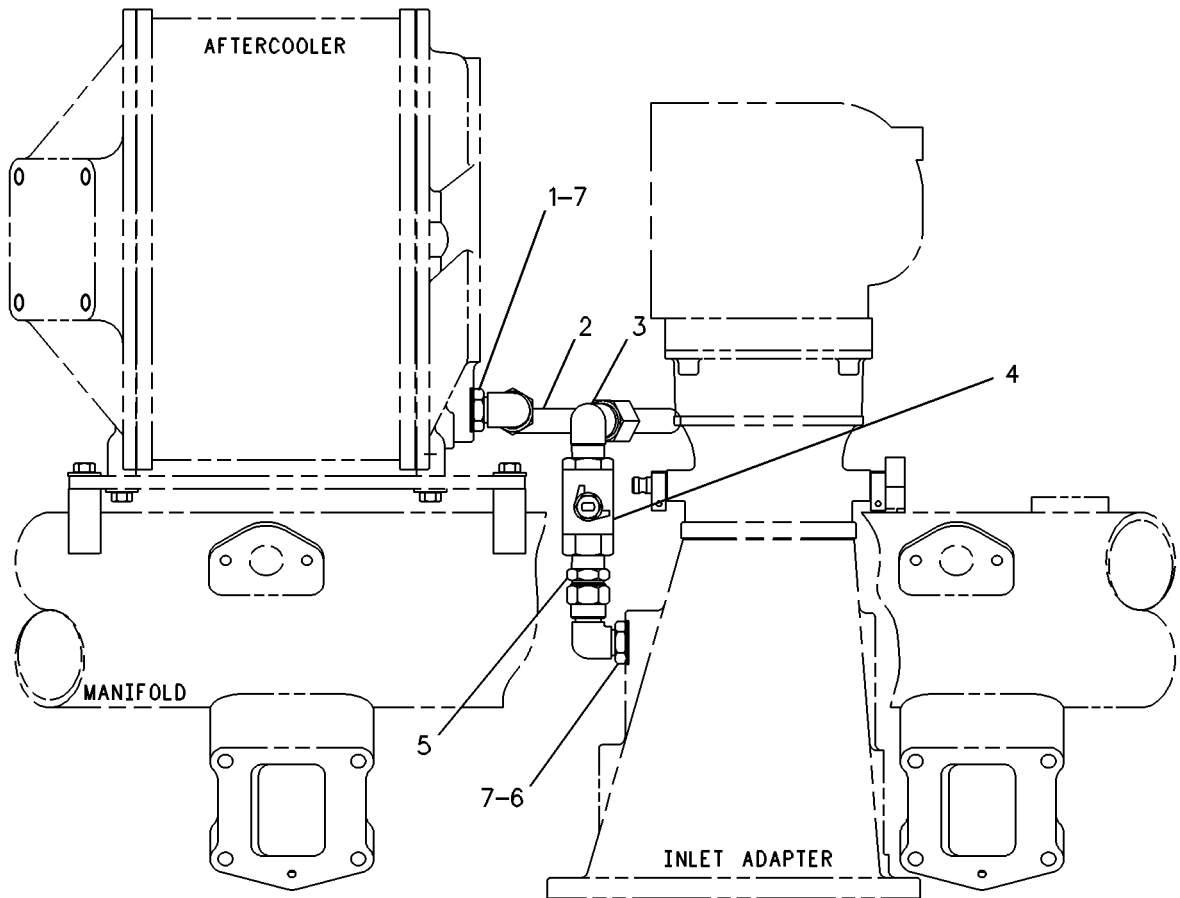
AIR INLET AND EXHAUST SYSTEM

6I-0666 LINES GP-AIR AN ATTACHMENT

SMCS-1058, 1087

i00656050

NOTE	REF NO	GRAPHIC REF	PART NUMBER	QTY	PART NAME						SEE PAGE
					1	2	3	4	5	6 (PRODUCT LEVEL)	
	1	1	030-7950	1	ELBOW (1 1/16-12 STR THD)						
	2	1	6I-0667	1	TUBE AS						
	3	1	001-6301	1	ELBOW-FLARED						
	4	1	8C-1358	1	VALVE						
	5	1	4S-6678	1	CONNECTOR						
	6	1	031-0919	1	ELBOW						
	7	1	3D-2824	2	SEAL-O-RING (23.47MM ID)						



GRAPHIC #1

g00231718

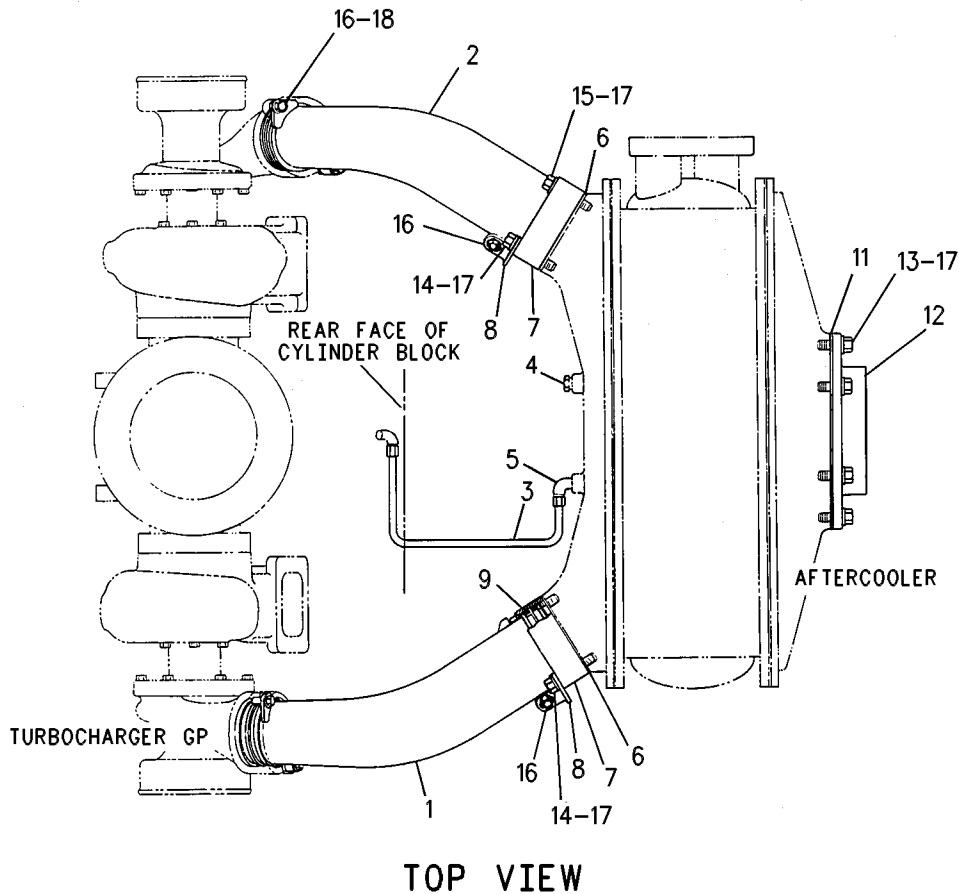
AIR INLET AND EXHAUST SYSTEM

9Y-0779 LINES GP-AIR

SMCS-1058, 1087

i00893963

NOTE	REF NO	GRAPHIC REF	PART NUMBER	QTY	PART NAME						SEE PAGE
					1	2	3	4	5	6 (PRODUCT LEVEL)	
	1	1	9Y-3010	1	PIPE-LH						
	2	1	9Y-3009	1	PIPE-RH						
	3	1	4P-4878	1	TUBE AS						
	4	1	5M-6213	1	PLUG						
	5	1	032-1268	1	ELBOW						
	6	1	7L-4302	2	GASKET						
	7	1	2W-7111	2	FLANGE						
	8	1	4W-3851	2	BRACKET						
	9	1	6V-2695	4	SEAL-O-RING						
	10	1	5P-5700	4	SEAL-O-RING						
	11	1	4W-9725	1	GASKET						
	12	1	4W-9726	1	FLANGE						
	13	1	7B-3235	6	BOLT (1/2-13X1.375IN)						
	14	1	1A-5822	2	BOLT (1/2-13X2.75IN)						
	15	1	9S-1366	6	BOLT						
	16	1	0L-1351	2	BOLT						
		1	5M-2894	2	WASHER (2.5MM THK)						
	17	1	5P-8245	14	WASHER (3MM THK)						
	18	1	7W-1944	4	RETAINER						



GRAPHIC #1

g00349013

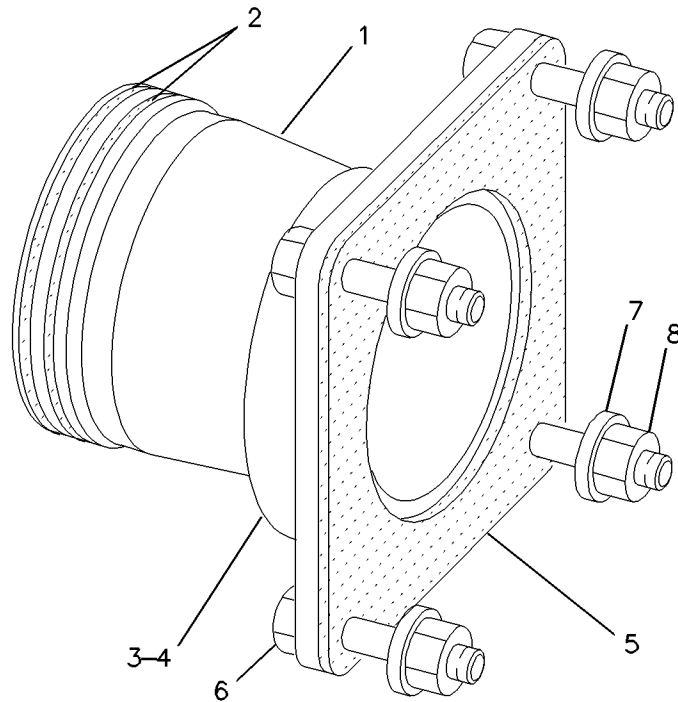
AIR INLET AND EXHAUST SYSTEM

9Y-1221 LINES GP-AIR

SMCS-1058, 1087

i00659440

NOTE	REF NO	GRAPHIC REF	PART NUMBER	QTY	PART NAME						SEE PAGE
					1	2	3	4	5	6 (PRODUCT LEVEL)	
	1	1	7W-7148	1	COUPLING						
	2	1	5P-8862	2	SEAL-O-RING						
	3	1	4W-9348	1	FLANGE						
	4	1	6V-5103	2	SEAL-O-RING (126.36MM ID)						
	5	1	4W-9002	1	GASKET						
	6	1	0S-1587	4	BOLT (1/2-13X1.75IN)						
	7	1	5P-8245	8	WASHER (3MM THK)						
	8	1	1F-7958	4	NUT-FULL (1/2-13 THD)						



GRAPHIC #1

g00203348

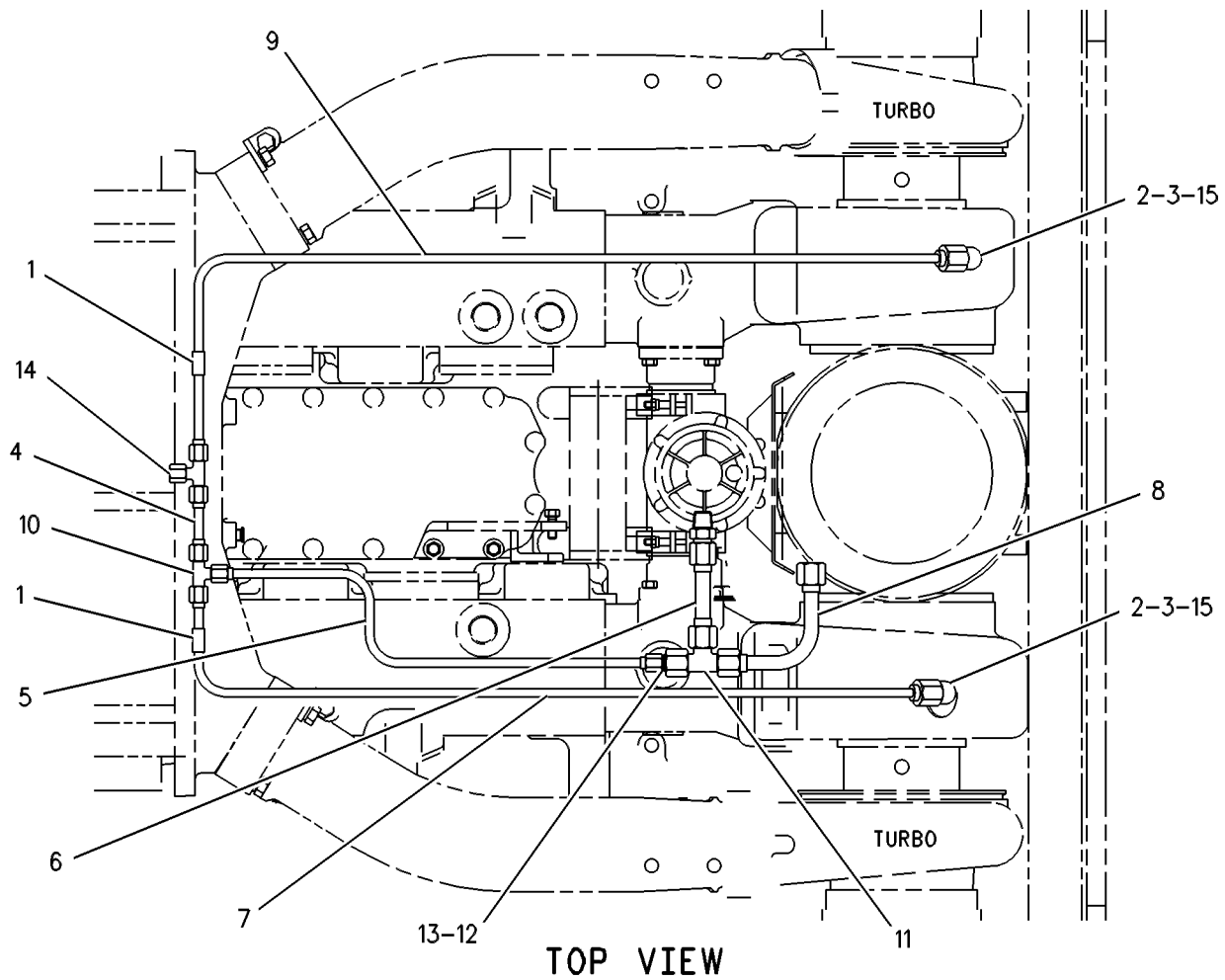
AIR INLET AND EXHAUST SYSTEM

116-9850 LINES GP-TURBOCHARGER VENT

SMCS-1052

i00678844

NOTE	REF NO	GRAPHIC REF	PART NUMBER	QTY	PART NAME						SEE PAGE
					1	2	3	4	5	6 (PRODUCT LEVEL)	
	1	1	7H-7055	2	CLIP (9.52MM ID)						
	2	1	2N-8037	2	ELBOW						
	3	1	011-5224	2	BUSHING-TERMINAL						
	4	1	116-2390	1	TUBE AS						
	5	1	116-2391	1	TUBE AS						
	6	1	116-2392	1	TUBE AS						
	7	1	116-2393	1	TUBE AS						
	8	1	116-2394	1	TUBE AS						
	9	1	116-2395	1	TUBE AS						
	10	1	4S-3652	2	TEE-UNION						
	11	1	003-8581	1	TEE-UNION						
	12	1	5H-0275	1	NUT-FITTING						
	13	1	030-8145	1	REDUCER-FLARED						
	14	1	8S-4950	1	CAP						
	15	1	6B-1628	2	BUSHING-TERMINAL						



GRAPHIC #1

g00253160

MEMORANDA

AIR INLET AND EXHAUST SYSTEM

4P-7324 MANIFOLD GP-EXHAUST

SMCS-1059

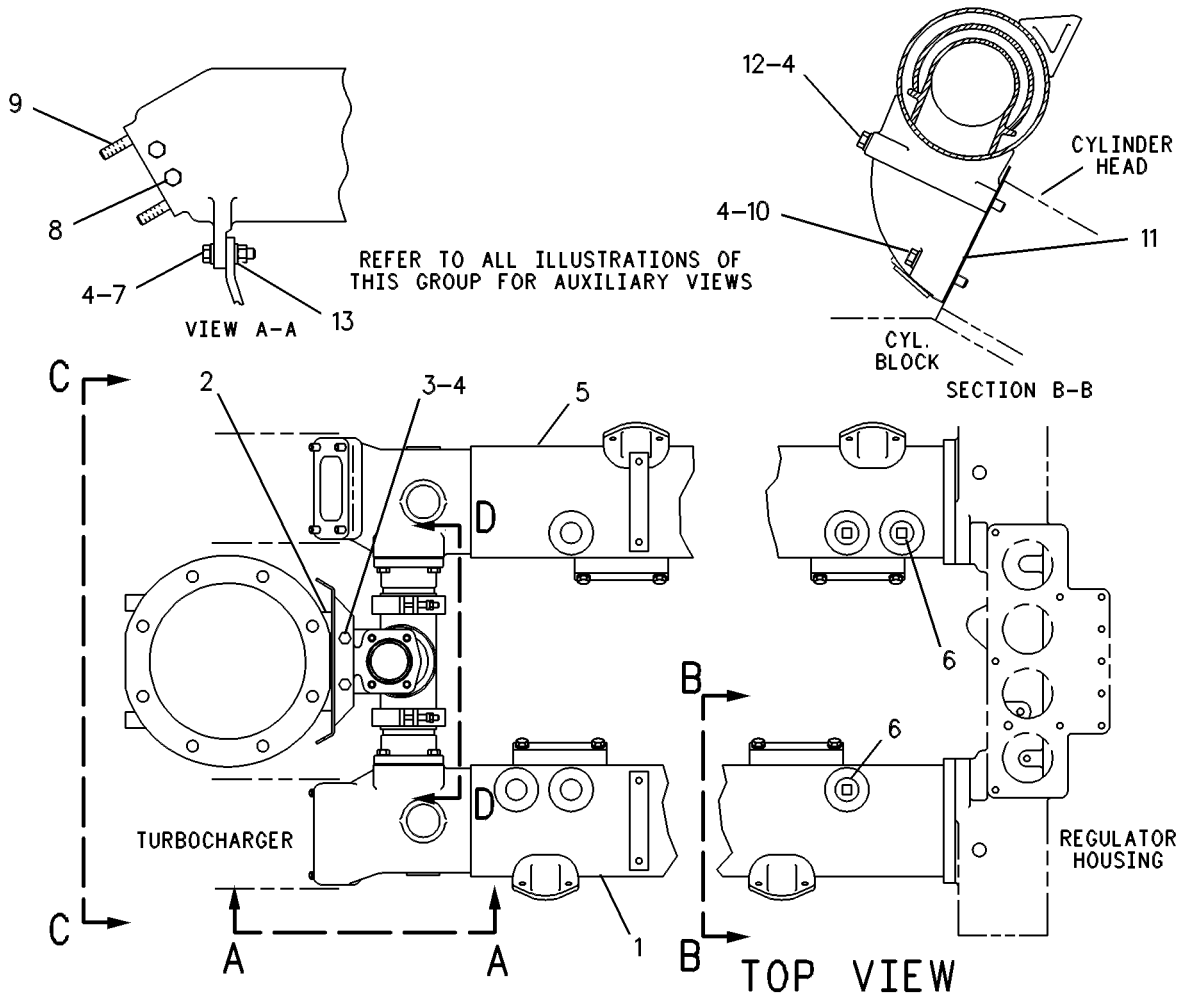
i00932522

NOTE	REF NO	GRAPHIC REF	PART NUMBER	QTY	PART NAME						SEE PAGE
					1	2	3	4	5	6 (PRODUCT LEVEL)	
1	1	1	9Y-3837	1	MANIFOLD AS						
2	1	1	121-5736	1	GASKET-TURBOCHARGER						
3	1	1	0S-0509	2	BOLT						
4	1	1	5M-2894	38	WASHER (2.5MM THK)						
5	1	1	9Y-3838	1	MANIFOLD AS						
6	1	1	8T-6761	3	PLUG-PIPE (1-11-1/2 NPTF THD)						
7	1	1	0S-1591	4	BOLT (3/8-16X1.5IN)						
	1	1	9S-8752	4	NUT-FULL (3/8-16 THD)						
8	1	1	5B-7890	4	PLUG-PIPE						
9	1	1	6L-8562	8	STUD-TAPERLOCK (3/8-16X1.77IN)						
10	1	1	0L-2070	16	BOLT (3/8-16X2.25IN)						
11	1	1	7E-4127	8	GASKET						
12	1	1	1D-4706	16	BOLT (3/8-16X6IN)						
13	1	1	9L-9132	4	WASHER (2.5MM THK)						
14	2	2	4W-7274	1	BRACKET-LH						
15	2	2	2W-5958	1	SUPPORT						
16	2	2	1A-5822	2	BOLT (1/2-13X2.75IN)						
17	2	2	6M-9613	2	BOLT (1/2-13X9IN)						
18	2	2	9X-8874	4	BOLT (1/2-13X3IN)						
19	2	2	4P-7320	1	ELBOW AS-EXHAUST						
	2	2	4F-5695	3	PLUG-CUP						
	2	2	0S-0519	3	PLUG-CUP						
20	2	2	4W-7273	1	BRACKET-RH						
21	2	2	6H-1717	4	BOLT (1/2-13X1.125IN)						
	2	2	5P-1076	4	WASHER-HARD (4MM THK)						
22	2	2	7E-2900	1	PLATE						
23	2	2	0S-1594	12	BOLT						
24	2	2	121-5736	2	GASKET-TURBOCHARGER						
25	2	2	2W-5713	2	ADAPTER						
26	2	2	7C-6239	1	TEE AS-EXHAUST						
27	2	2	9Y-1568	1	HOUSING						
28	2	2	5P-2603	4	STUD-TAPERLOCK						
29	2	2	8T-6762	2	PLUG-PIPE						
30	2	2	7C-3921	3	RING-EXHAUST SEAL						
31	2	2	1W-2430	3	CLAMP						
32	2	2	7C-3920	3	SEAL-EXHAUST						
33	2	2	3E-2331	1	PLUG-STRAIGHT THREAD						
34	2	2	109-1086	1	SPACER						

AIR INLET AND EXHAUST SYSTEM

4P-7324 MANIFOLD GP-EXHAUST (contd.)

i00932522



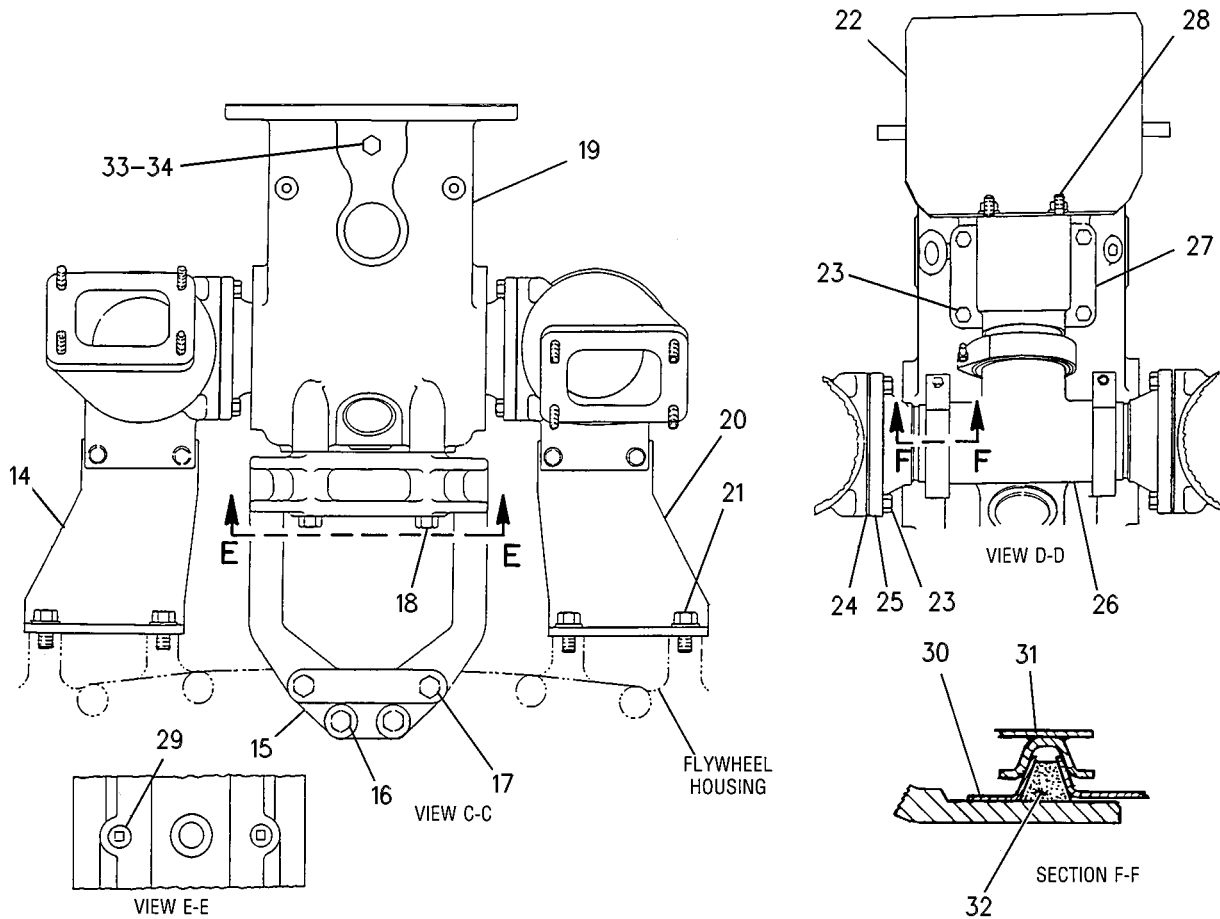
GRAPHIC #1

g00271110

AIR INLET AND EXHAUST SYSTEM

4P-7324 MANIFOLD GP-EXHAUST (contd.)

i00932522



GRAPHIC #2

g00442786

MEMORANDA

AIR INLET AND EXHAUST SYSTEM

9Y-0781 MANIFOLD GP-EXHAUST

SMCS-1059

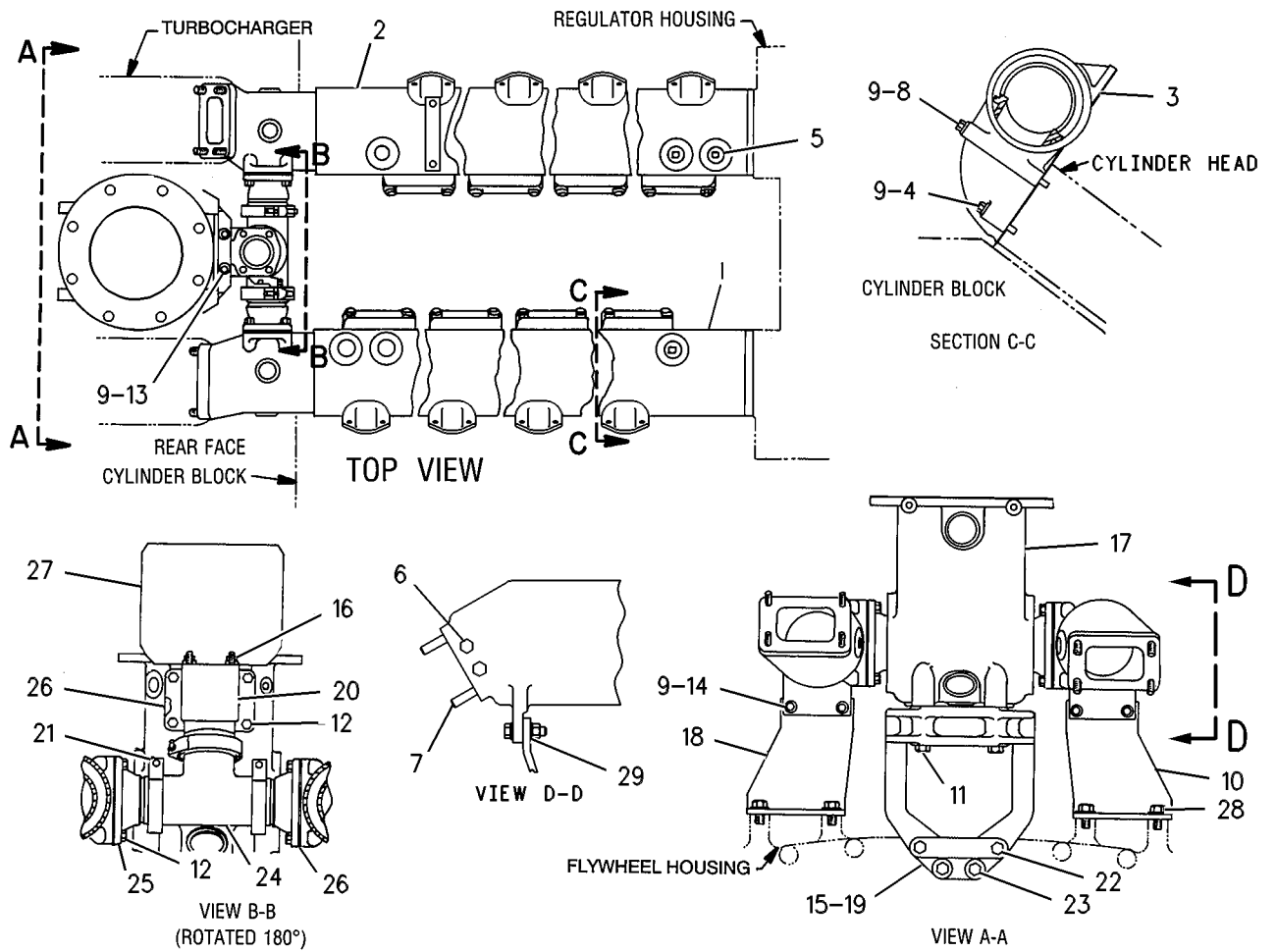
i00659428

NOTE	REF NO	GRAPHIC REF	PART NUMBER	QTY	PART NAME						SEE PAGE
					1	2	3	4	5	6 (PRODUCT LEVEL)	
	1	1	9Y-3837	1	MANIFOLD AS						
	2	1	9Y-3838	1	MANIFOLD AS						
	3	1	7E-4127	8	GASKET						
	4	1	0L-2070	16	BOLT (3/8-16X2.25IN)						
	5	1	8T-6761	3	PLUG-PIPE (1-11-1/2 NPTF THD)						
	6	1	3E-7428	4	PLUG-PIPE						
	7	1	6L-8562	8	STUD-TAPERLOCK (3/8-16X1.77IN)						
	8	1	1D-4706	16	BOLT (3/8-16X6IN)						
	9	1	5M-2894	38	WASHER (2.5MM THK)						
	10	1	4W-7273	1	BRACKET-RH						
	11	1	9X-8874	4	BOLT (1/2-13X3IN)						
	12	1	0S-1594	12	BOLT (3/8-16X1IN)						
	13	1	0S-0509	2	BOLT (3/8-16X.75IN)						
	14	1	0S-1591	4	BOLT (3/8-16X1.5IN)						
		1	9S-8752	4	NUT-FULL (3/8-16 THD)						
	15	1	8T-6762	2	PLUG-PIPE						
	16	1	5P-2603	4	STUD-TAPERLOCK						
	17	1	4W-7283	1	ELBOW AS-EXHAUST						
		1	0S-0519	2	PLUG-CUP						
		1	4F-5695	3	PLUG-CUP						
	18	1	4W-7274	1	BRACKET-LH						
	19	1	2W-5958	1	SUPPORT						
	20	1	9Y-1568	1	HOUSING						
	21	1	1W-2430	3	CLAMP						
		1	7C-3920	3	SEAL-EXHAUST						
		1	7C-3921	3	RING-EXHAUST SEAL						
	22	1	6M-9613	2	BOLT (1/2-13X9IN)						
	23	1	1A-5822	2	BOLT (1/2-13X2.75IN)						
	24	1	7C-6239	1	TEE AS-EXHAUST						
	25	1	2W-5713	2	ADAPTER						
	26	1	121-5736	3	GASKET-TURBOCHARGER						
	27	1	7E-2900	1	PLATE						
	28	1	0S-1595	4	BOLT (1/2-13X1.25IN)						
		1	7D-1649	4	WASHER (5.0MM THK)						
	29	1	9L-9132	4	WASHER (2.5MM THK)						

AIR INLET AND EXHAUST SYSTEM

9Y-0781 MANIFOLD GP-EXHAUST (contd.)

i00659428



GRAPHIC #1

g00270883

AIR INLET AND EXHAUST SYSTEM

2W-4075 MUFFLER AN ATTACHMENT

SMCS - 1062

i00647223

NOTE	REF NO	GRAPHIC REF	PART NUMBER	QTY	PART NAME						SEE PAGE
					1	2	3	4	5	6 (PRODUCT LEVEL)	
	1	1	4J-4382	2	PLUG-PIPE (1/2-14 NPTF THD)						



GRAPHIC #1

g00284109

AIR INLET AND EXHAUST SYSTEM

7C-0182 THERMOCOUPLE GP

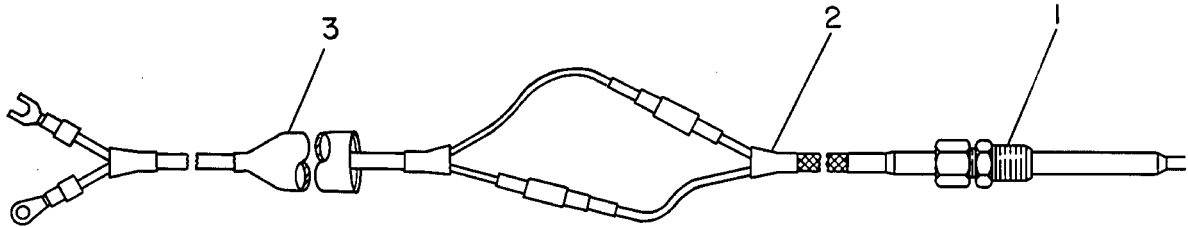
8 GAUGE PANEL

PART OF 107-9022, 108-4503 GAUGE AS-PYROMETER
FOR USAGE REFER TO CHART 4W-6500 CHART-INSTRUMENT PANEL
AN ATTACHMENT

SMCS-7498

i00649685

NOTE	REF NO	GRAPHIC REF	PART NUMBER	QTY	PART NAME						SEE PAGE
					1	2	3	4	5	6 (PRODUCT LEVEL)	
	1	1	3N-8278	2	ADAPTER						
	2	1	5N-9365	1	THERMOCOUPLE (TO EXHAUST ELBOW OR TO WATER COOLED EXHAUST MANIFOLD)						
	3	1	5N-9366	2	LEAD AS						



GRAPHIC #1

g00213089

AIR INLET AND EXHAUST SYSTEM

6I-2083 TURBOCHARGER GP

PART OF 116-6803 CONVERSION AR

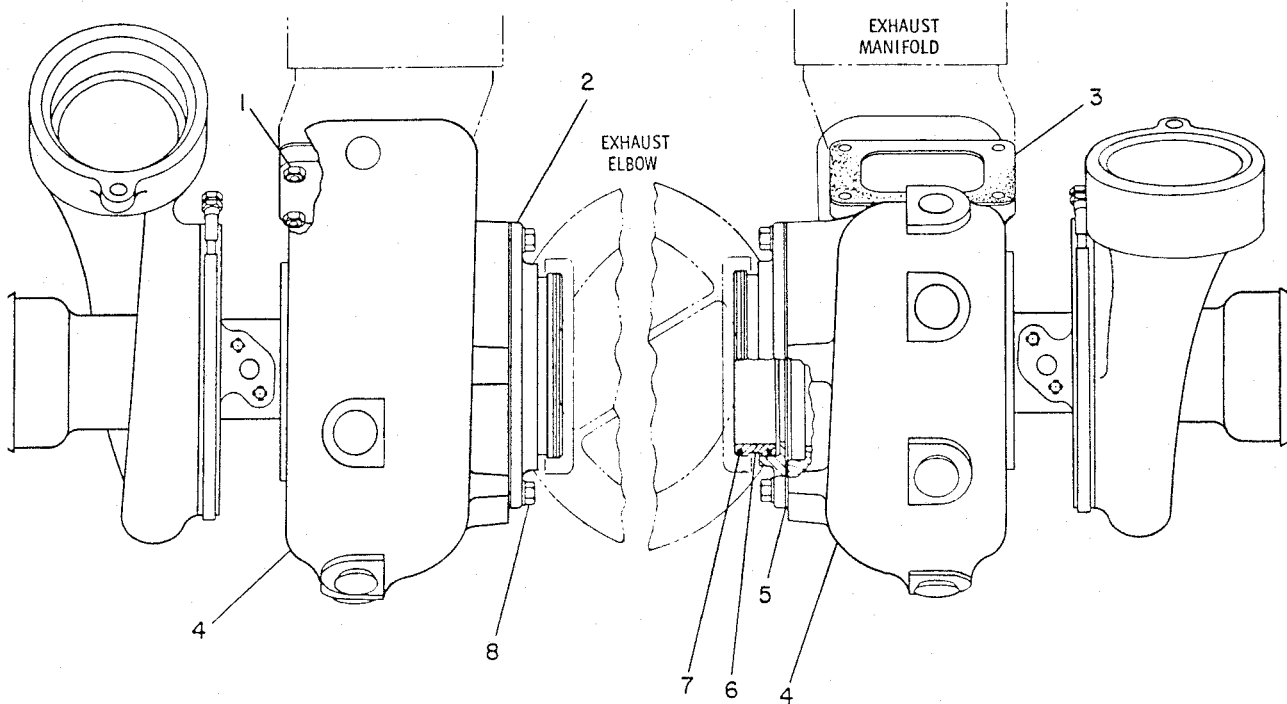
ALSO AN ATTACHMENT

SMCS-1052, 1053, 1056, 1060, 1065, 1066, 1070, 1077

i00656537

NOTE	REF NO	GRAPHIC REF	PART NUMBER	QTY	PART NAME						SEE PAGE
					1	2	3	4	5	6 (PRODUCT LEVEL)	
	1	1	2N-2766	8	LOCKNUT (3/8-16 NPTF THD)						
	2	1	4W-1454	2	ADAPTER-EXHAUST						
	3	1	121-5736	2	GASKET-TURBOCHARGER						
Y	4	1	6I-2084	2	TURBOCHARGER GP						331
	5	1	4W-2359	2	GASKET-TURBOCHARGER						
	6	1	4W-1455	2	COUPLING-EXHAUST						
	7	1	4W-1478	4	SEAL GP-EXHAUST						
	8	1	0S-1594	8	BOLT (3/8-16X1IN)						
		1	5M-2894	8	WASHER (2.5MM THK)						

Y-SEPARATE ILLUSTRATION



GRAPHIC #1

g00184345

AIR INLET AND EXHAUST SYSTEM

6I-2084 TURBOCHARGER GP

S/N 9TG1-53

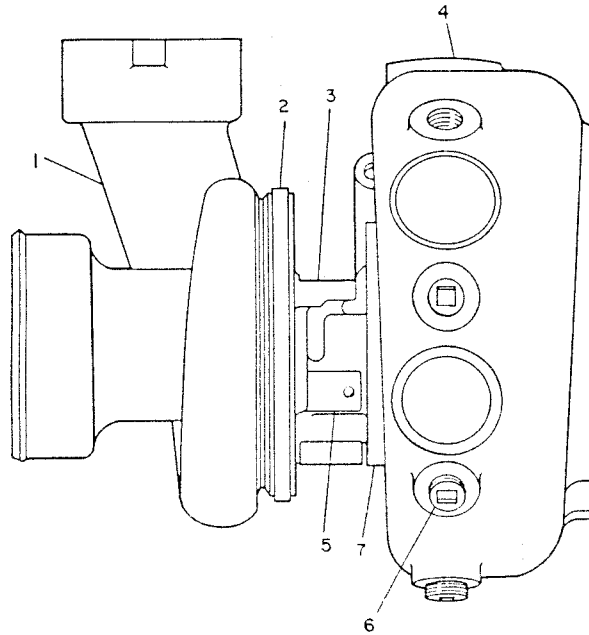
PART OF 6I-2083 TURBOCHARGER GP
ALSO AN ATTACHMENT

SMCS-1052, 1053, 1056, 1060, 1065, 1066, 1070, 1077

i00656542

NOTE	REF NO	GRAPHIC REF	PART NUMBER	QTY	PART NAME						SEE PAGE
					1	2	3	4	5	6 (PRODUCT LEVEL)	
	1	1	6I-2393	1	HOUSING AS-COMPRESSOR						
	2	1	3S-5129	1	CLAMP AS						
		1	7M-9918	1	LOCKNUT						
Y	3	1	8N-5497	1	CARTRIDGE GP-TURBOCHARGER						300
	4	1	2W-7275	1	HOUSING AS						
	5	1	1W-4795	1	PLATE-IDENTIFICATION						
		1	2F-0808	2	SCREW						
	6	1	1B-5174	7	PLUG-PIPE (3/4-14 NPTF)						
	7	1	9N-2038	1	CLAMP AS						
		1	7M-9918	1	LOCKNUT						

Y-SEPARATE ILLUSTRATION



GRAPHIC #1

g00184353

AIR INLET AND EXHAUST SYSTEM

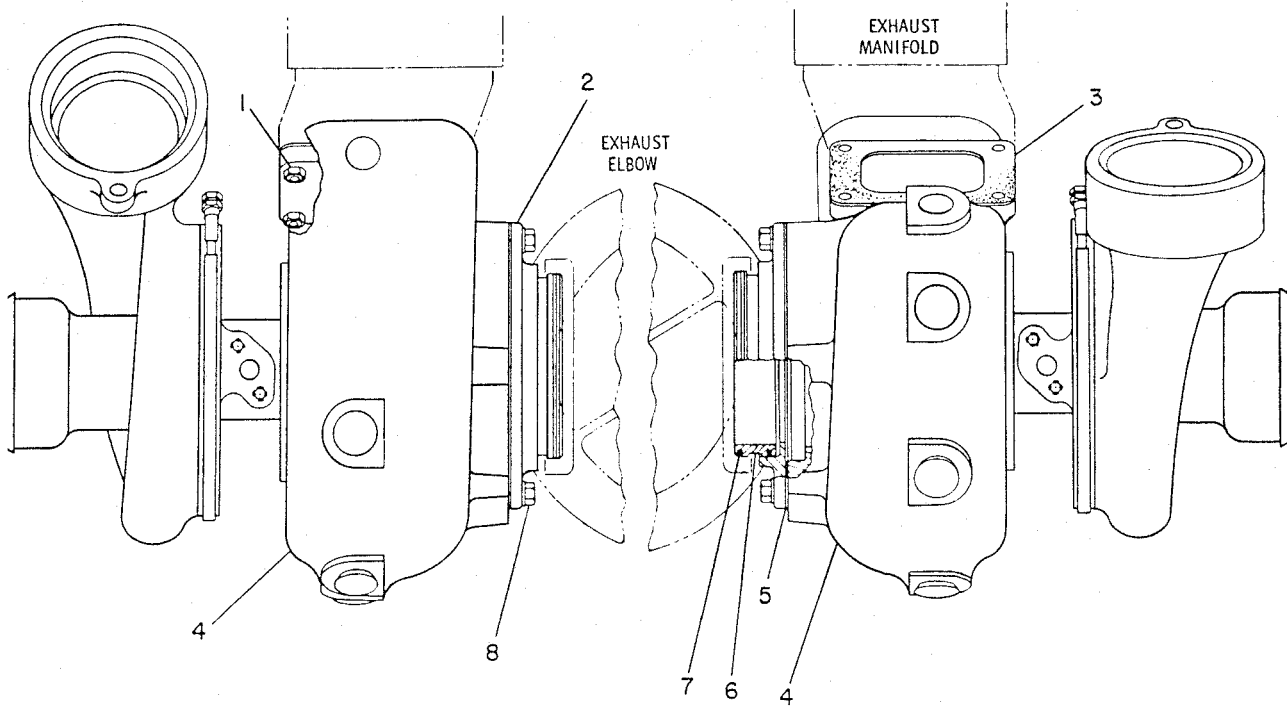
7C-2374 TURBOCHARGER GP WATERCOOLED

SMCS-1052, 1053, 1056, 1060, 1065, 1066, 1070, 1077

i00657040

NOTE	REF NO	GRAPHIC REF	PART NUMBER	QTY	PART NAME						SEE PAGE
					1	2	3	4	5	6 (PRODUCT LEVEL)	
	1	1	2N-2766	8	LOCKNUT (3/8-16 NPTF THD)						
	2	1	4W-1454	1	ADAPTER-EXHAUST						
	3	1	121-5736	2	GASKET-TURBOCHARGER						
CY	4	1	7C-4470	2	TURBOCHARGER GP						333
	5	1	4W-2359	2	GASKET-TURBOCHARGER						
	6	1	4W-1455	2	COUPLING-EXHAUST						
	7	1	4W-1478	4	SEAL GP-EXHAUST						
	8	1	0S-1594	8	BOLT (3/8-16X1IN)						
		1	5M-2894	8	WASHER (2.5MM THK)						

C- CHANGE FROM PREVIOUS TYPE
Y- SEPARATE ILLUSTRATION



GRAPHIC #1

g00184345

AIR INLET AND EXHAUST SYSTEM

7C-4470 TURBOCHARGER GP

S/N 9TG54-127

PART OF 7C-2374 TURBOCHARGER GP

SMCS-1052, 1053, 1056, 1060, 1065, 1066, 1070, 1077

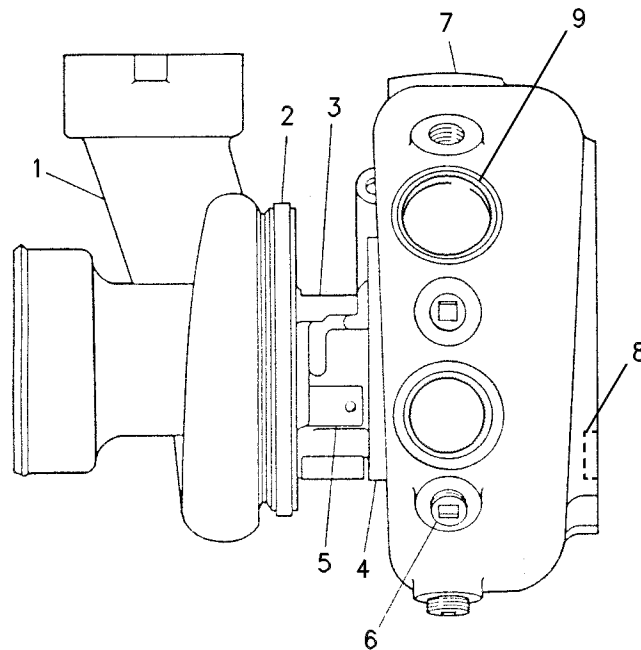
i00657155

NOTE	REF NO	GRAPHIC REF	PART NUMBER	QTY	PART NAME						SEE PAGE
					1	2	3	4	5	6 (PRODUCT LEVEL)	
	1	1	1W-8422	1	HOUSING AS-COMPRESSOR						
	2	1	3S-5129	1	CLAMP AS (COMPR)						
		1	7M-9918	1	LOCKNUT						
YR	3	1	2W-3558	1	CARTRIDGE GP-TURBOCHARGER						294
	4	1	9N-2038	1	CLAMP AS (TURBINE)						
		1	7M-9918	1	LOCKNUT						
	5	1	1W-4795	1	PLATE-IDENTIFICATION						
		1	2F-0808	2	SCREW						
	6	1	1B-5174	7	PLUG-PIPE (3/4-14 NPTF)						
	7	1	6N-9906	1	HOUSING AS-TURBINE						
B	8	1	3B-0645	3	PLUG-CUP (32.08MM AVG OD)						
					OR						
B		1	3P-1896	3	PLUG-CUP (34.92 OD)						
B	9	1	4N-0932	4	PLUG-CUP (57.15 OD)						
					OR						
B		1	100-6816	4	PLUG-CUP (60.32 OD)						

B-USE AS REQUIRED

R-REMG PART MAY BE AVAILABLE

Y-SEPARATE ILLUSTRATION



GRAPHIC #1

g00238306

AIR INLET AND EXHAUST SYSTEM

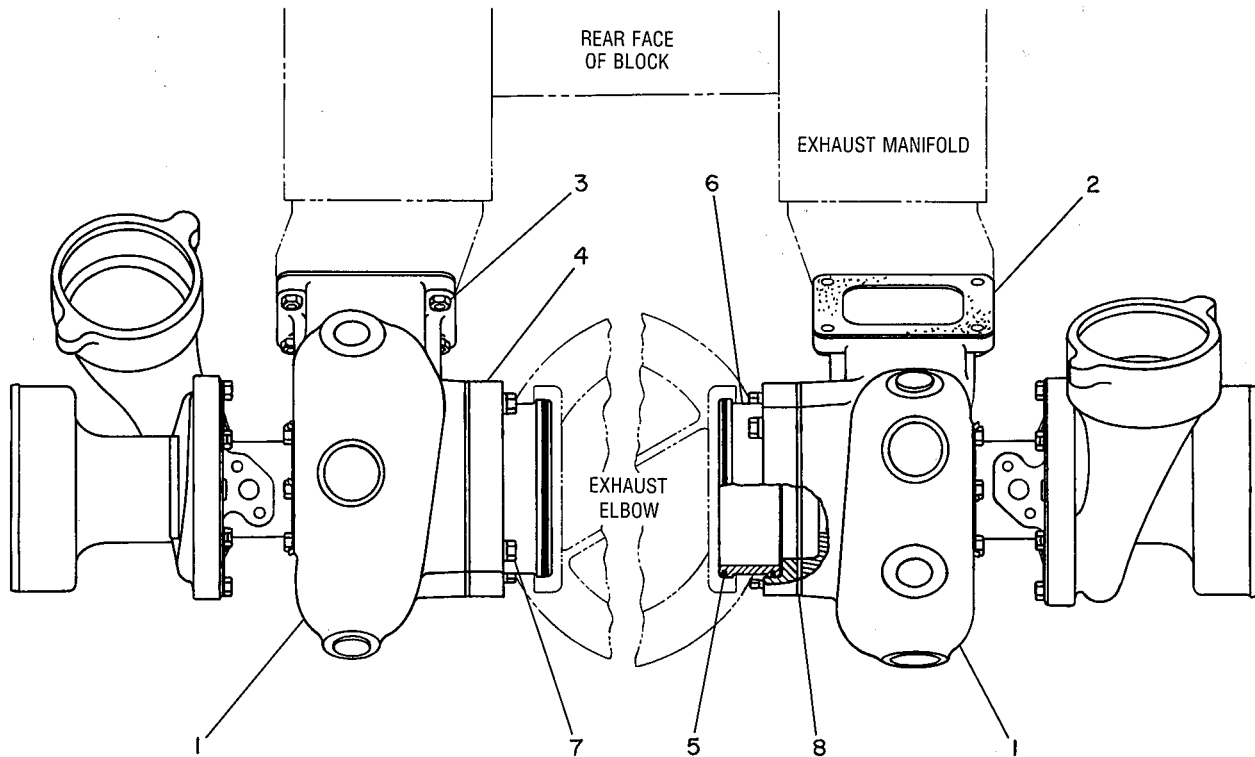
7E-8464 TURBOCHARGER GP

SMCS-1052, 1053, 1056, 1060, 1065, 1066, 1070, 1077

i00655863

NOTE	REF NO	GRAPHIC REF	PART NUMBER	QTY	PART NAME						SEE PAGE
					1	2	3	4	5	6 (PRODUCT LEVEL)	
Y	1	1	7E-8465	2	TURBOCHARGER GP						335
	2	1	121-5736	2	GASKET - TURBOCHARGER						
	3	1	2N-2766	8	LOCKNUT (3/8-16 NPTF THD)						
	4	1	7E-8466	2	ADAPTER - TURBO EXHAUST						
	5	1	4W-1478	4	SEAL GP - EXHAUST						
	6	1	4W-1455	2	COUPLING - EXHAUST						
	7	1	2A-4639	8	BOLT (3/8-16X1.625IN)						
		1	5M-2894	8	WASHER (2.5MM THK)						
	8	1	7E-8467	2	GASKET - EXHAUST						

Y - SEPARATE ILLUSTRATION



GRAPHIC #1

g00212447

AIR INLET AND EXHAUST SYSTEM

7E-8465 TURBOCHARGER GP

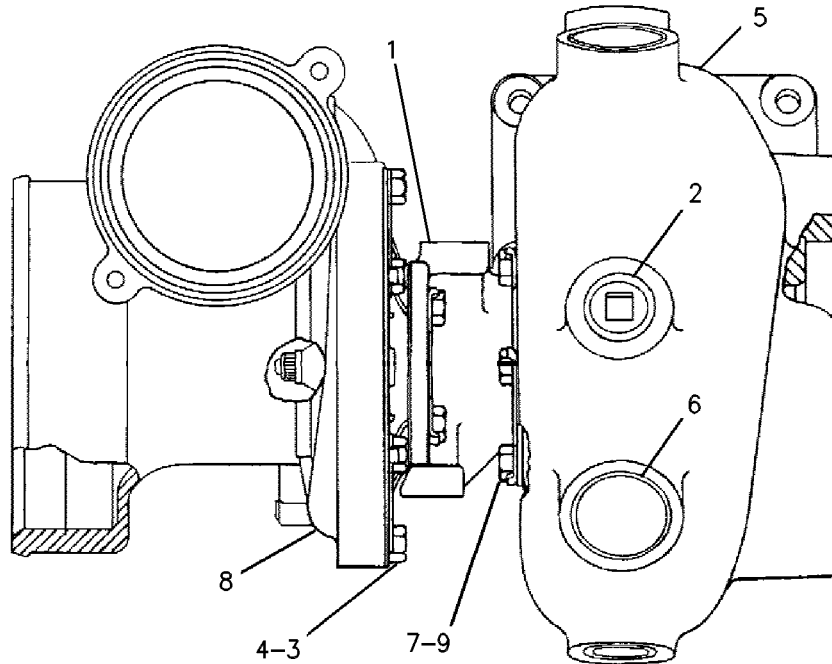
PART OF 7E-8464 TURBOCHARGER GP

SMCS-1052, 1053, 1056, 1060, 1065, 1066, 1070, 1077

i00893998

NOTE	REF NO	GRAPHIC REF	PART NUMBER	QTY	PART NAME						SEE PAGE
					1	2	3	4	5	6 (PRODUCT LEVEL)	
YR	1	1	4W-2277	1	CARTRIDGE GP - TURBOCHARGER						296
	2	1	1B-5174	2	PLUG-PIPE (3/4-14 NPTF)						
	3	1	1C-0569	6	BOLT (5/16-18X.5IN)						
	4	1	4N-6864	3	CLAMP						
		1	4N-6865	3	LOCK-PLATE						
	5	1	2W-7094	1	HOUSING AS						
		1	8F-6575	3	PLUG-CUP						
	6	1	2M-6471	3	PLUG-CUP (38.35MM AVG OD)						
	7	1	1P-1112	3	CLAMP						
		1	1P-1113	3	LOCK-PLATE						
	8	1	7E-8463	1	HOUSING AS-COMPRESSOR						
	9	1	6V-2489	6	BOLT-HIGH TEMPERATURE						

R-REMFG PART MAY BE AVAILABLE
Y-SEPARATE ILLUSTRATION



GRAPHIC #1

g00296138

AIR INLET AND EXHAUST SYSTEM

9Y-1037 TURBOCHARGER GP

S/N 9TG1-21

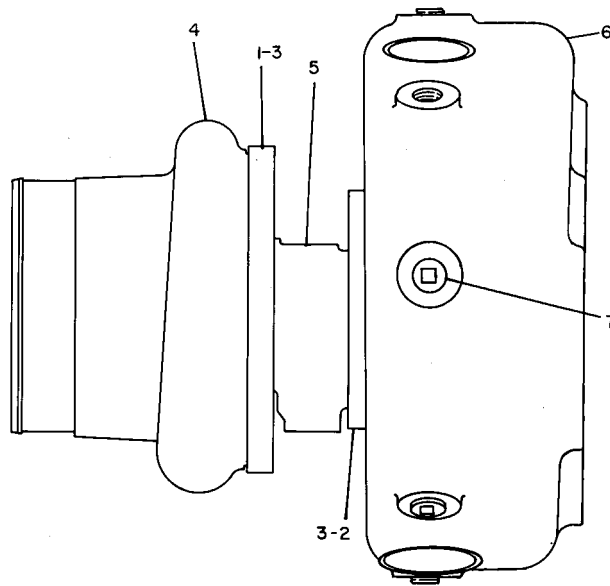
PART OF 9Y-7034 TURBOCHARGER GP

SMCS-1052, 1053, 1056, 1060, 1065, 1066, 1070, 1077

i00656028

NOTE	REF NO	GRAPHIC REF	PART NUMBER	QTY	PART NAME						SEE PAGE
					1	2	3	4	5	6 (PRODUCT LEVEL)	
	1	1	1N-3279	1	CLAMP AS						
	2	1	9N-2038	1	CLAMP AS						
	3	1	7M-9918	1	LOCKNUT						
	4	1	9Y-7012	1	HOUSING-COMPRESSOR						
Y	5	1	9Y-7014	1	CARTRIDGE GP-TURBOCHARGER						302
		1	1W-4795	1	PLATE-IDENTIFICATION						
		1	2F-0808	2	SCREW						
	6	1	7C-6708	1	HOUSING AS-TURBINE						
	7	1	1B-5174	7	PLUG-PIPE (3/4-14 NPTF)						

Y-SEPARATE ILLUSTRATION



GRAPHIC #1

g00180724

AIR INLET AND EXHAUST SYSTEM

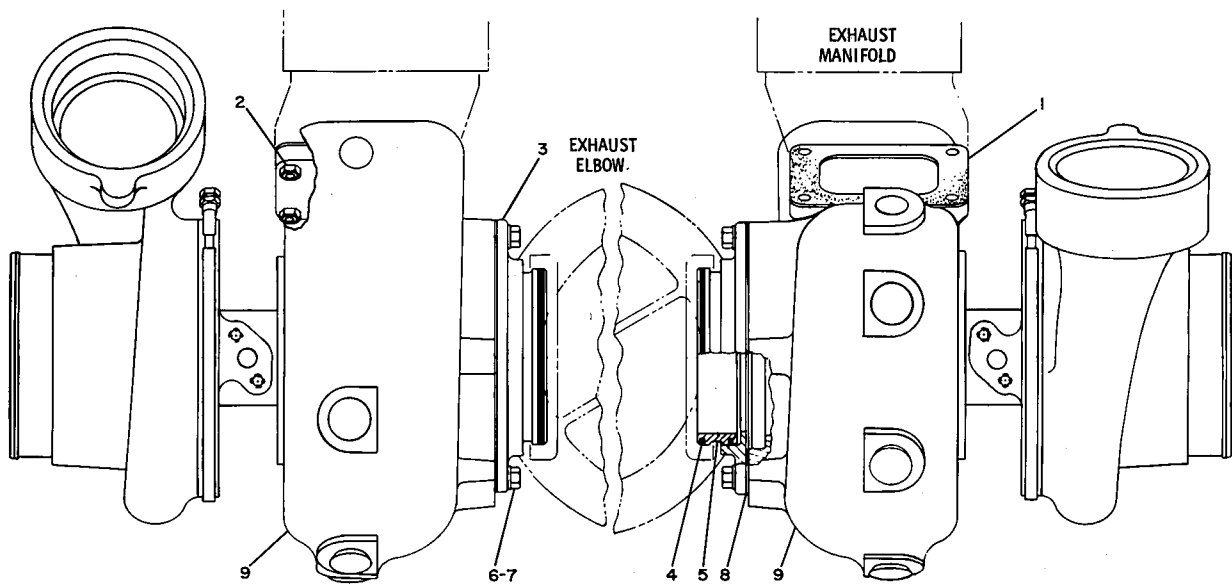
9Y-7034 TURBOCHARGER GP

SMCS-1052, 1053, 1056, 1060, 1065, 1066, 1070, 1077

i00659877

NOTE	REF NO	GRAPHIC REF	PART NUMBER	QTY	PART NAME						SEE PAGE
					1	2	3	4	5	6 (PRODUCT LEVEL)	
	1	1	121-5736	2	GASKET - TURBOCHARGER						
	2	1	2N-2766	8	LOCKNUT (3/8-16 NPTF THD)						
	3	1	4W-1454	2	ADAPTER - EXHAUST						
	4	1	4W-1478	4	SEAL GP - EXHAUST						
	5	1	4W-1455	2	COUPLING - EXHAUST						
	6	1	0S-1594	8	BOLT (3/8-16X1IN)						
	7	1	5M-2894	8	WASHER (2.5MM THK)						
	8	1	4W-2359	2	GASKET - TURBOCHARGER						
Y	9	1	9Y-1037	2	TURBOCHARGER GP						336

Y-SEPARATE ILLUSTRATION



GRAPHIC #1

g00201308

AIR INLET AND EXHAUST SYSTEM

107-3127 TURBOCHARGER GP

S/N 9TG22-UP

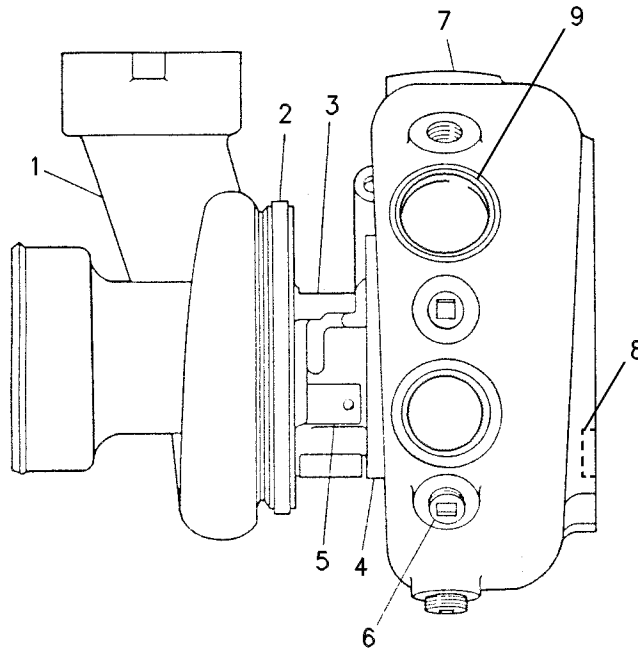
PART OF 107-4653 TURBOCHARGER GP

SMCS-1052, 1053, 1056, 1060, 1065, 1066, 1070, 1077

i00654738

NOTE	REF NO	GRAPHIC REF	PART NUMBER	QTY	PART NAME						SEE PAGE
					1	2	3	4	5	6 (PRODUCT LEVEL)	
	1	1	1W-8422	1	HOUSING AS-COMPRESSOR						
	2	1	3S-5129	1	CLAMP AS (COMPRESSOR)						
		1	7M-9918	1	LOCKNUT						
YR	3	1	2W-3558	1	CARTRIDGE GP-TURBOCHARGER						294
	4	1	9N-2038	1	CLAMP AS (TURBINE)						
		1	7M-9918	1	LOCKNUT						
	5	1	1W-4795	1	PLATE-IDENTIFICATION						
		1	2F-0808	2	SCREW						
	6	1	1B-5174	7	PLUG-PIPE (3/4-14 NPTF)						
	7	1	2W-7275	1	HOUSING AS						
B	8	1	3B-0645	3	PLUG-CUP (32.08MM AVG OD)						
					-OR-						
B		1	3P-1896	3	PLUG-CUP (34.92 OD)						
B	9	1	4N-0932	4	PLUG-CUP (57.15 OD)						
					-OR-						
		1	100-6816	4	PLUG-CUP (60.32 OD)						

B- USE AS REQUIRED
R- REMFG PART MAY BE AVAILABLE
Y- SEPARATE ILLUSTRATION



GRAPHIC #1

g00238306

AIR INLET AND EXHAUST SYSTEM

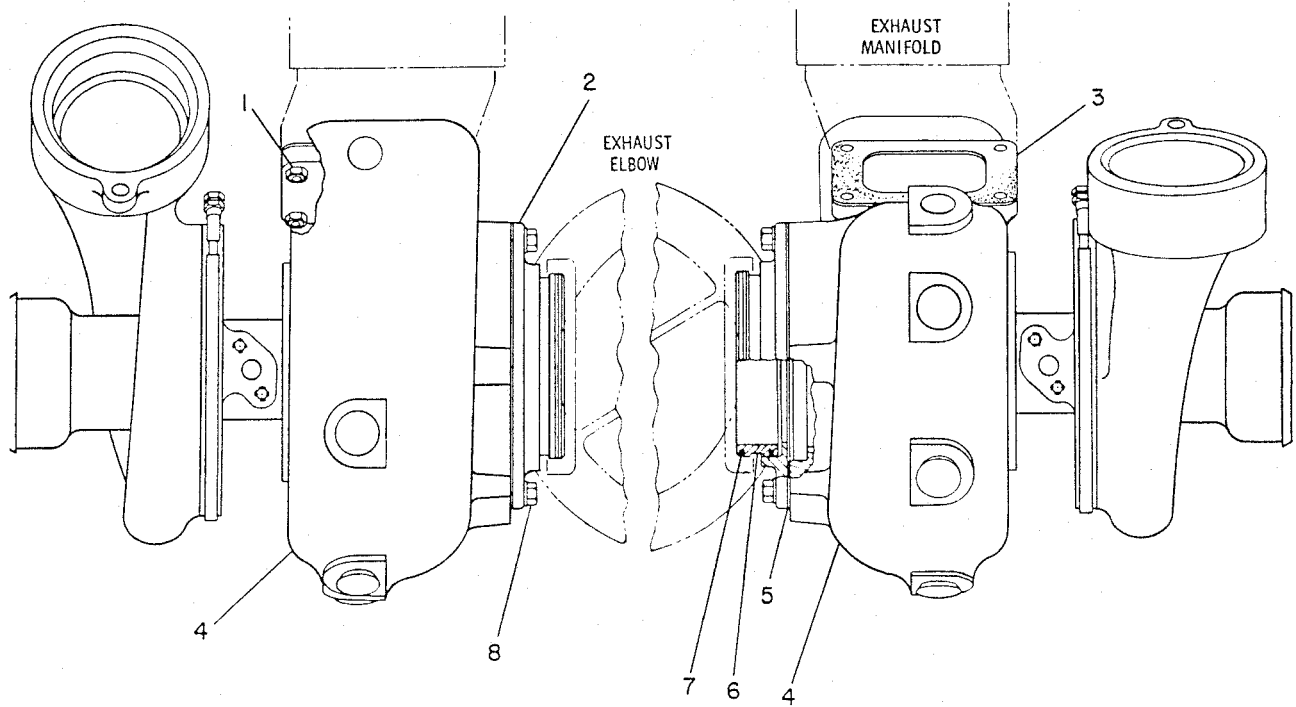
107-4653 TURBOCHARGER GP

SMCS-1052, 1053, 1056, 1060, 1065, 1066, 1070, 1077

i00893101

NOTE	REF NO	GRAPHIC REF	PART NUMBER	QTY	PART NAME						SEE PAGE
					1	2	3	4	5	6 (PRODUCT LEVEL)	
	1	1	2N-2766	8	LOCKNUT (3/8-16 THD)						
	2	1	4W-1454	2	ADAPTER-EXHAUST						
	3	1	121-5736	2	GASKET-TURBOCHARGER						
Y	4	1	107-3127	2	TURBOCHARGER GP						338
	5	1	4W-2359	2	GASKET-TURBOCHARGER						
	6	1	4W-1455	2	COUPLING-EXHAUST						
	7	1	4W-1478	4	SEAL GP-EXHAUST						
	8	1	0S-1594	8	BOLT						
		1	5M-2894	8	WASHER (2.5MM THK)						

Y-SEPARATE ILLUSTRATION



GRAPHIC #1

g00184345

AIR INLET AND EXHAUST SYSTEM

127-4516 TURBOCHARGER GP

S/N 9TG128-UP

PART OF 138-4183 TURBOCHARGER GP

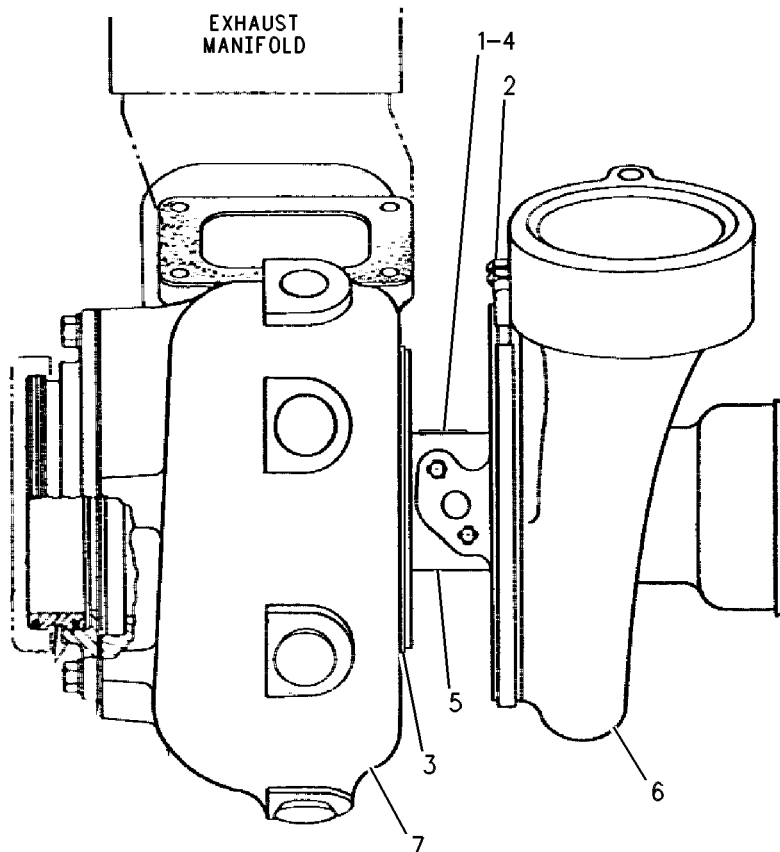
ALSO FIELD INSTALLATION

SMCS-1052, 1053, 1056, 1060, 1065, 1066, 1070, 1077

i00657062

NOTE	REF NO	GRAPHIC REF	PART NUMBER	QTY	PART NAME						SEE PAGE
					1	2	3	4	5	6 (PRODUCT LEVEL)	
	1	1	2F-0808	2	SCREW						
	2	1	4W-9977	1	CLAMP AS (HOUSING)						
	3	1	9N-2038	1	CLAMP AS (TURBINE)						
	4	1	1W-4795	1	PLATE - IDENTIFICATION						
R	5	1	136-4402	1	CARTRIDGE GP - TURBOCHARGER						
	6	1	136-4404	1	COVER - COMPRESSOR						
	7	1	141-2519	1	HOUSING AS - TURBINE						

R-REMFG PART MAY BE AVAILABLE



GRAPHIC #1

g00269495

AIR INLET AND EXHAUST SYSTEM

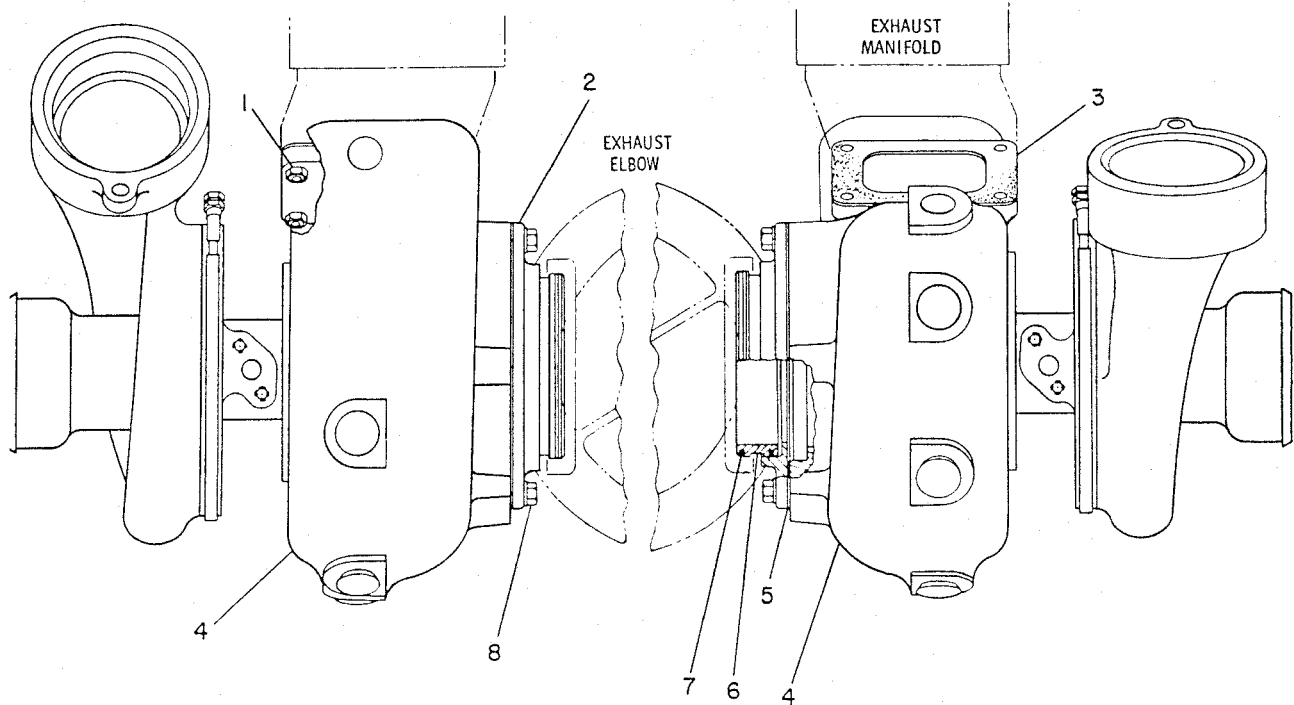
138-4183 TURBOCHARGER GP

SMCS-1052, 1053, 1056, 1060, 1065, 1066, 1070, 1077

i00657837

NOTE	REF NO	GRAPHIC REF	PART NUMBER	QTY	PART NAME						SEE PAGE
					1	2	3	4	5	6 (PRODUCT LEVEL)	
	1	1	2N-2766	8	LOCKNUT (3/8-16 NPTF THD)						
	2	1	4W-1454	2	ADAPTER-EXHAUST						
	3	1	121-5736	2	GASKET-TURBOCHARGER						
Y	4	1	<i>127-4516</i>	2	TURBOCHARGER GP						340
	5	1	4W-2359	2	GASKET-TURBOCHARGER						
	6	1	4W-1455	2	COUPLING-EXHAUST						
	7	1	4W-1478	4	SEAL GP-EXHAUST						
	8	1	0S-1594	8	BOLT (3/8-16X1IN)						
		1	5M-2894	8	WASHER (2.5MM THK)						

Y-SEPARATE ILLUSTRATION



GRAPHIC #1

g00184345

FUEL SYSTEM

116-3736 ACTUATOR AR AN ATTACHMENT

SMCS-1264, 1265, 1716

i00678799

NOTE	PART NUMBER	QTY	PART NAME						SEE PAGE
			1	2	3	4	5	6 (PRODUCT LEVEL)	
Y	108-4886	1	ACTUATOR GP - ELECTRONIC						344
Y	4P-5251	1	CONTROL GP - CARBURETOR						361

Y - SEPARATE ILLUSTRATION

FUEL SYSTEM

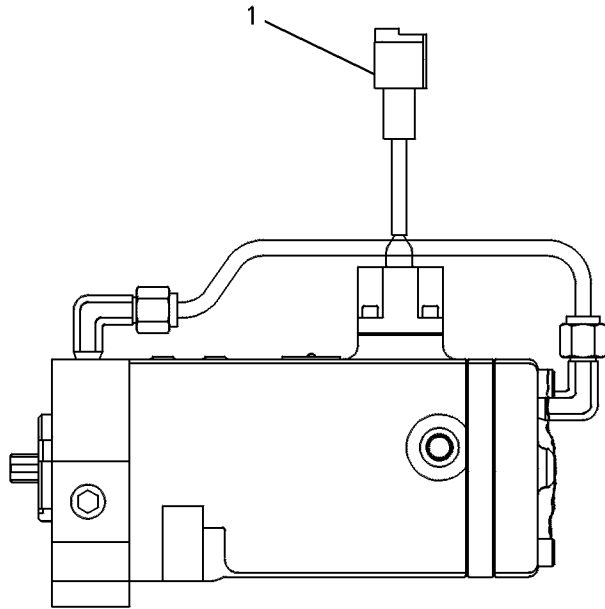
4P-7087 ACTUATOR AS-WOODWARD

PART OF 108-4886 ACTUATOR GP-ELECTRONIC, 9Y-6736, 9Y-7584 GOVERNOR GP-ELECTRONIC
ALSO AN ATTACHMENT

SMCS-1264, 1265, 1289, 1716

i00925672

NOTE	REF NO	GRAPHIC REF	PART NUMBER	QTY	PART NAME						SEE PAGE
					1	2	3	4	5	6 (PRODUCT LEVEL)	
	1	1	7N-9738	1	HOUSING-RECEPTACLE						
		1	7N-7779	1	SOCKET						
		1	7N-7780	1	PIN-CONNECTOR (BLADE)						



GRAPHIC #1

g00241531

FUEL SYSTEM

108-4886 ACTUATOR GP - ELECTRONIC

PART OF 116-3736 ACTUATOR AR

ALSO AN ATTACHMENT

SMCS-1264, 1265, 1716

i00888205

NOTE	PART NUMBER	QTY	PART NAME						SEE PAGE
			1	2	3	4	5	6 (PRODUCT LEVEL)	
Y	4P-7087	1	ACTUATOR AS						343
			S/N 9TG1-33						
	118-7590	1	ACTUATOR AS						
			S/N 9TG34-UP						
Y	9Y-5896	1	DRIVE GP-GOVERNOR						374
Y	7W-3355	1	MAGNETIC PICKUP GP						573
			S/N 9TG1-33						
	8T-6762	1	PLUG-PIPE						
	8L-4171	1	SENSOR GP-SPEED						

Y-SEPARATE ILLUSTRATION

FUEL SYSTEM

102-7506 ACTUATOR GP-FUEL RATIO

PART OF 107-4335 REGULATOR GP-GAS PRESSURE

AN ATTACHMENT

SMCS-1278

i00656544

NOTE	PART NUMBER	QTY	PART NAME	SEE PAGE
(INDIVIDUAL PARTS ARE NOT SERVICED SEPARATELY)				

FUEL SYSTEM

154-3855 ACTUATOR GP-GOVERNOR AN ATTACHMENT

SMCS-1264, 1909

i00945833

NOTE	PART NUMBER	QTY	PART NAME						SEE PAGE
			1	2	3	4	5	6 (PRODUCT LEVEL)	
	118-7590	1	ACTUATOR AS						
	8T-8729	3	PIN-CONNECTOR						
	8T-8732	1	RECEPTACLE-CONNECTOR						
	109-8855	1	CONDUIT AS						
Y	9Y-5896	1	DRIVE GP-GOVERNOR						374
	8T-6762	1	PLUG-PIPE (1/4-14 NPTF THD)						
Y	154-3856	1	WIRING GP-EIS						712
Y-SEPARATE ILLUSTRATION									

FUEL SYSTEM

154-3867 ACTUATOR GP-GOVERNOR AN ATTACHMENT

SMCS-1264, 1909

i00917021

NOTE	PART NUMBER	QTY	PART NAME						SEE PAGE
			1	2	3	4	5	6 (PRODUCT LEVEL)	
	118-7590	1	ACTUATOR AS						
	8T-8729	3	PIN-CONNECTOR						
	8T-8732	1	RECEPTACLE-CONNECTOR						
	109-8855	1	CONDUIT AS						
Y	9Y-5896	1	DRIVE GP-GOVERNOR						374
	8T-6762	1	PLUG-PIPE						
Y	154-3868	1	WIRING GP-EIS						713
Y-SEPARATE ILLUSTRATION									

FUEL SYSTEM

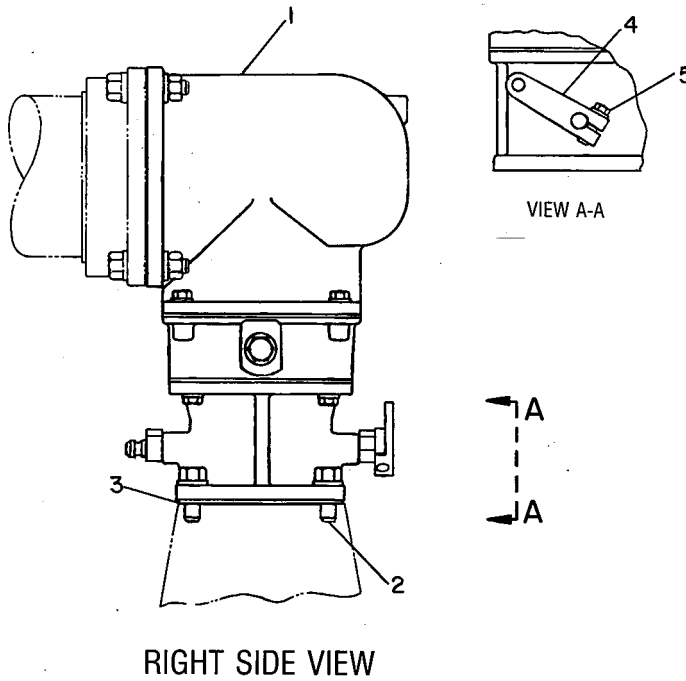
2W-1469 CARBURETOR GP

SMCS-1266

i00655827

NOTE	REF NO	GRAPHIC REF	PART NUMBER	QTY	PART NAME						SEE PAGE
					1	2	3	4	5	6 (PRODUCT LEVEL)	
Y	1	1	7E-4064	1	CARBURETOR GP						350
	2	1	0S-1595	4	BOLT (1/2-13X1.25IN)						
		1	5P-8245	4	WASHER (3MM THK)						
	3	1	4W-7992	1	GASKET						
	4	1	9Y-2635	1	LEVER - CARBURETOR						
	5	1	4B-3388	1	BOLT (5/16-18X1.125IN)						
		1	9M-1974	1	WASHER-HARD (2MM THK)						

Y- SEPARATE ILLUSTRATION



GRAPHIC #1

g00212415

FUEL SYSTEM

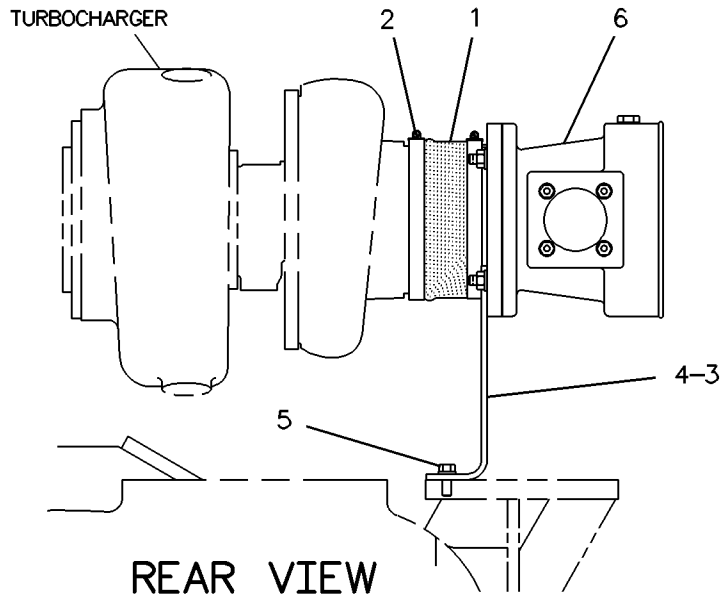
4P-0663 CARBURETOR GP

PART OF 7E-8723 CONVERSION AR
AN ATTACHMENT

SMCS-1266

i00660015

NOTE	REF NO	GRAPHIC REF	PART NUMBER	QTY	PART NAME						SEE PAGE
					1	2	3	4	5	6 (PRODUCT LEVEL)	
	1	1	7E-8223	2	HOSE						
	2	1	5P-3860	4	CLAMP - HOSE						
	3	1	7E-8278	1	SUPPORT (RH)						
	4	1	7E-8279	1	SUPPORT (LH)						
	5	1	0S-1594	4	BOLT (3/8-16X1IN)						
		1	5M-2894	4	WASHER (2.5MM THK)						
	6	1	7E-8920	2	CARBURETOR GP						



QUANTITIES SHOWN ARE THOSE REQUIRED
FOR BOTH LH AND RH SIDES

GRAPHIC #1

g00222616

FUEL SYSTEM

7E-4064 CARBURETOR GP

PART OF 2W-1469 CARBURETOR GP

SMCS - 1266

i00894454

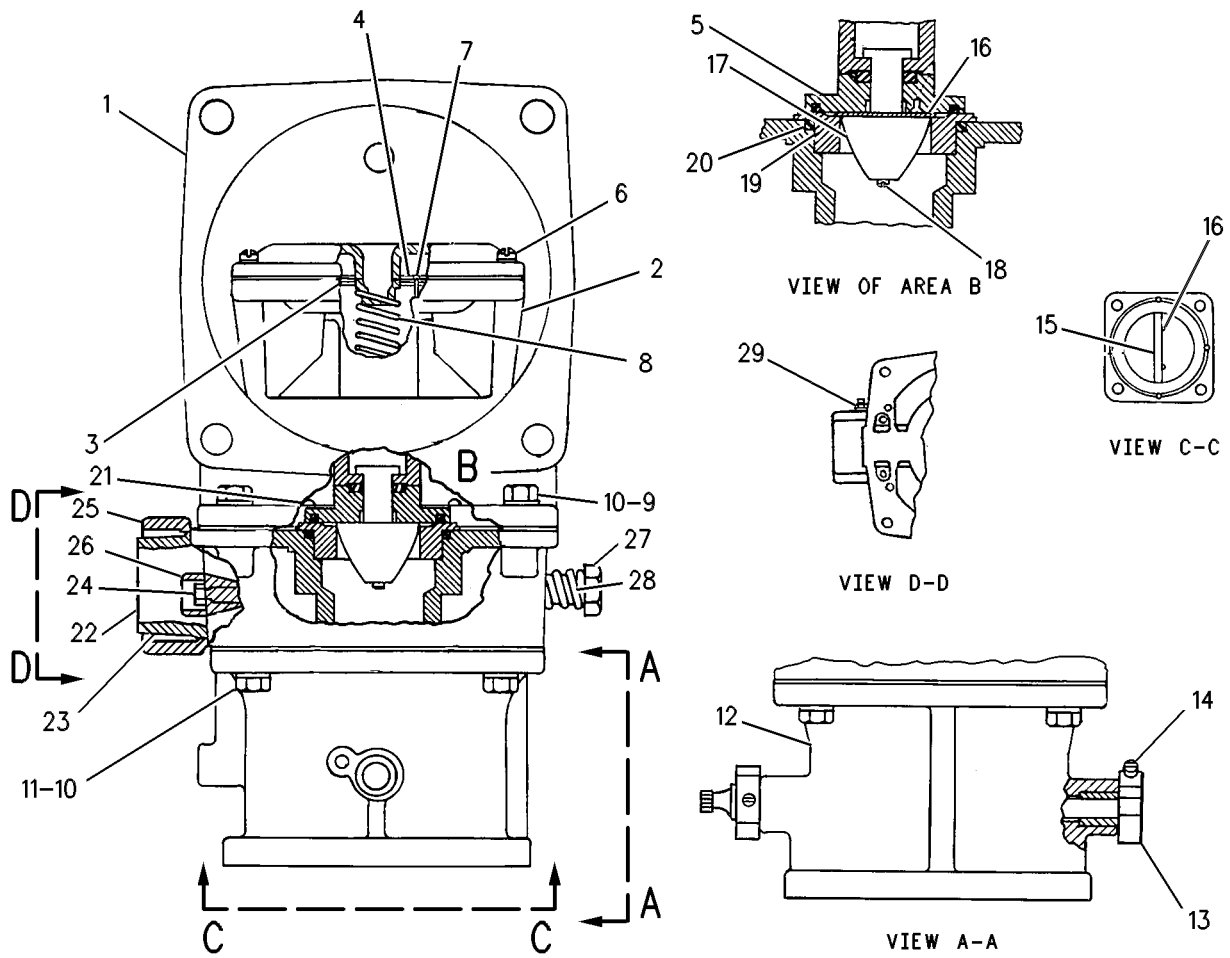
NOTE	REF NO	GRAPHIC REF	PART NUMBER	QTY	PART NAME						SEE PAGE
					1	2	3	4	5	6 (PRODUCT LEVEL)	
	1	1	7W-4276	1	ADAPTER AS-HORN						
	2	1	7E-1598	1	MIXER AS						
	3	1	7W-4286	1	DIAPHRAGM						
	4	1	125-1329	1	PLATE						
	5	1	125-1330	1	PISTON						
	6	1	1H-2204	6	SCREW AS-MACHINE						
	7	1	6L-7159	4	SCREW-MACHINE (8-32X.313 IN)						
	8	1	7W-4287	1	SPRING						
	9	1	0S-1591	4	BOLT (3/8-16X1.5IN)						
	10	1	0S-1594	4	BOLT						
	11	1	5M-2894	8	WASHER (2.5MM THK)						
	12	1	7E-1589	1	THROTTLE AS						
	13	1	7E-1565	2	LEVER AS-STOP						
		1	7E-1576	2	WASHER						
	14	1	6L-5296	2	SCREW-PIN						
	15	1	8L-4299	1	DISC-THROTTLE						
	16	1	8C-8515	2	SCREW						
	17	1	139-3206	1	VALVE-GAS						
	18	1	9B-7155	1	SCREW-MACHINE						
	19	1	7E-1582	1	JET-GAS						
	20	1	5P-1480	1	SEAL-O-RING						
	21	1	092-4724	6	SCREW AS						
					(EACH INCLUDES)						
		1	3B-4503	1	LOCKWASHER						
	22	1	7E-1593	1	BODY AS-INLET						
	23	1	7E-1580	1	JET						
	24	1	3F-7674	1	LOCKNUT (1/4-28 THD)						
	25	1	6F-0249	1	SEAL						
	26	1	7E-1579	1	VALVE-LOAD ADJUSTMENT						
M	27	1	7E-1563	1	SCREW-LOAD ADJUSTMENT						
		1	7W-1163	1	WASHER-THRUST						
	28	1	7E-1567	1	SPRING-LOAD ADJUSTMENT						
		1	032-9313	1	SEAL-O-RING						
	29	1	7N-5334	1	SETSCREW-SOCKET (25.4MM LG)						
		1	4B-2049	1	NUT (10-32 THD)						
		1	6H-9691	1	SEAL-O-RING (2.9MM ID)						
	AVAILABLE REPAIR KIT(S) :										
			7W-4148	1	KIT-GASKET (INCLUDES 2 GASKETS)						
			7E-1552	1	KIT-SHAFT & BEARING (INCL SHAFT, BEARING AND SEAL)						

M-METRIC PART

FUEL SYSTEM

7E-4064 CARBURETOR GP (contd.)

i00894454



GRAPHIC #1

g00329701

FUEL SYSTEM

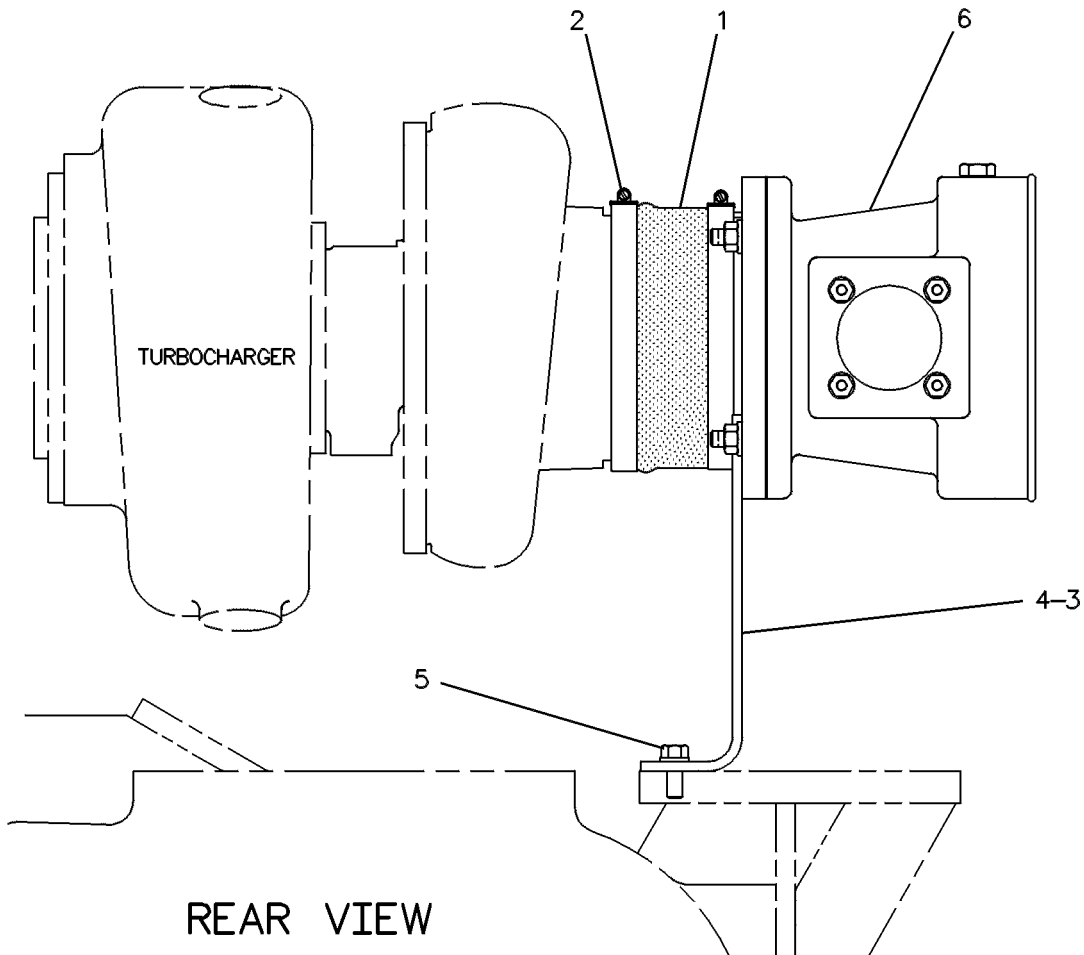
7E-8282 CARBURETOR GP

SMCS-1266

i00655797

NOTE	REF NO	GRAPHIC REF	PART NUMBER	QTY	PART NAME						SEE PAGE
					1	2	3	4	5	6 (PRODUCT LEVEL)	
	1	1	7E-8223	2	HOSE						
	2	1	5P-3860	4	CLAMP - HOSE						
	3	1	7E-8278	1	SUPPORT (RH)						
	4	1	7E-8279	1	SUPPORT (LH)						
	5	1	0S-1594	4	BOLT (3/8-16X1IN)						
		1	5M-2894	4	WASHER (2.5MM THK)						
Y	6	1	106-6497	2	CARBURETOR GP						353
		1	106-7813	2	INSERT						

Y - SEPARATE ILLUSTRATION



GRAPHIC #1

g00241728

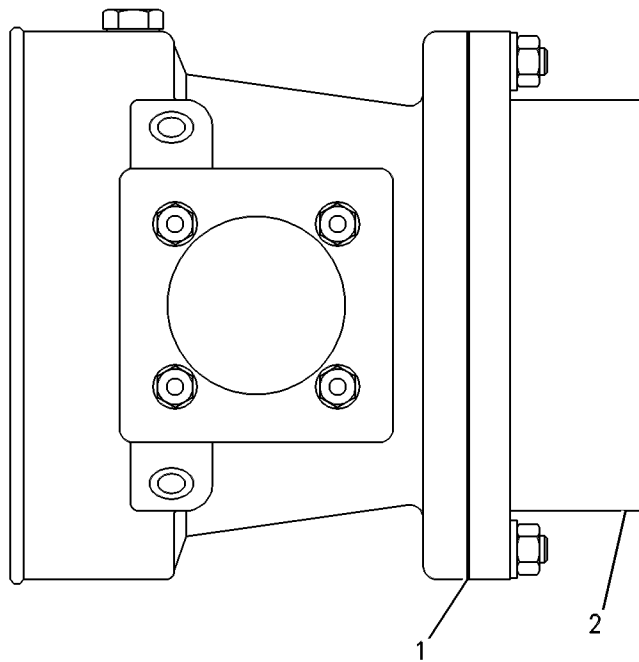
FUEL SYSTEM

106-6497 CARBURETOR GP PART OF 106-7948, 7E-8282 CARBURETOR GP ALSO AN ATTACHMENT

SMCS-1266

i00654732

NOTE	REF NO	GRAPHIC REF	PART NUMBER	QTY	PART NAME						SEE PAGE
					1	2	3	4	5	6 (PRODUCT LEVEL)	
	1	1	107-8504	1	GASKET						
	2	1	108-1207	1	FLANGE						



GRAPHIC #1

g00250989

FUEL SYSTEM

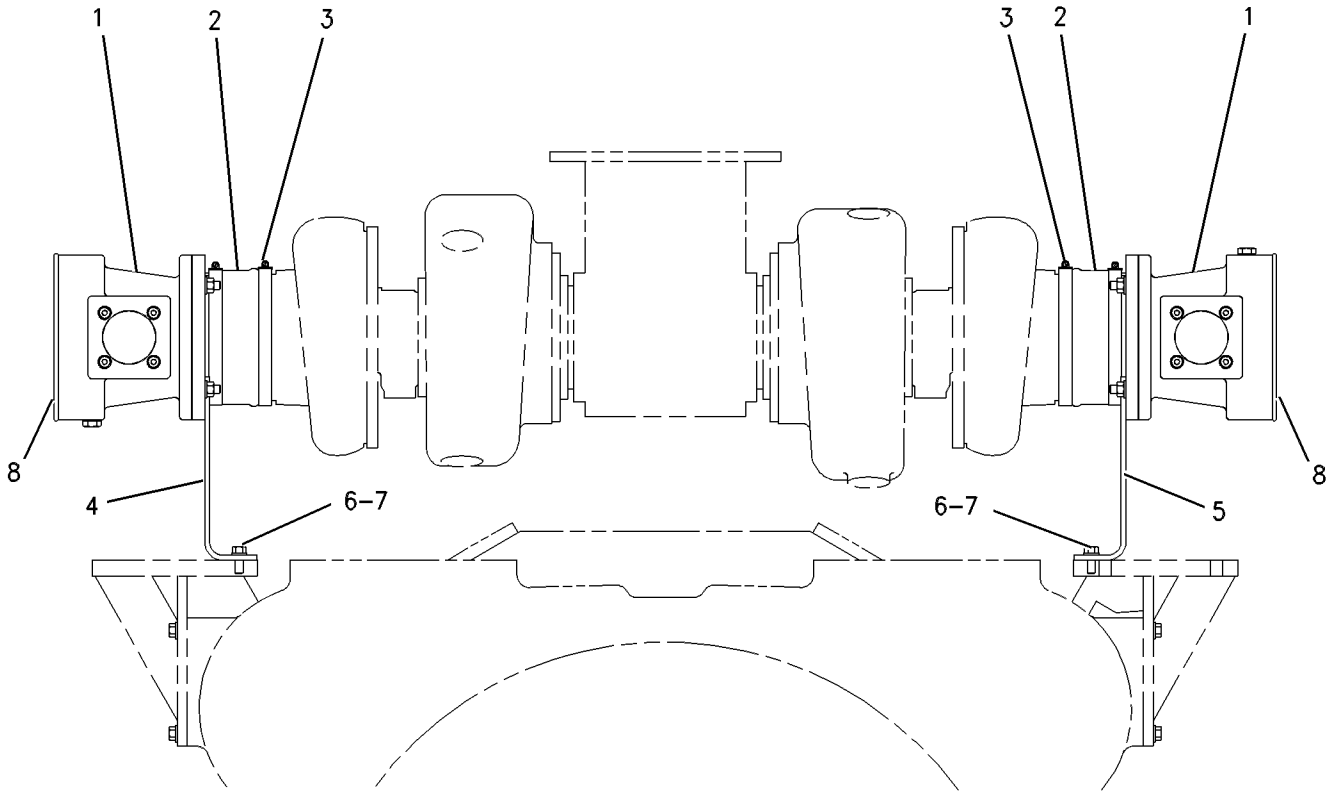
106-7948 CARBURETOR GP AN ATTACHMENT

SMCS - 1266

i00654735

NOTE	REF NO	GRAPHIC REF	PART NUMBER	QTY	PART NAME						SEE PAGE
					1	2	3	4	5	6 (PRODUCT LEVEL)	
Y	1	1	106-6497	2	CARBURETOR GP						353
	2	1	7E-8223	2	HOSE						
	3	1	5P-3860	4	CLAMP - HOSE						
	4	1	7E-8278	1	SUPPORT						
	5	1	7E-8279	1	SUPPORT						
	6	1	0S-1594	4	BOLT (3/8-16X1IN)						
	7	1	5M-2894	4	WASHER (2.5MM THK)						
	8	1	106-7810	2	INSERT - CARBURETOR						

Y - SEPARATE ILLUSTRATION



REAR VIEW

GRAPHIC #1

g00283622

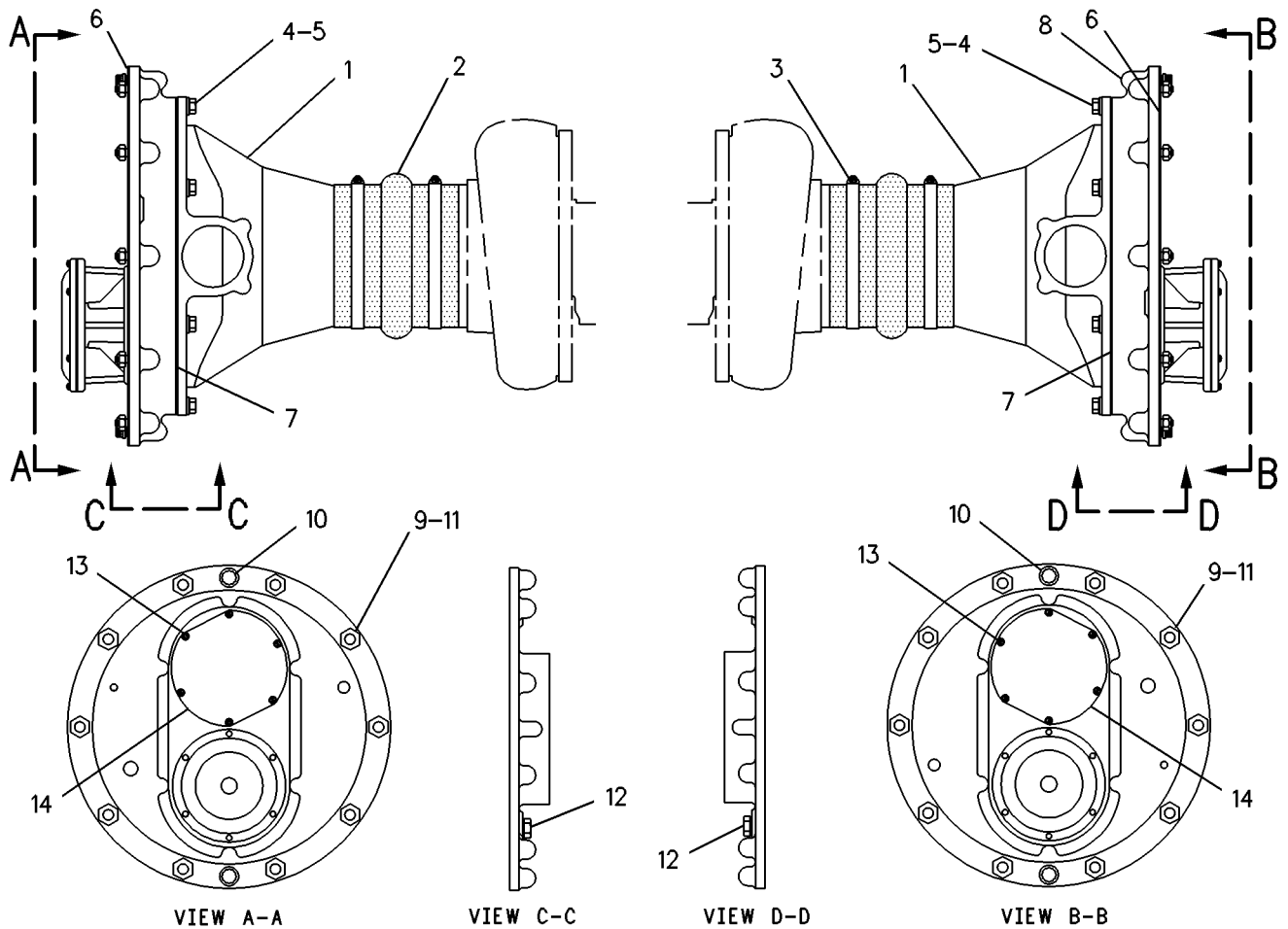
FUEL SYSTEM

116-6134 CARBURETOR GP AN ATTACHMENT

SMCS-1266

i00660044

NOTE	REF NO	GRAPHIC REF	PART NUMBER	QTY	PART NAME						SEE PAGE
					1	2	3	4	5	6 (PRODUCT LEVEL)	
	1	1	116-6135	2	CARBURETOR AS						
					(EACH INCLUDES)						
		1	6I-4617	1	VALVE-GAS						
		1	7E-1584	1	JET						
2		1	9S-2592	2	HOSE-HUMP						
3		1	5P-3860	4	CLAMP-HOSE						
4		1	0L-1351	12	BOLT (3/8-16X.875IN)						
5		1	5M-2894	12	WASHER (2.5MM THK)						
6		1	4P-6719	2	GASKET-AIR CLEANER						
7		1	7W-4149	2	GASKET						
8		1	4P-6718	2	ADAPTER-AIR CLEANER						
9		1	9M-2151	20	STUD-TAPERLOCK (3/8-16X1.38IN)						
10		1	1T-0822	4	BOLT-12 POINT HEAD (3/8-16X.75IN)						
11		1	2K-4973	20	LOCKNUT (3/8-16 THD)						
12		1	6I-2344	2	PLATE						
13		1	092-4724	12	SCREW AS						
					(EACH INCLUDES)						
		1	3B-4503	1	LOCKWASHER						
14		1	3E-7430	2	PLUG-PIPE						



GRAPHIC #1

g00229855

FUEL SYSTEM

4P - 6546 CONTROL AS-GOVERNOR

WOODWARD 701
AN ATTACHMENT

SMCS-1265, 1276

i00543329

NOTE	PART NUMBER	QTY	PART NAME	SEE PAGE
(INDIVIDUAL PARTS ARE NOT SERVICED SEPARATELY)				

FUEL SYSTEM

101-8922 CONTROL AS-GOVERNOR

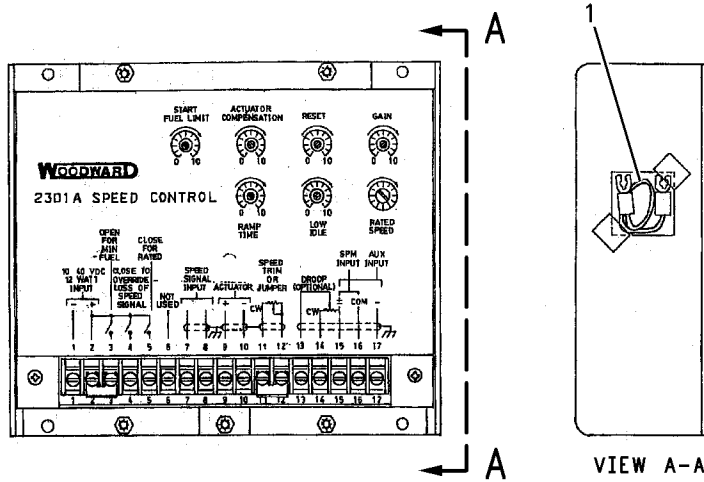
PART OF 4P-9566 PANEL GP-INSTRUMENT

AN ATTACHMENT

SMCS-1265, 1276

i00931703

NOTE	REF NO	GRAPHIC REF	PART NUMBER	QTY	PART NAME						SEE PAGE
					1	2	3	4	5	6 (PRODUCT LEVEL)	
	1	1	2W-8935	1	WIRE AS						



GRAPHIC #1

g00257504

FUEL SYSTEM

118-5449 CONTROL AS-GOVERNOR

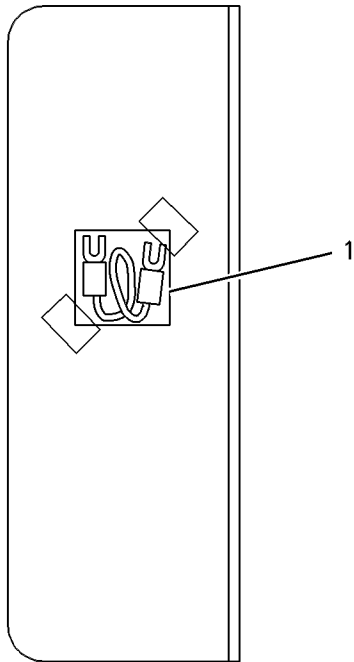
PART OF 4P-9566 PANEL GP-INSTRUMENT

AN ATTACHMENT

SMCS-1265, 1276

i00670224

NOTE	REF NO	GRAPHIC REF	PART NUMBER	QTY	PART NAME						SEE PAGE
					1	2	3	4	5	6 (PRODUCT LEVEL)	
	1	1	2W-8935	1	WIRE AS						



GRAPHIC #1

g00261816

FUEL SYSTEM

131-5451 CONTROL AS-GOVERNOR

S/N 9TG1-33, 67-UP

PART OF 118-7591 GOVERNOR GP-ELECTRIC, 9Y-7584 GOVERNOR GP-ELECTRONIC, 4P-9566

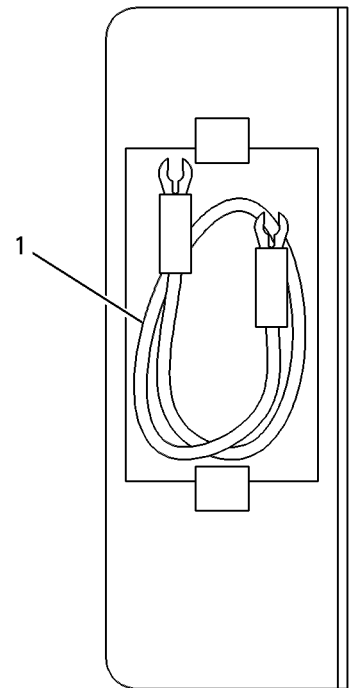
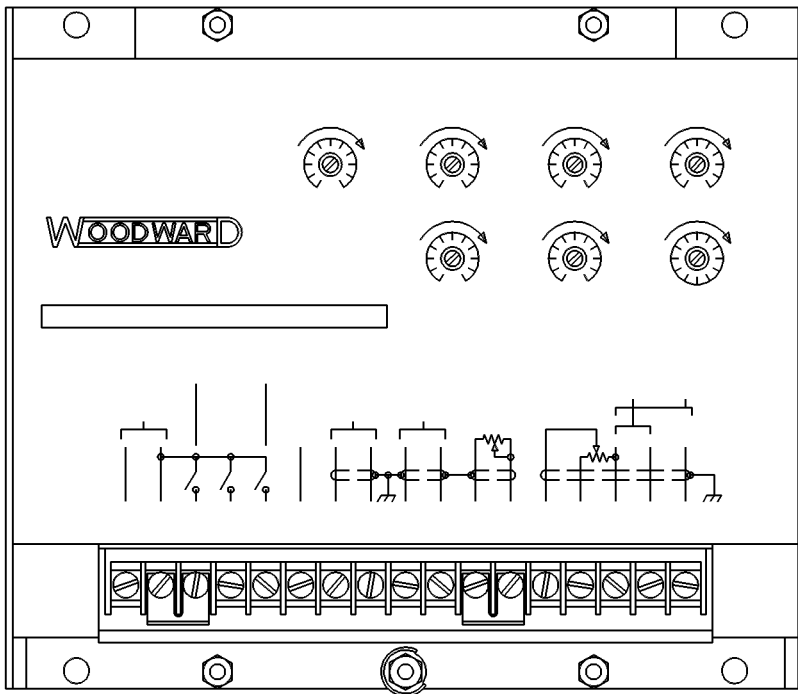
PANEL GP-INSTRUMENT

ALSO AN ATTACHMENT

SMCS-1265, 1276

i00657703

NOTE	REF NO	GRAPHIC REF	PART NUMBER	QTY	PART NAME						SEE PAGE
					1	2	3	4	5	6 (PRODUCT LEVEL)	
	1	1	2W-8935	1	WIRE AS						



GRAPHIC #1

g00273226

FUEL SYSTEM

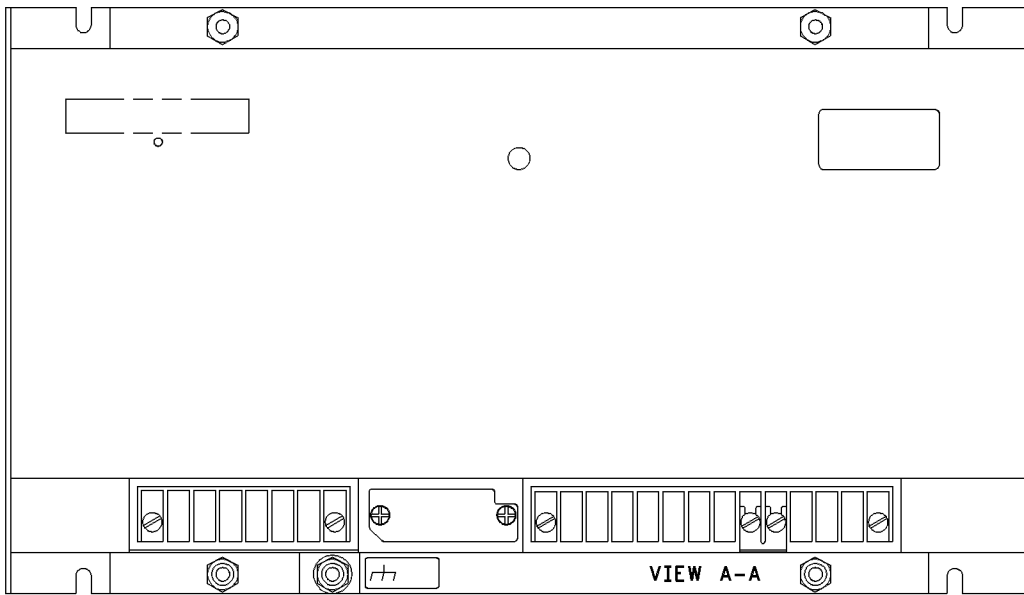
131-5457 CONTROL AS-GOVERNOR AN ATTACHMENT

SMCS-1265, 1276

i00113873

NOTE	REF NO	GRAPHIC REF	PART NUMBER	QTY	PART NAME						SEE PAGE
					1	2	3	4	5	6 (PRODUCT LEVEL)	

INDIVIDUAL PARTS ARE NOT SERVICED SEPARATELY



GRAPHIC #1

g00107247

FUEL SYSTEM

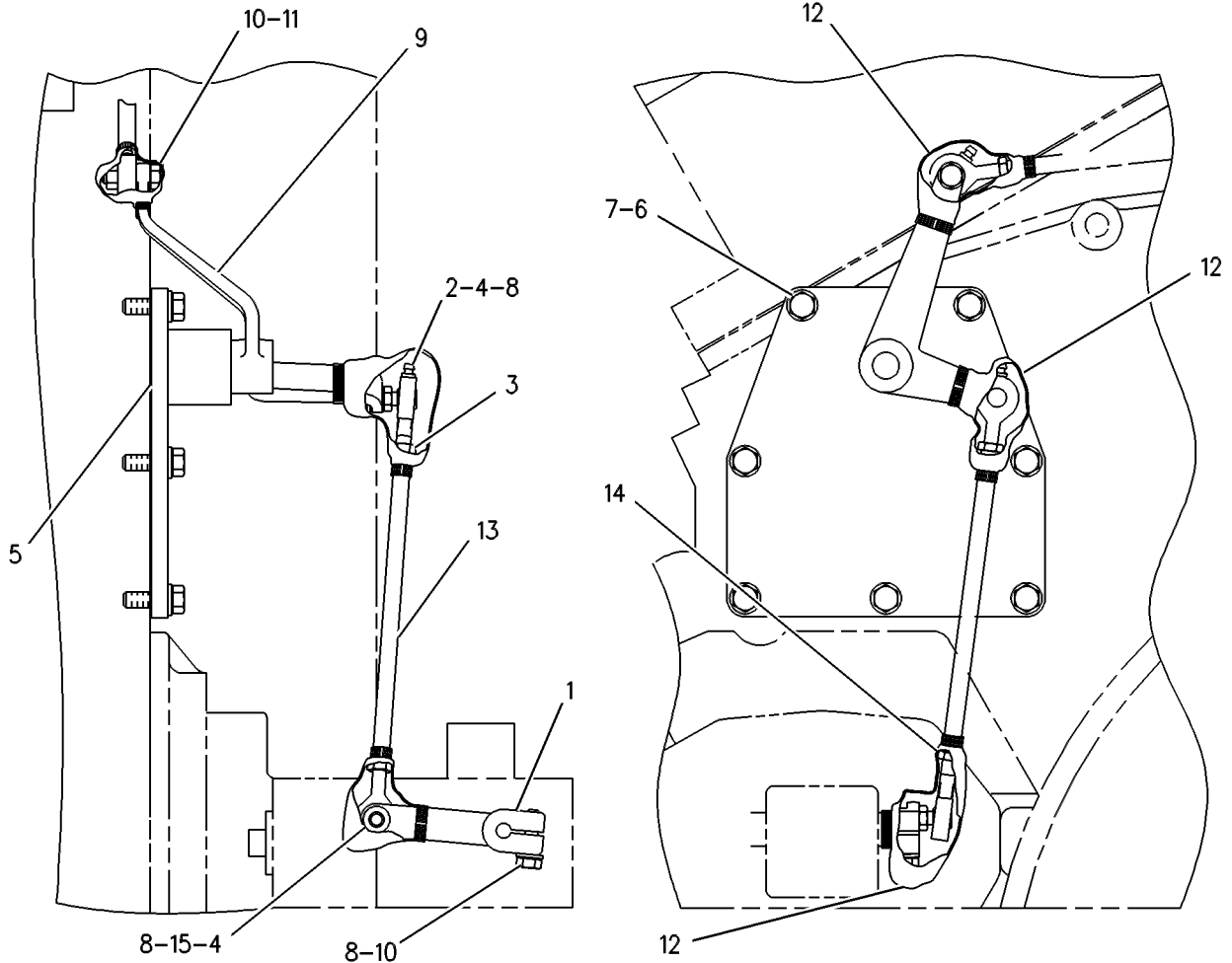
4P-5251 CONTROL GP-CARBURETOR

PART OF 116-3736 ACTUATOR AR, 107-4471 GOVERNOR GP-ELECTRIC, 9Y-6736 GOVERNOR GP-ELECTRONIC
AN ATTACHMENT

SMCS-1266

i00656067

NOTE	REF NO	GRAPHIC REF	PART NUMBER	QTY	PART NAME						SEE PAGE
					1	2	3	4	5	6 (PRODUCT LEVEL)	
	1	1	4P-0708	1	LEVER						
	2	1	122-5941	1	ROD END						
	3	1	6V-8186	2	NUT-FULL (5/16-24 THD)						
	4	1	9S-8751	2	NUT-FULL (5/16-24 THD)						
	5	1	8N-9885	1	GASKET-DRIVE HOUSING						
	6	1	1A-2029	7	BOLT (3/8-16X1.125IN)						
	7	1	5M-2894	7	WASHER (2.5MM THK)						
	8	1	9M-1974	3	WASHER-HARD (2MM THK)						
	9	1	4W-4945	1	LEVER AS						
		1	9Y-6987	1	LEVER-GOVERNOR CONTROL						
	10	1	4B-3388	2	BOLT (5/16-18X1.125IN)						
	11	1	5S-0003	1	NUT-FULL (5/16-18 THD)						
	12	1	114-9269	3	SLEEVE						
	13	1	119-5092	1	ROD						
	14	1	8L-4496	1	NUT-JAM						
	15	1	122-4677	1	ROD END						



GRAPHIC #1

g00283880

FUEL SYSTEM

4P-6741 CONTROL GP-CARBURETOR

SMCS-1266

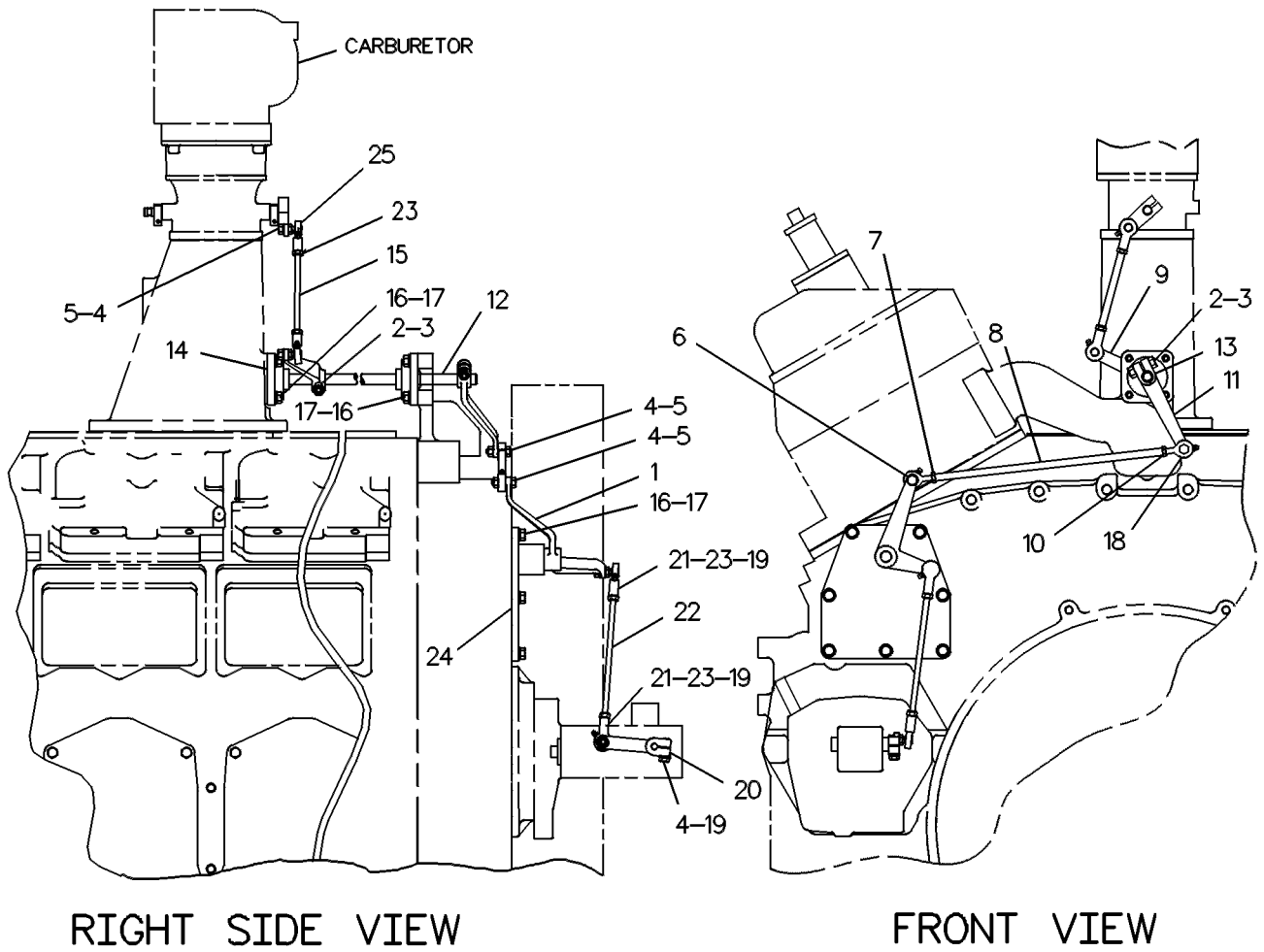
i00656548

NOTE	REF NO	GRAPHIC REF	PART NUMBER	QTY	PART NAME						SEE PAGE
					1	2	3	4	5	6 (PRODUCT LEVEL)	
	1	1	4W-4945	1	LEVER AS						
		1	4W-4944	1	LEVER-GOVERNOR						
		1	4W-4946	1	COVER AS						
		1	6B-2730	1	BEARING AS						
2		1	3B-1915	2	BOLT (3/8-16X1.375IN)						
3		1	9S-8752	2	NUT-FULL (3/8-16 THD)						
4		1	4B-3388	5	BOLT (5/16-18X1.125IN)						
5		1	5S-0003	4	NUT-FULL (5/16-18 THD)						
6		1	6V-9163	1	ROD END						
7		1	8L-4496	1	NUT-JAM						
8		1	2W-5405	1	ROD						
9		1	9Y-2636	1	LEVER						
10		1	4F-2294	1	NUT-JAM (5/16-24 THD)						
11		1	2W-5404	1	LEVER						
12		1	4W-2290	1	SHAFT-GOVERNOR CONTROL						
13		1	1B-8701	2	KEY-WOODRUFF						
14		1	5L-3291	2	BALL BEARING AS						
15		1	8G-7357	1	ROD						
16		1	1A-2029	15	BOLT (3/8-16X1.125IN)						
17		1	5M-2894	15	WASHER (2.5MM THK)						
18		1	7E-9748	1	ROD END						
19		1	9M-1974	3	WASHER-HARD (2MM THK)						
20		1	4P-0708	1	LEVER						
21		1	6V-8917	2	ROD END						
22		1	8G-1825	1	ROD						
23		1	9S-8751	6	NUT-FULL (5/16-24 THD)						
24		1	8N-9885	1	GASKET-DRIVE HOUSING						
25		1	8T-6391	2	ROD END						

FUEL SYSTEM

4P-6741 CONTROL GP - CARBURETOR (contd.)

i00656548



GRAPHIC #1

g00238802

FUEL SYSTEM

4P-6741 CONTROL GP-CARBURETOR

S/N 9TG1-30

SMCS-1266

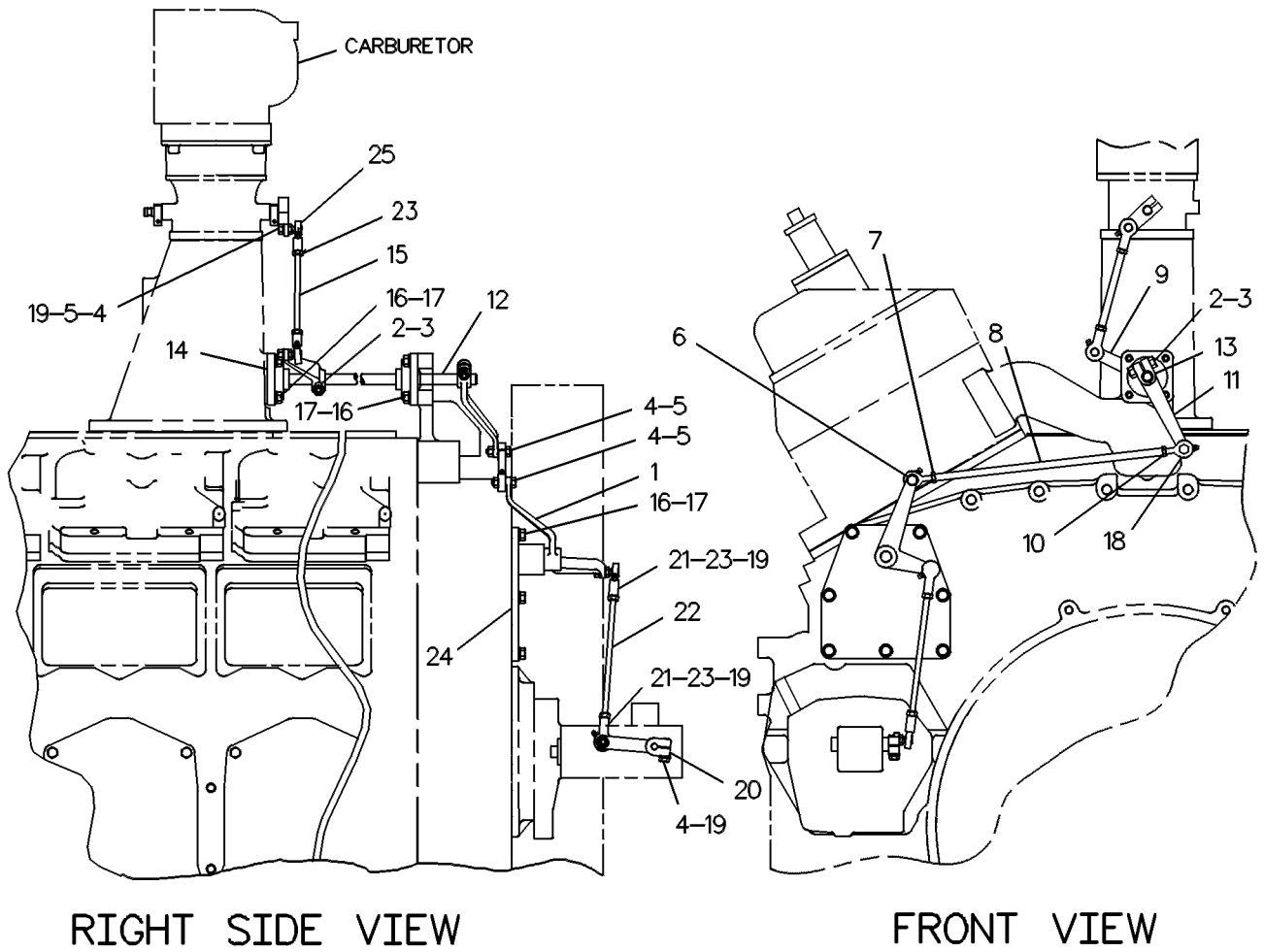
i00656543

NOTE	REF NO	GRAPHIC REF	PART NUMBER	QTY	PART NAME						SEE PAGE
					1	2	3	4	5	6 (PRODUCT LEVEL)	
	1	1	4W-4945	1	LEVER AS						
		1	4W-4944	1	LEVER-GOVERNOR						
		1	4W-4946	1	COVER AS						
		1	6B-2730	1	BEARING AS						
2		1	3B-1915	2	BOLT (3/8-16X1.375IN)						
3		1	9S-8752	2	NUT-FULL (3/8-16 THD)						
4		1	4B-3388	5	BOLT (5/16-18X1.125IN)						
5		1	5S-0003	4	NUT-FULL (5/16-18 THD)						
6		1	6V-9163	1	ROD END						
7		1	8L-4496	1	NUT-JAM						
8		1	2W-5405	1	ROD						
9		1	9Y-2636	1	LEVER						
10		1	4F-2294	1	NUT-JAM (5/16-24 THD)						
11		1	2W-5404	1	LEVER						
12		1	4W-2290	1	SHAFT-GOVERNOR CONTROL						
13		1	1B-8701	2	KEY-WOODRUFF						
14		1	5L-3291	2	BALL BEARING AS						
15		1	8G-7357	1	ROD						
16		1	1A-2029	15	BOLT (3/8-16X1.125IN)						
17		1	5M-2894	15	WASHER (2.5MM THK)						
18		1	7E-9748	1	ROD END						
19		1	9M-1974	4	WASHER-HARD (2MM THK)						
20		1	4P-0708	1	LEVER						
21		1	6V-8917	2	ROD END						
22		1	8G-1825	1	ROD						
23		1	9S-8751	6	NUT-FULL (5/16-24 THD)						
24		1	8N-9885	1	GASKET-DRIVE HOUSING						
25		1	5P-6672	2	ROD END						

FUEL SYSTEM

4P-6741 CONTROL GP - CARBURETOR (contd.)

i00656543



GRAPHIC #1

g00239655

FUEL SYSTEM

4P-6741 CONTROL GP-CARBURETOR

S/N 9TG31-UP

SMCS-1266

i00894492

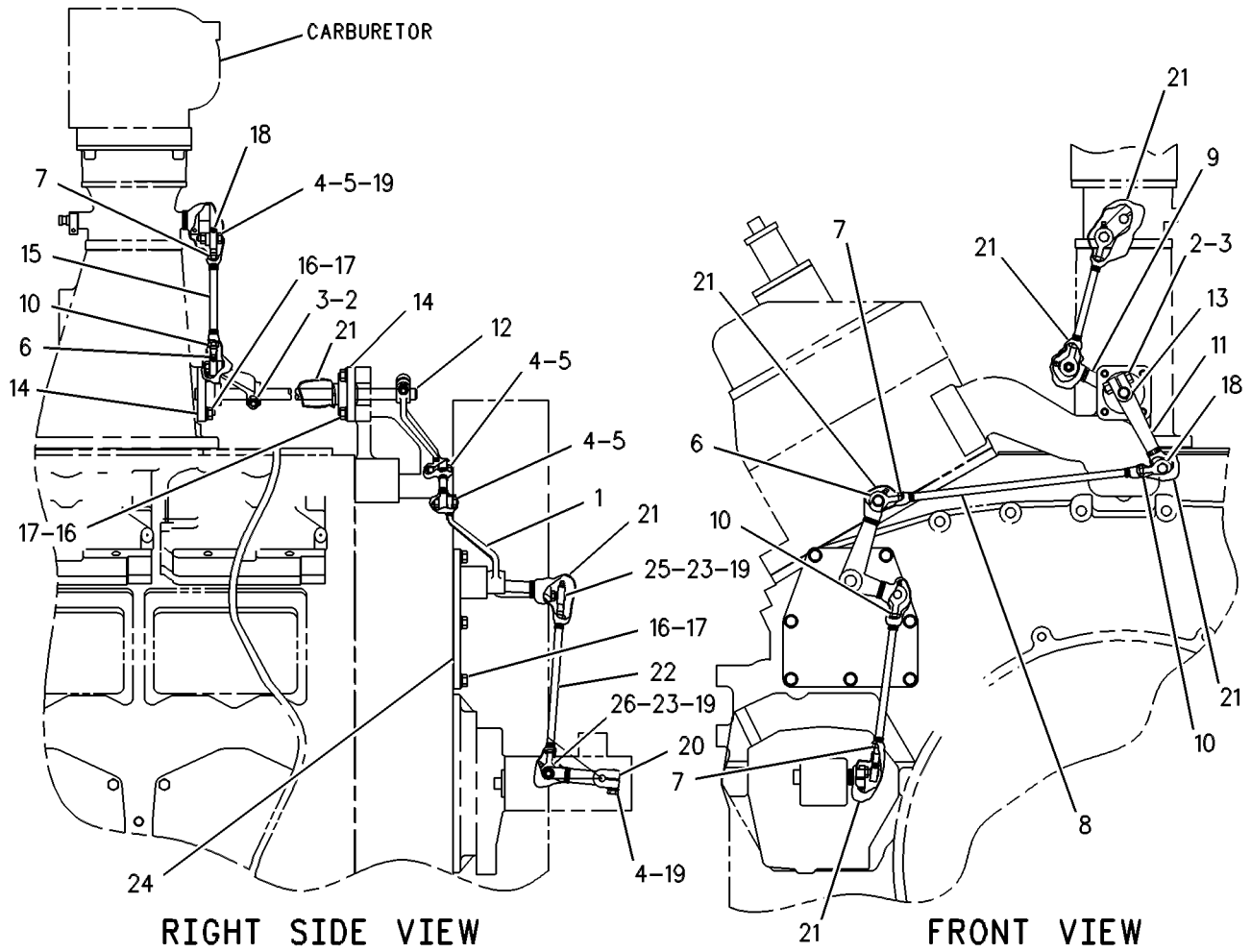
NOTE	REF NO	GRAPHIC REF	PART NUMBER	QTY	PART NAME						SEE PAGE
					1	2	3	4	5	6 (PRODUCT LEVEL)	
	1	1	4W-4945	1	LEVER AS						
		1	4W-4944		LEVER-GOVERNOR						
		1	4W-4946		COVER AS						
		1	6B-2730		BEARING AS						
	2	1	3B-1915	2	BOLT (3/8-16X1.375IN)						
	3	1	9S-8752	2	NUT-FULL (3/8-16 THD)						
	4	1	4B-3388	5	BOLT (5/16-18X1.125IN)						
	5	1	5S-0003	4	NUT-FULL (5/16-18 THD)						
C	6	1	6V-9163	2	ROD END						
C	7	1	8L-4496	3	NUT-JAM						
	8	1	2W-5405	1	ROD						
	9	1	9Y-2636	1	LEVER						
C	10	1	6V-8186	3	NUT-FULL (5/16-24 THD)						
	11	1	2W-5404	1	LEVER						
	12	1	4W-2290	1	SHAFT-GOVERNOR CONTROL						
	13	1	1B-8701	2	KEY-WOODRUFF						
	14	1	5L-3291	2	BALL BEARING AS						
C	15	1	123-8679	1	ROD						
	16	1	1A-2029	15	BOLT (3/8-16X1.125IN)						
	17	1	5M-2894	15	WASHER (2.5MM THK)						
C	18	1	7E-9748	2	ROD END						
	19	1	9M-1974	4	WASHER-HARD (2MM THK)						
	20	1	4P-0708	1	LEVER						
C	21	1	114-9269	7	SLEEVE						
C	22	1	119-5092	1	ROD						
C	23	1	9S-8751	2	NUT-FULL (5/16-24 THD)						
	24	1	8N-9885	1	GASKET-DRIVE HOUSING						
C	25	1	122-5941	1	ROD END						
C	26	1	122-4677	1	ROD END						

C- CHANGE FROM PREVIOUS TYPE

FUEL SYSTEM

4P-6741 CONTROL GP - CARBURETOR (contd.)

i00894492



GRAPHIC #1

g00296128

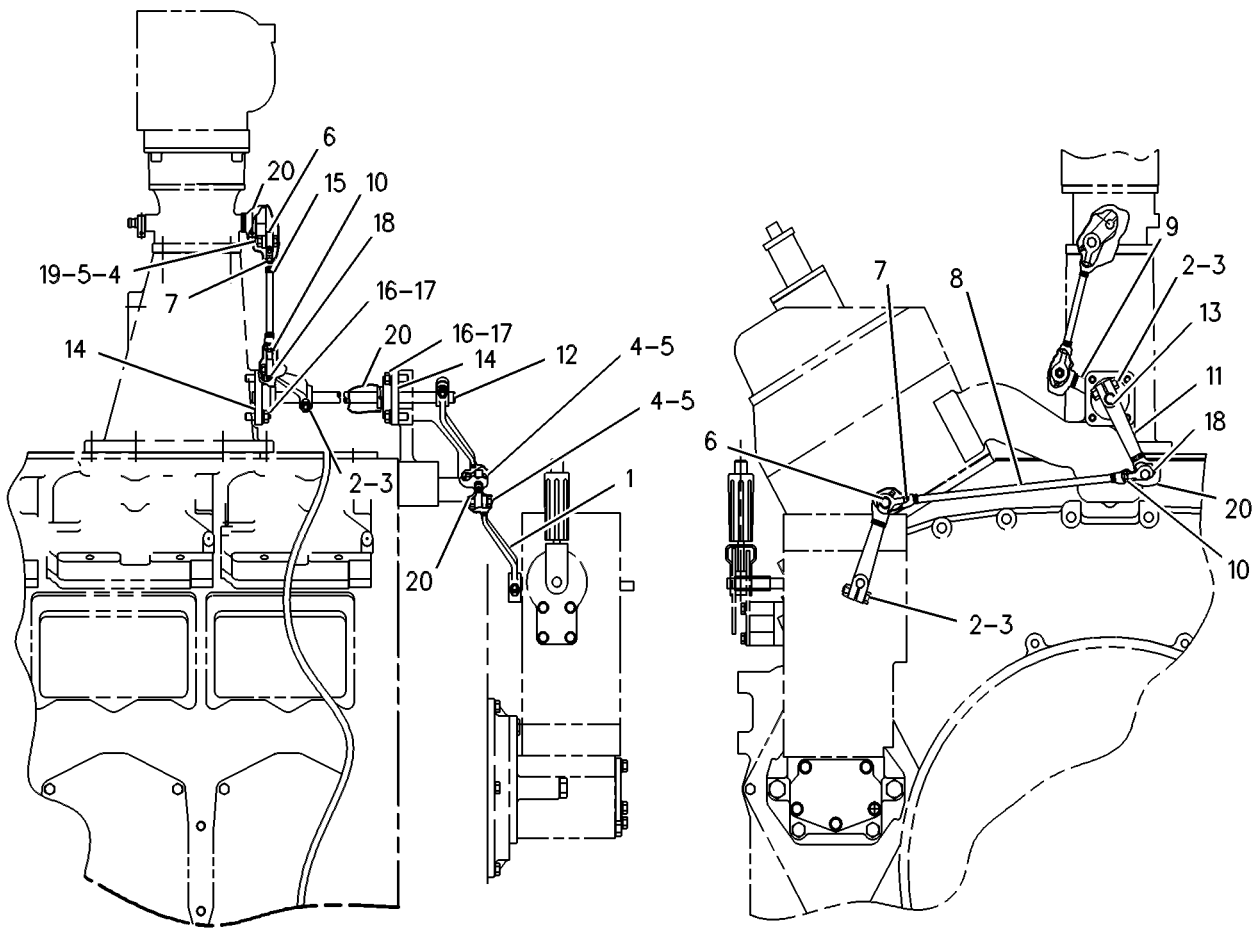
FUEL SYSTEM

4P-6940 CONTROL GP-CARBURETOR

SMCS-1266

i00656553

NOTE	REF NO	GRAPHIC REF	PART NUMBER	QTY	PART NAME						SEE PAGE
					1	2	3	4	5	6 (PRODUCT LEVEL)	
	1	1	2W-5406	1	LEVER						
	2	1	3B-1915	3	BOLT (3/8-16X1.375IN)						
	3	1	9S-8752	3	NUT-FULL (3/8-16 THD)						
	4	1	4B-3388	4	BOLT (5/16-18X1.125IN)						
	5	1	5S-0003	4	NUT-FULL (5/16-18 THD)						
	6	1	6V-9163	2	ROD END						
	7	1	8L-4496	2	NUT-JAM						
	8	1	2W-5405	1	ROD						
	9	1	9Y-2636	1	LEVER						
	10	1	6V-8186	2	NUT-FULL (5/16-24 THD)						
	11	1	2W-5404	1	LEVER						
	12	1	4W-2290	1	SHAFT-GOVERNOR CONTROL						
	13	1	1B-8701	2	KEY-WOODRUFF						
	14	1	5L-3291	2	BALL BEARING AS						
	15	1	123-8679	1	ROD						
	16	1	1A-2029	8	BOLT (3/8-16X1.125IN)						
	17	1	5M-2894	8	WASHER (2.5MM THK)						
	18	1	7E-9748	2	ROD END						
	19	1	9M-1974	1	WASHER-HARD (2MM THK)						
	20	1	114-9269	5	SLEEVE						



RIGHT SIDE VIEW

FRONT VIEW

GRAPHIC #1

g00267221

FUEL SYSTEM

2W-0543 CONTROL GP-GOVERNOR

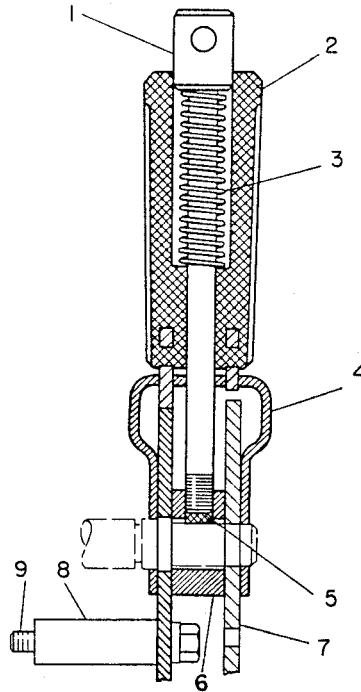
REMOTE & POSITIVE LOCKING
FOR USE WITH 3161 GOVERNORS
AN ATTACHMENT

SMCS-1265, 1276

i00079646

NOTE	REF NO	GRAPHIC REF	PART NUMBER	QTY	PART NAME						SEE PAGE
					1	2	3	4	5	6 (PRODUCT LEVEL)	
	1	1	4W-2541	1	SHAFT-GOVERNOR CONTROL						
	2	1	4N-4523	1	HANDLE AS						
		1	4N-9029	1	WASHER						
C	3	1	4W-2542	1	SPRING						
	4	1	4N-4520	1	GUIDE						
	5	1	5K-0605	1	PLUG						
	6	1	8L-4282	1	HUB						
	7	1	5N-7812	1	RATCHET-GOVERNOR CONTROL						
		1	4N-4519	1	QUADRANT-CONTROL						
	8	1	8B-2026	4	SPACER						
C	9	1	1D-4539	4	BOLT (5/16-18X2.5IN)						
		1	9M-1974	4	WASHER-HARD (2MM THK)						

C-CHANGE FROM PREVIOUS TYPE



GRAPHIC #1

g00063404

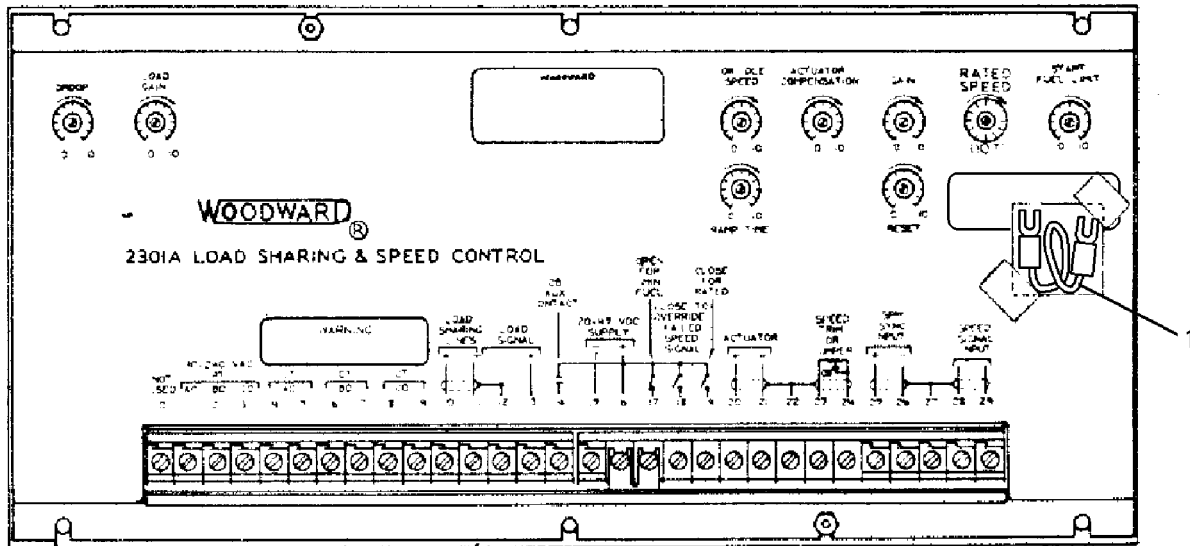
FUEL SYSTEM

4P-5518 CONTROL GP-GOVERNOR AN ATTACHMENT

SMCS-1265, 1276

i00656395

NOTE	REF NO	GRAPHIC REF	PART NUMBER	QTY	PART NAME						SEE PAGE
					1	2	3	4	5	6 (PRODUCT LEVEL)	
	1	1	2W-8935	1	WIRE AS						



GRAPHIC #1

g00232821

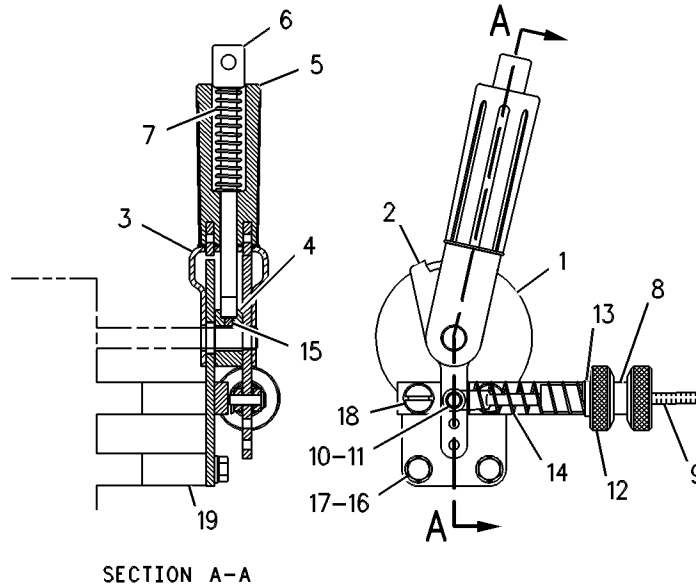
FUEL SYSTEM

144-9534 CONTROL GP-GOVERNOR AN ATTACHMENT

SMCS-1265, 1276

i00931458

NOTE	REF NO	GRAPHIC REF	PART NUMBER	QTY	PART NAME						SEE PAGE
					1	2	3	4	5	6 (PRODUCT LEVEL)	
	1	1	5N-7812	1	RATCHET-GOVERNOR CONTROL						
	2	1	4N-4519	1	QUADRANT-CONTROL						
	3	1	4N-4520	1	GUIDE						
	4	1	8L-4282	1	HUB						
	5	1	4N-4523	1	HANDLE AS						
	6	1	4W-2541	1	SHAFT-GOVERNOR CONTROL						
	7	1	4W-2542	1	SPRING						
	8	1	3N-3787	1	BRACKET-CONTROL						
	9	1	3N-3786	1	ROD-THROTTLE CONTROL						
	10	1	1K-6539	1	PIN						
	11	1	3B-4605	1	COTTER (1.6X20MM)						
	12	1	6B-5150	2	LOCKNUT (1/4-28THD)						
	13	1	4J-6750	1	SPACER						
	14	1	2H-0210	1	SPRING-SHUTOFF						
	15	1	5K-0605	1	PLUG						
	16	1	9M-1974	2	WASHER-HARD (2MM THK)						
	17	1	1D-4539	2	BOLT (5/16-18X2.5IN)						
	18	1	4B-1289	2	SCREW-MACHINE (5/16-18X2.5IN)						
	19	1	8B-2026	2	SPACER						



GRAPHIC #1

g00296170

FUEL SYSTEM

1W-2135 DRIVE GP-GOVERNOR PART OF 1W-8887, 4W-5643, 4W-5644 GOVERNOR GP ALSO AN ATTACHMENT

SMCS-1288

i00117611

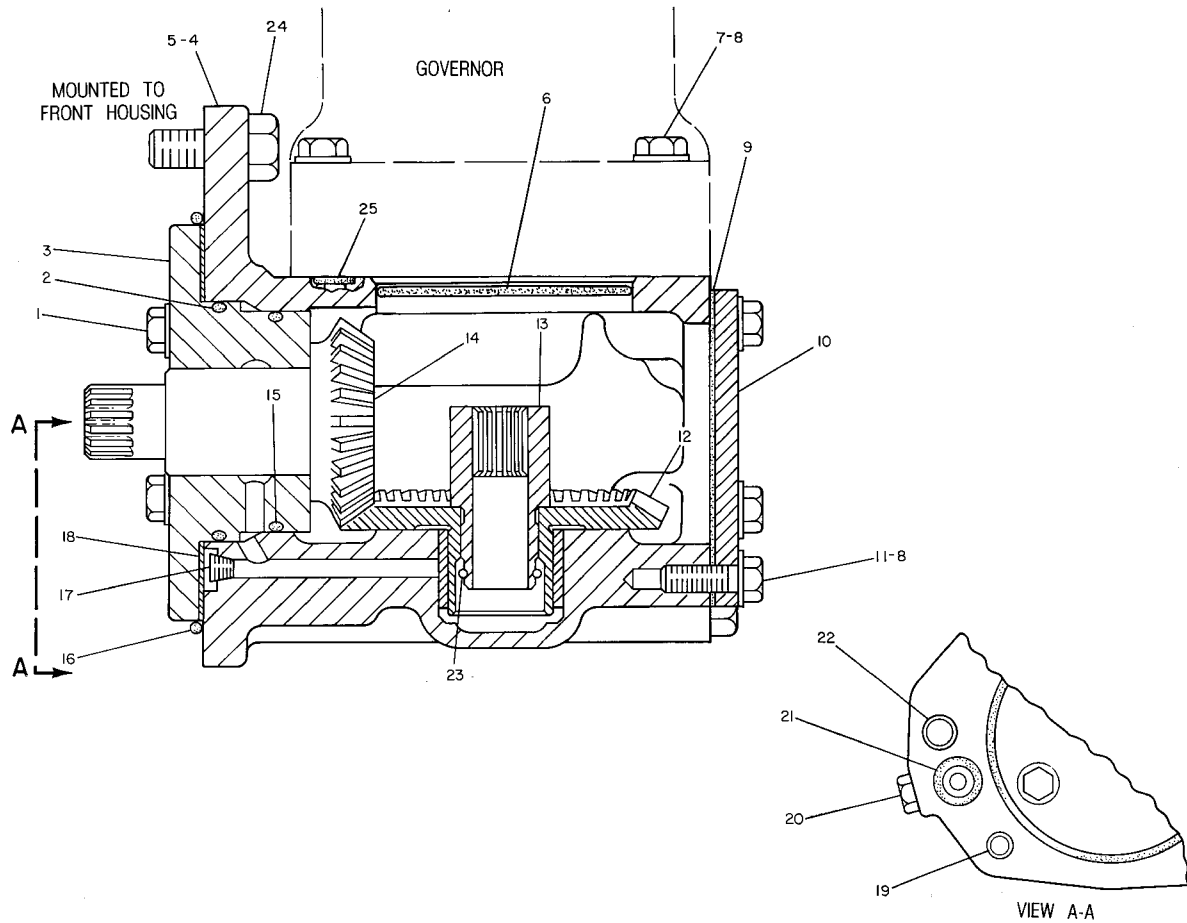
NOTE	REF NO	GRAPHIC REF	PART NUMBER	QTY	PART NAME						SEE PAGE
					1	2	3	4	5	6 (PRODUCT LEVEL)	
	1	1	2B-2695	4	BOLT (5/16-18X.875IN)						
		1	9M-1974	4	WASHER-HARD (2MM THK)						
C	2	1	6J-2244	1	SEAL-O-RING						
	3	1	7N-5700	1	ADAPTER						
	4	1	1W-2133	1	HOUSING AS-DRIVE						
C		1	1W-9379	1	BEARING-SLEEVE						
	5	1	1T-0550	2	PIN-SPRING						
	6	1	8C-5197	1	SEAL-O-RING						
	7	1	0L-2070	4	BOLT (3/8-16X2.25IN)						
	8	1	5M-2894	9	WASHER (2.5MM THK)						
	9	1	7N-5695	1	GASKET						
	10	1	7N-5696	1	COVER						
	11	1	0S-1594	5	BOLT (3/8-16X1IN)						
	12	1	1N-3409	1	GEAR-BEVEL (42 TEETH)						
	13	1	8N-9392	1	COUPLING-GOVERNOR DRIVE						
	14	1	7N-5701	1	PINION-GOVERNOR DRIVE						
C	15	1	061-9457	1	SEAL-O-RING						
C	16	1	6V-8260	1	SEAL-O-RING						
	17	1	8T-6757	3	PLUG-PIPE (1/8-27 NPTF THD)						
B	18	1	7N-5694	1	SHIM						
	19	1	1A-7669	2	BOLT (1/2-13X7IN)						
C	20	1	9S-4182	2	PLUG (7/16-20 THD)						
C		1	6V-5048	2	SEAL-O-RING (8.92MM ID)						
C	21	1	6V-3348	2	SEAL-O-RING						
	22	1	1D-4588	2	BOLT (5/8-11X4.25IN)						
	23	1	4H-8158	1	RING-RETAINER						
	24	1	0S-1621	2	BOLT (1/2-13X1.0IN)						
C	25	1	3P-0647	4	SEAL-O-RING (13.94MM ID)						

B-USE AS REQUIRED
C-CHANGE FROM PREVIOUS TYPE

FUEL SYSTEM

1W-2135 DRIVE GP-GOVERNOR (contd.)

i00117611



GRAPHIC #1

g00097290

FUEL SYSTEM

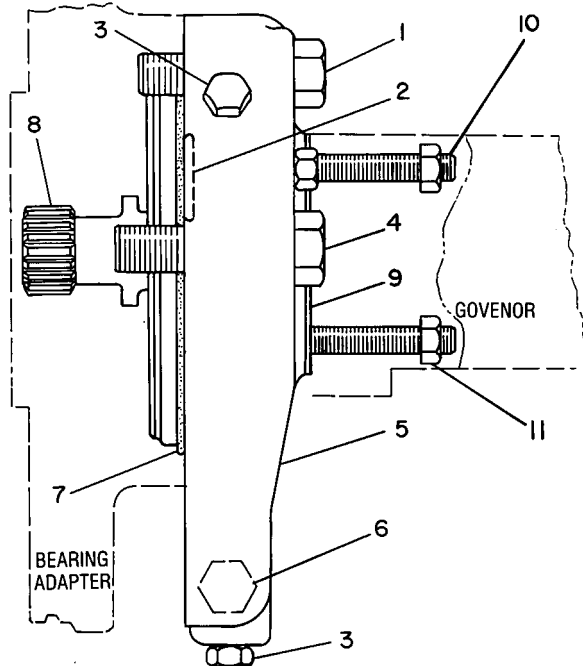
9Y-5896 DRIVE GP-GOVERNOR

PART OF 108-4886 ACTUATOR GP-ELECTRONIC, 154-3855, 154-3867 ACTUATOR
 GP-GOVERNOR, 107-4471, 118-7591 GOVERNOR GP-ELECTRIC, 9Y-6736, 9Y-7584 GOVERNOR
 GP-ELECTRONIC
 ALSO AN ATTACHMENT

SMCS-1288

i00659525

NOTE	REF NO	GRAPHIC REF	PART NUMBER	QTY	PART NAME						SEE PAGE
					1	2	3	4	5	6 (PRODUCT LEVEL)	
	1	1	1A-1460	2	BOLT (1/2-13X2IN)						
	2	1	6V-3348	1	SEAL-O-RING						
	3	1	1N-5999	3	PLUG						
		1	7J-0204	3	SEAL-O-RING (7.65MM ID)						
	4	1	0S-1625	2	BOLT (5/8-11X2.5IN)						
	5	1	7N-8736	1	HOUSING AS-MOUNTING						
		1	4K-8603	2	PLUG-CUP (25.73MM ID)						
	6	1	3K-8460	1	PLUG (1/2-20 THD)						
		1	1J-9671	1	SEAL-O-RING (10.52MM ID)						
	7	1	6V-8260	1	SEAL-O-RING (123.42MM ID)						
	8	1	7N-9739	1	COUPLING-ACTUATOR DRIVE						
	9	1	6N-2645	1	GASKET-ACTUATOR						
	10	1	6L-9888	2	STUD-TAPERLOCK						
	11	1	1D-4716	2	NUT-FULL (5/16-18 THD)						



GRAPHIC #1

g00201147

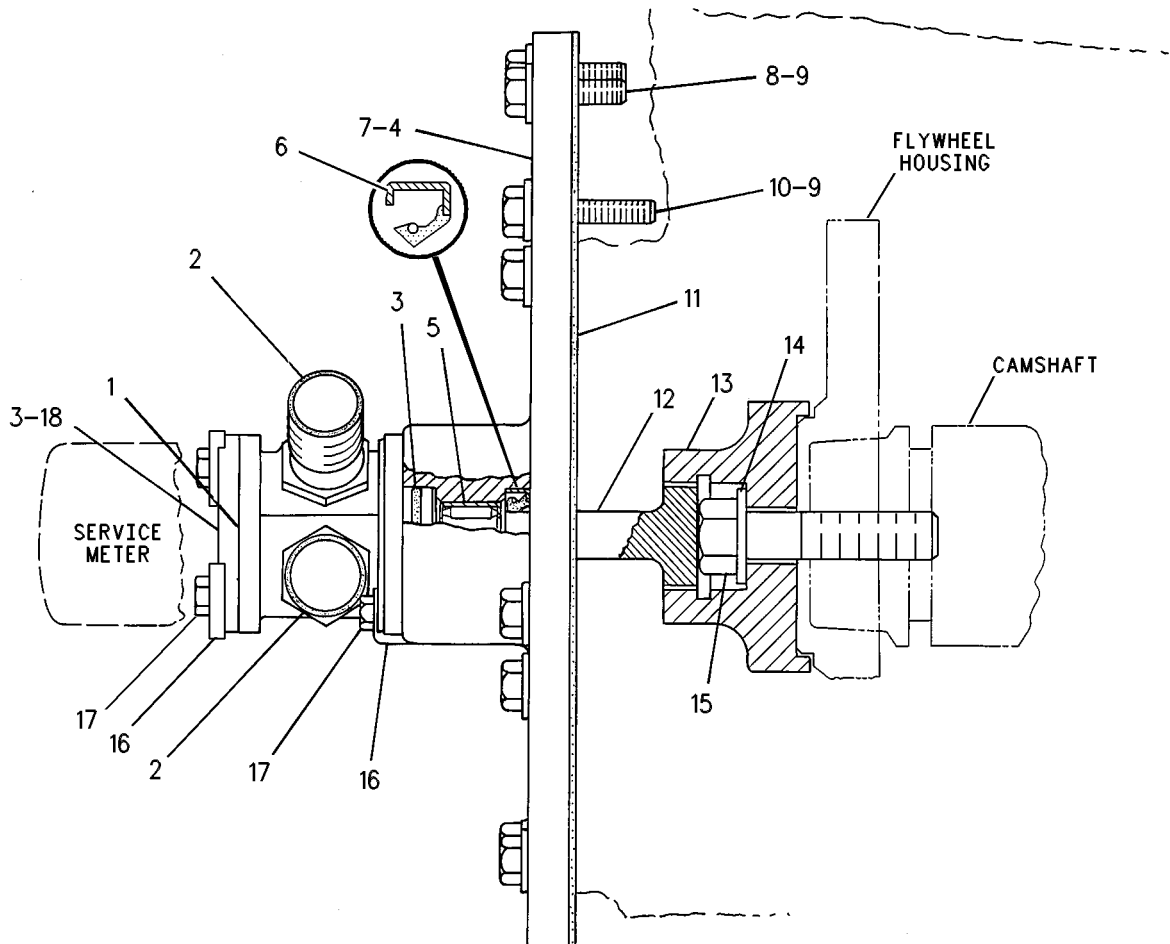
FUEL SYSTEM

4W-5267 DRIVE GP-TACHOMETER AN ATTACHMENT

SMCS-7487

i00649430

NOTE	REF NO	GRAPHIC REF	PART NUMBER	QTY	PART NAME						SEE PAGE
					1	2	3	4	5	6 (PRODUCT LEVEL)	
	1	1	4W-2493	1	ADAPTER AS-DRIVE						
	2	1	7H-9899	2	SEAL						
	3	1	4M-8303	2	SEAL-O-RING (20.29MM ID)						
	4	1	1N-3126	1	COVER AS-CAMSHAFT DRIVE						
	5	1	1F-4622	1	BEARING-NEEDLE						
	6	1	4S-7756	1	SEAL-LIP						
	7	1	5M-4987	2	DOWEL (.494 DIA X.75IN OAL)						
	8	1	1A-2029	8	BOLT (3/8-16X1.125IN)						
	9	1	5M-2894	10	WASHER (2.5MM THK)						
	10	1	0S-1591	2	BOLT (3/8-16X1.5IN)						
	11	1	7N-4320	1	GASKET						
	12	1	4W-4589	1	SHAFT-TACHOMETER DRIVE						
	13	1	4W-4587	1	ADAPTER-TACHOMETER DRIVE						
	14	1	5P-8248	1	WASHER-HARD (3.5MM THK)						
	15	1	9X-8887	1	BOLT (3/4-10X3IN)						
	16	1	9S-0211	4	CLAMP-METER						
	17	1	0S-1615	4	BOLT (1/4-20X.75IN)						
	18	1	7N-4076	1	COVER						



GRAPHIC #1

g00261273

FUEL SYSTEM

1W-8887 GOVERNOR GP

S/N 9TG1-UP

WOODWARD

SMCS-1264, 1287, 1908

i00948731

NOTE	PART NUMBER	QTY	PART NAME						SEE PAGE
			1	2	3	4	5	6 (PRODUCT LEVEL)	
Y	1W-2135	1	DRIVE GP-GOVERNOR						372
	4P-4628	1	GOVERNOR GP						
			S/N 9TG1-161						
Y	143-6143	1	GOVERNOR GP						380
			S/N 9TG162-UP						
	2B-0858	1	PLUG-PIPE (1/2-14 NPTF)						
Y-SEPARATE ILLUSTRATION									

FUEL SYSTEM

4W-5643 GOVERNOR GP 3161 SYNCHRONIZED MOTOR-RH AN ATTACHMENT

SMCS-1264, 1287, 1908

i00905457

NOTE	PART NUMBER	QTY	PART NAME						SEE PAGE
			1	2	3	4	5	6 (PRODUCT LEVEL)	
Y	1W-2135	1	DRIVE GP-GOVERNOR						372
	4P-4626	1	GOVERNOR GP						
			-OR-						
Y	143-6142	1	GOVERNOR GP						379
	2B-0858		PLUG-PIPE (1/2-14 NPTF)						
Y	7N-4196	1	SWITCH GP-GOVERNOR						676
Y-SEPARATE ILLUSTRATION									

FUEL SYSTEM

4W-5644 GOVERNOR GP

PNEUMATIC-RH

CANNOT BE USED WITH GEN SET ENGINE ARS E317 E318
AN ATTACHMENT

SMCS-1264, 1287, 1908

i00905460

NOTE	PART NUMBER	QTY	PART NAME						SEE PAGE
			1	2	3	4	5	6 (PRODUCT LEVEL)	
Y	1W-2135	1	DRIVE GP-GOVERNOR						372
	4P-4627	1	GOVERNOR GP						
			-OR-						
Y	143-6144	1	GOVERNOR GP						381
	2B-0858	1	PLUG-PIPE (1/2-14 NPTF)						

Y-SEPARATE ILLUSTRATION

FUEL SYSTEM

143-6142 GOVERNOR GP

PART OF 4W-5643 GOVERNOR GP

AN ATTACHMENT

SMCS-1264, 1287, 1908

i00658213

NOTE	PART NUMBER	QTY	PART NAME	SEE PAGE
(INDIVIDUAL PARTS ARE NOT SERVICED SEPARATELY)				

FUEL SYSTEM

143-6143 GOVERNOR GP

S/N 9TG162-UP

PART OF 1W-8887 GOVERNOR GP

SMCS-1264, 1287, 1908

i00892858

NOTE	PART NUMBER	QTY	PART NAME	SEE PAGE
(INDIVIDUAL PARTS ARE NOT SERVICED SEPARATELY)				

FUEL SYSTEM

143-6144 GOVERNOR GP

PART OF 4W-5644 GOVERNOR GP

AN ATTACHMENT

SMCS-1264, 1287, 1908

i00658229

NOTE	PART NUMBER	QTY	PART NAME 1 2 3 4 5 6 (PRODUCT LEVEL)	SEE PAGE
(INDIVIDUAL PARTS ARE NOT SERVICED SEPARATELY)				

FUEL SYSTEM

107-4471 GOVERNOR GP-ELECTRIC

AN ATTACHMENT

SMCS-1264, 1287, 1289, 1908

i00658735

NOTE	PART NUMBER	QTY	PART NAME						SEE PAGE
			1	2	3	4	5	6 (PRODUCT LEVEL)	
Y	4P-5251	1	CONTROL GP-CARBURETOR						361
Y	9Y-5896	1	DRIVE GP-GOVERNOR						374
Y	7W-3355	1	MAGNETIC PICKUP GP						573
	4P-7087	1	ACTUATOR AS						
	7N-9738	1	HOUSING-RECEPTACLE (1 PIN, 1 SOCKET)						
	7N-7780	1	PIN-CONNECTOR (BLADE)						
	7N-7779	1	SOCKET						
	8T-6762	1	PLUG-PIPE						

Y-SEPARATE ILLUSTRATION

FUEL SYSTEM

118-7591 GOVERNOR GP-ELECTRIC

S/N 9TG34-UP

SMCS-1264, 1287, 1289, 1908

i00949573

NOTE	PART NUMBER	QTY	PART NAME						SEE PAGE
			1	2	3	4	5	6 (PRODUCT LEVEL)	
	118-7590	1	ACTUATOR AS						
	8T-8732	1	RECEPTACLE - CONNECTOR						
	109-8855	1	CONDUIT AS						
	8T-8729	3	PIN-CONNECTOR						
	4W-5393	1	CONTROL AS-GOVERNOR						
			S/N 9TG34-66						
Y	131-5451	1	CONTROL AS-GOVERNOR						359
			S/N 9TG67-UP						
Y	9Y-5896	1	DRIVE GP-GOVERNOR						374
Y	7W-3355	1	MAGNETIC PICKUP GP						573
			S/N 9TG34-66						
	8T-6762	1	PLUG-PIPE (1/4-14 NPTF THD)						
	8L-4171	4	SENSOR GP-SPEED						
Y-SEPARATE ILLUSTRATION									

FUEL SYSTEM

9Y-6736 GOVERNOR GP - ELECTRONIC

2301 WOODWARD WITH EG3P ACTUATOR
CANNOT BE USED WITH LANDFILL ENGINE ARS
AN ATTACHMENT

SMCS-1264, 1287, 1908

i00654725

NOTE	PART NUMBER	QTY	PART NAME						SEE PAGE
			1	2	3	4	5	6 (PRODUCT LEVEL)	
Y	4P-7087	1	ACTUATOR AS						343
Y	4P-5251	1	CONTROL GP - CARBURETOR						361
Y	9Y-5896	1	DRIVE GP - GOVERNOR						374
Y	7W-3355	1	MAGNETIC PICKUP GP						573
	4W-5393	1	CONTROL AS - GOVERNOR						
	2B-0858	1	PLUG-PIPE (1/2-14 NPTF)						
Y-SEPARATE ILLUSTRATION									

FUEL SYSTEM

9Y-7584 GOVERNOR GP - ELECTRONIC

2301 WOODWARD

SMCS-1264, 1287, 1908

i00655536

NOTE	PART NUMBER	QTY	PART NAME						SEE PAGE
			1	2	3	4	5	6 (PRODUCT LEVEL)	
Y	4P-7087	1	ACTUATOR AS						343
Y	131-5451	1	CONTROL AS - GOVERNOR						359
Y	9Y-5896	1	DRIVE GP - GOVERNOR						374
Y	7W-3355	1	MAGNETIC PICKUP GP						573
	2B-0858	1	PLUG-PIPE (1/2-14 NPTF)						
Y-SEPARATE ILLUSTRATION									

FUEL SYSTEM

7E-8191 LINES GP-GAS

SMCS-1274

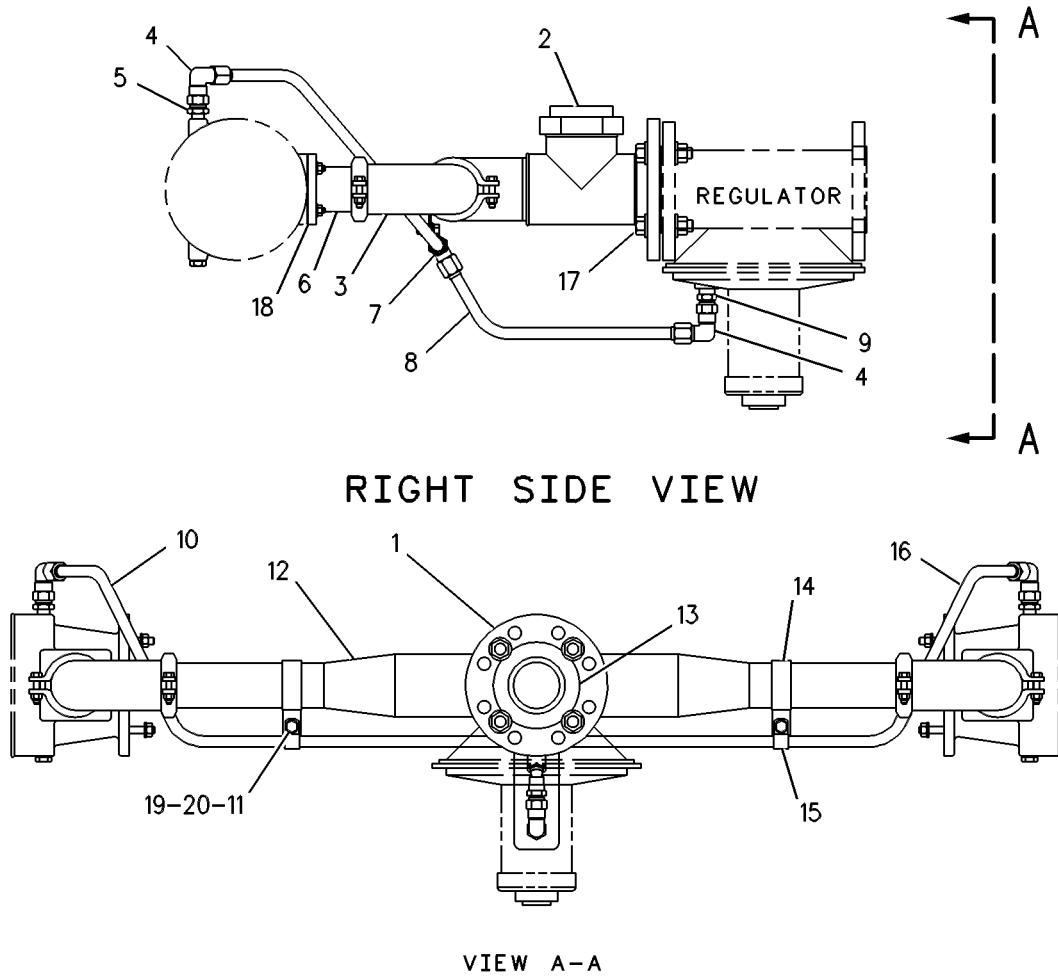
i00655782

NOTE	REF NO	GRAPHIC REF	PART NUMBER	QTY	PART NAME						SEE PAGE
					1	2	3	4	5	6 (PRODUCT LEVEL)	
	1	1	7E-8240	1	PIPE AS						
	2	1	7E-8192	1	VALVE AS						
	3	1	8C-5098	2	JOINT AS-TUBE						
		1	3N-2730	2	SEAL						
	4	1	030-7972	3	ELBOW						
	5	1	001-7004	2	CONNECTOR						
	6	1	7E-8239	2	TUBE AS						
	7	1	003-8581	1	TEE-UNION						
	8	1	7E-8238	1	TUBE AS						
	9	1	9M-6522	1	CONNECTOR-FLARED						
	10	1	7E-8236	1	TUBE AS						
	11	1	0S-1594	2	BOLT (3/8-16X1IN)						
	12	1	7E-8241	1	TUBE AS						
	13	1	7E-8235	1	GASKET						
	14	1	3P-9847	2	CLIP (64MM ID)						
	15	1	9M-8406	2	CLIP (15.8MM ID)						
	16	1	7E-8237	1	TUBE AS						
	17	1	0S-1625	4	BOLT (5/8-11X2.5IN)						
		1	5P-8247	8	WASHER-HARD (3.5MM THK)						
		1	4K-0367	4	NUT (5/8-11 THD)						
	18	1	107-8505	2	GASKET						
	19	1	5M-2894	4	WASHER (2.5MM THK)						
	20	1	9S-8752	2	NUT-FULL (3/8-16 THD)						

FUEL SYSTEM

7E-8191 LINES GP-GAS (contd.)

i00655782



GRAPHIC #1

g00261340

FUEL SYSTEM

7E-3407 REGULATOR AS

PART OF 155-1722 REGULATOR GP, 105-8847, 107-4335, 4P-8326 REGULATOR GP-GAS
PRESSURE
ALSO AN ATTACHMENT

SMCS-1270, 1283

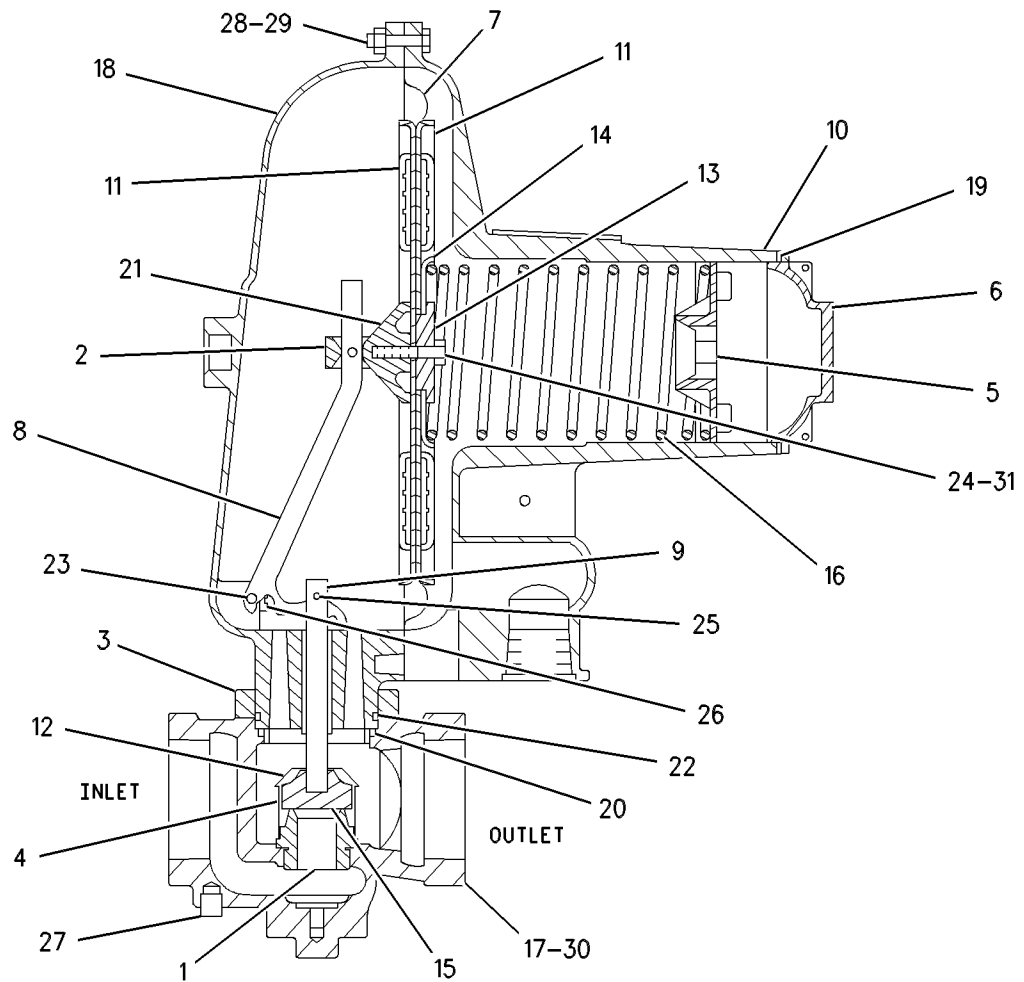
i00660572

NOTE	REF NO	GRAPHIC REF	PART NUMBER	QTY	PART NAME						SEE PAGE
					1	2	3	4	5	6 (PRODUCT LEVEL)	
	1	1	123-3978	1	ORIFICE						
	2	1	123-3977	1	PLATE-DIAPHRAGM						
	3	1	123-3975	1	PLATE-RETAINER						
	4	1	123-3974	1	RING-LOAD						
	5	1	123-3973	1	SCREW-ADJUSTMENT						
	6	1	123-3972	1	CAP-SEAL						
	7	1	123-3970	1	DIAPHRAGM						
	8	1	123-3966	1	LEVER-VALVE						
	9	1	123-3971	1	STEM-VALVE						
	10	1	123-3954	1	CASE-DIAPHRAGM						
	11	1	123-3952	2	PLATE-DIAPHRAGM						
	12	1	123-3967	1	RING-DEFLECTOR						
	13	1	123-3963	1	PLATE-DIAPHRAGM						
	14	1	123-3958	1	GUIDE-SPRING						
	15	1	123-3968	1	SEAT-VALVE						
	16	1	123-3969	1	SPRING						
	17	1	123-5976	1	BODY-VALVE						
	18	1	123-3953	1	CASE-DIAPHRAGM						
	19	1	123-5974	1	SEAL-O-RING						
	20	1	123-5958	1	GASKET-STEPPED						
	21	1	124-4129	1	GASKET-DIAPHRAGM						
	22	1	123-5959	1	RING-SNAP						
	23	1	123-5973	1	PIN-LINKAGE						
	24	1	4M-6425	1	BOLT (5/16-18X1IN)						
	25	1	123-5965	1	PIN-ROLL						
	26	1	123-5963	1	SCREW						
	27	1	123-5967	1	PLUG-PIPE						
	28	1	8T-8908	12	BOLT (1/4-20X1IN)						
	29	1	6V-8185	12	NUT (1/4-20 THD)						
	30	1	123-5972	2	SCREW						
	31	1	3B-4505	1	LOCKWASHER (5/16IN)						

FUEL SYSTEM

7E-3407 REGULATOR AS (contd.)

i00660572



GRAPHIC #1

g00286581

FUEL SYSTEM

155-1722 REGULATOR GP AN ATTACHMENT

SMCS-1270, 1283

i00931507

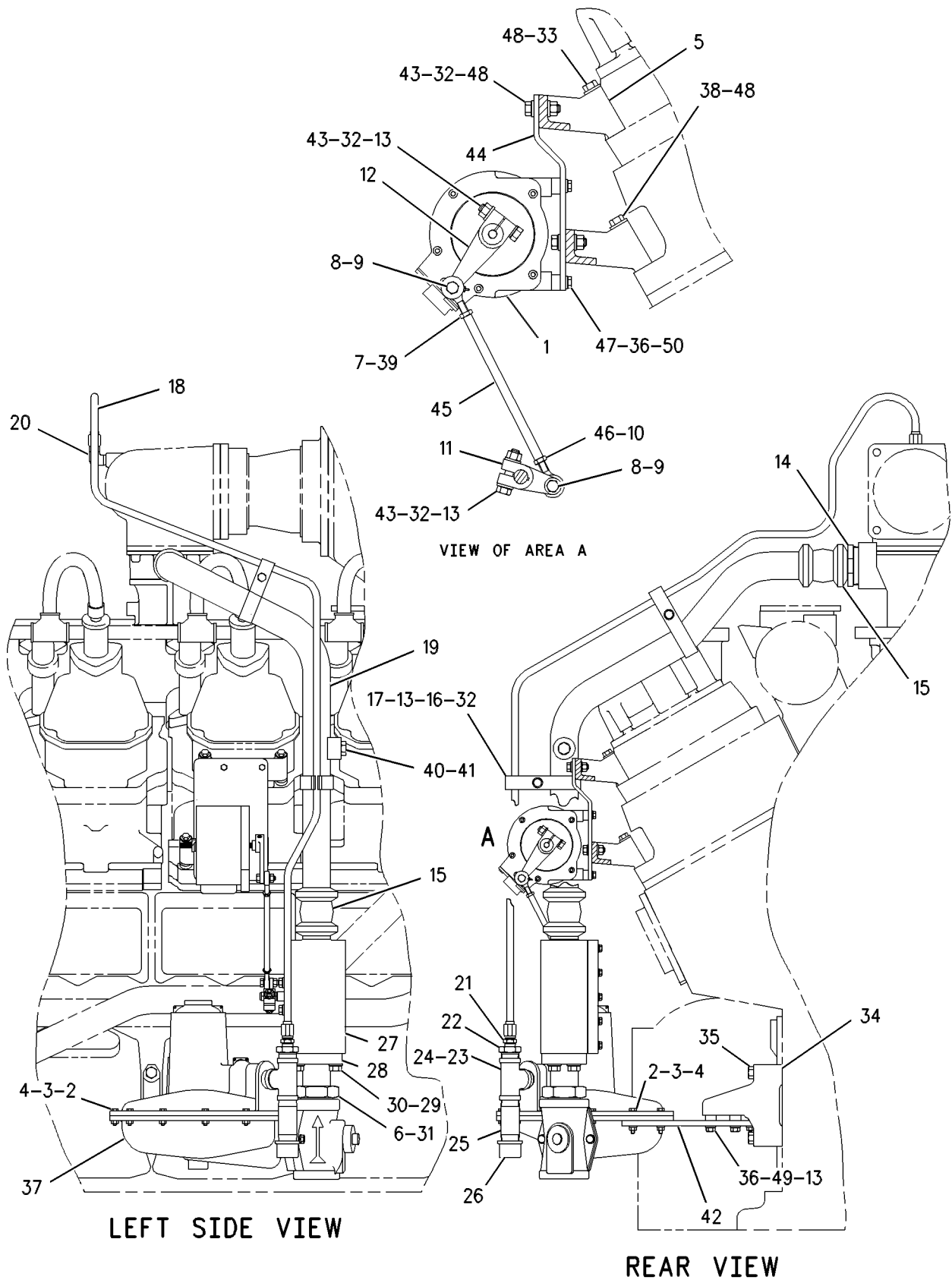
NOTE	REF NO	GRAPHIC REF	PART NUMBER	QTY	PART NAME						SEE PAGE
					1	2	3	4	5	6 (PRODUCT LEVEL)	
	1	1	141-8799	1	ACTUATOR						
	2	1	9F-7022	8	BOLT						
	3	1	5P-0537	8	WASHER (2MM THK)						
	4	1	9S-8750	8	NUT-FULL (1/4-20 THD)						
	5	1	1W-8129	2	SUPPORT						
	6	1	4J-0524	1	SEAL-O-RING (47.22MM ID)						
	7	1	7E-9748	1	ROD END						
	8	1	5S-0003	2	NUT-FULL (5/16-18 THD)						
	9	1	4B-3388	2	BOLT (5/16-18X1.125IN)						
	10	1	6V-9163	1	ROD END						
	11	1	6S-7721	1	LEVER						
	12	1	4P-0708	1	LEVER						
	13	1	5M-2894	11	WASHER (2.5MM THK)						
	14	1	7W-1898	1	ADAPTER						
	15	1	6L-2849	2	JOINT AS-TUBE						
		1	9X-7521	2	SEAL						
	16	1	1A-2029	2	BOLT (3/8-16X1.125IN)						
	17	1	2W-2243	2	CLAMP						
	18	1	107-6314	1	TUBE AS						
	19	1	107-6315	1	TUBE AS						
	20	1	5P-8116	1	ELBOW-FLARED						
	21	1	3R-5387	1	CONNECTOR						
	22	1	061-9593	1	BUSHING-REDUCER						
	23	1	4B-7770	1	TEE (1 IN PIPE THD)						
	24	1	3B-7749	1	FITTING						
	25	1	6B-3156	1	NIPPLE-PIPE						
	26	1	3B-6486	1	CAP-PIPE						
Y	27	1	107-6318	1	VALVE GP-FUEL RATIO						406
	28	1	1P-4579	2	FLANGE-HALF						
	29	1	7D-1649	4	WASHER (5.0MM THK)						
	30	1	0S-1587	4	BOLT (1/2-13X1.75IN)						
	31	1	6I-0327	1	ADAPTER						
	32	1	9S-8752	8	NUT-FULL (3/8-16 THD)						
	33	1	0T-0055	2	BOLT (3/8-16X4.25IN)						
	34	1	1N-3872	2	SUPPORT						
	35	1	1A-5822	4	BOLT (1/2-13X2.75IN)						
	36	1	091-0081	8	SPACER						
Y	37	1	7E-3407	1	REGULATOR AS-GAS PRESSURE						388
	38	1	0T-0573	2	BOLT (3/8-16X2.75IN)						
	39	1	8L-4496	1	NUT-JAM						
	40	1	9S-4185	1	PLUG-O-RING (3/4-16 THD)						
	41	1	3K-0360	1	SEAL-O-RING (16.36MM ID)						
	42	1	106-2450	1	PLATE						
	43	1	2A-4639	6	BOLT (3/8-16X1.625IN)						
	44	1	155-1721	1	BRACKET						
	45	1	119-5092	1	ROD						
	46	1	4F-2294	1	NUT-JAM (5/16-24 THD)						
M	47	1	6V-2317	4	BOLT (M8X1.25X30MM)						
	48	1	3V-3308	12	WASHER (2.5MM THK)						
	49	1	0S-1591	4	BOLT (3/8-16X1.5IN)						
	50	1	9M-1974	4	WASHER-HARD (2MM THK)						

M-METRIC PART
Y-SEPARATE ILLUSTRATION

FUEL SYSTEM

155-1722 REGULATOR GP (contd.)

i00931507



GRAPHIC #1

g00463990

FUEL SYSTEM

4P-8326 REGULATOR GP-GAS PRESSURE

SMCS-1270, 1283

i00932563

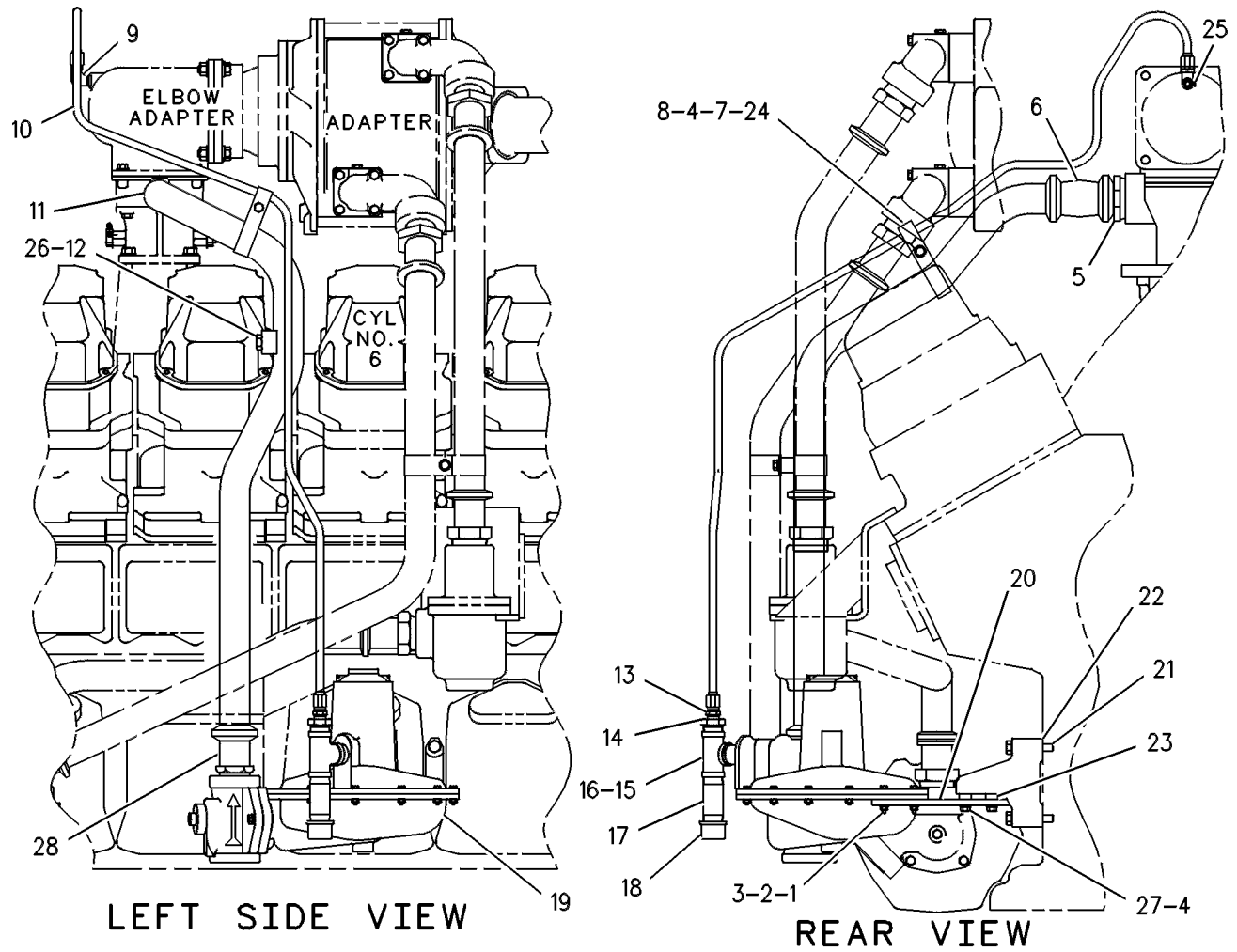
NOTE	REF NO	GRAPHIC REF	PART NUMBER	QTY	PART NAME						SEE PAGE
					1	2	3	4	5	6 (PRODUCT LEVEL)	
	1	1	9F-7022	4	BOLT						
	2	1	5P-0537	4	WASHER (2MM THK)						
	3	1	9S-8750	4	NUT-FULL (1/4-20 THD)						
	4	1	5M-2894	6	WASHER (2.5MM THK)						
	5	1	105-9267	1	ADAPTER						
	6	1	6L-2849	2	JOINT AS-TUBE						
					(EACH INCLUDES)						
		1	9X-7521	2	SEAL						
	7	1	1A-2029	1	BOLT (3/8-16X1.125IN)						
	8	1	2W-2243	2	CLAMP						
	9	1	5P-8116	1	ELBOW-FLARED						
	10	1	107-6316	1	TUBE AS						
	11	1	112-1792	1	TUBE AS						
	12	1	9S-4185	1	PLUG-O-RING (3/4-16 THD)						
	13	1	3R-5387	1	CONNECTOR						
	14	1	061-9593	1	BUSHING-REDUCER						
	15	1	4B-7770	1	TEE (1 IN PIPE THD)						
	16	1	3B-7749	1	FITTING						
	17	1	6B-3156	1	NIPPLE-PIPE						
	18	1	3B-6486	1	CAP-PIPE						
Y	19	1	7E-3407	1	REGULATOR AS-GAS PRESSURE						388
	20	1	109-1738	1	PLATE						
	21	1	1A-5822	4	BOLT (1/2-13X2.75IN)						
	22	1	1N-3872	2	SUPPORT						
	23	1	091-0081	4	SPACER						
	24	1	9S-8752	1	NUT-FULL (3/8-16 THD)						
	25	1	8T-6764	1	PLUG-PIPE (1/8-27 NPTF THD)						
	26	1	3K-0360	2	SEAL-O-RING (16.36MM ID)						
	27	1	0S-1591	4	BOLT (3/8-16X1.5IN)						
	28	1	8T-2657	1	JOINT AS-TUBE						
		1	2N-8198	1	SEAL						

Y-SEPARATE ILLUSTRATION

FUEL SYSTEM

4P-8326 REGULATOR GP-GAS PRESSURE (contd.)

i00932563



GRAPHIC #1

g00239223

FUEL SYSTEM

4P-9090 REGULATOR GP-GAS PRESSURE

CANNOT BE USED WITH 1000 RPM OR 1500 RPM LOW PRESSURE GAS ENGINES
AN ATTACHMENT

SMCS-1270, 1283

i00656771

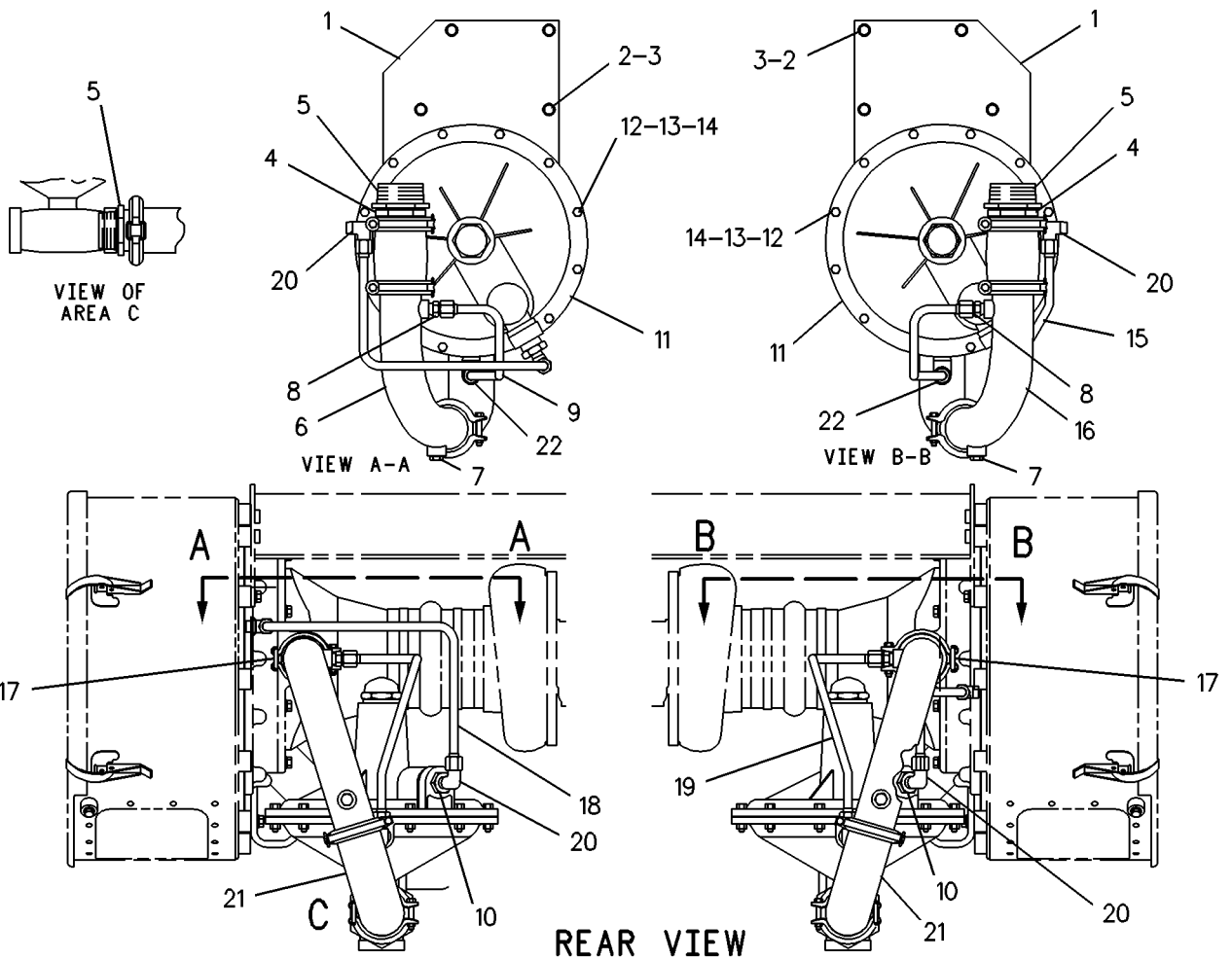
NOTE	REF NO	GRAPHIC REF	PART NUMBER	QTY	PART NAME						SEE PAGE
					1	2	3	4	5	6 (PRODUCT LEVEL)	
	1	1	4P-9092	2	PLATE						
	2	1	0S-1588	8	BOLT (3/8-16X1.25IN)						
	3	1	5M-2894	8	WASHER (2.5MM THK)						
	4	1	3N-9409	2	BUSHING-TERMINAL						
	5	1	2W-5709	4	ADAPTER						
	6	1	4P-9327	1	TUBE AS						
	7	1	8T-6767	2	PLUG-PIPE (3/8-18 NPTF THD)						
	8	1	8M-0755	2	CONNECTOR						
	9	1	4P-9098	1	TUBE AS						
	10	1	6B-1628	2	BUSHING-TERMINAL						
Y	11	1	<i>100-8227</i>	1	REGULATOR GP-GAS PRESSURE						398
	12	1	1B-9575	8	BOLT (5/16-18X1.75IN)						
	13	1	5S-0003	8	NUT-FULL (5/16-18 THD)						
	14	1	9M-1974	8	WASHER-HARD (2MM THK)						
	15	1	4P-9099	1	TUBE AS						
	16	1	4P-9101	1	TUBE AS						
	17	1	9S-9635	2	JOINT AS-TUBE						
	18	1	4P-9102	1	TUBE AS						
	19	1	4P-9100	1	TUBE AS						
	20	1	7L-7262	4	ELBOW-FLARED						
	21	1	8C-5098	2	JOINT AS-TUBE						
					(EACH INCLUDES)						
		1	3N-2730	2	SEAL						
	22	1	052-0741	2	ELBOW						

Y- SEPARATE ILLUSTRATION

FUEL SYSTEM

4P-9090 REGULATOR GP-GAS PRESSURE (contd.)

i00656771



GRAPHIC #1

g00228964

FUEL SYSTEM

7E-8190 REGULATOR GP-GAS PRESSURE

SMCS-1270, 1283

i00657328

NOTE	PART NUMBER	QTY	PART NAME	SEE PAGE
1 2 3 4 5 6 (PRODUCT LEVEL)				
(INDIVIDUAL PARTS ARE NOT SERVICED SEPARATELY)				

MEMORANDA

FUEL SYSTEM

100-8227 REGULATOR GP-GAS PRESSURE

PART OF 4P-9090 REGULATOR GP-GAS PRESSURE

AN ATTACHMENT

SMCS-1270, 1283

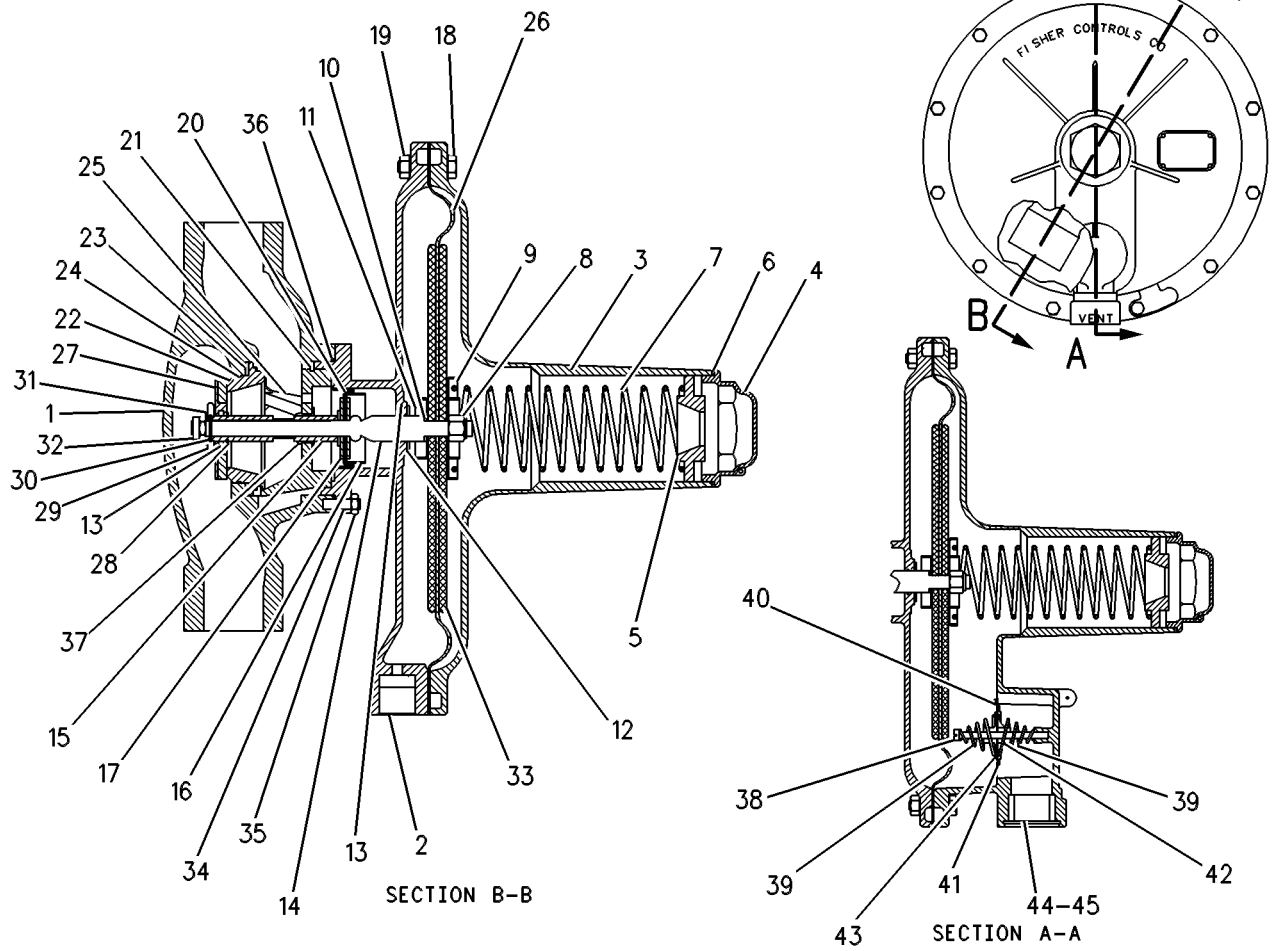
i00654677

NOTE	REF NO	GRAPHIC REF	PART NUMBER	QTY	PART NAME						SEE PAGE
					1	2	3	4	5	6 (PRODUCT LEVEL)	
	1	1	133-5184	1	BODY-VALVE						
	2	1	133-5266	1	CASE-DIAPHRAM						
	3	1	133-5237	1	CASE-SPRING						
	4	1	7W-5521	1	CAP						
	5	1	133-5239	1	SCREW-ADJUSTING						
	6	1	133-5251	1	GASKET						
	7	1	133-5241	1	SPRING						
	8	1	133-5246	1	NUT						
	9	1	133-5256	1	SEAT-VALVE						
	10	1	4P-3684	2	WASHER-SEAL						
	11	1	133-5245	1	PLATE-DIAPHRAGM						
	12	1	133-5253	1	BEARING						
	13	1	133-5186	2	SEAL-O-RING						
	14	1	133-5240	1	STEM-VALVE						
	15	1	133-5260	1	SLEEVE-STEM						
	16	1	133-5257	1	PLATE-DIAPHRAGM						
	17	1	133-5258	2	WASHER						
	18	1	133-5243	12	SCREW						
	19	1	133-5242	12	NUT						
	20	1	4P-3687	1	DIAPHRAGM						
	21	1	133-5255	1	SCREW						
	22	1	4P-3689	1	ORIFICE						
	23	1	133-5252	1	SPRING-BELLEVILLE						
	24	1	133-5188	1	SEAL-O-RING						
	25	1	133-5265	1	CAGE						
	26	1	4P-3686	1	DIAPHRAGM						
	27	1	4P-3688	1	VALVE AS-DICONNECT						
	28	1	133-5249	1	RETAINER						
	29	1	133-5259	1	DISC						
	30	1	133-5248	1	PIN-ROLL						
	31	1	133-5247	1	WASHER-HARD						
	32	1	133-5244	1	NUT						
	33	1	133-5238	2	PLATE-DIAPHRAGM						
	34	1	133-5261	4	STUD						
	35	1	133-5262	4	NUT						
	36	1	133-5187	1	SEAL-O-RING						
	37	1	4P-3937	1	BUSHING						
	38	1	133-5231	1	STEM-FLAPPER						
	39	1	133-5236	2	SPRING						
	40	1	133-5235	3	SCREW						
	41	1	133-5234	1	ORIFICE						
	42	1	133-5233	1	PLATE-FLAPPER						
	43	1	133-5232	1	PLATE-FLAPPER						
	44	1	133-5190	1	SCREEN						
	45	1	133-5191	1	RING-SNAP						

FUEL SYSTEM

100-8227 REGULATOR GP - GAS PRESSURE (contd.)

i00654677



GRAPHIC #1

g00272889

FUEL SYSTEM

105-8847 REGULATOR GP-GAS PRESSURE

SMCS-1270, 1283

i00893075

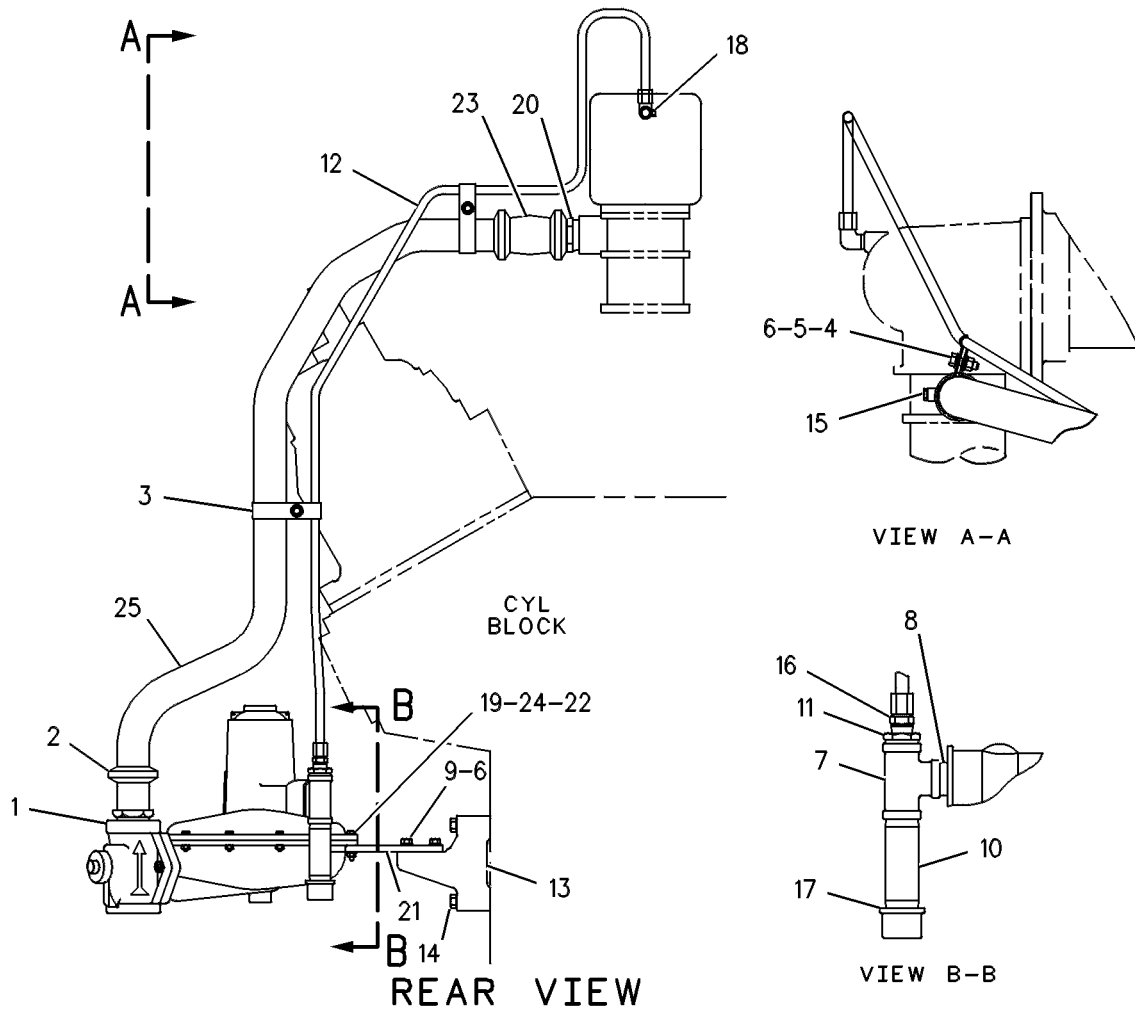
NOTE	REF NO	GRAPHIC REF	PART NUMBER	QTY	PART NAME						SEE PAGE
					1	2	3	4	5	6 (PRODUCT LEVEL)	
Y	1	1	7E-3407	1	REGULATOR AS-GAS PRESSURE						388
	2	1	8T-2657	1	JOINT AS-TUBE						
		1	2N-8198	1	SEAL						
	3	1	2W-2243	4	CLAMP						
	4	1	1A-2029	2	BOLT (3/8-16X1.125IN)						
	5	1	9S-8752	2	NUT-FULL (3/8-16 THD)						
	6	1	5M-2894	8	WASHER (2.5MM THK)						
	7	1	4B-7770	1	TEE (1 IN PIPE THD)						
	8	1	3B-7749	1	FITTING						
	9	1	0S-1594	4	BOLT						
	10	1	6B-3156	1	NIPPLE-PIPE						
	11	1	061-9593	1	BUSHING-REDUCER						
	12	1	113-0084	1	TUBE AS						
	13	1	1N-3872	2	SUPPORT						
	14	1	1A-5822	4	BOLT (1/2-13X2.75IN)						
	15	1	8T-6765	1	PLUG-PIPE (1/4-18 NPTF THD)						
	16	1	3R-5387	1	CONNECTOR						
	17	1	3B-6486	1	CAP-PIPE						
	18	1	8T-6764	1	PLUG-PIPE (1/8-27 NPTF THD)						
	19	1	7B-8167	4	BOLT (1/4-20X1.62IN)						
	20	1	105-9267	1	ADAPTER						
	21	1	105-9266	1	PLATE						
	22	1	9M-1974	4	WASHER-HARD (2MM THK)						
	23	1	6L-2849	1	JOINT AS-TUBE						
	24	1	9S-8750	4	NUT-FULL (1/4-20 THD)						
	25	1	7W-2726	1	TUBE AS						

Y-SEPARATE ILLUSTRATION

FUEL SYSTEM

105-8847 REGULATOR GP - GAS PRESSURE (contd.)

i00893075



GRAPHIC #1

g00239564

FUEL SYSTEM

107-4335 REGULATOR GP-GAS PRESSURE

AN ATTACHMENT

SMCS-1270, 1283

i00943473

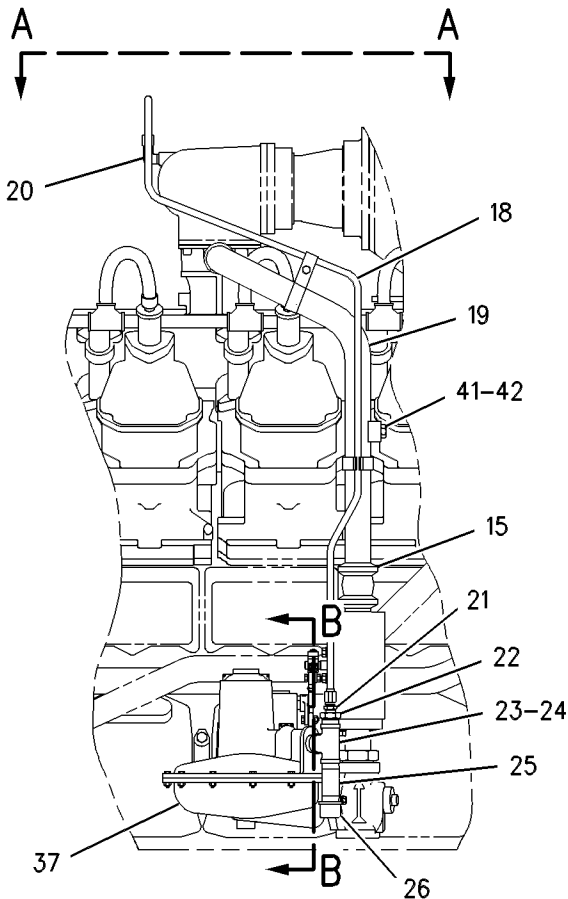
NOTE	REF NO	GRAPHIC REF	PART NUMBER	QTY	PART NAME						SEE PAGE
					1	2	3	4	5	6 (PRODUCT LEVEL)	
Y	1	1	102-7506	1	ACTUATOR GP-FUEL RATIO						345
	2	1	9F-7022	4	BOLT						
	3	1	5P-0537	12	WASHER (2MM THK)						
	4	1	9S-8750	8	NUT-FULL (1/4-20 THD)						
	5	1	0S-1591	4	BOLT (3/8-16X1.5IN)						
	6	1	4J-0524	1	SEAL-O-RING (47.22MM ID)						
	7	1	7E-9748	1	ROD END						
	8	1	5S-0003	2	NUT-FULL (5/16-18 THD)						
	9	1	4B-3388	3	BOLT (5/16-18X1.125IN)						
	10	1	6V-9163	1	ROD END						
	11	1	6S-7721	1	LEVER						
	12	1	9F-6580	4	BOLT						
	13	1	5M-2894	10	WASHER (2.5MM THK)						
	14	1	7W-1898	1	ADAPTER						
	15	1	6L-2849	2	JOINT AS-TUBE (EACH INCLUDES)						
		1	9X-7521		SEAL						
	16	1	1A-2029	2	BOLT (3/8-16X1.125IN)						
	17	1	2W-2243	2	CLAMP						
	18	1	107-6314	1	TUBE AS						
	19	1	107-6315	1	TUBE AS						
	20	1	5P-8116	1	ELBOW-FLARED						
	21	1	3R-5387	1	CONNECTOR						
	22	1	061-9593	1	BUSHING-REDUCER						
	23	1	4B-7770	1	TEE (1 IN PIPE THD)						
	24	1	3B-7749	1	FITTING						
	25	1	6B-3156	1	NIPPLE-PIPE						
	26	1	3B-6486	1	CAP-PIPE						
Y	27	1	107-6318	1	VALVE GP-FUEL RATIO						406
	28	1	1P-4579	2	FLANGE-HALF						
	29	1	7D-1649	1	WASHER (5.0MM THK)						
	30	1	0S-1587	1	BOLT (1/2-13X1.75IN)						
	31	1	6I-0327	1	ADAPTER						
	32	1	9S-8752	3	NUT-FULL (3/8-16 THD)						
	33	1	108-4889	1	LEVER						
	34	1	1N-3872	2	SUPPORT						
	35	1	1A-5822	4	BOLT (1/2-13X2.75IN)						
	36	1	091-0081	4	SPACER						
Y	37	1	7E-3407	1	REGULATOR AS-GAS PRESSURE						388
	38	1	4F-2294	1	NUT-JAM (5/16-24 THD)						
	39	1	8L-4496	1	NUT-JAM						
	40	1	4P-7401	1	ROD						
	41	1	9S-4185	1	PLUG-O-RING (3/4-16 THD)						
	42	1	3K-0360	1	SEAL-O-RING (16.36MM ID)						
	43	1	106-2450	1	PLATE						
	44	1	2A-4639	1	BOLT (3/8-16X1.625IN)						
	45	1	9M-1974	1	WASHER-HARD (2MM THK)						

Y- SEPARATE ILLUSTRATION

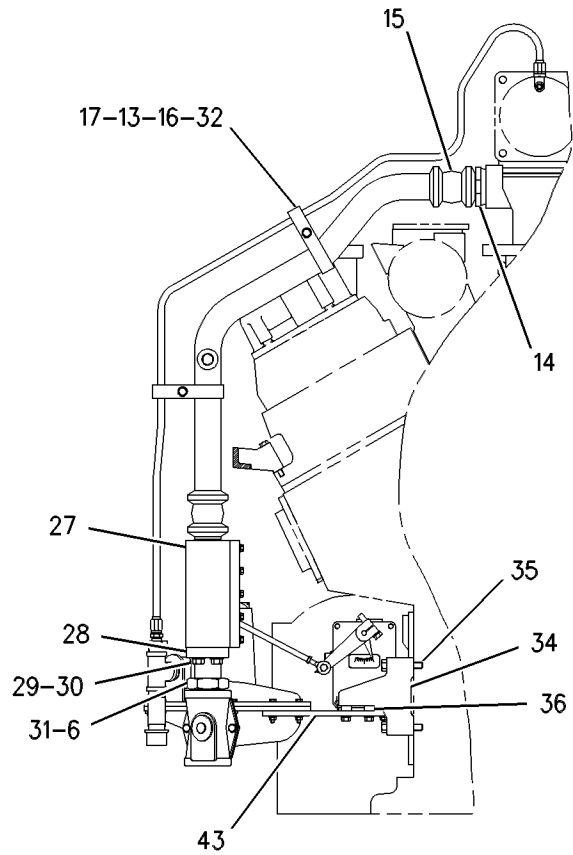
FUEL SYSTEM

107-4335 REGULATOR GP - GAS PRESSURE (contd.)

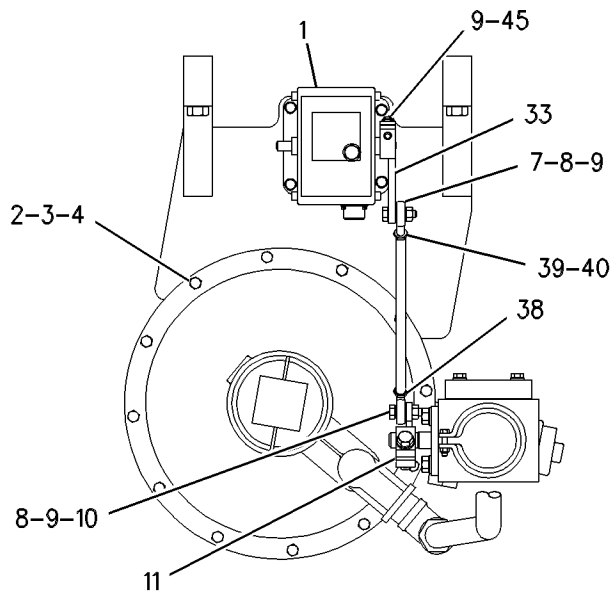
i00943473



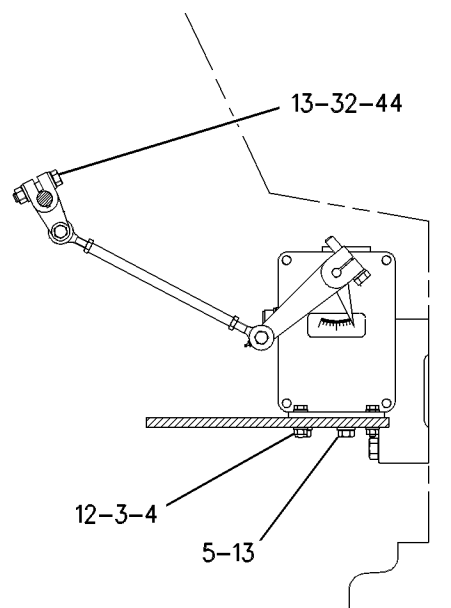
LEFT SIDE VIEW



REAR VIEW



SECTION A-A



SECTION B-B

GRAPHIC #1

g00380808

FUEL SYSTEM

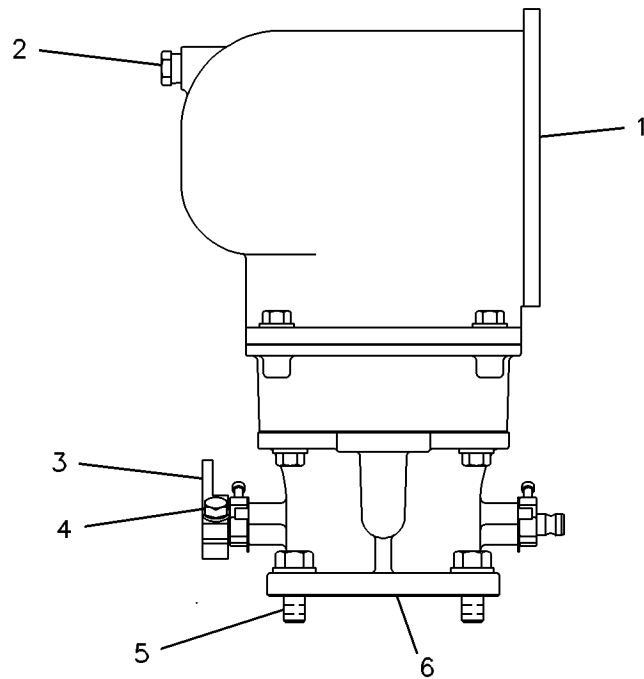
7E-8284 THROTTLE GP

SMCS-1265

i00655849

NOTE	REF NO	GRAPHIC REF	PART NUMBER	QTY	PART NAME						SEE PAGE
					1	2	3	4	5	6 (PRODUCT LEVEL)	
Y	1	1	7E-9203	1	THROTTLE GP						405
	2	1	3J-5390	1	PLUG (3/8-18 THD)						
	3	1	9Y-2635	1	LEVER-CARBURETOR						
	4	1	4B-3388	1	BOLT (5/16-18X1.125IN)						
		1	9M-1974	1	WASHER-HARD (2MM THK)						
	5	1	0S-1595	4	BOLT (1/2-13X1.25IN)						
		1	5P-8245	4	WASHER (3MM THK)						
	6	1	4W-7992	1	GASKET						

Y-SEPARATE ILLUSTRATION



GRAPHIC #1

g00212569

FUEL SYSTEM

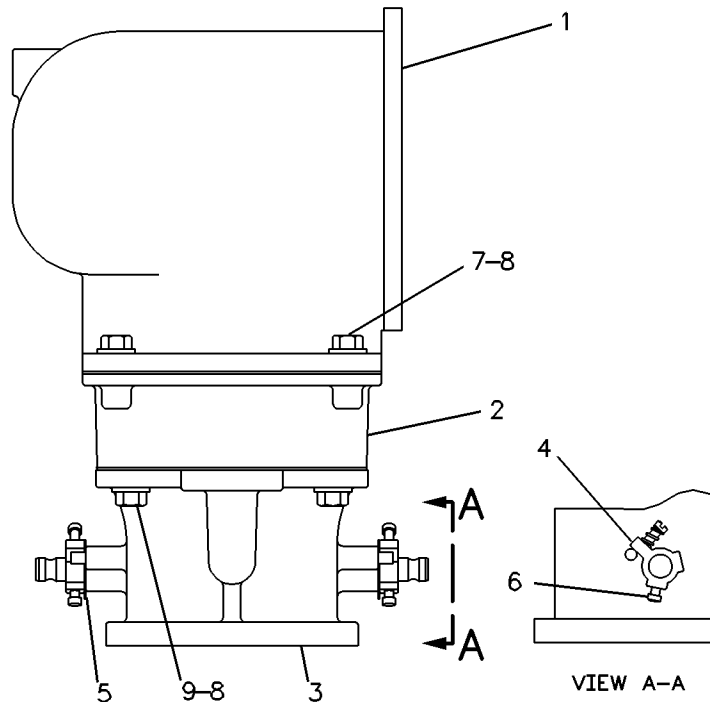
7E-9203 THROTTLE GP

PART OF 7E-8284 THROTTLE GP

SMCS-1265

i00655915

NOTE	REF NO	GRAPHIC REF	PART NUMBER	QTY	PART NAME						SEE PAGE
					1	2	3	4	5	6 (PRODUCT LEVEL)	
	1	1	7W-4276	1	ADAPTER AS-HORN						
	2	1	7E-9200	1	BODY						
	3	1	7E-1585	1	THROTTLE AS						
		1	7W-4281	1	DISC						
		1	8C-8515	2	SCREW						
4	1	1	7E-1565	2	LEVER AS-STOP						
5	1	1	7E-1576	2	WASHER						
6	1	1	6L-5296	2	SCREW-PIN						
7	1	1	0S-1591	4	BOLT (3/8-16X1.5IN)						
8	1	1	5M-2894	8	WASHER (2.5MM THK)						
9	1	1	0S-1594	4	BOLT (3/8-16X1IN)						
AVAILABLE REPAIR KIT(S) :											
			7W-4148	1	KIT-GASKET (INCL 2 GASKETS)						
			7E-1552	1	KIT-SHAFT & BEARING (INCL SHAFT, BEARING AND SEAL)						



GRAPHIC #1

g00212570

FUEL SYSTEM

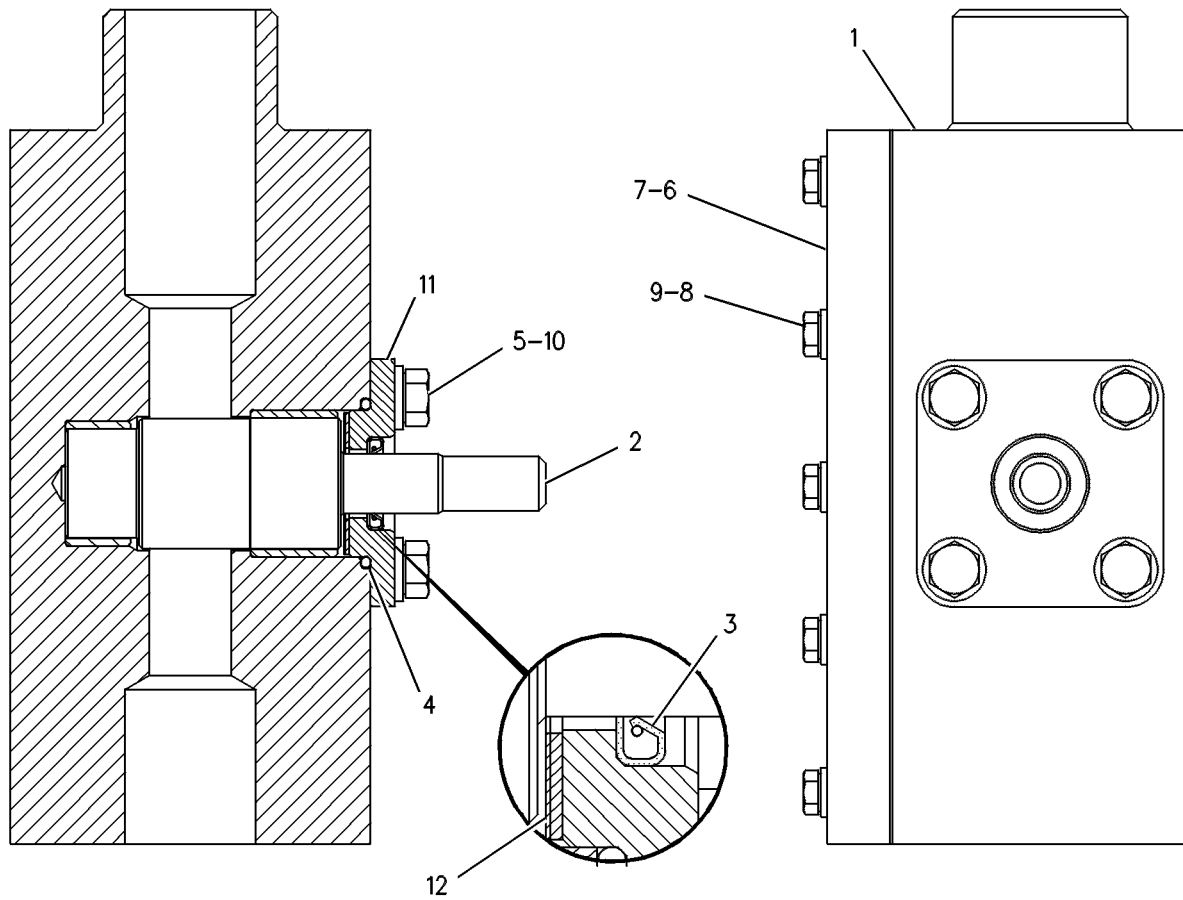
107-6318 VALVE GP-FUEL

PART OF 155-1722 REGULATOR GP, 107-4335 REGULATOR GP-GAS PRESSURE
AN ATTACHMENT

SMCS-1278

i00659332

NOTE	REF NO	GRAPHIC REF	PART NUMBER	QTY	PART NAME						SEE PAGE
					1	2	3	4	5	6 (PRODUCT LEVEL)	
	1	1	6I-0326	1	HOUSING AS						
		1	6I-0331	1	BEARING (42.89MM ID)						
		1	6I-0332	1	BEARING (36.54MM ID)						
	2	1	6I-0330	1	SHAFT						
	3	1	064-9021	1	SEAL-LIP						
	4	1	8M-4992	1	SEAL-O-RING (40.87MM ID)						
	5	1	1A-2029	4	BOLT (3/8-16X1.125IN)						
	6	1	107-6320	1	PLATE-VALVE						
	7	1	6I-0575	1	GASKET						
	8	1	2A-5546	10	BOLT (1/4-20X1.375IN)						
	9	1	5P-0537	10	WASHER (2MM THK)						
	10	1	5M-2894	4	WASHER (2.5MM THK)						
	11	1	6I-0333	1	FLANGE						
	12	1	6I-1143	1	WASHER-THRUST						



GRAPHIC #1

g00237020

FUEL SYSTEM

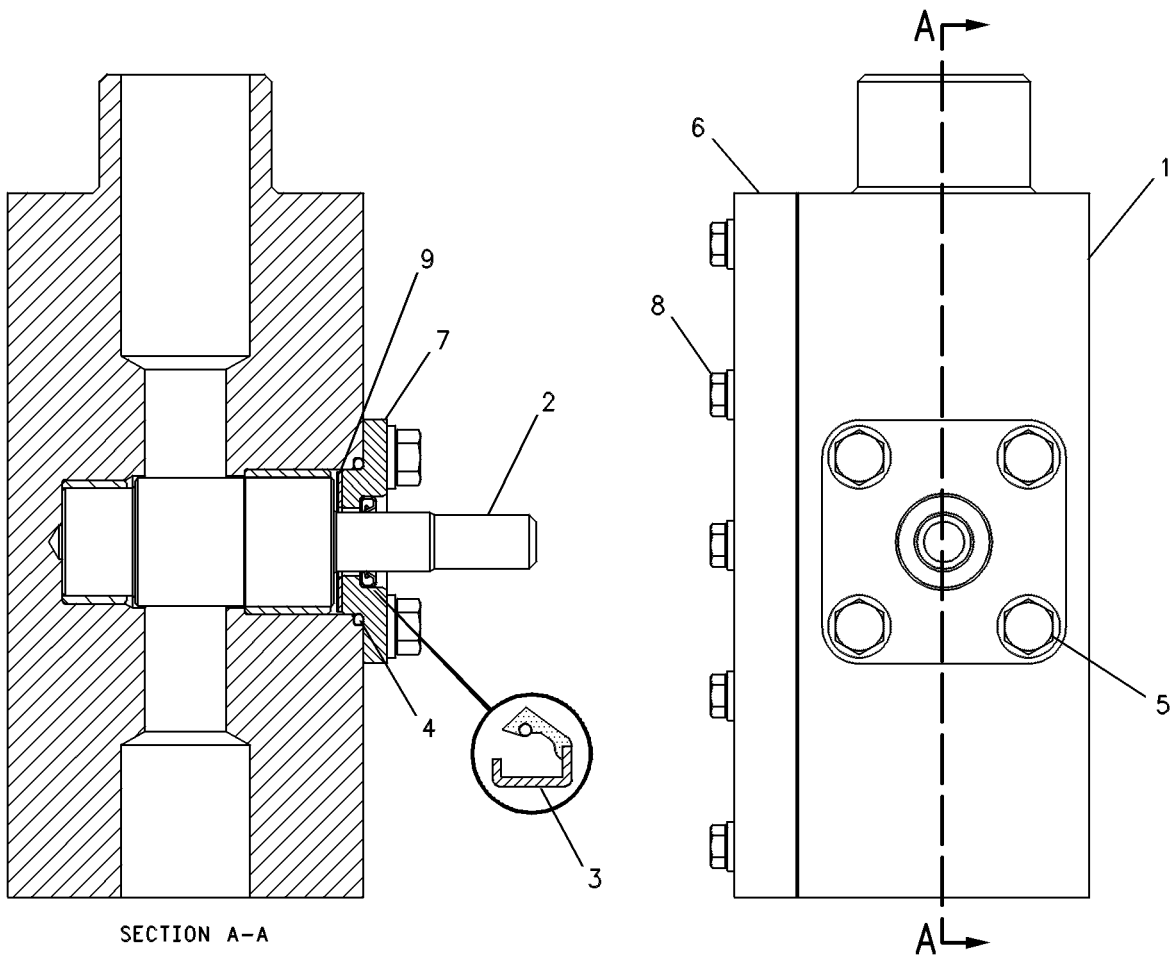
107-6319 VALVE GP-MANUAL

AN ATTACHMENT

SMCS-1278

i00659995

NOTE	REF NO	GRAPHIC REF	PART NUMBER	QTY	PART NAME						SEE PAGE
					1	2	3	4	5	6 (PRODUCT LEVEL)	
	1	1	6I-0326	1	HOUSING AS						
		1	6I-0331	1	BEARING (42.893MM OD)						
		1	6I-0332	1	BEARING (36.543MM OD)						
	2	1	6I-0330	1	SHAFT						
	3	1	064-9021	1	SEAL-LIP						
	4	1	8M-4992	1	SEAL-O-RING (40.87MM ID)						
	5	1	1A-2029	4	BOLT (3/8-16X1.125IN)						
		1	5M-2894	4	WASHER (2.5MM THK)						
	6	1	107-6321	1	PLATE-VALVE						
		1	6I-0575	1	GASKET						
	7	1	6I-0333	1	FLANGE						
	8	1	2A-5546	10	BOLT (1/4-20X1.375IN)						
		1	5P-0537	10	WASHER (2MM THK)						
	9	1	6I-1143	1	WASHER-THRUST						



GRAPHIC #1

g00239740

ELECTRICAL AND STARTING SYSTEM

3T-6352 ALTERNATOR GP-CHARGING

24 VOLT, 35 AMP

PART OF 6N-9294 ALTERNATOR GP-CHARGING
AN ATTACHMENT

SMCS-1405, 1410, 1425

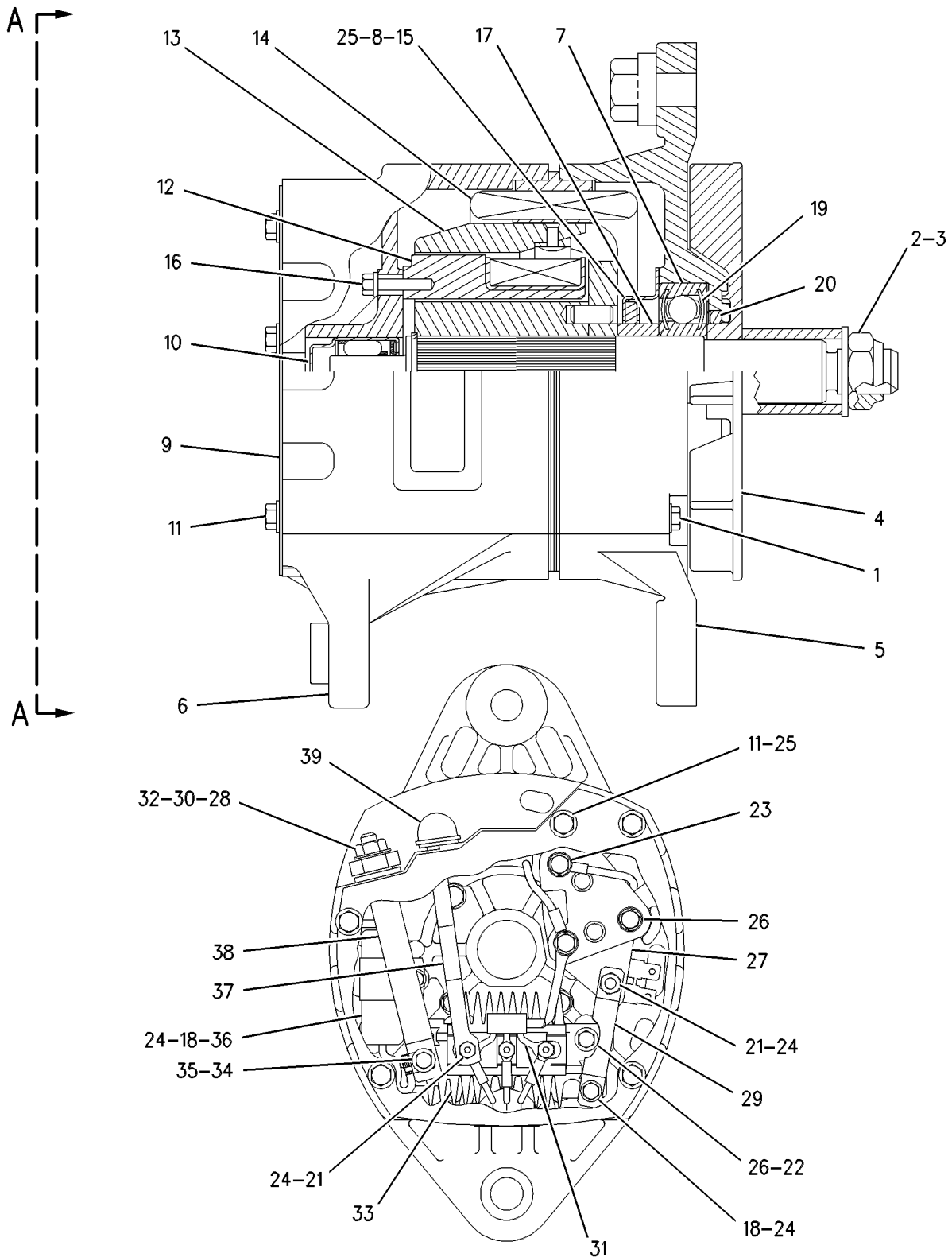
i00756875

NOTE	REF NO	GRAPHIC REF	PART NUMBER	QTY	PART NAME						SEE PAGE
					1	2	3	4	5	6 (PRODUCT LEVEL)	
1		1	7N-9024	4	BOLT						
2		1	2K-4821	1	LOCKNUT (5/8-18 THD)						
3		1	7F-7621	1	WASHER						
4		1	3E-5454	1	FAN-ALTERNATOR						
5		1	7N-7810	1	FRAME AS-DRIVE END						
6		1	7N-7805	1	HOUSING						
7		1	6V-2202	1	BALL BEARING						
8		1	9S-2437	3	SCREW-TAPPING						
9		1	7N-7809	1	PLATE						
10		1	5P-6920	1	BEARING-ROLLER						
11		1	030-9612	5	SCREW-FORMING						
12		1	7N-7806	1	COIL AS-FIELD						
13		1	7N-7800	1	ROTOR AS						
14		1	7N-7804	1	STATOR AS						
15		1	9L-2137	1	RETAINER AS						
16		1	9N-3388	4	LOCKSCREW						
17		1	7N-7795	1	COLLAR						
18		1	9S-2544	2	SCREW-HEX HEAD						
19		1	9L-2140	1	PLATE						
20		1	9L-2139	1	WASHER-FELT						
21		1	4B-2043	4	NUT (8-32 THD)						
22		1	8T-0328	2	WASHER-HARD (1MM THK)						
23		1	6N-1872	2	SCREW AS						
24		1	9B-7233	6	LOCKWASHER (NO.8)						
25		1	8F-1434	4	LOCKWASHER (#10-INT.) (5MM ID)						
26		1	7N-9023	2	SCREW AS						
27		1	3T-6354	1	REGULATOR AS						
28		1	1H-3244	1	LOCKWASHER (NO.14)						
29		1	7N-7811	1	CONNECTOR						
30		1	6V-8187		NUT (1/4-28 THD)						
31		1	112-9119	1	DIODE AS-ALTERNATOR						
32		1	8T-4205	1	WASHER-HARD (2MM THK)						
33		1	7N-7122	1	RECTIFIER AS						
34		1	7N-9021	1	SCREW AS						
35		1	7N-7796	1	BUSHING-TERMINAL						
36		1	7N-7802	1	CAPACITOR AS						
37		1	7N-7801	1	CONNECTOR						
38		1	7N-7798	1	CONNECTOR						
39		1	9L-6770	1	CAP						
					AVAILABLE REPAIR KIT(S) :						
			7N-7807	1	KIT-TERMINAL (OUTPUT) (INCLUDES INSULATOR, SCREW, WASHERS, LOCKWASHER, NUT & ADAPTER)						
			7N-7808	1	KIT-TERMINAL (ALTERNATOR) (INCLUDES STUD, BUSHINGS, WASHERS & NUT AS)						

ELECTRICAL AND STARTING SYSTEM

3T-6352 ALTERNATOR GP - CHARGING (contd.)

i00756875



VIEW A-A

GRAPHIC #1

g00329017

ELECTRICAL AND STARTING SYSTEM

4N-3986 ALTERNATOR GP-CHARGING*R

24 VOLT, 60 AMPERE

PART OF 112-3455, 7N-7981 ALTERNATOR GP-CHARGING
AN ATTACHMENT

SMCS-1405, 1410, 1425

i00778243

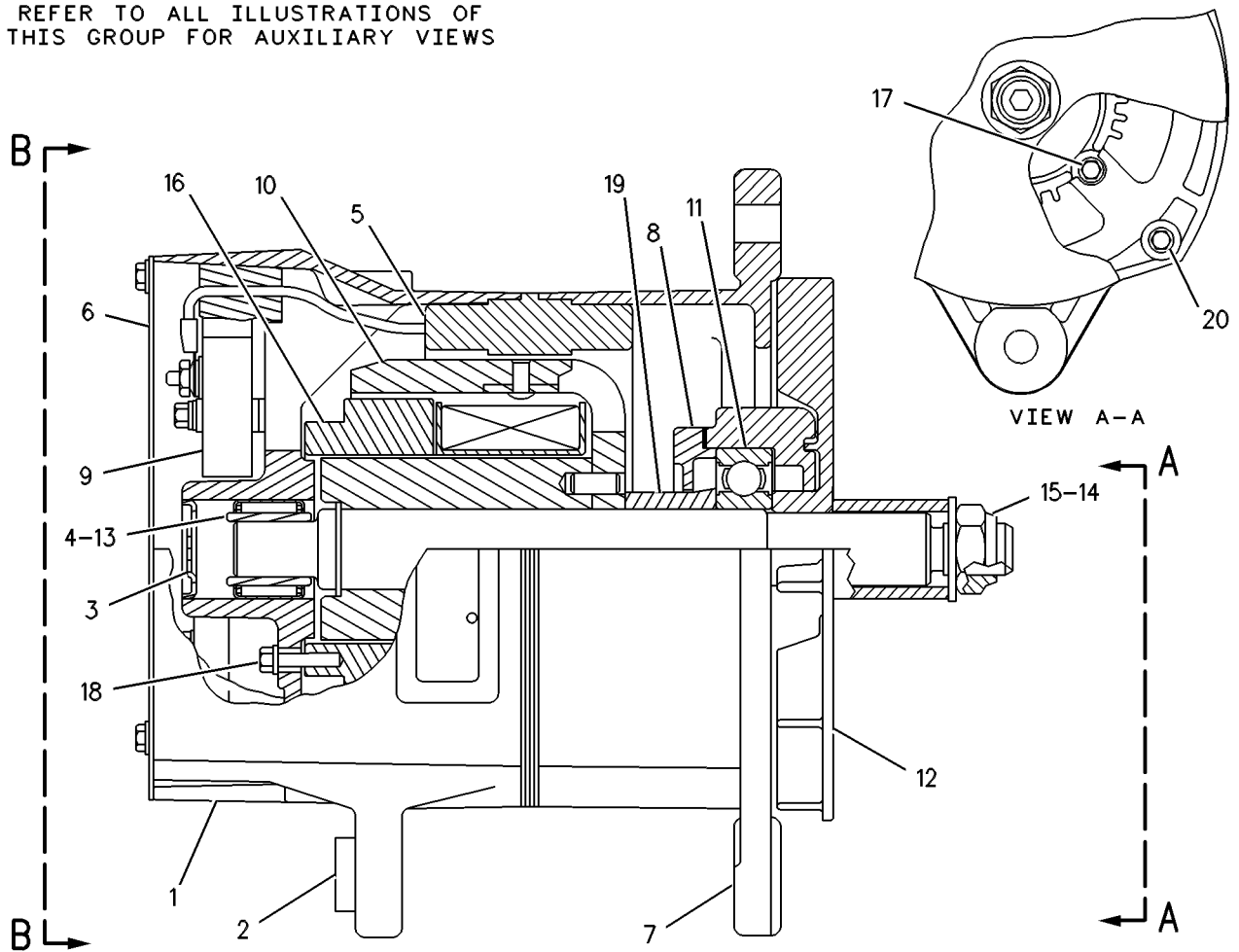
NOTE	REF NO	GRAPHIC REF	PART NUMBER	QTY	PART NAME						SEE PAGE
					1	2	3	4	5	6 (PRODUCT LEVEL)	
	1	1	6N-1876	1	HOUSING AS						
	2	1	9S-2396	1	BUSHING-TERMINAL						
	3	1	9N-0943	1	PLUG-BEARING WELL						
	4	1	5P-3418	1	BEARING-ROLLER						
	5	1	6N-1968	1	STATOR AS						
		1	9S-2014	3	CLIP						
		1	9N-0939	1	GROMMET						
	6	1	9N-0942	1	PLATE-COVER						
	7	1	2P-5616	1	FRAME-DRIVE END						
	8	1	9S-2390	1	RETAINER						
	9	1	9N-0937	1	RECTIFIER AS						
	10	1	9S-2302	1	ROTOR AS						
	11	1	5P-7807	1	BALL BEARING						
	12	1	100-6531	1	FAN-ALTERNATOR						
	13	1	5P-3419	1	RACE-BEARING INNER						
	14	1	7F-7621	1	WASHER						
	15	1	2K-4821	1	LOCKNUT (5/8-18 THD)						
	16	1	6N-1945	1	COIL AS-FIELD						
	17	1	9X-2500	4	SCREW-HEX FLANGE						
	18	1	9N-3388	5	LOCKSCREW						
	19	1	100-6532	1	COLLAR-ALTERNATOR						
	20	1	9S-2009	4	SCREW-HEAD						
	21	2	6N-1944	1	DIODE AS						
	22	2	6N-1870	2	SCREW AS						
		2	8M-6701	3	WASHER (12.7MM)						
		2	6N-1856	4	BUSHING-TERMINAL						
	23	2	8T-0328	2	WASHER-HARD (1MM THK)						
	24	2	9S-2544	7	SCREW-HEX HEAD						
	25	2	9B-7233	11	LOCKWASHER (NO.8)						
	26	2	4B-2043	4	NUT (8-32 THD)						
	27	2	6V-8187	2	NUT (1/4-28 THD)						
	28	2	1H-3244	2	LOCKWASHER (NO.14)						
	29	2	6N-1925	1	BRACKET						
	30	2	6N-1946	1	CAPACITOR AS						
	31	2	6N-1872	3	SCREW AS						
	32	2	3T-6354	1	REGULATOR AS						
	33	2	6N-1873	1	LEAD AS						
	34	2	2L-8075	3	TERMINAL (HORN)						
	35	2	8T-4205	2	WASHER-HARD (2MM THK)						
	36	2	6N-1871	1	LEAD AS						
					AVAILABLE REPAIR KIT(S) :						
			6N-1875	1	KIT-TERMINAL (INCLUDES TERMINAL, LOAD, BUSHING, WASHERS, NUTS AND LOCKWASHERS)						
			105-3762	1	KIT-ALTERNATOR TERMINAL (INCLUDES TERMINAL, INSULATOR, BUSHING, WASHER, NUTS AND LOCKWASHERS)						

ELECTRICAL AND STARTING SYSTEM

4N-3986 ALTERNATOR GP - CHARGING (contd.)

i00778243

REFER TO ALL ILLUSTRATIONS OF
THIS GROUP FOR AUXILIARY VIEWS



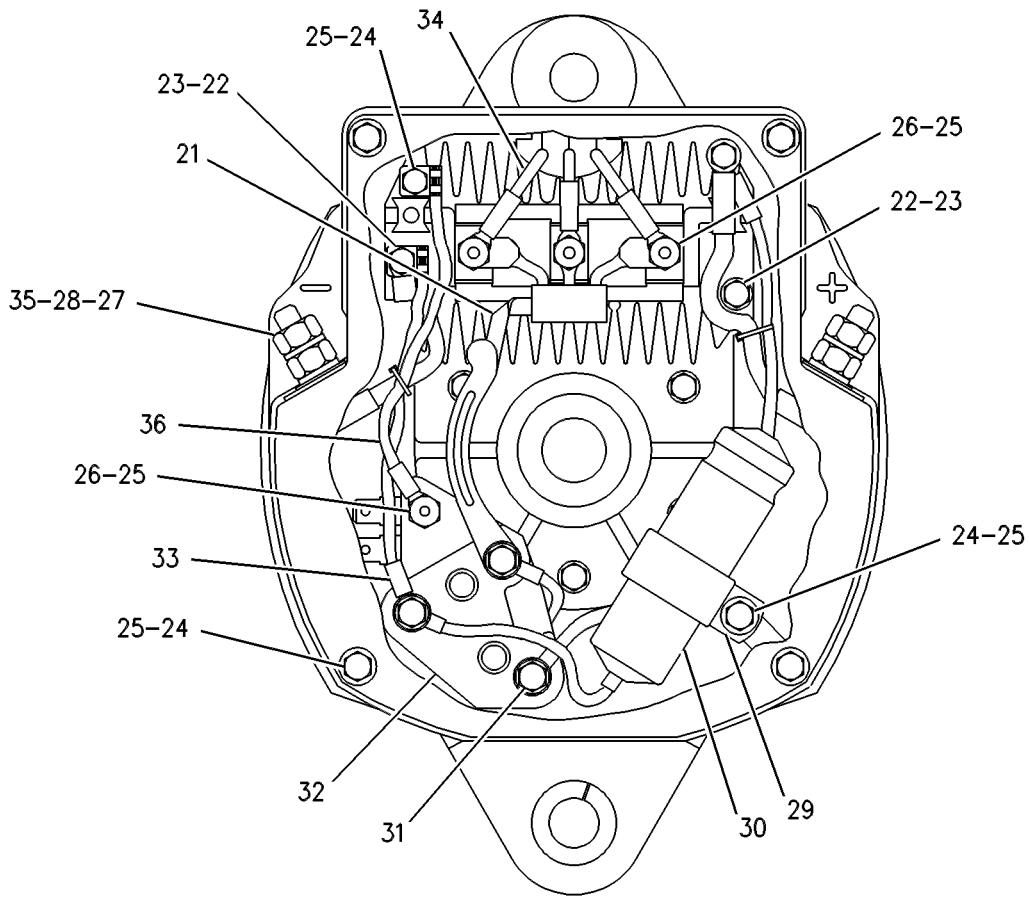
GRAPHIC #1

g00358207

ELECTRICAL AND STARTING SYSTEM

4N-3986 ALTERNATOR GP - CHARGING (contd.)

i00778243



VIEW B-B

GRAPHIC #2

g00358144

ELECTRICAL AND STARTING SYSTEM

4W-6085 ALTERNATOR GP-CHARGING

24VOLT-35 AMPERE

AN ATTACHMENT

SMCS-1405, 1410, 1425

i00655890

NOTE	PART NUMBER	QTY	PART NAME						SEE PAGE
			1	2	3	4	5	6 (PRODUCT LEVEL)	
YR	6N-9294	1	ALTERNATOR GP-CHARGING						414
Y	3N-9012	1	GAUGE GP-AMMETER						774
	8F-1434	1	LOCKWASHER (5MM ID)						
	2L-0273	1	NIPPLE (22.1MM .875 IN ID)						
	4B-2047	1	NUT (10-24 THD)						
	2N-3479	1	SCREW (10-24X.5IN)						
	4B-4863	2	WASHER (1.2MM THK)						
	3K-7543	1	WIRE AS						

R-REMG PART MAY BE AVAILABLE

Y-SEPARATE ILLUSTRATION

ELECTRICAL AND STARTING SYSTEM

6N-9294 ALTERNATOR GP-CHARGING*R

24 VOLT, 35 AMP

PART OF 112-3454, 4W-6085 ALTERNATOR GP-CHARGING
AN ATTACHMENT

SMCS-1405, 1410, 1425

i00889233

NOTE	PART NUMBER	QTY	PART NAME						SEE PAGE
			1	2	3	4	5	6 (PRODUCT LEVEL)	
Y	3T-6352	1	ALTERNATOR GP-CHARGING						408
			-OR-						
Y	9G-4574	1	ALTERNATOR GP-CHARGING						418
			-OR-						
Y	7N-9720	1	ALTERNATOR GP-CHARGING						416
Y-SEPARATE ILLUSTRATION									

ELECTRICAL AND STARTING SYSTEM

7N-7981 ALTERNATOR GP-CHARGING

24 VOLT-60 AMPERE
AN ATTACHMENT

SMCS-1405, 1410, 1425

i00649729

NOTE	PART NUMBER	QTY	PART NAME						SEE PAGE
			1	2	3	4	5	6 (PRODUCT LEVEL)	
YR	4N-3986	1	ALTERNATOR GP-CHARGING						410
Y	3N-9012	1	GAUGE GP-AMMETER						774
	8F-1434	1	LOCKWASHER (5MM ID)						
	1H-4560	2	NIPPLE-PLUG						
	4B-2047	1	NUT (10-24 THD)						
	2N-3479	1	SCREW (10-24X.5IN)						
	5M-2894	1	WASHER (2.5MM THK)						
	3K-7543	1	WIRE AS						
	2L-8057	1	TERMINAL						
	2L-8060	1	TERMINAL						

R-REMFG PART MAY BE AVAILABLE
Y-SEPARATE ILLUSTRATION

ELECTRICAL AND STARTING SYSTEM

7N-9720 ALTERNATOR GP-CHARGING

24 VOLT, 35 AMP

PART OF 6N-9294 ALTERNATOR GP-CHARGING
AN ATTACHMENT

SMCS-1405, 1410, 1425

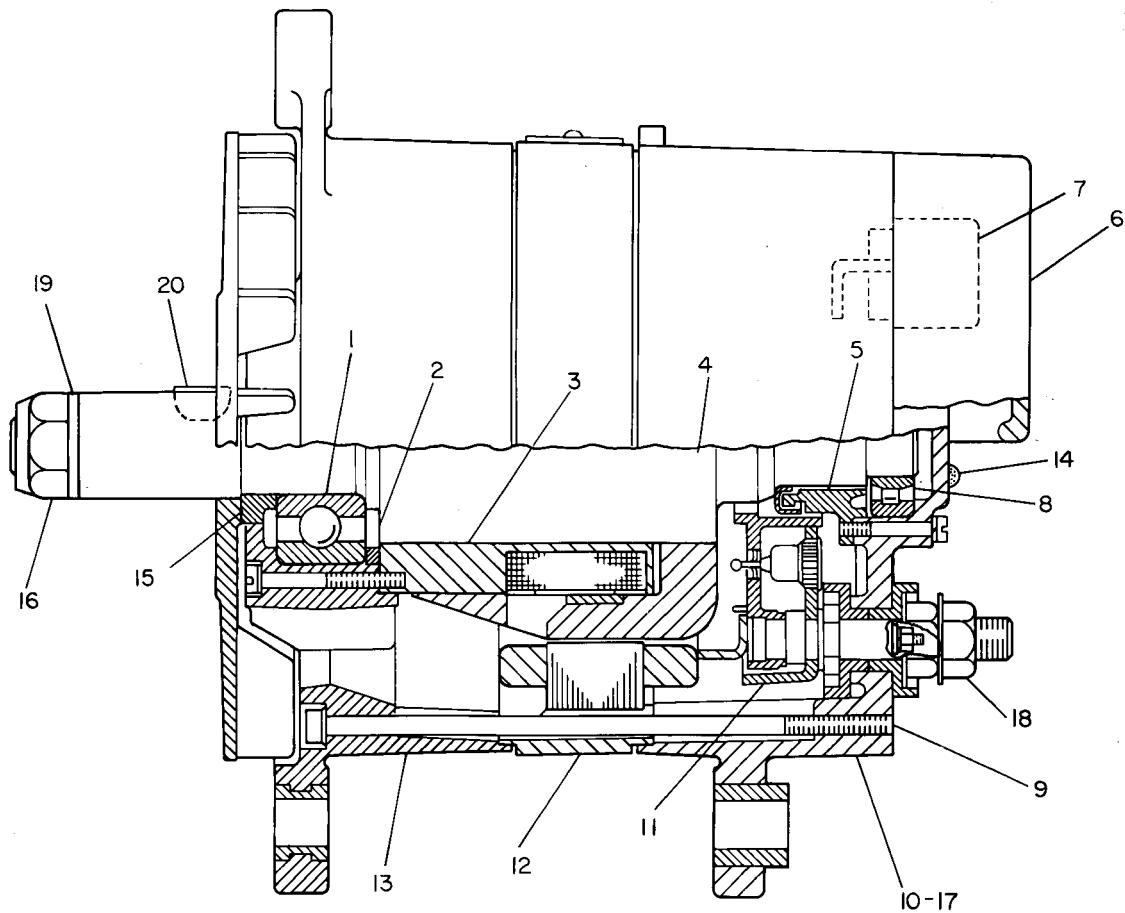
i00128993

NOTE	REF NO	GRAPHIC REF	PART NUMBER	QTY	PART NAME						SEE PAGE
					1	2	3	4	5	6 (PRODUCT LEVEL)	
	1	1	9G-7551	1	BEARING						
	2	1	9G-7548	1	RING						
	3	1	9G-7558	1	COIL AS-FIELD						
	4	1	9G-7560	1	ROTOR AS						
	5	1	9G-7553	1	RING-COVER						
	6	1	9G-7562	1	COVER AS						
	7	1	9G-7567	1	REGULATOR AS						
	8	1	9G-7552	1	BEARING						
M	9	1	9X-6001	4	BOLT-HEX HEAD						
		1	8T-0328	4	WASHER-HARD (1MM THK)						
	10	1	9G-7568	1	FRAME AS-REAR						
	11	1	3T-1887	1	DIODE AS						
	12	1	9G-7561	1	STATOR AS						
	13	1	9G-7566	1	FRAME-DRIVE END						
C	14	1	9L-6770	1	CAP						
	15	1	9G-7549	1	SPACER						
	16	1	2K-4821	1	LOCKNUT (5/8-18 THD)						
M	17	1	5C-2874	1	NUT (M5X.8 THD)						
		1	7X-0620	1	WASHER-HARD (1.6MM THK)						
	18	1	1L-9048	1	NUT-PLATED JAM (7/16-14 THD)						
		1	8T-5360	1	WASHER (2.5MM THK)						
	19	1	5P-8247	1	WASHER-HARD (3.5MM THK)						
	20	1	1B-8705	1	KEY-WOODRUFF						
AVAILABLE REPAIR KIT(S) :											
			9G-7554	1	KIT-TERMINAL GROUND (ALTERNATOR) (INCLUDES NUTS AND LOCKWASHERS)						
			9G-7555	1	KIT-OUTPUT TERMINAL (ALTERNATOR) (INCLUDES NUTS, WASHERS, AND BUSHINGS)						
			9G-7556	1	KIT-CAPACITOR (ALTERNATOR) (INCLUDES CAPACITOR, SCREW, AND LOCKWASHER)						
			9G-7559	1	KIT-RELAY TERMINAL (ALTERNATOR) (INCLUDES SPLICE, NUT, TUBE, TERMINAL, WASHERS, LOCKWASHER AND BUSHING)						
			9G-7565	1	KIT-REGULATOR TERMINAL (ALTERNATOR) (INCLUDES NUTS, LOCKWASHERS, WASHERS, AND BUSHING)						
C			7T-0816	1	KIT-FAN (ALTERNATOR) (INCLUDES FAN, SUPPORT, PLATE AND SPACER)						
C- CHANGE FROM PREVIOUS TYPE											
M- METRIC PART											

ELECTRICAL AND STARTING SYSTEM

7N-9720 ALTERNATOR GP - CHARGING (contd.)

i00128993



GRAPHIC #1

g00108353

ELECTRICAL AND STARTING SYSTEM

9G-4574 ALTERNATOR GP-CHARGING

24 VOLT, 35 AMP

PART OF 6N-9294 ALTERNATOR GP-CHARGING
AN ATTACHMENT

SMCS-1405, 1410, 1425

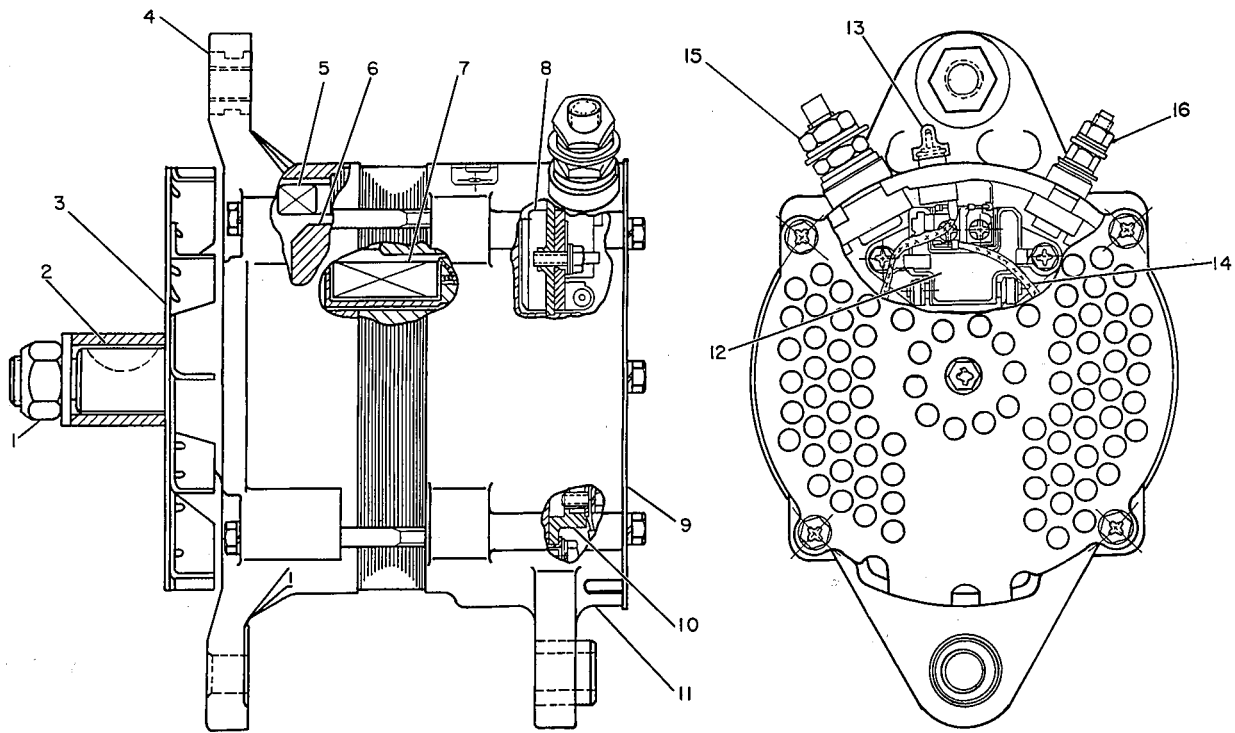
i00112203

NOTE	REF NO	GRAPHIC REF	PART NUMBER	QTY	PART NAME						SEE PAGE
					1	2	3	4	5	6 (PRODUCT LEVEL)	
	1	1	2K-4821	1	LOCKNUT (5/8-18 THD)						
		1	5P-8247	1	WASHER-HARD (3.5MM THK)						
	2	1	1B-8705	1	KEY-WOODRUFF						
	3	1	7T-2793	1	FAN AS						
	4	1	7T-2792	1	FRAME AS						
	5	1	7T-2794	1	STATOR AS						
	6	1	7T-2790	1	ROTOR AS						
	7	1	7T-2791	1	COIL AS						
	8	1	7T-2798	1	REGULATOR AS						
	9	1	7T-2797	1	COVER						
	10	1	7T-2796	1	HOLDER AS						
	11	1	7T-2795	1	FRAME AS						
	12	1	7T-2801	1	CONDENSER						
	13	1	9L-6770	1	CAP						
	14	1	7T-2802	1	WIRE AS						
	15	1	7X-0447	1	NUT (7/16-14 THD)						
		1	2H-3920	1	LOCKWASHER (11.38MM ID)						
	16	1	6V-8185	1	NUT (1/4-20 THD)						
		1	1H-3244	1	LOCKWASHER (NO.14)						
					AVAILABLE REPAIR KIT(S) :						
			7T-2800	1	KIT-TERMINAL (ALTERNATOR POS) (INCLUDES INSULATORS, NUTS, LOCKWASHERS, & WASHERS)						
			7T-2804	1	KIT-TERMINAL (ALTERNATOR RELAY) (INCLUDES WIRE AS, CAP, BOLT, & INSULATOR)						
			7T-2805	1	KIT-TERMINAL (ALTERNATOR NEG) (INCLUDES INSULATORS, NUTS, WASHERS, & LOCKWASHERS)						
			7T-2799	1	KIT-BEARING (ALTERNATOR) (INCLUDES BEARINGS)						
			7T-2803	1	KIT-HARDWARE (ALTERNATOR) (INCLUDES SCREW AS & BOLT AS)						
			7T-2816	1	KIT-HARDWARE (ALTERNATOR) (INCLUDES PLATE AS, PLATE BOLT AS, WASHERS, SPACERS, & RING)						

ELECTRICAL AND STARTING SYSTEM

9G-4574 ALTERNATOR GP - CHARGING (contd.)

i00112203



GRAPHIC #1

g00099436

ELECTRICAL AND STARTING SYSTEM

112-3454 ALTERNATOR GP-CHARGING

AN ATTACHMENT

SMCS-1405, 1410, 1425

i00657213

NOTE	PART NUMBER	QTY	PART NAME						SEE PAGE
			1	2	3	4	5	6 (PRODUCT LEVEL)	
YR	6N-9294	1	ALTERNATOR GP-CHARGING						414
	2L-0273	1	NIPPLE (22.1MM .875 IN ID) (USED ONLY ON POSITIVE POLE)						

R-REMFG PART MAY BE AVAILABLE
Y-SEPARATE ILLUSTRATION

ELECTRICAL AND STARTING SYSTEM

112-3455 ALTERNATOR GP - CHARGING

AN ATTACHMENT

SMCS-1405, 1410, 1425

i00657220

NOTE	PART NUMBER	QTY	PART NAME						SEE PAGE
			1	2	3	4	5	6 (PRODUCT LEVEL)	
YR	4N-3986	1	ALTERNATOR GP - CHARGING						410
	2L-0273	1	NIPPLE (22.1MM .875 IN ID) (USED ONLY ON POSITIVE POLE)						
	090-4719	2	WASHER						

R-REMFG PART MAY BE AVAILABLE
Y-SEPARATE ILLUSTRATION

ELECTRICAL AND STARTING SYSTEM

7W-0408 BATTERY CHARGER

24 VOLT DC

FOR USE WITH EITHER LEAD ACID OR NICAD BATTERY
AN ATTACHMENT

SMCS-1401, 1406

i00859161

NOTE	PART NUMBER	QTY	PART NAME	SEE PAGE
1 2 3 4 5 6 (PRODUCT LEVEL) INDIVIDUAL PARTS ARE NOT SERVICED SEPARATELY				

ELECTRICAL AND STARTING SYSTEM

7L-7871 BATTERY GP

24 VOLT, 172 AMPERE

AN ATTACHMENT

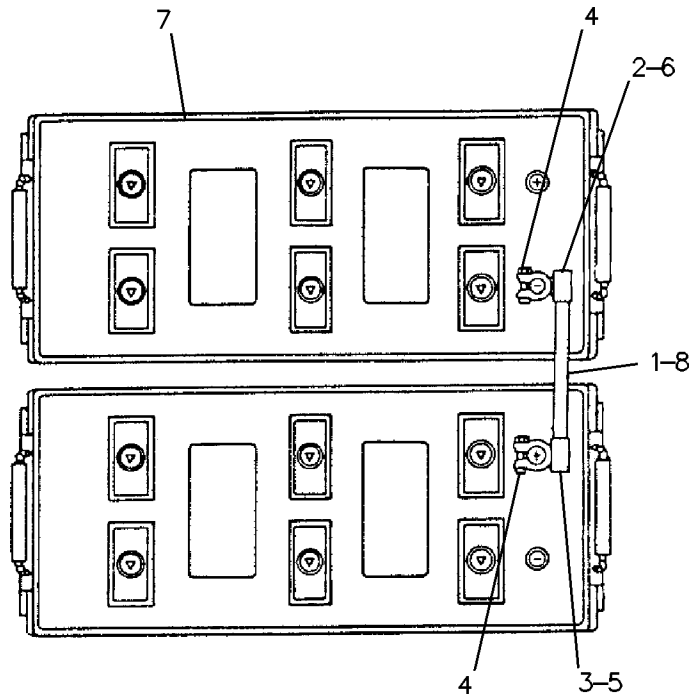
TYPE 1

SMCS-1401

i00638513

NOTE	REF NO	GRAPHIC REF	PART NUMBER	QTY	PART NAME						SEE PAGE
					1	2	3	4	5	6 (PRODUCT LEVEL)	
	1	1	2V-7397	1	CABLE AS						
BE		1	5P-0747		CABLE (00 GA)						
	2	1	5M-9205	1	TERMINAL AS (NEG) ()						
	3	1	5M-9204	1	TERMINAL AS (POS) ()						
					(EACH INCLUDES)						
	4	1	1M-6119	1	BOLT-BATTERY TERMINAL (5/16-18X1.375IN)						
		1	1M-6120	1	NUT-BATTERY TERMINAL (5/16-18 THD)						
	5	1	9G-0004	2	COVER (RED) ()						
	6	1	9G-0003	2	COVER (BLACK) ()						
	7	1	9G-4232	2	BATTERY (12 VOLT)						
					(EACH INCLUDES)						
		1	7N-0060	6	VENT AS						
	8	1	8L-8413	2	STRAP-CABLE (1.12IN DIA)						

B-USE AS REQUIRED
E-ORDER BY THE CENTIMETER



GRAPHIC #1

g00214617

ELECTRICAL AND STARTING SYSTEM

7L-7871 BATTERY GP

24 VOLT, 172 AMPERE

AN ATTACHMENT

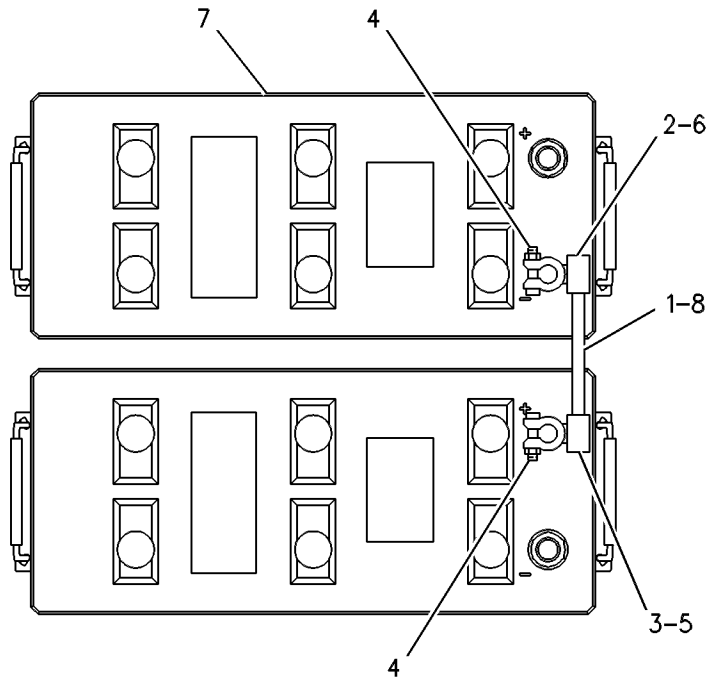
TYPE 2

SMCS-1401

i00639220

NOTE	REF NO	GRAPHIC REF	PART NUMBER	QTY	PART NAME						SEE PAGE
					1	2	3	4	5	6 (PRODUCT LEVEL)	
	1	1	2V-7397	1	CABLE AS						
E		1	5P-0747		CABLE (00 GA) (20CM)						
	2	1	8T-9757	1	TERMINAL AS (NEG)						
	3	1	8C-5917	1	TERMINAL AS (POS)						
	4	1	1M-6119	2	BOLT-BATTERY TERMINAL (5/16-18X1.375IN)						
		1	1M-6120	2	NUT-BATTERY TERMINAL (5/16-18 THD)						
	5	1	9G-0004	2	COVER (RED)						
	6	1	9G-0003	2	COVER (BLACK)						
C	7	1	9X-9720	2	BATTERY (12 VOLT)						
	8	1	8L-8413	2	STRAP-CABLE (1.12IN DIA)						

C- CHANGE FROM PREVIOUS TYPE
E- ORDER BY THE CENTIMETER



GRAPHIC #1

g00253188

ELECTRICAL AND STARTING SYSTEM

7L-7872 BATTERY GP

24 VOLT, 220 AMPERE

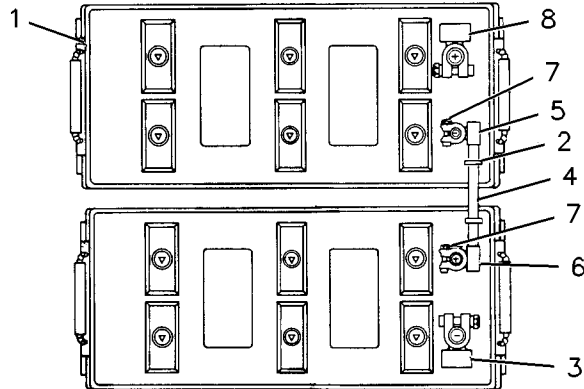
AN ATTACHMENT

SMCS-1401

i00448858

NOTE	REF NO	GRAPHIC REF	PART NUMBER	QTY	PART NAME						SEE PAGE
					1	2	3	4	5	6 (PRODUCT LEVEL)	
C	1	1	9X-9730	2	BATTERY (12 VOLT) (DRY)						
					(EACH INCLUDES)						
		1	7N-0060	6	VENT AS						
C	2	1	8L-8413	2	STRAP-CABLE (1.12IN DIA)						
C	3	1	9G-0004	2	COVER (RED)						
C	4	1	2V-7397	1	CABLE AS						
BD		1	5P-0747		CABLE (00 GA)						
	5	1	5M-9204	1	TERMINAL AS (POS) (+)						
	6	1	5M-9205	1	TERMINAL AS (NEG) (-)						
					(EA TERM AS INCL)						
	7	1	1M-6119	1	BOLT (5/16-18X1.375IN)						
		1	1M-6120	1	NUT (5/16-18 THD)						
C	8	1	9G-0003	2	COVER (BLACK)						

B- USE AS REQUIRED
 C- CHANGE FROM PREVIOUS TYPE
 D- ORDER BY THE METER



GRAPHIC #1

g00064968

ELECTRICAL AND STARTING SYSTEM

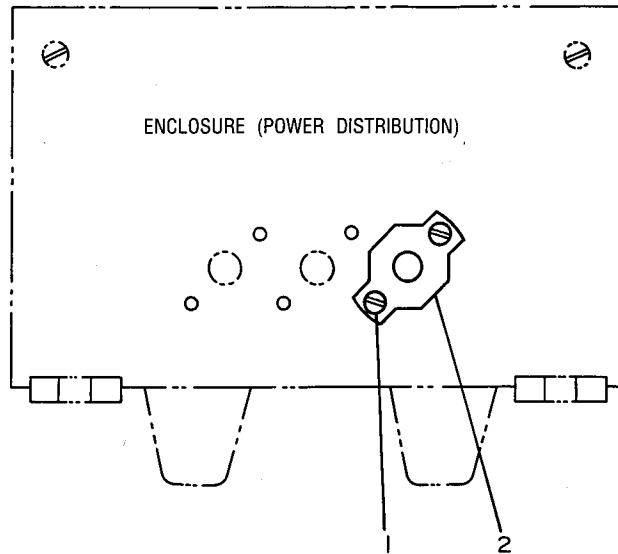
7W-9612 CIRCUIT BREAKER GP

HMSO STARTER
FOR USE WITH ENCLOSURE GP
AN ATTACHMENT

SMCS-1420, 4461

i00652924

NOTE	REF NO	GRAPHIC REF	PART NUMBER	QTY	PART NAME						SEE PAGE
					1	2	3	4	5	6 (PRODUCT LEVEL)	
	1	1	3K-8106	2	SCREW-MACHINE						
		1	4B-4863	2	WASHER (1.2MM THK)						
	2	1	6T-3644	1	CIRCUIT BREAKER AS (20 AMP)						
		1	6V-8376	2	SCREW-MACHINE (8-32X.25IN)						
		1	9B-7233	2	LOCKWASHER (NO.8)						



GRAPHIC #1

g00175044

ELECTRICAL AND STARTING SYSTEM

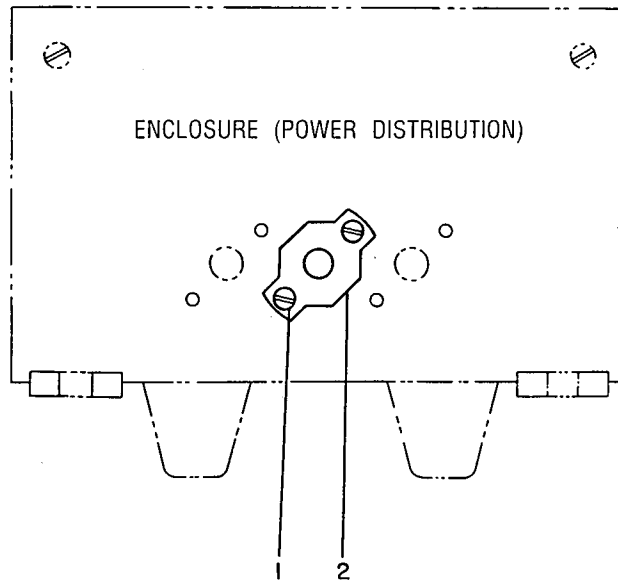
7W-9640 CIRCUIT BREAKER GP

ALTERNATOR
FOR USE WITH ENCLOSURE GP
AN ATTACHMENT

SMCS-1420, 4461

i00652949

NOTE	REF NO	GRAPHIC REF	PART NUMBER	QTY	PART NAME						SEE PAGE
					1	2	3	4	5	6 (PRODUCT LEVEL)	
	1	1	3K-8106	2	SCREW-MACHINE						
		1	4B-4863	2	WASHER (1.2MM THK)						
2		1	6T-3645	1	CIRCUIT BREAKER (60 AMP)						



GRAPHIC #1

g00175049

ELECTRICAL AND STARTING SYSTEM

4P-9565 CONTROL & COVER GP-ENG ELEK

PART OF 4P-8888 CONTROL GP-ENGINE ELECTRONIC

TYPE 1

SMCS-1900, 1901

i00935978

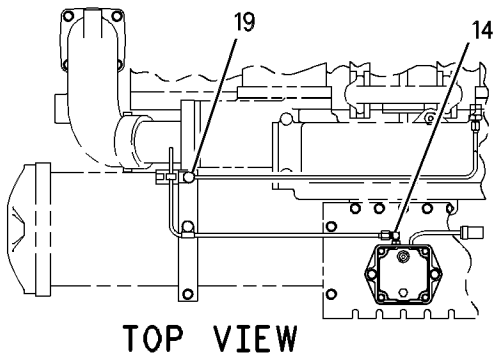
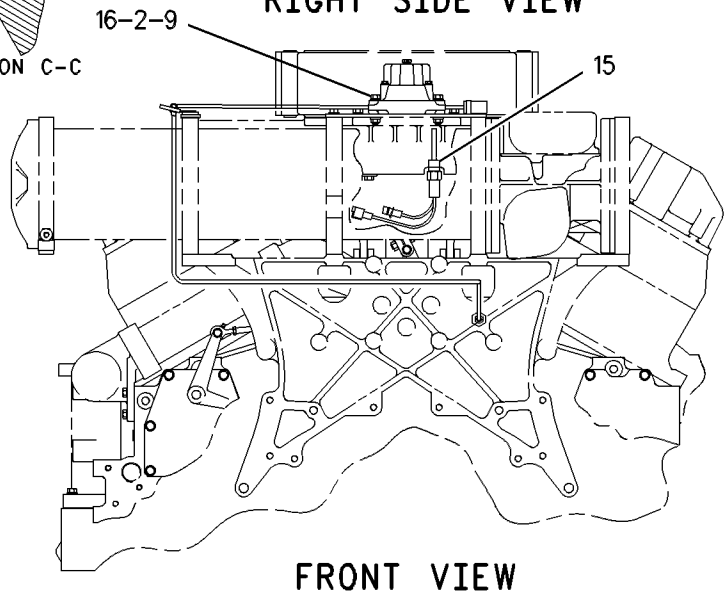
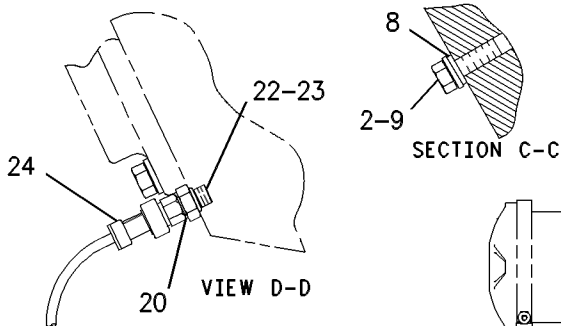
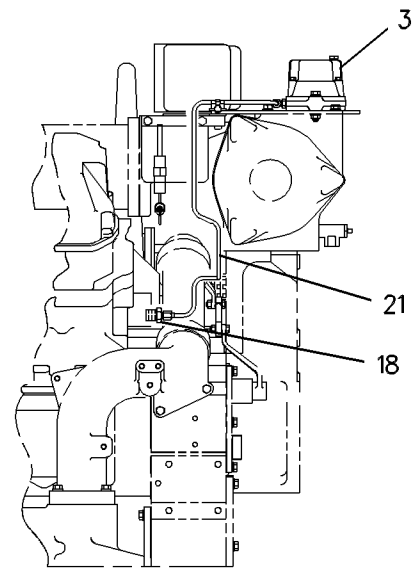
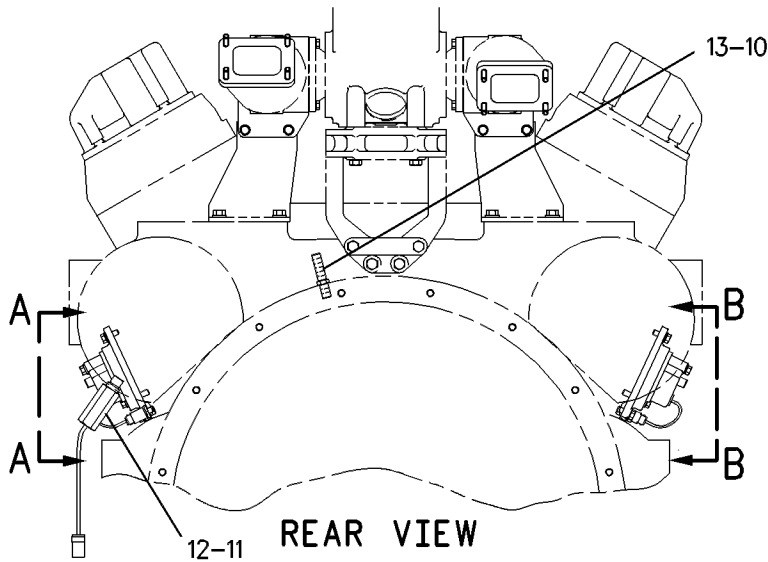
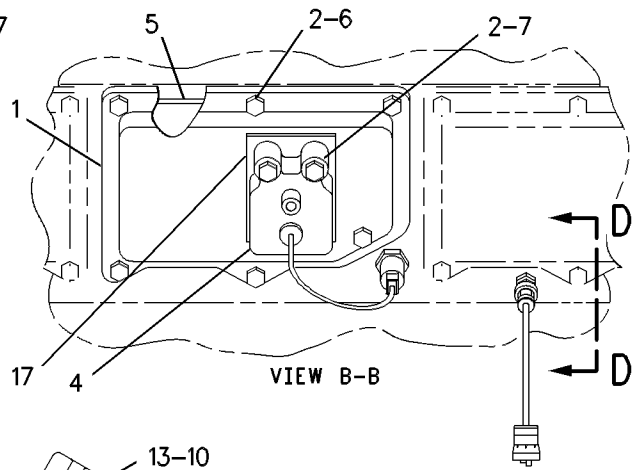
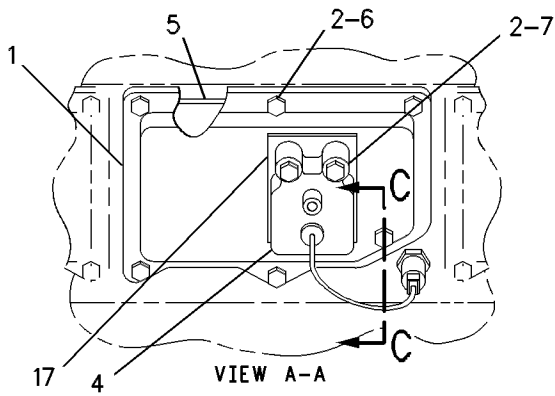
NOTE	REF NO	GRAPHIC REF	PART NUMBER	QTY	PART NAME						SEE PAGE
					1	2	3	4	5	6 (PRODUCT LEVEL)	
	1	1	9Y-3904	2	COVER-CAMSHAFT						
	2	1	5M-2894	20	WASHER (2.5MM THK)						
Y	3	1	3E-1854	1	SENSOR GP-PRESSURE (MAPS)						595
Y	4	1	9X-4836	1	CONTROL GP-ENGINE MONITORING (DETENATION SENSOR)						472
	5	1	2W-2072	2	SEAL-O-RING (221.62MM ID)						
	6	1	0S-1594	10	BOLT (3/8X1.0IN)						
	7	1	0L-2070	4	BOLT (3/8-16X2.25IN)						
	8	1	5L-5840	2	WASHER						
	9	1	1C-2251	4	BOLT (3/8-16X1.87IN)						
	10	1	5P-8247	1	WASHER-HARD (3.5MM THK)						
	11	1	3K-0360	1	SEAL-O-RING (16.36MM ID)						
	12	1	3E-0487	1	CONTROL GP-ELECTRONIC (SPEED TIMING SENSOR)						
	13	1	8L-4171	1	SENSOR GP-SPEED						
	14	1	030-7946	1	ELBOW (7/16-20 STR THD)						
		1	6V-5048	1	SEAL-O-RING (8.92MM ID)						
Y	15	1	9W-5565	1	SENSOR GP-ELECTRONIC (WATER TEMP. SENSOR)						588
	16	1	2K-4973	2	LOCKNUT (3/8-16 THD)						
	17	1	106-9154	2	INSULATOR						
	18	1	001-9440	1	CONNECTOR-FLARED						
	19	1	4P-7428	19	CLIP						
		1	9X-6772	1	STRAP-CABLE						
	20	1	033-6039	1	SEAL-O-RING (9.25MM ID)						
	21	1	106-9035	1	TUBE AS						
	22	1	9X-0261	1	ADAPTER (19.05MM HEX)						
	23	1	033-6042	1	SEAL-O-RING						
Y	24	1	107-7142	1	SENSOR GP-PRESSURE (OIL)						597

Y-SEPARATE ILLUSTRATION

ELECTRICAL AND STARTING SYSTEM

4P-9565 CONTROL & COVER GP-ENG ELEK (contd.)

i00935978



GRAPHIC #1

g00478068

ELECTRICAL AND STARTING SYSTEM

4P-9565 CONTROL & COVER GP-ENG ELEK

PART OF 4P-8888 CONTROL GP-ENGINE ELECTRONIC, 118-0804 CONVERSION AR-ENGINE
AN ATTACHMENT
TYPE 2

SMCS-1900, 1901

i00935306

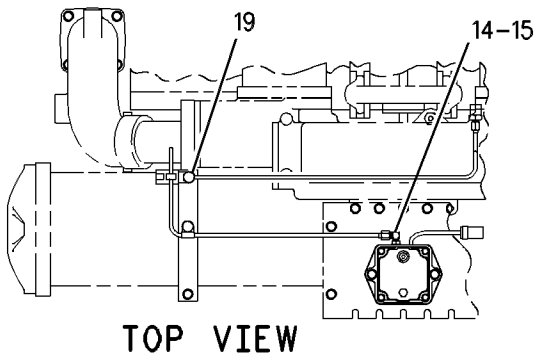
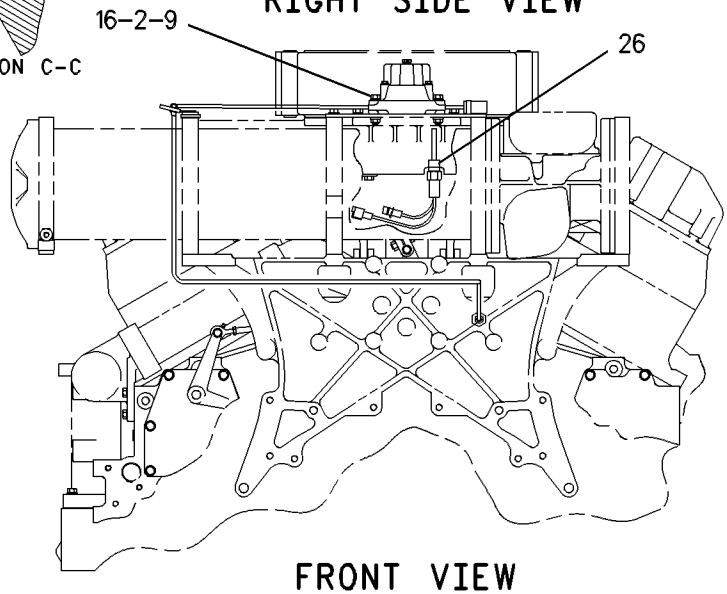
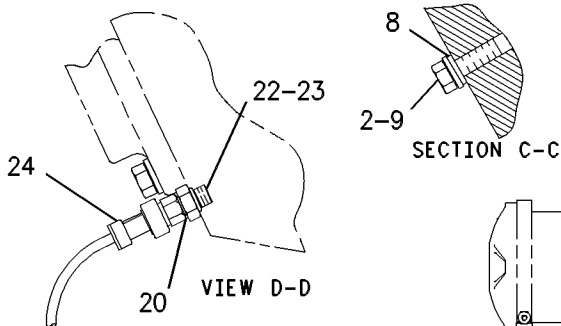
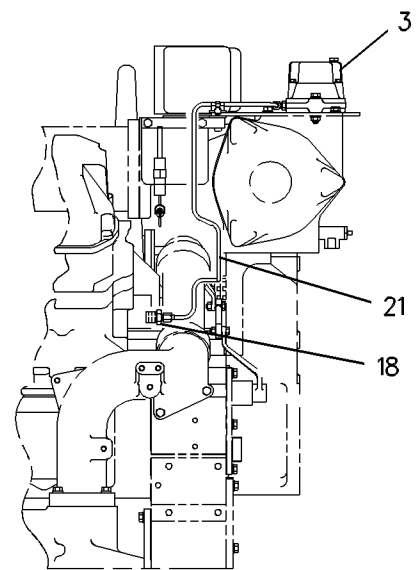
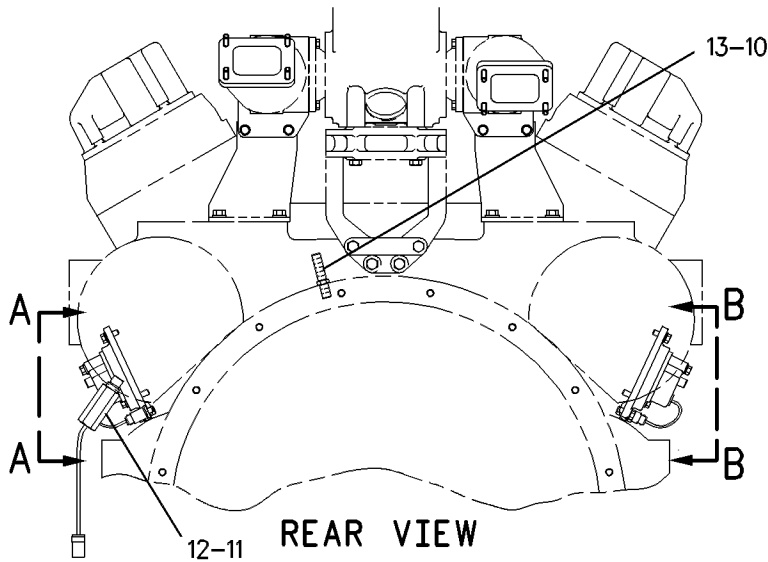
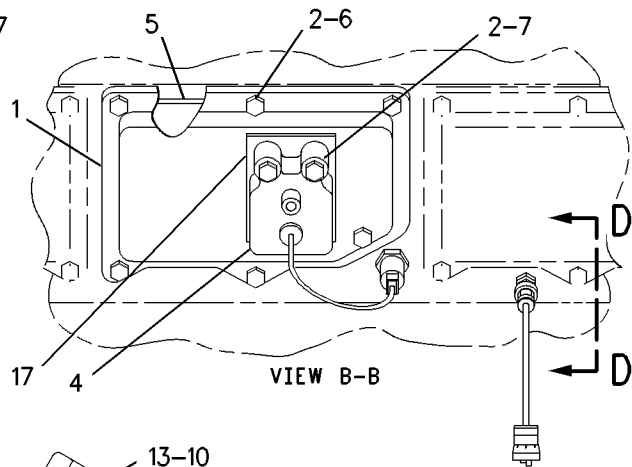
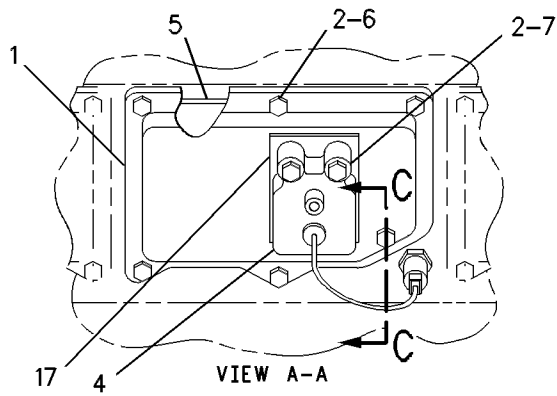
NOTE	REF NO	GRAPHIC REF	PART NUMBER	QTY	PART NAME						SEE PAGE
					1	2	3	4	5	6 (PRODUCT LEVEL)	
	1	1	9Y-3904	2	COVER-CAMSHAFT						
	2	1	5M-2894	21	WASHER (2.5MM THK)						
Y	3	1	3E-1854	1	SENSOR GP-PRESSURE (MAPS)						595
	4	1	112-9273	2	SENSOR GP-DETONATION						
	5	1	2W-2072	2	SEAL-O-RING (221.62MM ID)						
	6	1	0S-1594	10	BOLT						
	7	1	0L-1143	4	BOLT (3/8-16X2.25IN)						
	8	1	5L-5840	2	WASHER						
	9	1	1C-2251	4	BOLT (3/8-16X1.87IN)						
	10	1	4B-4281	1	WASHER (2.5MM THK)						
	11	1	8L-2786	1	SEAL-O-RING (16.36MM ID)						
Y	12	1	102-9029	1	SENSOR GP-SPEED						600
	13	1	8L-4171	1	SENSOR GP-SPEED						
	14	1	030-7946	1	ELBOW (7/16-20 STR THD)						
		1	6V-5048	1	SEAL-O-RING (8.92MM ID)						
Y	15	1	9W-5565	1	SENSOR GP-ELECTRONIC (WATER TEMP)						588
	16	1	2K-4973	2	LOCKNUT (3/8-16 THD)						
	17	1	106-9154	2	INSULATOR						
	18	1	001-9440	1	CONNECTOR-FLARED						
	19	1	8M-2772	1	CLIP (6.35MM ID)						
		1	9X-6772	1	STRAP-CABLE						
	20	1	033-6039	1	SEAL-O-RING (9.25MM ID)						
	21	1	106-9035	1	TUBE AS						
	22	1	9X-0261	1	ADAPTER (19.05MM HEX)						
	23	1	033-6042	1	SEAL-O-RING						
Y	24	1	107-7142	1	SENSOR GP-PRESSURE (OIL)						597
	25	1	0S-1588	1	BOLT						
	26	1	6B-0933	1	SPACER						

Y-SEPARATE ILLUSTRATION

ELECTRICAL AND STARTING SYSTEM

4P-9565 CONTROL & COVER GP-ENG ELEK (contd.)

i00935306



GRAPHIC #1

g00362803

ELECTRICAL AND STARTING SYSTEM

104-2250 COVER & CONTROL GP-ENG ELEK

S/N 9TG1-21

PART OF 104-4219 CONTROL GP-ENGINE ELECTRONIC

SMCS-1900, 1901

i00656564

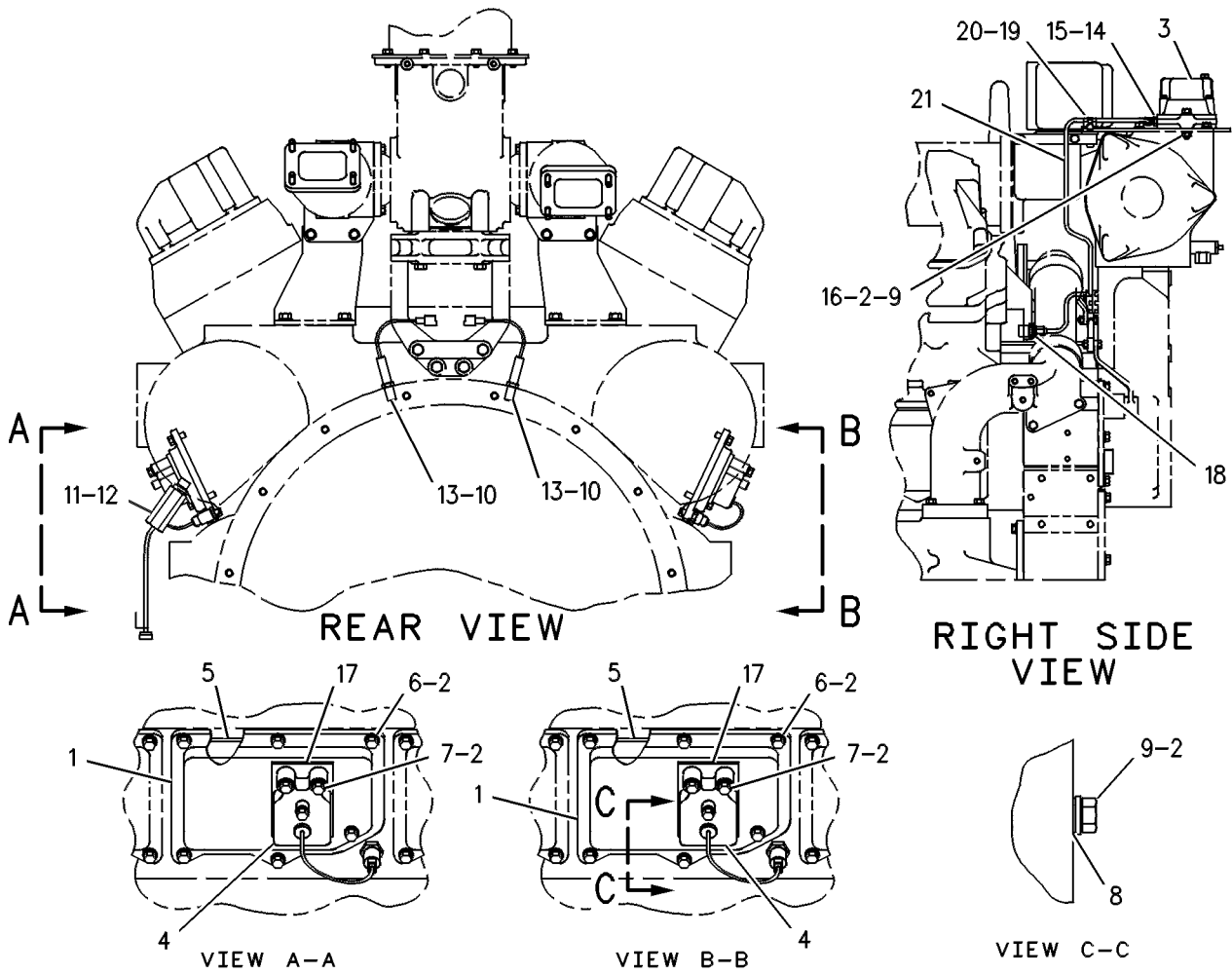
NOTE	REF NO	GRAPHIC REF	PART NUMBER	QTY	PART NAME						SEE PAGE
					1	2	3	4	5	6 (PRODUCT LEVEL)	
	1	1	9Y-3904	2	COVER-CAMSHAFT						
C	2	1	5M-2894	20	WASHER (2.5MM THK)						
Y	3	1	<i>3E-1854</i>	1	SENSOR GP-PRESSURE						595
Y	4	1	<i>9X-4836</i>	2	CONTROL GP-ENGINE MONITORING (DETONATION SENSOR)						472
	5	1	2W-2072	2	SEAL-O-RING (221.62MM ID)						
	6	1	0S-1594	10	BOLT (3/8-16X1IN)						
	7	1	0L-2070	4	BOLT (3/8-16X2.25IN)						
	8	1	5L-5840	2	WASHER						
	9	1	1C-2251	4	BOLT (3/8-16X1.87IN)						
	10	1	5P-8247	2	WASHER-HARD (3.5MM THK)						
	11	1	3K-0360	1	SEAL-O-RING (16.36MM ID)						
	12	1	3E-0487	1	CONTROL GP-ELECTRONIC (SPEED SENSOR)						
C	13	1	8L-4171	2	SENSOR GP-SPEED						
C	14	1	030-7946	1	ELBOW (7/16-20 STR THD)						
C	15	1	6V-5048	1	SEAL-O-RING (8.92MM ID)						
C	16	1	2K-4973	2	LOCKNUT (3/8-16 THD)						
C	17	1	106-9154	2	INSULATOR						
C	18	1	001-9440	1	CONNECTOR-FLARED						
	19	1	4P-7428	1	CLIP (13.5MM ID)						
C	20	1	9X-6772	1	STRAP-CABLE						
C	21	1	106-9035	1	TUBE AS						

C- CHANGE FROM PREVIOUS TYPE
Y- SEPARATE ILLUSTRATION

ELECTRICAL AND STARTING SYSTEM

104-2250 COVER & CONTROL GP-ENG ELEK (contd.)

i00656564



GRAPHIC #1

g00240337

ELECTRICAL AND STARTING SYSTEM

104-2250 COVER & CONTROL GP-ENG ELEK

S/N 9TG22-118

PART OF 104-4219 CONTROL GP-ENGINE ELECTRONIC

SMCS-1900, 1901

i00656586

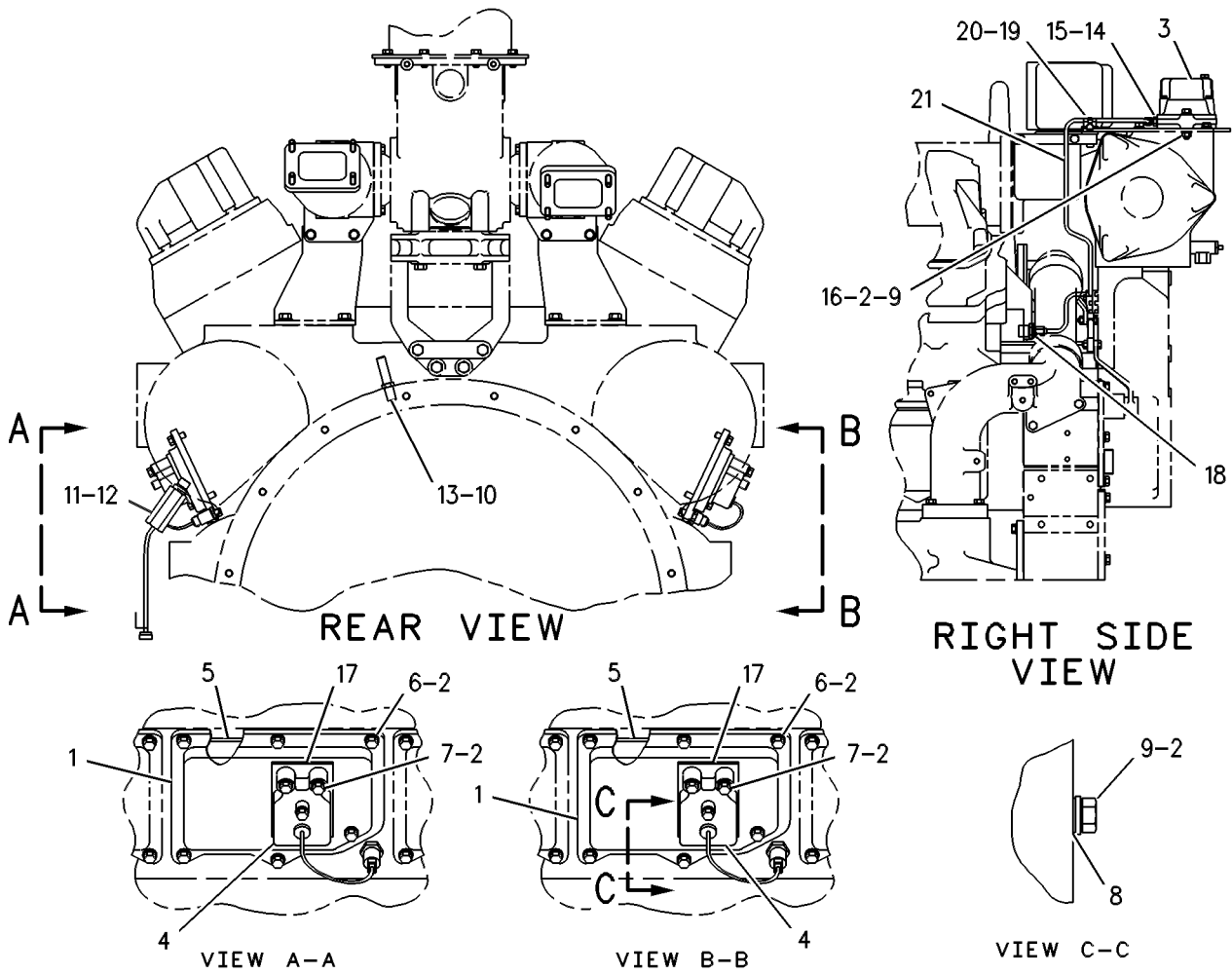
NOTE	REF NO	GRAPHIC REF	PART NUMBER	QTY	PART NAME						SEE PAGE
					1	2	3	4	5	6 (PRODUCT LEVEL)	
	1	1	9Y-3904	2	COVER-CAMSHAFT						
	2	1	5M-2894	20	WASHER (2.5MM THK)						
Y	3	1	<i>3E-1854</i>	1	SENSOR GP-PRESSURE						595
C	4	1	112-9273	2	SENSOR GP-DETONATION						
	5	1	2W-2072	2	SEAL-O-RING (221.62MM ID)						
	6	1	0S-1594	10	BOLT (3/8-16X1IN)						
	7	1	0L-2070	4	BOLT (3/8-16X2.25IN)						
	8	1	5L-5840	2	WASHER						
	9	1	1C-2251	4	BOLT (3/8-16X1.87IN)						
C	10	1	4B-4281	1	WASHER (2.5MM THK)						
	11	1	3K-0360	1	SEAL-O-RING (16.36MM ID)						
CY	12	1	<i>102-9029</i>	1	SENSOR GP-SPEED						600
C	13	1	8L-4171	1	SENSOR GP-SPEED						
	14	1	030-7946	1	ELBOW (7/16-20 STR THD)						
	15	1	6V-5048	1	SEAL-O-RING (8.92MM ID)						
	16	1	2K-4973	2	LOCKNUT (3/8-16 THD)						
	17	1	106-9154	2	INSULATOR						
	18	1	001-9440	1	CONNECTOR-FLARED						
	19	1	4P-7428	1	CLIP (13.5MM ID)						
	20	1	9X-6772	1	STRAP-CABLE						
	21	1	106-9035	1	TUBE AS						

C- CHANGE FROM PREVIOUS TYPE
Y- SEPARATE ILLUSTRATION

ELECTRICAL AND STARTING SYSTEM

104-2250 COVER & CONTROL GP-ENG ELEK (contd.)

i00656586



GRAPHIC #1

g00261354

ELECTRICAL AND STARTING SYSTEM

104-2250 CONTROL & COVER GP-ENG ELEK

S/N 9TG119-UP

PART OF 104-4219, 147-8176 CONTROL GP-ENGINE ELECTRONIC, 147-8180 CONTROL
GP-ENGINE MONITORING
ALSO AN ATTACHMENT

SMCS-1900, 1901

i00939937

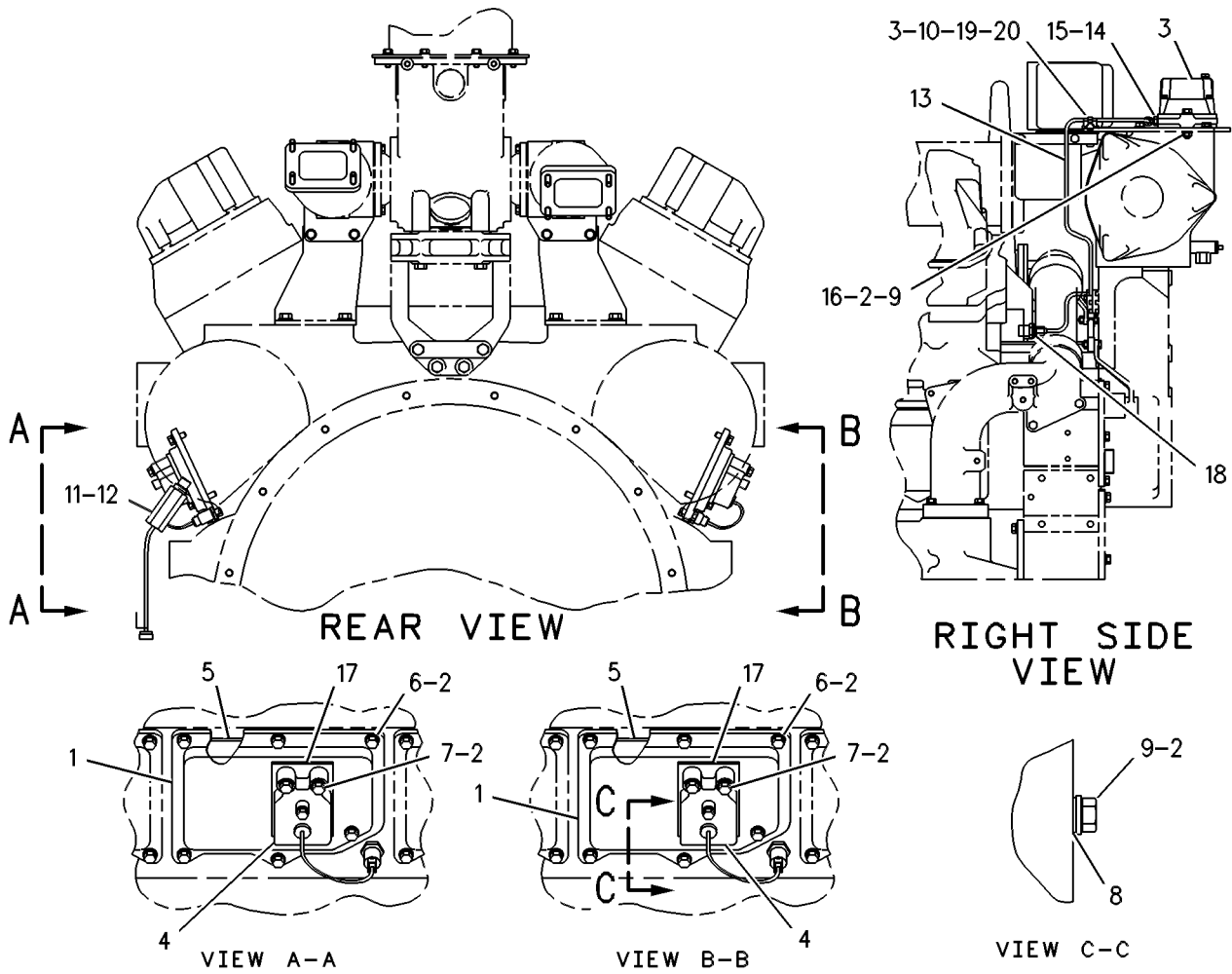
NOTE	REF NO	GRAPHIC REF	PART NUMBER	QTY	PART NAME						SEE PAGE
					1	2	3	4	5	6 (PRODUCT LEVEL)	
	1	1	9Y-3904	2	COVER-CAMSHAFT						
	2	1	5M-2894	21	WASHER (2.5MM THK)						
Y	3	1	<i>3E-1854</i>	1	SENSOR GP-PRESSURE						595
	4	1	112-9273	2	SENSOR GP-DETONATION						
	5	1	2W-2072	2	SEAL-O-RING (221.62MM ID)						
	6	1	0S-1594	10	BOLT (3/8X1.0IN)						
	7	1	0L-1143	4	BOLT						
	8	1	5L-5840	2	WASHER						
	9	1	1C-2251	4	BOLT (3/8-16X1.87IN)						
	10	1	6B-0933	1	SPACER						
	11	1	8L-2786	1	SEAL-O-RING (16.36MM ID)						
Y	12	1	<i>102-9029</i>	1	SENSOR GP-SPEED						600
	13	1	106-9035	1	TUBE AS						
	14	1	030-7946	1	ELBOW (7/16-20 STR THD)						
	15	1	6V-5048	1	SEAL-O-RING (8.92MM ID)						
	16	1	2K-4973	2	LOCKNUT (3/8-16 THD)						
	17	1	106-9154	2	INSULATOR						
	18	1	001-9440	1	CONNECTOR-FLARED						
	19	1	8M-2772	1	CLIP (6.35MM ID)						
	20	1	0S-1588	1	BOLT (3/8X1.25)						

Y-SEPARATE ILLUSTRATION

ELECTRICAL AND STARTING SYSTEM

104-2250 CONTROL & COVER GP-ENG ELEK (contd.)

i00939937



GRAPHIC #1

g00273023

ELECTRICAL AND STARTING SYSTEM

135-5013 COVER & CONTROL GP-ENG ELEK

PART OF 133-3693 CONVERSION AR-ENGINE

AN ATTACHMENT

SMCS-1900, 1901

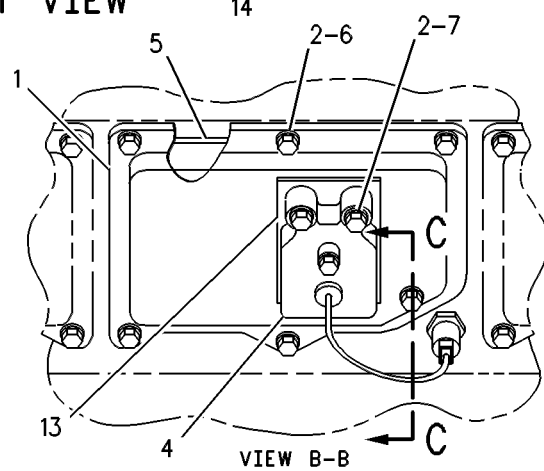
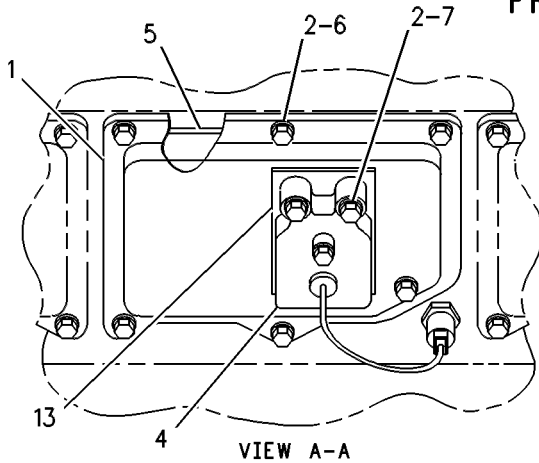
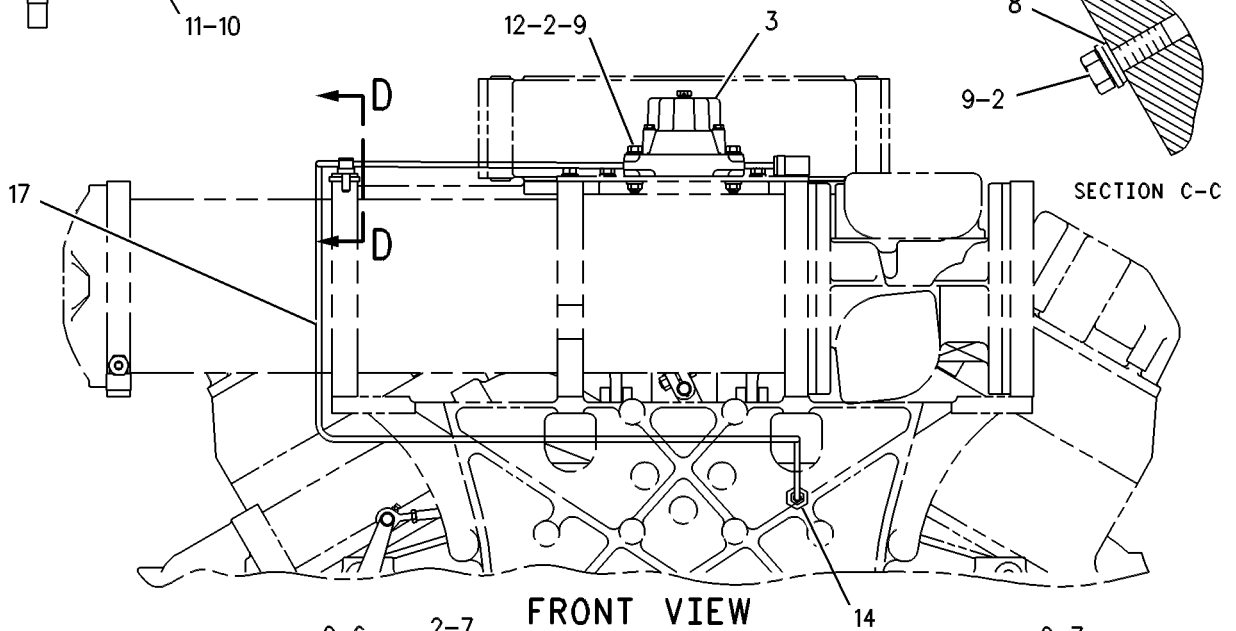
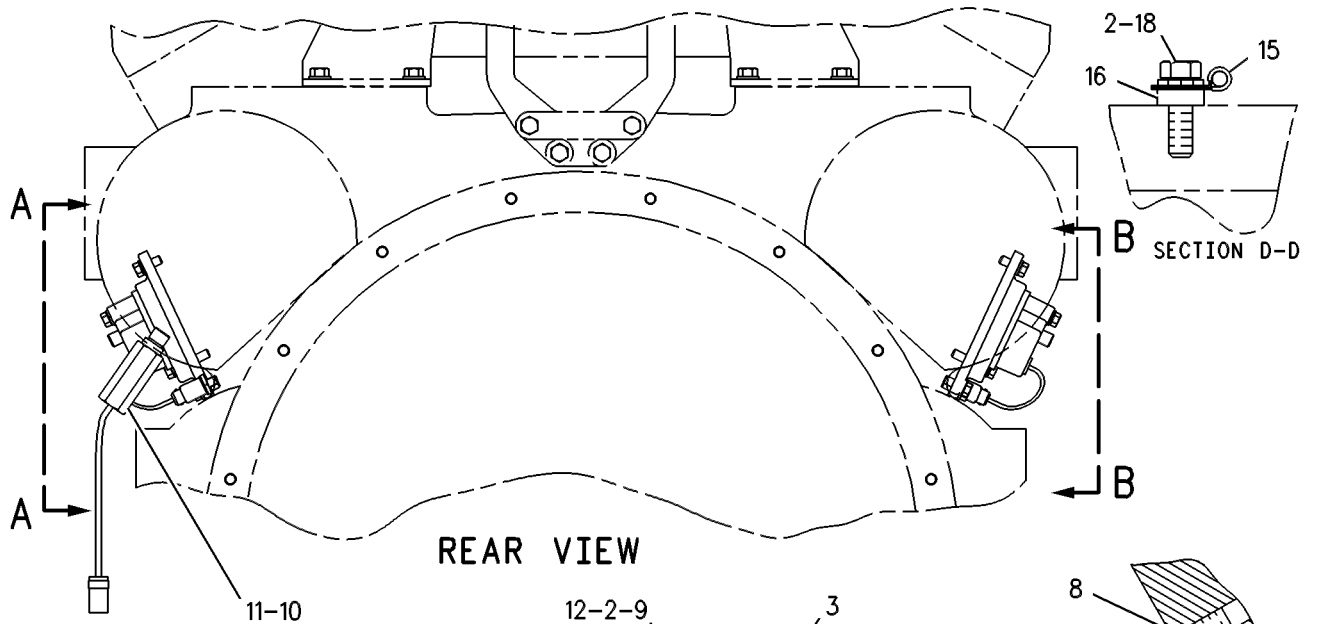
i00656773

NOTE	REF NO	GRAPHIC REF	PART NUMBER	QTY	PART NAME						SEE PAGE
					1	2	3	4	5	6 (PRODUCT LEVEL)	
	1	1	9Y-3904	2	COVER-CAMSHAFT						
	2	1	5M-2894	21	WASHER (2.5MM THK)						
Y	3	1	<i>135-5014</i>	1	CONTROL GP-ENGINE MONITORING						482
	4	1	112-9273	2	SENSOR GP-DETONATION						
	5	1	2W-2072	2	SEAL-O-RING (221.62MM ID)						
	6	1	0S-1594	10	BOLT (3/8-16X1IN)						
	7	1	0L-1143	4	BOLT (3/8-16X2.5IN)						
	8	1	5L-5840	2	WASHER						
	9	1	1C-2251	4	BOLT (3/8-16X1.87IN)						
	10	1	8L-2786	1	SEAL-O-RING (16.36MM ID)						
Y	11	1	<i>135-5015</i>	1	SENSOR GP-SPEED						601
	12	1	2K-4973	2	LOCKNUT (3/8-16 THD)						
	13	1	106-9154	2	INSULATOR						
	14	1	001-9440	1	CONNECTOR-FLARED						
	15	1	8M-2772	1	CLIP (6.35MM ID)						
	16	1	6B-0933	1	SPACER						
	17	1	106-9035	1	TUBE AS						
	18	1	0S-1588	1	BOLT (3/8-16X1.25IN)						
Y-SEPARATE ILLUSTRATION											

ELECTRICAL AND STARTING SYSTEM

135-5013 COVER & CONTROL GP - ENG ELEK (contd.)

i00656773



GRAPHIC #1

g00261633

ELECTRICAL AND STARTING SYSTEM

154-3850 CONTROL & COVER GP-ENG ELEK

PART OF 154-3864 CONTROL GP-EMCP ELECTRONIC

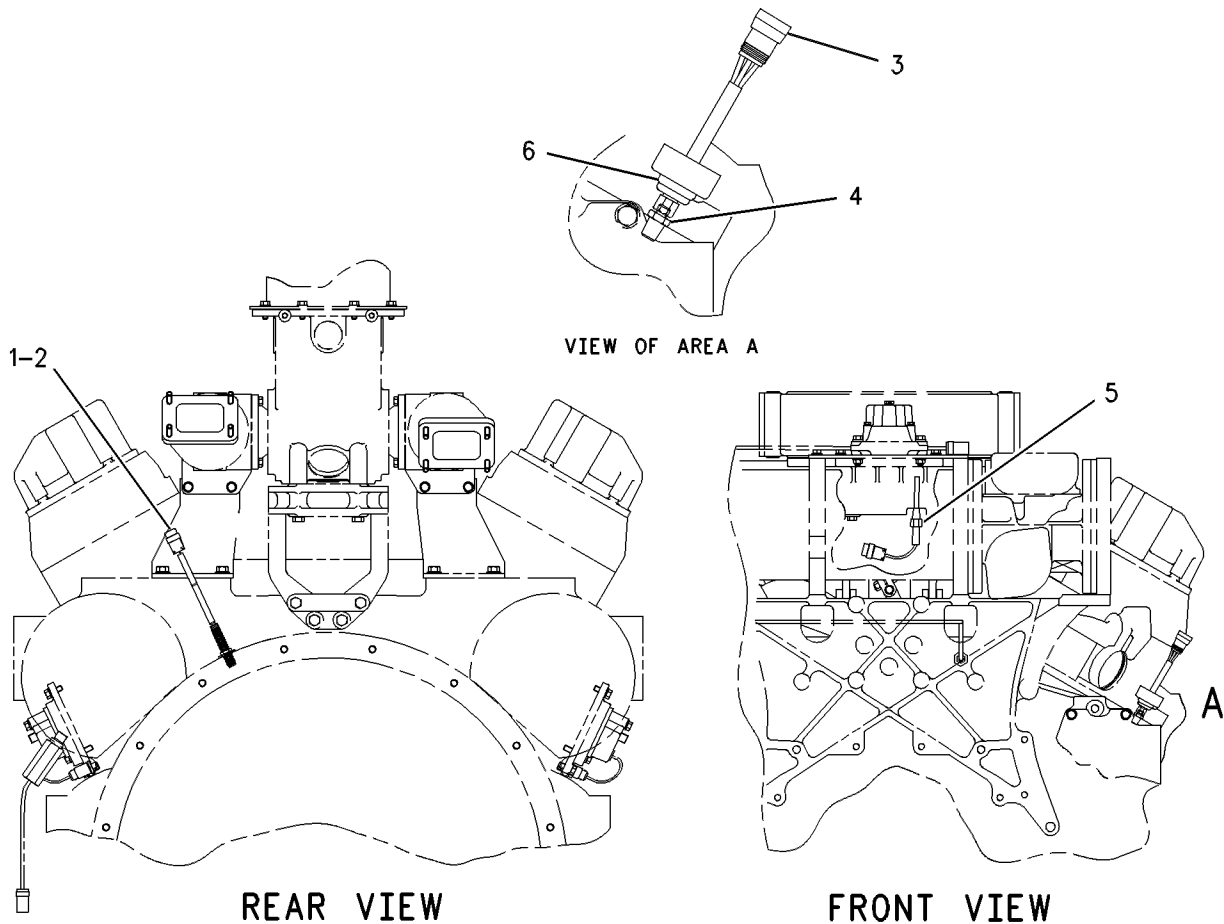
AN ATTACHMENT

SMCS-1900, 1901

i00915641

NOTE	REF NO	GRAPHIC REF	PART NUMBER	QTY	PART NAME						SEE PAGE
					1	2	3	4	5	6 (PRODUCT LEVEL)	
	1	1	4B-4281	1	WASHER (2.5MM THK)						
	2	1	9X-5392	1	SENSOR AS-MAGNETIC						
		1	8T-8729	2	PIN-CONNECTOR						
		1	8T-8732	1	RECEPTACLE-CONNECTOR						
		1	8T-8737	1	PLUG-SEAL						
BE		1	9X-1386		SLEEVE (BULK 14CM)						
Y	3	1	107-7142	1	SENSOR GP-PRESSURE						597
	4	1	9X-0435	1	ADAPTER						
Y	5	1	113-9126	1	SENSOR GP-ELECTRONIC						589
	6	1	033-6039	1	SEAL-O-RING (9.25MM ID)						

B- USE AS REQUIRED
 E- ORDER BY THE CENTIMETER
 Y- SEPARATE ILLUSTRATION



GRAPHIC #1

g00478100

MEMORANDA

ELECTRICAL AND STARTING SYSTEM

4W-7201 CONTROL GP-AIR STARTING-RH

MANUAL AN ATTACHMENT

SMCS - 1462

i00649402

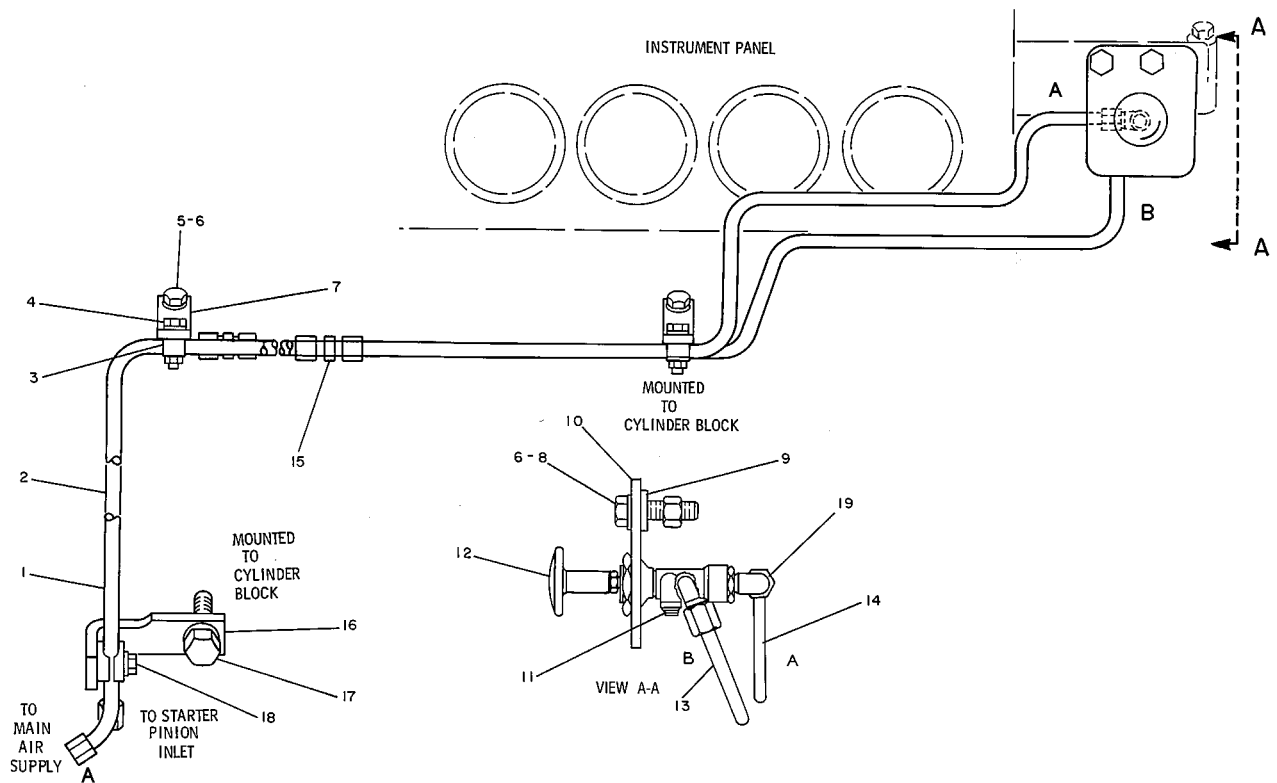
NOTE	REF NO	GRAPHIC REF	PART NUMBER	QTY	PART NAME						SEE PAGE
					1	2	3	4	5	6 (PRODUCT LEVEL)	
	1	1	5N-8060	1	TUBE AS						
	2	1	5N-8059	1	TUBE AS						
	3	1	8N-8472	2	CLAMP-TUBE						
B	4	1	7B-2742	4	BOLT (1/4-20X1.25IN)						
B		1	1B-2713	4	BOLT (1/4-20X1.75IN)						
		1	9S-8750	4	NUT-FULL (1/4-20 THD)						
		1	5P-0537	8	WASHER (2MM THK)						
	5	1	0S-1594	2	BOLT (3/8-16X1IN)						
	6	1	5M-2894	4	WASHER (2.5MM THK)						
	7	1	8N-8470	2	BRACKET						
	8	1	0S-1591	2	BOLT (3/8-16X1.5IN)						
		1	9S-8752	2	NUT-FULL (3/8-16 THD)						
	9	1	5P-1075	2	WASHER-HARD (3MM THK)						
	10	1	4W-5425	1	PLATE						
	11	1	2N-1287	2	ELBOW-FLARED						
Y	12	1	4W-5424	1	VALVE GP-AIR CONTROL (ENGINE START CONTROL)						686
	13	1	4W-7213	1	TUBE AS						
	14	1	4W-7214	1	TUBE AS						
	15	1	3J-7355	2	UNION-FLARED						
	16	1	8N-2266	1	BRACKET						
	17	1	0S-1595	1	BOLT (1/2-13X1.25IN)						
		1	5P-8245	1	WASHER (3MM THK)						
	18	1	4F-7957	1	BOLT (1/4-20X.875IN)						
		1	5P-9287	1	WASHER-HARD						
		1	8N-8471	1	CLAMP-TUBE						
	19	1	3B-6552	1	ELBOW						
		1	8L-6557	1	CONNECTOR						

B- USE AS REQUIRED
Y- SEPARATE ILLUSTRATION

ELECTRICAL AND STARTING SYSTEM

4W-7201 CONTROL GP-AIR STARTING (contd.)

i00649402



GRAPHIC #1

g00213953

ELECTRICAL AND STARTING SYSTEM

4W-7202 CONTROL GP-AIR STARTING-RH

MANUAL AN ATTACHMENT

SMCS-1462

i00653106

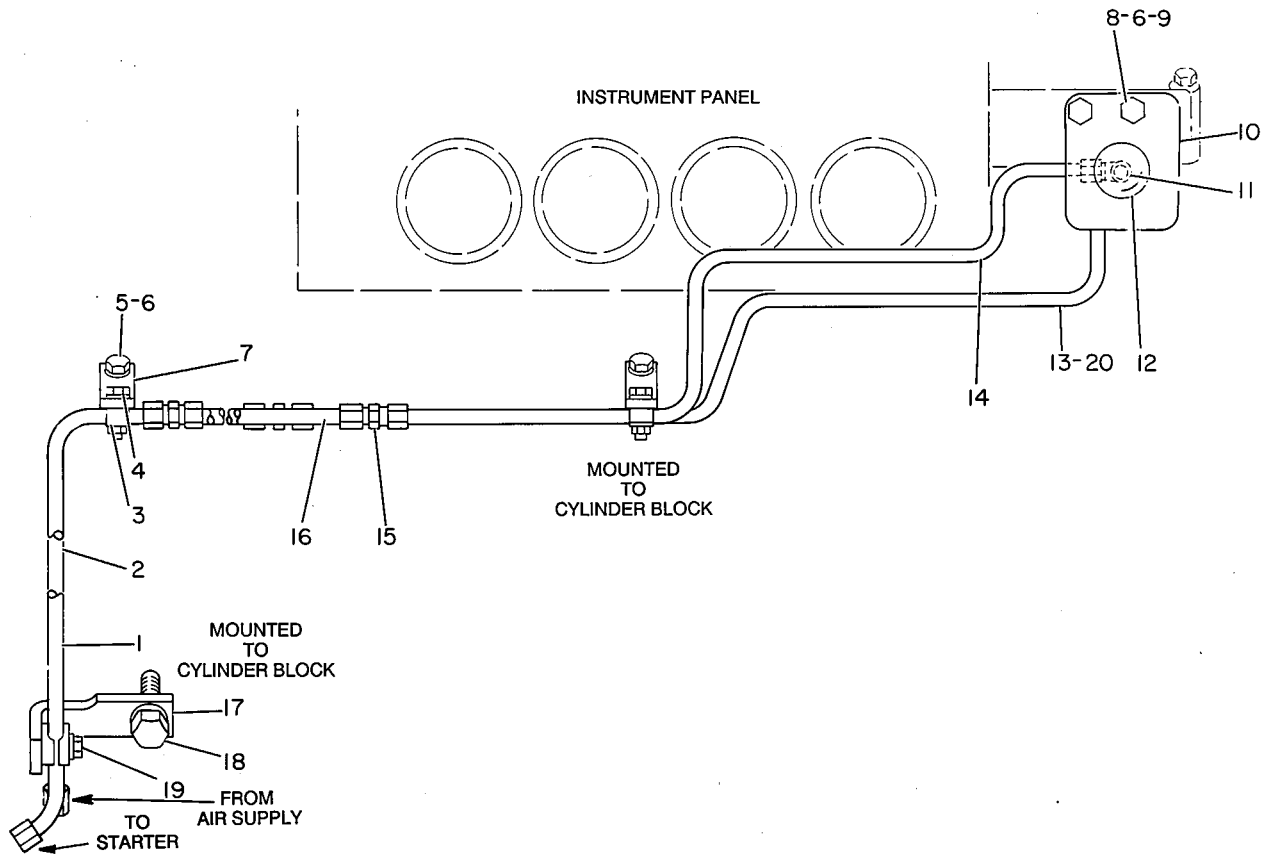
NOTE	REF NO	GRAPHIC REF	PART NUMBER	QTY	PART NAME						SEE PAGE
					1	2	3	4	5	6 (PRODUCT LEVEL)	
	1	1	5N-8060	1	TUBE AS						
	2	1	5N-8059	1	TUBE AS						
	3	1	8N-8472	4	CLAMP-TUBE						
B	4	1	7B-2742	8	BOLT (1/4-20X1.25IN)						
B		1	1B-2713	8	BOLT (1/4-20X1.75IN)						
		1	9S-8750	8	NUT-FULL (1/4-20 THD)						
		1	5P-0537	16	WASHER (2MM THK)						
	5	1	0S-1594	4	BOLT (3/8-16X1IN)						
	6	1	5M-2894	6	WASHER (2.5MM THK)						
	7	1	8N-8470	4	BRACKET						
	8	1	0S-1591	2	BOLT (3/8-16X1.5IN)						
		1	9S-8752	2	NUT-FULL (3/8-16 THD)						
	9	1	5P-1075	2	WASHER-HARD (3MM THK)						
	10	1	4W-5425	1	PLATE						
	11	1	2N-1287	2	ELBOW-FLARED						
Y	12	1	4W-5424	1	VALVE GP-AIR CONTROL						686
	13	1	4W-7213	1	TUBE AS						
	14	1	4W-7214	1	TUBE AS						
	15	1	3J-7355	4	UNION-FLARED						
	16	1	8N-5701	2	TUBE AS						
	17	1	8N-2266	1	BRACKET						
	18	1	0S-1595	1	BOLT (1/2-13X1.25IN)						
		1	5P-8245	1	WASHER (3MM THK)						
	19	1	4F-7957	1	BOLT (1/4-20X.875IN)						
		1	5P-9287	1	WASHER-HARD						
		1	8N-8471	1	CLAMP-TUBE						
	20	1	3B-6552	1	ELBOW						
		1	8L-6557	1	CONNECTOR						

B-USE AS REQUIRED
Y-SEPARATE ILLUSTRATION

ELECTRICAL AND STARTING SYSTEM

4W-7202 CONTROL GP-AIR STARTING (contd.)

i00653106



GRAPHIC #1

g00166562

ELECTRICAL AND STARTING SYSTEM

4W-7207 CONTROL GP-AIR STARTING-LH

MANUAL AN ATTACHMENT

SMCS-1462

i00883816

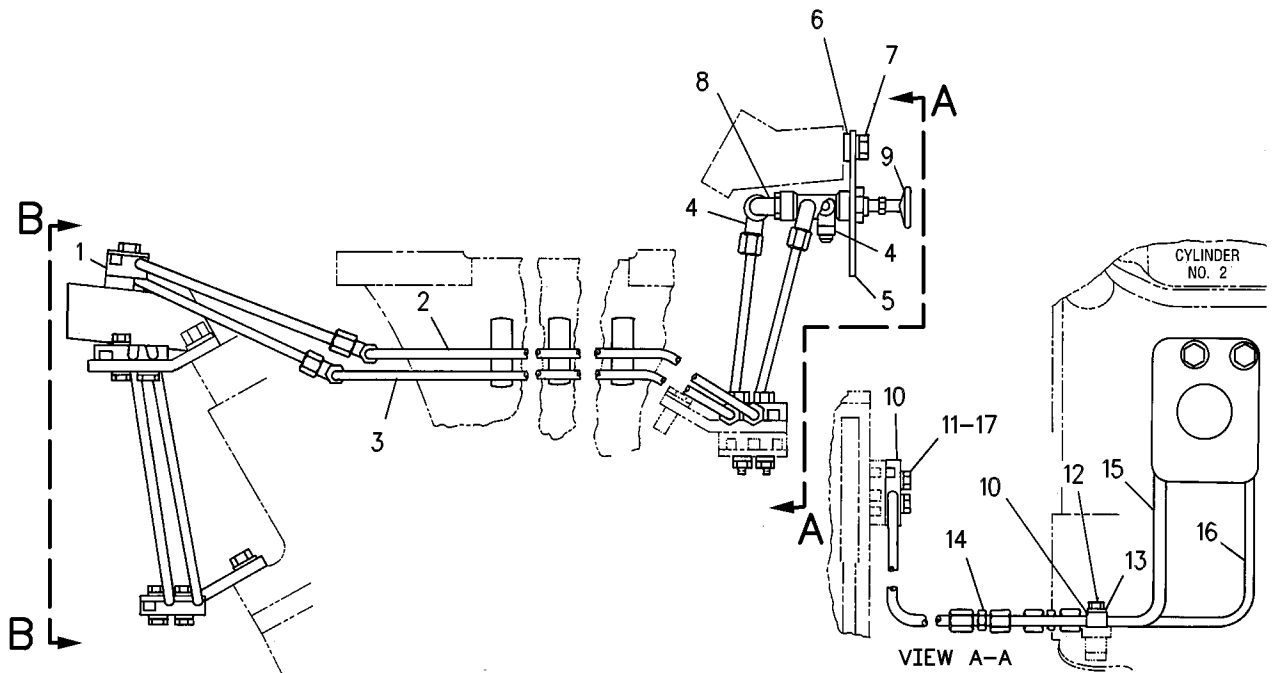
NOTE	REF NO	GRAPHIC REF	PART NUMBER	QTY	PART NAME						SEE PAGE
					1	2	3	4	5	6 (PRODUCT LEVEL)	
	1	1	8N-8471	2	CLAMP-TUBE						
	2	1	4W-7219	1	TUBE AS						
	3	1	4W-7220	1	TUBE AS						
	4	1	2N-1287	3	ELBOW-FLARED						
	5	1	4W-5425	1	PLATE						
	6	1	5P-1075	2	WASHER-HARD (3MM THK)						
	7	1	0S-1591	2	BOLT (3/8-16X1.5IN)						
		1	9S-8752	2	NUT-FULL (3/8-16 THD)						
		1	5M-2894	4	WASHER (2.5MM THK)						
	8	1	3B-6552	1	ELBOW						
Y	9	1	4W-5424	1	VALVE GP-AIR CONTROL (ENGINE)						686
C	10	1	8N-8472	7	CLAMP-TUBE						
	11	1	7B-2742	6	BOLT (1/4-20X1.25IN)						
	12	1	1B-2714	2	BOLT (1/4-20X2.5IN)						
	13	1	5N-8071	1	PLATE						
	14	1	3J-7355	2	UNION-FLARED						
	15	1	4W-7216	1	TUBE AS						
	16	1	4W-7217	1	TUBE AS						
C	17	1	5P-0537	6	WASHER (2MM THK)						
	18	2	5N-8060	1	TUBE AS						
	19	2	5N-8059	1	TUBE AS						
	20	2	4F-7957	1	BOLT (1/4-20X.875IN)						
	21	2	5P-9287	2	WASHER-HARD						
	22	2	8N-8471	1	CLAMP-TUBE						
	23	2	2H-3855	1	BOLT (1/2-13X.875IN)						
		2	5P-8245	1	WASHER (3MM THK)						
	24	2	8N-2266	1	BRACKET						
	25	2	1W-8144	1	TUBE AS						
	26	2	3J-7355	2	UNION-FLARED						
C	27	2	0S-1594	2	BOLT (3/8-16X1IN)						
C		2	5M-2894	3	WASHER (2.5MM THK)						
C	28	2	8N-8470	3	BRACKET						
C	29	2	7B-2742	6	BOLT (1/4-20X1.25IN)						
C	30	2	9S-8750	6	NUT-FULL (1/4-20 THD)						
C		2	5P-0537	12	WASHER (2MM THK)						
	31	2	8N-8472	3	CLAMP-TUBE						
C	32	2	0T-0055	2	BOLT (3/8-16X4.25IN)						
	33	2	1W-8145	1	TUBE AS						
	34	2	2A-5546	1	BOLT (1/4-20X1.375IN)						
	35	2	067-6495	2	ELBOW-FLARED						
C	36	2	1W-8129	1	SUPPORT						
	37	2	0L-2070	1	BOLT (3/8-16X2.25IN)						

C- CHANGE FROM PREVIOUS TYPE
Y- SEPARATE ILLUSTRATION

ELECTRICAL AND STARTING SYSTEM

4W-7207 CONTROL GP-AIR STARTING (contd.)

i00883816



REFER TO ALL ILLUSTRATIONS OF THIS GROUP FOR AUXILIARY VIEWS

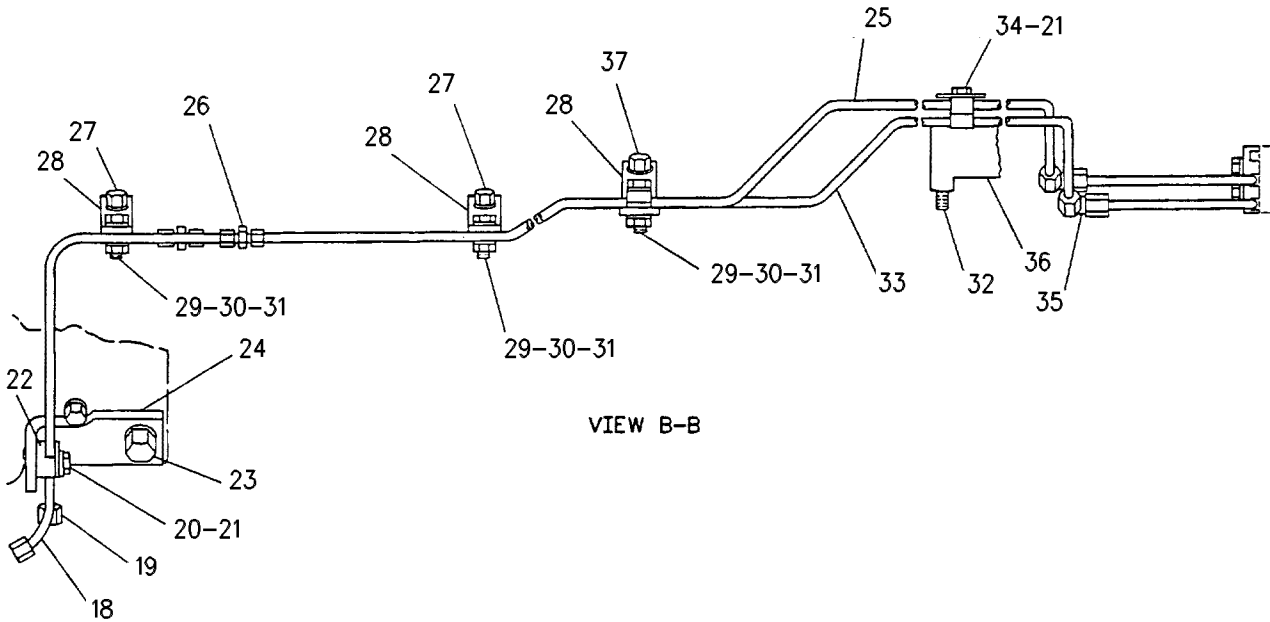
GRAPHIC #1

g00442768

ELECTRICAL AND STARTING SYSTEM

4W-7207 CONTROL GP-AIR STARTING (contd.)

i00883816



GRAPHIC #2

g00442769

ELECTRICAL AND STARTING SYSTEM

7C-0330 CONTROL GP-AIR STARTING

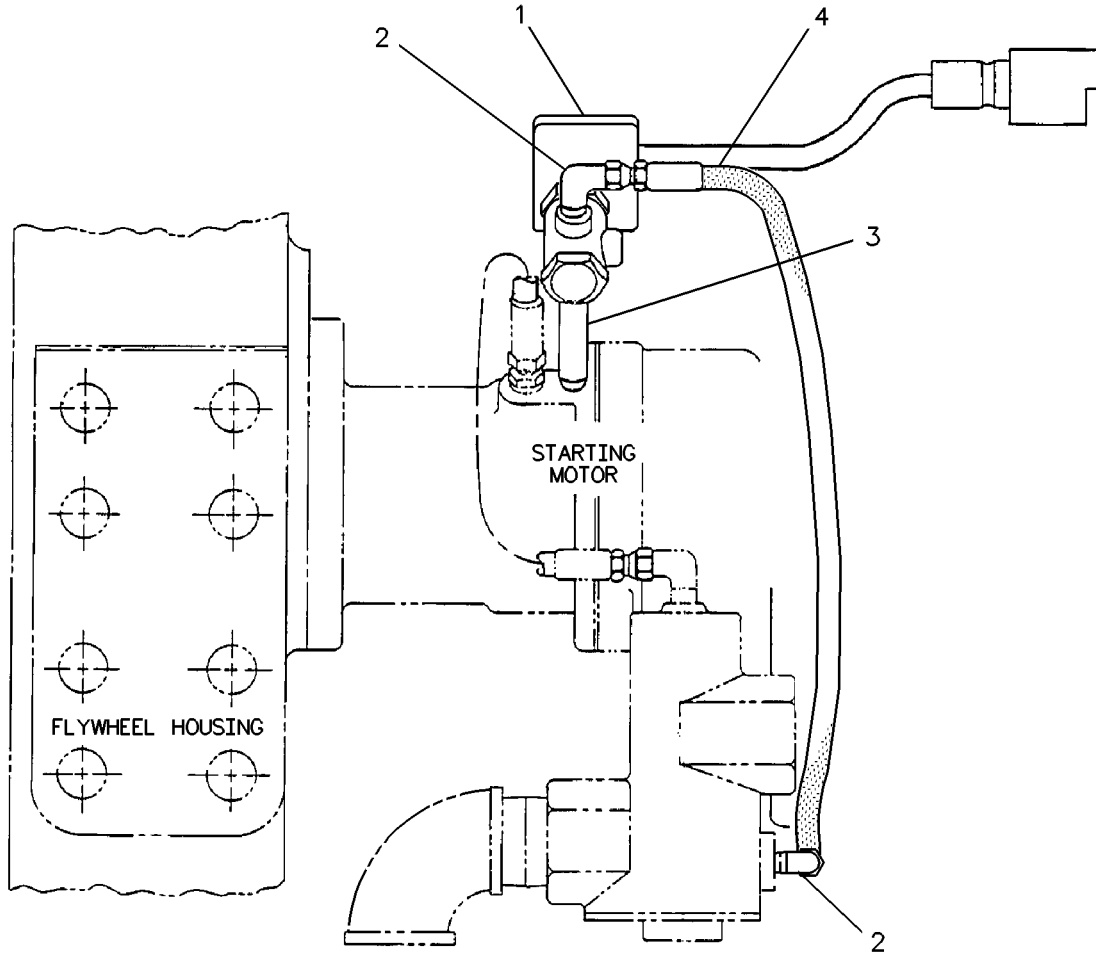
24-32 VOLT DC
FOR USE WITH RH INSTRUMENT PANEL
AN ATTACHMENT

SMCS-1462

i00649787

NOTE	REF NO	GRAPHIC REF	PART NUMBER	QTY	PART NAME						SEE PAGE
					1	2	3	4	5	6 (PRODUCT LEVEL)	
Y	1	1	5N-8980	1	VALVE AS-SOLENOID						685
C	2	1	6K-1972	2	ELBOW-FLARED (1/4 NPT)						
	3	1	5H-7598	1	NIPPLE-PIPE						
CI	4	1	2V-5956	1	HOSE AS						

C- CHANGE FROM PREVIOUS TYPE
I- SEE HOSE FABRICATION GUIDE
Y- SEPARATE ILLUSTRATION



GRAPHIC #1

g00223697

ELECTRICAL AND STARTING SYSTEM

147-8337 CONTROL GP-AIR STARTING

PART OF 154-3853 CONTROL GP-AIR STARTING

AN ATTACHMENT

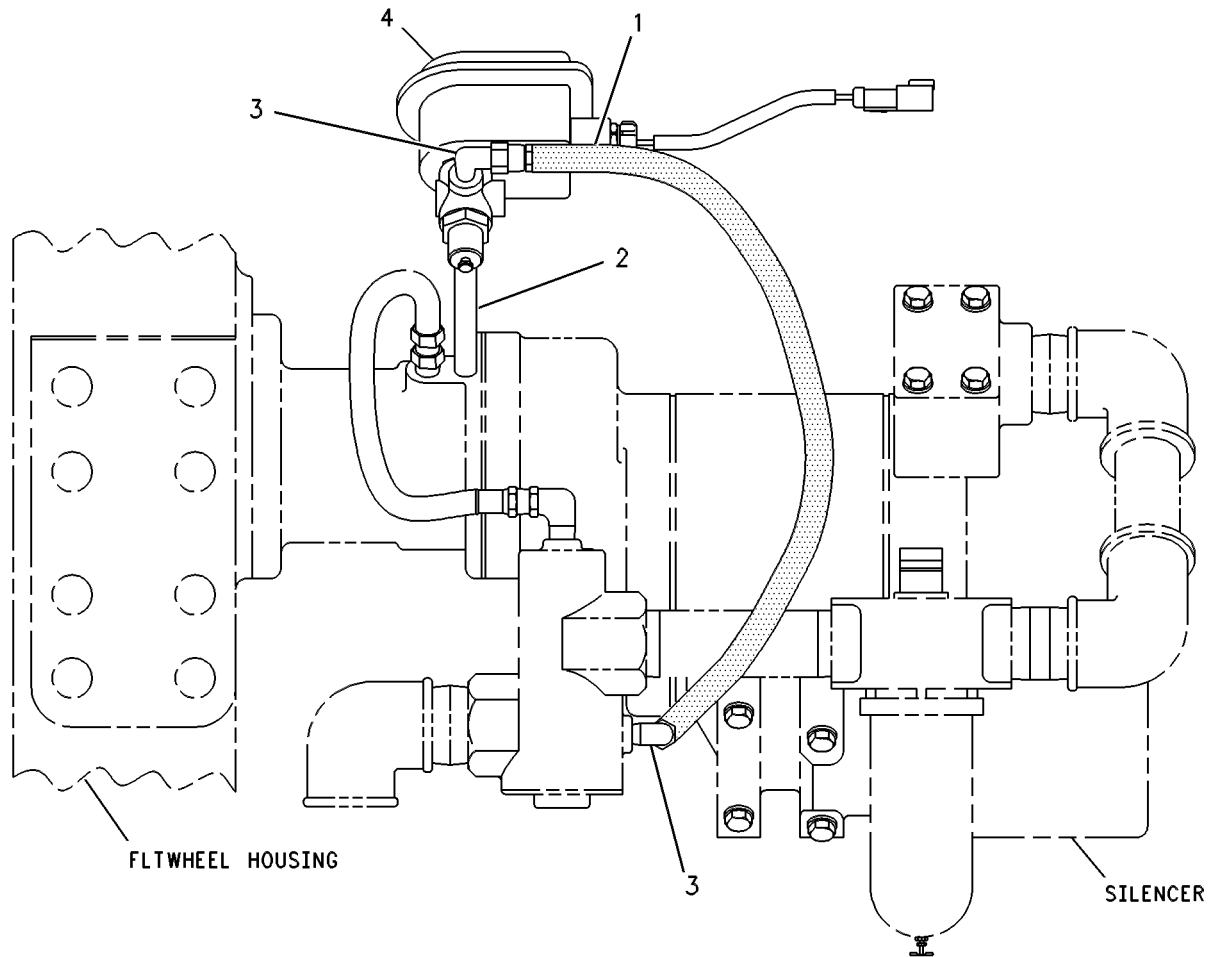
SMCS-1462

i00931502

NOTE	REF NO	GRAPHIC REF	PART NUMBER	QTY	PART NAME						SEE PAGE
					1	2	3	4	5	6 (PRODUCT LEVEL)	
I	1	1	2V-5956	1	HOSE AS						696
	2	1	5H-7598	1	NIPPLE-PIPE						
	3	1	6K-1972	2	ELBOW-FLARED (1/4 NPT)						
Y	4	1	130-5177	1	VALVE GP-SOLENOID						

I-SEE HOSE FABRICATION GUIDE

Y-SEPARATE ILLUSTRATION



GRAPHIC #1

g00285791

ELECTRICAL AND STARTING SYSTEM

154-3853 CONTROL GP-AIR STARTING

AN ATTACHMENT

SMCS-1462

i00916006

NOTE	PART NUMBER	QTY	PART NAME						SEE PAGE
			1	2	3	4	5	6 (PRODUCT LEVEL)	
Y	147-8337	1	CONTROL GP-AIR STARTING						450
	154-3854	1	HARNESS AS-WIRING						
	102-8807	1	KIT-CONNECTING PLUG (2 PIN) (INCLUDES WEDGE & PLUG AS)						
	102-8812	1	SEAL-INTERFACE						
Y-SEPARATE ILLUSTRATION									

ELECTRICAL AND STARTING SYSTEM

3E-5286 CONTROL GP-ENG RATINGS ELEK-ELECTRONIC

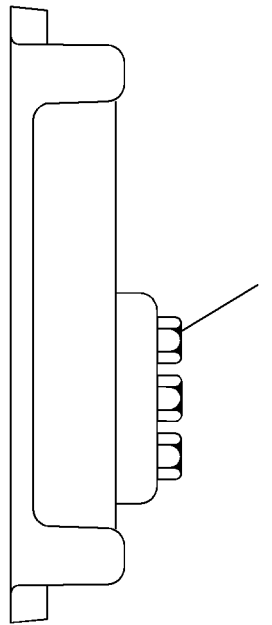
PERSONALITY-BASIC

PART OF 106-9182, 141-1909 CONTROL GP-ENG RATINGS ELEK
AN ATTACHMENT

SMCS-1902

i00349755

NOTE	REF NO	GRAPHIC REF	PART NUMBER	QTY	PART NAME						SEE PAGE
					1	2	3	4	5	6 (PRODUCT LEVEL)	
	1	1	9S-4180	4	PLUG-O-RING (5/16-24 THD)						
		1	4J-7533	4	SEAL-O-RING (6.07MM ID)						



GRAPHIC #1

g00064552

ELECTRICAL AND STARTING SYSTEM

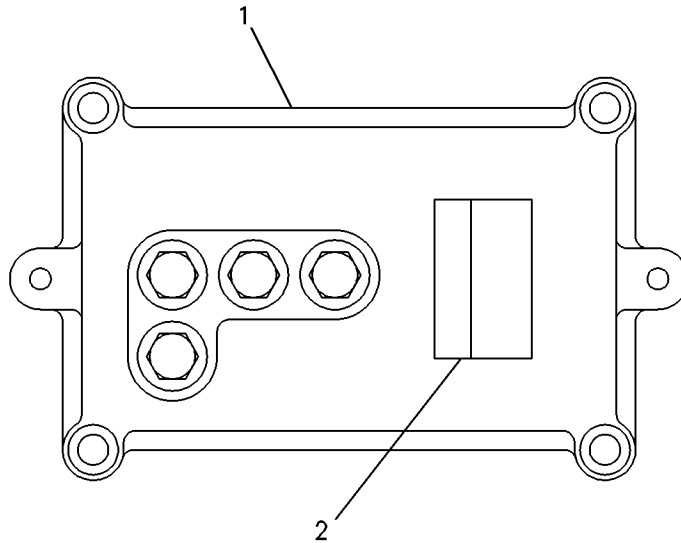
106-9182 CONTROL GP-ENG RATINGS ELEK PART OF 138-5219 BOX GP-INSTRUMENT PANEL, 114-8140 JUNCTION BOX GP AN ATTACHMENT

SMCS-1902

i00657501

NOTE	REF NO	GRAPHIC REF	PART NUMBER	QTY	PART NAME						SEE PAGE
					1	2	3	4	5	6 (PRODUCT LEVEL)	
Y	1	1	3E-5286	1	CONTROL GP-ENG RATINGS ELEK						452
	2	1	7W-3919	1	PLATE-MODULE						

Y-SEPARATE ILLUSTRATION



GRAPHIC #1

g00230978

ELECTRICAL AND STARTING SYSTEM

141 - 1909 CONTROL GP - ENG RATINGS ELEK

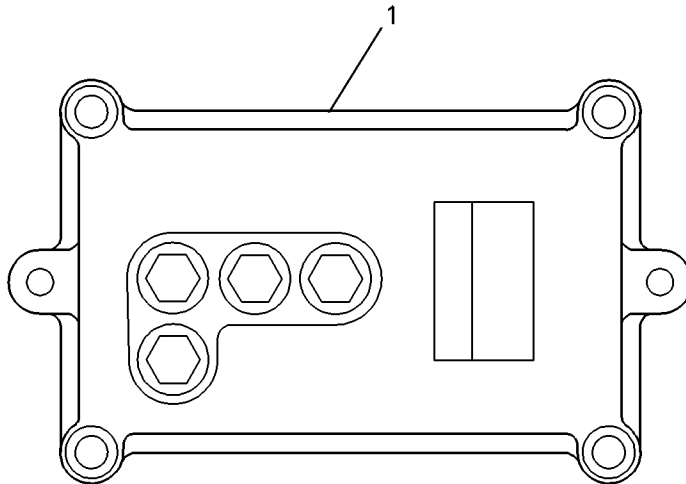
AN ATTACHMENT

SMCS - 1902

i00657045

NOTE	REF NO	GRAPHIC REF	PART NUMBER	QTY	PART NAME						SEE PAGE
					1	2	3	4	5	6 (PRODUCT LEVEL)	
Y	1	1	3E-5286	1	CONTROL GP - ENG RATINGS ELEK						452

Y - SEPARATE ILLUSTRATION



GRAPHIC #1

g00065280

ELECTRICAL AND STARTING SYSTEM

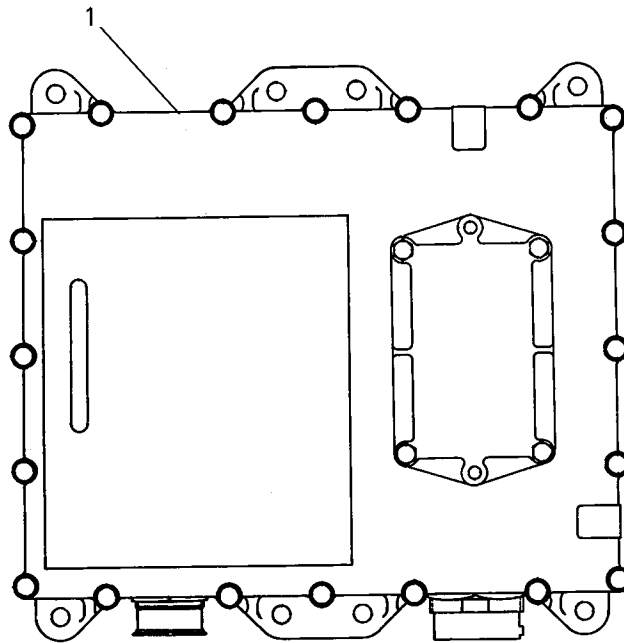
3E-6351 CONTROL GP-ENGINE ELECTRONIC

PART OF 114-8140 JUNCTION BOX GP
FIELD REPLACEMENT ORDER 108-5888-PAGE 458
AN ATTACHMENT

SMCS-1900, 1901

i00349765

NOTE	REF NO	GRAPHIC REF	PART NUMBER	QTY	PART NAME						SEE PAGE
					1	2	3	4	5	6 (PRODUCT LEVEL)	
Y	1	1	108-5888	1	CONTROL GP-ENGINE ELECTRONIC (ECM)						458
Y-SEPARATE ILLUSTRATION											



GRAPHIC #1

g00065466

ELECTRICAL AND STARTING SYSTEM

4P-8888 CONTROL GP-ENGINE ELECTRONIC

PART OF 118-0804 CONVERSION AR-ENGINE

ALSO AN ATTACHMENT

SMCS-1900, 1901

i00660563

NOTE	PART NUMBER	QTY	PART NAME						SEE PAGE
			1	2	3	4	5	6 (PRODUCT LEVEL)	
Y	4P-9565	1	CONTROL GP-TIMING						428
Y	4P-9895	1	WIRING GP						698

Y-SEPARATE ILLUSTRATION

ELECTRICAL AND STARTING SYSTEM

104-4219 CONTROL GP-ELECTRONIC

SMCS-1900, 1901

i00659987

NOTE	PART NUMBER	QTY	PART NAME						SEE PAGE
			1	2	3	4	5	6 (PRODUCT LEVEL)	
Y	104-2250	1	COVER & CONTROL GP-ENG ELEK						432
Y	105-9856	1	WIRING GP						700
Y-SEPARATE ILLUSTRATION									

ELECTRICAL AND STARTING SYSTEM

108-5888 CONTROL GP-ENGINE ELECTRONIC

AIR FUEL RATIO GOVERNING

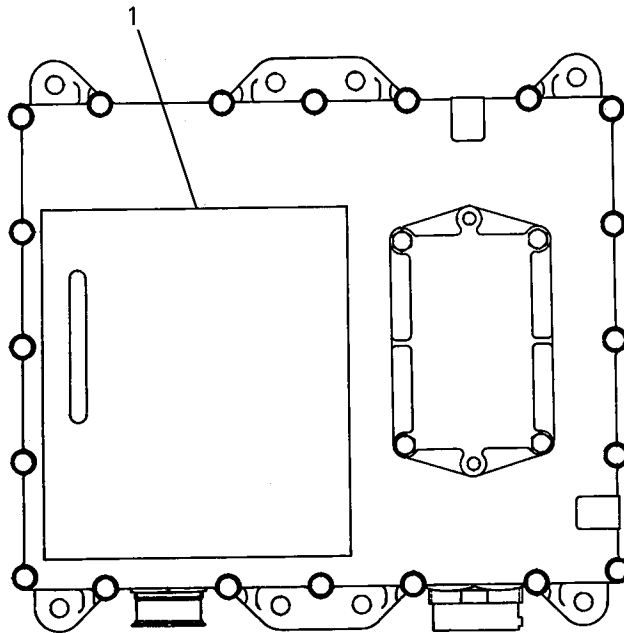
PART OF 138-5219 BOX GP-INSTRUMENT PANEL, 3E-6351 CONTROL GP-ENGINE ELECTRONIC,
114-8140 JUNCTION BOX GP

FIELD REPLACEMENT FOR 3E-6351-PAGE 455
AN ATTACHMENT

SMCS-1900, 1901

i00191259

NOTE	REF NO	GRAPHIC REF	PART NUMBER	QTY	PART NAME						SEE PAGE
					1	2	3	4	5	6 (PRODUCT LEVEL)	
	1	1	9X-0379	1	FILM-IDENTIFICATION						



GRAPHIC #1

g00065468

ELECTRICAL AND STARTING SYSTEM

118-2121 CONTROL GP-ENGINE ELECTRONIC

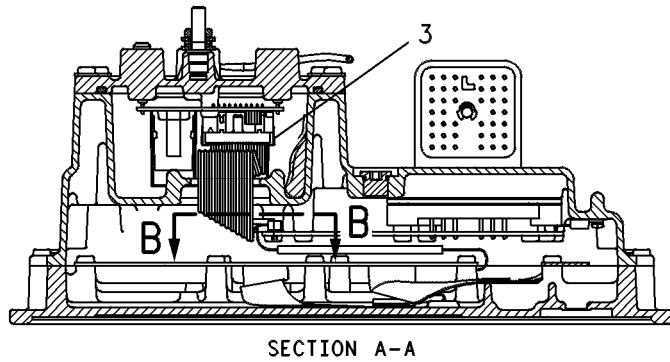
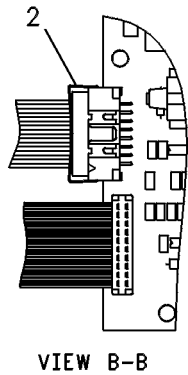
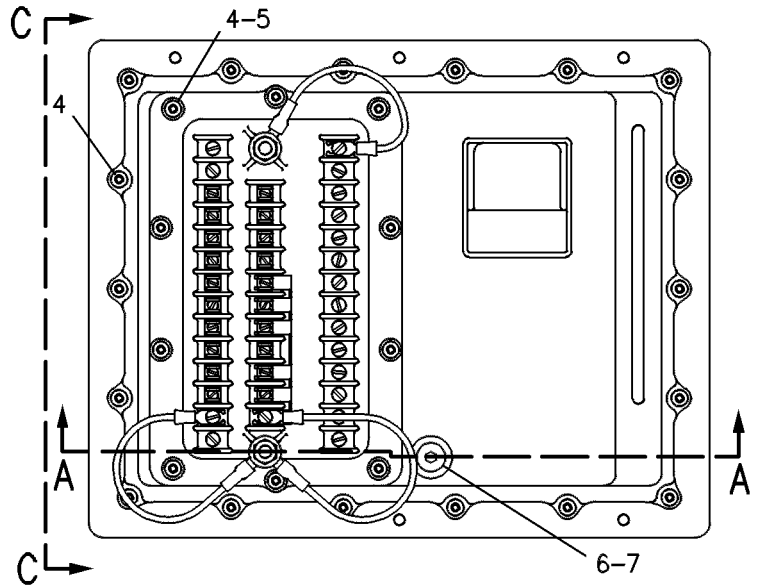
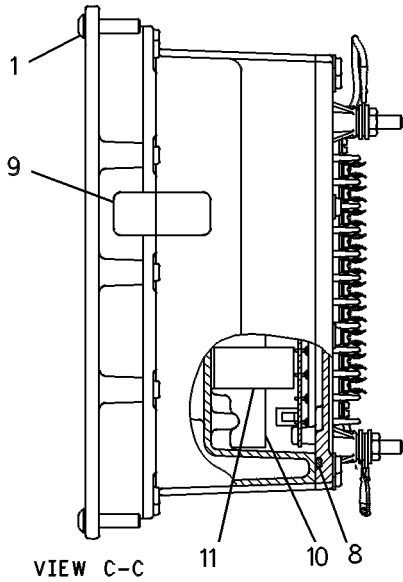
PART OF 118-2122 CONTROL GP-EMCP ELECTRONIC

AN ATTACHMENT

SMCS-1900, 1901

i00653626

NOTE	REF NO	GRAPHIC REF	PART NUMBER	QTY	PART NAME						SEE PAGE
					1	2	3	4	5	6 (PRODUCT LEVEL)	
	1	1	9W-1464	6	SCREW						
	2	1	100-6811	1	CLIP-CONNECTOR						
	3	1	100-6212	1	CLIP-CONNECTOR						
	4	1	105-2553	28	SCREW-PAN HEAD						
	5	1	4B-4863	10	WASHER (1.2MM THK)						
	6	1	9S-8002	1	PLUG-O-RING (7/16-20 THD)						
	7	1	3J-7354	1	SEAL-O-RING (8.92MM ID)						
	8	1	1S-4974	1	SEAL-O-RING						
	9	1	8C-4652	1	SEAL-SECURITY						
	10	1	102-9864	1	DESICCANT						
	11	1	106-3930	1	TAPE						



GRAPHIC #1

g00243996

ELECTRICAL AND STARTING SYSTEM

119-3368 CONTROL GP-ENGINE ELECTRONIC

CUSTOMER COMMUNICATION MODULE

PART OF 121-5502 CONTROL GP-ENGINE ELECTRONIC

FIELD REPLACEMENT ORDER 119-3369-PAGE 461

AN ATTACHMENT

SMCS-1900, 1901

i00368859

NOTE	PART NUMBER	QTY	PART NAME						SEE PAGE
			1	2	3	4	5	6 (PRODUCT LEVEL)	
Y	119-3369	1	CONTROL GP-ENGINE ELECTRONIC						461
			COMMUNICATION MODULE						

Y-SEPARATE ILLUSTRATION

ELECTRICAL AND STARTING SYSTEM

119-3369 CONTROL GP-ENGINE ELECTRONIC

CUSTOMER COMMUNICATION MODULE
PART OF 119-3368 CONTROL GP-ENGINE ELECTRONIC
FIELD REPLACEMENT FOR 119-3368—PAGE 460
AN ATTACHMENT

SMCS-1900, 1901

i00368977

NOTE	PART NUMBER	QTY	PART NAME						SEE PAGE
			1	2	3	4	5	6 (PRODUCT LEVEL)	
NO SERVICEABLE PARTS									

ELECTRICAL AND STARTING SYSTEM

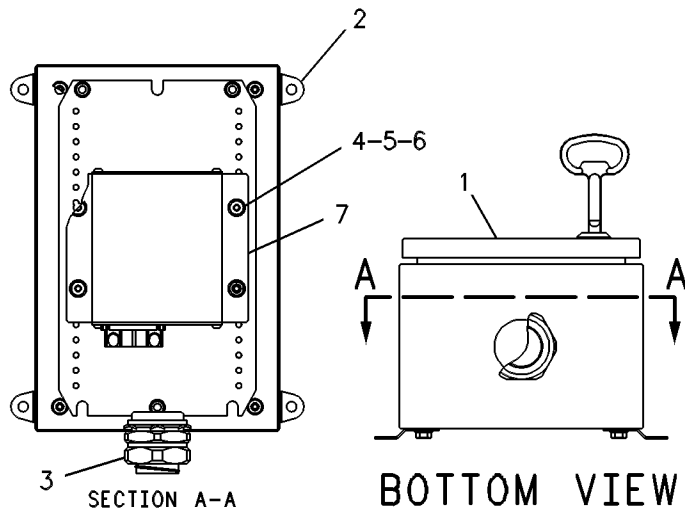
121-5502 CONTROL GP CUSTOMER COMMUNICATION MODULE AN ATTACHMENT TYPE 1

SMCS-1900, 1901

i00072359

NOTE	REF NO	GRAPHIC REF	PART NUMBER	QTY	PART NAME						SEE PAGE
					1	2	3	4	5	6 (PRODUCT LEVEL)	
	1	1	131-3911	1	JUNCTION BOX						
	2	1	121-0124	4	BRACKET AS						
	3	1	5N-7501	1	CONNECTOR						
	4	1	1H-3337	4	BOLT (1/4-20X.875IN)						
	5	1	9T-4017	8	SEAL						
	6	1	9S-8750	4	NUT-FULL (1/4-20 THD)						
Y	7	1	119-3368	1	CONTROL GP-ELECTRONIC						460

Y- SEPARATE ILLUSTRATION



GRAPHIC #1

g00066552

ELECTRICAL AND STARTING SYSTEM

121-5502 CONTROL GP-ENGINE ELECTRONIC

CUSTOMER COMMUNICATION MODULE

AN ATTACHMENT

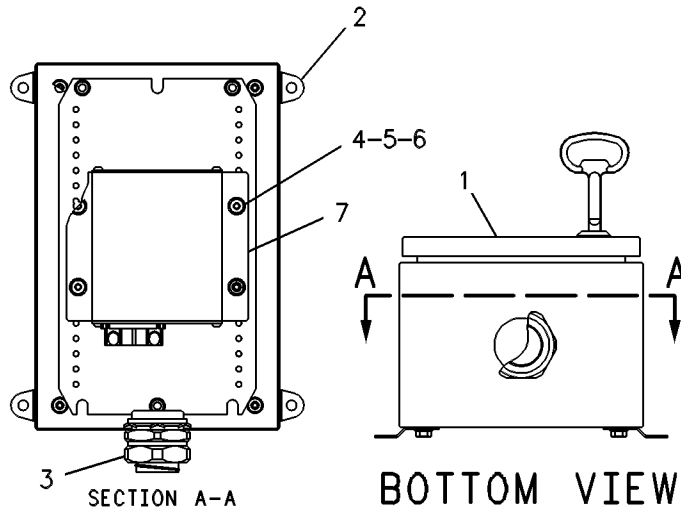
TYPE 2

SMCS-1900, 1901

i00077408

NOTE	REF NO	GRAPHIC REF	PART NUMBER	QTY	PART NAME						SEE PAGE
					1	2	3	4	5	6 (PRODUCT LEVEL)	
	1	1	131-3911	1	JUNCTION BOX						
	2	1	121-0124	4	BRACKET AS						
	3	1	5N-7501	1	CONNECTOR						
	4	1	1H-3337	4	BOLT (1/4-20X.875IN)						
	5	1	9T-4017	8	SEAL						
	6	1	9S-8750	4	NUT-FULL (1/4-20 THD)						
CY	7	1	132-4370	1	CONTROL GP-ENGINE ELECTRONIC						465

C- CHANGE FROM PREVIOUS TYPE
Y- SEPARATE ILLUSTRATION



GRAPHIC #1

g00066552

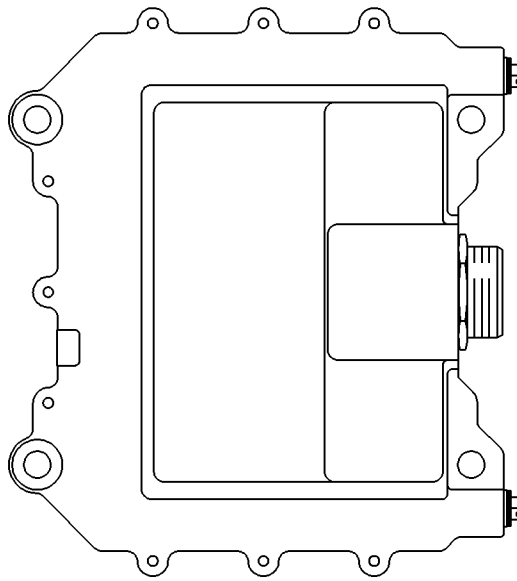
ELECTRICAL AND STARTING SYSTEM

123-5101 CONTROL GP AN ATTACHMENT

SMCS-1900, 1901

i00659874

NOTE	REF NO	GRAPHIC REF	PART NUMBER	QTY	PART NAME	SEE PAGE
					1 2 3 4 5 6 (PRODUCT LEVEL)	
(INDIVIDUAL PARTS ARE NOT SERVICED SEPARATELY)						



GRAPHIC #1

g00065478

ELECTRICAL AND STARTING SYSTEM

132-4370 CONTROL GP-ENGINE ELECTRONIC

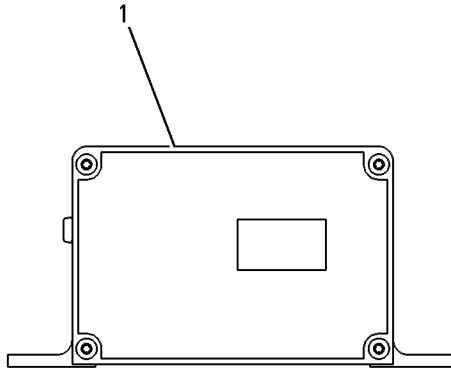
PART OF 121-5502 CONTROL GP-ENGINE ELECTRONIC

AN ATTACHMENT

SMCS-1900, 1901

i00555465

NOTE	REF NO	GRAPHIC REF	PART NUMBER	QTY	PART NAME						SEE PAGE
					1	2	3	4	5	6 (PRODUCT LEVEL)	
	1	1	145-3902	1	CONTROL GP-ENGINE MONITORING						



GRAPHIC #1

g00067152

ELECTRICAL AND STARTING SYSTEM

147-8176 CONTROL GP-ENGINE ELECTRONIC

AN ATTACHMENT

SMCS-1900, 1901

i00931469

NOTE	PART NUMBER	QTY	PART NAME						SEE PAGE
			1	2	3	4	5	6 (PRODUCT LEVEL)	
Y	104-2250	1	CONTROL & COVER GP-ENG ELEK						432
Y	147-8177	1	WIRING GP-ENGINE						716

Y-SEPARATE ILLUSTRATION

ELECTRICAL AND STARTING SYSTEM

3E-0257 CONTROL GP-ENGINE MONITORING

PART OF 4P-8192 IGNITION GP-GAS ENGINE

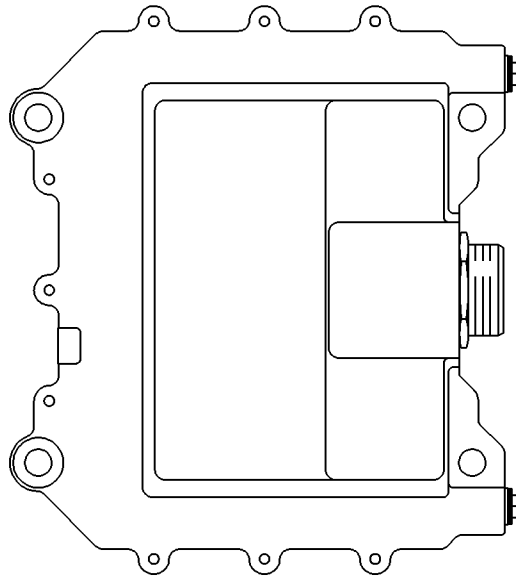
SMCS-1900, 1901

i00935722

NOTE	REF NO	GRAPHIC REF	PART NUMBER	QTY	PART NAME	SEE PAGE
------	--------	-------------	-------------	-----	-----------	----------

1 2 3 4 5 6 (PRODUCT LEVEL)

(INDIVIDUAL PARTS ARE NOT SERVICED SEPARATELY)



GRAPHIC #1

g00065478

ELECTRICAL AND STARTING SYSTEM

3E-7848 CONTROL GP-ENGINE MONITORING

PART OF 6V-6148 CONTROL GP-ENGINE MONITORING

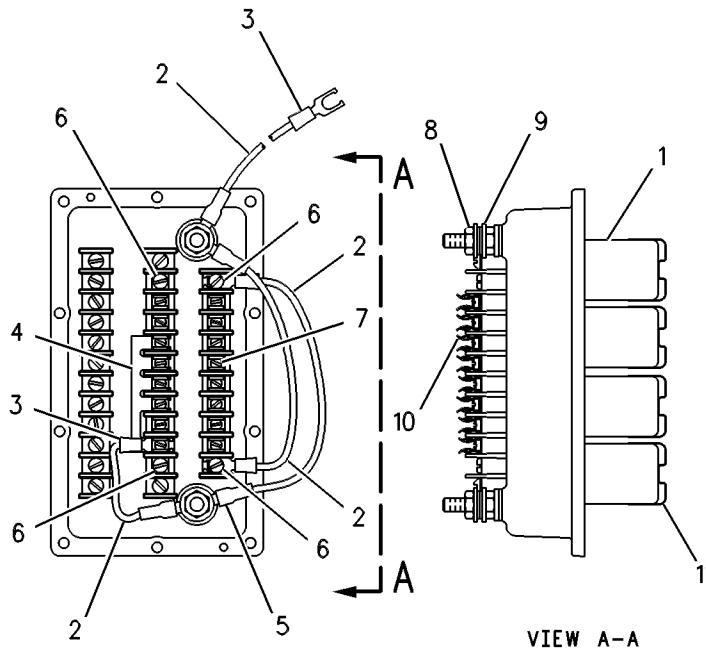
AN ATTACHMENT

SMCS-1900, 1901

i00657834

NOTE	REF NO	GRAPHIC REF	PART NUMBER	QTY	PART NAME						SEE PAGE
					1	2	3	4	5	6 (PRODUCT LEVEL)	
	1	1	3E-7573	7	RELAY AS						
BD	2	1	5P-5623		WIRE (16 GA)						
	3	1	5P-2321	4	TERMINAL (BLADE)						
	4	1	9X-1180	1	STRAP-JUMPER						
	5	1	2L-8077	4	TERMINAL (RING)						
	6	1	6V-8374	4	SCREW-MACHINE (6-32X.25IN)						
	7	1	1S-6791	16	SCREW-MACHINE (6-32X.25IN)						
	8	1	8C-8517	2	NUT-MACHINE SCREW						
	9	1	7X-6183	4	WASHER						
	10	1	9W-6330	16	CLIP-FUSE						
	11	1	9W-0267	7	CLIP-RELAY						

B- USE AS REQUIRED
D- ORDER BY THE METER



GRAPHIC #1

g00264361

ELECTRICAL AND STARTING SYSTEM

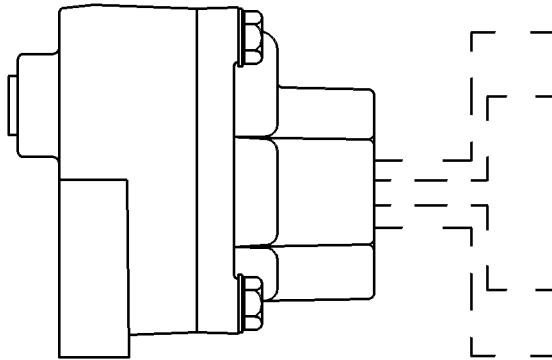
3E-8542 CONTROL GP-ENGINE MONITORING

TEMPERATURE PRESSURE MODULE
PART OF 4P-9571 JUNCTION BOX GP
ALSO AN ATTACHMENT

SMCS-1900, 1901

i00350861

NOTE	REF NO	GRAPHIC REF	PART NUMBER	QTY	PART NAME						SEE PAGE
					1	2	3	4	5	6 (PRODUCT LEVEL)	
NO SERVICABLE PARTS											



GRAPHIC #1

g00065990

ELECTRICAL AND STARTING SYSTEM

6V-6148 CONTROL GP-ENGINE MONITORING

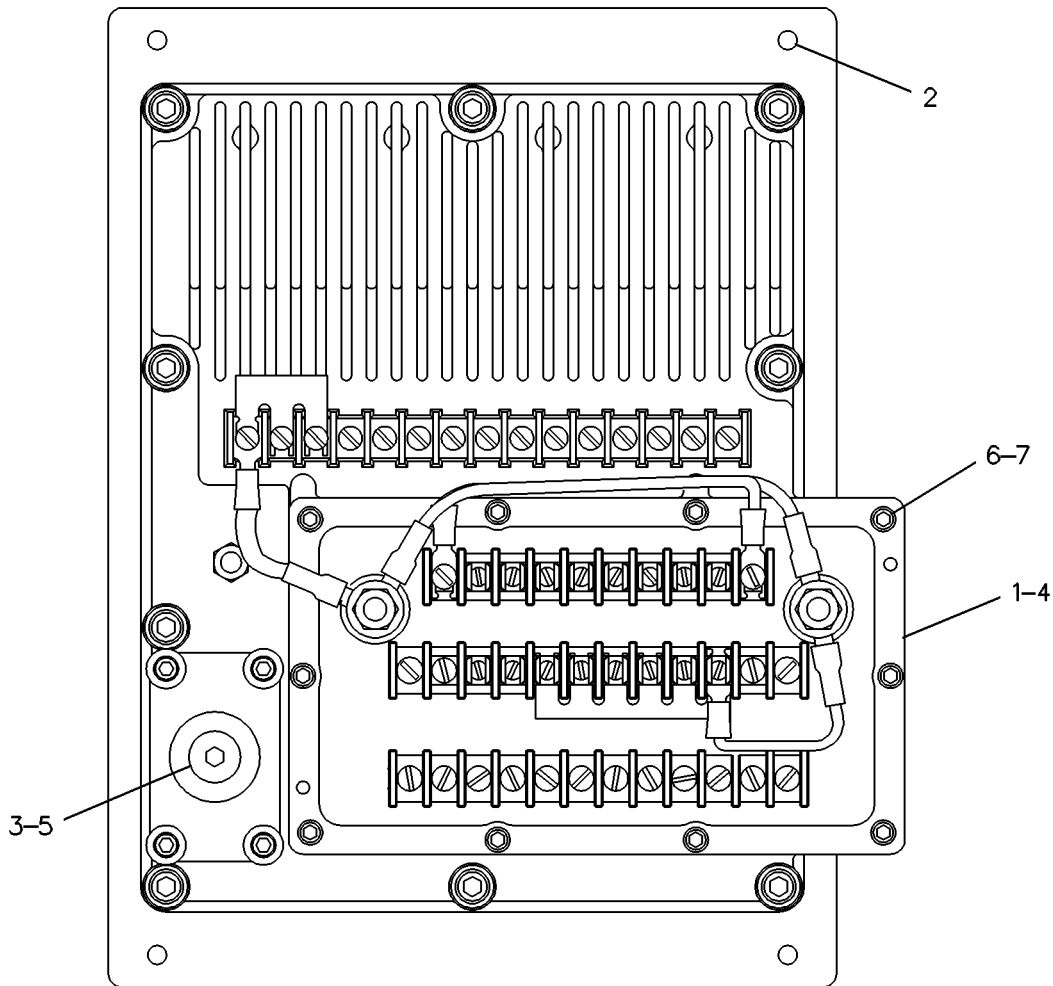
PART OF 108-7871, 6V-6149 CONTROL GP-ENGINE MONITORING
AN ATTACHMENT

SMCS-1900, 1901

i00661412

NOTE	REF NO	GRAPHIC REF	PART NUMBER	QTY	PART NAME						SEE PAGE
					1	2	3	4	5	6 (PRODUCT LEVEL)	
Y	1	1	3E-7848	1	CONTROL GP-ENGINE MONITORING (SI STATUS-RELAY)						468
	2	1	9W-1464	4	SCREW						
	3	1	3J-7354	1	SEAL-O-RING (8.92MM ID)						
	4	1	6V-1541	1	PRIMER-QUICK CURE						
	5	1	9S-8002	1	PLUG-O-RING (7/16-20 THD)						
	6	1	6D-3897	10	BOLT						
	7	1	6V-9499	10	WASHER-HARD						

Y-SEPARATE ILLUSTRATION



GRAPHIC #1

g00230957

ELECTRICAL AND STARTING SYSTEM

6V-6149 CONTROL GP-ENGINE MONITORING

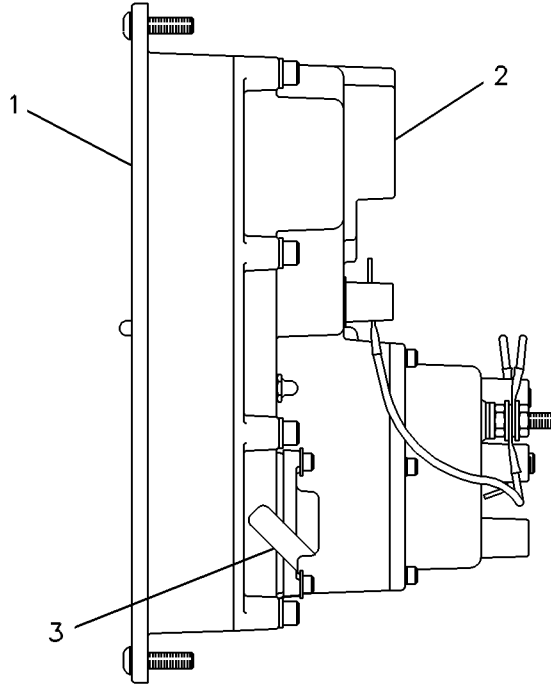
PART OF 114-8140 JUNCTION BOX GP, 103-6193, 4P-9566 PANEL GP-INSTRUMENT
AN ATTACHMENT

SMCS-1900, 1901

i00661417

NOTE	REF NO	GRAPHIC REF	PART NUMBER	QTY	PART NAME						SEE PAGE
					1	2	3	4	5	6 (PRODUCT LEVEL)	
Y	1	1	6V-6148	1	CONTROL GP-ENGINE MONITORING (SI STATUS BASIC)						470
	2	1	9X-1163	1	FILM-IDENTIFICATION						
	3	1	8C-6188	1	SEAL-SECURITY						

Y-SEPARATE ILLUSTRATION



GRAPHIC #1

g00226265

ELECTRICAL AND STARTING SYSTEM

9X-4836 CONTROL GP-ENGINE MONITORING

DETONATION SENSOR

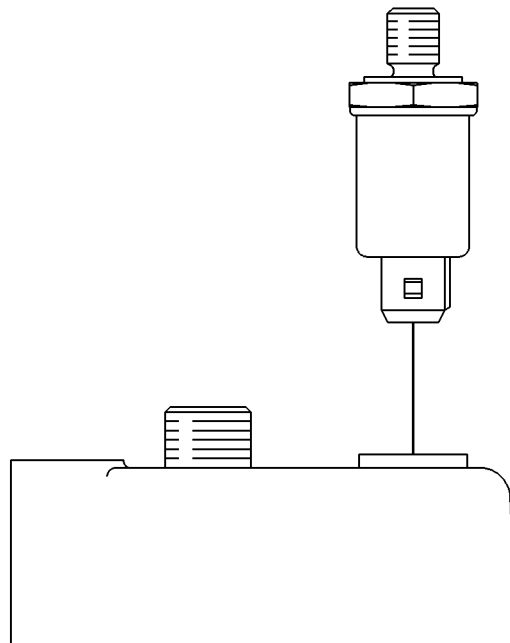
PART OF 104-2250, 4P-9565 CONTROL & COVER GP-ENG ELEK

SMCS-1900, 1901

i00357050

NOTE	REF NO	GRAPHIC REF	PART NUMBER	QTY	PART NAME						SEE PAGE
					1	2	3	4	5	6 (PRODUCT LEVEL)	

(INDIVIDUAL PARTS ARE NOT SERVICED SEPARATELY)



GRAPHIC #1

g00065486

ELECTRICAL AND STARTING SYSTEM

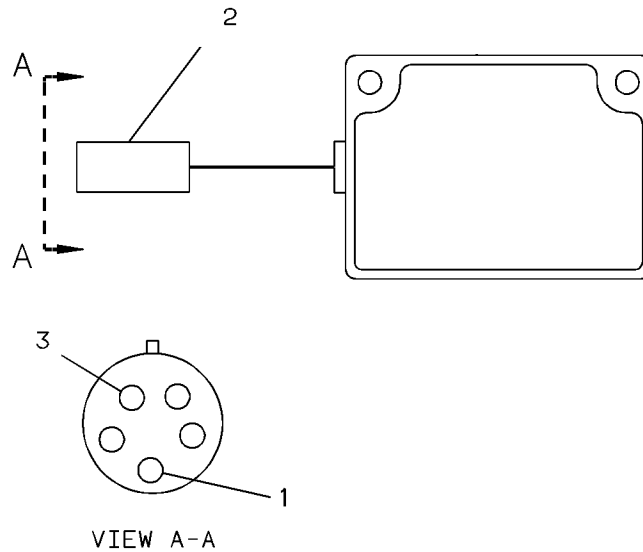
9X-4865 CONTROL GP-ENGINE MONITORING

HALLIBURTON THROTTLE SENSOR
PART OF 114-8140 JUNCTION BOX GP
AN ATTACHMENT

SMCS-1900, 1901

i00357051

NOTE	REF NO	GRAPHIC REF	PART NUMBER	QTY	PART NAME						SEE PAGE
					1	2	3	4	5	6 (PRODUCT LEVEL)	
	1	1	8T-8730	4	SOCKET-CONNECTOR						
	2	1	8T-8733	1	PLUG-CONNECTOR						
	3	1	8T-8737	1	PLUG-SEAL						



GRAPHIC #1

g00065866

ELECTRICAL AND STARTING SYSTEM

103-6101 CONTROL GP - ENGINE MONITORING

AN ATTACHMENT

SMCS-1900, 1901

i00892748

NOTE	PART NUMBER	QTY	PART NAME						SEE PAGE
			1	2	3	4	5	6 (PRODUCT LEVEL)	
Y	102-0050	1	SENSOR GP - TEMPERATURE						603
Y	133-3917	1	SENSOR GP - PRESSURE						598
			-OR-						
Y	145-2362	1	SENSOR GP - PRESSURE						599
	3S-2093	2	STRAP - CABLE (1.75IN DIA)						
Y - SEPARATE ILLUSTRATION									

ELECTRICAL AND STARTING SYSTEM

108-7871 CONTROL GP-ENGINE MONITORING

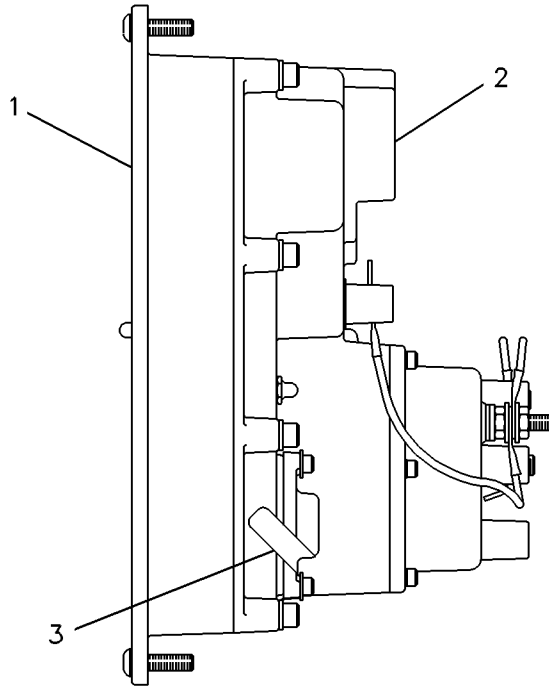
PART OF 108-6424 SHUTOFF GP-ELECTRICAL
AN ATTACHMENT

SMCS-1900, 1901

i00657032

NOTE	REF NO	GRAPHIC REF	PART NUMBER	QTY	PART NAME						SEE PAGE
					1	2	3	4	5	6 (PRODUCT LEVEL)	
Y	1	1	6V-6148	1	CONTROL GP-ENGINE MONITORING (SI STATUS)						470
	2	1	108-6481	1	FILM-CONTROL PANEL						
	3	1	8C-6188	1	SEAL-SECURITY						

Y-SEPARATE ILLUSTRATION



GRAPHIC #1

g00226265

ELECTRICAL AND STARTING SYSTEM

111-0906 CONTROL GP-ENGINE MONITORING

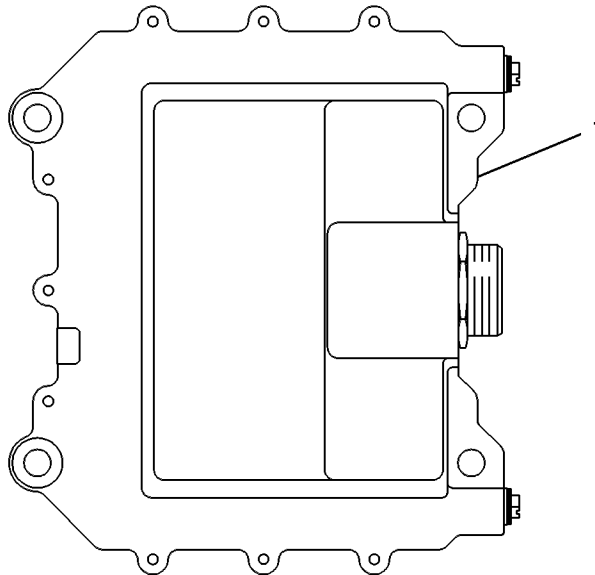
S/N 9TG1-27

PART OF 4P-8192 IGNITION GP-GAS ENGINE
ALSO AN ATTACHMENT

SMCS-1900, 1901

i00657161

NOTE	REF NO	GRAPHIC REF	PART NUMBER	QTY	PART NAME						SEE PAGE
					1	2	3	4	5	6 (PRODUCT LEVEL)	
	1	1	111-5946	1	CONTROL GP (EIS)						



GRAPHIC #1

g00238909

ELECTRICAL AND STARTING SYSTEM

122-3326 CONTROL GP-ENGINE MONITORING

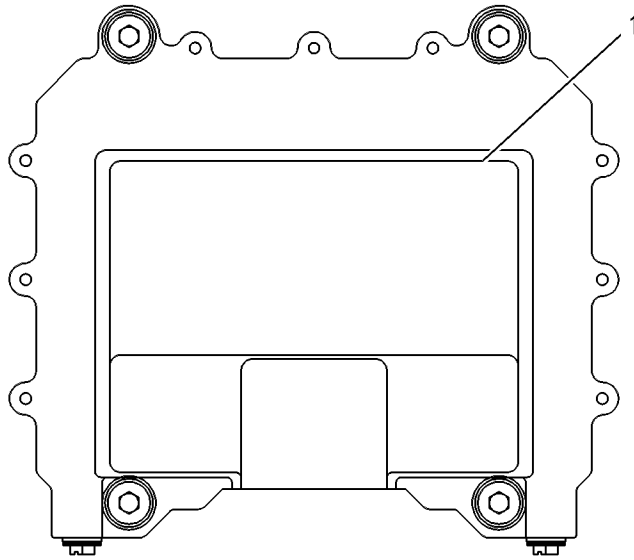
S/N 9TG28-UP

PART OF 4P-8192 IGNITION GP-GAS ENGINE

SMCS-1900, 1901

i00939322

NOTE	REF NO	GRAPHIC REF	PART NUMBER	QTY	PART NAME						SEE PAGE
					1	2	3	4	5	6 (PRODUCT LEVEL)	
	1	1	121-9631	1	CONTROL GP-ELECTRONIC						



GRAPHIC #1

g00253191

ELECTRICAL AND STARTING SYSTEM

124-4564 CONTROL GP-ENGINE MONITORING

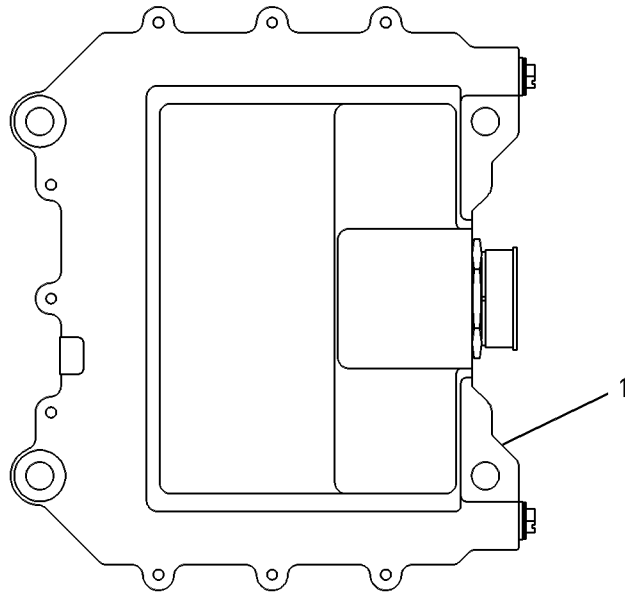
S/N 9TG144-UP

PART OF 125-3668 CONTROL GP-ENGINE MONITORING
ALSO AN ATTACHMENT

SMCS-1900, 1901

i00666295

NOTE	REF NO	GRAPHIC REF	PART NUMBER	QTY	PART NAME						SEE PAGE
					1	2	3	4	5	6 (PRODUCT LEVEL)	
	1	1	142-7472	1	CONTROL GP-ENGINE ELECTRONIC						



GRAPHIC #1

g00253057

ELECTRICAL AND STARTING SYSTEM

124-4565 CONTROL GP-ENGINE MONITORING

S/N 9TG18, 44-143

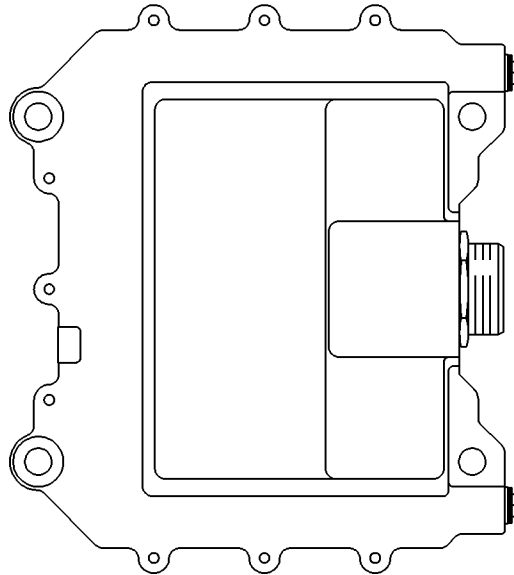
PART OF 125-3668 CONTROL GP-ENGINE MONITORING
ALSO AN ATTACHMENT

SMCS-1900, 1901

i00659878

NOTE	REF NO	GRAPHIC REF	PART NUMBER	QTY	PART NAME	SEE PAGE
					1 2 3 4 5 6 (PRODUCT LEVEL)	

(INDIVIDUAL PARTS ARE NOT SERVICED SEPERATELY)



GRAPHIC #1

g00065478

ELECTRICAL AND STARTING SYSTEM

125-3668 CONTROL GP-ENGINE MONITORING

S/N 9TG18, 44-143

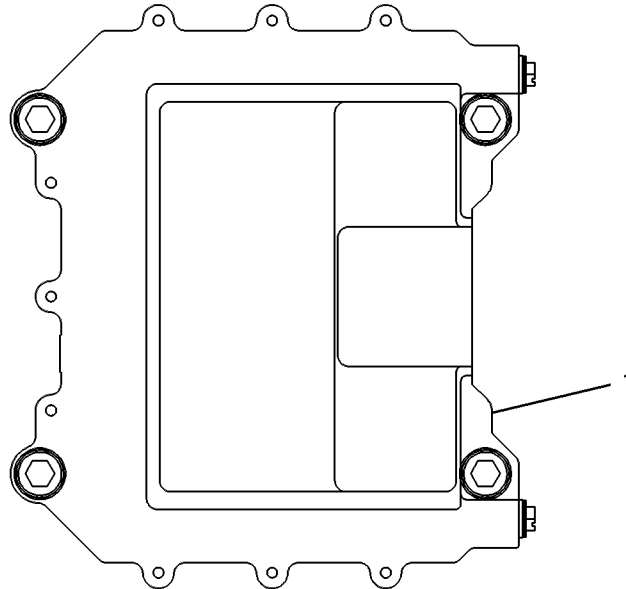
PART OF 130-7387, 4P-8192 IGNITION GP-GAS ENGINE
ALSO AN ATTACHMENT

SMCS-1900, 1901

i00666298

NOTE	REF NO	GRAPHIC REF	PART NUMBER	QTY	PART NAME						SEE PAGE
					1	2	3	4	5	6 (PRODUCT LEVEL)	
Y	1	1	124-4565	1	CONTROL GP-ENGINE MONITORING						479

Y-SEPARATE ILLUSTRATION



GRAPHIC #1

g00253054

ELECTRICAL AND STARTING SYSTEM

125-3668 CONTROL GP-ENGINE MONITORING

S/N 9TG144-UP

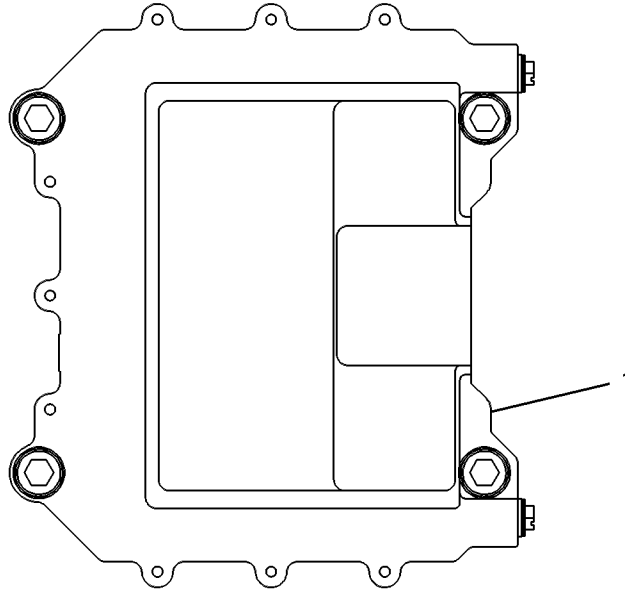
PART OF 147-2936, 147-2960 IGNITION GP, 130-7387, 4P-8192 IGNITION GP-GAS ENGINE
ALSO AN ATTACHMENT

SMCS-1900, 1901

i00941579

NOTE	REF NO	GRAPHIC REF	PART NUMBER	QTY	PART NAME						SEE PAGE
					1	2	3	4	5	6 (PRODUCT LEVEL)	
CY	1	1	124-4564	1	CONTROL GP-ENGINE MONITORING						478

C- CHANGE FROM PREVIOUS TYPE
Y- SEPARATE ILLUSTRATION



GRAPHIC #1

g00253054

ELECTRICAL AND STARTING SYSTEM

135-5014 CONTROL GP-ENGINE MONITORING

PART OF 135-5013 CONTROL & COVER GP-ENG ELEK

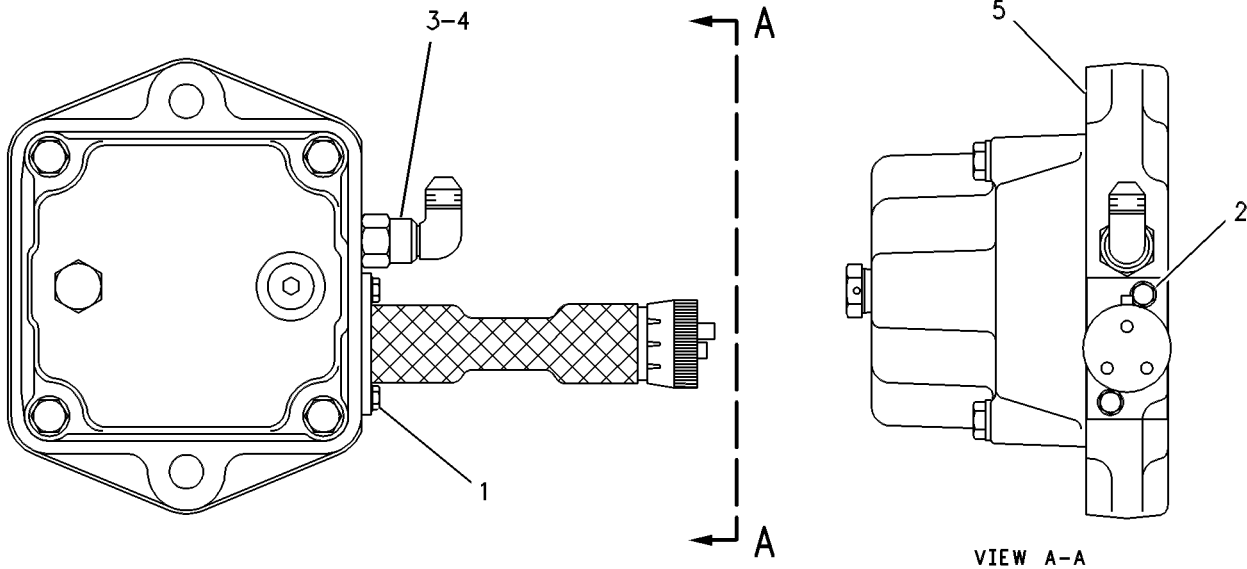
AN ATTACHMENT

SMCS-1900, 1901

i00656776

NOTE	REF NO	GRAPHIC REF	PART NUMBER	QTY	PART NAME						SEE PAGE
					1	2	3	4	5	6 (PRODUCT LEVEL)	
	1	1	135-5012	1	ADAPTER						
	2	1	6V-6789	2	SCREW-WASHER HEAD						
	3	1	030-7946	1	ELBOW (7/16-20 STR THD)						
	4	1	6V-5048	1	SEAL-O-RING (8.92MM ID)						
Y	5	1	3E-1854	1	SENSOR GP-PRESSURE						595

Y-SEPARATE ILLUSTRATION



GRAPHIC #1

g00287444

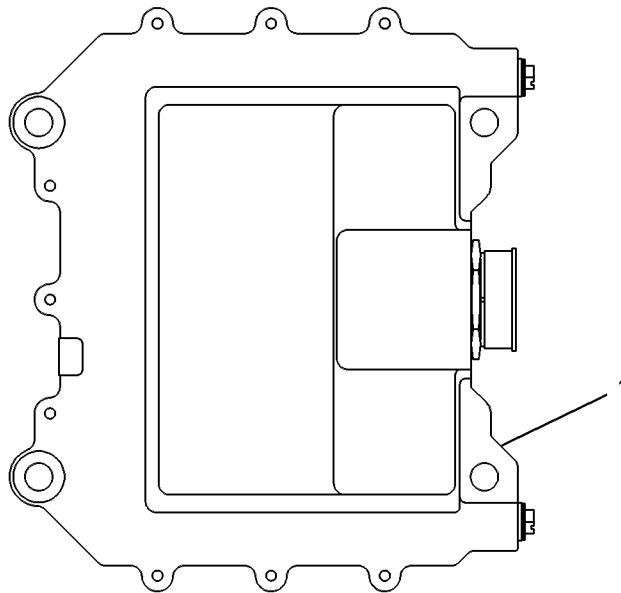
ELECTRICAL AND STARTING SYSTEM

141-6319 CONTROL GP-ENGINE MONITORING AN ATTACHMENT

SMCS-1900, 1901

i00657059

NOTE	REF NO	GRAPHIC REF	PART NUMBER	QTY	PART NAME						SEE PAGE
					1	2	3	4	5	6 (PRODUCT LEVEL)	
	1	1	141-6320	1	CONTROL GP-ENGINE MONITORING						



GRAPHIC #1

g00253057

ELECTRICAL AND STARTING SYSTEM

141-8300 CONTROL GP-ENGINE MONITORING

PART OF 138-5219 BOX GP-INSTRUMENT PANEL

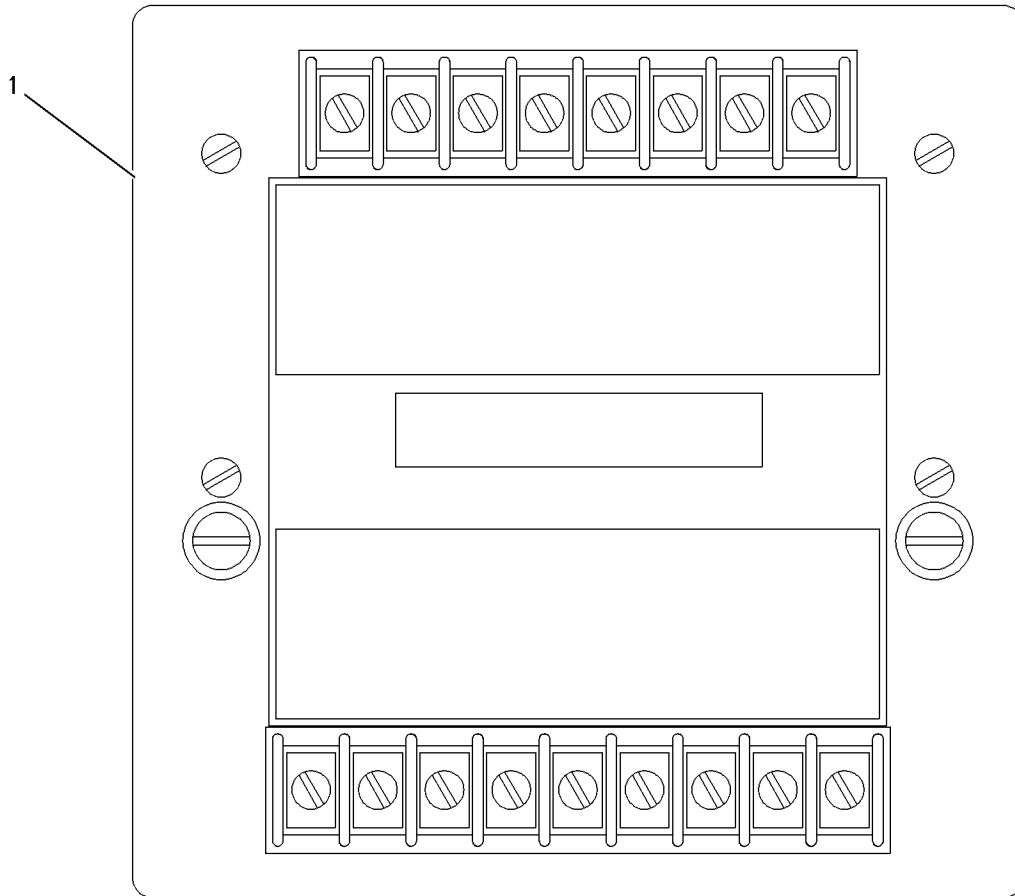
AN ATTACHMENT

SMCS-1900, 1901

i00937383

NOTE	REF NO	GRAPHIC REF	PART NUMBER	QTY	PART NAME						SEE PAGE
					1	2	3	4	5	6 (PRODUCT LEVEL)	
Y	1	1	141-8301	1	CONTROL GP-ENGINE MONITORING						485

Y - SEPARATE ILLUSTRATION



GRAPHIC #1

g00477436

ELECTRICAL AND STARTING SYSTEM

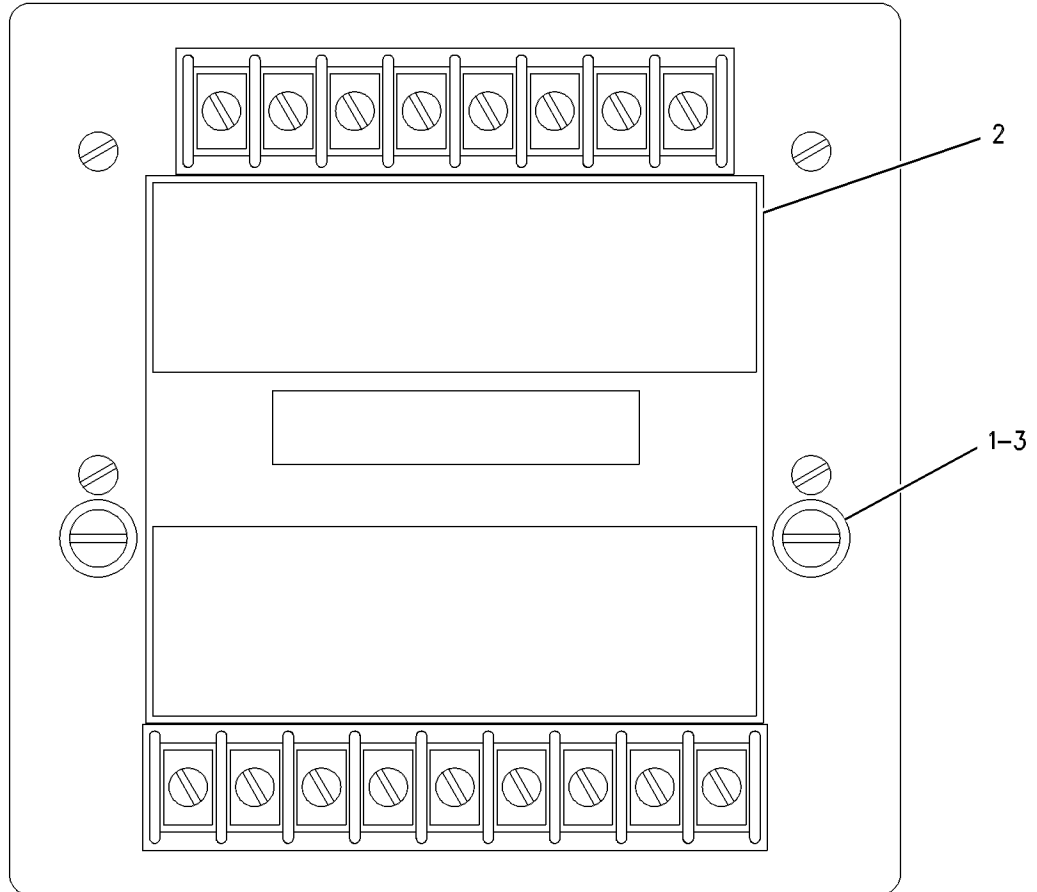
141-8301 CONTROL GP-ENGINE MONITORING

PART OF 141-8300 CONTROL GP-ENGINE MONITORING
AN ATTACHMENT

SMCS-1900, 1901

i00933302

NOTE	REF NO	GRAPHIC REF	PART NUMBER	QTY	PART NAME						SEE PAGE
					1	2	3	4	5	6 (PRODUCT LEVEL)	
	1	1	4B-4863	2	WASHER (1.2MM THK)						
	2	1	125-5494	1	FILM						
	3	1	7S-1198	2	SCREW-MACHINE						



GRAPHIC #1

g00461100

ELECTRICAL AND STARTING SYSTEM

147-8180 CONTROL GP - ENGINE MONITORING

AN ATTACHMENT

SMCS-1900, 1901

i00931498

NOTE	PART NUMBER	QTY	PART NAME						SEE PAGE
			1	2	3	4	5	6 (PRODUCT LEVEL)	
Y	104-2250	1	CONTROL & COVER GP-ENG ELEK						432
Y	147-8181	1	WIRING GP-SENSOR						721

Y-SEPARATE ILLUSTRATION

ELECTRICAL AND STARTING SYSTEM

109-7034 CONTROL GP-WATER TEMPERATURE

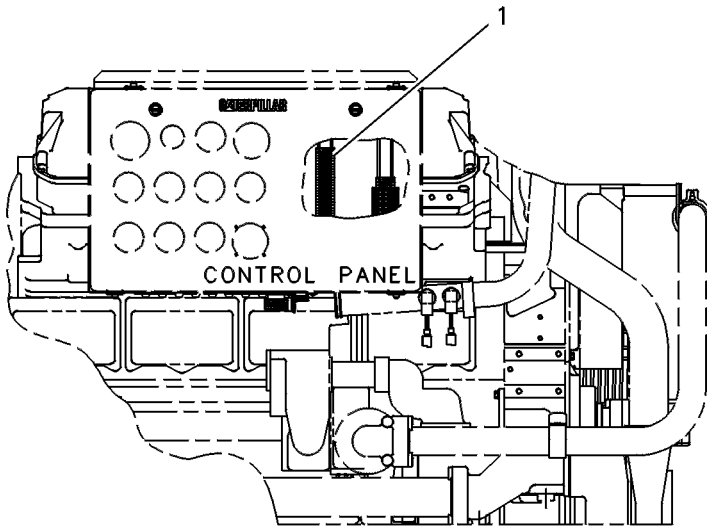
AN ATTACHMENT

SMCS-1383

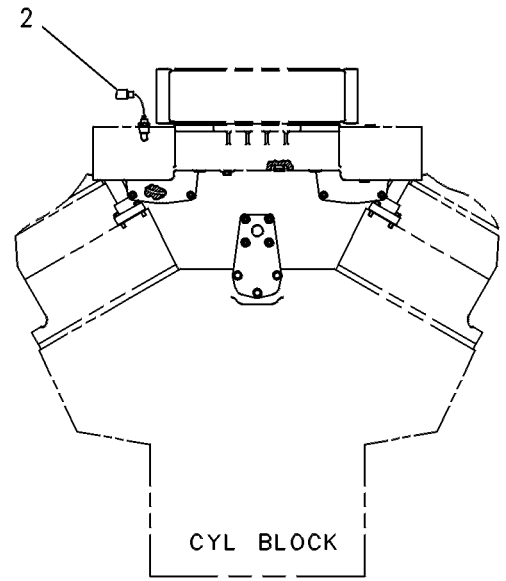
i00657099

NOTE	REF NO	GRAPHIC REF	PART NUMBER	QTY	PART NAME						SEE PAGE
					1	2	3	4	5	6 (PRODUCT LEVEL)	
	1	1	9X-9615	2	TERMINAL-SINGLE						
Y	2	1	3E-0264	1	SWITCH AS-TEMPERATURE						671

Y-SEPARATE ILLUSTRATION



RIGHT SIDE VIEW



FRONT VIEW

GRAPHIC #1

g00235497

ELECTRICAL AND STARTING SYSTEM

9X-9591 CONTROL GP-ENGINE ELECTRONIC

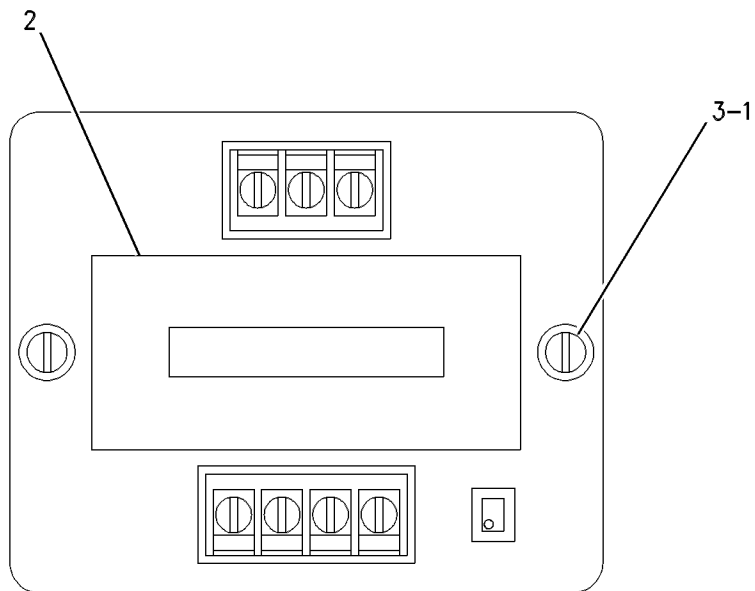
PWM

PART OF 114-8140 JUNCTION BOX GP
AN ATTACHMENT

SMCS-1421

i00369250

NOTE	REF NO	GRAPHIC REF	PART NUMBER	QTY	PART NAME						SEE PAGE
					1	2	3	4	5	6 (PRODUCT LEVEL)	
	1	1	4B-4863	2	WASHER (1.2MM THK)						
	2	1	9X-9857	1	FILM-IDENTIFICATION						
	3	1	3K-8106	2	SCREW-MACHINE						



GRAPHIC #1

g00106779

ELECTRICAL AND STARTING SYSTEM

9Y-8412 DIODE AS PART OF 114-8140 JUNCTION BOX GP AN ATTACHMENT

SMCS-4465

i00938981

NOTE	PART NUMBER	QTY	PART NAME						SEE PAGE
			1	2	3	4	5	6 (PRODUCT LEVEL)	
	5P-1475	2	TERMINAL (HORN)						

ELECTRICAL AND STARTING SYSTEM

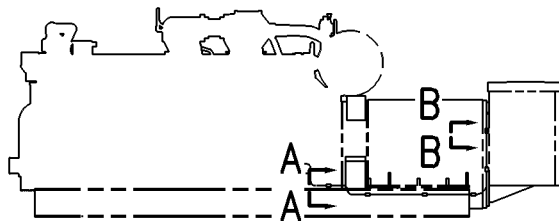
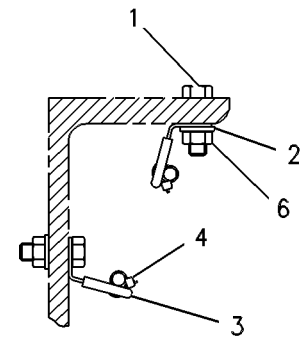
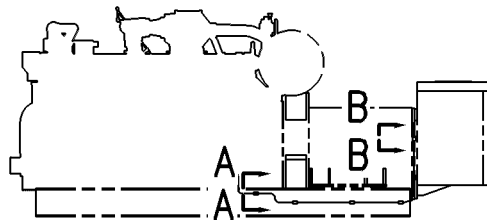
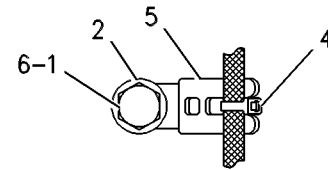
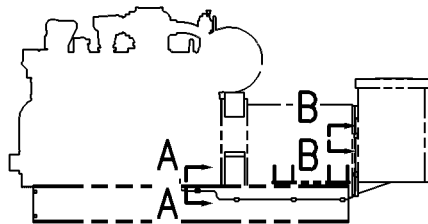
127-8610 FASTENER GP-WIRING HARNESS

AN ATTACHMENT

SMCS-1408

i00660653

NOTE	REF NO	GRAPHIC REF	PART NUMBER	QTY	PART NAME						SEE PAGE
					1	2	3	4	5	6 (PRODUCT LEVEL)	
	1	1	0S-1594	6	BOLT (3/8-16X1IN)						
	2	1	5M-2894	6	WASHER (2.5MM THK)						
	3	1	4P-8134	4	CLIP (10.5MM ID)						
	4	1	9X-6772	6	STRAP-CABLE						
	5	1	4P-7581	2	CLIP (10.5MM ID)						
	6	1	9S-8752	6	NUT-FULL (3/8-16 THD)						



GRAPHIC #1

g00261619

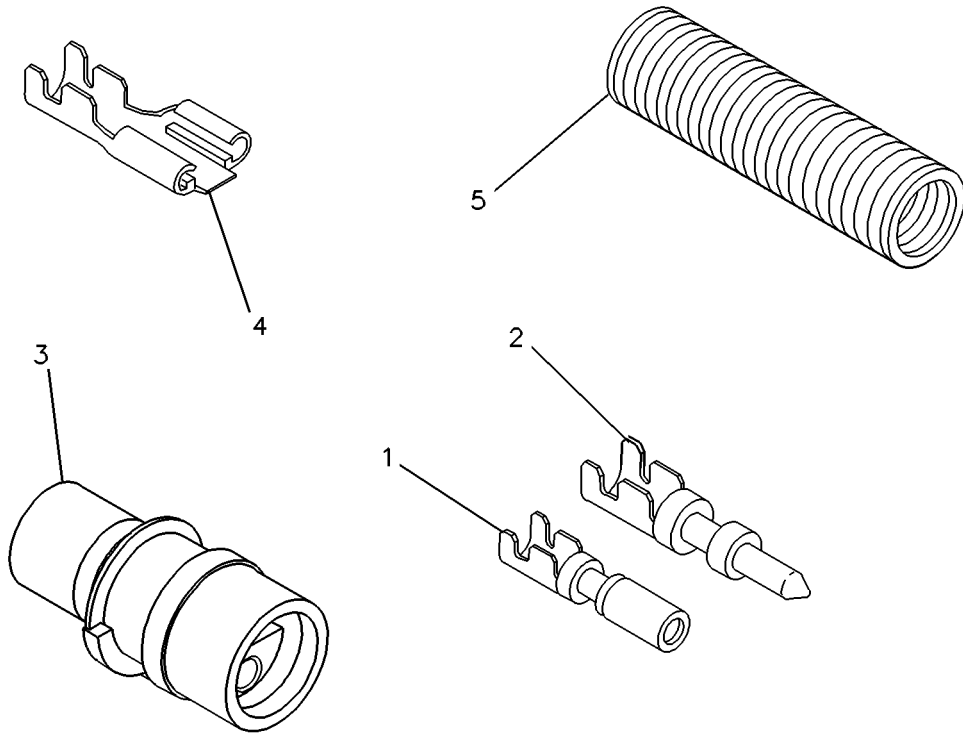
ELECTRICAL AND STARTING SYSTEM

4P-1514 HARNESS AS PART OF 4P-1513 METER GP-SERVICE AN ATTACHMENT

SMCS-1408

i00655934

NOTE	REF NO	GRAPHIC REF	PART NUMBER	QTY	PART NAME						SEE PAGE
					1	2	3	4	5	6 (PRODUCT LEVEL)	
	1	1	7N-7779	1	SOCKET						
	2	1	7N-7780	1	PIN-CONNECTOR (BLADE)						
	3	1	7N-9737	1	HOUSING-PLUG (1 PIN, 1 SOCKET)						
	4	1	065-7187	2	TERMINAL-FEMALE						
B	5	1	6V-5819		CONDUIT-FLEXIBLE (12.7MM ID)						
AVAILABLE REPAIR KIT(S) :											
	BD		5P-5623		WIRE (16 GA)						
B-USE AS REQUIRED											
D-ORDER BY THE METER											



GRAPHIC #1

g00212838

ELECTRICAL AND STARTING SYSTEM

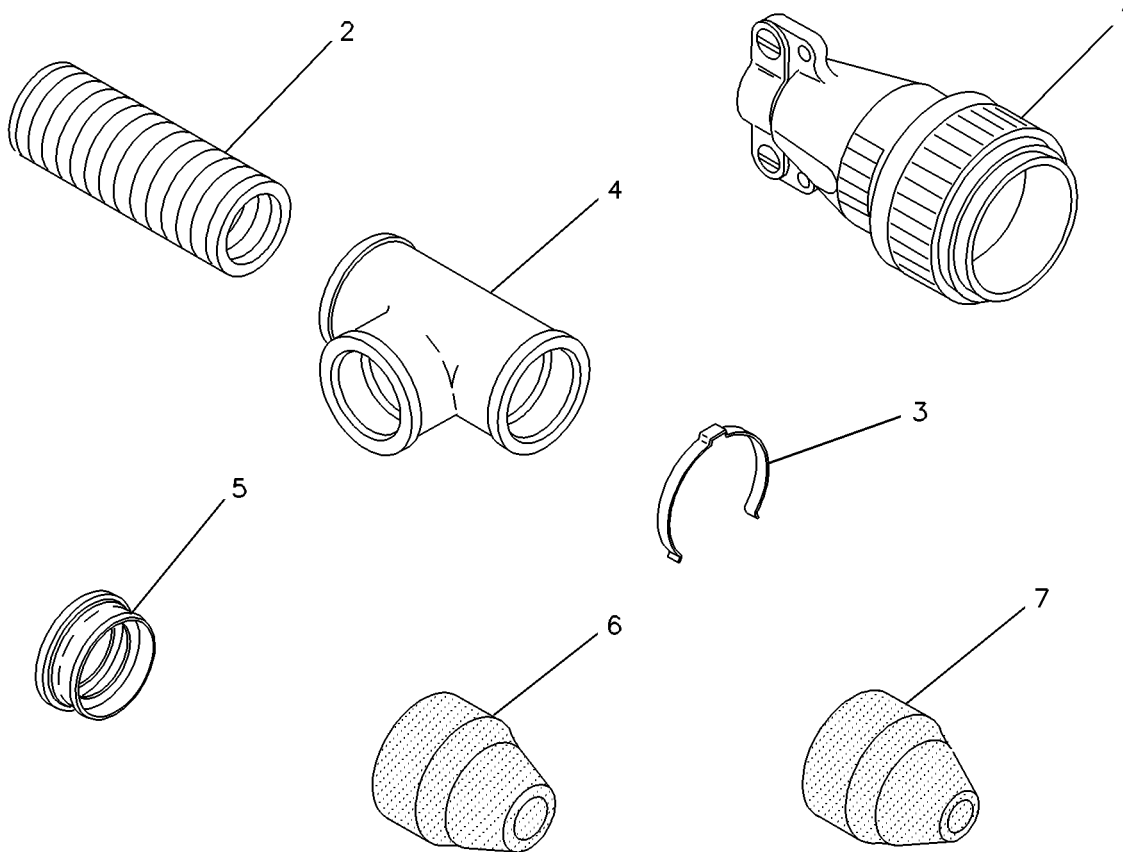
6I-0760 HARNESS AS PART OF 4P-9596 VALVE GP-SOLENOID AN ATTACHMENT

SMCS-1408

i00656065

NOTE	REF NO	GRAPHIC REF	PART NUMBER	QTY	PART NAME						SEE PAGE
					1	2	3	4	5	6 (PRODUCT LEVEL)	
	1	1	5S-7433	2	PLUG AS (2 SOCKETS)						
		1	3E-7390	1	RECEPTACLE AS						
BD	2	1	6V-5818		CONDUIT-FLEXIBLE (19.1MM ID)						
BD		1	6V-5819		CONDUIT-FLEXIBLE (12.7MM ID)						
	3	1	5N-9072	3	CLIP (LARGE)						
	4	1	5N-9065	1	TEE (35MM ID)						
	5	1	5N-9068	1	COLLAR (25.4MM TO 19.1MM)						
		1	5N-9069	2	COLLAR (25.4MM 1IN TO 12.7MM)						
	6	1	1S-2244	1	BOOT-CONDUIT (19MM ID)						
	7	1	1S-2294	2	BOOT-CONDUIT (16MM ID)						
					THE FOLLOWING WIRES ARE AVAILABLE:						
BD		1	5P-5623		WIRE (16 GA)						

B- USE AS REQUIRED
D- ORDER BY THE METER



GRAPHIC #1

g00228795

ELECTRICAL AND STARTING SYSTEM

6I-2315 HARNESS AS AN ATTACHMENT

SMCS-1408

i00661313

NOTE	PART NUMBER	QTY	PART NAME	SEE PAGE
1 2 3 4 5 6 (PRODUCT LEVEL)				
(INDIVIDUAL PARTS ARE NOT SERVICED SEPARATELY)				

ELECTRICAL AND STARTING SYSTEM

6I-2316 HARNESS AS AN ATTACHMENT

SMCS-1408

i00661317

NOTE	PART NUMBER	QTY	PART NAME	SEE PAGE
1 2 3 4 5 6 (PRODUCT LEVEL)				
(INDIVIDUAL PARTS ARE NOT SERVICED SEPARATELY)				

ELECTRICAL AND STARTING SYSTEM

6I-2317 HARNESS AS AN ATTACHMENT

SMCS-1408

i00661354

NOTE	PART NUMBER	QTY	PART NAME 1 2 3 4 5 6 (PRODUCT LEVEL)	SEE PAGE
(INDIVIDUAL PARTS ARE NOT SERVICED SEPARATELY)				

ELECTRICAL AND STARTING SYSTEM

116-8752 HARNESS AS

10 FT
AN ATTACHMENT

SMCS-1408

i00678805

NOTE	PART NUMBER	QTY	PART NAME	SEE PAGE
(INDIVIDUAL PARTS ARE NOT SERVICED SEPARATELY)				

ELECTRICAL AND STARTING SYSTEM

116-8753 HARNESS AS

15 FT
AN ATTACHMENT

SMCS-1408

i00678809

NOTE	PART NUMBER	QTY	PART NAME 1 2 3 4 5 6 (PRODUCT LEVEL)	SEE PAGE
(INDIVIDUAL PARTS ARE NOT SERVICED SEPARATELY)				

ELECTRICAL AND STARTING SYSTEM

116-8754 HARNESS AS

25 FT
AN ATTACHMENT

SMCS-1408

i00678820

NOTE	PART NUMBER	QTY	PART NAME	SEE PAGE
(INDIVIDUAL PARTS ARE NOT SERVICED SEPARATELY)				

ELECTRICAL AND STARTING SYSTEM

116-8755 HARNESS AS

50 FT
AN ATTACHMENT

SMCS-1408

i00678836

NOTE	PART NUMBER	QTY	PART NAME 1 2 3 4 5 6 (PRODUCT LEVEL)	SEE PAGE
(INDIVIDUAL PARTS ARE NOT SERVICED SEPARATELY)				

ELECTRICAL AND STARTING SYSTEM

116-8756 HARNESS AS

100 FT
AN ATTACHMENT

SMCS-1408

i00678841

NOTE	PART NUMBER	QTY	PART NAME	SEE PAGE
(INDIVIDUAL PARTS ARE NOT SERVICED SEPARATELY)				

ELECTRICAL AND STARTING SYSTEM

118-0474 HARNESS AS

20 FT
AN ATTACHMENT

SMCS-1408

i00670214

NOTE	PART NUMBER	QTY	PART NAME 1 2 3 4 5 6 (PRODUCT LEVEL)	SEE PAGE
(INDIVIDUAL PARTS ARE NOT SERVICED SEPARATELY)				

ELECTRICAL AND STARTING SYSTEM

121-6961 HARNESS AS 10 FT-AIR FUEL RATIO CONTROL AN ATTACHMENT

SMCS-1408

i00657060

NOTE	PART NUMBER	QTY	PART NAME	SEE PAGE
(INDIVIDUAL PARTS ARE NOT SERVICED SEPARATELY)				

ELECTRICAL AND STARTING SYSTEM

121 - 6962 HARNESS AS 15 FT-AIR FUEL RATIO CONTROL AN ATTACHMENT

SMCS - 1408

i00657069

NOTE	PART NUMBER	QTY	PART NAME 1 2 3 4 5 6 (PRODUCT LEVEL)	SEE PAGE
(INDIVIDUAL PARTS ARE NOT SERVICED SEPARATELY)				

ELECTRICAL AND STARTING SYSTEM

121 - 6963 HARNESS AS 20 FT-AIR FUEL RATIO CONTROL AN ATTACHMENT

SMCS - 1408

i00657074

NOTE	PART NUMBER	QTY	PART NAME	SEE PAGE
(INDIVIDUAL PARTS ARE NOT SERVICED SEPARATELY)				

ELECTRICAL AND STARTING SYSTEM

121 - 6964 HARNESS AS 25 FT-AIR FUEL RATIO CONTROL AN ATTACHMENT

SMCS - 1408

i00657079

NOTE	PART NUMBER	QTY	PART NAME						SEE PAGE
			1	2	3	4	5	6 (PRODUCT LEVEL)	
(INDIVIDUAL PARTS ARE NOT SERVICED SEPARATELY)									

ELECTRICAL AND STARTING SYSTEM

121 - 6965 HARNESS AS 30 FT-AIR FUEL RATIO CONTROL AN ATTACHMENT

SMCS - 1408

i00657085

NOTE	PART NUMBER	QTY	PART NAME	SEE PAGE
(INDIVIDUAL PARTS ARE NOT SERVICED SEPARATELY)				

ELECTRICAL AND STARTING SYSTEM

121 - 6966 HARNESS AS 50 FT-AIR FUEL RATIO CONTROL AN ATTACHMENT

SMCS - 1408

i00657092

NOTE	PART NUMBER	QTY	PART NAME						SEE PAGE
			1	2	3	4	5	6 (PRODUCT LEVEL)	
(INDIVIDUAL PARTS ARE NOT SERVICED SEPARATELY)									

ELECTRICAL AND STARTING SYSTEM

121 - 6967 HARNESS AS 80 FT-AIR FUEL RATIO CONTROL AN ATTACHMENT

SMCS - 1408

i00657097

NOTE	PART NUMBER	QTY	PART NAME	SEE PAGE
(INDIVIDUAL PARTS ARE NOT SERVICED SEPARATELY)				

ELECTRICAL AND STARTING SYSTEM

128-0830 HARNESS AS AN ATTACHMENT

SMCS-1408

i00929770

NOTE	PART NUMBER	QTY	PART NAME	SEE PAGE
1 2 3 4 5 6 (PRODUCT LEVEL)				
(INDIVIDUAL PARTS ARE NOT SERVICED SEPARATELY)				

ELECTRICAL AND STARTING SYSTEM

130 - 3592 HARNESS AS AN ATTACHMENT

SMCS - 1408

i00929977

NOTE	PART NUMBER	QTY	PART NAME	SEE PAGE
1 2 3 4 5 6 (PRODUCT LEVEL)				
(INDIVIDUAL PARTS ARE NOT SERVICED SEPARATELY)				

ELECTRICAL AND STARTING SYSTEM

131-9154 HARNESS AS

S/N 9TG1-33
FIELD INSTALLATION

SMCS-1408

i00657691

NOTE	PART NUMBER	QTY	PART NAME	SEE PAGE
(INDIVIDUAL PARTS ARE NOT SERVICED SEPARATELY)				

ELECTRICAL AND STARTING SYSTEM

7W-5019 HARNESS AS-ELECTRICAL

AN ATTACHMENT

SMCS - 1408

i00908535

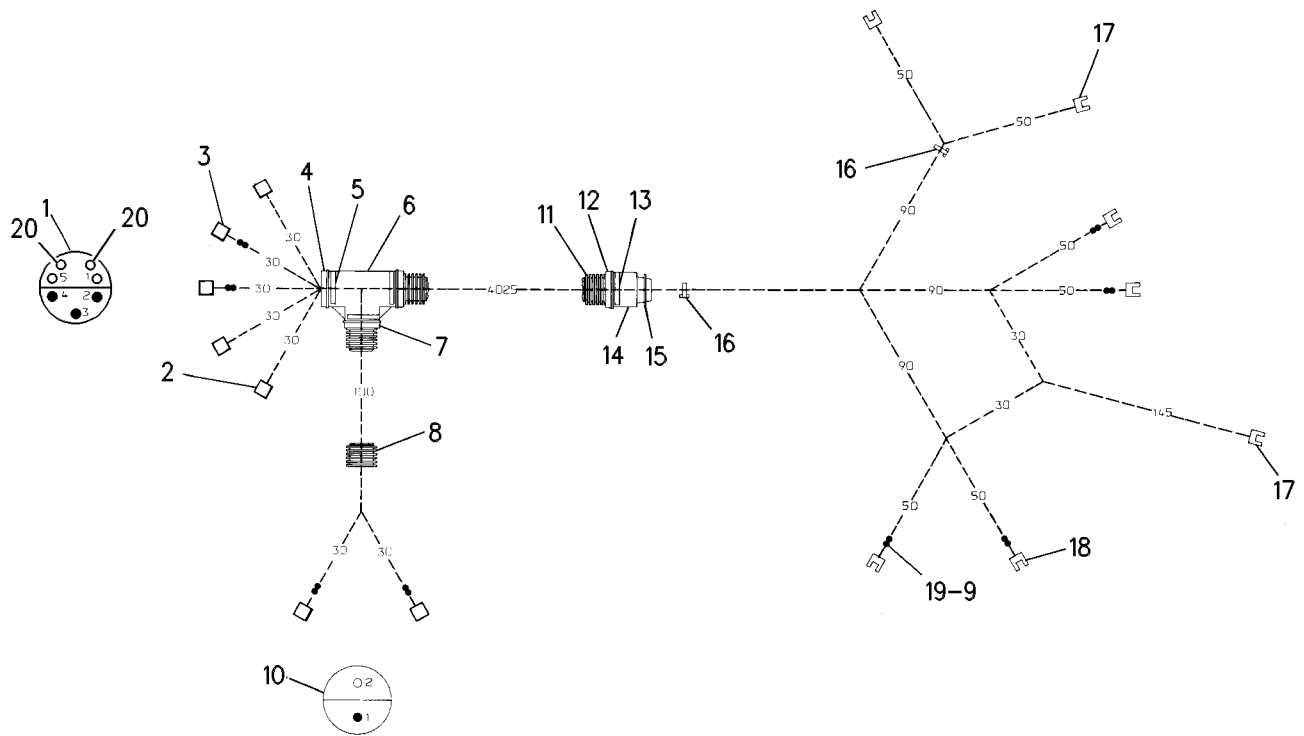
NOTE	REF NO	GRAPHIC REF	PART NUMBER	QTY	PART NAME						SEE PAGE
					1	2	3	4	5	6 (PRODUCT LEVEL)	
	1	1	9G-3676	1	HOUSING-RECEPTACLE						
	2	1	7N-7779	3	SOCKET						
	3	1	7N-7780	4	PIN-CONNECTOR (BLADE)						
	4	1	5N-9070	2	COLLAR (19MM TO 12.7MM)						
	5	1	5N-9073	3	CLIP						
	6	1	5N-9066	1	TEE						
	7	1	5N-9071	1	COLLAR (19MM TO 12.7MM)						
CD	8	1	6V-5819		CONDUIT-FLEXIBLE (12.7MM ID) (.085 M)						
C	9	1	3S-8888	8	MARKER-WIRE (NUMERIC)						
	10	1	7N-9737	1	HOUSING-PLUG (1 PIN,1 SOCKET)						
CD	11	1	6V-5818		CONDUIT-FLEXIBLE (19.1MM ID) (1.28 M)						
	12	1	5N-9068	1	COLLAR (25.4MM TO 19.1MM)						
	13	1	5N-9072	1	CLIP						
	14	1	5N-9117	1	ADAPTER (1-11.5 THD)						
	15	1	062-5388	1	LOCKNUT						
	16	1	8L-8413	35	STRAP-CABLE (1.12IN DIA)						
	17	1	5P-2321	3	TERMINAL (BLADE)						
	18	1	5P-3059	4	TERMINAL (18 GAUGE/NO.6 SCREW)						
C	19	1	4S-8222	8	MARKER-WIRE (ALPHA)						
	20	1	9G-3695	2	PLUG-SEAL						
AVAILABLE REPAIR KIT(S) :											
	BE		6V-2744		WIRE (18 GA)						
	BD		5P-5623		WIRE (16 GA)						

B- USE AS REQUIRED
 C- CHANGE FROM PREVIOUS TYPE
 D- ORDER BY THE METER
 E- ORDER BY THE CENTIMETER

ELECTRICAL AND STARTING SYSTEM

7W-5019 HARNESS AS-ELECTRICAL (contd.)

i00908535



GRAPHIC #1

g00295118

ELECTRICAL AND STARTING SYSTEM

7W-5020 HARNESS AS-ELECTRICAL

AN ATTACHMENT

SMCS-1408

i00934060

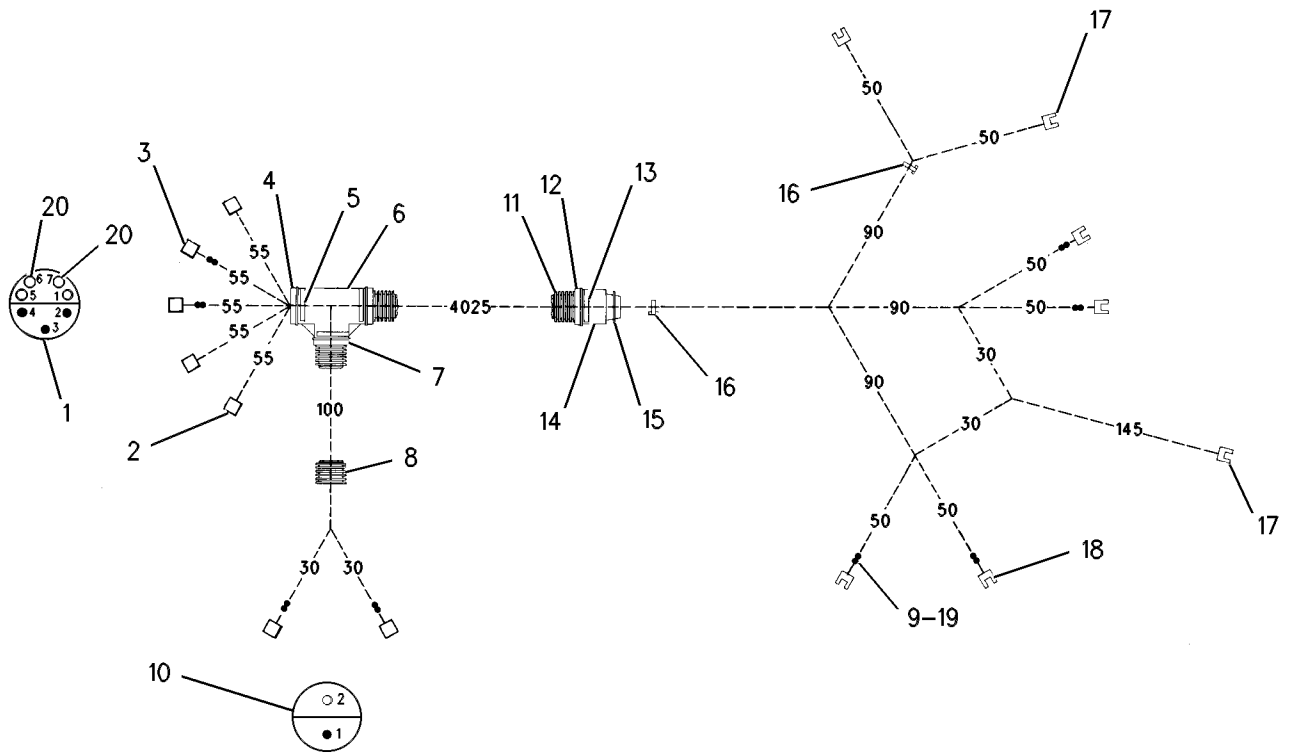
NOTE	REF NO	GRAPHIC REF	PART NUMBER	QTY	PART NAME						SEE PAGE
					1	2	3	4	5	6 (PRODUCT LEVEL)	
	1	1	9G-3676	1	HOUSING-RECEPTACLE						
	2	1	7N-7779	3	SOCKET						
	3	1	7N-7780	4	PIN-CONNECTOR (BLADE)						
	4	1	5N-9070	2	COLLAR (19MM TO 12.7MM)						
	5	1	5N-9073	3	CLIP						
	6	1	5N-9066	1	TEE						
	7	1	5N-9071	1	COLLAR (19MM TO 12.7MM)						
D	8	1	6V-5819		CONDUIT-FLEXIBLE (12.7MM ID) (.085 M)						
	9	1	3S-8888	8	MARKER-WIRE (NUMERIC)						
	10	1	7N-9737	1	HOUSING-PLUG (1 PIN,1 SOCKET)						
D	11	1	6V-5818		CONDUIT-FLEXIBLE (19.1MM ID) (1.44 M)						
	12	1	5N-9068	1	COLLAR (25.4MM TO 19.1MM)						
	13	1	5N-9072	1	CLIP						
	14	1	5N-9117	1	ADAPTER (1-11.5 THD)						
	15	1	062-5388	1	LOCKNUT						
	16	1	8L-8413	35	STRAP-CABLE (1.12IN DIA)						
	17	1	5P-2321	3	TERMINAL (BLADE)						
	18	1	5P-3059	4	TERMINAL (18 GAUGE/NO.6 SCREW)						
	19	1	4S-8222	8	MARKER-WIRE (ALPHA)						
	20	1	9G-3695	2	PLUG-SEAL						
AVAILABLE REPAIR KIT(S) :											
	BE		6V-2744		WIRE (18 GA)						
	BD		5P-5623		WIRE (16 GA)						

B- USE AS REQUIRED
D- ORDER BY THE METER
E- ORDER BY THE CENTIMETER

ELECTRICAL AND STARTING SYSTEM

7W-5020 HARNESS AS-ELECTRICAL (contd.)

i00934060



GRAPHIC #1

g00287901

ELECTRICAL AND STARTING SYSTEM

109-4687 HARNESS AS-WIRING PART OF 109-4691 WIRING GP-INSTR & IGNITION ALSO AN ATTACHMENT

SMCS-1408

i00935805

NOTE	PART NUMBER	QTY	PART NAME	SEE PAGE
(INDIVIDUAL PARTS ARE NOT SERVICED SEPARATELY)				

ELECTRICAL AND STARTING SYSTEM

126-5673 HARNESS AS-WIRING AN ATTACHMENT

SMCS - 1408

i00660241

NOTE	PART NUMBER	QTY	PART NAME	SEE PAGE
1 2 3 4 5 6 (PRODUCT LEVEL)				
(INDIVIDUAL PARTS ARE NOT SERVICED SEPARATELY)				

ELECTRICAL AND STARTING SYSTEM

138-4091 HARNESS AS-WIRING AN ATTACHMENT

SMCS - 1408

i00656959

NOTE	PART NUMBER	QTY	PART NAME	SEE PAGE
1 2 3 4 5 6 (PRODUCT LEVEL)				
(INDIVIDUAL PARTS ARE NOT SERVICED SEPARATELY)				

ELECTRICAL AND STARTING SYSTEM

143-2217 HARNESS GP-WIRING AN ATTACHMENT

SMCS - 1408

i00931463

NOTE	PART NUMBER	QTY	PART NAME						SEE PAGE
			1	2	3	4	5	6 (PRODUCT LEVEL)	
	152-7439	1	HARNESS AS - INTERMEDIATE						

ELECTRICAL AND STARTING SYSTEM

143-2218 HARNESS GP-WIRING AN ATTACHMENT

SMCS-1408

i00931466

NOTE	PART NUMBER	QTY	PART NAME						SEE PAGE
			1	2	3	4	5	6 (PRODUCT LEVEL)	
	152-7440	1	HARNESS AS-INTERMEDIATE						

ELECTRICAL AND STARTING SYSTEM

143-2219 HARNESS GP-WIRING AN ATTACHMENT

SMCS-1408

i00931471

NOTE	PART NUMBER	QTY	PART NAME						SEE PAGE
			1	2	3	4	5	6 (PRODUCT LEVEL)	
	152-7441	1	HARNESS AS-INTERMEDIATE						

ELECTRICAL AND STARTING SYSTEM

143-2220 HARNESS GP-WIRING AN ATTACHMENT

SMCS-1408

i00931497

NOTE	PART NUMBER	QTY	PART NAME						SEE PAGE
			1	2	3	4	5	6 (PRODUCT LEVEL)	
	152-7442	1	HARNESS AS-INTERMEDIATE						

ELECTRICAL AND STARTING SYSTEM

143-2221 HARNESS GP-WIRING AN ATTACHMENT

SMCS-1408

i00931500

NOTE	PART NUMBER	QTY	PART NAME						SEE PAGE
			1	2	3	4	5	6 (PRODUCT LEVEL)	
	152-7443	1	HARNESS AS-INTERMEDIATE						

ELECTRICAL AND STARTING SYSTEM

147-2936 IGNITION GP AN ATTACHMENT

SMCS - 1550

i00931462

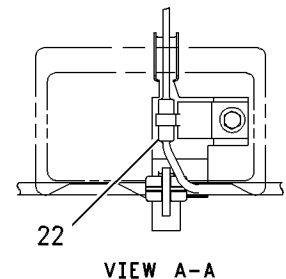
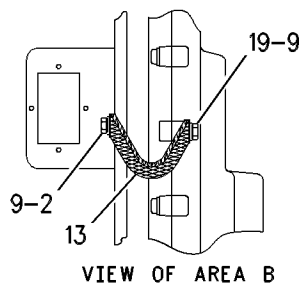
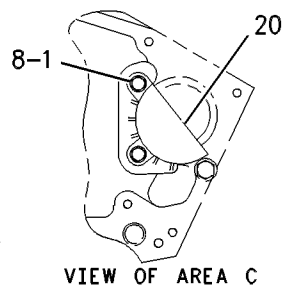
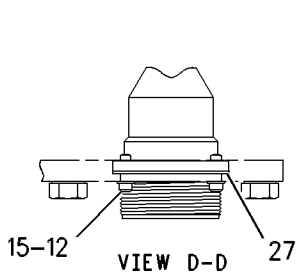
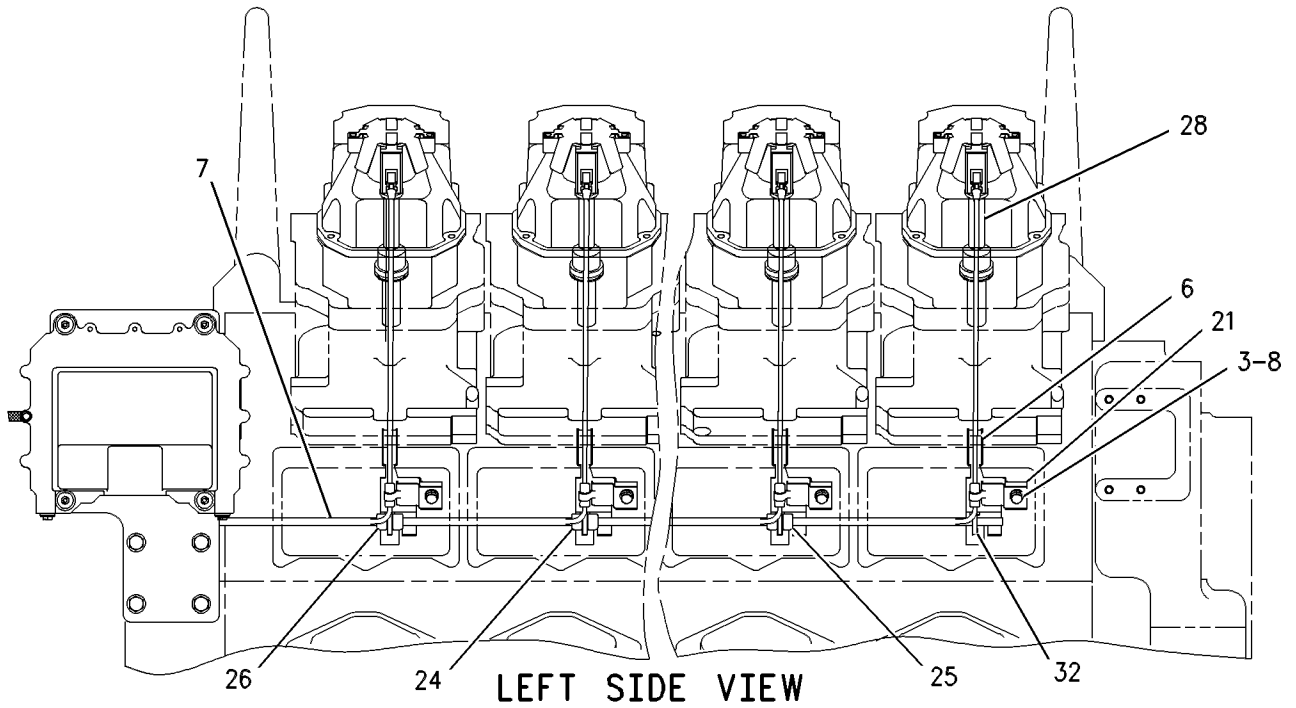
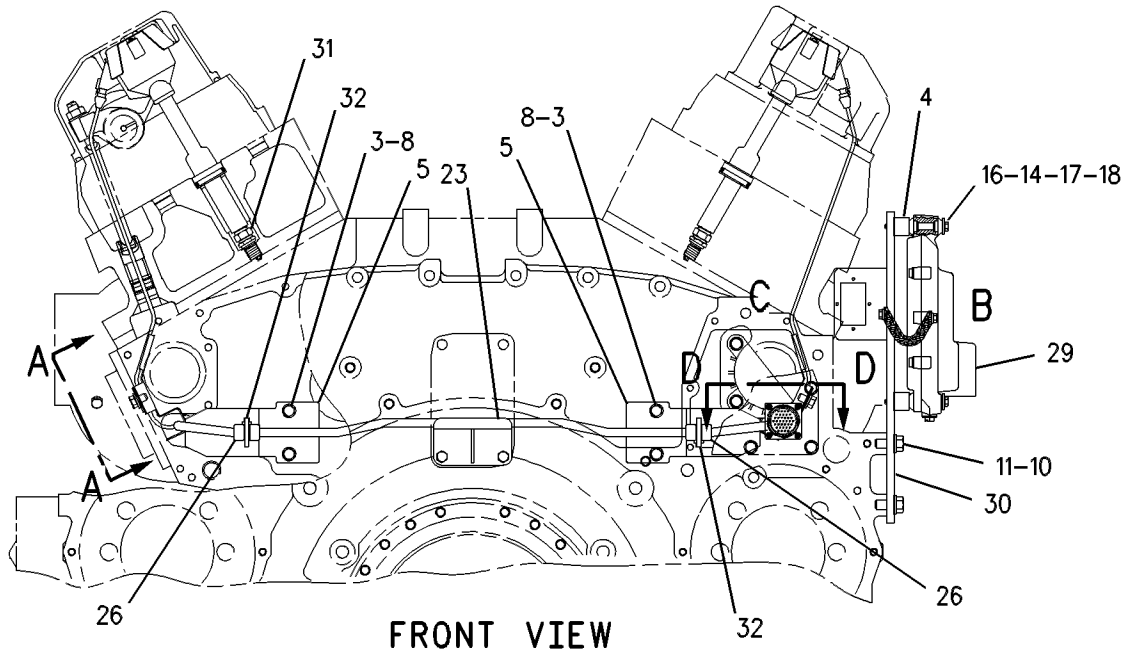
NOTE	REF NO	GRAPHIC REF	PART NUMBER	QTY	PART NAME						SEE PAGE
					1	2	3	4	5	6 (PRODUCT LEVEL)	
	1	1	0L-1351	2	BOLT						
	2	1	0S-1614	1	BOLT						
	3	1	0T-0102	16	BOLT (3/8-16X0.625IN)						
	4	1	4P-7481	4	SPACER						
	5	1	4P-7483	2	BRACKET						
	6	1	4P-7485	12	BRACKET						
	7	1	4P-9322	1	HARNESS AS						
	8	1	5M-2894	18	WASHER (2.5MM THK)						
	9	1	5P-0537	2	WASHER (2MM THK)						
	10	1	5P-8245	4	WASHER (3MM THK)						
	11	1	6H-1717	4	BOLT (1/2-13X1.125IN)						
	12	1	6V-8927	4	BOLT-SOCKET HEAD (6-32X.50IN)						
	13	1	7X-6035	1	STRAP-GROUNDING						
	14	1	8F-8178	4	BOLT (1/4-20X3.25IN)						
	15	1	9B-1117	4	LOCKWASHER						
	16	1	9X-6165	4	WASHER (2.5MM THK)						
	17	1	9X-9838	4	SPACER						
	18	1	9X-9896	8	MOUNT						
	19	1	031-0243	1	SCREW (1/4-20X.625)						
	20	1	101-0383	1	GUARD AS						
	21	1	110-9268	12	CLIP						
	22	1	117-6512	12	GROMMET						
	23	1	118-2947	1	BRACKET AS						
B	24	1	118-2950	6	GROMMET						
B	25	1	118-3508	2	GROMMET						
	26	1	118-3509	4	GROMMET						
	27	1	119-0814	1	GASKET						
Y	28	1	124-0749	12	TRANSFORMER GP						684
Y	29	1	125-3668	1	CONTROL GP-ENGINE MONITORING						480
	30	1	141-1493	1	PLATE						
	31	1	146-2589	12	SPARK PLUG						
	32	1	143-9607	14	STRAP						
F		1	4P-7369	1	HARNESS AS						
F		1	9Y-6792	1	GASKET-SPARK PLUG						

B- USE AS REQUIRED
F- NOT SHOWN
Y- SEPARATE ILLUSTRATION

ELECTRICAL AND STARTING SYSTEM

147-2936 IGNITION GP (contd.)

i00931462



GRAPHIC #1

g00285826

ELECTRICAL AND STARTING SYSTEM

147-2960 IGNITION GP AN ATTACHMENT

SMCS - 1550

i00931465

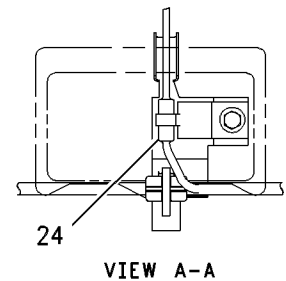
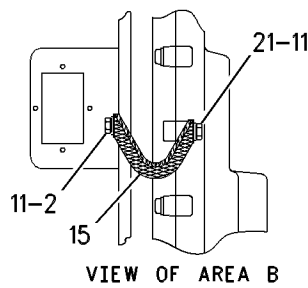
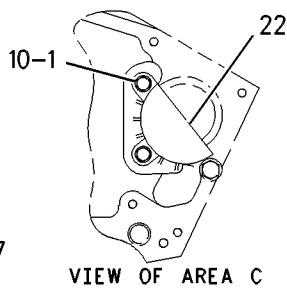
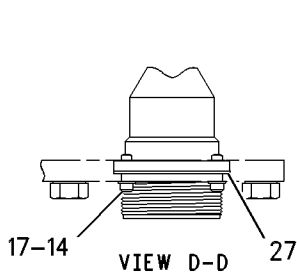
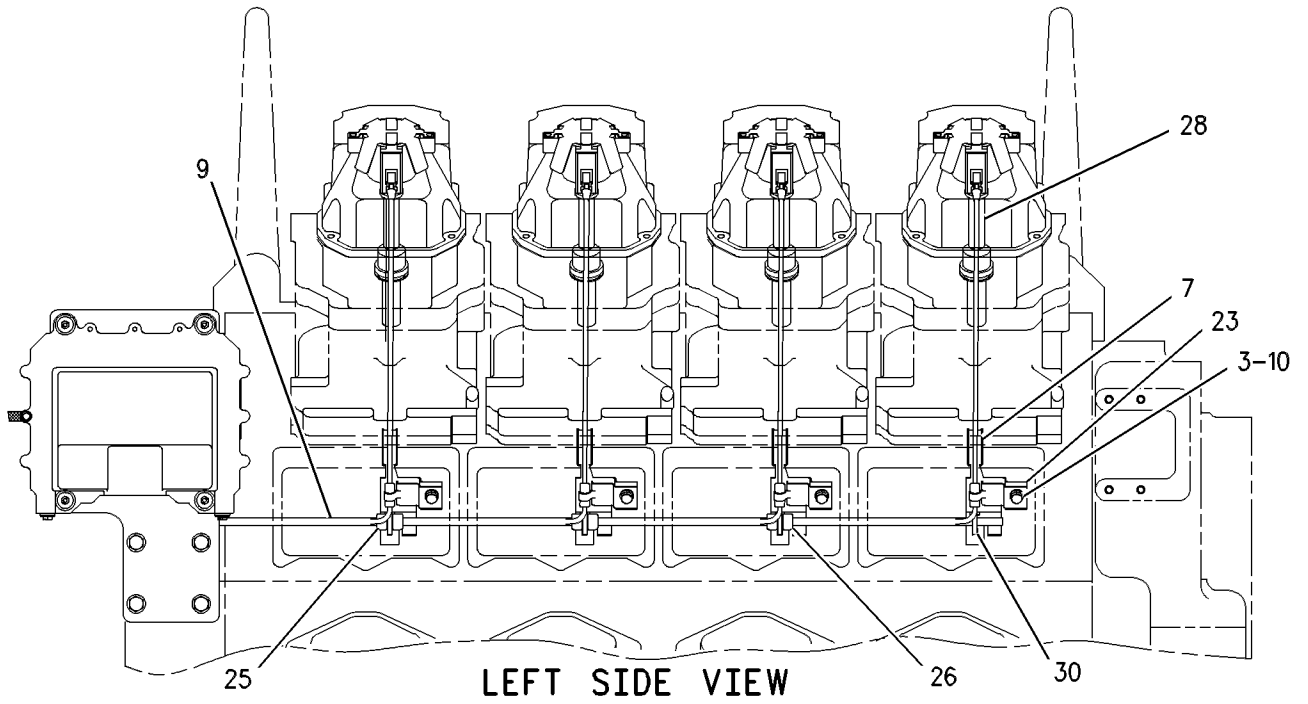
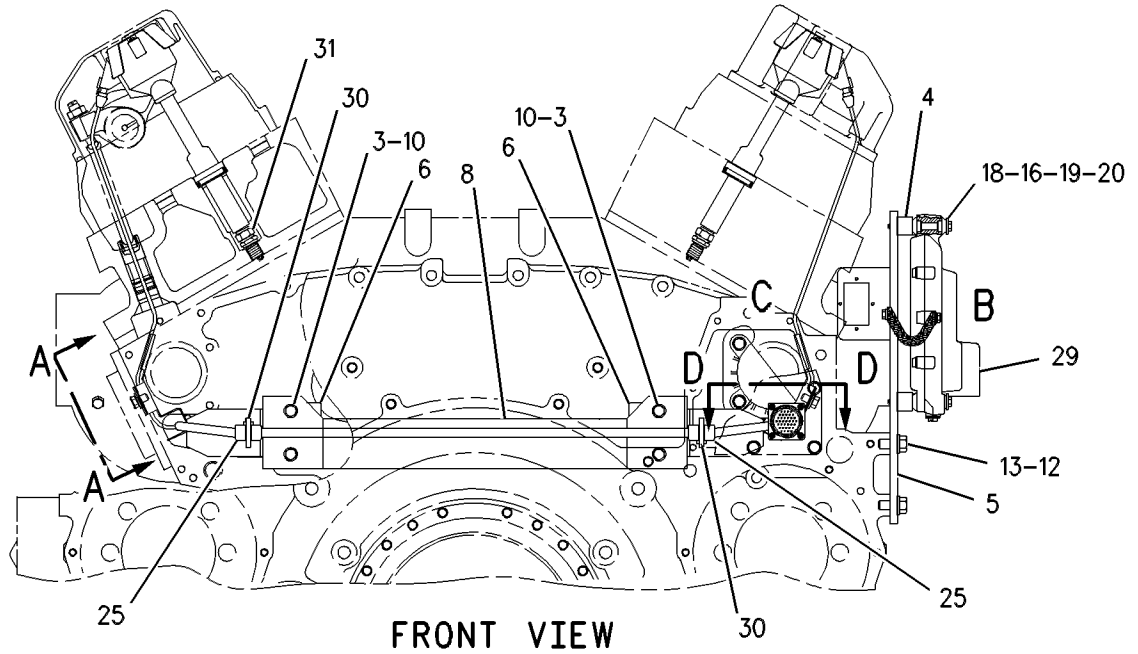
NOTE	REF NO	GRAPHIC REF	PART NUMBER	QTY	PART NAME						SEE PAGE
					1	2	3	4	5	6 (PRODUCT LEVEL)	
	1	1	0L-1351	2	BOLT						
	2	1	0S-1614	1	BOLT						
	3	1	0T-0102	12	BOLT (3/8-16X0.625IN)						
	4	1	4P-7481	4	SPACER						
	5	1	141-1493	1	PLATE						
	6	1	4P-7483	2	BRACKET						
	7	1	4P-7485	8	BRACKET						
	8	1	4P-8203	1	BRACKET						
	9	1	4P-9321	1	HARNESS AS						
	10	1	5M-2894	14	WASHER (2.5MM THK)						
	11	1	5P-0537	2	WASHER (2MM THK)						
	12	1	5P-8245	4	WASHER (3MM THK)						
	13	1	6H-1717	4	BOLT (1/2-13X1.125IN)						
	14	1	6V-8927	4	BOLT-SOCKET HEAD (6-32X.50IN)						
	15	1	7X-6035	1	STRAP-GROUNDING						
	16	1	8F-8178	4	BOLT (1/4-20X3.25IN)						
	17	1	9B-1117	4	LOCKWASHER						
	18	1	9X-6165	4	WASHER (2.5MM THK)						
	19	1	9X-9838	4	SPACER						
	20	1	9X-9896	8	MOUNT						
	21	1	031-0243	1	SCREW (1/4-20X.625)						
	22	1	101-0383	1	GUARD AS						
	23	1	110-9268	8	CLIP						
	24	1	117-6512	8	GROMMET						
B	25	1	118-2950	6	GROMMET						
B	26	1	118-3508	2	GROMMET						
	27	1	119-0814	1	GASKET						
Y	28	1	124-0749	8	TRANSFORMER GP						684
Y	29	1	125-3668	1	CONTROL GP-ENGINE MONITORING						480
	30	1	143-9607	10	STRAP						
	31	1	146-2589	8	SPARK PLUG						
F		1	4P-7369	1	HARNESS AS						
F		1	9Y-6792	1	GASKET-SPARK PLUG						

B- USE AS REQUIRED
F- NOT SHOWN
Y- SEPARATE ILLUSTRATION

ELECTRICAL AND STARTING SYSTEM

147-2960 IGNITION GP (contd.)

i00931465



GRAPHIC #1

g00285229

ELECTRICAL AND STARTING SYSTEM

4P-8192 IGNITION GP-GAS ENGINE

SMCS-1550, 1555

i00660523

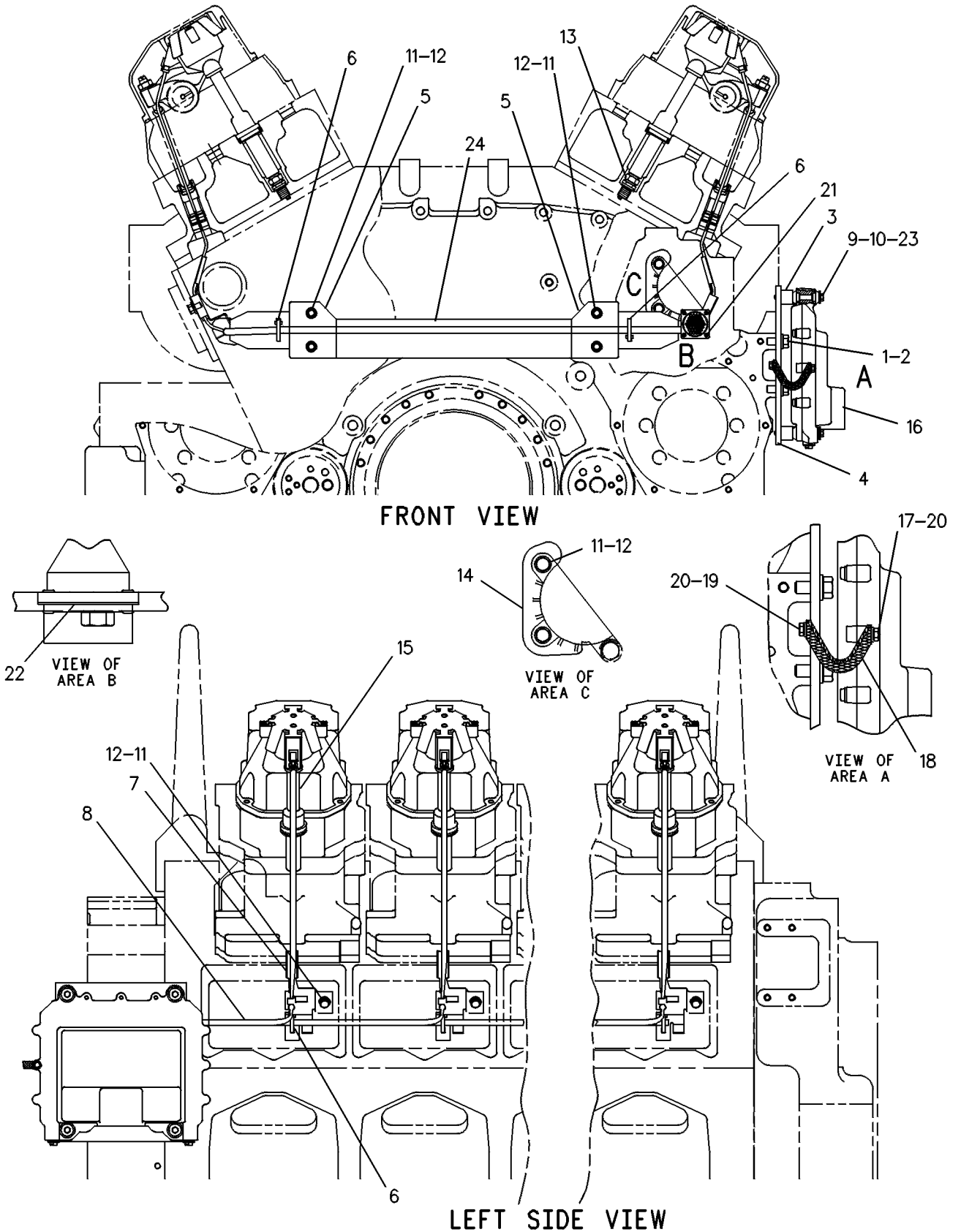
NOTE	REF NO	GRAPHIC REF	PART NUMBER	QTY	PART NAME						SEE PAGE
					1	2	3	4	5	6 (PRODUCT LEVEL)	
	1	1	6H-1717	4	BOLT (1/2-13X1.125IN)						
	2	1	5P-8245	4	WASHER (3MM THK)						
	3	1	4P-7481	4	SPACER						
	4	1	4P-7482	1	PLATE						
	5	1	4P-7483	2	BRACKET						
	6	1	4P-7484	10	CLIP						
	7	1	4P-7485	8	BRACKET						
	8	1	4P-9321	1	HARNESS AS						
	9	1	9X-6165	4	WASHER (2.5MM THK)						
	10	1	8F-8178	4	BOLT (1/4-20X3.25IN)						
	11	1	0T-0102	14	BOLT (3/8-16X0.625IN)						
	12	1	5M-2894	14	WASHER (2.5MM THK)						
	13	1	4P-8294	8	PLUG-SPARK						
	14	1	101-0383	1	GUARD AS						
Y	15	1	4P-7074	16	TRANSFORMER GP						682
Y	16	1	3E-0257	1	CONTROL GP-ENGINE MONITORING (ECM)						467
	17	1	031-0243	1	SCREW						
	18	1	7X-6035	1	STRAP-GROUNDING						
	19	1	0S-1614	1	BOLT (1/4-20X.5IN)						
	20	1	5P-0537	2	WASHER (2MM THK)						
	21	1	4P-7486	1	GASKET						
	22	1	9X-9838	4	SPACER						
	23	1	9X-9896	8	MOUNT						
	24	1	4P-8203	1	BRACKET						

Y- SEPARATE ILLUSTRATION

ELECTRICAL AND STARTING SYSTEM

4P-8192 IGNITION GP-GAS ENGINE (contd.)

i00660523



GRAPHIC #1

g00239601

ELECTRICAL AND STARTING SYSTEM

4P-8192 IGNITION GP-GAS ENGINE

S/N 9TG1-17, 19-27

SMCS-1550, 1555

i00660528

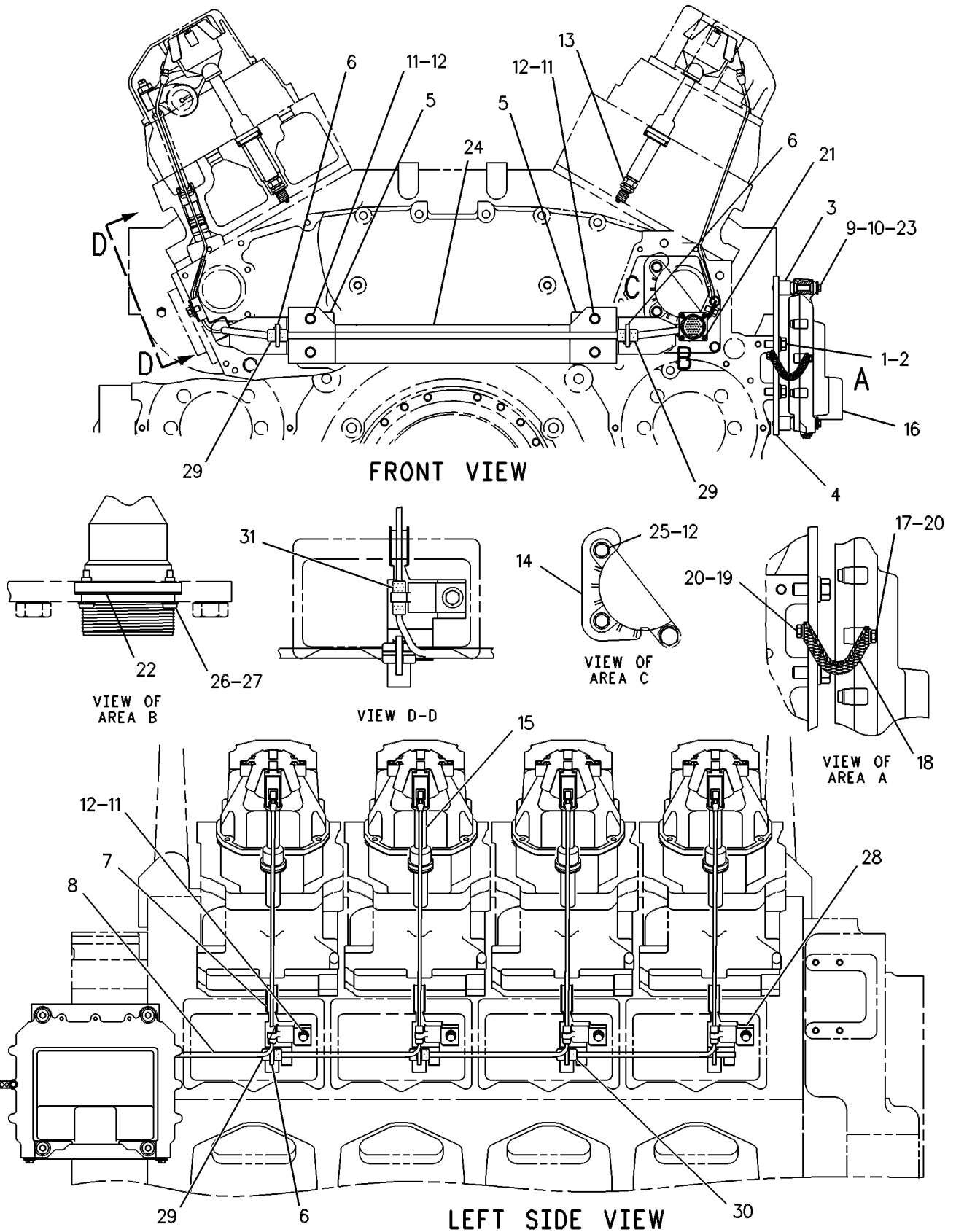
NOTE	REF NO	GRAPHIC REF	PART NUMBER	QTY	PART NAME						SEE PAGE
					1	2	3	4	5	6 (PRODUCT LEVEL)	
	1	1	6H-1717	4	BOLT (1/2-13X1.125IN)						
	2	1	5P-8245	4	WASHER (3MM THK)						
	3	1	4P-7481	4	SPACER						
	4	1	4P-7482	1	PLATE						
	5	1	4P-7483	2	BRACKET						
	6	1	4P-7484	10	CLIP						
	7	1	4P-7485	8	BRACKET						
	8	1	4P-9321	1	HARNESS AS						
	9	1	9X-6165	4	WASHER (2.5MM THK)						
	10	1	8F-8178	4	BOLT (1/4-20X3.25IN)						
C	11	1	0T-0102	12	BOLT (3/8-16X0.625IN)						
	12	1	5M-2894	14	WASHER (2.5MM THK)						
	13	1	106-4128	8	SPARK PLUG						
	14	1	101-0383	1	GUARD AS						
Y	15	1	4P-7074	16	TRANSFORMER GP						682
CY	16	1	111-0906	1	CONTROL GP-ENGINE MONITORING (EIS)						476
	17	1	031-0243	1	SCREW						
	18	1	7X-6035	1	STRAP-GROUNDING						
	19	1	0S-1614	1	BOLT (1/4-20X.5IN)						
	20	1	5P-0537	2	WASHER (2MM THK)						
	21	1	119-0814	1	GASKET						
	22	1	9X-9838	4	SPACER						
	23	1	9X-9896	8	MOUNT						
	24	1	4P-8203	1	BRACKET						
C	25	1	0L-1351	2	BOLT (3/8-16X.875IN)						
C	26	1	5H-6555	4	LOCKWASHER-TOOTH (NO.4)						
C	27	1	9X-6257	4	SCREW-MACHINE (6-32 X .625IN)						
C	28	1	110-9268	26	CLIP						
	29	1	118-2950	4	GROMMET						
	30	1	118-3508	4	GROMMET						
	31	1	117-6512	8	GROMMET						
F		1	9Y-6792	1	GASKET-SPARK PLUG						
F		1	4P-7369	1	HARNESS AS						

C- CHANGE FROM PREVIOUS TYPE
 F- NOT SHOWN
 Y- SEPARATE ILLUSTRATION

ELECTRICAL AND STARTING SYSTEM

4P-8192 IGNITION GP-GAS ENGINE (contd.)

i00660528



GRAPHIC #1

g00255688

ELECTRICAL AND STARTING SYSTEM

4P-8192 IGNITION GP-GAS ENGINE

S/N 9TG28-43

SMCS-1550, 1555

i00660538

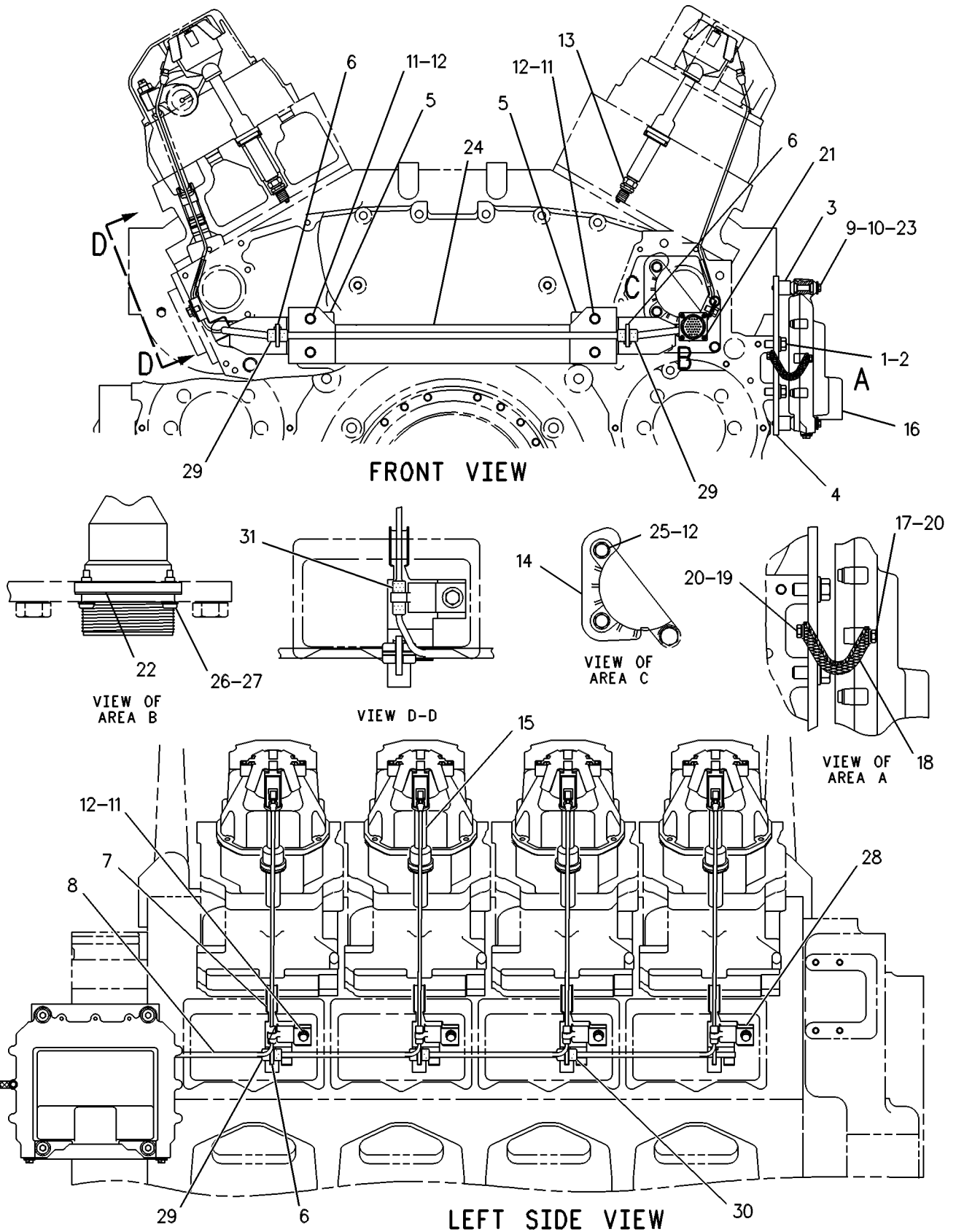
NOTE	REF NO	GRAPHIC REF	PART NUMBER	QTY	PART NAME						SEE PAGE
					1	2	3	4	5	6 (PRODUCT LEVEL)	
	1	1	6H-1717	4	BOLT (1/2-13X1.125IN)						
	2	1	5P-8245	4	WASHER (3MM THK)						
	3	1	4P-7481	4	SPACER						
	4	1	4P-7482	1	PLATE						
	5	1	4P-7483	2	BRACKET						
	6	1	4P-7484	10	CLIP						
	7	1	4P-7485	8	BRACKET						
	8	1	4P-9321	1	HARNESS AS						
	9	1	9X-6165	4	WASHER (2.5MM THK)						
	10	1	8F-8178	4	BOLT (1/4-20X3.25IN)						
	11	1	0T-0102	12	BOLT (3/8-16X0.625IN)						
	12	1	5M-2894	14	WASHER (2.5MM THK)						
C	13	1	121-7838	8	SPARK PLUG						
	14	1	101-0383	1	GUARD AS						
Y	15	1	4P-7074	16	TRANSFORMER GP						682
CY	16	1	122-3326	1	CONTROL GP-ENGINE MONITORING (EIS)						477
	17	1	031-0243	1	SCREW						
	18	1	7X-6035	1	STRAP-GROUNDING						
	19	1	0S-1614	1	BOLT (1/4-20X.5IN)						
	20	1	5P-0537	2	WASHER (2MM THK)						
	21	1	119-0814	1	GASKET						
	22	1	9X-9838	4	SPACER						
	23	1	9X-9896	8	MOUNT						
	24	1	4P-8203	1	BRACKET						
	25	1	0L-1351	2	BOLT (3/8-16X.875IN)						
	26	1	5H-6555	4	LOCKWASHER-TOOTH (NO.4)						
	27	1	9X-6257	4	SCREW-MACHINE (6-32 X .625IN)						
	28	1	110-9268	26	CLIP						
	29	1	118-2950	4	GROMMET						
	30	1	118-3508	4	GROMMET						
	31	1	117-6512	8	GROMMET						
THE FOLLOWING SERVICE REPAIR ITEMS ARE AVAILABLE :											
F		1	9Y-6792	1	GASKET-SPARK PLUG						
F		1	4P-7369	1	HARNESS AS						

C- CHANGE FROM PREVIOUS TYPE
 F- NOT SHOWN
 Y- SEPARATE ILLUSTRATION

ELECTRICAL AND STARTING SYSTEM

4P-8192 IGNITION GP-GAS ENGINE (contd.)

i00660538



GRAPHIC #1

g00255688

ELECTRICAL AND STARTING SYSTEM

4P-8192 IGNITION GP-GAS ENGINE

S/N 9TG44-47

SMCS-1550, 1555

i00660550

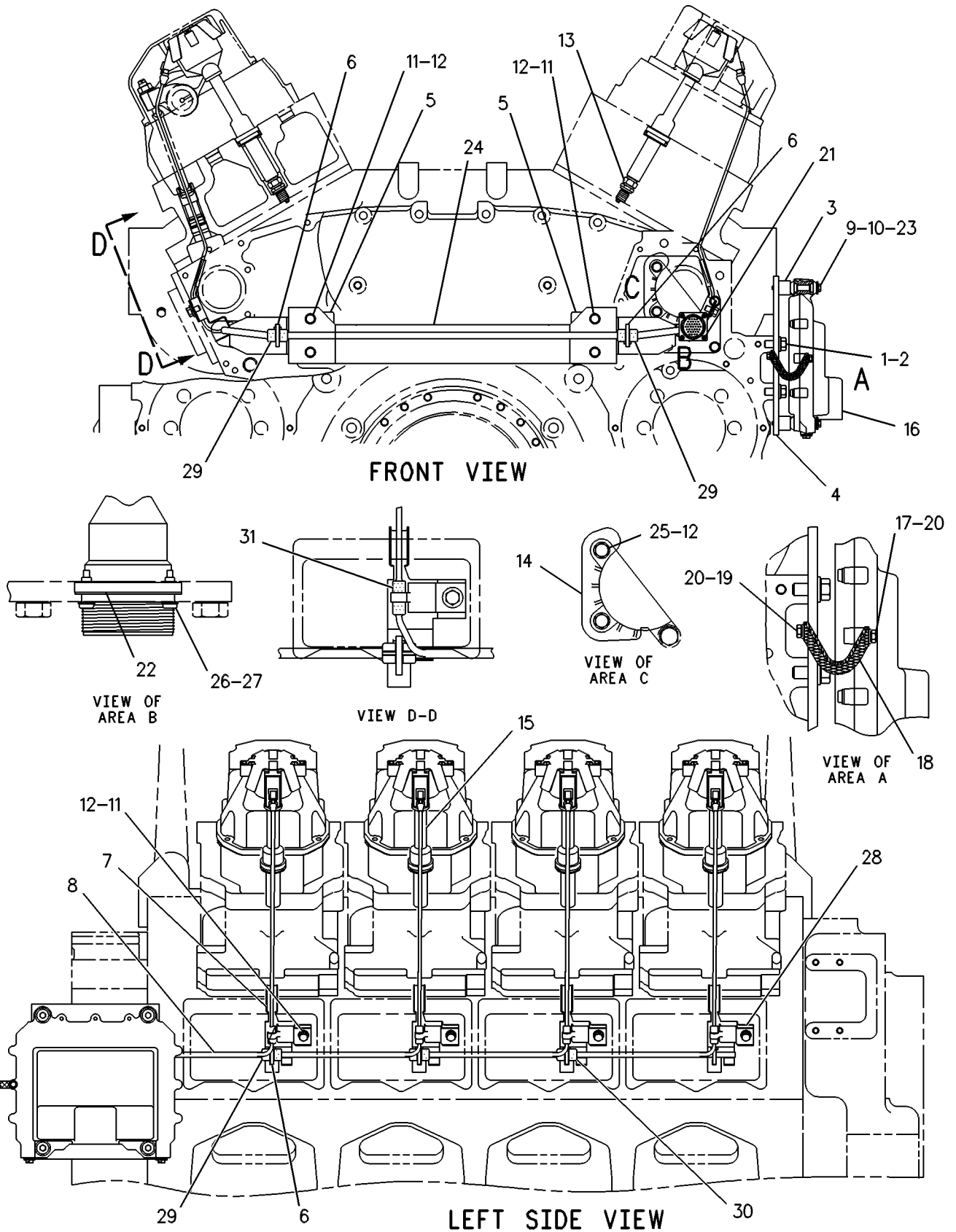
NOTE	REF NO	GRAPHIC REF	PART NUMBER	QTY	PART NAME						SEE PAGE
					1	2	3	4	5	6 (PRODUCT LEVEL)	
	1	1	6H-1717	4	BOLT (1/2-13X1.125IN)						
	2	1	5P-8245	4	WASHER (3MM THK)						
	3	1	4P-7481	4	SPACER						
	4	1	4P-7482	1	PLATE						
	5	1	4P-7483	2	BRACKET						
C	6	1	131-1578	10	STRAP						
	7	1	4P-7485	8	BRACKET						
	8	1	4P-9321	1	HARNESS AS						
	9	1	9X-6165	4	WASHER (2.5MM THK)						
	10	1	8F-8178	4	BOLT (1/4-20X3.25IN)						
	11	1	0T-0102	12	BOLT (3/8-16X0.625IN)						
	12	1	5M-2894	14	WASHER (2.5MM THK)						
C	13	1	121-7838	8	SPARK PLUG						
	14	1	101-0383	1	GUARD AS						
Y	15	1	4P-7074	16	TRANSFORMER GP						682
CY	16	1	125-3668	1	CONTROL GP-ENGINE MONITORING						480
	17	1	031-0243	1	SCREW						
	18	1	7X-6035	1	STRAP-GROUNDING						
	19	1	0S-1614	1	BOLT (1/4-20X.5IN)						
	20	1	5P-0537	2	WASHER (2MM THK)						
	21	1	119-0814	1	GASKET						
	22	1	9X-9838	4	SPACER						
	23	1	9X-9896	8	MOUNT						
	24	1	4P-8203	1	BRACKET						
	25	1	0L-1351	2	BOLT (3/8-16X.875IN)						
C	26	1	9B-1117	4	LOCKWASHER						
C	27	1	6V-8927	4	BOLT-SOCKET HEAD (6-32X.50IN)						
	28	1	110-9268	26	CLIP						
	29	1	118-2950	4	GROMMET						
	30	1	118-3508	4	GROMMET						
	31	1	117-6512	8	GROMMET						
F		1	9Y-6792	1	GASKET-SPARK PLUG						
F		1	4P-7369	1	HARNESS AS						

C- CHANGE FROM PREVIOUS TYPE
 F- NOT SHOWN
 Y- SEPARATE ILLUSTRATION

ELECTRICAL AND STARTING SYSTEM

4P-8192 IGNITION GP-GAS ENGINE (contd.)

i00660550



GRAPHIC #1

g00255688

ELECTRICAL AND STARTING SYSTEM

4P-8192 IGNITION GP-GAS ENGINE

S/N 9TG18, 48-UP

SMCS-1550, 1555

i00660543

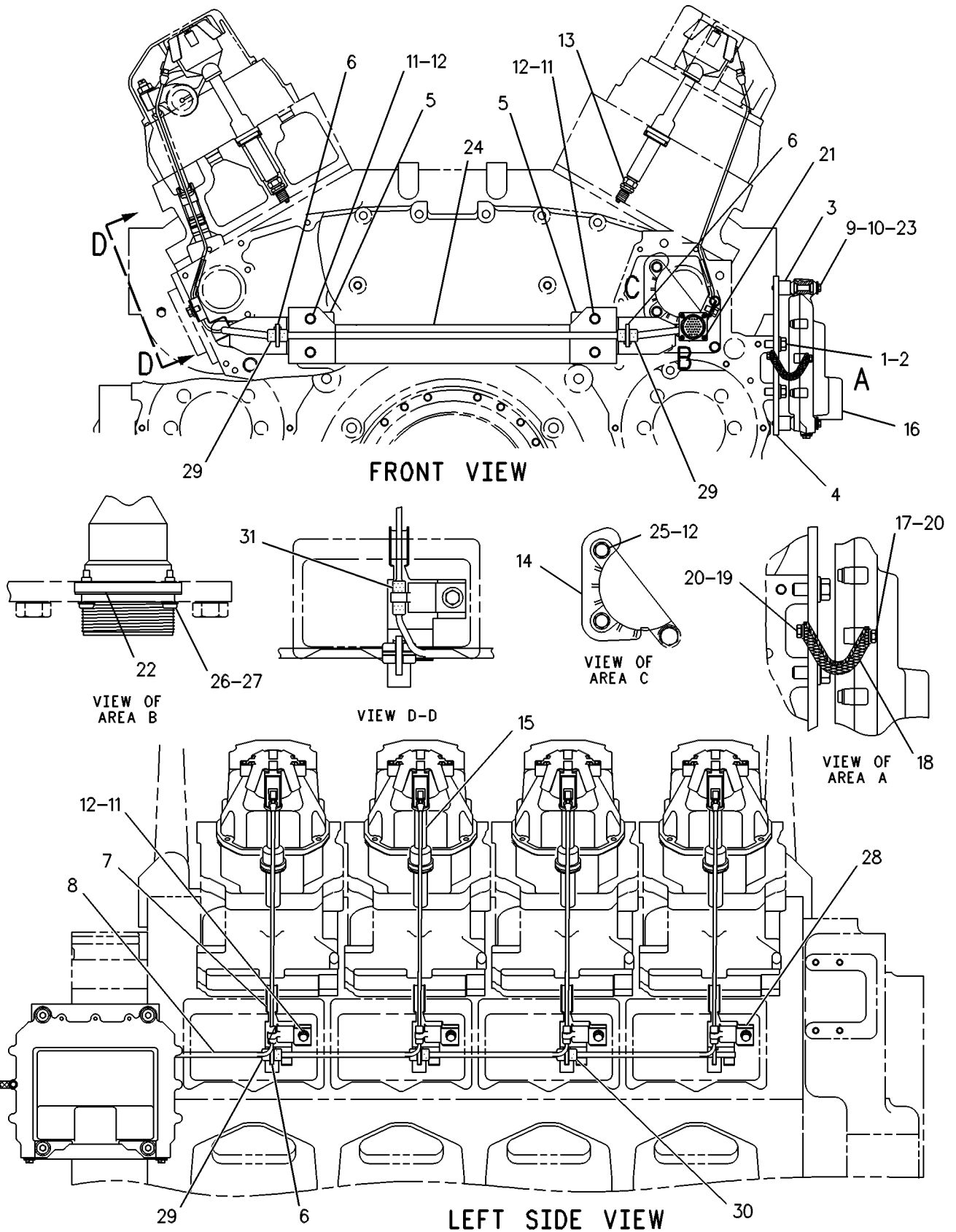
NOTE	REF NO	GRAPHIC REF	PART NUMBER	QTY	PART NAME						SEE PAGE
					1	2	3	4	5	6 (PRODUCT LEVEL)	
	1	1	6H-1717	4	BOLT (1/2-13X1.125IN)						
	2	1	5P-8245	4	WASHER (3MM THK)						
	3	1	4P-7481	4	SPACER						
	4	1	4P-7482	1	PLATE						
	5	1	4P-7483	2	BRACKET						
	6	1	143-9607	10	STRAP						
	7	1	4P-7485	8	BRACKET						
	8	1	4P-9321	1	HARNESS AS						
	9	1	9X-6165	4	WASHER (2.5MM THK)						
	10	1	8F-8178	4	BOLT (1/4-20X3.25IN)						
	11	1	0T-0102	12	BOLT (3/8-16X0.625IN)						
	12	1	5M-2894	14	WASHER (2.5MM THK)						
	13	1	146-2588	12	SPARK PLUG						
					(EACH INCLUDES)						
		1	9Y-6792	1	GASKET - SPARK PLUG						
	14	1	101-0383	1	GUARD AS						
YC	15	1	124-0749	16	TRANSFORMER GP						684
Y	16	1	125-3668	1	CONTROL GP - ENGINE MONITORING						480
	17	1	031-0243	1	SCREW						
	18	1	7X-6035	1	STRAP - GROUNDING						
	19	1	0S-1614	1	BOLT (1/4-20X.5IN)						
	20	1	5P-0537	2	WASHER (2MM THK)						
	21	1	119-0814	1	GASKET						
	22	1	9X-9838	4	SPACER						
	23	1	9X-9896	8	MOUNT						
	24	1	4P-8203	1	BRACKET						
	25	1	0L-1351	2	BOLT (3/8-16X.875IN)						
	26	1	9B-1117	4	LOCKWASHER						
	27	1	6V-8927	4	BOLT - SOCKET HEAD (6-32X.50IN)						
	28	1	110-9268	26	CLIP						
C	29	1	118-2950	6	GROMMET						
C	30	1	118-3508	2	GROMMET						
	31	1	117-6512	8	GROMMET						
F		1	9Y-6792	1	GASKET - SPARK PLUG						
F		1	4P-7369	1	HARNESS AS						

C - CHANGE FROM PREVIOUS TYPE
 F - NOT SHOWN
 Y - SEPARATE ILLUSTRATION

ELECTRICAL AND STARTING SYSTEM

4P-8192 IGNITION GP-GAS ENGINE (contd.)

i00660543



GRAPHIC #1

g00255688

ELECTRICAL AND STARTING SYSTEM

130-7387 IGNITION GP-GAS ENGINE

PART OF 133-3693 CONVERSION AR-ENGINE
AN ATTACHMENT

SMCS-1550, 1555

i00660172

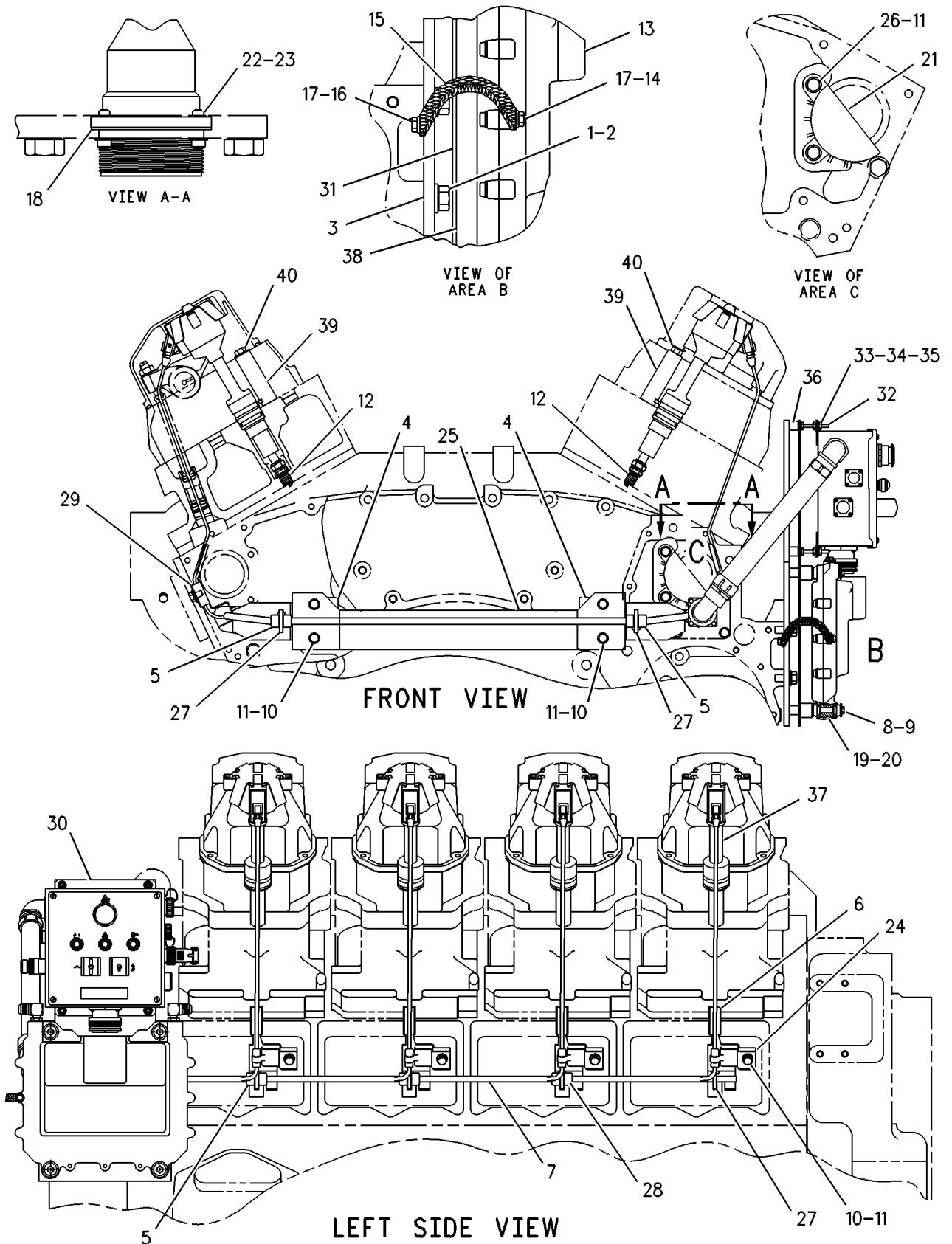
NOTE	REF NO	GRAPHIC REF	PART NUMBER	QTY	PART NAME						SEE PAGE
					1	2	3	4	5	6 (PRODUCT LEVEL)	
	1	1	6H-1717	4	BOLT (1/2-13X1.125IN)						
	2	1	5P-8245	4	WASHER (3MM THK)						
	3	1	130-5732	1	PLATE-MOUNTING						
	4	1	4P-7483	2	BRACKET						
	5	1	118-2950	6	GROMMET						
	6	1	4P-7485	8	BRACKET						
	7	1	4P-9321	1	HARNESS AS						
	8	1	9X-6165	8	WASHER (2.5MM THK)						
	9	1	8F-8178	4	BOLT (1/4-20X3.25IN)						
	10	1	0T-0102	12	BOLT (3/8-16X0.625IN)						
	11	1	5M-2894	14	WASHER (2.5MM THK)						
	12	1	146-2588	8	SPARK PLUG						
Y	13	1	125-3668	1	CONTROL GP-ENGINE MONITORING						480
	14	1	031-0243	1	SCREW						
	15	1	7X-6035	1	STRAP-GROUNDING						
	16	1	0S-1614	1	BOLT (1/4-20X.5IN)						
	17	1	5P-0537	2	WASHER (2MM THK)						
	18	1	119-0814	1	GASKET						
	19	1	9X-9838	4	SPACER						
	20	1	9X-9896	8	MOUNT						
	21	1	101-0383	1	GUARD AS						
	22	1	6V-8927	4	BOLT-SOCKET HEAD (6-32X.50IN)						
	23	1	9B-1117	4	LOCKWASHER						
	24	1	110-9268	8	CLIP						
	25	1	4P-8203	1	BRACKET						
	26	1	0L-1351	2	BOLT (3/8-16X.875IN)						
	27	1	143-9607	10	STRAP						
	28	1	118-3508	2	GROMMET						
	29	1	117-6512	8	GROMMET						
Y	30	1	130-7358	1	JUNCTION BOX GP						562
	31	1	130-5731	1	PLATE-MOUNTING						
	32	1	131-1102	4	ROD						
	33	1	8T-4205	8	WASHER-HARD (2MM THK)						
	34	1	5P-4115	4	WASHER (2MM THK)						
	35	1	9S-8750	12	NUT-FULL (1/4-20 THD)						
	36	1	130-9376	8	MOUNT-SHOCK						
Y	37	1	116-7650	8	TRANSFORMER GP						683
	38	1	4P-7481	4	SPACER						
	39	1	134-4723	8	RETAINER AS						
	40	1	5B-5059	8	BOLT (7/16-14X5IN)						

Y-SEPARATE ILLUSTRATION

ELECTRICAL AND STARTING SYSTEM

130-7387 IGNITION GP-GAS ENGINE (contd.)

i00660172



GRAPHIC #1

g00269990

ELECTRICAL AND STARTING SYSTEM

105-1457 INDICATOR AS-VOLT

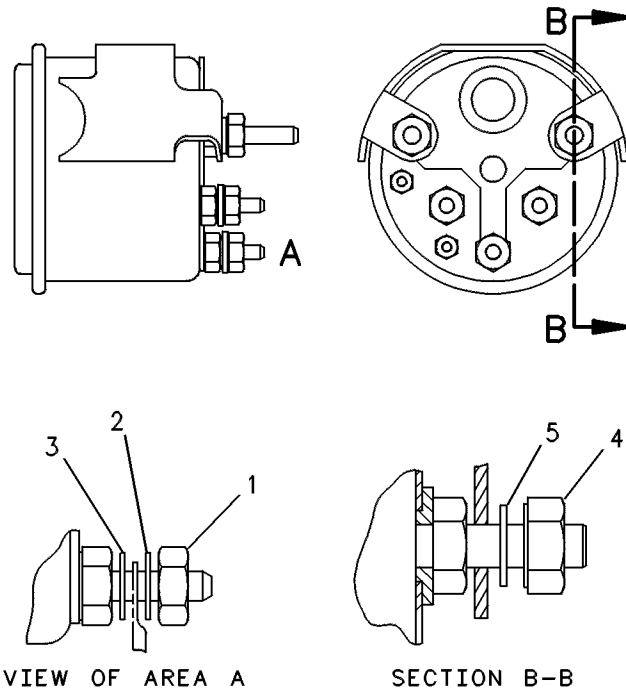
ALTERNATOR

PART OF 118-7862 METER AS-VOLT
AN ATTACHMENT

SMCS-7468

i00542489

NOTE	REF NO	GRAPHIC REF	PART NUMBER	QTY	PART NAME						SEE PAGE
					1	2	3	4	5	6 (PRODUCT LEVEL)	
	1	1	6V-8368	2	NUT (6-32 THD)						
	2	1	4B-5324	2	WASHER (1.19MM THK)						
	3	1	3L-8187	2	LOCKWASHER (3.7MM ID)						
	4	1	4B-2043	2	NUT (8-32 THD)						
	5	1	9B-7233	2	LOCKWASHER (NO.8)						



GRAPHIC #1

g00236464

MEMORANDA

ELECTRICAL AND STARTING SYSTEM

4P-9571 JUNCTION BOX GP

S/N 9TG1-177

PART OF 120-9715 WIRING GP, 109-4691 WIRING GP-INSTR & IGNITION
ALSO AN ATTACHMENT

SMCS-7426

i00659430

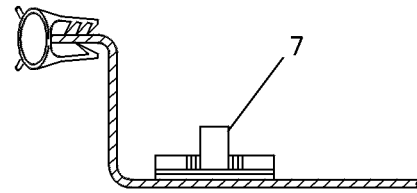
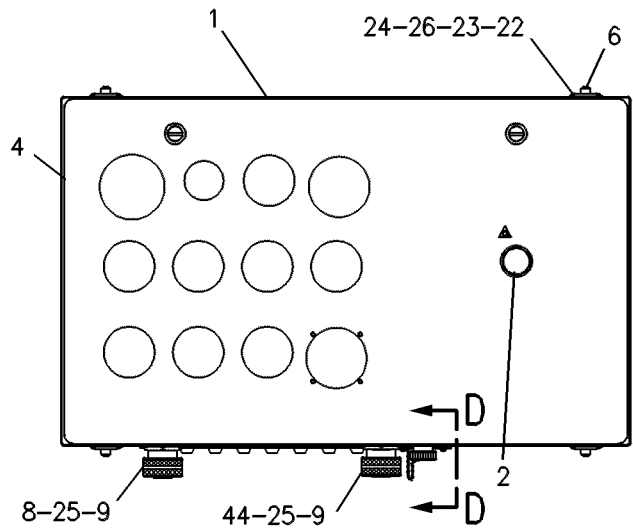
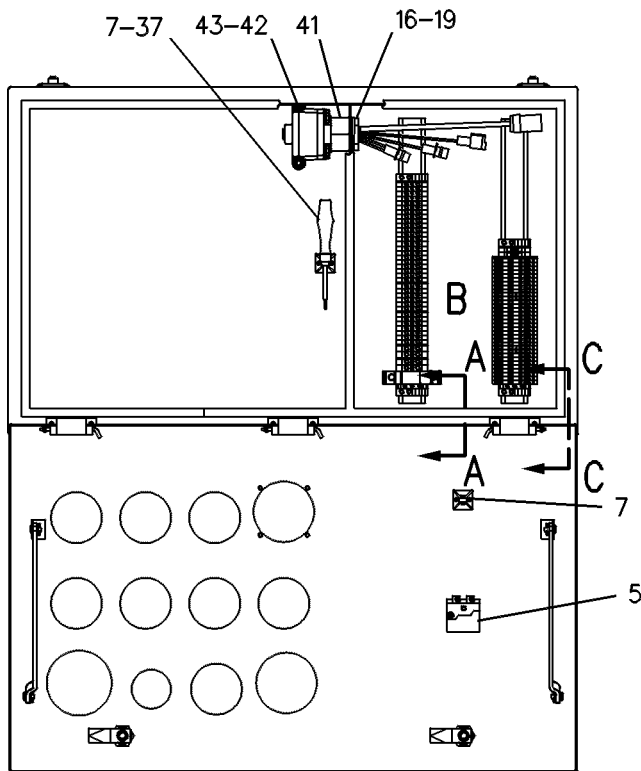
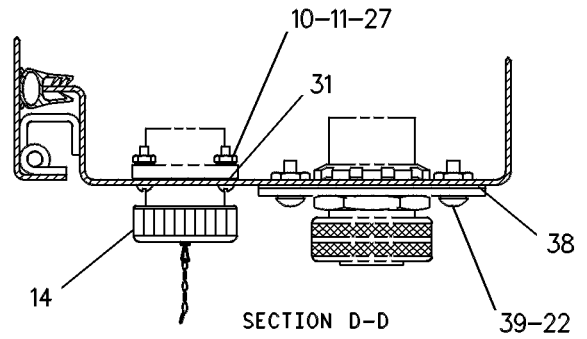
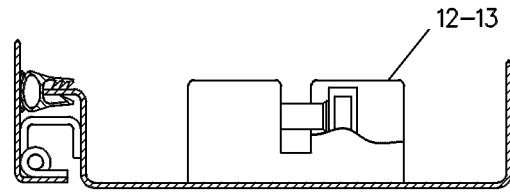
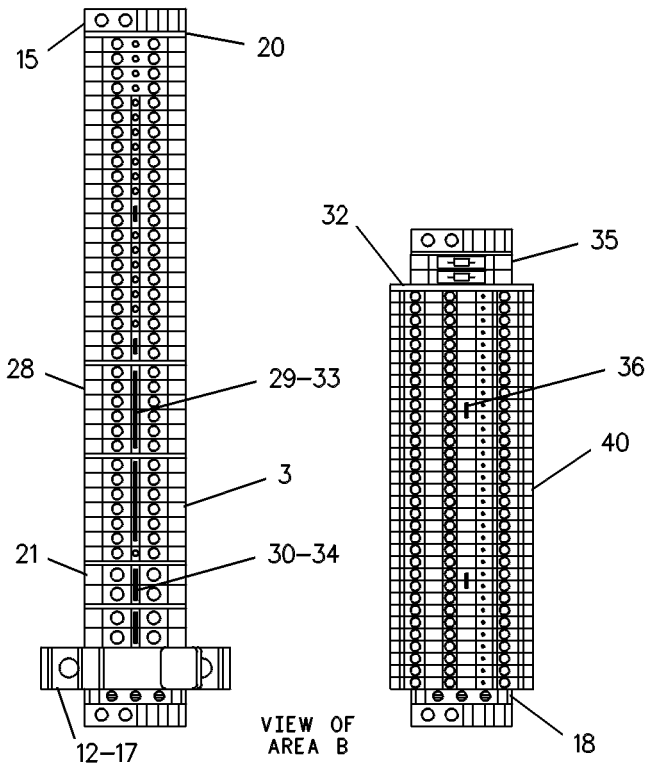
NOTE	REF NO	GRAPHIC REF	PART NUMBER	QTY	PART NAME						SEE PAGE
					1	2	3	4	5	6 (PRODUCT LEVEL)	
	1	1	4P-9572	1	BOX-TERMINAL						
		1	7E-0717	2	LATCH AS-DOOR						
E		1	9X-6442		SEAL (267 CM)						
		1	5P-0537	4	WASHER (2MM THK)						
		1	9P-6895	4	PIN						
		1	3B-5300	4	COTTER						
2		1	2W-8798	1	SWITCH (SYSTEM SHUT DOWN BUTTON)						
3		1	107-1006	1	KIT-MARKER						
4		1	103-6267	1	FILM-INSTRUMENT PANEL						
5		1	2W-8683	1	BLOCK-CONTACT						
6		1	110-8909	8	MOUNT-SHOCK						
7		1	3E-0105	3	MOUNT						
		1	8L-8413	3	STRAP-CABLE (1.12IN DIA)						
8		1	110-6170	1	BUSHING (1IN NPT)						
9		1	4P-1539	2	BUSHING-TERMINAL (1-11-1/2 NPTF)						
10		1	5S-4245	4	SCREW-MACHINE (4-40X0.5IN)						
11		1	6B-4540	4	NUT (4-40 THD)						
12		1	3N-2050	2	FUSE						
13		1	5N-5537	1	BLOCK-FUSE						
14		1	7R-3029	1	CAP						
15		1	9X-9675	4	BRACKET-END						
16		1	107-8345	1	BUSHING						
17		1	3E-0355	1	BLOCK-FUSE						
18		1	3E-5502	2	TERMINAL-SINGLE						
19		1	4P-4894	1	SEAL-CONDUIT						
20		1	9X-9616	6	COVER-END						
21		1	9X-9614	4	TERMINAL-SINGLE						
22		1	3B-4501	36	LOCKWASHER (NO.8)						
23		1	6D-5801	32	NUT (8-32 THD)						
24		1	107-2482	8	GASKET						
25		1	104-3651	1	LOCKNUT						
26		1	7S-1201	32	SCREW-MACHINE (8-32X.375IN)						
27		1	6B-4542	4	LOCKWASHER						
28		1	9X-9615	26	TERMINAL-SINGLE						
29		1	3E-5503	2	BAR-FIXED BRIDGE						
30		1	3E-5504	1	BAR-FIXED BRIDGE						
31		1	110-6197	1	GASKET						
32		1	9X-9677	1	COVER-END						
33		1	105-7692	14	ISOLATOR						
34		1	105-7693	4	ISOLATOR						
35		1	3E-0356	2	BLOCK-TERMINAL						
		1	3E-0357	2	PLUG						
36		1	3E-2286	1	BAR						
37		1	9U-6461	1	SCREWDRIVER						
38		1	2P-6896	1	GASKET						
39		1	7S-1197	4	SCREW-MACHINE (8-32X.5IN)						
40		1	9X-9676	33	TERMINAL-MOUNTING						
Y	41	1	3E-8542	1	CONTROL GP-ENGINE MONITORING (OIL PRESS & WATER TEMP)						469
	42	1	2D-6235	2	LOCKNUT (1/4-20 THD)						
	43	1	1B-2714	2	BOLT (1/4-20X2.5IN)						
		1	3N-6744	4	WASHER-THREAD SEAL						
	44	1	4P-4892	1	BUSHING-TERMINAL (40.5MM ID)						

E-ORDER BY THE CENTIMETER
Y-SEPARATE ILLUSTRATION

ELECTRICAL AND STARTING SYSTEM

4P-9571 JUNCTION BOX GP (contd.)

i00659430



GRAPHIC #1

g00237147

ELECTRICAL AND STARTING SYSTEM

4P-9571 JUNCTION BOX GP

S/N 9TG178-UP

PART OF 109-4691 WIRING GP-INSTR & IGNITION
ALSO AN ATTACHMENT

SMCS-7426

i00935983

NOTE	REF NO	GRAPHIC REF	PART NUMBER	QTY	PART NAME						SEE PAGE
					1	2	3	4	5	6 (PRODUCT LEVEL)	
	1	1	4P-9572	1	BOX-TERMINAL						
		1	7E-0717	2	LATCH AS-DOOR						
E		1	9X-6442		SEAL (267 CM)						
		1	5P-0537	4	WASHER (2MM THK)						
		1	9P-6895	4	PIN						
		1	3B-5300	4	COTTER						
C	2	1	109-6507	1	SWITCH-OPERATOR (SYSTEM SHUT DOWN BUTTON)						
	3	1	109-8857	7	TERMINAL-SINGLE						
	4	1	103-6267	1	FILM-INSTRUMENT PANEL						
C	5	1	111-1323	1	BLOCK-CONTACT						
	6	1	3E-0105	3	MOUNT						
	7	1	8L-8413	3	STRAP-CABLE (1.12IN DIA)						
	8	1	4P-1539	2	BUSHING-TERMINAL						
	9	1	5S-4245	4	SCREW-MACHINE (4-40X0.5IN)						
	10	1	6B-4540	4	NUT (4-40 THD)						
C	11	1	108-1701	1	KIT-MARKER						
C	12	1	116-5140	8	TERMINAL-DOUBLE						
	13	1	7R-3029	1	CAP						
	14	1	9X-9675	4	BRACKET-END						
C	15	1	115-1322	4	TERMINAL-DOUBLE						
C	16	1	108-1702	55	TERMINAL-SINGLE						
	17	1	116-5193	1	COVER-END						
C	18	1	114-1143	1	CIRCUIT BREAKER AS						
C	19	1	3B-4501	34	LOCKWASHER (1.02MM THK)						
	20	1	6D-5801	16	NUT (8-32 THD)						
	21	1	121-0817	8	GASKET						
	22	1	104-3651	2	LOCKNUT						
	23	1	6B-4542	4	LOCKWASHER						
	24	1	3E-5503	1	BAR-FIXED BRIDGE						
C	25	1	109-6539	2	PLATE-SEPARATOR						
	26	1	3E-0356	2	BLOCK-TERMINAL						
	27	1	3E-0357	2	PLUG						
	28	1	9U-6461	1	SCREWDRIVER						
	29	1	2P-6896	1	GASKET						
C	30	1	7S-1197	34	SCREW-MACHINE (8-32X.5IN)						
Y	31	1	3E-8542	1	CONTROL GP-ENGINE MONITORING						469
C	32	1	3E-2286	2	BAR						
C	33	1	3N-6744	2	WASHER-THREAD SEAL						
C	34	1	110-6170	2	BUSHING						
	35	1	110-6197	1	GASKET						
	36	1	121-0816	8	MOUNT-SHOCK						
	37	1	4P-7581	5	CLIP						
	38	1	4B-4278	4	WASHER (1.6MM THK)						
	39	1	6V-8801	4	NUT (3/8-16 THD)						
	40	1	1B-2714	2	BOLT (1/4-20X2.5IN)						
C	41	1	115-2538	2	COVER-END						
C	42	1	4P-8134	2	CLIP						
C	43	1	111-1324	1	BLOCK-CONTACT						
C	44	1	4S-5719	1	SPACER						
C	45	1	116-5142	3	TERMINAL						
C	46	1	116-5137	1	SPACER						
C	47	1	123-5223	1	PLATE						
C	48	1	123-5220	1	GASKET						
C	49	1	9X-9616	1	COVER-END						
C	50	1	5P-0537	2	WASHER (2MM THK)						

ELECTRICAL AND STARTING SYSTEM

4P-9571 JUNCTION BOX GP (contd.)

i00935983

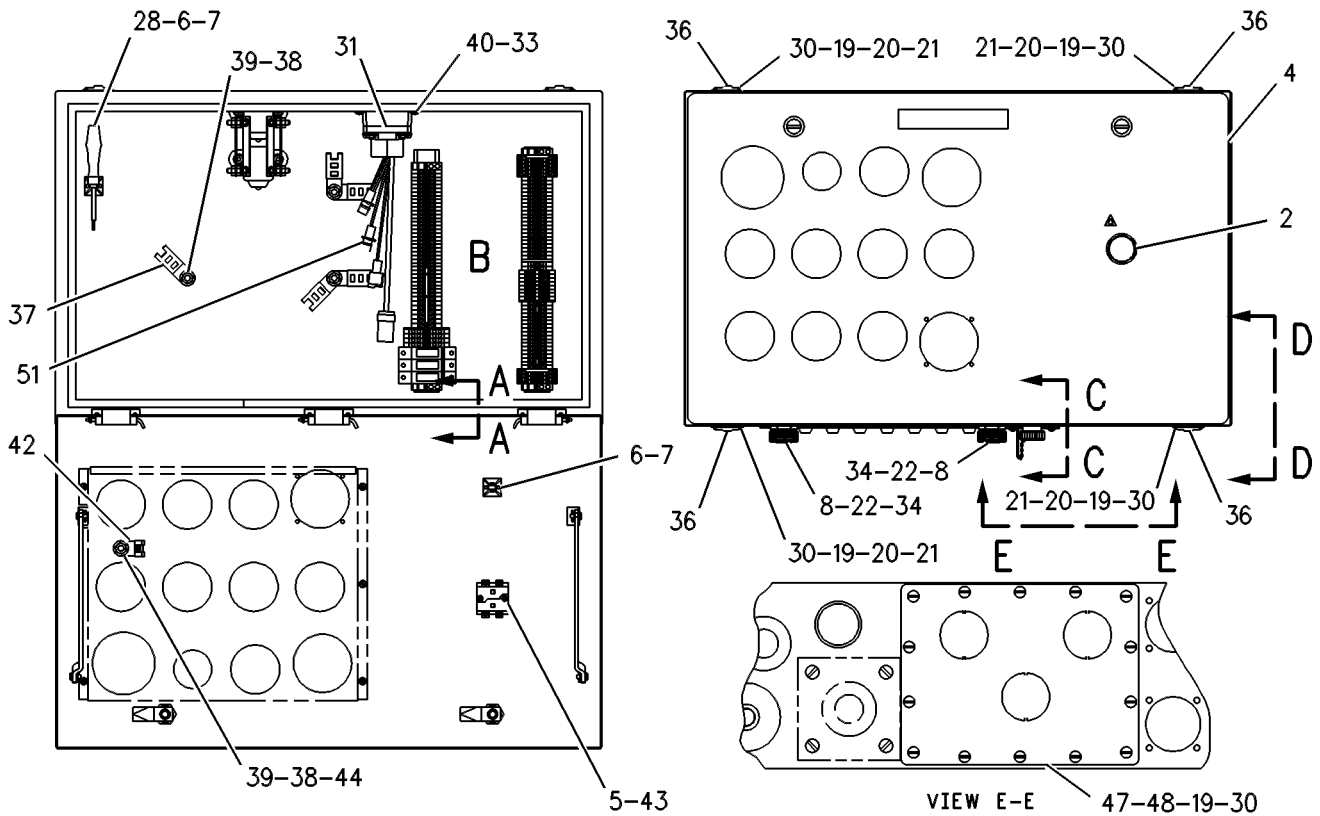
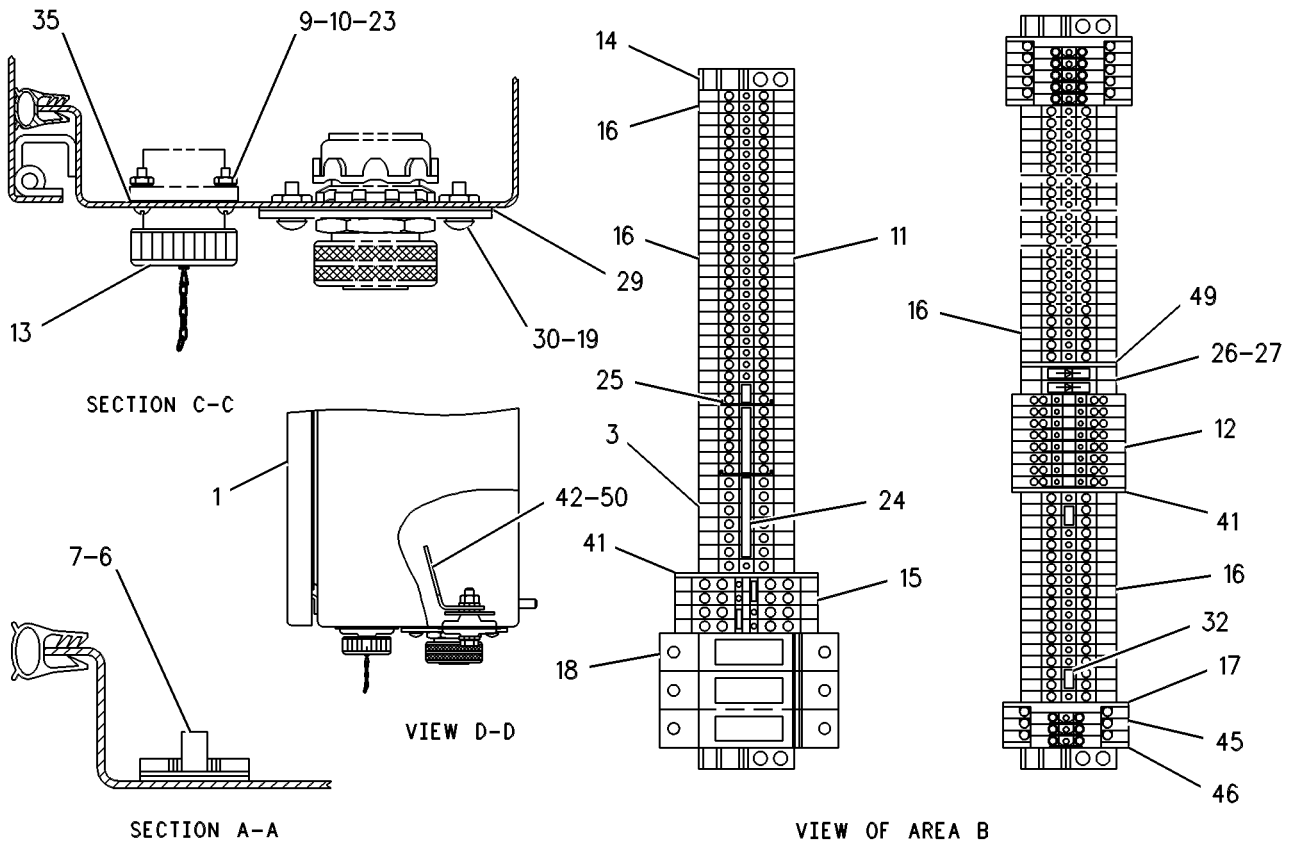
NOTE	REF NO	GRAPHIC REF	PART NUMBER	QTY	PART NAME						SEE PAGE
					1	2	3	4	5	6 (PRODUCT LEVEL)	
	51	1	3T-3048	3	CLIP AS (10.2MM ID)						

C-CHANGE FROM PREVIOUS TYPE
E-ORDER BY THE CENTIMETER
Y-SEPARATE ILLUSTRATION

ELECTRICAL AND STARTING SYSTEM

4P-9571 JUNCTION BOX GP (contd.)

i00935983



GRAPHIC #1

g00272977

MEMORANDA

ELECTRICAL AND STARTING SYSTEM

104-3175 JUNCTION BOX GP PART OF 109-4693 WIRING GP-INSTR & IGNITION

SMCS-7426

i00656652

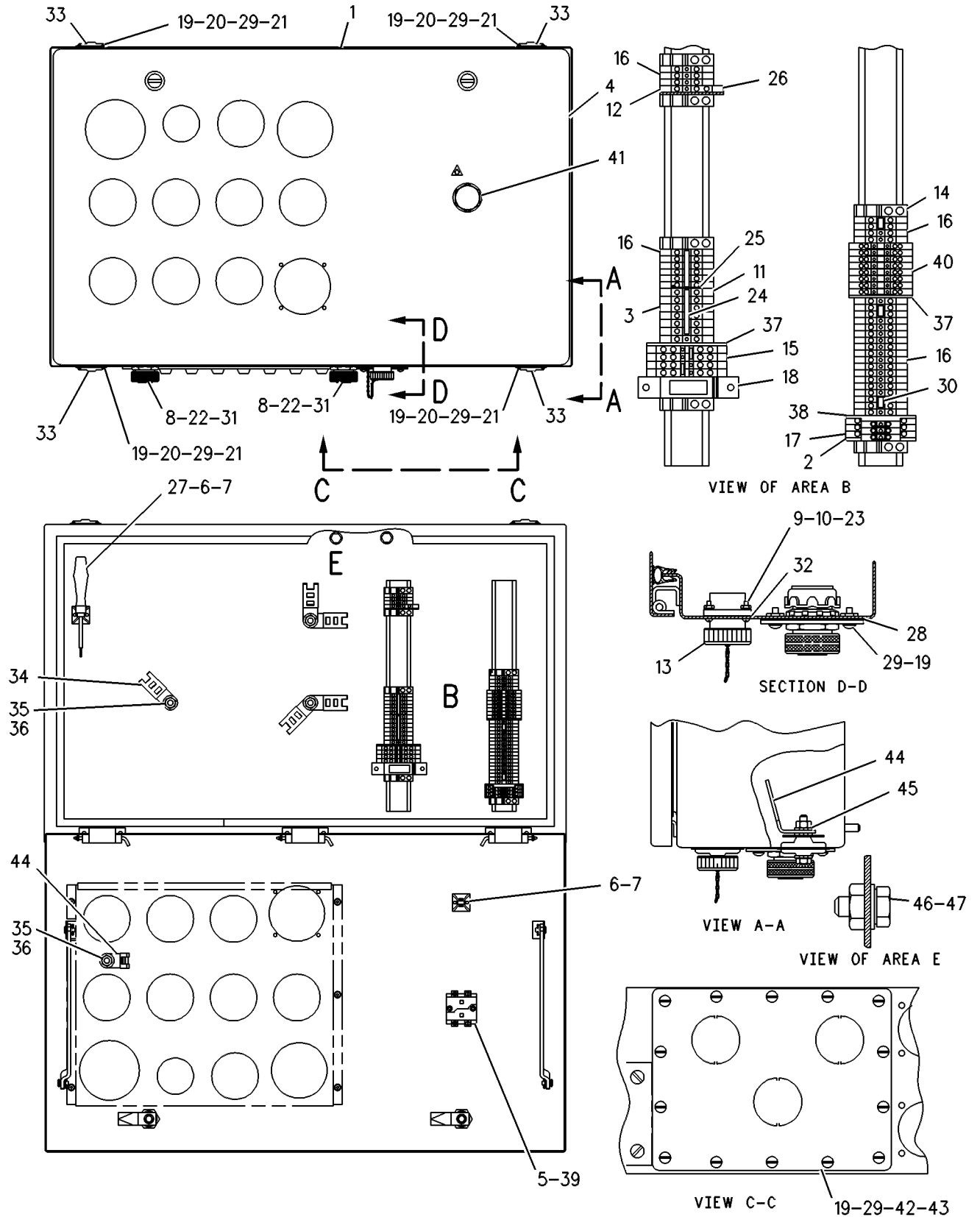
NOTE	REF NO	GRAPHIC REF	PART NUMBER	QTY	PART NAME						SEE PAGE
					1	2	3	4	5	6 (PRODUCT LEVEL)	
	1	1	4P-9572	1	BOX-TERMINAL						
		1	7E-0717	2	LATCH AS-DOOR						
		1	8D-5476	3	STUD-WELD (3/8-16X19.1IN OAL)						
		1	9F-6445	2	NUT (1/4-20 THD)						
		1	9P-6895	4	PIN						
		1	9X-6381	4	WASHER						
E		1	9X-6442		SEAL (225CM)						
	2	1	116-5137	1	SPACER						
	3	1	109-8857	7	TERMINAL-SINGLE						
	4	1	103-6267	1	FILM-INSTRUMENT PANEL						
	5	1	111-1323	1	BLOCK-CONTACT						
	6	1	3E-0105	2	MOUNT						
	7	1	8L-8413	2	STRAP-CABLE (1.12IN DIA)						
	8	1	4P-1539	2	BUSHING-TERMINAL						
	9	1	5S-4245	4	SCREW-MACHINE (4-40X0.5IN)						
	10	1	6B-4540	4	NUT (4-40 THD)						
	11	1	108-1701	1	KIT-MARKER						
	12	1	109-8858	1	COVER-END						
	13	1	7R-3029	1	CAP						
	14	1	9X-9675	6	BRACKET-END						
	15	1	115-1322	4	TERMINAL-DOUBLE						
	16	1	108-1702	34	TERMINAL-SINGLE						
	17	1	116-5142	3	TERMINAL						
	18	1	114-1143	1	CIRCUIT BREAKER AS						
	19	1	3B-4501	50	LOCKWASHER (NO.8)						
	20	1	6D-5801	32	NUT (8-32 THD)						
	21	1	107-2482	8	GASKET						
	22	1	104-3651	2	LOCKNUT						
	23	1	6B-4542	4	LOCKWASHER						
	24	1	3E-5503	1	BAR-FIXED BRIDGE						
	25	1	109-6539	1	PLATE-SEPARATOR						
	26	1	115-2162	1	TERMINAL-SINGLE						
	27	1	9U-6461	1	SCREWDRIVER						
	28	1	2P-6896	1	GASKET						
	29	1	7S-1197	50	SCREW-MACHINE (8-32X.5IN)						
	30	1	3E-2286	2	BAR						
	31	1	110-6170	2	BUSHING						
	32	1	110-6197	1	GASKET						
	33	1	110-8909	8	MOUNT-SHOCK						
	34	1	4P-7581	5	CLIP (10.5MM ID)						
	35	1	4B-4278	4	WASHER (1.6MM THK)						
	36	1	6V-8801	4	NUT (3/8-16 THD)						
	37	1	115-2538	2	COVER-END						
	38	1	116-5193	1	COVER-END						
	39	1	111-1324	1	BLOCK-CONTACT						
	40	1	116-5140	8	TERMINAL-DOUBLE						
	41	1	109-6507	1	SWITCH-OPERATOR						
	42	1	123-5220	1	GASKET						
	43	1	123-5223	1	PLATE						
	44	1	4P-8134	2	CLIP (10.5MM ID)						
	45	1	5P-0537	2	WASHER (2MM THK)						
	46	1	0S-1614	1	BOLT (1/4-20X.5IN)						
	47	1	3N-6744	1	WASHER-THREAD SEAL						

E-ORDER BY THE CENTIMETER

ELECTRICAL AND STARTING SYSTEM

104-3175 JUNCTION BOX GP (contd.)

i00656652



GRAPHIC #1

g00273558

ELECTRICAL AND STARTING SYSTEM

114-8140 JUNCTION BOX GP

AN ATTACHMENT

TYPE 1

SMCS-7426

i00678325

NOTE	REF NO	GRAPHIC REF	PART NUMBER	QTY	PART NAME						SEE PAGE
					1	2	3	4	5	6 (PRODUCT LEVEL)	
	1	1	114-5628	1	BOX AS						
D		1	5P-5906		SEAL (0.8M)						
		1	5P-8482	6	STUD-WELD (3/8-16 X 1.75IN OAL)						
		1	6S-7251	5	STUD-WELD (3/8-16 X 19MM OAL)						
		1	7E-0717	2	LATCH AS-DOOR						
E		1	9X-6442		SEAL (246 CM)						
		1	114-6863	1	WINDOW						
	2	1	114-8139	1	PANEL AS						
		1	1F-0750	14	NUT-WELD (3/8-16 THD)						
		1	3W-4871	14	NUT (6-32-2B THD)						
	3	1	3N-5979	1	SWITCH (REMOTE START & STOP)						
	4	1	7C-4910	1	SEAL-WASHER						
	5	1	0S-1594	8	BOLT (3/8-16X1IN)						
	6	1	9D-2868	1	LENS-RED						
	7	1	9D-2867	1	LENS-AMBER						
	8	1	2W-8683	1	BLOCK-CONTACT						
	9	1	2W-8798	1	SWITCH (SECONDARY STOP BUTTON)						
	10	1	4P-7581	11	CLIP (10.5MM ID)						
	11	1	4W-8787	1	SOCKET-RELAY						
	12	1	7W-9770	1	RELAY						
	13	1	010-0741	2	SCREW-MACHINE						
	14	1	7E-5923	1	FILM-CONTROL PANEL						
	15	1	8T-4896	12	WASHER-HARD (2.5MM THK)						
	16	1	9D-9161	1	LENS-GREEN						
	17	1	9D-3127	3	BASE AS-INDICATOR LIGHT (EACH INCLUDES)						
		1	6V-8367	1	LOCKWASHER-TOOTH						
		1	6V-8382	1	NUT-HEX (11/16-27 THD)						
	18	1	7N-5876	3	LAMP-MINIATURE (28 VOLT)						
	19	1	111-2111	3	GUARD						
Y	20	1	6V-6149	1	CONTROL GP-ENGINE MONITORING						471
	21	1	7C-2952	1	GASKET-MODULE						
	22	1	4F-4879	4	BOLT (3/8-16X.5IN)						
	23	1	120-9081	2	ROD						
	24	1	5P-0537	5	WASHER (2MM THK)						
	25	1	8T-5447	2	RING-RETAINING						
	26	1	7E-0859	1	POTENTIOMETER						
	27	1	9S-8752	11	NUT-FULL (3/8-16 THD)						
	28	1	0S-0509	2	BOLT (3/8-16X.75IN)						
Y	29	1	9X-9591	1	CONTROL GP-ENGINE ELECTRONIC						488
	30	1	2M-0849	4	WASHER (5MM THK)						
	31	2	120-9713	1	KIT-MARKER						
	32	1	8D-2676	1	SWITCH AS (RPM DISPLAY)						
		1	3L-8187	2	LOCKWASHER (#6-INT)						
		1	6T-3631	2	NUT-HEX (15/32-32 THD)						
		1	6T-3632	1	LOCKWASHER (12MM ID)						
		1	6T-3633	1	LOCKRING						
		1	6V-8374	2	SCREW-MACHINE (6-32X.25IN)						
Y	33	1	108-5888	1	CONTROL GP-ENGINE ELECTRONIC						458
Y	34	1	106-9182	1	CONTROL GP-ENG RATINGS ELEK						453
	35	1	9S-8750	8	NUT-FULL (1/4-20 THD)						
	36	2	9X-9675	4	BRACKET-END						
	37	2	115-1322	17	TERMINAL-DOUBLE						
	38	2	115-2538	3	COVER-END						
	39	2	116-5137	1	SPACER						
	40	2	9X-9616	2	COVER-END						

ELECTRICAL AND STARTING SYSTEM

114-8140 JUNCTION BOX GP (contd.)

i00678325

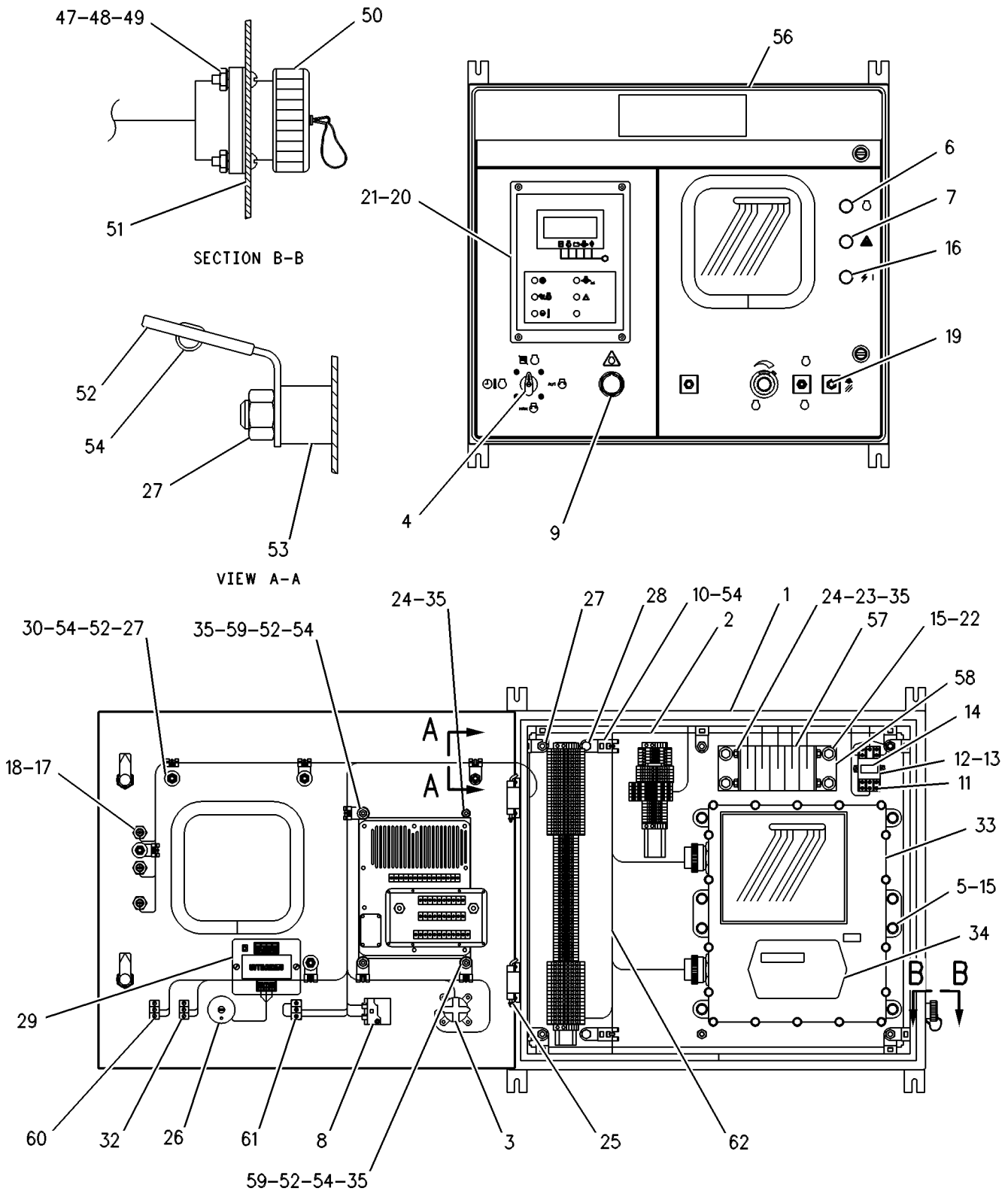
NOTE	REF NO	GRAPHIC REF	PART NUMBER	QTY	PART NAME						SEE PAGE
					1	2	3	4	5	6 (PRODUCT LEVEL)	
	41	2	116-5142	5	TERMINAL						
	42	2	116-5193	1	COVER-END						
	43	2	116-5140	33	TERMINAL-DOUBLE						
	44	2	108-1702	48	TERMINAL-SINGLE						
	45	2	121-0123	5	BAR-BRIDGE						
	46	2	3E-5503	3	BAR-FIXED BRIDGE						
	47	1	5S-4245	4	SCREW-MACHINE (4-40X0.5IN)						
	48	1	6B-4540	4	NUT (4-40 THD)						
	49	1	6B-4542	4	LOCKWASHER						
	50	1	7R-3029	1	CAP						
	51	1	110-6197	1	GASKET						
	52	1	4P-8134	8	CLIP (10.5MM ID)						
	53	1	4W-9149	1	SPACER						
B	54	1	9X-6772	19	STRAP-CABLE						
	55	2	120-9079	5	TERMINAL						
	56	1	121-3387	1	FILM-INFORMATION						
	57	1	116-6204	5	CONTROL GP-ELECTRONIC						
	58	1	120-9080	2	BRACKET						
	59	1	5P-4115	3	WASHER (2MM THK)						
	60	1	8N-0694	1	SWITCH AS (DIAGNOSTIC RESET)						
		1	3L-8187	3	LOCKWASHER (#6-INT)						
		1	6T-3631	2	NUT-HEX (15/32-32 THD)						
		1	6T-3632	1	LOCKWASHER (12MM ID)						
		1	6T-3633	1	LOCKRING						
		1	6V-8374	3	SCREW-MACHINE (6-32X.25IN)						
	61	1	6T-6970	1	SWITCH AS-TOGGLE (OXYGEN SENSOR CALIBRA.)						
		1	3L-8187	3	LOCKWASHER (#6-INT)						
		1	6T-3631	2	NUT-HEX (15/32-32 THD)						
		1	6T-3632	1	LOCKWASHER (12MM ID)						
		1	6T-3633	1	LOCKRING						
		1	6V-8374	3	SCREW-MACHINE (6-32X.25IN)						
	62	1	120-9879	1	HARNESS AS-PANEL						

B-USE AS REQUIRED
D-ORDER BY THE METER
E-ORDER BY THE CENTIMETER
Y-SEPARATE ILLUSTRATION

ELECTRICAL AND STARTING SYSTEM

114-8140 JUNCTION BOX GP (contd.)

i00678325



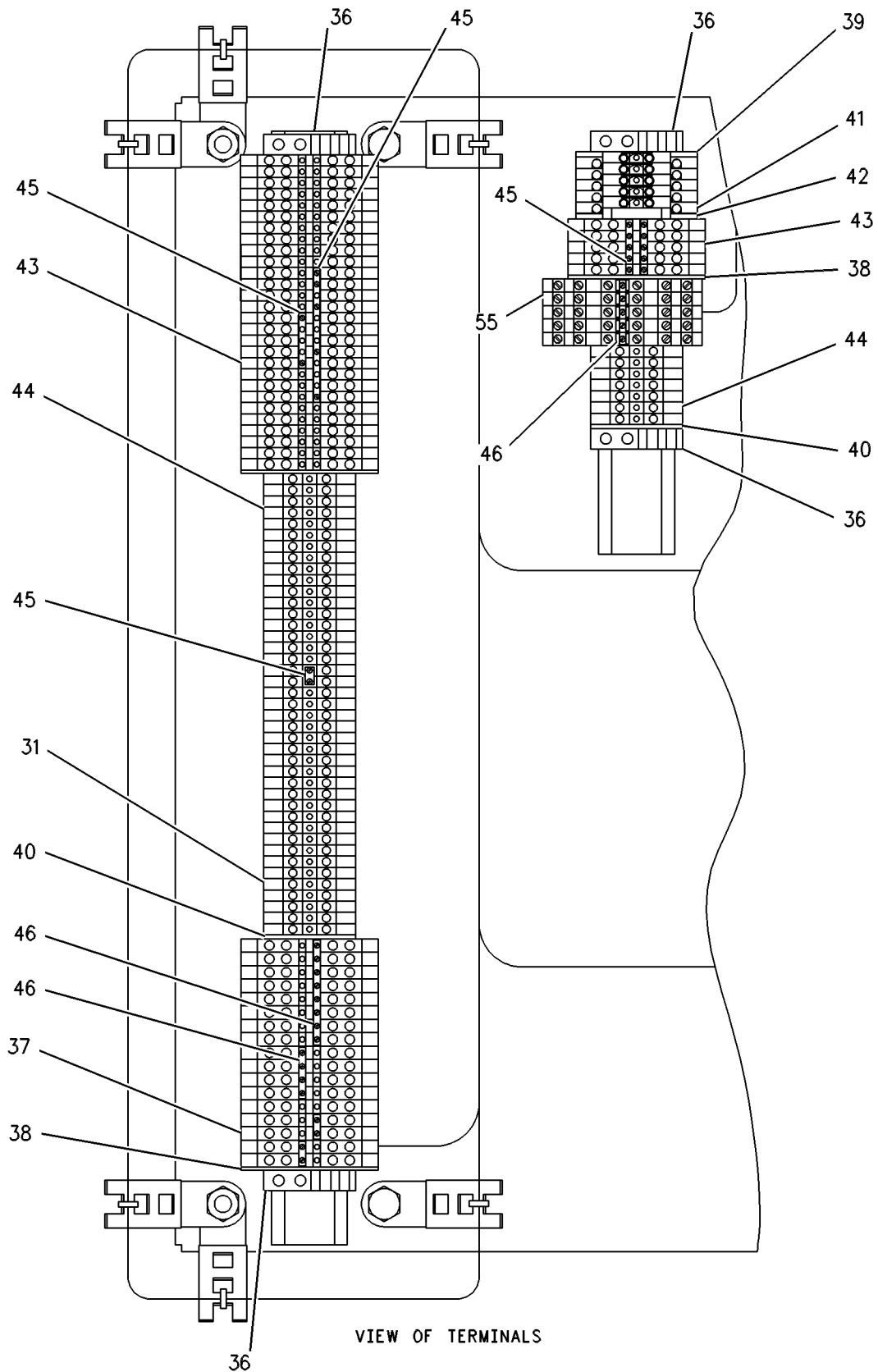
GRAPHIC #1

g00249241

ELECTRICAL AND STARTING SYSTEM

114-8140 JUNCTION BOX GP (contd.)

i00678325



VIEW OF TERMINALS

GRAPHIC #2

g00249379

ELECTRICAL AND STARTING SYSTEM

114-8140 JUNCTION BOX GP

AN ATTACHMENT

TYPE 2

SMCS-7426

i00931506

NOTE	REF NO	GRAPHIC REF	PART NUMBER	QTY	PART NAME						SEE PAGE
					1	2	3	4	5	6 (PRODUCT LEVEL)	
	1	1	114-5628	1	BOX AS						
D		1	5P-5906		SEAL (0.8M)						
		1	5P-8482	6	STUD-WELD (3/8-16 X 1.75IN OAL)						
		1	6S-7251	5	STUD-WELD (3/8-16 X 19MM OAL)						
		1	7E-0717	2	LATCH AS-DOOR						
E		1	9X-6442		SEAL (246 CM)						
		1	114-6863	1	WINDOW						
	2	1	114-8139	1	PANEL AS						
		1	1F-0750	14	NUT-WELD (3/8-16 THD)						
		1	3W-4871	14	NUT (6-32-2B THD)						
	3	1	3N-5979	1	SWITCH (REMOTE START & STOP)						
	4	1	7C-4910	1	SEAL-WASHER						
	5	1	0S-1594	8	BOLT						
	6	1	9D-2868	1	LENS-RED						
	7	1	9D-2867	1	LENS-AMBER						
	8	1	2W-8683	1	BLOCK-CONTACT						
	9	1	2W-8798	1	SWITCH (EMERGENCY STOP BUTTON)						
	10	1	4P-7581	11	CLIP						
	11	1	4W-8787	1	SOCKET-RELAY						
	12	1	7W-9770	1	RELAY						
	13	1	010-0741	2	SCREW-MACHINE						
	14	1	7E-5923	1	FILM-CONTROL PANEL						
	15	1	8T-4896	12	WASHER-HARD (2.5MM THK)						
	16	1	9D-9161	1	LENS-GREEN						
	17	1	9D-3127	3	BASE AS-INDICATOR LIGHT (EACH INCLUDES)						
		1	6V-8367	1	LOCKWASHER-TOOTH						
		1	6V-8382	1	NUT-HEX (11/16-27 THD)						
	18	1	7N-5876	3	LAMP (28 VOLT)						
	19	1	111-2111	3	GUARD						
Y	20	1	6V-6149	1	CONTROL GP-ENGINE MONITORING						471
	21	1	7C-2952	1	GASKET-MODULE						
	22	1	4F-4879	4	BOLT (3/8-16X.5IN)						
	23	1	120-9081	2	ROD						
	24	1	5P-0537	5	WASHER (2MM THK)						
C	25	1	8S-4950	1	CAP						
C	26	1	122-9457	1	POTENTIOMETER						
C	27	1	9S-8752	12	NUT-FULL (3/8-16 THD)						
	28	1	0S-0509	2	BOLT						
CY	29	1	9X-4865	1	CONTROL GP-ENGINE MONITORING						473
C	30	1	2M-0849	5	WASHER (5MM THK)						
	31	2	120-9713	1	KIT-MARKER						
	32	1	8D-2676	1	SWITCH AS (RPM DISPLAY)						
		1	3L-8187	2	LOCKWASHER (#6-INT) (3.7MM ID)						
		1	6T-3631	2	NUT-HEX (15/32-32 THD)						
		1	6T-3632	1	LOCKWASHER (12MM ID)						
		1	6T-3633	1	LOCKRING						
		1	6V-8374	2	SCREW-MACHINE (6-32X.25IN)						
Y	33	1	108-5888	1	CONTROL GP-ENGINE ELECTRONIC						458
Y	34	1	106-9182	1	CONTROL GP-ENG RATINGS ELEK						453
	35	1	9S-8750	8	NUT-FULL (1/4-20 THD)						
	36	2	9X-9675	4	BRACKET-END						
	37	2	115-1322	17	TERMINAL-DOUBLE						
	38	2	115-2538	3	COVER-END						
	39	2	116-5137	1	SPACER						
C	40	2	9X-9616	4	COVER-END						

ELECTRICAL AND STARTING SYSTEM

114-8140 JUNCTION BOX GP (contd.)

i00931506

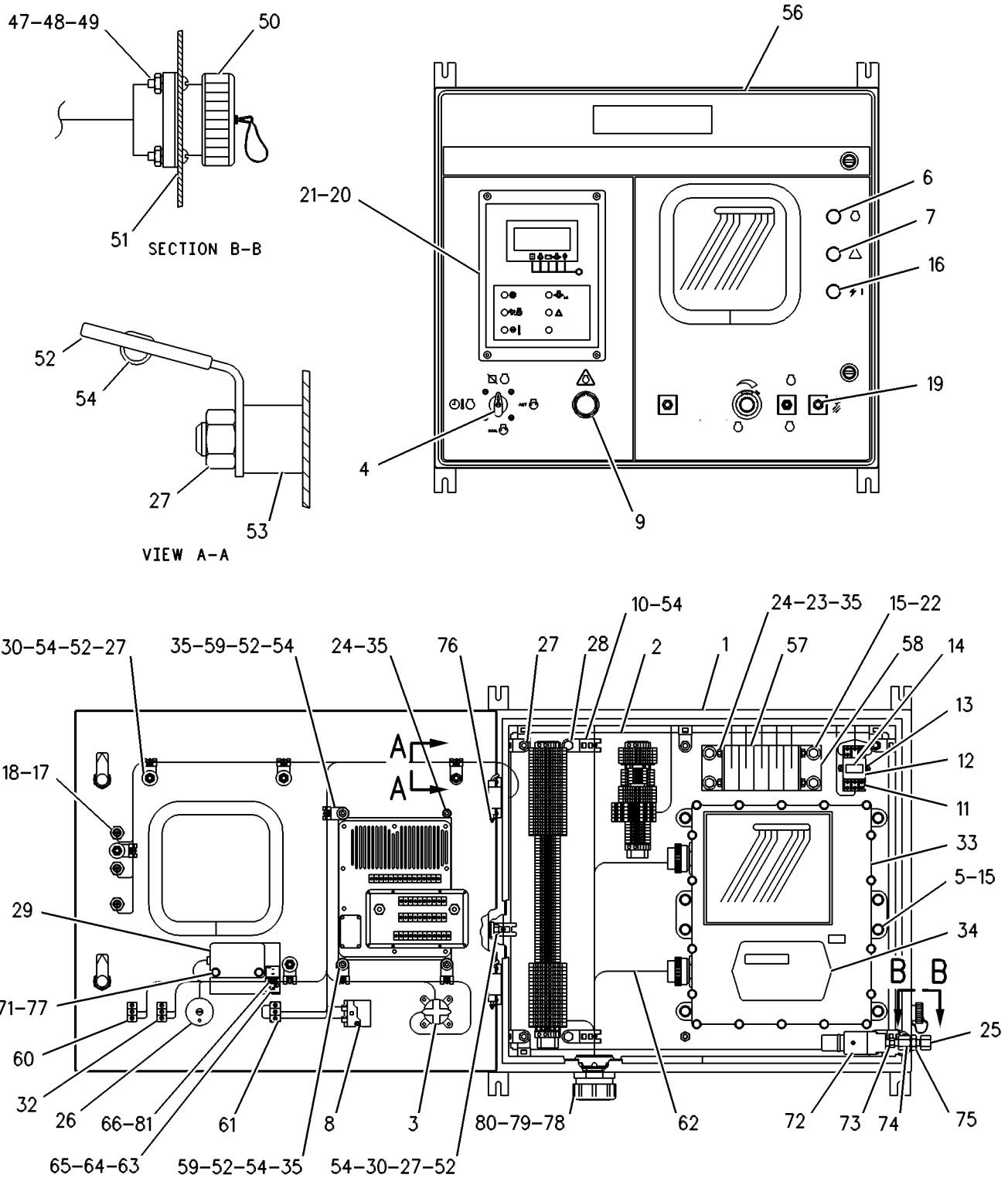
NOTE	REF NO	GRAPHIC REF	PART NUMBER	QTY	PART NAME						SEE PAGE
					1	2	3	4	5	6 (PRODUCT LEVEL)	
	41	2	116-5142	5	TERMINAL						
	42	2	116-5193	1	COVER-END						
C	43	2	116-5140	38	TERMINAL-DOUBLE						
	44	2	108-1702	48	TERMINAL-SINGLE						
C	45	2	121-0123	6	BAR-BRIDGE						
	46	2	3E-5503	3	BAR-FIXED BRIDGE						
	47	1	5S-4245	4	SCREW-MACHINE (4-40X0.5IN)						
	48	1	6B-4540	4	NUT (4-40 THD)						
	49	1	6B-4542	4	LOCKWASHER						
	50	1	7R-3029	1	CAP						
	51	1	110-6197	1	GASKET						
C	52	1	4P-8134	9	CLIP						
	53	1	4W-9149	1	SPACER						
BC	54	1	9X-6772	20	STRAP-CABLE						
	55	2	120-9079	5	TERMINAL						
	56	1	121-3387	1	FILM-INFORMATION						
	57	1	116-6204	5	CONTROL GP-ELECTRONIC						
	58	1	120-9080	2	BRACKET						
	59	1	5P-4115	3	WASHER (2MM THK)						
	60	1	8N-0694	1	SWITCH AS (DIAGNOSTIC RESET)						
		1	3L-8187	3	LOCKWASHER (#6-INT) (3.7MM ID)						
		1	6T-3631	2	NUT-HEX (15/32-32 THD)						
		1	6T-3632	1	LOCKWASHER (12MM ID)						
		1	6T-3633	1	LOCKRING						
		1	6V-8374	3	SCREW-MACHINE (6-32X.25IN)						
	61	1	6T-6970	1	SWITCH AS-TOGGLE (OXYGEN SENSOR CALIBRA.)						
		1	3L-8187	3	LOCKWASHER (#6-INT) (3.7MM ID)						
		1	6T-3631	2	NUT-HEX (15/32-32 THD)						
		1	6T-3632	1	LOCKWASHER (12MM ID)						
		1	6T-3633	1	LOCKRING						
		1	6V-8374	3	SCREW-MACHINE (6-32X.25IN)						
	62	1	120-9879	1	HARNESS AS-PANEL						
C	63	1	122-7097	1	BRACKET						
C	64	1	3B-4501	2	LOCKWASHER (1.02MM THK)						
C	65	1	6V-8376	2	SCREW-MACHINE (8-32X.25IN)						
C	66	1	122-9458	1	POTENTIOMETER						
C	67	2	3E-0356	2	BLOCK-TERMINAL						
C	68	2	115-2542	2	PLUG						
C	69	2	123-0289	1	CAPACITOR						
C	70	2	3T-9377	1	RESISTOR						
C	71	1	8T-4205	4	WASHER-HARD (2MM THK)						
C	72	1	122-6951	1	TRANSDUCER-PRESSURE						
C	73	1	5P-8998	1	NIPPLE						
C	74	1	5P-4653	1	CONNECTOR						
C	75	1	5B-2183	1	NUT-JAM (9/16-18 THD)						
C	76	1	8T-5447	2	RING-RETAINING						
C	77	1	5P-2675	2	BOLT (1/4-20X1.75IN)						
C	78	1	123-4873	1	BUSHING						
C	79	1	037-7692	1	NUT-CONDUIT						
C	80	1	123-4875	1	BUSHING						
C	81	1	7C-4550	1	SEAL-SHAFT						

B-USE AS REQUIRED
 C-CHANGE FROM PREVIOUS TYPE
 D-ORDER BY THE METER
 E-ORDER BY THE CENTIMETER
 Y-SEPARATE ILLUSTRATION

ELECTRICAL AND STARTING SYSTEM

114-8140 JUNCTION BOX GP (contd.)

i00931506



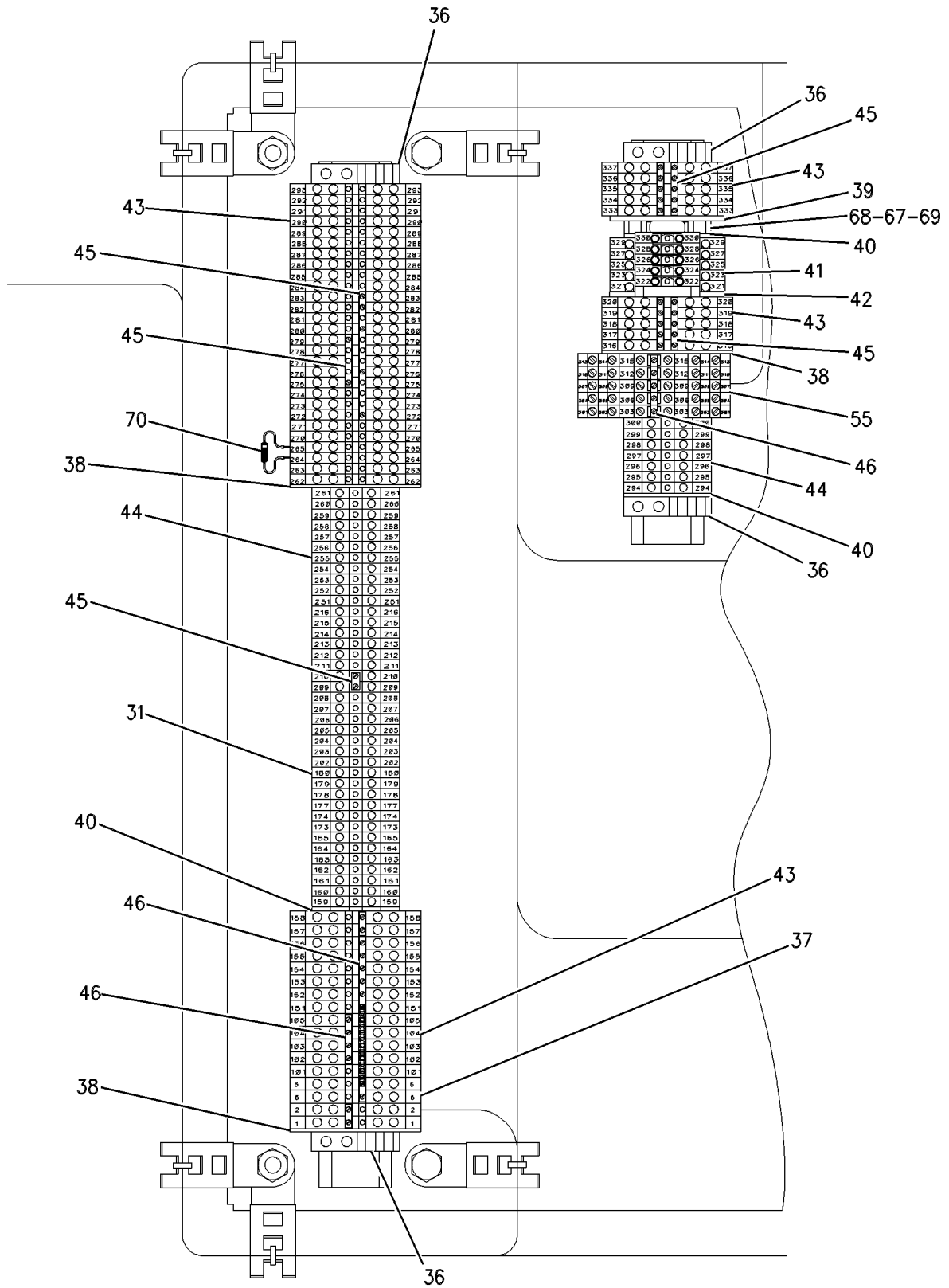
GRAPHIC #1

g00249252

ELECTRICAL AND STARTING SYSTEM

114-8140 JUNCTION BOX GP (contd.)

i00931506



VIEW OF TERMINALS

GRAPHIC #2

g00362844

ELECTRICAL AND STARTING SYSTEM

114-8140 JUNCTION BOX GP

AN ATTACHMENT

TYPE 3

SMCS-7426

i00931514

NOTE	REF NO	GRAPHIC REF	PART NUMBER	QTY	PART NAME						SEE PAGE
					1	2	3	4	5	6 (PRODUCT LEVEL)	
	1	1	114-5628	1	BOX AS						
D		1	5P-5906		SEAL (0.8M)						
		1	5P-8482	6	STUD-WELD (3/8-16 X 1.75IN OAL)						
		1	6S-7251	5	STUD-WELD (3/8-16 X 19MM OAL)						
		1	7E-0717	2	LATCH AS-DOOR						
E		1	9X-6442		SEAL (246 CM)						
		1	114-6863	1	WINDOW						
	2	1	114-8139	1	PANEL AS						
		1	1F-0750	14	NUT-WELD (3/8-16 THD)						
		1	3W-4871	14	NUT (6-32-2B THD)						
	3	1	3N-5979	1	SWITCH (REMOTE START & STOP)						
	4	1	7C-4910	1	SEAL-WASHER						
	5	1	0S-1588	8	BOLT						
	6	1	9D-2868	1	LENS-RED						
	7	1	9D-2867	1	LENS-AMBER						
C	8	1	111-1323	1	BLOCK-CONTACT						
C	9	1	109-6507	1	SWITCH-OPERATOR (EMERGENCY STOP BUTTON)						
	10	1	4P-7581	11	CLIP						
	11	1	4W-8787	1	SOCKET-RELAY						
	12	1	7W-9770	1	RELAY						
	13	1	010-0741	2	SCREW-MACHINE						
	14	1	7E-5923	1	FILM-CONTROL PANEL						
	15	1	8T-4896	12	WASHER-HARD (2.5MM THK)						
	16	1	9D-9161	1	LENS-GREEN						
	17	1	9D-3127	3	BASE AS-INDICATOR LIGHT (EACH INCLUDES)						
		1	6V-8367	1	LOCKWASHER-TOOTH						
		1	6V-8382	1	NUT-HEX (11/16-27 THD)						
	18	1	7N-5876	3	LAMP (28 VOLT)						
	19	1	111-2111	3	GUARD						
Y	20	1	6V-6149	1	CONTROL GP-ENGINE MONITORING						471
	21	1	7C-2952	1	GASKET-MODULE						
	22	1	4F-4879	4	BOLT (3/8-16X.5IN)						
	23	1	120-9081	2	ROD						
	24	1	5P-0537	5	WASHER (2MM THK)						
	25	1	8S-4950	1	CAP						
	26	1	122-9457	1	POTENTIOMETER						
	27	1	9S-8752	12	NUT-FULL (3/8-16 THD)						
	28	1	0S-0509	2	BOLT						
Y	29	1	9X-4865	1	CONTROL GP-ENGINE MONITORING						473
	30	1	2M-0849	5	WASHER (5MM THK)						
	31	2	120-9713	1	KIT-MARKER						
	32	1	8D-2676	1	SWITCH AS (RPM DISPLAY)						
		1	3L-8187	2	LOCKWASHER (#6-INT) (3.7MM ID)						
		1	6T-3631	2	NUT-HEX (15/32-32 THD)						
		1	6T-3632	1	LOCKWASHER (12MM ID)						
		1	6T-3633	1	LOCKRING						
		1	6V-8374	2	SCREW-MACHINE (6-32X.25IN)						
YC	33	1	3E-6351	1	CONTROL GP-ENGINE ELECTRONIC						455
Y	34	1	106-9182	1	CONTROL GP-ENG RATINGS ELEK						453
	35	1	9S-8750	8	NUT-FULL (1/4-20 THD)						
	36	2	9X-9675	4	BRACKET-END						
	37	2	115-1322	4	TERMINAL-DOUBLE						
	38	2	115-2538	3	COVER-END						
	39	2	116-5137	1	SPACER						
	40	2	9X-9616	3	COVER-END						

ELECTRICAL AND STARTING SYSTEM

114-8140 JUNCTION BOX GP (contd.)

i00931514

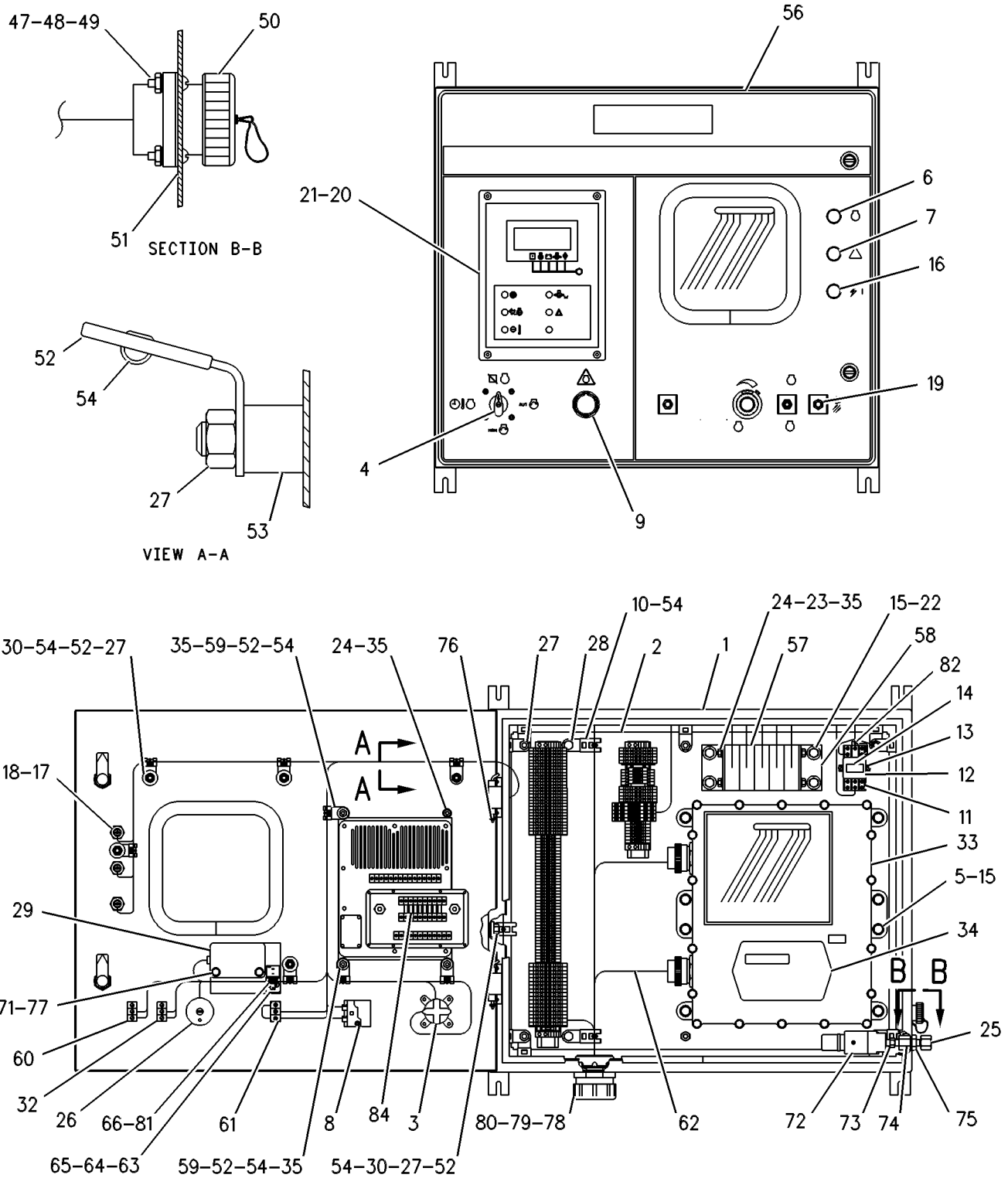
NOTE	REF NO	GRAPHIC REF	PART NUMBER	QTY	PART NAME						SEE PAGE
					1	2	3	4	5	6 (PRODUCT LEVEL)	
	41	2	116-5142	5	TERMINAL						
	42	2	116-5193	1	COVER-END						
	43	2	116-5140	51	TERMINAL-DOUBLE						
	44	2	108-1702	48	TERMINAL-SINGLE						
	45	2	3E-2286	6	BAR						
	46	2	3E-5503	3	BAR-FIXED BRIDGE						
	47	1	5S-4245	4	SCREW-MACHINE (4-40X0.5IN)						
	48	1	6B-4540	4	NUT (4-40 THD)						
	49	1	6B-4542	4	LOCKWASHER						
	50	1	7R-3029	1	CAP						
	51	1	110-6197	1	GASKET						
	52	1	4P-8134	9	CLIP						
	53	1	4W-9149	1	SPACER						
B	54	1	9X-6772	20	STRAP-CABLE						
	55	2	120-9079	5	TERMINAL						
	56	1	121-3387	1	FILM-INFORMATION						
	57	1	116-6204	5	CONTROL GP-ELECTRONIC						
	58	1	120-9080	2	BRACKET						
	59	1	5P-4115	3	WASHER (2MM THK)						
	60	1	8N-0694	1	SWITCH AS (DIAGNOSTIC RESET)						
		1	3L-8187	3	LOCKWASHER (#6-INT) (3.7MM ID)						
		1	6T-3631	2	NUT-HEX (15/32-32 THD)						
		1	6T-3632	1	LOCKWASHER (12MM ID)						
		1	6T-3633	1	LOCKRING						
		1	6V-8374	3	SCREW-MACHINE (6-32X.25IN)						
	61	1	6T-6970	1	SWITCH AS-TOGGLE (OXYGEN SENSOR CALIBRA.)						
		1	3L-8187	3	LOCKWASHER (#6-INT) (3.7MM ID)						
		1	6T-3631	2	NUT-HEX (15/32-32 THD)						
		1	6T-3632	1	LOCKWASHER (12MM ID)						
		1	6T-3633	1	LOCKRING						
		1	6V-8374	3	SCREW-MACHINE (6-32X.25IN)						
	62	1	120-9879	1	HARNESS AS-PANEL						
	63	1	122-7097	1	BRACKET						
	64	1	3B-4501	2	LOCKWASHER (1.02MM THK) (#8)						
	65	1	6V-8376	2	SCREW-MACHINE (8-32X.25IN)						
	66	1	122-9458	1	POTENTIOMETER						
	67	2	3E-0356	1	BLOCK-TERMINAL						
	68	2	115-2542	1	PLUG						
	69	2	123-0289	1	CAPACITOR						
	70	2	121-9195	1	RESISTOR AS						
	71	1	8T-4205	4	WASHER-HARD (2MM THK)						
	72	1	122-6951	1	TRANSDUCER-PRESSURE						
	73	1	5P-8998	1	NIPPLE						
	74	1	5P-4653	1	CONNECTOR						
	75	1	5B-2183	1	NUT-JAM (9/16-18 THD)						
	76	1	8T-5447	2	RING-RETAINING						
	77	1	5P-2675	2	BOLT (1/4-20X1.75IN)						
	78	1	123-4873	1	BUSHING						
	79	1	037-7692	1	NUT-CONDUIT						
	80	1	123-4875	1	BUSHING						
	81	1	7C-4550	1	SEAL-SHAFT						
Y	82	1	9Y-8412	1	DIODE AS						489
		1	5P-1475	2	TERMINAL (HORN)						
	83	2	3E-0368	1	BAR-BRIDGE						
	84	1	3K-8782	8	FUSE (10 AMP)						

B-USE AS REQUIRED
 C-CHANGE FROM PREVIOUS TYPE
 D-ORDER BY THE METER
 E-ORDER BY THE CENTIMETER
 Y-SEPARATE ILLUSTRATION

ELECTRICAL AND STARTING SYSTEM

114-8140 JUNCTION BOX GP (contd.)

i00931514



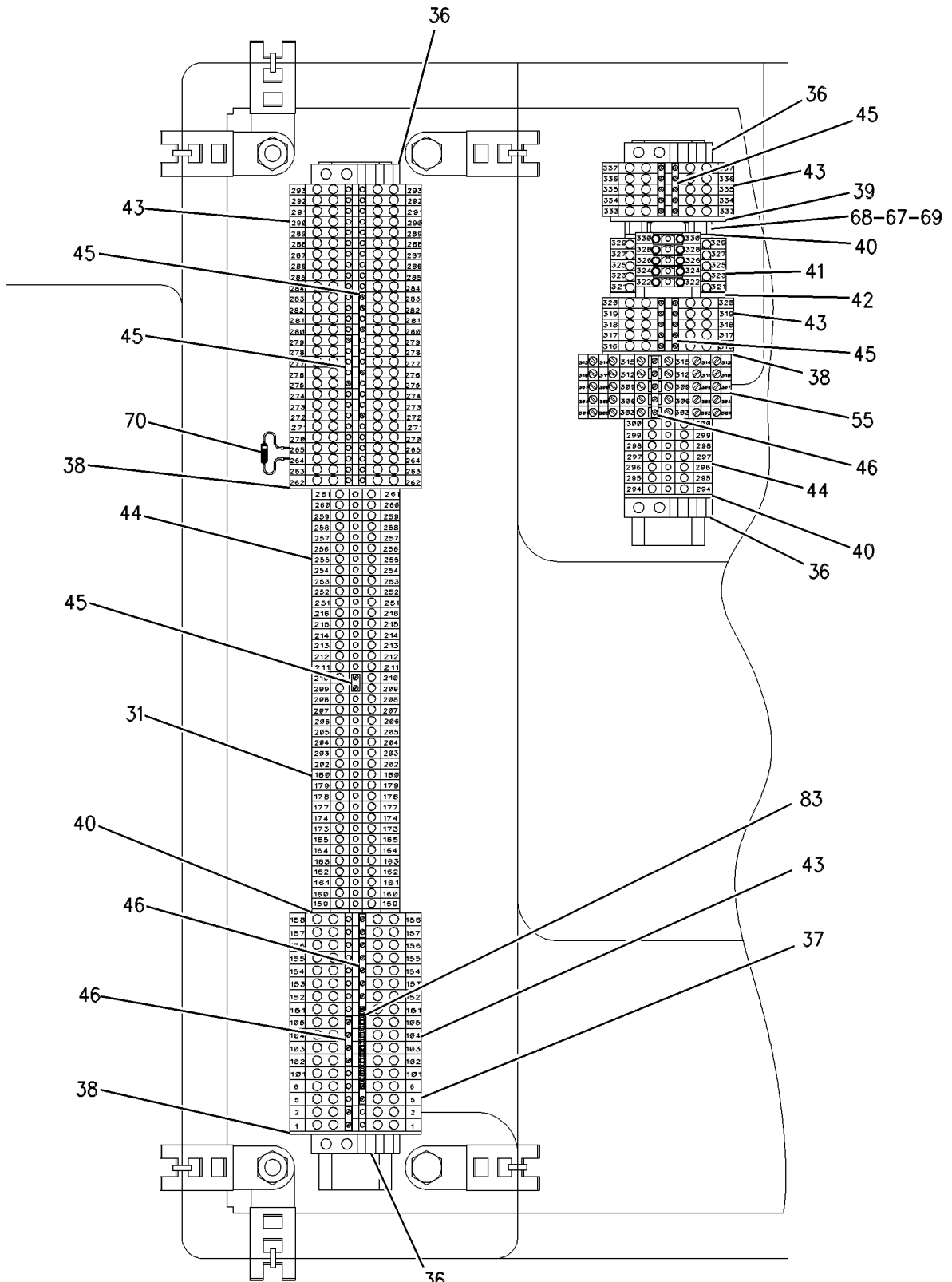
GRAPHIC #1

g00273898

ELECTRICAL AND STARTING SYSTEM

114-8140 JUNCTION BOX GP (contd.)

i00931514



VIEW OF TERMINALS

GRAPHIC #2

g00474930

ELECTRICAL AND STARTING SYSTEM

130-7358 JUNCTION BOX GP

PART OF 130-7387 IGNITION GP-GAS ENGINE, 149-8733 JUNCTION BOX GP
AN ATTACHMENT

SMCS-7426

i00931450

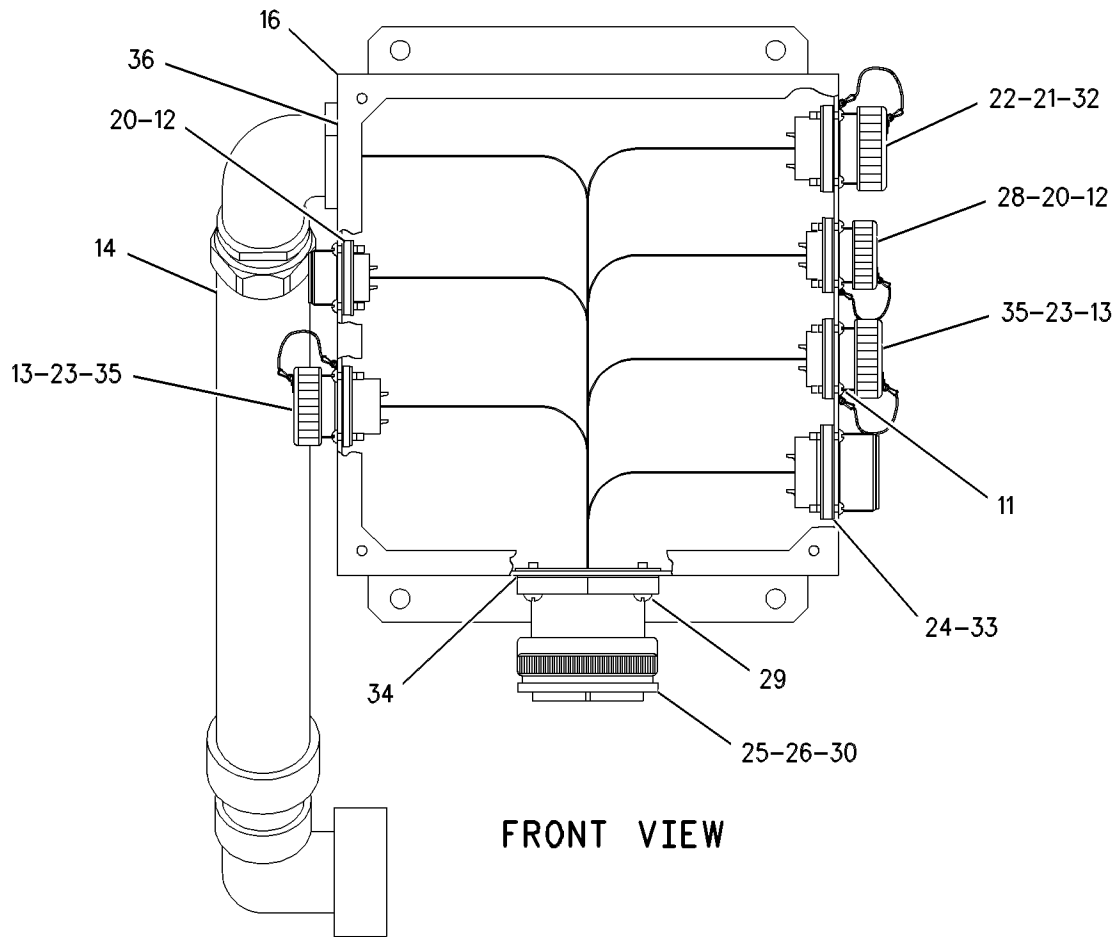
NOTE	REF NO	GRAPHIC REF	PART NUMBER	QTY	PART NAME						SEE PAGE
					1	2	3	4	5	6 (PRODUCT LEVEL)	
	1	1	9D-2868	1	LENS-RED						
	2	1	9D-2867	1	LENS-AMBER						
	3	1	9D-9161	1	LENS-GREEN						
	4	1	109-6507	1	SWITCH-OPERATOR						
	5	1	111-2111	1	GUARD						
	6	1	7N-5876	3	LAMP (28 VOLT)						
	7	1	9D-3127	3	BASE AS-INDICATOR LIGHT						
	8	1	130-7364	1	CIRCUIT BREAKER (15 AMP)						
	9	1	9D-3721	1	SWITCH-TOGGLE						
	10	1	111-1324	1	BLOCK-CONTACT						
	11	1	5S-4245	24	SCREW-MACHINE (4-40X0.5IN)						
	12	1	132-8485	2	NUT-RING						
	13	1	132-8486	2	NUT-RING						
	14	1	130-7060	1	HARNESS AS-WIRING						
	15	1	131-0765	1	GUARD						
	16	1	130-5733	1	JUNCTION BOX						
	17	1	130-9463	1	FILM-CONTROL PANEL						
	18	1	130-7631	1	HARNESS AS						
B	19	1	131-4883	1	PLUG AS-CONNECTING						
	20	1	131-4889	2	GASKET-CONNECTOR						
	21	1	131-4888	1	GASKET-CONNECTOR						
	22	1	7R-3029	1	CAP						
	23	1	131-4887	2	GASKET-CONNECTOR						
	24	1	131-4890	1	GASKET-CONNECTOR						
	25	1	131-4891	1	GASKET-CONNECTOR						
	26	1	131-4882	1	PLUG						
B	27	1	131-3906	1	PLUG AS-CONNECTING						
	28	1	3E-5165	1	CAP AS-PROTECTION						
	29	1	4B-1221	4	SCREW-MACHINE (8-32X.5IN)						
	30	1	132-0289	16	PLUG-SEAL						
	31	1	124-3176	1	COVER						
	32	1	132-8487	1	NUT-RING						
	33	1	132-8488	1	NUT-RING						
	34	1	132-8489	1	NUT-RING						
	35	1	135-5011	2	CAP						
	36	1	4P-4894	1	SEAL-CONDUIT						

B- USE AS REQUIRED

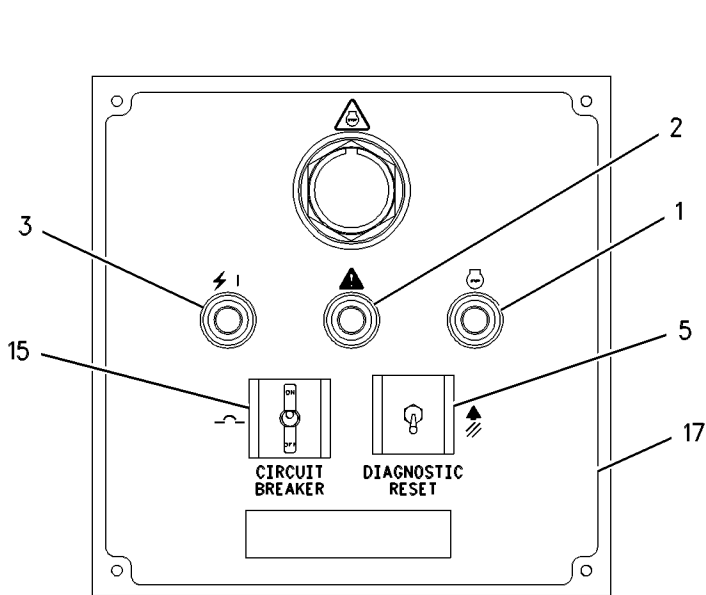
ELECTRICAL AND STARTING SYSTEM

130-7358 JUNCTION BOX GP (contd.)

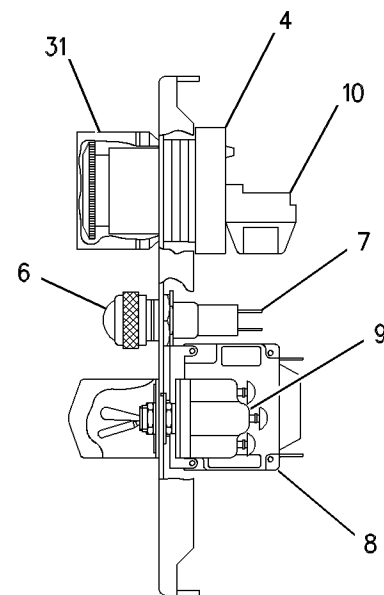
i00931450



FRONT VIEW



FRONT VIEW
(COVER)



RIGHT SIDE VIEW

GRAPHIC #1

g00362807

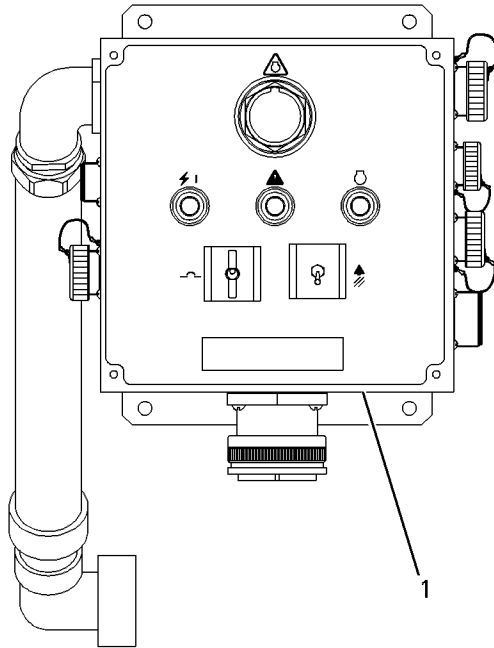
ELECTRICAL AND STARTING SYSTEM

149-8733 JUNCTION BOX GP FIELD INSTALLATION

SMCS-7426

i00931504

NOTE	REF NO	GRAPHIC REF	PART NUMBER	QTY	PART NAME						SEE PAGE
					1	2	3	4	5	6 (PRODUCT LEVEL)	
Y	1	1	130-7358	1	JUNCTION BOX GP						562
Y - SEPARATE ILLUSTRATION											



FRONT VIEW

GRAPHIC #1

g00362814

MEMORANDA

ELECTRICAL AND STARTING SYSTEM

8N-8481 LINES GP-AIR START

RH-SAE NO. 00 FLYWHEEL HOUSING

FOR USE WITH AIR START OR AIR START WITH ELECTRIC PRELUBE. CANNOT BE USED WITH
E317,318, NATURAL GAS WITH GREATER THAN 0.1PERCENT HYDROGEN SULFIDE

AN ATTACHMENT

TYPE 1

SMCS-1451

i00652057

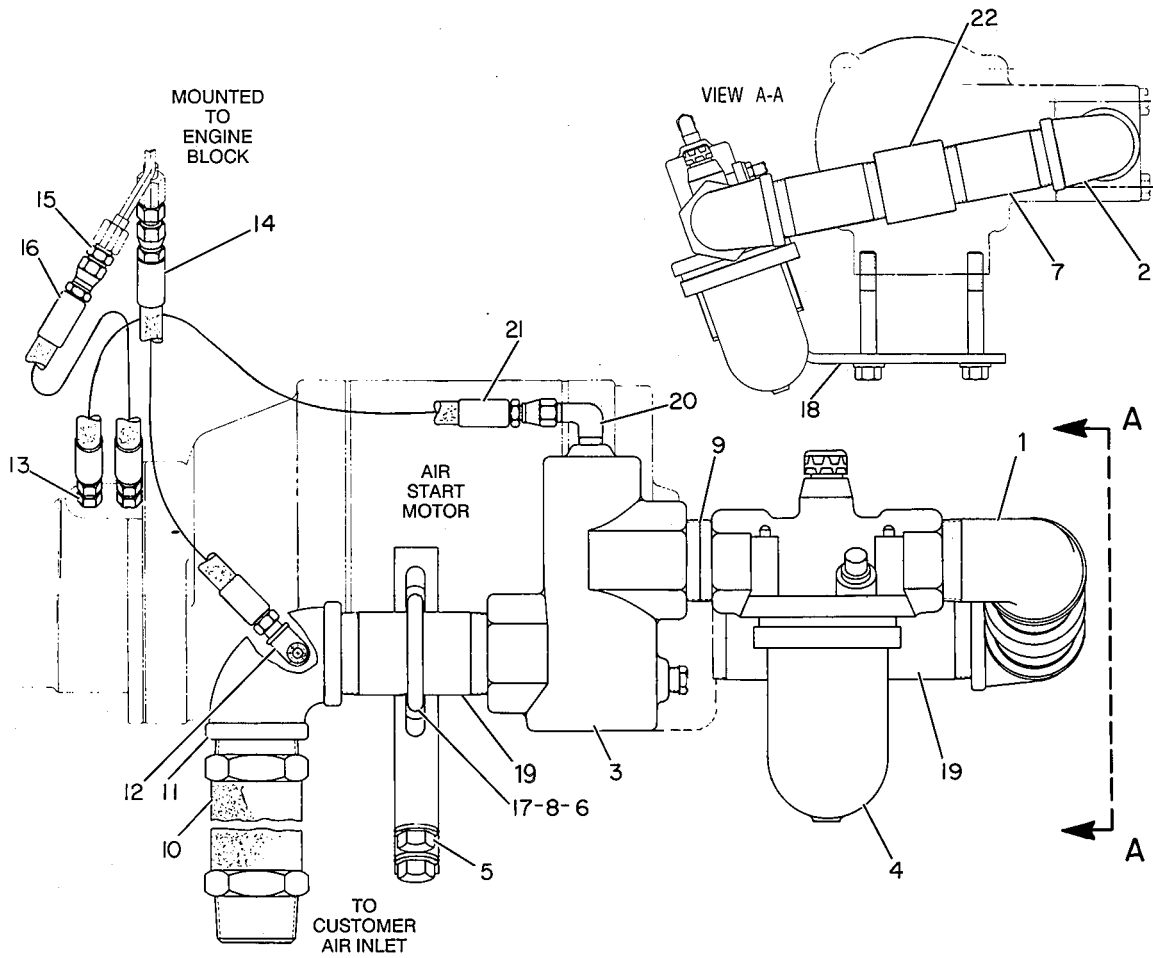
NOTE	REF NO	GRAPHIC REF	PART NUMBER	QTY	PART NAME						SEE PAGE
					1	2	3	4	5	6 (PRODUCT LEVEL)	
	1	1	5B-7666	1	ELBOW						
	2	1	6B-3685	1	ELBOW						
	3	1	4N-3411	1	VALVE						
Y	4	1	4N-7556	1	LUBRICATOR GP-AIR MOTOR						570
	5	1	1B-2886	2	BOLT (1/2-13X3.75IN)						
	6	1	5P-1075	2	WASHER-HARD (3MM THK)						
C	7	1	5B-7643	2	NIPPLE-PIPE						
	8	1	9S-8752	2	NUT-FULL (3/8-16 THD)						
C	9	1	3L-8993	1	NIPPLE-CLOSE						
	10	1	6F-5985	1	HOSE AS						
	11	1	5N-2728	1	ELBOW						
	12	1	3B-6552	1	ELBOW						
	13	1	4M-5317	2	BUSHING-TERMINAL						
I	14	1	6N-3169	1	HOSE AS						
	15	1	3J-7355	2	UNION-FLARED						
I	16	1	3N-4622	1	HOSE AS						
	17	1	5L-2534	1	U-BOLT						
	18	1	8N-8449	1	BRACKET						
	19	1	2L-2811	2	NIPPLE						
	20	1	6K-1972	1	ELBOW-FLARED (1/4 NPT)						
CI	21	1	6N-3170	1	HOSE AS						
	22	1	3B-6492	1	COUPLING-PIPE						

C- CHANGE FROM PREVIOUS TYPE
I- SEE HOSE FABRICATION GUIDE
Y- SEPARATE ILLUSTRATION

ELECTRICAL AND STARTING SYSTEM

8N-8481 LINES GP-AIR START (contd.)

i00652057



GRAPHIC #1

g00239013

ELECTRICAL AND STARTING SYSTEM

8N-8481 LINES GP-AIR START

RH-SAE NO. 00 FLYWHEEL HOUSING

FOR USE WITH AIR START OR AIR START WITH ELECTRIC PRELUBE. CANNOT BE USED WITH
E317,318, NATURAL GAS WITH GREATER THAN 0.1PERCENT HYDROGEN SULFIDE

AN ATTACHMENT

TYPE 2

SMCS-1451

i00652064

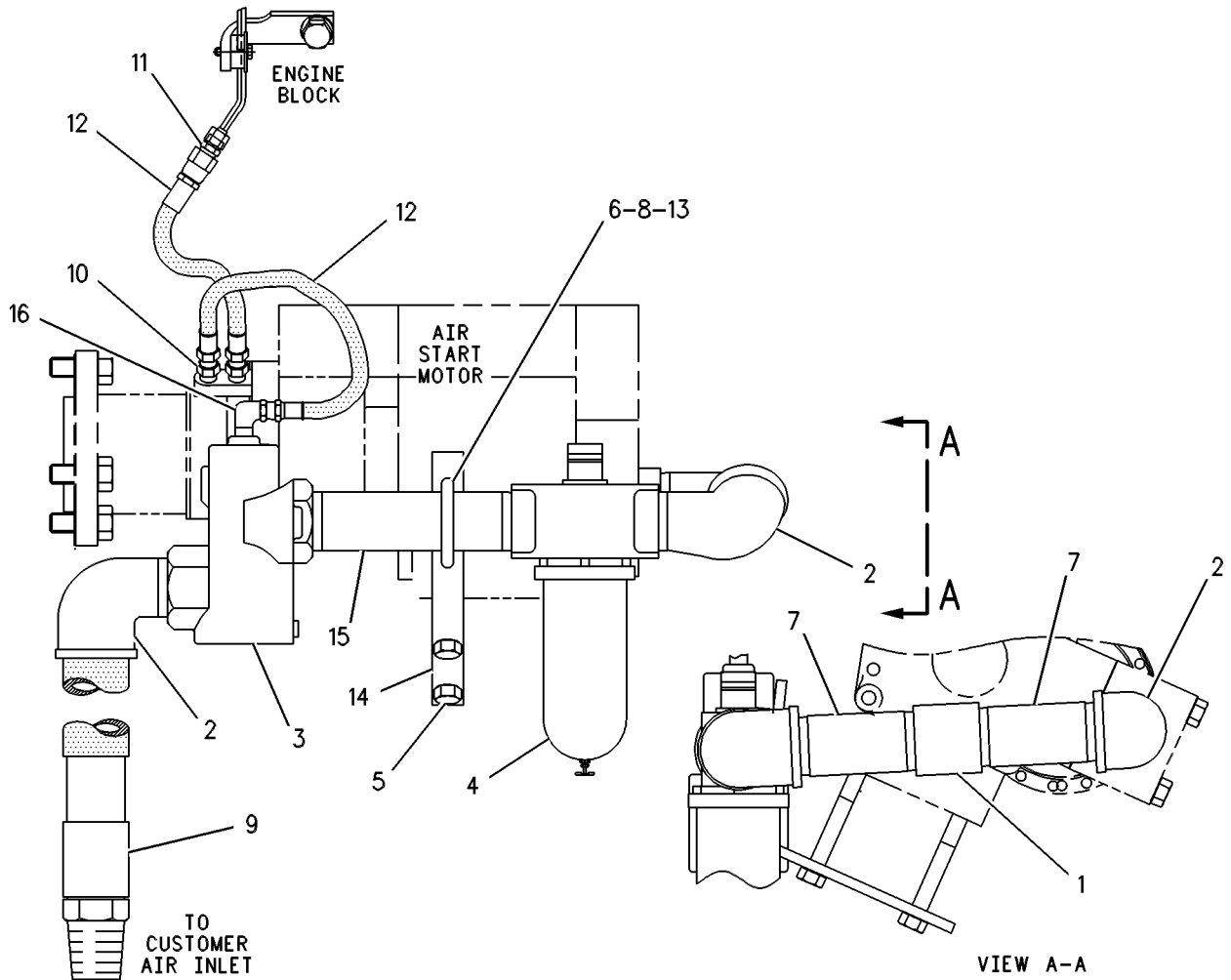
NOTE	REF NO	GRAPHIC REF	PART NUMBER	QTY	PART NAME						SEE PAGE
					1	2	3	4	5	6 (PRODUCT LEVEL)	
	1	1	3B-6492	1	COUPLING-PIPE						
C	2	1	5B-7666	3	ELBOW						
	3	1	4N-3411	1	VALVE						
YC	4	1	<i>119-6284</i>	1	LUBRICATOR GP-AIR MOTOR						572
	5	1	1B-2886	2	BOLT (1/2-13X3.75IN)						
	6	1	5P-1075	2	WASHER-HARD (3MM THK)						
	7	1	5B-7643	2	NIPPLE-PIPE						
	8	1	9S-8752	2	NUT-FULL (3/8-16 THD)						
	9	1	6F-5985	1	HOSE AS						
	10	1	4M-5317	2	BUSHING-TERMINAL						
C	11	1	3J-7355	1	UNION-FLARED						
CI	12	1	3N-4622	2	HOSE AS						
	13	1	5L-2534	1	U-BOLT						
	14	1	8N-8449	1	BRACKET						
C	15	1	2L-2811	1	NIPPLE						
	16	1	6K-1972	1	ELBOW-FLARED (1/4 NPT)						

C-CHANGE FROM PREVIOUS TYPE
I-SEE HOSE FABRICATION GUIDE
Y-SEPARATE ILLUSTRATION

ELECTRICAL AND STARTING SYSTEM

8N-8481 LINES GP-AIR START (contd.)

i00652064



GRAPHIC #1

g00252962

ELECTRICAL AND STARTING SYSTEM

4N-7556 LUBRICATOR GP-AIR MOTOR

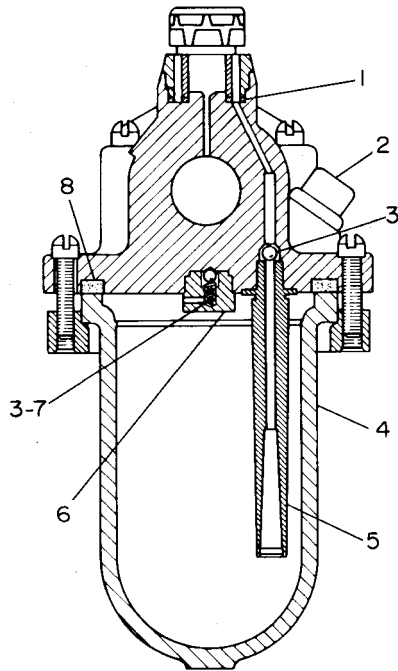
PART OF 8N-8481 LINES GP-AIR START
AN ATTACHMENT

SMCS-1451

i00647171

NOTE	REF NO	GRAPHIC REF	PART NUMBER	QTY	PART NAME						SEE PAGE
					1	2	3	4	5	6 (PRODUCT LEVEL)	
C	1	1	7C-4429	1	SEAL						
	2	1	6N-2185	2	PLUG-FILLER						
	3	1	6N-2188	2	BALL						
	4	1	6N-2192	1	BOWL						
	5	1	6N-2193	1	TUBE-SIPHON						
	6	1	6N-2191	1	SEAT						
	7	1	6N-2190	1	SPRING						
	8	1	6N-2184	1	GASKET						

C - CHANGE FROM PREVIOUS TYPE



GRAPHIC #1

g00189820

ELECTRICAL AND STARTING SYSTEM

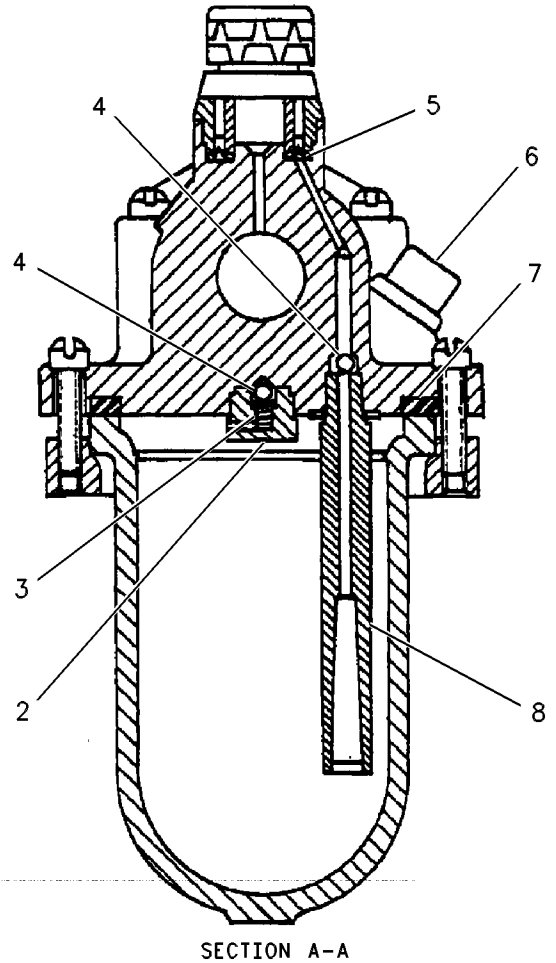
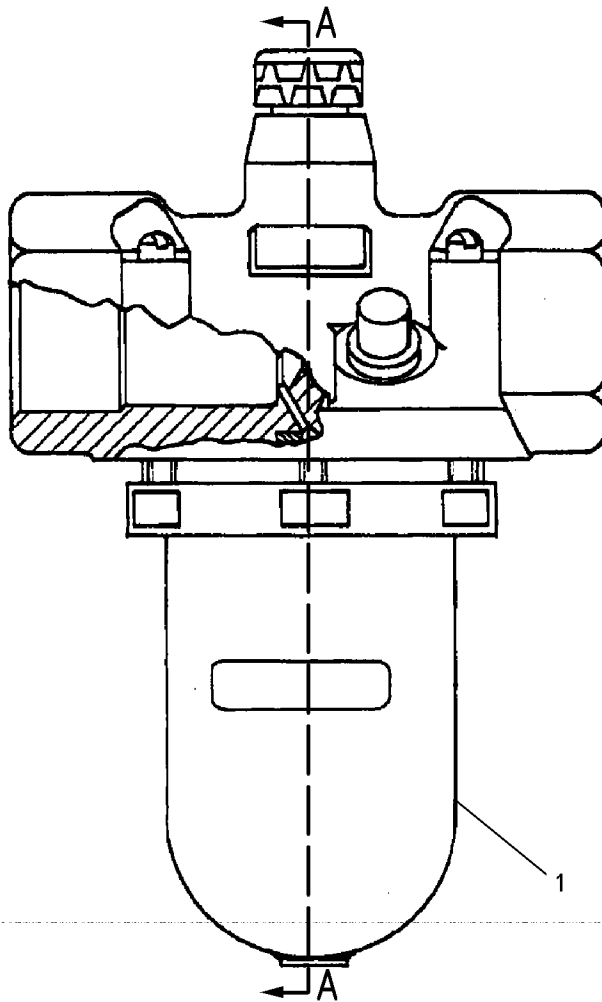
119-6282 LUBRICATOR GP-AIR MOTOR

PART OF 119-6284 LUBRICATOR GP-AIR MOTOR
 FIELD REPLACEMENT ORDER 119-6284-PAGE 572
 AN ATTACHMENT

SMCS-1451

i00073320

NOTE	REF NO	GRAPHIC REF	PART NUMBER	QTY	PART NAME						SEE PAGE
					1	2	3	4	5	6 (PRODUCT LEVEL)	
	1	1	6N-2192	1	BOWL						
	2	1	6N-2191	1	SEAT						
	3	1	6N-2190	1	SPRING						
	4	1	6N-2188	2	BALL						
	5	1	7C-4429	1	SEAL						
	6	1	6N-2185	2	PLUG-FILLER						
	7	1	6N-2184	1	GASKET						
	8	1	6N-2193	1	TUBE-SIPHON						



GRAPHIC #1

g00103878

ELECTRICAL AND STARTING SYSTEM

119-6284 LUBRICATOR GP-AIR MOTOR

PART OF 8N-8481 LINES GP-AIR START
FIELD REPLACEMENT FOR 119-6282-PAGE 571
AN ATTACHMENT

SMCS-1451

i00852737

NOTE	PART NUMBER	QTY	PART NAME						SEE PAGE
			1	2	3	4	5	6 (PRODUCT LEVEL)	
Y	119-6282	1	LUBRICATOR GP-AIR MOTOR						571
	119-6283	1	LUBRICATOR GP-AIR MOTOR						

Y-SEPARATE ILLUSTRATION

ELECTRICAL AND STARTING SYSTEM

7W-3355 MAGNETIC PICKUP GP

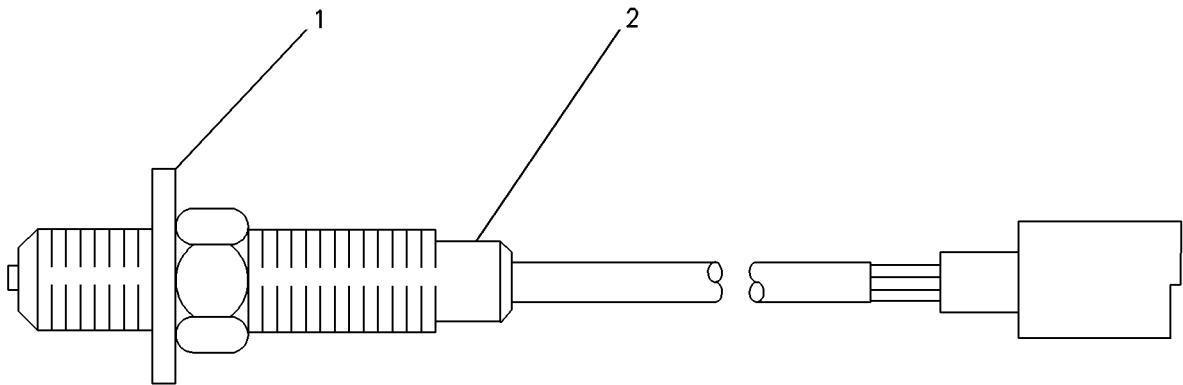
PART OF 108-4886 ACTUATOR GP-ELECTRONIC, 107-4471, 118-7591 GOVERNOR
 GP-ELECTRIC, 9Y-6736, 9Y-7584 GOVERNOR GP-ELECTRONIC, 107-9020, 2W-9593 METER
 GP-SERVICE, 107-9019 TACHOMETER GP
 ALSO AN ATTACHMENT

SMCS-1905

i00449353

NOTE	REF NO	GRAPHIC REF	PART NUMBER	QTY	PART NAME						SEE PAGE
					1	2	3	4	5	6 (PRODUCT LEVEL)	
B	1	1	4B-4281	1	WASHER (2.5MM THK)						
	2	1	3E-7886	1	SENSOR AS-SPEED (TACHOMETER)						

B-USE AS REQUIRED



GRAPHIC #1

g00065532

ELECTRICAL AND STARTING SYSTEM

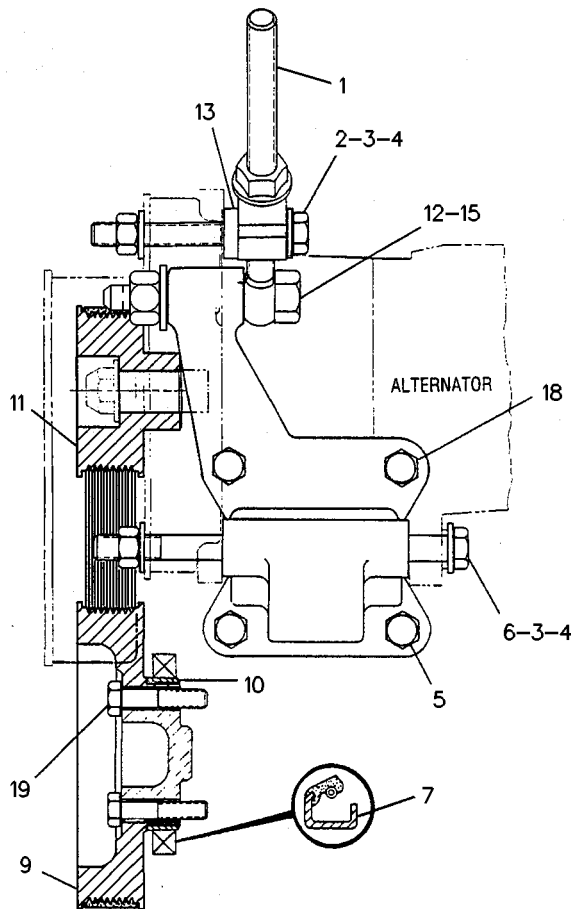
7E-4836 MOUNTING GP-ALTERNATOR

AN ATTACHMENT

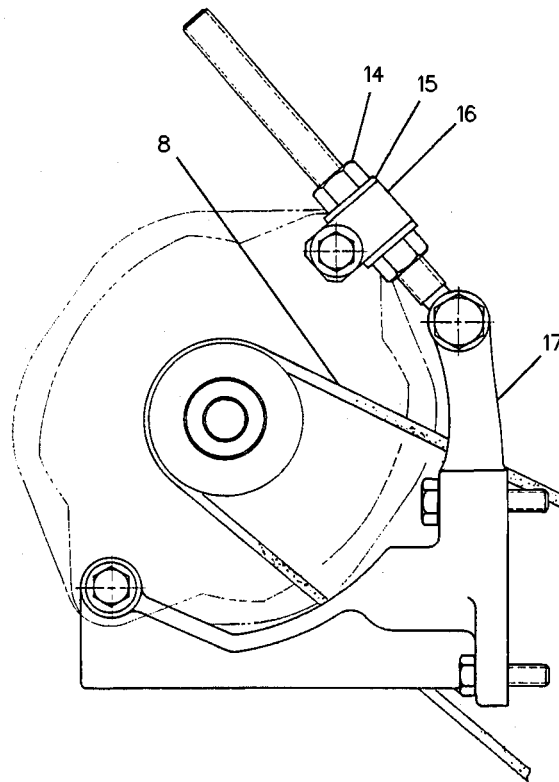
SMCS-1405

i00095963

NOTE	REF NO	GRAPHIC REF	PART NUMBER	QTY	PART NAME						SEE PAGE
					1	2	3	4	5	6 (PRODUCT LEVEL)	
	1	1	1S-4589	1	ROD						
	2	1	7D-9766	1	BOLT						
	3	1	5P-8245	4	WASHER (3MM THK)						
	4	1	1F-7958	2	NUT-FULL (1/2-13 THD)						
	5	1	7B-3235	2	BOLT (1/2-13X1.375IN)						
	6	1	1A-0168	1	BOLT (1/2-13X7.5IN)						
	7	1	9X-4612	1	SEAL-LIP						
	8	1	7E-4841	1	BELT (ALTERNATOR)						
	9	1	7E-4840	1	PULLEY AS						
	10	1	053-5065	1	SLEEVE						
	11	1	7E-4839	1	PULLEY						
	12	1	1D-4586	1	BOLT (5/8-11X3.5IN)						
		1	3K-2889	1	LOCKNUT (5/8-11 THD)						
	13	1	7N-2597	1	SPACER						
	14	1	4K-0367	2	NUT (5/8-11 THD)						
	15	1	5P-8247	2	WASHER-HARD (3.5MM THK)						
	16	1	8S-5383	1	BLOCK						
	17	1	4P-5211	1	SUPPORT-ALTERNATOR						
	18	1	1A-1460	2	BOLT (1/2-13X2IN)						
	19	1	0S-1571	4	BOLT (3/8-16X1.75IN)						



SIDE VIEW



REAR VIEW

GRAPHIC #1

g00082768

ELECTRICAL AND STARTING SYSTEM

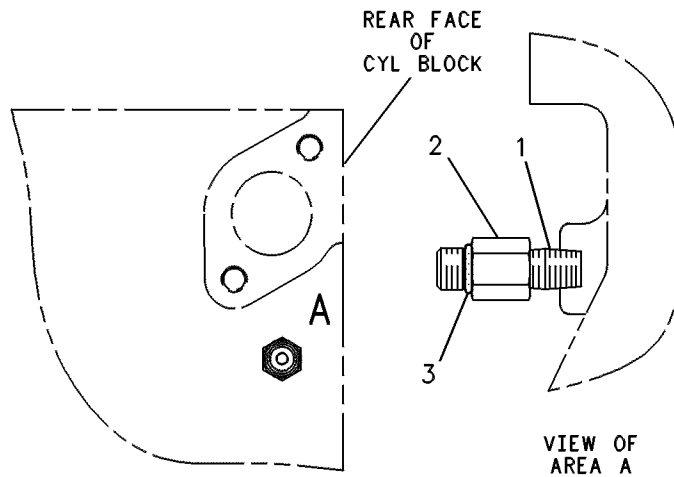
103-1956 MOUNTING GP-CONTACTOR

AN ATTACHMENT

SMCS-1400, 7400

i00654706

NOTE	REF NO	GRAPHIC REF	PART NUMBER	QTY	PART NAME						SEE PAGE
					1	2	3	4	5	6 (PRODUCT LEVEL)	
	1	1	6V-1813	1	NIPPLE-CLOSE						
	2	1	5P-5528	1	ADAPTER-O-RING (14.29MM THK)						
	3	1	3J-7354	1	SEAL-O-RING (8.92MM ID)						



GRAPHIC #1

g00244003

ELECTRICAL AND STARTING SYSTEM

6I-1039 MOUNTING GP-JACKET WTR HEATER

AN ATTACHMENT

SMCS-1383

i00883962

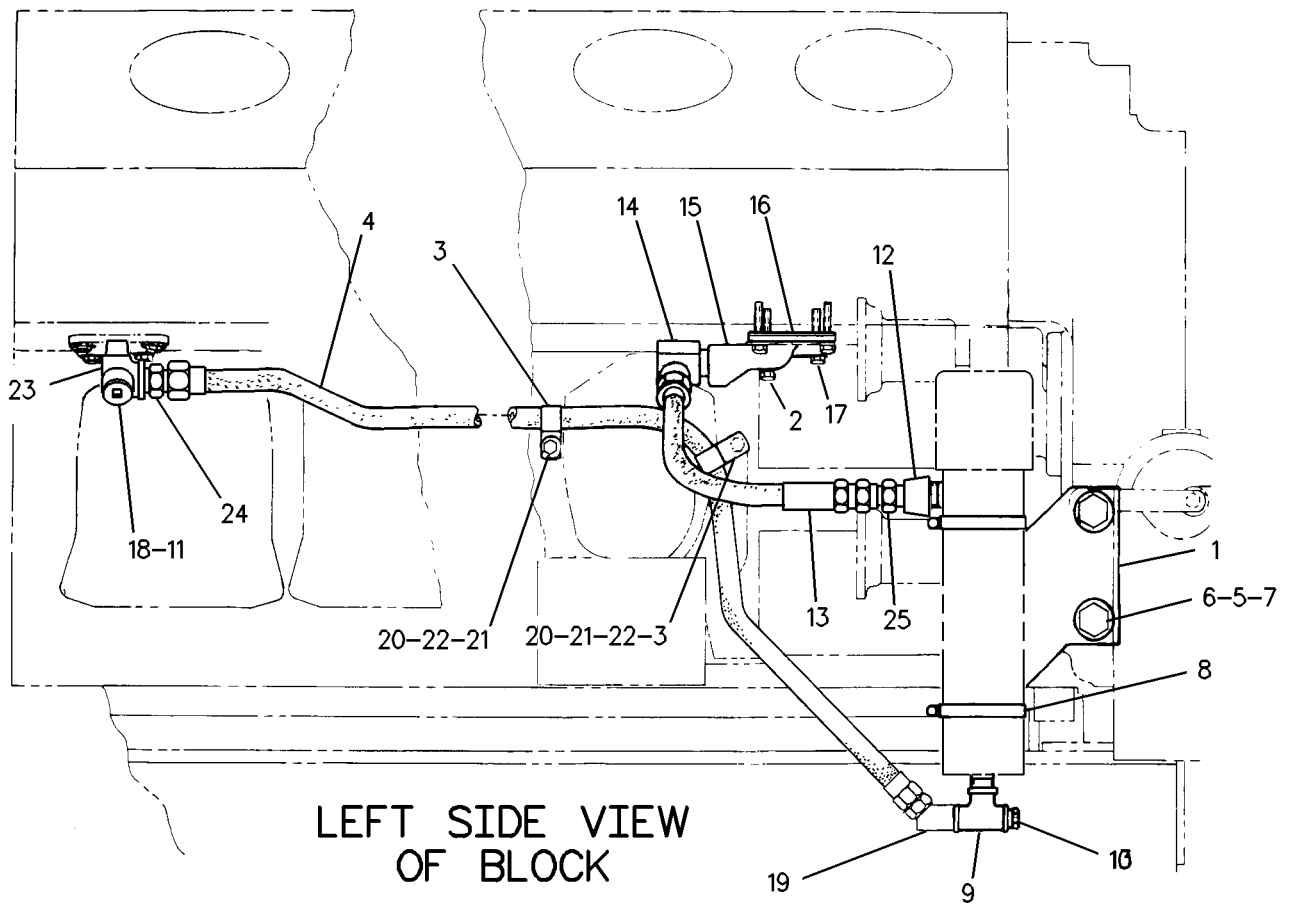
NOTE	REF NO	GRAPHIC REF	PART NUMBER	QTY	PART NAME						SEE PAGE
					1	2	3	4	5	6 (PRODUCT LEVEL)	
	1	1	7C-1707	1	BRACKET-HEATER						
	2	1	0S-1571	1	BOLT (3/8-16X1.75IN)						
	3	1	1L-8181	2	CLIP						
I	4	1	6I-1047	1	HOSE AS						
	5	1	5P-8250	2	WASHER (5.0MM THK)						
	6	1	9S-1368	2	BOLT (1-14X3.5IN)						
	7	1	1S-2303	2	SPACER						
	8	1	5P-0598	2	CLAMP						
	9	1	6F-0496	1	TEE-PIPE						
	10	1	3E-7430	1	PLUG-PIPE						
	11	1	8T-6762	1	PLUG-PIPE						
	12	1	2R-7712	1	COUPLING						
I	13	1	4P-8463	1	HOSE AS						
	14	1	004-3935	1	ELBOW-EXTERNAL PIPE THREAD						
	15	1	8N-8550	1	ELBOW						
	16	1	7N-4945	1	GASKET						
	17	1	0S-1594	3	BOLT (3/8-16X1IN)						
	18	1	5B-4855	1	BUSHING-REDUCER						
	19	1	6H-8297	1	ELBOW						
B	20	1	8S-5107	2	SPACER						
B	21	1	9X-8874	2	BOLT (1/2-13X3IN)						
B	22	1	5P-8245	2	WASHER (3MM THK)						
	23	1	1L-4031	1	TEE-SERVICE						
	24	1	6B-9081	1	BUSHING-TERMINAL						
B	25	1	5F-6371	1	CONNECTOR						

B- USE AS REQUIRED
I- SEE HOSE FABRICATION GUIDE

ELECTRICAL AND STARTING SYSTEM

6I-1039 MOUNTING GP-JACKET WTR HEATER (contd.)

i00883962



LEFT SIDE VIEW
OF BLOCK

GRAPHIC #1

g00232745

ELECTRICAL AND STARTING SYSTEM

136-9728 MOUNTING GP - JACKET WTR HEATER

AN ATTACHMENT

SMCS - 1383

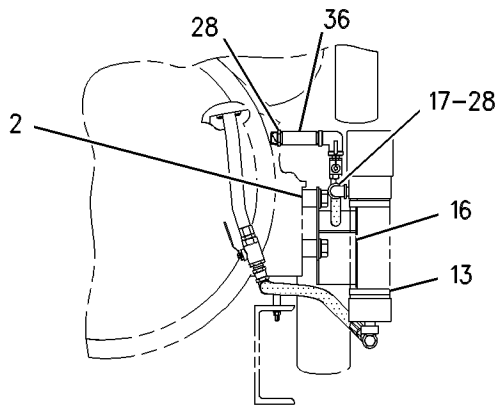
i00883406

NOTE	REF NO	GRAPHIC REF	PART NUMBER	QTY	PART NAME						SEE PAGE
					1	2	3	4	5	6 (PRODUCT LEVEL)	
	1	1	134-3098	1	TUBE AS						
	2	1	1S-2303	2	SPACER						
	3	1	9S-8752	2	NUT-FULL (3/8-16 THD)						
	4	1	5M-2894	10	WASHER (2.5MM THK)						
	5	1	5P-8250	2	WASHER (5.0MM THK)						
	6	1	0S-1619	2	BOLT (3/8-16X3IN)						
	7	1	6H-8297	2	ELBOW						
	8	1	034-0728	2	CLIP (31.8MM ID)						
	9	1	7K-3377	2	PIPE						
	10	1	136-9730	1	HOSE AS						
	11	1	6F-0496	1	TEE-PIPE						
	12	1	3E-7430	1	PLUG-PIPE						
	13	1	3E-7404	2	CLAMP-HOSE						
	14	1	144-2159	1	HOSE AS						
	15	1	9S-1368	2	BOLT (1-14X3.5IN)						
	16	1	7C-1707	1	BRACKET-HEATER						
	17	1	3B-6498	1	ELBOW (1 IN)						
	18	1	8C-1358	2	VALVE						
	19	1	4W-2110	1	RING-RETAINER						
	20	1	134-3100	1	FLANGE						
	21	1	4W-2109	2	RETAINER						
	22	1	030-8307	1	CONNECTOR-FLARED						
	23	1	3B-7728	1	ELBOW						
	24	1	004-7270	1	NIPPLE						
	25	1	0S-1594	4	BOLT (3/8-16X1IN)						
	26	1	0S-1588	2	BOLT (3/8-16X1.25IN)						
	27	1	9M-4849	1	SEAL-O-RING (23.16 ID)						
	28	1	6B-9081	2	BUSHING-TERMINAL						
	29	1	7C-4354	1	CLIP (25.40MM ID)						
	30	1	5P-1075	1	WASHER-HARD (3MM THK)						
	31	1	0L-1352	1	BOLT (3/8-16X3.25IN)						
	32	1	8B-0544	1	SPACER						
	33	1	3B-7745	1	NIPPLE-CLOSE						
	34	1	7N-4945	1	GASKET						
	35	1	1K-6937	1	ELBOW-PIPE						
	36	1	3P-2021	1	NIPPLE-PIPE						

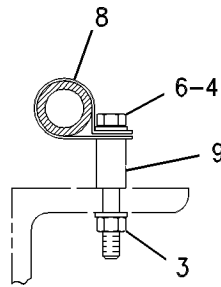
ELECTRICAL AND STARTING SYSTEM

136-9728 MOUNTING GP-JACKET WTR HEATER (contd.)

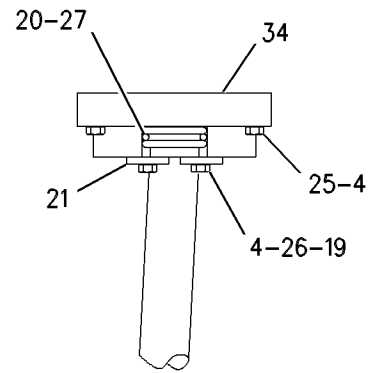
i00883406



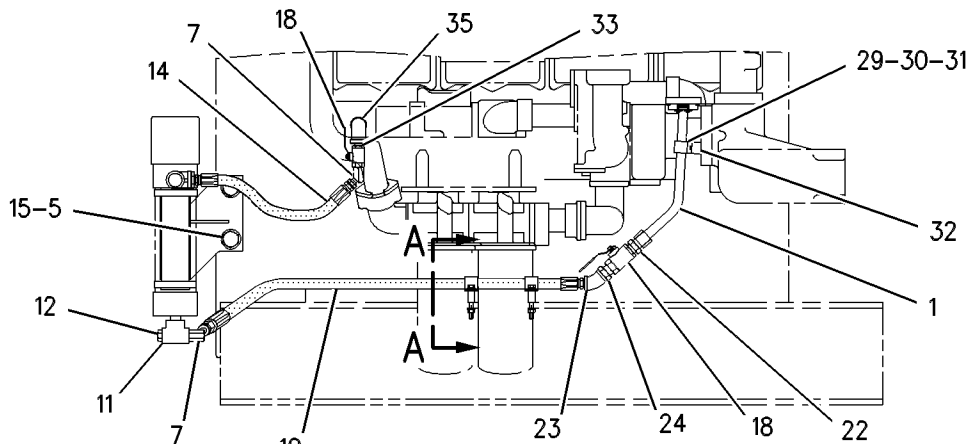
REAR VIEW



SECTION A-A



VIEW OF AREA B



RIGHT SIDE VIEW

GRAPHIC #1

g00371530

ELECTRICAL AND STARTING SYSTEM

136-9729 MOUNTING GP - JACKET WTR HEATER

AN ATTACHMENT

SMCS - 1383

i00883410

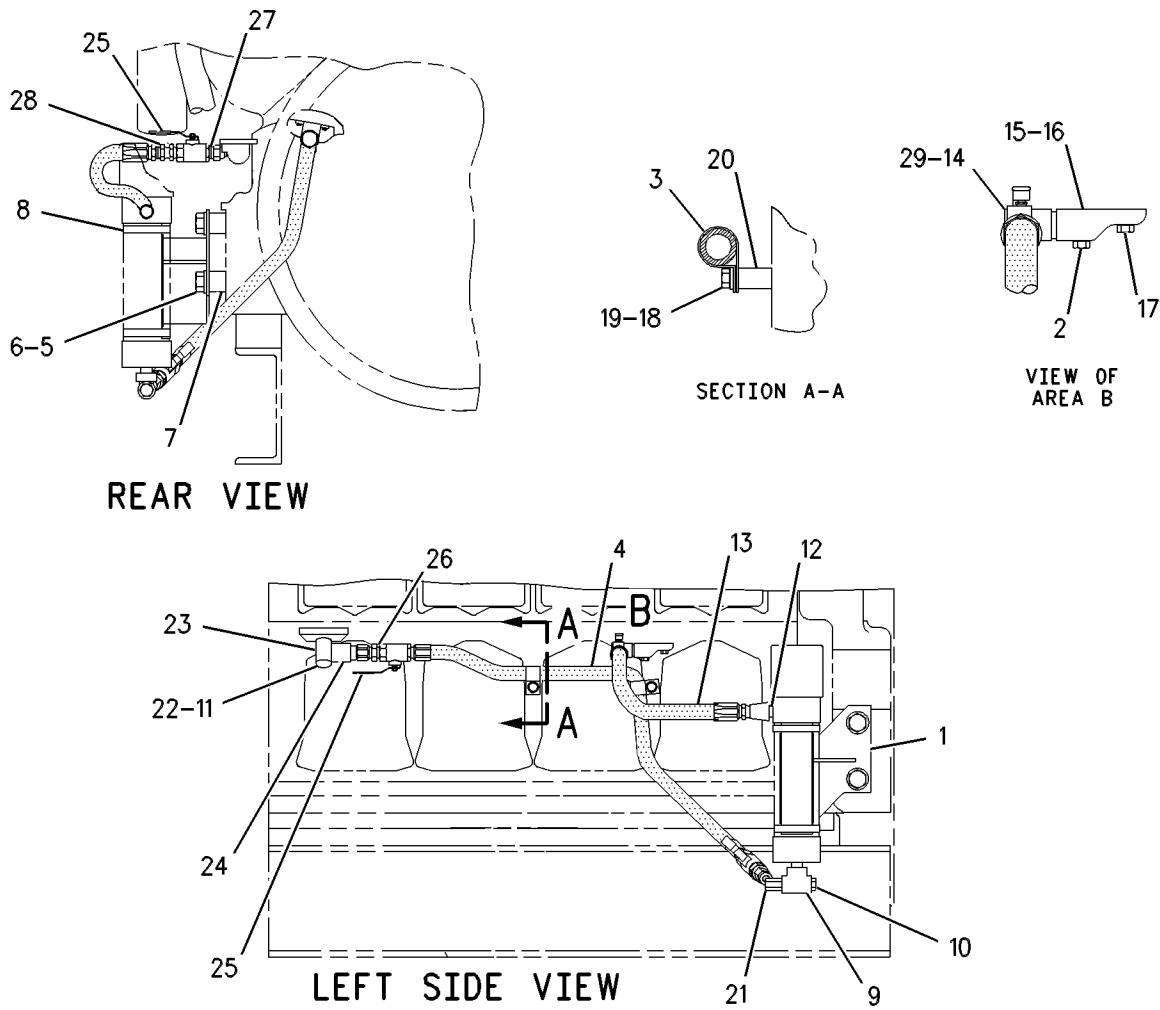
NOTE	REF NO	GRAPHIC REF	PART NUMBER	QTY	PART NAME						SEE PAGE
					1	2	3	4	5	6 (PRODUCT LEVEL)	
	1	1	7C-1707	1	BRACKET-HEATER						
	2	1	0S-1571	1	BOLT (3/8-16X1.75IN)						
	3	1	1L-8181	2	CLIP						
	4	1	136-9731	1	HOSE AS						
	5	1	5P-8250	2	WASHER (5.0MM THK)						
	6	1	9S-1368	2	BOLT (1-14X3.5IN)						
	7	1	1S-2303	2	SPACER						
	8	1	3E-7404	2	CLAMP-HOSE						
	9	1	6F-0496	1	TEE-PIPE						
	10	1	3E-7430	1	PLUG-PIPE						
	11	1	8T-6762	1	PLUG-PIPE						
	12	1	2R-7712	1	COUPLING						
I	13	1	4P-8463	1	HOSE AS						
	14	1	7L-8074	1	ELBOW-REDUCING						
	15	1	8N-8550	1	ELBOW						
	16	1	7N-4945	1	GASKET						
	17	1	0S-1594	3	BOLT (3/8-16X1IN)						
	18	1	9X-8874	2	BOLT (1/2-13X3IN)						
	19	1	5P-8245	2	WASHER (3MM THK)						
	20	1	8S-5107	2	SPACER						
	21	1	6H-8297	1	ELBOW						
	22	1	5B-4855	1	BUSHING-REDUCER						
	23	1	1L-4031	1	TEE-SERVICE						
	24	1	6B-9081	1	BUSHING-TERMINAL						
	25	1	8C-1358	2	VALVE						
	26	1	004-7270	1	NIPPLE						
	27	1	3B-7270	1	NIPPLE						
	28	1	5F-6371	1	CONNECTOR						
	29	1	6B-8128	1	NIPPLE-PIPE						

I - SEE HOSE FABRICATION GUIDE

ELECTRICAL AND STARTING SYSTEM

136-9729 MOUNTING GP-JACKET WTR HEATER (contd.)

i00883410



GRAPHIC #1

g00371531

ELECTRICAL AND STARTING SYSTEM

7E-8718 MOUNTING GP - JUNCTION BOX

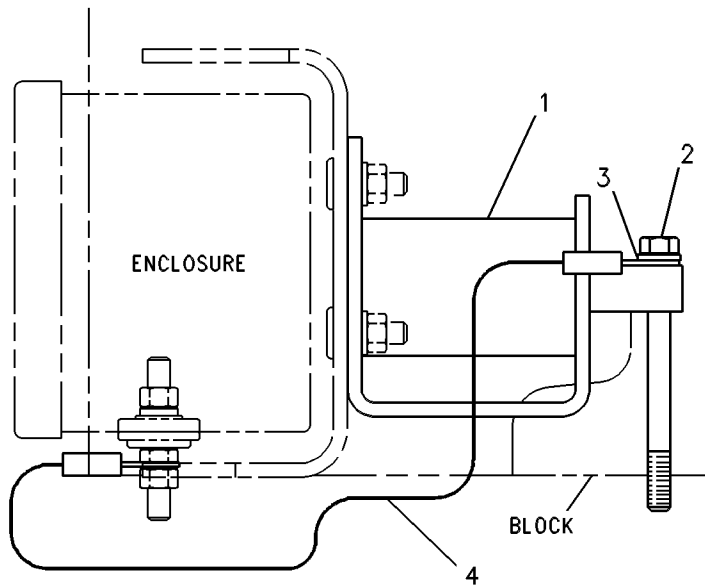
CANNOT BE USED WITH LANDFILL ENGINES

AN ATTACHMENT

SMCS-7426

i00658125

NOTE	REF NO	GRAPHIC REF	PART NUMBER	QTY	PART NAME						SEE PAGE
					1	2	3	4	5	6 (PRODUCT LEVEL)	
	1	1	7E-8719	1	BRACKET AS						
	2	1	0T-0055	4	BOLT (3/8-16X4.25IN)						
	3	1	5M-2894	4	WASHER (2.5MM THK)						
	4	1	100-4793	1	WIRE AS						



GRAPHIC #1

g00239000

ELECTRICAL AND STARTING SYSTEM

128-3326 RELAY GP-AUXILIARY

PART OF 121-4712 PANEL GP-ELECTRONIC

AN ATTACHMENT

SMCS-1422

i00657146

NOTE	PART NUMBER	QTY	PART NAME						SEE PAGE
			1	2	3	4	5	6 (PRODUCT LEVEL)	
	126-3515	1	RELAY-CONTROL						
	115-7941	1	SOCKET-RELAY						
	105-7541	1	SPRING-RELAY						

ELECTRICAL AND STARTING SYSTEM

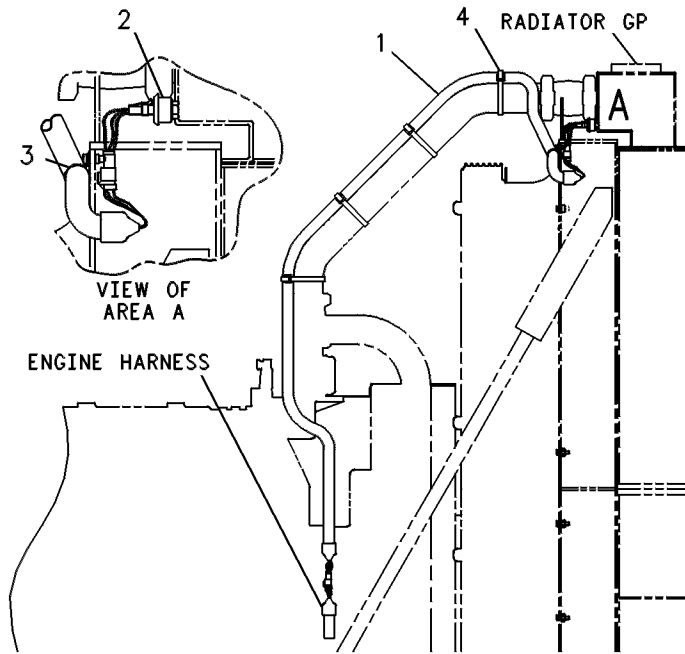
105-2048 SENSOR & MTG GP -RADIATOR AN ATTACHMENT

SMCS-1353, 1408, 7400

i00652242

NOTE	REF NO	GRAPHIC REF	PART NUMBER	QTY	PART NAME						SEE PAGE
					1	2	3	4	5	6 (PRODUCT LEVEL)	
	1	1	111-0452	1	HARNESS AS						
Y	2	1	3E-3761	1	SENSOR AS-LIQUID LEVEL						585
	3	1	8M-2773	2	CLIP (17.46MM ID)						
	4	1	7K-1181	4	STRAP-CABLE (4.00IN DIA)						

Y-SEPARATE ILLUSTRATION



RIGHT SIDE VIEW

GRAPHIC #1

g00244004

ELECTRICAL AND STARTING SYSTEM

3E-3761 SENSOR AS-LIQUID LEVEL

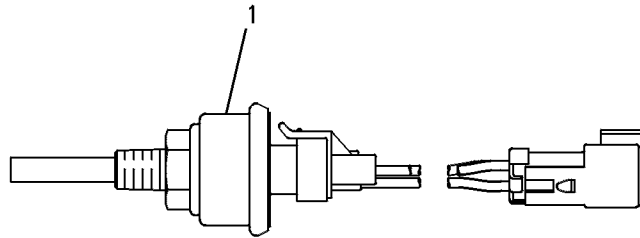
COOLANT LOSS

PART OF 105-2048 SENSOR & MTG GP-RADIATOR
AN ATTACHMENT

SMCS-7422

i00112793

NOTE	REF NO	GRAPHIC REF	PART NUMBER	QTY	PART NAME						SEE PAGE
					1	2	3	4	5	6 (PRODUCT LEVEL)	
Y	1	1	111-3794	1	SENSOR AS-LIQUID LEVEL						586
Y-SEPARATE ILLUSTRATION											



GRAPHIC #1

g00084832

ELECTRICAL AND STARTING SYSTEM

111-3794 SENSOR AS-LIQUID LEVEL

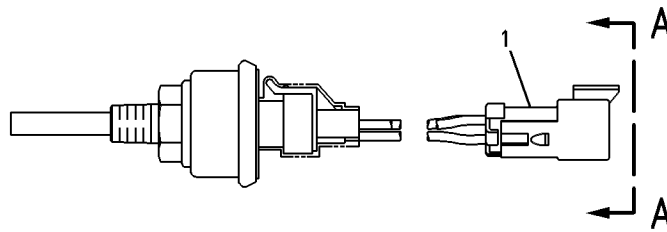
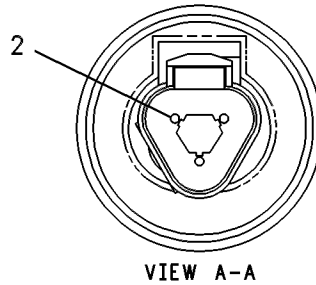
COOLANT LOSS

PART OF 3E-3761 SENSOR AS-LIQUID LEVEL
AN ATTACHMENT

SMCS-7422

i00547161

NOTE	REF NO	GRAPHIC REF	PART NUMBER	QTY	PART NAME						SEE PAGE
					1	2	3	4	5	6 (PRODUCT LEVEL)	
	1	1	102-8803	1	KIT-RECEPTACLE (CONNECTOR)						
					(INCLUDES RECEPTACLE AS AND WEDGE)						
	2	1	8T-8729	3	PIN-CONNECTOR						



GRAPHIC #1

g00085970

ELECTRICAL AND STARTING SYSTEM

4P-7899 SENSOR GP-ELECTRONIC

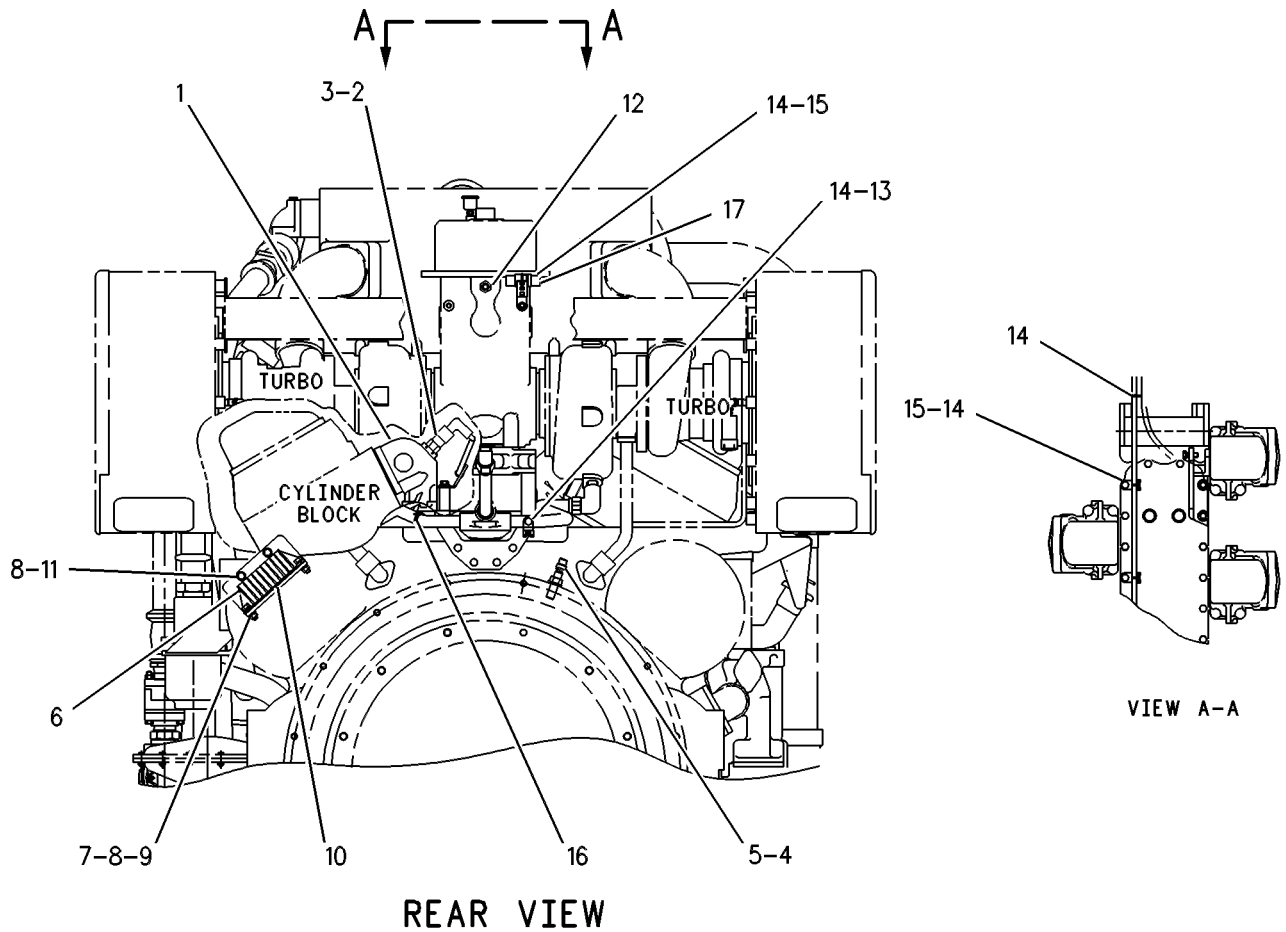
AN ATTACHMENT

SMCS-1408, 1905, 1906, 1907, 1911, 1912, 1913,
1916, 5639, 7400

i00659541

NOTE	REF NO	GRAPHIC REF	PART NUMBER	QTY	PART NAME						SEE PAGE
					1	2	3	4	5	6 (PRODUCT LEVEL)	
	1	1	4P-5646	1	ELBOW						
Y	2	1	<i>9W-0532</i>	1	SENSOR GP-TEMPERATURE						602
	3	1	3K-0360	1	SEAL-O-RING (16.36MM ID)						
	4	1	4B-4281	1	WASHER (2.5MM THK)						
	5	1	107-2675	1	SENSOR AS						
	6	1	3E-7565	1	CONTROL GP-ELECTRONIC						
	7	1	0S-1588	2	BOLT (3/8-16X1.25IN)						
	8	1	5M-2894	6	WASHER (2.5MM THK)						
	9	1	9S-8752	2	NUT-FULL (3/8-16 THD)						
	10	1	112-3225	1	BRACKET						
	11	1	3B-1915	2	BOLT (3/8-16X1.375IN)						
	12	1	3E-7639	1	TRANSDUCER AS						
	13	1	4P-7429	1	CLIP (26.5MM ID)						
	14	1	9X-6772	7	STRAP-CABLE						
	15	1	4P-8134	5	CLIP (10.5MM ID)						
	16	1	8L-8413	1	STRAP-CABLE (1.12IN DIA)						
	17	1	135-9851	1	ADAPTER-RING						

Y-SEPARATE ILLUSTRATION



GRAPHIC #1

g00270957

ELECTRICAL AND STARTING SYSTEM

9W-5565 SENSOR GP-ELECTRONIC

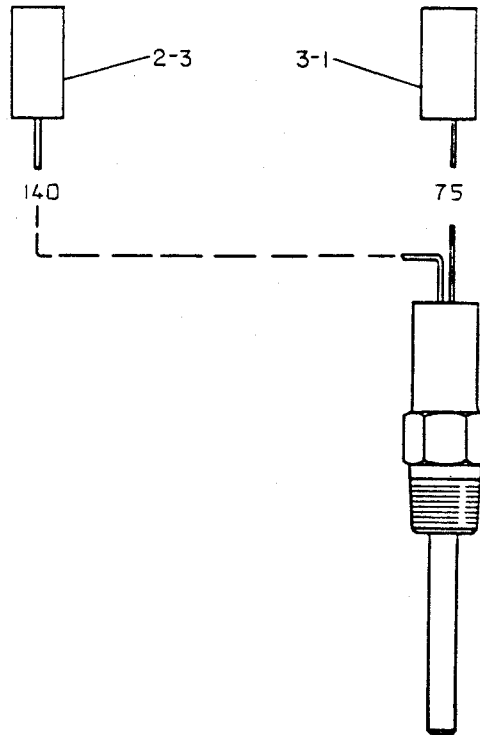
TEMPERATURE/PRESSURE

PART OF 4P-9565 CONTROL & COVER GP-ENG ELEK, 108-6424 SHUTOFF GP-ELECTRICAL
ALSO AN ATTACHMENT

SMCS-1408, 1905, 1906, 1907, 1911, 1912, 1913,
1916, 5639, 7400

i00079959

NOTE	REF NO	GRAPHIC REF	PART NUMBER	QTY	PART NAME						SEE PAGE
					1	2	3	4	5	6 (PRODUCT LEVEL)	
	1	1	7N-9737	1	HOUSING-PLUG						
	2	1	7N-9738	1	HOUSING-RECEPTACLE						
	3	1	7N-7780	2	PIN-CONNECTOR (BLADE)						
		1	9G-3695	2	PLUG-SEAL						



GRAPHIC #1

g00063688

ELECTRICAL AND STARTING SYSTEM

113-9126 SENSOR GP-ELECTRONIC

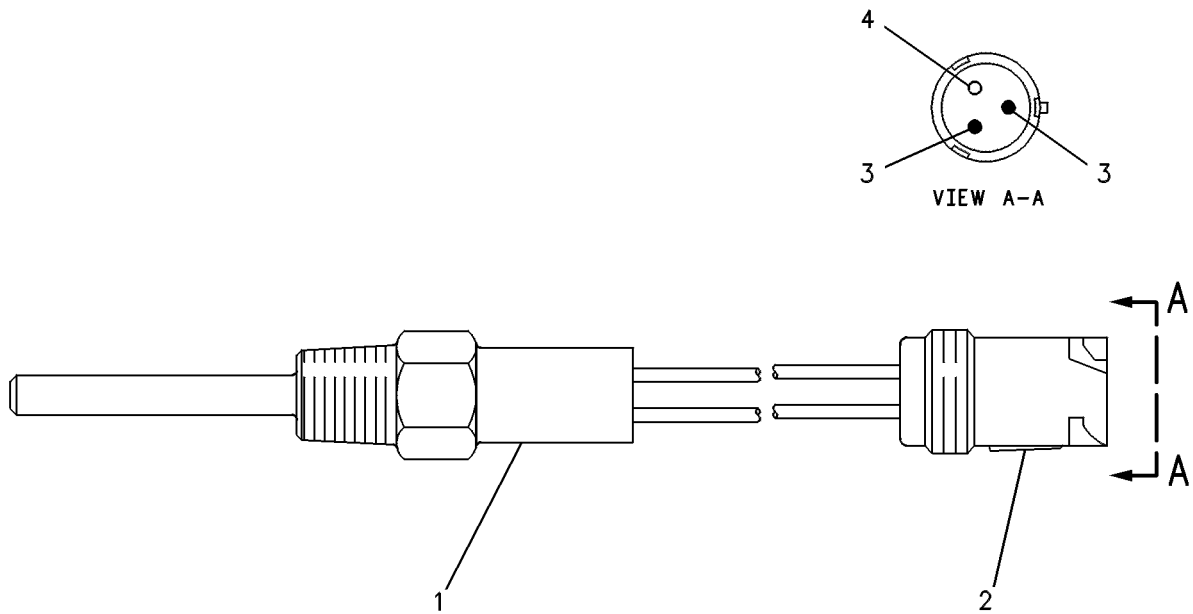
PART OF 154-3850 CONTROL & COVER GP-ENG ELEK

AN ATTACHMENT

SMCS-1408, 1905, 1906, 1907, 1911, 1912, 1913,
1916, 5639, 7400

i00653496

NOTE	REF NO	GRAPHIC REF	PART NUMBER	QTY	PART NAME						SEE PAGE
					1	2	3	4	5	6 (PRODUCT LEVEL)	
	1	1	9W-5564	1	SENSOR AS-PRESSURE						
	2	1	8T-8732	1	RECEPTACLE-CONNECTOR						
	3	1	8T-8729	2	PIN-CONNECTOR						
	4	1	8T-8737	1	PLUG-SEAL						



GRAPHIC #1

g00242482

ELECTRICAL AND STARTING SYSTEM

125-5330 SENSOR GP-ELECTRONIC

AN ATTACHMENT

SMCS-1408, 1905, 1906, 1907, 1911, 1912, 1913,
1916, 5639, 7400

i00660149

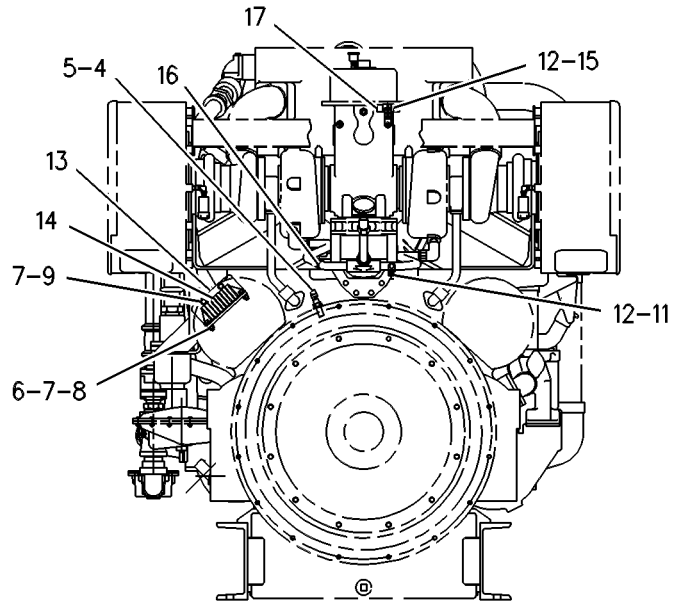
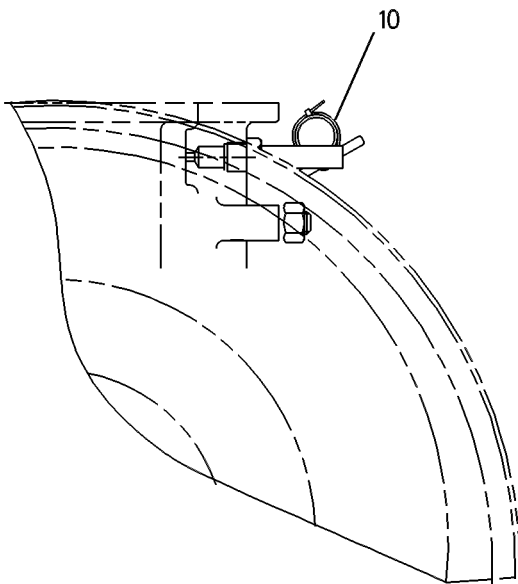
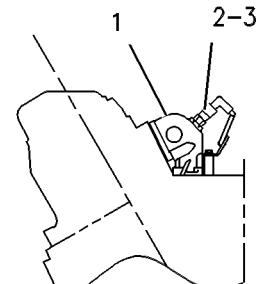
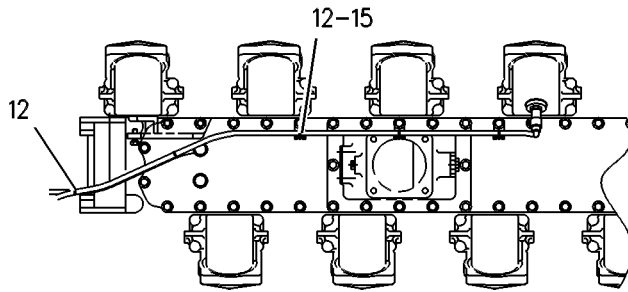
NOTE	REF NO	GRAPHIC REF	PART NUMBER	QTY	PART NAME						SEE PAGE
					1	2	3	4	5	6 (PRODUCT LEVEL)	
	1	1	4P-5646	1	ELBOW						
Y	2	1	<i>9W-0532</i>	1	SENSOR GP-TEMPERATURE						602
	3	1	3K-0360	1	SEAL-O-RING (16.36MM ID)						
	4	1	4B-4281	1	WASHER (2.5MM THK)						
	5	1	107-2675	1	SENSOR AS						
	6	1	3E-7565	1	CONTROL GP-ELECTRONIC						
E		1	9X-2639		SLEEVE (118CM)						
	7	1	0S-1588	2	BOLT (3/8-16X1.25IN)						
	8	1	5M-2894	6	WASHER (2.5MM THK)						
	9	1	9S-8752	2	NUT-FULL (3/8-16 THD)						
	10	1	112-3225	1	BRACKET						
	11	1	3B-1915	2	BOLT (3/8-16X1.375IN)						
	12	1	3E-7639	1	TRANSDUCER AS						
BE		1	8T-6342		TUBE						
		1	9X-4385	1	PLUG AS-CONNECTOR						
	13	1	4P-7429	1	CLIP (26.5MM ID)						
	14	1	9X-6772	6	STRAP-CABLE						
	15	1	4P-8134	3	CLIP (10.5MM ID)						
	16	1	8L-8413	1	STRAP-CABLE (1.12IN DIA)						
	17	1	135-9851	1	ADAPTER-RING						

B- USE AS REQUIRED
E- ORDER BY THE CENTIMETER
Y- SEPARATE ILLUSTRATION

ELECTRICAL AND STARTING SYSTEM

125-5330 SENSOR GP-ELECTRONIC (contd.)

i00660149



GRAPHIC #1

g00271330

ELECTRICAL AND STARTING SYSTEM

138-6782 SENSOR GP-ELECTRONIC

PART OF 142-2284 SENSOR GP-ELECTRONIC

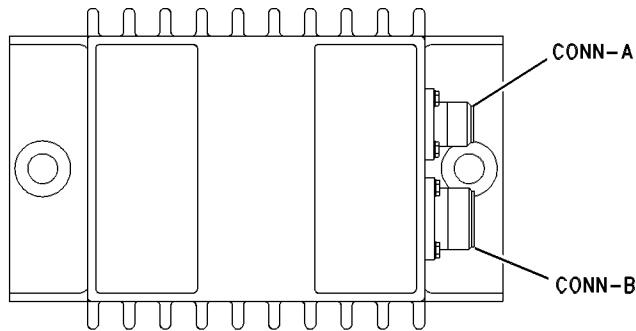
AN ATTACHMENT

SMCS-1408, 1905, 1906, 1907, 1911, 1912, 1913,
1916, 5639, 7400

i00931453

NOTE	REF NO	GRAPHIC REF	PART NUMBER	QTY	PART NAME	SEE PAGE
					1 2 3 4 5 6 (PRODUCT LEVEL)	

(INDIVIDUAL PARTS ARE NOT SERVICED SEPARATELY)



GRAPHIC #1

g00462651

ELECTRICAL AND STARTING SYSTEM

142-2284 SENSOR GP-ELECTRONIC

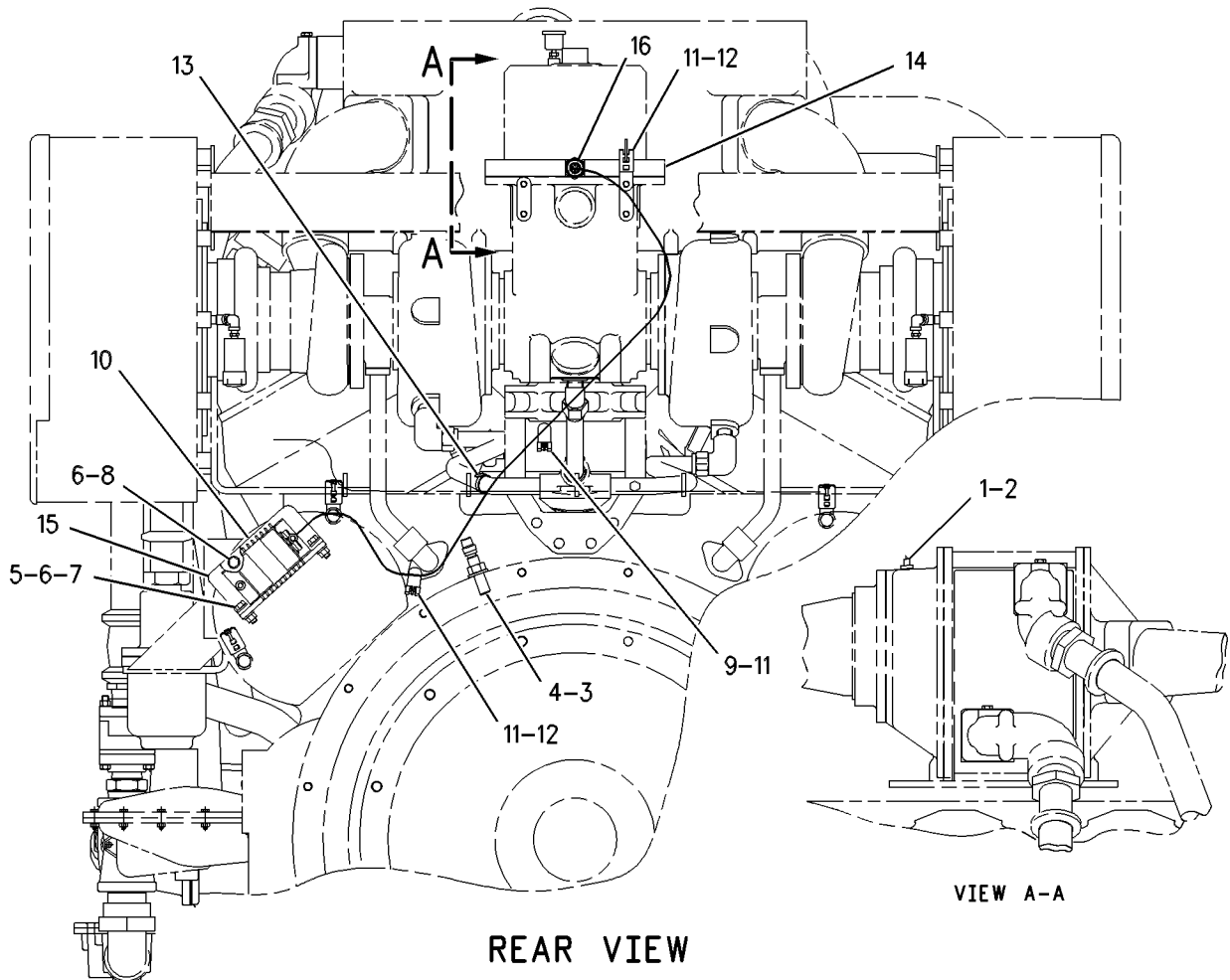
AN ATTACHMENT

SMCS-1408, 1905, 1906, 1907, 1911, 1912, 1913,
1916, 5639, 7400

i00931457

NOTE	REF NO	GRAPHIC REF	PART NUMBER	QTY	PART NAME						SEE PAGE
					1	2	3	4	5	6 (PRODUCT LEVEL)	
Y	1	1	9W-0532	1	SENSOR GP-TEMPERATURE						602
	2	1	3K-0360	1	SEAL-O-RING (16.36MM ID)						
	3	1	4B-4281	1	WASHER (2.5MM THK)						
	4	1	107-2675	1	SENSOR AS						
	5	1	0S-1588	2	BOLT						
	6	1	5M-2894	6	WASHER (2.5MM THK)						
	7	1	9S-8752	2	NUT-FULL (3/8-16 THD)						
	8	1	3B-1915	2	BOLT (3/8-16X1.375IN)						
	9	1	4P-7429	1	CLIP						
	10	1	112-3225	1	BRACKET						
	11	1	9X-6772	3	STRAP-CABLE						
	12	1	4P-8134	2	CLIP						
	13	1	8L-8413	1	STRAP-CABLE (1.12IN DIA)						
	14	1	135-9851	1	ADAPTER-RING						
Y	15	1	138-6782	1	SENSOR GP-ELECTRONIC						592
	16	1	141-2494	1	SENSOR GP-OXYGEN						

Y-SEPARATE ILLUSTRATION



GRAPHIC #1

g00465922

ELECTRICAL AND STARTING SYSTEM

143-8540 SENSOR GP-LIQUID LEVEL

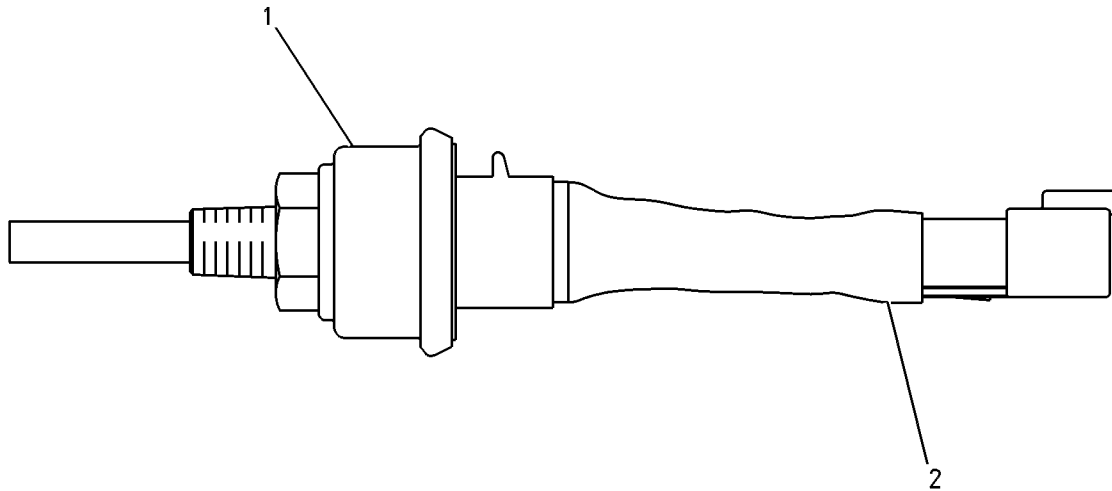
PART OF 120-8876 TANK GP-WATER

AN ATTACHMENT

SMCS-7422

i00658233

NOTE	REF NO	GRAPHIC REF	PART NUMBER	QTY	PART NAME						SEE PAGE
					1	2	3	4	5	6 (PRODUCT LEVEL)	
	1	1	149-2082	1	SWITCH AS-LEVEL						
	2	1	147-2961	1	HARNESS AS						
		1	102-8807	1	KIT-CONNECTING PLUG (2 PIN)						



GRAPHIC #1

g00285786

ELECTRICAL AND STARTING SYSTEM

3E-1854 SENSOR GP - PRESSURE

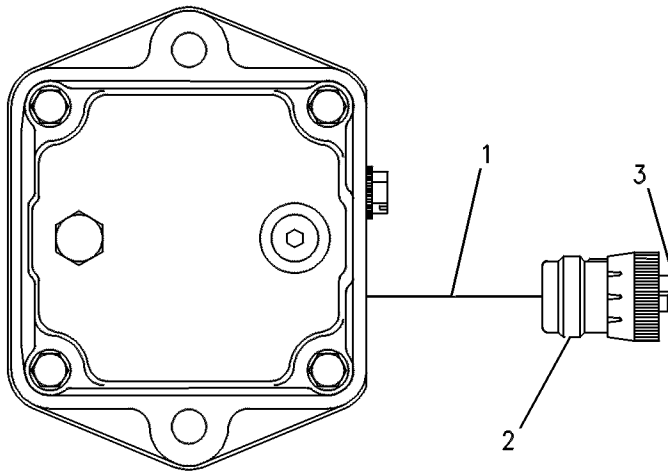
PART OF 104-2250, 4P-9565 CONTROL & COVER GP-ENG ELEK, 135-5014 CONTROL GP-ENGINE
MONITORING
ALSO AN ATTACHMENT

SMCS-1408, 1916, 1917, 1923, 1924, 7400, 7407, 7408,
7409, 7414, 7416, 7421, 7428

i00886596

NOTE	REF NO	GRAPHIC REF	PART NUMBER	QTY	PART NAME						SEE PAGE
					1	2	3	4	5	6 (PRODUCT LEVEL)	
BE	1	1	9X-1386		SLEEVE						
	2	1	8T-8731	1	PLUG-CONNECTOR						
	3	1	8T-8730	3	SOCKET-CONNECTOR						

B-USE AS REQUIRED
E-ORDER BY THE CENTIMETER



GRAPHIC #1

g00235315

ELECTRICAL AND STARTING SYSTEM

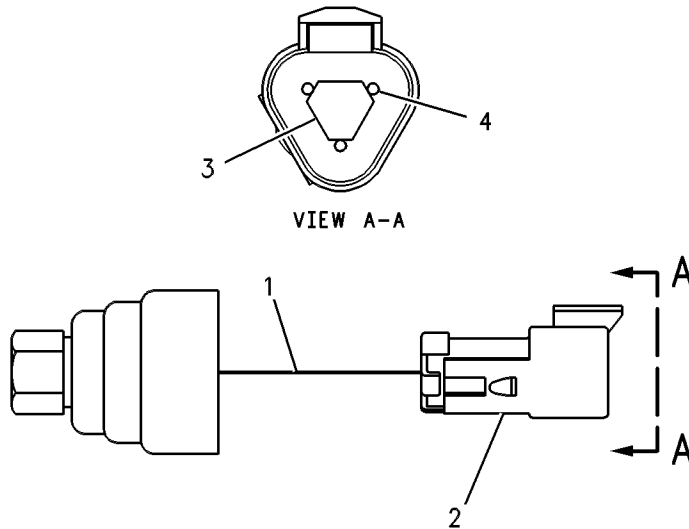
3E-6489 SENSOR GP-PRESSURE PART OF 103-6101 CONTROL GP-ENGINE MONITORING AN ATTACHMENT

SMCS-1408, 1916, 1917, 1923, 1924, 7400, 7407, 7408,
7409, 7414, 7416, 7421, 7428

i00551520

NOTE	REF NO	GRAPHIC REF	PART NUMBER	QTY	PART NAME						SEE PAGE
					1	2	3	4	5	6 (PRODUCT LEVEL)	
BE	1	1	9X-1813		SLEEVE						
	2	1	102-8803	1	KIT-RECEPTACLE						
	3	1	3E-3371	1	WEDGE-RECEPTACLE LOCK						
	4	1	8T-8729	3	PIN-CONNECTOR						

B- USE AS REQUIRED
E- ORDER BY THE CENTIMETER



GRAPHIC #1

g00106495

ELECTRICAL AND STARTING SYSTEM

107-7142 SENSOR GP - PRESSURE

PART OF 154-3850, 4P-9565 CONTROL & COVER GP-ENG ELEK

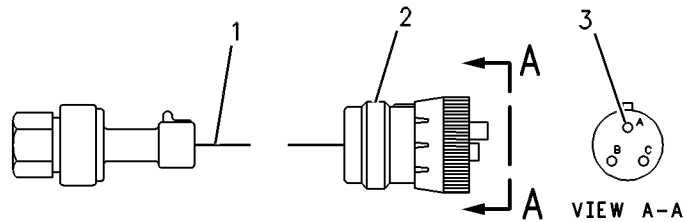
ALSO AN ATTACHMENT

SMCS-1408, 1916, 1917, 1923, 1924, 7400, 7407, 7408,
7409, 7414, 7416, 7421, 7428

i00573213

NOTE	REF NO	GRAPHIC REF	PART NUMBER	QTY	PART NAME						SEE PAGE
					1	2	3	4	5	6 (PRODUCT LEVEL)	
BE	1	1	9X-1813		SLEEVE ()						
	2	1	8T-8731	1	PLUG-CONNECTOR						
	3	1	8T-8730	3	SOCKET-CONNECTOR						

B-USE AS REQUIRED
E-ORDER BY THE CENTIMETER



GRAPHIC #1

g00262206

ELECTRICAL AND STARTING SYSTEM

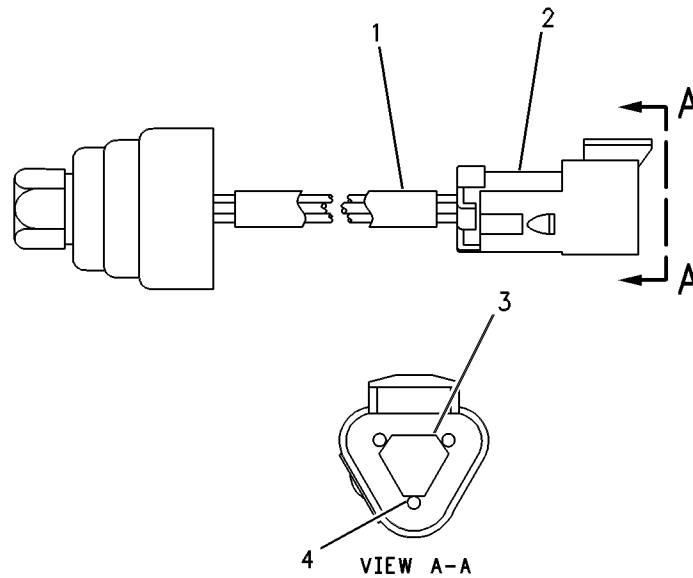
133-3917 SENSOR GP - PRESSURE PART OF 103-6101 CONTROL GP - ENGINE MONITORING AN ATTACHMENT

SMCS-1408, 1916, 1917, 1923, 1924, 7400, 7407, 7408,
7409, 7414, 7416, 7421, 7428

i00803902

NOTE	REF NO	GRAPHIC REF	PART NUMBER	QTY	PART NAME						SEE PAGE
					1	2	3	4	5	6 (PRODUCT LEVEL)	
E	1	1	9X-1813		SLEEVE (14 CM)						
	2	1	102-8803	1	KIT - RECEPTACLE						
	3	1	3E-3371	1	WEDGE - RECEPTACLE LOCK						
	4	1	8T-8729	3	PIN - CONNECTOR						

E - ORDER BY THE CENTIMETER



GRAPHIC #1

g00106517

ELECTRICAL AND STARTING SYSTEM

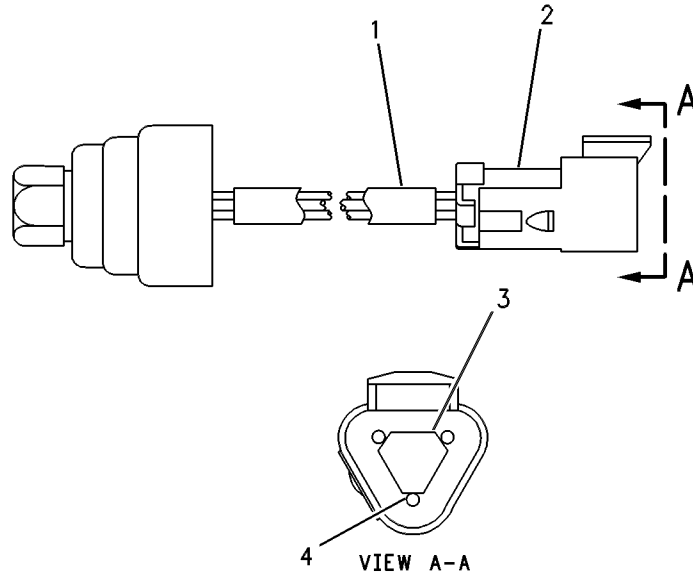
145-2362 SENSOR GP - PRESSURE PART OF 103-6101 CONTROL GP - ENGINE MONITORING AN ATTACHMENT

SMCS-1408, 1916, 1917, 1923, 1924, 7400, 7407, 7408,
7409, 7414, 7416, 7421, 7428

i00653359

NOTE	REF NO	GRAPHIC REF	PART NUMBER	QTY	PART NAME						SEE PAGE
					1	2	3	4	5	6 (PRODUCT LEVEL)	
E	1	1	9X-1813		SLEEVE (31CM)						
	2	1	102-8803	1	KIT-RECEPTACLE						
	3	1	3E-3371	1	WEDGE-RECEPTACLE LOCK						
	4	1	8T-8729	3	PIN-CONNECTOR						

E-ORDER BY THE CENTIMETER



GRAPHIC #1

g00106517

ELECTRICAL AND STARTING SYSTEM

102-9029 SENSOR GP-SPEED

S/N 9TG22-UP

TIMING

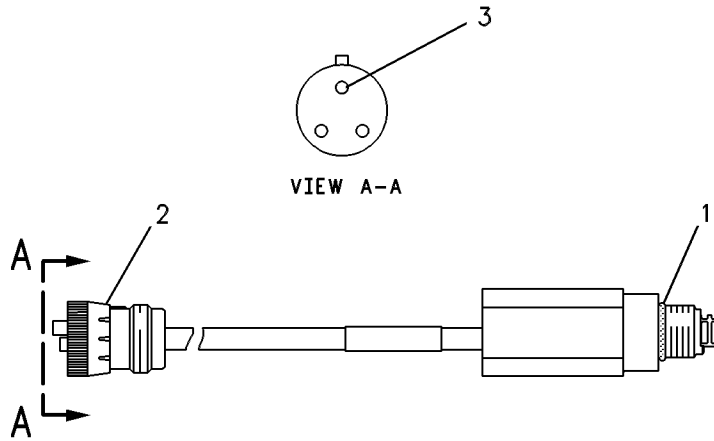
PART OF 104-2250, 4P-9565 CONTROL & COVER GP-ENG ELEK, 135-5015 SENSOR GP-SPEED

ALSO AN ATTACHMENT

SMCS-1907, 1912

i00568243

NOTE	REF NO	GRAPHIC REF	PART NUMBER	QTY	PART NAME						SEE PAGE
					1	2	3	4	5	6 (PRODUCT LEVEL)	
	1	1	8L-2786	1	SEAL-O-RING (16.36MM ID)						
	2	1	8T-8731	1	PLUG-CONNECTOR						
	3	1	8T-8730	3	SOCKET-CONNECTOR						



GRAPHIC #1

g00279038

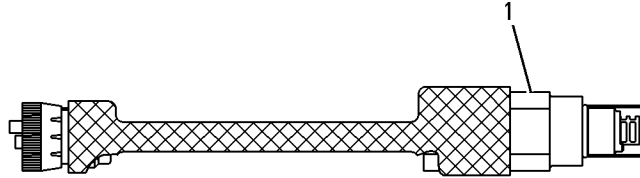
ELECTRICAL AND STARTING SYSTEM

135-5015 SENSOR GP-SPEED PART OF 135-5013 CONTROL & COVER GP-ENG ELEK AN ATTACHMENT

SMCS-1907, 1912

i00656781

NOTE	REF NO	GRAPHIC REF	PART NUMBER	QTY	PART NAME						SEE PAGE
					1	2	3	4	5	6 (PRODUCT LEVEL)	
Y	1	1	102-9029	1	SENSOR GP-SPEED						600
Y-SEPARATE ILLUSTRATION											



GRAPHIC #1

g00261626

ELECTRICAL AND STARTING SYSTEM

9W-0532 SENSOR GP-TEMPERATURE

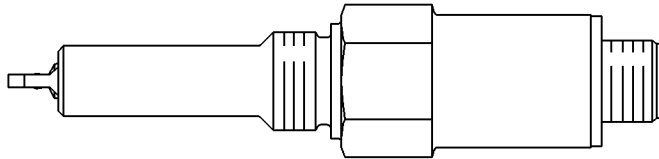
ESS INLET AIR MANIFOLD TEMPERATURE, ENGINE CONTROL AIR MANIFOLD
TEMPERATURE, FUEL TEMPERATURE SENSOR

PART OF 125-5330, 142-2284, 4P-7899 SENSOR GP-ELECTRONIC
AN ATTACHMENT

SMCS-1330, 1408, 1906, 1919, 1921, 1922, 7400, 7403,
7404, 7412, 7413, 7417, 7420

i00191249

NOTE	REF NO	GRAPHIC REF	PART NUMBER	QTY	PART NAME						SEE PAGE
					1	2	3	4	5	6 (PRODUCT LEVEL)	
NO SERVICEABLE PARTS											



GRAPHIC #1

g00065488

ELECTRICAL AND STARTING SYSTEM

102-0050 SENSOR GP-TEMPERATURE

PART OF 103-6101 CONTROL GP-ENGINE MONITORING

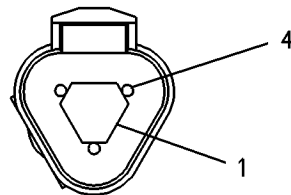
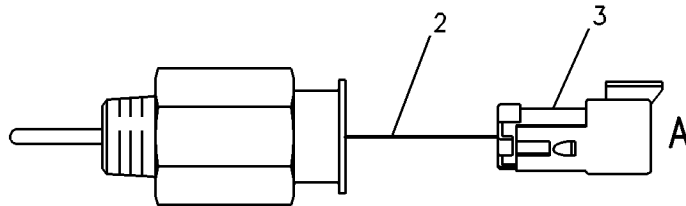
AN ATTACHMENT

SMCS-1330, 1408, 1906, 1919, 1921, 1922, 7400, 7403,
7404, 7412, 7413, 7417, 7420

i00653303

NOTE	REF NO	GRAPHIC REF	PART NUMBER	QTY	PART NAME						SEE PAGE
					1	2	3	4	5	6 (PRODUCT LEVEL)	
	1	1	3E-3371	1	WEDGE-RECEPTACLE LOCK						
EB	2	1	9X-1813		SLEEVE						
	3	1	3E-3370	1	RECEPTACLE AS						
	4	1	8T-8729	3	PIN-CONNECTOR						
AVAILABLE REPAIR KIT(S):											
			102-8803	1	KIT-RECEPTACLE						
(INCLUDES RECEPTACLES AS, WEDGE)											

B-USE AS REQUIRED
E-ORDER BY THE CENTIMETER



VIEW OF AREA A

GRAPHIC #1

g00233219

ELECTRICAL AND STARTING SYSTEM

108-6424 SHUTOFF GP-ELECTRICAL

AN ATTACHMENT

TYPE 1

SMCS-7418

i00929182

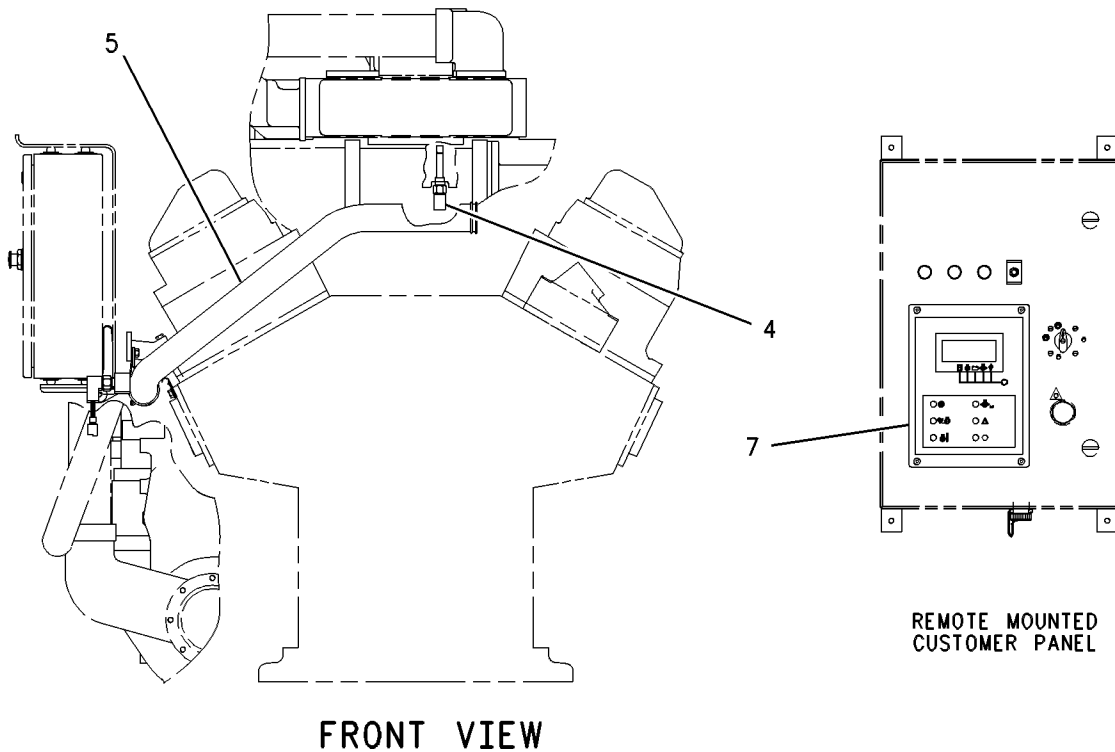
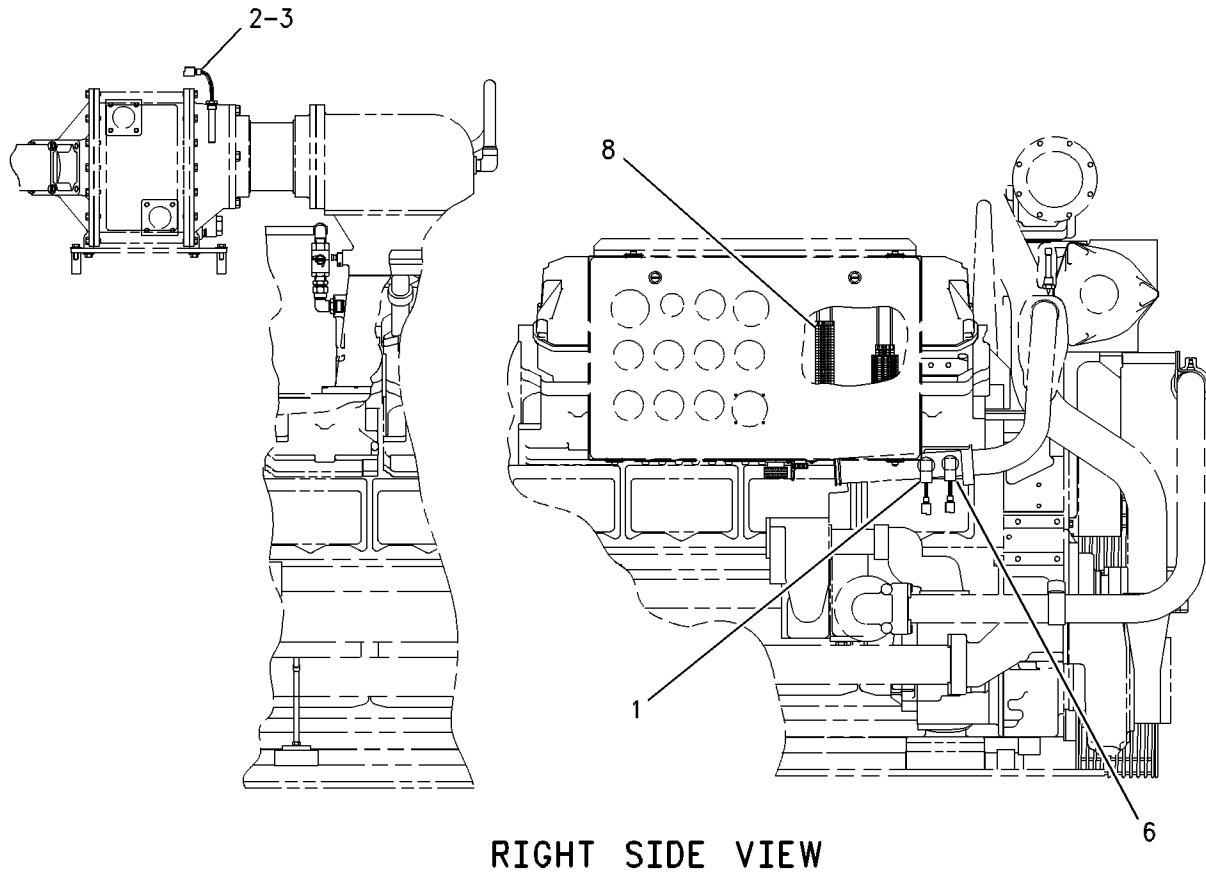
NOTE	REF NO	GRAPHIC REF	PART NUMBER	QTY	PART NAME						SEE PAGE
					1	2	3	4	5	6 (PRODUCT LEVEL)	
Y	1	1	9Y-0914	1	SWITCH AS-TEMPERATURE						672
	2	1	7E-9291	1	SWITCH AS-TEMPERATURE						
		1	7N-7782	1	HOUSING-PLUG (1 PIN, 2 SOCKET)						
		1	7N-7780	1	PIN-CONNECTOR (BLADE)						
		1	7N-7779	2	SOCKET						
	3	1	3K-0360	1	SEAL-O-RING (16.36MM ID)						
	4	1	4P-6160	1	CONTACTOR AS						
	5	1	6I-1182	1	TUBE AS						
Y	6	1	9W-5565	1	SENSOR GP-ELECTRONIC (TEMPREATURE)						588
Y	7	1	108-7871	1	CONTROL GP-ENGINE MONITORING (COGEN)						475
	8	1	9X-9615	7	TERMINAL-SINGLE						

Y-SEPARATE ILLUSTRATION

ELECTRICAL AND STARTING SYSTEM

108-6424 SHUTOFF GP - ELECTRICAL (contd.)

i00929182



GRAPHIC #1

g00463272

ELECTRICAL AND STARTING SYSTEM

108-6424 SHUTOFF GP-ELECTRICAL

AN ATTACHMENT

TYPE 2

SMCS-7418

i00931435

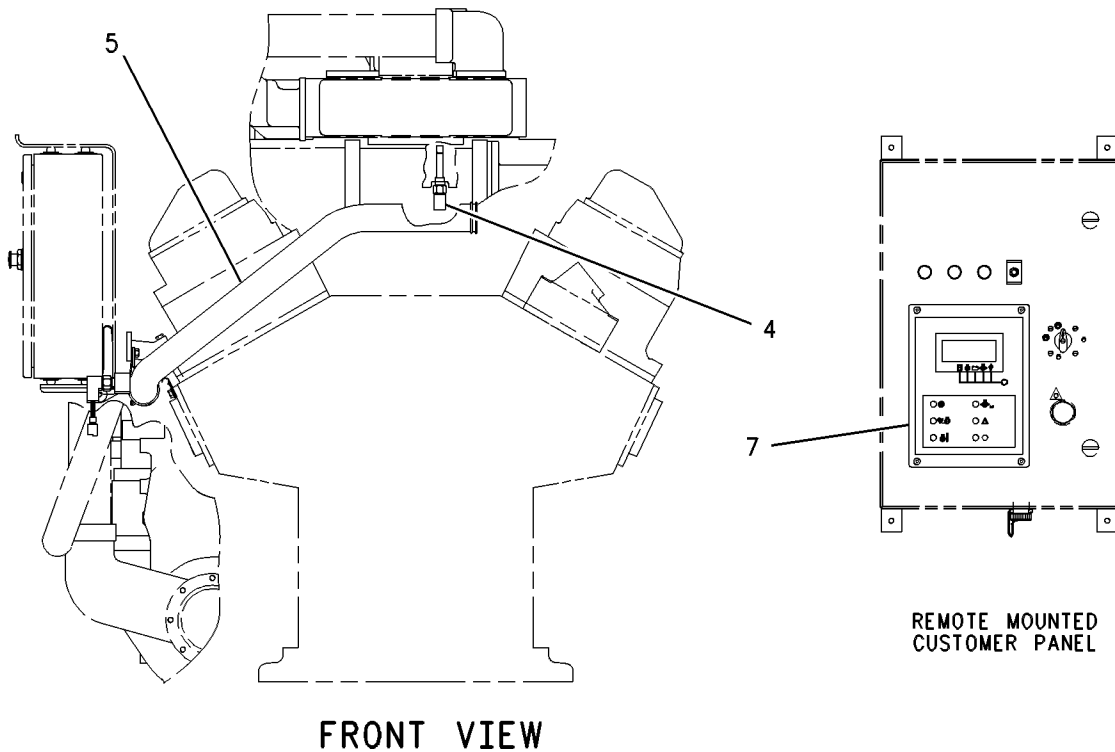
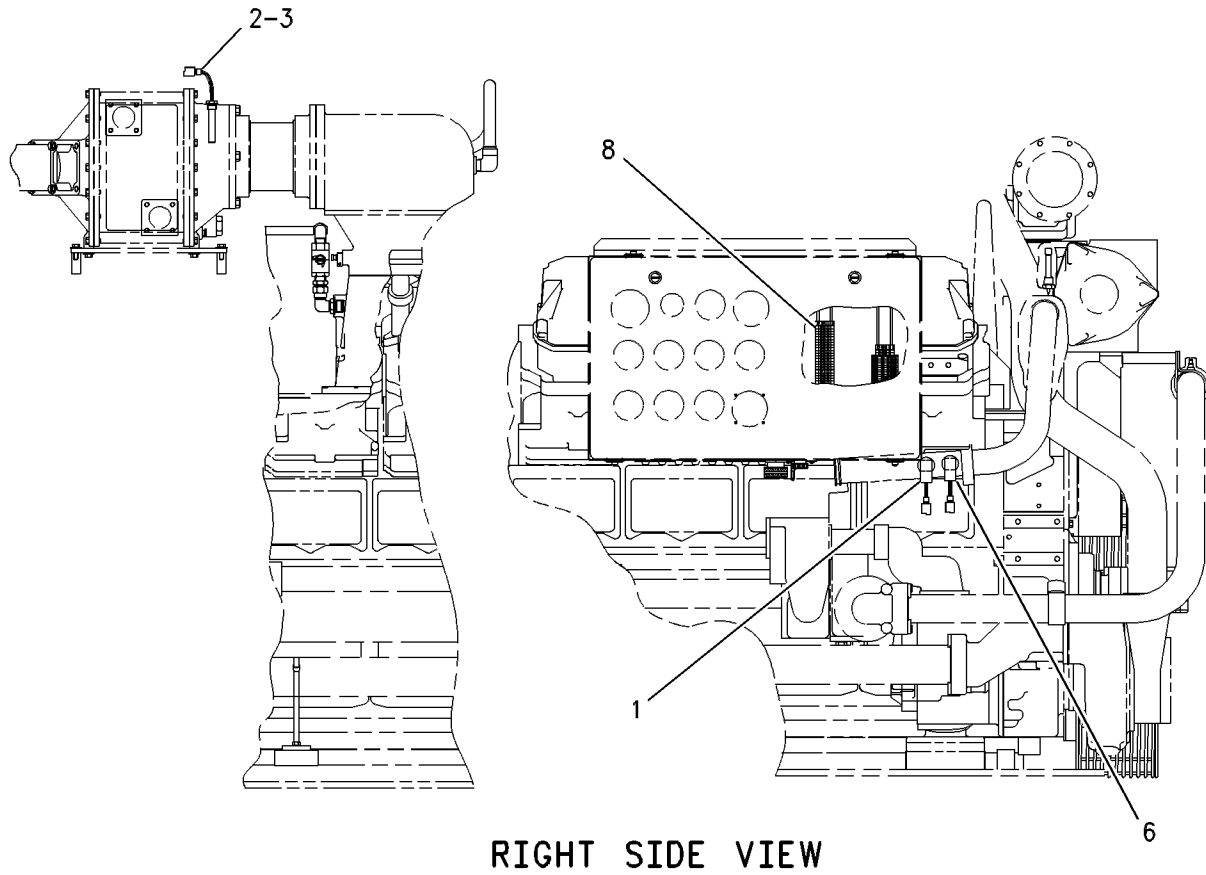
NOTE	REF NO	GRAPHIC REF	PART NUMBER	QTY	PART NAME						SEE PAGE
					1	2	3	4	5	6 (PRODUCT LEVEL)	
Y	1	1	9Y-0914	1	SWITCH AS-TEMPERATURE						672
	2	1	7E-9291	1	SWITCH AS-TEMPERATURE						
		1	7N-7782	1	HOUSING-PLUG (1 PIN, 2 SOCKET)						
		1	7N-7780	1	PIN-CONNECTOR (BLADE)						
		1	7N-7779	2	SOCKET						
	3	1	3K-0360	1	SEAL-O-RING (16.36MM ID)						
	4	1	4P-6160	1	CONTACTOR AS						
	5	1	6I-1182	1	TUBE AS						
Y	6	1	9W-5565	1	SENSOR GP-ELECTRONIC (TEMPREATURE)						588
Y	7	1	108-7871	1	CONTROL GP-ENGINE MONITORING (COGEN)						475
	8	1	9X-9615	7	TERMINAL-SINGLE						

Y-SEPARATE ILLUSTRATION

ELECTRICAL AND STARTING SYSTEM

108-6424 SHUTOFF GP - ELECTRICAL (contd.)

i00931435



GRAPHIC #1

g00463272

ELECTRICAL AND STARTING SYSTEM

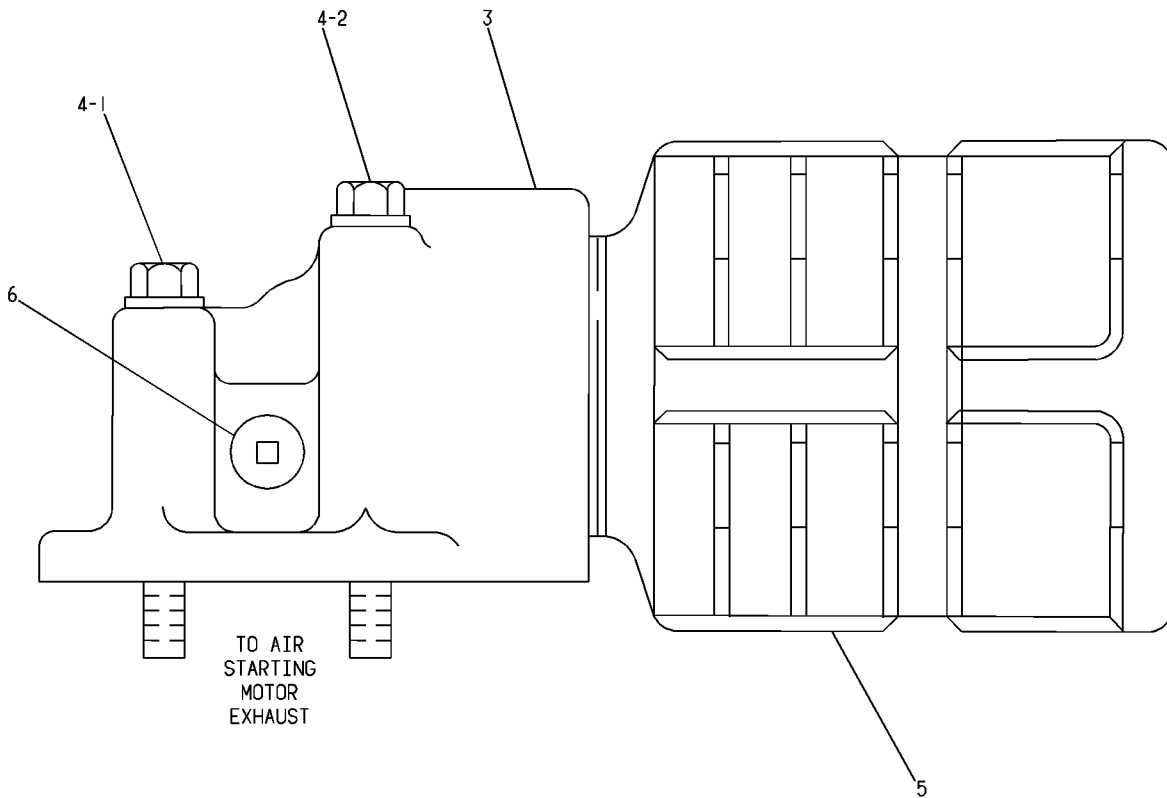
8N-8486 SILENCER GP-AIR STARTING

AN ATTACHMENT

SMCS-1468

i00113514

NOTE	REF NO	GRAPHIC REF	PART NUMBER	QTY	PART NAME						SEE PAGE
					1	2	3	4	5	6 (PRODUCT LEVEL)	
	1	1	1D-4566	2	BOLT (1/2-13X3.5IN)						
	2	1	1D-4569	2	BOLT (1/2-13X4.25IN)						
	3	1	8N-8447	1	ELBOW						
		1	8N-8452	1	GASKET						
	4	1	5P-8245	4	WASHER (3MM THK)						
	5	1	8N-8488	1	SILENCER-AIR STARTING						
	6	1	8T-6762	1	PLUG-PIPE						



GRAPHIC #1

g00062868

ELECTRICAL AND STARTING SYSTEM

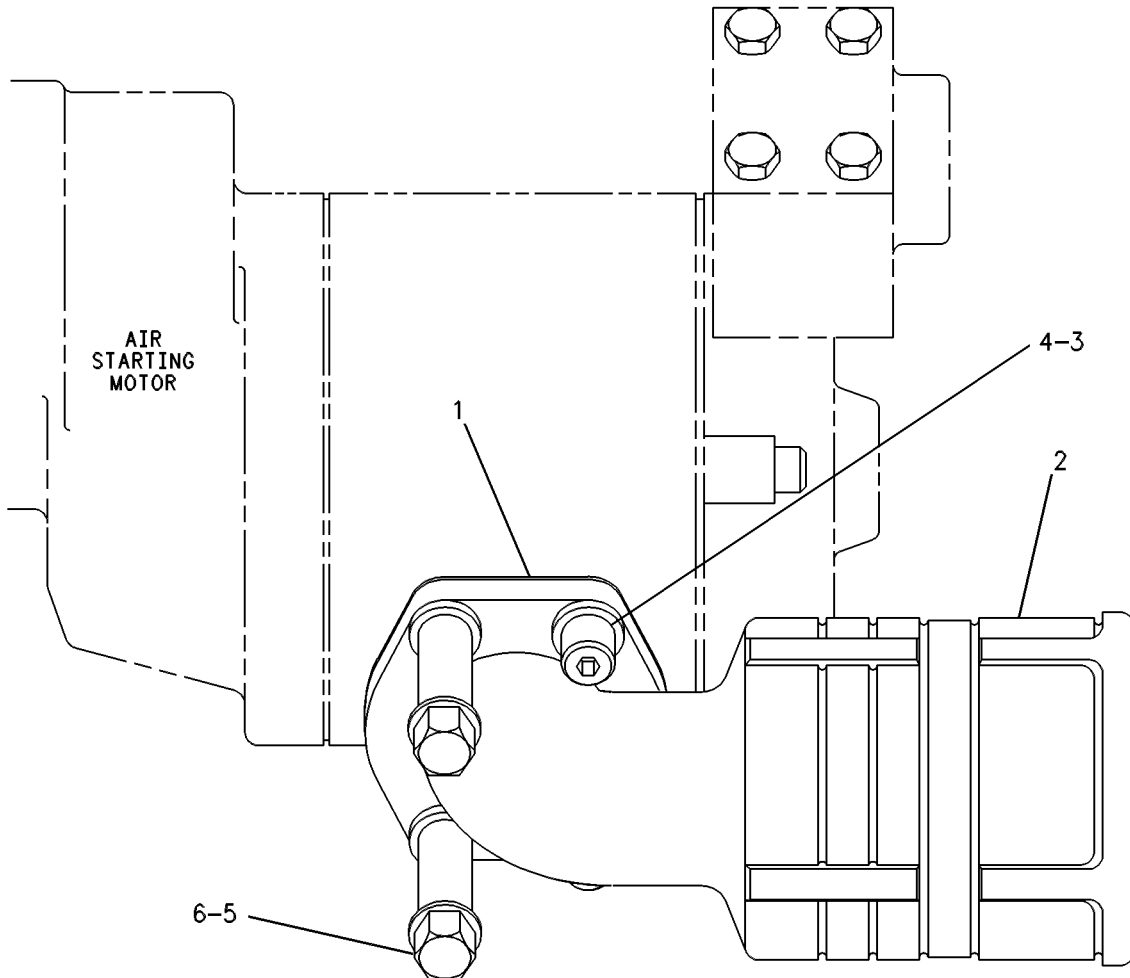
112-6597 SILENCER GP-AIR STARTING

AN ATTACHMENT

SMCS-1468

i00657489

NOTE	REF NO	GRAPHIC REF	PART NUMBER	QTY	PART NAME						SEE PAGE
					1	2	3	4	5	6 (PRODUCT LEVEL)	
	1	1	8N-8452	1	GASKET						
	2	1	107-8769	1	SILENCER-AIR STARTING						
	3	1	5P-8245	6	WASHER (3MM THK)						
	4	1	141-8596	2	BOLT-SOCKET HEAD						
	5	1	1D-4566	2	BOLT (1/2-13X3.5IN)						
	6	1	1V-7753	2	SPACER (1.75IN THK)						



GRAPHIC #1

g00261122

ELECTRICAL AND STARTING SYSTEM

3T-4704 SOLENOID AS-STARTING MOTOR

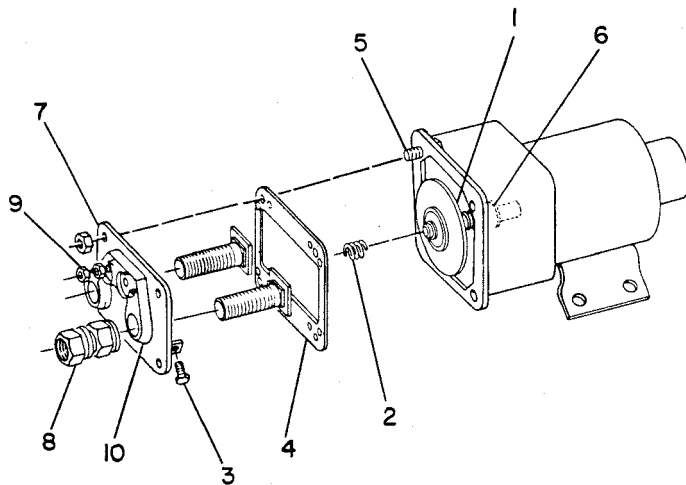
24 VOLT

PART OF 3T-8967, 6V-0927 STARTING MOTOR GP-ELECTRIC
FIELD REPLACEMENT FOR 7T-8854--PAGE 611
AN ATTACHMENT

SMCS-1467

i00089434

NOTE	REF NO	GRAPHIC REF	PART NUMBER	QTY	PART NAME						SEE PAGE
					1	2	3	4	5	6 (PRODUCT LEVEL)	
	1	1	9G-6770	1	CONTACT AS						
	2	1	4M-1815	1	SPRING-CONTACT						
	3	1	6V-8373	3	SCREW-MACHINE (6-32X.187IN)						
	4	1	7T-9123	1	GASKET-PLATE						
	5	1	045-4065	4	SCREW-MACHINE (10-32X.75IN)						
		1	4B-4274	8	WASHER (1.2MM THK)						
		1	4B-2049	4	NUT (10-32 THD)						
	6	1	6T-1120	1	BUSHING-TERMINAL						
	7	1	6T-1119	1	TERMINAL AS						
	8	1	8T-0328	3	WASHER-HARD (1MM THK)						
		1	8F-1434	2	LOCKWASHER (5MM ID)						
	9	1	4B-2049	3	NUT (10-32 THD)						
		1	7X-0562	6	WASHER-HARD (0.8MM THK)						
		1	6V-8188	3	NUT (1/2-13 THD)						
	10	1	6T-0362	1	INSULATOR						



GRAPHIC #1

g00062808

ELECTRICAL AND STARTING SYSTEM

7T-8854 SOLENOID AS-STARTING MOTOR

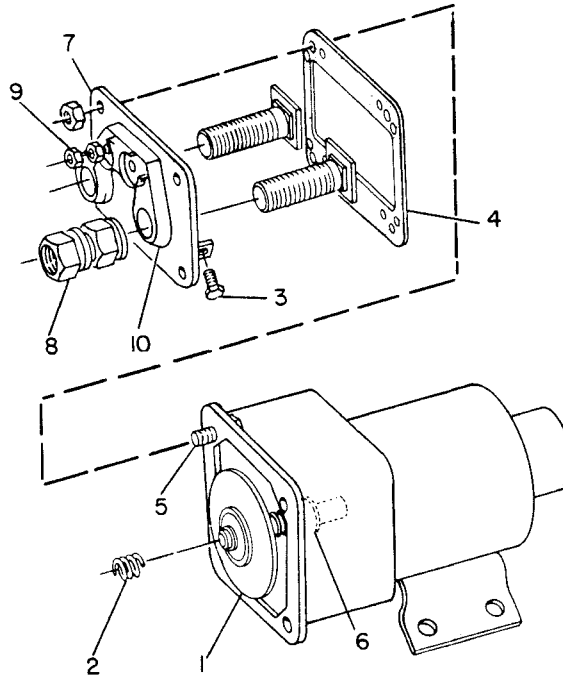
24 VOLT

PART OF 6T-0647 STARTING MOTOR GP-ELECTRIC
FIELD REPLACEMENT ORDER 3T-4704-PAGE 610
AN ATTACHMENT

SMCS-1467

i00090116

NOTE	REF NO	GRAPHIC REF	PART NUMBER	QTY	PART NAME						SEE PAGE
					1	2	3	4	5	6 (PRODUCT LEVEL)	
	1	1	9G-6770	1	CONTACT AS						
	2	1	4M-1815	1	SPRING-CONTACT						
	3	1	6V-8373	3	SCREW-MACHINE (6-32X.187IN)						
	4	1	6T-1121	1	GASKET-TERMINAL PLATE						
	5	1	045-4065	4	SCREW-MACHINE (10-32X.75IN)						
		1	4B-4274	8	WASHER (1.2MM THK)						
		1	6V-8378	4	NUT (10-32 THD)						
	6	1	6T-1120	1	BUSHING-TERMINAL						
	7	1	6T-1124	1	TERMINAL AS						
	8	1	3H-3680	3	NUT-JAM (1/2-13 THD)						
		1	4B-4280	3	WASHER (2.5MM THK)						
		1	9F-4976	2	LOCKWASHER (2.52MM THK)						
	9	1	4B-2049	3	NUT (10-32 THD)						
		1	4B-4274	3	WASHER (1.2MM THK)						
		1	3B-4502	2	LOCKWASHER (1.19MM THK)						
	10	1	6T-0362	1	INSULATOR						



GRAPHIC #1

g00062928

ELECTRICAL AND STARTING SYSTEM

4W-5107 STARTING MOTOR GP-AIR

PART OF 8N-8477 STARTING MOTOR GP-AIR

AN ATTACHMENT

SMCS-1451

i00118075

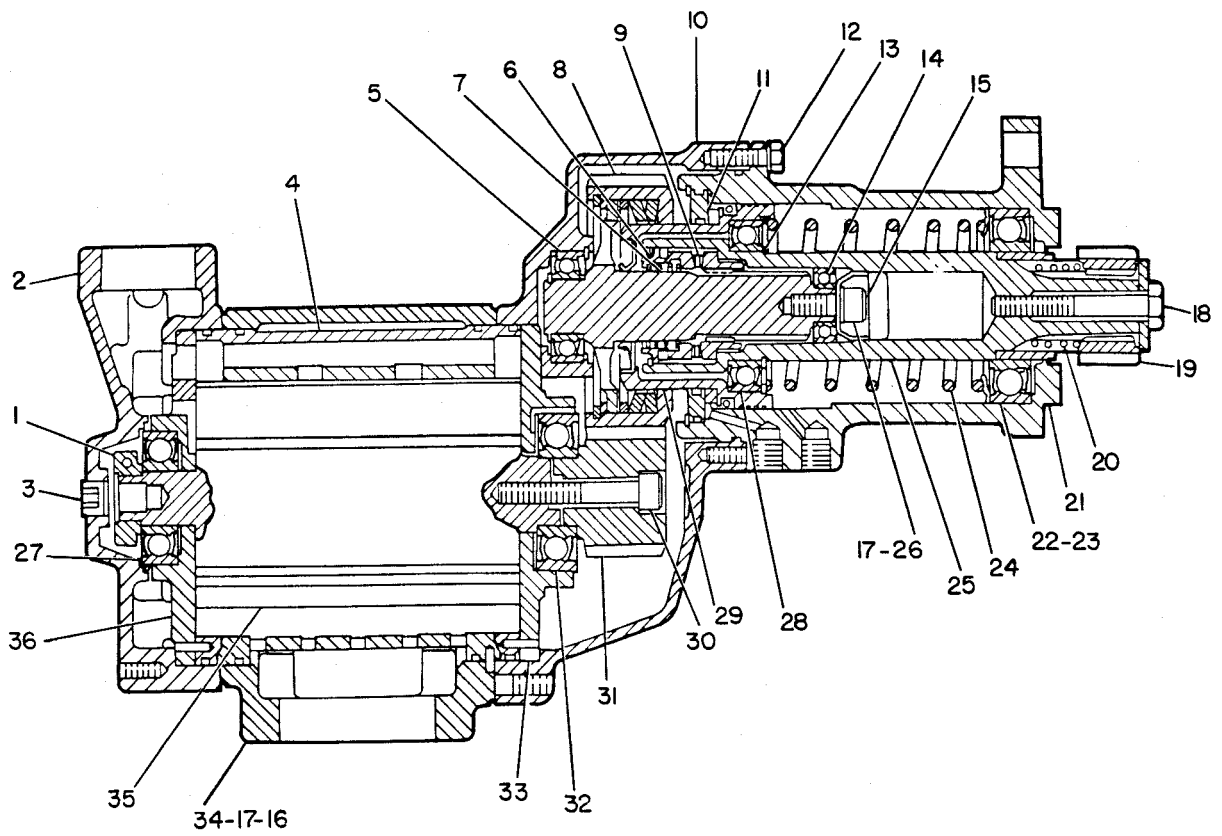
NOTE	REF NO	GRAPHIC REF	PART NUMBER	QTY	PART NAME						SEE PAGE
					1	2	3	4	5	6 (PRODUCT LEVEL)	
M	1	1	6V-3937	1	BOLT-HEX HEAD						
		1	5N-8378	1	NUT-ROTOR CLAMP						
	2	1	5N-8363	1	COVER AS						
	3	1	4D-3118	3	PLUG-PIPE						
	4	1	5N-8383	1	CYLINDER						
	5	1	6V-3916	1	BALL BEARING						
		1	1L-8497	1	RING-SNAP (SMALL)						
		1	6J-7855	1	LOCKRING (LARGE)						
	6	1	5N-8375	1	CUP-SPRING						
		1	6V-3935	1	RING-RETAINING						
	7	1	5N-8381	1	SPRING-CLUTCH						
	8	1	2W-6081	1	GEAR AS-DRIVE (37 TEETH)						
	9	1	5N-9574	1	JAW AS-CLUTCH						
	10	1	5N-8387	1	CASE-GEAR						
	11	1	5N-8424	1	BULKHEAD						
M	12	1	6V-3940	8	BOLT (M8X1.25X25MM)						
		1	3B-4505	8	LOCKWASHER (5/16IN)						
	13	1	3J-7719	1	RING-RETAINING (INNER)						
		1	6V-3971	1	RING-RETAINING (OUTER)						
	14	1	7F-8671	1	BALL BEARING						
	15	1	5N-8428	1	WASHER-GEAR						
M	16	1	5N-8427	4	BOLT-MOTOR						
	17	1	6V-3959	5	LOCKWASHER						
M	18	1	5N-8403	1	SCREW-PINION						
		1	5N-8425	1	WASHER						
	19	1	2W-6078	1	PINION-DRIVE (12 TEETH)						
	20	1	5N-8380	1	SPRING-PINION						
		1	5N-8374	1	SLEEVE-SPRING						
	21	1	2W-6082	1	KIT-DRIVE HOUSING						
	22	1	8B-7624	1	BALL BEARING						
	23	1	5N-8379	1	SEAT-SPRING						
	24	1	5N-8372	1	SPRING-RETURN						
	25	1	5N-8384	1	SHAFT-DRIVE						
M	26	1	6V-3938	1	BOLT-HEX HEAD (M10X1.5X20MM)						
	27	1	5P-9514	1	BALL BEARING						
	28	1	5N-8377	1	BEARING-DRIVE SHAFT						
	29	1	5N-8373	1	PISTON						
M	30	1	6V-3939	1	BOLT-HEX HEAD (M12X1.75X60MM)						
	31	1	5N-8368	1	PINION-ROTOR (17 TEETH)						
	32	1	6V-1394	1	BALL BEARING						
		1	039-4317	2	WASHER-SPRING						
	33	1	5N-8365	1	PLATE-FRONT END						
	34	1	5N-8364	1	HOUSING-MOTOR						
	35	1	5N-8388	1	ROTOR						
	36	1	5N-8367	1	PLATE-REAR END						
					AVAILABLE REPAIR KIT(S) :						
			5N-8390	1	KIT-SEAL & VANE						
					(INCLUDES PINS, RINGS, SEALS, VANE, ETC.)						

M-METRIC PART

ELECTRICAL AND STARTING SYSTEM

4W-5107 STARTING MOTOR GP-AIR (contd.)

i00118075



GRAPHIC #1

g00081746

ELECTRICAL AND STARTING SYSTEM

7C-3372 STARTING MOTOR GP-AIR

FIELD REPLACEMENT FOR 4W-5107--PAGE 612

SMCS-1451

i00095844

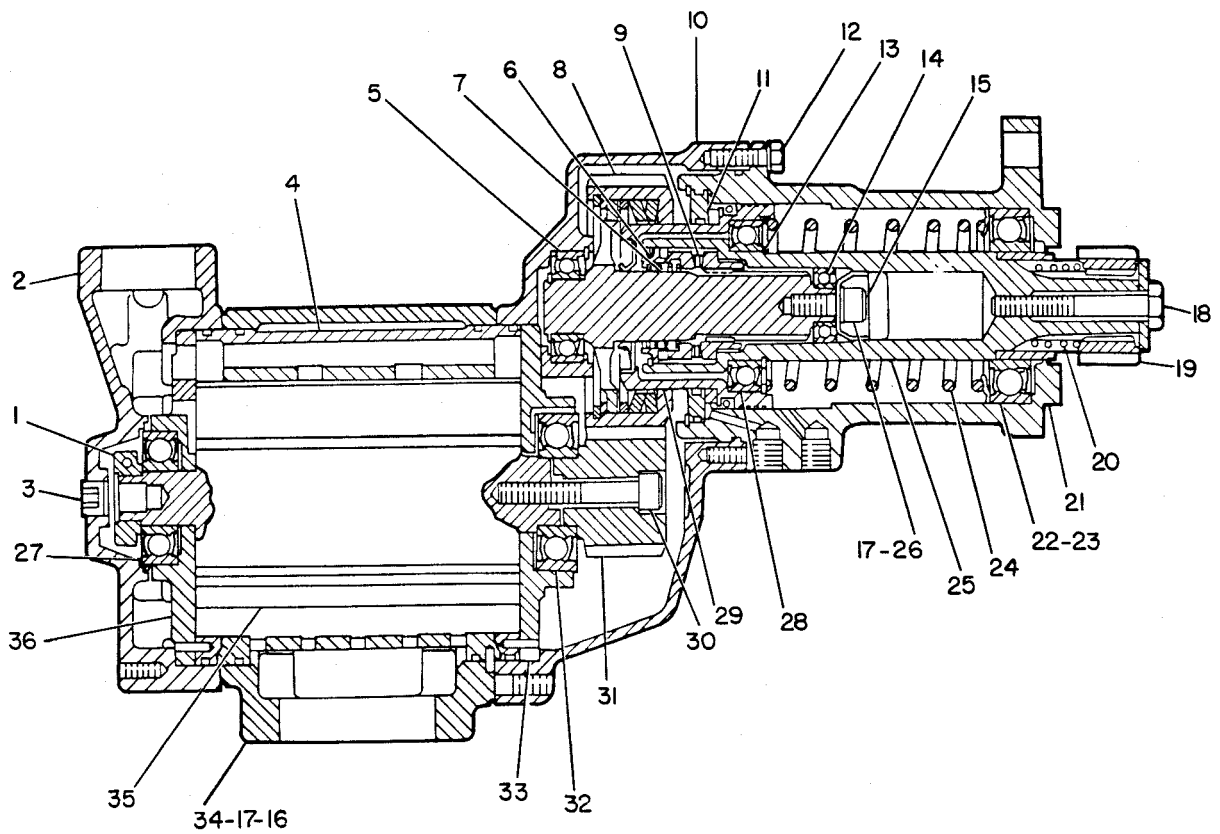
NOTE	REF NO	GRAPHIC REF	PART NUMBER	QTY	PART NAME						SEE PAGE
					1	2	3	4	5	6 (PRODUCT LEVEL)	
M	1	1	6V-3937	1	BOLT-HEX HEAD						
		1	5N-8378	1	NUT-ROTOR CLAMP						
	2	1	5N-8363	1	COVER AS						
	3	1	4D-3118	3	PLUG-PIPE						
	4	1	5N-8383	1	CYLINDER						
	5	1	6V-3916	1	BALL BEARING						
		1	1L-8497	1	RING-SNAP (SMALL)						
		1	6J-7855	1	LOCKRING (LARGE)						
	6	1	5N-8375	1	CUP-SPRING						
		1	6V-3935	1	RING-RETAINING						
	7	1	5N-8381	1	SPRING-CLUTCH						
	8	1	2W-6081	1	GEAR AS-DRIVE (37 TEETH)						
	9	1	5N-9574	1	JAW AS-CLUTCH						
	10	1	5N-8387	1	CASE-GEAR						
	11	1	5N-8424	1	BULKHEAD						
M	12	1	6V-3940	8	BOLT (M8X1.25X25MM)						
		1	3B-4505	8	LOCKWASHER (5/16IN)						
	13	1	3J-7719	1	RING-RETAINING (INNER)						
		1	6V-3971	1	RING-RETAINING (OUTER)						
	14	1	7F-8671	1	BALL BEARING						
	15	1	5N-8428	1	WASHER-GEAR						
M	16	1	5N-8427	4	BOLT-MOTOR						
	17	1	6V-3959	5	LOCKWASHER						
M	18	1	5N-8403	1	SCREW-PINION						
		1	5N-8425	1	WASHER						
	19	1	2W-6078	1	PINION-DRIVE (12 TEETH)						
	20	1	5N-8380	1	SPRING-PINION						
		1	5N-8374	1	SLEEVE-SPRING						
	21	1	2W-6082	1	KIT-DRIVE HOUSING						
	22	1	8B-7624	1	BALL BEARING						
	23	1	5N-8379	1	SEAT-SPRING						
	24	1	5N-8372	1	SPRING-RETURN						
	25	1	5N-8384	1	SHAFT-DRIVE						
M	26	1	6V-3938	1	BOLT-HEX HEAD (M10X1.5X20MM)						
	27	1	5P-9514	1	BALL BEARING						
	28	1	5N-8377	1	BEARING-DRIVE SHAFT						
	29	1	5N-8373	1	PISTON						
M	30	1	6V-3939	1	BOLT-HEX HEAD (M12X1.75X60MM)						
	31	1	5N-8368	1	PINION-ROTOR (17 TEETH)						
	32	1	6V-1394	1	BALL BEARING						
		1	039-4317	2	WASHER-SPRING						
	33	1	5N-8365	1	PLATE-FRONT END						
	34	1	111-4399	1	HOUSING-MOTOR						
	35	1	5N-8388	1	ROTOR						
	36	1	5N-8367	1	PLATE-REAR END						
					AVAILABLE REPAIR KIT(S) :						
			5N-8390	1	KIT-SEAL & VANE						
					(INCLUDES PINS, RINGS, SEALS, VANE, ETC.)						

M-METRIC PART

ELECTRICAL AND STARTING SYSTEM

7C-3372 STARTING MOTOR GP-AIR (contd.)

i00095844



GRAPHIC #1

g00081746

ELECTRICAL AND STARTING SYSTEM

8N-8477 STARTING MOTOR GP-AIR

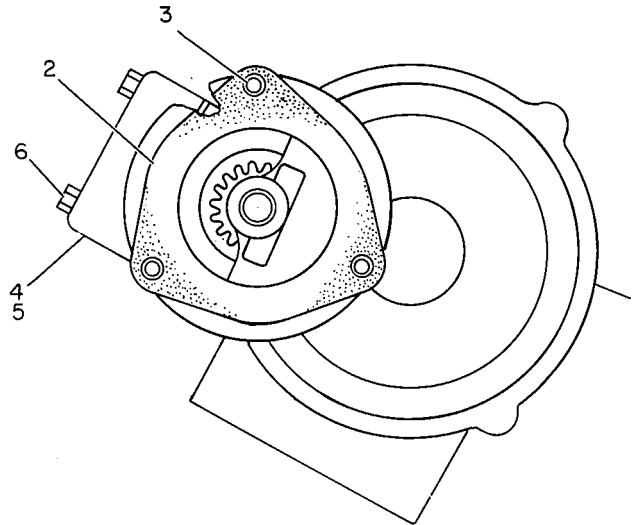
RH-SAE STANDARD ENGINE ROTATION
FOR USE WITH SAE NO. 00 FLYWHEEL HOUSING
AN ATTACHMENT

SMCS-1451

i00651904

NOTE	REF NO	GRAPHIC REF	PART NUMBER	QTY	PART NAME						SEE PAGE
					1	2	3	4	5	6 (PRODUCT LEVEL)	
Y	1	1	4W-5107	1	STARTING MOTOR GP-AIR						612
	2	1	3H-0510	1	GASKET						
	3	1	0S-1566	3	BOLT (5/8-11X1.5IN)						
	4	1	8N-8446	1	ELBOW						
	5	1	8N-8451	1	GASKET						
	6	1	1D-4566	4	BOLT (1/2-13X3.5IN)						

Y-SEPARATE ILLUSTRATION



GRAPHIC #1

g00166584

ELECTRICAL AND STARTING SYSTEM

3T-2646 STARTING MOTOR GP-ELECTRIC

24 VOLT

PART OF 7C-0526, 7C-0527 STARTING MOTOR GP-ELECTRIC

FIELD REPLACEMENT ORDER 6N-1889-PAGE 625

AN ATTACHMENT

SMCS-1453, 1454, 1465

i00883571

NOTE	PART NUMBER	QTY	PART NAME						SEE PAGE
			1	2	3	4	5	6 (PRODUCT LEVEL)	
Y	3T-4704	1	SOLENOID AS-STARTING MOTOR						610
Y	7T-0797	1	STARTING MOTOR GP-ELECTRIC						650
			-OR-						
Y	8C-3645	1	STARTING MOTOR GP-ELECTRIC						656
Y-SEPARATE ILLUSTRATION									

ELECTRICAL AND STARTING SYSTEM

3T-8967 STARTING MOTOR GP - ELECTRIC *R

FIELD INSTALLATION

TYPE 1

SMCS-1453, 1454, 1465

i00868284

NOTE	REF NO	GRAPHIC REF	PART NUMBER	QTY	PART NAME						SEE PAGE
					1	2	3	4	5	6 (PRODUCT LEVEL)	
	1	1	036-9823	13	BOLT						
	2	1	3L-3380	1	BUSHING- TERMINAL						
	3	1	3T-3418	1	FRAME AS-END						
	4	1	3T-3423	1	CUP						
	5	1	9G-4101	1	BUSHING-END						
	6	1	3T-3424	1	PLUG-FELT						
	7	1	7M-0327	1	WASHER-THRUST						
	8	1	7M-8651	1	ARMATURE AS						
	9	1	7M-0324	1	COIL AS-FIELD						
	10	1	9H-3757	2	WASHER (3/32IN THK)						
	11	1	7F-3494	2	WASHER-STUD						
	12	1	3H-3681	2	NUT-FULL (1/2-13 THD)						
	13	1	7M-0326	1	CONNECTOR						
	14	1	9B-0453	2	LOCKWASHER						
	15	1	7T-8854	1	SOLENOID AS- STARTING MOTOR						
	16	1	6H-3622	4	SCREW-MACHINE						
	17	1	4M-1831	4	PLUG- LEVER HOUSING						
	18	1	7L-2894	4	GASKET						
	19	1	3F-0379	12	SCREW- POLE SHOE						
	20	1	7M-0325	1	INSULATOR-COIL						
	21	1	7F-3488	6	SHOE- POLE						
	22	1	3T-3106	3	SCREW AS						
	23	1	3T-9524	6	BRUSH AS						
	24	1	2F-2860	6	SCREW-MACHINE						
	25	1	3T-9525	1	PLATE AS-BRUSH						
	26	1	6T-0371	1	INSULATOR						
	27	1	5P-6298	12	SCREW-MACHINE (10-32X0.5IN)						
		1	9F-5599	12	LOCKWASHER						
	28	1	6T-0372	1	PLATE						
	29	1	6T-0363	6	HOLDER AS-BRUSH (EACH INCLUDES)						
	30	1	3T-9494	1	SPRING-BRUSH						
	31	1	2L-6679	3	PLATE- INSULATOR						
	32	1	3T-4710	3	PLATE						
	33	1	3T-4709	3	PLATE						
	34	1	7F-3525	6	WASHER-BUSHING						
	35	1	2D-6392	1	SEAL-O-RING (6.07MM ID)						
	36	1	2J-8163	2	SEAL-O-RING (117.07MM ID)						
	37	1	7F-3491	2	WASHER (3/32IN THK)						
	38	1	3H-3680	2	NUT-JAM (1/2-13 THD)						
	39	1	6N-3279	1	INSULATOR						
	40	1	1H-2629	3	STRIP- INSULATION						
	41	1	3T-3422	1	WIRE AS						
	42	1	9M-7606	1	PLUNGER AS						
	43	1	036-9821	1	WASHER						
	44	1	4M-1829	1	BOOT-RUBBER						
	45	1	4M-1828	1	RETAINER-SPRING						
	46	1	9M-7609	1	SPRING						
	47	1	1H-1023	1	SEAL-O-RING (9.25MM ID)						
	48	1	3T-3420	1	HOUSING AS- LEVER						
	49	1	3T-3424	1	PLUG-FELT						
	50	1	3T-3423	1	CUP						
	51	1	1M-9968	1	BUSHING						
	52	1	2F-6678	1	SEAL-LIP						
	53	1	3T-3433	1	PLUG						
	54	1	3T-3434	6	PLUG (12.7MM OD SPHERE)						

ELECTRICAL AND STARTING SYSTEM

3T-8967 STARTING MOTOR GP-ELECTRIC (contd.)

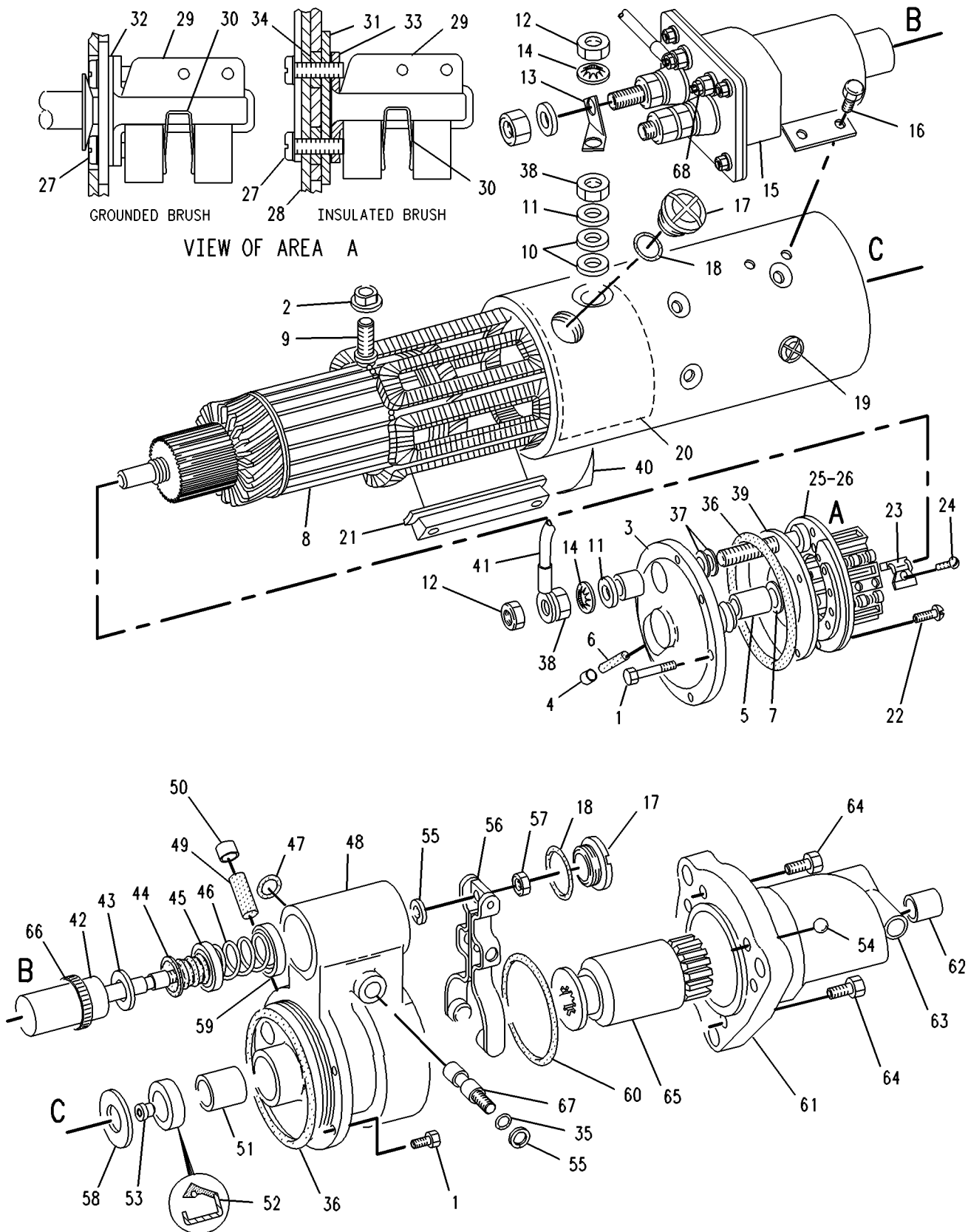
i00868284

NOTE	REF NO	GRAPHIC REF	PART NUMBER	QTY	PART NAME						SEE PAGE
					1	2	3	4	5	6 (PRODUCT LEVEL)	
	55	1	9M-7611	2	RING-RETAINING						
	56	1	4M-1853	1	LEVER AS-SHIFT						
	57	1	5M-3034	1	LOCKNUT (5/16-24 THD)						
	58	1	1M-9971	1	SPACER						
	59	1	4M-1827	1	RETAINER-SPRING						
	60	1	4M-1851	1	GASKET						
	61	1	3T-3419	1	HOUSING AS-DRIVE						
	62	1	4M-1896	1	BUSHING-TERMINAL						
	63	1	3T-3424	1	PLUG-FELT						
		1	3T-3423	1	CUP						
	64	1	4M-1833	5	SCREW (38.1MM LONG)						
		1	7M-0336	1	SCREW (22.23MM LONG)						
	65	1	6N-3826	1	DRIVE AS-MOTOR						
	66	1	3R-8801	1	CLAMP-BOOT						
	67	1	4M-1854	1	SHAFT-LEVER						
	68	1	6V-8378	1	NUT (10-32 THD)						
		1	8F-1434	1	LOCKWASHER (0.51MM THK)						
		1	4B-4274	1	WASHER (1.2MM THK)						
					AVAILABLE REPAIR KIT(S) :						
			3N-3763	1	KIT-TERMINAL						
					(INCL INSULATOR, BUSHINGS & WASHER)						

ELECTRICAL AND STARTING SYSTEM

3T-8967 STARTING MOTOR GP-ELECTRIC (contd.)

i00868284



GRAPHIC #1

g00064816

MEMORANDA

ELECTRICAL AND STARTING SYSTEM

3T-8967 STARTING MOTOR GP-ELECTRIC

FIELD INSTALLATION

TYPE 2

SMCS-1453, 1454, 1465

i00089552

NOTE	REF NO	GRAPHIC REF	PART NUMBER	QTY	PART NAME						SEE PAGE
					1	2	3	4	5	6 (PRODUCT LEVEL)	
	1	1	036-9823	13	BOLT						
	2	1	3L-3380	1	BUSHING-TERMINAL						
	3	1	3T-3418	1	FRAME AS-END						
	4	1	3T-3423	1	CUP						
	5	1	9G-4101	1	BUSHING-END						
	6	1	3T-3424	1	PLUG-FELT						
	7	1	7M-0327	1	WASHER-THRUST						
	8	1	7M-8651	1	ARMATURE AS						
	9	1	7M-0324	1	COIL AS-FIELD						
	10	1	9H-3757	2	WASHER (3/32IN THK)						
C	11	1	7X-0562	2	WASHER-HARD (0.8MM THK)						
C	12	1	4B-2049	1	NUT (10-32 THD)						
		1	8F-1434	1	LOCKWASHER (5MM ID)						
C		1	8T-0328	1	WASHER-HARD (1MM THK)						
	13	1	7M-0326	1	CONNECTOR						
C	14	1	8C-9660	3	WASHER (0.8MM THK)						
YC	15	1	3T-4704	1	SOLENOID AS-STARTING MOTOR						610
C	16	1	6V-1322	4	BOLT (1/4-20X.375 IN)						
	17	1	4M-1831	4	PLUG-LEVER HOUSING						
	18	1	7L-2894	4	GASKET						
	19	1	3F-0379	12	SCREW-POLE SHOE						
	20	1	7M-0325	1	INSULATOR-COIL						
	21	1	7F-3488	6	SHOE-POLE						
C	22	1	1S-7446	3	SCREW-MACHINE (8-32 THD)						
	23	1	3T-9524	6	BRUSH AS						
C	24	1	9S-2544	6	SCREW-HEX HEAD						
	25	1	3T-9525	1	PLATE AS-BRUSH						
	26	1	6T-0371	1	INSULATOR						
	27	1	5P-6298	12	SCREW-MACHINE (10-32X0.5IN)						
		1	9F-5599	12	LOCKWASHER						
	28	1	6T-0372	1	PLATE						
	29	1	6T-0363	6	HOLDER AS-BRUSH (EACH INCLUDES)						
	30	1	3T-9494	1	SPRING-BRUSH						
	31	1	2L-6679	3	PLATE-INSULATOR						
	32	1	3T-4710	3	PLATE						
	33	1	3T-4709	3	PLATE						
	34	1	7F-3525	6	WASHER-BUSHING						
	35	1	2D-6392	1	SEAL-O-RING (6.07MM ID)						
	36	1	2J-8163	2	SEAL-O-RING (117.07MM ID)						
	37	1	7F-3491	2	WASHER (3/32IN THK)						
C	38	1	6V-8188	4	NUT (1/2-13 THD)						
	39	1	6N-3279	1	INSULATOR						
	40	1	1H-2629	3	STRIP-INSULATION						
	41	1	3T-3422	1	WIRE AS						
	42	1	9M-7606	1	PLUNGER AS						
	43	1	036-9821	1	WASHER						
	44	1	4M-1829	1	BOOT-RUBBER						
	45	1	4M-1828	1	RETAINER-SPRING						
	46	1	9M-7609	1	SPRING						
	47	1	1H-1023	1	SEAL-O-RING (9.38MM ID)						
	48	1	3T-3420	1	HOUSING AS-LEVER						
	49	1	3T-3424	1	PLUG-FELT						
	50	1	3T-3423	1	CUP						
	51	1	1M-9968	1	BUSHING						
	52	1	2F-6678	1	SEAL-LIP						

ELECTRICAL AND STARTING SYSTEM

3T-8967 STARTING MOTOR GP-ELECTRIC (contd.)

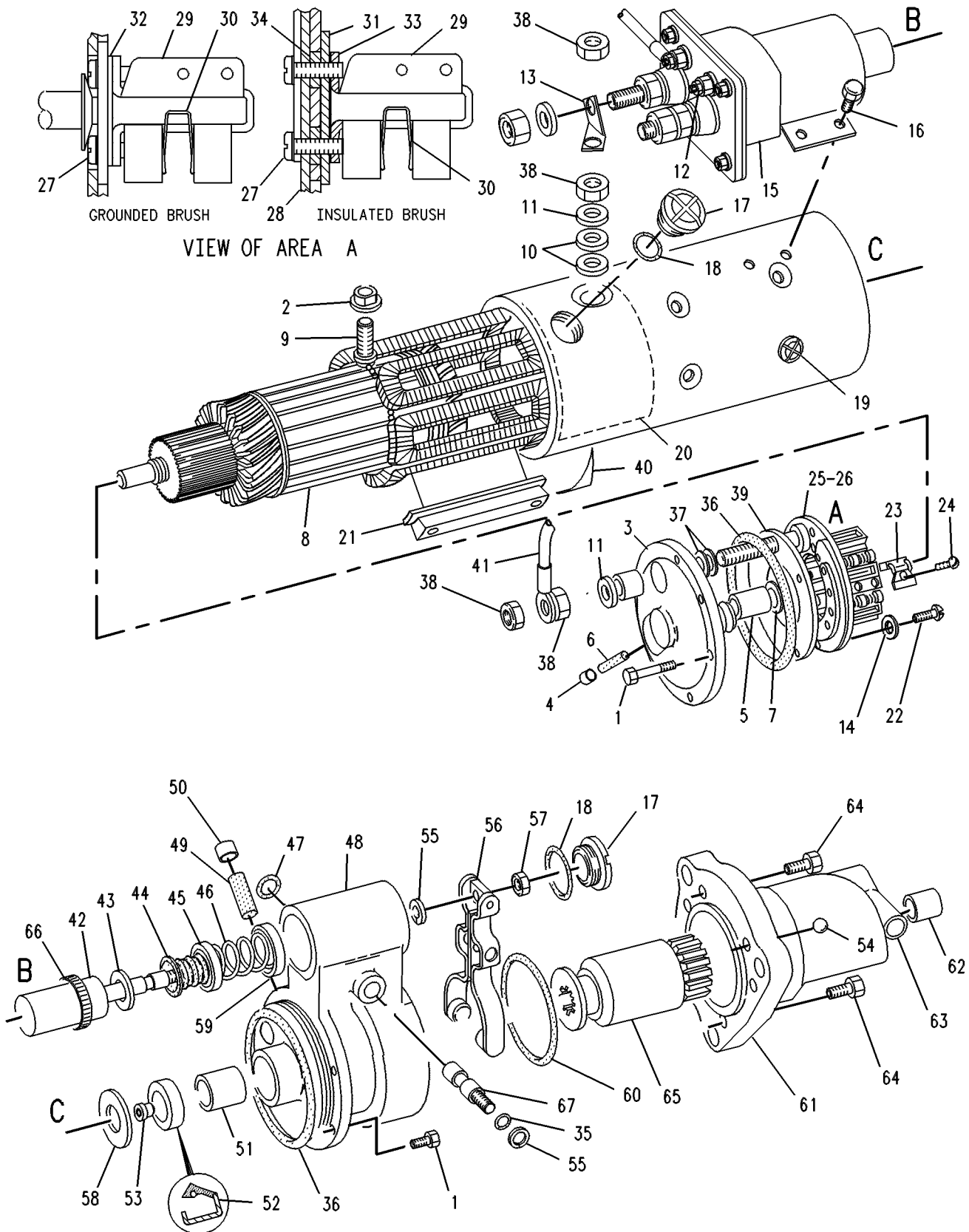
i00089552

NOTE	REF NO	GRAPHIC REF	PART NUMBER	QTY	PART NAME						SEE PAGE
					1	2	3	4	5	6 (PRODUCT LEVEL)	
	53	1	3T-3433	1	PLUG						
	54	1	3T-3434	6	PLUG (12.7MM OD SPHERE)						
C	55	1	2H-3429	2	RING-RETAINING						
	56	1	4M-1853	1	LEVER AS-SHIFT						
	57	1	5M-3034	1	LOCKNUT (5/16-24 THD)						
	58	1	1M-9971	1	SPACER						
	59	1	4M-1827	1	RETAINER-SPRING						
	60	1	4M-1851	1	GASKET						
	61	1	3T-3419	1	HOUSING AS-DRIVE						
	62	1	4M-1896	1	BUSHING-TERMINAL						
	63	1	3T-3424	1	PLUG-FELT						
		1	3T-3423	1	CUP						
C	64	1	5J-5314	5	BOLT (5/16-18X1.5IN)						
C		1	7X-3373	1	BOLT (5/16-18X.88IN)						
	65	1	6N-3826	1	DRIVE AS-MOTOR						
	66	1	3R-8801	1	CLAMP-BOOT						
	67	1	4M-1854	1	SHAFT-LEVER						
					AVAILABLE REPAIR KIT(S) :						
				3N-3763	1	KIT-TERMINAL					
				(INCLS. INSULATOR, BUSHINGS & WASHER)							
C- CHANGE FROM PREVIOUS TYPE Y- SEPARATE ILLUSTRATION											

ELECTRICAL AND STARTING SYSTEM

3T-8967 STARTING MOTOR GP-ELECTRIC (contd.)

i00089552



GRAPHIC #1

g00065750

ELECTRICAL AND STARTING SYSTEM

6N-1889 STARTING MOTOR GP-ELECTRIC*R

24 VOLT

FIELD REPLACEMENT ORDER 6V-5539-PAGE 639. FIELD REPLACEMENT FOR 3T-2646-PAGE 617

SMCS-1453, 1454, 1465

i00945742

NOTE	PART NUMBER	QTY	PART NAME						SEE PAGE
			1	2	3	4	5	6 (PRODUCT LEVEL)	
Y	8C-3644	1	STARTING MOTOR GP-ELECTRIC						652
			-OR-						
Y	9X-4452	1	STARTING MOTOR GP-ELECTRIC						662
			-OR-						
Y	7T-0794	1	STARTING MOTOR GP-ELECTRIC						648
Y-SEPARATE ILLUSTRATION									

ELECTRICAL AND STARTING SYSTEM

6T-0647 STARTING MOTOR GP-ELECTRIC

24 VOLT

PART OF 8N-3896 STARTING MOTOR GP-ELECTRIC

FIELD REPLACEMENT ORDER 3T-8967-PAGE 618

AN ATTACHMENT

SMCS-1453, 1454, 1465

i00090080

NOTE	REF NO	GRAPHIC REF	PART NUMBER	QTY	PART NAME						SEE PAGE
					1	2	3	4	5	6 (PRODUCT LEVEL)	
	1	1	036-9823	13	BOLT						
	2	1	3L-3380	1	BUSHING-TERMINAL						
	3	1	3T-3418	1	FRAME AS-END						
	4	1	3T-3423	1	CUP						
	5	1	9G-4513	1	BUSHING-TERMINAL						
	6	1	3T-3424	1	PLUG-FELT						
	7	1	7M-0327	1	WASHER-THRUST						
	8	1	7M-8651	1	ARMATURE AS						
	9	1	7M-0324	1	COIL AS-FIELD						
	10	1	9H-3757	2	WASHER (3/32IN THK)						
	11	1	7F-3494	2	WASHER-STUD						
	12	1	3H-3680	2	NUT-JAM (1/2-13 THD)						
	13	1	7M-0326	1	CONNECTOR						
	14	1	9B-0453	2	LOCKWASHER						
Y	15	1	7T-8854	1	SOLENOID AS-STARTING MOTOR						611
	16	1	6H-3622	4	SCREW-MACHINE						
	17	1	4M-1831	4	PLUG-LEVER HOUSING						
	18	1	7L-2894	4	GASKET						
	19	1	3F-0379	12	SCREW-POLE SHOE						
	20	1	7M-0325	1	INSULATOR-COIL						
	21	1	7F-3488	6	SHOE-POLE						
	22	1	3T-3106	3	SCREW AS						
	23	1	3T-9524	6	BRUSH AS						
	24	1	2F-2860	6	SCREW-MACHINE						
	25	1	3T-9525	1	PLATE AS-BRUSH						
	26	1	6T-0371	1	INSULATOR						
	27	1	3T-4711	12	SCREW AS						
		1	9F-5599	12	LOCKWASHER						
	28	1	7F-3525	6	WASHER-BUSHING						
	29	1	6T-0372	1	PLATE						
	30	1	3T-4709	3	PLATE						
	31	1	2L-6679	3	PLATE-INSULATOR						
	32	1	3T-4710	3	PLATE						
	33	1	6T-0363	6	HOLDER AS-BRUSH (EACH INCLUDES)						
	34	1	3T-9494	1	SPRING-BRUSH						
	35	1	2D-6392	1	SEAL-O-RING (6.07MM ID)						
	36	1	2J-8163	2	SEAL-O-RING (117.07MM ID)						
	37	1	7F-3491	2	WASHER (3/32IN THK)						
	38	1	3R-8801	1	CLAMP-BOOT						
	39	1	6N-3826	1	DRIVE AS-MOTOR						
	40	1	1H-2629	1	STRIP-INSULATION						
	41	1	3T-3422	1	WIRE AS						
	42	1	9M-7606	1	PLUNGER AS						
	43	1	036-9821	1	WASHER						
	44	1	4M-1829	1	BOOT-RUBBER						
	45	1	4M-1828	1	RETAINER-SPRING						
	46	1	9M-7609	1	SPRING						
	47	1	1H-1023	1	SEAL-O-RING (9.38MM ID)						
	48	1	3T-3420	1	HOUSING AS-LEVER						
	49	1	3T-3424	1	PLUG-FELT						
	50	1	3T-3423	1	CUP						
	51	1	1M-9968	1	BUSHING						
	52	1	2F-6678	1	SEAL-LIP						

ELECTRICAL AND STARTING SYSTEM

6T-0647 STARTING MOTOR GP-ELECTRIC (contd.)

i00090080

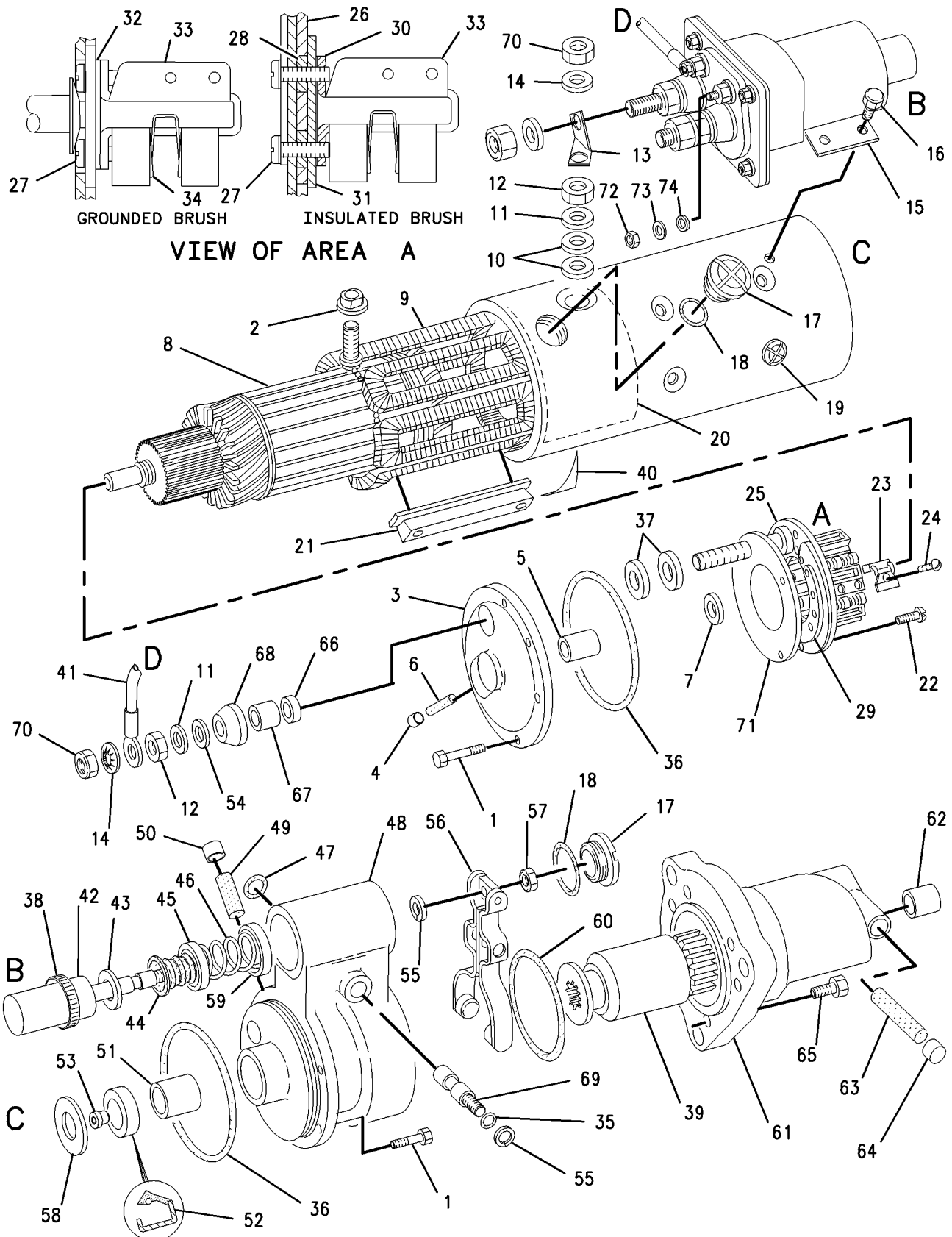
NOTE	REF NO	GRAPHIC REF	PART NUMBER	QTY	PART NAME						SEE PAGE
					1	2	3	4	5	6 (PRODUCT LEVEL)	
	53	1	3T-3433	1	PLUG						
JZ	54	1		1	WASHER						
	55	1	9M-7611	2	RING-RETAINING						
	56	1	4M-1853	1	LEVER AS-SHIFT						
	57	1	5M-3034	1	LOCKNUT (5/16-24 THD)						
	58	1	1M-9971	1	SPACER						
	59	1	4M-1827	1	RETAINER-SPRING						
	60	1	4M-1851	1	GASKET						
	61	1	3T-3419	1	HOUSING AS-DRIVE						
	62	1	4M-1896	1	BUSHING-TERMINAL						
	63	1	3T-3424	1	PLUG-FELT						
	64	1	3T-3423	1	CUP						
	65	1	4M-1833	5	SCREW (38.1MM LONG)						
		1	7M-0336	1	SCREW (22.23MM LONG)						
JZ	66	1		1	BUSHING						
JZ	67	1		1	BUSHING						
	68	1	3N-3763	1	KIT-TERMINAL (INCL PARTS MARKED J)						
JZ		1		1	INSULATOR						
	69	1	4M-1854	1	SHAFT-LEVER						
	70	1	3H-3681	2	NUT-FULL (1/2-13 THD)						
C	71	1	6N-3279	1	INSULATOR						
	72	1	6V-8378	1	NUT (10-32 THD)						
	73	1	4B-4274	1	WASHER (1.2MM THK)						
	74	1	8F-1434	1	LOCKWASHER (5MM ID)						

C-CHANGE FROM PREVIOUS TYPE
Y-SEPARATE ILLUSTRATION
Z-NOT SERVICED SEPARATELY

ELECTRICAL AND STARTING SYSTEM

6T-0647 STARTING MOTOR GP-ELECTRIC (contd.)

i00090080



GRAPHIC #1

g00064318

MEMORANDA

ELECTRICAL AND STARTING SYSTEM

6V-0927 STARTING MOTOR GP-ELECTRIC

24 VOLT

PART OF 8N-3896 STARTING MOTOR GP-ELECTRIC

AN ATTACHMENT

TYPE 1

SMCS-1453, 1454, 1465

i00090108

NOTE	REF NO	GRAPHIC REF	PART NUMBER	QTY	PART NAME						SEE PAGE
					1	2	3	4	5	6 (PRODUCT LEVEL)	
	1	1	036-9823	13	BOLT						
	2	1	3L-3380	1	BUSHING-TERMINAL						
	3	1	3T-3418	1	FRAME AS-END						
	4	1	3T-3423	1	CUP						
	5	1	9G-4101	1	BUSHING-END						
	6	1	3T-3424	1	PLUG-FELT						
	7	1	7M-0327	1	WASHER-THRUST						
	8	1	7M-8651	1	ARMATURE AS						
	9	1	7M-0324	1	COIL AS-FIELD						
	10	1	9H-3757	2	WASHER (3/32IN THK)						
	11	1	7X-0562	6	WASHER-HARD (0.8MM THK)						
	12	1	6V-8188	6	NUT (1/2-13 THD)						
	13	1	7M-0326	1	CONNECTOR						
	14	1	8T-4205	4	WASHER-HARD (2MM THK)						
Y	15	1	3T-4704	1	SOLENOID AS-STARTING MOTOR						610
	16	1	6V-1322	4	BOLT (1/4-20X.375 IN)						
	17	1	4M-1831	4	PLUG-LEVER HOUSING						
	18	1	7L-2894	4	GASKET						
	19	1	3F-0379	12	SCREW-POLE SHOE						
	20	1	7M-0325	1	INSULATOR-COIL						
	21	1	7F-3488	6	SHOE-POLE						
	22	1	1S-7446	3	SCREW-MACHINE (8-32 THD)						
	23	1	3T-9524	6	BRUSH AS						
	24	1	9S-2544	6	SCREW-HEX HEAD						
	25	1	3T-9525	1	PLATE AS-BRUSH						
	26	1	6T-0371	1	INSULATOR						
	27	1	3T-4711	12	SCREW AS						
		1	9F-5599	12	LOCKWASHER						
	28	1	7F-3525	6	WASHER-BUSHING						
	29	1	6T-0372	1	PLATE						
	30	1	3T-4709	3	PLATE						
	31	1	2L-6679	3	PLATE-INSULATOR						
	32	1	3T-4710	3	PLATE						
	33	1	6T-0363	6	HOLDER AS-BRUSH (EACH INCLUDES)						
	34	1	3T-9494	1	SPRING-BRUSH						
	35	1	2D-6392	1	SEAL-O-RING (6.07MM ID)						
	36	1	2J-8163	2	SEAL-O-RING (117.07MM ID)						
	37	1	7F-3491	2	WASHER (3/32IN THK)						
	38	1	3R-8801	1	CLAMP-BOOT						
	39	1	6N-3826	1	DRIVE AS-MOTOR						
	40	1	1H-2629	3	STRIP-INSULATION						
	41	1	3T-3422	1	WIRE AS						
	42	1	9M-7606	1	PLUNGER AS						
	43	1	036-9821	1	WASHER						
	44	1	4M-1829	1	BOOT-RUBBER						
	45	1	4M-1828	1	RETAINER-SPRING						
	46	1	9M-7609	1	SPRING						
	47	1	1H-1023	1	SEAL-O-RING (9.38MM ID)						
	48	1	3E-7771	1	HOUSING AS						
	49	1	3T-3424	2	PLUG-FELT						
	50	1	3T-3423	2	CUP						
	51	1	1M-9968	1	BUSHING						
	52	1	2F-6678	1	SEAL-LIP						

ELECTRICAL AND STARTING SYSTEM

6V-0927 STARTING MOTOR GP-ELECTRIC (contd.)

i00090108

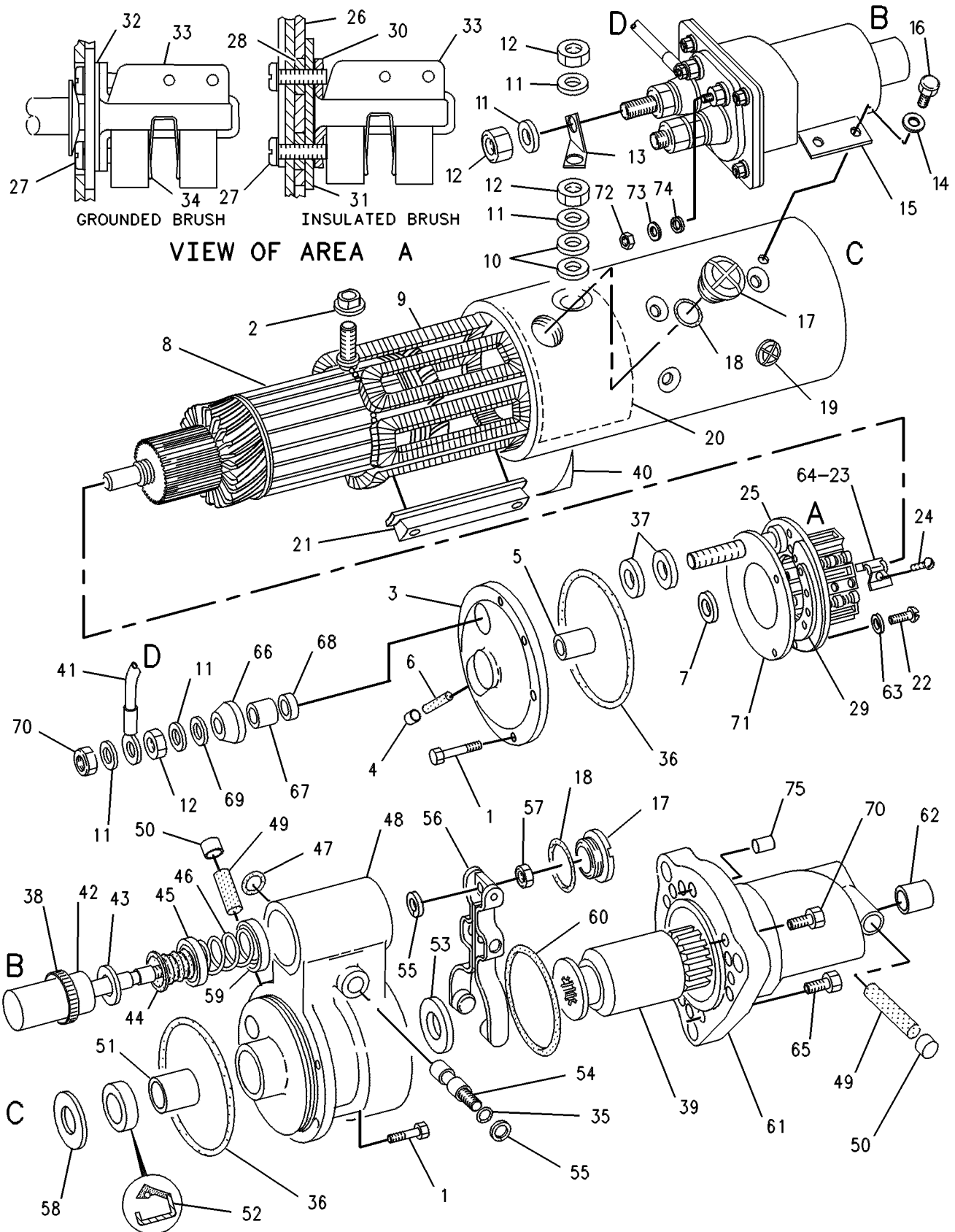
NOTE	REF NO	GRAPHIC REF	PART NUMBER	QTY	PART NAME						SEE PAGE
					1	2	3	4	5	6 (PRODUCT LEVEL)	
	53	1	4L-2729	1	WASHER						
	54	1	4M-1854	1	SHAFT-LEVER						
	55	1	2H-3429	2	RING-RETAINING						
	56	1	4M-1853	1	LEVER AS-SHIFT						
	57	1	5M-3034	1	LOCKNUT (5/16-24 THD)						
	58	1	1M-9971	1	SPACER						
	59	1	4M-1827	1	RETAINER-SPRING						
	60	1	8C-3089	1	SEAL-O-RING (82.22MM ID)						
	61	1	7T-3974	1	HOUSING AS-DRIVE						
	62	1	4M-1896	1	BUSHING-TERMINAL						
	63	1	8C-9660	3	WASHER (0.8MM THK)						
	64	1	3T-9494	6	SPRING-BRUSH						
	65	1	5J-5314	5	BOLT (5/16-18X1.5IN)						
	66	1	3N-3763	1	KIT-TERMINAL (INCL PARTS MARKED J)						
JZ		1		1	INSULATOR						
JZ	67	1		1	BUSHING						
JZ	68	1		1	BUSHING						
JZ	69	1		1	WASHER						
	70	1	7X-3373	1	BOLT (5/16-18X.88IN)						
	71	1	6N-3279	1	INSULATOR						
	72	1	4B-2049	2	NUT (10-32 THD)						
	73	1	8T-0328	2	WASHER-HARD (1MM THK)						
	74	1	8F-1434	2	LOCKWASHER (5MM ID)						
B	75	1	3T-3434	6	PLUG (12.7MM OD SPHERE)						

B-USE AS REQUIRED
 Y-SEPARATE ILLUSTRATION
 Z-NOT SERVICED SEPARATELY

ELECTRICAL AND STARTING SYSTEM

6V-0927 STARTING MOTOR GP-ELECTRIC (contd.)

i00090108



GRAPHIC #1

g00065760

MEMORANDA

ELECTRICAL AND STARTING SYSTEM

6V-0927 STARTING MOTOR GP-ELECTRIC

24 VOLT

PART OF 8N-3896 STARTING MOTOR GP-ELECTRIC

AN ATTACHMENT

TYPE 2

SMCS-1453, 1454, 1465

i00090105

NOTE	REF NO	GRAPHIC REF	PART NUMBER	QTY	PART NAME						SEE PAGE
					1	2	3	4	5	6 (PRODUCT LEVEL)	
	1	1	7M-0326	1	CONNECTOR						
	2	1	9H-3757	2	WASHER (3/32IN THK)						
	3	1	1S-7446	3	SCREW-MACHINE (8-32 THD)						
	4	1	8C-9660	3	WASHER (0.8MM THK)						
	5	1	9S-2544	9	SCREW-HEX HEAD						
	6	1	7M-0327	1	WASHER-THRUST						
	7	1	3T-3418	1	FRAME AS-END						
		1	9G-4101	1	BUSHING-END						
		1	3T-3423	1	CUP						
		1	3T-3424	1	PLUG-FELT						
C	8	1	125-6533	1	SOLENOID AS						
		1	3R-8801	1	CLAMP-BOOT						
	9	1	7F-3491	2	WASHER (3/32IN THK)						
	10	1	3T-3422	1	WIRE AS						
	11	1	2J-8163	2	SEAL-O-RING (117.07MM ID)						
	12	1	7X-3373	1	BOLT (5/16-18X.88IN)						
B	13	1	3T-3434	6	PLUG (12.7MM OD SPHERE)						
	14	1	5J-5314	5	BOLT (5/16-18X1.5IN)						
	15	1	3L-3380	1	BUSHING-TERMINAL						
	16	1	036-9821	1	WASHER						
	17	1	4M-1828	1	RETAINER-SPRING						
	18	1	4M-1829	1	BOOT-RUBBER						
	19	1	9M-7606	1	PLUNGER AS						
	20	1	9M-7609	1	SPRING						
	21	1	4M-1827	1	RETAINER-SPRING						
	22	1	8C-3089	1	SEAL-O-RING (82.22MM ID)						
	23	1	4M-1853	1	LEVER AS-SHIFT						
	24	1	5M-3034	1	LOCKNUT (5/16-24 THD)						
	25	1	7L-2894	4	GASKET						
	26	1	4M-1831	4	PLUG-LEVER HOUSING						
	27	1	4M-1854	1	SHAFT-LEVER						
	28	1	1H-1023	1	SEAL-O-RING (9.38MM ID)						
	29	1	2D-6392	1	SEAL-O-RING (6.07MM ID)						
	30	1	7T-3974	1	HOUSING AS-DRIVE						
	31	1	6N-3826	1	DRIVE AS-MOTOR						
	32	1	2H-3429	2	RING-RETAINING						
	33	1	6V-1322	4	BOLT (1/4-20X.375 IN)						
	34	1	8T-4205	4	WASHER-HARD (2MM THK)						
	35	1	6N-3279	1	INSULATOR						
	36	1	036-9823	13	BOLT						
	37	1	1M-9971	1	SPACER						
	38	1	1H-2629	3	STRIP-INSULATION						
	39	1	7M-0324	1	COIL AS-FIELD						
	40	1	3F-0379	12	SCREW-POLE SHOE						
	41	1	7F-3488	6	SHOE-POLE						
	42	1	7M-8651	1	ARMATURE AS						
	43	1	7M-0325	1	INSULATOR-COIL						
	44	1	3T-9524	6	BRUSH AS						
	45	1	3E-7771	1	HOUSING AS						
C	46	1	125-6537	1	INSULATOR						
	47	1	3R-8801	1	CLAMP-BOOT						
	48	1	8F-1434	2	LOCKWASHER (5MM ID)						
	49	1	6V-8188	6	NUT (1/2-13 THD)						
	50	1	7X-0562	6	WASHER-HARD (0.8MM THK)						

ELECTRICAL AND STARTING SYSTEM

6V-0927 STARTING MOTOR GP-ELECTRIC (contd.)

i00090105

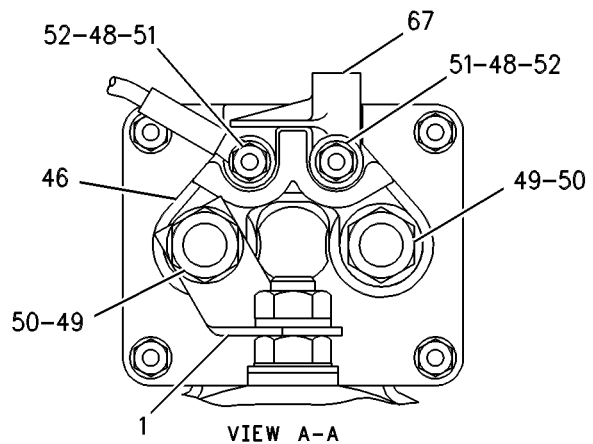
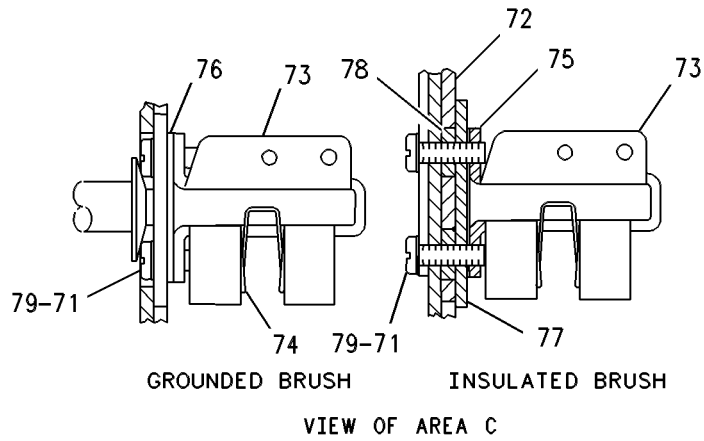
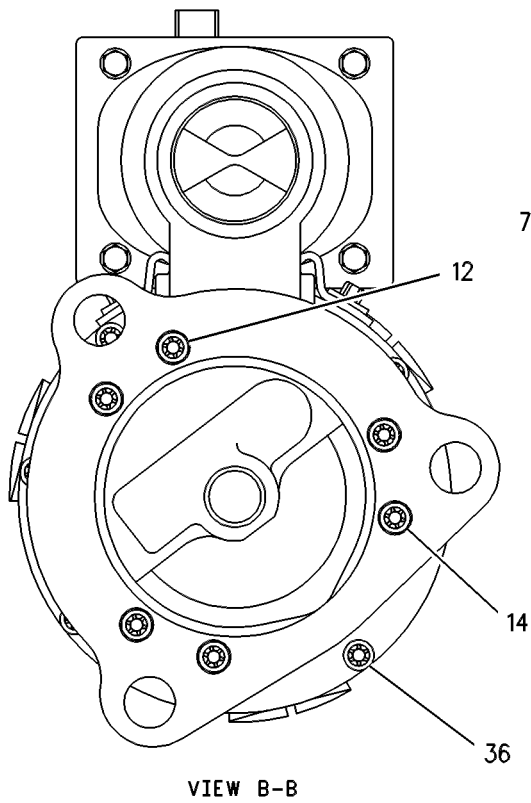
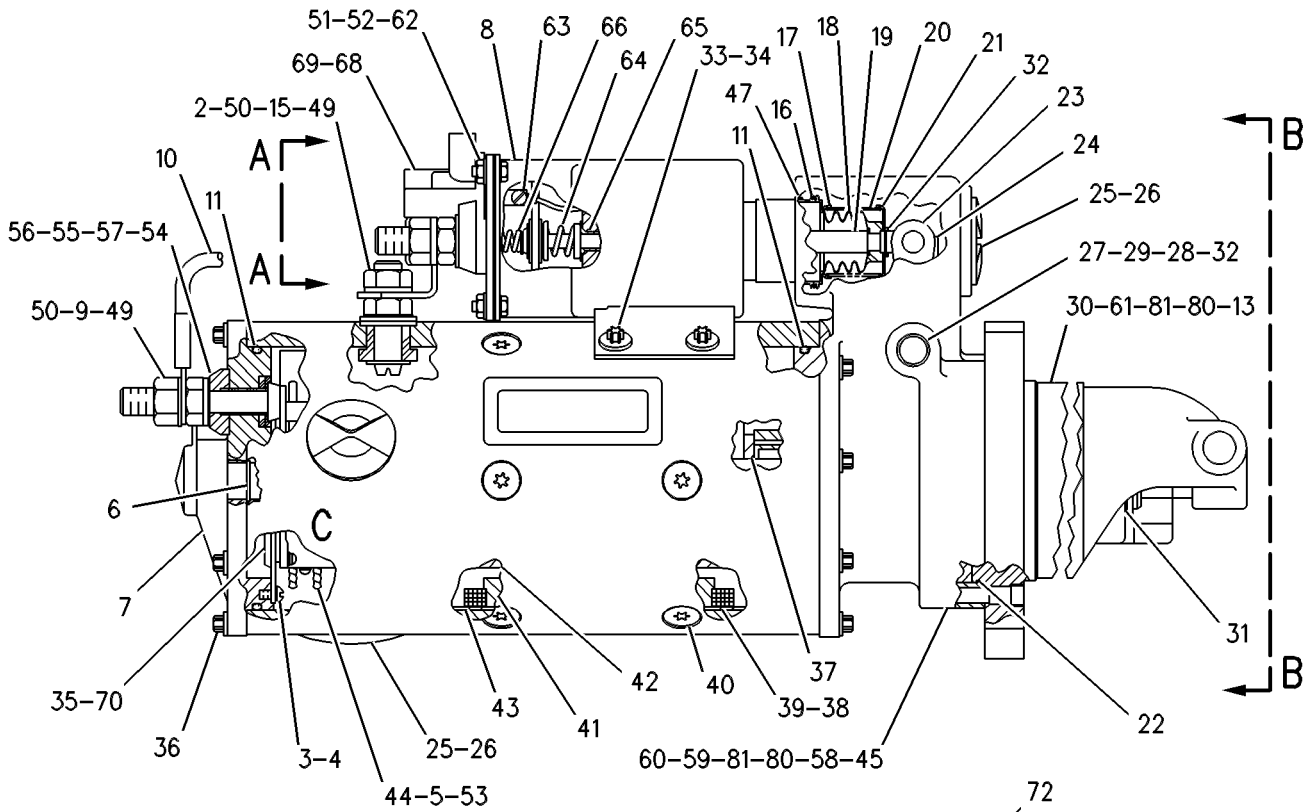
NOTE	REF NO	GRAPHIC REF	PART NUMBER	QTY	PART NAME						SEE PAGE
					1	2	3	4	5	6 (PRODUCT LEVEL)	
	51	1	4B-2049	2	NUT (10-32 THD)						
	52	1	8T-0328	10	WASHER-HARD (1MM THK)						
	53	1	3T-9494	6	SPRING-BRUSH						
	54	1	3N-3763	1	KIT-TERMINAL (INCL PARTS MARKED J)						
JZ		1		1	INSULATOR						
JZ	55	1		1	BUSHING						
JZ	56	1		1	BUSHING						
JZ	57	1		1	WASHER						
	58	1	1M-9968	1	BUSHING						
	59	1	2F-6678	1	SEAL-LIP						
	60	1	4L-2729	1	WASHER						
	61	1	4M-1896	1	BUSHING-TERMINAL						
	62	1	045-4065	4	SCREW-MACHINE (10-32X.75IN)						
	63	1	6V-8373	3	SCREW-MACHINE (6-32X.187IN)						
	64	1	9G-6770	1	CONTACT AS						
	65	1	6T-1120	1	BUSHING-TERMINAL						
	66	1	4M-1815	1	SPRING-CONTACT						
C	67	1	125-6535	1	COVER-STARTING MOTOR						
	68	1	7T-9123	1	GASKET-PLATE						
C	69	1	125-6536	1	TERMINAL AS						
	70	1	3T-9525	1	PLATE AS-BRUSH						
	71	1	9F-5599	12	LOCKWASHER						
	72	1	6T-0371	1	INSULATOR						
	73	1	6T-0363	6	HOLDER AS-BRUSH (EACH INCLUDES)						
	74	1	3T-9494	1	SPRING-BRUSH						
	75	1	3T-4709	3	PLATE						
	76	1	3T-4710	3	PLATE						
	77	1	2L-6679	3	PLATE-INSULATOR						
	78	1	7F-3525	6	WASHER-BUSHING						
C	79	1	5P-6298	12	SCREW-MACHINE (10-32X0.5IN)						
	80	1	3T-3423	2	CUP						
	81	1	3T-3424	2	PLUG-FELT						

B-USE AS REQUIRED
 C-CHANGE FROM PREVIOUS TYPE
 Z-NOT SERVICED SEPARATELY

ELECTRICAL AND STARTING SYSTEM

6V-0927 STARTING MOTOR GP-ELECTRIC (contd.)

i00090105



GRAPHIC #1

g00066632

ELECTRICAL AND STARTING SYSTEM

6V-4246 STARTING MOTOR GP-ELECTRIC

PART OF 7C-0526, 7C-0527 STARTING MOTOR GP-ELECTRIC

FIELD REPLACEMENT ORDER 6V-5539-PAGE 639

AN ATTACHMENT

SMCS-1453, 1454, 1465

i00884867

NOTE	PART NUMBER	QTY	PART NAME						SEE PAGE
			1	2	3	4	5	6 (PRODUCT LEVEL)	
Y	6V-4320	1	STARTING MOTOR GP-ELECTRIC						638
			-OR-						
Y	106-8551	1	STARTING MOTOR GP-ELECTRIC						664
Y-SEPARATE ILLUSTRATION									

ELECTRICAL AND STARTING SYSTEM

6V-4320 STARTING MOTOR GP-ELECTRIC

PART OF 6V-4246 STARTING MOTOR GP-ELECTRIC

FIELD REPLACEMENT ORDER 6V-5539-PAGE 639

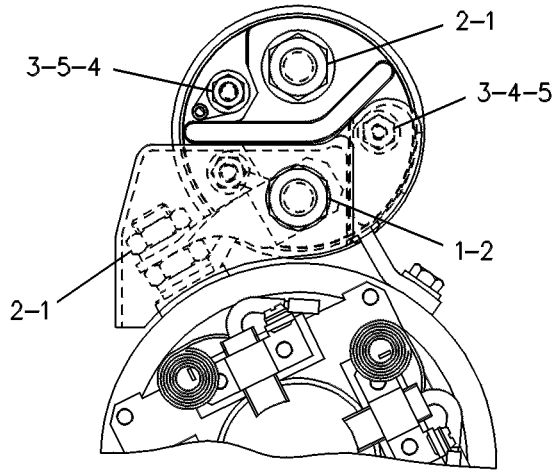
AN ATTACHMENT

SMCS-1453, 1454, 1465

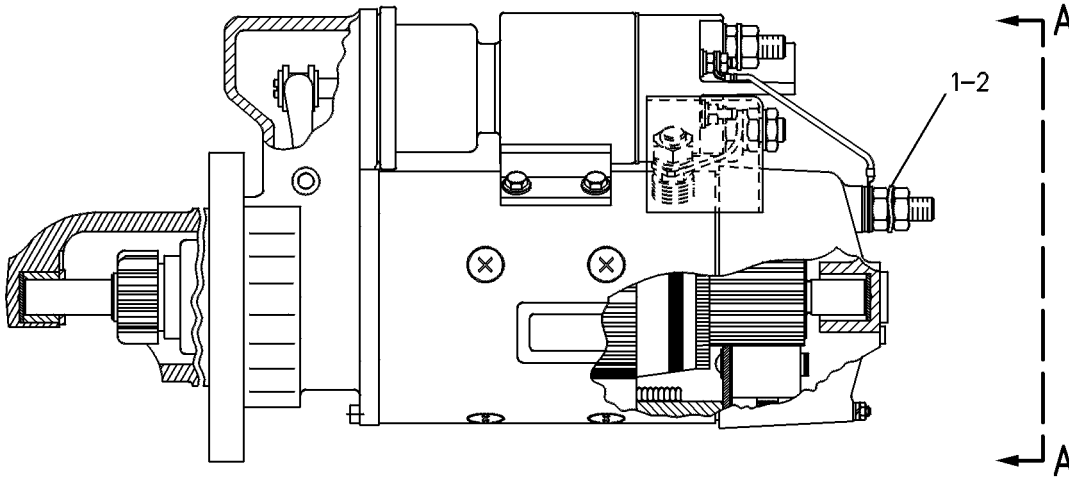
i00649534

NOTE	REF NO	GRAPHIC REF	PART NUMBER	QTY	PART NAME						SEE PAGE
					1	2	3	4	5	6 (PRODUCT LEVEL)	
	1	1	7X-0562	5	WASHER-HARD (0.8MM THK)						
M	2	1	8T-4244	5	NUT (M12X1.75 THD)						
M	3	1	5C-2874	2	NUT (M5X.8 THD)						
	4	1	8F-1434	2	LOCKWASHER (5MM ID)						
	5	1	8T-0328	2	WASHER-HARD (1MM THK)						

M-METRIC PART



VIEW A-A



GRAPHIC #1

g00084514

ELECTRICAL AND STARTING SYSTEM

6V-5539 STARTING MOTOR GP-ELECTRIC*R

24 VOLT

FIELD REPLACEMENT FOR 3T-2646-PAGE 617: FOR 6N-1889-PAGE 625: FOR
6V-4246-PAGE 637: FOR 6V-4320-PAGE 638: FOR 8C-3644-PAGE 652: FOR
106-8551-PAGE 664
FIELD INSTALLATION

SMCS-1453, 1454, 1465

i00935159

NOTE	PART NUMBER	QTY	PART NAME						SEE PAGE
			1	2	3	4	5	6 (PRODUCT LEVEL)	
Y	6V-5540	1	STARTING MOTOR GP-ELECTRIC						640
			-OR-						
Y	6V-5582	1	STARTING MOTOR GP-ELECTRIC						642
			-OR-						
Y	106-8554	1	STARTING MOTOR GP-ELECTRIC						666
Y-SEPARATE ILLUSTRATION									

ELECTRICAL AND STARTING SYSTEM

6V-5540 STARTING MOTOR GP-ELECTRIC

24 VOLT

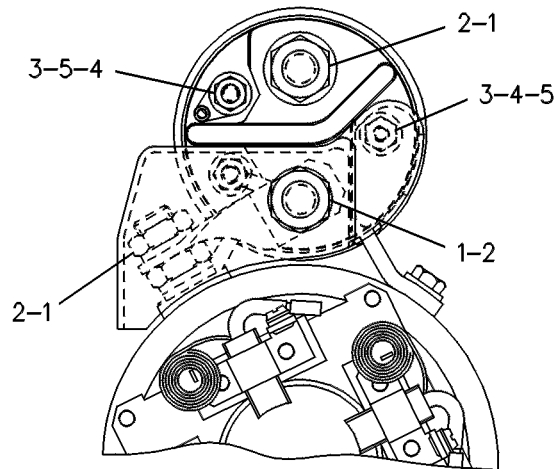
PART OF 6V-5539 STARTING MOTOR GP-ELECTRIC

SMCS-1453, 1454, 1465

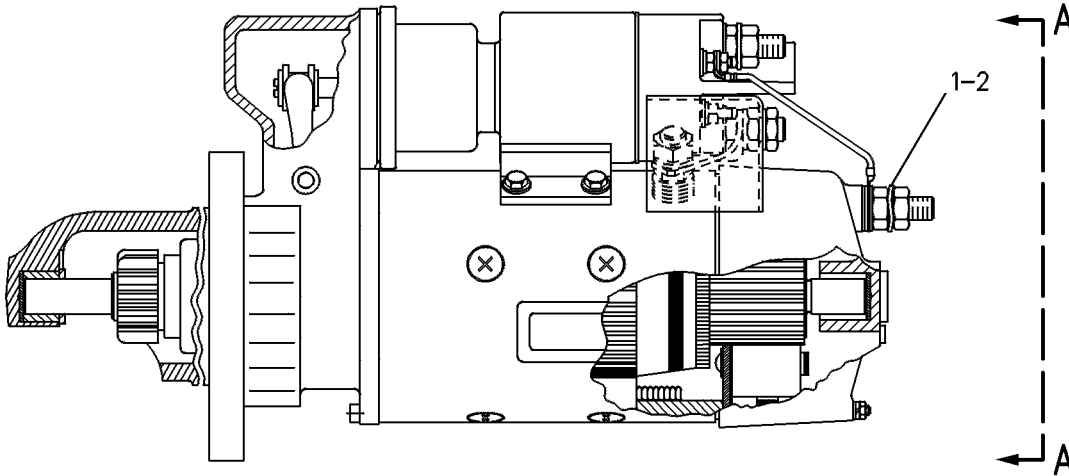
i00112093

NOTE	REF NO	GRAPHIC REF	PART NUMBER	QTY	PART NAME						SEE PAGE
					1	2	3	4	5	6 (PRODUCT LEVEL)	
	1	1	7X-0562	5	WASHER-HARD (0.8MM THK)						
M	2	1	8T-4244	5	NUT (M12X1.75 THD)						
M	3	1	5C-2874	2	NUT (M5X.8 THD)						
	4	1	8F-1434	2	LOCKWASHER (5MM ID)						
	5	1	8T-0328	2	WASHER-HARD (1MM THK)						

M-METRIC PART



VIEW A-A



GRAPHIC #1

g00084514

MEMORANDA

ELECTRICAL AND STARTING SYSTEM

6V-5582 STARTING MOTOR GP-ELECTRIC

24 VOLT

PART OF 6V-5539 STARTING MOTOR GP-ELECTRIC

SMCS-1453, 1454, 1465

i00112096

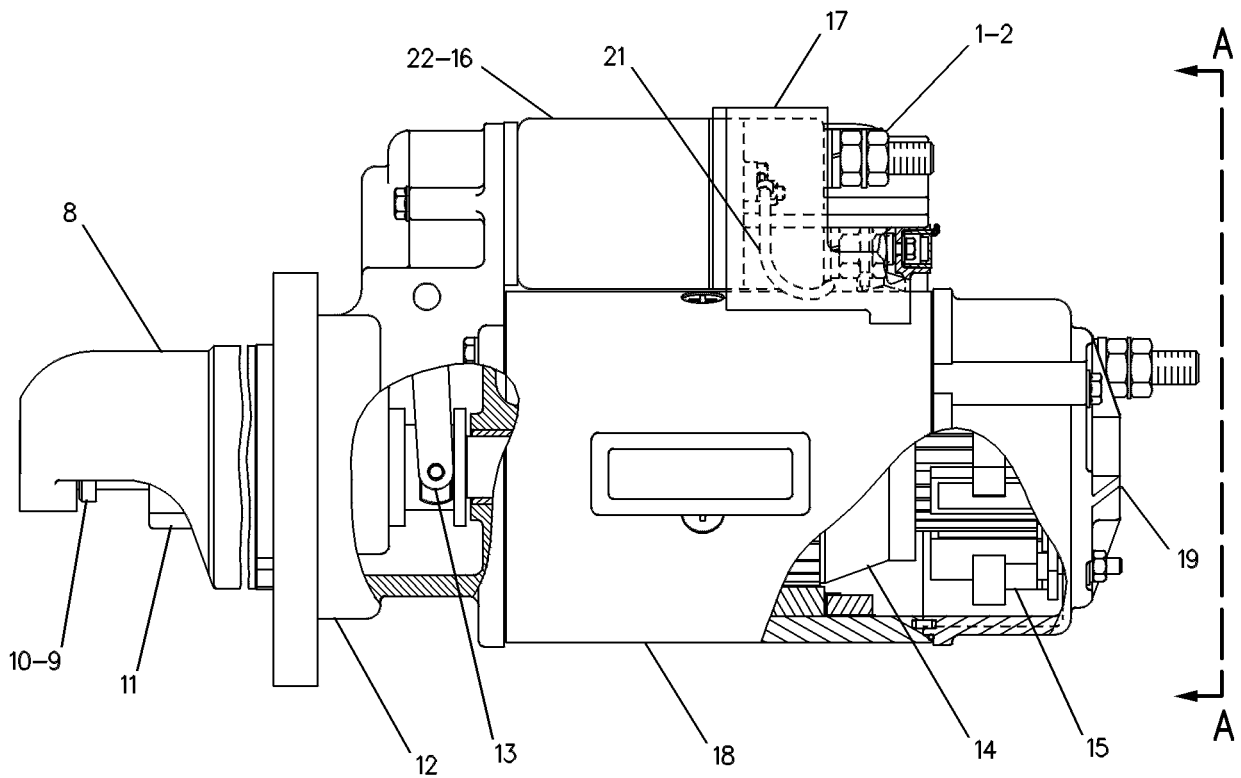
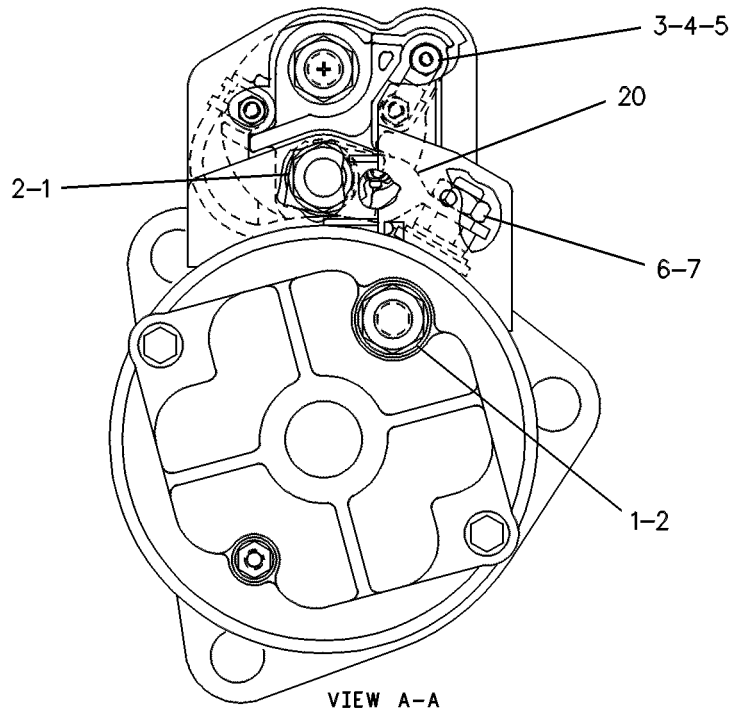
NOTE	REF NO	GRAPHIC REF	PART NUMBER	QTY	PART NAME						SEE PAGE
					1	2	3	4	5	6 (PRODUCT LEVEL)	
	1	1	6V-8188	3	NUT (1/2-13 THD)						
	2	1	7X-0562	3	WASHER-HARD (0.8MM THK)						
	3	1	4B-2049	1	NUT (10-32 THD)						
	4	1	8F-1434	1	LOCKWASHER (5MM ID)						
	5	1	8T-0328	1	WASHER-HARD (1MM THK)						
M	6	1	8T-4133	1	NUT (M10X1.50 THD)						
	7	1	8T-4121	1	WASHER (2.5MM THK)						
	8	1	3E-0142	1	HOUSING AS						
	9	1	3E-0141	1	STOP-STARTING MOTOR						
	10	1	4N-7521	1	LOCKRING						
	11	1	3E-0146	1	DRIVE AS-STARTING MOTOR						
	12	1	3E-0144	1	HOUSING AS						
	13	1	3E-0140	1	LEVER AS-STARTER						
	14	1	3E-0138	1	ARMATURE AS						
	15	1	3E-0137	1	HOLDER AS						
	16	1	3E-0135	1	SOLENOID AS						
	17	1	3E-0125	1	COVER AS-STARTING MOTOR						
	18	1	3E-0139	1	HOUSING AS						
	19	1	3E-0136	1	HOUSING AS						
	20	1	3E-0132	1	CONNECTOR						
	21	1	3E-0133	1	WIRE AS-STARTING MOTOR						
	22	1	3E-0134	1	COVER-PLUNGER						
					AVAILABLE REPAIR KIT(S) :						
			3E-0128	1	KIT-BRUSH (INCLUDES O-RINGS, SCREW, SPRING, & BRUSH)						
			3E-0131	1	KIT-WASHER (INCLUDES WASHERS)						
			3E-0127	1	KIT-BEARING (INCLUDES BEARINGS)						
			3E-0129	1	KIT-HARDWARE (INCLUDES WASHERS, BOLTS, LOCKWASHERS, NUTS, BUSHINGS, & PLATE)						
			3E-0130	1	KIT-STARTING MOTOR SEAL (INCLUDES SEALS & O-RINGS)						
			3E-0145	1	KIT-STARTING MOTOR PIN (INCLUDES O-RINGS, SHAFT, AND RING)						

M-METRIC PART

ELECTRICAL AND STARTING SYSTEM

6V-5582 STARTING MOTOR GP-ELECTRIC (contd.)

i00112096



GRAPHIC #1

g00084516

ELECTRICAL AND STARTING SYSTEM

7C-0526 STARTING MOTOR GP-ELECTRIC

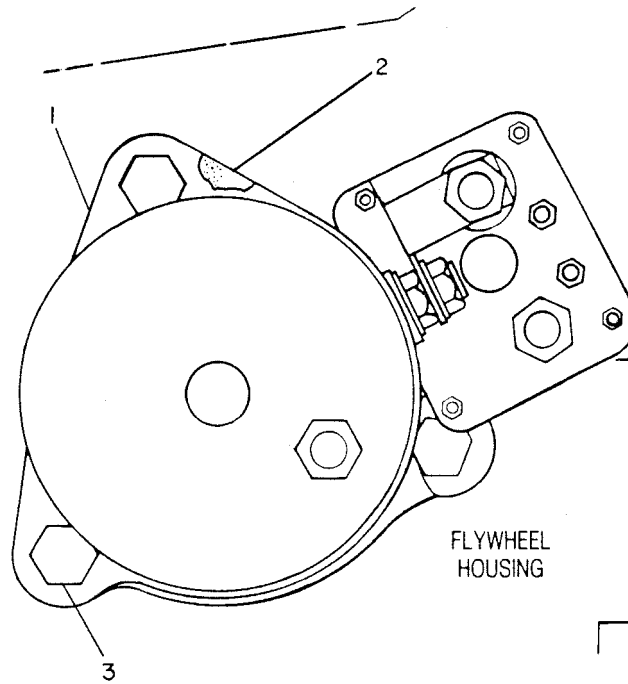
24 VOLT. SINGLE
AN ATTACHMENT
TYPE 1

SMCS-1453, 1454, 1465

i00650021

NOTE	REF NO	GRAPHIC REF	PART NUMBER	QTY	PART NAME						SEE PAGE
					1	2	3	4	5	6 (PRODUCT LEVEL)	
Y	1	1	3T-2646	1	STARTING MOTOR GP-ELECTRIC						617
	2	1	4H-7869	1	GASKET						
	3	1	7J-8902	3	BOLT-12 POINT HEAD						

Y-SEPARATE ILLUSTRATION



GRAPHIC #1

g00187105

ELECTRICAL AND STARTING SYSTEM

7C-0526 STARTING MOTOR GP-ELECTRIC

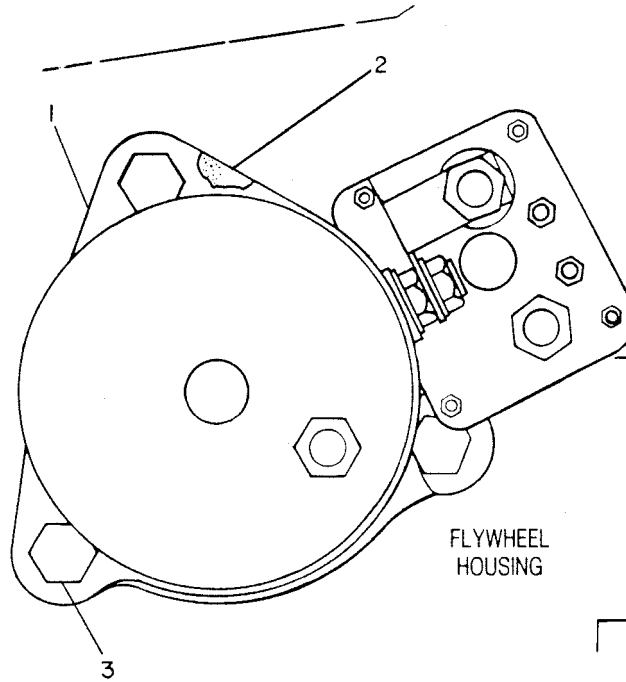
24 VOLT. SINGLE
AN ATTACHMENT
TYPE 2

SMCS-1453, 1454, 1465

i00650057

NOTE	REF NO	GRAPHIC REF	PART NUMBER	QTY	PART NAME						SEE PAGE
					1	2	3	4	5	6 (PRODUCT LEVEL)	
Y	1	1	6V-4246	1	STARTING MOTOR GP-ELECTRIC						637
	2	1	4H-7869	1	GASKET						
	3	1	7J-8902	3	BOLT-12 POINT HEAD						

Y-SEPARATE ILLUSTRATION



GRAPHIC #1

g00187105

ELECTRICAL AND STARTING SYSTEM

7C-0527 STARTING MOTOR GP-ELECTRIC

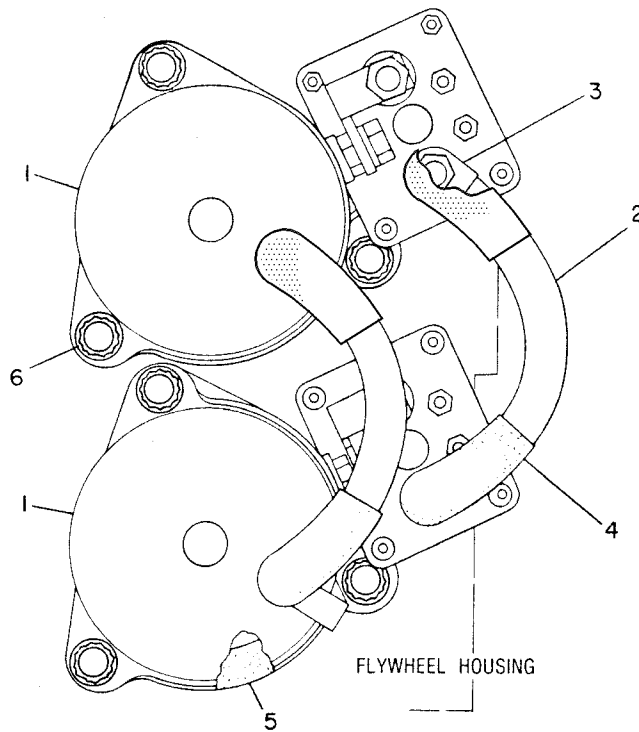
24 VOLT. DUAL
AN ATTACHMENT
TYPE 1

SMCS-1453, 1454, 1465

i00650099

NOTE	REF NO	GRAPHIC REF	PART NUMBER	QTY	PART NAME						SEE PAGE
					1	2	3	4	5	6 (PRODUCT LEVEL)	
Y	1	1	3T-2646	2	STARTING MOTOR GP-ELECTRIC						617
	2	1	7L-5887	2	CABLE AS						
BE		1	5P-0745		CABLE (0000 GA)						
	3	1	3L-7634	2	TERMINAL-RING						
	4	1	3L-7604	4	SHIELD-TERMINAL						
	5	1	4M-6853	2	GASKET						
	6	1	7J-8902	6	BOLT-12 POINT HEAD						

B- USE AS REQUIRED
E- ORDER BY THE CENTIMETER
Y- SEPARATE ILLUSTRATION



GRAPHIC #1

g00236293

ELECTRICAL AND STARTING SYSTEM

7C-0527 STARTING MOTOR GP-ELECTRIC

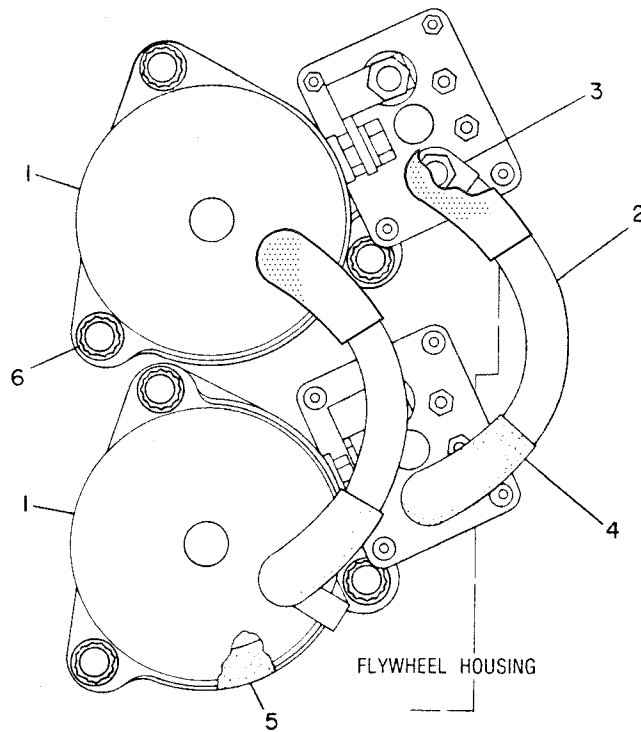
24 VOLT. DUAL
AN ATTACHMENT
TYPE 2

SMCS-1453, 1454, 1465

i00650149

NOTE	REF NO	GRAPHIC REF	PART NUMBER	QTY	PART NAME						SEE PAGE
					1	2	3	4	5	6 (PRODUCT LEVEL)	
Y	1	1	6V-4246	2	STARTING MOTOR GP-ELECTRIC						637
	2	1	7L-5887	2	CABLE AS						
BE		1	5P-0745		CABLE (0000 GA)						
	3	1	3L-7634	2	TERMINAL-RING						
	4	1	3L-7604	4	SHIELD-TERMINAL						
	5	1	4H-7869	2	GASKET						
	6	1	7J-8902	6	BOLT-12 POINT HEAD						

B-USE AS REQUIRED
E-ORDER BY THE CENTIMETER
Y-SEPARATE ILLUSTRATION



GRAPHIC #1

g00236293

ELECTRICAL AND STARTING SYSTEM

7T-0794 STARTING MOTOR GP-ELECTRIC

PART OF 6N-1889 STARTING MOTOR GP-ELECTRIC
 FIELD REPLACEMENT ORDER 6V-5539-PAGE 639, 6N-1889-PAGE 625
 FIELD INSTALLATION

SMCS-1453, 1454, 1465

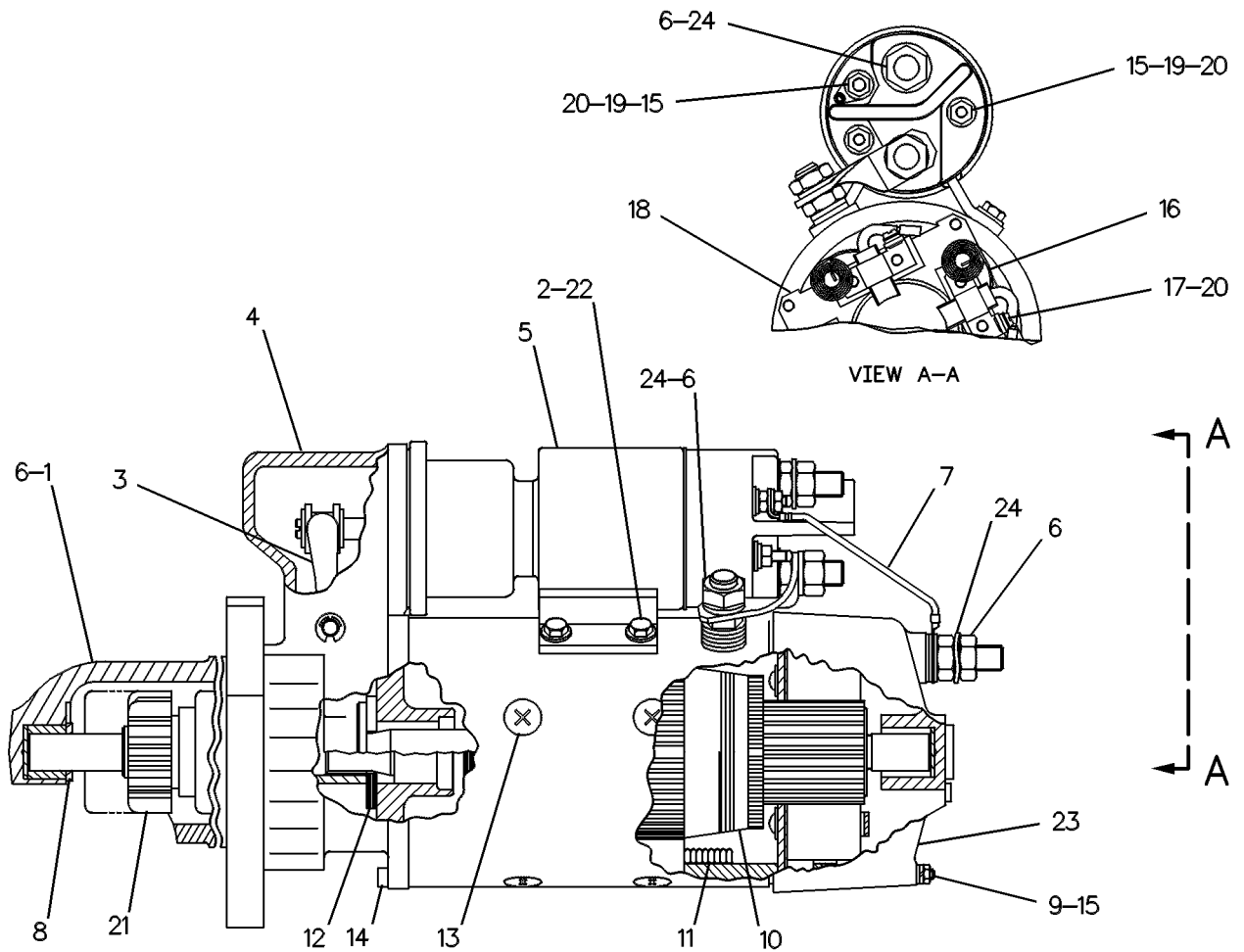
i00159310

NOTE	REF NO	GRAPHIC REF	PART NUMBER	QTY	PART NAME						SEE PAGE
					1	2	3	4	5	6 (PRODUCT LEVEL)	
	1	1	3T-7022	1	HOUSING AS-DRIVE						
	2	1	8T-4205	4	WASHER-HARD (2MM THK)						
	3	1	3T-0863	1	LEVER-SHIFT						
	4	1	3T-0864	1	HOUSING AS-LEVER						
		1	3T-0842	1	BEARING AS						
	5	1	9X-0332	1	KIT-SOLENOID						
M	6	1	8T-4244	4	NUT (M12X1.75 THD)						
	7	1	3T-4716	1	WIRE AS						
	8	1	3T-7020	1	WASHER						
	9	1	3T-0847	4	SCREW						
	10	1	3T-0867	1	ARMATURE AS						
	11	1	3T-0865	1	COIL AS-FIELD						
	12	1	3T-7021	1	PLATE-BRAKE						
M	13	1	3T-0850	8	SCREW						
M	14	1	3T-0849	12	BOLT-SOCKET HEAD (7.59MM' ID)						
M	15	1	5C-2874	6	NUT (M5X.8 THD)						
	16	1	3T-0858	4	SPRING-BRUSH						
M	17	1	6V-9673	4	SCREW-MACHINE (M5X0.8 THD)						
	18	1	3T-0862	1	PLATE AS-BRUSH						
	19	1	8F-1434	2	LOCKWASHER (5MM ID)						
	20	1	8T-0328	6	WASHER-HARD (1MM THK)						
	21	1	4N-4405	1	CLUTCH AS-DRIVE						
M	22	1	8T-4970	4	BOLT (M6X1X14MM)						
	23	1	3T-7025	1	COVER-END						
	24	1	7X-0562	4	WASHER-HARD (0.8MM THK)						
					AVAILABLE REPAIR KIT(S) :						
			3T-0844	1	KIT-BRUSH (INCL BRUSHES)						
			3T-2768	1	KIT-SEAL (INCL SEALS & RINGS)						
			3T-2769	1	KIT-HARDWARE						
			(INCL WIRE AS, NUTS, WASHERS, LOCKWASHERS, BUSHING & BAR)								
			3T-7017	1	KIT-BEARING (INCL BEARINGS, SEAL, & SPACERS)						
			7T-2339	1	KIT-LEVER (INCL LEVER, CLIP & SEALS)						
M-METRIC PART											

ELECTRICAL AND STARTING SYSTEM

7T-0794 STARTING MOTOR GP-ELECTRIC (contd.)

i00159310



GRAPHIC #1

g00114670

ELECTRICAL AND STARTING SYSTEM

7T-0797 STARTING MOTOR GP-ELECTRIC

PART OF 3T-2646 STARTING MOTOR GP-ELECTRIC

AN ATTACHMENT

SMCS-1453, 1454, 1465

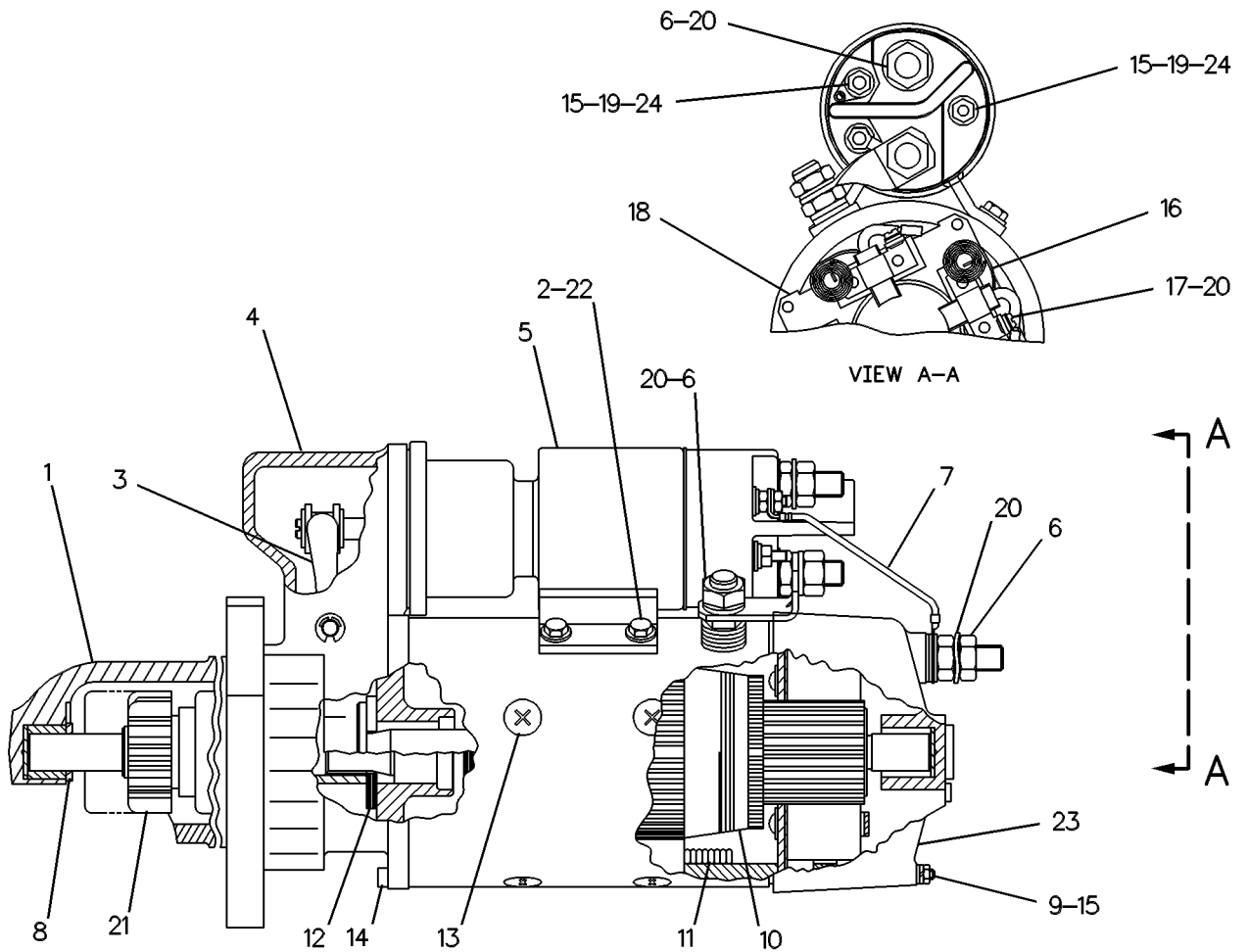
i00651580

NOTE	REF NO	GRAPHIC REF	PART NUMBER	QTY	PART NAME						SEE PAGE
					1	2	3	4	5	6 (PRODUCT LEVEL)	
	1	1	3T-7022	1	HOUSING AS-DRIVE						
	2	1	8T-4205	4	WASHER-HARD (2MM THK)						
	3	1	3T-0863	1	LEVER-SHIFT						
	4	1	3T-0864	1	HOUSING AS-LEVER						
		1	3T-0842	1	BEARING AS						
	5	1	9X-0332	1	KIT-SOLENOID						
M	6	1	8T-4244	4	NUT (M12X1.75 THD)						
	7	1	3T-4716	1	WIRE AS						
	8	1	3T-7020	1	WASHER						
	9	1	3T-0847	4	SCREW						
	10	1	3T-0867	1	ARMATURE AS						
	11	1	3T-0865	1	COIL AS-FIELD						
	12	1	3T-7021	1	PLATE-BRAKE						
M	13	1	3T-0850	8	SCREW						
M	14	1	3T-0849	12	BOLT-SOCKET HEAD (7.59MM' ID)						
M	15	1	5C-2874	6	NUT (M5X.8 THD)						
	16	1	3T-0858	4	SPRING-BRUSH						
M	17	1	6V-9673	4	SCREW-MACHINE (M5X0.8X12MM)						
	18	1	3T-0862	1	PLATE AS-BRUSH						
	19	1	8T-0328	6	WASHER-HARD (1MM THK)						
	20	1	7X-0562	4	WASHER-HARD (0.8MM THK)						
	21	1	4N-4405	1	CLUTCH AS-DRIVE						
M	22	1	8T-4970	4	BOLT (M6X1X14MM)						
	23	1	3T-7025	1	COVER-END						
	24	1	8F-1434	2	LOCKWASHER (5MM ID)						
AVAILABLE REPAIR KIT(S) :											
			3T-0844	1	KIT-BRUSH (INCLUDES BRUSHES)						
			3T-2768	1	KIT-SEAL (INCLUDES SEALS & RINGS)						
			3T-2769	1	KIT-HARDWARE						
					(INCLUDES WIRE AS, NUTS, WASHERS, LOCKWASHERS, BUSHING & BAR)						
			3T-7017	1	KIT-BEARING						
					(INCLUDES BEARINGS, SEAL, & SPACERS)						
			7T-2339	1	KIT-LEVER (INCLUDES LEVER, CLIP & SEALS)						
M-METRIC PART											

ELECTRICAL AND STARTING SYSTEM

7T-0797 STARTING MOTOR GP-ELECTRIC (contd.)

i00651580



GRAPHIC #1

g00238681

ELECTRICAL AND STARTING SYSTEM

8C-3644 STARTING MOTOR GP-ELECTRIC

PART OF 6N-1889 STARTING MOTOR GP-ELECTRIC

FIELD REPLACEMENT ORDER 6V-5539-PAGE 639

FIELD INSTALLATION

SMCS-1453, 1454, 1465

i00159433

NOTE	REF NO	GRAPHIC REF	PART NUMBER	QTY	PART NAME						SEE PAGE
					1	2	3	4	5	6 (PRODUCT LEVEL)	
	1	1	5S-7349	4	BOLT (1/4-20X0.5IN)						
	2	1	7L-2894	1	GASKET						
	3	1	2H-3429	1	RING-RETAINING						
	4	1	4B-2049	2	NUT (10-32 THD)						
	5	1	8F-1434	2	LOCKWASHER (5MM ID)						
	6	1	7T-3271	1	CONNECTOR						
	7	1	8T-4205	4	WASHER-HARD (2MM THK)						
	8	1	036-9823	5	BOLT						
	9	1	7T-3277	1	COIL AS-FIELD						
	10	1	3F-0379	8	SCREW-POLE SHOE						
	11	1	7T-3276	1	ARMATURE AS						
	12	1	8H-1141	4	SHOE-POLE						
	13	1	7T-3454	1	INSULATOR						
	14	1	7T-3279	1	HOUSING AS						
	15	1	7T-3278	1	HOLDER AS-BRUSH						
	16	1	3T-3422	1	WIRE AS						
	17	1	8T-8566	1	TERMINAL AS						
	18	1	3T-3434	6	PLUG (12.7MM OD SPHERE)						
	19	1	6V-8188	4	NUT (1/2-13 THD)						
	20	1	7X-0562	4	WASHER-HARD (0.8MM THK)						
	21	1	8T-0328	2	WASHER-HARD (1MM THK)						
	22	1	7T-3451	1	INSULATOR-TERMINAL						
	23	1	8T-8569	1	INSULATOR-TERMINAL						
	24	1	9X-9511	1	SOLENOID AS						
	25	1	036-9821	1	WASHER						
	26	1	7T-3269	1	BOOT						
	27	1	7T-3270	1	PLUNGER AS						
	28	1	9M-7609	1	SPRING						
	29	1	4M-1828	1	RETAINER-SPRING						
	30	1	4M-1827	1	RETAINER-SPRING						
	31	1	4M-1831	1	PLUG-LEVER HOUSING						
	32	1	7T-3973	1	HOUSING AS-LEVER						
	33	1	7T-3974	1	HOUSING AS-DRIVE						
	34	1	7X-3373	6	BOLT (5/16-18X.88IN)						
	35	1	6N-3826	1	DRIVE AS-MOTOR						
Z	36	1		1	HOUSING						
JZ	37	1		4	SPRING						
JZ	38	1		4	BRUSH						
JZ	39	1		4	SCREW						
JPZ	40	1		6	SCREW AS						
JPZ	41	1		1	SEAL (O-RING)						
LZ	42	1		3	INSULATOR						
LZ		1		1	BUSHING						
NZ	43	1		1	LEVER AS						
NZ	44	1		1	LEVER AS						
NPZ	45	1		1	NUT						
NPZ	46	1		1	SEAL (O-RING)						
PZ	47	1		1	SEAL (O-RING)						
NZ	48	1		1	RETAINER						
PZ	49	1		1	GASKET (WASHER)						
PZ	50	1		1	BUSHING						
PZ	51	1		2	CUP (PLUG)						
PZ	52	1		1	CUP (PLUG)						
PZ	53	1		1	PLUG						
PZ	54	1		1	PLUG						

ELECTRICAL AND STARTING SYSTEM

8C-3644 STARTING MOTOR GP-ELECTRIC (contd.)

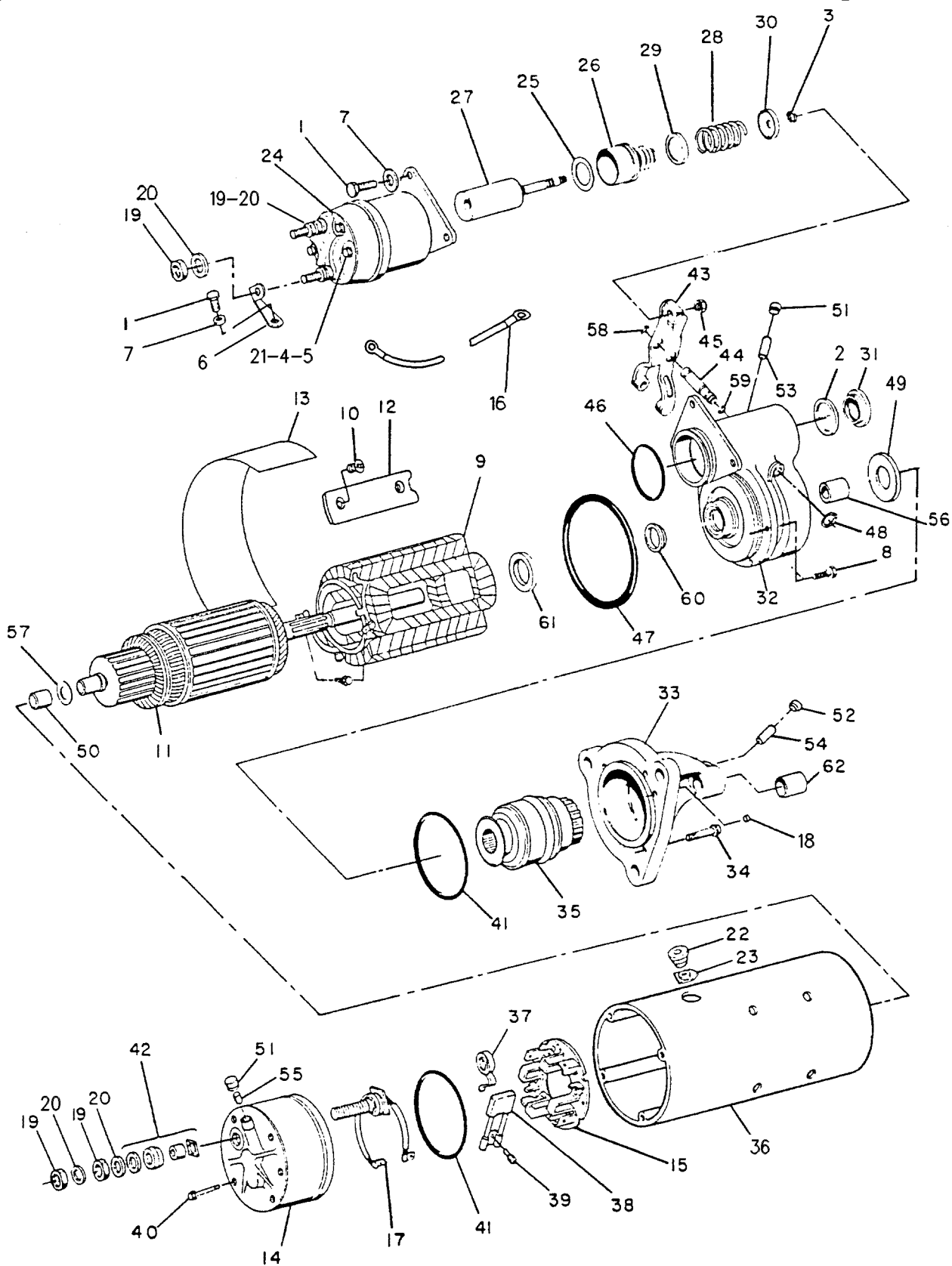
i00159433

NOTE	REF NO	GRAPHIC REF	PART NUMBER	QTY	PART NAME						SEE PAGE
					1	2	3	4	5	6 (PRODUCT LEVEL)	
PZ	55	1		1	PLUG						
PZ	56	1		1	BUSHING						
PZ	57	1		1	WASHER						
NZ	58	1		1	SEAL (O-RING)						
NZ	59	1		1	SEAL (O-RING)						
PZ	60	1		1	RETAINER (SEAL)						
PZ	61	1		1	SPACER						
PZ	62	1		1	BUSHING						
AVAILABLE REPAIR KIT(S) :											
J			8C-3655	1	KIT - BRUSH						
P			7T-3267	1	KIT - BUSHING						
N			7T-3268	1	KIT - LEVER						
L			8T-9884	1	KIT - INSULATOR						
J - KIT MARKED J INCLUDES PART(S) MARKED J L - KIT MARKED L INCLUDES PART(S) MARKED L N - KIT MARKED N INCLUDES PART(S) MARKED N P - KIT MARKED P INCLUDES PART(S) MARKED P Z - NOT SERVICED SEPARATELY											

ELECTRICAL AND STARTING SYSTEM

8C-3644 STARTING MOTOR GP-ELECTRIC (contd.)

i00159433



GRAPHIC #1

g00114671

MEMORANDA

ELECTRICAL AND STARTING SYSTEM

8C-3645 STARTING MOTOR GP-ELECTRIC

24 VOLT

PART OF 3T-2646 STARTING MOTOR GP-ELECTRIC
AN ATTACHMENT

SMCS-1453, 1454, 1465

i00652982

NOTE	REF NO	GRAPHIC REF	PART NUMBER	QTY	PART NAME						SEE PAGE
					1	2	3	4	5	6 (PRODUCT LEVEL)	
	1	1	5S-7349	4	BOLT (1/4-20X0.5IN)						
NP	2	1	7L-2894	1	GASKET						
	3	1	2H-3429	1	RING-RETAINING						
	4	1	4B-2049	2	NUT (10-32 THD)						
	5	1	8F-1434	2	LOCKWASHER (5MM ID)						
	6	1	7T-3271	1	CONNECTOR						
	7	1	8T-4205	4	WASHER-HARD (2MM THK)						
	8	1	036-9823	5	BOLT						
	9	1	7T-3277	1	COIL AS-FIELD						
	10	1	3F-0379	8	SCREW-POLE SHOE						
	11	1	7T-3276	1	ARMATURE AS						
	12	1	8H-1141	4	SHOE-POLE						
	13	1	7T-3454	1	INSULATOR						
	14	1	7T-3279	1	HOUSING AS						
	15	1	7T-3278	1	HOLDER AS-BRUSH						
	16	1	3T-3422	1	WIRE AS						
	17	1	8T-8566	1	TERMINAL AS						
	18	1	8T-0328	2	WASHER-HARD (1MM THK)						
	19	1	6V-8188	4	NUT (1/2-13 THD)						
	20	1	7X-0562	4	WASHER-HARD (0.8MM THK)						
	21	1	7X-3373	6	BOLT (5/16-18X.88IN)						
	22	1	7T-3451	1	INSULATOR-TERMINAL						
	23	1	8T-8569	1	INSULATOR-TERMINAL						
	24	1	9X-9511	1	SOLENOID AS						
	25	1	036-9821	1	WASHER						
	26	1	7T-3269	1	BOOT						
	27	1	7T-3270	1	PLUNGER AS						
	28	1	9M-7609	1	SPRING						
	29	1	4M-1828	1	RETAINER-SPRING						
	30	1	4M-1827	1	RETAINER-SPRING						
	31	1	4M-1831	1	PLUG-LEVER HOUSING						
	32	1	7T-3973	1	HOUSING AS-LEVER						
	33	1	7T-3974	1	HOUSING AS-DRIVE						
	34	1	3T-3434	6	PLUG (12.7MM OD SPHERE)						
	35	1	6N-3826	1	DRIVE AS-MOTOR						
Z	36	1		1	HOUSING						
JZ	37	1		4	SPRING						
JZ	38	1		4	BRUSH						
JZ	39	1		4	SCREW						
JPZ	40	1		6	SCREW AS						
JPZ	41	1		1	SEAL (O-RING)						
LZ	42	1		3	INSULATOR						
LZ		1		1	BUSHING						
NZ	43	1		1	LEVER AS						
NZ	44	1		1	LEVER AS						
NPZ	45	1		1	NUT						
NPZ	46	1		1	SEAL (O-RING)						
PZ	47	1		1	SEAL (O-RING)						
NZ	48	1		1	RETAINER						
PZ	49	1		1	GASKET (WASHER)						
PZ	50	1		1	BUSHING						
PZ	51	1		2	CUP (PLUG)						
PZ	52	1		1	CUP (PLUG)						
PZ	53	1		1	PLUG						
PZ	54	1		1	PLUG						

ELECTRICAL AND STARTING SYSTEM

8C-3645 STARTING MOTOR GP-ELECTRIC (contd.)

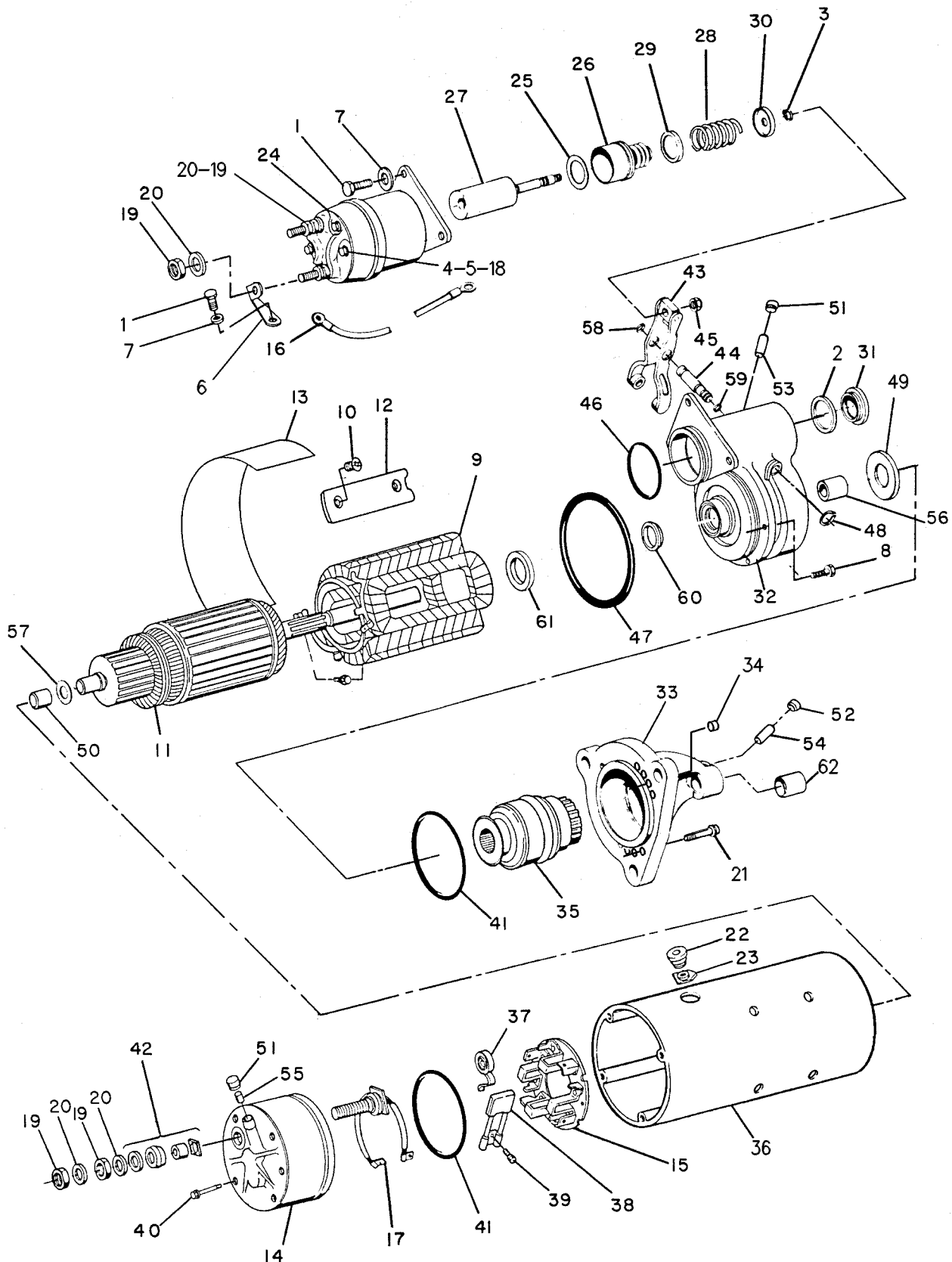
i00652982

NOTE	REF NO	GRAPHIC REF	PART NUMBER	QTY	PART NAME						SEE PAGE
					1	2	3	4	5	6 (PRODUCT LEVEL)	
PZ	55	1		1	PLUG						
PZ	56	1		1	BUSHING						
PZ	57	1		1	WASHER						
NZ	58	1		1	SEAL (O-RING)						
NZ	59	1		1	SEAL (O-RING)						
PZ	60	1		1	RETAINER (SEAL)						
PZ	61	1		1	SPACER						
PZ	62	1		1	BUSHING						
AVAILABLE REPAIR KIT(S) :											
			8C-3655	1	KIT - BRUSH (INCLUDES PARTS MARKED J)						
			7T-3267	1	KIT - BUSHING (INCLUDES PARTS MARKED P)						
			7T-3268	1	KIT - LEVER (INCLUDES PARTS MARKED N)						
			8T-9884	1	KIT - INSULATOR (INCLUDES PARTS MARKED L)						
Z - NOT SERVICED SEPARATELY											

ELECTRICAL AND STARTING SYSTEM

8C-3645 STARTING MOTOR GP-ELECTRIC (contd.)

i00652982



GRAPHIC #1

g00238659

ELECTRICAL AND STARTING SYSTEM

8N-3896 STARTING MOTOR GP-ELECTRIC

DUAL-24 VOLT DC-STANDARD ROTATION

AN ATTACHMENT

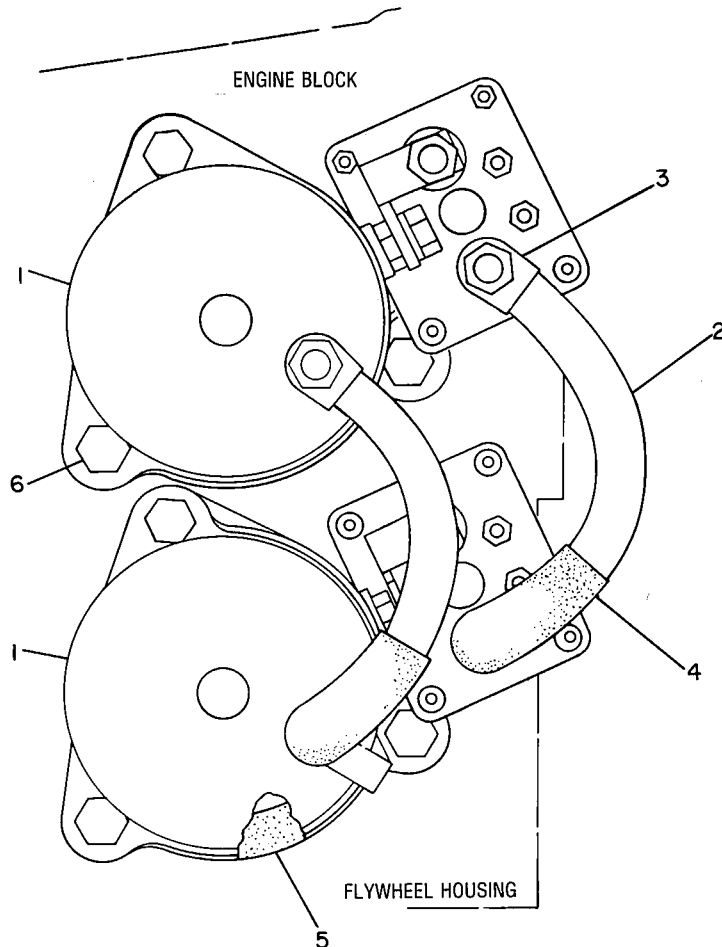
TYPE 1

SMCS-1453, 1454, 1465

i00653206

NOTE	REF NO	GRAPHIC REF	PART NUMBER	QTY	PART NAME						SEE PAGE
					1	2	3	4	5	6 (PRODUCT LEVEL)	
CY	1	1	6T-0647	2	STARTING MOTOR GP-ELECTRIC						626
	2	1	7L-5887	2	CABLE AS						
					(EACH INCLUDES)						
BE		1	5P-0745		CABLE (0000 GA)						
	3	1	3L-7634	2	TERMINAL-RING						
	4	1	3L-7604	2	SHIELD-TERMINAL						
	5	1	4M-6853	2	GASKET						
	6	1	7J-8902	6	BOLT-12 POINT HEAD						

B-USE AS REQUIRED
 C-CHANGE FROM PREVIOUS TYPE
 E-ORDER BY THE CENTIMETER
 Y-SEPARATE ILLUSTRATION



GRAPHIC #1

g00162766

ELECTRICAL AND STARTING SYSTEM

8N-3896 STARTING MOTOR GP-ELECTRIC

DUAL-24 VOLT DC-STANDARD ROTATION

AN ATTACHMENT

TYPE 2

SMCS-1453, 1454, 1465

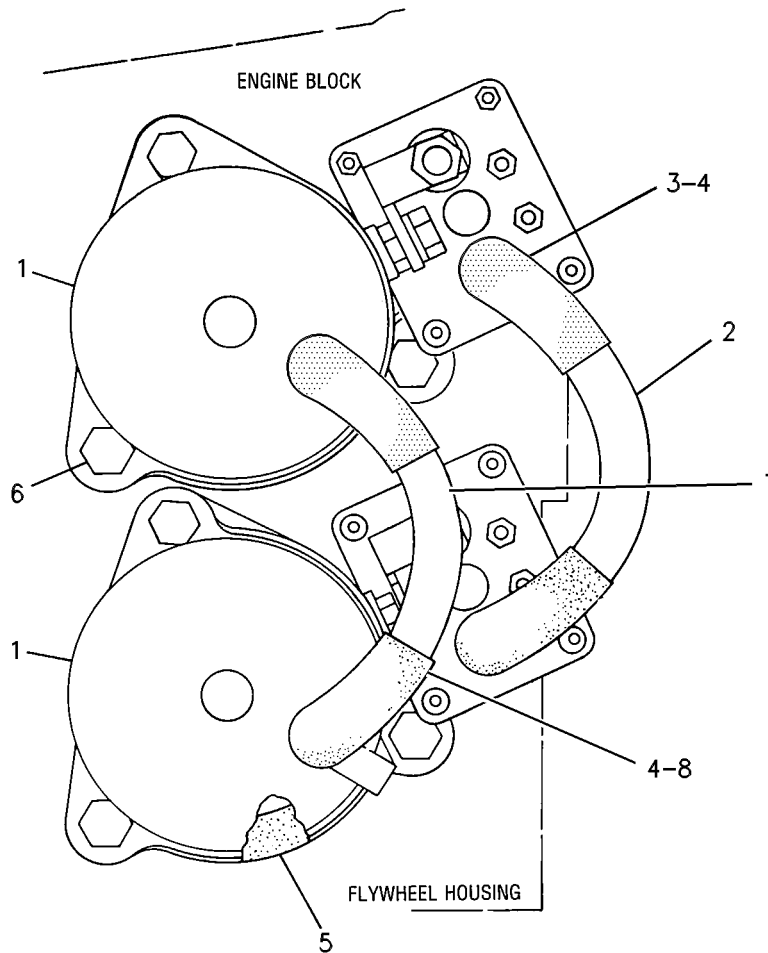
i00884363

NOTE	REF NO	GRAPHIC REF	PART NUMBER	QTY	PART NAME						SEE PAGE
					1	2	3	4	5	6 (PRODUCT LEVEL)	
Y	1	1	6V-0927	2	STARTING MOTOR GP-ELECTRIC						630
C	2	1	4L-6155	1	CABLE AS						
E		1	5P-0745		CABLE (0000 GA)						
	3	1	3L-7634	2	TERMINAL-RING						
	4	1	3L-7604	4	SHIELD-TERMINAL						
C	5	1	4H-7869	2	GASKET						
	6	1	7J-8902	6	BOLT-12 POINT HEAD						
	7	1	7L-5887	1	CABLE AS						
E		1	5P-0745		CABLE (0000 GA)						
	8	1	3L-7634	2	TERMINAL-RING						

C- CHANGE FROM PREVIOUS TYPE

E- ORDER BY THE CENTIMETER

Y- SEPARATE ILLUSTRATION



GRAPHIC #1

g00289805

MEMORANDA

ELECTRICAL AND STARTING SYSTEM

9X-4452 STARTING MOTOR GP-ELECTRIC

24 VOLT

PART OF 6N-1889 STARTING MOTOR GP-ELECTRIC
FIELD INSTALLATION

SMCS-1453, 1454, 1465

i00159450

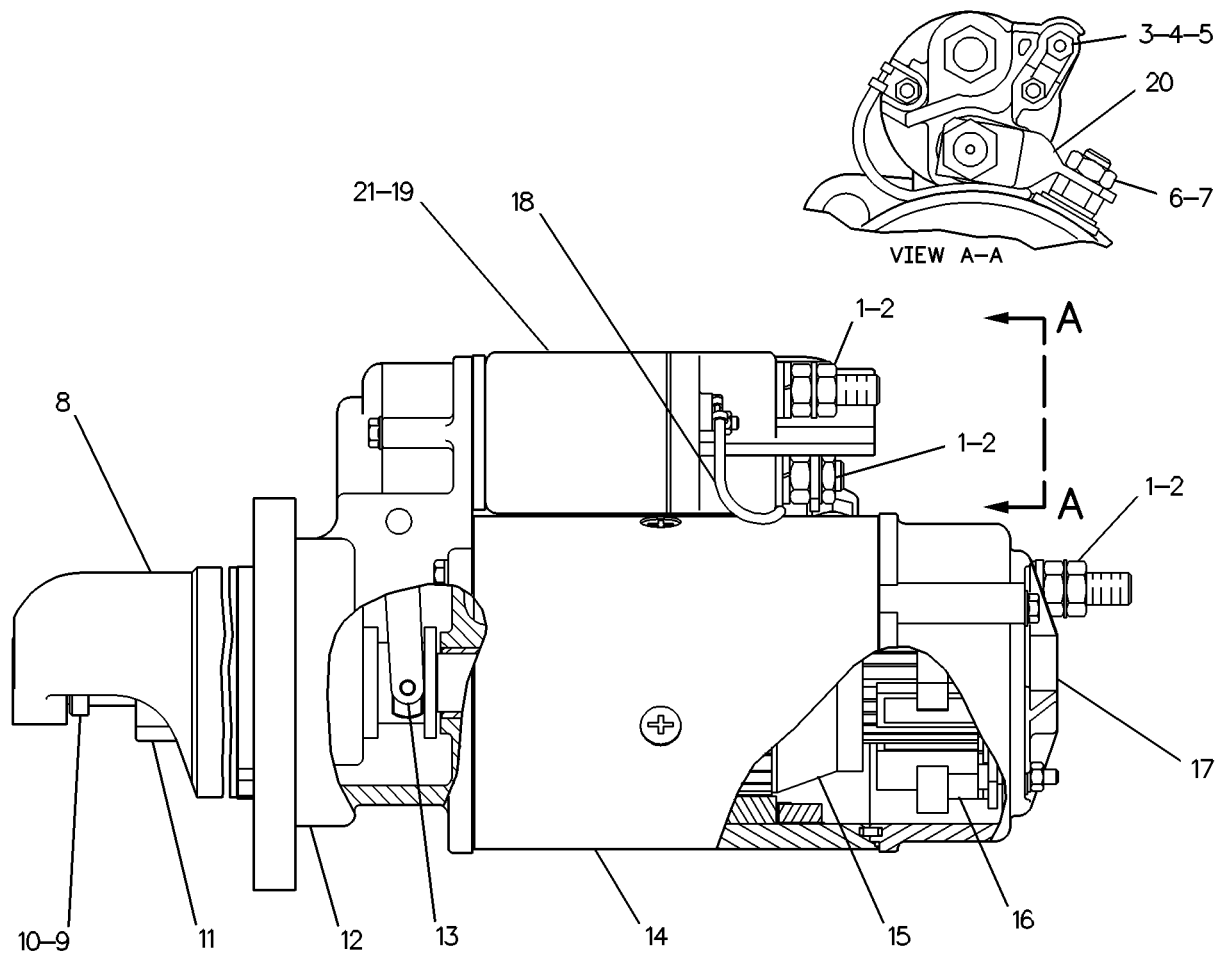
NOTE	REF NO	GRAPHIC REF	PART NUMBER	QTY	PART NAME						SEE PAGE
					1	2	3	4	5	6 (PRODUCT LEVEL)	
	1	1	6V-8188	3	NUT (1/2-13 THD)						
	2	1	7X-0562	3	WASHER-HARD (0.8MM THK)						
	3	1	4B-2049	1	NUT (10-32 THD)						
	4	1	8F-1434	1	LOCKWASHER (5MM ID)						
	5	1	8T-0328	1	WASHER-HARD (1MM THK)						
M	6	1	8T-4133	1	NUT (M10X1.50 THD)						
	7	1	8T-4121	1	WASHER (2.5MM THK)						
	8	1	3E-0142	1	HOUSING AS						
	9	1	3E-0141	1	STOP-STARTING MOTOR						
	10	1	4N-7521	1	LOCKRING						
	11	1	3E-0146	1	DRIVE AS-STARTING MOTOR						
	12	1	3E-0144	1	HOUSING AS						
	13	1	3E-0140	1	LEVER AS-STARTER						
	14	1	3E-0139	1	HOUSING AS						
	15	1	3E-0138	1	ARMATURE AS						
	16	1	3E-0137	1	HOLDER AS						
	17	1	3E-0136	1	HOUSING AS						
	18	1	3E-0133	1	WIRE AS-STARTING MOTOR						
	19	1	3E-0135	1	SOLENOID AS						
	20	1	3E-0132	1	CONNECTOR						
	21	1	3E-0134	1	COVER-PLUNGER						
					AVAILABLE REPAIR KIT(S) :						
			3E-0127	1	KIT-BEARING						
			3E-0128	1	KIT-BRUSH						
			3E-0129	1	KIT-HARDWARE						
			3E-0130	1	KIT-STARTING MOTOR SEAL						
			3E-0131	1	KIT-WASHER						
			3E-0145	1	KIT-STARTING MOTOR PIN						

M-METRIC PART

ELECTRICAL AND STARTING SYSTEM

9X-4452 STARTING MOTOR GP-ELECTRIC (contd.)

i00159450



GRAPHIC #1

g00114331

ELECTRICAL AND STARTING SYSTEM

106-8551 STARTING MOTOR GP-ELECTRIC

24 VOLT

PART OF 6V-4246 STARTING MOTOR GP-ELECTRIC

FIELD REPLACEMENT ORDER 6V-5539-PAGE 639

AN ATTACHMENT

SMCS-1453, 1454, 1465

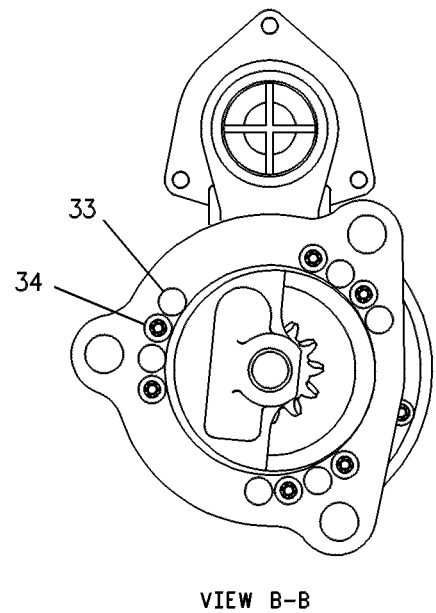
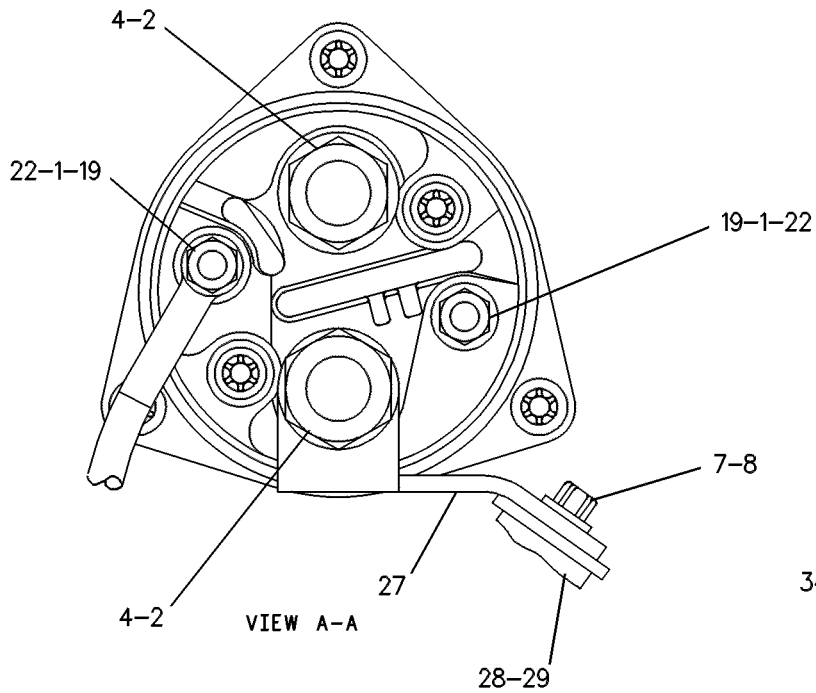
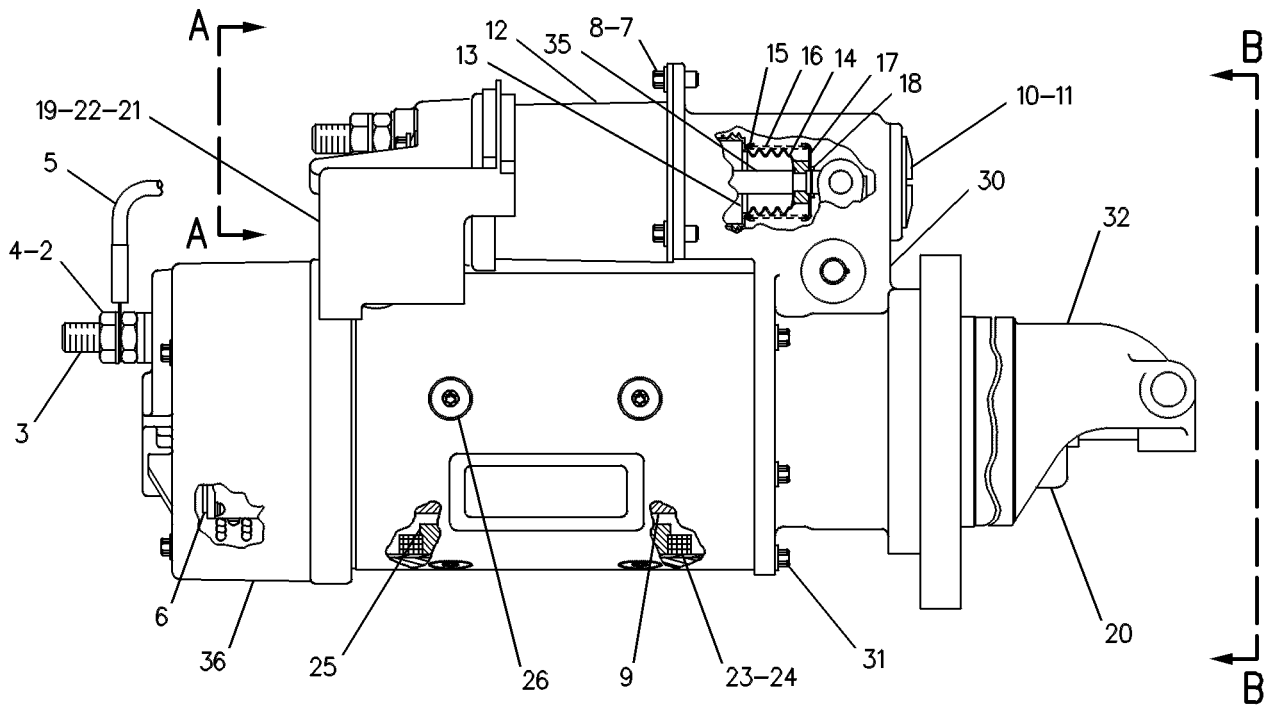
i00648433

NOTE	REF NO	GRAPHIC REF	PART NUMBER	QTY	PART NAME						SEE PAGE
					1	2	3	4	5	6 (PRODUCT LEVEL)	
	1	1	8F-1434	2	LOCKWASHER (5MM ID)						
	2	1	6V-8188	4	NUT (1/2-13 THD)						
	3	1	8T-8566	1	TERMINAL AS						
	4	1	7X-0562	4	WASHER-HARD (0.8MM THK)						
	5	1	3T-3422	1	WIRE AS						
		1	2L-8066	1	TERMINAL (10 GA)						
		1	2L-8071	1	TERMINAL (10 GA)						
	6	1	7T-3278	1	HOLDER AS-BRUSH						
	7	1	5S-7349	4	BOLT (1/4-20X0.5IN)						
	8	1	8T-4205	4	WASHER-HARD (2MM THK)						
	9	1	7T-3276	2	ARMATURE AS						
	10	1	4M-1831	1	PLUG-LEVER HOUSING						
	11	1	7L-2894	1	GASKET						
	12	1	9X-9511	1	SOLENOID AS						
	13	1	036-9821	1	WASHER						
	14	1	7T-3269	1	BOOT						
	15	1	4M-1828	1	RETAINER-SPRING						
	16	1	9M-7609	1	SPRING						
	17	1	4M-1827	1	RETAINER-SPRING						
	18	1	2H-3429	1	RING-RETAINING						
	19	1	4B-2049	3	NUT (10-32 THD)						
	20	1	6N-3826	1	DRIVE AS-MOTOR						
	21	1	9X-4824	1	COVER-STARTING MOTOR						
	22	1	8T-0328	3	WASHER-HARD (1MM THK)						
	23	1	7T-3277	1	COIL AS-FIELD						
	24	1	7T-3454	1	INSULATOR						
	25	1	8H-1141	4	SHOE-POLE						
	26	1	3F-0379	8	SCREW-POLE SHOE						
	27	1	7T-3271	1	CONNECTOR						
	28	1	8T-8569	1	INSULATOR-TERMINAL						
	29	1	7T-3451	1	INSULATOR-TERMINAL						
	30	1	3E-7775	1	HOUSING AS						
	31	1	036-9823	5	BOLT						
	32	1	7T-3974	1	HOUSING AS-DRIVE						
	33	1	3T-3434	6	PLUG (12.7MM OD SPHERE)						
	34	1	7X-3373	6	BOLT (5/16-18X.88IN)						
	35	1	7T-3270	1	PLUNGER AS						
	36	1	7T-3279	1	HOUSING AS						
					AVAILABLE REPAIR KIT(S) :						
			8C-3655	1	KIT-BRUSH (INCLUDES SPRINGS, BRUSH ASSEMBLIES & SCREWS)						
			7T-3267	1	KIT-BUSHING						
			7T-3268	1	KIT-LEVER (INCLUDES RETAINER, LEVER ASSEMBLIES, NUT & SEALS)						
			8T-9884	1	KIT-INSULATOR (INCLUDES BUSHING & INSULATORS)						

ELECTRICAL AND STARTING SYSTEM

106-8551 STARTING MOTOR GP-ELECTRIC (contd.)

i00648433



GRAPHIC #1

g00084518

ELECTRICAL AND STARTING SYSTEM

106-8554 STARTING MOTOR GP-ELECTRIC

24 VOLT

PART OF 6V-5539 STARTING MOTOR GP-ELECTRIC

SMCS-1453, 1454, 1465

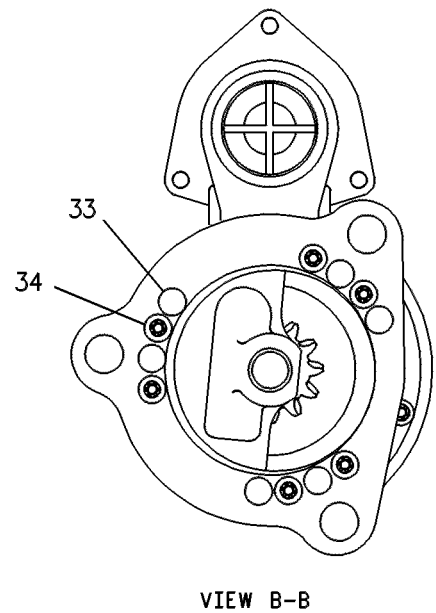
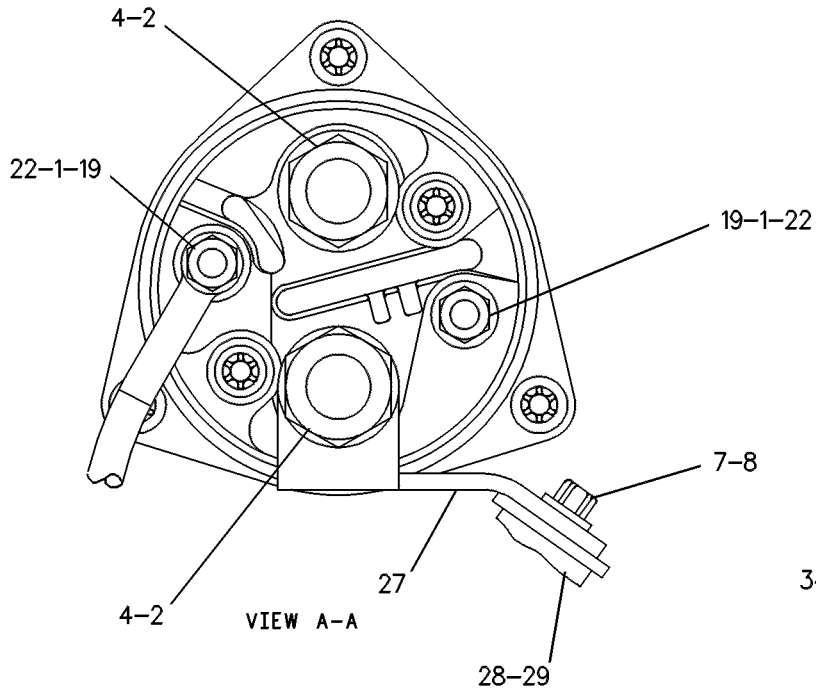
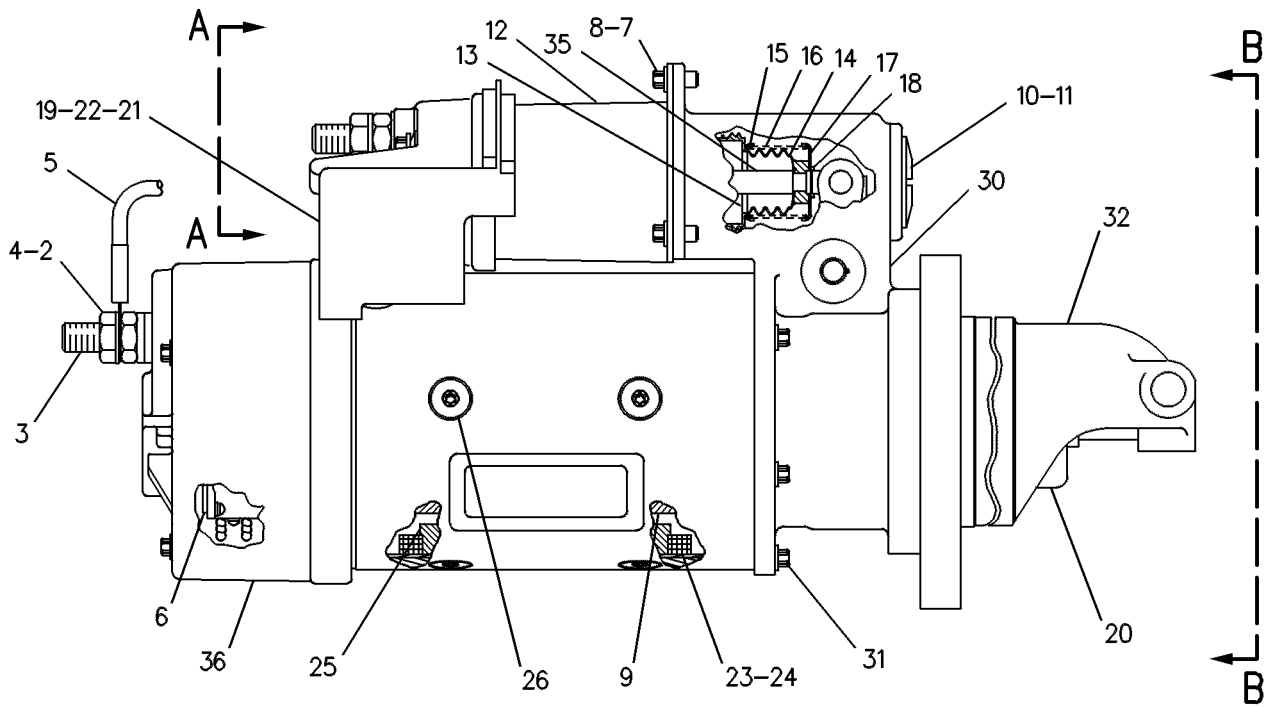
i00862860

NOTE	REF NO	GRAPHIC REF	PART NUMBER	QTY	PART NAME						SEE PAGE
					1	2	3	4	5	6 (PRODUCT LEVEL)	
1		1	8F-1434	2	LOCKWASHER (0.51MM THK)						
2		1	6V-8188	4	NUT (1/2-13 THD)						
3		1	8T-8566	1	TERMINAL AS						
4		1	7X-0562	4	WASHER-HARD (0.8MM THK)						
5		1	3T-3422	1	WIRE AS						
		1	2L-8066	1	TERMINAL (10 GA)						
		1	2L-8071	1	TERMINAL (10 GA)						
6		1	7T-3278	1	HOLDER AS-BRUSH						
7		1	5S-7349	4	BOLT (1/4-20X0.5IN)						
8		1	8T-4205	4	WASHER-HARD (2MM THK)						
9		1	7T-3276	1	ARMATURE AS						
10		1	4M-1831	1	PLUG-LEVER HOUSING						
11		1	7L-2894	1	GASKET						
12		1	9X-9511	1	SOLENOID AS						
13		1	036-9821	1	WASHER						
14		1	7T-3269	1	BOOT						
15		1	4M-1828	1	RETAINER-SPRING						
16		1	9M-7609	1	SPRING						
17		1	4M-1827	1	RETAINER-SPRING						
18		1	2H-3429	1	RING-RETAINING						
19		1	4B-2049	3	NUT (10-32 THD)						
20		1	6N-3826	1	DRIVE AS-MOTOR						
21		1	9X-4824	1	COVER-STARTING MOTOR						
22		1	8T-0328	3	WASHER-HARD (1MM THK)						
23		1	7T-3277	1	COIL AS-FIELD						
24		1	7T-3454	1	INSULATOR						
25		1	8H-1141	4	SHOE-POLE						
26		1	3F-0379	8	SCREW-POLE SHOE						
27		1	7T-3271	1	CONNECTOR						
28		1	8T-8569	1	INSULATOR-TERMINAL						
29		1	7T-3451	1	INSULATOR-TERMINAL						
30		1	3E-7775	1	HOUSING AS						
31		1	036-9823	5	BOLT						
32		1	7T-3974	1	HOUSING AS-DRIVE						
33		1	3T-3434	6	PLUG (12.7MM OD SPHERE)						
34		1	7X-3373	6	BOLT (5/16-18X.88IN)						
35		1	7T-3270	1	PLUNGER AS						
36		1	7T-3279	1	HOUSING AS						
AVAILABLE REPAIR KIT(S) :											
			8C-3655	1	KIT-BRUSH (INCLUDES SPRINGS, BRUSH ASSEMBLIES, & SCREWS)						
			7T-3267	1	KIT-BUSHING						
			7T-3268	1	KIT-LEVER (INCLUDES RETAINER, LEVER ASSEMBLIES, NUT & SEALS)						
			8T-9884	1	KIT-INSULATOR (INCLUDES BUSHING & INSULATORS)						

ELECTRICAL AND STARTING SYSTEM

106-8554 STARTING MOTOR GP-ELECTRIC (contd.)

i00862860



GRAPHIC #1

g00084518

ELECTRICAL AND STARTING SYSTEM

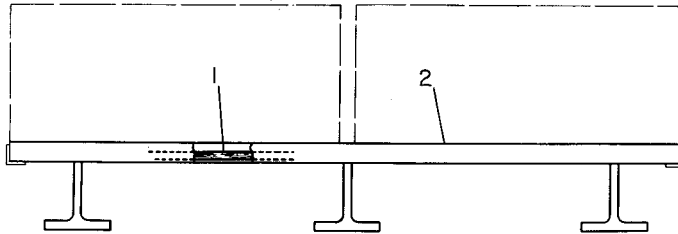
3N-7056 SUPPORT GP-BATTERY

AN ATTACHMENT

SMCS-7257

i00637484

NOTE	REF NO	GRAPHIC REF	PART NUMBER	QTY	PART NAME						SEE PAGE
					1	2	3	4	5	6 (PRODUCT LEVEL)	
	1	1	3N-7055	1	BOARD						
	2	1	3N-7054	1	SUPPORT AS-BATTERY						



GRAPHIC #1

g00134761

ELECTRICAL AND STARTING SYSTEM

3E-0075 SWITCH AS-MAGNETIC

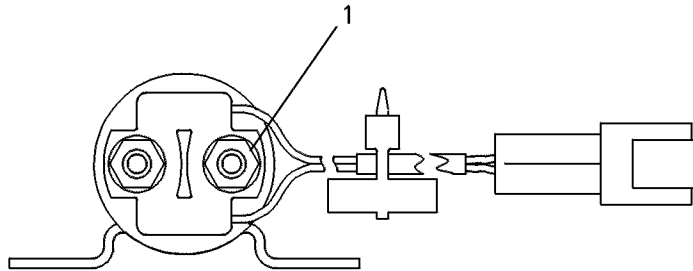
PART OF 6I-1230 SWITCH GP-MAGNETIC

AN ATTACHMENT

SMCS-7499

i00112784

NOTE	REF NO	GRAPHIC REF	PART NUMBER	QTY	PART NAME						SEE PAGE
					1	2	3	4	5	6 (PRODUCT LEVEL)	
M	1	1	5C-2890	2	NUT (M6X1.00 THD)						
					AVAILABLE REPAIR KIT(S) :						
			102-8802	1	KIT-RECEPTACLE						
					(INCLUDES WEDGE AND RECEPTACLE AS)						
M-METRIC PART											



GRAPHIC #1

g00084968

ELECTRICAL AND STARTING SYSTEM

6I-1998 SWITCH AS-PUSH BUTTON

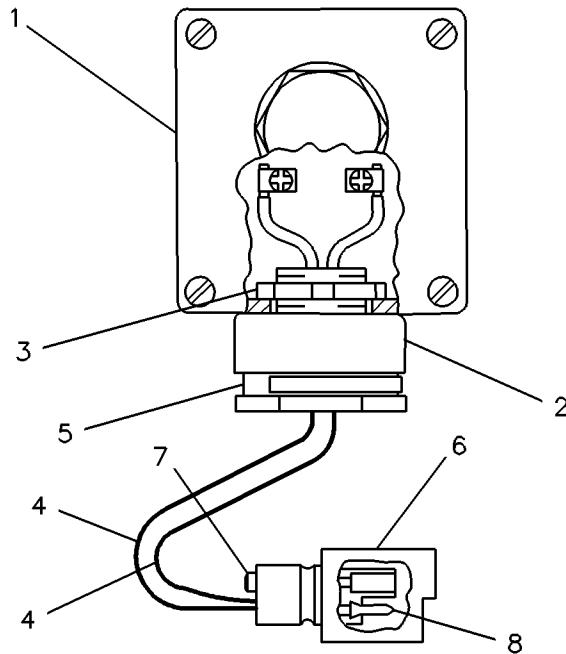
PART OF 8N-2941 SWITCH GP-ENGINE START
AN ATTACHMENT

SMCS-1416, 7332

i00679625

NOTE	REF NO	GRAPHIC REF	PART NUMBER	QTY	PART NAME						SEE PAGE
					1	2	3	4	5	6 (PRODUCT LEVEL)	
	1	1	6I-1997	1	SWITCH						
	2	1	5N-8943	1	ADAPTER						
	3	1	3F-2065	1	LOCKNUT-CONDUIT						
D	4	1	5P-5624	2	WIRE (14 GA) (.1M)						
	5	1	5N-9073	1	CLIP						
	6	1	7N-7781	1	HOUSING-RECEPTACLE						
	7	1	9G-3695	1	PLUG-SEAL						
	8	1	7N-7780	2	PIN-CONNECTOR (BLADE)						

D-ORDER BY THE METER



GRAPHIC #1

g00228476

ELECTRICAL AND STARTING SYSTEM

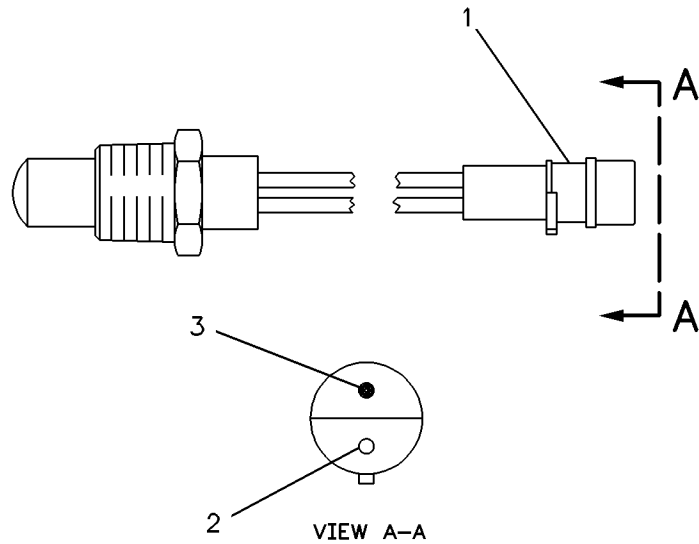
3E-0264 SWITCH AS-TEMPERATURE

PART OF 109-7034 CONTROL GP-JACKET WATER HEATER
AN ATTACHMENT

SMCS-7403, 7404, 7412, 7417, 7420

i00653396

NOTE	REF NO	GRAPHIC REF	PART NUMBER	QTY	PART NAME						SEE PAGE
					1	2	3	4	5	6 (PRODUCT LEVEL)	
	1	1	7N-9737	1	HOUSING-PLUG (1 PIN, 1 SOCKET)						
	2	1	7N-7779	1	SOCKET						
	3	1	7N-7780	1	PIN-CONNECTOR (BLADE)						



GRAPHIC #1

g00214016

ELECTRICAL AND STARTING SYSTEM

9Y-0914 SWITCH AS-TEMPERATURE

WATER TEMPERATURE

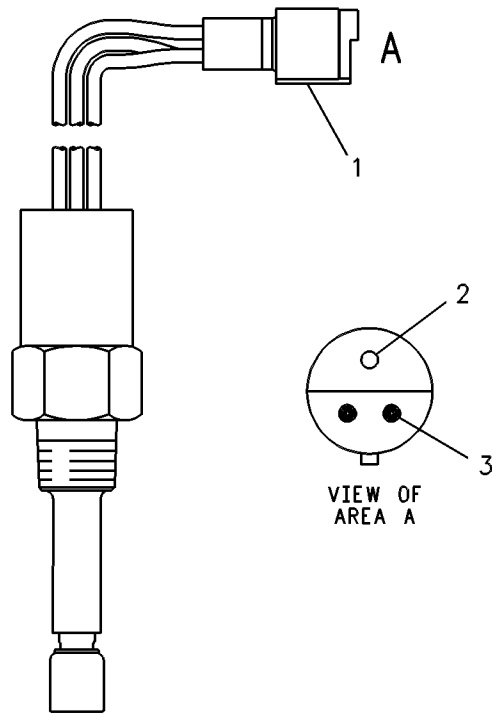
PART OF 108-6424 SHUTOFF GP-ELECTRICAL

FOR USE WITH SAFETY SHUTDOWN SYSTEM AND STANDBY RATINGS. CANNOT BE USED WITH
ELECTRONIC MODULAR CONTROL PANEL
AN ATTACHMENT

SMCS-7403, 7404, 7412, 7417, 7420

i00651672

NOTE	REF NO	GRAPHIC REF	PART NUMBER	QTY	PART NAME						SEE PAGE
					1	2	3	4	5	6 (PRODUCT LEVEL)	
	1	1	7N-7781	1	HOUSING-RECEPTACLE						
	2	1	7N-7779	1	SOCKET						
	3	1	7N-7780	2	PIN-CONNECTOR (BLADE)						



GRAPHIC #1

g00065856

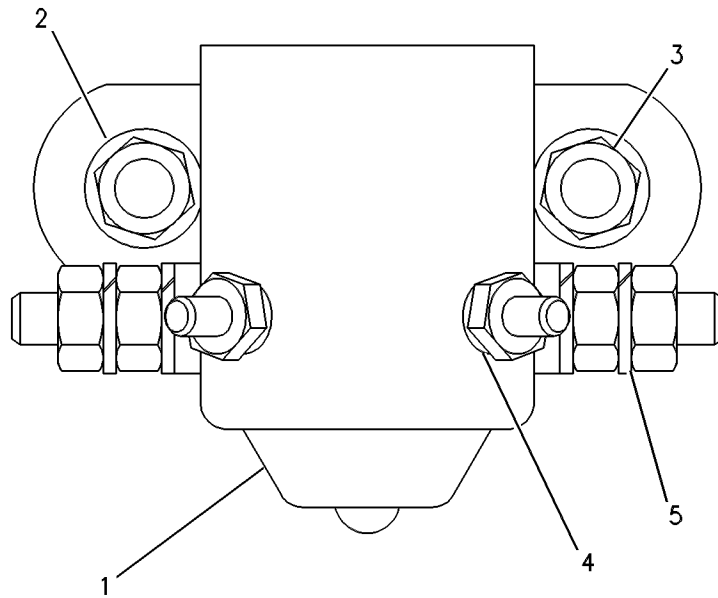
ELECTRICAL AND STARTING SYSTEM

119-0800 SWITCH GP PART OF 134-8620, 134-8621 SWITCH GP-START AN ATTACHMENT

SMCS-1400

i00656546

NOTE	REF NO	GRAPHIC REF	PART NUMBER	QTY	PART NAME						SEE PAGE
					1	2	3	4	5	6 (PRODUCT LEVEL)	
	1	1	9F-3099	1	SWITCH AS						
	2	1	5P-0537	2	WASHER (2MM THK)						
	3	1	9S-8750	2	NUT-FULL (1/4-20 THD)						
	4	1	3B-4502	2	LOCKWASHER (1.19MM THK)						
	5	1	3B-4505	2	LOCKWASHER (5/16IN)						



GRAPHIC #1

g00261685

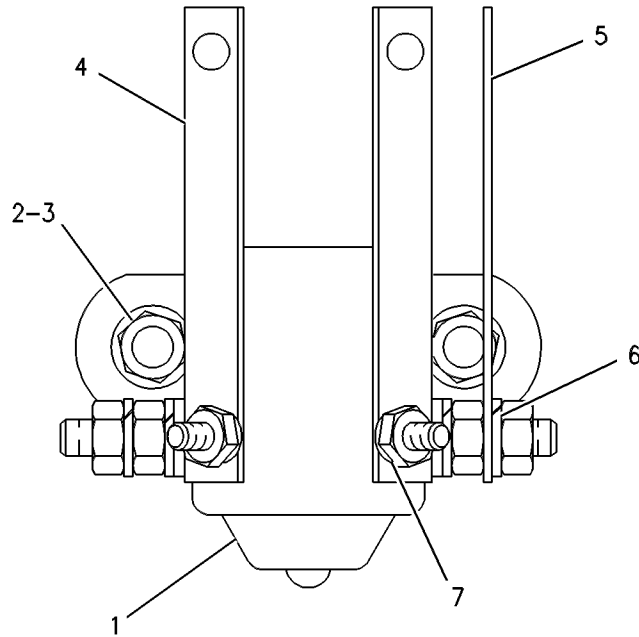
ELECTRICAL AND STARTING SYSTEM

119-0801 SWITCH GP PART OF 134-8621 SWITCH GP-START AN ATTACHMENT

SMCS-1400

i00656551

NOTE	REF NO	GRAPHIC REF	PART NUMBER	QTY	PART NAME						SEE PAGE
					1	2	3	4	5	6 (PRODUCT LEVEL)	
	1	1	9F-3099	1	SWITCH AS						
	2	1	5P-0537	2	WASHER (2MM THK)						
	3	1	9S-8750	2	NUT-FULL (1/4-20 THD)						
	4	1	9F-9203	2	CONNECTOR						
	5	1	5N-7759	1	CONNECTOR						
	6	1	3B-4505	2	LOCKWASHER (5/16IN)						
	7	1	3B-4502	2	LOCKWASHER (1.19MM THK) (#10)						



GRAPHIC #1

g00261588

ELECTRICAL AND STARTING SYSTEM

8N-2941 SWITCH GP-ENGINE START

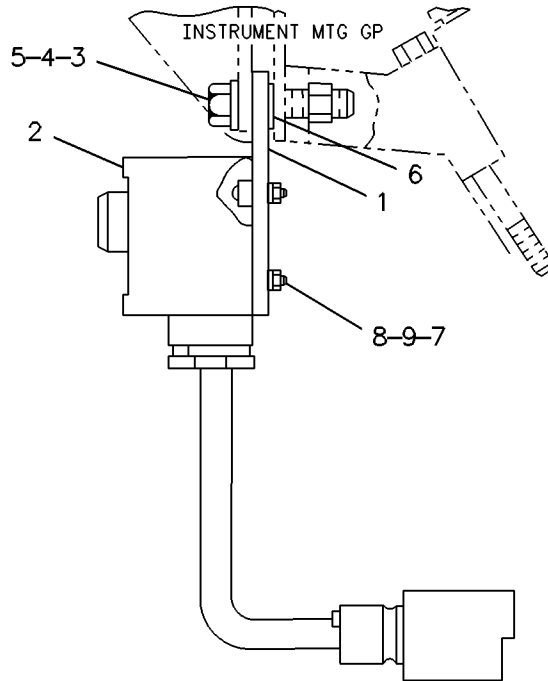
FOR USE WITH ELECTRIC STARTING MOTORS & ELECTRIC AIR START CONTROLS. CANNOT
BE USED WITH HYDRO-MECHANICAL SYSTEM
AN ATTACHMENT

SMCS-1416

i00653117

NOTE	REF NO	GRAPHIC REF	PART NUMBER	QTY	PART NAME						SEE PAGE
					1	2	3	4	5	6 (PRODUCT LEVEL)	
C	1	1	6I-1966	1	PLATE-CONTROL MOUNTING						
YC	2	1	<i>6I-1998</i>	1	SWITCH AS-PUSH BUTTON						670
	3	1	0S-1591	2	BOLT (3/8-16X1.5IN)						
	4	1	5M-2894	2	WASHER (2.5MM THK)						
C	5	1	9S-8752	2	NUT-FULL (3/8-16 THD)						
	6	1	5P-1075	2	WASHER-HARD (3MM THK)						
C	7	1	3B-4501	4	LOCKWASHER (NO.8)						
C	8	1	7D-5473	4	BOLT-SOCKET HEAD						
C	9	1	4B-2043	4	NUT (8-32 THD)						

C-CHANGE FROM PREVIOUS TYPE
Y-SEPARATE ILLUSTRATION



GRAPHIC #1

g00228472

ELECTRICAL AND STARTING SYSTEM

7N-4196 SWITCH GP-GOVERNOR

WOODWARD GOVERNOR SYNCHRONIZING

PART OF 4W-5643 GOVERNOR GP

FOR USE WITH WOODWARD UG8 DUAL GOVERNORS (E273, E274, E275)

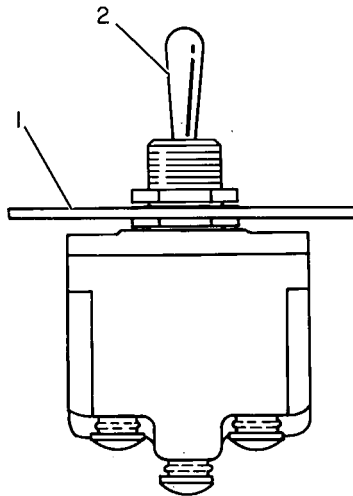
AN ATTACHMENT

SMCS-1264

i00654058

NOTE	REF NO	GRAPHIC REF	PART NUMBER	QTY	PART NAME						SEE PAGE
					1	2	3	4	5	6 (PRODUCT LEVEL)	
	1	1	3L-4576	1	PLATE-IDENTIFICATION						
C	2	1	7N-8008	1	SWITCH AS-TOGGLE (GOVERNOR)						

C- CHANGE FROM PREVIOUS TYPE



GRAPHIC #1

g00146164

ELECTRICAL AND STARTING SYSTEM

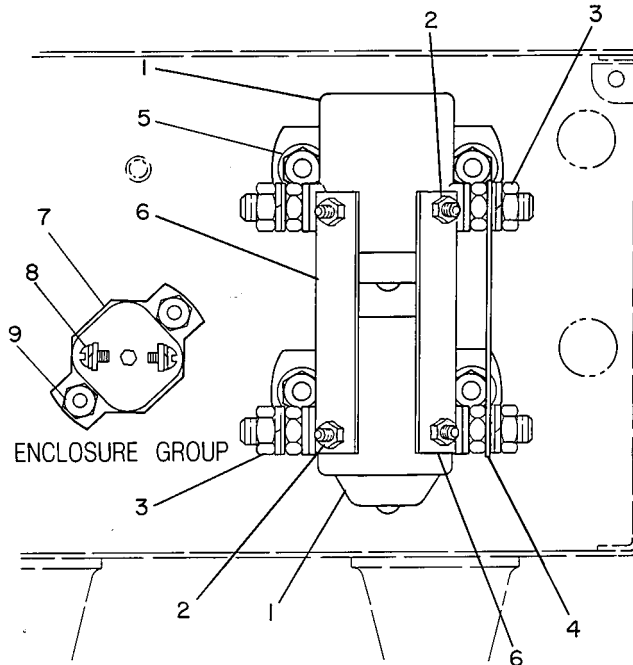
4W-4755 SWITCH GP - MAGNETIC

24 VOLT. DUAL
AN ATTACHMENT

SMCS-7499

i00649336

NOTE	REF NO	GRAPHIC REF	PART NUMBER	QTY	PART NAME						SEE PAGE
					1	2	3	4	5	6 (PRODUCT LEVEL)	
1	1	1	9F-3099	2	SWITCH AS (MAGNETIC)						
					(EACH INCLUDES)						
2	1	1	4B-2043	2	NUT (8-32 THD)						
		1	3B-4501	2	LOCKWASHER (NO.8)						
3	1	1	6V-8186	2	NUT-FULL (5/16-24 THD)						
		1	3L-6789	2	LOCKWASHER (.326MM ID)						
		1	8F-0908	2	WASHER						
4	1	1	5N-7759	1	CONNECTOR						
5	1	1	9S-8750	4	NUT-FULL (1/4-20 THD)						
		1	5P-0537	4	WASHER (2MM THK)						
6	1	1	9F-9203	2	CONNECTOR						
7	1	1	9H-1958	1	CIRCUIT BREAKER AS (20AMP)						
8	1	1	6V-8376	2	SCREW-MACHINE (8-32X.25IN)						
		1	9B-7233	2	LOCKWASHER (NO.8)						
9	1	1	8H-5429	2	SCREW-MACHINE						
		1	4B-2047	2	NUT (10-24 THD)						
		1	4B-4274	2	WASHER (1.2MM THK)						



GRAPHIC #1

g00201123

ELECTRICAL AND STARTING SYSTEM

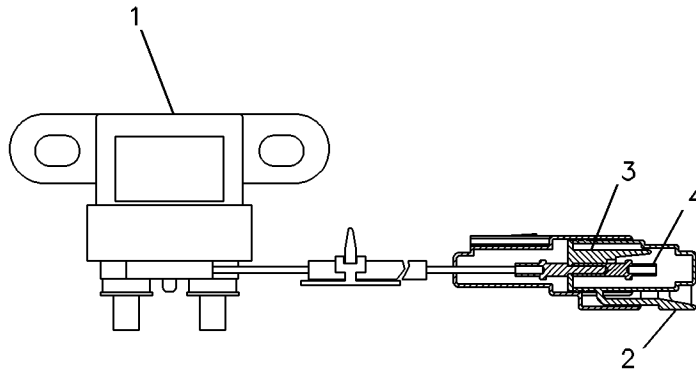
6I-1230 SWITCH GP-MAGNETIC AN ATTACHMENT

SMCS-7499

i00656528

NOTE	REF NO	GRAPHIC REF	PART NUMBER	QTY	PART NAME						SEE PAGE
					1	2	3	4	5	6 (PRODUCT LEVEL)	
Y	1	1	3E-0075	1	SWITCH AS-MAGNETIC (STARTER RELAY)						669
	2	1	3E-3361	1	PLUG AS-CONNECTOR						
	3	1	3E-3362	1	WEDGE-PLUG LOCK						
	4	1	8T-8730	2	SOCKET-CONNECTOR						

Y-SEPARATE ILLUSTRATION



GRAPHIC #1

g00226744

ELECTRICAL AND STARTING SYSTEM

7W-1605 SWITCH GP-PYROMETER

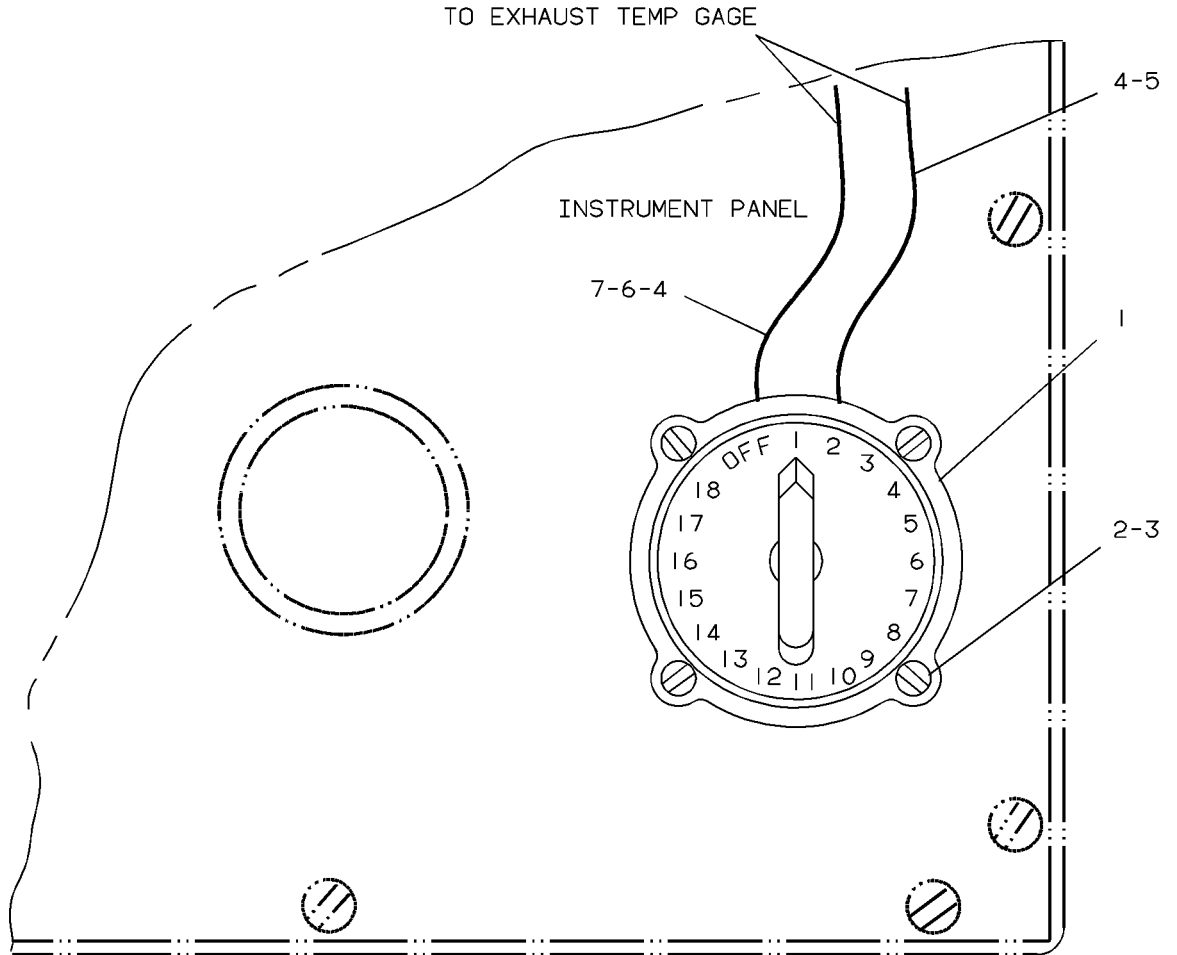
PYROMETER
AN ATTACHMENT

SMCS-7466

i00080833

NOTE	REF NO	GRAPHIC REF	PART NUMBER	QTY	PART NAME						SEE PAGE
					1	2	3	4	5	6 (PRODUCT LEVEL)	
	1	1	3N-8271	1	SWITCH-SELECTOR						
	2	1	7S-4338	4	SCREW-MACHINE (8-32X.75IN)						
	3	1	4B-2043	4	NUT (8-32 THD)						
BDC	4	1	5P-5677		WIRE (18 GA)						
C	5	1	7N-9194	2	TERMINAL						
C	6	1	7N-9017	1	TERMINAL (#10 SCREW)						
C	7	1	5P-5592	1	TERMINAL (6.35MM .25IN SCREW)						

B-USE AS REQUIRED
C-CHANGE FROM PREVIOUS TYPE
D-ORDER BY THE METER



GRAPHIC #1

g00064076

ELECTRICAL AND STARTING SYSTEM

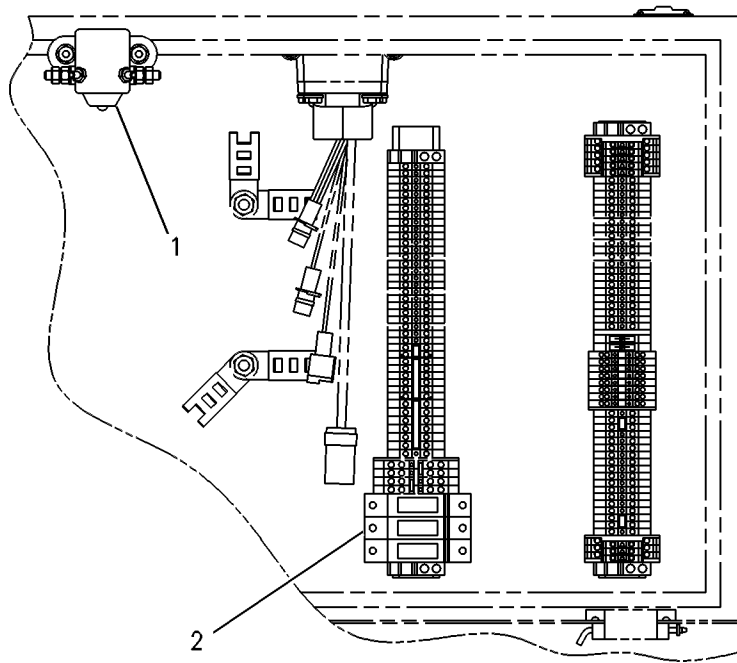
134-8620 SWITCH GP AN ATTACHMENT

SMCS-1416

i00659564

NOTE	REF NO	GRAPHIC REF	PART NUMBER	QTY	PART NAME						SEE PAGE
					1	2	3	4	5	6 (PRODUCT LEVEL)	
Y	1	1	119-0800	1	SWITCH GP						673
	2	1	116-7654	1	BREAKER AS						

Y-SEPARATE ILLUSTRATION



GRAPHIC #1

g00261684

ELECTRICAL AND STARTING SYSTEM

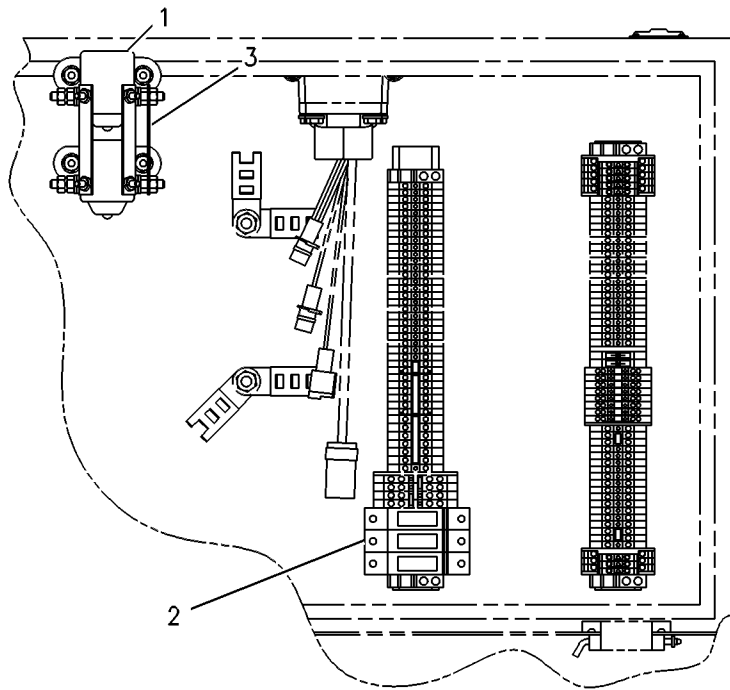
134-8621 SWITCH GP AN ATTACHMENT

SMCS-1416

i00656672

NOTE	REF NO	GRAPHIC REF	PART NUMBER	QTY	PART NAME						SEE PAGE
					1	2	3	4	5	6 (PRODUCT LEVEL)	
Y	1	1	119-0800	1	SWITCH GP						673
	2	1	116-7654	1	BREAKER AS						
Y	3	1	119-0801	1	SWITCH GP						674

Y-SEPARATE ILLUSTRATION



GRAPHIC #1

g00261683

ELECTRICAL AND STARTING SYSTEM

4P-7074 TRANSFORMER GP

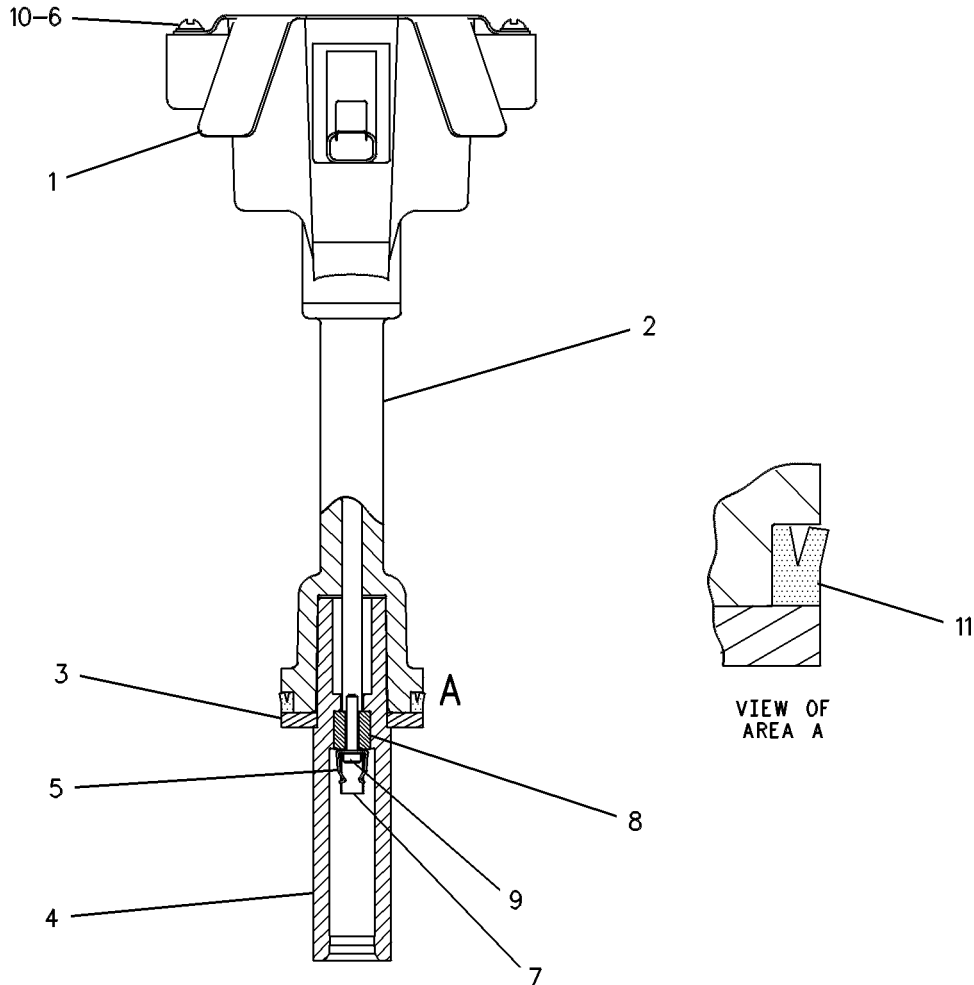
S/N 9TG1-17, 19-47

PART OF 4P-8192 IGNITION GP-GAS ENGINE

SMCS-1409, 1550

i00659465

NOTE	REF NO	GRAPHIC REF	PART NUMBER	QTY	PART NAME						SEE PAGE
					1	2	3	4	5	6 (PRODUCT LEVEL)	
	1	1	4P-6944	1	SPRING						
	2	1	4P-7059	1	TRANSFORMER AS						
	3	1	4P-6939	1	SPACER						
	4	1	4P-7488	1	EXTENSION						
	5	1	4P-7872	1	CLIP-SPRING						
	6	1	9B-9172	2	SCREW-MACHINE						
	7	1	4P-7873	1	FERRULE						
	8	1	4P-7866	1	SPACER						
	9	1	100-8254	1	BOLT-HEX SOCKET						
	10	1	5H-6555	2	LOCKWASHER-TOOTH (NO.4)						
	11	1	101-0384	1	SEAL-PRESSURE RELIEF						



GRAPHIC #1

g00237002

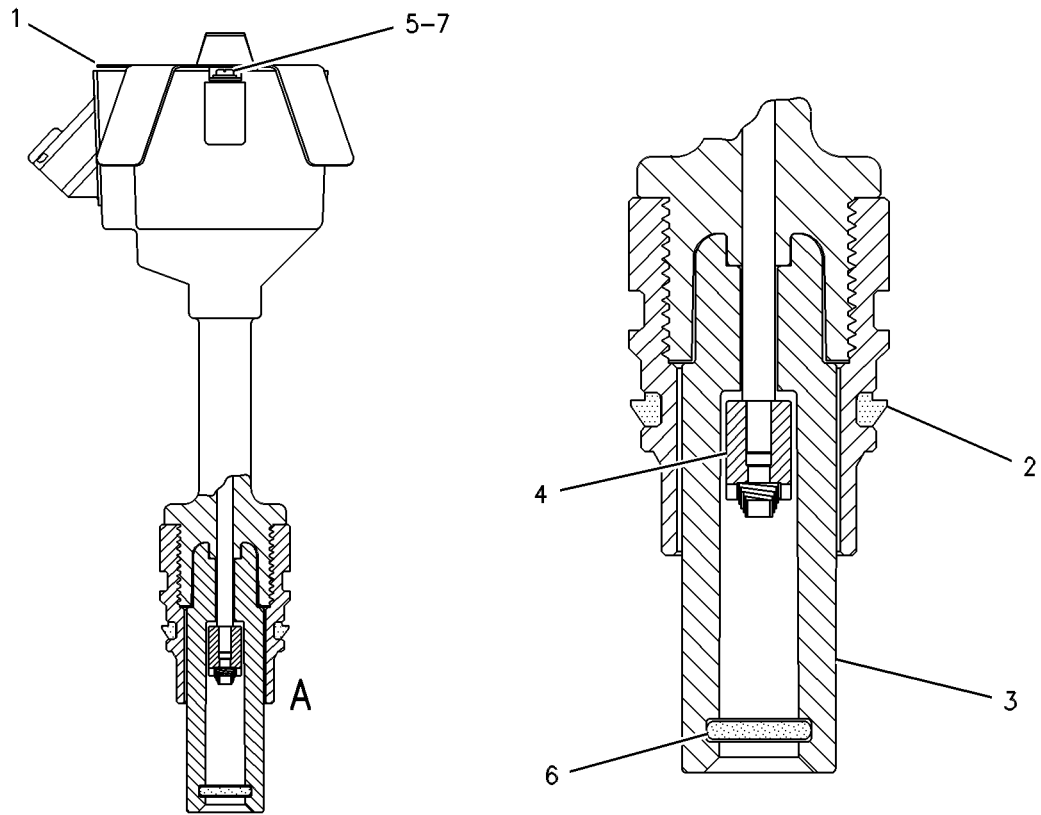
ELECTRICAL AND STARTING SYSTEM

116-7650 TRANSFORMER GP PART OF 130-7387 IGNITION GP-GAS ENGINE AN ATTACHMENT

SMCS-1409, 1550

i00670198

NOTE	REF NO	GRAPHIC REF	PART NUMBER	QTY	PART NAME						SEE PAGE
					1	2	3	4	5	6 (PRODUCT LEVEL)	
	1	1	125-7038	1	SPRING-TRANSFORMER						
	2	1	135-2651	1	SEAL						
	3	1	116-7649	1	INSULATOR						
	4	1	122-0355	1	TERMINAL AS						
	5	1	9X-6477	2	SCREW-MACHINE (6-32 X .375IN)						
	6	1	125-1372	1	SEAL-O-RING						
	7	1	3L-8187	2	LOCKWASHER (#6-INT)						



VIEW OF AREA A

GRAPHIC #1

g00292416

ELECTRICAL AND STARTING SYSTEM

124-0749 TRANSFORMER GP

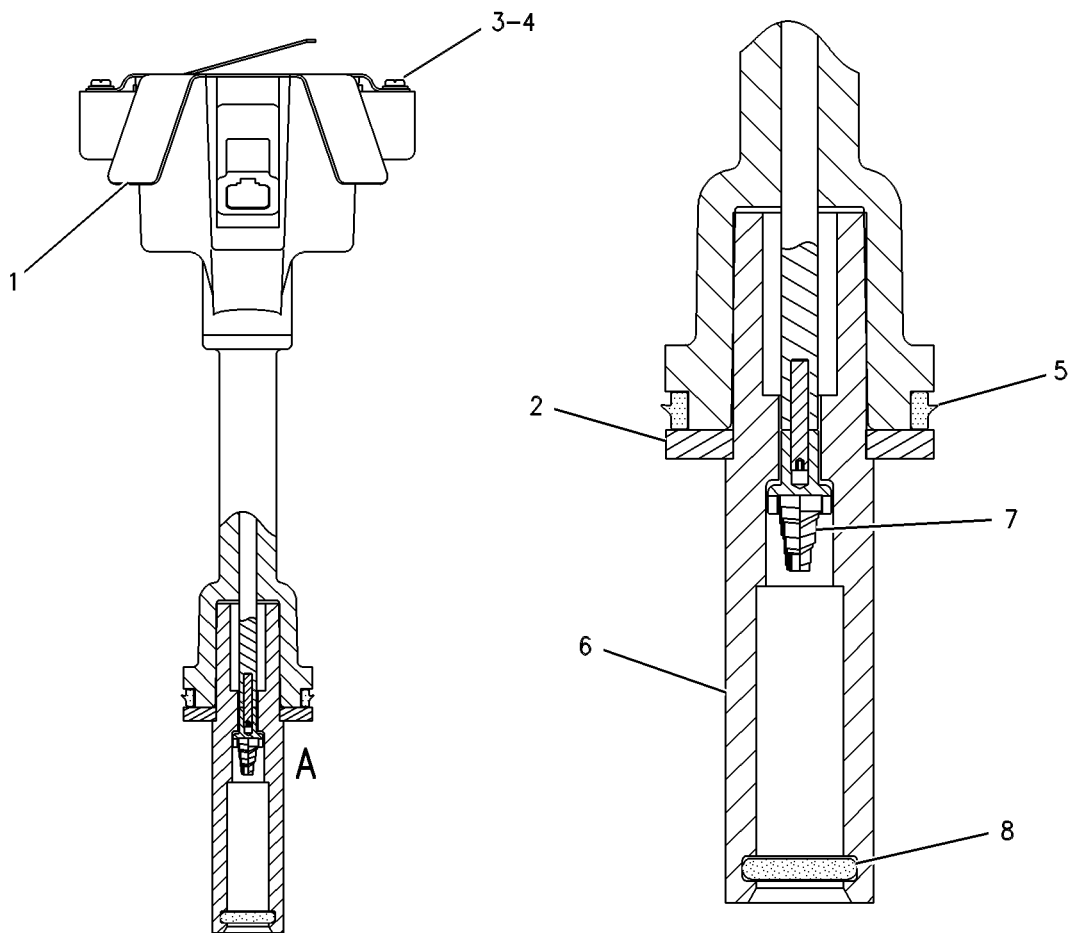
S/N 9TG18, 48-UP

PART OF 147-2936, 147-2960 IGNITION GP, 4P-8192 IGNITION GP-GAS ENGINE
ALSO AN ATTACHMENT

SMCS-1409, 1550

i00666286

NOTE	REF NO	GRAPHIC REF	PART NUMBER	QTY	PART NAME						SEE PAGE
					1	2	3	4	5	6 (PRODUCT LEVEL)	
	1	1	125-7038	1	SPRING-TRANSFORMER						
	2	1	4P-6939	1	SPACER						
	3	1	9X-6477	2	SCREW-MACHINE (6-32 X .375IN)						
	4	1	3L-8187	2	LOCKWASHER (3.7MM ID)						
J	5	1	135-2651	1	SEAL						
J	6	1	133-5078	1	EXTENSION						
J	7	1	127-8893	1	TERMINAL AS						
J	8	1	125-1372	1	SEAL-O-RING						
					AVAILABLE REPAIR KIT(S) :						
			125-0517	1	KIT-TRANSFORMER REPAIR (INCLUDES PARTS MARKED J)						



VIEW OF AREA A

GRAPHIC #1

g00291661

ELECTRICAL AND STARTING SYSTEM

5N-8980 VALVE AS-SOLENOID

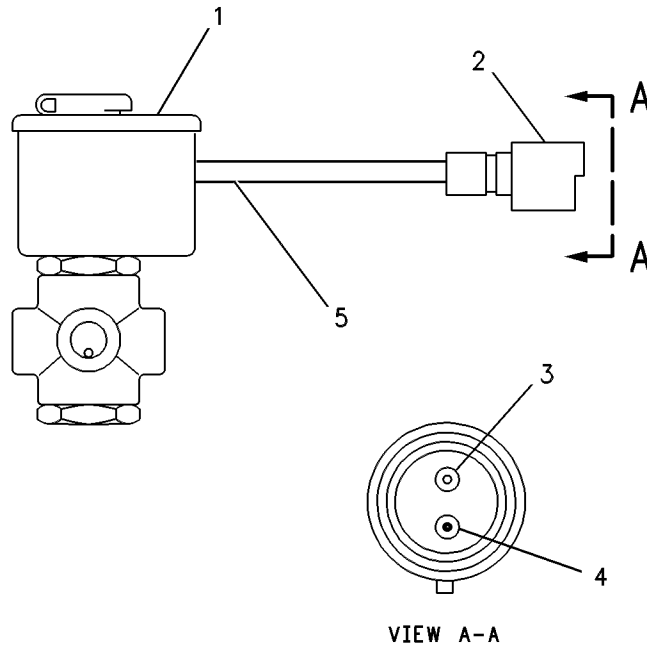
PART OF 7C-0330 CONTROL GP-AIR STARTING
AN ATTACHMENT

SMCS-5479

i00651550

NOTE	REF NO	GRAPHIC REF	PART NUMBER	QTY	PART NAME						SEE PAGE
					1	2	3	4	5	6 (PRODUCT LEVEL)	
	1	1	7G-8765	1	VALVE-SOLENOID						
	2	1	7N-9738	1	HOUSING-RECEPTACLE (1 PIN, 1 SOCKET)						
	3	1	7N-7779	1	SOCKET						
	4	1	7N-7780	1	PIN-CONNECTOR (BLADE)						
E	5	1	9X-1813		SLEEVE (16CM)						

E-ORDER BY THE CENTIMETER



GRAPHIC #1

g00289355

ELECTRICAL AND STARTING SYSTEM

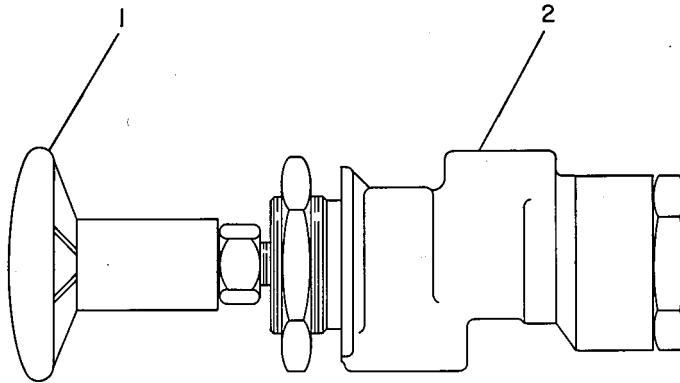
4W-5424 VALVE GP-AIR CONTROL

PART OF 4W-7201, 4W-7202, 4W-7207 CONTROL GP-AIR STARTING
AN ATTACHMENT

SMCS-1462

i00640073

NOTE	REF NO	GRAPHIC REF	PART NUMBER	QTY	PART NAME						SEE PAGE
					1	2	3	4	5	6 (PRODUCT LEVEL)	
	1	1	2W-0629	1	KNOB-ENGINE START						
	2	1	2W-6820	1	VALVE-CONTROL						



GRAPHIC #1

g00164642

ELECTRICAL AND STARTING SYSTEM

8N-8483 VALVE GP-AIR CONTROL

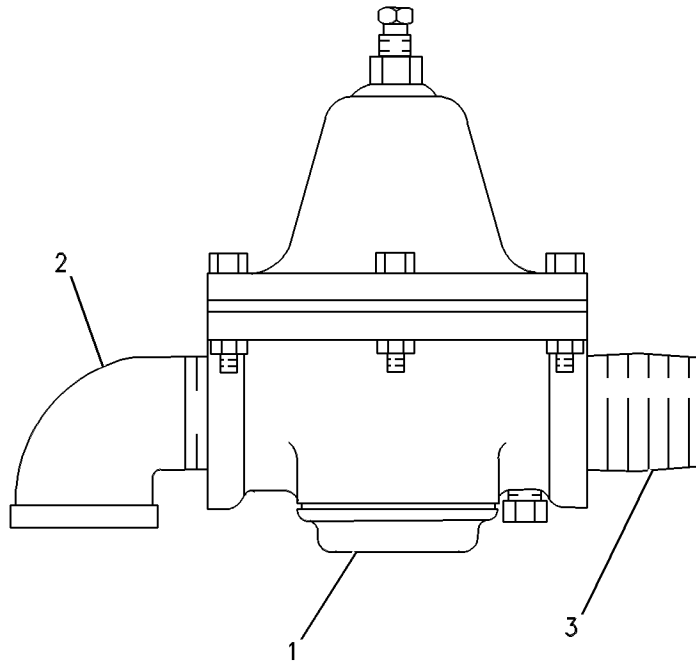
RH
FOR USE WITH AIR START SYSTEM
AN ATTACHMENT

SMCS-1462

i00652138

NOTE	REF NO	GRAPHIC REF	PART NUMBER	QTY	PART NAME						SEE PAGE
					1	2	3	4	5	6 (PRODUCT LEVEL)	
Y	1	1	1L-2073	1	VALVE GP-PRESSURE REDUCING						688
	2	1	5B-7666	1	ELBOW						
	3	1	3L-8993	1	NIPPLE-CLOSE						

Y-SEPARATE ILLUSTRATION



GRAPHIC #1

g00283895

ELECTRICAL AND STARTING SYSTEM

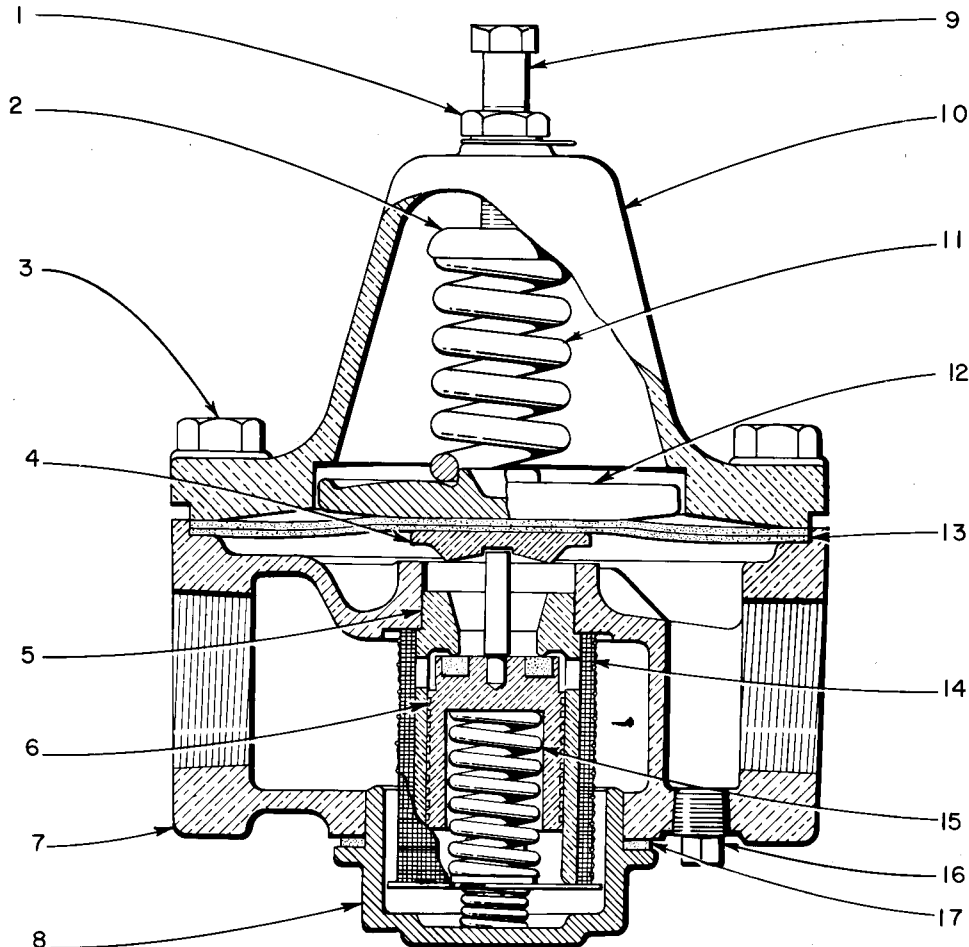
1L-2073 VALVE GP-PRESSURE REDUCING

PART OF 8N-8483 VALVE GP-AIR CONTROL
AN ATTACHMENT

SMCS-1462

i00858882

NOTE	REF NO	GRAPHIC REF	PART NUMBER	QTY	PART NAME						SEE PAGE
					1	2	3	4	5	6 (PRODUCT LEVEL)	
	1	1	1L-9048	1	NUT-PLATED JAM (7/16-14 THD)						
	2	1	1H-9569	1	BUTTON-SPRING						
	3	1	1L-9080	6	BOLT (7/16-20X1.5IN)						
		1	1L-9079	6	NUT-PLATED FULL						
	4	1	1H-9574	1	BUTTON						
	5	1	1H-9575	1	CYLINDER						
	6	1	5N-6942	1	PISTON AS						
	7	1	1L-2072	1	BODY-VALVE						
	8	1	1H-9581	1	PLUG AS-BOTTOM						
	9	1	0T-0320	1	BOLT (7/16-14X1.25IN)						
	10	1	1H-9570	1	CHAMBER						
	11	1	1L-9049	1	SPRING-PRESSURE						
	12	1	1H-9572	1	PLATE-PRESSURE						
	13	1	1H-9573	1	DIAPHRAGM						
	14	1	1H-9577	1	SCREEN-STRAINER						
	15	1	1H-9578	1	SPRING-PISTON						
	16	1	5B-7890	1	PLUG-PIPE						
	17	1	1H-9580	1	GASKET-PLUG						



GRAPHIC #1

g00198971

ELECTRICAL AND STARTING SYSTEM

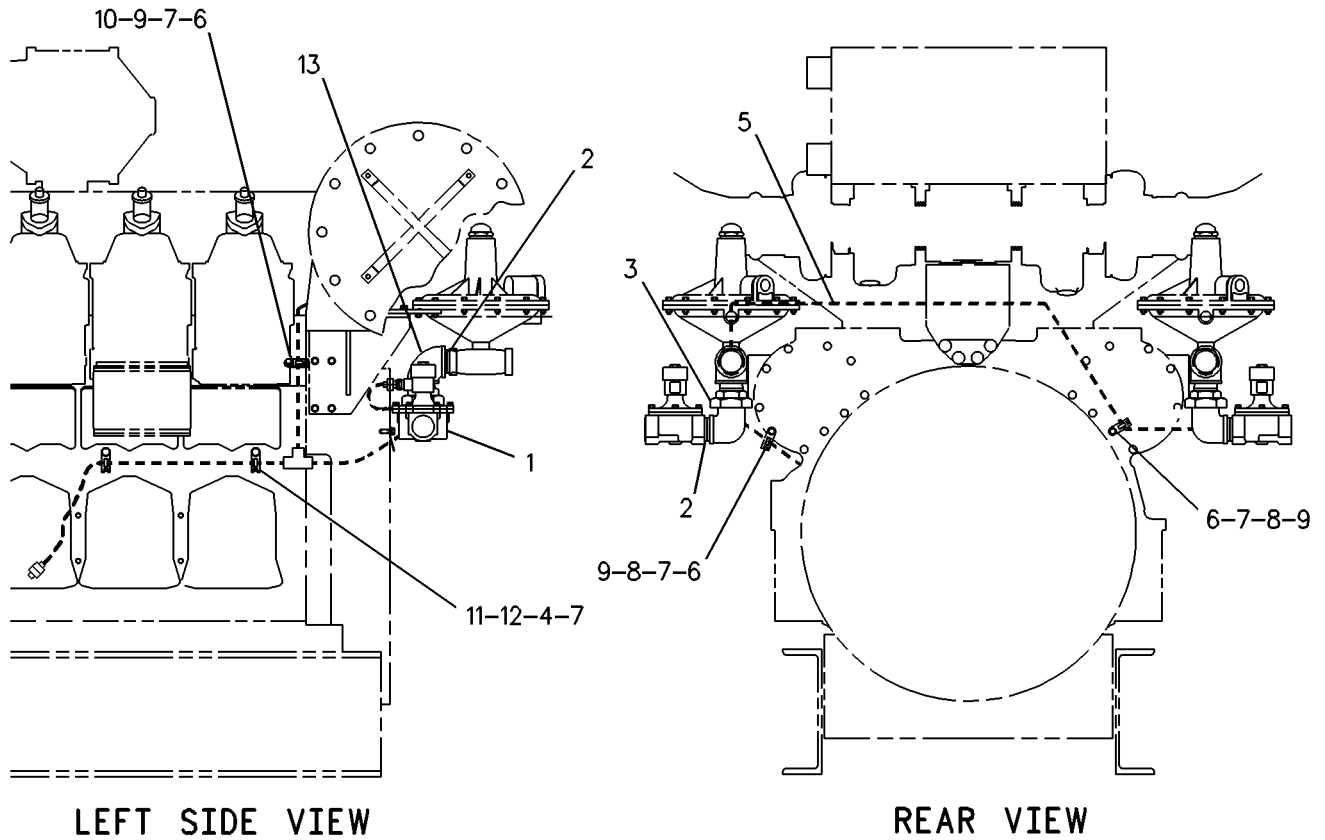
4P-9596 VALVE GP-SOLENOID FOR USE WITH 4P-9090 REGULATOR GP-GAS PRESSURE AN ATTACHMENT TYPE 1

SMCS-5479

i00656847

NOTE	REF NO	GRAPHIC REF	PART NUMBER	QTY	PART NAME						SEE PAGE
					1	2	3	4	5	6 (PRODUCT LEVEL)	
Y	1	1	9Y-6992	2	VALVE GP-SOLENOID						693
	2	1	3B-7296	4	NIPPLE-CLOSE						
	3	1	7X-7951	2	ELBOW-UNION						
	4	1	3H-7654	2	WASHER (3MM THK)						
Y	5	1	6I-0760	1	HARNES AS						492
	6	1	4P-7581	2	CLIP (10.5MM ID)						
	7	1	9X-6772	5	STRAP-CABLE						
	8	1	OS-1588	2	BOLT (3/8-16X1.25IN)						
	9	1	5M-2894	3	WASHER (2.5MM THK)						
	10	1	OL-1351	1	BOLT (3/8-16X.875IN)						
	11	1	4P-7428	2	CLIP (13.5MM ID)						
	12	1	2H-3855	2	BOLT (1/2-13X.875IN)						
	13	1	3B-6500	2	ELBOW						

Y-SEPARATE ILLUSTRATION



GRAPHIC #1

g00229975

ELECTRICAL AND STARTING SYSTEM

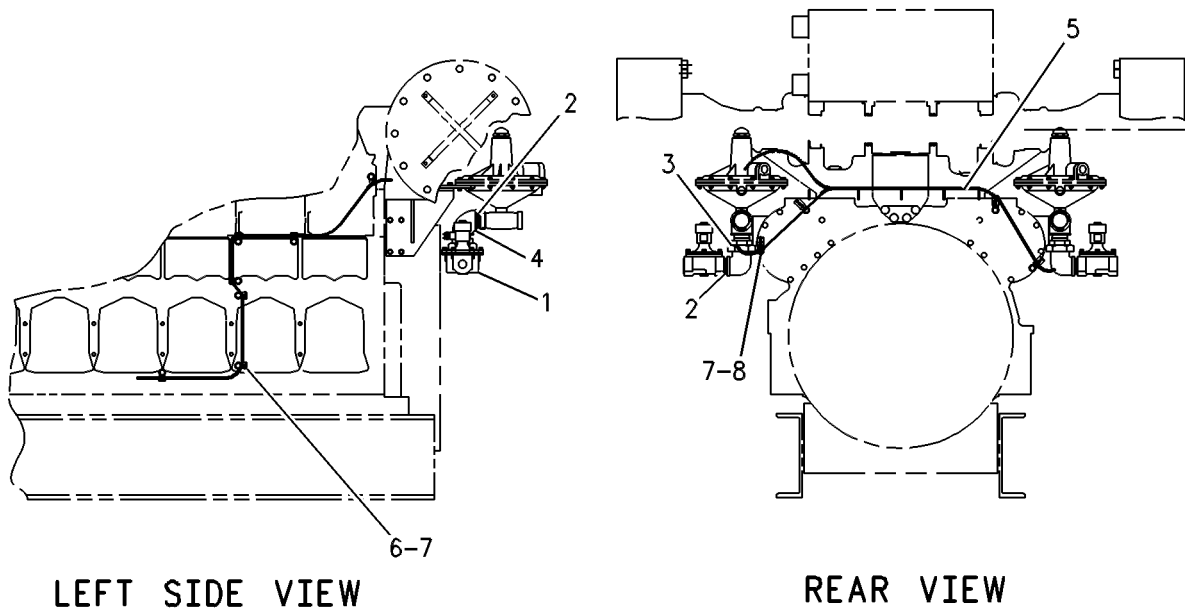
4P-9596 VALVE GP-SOLENOID FOR USE WITH 4P-9090 REGULATOR GP-GAS PRESSURE AN ATTACHMENT TYPE 2

SMCS-5479

i00656850

NOTE	REF NO	GRAPHIC REF	PART NUMBER	QTY	PART NAME						SEE PAGE
					1	2	3	4	5	6 (PRODUCT LEVEL)	
CY	1	1	9Y-6992	2	VALVE GP-SOLENOID						693
	2	1	3B-7296	4	NIPPLE-CLOSE						
	3	1	7X-7951	2	ELBOW-UNION						
	4	1	3B-6500	2	ELBOW						
	5	1	131-9322	1	HARNESS AS						
	6	1	4P-8134	3	CLIP (10.5MM ID)						
	7	1	9X-6772	7	STRAP-CABLE						
	8	1	4P-7581	4	CLIP (10.5MM ID)						

C- CHANGE FROM PREVIOUS TYPE
Y- SEPARATE ILLUSTRATION



GRAPHIC #1

g00273411

ELECTRICAL AND STARTING SYSTEM

8C-9600 VALVE GP-SOLENOID

S/N 9TG1-70

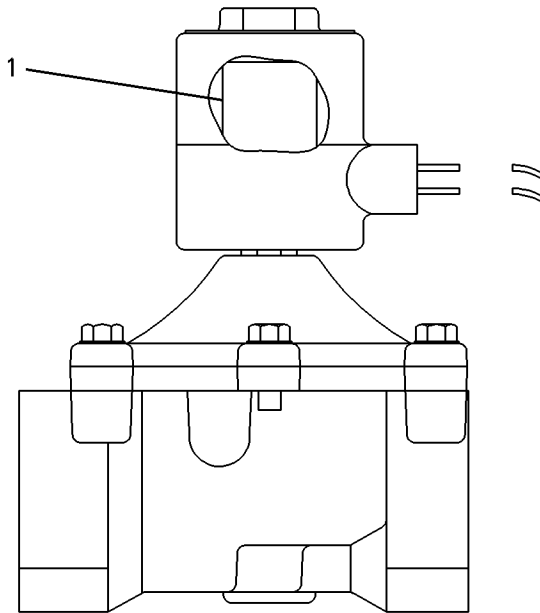
24 VOLT

PART OF 9Y-6992 VALVE GP-SOLENOID
 FIELD REPLACEMENT ORDER 103-0692-PAGE 695
 ALSO AN ATTACHMENT

SMCS-5479

i00090125

NOTE	REF NO	GRAPHIC REF	PART NUMBER	QTY	PART NAME						SEE PAGE
					1	2	3	4	5	6 (PRODUCT LEVEL)	
	1	1	7X-1678	1	COIL AS						



GRAPHIC #1

g00065648

ELECTRICAL AND STARTING SYSTEM

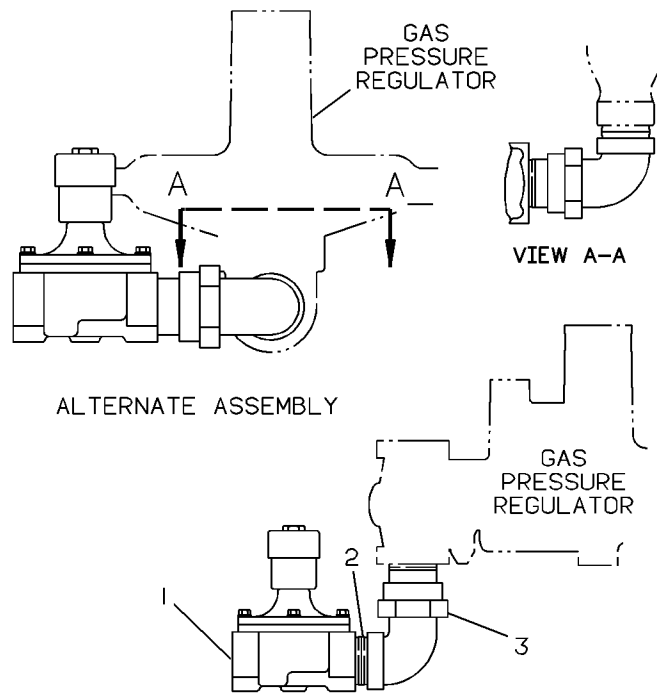
9Y-6061 VALVE GP-SOLENOID GAS SHUTOFF

SMCS-5479

i00659536

NOTE	REF NO	GRAPHIC REF	PART NUMBER	QTY	PART NAME						SEE PAGE
					1	2	3	4	5	6 (PRODUCT LEVEL)	
Y	1	1	9Y-6992	1	VALVE GP-SOLENOID						693
	2	1	3B-7296	1	NIPPLE-CLOSE						
	3	1	7X-7951	1	ELBOW-UNION						

Y-SEPARATE ILLUSTRATION



GRAPHIC #1

g00213962

ELECTRICAL AND STARTING SYSTEM

9Y-6992 VALVE GP-SOLENOID

S/N 9TG1-70

GAS SHUTOFF

PART OF 4P-9596, 9Y-6061 VALVE GP-SOLENOID

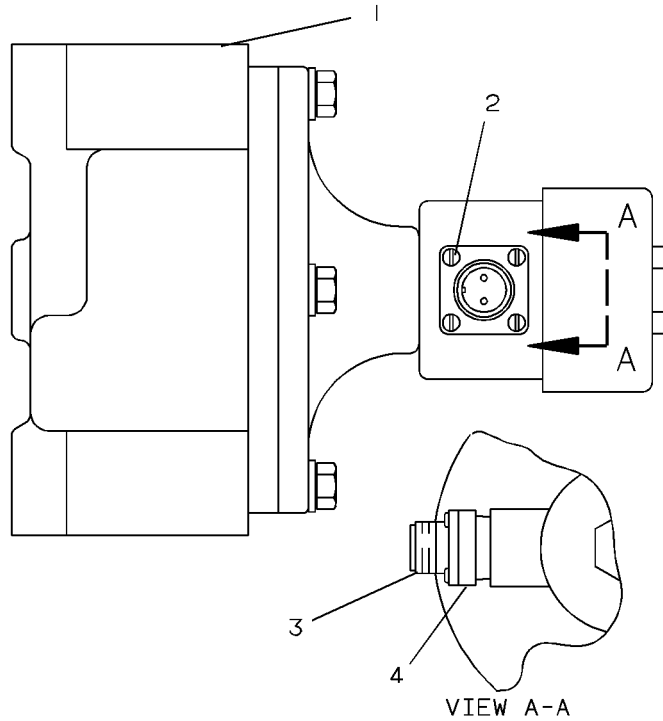
ALSO AN ATTACHMENT

SMCS-5479

i00090134

NOTE	REF NO	GRAPHIC REF	PART NUMBER	QTY	PART NAME						SEE PAGE
					1	2	3	4	5	6 (PRODUCT LEVEL)	
Y	1	1	8C-9600	1	VALVE GP-SOLENOID						691
	2	1	033-4926	4	SCREW-MACHINE						
	3	1	9X-3406	1	RECEPTACLE AS						
	4	1	9Y-6993	1	ADAPTER						

Y-SEPARATE ILLUSTRATION



GRAPHIC #1

g00064388

ELECTRICAL AND STARTING SYSTEM

9Y-6992 VALVE GP-SOLENOID

S/N 9TG71-UP

GAS SHUTOFF

PART OF 4P-9596, 9Y-6061 VALVE GP-SOLENOID

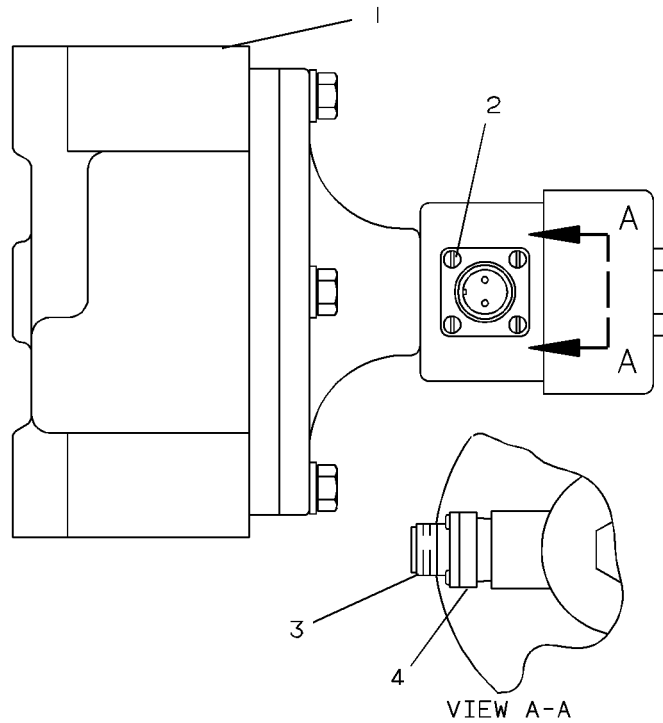
ALSO AN ATTACHMENT

SMCS-5479

i00072454

NOTE	REF NO	GRAPHIC REF	PART NUMBER	QTY	PART NAME						SEE PAGE
					1	2	3	4	5	6 (PRODUCT LEVEL)	
Y	1	1	103-0692	1	VALVE GP-SOLENOID						695
	2	1	033-4926	4	SCREW-MACHINE						
	3	1	9X-3406	1	RECEPTACLE AS						
	4	1	9Y-6993	1	ADAPTER						

Y-SEPARATE ILLUSTRATION



GRAPHIC #1

g00064388

ELECTRICAL AND STARTING SYSTEM

103-0692 VALVE GP-SOLENOID

S/N 9TG71-UP

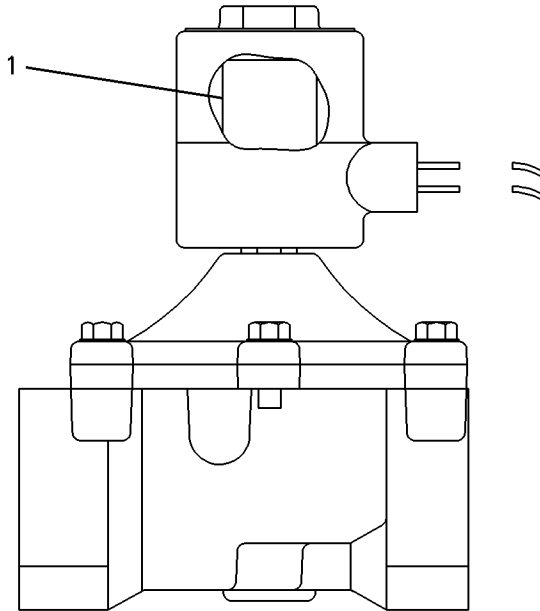
24 VOLT DC

PART OF 9Y-6992 VALVE GP-SOLENOID
FIELD REPLACEMENT FOR 8C-9600-PAGE 691
ALSO AN ATTACHMENT

SMCS-5479

i00072182

NOTE	REF NO	GRAPHIC REF	PART NUMBER	QTY	PART NAME						SEE PAGE
					1	2	3	4	5	6 (PRODUCT LEVEL)	
	1	1	7X-1678	1	COIL AS						



GRAPHIC #1

g00065648

ELECTRICAL AND STARTING SYSTEM

130-5177 VALVE GP-SOLENOID

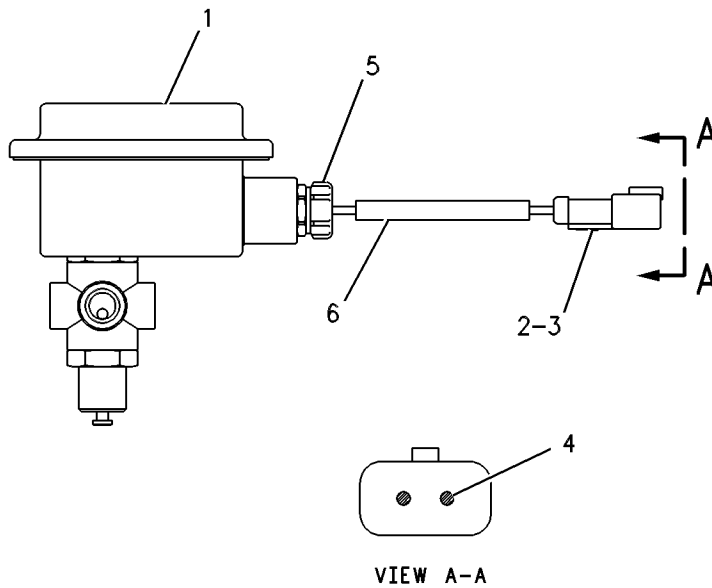
PART OF 147-8337 CONTROL GP-AIR STARTING
AN ATTACHMENT

SMCS-5479

i00920451

NOTE	REF NO	GRAPHIC REF	PART NUMBER	QTY	PART NAME						SEE PAGE
					1	2	3	4	5	6 (PRODUCT LEVEL)	
	1	1	107-2731	1	VALVE GP-SOLENOID						
	2	1	3E-3365	1	WEDGE						
	3	1	102-8802	1	KIT-RECEPTACLE (2 PIN)						
	4	1	8T-8729	2	PIN-CONNECTOR						
	5	1	5D-5569	1	CONNECTOR						
E	6	1	9X-1386		SLEEVE (6CM)						

E-ORDER BY THE CENTIMETER



GRAPHIC #1

g00266430

MEMORANDA

ELECTRICAL AND STARTING SYSTEM

4P-9895 WIRING GP

PART OF 4P-8888 CONTROL GP-ENGINE ELECTRONIC, 118-0804 CONVERSION AR-ENGINE
ALSO AN ATTACHMENT

SMCS-1408

i00935303

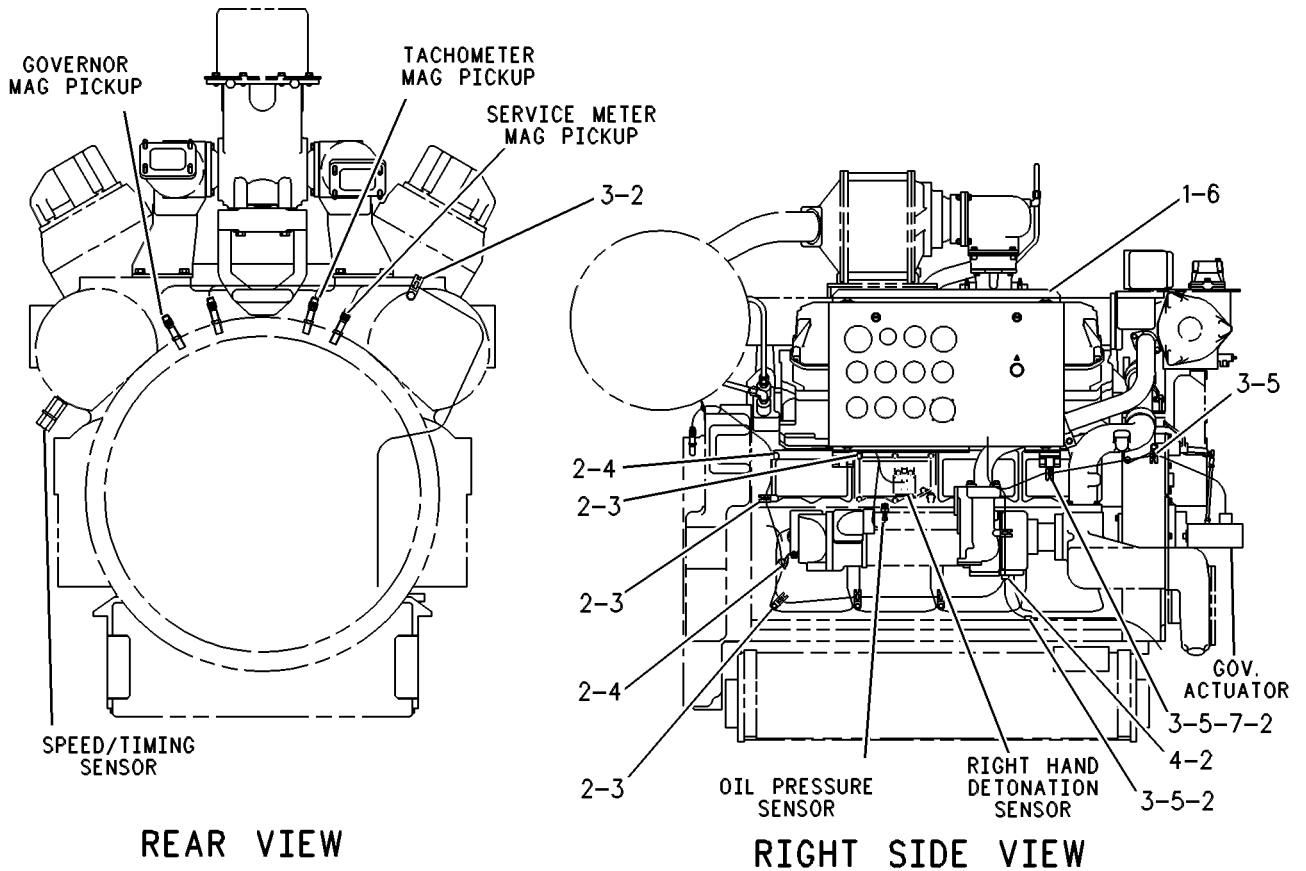
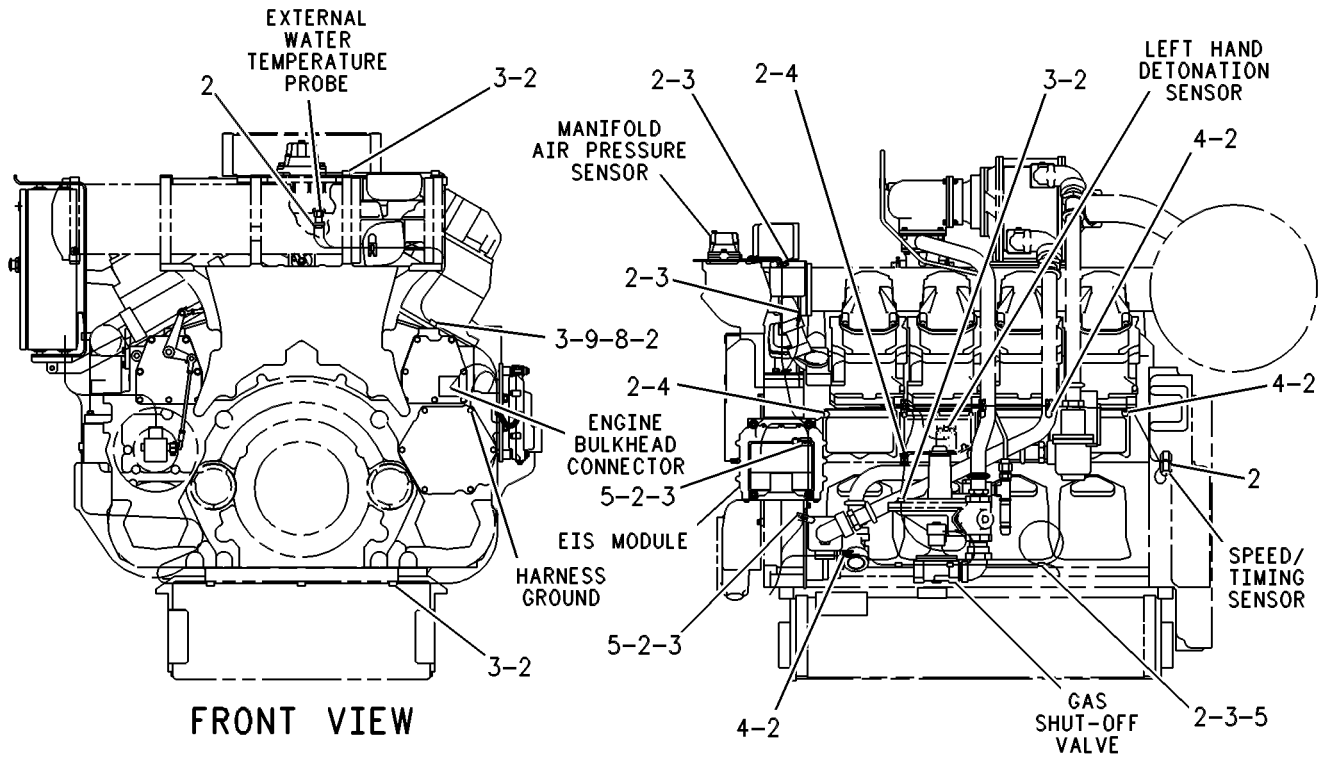
NOTE	REF NO	GRAPHIC REF	PART NUMBER	QTY	PART NAME						SEE PAGE
					1	2	3	4	5	6 (PRODUCT LEVEL)	
Y	1	1	109-4691	1	WIRING GP-INSTR & IGNITION						719
	2	1	9X-6772	35	STRAP-CABLE						
	3	1	4P-7581	25	CLIP						
	4	1	4P-8134	10	CLIP						
	5	1	5M-2894	9	WASHER (2.5MM THK)						
Y	6	1	101-8925	1	MOUNTING GP-INSTRUMENT						792
	7	1	0S-0509	1	BOLT						
	8	1	0S-1621	1	BOLT (1/2-13X1IN)						
	9	1	5P-8245	1	WASHER (3MM THK)						

Y-SEPARATE ILLUSTRATION

ELECTRICAL AND STARTING SYSTEM

4P-9895 WIRING GP (contd.)

i00935303



GRAPHIC #1

g00271205

ELECTRICAL AND STARTING SYSTEM

105-9856 WIRING GP

PART OF 104-4219 CONTROL GP-ENGINE ELECTRONIC

SMCS-1408

i00931427

NOTE	REF NO	GRAPHIC REF	PART NUMBER	QTY	PART NAME	SEE PAGE
					1 2 3 4 5 6 (PRODUCT LEVEL)	
Y	1	1	109-4693	1	WIRING GP-INSTR & IGNITION	720
	2	1	4P-7581	25	CLIP	
	3	1	4P-8134	8	CLIP	
	4	1	5M-2894	9	WASHER (2.5MM THK)	
Y	5	1	<i>101-8925</i>	1	MOUNTING GP-INSTRUMENT	792
B	6	1	9X-6772	33	STRAP-CABLE	
	7	1	0S-0509	1	BOLT	
	8	1	0S-1621	1	BOLT (1/2-13X1IN)	
	9	1	5P-8245	1	WASHER (3MM THK)	

B- USE AS REQUIRED

Y- SEPARATE ILLUSTRATION

ELECTRICAL AND STARTING SYSTEM

120-9715 WIRING GP

AN ATTACHMENT

SMCS - 1408

i00656989

NOTE	PART NUMBER	QTY	PART NAME						SEE PAGE
			1	2	3	4	5	6 (PRODUCT LEVEL)	
Y	4P-9571	1	JUNCTION BOX GP						542
	116-5193	1	COVER - END						
	2P-6896	1	GASKET						
	107-7542	1	HARNESS AS-WIRING						
	120-9714	1	KIT-MARKER						
	3B-4501	4	LOCKWASHER (NO.8)						
	1L-6561	1	PLUG						
	7W-2354	1	PLUG AS						
	7W-2355	2	PLUG AS						
	7W-2353	8	PLUG AS						
	7S-1197	4	SCREW-MACHINE (8-32X.5IN)						
	116-5137	1	SPACER						
	116-5142	5	TERMINAL						
	108-1702	18	TERMINAL - SINGLE						

Y - SEPARATE ILLUSTRATION

MEMORANDA

ELECTRICAL AND STARTING SYSTEM

131-3877 WIRING GP PART OF 133-3693 CONVERSION AR-ENGINE AN ATTACHMENT

SMCS-1408

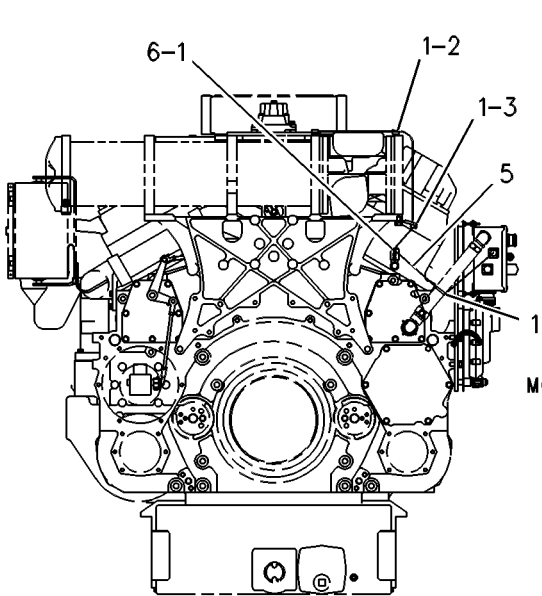
i00660170

NOTE	REF NO	GRAPHIC REF	PART NUMBER	QTY	PART NAME						SEE PAGE
					1	2	3	4	5	6 (PRODUCT LEVEL)	
	1	1	9X-6772	32	STRAP-CABLE						
	2	1	4P-7581	8	CLIP (10.5MM ID)						
	3	1	4P-8134	17	CLIP (10.5MM ID)						
	4	1	130-7063	1	HARNESS AS-WIRING						
	5	1	130-7064	1	HARNESS AS-WIRING						
	6	1	4P-7428	1	CLIP (13.5MM ID)						

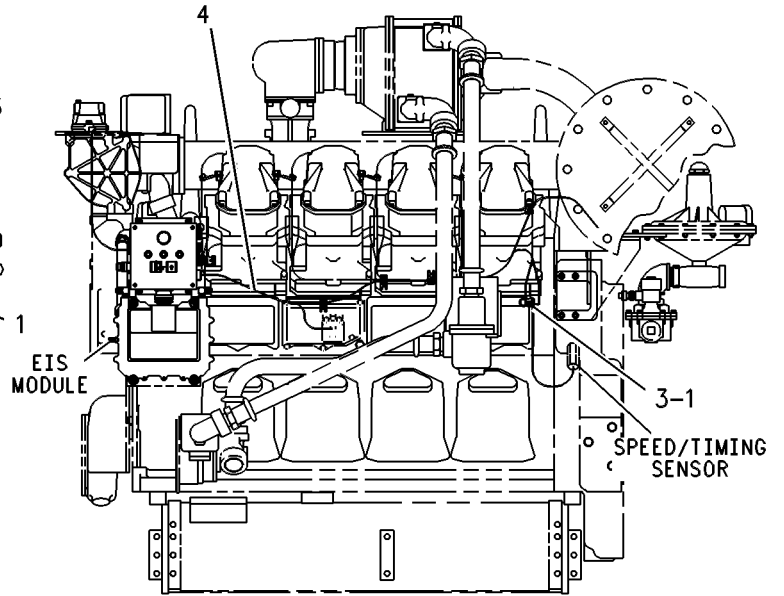
ELECTRICAL AND STARTING SYSTEM

131-3877 WIRING GP (contd.)

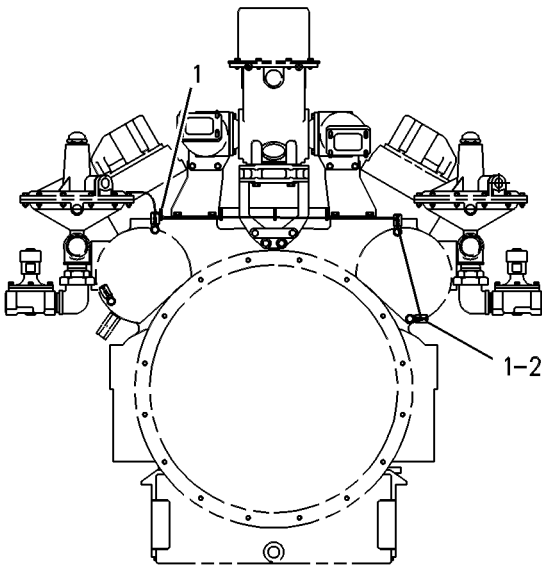
i00660170



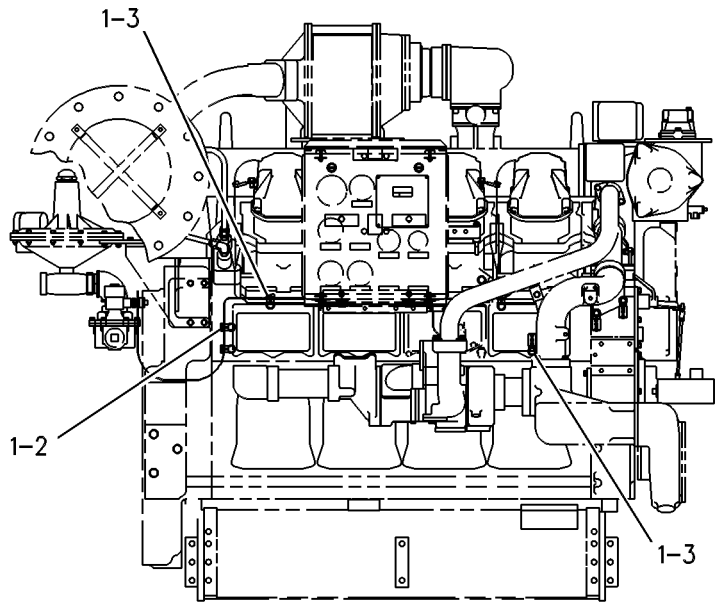
FRONT VIEW



LEFT SIDE VIEW



REAR VIEW



RIGHT SIDE VIEW

GRAPHIC #1

g00269989

ELECTRICAL AND STARTING SYSTEM

136-2078 WIRING GP PART OF 124-3143 GAUGE AS-PYROMETER AN ATTACHMENT

SMCS-1408

i00660174

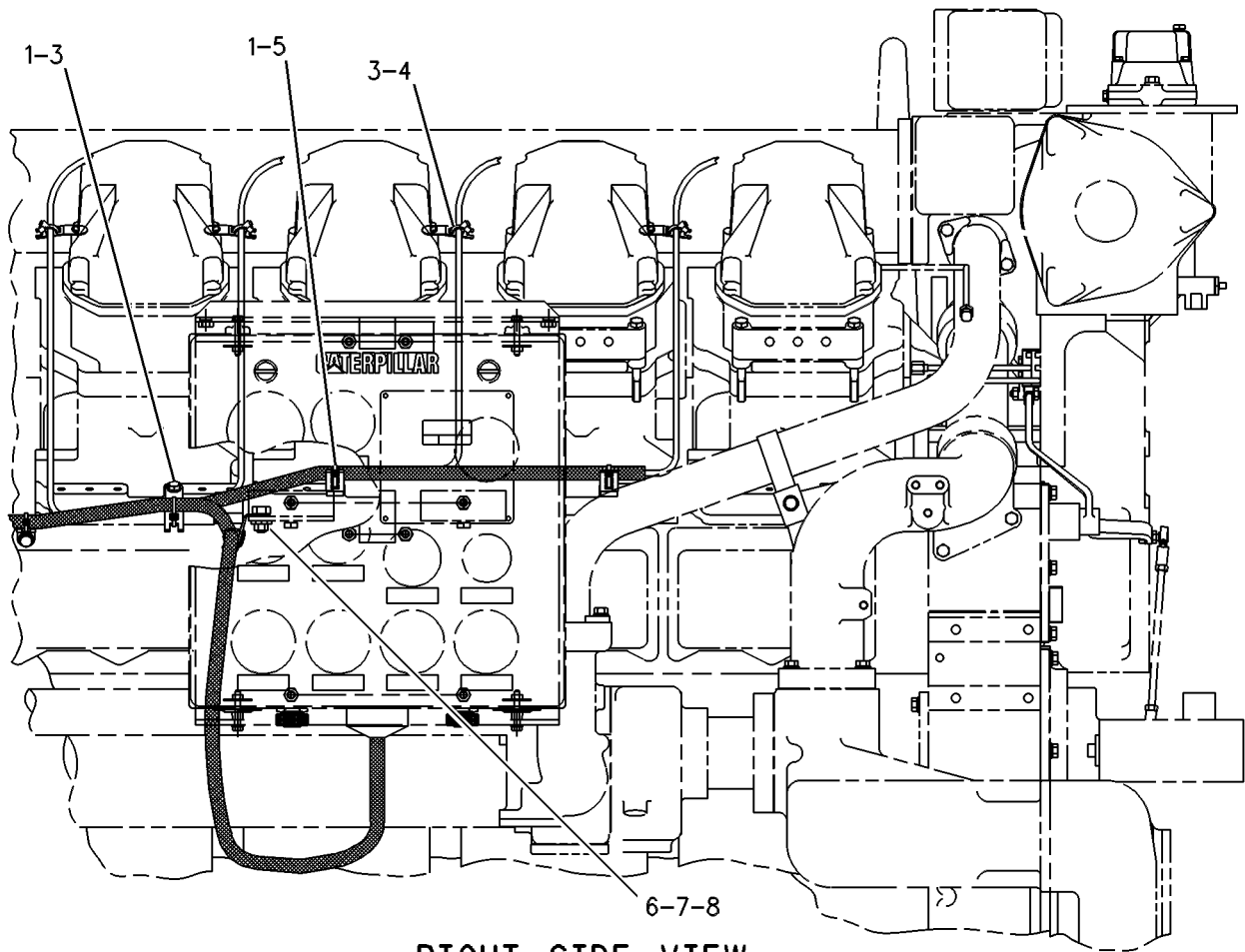
NOTE	REF NO	GRAPHIC REF	PART NUMBER	QTY	PART NAME						SEE PAGE
					1	2	3	4	5	6 (PRODUCT LEVEL)	
B	1	1	9X-6772	11	STRAP-CABLE						
	2	1	121-4878	1	HARNESS AS						
	3	1	4P-7581	9	CLIP (10.5MM ID)						
	4	1	3S-2093	8	STRAP-CABLE (1.75IN DIA)						
	5	1	4P-8134	3	CLIP (10.5MM ID)						
	6	1	9S-8752	1	NUT-FULL (3/8-16 THD)						
	7	1	0S-1594	1	BOLT (3/8-16X1IN)						
	8	1	5M-2894	1	WASHER (2.5MM THK)						

B-USE AS REQUIRED

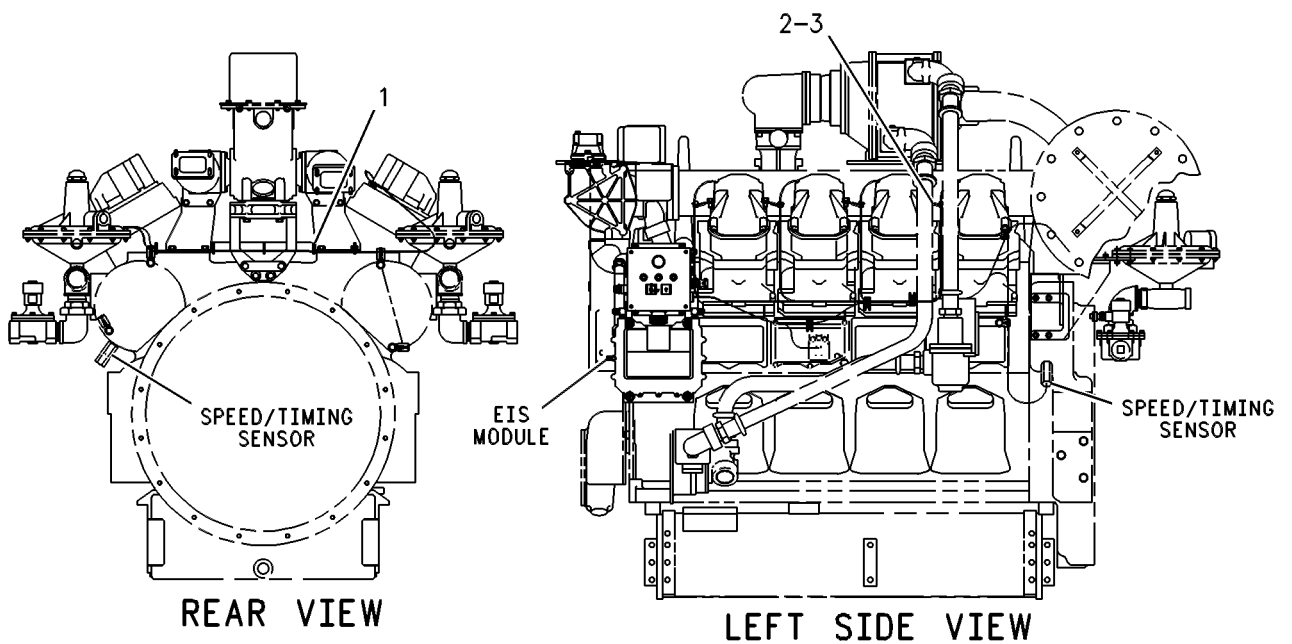
ELECTRICAL AND STARTING SYSTEM

136-2078 WIRING GP (contd.)

i00660174



RIGHT SIDE VIEW



REAR VIEW

LEFT SIDE VIEW

GRAPHIC #1

g00269296

ELECTRICAL AND STARTING SYSTEM

136-2080 WIRING GP PART OF 124-3676 GAUGE AS-PYROMETER AN ATTACHMENT

SMCS-1408

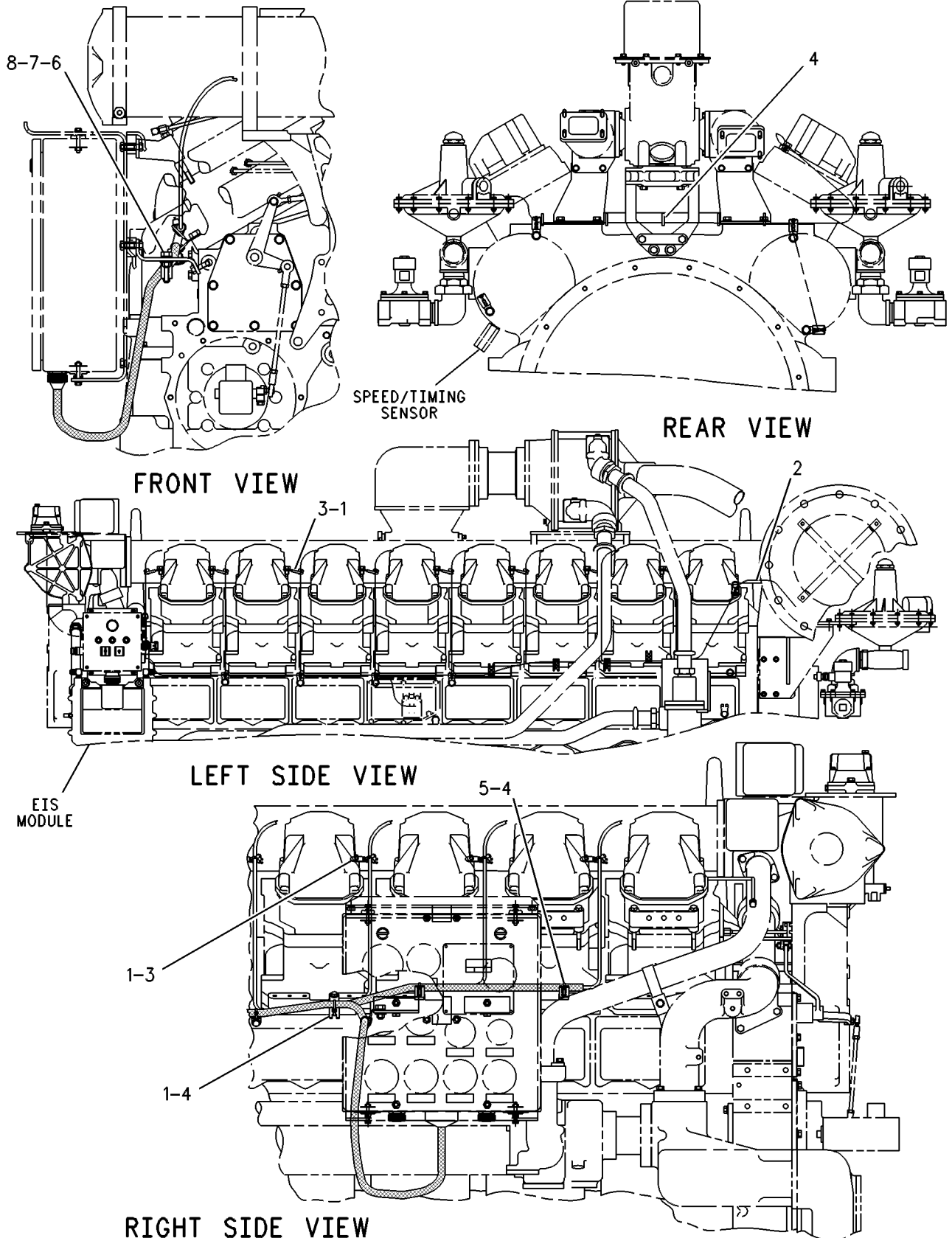
i00656861

NOTE	REF NO	GRAPHIC REF	PART NUMBER	QTY	PART NAME						SEE PAGE
					1	2	3	4	5	6 (PRODUCT LEVEL)	
	1	1	4P-7581	17	CLIP (10.5MM ID)						
	2	1	121-4876	1	HARNESS AS						
	3	1	3S-2093	16	STRAP-CABLE (1.75IN DIA)						
	4	1	9X-6772	11	STRAP-CABLE						
	5	1	4P-8134	3	CLIP (10.5MM ID)						
	6	1	9S-8752	1	NUT-FULL (3/8-16 THD)						
	7	1	0S-1594	1	BOLT (3/8-16X1IN)						
	8	1	5M-2894	1	WASHER (2.5MM THK)						

ELECTRICAL AND STARTING SYSTEM

136-2080 WIRING GP (contd.)

i00656861



GRAPHIC #1

g00262948

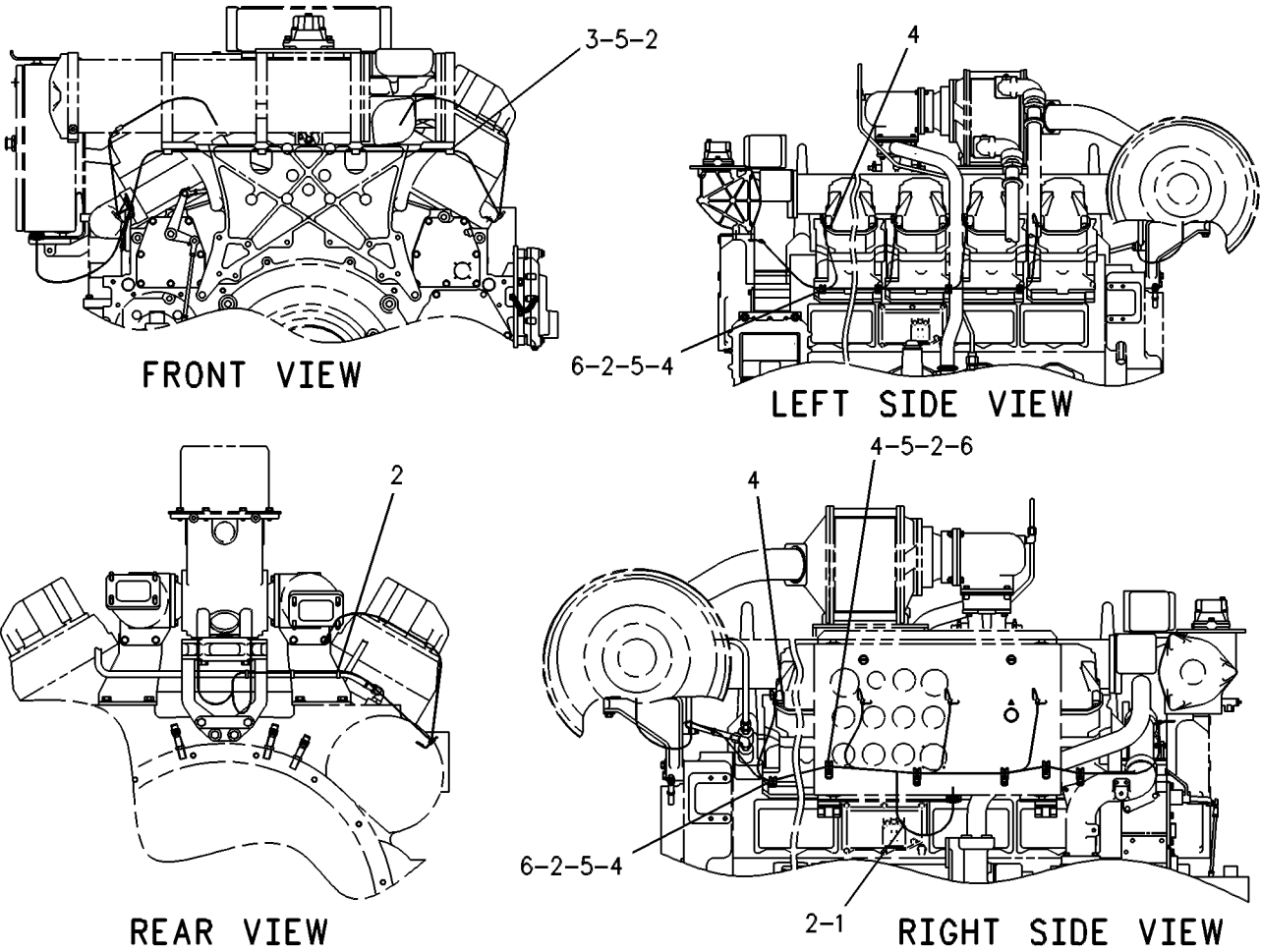
ELECTRICAL AND STARTING SYSTEM

113-3380 WIRING GP - EIS PART OF 107-9022 GAUGE AS - PYROMETER AN ATTACHMENT

SMCS - 1408

i00936702

NOTE	REF NO	GRAPHIC REF	PART NUMBER	QTY	PART NAME						SEE PAGE
					1	2	3	4	5	6 (PRODUCT LEVEL)	
1	1	1	113-3383	1	HARNESS AS						
		1	3S-2093	19	STRAP - CABLE (1.75IN DIA)						
		1	5N-9365	2	THERMOCOUPLE						
		1	5N-9366	18	LEAD AS						
		1	6I-0407	16	THERMOCOUPLE						
2	1	1	9X-6772	35	STRAP - CABLE						
3	1	1	4P-7581	2	CLIP						
4	1	1	4P-8134	35	CLIP						
5	1	1	5M-2894	19	WASHER (2.5MM THK)						
6	1	1	0L-1351	17	BOLT						



GRAPHIC #1

g00267882

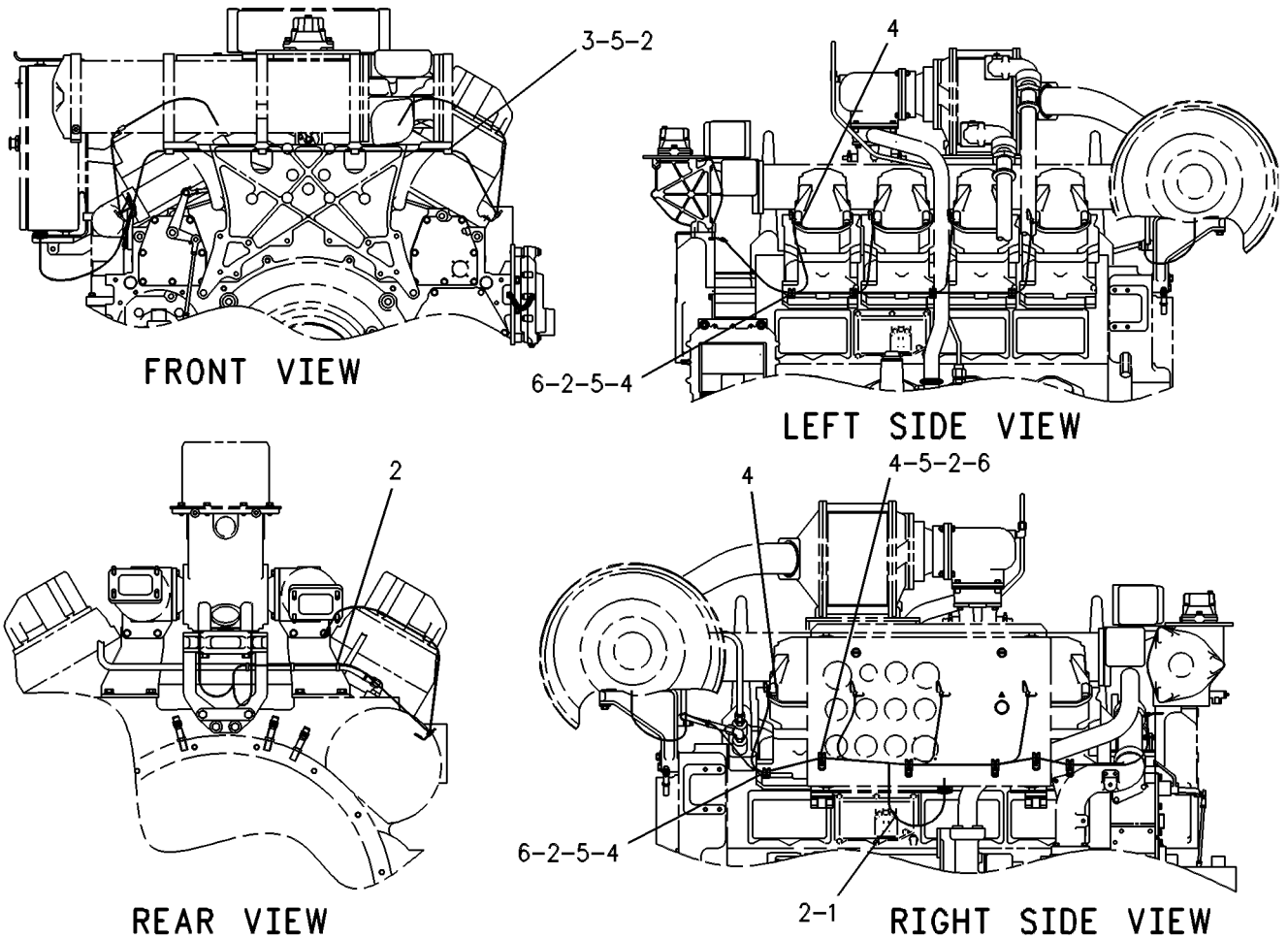
ELECTRICAL AND STARTING SYSTEM

113-3382 WIRING GP - EIS PART OF 108-4503 GAUGE AS-PYROMETER AN ATTACHMENT

SMCS-1408

i0065534

NOTE	REF NO	GRAPHIC REF	PART NUMBER	QTY	PART NAME						SEE PAGE
					1	2	3	4	5	6 (PRODUCT LEVEL)	
	1	1	113-3385	1	HARNESS AS						
	2	1	9X-6772	24	STRAP - CABLE						
	3	1	4P-7581	2	CLIP (10.5MM ID)						
	4	1	4P-8134	18	CLIP (10.5MM ID)						
	5	1	5M-2894	10	WASHER (2.5MM THK)						
	6	1	0L-1351	8	BOLT (3/8-16X.875IN)						



GRAPHIC #1

g00267345

ELECTRICAL AND STARTING SYSTEM

154-3856 WIRING GP - EIS

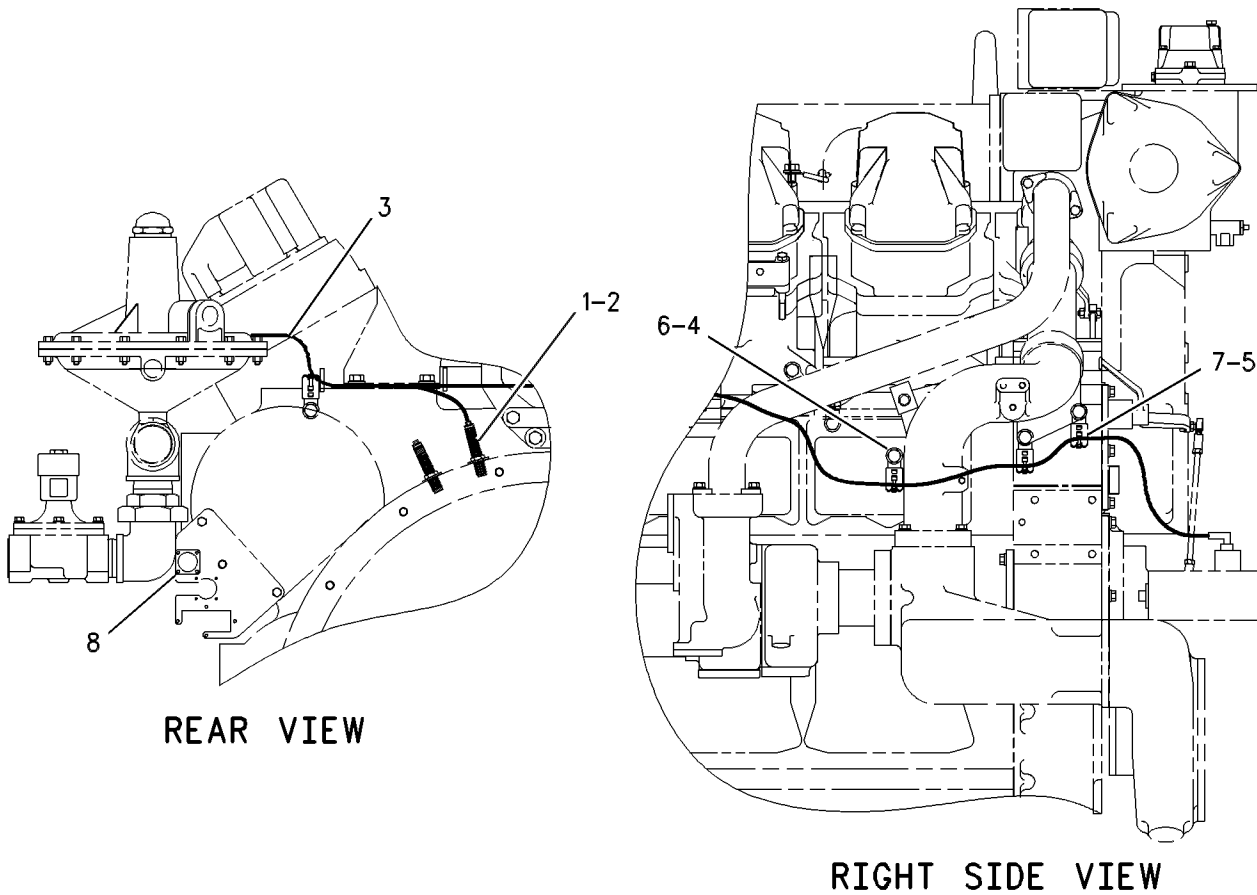
PART OF 154-3855 ACTUATOR GP-GOVERNOR
AN ATTACHMENT

SMCS-1408

i00917318

NOTE	REF NO	GRAPHIC REF	PART NUMBER	QTY	PART NAME						SEE PAGE
					1	2	3	4	5	6 (PRODUCT LEVEL)	
	1	1	4B-4281	1	WASHER (2.5MM THK)						
	2	1	9X-5392	1	SENSOR AS-MAGNETIC						
		1	8T-8729	2	PIN-CONNECTOR						
		1	8T-8732	1	RECEPTACLE-CONNECTOR						
		1	8T-8737	1	PLUG-SEAL						
E		1	9X-1386	1	SLEEVE (14CM)						
	3	1	154-3857	1	HARNESS AS-WIRING						
	4	1	0L-1351	1	BOLT (3/8X.875IN)						
	5	1	9X-6772	3	STRAP-CABLE						
	6	1	5M-2894	1	WASHER (2.5MM THK)						
	7	1	4P-7581	3	CLIP						
	8	1	5S-4245	4	SCREW-MACHINE (4-40X0.5IN)						

E-ORDER BY THE CENTIMETER



GRAPHIC #1

g00482145

ELECTRICAL AND STARTING SYSTEM

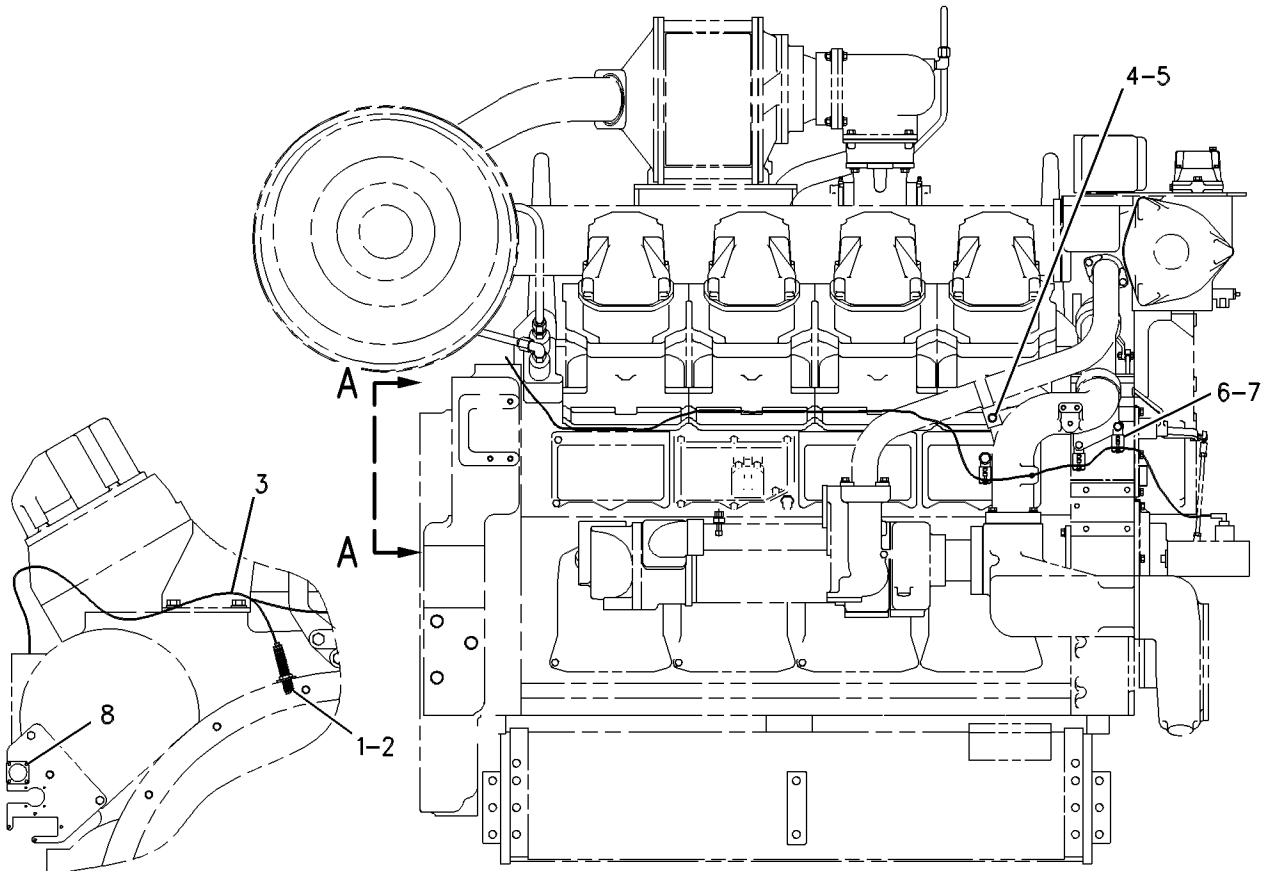
154-3868 WIRING GP-EIS PART OF 154-3867 ACTUATOR GP-GOVERNOR AN ATTACHMENT

SMCS-1408

i00917094

NOTE	REF NO	GRAPHIC REF	PART NUMBER	QTY	PART NAME						SEE PAGE
					1	2	3	4	5	6 (PRODUCT LEVEL)	
	1	1	9X-5392	1	SENSOR AS-MAGNETIC						
		1	8T-8729	2	PIN-CONNECTOR						
		1	8T-8732	1	RECEPTACLE-CONNECTOR						
		1	8T-8737	1	PLUG-SEAL						
E		1	9X-1386	1	SLEEVE (BULK 14CM) (14CM)						
	2	1	4B-4281	1	WASHER (2.5MM THK)						
	3	1	154-3869	1	HARNESS AS-WIRING						
	4	1	0L-1351	1	BOLT (3/8X.875IN)						
	5	1	5M-2894	1	WASHER (2.5MM THK)						
	6	1	4P-7581	3	CLIP						
	7	1	9X-6772	3	STRAP-CABLE						
	8	1	5S-4245	4	SCREW-MACHINE (4-40X0.5IN)						

E-ORDER BY THE CENTIMETER



VIEW A-A

RIGHT SIDE VIEW

GRAPHIC #1

g00478568

ELECTRICAL AND STARTING SYSTEM

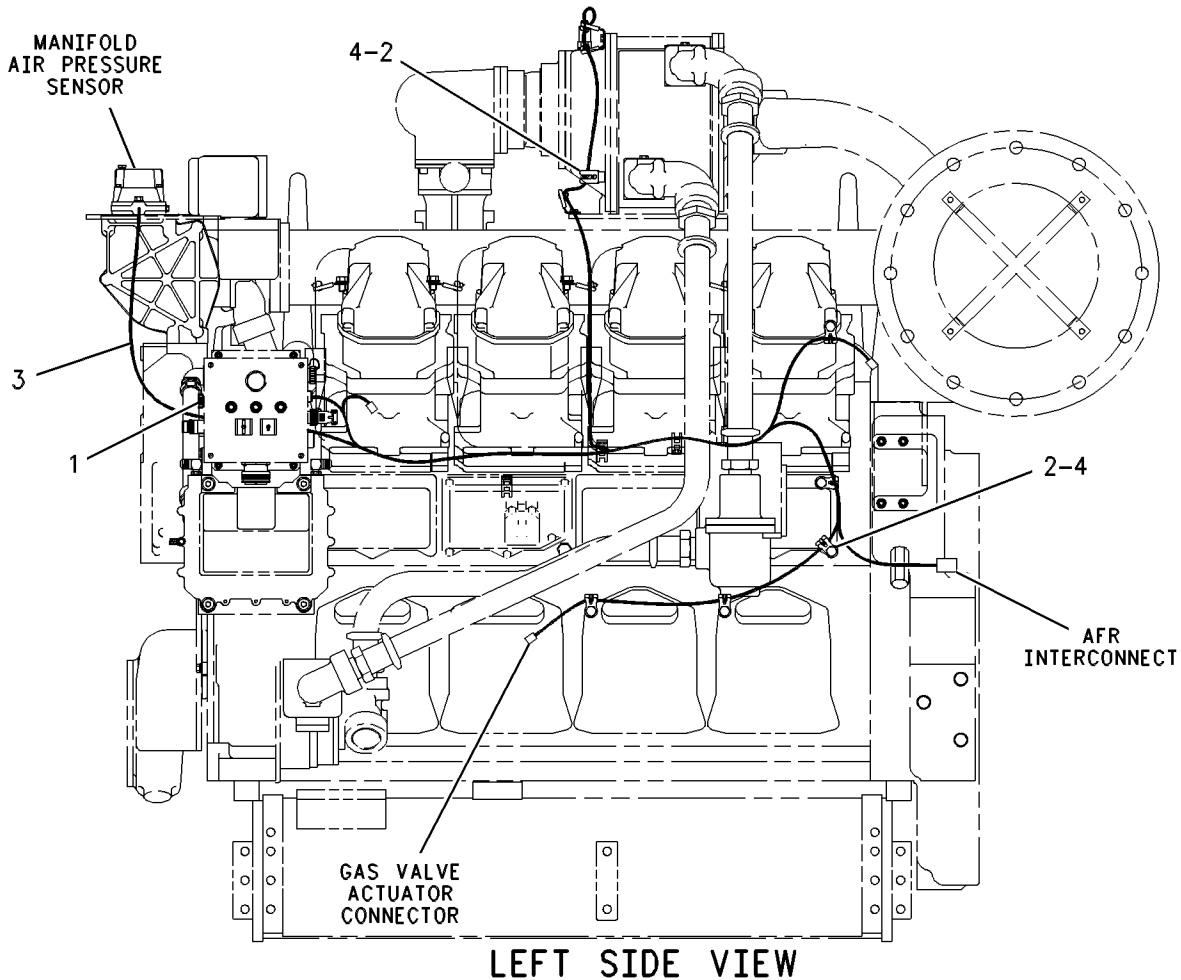
143-2212 WIRING GP-ENGINE

AN ATTACHMENT

SMCS-1408

i00931460

NOTE	REF NO	GRAPHIC REF	PART NUMBER	QTY	PART NAME						SEE PAGE
					1	2	3	4	5	6 (PRODUCT LEVEL)	
	1	1	3E-5165	1	CAP AS-PROTECTION						
	2	1	4P-8134	8	CLIP						
	3	1	141-1851	1	HARNESS AS-WIRING						
	4	1	9X-6772	8	STRAP-CABLE						



GRAPHIC #1

g00464638

MEMORANDA

ELECTRICAL AND STARTING SYSTEM

147-8177 WIRING GP-ENGINE PART OF 147-8176 CONTROL GP-ENGINE ELECTRONIC AN ATTACHMENT

SMCS-1408

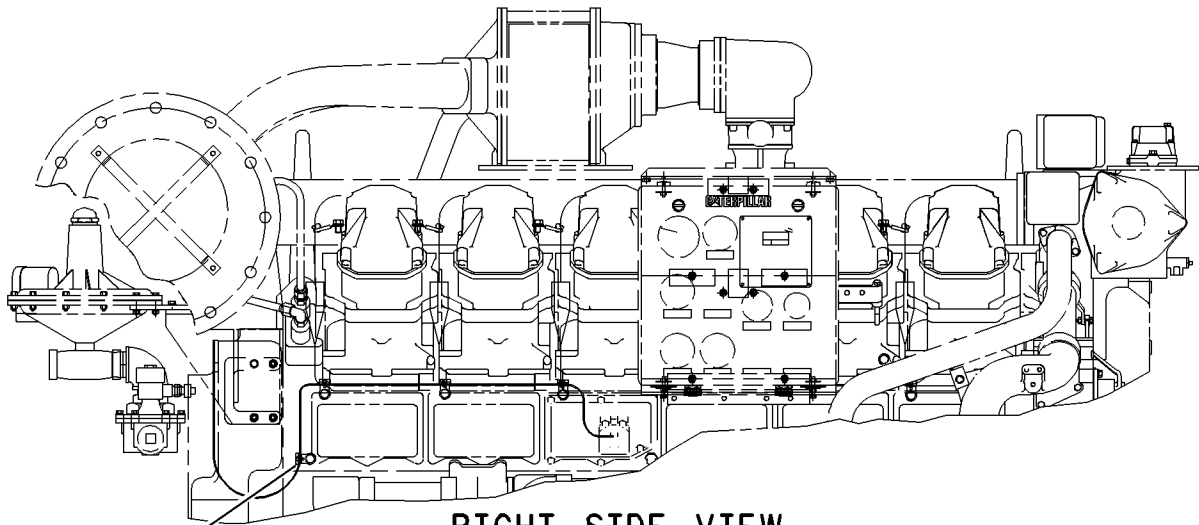
i00931473

NOTE	REF NO	GRAPHIC REF	PART NUMBER	QTY	PART NAME						SEE PAGE
					1	2	3	4	5	6 (PRODUCT LEVEL)	
B	1	1	9X-6772	19	STRAP - CABLE						
	2	1	4P-7581	5	CLIP						
	3	1	4P-8134	15	CLIP						
	4	1	147-8178	1	HARNESS AS-WIRING						
	5	1	3H-3627	4	SCREW-MACHINE (8-32X.625IN)						
	6	1	141-1848	1	PLUG AS-CONNECTING						
	7	1	9X-6772	6	STRAP - CABLE						
B-USE AS REQUIRED											

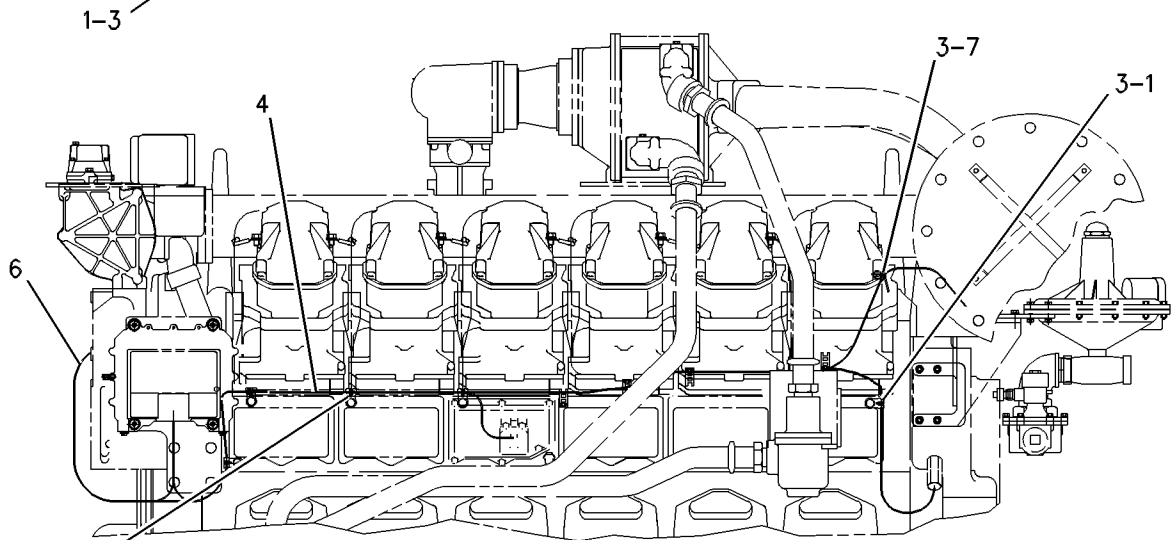
ELECTRICAL AND STARTING SYSTEM

147-8177 WIRING GP-ENGINE (contd.)

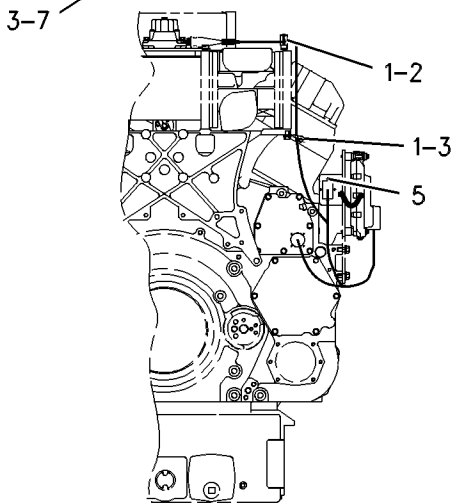
i00931473



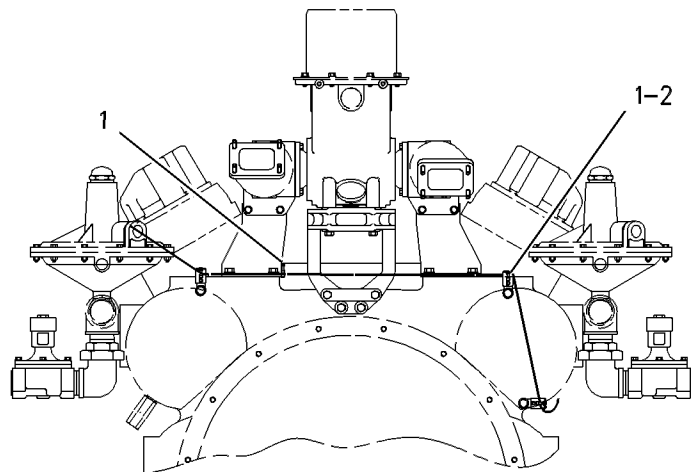
RIGHT SIDE VIEW



LEFT SIDE VIEW



FRONT VIEW



REAR VIEW

GRAPHIC #1

g00286309

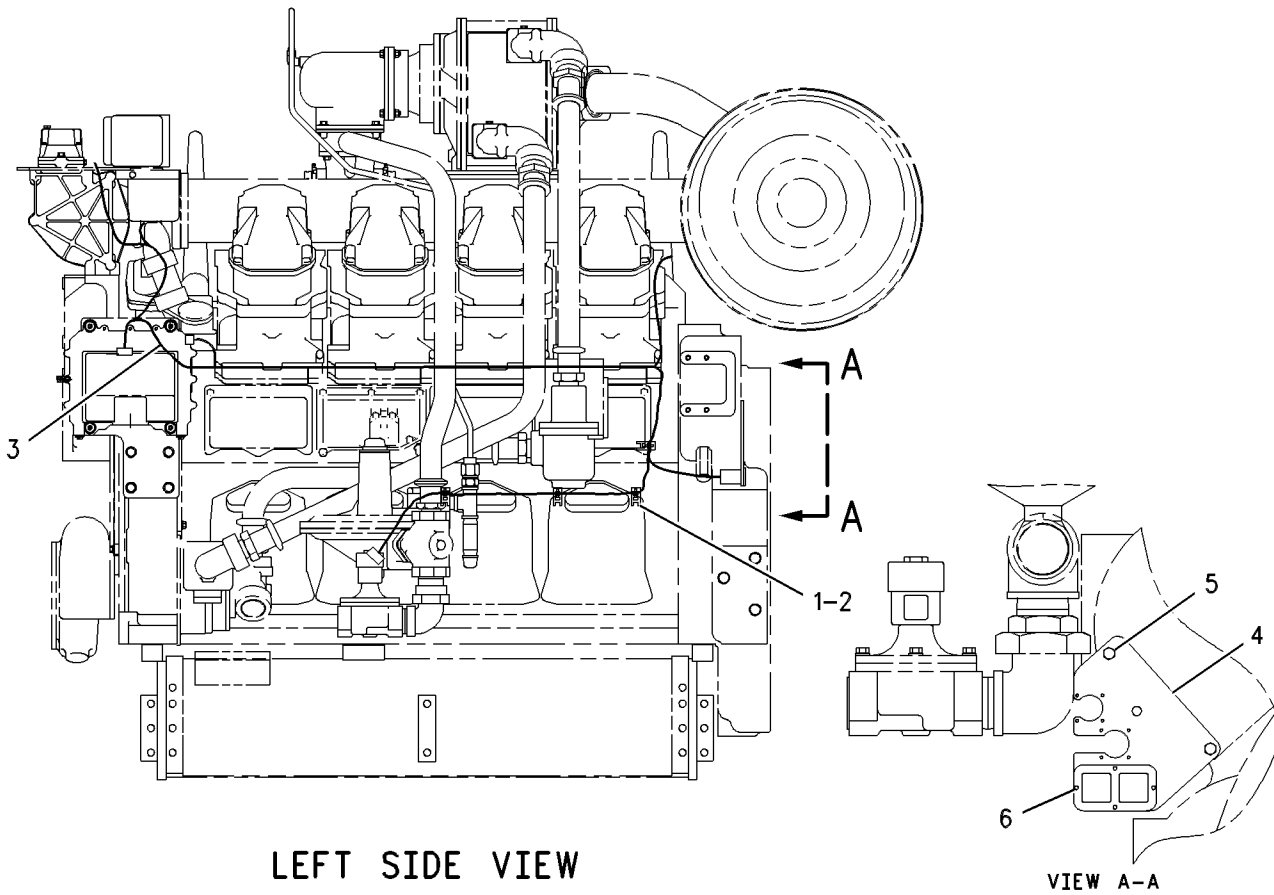
ELECTRICAL AND STARTING SYSTEM

154-3865 WIRING GP-ENGINE PART OF 154-3864 CONTROL GP-EMCP ELECTRONIC AN ATTACHMENT

SMCS-1408

i00916529

NOTE	REF NO	GRAPHIC REF	PART NUMBER	QTY	PART NAME						SEE PAGE
					1	2	3	4	5	6 (PRODUCT LEVEL)	
	1	1	9X-6772	4	STRAP - CABLE						
	2	1	4P-8134	4	CLIP						
	3	1	154-3866	1	HARNESS AS-WIRING						
		1	102-8809	1	KIT-PLUG (4 PIN)						
					(INCLUDES WEDGE AND PLUG AS)						
	4	1	154-3889	1	BRACKET						
	5	1	0S-1591	2	BOLT (3/8-16X1.5IN)						
	6	1	7S-1197	4	SCREW-MACHINE (8-32X.5IN)						



LEFT SIDE VIEW

VIEW A-A

GRAPHIC #1

g00478561

ELECTRICAL AND STARTING SYSTEM

109-4691 WIRING GP - INSTR & IGNITION

PART OF 4P-9895 WIRING GP

ALSO AN ATTACHMENT

SMCS-1408, 1550, 1900

i00660012

NOTE	PART NUMBER	QTY	PART NAME						SEE PAGE
			1	2	3	4	5	6 (PRODUCT LEVEL)	
Y	109-4687	1	HARNESS AS-WIRING						516
Y	4P-9571	1	JUNCTION BOX GP						542
	2P-6896	1	GASKET						
	3B-4501	4	LOCKWASHER (NO.8)						
	1L-6561	1	PLUG						
	7W-2355	2	PLUG AS						
	7W-2354	1	PLUG AS						
	7W-2353	8	PLUG AS						
	7S-1197	4	SCREW-MACHINE (8-32X.5IN)						

Y-SEPARATE ILLUSTRATION

ELECTRICAL AND STARTING SYSTEM

109-4693 WIRING GP - INSTR & IGNITION

PART OF 105-9856 WIRING GP

SMCS-1408, 1550, 1900

i00660016

NOTE	PART NUMBER	QTY	PART NAME						SEE PAGE
			1	2	3	4	5	6 (PRODUCT LEVEL)	
Y	104-3175	1	JUNCTION BOX GP						548
	109-4689	1	HARNESS AS-WIRING						
	1L-6561	1	PLUG						
	7W-2353	8	PLUG AS						
	7W-2354	1	PLUG AS						
	7W-2355	2	PLUG AS						
	6V-2690	991	TUBE-SHRINKABLE						
	7X-2159	20	CAP AS						
	109-3038	18	END-WIRE						

Y-SEPARATE ILLUSTRATION

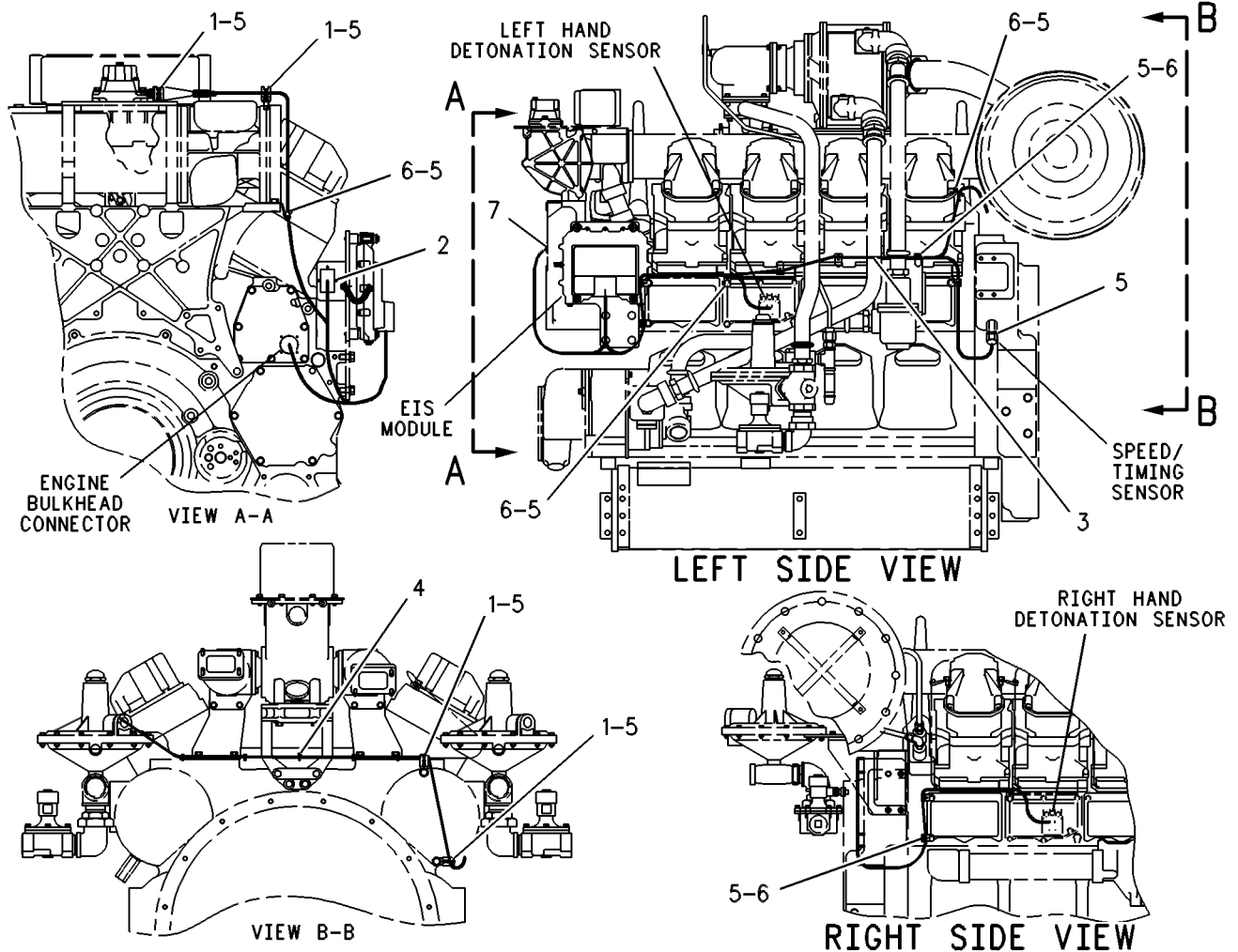
ELECTRICAL AND STARTING SYSTEM

147-8181 WIRING GP-SENSOR PART OF 147-8180 CONTROL GP-ENGINE MONITORING AN ATTACHMENT

SMCS-1408, 1900

i00935859

NOTE	REF NO	GRAPHIC REF	PART NUMBER	QTY	PART NAME						SEE PAGE
					1	2	3	4	5	6 (PRODUCT LEVEL)	
	1	1	4P-7581	4	CLIP						
	2	1	3H-3627	4	SCREW-MACHINE (8-32X.625IN)						
	3	1	147-8182	1	HARNESS AS-WIRING						
	4	1	9X-6772	21	STRAP-CABLE						
	6	1	4P-8134	16	CLIP						
	7	1	141-1848	1	PLUG AS-CONNECTING						



GRAPHIC #1

g00285785

OPERATOR STATION

123-6324 BOX GP- INSTRUMENT PANEL

PART OF 123-6323 PANEL GP- INSTRUMENT

AN ATTACHMENT

SMCS-7451

i00661875

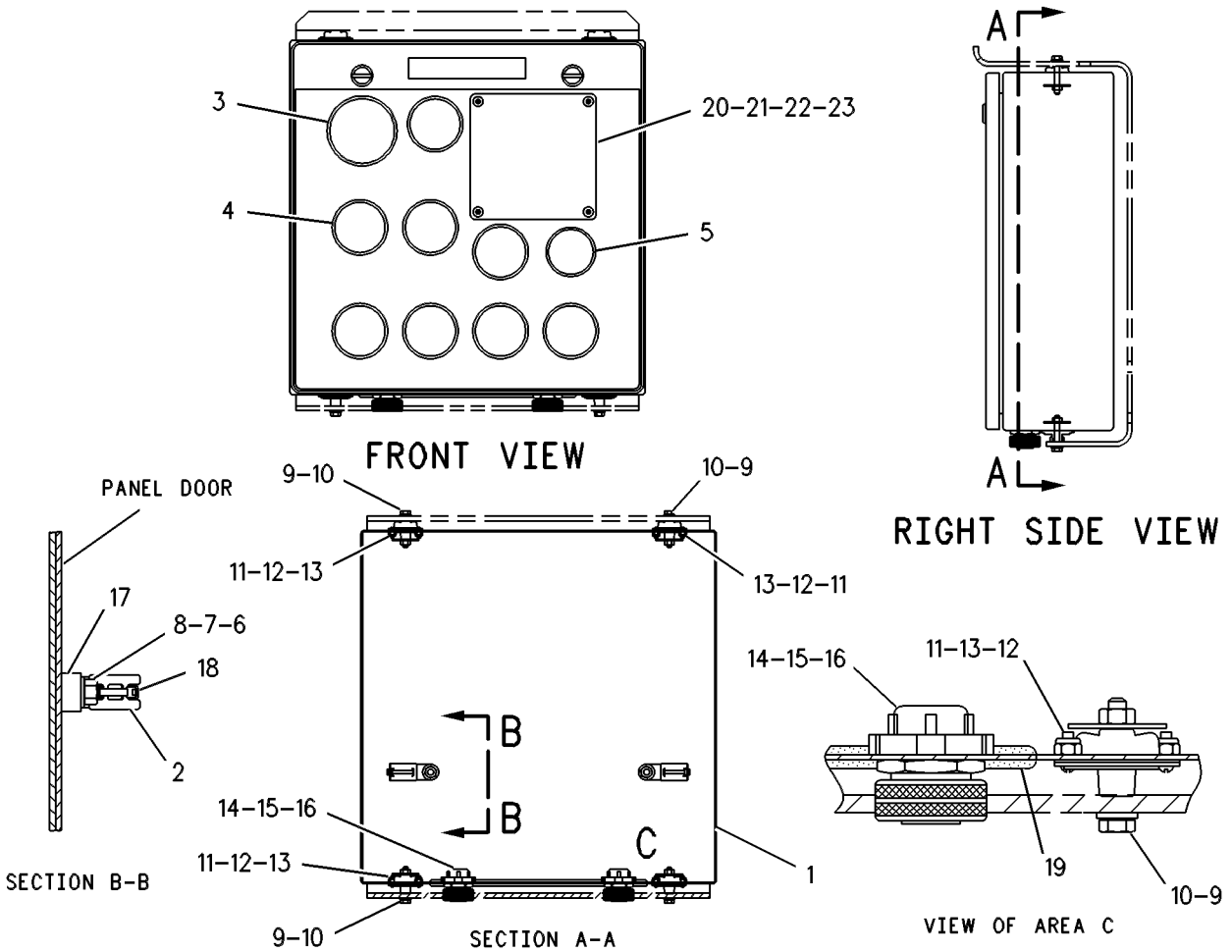
NOTE	REF NO	GRAPHIC REF	PART NUMBER	QTY	PART NAME						SEE PAGE
					1	2	3	4	5	6 (PRODUCT LEVEL)	
	1	1	120-5296	1	BOX AS-GAUGE						
		1	5P-0537	8	WASHER (2MM THK)						
		1	8D-5476	2	STUD-WELD (3/8-16X19.1IN OAL)						
M		1	8T-0639	4	BOLT (M6X1.00X12MM)						
		1	9P-6895	4	PIN						
		1	9X-6442	167	SEAL						
		1	128-2507	2	HINGE AS						
		1	128-8545	2	LATCH AS						
2		1	4P-8134	1	CLIP (10.5MM ID)						
3		1	7W-2355	1	PLUG AS						
4		1	7W-2353	8	PLUG AS						
5		1	1L-6561	1	PLUG						
6		1	4P-7581	2	CLIP (10.5MM ID)						
7		1	4B-4278	2	WASHER (1.6MM THK)						
8		1	6V-8801	3	NUT (3/8-16 THD)						
9		1	121-0816	4	MOUNT-SHOCK						
10		1	121-0817	4	GASKET						
11		1	7S-1197	8	SCREW-MACHINE (8-32X.5IN)						
12		1	3B-4501	8	LOCKWASHER (NO.8)						
13		1	6D-5801	8	NUT (8-32 THD)						
14		1	4P-1539	2	BUSHING-TERMINAL						
15		1	104-3651	2	LOCKNUT						
16		1	110-6170	2	BUSHING						
17		1	4S-5719	1	SPACER						
B	18	1	8L-8413	3	STRAP-CABLE (1.12IN DIA)						
BD	19	1	6V-3987		SEAL (.3M)						
20		1	123-9049	1	PLATE						
21		1	2N-3476	4	SCREW-MACHINE (6-32X.75IN)						
22		1	4B-4274	4	WASHER (1.2MM THK)						
23		1	7D-6922	4	LOCKNUT (6-32 THD)						

B- USE AS REQUIRED
D- ORDER BY THE METER
M- METRIC PART

OPERATOR STATION

123-6324 BOX GP - INSTRUMENT PANEL (contd.)

i00661875



GRAPHIC #1

g00261695

OPERATOR STATION

138-5219 BOX GP- INSTRUMENT PANEL

AN ATTACHMENT

SMCS-7451

i00930150

NOTE	REF NO	GRAPHIC REF	PART NUMBER	QTY	PART NAME						SEE PAGE
					1	2	3	4	5	6 (PRODUCT LEVEL)	
	1	1	138-5218	1	JUNCTION BOX AS						
		1	114-6863	1	WINDOW						
	2	1	143-9166	1	FILM-CONTROL PANEL						
	3	1	9D-2867	3	LENS-AMBER						
	4	1	7E-0860	1	DIAL-CONCENTRIC						
	5	1	9D-9161	1	LENS-GREEN						
	6	1	4D-1836	1	SWITCH (SPEED)						
	7	1	111-2111	3	GUARD						
	8	1	8D-2676	1	SWITCH AS						
		1	3L-8187	2	LOCKWASHER (#6-INT)						
		1	6T-3631	2	NUT-HEX (15/32-32 THD)						
		1	6T-3631	2	NUT-HEX (15/32-32 THD)						
		1	6T-3632	1	LOCKWASHER (12MM ID)						
		1	6T-3633	1	LOCKRING						
		1	6V-8374	2	SCREW-MACHINE (6-32X.25IN)						
	9	1	6T-6970	1	SWITCH AS-TOGGLE (02 SENSOR)						
		1	3L-8187	3	LOCKWASHER (#6-INT)						
		1	6T-3631	2	NUT-HEX (15/32-32 THD)						
		1	6T-3632	1	LOCKWASHER (12MM ID)						
		1	6T-3633	1	LOCKRING						
		1	6V-8374	2	SCREW-MACHINE (6-32X.25IN)						
	10	1	130-7364	1	CIRCUIT BREAKER						
	11	1	131-0765	1	GUARD						
	12	1	8N-0694	1	SWITCH AS (DIAGNOSTIC)						
		1	3L-8187	3	LOCKWASHER (#6-INT)						
		1	6T-3631	2	NUT-HEX (15/32-32 THD)						
		1	6T-3632	1	LOCKWASHER (12MM ID)						
		1	6T-3633	1	LOCKRING						
		1	6V-8374	3	SCREW-MACHINE (6-32X.25IN)						
	13	1	3E-5165	1	CAP AS-PROTECTION						
	14	1	7R-3029	1	CAP						
	15	1	135-5011	2	CAP						
	16	1	138-5215	4	KIT-MOUNTING FOOT						
	17	1	8T-4896	8	WASHER-HARD (2.5MM THK)						
	18	1	4L-9337	8	BOLT (3/8-16X1.5IN)						
	19	1	138-5216	1	PANEL AS						
	20	1	5P-0537	4	WASHER (2MM THK)						
	21	1	1B-2713	4	BOLT (1/4-20X1.75IN)						
Y	22	1	106-9182	1	CONTROL GP-ENG RATINGS ELEK						453
	23	1	138-5217	1	HARNESS AS-WIRING						
	24	1	131-4887	2	GASKET-CONNECTOR						
	25	1	132-8486	2	NUT-RING						
	26	1	5S-4245	16	SCREW-MACHINE (4-40X0.5IN)						
	27	1	131-4889	1	GASKET-CONNECTOR						
	28	1	132-8485	1	NUT-RING						
	29	1	131-4888	1	GASKET-CONNECTOR						
	30	1	131-4887	1	GASKET-CONNECTOR						
	31	1	138-4731	1	GASKET-CONNECTOR						
	32	1	138-4730	1	NUT-RING						
Y	33	1	141-8300	1	CONTROL GP-ENGINE MONITORING						484
	34	1	7N-5876	4	LAMP (28 VOLT)						
	35	1	9D-3127	4	BASE AS-INDICATOR LIGHT						
	36	1	122-9458	1	POTENTIOMETER						
	37	1	9X-9675	2	BRACKET-END						
Y	38	1	108-5888	1	CONTROL GP-ENGINE ELECTRONIC						458
	39	1	9S-8752	4	NUT-FULL (3/8-16 THD)						
B	40	1	131-3906	1	PLUG AS-CONNECTING						

OPERATOR STATION

138-5219 BOX GP - INSTRUMENT PANEL (contd.)

i00930150

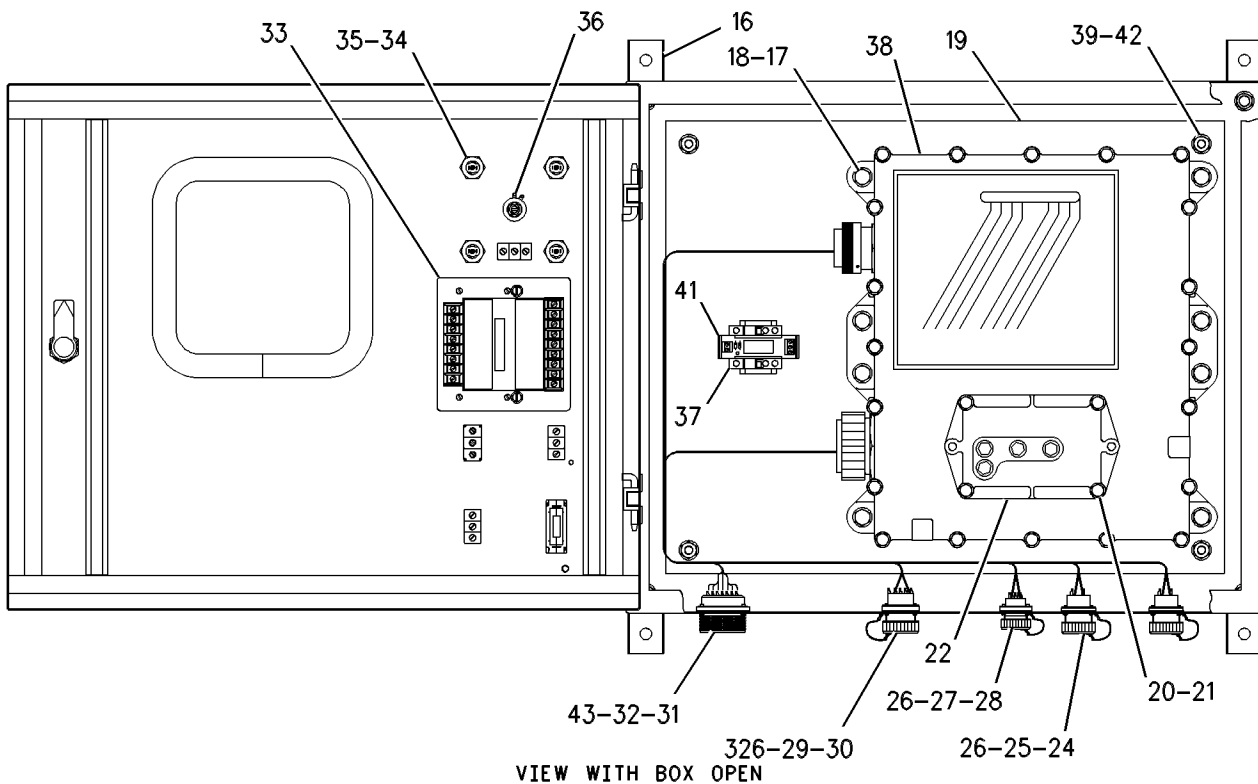
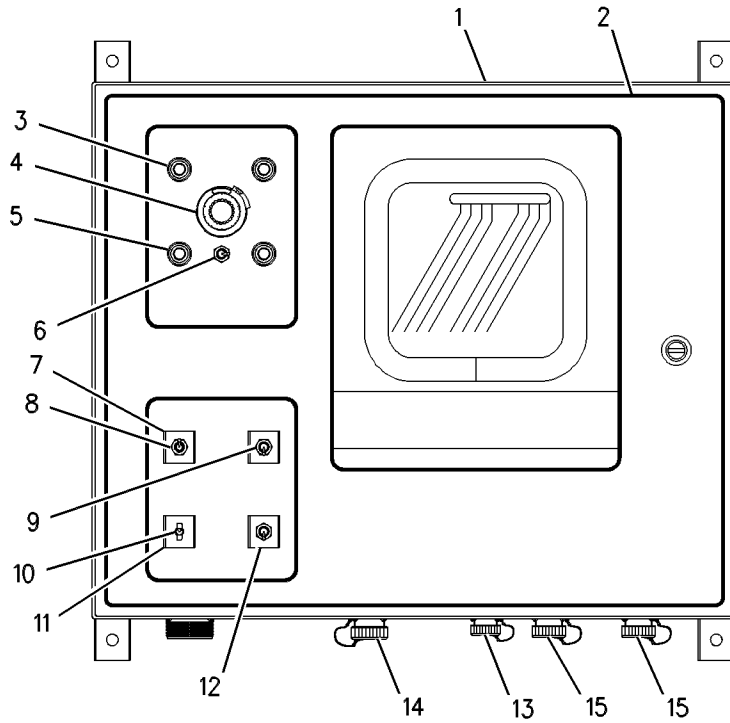
NOTE	REF NO	GRAPHIC REF	PART NUMBER	QTY	PART NAME						SEE PAGE
					1	2	3	4	5	6 (PRODUCT LEVEL)	
	41	1	140-9738	1	MODULE - RELAY						
	42	1	5M-2894	4	WASHER (2.5MM THK)						
	43	1	5S-7348	4	SCREW - MACHINE						
B	44	1	131-4883	1	PLUG AS - CONNECTING						

B - USE AS REQUIRED
Y - SEPARATE ILLUSTRATION

OPERATOR STATION

138-5219 BOX GP - INSTRUMENT PANEL (contd.)

i00930150



VIEW WITH BOX OPEN

GRAPHIC #1

g00461098

OPERATOR STATION

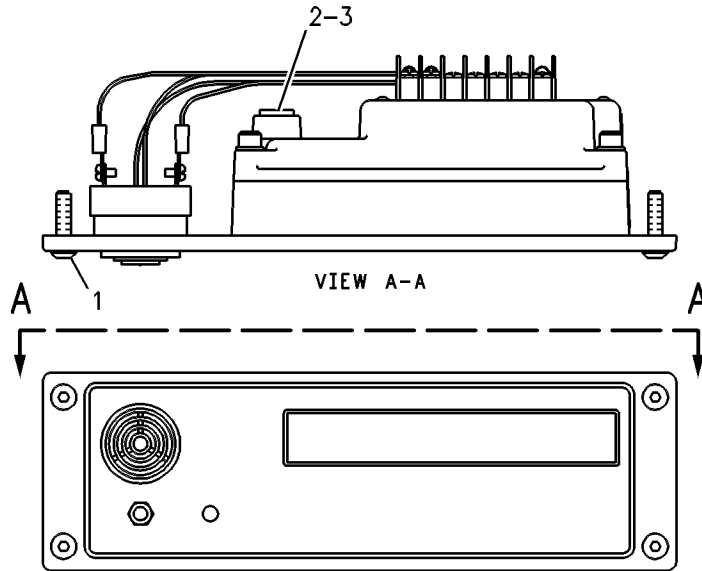
130-3349 CONTROL GP-ALARM MODULE

PART OF 7E-1234 CONTROL GP-ANNUNCIATOR ELEK
AN ATTACHMENT

SMCS-4490, 7400, 7490

i00661280

NOTE	REF NO	GRAPHIC REF	PART NUMBER	QTY	PART NAME						SEE PAGE
					1	2	3	4	5	6 (PRODUCT LEVEL)	
	1	1	9W-1464	4	SCREW						
	2	1	9S-8002	1	PLUG-O-RING (7/16-20 THD)						
	3	1	3J-7354	1	SEAL-O-RING (8.92MM ID)						



GRAPHIC #1

g00260065

OPERATOR STATION

7E - 1234 CONTROL GP - ANNUNCIATOR ELEK

PART OF 121-4707 MODULE GP-ALARM

AN ATTACHMENT

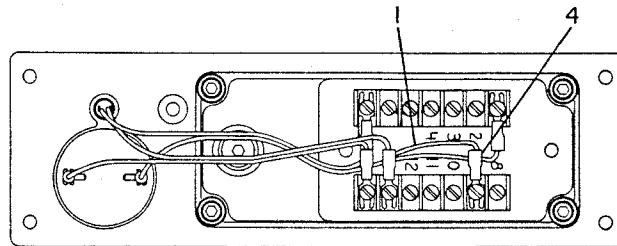
TYPE 1

SMCS-7451, 7490

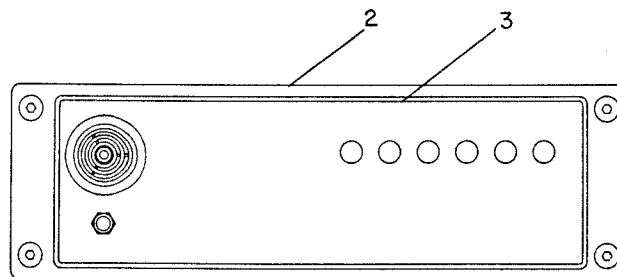
i00661518

NOTE	REF NO	GRAPHIC REF	PART NUMBER	QTY	PART NAME						SEE PAGE
					1	2	3	4	5	6 (PRODUCT LEVEL)	
EB	1	1	6V-6544		WIRE-ELECTRICAL (22 GA)						
YR	2	1	9W-3574	1	CONTROL GP-ANNUNCIATOR ELEK						730
	3	1	9Y-9776	1	FILM						
	4	1	5P-3059	2	TERMINAL (18 GAUGE/NO.6 SCREW)						

B-USE AS REQUIRED
 E-ORDER BY THE CENTIMETER
 R-REMG PART MAY BE AVAILABLE
 Y-SEPARATE ILLUSTRATION



REAR VIEW



FRONT VIEW

GRAPHIC #1

g00192457

OPERATOR STATION

7E - 1234 CONTROL GP - ANNUNCIATOR ELEK

PART OF 121-4707 MODULE GP-ALARM

AN ATTACHMENT

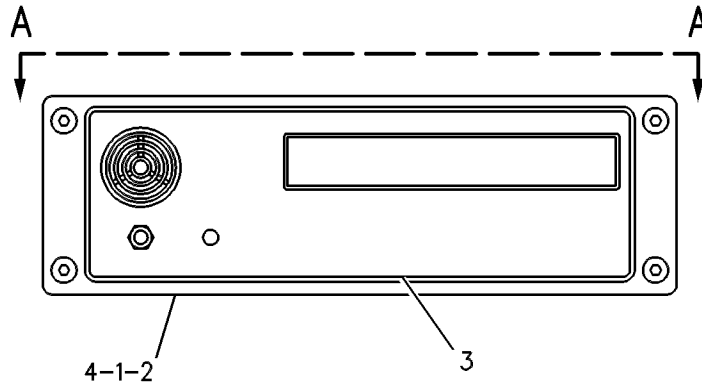
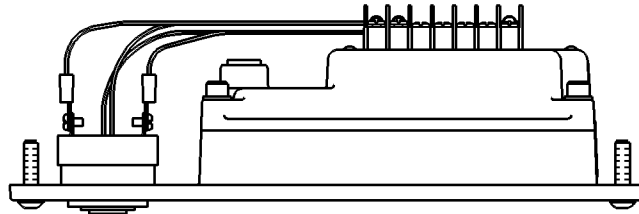
TYPE 2

SMCS-7451, 7490

i00909541

NOTE	REF NO	GRAPHIC REF	PART NUMBER	QTY	PART NAME						SEE PAGE
					1	2	3	4	5	6 (PRODUCT LEVEL)	
E	1	1	6V-6544		WIRE-ELECTRICAL (22GA/8CM)						
Y	2	1	130-3349	1	CONTROL GP-ALARM MODULE						727
	3	1	9Y-9776	1	FILM						
B	4	1	5P-3059	2	TERMINAL (18 GAUGE/NO.6 SCREW)						

B-USE AS REQUIRED
 E-ORDER BY THE CENTIMETER
 Y-SEPARATE ILLUSTRATION



GRAPHIC #1

g00271227

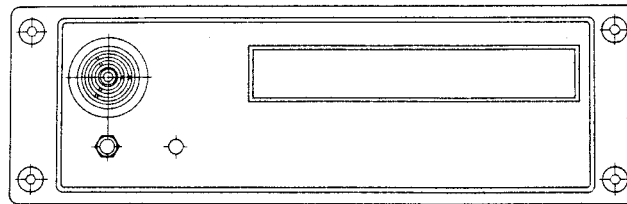
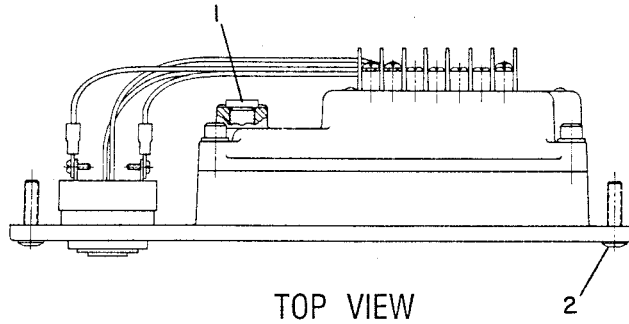
OPERATOR STATION

9W-3574 CONTROL GP-ANNUNCIATOR ELEK*R PART OF 7E-1234 CONTROL GP-ANNUNCIATOR ELEK AN ATTACHMENT

SMCS-7451, 7490

i00654290

NOTE	REF NO	GRAPHIC REF	PART NUMBER	QTY	PART NAME						SEE PAGE
					1	2	3	4	5	6 (PRODUCT LEVEL)	
	1	1	9S-4191	1	PLUG-O-RING (9/16-18 THD)						
		1	3J-1907	1	SEAL-O-RING (11.89MM ID)						
	2	1	5G-0799	4	SCREW						



GRAPHIC #1

g00188139

MEMORANDA

OPERATOR STATION

101-0225 CONTROL GP-EMCP ELECTRONIC

PART OF 119-6031, 136-6924 PANEL AS-CONTROL

AN ATTACHMENT

SMCS-4490, 7490

i00653291

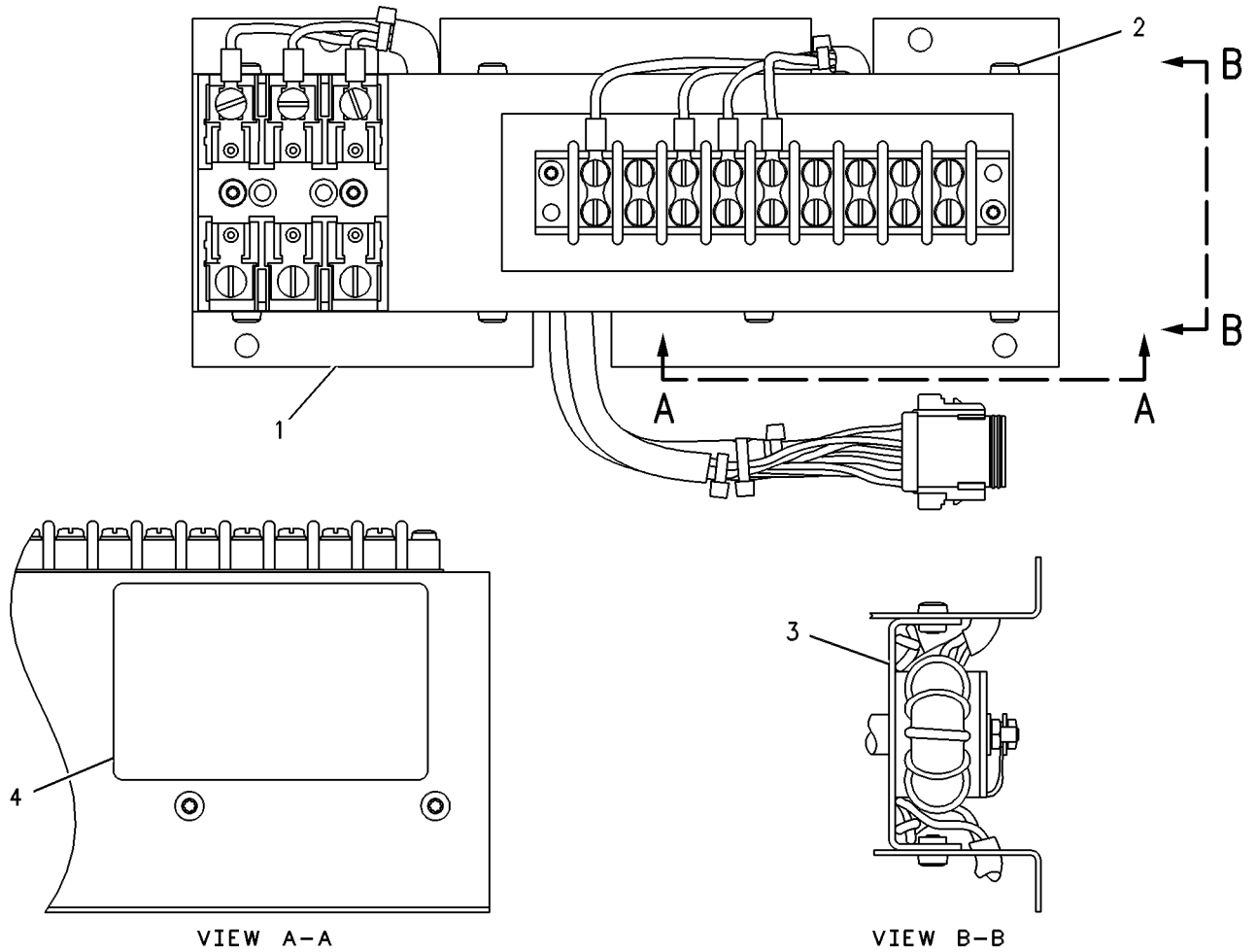
NOTE	REF NO	GRAPHIC REF	PART NUMBER	QTY	PART NAME						SEE PAGE
					1	2	3	4	5	6 (PRODUCT LEVEL)	
	1	1	101-0222	1	HOUSING AS						
		1	3N-5977	1	BLOCK-FUSE						
	2	1	108-8127	8	SCREW-PAN HEAD						
	3	1	101-5003	1	CHANNEL AS						
		1	1S-9593	14	STRAP-CABLE (0.62IN DIA)						
BE		1	5P-5677		WIRE (18 GA)						
BE		1	5P-5623		WIRE (16 GA)						
		1	3E-3386	1	WEDGE-PLUG LOCK						
		1	4B-2049	1	NUT (10-32 THD)						
BD		1	5P-5998		TUBE						
		1	8F-1434	1	LOCKWASHER (5MM ID)						
		1	8T-8730	5	SOCKET-CONNECTOR						
		1	7N-9017	1	TERMINAL						
		1	5P-1475	4	TERMINAL (HORN)						
		1	102-8811	1	KIT-PLUG						
		1	5P-1476	3	TERMINAL (BLADE)						
		1	4B-2049	7	NUT (10-32 THD)						
		1	4B-4274	11	WASHER (1.2MM THK)						
	4	1	108-2557	1	LABEL-MARKING						

B- USE AS REQUIRED
D- ORDER BY THE METER
E- ORDER BY THE CENTIMETER

OPERATOR STATION

101-0225 CONTROL GP-EMCP ELECTRONIC (contd.)

i00653291



GRAPHIC #1

g00239045

OPERATOR STATION

102-8627 CONTROL GP-EMCP ELECTRONIC

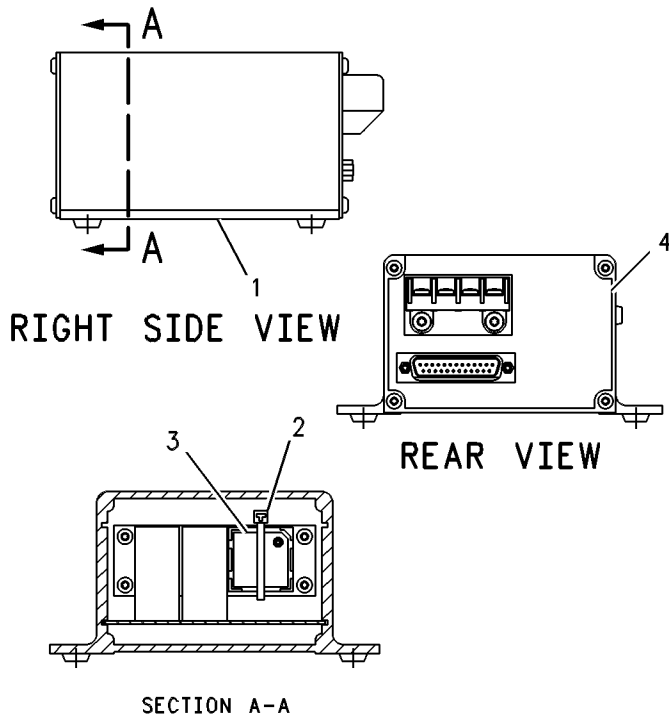
COMMUNICATION MODULE

AN ATTACHMENT

SMCS-4490, 7490

i00656550

NOTE	REF NO	GRAPHIC REF	PART NUMBER	QTY	PART NAME						SEE PAGE
					1	2	3	4	5	6 (PRODUCT LEVEL)	
	1	1	117-6170	1	CONTROL GP-ELECTRONIC						
	2	1	8L-8413	1	STRAP-CABLE (1.12IN DIA)						
	3	1	101-1785	1	BATTERY						
	4	1	109-5738	1	FILM-INTERFACE						



GRAPHIC #1

g00248335

OPERATOR STATION

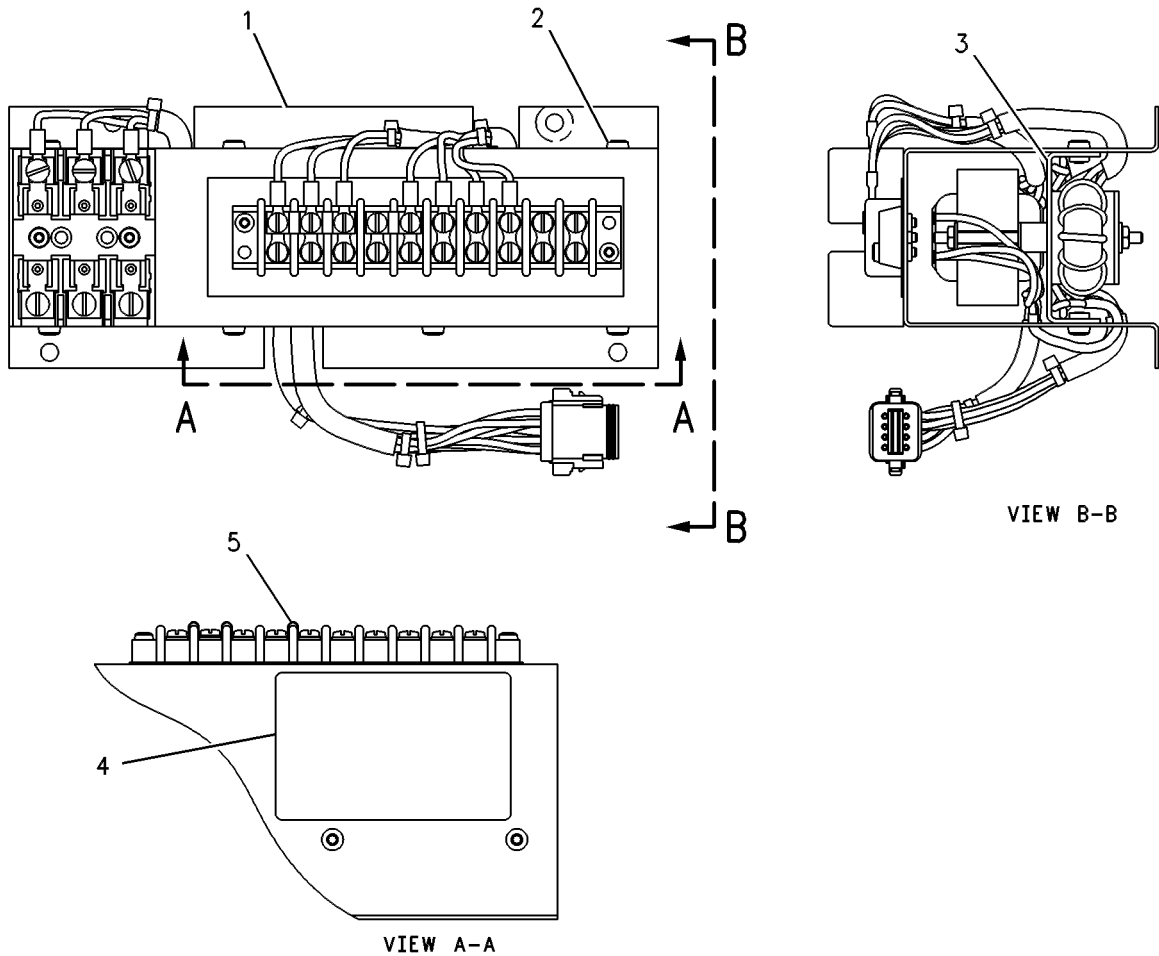
118-0175 CONTROL GP-EMCP ELECTRONIC

PART OF 158-6171, 158-6172 CONVERSION AR
AN ATTACHMENT

SMCS-4490, 7490

i00917958

NOTE	REF NO	GRAPHIC REF	PART NUMBER	QTY	PART NAME						SEE PAGE
					1	2	3	4	5	6 (PRODUCT LEVEL)	
	1	1	118-0173	1	HOUSING AS						
	2	1	108-8127	8	SCREW-PAN HEAD						
	3	1	118-0170	1	CHANNEL AS-TRANSFORMER						
		1	3E-3386	1	WEDGE-PLUG LOCK						
		1	5P-1475	7	TERMINAL (HORN)						
		1	5P-1476	3	TERMINAL (BLADE)						
		1	8L-8413	6	STRAP-CABLE (1.12IN DIA)						
		1	8T-8730	5	SOCKET-CONNECTOR						
4	1	1	108-2557	1	LABEL-MARKING						
5	1	1	5N-5159	3	JUMPER-STRIP						



GRAPHIC #1

g00269434

OPERATOR STATION

118-2122 CONTROL GP-EMCP ELECTRONIC

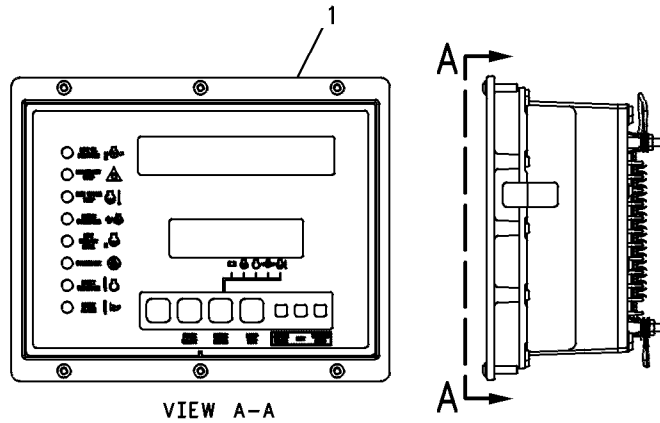
PART OF 119-6031, 136-6924 PANEL AS-CONTROL

AN ATTACHMENT

SMCS-4490, 7490

i00653629

NOTE	REF NO	GRAPHIC REF	PART NUMBER	QTY	PART NAME						SEE PAGE
					1	2	3	4	5	6 (PRODUCT LEVEL)	
Y	1	1	118-2121	1	CONTROL GP-ENGINE ELECTRONIC						459
Y- SEPARATE ILLUSTRATION											



GRAPHIC #1

g00244007

OPERATOR STATION

154-3864 CONTROL GP-EMCP ELECTRONIC AN ATTACHMENT

SMCS-4490, 7490

i00916490

NOTE	PART NUMBER	QTY	PART NAME						SEE PAGE
			1	2	3	4	5	6 (PRODUCT LEVEL)	
Y	154-3850	1	CONTROL & COVER GP-ENG ELEK						440
Y	154-3865	1	WIRING GP-ENGINE						718
Y-SEPARATE ILLUSTRATION									

OPERATOR STATION

107-9027 GAUGE AS-AMMETER AN ATTACHMENT

SMCS-7467

i00656605

NOTE	PART NUMBER	QTY	PART NAME						SEE PAGE
			1	2	3	4	5	6 (PRODUCT LEVEL)	
	3N-5992	1	AMMETER						
B	3S-2093	1	STRAP-CABLE (1.75IN DIA)						
B-USE AS REQUIRED									

OPERATOR STATION

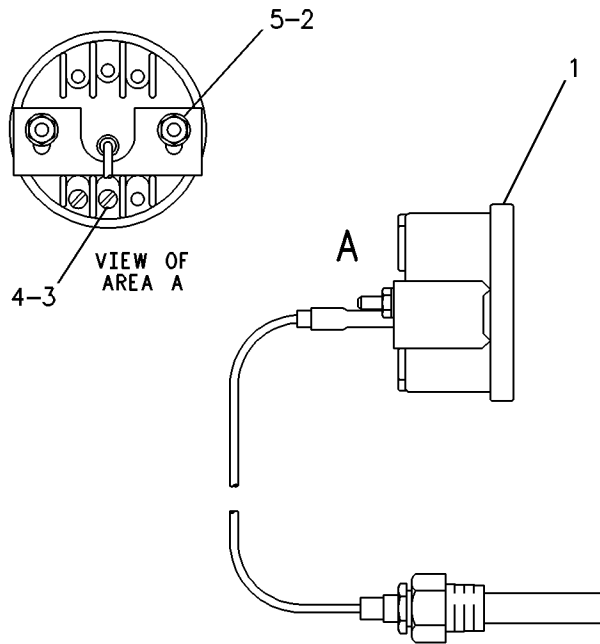
107-9021 GAUGE AS AN ATTACHMENT

SMCS-1087, 7450

i00658876

NOTE	REF NO	GRAPHIC REF	PART NUMBER	QTY	PART NAME						SEE PAGE
					1	2	3	4	5	6 (PRODUCT LEVEL)	
	1	1	3E-7238	1	INDICATOR AS						
	2	1	8F-1434	2	LOCKWASHER (5MM ID)						
	3	1	6V-8373	2	SCREW-MACHINE (6-32X.187IN)						
	4	1	3L-8187	2	LOCKWASHER (3.7MM ID)						
	5	1	4B-2049	2	NUT (10-32 THD)						
FB		1	3S-2093	10	STRAP-CABLE (1.75IN DIA)						
F		1	4P-8134	4	CLIP (10.5MM ID)						
F		1	2W-9215	1	PLATE-AIR INLET MANIFOLD						

B-USE AS REQUIRED
F-NOT SHOWN



GRAPHIC #1

g00234385

OPERATOR STATION

107-9033 GAUGE AS AN ATTACHMENT

SMCS-1087, 7450

i00656684

NOTE	PART NUMBER	QTY	PART NAME						SEE PAGE
			1	2	3	4	5	6 (PRODUCT LEVEL)	
	4P-8134	4	CLIP (10.5MM ID)						
	4W-2683	1	INDICATOR AS-TEMPERATURE						
	2W-9215	1	PLATE-AIR INLET MANIFOLD						
B	3S-2093	1	STRAP-CABLE (1.75IN DIA)						
B-USE AS REQUIRED									

OPERATOR STATION

107-9025 GAUGE AS AN ATTACHMENT

SMCS-7450

i00656591

NOTE	PART NUMBER	QTY	PART NAME						SEE PAGE
			1	2	3	4	5	6 (PRODUCT LEVEL)	
Y	104-5722	1	LINES GP - INSTRUMENT PANEL						779
	3S-1099	1	ELBOW - FLARED						
I	3V-6153	1	HOSE AS						
	7C-5252	1	INDICATOR - PRESSURE						
I - SEE HOSE FABRICATION GUIDE									
Y - SEPARATE ILLUSTRATION									

OPERATOR STATION

130-8166 GAUGE AS-MANIFOLD PRESSURE

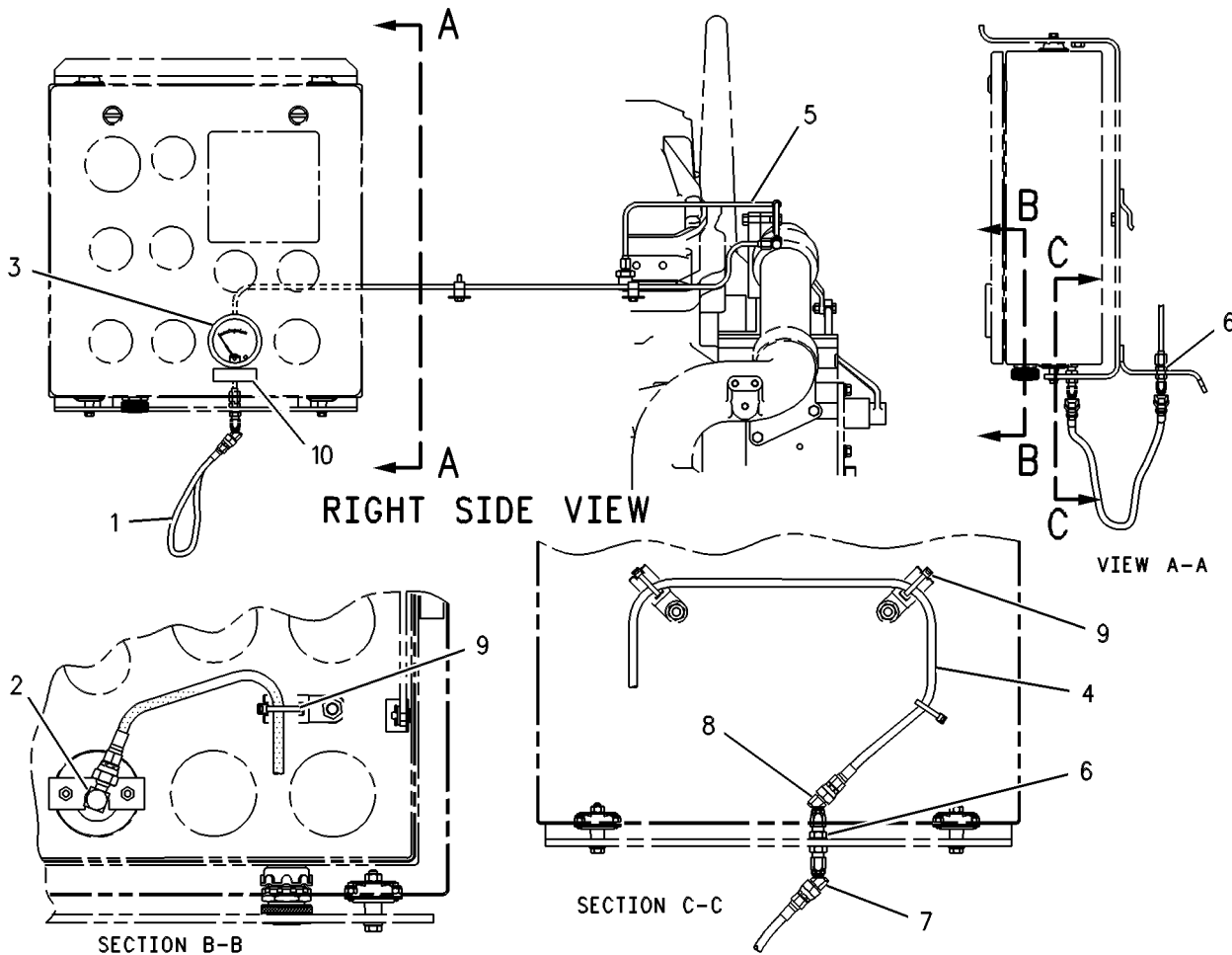
AN ATTACHMENT

SMCS-7450

i00658439

NOTE	REF NO	GRAPHIC REF	PART NUMBER	QTY	PART NAME						SEE PAGE
					1	2	3	4	5	6 (PRODUCT LEVEL)	
I	1	1	2T-1411	1	HOSE AS						
	2	1	3S-1099	1	ELBOW- FLARED						
	3	1	4W-0510	1	INDICATOR AS-FUEL PRESSURE						
	4	1	119-8890	1	HOSE AS						
Y	5	1	130-8168	1	LINES GP- INSTRUMENT PANEL						784
	6	1	5B-3254	2	NUT (7/16-20 THD)						
	7	1	7K-6462	2	ELBOW						
	8	1	030-7961	1	ELBOW						
B	9	1	3S-2093	5	STRAP-CABLE (1.75IN DIA)						
	10	1	2W-9219	1	PLATE- IDENTIFICATION						

B- USE AS REQUIRED
 I- SEE HOSE FABRICATION GUIDE
 Y- SEPARATE ILLUSTRATION



GRAPHIC #1

g00263003

OPERATOR STATION

107-9030 GAUGE AS AN ATTACHMENT

SMCS-1058, 1087

i00656647

NOTE	PART NUMBER	QTY	PART NAME						SEE PAGE
			1	2	3	4	5	6 (PRODUCT LEVEL)	
Y	104-5722	1	LINES GP - INSTRUMENT PANEL						779
	3S-1099	1	ELBOW - FLARED						
I	3V-6153	1	HOSE AS						
	4W-7287	1	INDICATOR						
I - SEE HOSE FABRICATION GUIDE									
Y - SEPARATE ILLUSTRATION									

OPERATOR STATION

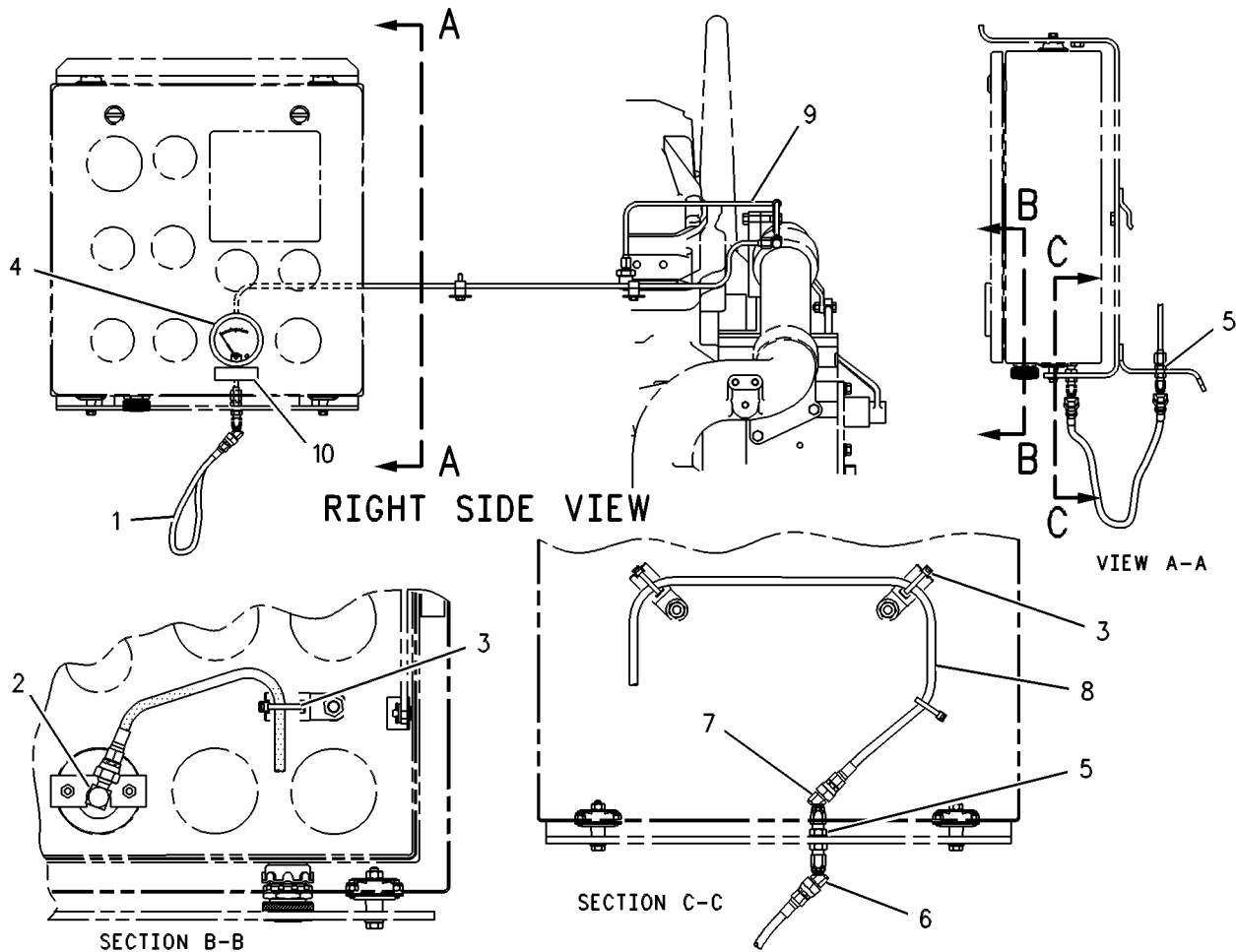
130-8163 GAUGE AS-MANIFOLD VACUUM AN ATTACHMENT

SMCS-1058, 1087

i00661972

NOTE	REF NO	GRAPHIC REF	PART NUMBER	QTY	PART NAME						SEE PAGE
					1	2	3	4	5	6 (PRODUCT LEVEL)	
I	1	1	2T-1411	1	HOSE AS						
	2	1	3S-1099	1	ELBOW-FLARED						
B	3	1	3S-2093	5	STRAP-CABLE (1.75IN DIA)						
	4	1	4W-7287	1	INDICATOR (MANIFOLD)						
	5	1	5B-3254	2	NUT (7/16-20 THD)						
	6	1	7K-6462	2	ELBOW						
	7	1	030-7961	1	ELBOW						
	8	1	119-8890	1	HOSE AS						
Y	9	1	130-8168	1	LINES GP-INSTRUMENT PANEL						784
	10	1	4W-7282	1	PLATE-MANIFOLD INFORMATION						

B-USE AS REQUIRED
I-SEE HOSE FABRICATION GUIDE
Y-SEPARATE ILLUSTRATION



GRAPHIC #1

g00262974

OPERATOR STATION

107-9023 GAUGE AS AN ATTACHMENT

SMCS-7455, 7456

i00658880

NOTE	PART NUMBER	QTY	PART NAME						SEE PAGE
			1	2	3	4	5	6 (PRODUCT LEVEL)	
	5P-9617	1	ADAPTER						
	030-7941	1	ELBOW (7/16-20 STR THD)						
	3S-1099	1	ELBOW-FLARED						
I	3V-6153	1	HOSE AS						
I	3J-7311	1	HOSE AS						
	4W-0506	1	INDICATOR AS-PRESSURE						
	6V-5048	1	SEAL-O-RING (8.92MM ID)						
	033-6042	1	SEAL-O-RING						

I-SEE HOSE FABRICATION GUIDE

OPERATOR STATION

107-9026 GAUGE AS AN ATTACHMENT

SMCS-7455, 7456

i00656598

NOTE	PART NUMBER	QTY	PART NAME						SEE PAGE
			1	2	3	4	5	6 (PRODUCT LEVEL)	
Y	104-5904	1	LINES GP-INSTRUMENT PANEL						780
	3S-1099	1	ELBOW-FLARED						
	3F-6166	1	EXTENSION						
I	3V-6153	1	HOSE AS						
	4W-0508	1	INDICATOR AS-DIFF PRESSURE						
	8F-1434	2	LOCKWASHER (5MM ID)						
	4B-2049	2	NUT (10-32 THD)						

I - SEE HOSE FABRICATION GUIDE
Y - SEPARATE ILLUSTRATION

OPERATOR STATION

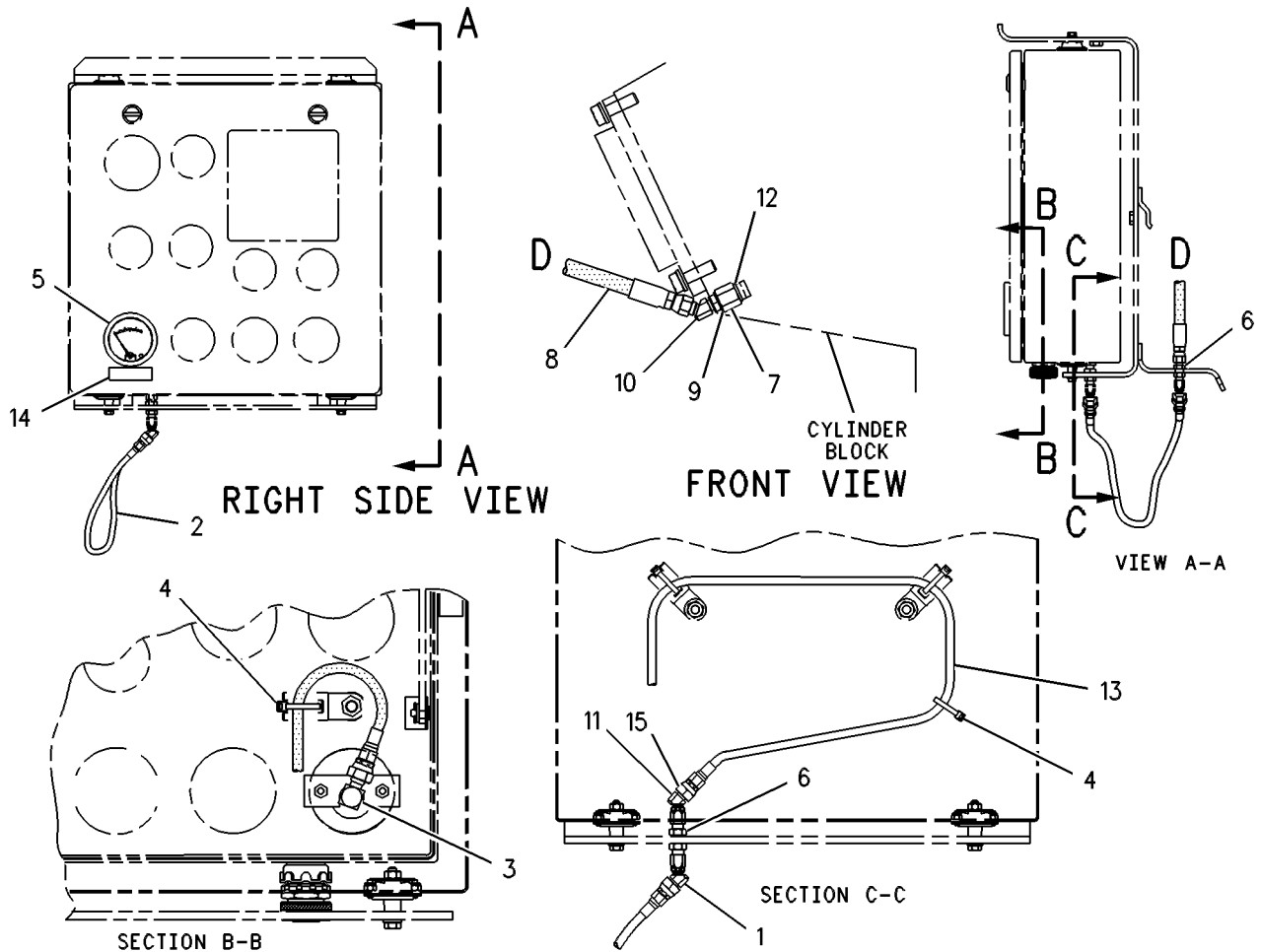
130-8169 GAUGE AS-PRESSURE AN ATTACHMENT

SMCS-7455, 7456

i00658426

NOTE	REF NO	GRAPHIC REF	PART NUMBER	QTY	PART NAME						SEE PAGE
					1	2	3	4	5	6 (PRODUCT LEVEL)	
	1	1	7K-6462	2	ELBOW						
I	2	1	2T-1411	1	HOSE AS						
	3	1	3S-1099	1	ELBOW-FLARED						
	4	1	3S-2093	5	STRAP-CABLE (1.75IN DIA)						
	5	1	4W-0506	1	INDICATOR AS-PRESSURE (ENGINE OIL)						
	6	1	5B-3254	2	NUT (7/16-20 THD)						
	7	1	5P-9617	1	ADAPTER						
I	8	1	5T-4373	1	HOSE AS						
	9	1	6V-5048	1	SEAL-O-RING (8.92MM ID)						
	10	1	030-7941	1	ELBOW (7/16-20 STR THD)						
	11	1	030-7961	1	ELBOW						
	12	1	033-6042	1	SEAL-O-RING						
	13	1	119-8891	1	HOSE AS						
	14	1	3N-5986	1	PLATE-ENGINE OIL INFORMATION						
	15	1	7K-9197	1	ELBOW						

I-SEE HOSE FABRICATION GUIDE



GRAPHIC #1

g00287776

OPERATOR STATION

130-8170 GAUGE AS-PRESSURE AN ATTACHMENT

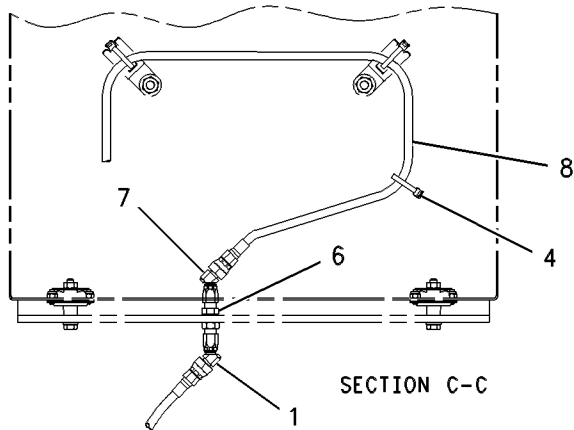
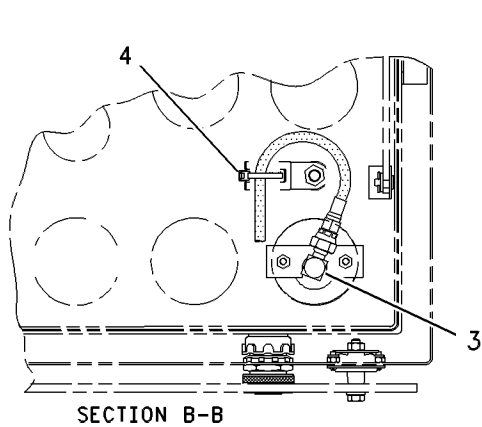
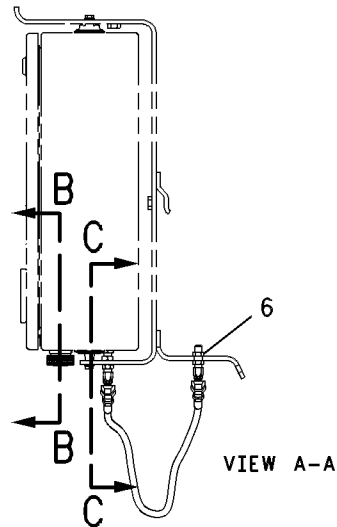
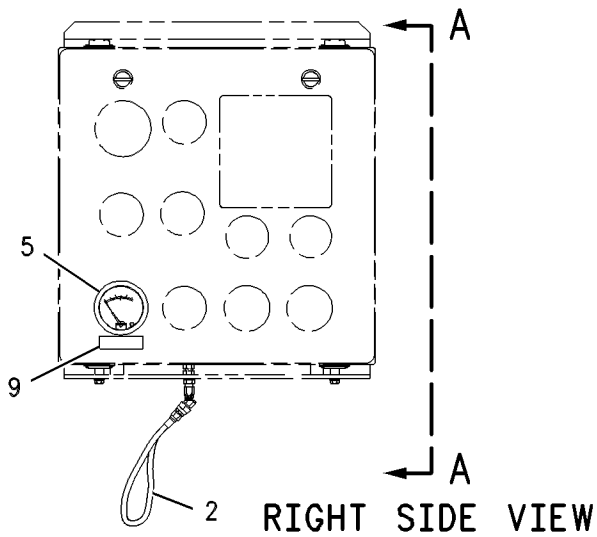
SMCS-7455, 7456

i00929983

NOTE	REF NO	GRAPHIC REF	PART NUMBER	QTY	PART NAME						SEE PAGE
					1	2	3	4	5	6 (PRODUCT LEVEL)	
	1	1	7K-6462	2	ELBOW						
I	2	1	2T-1411	1	HOSE AS						
	3	1	3S-1099	1	ELBOW-FLARED						
	4	1	3S-2093	5	STRAP-CABLE (1.75IN DIA)						
	5	1	4W-0506	1	INDICATOR AS-PRESSURE (WATER)						
	6	1	5B-3254	2	NUT (7/16-20 THD)						
	7	1	030-7961	1	ELBOW						
	8	1	119-8891	1	HOSE AS						
	9	1	114-2397	1	FILM-GAUGE IDENTIFICATION						
F		1	4R-8605	1	ELBOW						
F		1	6B-5072	1	BUSHING-TERMINAL						
FI		1	6N-9626	1	HOSE AS						

F - NOT SHOWN

I - SEE HOSE FABRICATION GUIDE



GRAPHIC #1

g00468000

OPERATOR STATION

107-9022 GAUGE AS-PYROMETER AN ATTACHMENT

SMCS-7466

i00659007

NOTE	PART NUMBER	QTY	PART NAME						SEE PAGE
			1	2	3	4	5	6 (PRODUCT LEVEL)	
Y	3N-8276	1	PYROMETER GP						831
Y	7C-0182	1	THERMOCOUPLE GP						329
	5N-2126	16	ADAPTER						
	5N-9366	16	LEAD AS						
	4B-2043	4	NUT (8-32 THD)						
	7S-4338	4	SCREW-MACHINE (8-32X.75IN)						
	3S-2093	25	STRAP-CABLE (1.75IN DIA)						
	3N-8271	1	SWITCH-SELECTOR						
	7N-9017	1	TERMINAL (WIRE SIZE-22-18 AWG)						
	5P-5592	1	TERMINAL						
	7N-9194	2	TERMINAL (WIRE SIZE-22-18 AWG)						
	5N-9365	16	THERMOCOUPLE						
	5P-5677	3	WIRE (18 GA)						

Y-SEPARATE ILLUSTRATION

OPERATOR STATION

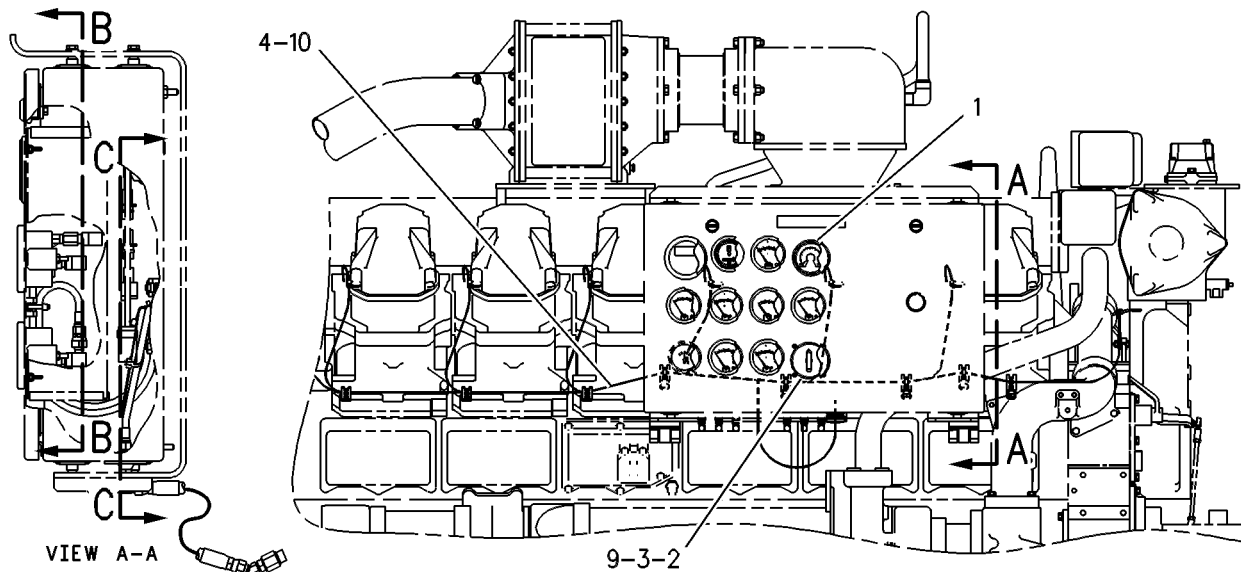
107-9022 GAUGE AS-PYROMETER AN ATTACHMENT

SMCS-7466

i00659017

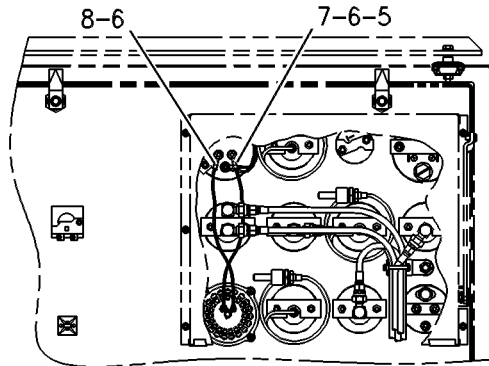
NOTE	REF NO	GRAPHIC REF	PART NUMBER	QTY	PART NAME						SEE PAGE
					1	2	3	4	5	6 (PRODUCT LEVEL)	
C	1	1	3N-7012	1	PYROMETER						
	2	1	3N-8271	1	SWITCH-SELECTOR						
	3	1	4B-2043	4	NUT (8-32 THD)						
	4	1	5N-2126	16	ADAPTER						
	5	1	5P-5592	1	TERMINAL						
B	6	1	5P-5677		WIRE (18 GA)						
	7	1	7N-9017	1	TERMINAL						
	8	1	7N-9194	2	TERMINAL						
	9	1	7S-4338	4	SCREW-MACHINE (8-32X.75IN)						
YC	10	1	113-3380	1	WIRING GP-EIS						710
B	11	1	3S-2093		STRAP-CABLE (1.75IN DIA)						

B-USE AS REQUIRED
C-CHANGE FROM PREVIOUS TYPE
Y-SEPARATE ILLUSTRATION

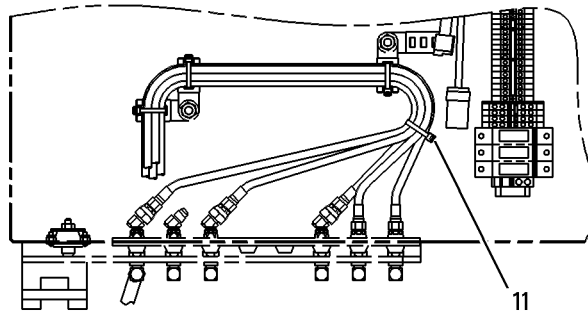


VIEW A-A

RIGHT SIDE VIEW



SECTION B-B



SECTION C-C

GRAPHIC #1

g00265003

OPERATOR STATION

108-4503 GAUGE AS-PYROMETER AN ATTACHMENT

SMCS-7466

i00655322

NOTE	PART NUMBER	QTY	PART NAME						SEE PAGE
			1	2	3	4	5	6 (PRODUCT LEVEL)	
Y	3N-8276	1	PYROMETER GP						831
Y	7C-0182	1	THERMOCOUPLE GP						329
	5N-2126	8	ADAPTER						
	5N-9366	8	LEAD AS						
	4B-2043	4	NUT (8-32 THD)						
	7S-4338	4	SCREW-MACHINE (8-32X.75IN)						
	3S-2093	13	STRAP-CABLE (1.75IN DIA)						
	3N-8271	1	SWITCH-SELECTOR						
	7N-9017	1	TERMINAL (WIRE SIZE-22-18 AWG)						
	5P-5592	1	TERMINAL						
	7N-9194	2	TERMINAL (WIRE SIZE-22-18 AWG)						
	5N-9365	8	THERMOCOUPLE						
	5P-5677	6	WIRE (18 GA)						

Y-SEPARATE ILLUSTRATION

OPERATOR STATION

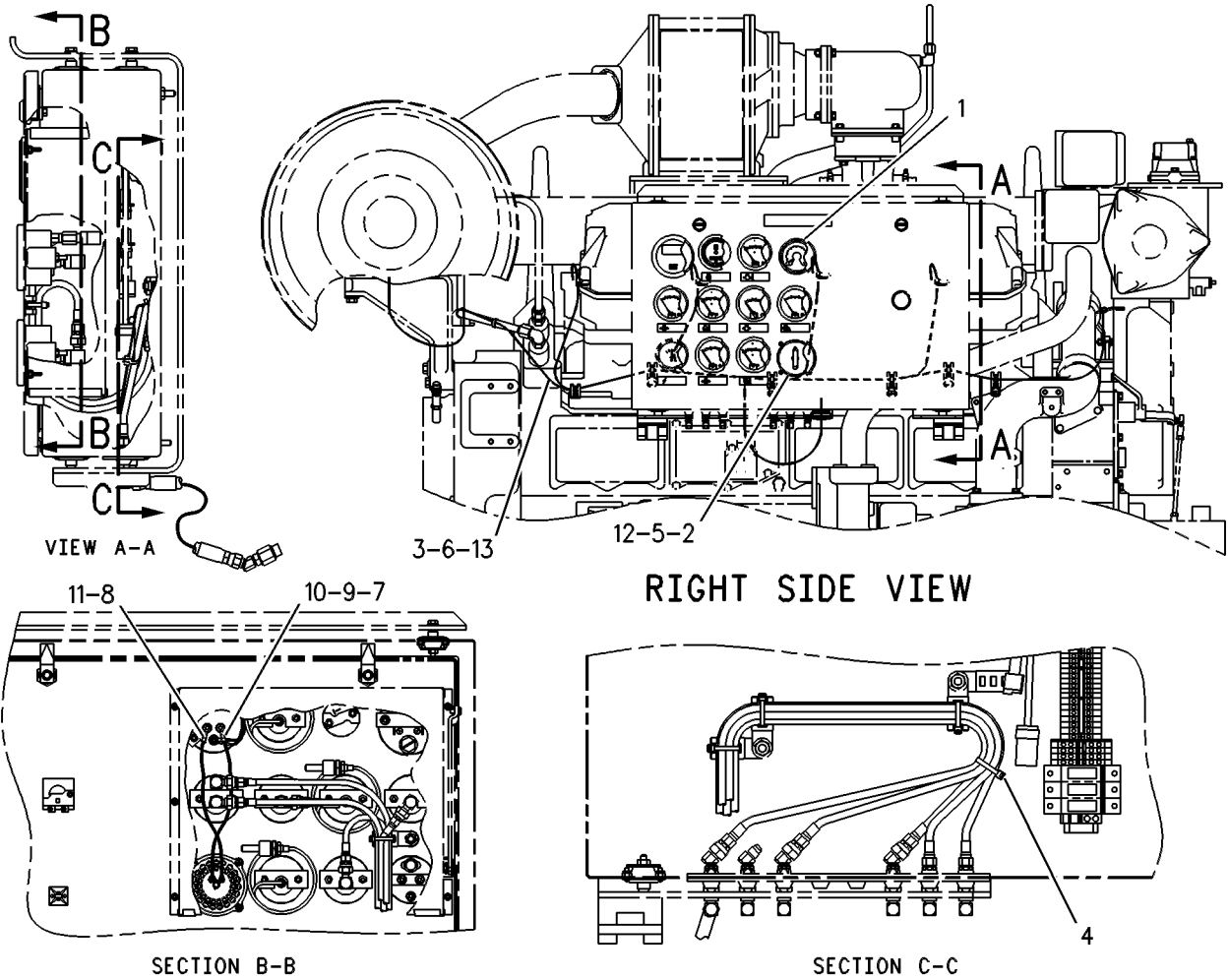
108-4503 GAUGE AS-PYROMETER AN ATTACHMENT

SMCS-7466

i00655464

NOTE	REF NO	GRAPHIC REF	PART NUMBER	QTY	PART NAME						SEE PAGE
					1	2	3	4	5	6 (PRODUCT LEVEL)	
	1	1	3N-7012	1	PYROMETER						
	2	1	3N-8271	1	SWITCH-SELECTOR						
	3	1	3N-8278	2	ADAPTER						
B	4	1	3S-2093		STRAP-CABLE (1.75IN DIA)						
	5	1	4B-2043	4	NUT (8-32 THD)						
	6	1	5N-2126	8	ADAPTER						
	7	1	5P-5592	1	TERMINAL						
BD	8	1	5P-5677		WIRE (18 GA)						
BD	9	1	5P-5677		WIRE (18 GA)						
	10	1	7N-9017	1	TERMINAL						
	11	1	7N-9194	2	TERMINAL						
	12	1	7S-4338	4	SCREW-MACHINE (8-32X.75IN)						
Y	13	1	113-3382	1	WIRING GP-EIS						711

B- USE AS REQUIRED
D- ORDER BY THE METER
Y- SEPARATE ILLUSTRATION



GRAPHIC #1

g00264962

OPERATOR STATION

124-3143 GAUGE AS-PYROMETER

8 CYLINDER
AN ATTACHMENT

SMCS-7466

i00660147

NOTE	PART NUMBER	QTY	PART NAME						SEE PAGE
			1	2	3	4	5	6 (PRODUCT LEVEL)	
Y	136-2078	1	WIRING GP						706
	3N-8278	2	ADAPTER						
	5N-2126	8	ADAPTER						
	111-8684	1	FILM-CONTROL PANEL						
	121-4101	1	HARNES AS						
	3B-4504	4	LOCKWASHER (.077IN THK)						
M	5C-2874	4	NUT (M5X.8 THD)						
	114-2410	1	PYROMETER						
M	7Y-7389	4	SCREW (M5X0.8X16MM)						
	8L-8413	4	STRAP-CABLE (1.12IN DIA)						
	3S-2093	3	STRAP-CABLE (1.75IN DIA)						
M-METRIC PART Y-SEPARATE ILLUSTRATION									

OPERATOR STATION

124-3676 GAUGE AS

PYROMETER
AN ATTACHMENT

SMCS-7466

i00666292

NOTE	PART NUMBER	QTY	PART NAME						SEE PAGE
			1	2	3	4	5	6 (PRODUCT LEVEL)	
Y	136-2080	1	WIRING GP						708
	111-8684	1	FILM-CONTROL PANEL						
	121-4101	1	HARNESS AS						
	3B-4504	4	LOCKWASHER (.077IN THK)						
M	5C-2874	4	NUT (M5X.8 THD)						
	114-2410	1	PYROMETER						
M	7Y-7389	4	SCREW (M5X0.8X16MM)						
B	3S-2093	12	STRAP-CABLE (1.75IN DIA)						

B - USE AS REQUIRED
M - METRIC PART
Y - SEPARATE ILLUSTRATION

OPERATOR STATION

107-9024 GAUGE AS-TEMPERATURE AN ATTACHMENT

SMCS-7450, 7453

i00656587

NOTE	PART NUMBER	QTY	PART NAME						SEE PAGE
			1	2	3	4	5	6 (PRODUCT LEVEL)	
	5B-4855	1	BUSHING-REDUCER						
	4W-2683	1	INDICATOR AS-TEMPERATURE						
	8F-1434	2	LOCKWASHER (5MM ID)						
	4B-2049	2	NUT (10-32 THD)						
	3S-2093	10	STRAP-CABLE (1.75IN DIA)						

OPERATOR STATION

107-9029 GAUGE AS AN ATTACHMENT

SMCS-7450, 7453

i00656642

NOTE	PART NUMBER	QTY	PART NAME						SEE PAGE
			1	2	3	4	5	6 (PRODUCT LEVEL)	
	4W-2683	1	INDICATOR AS-TEMPERATURE						
	8F-1434	2	LOCKWASHER (5MM ID)						
	4B-2049	2	NUT (10-32 THD)						
B	3S-2093	10	STRAP-CABLE (1.75IN DIA)						
B-USE AS REQUIRED									

OPERATOR STATION

108-3854 GAUGE AS AN ATTACHMENT

SMCS-7450, 7453

i00656772

NOTE	PART NUMBER	QTY	PART NAME						SEE PAGE
			1	2	3	4	5	6 (PRODUCT LEVEL)	
	3E-7237	1	INDICATOR AS						
	8F-1434	2	LOCKWASHER (5MM ID)						
	4B-2049	2	NUT (10-32 THD)						
B	3S-2093	10	STRAP-CABLE (1.75IN DIA)						
B-USE AS REQUIRED									

OPERATOR STATION

108-3921 GAUGE AS-TEMPERATURE AN ATTACHMENT

SMCS-7450, 7453

i00656856

NOTE	PART NUMBER	QTY	PART NAME						SEE PAGE
			1	2	3	4	5	6 (PRODUCT LEVEL)	
	4P-8134	4	CLIP (10.5MM ID)						
	3E-7236	1	INDICATOR AS						
	2W-9215	1	PLATE-AIR INLET MANIFOLD						
B	3S-2093	6	STRAP-CABLE (1.75IN DIA)						
B-USE AS REQUIRED									

MEMORANDA

OPERATOR STATION

130-8162 GAUGE AS-WATER PRESS DIFF AN ATTACHMENT

SMCS-7454

i00661960

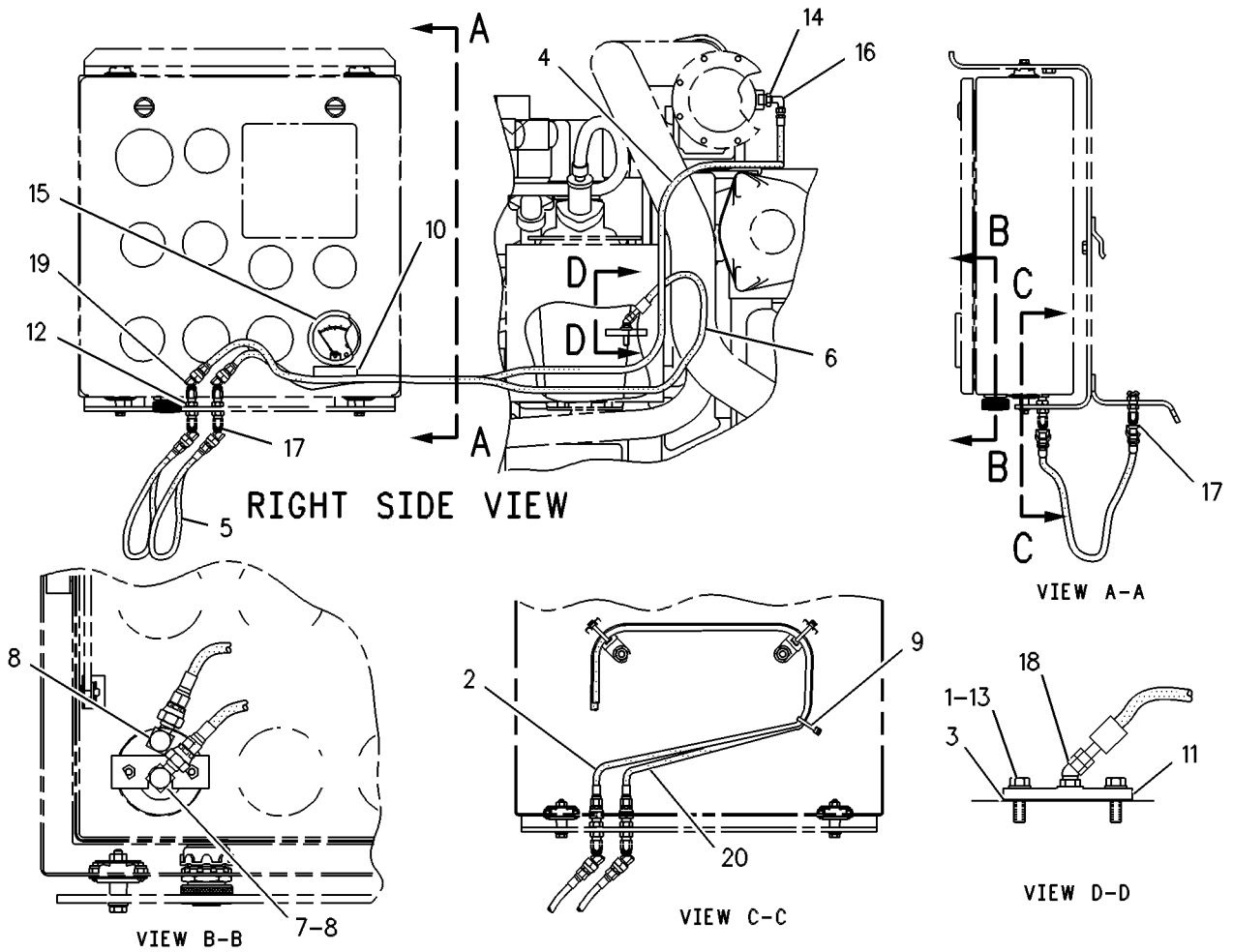
NOTE	REF NO	GRAPHIC REF	PART NUMBER	QTY	PART NAME						SEE PAGE
					1	2	3	4	5	6 (PRODUCT LEVEL)	
	1	1	0S-1588	2	BOLT (3/8-16X1.25IN)						
	2	1	119-8891	2	HOSE AS						
	3	1	1A-9066	1	GASKET						
I	4	1	2G-7049	1	HOSE AS						
I	5	1	2T-1411	2	HOSE AS						
I	6	1	2T-1590	1	HOSE AS						
	7	1	3F-6166	1	EXTENSION						
	8	1	3S-1099	2	ELBOW-FLARED						
	9	1	3S-2093	5	STRAP-CABLE (1.75IN DIA)						
	10	1	114-2396	1	FILM-GAUGE IDENTIFICATION						
	11	1	4L-5885	1	COVER-ELBOW						
	12	1	5B-3254	4	NUT (7/16-20 THD)						
	13	1	5M-2894	2	WASHER (2.5MM THK)						
	14	1	6B-5072	1	BUSHING-TERMINAL						
Y	15	1	<i>6I-2118</i>	1	GAUGE GP						769
	16	1	6K-1972	1	ELBOW-FLARED (1/4 NPT)						
	17	1	7K-6462	4	ELBOW						
	18	1	5J-7303	1	ELBOW (FLARED)						
	19	1	030-7961	2	ELBOW						

I- SEE HOSE FABRICATION GUIDE
Y- SEPARATE ILLUSTRATION

OPERATOR STATION

130-8162 GAUGE AS-WATER PRESS DIFF (contd.)

i00661960



GRAPHIC #1

g00262989

OPERATOR STATION

107-9028 GAUGE AS AN ATTACHMENT

SMCS-7450

i00656629

NOTE	PART NUMBER	QTY	PART NAME						SEE PAGE
			1	2	3	4	5	6 (PRODUCT LEVEL)	
	0S-0509	2	BOLT (3/8-16X.75IN)						
	6B-5072	1	BUSHING-TERMINAL						
	6D-3479	2	CLIP (14.29MM ID)						
	030-7961	1	ELBOW						
	4R-8605	1	ELBOW						
	2P-7216	1	ELBOW						
	3S-1099	1	ELBOW-FLARED						
	114-2397	1	FILM-GAUGE IDENTIFICATION						
I	6N-9626	1	HOSE AS						
	119-8891	1	HOSE AS						
	4W-0506	1	INDICATOR AS-PRESSURE						
	5B-3254	1	NUT (7/16-20 THD)						
B	3S-2093	5	STRAP-CABLE (1.75IN DIA)						
	5M-2894	2	WASHER (2.5MM THK)						

B- USE AS REQUIRED
I- SEE HOSE FABRICATION GUIDE

OPERATOR STATION

107-9031 GAUGE AS AN ATTACHMENT

SMCS-7450

i00656667

NOTE	PART NUMBER	QTY	PART NAME						SEE PAGE
			1	2	3	4	5	6 (PRODUCT LEVEL)	
Y	4P-9552	1	GAUGE GP						768
	3S-1099	1	ELBOW-FLARED						
I	3V-6153	1	HOSE AS						
I-SEE HOSE FABRICATION GUIDE									
Y-SEPARATE ILLUSTRATION									

OPERATOR STATION

107-9031 GAUGE AS AN ATTACHMENT

SMCS-7450

i00656654

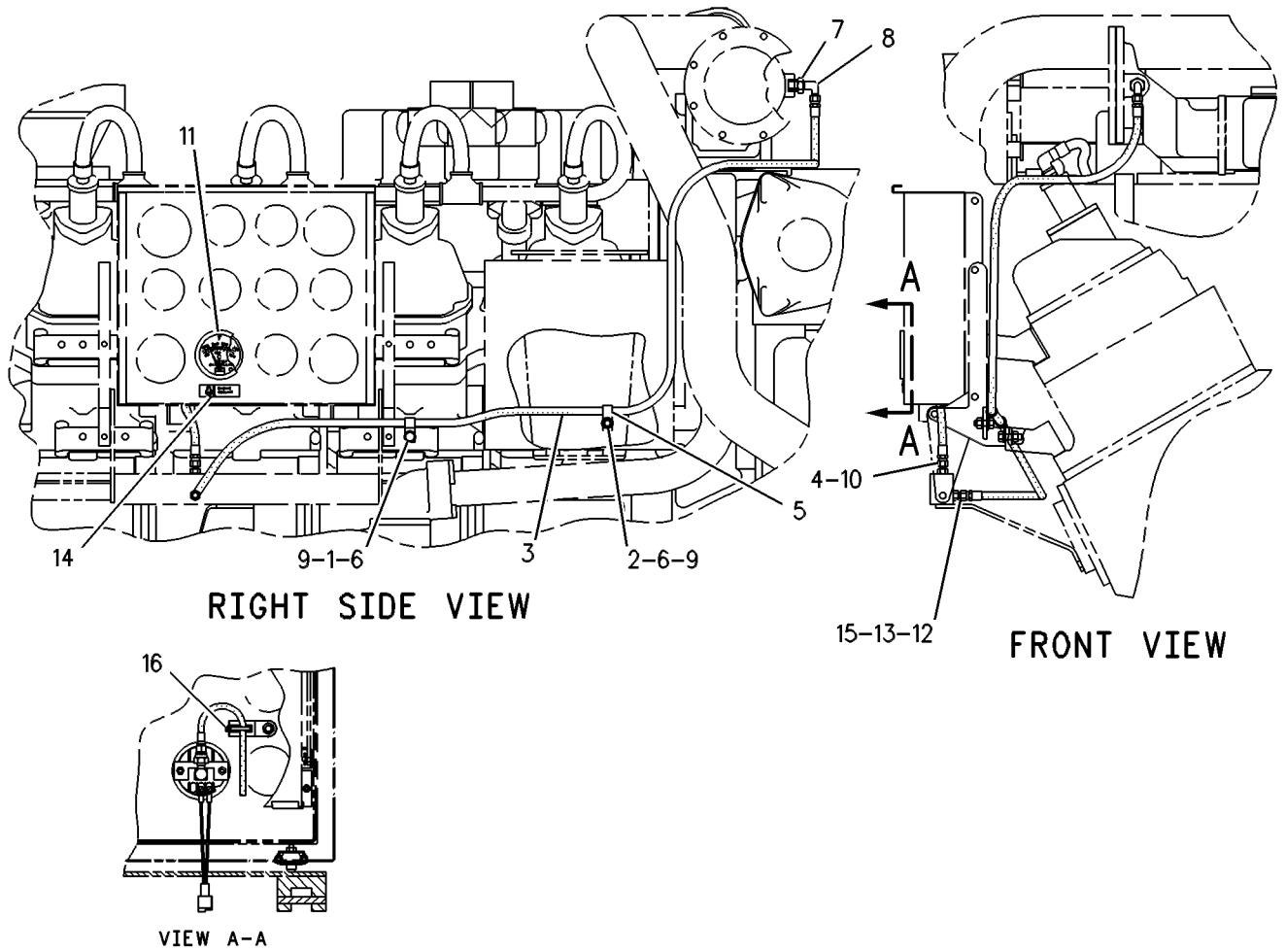
NOTE	REF NO	GRAPHIC REF	PART NUMBER	QTY	PART NAME						SEE PAGE
					1	2	3	4	5	6 (PRODUCT LEVEL)	
	1	1	0S-1588	1	BOLT (3/8-16X1.25IN)						
	2	1	0S-1594	1	BOLT (3/8-16X1IN)						
I	3	1	2G-7049	1	HOSE AS						
	4	1	3S-1099	1	ELBOW-FLARED						
	5	1	4K-8864	2	CLIP (14.2MM ID)						
	6	1	5M-2894	4	WASHER (2.5MM THK)						
	7	1	6B-5072	1	BUSHING-TERMINAL						
	8	1	6K-1972	1	ELBOW-FLARED (1/4 NPT)						
	9	1	9S-8752	2	NUT-FULL (3/8-16 THD)						
	10	1	119-8891	1	HOSE AS						
	11	1	126-1067	1	INDICATOR AS						
		1	3L-8187	2	LOCKWASHER (3.7MM ID)						
		1	4B-2049	2	NUT (10-32 THD)						
		1	6V-8373	2	SCREW-MACHINE (6-32X.187IN)						
		1	8F-1434	2	LOCKWASHER (5MM ID)						
	12	1	2P-7216	1	ELBOW						
	13	1	5B-3254	1	NUT (7/16-20 THD)						
	14	1	9Y-9777	1	FILM-GAUGE IDENTIFICATION						
	15	1	030-7961	1	ELBOW						
B	16	1	3S-2093	5	STRAP-CABLE (1.75IN DIA)						

B- USE AS REQUIRED
I- SEE HOSE FABRICATION GUIDE

OPERATOR STATION

107-9031 GAUGE AS (contd.)

i00656654



GRAPHIC #1

g00266917

OPERATOR STATION

107-9032 GAUGE AS-WATER PRESSURE AN ATTACHMENT

SMCS-7450

i00929170

NOTE	PART NUMBER	QTY	PART NAME						SEE PAGE
			1	2	3	4	5	6 (PRODUCT LEVEL)	
	0S-1588	2	BOLT						
	0S-1594	1	BOLT						
	6B-5072	1	BUSHING-TERMINAL						
	4K-8864	4	CLIP (14.2MM ID)						
	4L-5885	1	COVER-ELBOW						
	2P-7216	2	ELBOW						
	5J-7303	2	ELBOW (FLARED)						
	3S-1099	2	ELBOW-FLARED						
	3F-6166	1	EXTENSION						
	114-2396	1	FILM-GAUGE IDENTIFICATION						
	1A-9066	1	GASKET						
Y	6I-2118	1	GAUGE GP						769
I	2T-1590	1	HOSE AS						
	119-8891	2	HOSE AS						
I	2G-7049	1	HOSE AS						
	5B-3254	2	NUT (7/16-20 THD)						
	9S-8752	2	NUT-FULL (3/8-16 THD)						
	3S-2093	5	STRAP-CABLE (1.75IN DIA)						
	5M-2894	5	WASHER (2.5MM THK)						

I- SEE HOSE FABRICATION GUIDE
Y- SEPARATE ILLUSTRATION

OPERATOR STATION

130-8160 GAUGE AS-WATER PRESSURE AN ATTACHMENT

SMCS-7450

i00661951

NOTE	PART NUMBER	QTY	PART NAME						SEE PAGE
			1	2	3	4	5	6 (PRODUCT LEVEL)	
	6B-5072	1	BUSHING- TERMINAL						
	7K-6462	2	ELBOW						
	030-7961	1	ELBOW						
	3S-1099	1	ELBOW- FLARED						
	6K-1972	1	ELBOW- FLARED (1/4 NPT)						
	119-8891	1	HOSE AS						
I	2G-7049	1	HOSE AS						
I	2T-1411	1	HOSE AS						
	126-1067	1	INDICATOR AS						
	8F-1434	2	LOCKWASHER (5MM ID)						
	3L-8187	2	LOCKWASHER (3.7MM ID)						
	4B-2049	2	NUT (10-32 THD)						
	5B-3254	2	NUT (7/16-20 THD)						
	6V-8373	2	SCREW-MACHINE (6-32X.187IN)						
	3S-2093	5	STRAP-CABLE (1.75IN DIA)						

I-SEE HOSE FABRICATION GUIDE

OPERATOR STATION

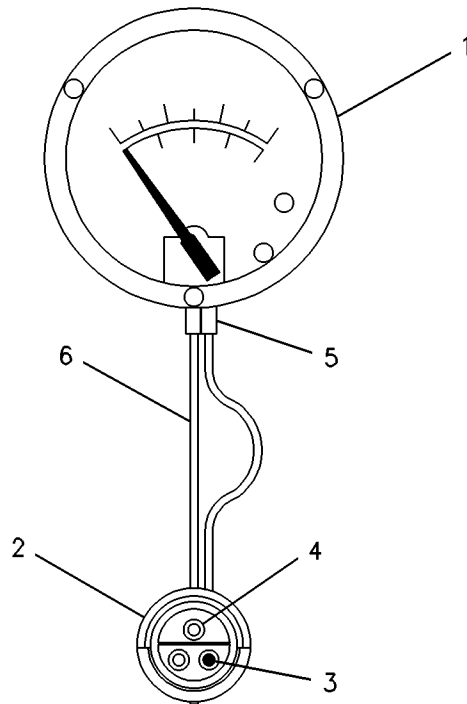
4P-9552 GAUGE GP PART OF 107-9031 GAUGE AS-WATER PRESSURE AN ATTACHMENT

SMCS-7450, 7451

i00659145

NOTE	REF NO	GRAPHIC REF	PART NUMBER	QTY	PART NAME						SEE PAGE
					1	2	3	4	5	6 (PRODUCT LEVEL)	
	1	1	126-1067	1	INDICATOR AS						
		1	3L-8187	2	LOCKWASHER (3.7MM ID)						
		1	4B-2049	2	NUT (10-32 THD)						
		1	6V-8373	2	SCREW-MACHINE (6-32X.187IN)						
		1	8F-1434	2	LOCKWASHER (5MM ID)						
	2	1	7N-7781	1	HOUSING-RECEPTACLE						
	3	1	7N-7780	1	PIN-CONNECTOR (BLADE)						
	4	1	7N-7779	1	SOCKET						
BD	5	1	5P-2766	2	TERMINAL						

B- USE AS REQUIRED
D- ORDER BY THE METER



GRAPHIC #1

g00234475

OPERATOR STATION

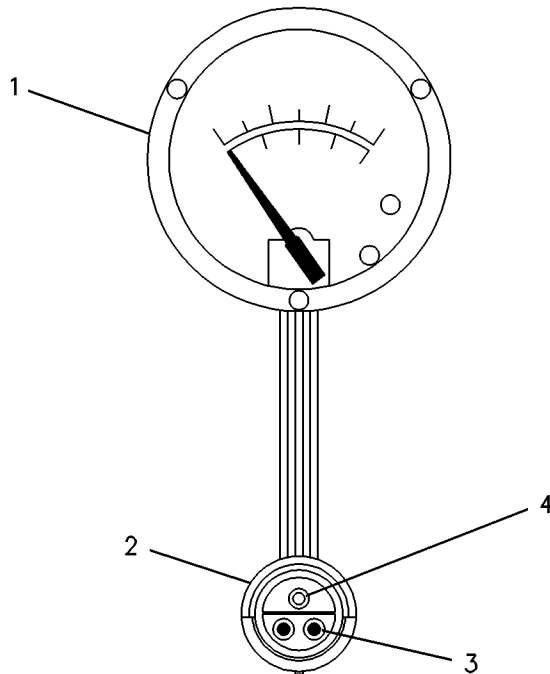
6I-2118 GAUGE GP

PART OF 130-8162 GAUGE AS-WATER PRESS DIFF, 107-9032 GAUGE AS-WATER PRESSURE
AN ATTACHMENT

SMCS-7450, 7451

i00656948

NOTE	REF NO	GRAPHIC REF	PART NUMBER	QTY	PART NAME						SEE PAGE
					1	2	3	4	5	6 (PRODUCT LEVEL)	
	1	1	3E-7235	1	INDICATOR AS						
		1	4B-2049	2	NUT (10-32 THD)						
		1	8F-1434	2	LOCKWASHER (5MM ID)						
2		1	7N-7781	1	HOUSING-RECEPTACLE						
3		1	7N-7780	2	PIN-CONNECTOR (BLADE)						
4		1	7N-7779	1	SOCKET						



GRAPHIC #1

g00234482

OPERATOR STATION

106-0519 GAUGE GP

FOR USE WITH THERMOCOUPLE LEADS WHEN USED WITH 7C0182 THERMOCOUPLE GP
AN ATTACHMENT

SMCS-7450, 7451

i00657208

NOTE	PART NUMBER	QTY	PART NAME						SEE PAGE
			1	2	3	4	5	6 (PRODUCT LEVEL)	
	0T-0102	2	BOLT (3/8-16X0.625IN)						
	5B-4855	1	BUSHING-REDUCER						
	5P-9085	2	CLIP						
	4W-2683	1	INDICATOR AS-TEMPERATURE						
	8F-1434	2	LOCKWASHER (5MM ID)						
	4B-2049	2	NUT (10-32 THD)						
	4W-0508	1	INDICATOR AS-DIFF PRESSURE						
	8F-1434	2	LOCKWASHER (5MM ID)						
	4B-2049	2	NUT (10-32 THD)						
	4W-0506	1	INDICATOR AS-PRESSURE						
	7W-2353	3	PLUG AS						
	7W-2355	1	PLUG AS						
	3S-2093	50	STRAP-CABLE (1.75IN DIA)						
	5M-2894	2	WASHER (2.5MM THK)						

MEMORANDA

OPERATOR STATION

107-9018 GAUGE GP AN ATTACHMENT

SMCS-7450, 7451

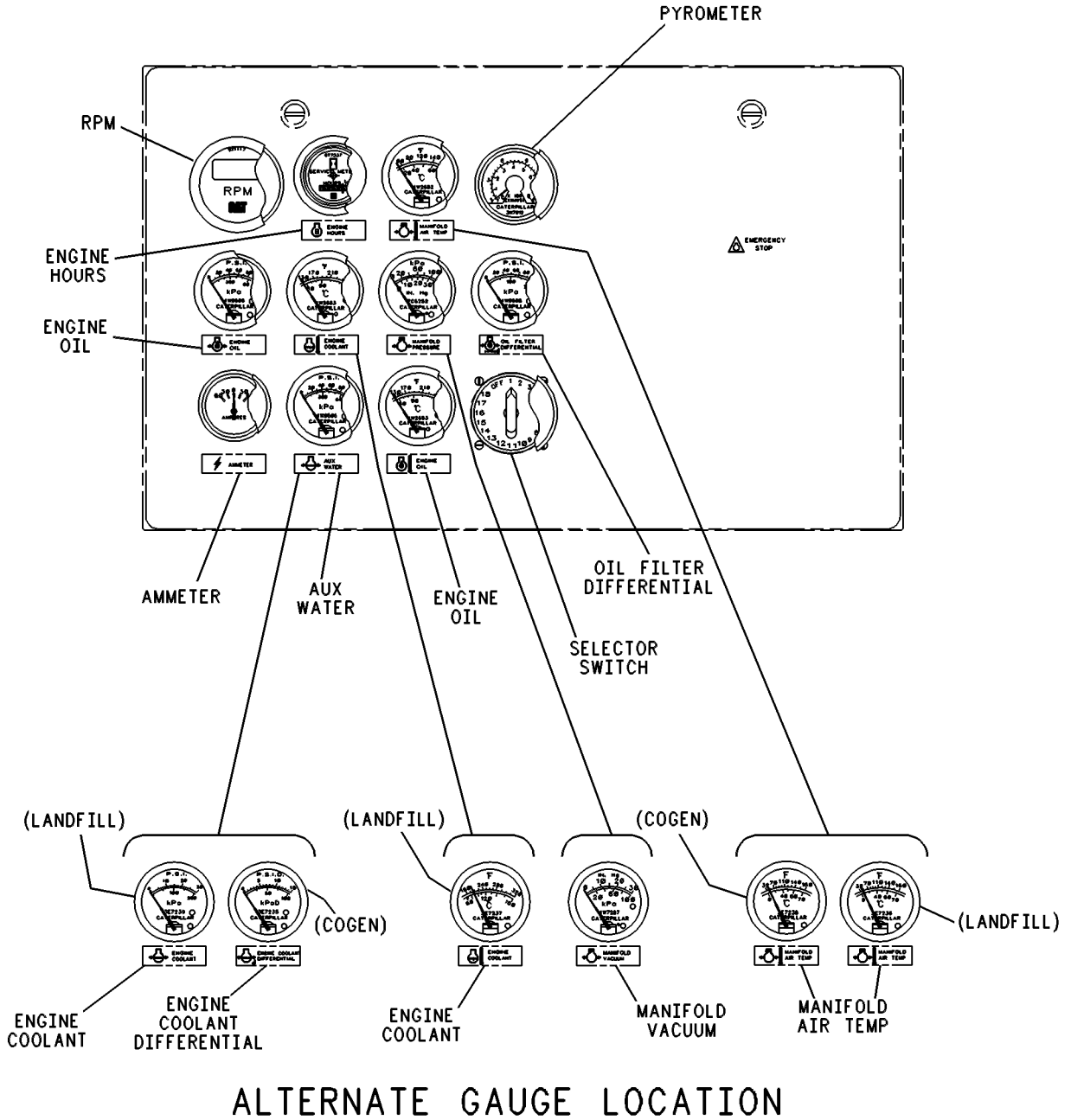
i00658759

NOTE	REF NO	GRAPHIC REF	PART NUMBER	QTY	PART NAME						SEE PAGE
					1	2	3	4	5	6 (PRODUCT LEVEL)	
(INDIVIDUAL PARTS ARE NOT SERVICED SEPARATELY)											

OPERATOR STATION

107-9018 GAUGE GP (contd.)

i00658759



GRAPHIC #1

g00252757

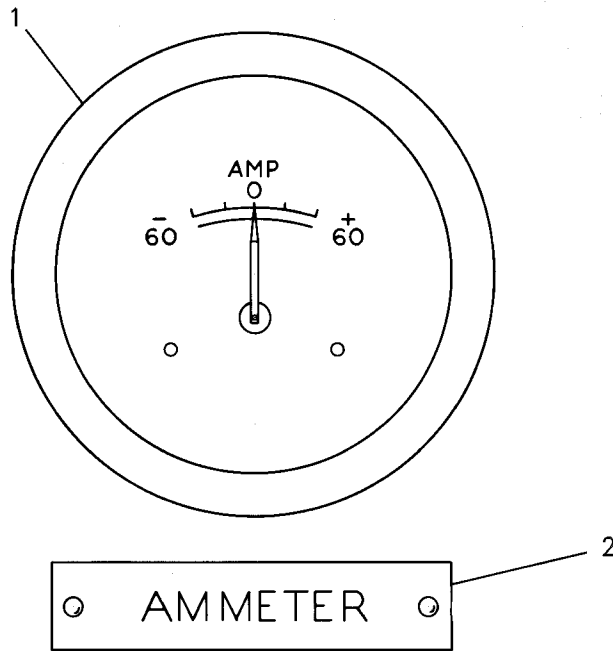
OPERATOR STATION

3N-9012 GAUGE GP-AMMETER PART OF 4W-6085, 7N-7981 ALTERNATOR GP-CHARGING FOR USE WITH PREMIUM INSTRUMENT PANEL AN ATTACHMENT

SMCS-7467

i00640902

NOTE	REF NO	GRAPHIC REF	PART NUMBER	QTY	PART NAME						SEE PAGE
					1	2	3	4	5	6 (PRODUCT LEVEL)	
	1	1	3N-5992	1	AMMETER						
	2	1	3N-5990	1	PLATE-IDENTIFICATION						



GRAPHIC #1

g00239664

OPERATOR STATION

4W-7277 GAUGE GP-MANIFOLD AIR TEMP

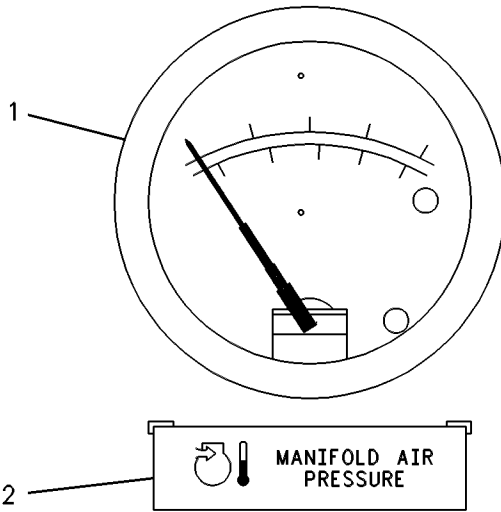
MANIFOLD AIR TEMPERATURE

AN ATTACHMENT

SMCS-1058

i00655936

NOTE	REF NO	GRAPHIC REF	PART NUMBER	QTY	PART NAME						SEE PAGE
					1	2	3	4	5	6 (PRODUCT LEVEL)	
	1	1	4W-2682	1	INDICATOR-TEMPERATURE (AIR)						
	2	1	2W-9215	1	PLATE-AIR INLET MANIFOLD						



GRAPHIC #1

g00252945

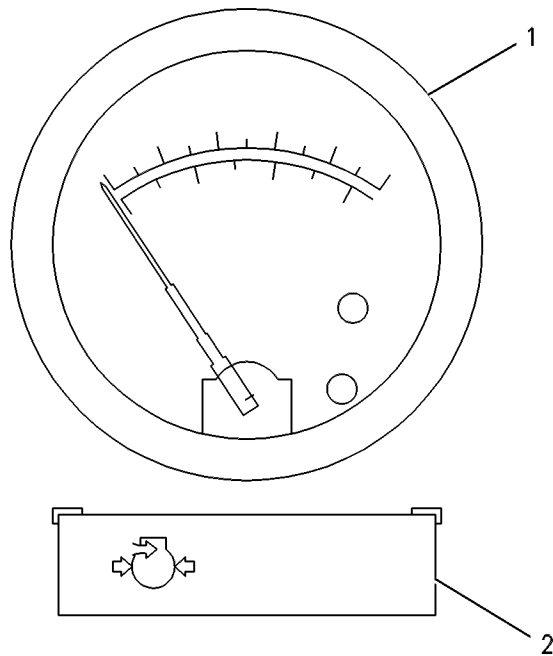
OPERATOR STATION

7C-5254 GAUGE GP - MANIFOLD PRESSURE—MANIFOLD PRESSURE AN ATTACHMENT

SMCS-1058

i00657165

NOTE	REF NO	GRAPHIC REF	PART NUMBER	QTY	PART NAME						SEE PAGE
					1	2	3	4	5	6 (PRODUCT LEVEL)	
	1	1	4W-0510	1	INDICATOR AS-FUEL PRESSURE						
	2	1	2W-9219	1	PLATE-IDENTIFICATION (FILM)						



GRAPHIC #1

g00252942

OPERATOR STATION

140-9680 GAUGE GP-TEMPERATURE

AN ATTACHMENT

SMCS-7450, 7453

i00938989

NOTE	PART NUMBER	QTY	PART NAME						SEE PAGE
			1	2	3	4	5	6 (PRODUCT LEVEL)	
	6I-4348	1	BOOT						
	7X-1067	10	CONNECTOR						
	7X-1068	10	CONNECTOR						
	111-8684	1	FILM-CONTROL PANEL						
	121-4101	1	HARNESS AS						
	3B-4504	2	LOCKWASHER (.077IN THK)						
M	5C-2874	4	NUT (M5X.8 THD)						
	7W-2355	1	PLUG AS						
	7W-2354	1	PLUG AS						
	8T-9834	1	PLUG AS-CONNECTOR						
	8T-8737	12	PLUG-SEAL						
	114-2410	1	PYROMETER						
M	7Y-7389	4	SCREW (M5X0.8X16MM)						
	8T-8730	36	SOCKET-CONNECTOR						
	9X-6772	20	STRAP-CABLE						
	3S-2093	5	STRAP-CABLE (1.75IN DIA)						
	115-8525	50	TUBE						

M-METRIC PART

OPERATOR STATION

7N-4885 GAUGE GP-WATER LEVEL

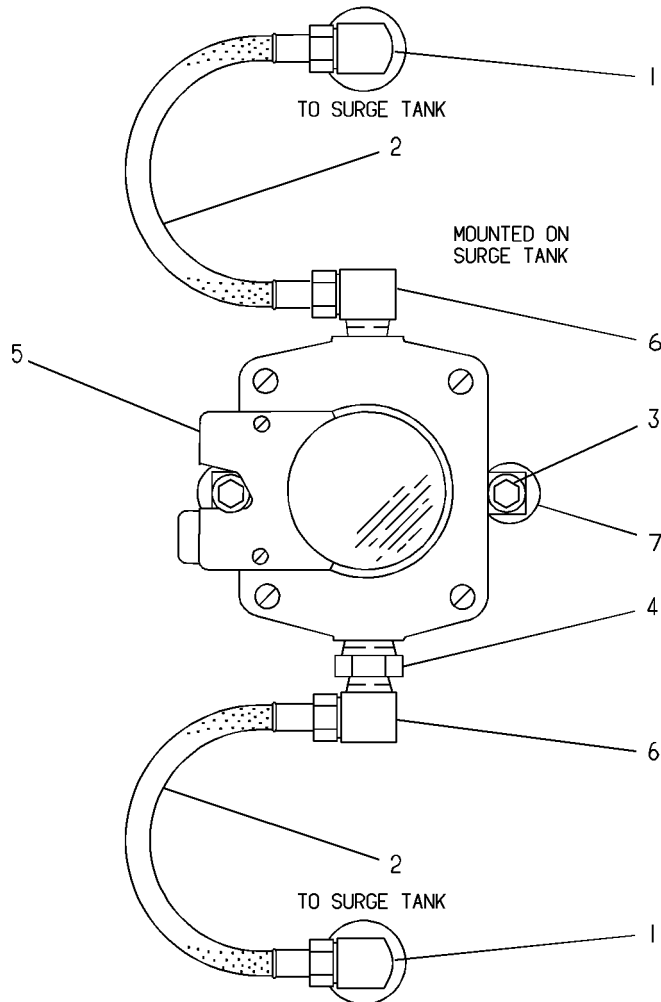
FOR USE WITH FOR USE WITH EXPANSION TANK
AN ATTACHMENT

SMCS-7470

i00072092

NOTE	REF NO	GRAPHIC REF	PART NUMBER	QTY	PART NAME						SEE PAGE
					1	2	3	4	5	6 (PRODUCT LEVEL)	
C	1	1	6V-4245	2	ELBOW-PIPE						
CI	2	1	3N-4622	2	HOSE AS						
C	3	1	2A-0762	2	BOLT (1/4-20X.625IN)						
		1	5P-0537	2	WASHER (2MM THK)						
	4	1	6B-5072	1	BUSHING-TERMINAL						
	5	1	2N-9768	1	SWITCH-LIQUID LEVEL (LIQUID)						
C	6	1	4R-8605	2	ELBOW						
C	7	1	7E-7731	2	MOUNT						
		1	6V-7646	2	WASHER-HARD (2MM THK)						

C- CHANGE FROM PREVIOUS TYPE
I- SEE HOSE FABRICATION GUIDE



GRAPHIC #1

g00064582

OPERATOR STATION

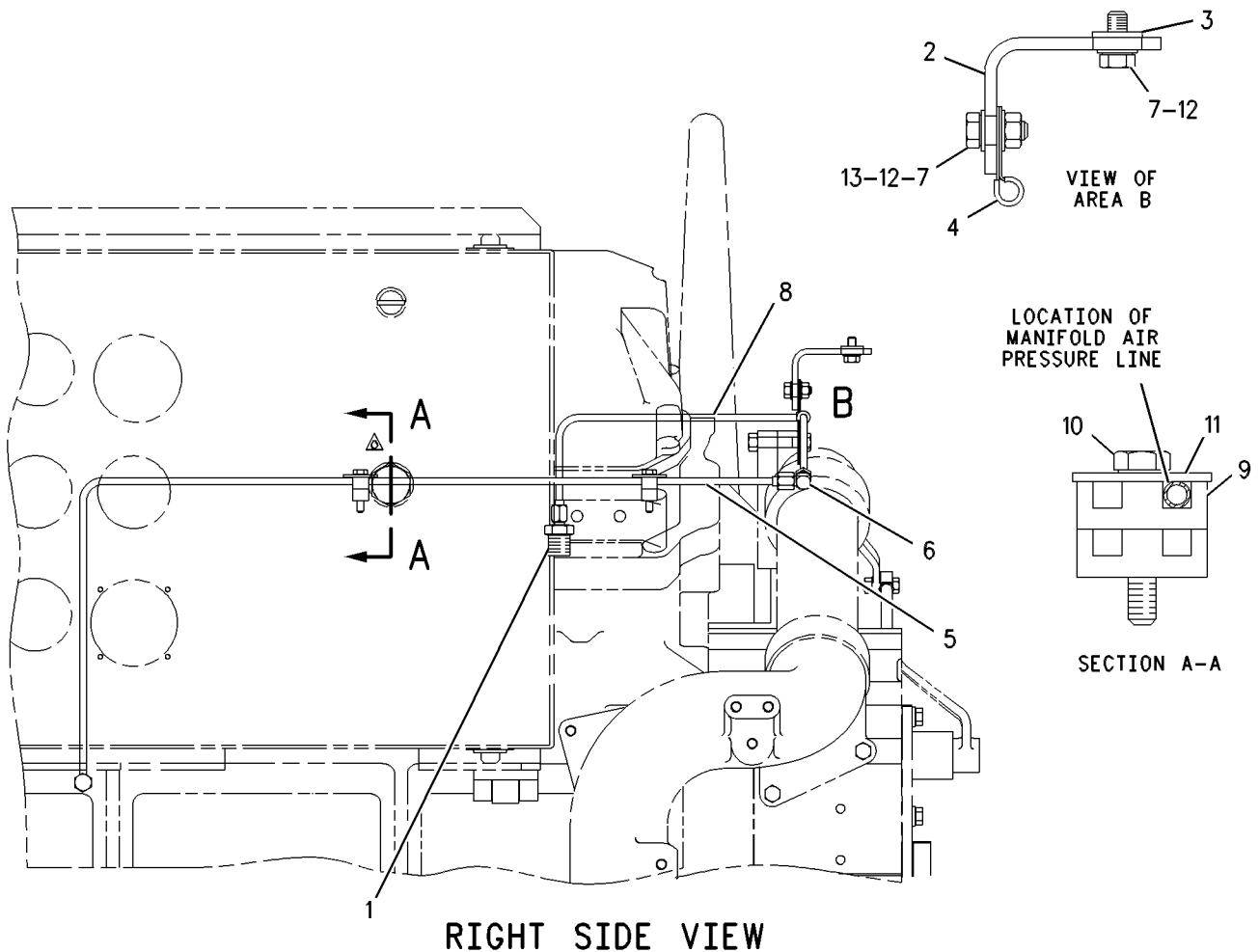
104-5722 LINES GP - INSTRUMENT PANEL

PART OF 107-9025 GAUGE AS-MANIFOLD PRESSURE, 107-9030 GAUGE AS-MANIFOLD VACUUM
AN ATTACHMENT

SMCS-7451

i00914273

NOTE	REF NO	GRAPHIC REF	PART NUMBER	QTY	PART NAME						SEE PAGE
					1	2	3	4	5	6 (PRODUCT LEVEL)	
	1	1	001-9440	1	CONNECTOR - FLARED						
	2	1	105-4309	1	BRACKET						
	3	1	6B-0933	1	SPACER						
	4	1	4D-8948	1	CLIP (1/4IN X17/32IN SLOT)						
	5	1	109-1533	1	TUBE AS						
	6	1	067-6495	1	ELBOW - FLARED						
	7	1	9L-9132	3	WASHER (2.5MM THK)						
	8	1	7E-1179	1	TUBE AS						
	9	1	8N-8471	4	CLAMP - TUBE						
	10	1	2A-5546	2	BOLT						
	11	1	5P-9287	2	WASHER - HARD						
	12	1	0S-1594	2	BOLT						
	13	1	9S-8752	1	NUT - FULL (3/8-16 THD)						



GRAPHIC #1

g00466924

OPERATOR STATION

104-5904 LINES GP - INSTRUMENT PANEL

PART OF 107-9026 GAUGE AS-PRESSURE

AN ATTACHMENT

TYPE 1

SMCS-7451

i00656677

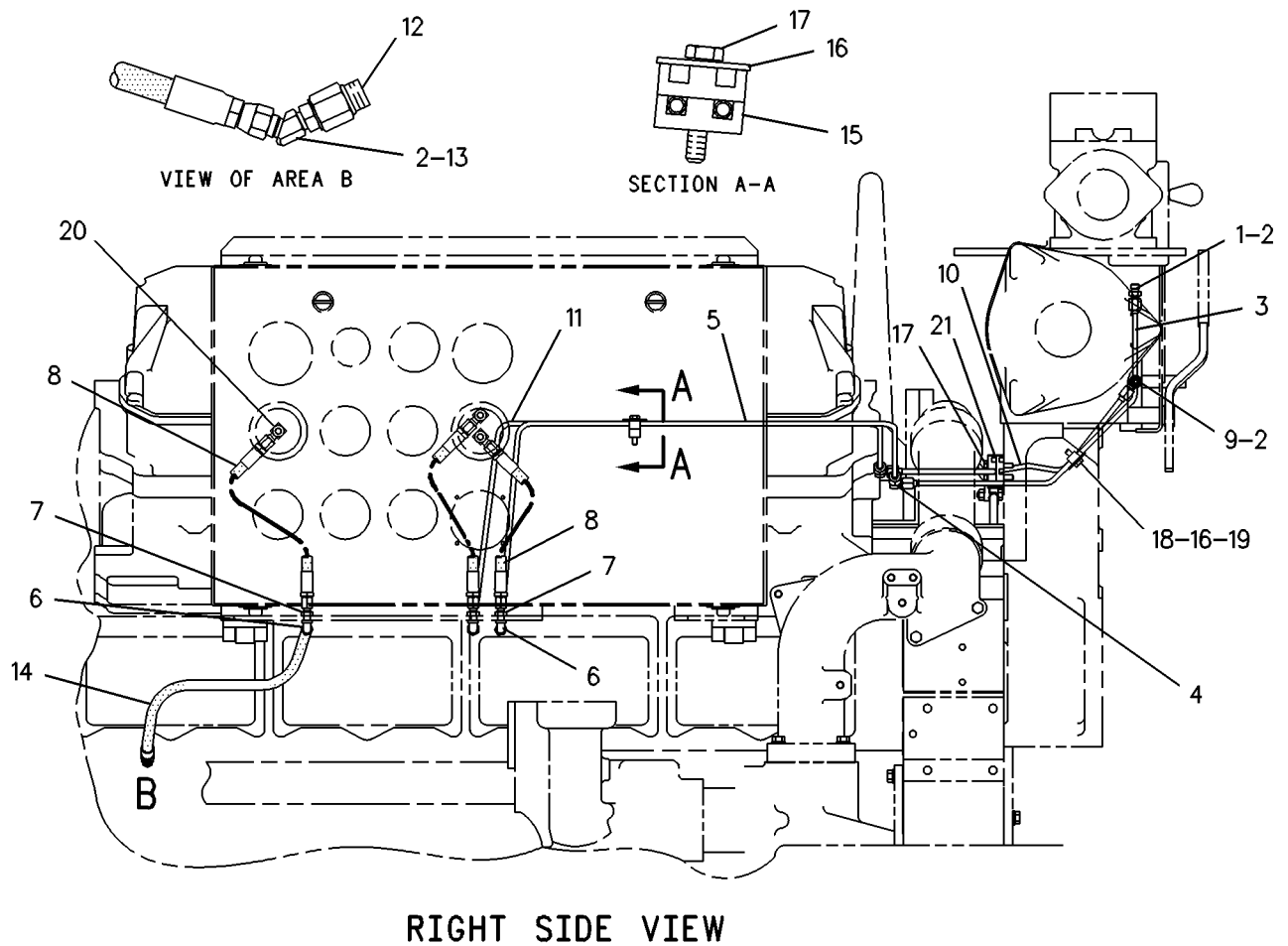
NOTE	REF NO	GRAPHIC REF	PART NUMBER	QTY	PART NAME						SEE PAGE
					1	2	3	4	5	6 (PRODUCT LEVEL)	
	1	1	3J-7352	1	CONNECTOR (7/16-20 STR THD)						
	2	1	6V-5048	3	SEAL-O-RING (8.92MM ID)						
	3	1	7W-9495	1	TUBE AS						
	4	1	067-6495	2	ELBOW-FLARED						
	5	1	4W-3658	1	TUBE AS						
	6	1	2P-7216	3	ELBOW						
	7	1	2P-1279	3	LOCKNUT (9/16-18 THD)						
I	8	1	3V-6153	3	HOSE AS						
	9	1	030-7946	1	ELBOW (7/16-20 STR THD)						
	10	1	7W-9494	1	TUBE AS						
	11	1	4W-3657	1	TUBE AS						
	12	1	5P-9617	1	ADAPTER						
		1	033-6042	1	SEAL-O-RING						
	13	1	030-7941	1	ELBOW (7/16-20 STR THD)						
I	14	1	3J-7311	1	HOSE AS						
	15	1	8N-8471	2	CLAMP-TUBE						
	16	1	5P-9287	2	WASHER-HARD						
	17	1	2A-5546	7	BOLT (1/4-20X1.375IN)						
	18	1	5N-9230	1	CLAMP-TUBE						
	19	1	0S-1615	1	BOLT (1/4-20X.75IN)						
	20	1	3S-1099	3	ELBOW-FLARED						
	21	1	8N-8472	6	CLAMP-TUBE						

I - SEE HOSE FABRICATION GUIDE

OPERATOR STATION

104-5904 LINES GP - INSTRUMENT PANEL (contd.)

i00656677



GRAPHIC #1

g00230994

OPERATOR STATION

104-5904 LINES GP - INSTRUMENT PANEL

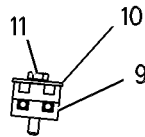
PART OF 107-9026 GAUGE AS-PRESSURE
AN ATTACHMENT
TYPE 2

SMCS-7451

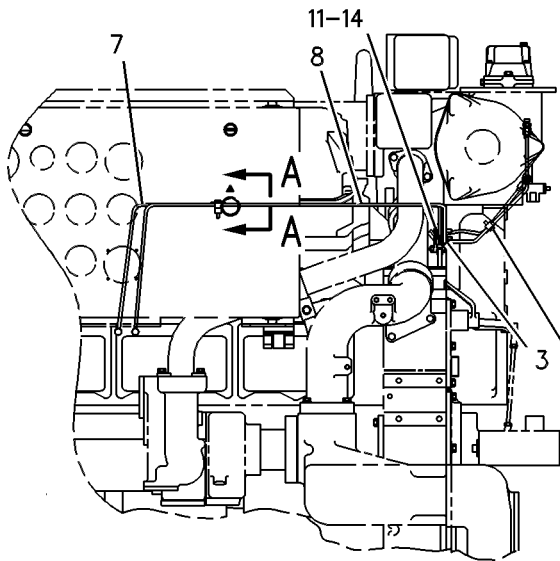
i00931394

NOTE	REF NO	GRAPHIC REF	PART NUMBER	QTY	PART NAME						SEE PAGE
					1	2	3	4	5	6 (PRODUCT LEVEL)	
	1	1	3J-7352	1	CONNECTOR (7/16-20 STR THD)						
C	2	1	6V-5048	2	SEAL-O-RING (8.92MM ID)						
	3	1	3J-7355	2	UNION-FLARED						
	4	1	138-2363	1	TUBE AS						
	5	1	138-2362	1	TUBE AS						
	6	1	030-7946	1	ELBOW (7/16-20 STR THD)						
	7	1	138-2365	1	TUBE AS						
	8	1	138-2364	1	TUBE AS						
	9	1	8N-8471	2	CLAMP-TUBE						
	10	1	5P-9287	2	WASHER-HARD						
	11	1	2A-5546	7	BOLT (1/4-20X1.375IN)						
	12	1	5N-9230	1	CLAMP-TUBE						
	13	1	0S-1615	1	BOLT						
	14	1	8N-8472	6	CLAMP-TUBE						

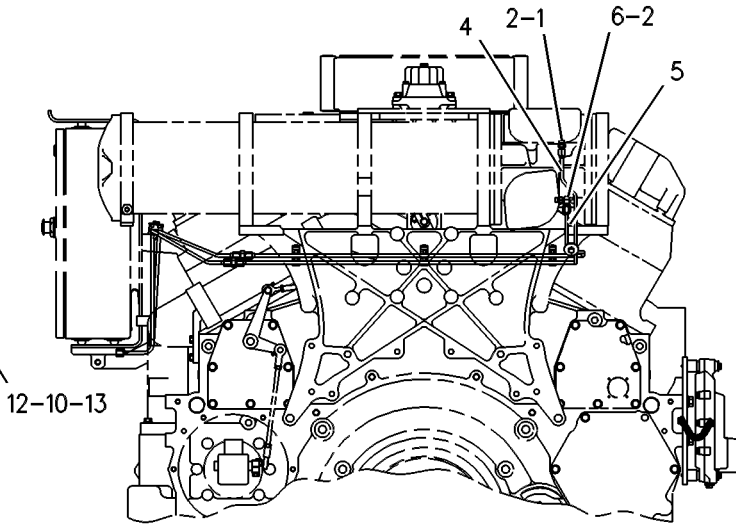
C- CHANGE FROM PREVIOUS TYPE



SECTION A-A



RIGHT SIDE VIEW



FRONT VIEW

GRAPHIC #1

g00290925

OPERATOR STATION

130-8165 LINES GP - INSTRUMENT PANEL

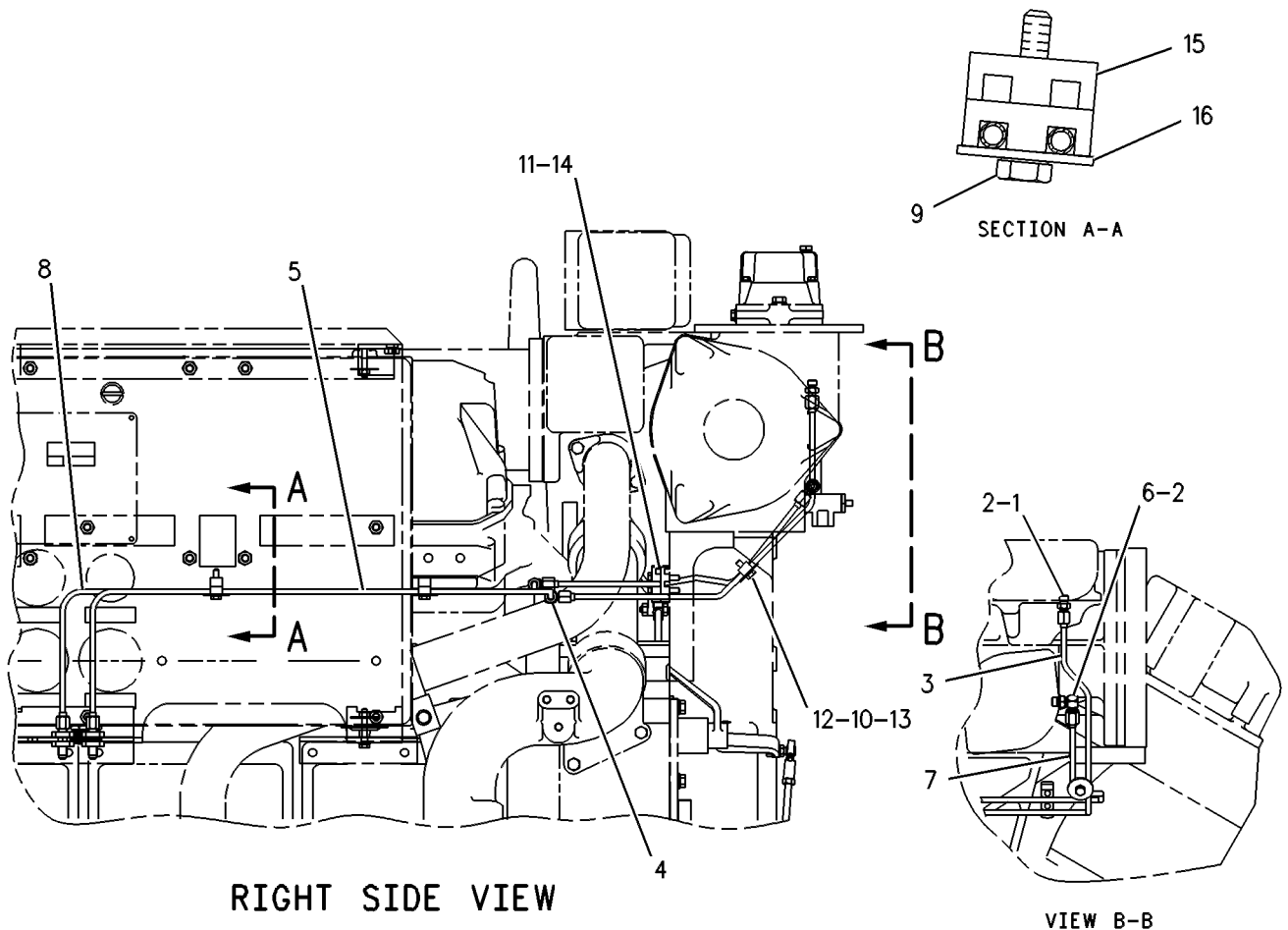
PART OF 130-8164 GAUGE AS-OIL FILTER PRESS DIFF
AN ATTACHMENT

SMCS-7451

i00661981

NOTE	REF NO	GRAPHIC REF	PART NUMBER	QTY	PART NAME						SEE PAGE
					1	2	3	4	5	6 (PRODUCT LEVEL)	
	1	1	3J-7352	1	CONNECTOR (7/16-20 STR THD)						
	2	1	6V-5048	2	SEAL-O-RING (8.92MM ID)						
	3	1	138-2363	1	TUBE AS						
	4	1	3J-7355	2	UNION-FLARED						
	5	1	138-2366	1	TUBE AS						
	6	1	030-7946	1	ELBOW (7/16-20 STR THD)						
	7	1	138-2362	1	TUBE AS						
	8	1	138-2367	1	TUBE AS						
B	9	1	2A-5546	2	BOLT (1/4-20X1.375IN)						
	10	1	5P-9287	1	WASHER-HARD						
	11	1	2A-5546	6	BOLT (1/4-20X1.375IN)						
	12	1	5N-9230	1	CLAMP-TUBE						
	13	1	0S-1615	1	BOLT (1/4-20X.75IN)						
	14	1	8N-8472	6	CLAMP-TUBE						
B	15	1	8N-8471	4	CLAMP-TUBE						
B	16	1	5P-9287	2	WASHER-HARD						

B-USE AS REQUIRED



GRAPHIC #1

g00262978

OPERATOR STATION

130-8168 LINES GP - INSTRUMENT PANEL

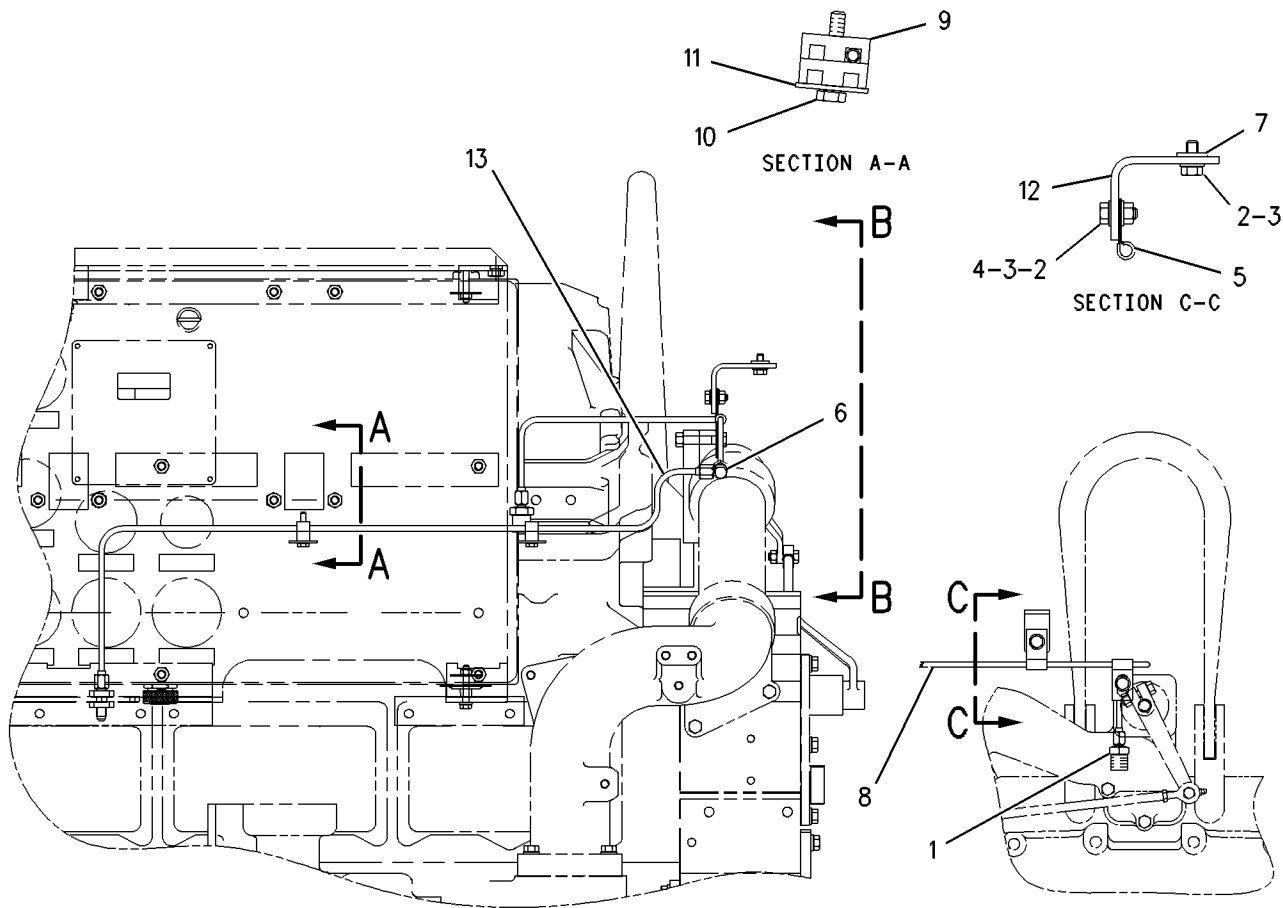
PART OF 130-8166 GAUGE AS-MANIFOLD PRESSURE, 130-8163 GAUGE AS-MANIFOLD VACUUM
AN ATTACHMENT

SMCS-7451

i00926536

NOTE	REF NO	GRAPHIC REF	PART NUMBER	QTY	PART NAME						SEE PAGE
					1	2	3	4	5	6 (PRODUCT LEVEL)	
	1	1	001-9440	1	CONNECTOR-FLARED						
	2	1	0S-1590	2	BOLT (3/8-16X2IN)						
	3	1	8T-4896	3	WASHER-HARD (2.5MM THK)						
	4	1	6V-8801	1	NUT (3/8-16 THD)						
	5	1	4D-8948	1	CLIP (1/4IN X17/32IN SLOT)						
	6	1	067-6495	1	ELBOW-FLARED						
	7	1	6B-0933	1	SPACER						
	8	1	7E-1179	1	TUBE AS						
B	9	1	8N-8471	4	CLAMP-TUBE						
B	10	1	2A-5546	2	BOLT (1/4-20X1.375IN)						
B	11	1	5P-9287	2	WASHER-HARD						
	12	1	105-4309	1	BRACKET						
	13	1	130-8167	1	TUBE AS						

B-USE AS REQUIRED



RIGHT SIDE VIEW

VIEW B-B

GRAPHIC #1

g00477182

OPERATOR STATION

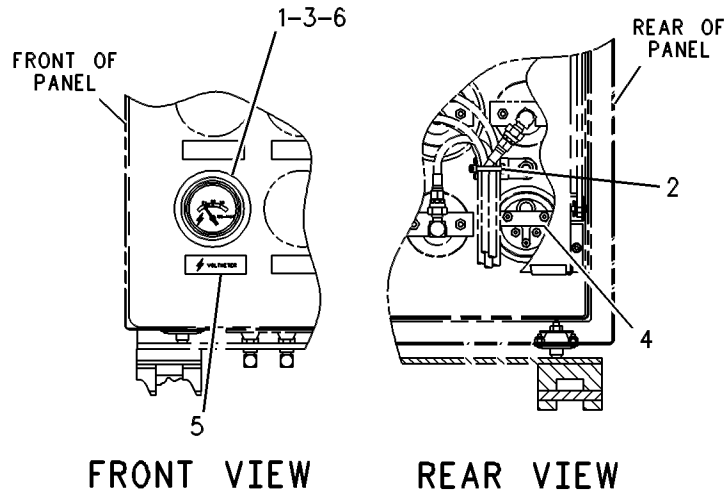
118-7862 METER AS-VOLT AN ATTACHMENT

SMCS-7468, 7469

i00656538

NOTE	REF NO	GRAPHIC REF	PART NUMBER	QTY	PART NAME						SEE PAGE
					1	2	3	4	5	6 (PRODUCT LEVEL)	
	1	1	2W-8060	1	PLUG AS						
	2	1	3S-2093	1	STRAP-CABLE (1.75IN DIA)						
Y	3	1	<i>105-1457</i>	1	INDICATOR AS-VOLT						540
	4	1	118-7863	1	BRACKET						
	5	1	119-4084	1	FILM-GAUGE IDENTIFICATION						
	6	1	125-8152	1	SPACER (1.524 MM)						

Y-SEPARATE ILLUSTRATION



GRAPHIC #1

g00267326

OPERATOR STATION

2W-9593 METER GP-SERVICE

AN ATTACHMENT

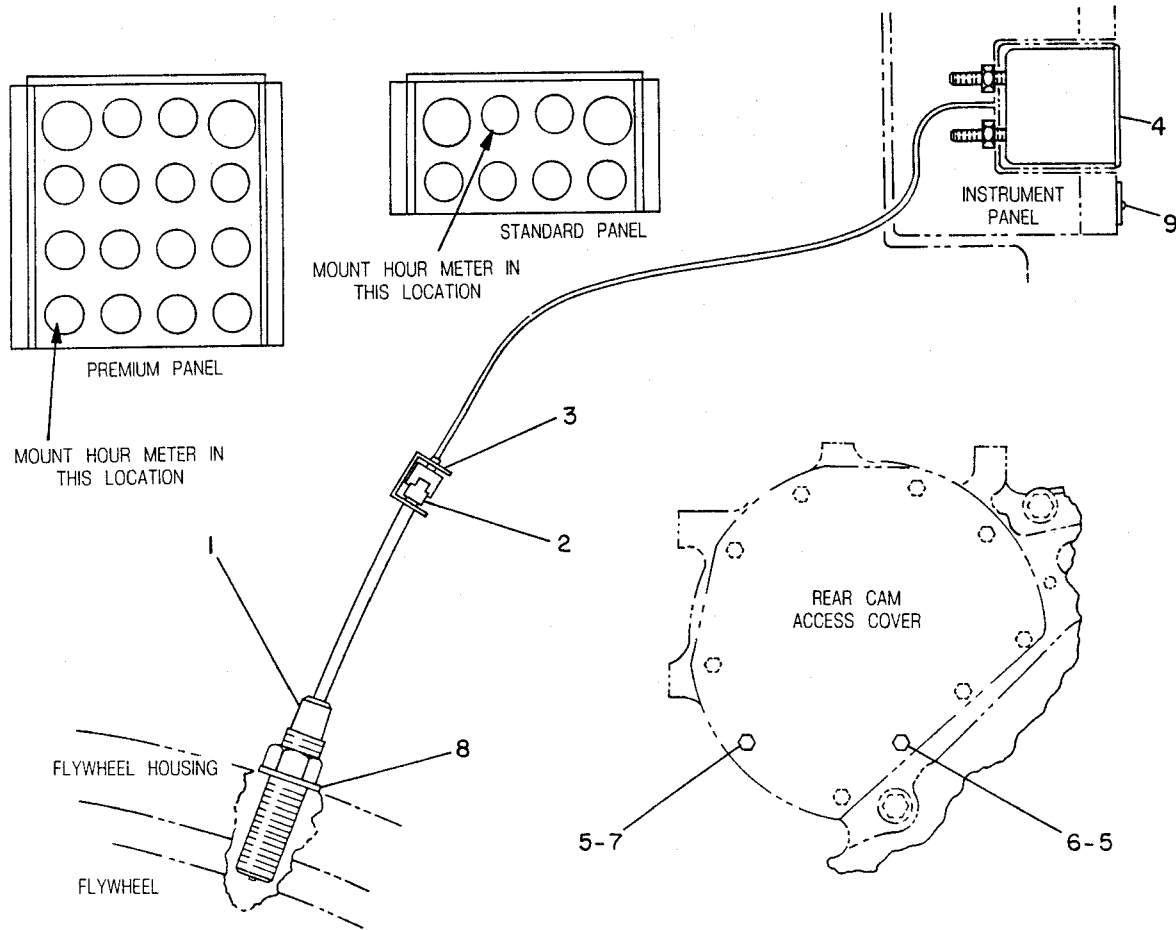
TYPE 1

SMCS-7478

i00648822

NOTE	REF NO	GRAPHIC REF	PART NUMBER	QTY	PART NAME						SEE PAGE
					1	2	3	4	5	6 (PRODUCT LEVEL)	
	1	1	3E-7886	1	SENSOR AS-SPEED						
E		1	9X-1386		SLEEVE (14 CM)						
BD		1	5P-5677		WIRE (18 GA)						
	2	1	7N-9738	1	HOUSING-RECEPTACLE (1 PIN, 1 SOCKET)						
		1	7N-7779	1	SOCKET						
		1	7N-7780	1	PIN-CONNECTOR (BLADE)						
	3	1	9G-9151	1	CLIP (10.20MM ID)						
	4	1	6T-7337	1	METER-SERVICE						
	5	1	5M-2894	2	WASHER (2.5MM THK)						
	6	1	0S-1594	1	BOLT (3/8-16X1IN)						
	7	1	0S-1591	1	BOLT (3/8-16X1.5IN)						
	8	1	4B-4281	1	WASHER (2.5MM THK)						
C	9	1	2F-0808	2	SCREW						
		1	7C-0973	1	FILM-GAUGE IDENTIFICATION						

B- USE AS REQUIRED
 C- CHANGE FROM PREVIOUS TYPE
 D- ORDER BY THE METER
 E- ORDER BY THE CENTIMETER



GRAPHIC #1

g00191305

OPERATOR STATION

2W-9593 METER GP-SERVICE

AN ATTACHMENT

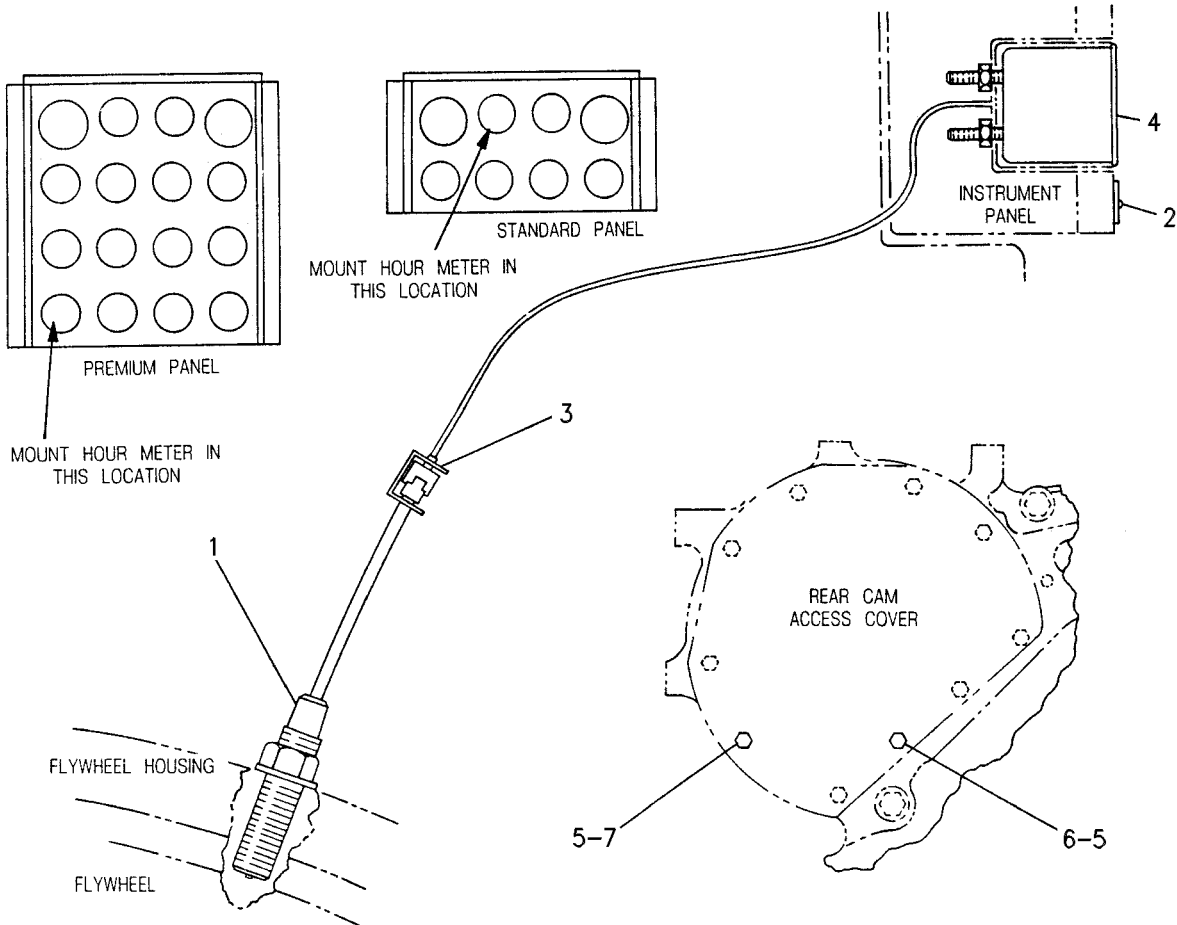
TYPE 2

SMCS-7478

i00648827

NOTE	REF NO	GRAPHIC REF	PART NUMBER	QTY	PART NAME						SEE PAGE
					1	2	3	4	5	6 (PRODUCT LEVEL)	
CY	1	1	7W-3355	1	MAGNETIC PICKUP GP						573
	2	1	7C-0973	1	FILM-GAUGE IDENTIFICATION						
	3	1	9G-9151	1	CLIP (10.20MM ID)						
	4	1	6T-7337	1	METER-SERVICE						
	5	1	5M-2894	2	WASHER (2.5MM THK)						
	6	1	0S-1594	1	BOLT (3/8-16X1IN)						
	7	1	0S-1591	1	BOLT (3/8-16X1.5IN)						

C- CHANGE FROM PREVIOUS TYPE
Y- SEPARATE ILLUSTRATION



GRAPHIC #1

g00238902

OPERATOR STATION

4P-1513 METER GP-SERVICE

AN ATTACHMENT

SMCS-7478

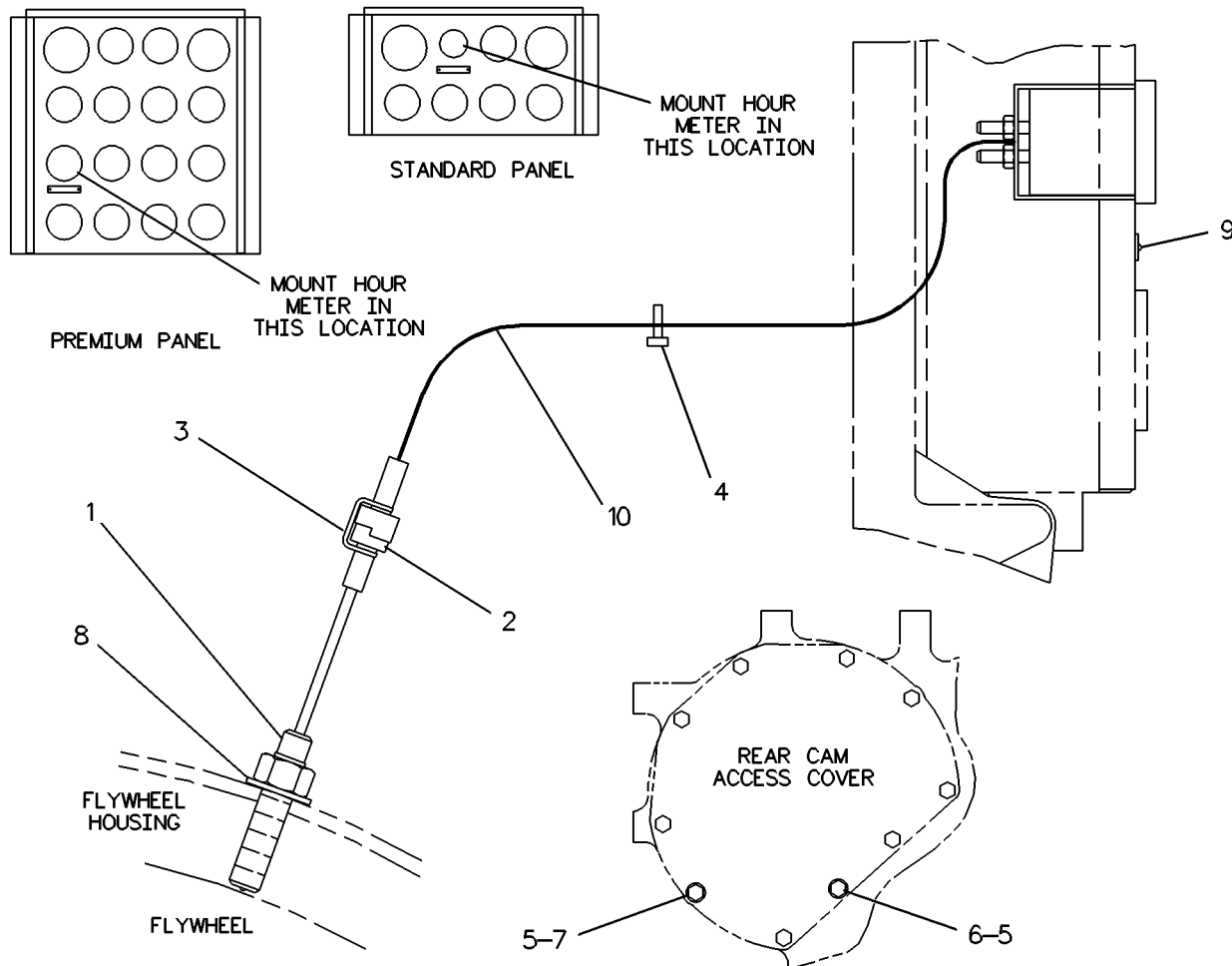
i00655927

NOTE	REF NO	GRAPHIC REF	PART NUMBER	QTY	PART NAME						SEE PAGE
					1	2	3	4	5	6 (PRODUCT LEVEL)	
	1	1	3E-7886	1	SENSOR AS-SPEED						
	2	1	7N-9738	1	HOUSING-RECEPTACLE (1 PIN, 1 SOCKET)						
		1	7N-7779	1	SOCKET						
		1	7N-7780	1	PIN-CONNECTOR (BLADE)						
BE		1	9X-1386		SLEEVE						
	3	1	9G-9151	1	CLIP (10.20MM ID)						
B	4	1	1S-9593	20	STRAP-CABLE (0.62IN DIA)						
	5	1	5M-2894	2	WASHER (2.5MM THK)						
	6	1	0S-1594	1	BOLT (3/8-16X1IN)						
	7	1	0S-1591	1	BOLT (3/8-16X1.5IN)						
	8	1	4B-4281	1	WASHER (2.5MM THK)						
	9	1	2F-0808	2	SCREW						
		1	7C-0973	1	FILM-GAUGE IDENTIFICATION						
Y	10	1	4P-1514	1	HARNESS AS						491

AVAILABLE REPAIR KIT(S) :

	9W-1494	1	KIT-SERVICE METER
--	----------------	---	-------------------

B-USE AS REQUIRED
 E-ORDER BY THE CENTIMETER
 Y-SEPARATE ILLUSTRATION



GRAPHIC #1

g00213437

OPERATOR STATION

107-9020 METER GP-SERVICE AN ATTACHMENT

SMCS-7478

i00658870

NOTE	PART NUMBER	QTY	PART NAME						SEE PAGE
			1	2	3	4	5	6 (PRODUCT LEVEL)	
Y	7W-3355	1	MAGNETIC PICKUP GP						573
Y	4W-0156	1	MOUNTING GP-INSTRUMENT PANEL						797
	6T-7337	1	METER-SERVICE						
	2W-8060	1	PLUG AS						
	3S-2093	6	STRAP-CABLE (1.75IN DIA)						
Y-SEPARATE ILLUSTRATION									

OPERATOR STATION

121-4707 MODULE GP-ALARM AN ATTACHMENT

SMCS-7400

i00657003

NOTE	PART NUMBER	QTY	PART NAME						SEE PAGE
			1	2	3	4	5	6 (PRODUCT LEVEL)	
Y	7E-1234	1	CONTROL GP-ANNUNCIATOR ELEK						728
Y- SEPARATE ILLUSTRATION									

MEMORANDA

OPERATOR STATION

101-8925 MOUNTING GP - INSTRUMENT

PART OF 105-9856, 4P-9895 WIRING GP

ALSO AN ATTACHMENT

TYPE 1

SMCS-7451

i00656402

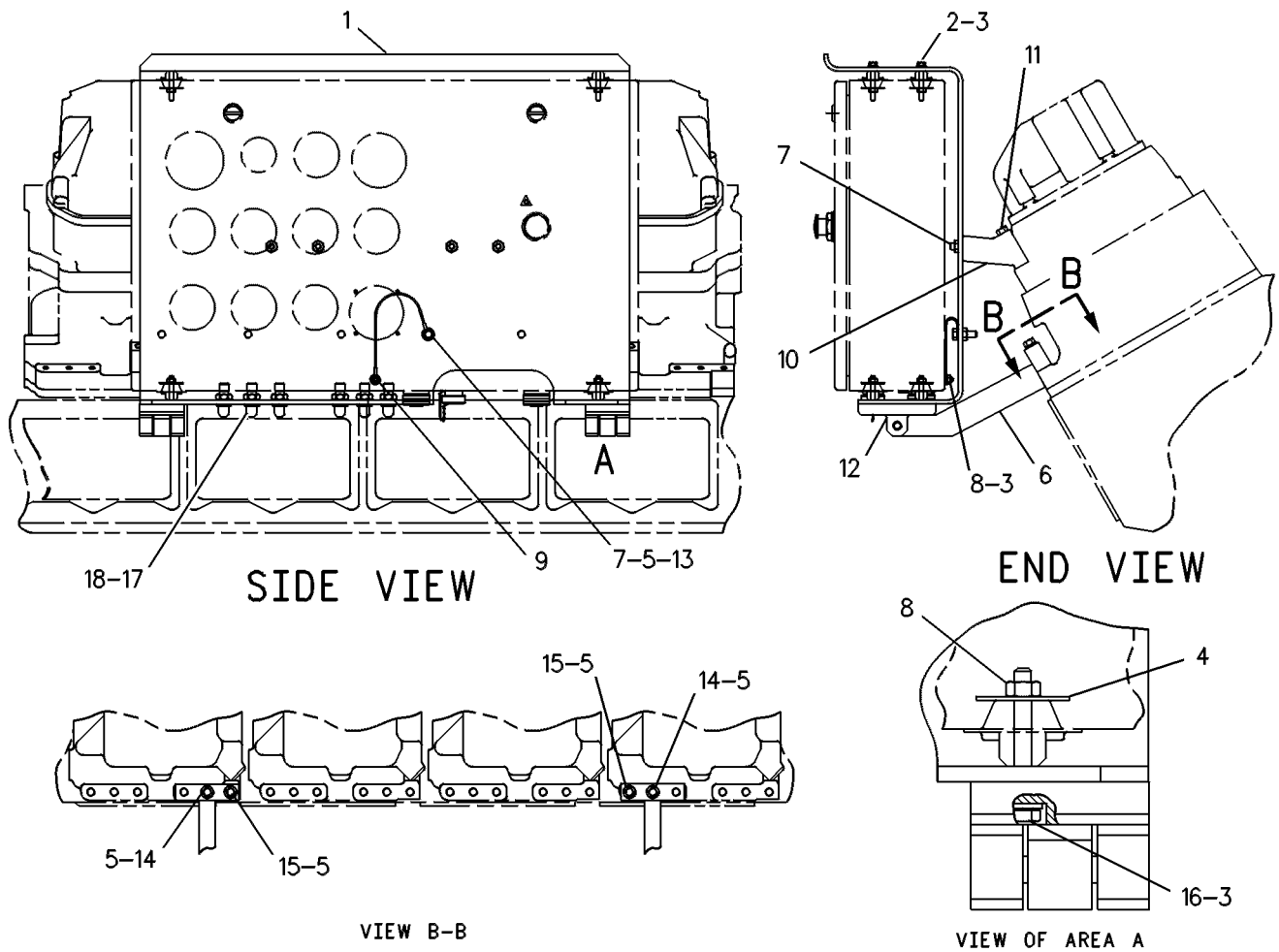
NOTE	REF NO	GRAPHIC REF	PART NUMBER	QTY	PART NAME						SEE PAGE
					1	2	3	4	5	6 (PRODUCT LEVEL)	
	1	1	101-8926	1	BRACKET AS						
		1	9F-2978	4	NUT-WELD (3/8-16 THD)						
	2	1	7B-8167	4	BOLT (1/4-20X1.62IN)						
	3	1	5P-0537	9	WASHER (2MM THK)						
	4	1	2W-8604	8	WASHER						
	5	1	5M-2894	7	WASHER (2.5MM THK)						
	6	1	103-5938	2	HINGE AS						
	7	1	1A-2029	5	BOLT (3/8-16X1.125IN)						
	8	1	9S-8750	9	NUT-FULL (1/4-20 THD)						
	9	1	1H-6936	1	WIRE AS						
	10	1	1W-8129	3	SUPPORT						
	11	1	0T-0055	6	BOLT (3/8-16X4.25IN)						
	12	1	103-5939	2	HINGE AS						
	13	1	9S-8752	1	NUT-FULL (3/8-16 THD)						
	14	1	0S-1608	2	BOLT (3/8-16X3.75IN)						
	15	1	0L-2070	4	BOLT (3/8-16X2.25IN)						
	16	1	8B-2377	4	BOLT (1/4-20X2IN)						
B	17	1	5B-3254	6	NUT (7/16-20 THD)						
B	18	1	2P-7216	6	ELBOW						

B - USE AS REQUIRED

OPERATOR STATION

101-8925 MOUNTING GP - INSTRUMENT (contd.)

i00656402



GRAPHIC #1

g00240419

OPERATOR STATION

101-8925 MOUNTING GP - INSTRUMENT

PART OF 105-9856, 4P-9895 WIRING GP

ALSO AN ATTACHMENT

TYPE 2

SMCS-7451

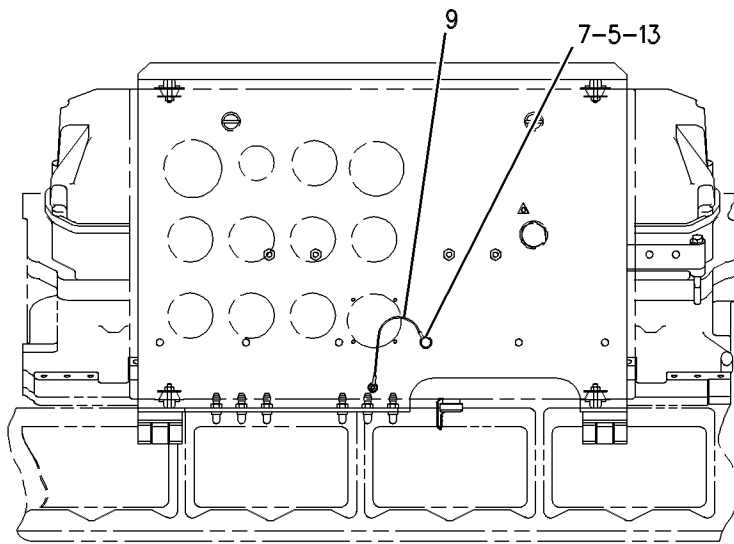
i00929138

NOTE	REF NO	GRAPHIC REF	PART NUMBER	QTY	PART NAME						SEE PAGE
					1	2	3	4	5	6 (PRODUCT LEVEL)	
	1	1	101-8926	1	BRACKET AS						
		1	9F-2978	4	NUT-WELD (3/8-16 THD)						
	2	1	7B-8167	4	BOLT (1/4-20X1.62IN)						
	3	1	5P-0537	9	WASHER (2MM THK)						
	4	1	2W-8604	8	WASHER						
	5	1	5M-2894	5	WASHER (2.5MM THK)						
	6	1	119-5659	2	BRACKET						
	7	1	1A-2029	5	BOLT (3/8-16X1.125IN)						
	8	1	9S-8750	9	NUT-FULL (1/4-20 THD)						
	9	1	1H-6936	1	WIRE AS						
	10	1	1W-8129	3	SUPPORT						
	11	1	0T-0055	6	BOLT (3/8-16X4.25IN)						
	12	1	136-5923	2	HINGE AS						
	13	1	9S-8752	1	NUT-FULL (3/8-16 THD)						
	14	1	4B-4274	5	WASHER (1.2MM THK)						
	15	1	0S-1571	4	BOLT (3/8-16X1.75IN)						
	16	1	8B-2377	4	BOLT (1/4-20X2IN)						
	17	1	125-7854	1	SHIELD						
	18	1	031-0249	5	LOCKNUT (10-24 THD)						

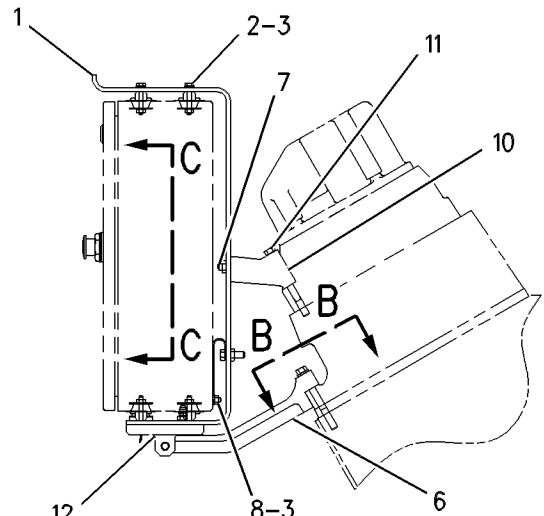
OPERATOR STATION

101-8925 MOUNTING GP - INSTRUMENT (contd.)

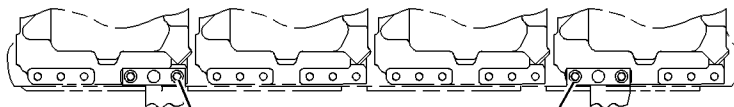
i00929138



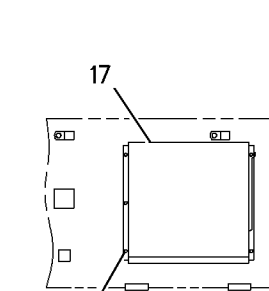
SIDE VIEW



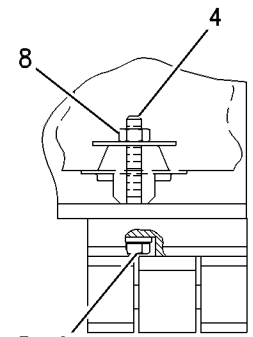
END VIEW



VIEW B-B



SECTION C-C



VIEW OF AREA A

GRAPHIC #1

g00462642

OPERATOR STATION

140-9679 MOUNTING GP - INSTRUMENT AN ATTACHMENT

SMCS-7451

i00656974

NOTE	PART NUMBER	QTY	PART NAME						SEE PAGE
			1	2	3	4	5	6 (PRODUCT LEVEL)	
	0L-1352	4	BOLT (3/8-16X3.25IN)						
	0S-1588	5	BOLT (3/8-16X1.25IN)						
	0S-1594	4	BOLT (3/8-16X1IN)						
	140-2975	1	BRACKET						
	9S-8752	4	NUT-FULL (3/8-16 THD)						
	4W-4065	4	SPACER						

OPERATOR STATION

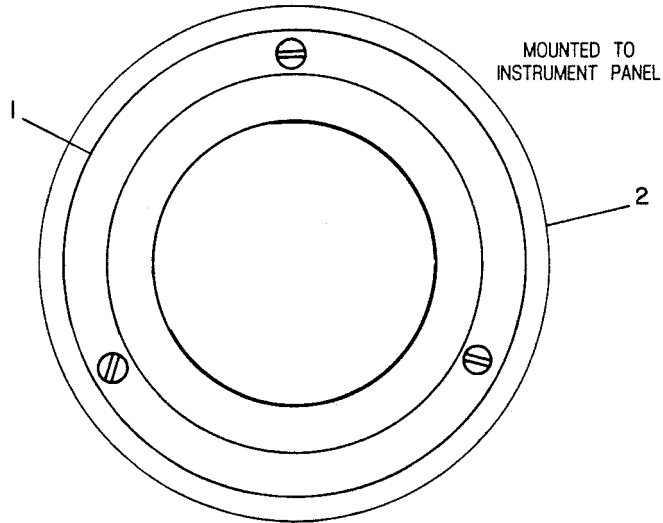
4W-0156 MOUNTING GP- INSTRUMENT PANEL

PART OF 107-9020 METER GP-SERVICE
 FOR USE WITH PREMIUM INSTRUMENT PANELS, 2W-9593 METER GP-SERVICE
 AN ATTACHMENT

SMCS-7451

i00649599

NOTE	REF NO	GRAPHIC REF	PART NUMBER	QTY	PART NAME						SEE PAGE
					1	2	3	4	5	6 (PRODUCT LEVEL)	
	1	1	2W-8060	1	PLUG AS						
	2	1	5G-2318	1	WASHER (1.6MM THK)						



GRAPHIC #1

g00191306

OPERATOR STATION

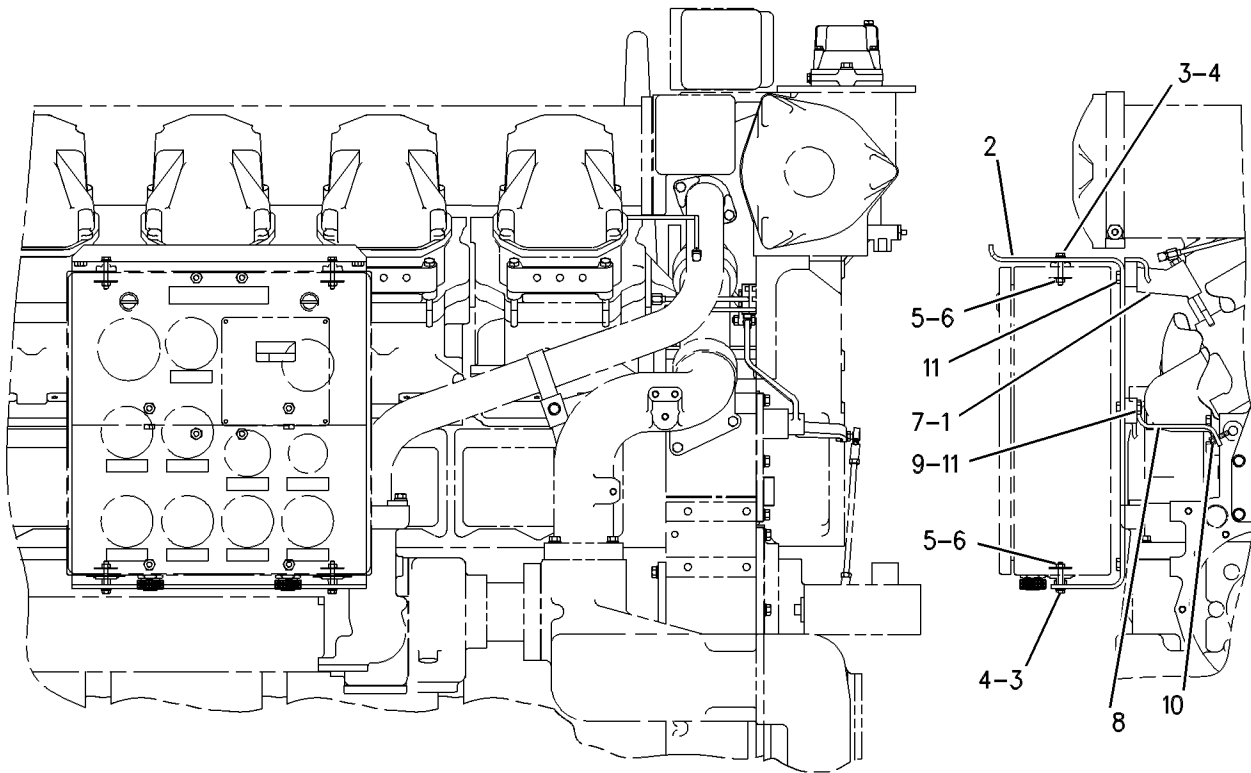
120-5297 MOUNTING GP-INSTRUMENT PANEL

PART OF 123-6323 PANEL GP-INSTRUMENT
AN ATTACHMENT

SMCS-7451

i00897060

NOTE	REF NO	GRAPHIC REF	PART NUMBER	QTY	PART NAME						SEE PAGE
					1	2	3	4	5	6 (PRODUCT LEVEL)	
	1	1	1W-8129	3	SUPPORT						
	2	1	<i>121-0820</i>	1	BRACKET AS						
		1	<i>1F-0750</i>	10	NUT-WELD (3/8-16 THD)						
	3	1	7B-8167	4	BOLT (1/4-20X1.62IN)						
	4	1	5P-0537	4	WASHER (2MM THK)						
	5	1	2W-8604	4	WASHER						
	6	1	9S-8750	4	NUT-FULL (1/4-20 THD)						
	7	1	0T-0055	6	BOLT (3/8-16X4.25IN)						
	8	1	<i>121-0818</i>	1	BRACKET						
	9	1	5P-1075	4	WASHER-HARD (3MM THK)						
	10	1	0S-1588	4	BOLT						
	11	1	5S-7383	4	BOLT						



RIGHT SIDE VIEW

FRONT VIEW

GRAPHIC #1

g00454683

MEMORANDA

OPERATOR STATION

119-6031 PANEL AS-CONTROL

AN ATTACHMENT

SMCS-7451

i00938696

NOTE	REF NO	GRAPHIC REF	PART NUMBER	QTY	PART NAME						SEE PAGE
					1	2	3	4	5	6 (PRODUCT LEVEL)	
	1	1	3N-5611	2	MOUNT AS						
	2	1	2N-3479	4	SCREW (10-24X.5IN)						
	3	1	4B-4274	4	WASHER (1.2MM THK)						
	4	1	8C-7507	4	LOCKWASHER						
	5	1	7W-0482	3	FUSE						
	6	1	7C-6121	2	MOUNT-SHOCK						
	7	1	127-9068	2	POTENTIOMETER						
	8	1	9Y-9771	2	FILM-IDENTIFICATION						
	9	1	4P-2160	3	WASHER						
	10	1	4P-2161	3	SCREW						
	11	1	4P-2162	3	CLIP						
Y	12	1	101-0225	1	CONTROL GP-EMCP ELECTRONIC						732
	13	1	9Y-9783	1	FILM-AC FUSE						
	14	1	123-9848	1	RESISTOR AS						
	15	1	111-1323	1	BLOCK-CONTACT						
	16	1	111-1324	1	BLOCK-CONTACT						
	17	1	109-6507	1	SWITCH-OPERATOR						
	18	1	9X-8124	2	SWITCH AS-MAGNETIC (24V)						
					(EACH INCLUDES)						
M		1	8T-4134	2	NUT (M6X1 THD)						
	19	1	3N-5979	1	SWITCH						
	20	1	4W-5972	2	KNOB						
	21	1	7C-4550	2	SEAL-SHAFT						
	22	1	5L-5840	2	WASHER						
	23	1	120-8135	1	FILM-CONTROL PANEL						
	24	1	103-1836	1	FILM-TERMINAL STRIP						
Y	25	1	118-2122	1	CONTROL GP-EMCP ELECTRONIC						736
	26	1	3K-8782	10	FUSE (10 AMP)						
	27	1	9Y-9782	1	FILM-10A DC FUSE						
	28	1	7C-9179	1	STRIP-TERMINAL						
	29	1	4B-2049	4	NUT (10-32 THD)						
	30	1	106-9926	1	FILM-IDENTIFICATION						
	31	1	5P-0372	1	LOCKPIN						
	32	1	1B-0676	1	PIN						
	33	1	126-7488	1	STRAP-GROUNDING						
	34	1	126-3098	1	HARNESS AS						
	35	1	126-3099	1	HARNESS AS						
	36	1	126-3101	1	HARNESS AS						
	37	1	126-3103	1	HARNESS AS						
	38	1	126-3104	1	HARNESS AS-WIRING						
	39	1	104-7287	1	PANEL AS						
	40	1	101-9798	1	PANEL AS						
	41	1	126-7499	1	BOX-CONTROL PANEL						
	42	1	126-7491	2	STRAP						
	43	1	7C-1009	1	PLATE AS-COVER						
	44	1	126-7490	1	BAR-JUMPER						
	45	1	126-7489	1	DUCT-WIRING						
	46	1	2D-6235	14	LOCKNUT (1/4-20 THD)						
M	47	1	5C-2890	4	NUT (M6X1.00 THD)						
	48	1	1N-9770	1	CIRCUIT BREAKER AS (12.5 AMP)						
		1	6V-8376	2	SCREW-MACHINE (8-32X.25IN)						
		1	9B-7233	2	LOCKWASHER (NO.8)						
	49	1	126-7492	1	BRACKET						
	50	1	8T-2882	1	HANDLE-PULL						
	51	1	7C-0974	1	FILM-ELECTRONIC SHOCK						
	52	1	6V-5182	2	PLUG						
	53	1	103-6197	1	BLOCK-TERMINAL						

OPERATOR STATION

119-6031 PANEL AS-CONTROL (contd.)

i00938696

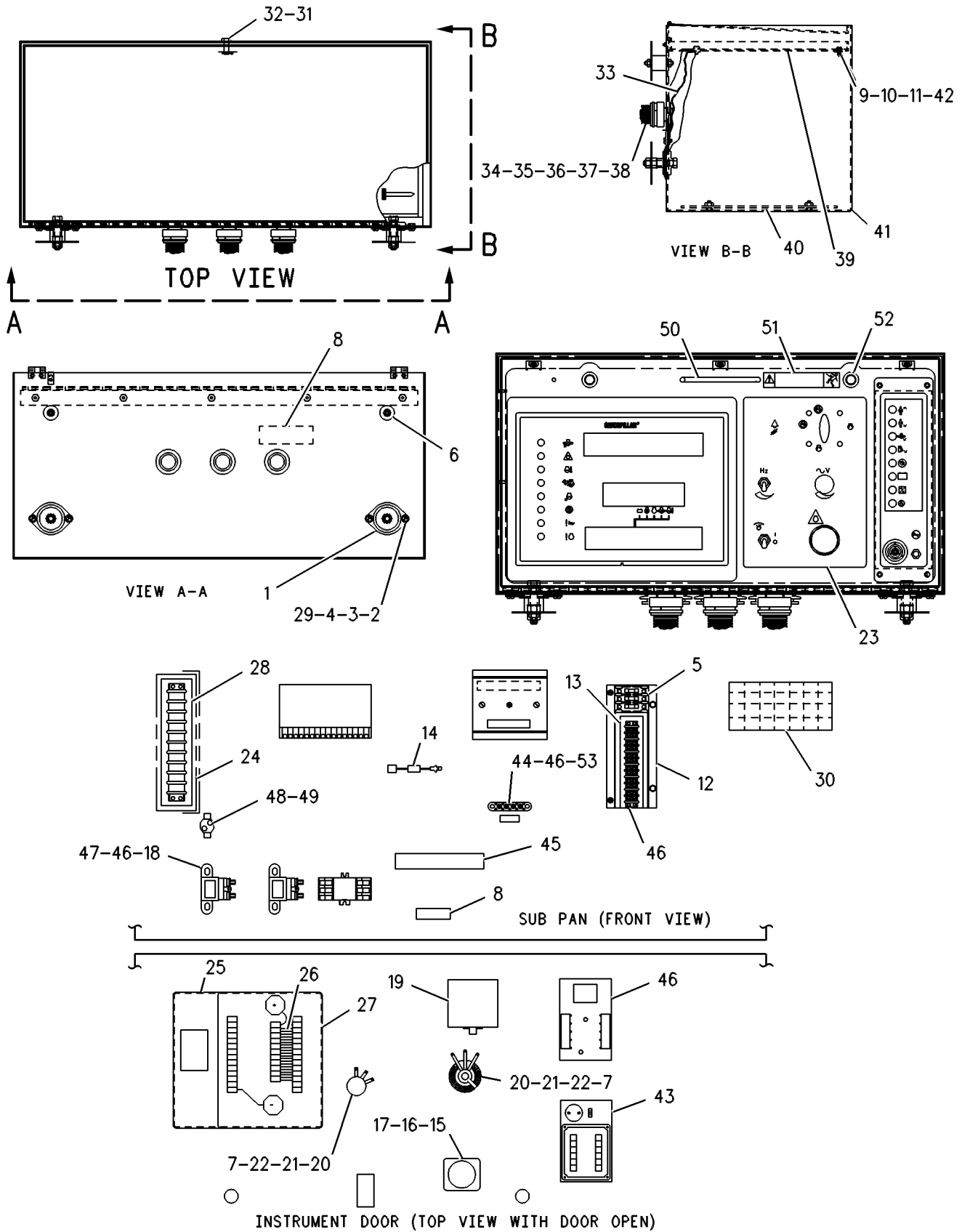
NOTE	REF NO	GRAPHIC REF	PART NUMBER	QTY	PART NAME						SEE PAGE
					1	2	3	4	5	6 (PRODUCT LEVEL)	
F		1	5N-9067	1	COLLAR (25.4MM TO 25.4MM)						
F		1	3S-2093	1	STRAP-CABLE (1.75IN DIA)						
F		1	8L-8413	25	STRAP-CABLE (1.12IN DIA)						

F-NOT SHOWN
M-METRIC PART
Y-SEPARATE ILLUSTRATION

OPERATOR STATION

119-6031 PANEL AS-CONTROL (contd.)

i00938696



GRAPHIC #1

g00299897

MEMORANDA

OPERATOR STATION

136-6924 PANEL AS-CONTROL

AN ATTACHMENT

SMCS-7451

i00906182

NOTE	REF NO	GRAPHIC REF	PART NUMBER	QTY	PART NAME 1 2 3 4 5 6 (PRODUCT LEVEL)	SEE PAGE
	1	1	3N-5611	2	MOUNT AS	
	2	1	2N-3479	4	SCREW (10-24X.5IN)	
	3	1	4B-4274	4	WASHER (1.2MM THK)	
	4	1	8C-7507	4	LOCKWASHER	
	5	1	7W-0482	3	FUSE	
	6	1	7C-6121	2	MOUNT-SHOCK	
	7	1	127-9068	2	POTENTIOMETER	
	8	1	9Y-9771	2	FILM-IDENTIFICATION	
	9	1	4P-2160	3	WASHER	
	10	1	4P-2161	3	SCREW	
	11	1	4P-2162	3	CLIP	
Y	12	1	101-0225	1	CONTROL GP-EMCP ELECTRONIC	732
	13	1	9Y-9783	1	FILM-AC FUSE	
	14	1	123-9848	1	RESISTOR AS	
	15	1	111-1323	1	BLOCK-CONTACT	
	16	1	111-1324	1	BLOCK-CONTACT	
	17	1	109-6507	1	SWITCH-OPERATOR	
	18	1	9X-8124	2	SWITCH AS-MAGNETIC (24V) (EACH INCLUDES)	
M		1	8T-4134	2	NUT (M6X1 THD)	
	19	1	3N-5979	1	SWITCH	
	20	1	4W-5972	2	KNOB	
	21	1	7C-4550	2	SEAL-SHAFT	
	22	1	5L-5840	2	WASHER	
	23	1	120-8135	1	FILM-CONTROL PANEL	
	24	1	103-1836	1	FILM-TERMINAL STRIP	
Y	25	1	118-2122	1	CONTROL GP-EMCP ELECTRONIC	736
	26	1	3K-8782	10	FUSE (10 AMP)	
	27	1	9Y-9782	1	FILM-10A DC FUSE	
	28	1	7C-9179	1	STRIP-TERMINAL	
	29	1	4B-2049	4	NUT (10-32 THD)	
	30	1	106-9926	1	FILM-IDENTIFICATION	
	31	1	5P-0372	1	LOCKPIN	
	32	1	1B-0676	1	PIN	
	33	1	126-7488	1	STRAP-GROUNDING	
	34	1	126-3098	1	HARNESS AS	
	35	1	126-3099	1	HARNESS AS	
	36	1	126-3101	1	HARNESS AS	
	37	1	9D-3721	1	SWITCH-TOGGLE	
	38	1	134-4789	1	HARNESS AS	
	39	1	104-7287	1	PANEL AS	
	40	1	101-9798	1	PANEL AS	
	41	1	126-7499	1	BOX-CONTROL PANEL	
	42	1	126-7491	2	STRAP	
	43	1	7C-1009	1	PLATE AS-COVER	
	44	1	126-7490	1	BAR-JUMPER	
	45	1	126-7489	1	DUCT-WIRING	
	46	1	2D-6235	14	LOCKNUT (1/4-20 THD)	
M	47	1	5C-2890	4	NUT (M6X1.00 THD)	
	48	1	1N-9770	1	CIRCUIT BREAKER AS (12.5 AMP)	
		1	6V-8376	2	SCREW-MACHINE (8-32X.25IN)	
		1	9B-7233	2	LOCKWASHER (NO.8)	
	49	1	126-7492	1	BRACKET	
	50	1	8T-2882	1	HANDLE-PULL	
	51	1	7C-0974	1	FILM-ELECTRONIC SHOCK	
	52	1	5P-4935	2	PLUG-BUTTON	
	53	1	103-6197	1	BLOCK-TERMINAL	

OPERATOR STATION

136-6924 PANEL AS-CONTROL (contd.)

i00906182

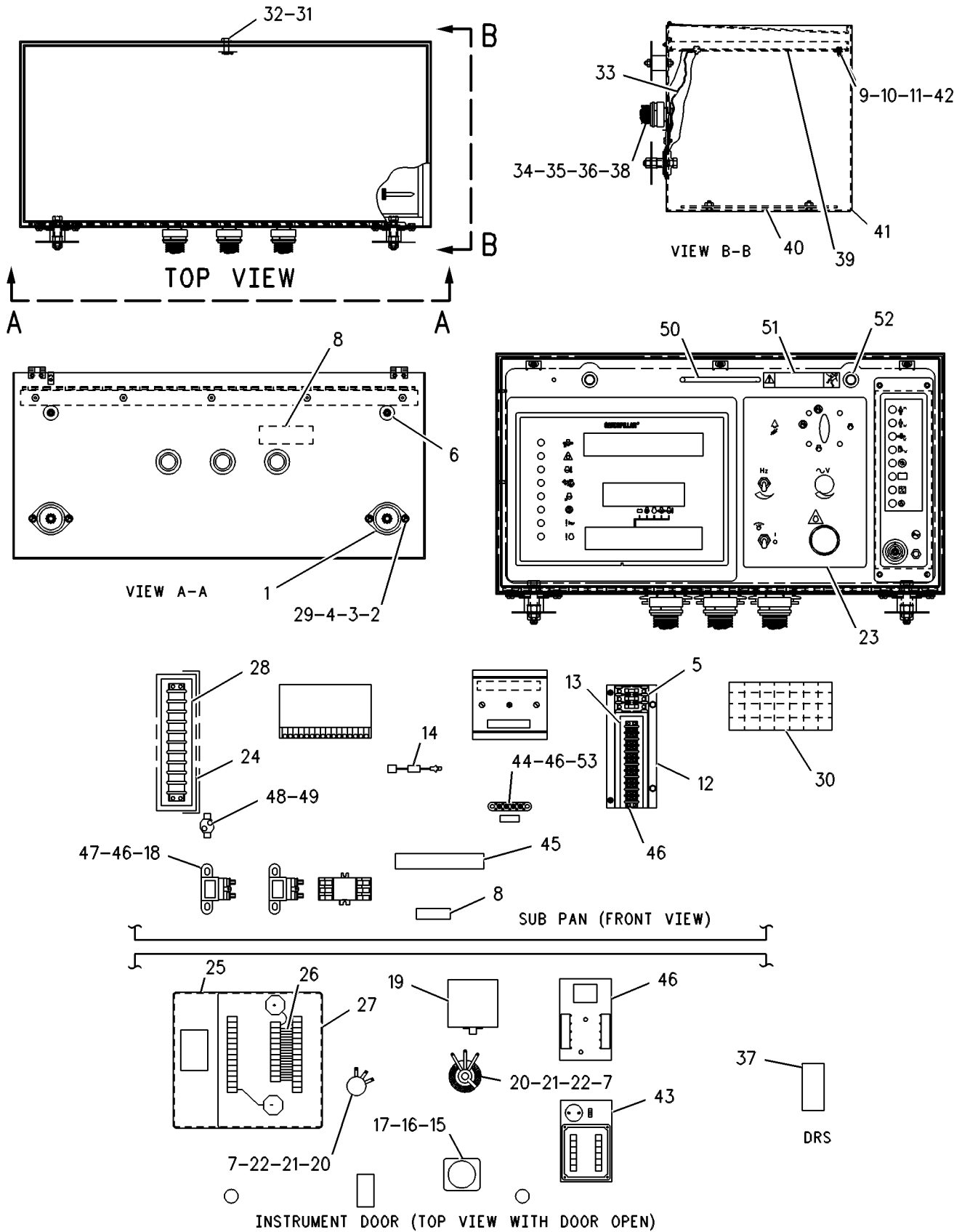
NOTE	REF NO	GRAPHIC REF	PART NUMBER	QTY	PART NAME						SEE PAGE
					1	2	3	4	5	6 (PRODUCT LEVEL)	
F		1	5N-9067	1	COLLAR (25.4MM TO 25.4MM)						
F		1	3S-2093	8	STRAP-CABLE (1.75IN DIA)						
F		1	8L-8413	25	STRAP-CABLE (1.12IN DIA)						

F-NOT SHOWN
M-METRIC PART
Y-SEPARATE ILLUSTRATION

OPERATOR STATION

136-6924 PANEL AS-CONTROL (contd.)

i00906182



GRAPHIC #1

g00299898

OPERATOR STATION

121-4712 PANEL GP-ELECTRONIC AN ATTACHMENT

SMCS-4490, 7490

i00908993

NOTE	PART NUMBER	QTY	PART NAME						SEE PAGE
			1	2	3	4	5	6 (PRODUCT LEVEL)	
	7G-9730	2	LAMP AS						
	7N-5876	3	LAMP-MINIATURE (28 VOLT)						
Y	128-3326	1	RELAY GP-AUXILIARY						583
	8D-2676	1	SWITCH AS						
Y-SEPARATE ILLUSTRATION									

OPERATOR STATION

4P - 9566 PANEL GP - INSTRUMENT

AN ATTACHMENT

TYPE 1

SMCS-7451

i00659946

NOTE	REF NO	GRAPHIC REF	PART NUMBER	QTY	PART NAME						SEE PAGE
					1	2	3	4	5	6 (PRODUCT LEVEL)	
	1	1	4P-9567	1	BOX AS-CONTROL						
		1	7E-0717	2	LATCH AS-DOOR						
E		1	9X-6442		SEAL (175 CM)						
	2	1	111-2111	1	GUARD						
	3	1	9D-3721	1	SWITCH-TOGGLE (DIAGNOSTIC RESET)						
	4	1	9D-2868	1	LENS-RED						
	5	1	9D-2867	1	LENS-AMBER						
	6	1	9D-9161	1	LENS-GREEN						
	7	1	4P-4251	1	GASKET						
	8	1	3N-5979	1	SWITCH						
	9	1	7C-4910	1	SEAL-WASHER						
	10	1	2W-8798	1	SWITCH						
	11	1	3E-0105	6	MOUNT						
	12	1	8L-8413	6	STRAP-CABLE (1.12IN DIA)						
	13	1	9X-9676	31	TERMINAL-MOUNTING						
	14	1	9X-9675	4	BRACKET-END						
	15	1	107-1006	1	KIT-MARKER						
	16	1	105-7692	14	ISOLATOR						
	17	1	3E-2286	2	BAR						
Y	18	1	101-8922	1	CONTROL AS-GOVERNOR						357
		1	2W-8935	1	WIRE AS						
		1	5P-1475	2	TERMINAL (HORN)						
	19	1	9S-8750	8	NUT-FULL (1/4-20 THD)						
	20	1	5P-0537	8	WASHER (2MM THK)						
	21	1	103-5425	1	HARNESS AS						
	22	1	2W-8683	1	BLOCK-CONTACT						
	23	1	9C-3127	3	TUBE AS						
		1	6V-8367	1	LOCKWASHER-TOOTH						
		1	6V-8382	1	NUT-HEX (11/16-27 THD)						
	24	1	7N-5876	3	LAMP-MINIATURE (28 VOLT)						
	25	1	9X-9614	2	TERMINAL-SINGLE						
	26	1	1G-6660	1	CONNECTOR-CORD						
	27	1	104-3649	1	LOCKNUT						
	28	1	103-6266	1	FILM-CONTROL PANEL						
	29	1	5S-4245	4	SCREW-MACHINE (4-40X0.5IN)						
	30	1	6B-4540	4	NUT (4-40 THD)						
	31	1	6B-4542	4	LOCKWASHER						
	32	1	7R-3029	1	CAP						
	33	1	9X-9616	5	COVER-END						
	34	1	9X-9615	26	TERMINAL-SINGLE						
	35	1	4P-7099	1	HARNESS AS						
Y	36	1	6V-6149	1	CONTROL GP-ENGINE MONITORING (ENGINE STATUS CONTROL)						471
	37	1	8T-6631	4	SCREW-MACHINE (8-32X0.5IN)						
	38	1	108-1018	1	PLATE AS-MOUNTING						
	39	1	9X-9677	2	COVER-END						
	40	1	3E-0355	1	BLOCK-FUSE						
	41	1	7T-0037	2	FUSE						
	42	1	3E-5503	2	BAR-FIXED BRIDGE						
BE	43	1	6V-2689		TUBE-SHRINKABLE						
BE	44	1	7X-3159		TUBE-SHRINKABLE						
	45	1	109-3038	35	END-WIRE (FOR 16 AWG)						
		1	110-8714	3	END-WIRE (FOR 18 AWG)						
		1	109-3039	7	END-WIRE (FOR 12 AWG)						

OPERATOR STATION

4P-9566 PANEL GP - INSTRUMENT (contd.)

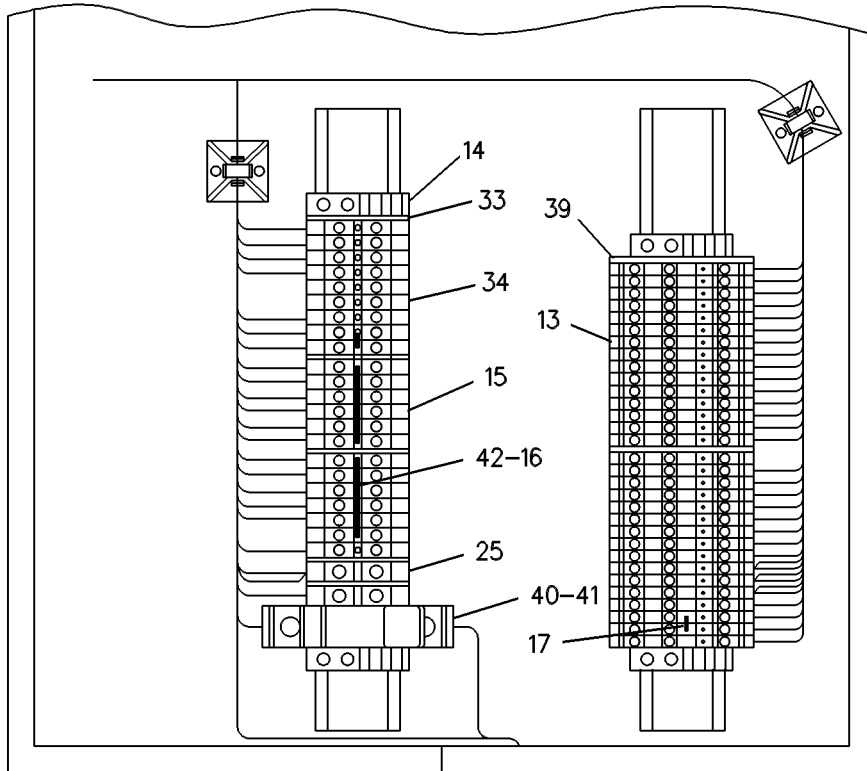
i00659946

B-USE AS REQUIRED
E-ORDER BY THE CENTIMETER
Y-SEPARATE ILLUSTRATION

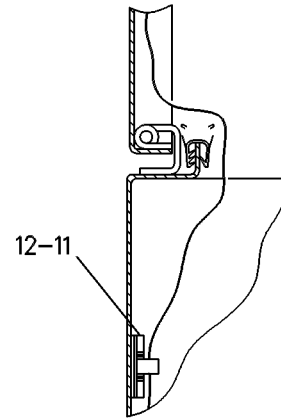
OPERATOR STATION

4P-9566 PANEL GP - INSTRUMENT (contd.)

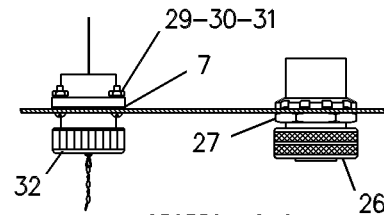
i00659946



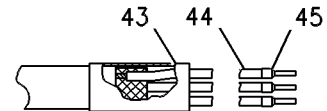
VIEW OF AREA B



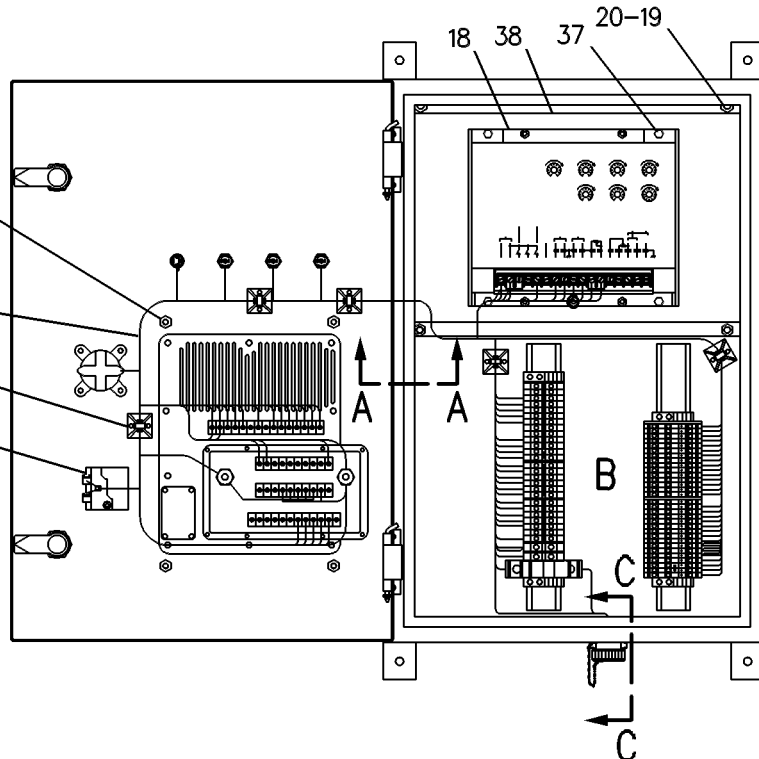
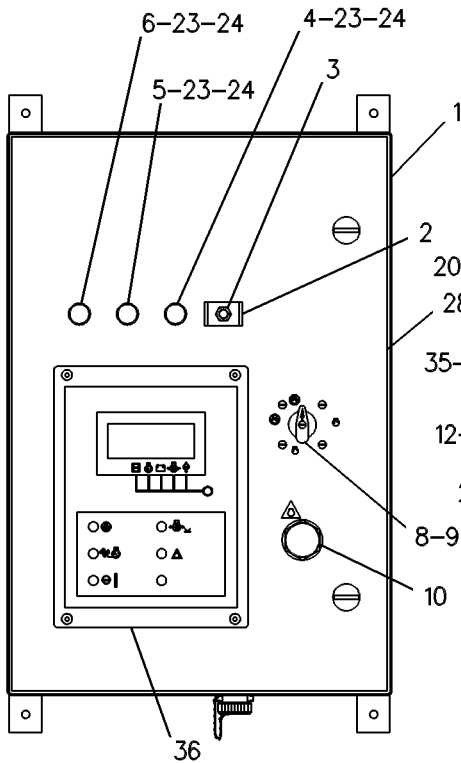
SECTION A-A



SECTION C-C



SHIELD/WIRE END TERMINATION



GRAPHIC #1

g00239023

MEMORANDA

OPERATOR STATION

4P - 9566 PANEL GP - INSTRUMENT

AN ATTACHMENT

TYPE 2

SMCS-7451

i00659951

NOTE	REF NO	GRAPHIC REF	PART NUMBER	QTY	PART NAME						SEE PAGE
					1	2	3	4	5	6 (PRODUCT LEVEL)	
	1	1	4P-9567	1	BOX AS-CONTROL						
		1	7E-0717	2	LATCH AS-DOOR						
B		1	9X-6442		SEAL (342CM)						
	2	1	108-1672	1	SEAL-CONDUIT						
	3	1	9D-2868	1	LENS-RED						
	4	1	9D-2867	1	LENS-AMBER						
	5	1	9D-9161	1	LENS-GREEN						
	6	1	110-6197	1	GASKET						
	7	1	3N-5979	1	SWITCH						
	8	1	7C-4910	1	SEAL-WASHER						
	9	1	109-6507	1	SWITCH-OPERATOR						
	10	1	115-1322	2	TERMINAL-DOUBLE						
	11	1	108-1702	45	TERMINAL-SINGLE						
	12	1	9X-9616	5	COVER-END						
	13	1	9X-9675	4	BRACKET-END						
	14	1	115-2162	3	TERMINAL-SINGLE						
	15	1	9X-9616	3	COVER-END						
	16	1	4P-7581	6	CLIP (10.5MM ID)						
Y	17	1	101-8922	1	CONTROL AS-GOVERNOR						357
		1	2W-8935	1	WIRE AS						
		1	5P-1475	2	TERMINAL (HORN)						
	18	1	9S-8750	4	NUT-FULL (1/4-20 THD)						
	19	1	5P-0537	2	WASHER (2MM THK)						
	20	1	118-8178	1	HARNESS AS						
	21	1	2W-8683	1	BLOCK-CONTACT						
	22	1	9D-3127	3	BASE AS-INDICATOR LIGHT (EACH INCLUDES)						
		1	6V-8367	1	LOCKWASHER-TOOTH						
		1	6V-8382	1	NUT-HEX (11/16-27 THD)						
	23	1	7N-5876	3	LAMP-MINIATURE (28 VOLT)						
	24	1	4F-4879	3	BOLT (3/8-16X.5IN)						
	25	1	9X-6772	9	STRAP-CABLE						
	26	1	9S-8752	5	NUT-FULL (3/8-16 THD)						
	27	1	5S-4245	4	SCREW-MACHINE (4-40X0.5IN)						
	28	1	6B-4540	4	NUT (4-40 THD)						
	29	1	6B-4542	4	LOCKWASHER						
	30	1	7R-3029	1	CAP						
	31	1	115-2538	2	COVER-END						
	32	1	5P-4115	2	WASHER (2MM THK)						
	33	1	118-8177	1	HARNESS AS						
Y	34	1	6V-6149	1	CONTROL GP-ENGINE MONITORING (SI-STATUS)						471
	35	1	8T-6631	4	SCREW-MACHINE (8-32X0.5IN)						
	36	1	116-6478	2	PANEL AS						
		1	1F-0750	2	NUT-WELD (3/8-16 THD)						
	37	1	4P-8134	3	CLIP (10.5MM ID)						
	38	1	115-2245	1	CIRCUIT BREAKER AS (.5 AMP)						
	39	1	3E-5503	1	BAR-FIXED BRIDGE						
	40	1	9D-3721	1	SWITCH-TOGGLE						
	41	1	103-6266	1	FILM-CONTROL PANEL						
	42	1	111-2111	1	GUARD						
	43	1	3E-2286	1	BAR						
	44	1	4W-9149	1	SPACER						
	45	1	109-8857	1	TERMINAL-SINGLE						
	46	1	115-8526	1	KIT-MARKER						
	47	1	7C-2952	1	GASKET-MODULE						
	48	1	5M-2894	1	WASHER (2.5MM THK)						

OPERATOR STATION

4P-9566 PANEL GP - INSTRUMENT (contd.)

i00659951

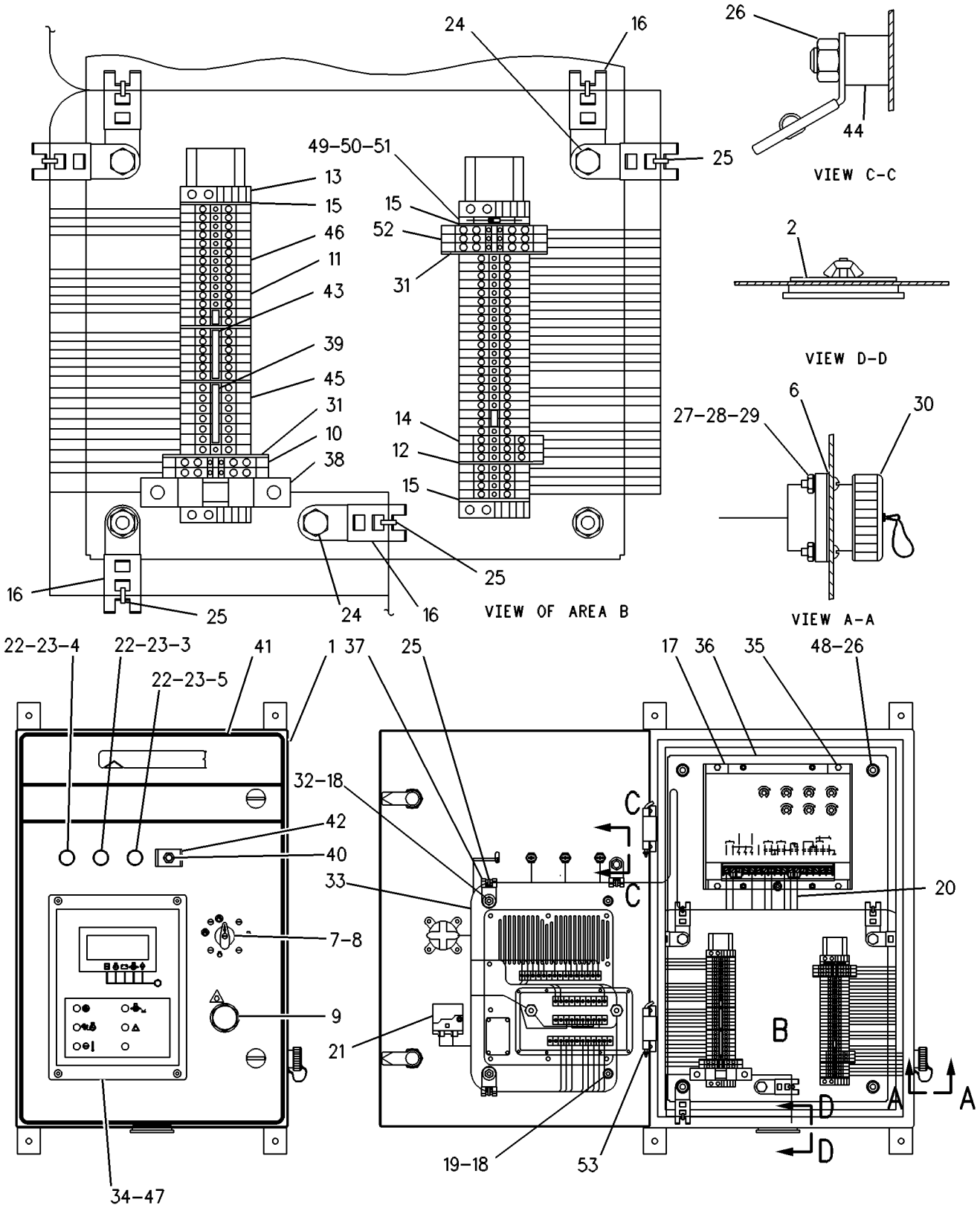
NOTE	REF NO	GRAPHIC REF	PART NUMBER	QTY	PART NAME						SEE PAGE
					1	2	3	4	5	6 (PRODUCT LEVEL)	
	49	1	3E-0356	1	BLOCK - TERMINAL						
	50	1	3T-9377	1	RESISTOR						
	51	1	115-2542	1	PLUG						
	52	1	116-5140	3	TERMINAL - DOUBLE						
	53	1	8T-5447	2	RING - RETAINING						

B - USE AS REQUIRED
Y - SEPARATE ILLUSTRATION

OPERATOR STATION

4P-9566 PANEL GP - INSTRUMENT (contd.)

i00659951



GRAPHIC #1

g00249428

MEMORANDA

OPERATOR STATION

4P - 9566 PANEL GP - INSTRUMENT

AN ATTACHMENT

TYPE 3

SMCS-7451

i00659416

NOTE	REF NO	GRAPHIC REF	PART NUMBER	QTY	PART NAME						SEE PAGE
					1	2	3	4	5	6 (PRODUCT LEVEL)	
	1	1	4P-9567	1	BOX AS-CONTROL						
		1	7E-0717	2	LATCH AS-DOOR						
B		1	9X-6442		SEAL						
	2	1	108-1672	1	SEAL-CONDUIT						
	3	1	9D-2868	1	LENS-RED						
	4	1	9D-2867	1	LENS-AMBER						
	5	1	9D-9161	1	LENS-GREEN						
	6	1	110-6197	1	GASKET						
	7	1	3N-5979	1	SWITCH						
	8	1	7C-4910	1	SEAL-WASHER						
	9	1	109-6507	1	SWITCH-OPERATOR						
	10	1	115-1322	2	TERMINAL-DOUBLE						
	11	1	108-1702	48	TERMINAL-SINGLE						
	12	1	116-5193	2	COVER-END						
	13	1	9X-9675	4	BRACKET-END						
	14	1	116-5142	3	TERMINAL						
	15	1	9X-9616	3	COVER-END						
	16	1	4P-7581	4	CLIP (10.5MM ID)						
Y	17	1	101-8922	1	CONTROL AS-GOVERNOR						357
		1	2W-8935	1	WIRE AS						
		1	5P-1475	2	TERMINAL (HORN)						
	18	1	9S-8750	4	NUT-FULL (1/4-20 THD)						
	19	1	5P-0537	2	WASHER (2MM THK)						
	20	1	118-8178	1	HARNESS AS						
	21	1	111-1323	1	BLOCK-CONTACT						
	22	1	9D-3127	3	BASE AS-INDICATOR LIGHT (EACH INCLUDES)						
		1	6V-8367	1	LOCKWASHER-TOOTH						
		1	6V-8382	1	NUT-HEX (11/16-27 THD)						
	23	1	7N-5876	3	LAMP-MINIATURE (28 VOLT)						
	24	1	4F-4879	2	BOLT (3/8-16X.5IN)						
	25	1	9X-6772	7	STRAP-CABLE						
	26	1	9S-8752	5	NUT-FULL (3/8-16 THD)						
	27	1	5S-4245	4	SCREW-MACHINE (4-40X0.5IN)						
	28	1	6B-4540	4	NUT (4-40 THD)						
	29	1	6B-4542	4	LOCKWASHER						
	30	1	7R-3029	1	CAP						
	31	1	115-2538	1	COVER-END						
	32	1	5P-4115	2	WASHER (2MM THK)						
	33	1	118-8177	1	HARNESS AS						
Y	34	1	6V-6149	1	CONTROL GP-ENGINE MONITORING (SI-STATUS)						471
	35	1	8T-6631	4	SCREW-MACHINE (8-32X0.5IN)						
	36	1	116-6478	2	PANEL AS						
		1	1F-0750	2	NUT-WELD (3/8-16 THD)						
	37	1	4P-8134	3	CLIP (10.5MM ID)						
	38	1	115-2245	1	CIRCUIT BREAKER AS (.5 AMP)						
	39	1	3E-5503	1	BAR-FIXED BRIDGE						
	40	1	9D-3721	1	SWITCH-TOGGLE						
	41	1	103-6266	1	FILM-CONTROL PANEL						
	42	1	111-2111	1	GUARD						
	43	1	3E-2286	1	BAR						
	44	1	4W-9149	1	SPACER						
	45	1	109-8857	1	TERMINAL-SINGLE						
	46	1	115-8526	1	KIT-MARKER						
	47	1	7C-2952	1	GASKET-MODULE						
	48	1	5M-2894	1	WASHER (2.5MM THK)						

OPERATOR STATION

4P-9566 PANEL GP - INSTRUMENT (contd.)

i00659416

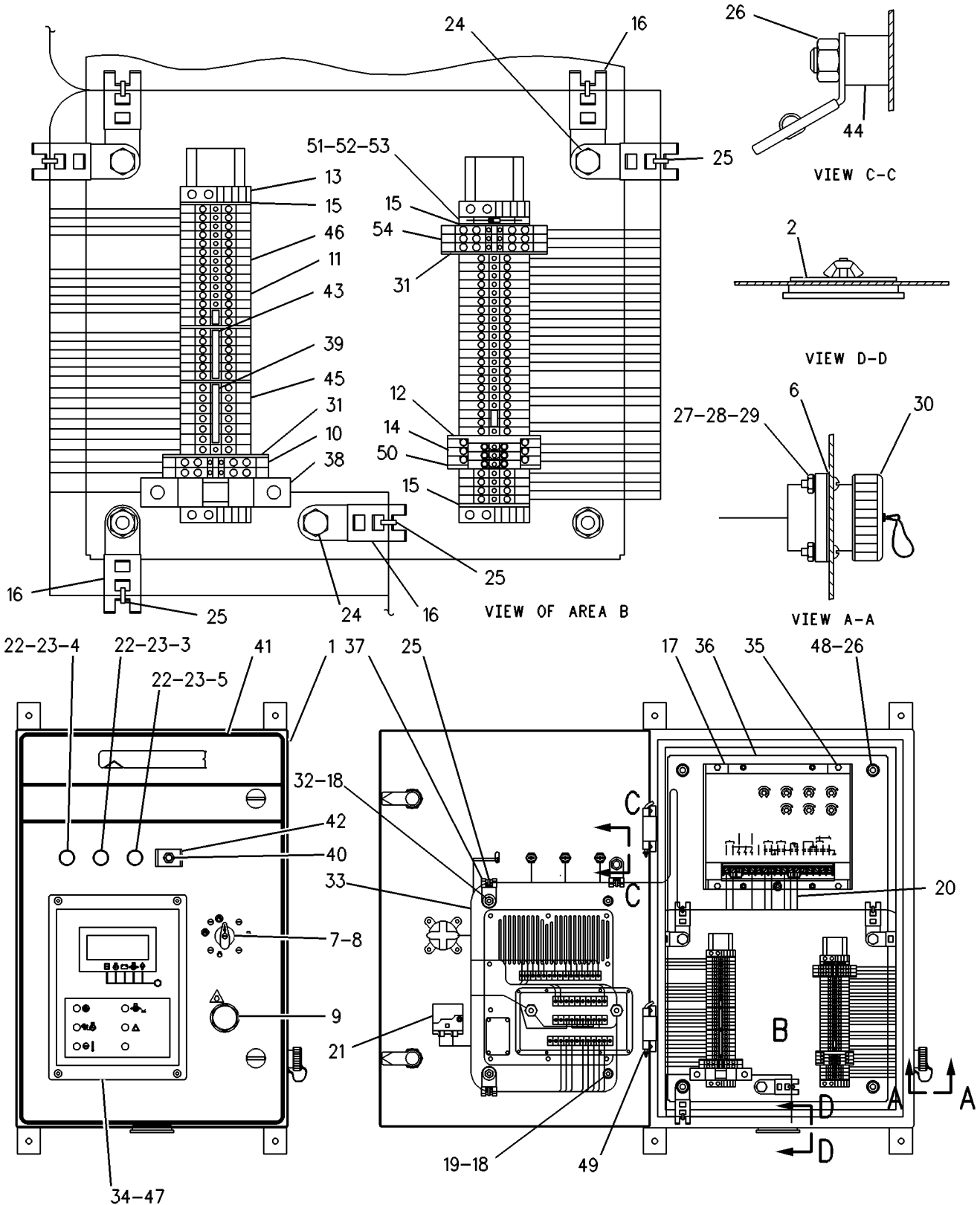
NOTE	REF NO	GRAPHIC REF	PART NUMBER	QTY	PART NAME						SEE PAGE
					1	2	3	4	5	6 (PRODUCT LEVEL)	
	49	1	8T-5447	2	RING-RETAINING						
	50	1	116-5137	1	SPACER						
	51	1	3E-0356	1	BLOCK-TERMINAL						
	52	1	3T-9377	1	RESISTOR						
	53	1	115-2542	1	PLUG						
	54	1	116-5140	3	TERMINAL-DOUBLE						

B-USE AS REQUIRED
Y-SEPARATE ILLUSTRATION

OPERATOR STATION

4P-9566 PANEL GP - INSTRUMENT (contd.)

i00659416



GRAPHIC #1

g00252971

MEMORANDA

OPERATOR STATION

4P - 9566 PANEL GP - INSTRUMENT

AN ATTACHMENT

TYPE 4

SMCS-7451

i00659427

NOTE	REF NO	GRAPHIC REF	PART NUMBER	QTY	PART NAME						SEE PAGE
					1	2	3	4	5	6 (PRODUCT LEVEL)	
	1	1	4P-9567	1	BOX AS-CONTROL						
		1	7E-0717	2	LATCH AS-DOOR						
B		1	9X-6442		SEAL						
	2	1	108-1672	1	SEAL-CONDUIT						
	3	1	9D-2868	1	LENS-RED						
	4	1	9D-2867	1	LENS-AMBER						
	5	1	9D-9161	1	LENS-GREEN						
	6	1	110-6197	1	GASKET						
	7	1	3N-5979	1	SWITCH						
	8	1	7C-4910	1	SEAL-WASHER						
	9	1	109-6507	1	SWITCH-OPERATOR						
	10	1	115-1322	2	TERMINAL-DOUBLE						
	11	1	108-1702	48	TERMINAL-SINGLE						
	12	1	116-5193	2	COVER-END						
	13	1	9X-9675	4	BRACKET-END						
	14	1	116-5142	3	TERMINAL						
	15	1	9X-9616	3	COVER-END						
	16	1	4P-7581	4	CLIP (10.5MM ID)						
CY	17	1	118-5449	1	CONTROL AS-GOVERNOR						358
	18	1	9S-8750	4	NUT-FULL (1/4-20 THD)						
	19	1	5P-0537	2	WASHER (2MM THK)						
	20	1	118-8178	1	HARNESS AS						
	21	1	111-1323	1	BLOCK-CONTACT						
	22	1	9D-3127	3	BASE AS-INDICATOR LIGHT (EACH INCLUDES)						
		1	6V-8367	1	LOCKWASHER-TOOTH						
		1	6V-8382	1	NUT-HEX (11/16-27 THD)						
	23	1	7N-5876	3	LAMP-MINIATURE (28 VOLT)						
	24	1	4F-4879	2	BOLT (3/8-16X.5IN)						
	25	1	9X-6772	7	STRAP-CABLE						
	26	1	9S-8752	5	NUT-FULL (3/8-16 THD)						
	27	1	5S-4245	4	SCREW-MACHINE (4-40X0.5IN)						
	28	1	6B-4540	4	NUT (4-40 THD)						
	29	1	6B-4542	4	LOCKWASHER						
	30	1	7R-3029	1	CAP						
	31	1	115-2538	1	COVER-END						
	32	1	5P-4115	2	WASHER (2MM THK)						
	33	1	118-8177	1	HARNESS AS						
Y	34	1	6V-6149	1	CONTROL GP-ENGINE MONITORING (SI-STATUS)						471
	35	1	8T-6631	4	SCREW-MACHINE (8-32X0.5IN)						
	36	1	116-6478	2	PANEL AS						
		1	1F-0750	2	NUT-WELD (3/8-16 THD)						
	37	1	4P-8134	3	CLIP (10.5MM ID)						
	38	1	115-2245	1	CIRCUIT BREAKER AS (.5 AMP)						
	39	1	3E-5503	1	BAR-FIXED BRIDGE						
	40	1	9D-3721	1	SWITCH-TOGGLE						
	41	1	103-6266	1	FILM-CONTROL PANEL						
	42	1	111-2111	1	GUARD						
	43	1	3E-2286	1	BAR						
	44	1	4W-9149	1	SPACER						
	45	1	109-8857	1	TERMINAL-SINGLE						
	46	1	115-8526	1	KIT-MARKER						
	47	1	7C-2952	1	GASKET-MODULE						
	48	1	5M-2894	1	WASHER (2.5MM THK)						
	49	1	8T-5447	2	RING-RETAINING						
	50	1	116-5137	1	SPACER						

OPERATOR STATION

4P-9566 PANEL GP - INSTRUMENT (contd.)

i00659427

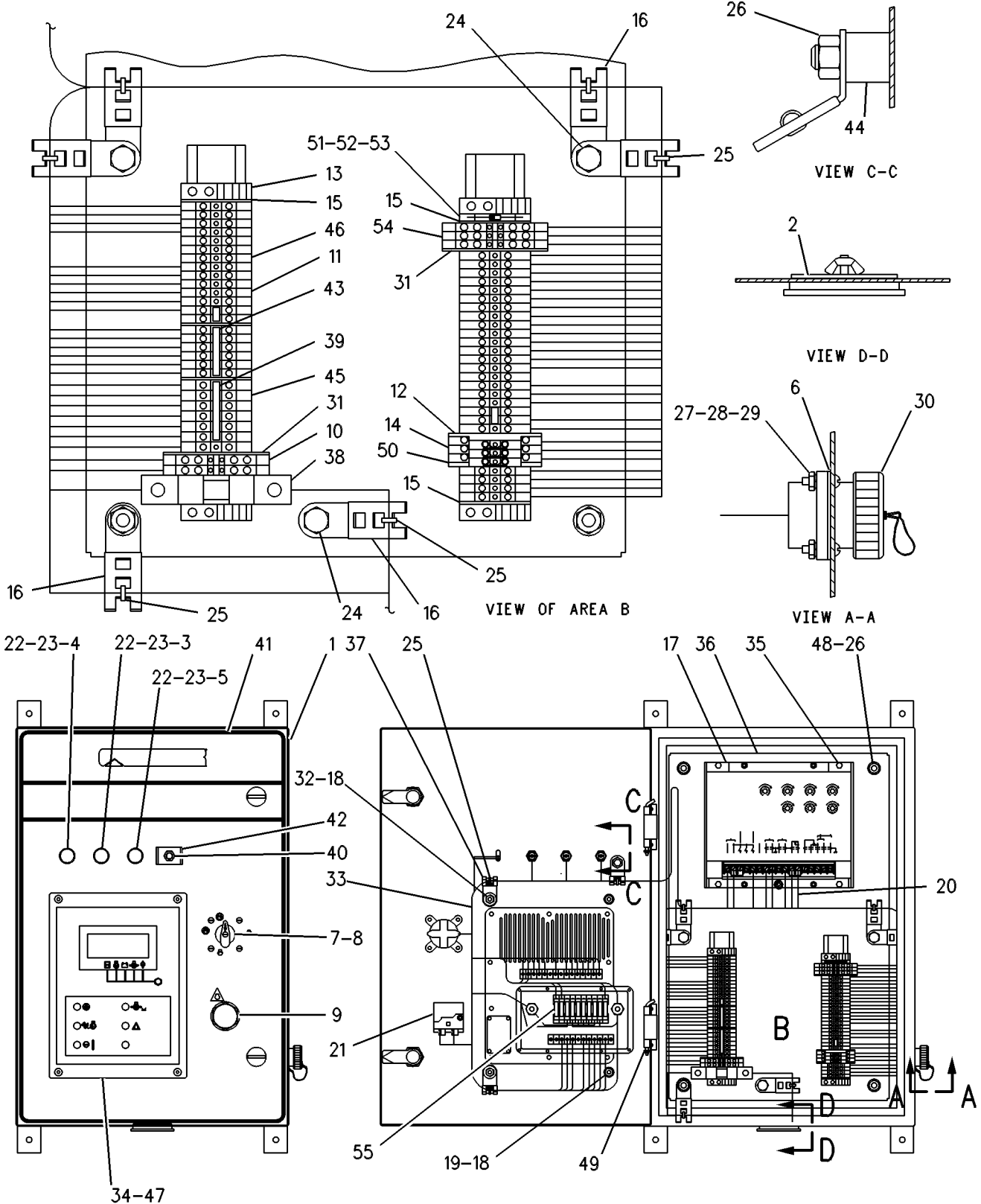
NOTE	REF NO	GRAPHIC REF	PART NUMBER	QTY	PART NAME						SEE PAGE
					1	2	3	4	5	6 (PRODUCT LEVEL)	
	51	1	3E-0356	1	BLOCK - TERMINAL						
	52	1	3T-9377	1	RESISTOR						
	53	1	115-2542	1	PLUG						
	54	1	116-5140	3	TERMINAL - DOUBLE						
C	55	1	3K-8782	10	FUSE (10 AMP)						

B - USE AS REQUIRED
C - CHANGE FROM PREVIOUS TYPE
Y - SEPARATE ILLUSTRATION

OPERATOR STATION

4P-9566 PANEL GP - INSTRUMENT (contd.)

i00659427



GRAPHIC #1

g00263761

MEMORANDA

OPERATOR STATION

4P - 9566 PANEL GP - INSTRUMENT

AN ATTACHMENT

TYPE 5

SMCS-7451

i00659429

NOTE	REF NO	GRAPHIC REF	PART NUMBER	QTY	PART NAME						SEE PAGE
					1	2	3	4	5	6 (PRODUCT LEVEL)	
	1	1	4P-9567	1	BOX AS-CONTROL						
		1	7E-0717	2	LATCH AS-DOOR						
B		1	9X-6442		SEAL						
	2	1	108-1672	1	SEAL-CONDUIT						
	3	1	9D-2868	1	LENS-RED						
	4	1	9D-2867	1	LENS-AMBER						
	5	1	9D-9161	1	LENS-GREEN						
	6	1	110-6197	1	GASKET						
	7	1	3N-5979	1	SWITCH						
	8	1	7C-4910	1	SEAL-WASHER						
	9	1	109-6507	1	SWITCH-OPERATOR						
	10	1	115-1322	2	TERMINAL-DOUBLE						
	11	1	108-1702	45	TERMINAL-SINGLE						
	12	1	116-5193	2	COVER-END						
	13	1	9X-9675	4	BRACKET-END						
	14	1	116-5142	3	TERMINAL						
	15	1	9X-9616	5	COVER-END						
	16	1	4P-7581	6	CLIP (10.5MM ID)						
CY	17	1	131-5451	1	CONTROL AS-GOVERNOR						359
		1	2W-8935	1	WIRE AS						
		1	5P-1475	1	TERMINAL (HORN)						
	18	1	9S-8750	4	NUT-FULL (1/4-20 THD)						
	19	1	5P-0537	2	WASHER (2MM THK)						
	20	1	118-8178	1	HARNESS AS						
	21	1	111-1323	1	BLOCK-CONTACT						
	22	1	9D-3127	3	BASE AS-INDICATOR LIGHT (EACH INCLUDES)						
		1	6V-8367	1	LOCKWASHER-TOOTH						
		1	6V-8382	1	NUT-HEX (11/16-27 THD)						
	23	1	7N-5876	3	LAMP-MINIATURE (28 VOLT)						
	24	1	4F-4879	3	BOLT (3/8-16X.5IN)						
	25	1	9X-6772	9	STRAP-CABLE						
	26	1	9S-8752	5	NUT-FULL (3/8-16 THD)						
	27	1	5S-4245	4	SCREW-MACHINE (4-40X0.5IN)						
	28	1	6B-4540	4	NUT (4-40 THD)						
	29	1	6B-4542	4	LOCKWASHER						
	30	1	7R-3029	1	CAP						
	31	1	115-2538	2	COVER-END						
	32	1	5P-4115	2	WASHER (2MM THK)						
	33	1	118-8177	1	HARNESS AS						
Y	34	1	6V-6149	1	CONTROL GP-ENGINE MONITORING (SI-STATUS)						471
	35	1	8T-6631	4	SCREW-MACHINE (8-32X0.5IN)						
	36	1	116-6478	2	PANEL AS						
		1	1F-0750	2	NUT-WELD (3/8-16 THD)						
	37	1	4P-8134	3	CLIP (10.5MM ID)						
	38	1	115-2245	1	CIRCUIT BREAKER AS (.5 AMP)						
	39	1	3E-5503	1	BAR-FIXED BRIDGE						
	40	1	9D-3721	1	SWITCH-TOGGLE						
	41	1	103-6266	1	FILM-CONTROL PANEL						
	42	1	111-2111	1	GUARD						
	43	1	3E-2286	1	BAR						
	44	1	4W-9149	1	SPACER						
	45	1	109-8857	1	TERMINAL-SINGLE						
	46	1	115-8526	1	KIT-MARKER						
	47	1	7C-2952	1	GASKET-MODULE						
	48	1	5M-2894	1	WASHER (2.5MM THK)						

OPERATOR STATION

4P-9566 PANEL GP - INSTRUMENT (contd.)

i00659429

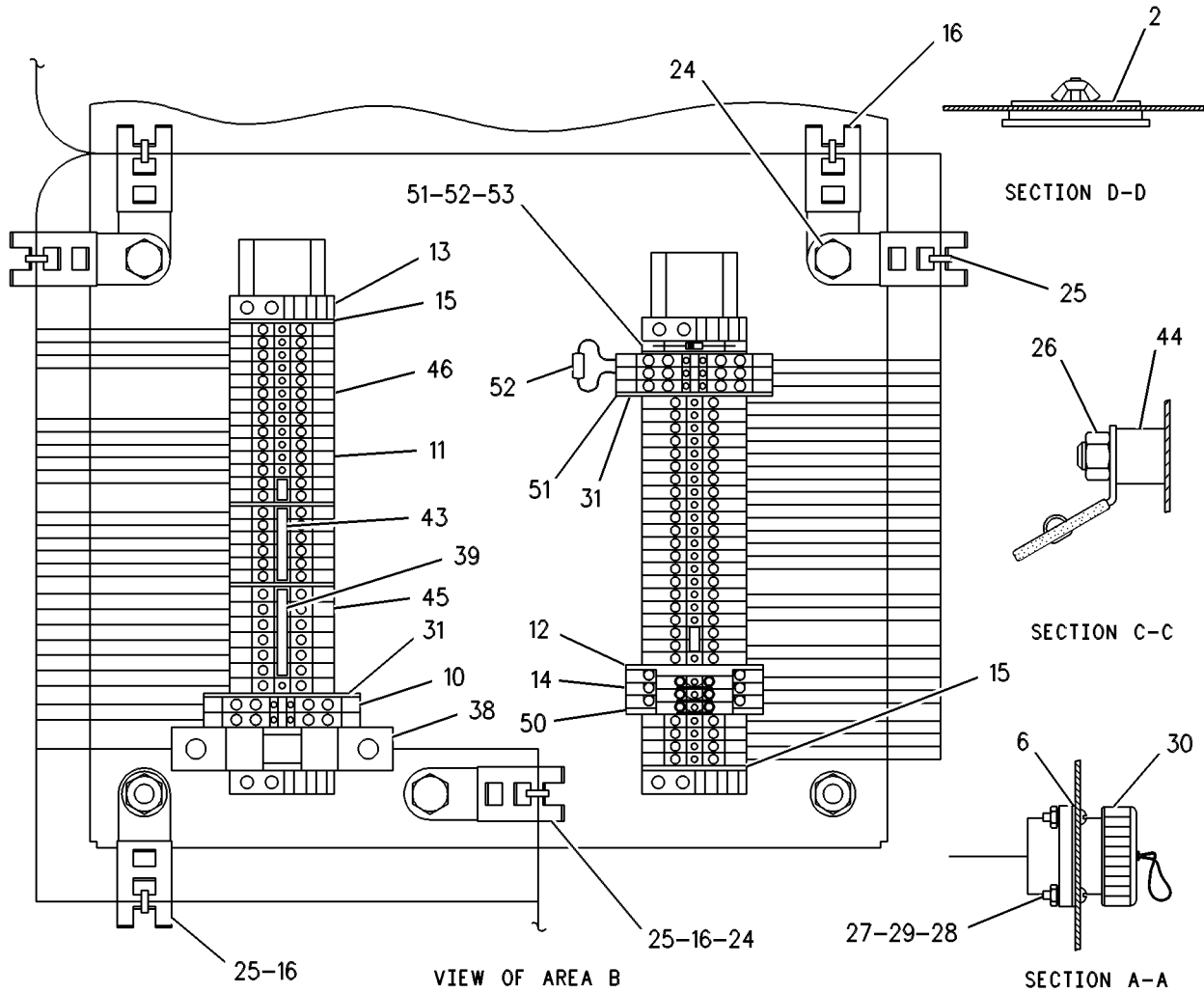
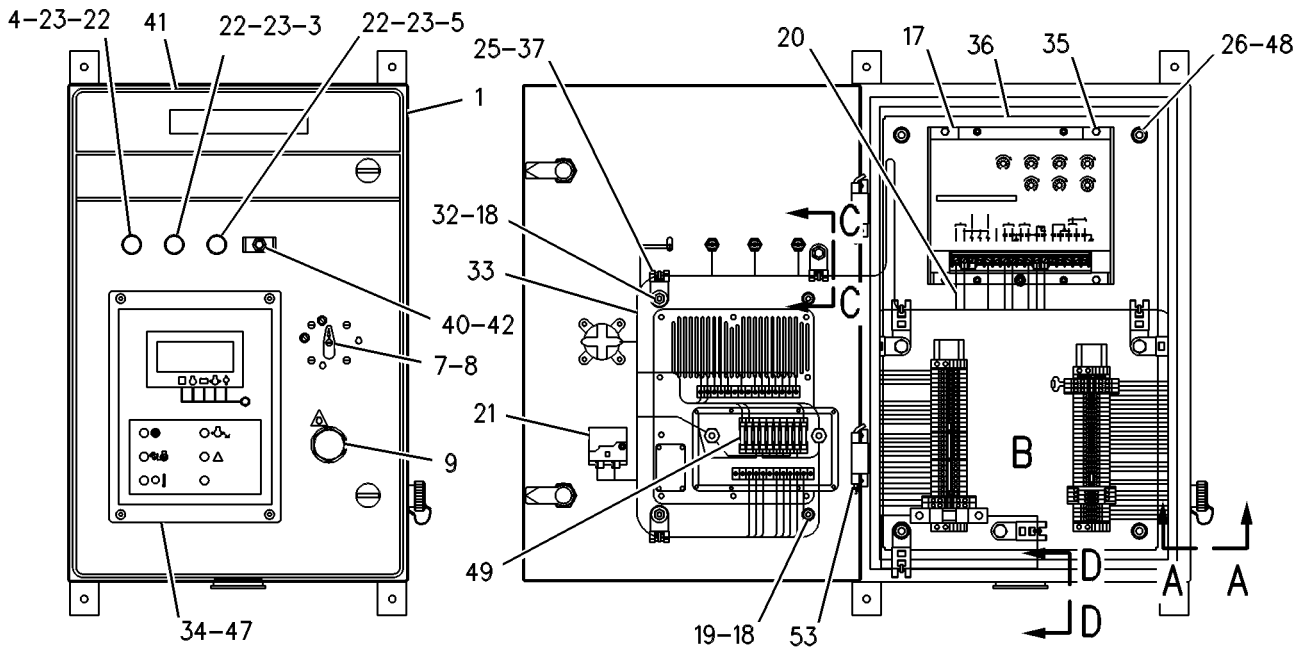
NOTE	REF NO	GRAPHIC REF	PART NUMBER	QTY	PART NAME						SEE PAGE
					1	2	3	4	5	6 (PRODUCT LEVEL)	
	49	1	3K-8782	10	FUSE (10 AMP)						
	50	1	116-5137	1	SPACER						
	51	1	116-5140	3	TERMINAL - DOUBLE						
	52	1	121-9195	1	RESISTOR AS						
	53	1	8T-5447	2	RING - RETAINING						

B - USE AS REQUIRED
 C - CHANGE FROM PREVIOUS TYPE
 Y - SEPARATE ILLUSTRATION

OPERATOR STATION

4P-9566 PANEL GP - INSTRUMENT (contd.)

i00659429



GRAPHIC #1

g00278069

MEMORANDA

OPERATOR STATION

103-6193 PANEL GP - INSTRUMENT

AN ATTACHMENT

SMCS-7451

i00656554

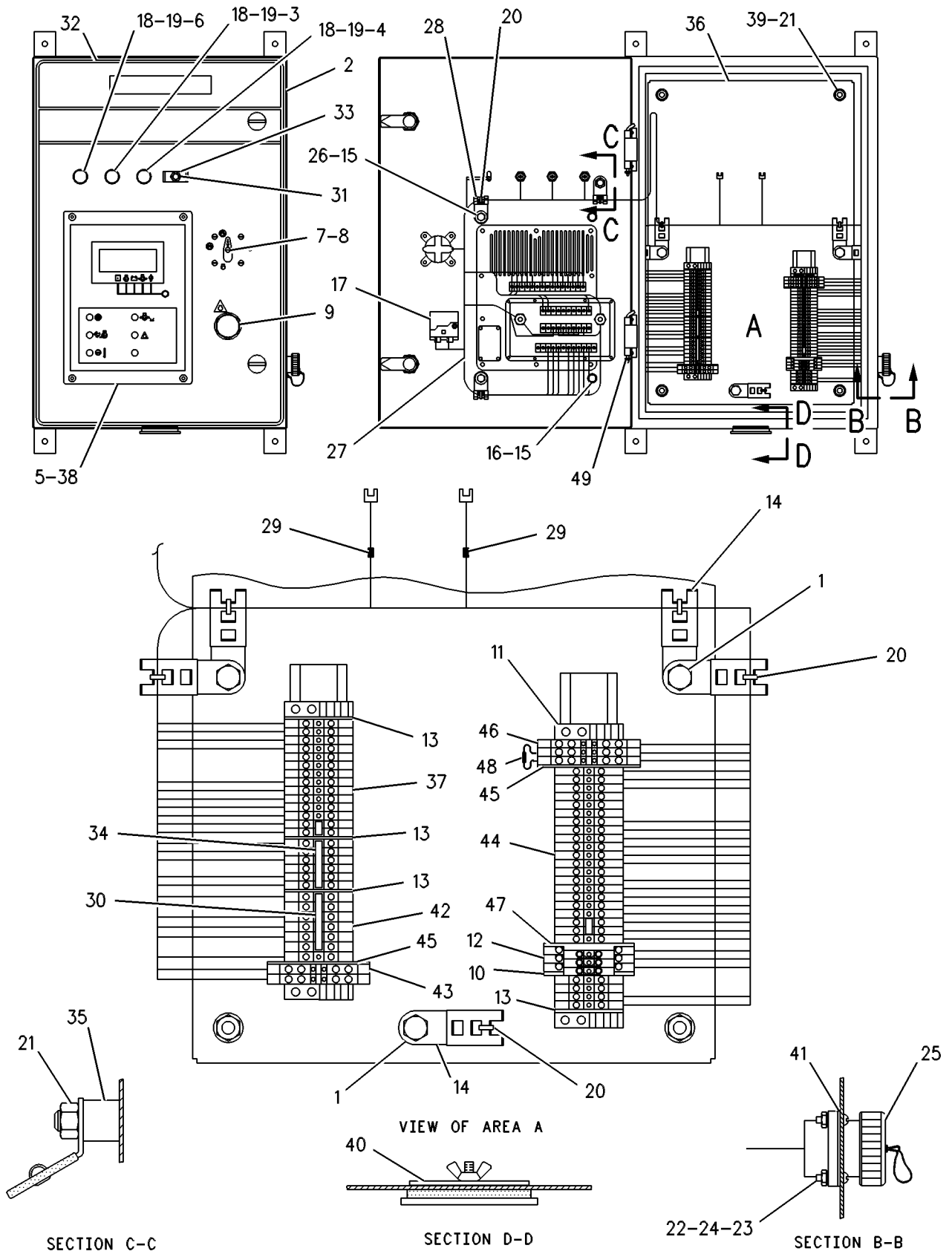
NOTE	REF NO	GRAPHIC REF	PART NUMBER	QTY	PART NAME						SEE PAGE
					1	2	3	4	5	6 (PRODUCT LEVEL)	
	1	1	4F-4879	3	BOLT (3/8-16X.5IN)						
	2	1	4P-9567	1	BOX AS-CONTROL						
		1	7E-0717	1	LATCH AS-DOOR						
E		1	9X-6442		SEAL (342 CM)						
	3	1	9D-2868	1	LENS-RED						
	4	1	9D-9161	1	LENS-GREEN						
Y	5	1	6V-6149	1	CONTROL GP-ENGINE MONITORING (SI STATUS)						471
	6	1	9D-2867	1	LENS-AMBER						
	7	1	3N-5979	1	SWITCH (4-POSITION)						
	8	1	7C-4910	1	SEAL-WASHER						
	9	1	109-6507	1	SWITCH-OPERATOR						
	10	1	116-5137	1	SPACER						
	11	1	9X-9675	4	BRACKET-END						
	12	1	116-5142	3	TERMINAL						
	13	1	9X-9616	4	COVER-END						
	14	1	4P-7581	5	CLIP (10.5MM ID)						
	15	1	9S-8750	4	NUT-FULL (1/4-20 THD)						
	16	1	5P-0537	2	WASHER (2MM THK)						
	17	1	111-1323	1	BLOCK-CONTACT						
	18	1	9D-3127	3	BASE AS-INDICATOR LIGHT						
					(EACH INCLUDES)						
		1	6V-8367	1	LOCKWASHER-TOOTH						
		1	6V-8382	1	NUT-HEX (11/16-27 THD)						
	19	1	7N-5876	3	LAMP-MINIATURE (28 VOLT)						
	20	1	9X-6772	8	STRAP-CABLE						
	21	1	9S-8752	5	NUT-FULL (3/8-16 THD)						
	22	1	5S-4245	4	SCREW-MACHINE (4-40X0.5IN)						
	23	1	6B-4540	4	NUT (4-40 THD)						
	24	1	6B-4542	4	LOCKWASHER						
	25	1	7R-3029	1	CAP						
	26	1	5P-4115	2	WASHER (2MM THK)						
	27	1	118-8177	1	HARNESS AS						
	28	1	4P-8134	3	CLIP (10.5MM ID)						
	29	1	3S-2093	6	STRAP-CABLE (1.75IN DIA)						
	30	1	3E-5503	1	BAR-FIXED BRIDGE						
	31	1	9D-3721	1	SWITCH-TOGGLE						
	32	1	103-6266	1	FILM-CONTROL PANEL						
	33	1	111-2111	1	GUARD						
	34	1	3E-2286	1	BAR						
	35	1	4W-9149	1	SPACER						
	36	1	116-6478	1	PANEL AS						
		1	9F-2978	1	NUT-WELD (3/8-16 THD)						
	37	1	115-8526	1	KIT-MARKER						
	38	1	7C-2952	1	GASKET-MODULE						
	39	1	5M-2894	4	WASHER (2.5MM THK)						
	40	1	108-1672	1	SEAL-CONDUIT						
	41	1	110-6197	1	GASKET						
	42	1	109-8857	7	TERMINAL-SINGLE						
	43	1	115-1322	2	TERMINAL-DOUBLE						
	44	1	108-1702	45	TERMINAL-SINGLE						
	45	1	115-2538	2	COVER-END						
	46	1	116-5140	3	TERMINAL-DOUBLE						
	47	1	116-5193	1	COVER-END						
	48	1	121-9195	1	RESISTOR AS						
	49	1	8T-5447	2	RING-RETAINING						

E - ORDER BY THE CENTIMETER
Y - SEPARATE ILLUSTRATION

OPERATOR STATION

103-6193 PANEL GP - INSTRUMENT (contd.)

i00656554



GRAPHIC #1

g00262986

OPERATOR STATION

123-6323 PANEL GP - INSTRUMENT

PART OF 133-3693 CONVERSION AR-ENGINE

AN ATTACHMENT

SMCS-7451

i00661872

NOTE	PART NUMBER	QTY	PART NAME						SEE PAGE
			1	2	3	4	5	6 (PRODUCT LEVEL)	
Y	123-6324	1	BOX GP - INSTRUMENT PANEL						722
Y	120-5297	1	MOUNTING GP - INSTRUMENT PANEL						798
Y - SEPARATE ILLUSTRATION									

OPERATOR STATION

3N-8276 PYROMETER GP

PART OF 107-9022, 108-4503 GAUGE AS-PYROMETER
AN ATTACHMENT

SMCS-7466

i00649149

NOTE	PART NUMBER	QTY	PART NAME						SEE PAGE
			1	2	3	4	5	6 (PRODUCT LEVEL)	
	3N-7012	1	PYROMETER						

OPERATOR STATION

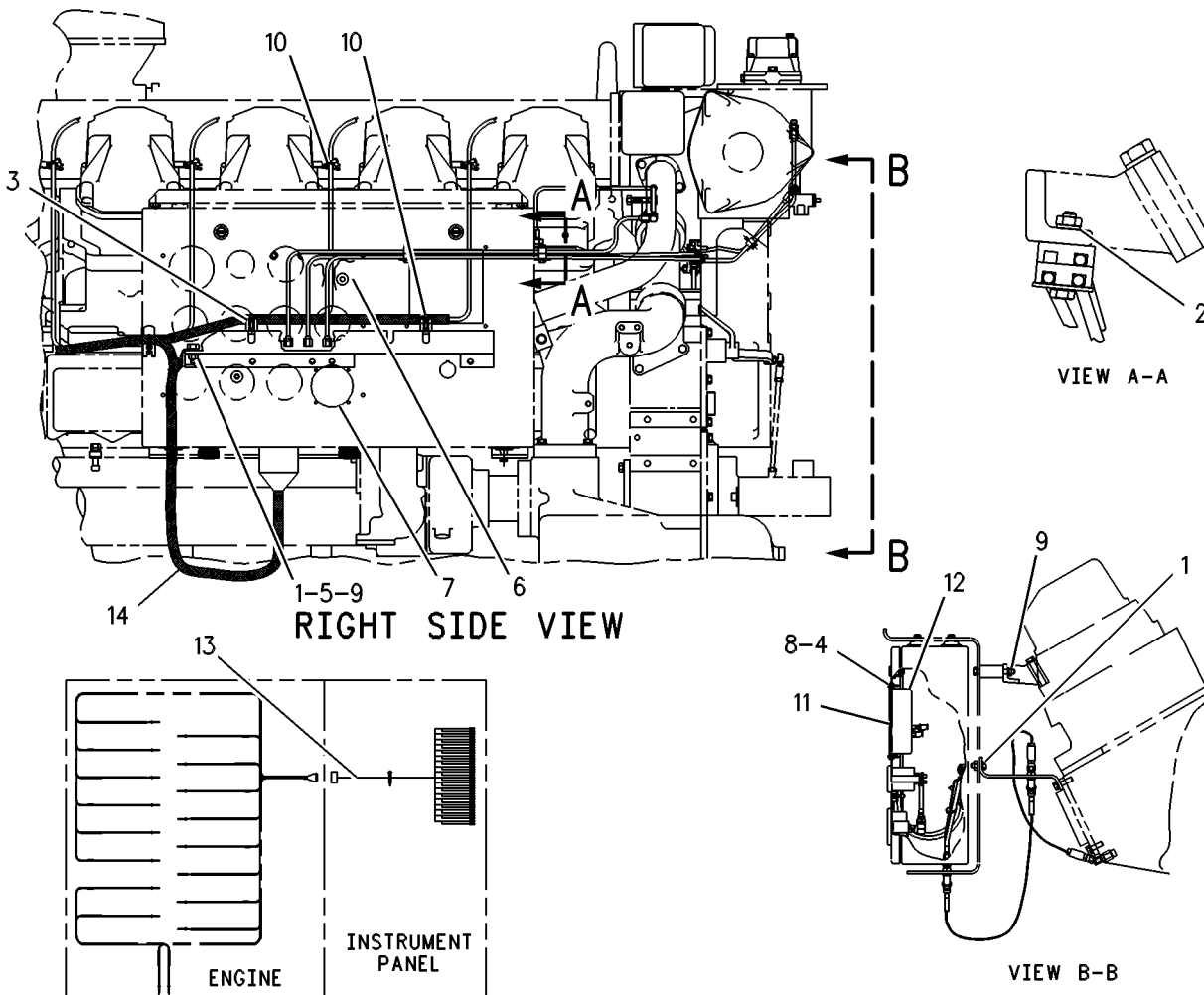
140-9681 PYROMETER GP FOR USE WITH 109-4687 HARNESS AS-WIRING FIELD INSTALLATION

SMCS-7466

i00659979

NOTE	REF NO	GRAPHIC REF	PART NUMBER	QTY	PART NAME						SEE PAGE
					1	2	3	4	5	6 (PRODUCT LEVEL)	
	1	1	0S-1594	1	BOLT (3/8-16X1IN)						
	2	1	3B-4504	2	LOCKWASHER (.077IN THK)						
	3	1	4P-8134	4	CLIP (10.5MM ID)						
M	4	1	5C-2874	4	NUT (M5X.8 THD)						
	5	1	5M-2894	1	WASHER (2.5MM THK)						
	6	1	7W-2354	1	PLUG AS						
	7	1	7W-2355	1	PLUG AS						
M	8	1	7Y-7389	4	SCREW (M5X0.8X16MM)						
	9	1	9S-8752	1	NUT-FULL (3/8-16 THD)						
	10	1	9X-6772	40	STRAP-CABLE						
	11	1	111-8684	1	FILM-CONTROL PANEL						
	12	1	114-2410	1	PYROMETER						
	13	1	121-4101	1	HARNESS AS						
	14	1	121-4878	1	HARNESS AS						

M-METRIC PART



GRAPHIC #1

g00282909

OPERATOR STATION

107-9019 TACHOMETER GP AN ATTACHMENT

SMCS-7462

i00658824

NOTE	PART NUMBER	QTY	PART NAME						SEE PAGE
			1	2	3	4	5	6 (PRODUCT LEVEL)	
Y	7W-3355	1	MAGNETIC PICKUP GP						573
Y	7E-3159	1	TACHOMETER GP-ELECTRIC						834
	3S-2093	6	STRAP-CABLE (1.75IN DIA)						

Y-SEPARATE ILLUSTRATION

OPERATOR STATION

7E-3159 TACHOMETER GP-ELECTRIC

ADJUSTABLE

PART OF 107-9019 TACHOMETER GP

FOR USE WITH PREMIUM & 4-HOLE PANELS-REQUIRES MOUNTING GP WITH 4-HOLE PANEL.

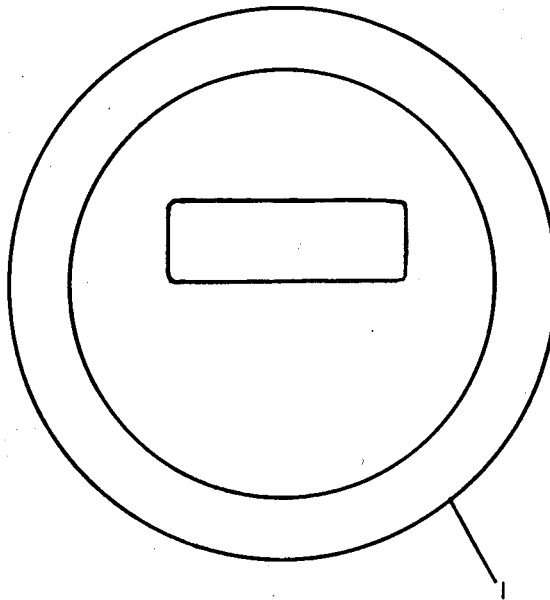
CANNOT BE USED WITH EMCP

AN ATTACHMENT

SMCS-7462

i00651350

NOTE	REF NO	GRAPHIC REF	PART NUMBER	QTY	PART NAME						SEE PAGE
					1	2	3	4	5	6 (PRODUCT LEVEL)	
	1	1	9X-1117	1	TACHOMETER						



GRAPHIC #1

g00212837

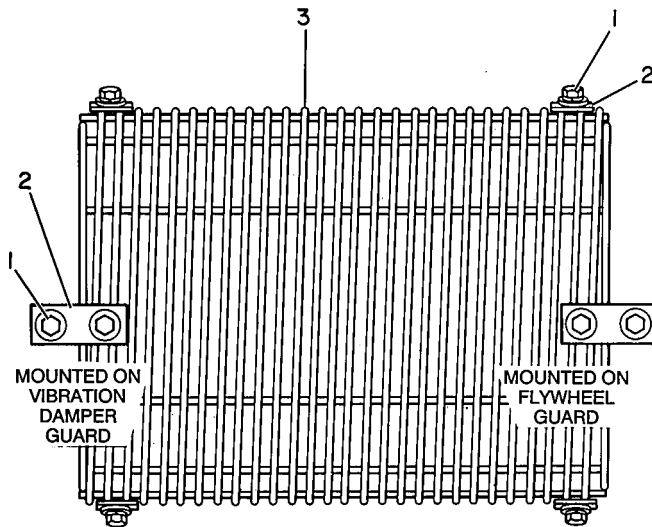
ENCLOSURES, GUARDS AND BASES

3N-5764 GUARD GP-EXTENSION AN ATTACHMENT

SMCS-7154

i00649125

NOTE	REF NO	GRAPHIC REF	PART NUMBER	QTY	PART NAME						SEE PAGE
					1	2	3	4	5	6 (PRODUCT LEVEL)	
	1	1	0S-1594	16	BOLT (3/8-16X1IN)						
		1	2N-3385	16	NUT-CLIP						
		1	3B-4506	16	LOCKWASHER						
C		1	3L-9689	16	WASHER						
	2	1	1V-0623	8	PLATE						
	3	1	3N-5708	1	GUARD AS-EXTENSION						
C-CHANGE FROM PREVIOUS TYPE											



GRAPHIC #1

g00146790

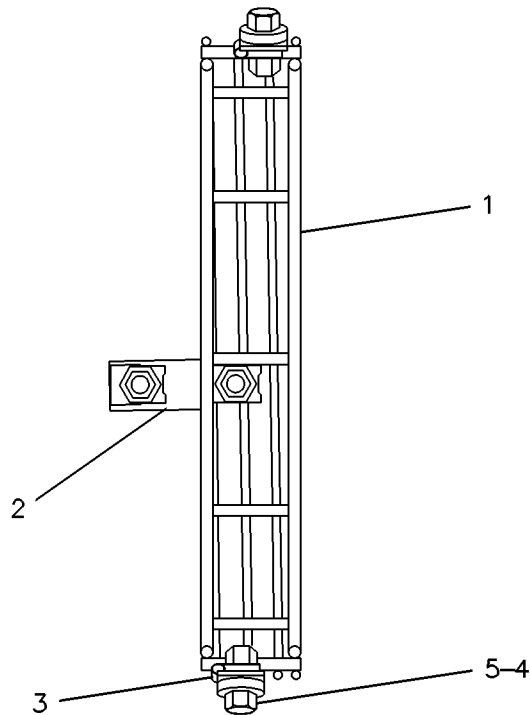
ENCLOSURES, GUARDS AND BASES

4P-9064 GUARD GP-EXTENSION AN ATTACHMENT

SMCS-7154

i00654053

NOTE	REF NO	GRAPHIC REF	PART NUMBER	QTY	PART NAME						SEE PAGE
					1	2	3	4	5	6 (PRODUCT LEVEL)	
	1	1	4P-9063	1	GUARD AS-EXTENSION						
	2	1	1V-0623	4	PLATE						
	3	1	2N-3385	8	NUT-CLIP						
	4	1	4V-8198	8	SPACER						
	5	1	9X-8872	8	BOLT-LOCKING (3/8-16X0.875IN)						



GRAPHIC #1

g00224092

ENCLOSURES, GUARDS AND BASES

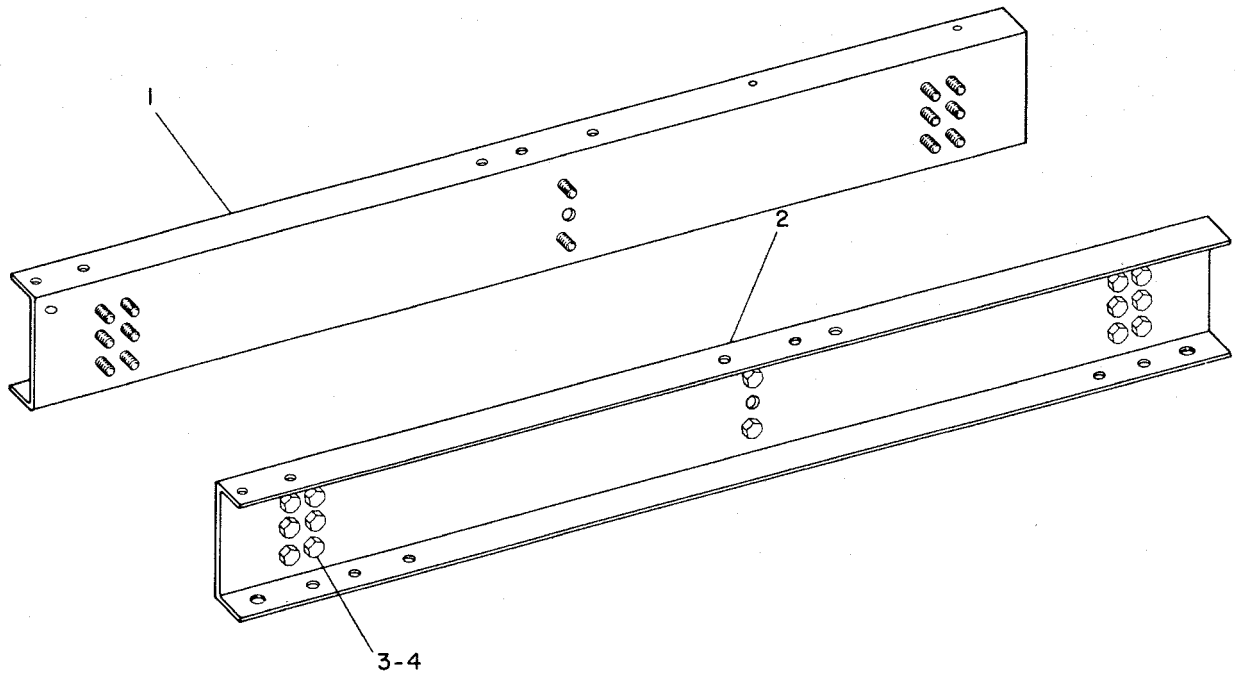
9Y-0845 RAIL GP-ENGINE SUPPORT

CANNOT BE USED WITH ENGINE MOUNTED RADIATOR
AN ATTACHMENT

SMCS-7060

i00651670

NOTE	REF NO	GRAPHIC REF	PART NUMBER	QTY	PART NAME						SEE PAGE
					1	2	3	4	5	6 (PRODUCT LEVEL)	
	1	1	9Y-0847	1	SUPPORT-ENGINE (LH)						
	2	1	9Y-0846	1	SUPPORT-ENGINE (RH)						
	3	1	1A-0458	28	BOLT (3/4-10X1.75IN)						
	4	1	5P-8248	28	WASHER-HARD (3.5MM THK)						



GRAPHIC #1

g00192931

GENERATORS

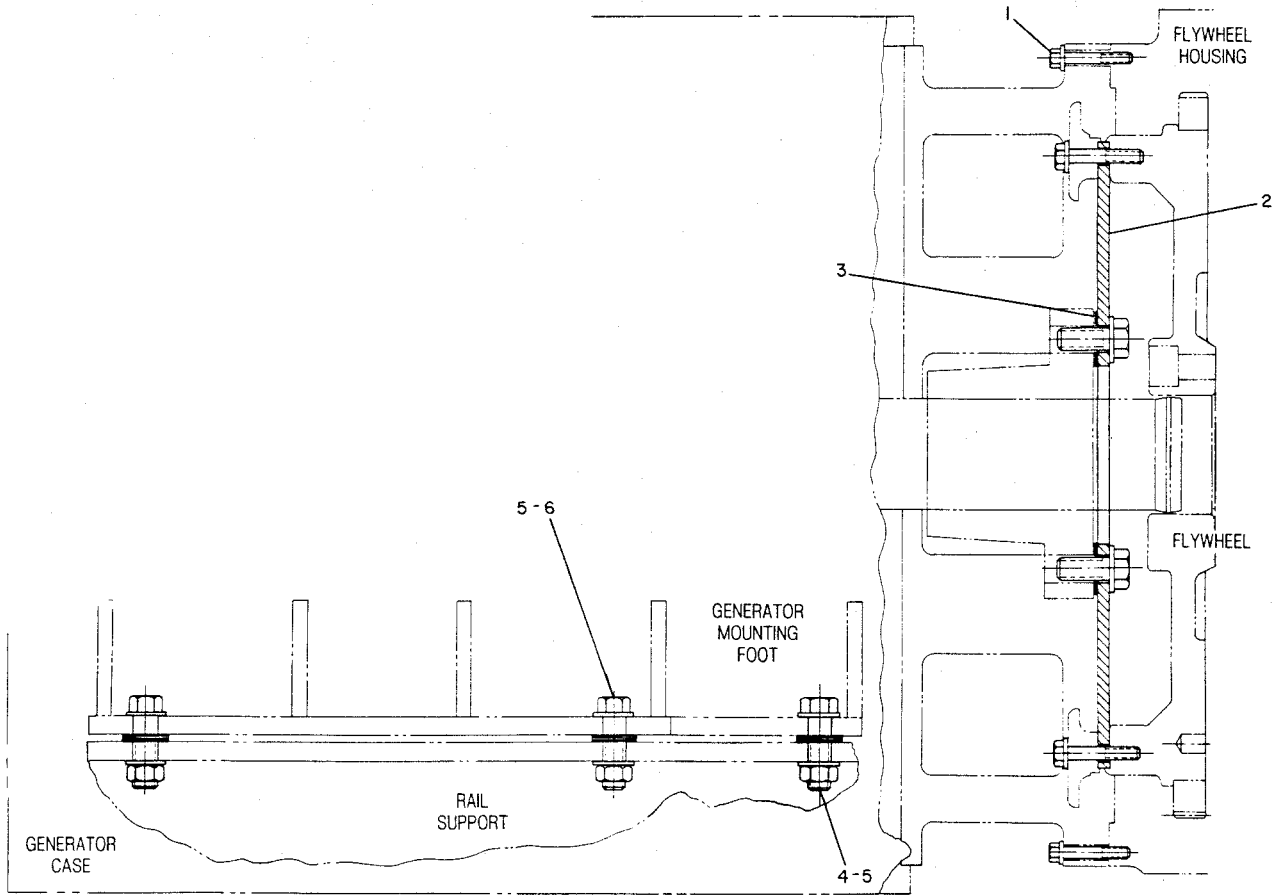
7W-8708 INSTALLATION AR-GENERATOR AN ATTACHMENT

SMCS-4450

i00660658

NOTE	REF NO	GRAPHIC REF	PART NUMBER	QTY	PART NAME						SEE PAGE
					1	2	3	4	5	6 (PRODUCT LEVEL)	
	1	1	0S-1587	16	BOLT (1/2-13X1.75IN)						
		1	5P-8245	16	WASHER (3MM THK)						
Y	2	1	<i>8N-7152</i>	1	COUPLING GP-GENERATOR						29
B	3	1	5N-4479	3	SHIM						
J	4	1	1D-4637	2	BOLT (1-8X3.25IN)						
J		1	5P-8250	4	WASHER (5.0MM THK)						
J		1	2J-3507	4	NUT-FULL (1-8 THD)						
B	5	1	1H-1179	36	SHIM (0.0299IN THK)						
B		1	9F-8369	18	SHIM						
	6	1	1D-4637	4	BOLT (1-8X3.25IN)						
		1	5P-8250	8	WASHER (5.0MM THK)						
		1	2J-3507	4	NUT-FULL (1-8 THD)						

B- USE AS REQUIRED
 J- FOR USE WITH 689 & 807 FRAME ONLY
 Y- SEPARATE ILLUSTRATION



GRAPHIC #1

g00187129

GENERATORS

153-0191 INSTALLATION AR-GENERATOR AN ATTACHMENT

SMCS-4450

i00942887

NOTE	PART NUMBER	QTY	PART NAME						SEE PAGE
			1	2	3	4	5	6 (PRODUCT LEVEL)	
	7X-0407	6	BOLT (1-8X3.25IN)						
	8T-8919	16	BOLT (1/2-13X1.75IN)						
	8T-9396	12	BOLT (5/8-11X3.25IN)						
	6V-8190	6	NUT (1-8 THD)						
	4B-3603	4	SETSCREW-SQUARE HEAD						
BY	137-8533	6	SHIM GP-GENERATOR						840
	8T-4122	12	WASHER (3.5MM THK)						
	8T-5361	12	WASHER (5MM THK)						
	8T-4223	16	WASHER-HARD (3MM THK)						

B-USE AS REQUIRED
Y-SEPARATE ILLUSTRATION

SERVICE EQUIPMENT AND SUPPLIES

6L-4502 CHART-PLATE & FILM

SMCS-7557

i00693074

NOTE	PART NUMBER	QTY	PART NAME						SEE PAGE
			1	2	3	4	5	6 (PRODUCT LEVEL)	
	2W-9228	1	FILM-ROTATION (ENGINE STANDARD ROTATION)						
			INSTALL ON RH OR LH REAR						
			ACCESSORY DRIVE COVER						
	1H-4950	2	FILM-WARNING						
			INSTALL ONE ON RH AND LH CRANKCASE						
			COVER						
	109-4259	2	FILM-WARNING						
			INSTALL (1) ON RH SIDE AND (1) ON LH						
			SIDE ON VALVE COVER BASE IN A VISIBLE						
			LOCATION						
	7E-2681	2	PLATE-IDENTIFICATION (CATERPILLAR)						
			INSTALL ONE ON RH REAR AND ONE						
			ON LH FRONT CAMSHAFT COVERS						
	3L-2426		PLATE-INFORMATION						
			INSTALL WITH LOCTITE COMPANY DEPEND						
			ADHESIVE ON LH SIDE OF ENGINE ON						
			FRONT HOUSING ON VERTICAL MACHINED						
			SURFACE						
	9L-6531	1	PLATE-INFORMATION (ENGINE RATING)						
			INSTALL ON RH TOP SURFACE OF						
			CYLINDER BLOCK BEHIND REAR						
			CYLINDER HEAD OR ON LH TOP						
			SURFACE OF CYLINDER BLOCK IN FRONT OF						
			FRONT CYLINDER HEAD. USE LOCTITE						
			COMPANY DEPEND ADHESIVE.						
	3N-3790	1	PLATE-SERIAL NUMBER (ENGINE) (USA)						
			INSTALL ON LH SIDE OF BLOCK NEAR REAR						
			FACE ON CAMSHAFT						
	4B-4158	2	SCREW (DRIVE)						
	8L-8413	1	STRAP-CABLE (1.12IN DIA)						
			INSTALL PRESTART TAG						
	3N-3469	1	TAG-INSTRUCTION (ENGINE PRESTART)						
			INSTALL ON RH OR LH SIDE IN VISIBLE						
			LOCATION						

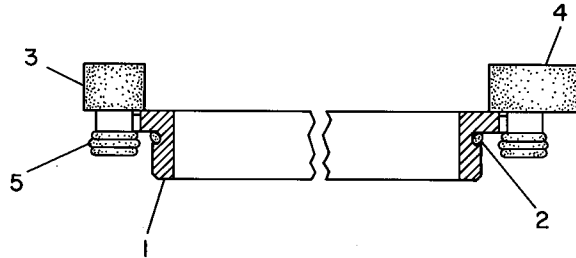
SERVICE EQUIPMENT AND SUPPLIES

7E-2865 KIT-INSERT FIELD INSTALLATION

SMCS-1103, 1217

i00095511

NOTE	REF NO	GRAPHIC REF	PART NUMBER	QTY	PART NAME						SEE PAGE
					1	2	3	4	5	6 (PRODUCT LEVEL)	
	1	1	7E-2866	1	INSERT-SEAT						
	2	1	9X-7410	1	SEAL-O-RING						
	3	1	105-4656	4	SEAL AS-WATER						
	4	1	105-4657	4	SEAL AS-WATER						
	5	1	9X-7409	8	SEAL-O-RING						



GRAPHIC #1

g00082300

SERVICE EQUIPMENT AND SUPPLIES

4P - 6547 PROGRAMMER—WOODWARD 701 SETPOINT PROGRAMMER AN ATTACHMENT

SMCS - 1264

i00079648

NOTE	PART NUMBER	QTY	PART NAME 1 2 3 4 5 6 (PRODUCT LEVEL)	SEE PAGE
(INDIVIDUAL PARTS ARE NOT SERVICED SEPARATELY)				

MEMORANDA

PART NUMBER INDEX

Part	Page	Part	Page	Part	Page	Part	Page
0							
			712		180		258
			713		182		784
OL-0701	174	OL-1352	31		196	OS-1591	31
OL-1143	124		148		208		94
	128		152		216		144
	132		272		258		152
	136		578	OS-1587	96		158
	144		796		173		184
	148	OL-2070	59		174		188
	152		101		319		190
	160		158		390		192
	175		160		402		208
	176		266		838		214
	180		322	OS-1588	101		216
	230		326		102		217
	314		372		104		236
	316		428		123		246
	430		432		124		309
	436		434		128		310
	438		446		132		314
OL-1325	168		792		136		316
	170	OS-0509	26		144		322
OL-1329	34		27		148		326
OL-1351	6		156		152		350
	8		262		168		375
	24		264		170		390
	26		322		180		392
	27		326		254		402
	31		550		272		405
	36		554		276		442
	72		558		308		444
	90		698		394		446
	91		700		430		675
	102		762		436		718
	104	OS-0519	322		438		786
	124		326		558		787
	128	OS-1566	616		578		788
	132	OS-1571	102		587	OS-1592	68
	136		104		590		70
	155		124		593		74
	180		128		689		76
	210		132		760		78
	220		136		764	OS-1594	6
	224		148		766		30
	252		152		796		31
	258		168		798		72
	262		170	OS-1589	28		74
	264		178	OS-1590	104		76
	272		196		118		78
	280		208		149		84
	281		214		152		86
	282		216		162		88
	285		224		164		93
	318		266		180		102
	355		308		182		104
	524		312		183		128
	526		313		184		132
	530		574		190		136
	532		576		192		140
	534		580		198		144
	536		794		202		148
	538	OS-1585	162		210		152
	689		164		214		158
	710		173		220		160
	711		174		246		168

PART NUMBER INDEX

Part	Page	Part	Page	Part	Page	Part	Page
	170		788	OS-1621	93	1A-2029	6
	175		796		94		8
	176		832		176		32
	180		835		258		33
	182	OS-1595	24		372		34
	183		46		698		46
	184		48		700		48
	190		52	OS-1625	374		52
	192		72		386		122
	196		90	OT-0055	68		154
	198		91		70		155
	202		95		74		176
	206		208		78		196
	208		216		81		198
	210		230		84		202
	214		258		86		208
	216		280		88		210
	220		281		198		216
	224		282		202		220
	228		326		214		224
	230		348		390		258
	235		404		446		277
	236		442		582		278
	247		444		792		279
	266	OS-1608	792		794		280
	277	OS-1614	524		798		281
	278		526	OT-0065	101		282
	279		528		144		285
	322		530		148		361
	326		532		152		362
	330		534		180		364
	332		536		214		366
	337		538	OT-0102	46		368
	339		548		48		375
	341	OS-1615	375		52		390
	349		780		262		392
	350		782		264		400
	352		783		524		402
	354	OS-1616	294		526		406
	372		300		528		407
	386		302		530		792
	400	OS-1618	148		532		794
	405		198		534	1A-5183	185
	428		202		536		186
	430		237		538		216
	432		240		770		254
	434		245	OT-0320	688	1A-5822	168
	436		248	OT-0573	98		170
	438		249		133		252
	442		250		136		318
	444		274		144		322
	446	OS-1619	124		148		326
	490		128		234		390
	550		129		272		392
	554		132		390		400
	576		136				402
	578		190			1A-5964	190
	580		192				192
	706		198			1A-7669	95
	708		202				372
	764		220	1A-0168	574		28
	766		224	1A-0458	837	1A-8537	252
	779		314	1A-1460	208		198
	786		316		216	1A-9066	202
	787		578		374		210
					574		

1

PART NUMBER INDEX

Part	Page	Part	Page	Part	Page	Part	Page
	220		394		319		128
	224	1C-0569	335		574		133
	760	1C-2251	34	1G-6660	808		137
	766		258	1H-1023	618	1M-3381	168
1A-9252	128		428		622		170
	132		430		626	1M-6119	423
	136		432		630		424
1A-9579	37		434		634		425
	121		436	1H-1179	838	1M-6120	423
	160		438	1H-2204	350		424
1B-0676	800	1D-4539	369	1H-2629	618		425
	804		371		622	1M-9968	618
1B-2578	291	1D-4556	272		626		622
	292	1D-4566	306		630		626
1B-2713	442		608		634		630
	444		609	1H-3244	408		635
	724		616		410	1M-9971	619
1B-2714	446	1D-4569	306		418		623
	542		608	1H-3337	462		627
	544	1D-4572	74		463		631
1B-2790	46		78	1H-4560	415		634
	48		84	1H-4950	841	1N-2895	124
	52		86	1H-6936	792		128
1B-2886	566	1D-4574	124		794		132
	568		128	1H-8278	238	1N-2914	30
1B-4218	32		132		239	1N-3126	375
	33		136		241	1N-3279	336
	34	1D-4585	29		242	1N-3333	144
1B-4367	90	1D-4586	574		243		148
	91	1D-4588	372		244		152
1B-4971	190	1D-4590	95	1H-9569	688	1N-3409	372
	192	1D-4593	96	1H-9570	688	1N-3751	302
1B-5174	45	1D-4597	96	1H-9572	688	1N-3872	168
	50	1D-4637	838	1H-9573	688		170
	331	1D-4706	196	1H-9574	688		252
	333		210	1H-9575	688		390
	335		220	1H-9577	688		392
	336		224	1H-9578	688		400
	338		230	1H-9580	688		402
1B-5355	289		322	1H-9581	688	1N-4087	198
	290		326	1J-9671	374		202
	312	1D-4716	374	1K-6539	371	1N-4171	15
1B-5357	311	1D-4717	180	1K-6937	173		17
	312		184		174		18
1B-7182	160		214		578		21
	198		216	1L-0254	228		22
	202		241	1L-2072	688		▶196
	210		243	1L-2073	687	1N-4637	162
	220	1D-4719	208		▶688		164
	224		216	1L-4031	576	1N-5742	82
	283		252		580	1N-5999	374
	284	1F-0750	550	1L-6561	702	1N-9770	800
	286		554		719		804
	287		558		720	1P-0659	291
1B-8701	362		798		722		292
	364		812	1L-8181	576	1P-1111	296
	366		816		580		298
	368		820	1L-8497	612	1P-1112	335
1B-8705	416		824		614	1P-1113	335
	418	1F-4622	375	1L-9048	416	1P-1114	296
1B-8706	128	1F-6660	66		688		298
	132	1F-7958	173	1L-9049	688	1P-1117	296
	136		174	1L-9079	688		298
1B-9575	168		230	1L-9080	688	1P-1120	294
	170		272	1M-0644	124		296

PART NUMBER INDEX

Part	Page	Part	Page	Part	Page	Part	Page
	298		836		18		385
	300	1V-7753	609		▶68	2B-0947	252
	302	1W-0431	274	1W-9554	15	2B-2695	68
1P-1123	296	1W-0432	274		17		70
	298	1W-0433	274		19		72
1P-1124	296	1W-0434	274		21		74
	298	1W-0494	274		23		76
1P-1125	296	1W-2133	372		▶235		78
1P-1255	160	1W-2135	▶372	1Y-0462	267		168
1P-4579	390		376		268		170
	402		377		269		275
1P-5274	155		378		270		372
1P-7115	94	1W-2421	118	1Y-7578	148	2D-4534	276
1P-7625	272	1W-2430	322		198	2D-6235	542
1P-9897	291		326		202		800
	292	1W-2639	180				804
1S-1770	302		183			2D-6392	618
1S-2067	190		184	2			622
	192	1W-2963	124				626
1S-2244	492		128	2A-0762	102		630
1S-2294	492		132		104		634
1S-2303	576	1W-4188	46		172	2D-7325	156
	578		48		296	2F-0808	294
	580		52		298		300
1S-4589	574	1W-4257	168		778		331
1S-4810	158		170	2A-1531	258		333
1S-4974	459	1W-4594	118	2A-4429	61		336
1S-5137	214	1W-4795	294		63		338
1S-5772	180		302	2A-4639	196		340
	183		331		198		786
	184		333		202		788
	208		336		208	2F-2860	618
	230		338		217		626
	258		340		334	2F-4547	84
1S-6595	158	1W-4821	168		390		86
1S-6791	468		170		402	2F-6678	618
1S-7446	622	1W-4923	94	2A-5220	32		622
	630	1W-6005	164		33		626
	634	1W-7214	158		34		630
1S-9593	732		160	2A-5546	406		635
	788	1W-8109	▶81		407	2G-6303	168
1T-0132	32	1W-8129	81		446		170
	33		148		779	2G-6304	168
	34		272		780		170
	72		390		782	2G-7049	760
	74		446		783		764
	76		792		784		766
	78		794	2B-0858	45		767
	84		798		50	2H-0210	371
	86	1W-8144	446		102	2H-1258	168
	88	1W-8145	446		104		170
	235	1W-8420	294		124	2H-1259	168
	247	1W-8422	333		144		170
	372		338		180	2H-3429	623
1T-0550	68	1W-8465	15		183		631
1T-0765	70		17		184		634
	74		19		210		652
	76		21		214		656
	78		23		306		664
	235		▶118		309		666
	247	1W-8887	14		310	2H-3755	267
1T-0822	355		20		376		268
1U-4738	174		▶376		377		269
1V-0623	93	1W-9379	372		378		270
	835	1W-9553	14		384	2H-3855	446

PART NUMBER INDEX

Part	Page	Part	Page	Part	Page	Part	Page
	689		446	2T-1411	139	2W-2288	38
2H-3920	418	2N-2766	330		742	2W-2662	61
2J-0157	118		332		744		63
2J-3507	838		334		747	2W-2895	84
2J-8163	618		337		748		86
	622		339		760		88
	626		341		767		90
	630	2N-3378	168	2T-1590	760		91
	634		170		766	2W-2940	45
2K-4821	408	2N-3385	93	2V-5956	449		46
	410		835		450		48
	416		836	2V-7397	423		50
	418	2N-3476	722		424		52
2K-4973	284	2N-3478	262		425		54
	287		264	2V-8571	156	2W-3406	168
	355	2N-3479	413	2W-0013	178		170
	428		415	2W-0543	▶369	2W-3558	▶294
	430		800	2W-0629	686		333
	432		804	2W-0646	38		338
	434	2N-5842	118	2W-0652	170	2W-4075	▶328
	436	2N-7613	▶166	2W-0715	294	2W-4334	180
	438		168	2W-0716	296		182
2L-0273	413	2N-8037	194		298	2W-4335	180
	420		195	2W-0752	123	2W-5225	208
	421		320	2W-1053	144		252
2L-2811	566	2N-8109	120		148	2W-5285	32
	568	2N-8198	190		152		34
2L-6679	618		192	2W-1461	14	2W-5404	362
	622		392		16		364
	626		400		18		366
	630	2N-8220	▶120		20		368
	635	2N-8613	128		22	2W-5405	362
2L-8057	415		132		▶190		364
2L-8060	415		136	2W-1464	▶198		366
2L-8066	664	2N-9768	778		257		368
	666	2P-1279	780	2W-1469	14	2W-5406	368
2L-8071	664	2P-1297	6		18	2W-5476	164
	666	2P-2772	31		20	2W-5479	162
2L-8075	410	2P-3696	237		▶348	2W-5616	▶36
2L-8077	468		240	2W-1635	124	2W-5709	394
2M-0849	64		245		128	2W-5713	322
	550	2P-5616	410		132		326
	554	2P-6896	542		136	2W-5958	322
	558		544		144		326
2M-4453	32		548		152	2W-6078	612
	33		702	2W-1969	124		614
	34		719		128	2W-6081	612
	68	2P-7216	762		132		614
	70		764		136	2W-6082	612
	72		766		144		614
	74		780		152	2W-6618	162
	76		792	2W-2072	30	2W-6619	164
	78	2P-9607	296		428	2W-6820	686
2M-6471	335		298		430	2W-7094	335
2M-9780	160	2P-9635	296		432	2W-7111	318
	262		298		434	2W-7226	144
	264	2R-7712	576		436		148
	272		580		438		152
2N-0931	210	2S-1251	31	2W-2073	30	2W-7275	331
	220	2S-2760	162		117		338
	224		164		156	2W-7320	68
	230	2S-5100	124	2W-2243	390		74
	258		128		392		84
2N-1287	442		132		400		88
	444		136		402	2W-7504	31

PART NUMBER INDEX

Part	Page	Part	Page	Part	Page	Part	Page
2W-7866	▶311		250		170		72
2W-7867	311	2W-9724	237		350		74
2W-7868	311		249		355		76
2W-7871	▶312	2W-9725	▶237	3B-4504	291		78
2W-7872	312		238		292		84
2W-7873	312	2W-9726	15		753		86
2W-7954	118		17		754		88
2W-7963	206		19		777		235
2W-7964	206		23		832		247
2W-7977	206		▶238	3B-4505	388	3D-2824	6
	228		▶239		612		8
2W-8060	785	2W-9727	240		614		237
	789		248		673		240
	797	2W-9728	▶240		674		245
2W-8378	124		241	3B-4506	93		248
	128	2W-9729	21		835		249
	132		▶241	3B-4508	93		250
2W-8604	792		▶242	3B-4605	371		272
	794			3B-4615	128		278
	798				132		314
2W-8683	542				136		317
	550			3B-5300	542	3D-2992	155
	554	3B-0551	196		544	3D-9777	128
	808	3B-0623	55	3B-6486	390		132
	812	3B-0645	55		392		136
2W-8772	14		289		400	3E-0075	▶669
	16		333		402		678
	18		338	3B-6492	566	3E-0105	542
	20	3B-1915	6		568		544
	22		8	3B-6498	578		548
	▶82		144	3B-6500	689		808
2W-8773	82		152		690	3E-0125	642
2W-8798	542		185	3B-6552	143	3E-0127	642
	550		186		442		662
	554		220		444	3E-0128	642
	808		224		446		662
2W-8935	357		238		566	3E-0129	642
	358		239	3B-7255	175		662
	359		241		176	3E-0130	642
	370		242	3B-7265	173		662
	808		243		174	3E-0131	642
	812		244	3B-7270	580		662
	816		362	3B-7280	228	3E-0132	642
	824		364	3B-7285	142		662
2W-9209	128		366	3B-7296	689	3E-0133	642
	132		368		690		662
	136		587		692	3E-0134	642
2W-9210	178		590	3B-7329	178		662
2W-9215	739		593	3B-7722	175	3E-0135	642
	740	3B-4501	542		176		662
	758		544	3B-7728	578	3E-0136	642
	775		548	3B-7741	175		662
2W-9219	742		555		176	3E-0137	642
	776		559	3B-7745	155		662
2W-9228	841		675		156	3E-0138	642
2W-9299	124		677		228		662
	128		702		578	3E-0139	642
	132		719	3B-7749	228		662
2W-9593	▶786		722		390	3E-0140	642
	▶787	3B-4502	168		392		662
2W-9723	237		170		400	3E-0141	642
	240		611		402		662
	245		673	3B-8453	32	3E-0142	642
	248		674		33		662
	249	3B-4503	168		34	3E-0144	642

3

PART NUMBER INDEX

Part	Page	Part	Page	Part	Page	Part	Page
	662		555		721	3K-8106	426
3E-0145	642		559	3H-3680	611		427
	662		808		618		488
3E-0146	642		812		626	3K-8460	374
	662		816	3H-3681	618	3K-8782	559
3E-0257	▶467		820		627		800
	528		824	3H-5939	258		804
3E-0264	487		828		262		821
	▶671	3E-5504	542		264		825
3E-0355	542	3E-6351	▶455	3H-7131	144	3L-2426	841
	808		558		152	3L-3380	618
3E-0356	542	3E-6489	▶596	3H-7654	689		622
	544	3E-7235	769	3J-1907	236		626
	555	3E-7236	758		246		630
	559	3E-7237	757		730		634
	813	3E-7238	739	3J-5389	176	3L-4576	676
	817	3E-7390	492		210	3L-5389	128
	821	3E-7404	578		256		132
3E-0357	542		580		316		136
	544	3E-7428	326	3J-5390	404	3L-6789	677
3E-0368	559	3E-7430	182	3J-7311	745	3L-7604	646
3E-0487	428		355		780		647
	432		576	3J-7352	780		659
3E-1854	428		578		782		660
	430		580		783	3L-7634	646
	432	3E-7565	587	3J-7354	55		647
	434		590		314		659
	436	3E-7573	468		459		660
	482	3E-7639	587		470	3L-8187	540
	▶595		590		575		550
3E-2286	542	3E-7771	630		727		551
	544		634	3J-7355	442		554
	548	3E-7775	664		444		555
	559		666		446		558
	808	3E-7848	▶468		566		559
	812		470		568		683
	816	3E-7886	573		782		684
	820		786		783		724
	824		788	3J-7719	612		739
	828	3E-8542	▶469		614		764
3E-2331	322		542	3J-9173	128		767
3E-3361	678		544		132		768
3E-3362	678	3E-8893	15		136	3L-8993	566
3E-3365	696		19	3J-9196	118		687
3E-3370	603		21	3K-0360	156	3L-9689	93
3E-3371	596	3F-0379	618		272		835
	598		622		278	3M-7045	66
	599		626		279	3N-1341	258
	603		630		314	3N-2050	542
3E-3386	732		634		316	3N-2730	386
	735		652		390		394
3E-3761	584		656		392	3N-3008	180
	▶585		664		402	3N-3297	172
3E-5165	562		666		428	3N-3299	172
	714	3F-1417	94		432	3N-3300	172
	724	3F-2065	670		434	3N-3469	841
3E-5286	▶452	3F-6166	139		587	3N-3763	619
	453		746		590		623
	454		760		593		627
3E-5454	408		766		604		631
3E-5502	542	3F-7674	350		606		635
3E-5503	542	3H-0510	616	3K-2889	574	3N-3786	371
	544	3H-2617	178	3K-5670	272	3N-3787	371
	548	3H-3433	155	3K-7543	413	3N-3790	841
	551	3H-3627	716		415	3N-3893	206

PART NUMBER INDEX

Part	Page	Part	Page	Part	Page	Part	Page
3N-4579	168		152		755		626
	170	3P-1896	32		756		630
3N-4622	566		33		757		634
	568		34		758	3T-3419	619
	778		333		760		623
3N-4869	▶141		338		762		627
3N-5596	▶97	3P-2021	578		764	3T-3420	618
3N-5611	800	3P-6061	190		766		622
	804		192		767		626
3N-5708	835		214		770	3T-3422	618
3N-5764	▶835	3P-9847	386		777		622
3N-5765	▶93	3R-1059	168		785		626
3N-5977	732		170		789		630
3N-5979	550	3R-1937	25		801		634
	554	3R-5387	390		805		652
	558		392		828		656
	800		400		833		664
	804		402	3S-4484	294		666
	808	3R-8801	619		300	3T-3423	618
	812		623		331		619
	816		626	3S-5129	333		622
	820		630		338		623
	824		634	3S-5849	291		626
	828	3R-9704	6		292		627
3N-5986	747		8	3S-6228	291		630
3N-5989	139	3S-1099	139	3S-8664	258		634
3N-5990	774		741	3S-8888	512		635
3N-5992	738		742		514	3T-3424	618
	774		743	3S-9643	254		619
3N-6666	28		744		256		622
3N-6744	542		745	3T-0842	648		623
	544		746		650		626
	548		747	3T-0844	648		627
3N-6935	168		748		650		630
	170		760	3T-0847	648		634
3N-7012	750		762		650		635
	752		763	3T-0849	648	3T-3433	618
	831		764		650		623
3N-7054	668		766	3T-0850	648		627
3N-7055	668		767		650	3T-3434	618
3N-7056	▶668		780	3T-0858	648		623
3N-7057	155	3S-1307	84		650		631
3N-7281	232		86	3T-0862	648		634
3N-8271	679		88		650		652
	749		90	3T-0863	648		656
	750		91		650		664
	751	3S-1546	272	3T-0864	648		666
	752	3S-2093	139		650	3T-4704	▶610
3N-8276	749		474	3T-0865	648		617
	751		706		650		622
	▶831		708	3T-0867	648		630
3N-8278	329		710		650	3T-4709	618
	752		738	3T-1887	416		622
	753		739	3T-2646	▶617		626
3N-8647	▶80		740		644		630
3N-9012	413		742		646		635
	415		744	3T-2768	648	3T-4710	618
	▶774		747		650		622
3N-9409	394		748	3T-2769	648		626
3P-0647	372		749		650		630
3P-0654	101		750	3T-3048	545		635
	102		751	3T-3106	618	3T-4711	626
	104		752		626		630
3P-0655	144		753	3T-3418	618	3T-4716	648
	148		754		622		650

PART NUMBER INDEX

Part	Page	Part	Page	Part	Page	Part	Page
3T-6352	▶408		410		841		252
	414		540	4B-4274	610	4F-7390	120
3T-6354	408		675		611	4F-7957	442
	410		677		619		444
3T-7017	648		679		627		446
	650		749		677	4H-7869	25
3T-7020	648		750		722		644
	650		751		732		645
3T-7021	648		752		794		647
	650	4B-2047	413		800		660
3T-7022	648		415		804	4H-8158	372
	650		677	4B-4278	544	4J-0521	174
3T-7025	648	4B-2049	139		548	4J-0524	390
	650		350		722		402
3T-8967	▶618		610	4B-4280	93	4J-4382	328
	▶622		611		611	4J-6750	371
3T-9374	170		622	4B-4281	430	4J-7533	452
3T-9377	555		631		434	4K-0367	216
	813		635		440		252
	817		642		573		386
	821		652		587		574
3T-9494	618		656		590	4K-7502	272
	622		662		593	4K-8603	374
	626		664		712	4K-8864	764
	630		666		713		766
	631		732		786	4K-9097	168
	635		739		788		170
3T-9524	618		746	4B-4863	413	4L-2729	631
	622		755		426		635
	626		756		427	4L-5885	760
	630		757		459		766
	634		764		485	4L-6155	660
3T-9525	618		767		488	4L-8606	185
	622		768	4B-5324	540		186
	626		769	4B-5984	228	4L-9337	724
	630		770	4B-7770	390	4M-1815	610
	635		800		392		611
3V-3308	6		804		400		635
	8	4B-2363	102		402	4M-1827	619
	280		104	4B-8407	31		623
	281	4B-3140	102		216		627
	308		104	4D-0514	74		631
	309		144		76		634
	310		148	4D-1836	724		652
	390		152	4D-3118	612		656
3V-6153	741	4B-3388	84		614		664
	743		86	4D-3704	28		666
	745		88	4D-8948	779	4M-1828	618
	746		348		784		622
	763		361	4F-2294	362		626
	780		362		364		630
3W-4871	550		364		390		634
	554		366		402		652
	558		368	4F-4879	550		656
			390		554		664
			402		558		666
			404		812	4M-1829	618
		4B-3603	839		816		622
4B-1221	562	4B-4043	31		820		626
4B-1227	168	4B-4158	237		824		630
	170		240		828		634
4B-1243	168		245	4F-5695	322	4M-1831	618
	170		248		326		622
4B-1289	371		249	4F-7387	190		626
4B-2043	408		250		192		630

4

PART NUMBER INDEX

Part	Page	Part	Page	Part	Page	Part	Page
	634	4N-4523	369		128		33
	652		371		132	4P-6718	355
	656	4N-5834	237		136	4P-6719	355
	664		240	4P-3684	398	4P-6741	16
	666		245	4P-3686	398		18
4M-1833	619		248	4P-3687	398		20
	627		249	4P-3688	398		22
4M-1851	619		250	4P-3689	398		▶362
	623	4N-6864	335	4P-3784	140		▶364
	627	4N-6865	335	4P-3937	398		▶366
4M-1853	619	4N-7521	642	4P-4251	808	4P-6925	55
	623		662	4P-4626	377	4P-6939	682
	627	4N-7556	566	4P-4627	378		684
	631		▶570	4P-4628	376	4P-6940	14
	634	4N-9029	369	4P-4694	▶257		20
4M-1854	619	4P-0306	262	4P-4878	318		▶368
	623		264	4P-4892	542	4P-6944	682
	627	4P-0331	276	4P-4894	542	4P-7059	682
	631	4P-0334	277		562	4P-7074	528
	634	4P-0663	3	4P-5090	90		530
4M-1896	619		▶349	4P-5091	90		532
	623	4P-0692	158	4P-5211	574		534
	627	4P-0707	160	4P-5242	174		▶682
	631	4P-0708	361	4P-5251	342	4P-7087	▶343
	635		362		▶361		344
4M-2442	258		364		382		382
4M-3248	162		366		384		384
	164		390	4P-5437	90		385
4M-5317	566	4P-1503	268		91	4P-7099	808
	568		269	4P-5438	90	4P-7262	▶45
4M-6425	388		270		91	4P-7320	322
4M-6646	294	4P-1504	268	4P-5439	90	4P-7324	15
	296		269	4P-5440	90		17
	298		270	4P-5459	90		22
	300	4P-1505	267		91		▶322
	302		268	4P-5518	▶370	4P-7369	524
4M-6853	646	4P-1506	269	4P-5637	162		526
	659	4P-1511	267	4P-5638	▶162		530
4M-6953	80		268		165		532
4M-8303	375		269	4P-5646	587		534
4N-0683	46		270		590		536
	48	4P-1513	▶788	4P-5698	▶276	4P-7401	402
	52	4P-1514	▶491		277	4P-7428	428
4N-0932	333		788	4P-5776	228		432
	338	4P-1523	267	4P-5924	206		434
4N-0933	31	4P-1524	267	4P-5925	206		689
4N-1059	31	4P-1525	267	4P-6160	604		704
4N-1114	31		268		606	4P-7429	587
4N-1320	196		269	4P-6546	▶356		590
	198		270	4P-6547	▶843		593
	202	4P-1539	542		14	4P-7448	▶277
	208		544	4P-6569	16	4P-7481	524
	210		548		18		526
4N-3311	258		722		20		528
4N-3411	566	4P-2160	800		22		530
	568		804		▶59		532
4N-3986	▶410	4P-2161	800		▶60		534
	415		804	4P-6570	59		536
	421	4P-2162	800		60		538
4N-4405	648		804		▶61	4P-7482	528
	650	4P-2349	262	4P-6571	▶55		530
4N-4519	369		264		56		532
	371	4P-2352	262		57		534
4N-4520	369		264		61		536
	371	4P-2839	124	4P-6596	32	4P-7483	524

PART NUMBER INDEX

Part	Page	Part	Page	Part	Page	Part	Page
	526		708		16		▶281
	528		710		18	4P-9090	▶394
	530		711		20	4P-9092	394
	532		714		22	4P-9093	280
	534		716		▶121		281
	536		718	4P-8313	121	4P-9094	280
4P-7484	538		721	4P-8319	14		281
	528		722		16	4P-9095	280
	530		739		18		281
4P-7485	532		740		20	4P-9096	280
	524		758		▶46		281
	526		812		▶48	4P-9097	280
	528		816	4P-8320	14		281
	530		820		16	4P-9098	394
	532		824		20	4P-9099	394
	534		828		▶26	4P-9100	394
	536		832	4P-8321	26	4P-9101	394
	538	4P-8192	14	4P-8322	15	4P-9102	394
4P-7486	528		16		17	4P-9321	526
4P-7488	682		18		18		528
4P-7581	490		20		21		530
	544		22		22		532
	548		▶528		▶202		534
	550		▶530	4P-8323	14		536
	554		▶532		16		538
	558		▶534		18	4P-9322	524
	689		▶536		20	4P-9327	394
	690	4P-8203	526		▶90	4P-9409	17
	698		528	4P-8324	15		18
	700		530	4P-8325	14		21
	704		532		16		22
	706		534		18		▶204
	708		536		20	4P-9552	763
	710		538		22		▶768
	711	4P-8294	528		▶30	4P-9565	12
	712	4P-8300	▶56	4P-8326	15		▶428
	713	4P-8304	14		19		▶430
	716		20		21		456
	721		▶32		▶392	4P-9566	▶808
	722	4P-8305	16	4P-8327	▶14		▶812
	812		18	4P-8330	14		▶816
	816		20		16		▶820
	820		22		18		▶824
	824		▶33		20	4P-9567	808
	828	4P-8307	14		22		812
4P-7719	277		16		▶314		816
4P-7866	682		18	4P-8331	314		820
4P-7872	682		20	4P-8355	▶16		824
4P-7873	682		22	4P-8463	576		828
4P-7899	▶587		▶95		580	4P-9571	▶542
4P-8048	228	4P-8308	95	4P-8882	14		▶544
4P-8134	490	4P-8309	14		16		702
	544		16		18		719
	548		18		20	4P-9572	542
	551		20		22		544
	555		22		▶278		548
	559		▶31	4P-8885	14	4P-9596	▶689
	587	4P-8310	14	4P-8888	14		▶690
	590		16		18	4P-9597	▶142
	593		18		20	4P-9895	12
	690		20		▶456		456
	698		22	4P-8961	▶18		▶698
	700		▶37	4P-9063	836	4R-8605	748
	704	4P-8311	37	4P-9064	▶836		762
	706	4P-8312	14	4P-9088	▶280		778

PART NUMBER INDEX

Part	Page	Part	Page	Part	Page	Part	Page
4S-3652	194	4W-1455	330	4W-4587	375		21
	195		332	4W-4589	375		22
	320		334	4W-4677	144		▶158
4S-5719	544		337		148	4W-5771	15
	722		339		152		17
4S-5882	124		341	4W-4755	▶677		18
	128	4W-1478	330	4W-4794	148		21
	132		332	4W-4813	39		22
	136		334		40		▶206
	163		337		41	4W-5820	142
	165		339		42		143
4S-6399	156		341		43	4W-5887	98
4S-6678	6	4W-1596	37		44	4W-5893	14
	8		121		46		16
	317	4W-2109	206		48		18
4S-7756	375		228		52		20
4S-8222	512		578		210		22
	514	4W-2110	206	4W-4839	▶34		▶185
4V-8198	836		228	4W-4944	362		▶186
4W-0063	240		578		364	4W-5947	14
4W-0064	237	4W-2277	▶296		366		16
4W-0090	128		▶298	4W-4945	361		18
	132		335		362		20
	136	4W-2278	296		364		22
4W-0096	128		298		366		▶289
	132	4W-2280	296	4W-4946	362		▶290
	136		298		364	4W-5972	800
4W-0156	789	4W-2290	362		366		804
	▶797		364	4W-4998	24	4W-6062	15
4W-0288	128		366	4W-5107	▶612		17
	132		368		616		18
	136	4W-2359	330	4W-5224	291		20
4W-0289	128		332		292		22
	132		337	4W-5267	▶375		▶144
	136		339	4W-5393	383	4W-6066	144
4W-0290	128		341		384		152
	132	4W-2493	375	4W-5409	185	4W-6085	▶413
	136	4W-2541	369		▶187	4W-6387	124
4W-0334	128		371	4W-5424	442	4W-6493	278
	132	4W-2542	369		444		279
	136		371		446	4W-6664	26
4W-0343	129	4W-2682	775		▶686		27
	133	4W-2683	740	4W-5425	442	4W-6682	118
	136		755		444	4W-6874	14
4W-0506	745		756		446		16
	747		770	4W-5450	14		18
	748	4W-3027	121		16		20
	762	4W-3034	121		18		22
	770	4W-3100	230		20		▶124
4W-0508	139	4W-3108	258		22	4W-6960	124
	746	4W-3251	124		▶98	4W-7201	▶442
	770		132	4W-5592	124	4W-7202	▶444
4W-0510	742		136		128	4W-7207	▶446
	776	4W-3657	780		132	4W-7213	442
4W-0530	214	4W-3658	780		136		444
	216	4W-3851	318	4W-5596	144	4W-7214	442
4W-0531	214	4W-3864	236		152		444
	216		246	4W-5597	144	4W-7216	446
4W-1126	16	4W-4065	796		148	4W-7217	446
	▶316	4W-4076	195		152	4W-7219	446
4W-1454	330	4W-4313	144	4W-5643	▶377	4W-7220	446
	332		148	4W-5644	▶378	4W-7273	322
	337		152	4W-5770	4		326
	339	4W-4586	90		15	4W-7274	322
	341		91		17		326

PART NUMBER INDEX

Part	Page	Part	Page	Part	Page	Part	Page
4W-7277	▶775	5B-7666	566		682		70
4W-7282	744		568	5H-6734	216		74
4W-7283	326		687		238		78
4W-7287	743	5B-7890	59		239		84
	744		60		241		86
4W-7992	348		62		242		88
	404		322		243		94
4W-8459	124		688		244		98
4W-8468	124	5B-9079	128	5H-7225	178		101
	128		132	5H-7598	449		102
	132		136		450		104
	136	5B-9169	276	5J-5314	623		118
4W-8484	108	5B-9603	258		631		122
	109	5C-2874	416		634		123
4W-8787	550		638	5J-7303	168		124
	554		640		170		128
	558		648		760		129
4W-9002	319		650		766		132
4W-9024	314		753	5K-0605	369		136
	316		754		371		140
4W-9149	551		777	5L-2534	566		144
	555		832		568		148
	559	5C-2890	669	5L-2579	168		152
	812		800		170		154
	816		804	5L-3233	142		155
	820	5D-1026	258		143		156
	824		262	5L-3291	362		158
	828		264		364		160
4W-9348	319	5D-5569	696		366		162
4W-9725	318	5D-5957	124		368		164
4W-9726	318		178	5L-3773	308		168
4W-9852	278	5D-9231	168		309		170
	279		170		310		175
4W-9968	▶128	5E-0003	283	5L-4398	311		176
4W-9977	340	5F-0304	31		312		178
		5F-3106	68	5L-5006	175		180
			70		176		182
			74	5L-5840	428		183
			76		430		184
			78		432		188
5B-0213	60		144		434		190
	62	5F-4899	148		436		192
5B-0841	252		152		438		196
5B-2183	555		272		800		198
	559	5F-6199	155		804		202
5B-2638	230	5F-6371	173	5L-6296	175		206
5B-3254	139		174		176		208
	742		576	5L-6297	308		210
	744		580	5M-2894	6		214
	747		45		8		216
	748	5F-9657	46		26		220
	760		48		27		224
	762		50		30		228
	764		52		31		230
	766		54		32		234
	767		730		33		235
	792	5G-0799	190		34		247
5B-4855	576	5G-1442	192		36		258
	580		214		46		262
	755		797		48		264
	770	5G-2318	194		52		266
5B-5059	538	5H-0275	195		59		272
5B-5821	26		320		60		276
	27		530		62		277
5B-7643	566	5H-6555	532		68		278
	568						

5

PART NUMBER INDEX

Part	Page	Part	Page	Part	Page	Part	Page
	279		700	5N-4478	29		614
	280		706	5N-4479	29	5N-8387	612
	281		708		838		614
	282		710	5N-4659	▶175	5N-8388	612
	285		711	5N-4817	93		614
	313		712	5N-4830	▶117	5N-8390	612
	314		713	5N-5159	735		614
	316		725	5N-5537	542	5N-8403	612
	318		760	5N-5561	28		614
	322		762	5N-6235	173	5N-8424	612
	326		764		174		614
	330		766	5N-6236	173	5N-8425	612
	332		770		174		614
	334		786	5N-6237	▶172	5N-8427	612
	337		787		173		614
	339		788		174	5N-8428	612
	341		792	5N-6241	▶155		614
	349		794	5N-6255	172	5N-8943	670
	350		812	5N-6942	688	5N-8980	449
	352		816	5N-7501	462		▶685
	354		820		463	5N-9065	492
	355		824	5N-7759	674	5N-9066	512
	361		828		677		514
	362		832	5N-7766	175	5N-9067	801
	364	5M-3034	619		176		805
	366		623	5N-7812	369	5N-9068	492
	368		627		371		512
	372		631	5N-7830	275		514
	375		634	5N-8059	442	5N-9069	492
	386	5M-4987	375		444	5N-9070	512
	390	5M-6213	196		446		514
	392		208	5N-8060	442	5N-9071	512
	394		214		444		514
	400		216		446	5N-9072	492
	402		318	5N-8071	446		512
	405	5M-9204	423	5N-8363	612		514
	406		425		614	5N-9073	512
	407	5M-9205	423	5N-8364	612		514
	415		425	5N-8365	612		670
	428	5M-9679	316		614	5N-9117	512
	430	5M-9709	64	5N-8367	612		514
	432	5N-0408	190		614	5N-9230	780
	434		192	5N-8368	612		782
	436	5N-1939	235		614		783
	438		247	5N-8372	612	5N-9365	329
	442	5N-1940	235		614		710
	444		247	5N-8373	612		749
	446	5N-2126	749		614		751
	490		750	5N-8374	612	5N-9366	329
	524		751		614		710
	526		752	5N-8375	612		749
	528		753		614		751
	530	5N-2457	▶308	5N-8377	612	5N-9574	612
	532	5N-2458	▶307		614		614
	534	5N-2611	236	5N-8378	612	5P-0076	314
	536	5N-2728	566		614		316
	538	5N-3272	28	5N-8379	612	5P-0372	800
	578	5N-3274	28		614		804
	582	5N-3284	28	5N-8380	612	5P-0537	102
	587	5N-3727	305		614		104
	590	5N-3765	▶28	5N-8381	612		173
	593	5N-4383	236		614		174
	675		246	5N-8383	612		390
	689	5N-4384	236		614		392
	698		246	5N-8384	612		402

PART NUMBER INDEX

Part	Page	Part	Page	Part	Page	Part	Page
	406		816		750		88
	407		824		751		94
	442	5P-1476	732		752		128
	444		735	5P-5623	468		132
	446	5P-1480	350		491		136
	524	5P-2321	468		492		163
	526		512		512		165
	528		514		514		173
	530	5P-2546	72		732		174
	532		76	5P-5624	670		176
	534	5P-2603	322	5P-5677	679		196
	536		326		732		208
	538	5P-2675	555		749		216
	542		559		750		230
	544	5P-2766	768		751		252
	548	5P-3059	512		752		258
	550		514		786		272
	554		728	5P-5700	318		280
	558		729	5P-5846	144		281
	673	5P-3418	410		148		282
	674	5P-3419	410		152		285
	677	5P-3741	142		155		306
	722	5P-3860	6		168		311
	724		8		170		312
	778		285	5P-5906	550		318
	792		349		554		319
	794		352		558		348
	798		354	5P-5998	732		404
	808		355	5P-6298	618		442
	812	5P-3903	272		622		444
	816	5P-4115	538		635		446
	820		551	5P-6672	364		524
	824		555	5P-6920	408		526
	828		559	5P-7197	99		528
5P-0598	576		812		100		530
5P-0600	282		816	5P-7204	198		532
5P-0721	258		820		202		534
5P-0745	646		824		220		536
	647		828		224		538
	659	5P-4255	98	5P-7807	410		574
	660	5P-4295	258	5P-7817	144		576
5P-0747	423	5P-4624	124		148		580
	424		128		152		608
	425		132	5P-7818	102		609
5P-0840	46		136		104		698
	48	5P-4653	555	5P-8116	390		700
	52		559		392		838
5P-1075	94	5P-4869	6		402	5P-8247	29
	442		8	5P-8210	46		31
	444		285		48		68
	446	5P-4892	124		52		70
	566		128	5P-8244	272		74
	568		132	5P-8245	6		76
	578		136		8		78
	675		144		34		252
	798		148		46		267
5P-1076	180		152		48		386
	182	5P-4935	804		52		416
	322	5P-5421	124		68		418
5P-1475	489		128		70		428
	559		132		72		432
	732		136		74		574
	735	5P-5528	575		78	5P-8248	59
	808	5P-5592	679		84		60
	812		749		86		62

PART NUMBER INDEX

Part	Page	Part	Page	Part	Page	Part	Page
	90		86		551		8
	91		88		555		216
	98	5R-7425	▶25		559		217
	375	5S-0003	274		808		285
	837		284		812		322
5P-8249	39		286		816		524
	40		287		820		526
	41		361		824		528
	42		362		828		530
	43		364	6B-4542	542		532
	44		366		544		534
5P-8250	29		368		548		536
	64		390		551		538
	116		394		555	6H-3622	618
	576		402		559		626
	578	5S-0581	248		808	6H-6698	198
	580		249		812		202
	838		250		816		210
5P-8291	98	5S-4245	542		820		220
5P-8482	550		544		824		224
	554		548		828	6H-8297	576
	558		551	6B-4661	168		578
5P-8839	82		555		170		580
5P-8862	319		559	6B-5072	175	6H-9691	350
5P-8872	102		562		176	6I-0326	406
	104		712		748		407
5P-8998	555		713		760	6I-0327	390
	559		724		762		402
5P-9085	770		808		764	6I-0330	406
5P-9130	▶189		812		766		407
5P-9131	189		816		767	6I-0331	406
5P-9287	442		820		778		407
	444		824	6B-5150	371	6I-0332	406
	446		828	6B-8128	206		407
	779	5S-7348	725		228	6I-0333	406
	780	5S-7349	652		580		407
	782		656	6B-9081	576	6I-0407	710
	783		664		578	6I-0575	406
	784		666		580		407
5P-9464	156	5S-7383	798	6B-9202	144	6I-0666	▶317
5P-9514	612	5S-7433	492		148	6I-0667	6
	614	5T-4373	747		152		317
5P-9617	168			6D-3479	762	6I-0760	▶492
	170			6D-3897	470		689
	745			6D-5801	542	6I-0999	▶188
	747				544	6I-1039	▶576
	780	6B-0933	430		548	6I-1047	576
5P-9890	158		436		722	6I-1143	406
5R-1036	148		438	6F-0249	350		407
	198		779	6F-0496	576	6I-1182	604
	202		784		578		606
5R-7136	34	6B-1628	320		580	6I-1230	▶678
	68		394	6F-4868	66	6I-1356	59
	70	6B-1667	155		102	6I-1357	59
	74	6B-2730	362		104	6I-1713	55
	78		364		173	6I-1966	675
	84		366	6F-5985	566	6I-1997	670
	86	6B-3156	390		568	6I-1998	▶670
	88		392	6F-7172	237		675
5R-7137	34		400		240	6I-2083	4
	68		402		245		17
	70	6B-3685	566		248		▶330
	74	6B-4540	542		249	6I-2084	330
	78		544		250		▶331
	84		548	6H-1717	6	6I-2118	760

6

PART NUMBER INDEX

Part	Page	Part	Page	Part	Page	Part	Page
	766	6N-1872	408		762	6V-0268	144
	▶769		410	6N-9906	333		148
6I-2315	▶493	6N-1873	410	6S-5874	272		152
6I-2316	▶494	6N-1875	410	6S-7251	550	6V-0927	▶630
6I-2317	▶495	6N-1876	410		554		▶634
6I-2344	355	6N-1889	▶625		558		660
6I-2393	331	6N-1925	410	6S-7721	390	6V-1322	622
6I-3809	114	6N-1944	410		402		630
6I-3810	114	6N-1945	410	6T-0362	610		634
6I-4348	777	6N-1946	410		611	6V-1394	612
6I-4609	106	6N-1968	410	6T-0363	618		614
6I-4610	19	6N-2184	570		622	6V-1454	198
	23		571		626		202
	▶106	6N-2185	570		630		258
6I-4617	355		571		635		267
6J-2244	372	6N-2188	570	6T-0371	618		268
6J-7855	612		571		622		269
	614	6N-2190	570		626		270
6K-1972	204		571		630	6V-1541	470
	232	6N-2191	570		635	6V-1581	214
	233		571	6T-0372	618		216
	449	6N-2192	570		622	6V-1582	214
	450		571		626		216
	566	6N-2193	570		630	6V-1813	575
	568		571	6T-0647	▶626	6V-2202	408
	760	6N-2645	374		659	6V-2317	390
	764	6N-3169	566	6T-1119	610	6V-2489	335
	767	6N-3170	566	6T-1120	610	6V-2610	142
6K-3607	160	6N-3279	618		611	6V-2689	808
6K-3771	68		622		635	6V-2690	720
	70		627	6T-1121	611	6V-2695	318
	74		631	6T-1124	611	6V-2744	512
	78		634	6T-3631	550		514
	84	6N-3826	619		551	6V-3348	45
	86		623		554		46
	88		626		555		48
6K-3772	72		630		558		50
	76		634		559		52
6K-6307	272		652		724		54
6K-9194	128		656	6T-3632	550		372
	132		664		551		374
	136		666		554	6V-3537	46
6K-9602	262	6N-4743	245		555		48
	264	6N-4857	306		558		52
6L-1694	158	6N-5004	294		559	6V-3907	124
	160		300		724		128
6L-2288	276		302	6T-3633	550		132
6L-2849	390	6N-5475	237		551		136
	392		240		554	6V-3908	144
	400		245		555		148
	402	6N-5476	237		558		152
6L-3351	155		240		559	6V-3916	612
6L-4502	128		245		724		614
	▶841	6N-7239	300	6T-3644	426	6V-3935	612
6L-5296	350	6N-8486	294	6T-3645	427		614
	405		300	6T-6970	551	6V-3937	612
6L-7159	350	6N-8659	204		555		614
6L-8562	322	6N-8744	168		559	6V-3938	612
	326		170		724		614
6L-9888	374	6N-9294	413	6T-7337	786	6V-3939	612
6M-9613	322		▶414		787		614
	326		420		789	6V-3940	612
6N-1856	410	6N-9313	237	6V-0267	144		614
6N-1870	410		240		148	6V-3959	612
6N-1871	410	6N-9626	748		152		614

PART NUMBER INDEX

Part	Page	Part	Page	Part	Page	Part	Page
6V-3971	612	6V-5818	492		245		220
	614		512		248		224
6V-3987	722		514		249		254
6V-4245	778	6V-5819	491		250	6V-9163	362
6V-4246	▶637		492	6V-8367	550		364
	645		512		554		366
	647		514		558		368
6V-4314	36	6V-6148	▶470		808		390
	102		471		812		402
	104		475		816	6V-9499	470
	122	6V-6149	▶471		820	6V-9673	648
	154		550		824		650
6V-4320	637		554		828	6V-9769	198
	▶638		558	6V-8368	540		202
6V-4356	230		808	6V-8373	610		210
6V-4357	230		812		611		220
6V-4589	144		816		635		224
	148		820		739	6V-9995	98
	152		824		764	6W-6672	98
	158		828		767		314
6V-5016	262	6V-6544	728		768		316
	264		729	6V-8374	468		
6V-5048	124	6V-6609	196		550		
	128		208		551		
	132	6V-6789	482		554		
	136	6V-6809	198		555		
	144		202		558	7B-2742	173
	152		210		559		174
	168		220		724		442
	170		224	6V-8376	168		444
	178		230		170		446
	372		258		426	7B-3235	64
	428	6V-7646	778		555		272
	430	6V-7681	163		559		318
	432		165		677		574
	434	6V-8001	124		800	7B-8167	400
	436		128		804		792
	482		132		811		794
	745		136	6V-8378	611		798
	747	6V-8002	128		619	7C-0182	▶329
	780		133		627		749
	782		136	6V-8382	550		751
	783	6V-8185	388		554	7C-0204	118
6V-5049	204		418		558	7C-0330	▶449
	232	6V-8186	361		808	7C-0526	▶644
	233		366		812		▶645
6V-5051	148		368		816	7C-0527	▶646
	255		677		820		▶647
6V-5066	196	6V-8187	408		824	7C-0973	786
	198		410		828		787
	202	6V-8188	610	6V-8649	206		788
	208		622		228	7C-0974	800
	230		630	6V-8801	544		804
6V-5101	101		634		548	7C-1009	800
	102		642		722		804
	104		652	6V-8917	362	7C-1193	▶304
6V-5103	319		656		364		305
6V-5182	800		662	6V-8927	524	7C-1707	576
6V-5504	314		664		526		578
	316		666		534		580
6V-5539	▶639	6V-8190	839		536	7C-2199	160
6V-5540	639	6V-8260	372		538	7C-2241	26
	▶640		374	6V-9027	198	7C-2374	17
6V-5582	639	6V-8287	237		202		23
	▶642		240		210	7C-2377	▶332

7

PART NUMBER INDEX

Part	Page	Part	Page	Part	Page	Part	Page
7C-2952	550		326		78	7E-3568	278
	554	7C-6366	14		86	7E-3772	118
	558		16	7E-0467	140	7E-3781	▶2
	812		18	7E-0717	542	7E-3783	2
	816		20		544		▶252
	820		22		548	7E-3784	2
	824		▶140		550		▶214
	828	7C-6462	▶305		554	7E-3785	2
7C-3043	230	7C-6708	336		558		▶216
7C-3095	256	7C-6886	102		808	7E-3786	216
7C-3257	74	7C-6887	15		812	7E-3787	214
	84		17		816	7E-3860	291
	88		19		820	7E-3886	2
7C-3258	68		21		824		3
	70		22		828		▶220
	78		▶101	7E-0859	550	7E-3887	1
	86	7C-6888	102	7E-0860	724		▶224
	88	7C-8609	108	7E-1179	779	7E-3897	90
			109		784		91
7C-3259	68	7C-9044	291	7E-1234	▶728	7E-3912	38
	74	7C-9046	291		▶729	7E-3939	217
	84		292		790	7E-4064	348
	88	7C-9047	291	7E-1282	206		▶350
7C-3260	70	7C-9059	102	7E-1340	▶1	7E-4127	322
	78	7C-9179	800	7E-1354	3		326
	86		804		▶210	7E-4201	38
7C-3372	▶614	7C-9217	144	7E-1552	350	7E-4202	38
7C-3917	206		152		405	7E-4299	289
	228	7C-9710	289	7E-1563	350		▶291
7C-3918	228		290	7E-1565	350	7E-4659	▶39
7C-3920	322	7C-9721	291		405		45
	326		292	7E-1567	350	7E-4676	291
7C-3921	322	7D-1649	326	7E-1576	350		292
	326		390		405	7E-4677	291
7C-4020	302		402	7E-1579	350		292
7C-4165	72	7D-4493	274	7E-1580	350	7E-4711	252
7C-4354	578	7D-5473	675	7E-1582	350		▶267
7C-4429	570	7D-6922	722	7E-1584	355	7E-4836	▶574
	571	7D-8793	128	7E-1585	405	7E-4839	574
7C-4470	332		132	7E-1589	350	7E-4840	574
	▶333		136	7E-1593	350	7E-4841	574
7C-4550	555	7D-9766	574	7E-1598	350	7E-4939	▶40
	559	7E-0008	1	7E-1823	279		46
	800		3	7E-2631	101	7E-5324	90
	804		▶208	7E-2681	841		91
7C-4715	102	7E-0010	1	7E-2865	▶842	7E-5639	92
	104		2	7E-2866	842	7E-5923	550
7C-4716	102		3	7E-2900	322		554
	104		▶180		326		558
7C-4717	102	7E-0011	1	7E-3159	833	7E-6016	182
7C-4823	102		3		▶834		183
7C-4910	550		▶243	7E-3350	278		184
	554		▶244	7E-3376	216	7E-6017	182
	558	7E-0012	243	7E-3377	216		183
	808		▶245	7E-3378	216		184
	812	7E-0013	245	7E-3379	216	7E-6334	182
	816		250	7E-3407	▶388	7E-6466	254
	820	7E-0014	243		390	7E-6761	206
	824		244		392		228
	828	7E-0016	208		400	7E-6762	206
7C-5252	741		210		402		228
7C-5254	▶776	7E-0017	180	7E-3470	217	7E-6764	206
7C-5265	64	7E-0018	180	7E-3471	252	7E-7581	106
7C-6121	800	7E-0038	245	7E-3472	252		107
	804	7E-0275	70	7E-3473	252		108
7C-6239	322						

PART NUMBER INDEX

Part	Page	Part	Page	Part	Page	Part	Page
	109		220	7G-8765	685	7L-8074	580
	110		224	7G-9730	807	7M-0324	618
	111	7E-8890	198	7H-3171	45		622
7E-7597	258		202		50		626
7E-7647	16		220	7H-7055	194		630
	20	7E-8920	349		195		634
	22	7E-9075	230		320	7M-0325	618
	▶70	7E-9200	405	7H-9899	375		622
7E-7731	778	7E-9203	404	7J-0204	374		626
7E-7933	254		▶405	7J-4026	204		630
7E-8190	17	7E-9270	316		232		634
	23	7E-9291	604		233	7M-0326	618
	▶396		606	7J-5225	287		622
7E-8191	17	7E-9584	230	7J-7868	80		626
	22	7E-9632	280	7J-8114	72		630
	▶386		▶283	7J-8417	148		634
7E-8192	386	7E-9633	283	7J-8611	175	7M-0327	618
7E-8223	349		286		176		622
	352	7E-9634	283	7J-8902	644		626
	354	7E-9748	362		645		630
7E-8224	282		364		646		634
7E-8225	282		366		647	7M-0336	619
7E-8226	282		368		659		627
7E-8227	282		390		660	7M-1808	144
7E-8228	▶282		402	7K-1181	584		148
7E-8235	386	7E-9780	236	7K-1978	214		152
7E-8236	386		246	7K-3215	283	7M-8485	272
7E-8237	386	7E-9781	235		284		279
7E-8238	386		▶236		286	7M-8651	618
7E-8239	386	7E-9782	▶246		287		622
7E-8240	386		247	7K-3377	578		626
7E-8241	386	7F-0192	124	7K-6462	139		630
7E-8278	349		128		742		634
	352		132		744	7M-9918	331
	354		136		747		333
7E-8279	349	7F-1866	162		748		336
	352		164		760		338
	354	7F-3425	230		767	7N-0012	296
7E-8282	16	7F-3488	618	7K-9197	747		298
	22		622	7L-2894	618	7N-0060	423
	▶352		626		622		425
7E-8284	17		630		626	7N-1875	14
	23		634		630		16
	▶404	7F-3491	618		634		18
7E-8457	15		622		652		20
	▶228		626		656		22
7E-8459	228		630		664		▶123
7E-8461	228		634		666	7N-1902	56
7E-8462	228	7F-3494	618	7L-4302	318		58
7E-8463	335		626	7L-4447	123		61
7E-8464	15	7F-3525	618	7L-4773	206		63
	19		622		228	7N-1903	61
	▶334		626	7L-5219	168		63
7E-8465	334		630		170	7N-1904	61
	▶335		635	7L-5887	646		63
7E-8466	334	7F-7621	408		647	7N-1961	59
7E-8467	334		410		659		60
7E-8718	▶582	7F-7670	31		660		62
7E-8719	582	7F-8671	612	7L-7262	168	7N-2003	38
7E-8723	▶3		614		170	7N-2043	106
7E-8888	198	7F-9504	180		394		107
	202		183	7L-7524	230		108
	220		184	7L-7871	▶423		109
7E-8889	198	7G-8478	248		▶424		110
	202		249	7L-7872	▶425		111

PART NUMBER INDEX

Part	Page	Part	Page	Part	Page	Part	Page
	124	7N-4756	237	7N-5239	84		807
	162		240		86		808
	164		245		88		812
7N-2044	46		248	7N-5244	68		816
	48		249		70		820
	52		250		72		824
7N-2046	40	7N-4758	237		74		828
	41		240		76	7N-5971	310
	42		245		78	7N-6387	102
7N-2047	46		248		84		104
	48		249		86	7N-6426	196
	52		250		236	7N-6511	66
	68	7N-4782	118		246		173
	70	7N-4871	14	7N-5245	84	7N-6560	182
	74		16		86	7N-6570	155
	78		18		88	7N-6609	296
	84		20	7N-5246	84		298
	86		22		86	7N-6954	313
	88		▶72		88	7N-6957	313
7N-2048	45	7N-4885	▶778	7N-5248	72	7N-6959	309
	46	7N-4923	180		76	7N-6962	▶313
	48	7N-4927	210	7N-5254	24	7N-6967	▶309
	50		220		90	7N-6968	▶310
7N-2049	46		254		91	7N-6983	24
	48		256	7N-5263	84	7N-7009	180
	52		258		86		183
7N-2326	98	7N-4928	210		88		184
7N-2328	98		220	7N-5279	72		188
7N-2405	106		224		74		208
	107		230		76	7N-7057	116
	108	7N-4932	196		78	7N-7081	210
	109		208	7N-5334	350		224
	110	7N-4939	196	7N-5336	123	7N-7122	408
	111		208	7N-5413	144	7N-7415	228
7N-2434	296	7N-4940	196		148	7N-7416	274
7N-2539	233		208		152	7N-7539	68
7N-2597	574		216	7N-5416	144		70
7N-3049	95	7N-4945	30		148		72
	96		180		152		74
7N-3193	300		196	7N-5449	162		76
7N-3194	300		576		164		78
7N-3218	26		578	7N-5641	45	7N-7660	▶116
7N-3298	30		580		46	7N-7697	144
7N-3368	198	7N-4951	32		48		148
	202		33		50		152
	206		34		52	7N-7779	343
	210	7N-4952	32		54		382
	220		33	7N-5694	372		491
	224		34	7N-5695	372		512
	228	7N-5049	162	7N-5696	372		514
7N-3421	118		164	7N-5700	372		604
7N-3759	294	7N-5057	162	7N-5701	372		606
	300		164	7N-5874	68		671
	302	7N-5079	314		70		672
7N-4076	375		316		72		685
7N-4106	▶112	7N-5080	288		74		768
7N-4196	377		314		76		769
	▶676		316		78		786
7N-4319	31	7N-5085	314	7N-5875	72		788
7N-4320	31		316		76	7N-7780	343
	375	7N-5089	314	7N-5876	550		382
7N-4509	166		316		554		491
7N-4510	166	7N-5120	258		558		512
7N-4517	166	7N-5123	258		562		514
	170	7N-5127	258		724		588

PART NUMBER INDEX

Part	Page	Part	Page	Part	Page	Part	Page
	604	7N-9023	408	7T-2791	418		656
	606	7N-9024	408	7T-2792	418		664
	670	7N-9194	679	7T-2793	418		666
	671		749	7T-2794	418	7T-8854	▶611
	672		750	7T-2795	418		618
	685		751	7T-2796	418		626
	768		752	7T-2797	418	7T-9123	610
	769	7N-9720	414	7T-2798	418		635
	786		▶416	7T-2799	418	7V-0917	176
	788	7N-9737	491	7T-2800	418	7W-0050	162
7N-7781	670		512	7T-2801	418		164
	672		514	7T-2802	418	7W-0051	164
	768		588	7T-2803	418	7W-0053	163
	769		671	7T-2804	418		▶164
7N-7782	604	7N-9738	343	7T-2805	418	7W-0060	162
	606		382	7T-2816	418	7W-0129	101
7N-7795	408		588	7T-3267	653		102
7N-7796	408		685		657		104
7N-7798	408		786		664	7W-0130	302
7N-7800	408		788		666	7W-0131	302
7N-7801	408	7N-9739	374	7T-3268	653	7W-0371	255
7N-7802	408	7R-3029	542		657	7W-0408	▶422
7N-7804	408		544		664	7W-0482	800
7N-7805	408		548		666		804
7N-7806	408		551	7T-3269	652	7W-0495	283
7N-7807	408		555		656		284
7N-7808	408		559		664		286
7N-7809	408		562		666		287
7N-7810	408		724	7T-3270	652	7W-0900	198
7N-7811	408		808		656		202
7N-7981	▶415		812		664	7W-1163	350
7N-8008	676		816		666	7W-1427	15
7N-8268	249		820	7T-3271	652		17
	250		824		656		19
7N-8374	68		828		664		21
	70	7S-1197	542		666		23
	74		544	7T-3276	652		▶266
	76		548		656	7W-1446	190
	78		702		664		192
7N-8549	▶274		718		666	7W-1493	266
7N-8707	14		719	7T-3277	652	7W-1497	266
	16		722		656		▶268
	18	7S-1198	485		664	7W-1605	▶679
	20	7S-1201	542		666	7W-1610	296
	22	7S-2245	178	7T-3278	652	7W-1678	▶143
	▶38	7S-4338	679		656	7W-1898	390
7N-8711	14		749		664		402
	16		750		666	7W-1928	185
	18		751	7T-3279	652		186
	20		752		656	7W-1944	318
	22	7S-7814	291		664	7W-2221	106
	▶24		292		666		107
7N-8715	15	7S-7815	291	7T-3451	652		108
	17		292		656		109
	19	7S-7816	291		664		110
	23		292		666		111
	▶163	7T-0037	808	7T-3454	652	7W-2353	702
7N-8736	374	7T-0794	625		656		719
7N-9017	679		▶648		664		720
	732	7T-0797	617		666		722
	749		▶650	7T-3973	652		770
	750	7T-0816	416		656	7W-2354	702
	751	7T-2339	648	7T-3974	631		719
	752		650		634		720
7N-9021	408	7T-2790	418		652		777

PART NUMBER INDEX

Part	Page	Part	Page	Part	Page	Part	Page
7W-2355	832 702 719 720 722 770 777 832	7W-5901 7W-5902 7W-5956 7W-6372	276 276 276 14 16 18 20 22	7X-3159 7X-3373	808 623 631 634 652 656 664 666	8C-3655 8C-4652 8C-5098 8C-5197 8C-5236	653 657 664 666 459 386 394 372 237 240 245 248 249 250 424 471 475 800 804 350 405 468 468 691 693 622 631 634 550 554 558 724 807 548 722 677 139 408 413 415 610 619 622 627 631 634 638 640 642 648 650 652 656 662 664 666 732 739 746 755 756 757 764 767 768 769
7W-2368	294 302	7W-6492	▶182 182 198 202 220 224 236 246 278 279 314	7X-4805 7X-6035	46 48 52 524 526 528 530 532 534 536 538		
7W-2726	400						
7W-2727	190 192						
7W-2728	190 192						
7W-2729	190						
7W-3031	94						
7W-3032	94						
7W-3297	190 192	7W-6555	▶269	7X-6183	468	8C-7507	800
7W-3355	344 382 383 384 385 ▶573 787 789 833	7W-7148 7W-7319 7W-7409 7W-7457	319 ▶176 176 175 176 276 ▶838 314 316 780 780 ▶426 ▶427 ▶173 ▶174 550 554 558	7X-7688 7X-7731 7X-7925	17 46 48 52 54 155 173 174 39 40 41 42 43 44 689 690 692 753 754 777 832	8C-8515 8C-8517 8C-9600 8C-9660	804 804 350 405 468 468 691 693 622 631 634 550 554 558 724 807 548 722 677 139 408 413 415 610 619 622 627 631 634 638 640 642 648 650 652 656 662 664 666 732 739 746 755 756 757 764 767 768 769
7W-3409	64	7W-9494	780				
7W-3448	190 192	7W-9495 7W-9612 7W-9640 7W-9704	780 ▶426 ▶427 ▶173 ▶174 550 554 558				
7W-3724	14 16 18 20 22 ▶96	7W-9770	550 554 558	7X-7951	689 690 692	8D-2676	550 554 558 724 807 548 722 677 139 408 413 415 610 619 622 627 631 634 638 640 642 648 650 652 656 662 664 666 732 739 746 755 756 757 764 767 768 769
7W-3813	15 17 19 21 23 ▶114 ▶115	7W-9828 7W-9829 7X-0347 7X-0407 7X-0447 7X-0448 7X-0562	▶275 275 267 839 418 267 610 622 630 634 638 640 642 648 650 652 656 662 664 666			8D-5476	548 722 677 139 408 413 415 610 619 622 627 631 634 638 640 642 648 650 652 656 662 664 666 732 739 746 755 756 757 764 767 768 769
7W-3816	128 132 136 ▶178					8F-0908 8F-1434	677 139 408 413 415 610 619 622 627 631 634 638 640 642 648 650 652 656 662 664 666 732 739 746 755 756 757 764 767 768 769
7W-3919	453						
7W-4148	350 405						
7W-4149	355						
7W-4276	350 405						
7W-4281	405						
7W-4286	350						
7W-4287	350						
7W-5019	▶512	7X-0620	416				
7W-5020	▶514	7X-1067	777				
7W-5521	398	7X-1068	777				
7W-5769	236 246	7X-1547 7X-1678	104 691 695 720				
7W-5780	▶92						
7W-5900	276	7X-2159	720				

PART NUMBER INDEX

Part	Page	Part	Page	Part	Page	Part	Page
	770		801		446		109
8F-4994	160		805	8N-2559	283		110
8F-6575	335		808		284		111
8F-8178	524		841		287	8N-7640	210
	526	8M-0547	156	8N-2928	314	8N-7641	196
	528	8M-0755	168		316		208
	530		170	8N-2929	144	8N-7642	210
	532		394		148		224
	534	8M-2665	289		152	8N-7643	▶254
	536		290	8N-2941	▶675		257
	538	8M-2772	430	8N-3378	6	8N-7717	257
8F-8858	118		436		8		▶258
8G-1825	362		438		282	8N-8056	46
	364	8M-2773	6		▶284		48
8G-7357	362		8		285		52
	364		156	8N-3639	230	8N-8210	68
8H-1141	652		584	8N-3640	230		70
	656	8M-2933	236	8N-3896	▶659		74
	664		246		▶660		76
	666	8M-4992	406	8N-4387	118		78
8H-3128	236		407	8N-4707	40	8N-8446	616
	246	8M-5255	32		41	8N-8447	306
8H-5429	677		33		42		608
8H-9788	160		34	8N-5254	6	8N-8449	566
8J-8919	94		68		8		568
8L-2786	187		70		285	8N-8451	616
	430		72	8N-5301	68	8N-8452	306
	436		74	8N-5497	▶300		608
	438		76		331		609
	600		78	8N-5620	14	8N-8470	442
8L-4171	344		84		18		444
	383		86		▶84		446
	428		88	8N-5678	▶74	8N-8471	442
	430	8M-6701	410	8N-5701	444		444
	432	8M-7145	236	8N-6152	21		446
	434		246		▶165		779
8L-4282	369	8M-9024	104	8N-6309	283		780
	371	8N-0386	196		284		782
8L-4299	350		198		287		783
8L-4496	361		202	8N-6423	238		784
	362		208		239	8N-8472	442
	364	8N-0694	551		241		444
	366		555		242		446
	368		559	8N-6432	230		780
	390		724	8N-6534	284		782
	402	8N-0818	300		287		783
8L-5008	142	8N-0819	294	8N-6564	▶113	8N-8477	▶616
	143		300	8N-6861	40	8N-8481	▶566
8L-6557	442	8N-1234	106	8N-6984	180		▶568
	444		107	8N-7152	▶29	8N-8483	▶687
8L-8413	423		108		838	8N-8486	▶608
	424		109	8N-7174	16	8N-8487	▶306
	425		110		20	8N-8488	608
	512		111		22	8N-8508	117
	514	8N-1286	24		▶86	8N-8509	117
	542	8N-1989	198	8N-7182	14	8N-8550	576
	544		202		16		580
	548	8N-1991	144		18	8N-8879	282
	587		148		20	8N-8880	282
	590		152		22	8N-8993	▶183
	593	8N-1992	144		▶64		257
	722		148	8N-7191	118	8N-9166	▶76
	734		152	8N-7296	106	8N-9167	▶78
	735	8N-2266	442		107	8N-9392	372
	753		444		108	8N-9422	258

PART NUMBER INDEX

Part	Page	Part	Page	Part	Page	Part	Page
8N-9482	124		664		650		54
	129		666	8T-4896	550		156
	132	8T-0639	722		554	8T-6764	142
	136	8T-1703	267		558		246
8N-9567	►99		268		724		392
8N-9570	►100		269		784		400
8N-9609	258		270	8T-4970	648	8T-6765	31
8N-9623	198	8T-1919	214		650		96
8N-9639	►94		216	8T-5360	416		144
8N-9658	34	8T-2153	88	8T-5361	839		148
8N-9706	258	8T-2657	190	8T-5447	550		152
8N-9885	32		192		555		190
	33		392		559		192
	34		400		813		230
	176	8T-2882	800		817		236
	361		804		820		248
	362	8T-2903	258		825		249
	364	8T-2928	39		828		258
	366		40	8T-6342	590		278
8N-9970	100		41	8T-6391	362		279
8N-9992	30		42	8T-6631	808		400
8N-9993	30		43		812	8T-6767	394
8P-1438	72		44		816	8T-7581	118
8P-2813	128		46		820	8T-8566	652
	132		48		824		656
8S-2331	91		52	8T-6757	72		664
8S-4757	64		210		284		666
8S-4950	194	8T-2929	39		287	8T-8569	652
	195		40		372		656
	320		41	8T-6758	96		664
	554		42		182		666
	558		43	8T-6759	68	8T-8729	346
8S-5107	576		44		70		347
	580		46		72		383
8S-5383	574		48		78		440
8S-8820	262		52	8T-6761	30		586
	264		210		31		589
8S-9089	95	8T-4121	642		322		596
	216		662		326		598
8S-9092	216	8T-4122	839	8T-6762	46		599
	252	8T-4133	642		48		603
8S-9093	29		662		52		696
8S-9191	185	8T-4134	800		54		712
	186		804		96		713
	272	8T-4205	408		148	8T-8730	473
8T-0099	46		410		152		595
	48		538		182		597
	52		555		198		600
8T-0169	175		559		202		678
	176		630		220		732
8T-0328	408		634		224		735
	410		648		272		777
	416		650		322	8T-8731	595
	610		652		326		597
	622		656		344		600
	631		664		346	8T-8732	346
	635		666		347		347
	638	8T-4223	839		382		383
	640	8T-4224	267		383		440
	642		268		576		589
	648		269		580		712
	650		270		608		713
	652	8T-4244	638	8T-6763	46	8T-8733	473
	656		640		48	8T-8737	440
	662		648		52		473

PART NUMBER INDEX

Part	Page	Part	Page	Part	Page	Part	Page
	589		812		622		214
	712		816		630		216
	713		820		634		217
	777		824	9G-4232	423		252
8T-8908	388		828	9G-4513	626		278
8T-8919	839	9D-3721	562	9G-4574	414		279
8T-9396	839		804		▶418		312
8T-9757	424		808	9G-6770	610		322
8T-9834	777		812		611		326
8T-9884	653		816		635		779
	657		820	9G-7548	416	9M-1974	37
	664		824	9G-7549	416		46
	666		828	9G-7551	416		48
8V-0536	175	9D-9161	550	9G-7552	416		52
			554	9G-7553	416		68
			558	9G-7554	416		70
			562	9G-7555	416		72
			724	9G-7556	416		74
			808	9G-7558	416		76
9B-0453	618		812	9G-7559	416		78
	626		816	9G-7560	416		84
9B-1117	524		820	9G-7561	416		86
	526		824	9G-7562	416		88
	534		828	9G-7565	416		121
	536		74	9G-7566	416		148
	538	9F-2247	76	9G-7567	416		160
9B-4202	66		78	9G-7568	416		168
9B-7155	350		792	9G-9151	786		170
9B-7233	408	9F-2978	794		787		198
	410		828		788		202
	426		673	9H-0846	28		237
	540	9F-3099	674	9H-1958	677		240
	677		677	9H-2367	155		245
	800		611	9H-3757	618		248
	804	9F-4976	618		622		249
9B-9172	682	9F-5599	618		626		250
9C-3127	808		622		630		274
9C-4433	272		626		634		275
9C-4434	272		630	9H-6673	128		283
9C-4453	272		635		132		284
9D-2867	550	9F-5977	176		136		286
	554	9F-6445	548		155		287
	558	9F-6580	402	9H-6761	155		287
	562	9F-7022	390	9H-8260	96		348
	724		392	9K-6540	128		361
	808		402		132		362
	812	9F-7707	118		136		364
	816	9F-8122	116	9L-0672	155		366
	820	9F-8369	838	9L-1480	102		368
	824	9F-9203	674		104		369
	828		677		140		371
9D-2868	550	9G-0003	423	9L-2137	408		372
	554		424	9L-2139	408		390
	558		425	9L-2140	408		394
	562	9G-0004	423	9L-5141	262		400
	808		424		264		402
	812		425	9L-6531	841		404
	816	9G-2653	168	9L-6770	408	9M-2151	238
	820		170		416		239
	824	9G-3676	512		418		241
	828		514	9L-7712	118		242
9D-3127	550	9G-3695	512	9L-9132	6		243
	554		514		8		244
	558		588		94		355
	562		670		168	9M-2610	178
	724	9G-4101	618		170	9M-3695	283

PART NUMBER INDEX

Part	Page	Part	Page	Part	Page	Part	Page
9M-3786	236		544		730		313
	246		548	9S-4205	292		322
9M-4202	216		722	9S-7296	206		326
9M-4355	165	9S-0211	375	9S-8002	55		362
9M-4584	158	9S-1366	318		459		364
	272	9S-1368	576		470		366
9M-4849	578		578		727		368
9M-6522	234		580	9S-8750	390		386
	386	9S-1374	95		392		390
9M-7357	168	9S-2009	410		400		392
	170	9S-2014	410		402		400
9M-7606	618	9S-2302	410		442		402
	622	9S-2390	410		444		442
	626	9S-2396	410		446		444
	630	9S-2437	408		462		446
	634	9S-2544	408		463		490
9M-7609	618		410		538		550
	622		622		550		554
	626		630		554		558
	630		634		558		566
	634	9S-2592	355		673		568
	652	9S-4180	452		674		578
	656	9S-4181	279		677		587
	664	9S-4182	124		792		590
	666		128		794		593
9M-7611	619		132		798		675
	627		136		808		706
9M-8406	386		152		812		708
9M-8911	294		178		816		724
	300		198		820		764
	302		202		824		766
9M-8915	294		210		828		779
	300		220	9S-8751	361		792
	302		224		362		794
9M-8919	294		254		364		796
	300		314		366		812
	302		372	9S-8752	6		816
9N-0937	410	9S-4183	237		8		820
9N-0939	410		240		94		824
9N-0942	410		245		124		828
9N-0943	410		250		128		832
9N-2035	294		272		129	9S-8893	82
	300		278		132	9S-9635	214
	302		314		136		216
9N-2036	294	9S-4185	187		148		394
	300		196		152	9T-4017	462
	302		208		183		463
9N-2038	331		278		190	9U-6461	542
	333		279		192		544
	336		314		198		548
	338		316		202	9W-0267	468
	340		390		210	9W-0532	587
9N-2041	294		392		220		590
	300		402		224		593
	302	9S-4190	144		238		▶602
9N-2043	302		148		239	9W-1464	459
9N-2046	294		152		242		470
	300	9S-4191	45		244		727
	302		46		262	9W-1494	788
9N-2047	300		48		264	9W-3574	728
9N-3388	408		50		266		▶730
	410		52		272	9W-5215	168
9N-3701	294		54		308		170
	300		236		309	9W-5564	589
9P-6895	542		246		310	9W-5565	428

PART NUMBER INDEX

Part	Page	Part	Page	Part	Page	Part	Page
	430		548	9X-8875	95		536
	▶588		550	9X-8879	68		538
	604		554		70	9Y-0635	59
	606		558		88		60
9W-6330	468		722	9X-8887	90		62
9X-0261	428		808		91	9Y-0673	▶285
	430		812		375	9Y-0779	14
9X-0332	648		816	9X-9511	652		16
	650		820		656		18
9X-0379	458		824		664		20
9X-0435	440		828		666		22
9X-1117	834	9X-6477	683	9X-9591	▶488		▶318
9X-1163	471		684		550	9Y-0781	15
9X-1180	468	9X-6591	15	9X-9614	542		17
9X-1386	440		17		808		19
	595		19	9X-9615	487		21
	696		21		542		22
	712	9X-6772	428		604		▶326
	713		430		606	9Y-0845	▶837
	786		432		808	9Y-0846	837
	788		434	9X-9616	542	9Y-0847	837
9X-1813	596		490		544	9Y-0914	604
	597		551		550		606
	598		555		554		▶672
	599		559		558	9Y-1037	▶336
	603		587		808		337
	685		590		812	9Y-1039	158
9X-2500	410		593		816	9Y-1040	158
9X-2639	590		689		820	9Y-1041	158
9X-3406	693		690		824	9Y-1042	158
	694		698		828	9Y-1221	14
9X-4385	590		700	9X-9675	542		16
9X-4452	625		704		544		18
	▶662		706		548		20
9X-4594	236		708		550		22
	246		710		554		▶319
9X-4612	574		711		558	9Y-1485	46
9X-4824	664		712		724	9Y-1568	322
	666		713		808		326
9X-4836	428		714		812	9Y-1704	6
	432		716		816		8
	▶472		718		820		285
9X-4865	▶473		721		824	9Y-1705	6
	554		777		828		8
	558		812	9X-9676	542		285
9X-5392	440		816		808	9Y-1707	6
	712		820	9X-9677	542		8
	713		824		808		285
9X-6001	416		828	9X-9720	424	9Y-1741	118
9X-6138	36		832	9X-9730	425	9Y-1770	118
	122	9X-7409	842	9X-9838	524	9Y-1846	56
	154	9X-7410	842		526		61
9X-6165	524	9X-7521	390		528	9Y-1847	56
	526		392		530		61
	528		402		532	9Y-2635	348
	530	9X-7540	189		534		404
	532	9X-7712	292		536	9Y-2636	362
	534	9X-8124	800		538		364
	536		804	9X-9857	488		366
	538	9X-8872	30	9X-9896	524		368
9X-6257	530		836		526	9Y-2988	120
	532	9X-8874	322		528	9Y-3008	149
9X-6381	548		326		530	9Y-3009	318
9X-6442	542		576		532	9Y-3010	318
	544		580		534	9Y-3011	148

PART NUMBER INDEX

Part	Page	Part	Page	Part	Page	Part	Page
9Y-3012	148	9Y-6887	216	9Y-9185	15		558
9Y-3013	148	9Y-6890	216		17	011-5224	194
9Y-3086	101	9Y-6893	208		18		195
	▶102		216		21		320
	▶104		252		22	030-7941	745
9Y-3187	▶272	9Y-6894	216		▶230		747
9Y-3188	272	9Y-6895	208	9Y-9771	800		780
9Y-3189	272		217		804	030-7944	6
9Y-3191	272	9Y-6897	214	9Y-9776	728		8
9Y-3192	272		216		729	030-7946	428
9Y-3471	160	9Y-6987	361	9Y-9777	764		430
9Y-3472	160	9Y-6992	689	9Y-9782	800		432
9Y-3473	160		690		804		434
9Y-3474	1		692	9Y-9783	800		436
	2		▶693		804		482
	3		▶694				780
	▶148	9Y-6993	693				782
9Y-3475	160		694				783
9Y-3476	15	9Y-7011	302			030-7948	156
	18	9Y-7012	336	001-6301	6	030-7949	158
	21	9Y-7014	▶302		317		272
	▶160		336	001-7004	206	030-7950	8
9Y-3837	322	9Y-7034	21		228		317
	326		▶337		386	030-7961	742
9Y-3838	322	9Y-7584	16	001-7042	206		744
	326		▶385		228		747
9Y-3904	428	9Y-7763	210	001-9440	428		748
	430		220		430		760
	432		224		432		762
	434	9Y-7876	▶66		434		764
	436	9Y-8067	246		436		767
	438	9Y-8069	216		438	030-7972	386
9Y-4121	46		252		779	030-8145	194
	48	9Y-8175	2		784		195
9Y-4893	36		▶247	002-6453	128		320
9Y-5312	272	9Y-8179	▶184		132	030-8307	578
9Y-5313	14	9Y-8263	214		136	030-8535	94
	16	9Y-8264	216		175	030-9612	408
	18	9Y-8282	214		176	031-0243	524
	20	9Y-8283	214	003-2143	168		526
	22	9Y-8284	214		170		528
	▶288	9Y-8412	▶489	003-8581	194		530
9Y-5497	▶65		559		195		532
9Y-5587	272	9Y-8539	210		320		534
9Y-5896	344		220		386		536
	346		224	003-9163	155		538
	347		256		173	031-0249	794
	▶374	9Y-8540	202		174	031-0919	6
	382		210	004-3935	576		317
	383		220	004-6683	168	031-1030	156
	384		224		170	031-4155	275
	385	9Y-8724	▶255	004-7270	578	032-1267	156
9Y-6061	15	9Y-9089	256		580	032-1268	175
	19	9Y-9090	15	004-7626	156		176
	21		17		168		289
	▶692		19		170		290
9Y-6736	▶384		21	005-4173	160		318
9Y-6792	524		23	006-2325	206	032-1269	234
	526		▶256		228	032-9313	350
	530	9Y-9175	39	006-7750	168	033-4926	693
	532		40		170		694
	534		41	009-2062	234	033-6031	121
	536		42	009-4440	228	033-6039	428
9Y-6882	57		43	010-0741	550		430
9Y-6883	57		44		554		440

0

PART NUMBER INDEX

Part	Page	Part	Page	Part	Page	Part	Page
033-6042	45		228		804	104-4219	16
	46	090-4719	421	102-0050	474		22
	48	091-0081	390		▶603		▶457
	50		392	102-2256	15	104-5722	741
	52		402		21		743
	54	092-4724	350		▶107		▶779
	168		355	102-2257	17	104-5904	746
	170	098-6183	262		▶108		▶780
	428			102-2674	288		▶782
	430			102-7506	▶345	104-7184	61
	745	1			402		63
	747			102-8627	▶734	104-7287	800
	780	100-4793	582	102-8634	96		804
034-0728	578	100-6212	459	102-8802	669	105-0253	38
036-9821	618	100-6531	410		696	105-0254	38
	622	100-6532	410	102-8803	586	105-0255	38
	626	100-6811	459		596	105-0256	38
	630	100-6816	333		598	105-0257	38
	634		338		599	105-1457	▶540
	652	100-7886	46		603		785
	656	100-8019	292	102-8807	451	105-2048	▶584
	664	100-8061	92		594	105-2546	15
	666	100-8075	152	102-8809	718		19
036-9823	618	100-8227	394	102-8811	732	105-2553	459
	622		▶398	102-8812	451	105-3762	410
	626	100-8254	682	102-9029	430	105-4174	▶20
	630	101-0222	732		434	105-4309	779
	634	101-0225	▶732		436		784
	652		800		▶600	105-4656	842
	656		804		601	105-4657	842
	664	101-0383	524	102-9864	459	105-7541	583
	666		526	103-0692	694	105-7692	542
037-7692	555		528		▶695		808
	559		530	103-1836	800	105-7693	542
039-4317	612		532		804	105-8847	15
	614		534	103-1956	▶575		21
045-4065	610		536	103-5425	808		▶400
	611		538	103-5938	792	105-9266	400
	635	101-0384	682	103-5939	792	105-9267	392
052-0741	394	101-1171	▶41	103-6101	▶474		400
053-5065	574		52	103-6193	▶828	105-9856	457
061-6737	262	101-1188	59	103-6197	800		▶700
	264	101-1226	▶42		804	106-0519	▶770
061-9456	144		48	103-6266	808	106-2450	390
	148	101-1229	▶43		812		402
	152		50		816	106-2778	▶44
	156	101-1243	▶50		820		54
	272	101-1368	91		824	106-3512	254
061-9457	372	101-1785	734		828	106-3930	459
061-9593	390	101-3281	108	103-6267	542	106-4128	530
	392		109		544	106-6497	352
	400	101-4140	107		548		▶353
	402	101-4142	108	104-2250	▶432		354
062-5388	512	101-5003	732		▶434	106-7810	354
	514	101-8922	▶357		▶436	106-7813	352
064-9021	406		808		457	106-7948	▶354
	407		812		466	106-8551	637
065-7187	491		816		486		▶664
067-6495	233	101-8925	698	104-3175	▶548	106-8554	639
	446		700		720		▶666
	779		▶792	104-3649	808	106-9035	428
	780		▶794	104-3651	542		430
	784	101-8926	792		544		432
068-3704	272		794		548		434
090-3000	206	101-9798	800		722		436

PART NUMBER INDEX

Part	Page	Part	Page	Part	Page	Part	Page
	438		107	108-5888	455	110-6197	542
106-9154	428		108		▶458		544
	430		109		550		548
	432		110		554		551
	434	107-7335	106		724		555
	436		107	108-6424	▶604		559
	438		108		▶606		812
106-9182	▶453		109	108-6481	475		816
	550		110	108-7871	▶475		820
	554	107-7348	144		604		824
	558		148		606		828
	724		152	108-8127	732	110-6991	60
106-9926	800	107-7542	702		735		62
	804	107-8345	542	109-1086	322	110-6992	48
107-1006	542	107-8504	353	109-1533	779	110-6993	42
	808	107-8505	386	109-1738	392	110-6994	48
107-2482	542	107-8769	609	109-2332	144		52
	548	107-9018	▶772		148	110-8714	808
107-2675	587	107-9019	▶833		152	110-8909	542
	590	107-9020	▶789		185		548
	593	107-9021	▶739		186	110-9268	524
107-2731	696	107-9022	▶749	109-3038	720		526
107-3127	▶338		▶750		808		530
	339	107-9023	▶745	109-3039	808		532
107-4335	▶402	107-9024	▶755	109-4259	841		534
107-4471	▶382	107-9025	▶741	109-4358	27		536
107-4653	21	107-9026	▶746	109-4687	▶516		538
	▶339	107-9027	▶738		719	111-0452	584
107-6314	390	107-9028	▶762	109-4689	720	111-0906	▶476
	402	107-9029	▶756	109-4691	698		530
107-6315	390	107-9030	▶743		▶719	111-1323	544
	402	107-9031	▶763	109-4693	700		548
107-6316	392		▶764		▶720		558
107-6318	390	107-9032	▶766	109-5738	734		800
	402	107-9033	▶740	109-6507	544		804
	▶406	108-1018	808		548		816
107-6319	▶407	108-1207	353		558		820
107-6320	406	108-1672	812		562		824
107-6321	407		816		800		828
107-7142	428		820		804	111-1324	544
	430		824		812		548
	440		828		816		562
	▶597	108-1701	544		820		800
107-7330	106		548		824		804
	107	108-1702	544		828	111-1349	162
	108		548	109-6539	544		164
	109		551		548	111-2081	104
	110		555	109-7034	▶487	111-2111	550
	111		559	109-8080	234		554
107-7331	106		702	109-8855	346		558
	107		812		347		562
	108		816		383		724
	109		820	109-8857	544		808
	110		824		548		812
107-7332	106		828		812		816
	107	108-2557	732		816		820
	108		735		820		824
	109	108-3854	▶757		824		828
	110	108-3921	▶758		828	111-3794	585
107-7333	106	108-4503	▶751	109-8858	548		▶586
	107		▶752	110-4341	230	111-3812	104
	108	108-4886	18	110-6170	542	111-3820	144
	109		342		544		152
	110		▶344		548	111-3829	104
107-7334	106	108-4889	402		722	111-4374	256

PART NUMBER INDEX

Part	Page	Part	Page	Part	Page	Part	Page
111-4399	614		754		16		551
111-5946	476		777		18		555
111-8684	753		832		20		559
	754	114-2414	104		22		702
	777	114-2903	14		▶52		816
	832		16	115-3503	▶54		820
112-1552	91		18	115-3581	262		824
112-1554	91		20		264		828
112-1792	392		22	115-7941	583	116-5193	544
112-3225	587		▶27	115-8525	777		548
	590	114-2904	27	115-8526	812		551
	593	114-5628	550		816		555
112-3454	▶420		554		820		559
112-3455	▶421		558		824		702
112-5661	109	114-6863	550		828		816
112-5662	17		554	115-9128	262		820
	▶109		558		264		824
112-5677	14		724	116-1359	52		828
	16	114-8139	550	116-1365	84	116-6134	▶355
	18		554		88	116-6135	355
	20		558	116-2390	194	116-6204	551
	22	114-8140	▶550		195		555
	▶91		▶554		320		559
112-6597	▶609		▶558	116-2391	320	116-6478	812
112-9119	408	114-9269	361	116-2392	194		816
112-9273	430		366		195		820
	434		368		320		824
	436	115-1322	544	116-2393	320		828
	438		548	116-2394	194	116-6744	17
113-0084	400		550		195		21
113-1572	292		554		320	116-6803	▶4
113-3380	▶710		558	116-2395	320	116-7649	683
	750		812	116-2396	262	116-7650	538
113-3382	▶711		816		264		▶683
	752		820	116-2399	262	116-7654	680
113-3383	710		824		264		681
113-3385	711		828	116-3242	68	116-7839	▶270
113-4174	▶168	115-1576	279		74	116-7840	270
113-4238	▶156	115-1577	▶279		84	116-8752	▶496
113-4634	124	115-2162	548		88	116-8753	▶497
	128		812	116-3254	52	116-8754	▶498
	132	115-2245	812	116-3263	104	116-8755	▶499
113-5787	168		816	116-3736	▶342	116-8756	▶500
	170		820	116-5137	544	116-9850	17
113-5788	168		824		548		▶320
	170	115-2538	544		550	117-6170	734
113-6996	▶170		548		554	117-6512	524
113-8147	156		550		558		526
113-8148	156		554		702		530
113-8149	156		558		817		532
113-8432	115		812		820		534
113-8433	115		816		825		536
113-9126	440		820		828		538
	▶589		824	116-5140	544	118-0170	735
113-9476	262		828		548	118-0173	735
	264	115-2542	555		551	118-0175	10
113-9479	262		559		555		11
	264		813		559		▶735
114-1143	544		817		813	118-0474	▶501
	548		821		817	118-0804	▶12
114-2396	760	115-3493	262		821	118-1654	106
	766		264		825		107
114-2397	748	115-3494	262		828		110
	762		264	116-5142	544		111
114-2410	753	115-3502	14		548	118-1655	106

PART NUMBER INDEX

Part	Page	Part	Page	Part	Page	Part	Page
	107		828		559	121-9631	477
	110	118-8178	812	120-9081	550	122-0355	683
	111		816		554	122-0500	242
118-2121	▶459		820		558		▶248
	736		824	120-9713	550	122-0501	239
118-2122	▶736	118-9494	41		554		▶249
	800	118-9622	19		558	122-0502	244
	804	119-0800	▶673	120-9714	702		▶250
118-2947	524		680	120-9715	▶702	122-3326	▶477
118-2950	524		681	120-9879	551		532
	526	119-0801	▶674		555	122-3362	250
	530		681		559	122-3370	248
	532	119-0814	524	121-0123	551	122-3371	249
	534		526		555	122-4677	361
	536		530	121-0124	462		366
	538		532		463	122-5941	361
118-3508	524		534	121-0816	544		366
	526		536		722	122-6951	555
	530		538	121-0817	544		559
	532	119-0836	19		722	122-7097	555
	534		21	121-0818	798		559
	536	119-3368	▶460	121-0820	798	122-8619	15
	538		462	121-3119	17		18
118-3509	524	119-3369	460		21		▶195
118-4606	104		▶461		22	122-8620	195
118-5449	▶358	119-4084	785		▶194	122-8621	195
	820	119-5092	361	121-3209	194	122-8851	▶57
118-7590	344		366		195		58
	346		390	121-3210	194		63
	347	119-5659	794	121-3211	194	122-9281	14
	383	119-6031	▶800	121-3387	551		▶88
118-7591	16	119-6282	▶571		555	122-9457	554
	22		572		559		558
	▶383	119-6283	572	121-4101	753	122-9458	555
118-7852	15	119-6284	568		754		559
	17		▶572		777		724
	19	119-6294	182		832	123-0289	555
	21	119-8890	742	121-4707	▶790		559
118-7854	17		744	121-4712	▶807	123-0979	▶22
118-7855	15	119-8891	139	121-4876	708	123-3952	388
	17		747	121-4878	706	123-3953	388
	19		748		832	123-3954	388
	21		760	121-5486	144	123-3958	388
118-7856	15		762	121-5502	▶462	123-3963	388
118-7859	15		764		▶463	123-3966	388
	17		766	121-5736	322	123-3967	388
	19		767		326	123-3968	388
	21	120-5296	722		330	123-3969	388
118-7860	17	120-5297	▶798		332	123-3970	388
	21		830		334	123-3971	388
118-7861	15	120-7421	196		337	123-3972	388
	17		208		339	123-3973	388
	19	120-7550	248		341	123-3974	388
	21		250	121-6961	▶502	123-3975	388
118-7862	▶785	120-8135	800	121-6962	▶503	123-3977	388
118-7863	785		804	121-6963	▶504	123-3978	388
118-8101	15	120-8876	▶262	121-6964	▶505	123-4873	555
	17		▶264	121-6965	▶506		559
118-8102	15	120-8879	262	121-6966	▶507	123-4875	555
	19		264	121-6967	▶508		559
	21	120-9079	551	121-7838	532	123-5101	▶464
118-8177	812		555		534	123-5220	544
	816		559	121-9195	559		548
	820	120-9080	551		825	123-5223	544
	824		555		828		548

PART NUMBER INDEX

Part	Page	Part	Page	Part	Page	Part	Page
123-5958	388	126-1112	60		22	132-4370	463
123-5959	388		62		▶192		▶465
123-5963	388	126-1113	60	130-7223	192	132-8485	562
123-5965	388		62	130-7224	192		724
123-5967	388	126-3098	800	130-7358	538	132-8486	562
123-5972	388		804		▶562		724
123-5973	388	126-3099	800		564	132-8487	562
123-5974	388		804	130-7364	562	132-8488	562
123-5976	388	126-3101	800		724	132-8489	562
123-6072	▶58		804	130-7387	13	132-9439	118
123-6323	13	126-3103	800		▶538	133-1775	234
	▶830	126-3104	800	130-7631	562	133-3689	▶234
123-6324	▶722	126-3515	583	130-8160	▶767	133-3693	▶13
	830	126-5673	▶517	130-8162	▶760	133-3814	61
123-8649	16	126-7488	800	130-8163	▶744		63
	18		804	130-8164	▶139	133-3917	474
	▶62	126-7489	800	130-8165	139		▶598
123-8650	62		804		▶783	133-4817	▶6
	▶63	126-7490	800	130-8166	▶742	133-4818	6
123-8679	366		804	130-8167	784		8
	368	126-7491	800	130-8168	742	133-4819	6
123-9049	722		804		744		8
123-9848	800	126-7492	800		▶784	133-5078	684
	804		804	130-8169	▶747	133-5184	398
124-0174	233	126-7499	800	130-8170	▶748	133-5186	398
124-0749	524		804	130-9376	538	133-5187	398
	526	126-9495	110	130-9463	562	133-5188	398
	536	126-9496	23	130-9715	10	133-5190	398
	▶684		▶110		11	133-5191	398
124-3143	▶753	126-9497	111	131-0420	60	133-5231	398
124-3176	562	126-9498	17		62	133-5232	398
124-3676	▶754		▶111	131-0421	60	133-5233	398
124-4129	388	127-1906	▶232		62	133-5234	398
124-4564	▶478	127-2176	198	131-0765	562	133-5235	398
	481		202		724	133-5236	398
124-4565	▶479		220	131-1102	538	133-5237	398
	480		224	131-1578	534	133-5238	398
124-5142	186	127-4516	▶340	131-2183	281	133-5239	398
124-5245	249		341		▶286	133-5240	398
125-0517	684	127-5400	88	131-3855	▶233	133-5241	398
125-1329	350	127-8610	▶490	131-3877	13	133-5242	398
125-1330	350	127-8893	684		▶704	133-5243	398
125-1372	683	127-9068	800	131-3906	562	133-5244	398
	684		804		724	133-5245	398
125-3668	▶480	128-0830	▶509	131-3911	462	133-5246	398
	▶481	128-2507	722		463	133-5247	398
	524	128-3326	▶583	131-4882	562	133-5248	398
	526		807	131-4883	562	133-5249	398
	534	128-8545	722		725	133-5251	398
	536	129-4181	118	131-4887	562	133-5252	398
	538	130-3349	▶727		724	133-5253	398
125-5330	▶590		729	131-4888	562	133-5255	398
125-5494	485	130-3592	▶510		724	133-5256	398
125-6533	634	130-5177	450	131-4889	562	133-5257	398
125-6535	635		▶696		724	133-5258	398
125-6536	635	130-5731	538	131-4890	562	133-5259	398
125-6537	634	130-5732	538	131-4891	562	133-5260	398
125-7038	683	130-5733	562	131-5451	▶359	133-5261	398
	684	130-7060	562		383	133-5262	398
125-7854	794	130-7063	704		385	133-5265	398
125-8152	785	130-7064	704		824	133-5266	398
125-9751	91	130-7222	14	131-5457	▶360	133-7379	287
126-1067	764		16	131-9154	▶511	133-7380	6
	767		18	131-9322	690		8
	768		20	132-0289	562		▶287

PART NUMBER INDEX

Part	Page	Part	Page	Part	Page	Part	Page
133-7396	▶8	137-8542	840	142-0006	▶122	154-3850	▶440
133-7400	6	137-8543	840	142-2284	▶593		737
	8	137-8544	840	142-7472	478	154-3853	▶451
133-9313	124	137-8545	840	143-2212	▶714	154-3854	451
	128	137-8546	840	143-2217	▶519	154-3855	▶346
	132	138-2362	782	143-2218	▶520	154-3856	346
	136		783	143-2219	▶521		▶712
134-0975	▶132	138-2363	782	143-2220	▶522	154-3857	712
	▶136		783	143-2221	▶523	154-3864	▶737
134-1820	154	138-2364	782	143-6142	377	154-3865	▶718
134-3098	578	138-2365	782		▶379		737
134-3100	578	138-2366	783	143-6143	376	154-3866	718
134-3749	15	138-2367	783		▶380	154-3867	▶347
	17	138-3249	118	143-6144	378	154-3868	347
	21	138-4091	▶518		▶381		▶713
	22	138-4183	17	143-8540	264	154-3869	713
	▶152		23		▶594	154-3889	718
134-4723	538		▶341	143-9166	724	155-0726	98
134-4789	804	138-4730	724	143-9607	524	155-1690	136
134-5645	155	138-4731	724		526	155-1721	390
134-8620	▶680	138-5215	724		536	155-1722	▶390
134-8621	▶681	138-5216	724		538	155-5236	298
135-2651	683	138-5217	724	144-2159	578	155-5237	298
	684	138-5218	724	144-5692	52	157-0443	136
135-5011	562	138-5219	▶724	144-8263	70	158-6171	▶10
	724	138-6782	▶592		78	158-6172	▶11
135-5012	482		593		86	161-6933	136
135-5013	13	138-8506	106	144-9534	▶371	161-6934	136
	▶438		107	145-2362	474		
135-5014	438		110		▶599		
	▶482		111	145-3902	465		
135-5015	438	139-3206	350	146-0751	292		
	▶601	139-4761	304	146-0752	292		
135-9851	587	139-4762	304	146-0758	290		
	590	139-4763	304		▶292		
	593	139-4764	304	146-2588	536		
136-2078	▶706	139-4765	304		538		
	753	139-4766	304	146-2589	524		
136-2080	▶708	139-4767	304		526		
	754	139-4768	304	147-2936	▶524		
136-4402	340	139-4769	304	147-2960	▶526		
136-4404	340	140-2975	796	147-2961	594		
136-5923	794	140-9597	70	147-8176	▶466		
136-6924	▶804		86	147-8177	466		
136-7800	122	140-9679	▶796		▶716		
136-9728	▶578	140-9680	▶777	147-8178	716		
136-9729	▶580	140-9681	▶832	147-8180	▶486		
136-9730	578	140-9738	725	147-8181	486		
136-9731	580	141-1493	524		▶721		
137-1934	15		526	147-8182	721		
	19	141-1848	716	147-8337	▶450		
137-5526	10		721		451		
	11	141-1851	714	149-2082	594		
137-6857	128	141-1909	▶454	149-3403	11		
	132	141-2494	593	149-8733	▶564		
137-8533	839	141-2519	340	152-5705	278		
	▶840	141-6319	▶483		279		
137-8534	840	141-6320	483	152-7439	519		
137-8535	840	141-8300	▶484	152-7440	520		
137-8536	840		724	152-7441	521		
137-8537	840	141-8301	484	152-7442	522		
137-8538	840		▶485	152-7443	523		
137-8539	840	141-8596	609	153-0191	▶839		
137-8540	840	141-8799	390	153-1810	224		
137-8541	840	142-0005	▶154	153-3865	99		

MEMORANDA

CATERPILLAR®