

# Parts Manual

---

## 3306 Generator Set

---

85Z3764-UP (Engine)  
5CA5985-UP (Generator)  
5DA5682-UP (Generator)  
5EA5375-UP (Generator)  
5FA4499-UP (Generator)  
6CG1-UP (Generator)  
6DG1-UP (Generator)  
6EG1-UP (Generator)  
8JF1-UP (Generator)



# Product and Dealer Information

Note: For product identification plate locations, see the section "Product Identification Information" in the Operation and Maintenance Manual.

Delivery Date: \_\_\_\_\_

## Product Information

Model: \_\_\_\_\_

Product Identification Number: \_\_\_\_\_

Engine Serial Number: \_\_\_\_\_

Transmission Serial Number: \_\_\_\_\_

Generator Serial Number: \_\_\_\_\_

Attachment Serial Numbers: \_\_\_\_\_

Attachment Information: \_\_\_\_\_

Customer Equipment Number: \_\_\_\_\_

Dealer Equipment Number: \_\_\_\_\_

## Dealer Information

Name: \_\_\_\_\_ Branch: \_\_\_\_\_

Address: \_\_\_\_\_

\_\_\_\_\_

\_\_\_\_\_

Dealer Contact

Phone Number

Hours

Sales: \_\_\_\_\_

Parts: \_\_\_\_\_

Service: \_\_\_\_\_

# MEMORANDA

# TABLE OF CONTENTS

NAME	PAGE	NAME	PAGE
GENERAL INFORMATION.....	A5	PISTON & ROD GP .....	174
REPAIR ALTERNATIVES.....	A8	PISTON GP.....	179
SUPPLEMENTAL COOLANT ADDITIVES.....	A9	POWER TAKE-OFF GP.....	181
MAINTENANCE PARTS.....	A10	PULLEY GP-CRANKSHAFT .....	183
INDEX.....	A20	PULLEY GP-FAN DRIVE.....	187
ENGINE ARRANGEMENT.....	1	SEAL GP-CRANKSHAFT.....	192
ENGINE AR.....	1	SHAFT GP-STUB.....	193
BASIC ENGINE .....	63	SUPPORT GP-ENGINE .....	194
ADAPTER GP-SEAL .....	63	SUPPORT GP-POWER TAKE-OFF.....	201
AIR COMPRESSOR GP.....	64	V-BELT SET .....	203
BELT TIGHTENER GP.....	80	VALVE MECHANISM GP.....	204
BRACKET-MOUNTING .....	84	LUBRICATION SYSTEM .....	211
CAMSHAFT GP .....	86	BASE GP-OIL FILTER .....	211
CLUTCH GP .....	87	BREATHER GP .....	215
COUPLING GP-GENERATOR.....	92	FILLER GP-ENGINE OIL.....	216
COVER GP-CYLINDER BLOCK.....	94	FILTER AS-ENGINE OIL.....	220
COVER GP-CYLINDER HEAD.....	95	FILTER GP-ENGINE OIL.....	221
COVER GP-ENGINE LIFTING EYE .....	96	FUMES DISPOSAL GP .....	223
COVER GP-FRONT HOUSING .....	97	GAUGE GP-OIL LEVEL (DIPSTICK) .....	229
COVER GP-VALVE MECHANISM.....	99	LINES GP-ENGINE OIL.....	231
CRANKSHAFT AS .....	100	LINES GP-ENGINE OIL DRAIN.....	233
CRANKSHAFT GP.....	101	LINES GP-TURBOCHARGER OIL.....	237
CYLINDER BLOCK GP .....	102	PUMP GP-ENGINE OIL.....	245
CYLINDER HEAD GP.....	106	PUMP GP-SUMP .....	255
DAMPER GP.....	114	COOLING SYSTEM.....	256
DRIVE GP-AUXILIARY .....	116	ADAPTER GP-FAN .....	256
DRIVE GP-FAN.....	118	COOLANT CONDITIONER GP.....	261
DRIVE GP-PUMP.....	125	COOLER GP-FLTR BASE & ENG OIL.....	262
FASTENER GP-CYLINDER HEAD .....	127	COVER GP-EXPANSION TANK.....	270
FASTENER GP-FRONT HOUSING.....	128	COVER GP-WATER LINES.....	272
FASTENER GP-FRONT SUPPORT .....	129	FAN GP-BLOWER.....	273
FASTENER GP-OIL PAN.....	130	FAN GP-SUCTION.....	277
FLYWHEEL GP.....	132	FILTER GP-COOLANT .....	281
GEAR GP-FRONT .....	137	FLANGE GP-RADIATOR .....	282
GUARD GP-BELT .....	139	FOOT VALVE & STRAINER AS .....	284
GUARD GP-STUB SHAFT.....	147	GUARD GP-FAN .....	285
HOUSING GP-FLYWHEEL.....	148	GUARD GP-RADIATOR.....	296
HOUSING GP-FRONT .....	151	HEAT EXCHANGER GP-SEA WATER.....	297
KIT-BASIC ENGINE REPAIR .....	152	HOUSING & REGULATOR GP .....	306
KIT-CYLINDER HEAD GASKET.....	153	KIT-WATER PUMP .....	311
KIT-ENGINE GASKET.....	154	LINES GP-AFTERCOOLER WATER.....	314
KIT-FRONT COVER GASKET .....	156	LINES GP-AUXILIARY SEA WATER .....	315
LIFTING GP-ENGINE .....	157	LINES GP-COOLANT DRAIN.....	323
LINES GP-AIR COMPRESSOR .....	160	LINES GP-VENT.....	328
MOUNTING GP-ALTERNATOR .....	162	LINES GP-WATER.....	331
MOUNTING GP-ENGINE .....	168	MANIFOLD GP-WATER .....	341
MOUNTING GP-ENGINE FLEXIBLE.....	169	PUMP AS-BILGE .....	343
MOUNTING GP-HYD PUMP DRIVE.....	170	PUMP GP-AUXILIARY SEA WATER .....	345
PAN GP-OIL .....	172	PUMP GP-BILGE .....	349
		PUMP GP-WATER.....	351
		RADIATOR GP .....	383
		REGULATOR GP-TEMPERATURE .....	425

# TABLE OF CONTENTS

NAME	PAGE	NAME	PAGE
TANK GP-EXPANSION.....	426	MOUNTING GP-GOVERNOR	
AIR INLET AND EXHAUST SYSTEM.....	432	ACTUATOR.....	696
ADAPTER GP-AIR CLEANER.....	432	PUMP & MTG GP-FUEL	
ADAPTER GP-EXHAUST.....	433	TRANSFER.....	698
AFTERCOOLER GP-WATER.....	434	PUMP GP-FUEL INJECTION.....	699
AIR CLEANER GP.....	438	PUMP GP-FUEL PRIMING.....	746
CAP AS-AIR CLEANER.....	470	PUMP GP-FUEL PRM & PRIM	
CAP AS-RAIN.....	471	FILTER.....	751
CAP GP-AIR CLEANER.....	474	PUMP GP-FUEL TRANSFER.....	754
CARTRIDGE GP-TURBOCHARGER.....	476	PUMP GP-GOV & FUEL INJ.....	758
ELBOW GP-EXHAUST.....	490	SEPARATOR GP-WATER.....	847
ELBOW-EXHAUST.....	498	SHUTOFF GP-MANUAL.....	848
FASTENER GP-EXHAUST		SHUTOFF GP-MECHANICAL.....	850
MANIFOLD.....	501	TANK & BASE GP-FUEL.....	853
FITTING GP-EXHAUST.....	503	TORQUE CONTROL GP.....	859
FLANGE GP-EXHAUST.....	508	ELECTRICAL AND STARTING	
GAUGE GP-AIR CLEANER.....	514	SYSTEM.....	862
KIT-AIR CLEANER.....	515	ALTERNATOR GP-CHARGING.....	862
KIT-TURBOCHARGER GASKET.....	515	BATTERY CHARGER.....	923
LINES GP-AIR.....	516	BATTERY GP.....	933
MANIFOLD GP-EXHAUST.....	529	BOX GP-EXTENSION TERMINAL.....	940
MOUNTING GP-AIR CLEANER.....	536	BOX GP-GENERATOR	
MUFFLER.....	537	CONNECTION.....	944
MUFFLER GP.....	540	BOX GP-JUNCTION.....	948
PIPE GP-EXHAUST.....	545	CABLE GP-BATTERY.....	963
PRECLEANER AS.....	548	CIRCUIT BREAKER AS.....	964
PRECLEANER GP.....	549	CIRCUIT BREAKER GP.....	968
SHIELD GP-EXHAUST.....	550	CONNECTION GP-ELECTRICAL.....	1019
TURBOCHARGER GP.....	552	CONTACTOR GP.....	1025
FUEL SYSTEM.....	574	CONTACTOR GP-ALARM.....	1028
ACTUATOR AS-GOVERNOR.....	574	CONTACTOR GP-OVERSPEED.....	1030
ADAPTER GP-PRIMING PUMP.....	575	CONTROL AS-ELECTRONIC	
BOX AS-GOVERNOR		GOVERNOR.....	1031
PREREGULATOR.....	576	CONTROL GP-AUTO START/	
BRACKET-SUPPORT.....	577	STOP.....	1032
CAMSHAFT AS.....	578	CONTROL GP-ELECTRONIC.....	1038
CONTROL AS-GOVERNOR.....	580	CONTROL GP-MANUAL START/	
CONTROL GP-FUEL.....	583	STOP.....	1039
CONTROL GP-FUEL RATIO.....	584	CONTROL GP-MANUAL VOLTAGE.....	1045
CONTROL GP-GOVERNOR.....	589	CONTROL GP-VOLTAGE.....	1049
DRAIN GP-FUEL.....	604	CONVERSION GP-WIRING.....	1051
DRIVE GP-GOVERNOR.....	606	COVER AS-EXTENSION BOX.....	1052
DRIVE GP-TACHOMETER.....	609	COVER GP-CIRCUIT BREAKER.....	1053
FASTENER GP-FUEL INJ PUMP.....	612	COVER-EXTENSION BOX.....	1057
FILTER GP-FUEL.....	615	DIODE GP.....	1058
GOVERNOR AS-ELECTRONIC.....	621	FASTENER GP-CIRCUIT	
GOVERNOR GP.....	626	BREAKER.....	1059
GOVERNOR GP-ELECTRONIC.....	653	FASTENER GP-EXTENSION BOX.....	1063
HOUSING AS-GOVERNOR DRIVE.....	655	FASTENER GP-WIRING	
HOUSING GP-FUEL PUMP.....	657	HARNESS.....	1064
LINES GP-FLEXIBLE FUEL.....	658	HARNESS AS-CONTROL.....	1070
LINES GP-FUEL DRAIN.....	661	HARNESS AS-PANEL.....	1071
LINES GP-FUEL INJECTION.....	663	HARNESS AS-POWER.....	1072
		HARNESS AS-WIRING.....	1072
		HARNESS GP-WIRING.....	1077
		HEATER GP-JACKET WATER.....	1078

# TABLE OF CONTENTS

NAME	PAGE	NAME	PAGE
HOLDER.....	1081	BASE AS-ENGINE & GENERATOR.....	1337
INSTALLATION GP- COMMUNICATION.....	1083	BASE GP-ENGINE & GENERATOR.....	1338
KIT-RELAY.....	1084	BUMPER-RUBBER.....	1346
KIT-SOLENOID.....	1085	ENCLOSURE GP-GENERATOR.....	1347
KIT-TRANSFORMER ISOLATION.....	1086	GUARD GP-ENGINE.....	1349
LUBRICATOR GP-AIR MOTOR.....	1087	RAIL GP-ENGINE SUPPORT.....	1350
MODULE GP-INTERFACE.....	1088		
MOUNTING GP-CIRCUIT BREAKER.....	1089	GENERATORS.....	1351
MOUNTING GP-CONTACTOR.....	1120	CONNECTION GP-GENERATOR LEADS.....	1351
MOUNTING GP-JACKET WTR HEATER.....	1127	CONNECTION GP-TERMINAL STRIP.....	1373
MOUNTING GP-TRANSFORMER.....	1130	COUPLING GP-GENERATOR DRIVE.....	1380
NEUTRAL BUS BAR AS.....	1131	GENERATOR AR.....	1381
RELAY AS.....	1135	GENERATOR GP.....	1399
SENDER GP.....	1136	HEAT SINK AS.....	1588
SENSOR GP-COOLANT LEVEL.....	1137	HEATER GP-SPACE.....	1589
SENSOR GP-LIQUID LEVEL.....	1140	INSTALLATION AR-GENERATOR.....	1590
SENSOR GP-PRESSURE.....	1142	INSULATOR.....	1591
SENSOR GP-SPEED.....	1147	KIT-GENERATOR REPAIR.....	1594
SENSOR GP-TEMP & PRESS.....	1153	KIT-MARINE GENERATOR PARTS.....	1594
SENSOR GP-TEMPERATURE.....	1154	KIT-SPACE HEATER.....	1595
SHUTOFF GP-ELECTRICAL.....	1156	LIFTING GP-GENERATOR.....	1597
SILENCER GP-AIR STARTING.....	1163	MOUNTING GP-VOLTAGE REGULATOR.....	1599
SILENCER-AIR STARTING.....	1164	REGULATOR AS-VOLTAGE.....	1603
SOLENOID GP-SHUTOFF.....	1165	REGULATOR GP-VOLTAGE.....	1613
STARTING AID GP-ETHER.....	1166	ROTOR AS.....	1619
STARTING MOTOR GP-AIR.....	1169	ROTOR GP-GENERATOR.....	1635
STARTING MOTOR GP-ELECTRIC.....	1177		
STRIP AS-TERMINAL.....	1276	TRANSMISSION.....	1636
SUPPORT GP-BATTERY.....	1278	MOUNTING GP-TRANSMISSION.....	1636
SWITCH AS.....	1285		
SWITCH AS-AUXILIARY.....	1286	OPERATOR STATION.....	1637
SWITCH AS-TEMPERATURE.....	1288	ALARM GP.....	1637
SWITCH GP-AUXILIARY.....	1291	AMMETER GP.....	1639
SWITCH GP-ENGINE.....	1292	CONTROL GP-EMCP ELECTRONIC.....	1640
SWITCH GP-GOVERNOR.....	1293	CONTROL GP-ENGINE MONITORING.....	1650
SWITCH GP-REMOTE STARTING.....	1297	COVER GP-CONTROL PANEL.....	1652
SWITCH GP-START.....	1298	DOOR GP-ACCESS.....	1653
SWITCH GP-STARTING AID.....	1302	FILTER AS-ELECTRONIC.....	1655
TRANSFORMER.....	1304	GAUGE GP.....	1657
TRANSFORMER AS.....	1305	GAUGE GP-COOLANT TEMPERATURE.....	1659
TRANSFORMER GP-CURRENT.....	1312	GAUGE GP-ENGINE OIL PRESSURE.....	1660
TRANSFORMER-CURRENT.....	1321	GAUGE GP-FUEL PRESSURE.....	1661
VALVE GP-AIR STARTING.....	1327	KIT-ELECTRONIC CONVERSION.....	1662
WIRING GP-ALTERNATOR.....	1329	KIT-RFI FILTER.....	1663
WIRING GP-ELECTRIC STARTING.....	1330	LAMP.....	1664
WIRING GP-ELECTRONIC CONTROL.....	1330	LAMP GP.....	1665
WIRING GP-ENGINE.....	1331	LAMP GP-PANEL ILLUMINATION.....	1666
WIRING GP-GENERATOR.....	1332		
WIRING GP-PANEL.....	1335		
WIRING GP-SHUTOFF.....	1336		
ENCLOSURES, GUARDS AND BASES.....	1337		

# TABLE OF CONTENTS

NAME	PAGE	NAME	PAGE
METER GP-SERVICE .....	1667		
METER GP-VOLT .....	1670		
MODULE AS .....	1671		
MODULE GP-ALARM .....	1673		
MODULE GP-AUXILIARY RELAY .....	1686		
MODULE GP-CYCLE CRANKING .....	1688		
MODULE GP-PREALARM .....	1690		
MODULE GP-RELAY DRIVER .....	1691		
MODULE GP-SYNCHRONIZING LIGHTS .....	1694		
MODULE GP-SYSTEM COMMUNICATION .....	1710		
MODULE GP-TIMER .....	1712		
MOUNTING GP-CONTROL PANEL .....	1713		
MOUNTING GP-INSTRUMENT PANEL .....	1715		
MOUNTING GP-TACHOMETER .....	1717		
PANEL AR-CONTROL .....	1718		
PANEL AR-TRANSFER SWITCH .....	1723		
PANEL GP-ANNUNCIATOR .....	1725		
PANEL GP-ELECTRONIC .....	1726		
PANEL GP-INSTRUMENT .....	1727		
SEAL GP-ENCLOSURE .....	1735		
SWITCH AS-TRANSFER .....	1735		
TACHOMETER GP-ELECTRIC .....	1743		
TIMER GP .....	1745		
VOLTMETER GP .....	1746		
SERVICE EQUIPMENT AND SUPPLIES .....	1747		
CHART-AUTOMATIC START/STOP .....	1747		
CHART-CIRCUIT BREAKER .....	1757		
CHART-CONTROL PANEL .....	1788		
CHART-INSTRUMENT PANEL .....	1818		
CHART-PLATE & FILM .....	1824		
CHART-TRANSFER SWITCH .....	1825		
KIT-GASKET .....	1840		
KIT-PARTS .....	1857		
KIT-PREVENTIVE MAINTENANCE .....	1857		
PLATE & FILM GP .....	1858		
PART NUMBER INDEX .....	B1		



# GENERAL INFORMATION

## 1. ENGINE IDENTIFICATION

Cat engines are identified with Serial Numbers and Arrangement Numbers. In some cases, Modification Numbers are also used. The serial number plate which shows these numbers is mounted on the engine.

Cat dealers need this information to determine which components were included on the engine when it was assembled at the factory. This permits accurate identification of replacement part numbers.

Effective First Quarter 2001 the Cat Product Identification Number (PIN) changed from 8 to 17 characters. In an effort to provide uniform equipment identification, Caterpillar and other construction equipment manufacturers are moving to comply with the latest version of the product identification numbering standard. Non-road machine PINs are defined by ISO 10261. The new PIN format will apply to all Cat machines and generator sets. The PIN plates and frame marking will display the 17 character PIN. The new format will look like the following:

**\*CAT 0789BG 6SL12345\***

1 2 3 4

Where:

1. Caterpillar's World Manufacturing Code (characters 1-3)
2. Machine Descriptor (characters 4-8)
3. Check Character (character 9)
4. Machine Indicator Section (MIS) or Product Sequence Number (characters 10-17). These were previously referred to as the Serial Number.

Machines and generator sets produced before First Quarter 2001 will maintain their 8 character PIN format.

Components such as engines, transmissions, axles, etc. and work tools will continue to use an 8 character Serial Number (S/N).

## 2. ORDERING PARTS

### **WARNING**

**When replacement parts are required for this product Caterpillar recommends using Caterpillar replacement parts or parts with equivalent specifications including, but not limited to, physical dimensions, type, strength and material.**

**Failure to heed this warning can lead to premature failures, product damage, personal injury or death.**

Quality Cat replacement parts are available from Cat dealers throughout the world. Their parts inventories are up to date and include all parts normally required to protect your investment in Cat machines. Dealers may offer repair kits or remanufactured parts to allow selection of the most effective repair alternative for a particular situation. When ordering parts, your order should specify the quantity, part number, part name, and the serial number/product identification number of the engine for which the parts are needed.

## 3. PARTS MANUAL ORGANIZATION

Product information in this manual is presented as "information elements" that represent all of the components for the specific model. Engine Arrangement and Seat Group are examples of information elements. The information elements are organized alphabetically by part name and secondarily by part number within each major section of the manual.

## 4. TABLE OF CONTENTS

A table of contents (TOC) is found at the beginning of the manual. The TOC lists each section of the manual with a complete list of all information elements organized as they appear in the manual. Page numbers are provided for quick reference to detailed parts identification illustrations and serviceable consist lists.

## 5. MAINTENANCE PARTS INDEX

The Maintenance Parts Index, located near the beginning of the manual, references most frequently used maintenance part numbers, providing description, quantity, usage and page number. This information is organized alphabetically by part description.

# GENERAL INFORMATION

## 6. INDEX

The index located near the front of the manual is an alphabetical listing of all information elements included in the manual. Page numbers are provided for quick reference to detailed parts identification illustrations and serviceable consist lists.

## 7. PART NUMBER INDEX

A numerical index listing all part numbers and the corresponding page number(s) appears at the back of the manual.

## 8. CAPTIONS

Captions located at the beginning of each information element identify the part number and part name along with additional descriptive information. S/N information found in each caption should be used to select correct information for a specific engine. Field replacement options, identification of optional attachment components, and where used ("part of") information is also provided.

The first line of a caption is shown in larger type font to indicate the beginning of an information element. Captions for additional pages that may be required to illustrate an information element will be shown in standard type font and will include the term (contd.).

## 9. NON-SERVICED PARTS

In some instances it is necessary to display non-serviced parts that are a link to lower level serviceable consist lists. These non-serviced part numbers are shown in italic type indicating that they are not available. All consist lists have not been converted to reflect this enhancement.

## 10. PARTS LIST REFERENCE NUMBERS

Numbers shown in the Ref No column correspond to numbers used in the associated graphic(s). An alphabetic suffix may be added to a reference number to identify lower level consist items. Numbers shown in the Graphic Ref column refer to the graphic number identifier displayed in the lower left corner of each illustration. The Graphic Ref number may be used in combination with the item Ref No to determine the correct part number. There may be intentional omission of a Ref No in a consist list as information is updated to reflect the latest serviceable part numbers.

## 11. INDENTED PART NAMES

When a part name is indented in a parts list, it is part of (included in) the group or assembly under which it is indented.

## 12. ILLUSTRATION REFERENCE LETTERS

When necessary, illustrations contain reference letters (A, B, C etc.) that are intended to track lines and harnesses from one point to another. They are also used to show where to reconnect illustrations that have been separated.

## 13. ABBREVIATIONS AND SYMBOLS

O.D. – Outside Diameter  
I.D. – Inside Diameter  
A – Not Part Of This Group  
B – Use As Required  
C – Change From Previous Type  
D – Order By The Meter  
E – Order By The Centimeter  
F – Not Shown  
G – Order By The Inch  
I – Refer To Hydraulic Information System  
M – Metric Part  
R – Remfg Part May Be Available  
Y – Separate Illustration  
Z – Not Serviced Separately

## 14. REPLACEMENT PARTS FOR GENERATORS

Only those generators which are sold and serviced exclusively by Cat Dealers are illustrated on the following pages. Externally-regulated Cat Diesel Electric Sets are equipped with generators made by other manufacturers. Parts for these generators are NOT serviced by Caterpillar Inc. Parts lists and parts should be ordered from the manufacturer whose name is shown on the Generator Name Plate, always giving the generator rating and serial number shown.

## 15. DESCRIPTION OF TYPE CHANGES

Type - A type is defined as any configuration change that requires an additional Information Element for an Arrangement, Group, or Assembly. If serial number breaks for types are not available, a type # ( Type 1, Type 2, etc.) will be displayed in the caption. These "type" changes are identified with a "C" note (change from previous type) in the Parts List. Only the "types" that apply to this Parts Manual will be included. Additional types may exist causing "C" notes to appear on an Information Element when no other types are shown.

## GENERAL INFORMATION

16. <END>

This symbol indicates the end of an information element.

### NOTE:

Continuing improvement and advancement of product design may cause changes to your machine which may not be included in this publication. Whenever a question arises regarding your Cat product or this publication, please consult your Cat dealer for the latest available information.

# REPAIR ALTERNATIVES

## REMANUFACTURED COMPONENTS

As an option when making repairs consider Cat Remanufactured Components. Components that are available through the Cat Remanufactured Program are identified three ways in the parts book:

- with the letter R in the note field of the parts list
- with an R\* at the beginning of the first line of the caption
- with an \*R at the end of the first line of the caption

Typical components included in the Remanufacturing Program include:

ALTERNATORS  
CONNECTING RODS  
CRANKSHAFTS - UNDERSIZE  
CRANKSHAFTS - UPGRADE TO NEW  
CYLINDER HEADS  
ELECTRONIC CONTROL MODULES (ECM)  
ELECTRONIC SENSORS  
FUEL INJECTORS  
FUEL NOZZLES  
FUEL PUMPS  
GOVERNORS  
OIL PUMPS  
PISTONS  
SHORT BLOCKS  
STARTERS  
TURBOCHARGERS - COMPLETE  
TURBOCHARGER CARTRIDGES  
WATER PUMPS

Cat Remanufactured engines for many engine arrangements are also available.

# SUPPLEMENTAL COOLANT ADDITIVES

## CUSTOMER BENEFITS:

Protects against cavitation, foam, erosion, corrosion, and scale buildup in cooling systems.

- Provides measured coolant conditioner.

## DESCRIPTION:

Additives deplete from the coolant with normal operation. For this reason, Supplemental Coolant Additives (SCA) must be added to all heavy duty coolants at regular intervals. In addition, when not using a fully formulated, pre-charged antifreeze, like Cat DEAC, an initial charge of SCA must be added to the cooling system. The amount of SCA added to the system is dependent on the capacity of the system.

The SCA for initial fill is provided as a liquid. SCA's for maintenance intervals are available in liquid form and as a spin-on element. (No Spin-on available for 3600 Family of Engines)

## NOTE:

The amount of SCA added at initial fill is not the same as the amount added at maintenance intervals.

The coolant additive elements can be used with any ethylene or propylene glycol type antifreeze which meets ASTM D4985 or ASTM D5345 Specifications.

## NOTE:

For use with standard heavy duty coolant only, not for use with Extended Life Coolant.

## PARTS NEEDED:

Cooling System Capacity		Liquid SCA at Initial Fill	Liquid SCA at Maintenance*	Spin-on SCA Maintenance Element*
Liters	Gallons			
22-30	(6-8)	3P-2044 (1)	6V-3542 (1)	111-2370 (1)
30-38	(8-10)	3P-2044 (1) 6V-3542 (1)	111-2372 (1)	111-2369 (1)
38-49	(10-13)	3P-2044 (1) 8T-1589 (1)	111-2372 (1)	111-2369 (1)
49-64	(13-17)	3P-2044 (2)	8T-1589 (1)	9N-3368 (1)
64-83	(17-22)	3P-2044 (2) 8T-1589 (1)	111-2372 (1) 6V-3542 (1)	111-2371 (1)
83-114	(22-30)	3P-2044 (3) 8T-1589 (1)	3P-2044 (1)	9N-3718 (1)
114-163	(30-43)	3P-2044 (5)	3P-2044 (1) 6V-3542 (1)	111-2371 (2)
163-242	(43-64)	3P-2044 (8)	3P-2044 (2)	9N-3718 (2)

\* Normal maintenance period is 250 hrs. See your Operation and Maintenance Manual for complete coolant maintenance instructions.

( ) Indicates quantity required.

# MAINTENANCE PARTS

DESCRIPTION	PART NUMBER	QTY	WHERE USED	PAGE
AIR INLET AND EXHAUST SYSTEM				
FILTER ELEMENT AS-AIR (PRIMARY)	2S-5648	1	AIR CLEANER GP	468
	4L-9852	1	AIR CLEANER GP	456
	6I-2503	1	AIR CLEANER GP	455
	7W-5316	1	AIR CLEANER GP	464
	7W-5495	1	AIR CLEANER GP	442
FILTER ELEMENT AS-AIR (PRIMARY) (CLEANER)	4L-9851	1	AIR CLEANER GP	457
	6I-0273	1	AIR CLEANER GP	454
	7W-5495	1	AIR CLEANER GP	448
		1	AIR CLEANER GP	452
FILTER ELEMENT AS-AIR (PRIMARY) (OUTER)	7W-5495	1	AIR CLEANER GP	446
FILTER ELEMENT AS-AIR (SECONDARY)	1P-7360	1	AIR CLEANER GP	442
	6I-2504	1	AIR CLEANER GP	455
FILTER ELEMENT AS-AIR (SECONDARY) (CLEANER)	1P-7360	1	AIR CLEANER GP	448
		1	AIR CLEANER GP	452
	6I-0274	1	AIR CLEANER GP	454
FILTER ELEMENT AS-AIR (SECONDARY) (INNER)	1P-7360	1	AIR CLEANER GP	446
FILTER ELEMENT-AIR (SECONDARY)	2S-1287	1	AIR CLEANER GP	464
SCREEN-AIR CLEANER INLET (AIR LINES)	7M-1674	1	LINES GP-AIR	520
		1	LINES GP-AIR	522
		1	LINES GP-AIR	523
SCREEN-AIR CLEANER INLET (CLEANER)	7M-1674	1	AIR CLEANER GP	468
SCREEN-AIR INLET (AIR CLEANER)	5L-7874	1	AIR CLEANER GP	438
		1	AIR CLEANER GP	440
		1	AIR CLEANER GP	458
		1	AIR CLEANER GP	462
		1	AIR CLEANER GP	463
		1	AIR CLEANER GP	466
BASIC ENGINE				
KEY-SQUARE	7F-8896	1	POWER TAKE-OFF GP	182
PLUG-DRAIN (MAGNETIC) (OIL PAN)	9X-6451	2	PAN GP-OIL	173
SEAL-VALVE COVER	133-1247	1	COVER GP-VALVE MECHANISM	99
		1	KIT-CYLINDER HEAD GASKET	153
V-BELT SET (INCLUDES 2 BELTS) (ALTERNATOR)	2W-0237	1	MOUNTING GP-ALTERNATOR	163
		1	MOUNTING GP-ALTERNATOR	165
V-BELT SET (INCLUDES 3-BELTS) (INCLUDES 3 BELTS)(FAN DRIVE)	8L-4526	1	PULLEY GP-FAN DRIVE	188
COOLING SYSTEM				
CAP AS-RADIATOR (EXPANSION TANK)	036-1865	1	TANK GP-EXPANSION	426

## MAINTENANCE PARTS

DESCRIPTION	PART NUMBER	QTY	WHERE USED	PAGE
CAP-PRESSURE (7-PSI)	6L-8617	1	RADIATOR GP	391
		1	RADIATOR GP	397
		1	RADIATOR GP	399
CAP-PRESSURE (7-PSI) (EXPANSION TANK)	6L-8617	1	TANK GP-EXPANSION	428
		1	TANK GP-EXPANSION	430
CAP-PRESSURE (7-PSI) (PRESSURE)	6L-8617	1	RADIATOR GP	383
		1	RADIATOR GP	389
		1	RADIATOR GP	395
		1	RADIATOR GP	405
		1	RADIATOR GP	409
		1	RADIATOR GP	411
		1	RADIATOR GP	417
		1	RADIATOR GP	419
CAP-PRESSURE (7-PSI) (RADIATOR)	6L-8617	1	RADIATOR GP	384
		1	RADIATOR GP	385
		1	RADIATOR GP	387
		1	RADIATOR GP	393
		1	RADIATOR GP	407
FILTER	136-3742	1	KIT-WATER PUMP	312
	435-5142	1	COOLANT CONDITIONER GP	261
FILTER AS-ENGINE OIL (ADVANCED EFFICIENCY)	1R-1807	1	COOLER GP-FLTR BASE & ENG OIL	268
		1	COOLER GP-FLTR BASE & ENG OIL	269
FILTER-COOLANT CONDITIONER	9N-6123	1	FILTER GP-COOLANT	281
FILTER-COOLANT CONDITIONER (9-12 GAL CAPACITY)(MAINTENANCE)	9N-3717	1	FILTER GP-COOLANT	281
FILTER-COOLANT CONDITIONER (PRECHARGE) (9-12 GAL CAPACITY) (MAINTENANCE)	9N-3718	1	FILTER GP-COOLANT	281
HOSE (UPPER RADIATOR)	3N-6034	1	RADIATOR GP	387
		1	RADIATOR GP	389
		1	RADIATOR GP	391
		1	RADIATOR GP	393
		1	RADIATOR GP	421
		1	RADIATOR GP	385
	3N-6036	1	RADIATOR GP	395
		1	RADIATOR GP	397
		1	RADIATOR GP	399
		1	RADIATOR GP	409
		1	RADIATOR GP	411
		1	RADIATOR GP	415
		1	RADIATOR GP	417
		1	RADIATOR GP	419
		2	RADIATOR GP	401
		2	RADIATOR GP	403
		HOSE-PUMP INLET (LOWER RADIATOR)	3N-6033	1
1	RADIATOR GP			387
1	RADIATOR GP			389
1	RADIATOR GP			389

# MAINTENANCE PARTS

DESCRIPTION	PART NUMBER	QTY	WHERE USED	PAGE
		1	RADIATOR GP	391
		1	RADIATOR GP	393
		1	RADIATOR GP	395
		1	RADIATOR GP	397
		1	RADIATOR GP	399
		1	RADIATOR GP	409
		1	RADIATOR GP	411
		1	RADIATOR GP	417
		1	RADIATOR GP	419
HOSE-RADIATOR (LOWER)	133-6518	1	RADIATOR GP	415
	134-1245	1	RADIATOR GP	421
	7C-8482	1	RADIATOR GP	401
		1	RADIATOR GP	403
PLUG-DRAIN (AUXILIARY SEA WATER LINES)	5B-9169	1	LINES GP-AUXILIARY SEA WATER	315
		1	LINES GP-AUXILIARY SEA WATER	319
PLUG-DRAIN (HEAT EXCHANGER)	5B-9169	1	HEAT EXCHANGER GP-SEA WATER	300
		2	HEAT EXCHANGER GP-SEA WATER	300
REGULATOR-WATER TEMPERATURE	111-8010	1	HOUSING & REGULATOR GP	306
		1	HOUSING & REGULATOR GP	307
		1	REGULATOR GP-TEMPERATURE	425
REGULATOR-WATER TEMPERATURE (97-DEG C)	116-7577	1	HOUSING & REGULATOR GP	310
REGULATOR-WATER TEMPERATURE (COOLANT)	111-8010	1	HOUSING & REGULATOR GP	308
		1	HOUSING & REGULATOR GP	309
ROD AS-ZINC	5L-7685	2	HEAT EXCHANGER GP-SEA WATER	297
		1	LINES GP-AUXILIARY SEA WATER	317
ROD AS-ZINC (AUXILIARY SEA WATER PUMP)	5L-7685	2	HEAT EXCHANGER GP-SEA WATER	304
ROD-ZINC	6L-2280	1	LINES GP-AUXILIARY SEA WATER	319
		1	LINES GP-AUXILIARY SEA WATER	322
ROD-ZINC (AUXILIARY SEA WATER LINES)	6L-2280	1	LINES GP-AUXILIARY SEA WATER	315
		1	LINES GP-AUXILIARY SEA WATER	317
		1	LINES GP-AUXILIARY SEA WATER	320
ROD-ZINC (HEAT EXCHANGER)	6L-2280	1	HEAT EXCHANGER GP-SEA WATER	297
		1	HEAT EXCHANGER GP-SEA WATER	300
	6L-2283	3	HEAT EXCHANGER GP-SEA WATER	303
ROD-ZINC (SEA WATER HEAT EXCHANGER)	6L-2280	1	HEAT EXCHANGER GP-SEA WATER	304
ELECTRICAL AND STARTING SYSTEM BATTERY (12-VOLT, MAINTENANCE FREE, WET)	153-5656	2	BATTERY GP	935
BATTERY (12-VOLT) (DRY)	9G-4232	2	BATTERY GP	938
	9G-4233	2	BATTERY GP	936
	9X-9720	2	BATTERY GP	939
BATTERY (12-VOLT) (WET)	3T-5857	2	BATTERY GP	933



## MAINTENANCE PARTS

DESCRIPTION	PART NUMBER	QTY	WHERE USED	PAGE
CAP AS-FILLER (7/8-9-THD)	123-1373	6	BATTERY GP	934
CIRCUIT BREAKER AS	3N-7554	1	CIRCUIT BREAKER AS	966
	3N-7555	1	CIRCUIT BREAKER AS	966
	5N-3351	1	CIRCUIT BREAKER AS	967
	7W-0167	1	CIRCUIT BREAKER AS	964
	7W-0168	1	CIRCUIT BREAKER AS	964
CIRCUIT BREAKER AS (10-AMPERE)	6T-3642	1	BOX GP-JUNCTION	960
CIRCUIT BREAKER AS (10-AMPERE) (LOGIC CIRCUIT)	6T-3642	1	BOX GP-JUNCTION	951
		1	BOX GP-JUNCTION	954
CIRCUIT BREAKER AS (12.5-AMPERE)	1N-9770	1	BOX GP-JUNCTION	948
		1	BOX GP-JUNCTION	957
CIRCUIT BREAKER AS (125-AMPERE)	4W-9617	1	CIRCUIT BREAKER AS	964
CIRCUIT BREAKER AS (150-AMPERE)	4W-9618	1	CIRCUIT BREAKER AS	964
CIRCUIT BREAKER AS (175-AMPERE)	5N-3353	1	CIRCUIT BREAKER AS	966
CIRCUIT BREAKER AS (20-AMPERE) (FUEL SHUT-OFF SOLENOID)	6T-3644	1	BOX GP-JUNCTION	951
		1	BOX GP-JUNCTION	960
CIRCUIT BREAKER AS (20-AMPERE) (FUEL SHUTOFF SOLENOID)	6T-3644	1	BOX GP-JUNCTION	954
CIRCUIT BREAKER AS (200-AMPERE)	5N-3352	1	CIRCUIT BREAKER AS	966
CIRCUIT BREAKER AS (300 TO 400- AMPERE)	421-1810	1	CIRCUIT BREAKER GP	1004
CIRCUIT BREAKER AS (400-AMPERE)	143-5853	1	CIRCUIT BREAKER GP	1008
CIRCUIT BREAKER AS (630-AMPERE)	143-7610	1	CIRCUIT BREAKER GP	1009
CIRCUIT BREAKER AS (80-AMPERE)	4W-9614	1	CIRCUIT BREAKER AS	967
CIRCUIT BREAKER GP (1000-AMPERE)	104-7634	1	CIRCUIT BREAKER GP	982
CIRCUIT BREAKER GP (1200-AMPERE)	104-7635	1	CIRCUIT BREAKER GP	983
CIRCUIT BREAKER GP (125-AMPERE)	104-7614	1	CIRCUIT BREAKER GP	968
CIRCUIT BREAKER GP (150-AMPERE)	104-7615	1	CIRCUIT BREAKER GP	969
CIRCUIT BREAKER GP (175-AMPERE)	104-7617	1	CIRCUIT BREAKER GP	970
CIRCUIT BREAKER GP (200-AMPERE)	104-7619	1	CIRCUIT BREAKER GP	971
	113-0821	1	CIRCUIT BREAKER GP	984
CIRCUIT BREAKER GP (225-AMPERE)	104-7621	1	CIRCUIT BREAKER GP	972
CIRCUIT BREAKER GP (250-AMPERE)	104-7623	1	CIRCUIT BREAKER GP	973
	113-0822	1	CIRCUIT BREAKER GP	985
	168-8973	1	CIRCUIT BREAKER GP	1001
CIRCUIT BREAKER GP (300-AMPERE)	104-7625	1	CIRCUIT BREAKER GP	974
CIRCUIT BREAKER GP (350-AMPERE)	104-7627	1	CIRCUIT BREAKER GP	975
CIRCUIT BREAKER GP (400-AMPERE)	104-7628	1	CIRCUIT BREAKER GP	976
	168-0342	1	CIRCUIT BREAKER GP	1003
CIRCUIT BREAKER GP (450-AMPERE)	104-7629	1	CIRCUIT BREAKER GP	977
CIRCUIT BREAKER GP (500-AMPERE)	104-7630	1	CIRCUIT BREAKER GP	978
CIRCUIT BREAKER GP (600-AMPERE)	168-0343	1	CIRCUIT BREAKER GP	1005
CIRCUIT BREAKER GP (600-AMPERE) (3 POLE)	104-7631	1	CIRCUIT BREAKER GP	979

## MAINTENANCE PARTS

DESCRIPTION	PART NUMBER	QTY	WHERE USED	PAGE
CIRCUIT BREAKER GP (700-AMPERE)	104-7632	1	CIRCUIT BREAKER GP	980
CIRCUIT BREAKER GP (800-AMPERE)	104-7633	1	CIRCUIT BREAKER GP	981
FUSE (1-AMPERE)	8K-4644	10	MODULE GP-INTERFACE	1088
FUSE (10-AMPERE)	3K-8782	1	SHUTOFF GP-ELECTRICAL	1156
FUSE (12-AMPERE)	5N-0610	1	CONTROL GP-MANUAL VOLTAGE	1046
FUSE (20-AMPERE)	8M-0456	1	SHUTOFF GP-ELECTRICAL	1156
LAMP (24-VOLT) (CLEAR)	3N-5719	4	CONTROL GP-AUTO START/STOP	1034
		4	CONTROL GP-AUTO START/STOP	1036
		1	CONTROL GP-MANUAL START/STOP	1039
		1	CONTROL GP-MANUAL START/STOP	1041
		1	CONTROL GP-MANUAL START/STOP	1042
		3	CONTROL GP-MANUAL START/STOP	1043
		3	CONTROL GP-MANUAL START/STOP	1044
LAMP AS (RED)	5N-5499	1	CONTROL GP-MANUAL START/STOP	1041
		1	CONTROL GP-MANUAL START/STOP	1042
		3	CONTROL GP-MANUAL START/STOP	1043
		3	CONTROL GP-MANUAL START/STOP	1044
SCREEN-STRAINER (AIR STARTING VALVE)	1L-9066	1	VALVE GP-AIR STARTING	1327
V-BELT (1118-MM LG) (ALTERNATOR)	068-5590	1	ALTERNATOR GP-CHARGING	871
		1	ALTERNATOR GP-CHARGING	881
		1	ALTERNATOR GP-CHARGING	883
		1	ALTERNATOR GP-CHARGING	887
		1	ALTERNATOR GP-CHARGING	889
V-BELT (ALTERNATOR)	036-2176	1	ALTERNATOR GP-CHARGING	862
V-BELT GP (ALTERNATOR)	5L-3979	1	ALTERNATOR GP-CHARGING	864
		1	ALTERNATOR GP-CHARGING	881
		1	ALTERNATOR GP-CHARGING	914
V-BELT SET (INCLUDES 2 BELTS) (ALTERNATOR)	6L-8161	1	ALTERNATOR GP-CHARGING	891
V-BELT SET (INCLUDES 2-BELTS) (ALTERNATOR)	9L-6128	1	ALTERNATOR GP-CHARGING	893
ENGINE ARRANGEMENT				
V-BELT SET (INCLUDES 3 BELTS)(FAN PULLEY)	5N-4851	1	ENGINE AR	46
FUEL SYSTEM				
CAP AS-FILLER (ENGINE)	6N-2985	1	SHUTOFF GP-MECHANICAL	851
CAP AS-FILLER (FUEL)	4B-5441	1	TANK & BASE GP-FUEL	853
		1	TANK & BASE GP-FUEL	855
	7T-2036	1	TANK & BASE GP-FUEL	857
CAP-FILLER (FUEL TANK)	8P-0408	1	TANK & BASE GP-FUEL	857
CAP-TANK FILLER (FUEL)	4B-5389	1	TANK & BASE GP-FUEL	853
		1	TANK & BASE GP-FUEL	855
FILTER ELEMENT-FUEL (FUEL CAP) (FUEL TANK CAP)	4B-5949	2	TANK & BASE GP-FUEL	853
		2	TANK & BASE GP-FUEL	855

# MAINTENANCE PARTS

DESCRIPTION	PART NUMBER	QTY	WHERE USED	PAGE
		1	TANK & BASE GP-FUEL	857
FILTER ELEMENT-WTR SEP & FUEL (STANDARD EFFICIENCY) (PRIMARY)	9M-2341	1	PUMP GP-FUEL PRM & PRIM FILTER	752
		1	PUMP GP-FUEL PRM & PRIM FILTER	753
FILTER-FUEL (ADVANCED EFFICIENCY)	1R-0749	2	FILTER GP-FUEL	617
		2	FILTER GP-FUEL	619
FILTER-FUEL (ADVANCED EFFICIENCY) (SECONDARY)	1R-0750	1	FILTER GP-FUEL	615
FILTER-FUEL (WATER SEPARATOR)	8N-9803	1	SEPARATOR GP-WATER	847
FUSE (0.75-AMPERE)	7T-0037	3	BOX AS-GOVERNOR PREREGULATOR	576
		1	GOVERNOR AS-ELECTRONIC	621
		1	GOVERNOR AS-ELECTRONIC	622
		1	GOVERNOR AS-ELECTRONIC	623
		1	GOVERNOR GP-ELECTRONIC	653
		3	GOVERNOR GP-ELECTRONIC	654
FUSE (10-AMPERE)	3K-8782	1	GOVERNOR AS-ELECTRONIC	624
		1	GOVERNOR AS-ELECTRONIC	625
FUSE (20-AMPERE)	8M-0456	1	CONTROL GP-FUEL	583
GASKET (FUEL PRIMING PUMP)	1P-0436	2	ADAPTER GP-PRIMING PUMP	575
		2	PUMP GP-FUEL PRIMING	747
		1	PUMP GP-FUEL PRIMING	749
		1	PUMP GP-FUEL PRIMING	750
SCREEN AS (FUEL)(GOVERNOR HOUSING)	8N-6680	1	CONTROL GP-FUEL RATIO	586
<b>GENERATORS</b>				
FUSE (12-AMPERE)	9Y-8419	12	KIT-GENERATOR REPAIR	1594
		12	KIT-MARINE GENERATOR PARTS	1594
		2	REGULATOR AS-VOLTAGE	1603
		2	REGULATOR AS-VOLTAGE	1604
		2	REGULATOR AS-VOLTAGE	1605
		2	REGULATOR AS-VOLTAGE	1606
		2	REGULATOR AS-VOLTAGE	1607
		2	REGULATOR GP-VOLTAGE	1617
FUSE-CERAMIC (10-AMPERE)	9Y-6027	2	GENERATOR GP	1400
		2	GENERATOR GP	1402
		2	GENERATOR GP	1405
		2	GENERATOR GP	1408
		2	GENERATOR GP	1412
		2	GENERATOR GP	1415
		2	GENERATOR GP	1418
		2	GENERATOR GP	1420
		2	GENERATOR GP	1423
		2	GENERATOR GP	1426
		2	GENERATOR GP	1430
		2	GENERATOR GP	1432
		2	GENERATOR GP	1436
		2	GENERATOR GP	1438

# MAINTENANCE PARTS

DESCRIPTION	PART NUMBER	QTY	WHERE USED	PAGE
		2	GENERATOR GP	1441
		2	GENERATOR GP	1445
		2	GENERATOR GP	1447
		2	GENERATOR GP	1462
		2	GENERATOR GP	1465
		2	GENERATOR GP	1468
		2	GENERATOR GP	1471
		12	KIT-MARINE GENERATOR PARTS	1594
SCREEN AS	112-2563	1	GENERATOR GP	1399
		1	GENERATOR GP	1402
		1	GENERATOR GP	1406
		1	GENERATOR GP	1408
		1	GENERATOR GP	1412
		1	GENERATOR GP	1414
		1	GENERATOR GP	1417
		1	GENERATOR GP	1420
		1	GENERATOR GP	1426
		1	GENERATOR GP	1430
		1	GENERATOR GP	1432
		1	GENERATOR GP	1436
		1	GENERATOR GP	1438
		1	GENERATOR GP	1441
		1	GENERATOR GP	1445
		1	GENERATOR GP	1447
		1	GENERATOR GP	1453
		1	GENERATOR GP	1456
		2	GENERATOR GP	1459
		2	GENERATOR GP	1462
		2	GENERATOR GP	1465
		2	GENERATOR GP	1468
		2	GENERATOR GP	1471
		2	GENERATOR GP	1475
		2	GENERATOR GP	1478
		2	GENERATOR GP	1481
		2	GENERATOR GP	1484
		2	GENERATOR GP	1537
		2	GENERATOR GP	1540
		2	GENERATOR GP	1543
		2	GENERATOR GP	1546
		2	GENERATOR GP	1549
		2	GENERATOR GP	1552
		2	GENERATOR GP	1555
		2	GENERATOR GP	1558
		2	GENERATOR GP	1561
		2	GENERATOR GP	1567
		2	GENERATOR GP	1570
		2	GENERATOR GP	1579
		2	GENERATOR GP	1582
		2	GENERATOR GP	1585
	126-4421	1	GENERATOR GP	1400

# MAINTENANCE PARTS

DESCRIPTION	PART NUMBER	QTY	WHERE USED	PAGE
		1	GENERATOR GP	1403
		1	GENERATOR GP	1406
		1	GENERATOR GP	1409
		1	GENERATOR GP	1412
		1	GENERATOR GP	1415
		1	GENERATOR GP	1418
		1	GENERATOR GP	1421
		2	GENERATOR GP	1423
		1	GENERATOR GP	1427
		1	GENERATOR GP	1430
		1	GENERATOR GP	1433
		1	GENERATOR GP	1436
		1	GENERATOR GP	1439
		1	GENERATOR GP	1442
		1	GENERATOR GP	1445
		1	GENERATOR GP	1448
	7E-6570	1	GENERATOR GP	1450
		1	GENERATOR GP	1564
	9Y-2938	1	GENERATOR GP	1488
		1	GENERATOR GP	1490
		1	GENERATOR GP	1493
		1	GENERATOR GP	1496
		1	GENERATOR GP	1499
		1	GENERATOR GP	1502
		1	GENERATOR GP	1505
		1	GENERATOR GP	1508
		1	GENERATOR GP	1511
		1	GENERATOR GP	1515
		1	GENERATOR GP	1518
		1	GENERATOR GP	1521
		2	GENERATOR GP	1524
		2	GENERATOR GP	1527
		1	GENERATOR GP	1530
		1	GENERATOR GP	1534
LUBRICATION SYSTEM				
BREATHER AS (CRANKCASE)	2W-9162	1	BREATHER GP	215
CAP AS-FILLER (ENGINE OIL)	113-5253		FILLER GP-ENGINE OIL	216
	5L-2952	1	FILLER GP-ENGINE OIL	217
		1	FILLER GP-ENGINE OIL	218
	6N-2985	1	FILLER GP-ENGINE OIL	216
CAP AS-OIL FILLER (ENGINE)	7S-1803	1	FILLER GP-ENGINE OIL	219
FILLER AS-OIL (ENGINE)	1W-5464	1	FILLER GP-ENGINE OIL	217
	4N-6797	1	FILLER GP-ENGINE OIL	218
FILTER AS-ENGINE OIL (STANDARD EFFICIENCY)	1R-0716	1	FILTER GP-ENGINE OIL	221
OPERATOR STATION				
BATTERY (LITHIUM) (3-VOLT)	193-5488	1	MODULE GP-SYSTEM COMMUNICATION	1711

## MAINTENANCE PARTS

DESCRIPTION	PART NUMBER	QTY	WHERE USED	PAGE
CIRCUIT BREAKER AS (12.5-AMPERE)	1N-9770	1	PANEL AR-CONTROL	1718
CIRCUIT BREAKER AS (2-AMPERE)	3N-5582	4	MODULE GP-PREALARM	1690
CIRCUIT BREAKER AS (20-AMPERE)	200-8577	1	PANEL AR-CONTROL	1718
FUSE (0.75-AMPERE)	7T-0037	2	PANEL AR-CONTROL	1722
FUSE (1-AMPERE)	8K-4644	10	MODULE GP-RELAY DRIVER	1692
FUSE (10-AMPERE)	3K-8782	16	PANEL AR-CONTROL	1719
FUSE (2-AMPERE)	7W-0482	2	MODULE GP-SYNCHRONIZING LIGHTS	1701
		2	MODULE GP-SYNCHRONIZING LIGHTS	1709
		3	PANEL AR-CONTROL	1719
LAMP (120-VOLT, 6-WATT)	5N-3615	2	MODULE GP-SYNCHRONIZING LIGHTS	1704
		2	MODULE GP-SYNCHRONIZING LIGHTS	1706
LAMP (120-VOLT, 6-WATT) (CLEAR)	5N-3615	2	MODULE GP-SYNCHRONIZING LIGHTS	1694
		2	MODULE GP-SYNCHRONIZING LIGHTS	1696
		2	MODULE GP-SYNCHRONIZING LIGHTS	1698
		2	MODULE GP-SYNCHRONIZING LIGHTS	1699
		2	MODULE GP-SYNCHRONIZING LIGHTS	1701
		3	MODULE GP-SYNCHRONIZING LIGHTS	1702
		2	MODULE GP-SYNCHRONIZING LIGHTS	1703
		2	MODULE GP-SYNCHRONIZING LIGHTS	1708
		2	MODULE GP-SYNCHRONIZING LIGHTS	1709
LAMP (24-VOLT, 0.2-AMPERE) (CLEAR)	7N-5876	2	LAMP GP-PANEL ILLUMINATION	1666
		2	PANEL AR-CONTROL	1719
		3	PANEL AR-TRANSFER SWITCH	1723
LAMP (24-VOLT)	3N-5719	1	MODULE GP-SYNCHRONIZING LIGHTS	1706
		4	PANEL AR-CONTROL	1722
LAMP (24-VOLT) (CLEAR)	3N-5719	1	LAMP GP	1665
		4	MODULE GP-ALARM	1674
		8	MODULE GP-ALARM	1676
		4	MODULE GP-ALARM	1681
		4	MODULE GP-ALARM	1682
		1	MODULE GP-PREALARM	1690
		1	MODULE GP-SYNCHRONIZING LIGHTS	1699
		1	MODULE GP-SYNCHRONIZING LIGHTS	1701
		1	MODULE GP-SYNCHRONIZING LIGHTS	1709
		1	PANEL GP-INSTRUMENT	1729

## MAINTENANCE PARTS

DESCRIPTION	PART NUMBER	QTY	WHERE USED	PAGE
		1	PANEL GP-INSTRUMENT	1730
		2	PANEL GP-INSTRUMENT	1732
LAMP (6-28 VOLTS)(RED)	3N-7782	13	PANEL GP-ANNUNCIATOR	1725
LAMP AS (120-VOLT, 3-WATT) (CLEAR)	7G-9730	2	LAMP GP-PANEL ILLUMINATION	1666
LAMP AS (120-VOLT, 3-WATT) (PANEL)	7G-9730	2	PANEL AR-CONTROL	1718
LAMP AS (AMBER)	5N-5500	4	MODULE GP-ALARM	1681
		4	MODULE GP-ALARM	1682
LAMP AS (GREEN)	5N-5501	1	PANEL GP-INSTRUMENT	1732
LAMP AS (RED)	5N-5499	1	MODULE GP-SYNCHRONIZING LIGHTS	1701
		1	MODULE GP-SYNCHRONIZING LIGHTS	1709
		1	PANEL GP-INSTRUMENT	1732
LENS-LAMP (CLEAR)	9Y-8024	1	PANEL AR-TRANSFER SWITCH	1723
SERVICE EQUIPMENT AND SUPPLIES				
FILTER AS-ENGINE OIL (STANDARD EFFICIENCY)	1R-0739	1	KIT-PREVENTIVE MAINTENANCE	1857
FILTER-FUEL (ADVANCED EFFICIENCY)	1R-0750	1	KIT-PREVENTIVE MAINTENANCE	1857
FUSE (12-AMPERE)	9Y-8419	12	KIT-PARTS	1857
		12	KIT-PARTS	1857
FUSE-CERAMIC (10-AMPERE)	9Y-6027	12	KIT-PARTS	1857
		12	KIT-PARTS	1857
GASKET (FUEL PRIMING PUMP)	1P-0436	1	KIT-GASKET	1853
		2	KIT-GASKET	1855
GASKET-REGULATOR HOUSING	9N-3241	1	KIT-GASKET	1840
SEAL-CRANKSHAFT (FRONT)	142-5867	1	KIT-GASKET	1848
SEAL-VALVE COVER	133-1247	1	KIT-GASKET	1840
		1	KIT-GASKET	1841
		1	KIT-GASKET	1845
		1	KIT-GASKET	1847

# INDEX

NAME	PAGE	NAME	PAGE
<b>A</b>			
ACTUATOR AS-GOVERNOR .....	574	ALTERNATOR GP-CHARGING .....	862
ADAPTER GP-AIR CLEANER .....	432		864
ADAPTER GP-EXHAUST .....	433		866
ADAPTER GP-FAN .....	256		868
	257		870
	258		871
	259		873
	260		875
ADAPTER GP-PRIMING PUMP .....	575		877
ADAPTER GP-SEAL-CRANKSHAFT .....	63		879
AFTERCOOLER AS .....	405		881
AFTERCOOLER GP-WATER .....	434		883
	436		885
AIR CLEANER GP .....	438		887
	440		889
	442		891
	444		893
	446		894
	447		896
	448		899
	450		902
	452		903
	453		904
	454		906
	455		908
	456		910
	457		912
	458		914
	459		916
	461		919
	462	AMMETER GP .....	921
	463		1639
	464	<b>B</b>	
	465	BASE AS-ENGINE & GENERATOR .....	1337
	466	BASE GP-ENGINE & GENERATOR .....	1338
AIR COMPRESSOR GP .....	64		1339
	66		1341
	68		1342
	69		1344
	70		1345
	71	BASE GP-OIL FILTER .....	211
	72		212
	73		213
	74		214
	76	BATTERY (12-VOLT, MAINTENANCE FREE, WET) .....	935
	77	BATTERY (12-VOLT) (DRY) .....	936
	79		938
ALARM GP .....	1637		939
	1638	BATTERY (12-VOLT) (WET) .....	933
		BATTERY (LITHIUM) (3-VOLT) .....	1711



# INDEX

NAME	PAGE	NAME	PAGE
BATTERY CHARGER.....	923	CAP AS-OIL FILLER (ENGINE).....	219
	924	CAP AS-RADIATOR (EXPANSION TANK).....	426
	925	CAP AS-RAIN.....	472
	926	CAP AS-RAIN-EXHAUST PIPE.....	471
	927		473
	928	CAP GP-AIR CLEANER.....	474
	929		475
	930	CAP-FILLER (FUEL TANK).....	857
	931	CAP-PRESSURE (7-PSI).....	391
	932		397
BATTERY GP.....	933		399
	934	CAP-PRESSURE (7-PSI) (EXPANSION	
	935	TANK).....	428
	936		430
	937	CAP-PRESSURE (7-PSI) (PRESSURE).....	383
	938		389
	939		395
BATTERY GP (12-VOLT, 750-CCA).....	934		405
BELT TIGHTENER GP.....	80		409
	82		411
BOTTLE GP-FLUID SAMPLING.....	1857		417
BOX AS-GOVERNOR PREREGULATOR.....	576		419
BOX GP-EXTENSION TERMINAL.....	940	CAP-PRESSURE (7-PSI) (RADIATOR).....	384
	941		385
	942		387
	943		393
BOX GP-GENERATOR CONNECTION.....	944		407
	945	CAP-TANK FILLER (FUEL).....	853
	946		855
	947	CARTRIDGE GP-TURBOCHARGER.....	476
BOX GP-JUNCTION.....	948		478
	950		480
	951		482
	954		483
	957		485
	959		486
	960		488
BRACKET-MOUNTING-CURRENT		CHART-AUTOMATIC START/STOP.....	1747
TRANSFORMER.....	84		1750
	85	CHART-CIRCUIT BREAKER.....	1757
BRACKET-SUPPORT.....	577		1768
BREATHER AS (CRANKCASE).....	215		1777
BREATHER GP.....	215	CHART-CONTROL PANEL.....	1788
BUMPER-RUBBER.....	1346		1798
			1808
		CHART-INSTRUMENT PANEL.....	1818
		CHART-PLATE & FILM.....	1824
		CHART-TRANSFER SWITCH.....	1825
		CIRCUIT BREAKER AS.....	964
			965
			966
			967
		CIRCUIT BREAKER AS (10-AMPERE).....	960
		CIRCUIT BREAKER AS (10-AMPERE) (LOGIC	
		CIRCUIT).....	951
			954
		CIRCUIT BREAKER AS (12.5-AMPERE).....	948
			957
			1718
		CIRCUIT BREAKER AS (125-AMPERE).....	964

## C

# INDEX

NAME	PAGE	NAME	PAGE
CIRCUIT BREAKER AS (150-AMPERE) .....	964	CONNECTION GP-GENERATOR LEADS .....	1351
CIRCUIT BREAKER AS (175-AMPERE) .....	966		1353
CIRCUIT BREAKER AS (2-AMPERE) .....	1690		1355
CIRCUIT BREAKER AS (20-AMPERE) .....	1718		1357
CIRCUIT BREAKER AS (20-AMPERE) (FUEL SHUT-OFF SOLENOID) .....	951		1359
	960		1361
CIRCUIT BREAKER AS (20-AMPERE) (FUEL SHUTOFF SOLENOID) .....	954		1363
CIRCUIT BREAKER AS (200-AMPERE) .....	966		1364
CIRCUIT BREAKER AS (300 TO 400- AMPERE) .....	1004		1365
CIRCUIT BREAKER AS (400-AMPERE) .....	1008		1366
CIRCUIT BREAKER AS (630-AMPERE) .....	1009		1367
CIRCUIT BREAKER AS (80-AMPERE) .....	967		1368
CIRCUIT BREAKER GP .....	968-1018		1369
CIRCUIT BREAKER GP (1000-AMPERE) .....	982	CONNECTION GP-TERMINAL STRIP .....	1370
CIRCUIT BREAKER GP (1200-AMPERE) .....	983		1371
CIRCUIT BREAKER GP (125-AMPERE) .....	968		1372
CIRCUIT BREAKER GP (150-AMPERE) .....	969		1373
CIRCUIT BREAKER GP (175-AMPERE) .....	970	CONTACTOR GP .....	1025
CIRCUIT BREAKER GP (200-AMPERE) .....	971		1026
	984		1027
CIRCUIT BREAKER GP (225-AMPERE) .....	972	CONTACTOR GP-ALARM .....	1028
CIRCUIT BREAKER GP (250-AMPERE) .....	973		1029
	985	CONTACTOR GP-OVERSPEED .....	1030
	1001	CONTROL AS-ELECTRONIC GOVERNOR-LOAD SHARE MODULE .....	1031
CIRCUIT BREAKER GP (300-AMPERE) .....	974	CONTROL AS-GOVERNOR .....	580
CIRCUIT BREAKER GP (350-AMPERE) .....	975		582
CIRCUIT BREAKER GP (400 AMPERE) .....	986	CONTROL AS-GOVERNOR-LOAD SHARE .....	581
CIRCUIT BREAKER GP (400-AMPERE) .....	976	CONTROL GP-AUTO START/STOP .....	1032
	1003		1034
CIRCUIT BREAKER GP (450-AMPERE) .....	977		1036
CIRCUIT BREAKER GP (500-AMPERE) .....	978	CONTROL GP-ELECTRONIC (EMCP) .....	1645
CIRCUIT BREAKER GP (600-AMPERE) .....	1005	CONTROL GP-ELECTRONIC (RELAY MODULE) .....	1643
CIRCUIT BREAKER GP (600-AMPERE) (3 POLE) .....	979	CONTROL GP-ELECTRONIC-PL641E CELLULAR .....	1038
CIRCUIT BREAKER GP (630 AMPERE) .....	987	CONTROL GP-EMCP ELECTRONIC .....	1640
CIRCUIT BREAKER GP (700-AMPERE) .....	980		1641
CIRCUIT BREAKER GP (800-AMPERE) .....	981		1642
CLUTCH GP .....	87		1643
	90		1644
CONNECTION GP-ELECTRICAL .....	1019		1645
	1021		1646
	1023		1647
	1024		1648
			1649
		CONTROL GP-ENGINE MONITORING .....	1650
			1651
		CONTROL GP-FUEL RATIO .....	584
			585
			586
			587
		CONTROL GP-FUEL-AUXILIARY .....	583

# INDEX

NAME	PAGE	NAME	PAGE
CONTROL GP-GOVERNOR .....	589	CYLINDER BLOCK GP .....	102
	590		103
	591		104
	592	CYLINDER HEAD GP .....	106
	593		107
	595		109
	596		110
	597		112
	598		
	599		
	601		
	602		
	603		
CONTROL GP-MANUAL START/STOP .....	1039		
	1041		
	1042		
	1043		
	1044		
CONTROL GP-MANUAL VOLTAGE .....	1045		
	1046		
	1047		
	1048		
CONTROL GP-VOLTAGE .....	1049		
	1050		
CONVERSION GP-WIRING .....	1051		
COOLANT CONDITIONER GP .....	261		
COOLER GP-FLTR BASE & ENG OIL .....	262		
	264		
	266		
	268		
	269		
CORE AS (HEAT EXCHANGER) .....	300		
CORE AS-AFTERCOOLER .....	434		
	436		
CORE AS-ENGINE OIL COOLER .....	262		
CORE AS-OIL COOLER .....	264		
	266		
CORE AS-RADIATOR .....	413		
COUPLING GP-GENERATOR .....	92		
	93		
COUPLING GP-GENERATOR DRIVE .....	1380		
COVER AS-EXTENSION BOX .....	1052		
COVER GP-CIRCUIT BREAKER .....	1053		
	1054		
	1055		
	1056		
COVER GP-CONTROL PANEL .....	1652		
COVER GP-CYLINDER BLOCK .....	94		
COVER GP-CYLINDER HEAD .....	95		
COVER GP-ENGINE LIFTING EYE .....	96		
COVER GP-EXPANSION TANK .....	270		
	271		
COVER GP-FRONT HOUSING .....	97		
	98		
COVER GP-VALVE MECHANISM .....	99		
COVER GP-WATER LINES .....	272		
COVER-EXTENSION BOX .....	1057		
CRANKCASE GP-AIR COMPRESSOR .....	77		
CRANKSHAFT AS .....	100		
CRANKSHAFT GP .....	101		
		<b>D</b>	
		DAMPER GP .....	114
			115
		DIODE GP .....	1058
		DISPENSER GP-MARKER TAPE .....	1072
		DOOR GP-ACCESS .....	1653
			1654
		DRAIN GP-FUEL .....	604
		DRIVE GP-AUXILIARY .....	116
			117
		DRIVE GP-FAN .....	118
			119
			121
			122
			124
		DRIVE GP-GOVERNOR .....	606
		DRIVE GP-PUMP .....	125
			126
		DRIVE GP-TACHOMETER .....	609
			610
			611
		<b>E</b>	
		ELBOW GP-EXHAUST .....	490
			491
			492
			493
			494
			495
			496
			497
		ELBOW-EXHAUST .....	498
			499
			500
		ENCLOSURE GP-GENERATOR .....	1347

# INDEX

NAME	PAGE	NAME	PAGE
ENGINE AR.....	1	FILLER AS-OIL (ENGINE).....	217
	3		218
	5	FILLER GP-ENGINE OIL.....	216
	7		217
	9		218
	11		219
	13	FILM (CSA CONTROL PANEL APPROVAL)...	1387
	15		1389
	17		1390
	19		1391
	21	FILM (CSA CONTROL PANEL APPROVAL)	
	23	(CONTROL PANEL) .....	1381
	25		1382
	27		1383
	29		1384
	31		1385
	33		1398
	35	FILM (CSA CONTROL PANEL APPROVAL) (CSA	
	37	CONTROL PANEL APPROVAL) .....	1386
	39		1387
	41		1391
	43	FILM-CONNECTION (SPACE HEATER) .....	1511
	45		1515
	47		1595
	49		1596
	51	FILM-CONTROL PANEL (ARABIC).....	1722
	53	FILM-CONTROL PANEL (AUTO STARTING	
	55	AID).....	1719
	57	FILM-CONTROL PANEL (ENGLISH) .....	1722
	59	FILM-CONTROL PANEL (FRENCH).....	1722
	61	FILM-CONTROL PANEL (GENERATOR SET	
		CONTROL +) .....	1643
			1662
		FILM-CONTROL PANEL (GERMAN) .....	1722
		FILM-CONTROL PANEL (MANUAL STARTING	
		AID).....	1719
		FILM-CONTROL PANEL (PORTUGUESE) ....	1722
		FILM-CONTROL PANEL (SPANISH) .....	1722
		FILM-ECM .....	1645
			1646
			1649
		FILM-EMCP II.....	1644
		FILM-IDENTIFICATION (10-AMPERE FUSE)...	624
			1156
			1719
		FILM-IDENTIFICATION (2-AMPERE FUSE) ....	1719
		FILM-IDENTIFICATION (ALARM MODULE) ....	1684
			1685
		FILM-IDENTIFICATION (CAT).....	1347
		FILM-IDENTIFICATION (CATERPILLAR) .....	1347
			1691
			1692
		FILM-IDENTIFICATION (COMMUNICATION	
		MODULE).....	1711
		FILM-IDENTIFICATION (CONTROL PANEL-	
		ANNUNCIATOR).....	1683
		FILM-IDENTIFICATION (CONTROL PANEL) ...	1680
		FILM-IDENTIFICATION (CONTROL PANEL) ...	1719
		FILM-IDENTIFICATION (CUSTOMER INTERFACE	
		MODULE).....	1693

## F

FAN GP-BLOWER.....	273
	274
	275
	276
FAN GP-SUCTION.....	277
	278
	279
	280
FASTENER GP-CIRCUIT BREAKER .....	1059
	1060
	1061
	1062
FASTENER GP-CYLINDER HEAD .....	127
FASTENER GP-EXHAUST MANIFOLD .....	501
	502
FASTENER GP-EXTENSION BOX.....	1063
FASTENER GP-FRONT HOUSING.....	128
FASTENER GP-FRONT SUPPORT .....	129
FASTENER GP-FUEL INJ PUMP .....	612
	613
FASTENER GP-OIL PAN.....	130
	131
FASTENER GP-WIRING HARNESS.....	1064
	1066
	1068

# INDEX

NAME	PAGE	NAME	PAGE
FILM-IDENTIFICATION (ENGINE OIL FILL) . . . .	1388	FILM-INFORMATION (GENERATOR WIRING	
FILM-IDENTIFICATION (FUSE) (20-AMPERE		DIAGRAM) . . . . .	1089
DC) . . . . .	1156		1091
FILM-IDENTIFICATION (FUSE) (20-AMPERE) . . .	583		1093
FILM-IDENTIFICATION (MAGNET EXCITER)			1094
(MAGNET EXCITER REMOVAL NOTICE) . . .	1387		1096
FILM-IDENTIFICATION (REVERSE POWER) . . .	1719		1097
FILM-IDENTIFICATION (SYNCHRONIZING			1099
PANEL) . . . . .	1698		1101
	1699		1103
	1704		1105
	1706		1107
FILM-IDENTIFICATION (TERMINAL			1110
MARKER) . . . . .	948		1112
	951		1114
	952		1116
	954		1276
	955		1376
	960		1378
	961		1383
	1019		1386
	1023		1400
	1640		1402
	1730		1405
	1732		1408
FILM-IDENTIFICATION (TERMINAL) . . . . .	1719		1411
FILM-IDENTIFICATION (WIRELESS COM DEVICE,			1414
READ OMM) . . . . .	1083		1417
FILM-INFORMATION (AC METERING) (VOLTS,			1420
HERTZ & AMPERES LABEL) . . . . .	1648		1423
FILM-INFORMATION (AIR CLEANER) . . . . .	454		1426
	455		1429
FILM-INFORMATION (CONTROL PANEL) . . . . .	1644		1432
FILM-INFORMATION (CSA CONTROL PANEL			1435
APPROVAL) . . . . .	1719		1438
FILM-INFORMATION (GENERATOR SET			1441
CONTROL +) . . . . .	1643		1444
			1447
			1450
			1453
			1456
			1459
			1462
			1465
			1468
			1471
			1475
			1478
			1481
			1484
			1488
			1490
			1494
			1496
			1500
			1502
			1506
			1508
			1512
			1516
			1519

# INDEX

NAME	PAGE	NAME	PAGE
	1521	FILM-INSTRUCTION (DIRECT ELECTRIC	
	1525	STARTING) .....	1166
	1527		1167
	1531	FILM-INSTRUCTION (GENERATOR-VOLTAGE	
	1534	CONTROL).....	1383
	1537		1386
	1540		1392
	1543		1393
	1547		1394
	1550		1395
	1552		1396
	1556		1397
	1558	FILM-INSTRUCTION (VOLTAGE	
	1561	ADJUSTMENT) .....	1615
	1565	FILM-INSTRUCTION (VOLTAGE CONTROL	
	1567	ADJUSTMENT) .....	1383
	1570		1386
	1573		1399
	1576		1405
	1580		1411
	1583		1423
	1585		1429
FILM-INFORMATION (GENERATOR) .....	1389		1435
	1390		1444
FILM-INFORMATION (TERMINAL STRIP).....	968		1450
	969		1462
	971		1475
	972		1487
	973		1494
	974		1500
	975		1506
	976		1512
	977		1519
	978		1525
	979		1531
	980		1537
	981		1547
	982		1556
	983		1565
	984		1567
	985		1573
	986		1580
	987		1613
	988		1614
	995		1618
	996	FILM-LIFT (CENTER ARCH).....	1597
	997	FILM-MODULE (ALARM, NFPA 110).....	1676
	998	FILM-MODULE (ALARM) (NFPA-99).....	1674
	999	FILM-NOTICE (GENERATOR FAN) .....	1567
	1000	FILM-NOTICE (GENERATOR FAN) (GENERATOR	
	1001	FAN) .....	1392
	1002		1394
	1003	FILM-PANEL (ANNUNCIATOR) .....	1729
	1004		1730
	1005	FILM-PANEL (INSTRUMENT).....	1732
	1006	FILM-SYNCHRONIZING PANEL.....	1694
	1007		1696
	1010		1703
	1118		1708
FILM-INSTRUCTION .....	1023		

# INDEX

NAME	PAGE	NAME	PAGE
FILM-TERMINAL STRIP.....	1091	FILTER.....	261
	1094		312
	1096	FILTER AS-ELECTRONIC.....	1655
	1097		1656
	1099	FILTER AS-ENGINE OIL.....	220
	1101	FILTER AS-ENGINE OIL (ADVANCED	
	1103	EFFICIENCY).....	268
	1105		269
	1107	FILTER AS-ENGINE OIL (STANDARD	
	1110	EFFICIENCY).....	221
	1112		1857
	1114	FILTER ELEMENT AS-AIR (PRIMARY).....	442
	1116		455
	1131		456
	1132		464
	1133		468
	1134	FILTER ELEMENT AS-AIR (PRIMARY)	
	1276	(CLEANER).....	448
	1376		452
	1378		454
	1719		457
FILM-TERMINAL STRIP (T1, T2, T3).....	1276	FILTER ELEMENT AS-AIR (PRIMARY)	
	1376	(OUTER).....	446
	1378	FILTER ELEMENT AS-AIR (SECONDARY).....	442
FILM-TRANSFER SWITCH.....	1723		455
FILM-WARNING (DANGER VOLTAGE).....	1381	FILTER ELEMENT AS-AIR (SECONDARY)	
	1382	(CLEANER).....	448
	1383		452
	1384		454
	1385	FILTER ELEMENT AS-AIR (SECONDARY)	
	1386	(INNER).....	446
	1387	FILTER ELEMENT-AIR (SECONDARY).....	464
	1389	FILTER ELEMENT-FUEL (FUEL CAP) (FUEL TANK	
	1390	CAP).....	853
	1391		855
	1392		857
	1393	FILTER ELEMENT-WTR SEP & FUEL (STANDARD	
	1394	EFFICIENCY) (PRIMARY).....	752
	1395		753
	1396	FILTER GP-COOLANT.....	281
	1397	FILTER GP-ENGINE OIL.....	221
	1398	FILTER GP-FUEL.....	615
			617
FILM-WARNING (ELECTRICAL SHOCK			619
HAZARD).....	1719	FILTER-COOLANT CONDITIONER.....	281
	1723	FILTER-COOLANT CONDITIONER (9-12 GAL	
FILM-WARNING (ELECTROCUTION HAZARD,		CAPACITY)(MAINTENANCE).....	281
READ OMM).....	1610	FILTER-COOLANT CONDITIONER (PRECHARGE)	
	1611	(9-12 GAL CAPACITY)(MAINTENANCE).....	281
	1616	FILTER-FUEL (ADVANCED EFFICIENCY).....	617
FILM-WARNING (EXPLOSION, WIRELESS, OMM,			619
INTL).....	1083		1857
FILM-WARNING (EXPLOSION, WIRELESS, OMM,		FILTER-FUEL (ADVANCED EFFICIENCY)	
U.S.).....	1083	(SECONDARY).....	615
FILM-WARNING (SHOCK, ELECTROCUTION		FILTER-FUEL (WATER SEPARATOR).....	847
HAZARD).....	1612	FITTING GP-EXHAUST.....	503
FILM-WARNING (SYNCHRONIZING).....	1698		506
	1699		507
	1704	FITTING GP-EXHAUST-FLEXIBLE.....	504
FILM-WARNING (SYNCHRONIZING)			505
(SYNCHRONIZING).....	1706		

# INDEX

NAME	PAGE	NAME	PAGE
FLANGE GP-EXHAUST .....	508	FUSE-CERAMIC (10-AMPERE) .....	1400
	509		1402
	510		1405
	511		1408
	512		1412
	513		1415
FLANGE GP-RADIATOR .....	282		1418
	283		1420
FLYWHEEL GP .....	132		1423
	133		1426
	134		1430
	135		1432
	136		1436
FOOT VALVE & STRAINER AS .....	284		1438
FUMES DISPOSAL GP .....	223		1441
	224		1445
	225		1447
	226		1462
	227		1465
	228		1468
FUSE (0.75-AMPERE) .....	576		1471
	621		1594
	622		1857
	623		
	653		
	654		
	1722		
FUSE (1-AMPERE) .....	1088		
	1692		
FUSE (10-AMPERE) .....	624		
	625		
	1156		
	1719		
FUSE (12-AMPERE) .....	1046		
	1594		
	1603		
	1604		
	1605		
	1606		
	1607		
	1617		
	1857		
FUSE (2-AMPERE) .....	1701		
	1709		
	1719		
FUSE (20-AMPERE) .....	583		
	1156		
		<b>G</b>	
		GASKET (FUEL PRIMING PUMP) .....	575
			747
			749
			750
			1853
			1855
		GASKET-REGULATOR HOUSING .....	1840
		GAUGE (WATER TEMPERATURE) .....	1658
		GAUGE AS-OIL LEVEL (DIPSTICK)	
		(ENGINE) .....	229
			230
		GAUGE GP-AIR CLEANER .....	514
		GAUGE GP-COOLANT TEMPERATURE .....	1659
		GAUGE GP-COOLANT TEMPERATURE	
		(WATER) .....	1733
		GAUGE GP-ENGINE OIL PRESSURE .....	1660
		GAUGE GP-FUEL PRESSURE .....	1661
		GAUGE GP-OIL LEVEL (DIPSTICK) .....	230
		GAUGE GP-OIL LEVEL (DIPSTICK)-ENGINE .....	229
		GAUGE GP-ENGINE OIL PRESSURE, WATER	
		TEMPERATURE .....	1658
		GAUGE GP-OIL PRESSURE, WATER	
		TEMPERATURE .....	1657
		GEAR GP-FRONT-TIMING .....	137
			138



# INDEX

NAME	PAGE	NAME	PAGE
GENERATOR AR.....	1381	GENERATOR GP.....	1399
	1382		1402
	1383		1405
	1384		1408
	1385		1411
	1386		1414
	1387		1417
	1388		1420
	1389		1423
	1390		1426
	1391		1429
	1392		1432
	1393		1435
	1394		1438
	1395		1441
	1396		1444
	1397		1447
	1398		1450
			1453
			1456
			1459
			1462
			1465
			1468
			1471
			1474
			1475
			1478
			1481
			1484
			1487
			1490
			1493
			1496
			1499
			1502
			1505
			1508
			1511
			1515
			1518
			1521
			1524
			1527
			1530
			1534
			1537
			1540
			1543
			1546
			1549
			1552
			1555
			1558
			1561
			1564
			1567
			1570
			1573
			1576
			1579

# INDEX

NAME	PAGE	NAME	PAGE
	1582	HARNESS AS-WIRING-AC, MEDIUM VOLTAGE	
	1585	GENERATOR .....	1073
GOVERNOR AS-ELECTRONIC .....	621	HARNESS AS-WIRING-ELECTRONIC GOVERNOR	
	622	ACTUATOR .....	1072
	623	HARNESS AS-WIRING-GENERATOR TERMINAL	
	624	STRIP .....	1074
	625		1075
GOVERNOR GP.....	626	HARNESS AS-WIRING-PL461 TO PL462	
	631	CONVERSION.....	1076
	636	HARNESS AS-WIRING-PRODUCT LINK	
	639	RADIO .....	1076
	641	HARNESS GP-WIRING .....	1077
	642	HARNESS GP-WIRING (ENGINE) .....	1331
	643	HEAT EXCHANGER GP-SEA WATER .....	297
	648		299
GOVERNOR GP-ELECTRONIC .....	653		300
	654		302
GUARD GP-BELT .....	139		303
	141		304
	143		305
	145	HEAT SINK AS .....	1588
GUARD GP-ENGINE.....	1349	HEATER GP-JACKET WATER.....	1078
GUARD GP-FAN .....	285		1079
	287		1080
	289	HEATER GP-SPACE.....	1589
	291	HEATER GP-SPACE (GENERATOR).....	1595
	293	HOLDER.....	1081
	295		1082
GUARD GP-RADIATOR .....	296	HOSE (UPPER RADIATOR).....	385
GUARD GP-STUB SHAFT .....	147		387
			389
			391
			393
			395
			397
			399
			401
			403
			409
			411
			415
			417
			419
			421
		HOSE-PUMP INLET (LOWER RADIATOR) .....	385
			387
			389
			391
			393
			395
			397
			399
			409
			411
			417
			419
		HOSE-RADIATOR (LOWER).....	401
			403
			415
			421

## H

HARNESS AS-BOX.....	951		
	954		
	960		
HARNESS AS-CONTROL .....	1083		
HARNESS AS-CONTROL-PRODUCT LINK .....	1070		
HARNESS AS-PANEL (MANUAL VOLTAGE			
CONTROL).....	1046		
HARNESS AS-PANEL-CIRCUIT BREAKER .....	1071		
HARNESS AS-POWER (DIGITAL VOLTAGE			
REGULATOR).....	1330		
	1333		
HARNESS AS-POWER-DIGITAL VOLTAGE			
REGULATOR.....	1072		
HARNESS AS-SENSOR (SPEED).....	1148		
HARNESS AS-SENSOR (TACHOMETER) .....	1744		
HARNESS AS-WIRING (ENGINE).....	1335		
HARNESS AS-WIRING (GENERATOR TERMINAL			
STRIP).....	1332		
	1333		
HARNESS AS-WIRING (VOLTAGE			
ADJUSTMENT) .....	1332		
	1334		
HARNESS AS-WIRING (VR6 VOLTAGE			
REGULATOR).....	1332		
	1333		
HARNESS AS-WIRING-AC, LOW VOLTAGE			
GENERATOR .....	1073		

# INDEX

NAME	PAGE	NAME	PAGE
HOUSING & REGULATOR GP .....	306	KIT-GASKET .....	1841
	307		1842
	308		1846
	309		1847
	310		1848
HOUSING AS-GOVERNOR DRIVE.....	655		1849
	656		1850
HOUSING GP-FLYWHEEL .....	148		1853
	149		1855
	150		1856
HOUSING GP-FRONT .....	151	KIT-GASKET-AFTERCOOLER & LINES .....	1842
HOUSING GP-FUEL PUMP .....	657	KIT-GASKET-CENTRAL, LOWER	
		STRUCTURE.....	1843
		KIT-GASKET-FRONT STRUCTURE .....	1842
			1846
		KIT-GASKET-FUEL SYSTEM.....	1849
		KIT-GASKET-OIL COOLER & LINES .....	1841
		KIT-GASKET-REAR STRUCTURE .....	1849
		KIT-GASKET-SINGLE CYLINDER HEAD .....	1840
			1841
			1842
			1845
			1846
		KIT-GASKET-SINGLE CYLINDER LINER.....	1850
		KIT-GASKET-TURBOCHARGER .....	1844
			1851
			1852
		KIT-GENERATOR REPAIR .....	1594
		KIT-MARINE GENERATOR PARTS .....	1594
		KIT-PARTS.....	1857
		KIT-PARTS-GENERATOR.....	1857
		KIT-PREVENTIVE MAINTENANCE .....	1857
		KIT-RELAY.....	1084
		KIT-RFI FILTER .....	1663
		KIT-SOLENOID.....	1085
		KIT-SPACE HEATER .....	1596
		KIT-SPACE HEATER-GENERATOR.....	1595
		KIT-TRANSFORMER ISOLATION .....	1086
		KIT-TURBOCHARGER GASKET-	
		TURBOCHARGER.....	515
		KIT-WATER PUMP .....	311
			312
			313
<b>I</b>			
INDICATOR (ENGINE OIL PRESSURE).....	1657		
INDICATOR (WATER TEMPERATURE) .....	1657		
INDICATOR AS (ENGINE OIL PRESSURE) ...	1727		
	1733		
INDICATOR AS (FUEL PRESSURE).....	617		
	619		
	1661		
INDICATOR-AIR FILTER CHANGE.....	514		
INJECTOR GP-FUEL .....	669		
	670		
	671		
	673		
	692		
	694		
INSTALLATION AR-GENERATOR.....	1590		
INSTALLATION GP-COMMUNICATION-PL641			
CELLULAR.....	1083		
INSTALLATION GP-COMMUNICATION-PLE601			
NETWORK MANAGER.....	1083		
INSULATOR-BREAKER MOUNT.....	1593		
INSULATOR-CIRCUIT BREAKER MOUNT.....	1591		
	1592		
<b>K</b>			
KEY-SQUARE .....	182		
	193		
KIT-AIR CLEANER.....	515		
KIT-BASIC ENGINE REPAIR.....	152		
KIT-CYLINDER HEAD GASKET.....	153		
	154		
KIT-ELECTRONIC CONVERSION-GENERATOR			
SET CONTROL + .....	1662		
KIT-ENGINE GASKET.....	155		
	156		
KIT-ENGINE GASKET-AFTERCOOLER &			
LINES .....	154		
KIT-ENGINE GASKET-REAR COVER.....	155		
KIT-FRONT COVER GASKET .....	156		
<b>L</b>			
		LAMP.....	1664
		LAMP (120-VOLT, 6-WATT) .....	1704
			1706
		LAMP (120-VOLT, 6-WATT) (CLEAR).....	1694
			1696
			1698
			1699
			1701
			1702
			1703
			1708
			1709

# INDEX

NAME	PAGE	NAME	PAGE
LAMP (24-VOLT, 0.2-AMPERE) (CLEAR).....	1666	LINES GP-AUXILIARY SEA WATER.....	315
	1719		317
	1723		319
LAMP (24-VOLT) .....	1706		320
	1722		322
LAMP (24-VOLT) (CLEAR) .....	1034	LINES GP-COOLANT DRAIN.....	323
	1036		324
	1039		325
	1041		326
	1042		327
	1043	LINES GP-ENGINE OIL.....	231
	1044	LINES GP-ENGINE OIL DRAIN.....	233
	1665		234
	1674		235
	1676		236
	1681	LINES GP-FLEXIBLE FUEL .....	658
	1682		659
	1690		660
	1699	LINES GP-FUEL DRAIN .....	661
	1701		662
	1709	LINES GP-FUEL INJECTION .....	663
	1729		664
	1730		666
	1732		668
	1732		669
LAMP (6-28 VOLTS)(RED) .....	1725		670
LAMP AS (120-VOLT, 3-WATT) (CLEAR) .....	1666		671
LAMP AS (120-VOLT, 3-WATT) (PANEL).....	1718		673
LAMP AS (AMBER).....	1681		675
	1682		676
LAMP AS (GREEN).....	1732		677
LAMP AS (RED) .....	1041		678
	1042		679
	1043		680
	1044		681
	1701		682
	1709		683
	1732		684
LAMP GP.....	1665		685
LAMP GP-PANEL ILLUMINATION.....	1666		686
LENS-LAMP (CLEAR).....	1723		687
LIFTING GP-ENGINE .....	157		690
	158		691
	159		692
LIFTING GP-GENERATOR .....	1597		694
	1598		
LINES GP-AFTERCOOLER WATER.....	314	LINES GP-FUEL INJECTION-DOUBLE	
LINES GP-AIR .....	516	WALLED.....	688
	517		689
	518	LINES GP-TURBOCHARGER OIL.....	237
	519		239
	520		241
	521		243
	522	LINES GP-VENT .....	328
	523		329
	524		330
	525		
	526		
	527		
	528		
LINES GP-AIR COMPRESSOR .....	160		
	161		

# INDEX

NAME	PAGE	NAME	PAGE
LINES GP-WATER.....	331	MODULE GP-SYSTEM COMMUNICATION ....	1710
	332		1711
	334	MODULE GP-TIMER.....	1712
	336	MOTOR AS (GOVERNOR CONTROL).....	599
	337	MOUNTING GP-AIR CLEANER.....	536
	338	MOUNTING GP-ALTERNATOR.....	162
	340		163
LINES GP-WATER-BYPASS RELIEF.....	335		165
	339		167
LINES GP-WATER-VENT.....	333	MOUNTING GP-CIRCUIT BREAKER.....	1089
LUBRICATOR GP-AIR MOTOR.....	1087		1091
	1173		1093
			1094
			1096
			1097
			1099
			1101
			1103
			1105
			1107
			1109
			1110
			1112
MANIFOLD GP-WATER.....	341		1114
	342		1116
METER GP-SERVICE.....	1667		1118
	1668	MOUNTING GP-CONTACTOR.....	1120
	1669		1121
METER GP-VOLT.....	1670		1123
MODULE AS.....	1671		1124
MODULE AS-BOOST.....	1672		1125
MODULE GP-ALARM.....	1673		1126
	1674	MOUNTING GP-CONTROL PANEL.....	1714
	1676	MOUNTING GP-CONTROL PANEL-EMCP II ..	1713
	1680	MOUNTING GP-ENGINE.....	168
	1681	MOUNTING GP-ENGINE FLEXIBLE.....	169
	1682	MOUNTING GP-GOVERNOR ACTUATOR.....	696
	1683	MOUNTING GP-HYD PUMP DRIVE.....	170
	1684	MOUNTING GP-INSTRUMENT PANEL.....	1715
	1685	MOUNTING GP-INSTRUMENT PANEL-RH....	1716
MODULE GP-AUXILIARY RELAY.....	1686	MOUNTING GP-JACKET WTR HEATER.....	1127
	1687		1128
MODULE GP-CYCLE CRANKING.....	1688	MOUNTING GP-TACHOMETER.....	1717
	1689	MOUNTING GP-TRANSFORMER.....	1130
MODULE GP-INTERFACE.....	1088	MOUNTING GP-TRANSMISSION.....	1636
MODULE GP-PREALARM.....	1690	MOUNTING GP-VOLTAGE REGULATOR.....	1599
MODULE GP-RELAY DRIVER.....	1691		1600
	1692		1601
	1693		1602
MODULE GP-SYNCHRONIZING LIGHTS.....	1694	MUFFLER.....	537
	1696		538
	1698		539
	1699	MUFFLER GP.....	540
	1701		541
	1702		542
	1703		543
	1704		544
	1706		
	1708		
	1709		

# INDEX

NAME	PAGE	NAME	PAGE
<b>N</b>			
NEUTRAL BUS BAR AS .....	1131	PLUG-DRAIN (AUXILIARY SEA WATER LINES).....	315
	1132		319
	1133	PLUG-DRAIN (HEAT EXCHANGER) .....	300
	1134	PLUG-DRAIN (MAGNETIC) (OIL PAN) .....	173
NOZZLE AS-FUEL VALVE .....	666	POTENTIOMETER (10,000-OHM) (VOLTAGE ADJUST).....	1332
			1719
<b>P</b>			
PAN GP-OIL .....	172	POTENTIOMETER (100-OHM) (ENGINE SPEED CONTROL).....	621
	173		622
PANEL AR-CONTROL .....	1718		623
	1721		653
	1722	POTENTIOMETER (2-WATT) (VOLTAGE ADJUST).....	1719
PANEL AR-TRANSFER SWITCH .....	1723	POTENTIOMETER (2000-OHM) (ENGINE SPEED CONTROL).....	624
PANEL GP-ANNUNCIATOR .....	1725		625
PANEL GP-ELECTRONIC .....	1726	POWER TAKE-OFF GP .....	181
PANEL GP-INSTRUMENT .....	1727		182
	1729	PRECLEANER AS-AIR CLEANER .....	548
	1730	PRECLEANER GP-AIR CLEANER .....	549
	1731	PULLEY GP-CRANKSHAFT .....	183
	1732		184
PANEL GP-INSTRUMENT-RH .....	1733		185
PIPE GP-EXHAUST.....	545		186
	546		187
	547	PULLEY GP-FAN DRIVE.....	188
PISTON & ROD GP .....	174		189
	175		190
	177		191
	178	PUMP & MTG GP-FUEL TRANSFER .....	698
PISTON GP .....	179	PUMP AS-BILGE .....	343
	180	PUMP AS-BILGE-RH .....	344
PLATE & FILM GP .....	1858	PUMP GP-AUXILIARY SEA WATER .....	345
PLATE GP-IDENTIFICATION (JUNCTION BOX) .....	951		347
	954	PUMP GP-BILGE.....	349
	960		350
PLATE-IDENTIFICATION (STARTING MOTOR) .....	1269	PUMP GP-ENGINE OIL .....	245
PLATE-INFORMATION (GENERATOR INFORMATION) .....	1389		246
	1390		247
			248
			250
PLATE-INFORMATION (GENERATOR INFORMATION) (GENERATOR NAMEPLATE) .....	1381		251
	1382		252
	1384		253
	1385		254
	1391		
	1392		
	1393		
	1394		
	1395		
	1396		
	1397		
	1398		
PLATE-WARNING (POWER TAKE-OFF).....	91		

# INDEX

NAME	PAGE	NAME	PAGE
PUMP GP-FUEL INJECTION .....	699	PUMP GP-GOV & FUEL INJ .....	758
	701		760
	702		762
	703		763
	705		764
	706		766
	708		768
	710		770
	712		772
	714		774
	716		776
	718		778
	720		780
	722		781
	724		782
	726		783
	728		785
	730		787
	732		789
	733		791
	735		793
	737		795
	739		797
	741		799
	743		800
	745		801
PUMP GP-FUEL PRIMING .....	746		802
	747		803
	749		804
	750		805
PUMP GP-FUEL PRIMING (HAND) .....	747		806
PUMP GP-FUEL PRM & PRIM FILTER .....	751		807
	752		808
	753		810
PUMP GP-FUEL TRANSFER .....	754		812
	756		814
			816
			818
			820
			822
			824
			826
			828
			830
			832
			834
			836
			838
			840
			842
			844
			846
		PUMP GP-SUMP .....	255

# INDEX

NAME	PAGE	NAME	PAGE
PUMP GP-WATER.....	351	REGULATOR AS-VOLTAGE (24-VOLT)	
	353	(ALTERNATOR) .....	866
	355		868
	357		873
	359		875
	361		877
	363		894
	365		896
	367		904
	369		919
	371		921
	372	REGULATOR AS-VOLTAGE (DIGITAL).....	1615
	373	REGULATOR AS-VOLTAGE (VR6 PERMANENT	
	374	MAGNET).....	1857
	375	REGULATOR AS-VOLTAGE-DIGITAL .....	1608
	376		1609
	377		1610
	378		1611
	379	REGULATOR AS-VOLTAGE-GENERATOR ....	1612
	380	REGULATOR GP-TEMPERATURE .....	45
	381		425
		REGULATOR GP-VOLTAGE.....	1613
			1614
			1615
			1616
			1617
			1618
		REGULATOR GP-VOLTAGE (24 VOLT)	
		(ALTERNATOR) .....	906
		REGULATOR GP-VOLTAGE (ALTERNATOR AIR)	
		(12-VOLT).....	908
		REGULATOR GP-VOLTAGE (VR3F PERMANENT	
		MAGNET).....	1618
		REGULATOR GP-VOLTAGE-DIGITAL .....	1615
		REGULATOR-WATER TEMPERATURE.....	306
			307
			425
		REGULATOR-WATER TEMPERATURE (97-DEG	
		C).....	310
		REGULATOR-WATER TEMPERATURE	
		(COOLANT).....	308
			309
		RELAY.....	1724
		RELAY (24-VOLT) .....	583
			1156
		RELAY (32-VOLT DC) .....	1638
			1709
			1722
RAIL GP-ENGINE SUPPORT.....	1350	RELAY (32-VOLT DC) (ARMING).....	1036
REGULATOR AS-VOLTAGE.....	1603	RELAY (32-VOLT DC) (ENGINE FAILURE)....	1036
	1604		1042
	1605		1044
	1606		
	1607	RELAY (32-VOLT DC) (ENGINE OIL	
REGULATOR AS-VOLTAGE (12-VOLT)		PRESSURE) .....	1042
(ALTERNATOR) .....	916		1044
REGULATOR AS-VOLTAGE (24-VOLT)		RELAY (32-VOLT DC) (LOW OIL LEVEL)....	1682
(ALTERNATOR AIR).....	899	RELAY (32-VOLT DC) (RUN).....	1036
		RELAY AS (12-VOLT) .....	1045
			1049
			1084

## R



# INDEX

NAME	PAGE	NAME	PAGE
RELAY AS (24-VOLT) .....	583	ROCKER ARM GP (EXHAUST) .....	204
	1637		207
	1665	ROCKER ARM GP (INLET) .....	204
	1676		207
	1688	ROD AS-ZINC.....	297
	1690		317
	1701	ROD AS-ZINC (AUXILIARY SEA WATER	
	1706	PUMP).....	304
	1722	ROD-ZINC .....	319
	1729		322
	1730	ROD-ZINC (AUXILIARY SEA WATER LINES)...	315
RELAY AS (24-VOLT) (ALARM			317
DISCONNECT) .....	1732		320
RELAY AS (24-VOLT) (ALARM DISCONNECT/TIME		ROD-ZINC (HEAT EXCHANGER).....	297
DELAY).....	1674		300
RELAY AS (24-VOLT) (ARMING) .....	1032		303
	1034	ROD-ZINC (SEA WATER HEAT	
RELAY AS (24-VOLT) (AUXILIARY).....	1686	EXCHANGER).....	304
	1687	ROTOR AS .....	1619
RELAY AS (24-VOLT) (ENGINE FAILURE) ....	1032		1620
	1034		1621
	1041		1622
	1043		1623
RELAY AS (24-VOLT) (ENGINE OIL			1624
PRESSURE) .....	1041		1625
	1043		1626
RELAY AS (24-VOLT) (FUEL SHUT-OFF).....	952		1627
	955		1629
	960		1631
RELAY AS (24-VOLT) (LOW OIL LEVEL) .....	1682		1633
RELAY AS (24-VOLT) (OIL PRESSURE/ENGINE		ROTOR GP-GENERATOR.....	1635
FAILURE) .....	1039		
RELAY AS (24-VOLT) (PANEL LIGHT).....	1718		
RELAY AS (24-VOLT) (RUN).....	1032		
	1034		
RELAY AS (24-VOLT) (SYNCHRONIZING			
PANEL).....	1699		
RELAY AS (24-VOLT) (WATER SOLENOID)....	960		
RELAY AS-POWER .....	1135		
RELAY-LOW BATTERY .....	1676		
RELAY-REVERSE POWER.....	1706		
	1719		
RELAY-REVERSE POWER (SYNCHRONIZING			
PANEL).....	1699		
	1701		
	1709		
	1719		
RELAY-TIME DELAY.....	951		
	960		
RELAY-TIME DELAY (240-VOLT, OVER			
VOLTAGE) .....	1719		
RELAY-TIME DELAY (416-VOLT, OVER			
VOLTAGE) .....	1719		
RELAY-TIME DELAY (480-VOLT, OVER			
VOLTAGE) .....	1719		
RELAY-TIME DELAY (600-VOLT, OVER			
VOLTAGE) .....	1719		
RELAY-TIME DELAY (OVERCURRENT).....	1719		
RING GP-PISTON (REPLACEMENT FOR 129-0359			
ONLY) .....	175		

# INDEX

NAME	PAGE	NAME	PAGE
		<b>S</b>	
SCREEN AS .....	1399		1546
	1400		1549
	1402		1552
	1403		1555
	1406		1558
	1408		1561
	1409		1564
	1412		1567
	1414		1570
	1415		1579
	1417		1582
	1418	SCREEN AS (FUEL)(GOVERNOR HOUSING) ..	586
	1420	SCREEN-AIR CLEANER INLET (AIR LINES) ...	520
	1421		522
	1423		523
	1426	SCREEN-AIR CLEANER INLET (CLEANER)....	468
	1427	SCREEN-AIR INLET (AIR CLEANER).....	438
	1430		440
	1432		458
	1433		462
	1436		463
	1438		466
	1439	SCREEN-STRAINER (AIR STARTING VALVE).....	1327
	1441	SEAL GP-CRANKSHAFT.....	192
	1442	SEAL GP-CRANKSHAFT (CLOCKWISE ROTATION).....	170
	1445	SEAL GP-CRANKSHAFT (CLOCKWISE ROTATION) (FRONT).....	192
	1447	SEAL GP-CRANKSHAFT (CLOCKWISE ROTATION) (FRONT).....	192
	1448	SEAL GP-CRANKSHAFT (COUNTERCLOCKWISE ROTATION) (REAR).....	192
	1450	SEAL GP-ENCLOSURE.....	1735
	1453	SEAL-CRANKSHAFT (FRONT).....	1848
	1456	SEAL-CRANKSHAFT (REAR).....	155
	1459	SEAL-VALVE COVER.....	99
	1462		153
	1465		153
	1468		1840
	1471		1841
	1475		1841
	1478		1845
	1481		1847
	1484	SENDER (WATER TEMPERATURE).....	1657
	1488	SENDER AS-PRESSURE (ENGINE OIL).....	1657
	1490		1658
	1493	SENDER AS-PRESSURE (OIL PRESSURE)...	1136
	1496	SENDER AS-TEMPERATURE (WATER).....	1136
	1499	SENDER GP-WATER TEMPERATURE & OIL PRESSURE.....	1136
	1502	SENDING UNIT (24-VOLT).....	1658
	1505	SENSOR AS-PRESSURE (ENGINE OIL).....	1647
	1508	SENSOR GP-COOLANT LEVEL.....	1137
	1511		1138
	1515		1138
	1518		1139
	1521		1140
	1524		1141
	1527	SENSOR GP-LIQUID LEVEL.....	1140
	1530		1141
	1534		
	1537		
	1540		
	1543		

# INDEX

NAME	PAGE	NAME	PAGE
SENSOR GP-PRESSURE .....	1142	STARTING AID GP-ETHER .....	1166
	1143		1167
	1144	STARTING MOTOR GP-AIR.....	1169
	1145		1171
	1146		1173
SENSOR GP-PRESSURE (ENGINE OIL).....	1647		1175
	1650		
SENSOR GP-SPEED .....	1147		
	1148		
	1149		
	1150		
	1151		
	1152		
SENSOR GP-SPEED (ENGINE) .....	1148		
	1151		
SENSOR GP-SPEED (LOW OUTPUT) .....	1150		
SENSOR GP-TEMP & PRESS .....	1153		
SENSOR GP-TEMP & PRESS (ENGINE			
COOLANT).....	1647		
SENSOR GP-TEMPERATURE .....	1154		
	1155		
SENSOR GP-TEMPERATURE (8-VOLT)			
(AIR) .....	1154		
SENSOR GP-TEMPERATURE (ENGINE			
COOLANT).....	1650		
SEPARATOR GP-WATER .....	847		
SHAFT GP-STUB.....	193		
SHIELD GP-EXHAUST.....	550		
SHUTOFF GP-ELECTRICAL.....	1156		
	1157		
	1158		
	1159		
	1160		
	1161		
	1162		
SHUTOFF GP-MANUAL.....	848		
	849		
SHUTOFF GP-MECHANICAL.....	850		
SILENCER GP-AIR STARTING .....	1163		
SILENCER-AIR STARTING .....	1164		
SOFTWARE GP-MONITOR (CELLULAR) .....	1038		
SOLENOID (SHUTOFF).....	1157		
	1159		
SOLENOID AS (24-VOLT) (STARTING			
MOTOR).....	1220		
	1226		
	1272		
	1274		
SOLENOID AS (STARTING MOTOR) .....	1241		
	1269		
SOLENOID AS-STARTING MOTOR (12-			
VOLT) .....	1200		
	1213		
	1243		
	1254		
SOLENOID GP-SHUTOFF.....	1085		
	1158		
	1161		
	1162		
	1165		

# INDEX

NAME	PAGE	NAME	PAGE
STARTING MOTOR GP-ELECTRIC .....	1177	SUPPORT GP-BATTERY.....	1278
	1178		1279
	1179		1281
	1181		1283
	1183	SUPPORT GP-ENGINE .....	194
	1184		195
	1185		197
	1186		198
	1188		199
	1190		200
	1192	SUPPORT GP-ENGINE-FRONT .....	196
	1193	SUPPORT GP-POWER TAKE-OFF .....	201
	1195		202
	1197	SWITCH (2 POSITION) .....	1724
	1198	SWITCH (3 POSITION) .....	1724
	1200	SWITCH (BYPASS).....	1724
	1203	SWITCH (CONTACT) .....	1724
	1204	SWITCH (MAINTENANCE DISCONNECT) .....	1724
	1205	SWITCH (MODE).....	1724
	1207	SWITCH (PHASE SELECT) (4 POSITION) (ENGINE	
	1208	CONTROL).....	1036
	1209	SWITCH (PHASE SELECT) (ENGINE	
	1210	CONTROL).....	1032
	1211		1034
	1212		1722
	1213	SWITCH (PUSH BUTTON) (ALARM	
	1216	DELAY).....	1637
	1217		1638
	1220	SWITCH (PUSH BUTTON) (ALARM	
	1222	SILENCE).....	1732
	1223	SWITCH (PUSH BUTTON) (ALARM	
	1226	SILENCER) .....	1690
	1228		1729
	1231	SWITCH (PUSH BUTTON) (HORN	
	1232	SILENCE).....	1674
	1233		1676
	1234	SWITCH (PUSH BUTTON) (LAMP) .....	1674
	1235		1676
	1236	SWITCH (PUSH BUTTON) (START RELAY)...	1730
	1237	SWITCH (PUSHBUTTON) .....	1724
	1238	SWITCH AS (24 VOLT STARTER) .....	1263
	1239	SWITCH AS (ETHER AID ON-OFF) .....	1167
	1241	SWITCH AS (ETHER AID ON/OFF).....	1166
	1243	SWITCH AS (FUEL PRESSURE) .....	601
	1246		602
	1249	SWITCH AS (PRESSURE) (ENGINE OIL) .....	1657
	1251		1658
	1254	SWITCH AS (STARTER)(24 VOLT) .....	1179
	1257	SWITCH AS-AUXILIARY .....	1286
	1260		1287
	1263	SWITCH AS-AUXILIARY-AUXILIARY .....	1287
	1265	SWITCH AS-MAGNETIC (24-VOLT) (STARTING	
	1267	MOTOR) .....	1718
	1268	SWITCH AS-PRESSURE (ENGINE OIL	
	1269	PRESSURE) .....	1668
	1272	SWITCH AS-PRESSURE (ENGINE OIL).....	952
	1274		955
STRIP AS-TERMINAL.....	1276		960
			1026
			1028
			1029

# INDEX

NAME	PAGE	NAME	PAGE
SWITCH AS-PUSH BUTTON (EMERGENCY STOP) .....	954	SWITCH-AUXILIARY (SINGLE POLE, DUAL THROW) (CIRCUIT BREAKER ALARM) .....	1291
	1156	SWITCH-AUXILIARY (SINGLE POLE, DUAL THROW) (CIRCUIT BREAKER POSN INDICATOR) .....	1291
SWITCH AS-PUSH BUTTON (LAMP TEST) ...	1683	SWITCH-LIQUID LEVEL (FUEL) .....	604
SWITCH AS-PUSH BUTTON (SECONDARY STOP) .....	951	SWITCH-ROTARY (4-POSITION) (ENGINE CONTROL) .....	1720
	960	SWITCH-ROTARY (ENGINE CONTROL) .....	1039
SWITCH AS-SPEED (ELECTRONIC SPEED) ...	954		1041
SWITCH AS-TEMPERATURE .....	1026		1042
	1027		1043
	1288		1044
	1290	SWITCH-ROTARY (MANUAL/AUTO VOLTAGE CONTROL) .....	1046
SWITCH AS-TEMPERATURE (ENGINE COOLANT) .....	1029	SWITCH-STOP (EMERGENCY) .....	1032
SWITCH AS-TEMPERATURE (ETHER AID ARMING) .....	1166		1034
	1167		1036
	1302		1039
SWITCH AS-TEMPERATURE-JACKET WATER HEATER .....	1289		1041
SWITCH AS-TOGGLE (ENGINE SHUTOFF) ...	1292		1042
SWITCH AS-TOGGLE (GOVERNOR RAISE/ LOWER) .....	1293		1043
	1296		1044
SWITCH AS-TOGGLE (GOVERNOR) .....	1294		1722
	1718	SWITCH-TOGGLE (LAMP) .....	1666
SWITCH AS-TOGGLE (MOMENTARY) (VOLTAGE ADJUSTMENT) .....	1332	SWITCH-TOGGLE (ON/OFF CONTROL) .....	1694
	1334		1696
SWITCH AS-TOGGLE (SINGLE POLE) (PANEL LIGHT) .....	1719	SWITCH-TOGGLE (SINGLE POLE) (ETHER AID ON-OFF) .....	1302
SWITCH AS-TOGGLE (STARTING AID) .....	1718	SWITCH-TOGGLE (SINGLE POLE) (GOVERNOR) .....	1295
SWITCH AS-TRANSFER .....	1723	SWITCH-TOGGLE (SINGLE POLE) (STARTING AID) .....	1720
	1735	SWITCH-TOGGLE (SYNCHRONIZING LIGHTS CONTROL) .....	1701
	1736		1703
	1737		1708
	1738		1709
	1739	SWITCH-TOGGLE (SYNCHRONIZING LIGHTS MODULE) .....	1698
	1740		1699
	1741	SWITCH-TOGGLE (SYNCHRONIZING LIGHTS ON/OFF) .....	1704
	1742		1706
SWITCH AS-CIRCUIT BREAKER POSITION, FAULT INDICATOR .....	1285		
SWITCH GP-AUXILIARY-CIRCUIT BREAKER POSITION INDICATOR .....	1291		
SWITCH GP-ENGINE (SHUTOFF) .....	950		
SWITCH GP-ENGINE-SHUTOFF .....	1292		
SWITCH GP-GOVERNOR .....	1293		
	1294		
	1295		
	1296		
SWITCH GP-MAGNETIC (24-VOLT) (STARTING MOTOR) .....	948		
	957		
SWITCH GP-REMOTE STARTING .....	1297		
SWITCH GP-START .....	1298		
	1299		
	1300		
	1301		
SWITCH GP-STARTING AID-SECONDARY STOP .....	1302		

## T

TACHOMETER .....	1743
TACHOMETER GP-ELECTRIC .....	1743
	1744
TANK & BASE GP-FUEL .....	853
	855
	857
TANK GP-EXPANSION .....	426
	428
	430
TIMER GP-COOL DOWN .....	1745
TORQUE CONTROL GP .....	859
	860
	861



# ENGINE ARRANGEMENT

## 108-2861 ENGINE AR

S/N: 85Z11355-UP

MARINE AUXILIARY - 1200 RPM. DIRECT INJECTION TURBOCHARGED

SMCS-1000

i01360198

NOTE	PART NUMBER	QTY	PART NAME						SEE PAGE
			1	2	3	4	5	6 (PRODUCT LEVEL)	
Y	3N-2886	1	ADAPTER GP-SEAL (CRANKSHAFT)						63
Y	1P-4244	1	BREATHER GP						215
Y	1N-4406	1	CAMSHAFT GP						86
Y	7W-1339	1	COOLER GP-FLTR BASE & ENG OIL						269
Y	7N-1292	1	COVER GP-CYLINDER BLOCK						94
Y	2P-6530	1	COVER GP-CYLINDER HEAD						95
Y	3N-4923	1	COVER GP-FRONT HOUSING						98
Y	8N-4745	1	COVER GP-VALVE MECHANISM						99
Y	6N-8079	1	CRANKSHAFT GP						101
YR	8N-5286	1	CYLINDER BLOCK GP						104
YR	8N-0246	1	CYLINDER HEAD GP						110
Y	3N-2885	1	DAMPER GP						114
Y	7N-9536	1	FASTENER GP-CYLINDER HEAD						127
Y	1W-3802	1	FASTENER GP-FRONT HOUSING						128
Y	2P-6855	1	FILLER GP-ENGINE OIL						216
Y	2W-1011	1	FILTER GP-FUEL (SECONDARY)						615
Y	7N-3496	1	FLYWHEEL GP						135
Y	3N-2898	1	GAUGE GP-OIL LEVEL (DIPSTICK)						230
Y	1W-5634	1	GEAR GP-FRONT (TIMING)						137
Y	8N-2395	1	HOUSING GP-FLYWHEEL						149
Y	8N-0303	1	HOUSING GP-FRONT						151
Y	8N-3286	1	LIFTING GP-ENGINE						158
Y	2W-9179	1	LINES GP-AIR						519
Y	2P-6105	1	LINES GP-ENGINE OIL						231
Y	4W-1250	1	LINES GP-FUEL DRAIN						662
Y	108-2865	1	LINES GP-FUEL INJECTION						663
Y	2W-9176	1	LINES GP-TURBOCHARGER OIL						239
Y	2W-6779	1	LINES GP-WATER						335
Y	2W-9169	1	MANIFOLD GP-WATER (WATER COOLED)						341
Y	3N-2899	1	PAN GP-OIL						172
YR	2W-1177	6	PISTON & ROD GP						178
			S/N: 85Z11355-14468						
YR	168-4532	6	PISTON & ROD GP						174
			S/N: 85Z14469-UP						
Y	3N-3274	1	PULLEY GP-CRANKSHAFT						184
Y	2W-4160	1	PUMP & MTG GP-FUEL TRANSFER						698
Y	2P-1784	1	PUMP GP-ENGINE OIL						245
Y	4W-1241	1	PUMP GP-FUEL PRM & PRIM FILTER						751
Y	108-4827	1	PUMP GP-GOV & FUEL INJ						760
Y	7N-6208	1	PUMP GP-WATER						378
Y	2P-6224	1	SEAL GP-CRANKSHAFT						192
Y	7W-6541	1	SUPPORT GP-ENGINE						199
			S/N: 85Z11355-13864						
Y	9Y-5905	1	SUPPORT GP-ENGINE						200
			S/N: 85Z13865-UP						
Y	4W-2080	1	TURBOCHARGER GP						559
Y	7C-3796	1	VALVE MECHANISM GP						206

# ENGINE ARRANGEMENT

108-2861 ENGINE AR (contd.)

i01360198

NOTE	PART NUMBER	QTY	PART NAME 1 2 3 4 5 6 (PRODUCT LEVEL)	SEE PAGE
			AVAILABLE GASKET KIT(S):	
	<b>8C-0614</b>		KIT-GASKET (CENTRAL, LOWER STRUCTURE)	
	<b>6V-4763</b>		KIT-GASKET (FRONT STRUCTURE)	
	<b>119-4155</b>		KIT-GASKET (FUEL SYSTEM)	
	<b>9X-6560</b>		KIT-GASKET (OIL COOLER, LINES)	
	<b>138-3069</b>		KIT-GASKET (REAR STRUCTURE)	
	<b>3E-7471</b>		KIT-GASKET (SINGLE CYLINDER HEAD)	
	<b>5P-8768</b>		KIT-GASKET (SINGLE CYLINDER LINER)	
	<b>6V-4750</b>		KIT-GASKET (WATER PUMP)	

R - REMANUFACTURED PART MAY BE AVAILABLE  
 Y - SEPARATE ILLUSTRATION

<END>



# ENGINE ARRANGEMENT

## 108-2862 ENGINE AR

S/N: 85Z11355-13100

MARINE AUXILIARY - 1800 RPM. DIRECT INJECTION TURBOCHARGED

SMCS-1000

i01349358

NOTE	PART NUMBER	QTY	PART NAME						SEE PAGE
			1	2	3	4	5	6 (PRODUCT LEVEL)	
Y	3N-2886	1	ADAPTER GP-SEAL (CRANKSHAFT)						63
Y	1P-4244	1	BREATHER GP						215
Y	1N-4406	1	CAMSHAFT GP						86
Y	7W-1339	1	COOLER GP-FLTR BASE & ENG OIL						269
Y	7N-1292	1	COVER GP-CYLINDER BLOCK						94
Y	2P-6530	1	COVER GP-CYLINDER HEAD						95
Y	3N-4923	1	COVER GP-FRONT HOUSING						98
Y	8N-4745	1	COVER GP-VALVE MECHANISM						99
Y	6N-8079	1	CRANKSHAFT GP						101
YR	8N-5286	1	CYLINDER BLOCK GP						104
YR	8N-0246	1	CYLINDER HEAD GP						110
Y	3N-2885	1	DAMPER GP						114
Y	7N-9536	1	FASTENER GP-CYLINDER HEAD						127
Y	1W-3802	1	FASTENER GP-FRONT HOUSING						128
Y	2P-6855	1	FILLER GP-ENGINE OIL						216
			S/N: 85Z11355-12907						
Y	9N-1869	1	FILLER GP-ENGINE OIL						219
			S/N: 85Z12908-13100						
Y	2W-1011	1	FILTER GP-FUEL (SECONDARY)						615
Y	7N-3496	1	FLYWHEEL GP						135
Y	3N-2898	1	GAUGE GP-OIL LEVEL (DIPSTICK)						230
Y	1W-5634	1	GEAR GP-FRONT (TIMING)						137
Y	8N-2395	1	HOUSING GP-FLYWHEEL						149
Y	8N-0303	1	HOUSING GP-FRONT						151
Y	8N-3286	1	LIFTING GP-ENGINE						158
Y	2W-9179	1	LINES GP-AIR						519
Y	2P-6105	1	LINES GP-ENGINE OIL						231
Y	4W-1250	1	LINES GP-FUEL DRAIN						662
Y	108-2865	1	LINES GP-FUEL INJECTION						663
Y	2W-9176	1	LINES GP-TURBOCHARGER OIL						239
Y	2W-6779	1	LINES GP-WATER						335
Y	2W-9169	1	MANIFOLD GP-WATER (WATER COOLED)						341
Y	3N-2899	1	PAN GP-OIL						172
YR	2W-1177	6	PISTON & ROD GP						178
Y	3N-3274	1	PULLEY GP-CRANKSHAFT						184
Y	2W-4160	1	PUMP & MTG GP-FUEL TRANSFER						698
Y	2P-1784	1	PUMP GP-ENGINE OIL						245
Y	4W-1241	1	PUMP GP-FUEL PRM & PRIM FILTER						751
Y	108-4825	1	PUMP GP-GOV & FUEL INJ						758
Y	7N-6208	1	PUMP GP-WATER						378
Y	2P-6224	1	SEAL GP-CRANKSHAFT						192
Y	7W-6541	1	SUPPORT GP-ENGINE						199
Y	4W-2080	1	TURBOCHARGER GP						559
Y	7N-8026	1	VALVE MECHANISM GP						209
			AVAILABLE GASKET KIT(S) :						
	8C-0614		KIT-GASKET (CENTRAL, LOWER STRUCTURE)						
	6V-4763		KIT-GASKET (FRONT STRUCTURE)						

# ENGINE ARRANGEMENT

108-2862 ENGINE AR (contd.)

**i01349358**

NOTE	PART NUMBER	QTY	PART NAME						SEE PAGE
			1	2	3	4	5	6 (PRODUCT LEVEL)	
	<b>119-4155</b>		KIT-GASKET (FUEL SYSTEM)						
	<b>9X-6560</b>		KIT-GASKET (OIL COOLER, LINES)						
	<b>6V-2900</b>		KIT-GASKET (REAR STRUCTURE)						
	<b>3E-7471</b>		KIT-GASKET (SINGLE CYLINDER HEAD)						
	<b>5P-8768</b>		KIT-GASKET (SINGLE CYLINDER LINER)						
	<b>6V-4750</b>		KIT-GASKET (WATER PUMP)						

R - REMANUFACTURED PART MAY BE AVAILABLE  
 Y - SEPARATE ILLUSTRATION

<END>



# ENGINE ARRANGEMENT

## 108-2864 ENGINE AR\*R

S/N: 85Z11355-15258

184 BRAKE KW (247 BHP) AT 1800 RPM

SMCS - 1000

i01349365

NOTE	PART NUMBER	QTY	PART NAME						SEE PAGE
			1	2	3	4	5	6 (PRODUCT LEVEL)	
Y	3N-2886	1	ADAPTER GP-SEAL (CRANKSHAFT)						63
Y	1P-4244	1	BREATHER GP						215
Y	1N-4406	1	CAMSHAFT GP						86
Y	7W-1339	1	COOLER GP-FLTR BASE & ENG OIL						269
Y	7N-1292	1	COVER GP-CYLINDER BLOCK						94
Y	2P-6530	1	COVER GP-CYLINDER HEAD						95
Y	3N-4923	1	COVER GP-FRONT HOUSING						98
Y	8N-4745	1	COVER GP-VALVE MECHANISM						99
Y	6N-8079	1	CRANKSHAFT GP						101
YR	8N-5286	1	CYLINDER BLOCK GP						104
YR	8N-0246	1	CYLINDER HEAD GP						110
Y	3N-2885	1	DAMPER GP						114
Y	7N-9536	1	FASTENER GP-CYLINDER HEAD						127
Y	1W-3802	1	FASTENER GP-FRONT HOUSING						128
Y	2P-6200	1	FASTENER GP-OIL PAN						130
			S/N: 85Z11355-14584						
Y	9Y-0066	1	FASTENER GP-OIL PAN						131
			S/N: 85Z14585-15258						
Y	2P-6855	1	FILLER GP-ENGINE OIL						216
Y	2W-1011	1	FILTER GP-FUEL (SECONDARY)						615
Y	7N-3496	1	FLYWHEEL GP						135
Y	3N-2898	1	GAUGE GP-OIL LEVEL (DIPSTICK)						230
Y	1W-5634	1	GEAR GP-FRONT (TIMING)						137
Y	8N-2395	1	HOUSING GP-FLYWHEEL						149
Y	8N-0303	1	HOUSING GP-FRONT						151
Y	4P-6522	1	LIFTING GP-ENGINE						157
Y	2W-9179	1	LINES GP-AIR						519
Y	2P-6105	1	LINES GP-ENGINE OIL						231
Y	4W-1250	1	LINES GP-FUEL DRAIN						662
Y	108-2865	1	LINES GP-FUEL INJECTION						663
Y	2W-9176	1	LINES GP-TURBOCHARGER OIL						239
Y	2W-6779	1	LINES GP-WATER						335
Y	2W-9169	1	MANIFOLD GP-WATER (WATER COOLED)						341
Y	7E-4928	1	PAN GP-OIL						173
YR	2W-1177	6	PISTON & ROD GP						178
			S/N: 85Z11355-14468						
YR	168-4532	6	PISTON & ROD GP						174
			S/N: 85Z14469-15258						
Y	3N-3274	1	PULLEY GP-CRANKSHAFT						184
Y	2W-4160	1	PUMP & MTG GP-FUEL TRANSFER						698
Y	2P-1784	1	PUMP GP-ENGINE OIL						245
Y	4W-1241	1	PUMP GP-FUEL PRM & PRIM FILTER						751
Y	7N-6208	1	PUMP GP-WATER						378
Y	2P-6224	1	SEAL GP-CRANKSHAFT						192
Y	9Y-5905	1	SUPPORT GP-ENGINE						200
Y	4W-2080	1	TURBOCHARGER GP						559
Y	7N-8026	1	VALVE MECHANISM GP						209

# ENGINE ARRANGEMENT

108-2864 ENGINE AR (contd.)

i01349365

NOTE	PART NUMBER	QTY	PART NAME 1 2 3 4 5 6 (PRODUCT LEVEL)	SEE PAGE
			AVAILABLE GASKET KIT(S):	
	<b>8C-0614</b>		KIT-GASKET (CENTRAL, LOWER STRUCTURE)	
	<b>6V-4763</b>		KIT-GASKET (FRONT STRUCTURE)	
	<b>119-4155</b>		KIT-GASKET (FUEL SYSTEM)	
	<b>9X-6560</b>		KIT-GASKET (OIL COOLER, LINES)	
	<b>6V-2900</b>		KIT-GASKET (REAR STRUCTURE)	
	<b>3E-7471</b>		KIT-GASKET (SINGLE CYLINDER HEAD)	
	<b>5P-8768</b>		KIT-GASKET (SINGLE CYLINDER LINER)	
	<b>6V-4750</b>		KIT-GASKET (WATER PUMP)	

R - REMANUFACTURED PART MAY BE AVAILABLE  
 Y - SEPARATE ILLUSTRATION

<END>



# ENGINE ARRANGEMENT

## 109-0475 ENGINE AR

S/N: 85Z11355-UP

MARINE AUXILIARY - 1200 RPM. DIRECT INJECTION NATURALLY ASPIRATED

SMCS-1000

i01349374

NOTE	PART NUMBER	QTY	PART NAME						SEE PAGE
			1	2	3	4	5	6 (PRODUCT LEVEL)	
Y	3N-2886	1	ADAPTER GP-SEAL (CRANKSHAFT)						63
Y	1P-4244	1	BREATHER GP						215
Y	1N-4406	1	CAMSHAFT GP						86
Y	7W-1339	1	COOLER GP-FLTR BASE & ENG OIL						269
Y	7N-1292	1	COVER GP-CYLINDER BLOCK						94
Y	2P-6530	1	COVER GP-CYLINDER HEAD						95
Y	3N-4923	1	COVER GP-FRONT HOUSING						98
Y	8N-4745	1	COVER GP-VALVE MECHANISM						99
Y	6N-8079	1	CRANKSHAFT GP						101
YR	8N-5286	1	CYLINDER BLOCK GP						104
YR	7N-8876	1	CYLINDER HEAD GP						107
Y	3N-2885	1	DAMPER GP						114
Y	7N-9536	1	FASTENER GP-CYLINDER HEAD						127
Y	1W-3802	1	FASTENER GP-FRONT HOUSING						128
Y	2P-6200	1	FASTENER GP-OIL PAN						130
			S/N: 85Z11355-14584						
Y	9Y-0066	1	FASTENER GP-OIL PAN						131
			S/N: 85Z14585-UP						
Y	2P-6855	1	FILLER GP-ENGINE OIL						216
Y	2W-1011	1	FILTER GP-FUEL (SECONDARY)						615
Y	7N-3496	1	FLYWHEEL GP						135
Y	3N-2898	1	GAUGE GP-OIL LEVEL (DIPSTICK)						230
Y	1W-5634	1	GEAR GP-FRONT (TIMING)						137
Y	8N-2395	1	HOUSING GP-FLYWHEEL						149
Y	8N-0303	1	HOUSING GP-FRONT						151
Y	4P-6522	1	LIFTING GP-ENGINE						157
Y	2P-6105	1	LINES GP-ENGINE OIL						231
Y	4W-1250	1	LINES GP-FUEL DRAIN						662
Y	7C-4468	1	LINES GP-FUEL INJECTION						683
Y	2W-6779	1	LINES GP-WATER						335
Y	7C-1058	1	MANIFOLD GP-EXHAUST						534
Y	7E-4928	1	PAN GP-OIL						173
YR	1W-6588	6	PISTON & ROD GP						175
Y	3N-3274	1	PULLEY GP-CRANKSHAFT						184
Y	2W-4160	1	PUMP & MTG GP-FUEL TRANSFER						698
Y	2P-1784	1	PUMP GP-ENGINE OIL						245
Y	4W-1241	1	PUMP GP-FUEL PRM & PRIM FILTER						751
Y	7C-3025	1	PUMP GP-GOV & FUEL INJ						783
Y	7N-6208	1	PUMP GP-WATER						378
Y	2P-6224	1	SEAL GP-CRANKSHAFT						192
Y	9Y-5905	1	SUPPORT GP-ENGINE						200
Y	7C-3796	1	VALVE MECHANISM GP						206
			AVAILABLE GASKET KIT(S) :						
	<b>120-8997</b>		KIT-GASKET (CENTRAL, LOWER STRUCTURE)						
	<b>5P-9568</b>		KIT-GASKET (FRONT STRUCTURE)						
	<b>104-3014</b>		KIT-GASKET (FUEL SYSTEM)						
	<b>9X-8577</b>		KIT-GASKET (OIL COOLER, LINES)						

# ENGINE ARRANGEMENT

109-0475 ENGINE AR (contd.)

**i01349374**

NOTE	PART NUMBER	QTY	PART NAME						SEE PAGE
			1	2	3	4	5	6 (PRODUCT LEVEL)	
	<b>6V-2900</b>		KIT-GASKET (REAR STRUCTURE)						
	<b>8T-6955</b>		KIT-GASKET (SINGLE CYLINDER HEAD)						
	<b>5P-8768</b>		KIT-GASKET (SINGLE CYLINDER LINER)						
	<b>6V-4750</b>		KIT-GASKET (WATER PUMP)						

R - REMANUFACTURED PART MAY BE AVAILABLE  
 Y - SEPARATE ILLUSTRATION

<END>



# ENGINE ARRANGEMENT

**126-2412 ENGINE AR**  
**S/N: 85Z12733-13662**  
**228 BRAKE KW (306 BHP) AT 1800 RPM**

**SMCS - 1000**

**i01354428**

NOTE	PART NUMBER	QTY	PART NAME						SEE PAGE
			1	2	3	4	5	6 (PRODUCT LEVEL)	
Y	3N-2886	1	ADAPTER GP-SEAL (CRANKSHAFT)						63
Y	4N-8267	1	AFTERCOOLER GP-WATER						434
Y	1P-4244	1	BREATHER GP						215
Y	1N-4406	1	CAMSHAFT GP						86
Y	7W-1324	1	COOLER GP-FLTR BASE & ENG OIL						268
Y	7N-1292	1	COVER GP-CYLINDER BLOCK						94
Y	2P-6528	1	COVER GP-FRONT HOUSING						97
Y	8N-4745	1	COVER GP-VALVE MECHANISM						99
Y	6N-8079	1	CRANKSHAFT GP						101
YR	8N-5286	1	CYLINDER BLOCK GP						104
YR	8N-0246	1	CYLINDER HEAD GP						110
Y	3N-2885	1	DAMPER GP						114
Y	7N-9536	1	FASTENER GP-CYLINDER HEAD						127
Y	1W-4486	1	FASTENER GP-EXHAUST MANIFOLD						501
Y	1W-3802	1	FASTENER GP-FRONT HOUSING						128
Y	2P-6855	1	FILLER GP-ENGINE OIL						216
Y	2W-1011	1	FILTER GP-FUEL (SECONDARY)						615
Y	7N-3496	1	FLYWHEEL GP						135
Y	3N-2898	1	GAUGE GP-OIL LEVEL (DIPSTICK)						230
Y	1W-5634	1	GEAR GP-FRONT (TIMING)						137
Y	9Y-4624	1	HOUSING GP-FLYWHEEL						150
Y	8N-0303	1	HOUSING GP-FRONT						151
Y	9Y-1318	1	LIFTING GP-ENGINE						159
Y	6N-8492	1	LINES GP-AFTERCOOLER WATER						314
Y	8N-2582	1	LINES GP-AIR						527
Y	2P-6105	1	LINES GP-ENGINE OIL						231
Y	2W-1605	1	LINES GP-FUEL DRAIN						661
Y	1W-3609	1	LINES GP-FUEL INJECTION						675
Y	2W-2291	1	LINES GP-TURBOCHARGER OIL						237
Y	4W-6157	1	LINES GP-WATER						337
Y	2P-6574	1	MANIFOLD GP-EXHAUST						531
Y	3N-2899	1	PAN GP-OIL						172
YR	2W-1177	6	PISTON & ROD GP						178
Y	3N-2884	1	PULLEY GP-CRANKSHAFT						183
Y	2W-4160	1	PUMP & MTG GP-FUEL TRANSFER						698
Y	2P-1784	1	PUMP GP-ENGINE OIL						245
Y	4W-1876	1	PUMP GP-FUEL PRIMING						747
Y	7W-9823	1	PUMP GP-GOV & FUEL INJ						842
Y	7N-5909	1	PUMP GP-WATER						375
Y	2P-6224	1	SEAL GP-CRANKSHAFT						192
Y	9Y-5905	1	SUPPORT GP-ENGINE						200
Y	7W-8581	1	TURBOCHARGER GP						571
Y	7N-8026	1	VALVE MECHANISM GP						209
			AVAILABLE GASKET KIT(S) :						
			<b>5P-8772</b>	KIT-GASKET (AFTERCOOLER, LINES)					
			<b>120-8997</b>	KIT-GASKET (CENTRAL, LOWER STRUCTURE)					
			<b>6V-4763</b>	KIT-GASKET (FRONT STRUCTURE)					

# ENGINE ARRANGEMENT

126-2412 ENGINE AR (contd.)

**i01354428**

NOTE	PART NUMBER	QTY	PART NAME						SEE PAGE
			1	2	3	4	5	6 (PRODUCT LEVEL)	
	<b>116-4622</b>		KIT-GASKET (FUEL SYSTEM)						
	<b>155-1379</b>		KIT-GASKET (SINGLE CYLINDER HEAD)						
	<b>138-3069</b>		KIT-GASKET (REAR STRUCTURE)						
	<b>8T-6955</b>		KIT-GASKET (SINGLE CYLINDER HEAD)						
	<b>5P-8768</b>		KIT-GASKET (SINGLE CYLINDER LINER)						
	<b>5P-8773</b>		KIT-GASKET (TURBOCHARGER)						
	<b>170-1834</b>		KIT-GASKET (WATER PUMP)						

R - REMANUFACTURED PART MAY BE AVAILABLE  
 Y - SEPARATE ILLUSTRATION

<END>



# ENGINE ARRANGEMENT

**126-2413 ENGINE AR**  
**S/N: 85Z12733-13662**  
**280 BRAKE KW (375 BHP) AT 1800 RPM**

**SMCS - 1000**

**i01354430**

NOTE	PART NUMBER	QTY	PART NAME						SEE PAGE
			1	2	3	4	5	6 (PRODUCT LEVEL)	
Y	3N-2886	1	ADAPTER GP-SEAL (CRANKSHAFT)						63
Y	1P-4244	1	BREATHER GP						215
Y	1N-4406	1	CAMSHAFT GP						86
Y	7W-1339	1	COOLER GP-FLTR BASE & ENG OIL						269
Y	7N-1292	1	COVER GP-CYLINDER BLOCK						94
Y	2P-6530	2	COVER GP-CYLINDER HEAD						95
Y	2P-6528	1	COVER GP-FRONT HOUSING						97
Y	8N-4745	1	COVER GP-VALVE MECHANISM						99
Y	6N-8079	1	CRANKSHAFT GP						101
YR	8N-5286	1	CYLINDER BLOCK GP						104
YR	8N-0246	1	CYLINDER HEAD GP						110
Y	3N-2885	1	DAMPER GP						114
Y	7N-9536	1	FASTENER GP-CYLINDER HEAD						127
Y	1W-4486	1	FASTENER GP-EXHAUST MANIFOLD						501
Y	1W-3802	1	FASTENER GP-FRONT HOUSING						128
Y	2P-6855	1	FILLER GP-ENGINE OIL						216
Y	2W-1011	1	FILTER GP-FUEL (SECONDARY)						615
Y	7N-3496	1	FLYWHEEL GP						135
Y	3N-2898	1	GAUGE GP-OIL LEVEL (DIPSTICK)						230
Y	1W-5634	1	GEAR GP-FRONT (TIMING)						137
Y	9Y-4624	1	HOUSING GP-FLYWHEEL						150
Y	8N-0303	1	HOUSING GP-FRONT						151
Y	9Y-1318	1	LIFTING GP-ENGINE						159
Y	2P-6105	1	LINES GP-ENGINE OIL						231
Y	2W-1605	1	LINES GP-FUEL DRAIN						661
Y	1W-3609	1	LINES GP-FUEL INJECTION						675
Y	2W-2291	1	LINES GP-TURBOCHARGER OIL						237
Y	2W-6779	1	LINES GP-WATER						335
Y	2P-6574	1	MANIFOLD GP-EXHAUST						531
Y	3N-2899	1	PAN GP-OIL						172
YR	2W-1177	6	PISTON & ROD GP						178
Y	3N-2884	1	PULLEY GP-CRANKSHAFT						183
Y	2W-4160	1	PUMP & MTG GP-FUEL TRANSFER						698
Y	2P-1784	1	PUMP GP-ENGINE OIL						245
Y	4W-1876	1	PUMP GP-FUEL PRIMING						747
Y	7W-9823	1	PUMP GP-GOV & FUEL INJ						842
Y	7N-5909	1	PUMP GP-WATER						375
Y	2P-6224	1	SEAL GP-CRANKSHAFT						192
Y	9Y-5905	1	SUPPORT GP-ENGINE						200
Y	7C-8429	1	TURBOCHARGER GP						566
Y	7N-8026	1	VALVE MECHANISM GP						209
			AVAILABLE GASKET KIT(S) :						
	<b>120-8997</b>		KIT-GASKET (CENTRAL, LOWER STRUCTURE)						
	<b>6V-4763</b>		KIT-GASKET (FRONT STRUCTURE)						
	<b>116-4622</b>		KIT-GASKET (FUEL SYSTEM)						
	<b>9X-2319</b>		KIT-GASKET (OIL COOLER, LINES)						
	<b>138-3069</b>		KIT-GASKET (REAR STRUCTURE)						

# ENGINE ARRANGEMENT

126-2413 ENGINE AR (contd.)

**i01354430**

NOTE	PART NUMBER	QTY	PART NAME						SEE PAGE
			1	2	3	4	5	6 (PRODUCT LEVEL)	
	<b>3E-7471</b>		KIT-GASKET (SINGLE CYLINDER HEAD)						
	<b>5P-8768</b>		KIT-GASKET (SINGLE CYLINDER LINER)						
	<b>6V-1345</b>		KIT-GASKET (TURBOCHARGER)						
	<b>170-1834</b>		KIT-GASKET (WATER PUMP)						

R - REMANUFACTURED PART MAY BE AVAILABLE

Y - SEPARATE ILLUSTRATION

<END>

# ENGINE ARRANGEMENT

## 184-7248 ENGINE AR

S/N: 85Z14662-UP

60 HZ MARINE AUXILIARY

SMCS-1000

i01698518

NOTE	PART NUMBER	QTY	PART NAME						SEE PAGE
			1	2	3	4	5	6 (PRODUCT LEVEL)	
Y	3N-2886	1	ADAPTER GP-SEAL (CRANKSHAFT)						63
Y	6N-5960	1	AFTERCOOLER GP-WATER						436
Y	1P-4244	1	BREATHER GP						215
Y	1N-4406	1	CAMSHAFT GP						86
Y	7W-1324	1	COOLER GP-FLTR BASE & ENG OIL						268
Y	7N-1292	1	COVER GP-CYLINDER BLOCK						94
Y	3N-4923	1	COVER GP-FRONT HOUSING						98
Y	8N-4745	1	COVER GP-VALVE MECHANISM						99
Y	6N-8079	1	CRANKSHAFT GP						101
YR	8N-5286	1	CYLINDER BLOCK GP						104
YR	8N-0246	1	CYLINDER HEAD GP						110
Y	3N-2885	1	DAMPER GP						114
Y	7N-9536	1	FASTENER GP-CYLINDER HEAD						127
Y	1W-3802	1	FASTENER GP-FRONT HOUSING						128
Y	9Y-0066	1	FASTENER GP-OIL PAN						131
Y	2P-6855	1	FILLER GP-ENGINE OIL						216
Y	2W-1011	1	FILTER GP-FUEL (SECONDARY)						615
Y	7N-3496	1	FLYWHEEL GP						135
Y	3N-2898	1	GAUGE GP-OIL LEVEL (DIPSTICK)						230
Y	1W-5634	1	GEAR GP-FRONT (TIMING)						137
Y	8N-2395	1	HOUSING GP-FLYWHEEL						149
Y	8N-0303	1	HOUSING GP-FRONT						151
Y	4P-6522	1	LIFTING GP-ENGINE						157
Y	6N-8492	1	LINES GP-AFTERCOOLER WATER						314
Y	183-8575	1	LINES GP-AIR						516
Y	2P-6105	1	LINES GP-ENGINE OIL						231
Y	4W-1250	1	LINES GP-FUEL DRAIN						662
Y	179-8213	1	LINES GP-FUEL INJECTION						668
Y	2W-9176	1	LINES GP-TURBOCHARGER OIL						239
Y	4W-6157	1	LINES GP-WATER						337
Y	2W-9169	1	MANIFOLD GP-WATER (WATER COOLED)						341
Y	7E-4928	1	PAN GP-OIL						173
YR	168-4532	6	PISTON & ROD GP						174
Y	3N-3274	1	PULLEY GP-CRANKSHAFT						184
Y	2W-4160	1	PUMP & MTG GP-FUEL TRANSFER						698
Y	2P-1784	1	PUMP GP-ENGINE OIL						245
Y	4W-1241	1	PUMP GP-FUEL PRM & PRIM FILTER						751
Y	7W-9823	1	PUMP GP-GOV & FUEL INJ						842
Y	7N-6208	1	PUMP GP-WATER						378
Y	2P-6224	1	SEAL GP-CRANKSHAFT						192
Y	9Y-5905	1	SUPPORT GP-ENGINE						200
Y	184-7209	1	TURBOCHARGER GP						553
Y	7N-8026	1	VALVE MECHANISM GP						209
			AVAILABLE GASKET KIT(S) :						
	<b>204-4458</b>		KIT-GASKET (AFTERCOOLER, LINES)						
	<b>204-4459</b>		KIT-GASKET (CENTRAL, LOWER STRUCTURE)						
	<b>6V-4785</b>		KIT-GASKET (FRONT STRUCTURE)						

# ENGINE ARRANGEMENT

184-7248 ENGINE AR (contd.)

**i01698518**

NOTE	PART NUMBER	QTY	PART NAME						SEE PAGE
			1	2	3	4	5	6 (PRODUCT LEVEL)	
	<b>140-6137</b>		KIT-GASKET (OIL COOLER, LINES)						
	<b>5P-8768</b>		KIT-GASKET (SINGLE CYLINDER LINER)						
	<b>203-5522</b>		KIT-GASKET (SINGLE FUEL INJECTOR)						
	<b>150-0332</b>		KIT-GASKET (TURBOCHARGER)						
	<b>208-4836</b>		KIT-GASKET (WATER PUMP)						
R - REMANUFACTURED PART MAY BE AVAILABLE									
Y - SEPARATE ILLUSTRATION									
<END>									

# ENGINE ARRANGEMENT

## 184-7338 ENGINE AR\*R

S/N: 85Z14662-UP

50 HZ MARINE AUXILIARY

SMCS-1000

i01697882

NOTE	PART NUMBER	QTY	PART NAME						SEE PAGE
			1	2	3	4	5	6 (PRODUCT LEVEL)	
Y	3N-2886	1	ADAPTER GP-SEAL (CRANKSHAFT)						63
Y	6N-5960	1	AFTERCOOLER GP-WATER						436
Y	1P-4244	1	BREATHER GP						215
Y	1N-4406	1	CAMSHAFT GP						86
Y	7W-1324	1	COOLER GP-FLTR BASE & ENG OIL						268
Y	7N-1292	1	COVER GP-CYLINDER BLOCK						94
Y	3N-4923	1	COVER GP-FRONT HOUSING						98
Y	8N-4745	1	COVER GP-VALVE MECHANISM						99
Y	6N-8079	1	CRANKSHAFT GP						101
YR	8N-5286	1	CYLINDER BLOCK GP						104
YR	8N-0246	1	CYLINDER HEAD GP						110
Y	3N-2885	1	DAMPER GP						114
Y	7N-9536	1	FASTENER GP-CYLINDER HEAD						127
Y	1W-3802	1	FASTENER GP-FRONT HOUSING						128
Y	9Y-0066	1	FASTENER GP-OIL PAN						131
Y	2P-6855	1	FILLER GP-ENGINE OIL						216
Y	2W-1011	1	FILTER GP-FUEL (SECONDARY)						615
Y	7N-3496	1	FLYWHEEL GP						135
Y	3N-2898	1	GAUGE GP-OIL LEVEL (DIPSTICK)						230
Y	1W-5634	1	GEAR GP-FRONT (TIMING)						137
Y	8N-2395	1	HOUSING GP-FLYWHEEL						149
Y	8N-0303	1	HOUSING GP-FRONT						151
Y	4P-6522	1	LIFTING GP-ENGINE						157
Y	6N-8492	1	LINES GP-AFTERCOOLER WATER						314
Y	183-8575	1	LINES GP-AIR						516
Y	2P-6105	1	LINES GP-ENGINE OIL						231
Y	4W-1250	1	LINES GP-FUEL DRAIN						662
Y	179-8213	1	LINES GP-FUEL INJECTION						668
Y	2W-9176	1	LINES GP-TURBOCHARGER OIL						239
Y	4W-6157	1	LINES GP-WATER						337
Y	2W-9169	1	MANIFOLD GP-WATER (WATER COOLED)						341
Y	7E-4928	1	PAN GP-OIL						173
YR	168-4532	6	PISTON & ROD GP						174
Y	3N-3274	1	PULLEY GP-CRANKSHAFT						184
Y	2W-4160	1	PUMP & MTG GP-FUEL TRANSFER						698
Y	2P-1784	1	PUMP GP-ENGINE OIL						245
Y	4W-1241	1	PUMP GP-FUEL PRM & PRIM FILTER						751
Y	7W-9365	1	PUMP GP-GOV & FUEL INJ						834
Y	7N-6208	1	PUMP GP-WATER						378
Y	2P-6224	1	SEAL GP-CRANKSHAFT						192
Y	9Y-5905	1	SUPPORT GP-ENGINE						200
Y	4W-2080	1	TURBOCHARGER GP						559
Y	7N-8026	1	VALVE MECHANISM GP						209
			AVAILABLE GASKET KIT(S) :						
			204-4458 KIT-GASKET (AFTERCOOLER, LINES)						
			204-4459 KIT-GASKET (CENTRAL, LOWER STRUCTURE)						
			204-4460 KIT-GASKET (EXPANSION TANK)						

# ENGINE ARRANGEMENT

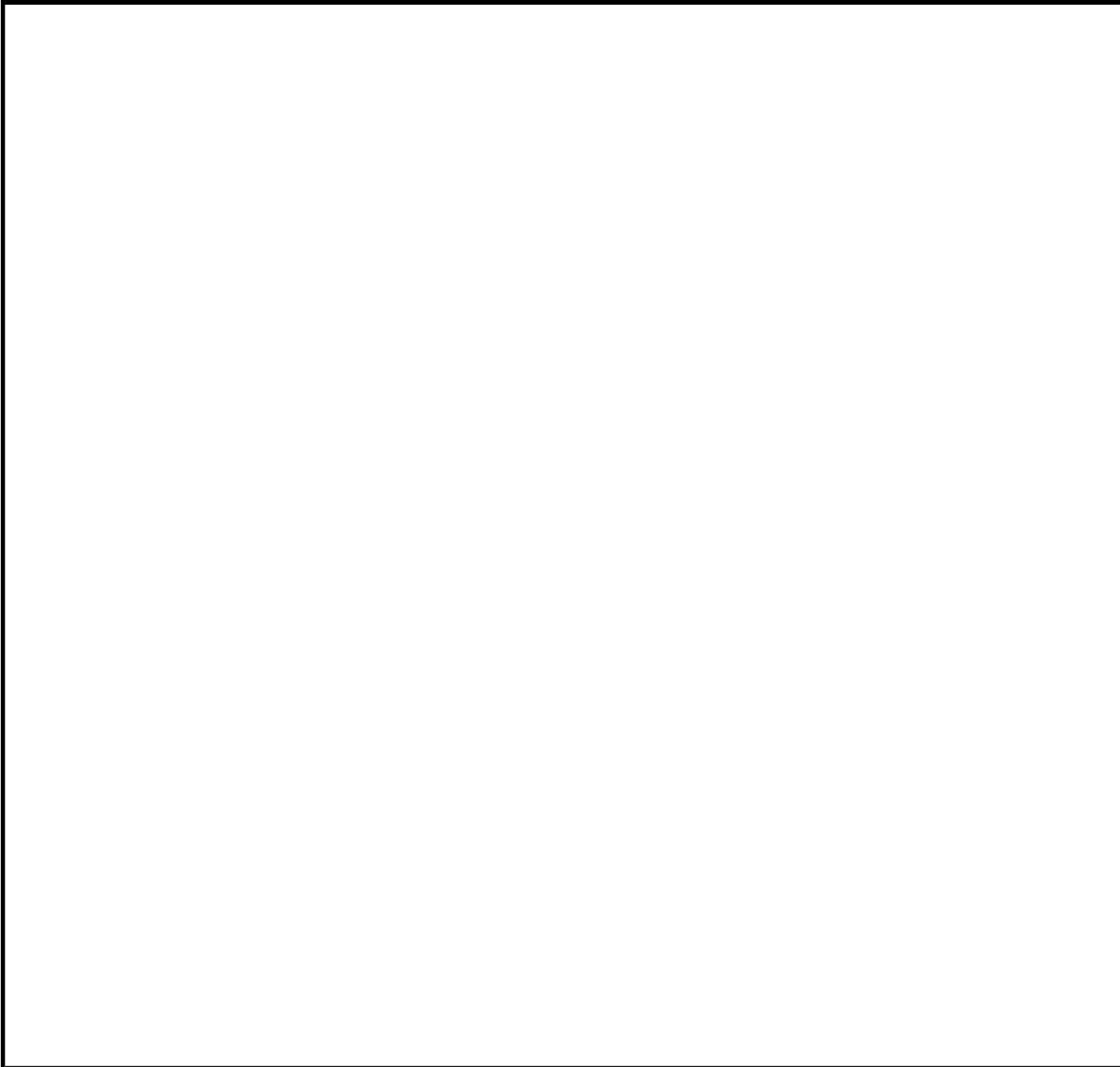
184-7338 ENGINE AR (contd.)

i01697882

NOTE	PART NUMBER	QTY	PART NAME						SEE PAGE
			1	2	3	4	5	6 (PRODUCT LEVEL)	
	<b>6V-4785</b>		KIT-GASKET (FRONT STRUCTURE)						
	<b>204-4461</b>		KIT-GASKET (FUEL SYSTEM)						
	<b>6V-2982</b>		KIT-GASKET (REAR STRUCTURE)						
	<b>140-6137</b>		KIT-GASKET (OIL COOLER, LINES)						
	<b>203-5522</b>		KIT-GASKET (SINGLE FUEL INJECTOR)						
	<b>204-4462</b>		KIT-GASKET (SINGLE CYLINDER HEAD)						
	<b>5P-8768</b>		KIT-GASKET (SINGLE CYLINDER LINER)						
	<b>204-4463</b>		KIT-GASKET (TURBOCHARGER)						
	<b>204-4464</b>		KIT-GASKET (WATER PUMP)						

R - REMANUFACTURED PART MAY BE AVAILABLE  
 Y - SEPARATE ILLUSTRATION

<END>



# ENGINE ARRANGEMENT

## 1W-3818 ENGINE AR\*R

S/N: 85Z3764-UP

**201 BRAKE KW (269 BHP) 60 HERTZ AT 1800 RPM. DIRECT INJECTION TURBOCHARGED  
AFTERCOOLED**

**SMCS-1000**

**i01349266**

NOTE	PART NUMBER	QTY	PART NAME						SEE PAGE
			1	2	3	4	5	6 (PRODUCT LEVEL)	
Y	3N-2886	1	ADAPTER GP-SEAL (CRANKSHAFT)						63
Y	6N-5960	1	AFTERCOOLER GP-WATER						436
Y	1P-4244	1	BREATHER GP						215
Y	1N-4406	1	CAMSHAFT GP						86
Y	7W-1324	1	COOLER GP-FLTR BASE & ENG OIL						268
S/N: 85Z3764-UP									
Y	7N-1292	1	COVER GP-CYLINDER BLOCK						94
Y	3N-4923	1	COVER GP-FRONT HOUSING						98
Y	8N-4745	1	COVER GP-VALVE MECHANISM						99
Y	6N-8079	1	CRANKSHAFT GP						101
YR	8N-5286	1	CYLINDER BLOCK GP						104
YR	8N-0246	1	CYLINDER HEAD GP						110
Y	3N-2885	1	DAMPER GP						114
Y	7N-9536	1	FASTENER GP-CYLINDER HEAD						127
Y	1W-3802	1	FASTENER GP-FRONT HOUSING						128
Y	2P-6855	1	FILLER GP-ENGINE OIL						216
S/N: 85Z3764-12907									
Y	<b>9N-1869</b>	1	FILLER GP-ENGINE OIL						219
S/N: 85Z12908-UP									
Y	2W-1011	1	FILTER GP-FUEL (SECONDARY)						615
Y	7N-3496	1	FLYWHEEL GP						135
Y	3N-2898	1	GAUGE GP-OIL LEVEL (DIPSTICK)						230
Y	1W-5634	1	GEAR GP-FRONT (TIMING)						137
Y	8N-2395	1	HOUSING GP-FLYWHEEL						149
Y	8N-0303	1	HOUSING GP-FRONT						151
Y	8N-3286	1	LIFTING GP-ENGINE						158
Y	6N-8492	1	LINES GP-AFTERCOOLER WATER						314
Y	6N-9317	1	LINES GP-AIR						524
Y	4W-1250	1	LINES GP-FUEL DRAIN						662
S/N: 85Z3764-UP									
Y	2P-6105	1	LINES GP-ENGINE OIL						231
Y	2W-1508	1	LINES GP-FUEL INJECTION						676
Y	8N-2293	1	LINES GP-TURBOCHARGER OIL						241
Y	4W-6157	1	LINES GP-WATER						337
S/N: 85Z3764-UP									
Y	1W-8483	1	MANIFOLD GP-EXHAUST						529
Y	3N-2899	1	PAN GP-OIL						172
YR	2W-1177	1	PISTON & ROD GP						178
Y	3N-3274	1	PULLEY GP-CRANKSHAFT						184
Y	2W-4160	1	PUMP & MTG GP-FUEL TRANSFER						698
Y	2P-1784	1	PUMP GP-ENGINE OIL						245
Y	4W-1241	1	PUMP GP-FUEL PRM & PRIM FILTER						751
S/N: 85Z3764-UP									
Y	2W-0056	1	PUMP GP-GOV & FUEL INJ						772
Y	7N-6208	1	PUMP GP-WATER						378
Y	2P-6224	1	SEAL GP-CRANKSHAFT						192
Y	7W-6541	1	SUPPORT GP-ENGINE						199

# ENGINE ARRANGEMENT

*1W-3818* **ENGINE AR (contd.)**

**i01349266**

NOTE	PART NUMBER	QTY	PART NAME						SEE PAGE
			1	2	3	4	5	6 (PRODUCT LEVEL)	
			S/N: 85Z3764-UP						
Y	<i>2W-1576</i>	1	TURBOCHARGER GP						556
			S/N: 85Z3764-UP						
Y	<i>7N-8026</i>	1	VALVE MECHANISM GP						209
AVAILABLE GASKET KIT(S):									
	<b>5P-8772</b>		KIT-GASKET (AFTERCOOLER, LINES)						
	<b>6V-8023</b>		KIT-GASKET (CENTRAL, LOWER STRUCTURE)						
	<b>6V-4785</b>		KIT-GASKET (FRONT STRUCTURE)						
	<b>6V-8042</b>		KIT-GASKET (FUEL SYSTEM)						
	<b>6V-8021</b>		KIT-GASKET (SINGLE CYLINDER HEAD)						
	<b>5P-9116</b>		KIT-GASKET (OIL COOLER, LINES)						
	<b>6V-2983</b>		KIT-GASKET (REAR STRUCTURE)						
	<b>5P-8768</b>		KIT-GASKET (SINGLE CYLINDER LINER)						
	<b>6V-0713</b>		KIT-GASKET (TURBOCHARGER MOUNTING)						
	<b>6V-4750</b>		KIT-GASKET (WATER PUMP)						

R - REMANUFACTURED PART MAY BE AVAILABLE  
 Y - SEPARATE ILLUSTRATION

<END>



# ENGINE ARRANGEMENT

## 1W-3819 ENGINE AR

S/N: 85Z3764-UP

170 BRAKE KW (228 BHP) 60 HERTZ AT 1800 RPM, DIRECT INJECTION TURBOCHARGED

SMCS-1000

i01228496

NOTE	PART NUMBER	QTY	PART NAME						SEE PAGE
			1	2	3	4	5	6 (PRODUCT LEVEL)	
Y	3N-2886	1	ADAPTER GP-SEAL (CRANKSHAFT)						63
Y	1P-4244	1	BREATHER GP						215
Y	1N-4406	1	CAMSHAFT GP						86
Y	7W-1339	1	COOLER GP-FLTR BASE & ENG OIL						269
S/N: 85Z3764-UP									
Y	7N-1292	1	COVER GP-CYLINDER BLOCK						94
Y	2P-6530	1	COVER GP-CYLINDER HEAD						95
Y	3N-4923	1	COVER GP-FRONT HOUSING						98
Y	8N-4745	1	COVER GP-VALVE MECHANISM						99
Y	6N-8079	1	CRANKSHAFT GP						101
YR	8N-5286	1	CYLINDER BLOCK GP						104
YR	8N-0246	1	CYLINDER HEAD GP						110
Y	3N-2885	1	DAMPER GP						114
Y	7N-9536	1	FASTENER GP-CYLINDER HEAD						127
Y	1W-3802	1	FASTENER GP-FRONT HOUSING						128
Y	2W-1011	1	FILTER GP-FUEL (SECONDARY)						615
Y	7N-3496	1	FLYWHEEL GP						135
Y	3N-2898	1	GAUGE GP-OIL LEVEL (DIPSTICK)						230
Y	1W-5634	1	GEAR GP-FRONT (TIMING)						137
Y	8N-2395	1	HOUSING GP-FLYWHEEL						149
Y	8N-0303	1	HOUSING GP-FRONT						151
Y	8N-3286	1	LIFTING GP-ENGINE						158
Y	2W-9179	1	LINES GP-AIR						519
Y	4W-1250	1	LINES GP-FUEL DRAIN						662
S/N: 85Z3764-UP									
Y	2P-6105	1	LINES GP-ENGINE OIL						231
Y	2W-1508	1	LINES GP-FUEL INJECTION						676
Y	2W-9176	1	LINES GP-TURBOCHARGER OIL						239
Y	2W-6779	1	LINES GP-WATER						335
S/N: 85Z3764-UP									
Y	2W-9169	1	MANIFOLD GP-WATER (WATER COOLED)						341
Y	3N-2899	1	PAN GP-OIL						172
YR	2W-1177	6	PISTON & ROD GP						178
Y	3N-3274	1	PULLEY GP-CRANKSHAFT						184
Y	2W-4160	1	PUMP & MTG GP-FUEL TRANSFER						698
Y	2P-1784	1	PUMP GP-ENGINE OIL						245
Y	4W-1241	1	PUMP GP-FUEL PRM & PRIM FILTER						751
S/N: 85Z3764-UP									
Y	7C-5299	1	PUMP GP-GOV & FUEL INJ						808
S/N: 85Z3764-UP									
Y	7N-6208	1	PUMP GP-WATER						378
Y	2P-6224	1	SEAL GP-CRANKSHAFT						192
Y	7W-6541	1	SUPPORT GP-ENGINE						199
S/N: 85Z3764-UP									
Y	4W-2080	1	TURBOCHARGER GP						559
Y	7N-8026	1	VALVE MECHANISM GP						209
AVAILABLE GASKET KIT(S) :									

# ENGINE ARRANGEMENT

1W-3819 ENGINE AR (contd.)

i01228496

NOTE	PART NUMBER	QTY	PART NAME						SEE PAGE
			1	2	3	4	5	6 (PRODUCT LEVEL)	
	<b>6V-8023</b>		KIT-GASKET (CENTRAL, LOWER STRUCTURE)						
	<b>6V-4785</b>		KIT-GASKET (FRONT STRUCTURE)						
	<b>6V-8042</b>		KIT-GASKET (FUEL SYSTEM)						
	<b>5P-9116</b>		KIT-GASKET (OIL COOLER, LINES)						
	<b>6V-2983</b>		KIT-GASKET (REAR STRUCTURE)						
	<b>6V-8021</b>		KIT-GASKET (SINGLE CYLINDER HEAD)						
	<b>5P-8768</b>		KIT-GASKET (SINGLE CYLINDER LINER)						
	<b>6V-0713</b>		KIT-GASKET (TURBOCHARGER MOUNTING)						
	<b>6V-4750</b>		KIT-GASKET (WATER PUMP)						

R - REMANUFACTURED PART MAY BE AVAILABLE  
 Y - SEPARATE ILLUSTRATION

<END>

# ENGINE ARRANGEMENT

## 1W-3833 ENGINE AR\*R

S/N: 85Z3764-UP

DIRECT INJECTION TURBOCHARGED, 170 BRAKE KW (228 BHP) 60 HERTZ AT 1800 RPM

SMCS-1000

i01228484

NOTE	PART NUMBER	QTY	PART NAME						SEE PAGE
			1	2	3	4	5	6 (PRODUCT LEVEL)	
Y	3N-2886	1	ADAPTER GP-SEAL (CRANKSHAFT)						63
Y	1P-4244	1	BREATHER GP						215
Y	1N-4406	1	CAMSHAFT GP						86
Y	7W-1339	1	COOLER GP-FLTR BASE & ENG OIL						269
S/N: 85Z3764-UP									
Y	7N-1292	1	COVER GP-CYLINDER BLOCK						94
Y	2P-6530	1	COVER GP-CYLINDER HEAD						95
Y	2P-6528	1	COVER GP-FRONT HOUSING						97
Y	8N-4745	1	COVER GP-VALVE MECHANISM						99
Y	6N-8079	1	CRANKSHAFT GP						101
YR	8N-5286	1	CYLINDER BLOCK GP						104
YR	8N-0246	1	CYLINDER HEAD GP						110
Y	3N-2885	1	DAMPER GP						114
Y	7N-9536	1	FASTENER GP-CYLINDER HEAD						127
Y	1W-4486	1	FASTENER GP-EXHAUST MANIFOLD						501
Y	1W-3802	1	FASTENER GP-FRONT HOUSING						128
Y	2P-6855	1	FILLER GP-ENGINE OIL						216
Y	2W-1011	1	FILTER GP-FUEL (SECONDARY)						615
Y	7N-3496	1	FLYWHEEL GP						135
Y	3N-2898	1	GAUGE GP-OIL LEVEL (DIPSTICK)						230
Y	1W-5634	1	GEAR GP-FRONT (TIMING)						137
Y	8N-2322	1	HOUSING GP-FLYWHEEL						148
Y	8N-0303	1	HOUSING GP-FRONT						151
Y	8N-3286	1	LIFTING GP-ENGINE						158
Y	8N-4703	1	LINES GP-AIR						528
Y	4W-1250	1	LINES GP-FUEL DRAIN						662
S/N: 85Z3764-UP									
Y	2P-6105	1	LINES GP-ENGINE OIL						231
Y	1W-3609	1	LINES GP-FUEL INJECTION						675
Y	2W-2291	1	LINES GP-TURBOCHARGER OIL						237
Y	2W-6779	1	LINES GP-WATER						335
S/N: 85Z3764-UP									
Y	2P-6574	1	MANIFOLD GP-EXHAUST						531
Y	3N-2899	1	PAN GP-OIL						172
YR	2W-1177	6	PISTON & ROD GP						178
Y	3N-2884	1	PULLEY GP-CRANKSHAFT						183
Y	2W-4160	1	PUMP & MTG GP-FUEL TRANSFER						698
Y	2P-1784	1	PUMP GP-ENGINE OIL						245
Y	4W-1241	1	PUMP GP-FUEL PRM & PRIM FILTER						751
S/N: 85Z3764-UP									
Y	2W-0056	1	PUMP GP-GOV & FUEL INJ						772
Y	7N-5909	1	PUMP GP-WATER						375
Y	2P-6224	1	SEAL GP-CRANKSHAFT						192
Y	7W-6541	1	SUPPORT GP-ENGINE						199
S/N: 85Z3764-UP									
Y	1W-8096	1	TURBOCHARGER GP						555
Y	7N-8026	1	VALVE MECHANISM GP						209

# ENGINE ARRANGEMENT

1W-3833 ENGINE AR (contd.)

i01228484

NOTE	PART NUMBER	QTY	PART NAME 1 2 3 4 5 6 (PRODUCT LEVEL)	SEE PAGE
			AVAILABLE GASKET KIT(S) :	
	<b>6V-8023</b>		KIT-GASKET (CENTRAL, LOWER STRUCTURE)	
	<b>6V-4785</b>		KIT-GASKET (FRONT STRUCTURE)	
	<b>6V-8042</b>		KIT-GASKET (FUEL SYSTEM)	
	<b>5P-9116</b>		KIT-GASKET (OIL COOLER, LINES)	
	<b>6V-2983</b>		KIT-GASKET (REAR STRUCTURE)	
	<b>6V-8021</b>		KIT-GASKET (SINGLE CYLINDER HEAD)	
	<b>5P-8768</b>		KIT-GASKET (SINGLE CYLINDER LINER)	
	<b>5P-9458</b>		KIT-GASKET (TURBOCHARGER)	
	<b>6V-4750</b>		KIT-GASKET (WATER PUMP)	
R - REMANUFACTURED PART MAY BE AVAILABLE				
Y - SEPARATE ILLUSTRATION				

<END>

# ENGINE ARRANGEMENT

## 1W-3835 ENGINE AR\*R

S/N: 85Z3764-UP

DIRECT INJECTION TURBOCHARGED, 160 BRAKE KW (214 BHP) 50 HERTZ AT 1500 RPM

SMCS-1000

i01228470

NOTE	PART NUMBER	QTY	PART NAME						SEE PAGE
			1	2	3	4	5	6 (PRODUCT LEVEL)	
Y	3N-2886	1	ADAPTER GP-SEAL (CRANKSHAFT)						63
Y	1P-4244	1	BREATHER GP						215
Y	1N-4406	1	CAMSHAFT GP						86
Y	7W-1339	1	COOLER GP-FLTR BASE & ENG OIL						269
S/N: 85Z3764-UP									
Y	7N-1292	1	COVER GP-CYLINDER BLOCK						94
Y	2P-6530	1	COVER GP-CYLINDER HEAD						95
Y	2P-6528	1	COVER GP-FRONT HOUSING						97
Y	8N-4745	1	COVER GP-VALVE MECHANISM						99
Y	6N-8079	1	CRANKSHAFT GP						101
YR	8N-5286	1	CYLINDER BLOCK GP						104
YR	8N-0246	1	CYLINDER HEAD GP						110
Y	3N-2885	1	DAMPER GP						114
Y	7N-9536	1	FASTENER GP-CYLINDER HEAD						127
Y	1W-4486	1	FASTENER GP-EXHAUST MANIFOLD						501
Y	1W-3802	1	FASTENER GP-FRONT HOUSING						128
Y	2P-6855	1	FILLER GP-ENGINE OIL						216
Y	2W-1011	1	FILTER GP-FUEL (SECONDARY)						615
Y	7N-3496	1	FLYWHEEL GP						135
Y	3N-2898	1	GAUGE GP-OIL LEVEL (DIPSTICK)						230
Y	1W-5634	1	GEAR GP-FRONT (TIMING)						137
Y	8N-2322	1	HOUSING GP-FLYWHEEL						148
Y	8N-0303	1	HOUSING GP-FRONT						151
Y	8N-3286	1	LIFTING GP-ENGINE						158
Y	8N-4703	1	LINES GP-AIR						528
Y	4W-1250	1	LINES GP-FUEL DRAIN						662
S/N: 85Z3764-UP									
Y	2P-6105	1	LINES GP-ENGINE OIL						231
Y	1W-3609	1	LINES GP-FUEL INJECTION						675
Y	2W-2291	1	LINES GP-TURBOCHARGER OIL						237
Y	2W-6779	1	LINES GP-WATER						335
S/N: 85Z3764-UP									
Y	2P-6574	1	MANIFOLD GP-EXHAUST						531
Y	3N-2899	1	PAN GP-OIL						172
YR	2W-1177	6	PISTON & ROD GP						178
Y	3N-2884	1	PULLEY GP-CRANKSHAFT						183
Y	2W-4160	1	PUMP & MTG GP-FUEL TRANSFER						698
Y	2P-1784	1	PUMP GP-ENGINE OIL						245
Y	4W-1241	1	PUMP GP-FUEL PRM & PRIM FILTER						751
S/N: 85Z3764-UP									
Y	2W-0055	1	PUMP GP-GOV & FUEL INJ						764
Y	7N-5909	1	PUMP GP-WATER						375
Y	2P-6224	1	SEAL GP-CRANKSHAFT						192
Y	7W-6541	1	SUPPORT GP-ENGINE						199
S/N: 85Z3764-UP									
Y	1W-8096	1	TURBOCHARGER GP						555
Y	7N-8026	1	VALVE MECHANISM GP						209

# ENGINE ARRANGEMENT

1W-3835 ENGINE AR (contd.)

i01228470

NOTE	PART NUMBER	QTY	PART NAME 1 2 3 4 5 6 (PRODUCT LEVEL)	SEE PAGE
			AVAILABLE GASKET KIT(S):	
	<b>6V-8023</b>		KIT-GASKET (CENTRAL, LOWER STRUCTURE)	
	<b>6V-4785</b>		KIT-GASKET (FRONT STRUCTURE)	
	<b>6V-8042</b>		KIT-GASKET (FUEL SYSTEM)	
	<b>5P-9116</b>		KIT-GASKET (OIL COOLER, LINES)	
	<b>6V-2983</b>		KIT-GASKET (REAR STRUCTURE)	
	<b>6V-8021</b>		KIT-GASKET (SINGLE CYLINDER HEAD)	
	<b>5P-8768</b>		KIT-GASKET (SINGLE CYLINDER LINER)	
	<b>5P-9458</b>		KIT-GASKET (TURBOCHARGER)	
	<b>6V-4750</b>		KIT-GASKET (WATER PUMP)	
R - REMANUFACTURED PART MAY BE AVAILABLE				
Y - SEPARATE ILLUSTRATION				

<END>

# ENGINE ARRANGEMENT

## 1W-9156 ENGINE AR\*R

S/N: 85Z3764-UP

149 BRAKE KW (200 BHP) 50 HERTZ AT 1500 RPM. MARINE AUXILIARY, DIT

SMCS-1000

i01228452

NOTE	PART NUMBER	QTY	PART NAME						SEE PAGE
			1	2	3	4	5	6 (PRODUCT LEVEL)	
Y	3N-2886	1	ADAPTER GP-SEAL (CRANKSHAFT)						63
Y	1P-4244	1	BREATHER GP						215
Y	1N-4406	1	CAMSHAFT GP						86
Y	7W-1339	1	COOLER GP-FLTR BASE & ENG OIL						269
S/N: 85Z3764-UP									
Y	7N-1292	1	COVER GP-CYLINDER BLOCK						94
Y	2P-6530	1	COVER GP-CYLINDER HEAD						95
Y	3N-4923	1	COVER GP-FRONT HOUSING						98
Y	8N-4745	1	COVER GP-VALVE MECHANISM						99
Y	6N-8079	1	CRANKSHAFT GP						101
YR	8N-5286	1	CYLINDER BLOCK GP						104
YR	8N-0246	1	CYLINDER HEAD GP						110
Y	3N-2885	1	DAMPER GP						114
Y	7N-9536	1	FASTENER GP-CYLINDER HEAD						127
Y	1W-3802	1	FASTENER GP-FRONT HOUSING						128
Y	2P-6855	1	FILLER GP-ENGINE OIL						216
Y	2W-1011	1	FILTER GP-FUEL (SECONDARY)						615
Y	7N-3496	1	FLYWHEEL GP						135
Y	3N-2898	1	GAUGE GP-OIL LEVEL (DIPSTICK)						230
Y	1W-5634	1	GEAR GP-FRONT (TIMING)						137
Y	8N-2395	1	HOUSING GP-FLYWHEEL						149
Y	8N-0303	1	HOUSING GP-FRONT						151
Y	8N-3286	1	LIFTING GP-ENGINE						158
Y	2W-9179	1	LINES GP-AIR						519
Y	4W-1250	1	LINES GP-FUEL DRAIN						662
S/N: 85Z3764-UP									
Y	2P-6105	1	LINES GP-ENGINE OIL						231
Y	2W-1508	1	LINES GP-FUEL INJECTION						676
Y	2W-9176	1	LINES GP-TURBOCHARGER OIL						239
Y	2W-6779	1	LINES GP-WATER						335
S/N: 85Z3764-UP									
Y	2W-9169	1	MANIFOLD GP-WATER (WATER COOLED)						341
Y	3N-2899	1	PAN GP-OIL						172
YR	2W-1177	6	PISTON & ROD GP						178
Y	3N-3274	1	PULLEY GP-CRANKSHAFT						184
Y	2W-4160	1	PUMP & MTG GP-FUEL TRANSFER						698
Y	2P-1784	1	PUMP GP-ENGINE OIL						245
Y	4W-1241	1	PUMP GP-FUEL PRM & PRIM FILTER						751
S/N: 85Z3764-UP									
Y	2W-0055	1	PUMP GP-GOV & FUEL INJ						764
Y	7N-6208	1	PUMP GP-WATER						378
Y	2P-6224	1	SEAL GP-CRANKSHAFT						192
Y	7W-6541	1	SUPPORT GP-ENGINE						199
S/N: 85Z3764-UP									
Y	4W-2080	1	TURBOCHARGER GP						559
Y	7N-8026	1	VALVE MECHANISM GP						209
AVAILABLE GASKET KIT(S) :									

# ENGINE ARRANGEMENT

1W-9156 ENGINE AR (contd.)

i01228452

NOTE	PART NUMBER	QTY	PART NAME						SEE PAGE
			1	2	3	4	5	6 (PRODUCT LEVEL)	
	<b>6V-8023</b>		KIT-GASKET (CENTRAL, LOWER STRUCTURE)						
	<b>6V-4785</b>		KIT-GASKET (FRONT STRUCTURE)						
	<b>6V-8042</b>		KIT-GASKET (FUEL SYSTEM)						
	<b>5P-9116</b>		KIT-GASKET (OIL COOLER, LINES)						
	<b>6V-2983</b>		KIT-GASKET (REAR STRUCTURE)						
	<b>6V-8021</b>		KIT-GASKET (SINGLE CYLINDER HEAD)						
	<b>5P-8768</b>		KIT-GASKET (SINGLE CYLINDER LINER)						
	<b>6V-0713</b>		KIT-GASKET (TURBOCHARGER MOUNTING)						
	<b>6V-4750</b>		KIT-GASKET (WATER PUMP)						

R - REMANUFACTURED PART MAY BE AVAILABLE  
 Y - SEPARATE ILLUSTRATION

<END>



# ENGINE ARRANGEMENT

## 2W-1738 ENGINE AR\*R

S/N: 85Z3764-UP

179 BRAKE KW (240 BHP) 50 HERTZ AT 1500 RPM. DITA

SMCS-1000

i01228436

NOTE	PART NUMBER	QTY	PART NAME						SEE PAGE
			1	2	3	4	5	6 (PRODUCT LEVEL)	
Y	3N-2886	1	ADAPTER GP-SEAL (CRANKSHAFT)						63
Y	4N-8267	1	AFTERCOOLER GP-WATER						434
Y	1P-4244	1	BREATHER GP						215
Y	1N-4406	1	CAMSHAFT GP						86
Y	7W-1324	1	COOLER GP-FLTR BASE & ENG OIL						268
S/N: 85Z3764-UP									
Y	7N-1292	1	COVER GP-CYLINDER BLOCK						94
Y	2P-6528	1	COVER GP-FRONT HOUSING						97
Y	8N-4745	1	COVER GP-VALVE MECHANISM						99
Y	6N-8079	1	CRANKSHAFT GP						101
YR	8N-5286	1	CYLINDER BLOCK GP						104
YR	8N-0246	1	CYLINDER HEAD GP						110
Y	3N-2885	1	DAMPER GP						114
Y	7N-9536	1	FASTENER GP-CYLINDER HEAD						127
Y	1W-4486	1	FASTENER GP-EXHAUST MANIFOLD						501
Y	1W-3802	1	FASTENER GP-FRONT HOUSING						128
Y	2P-6855	1	FILLER GP-ENGINE OIL						216
Y	2W-1011	1	FILTER GP-FUEL (SECONDARY)						615
Y	7N-3496	1	FLYWHEEL GP						135
Y	3N-2898	1	GAUGE GP-OIL LEVEL (DIPSTICK)						230
Y	1W-5634	1	GEAR GP-FRONT (TIMING)						137
Y	8N-2322	1	HOUSING GP-FLYWHEEL						148
Y	8N-0303	1	HOUSING GP-FRONT						151
Y	8N-3286	1	LIFTING GP-ENGINE						158
Y	6N-8492	1	LINES GP-AFTERCOOLER WATER						314
Y	8N-2582	1	LINES GP-AIR						527
Y	4W-1250	1	LINES GP-FUEL DRAIN						662
S/N: 85Z3764-UP									
Y	2P-6105	1	LINES GP-ENGINE OIL						231
Y	1W-3609	1	LINES GP-FUEL INJECTION						675
Y	2W-2291	1	LINES GP-TURBOCHARGER OIL						237
Y	4W-6157	1	LINES GP-WATER						337
S/N: 85Z3764-UP									
Y	2P-6574	1	MANIFOLD GP-EXHAUST						531
Y	3N-2899	1	PAN GP-OIL						172
YR	2W-1177	6	PISTON & ROD GP						178
Y	3N-2884	1	PULLEY GP-CRANKSHAFT						183
Y	2W-4160	1	PUMP & MTG GP-FUEL TRANSFER						698
Y	2P-1784	1	PUMP GP-ENGINE OIL						245
Y	4W-1241	1	PUMP GP-FUEL PRM & PRIM FILTER						751
S/N: 85Z3764-UP									
Y	2W-0055	1	PUMP GP-GOV & FUEL INJ						764
Y	7N-5909	1	PUMP GP-WATER						375
Y	2P-6224	1	SEAL GP-CRANKSHAFT						192
Y	7W-6541	1	SUPPORT GP-ENGINE						199
S/N: 85Z3764-UP									
Y	1W-0541	1	TURBOCHARGER GP						554

# ENGINE ARRANGEMENT

2W-1738 ENGINE AR (contd.)

i01228436

NOTE	PART NUMBER	QTY	PART NAME 1 2 3 4 5 6 (PRODUCT LEVEL)	SEE PAGE
			S/N: 85Z3764-UP	
Y	7N-8026	1	VALVE MECHANISM GP	209
			AVAILABLE GASKET KIT(S):	
	<b>5P-8772</b>		KIT-GASKET (AFTERCOOLER, LINES)	
	<b>6V-8023</b>		KIT-GASKET (CENTRAL, LOWER STRUCTURE)	
	<b>6V-4785</b>		KIT-GASKET (FRONT STRUCTURE)	
	<b>6V-8042</b>		KIT-GASKET (FUEL SYSTEM)	
	<b>5P-9116</b>		KIT-GASKET (OIL COOLER, LINES)	
	<b>6V-2983</b>		KIT-GASKET (REAR STRUCTURE)	
	<b>6V-8021</b>		KIT-GASKET (SINGLE CYLINDER HEAD)	
	<b>5P-8768</b>		KIT-GASKET (SINGLE CYLINDER LINER)	
	<b>5P-8773</b>		KIT-GASKET (TURBOCHARGER)	
	<b>6V-4750</b>		KIT-GASKET (WATER PUMP)	

R - REMANUFACTURED PART MAY BE AVAILABLE  
 Y - SEPARATE ILLUSTRATION

<END>



# ENGINE ARRANGEMENT

## 2W-1742 ENGINE AR\*R

S/N: 85Z3764-UP

**227 BRAKE KW (304 BHP) 60 HERTZ AT 1800 RPM. DIRECT INJECTION TURBOCHARGED  
AFTERCOOLED**

**SMCS-1000**

**i01228416**

NOTE	PART NUMBER	QTY	PART NAME						SEE PAGE
			1	2	3	4	5	6 (PRODUCT LEVEL)	
Y	3N-2886	1	ADAPTER GP-SEAL (CRANKSHAFT)						63
Y	4N-8267	1	AFTERCOOLER GP-WATER						434
Y	1P-4244	1	BREATHER GP						215
Y	1N-4406	1	CAMSHAFT GP						86
Y	7W-1324	1	COOLER GP-FLTR BASE & ENG OIL						268
S/N: 85Z3764-UP									
Y	7N-1292	1	COVER GP-CYLINDER BLOCK						94
Y	2P-6528	1	COVER GP-FRONT HOUSING						97
Y	8N-4745	1	COVER GP-VALVE MECHANISM						99
Y	6N-8079	1	CRANKSHAFT GP						101
YR	8N-5286	1	CYLINDER BLOCK GP						104
YR	8N-0246	1	CYLINDER HEAD GP						110
Y	3N-2885	1	DAMPER GP						114
Y	7N-9536	1	FASTENER GP-CYLINDER HEAD						127
Y	1W-4486	1	FASTENER GP-EXHAUST MANIFOLD						501
Y	1W-3802	1	FASTENER GP-FRONT HOUSING						128
Y	2P-6855	1	FILLER GP-ENGINE OIL						216
Y	2W-1011	1	FILTER GP-FUEL (SECONDARY)						615
Y	7N-3496	1	FLYWHEEL GP						135
Y	3N-2898	1	GAUGE GP-OIL LEVEL (DIPSTICK)						230
Y	1W-5634	1	GEAR GP-FRONT (TIMING)						137
Y	8N-2322	1	HOUSING GP-FLYWHEEL						148
Y	8N-0303	1	HOUSING GP-FRONT						151
Y	8N-3286	1	LIFTING GP-ENGINE						158
Y	6N-8492	1	LINES GP-AFTERCOOLER WATER						314
Y	8N-2582	1	LINES GP-AIR						527
Y	4W-1250	1	LINES GP-FUEL DRAIN						662
S/N: 85Z3764-UP									
Y	2P-6105	1	LINES GP-ENGINE OIL						231
Y	1W-3609	1	LINES GP-FUEL INJECTION						675
Y	2W-2291	1	LINES GP-TURBOCHARGER OIL						237
Y	4W-6157	1	LINES GP-WATER						337
S/N: 85Z3764-UP									
Y	2P-6574	1	MANIFOLD GP-EXHAUST						531
Y	3N-2899	1	PAN GP-OIL						172
YR	2W-1177	6	PISTON & ROD GP						178
Y	3N-2884	1	PULLEY GP-CRANKSHAFT						183
Y	2W-4160	1	PUMP & MTG GP-FUEL TRANSFER						698
Y	2P-1784	1	PUMP GP-ENGINE OIL						245
Y	4W-1241	1	PUMP GP-FUEL PRM & PRIM FILTER						751
S/N: 85Z3764-UP									
Y	2W-0056	1	PUMP GP-GOV & FUEL INJ						772
Y	7N-5909	1	PUMP GP-WATER						375
Y	2P-6224	1	SEAL GP-CRANKSHAFT						192
Y	7W-6541	1	SUPPORT GP-ENGINE						199
S/N: 85Z3764-UP									
Y	1W-0541	1	TURBOCHARGER GP						554

# ENGINE ARRANGEMENT

2W-1742 ENGINE AR (contd.)

**i01228416**

NOTE	PART NUMBER	QTY	PART NAME						SEE PAGE
			1	2	3	4	5	6 (PRODUCT LEVEL)	
			S/N: 85Z3764-UP						
Y	7N-8026	1	VALVE MECHANISM GP						209
			AVAILABLE GASKET KIT(S):						
	<b>5P-8772</b>		KIT-GASKET (AFTERCOOLER, LINES)						
	<b>6V-8023</b>		KIT-GASKET (CENTRAL, LOWER STRUCTURE)						
	<b>6V-4785</b>		KIT-GASKET (FRONT STRUCTURE)						
	<b>6V-8042</b>		KIT-GASKET (FUEL SYSTEM)						
	<b>5P-9116</b>		KIT-GASKET (OIL COOLER, LINES)						
	<b>6V-2983</b>		KIT-GASKET (REAR STRUCTURE)						
	<b>6V-8021</b>		KIT-GASKET (SINGLE CYLINDER HEAD)						
	<b>5P-8768</b>		KIT-GASKET (SINGLE CYLINDER LINER)						
	<b>5P-8773</b>		KIT-GASKET (TURBOCHARGER)						
	<b>6V-4750</b>		KIT-GASKET (WATER PUMP)						

R - REMANUFACTURED PART MAY BE AVAILABLE  
 Y - SEPARATE ILLUSTRATION

<END>



# ENGINE ARRANGEMENT

## 7C-1195 ENGINE AR

S/N: 85Z3764-UP

MARINE AUXILIARY - 1200 RPM. DIRECT INJECTION, NATURALLY ASPIRATED

SMCS - 1000

i01228385

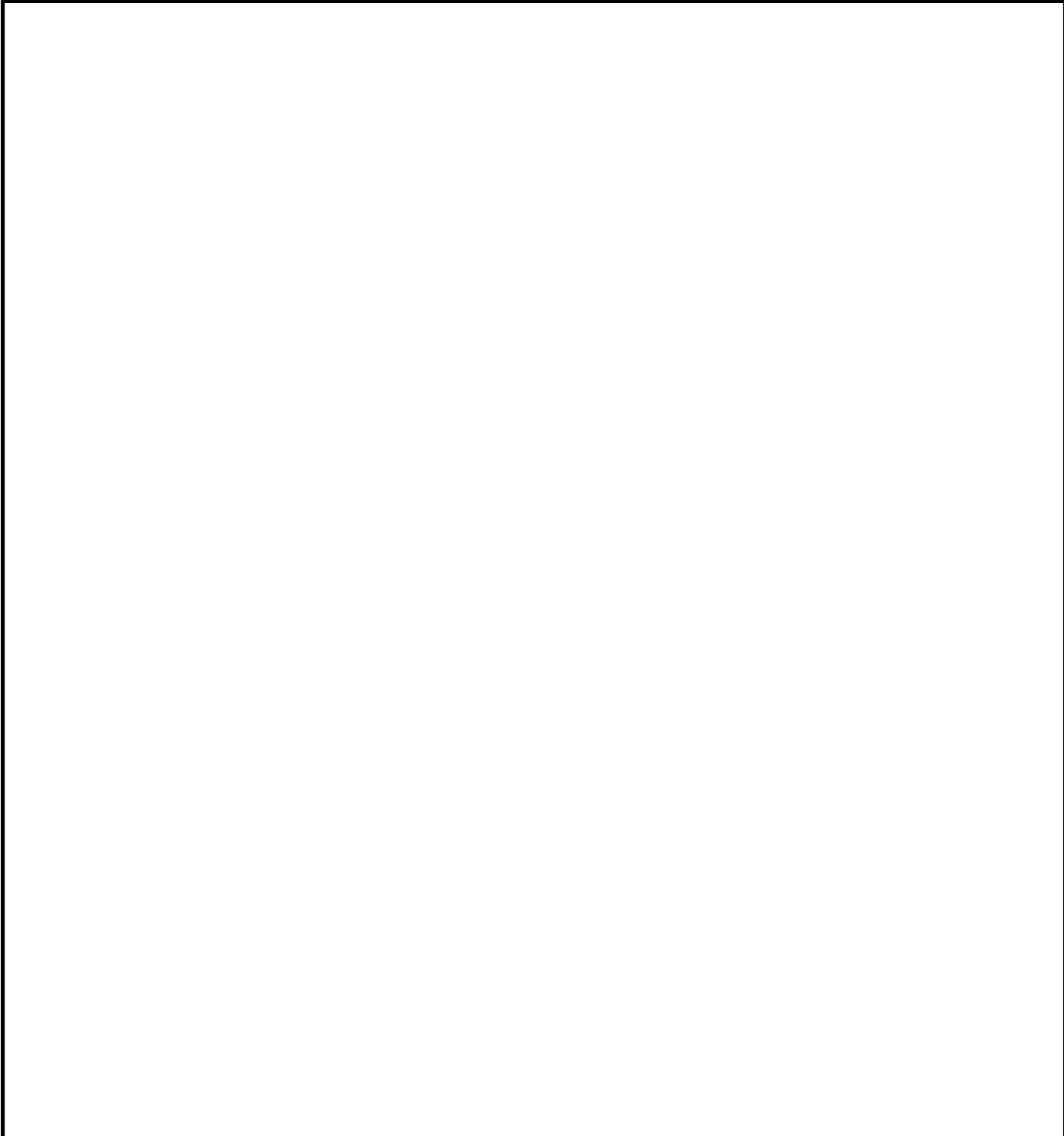
NOTE	PART NUMBER	QTY	PART NAME						SEE PAGE
			1	2	3	4	5	6 (PRODUCT LEVEL)	
Y	3N-2886	1	ADAPTER GP-SEAL (CRANKSHAFT)						63
Y	1P-4244	1	BREATHER GP						215
Y	1N-4406	1	CAMSHAFT GP						86
Y	7W-1339	1	COOLER GP-FLTR BASE & ENG OIL						269
Y	7N-1292	1	COVER GP-CYLINDER BLOCK						94
Y	2P-6530	1	COVER GP-CYLINDER HEAD						95
Y	3N-4923	1	COVER GP-FRONT HOUSING						98
Y	8N-4745	1	COVER GP-VALVE MECHANISM						99
Y	6N-8079	1	CRANKSHAFT GP						101
YR	8N-5286	1	CYLINDER BLOCK GP						104
YR	7N-8876	1	CYLINDER HEAD GP						107
Y	3N-2885	1	DAMPER GP						114
Y	7N-9536	1	FASTENER GP-CYLINDER HEAD						127
Y	1W-3802	1	FASTENER GP-FRONT HOUSING						128
Y	2P-6855	1	FILLER GP-ENGINE OIL						216
			S/N: 85Z3764-12907						
Y	<b>9N-1869</b>	1	FILLER GP-ENGINE OIL						219
			S/N: 85Z12908-UP						
Y	2W-1011	1	FILTER GP-FUEL (SECONDARY)						615
Y	7N-3496	1	FLYWHEEL GP						135
Y	3N-2898	1	GAUGE GP-OIL LEVEL (DIPSTICK)						230
Y	1W-5634	1	GEAR GP-FRONT (TIMING)						137
Y	8N-2395	1	HOUSING GP-FLYWHEEL						149
Y	8N-0303	1	HOUSING GP-FRONT						151
Y	8N-3286	1	LIFTING GP-ENGINE						158
Y	2P-6105	1	LINES GP-ENGINE OIL						231
Y	4W-1250	1	LINES GP-FUEL DRAIN						662
Y	7C-4468	1	LINES GP-FUEL INJECTION						683
Y	2W-6779	1	LINES GP-WATER						335
Y	7C-1058	1	MANIFOLD GP-EXHAUST						534
Y	3N-2899	1	PAN GP-OIL						172
YR	1W-6588	6	PISTON & ROD GP						175
Y	3N-3274	1	PULLEY GP-CRANKSHAFT						184
Y	2W-4160	1	PUMP & MTG GP-FUEL TRANSFER						698
Y	2P-1784	1	PUMP GP-ENGINE OIL						245
Y	4W-1241	1	PUMP GP-FUEL PRM & PRIM FILTER						751
Y	7C-3025	1	PUMP GP-GOV & FUEL INJ						783
Y	7N-6208	1	PUMP GP-WATER						378
Y	2P-6224	1	SEAL GP-CRANKSHAFT						192
Y	7W-6541	1	SUPPORT GP-ENGINE						199
			S/N: 85Z3764-UP						
Y	7C-3796	1	VALVE MECHANISM GP						206
			AVAILABLE GASKET KIT(S) :						
	<b>6V-1752</b>		KIT-GASKET (CENTRAL, LOWER STRUCTURE)						
	<b>6V-4763</b>		KIT-GASKET (FRONT STRUCTURE)						
	<b>8T-7539</b>		KIT-GASKET (FUEL SYSTEM)						
	<b>8T-6617</b>		KIT-GASKET (OIL COOLER, LINES)						

# ENGINE ARRANGEMENT

7C-1195 ENGINE AR (contd.)

**i01228385**

NOTE	PART NUMBER	QTY	PART NAME						SEE PAGE
			1	2	3	4	5	6 (PRODUCT LEVEL)	
	<b>6V-1550</b>		KIT-GASKET (REAR STRUCTURE)						
	<b>6V-8021</b>		KIT-GASKET (SINGLE CYLINDER HEAD)						
	<b>5P-8768</b>		KIT-GASKET (SINGLE CYLINDER LINER)						
	<b>6V-4750</b>		KIT-GASKET (WATER PUMP)						
R - REMANUFACTURED PART MAY BE AVAILABLE									
Y - SEPARATE ILLUSTRATION									
<END>									



# ENGINE ARRANGEMENT

## 7C-1196 ENGINE AR

S/N: 85Z3764-UP

MARINE AUXILIARY - 1200 RPM. DIRECT INJECTION TURBOCHARGED

SMCS-1000

i01850068

NOTE	PART NUMBER	QTY	PART NAME						SEE PAGE
			1	2	3	4	5	6 (PRODUCT LEVEL)	
Y	3N-2886	1	ADAPTER GP-SEAL (CRANKSHAFT)						63
Y	1P-4244	1	BREATHER GP						215
Y	1N-4406	1	CAMSHAFT GP						86
Y	7W-1339	1	COOLER GP-FLTR BASE & ENG OIL						269
Y	7N-1292	1	COVER GP-CYLINDER BLOCK						94
Y	2P-6530	1	COVER GP-CYLINDER HEAD						95
Y	3N-4923	1	COVER GP-FRONT HOUSING						98
Y	8N-4745	1	COVER GP-VALVE MECHANISM						99
Y	6N-8079	1	CRANKSHAFT GP						101
YR	8N-5286	1	CYLINDER BLOCK GP						104
YR	8N-0246	1	CYLINDER HEAD GP						110
Y	3N-2885	1	DAMPER GP						114
Y	7N-9536	1	FASTENER GP-CYLINDER HEAD						127
Y	1W-3802	1	FASTENER GP-FRONT HOUSING						128
Y	2P-6855	1	FILLER GP-ENGINE OIL						216
			S/N: 85Z3764-12907						
Y	9N-1869	1	FILLER GP-ENGINE OIL						219
			S/N: 85Z12908-UP						
Y	2W-1011	1	FILTER GP-FUEL (SECONDARY)						615
Y	7N-3496	1	FLYWHEEL GP						135
Y	3N-2898	1	GAUGE GP-OIL LEVEL (DIPSTICK)						230
Y	1W-5634	1	GEAR GP-FRONT (TIMING)						137
Y	8N-2395	1	HOUSING GP-FLYWHEEL						149
Y	8N-0303	1	HOUSING GP-FRONT						151
Y	8N-3286	1	LIFTING GP-ENGINE						158
Y	2W-9179	1	LINES GP-AIR						519
Y	2P-6105	1	LINES GP-ENGINE OIL						231
Y	4W-1250	1	LINES GP-FUEL DRAIN						662
Y	2W-1508	1	LINES GP-FUEL INJECTION						676
Y	2W-9176	1	LINES GP-TURBOCHARGER OIL						239
Y	2W-6779	1	LINES GP-WATER						335
Y	2W-9169	1	MANIFOLD GP-WATER (WATER COOLED)						341
Y	3N-2899	1	PAN GP-OIL						172
YR	2W-1177	6	PISTON & ROD GP						178
Y	3N-3274	1	PULLEY GP-CRANKSHAFT						184
Y	2W-4160	1	PUMP & MTG GP-FUEL TRANSFER						698
Y	2P-1784	1	PUMP GP-ENGINE OIL						245
Y	4W-1241	1	PUMP GP-FUEL PRM & PRIM FILTER						751
Y	7C-3027	1	PUMP GP-GOV & FUEL INJ						791
Y	7N-6208	1	PUMP GP-WATER						378
Y	2P-6224	1	SEAL GP-CRANKSHAFT						192
Y	7W-6541	1	SUPPORT GP-ENGINE						199
			S/N: 85Z3764-UP						
Y	4W-2080	1	TURBOCHARGER GP						559
Y	7C-3796	1	VALVE MECHANISM GP						206
			AVAILABLE GASKET KIT(S):						
	<b>6V-2983</b>		KIT-GASKET (REAR STRUCTURE)						

# ENGINE ARRANGEMENT

7C-1196 ENGINE AR (contd.)

**i01850068**

NOTE	PART NUMBER	QTY	PART NAME						SEE PAGE
			1	2	3	4	5	6 (PRODUCT LEVEL)	
	<b>6V-8023</b>		KIT-GASKET (CENTRAL, LOWER STRUCTURE)						
	<b>6V-4785</b>		KIT-GASKET (FRONT STRUCTURE)						
	<b>6V-8042</b>		KIT-GASKET (FUEL SYSTEM)						
	<b>5P-9116</b>		KIT-GASKET (OIL COOLER, LINES)						
	<b>6V-8021</b>		KIT-GASKET (SINGLE CYLINDER HEAD)						
	<b>5P-8768</b>		KIT-GASKET (SINGLE CYLINDER LINER)						
	<b>6V-0713</b>		KIT-GASKET (TURBOCHARGER MOUNTING)						
	<b>6V-4750</b>		KIT-GASKET (WATER PUMP)						

R - REMANUFACTURED PART MAY BE AVAILABLE  
 Y - SEPARATE ILLUSTRATION

<END>



# ENGINE ARRANGEMENT

## 7C-7475 ENGINE AR\*R

S/N: 85Z3764-UP

**280 BRAKE KW (375 BHP) AT 1800 RPM. DIRECT INJECTION TURBOCHARGED AFTERCOOLED**

**SMCS-1000**

**i01349282**

NOTE	PART NUMBER	QTY	PART NAME						SEE PAGE
			1	2	3	4	5	6 (PRODUCT LEVEL)	
Y	3N-2886	1	ADAPTER GP-SEAL (CRANKSHAFT)						63
Y	1P-4244	1	BREATHER GP						215
Y	1N-4406	1	CAMSHAFT GP						86
Y	7W-1339	1	COOLER GP-FLTR BASE & ENG OIL						269
Y	7N-1292	1	COVER GP-CYLINDER BLOCK						94
Y	2P-6530	2	COVER GP-CYLINDER HEAD						95
Y	2P-6528	1	COVER GP-FRONT HOUSING						97
Y	8N-4745	1	COVER GP-VALVE MECHANISM						99
Y	6N-8079	1	CRANKSHAFT GP						101
YR	8N-5286	1	CYLINDER BLOCK GP						104
YR	8N-0246	1	CYLINDER HEAD GP						110
Y	3N-2885	1	DAMPER GP						114
Y	7N-9536	1	FASTENER GP-CYLINDER HEAD						127
Y	1W-4486	1	FASTENER GP-EXHAUST MANIFOLD						501
Y	1W-3802	1	FASTENER GP-FRONT HOUSING						128
Y	2P-6855	1	FILLER GP-ENGINE OIL						216
Y	2W-1011	1	FILTER GP-FUEL (SECONDARY)						615
Y	7N-3496	1	FLYWHEEL GP						135
Y	3N-2898	1	GAUGE GP-OIL LEVEL (DIPSTICK)						230
Y	1W-5634	1	GEAR GP-FRONT (TIMING)						137
Y	8N-2322	1	HOUSING GP-FLYWHEEL						148
Y	8N-0303	1	HOUSING GP-FRONT						151
Y	9Y-1318	1	LIFTING GP-ENGINE						159
Y	2P-6105	1	LINES GP-ENGINE OIL						231
Y	4W-1250	1	LINES GP-FUEL DRAIN						662
Y	1W-3609	1	LINES GP-FUEL INJECTION						675
Y	2W-2291	1	LINES GP-TURBOCHARGER OIL						237
Y	2W-6779	1	LINES GP-WATER						335
Y	2P-6574	1	MANIFOLD GP-EXHAUST						531
Y	3N-2899	1	PAN GP-OIL						172
YR	2W-1177	6	PISTON & ROD GP						178
Y	3N-2884	1	PULLEY GP-CRANKSHAFT						183
Y	2W-4160	1	PUMP & MTG GP-FUEL TRANSFER						698
Y	2P-1784	1	PUMP GP-ENGINE OIL						245
Y	4W-1241	1	PUMP GP-FUEL PRM & PRIM FILTER						751
Y	7W-9823	1	PUMP GP-GOV & FUEL INJ						842
Y	7N-5909	1	PUMP GP-WATER						375
Y	2P-6224	1	SEAL GP-CRANKSHAFT						192
Y	7W-6541	1	SUPPORT GP-ENGINE						199
Y	7C-8429	1	TURBOCHARGER GP						566
Y	7N-8026	1	VALVE MECHANISM GP						209
			AVAILABLE GASKET KIT(S) :						
	<b>6V-8023</b>		KIT-GASKET (CENTRAL, LOWER STRUCTURE)						
	<b>6V-4763</b>		KIT-GASKET (FRONT STRUCTURE)						
	<b>8T-7539</b>		KIT-GASKET (FUEL SYSTEM)						
	<b>8T-6617</b>		KIT-GASKET (OIL COOLER, LINES)						
	<b>6V-2900</b>		KIT-GASKET (REAR STRUCTURE)						

# ENGINE ARRANGEMENT

7C-7475 ENGINE AR (contd.)

**i01349282**

NOTE	PART NUMBER	QTY	PART NAME						SEE PAGE
			1	2	3	4	5	6 (PRODUCT LEVEL)	
	<b>6V-6446</b>		KIT-GASKET (SINGLE CYLINDER HEAD)						
	<b>5P-8768</b>		KIT-GASKET (SINGLE CYLINDER LINER)						
	<b>8C-5789</b>		KIT-GASKET (TURBOCHARGER)						
	<b>6V-4750</b>		KIT-GASKET (WATER PUMP)						

R - REMANUFACTURED PART MAY BE AVAILABLE

Y - SEPARATE ILLUSTRATION

<END>



# ENGINE ARRANGEMENT

## 7C-9312 ENGINE AR\*R

S/N: 85Z3764-UP

238 BRAKE KW (319 BHP) AT 1500 RPM. DIRECT INJECTION TURBOCHARGED AFTERCOOLED

SMCS-1000

i01349323

NOTE	PART NUMBER	QTY	PART NAME						SEE PAGE
			1	2	3	4	5	6 (PRODUCT LEVEL)	
Y	3N-2886	1	ADAPTER GP-SEAL (CRANKSHAFT)						63
Y	1P-4244	1	BREATHER GP						215
Y	1N-4406	1	CAMSHAFT GP						86
Y	7W-1339	1	COOLER GP-FLTR BASE & ENG OIL						269
Y	7N-1292	1	COVER GP-CYLINDER BLOCK						94
Y	2P-6530	2	COVER GP-CYLINDER HEAD						95
Y	2P-6528	1	COVER GP-FRONT HOUSING						97
Y	8N-4745	1	COVER GP-VALVE MECHANISM						99
Y	6N-8079	1	CRANKSHAFT GP						101
YR	8N-5286	1	CYLINDER BLOCK GP						104
YR	8N-0246	1	CYLINDER HEAD GP						110
Y	3N-2885	1	DAMPER GP						114
Y	7N-9536	1	FASTENER GP-CYLINDER HEAD						127
Y	1W-4486	1	FASTENER GP-EXHAUST MANIFOLD						501
Y	1W-3802	1	FASTENER GP-FRONT HOUSING						128
Y	2P-6855	1	FILLER GP-ENGINE OIL						216
Y	2W-1011	1	FILTER GP-FUEL (SECONDARY)						615
Y	7N-3496	1	FLYWHEEL GP						135
Y	3N-2898	1	GAUGE GP-OIL LEVEL (DIPSTICK)						230
Y	1W-5634	1	GEAR GP-FRONT (TIMING)						137
Y	8N-2322	1	HOUSING GP-FLYWHEEL						148
Y	8N-0303	1	HOUSING GP-FRONT						151
Y	9Y-1318	1	LIFTING GP-ENGINE						159
Y	2P-6105	1	LINES GP-ENGINE OIL						231
Y	4W-1250	1	LINES GP-FUEL DRAIN						662
Y	1W-3609	1	LINES GP-FUEL INJECTION						675
Y	2W-2291	1	LINES GP-TURBOCHARGER OIL						237
Y	2W-6779	1	LINES GP-WATER						335
Y	2P-6574	1	MANIFOLD GP-EXHAUST						531
Y	3N-2899	1	PAN GP-OIL						172
YR	2W-1177	6	PISTON & ROD GP						178
Y	3N-2884	1	PULLEY GP-CRANKSHAFT						183
Y	2W-4160	1	PUMP & MTG GP-FUEL TRANSFER						698
Y	2P-1784	1	PUMP GP-ENGINE OIL						245
Y	4W-1241	1	PUMP GP-FUEL PRM & PRIM FILTER						751
Y	7C-9201	1	PUMP GP-GOV & FUEL INJ						818
Y	7N-5909	1	PUMP GP-WATER						375
Y	2P-6224	1	SEAL GP-CRANKSHAFT						192
Y	7W-6541	1	SUPPORT GP-ENGINE						199
Y	7C-8429	1	TURBOCHARGER GP						566
Y	7N-8026	1	VALVE MECHANISM GP						209
			AVAILABLE GASKET KIT(S) :						
	<b>6V-8023</b>		KIT-GASKET (CENTRAL, LOWER STRUCTURE)						
	<b>6V-4763</b>		KIT-GASKET (FRONT STRUCTURE)						
	<b>8T-7539</b>		KIT-GASKET (FUEL SYSTEM)						
	<b>8T-6617</b>		KIT-GASKET (OIL COOLER, LINES)						
	<b>6V-2900</b>		KIT-GASKET (REAR STRUCTURE)						

# ENGINE ARRANGEMENT

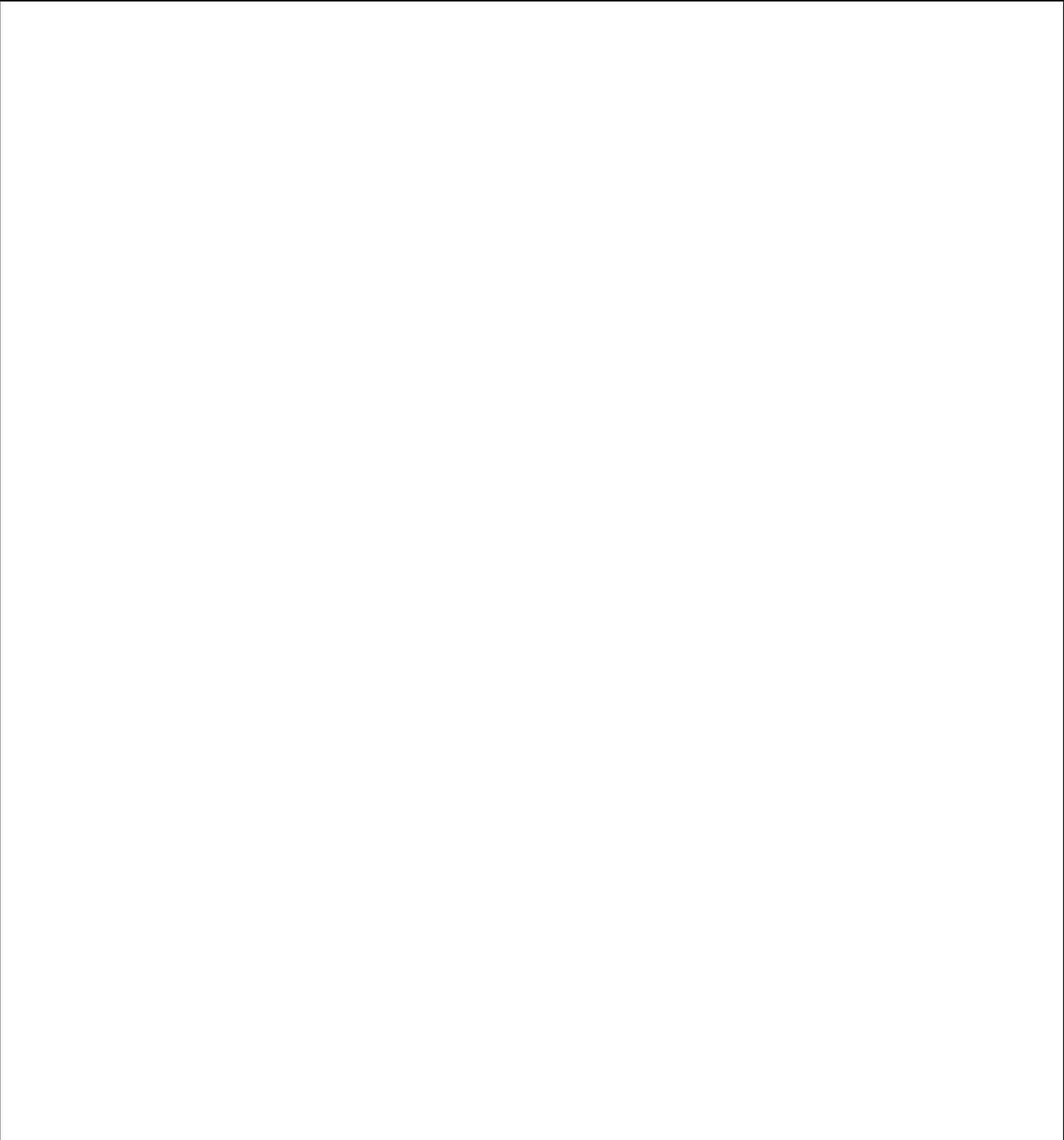
7C-9312 ENGINE AR (contd.)

**i01349323**

NOTE	PART NUMBER	QTY	PART NAME						SEE PAGE
			1	2	3	4	5	6 (PRODUCT LEVEL)	
	<b>6V-6446</b>		KIT-GASKET (SINGLE CYLINDER HEAD)						
	<b>5P-8768</b>		KIT-GASKET (SINGLE CYLINDER LINER)						
	<b>8C-5789</b>		KIT-GASKET (TURBOCHARGER)						
	<b>6V-4750</b>		KIT-GASKET (WATER PUMP)						

R - REMANUFACTURED PART MAY BE AVAILABLE  
 Y - SEPARATE ILLUSTRATION

<END>



# ENGINE ARRANGEMENT

## 7E-8471 ENGINE AR

S/N: 85Z8663-UP

198 BRAKE KW (266 BHP) AT 1800 RPM

SMCS - 1000

i01186869

NOTE	PART NUMBER	QTY	PART NAME						SEE PAGE
			1	2	3	4	5	6 (PRODUCT LEVEL)	
Y	3N-2886	1	ADAPTER GP-SEAL (CRANKSHAFT)						63
Y	6N-5960	1	AFTERCOOLER GP-WATER						436
Y	1P-4244	1	BREATHER GP						215
Y	1N-4406	1	CAMSHAFT GP						86
Y	7W-1324	1	COOLER GP-FLTR BASE & ENG OIL						268
Y	7N-1292	1	COVER GP-CYLINDER BLOCK						94
Y	3N-4923	1	COVER GP-FRONT HOUSING						98
Y	8N-4745	1	COVER GP-VALVE MECHANISM						99
Y	6N-8079	1	CRANKSHAFT GP						101
YR	8N-5286	1	CYLINDER BLOCK GP						104
YR	8N-0246	1	CYLINDER HEAD GP						110
Y	3N-2885	1	DAMPER GP						114
Y	7N-9536	1	FASTENER GP-CYLINDER HEAD						127
Y	1W-3802	1	FASTENER GP-FRONT HOUSING						128
Y	2P-6200	1	FASTENER GP-OIL PAN						130
			S/N: 85Z8663-14584						
Y	9Y-0066	1	FASTENER GP-OIL PAN						131
			S/N: 85Z14585-UP						
Y	2P-6855	1	FILLER GP-ENGINE OIL						216
Y	2W-1011	1	FILTER GP-FUEL (SECONDARY)						615
Y	7N-3496	1	FLYWHEEL GP						135
Y	3N-2898	1	GAUGE GP-OIL LEVEL (DIPSTICK)						230
Y	1W-5634	1	GEAR GP-FRONT (TIMING)						137
Y	8N-2395	1	HOUSING GP-FLYWHEEL						149
Y	8N-0303	1	HOUSING GP-FRONT						151
Y	4P-6522	1	LIFTING GP-ENGINE						157
Y	6N-8492	1	LINES GP-AFTERCOOLER WATER						314
Y	6N-9317	1	LINES GP-AIR						524
Y	2P-6105	1	LINES GP-ENGINE OIL						231
Y	4W-1250	1	LINES GP-FUEL DRAIN						662
Y	2W-1508	1	LINES GP-FUEL INJECTION						676
Y	8N-2293	1	LINES GP-TURBOCHARGER OIL						241
Y	4W-6157	1	LINES GP-WATER						337
Y	1W-8483	1	MANIFOLD GP-EXHAUST						529
Y	7E-4928	1	PAN GP-OIL						173
YR	2W-1177	6	PISTON & ROD GP						178
			S/N: 85Z8663-14468						
YR	168-4532	6	PISTON & ROD GP						174
			S/N: 85Z14469-UP						
Y	3N-3274	1	PULLEY GP-CRANKSHAFT						184
Y	2W-4160	1	PUMP & MTG GP-FUEL TRANSFER						698
Y	2P-1784	1	PUMP GP-ENGINE OIL						245
Y	4W-1241	1	PUMP GP-FUEL PRM & PRIM FILTER						751
Y	2W-0056	1	PUMP GP-GOV & FUEL INJ						772
Y	7N-6208	1	PUMP GP-WATER						378
Y	2P-6224	1	SEAL GP-CRANKSHAFT						192
Y	9Y-5905	1	SUPPORT GP-ENGINE						200
Y	2W-1576	1	TURBOCHARGER GP						556

# ENGINE ARRANGEMENT

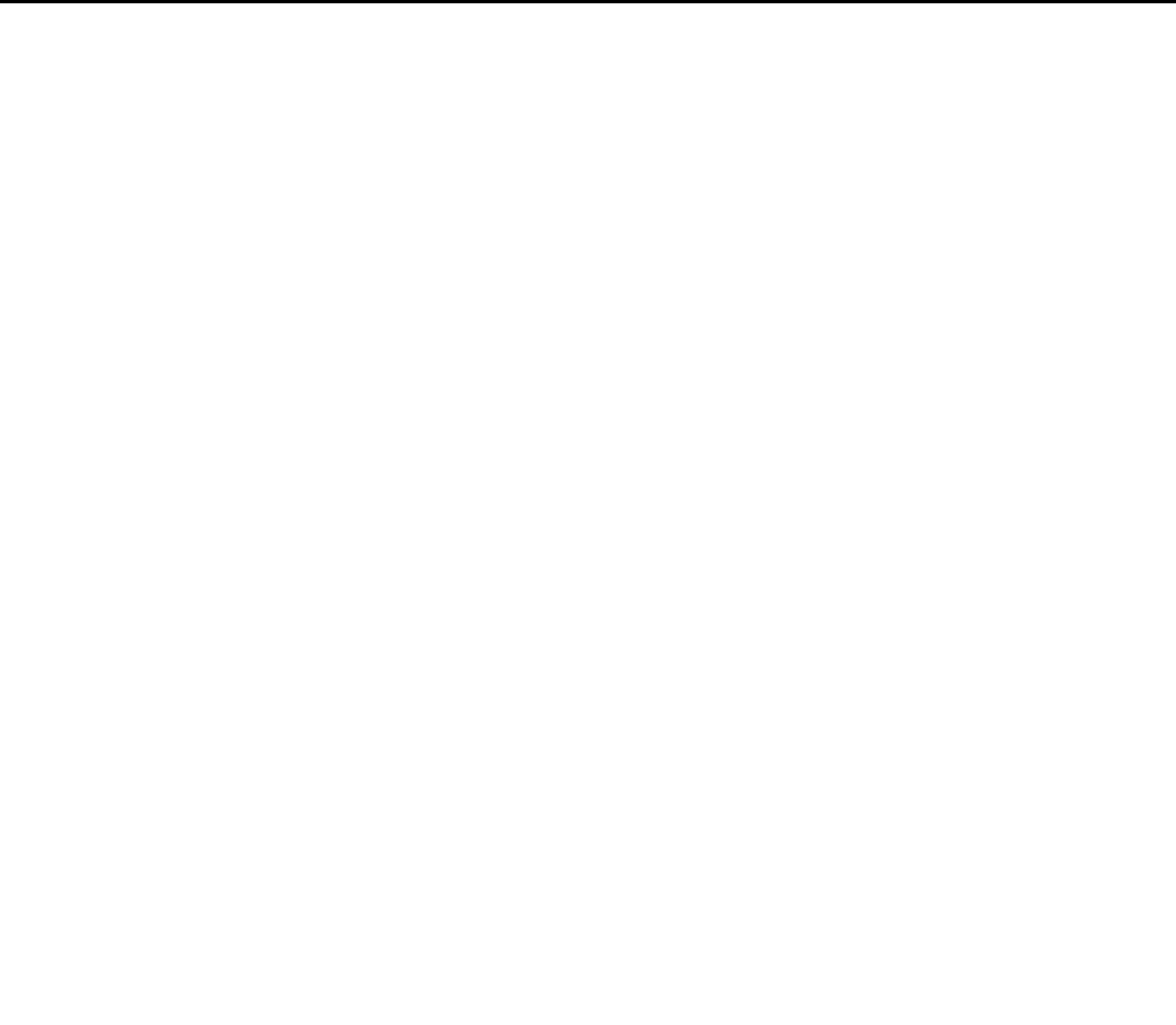
**7E-8471 ENGINE AR (contd.)**

**i01186869**

NOTE	PART NUMBER	QTY	PART NAME						SEE PAGE
			1	2	3	4	5	6 (PRODUCT LEVEL)	
Y	7N-8026	1	VALVE MECHANISM GP						209
AVAILABLE GASKET KIT(S) :									
	<b>6V-0714</b>		KIT-GASKET (AFTERCOOLER, LINES)						
	<b>6V-8023</b>		KIT-GASKET (CENTRAL, LOWER STRUCTURE)						
	<b>6V-4763</b>		KIT-GASKET (FRONT STRUCTURE)						
	<b>9X-8296</b>		KIT-GASKET (FUEL SYSTEM)						
	<b>9X-8577</b>		KIT-GASKET (OIL COOLER, LINES)						
	<b>6V-2900</b>		KIT-GASKET (REAR STRUCTURE)						
	<b>3E-7471</b>		KIT-GASKET (SINGLE CYLINDER HEAD)						
	<b>5P-8768</b>		KIT-GASKET (SINGLE CYLINDER LINER)						
	<b>6V-0713</b>		KIT-GASKET (TURBOCHARGER MOUNTING)						
	<b>5P-9898</b>		KIT-GASKET (WATER PUMP)						

R - REMANUFACTURED PART MAY BE AVAILABLE  
 Y - SEPARATE ILLUSTRATION

<END>



# ENGINE ARRANGEMENT

## 7E-8472 ENGINE AR

S/N: 85Z8663-UP

184 BRAKE KW (247 BHP) AT 1800 RPM

**SMCS - 1000**

**i01850087**

NOTE	PART NUMBER	QTY	PART NAME						SEE PAGE
			1	2	3	4	5	6 (PRODUCT LEVEL)	
Y	3N-2886	1	ADAPTER GP-SEAL (CRANKSHAFT)						63
Y	1P-4244	1	BREATHER GP						215
Y	1N-4406	1	CAMSHAFT GP						86
Y	7W-1339	1	COOLER GP-FLTR BASE & ENG OIL						269
Y	7N-1292	1	COVER GP-CYLINDER BLOCK						94
Y	2P-6530	1	COVER GP-CYLINDER HEAD						95
Y	3N-4923	1	COVER GP-FRONT HOUSING						98
Y	8N-4745	1	COVER GP-VALVE MECHANISM						99
Y	6N-8079	1	CRANKSHAFT GP						101
YR	8N-5286	1	CYLINDER BLOCK GP						104
YR	8N-0246	1	CYLINDER HEAD GP						110
Y	3N-2885	1	DAMPER GP						114
Y	7N-9536	1	FASTENER GP-CYLINDER HEAD						127
Y	1W-3802	1	FASTENER GP-FRONT HOUSING						128
Y	2P-6200	1	FASTENER GP-OIL PAN						130
Y	2P-6855	1	FILLER GP-ENGINE OIL						216
Y	2W-1011	1	FILTER GP-FUEL (SECONDARY)						615
Y	7N-3496	1	FLYWHEEL GP						135
Y	3N-2898	1	GAUGE GP-OIL LEVEL (DIPSTICK)						230
Y	1W-5634	1	GEAR GP-FRONT (TIMING)						137
Y	8N-2395	1	HOUSING GP-FLYWHEEL						149
Y	8N-0303	1	HOUSING GP-FRONT						151
Y	4P-6522	1	LIFTING GP-ENGINE						157
Y	2W-9179	1	LINES GP-AIR						519
Y	2P-6105	1	LINES GP-ENGINE OIL						231
Y	4W-1250	1	LINES GP-FUEL DRAIN						662
Y	2W-1508	1	LINES GP-FUEL INJECTION						676
Y	2W-9176	1	LINES GP-TURBOCHARGER OIL						239
Y	2W-6779	1	LINES GP-WATER						335
Y	2W-9169	1	MANIFOLD GP-WATER (WATER COOLED)						341
Y	7E-4928	1	PAN GP-OIL						173
YR	2W-1177	6	PISTON & ROD GP						178
Y	3N-3274	1	PULLEY GP-CRANKSHAFT						184
Y	2W-4160	1	PUMP & MTG GP-FUEL TRANSFER						698
Y	2P-1784	1	PUMP GP-ENGINE OIL						245
Y	4W-1241	1	PUMP GP-FUEL PRM & PRIM FILTER						751
Y	7C-5299	1	PUMP GP-GOV & FUEL INJ						808
Y	7N-6208	1	PUMP GP-WATER						378
Y	2P-6224	1	SEAL GP-CRANKSHAFT						192
Y	9Y-5905	1	SUPPORT GP-ENGINE						200
Y	4W-2080	1	TURBOCHARGER GP						559
Y	7N-8026	1	VALVE MECHANISM GP						209
			AVAILABLE GASKET KIT(S) :						
			<b>6V-8023</b>	KIT-GASKET (CENTRAL, LOWER STRUCTURE)					
			<b>6V-4763</b>	KIT-GASKET (FRONT STRUCTURE)					
			<b>9X-8296</b>	KIT-GASKET (FUEL SYSTEM)					
			<b>9X-8577</b>	KIT-GASKET (OIL COOLER, LINES)					

# ENGINE ARRANGEMENT

**7E-8472 ENGINE AR (contd.)**

**i01850087**

NOTE	PART NUMBER	QTY	PART NAME						SEE PAGE
			1	2	3	4	5	6 (PRODUCT LEVEL)	
	<b>6V-2900</b>		KIT-GASKET (REAR STRUCTURE)						
	<b>3E-7471</b>		KIT-GASKET (SINGLE CYLINDER HEAD)						
	<b>5P-8768</b>		KIT-GASKET (SINGLE CYLINDER LINER)						
	<b>6V-0713</b>		KIT-GASKET (TURBOCHARGER MOUNTING)						
	<b>5P-9898</b>		KIT-GASKET (WATER PUMP)						
R - REMANUFACTURED PART MAY BE AVAILABLE									
Y - SEPARATE ILLUSTRATION									
<END>									



# ENGINE ARRANGEMENT

## 7E-8473 ENGINE AR

S/N: 85Z8663-UP

161 BRAKE KW (216 BHP) AT 1500 RPM

**SMCS - 1000**

**i01850094**

NOTE	PART NUMBER	QTY	PART NAME						SEE PAGE
			1	2	3	4	5	6 (PRODUCT LEVEL)	
Y	3N-2886	1	ADAPTER GP-SEAL (CRANKSHAFT)						63
Y	1P-4244	1	BREATHER GP						215
Y	1N-4406	1	CAMSHAFT GP						86
Y	7W-1339	1	COOLER GP-FLTR BASE & ENG OIL						269
Y	7N-1292	1	COVER GP-CYLINDER BLOCK						94
Y	2P-6530	1	COVER GP-CYLINDER HEAD						95
Y	3N-4923	1	COVER GP-FRONT HOUSING						98
Y	8N-4745	1	COVER GP-VALVE MECHANISM						99
Y	6N-8079	1	CRANKSHAFT GP						101
YR	8N-5286	1	CYLINDER BLOCK GP						104
YR	8N-0246	1	CYLINDER HEAD GP						110
Y	3N-2885	1	DAMPER GP						114
Y	7N-9536	1	FASTENER GP-CYLINDER HEAD						127
Y	1W-3802	1	FASTENER GP-FRONT HOUSING						128
Y	2P-6200	1	FASTENER GP-OIL PAN						130
Y	2P-6855	1	FILLER GP-ENGINE OIL						216
Y	2W-1011	1	FILTER GP-FUEL (SECONDARY)						615
Y	7N-3496	1	FLYWHEEL GP						135
Y	3N-2898	1	GAUGE GP-OIL LEVEL (DIPSTICK)						230
Y	1W-5634	1	GEAR GP-FRONT (TIMING)						137
Y	8N-2395	1	HOUSING GP-FLYWHEEL						149
Y	8N-0303	1	HOUSING GP-FRONT						151
Y	4P-6522	1	LIFTING GP-ENGINE						157
Y	2W-9179	1	LINES GP-AIR						519
Y	2P-6105	1	LINES GP-ENGINE OIL						231
Y	4W-1250	1	LINES GP-FUEL DRAIN						662
Y	2W-1508	1	LINES GP-FUEL INJECTION						676
Y	2W-9176	1	LINES GP-TURBOCHARGER OIL						239
Y	2W-6779	1	LINES GP-WATER						335
Y	2W-9169	1	MANIFOLD GP-WATER (WATER COOLED)						341
Y	7E-4928	1	PAN GP-OIL						173
YR	2W-1177	6	PISTON & ROD GP						178
Y	3N-3274	1	PULLEY GP-CRANKSHAFT						184
Y	2W-4160	1	PUMP & MTG GP-FUEL TRANSFER						698
Y	2P-1784	1	PUMP GP-ENGINE OIL						245
Y	4W-1241	1	PUMP GP-FUEL PRM & PRIM FILTER						751
Y	2W-0055	1	PUMP GP-GOV & FUEL INJ						764
Y	7N-6208	1	PUMP GP-WATER						378
Y	2P-6224	1	SEAL GP-CRANKSHAFT						192
Y	9Y-5905	1	SUPPORT GP-ENGINE						200
Y	4W-2080	1	TURBOCHARGER GP						559
Y	7N-8026	1	VALVE MECHANISM GP						209
			AVAILABLE GASKET KIT(S) :						
			<b>6V-8023</b>	KIT-GASKET (CENTRAL, LOWER STRUCTURE)					
			<b>6V-4763</b>	KIT-GASKET (FRONT STRUCTURE)					
			<b>9X-8296</b>	KIT-GASKET (FUEL SYSTEM)					
			<b>9X-8577</b>	KIT-GASKET (OIL COOLER, LINES)					

# ENGINE ARRANGEMENT

**7E-8473 ENGINE AR (contd.)**

**i01850094**

NOTE	PART NUMBER	QTY	PART NAME						SEE PAGE
			1	2	3	4	5	6 (PRODUCT LEVEL)	
	<b>6V-2900</b>		KIT-GASKET (REAR STRUCTURE)						
	<b>3E-7471</b>		KIT-GASKET (SINGLE CYLINDER HEAD)						
	<b>5P-8768</b>		KIT-GASKET (SINGLE CYLINDER LINER)						
	<b>6V-0713</b>		KIT-GASKET (TURBOCHARGER MOUNTING)						
	<b>5P-9898</b>		KIT-GASKET (WATER PUMP)						
R - REMANUFACTURED PART MAY BE AVAILABLE									
Y - SEPARATE ILLUSTRATION									
<END>									

# ENGINE ARRANGEMENT

## 7W-6919 ENGINE AR

S/N: 85Z3764-UP

227 BRAKE KW (305 BHP) AT 1800 RPM. DITA

SMCS - 1000

i01983474

NOTE	PART NUMBER	QTY	PART NAME						SEE PAGE
			1	2	3	4	5	6 (PRODUCT LEVEL)	
Y	5N-1768	1	ADAPTER GP-EXHAUST						433
Y	<b>3N-5658</b>	1	ADAPTER GP-FAN						257
Y	3N-2886	1	ADAPTER GP-SEAL (CRANKSHAFT)						63
Y	4N-8267	1	AFTERCOOLER GP-WATER						434
Y	<b>3N-2755</b>	1	BELT TIGHTENER GP						80
Y	1P-4244	1	BREATHER GP						215
Y	1N-4406	1	CAMSHAFT GP						86
Y	7W-1324	1	COOLER GP-FLTR BASE & ENG OIL						268
Y	7N-1292	1	COVER GP-CYLINDER BLOCK						94
Y	2P-6528	1	COVER GP-FRONT HOUSING						97
Y	8N-4745	1	COVER GP-VALVE MECHANISM						99
Y	6N-8079	1	CRANKSHAFT GP						101
YR	8N-5286	1	CYLINDER BLOCK GP						104
YR	8N-0246	1	CYLINDER HEAD GP						110
Y	3N-2885	1	DAMPER GP						114
Y	<b>3N-7210</b>	1	DRIVE GP-FAN						122
Y	7N-9536	1	FASTENER GP-CYLINDER HEAD						127
Y	1W-4486	1	FASTENER GP-EXHAUST MANIFOLD						501
Y	1W-3802	1	FASTENER GP-FRONT HOUSING						128
Y	2P-6855	1	FILLER GP-ENGINE OIL						216
Y	2W-1011	1	FILTER GP-FUEL (SECONDARY)						615
Y	7N-3496	1	FLYWHEEL GP						135
Y	3N-3392	1	FUMES DISPOSAL GP						225
Y	1W-6401	1	GAUGE GP-FUEL PRESSURE						1661
Y	3N-2898	1	GAUGE GP-OIL LEVEL (DIPSTICK)						230
Y	1W-5634	1	GEAR GP-FRONT (TIMING)						137
Y	8N-0888	1	REGULATOR GP-TEMPERATURE						425
Y	8N-2322	1	HOUSING GP-FLYWHEEL						148
Y	8N-0303	1	HOUSING GP-FRONT						151
Y	8N-3286	1	LIFTING GP-ENGINE						158
Y	6N-8492	1	LINES GP-AFTERCOOLER WATER						314
Y	8N-2582	1	LINES GP-AIR						527
Y	2P-6105	1	LINES GP-ENGINE OIL						231
Y	4W-1250	1	LINES GP-FUEL DRAIN						662
Y	1W-3609	1	LINES GP-FUEL INJECTION						675
Y	2W-2291	1	LINES GP-TURBOCHARGER OIL						237
Y	4W-6157	1	LINES GP-WATER						337
Y	2P-6574	1	MANIFOLD GP-EXHAUST						531
Y	3N-2899	1	PAN GP-OIL						172
YR	2W-1177	6	PISTON & ROD GP						178
Y	<b>3N-5618</b>	1	PULLEY GP-CRANKSHAFT						185
Y	<b>3N-5626</b>	1	PULLEY GP-FAN DRIVE						187
Y	2W-4160	1	PUMP & MTG GP-FUEL TRANSFER						698
Y	2P-1784	1	PUMP GP-ENGINE OIL						245
Y	4W-1241	1	PUMP GP-FUEL PRM & PRIM FILTER						751
Y	2W-0056	1	PUMP GP-GOV & FUEL INJ						772
Y	7N-5909	1	PUMP GP-WATER						375
Y	2P-6224	1	SEAL GP-CRANKSHAFT						192

# ENGINE ARRANGEMENT

7W-6919 ENGINE AR (contd.)

**i01983474**

NOTE	PART NUMBER	QTY	PART NAME						SEE PAGE
			1	2	3	4	5	6 (PRODUCT LEVEL)	
Y	3N-6998	1	SENDER GP						1136
Y	2W-8197	1	SHUTOFF GP-ELECTRICAL						1159
Y	4W-4757	1	STARTING MOTOR GP-ELECTRIC						1210
Y	7W-6541	1	SUPPORT GP-ENGINE						199
			S/N: 85Z3764-UP						
Y	1W-0541	1	TURBOCHARGER GP						554
Y	5N-4851	1	V-BELT SET (INCLUDES 3 BELTS) (FAN PULLEY)						203
			S/N: 85Z3764-UP						
Y	7N-8026	1	VALVE MECHANISM GP						209
			AVAILABLE GASKET KIT(S) :						
	<b>5P-8772</b>		KIT-GASKET (AFTERCOOLER, LINES)						
	<b>6V-8023</b>		KIT-GASKET (CENTRAL, LOWER STRUCTURE)						
	<b>8T-9485</b>		KIT-GASKET (FRONT STRUCTURE)						
	<b>6V-8042</b>		KIT-GASKET (FUEL SYSTEM)						
	<b>8T-6617</b>		KIT-GASKET (OIL COOLER, LINES)						
	<b>138-3069</b>		KIT-GASKET (REAR STRUCTURE)						
	<b>6V-8902</b>		KIT-GASKET (SINGLE CYLINDER HEAD)						
	<b>5P-8768</b>		KIT-GASKET (SINGLE CYLINDER LINER)						
	<b>5P-8773</b>		KIT-GASKET (TURBOCHARGER)						
	<b>170-1834</b>		KIT-GASKET (WATER PUMP)						

R - REMANUFACTURED PART MAY BE AVAILABLE  
Y - SEPARATE ILLUSTRATION

<END>

# ENGINE ARRANGEMENT

## 7W-9159 ENGINE AR\*R

S/N: 85Z3764-UP

1500 RPM. 3 PERCENT GOVERNOR, DITA

**SMCS - 1000**

**i01228051**

NOTE	PART NUMBER	QTY	PART NAME						SEE PAGE
			1	2	3	4	5	6 (PRODUCT LEVEL)	
Y	3N-2886	1	ADAPTER GP-SEAL (CRANKSHAFT)						63
Y	4N-8267	1	AFTERCOOLER GP-WATER						434
Y	1P-4244	1	BREATHER GP						215
Y	1N-4406	1	CAMSHAFT GP						86
Y	7W-1324	1	COOLER GP-FLTR BASE & ENG OIL						268
Y	7N-1292	1	COVER GP-CYLINDER BLOCK						94
Y	2P-6528	1	COVER GP-FRONT HOUSING						97
Y	8N-4745	1	COVER GP-VALVE MECHANISM						99
Y	6N-8079	1	CRANKSHAFT GP						101
YR	8N-5286	1	CYLINDER BLOCK GP						104
YR	8N-0246	1	CYLINDER HEAD GP						110
Y	3N-2885	1	DAMPER GP						114
Y	7N-9536	1	FASTENER GP-CYLINDER HEAD						127
Y	1W-4486	1	FASTENER GP-EXHAUST MANIFOLD						501
Y	1W-3802	1	FASTENER GP-FRONT HOUSING						128
Y	2P-6855	1	FILLER GP-ENGINE OIL						216
Y	2W-1011	1	FILTER GP-FUEL (SECONDARY)						615
Y	7N-3496	1	FLYWHEEL GP						135
Y	3N-2898	1	GAUGE GP-OIL LEVEL (DIPSTICK)						230
Y	1W-5634	1	GEAR GP-FRONT (TIMING)						137
Y	8N-2322	1	HOUSING GP-FLYWHEEL						148
Y	8N-0303	1	HOUSING GP-FRONT						151
Y	8N-3286	1	LIFTING GP-ENGINE						158
Y	6N-8492	1	LINES GP-AFTERCOOLER WATER						314
Y	8N-2582	1	LINES GP-AIR						527
Y	2P-6105	1	LINES GP-ENGINE OIL						231
Y	4W-1250	1	LINES GP-FUEL DRAIN						662
Y	1W-3609	1	LINES GP-FUEL INJECTION						675
Y	2W-2291	1	LINES GP-TURBOCHARGER OIL						237
Y	4W-6157	1	LINES GP-WATER						337
Y	2P-6574	1	MANIFOLD GP-EXHAUST						531
Y	3N-2899	1	PAN GP-OIL						172
YR	2W-1177	6	PISTON & ROD GP						178
Y	3N-2884	1	PULLEY GP-CRANKSHAFT						183
Y	2W-4160	1	PUMP & MTG GP-FUEL TRANSFER						698
Y	2P-1784	1	PUMP GP-ENGINE OIL						245
Y	4W-1241	1	PUMP GP-FUEL PRM & PRIM FILTER						751
Y	7W-9365	1	PUMP GP-GOV & FUEL INJ						834
Y	7N-5909	1	PUMP GP-WATER						375
Y	2P-6224	1	SEAL GP-CRANKSHAFT						192
Y	7W-6541	1	SUPPORT GP-ENGINE						199
			S/N: 85Z3764-UP						
Y	7W-8581	1	TURBOCHARGER GP						571
Y	7N-8026	1	VALVE MECHANISM GP						209
			AVAILABLE GASKET KIT(S):						
			<b>5P-8772</b>	KIT-GASKET (AFTERCOOLER, LINES)					
			<b>6V-8023</b>	KIT-GASKET (CENTRAL, LOWER STRUCTURE)					

# ENGINE ARRANGEMENT

7W-9159 ENGINE AR (contd.)

i01228051

NOTE	PART NUMBER	QTY	PART NAME						SEE PAGE
			1	2	3	4	5	6 (PRODUCT LEVEL)	
	<b>6V-4763</b>		KIT-GASKET (FRONT STRUCTURE)						
	<b>8T-7539</b>		KIT-GASKET (FUEL SYSTEM)						
	<b>8T-6617</b>		KIT-GASKET (OIL COOLER, LINES)						
	<b>6V-2900</b>		KIT-GASKET (REAR STRUCTURE)						
	<b>6V-8902</b>		KIT-GASKET (SINGLE CYLINDER HEAD)						
	<b>5P-8768</b>		KIT-GASKET (SINGLE CYLINDER LINER)						
	<b>5P-9117</b>		KIT-GASKET (TURBOCHARGER)						
	<b>6V-4750</b>		KIT-GASKET (WATER PUMP)						

R - REMANUFACTURED PART MAY BE AVAILABLE  
 Y - SEPARATE ILLUSTRATION

<END>

# ENGINE ARRANGEMENT

## 7W-9160 ENGINE AR\*R

S/N: 85Z3764-UP

1500 RPM. 3 PERCENT GOVERNOR, DIT

**SMCS - 1000**

**i01354396**

NOTE	PART NUMBER	QTY	PART NAME						SEE PAGE
			1	2	3	4	5	6 (PRODUCT LEVEL)	
Y	3N-2886	1	ADAPTER GP-SEAL (CRANKSHAFT)						63
Y	1P-4244	1	BREATHER GP						215
Y	1N-4406	1	CAMSHAFT GP						86
Y	7W-1339	1	COOLER GP-FLTR BASE & ENG OIL						269
Y	7N-1292	1	COVER GP-CYLINDER BLOCK						94
Y	2P-6530	1	COVER GP-CYLINDER HEAD						95
Y	2P-6528	1	COVER GP-FRONT HOUSING						97
Y	8N-4745	1	COVER GP-VALVE MECHANISM						99
Y	6N-8079	1	CRANKSHAFT GP						101
YR	8N-5286	1	CYLINDER BLOCK GP						104
YR	8N-0246	1	CYLINDER HEAD GP						110
Y	3N-2885	1	DAMPER GP						114
Y	7N-9536	1	FASTENER GP-CYLINDER HEAD						127
Y	1W-4486	1	FASTENER GP-EXHAUST MANIFOLD						501
Y	1W-3802	1	FASTENER GP-FRONT HOUSING						128
Y	2P-6855	1	FILLER GP-ENGINE OIL						216
Y	2W-1011	1	FILTER GP-FUEL (SECONDARY)						615
Y	7N-3496	1	FLYWHEEL GP						135
Y	3N-2898	1	GAUGE GP-OIL LEVEL (DIPSTICK)						230
Y	1W-5634	1	GEAR GP-FRONT (TIMING)						137
Y	8N-2322	1	HOUSING GP-FLYWHEEL						148
Y	8N-0303	1	HOUSING GP-FRONT						151
Y	8N-3286	1	LIFTING GP-ENGINE						158
Y	8N-4703	1	LINES GP-AIR						528
Y	2P-6105	1	LINES GP-ENGINE OIL						231
Y	4W-1250	1	LINES GP-FUEL DRAIN						662
Y	1W-3609	1	LINES GP-FUEL INJECTION						675
Y	2W-2291	1	LINES GP-TURBOCHARGER OIL						237
Y	2W-6779	1	LINES GP-WATER						335
Y	2P-6574	1	MANIFOLD GP-EXHAUST						531
Y	3N-2899	1	PAN GP-OIL						172
YR	2W-1177	6	PISTON & ROD GP						178
Y	3N-2884	1	PULLEY GP-CRANKSHAFT						183
Y	2W-4160	1	PUMP & MTG GP-FUEL TRANSFER						698
Y	2P-1784	1	PUMP GP-ENGINE OIL						245
Y	4W-1241	1	PUMP GP-FUEL PRM & PRIM FILTER						751
Y	7W-9364	1	PUMP GP-GOV & FUEL INJ						826
Y	7N-5909	1	PUMP GP-WATER						375
Y	2P-6224	1	SEAL GP-CRANKSHAFT						192
Y	7W-6541	1	SUPPORT GP-ENGINE						199
			S/N: 85Z3764-UP						
Y	7W-9047	1	TURBOCHARGER GP						572
Y	7N-8026	1	VALVE MECHANISM GP						209
			AVAILABLE GASKET KIT(S):						
	<b>5P-8772</b>		KIT-GASKET (AFTERCOOLER, LINES)						
	<b>6V-8023</b>		KIT-GASKET (CENTRAL, LOWER STRUCTURE)						
	<b>6V-7463</b>		KIT-GASKET (FRONT STRUCTURE)						

# ENGINE ARRANGEMENT

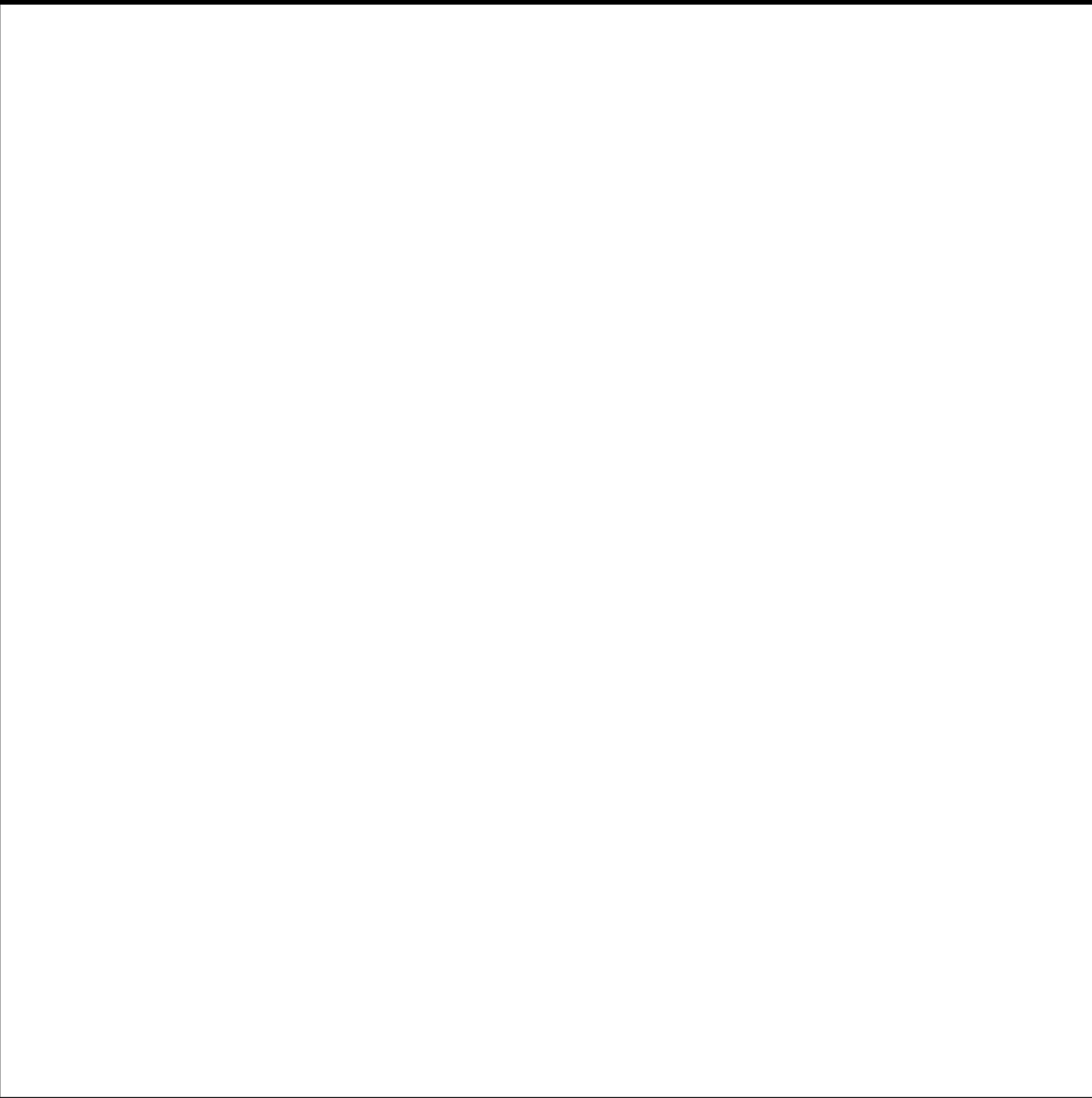
7W-9160 ENGINE AR (contd.)

**i01354396**

NOTE	PART NUMBER	QTY	PART NAME						SEE PAGE
			1	2	3	4	5	6 (PRODUCT LEVEL)	
	<b>8T-7539</b>		KIT-GASKET (FUEL SYSTEM)						
	<b>8T-6617</b>		KIT-GASKET (OIL COOLER, LINES)						
	<b>138-3069</b>		KIT-GASKET (REAR STRUCTURE)						
	<b>6V-8902</b>		KIT-GASKET (SINGLE CYLINDER HEAD)						
	<b>5P-8768</b>		KIT-GASKET (SINGLE CYLINDER LINER)						
	<b>5P-9117</b>		KIT-GASKET (TURBOCHARGER)						
	<b>170-1834</b>		KIT-GASKET (WATER PUMP)						

R - REMANUFACTURED PART MAY BE AVAILABLE  
 Y - SEPARATE ILLUSTRATION

<END>





# ENGINE ARRANGEMENT

## 7W-9760 ENGINE AR\*R

S/N: 85Z3764-UP

228 BRAKE KW (305 BHP) AT 1800 RPM. DITA

SMCS - 1000

i02667799

NOTE	PART NUMBER	QTY	PART NAME						SEE PAGE
			1	2	3	4	5	6 (PRODUCT LEVEL)	
Y	3N-2886	1	ADAPTER GP-SEAL (CRANKSHAFT)						63
Y	4N-8267	1	AFTERCOOLER GP-WATER						434
Y	1P-4244	1	BREATHER GP						215
Y	1N-4406	1	CAMSHAFT GP						86
Y	7W-1324	1	COOLER GP-FLTR BASE & ENG OIL						268
Y	7N-1292	1	COVER GP-CYLINDER BLOCK						94
Y	2P-6528	1	COVER GP-FRONT HOUSING						97
Y	8N-4745	1	COVER GP-VALVE MECHANISM						99
Y	6N-8079	1	CRANKSHAFT GP						101
YR	8N-5286	1	CYLINDER BLOCK GP						104
YR	8N-0246	1	CYLINDER HEAD GP						110
Y	3N-2885	1	DAMPER GP						114
Y	7N-9536	1	FASTENER GP-CYLINDER HEAD						127
Y	1W-4486	1	FASTENER GP-EXHAUST MANIFOLD						501
Y	1W-3802	1	FASTENER GP-FRONT HOUSING						128
Y	2P-6855	1	FILLER GP-ENGINE OIL						216
Y	2W-1011	1	FILTER GP-FUEL (SECONDARY)						615
Y	7N-3496	1	FLYWHEEL GP						135
Y	3N-2898	1	GAUGE GP-OIL LEVEL (DIPSTICK)						230
Y	1W-5634	1	GEAR GP-FRONT (TIMING)						137
Y	8N-2322	1	HOUSING GP-FLYWHEEL						148
Y	8N-0303	1	HOUSING GP-FRONT						151
Y	8N-3286	1	LIFTING GP-ENGINE						158
Y	6N-8492	1	LINES GP-AFTERCOOLER WATER						314
Y	8N-2582	1	LINES GP-AIR						527
Y	2P-6105	1	LINES GP-ENGINE OIL						231
Y	4W-1250	1	LINES GP-FUEL DRAIN						662
Y	1W-3609	1	LINES GP-FUEL INJECTION						675
Y	2W-2291	1	LINES GP-TURBOCHARGER OIL						237
Y	4W-6157	1	LINES GP-WATER						337
Y	2P-6574	1	MANIFOLD GP-EXHAUST						531
Y	3N-2899	1	PAN GP-OIL						172
YR	2W-1177	6	PISTON & ROD GP						178
Y	3N-2884	1	PULLEY GP-CRANKSHAFT						183
Y	2W-4160	1	PUMP & MTG GP-FUEL TRANSFER						698
Y	2P-1784	1	PUMP GP-ENGINE OIL						245
Y	4W-1241	1	PUMP GP-FUEL PRM & PRIM FILTER						751
Y	7W-9823	1	PUMP GP-GOV & FUEL INJ						842
Y	7N-5909	1	PUMP GP-WATER						375
Y	2P-6224	1	SEAL GP-CRANKSHAFT						192
Y	7W-6541	1	SUPPORT GP-ENGINE						199
			S/N: 85Z3764-UP						
Y	7W-8581	1	TURBOCHARGER GP						571
Y	7N-8026	1	VALVE MECHANISM GP						209

PLEASE USE THE GASKET KIT LINK IN SIS OR  
CONTACT YOUR LOCAL DEALER FOR THE LATEST GASKET  
KIT INFORMATION

# ENGINE ARRANGEMENT

7W-9760 ENGINE AR (contd.)

102667799

NOTE	PART NUMBER	QTY	PART NAME						SEE PAGE
			1	2	3	4	5	6 (PRODUCT LEVEL)	
R - REMANUFACTURED PART MAY BE AVAILABLE									
Y - SEPARATE ILLUSTRATION									

<END>

# ENGINE ARRANGEMENT

## 9Y-8207 ENGINE AR

S/N: 85Z11063-UP

**3 PERCENT GOVERNOR. 1500 RPM. DIRECT INJECTION TURBOCHARGED**

**SMCS-1000**

**i01850098**

NOTE	PART NUMBER	QTY	PART NAME						SEE PAGE
			1	2	3	4	5	6 (PRODUCT LEVEL)	
Y	3N-2886	1	ADAPTER GP-SEAL (CRANKSHAFT)						63
Y	1P-4244	1	BREATHER GP						215
Y	1N-4406	1	CAMSHAFT GP						86
Y	7W-1339	1	COOLER GP-FLTR BASE & ENG OIL						269
Y	7N-1292	1	COVER GP-CYLINDER BLOCK						94
Y	2P-6530	1	COVER GP-CYLINDER HEAD						95
Y	2P-6528	1	COVER GP-FRONT HOUSING						97
Y	8N-4745	1	COVER GP-VALVE MECHANISM						99
Y	6N-8079	1	CRANKSHAFT GP						101
YR	8N-5286	1	CYLINDER BLOCK GP						104
YR	8N-0246	1	CYLINDER HEAD GP						110
Y	3N-2885	1	DAMPER GP						114
Y	7N-9536	1	FASTENER GP-CYLINDER HEAD						127
Y	1W-4486	1	FASTENER GP-EXHAUST MANIFOLD						501
Y	1W-3802	1	FASTENER GP-FRONT HOUSING						128
Y	2P-6855	1	FILLER GP-ENGINE OIL						216
Y	2W-1011	1	FILTER GP-FUEL (SECONDARY)						615
Y	7N-3496	1	FLYWHEEL GP						135
Y	3N-2898	1	GAUGE GP-OIL LEVEL (DIPSTICK)						230
Y	1W-5634	1	GEAR GP-FRONT (TIMING)						137
Y	9Y-4624	1	HOUSING GP-FLYWHEEL						150
Y	8N-0303	1	HOUSING GP-FRONT						151
Y	9Y-1318	1	LIFTING GP-ENGINE						159
Y	1W-1010	1	LINES GP-AIR						517
Y	2P-6105	1	LINES GP-ENGINE OIL						231
Y	2W-1605	1	LINES GP-FUEL DRAIN						661
Y	1W-3609	1	LINES GP-FUEL INJECTION						675
Y	9Y-5727	1	LINES GP-TURBOCHARGER OIL						243
Y	2W-6779	1	LINES GP-WATER						335
Y	6N-0164	1	MANIFOLD GP-EXHAUST						533
Y	3N-2899	1	PAN GP-OIL						172
YR	2W-1177	6	PISTON & ROD GP						178
Y	3N-2884	1	PULLEY GP-CRANKSHAFT						183
Y	2W-4160	1	PUMP & MTG GP-FUEL TRANSFER						698
Y	2P-1784	1	PUMP GP-ENGINE OIL						245
Y	4W-1876	1	PUMP GP-FUEL PRIMING						747
Y	7C-9201	1	PUMP GP-GOV & FUEL INJ						818
Y	7N-5909	1	PUMP GP-WATER						375
Y	2P-6224	1	SEAL GP-CRANKSHAFT						192
Y	9Y-5905	1	SUPPORT GP-ENGINE						200
Y	7C-8657	1	TURBOCHARGER GP						568
Y	7N-8026	1	VALVE MECHANISM GP						209
			AVAILABLE GASKET KIT(S) :						
			<b>6V-4763</b> KIT-GASKET (FRONT STRUCTURE)						
			<b>104-3014</b> KIT-GASKET (FUEL SYSTEM)						
			<b>9X-6560</b> KIT-GASKET (OIL COOLER, LINES)						
			<b>155-1379</b> KIT-GASKET (SINGLE CYLINDER HEAD)						

# ENGINE ARRANGEMENT

9Y-8207 ENGINE AR (contd.)

**i01850098**

NOTE	PART NUMBER	QTY	PART NAME						SEE PAGE
			1	2	3	4	5	6 (PRODUCT LEVEL)	
	<b>5P-8768</b>		KIT-GASKET (SINGLE CYLINDER LINER)						
	<b>170-1834</b>		KIT-GASKET (WATER PUMP)						

R - REMANUFACTURED PART MAY BE AVAILABLE  
Y - SEPARATE ILLUSTRATION

<END>

# ENGINE ARRANGEMENT

## 9Y-8208 ENGINE AR

S/N: 85Z11063-UP

280 BRAKE KW (375 BHP) AT 1800 RPM

SMCS - 1000

i01850110

NOTE	PART NUMBER	QTY	PART NAME						SEE PAGE
			1	2	3	4	5	6 (PRODUCT LEVEL)	
Y	3N-2886	1	ADAPTER GP-SEAL (CRANKSHAFT)						63
Y	1P-4244	1	BREATHER GP						215
Y	1N-4406	1	CAMSHAFT GP						86
Y	7W-1339	1	COOLER GP-FLTR BASE & ENG OIL						269
Y	7N-1292	1	COVER GP-CYLINDER BLOCK						94
Y	2P-6530	2	COVER GP-CYLINDER HEAD						95
Y	2P-6528	1	COVER GP-FRONT HOUSING						97
Y	8N-4745	1	COVER GP-VALVE MECHANISM						99
Y	6N-8079	1	CRANKSHAFT GP						101
YR	8N-5286	1	CYLINDER BLOCK GP						104
YR	8N-0246	1	CYLINDER HEAD GP						110
Y	3N-2885	1	DAMPER GP						114
Y	7N-9536	1	FASTENER GP-CYLINDER HEAD						127
Y	1W-4486	1	FASTENER GP-EXHAUST MANIFOLD						501
Y	1W-3802	1	FASTENER GP-FRONT HOUSING						128
Y	2P-6855	1	FILLER GP-ENGINE OIL						216
Y	2W-1011	1	FILTER GP-FUEL (SECONDARY)						615
Y	7N-3496	1	FLYWHEEL GP						135
Y	3N-2898	1	GAUGE GP-OIL LEVEL (DIPSTICK)						230
Y	1W-5634	1	GEAR GP-FRONT (TIMING)						137
Y	9Y-4624	1	HOUSING GP-FLYWHEEL						150
Y	8N-0303	1	HOUSING GP-FRONT						151
Y	9Y-1318	1	LIFTING GP-ENGINE						159
Y	2P-6105	1	LINES GP-ENGINE OIL						231
Y	2W-1605	1	LINES GP-FUEL DRAIN						661
Y	1W-3609	1	LINES GP-FUEL INJECTION						675
Y	2W-2291	1	LINES GP-TURBOCHARGER OIL						237
Y	2W-6779	1	LINES GP-WATER						335
Y	2P-6574	1	MANIFOLD GP-EXHAUST						531
Y	3N-2899	1	PAN GP-OIL						172
YR	2W-1177	6	PISTON & ROD GP						178
Y	3N-2884	1	PULLEY GP-CRANKSHAFT						183
Y	2W-4160	1	PUMP & MTG GP-FUEL TRANSFER						698
Y	2P-1784	1	PUMP GP-ENGINE OIL						245
Y	4W-1876	1	PUMP GP-FUEL PRIMING						747
Y	7W-9823	1	PUMP GP-GOV & FUEL INJ						842
Y	7N-5909	1	PUMP GP-WATER						375
Y	2P-6224	1	SEAL GP-CRANKSHAFT						192
Y	9Y-5905	1	SUPPORT GP-ENGINE						200
Y	7C-8429	1	TURBOCHARGER GP						566
Y	7N-8026	1	VALVE MECHANISM GP						209
			AVAILABLE GASKET KIT(S) :						
	<b>8C-0614</b>		KIT-GASKET (CENTRAL, LOWER STRUCTURE)						
	<b>6V-4763</b>		KIT-GASKET (FRONT STRUCTURE)						
	<b>116-4622</b>		KIT-GASKET (FUEL SYSTEM)						
	<b>9X-8577</b>		KIT-GASKET (OIL COOLER, LINES)						
	<b>3E-7471</b>		KIT-GASKET (SINGLE CYLINDER HEAD)						

# ENGINE ARRANGEMENT

9Y-8208 ENGINE AR (contd.)

**i01850110**

NOTE	PART NUMBER	QTY	PART NAME 1 2 3 4 5 6 (PRODUCT LEVEL)	SEE PAGE
	<b>5P-8768</b>		KIT-GASKET (SINGLE CYLINDER LINER)	
	<b>6V-1345</b>		KIT-GASKET (TURBOCHARGER)	
	<b>170-1834</b>		KIT-GASKET (WATER PUMP)	

R - REMANUFACTURED PART MAY BE AVAILABLE  
 Y - SEPARATE ILLUSTRATION

<END>

# ENGINE ARRANGEMENT

## 9Y-8209 ENGINE AR

S/N: 85Z11069-UP

280 BRAKE KW (375 BHP) AT 1500 RPM

SMCS - 1000

i01850104

NOTE	PART NUMBER	QTY	PART NAME						SEE PAGE
			1	2	3	4	5	6 (PRODUCT LEVEL)	
Y	3N-2886	1	ADAPTER GP-SEAL (CRANKSHAFT)						63
Y	1P-4244	1	BREATHER GP						215
Y	1N-4406	1	CAMSHAFT GP						86
Y	7W-1339	1	COOLER GP-FLTR BASE & ENG OIL						269
Y	7N-1292	1	COVER GP-CYLINDER BLOCK						94
Y	2P-6530	2	COVER GP-CYLINDER HEAD						95
Y	2P-6528	1	COVER GP-FRONT HOUSING						97
Y	8N-4745	1	COVER GP-VALVE MECHANISM						99
Y	6N-8079	1	CRANKSHAFT GP						101
YR	8N-5286	1	CYLINDER BLOCK GP						104
YR	8N-0246	1	CYLINDER HEAD GP						110
Y	3N-2885	1	DAMPER GP						114
Y	7N-9536	1	FASTENER GP-CYLINDER HEAD						127
Y	1W-4486	1	FASTENER GP-EXHAUST MANIFOLD						501
Y	1W-3802	1	FASTENER GP-FRONT HOUSING						128
Y	2P-6855	1	FILLER GP-ENGINE OIL						216
Y	2W-1011	1	FILTER GP-FUEL (SECONDARY)						615
Y	7N-3496	1	FLYWHEEL GP						135
Y	3N-2898	1	GAUGE GP-OIL LEVEL (DIPSTICK)						230
Y	1W-5634	1	GEAR GP-FRONT (TIMING)						137
Y	9Y-4624	1	HOUSING GP-FLYWHEEL						150
Y	8N-0303	1	HOUSING GP-FRONT						151
Y	9Y-1318	1	LIFTING GP-ENGINE						159
Y	2P-6105	1	LINES GP-ENGINE OIL						231
Y	2W-1605	1	LINES GP-FUEL DRAIN						661
Y	1W-3609	1	LINES GP-FUEL INJECTION						675
Y	2W-2291	1	LINES GP-TURBOCHARGER OIL						237
Y	2W-6779	1	LINES GP-WATER						335
Y	2P-6574	1	MANIFOLD GP-EXHAUST						531
Y	3N-2899	1	PAN GP-OIL						172
YR	2W-1177	6	PISTON & ROD GP						178
Y	3N-2884	1	PULLEY GP-CRANKSHAFT						183
Y	2W-4160	1	PUMP & MTG GP-FUEL TRANSFER						698
Y	2P-1784	1	PUMP GP-ENGINE OIL						245
Y	4W-1876	1	PUMP GP-FUEL PRIMING						747
Y	7C-9201	1	PUMP GP-GOV & FUEL INJ						818
Y	7N-5909	1	PUMP GP-WATER						375
Y	2P-6224	1	SEAL GP-CRANKSHAFT						192
Y	9Y-5905	1	SUPPORT GP-ENGINE						200
Y	7C-8429	1	TURBOCHARGER GP						566
Y	7N-8026	1	VALVE MECHANISM GP						209
			AVAILABLE GASKET KIT(S) :						
			<b>8C-0614</b> KIT-GASKET (CENTRAL, LOWER STRUCTURE)						
			<b>6V-4763</b> KIT-GASKET (FRONT STRUCTURE)						
			<b>116-4622</b> KIT-GASKET (FUEL SYSTEM)						
			<b>9X-8577</b> KIT-GASKET (OIL COOLER, LINES)						
			<b>3E-7471</b> KIT-GASKET (SINGLE CYLINDER HEAD)						

# ENGINE ARRANGEMENT

9Y-8209 ENGINE AR (contd.)

**i01850104**

NOTE	PART NUMBER	QTY	PART NAME						SEE PAGE
			1	2	3	4	5	6 (PRODUCT LEVEL)	
	<b>5P-8768</b>		KIT-GASKET (SINGLE CYLINDER LINER)						
	<b>6V-1345</b>		KIT-GASKET (TURBOCHARGER)						
	<b>104-4993</b>		KIT-GASKET (WATER PUMP)						

R - REMANUFACTURED PART MAY BE AVAILABLE  
Y - SEPARATE ILLUSTRATION

<END>



# ENGINE ARRANGEMENT

## 9Y-8210 ENGINE AR\*R

S/N: 85Z11084-UP

**3 PERCENT GOVERNOR. 1500 RPM. DIRECT INJECTION TURBOCHARGED AFTERCOOLED**

**SMCS-1000**

**i01354421**

NOTE	PART NUMBER	QTY	PART NAME						SEE PAGE
			1	2	3	4	5	6 (PRODUCT LEVEL)	
Y	3N-2886	1	ADAPTER GP-SEAL (CRANKSHAFT)						63
Y	4N-8267	1	AFTERCOOLER GP-WATER						434
Y	1P-4244	1	BREATHER GP						215
Y	1N-4406	1	CAMSHAFT GP						86
Y	7W-1324	1	COOLER GP-FLTR BASE & ENG OIL						268
Y	7N-1292	1	COVER GP-CYLINDER BLOCK						94
Y	2P-6528	1	COVER GP-FRONT HOUSING						97
Y	8N-4745	1	COVER GP-VALVE MECHANISM						99
Y	6N-8079	1	CRANKSHAFT GP						101
YR	8N-5286	1	CYLINDER BLOCK GP						104
YR	8N-0246	1	CYLINDER HEAD GP						110
Y	3N-2885	1	DAMPER GP						114
Y	7N-9536	1	FASTENER GP-CYLINDER HEAD						127
Y	1W-4486	1	FASTENER GP-EXHAUST MANIFOLD						501
Y	1W-3802	1	FASTENER GP-FRONT HOUSING						128
Y	2P-6855	1	FILLER GP-ENGINE OIL						216
Y	2W-1011	1	FILTER GP-FUEL (SECONDARY)						615
Y	7N-3496	1	FLYWHEEL GP						135
Y	3N-2898	1	GAUGE GP-OIL LEVEL (DIPSTICK)						230
Y	1W-5634	1	GEAR GP-FRONT (TIMING)						137
Y	9Y-4624	1	HOUSING GP-FLYWHEEL						150
Y	8N-0303	1	HOUSING GP-FRONT						151
Y	9Y-1318	1	LIFTING GP-ENGINE						159
Y	6N-8492	1	LINES GP-AFTERCOOLER WATER						314
Y	8N-2582	1	LINES GP-AIR						527
Y	2P-6105	1	LINES GP-ENGINE OIL						231
Y	2W-1605	1	LINES GP-FUEL DRAIN						661
Y	1W-3609	1	LINES GP-FUEL INJECTION						675
Y	2W-2291	1	LINES GP-TURBOCHARGER OIL						237
Y	4W-6157	1	LINES GP-WATER						337
Y	2P-6574	1	MANIFOLD GP-EXHAUST						531
Y	3N-2899	1	PAN GP-OIL						172
YR	2W-1177	6	PISTON & ROD GP						178
Y	3N-2884	1	PULLEY GP-CRANKSHAFT						183
Y	2W-4160	1	PUMP & MTG GP-FUEL TRANSFER						698
Y	2P-1784	1	PUMP GP-ENGINE OIL						245
Y	4W-1876	1	PUMP GP-FUEL PRIMING						747
Y	7W-9365	1	PUMP GP-GOV & FUEL INJ						834
Y	7N-5909	1	PUMP GP-WATER						375
Y	2P-6224	1	SEAL GP-CRANKSHAFT						192
Y	9Y-5905	1	SUPPORT GP-ENGINE						200
Y	7W-8581	1	TURBOCHARGER GP						571
Y	7N-8026	1	VALVE MECHANISM GP						209
			AVAILABLE GASKET KIT(S) :						
			<b>8C-0614</b> KIT-GASKET (CENTRAL, LOWER STRUCTURE)						
			<b>6V-4763</b> KIT-GASKET (FRONT STRUCTURE)						
			<b>116-4622</b> KIT-GASKET (FUEL SYSTEM)						

# ENGINE ARRANGEMENT

9Y-8210 ENGINE AR (contd.)

**i01354421**

NOTE	PART NUMBER	QTY	PART NAME						SEE PAGE
			1	2	3	4	5	6 (PRODUCT LEVEL)	
	<b>3E-7471</b>		KIT-GASKET (SINGLE CYLINDER HEAD)						
	<b>5P-8768</b>		KIT-GASKET (SINGLE CYLINDER LINER)						
	<b>9X-2319</b>		KIT-GASKET (OIL COOLER, LINES)						
	<b>9X-2517</b>		KIT-GASKET (TURBOCHARGER)						
	<b>104-4993</b>		KIT-GASKET (WATER PUMP)						
R - REMANUFACTURED PART MAY BE AVAILABLE									
Y - SEPARATE ILLUSTRATION									
<END>									

# ENGINE ARRANGEMENT

## 9Y-8211 ENGINE AR\*R

S/N: 85Z11071-UP

228 BRAKE KW (306 BHP) AT 1800 RPM

SMCS - 1000

i01354424

NOTE	PART NUMBER	QTY	PART NAME						SEE PAGE
			1	2	3	4	5	6 (PRODUCT LEVEL)	
Y	3N-2886	1	ADAPTER GP-SEAL (CRANKSHAFT)						63
Y	4N-8267	1	AFTERCOOLER GP-WATER						434
Y	1P-4244	1	BREATHER GP						215
Y	1N-4406	1	CAMSHAFT GP						86
Y	7W-1324	1	COOLER GP-FLTR BASE & ENG OIL						268
Y	7N-1292	1	COVER GP-CYLINDER BLOCK						94
Y	2P-6528	1	COVER GP-FRONT HOUSING						97
Y	8N-4745	1	COVER GP-VALVE MECHANISM						99
Y	6N-8079	1	CRANKSHAFT GP						101
YR	8N-5286	1	CYLINDER BLOCK GP						104
YR	8N-0246	1	CYLINDER HEAD GP						110
Y	3N-2885	1	DAMPER GP						114
Y	7N-9536	1	FASTENER GP-CYLINDER HEAD						127
Y	1W-4486	1	FASTENER GP-EXHAUST MANIFOLD						501
Y	1W-3802	1	FASTENER GP-FRONT HOUSING						128
Y	2P-6855	1	FILLER GP-ENGINE OIL						216
Y	2W-1011	1	FILTER GP-FUEL (SECONDARY)						615
Y	7N-3496	1	FLYWHEEL GP						135
Y	3N-2898	1	GAUGE GP-OIL LEVEL (DIPSTICK)						230
Y	1W-5634	1	GEAR GP-FRONT (TIMING)						137
Y	9Y-4624	1	HOUSING GP-FLYWHEEL						150
Y	8N-0303	1	HOUSING GP-FRONT						151
Y	9Y-1318	1	LIFTING GP-ENGINE						159
Y	6N-8492	1	LINES GP-AFTERCOOLER WATER						314
Y	8N-2582	1	LINES GP-AIR						527
Y	2P-6105	1	LINES GP-ENGINE OIL						231
Y	2W-1605	1	LINES GP-FUEL DRAIN						661
Y	1W-3609	1	LINES GP-FUEL INJECTION						675
Y	2W-2291	1	LINES GP-TURBOCHARGER OIL						237
Y	4W-6157	1	LINES GP-WATER						337
Y	2P-6574	1	MANIFOLD GP-EXHAUST						531
Y	3N-2899	1	PAN GP-OIL						172
YR	2W-1177	6	PISTON & ROD GP						178
Y	3N-2884	1	PULLEY GP-CRANKSHAFT						183
Y	2W-4160	1	PUMP & MTG GP-FUEL TRANSFER						698
Y	2P-1784	1	PUMP GP-ENGINE OIL						245
Y	4W-1876	1	PUMP GP-FUEL PRIMING						747
Y	7W-9823	1	PUMP GP-GOV & FUEL INJ						842
Y	7N-5909	1	PUMP GP-WATER						375
Y	2P-6224	1	SEAL GP-CRANKSHAFT						192
Y	9Y-5905	1	SUPPORT GP-ENGINE						200
Y	7W-8581	1	TURBOCHARGER GP						571
Y	7N-8026	1	VALVE MECHANISM GP						209
			AVAILABLE GASKET KIT(S):						
			<b>5P-8772</b> KIT-GASKET (AFTERCOOLER, LINES)						
			<b>120-8997</b> KIT-GASKET (CENTRAL, LOWER STRUCTURE)						
			<b>6V-4763</b> KIT-GASKET (FRONT STRUCTURE)						

# ENGINE ARRANGEMENT

9Y-8211 ENGINE AR (contd.)

i01354424

NOTE	PART NUMBER	QTY	PART NAME						SEE PAGE
			1	2	3	4	5	6 (PRODUCT LEVEL)	
	<b>116-4622</b>		KIT-GASKET (FUEL SYSTEM)						
	<b>138-3069</b>		KIT-GASKET (REAR STRUCTURE)						
	<b>5P-8768</b>		KIT-GASKET (SINGLE CYLINDER LINER)						
	<b>155-1379</b>		KIT-GASKET (SINGLE CYLINDER HEAD)						
	<b>9X-8577</b>		KIT-GASKET (OIL COOLER, LINES)						
	<b>5P-8773</b>		KIT-GASKET (TURBOCHARGER)						
	<b>170-1834</b>		KIT-GASKET (WATER PUMP)						

R - REMANUFACTURED PART MAY BE AVAILABLE  
 Y - SEPARATE ILLUSTRATION

<END>

# BASIC ENGINE

## 3N-2886 ADAPTER GP-SEAL-CRANKSHAFT

S/N: 85Z3764-UP

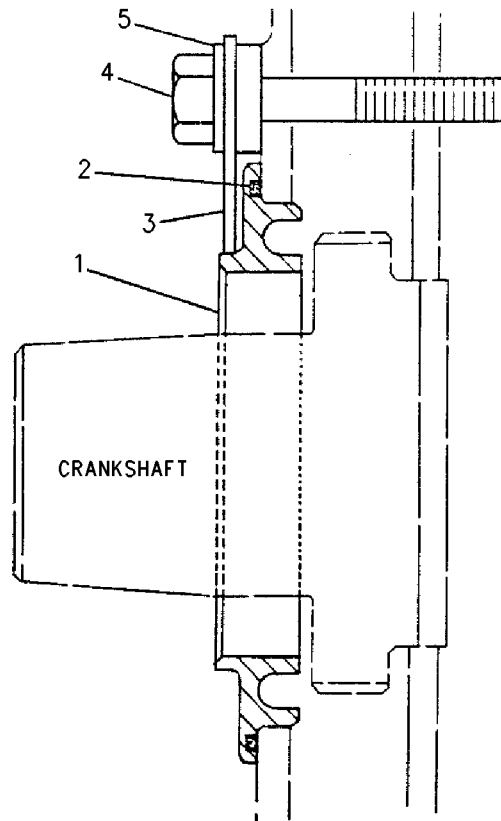
FRONT

SMCS-1160, 1161

i01790913

NOTE	REF NO	GRAPHIC REF	PART NUMBER	QTY	PART NAME						SEE PAGE
					1	2	3	4	5	6 (PRODUCT LEVEL)	
	1	1	<b>1W-4506</b>	1	ADAPTER-SEAL						
	2	1	<b>2P-1692</b>	1	SEAL-O-RING						
C	3	1	<b>2W-9062</b>	1	RETAINER AS						
C	4	1	<b>0L-1329</b>	2	BOLT (1/2-13X3-IN)						
C	5	1	<b>5P-8245</b>	2	WASHER-HARD (13.5X25.5X3-MM THK)						

C - CHANGE FROM PREVIOUS TYPE



GRAPHIC #1

<END>

g00916853

# BASIC ENGINE

## 109-1317 AIR COMPRESSOR GP\*R

S/N: 85Z3764-UP

13.2 CFM AT 1250 RPM

FIELD REPLACEMENT ORDER 110-5764-PAGE: 68

PART OF 110-5765 AIR COMPRESSOR GP

AN ATTACHMENT

**SMCS-1803**

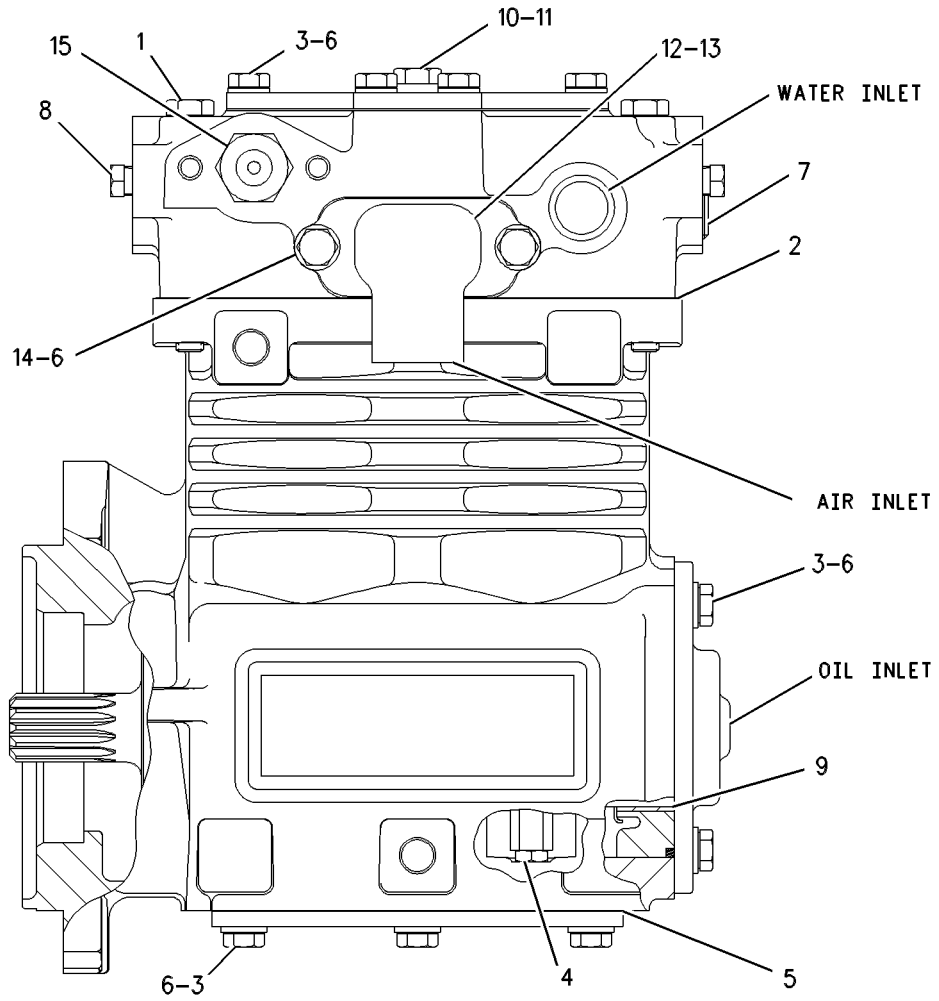
**i05954579**

NOTE	REF NO	GRAPHIC REF	PART NUMBER	QTY	PART NAME						SEE PAGE
					1	2	3	4	5	6 (PRODUCT LEVEL)	
	1	1	<b>0L-1352</b>	5	BOLT (3/8-16X3.25-IN)						
	2	1	<b>4P-3977</b>	1	GASKET-CYLINDER HEAD						
	3	1	<b>0S-1617</b>	14	BOLT (5/16-18X0.75-IN)						
	4	1	<b>4P-3966</b>	1	PISTON & ROD AS (INCLUDES 2 PISTONS & 2 ROD AS.)						
	5	1	<b>7E-8928</b>	1	GASKET						
	6	1	<b>9M-1974</b>	16	WASHER-HARD (8.8X16X2-MM THK)						
	7	1	<b>6V-0387</b>	1	PLUG-PIPE						
	8	1	<b>8T-6764</b>	2	PLUG-PIPE (1/8-27-THD)						
	9	1	<b>7C-6178</b>	2	BEARING-REAR						
	10	1	<b>0T-0065</b>	1	BOLT (3/8-16X3.5-IN)						
	11	1	<b>5M-2894</b>	1	WASHER-HARD (10.2X18.5X2.5-MM THK)						
	12	1	<b>7W-5499</b>	1	ELBOW						
	13	1	<b>8M-7065</b>	1	GASKET (AIR INLET)						
	14	1	<b>2B-2695</b>	2	BOLT (5/16-18X0.875-IN)						
	15	1	<b>124-5572</b>	1	VALVE AS-RELIEF (AIR COMPRESSOR)						
					AVAILABLE REPAIR KIT(S):						
			<b>7E-8923</b>	1	KIT-CRANKSHAFT BEARING (AIR COMPRESSOR) (INCLUDES SEALS, BEARINGS, INSERTS, GASKETS, & WASHERS)						
			<b>7E-8925</b>	1	KIT-STANDARD RING (AIR COMPRESSOR) (INCLUDES STD PISTON, PSTN SEG, & STD SPACER RINGS)						
			<b>7E-8926</b>	1	KIT-CYLINDER HEAD (AIR COMPRESSOR) (INCLUDES GASKETS, SPRINGS, VALVES, SEATS, O-RING, PISTON, & STOP)						
			<b>150-5146</b>	1	KIT-UNLOADER (AIR COMPRESSOR)						

# BASIC ENGINE

109-1317 AIR COMPRESSOR GP (contd.)

105954579



GRAPHIC #1

<END>

g00295637

# BASIC ENGINE

## 109-1318 AIR COMPRESSOR GP\*R

S/N: 85Z3764-UP

16.5 CFM AT 1250 RPM

FIELD REPLACEMENT ORDER 110-5766-PAGE: 71

PART OF 110-5767 AIR COMPRESSOR GP

AN ATTACHMENT

SMCS-1803

i05954578

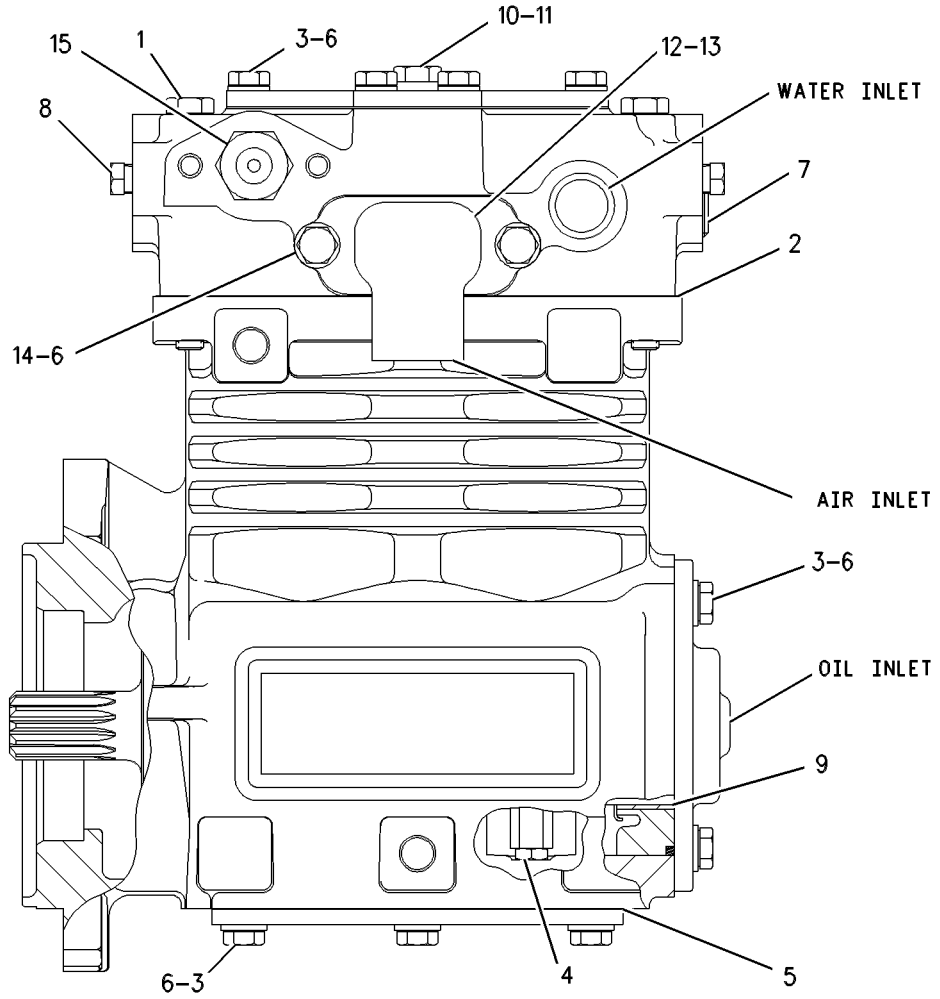
NOTE	REF NO	GRAPHIC REF	PART NUMBER	QTY	PART NAME						SEE PAGE
					1	2	3	4	5	6 (PRODUCT LEVEL)	
	1	1	<b>0L-1352</b>	5	BOLT (3/8-16X3.25-IN)						
	2	1	<b>4P-3977</b>	1	GASKET-CYLINDER HEAD						
	3	1	<b>0S-1617</b>	14	BOLT (5/16-18X0.75-IN)						
	4	1	<b>7E-8924</b>	1	PISTON & ROD AS (INCLUDES 2 PISTONS & 2 ROD AS.)						
	5	1	<b>7E-8928</b>	1	GASKET						
	6	1	<b>9M-1974</b>	16	WASHER-HARD (8.8X16X2-MM THK)						
	7	1	<b>6V-0387</b>	1	PLUG-PIPE						
	8	1	<b>8T-6764</b>	2	PLUG-PIPE (1/8-27-THD)						
	9	1	<b>7C-6178</b>	2	BEARING-REAR						
	10	1	<b>0T-0065</b>	1	BOLT (3/8-16X3.5-IN)						
	11	1	<b>5M-2894</b>	1	WASHER-HARD (10.2X18.5X2.5-MM THK)						
	12	1	<b>7W-5499</b>	1	ELBOW						
	13	1	<b>8M-7065</b>	1	GASKET (AIR INLET)						
	14	1	<b>2B-2695</b>	2	BOLT (5/16-18X0.875-IN)						
	15	1	<b>124-5572</b>	1	VALVE AS-RELIEF (AIR COMPRESSOR)						
					AVAILABLE REPAIR KIT(S):						
			<b>7E-8923</b>	1	KIT-CRANKSHAFT BEARING (AIR COMPRESSOR) (INCLUDES SEALS, BEARINGS, INSERTS, GASKETS, & WASHERS)						
			<b>7E-8925</b>	1	KIT-STANDARD RING (AIR COMPRESSOR) (INCLUDES STD PISTON, PSTN SEG, & STD SPACER RINGS)						
			<b>7E-8926</b>	1	KIT-CYLINDER HEAD (AIR COMPRESSOR) (INCLUDES GASKETS, SPRINGS, VALVES, SEATS, O-RING, PISTON, & STOP)						
			<b>150-5146</b>	1	KIT-UNLOADER (AIR COMPRESSOR)						



# BASIC ENGINE

109-1318 AIR COMPRESSOR GP (contd.)

105954578



GRAPHIC #1

<END>

g00295637

BASIC ENGINE

**110-5764 AIR COMPRESSOR GP\*R**

S/N: 85Z3764-UP

13.2 CFM AT 1250 RPM

FIELD REPLACEMENT FOR 109-1317-PAGE: 64

PART OF 110-5765 AIR COMPRESSOR GP

AN ATTACHMENT

SMCS-1803

i01892534

NOTE	PART NUMBER	QTY	PART NAME						SEE PAGE
			1	2	3	4	5	6 (PRODUCT LEVEL)	
	150-5146	1	KIT-UNLOADER (AIR COMPRESSOR)						
<END>									

# BASIC ENGINE

## 110-5765 AIR COMPRESSOR GP

S/N: 85Z3764-UP

13.2 CFM AT 1250 RPM

FOR USE WITH 110-5763-PAGE: 160

AN ATTACHMENT

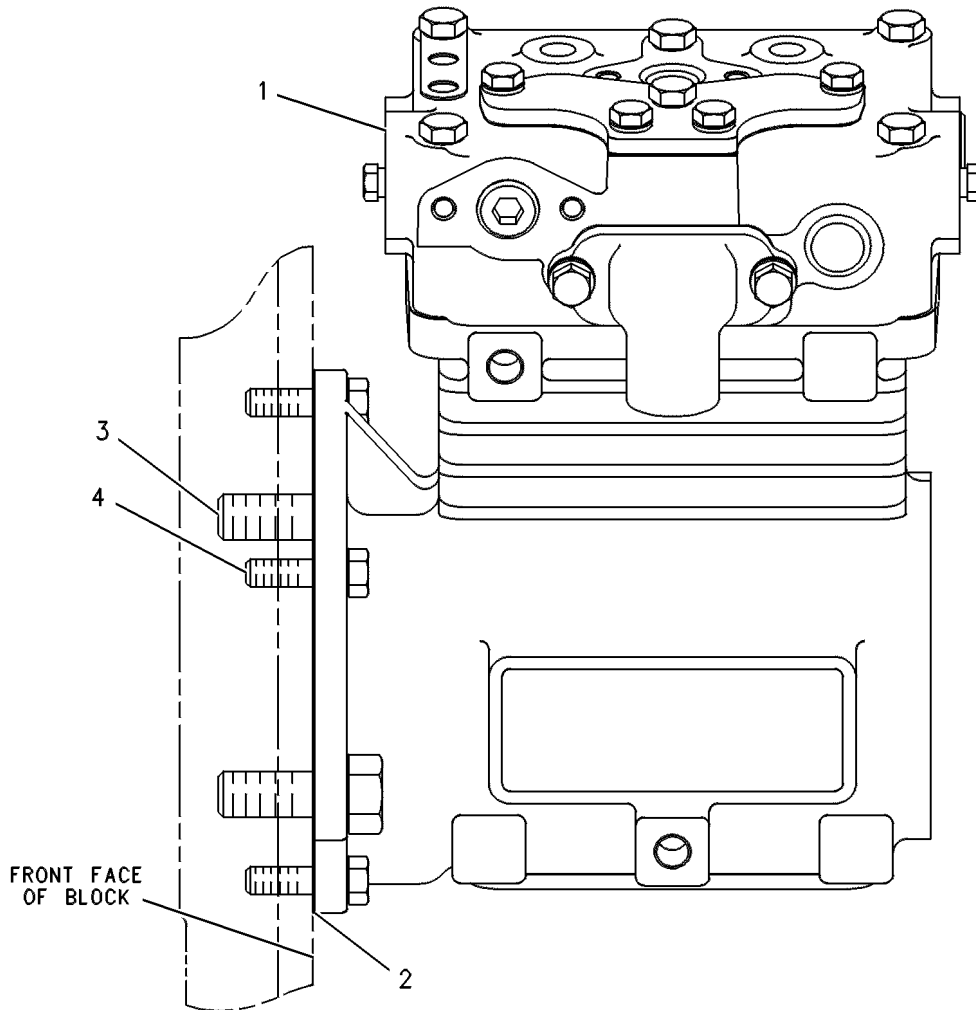
TYPE 1

**SMCS-1803**

**i00611337**

NOTE	REF NO	GRAPHIC REF	PART NUMBER	QTY	PART NAME						SEE PAGE
					1	2	3	4	5	6 (PRODUCT LEVEL)	
YR	1	1	109-1317	1	AIR COMPRESSOR GP						64
	2	1	2P-0220	1	GASKET-PUMP						
	3	1	0S-1589	2	BOLT (5/8-11X1.75-IN)						
	4	1	3B-1915	3	BOLT (3/8-16X1.375-IN)						

R - REMANUFACTURED PART MAY BE AVAILABLE  
 Y - SEPARATE ILLUSTRATION



GRAPHIC #1

<END>

g00243634

# BASIC ENGINE

## 110-5765 AIR COMPRESSOR GP

S/N: 85Z3764-UP

13.2 CFM AT 1250 RPM

FOR USE WITH 110-5763-PAGE: 160

AN ATTACHMENT

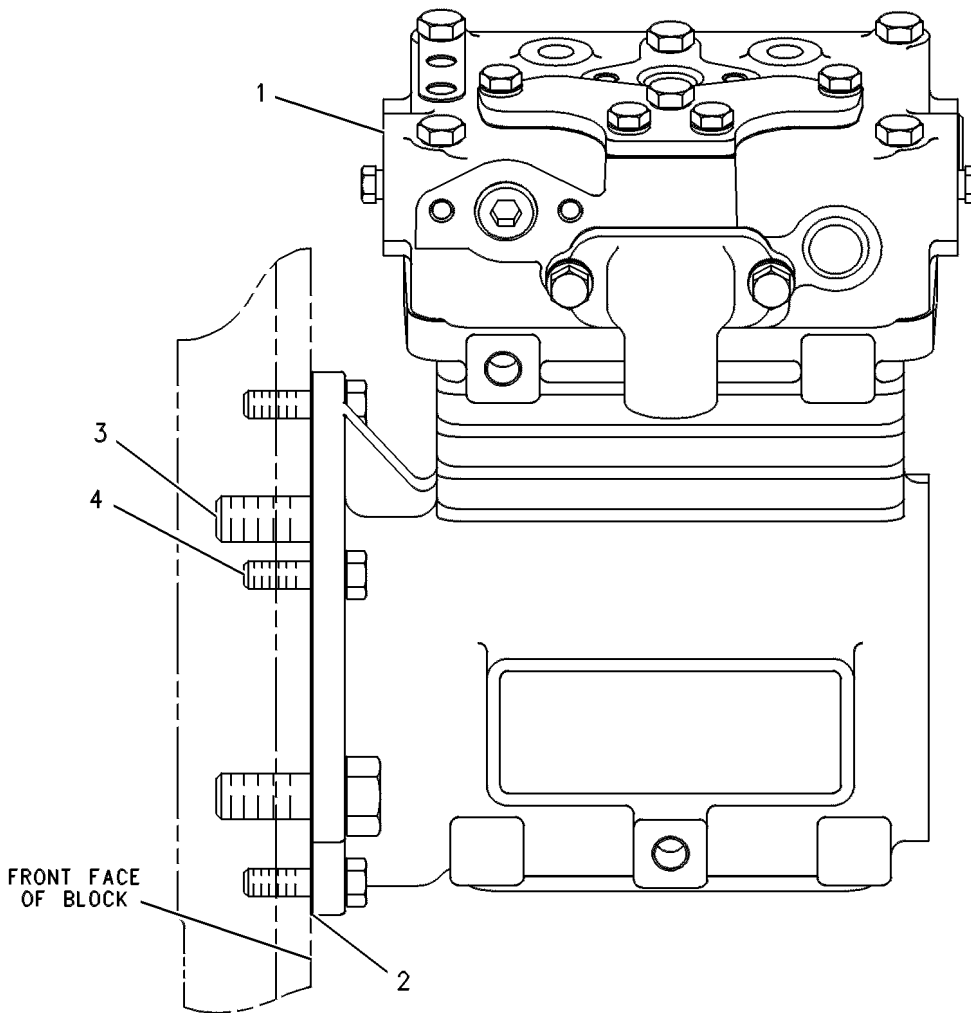
TYPE 2

SMCS-1803

i07523722

NOTE	REF NO	GRAPHIC REF	PART NUMBER	QTY	PART NAME						SEE PAGE
					1	2	3	4	5	6 (PRODUCT LEVEL)	
CYR	1	1	110-5764	1	AIR COMPRESSOR GP						68
B	2	1	2P-0220	1	GASKET - PUMP						
	3	1	0S-1589	2	BOLT (5/8-11X1.75-IN)						
B	4	1	3B-1915	3	BOLT (3/8-16X1.375-IN)						

B - USE AS REQUIRED  
 C - CHANGE FROM PREVIOUS TYPE  
 R - REMANUFACTURED PART MAY BE AVAILABLE  
 Y - SEPARATE ILLUSTRATION



GRAPHIC #1

<END>

g00243634

# BASIC ENGINE

## 110-5766 AIR COMPRESSOR GP\*R

S/N: 85Z3764-UP

16.5 CFM AT 1250 RPM

FIELD REPLACEMENT FOR 109-1318-PAGE: 66

SMCS-1803

i01892536

NOTE	PART NUMBER	QTY	PART NAME						SEE PAGE
			1	2	3	4	5	6 (PRODUCT LEVEL)	
	150-5146	1	KIT-UNLOADER (AIR COMPRESSOR)						
<END>									

# BASIC ENGINE

## 110-5767 AIR COMPRESSOR GP

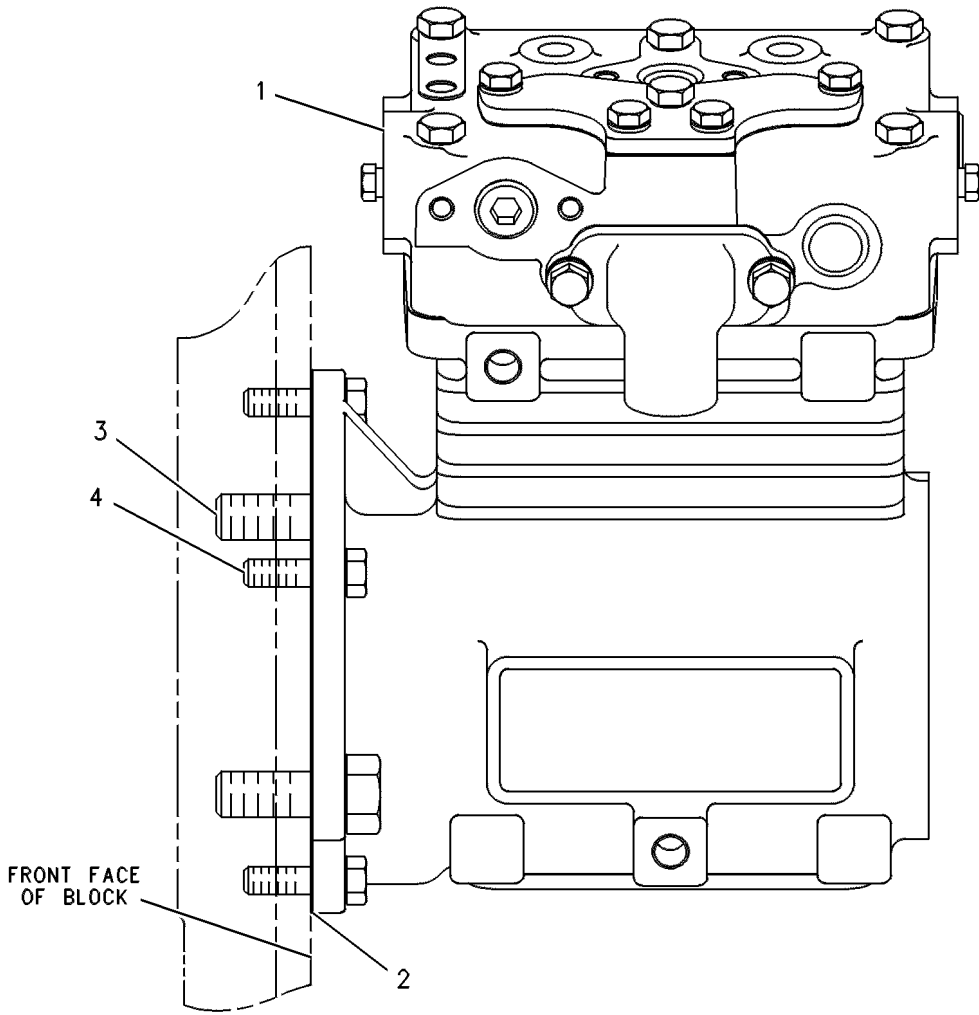
S/N: 85Z3764-UP  
 16.5 CFM AT 1250 RPM  
 FOR USE WITH 110-5763-PAGE: 160  
 AN ATTACHMENT  
 TYPE 1

SMCS-1803

i00719532

NOTE	REF NO	GRAPHIC REF	PART NUMBER	QTY	PART NAME						SEE PAGE
					1	2	3	4	5	6 (PRODUCT LEVEL)	
YR	1	1	109-1318	1	AIR COMPRESSOR GP						66
	2	1	2P-0220	1	GASKET-PUMP						
	3	1	0S-1589	2	BOLT (5/8-11X1.75-IN)						
	4	1	3B-1915	3	BOLT (3/8-16X1.375-IN)						

R - REMANUFACTURED PART MAY BE AVAILABLE  
 Y - SEPARATE ILLUSTRATION



GRAPHIC #1

<END>

g00243634

# BASIC ENGINE

## 110-5767 AIR COMPRESSOR GP

S/N: 85Z3764-UP

16.5 CFM AT 1250 RPM

FOR USE WITH 110-5763-PAGE: 160

AN ATTACHMENT

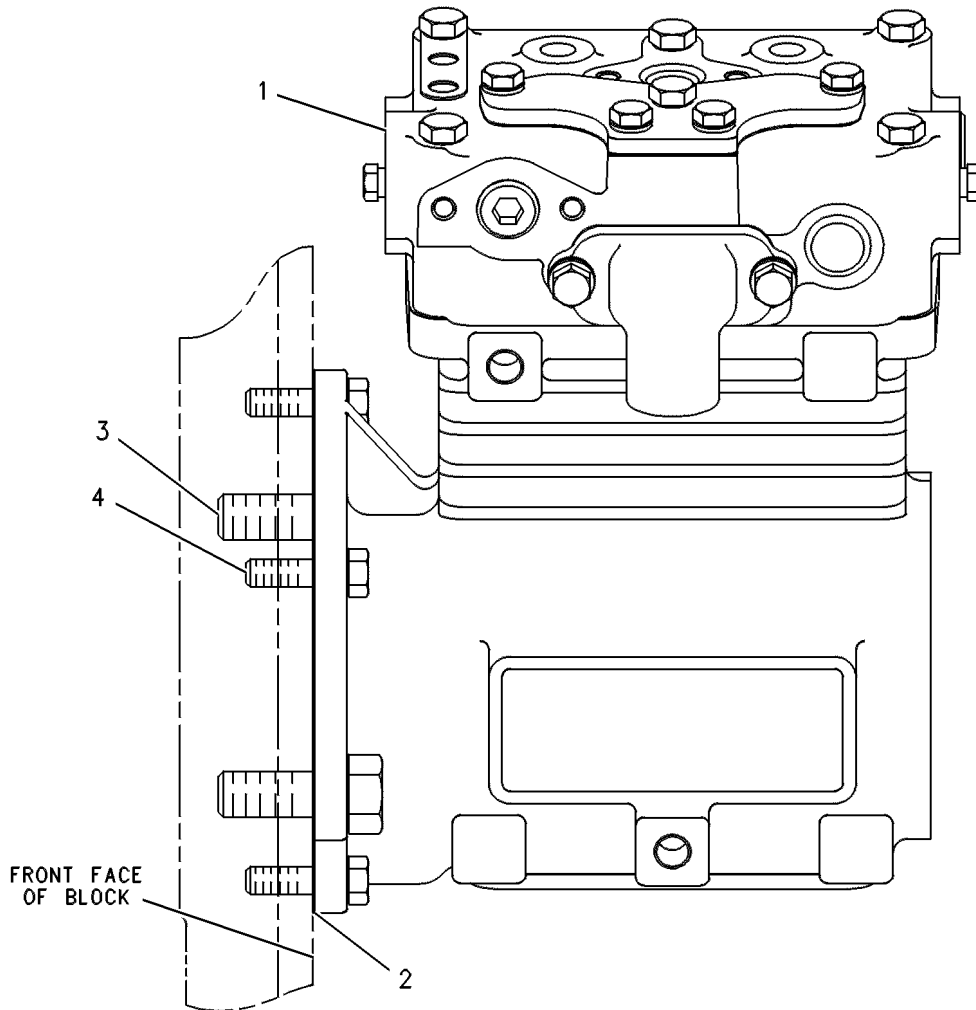
TYPE 2

**SMCS-1803**

**i00993229**

NOTE	REF NO	GRAPHIC REF	PART NUMBER	QTY	PART NAME						SEE PAGE
					1	2	3	4	5	6 (PRODUCT LEVEL)	
CY	1	1	164-7560	1	AIR COMPRESSOR GP						74
	2	1	2P-0220	1	GASKET-PUMP						
	3	1	0S-1589	2	BOLT (5/8-11X1.75-IN)						
	4	1	3B-1915	3	BOLT (3/8-16X1.375-IN)						

C - CHANGE FROM PREVIOUS TYPE  
Y - SEPARATE ILLUSTRATION



GRAPHIC #1

<END>

g00243634

# BASIC ENGINE

## 164-7560 AIR COMPRESSOR GP

S/N: 85Z3764-UP

16.5 CFM AT 1250 RPM

FIELD REPLACEMENT ORDER 164-7562-PAGE: 76

PART OF 110-5767 AIR COMPRESSOR GP

AN ATTACHMENT

**SMCS-1803**

**i05954573**

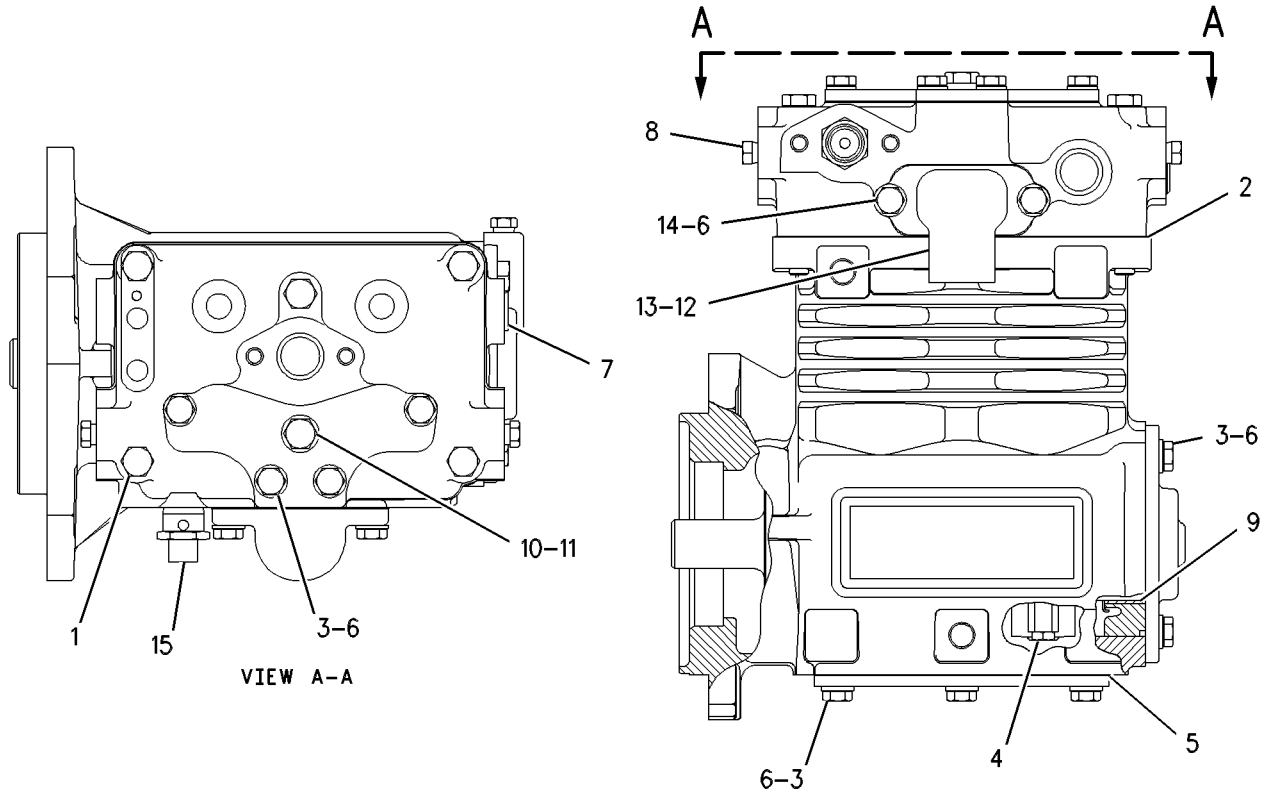
NOTE	REF NO	GRAPHIC REF	PART NUMBER	QTY	PART NAME						SEE PAGE
					1	2	3	4	5	6 (PRODUCT LEVEL)	
	1	1	<b>0L-1352</b>	5	BOLT (3/8-16X3.25-IN)						
	2	1	<b>4P-3977</b>	1	GASKET-CYLINDER HEAD						
	3	1	<b>0S-1617</b>	14	BOLT (5/16-18X0.75-IN)						
	4	1	<b>7E-8924</b>	1	PISTON & ROD AS (INCLUDES 2 PISTONS & 2 ROD AS.)						
	5	1	<b>7E-8928</b>	1	GASKET						
	6	1	<b>9M-1974</b>	16	WASHER-HARD (8.8X16X2-MM THK)						
	7	1	<b>6V-0387</b>	1	PLUG-PIPE						
	8	1	<b>8T-6764</b>	2	PLUG-PIPE (1/8-27-THD)						
	9	1	<b>7C-6178</b>	2	BEARING-REAR						
	10	1	<b>0T-0065</b>	1	BOLT (3/8-16X3.5-IN)						
	11	1	<b>5M-2894</b>	1	WASHER-HARD (10.2X18.5X2.5-MM THK)						
	12	1	<b>7W-5499</b>	1	ELBOW						
	13	1	<b>8M-7065</b>	1	GASKET (AIR INLET)						
	14	1	<b>2B-2695</b>	2	BOLT (5/16-18X0.875-IN)						
	15	1	<b>124-5572</b>	1	VALVE AS-RELIEF (AIR COMPRESSOR)						
					AVAILABLE REPAIR KIT(S):						
			<b>7E-8923</b>	1	KIT-CRANKSHAFT BEARING (AIR COMPRESSOR) (INCLUDES: SEALS, GASKET & WASHERS)						
			<b>7E-8926</b>	1	KIT-CYLINDER HEAD (AIR COMPRESSOR) (INCLUDES: SEALS, GASKET & WASHERS)						
			<b>150-5146</b>	1	KIT-UNLOADER (AIR COMPRESSOR)						
			<b>164-7572</b>	1	KIT-RING (AIR COMPRESSOR) (INCLUDES: RINGS)						



# BASIC ENGINE

164-7560 AIR COMPRESSOR GP (contd.)

i05954573



GRAPHIC #1

<END>

g00530022

BASIC ENGINE

**164-7562 AIR COMPRESSOR GP\*R**

S/N: 85Z3764-UP

16.5 CFM AT 1250 RPM

FIELD REPLACEMENT FOR 164-7560-PAGE: 74

SMCS-1803

i01892783

NOTE	PART NUMBER	QTY	PART NAME						SEE PAGE
			1	2	3	4	5	6 (PRODUCT LEVEL)	
	150-5146	1	KIT-UNLOADER (AIR COMPRESSOR)						
<END>									

# BASIC ENGINE

## 1W-7145 AIR COMPRESSOR GP\*R

S/N: 85Z3764-UP

12 CFM AT 1250 RPM

PART OF 9N-8069 AIR COMPRESSOR GP  
AN ATTACHMENT

SMCS-1803

i07212986

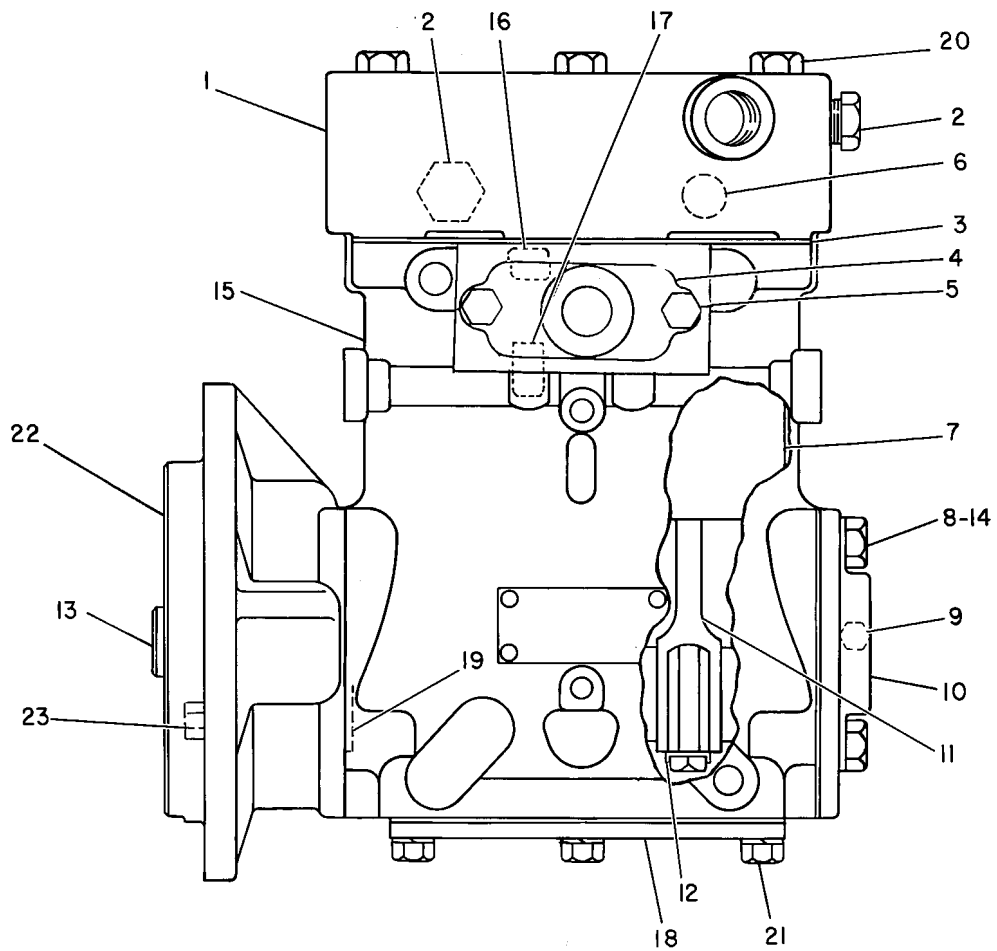
NOTE	REF NO	GRAPHIC REF	PART NUMBER	QTY	PART NAME						SEE PAGE
					1	2	3	4	5	6 (PRODUCT LEVEL)	
	1	1	<b>6N-2097</b>	1	HEAD AS-COMPRESSOR						
	2	1	<b>3J-5389</b>	2	PLUG (EXTERNAL)						
	3	1	<b>6N-2098</b>	1	GASKET-CYLINDER HEAD						
	4	1	<b>9M-0397</b>	1	ADAPTER						
		1	<b>8M-7065</b>	1	GASKET (AIR INLET)						
	5	1	<b>2B-2695</b>	2	BOLT (5/16-18X0.875-IN)						
		1	<b>3B-4505</b>	2	LOCKWASHER (8.1X15.4X2-MM THK)						
	6	1	<b>2B-0858</b>	1	PLUG-PIPE						
	7	1	<b>7N-4837</b>	2	PISTON AS-COMPRESSOR						
					(EACH INCLUDES)						
		1	<b>1W-2803</b>	2	PLUG						
B	8	1	<b>5P-0060</b>	4	BOLT (7/16-14X0.75-IN)						
	9	1	<b>5M-6214</b>	1	PLUG (1/8-27 PTF)						
	10	1	<b>6N-2100</b>	1	COVER AS-REAR						
	11	1	<b>6N-2106</b>	2	ROD AS-CONNECTING						
	12	1	<b>7N-0243</b>	2	LOCK-ROD BOLT						
	13	1	<b>6N-7564</b>	1	CRANKSHAFT-AIR COMPRESSOR						
	14	1	<b>3B-4507</b>	4	LOCKWASHER						
	15	1	<b>8N-7653</b>	1	CRANKCASE GP-AIR COMPRESSOR						
	16	1	<b>9M-0381</b>	2	INSERT-INLET VALVE						
	17	1	<b>7N-6172</b>	2	BUSHING-COMPRESSOR						
	18	1	<b>6N-6949</b>	1	COVER-CRANKCASE						
		1	<b>6N-0634</b>	1	GASKET-COVER						
	19	1	<b>5M-6509</b>	2	SEAL-O-RING						
	20	1	<b>0S-1619</b>	6	BOLT (3/8-16X3-IN)						
	21	1	<b>0T-0102</b>	6	BOLT (3/8-16X0.625-IN)						
		1	<b>3B-4506</b>	6	LOCKWASHER						
	22	1	<b>1W-7119</b>	1	ADAPTER AS						
	23	1	<b>0T-0768</b>	4	BOLT (7/16-14X1.75-IN)						
					AVAILABLE REPAIR KIT(S):						
			<b>8N-3666</b>	1	KIT-AIR COMPRESSOR (INCLUDES PISTONS, GUIDE, PLUNGER, SEAT, SPRING, SADDLE, RINGS, BOLTS, LOCKWASHERS, WASHERS, LOCK)						
			<b>6N-2109</b>	1	KIT-PISTON RING (AIR COMPRESSOR) (INCLUDES PISTON, OIL & EXPANDER RINGS)						
			<b>8N-3665</b>	4	KIT-SEAL (AIR COMPRESSOR) (EACH INCLUDES O-RING SEALS & RETAINERS)						
			<b>6I-1220</b>	1	KIT-UNLOADER (AIR COMPRESSOR)						

B - USE AS REQUIRED

# BASIC ENGINE

1W-7145 AIR COMPRESSOR GP (contd.)

i07212986



GRAPHIC #1

<END>

g00148339

# BASIC ENGINE

## 9N-8069 AIR COMPRESSOR GP

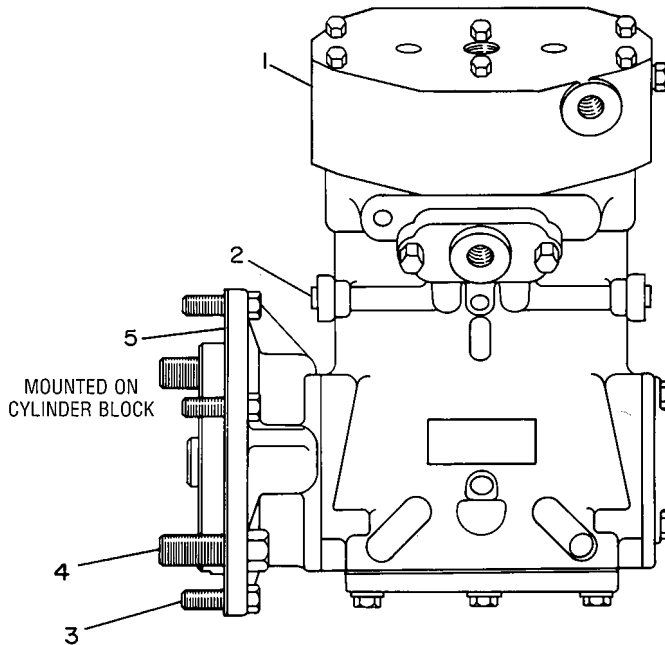
S/N: 85Z3764-UP  
12 CFM AT 1250 RPM  
AN ATTACHMENT

**SMCS-1803**

**i03432653**

NOTE	REF NO	GRAPHIC REF	PART NUMBER	QTY	PART NAME						SEE PAGE
					1	2	3	4	5	6 (PRODUCT LEVEL)	
YR	1	1	1W-7145	1	AIR COMPRESSOR GP						77
	2	1	9F-2247	2	PLUG-PIPE (1/8-27-THD)						
	3	1	3B-1915	3	BOLT (3/8-16X1.375-IN)						
	4	1	0S-1589	2	BOLT (5/8-11X1.75-IN)						
	5	1	2P-0220	1	GASKET-PUMP						
AB		1	9S-3263		COMPOUND-THREAD LOCK						

A - NOT PART OF THIS GROUP  
B - USE AS REQUIRED  
R - REMANUFACTURED PART MAY BE AVAILABLE  
Y - SEPARATE ILLUSTRATION



GRAPHIC #1

<END>

g00143081

# BASIC ENGINE

## 3N-2755 BELT TIGHTENER GP

S/N: 85Z3764-UP

FOR USE AS A FAN DRIVE BELT TIGHTENER WHEN ALTERNATOR IS NOT USED  
 FOR USE WITH INDUSTRIAL ENGINE SUPPORT  
 CANNOT BE USED WITH MOBILE EQUIPMENT FRONT ENGINE SUPPORT  
 ALSO AN ATTACHMENT

SMCS-1358

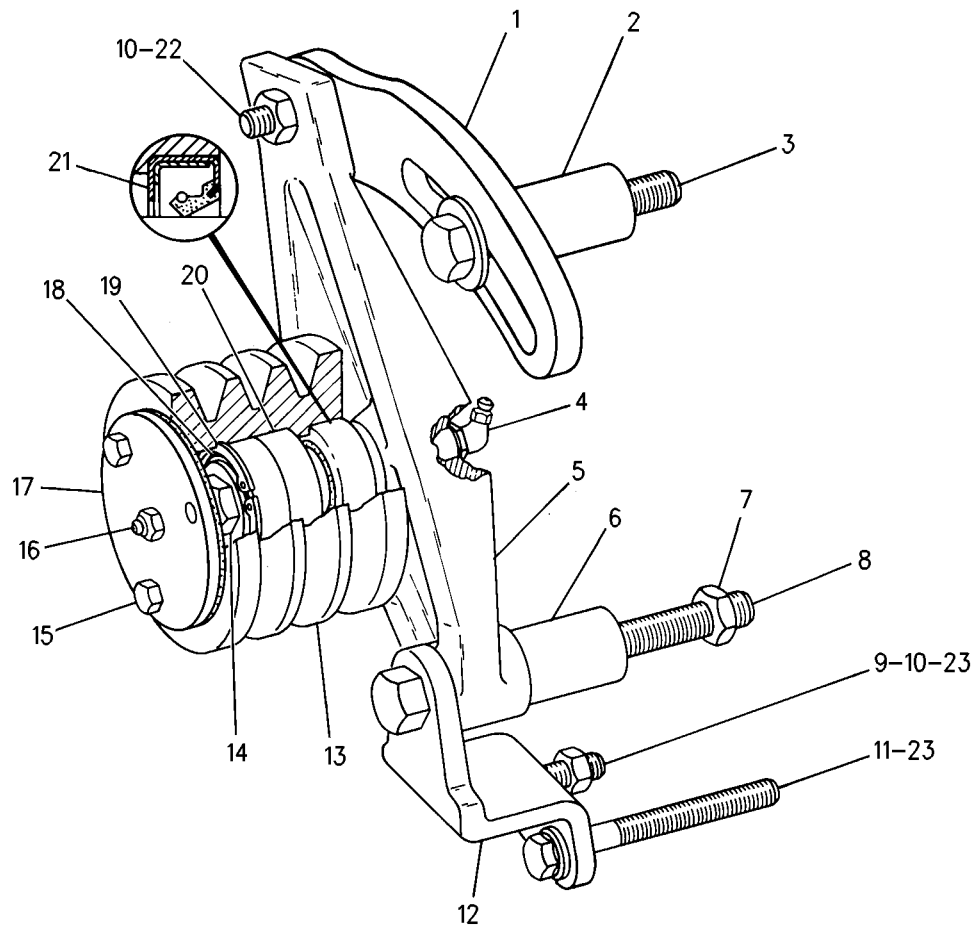
i04055889

NOTE	REF NO	GRAPHIC REF	PART NUMBER	QTY	PART NAME						SEE PAGE
					1	2	3	4	5	6 (PRODUCT LEVEL)	
	1	1	<b>8S-4183</b>	1	STRAP						
	2	1	<b>1F-1560</b>	1	SPACER (0.531X1X1.75-IN THK)						
	3	1	<b>0V-0375</b>	1	BOLT (1/2-13X3.25-IN)						
		1	<b>2M-0849</b>	1	WASHER-HARD (13.5X25.5X5-MM THK)						
	4	1	<b>3B-8485</b>	1	ELBOW (BELT TIGHTENER)						
	5	1	<b>2N-1334</b>	1	BRACKET AS						
	6	1	<b>4J-9683</b>	1	SPACER (0.56X1X1.5-IN THK)						
	7	1	<b>1F-7958</b>	1	NUT-FULL (1/2-13-THD)						
	8	1	<b>2H-6488</b>	1	BOLT (1/2-13X5-IN)						
	9	1	<b>0S-1588</b>	1	BOLT (3/8-16X1.25-IN)						
	10	1	<b>9S-8752</b>	2	NUT-FULL (3/8-16-THD)						
	11	1	<b>0S-1619</b>	1	BOLT (3/8-16X3-IN)						
	12	1	<b>3N-2705</b>	1	BRACKET-MOUNTING						
	13	1	<b>2N-1331</b>	1	PULLEY						
	14	1	<b>5M-9788</b>	1	LOCKNUT-JAM (1/2-20-THD)						
	15	1	<b>031-0215</b>	3	BOLT-LOCKING (1/4-20X0.625-IN)						
	16	1	<b>4B-4550</b>	1	FITTING-PRESSURE RELIEF (1/8-27 PTF)						
	17	1	<b>2N-1983</b>	1	PLATE						
		1	<b>2N-1330</b>	1	GASKET						
	18	1	<b>4B-4280</b>	1	WASHER (13.5X27X2.5-MM THK)						
	19	1	<b>3K-9879</b>	1	RING-RETAINING						
	20	1	<b>6B-0924</b>	2	BALL BEARING						
	21	1	<b>2B-0050</b>	1	SEAL-LIP TYPE						
	22	1	<b>0S-1591</b>	1	BOLT (3/8-16X1.5-IN)						
		1	<b>8M-9024</b>	1	WASHER-HARD (10.2X22.5X5-MM THK)						
	23	1	<b>5M-2894</b>	2	WASHER-HARD (10.2X18.5X2.5-MM THK)						

# BASIC ENGINE

3N-2755 BELT TIGHTENER GP (contd.)

104055889



GRAPHIC #1

<END>

g00789199

# BASIC ENGINE

## 9Y-3667 BELT TIGHTENER GP

S/N: 85Z3764-UP

FAN DRIVE

FOR USE WITH BUILDING SERVICE STANDBY GENERATOR SET FRONT SUPPORT  
AN ATTACHMENT

SMCS-1358

i01856182

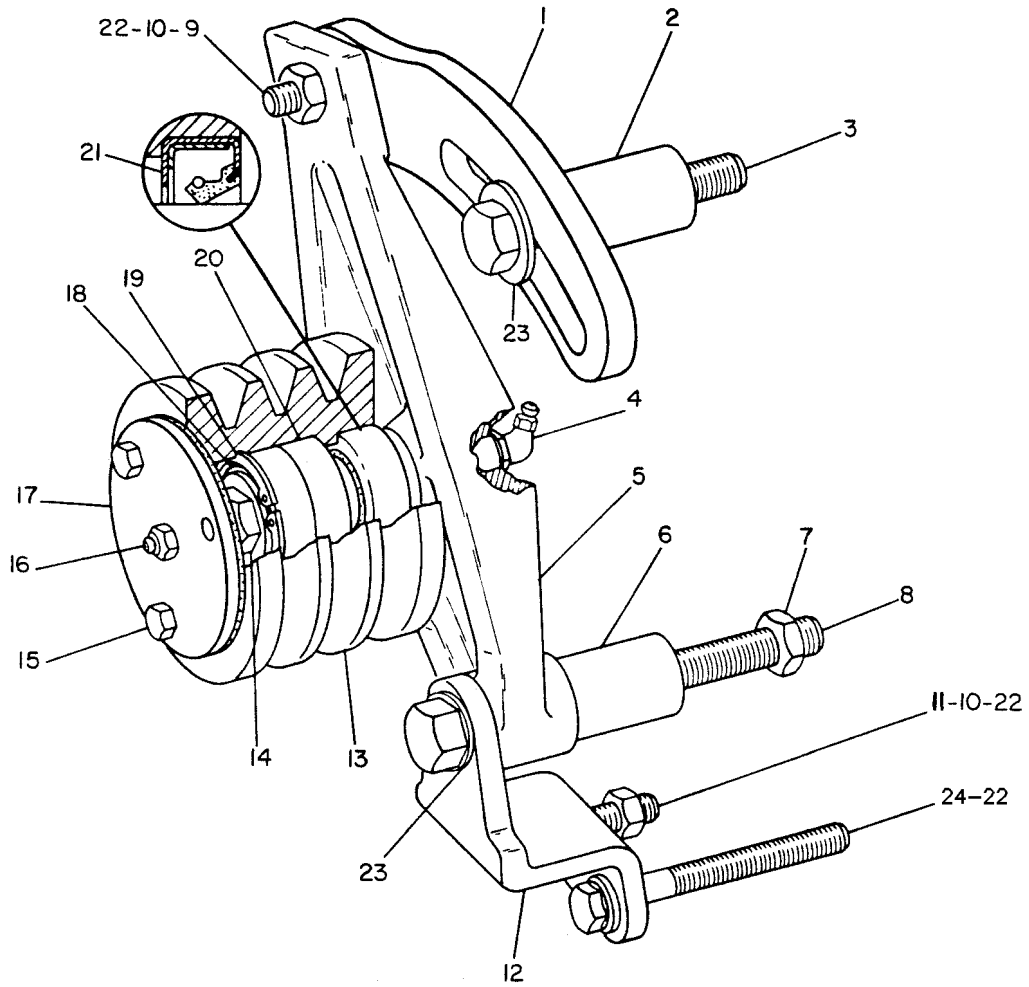
NOTE	REF NO	GRAPHIC REF	PART NUMBER	QTY	PART NAME						SEE PAGE
					1	2	3	4	5	6 (PRODUCT LEVEL)	
	1	1	<b>8S-4183</b>	1	STRAP						
	2	1	<b>1F-1560</b>	1	SPACER (0.531X1X1.75-IN THK)						
	3	1	<b>0V-0375</b>	1	BOLT (1/2-13X3.25-IN)						
	4	1	<b>3B-8485</b>	1	ELBOW (BELT TIGHTENER)						
	5	1	<b>2N-1334</b>	1	BRACKET AS						
	6	1	<b>4J-9683</b>	1	SPACER (0.56X1X1.5-IN THK)						
	7	1	<b>1D-4719</b>	1	NUT-FULL (1/2-13-THD)						
	8	1	<b>2H-6488</b>	1	BOLT (1/2-13X5-IN)						
	9	1	<b>0S-1591</b>	1	BOLT (3/8-16X1.5-IN)						
	10	1	<b>1D-4717</b>	2	NUT (3/8-16-THD)						
	11	1	<b>0T-0065</b>	1	BOLT (3/8-16X3.5-IN)						
	12	1	<b>9Y-3031</b>	1	BRACKET-MOUNTING						
	13	1	<b>2N-1331</b>	1	PULLEY						
	14	1	<b>5M-9788</b>	1	LOCKNUT-JAM (1/2-20-THD)						
	15	1	<b>031-0215</b>	3	BOLT-LOCKING (1/4-20X0.625-IN)						
	16	1	<b>4B-4550</b>	1	FITTING-PRESSURE RELIEF (1/8-27 PTF) (BELT TIGHTENER)						
	17	1	<b>2N-1983</b>	1	PLATE						
		1	<b>2N-1330</b>	1	GASKET						
	18	1	<b>4B-4280</b>	1	WASHER (13.5X27X2.5-MM THK)						
	19	1	<b>3K-9879</b>	1	RING-RETAINING						
	20	1	<b>6B-0924</b>	2	BALL BEARING						
	21	1	<b>2B-0050</b>	1	SEAL-LIP TYPE						
	22	1	<b>5M-2894</b>	5	WASHER-HARD (10.2X18.5X2.5-MM THK)						
	23	1	<b>5P-8245</b>	3	WASHER-HARD (13.5X25.5X3-MM THK)						
	24	1	<b>0S-1571</b>	1	BOLT (3/8-16X1.75-IN)						



# BASIC ENGINE

9Y-3667 BELT TIGHTENER GP (contd.)

101856182



GRAPHIC #1

<END>

g00209761

# BASIC ENGINE

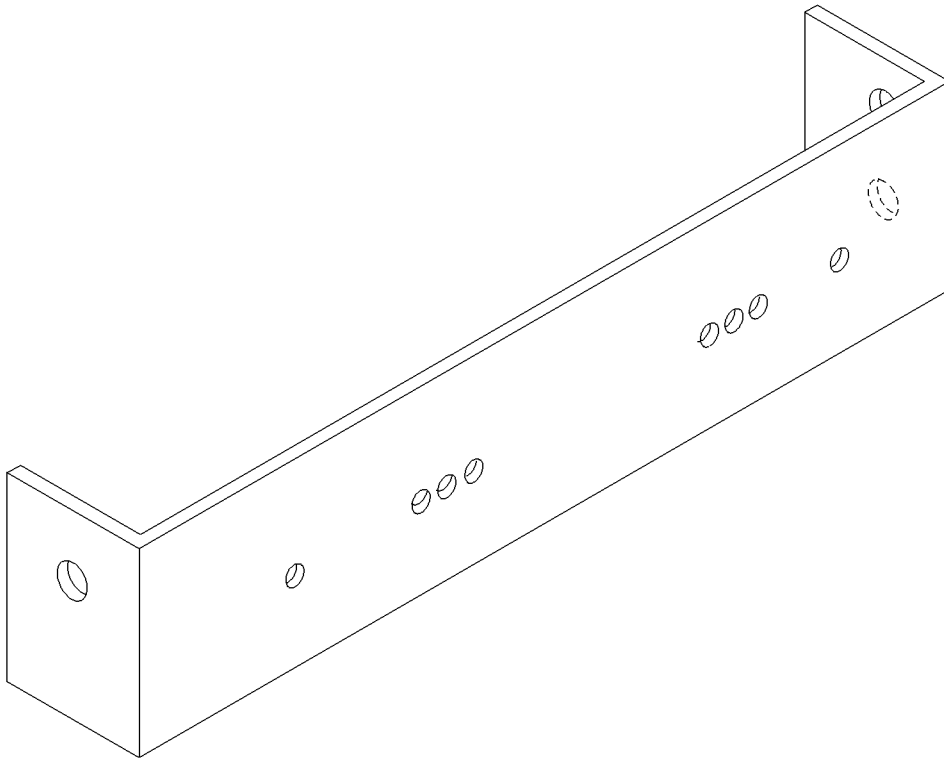
## 5N-4505 BRACKET-MOUNTING-CURRENT TRANSFORMER

S/N: 5CA5985-UP  
21.25 INCHES LONG. HI-WAY YELLOW  
FIELD INSTALLATION

SMCS-1405

i01757411

NOTE	REF NO	GRAPHIC REF	PART NUMBER	QTY	PART NAME	SEE PAGE
					1 2 3 4 5 6 (PRODUCT LEVEL)	
(NO SERVICED PARTS)						



GRAPHIC #1

<END>

g00900743

# BASIC ENGINE

## 5N-4506 BRACKET-MOUNTING-CURRENT TRANSFORMER

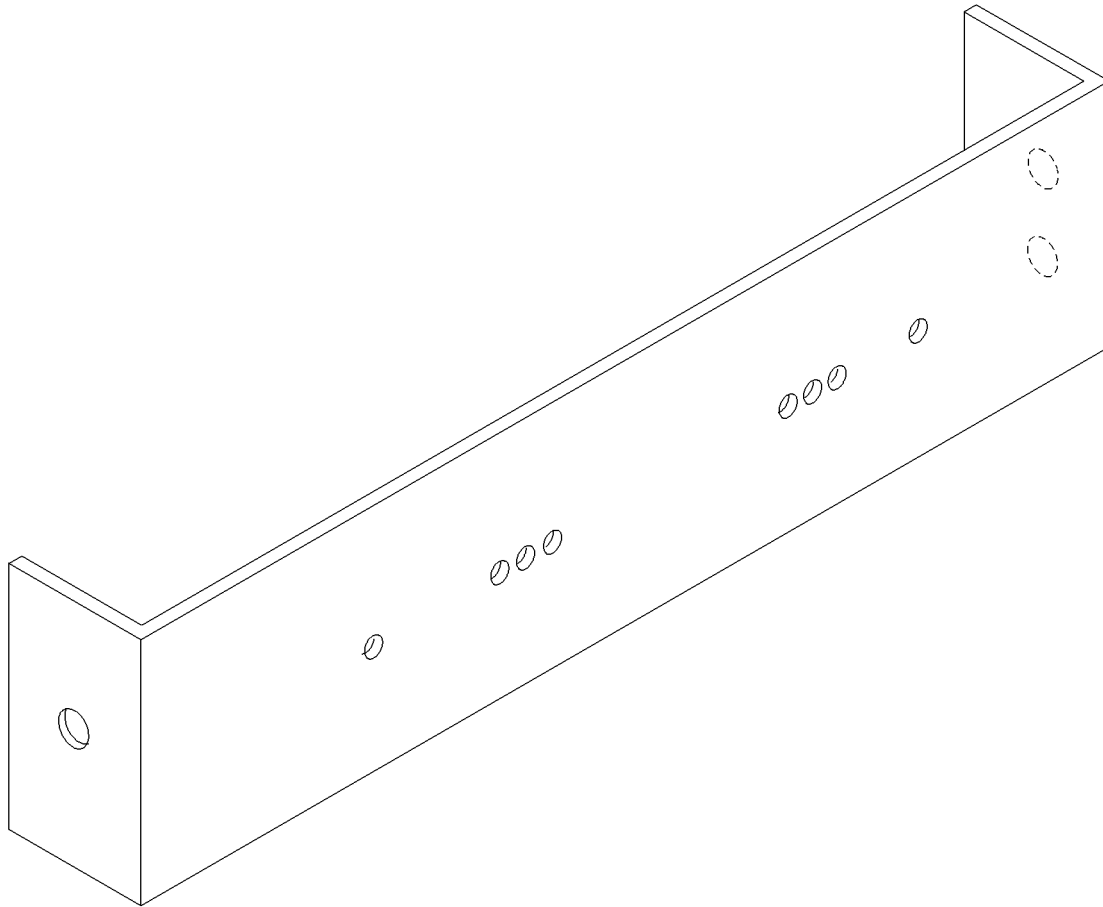
S/N: 5CA5985-UP; 5DA5682-UP; 5EA5375-UP; 5FA4499-UP

25 INCHES LONG. HI-WAY YELLOW  
FIELD INSTALLATION

SMCS-1405

i01757560

NOTE	REF NO	GRAPHIC REF	PART NUMBER	QTY	PART NAME						SEE PAGE
					1	2	3	4	5	6 (PRODUCT LEVEL)	
(NO SERVICED PARTS)											



GRAPHIC #1

<END>

g00900761

# BASIC ENGINE

## 1N-4406 CAMSHAFT GP

S/N: 85Z3764-UP

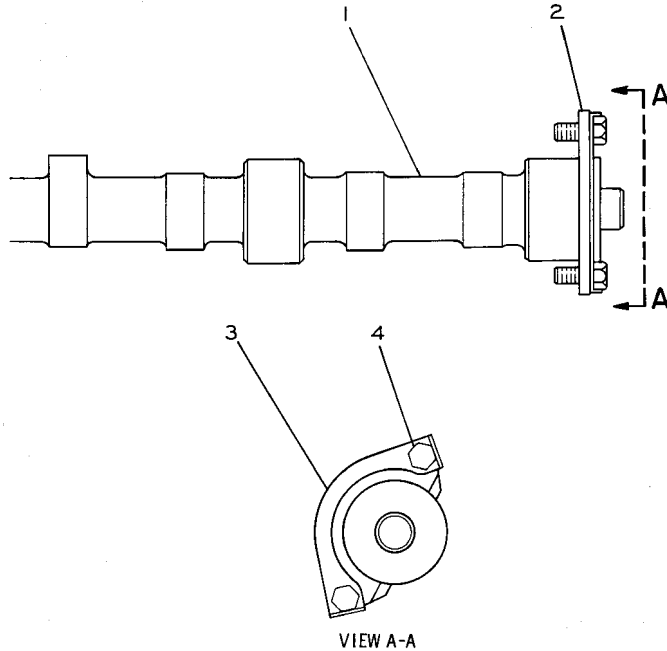
SINGLE

SMCS-1210

i02355496

NOTE	REF NO	GRAPHIC REF	PART NUMBER	QTY	PART NAME						SEE PAGE
					1	2	3	4	5	6 (PRODUCT LEVEL)	
R	1	1	<b>7E-9980</b>	1	CAMSHAFT						
	2	1	<b>7S-2204</b>	1	WASHER - THRUST						
	3	1	<b>8S-1491</b>	1	LOCK						
	4	1	<b>0S-0509</b>	2	BOLT (3/8-16X0.75-IN)						

R - REMANUFACTURED PART MAY BE AVAILABLE



GRAPHIC #1

<END>

g00108277

# BASIC ENGINE

## 2W-4906 CLUTCH GP

S/N: 85Z3764-UP

PART OF 2W-4907 POWER TAKE-OFF GP  
AN ATTACHMENT

SMCS-1007

i01908004

NOTE	REF NO	GRAPHIC REF	PART NUMBER	QTY	PART NAME						SEE PAGE
					1	2	3	4	5	6 (PRODUCT LEVEL)	
	1	1	<b>4B-4810</b>	1	LEVER AS-HAND						
		1	<b>0S-1587</b>	1	BOLT (1/2-13X1.75-IN)						
	2	1	<b>6L-3969</b>	4	PIN						
	3	1	<b>6L-3964</b>	8	PIN-COTTER						
	4	1	<b>6L-3970</b>	4	PIN						
	5	1	<b>3N-8427</b>	1	CARRIER AS-BEARING						
		1	<b>2F-6938</b>	1	TUBE						
	6	1	<b>2W-4904</b>	2	RING-SEAL						
	7	1	<b>2L-6010</b>	2	PLUG-PIPE						
	8	1	<b>5L-1545</b>	2	CUP-BEARING						
	9	1	<b>7L-6551</b>	2	CONE-BEARING						
	10	1	<b>9F-2247</b>	1	PLUG-PIPE (1/8-27-THD)						
B	11	1	<b>5L-3556</b>	1	SHIM (0.0200-IN THK) (0.14MM THK)						
B	12	1	<b>5L-3557</b>	1	SHIM (0.010-IN THK) (0.20MM THK)						
B	13	1	<b>5L-3558</b>	1	SHIM (0.007-IN THK) (0.28MM THK)						
B	14	1	<b>5L-3559</b>	1	SHIM (0.005-IN THK) (0.56MM THK)						
	15	1	<b>5L-3613</b>	1	RETAINER-BEARING						
	16	1	<b>0S-1594</b>	6	BOLT (3/8-16X1-IN)						
	17	1	<b>5L-3560</b>	3	PLATE-LOCK						
	18	1	<b>5L-3553</b>	1	YOKE						
	19	1	<b>5L-3485</b>	1	SHAFT-CLUTCH LEVER						
	20	1	<b>6L-5151</b>	2	KEY-WOODRUFF						
	21	1	<b>0S-1591</b>	2	BOLT (3/8-16X1.5-IN)						
	22	1	<b>3N-1462</b>	1	PIN AS						
	23	1	<b>3N-1461</b>	1	SPRING						
	24	1	<b>5L-3602</b>	1	PLATE-PRESSURE						
	25	1	<b>4P-3020</b>	3	PLATE-DRIVE						
	26	1	<b>3N-9175</b>	1	RING-DRIVE						
	27	1	<b>4B-4773</b>	1	LOCK						
	28	1	<b>4B-4764</b>	1	NUT						
	29	1	<b>3N-9176</b>	1	KEY						
	30	1	<b>3N-9178</b>	1	PLATE-HUB & BACK						
	31	1	<b>5L-3603</b>	2	PLATE AS-CENTER						
	32	1	<b>6L-4016</b>	4	PIN						
	33	1	<b>6L-3961</b>	4	PIN-COTTER (PIN)						
	34	1	<b>5L-3493</b>	4	LEVER						
	35	1	<b>5L-3492</b>	1	YOKE-ADJUSTMENT						
	36	1	<b>5L-3495</b>	8	LINK-LEVER						
	37	2	<b>5L-3496</b>	1	SLEEVE-SLIDING						
	38	2	<b>3N-9179</b>	1	HOUSING-CLUTCH						
	39	2	<b>5L-3487</b>	1	COLLAR AS						
	40	2	<b>5B-2410</b>	1	HOSE AS (393MM)						
	41	2	<b>3B-8489</b>	1	FITTING-GREASE (1/8-27 PTF) (CLUTCH)						
		2	<b>9S-1354</b>	1	NUT (5/8-18-THD)						
		2	<b>6F-0253</b>	1	LOCKWASHER						
	42	2	<b>1L-6931</b>	2	SCREW AS-MACHINE (1/4-20X0.5-IN)						
C	43	2	<b>10B-3561</b>	1	PLATE-INSTRUCTION (POWER TAKE-OFF)						

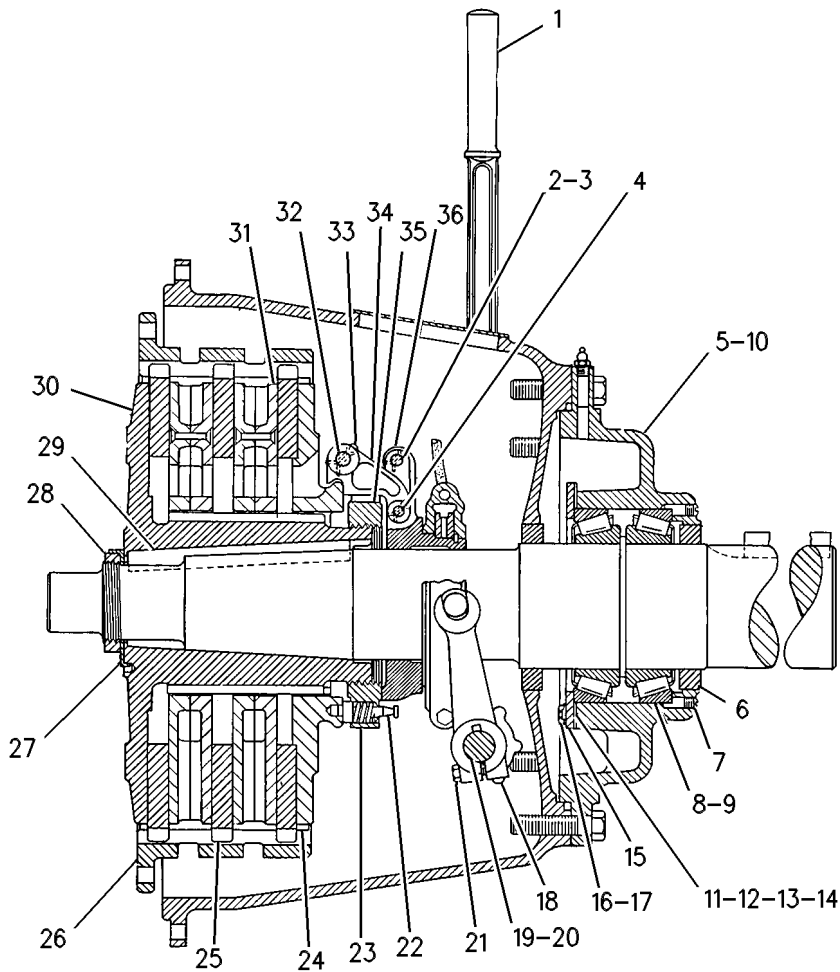
# BASIC ENGINE

2W-4906 CLUTCH GP (contd.)

i01908004

NOTE	REF NO	GRAPHIC REF	PART NUMBER	QTY	PART NAME						SEE PAGE
					1	2	3	4	5	6 (PRODUCT LEVEL)	
	44	2	<b>5L-3617</b>	1	SEAL - RUBBER						
C	45	2	<b>3B-8489</b>	1	FITTING-GREASE (1/8-27 PTF) (CLUTCH)						
C	46	2	<b>4B-9782</b>	1	BALL						
	47	2	<b>2F-7771</b>	1	KEY-SQUARE						
	48	2	<b>5N-7498</b>	1	SHAFT-CLUTCH						
	49	2	<b>8B-7121</b>	2	FITTING-HYDRAULIC (CLUTCH)						
	50	2	<b>0S-1625</b>	8	BOLT (5/8-11X2.5-IN)						

B - USE AS REQUIRED  
 C - CHANGE FROM PREVIOUS TYPE



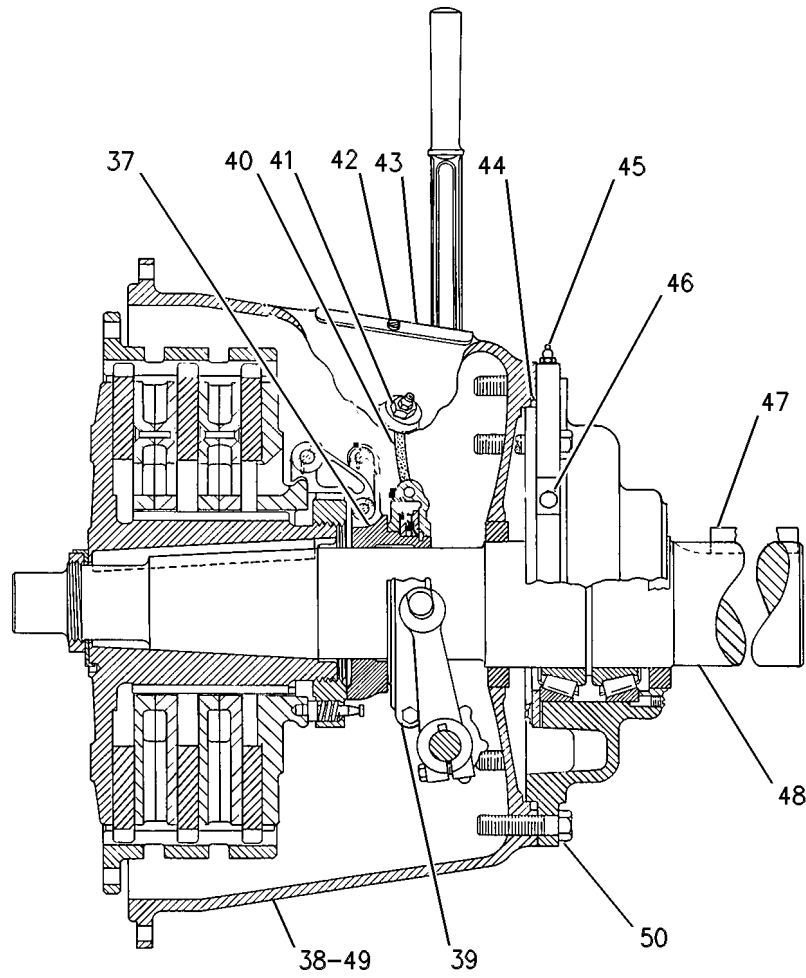
GRAPHIC #1

g00382826

# BASIC ENGINE

2W-4906 CLUTCH GP (contd.)

101908004



GRAPHIC #2

<END>

g00382827

# BASIC ENGINE

## 4P-3073 CLUTCH GP

S/N: 85Z3764-UP

FOR USE WITH SAE NO. 1 FLYWHEEL AND FLYWHEEL HOUSING  
PART OF 4P-3074 POWER TAKE-OFF GP  
AN ATTACHMENT

SMCS-1007

i02560330

NOTE	REF NO	GRAPHIC REF	PART NUMBER	QTY	PART NAME						SEE PAGE
					1	2	3	4	5	6 (PRODUCT LEVEL)	
	1	1	<b>4L-3527</b>	2	PLATE-CLUTCH DRIVING						
	2	1	<b>5L-9652</b>	1	HUB						
	3	1	<b>8B-7987</b>	1	KEY-WOODRUFF						
	4	1	<b>5L-9653</b>	1	NUT						
		1	<b>5L-9654</b>	1	LOCK						
	5	1	<b>3H-9571</b>	1	PLATE-CENTER						
	6	1	<b>5N-9317</b>	1	RING-DRIVE						
	7	1	<b>7F-8897</b>	1	PLATE						
	8	1	<b>3H-9572</b>	1	RING-ADJUSTMENT						
	9	1	<b>3H-9574</b>	1	SLEEVE						
	10	1	<b>4B-4754</b>	1	SHAFT						
		1	<b>6L-5151</b>	2	KEY-WOODRUFF						
	11	1	<b>4B-4792</b>	1	YOKE AS						
	12	1	<b>0S-1591</b>	2	BOLT (3/8-16X1.5-IN)						
		1	<b>3B-4506</b>	2	LOCKWASHER						
	13	1	<b>1A-1460</b>	6	BOLT (1/2-13X2-IN)						
		1	<b>5P-8245</b>	6	WASHER-HARD (13.5X25.5X3-MM THK)						
	14	1	<b>5L-9655</b>	1	RETAINER-BEARING						
	15	1	<b>9S-1354</b>	1	NUT (5/8-18-THD)						
		1	<b>6F-0253</b>	1	LOCKWASHER						
	16	1	<b>4B-4716</b>	1	COLLAR AS-SLEEVE						
	17	1	<b>0L-0639</b>	2	BOLT (3/8-24X2.25-IN)						
		1	<b>2L-6267</b>	2	LOCKNUT (3/8-24-THD)						
B		1	<b>4B-4758</b>	2	SHIM (0.06-IN THK)						
	18	1	<b>0S-1617</b>	1	BOLT (5/16-18X0.75-IN)						
		1	<b>3F-9556</b>	1	LOCKWASHER						
		1	<b>5B-2407</b>	1	LOCK						
E	19	1	<b>5B-2410</b>	1	HOSE AS (38.1-CM)						
	20	1	<b>4B-4721</b>	8	LINK						
		1	<b>6L-3967</b>	8	PIN						
		1	<b>3B-5301</b>	8	PIN-COTTER						
	21	1	<b>6L-3972</b>	4	PIN						
		1	<b>3B-4627</b>	4	PIN-COTTER						
		1	<b>1L-4863</b>	8	WASHER-SPRING						
	22	1	<b>4H-0002</b>	4	LEVER						
	23	1	<b>108-3561</b>	1	PLATE-INSTRUCTION (POWER TAKE-OFF) (SERVICING)						
	24	1	<b>3N-8125</b>	1	PLATE AS-PRESSURE						
	25	1	<b>3N-8124</b>	1	SPRING						
		1	<b>3N-8123</b>	1	LOCK PIN						
	26	1	<b>8B-7121</b>	2	FITTING-HYDRAULIC (CLUTCH)						
	27	1	<b>3N-4896</b>	1	SHAFT-CLUTCH						
	28	1	<b>1S-7443</b>	4	SCREW-MACHINE						
		1	<b>1H-3338</b>	4	LOCKWASHER						
	29	1	<b>6B-3223</b>	2	CUP-BEARING						
	30	1	<b>4B-7270</b>	2	CONE-BEARING						



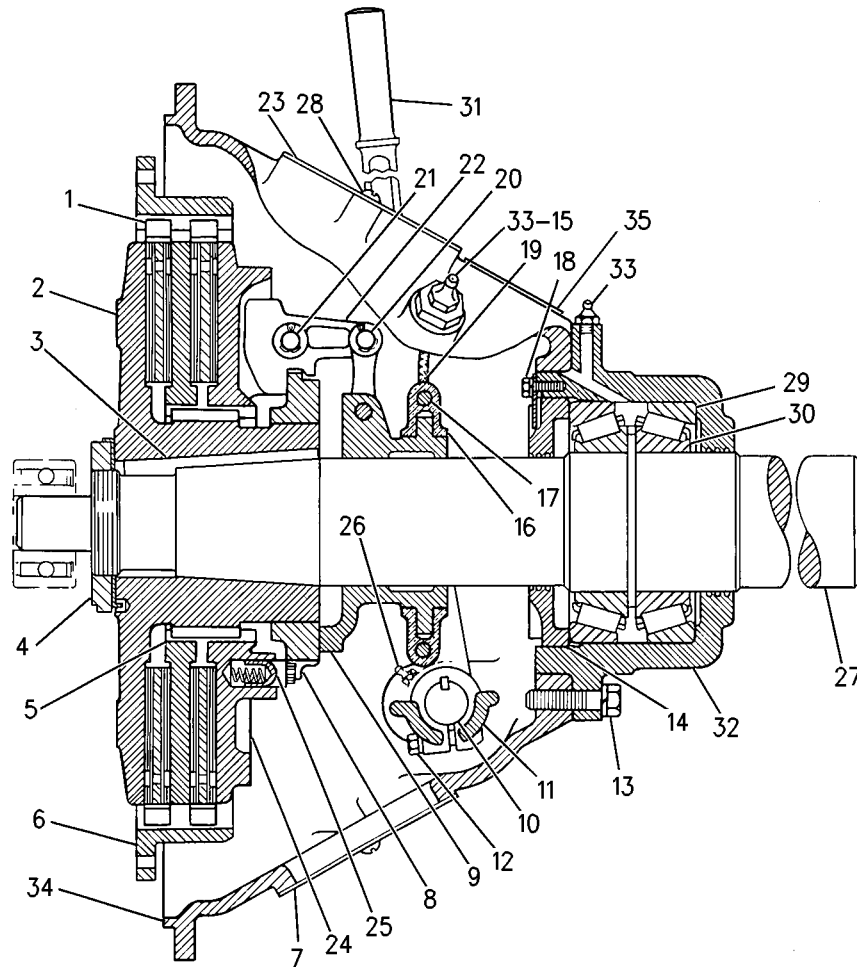
# BASIC ENGINE

4P-3073 CLUTCH GP (contd.)

102560330

NOTE	REF NO	GRAPHIC REF	PART NUMBER	QTY	PART NAME						SEE PAGE
					1	2	3	4	5	6 (PRODUCT LEVEL)	
	31	1	<b>4B-4810</b>	1	LEVER AS-HAND						
	32	1	<b>7F-8916</b>	1	CARRIER-BEARING						
	33	1	<b>3B-8489</b>	2	FITTING-GREASE (1/8-27 PTF) (CLUTCH)						
	34	1	<b>7W-7155</b>	1	HOUSING-CLUTCH						
	35	1	<b>10B-3560</b>	1	PLATE-WARNING (POWER TAKE-OFF)						

B - USE AS REQUIRED  
E - ORDER BY THE CENTIMETER



LEFT SIDE VIEW

GRAPHIC #1

<END>

g00783572

# BASIC ENGINE

## 109-3319 COUPLING GP-GENERATOR

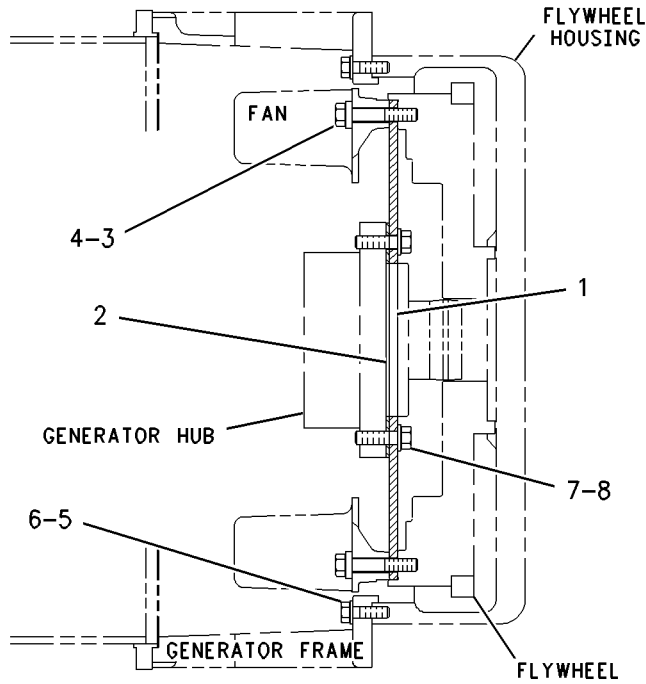
S/N: 8JF1-UP; 6CG1-UP; 6DG1-UP; 6EG1-UP  
 FOR USE WITH 440 PERMANENT MAGNET GENERATOR  
 AN ATTACHMENT

SMCS-4456

i07035241

NOTE	REF NO	GRAPHIC REF	PART NUMBER	QTY	PART NAME						SEE PAGE
					1	2	3	4	5	6 (PRODUCT LEVEL)	
	1	1	<b>111-1810</b>	1	PLATE-FLEXIBLE						
B	2	1	<b>3L-2198</b>	4	SHIM (0.8-MM THK)						
	3	1	<b>8T-9389</b>	8	BOLT (1/2-13X2.75-IN)						
	4	1	<b>039-8557</b>	8	WASHER (13X26X6-MM THK)						
	5	1	<b>8T-8916</b>	12	BOLT (7/16-14X1.5-IN)						
	6	1	<b>8T-5360</b>	12	WASHER (12X22.5X2.5-MM THK)						
	7	1	<b>8T-8919</b>	12	BOLT (1/2-13X1.75-IN)						
	8	1	<b>8T-4223</b>	12	WASHER-HARD (13.5X25.5X3-MM THK)						

B - USE AS REQUIRED



GRAPHIC #1

<END>

g00725590

# BASIC ENGINE

## 4P-3359 COUPLING GP-GENERATOR

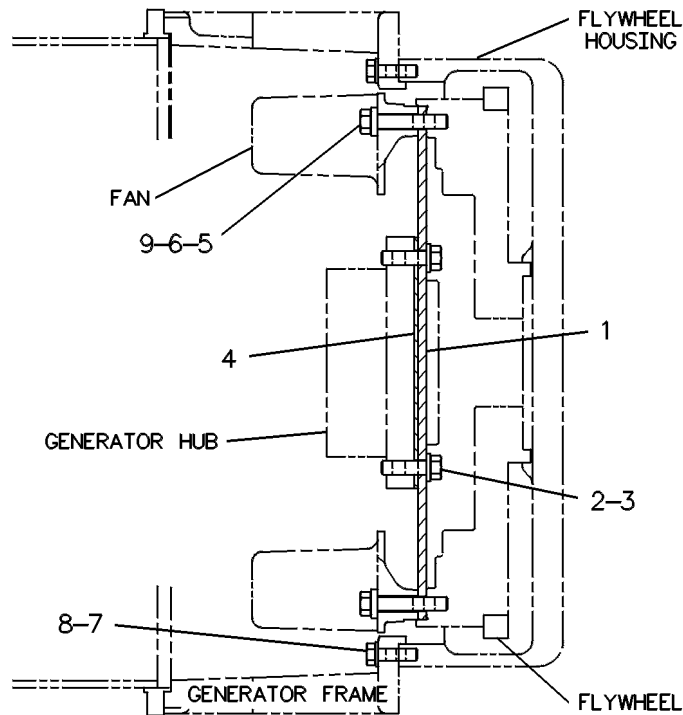
S/N: 8JF1-UP; 6CG1-UP; 6DG1-UP; 6EG1-UP  
 FOR USE WITH 440 PRIME GENERATORS  
 AN ATTACHMENT

SMCS-4456

i02311952

NOTE	REF NO	GRAPHIC REF	PART NUMBER	QTY	PART NAME						SEE PAGE
					1	2	3	4	5	6 (PRODUCT LEVEL)	
	1	1	<b>111-1810</b>	1	PLATE-FLEXIBLE						
	2	1	<b>0S-1587</b>	12	BOLT (1/2-13X1.75-IN)						
	3	1	<b>5P-8245</b>	12	WASHER-HARD (13.5X25.5X3-MM THK)						
B	4	1	<b>3L-2198</b>	4	SHIM (0.8-MM THK)						
B	5	1	<b>1A-5822</b>	8	BOLT (1/2-13X2.75-IN)						
	6	1	<b>039-8557</b>	8	WASHER (13X26X6-MM THK)						
	7	1	<b>0T-0772</b>	12	BOLT (7/16-14X1.5-IN)						
	8	1	<b>5P-8244</b>	12	WASHER-HARD (12X22.5X2.5-MM THK)						
B	9	1	<b>9X-8873</b>	8	BOLT (1/2-13X2.25-IN)						

B - USE AS REQUIRED



GRAPHIC #1

<END>

g00237797

# BASIC ENGINE

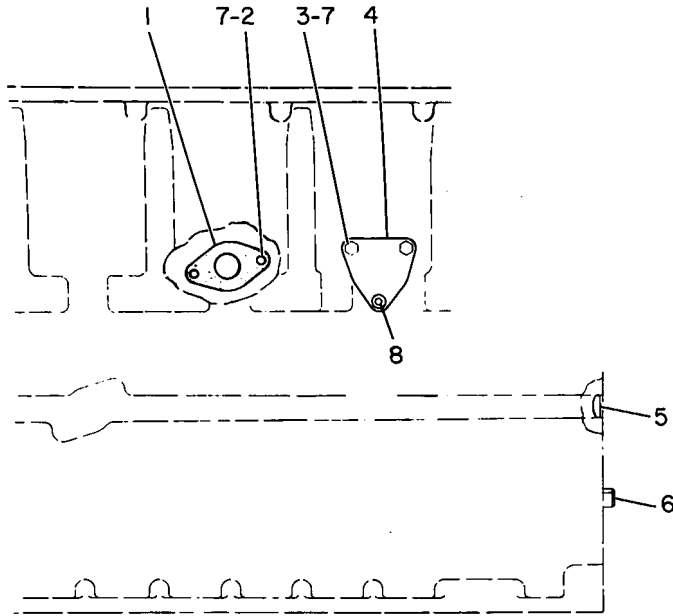
## 7N-1292 COVER GP-CYLINDER BLOCK

S/N: 85Z3764-UP

SMCS-1201

i02355517

NOTE	REF NO	GRAPHIC REF	PART NUMBER	QTY	PART NAME						SEE PAGE
					1	2	3	4	5	6 (PRODUCT LEVEL)	
	1	1	<b>1M-0130</b>	1	COVER						
		1	<b>4M-6480</b>	1	GASKET						
2		1	<b>1A-2029</b>	2	BOLT (3/8-16X1.125-IN)						
3		1	<b>0L-1351</b>	2	BOLT (3/8-16X0.875-IN)						
4		1	<b>8L-8662</b>	1	COVER						
		1	<b>5S-8055</b>	1	GASKET						
5		1	<b>4B-3938</b>	1	PLUG-CUP						
6		1	<b>2A-3798</b>	2	DOWEL						
7		1	<b>5M-2894</b>	4	WASHER-HARD (10.2X18.5X2.5-MM THK)						
8		1	<b>8M-3267</b>	1	SCREW-HEX SOCKET (3/8-16X0.75-IN)						



GRAPHIC #1

<END>

g00108189

# BASIC ENGINE

## 2P-6530 COVER GP-CYLINDER HEAD

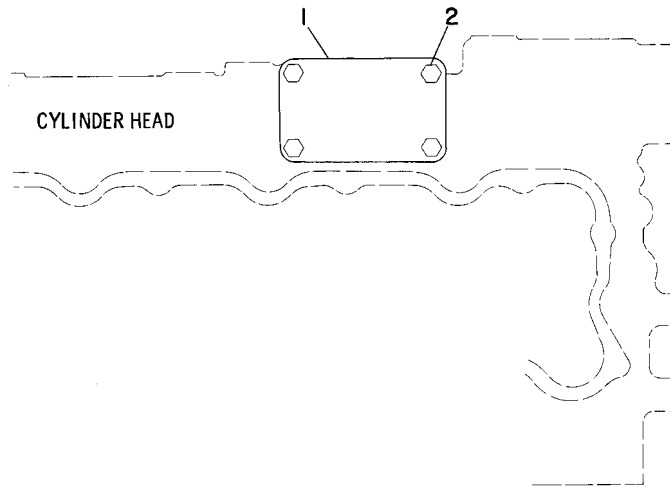
S/N: 85Z3764-UP

SMCS-1100

i01790094

NOTE	REF NO	GRAPHIC REF	PART NUMBER	QTY	PART NAME						SEE PAGE
					1	2	3	4	5	6 (PRODUCT LEVEL)	
	1	1	<b>1P-6367</b>	1	COVER						
		1	<b>5S-6735</b>	1	GASKET						
B	2	1	<b>0S-1594</b>	4	BOLT (3/8-16X1-IN)						
B		1	<b>5M-2894</b>	4	WASHER-HARD (10.2X18.5X2.5-MM THK)						

B - USE AS REQUIRED



GRAPHIC #1

<END>

g00108246

# BASIC ENGINE

## 3N-8594 COVER GP-ENGINE LIFTING EYE

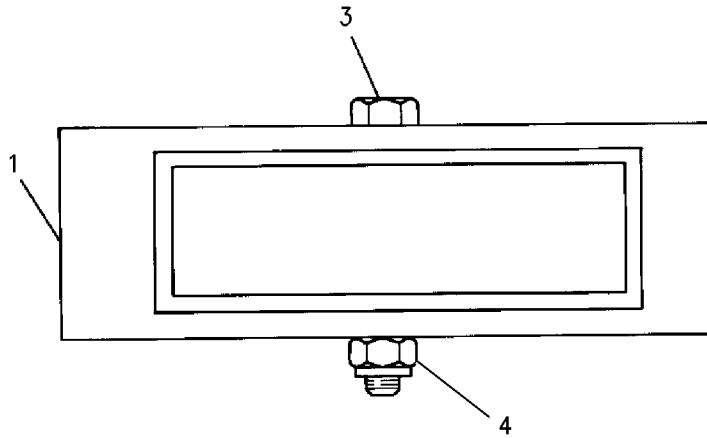
S/N: 85Z3764-UP

PART OF 9Y-5769 BASE GP-ENGINE & GENERATOR, 9Y-5761 TANK & BASE GP-FUEL  
AN ATTACHMENT

SMCS-1122

i06682791

NOTE	REF NO	GRAPHIC REF	PART NUMBER	QTY	PART NAME						SEE PAGE
					1	2	3	4	5	6 (PRODUCT LEVEL)	
	1	1	<b>3N-8593</b>	1	COVER-EYE						
	3	1	<b>8T-9368</b>	1	BOLT (1/4-20X2.25-IN)						
	4	1	<b>3E-9865</b>	1	LOCKNUT (1/4-20-THD)						



GRAPHIC #1

<END>

g00720602

# BASIC ENGINE

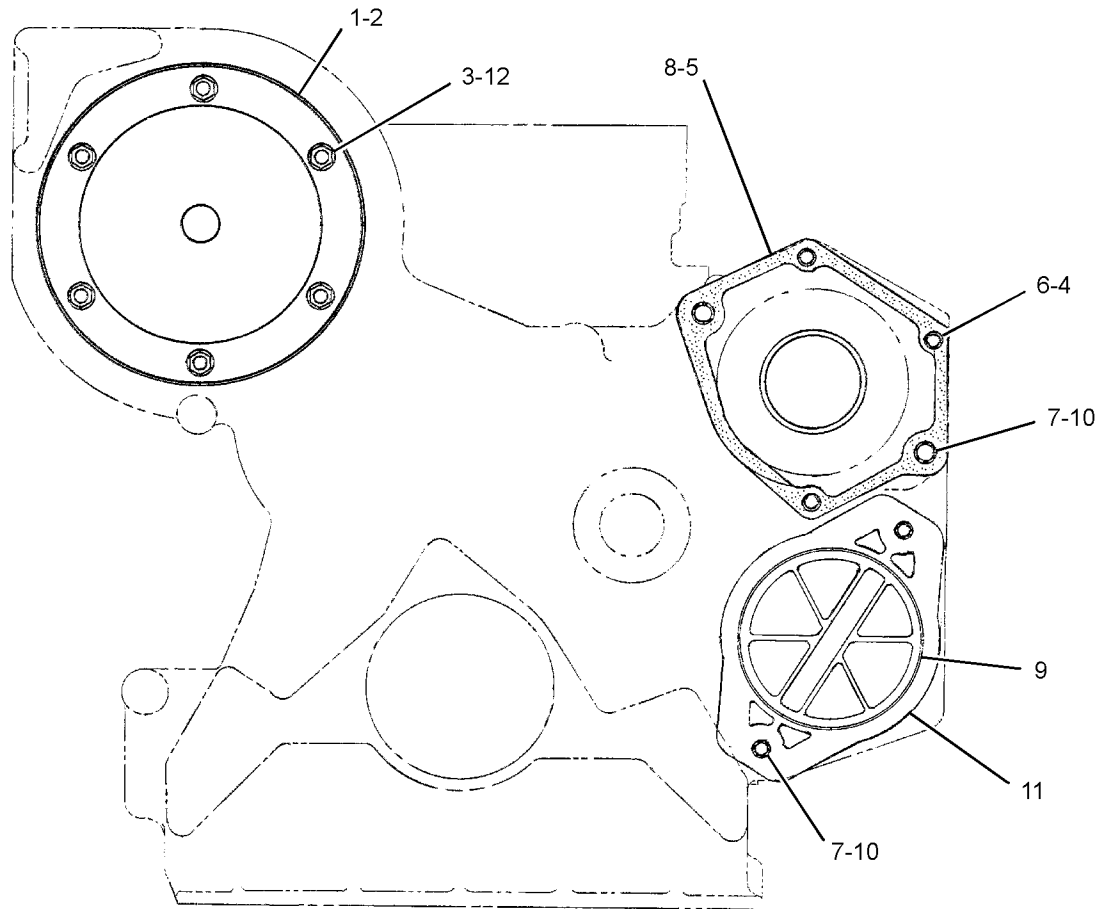
## 2P-6528 COVER GP-FRONT HOUSING

S/N: 85Z3764-UP

SMCS-1151, 1166

i03675246

NOTE	REF NO	GRAPHIC REF	PART NUMBER	QTY	PART NAME						SEE PAGE
					1	2	3	4	5	6 (PRODUCT LEVEL)	
	1	1	<b>9N-5769</b>	1	COVER-HOUSING						
	2	1	<b>6N-7887</b>	1	GASKET-HOUSING COVER						
	3	1	<b>3S-2713</b>	6	NUT-FULL (3/8-24-THD)						
	4	1	<b>5M-2894</b>	3	WASHER-HARD (10.2X18.5X2.5-MM THK)						
	5	1	<b>1W-4542</b>	1	COVER-WATER PUMP						
	6	1	<b>3B-1915</b>	3	BOLT (3/8-16X1.375-IN)						
	7	1	<b>0S-1566</b>	4	BOLT (5/8-11X1.5-IN)						
	8	1	<b>2P-0220</b>	1	GASKET-PUMP						
	9	1	<b>5F-3106</b>	1	SEAL-O-RING						
	10	1	<b>5P-8247</b>	4	WASHER-HARD (17X32X3.5-MM THK)						
	11	1	<b>7N-8374</b>	1	COVER-PUMP						
	12	1	<b>8M-9024</b>	6	WASHER-HARD (10.2X22.5X5-MM THK)						



FRONT VIEW OF ENGINE

GRAPHIC #1

<END>

g01975967

# BASIC ENGINE

## 3N-4923 COVER GP-FRONT HOUSING

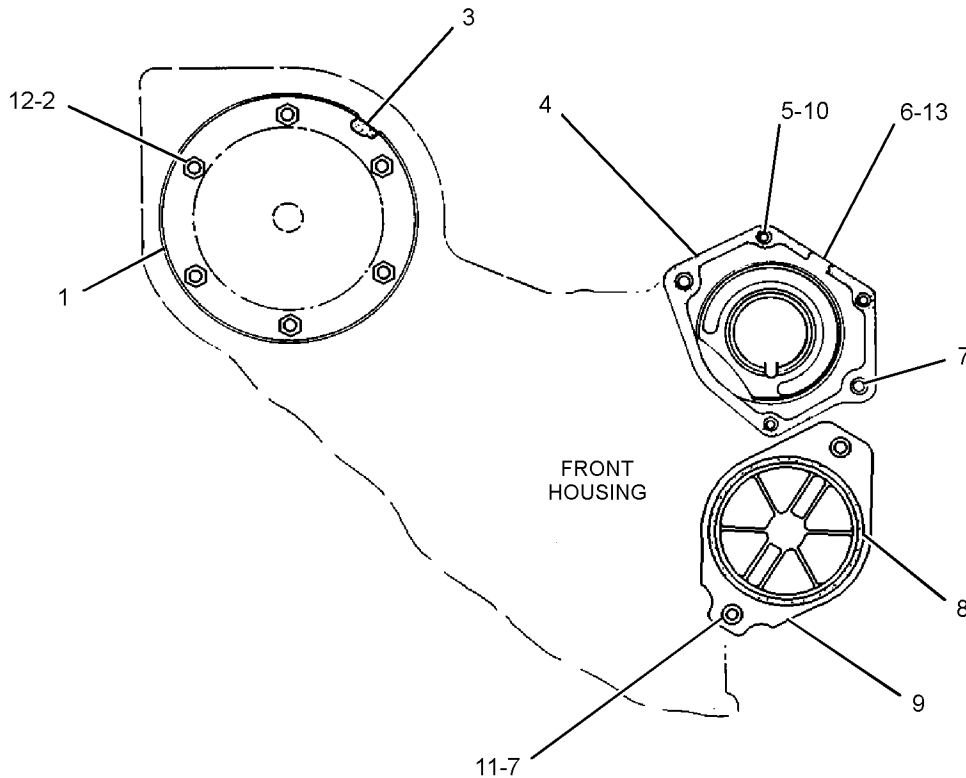
S/N: 85Z3764-UP

PROVIDES COVERS FOR TOP & BOTTOM ACCESSORY DRIVES AND FOR THE FUEL PUMP DRIVE GEAR  
ALSO AN ATTACHMENT

SMCS-1151, 1166

i05469376

NOTE	REF NO	GRAPHIC REF	PART NUMBER	QTY	PART NAME						SEE PAGE
					1	2	3	4	5	6 (PRODUCT LEVEL)	
	1	1	<b>9N-5769</b>	1	COVER-HOUSING						
	2	1	<b>3S-2713</b>	6	NUT-FULL (3/8-24-THD)						
	3	1	<b>6N-7887</b>	1	GASKET-HOUSING COVER						
	4	1	<b>2P-0220</b>	1	GASKET-PUMP						
	5	1	<b>3B-1915</b>	3	BOLT (3/8-16X1.375-IN)						
	6	1	<b>3N-4922</b>	1	COVER-WATER PUMP						
	7	1	<b>0S-1566</b>	4	BOLT (5/8-11X1.5-IN)						
	8	1	<b>5F-3106</b>	1	SEAL-O-RING						
	9	1	<b>7N-8374</b>	1	COVER-PUMP						
	10	1	<b>5M-2894</b>	3	WASHER-HARD (10.2X18.5X2.5-MM THK)						
	11	1	<b>5P-8247</b>	2	WASHER-HARD (17X32X3.5-MM THK)						
	12	1	<b>8M-9024</b>	6	WASHER-HARD (10.2X22.5X5-MM THK)						
	13	1	<b>2S-4241</b>	1	PLUG-CUP						



GRAPHIC #1

<END>

g03466456



# BASIC ENGINE

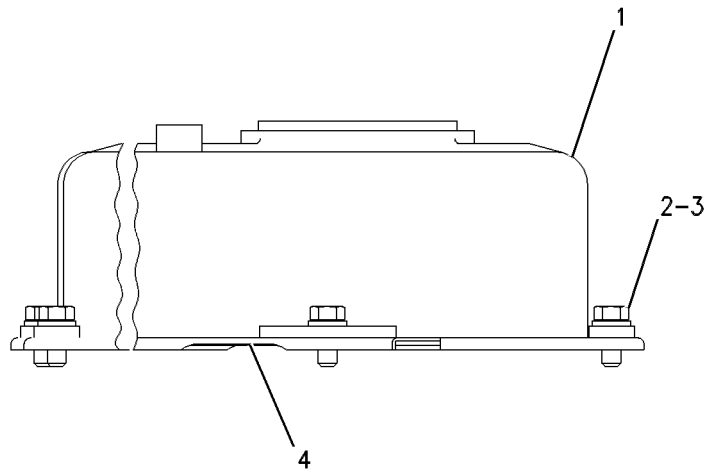
## 8N-4745 COVER GP-VALVE MECHANISM

S/N: 85Z3764-UP

SMCS-1107

i05465475

NOTE	REF NO	GRAPHIC REF	PART NUMBER	QTY	PART NAME						SEE PAGE
					1	2	3	4	5	6 (PRODUCT LEVEL)	
	1	1	<b>2W-1086</b>	1	COVER AS-CYLINDER HEAD						
	2	1	<b>0S-1617</b>	15	BOLT (5/16-18X0.75-IN)						
	3	1	<b>9M-1974</b>	15	WASHER-HARD (8.8X16X2-MM THK)						
	4	1	<b>133-1247</b>	1	SEAL-VALVE COVER						



GRAPHIC #1

<END>

g00301640

# BASIC ENGINE

## 334-8389 CRANKSHAFT AS\*R

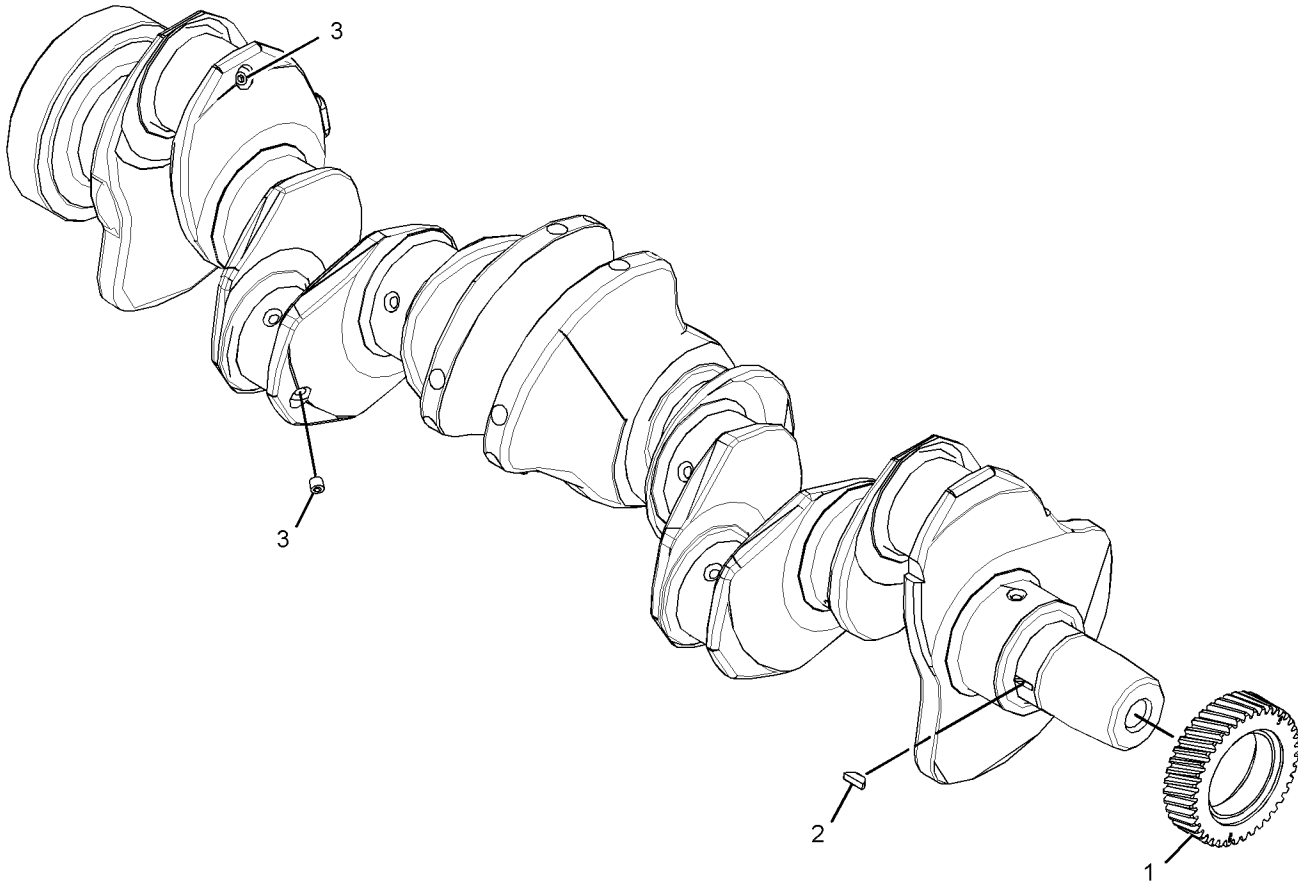
S/N: 85Z3764-UP

PART OF 6N-8079 CRANKSHAFT GP

SMCS-1202

i03879106

NOTE	REF NO	GRAPHIC REF	PART NUMBER	QTY	PART NAME						SEE PAGE
					1	2	3	4	5	6 (PRODUCT LEVEL)	
	1	1	<b>1W-4405</b>	1	GEAR-CRANKSHAFT (40-TEETH)						
	2	1	<b>5H-2671</b>	1	KEY-WOODRUFF						
	3	1	<b>8T-6757</b>	6	PLUG-PIPE						



GRAPHIC #1

<END>

g02126494

# BASIC ENGINE

## 6N-8079 CRANKSHAFT GP

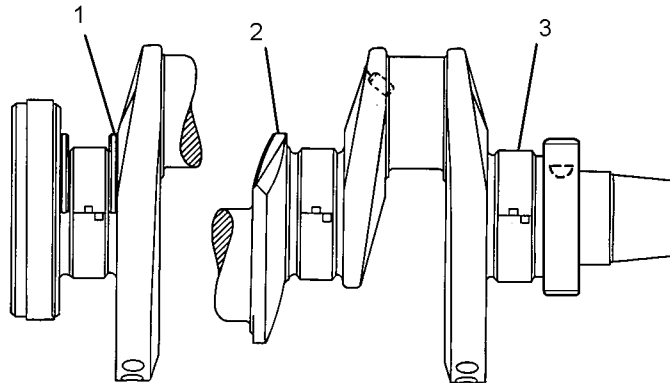
S/N: 85Z3764-UP

SMCS-1202

i04785218

NOTE	REF NO	GRAPHIC REF	PART NUMBER	QTY	PART NAME						SEE PAGE
					1	2	3	4	5	6 (PRODUCT LEVEL)	
	1	1	<b>100-3652</b>	2	PLATE-THRUST						
YR	2	1	<b>334-8389</b>	1	CRANKSHAFT AS						100
C	3	1	<b>232-3233</b>	7	BEARING-MAIN (STANDARD)						
AB		1	<b>8N-8225</b>	7	BEARING-MAIN (0.25-MM US)						
AB		1	<b>8N-8226</b>	7	BEARING-MAIN (0.51-MM US)						
AB		1	<b>8N-8227</b>	7	BEARING-MAIN (0.76-MM US)						
AB		1	<b>8N-8228</b>	7	BEARING-MAIN (0.51-MM OS)						
AB		1	<b>8N-8229</b>	7	BEARING-MAIN (0.25-MM US, 0.51-MM OS)						
AB		1	<b>4P-7305</b>	7	BEARING-MAIN (0.51-MM OS, 0.51-MM US)						
AB		1	<b>4P-7306</b>	7	BEARING-MAIN (0.51-MM OS, 0.76-MM US)						

A - NOT PART OF THIS GROUP  
 B - USE AS REQUIRED  
 C - CHANGE FROM PREVIOUS TYPE  
 R - REMANUFACTURED PART MAY BE AVAILABLE  
 Y - SEPARATE ILLUSTRATION



GRAPHIC #1

<END>

g01105919

# BASIC ENGINE

## 1N-3576 CYLINDER BLOCK GP

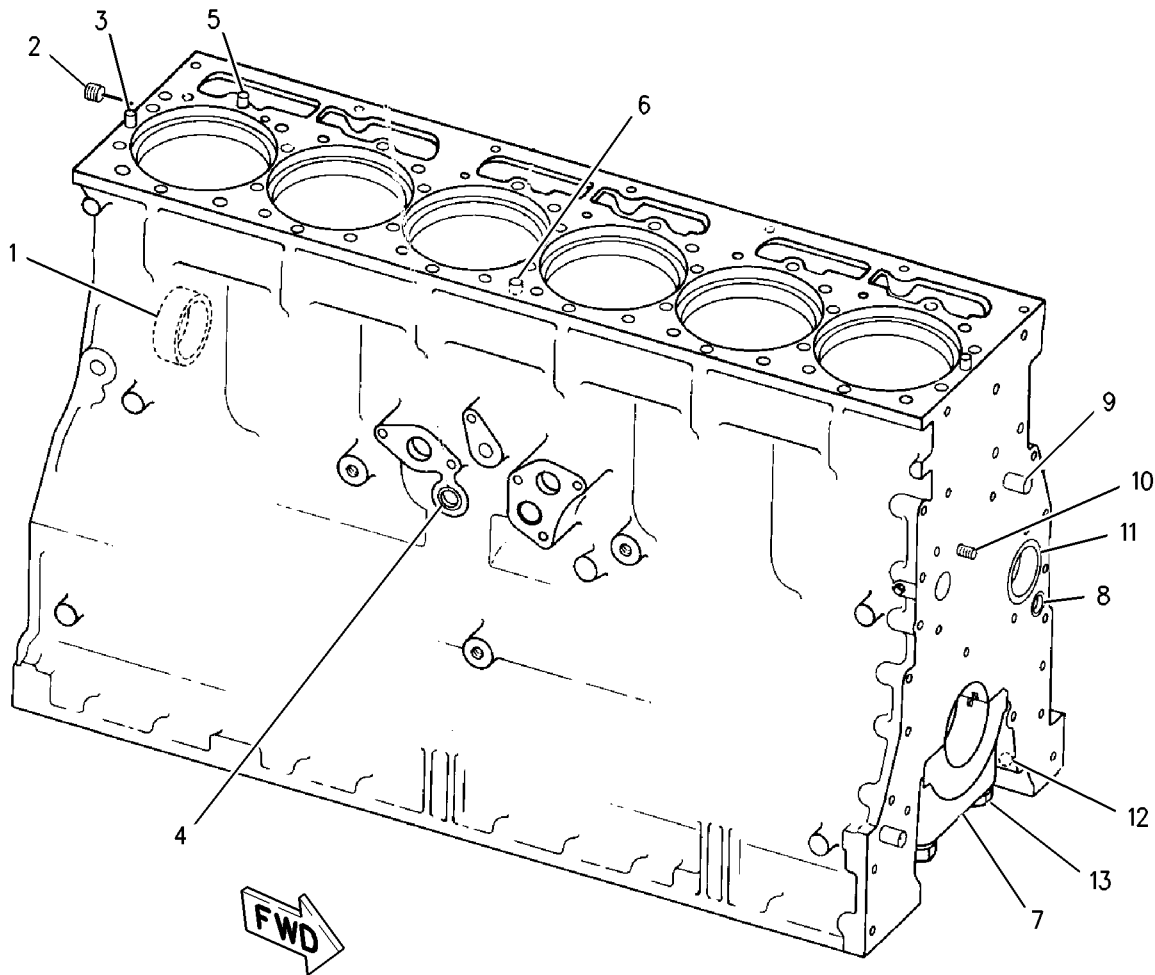
S/N: 85Z3764-UP

FIELD REPLACEMENT FOR 7N-6550—PAGE: 103

SMCS-1201

i04160209

NOTE	REF NO	GRAPHIC REF	PART NUMBER	QTY	PART NAME						SEE PAGE
					1	2	3	4	5	6	
	1	1	<b>7M-4046</b>	4	BUSHING						
	2	1	<b>3J-6019</b>	1	PLUG						
	3	1	<b>8K-1207</b>	2	DOWEL						
	4	1	<b>4B-5387</b>	1	PLUG-CUP						
	5	1	<b>1S-9540</b>	1	DOWEL						
	6	1	<b>5B-7652</b>	2	DOWEL						
	7	1	<b>6N-8003</b>	7	CAP-CRANKSHAFT BEARING						
	8	1	<b>4B-3938</b>	1	PLUG-CUP						
	9	1	<b>8B-6349</b>	2	DOWEL						
	10	1	<b>5S-8462</b>	1	STUD						
	11	1	<b>8N-4110</b>	1	BUSHING						
	12	1	<b>4B-9782</b>	1	BALL						
	13	1	<b>7S-3224</b>	14	BOLT (5/8-11X5.25-IN)						
		1	<b>2S-5658</b>	14	WASHER-HARD (17X29X3-MM THK)						



GRAPHIC #1

<END>

g00900776

# BASIC ENGINE

## 7N-6550 CYLINDER BLOCK GP

S/N: 85Z3764-UP

**FIELD REPLACEMENT ORDER 1N-3576-PAGE: 102, 6N-7727 KIT-CYLINDER BLOCK  
PART OF 8N-5286 CYLINDER BLOCK GP**

**SMCS-1201**

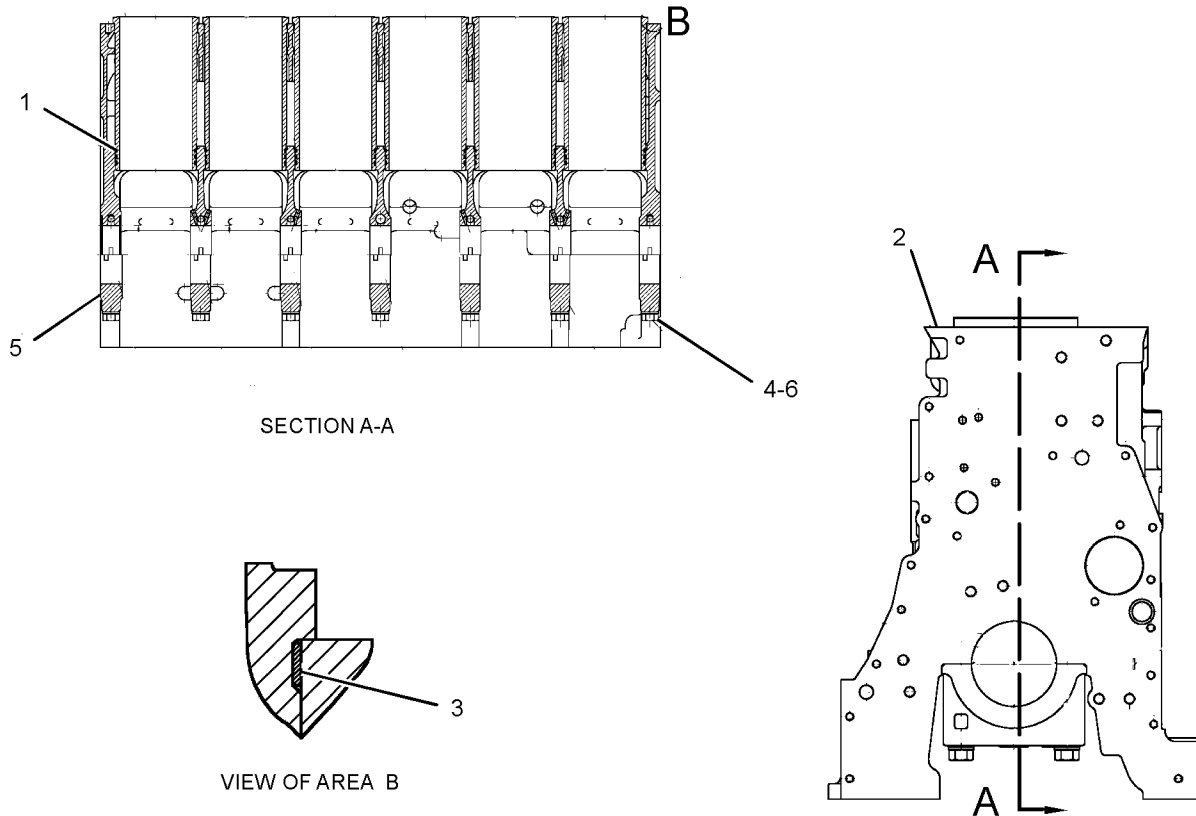
**i05942019**

NOTE	REF NO	GRAPHIC REF	PART NUMBER	QTY	PART NAME						SEE PAGE
					1	2	3	4	5	6 (PRODUCT LEVEL)	
	1	1	<b>456-5581</b>	18	SEAL-O-RING						
	2	1	<b>371-5941</b>	6	LINER-CYLINDER						
ABJ		1	<b>104-5512</b>		INSERT-LINER SEAT (0.822-MM THK)						
ABJ		1	<b>104-5518</b>		INSERT-LINER SEAT (1.605-MM THK)						
ABJ		1	<b>104-5527</b>		INSERT-LINER SEAT (2.71-MM THK)						
ABJ		1	<b>104-5530</b>		INSERT-LINER SEAT (5.21-MM THK)						
(REFER TO SEBF8198 FOUND IN SISWEB FOR LINER INSERTS.)											
	3	1	<b>2W-6134</b>	6	BAND-FILLER						
	4	1	<b>7S-3224</b>	14	BOLT (5/8-11X5.25-IN)						
	5	1	<b>6N-8003</b>	7	CAP-CRANKSHAFT BEARING						
	6	1	<b>2S-5658</b>	14	WASHER-HARD (17X29X3-MM THK)						

A - NOT PART OF THIS GROUP

B - USE AS REQUIRED

J - TO REPAIR LIGHT DAMAGE DUE TO EROSION/FRETTING IN THE LINER FLANGE SEATING AREA



GRAPHIC #1

<END>

g03427568

# BASIC ENGINE

## 8N-5286 CYLINDER BLOCK GP\*R S/N: 85Z3764-UP

SMCS - 1201

i05469398

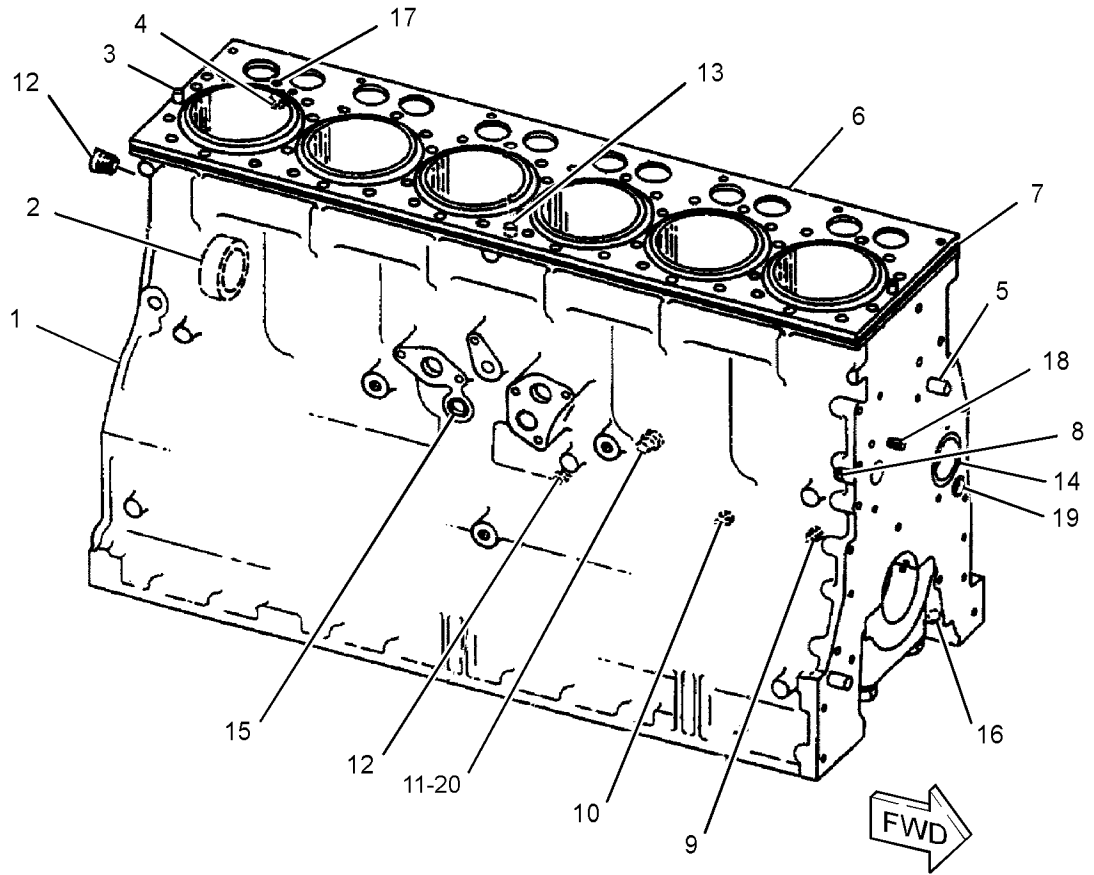
NOTE	REF NO	GRAPHIC REF	PART NUMBER	QTY	PART NAME						SEE PAGE
					1	2	3	4	5	6 (PRODUCT LEVEL)	
Y	1	1	7N-6550	1	CYLINDER BLOCK GP						103
	2	1	7M-4046	4	BUSHING						
	3	1	8K-1207	2	DOWEL						
	4	1	3S-5496	1	SEAL-O-RING						
	5	1	8B-6349	2	DOWEL						
	6	1	7N-7998	1	PLATE-BLOCK						
	7	1	115-7550	1	GASKET-PLATE						
	8	1	8T-6764	1	PLUG-PIPE (1/8-27-THD)						
	9	1	8T-6763	1	PLUG-PIPE (1/4-18-THD)						
	10	1	8T-6765	4	PLUG-PIPE (1/4-18-THD)						
	11	1	8M-9307	1	PLUG (ENGINE OIL)						
	12	1	8T-6762	3	PLUG-PIPE (1/2-14-THD)						
	13	1	5B-7652	2	DOWEL						
	14	1	8N-4110	1	BUSHING						
	15	1	4B-5387	1	PLUG-CUP						
	16	1	4B-9782	1	BALL						
	17	1	1S-9540	1	DOWEL						
	18	1	5S-8462	1	STUD						
	19	1	4B-3938	1	PLUG-CUP						
	20	1	6F-7062	1	WASHER (12.7X19.05X1.83-MM THK)						

Y - SEPARATE ILLUSTRATION

# BASIC ENGINE

8N-5286 CYLINDER BLOCK GP (contd.)

105469398



GRAPHIC #1

<END>

g03463796

# BASIC ENGINE

## 505-0157 CYLINDER HEAD GP

S/N: 85Z3764-UP

3306 CYLINDER HEAD CLASSIC KIT

OPTIONAL FIELD REPLACEMENT ORDER 7N-8876-PAGE: 107  
FIELD INSTALLATION

SMCS-1100

i06736036

NOTE	PART NUMBER	QTY	PART NAME						SEE PAGE
			1	2	3	4	5	6 (PRODUCT LEVEL)	
	269-5290	1	CYLINDER HEAD GP						
	279-4977	1	GASKET AS-CYLINDER HEAD						
	379-0174	24	LOCK-RETAINER						
	443-2659	12	ROTOCOIL AS						
	7N-8018	6	SEAL (WATER)						
	9Y-1798	18	SEAL (WATER)						
	3S-5496	1	SEAL-O-RING						
	7S-7144	12	SPRING-VALVE						
	270-4361	6	VALVE-EXHAUST						
	270-4360	6	VALVE-INLET						

<END>



# BASIC ENGINE

## 7N-8876 CYLINDER HEAD GP\*R

S/N: 85Z3764-8381

FIELD REPLACEMENT ORDER 8N-6796-PAGE: 112

SMCS-1100

i03432720

NOTE	REF NO	GRAPHIC REF	PART NUMBER	QTY	PART NAME						SEE PAGE
					1	2	3	4	5	6 (PRODUCT LEVEL)	
	1	1	<b>7S-7144</b>	12	SPRING-VALVE						
	2	1	<b>1W-5300</b>	12	ROTOCOIL AS						
					(EACH INCLUDES)						
		1	<b>6N-7174</b>	1	SHIELD-OIL						
	3	1	<b>2A-4429</b>	24	LOCK-RETAINER						
	4	1	<b>3S-5496</b>	1	SEAL-O-RING						
	5	1	<b>111-8015</b>	1	GASKET AS-CYLINDER HEAD						
	6	1	<b>6N-9915</b>	6	VALVE-INLET						
	7	1	<b>6N-9916</b>	6	VALVE-EXHAUST						
	8	1	<b>9Y-1798</b>	18	SEAL						
	9	1	<b>2P-1262</b>	12	GUIDE-VALVE						
	10	1	<b>3S-8313</b>	7	PLUG-CUP						
	11	1	<b>3P-1896</b>	13	PLUG-CUP (35.31-MM OD)						
	12	1	<b>107-0268</b>	6	INSERT-VALVE SEAT (INLET) (STANDARD)						
AB		1	<b>111-8021</b>		INSERT-VALVE SEAT (0.13-MM OS, INLET) (0.13-MM OS OD)						
AB		1	<b>111-8022</b>		INSERT-VALVE SEAT (0.25-MM OS, INLET) (0.25-MM OS OD)						
AB		1	<b>111-8023</b>		INSERT-VALVE SEAT (0.51-MM OS, INLET) (0.51-MM OS OD)						
AB		1	<b>111-8024</b>		INSERT-VALVE SEAT (0.76-MM OS, INLET) (0.76-MM OS OD)						
	13	1	<b>107-0265</b>	6	INSERT-VALVE SEAT (EXHAUST) (STANDARD)						
AB		1	<b>111-8025</b>		INSERT-VALVE SEAT (0.13-MM OS, EXHAUST) (0.13-MM OS OD)						
AB		1	<b>111-8026</b>		INSERT-VALVE SEAT (0.25-MM OS, EXHAUST) (0.25-MM OS OD)						
AB		1	<b>111-8027</b>		INSERT-VALVE SEAT (0.51-MM OS, EXHAUST) (0.51-MM OS OD)						
AB		1	<b>111-8028</b>		INSERT-VALVE SEAT (0.76-MM OS, EXHAUST) (0.76-MM OS OD)						
	14	1	<b>3B-0623</b>	6	PLUG-CUP						
	15	1	<b>2B-0858</b>	3	PLUG-PIPE						
	16	1	<b>7N-8018</b>	6	SEAL						
	17	1	<b>5M-6213</b>	1	PLUG-PIPE (1/4-18-THD)						

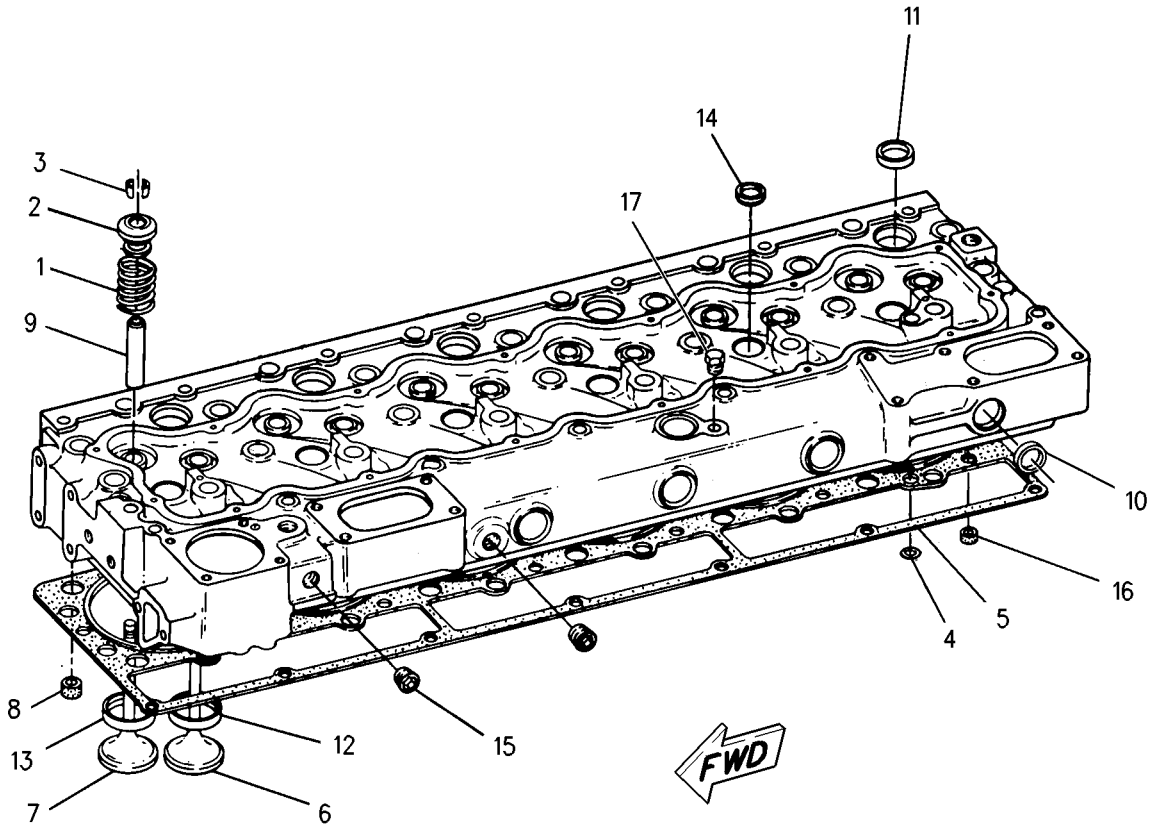
A - NOT PART OF THIS GROUP

B - USE AS REQUIRED

# BASIC ENGINE

7N-8876 CYLINDER HEAD GP (contd.)

i03432720



GRAPHIC #1

<END>

g00994363

# BASIC ENGINE

## 7W-0362 CYLINDER HEAD GP\*R

S/N: 85Z3764-UP

CONTAINS VALVES

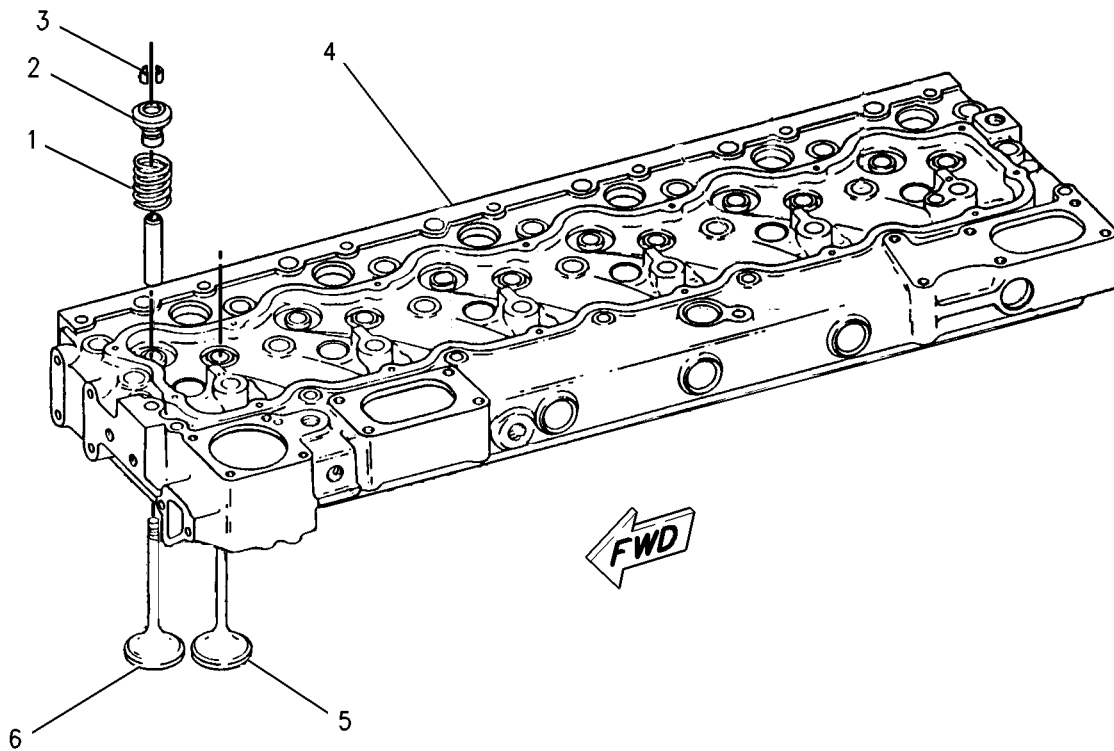
FIELD REPLACEMENT FOR 7N-8876-PAGE: 107: FOR 8N-0246-PAGE: 110

SMCS-1100

i02817708

NOTE	REF NO	GRAPHIC REF	PART NUMBER	QTY	PART NAME						SEE PAGE
					1	2	3	4	5	6 (PRODUCT LEVEL)	
	1	1	<b>7S-7144</b>	12	SPRING-VALVE						
	2	1	<b>1W-5300</b>	12	ROTOCOIL AS						
					(EACH INCLUDES)						
		1	<b>6N-7174</b>	1	SHIELD-OIL						
	3	1	<b>2A-4429</b>	24	LOCK-RETAINER						
YR	4	1	<i>8N-6796</i>	1	CYLINDER HEAD GP						112
	5	1	<b>100-7860</b>	6	VALVE-INLET						
	6	1	<b>148-7455</b>	6	VALVE-EXHAUST						

R - REMANUFACTURED PART MAY BE AVAILABLE  
 Y - SEPARATE ILLUSTRATION



GRAPHIC #1

<END>

g00994395

# BASIC ENGINE

## 8N-0246 CYLINDER HEAD GP\*R

S/N: 85Z3764-UP

OPTIONAL FIELD REPLACEMENT ORDER 8N-6796-PAGE: 112, 7W-0362-PAGE: 109

SMCS-1100

i03806489

NOTE	REF NO	GRAPHIC REF	PART NUMBER	QTY	PART NAME						SEE PAGE
					1	2	3	4	5	6 (PRODUCT LEVEL)	
	1	1	<b>7S-7144</b>	12	SPRING-VALVE						
	2	1	<b>1W-5300</b>	12	ROTOCOIL AS						
					(EACH INCLUDES)						
		1	<b>6N-7174</b>	1	SHIELD-OIL						
	3	1	<b>2A-4429</b>	24	LOCK-RETAINER						
	4	1	<b>7N-8018</b>	6	SEAL						
	5	1	<b>9Y-1798</b>	18	SEAL						
	6	1	<b>148-7455</b>	6	VALVE-EXHAUST						
	7	1	<b>100-7860</b>	6	VALVE-INLET						
	8	1	<b>111-8015</b>	1	GASKET AS-CYLINDER HEAD						
	9	1	<b>3B-0623</b>	6	PLUG-CUP						
	10	1	<b>3S-8313</b>	7	PLUG-CUP						
	11	1	<b>3S-5496</b>	1	SEAL-O-RING						
	12	1	<b>8T-6763</b>	1	PLUG-PIPE (1/4-18-THD)						
	13	1	<b>107-0268</b>	6	INSERT-VALVE SEAT (INLET) (STANDARD)						
AB		1	<b>111-8021</b>		INSERT-VALVE SEAT (0.13-MM OS, INLET)						
AB		1	<b>111-8022</b>		INSERT-VALVE SEAT (0.25-MM OS, INLET)						
AB		1	<b>111-8023</b>		INSERT-VALVE SEAT (0.51-MM OS, INLET)						
AB		1	<b>111-8024</b>		INSERT-VALVE SEAT (0.76-MM OS, INLET)						
	14	1	<b>107-0265</b>	6	INSERT-VALVE SEAT (EXHAUST) (STANDARD)						
AB		1	<b>111-8025</b>		INSERT-VALVE SEAT (0.13-MM OS, EXHAUST)						
AB		1	<b>111-8026</b>		INSERT-VALVE SEAT (0.25-MM OS, EXHAUST)						
AB		1	<b>111-8027</b>		INSERT-VALVE SEAT (0.51-MM OS, EXHAUST)						
AB		1	<b>111-8028</b>		INSERT-VALVE SEAT (0.76-MM OS, EXHAUST)						
	15	1	<b>148-7425</b>	12	GUIDE-VALVE (STANDARD)						
AB		1	<b>154-6997</b>		GUIDE-VALVE (0.51-MM OS)						
AB		1	<b>154-6998</b>		GUIDE-VALVE (0.13-MM OS)						
	16	1	<b>3P-1896</b>	13	PLUG-CUP (35.31-MM OD)						
B	17	1	<b>8T-6762</b>	3	PLUG-PIPE (1/2-14-THD)						

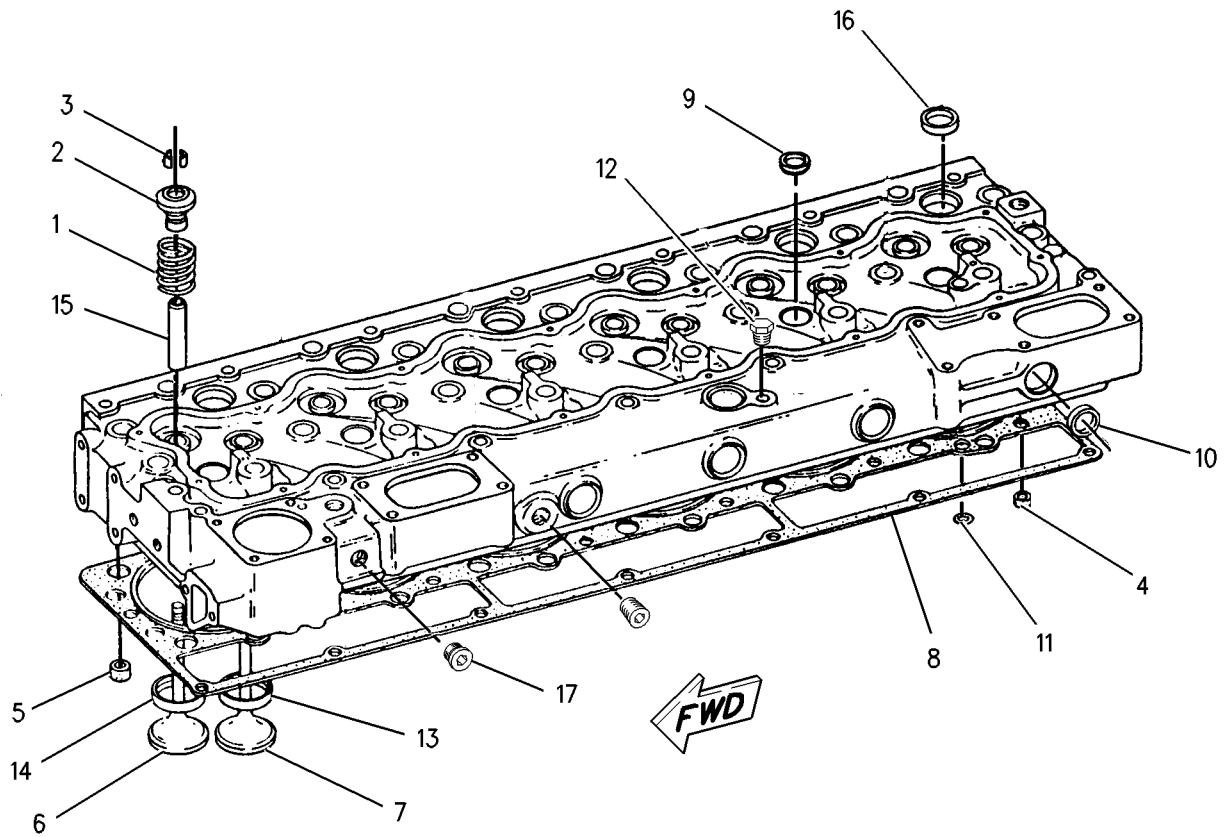
A - NOT PART OF THIS GROUP

B - USE AS REQUIRED

# BASIC ENGINE

8N-0246 CYLINDER HEAD GP (contd.)

103806489



GRAPHIC #1

<END>

g00899553

# BASIC ENGINE

## 8N-6796 CYLINDER HEAD GP\*R

S/N: 85Z3764-UP

CONTAINS NO VALVES

FIELD REPLACEMENT FOR 7N-8876-PAGE: 107: FOR 8N-0246-PAGE: 110

PART OF 7W-0362 CYLINDER HEAD GP

**SMCS-1100**

**i04941738**

NOTE	REF NO	GRAPHIC REF	PART NUMBER	QTY	PART NAME						SEE PAGE
					1	2	3	4	5	6	
	1	1	<b>148-7425</b>	12	GUIDE-VALVE (STANDARD)						
AB		1	<b>154-6997</b>		GUIDE-VALVE (0.51-MM OS)						
AB		1	<b>154-6998</b>		GUIDE-VALVE (0.13-MM OS)						
	2	1	<b>5M-2894</b>	4	WASHER-HARD (10.2X18.5X2.5-MM THK)						
	3	1	<b>8T-6762</b>	3	PLUG-PIPE (1/2-14-THD)						
	4	1	<b>5S-6735</b>	1	GASKET						
	5	1	<b>1P-6367</b>	1	COVER						
	6	1	<b>0S-1594</b>	4	BOLT (3/8-16X1-IN)						
	7	1	<b>8T-6763</b>	1	PLUG-PIPE (1/4-18-THD)						
	8	1	<b>8N-4485</b>	1	VALVE AS-VENT (ENGINE COOLANT)						
	9	1	<b>107-0265</b>	6	INSERT-VALVE SEAT (EXHAUST) (STANDARD)						
AB		1	<b>111-8025</b>		INSERT-VALVE SEAT (0.13-MM OS, EXHAUST)						
AB		1	<b>111-8026</b>		INSERT-VALVE SEAT (0.25-MM OS, EXHAUST)						
AB		1	<b>111-8027</b>		INSERT-VALVE SEAT (0.51-MM OS, EXHAUST)						
AB		1	<b>111-8028</b>		INSERT-VALVE SEAT (0.76-MM OS, EXHAUST)						
	10	1	<b>107-0268</b>	6	INSERT-VALVE SEAT (INLET) (STANDARD)						
AB		1	<b>111-8021</b>		INSERT-VALVE SEAT (0.13-MM OS, INLET)						
AB		1	<b>111-8022</b>		INSERT-VALVE SEAT (0.25-MM OS, INLET)						
AB		1	<b>111-8023</b>		INSERT-VALVE SEAT (0.51-MM OS, INLET)						
AB		1	<b>111-8024</b>		INSERT-VALVE SEAT (0.76-MM OS, INLET)						
	11	1	<b>3B-0623</b>	6	PLUG-CUP						
	12	1	<b>3S-8313</b>	7	PLUG-CUP						
	13	1	<b>3P-1896</b>	13	PLUG-CUP (35.31-MM OD)						

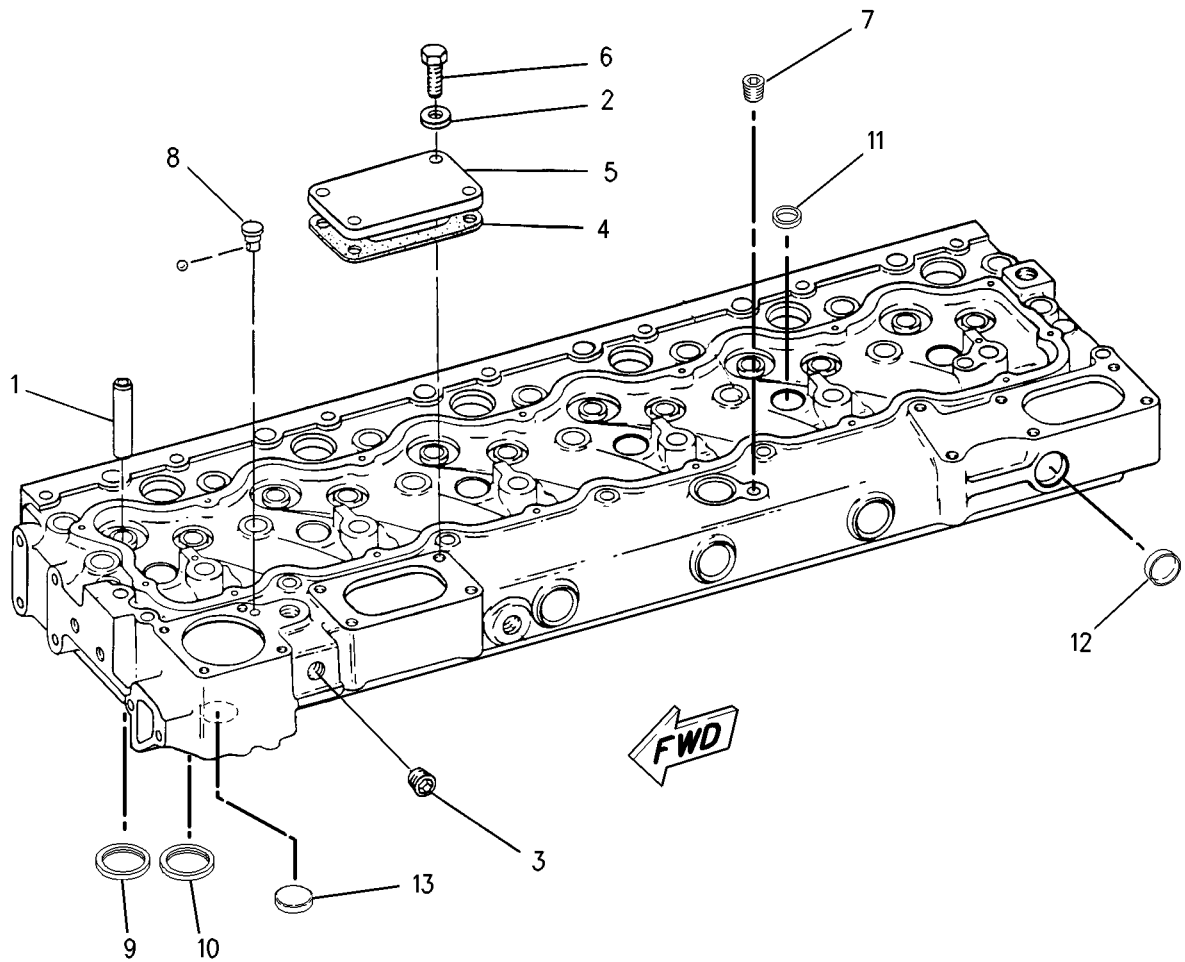
A - NOT PART OF THIS GROUP

B - USE AS REQUIRED

# BASIC ENGINE

8N-6796 CYLINDER HEAD GP (contd.)

i04941738



GRAPHIC #1

<END>

g00899566

# BASIC ENGINE

## 3N-2885 DAMPER GP

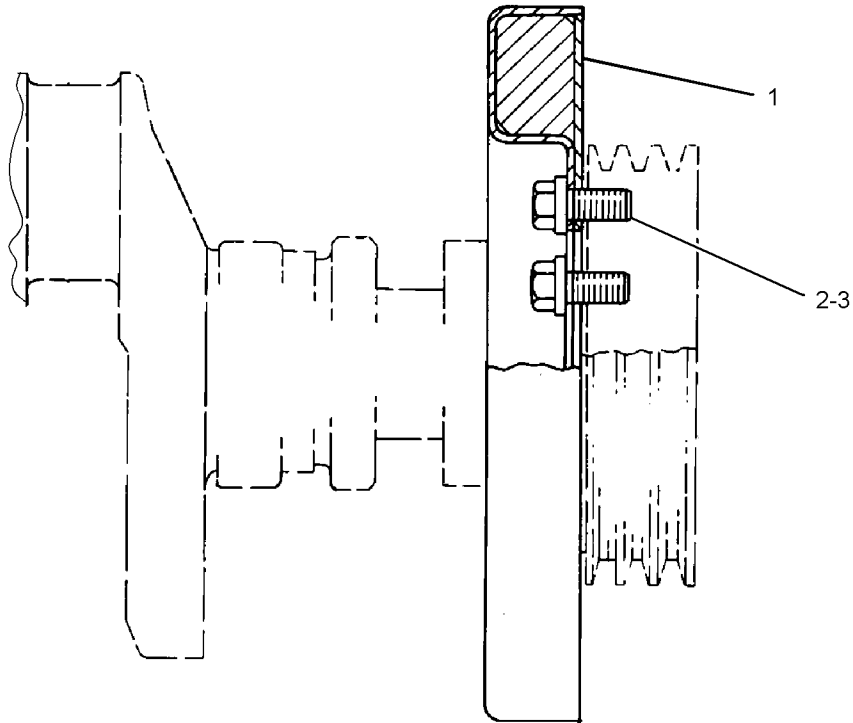
S/N: 85Z3764-UP

SMCS-1205

i05468875

NOTE	REF NO	GRAPHIC REF	PART NUMBER	QTY	PART NAME						SEE PAGE
					1	2	3	4	5	6 (PRODUCT LEVEL)	
C	1	1	<b>167-8123</b>	1	DAMPER AS						
C	2	1	<b>0S-1595</b>	6	BOLT (1/2-13X1.25-IN)						
C	3	1	<b>2M-0849</b>	6	WASHER-HARD (13.5X25.5X5-MM THK)						

C - CHANGE FROM PREVIOUS TYPE



GRAPHIC #1

<END>

g03456096



# BASIC ENGINE

## 9N-2345 DAMPER GP

S/N: 85Z3764-UP

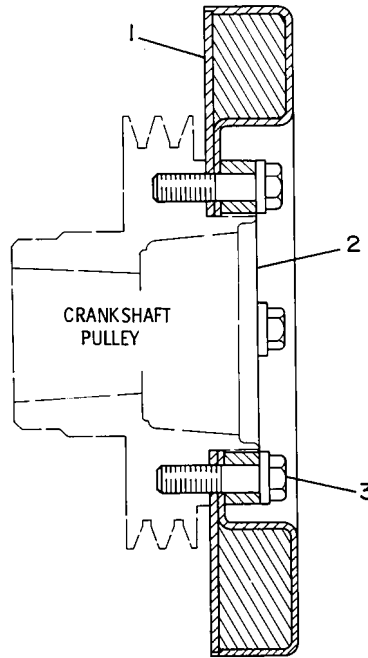
PROVIDES A VISCOUS DAMPER  
AN ATTACHMENT

SMCS-1205

i01223696

NOTE	REF NO	GRAPHIC REF	PART NUMBER	QTY	PART NAME						SEE PAGE
					1	2	3	4	5	6 (PRODUCT LEVEL)	
	1	1	<b>167-8123</b>	1	DAMPER AS						
	2	1	<b>9L-6261</b>	1	ADAPTER						
C	3	1	<b>0S-1587</b>	6	BOLT (1/2-13X1.75-IN)						
C		1	<b>5P-8245</b>	6	WASHER-HARD (13.5X25.5X3-MM THK)						

C - CHANGE FROM PREVIOUS TYPE



GRAPHIC #1

<END>

g00115558

# BASIC ENGINE

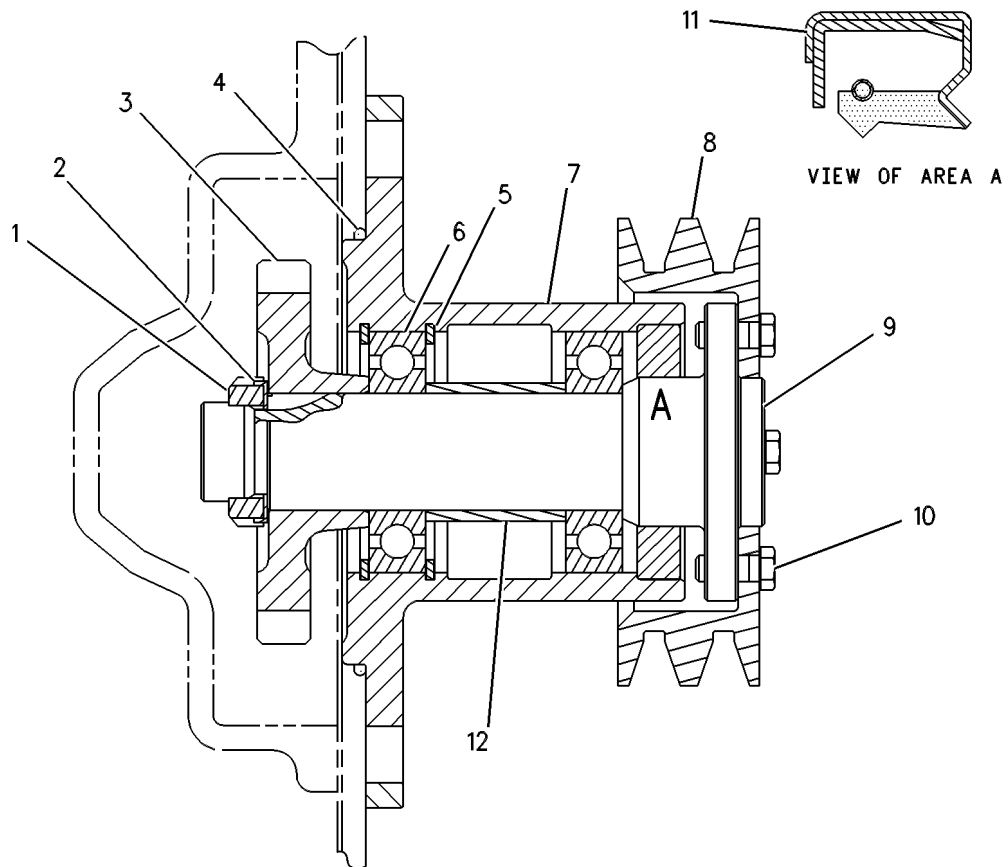
## 138-2780 DRIVE GP-AUXILIARY

S/N: 85Z3764-UP  
FOR USE WITH HIGH CONTACT RATIO SPUR GEAR TRAIN  
AN ATTACHMENT

SMCS-1207

i03438105

NOTE	REF NO	GRAPHIC REF	PART NUMBER	QTY	PART NAME						SEE PAGE
					1	2	3	4	5	6	
	1	1	<b>2H-3776</b>	1	LOCKNUT						
	2	1	<b>2H-3779</b>	1	LOCK						
	3	1	<b>120-6619</b>	1	GEAR (33-TEETH)						
	4	1	<b>5F-3106</b>	1	SEAL-O-RING						
	5	1	<b>2H-5549</b>	2	RING-RETAINING						
	6	1	<b>8H-9789</b>	2	BALL BEARING						
	7	1	<b>1W-6254</b>	1	ADAPTER-AUXILIARY DRIVE						
	8	1	<b>6L-5274</b>	1	PULLEY-AUXILIARY DRIVE (2-GROOVE)						
	9	1	<b>8L-4889</b>	1	SHAFT-AUXILIARY DRIVE						
	10	1	<b>0S-1617</b>	6	BOLT (5/16-18X0.75-IN)						
	11	1	<b>2H-3910</b>	1	SEAL-LIP TYPE						
	12	1	<b>8L-4949</b>	1	SPACER-BEARING						



GRAPHIC #1

<END>

g00263163

# BASIC ENGINE

## 1W-6298 DRIVE GP-AUXILIARY

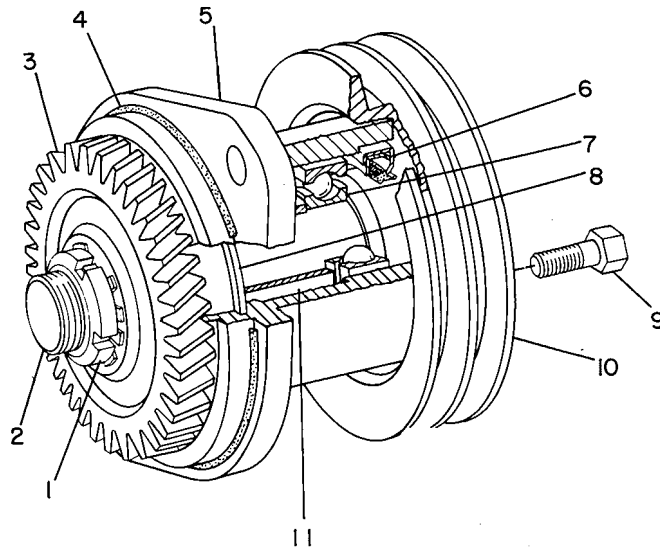
S/N: 85Z3764-UP

**CANNOT BE USED WITH HYDRAULIC PUMP DRIVES OR HOOD AND DASH AN ATTACHMENT**

SMCS-1207

i03438113

NOTE	REF NO	GRAPHIC REF	PART NUMBER	QTY	PART NAME						SEE PAGE
					1	2	3	4	5	6	
	1	1	<b>2H-3776</b>	1	LOCKNUT						
		1	<b>2H-3779</b>	1	LOCK						
	2	1	<b>8L-4889</b>	1	SHAFT-AUXILIARY DRIVE						
	3	1	<b>7N-5848</b>	1	GEAR (40-TEETH)						
	4	1	<b>5F-3106</b>	1	SEAL-O-RING						
	5	1	<b>1W-6254</b>	1	ADAPTER-AUXILIARY DRIVE						
	6	1	<b>2H-3910</b>	1	SEAL-LIP TYPE						
	7	1	<b>8H-9789</b>	2	BALL BEARING						
	8	1	<b>2H-5549</b>	2	RING-RETAINING						
	9	1	<b>0S-1617</b>	6	BOLT (5/16-18X0.75-IN)						
	10	1	<b>6L-5274</b>	1	PULLEY-AUXILIARY DRIVE (2-GROOVE)						
	11	1	<b>8L-4949</b>	1	SPACER-BEARING						



GRAPHIC #1

<END>

g00153044

# BASIC ENGINE

## 2P-7831 DRIVE GP-FAN

S/N: 85Z3764-UP

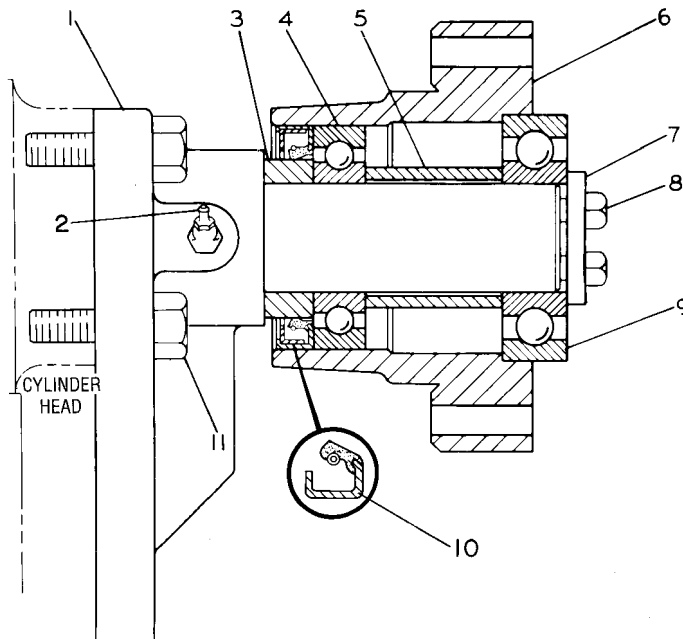
ADJUSTABLE, CRANK CENTER TO FAN VARIES FROM 13.00 TO 22.00 INCH  
AN ATTACHMENT

SMCS-1359

i01856278

NOTE	REF NO	GRAPHIC REF	PART NUMBER	QTY	PART NAME						SEE PAGE
					1	2	3	4	5	6	
	1	1	<b>1P-9945</b>	1	BRACKET AS-FAN						
	2	1	<b>3B-8485</b>	1	ELBOW (FAN DRIVE)						
	3	1	<b>5S-9062</b>	1	SPACER (35.032X50.8X15.88-MM THK)						
	4	1	<b>8H-9789</b>	1	BALL BEARING						
C	5	1	<b>8N-5305</b>	1	SPACER (35.6X47.62X43.74-MM THK)						
	6	1	<b>2P-1757</b>	1	HUB-FAN PULLEY						
	7	1	<b>5S-7264</b>	1	WASHER-RETAINING (0.219-IN THK)						
C	8	1	<b>6V-4626</b>	2	BOLT-LOCKING (5/16-24X2-IN)						
	9	1	<b>3L-1425</b>	1	BALL BEARING						
	10	1	<b>5S-2106</b>	1	SEAL-LIP TYPE						
C	11	1	<b>5P-2566</b>	4	BOLT (1/2-13X1.5-IN)						

C - CHANGE FROM PREVIOUS TYPE



GRAPHIC #1

<END>

g00116646

# BASIC ENGINE

## 3N-6987 DRIVE GP-FAN

S/N: 85Z3764-UP

FOR USE WITH SAE NO.1 FLYWHEEL HOUSING  
AN ATTACHMENT

SMCS-1359

i01856287

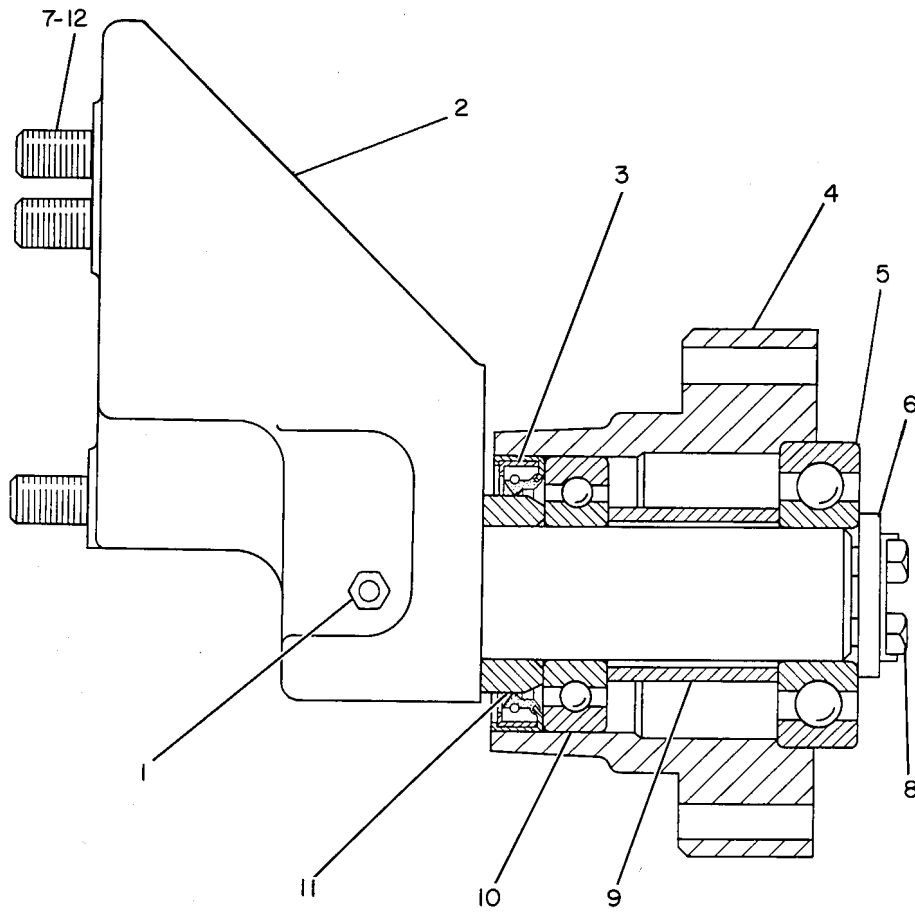
NOTE	REF NO	GRAPHIC REF	PART NUMBER	QTY	PART NAME	SEE PAGE
					1 2 3 4 5 6 (PRODUCT LEVEL)	
	1	1	<b>3B-8489</b>	1	FITTING-GREASE (1/8-27 PTF) (FAN DRIVE)	
	2	1	<b>3N-7007</b>	1	BRACKET AS-FAN	
		1	<b>5B-5812</b>	1	DOWEL	
	3	1	<b>5S-2106</b>	1	SEAL-LIP TYPE	
	4	1	<b>2P-1757</b>	1	HUB-FAN PULLEY	
	5	1	<b>3L-1425</b>	1	BALL BEARING	
	6	1	<b>5S-7264</b>	1	WASHER-RETAINING (0.219-IN THK)	
C	7	1	<b>2M-0849</b>	4	WASHER-HARD (13.5X25.5X5-MM THK)	
	8	1	<b>1H-5403</b>	2	BOLT (5/16-24X2-IN)	
		1	<b>2F-6156</b>	1	LOCKNUT	
					-OR-	
C		1	<b>6V-4626</b>	2	BOLT-LOCKING (5/16-24X2-IN)	
C	9	1	<b>8N-5305</b>	1	SPACER (35.6X47.62X43.74-MM THK)	
	10	1	<b>8H-9789</b>	1	BALL BEARING	
	11	1	<b>5S-9062</b>	4	SPACER (35.032X50.8X15.88-MM THK)	
	12	1	<b>7B-3235</b>	4	BOLT (1/2-13X1.375-IN)	
					-OR-	
		1	<b>0S-1585</b>	4	BOLT (1/2-13X1.5-IN)	

C - CHANGE FROM PREVIOUS TYPE

# BASIC ENGINE

3N-6987 DRIVE GP-FAN (contd.)

101856287



GRAPHIC #1

<END>

g00150361

# BASIC ENGINE

## 3N-7019 DRIVE GP-FAN

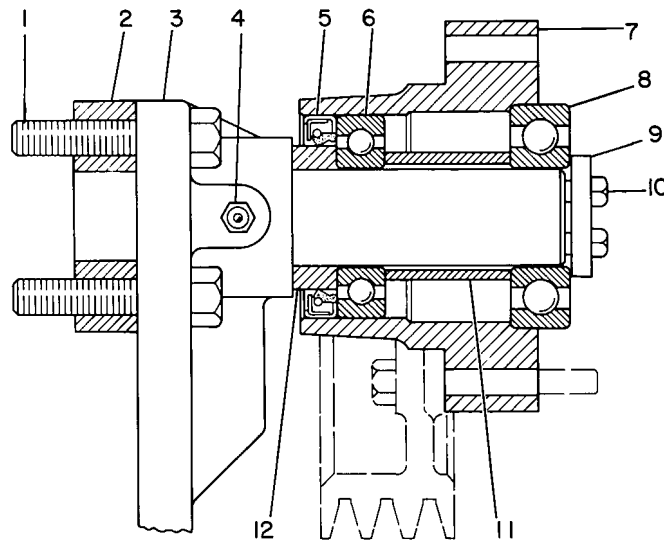
S/N: 85Z3764-UP

**CENTER IS 6.48 INCH OUT FROM HEAD, CRANK CENTER TO FAN VARIES FROM 13 TO 22 INCH,  
ADJUSTABLE  
AN ATTACHMENT**

**SMCS-1359**

**i01856289**

NOTE	REF NO	GRAPHIC REF	PART NUMBER	QTY	PART NAME						SEE PAGE
					1	2	3	4	5	6	
	1	1	<b>2B-0947</b>	4	BOLT (1/2-13X2.25-IN)						
	2	1	<b>9F-8885</b>	4	SPACER (13.5X24X22.2-MM THK)						
	3	1	<b>1P-9945</b>	1	BRACKET AS-FAN						
		1	<b>1P-9946</b>	1	SHAFT-FAN						
		1	<b>5B-5812</b>	1	DOWEL						
	4	1	<b>3B-8489</b>	1	FITTING-GREASE (1/8-27 PTF) (FAN DRIVE)						
	5	1	<b>5S-2106</b>	1	SEAL-LIP TYPE						
	6	1	<b>8H-9789</b>	1	BALL BEARING						
	7	1	<b>2P-1757</b>	1	HUB-FAN PULLEY						
	8	1	<b>3L-1425</b>	1	BALL BEARING						
	9	1	<b>5S-7264</b>	1	WASHER-RETAINING (0.219-IN THK)						
	10	1	<b>6V-4626</b>	2	BOLT-LOCKING (5/16-24X2-IN)						
	11	1	<b>8N-5305</b>	1	SPACER (35.6X47.62X43.74-MM THK)						
	12	1	<b>5S-9062</b>	1	SPACER (35.032X50.8X15.88-MM THK)						



GRAPHIC #1

<END>

g00167283

# BASIC ENGINE

## 3N-7210 DRIVE GP-FAN

S/N: 85Z3764-UP

**FOR USE WITH FAN PULLEY & ALTERNATOR OR BELT TIGHTENER  
ALSO AN ATTACHMENT**

**SMCS-1359**

**i01832417**

NOTE	REF NO	GRAPHIC REF	PART NUMBER	QTY	PART NAME	SEE PAGE
					1 2 3 4 5 6 (PRODUCT LEVEL)	
	1	1	<b>4N-4682</b>	1	BRACKET AS	
		1	<b>5B-5812</b>	1	DOWEL	
	2	1	<b>5S-2106</b>	1	SEAL-LIP TYPE	
	3	1	<b>3L-1425</b>	1	BALL BEARING	
	4	1	<b>5S-7264</b>	1	WASHER-RETAINING (0.219-IN THK)	
	5	1	<b>1H-5403</b>	2	BOLT (5/16-24X2-IN)	
		1	<b>2F-6156</b>	1	LOCKNUT	
					-OR-	
C		1	<b>6V-4626</b>	2	BOLT-LOCKING (5/16-24X2-IN)	
	6	1	<b>2M-0849</b>	4	WASHER-HARD (13.5X25.5X5-MM THK)	
	7	1	<b>2P-1757</b>	1	HUB-FAN PULLEY	
C	8	1	<b>8N-5305</b>	1	SPACER (35.6X47.62X43.74-MM THK)	
	9	1	<b>8H-9789</b>	1	BALL BEARING	
	10	1	<b>5S-9062</b>	1	SPACER (35.032X50.8X15.88-MM THK)	
	11	1	<b>3B-8489</b>	1	FITTING-GREASE (1/8-27 PTF) (FAN DRIVE)	
	12	1	<b>7B-3235</b>	4	BOLT (1/2-13X1.375-IN)	
					-OR-	
C		1	<b>0S-1585</b>	4	BOLT (1/2-13X1.5-IN)	

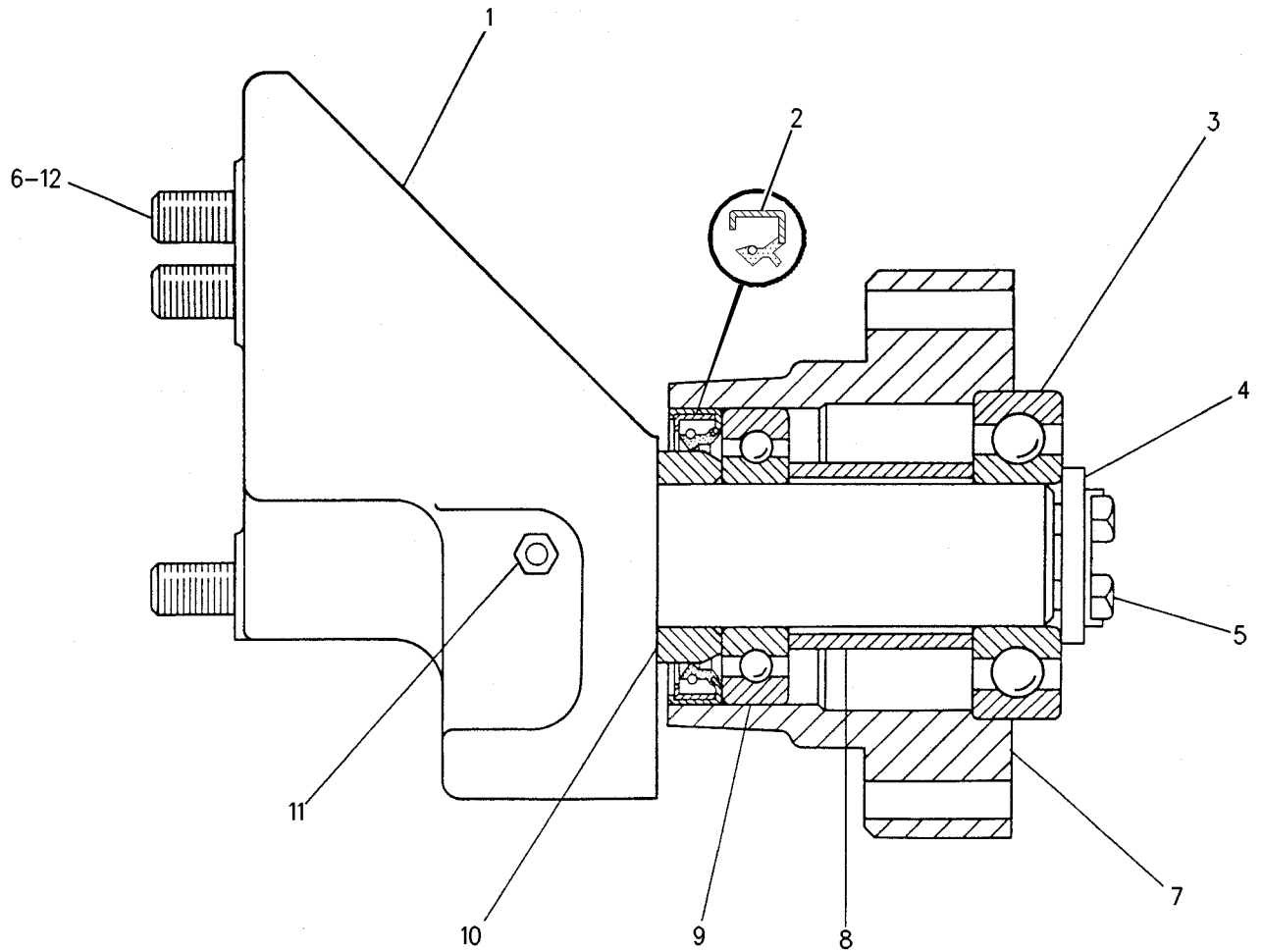
C - CHANGE FROM PREVIOUS TYPE



# BASIC ENGINE

3N-7210 DRIVE GP-FAN (contd.)

i01832417



GRAPHIC #1

<END>

g00936614

# BASIC ENGINE

## 3N-7397 DRIVE GP-FAN

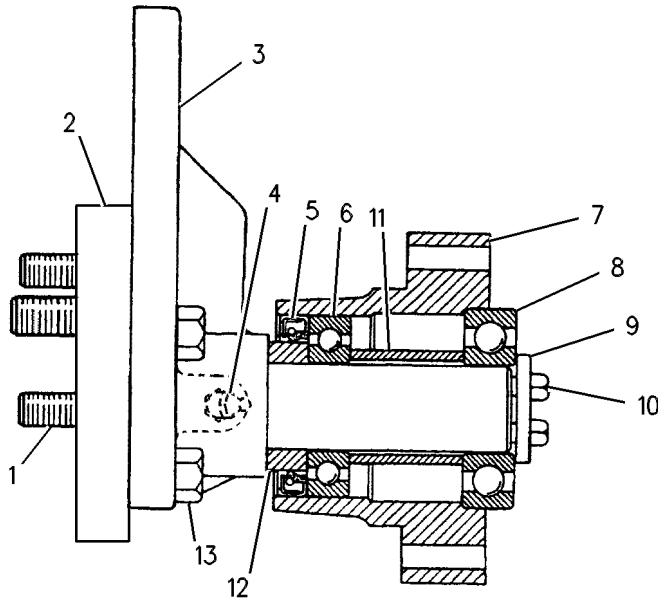
S/N: 85Z3764-UP

CENTER IS 6.48 INCH OUT FROM HEAD, CRANK CENTER TO FAN VARIES FROM 12 TO 23 INCH,  
ADJUSTABLE  
AN ATTACHMENT

SMCS-1359

i01856292

NOTE	REF NO	GRAPHIC REF	PART NUMBER	QTY	PART NAME						SEE PAGE
					1	2	3	4	5	6	
	1	1	<b>0S-1595</b>	4	BOLT (1/2-13X1.25-IN)						
	2	1	<b>3N-7401</b>	2	ADAPTER						
	3	1	<b>1P-9945</b>	1	BRACKET AS-FAN						
		1	<b>5B-5812</b>	1	DOWEL						
	4	1	<b>3B-8485</b>	1	ELBOW (FAN DRIVE)						
	5	1	<b>5S-2106</b>	1	SEAL-LIP TYPE						
	6	1	<b>8H-9789</b>	1	BALL BEARING						
	7	1	<b>2P-1757</b>	1	HUB-FAN PULLEY						
	8	1	<b>3L-1425</b>	1	BALL BEARING						
	9	1	<b>5S-7264</b>	1	WASHER-RETAINING (0.219-IN THK)						
	10	1	<b>6V-4626</b>	2	BOLT-LOCKING (5/16-24X2-IN)						
	11	1	<b>8N-5305</b>	1	SPACER (35.6X47.62X43.74-MM THK)						
	12	1	<b>5S-9062</b>	1	SPACER (35.032X50.8X15.88-MM THK)						
	13	1	<b>0S-1585</b>	4	BOLT (1/2-13X1.5-IN)						



GRAPHIC #1

<END>

g00455285

# BASIC ENGINE

## 1W-6192 DRIVE GP-PUMP

S/N: 85Z3764-UP

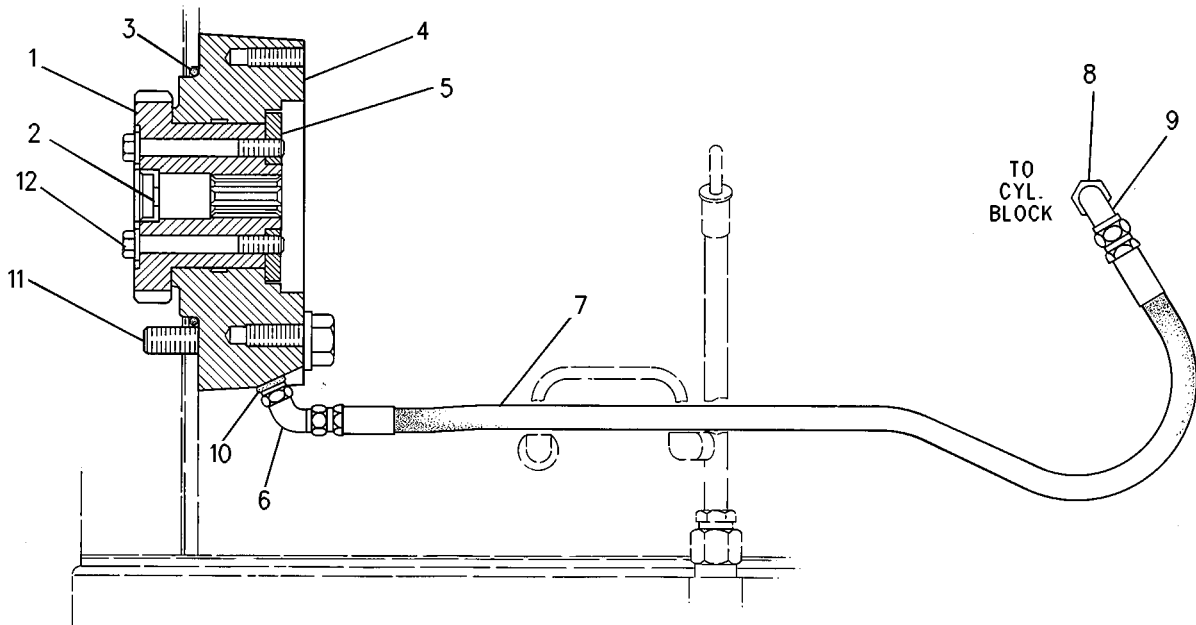
**2 BOLT/4 BOLT FLANGE, MOUNTED TO LOWER LH REAR OF PUMP HOUSING  
AN ATTACHMENT**

**SMCS-3108**

**i01790943**

NOTE	REF NO	GRAPHIC REF	PART NUMBER	QTY	PART NAME						SEE PAGE
					1	2	3	4	5	6 (PRODUCT LEVEL)	
C	1	1	<b>4W-4941</b>	1	GEAR AS (40-TEETH)						
	2	1	<b>5S-0907</b>	1	ORIFICE						
	3	1	<b>5F-3106</b>	1	SEAL-O-RING						
C	4	1	<b>4W-4925</b>	1	BEARING-ADAPTER (HYD PUMP DRIVE)						
	5	1	<b>8N-5492</b>	1	RETAINER						
C	6	1	<b>030-7946</b>	1	ELBOW						
	7	1	<b>034-8348</b>	1	HOSE AS						
	8	1	<b>3B-7764</b>	1	BUSHING (REDUCING)						
	9	1	<b>6K-1972</b>	1	ELBOW-FLARED						
	10	1	<b>3J-7354</b>	1	SEAL-O-RING						
	11	1	<b>1D-4586</b>	2	BOLT (5/8-11X3.5-IN)						
		1	<b>5P-8247</b>	2	WASHER-HARD (17X32X3.5-MM THK)						
C	12	1	<b>1D-4540</b>	2	BOLT (5/16-18X2.75-IN)						
		1	<b>9M-1974</b>	2	WASHER-HARD (8.8X16X2-MM THK)						

C - CHANGE FROM PREVIOUS TYPE



GRAPHIC #1

<END>

g00916930

# BASIC ENGINE

## 9L-5621 DRIVE GP-PUMP

S/N: 85Z3764-UP

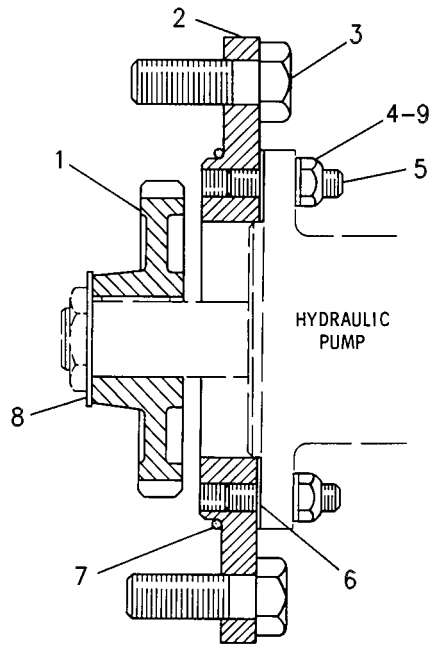
CANNOT BE USED WITH AUXILIARY DRIVE  
AN ATTACHMENT

SMCS-3108

i00637473

NOTE	REF NO	GRAPHIC REF	PART NUMBER	QTY	PART NAME						SEE PAGE
					1	2	3	4	5	6 (PRODUCT LEVEL)	
	1	1	<b>9L-5618</b>	1	GEAR (40-TEETH)						
	2	1	<b>9L-5619</b>	1	ADAPTER						
	3	1	<b>0S-1589</b>	2	BOLT (5/8-11X1.75-IN)						
	4	1	<b>6V-8801</b>	2	NUT (3/8-16-THD)						
	5	1	<b>0L-0765</b>	2	STUD (3/8-16X1.75-IN)						
C	6	1	<b>6D-1004</b>	1	GASKET						
	7	1	<b>5F-3106</b>	1	SEAL-O-RING						
	8	1	<b>7F-8921</b>	1	WASHER						
	9	1	<b>5M-2894</b>	2	WASHER-HARD (10.2X18.5X2.5-MM THK)						

C - CHANGE FROM PREVIOUS TYPE



GRAPHIC #1

<END>

g00281246

# BASIC ENGINE

## 7N-9536 FASTENER GP-CYLINDER HEAD

S/N: 85Z3764-UP

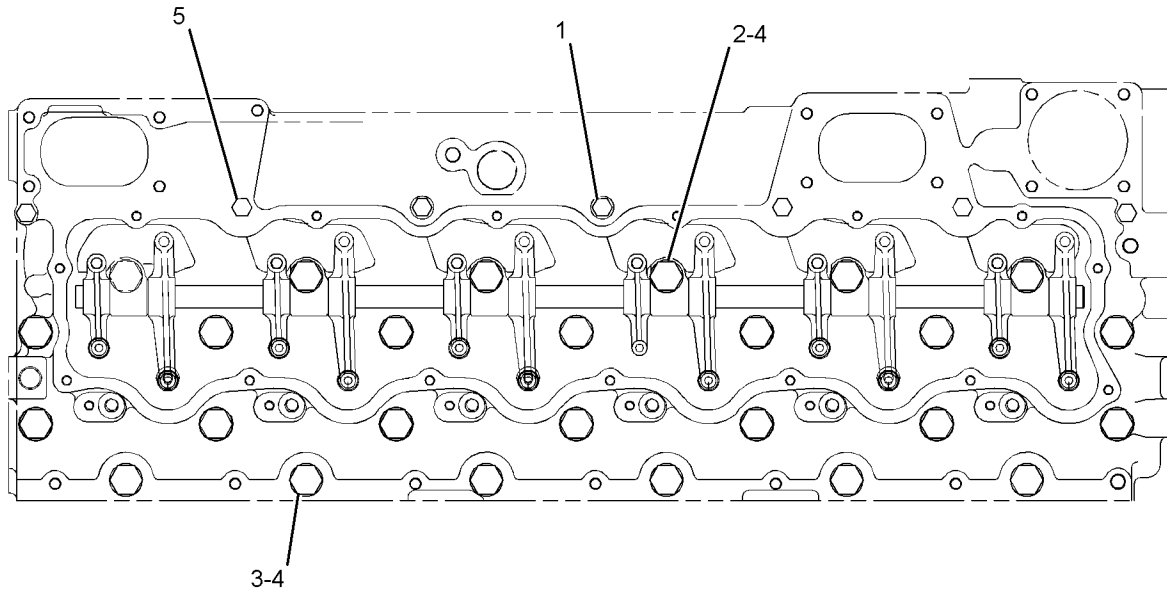
ADDITIONAL CYLINDER HEAD FASTENER BOLT AND WASHER CAN BE FOUND IN 7C-7013.

SMCS-1100

i02876885

NOTE	REF NO	GRAPHIC REF	PART NUMBER	QTY	PART NAME						SEE PAGE
					1	2	3	4	5	6 (PRODUCT LEVEL)	
	1	1	<b>5B-9603</b>	6	BOLT (3/8-16X5-IN)						
	2	1	<b>1B-7709</b>	5	BOLT (5/8-11X8-IN)						
	3	1	<b>1D-4595</b>	20	BOLT (5/8-11X6-IN)						
	4	1	<b>2S-0736</b>	25	WASHER-HARD (17X27X3.5-MM THK)						
B	5	1	<b>5B-9603</b>	1	BOLT (3/8-16X5-IN)						

B - USE AS REQUIRED



TOP VIEW OF ENGINE

GRAPHIC #1

<END>

g01432541

# BASIC ENGINE

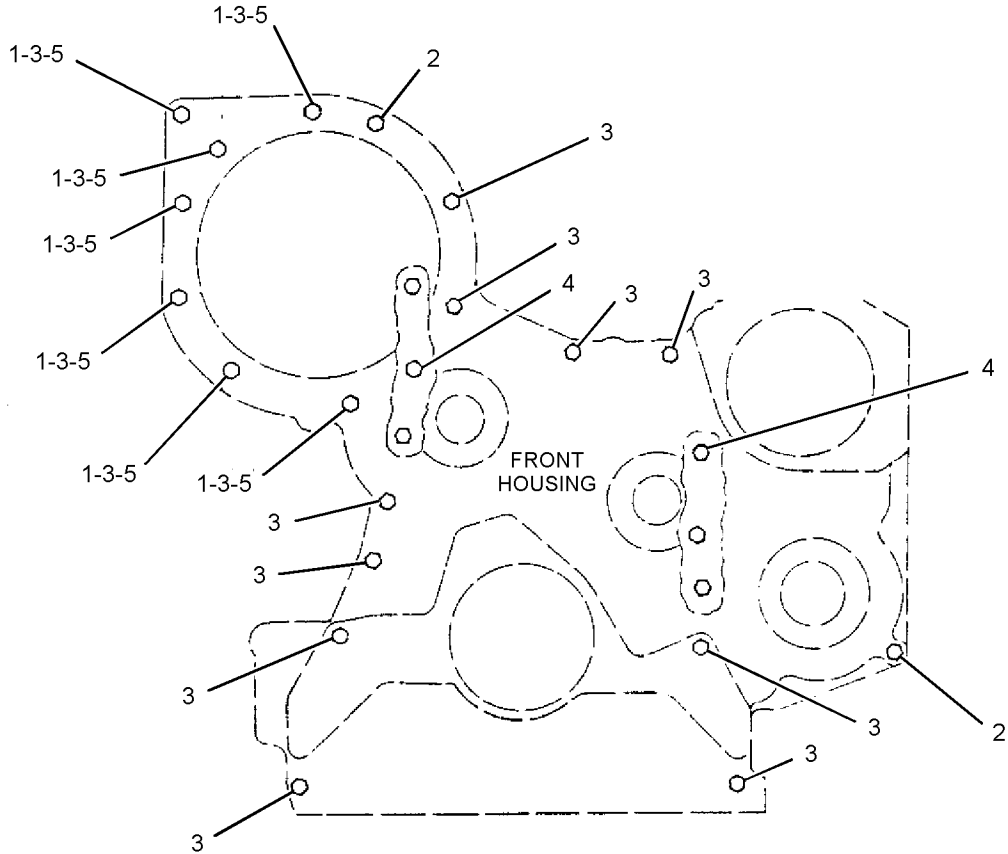
## 1W-3802 FASTENER GP-FRONT HOUSING

S/N: 85Z3764-UP

SMCS-1151, 1162

i05469414

NOTE	REF NO	GRAPHIC REF	PART NUMBER	QTY	PART NAME						SEE PAGE
					1	2	3	4	5	6 (PRODUCT LEVEL)	
	1	1	<b>6V-8801</b>	7	NUT (3/8-16-THD)						
	2	1	<b>1C-2251</b>	2	BOLT (3/8-16X1.87-IN)						
	3	1	<b>0L-2070</b>	17	BOLT (3/8-16X2.25-IN)						
	4	1	<b>3E-6914</b>	6	BOLT (3/8-16X0.87-IN)						
	5	1	<b>5M-2894</b>	7	WASHER-HARD (10.2X18.5X2.5-MM THK)						



GRAPHIC #1

<END>

g03456116

# BASIC ENGINE

## 8N-1963 FASTENER GP-FRONT SUPPORT

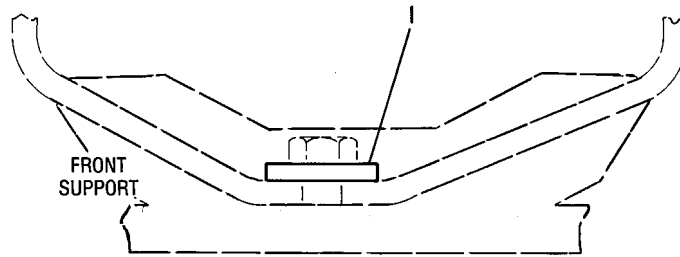
S/N: 85Z3764-UP

AN ATTACHMENT

SMCS-1153

i00637971

NOTE	REF NO	GRAPHIC REF	PART NUMBER	QTY	PART NAME						SEE PAGE
					1	2	3	4	5	6 (PRODUCT LEVEL)	
	1	1	2V-0936	1	WASHER (20X55X8-MM THK)						



GRAPHIC #1

<END>

g00144330

# BASIC ENGINE

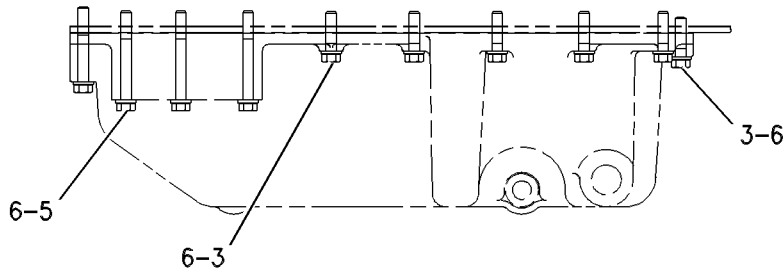
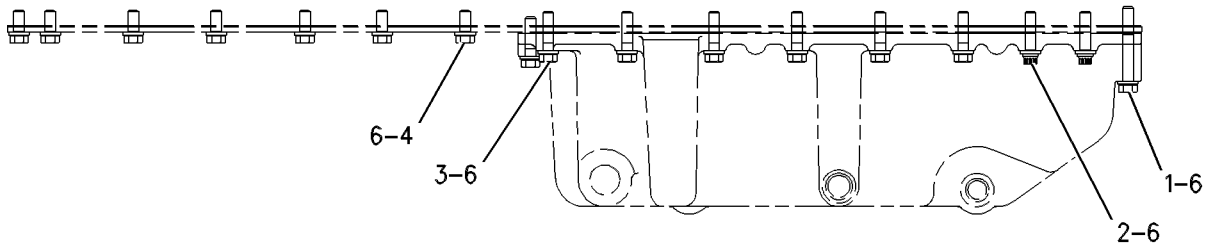
## 2P-6200 FASTENER GP-OIL PAN

S/N: 85Z8663-UP

SMCS - 1302

i01087979

NOTE	REF NO	GRAPHIC REF	PART NUMBER	QTY	PART NAME						SEE PAGE
					1	2	3	4	5	6 (PRODUCT LEVEL)	
	1	1	<b>0T-0573</b>	5	BOLT (3/8-16X2.75-IN)						
	2	1	<b>5P-0076</b>	2	BOLT-12 POINT HEAD (3/8-16X1.5-IN)						
	3	1	<b>0S-1591</b>	16	BOLT (3/8-16X1.5-IN)						
	4	1	<b>030-8535</b>	18	BOLT-LOCKING (3/8-16X0.875-IN)						
	5	1	<b>0L-1352</b>	3	BOLT (3/8-16X3.25-IN)						
	6	1	<b>5M-2894</b>	44	WASHER-HARD (10.2X18.5X2.5-MM THK)						



GRAPHIC #1

<END>

g00569137



# BASIC ENGINE

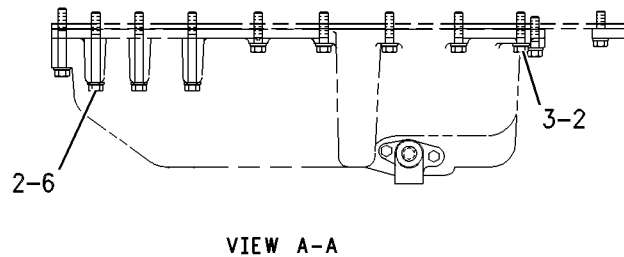
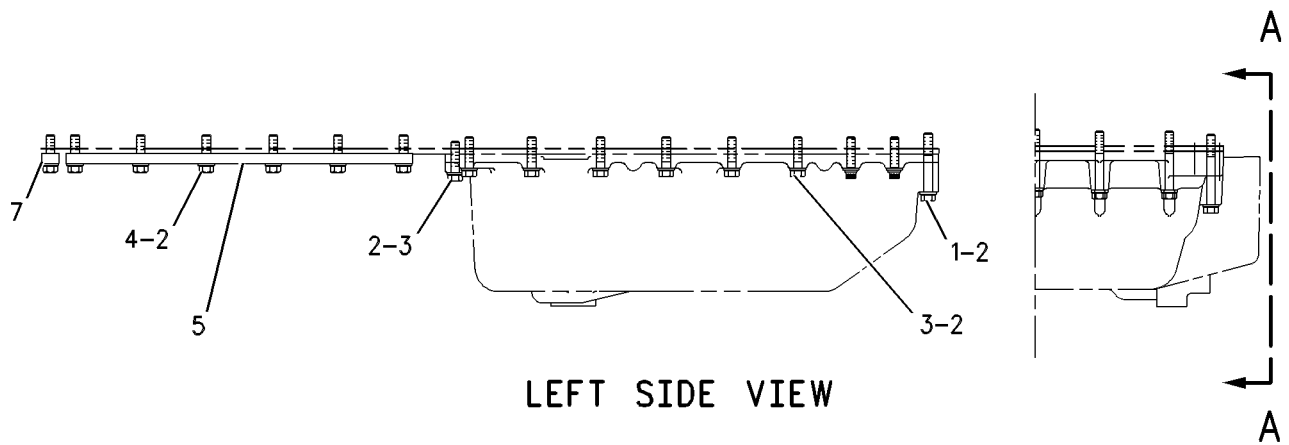
## 9Y-0066 FASTENER GP-OIL PAN

S/N: 85Z14585-UP

SMCS-1302

i01673064

NOTE	REF NO	GRAPHIC REF	PART NUMBER	QTY	PART NAME						SEE PAGE
					1	2	3	4	5	6 (PRODUCT LEVEL)	
	1	1	<b>0T-0573</b>	5	BOLT (3/8-16X2.75-IN)						
	2	1	<b>5M-2894</b>	46	WASHER-HARD (10.2X18.5X2.5-MM THK)						
	3	1	<b>0S-1591</b>	20	BOLT (3/8-16X1.5-IN)						
	4	1	<b>3B-1915</b>	18	BOLT (3/8-16X1.375-IN)						
	5	1	<b>9Y-0630</b>	2	PLATE						
	6	1	<b>0L-1352</b>	3	BOLT (3/8-16X3.25-IN)						
	7	1	<b>9Y-0629</b>	1	PLATE						



GRAPHIC #1

<END>

g00569315

# BASIC ENGINE

## 1W-2773 FLYWHEEL GP

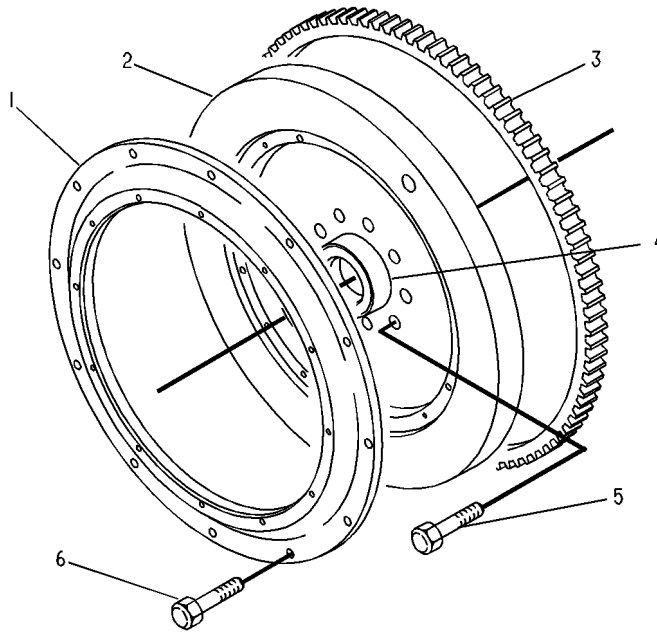
S/N: 85Z3764-UP

**ADAPTS SAE NO. 1 FLYWHEEL HOUSING TO SAE NO.3 C270 CONVERTER  
AN ATTACHMENT**

SMCS-1156

i01141887

NOTE	REF NO	GRAPHIC REF	PART NUMBER	QTY	PART NAME						SEE PAGE
					1	2	3	4	5	6	
	1	1	<b>5N-8343</b>	1	ADAPTER-FLYWHEEL HOUSING						
	2	1	<b>5N-8347</b>	1	FLYWHEEL AS						
	3	1	<b>7N-9146</b>	1	GEAR (156-TEETH)						
	4	1	<b>5N-8348</b>	1	BUSHING-TERMINAL						
	5	1	<b>0S-1577</b>	9	BOLT (5/8-18X2.25-IN) (CRANKSHAFT TO FLYWHEEL)						
	6	1	<b>4F-8965</b>	12	BOLT (7/16-14X1.125-IN) (TORQUE CONVERTER TO FLYWHEEL HOUSING)						



GRAPHIC #1

<END>

g00151237

# BASIC ENGINE

## 5N-5682 FLYWHEEL GP

S/N: 85Z3764-UP

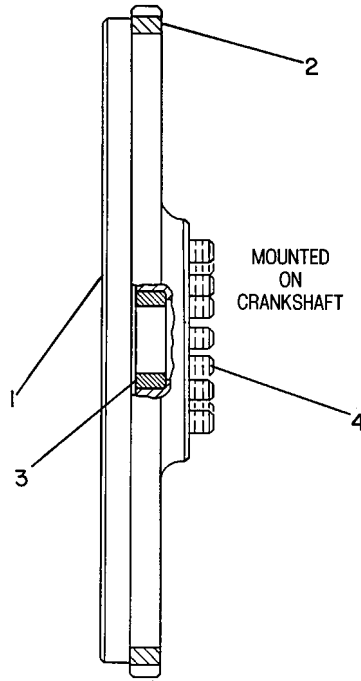
FOR USE WITH SAE NO 1 FLYWHEEL HOUSING  
AN ATTACHMENT

SMCS-1156

i00637448

NOTE	REF NO	GRAPHIC REF	PART NUMBER	QTY	PART NAME						SEE PAGE
					1	2	3	4	5	6 (PRODUCT LEVEL)	
	1	1	<b>5N-5681</b>	1	FLYWHEEL AS						
C	2	1	<b>7N-9146</b>	1	GEAR (156-TEETH)						
C	3	1	<b>9N-2570</b>	1	BUSHING						
	4	1	<b>5B-0841</b>	9	BOLT (5/8-18X1.75-IN)						

C - CHANGE FROM PREVIOUS TYPE



GRAPHIC #1

<END>

g00156115

# BASIC ENGINE

## 7N-2275 FLYWHEEL GP

S/N: 85Z3764-UP

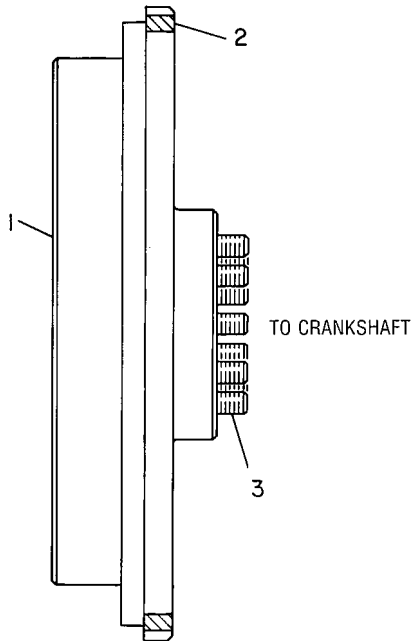
**FOR USE WITH 14 INCH 2 PLATE SPICER LIPE CLUTCH, FLYWHEEL IS NO. 2 WITH NO. 1 RING  
GEAR SAE NO. 2, FOR USE WITH SAE NO. 1 HOUSING  
AN ATTACHMENT**

**SMCS-1156**

**i00719663**

NOTE	REF NO	GRAPHIC REF	PART NUMBER	QTY	PART NAME						SEE PAGE
					1	2	3	4	5	6 (PRODUCT LEVEL)	
C	1	1	<b>2W-4199</b>	1	FLYWHEEL AS						
C	2	1	<b>7N-9146</b>	1	GEAR (156-TEETH)						
C	3	1	<b>0S-1576</b>	9	BOLT (5/8-18X2-IN)						
C		1	<b>2S-5658</b>	9	WASHER-HARD (17X29X3-MM THK)						

C - CHANGE FROM PREVIOUS TYPE



GRAPHIC #1

<END>

g00160119

# BASIC ENGINE

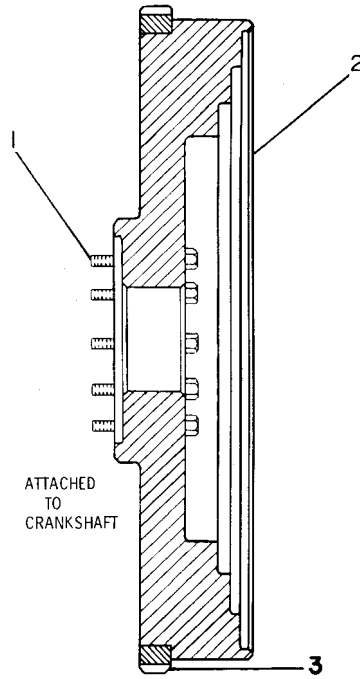
## 7N-3496 FLYWHEEL GP

S/N: 85Z3764-UP  
ALSO AN ATTACHMENT

SMCS-1156

i02355518

NOTE	REF NO	GRAPHIC REF	PART NUMBER	QTY	PART NAME						SEE PAGE
					1	2	3	4	5	6 (PRODUCT LEVEL)	
	1	1	<b>0S-1600</b>	9	BOLT (5/8-18X2.5-IN)						
	2	1	<b>7N-0749</b>	1	FLYWHEEL AS						
	3	1	<b>7N-9146</b>	1	GEAR (156-TEETH)						



GRAPHIC #1

<END>

g00143237

# BASIC ENGINE

## 9N-3136 FLYWHEEL GP

S/N: 85Z3764-UP

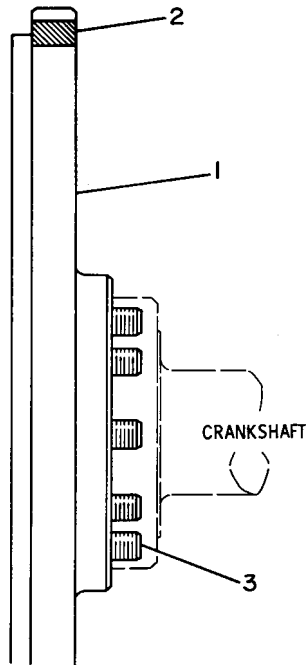
**ONLY FOR USE WITH 15.5 INCH 2 PLATE SPICER CLUTCH, WITH SAE NO. 1 HOUSING, HAS ADEQUATE CLEARANCE FOR A SUPER DUTY CLUTCH AN ATTACHMENT**

SMCS-1156

i00719706

NOTE	REF NO	GRAPHIC REF	PART NUMBER	QTY	PART NAME						SEE PAGE
					1	2	3	4	5	6 (PRODUCT LEVEL)	
R	1	1	<b>2W-6834</b>	1	FLYWHEEL AS						
	2	1	<b>7N-9146</b>	1	GEAR (156-TEETH)						
	3	1	<b>5B-0841</b>	9	BOLT (5/8-18X1.75-IN)						

R - REMANUFACTURED PART MAY BE AVAILABLE



GRAPHIC #1

<END>

g00177461

# BASIC ENGINE

## 1W-5634 GEAR GP-FRONT-TIMING

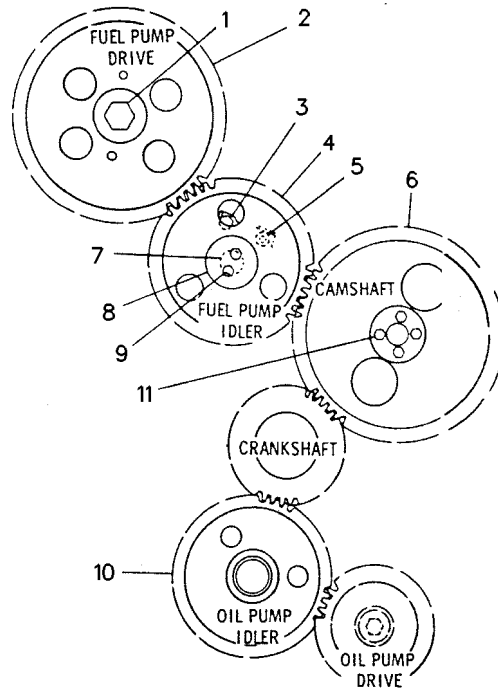
S/N: 85Z3764-10568

SMCS-1151, 1162, 1206

i00903732

NOTE	REF NO	GRAPHIC REF	PART NUMBER	QTY	PART NAME						SEE PAGE
					1	2	3	4	5	6 (PRODUCT LEVEL)	
C	1	1	<b>1A-1135</b>	1	BOLT (5/8-11X2-IN)						
		1	<b>7N-2994</b>	1	WASHER (49.3X16.25X12.3-MM THK)						
C	2	1	<b>7W-0508</b>	1	GEAR-FUEL PUMP DRIVE (80-TEETH)						
		3	<b>0S-1594</b>	2	BOLT (3/8-16X1-IN)						
		1	<b>5M-2894</b>	2	WASHER-HARD (10.2X18.5X2.5-MM THK)						
		4	<b>7N-4791</b>	1	GEAR AS-FUEL PUMP IDLER (57-TEETH)						
		1	<b>5S-7630</b>	1	BUSHING						
		5	<b>5B-9079</b>	1	NUT-JAM (3/8-24-THD)						
		6	<b>1W-4402</b>	1	GEAR-CAMSHAFT (80-TEETH)						
		7	<b>8N-4959</b>	1	SHAFT-DRIVE IDLER						
		8	<b>8N-4960</b>	1	PLATE-THRUST						
		9	<b>0S-1618</b>	2	BOLT (5/16-18X1-IN)						
		10	<b>7N-4722</b>	1	GEAR AS-IDLER (60-TEETH)						
		1	<b>2P-1168</b>	1	BUSHING						
11	<b>0S-1748</b>	4	BOLT (3/8-24X2-IN)								

C - CHANGE FROM PREVIOUS TYPE



GRAPHIC #1

<END>

g00108383

# BASIC ENGINE

## 1W-5634 GEAR GP-FRONT-TIMING

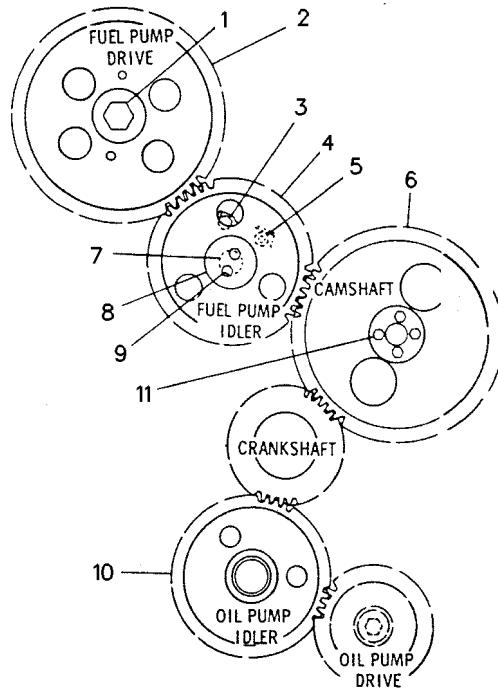
S/N: 85Z10569-UP

SMCS-1151, 1162, 1206

i01473829

NOTE	REF NO	GRAPHIC REF	PART NUMBER	QTY	PART NAME						SEE PAGE
					1	2	3	4	5	6 (PRODUCT LEVEL)	
	1	1	<b>1A-1135</b>	1	BOLT (5/8-11X2-IN)						
		1	<b>7N-2994</b>	1	WASHER (49.3X16.25X12.3-MM THK)						
	2	1	<b>7W-0508</b>	1	GEAR-FUEL PUMP DRIVE (80-TEETH)						
	3	1	<b>0S-1594</b>	2	BOLT (3/8-16X1-IN)						
		1	<b>5M-2894</b>	2	WASHER-HARD (10.2X18.5X2.5-MM THK)						
C	4	1	<b>196-0029</b>	1	GEAR AS-IDLER (57-TEETH)						
		1	<b>195-0302</b>	1	BUSHING						
	5	1	<b>5B-9079</b>	1	NUT-JAM (3/8-24-THD)						
	6	1	<b>1W-4402</b>	1	GEAR-CAMSHAFT (80-TEETH)						
C	7	1	<b>170-7502</b>	1	SHAFT-DRIVE IDLER						
	8	1	<b>8N-4960</b>	1	PLATE-THRUST						
	9	1	<b>0S-1618</b>	2	BOLT (5/16-18X1-IN)						
	10	1	<b>196-0223</b>	1	GEAR AS-IDLER (60-TEETH)						
		1	<b>196-9988</b>	1	BUSHING						
	11	1	<b>0S-1748</b>	4	BOLT (3/8-24X2-IN)						

C - CHANGE FROM PREVIOUS TYPE



GRAPHIC #1

<END>

g00108383



# BASIC ENGINE

## 7E-0138 GUARD GP-BELT

S/N: 85Z3764-UP

FOR USE WITH ALTERNATOR

**CANNOT BE USED WITH AUTO-START STOP SYSTEM  
AN ATTACHMENT**

**SMCS-7174**

**i02010081**

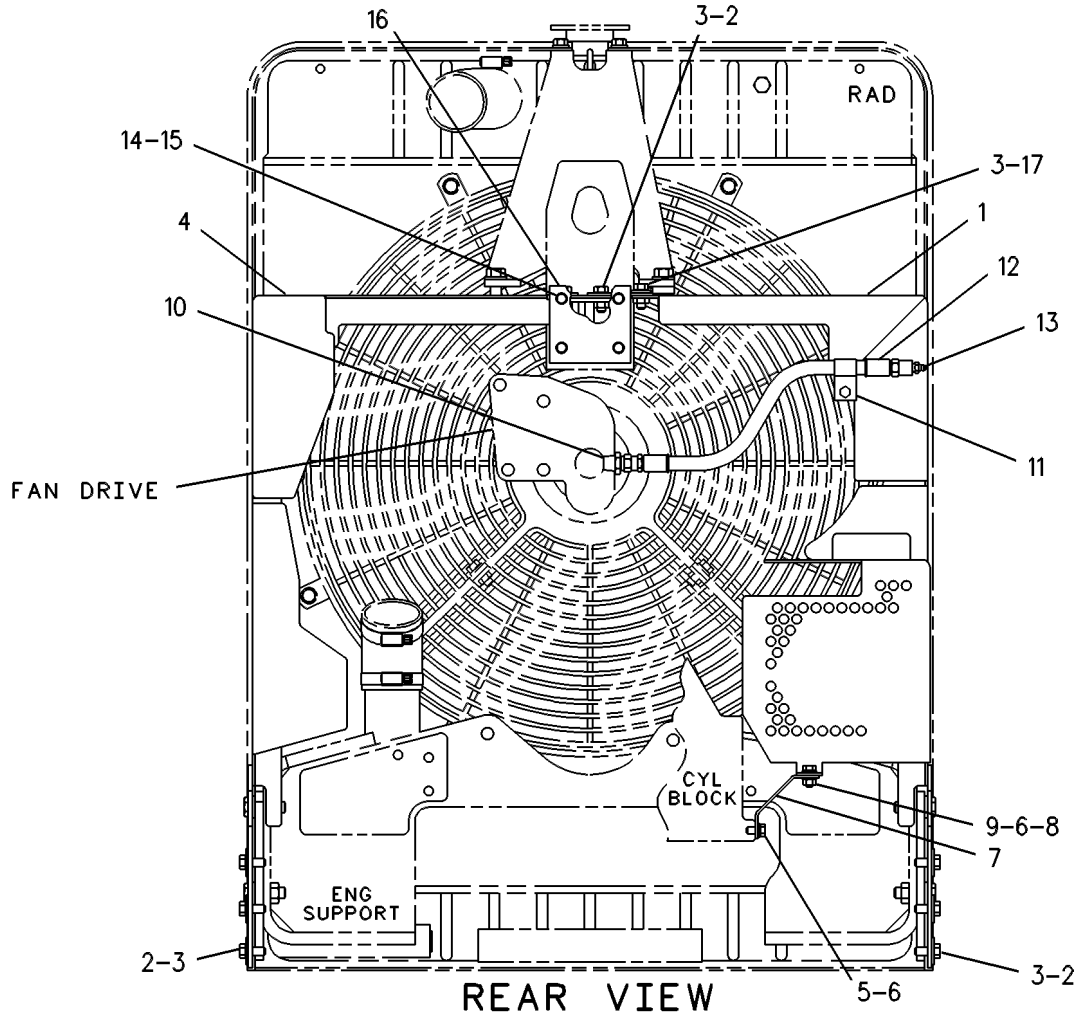
NOTE	REF NO	GRAPHIC REF	PART NUMBER	QTY	PART NAME						SEE PAGE
					1	2	3	4	5	6 (PRODUCT LEVEL)	
	1	1	<b>7E-0144</b>	1	GUARD AS (RIGHT HAND)						
		1	<b>9F-2978</b>	2	NUT-WELD (3/8-16-THD)						
	2	1	<b>7X-0578</b>	8	WASHER-HARD (10.2X32X2.5-MM THK)						
	3	1	<b>5S-7379</b>	10	BOLT (3/8-16X0.875-IN)						
	4	1	<b>7E-0141</b>	1	GUARD AS (LEFT HAND)						
	5	1	<b>5K-0906</b>	1	BOLT (5/16-18X0.625-IN)						
	6	1	<b>8T-4224</b>	3	WASHER-HARD (8.8X16X2-MM THK)						
	7	1	<b>7E-3170</b>	1	BRACKET						
	8	1	<b>6V-8189</b>	1	NUT (5/16-18-THD)						
	9	1	<b>4M-0061</b>	1	BOLT (5/16-18X0.75-IN)						
	10	1	<b>8L-6557</b>	1	CONNECTOR						
	11	1	<b>124-0174</b>	1	CLIP (LOOP)						
I	12	1	<b>3N-7229</b>	1	HOSE AS						
	13	1	<b>2D-4867</b>	1	FITTING-GREASE (1/8-27 PTF) (BELT GUARD)						
	14	1	<b>8T-4223</b>	4	WASHER-HARD (13.5X25.5X3-MM THK)						
	15	1	<b>5P-2566</b>	4	BOLT (1/2-13X1.5-IN)						
	16	1	<b>4W-7071</b>	1	BRACKET AS						
		1	<b>9F-2978</b>	2	NUT-WELD (3/8-16-THD)						
	17	1	<b>5P-1075</b>	2	WASHER-HARD (10.2X22.5X3-MM THK)						

I - REFER TO HYDRAULIC INFORMATION SYSTEM

# BASIC ENGINE

7E-0138 GUARD GP-BELT (contd.)

i02010081



GRAPHIC #1

<END>

g00270814

# BASIC ENGINE

## 7E-0139 GUARD GP-BELT

S/N: 85Z3764-UP

**FOR USE WITH BELT TIGHTENER  
CANNOT BE USED WITH AUTO-START STOP SYSTEM  
AN ATTACHMENT**

**SMCS-7174**

**i01856297**

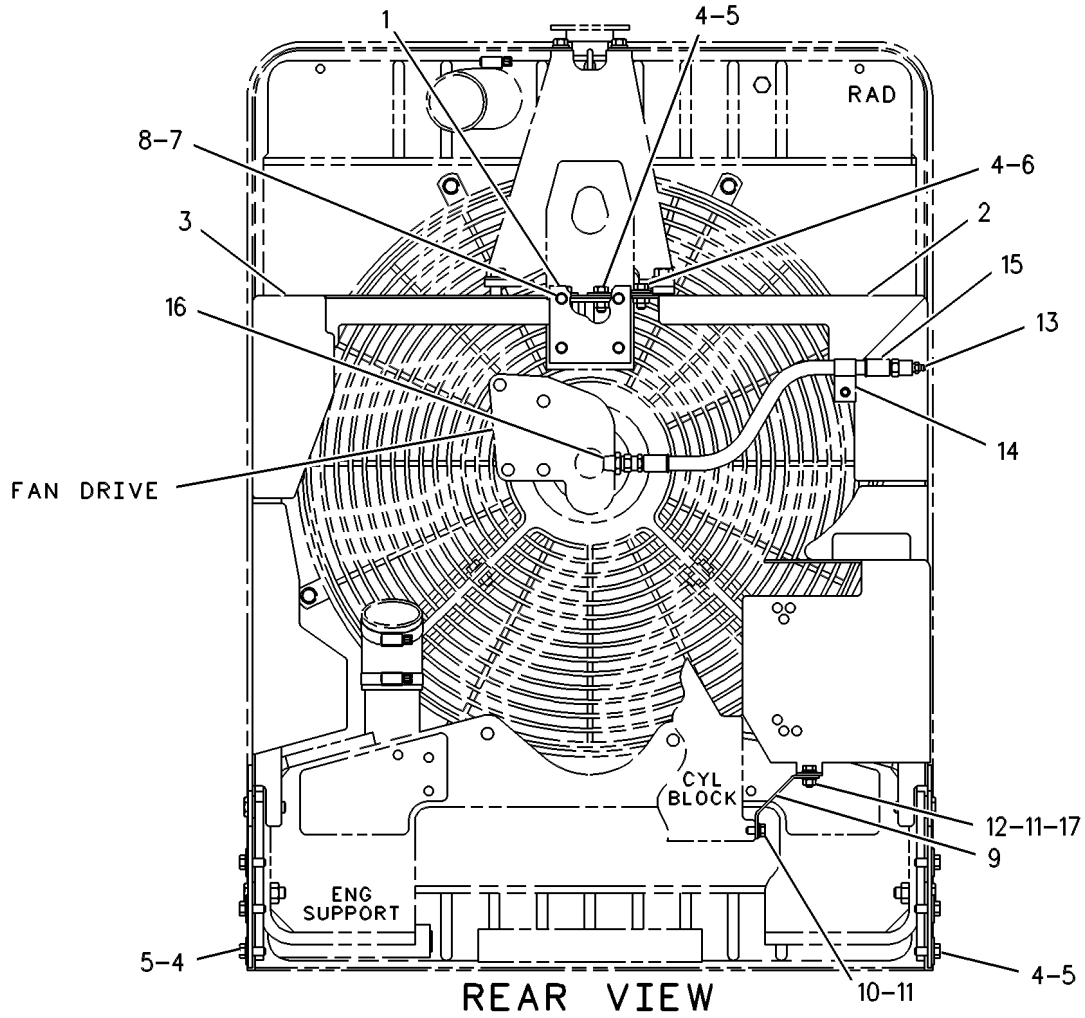
NOTE	REF NO	GRAPHIC REF	PART NUMBER	QTY	PART NAME						SEE PAGE
					1	2	3	4	5	6 (PRODUCT LEVEL)	
	1	1	<b>4W-7071</b>	1	BRACKET AS						
		1	<b>9F-2978</b>	2	NUT-WELD (3/8-16-THD)						
	2	1	<b>7E-0142</b>	1	GUARD AS						
		1	<b>9F-2978</b>	2	NUT-WELD (3/8-16-THD)						
	3	1	<b>7E-0141</b>	1	GUARD AS						
	4	1	<b>5S-7379</b>	10	BOLT (3/8-16X0.875-IN)						
	5	1	<b>7X-0578</b>	8	WASHER-HARD (10.2X32X2.5-MM THK)						
	6	1	<b>5P-1075</b>	2	WASHER-HARD (10.2X22.5X3-MM THK)						
	7	1	<b>5P-2566</b>	4	BOLT (1/2-13X1.5-IN)						
	8	1	<b>8T-4223</b>	4	WASHER-HARD (13.5X25.5X3-MM THK)						
	9	1	<b>7E-3170</b>	1	BRACKET						
	10	1	<b>5K-0906</b>	1	BOLT (5/16-18X0.625-IN)						
	11	1	<b>8T-4224</b>	3	WASHER-HARD (8.8X16X2-MM THK)						
	12	1	<b>4M-0061</b>	1	BOLT (5/16-18X0.75-IN)						
	13	1	<b>2D-4867</b>	1	FITTING-GREASE (1/8-27 PTF) (BELT GUARD)						
	14	1	<b>124-0174</b>	1	CLIP (LOOP)						
I	15	1	<b>3N-7229</b>	1	HOSE AS						
	16	1	<b>8L-6557</b>	1	CONNECTOR						
	17	1	<b>6V-8189</b>	1	NUT (5/16-18-THD)						

I - REFER TO HYDRAULIC INFORMATION SYSTEM

# BASIC ENGINE

7E-0139 GUARD GP-BELT (contd.)

i01856297



GRAPHIC #1

<END>

g00270804

# BASIC ENGINE

## 7W-7502 GUARD GP-BELT

S/N: 85Z3764-UP

**FOR USE WITH BELT TIGHTENER  
CANNOT BE USED WITH EXPANSION TANK  
AN ATTACHMENT**

**SMCS-7174**

**i01856305**

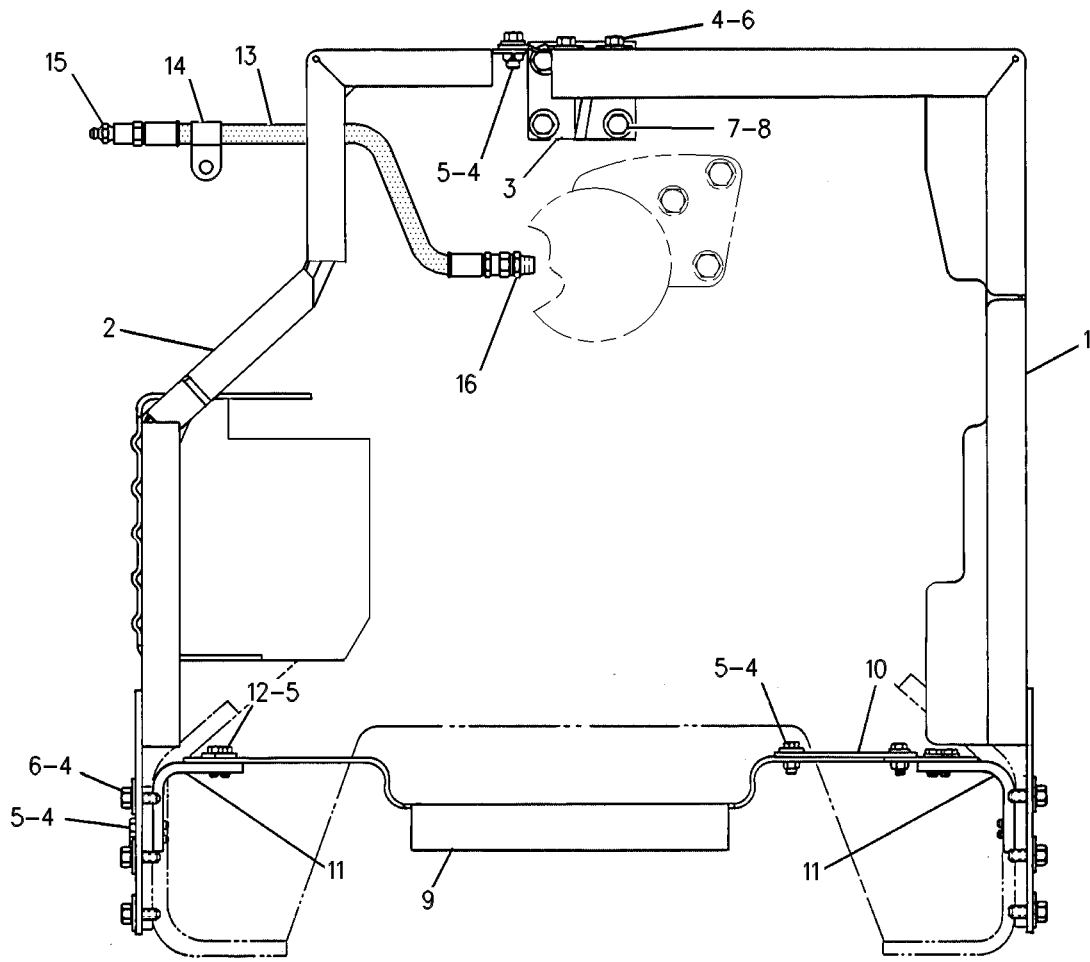
NOTE	REF NO	GRAPHIC REF	PART NUMBER	QTY	PART NAME						SEE PAGE
					1	2	3	4	5	6 (PRODUCT LEVEL)	
	1	1	<b>4W-6142</b>	1	GUARD AS						
	2	1	<b>4W-5968</b>	1	GUARD AS						
		1	<b>1F-0750</b>	3	NUT-WELD (3/8-16-THD)						
	3	1	<b>4W-7071</b>	1	BRACKET AS						
		1	<b>1F-0750</b>	2	NUT-WELD (3/8-16-THD)						
	4	1	<b>0L-1351</b>	17	BOLT (3/8-16X0.875-IN)						
	5	1	<b>5P-1075</b>	13	WASHER-HARD (10.2X22.5X3-MM THK)						
	6	1	<b>6N-8863</b>	8	WASHER (10.2X32X2.5-MM THK)						
	7	1	<b>0S-1585</b>	4	BOLT (1/2-13X1.5-IN)						
	8	1	<b>5P-8245</b>	4	WASHER-HARD (13.5X25.5X3-MM THK)						
	9	1	<b>4W-7746</b>	1	PLATE AS						
		1	<b>1F-0750</b>	2	NUT-WELD (3/8-16-THD)						
	10	1	<b>4W-7744</b>	1	PLATE						
	11	1	<b>7W-7430</b>	2	BRACKET						
	12	1	<b>0S-0509</b>	4	BOLT (3/8-16X0.75-IN)						
I	13	1	<b>3N-7229</b>	1	HOSE AS						
	14	1	<b>124-0174</b>	1	CLIP (LOOP)						
	15	1	<b>2D-4867</b>	1	FITTING-GREASE (1/8-27 PTF) (BELT GUARD)						
	16	1	<b>8L-6557</b>	1	CONNECTOR						

I - REFER TO HYDRAULIC INFORMATION SYSTEM

# BASIC ENGINE

7W-7502 GUARD GP-BELT (contd.)

i01856305



GRAPHIC #1

<END>

g00616303

# BASIC ENGINE

## 7W-7503 GUARD GP-BELT

S/N: 85Z3764-UP

FOR USE WITH ALTERNATOR, 7W-6541-PAGE: 199

CANNOT BE USED WITH EXPANSION TANK

AN ATTACHMENT

**SMCS-7174**

**i02010253**

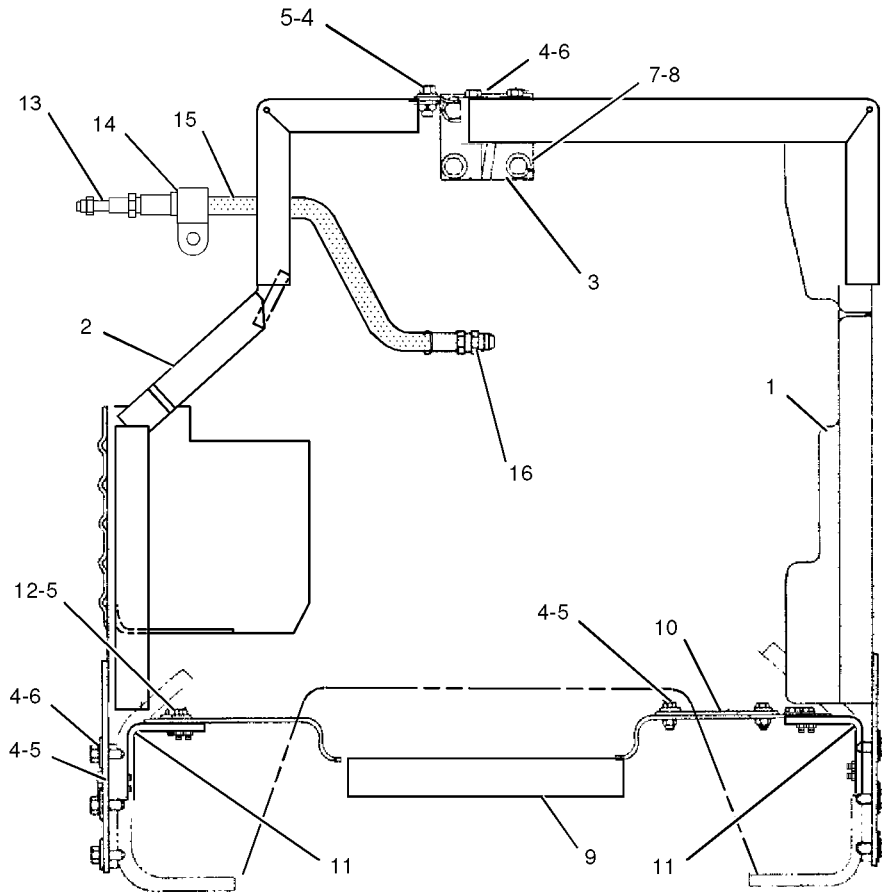
NOTE	REF NO	GRAPHIC REF	PART NUMBER	QTY	PART NAME						SEE PAGE
					1	2	3	4	5	6 (PRODUCT LEVEL)	
	1	1	<b>4W-6142</b>	1	GUARD AS (LEFT HAND)						
	2	1	<b>4W-5967</b>	1	GUARD AS (RIGHT HAND)						
		1	<b>1F-0750</b>	3	NUT-WELD (3/8-16-THD)						
	3	1	<b>4W-7071</b>	1	BRACKET AS						
		1	<b>1F-0750</b>	2	NUT-WELD (3/8-16-THD)						
	4	1	<b>0L-1351</b>	17	BOLT (3/8-16X0.875-IN)						
	5	1	<b>5P-1075</b>	13	WASHER-HARD (10.2X22.5X3-MM THK)						
	6	1	<b>6N-8863</b>	8	WASHER (10.2X32X2.5-MM THK)						
	7	1	<b>0S-1585</b>	4	BOLT (1/2-13X1.5-IN)						
	8	1	<b>5P-8245</b>	4	WASHER-HARD (13.5X25.5X3-MM THK)						
	9	1	<b>4W-7746</b>	1	PLATE AS						
		1	<b>1F-0750</b>	2	NUT-WELD (3/8-16-THD)						
	10	1	<b>4W-7744</b>	1	PLATE						
	11	1	<b>7W-7430</b>	2	BRACKET						
	12	1	<b>0S-0509</b>	4	BOLT (3/8-16X0.75-IN)						
	13	1	<b>2D-4867</b>	1	FITTING-GREASE (1/8-27 PTF) (BELT GUARD)						
	14	1	<b>124-0174</b>	1	CLIP (LOOP)						
I	15	1	<b>3N-7229</b>	1	HOSE AS						
	16	1	<b>8L-6557</b>	1	CONNECTOR						

I - REFER TO HYDRAULIC INFORMATION SYSTEM

# BASIC ENGINE

7W-7503 GUARD GP-BELT (contd.)

i02010253



GRAPHIC #1

<END>

g01039515



# BASIC ENGINE

## 5N-3312 GUARD GP-STUB SHAFT

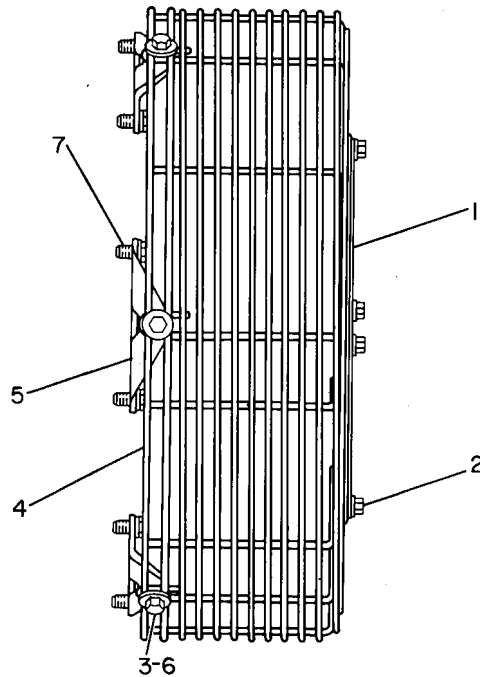
S/N: 85Z3764-UP

**CANNOT BE USED WITH REAR ENCLOSED CLUTCH, SINGLE BEARING GENERATOR, PTO OR  
CATERPILLAR SUPPLIED GENERATOR  
AN ATTACHMENT**

**SMCS-1237**

**i02544071**

NOTE	REF NO	GRAPHIC REF	PART NUMBER	QTY	PART NAME						SEE PAGE
					1	2	3	4	5	6 (PRODUCT LEVEL)	
	1	1	<b>5N-3310</b>	1	PLATE						
	2	1	<b>0T-0102</b>	4	BOLT (3/8-16X0.625-IN)						
		1	<b>5M-2894</b>	4	WASHER-HARD (10.2X18.5X2.5-MM THK)						
	3	1	<b>1A-2029</b>	6	BOLT (3/8-16X1.125-IN)						
		1	<b>9N-1650</b>	6	WASHER-HARD (10.2X25.5X2.5-MM THK)						
	4	1	<b>5N-3311</b>	1	GUARD AS						
	5	1	<b>3N-4387</b>	6	BRACKET AS						
					(EACH INCLUDES)						
	6	1	<b>9F-2978</b>	1	NUT-WELD (3/8-16-THD)						
	7	1	<b>0T-0318</b>	12	BOLT (7/16-14X1-IN)						
		1	<b>3K-6113</b>	12	WASHER-HARD (12X18.5X3-MM THK)						



GRAPHIC #1

<END>

g00142237

# BASIC ENGINE

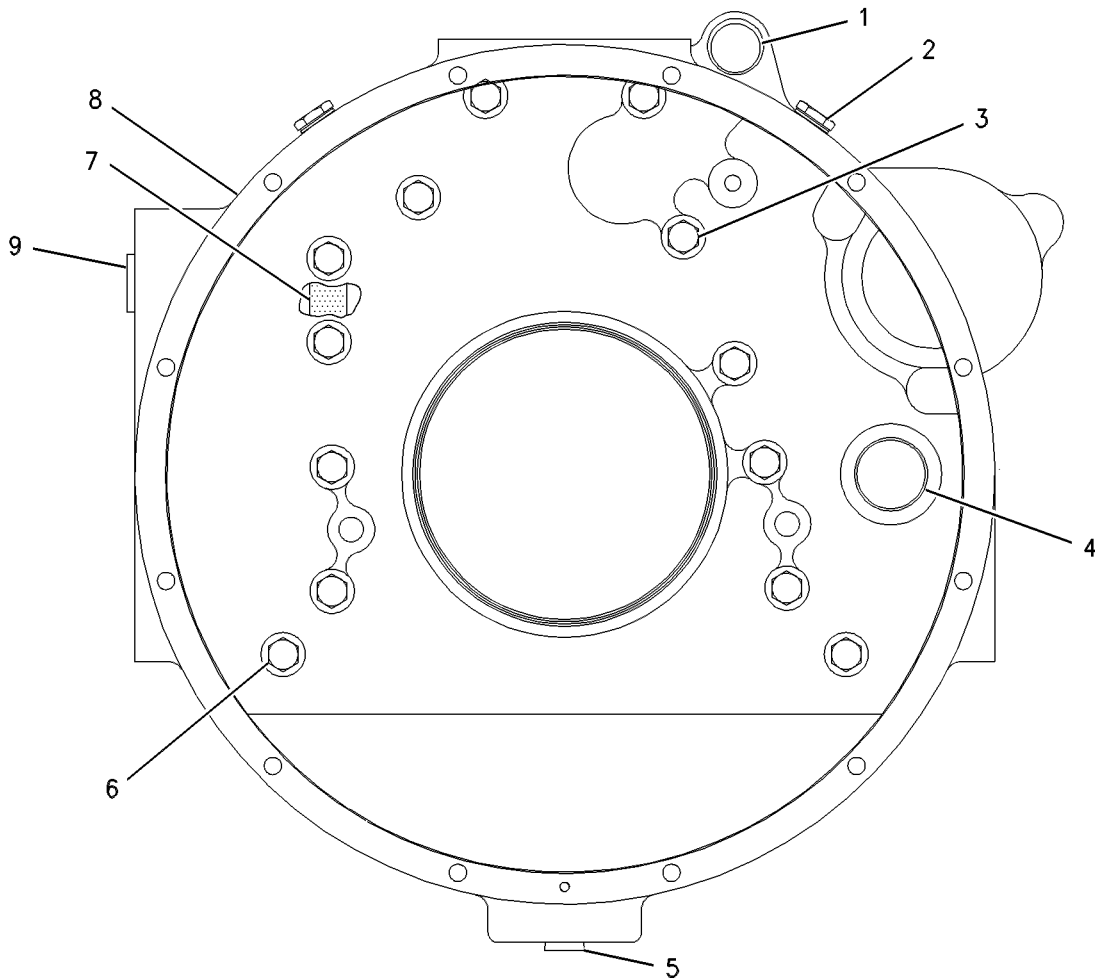
## 8N-2322 HOUSING GP-FLYWHEEL

S/N: 85Z3764-UP

SMCS-1157

i01850116

NOTE	REF NO	GRAPHIC REF	PART NUMBER	QTY	PART NAME						SEE PAGE
					1	2	3	4	5	6 (PRODUCT LEVEL)	
	1	1	<b>3B-0645</b>	1	PLUG-CUP (32.08-MM OD)						
	2	1	<b>5F-0304</b>	2	PLUG (FLYWHEEL HOUSING)						
		1	<b>2A-1162</b>	2	GASKET						
	3	1	<b>8T-6765</b>	1	PLUG-PIPE (1/4-18-THD)						
	4	1	<b>8T-6760</b>	1	PLUG-PIPE (1-1/2-11-1/2 NPT)						
	5	1	<b>7X-7731</b>	1	PLUG-PIPE (3/4-14-THD)						
	6	1	<b>1A-1460</b>	13	BOLT (1/2-13X2-IN)						
	7	1	<b>9H-5921</b>	1	GASKET						
	8	1	<b>7W-9323</b>	1	HOUSING-FLYWHEEL						
	9	1	<b>7X-7730</b>	1	PLUG-PIPE						



GRAPHIC #1

<END>

g00277475

# BASIC ENGINE

## 8N-2395 HOUSING GP-FLYWHEEL

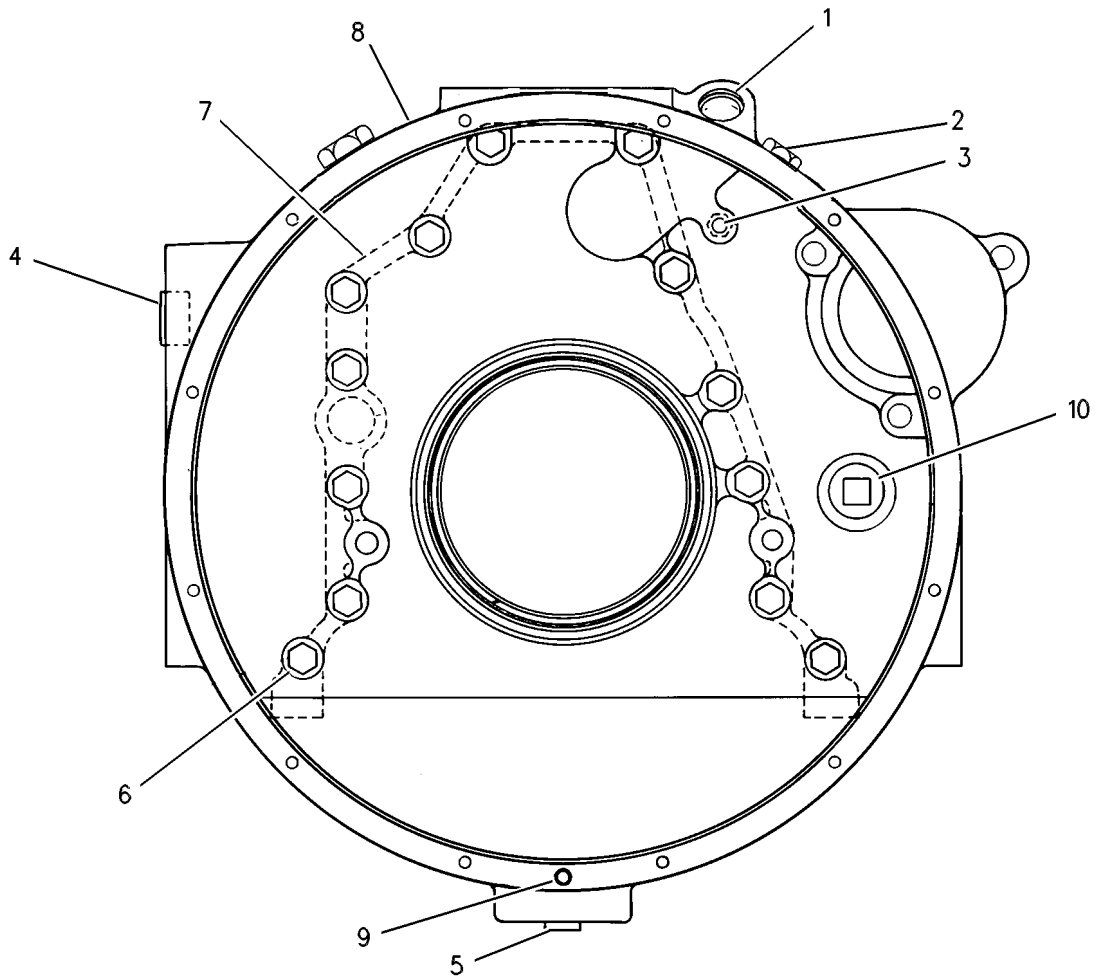
S/N: 85Z3764-UP

SMCS-1157

i01832447

NOTE	REF NO	GRAPHIC REF	PART NUMBER	QTY	PART NAME						SEE PAGE
					1	2	3	4	5	6 (PRODUCT LEVEL)	
B	1	1	<b>3B-0645</b>	1	PLUG-CUP (32.08-MM OD)						
	2	1	<b>5F-0304</b>	2	PLUG (FLYWHEEL HOUSING)						
		1	<b>2A-1162</b>	2	GASKET						
	3	1	<b>8T-6765</b>	1	PLUG-PIPE (1/4-18-THD)						
	4	1	<b>7X-7730</b>	1	PLUG-PIPE						
	5	1	<b>7X-7731</b>	1	PLUG-PIPE (3/4-14-THD)						
	6	1	<b>1A-1460</b>	13	BOLT (1/2-13X2-IN)						
	7	1	<b>9H-5921</b>	1	GASKET						
	8	1	<b>143-0814</b>	1	HOUSING-FLYWHEEL						
	B	9	1	<b>8S-0527</b>	1	PLUG-CUP					
10		1	<b>8T-6760</b>	1	PLUG-PIPE (1-1/2-11-1/2 NPT)						

B - USE AS REQUIRED



GRAPHIC #1

<END>

g00277386

# BASIC ENGINE

## 9Y-4624 HOUSING GP-FLYWHEEL

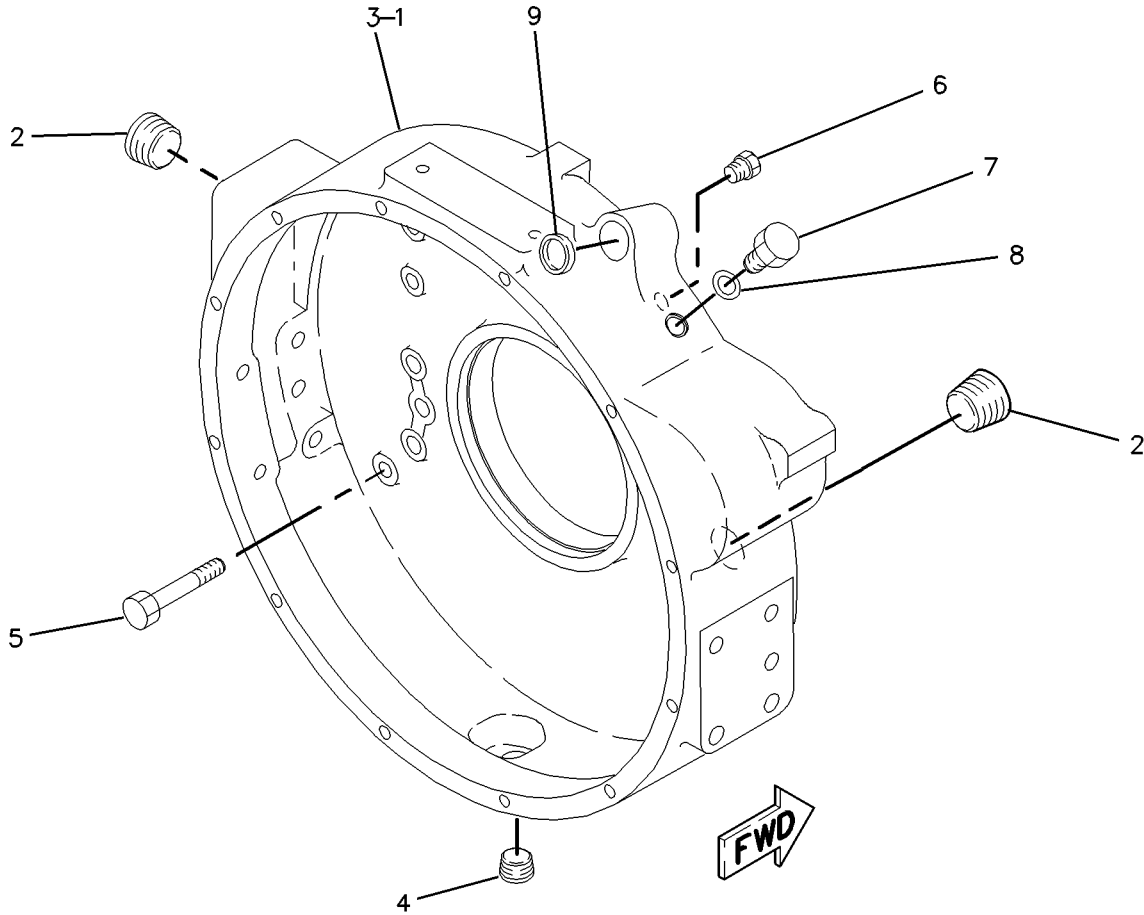
S/N: 85Z11063-UP

SMCS-1157

i03765620

NOTE	REF NO	GRAPHIC REF	PART NUMBER	QTY	PART NAME						SEE PAGE
					1	2	3	4	5	6 (PRODUCT LEVEL)	
B	1	1	<b>1U-8846</b>		SEALANT - GASKET						
	2	1	<b>7X-7730</b>	2	PLUG-PIPE						
	3	1	<b>9Y-4623</b>	1	HOUSING-FLYWHEEL						
	4	1	<b>7X-7731</b>	1	PLUG-PIPE (3/4-14-THD)						
	5	1	<b>1A-1460</b>	13	BOLT (1/2-13X2-IN)						
	6	1	<b>8T-6765</b>	1	PLUG-PIPE (1/4-18-THD)						
	7	1	<b>5F-0304</b>	2	PLUG						
	8	1	<b>2A-1162</b>	2	GASKET						
	9	1	<b>3B-0645</b>	1	PLUG-CUP (32.08-MM OD)						

B - USE AS REQUIRED



GRAPHIC #1

<END>

g00901051

# BASIC ENGINE

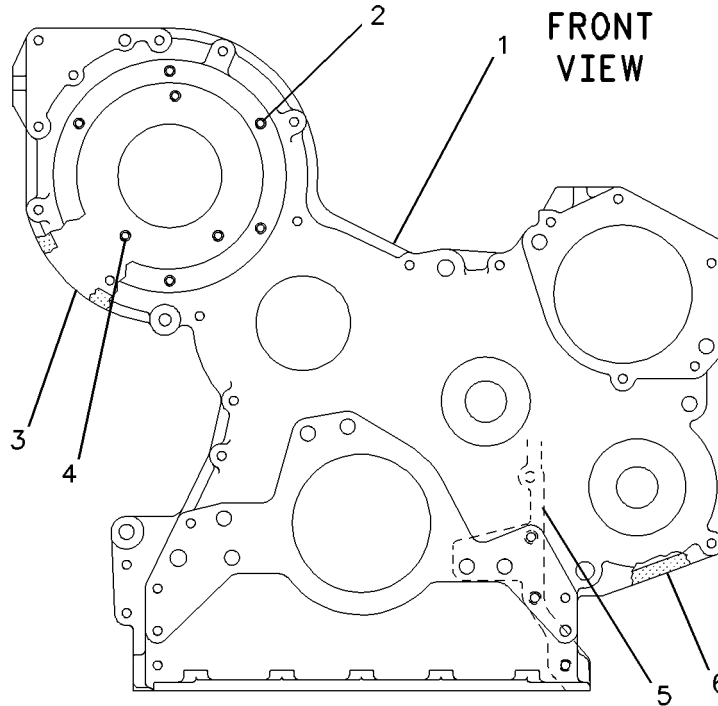
## 8N-0303 HOUSING GP-FRONT

S/N: 85Z3764-UP

SMCS-1151, 1162, 1206

i01758310

NOTE	REF NO	GRAPHIC REF	PART NUMBER	QTY	PART NAME						SEE PAGE
					1	2	3	4	5	6 (PRODUCT LEVEL)	
	1	1	<b>6I-0923</b>	1	HOUSING AS-FRONT						
	2	1	<b>9X-2485</b>	6	STUD						
	3	1	<b>1W-7816</b>	1	PLATE AS						
		1	<b>5M-6214</b>	1	PLUG (1/8-27 PTF)						
	4	1	<b>6H-0192</b>	3	STUD						
	5	1	<b>8N-0110</b>	1	GASKET-FRONT PLATE						
	6	1	<b>1W-3900</b>	1	GASKET						



GRAPHIC #1

<END>

g00899514

# BASIC ENGINE

## 196-9534 KIT-BASIC ENGINE REPAIR

S/N: 85Z3764-UP  
FIELD INSTALLATION

SMCS-1000

i06137704

NOTE	PART NUMBER	QTY	PART NAME						SEE PAGE
			1	2	3	4	5	6 (PRODUCT LEVEL)	
	<b>232-3233</b>	7	BEARING-MAIN (STANDARD)						
AB	<b>4P-7305</b>		BEARING-MAIN (0.51-MM OS, 0.51-MM US)						
AB	<b>4P-7306</b>		BEARING-MAIN (0.51-MM OS, 0.76-MM US)						
AB	<b>8N-8225</b>		BEARING-MAIN (0.25-MM US)						
AB	<b>8N-8226</b>		BEARING-MAIN (0.51-MM US)						
AB	<b>8N-8227</b>		BEARING-MAIN (0.76-MM US)						
AB	<b>8N-8228</b>		BEARING-MAIN (0.51-MM OS)						
AB	<b>8N-8229</b>		BEARING-MAIN (0.25-MM US, 0.51-MM OS)						
	<b>100-3652</b>	7	PLATE-THRUST						

A - NOT PART OF THIS GROUP  
B - USE AS REQUIRED

<END>

# BASIC ENGINE

## 391-8256 KIT-CYLINDER HEAD GASKET

S/N: 85Z3764-UP

CONTAINS THE GASKETS, SEALS, AND BENDABLE LOCKS TO REBUILD AND REINSTALL A SINGLE CYLINDER HEAD.. INCLUDES THE TURBO GASKETS BUT DOES NOT INCLUDE THE FUEL INJECTOR SEALS. ORDER A SINGLE INJECTOR SEAL KIT AS NEEDED.. FOR IN-LINE 4 AND 6 CYLINDER ENGINES WITH ONE CYLINDER HEAD ONLY.. THE FOLLOWING TURBO MOUNTING HARDWARE WILL BE INCLUDED: BOLTS, NUTS, STUDS, WASHERS, SPACERS, ETC.. APPLIES TO SINGLE CYLINDER HEAD KIT PART NUMBERS 317-8750 & UP  
FIELD REPLACEMENT FOR 142-0228 KIT-GASKET  
FIELD INSTALLATION

SMCS-1124

i06216908

NOTE	PART NUMBER	QTY	PART NAME 1 2 3 4 5 6 (PRODUCT LEVEL)	SEE PAGE
	<b>8M-2295</b>	4	BOLT (3/8-16X1.625-IN)	
	<b>1H-7666</b>	1	GASKET	
	<b>1P-0451</b>	1	GASKET (TURBOCHARGER)	
	<b>1S-4295</b>	1	GASKET (TURBOCHARGER)	
	<b>5S-6735</b>	2	GASKET	
	<b>7N-0200</b>	1	GASKET	
	<b>7N-0944</b>	1	GASKET (WATER TEMPERATURE REGULATOR)	
	<b>8H-9788</b>	1	GASKET	
	<b>188-6126</b>	1	GASKET	
	<b>111-8015</b>	1	GASKET AS-CYLINDER HEAD	
	<b>2P-6132</b>	1	GASKET-ELBOW	
	<b>9S-7083</b>	1	GASKET-INLET	
	<b>9Y-1979</b>	3	GASKET-MANIFOLD	
	<b>1S-4810</b>	1	GASKET-OIL DRAIN	
	<b>1S-6595</b>	1	GASKET-OIL SUPPLY	
	<b>115-7550</b>	1	GASKET-PLATE	
	<b>2N-2766</b>	4	LOCKNUT (3/8-16-THD)	
	<b>7N-8018</b>	6	SEAL	
	<b>9Y-1798</b>	18	SEAL	
	<b>2M-9780</b>	1	SEAL-O-RING	
	<b>3J-1907</b>	1	SEAL-O-RING	
	<b>3J-7354</b>	1	SEAL-O-RING	
	<b>3K-0360</b>	1	SEAL-O-RING	
	<b>3S-5496</b>	2	SEAL-O-RING	
	<b>4L-8337</b>	2	SEAL-O-RING	
	<b>5M-5860</b>	2	SEAL-O-RING	
	<b>5H-7704</b>	2	SEAL-O-RING	
	<b>8H-2046</b>	1	SEAL-O-RING	
	<b>8M-4448</b>	1	SEAL-O-RING	
	<b>9M-4849</b>	1	SEAL-O-RING	
	<b>133-1247</b>	1	SEAL-VALVE COVER	
FOR A LIST OF RELATED PARTS THAT MAY BE REQUIRED FOR THE ENGINE REBUILD TO THE KIT CONSIST, PLEASE VISIT				
			<a href="http://dealer.cat.com/related">HTTP://DEALER.CAT.COM/RELATED</a>	
	<b>8H-9204</b>	6	WASHER-FELT (19/32X7/8X5/16-IN THK)	
<END>				

# BASIC ENGINE

## 447-8653 KIT-CYLINDER HEAD GASKET

S/N: 85Z3764-UP

CLASSIC KIT IS SERVICED ONLY AS A COMPLETE PACKAGE  
FIELD INSTALLATION

SMCS-1124

i06805016

NOTE	PART NUMBER	QTY	PART NAME						SEE PAGE
			1	2	3	4	5	6 (PRODUCT LEVEL)	
(NO SERVICED PARTS)									
FOR A LIST OF RELATED PARTS THAT MAY BE REQUIRED FOR THE ENGINE REBUILD TO THE KIT CONSIST, PLEASE VISIT									
<a href="http://dealer.cat.com/related">HTTP://DEALER.CAT.COM/RELATED</a>									
<END>									

## 471-1663 KIT-ENGINE GASKET-AFTERCOOLER & LINES

S/N: 85Z3764-UP

KIT CONTAINS GASKETS AND SEALS TO INSTALL THE AFTERCOOLER AND ATTACHING LINES  
FIELD INSTALLATION

SMCS-1000, 7555

i07075918

NOTE	PART NUMBER	QTY	PART NAME						SEE PAGE
			1	2	3	4	5	6 (PRODUCT LEVEL)	
	2N-8204	6	GASKET						
	4N-0699	1	GASKET						
	4N-0933	1	GASKET						
	4N-4159	1	GASKET						
	6L-9589	4	GASKET						
	7W-0688	2	GASKET						
	153-5484	2	GASKET						
	4L-8337	2	SEAL-O-RING						
	5P-7204	2	SEAL-O-RING						
	5S-1188	2	SEAL-O-RING						
	6V-9769	4	SEAL-O-RING						
	109-0078	2	SEAL-O-RING						
FOR A LIST OF RELATED PARTS THAT MAY BE REQUIRED FOR THE ENGINE REBUILD TO THE KIT CONSIST, PLEASE VISIT									
<a href="http://dealer.cat.com/related">HTTP://DEALER.CAT.COM/RELATED</a>									
<END>									



# BASIC ENGINE

## 479-8076 KIT-ENGINE GASKET-REAR COVER

S/N: 85Z3764-UP  
FIELD INSTALLATION

SMCS-1000, 7555

i07605815

NOTE	PART NUMBER	QTY	PART NAME						SEE PAGE
			1	2	3	4	5	6 (PRODUCT LEVEL)	
	2A-1162	3	GASKET						
	6L-3397	1	GASKET						
	5H-0244	1	GASKET						
	9Y-6089	1	GASKET						
	155-5619	1	GASKET						
	142-5868	1	SEAL - CRANKSHAFT (REAR)						
	234-8937	1	SEAL - INTEGRAL						

FOR A LIST OF RELATED PARTS THAT MAY BE  
REQUIRED FOR THE ENGINE REBUILD TO THE KIT  
CONSIST, PLEASE VISIT

[HTTP://DEALER.CAT.COM/RELATED](http://DEALER.CAT.COM/RELATED)

<END>

## 482-7057 KIT-ENGINE GASKET

S/N: 85Z3764-UP

KIT CONTAINS GASKETS, SEALS, AND BENDABLE LOCKS TO REINSTALL THE OIL PAN, INTERNAL  
OIL PUMP, AND BLOCK COVERS  
FIELD INSTALLATION

SMCS-1000, 7555

i07418798

NOTE	PART NUMBER	QTY	PART NAME						SEE PAGE
			1	2	3	4	5	6 (PRODUCT LEVEL)	
	8C-3445	1	CAP - DUST						
	2W-4561	1	GASKET						
	2A-3398	2	GASKET						
	2P-8746	1	GASKET						
	4M-6480	2	GASKET						
	5S-8055	1	GASKET						
	4N-0699	1	GASKET						
	9F-5940	1	GASKET						
	8N-6854	1	GASKET						
	169-4200	1	GASKET						
	169-4199	1	GASKET-OIL PAN						
	3J-7354	1	SEAL-O-RING						
	2M-9780	1	SEAL-O-RING						
	2H-3932	1	SEAL-O-RING						
	3K-0360	2	SEAL-O-RING						
	8M-5248	2	SEAL-O-RING						
	8M-5253	1	SEAL-O-RING						
	9M-4849	1	SEAL-O-RING						
	114-2687	1	SEAL-O-RING						

FOR A LIST OF RELATED PARTS THAT MAY BE  
REQUIRED FOR THE ENGINE REBUILD TO THE KIT  
CONSIST, PLEASE VISIT

[HTTP://DEALER.CAT.COM/RELATED](http://DEALER.CAT.COM/RELATED)

<END>

# BASIC ENGINE

## 491-0356 KIT-ENGINE GASKET

S/N: 85Z3764-UP

KIT CONTAINS GASKETS AND SEALS TO ASSEMBLE AND REINSTALL THE OIL COOLERS, OIL FILTER  
BASE, AND ATTACHING LINES  
FIELD INSTALLATION

SMCS-1000, 7555

i07384892

NOTE	PART NUMBER	QTY	PART NAME						SEE PAGE
			1	2	3	4	5	6 (PRODUCT LEVEL)	
	<b>1W-2636</b>	1	GASKET						
	<b>4N-0641</b>	1	GASKET						
	<b>6V-3251</b>	1	SEAL-O-RING						
	<b>8C-5230</b>	2	SEAL-O-RING						
	<b>061-7540</b>	2	SEAL-O-RING						
	<b>109-0077</b>	3	SEAL-O-RING						
	<b>113-5304</b>	2	SEAL-O-RING						

FOR A LIST OF RELATED PARTS THAT MAY BE  
REQUIRED FOR THE ENGINE REBUILD TO THE KIT  
CONSIST, PLEASE VISIT

[HTTP://DEALER.CAT.COM/RELATED](http://dealer.cat.com/related)

<END>

## 398-2955 KIT-FRONT COVER GASKET

S/N: 85Z3764-UP

CLASSIC. 673.1 X 322.6 X 25.4-MM  
FIELD INSTALLATION

SMCS-1000, 7555

i06828419

NOTE	PART NUMBER	QTY	PART NAME						SEE PAGE
			1	2	3	4	5	6 (PRODUCT LEVEL)	
			(NO SERVICED PARTS)						

<END>

# BASIC ENGINE

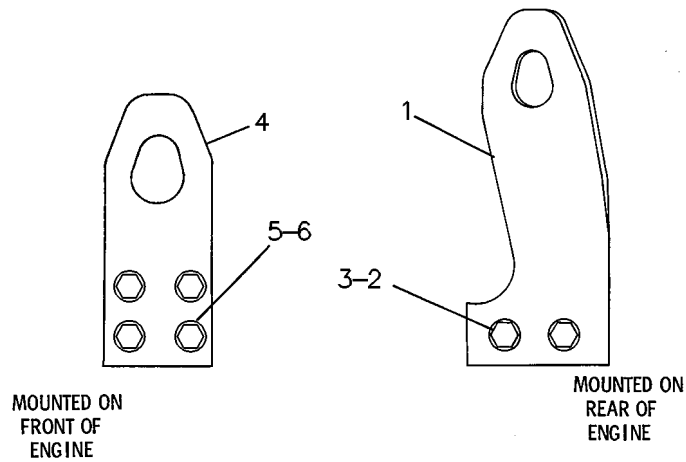
## 4P-6522 LIFTING GP-ENGINE

S/N: 85Z8663-UP

SMCS - 1122

i00968118

NOTE	REF NO	GRAPHIC REF	PART NUMBER	QTY	PART NAME						SEE PAGE
					1	2	3	4	5	6 (PRODUCT LEVEL)	
	1	1	<b>4W-8652</b>	1	PLATE-EYE						
	2	1	<b>6V-1999</b>	2	BOLT (5/8-11X1.5-IN)						
	3	1	<b>8D-5054</b>	2	WASHER-HARD (17X30X3-MM THK)						
	4	1	<b>8N-3272</b>	1	PLATE-LIFTING EYE						
	5	1	<b>4B-3823</b>	4	BOLT (1/2-13X1.25-IN)						
	6	1	<b>5P-8245</b>	4	WASHER-HARD (13.5X25.5X3-MM THK)						



GRAPHIC #1

<END>

g00224617

# BASIC ENGINE

## 8N-3286 LIFTING GP-ENGINE

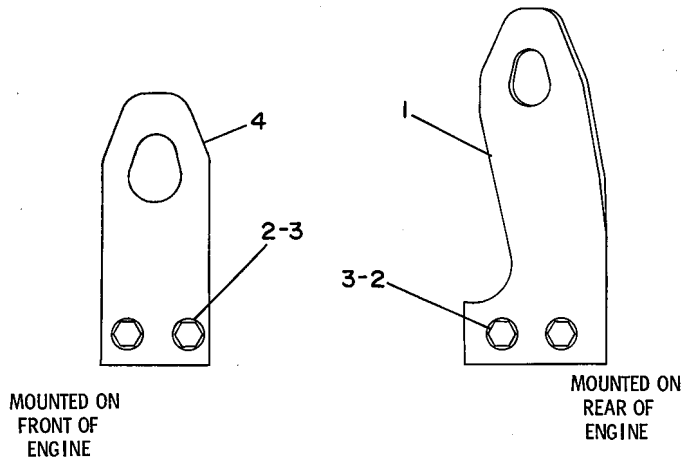
S/N: 85Z3764-UP

SMCS-1122

i01940065

NOTE	REF NO	GRAPHIC REF	PART NUMBER	QTY	PART NAME						SEE PAGE
					1	2	3	4	5	6 (PRODUCT LEVEL)	
C	1	1	<b>4W-8652</b>	1	PLATE-EYE						
	2	1	<b>6V-1999</b>	4	BOLT (5/8-11X1.5-IN)						
	3	1	<b>8D-5054</b>	4	WASHER-HARD (17X30X3-MM THK)						
C	4	1	<b>7C-2940</b>	1	PLATE-EYE						

C - CHANGE FROM PREVIOUS TYPE



GRAPHIC #1

<END>

g00185799

# BASIC ENGINE

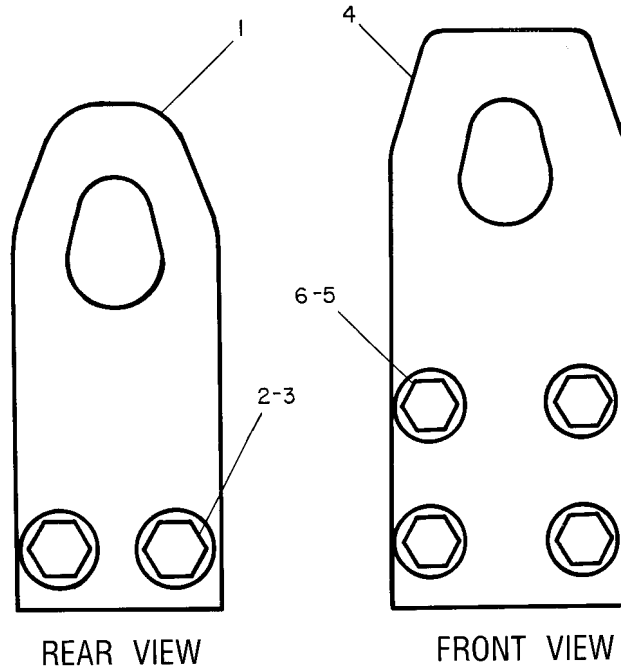
## 9Y-1318 LIFTING GP-ENGINE

S/N: 85Z3764-UP

SMCS - 1122

i00967055

NOTE	REF NO	GRAPHIC REF	PART NUMBER	QTY	PART NAME						SEE PAGE
					1	2	3	4	5	6 (PRODUCT LEVEL)	
	1	1	<b>7C-2940</b>	1	PLATE-EYE						
	2	1	<b>6V-1999</b>	2	BOLT (5/8-11X1.5-IN)						
	3	1	<b>5P-8247</b>	2	WASHER-HARD (17X32X3.5-MM THK)						
	4	1	<b>8N-3272</b>	1	PLATE-LIFTING EYE						
	5	1	<b>5P-8245</b>	4	WASHER-HARD (13.5X25.5X3-MM THK)						
	6	1	<b>4B-3823</b>	4	BOLT (1/2-13X1.25-IN)						



GRAPHIC #1

<END>

g00194682

# BASIC ENGINE

## 110-5763 LINES GP-AIR COMPRESSOR

S/N: 85Z3764-UP

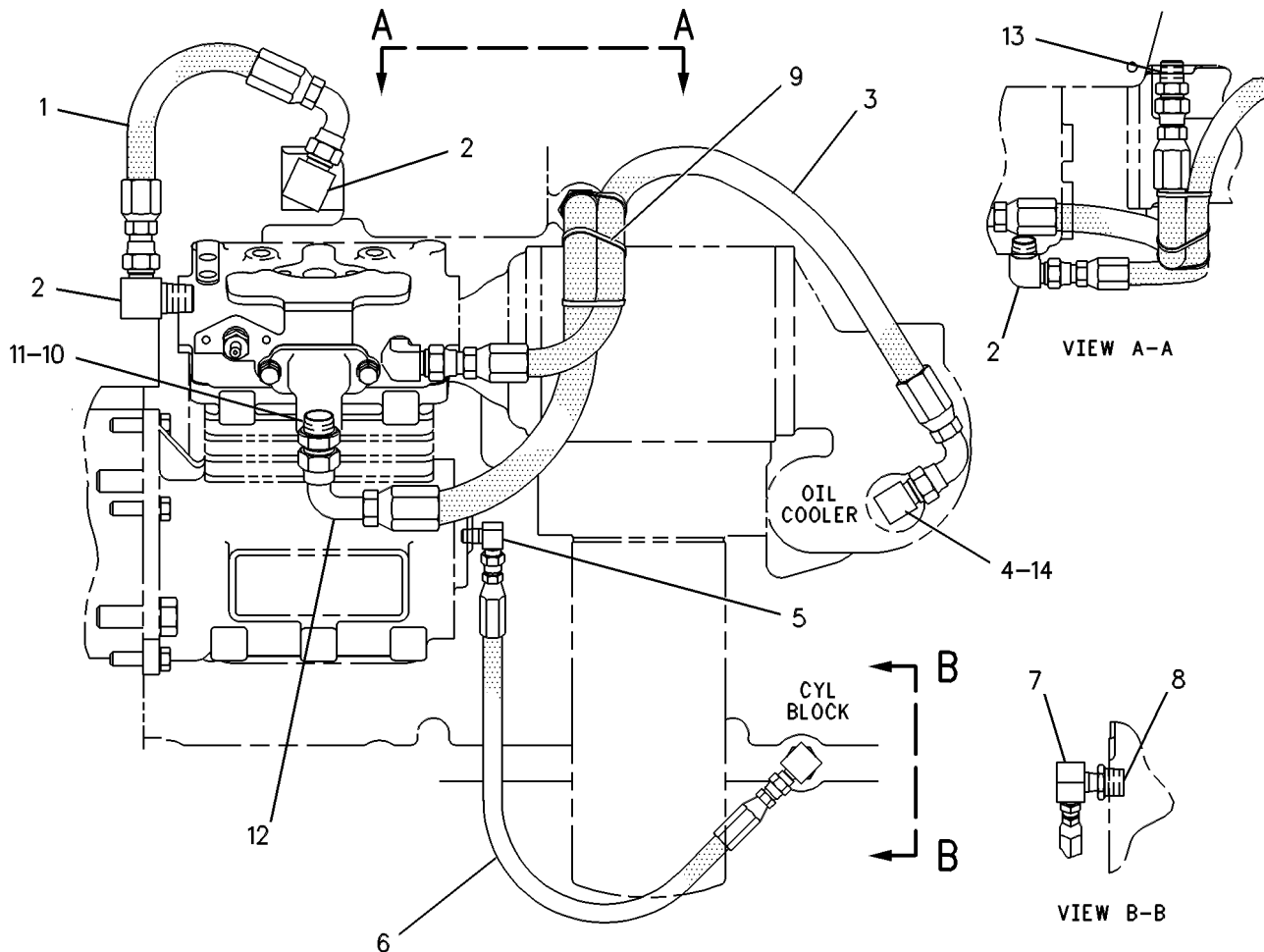
FOR USE WITH 110-5765-PAGE: 69, 110-5767-PAGE: 72  
AN ATTACHMENT

SMCS-1803, 5502

i00719520

NOTE	REF NO	GRAPHIC REF	PART NUMBER	QTY	PART NAME						SEE PAGE
					1	2	3	4	5	6	
I	1	1	<b>9L-5810</b>	1	HOSE AS						
	2	1	<b>2N-3378</b>	3	ELBOW-FLARED						
I	3	1	<b>9L-5452</b>	1	HOSE AS						
	4	1	<b>7L-7262</b>	1	ELBOW-FLARED						
	5	1	<b>2N-1287</b>	1	ELBOW-FLARED						
I	6	1	<b>9N-3040</b>	1	HOSE AS						
	7	1	<b>6K-1972</b>	1	ELBOW-FLARED						
	8	1	<b>3B-7764</b>	1	BUSHING (REDUCING)						
	9	1	<b>3S-2093</b>	3	STRAP-CABLE						
	10	1	<b>9M-4584</b>	1	CONNECTOR						
	11	1	<b>2M-9780</b>	1	SEAL-O-RING						
I	12	1	<b>4W-2420</b>	1	HOSE AS						
	13	1	<b>9M-6522</b>	1	CONNECTOR (1/2-14 NPTF)						
	14	1	<b>8M-0755</b>	1	ADAPTER						

I - REFER TO HYDRAULIC INFORMATION SYSTEM



GRAPHIC #1

<END>

g00295148

# BASIC ENGINE

## 8N-6046 LINES GP-AIR COMPRESSOR

S/N: 85Z3764-UP

AN ATTACHMENT

SMCS-1803, 5502

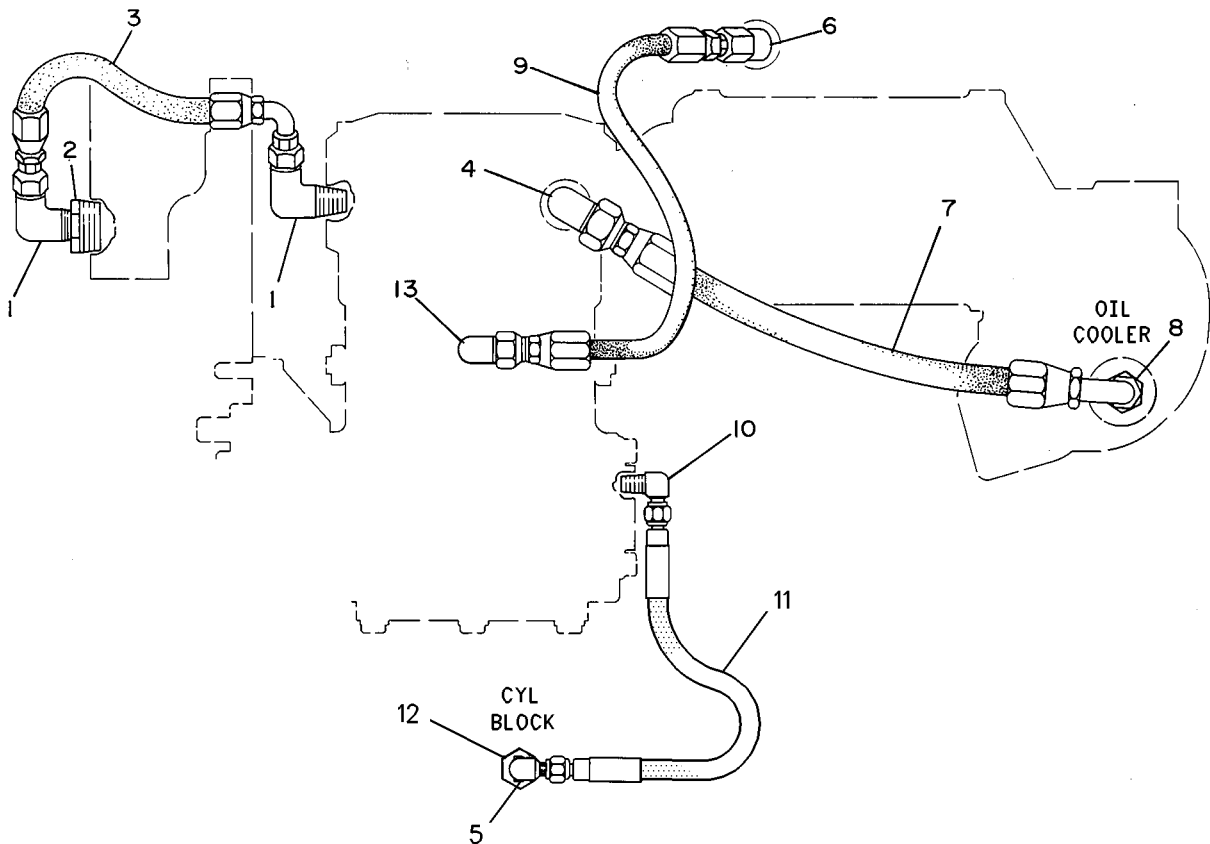
i01734526

NOTE	REF NO	GRAPHIC REF	PART NUMBER	QTY	PART NAME						SEE PAGE
					1	2	3	4	5	6	
C	1	1	<b>2N-3378</b>	2	ELBOW-FLARED						
	2	1	<b>8B-2664</b>	1	BUSHING-REDUCER						
I	3	1	<b>9L-5810</b>	1	HOSE AS						
C	4	1	<b>7L-7262</b>	1	ELBOW-FLARED						
C	5	1	<b>6K-1972</b>	1	ELBOW-FLARED						
C	6	1	<b>9L-5254</b>	1	ELBOW						
I	7	1	<b>9N-8075</b>	1	HOSE AS						
	8	1	<b>8M-0755</b>	1	ADAPTER						
CI	9	1	<b>1Y-0683</b>	1	HOSE AS						
C	10	1	<b>2N-1287</b>	1	ELBOW-FLARED						
CI	11	1	<b>3N-1295</b>	1	HOSE AS						
BC	12	1	<b>3B-7764</b>	1	BUSHING (REDUCING)						
C	13	1	<b>032-1269</b>	1	ELBOW						

B - USE AS REQUIRED

C - CHANGE FROM PREVIOUS TYPE

I - REFER TO HYDRAULIC INFORMATION SYSTEM



GRAPHIC #1

<END>

g00889609

# BASIC ENGINE

## 7E-5071 MOUNTING GP-ALTERNATOR

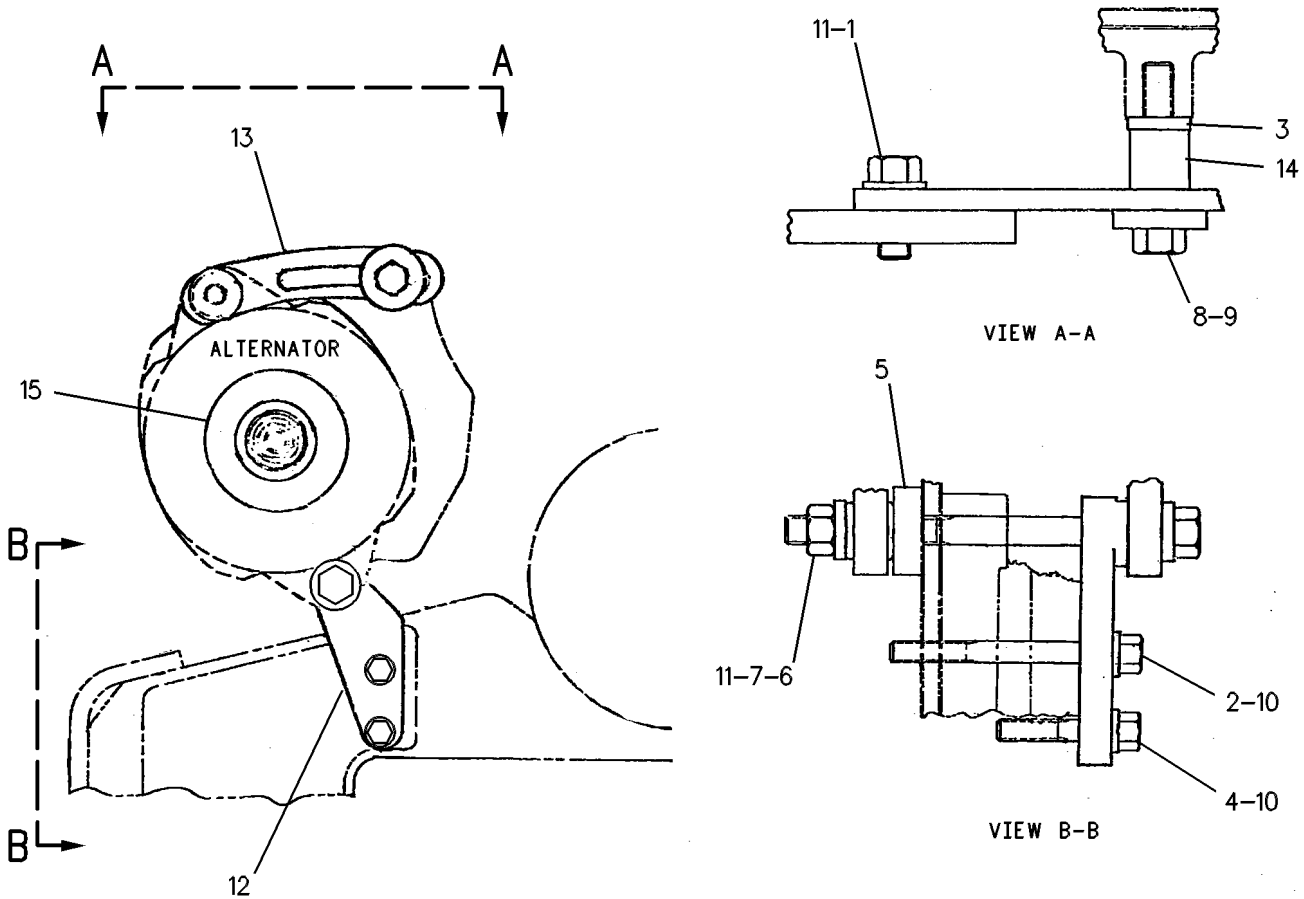
S/N: 85Z3764-UP

FOR USE WITH FAN DRIVE & FRONT ENGINE SUPPORT  
AN ATTACHMENT

SMCS-1154, 1405

i01773442

NOTE	REF NO	GRAPHIC REF	PART NUMBER	QTY	PART NAME						SEE PAGE
					1	2	3	4	5	6 (PRODUCT LEVEL)	
	1	1	<b>7B-3235</b>	1	BOLT (1/2-13X1.375-IN)						
	2	1	<b>0S-1608</b>	1	BOLT (3/8-16X3.75-IN)						
	3	1	<b>1F-7960</b>	1	WASHER (13.5X32X6-MM THK)						
	4	1	<b>0S-1590</b>	1	BOLT (3/8-16X2-IN)						
	5	1	<b>1L-1526</b>	1	SPACER (0.5-IN THK)						
	6	1	<b>2A-1531</b>	1	BOLT (1/2-13X6.5-IN)						
	7	1	<b>1F-7958</b>	1	NUT-FULL (1/2-13-THD)						
	8	1	<b>1A-5822</b>	1	BOLT (1/2-13X2.75-IN)						
	9	1	<b>4N-3371</b>	1	WASHER (0.516X1.56X0.312-IN THK)						
	10	1	<b>5M-2894</b>	2	WASHER-HARD (10.2X18.5X2.5-MM THK)						
	11	1	<b>5P-8245</b>	3	WASHER-HARD (13.5X25.5X3-MM THK)						
	12	1	<b>7E-0143</b>	1	BRACKET AS-ALTERNATOR						
	13	1	<b>8S-4182</b>	1	STRAP						
	14	1	<b>1K-4649</b>	1	SPACER (0.516X1X1-IN THK)						
	15	1	<b>8L-8867</b>	1	PULLEY						



GRAPHIC #1

<END>

g00237615



# BASIC ENGINE

## 7E-5072 MOUNTING GP-ALTERNATOR

S/N: 85Z3764-UP

FOR USE WITH FRONT ENGINE SUPPORT

CANNOT BE USED WITH FAN DRIVE

AN ATTACHMENT

SMCS-1154, 1405

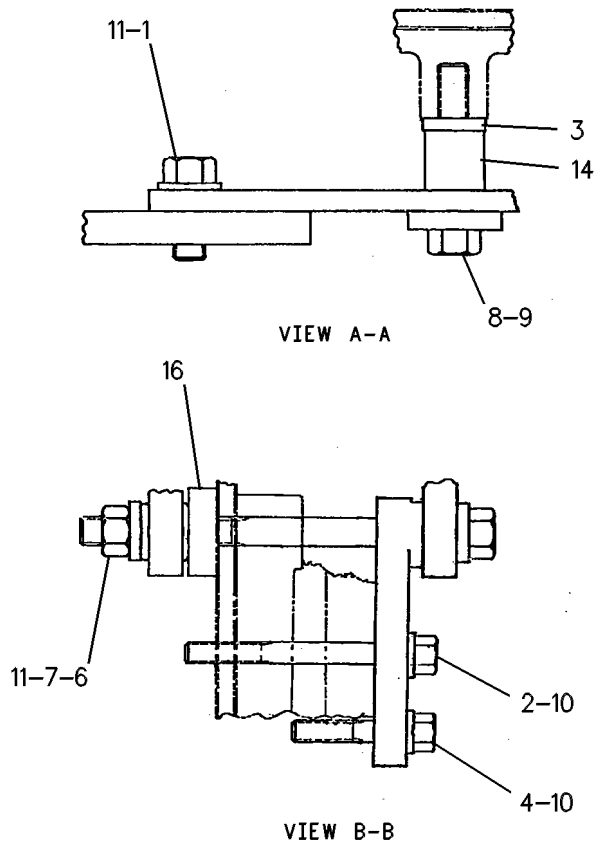
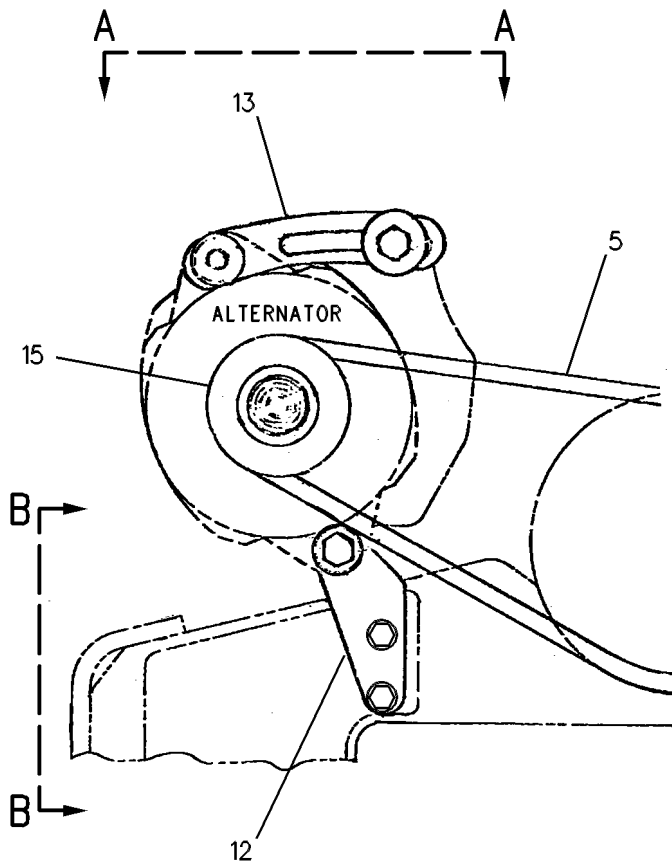
i01773456

NOTE	REF NO	GRAPHIC REF	PART NUMBER	QTY	PART NAME						SEE PAGE
					1	2	3	4	5	6 (PRODUCT LEVEL)	
	1	1	<b>7B-3235</b>	1	BOLT (1/2-13X1.375-IN)						
	2	1	<b>0S-1608</b>	1	BOLT (3/8-16X3.75-IN)						
	3	1	<b>1F-7960</b>	1	WASHER (13.5X32X6-MM THK)						
	4	1	<b>0S-1590</b>	1	BOLT (3/8-16X2-IN)						
	5	1	<b>2W-0237</b>	1	V-BELT SET (INCLUDES 2 BELTS)(ALTERNATOR)						
	6	1	<b>2A-1531</b>	1	BOLT (1/2-13X6.5-IN)						
	7	1	<b>1F-7958</b>	1	NUT-FULL (1/2-13-THD)						
	8	1	<b>1A-5822</b>	1	BOLT (1/2-13X2.75-IN)						
	9	1	<b>4N-3371</b>	1	WASHER (0.516X1.56X0.312-IN THK)						
	10	1	<b>5M-2894</b>	2	WASHER-HARD (10.2X18.5X2.5-MM THK)						
	11	1	<b>5P-8245</b>	3	WASHER-HARD (13.5X25.5X3-MM THK)						
	12	1	<b>7E-0143</b>	1	BRACKET AS-ALTERNATOR						
	13	1	<b>8S-4182</b>	1	STRAP						
	14	1	<b>1K-4649</b>	1	SPACER (0.516X1X1-IN THK)						
	15	1	<b>8M-8331</b>	1	PULLEY						
	16	1	<b>1L-1526</b>	1	SPACER (0.5-IN THK)						

# BASIC ENGINE

7E-5072 MOUNTING GP-ALTERNATOR (contd.)

i01773456



GRAPHIC #1

<END>

g00237616

# BASIC ENGINE

## 8N-6018 MOUNTING GP-ALTERNATOR

S/N: 85Z3764-UP

CANNOT BE USED WITH FAN DRIVE  
AN ATTACHMENT

SMCS-1154, 1405

i01697946

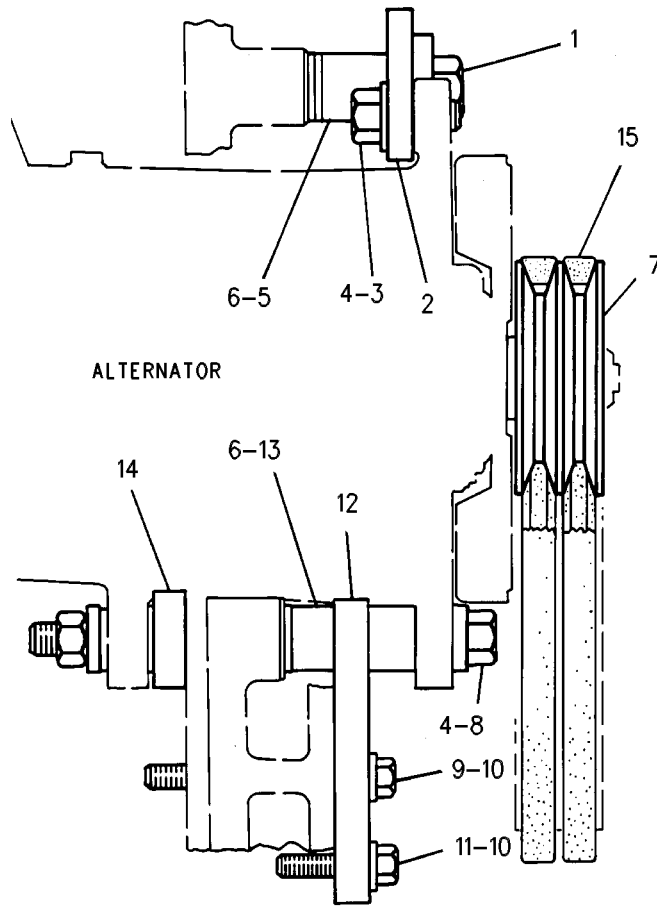
NOTE	REF NO	GRAPHIC REF	PART NUMBER	QTY	PART NAME						SEE PAGE
					1	2	3	4	5	6 (PRODUCT LEVEL)	
	1	1	<b>1A-5822</b>	1	BOLT (1/2-13X2.75-IN)						
		1	<b>4N-3371</b>	1	WASHER (0.516X1.56X0.312-IN THK)						
	2	1	<b>8S-4182</b>	1	STRAP						
	3	1	<b>7B-3235</b>	1	BOLT (1/2-13X1.375-IN)						
	4	1	<b>5P-8245</b>	3	WASHER-HARD (13.5X25.5X3-MM THK)						
	5	1	<b>1K-4649</b>	1	SPACER (0.516X1X1-IN THK)						
	6	1	<b>3H-0449</b>	2	WASHER (1.25X0.531X0.036-IN THK)						
		1	<b>4B-4280</b>	3	WASHER (13.5X27X2.5-MM THK)						
	7	1	<b>8M-8331</b>	1	PULLEY						
	8	1	<b>2A-1531</b>	1	BOLT (1/2-13X6.5-IN)						
		1	<b>1D-4719</b>	1	NUT-FULL (1/2-13-THD)						
	9	1	<b>0L-1352</b>	1	BOLT (3/8-16X3.25-IN)						
	10	1	<b>5M-2894</b>	2	WASHER-HARD (10.2X18.5X2.5-MM THK)						
	11	1	<b>0S-1591</b>	1	BOLT (3/8-16X1.5-IN)						
	12	1	<b>7N-1425</b>	1	BRACKET AS-ALTERNATOR						
	13	1	<b>1M-1993</b>	1	SPACER (0.563X1X0.625-IN THK)						
	14	1	<b>1L-1526</b>	1	SPACER (0.5-IN THK)						
C	15	1	<b>2W-0237</b>	1	V-BELT SET (INCLUDES 2 BELTS)(ALTERNATOR)						

C - CHANGE FROM PREVIOUS TYPE

# BASIC ENGINE

8N-6018 MOUNTING GP-ALTERNATOR (contd.)

i01697946



GRAPHIC #1

<END>

g00536283

# BASIC ENGINE

## 8N-6019 MOUNTING GP-ALTERNATOR

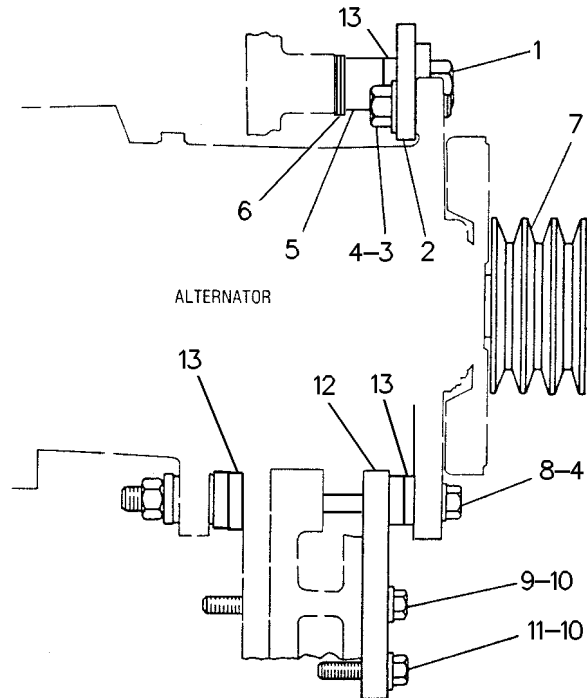
S/N: 85Z3764-UP  
FOR USE WITH FAN DRIVE  
AN ATTACHMENT

SMCS-1154, 1405

i03438141

NOTE	REF NO	GRAPHIC REF	PART NUMBER	QTY	PART NAME						SEE PAGE
					1	2	3	4	5	6 (PRODUCT LEVEL)	
	1	1	<b>1A-5822</b>	1	BOLT (1/2-13X2.75-IN)						
		1	<b>4N-3371</b>	1	WASHER (0.516X1.56X0.312-IN THK)						
	2	1	<b>8S-4182</b>	1	STRAP						
	3	1	<b>7B-3235</b>	1	BOLT (1/2-13X1.375-IN)						
	4	1	<b>5P-8245</b>	3	WASHER-HARD (13.5X25.5X3-MM THK)						
C	5	1	<b>1K-4649</b>	1	SPACER (0.516X1X1-IN THK)						
C	6	1	<b>3H-0449</b>	1	WASHER (1.25X0.531X0.036-IN THK)						
C		1	<b>4B-4280</b>	2	WASHER (13.5X27X2.5-MM THK)						
	7	1	<b>8L-8867</b>	1	PULLEY (3-GROOVE)						
	8	1	<b>2A-1531</b>	1	BOLT (1/2-13X6.5-IN)						
		1	<b>1D-4719</b>	1	NUT-FULL (1/2-13-THD)						
	9	1	<b>0L-1352</b>	1	BOLT (3/8-16X3.25-IN)						
	10	1	<b>5M-2894</b>	2	WASHER-HARD (10.2X18.5X2.5-MM THK)						
	11	1	<b>0S-1591</b>	1	BOLT (3/8-16X1.5-IN)						
	12	1	<b>7N-1425</b>	1	BRACKET AS-ALTERNATOR						
	13	1	<b>2M-0849</b>	3	WASHER-HARD (13.5X25.5X5-MM THK)						

C - CHANGE FROM PREVIOUS TYPE



GRAPHIC #1

<END>

g00223816

# BASIC ENGINE

## 8N-9559 MOUNTING GP-ENGINE

S/N: 85Z3764-UP

FLEXIBLE - PACKAGED GENERATOR SET  
AN ATTACHMENT

SMCS-1152, 1153, 1154

i01523148

NOTE	PART NUMBER	QTY	PART NAME						SEE PAGE
			1	2	3	4	5	6 (PRODUCT LEVEL)	
	8N-9965	2	MOUNT AS (REAR)						
	8N-9962	2	MOUNT AS (FRONT)						
	5P-7197	4	WASHER (17X45X6-MM THK)						
<END>									

# BASIC ENGINE

## 6I-1537 MOUNTING GP-ENGINE FLEXIBLE

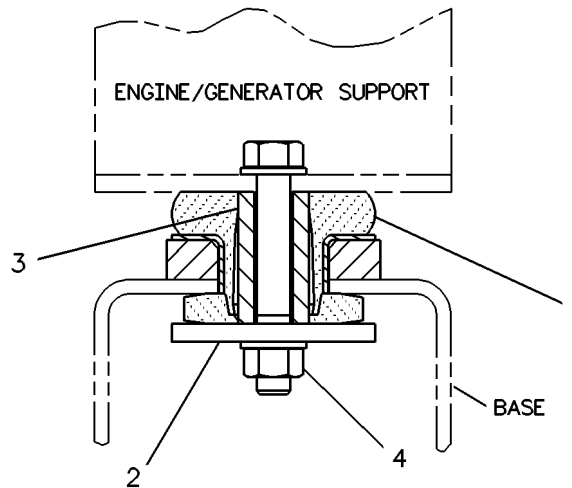
S/N: 85Z3764-UP

**REQUIRES NEW PRIME GEN SET ENGINE ONLY  
AN ATTACHMENT**

**SMCS-1152**

**i02459869**

NOTE	REF NO	GRAPHIC REF	PART NUMBER	QTY	PART NAME						SEE PAGE
					1	2	3	4	5	6 (PRODUCT LEVEL)	
	1	1	<b>9W-9930</b>	4	MOUNT AS						
	2	1	<b>9W-6584</b>	4	WASHER (20.5X114X10-MM THK)						
	3	1	<b>9W-6582</b>	4	SLEEVE						
	4	1	<b>1D-4614</b>	4	BOLT (3/4-10X5-IN)						
		1	<b>5P-8248</b>	8	WASHER-HARD (20X36.5X3.5-MM THK)						
		1	<b>2J-3506</b>	4	NUT-FULL (3/4-10-THD)						



GRAPHIC #1

<END>

g00223318

# BASIC ENGINE

## 3N-4120 MOUNTING GP-HYD PUMP DRIVE

S/N: 85Z3764-UP

**PROVIDES CUT-OFF CLUTCH ON FRONT OF ENGINE, CLUTCH MUST BE SAE 8 IN, SINGLE PLATE,  
OVER CENTER, WITH SAE NO. 5 HOUSING AND NO. 305 PILOT BEARING  
FOR USE WITH CUSTOMER INSTALLED HYDRAULIC PUMP DRIVE  
AN ATTACHMENT**

**SMCS-1207**

**i01947155**

NOTE	REF NO	GRAPHIC REF	PART NUMBER	QTY	PART NAME						SEE PAGE
					1	2	3	4	5	6 (PRODUCT LEVEL)	
	1	1	<b>7L-5882</b>	1	PULLEY-COUPLING						
	2	1	<b>0S-1571</b>	6	BOLT (3/8-16X1.75-IN)						
	3	1	<b>5M-2894</b>	7	WASHER-HARD (10.2X18.5X2.5-MM THK)						
	4	1	<b>0S-1594</b>	8	BOLT (3/8-16X1-IN)						
	5	1	<b>7L-0603</b>	1	ADAPTER						
C	6	1	<b>7B-3235</b>	8	BOLT (1/2-13X1.375-IN)						
	7	1	<b>5P-8245</b>	11	WASHER-HARD (13.5X25.5X3-MM THK)						
	8	1	<b>3N-4124</b>	1	SUPPORT AS (RH)						
	9	1	<b>0L-1143</b>	3	BOLT (3/8-16X2.5-IN)						
	10	1	<b>0S-1619</b>	2	BOLT (3/8-16X3-IN)						
	11	1	<b>3N-4125</b>	1	SUPPORT AS (LH)						
	12	1	<b>1D-4717</b>	1	NUT (3/8-16-THD)						
	13	1	<b>0L-1352</b>	2	BOLT (3/8-16X3.25-IN)						
	14	1	<b>0L-1329</b>	3	BOLT (1/2-13X3-IN)						
	15	1	<b>3N-8231</b>	1	ADAPTER-DAMPER						
	16	1	<b>2P-1692</b>	1	SEAL-O-RING						
	17	1	<b>3N-1332</b>	1	HOUSING-ADAPTER						
	18	1	<b>9Y-9895</b>	1	SEAL GP-CRANKSHAFT (CLOCKWISE ROTATION)						
	19	1	<b>3N-4126</b>	1	ADAPTER-SEAL						

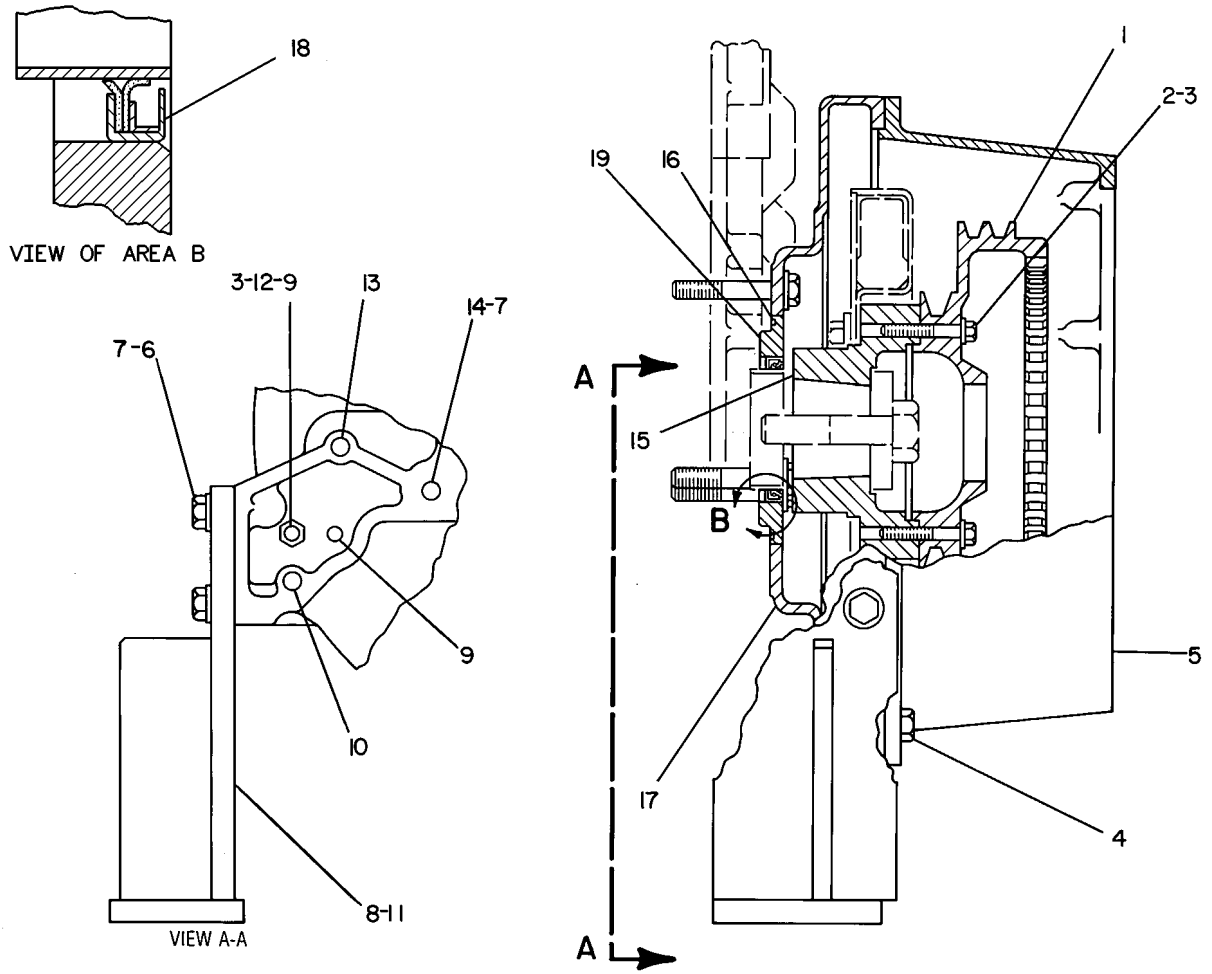
C - CHANGE FROM PREVIOUS TYPE



# BASIC ENGINE

3N-4120 MOUNTING GP-HYD PUMP DRIVE (contd.)

101947155



GRAPHIC #1

<END>

g00225118

# BASIC ENGINE

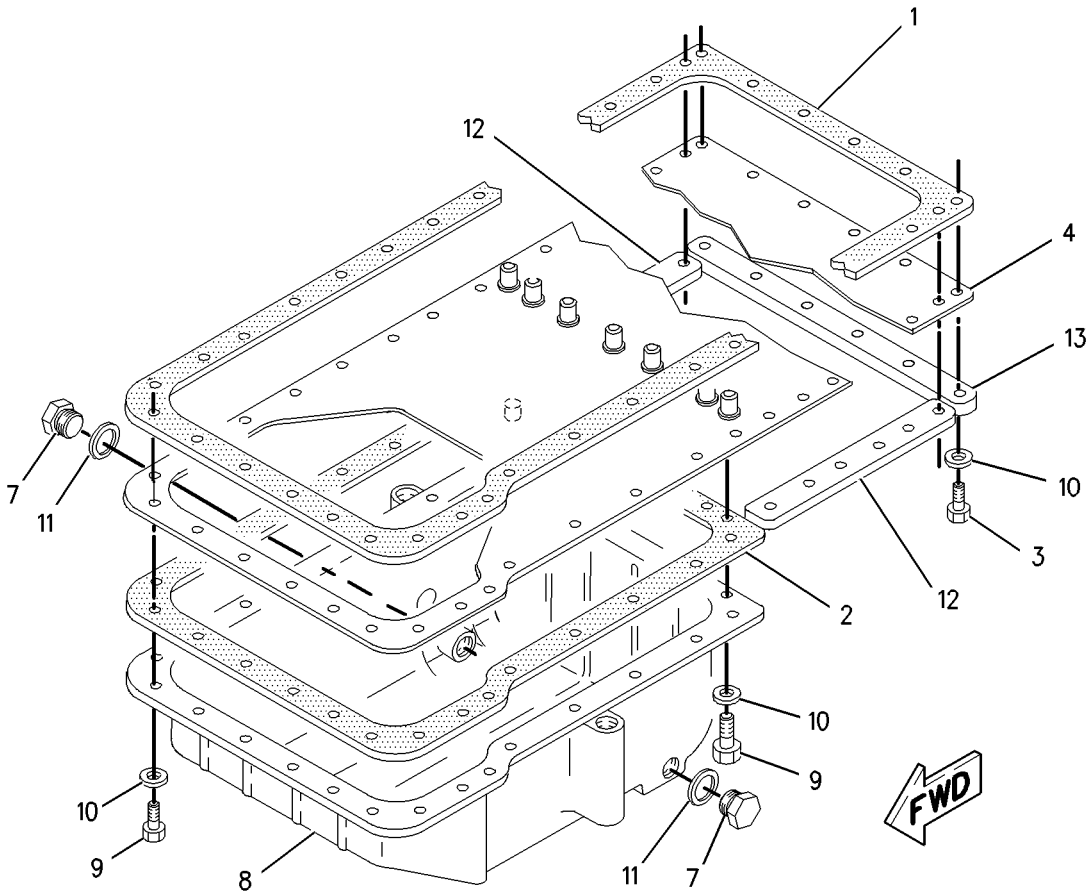
## 3N-2899 PAN GP-OIL

S/N: 85Z3764-UP

SMCS-1302

i02519957

NOTE	REF NO	GRAPHIC REF	PART NUMBER	QTY	PART NAME						SEE PAGE
					1	2	3	4	5	6 (PRODUCT LEVEL)	
	1	1	<b>169-4200</b>	1	GASKET (OIL PAN PLATE)						
	2	1	<b>169-4199</b>	1	GASKET-OIL PAN						
	3	1	<b>3B-1915</b>	18	BOLT (3/8-16X1.375-IN)						
	4	1	<b>2P-1738</b>	1	PLATE AS-OIL PAN						
	7	1	<b>2A-3852</b>	2	PLUG (OIL PAN DRAIN)						
	8	1	<b>4W-0482</b>	1	PAN AS-OIL (ENGINE)						
	9	1	<b>034-3557</b>	28	BOLT-LOCKING (3/8-16X1.125-IN)						
	10	1	<b>5M-2894</b>	46	WASHER-HARD (10.2X18.5X2.5-MM THK)						
	11	1	<b>2A-3398</b>	2	GASKET						
	12	1	<b>9Y-0630</b>	2	PLATE						
	13	1	<b>9Y-0629</b>	1	PLATE						



GRAPHIC #1

<END>

g00900905

# BASIC ENGINE

## 7E-4928 PAN GP-OIL

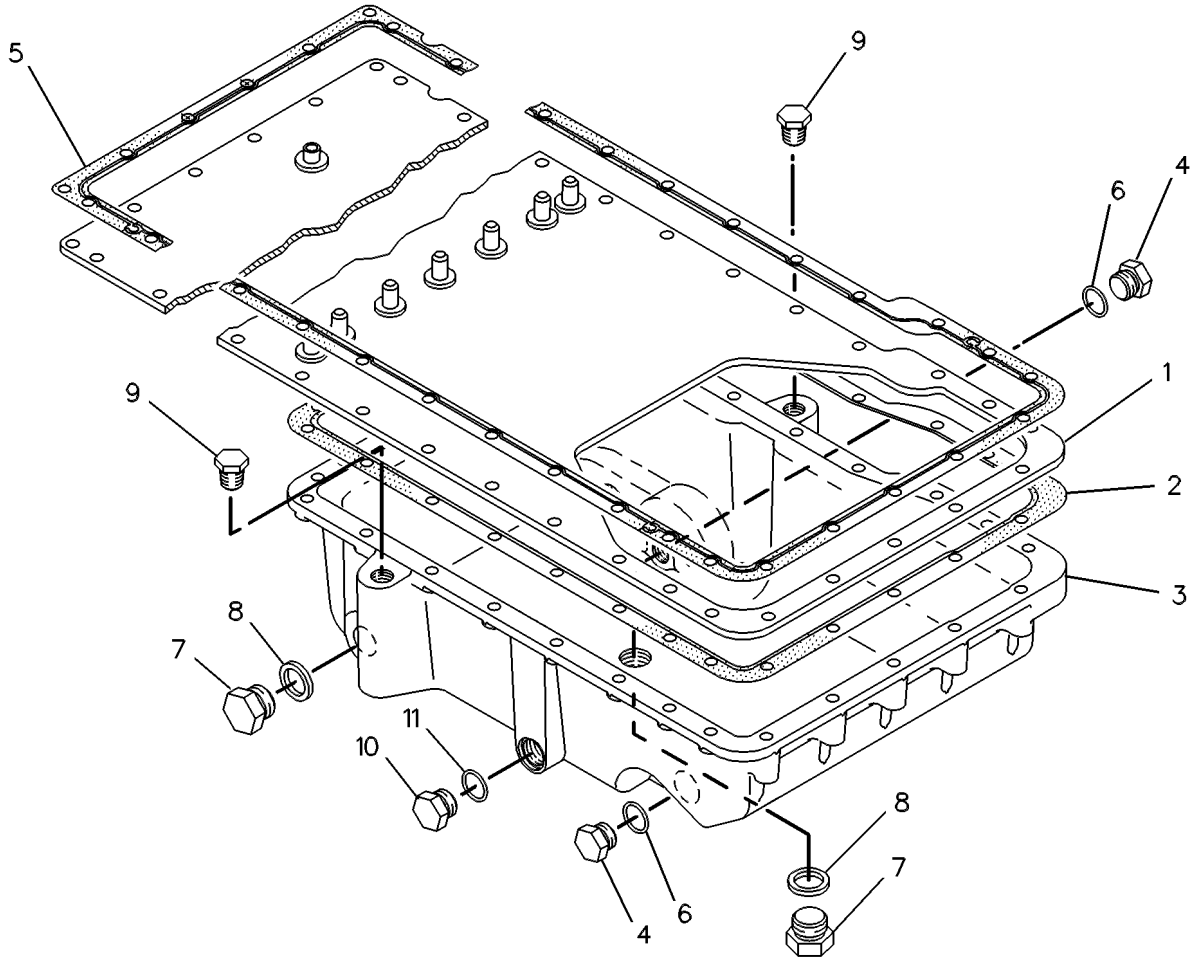
S/N: 85Z8663-UP

SMCS-1302

i01850172

NOTE	REF NO	GRAPHIC REF	PART NUMBER	QTY	PART NAME						SEE PAGE
					1	2	3	4	5	6 (PRODUCT LEVEL)	
	1	1	<b>2P-1738</b>	1	PLATE AS-OIL PAN						
	2	1	<b>169-4199</b>	1	GASKET-OIL PAN						
	3	1	<b>7E-4237</b>	1	PAN-OIL						
	4	1	<b>9S-4185</b>	2	PLUG (3/4-16-THD)						
	5	1	<b>169-4200</b>	1	GASKET						
	6	1	<b>8L-2786</b>	2	SEAL-O-RING						
	7	1	<b>9X-6451</b>	2	PLUG-DRAIN (MAGNETIC) (OIL PAN)						
	8	1	<b>121-0145</b>	2	SEAL-O-RING						
B	9	1	<b>7W-6492</b>	2	PLUG-PIPE (1/2-14-THD)						
B	10	1	<b>9S-4190</b>	1	PLUG-O-RING (7/8-14-THD)						
B	11	1	<b>2M-9780</b>	1	SEAL-O-RING						

B - USE AS REQUIRED



GRAPHIC #1

<END>

g00258314

# BASIC ENGINE

## 168-4532 PISTON & ROD GP\*R

S/N: 85Z14469-UP

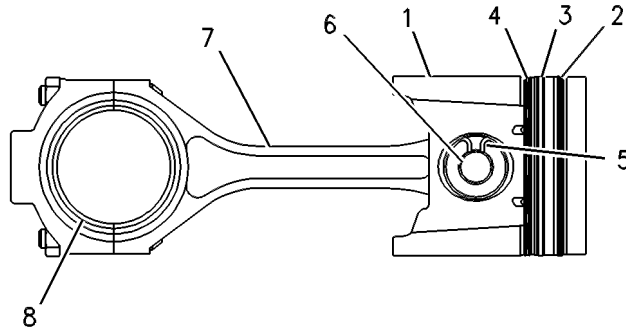
15:1 RATIO

SMCS-1225

i07218795

NOTE	REF NO	GRAPHIC REF	PART NUMBER	QTY	PART NAME						SEE PAGE
					1	2	3	4	5	6 (PRODUCT LEVEL)	
R	1	1	<b>165-4262</b>	1	BODY AS-PISTON						
	2	1	<b>2W-1707</b>	1	RING-PISTON (TOP)						
	3	1	<b>2W-1708</b>	1	RING-PISTON (INTERMEDIATE)						
	4	1	<b>6I-0497</b>	1	RING-PISTON (OIL)						
	5	1	<b>1S-9543</b>	2	RETAINER-PIN						
	6	1	<b>524-7986</b>	1	PIN-PISTON						
R	7	1	<b>8N-1721</b>	1	ROD AS-CONNECTING						
		1	<b>1P-9956</b>	2	BOLT-CONNECTING ROD						
		1	<b>5S-6348</b>	2	NUT (1/2-20-THD)						
		1	<b>8N-1849</b>	1	BEARING-CONNECTING ROD						
	8	1	<b>328-5572</b>	1	BEARING-CONNECTING ROD (STANDARD)						

R - REMANUFACTURED PART MAY BE AVAILABLE



GRAPHIC #1

<END>

g00284186

# BASIC ENGINE

## 1W-6588 PISTON & ROD GP\*R

S/N: 85Z3764-14643

16:1 RATIO

SMCS-1225

i02088911

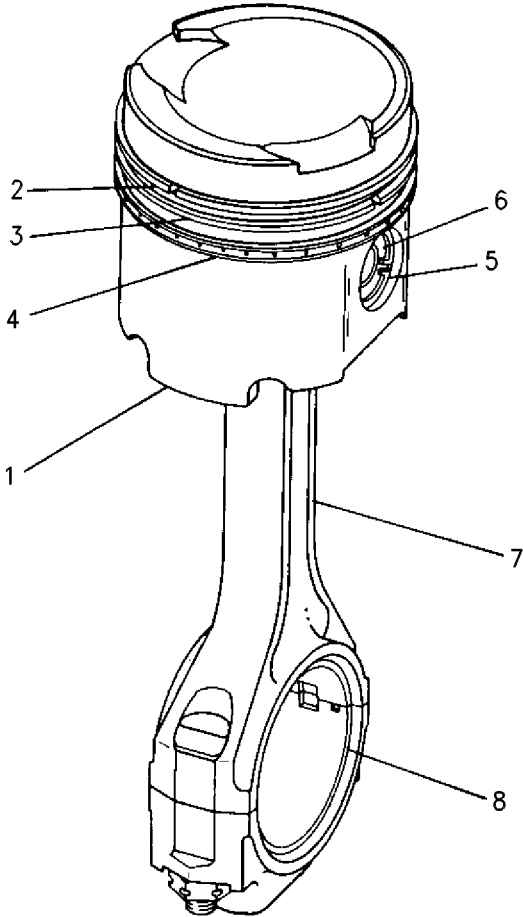
NOTE	REF NO	GRAPHIC REF	PART NUMBER	QTY	PART NAME						SEE PAGE
					1	2	3	4	5	6	
R	1	1	<b>129-0359</b>	1	BODY AS-PISTON (REQUIRES 3MM OIL RING)						
	2	1	<b>9S-3029</b>	1	RING-PISTON (TOP)						
	3	1	<b>5S-6750</b>	1	RING-PISTON (INTERMEDIATE)						
	4	1	<b>7E-6047</b>	1	RING-PISTON (OIL) (3MM THICK)						
	5	1	<b>1S-9543</b>	2	RETAINER-PIN						
	6	1	<b>7N-9805</b>	1	PIN-PISTON						
R	7	1	<b>8N-1721</b>	1	ROD AS-CONNECTING						
		1	<b>8N-1849</b>	1	BEARING-CONNECTING ROD						
		1	<b>1P-9956</b>	2	BOLT-CONNECTING ROD						
		1	<b>5S-6348</b>	2	NUT (1/2-20-THD)						
	8	1	<b>4W-5739</b>	1	BEARING-CONNECTING ROD (STANDARD)						
AB		1	<b>8N-8221</b>		BEARING-CONNECTING ROD (0.254-MM US)						
AB		1	<b>8N-8222</b>		BEARING-CONNECTING ROD (0.508-MM US)						
AB		1	<b>8N-8223</b>		BEARING-CONNECTING ROD (0.762-MM US)						
AJ		1	<b>2W-6091</b>	1	RING GP-PISTON (REPLACEMENT FOR 129-0359 ONLY)						

A - NOT PART OF THIS GROUP  
 B - USE AS REQUIRED  
 J - INCLUDES A COMPLETE SET OF RINGS FOR ONE PISTON  
 R - REMANUFACTURED PART MAY BE AVAILABLE

# BASIC ENGINE

1W-6588 PISTON & ROD GP (contd.)

i02088911



GRAPHIC #1

<END>

g00619590

# BASIC ENGINE

## 1W-6588 PISTON & ROD GP\*R

S/N: 85Z14644-UP

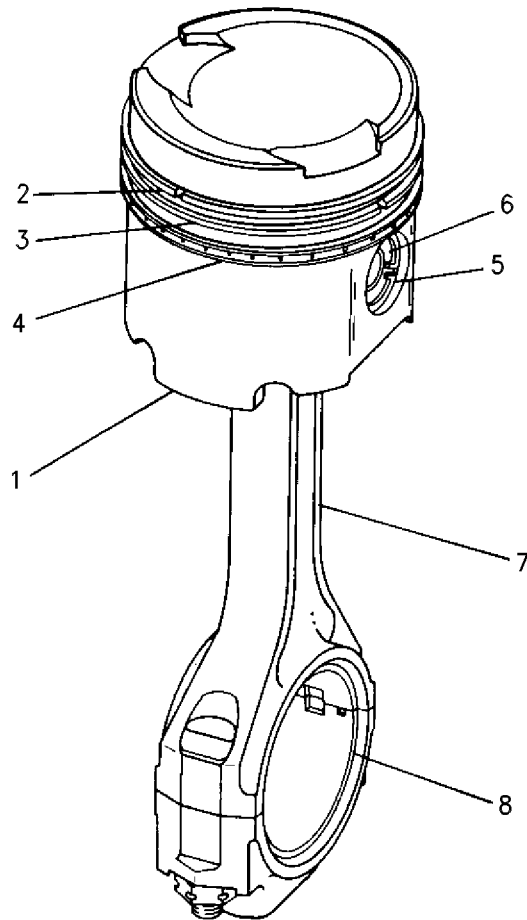
16:1 RATIO

SMCS-1225

i05300431

NOTE	REF NO	GRAPHIC REF	PART NUMBER	QTY	PART NAME						SEE PAGE
					1	2	3	4	5	6	
R	1	1	<b>164-6560</b>	1	BODY AS-PISTON (REQUIRES 4MM THICK OIL RING)						
	2	1	<b>9S-3029</b>	1	RING-PISTON (TOP)						
	3	1	<b>5S-6750</b>	1	RING-PISTON (INTERMEDIATE)						
	4	1	<b>6I-0497</b>	1	RING-PISTON (OIL) (4MM THICK)						
	5	1	<b>1S-9543</b>	2	RETAINER-PIN						
	6	1	<b>7N-9805</b>	1	PIN-PISTON						
R	7	1	<b>8N-1721</b>	1	ROD AS-CONNECTING						
		1	<b>8N-1849</b>	1	BEARING-CONNECTING ROD						
		1	<b>1P-9956</b>	2	BOLT-CONNECTING ROD						
		1	<b>5S-6348</b>	2	NUT (1/2-20-THD)						
	8	1	<b>328-5572</b>	1	BEARING-CONNECTING ROD (STANDARD)						
AB		1	<b>8N-8221</b>		BEARING-CONNECTING ROD (0.254-MM US)						
AB		1	<b>8N-8222</b>		BEARING-CONNECTING ROD (0.508-MM US)						
AB		1	<b>8N-8223</b>		BEARING-CONNECTING ROD (0.762-MM US)						

A - NOT PART OF THIS GROUP  
 B - USE AS REQUIRED  
 R - REMANUFACTURED PART MAY BE AVAILABLE



GRAPHIC #1

<END>

g00619590

# BASIC ENGINE

## 2W-1177 PISTON & ROD GP\*R

S/N: 85Z3764-UP

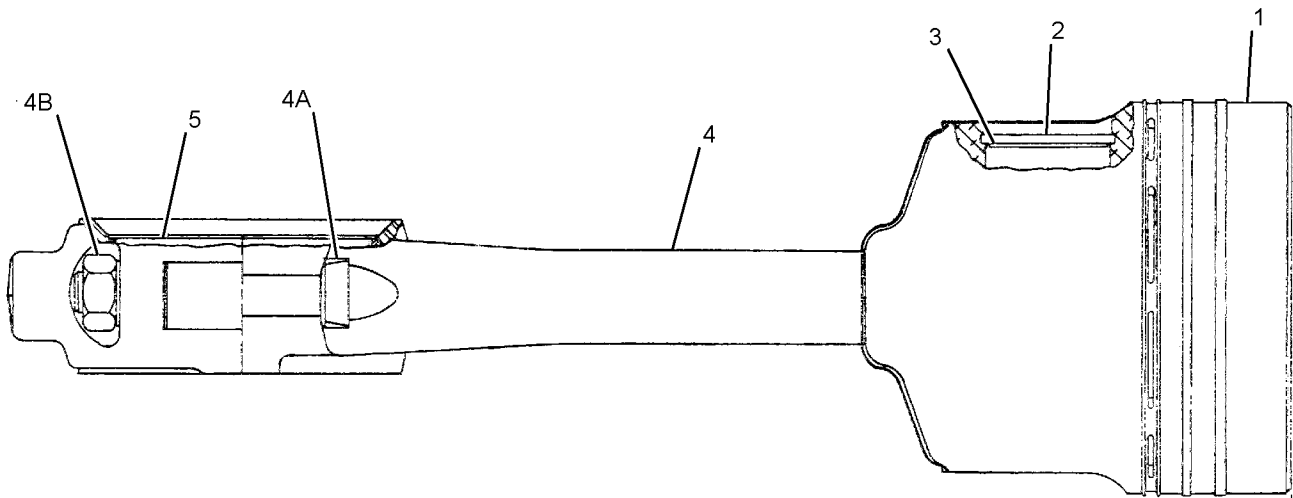
15:1 RATIO

SMCS-1225

i07198725

NOTE	REF NO	GRAPHIC REF	PART NUMBER	QTY	PART NAME						SEE PAGE
					1	2	3	4	5	6 (PRODUCT LEVEL)	
Y	1	1	2W-1711	1	PISTON GP						179
	2	1	1S-9543	2	RETAINER-PIN						
	3	1	524-7986	1	PIN-PISTON						
R	4	1	8N-1721	1	ROD AS-CONNECTING						
	4A	1	1P-9956	2	BOLT-CONNECTING ROD						
	4B	1	5S-6348	2	NUT (1/2-20-THD)						
		1	8N-1849	1	BEARING-CONNECTING ROD						
B	5	1	328-5572	1	BEARING-CONNECTING ROD (STANDARD)						
					-OR-						
B		1	334-2669	1	BEARING-CONNECTING ROD (STANDARD)						
AB		1	419-6349		BEARING-CONNECTING ROD (STANDARD)						
AB		1	8N-8222		BEARING-CONNECTING ROD (0.508-MM US)						
AB		1	8N-8223		BEARING-CONNECTING ROD (0.762-MM US)						
AB		1	8N-8221		BEARING-CONNECTING ROD (0.254-MM US)						

A - NOT PART OF THIS GROUP  
 B - USE AS REQUIRED  
 R - REMANUFACTURED PART MAY BE AVAILABLE  
 Y - SEPARATE ILLUSTRATION



GRAPHIC #1

<END>

g01618834



# BASIC ENGINE

## 2W-1711 PISTON GP

S/N: 85Z3764-UP

15:1 RATIO

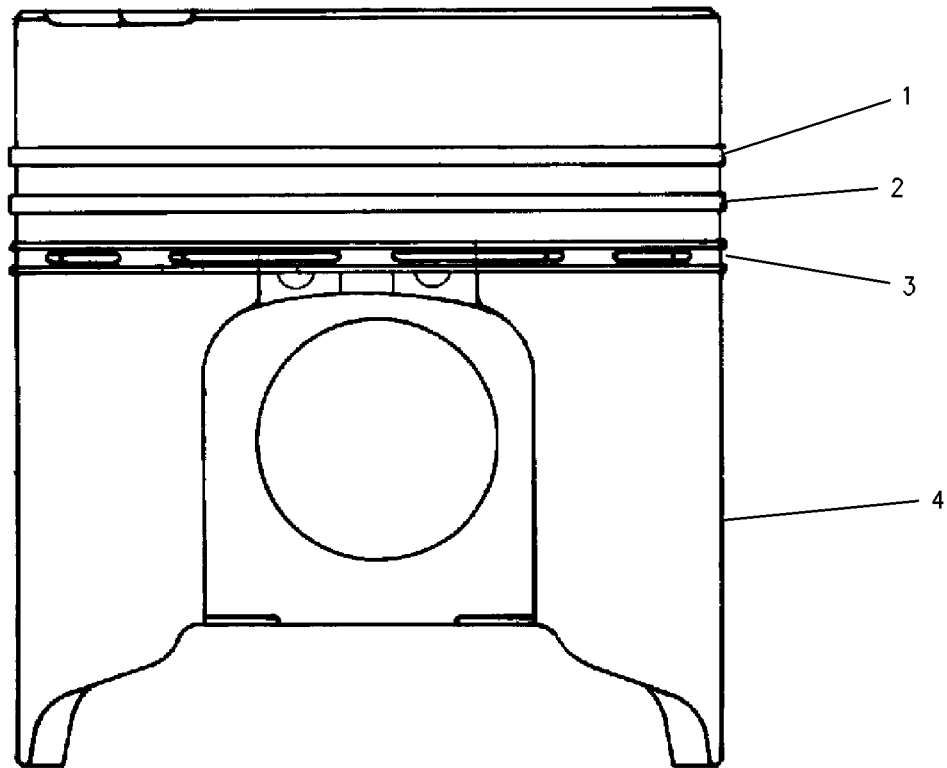
PART OF 2W-1177 PISTON & ROD GP

TYPE 1

SMCS-1214

i06061833

NOTE	REF NO	GRAPHIC REF	PART NUMBER	QTY	PART NAME						SEE PAGE
					1	2	3	4	5	6 (PRODUCT LEVEL)	
J	1	1	<b>2W-1707</b>	1	RING-PISTON (TOP)						
J	2	1	<b>2W-1708</b>	1	RING-PISTON (INTERMEDIATE)						
J	3	1	<b>7E-6047</b>	1	RING-PISTON (OIL) (3MM THICK)						
R	4	1	<b>129-0338</b>	1	BODY AS-PISTON						
					AVAILABLE REPAIR KIT(S):						
J			<b>2W-1709</b>	1	KIT-PISTON RING						
					(INSURE THE OIL RING THICKNESS IS 3-MM)						
J - KIT MARKED J INCLUDES PART(S) MARKED J R - REMANUFACTURED PART MAY BE AVAILABLE											



GRAPHIC #1

<END>

g00851389

# BASIC ENGINE

## 2W-1711 PISTON GP

S/N: 85Z3764-UP

15:1 RATIO

PART OF 2W-1177 PISTON & ROD GP

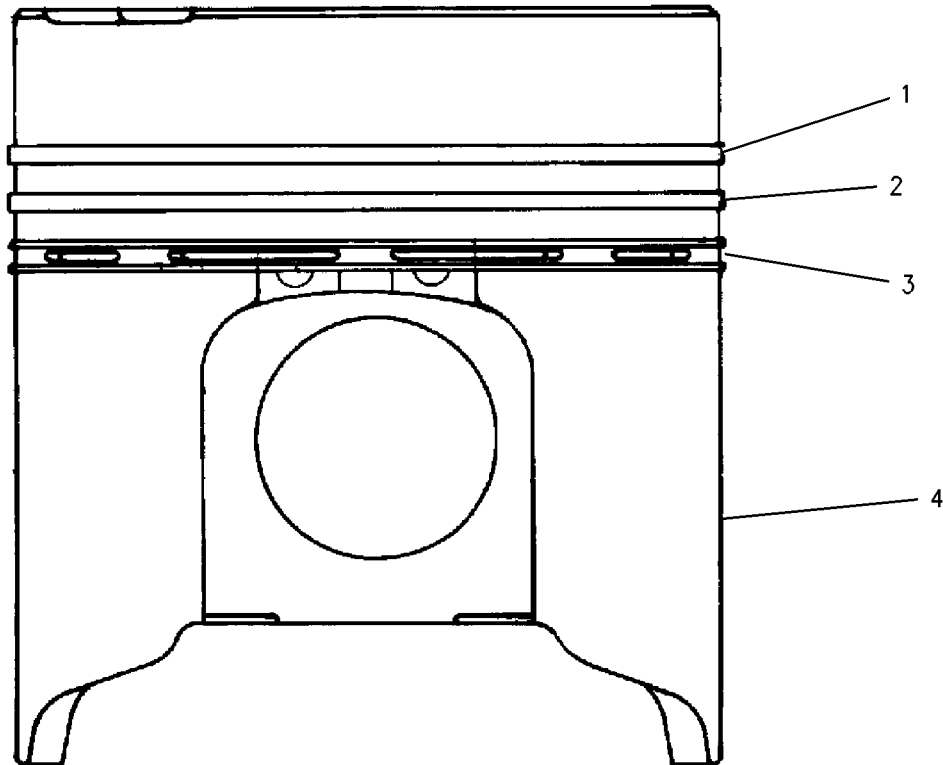
TYPE 2

SMCS-1214

i01893073

NOTE	REF NO	GRAPHIC REF	PART NUMBER	QTY	PART NAME						SEE PAGE
					1	2	3	4	5	6 (PRODUCT LEVEL)	
J	1	1	<b>2W-1707</b>	1	RING-PISTON (TOP)						
J	2	1	<b>2W-1708</b>	1	RING-PISTON (INTERMEDIATE)						
CJ	3	1	<b>6I-0497</b>	1	RING-PISTON (OIL) (4MM THICK)						
R	4	1	<b>165-4262</b>	1	BODY AS-PISTON						
					AVAILABLE REPAIR KIT(S):						
CJ			<b>211-4321</b>	1	KIT-PISTON RING						
					(INCLUDES A COMPLETE SET OF RINGS FOR ONE PISTON)						

C - CHANGE FROM PREVIOUS TYPE  
 J - KIT MARKED J INCLUDES PART(S) MARKED J  
 R - REMANUFACTURED PART MAY BE AVAILABLE



GRAPHIC #1

<END>

g00851389

# BASIC ENGINE

## 2W-4907 POWER TAKE-OFF GP

S/N: 85Z3764-UP

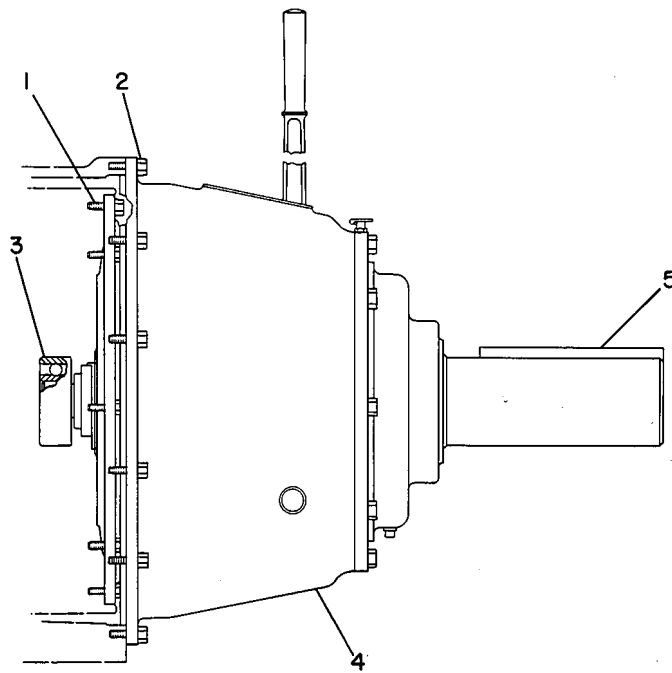
**FOR IN-LINE LOAD ONLY, REAR CLUTCH SUPPORT IS REQUIRED FOR SIDE LOAD APPLICATIONS,  
FOR USE ON MARINE AUXILIARY AR ONLY  
AN ATTACHMENT**

**SMCS-1165**

**i00647431**

NOTE	REF NO	GRAPHIC REF	PART NUMBER	QTY	PART NAME						SEE PAGE
					1	2	3	4	5	6 (PRODUCT LEVEL)	
	1	1	<b>0S-1595</b>	8	BOLT (1/2-13X1.25-IN)						
	2	1	<b>0T-0320</b>	12	BOLT (7/16-14X1.25-IN)						
	3	1	<b>6V-0455</b>	1	BALL BEARING						
Y	4	1	<b>2W-4906</b>	1	CLUTCH GP						87
	5	1	<b>2F-7771</b>	1	KEY-SQUARE						

Y - SEPARATE ILLUSTRATION



GRAPHIC #1

<END>

g00154354

# BASIC ENGINE

## 4P-3074 POWER TAKE-OFF GP

S/N: 85Z3764-UP

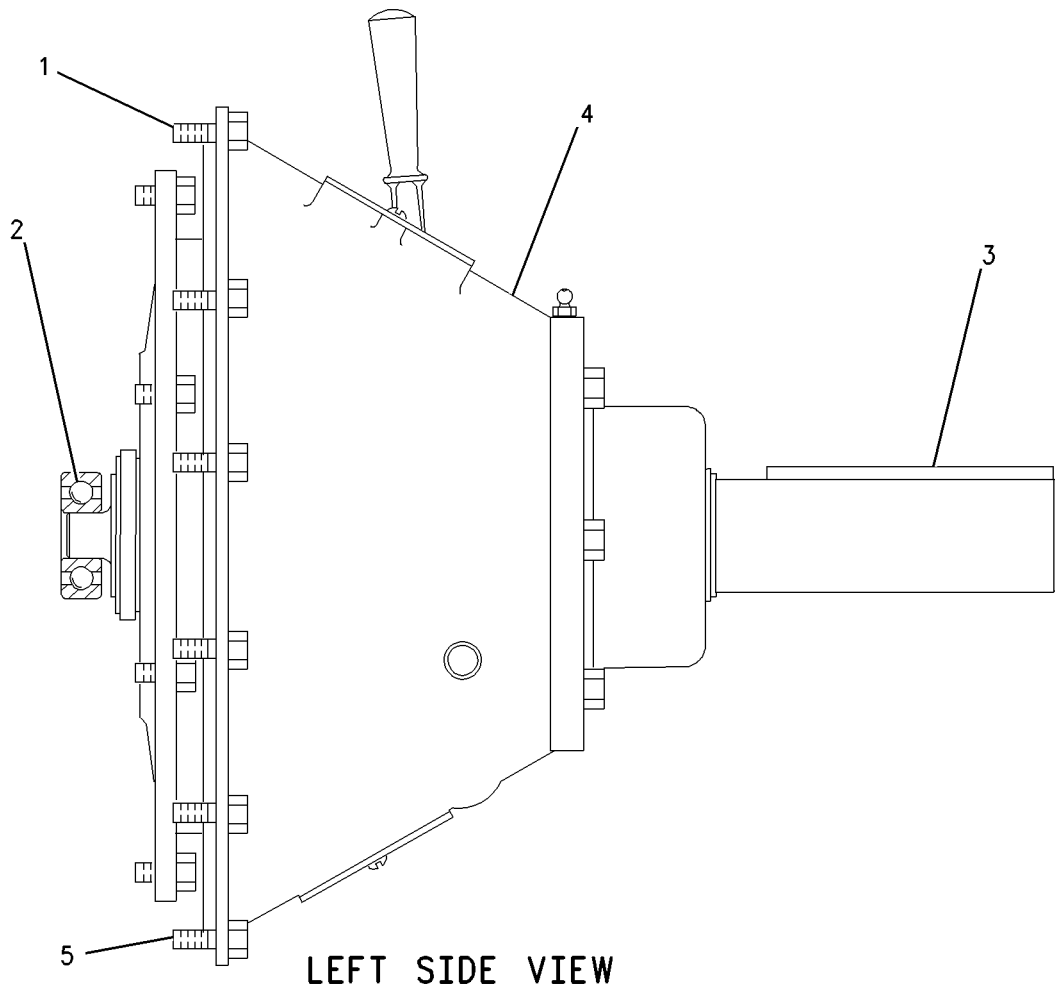
**REAR CLUTCH SUPPORT IS REQUIRED FOR SIDE LOAD APPLICATIONS  
FOR USE WITH IN-LINE LOAD ONLY, SAE NO. 1 FLYWHEEL AND FLYWHEEL HOUSING  
CANNOT BE USED WITH REAR STUB SHAFT  
AN ATTACHMENT**

SMCS-1165

i04790245

NOTE	REF NO	GRAPHIC REF	PART NUMBER	QTY	PART NAME						SEE PAGE
					1	2	3	4	5	6 (PRODUCT LEVEL)	
	1	1	<b>7B-3235</b>	8	BOLT (1/2-13X1.375-IN)						
	2	1	<b>6V-0455</b>	1	BALL BEARING						
	3	1	<b>7F-8896</b>	1	KEY-SQUARE						
Y	4	1	<b>4P-3073</b>	1	CLUTCH GP						90
	5	1	<b>7X-0308</b>	12	BOLT (7/16-14X1.375-IN)						

Y - SEPARATE ILLUSTRATION



GRAPHIC #1

<END>

g00784075

# BASIC ENGINE

## 3N-2884 PULLEY GP-CRANKSHAFT

S/N: 85Z3764-UP

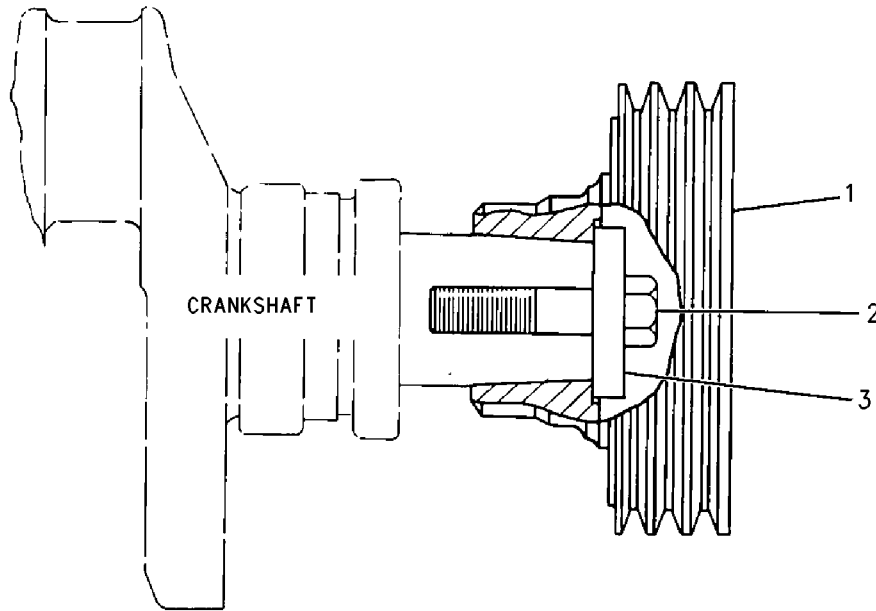
FOR USE WITH MOBILE EQUIPMENT AR  
ALSO AN ATTACHMENT

SMCS-1205

i03261301

NOTE	REF NO	GRAPHIC REF	PART NUMBER	QTY	PART NAME						SEE PAGE
					1	2	3	4	5	6 (PRODUCT LEVEL)	
C	1	1	<b>7W-5692</b>	1	PULLEY-CRANKSHAFT (3-GROOVE)						
	2	1	<b>6B-5310</b>	1	BOLT (3/4-16X3.25-IN)						
	3	1	<b>5S-9948</b>	1	WASHER						

C - CHANGE FROM PREVIOUS TYPE



GRAPHIC #1

<END>

g00916946

# BASIC ENGINE

## 3N-3274 PULLEY GP-CRANKSHAFT

S/N: 85Z3764-UP

2 GROOVE

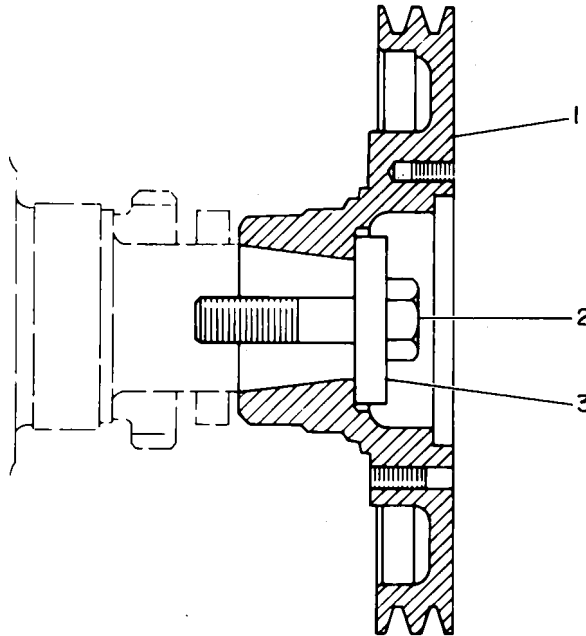
FOR USE WITH MARINE ALTERNATOR

SMCS-1205

i00638820

NOTE	REF NO	GRAPHIC REF	PART NUMBER	QTY	PART NAME						SEE PAGE
					1	2	3	4	5	6 (PRODUCT LEVEL)	
C	1	1	<b>7W-5691</b>	1	PULLEY-CRANKSHAFT						
	2	1	<b>6B-5310</b>	1	BOLT (3/4-16X3.25-IN)						
	3	1	<b>5S-9948</b>	1	WASHER						

C - CHANGE FROM PREVIOUS TYPE



GRAPHIC #1

<END>

g00141635

# BASIC ENGINE

## 3N-5618 PULLEY GP-CRANKSHAFT

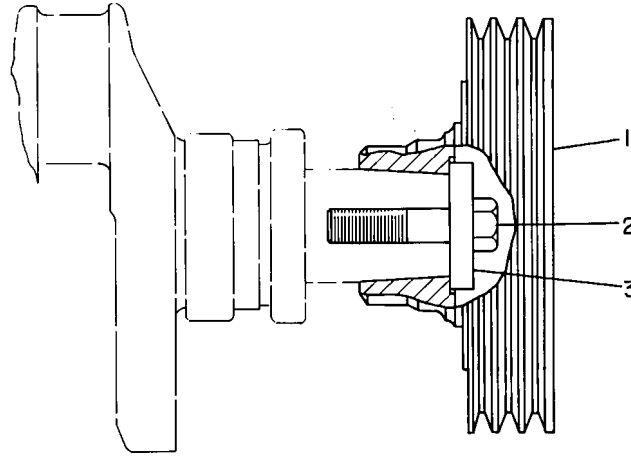
S/N: 85Z3764-UP

PROVIDES A 3 GROOVE 9.12 INCH PULLEY WITH A GROOVE WIDTH OF 0.50 INCH  
ALSO AN ATTACHMENT

SMCS-1205

i03438180

NOTE	REF NO	GRAPHIC REF	PART NUMBER	QTY	PART NAME						SEE PAGE
					1	2	3	4	5	6 (PRODUCT LEVEL)	
	1	1	<b>7W-5686</b>	1	PULLEY-CRANKSHAFT (3-GROOVE)						
	2	1	<b>6B-5310</b>	1	BOLT (3/4-16X3.25-IN)						
	3	1	<b>5S-9948</b>	1	WASHER						



GRAPHIC #1

<END>

g00135146

# BASIC ENGINE

## 3N-6128 PULLEY GP-CRANKSHAFT

S/N: 85Z3764-UP

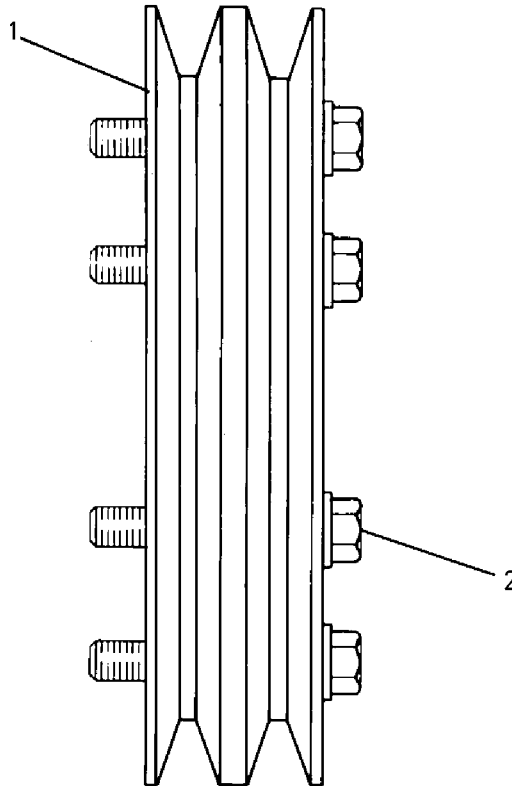
2 GROOVE

CANNOT BE USED WITH STUB SHAFT  
AN ATTACHMENT

SMCS-1205

i03438181

NOTE	REF NO	GRAPHIC REF	PART NUMBER	QTY	PART NAME						SEE PAGE
					1	2	3	4	5	6 (PRODUCT LEVEL)	
	1	1	<b>3N-6127</b>	1	PULLEY-CRANKSHAFT (2-GROOVE)						
	2	1	<b>2P-3207</b>	6	BOLT-WASHER HEAD (3/8-16X2.25-IN)						



GRAPHIC #1

<END>

g00916948



# BASIC ENGINE

## 3N-5626 PULLEY GP-FAN DRIVE

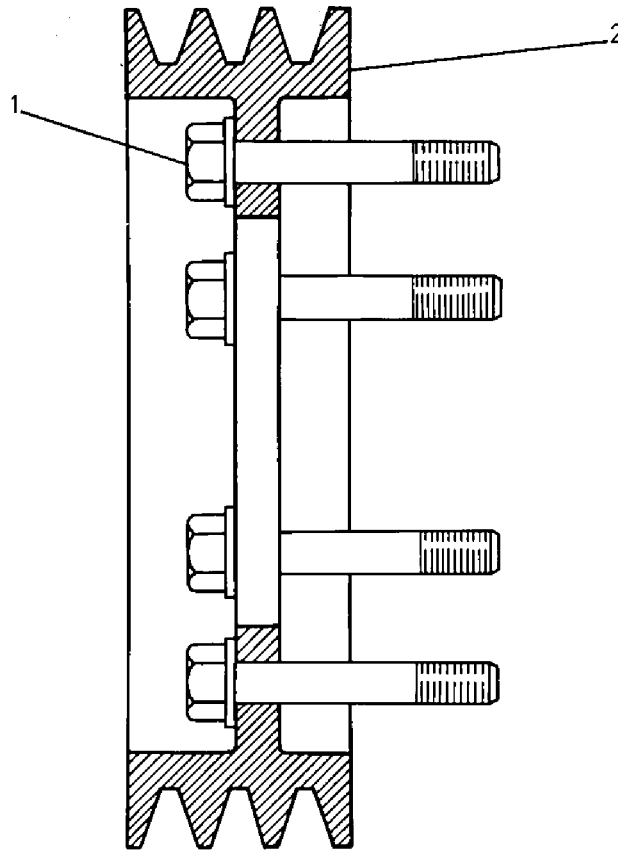
S/N: 85Z3764-UP

PROVIDES A 3 GROOVE 7.50 INCH DIAMETER PULLEY WITH A GROOVE WIDTH OF 0.50 INCH  
ALSO AN ATTACHMENT

SMCS-1359

i03438201

NOTE	REF NO	GRAPHIC REF	PART NUMBER	QTY	PART NAME						SEE PAGE
					1	2	3	4	5	6 (PRODUCT LEVEL)	
	1	1	<b>0L-1143</b>	6	BOLT (3/8-16X2.5-IN)						
		1	<b>5M-2894</b>	6	WASHER-HARD (10.2X18.5X2.5-MM THK)						
	2	1	<b>4N-4679</b>	1	PULLEY-FAN DRIVE (3-GROOVE)						



GRAPHIC #1

<END>

g00916950

# BASIC ENGINE

## 3N-7211 PULLEY GP-FAN DRIVE

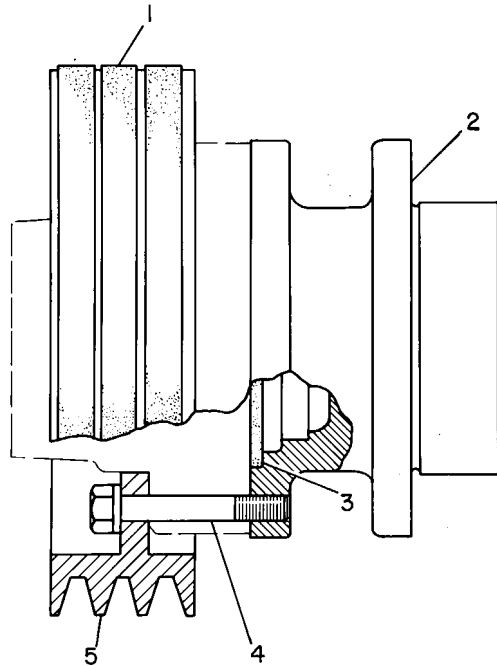
S/N: 85Z3764-UP

FOR USE WITH 3N-7210-PAGE: 122  
AN ATTACHMENT

SMCS-1359

i03438241

NOTE	REF NO	GRAPHIC REF	PART NUMBER	QTY	PART NAME						SEE PAGE
					1	2	3	4	5	6 (PRODUCT LEVEL)	
	1	1	<b>8L-4526</b>	1	V-BELT SET (INCLUDES 3-BELTS) (INCLUDES 3 BELTS) (FAN DRIVE)						
	2	1	<b>4N-4680</b>	1	ADAPTER						
	3	1	<b>9F-4446</b>	1	SEAL-O-RING						
	4	1	<b>2P-3208</b>	6	BOLT-WASHER HEAD						
	5	1	<b>4N-4679</b>	1	PULLEY-FAN DRIVE (3-GROOVE)						



GRAPHIC #1

<END>

g00134760

# BASIC ENGINE

## 6N-6703 PULLEY GP-FAN DRIVE

S/N: 85Z3764-UP

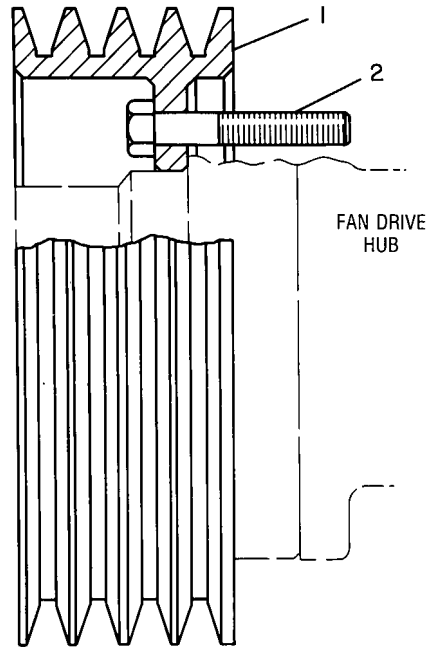
4 GROOVE

AN ATTACHMENT

SMCS-1359

i03438242

NOTE	REF NO	GRAPHIC REF	PART NUMBER	QTY	PART NAME						SEE PAGE
					1	2	3	4	5	6 (PRODUCT LEVEL)	
1	1	1	7N-6486	1	PULLEY (4-GROOVE)						
2	1	1	0L-1143	6	BOLT (3/8-16X2.5-IN)						



GRAPHIC #1

<END>

g00143246

# BASIC ENGINE

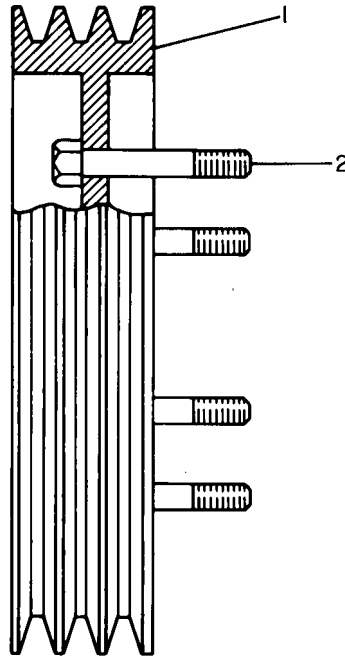
## 8N-2111 PULLEY GP-FAN DRIVE

S/N: 85Z3764-UP  
 PROVIDES A 0.67:1 FAN RATIO  
 AN ATTACHMENT

SMCS-1359

i03438247

NOTE	REF NO	GRAPHIC REF	PART NUMBER	QTY	PART NAME						SEE PAGE
					1	2	3	4	5	6 (PRODUCT LEVEL)	
1	1	1	<b>8N-2110</b>	1	PULLEY-FAN DRIVE (3-GROOVE)						
2	1	1	<b>OL-2070</b>	6	BOLT (3/8-16X2.25-IN)						



GRAPHIC #1

<END>

g00144667

# BASIC ENGINE

## 8N-2252 PULLEY GP-FAN DRIVE

S/N: 85Z3764-UP

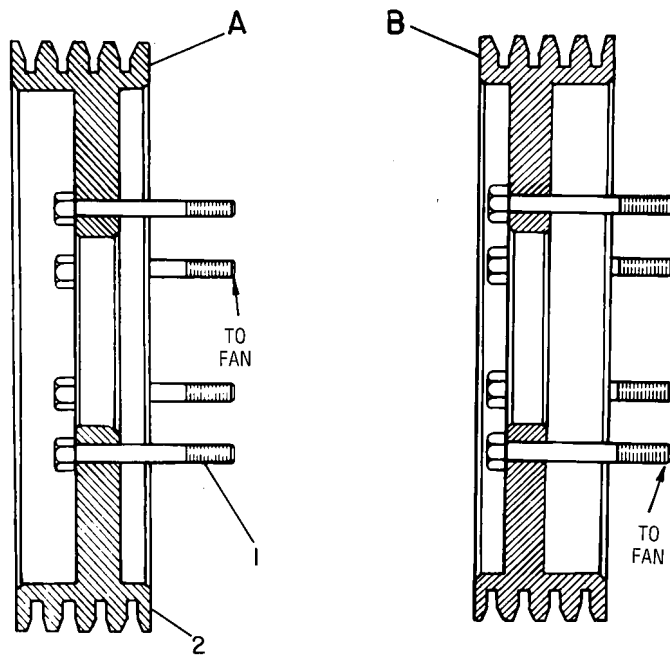
**PROVIDES REVERSIBLE FOUR GROOVE PULLEY WITH THE REAR GROOVE FOR FREON COMPRESSOR, OR  
WHEN REVERSED IS USED WITH A STACK-ON PULLEY  
AN ATTACHMENT**

SMCS-1359

i03438249

NOTE	REF NO	GRAPHIC REF	PART NUMBER	QTY	PART NAME						SEE PAGE
					1	2	3	4	5	6 (PRODUCT LEVEL)	
	1	1	<b>0S-1619</b>	6	BOLT (3/8-16X3-IN)						
	2	1	<b>8N-2253</b>	1	PULLEY (4-GROOVE)						

(ASSEMBLE PULLEY WITH "A" FACING AWAY FROM BLOCK WHEN USED WITH FREON COMPRESSOR)  
(ASSEMBLE PULLEY WITH "B" FACING BLOCK WHEN USED WITH ADDITIONAL STACK ON PULLEY TO PROVIDE A FOUR BELT FAN DRIVE)



GRAPHIC #1

<END>

g00144668

# BASIC ENGINE

## 2P-6224 SEAL GP-CRANKSHAFT

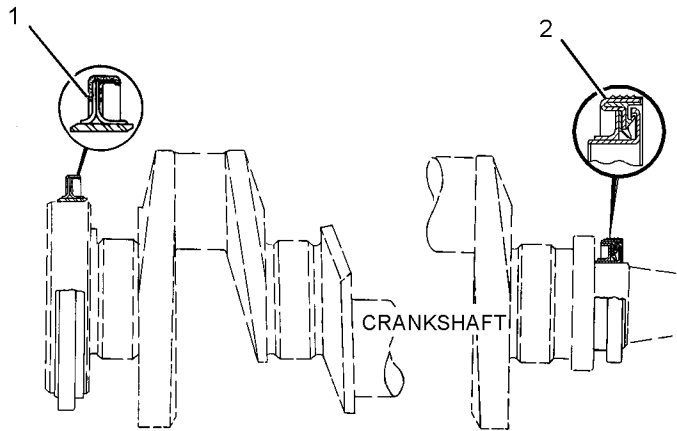
S/N: 85Z3764-UP

SMCS-1160, 1161

i06023572

NOTE	REF NO	GRAPHIC REF	PART NUMBER	QTY	PART NAME						SEE PAGE
					1	2	3	4	5	6 (PRODUCT LEVEL)	
	1	1	<b>4W-0452</b>	1	SEAL GP-CRANKSHAFT (COUNTERCLOCKWISE ROTATION) (REAR)						
J	2	1	<b>362-8853</b>	1	SEAL GP-CRANKSHAFT (CLOCKWISE ROTATION) (FRONT)						
					-OR-						
		1	<b>9Y-9895</b>	1	SEAL GP-CRANKSHAFT (CLOCKWISE ROTATION) (FRONT)						

J - HEAVY DUTY SEAL THAT IMPROVES AGAINST CONTAMINATION



GRAPHIC #1

<END>

g02835076

# BASIC ENGINE

## 6L-2692 SHAFT GP-STUB

S/N: 85Z3764-UP

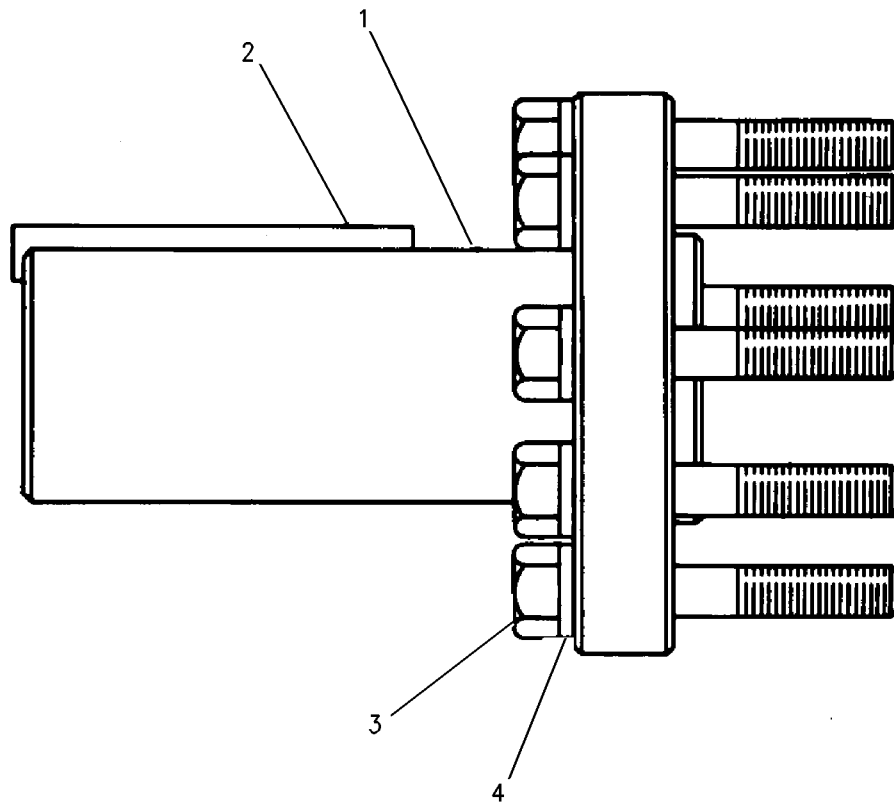
REAR

AN ATTACHMENT

SMCS-1237

i03683527

NOTE	REF NO	GRAPHIC REF	PART NUMBER	QTY	PART NAME						SEE PAGE
					1	2	3	4	5	6 (PRODUCT LEVEL)	
	1	1	<b>6L-2704</b>	1	SHAFT						
	2	1	<b>1D-2328</b>	1	KEY-SQUARE						
	3	1	<b>0S-2353</b>	9	BOLT (5/8-18X3.75-IN)						
	4	1	<b>4D-3704</b>	9	WASHER-HARD (17X30X5-MM THK)						



GRAPHIC #1

<END>

g00917337

# BASIC ENGINE

## 1W-6332 SUPPORT GP-ENGINE

S/N: 85Z3764-UP

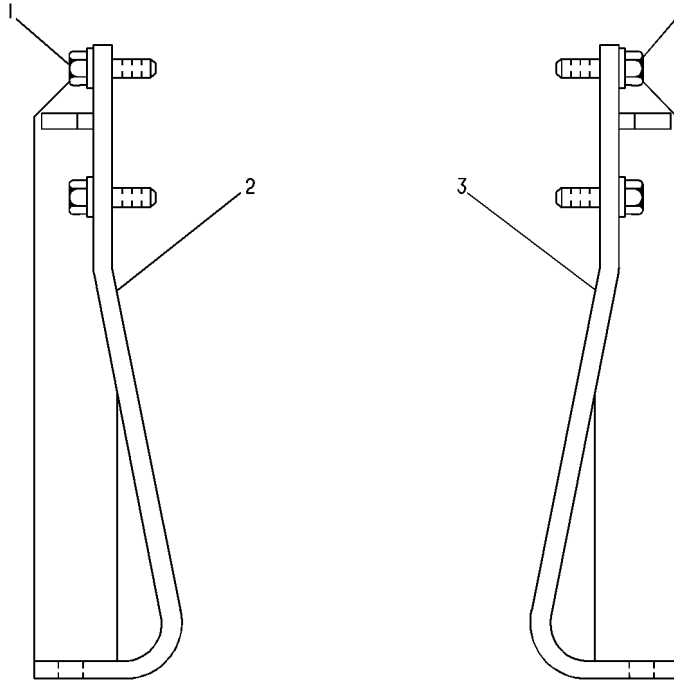
REAR

FOR USE WITH NO. 2 FLYWHEEL HOUSING  
AN ATTACHMENT

SMCS-1152, 1153, 1154

i00637611

NOTE	REF NO	GRAPHIC REF	PART NUMBER	QTY	PART NAME						SEE PAGE
					1	2	3	4	5	6 (PRODUCT LEVEL)	
	1	1	<b>0S-1585</b>	8	BOLT (1/2-13X1.5-IN)						
		1	<b>5P-8245</b>	8	WASHER-HARD (13.5X25.5X3-MM THK)						
	2	1	<b>1W-6334</b>	1	SUPPORT AS-REAR						
	3	1	<b>1W-6333</b>	1	SUPPORT AS-REAR						



GRAPHIC #1

<END>

g00151234



# BASIC ENGINE

## 3N-2883 SUPPORT GP-ENGINE

S/N: 85Z3764-UP

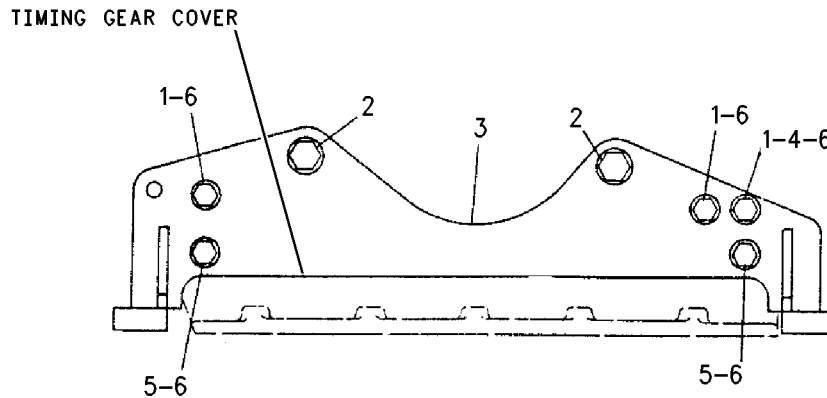
FOR USE WITH RADIATOR & MOBILE EQUIPMENT AR  
AN ATTACHMENT

SMCS-1152, 1153, 1154

i01790996

NOTE	REF NO	GRAPHIC REF	PART NUMBER	QTY	PART NAME						SEE PAGE
					1	2	3	4	5	6 (PRODUCT LEVEL)	
C	1	1	<b>2H-5330</b>	3	BOLT (3/8-16X2.88-IN)						
	2	1	<b>0L-1329</b>	2	BOLT (1/2-13X3-IN)						
C	1	1	<b>2M-0849</b>	2	WASHER-HARD (13.5X25.5X5-MM THK)						
	3	1	<b>3N-1877</b>	1	SUPPORT AS						
	4	1	<b>9S-8752</b>	1	NUT-FULL (3/8-16-THD)						
	5	1	<b>0S-1594</b>	2	BOLT (3/8-16X1-IN)						
C	6	1	<b>5M-2894</b>	6	WASHER-HARD (10.2X18.5X2.5-MM THK)						

C - CHANGE FROM PREVIOUS TYPE



GRAPHIC #1

<END>

g00917400

# BASIC ENGINE

## 3N-6695 SUPPORT GP-ENGINE-FRONT

S/N: 85Z3764-UP

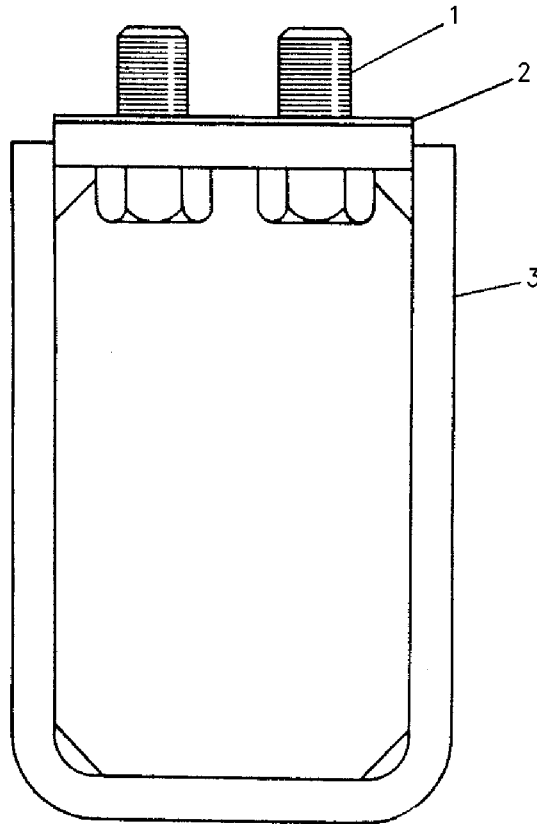
FOR USE WITH STANDARD INDUSTRIAL TYPE SUPPORT  
CANNOT BE USED WITH RADIATOR  
AN ATTACHMENT

SMCS-1152, 1153, 1154

i07384122

NOTE	REF NO	GRAPHIC REF	PART NUMBER	QTY	PART NAME						SEE PAGE
					1	2	3	4	5	6 (PRODUCT LEVEL)	
	1	1	<b>4B-4043</b>	4	BOLT (5/8-11X1.375-IN)						
					-OR-						
C		1	<b>7S-9372</b>	4	BOLT (5/8-11X1.125-IN)						
BC	2	1	<b>4L-7893</b>	2	SHIM (0.598-IN THK)						
	3	1	<b>1N-5526</b>	2	SUPPORT AS						

B - USE AS REQUIRED  
C - CHANGE FROM PREVIOUS TYPE



GRAPHIC #1

<END>

g00917371

# BASIC ENGINE

## 7N-1268 SUPPORT GP-ENGINE

S/N: 85Z3764-UP

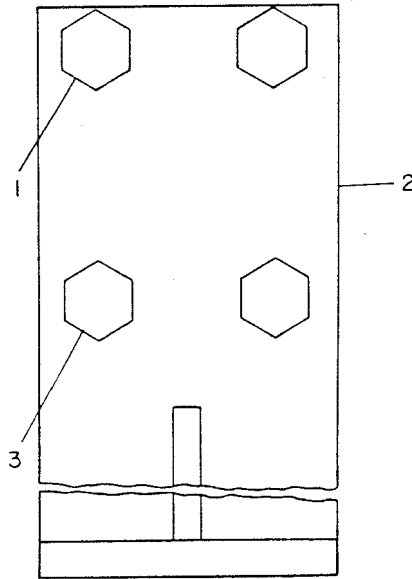
REAR

AN ATTACHMENT

SMCS-1152, 1153, 1154

i00637702

NOTE	REF NO	GRAPHIC REF	PART NUMBER	QTY	PART NAME						SEE PAGE
					1	2	3	4	5	6 (PRODUCT LEVEL)	
1	1	1	<b>OS-1592</b>	4	BOLT (5/8-11X1.25-IN)						
2	1	1	<b>7N-1267</b>	2	SUPPORT AS-REAR						
3	1	1	<b>OS-1566</b>	4	BOLT (5/8-11X1.5-IN)						



GRAPHIC #1

<END>

g00136564

# BASIC ENGINE

## 7N-8143 SUPPORT GP-ENGINE

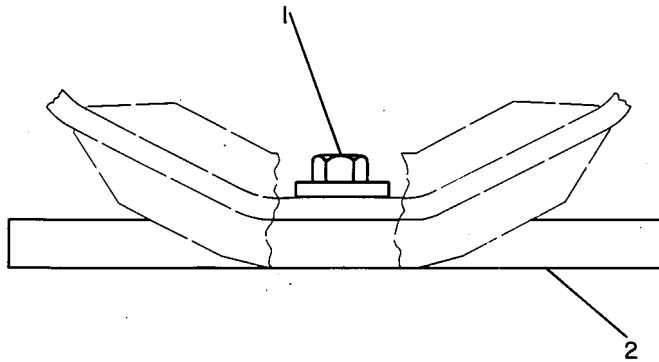
S/N: 85Z3764-UP

PROVIDES CROSS BAR FOR TWO POINT HOLD DOWN, FOR USE WITH MOBILE EQUIPMENT  
AN ATTACHMENT

SMCS-1152, 1153, 1154

i00637736

NOTE	REF NO	GRAPHIC REF	PART NUMBER	QTY	PART NAME						SEE PAGE
					1	2	3	4	5	6 (PRODUCT LEVEL)	
	1	1	<b>1A-0458</b>	1	BOLT (3/4-10X1.75-IN)						
		1	<b>2V-0936</b>	1	WASHER (20X55X8-MM THK)						
	2	1	<b>7N-6061</b>	1	PLATE						



GRAPHIC #1

<END>

g00143515

# BASIC ENGINE

## 7W-6541 SUPPORT GP-ENGINE

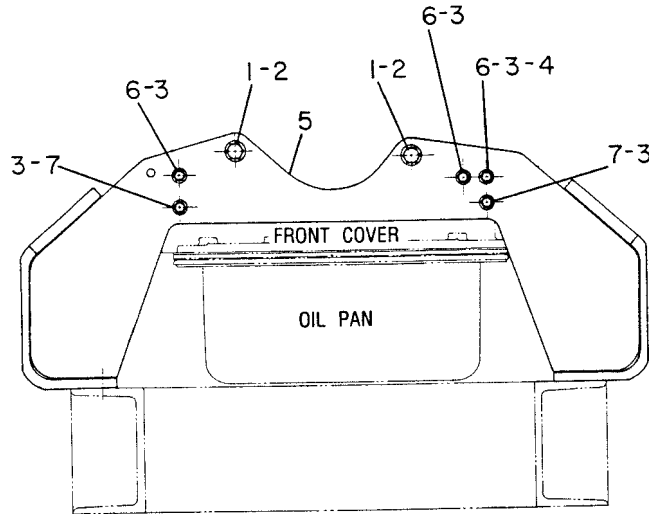
S/N: 85Z3764-UP

**PROVIDES FRONT ENGINE SUPPORT FOR DIT MARINE AUXILIARY ENGINE  
ALSO AN ATTACHMENT**

**SMCS-1152, 1153, 1154**

**i00650410**

NOTE	REF NO	GRAPHIC REF	PART NUMBER	QTY	PART NAME						SEE PAGE
					1	2	3	4	5	6 (PRODUCT LEVEL)	
	1	1	<b>0L-1329</b>	2	BOLT (1/2-13X3-IN)						
	2	1	<b>2M-0849</b>	2	WASHER-HARD (13.5X25.5X5-MM THK)						
	3	1	<b>5M-2894</b>	5	WASHER-HARD (10.2X18.5X2.5-MM THK)						
	4	1	<b>9S-8752</b>	1	NUT-FULL (3/8-16-THD)						
	5	1	<b>7W-6540</b>	1	SUPPORT AS-FRONT						
	6	1	<b>0T-0573</b>	3	BOLT (3/8-16X2.75-IN)						
	7	1	<b>0S-1594</b>	2	BOLT (3/8-16X1-IN)						



GRAPHIC #1

<END>

g00179456

# BASIC ENGINE

## 9Y-5905 SUPPORT GP-ENGINE

S/N: 85Z8663-UP

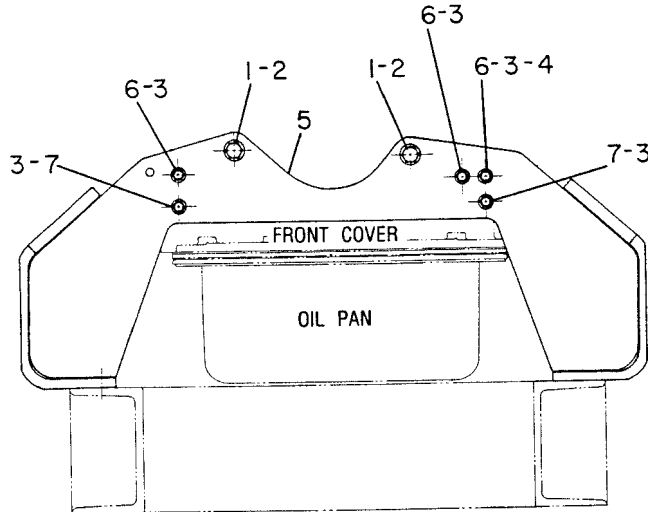
FRONT

FOR USE WITH RESILIENT MOUNTED ENGINE  
ALSO AN ATTACHMENT

SMCS-1152, 1153, 1154

i00672404

NOTE	REF NO	GRAPHIC REF	PART NUMBER	QTY	PART NAME						SEE PAGE
					1	2	3	4	5	6 (PRODUCT LEVEL)	
	1	1	<b>OL-1329</b>	2	BOLT (1/2-13X3-IN)						
	2	1	<b>5P-8245</b>	2	WASHER-HARD (13.5X25.5X3-MM THK)						
	3	1	<b>5M-2894</b>	5	WASHER-HARD (10.2X18.5X2.5-MM THK)						
	4	1	<b>9S-8752</b>	1	NUT-FULL (3/8-16-THD)						
	5	1	<b>9Y-5904</b>	1	SUPPORT AS						
		1	<b>1F-0748</b>	8	NUT-WELD (1/2-13-THD)						
	6	1	<b>OL-1352</b>	3	BOLT (3/8-16X3.25-IN)						
	7	1	<b>OS-1591</b>	2	BOLT (3/8-16X1.5-IN)						



GRAPHIC #1

<END>

g00179456

# BASIC ENGINE

## 5N-1678 SUPPORT GP-POWER TAKE-OFF

S/N: 85Z3764-UP

CLUTCH

FOR USE WITH REAR POWER TAKE-OFF, 2W-4907-PAGE: 181

CANNOT BE USED WITH FUEL TANK BASES

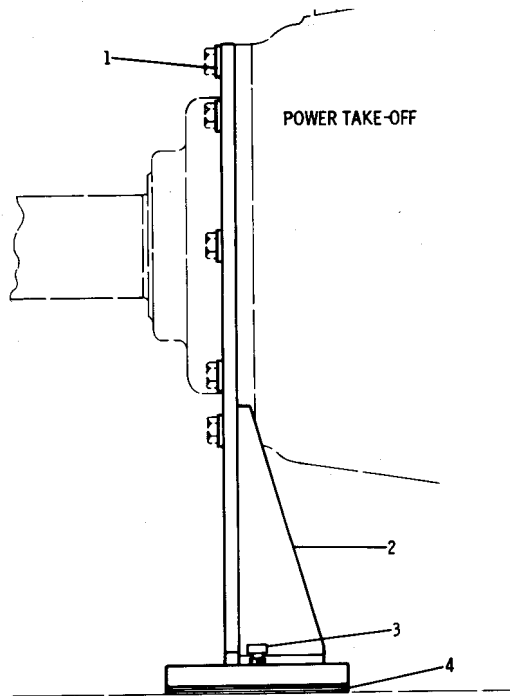
AN ATTACHMENT

SMCS-1165

i07832165

NOTE	REF NO	GRAPHIC REF	PART NUMBER	QTY	PART NAME						SEE PAGE
					1	2	3	4	5	6 (PRODUCT LEVEL)	
	1	1	<b>4D-3704</b>	8	WASHER-HARD (17X30X5-MM THK)						
	2	1	<b>5N-1677</b>	1	SUPPORT AS						
	3	1	<b>4B-3586</b>	2	SETSCREW (1/2-13X2-IN)						
B	4	1	<b>5N-1693</b>	6	SHIM (0.5-MM THK)						
B		1	<b>5N-1694</b>	12	SHIM (0.8-MM THK)						

B - USE AS REQUIRED



GRAPHIC #1

<END>

g00136031

# BASIC ENGINE

## 5N-1933 SUPPORT GP-POWER TAKE-OFF

S/N: 85Z3764-UP

CLUTCH

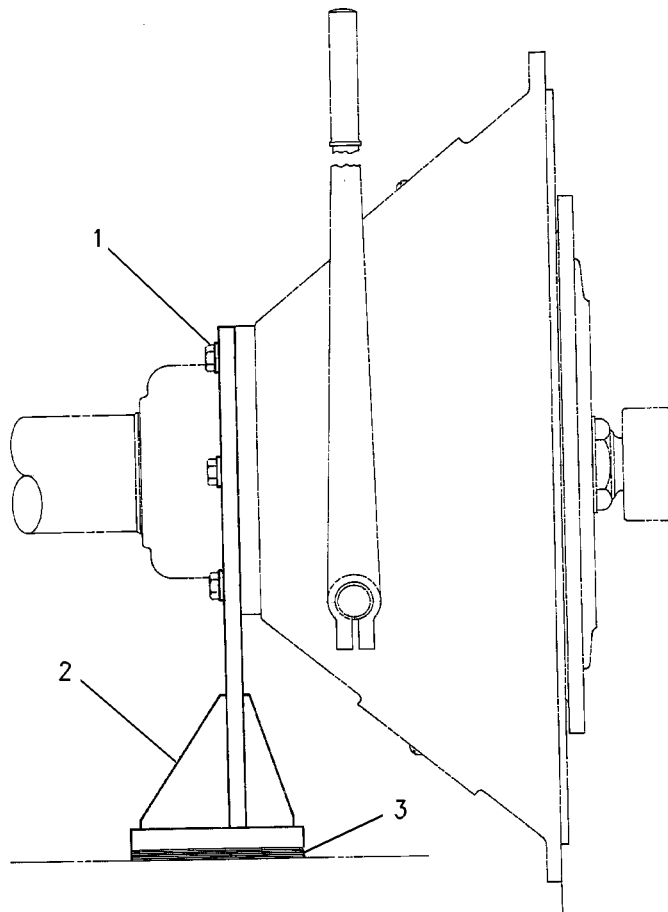
FOR USE WITH 4P-3074-PAGE: 182  
CANNOT BE USED WITH FUEL TANK BASE  
AN ATTACHMENT

SMCS-1165

i05779031

NOTE	REF NO	GRAPHIC REF	PART NUMBER	QTY	PART NAME						SEE PAGE
					1	2	3	4	5	6 (PRODUCT LEVEL)	
	1	1	<b>5P-8245</b>	6	WASHER-HARD (13.5X25.5X3-MM THK)						
	2	1	<b>7L-5810</b>	1	SUPPORT AS						
B	3	1	<b>9F-2187</b>	16	SHIM (0.0140-IN THK)						
B		1	<b>9F-2188</b>	30	SHIM (0.0320-IN THK)						

B - USE AS REQUIRED



GRAPHIC #1

<END>

g00783948



**BASIC ENGINE**

**3N-4658 V-BELT SET**

S/N: 85Z3764-UP  
1143MM (45 IN) LG  
AN ATTACHMENT

**SMCS-1357**

**i02016349**

NOTE	PART NUMBER	QTY	PART NAME 1 2 3 4 5 6 (PRODUCT LEVEL)	SEE PAGE
			(INCLUDES 2 BELTS)	
			<END>	

**5N-4851 V-BELT SET**

S/N: 85Z3764-UP  
1410MM (55.51 IN) LG. 284.48MM FAN MOUNTING HEIGHT  
ALSO AN ATTACHMENT

**SMCS-1357**

**i00930059**

NOTE	PART NUMBER	QTY	PART NAME 1 2 3 4 5 6 (PRODUCT LEVEL)	SEE PAGE
			(INCLUDES 3 BELTS)	
			<END>	

**8L-4526 V-BELT SET**

S/N: 85Z3764-UP  
1359MM (53.5 IN) LG. 254MM FAN MOUNTING HEIGHT. INCLUDES 3-BELTS, FAN DRIVE  
FOR USE WITH 3N-7211-PAGE: 188  
AN ATTACHMENT

**SMCS-1357**

**i03018352**

NOTE	PART NUMBER	QTY	PART NAME 1 2 3 4 5 6 (PRODUCT LEVEL)	SEE PAGE
			(NO SERVICED PARTS)	
			<END>	

# BASIC ENGINE

## 7C-3795 VALVE MECHANISM GP

S/N: 85Z3764-UP

PART OF 7C-3796 VALVE MECHANISM GP

ALSO AN ATTACHMENT

SMCS-1102, 1121, 1123, 1209

i01793933

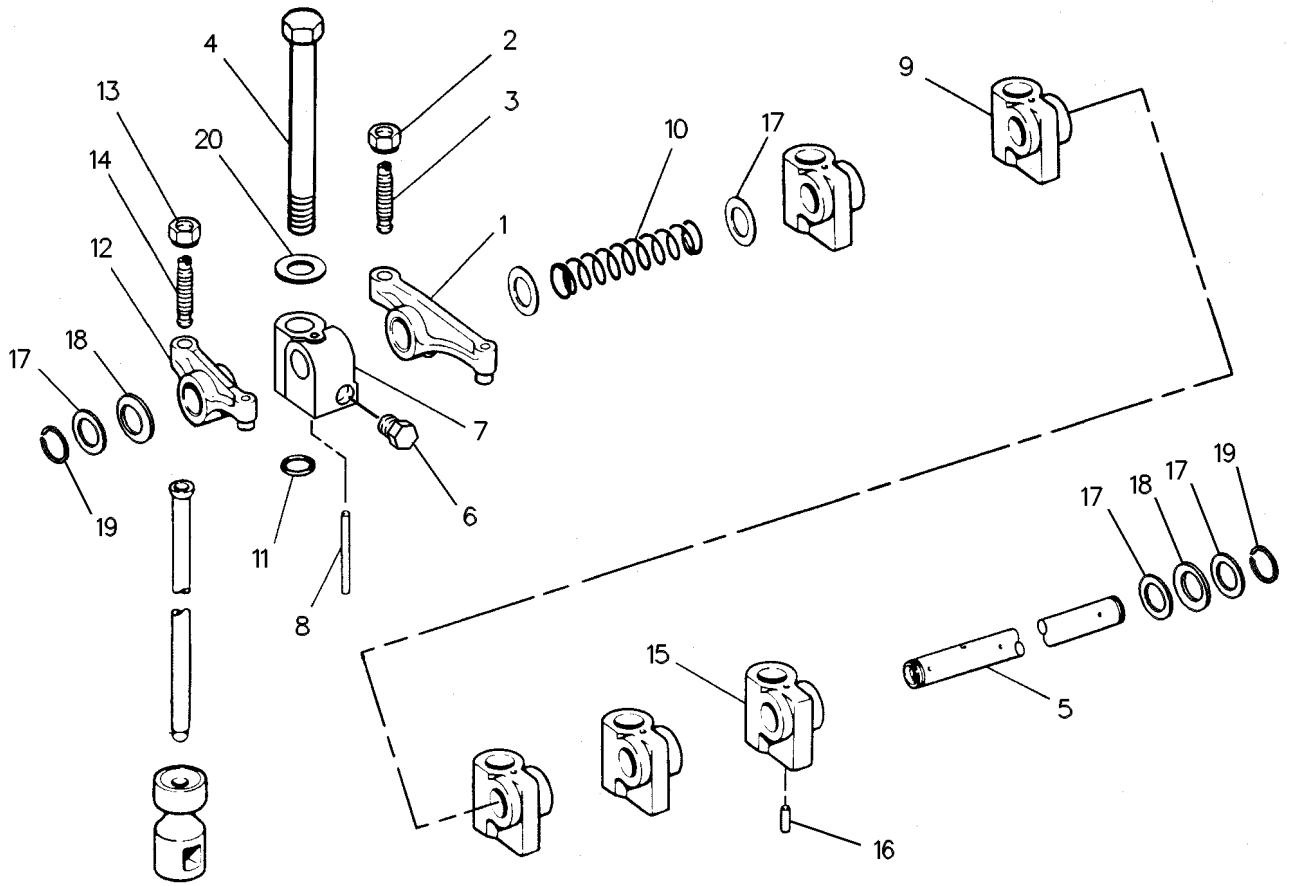
NOTE	REF NO	GRAPHIC REF	PART NUMBER	QTY	PART NAME						SEE PAGE
					1	2	3	4	5	6 (PRODUCT LEVEL)	
R	1	1	<b>6I-1647</b>	6	ROCKER ARM GP (EXHAUST)						
					(EACH INCLUDES)						
	2	1	<b>3S-2713</b>	1	NUT-FULL (3/8-24-THD)						
	3	1	<b>5S-5917</b>	1	SCREW						
	4	1	<b>1B-7709</b>	1	BOLT (5/8-11X8-IN)						
	5	1	<b>8N-3251</b>	1	SHAFT-ROCKER ARM						
	6	1	<b>3K-8460</b>	1	PLUG (1/2-20-THD)						
	7	1	<b>7C-7011</b>	1	BRACKET-SHAFT						
	8	1	<b>5M-4606</b>	1	DOWEL						
	9	1	<b>5S-5879</b>	4	BRACKET-SHAFT						
	10	1	<b>4B-4910</b>	5	SPRING						
	11	1	<b>8M-4448</b>	1	SEAL-O-RING						
R	12	1	<b>6I-1650</b>	6	ROCKER ARM GP (INLET)						
					(EACH INCLUDES)						
	13	1	<b>3S-2713</b>	1	NUT-FULL (3/8-24-THD)						
	14	1	<b>5S-5917</b>	1	SCREW						
	15	1	<b>8S-1498</b>	1	BRACKET-SHAFT						
	16	1	<b>1L-5072</b>	1	DOWEL						
	17	1	<b>9M-9886</b>	13	WASHER (31.75X19.05X0.08-MM THK)						
	18	1	<b>7N-0550</b>	2	WASHER-SPRING						
	19	1	<b>9H-1113</b>	2	RING-RETAINING						
	20	1	<b>2S-0736</b>	1	WASHER-HARD (17X27X3.5-MM THK)						

R - REMANUFACTURED PART MAY BE AVAILABLE

# BASIC ENGINE

7C-3795 VALVE MECHANISM GP (contd.)

101793933



GRAPHIC #1

<END>

g00238313

# BASIC ENGINE

## 7C-3796 VALVE MECHANISM GP

S/N: 85Z3764-UP

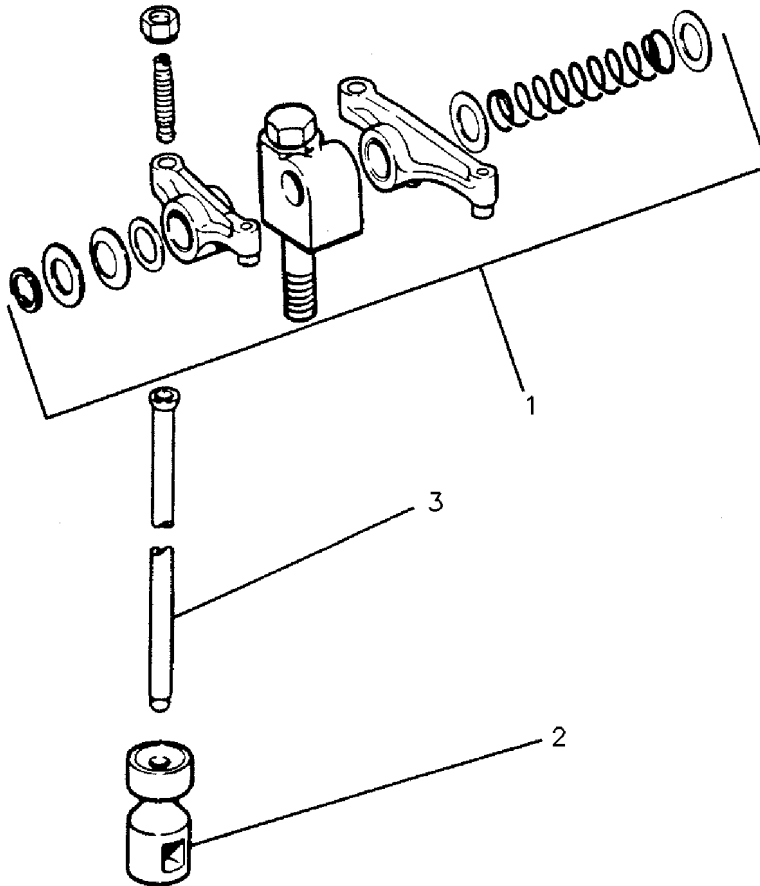
**REQUIRED ON ALL ENGINES WITH RATED SPEEDS OF 1200 RPM OR LOWER  
ALSO AN ATTACHMENT**

SMCS-1102, 1121, 1123, 1209

i00662675

NOTE	REF NO	GRAPHIC REF	PART NUMBER	QTY	PART NAME						SEE PAGE
					1	2	3	4	5	6 (PRODUCT LEVEL)	
Y	1	1	7C-3795	1	VALVE MECHANISM GP						204
	2	1	7S-3161	12	LIFTER-VALVE						
	3	1	5S-5918	12	PUSHROD-VALVE						

Y - SEPARATE ILLUSTRATION



GRAPHIC #1

<END>

g00228506

# BASIC ENGINE

## 7C-7013 VALVE MECHANISM GP

S/N: 85Z4850-UP

ADDITIONAL CYLINDER HEAD FASTENER BOLTS AND WASHERS CAN BE FOUND IN 7N-9536.  
PART OF 7N-8026 VALVE MECHANISM GP

SMCS-1102, 1121, 1123, 1209

i03785730

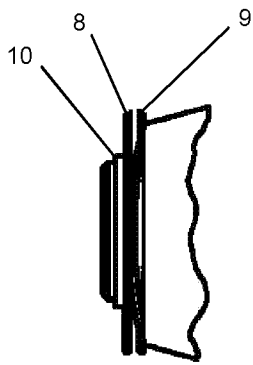
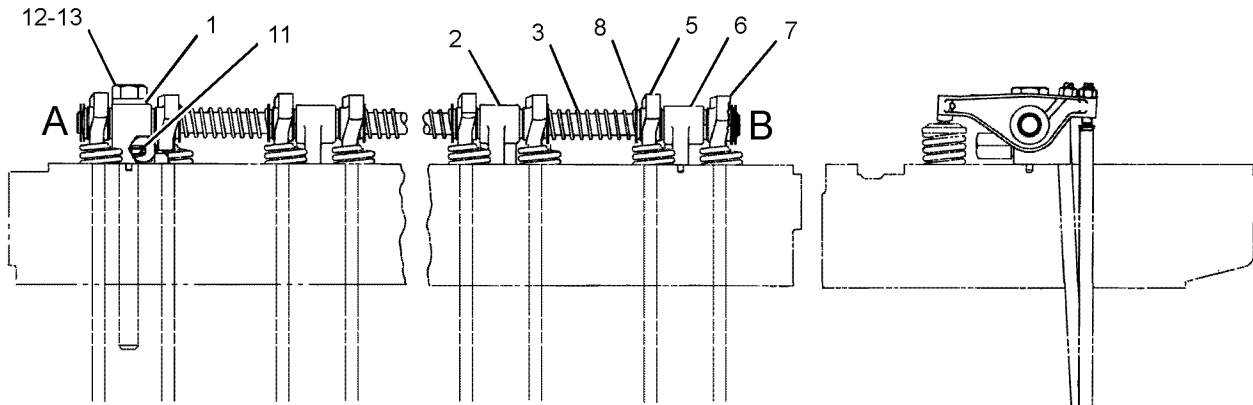
NOTE	REF NO	GRAPHIC REF	PART NUMBER	QTY	PART NAME						SEE PAGE
					1	2	3	4	5	6 (PRODUCT LEVEL)	
	1	1	<b>7C-7012</b>	1	SHAFT AS						
		1	<b>3K-8460</b>	1	PLUG (1/2-20-THD)						
		1	<b>5M-4606</b>	1	DOWEL						
		1	<b>7C-7011</b>	1	BRACKET-SHAFT						
		1	<b>8N-3251</b>	1	SHAFT-ROCKER ARM						
		1	<b>6V-3508</b>	2	PLUG-CUP						
	2	1	<b>5S-5879</b>	4	BRACKET-SHAFT						
	3	1	<b>4B-4910</b>	5	SPRING						
R	5	1	<b>8N-3327</b>	6	ROCKER ARM GP (INLET)						
	6	1	<b>8S-1499</b>	1	BRACKET AS						
		1	<b>1L-5072</b>	1	DOWEL						
R	7	1	<b>8N-3325</b>	6	ROCKER ARM GP (EXHAUST)						
	8	1	<b>9M-9886</b>	13	WASHER (31.75X19.05X0.08-MM THK)						
	9	1	<b>7N-0550</b>	2	WASHER-SPRING						
	10	1	<b>9H-1113</b>	2	RING-RETAINING						
	11	1	<b>8M-4448</b>	1	SEAL-O-RING						
	12	1	<b>1B-7709</b>	1	BOLT (5/8-11X8-IN)						
	13	1	<b>2S-0736</b>	1	WASHER-HARD (17X27X3.5-MM THK)						

R - REMANUFACTURED PART MAY BE AVAILABLE

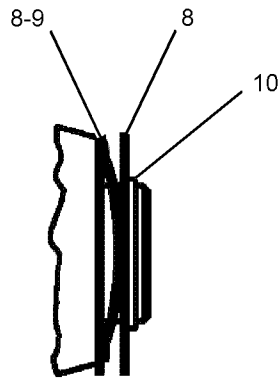
# BASIC ENGINE

7C-7013 VALVE MECHANISM GP (contd.)

103785730



VIEW OF AREA A



VIEW OF AREA B

GRAPHIC #1

<END>

g01235349

# BASIC ENGINE

## 7N-8026 VALVE MECHANISM GP

S/N: 85Z3764-4849

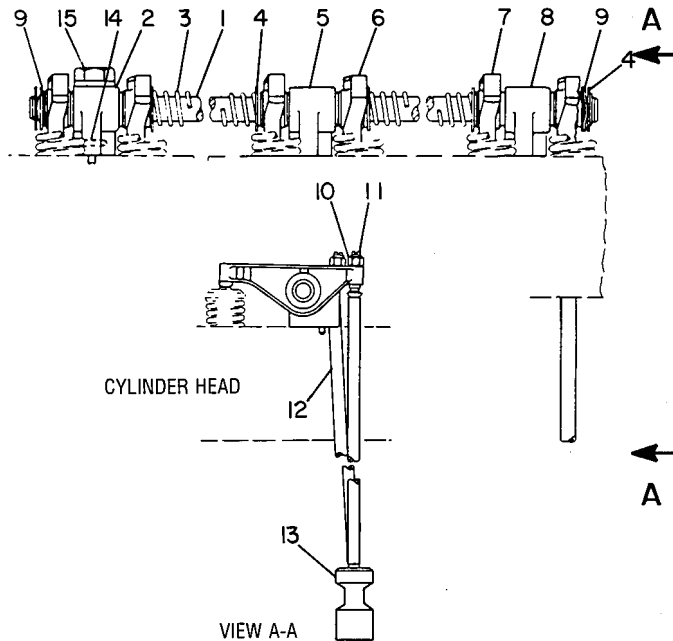
SMCS-1102, 1121, 1123, 1209

i00719700

NOTE	REF NO	GRAPHIC REF	PART NUMBER	QTY	PART NAME						SEE PAGE
					1	2	3	4	5	6 (PRODUCT LEVEL)	
C	1	1	<b>8N-3252</b>	1	SHAFT AS-ROCKER ARM						
		1	<b>0L-1026</b>	2	PLUG-CUP						
	2	1	<b>7N-8015</b>	1	BRACKET						
		1	<b>5M-4606</b>	1	DOWEL						
	3	1	<b>4B-4910</b>	5	SPRING						
	4	1	<b>9H-1110</b>	12	WASHER						
	5	1	<b>5S-5879</b>	4	BRACKET-SHAFT						
	6	1	<b>8N-3324</b>	6	ROCKER ARM AS (EXHAUST)						
7	1	<b>8N-3326</b>	6	ROCKER ARM AS (INLET)							
8	1	<b>8S-1499</b>	1	BRACKET AS							
	1	<b>3F-6795</b>	1	DOWEL							
B	9	1	<b>9M-9886</b>	2	WASHER (31.75X19.05X0.08-MM THK)						
		1	<b>9H-1112</b>	2	SPRING						
		1	<b>9H-1113</b>	2	RING-RETAINING						
	10	1	<b>1B-4203</b>	12	NUT-FULL (3/8-24-THD)						
	11	1	<b>5S-5917</b>	12	SCREW						
	12	1	<b>5S-5918</b>	12	PUSHROD-VALVE						
	13	1	<b>7S-3161</b>	12	LIFTER-VALVE						
14	1	<b>5P-5598</b>	1	SEAL-O-RING							
C	15	1	<b>1B-7709</b>	1	BOLT (5/8-11X8-IN)						
C		1	<b>2S-0736</b>	1	WASHER-HARD (17X27X3.5-MM THK)						

B - USE AS REQUIRED

C - CHANGE FROM PREVIOUS TYPE



GRAPHIC #1

<END>

g00112042

# BASIC ENGINE

## 7N-8026 VALVE MECHANISM GP

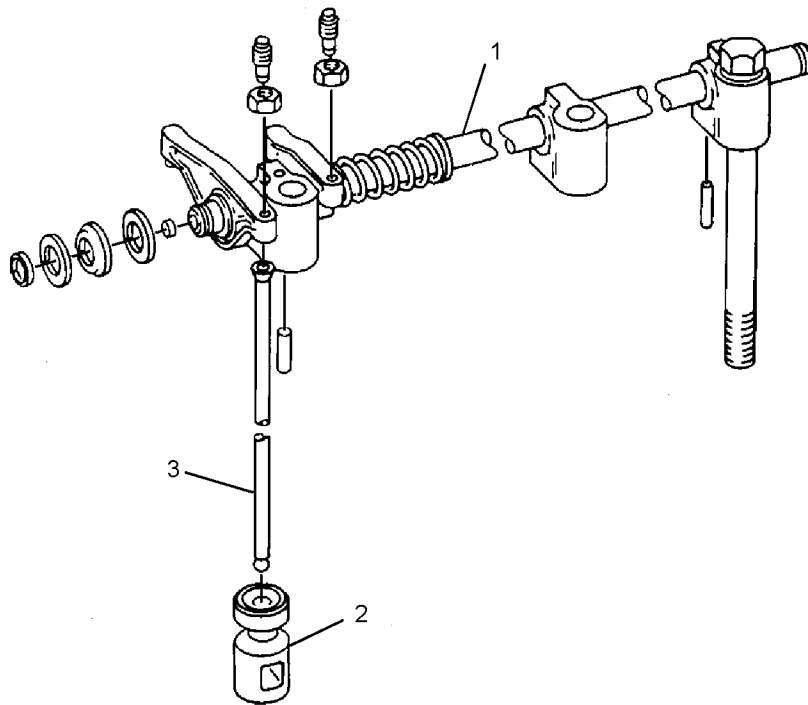
S/N: 85Z4850-UP

SMCS-1102, 1121, 1123, 1209

i03343893

NOTE	REF NO	GRAPHIC REF	PART NUMBER	QTY	PART NAME						SEE PAGE
					1	2	3	4	5	6 (PRODUCT LEVEL)	
CY	1	1	7C-7013	1	VALVE MECHANISM GP						207
	2	1	7S-3161	12	LIFTER-VALVE						
	3	1	5S-5918	12	PUSHROD-VALVE						

C - CHANGE FROM PREVIOUS TYPE  
 Y - SEPARATE ILLUSTRATION



GRAPHIC #1

<END>

g01719859



# LUBRICATION SYSTEM

## 154-3891 BASE GP-OIL FILTER

S/N: 85Z3764-UP

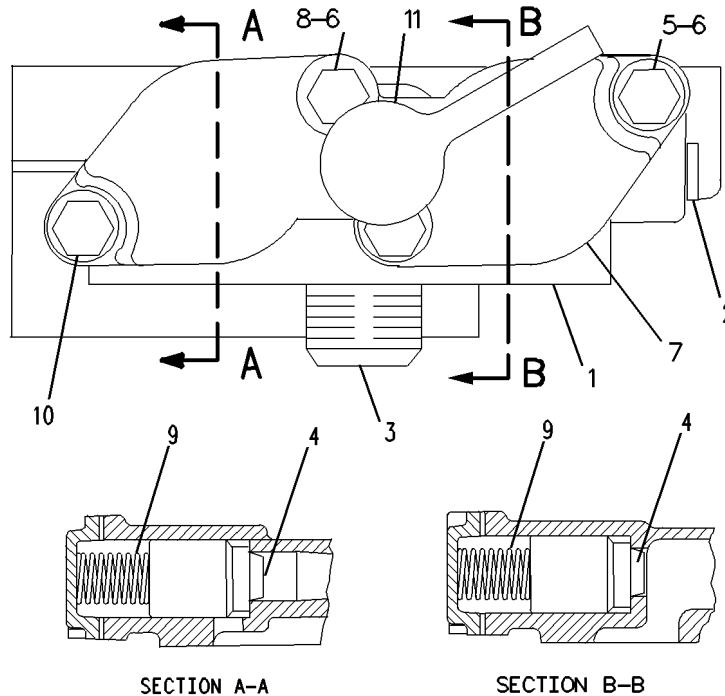
PART OF 5N-9410 FILTER GP-ENGINE OIL  
AN ATTACHMENT

SMCS-1306

i01773559

NOTE	REF NO	GRAPHIC REF	PART NUMBER	QTY	PART NAME						SEE PAGE
					1	2	3	4	5	6	
	1	1	<b>154-3870</b>	1	BASE AS-OIL FILTER						
		1	<b>3B-0645</b>	3	PLUG-CUP (32.08-MM OD)						
	2	1	<b>8T-6762</b>	1	PLUG-PIPE (1/2-14-THD)						
	3	1	<b>2P-2537</b>	1	STUD-HOLLOW						
	4	1	<b>9M-0853</b>	2	PLUNGER-VALVE						
	5	1	<b>0S-1618</b>	1	BOLT (5/16-18X1-IN)						
B	6	1	<b>9M-1974</b>	3	WASHER-HARD (8.8X16X2-MM THK)						
	7	1	<b>9Y-6859</b>	1	COVER						
		1	<b>9Y-6860</b>	1	GASKET						
B	8	1	<b>1B-2790</b>	2	BOLT (5/16-18X1.375-IN)						
	9	1	<b>8M-3182</b>	2	SPRING						
	10	1	<b>0S-1618</b>	1	BOLT (5/16-18X1-IN)						
		1	<b>9M-1974</b>	1	WASHER-HARD (8.8X16X2-MM THK)						
	11	1	<b>8C-3445</b>	1	CAP-DUST (ENGINE OIL SAMPLING VALVE)						
		1	<b>3J-7354</b>	1	SEAL-O-RING						
		1	<b>8C-3446</b>	1	VALVE-SAMPLING (ENGINE OIL)						

B - USE AS REQUIRED



GRAPHIC #1

<END>

g00108368

# LUBRICATION SYSTEM

## 7E-8764 BASE GP-OIL FILTER

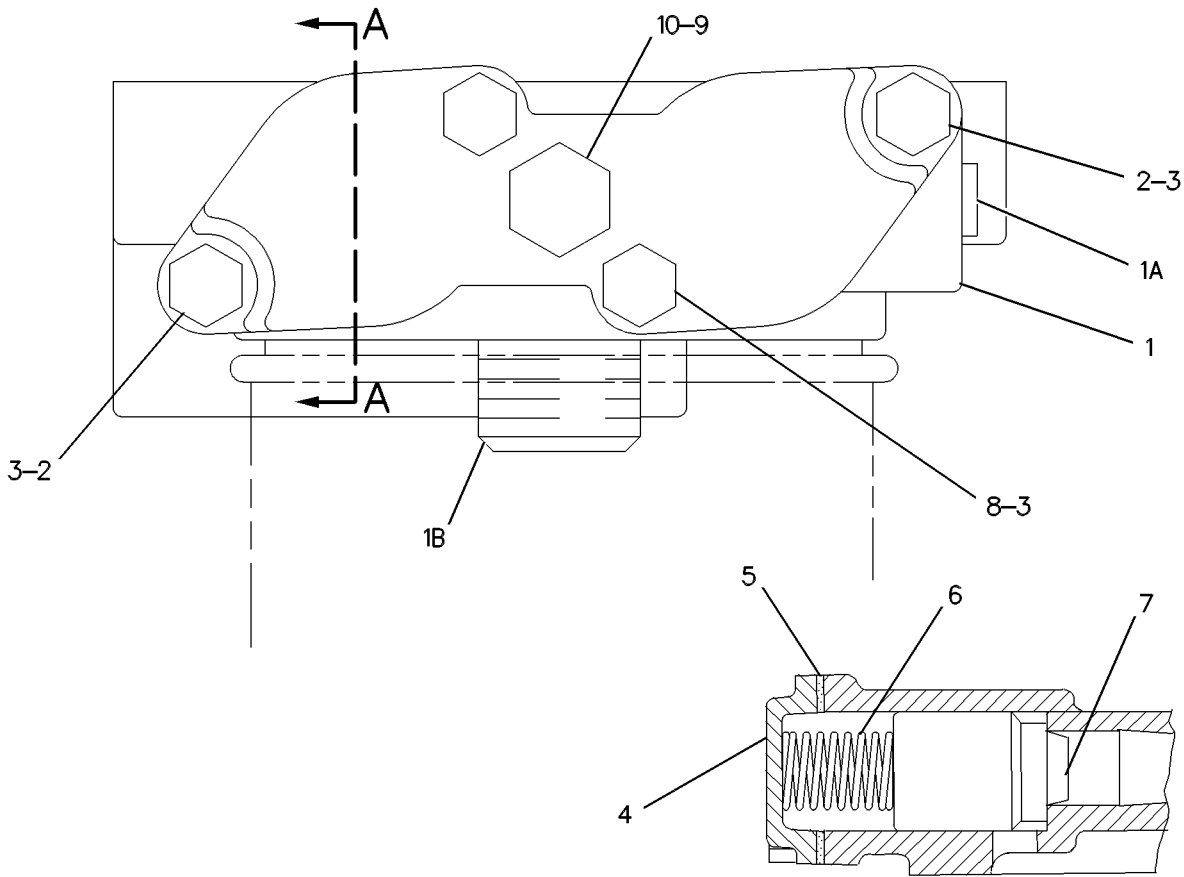
S/N: 85Z7124-UP

PART OF 7W-1240 COOLER GP-FLTR BASE & ENG OIL

SMCS-1306

i01449087

NOTE	REF NO	GRAPHIC REF	PART NUMBER	QTY	PART NAME						SEE PAGE
					1	2	3	4	5	6 (PRODUCT LEVEL)	
	1	1	<b>9Y-7149</b>	1	BASE AS-OIL FILTER						
	1A	1	<b>8T-6762</b>	1	PLUG-PIPE (1/2-14-THD)						
	1B	1	<b>2P-2537</b>	1	STUD-HOLLOW						
		1	<b>3B-0645</b>	3	PLUG-CUP (32.08-MM OD)						
	2	1	<b>0S-1618</b>	2	BOLT (5/16-18X1-IN)						
	3	1	<b>9M-1974</b>	4	WASHER-HARD (8.8X16X2-MM THK)						
	4	1	<b>9Y-6859</b>	1	COVER						
	5	1	<b>9Y-6860</b>	1	GASKET						
	6	1	<b>8M-3182</b>	2	SPRING						
	7	1	<b>9M-0853</b>	2	PLUNGER-VALVE						
	8	1	<b>1B-2790</b>	2	BOLT (5/16-18X1.375-IN)						
	9	1	<b>3J-7354</b>	1	SEAL-O-RING						
	10	1	<b>9S-4182</b>	1	PLUG (7/16-20-THD)						



SECTION A-A

GRAPHIC #1

<END>

g00522354

# LUBRICATION SYSTEM

## 8N-4457 BASE GP-OIL FILTER

S/N: 85Z3764-5081

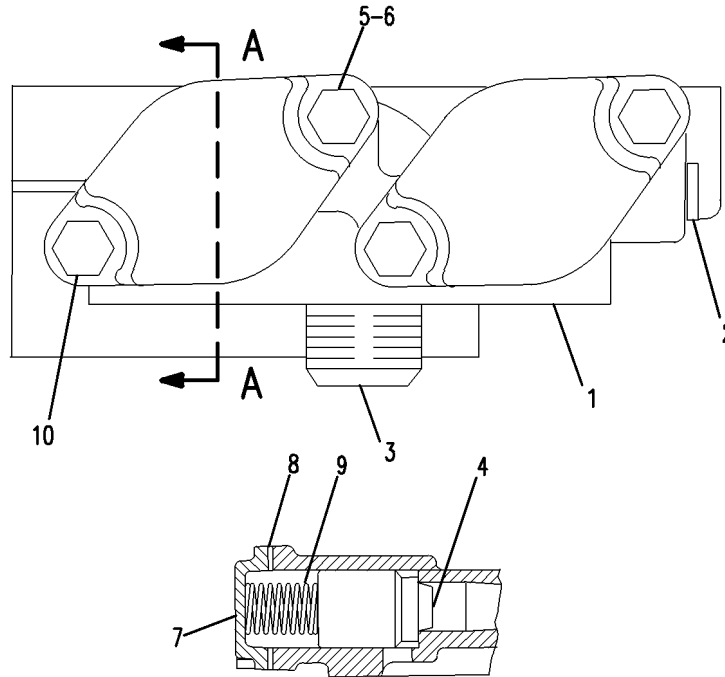
PART OF 7W-1240, 7W-1323 COOLER GP-FLTR BASE & ENG OIL

SMCS-1306

i00151251

NOTE	REF NO	GRAPHIC REF	PART NUMBER	QTY	PART NAME						SEE PAGE
					1	2	3	4	5	6 (PRODUCT LEVEL)	
	1	1	<b>2W-6681</b>	1	BASE AS-OIL FILTER						
	2	1	<b>2B-0858</b>	3	PLUG-PIPE						
	3	1	<b>2P-2537</b>	1	STUD-HOLLOW						
C	4	1	<b>1P-1367</b>	2	PLUNGER (RELIEF VALVE)						
C	5	1	<b>0S-1618</b>	3	BOLT (5/16-18X1-IN)						
C	6	1	<b>9M-1974</b>	3	WASHER-HARD (8.8X16X2-MM THK)						
	7	1	<b>8N-6986</b>	2	COVER-VALVE						
	8	1	<b>8N-6985</b>	2	GASKET						
	9	1	<b>8M-3182</b>	2	SPRING						
BC	10	1	<b>0S-1618</b>	1	BOLT (5/16-18X1-IN)						
BC		1	<b>9M-1974</b>	1	WASHER-HARD (8.8X16X2-MM THK)						

B - USE AS REQUIRED  
C - CHANGE FROM PREVIOUS TYPE



SECTION A-A

GRAPHIC #1

<END>

g00114068

# LUBRICATION SYSTEM

## 8N-4457 BASE GP-OIL FILTER

S/N: 85Z5082-UP

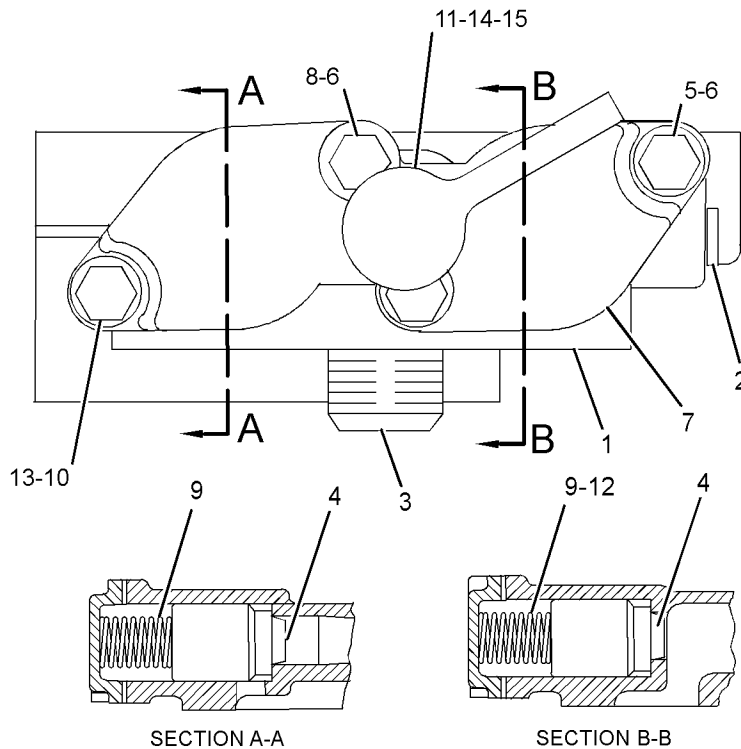
PART OF 7W-1240, 7W-1323 COOLER GP-FLTR BASE & ENG OIL

SMCS-1306

i05470427

NOTE	REF NO	GRAPHIC REF	PART NUMBER	QTY	PART NAME						SEE PAGE
					1	2	3	4	5	6 (PRODUCT LEVEL)	
C	1	1	<b>9Y-7149</b>	1	BASE AS-OIL FILTER						
		1	<b>3B-0645</b>	3	PLUG-CUP (32.08-MM OD)						
	2	1	<b>8T-6762</b>	1	PLUG-PIPE (1/2-14-THD)						
	3	1	<b>2P-2537</b>	1	STUD-HOLLOW						
	4	1	<b>1P-1367</b>	2	PLUNGER (RELIEF VALVE)						
C	5	1	<b>0S-1618</b>	1	BOLT (5/16-18X1-IN)						
	6	1	<b>9M-1974</b>	3	WASHER-HARD (8.8X16X2-MM THK)						
C	7	1	<b>9Y-6859</b>	1	COVER						
C	8	1	<b>1B-2790</b>	2	BOLT (5/16-18X1.375-IN)						
	9	1	<b>8M-3182</b>	2	SPRING						
B	10	1	<b>0S-1618</b>	1	BOLT (5/16-18X1-IN)						
C	11	1	<b>8C-3445</b>	1	CAP-DUST (ENGINE OIL SAMPLING VALVE)						
C	12	1	<b>9Y-6860</b>	1	GASKET						
B	13	1	<b>9M-1974</b>	1	WASHER-HARD (8.8X16X2-MM THK)						
C	14	1	<b>3J-7354</b>	1	SEAL-O-RING						
C	15	1	<b>8C-3446</b>	1	VALVE-SAMPLING (ENGINE OIL)						

B - USE AS REQUIRED  
C - CHANGE FROM PREVIOUS TYPE



GRAPHIC #1

<END>

g03466197

# LUBRICATION SYSTEM

## 1P-4244 BREATHER GP

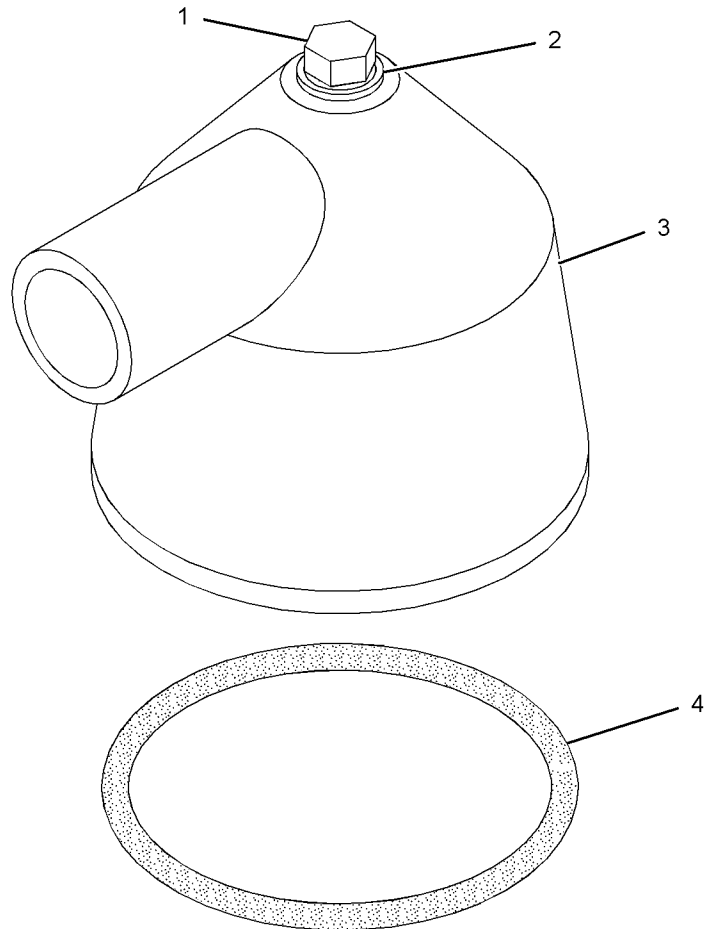
S/N: 85Z3764-UP

SMCS-1317

i03527409

NOTE	REF NO	GRAPHIC REF	PART NUMBER	QTY	PART NAME						SEE PAGE
					1	2	3	4	5	6 (PRODUCT LEVEL)	
	1	1	<b>3H-3243</b>	1	BOLT (5/16-18X4.75-IN)						
	2	1	<b>9N-0869</b>	1	WASHER-HARD (8.8X25.5X2-MM THK)						
C	3	1	<b>2W-9162</b>	1	BREATHER AS (CRANKCASE)						
C	4	1	<b>8H-2046</b>	1	SEAL-O-RING						

C - CHANGE FROM PREVIOUS TYPE



GRAPHIC #1

<END>

g01868673

# LUBRICATION SYSTEM

## 2P-6855 FILLER GP-ENGINE OIL

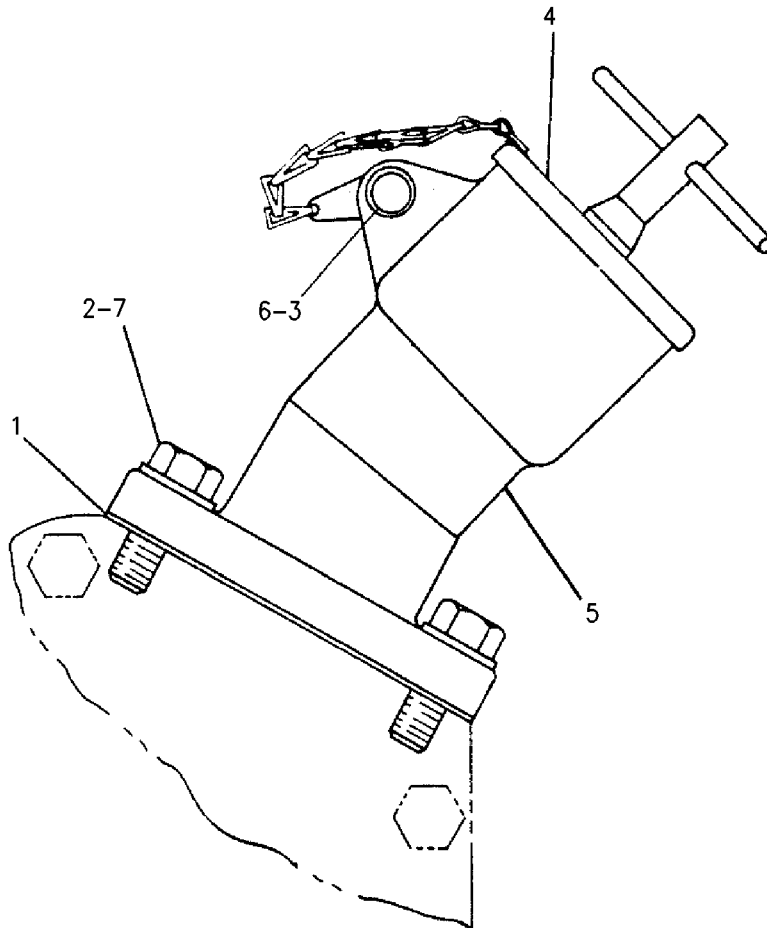
S/N: 85Z3764-UP

SMCS-1316

i04177449

NOTE	REF NO	GRAPHIC REF	PART NUMBER	QTY	PART NAME						SEE PAGE
					1	2	3	4	5	6 (PRODUCT LEVEL)	
	1	1	<b>2P-2720</b>	1	GASKET						
C	2	1	<b>1A-2029</b>	2	BOLT (3/8-16X1.125-IN)						
	3	1	<b>9M-5732</b>	1	RIVET-POP						
C	4	1	<b>6N-2985</b>	1	CAP AS-FILLER (ENGINE OIL)						
	5	1	<b>2P-2719</b>	1	PIPE-OIL FILLER						
	6	1	<b>2A-3211</b>	1	WASHER (5.5X12.3X0.8-MM THK)						
C	7	1	<b>5M-2894</b>	2	WASHER-HARD (10.2X18.5X2.5-MM THK)						
ABJ		1	<b>113-5253</b>		CAP AS-FILLER (ENGINE OIL) (OPTIONAL BLACK CAP ASSEMBLY ENGINE DRESS UP)						

A - NOT PART OF THIS GROUP  
 B - USE AS REQUIRED  
 C - CHANGE FROM PREVIOUS TYPE  
 J - NULL



GRAPHIC #1

<END>

g00917486

# LUBRICATION SYSTEM

## 4N-6975 FILLER GP-ENGINE OIL

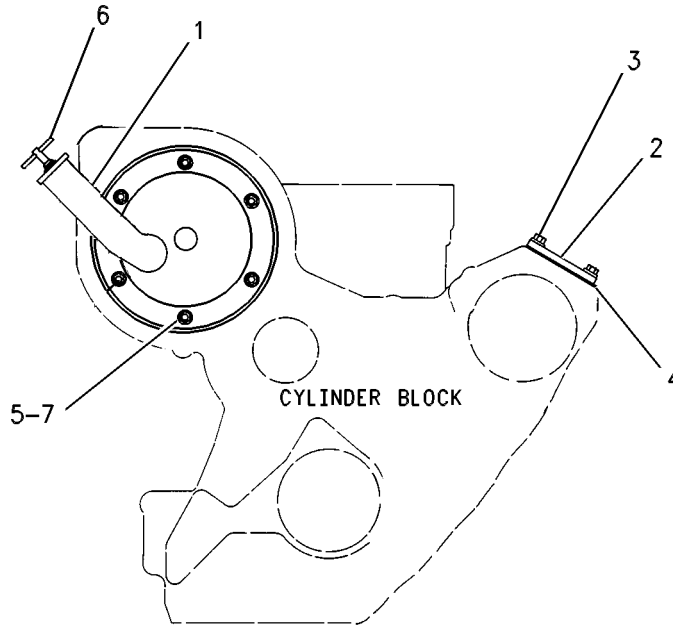
S/N: 85Z3764-UP

**CANNOT BE USED WITH FRONT MOUNTED PRIMING PUMP  
AN ATTACHMENT**

**SMCS-1316**

**i01893083**

NOTE	REF NO	GRAPHIC REF	PART NUMBER	QTY	PART NAME						SEE PAGE
					1	2	3	4	5	6 (PRODUCT LEVEL)	
	1	1	<b>1W-5464</b>	1	FILLER AS-OIL (ENGINE)						
		1	<b>6N-7887</b>	1	GASKET-HOUSING COVER						
2		1	<b>4N-4526</b>	1	COVER						
3		1	<b>2P-3200</b>	2	BOLT-WASHER HEAD						
4		1	<b>2P-2720</b>	1	GASKET						
5		1	<b>3S-2713</b>	6	NUT-FULL (3/8-24-THD)						
6		1	<b>5L-2952</b>	1	CAP AS-FILLER (ENGINE OIL)						
		1	<b>6L-2609</b>	1	SEAL-RUBBER						
7		1	<b>8M-9024</b>	6	WASHER-HARD (10.2X22.5X5-MM THK)						



GRAPHIC #1

<END>

g00279932

# LUBRICATION SYSTEM

## 5N-7462 FILLER GP-ENGINE OIL

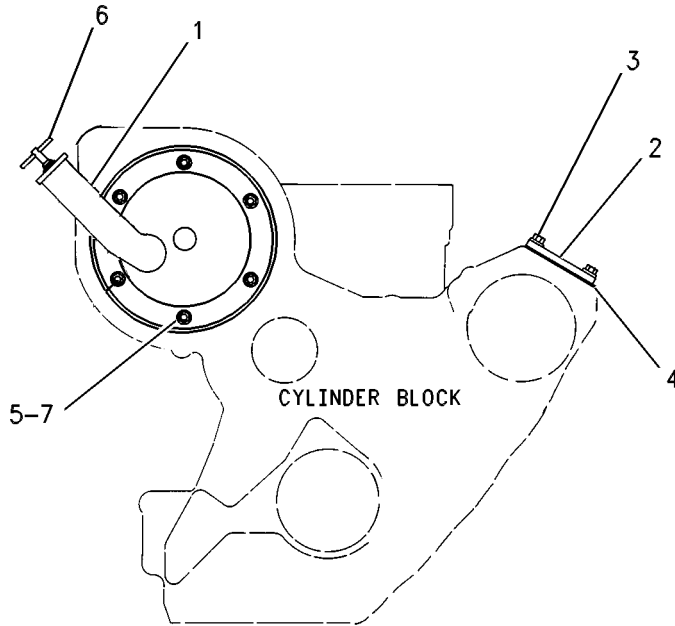
S/N: 85Z3764-UP

**CANNOT BE USED WITH WATER SEPARATOR OR EXPANSION TANK  
AN ATTACHMENT**

SMCS-1316

i01893100

NOTE	REF NO	GRAPHIC REF	PART NUMBER	QTY	PART NAME						SEE PAGE
					1	2	3	4	5	6 (PRODUCT LEVEL)	
	1	1	<b>4N-6797</b>	1	FILLER AS-OIL (ENGINE)						
		1	<b>6N-7887</b>	1	GASKET-HOUSING COVER						
	2	1	<b>4N-4526</b>	1	COVER						
	3	1	<b>2P-3200</b>	2	BOLT-WASHER HEAD						
	4	1	<b>2P-2720</b>	1	GASKET						
	5	1	<b>3S-2713</b>	6	NUT-FULL (3/8-24-THD)						
	6	1	<b>5L-2952</b>	1	CAP AS-FILLER (ENGINE OIL)						
		1	<b>6L-2609</b>	1	SEAL-RUBBER						
	7	1	<b>8M-9024</b>	6	WASHER-HARD (10.2X22.5X5-MM THK)						



GRAPHIC #1

<END>

g00279932



# LUBRICATION SYSTEM

## 9N-1869 FILLER GP-ENGINE OIL

S/N: 85Z12908-UP

LH-REAR

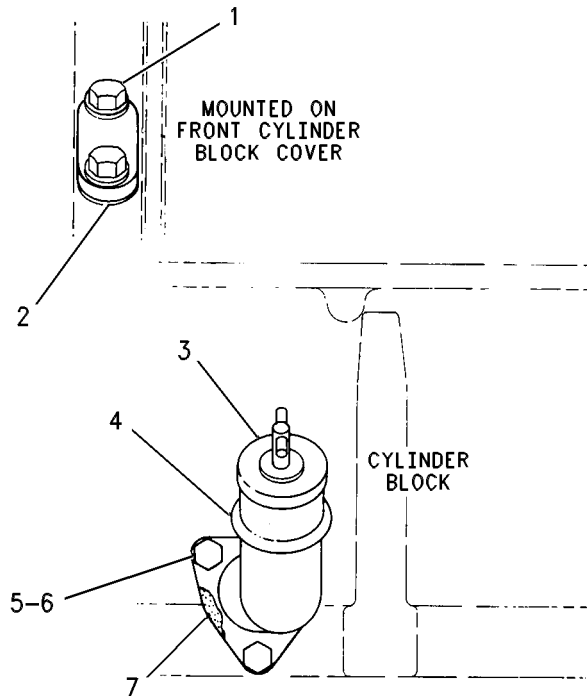
**CANNOT BE USED WITH RAW WATER PUMP OR AIR COMPRESSOR  
ALSO AN ATTACHMENT**

**SMCS-1316**

**i02010685**

NOTE	REF NO	GRAPHIC REF	PART NUMBER	QTY	PART NAME						SEE PAGE
					1	2	3	4	5	6 (PRODUCT LEVEL)	
	1	1	<b>2P-3200</b>	2	BOLT-WASHER HEAD						
	2	1	<b>4N-4526</b>	1	COVER						
		1	<b>2P-2720</b>	1	GASKET						
	3	1	<b>7S-1803</b>	1	CAP AS-OIL FILLER (ENGINE)						
	4	1	<b>1P-2698</b>	1	PIPE-OIL FILLER						
		1	<b>7S-1801</b>	1	ANCHOR-CHAIN						
C	5	1	<b>0S-1594</b>	3	BOLT (3/8-16X1-IN)						
C	6	1	<b>5M-2894</b>	3	WASHER-HARD (10.2X18.5X2.5-MM THK)						
C	7	1	<b>5S-8055</b>	1	GASKET						

C - CHANGE FROM PREVIOUS TYPE



GRAPHIC #1

<END>

g00279933

# LUBRICATION SYSTEM

## 211-4359 FILTER AS-ENGINE OIL

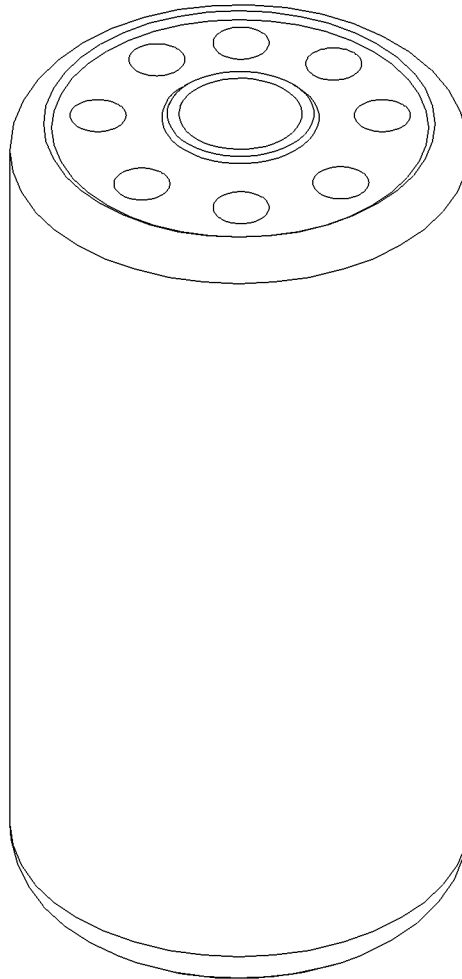
S/N: 85Z3764-UP

TO PROVIDE A SHORTER VERSION OF THE 1R-0716 LUBE FILTER TO BE USED FOR MARINE APPLICATIONS  
AN ATTACHMENT

SMCS-1308

i01797515

NOTE	REF NO	GRAPHIC REF	PART NUMBER	QTY	PART NAME						SEE PAGE
					1	2	3	4	5	6 (PRODUCT LEVEL)	
(NO SERVICED PARTS)											



GRAPHIC #1

<END>

g00921132

# LUBRICATION SYSTEM

## 5N-9410 FILTER GP-ENGINE OIL

S/N: 85Z3764-UP

REMOTE MOUNTED

AN ATTACHMENT

SMCS-1306, 1308

i01490170

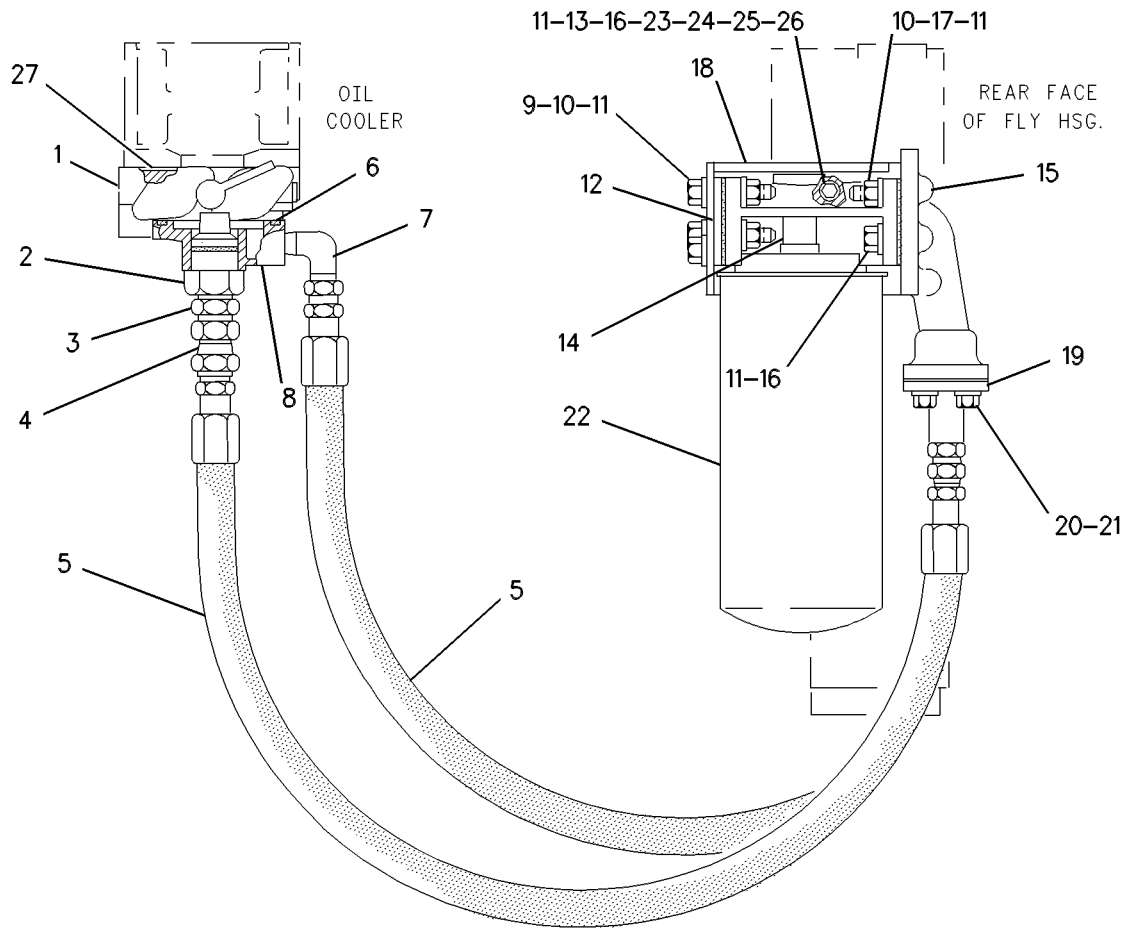
NOTE	REF NO	GRAPHIC REF	PART NUMBER	QTY	PART NAME						SEE PAGE
					1	2	3	4	5	6 (PRODUCT LEVEL)	
CY	1	1	154-3891	1	BASE GP-OIL FILTER						211
	2	1	7F-0216	1	NUT-JAM (1-1/2-6-THD)						
	3	1	5S-2392	1	ADAPTER-PIPE						
	4	1	5P-2244	1	UNION-ADAPTER						
I	5	1	5N-9411	2	HOSE AS						
	6	1	8H-7521	1	SEAL-O-RING						
	7	1	9L-4007	1	ELBOW-FLARED						
	8	1	2P-4316	1	ADAPTER-FILTER BASE						
					1	6F-6673	1	SEAL-O-RING			
	9	1	2A-4639	4				BOLT (3/8-16X1.625-IN)			
					10	1	9S-8752	6	NUT-FULL (3/8-16-THD)		
	11	1	5M-2894	12					WASHER-HARD (10.2X18.5X2.5-MM THK)		
					12	1	9L-5717	1	COVER-BASE		
		1	2P-4305	2					GASKET		
					B	13	1	6H-7127	2	SPACER (13/32X5/8X9/16-IN THK)	
	14	1	2P-4303	1						BASE AS-OIL FILTER	
					1	2P-4304	1	STUD-HOLLOW			
	15	1	7N-3300	1				ADAPTER-FILTER BASE			
16					1	0S-1588	2	BOLT (3/8-16X1.25-IN)			
	17	1	2M-1538	2				STUD-TAPERLOCK (3/8-16X1.6-IN)			
18					1	5N-9412	1	BRACKET AS			
	19	1	5N-9536	1				PLATE AS			
					1	2D-0091	2	GASKET			
	20	1	4F-8965	4				BOLT (7/16-14X1.125-IN)			
					1	5P-8244	4	WASHER-HARD (12X22.5X2.5-MM THK)			
	21	1	2B-7557	4				CORK			
22					1	1R-0716	1	FILTER AS-ENGINE OIL (STANDARD EFFICIENCY)			
	B	23	1	8T-4223				2	WASHER-HARD (13.5X25.5X3-MM THK)		
B	24	1	8T-8917	2	BOLT (1/2-13X1.25-IN)						
B	25	1	5M-2894	2	WASHER-HARD (10.2X18.5X2.5-MM THK)						
B	26	1	0S-1588	2	BOLT (3/8-16X1.25-IN)						
	27	1	5P-8118	2	SEAL-O-RING						

B - USE AS REQUIRED  
 C - CHANGE FROM PREVIOUS TYPE  
 I - REFER TO HYDRAULIC INFORMATION SYSTEM  
 Y - SEPARATE ILLUSTRATION

# LUBRICATION SYSTEM

5N-9410 FILTER GP-ENGINE OIL (contd.)

i01490170



GRAPHIC #1

<END>

g00332609

# LUBRICATION SYSTEM

## 1N-4874 FUMES DISPOSAL GP

S/N: 85Z3764-UP

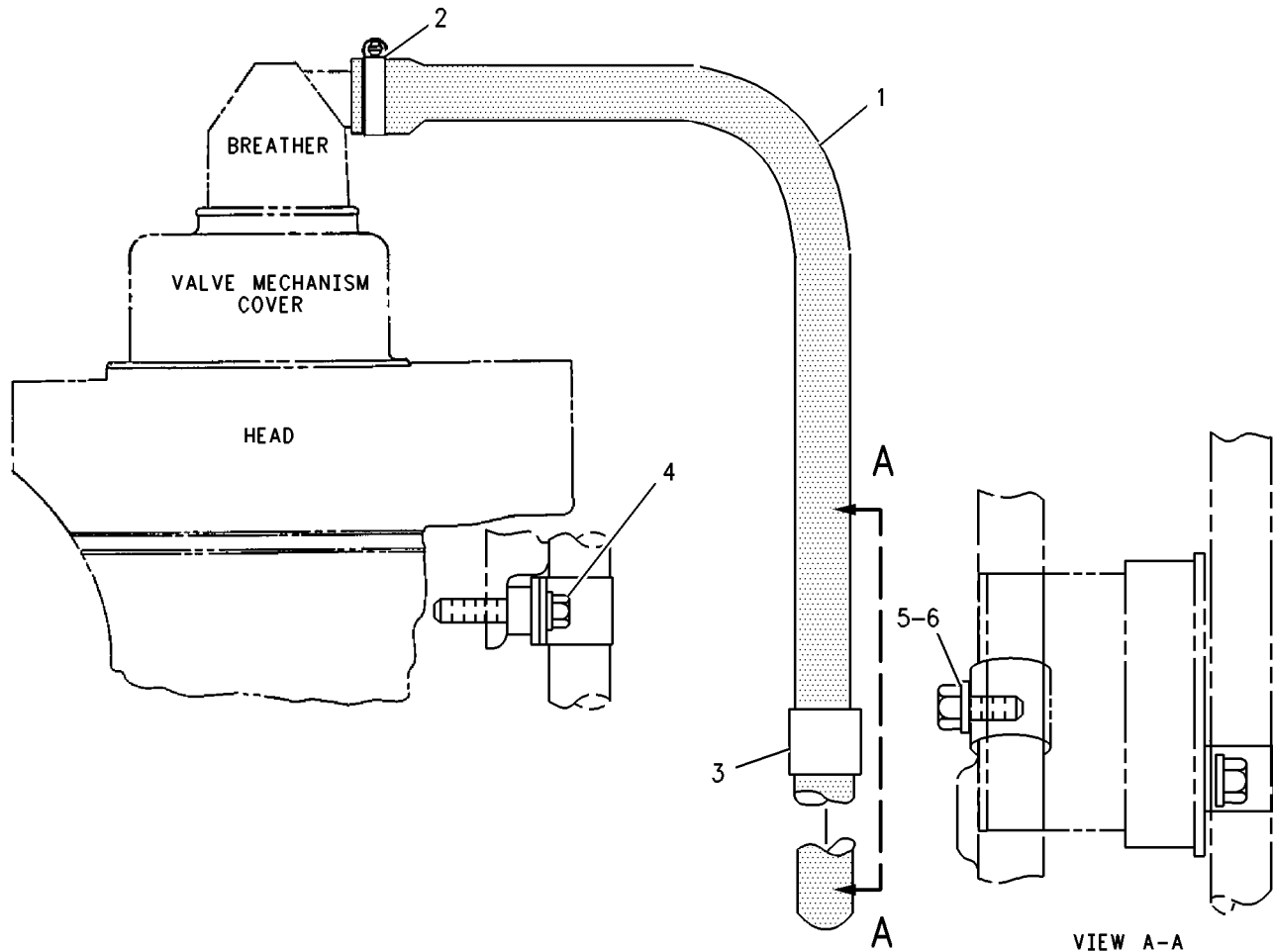
FOR USE WITH 110-5765-PAGE: 69, 110-5767-PAGE: 72, EXPANSION TANK  
AN ATTACHMENT

SMCS-1074, 1317

i02797606

NOTE	REF NO	GRAPHIC REF	PART NUMBER	QTY	PART NAME						SEE PAGE
					1	2	3	4	5	6 (PRODUCT LEVEL)	
	1	1	<b>4W-2181</b>	1	HOSE-DISPOSAL (FUMES)						
	2	1	<b>9M-2904</b>	1	CLAMP-HOSE						
	3	1	<b>4D-7388</b>	1	CLIP (LOOP)						
B	4	1	<b>0S-1590</b>	1	BOLT (3/8-16X2-IN)						
B		1	<b>5M-2894</b>	1	WASHER-HARD (10.2X18.5X2.5-MM THK)						
B		1	<b>6B-2882</b>	1	SPACER (0.406X0.75X0.312-IN THK)						
B	5	1	<b>0S-1594</b>	1	BOLT (3/8-16X1-IN)						
B	6	1	<b>9X-6458</b>	1	WASHER-HARD (10.2X22.5X3-MM THK)						

B - USE AS REQUIRED



GRAPHIC #1

<END>

g00936343

# LUBRICATION SYSTEM

## 3N-3277 FUMES DISPOSAL GP

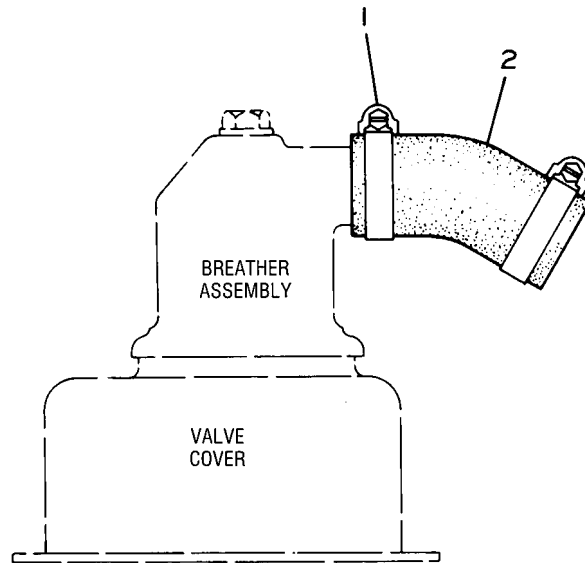
S/N: 85Z3764-UP

AN ATTACHMENT

SMCS-1074, 1317

i03423100

NOTE	REF NO	GRAPHIC REF	PART NUMBER	QTY	PART NAME						SEE PAGE
					1	2	3	4	5	6 (PRODUCT LEVEL)	
	1	1	<b>9M-2904</b>	2	CLAMP - HOSE						
	2	1	<b>8S-0780</b>	1	HOSE (FUMES DISPOSAL)						



GRAPHIC #1

<END>

g00134745

# LUBRICATION SYSTEM

## 3N-3392 FUMES DISPOSAL GP

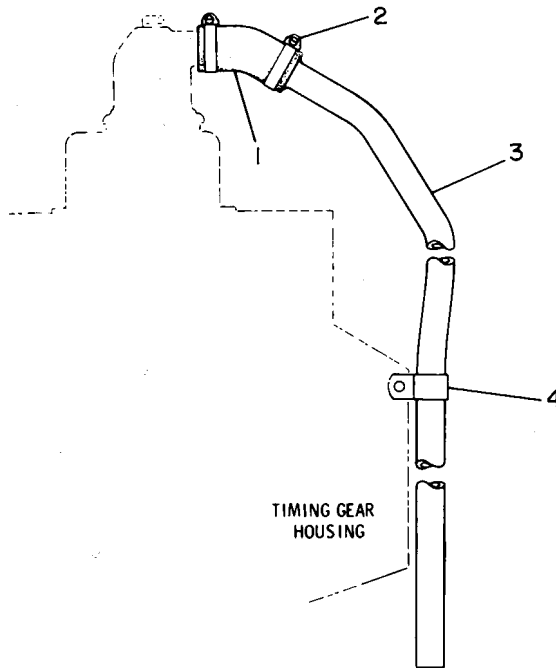
S/N: 85Z3764-UP

CANNOT BE USED WITH HEAVY DUTY AIR CLEANER  
ALSO AN ATTACHMENT

SMCS-1074, 1317

i03423120

NOTE	REF NO	GRAPHIC REF	PART NUMBER	QTY	PART NAME						SEE PAGE
					1	2	3	4	5	6 (PRODUCT LEVEL)	
	1	1	<b>8S-0780</b>	1	HOSE (FUMES DISPOSAL)						
	2	1	<b>9M-2904</b>	2	CLAMP-HOSE						
	3	1	<b>2P-3767</b>	1	TUBE						
	4	1	<b>1S-4557</b>	1	CLIP						



GRAPHIC #1

<END>

g00115561

# LUBRICATION SYSTEM

## 4W-0276 FUMES DISPOSAL GP

S/N: 85Z3764-UP

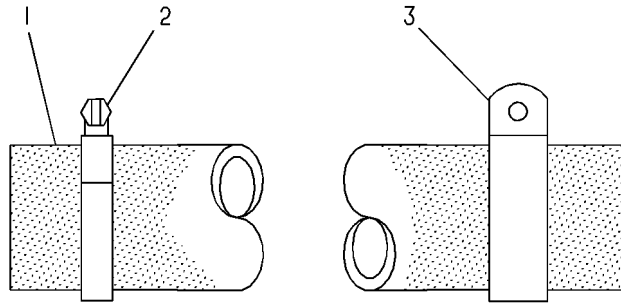
FOR USE WITH BLOWER FAN, GEN SET AND ENCLOSURE  
AN ATTACHMENT

SMCS-1074, 1317

i03423123

NOTE	REF NO	GRAPHIC REF	PART NUMBER	QTY	PART NAME						SEE PAGE
					1	2	3	4	5	6 (PRODUCT LEVEL)	
	1	1	<b>5N-5570</b>	1	HOSE (FUMES DISPOSAL)						
	2	1	<b>9M-2904</b>	1	CLAMP-HOSE						
B	3	1	<b>1S-0833</b>	1	CLIP						

B - USE AS REQUIRED



GRAPHIC #1

<END>

g00169376



# LUBRICATION SYSTEM

## 8N-1204 FUMES DISPOSAL GP

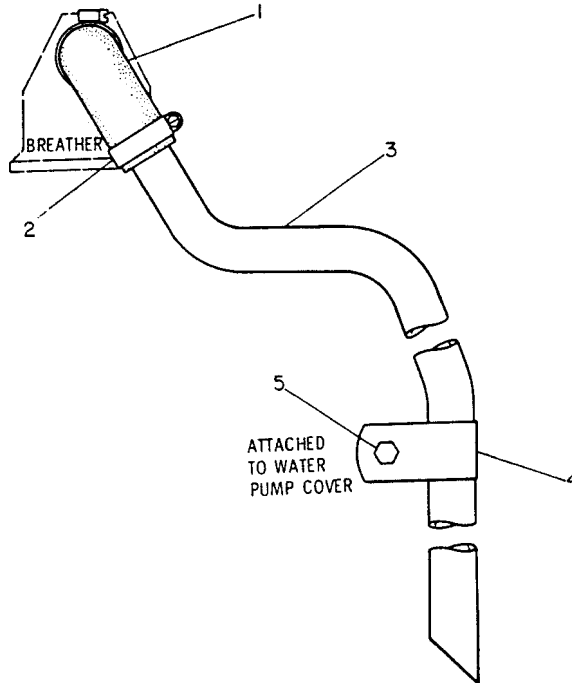
S/N: 85Z3764-UP

AN ATTACHMENT

SMCS-1074, 1317

i03423160

NOTE	REF NO	GRAPHIC REF	PART NUMBER	QTY	PART NAME						SEE PAGE
					1	2	3	4	5	6 (PRODUCT LEVEL)	
	1	1	<b>4N-3326</b>	1	HOSE (FUMES DISPOSAL)						
	2	1	<b>9M-2904</b>	2	CLAMP-HOSE						
	3	1	<b>7N-9771</b>	1	TUBE						
	4	1	<b>5D-4204</b>	1	CLIP						
	5	1	<b>1A-2029</b>	1	BOLT (3/8-16X1.125-IN)						
		1	<b>5M-2894</b>	1	WASHER-HARD (10.2X18.5X2.5-MM THK)						



GRAPHIC #1

<END>

g00143908

# LUBRICATION SYSTEM

## 9Y-5763 FUMES DISPOSAL GP

S/N: 85Z3764-UP

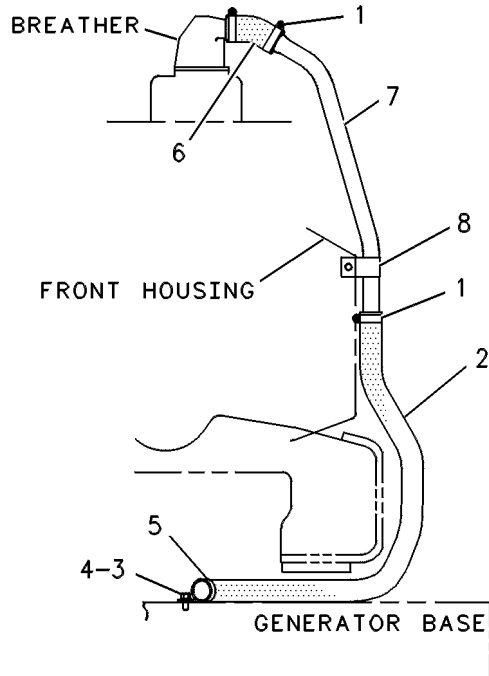
FOR USE WITH ENGINE & GENERATOR BASE  
AN ATTACHMENT

SMCS-1074, 1317

i00957039

NOTE	REF NO	GRAPHIC REF	PART NUMBER	QTY	PART NAME						SEE PAGE
					1	2	3	4	5	6 (PRODUCT LEVEL)	
	1	1	<b>9M-2904</b>	3	CLAMP - HOSE						
E	2	1	<b>5P-1252</b>		HOSE (136CM)						
	3	1	<b>5M-3062</b>	1	BOLT (3/8-16X0.75-IN)						
	4	1	<b>8T-4896</b>	1	WASHER-HARD (10.2X18.5X2.5-MM THK)						
	5	1	<b>4D-2886</b>	1	CLIP						
	6	1	<b>8S-0780</b>	1	HOSE						
	7	1	<b>9Y-5764</b>	1	TUBE						
	8	1	<b>1S-4557</b>	1	CLIP						

E - ORDER BY THE CENTIMETER



GRAPHIC #1

<END>

g00237621

# LUBRICATION SYSTEM

## 1W-8413 GAUGE GP-OIL LEVEL (DIPSTICK)-ENGINE

S/N: 85Z3764-UP

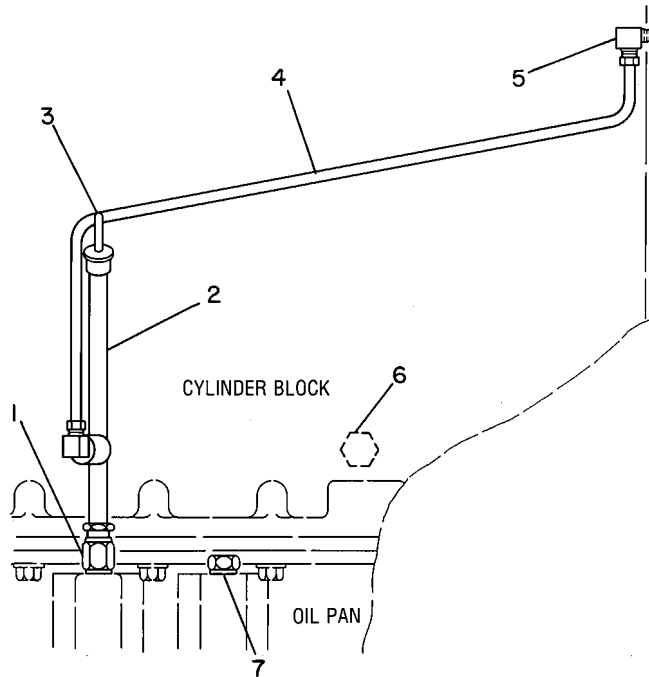
RIGHT HAND

AN ATTACHMENT

SMCS-1326

i03424103

NOTE	REF NO	GRAPHIC REF	PART NUMBER	QTY	PART NAME						SEE PAGE
					1	2	3	4	5	6 (PRODUCT LEVEL)	
	1	1	<b>8S-1326</b>	1	CONNECTOR AS						
		1	<b>5P-4448</b>	1	NUT-AIR BRAKE						
		1	<b>5P-4443</b>	1	SLEEVE-AIR BRAKE						
2		1	<b>3N-4164</b>	1	TUBE AS-OIL GAUGE						
3		1	<b>3N-4245</b>	1	GAUGE AS-OIL LEVEL (DIPSTICK) (ENGINE)						
4		1	<b>1W-8459</b>	1	TUBE AS-AIR VENT						
5		1	<b>5K-9243</b>	2	ELBOW-FLARED						
6		1	<b>5M-6214</b>	1	PLUG (1/8-27 PTF)						
7		1	<b>3J-5389</b>	1	PLUG (EXTERNAL)						



GRAPHIC #1

<END>

g00149996

# LUBRICATION SYSTEM

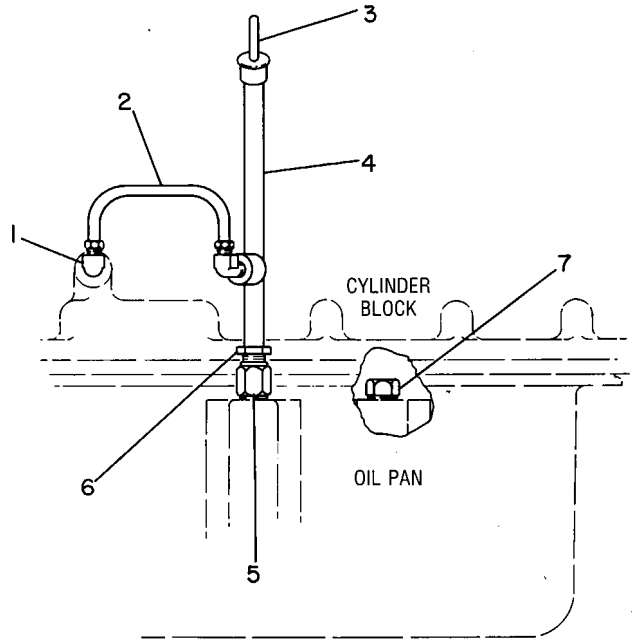
## 3N-2898 GAUGE GP-OIL LEVEL (DIPSTICK)

S/N: 85Z3764-UP

SMCS - 1326

i02357746

NOTE	REF NO	GRAPHIC REF	PART NUMBER	QTY	PART NAME						SEE PAGE
					1	2	3	4	5	6 (PRODUCT LEVEL)	
	1	1	<b>5K-9243</b>	2	ELBOW-FLARED						
	2	1	<b>2P-2697</b>	1	TUBE AS-AIR VENT						
	3	1	<b>3N-4245</b>	1	GAUGE AS-OIL LEVEL (DIPSTICK) (ENGINE)						
	4	1	<b>3N-4164</b>	1	TUBE AS-OIL GAUGE						
	5	1	<b>8S-1326</b>	1	CONNECTOR AS						
	6	1	<b>8F-8998</b>	1	NUT-FITTING						
	7	1	<b>3J-5389</b>	1	PLUG (EXTERNAL)						



GRAPHIC #1

<END>

g00135071

# LUBRICATION SYSTEM

## 2P-6105 LINES GP-ENGINE OIL

S/N: 85Z3764-UP

SMCS - 1307

i03755105

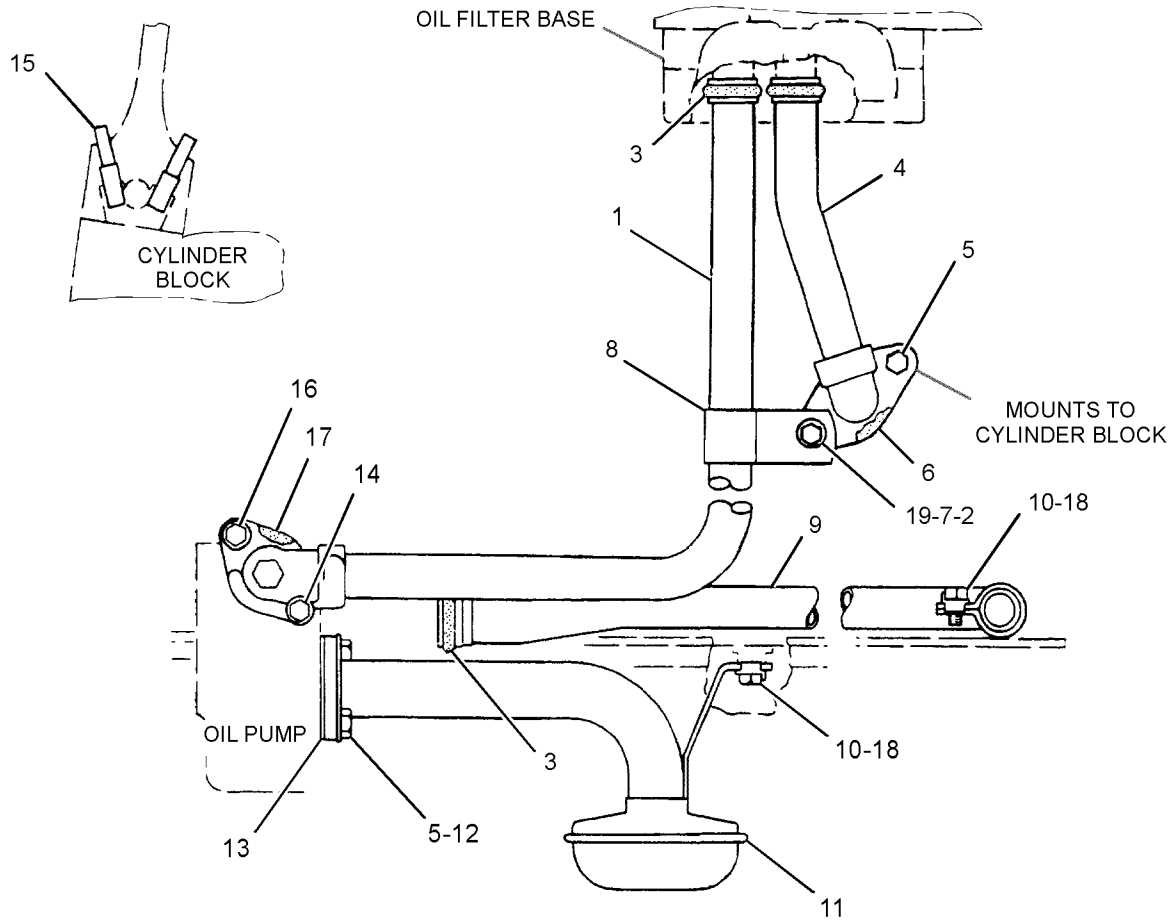
NOTE	REF NO	GRAPHIC REF	PART NUMBER	QTY	PART NAME						SEE PAGE
					1	2	3	4	5	6 (PRODUCT LEVEL)	
	1	1	<b>8N-7318</b>	1	TUBE AS						
	2	1	<b>6B-7469</b>	1	SPACER (0.406X0.875X0.875-IN THK)						
	3	1	<b>114-2687</b>	3	SEAL -O-RING						
	4	1	<b>8N-7315</b>	1	TUBE AS-OUTLET						
	5	1	<b>0S-1594</b>	3	BOLT (3/8-16X1-IN)						
	6	1	<b>7F-7590</b>	1	GASKET						
	7	1	<b>0S-1590</b>	1	BOLT (3/8-16X2-IN)						
	8	1	<b>4L-3641</b>	1	CLIP						
	9	1	<b>2P-1739</b>	1	TUBE AS-PUMP						
	10	1	<b>0T-0102</b>	2	BOLT (3/8-16X0.625-IN)						
C	11	1	<b>7W-9020</b>	1	BELL AS-SUCTION (ENGINE OIL)						
	12	1	<b>8S-8874</b>	1	LOCKNUT						
	13	1	<b>8M-0904</b>	1	GASKET						
	14	1	<b>0L-2070</b>	1	BOLT (3/8-16X2.25-IN)						
	15	1	<b>2S-1541</b>	6	ORIFICE-JET						
	16	1	<b>1A-2029</b>	1	BOLT (3/8-16X1.125-IN)						
	17	1	<b>2M-5407</b>	1	GASKET						
	18	1	<b>0L-0364</b>	2	LOCK						
	19	1	<b>5M-2894</b>	1	WASHER-HARD (10.2X18.5X2.5-MM THK)						

C - CHANGE FROM PREVIOUS TYPE

# LUBRICATION SYSTEM

2P-6105 LINES GP-ENGINE OIL (contd.)

i03755105



LEFT SIDE VIEW OF ENGINE

GRAPHIC #1

<END>

g02039933

# LUBRICATION SYSTEM

## 5N-4012 LINES GP-ENGINE OIL DRAIN

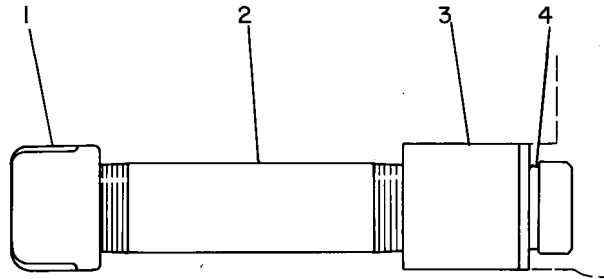
S/N: 85Z3764-UP

FOR USE WITH HEAT EXCHANGER  
AN ATTACHMENT

SMCS-1307

i00637417

NOTE	REF NO	GRAPHIC REF	PART NUMBER	QTY	PART NAME						SEE PAGE
					1	2	3	4	5	6 (PRODUCT LEVEL)	
	1	1	<b>3B-6485</b>	1	CAP-PIPE						
	2	1	<b>2D-2460</b>	1	NIPPLE-PIPE						
	3	1	<b>3R-7117</b>	1	BUSHING-PLUG						
	4	1	<b>1S-3889</b>	1	WASHER						
		1	<b>8M-4432</b>	1	SEAL-O-RING						



GRAPHIC #1

<END>

g00135741

# LUBRICATION SYSTEM

## 5N-5567 LINES GP-ENGINE OIL DRAIN

S/N: 85Z3764-UP

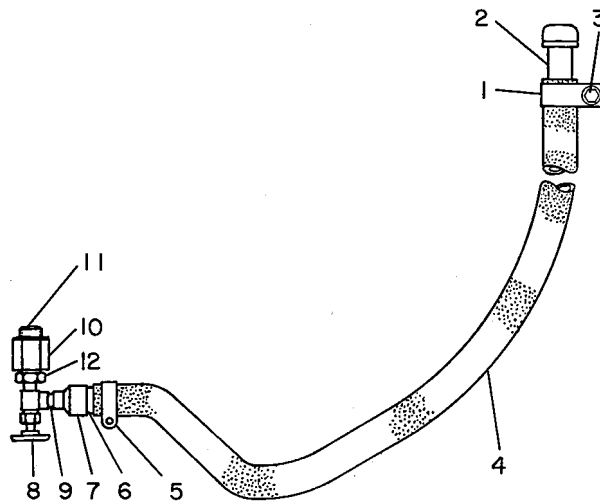
FOR USE WITH PACKAGE GENERATOR SET W/WIDE BASE WITH OR WITHOUT FUEL TANK AND WITH OR WITHOUT ENCLOSURE AN ATTACHMENT

SMCS-1307

i01850205

NOTE	REF NO	GRAPHIC REF	PART NUMBER	QTY	PART NAME						SEE PAGE
					1	2	3	4	5	6	
	1	1	<b>7S-8920</b>	1	CLIP (SLOT)						
		1	<b>7S-8921</b>	1	CLIP (TAB)						
	2	1	<b>3B-7747</b>	1	NIPPLE-PIPE						
	3	1	<b>8T-9377</b>	1	BOLT (3/8-16X2.25-IN)						
		1	<b>6V-8801</b>	1	NUT (3/8-16-THD)						
		1	<b>7X-0772</b>	2	WASHER-HARD (10.2X25.5X2.5-MM THK)						
		1	<b>2B-0941</b>	1	SPACER (10.5X19X19-MM THK)						
	4	1	<b>5N-5566</b>	1	HOSE (1.2M LONG)						
	5	1	<b>9M-7958</b>	1	CLAMP-HOSE						
	6	1	<b>9N-0415</b>	1	FITTING						
C	7	1	<b>1Y-0263</b>	1	COUPLING-REDUCER						
C	8	1	<b>9N-3666</b>	1	VALVE-MANUAL (ENGINE OIL DRAIN)						
C	9	1	<b>3B-7741</b>	1	NIPPLE-PIPE (CLOSE)						
C	10	1	<b>3R-7117</b>	1	BUSHING-PLUG						
	11	1	<b>1S-3889</b>	1	WASHER						
		1	<b>8M-4432</b>	1	SEAL-O-RING						
	12	1	<b>011-5224</b>	1	BUSHING-REDUCER						

C - CHANGE FROM PREVIOUS TYPE



GRAPHIC #1

<END>

g00204882



# LUBRICATION SYSTEM

## 7C-5108 LINES GP-ENGINE OIL DRAIN

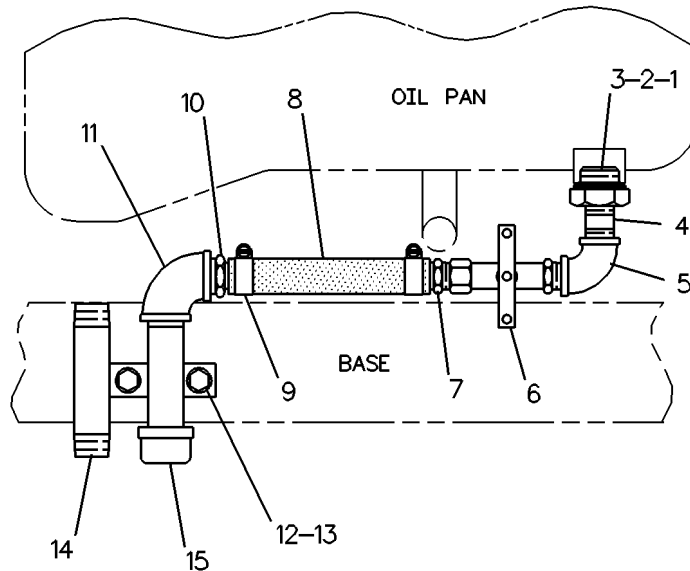
S/N: 85Z3764-UP

FOR USE WITH THE NEW FRONT SUPPORT  
AN ATTACHMENT

SMCS-1307

i01856310

NOTE	REF NO	GRAPHIC REF	PART NUMBER	QTY	PART NAME						SEE PAGE
					1	2	3	4	5	6 (PRODUCT LEVEL)	
	1	1	<b>1S-3889</b>	1	WASHER						
	2	1	<b>8M-4432</b>	1	SEAL-O-RING						
	3	1	<b>5R-4713</b>	1	PLUG						
	4	1	<b>7B-4115</b>	1	NIPPLE-PIPE						
	5	1	<b>3B-6496</b>	1	ELBOW						
	6	1	<b>6V-5016</b>	1	VALVE-BALL (ENGINE OIL DRAIN)						
	7	1	<b>1H-9779</b>	1	CONNECTOR-HOSE						
	8	1	<b>5P-1695</b>	1	HOSE						
	9	1	<b>5D-1026</b>	2	CLAMP-BAND						
	10	1	<b>2D-3165</b>	1	CONNECTOR-HOSE						
	11	1	<b>4B-5984</b>	1	ELBOW						
	12	1	<b>0S-1594</b>	2	BOLT (3/8-16X1-IN)						
	13	1	<b>5M-2894</b>	2	WASHER-HARD (10.2X18.5X2.5-MM THK)						
	14	1	<b>7W-7314</b>	1	DRAIN AS						
	15	1	<b>3B-6485</b>	1	CAP-PIPE						



GRAPHIC #1

<END>

g00212992

# LUBRICATION SYSTEM

## 9Y-5765 LINES GP-ENGINE OIL DRAIN

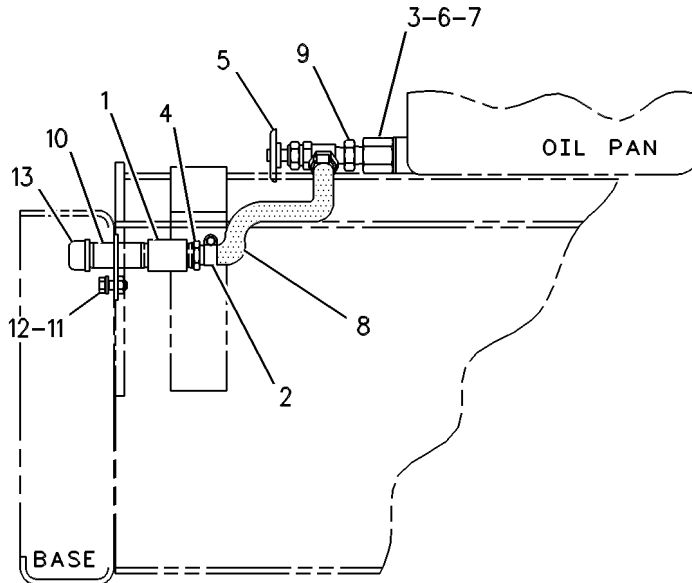
S/N: 85Z3764-UP  
FOR USE WITH BASE  
AN ATTACHMENT

SMCS-1307

i01850224

NOTE	REF NO	GRAPHIC REF	PART NUMBER	QTY	PART NAME						SEE PAGE
					1	2	3	4	5	6 (PRODUCT LEVEL)	
	1	1	<b>3B-6490</b>	1	COUPLING-PIPE						
	2	1	<b>5D-1026</b>	2	CLAMP-BAND						
	3	1	<b>3R-7117</b>	1	BUSHING-PLUG						
	4	1	<b>2D-3165</b>	1	CONNECTOR-HOSE						
	5	1	<b>6V-3866</b>	1	VALVE (ENGINE OIL DRAIN)						
	6	1	<b>1S-3889</b>	1	WASHER						
	7	1	<b>3P-1155</b>	1	SEAL-O-RING						
E	8	1	<b>5P-1695</b>		HOSE						
	9	1	<b>8B-2664</b>	1	BUSHING-REDUCER						
	10	1	<b>9Y-3324</b>	1	FITTING AS						
		1	<b>3B-7747</b>	1	NIPPLE-PIPE						
		1	<b>9F-2978</b>	1	NUT-WELD (3/8-16-THD)						
	11	1	<b>5S-7379</b>	1	BOLT (3/8-16X0.875-IN)						
	12	1	<b>8T-4896</b>	1	WASHER-HARD (10.2X18.5X2.5-MM THK)						
B	13	1	<b>3B-6485</b>	1	CAP-PIPE						
BF		1	<b>6K-0806</b>	2	STRAP-CABLE						

B - USE AS REQUIRED  
E - ORDER BY THE CENTIMETER  
F - NOT SHOWN



FRONT VIEW

GRAPHIC #1

<END>

g00260282

# LUBRICATION SYSTEM

## 2W-2291 LINES GP-TURBOCHARGER OIL

S/N: 85Z3764-UP

SMCS-1052, 1307

i03294977

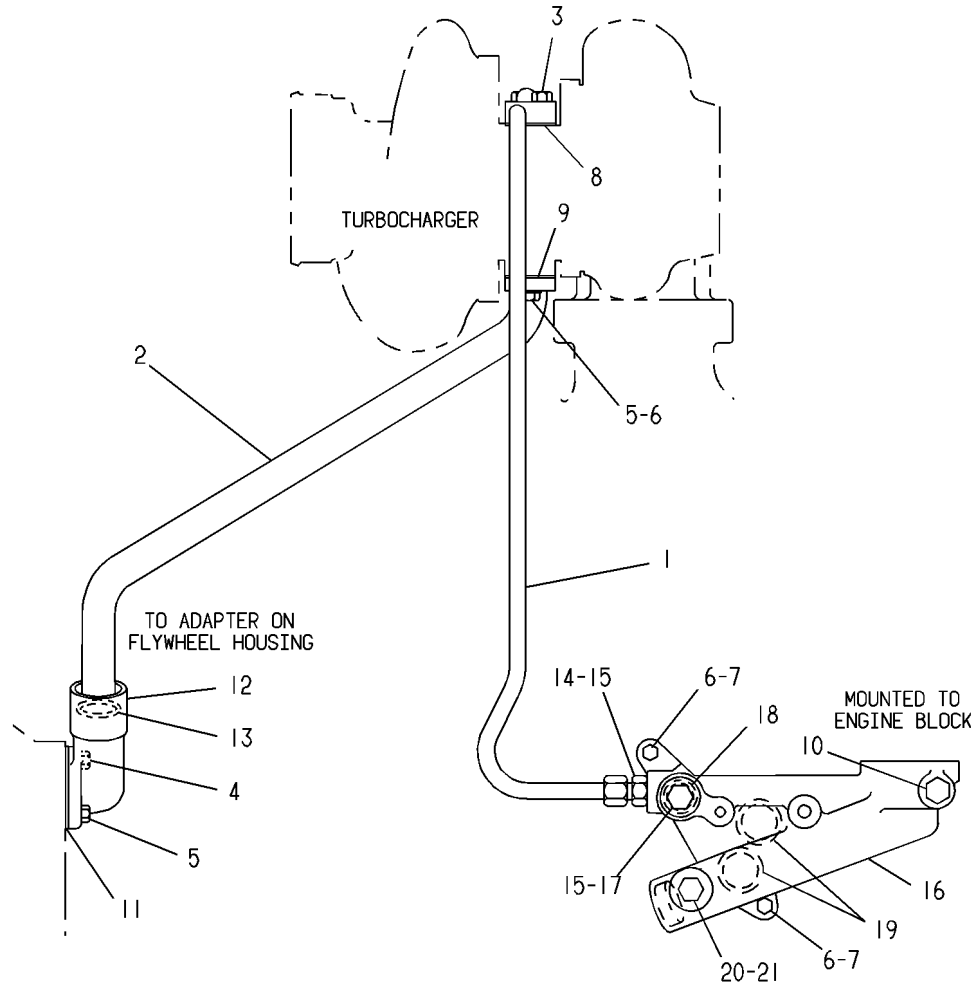
NOTE	REF NO	GRAPHIC REF	PART NUMBER	QTY	PART NAME						SEE PAGE	
					1	2	3	4	5	6 (PRODUCT LEVEL)		
C	1	1	<b>7C-1548</b>	1	TUBE AS-SUPPLY							
	2	1	<b>8N-2590</b>	1	TUBE AS-OIL DRAIN							
	3	1	<b>3B-1915</b>	2	BOLT (3/8-16X1.375-IN)							
	4	1	<b>0S-1588</b>	1	BOLT (3/8-16X1.25-IN)							
	5	1	<b>0S-1594</b>	3	BOLT (3/8-16X1-IN)							
	6	1	<b>5M-2894</b>	4	WASHER-HARD (10.2X18.5X2.5-MM THK)							
	7	1	<b>1A-2029</b>	2	BOLT (3/8-16X1.125-IN)							
	8	1	<b>1S-6595</b>	1	GASKET-OIL SUPPLY							
	9	1	<b>1S-4810</b>	1	GASKET-OIL DRAIN							
	10	1	<b>5M-6213</b>	1	PLUG-PIPE (1/4-18-THD)							
	11	1	<b>9F-5940</b>	1	GASKET							
	12	1	<b>8N-2591</b>	1	ELBOW-DRAIN							
	13	1	<b>9M-4849</b>	1	SEAL-O-RING							
	14	1	<b>8M-0505</b>	1	ADAPTER							
	15	1	<b>3K-0360</b>	2	SEAL-O-RING							
	16	1	<b>4W-1512</b>	1	SUPPORT AS-PUMP							
			1	<b>5H-4279</b>	1	PLUG-CUP						
			1	<b>8T-6765</b>	1	PLUG-PIPE (1/4-18-THD)						
	17	1	<b>9S-4185</b>	1	PLUG (3/4-16-THD)							
	18	1	<b>8M-5253</b>	1	SEAL-O-RING							
	19	1	<b>8M-5248</b>	2	SEAL-O-RING							
20	1	<b>9S-8002</b>	1	PLUG (7/16-20-THD)								
21	1	<b>3J-7354</b>	1	SEAL-O-RING								

C - CHANGE FROM PREVIOUS TYPE

# LUBRICATION SYSTEM

2W-2291 LINES GP-TURBOCHARGER OIL (contd.)

i03294977



GRAPHIC #1

<END>

g00183100

# LUBRICATION SYSTEM

## 2W-9176 LINES GP-TURBOCHARGER OIL

S/N: 85Z3764-UP

SMCS-1052, 1307

i00671707

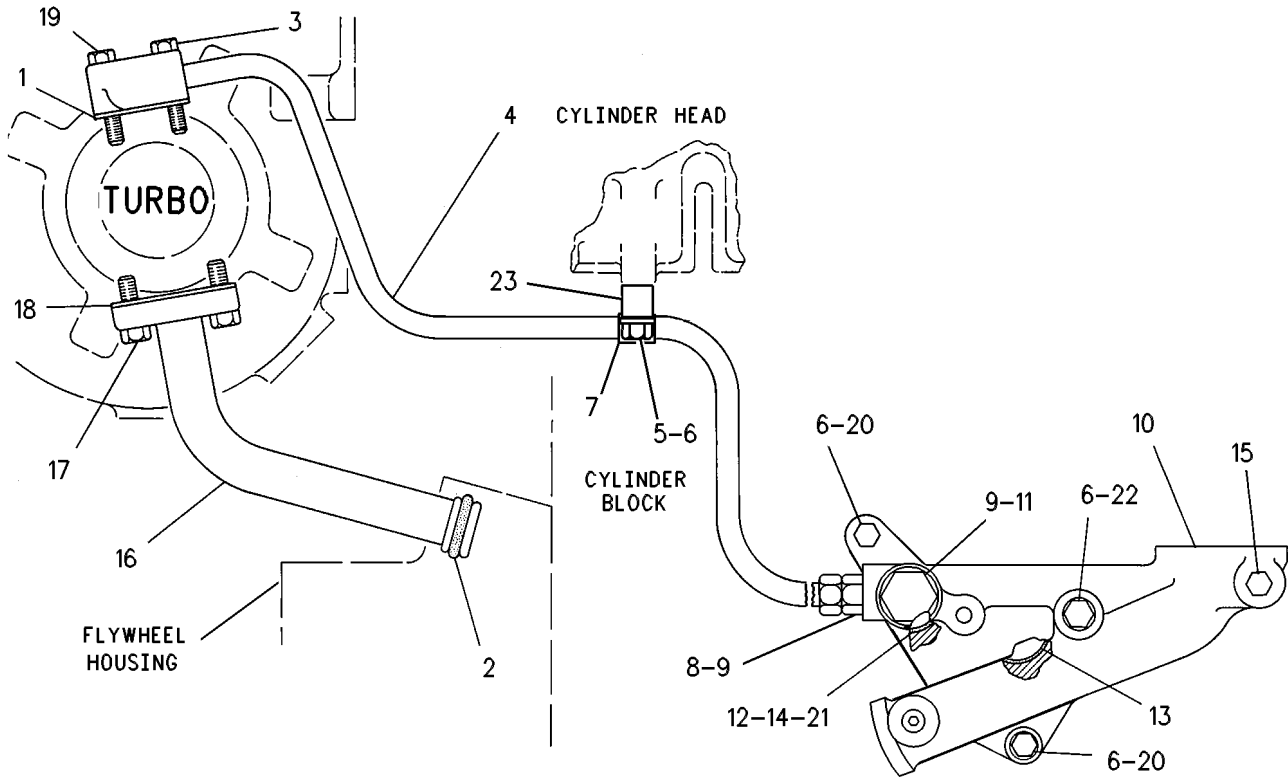
NOTE	REF NO	GRAPHIC REF	PART NUMBER	QTY	PART NAME						SEE PAGE
					1	2	3	4	5	6 (PRODUCT LEVEL)	
	1	1	<b>1S-6595</b>	1	GASKET-OIL SUPPLY						
	2	1	<b>9M-4849</b>	1	SEAL-O-RING						
	3	1	<b>1B-2790</b>	1	BOLT (5/16-18X1.375-IN)						
	4	1	<b>108-4151</b>	1	TUBE AS-OIL SUPPLY						
	5	1	<b>0S-1591</b>	1	BOLT (3/8-16X1.5-IN)						
C	6	1	<b>5M-2894</b>	4	WASHER-HARD (10.2X18.5X2.5-MM THK)						
	7	1	<b>5D-6523</b>	1	CLIP						
	8	1	<b>8M-0505</b>	1	ADAPTER						
	9	1	<b>3K-0360</b>	2	SEAL-O-RING						
C	10	1	<b>4W-1512</b>	1	SUPPORT AS-PUMP						
	11	1	<b>9S-4185</b>	1	PLUG (3/4-16-THD)						
	12	1	<b>8M-5253</b>	1	SEAL-O-RING						
	13	1	<b>8M-5248</b>	2	SEAL-O-RING						
C	14	1	<b>9S-8002</b>	1	PLUG (7/16-20-THD)						
	15	1	<b>8T-6765</b>	1	PLUG-PIPE (1/4-18-THD)						
	16	1	<b>120-6626</b>	1	TUBE AS						
C	17	1	<b>1A-2029</b>	2	BOLT (3/8-16X1.125-IN)						
	18	1	<b>1P-1255</b>	1	GASKET-OIL DRAIN						
	19	1	<b>4B-3388</b>	1	BOLT (5/16-18X1.125-IN)						
C	20	1	<b>0S-1588</b>	2	BOLT (3/8-16X1.25-IN)						
C	21	1	<b>3J-7354</b>	1	SEAL-O-RING						
C	22	1	<b>0S-1608</b>	1	BOLT (3/8-16X3.75-IN)						
	23	1	<b>2B-0941</b>	1	SPACER (10.5X19X19-MM THK)						

C - CHANGE FROM PREVIOUS TYPE

# LUBRICATION SYSTEM

2W-9176 LINES GP-TURBOCHARGER OIL (contd.)

i00671707



GRAPHIC #1

<END>

g00267046

# LUBRICATION SYSTEM

## 8N-2293 LINES GP-TURBOCHARGER OIL

S/N: 85Z3764-UP

SMCS-1052, 1307

i05979252

NOTE	REF NO	GRAPHIC REF	PART NUMBER	QTY	PART NAME						SEE PAGE
					1	2	3	4	5	6 (PRODUCT LEVEL)	
C	1	1	<b>3B-1915</b>	2	BOLT (3/8-16X1.375-IN)						
	2	1	<b>5M-2894</b>	4	WASHER-HARD (10.2X18.5X2.5-MM THK)						
	3	1	<b>1S-6595</b>	1	GASKET-OIL SUPPLY						
	4	1	<b>101-2064</b>	1	TUBE AS-OIL						
	5	1	<b>0L-1351</b>	2	BOLT (3/8-16X0.875-IN)						
	6	1	<b>1S-4810</b>	1	GASKET-OIL DRAIN						
	7	1	<b>8N-2393</b>	1	TUBE AS-OIL DRAIN						
	8	1	<b>9M-4849</b>	1	SEAL-O-RING						
	9	1	<b>8M-0505</b>	1	ADAPTER						
BC	10	1	<b>5M-2894</b>	4	WASHER-HARD (10.2X18.5X2.5-MM THK)						
B	11	1	<b>5D-6523</b>	1	CLIP						
B	12	1	<b>2B-0941</b>	1	SPACER (10.5X19X19-MM THK)						
B	13	1	<b>8B-8679</b>	1	SPACER (0.406X0.75X0.44-IN THK)						
B	14	1	<b>8F-1179</b>	1	CLIP						
	15	1	<b>3K-0360</b>	2	SEAL-O-RING						
	16	1	<b>9S-8002</b>	1	PLUG (7/16-20-THD)						
	17	1	<b>1A-2029</b>	2	BOLT (3/8-16X1.125-IN)						
	18	1	<b>8M-5253</b>	1	SEAL-O-RING						
	19	1	<b>9S-4185</b>	1	PLUG (3/4-16-THD)						
B	20	1	<b>0S-1588</b>	1	BOLT (3/8-16X1.25-IN)						
	21	1	<b>8M-5248</b>	2	SEAL-O-RING						
	22	1	<b>8T-6765</b>	1	PLUG-PIPE (1/4-18-THD)						
C	23	1	<b>4W-1512</b>	1	SUPPORT AS-PUMP						
		1	<b>5H-4279</b>	1	PLUG-CUP						
		1	<b>8T-6765</b>	1	PLUG-PIPE (1/4-18-THD)						
B	24	1	<b>2A-4639</b>	1	BOLT (3/8-16X1.625-IN)						
C	25	1	<b>3J-7354</b>	1	SEAL-O-RING						

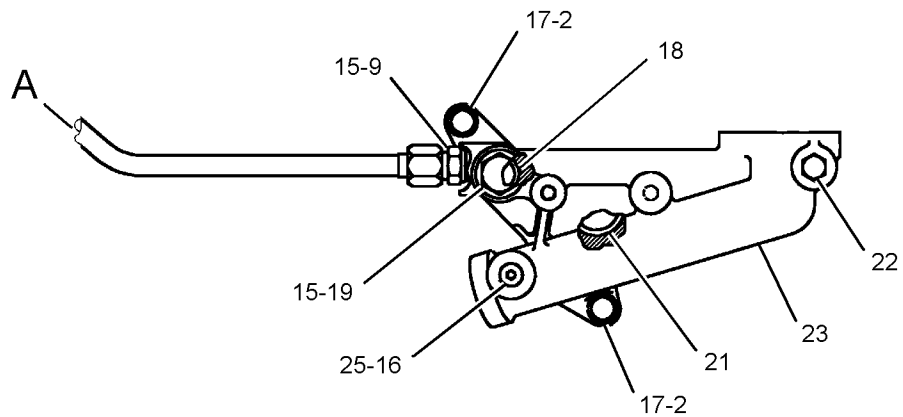
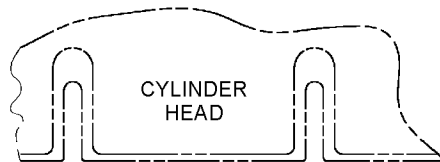
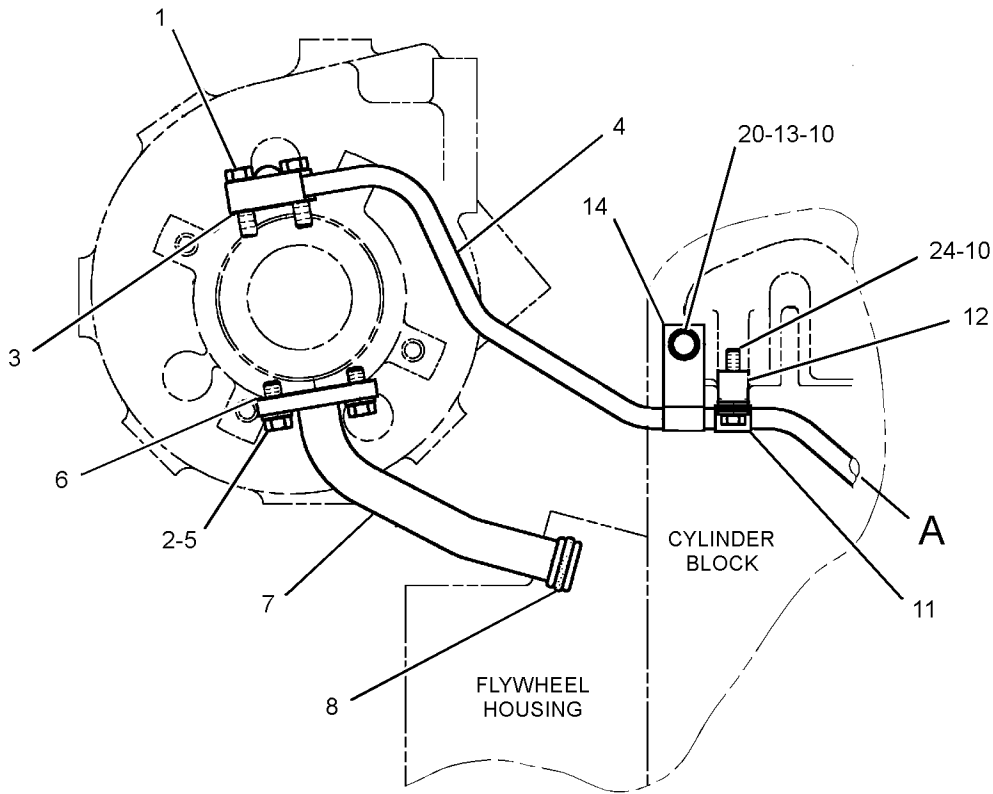
B - USE AS REQUIRED

C - CHANGE FROM PREVIOUS TYPE

# LUBRICATION SYSTEM

8N-2293 LINES GP-TURBOCHARGER OIL (contd.)

i05979252



RIGHT SIDE VIEW OF ENGINE

GRAPHIC #1

<END>

g01906093



# LUBRICATION SYSTEM

## 9Y-5727 LINES GP-TURBOCHARGER OIL

S/N: 85Z11063-UP

SMCS-1052, 1307

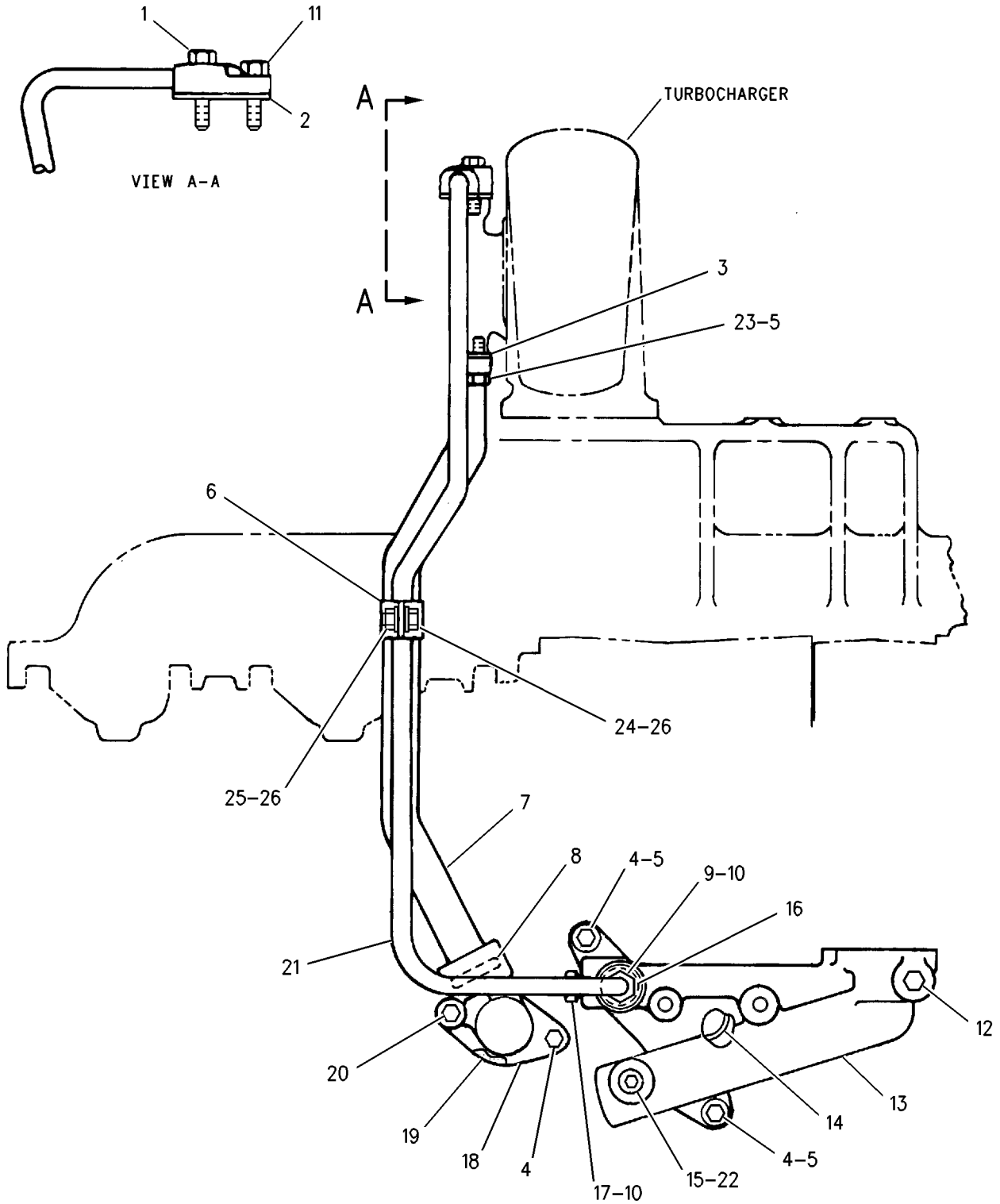
i03294911

NOTE	REF NO	GRAPHIC REF	PART NUMBER	QTY	PART NAME						SEE PAGE
					1	2	3	4	5	6 (PRODUCT LEVEL)	
	1	1	<b>1B-2790</b>	1	BOLT (5/16-18X1.375-IN)						
	2	1	<b>8H-9788</b>	1	GASKET						
	3	1	<b>188-6126</b>	1	GASKET						
	4	1	<b>1A-2029</b>	3	BOLT (3/8-16X1.125-IN)						
	5	1	<b>5M-2894</b>	4	WASHER-HARD (10.2X18.5X2.5-MM THK)						
	6	1	<b>6N-6033</b>	2	CLIP						
	7	1	<b>9Y-5725</b>	1	TUBE AS-DRAIN						
	8	1	<b>9M-4849</b>	1	SEAL-O-RING						
	9	1	<b>8M-0505</b>	1	ADAPTER						
	10	1	<b>3K-0360</b>	2	SEAL-O-RING						
	11	1	<b>4B-3388</b>	1	BOLT (5/16-18X1.125-IN)						
	12	1	<b>5M-6213</b>	1	PLUG-PIPE (1/4-18-THD)						
	13	1	<b>4W-1512</b>	1	SUPPORT AS-PUMP						
		1	<b>5H-4279</b>	1	PLUG-CUP						
		1	<b>8T-6765</b>	1	PLUG-PIPE (1/4-18-THD)						
	14	1	<b>8M-5248</b>	2	SEAL-O-RING						
	15	1	<b>9S-8002</b>	1	PLUG (7/16-20-THD)						
	16	1	<b>8M-5253</b>	1	SEAL-O-RING						
	17	1	<b>9S-4185</b>	1	PLUG (3/4-16-THD)						
	18	1	<b>8N-1149</b>	1	ELBOW						
	19	1	<b>4M-6480</b>	1	GASKET						
	20	1	<b>0L-2070</b>	1	BOLT (3/8-16X2.25-IN)						
	21	1	<b>9Y-5726</b>	1	TUBE AS-SUPPLY						
	22	1	<b>3J-7354</b>	1	SEAL-O-RING						
	23	1	<b>0S-1594</b>	2	BOLT (3/8-16X1-IN)						
	24	1	<b>0S-1617</b>	1	BOLT (5/16-18X0.75-IN)						
	25	1	<b>1D-4716</b>	1	NUT-FULL (5/16-18-THD)						
	26	1	<b>9M-1974</b>	2	WASHER-HARD (8.8X16X2-MM THK)						

# LUBRICATION SYSTEM

9Y-5727 LINES GP-TURBOCHARGER OIL (contd.)

i03294911



GRAPHIC #1

<END>

g00870758

# LUBRICATION SYSTEM

## 2P-1784 PUMP GP-ENGINE OIL

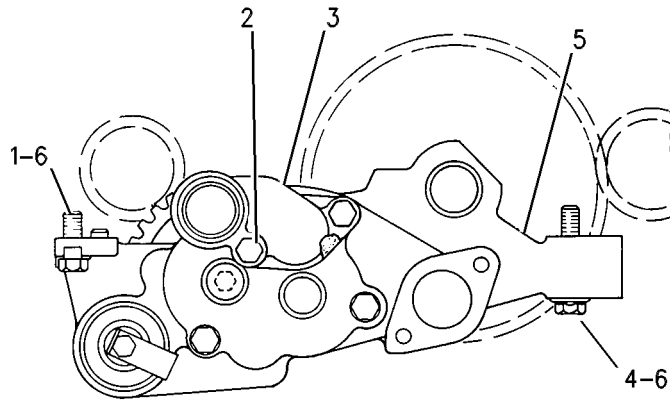
S/N: 85Z3764-UP

SMCS-1304, 1315

i01449142

NOTE	REF NO	GRAPHIC REF	PART NUMBER	QTY	PART NAME						SEE PAGE
					1	2	3	4	5	6 (PRODUCT LEVEL)	
	1	1	<b>3B-1915</b>	2	BOLT (3/8-16X1.375-IN)						
	2	1	<b>0S-1619</b>	1	BOLT (3/8-16X3-IN)						
	3	1	<b>4N-5353</b>	1	ELBOW						
		1	<b>2P-8746</b>	1	GASKET						
	4	1	<b>0S-1590</b>	3	BOLT (3/8-16X2-IN)						
CY	5	1	<b>6N-2642</b>	1	PUMP GP-ENGINE OIL						250
	6	1	<b>5M-2894</b>	4	WASHER-HARD (10.2X18.5X2.5-MM THK)						

C - CHANGE FROM PREVIOUS TYPE  
Y - SEPARATE ILLUSTRATION



GRAPHIC #1

<END>

g00494347

# LUBRICATION SYSTEM

## 4P-4020 PUMP GP-ENGINE OIL\*R

S/N: 85Z7170-7207, 8027-9297

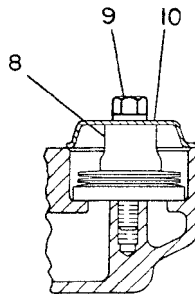
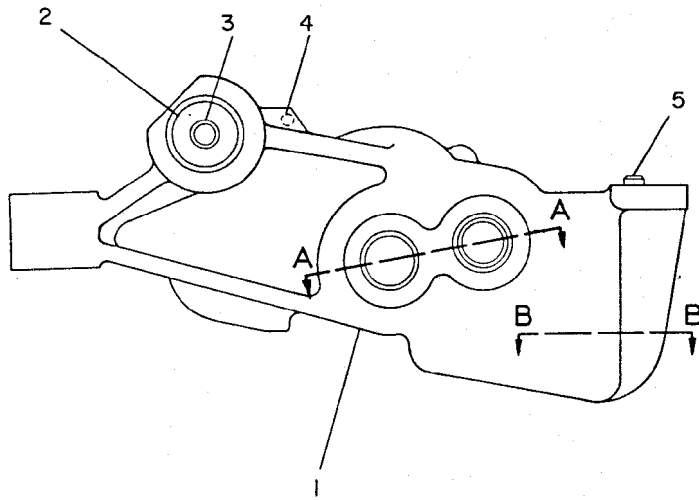
TWO SECTION GEAR

PART OF 6N-2642 PUMP GP-ENGINE OIL

SMCS-1304, 1315

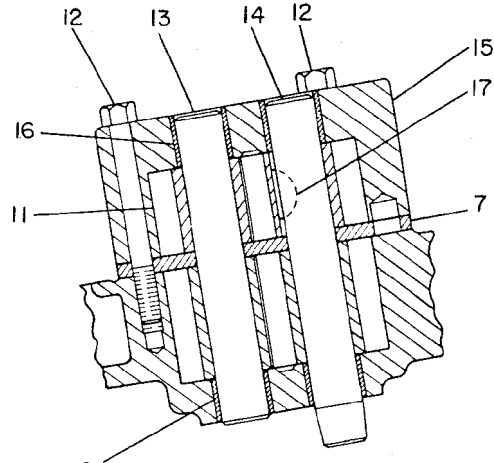
i01893409

NOTE	REF NO	GRAPHIC REF	PART NUMBER	QTY	PART NAME						SEE PAGE
					1	2	3	4	5	6 (PRODUCT LEVEL)	
	1	1	<b>4W-2322</b>	1	BODY AS-OIL PUMP						
	2	1	<b>2P-1170</b>	1	SHAFT AS-GEAR						
	3	1	<b>4B-9782</b>	1	BALL						
	4	1	<b>4B-9880</b>	1	BALL						
	5	1	<b>1F-1006</b>	1	DOWEL						
	6	1	<b>8S-6511</b>	2	BUSHING						
	7	1	<b>2P-1781</b>	1	SPACER (0.24-MM THK)						
	8	1	<b>4P-3546</b>	1	VALVE AS-RELIEF (ENGINE OIL PRESSURE)						
	9	1	<b>2B-2694</b>	1	BOLT (5/16-18X2-IN)						
		1	<b>9M-1974</b>	1	WASHER-HARD (8.8X16X2-MM THK)						
	10	1	<b>4N-3732</b>	1	COVER-VALVE						
	11	1	<b>6N-1036</b>	2	GEAR (8-TEETH)						
	12	1	<b>0T-0065</b>	3	BOLT (3/8-16X3.5-IN)						
	13	1	<b>8S-0493</b>	1	SHAFT AS-PUMP						
	14	1	<b>2P-6245</b>	1	SHAFT AS-PUMP						
	15	1	<b>4W-2321</b>	1	BODY AS-PUMP						
	16	1	<b>8S-6511</b>	2	BUSHING						
	17	1	<b>1B-8709</b>	1	KEY-WOODRUFF						



SECTION B-B

<END>



SECTION A-A

GRAPHIC #1

g00108222

# LUBRICATION SYSTEM

## 4W-2448 PUMP GP-ENGINE OIL\*R

S/N: 85Z3764-7169, 7208-8026

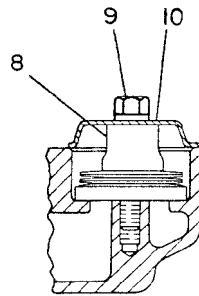
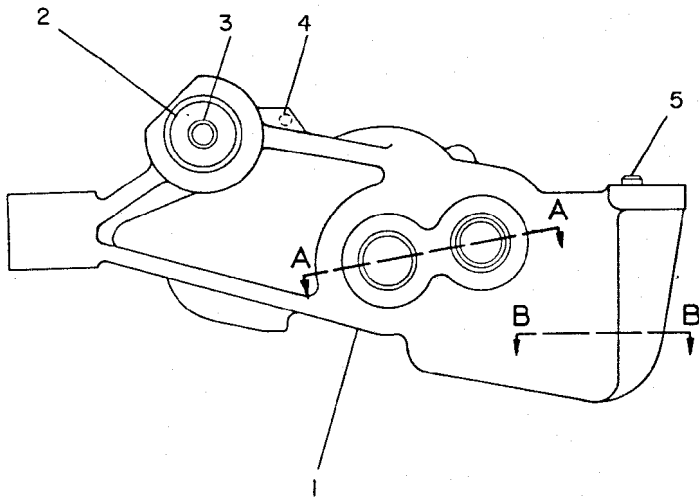
TWO SECTION GEAR

PART OF 6N-2642 PUMP GP-ENGINE OIL

SMCS-1304, 1315

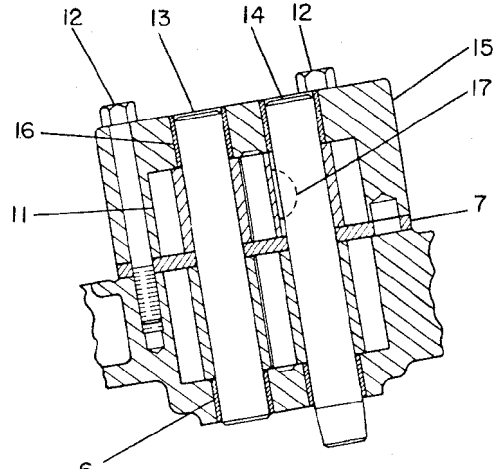
i01893414

NOTE	REF NO	GRAPHIC REF	PART NUMBER	QTY	PART NAME						SEE PAGE
					1	2	3	4	5	6 (PRODUCT LEVEL)	
	1	1	<b>4W-2322</b>	1	BODY AS-OIL PUMP						
	2	1	<b>2P-1170</b>	1	SHAFT AS-GEAR						
	3	1	<b>4B-9782</b>	1	BALL						
	4	1	<b>4B-9880</b>	1	BALL						
	5	1	<b>1F-1006</b>	1	DOWEL						
	6	1	<b>8S-6511</b>	2	BUSHING						
	7	1	<b>2P-1781</b>	1	SPACER (0.24-MM THK)						
	8	1	<b>4N-8385</b>	1	VALVE AS-RELIEF (ENGINE OIL PRESSURE)						
	9	1	<b>2B-2694</b>	1	BOLT (5/16-18X2-IN)						
		1	<b>9M-1974</b>	1	WASHER-HARD (8.8X16X2-MM THK)						
	10	1	<b>4N-3732</b>	1	COVER-VALVE						
	11	1	<b>6N-1036</b>	2	GEAR (8-TEETH)						
	12	1	<b>0T-0065</b>	3	BOLT (3/8-16X3.5-IN)						
	13	1	<b>8S-0493</b>	1	SHAFT AS-PUMP						
	14	1	<b>2P-6245</b>	1	SHAFT AS-PUMP						
	15	1	<b>4W-2321</b>	1	BODY AS-PUMP						
	16	1	<b>8S-6511</b>	2	BUSHING						
	17	1	<b>1B-8709</b>	1	KEY-WOODRUFF						



SECTION B-B

<END>



SECTION A-A

GRAPHIC #1

g00108222

# LUBRICATION SYSTEM

## 6I-1346 PUMP GP-ENGINE OIL\*R

S/N: 85Z9298-UP

TWO SECTION GEAR

PART OF 6N-2642 PUMP GP-ENGINE OIL

SMCS-1304, 1315

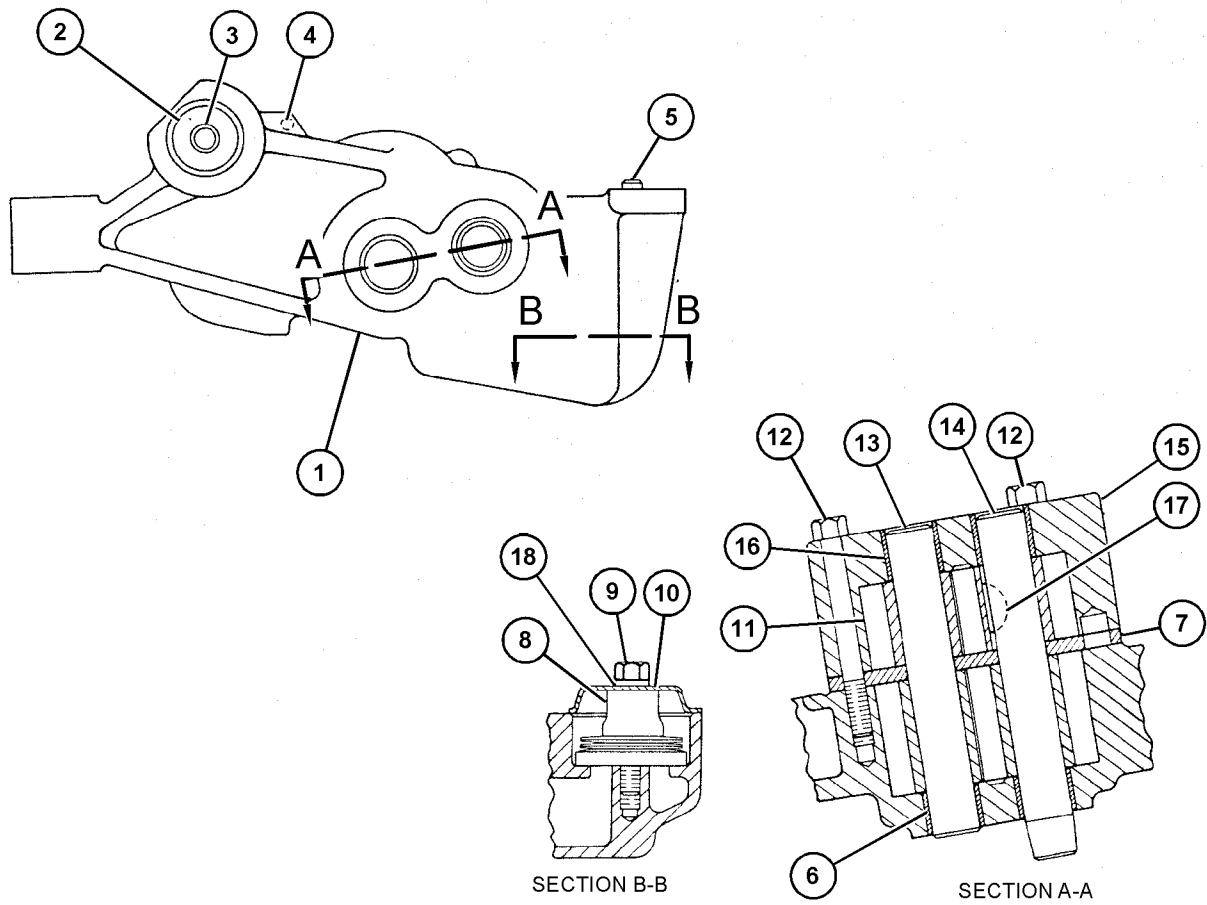
i05471010

NOTE	REF NO	GRAPHIC REF	PART NUMBER	QTY	PART NAME						SEE PAGE
					1	2	3	4	5	6 (PRODUCT LEVEL)	
	1	1	<b>4W-2322</b>	1	BODY AS-OIL PUMP						
	2	1	<b>2P-1170</b>	1	SHAFT AS-GEAR						
	3	1	<b>4B-9782</b>	1	BALL						
	4	1	<b>4B-9880</b>	1	BALL						
	5	1	<b>1F-1006</b>	1	DOWEL						
	6	1	<b>8S-6511</b>	2	BUSHING						
	7	1	<b>2P-1781</b>	1	SPACER (0.24-MM THK)						
	8	1	<b>4P-3546</b>	1	VALVE AS-RELIEF (ENGINE OIL PRESSURE)						
	9	1	<b>2B-2694</b>	1	BOLT (5/16-18X2-IN)						
	10	1	<b>4N-3732</b>	1	COVER-VALVE						
	11	1	<b>6N-1036</b>	2	GEAR (8-TEETH)						
	12	1	<b>0T-0065</b>	3	BOLT (3/8-16X3.5-IN)						
	13	1	<b>8S-0493</b>	1	SHAFT AS-PUMP						
	14	1	<b>6I-1345</b>	1	SHAFT AS-OIL PUMP						
	15	1	<b>4W-2321</b>	1	BODY AS-PUMP						
	16	1	<b>8S-6511</b>	2	BUSHING						
	17	1	<b>1B-8709</b>	1	KEY-WOODRUFF						
	18	1	<b>9M-1974</b>	1	WASHER-HARD (8.8X16X2-MM THK)						

# LUBRICATION SYSTEM

6I-1346 PUMP GP-ENGINE OIL (contd.)

i05471010



GRAPHIC #1

<END>

g03466137

# LUBRICATION SYSTEM

## 6N-2642 PUMP GP-ENGINE OIL

S/N: 85Z3764-7169

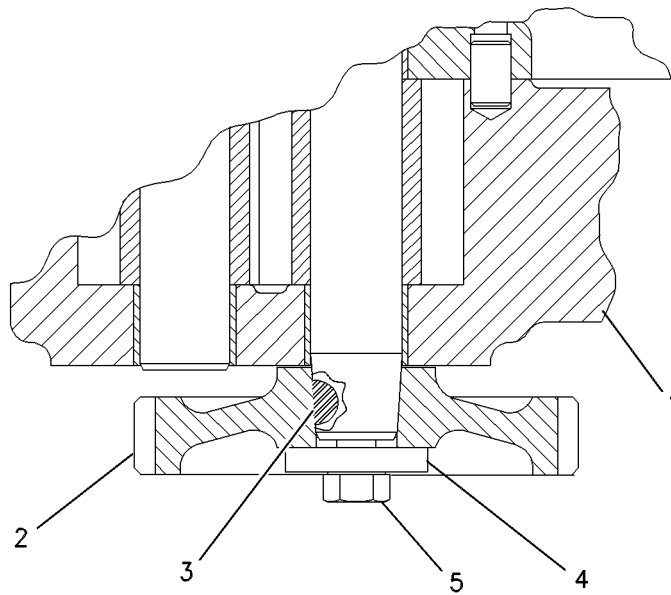
PART OF 2P-1784 PUMP GP-ENGINE OIL

SMCS-1304, 1315

i01145665

NOTE	REF NO	GRAPHIC REF	PART NUMBER	QTY	PART NAME						SEE PAGE
					1	2	3	4	5	6 (PRODUCT LEVEL)	
YR	1	1	<b>4W-2448</b>	1	PUMP GP-ENGINE OIL						247
	2	1	<b>7W-0507</b>	1	GEAR-OIL PUMP DRIVE (40-TEETH)						
	3	1	<b>8M-5599</b>	1	KEY-WOODRUFF						
	4	1	<b>1P-7346</b>	1	WASHER-HARD (10.2X35X6-MM THK)						
	5	1	<b>0S-1590</b>	1	BOLT (3/8-16X2-IN)						

R - REMANUFACTURED PART MAY BE AVAILABLE  
 Y - SEPARATE ILLUSTRATION



GRAPHIC #1

<END>

g00373242



# LUBRICATION SYSTEM

## 6N-2642 PUMP GP-ENGINE OIL

S/N: 85Z7170-7207

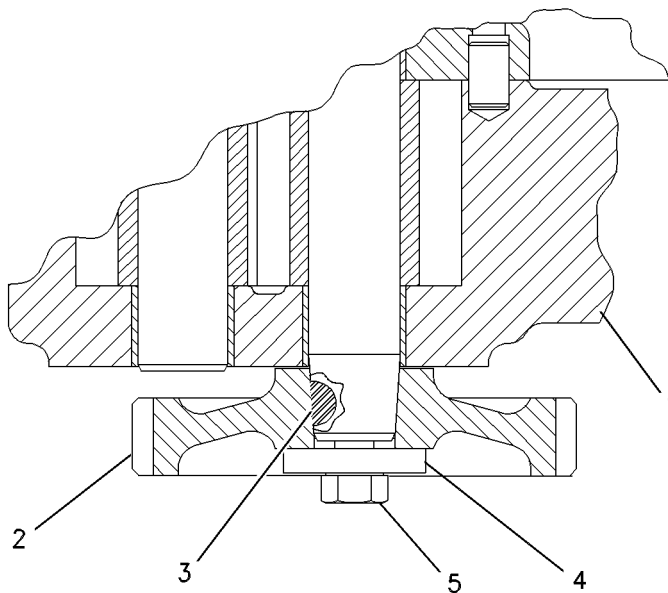
PART OF 2P-1784 PUMP GP-ENGINE OIL

SMCS-1304, 1315

i01493364

NOTE	REF NO	GRAPHIC REF	PART NUMBER	QTY	PART NAME						SEE PAGE
					1	2	3	4	5	6 (PRODUCT LEVEL)	
CYR	1	1	<b>4P-4020</b>	1	PUMP GP-ENGINE OIL						246
	2	1	<b>7W-0507</b>	1	GEAR-OIL PUMP DRIVE (40-TEETH)						
	3	1	<b>8M-5599</b>	1	KEY-WOODRUFF						
	4	1	<b>1P-7346</b>	1	WASHER-HARD (10.2X35X6-MM THK)						
	5	1	<b>0S-1590</b>	1	BOLT (3/8-16X2-IN)						

C - CHANGE FROM PREVIOUS TYPE  
 R - REMANUFACTURED PART MAY BE AVAILABLE  
 Y - SEPARATE ILLUSTRATION



GRAPHIC #1

<END>

g00373242

# LUBRICATION SYSTEM

## 6N-2642 PUMP GP-ENGINE OIL

S/N: 85Z7208-8026

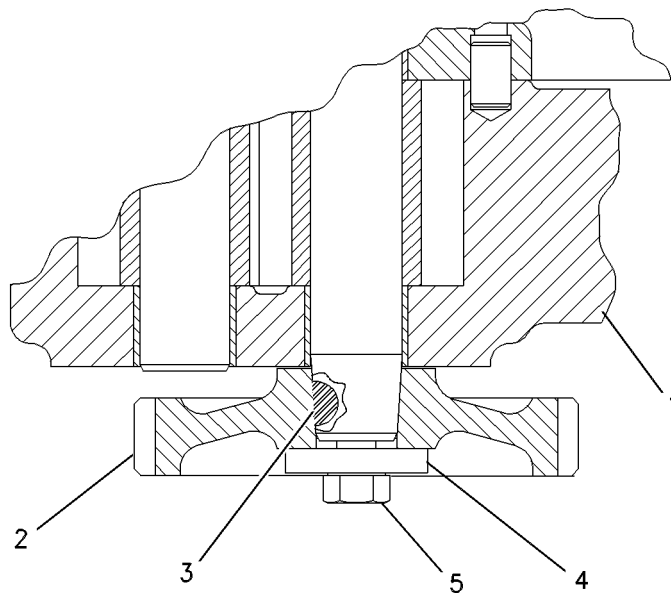
PART OF 2P-1784 PUMP GP-ENGINE OIL

SMCS-1304, 1315

i01175889

NOTE	REF NO	GRAPHIC REF	PART NUMBER	QTY	PART NAME						SEE PAGE
					1	2	3	4	5	6 (PRODUCT LEVEL)	
CYR	1	1	<b>4W-2448</b>	1	PUMP GP-ENGINE OIL						247
	2	1	<b>7W-0507</b>	1	GEAR-OIL PUMP DRIVE (40-TEETH)						
	3	1	<b>8M-5599</b>	1	KEY-WOODRUFF						
	4	1	<b>1P-7346</b>	1	WASHER-HARD (10.2X35X6-MM THK)						
	5	1	<b>0S-1590</b>	1	BOLT (3/8-16X2-IN)						

C - CHANGE FROM PREVIOUS TYPE  
R - REMANUFACTURED PART MAY BE AVAILABLE  
Y - SEPARATE ILLUSTRATION



GRAPHIC #1

<END>

g00373242

# LUBRICATION SYSTEM

## 6N-2642 PUMP GP-ENGINE OIL

S/N: 85Z8027-9297

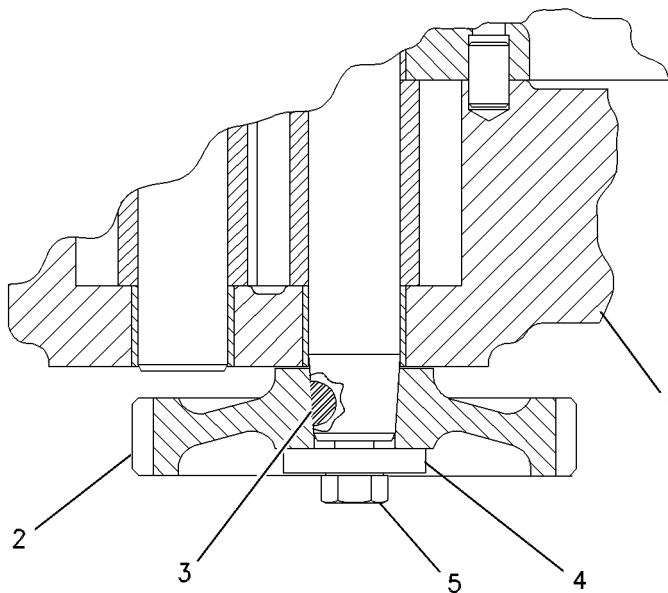
PART OF 2P-1784 PUMP GP-ENGINE OIL

SMCS-1304, 1315

i01493370

NOTE	REF NO	GRAPHIC REF	PART NUMBER	QTY	PART NAME						SEE PAGE
					1	2	3	4	5	6 (PRODUCT LEVEL)	
CYR	1	1	<b>4P-4020</b>	1	PUMP GP-ENGINE OIL						246
	2	1	<b>7W-0507</b>	1	GEAR-OIL PUMP DRIVE (40-TEETH)						
	3	1	<b>8M-5599</b>	1	KEY-WOODRUFF						
	4	1	<b>1P-7346</b>	1	WASHER-HARD (10.2X35X6-MM THK)						
	5	1	<b>0S-1590</b>	1	BOLT (3/8-16X2-IN)						

C - CHANGE FROM PREVIOUS TYPE  
 R - REMANUFACTURED PART MAY BE AVAILABLE  
 Y - SEPARATE ILLUSTRATION



GRAPHIC #1

<END>

g00373242

# LUBRICATION SYSTEM

## 6N-2642 PUMP GP-ENGINE OIL

S/N: 85Z9298-UP

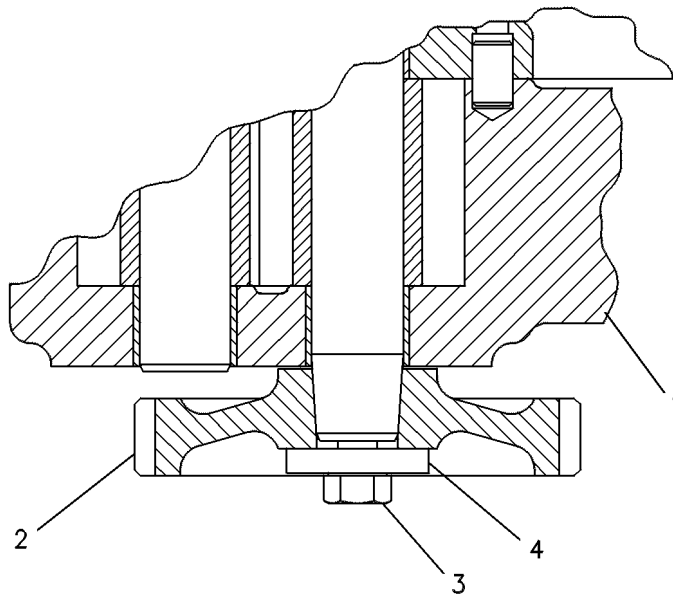
PART OF 2P-1784 PUMP GP-ENGINE OIL

SMCS-1304, 1315

i01493374

NOTE	REF NO	GRAPHIC REF	PART NUMBER	QTY	PART NAME						SEE PAGE
					1	2	3	4	5	6 (PRODUCT LEVEL)	
CYR	1	1	<b>6I-1346</b>	1	PUMP GP-ENGINE OIL						248
	2	1	<b>7W-0507</b>	1	GEAR-OIL PUMP DRIVE (40-TEETH)						
	3	1	<b>0S-1590</b>	1	BOLT (3/8-16X2-IN)						
	4	1	<b>1P-7346</b>	1	WASHER-HARD (10.2X35X6-MM THK)						

C - CHANGE FROM PREVIOUS TYPE  
R - REMANUFACTURED PART MAY BE AVAILABLE  
Y - SEPARATE ILLUSTRATION



GRAPHIC #1

<END>

g00108503

# LUBRICATION SYSTEM

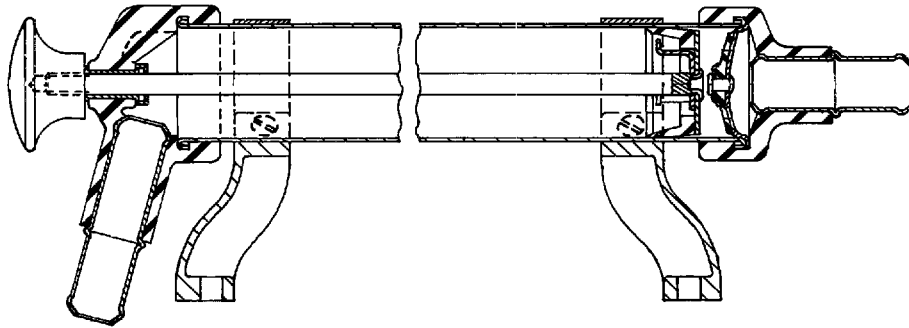
## 5L-1594 PUMP GP-SUMP

S/N: 85Z3764-UP  
FOR USE WITH MARINE AUXILIARY ENGINE  
AN ATTACHMENT

SMCS-1324

i01506426

NOTE	REF NO	GRAPHIC REF	PART NUMBER	QTY	PART NAME	SEE PAGE
					1 2 3 4 5 6 (PRODUCT LEVEL)	
(NO SERVICED PARTS)						



GRAPHIC #1

<END>

g00782002

# COOLING SYSTEM

## 3N-5641 ADAPTER GP-FAN

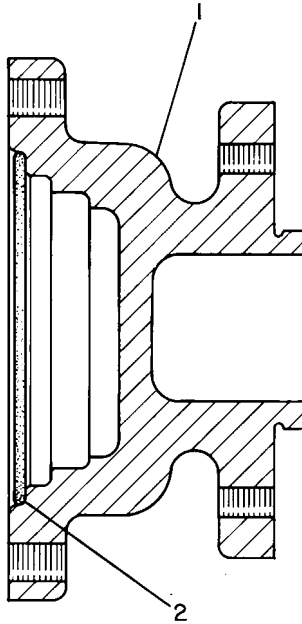
S/N: 85Z3764-UP

FOR USE WITH RADIATOR, FAN & FAN DRIVE  
AN ATTACHMENT

SMCS-1356, 1359

i00637459

NOTE	REF NO	GRAPHIC REF	PART NUMBER	QTY	PART NAME						SEE PAGE
					1	2	3	4	5	6 (PRODUCT LEVEL)	
	1	1	<b>3N-7020</b>	1	HUB-FAN						
	2	1	<b>9F-4446</b>	1	SEAL-O-RING						



GRAPHIC #1

<END>

g00135143

# COOLING SYSTEM

## 3N-5658 ADAPTER GP-FAN

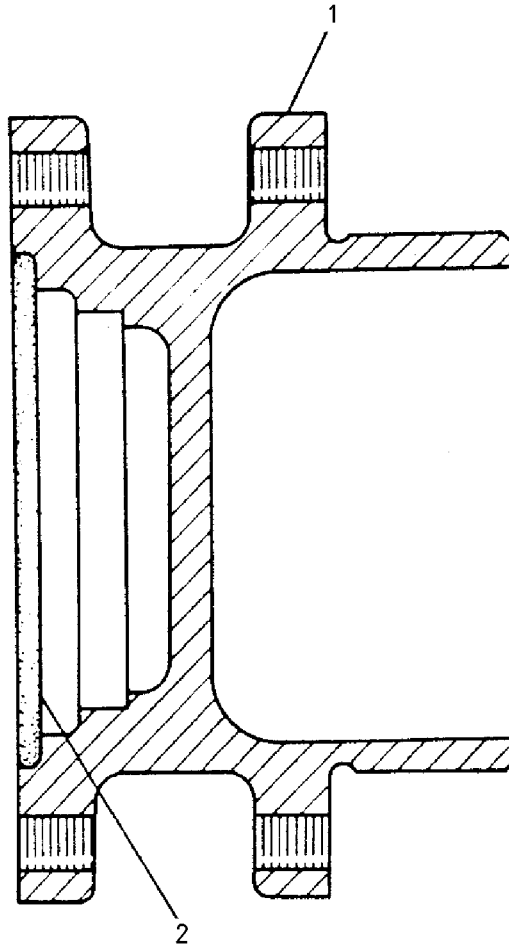
S/N: 85Z3764-UP

FOR USE WITH SAE NO 1 FLYWHEEL HOUSING  
ALSO AN ATTACHMENT

SMCS-1356, 1359

i07380602

NOTE	REF NO	GRAPHIC REF	PART NUMBER	QTY	PART NAME						SEE PAGE
					1	2	3	4	5	6 (PRODUCT LEVEL)	
	1	1	<b>4N-4680</b>	1	ADAPTER						
	2	1	<b>9F-4446</b>	1	SEAL-O-RING						



GRAPHIC #1

<END>

g00917552

# COOLING SYSTEM

## 5N-2087 ADAPTER GP-FAN

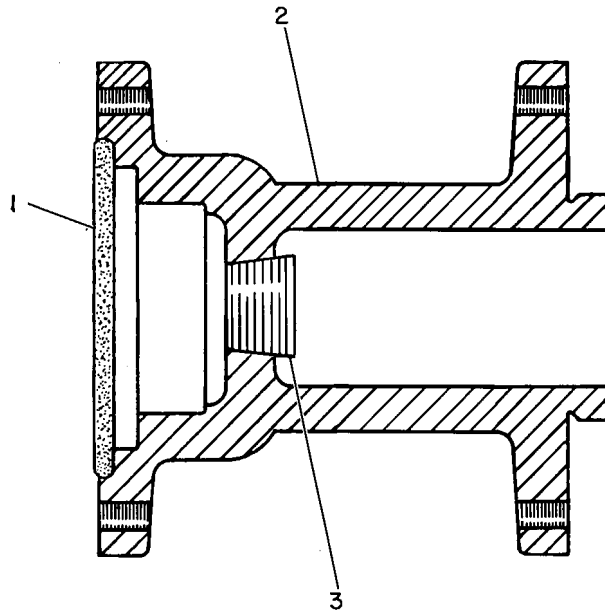
S/N: 85Z3764-UP

FOR USE WITH 7N-9517-PAGE: 407, 33 INCH FAN ONLY  
AN ATTACHMENT  
TYPE 1

SMCS-1356, 1359

i01112473

NOTE	REF NO	GRAPHIC REF	PART NUMBER	QTY	PART NAME						SEE PAGE
					1	2	3	4	5	6 (PRODUCT LEVEL)	
	1	1	<b>9F-4446</b>	1	SEAL-O-RING						
	2	1	<b>4N-2371</b>	1	ADAPTER-FAN						
	3	1	<b>7X-7731</b>	1	PLUG-PIPE (3/4-14-THD)						



GRAPHIC #1

<END>

g00154080



# COOLING SYSTEM

## 5N-2087 ADAPTER GP-FAN

S/N: 85Z3764-UP

FOR USE WITH 7N-9517-PAGE: 407, 33 INCH FAN ONLY

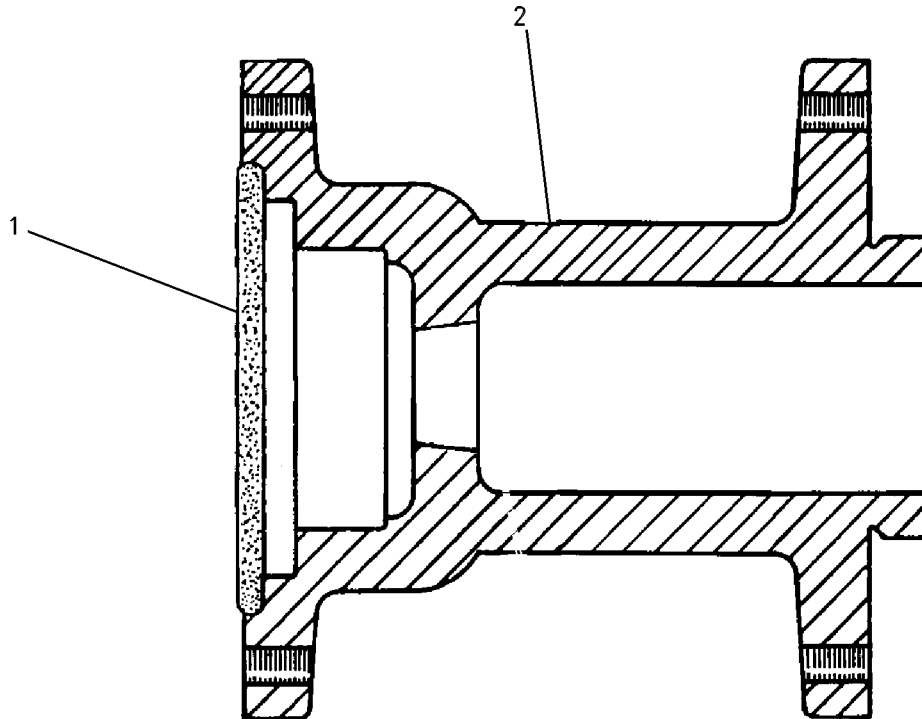
AN ATTACHMENT

TYPE 2

SMCS-1356, 1359

i07578007

NOTE	REF NO	GRAPHIC REF	PART NUMBER	QTY	PART NAME						SEE PAGE
					1	2	3	4	5	6 (PRODUCT LEVEL)	
1	1	1	<b>9F-4446</b>	1	SEAL-O-RING						
2	1	1	<b>4N-2371</b>	1	ADAPTER-FAN						



GRAPHIC #1

<END>

g00644131

# COOLING SYSTEM

## 5N-7147 ADAPTER GP-FAN

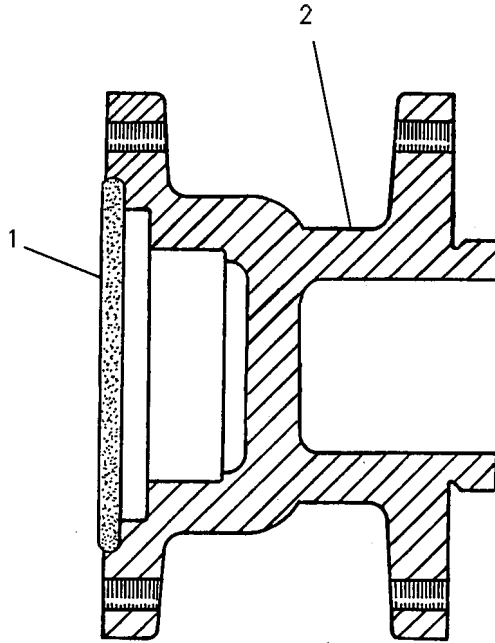
S/N: 85Z3764-UP

PROVIDES ADAPTER WITH GREASE PLUG BETWEEN HUB AND FAN, FAN PILOT 2.497 DIAMETER WITH  
4.50 DIAMETER BOLT CIRCLE, WITH 6-3/8-16 HOLES. LENGTH: 3.50 INCH  
AN ATTACHMENT

SMCS-1356, 1359

i01790251

NOTE	REF NO	GRAPHIC REF	PART NUMBER	QTY	PART NAME						SEE PAGE
					1	2	3	4	5	6 (PRODUCT LEVEL)	
	1	1	<b>9F-4446</b>	1	SEAL-O-RING						
	2	1	<b>4N-2370</b>	1	ADAPTER-FAN						



GRAPHIC #1

<END>

g00251221

# COOLING SYSTEM

## 9N-3659 COOLANT CONDITIONER GP

S/N: 85Z3764-UP

REMOTE MOUNTED

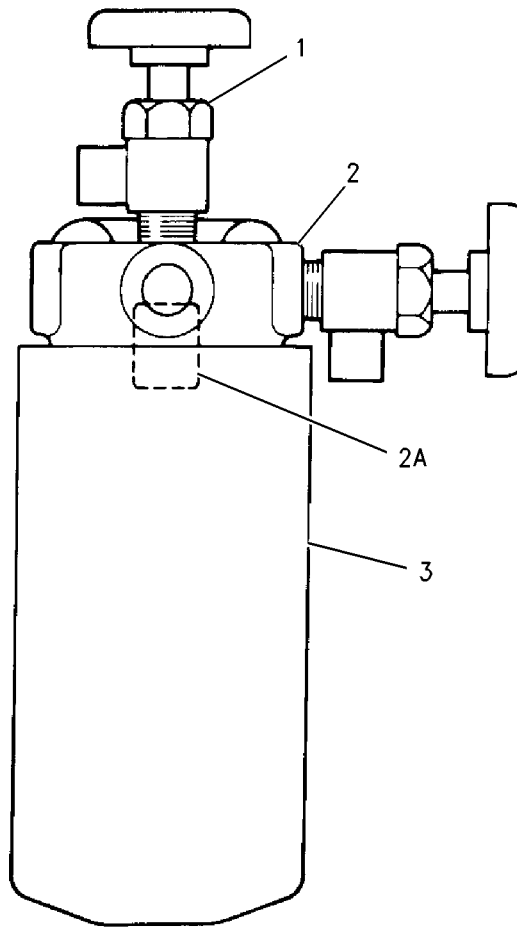
FOR USE WITH ENGINES WITH A 38-83 L (10-22 GAL) COOLING SYSTEM  
AN ATTACHMENT

SMCS-1352

i05526409

NOTE	REF NO	GRAPHIC REF	PART NUMBER	QTY	PART NAME						SEE PAGE
					1	2	3	4	5	6 (PRODUCT LEVEL)	
	1	1	<b>9N-3666</b>	2	VALVE-MANUAL (COOLANT CONDITIONER)						
	2	1	<b>9N-3668</b>	1	BASE AS						
	2A	1	<b>9N-3645</b>	1	STUD-TAPERLOCK						
J	3	1	<b>435-5142</b>	1	FILTER						

J - REFER TO CHART FOR COOLANT CONDITIONER INFORMATION



GRAPHIC #1

<END>

g00782238

# COOLING SYSTEM

## 7W-1240 COOLER GP-FLTR BASE & ENG OIL

S/N: 85Z3764-7123

PART OF 7W-1339 COOLER GP-FLTR BASE & ENG OIL

SMCS-1306, 1378

i00651195

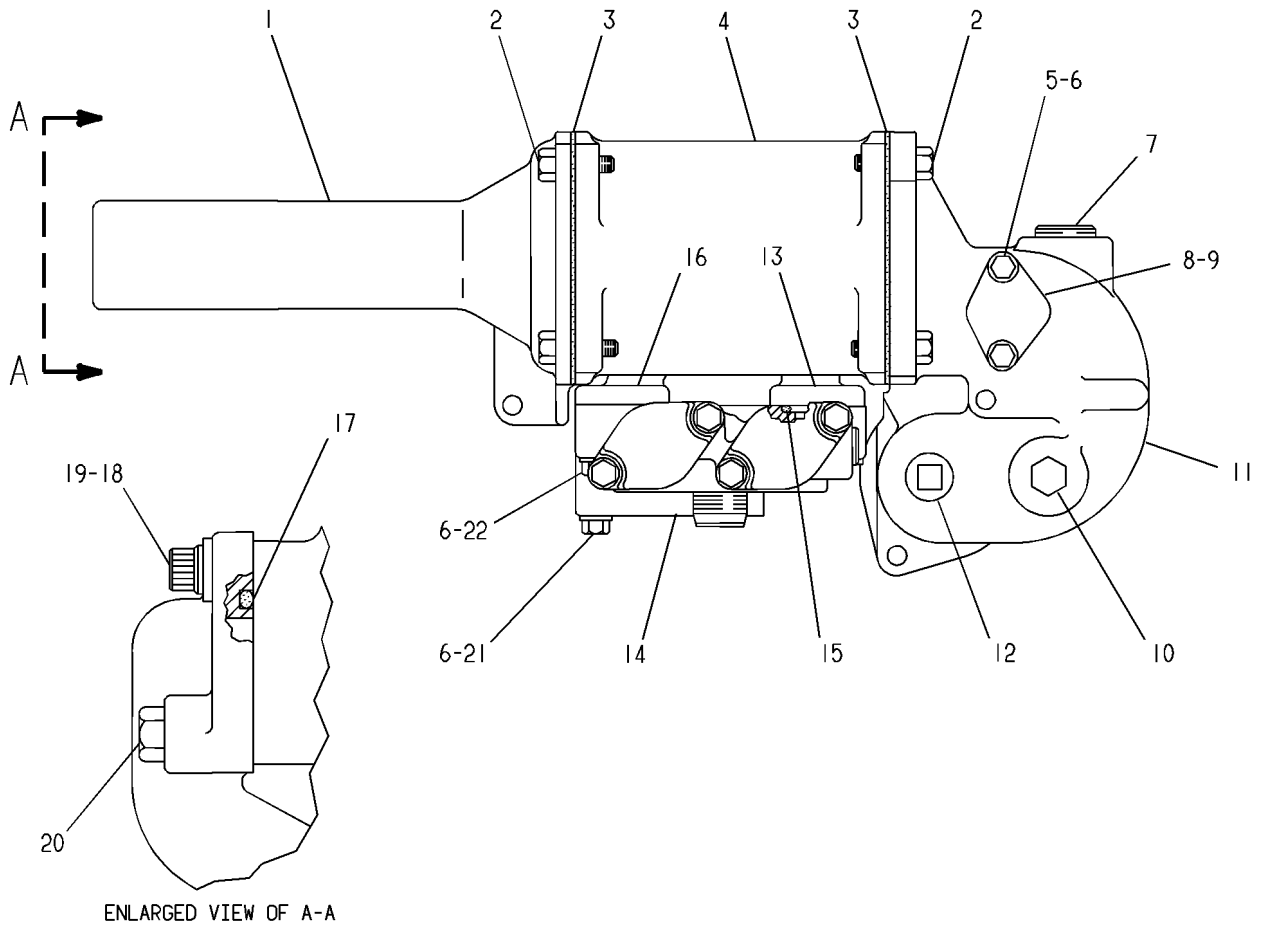
NOTE	REF NO	GRAPHIC REF	PART NUMBER	QTY	PART NAME						SEE PAGE
					1	2	3	4	5	6 (PRODUCT LEVEL)	
	1	1	<b>2P-8870</b>	1	PIPE-PUMP OUTLET						
	2	1	<b>1A-2029</b>	8	BOLT (3/8-16X1.125-IN)						
	3	1	<b>8S-5409</b>	2	GASKET						
R	4	1	<b>7N-0110</b>	1	CORE AS-ENGINE OIL COOLER						
	5	1	<b>0S-1617</b>	2	BOLT (5/16-18X0.75-IN)						
	6	1	<b>9M-1974</b>	6	WASHER-HARD (8.8X16X2-MM THK)						
	7	1	<b>3B-0551</b>	1	PLUG-PIPE						
	8	1	<b>4N-3841</b>	1	GASKET						
	9	1	<b>4N-3840</b>	1	COVER						
	10	1	<b>3J-5390</b>	1	PLUG (3/8-18-THD)						
	11	1	<b>6N-0123</b>	1	BONNET-OIL COOLER						
	12	1	<b>1B-5174</b>	1	PLUG-PIPE						
	13	1	<b>2P-7734</b>	1	ELBOW-OUTLET						
Y	14	1	<i>8N-4457</i>	1	BASE GP-OIL FILTER						213
	15	1	<b>8M-4432</b>	2	SEAL-O-RING						
	16	1	<b>2P-7732</b>	1	ELBOW						
	17	1	<b>8M-4988</b>	2	SEAL-O-RING						
	18	1	<b>1T-0765</b>	2	BOLT (3/8-16X1-IN)						
	19	1	<b>5M-2894</b>	2	WASHER-HARD (10.2X18.5X2.5-MM THK)						
	20	1	<b>0S-1591</b>	2	BOLT (3/8-16X1.5-IN)						
	21	1	<b>1D-4540</b>	1	BOLT (5/16-18X2.75-IN)						
	22	1	<b>1H-5514</b>	3	BOLT (5/16-18X1.625-IN)						

R - REMANUFACTURED PART MAY BE AVAILABLE  
 Y - SEPARATE ILLUSTRATION

# COOLING SYSTEM

7W-1240 COOLER GP-FLTR BASE & ENG OIL (contd.)

100651195



GRAPHIC #1

<END>

g00167167

# COOLING SYSTEM

## 7W-1240 COOLER GP-FLTR BASE & ENG OIL

S/N: 85Z7124-UP

PART OF 7W-1339 COOLER GP-FLTR BASE & ENG OIL

SMCS-1306, 1378

i04943053

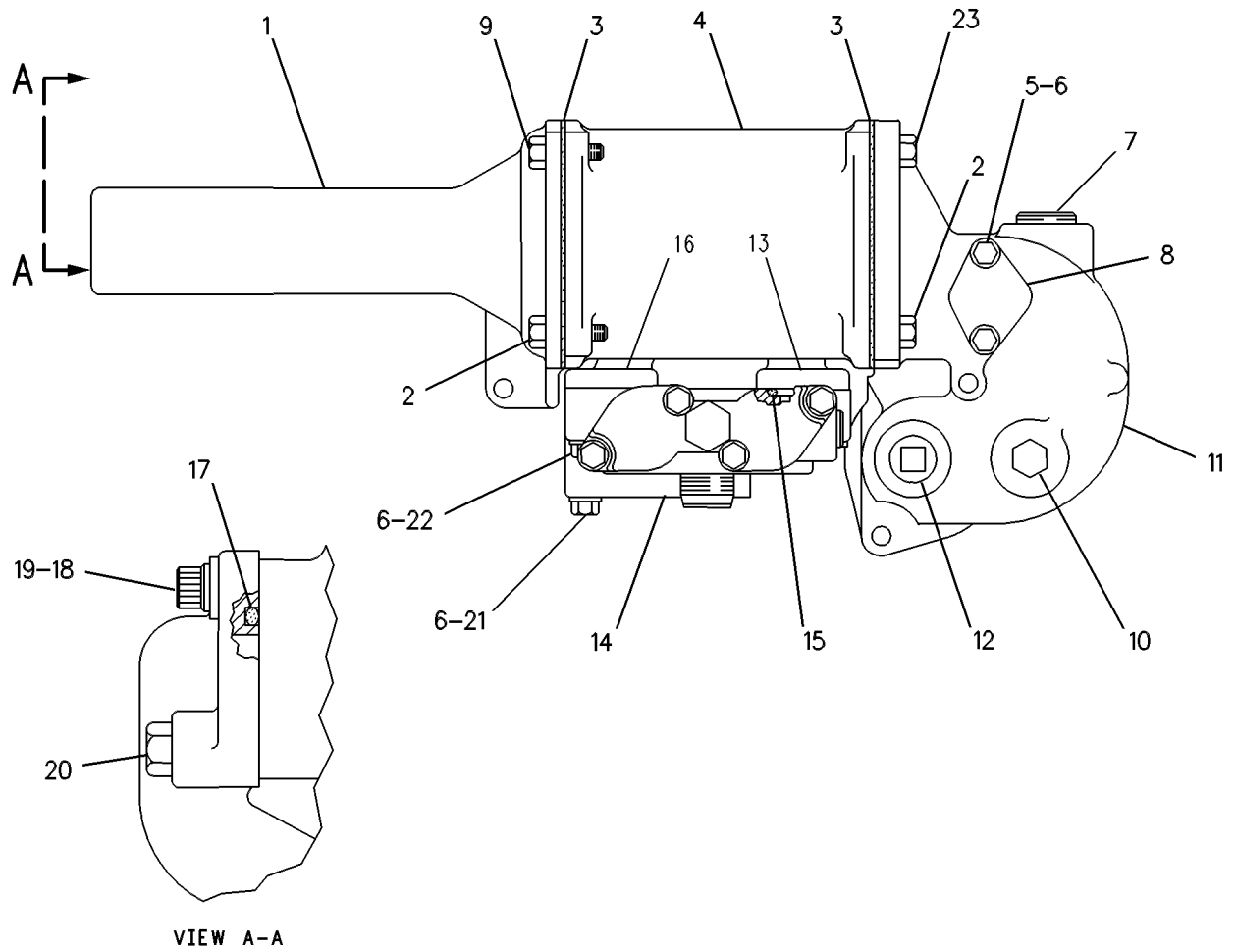
NOTE	REF NO	GRAPHIC REF	PART NUMBER	QTY	PART NAME						SEE PAGE
					1	2	3	4	5	6 (PRODUCT LEVEL)	
	1	1	<b>2P-8870</b>	1	PIPE-PUMP OUTLET						
	2	1	<b>1A-2029</b>	5	BOLT (3/8-16X1.125-IN)						
	3	1	<b>8S-5409</b>	2	GASKET						
R	4	1	<b>360-2740</b>	1	CORE AS-OIL COOLER						
	5	1	<b>0S-1617</b>	2	BOLT (5/16-18X0.75-IN)						
	6	1	<b>9M-1974</b>	6	WASHER-HARD (8.8X16X2-MM THK)						
	7	1	<b>8T-6761</b>	1	PLUG-PIPE (1-11-1/2 NPT THD)						
	8	1	<b>4N-3841</b>	1	GASKET						
		1	<b>4N-3840</b>	1	COVER						
B	9	1	<b>1A-2029</b>	1	BOLT (3/8-16X1.125-IN)						
B	10	1	<b>8T-6767</b>	1	PLUG-PIPE (3/8-18-THD)						
	11	1	<b>6N-0123</b>	1	BONNET-OIL COOLER (ENGINE)						
	12	1	<b>7X-7731</b>	1	PLUG-PIPE (3/4-14-THD)						
	13	1	<b>2P-7734</b>	1	ELBOW-OUTLET						
YC	14	1	<i>7E-8764</i>	1	BASE GP-OIL FILTER (ENGINE)						212
	15	1	<b>5P-8118</b>	2	SEAL-O-RING						
	16	1	<b>2P-7732</b>	1	ELBOW						
	17	1	<b>3P-1155</b>	2	SEAL-O-RING						
	18	1	<b>1T-0765</b>	2	BOLT (3/8-16X1-IN)						
	19	1	<b>5M-2894</b>	2	WASHER-HARD (10.2X18.5X2.5-MM THK)						
	20	1	<b>0S-1591</b>	2	BOLT (3/8-16X1.5-IN)						
	21	1	<b>1D-4540</b>	1	BOLT (5/16-18X2.75-IN)						
	22	1	<b>1H-5514</b>	3	BOLT (5/16-18X1.625-IN)						
B	23	1	<b>1A-2029</b>	2	BOLT (3/8-16X1.125-IN)						

B - USE AS REQUIRED  
 C - CHANGE FROM PREVIOUS TYPE  
 R - REMANUFACTURED PART MAY BE AVAILABLE  
 Y - SEPARATE ILLUSTRATION

# COOLING SYSTEM

7W-1240 COOLER GP-FLTR BASE & ENG OIL (contd.)

i04943053



GRAPHIC #1

<END>

g00255399

# COOLING SYSTEM

## 7W-1323 COOLER GP-FLTR BASE & ENG OIL

S/N: 85Z3764-UP

PART OF 7W-1324 COOLER GP-FLTR BASE & ENG OIL

SMCS-1306, 1378

i04943060

NOTE	REF NO	GRAPHIC REF	PART NUMBER	QTY	PART NAME						SEE PAGE
					1	2	3	4	5	6 (PRODUCT LEVEL)	
	1	1	<b>2P-8870</b>	1	PIPE-PUMP OUTLET						
	2	1	<b>1A-2029</b>	8	BOLT (3/8-16X1.125-IN)						
	3	1	<b>8S-5409</b>	2	GASKET						
R	4	1	<b>360-2740</b>	1	CORE AS-OIL COOLER						
	5	1	<b>0S-1617</b>	2	BOLT (5/16-18X0.75-IN)						
	6	1	<b>9M-1974</b>	6	WASHER-HARD (8.8X16X2-MM THK)						
	7	1	<b>8T-6761</b>	1	PLUG-PIPE (1-11-1/2 NPT THD)						
	8	1	<b>4N-3840</b>	1	COVER						
	9	1	<b>4N-3841</b>	1	GASKET						
	10	1	<b>9L-5910</b>	1	BONNET-OIL COOLER (ENGINE)						
	11	1	<b>8T-6767</b>	1	PLUG-PIPE (3/8-18-THD)						
	12	1	<b>7X-7731</b>	1	PLUG-PIPE (3/4-14-THD)						
	13	1	<b>2P-7734</b>	1	ELBOW-OUTLET						
	14	1	<b>5P-8118</b>	2	SEAL-O-RING						
Y	15	1	<i>8N-4457</i>	1	BASE GP-OIL FILTER (ENGINE)						213
	16	1	<b>1D-4540</b>	1	BOLT (5/16-18X2.75-IN)						
	17	1	<b>1H-5514</b>	3	BOLT (5/16-18X1.625-IN)						
	18	1	<b>2P-7732</b>	1	ELBOW						
	19	1	<b>1T-0765</b>	2	BOLT (3/8-16X1-IN)						
	20	1	<b>5M-2894</b>	2	WASHER-HARD (10.2X18.5X2.5-MM THK)						
	21	1	<b>3P-1155</b>	2	SEAL-O-RING						
	22	1	<b>0S-1591</b>	2	BOLT (3/8-16X1.5-IN)						

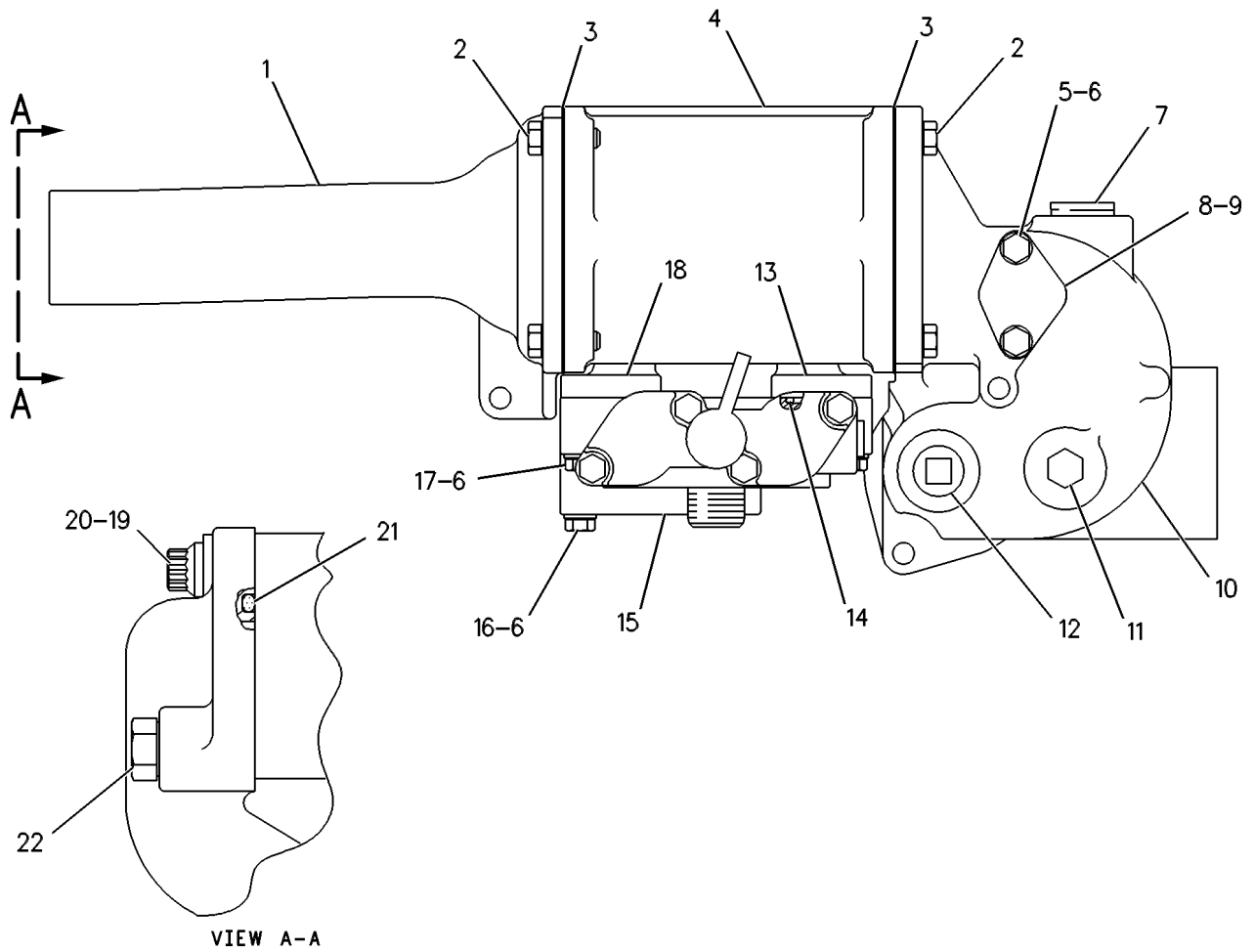
R - REMANUFACTURED PART MAY BE AVAILABLE  
Y - SEPARATE ILLUSTRATION



# COOLING SYSTEM

7W-1323 COOLER GP-FLTR BASE & ENG OIL (contd.)

i04943060



GRAPHIC #1

<END>

g00255381

# COOLING SYSTEM

## 7W-1324 COOLER GP-FLTR BASE & ENG OIL

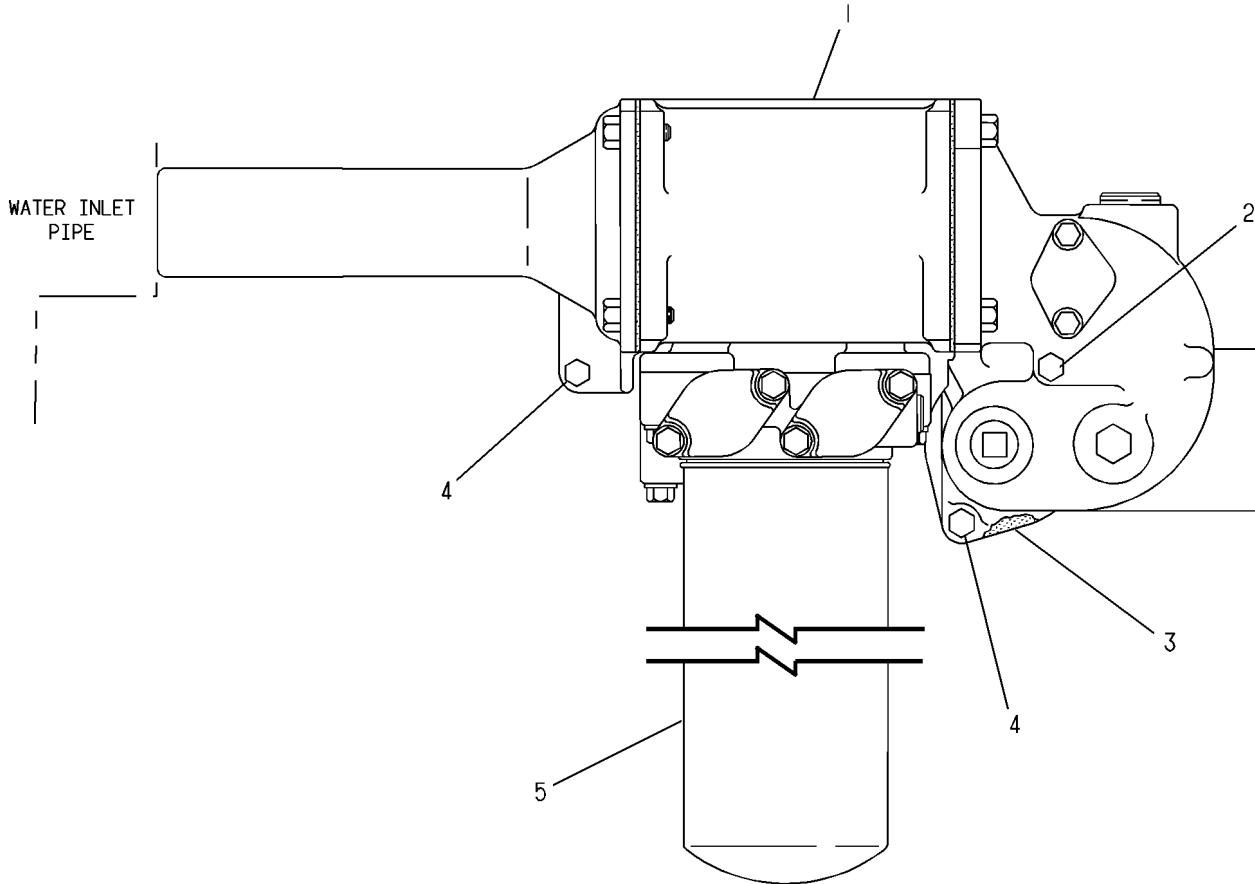
S/N: 85Z3764-UP

SMCS-1306, 1378

i02355523

NOTE	REF NO	GRAPHIC REF	PART NUMBER	QTY	PART NAME						SEE PAGE
					1	2	3	4	5	6 (PRODUCT LEVEL)	
Y	1	1	<b>7W-1323</b>	1	COOLER GP-FLTR BASE & ENG OIL						266
	2	1	<b>5F-4899</b>	1	BOLT (3/8-16X5.5-IN)						
	3	1	<b>2W-4561</b>	1	GASKET						
	4	1	<b>0S-1591</b>	2	BOLT (3/8-16X1.5-IN)						
	5	1	<b>1R-1807</b>	1	FILTER AS-ENGINE OIL (ADVANCED EFFICIENCY)						

Y - SEPARATE ILLUSTRATION



GRAPHIC #1

<END>

g00167170

# COOLING SYSTEM

## 7W-1339 COOLER GP-FLTR BASE & ENG OIL

S/N: 85Z3764-UP

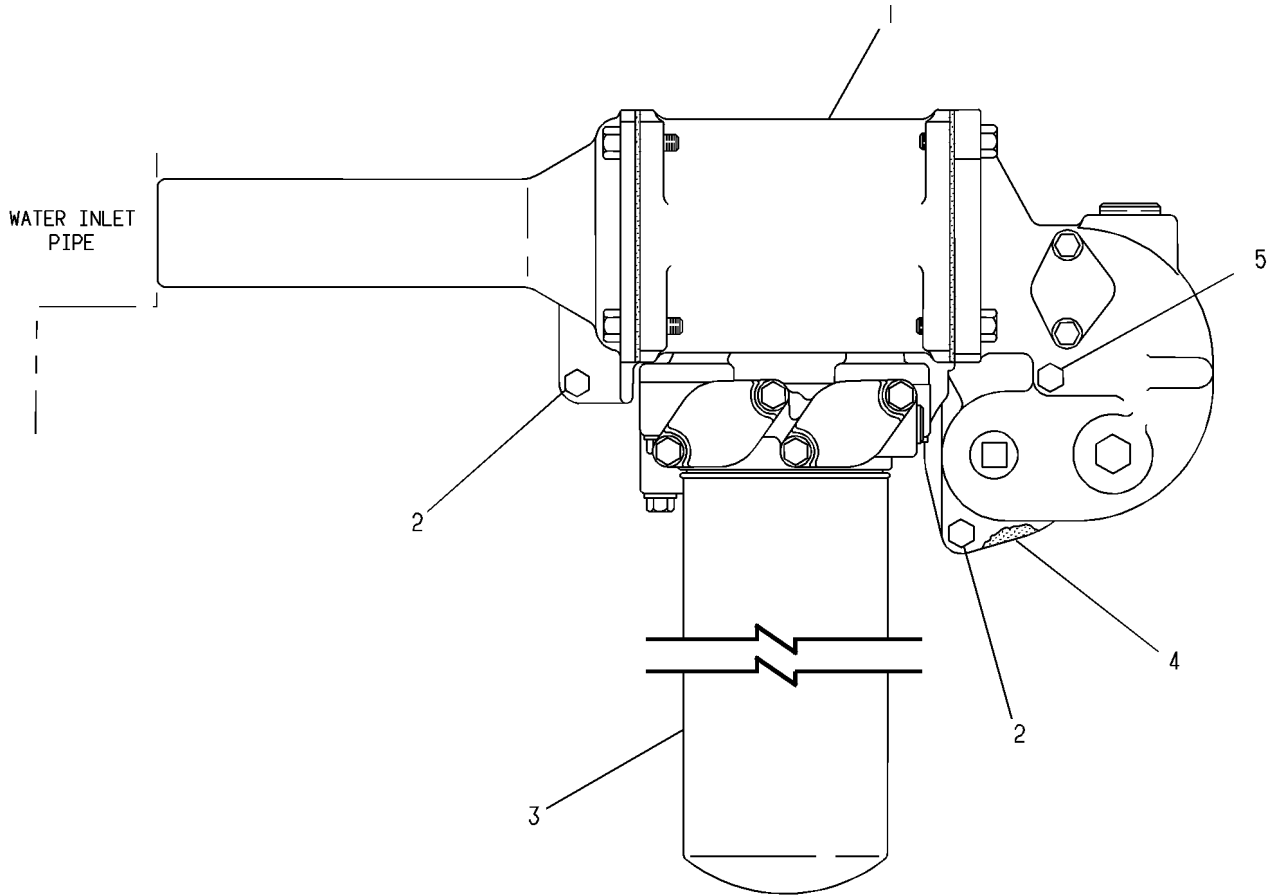
FOR USE WITH 2W-6779-PAGE: 335, 112-5740-PAGE: 315

SMCS-1306, 1378

i02090415

NOTE	REF NO	GRAPHIC REF	PART NUMBER	QTY	PART NAME						SEE PAGE
					1	2	3	4	5	6 (PRODUCT LEVEL)	
Y	1	1	<b>7W-1240</b>	1	COOLER GP-FLTR BASE & ENG OIL						262
	2	1	<b>0S-1591</b>	2	BOLT (3/8-16X1.5-IN)						
	3	1	<b>1R-1807</b>	1	FILTER AS-ENGINE OIL (ADVANCED EFFICIENCY)						
	4	1	<b>2W-4561</b>	1	GASKET						
	5	1	<b>5F-4899</b>	1	BOLT (3/8-16X5.5-IN)						

Y - SEPARATE ILLUSTRATION



GRAPHIC #1

<END>

g00167166

# COOLING SYSTEM

## 118-6243 COVER GP-EXPANSION TANK

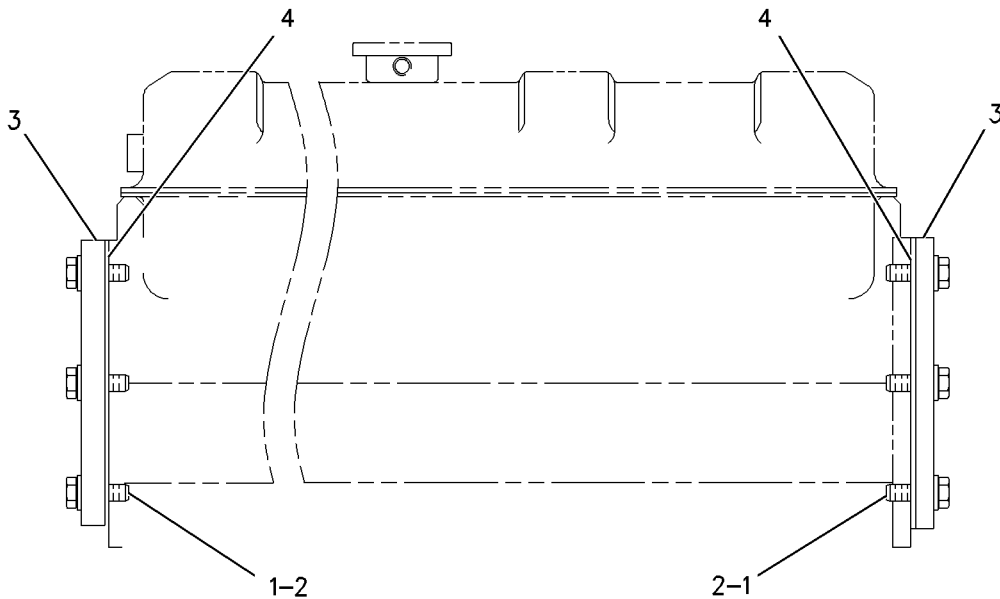
S/N: 85Z3764-UP

FOR USE WITH 112-4033-PAGE: 426  
AN ATTACHMENT

SMCS-1354

i01220932

NOTE	REF NO	GRAPHIC REF	PART NUMBER	QTY	PART NAME						SEE PAGE
					1	2	3	4	5	6 (PRODUCT LEVEL)	
	1	1	<b>1A-2029</b>	12	BOLT (3/8-16X1.125-IN)						
	2	1	<b>5M-2894</b>	12	WASHER-HARD (10.2X18.5X2.5-MM THK)						
	3	1	<b>118-6242</b>	2	COVER						
	4	1	<b>4N-6187</b>	2	GASKET						



FRONT VIEW

GRAPHIC #1

<END>

g00653090

# COOLING SYSTEM

## 3N-4924 COVER GP-EXPANSION TANK

S/N: 85Z3764-UP

FOR USE WITH EXPANSION TANK WITHOUT HEAT EXCHANGER

PART OF 3N-4921 LINES GP-WATER

AN ATTACHMENT

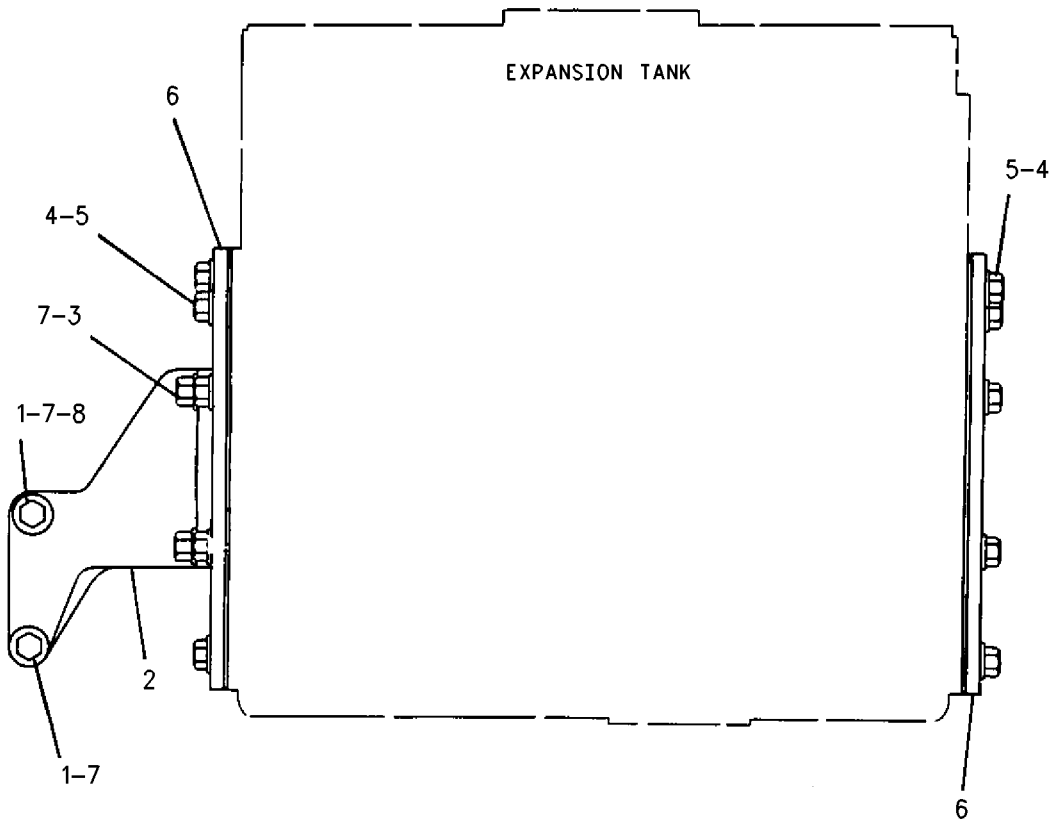
SMCS-1354

i01791019

NOTE	REF NO	GRAPHIC REF	PART NUMBER	QTY	PART NAME						SEE PAGE
					1	2	3	4	5	6 (PRODUCT LEVEL)	
C	1	1	<b>0S-1619</b>	2	BOLT (3/8-16X3-IN)						
C	2	1	<b>7N-1991</b>	1	SUPPORT-EXPANSION TANK						
C	3	1	<b>3B-1915</b>	2	BOLT (3/8-16X1.375-IN)						
C	4	1	<b>5M-2894</b>	14	WASHER-HARD (10.2X18.5X2.5-MM THK)						
C	5	1	<b>0S-1594</b>	14	BOLT (3/8-16X1-IN)						
	6	1	<b>8L-4847</b>	2	COVER						
		1	<b>7L-0874</b>	2	GASKET-HEAT EXCHANGER						
C	7	1	<b>9N-1650</b>	4	WASHER-HARD (10.2X25.5X2.5-MM THK)						
BC	8	1	<b>6B-0933</b>	2	SPACER (10.31X19.05X6.35-MM THK)						

B - USE AS REQUIRED

C - CHANGE FROM PREVIOUS TYPE



GRAPHIC #1

<END>

g00653085

# COOLING SYSTEM

## 9N-0685 COVER GP-WATER LINES

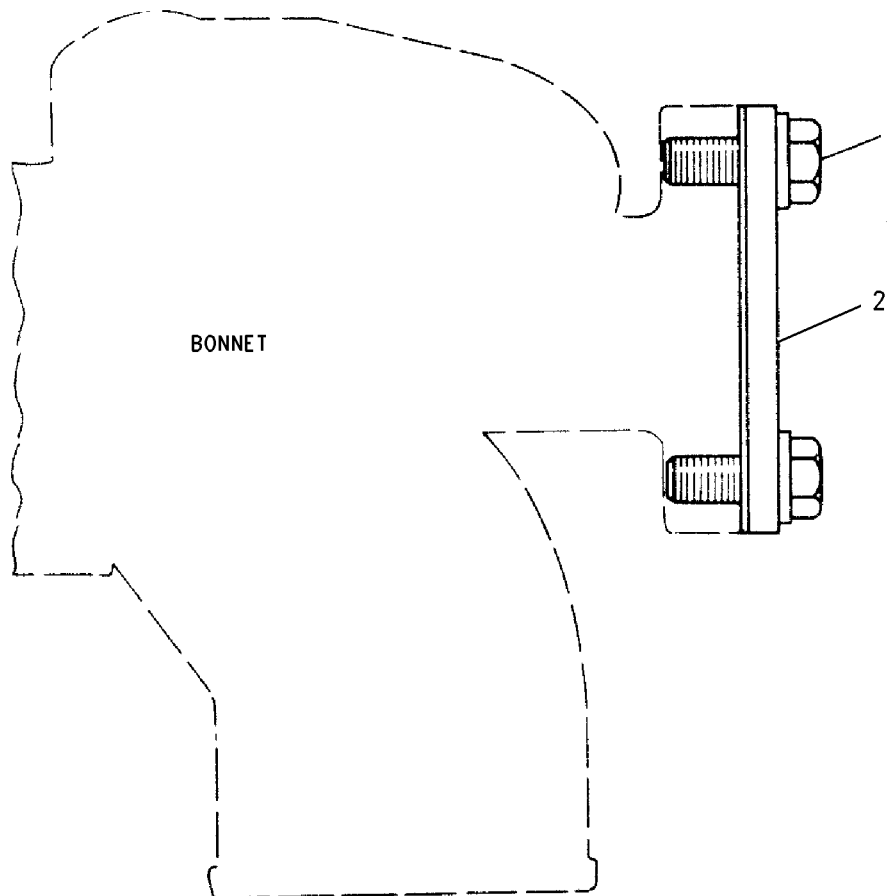
S/N: 85Z3764-UP

FOR USE WITH MARINE APPLICATIONS FOR OIL COOLER BONNET WHEN CONVERTING TO USE OF SEA WATER, INSTEAD OF JACKET WATER TO COOL THE AFTERCOOLER, TRUCKS WHEN USING BRAKESAVER ENGINES  
AN ATTACHMENT

SMCS-1380

i01849002

NOTE	REF NO	GRAPHIC REF	PART NUMBER	QTY	PART NAME						SEE PAGE
					1	2	3	4	5	6 (PRODUCT LEVEL)	
	1	1	<b>0S-1594</b>	2	BOLT (3/8-16X1-IN)						
		1	<b>5M-2894</b>	2	WASHER-HARD (10.2X18.5X2.5-MM THK)						
2		1	<b>2P-2772</b>	1	COVER						
		1	<b>4N-0933</b>	1	GASKET						



GRAPHIC #1

<END>

g00942461

# COOLING SYSTEM

## 4N-2569 FAN GP-BLOWER

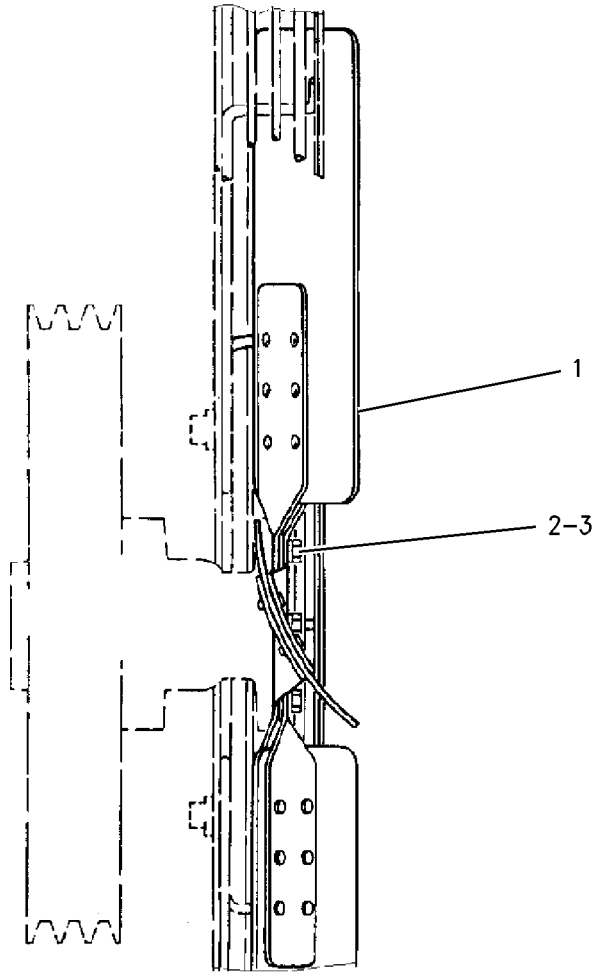
S/N: 85Z3764-UP

838-MM (33-INCH) DIAMETER  
AN ATTACHMENT

SMCS-1356, 1360

i02728879

NOTE	REF NO	GRAPHIC REF	PART NUMBER	QTY	PART NAME						SEE PAGE
					1	2	3	4	5	6 (PRODUCT LEVEL)	
1	1	1	<b>4N-2571</b>	1	SPIDER AS-FAN (6-BLADE) (6-BLADE)						
2	1	1	<b>8T-2502</b>	6	BOLT (3/8-16X1.125-IN)						
3	1	1	<b>8T-4896</b>	6	WASHER-HARD (10.2X18.5X2.5-MM THK)						



GRAPHIC #1

<END>

g00727447

# COOLING SYSTEM

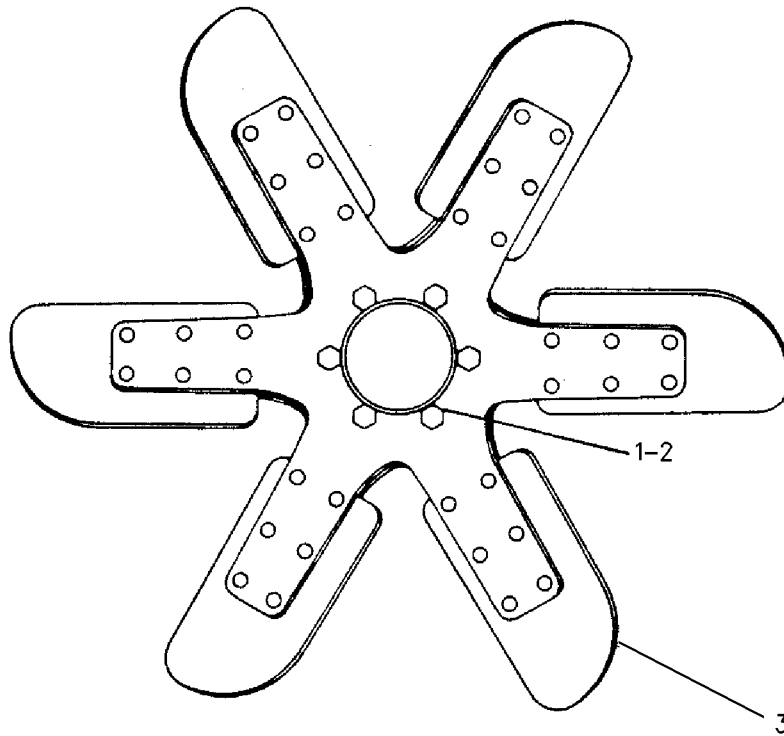
## 4N-4684 FAN GP-BLOWER

S/N: 85Z3764-UP  
660 MM (26 INCH)  
AN ATTACHMENT

SMCS-1356, 1360

i02566481

NOTE	REF NO	GRAPHIC REF	PART NUMBER	QTY	PART NAME						SEE PAGE
					1	2	3	4	5	6 (PRODUCT LEVEL)	
	1	1	<b>6V-5782</b>	6	BOLT (5/16-18X1.125-IN)						
	2	1	<b>8T-4224</b>	6	WASHER-HARD (8.8X16X2-MM THK)						
	3	1	<b>2M-4277</b>	1	SPIDER AS (6 BLADES)						



GRAPHIC #1

<END>

g00917215



# COOLING SYSTEM

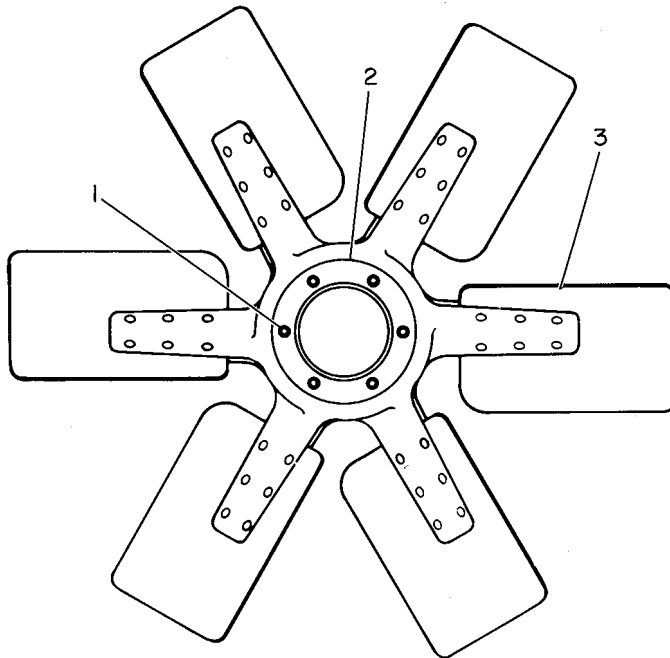
## 4N-4686 FAN GP-BLOWER

S/N: 85Z3764-UP  
660 MM (26 INCH)  
AN ATTACHMENT

SMCS-1356, 1360

i01773634

NOTE	REF NO	GRAPHIC REF	PART NUMBER	QTY	PART NAME						SEE PAGE
					1	2	3	4	5	6 (PRODUCT LEVEL)	
	1	1	<b>8C-6561</b>	6	BOLT (5/16-18X1.375-IN)						
		1	<b>8T-4224</b>	6	WASHER-HARD (8.8X16X2-MM THK)						
	2	1	<b>2L-3980</b>	1	SPACER (8.74-MM THK)						
	3	1	<b>1N-8173</b>	1	SPIDER AS-FAN (6 BLADES)						



GRAPHIC #1

<END>

g00134744

# COOLING SYSTEM

## 7C-7463 FAN GP-BLOWER

S/N: 85Z3764-UP

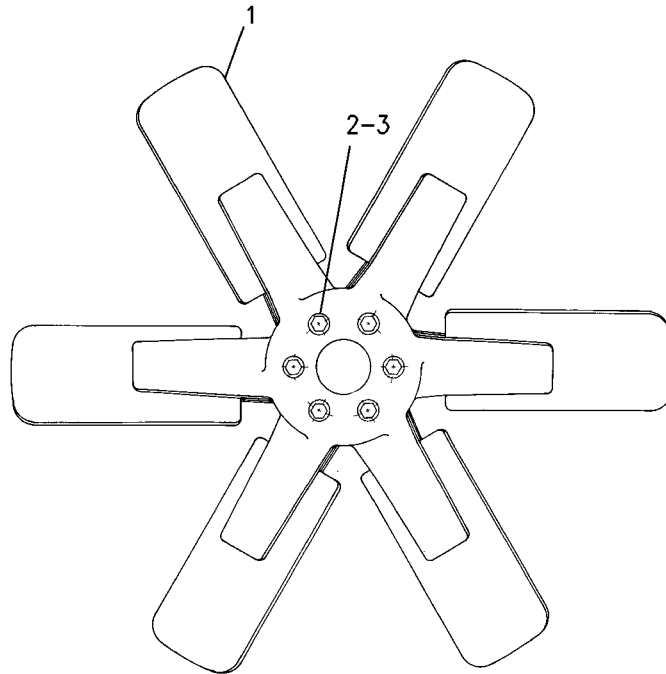
762MM (30 INCH)

FOR USE WITH AIR-TO-AIR AFTERCOOLED AR  
AN ATTACHMENT

SMCS-1356, 1360

i05432161

NOTE	REF NO	GRAPHIC REF	PART NUMBER	QTY	PART NAME						SEE PAGE
					1	2	3	4	5	6 (PRODUCT LEVEL)	
	1	1	<b>7C-7464</b>	1	SPIDER AS (6-BLADE)						
	2	1	<b>8T-2502</b>	6	BOLT (3/8-16X1.125-IN)						
	3	1	<b>8T-4896</b>	6	WASHER-HARD (10.2X18.5X2.5-MM THK)						



GRAPHIC #1

<END>

g00937380

# COOLING SYSTEM

## 4N-2570 FAN GP-SUCTION

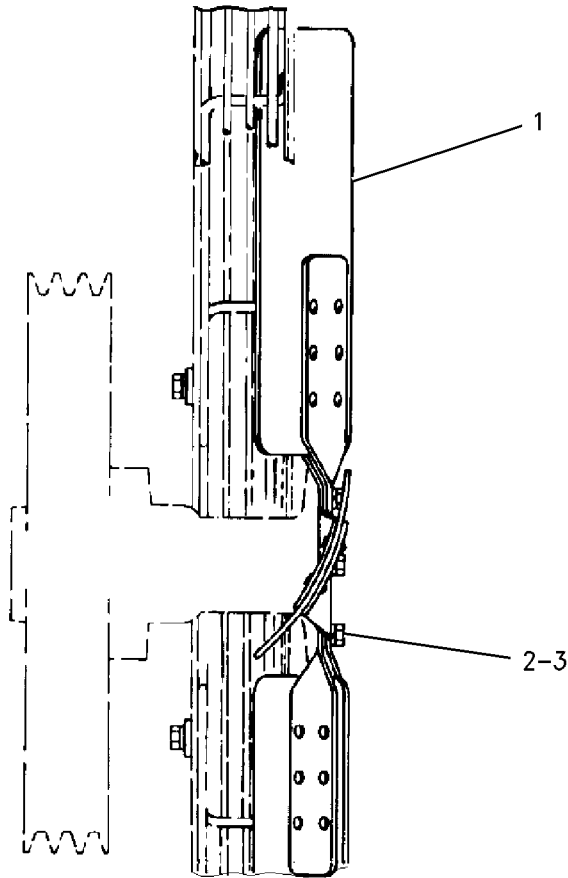
S/N: 85Z3764-UP

838-MM (33-INCH) DIAMETER  
AN ATTACHMENT

SMCS-1356

i02728908

NOTE	REF NO	GRAPHIC REF	PART NUMBER	QTY	PART NAME						SEE PAGE
					1	2	3	4	5	6 (PRODUCT LEVEL)	
	1	1	<b>4N-2572</b>	1	SPIDER AS-FAN (6-BLADE)						
	2	1	<b>8T-2502</b>	6	BOLT (3/8-16X1.125-IN)						
	3	1	<b>8T-4896</b>	6	WASHER-HARD (10.2X18.5X2.5-MM THK)						



RIGHT SIDE VIEW

GRAPHIC #1

<END>

g00787102

# COOLING SYSTEM

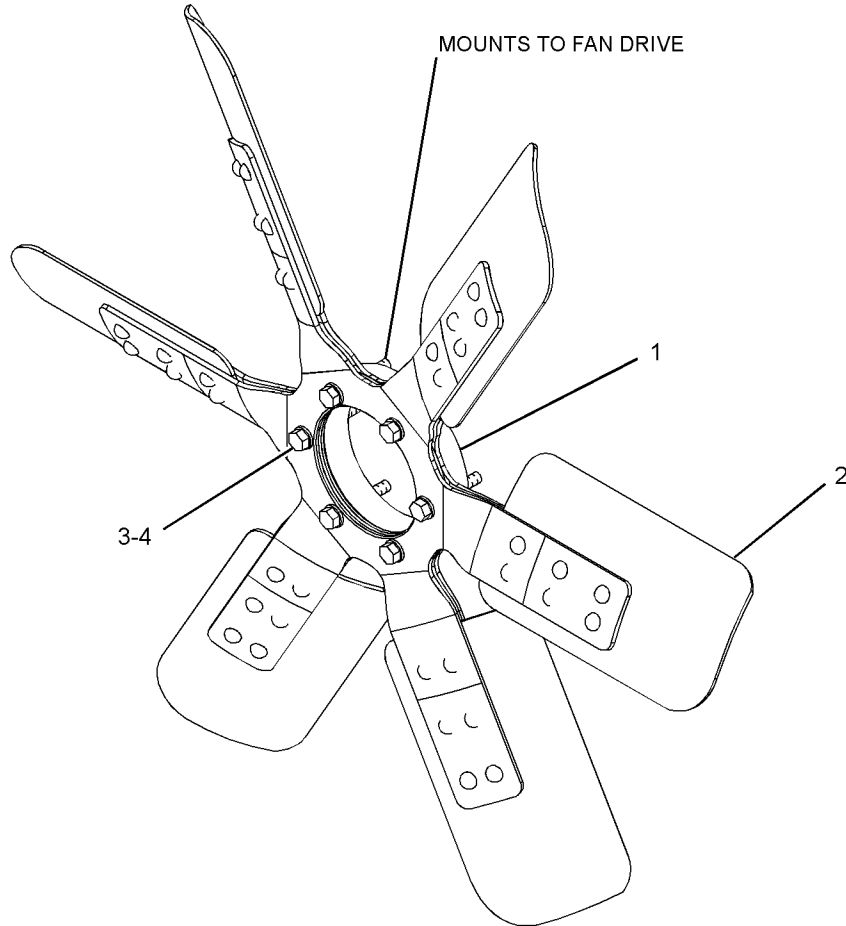
## 4N-4683 FAN GP-SUCTION

S/N: 85Z3764-UP  
660 MM (26 INCH)  
AN ATTACHMENT

SMCS - 1356

i03683528

NOTE	REF NO	GRAPHIC REF	PART NUMBER	QTY	PART NAME						SEE PAGE
					1	2	3	4	5	6 (PRODUCT LEVEL)	
	1	1	<b>1L-0653</b>	1	SPACER (22.85-MM THK)						
	2	1	<b>2M-4276</b>	1	SPIDER AS-FAN (6 BLADE)						
	3	1	<b>8T-4224</b>	6	WASHER-HARD (8.8X16X2-MM THK)						
	4	1	<b>8T-8911</b>	6	BOLT (5/16-18X2-IN)						



GRAPHIC #1

<END>

g01996756

# COOLING SYSTEM

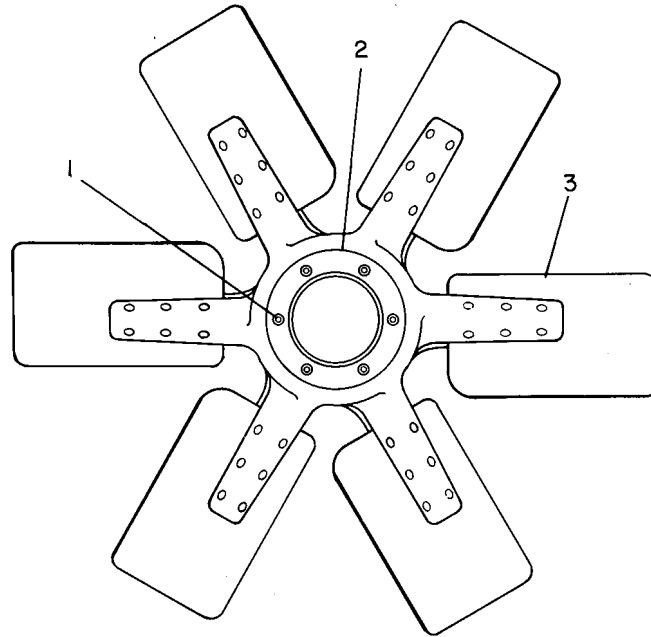
## 4N-4685 FAN GP-SUCTION

S/N: 85Z3764-UP  
660 MM (26 INCH)  
AN ATTACHMENT

SMCS-1356

i01773650

NOTE	REF NO	GRAPHIC REF	PART NUMBER	QTY	PART NAME						SEE PAGE
					1	2	3	4	5	6 (PRODUCT LEVEL)	
	1	1	<b>7X-0440</b>	6	BOLT (5/16-18X1.75-IN)						
		1	<b>8T-4224</b>	6	WASHER-HARD (8.8X16X2-MM THK)						
	2	1	<b>5L-1313</b>	1	SPACER (0.54-IN THK)						
	3	1	<b>1N-8171</b>	1	SPIDER AS-FAN (6 BLADE)						



GRAPHIC #1

<END>

g00134743

# COOLING SYSTEM

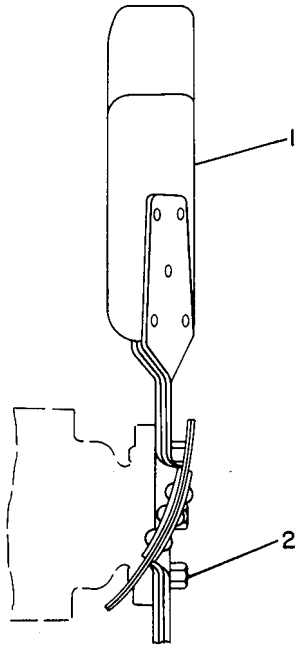
## 4N-8752 FAN GP-SUCTION

S/N: 85Z3764-UP  
711 MM (28 INCH)  
AN ATTACHMENT

SMCS-1356

i01850232

NOTE	REF NO	GRAPHIC REF	PART NUMBER	QTY	PART NAME						SEE PAGE
					1	2	3	4	5	6 (PRODUCT LEVEL)	
	1	1	<b>9L-4971</b>	1	FAN GP-SUCTION (6 BLADE)						
	2	1	<b>2P-3202</b>	6	BOLT-WASHER HEAD (3/8-16X1.125-IN)						



GRAPHIC #1

<END>

g00135081

# COOLING SYSTEM

## 1W-1310 FILTER GP-COOLANT

S/N: 85Z3764-UP

REMOTE MOUNT

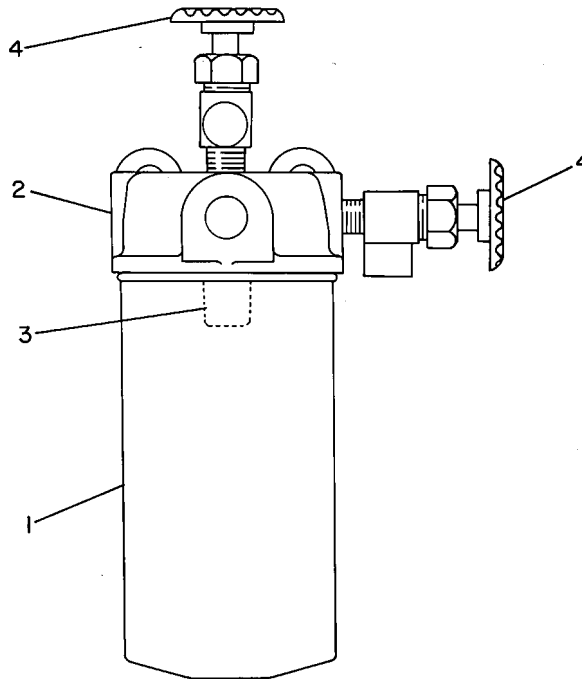
FOR USE WITH 34-45 L (9-12 GAL) COOLING SYSTEM  
AN ATTACHMENT

SMCS-1352

i01947360

NOTE	REF NO	GRAPHIC REF	PART NUMBER	QTY	PART NAME						SEE PAGE
					1	2	3	4	5	6 (PRODUCT LEVEL)	
S	1	1	<b>9N-6123</b>	1	FILTER-COOLANT CONDITIONER						
					-OR-						
S		1	<b>9N-3717</b>	1	FILTER-COOLANT CONDITIONER (9-12 GAL CAPACITY) (MAINTENANCE)						
					-OR-						
S		1	<b>9N-3718</b>	1	FILTER-COOLANT CONDITIONER (PRECHARGE) (9-12 GAL CAPACITY) (MAINTENANCE)						
	2	1	<b>9N-3668</b>	1	BASE AS						
	3	1	<b>9N-3645</b>	1	STUD-TAPERLOCK						
	4	1	<b>9N-3666</b>	2	VALVE-MANUAL (COOLANT CONDITIONER)						

S - REFER TO CHART FOR COOLANT CONDITIONER INFORMATION



GRAPHIC #1

<END>

g00147316

# COOLING SYSTEM

## 7C-2169 FLANGE GP-RADIATOR

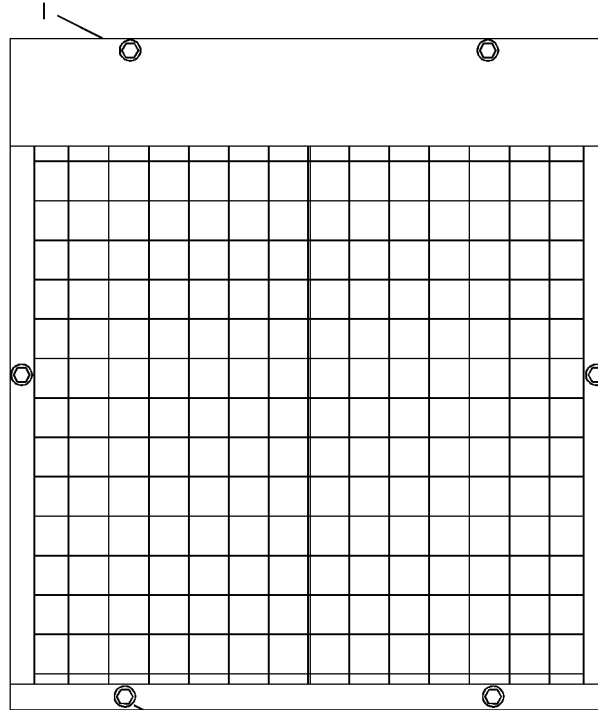
S/N: 85Z3764-UP

PART OF 7W-7317, 9Y-5751, 9Y-5752 RADIATOR GP  
AN ATTACHMENT

SMCS-1353

i00649216

NOTE	REF NO	GRAPHIC REF	PART NUMBER	QTY	PART NAME						SEE PAGE
					1	2	3	4	5	6 (PRODUCT LEVEL)	
	1	1	<b>3N-7207</b>	1	FLANGE AS-DUCT						
	2	1	<b>4L-6459</b>	1	BOLT (3/8-16X2.5-IN)						
	3	1	<b>4B-4278</b>	6	WASHER (10.2X20.5X1.6-MM THK)						
	4	1	<b>1V-7753</b>	6	SPACER (0.546X0.841X1.75-IN THK)						



GRAPHIC #1

2-3-4  
<END>

g00191771



# COOLING SYSTEM

## 7C-2170 FLANGE GP-RADIATOR

S/N: 85Z3764-UP

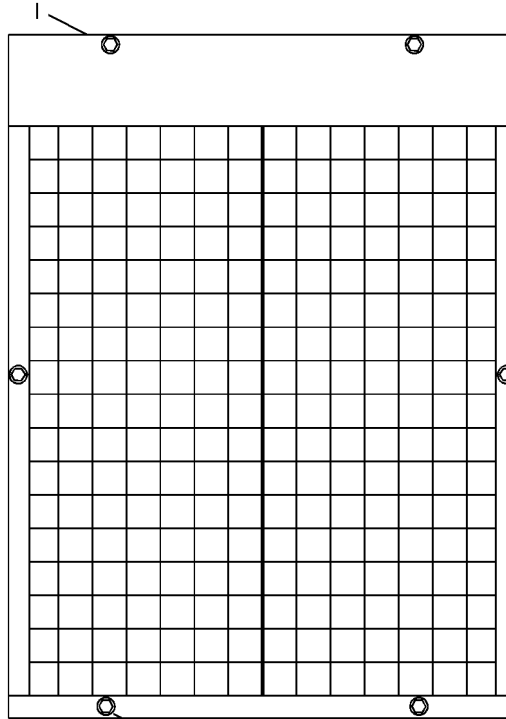
PART OF 7C-1091, 7C-1092, 9Y-5750, 9Y-5781 RADIATOR GP  
AN ATTACHMENT

**SMCS-1353**

**i00649222**

NOTE	REF NO	GRAPHIC REF	PART NUMBER	QTY	PART NAME						SEE PAGE
					1	2	3	4	5	6 (PRODUCT LEVEL)	
	1	1	<b>4P-8011</b>	1	FLANGE AS-DUCT						
B	2	1	<b>4L-6459</b>	10	BOLT (3/8-16X2.5-IN)						
B	3	1	<b>5P-1075</b>	10	WASHER-HARD (10.2X22.5X3-MM THK)						
B	4	1	<b>1V-7753</b>	10	SPACER (0.546X0.841X1.75-IN THK)						

B - USE AS REQUIRED



GRAPHIC #1

2-3-4  
<END>

g00191773

# COOLING SYSTEM

## 3F-4394 FOOT VALVE & STRAINER AS

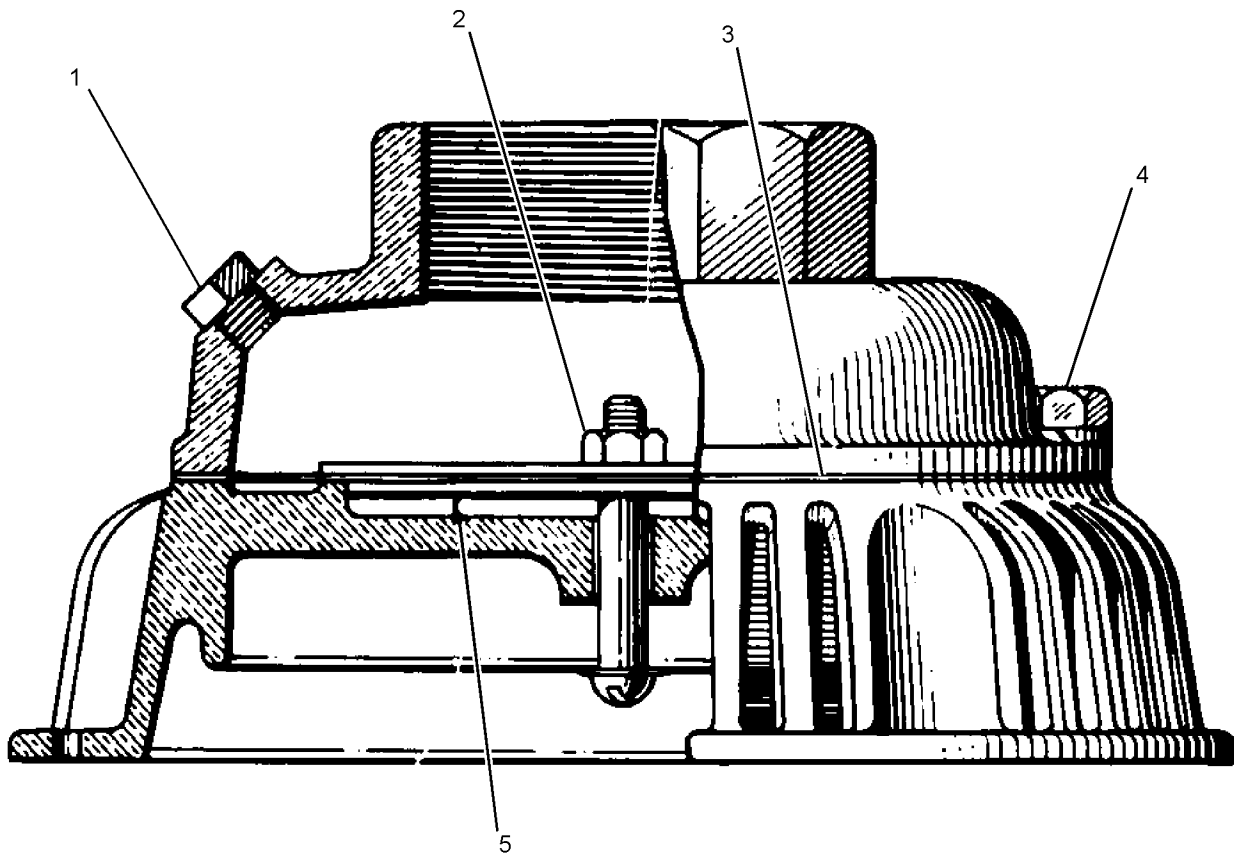
S/N: 85Z3764-UP

PART OF 6L-5858 PUMP GP-BILGE  
AN ATTACHMENT

SMCS-1371

i02509675

NOTE	REF NO	GRAPHIC REF	PART NUMBER	QTY	PART NAME						SEE PAGE
					1	2	3	4	5	6 (PRODUCT LEVEL)	
	1	1	<b>6B-7440</b>	1	PLUG-PIPE						
	2	1	<b>4B-2048</b>	1	NUT (10-32-THD)						
	3	1	<b>5F-1051</b>	1	GASKET						
	4	1	<b>0S-1614</b>	3	BOLT (1/4-20X0.5-IN)						
			<b>3B-4504</b>	3	LOCKWASHER						
	5	1	<b>5F-1053</b>	1	SEAL-FOOT VALVE						



GRAPHIC #1

<END>

g01256341

# COOLING SYSTEM

## 7E-0089 GUARD GP-FAN

S/N: 85Z3764-UP

FOR USE WITH ALTERNATOR

AN ATTACHMENT

TYPE 1

SMCS-1360

i01856316

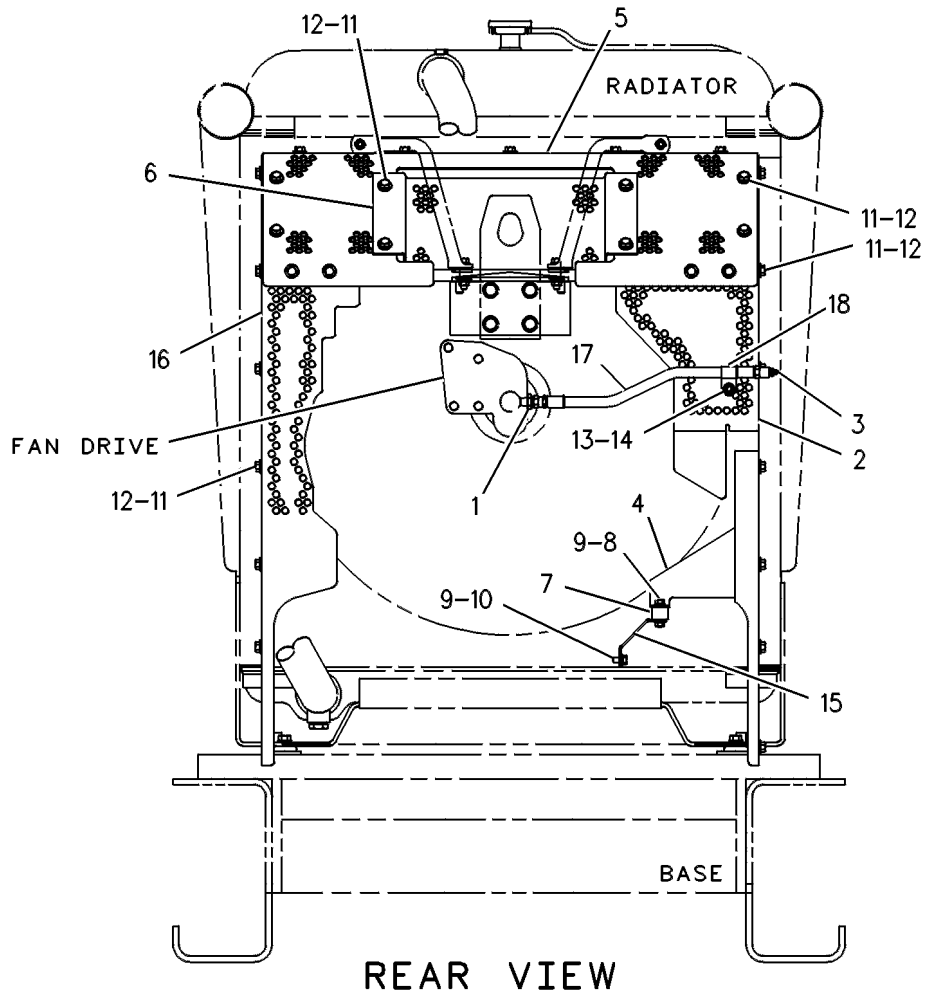
NOTE	REF NO	GRAPHIC REF	PART NUMBER	QTY	PART NAME						SEE PAGE
					1	2	3	4	5	6 (PRODUCT LEVEL)	
	1	1	<b>8L-6557</b>	1	CONNECTOR						
	2	1	<b>7E-6067</b>	1	GUARD AS						
		1	<b>9F-2978</b>	4	NUT-WELD (3/8-16-THD)						
	3	1	<b>2D-4867</b>	1	FITTING-GREASE (1/8-27 PTF) (FAN GUARD)						
	4	1	<b>7E-0086</b>	1	BRACKET AS						
		1	<b>9F-2978</b>	4	NUT-WELD (3/8-16-THD)						
	5	1	<b>7E-6068</b>	1	GUARD AS						
		1	<b>9F-2978</b>	4	NUT-WELD (3/8-16-THD)						
	6	1	<b>7E-6072</b>	1	GUARD						
	7	1	<b>7C-0100</b>	1	MOUNT-FLEXIBLE						
	8	1	<b>6V-8189</b>	2	NUT (5/16-18-THD)						
	9	1	<b>8T-4224</b>	3	WASHER-HARD (8.8X16X2-MM THK)						
	10	1	<b>5K-0906</b>	1	BOLT (5/16-18X0.625-IN)						
	11	1	<b>5M-3062</b>	33	BOLT (3/8-16X0.75-IN)						
	12	1	<b>5P-1075</b>	33	WASHER-HARD (10.2X22.5X3-MM THK)						
	13	1	<b>8T-4896</b>	1	WASHER-HARD (10.2X18.5X2.5-MM THK)						
	14	1	<b>4L-6459</b>	1	BOLT (3/8-16X2.5-IN)						
	15	1	<b>7E-3170</b>	1	BRACKET						
	16	1	<b>7E-0090</b>	1	GUARD AS						
		1	<b>9F-2978</b>	4	NUT-WELD (3/8-16-THD)						
I	17	1	<b>3N-7229</b>	1	HOSE AS						
	18	1	<b>5P-9298</b>	1	CLIP						

I - REFER TO HYDRAULIC INFORMATION SYSTEM

# COOLING SYSTEM

7E-0089 GUARD GP-FAN (contd.)

i01856316



GRAPHIC #1

<END>

g00237604

# COOLING SYSTEM

## 7E-0089 GUARD GP-FAN

S/N: 85Z3764-UP

FOR USE WITH ALTERNATOR

AN ATTACHMENT

TYPE 2

SMCS-1360

i01856327

NOTE	REF NO	GRAPHIC REF	PART NUMBER	QTY	PART NAME						SEE PAGE
					1	2	3	4	5	6 (PRODUCT LEVEL)	
	1	1	<b>8L-6557</b>	1	CONNECTOR						
	2	1	<b>7E-6067</b>	1	GUARD AS						
		1	<b>9F-2978</b>	4	NUT-WELD (3/8-16-THD)						
	3	1	<b>2D-4867</b>	1	FITTING-GREASE (1/8-27 PTF) (FAN GUARD)						
	4	1	<b>7E-0086</b>	1	BRACKET AS						
		1	<b>9F-2978</b>	4	NUT-WELD (3/8-16-THD)						
	5	1	<b>7E-6068</b>	1	GUARD AS						
		1	<b>9F-2978</b>	4	NUT-WELD (3/8-16-THD)						
	6	1	<b>7E-6072</b>	1	GUARD						
	7	1	<b>7C-0100</b>	1	MOUNT-FLEXIBLE						
	8	1	<b>6V-8189</b>	2	NUT (5/16-18-THD)						
	9	1	<b>8T-4224</b>	3	WASHER-HARD (8.8X16X2-MM THK)						
	10	1	<b>5K-0906</b>	1	BOLT (5/16-18X0.625-IN)						
C	11	1	<b>5M-3062</b>	38	BOLT (3/8-16X0.75-IN)						
C	12	1	<b>5P-1075</b>	38	WASHER-HARD (10.2X22.5X3-MM THK)						
	13	1	<b>8T-4896</b>	1	WASHER-HARD (10.2X18.5X2.5-MM THK)						
	14	1	<b>4L-6459</b>	1	BOLT (3/8-16X2.5-IN)						
	15	1	<b>7E-3170</b>	1	BRACKET						
	16	1	<b>7E-0090</b>	1	GUARD AS						
		1	<b>9F-2978</b>	4	NUT-WELD (3/8-16-THD)						
I	17	1	<b>3N-7229</b>	1	HOSE AS						
	18	1	<b>124-0174</b>	1	CLIP (LOOP)						
C	19	1	<b>1W-9829</b>	1	GUARD AS-FAN						

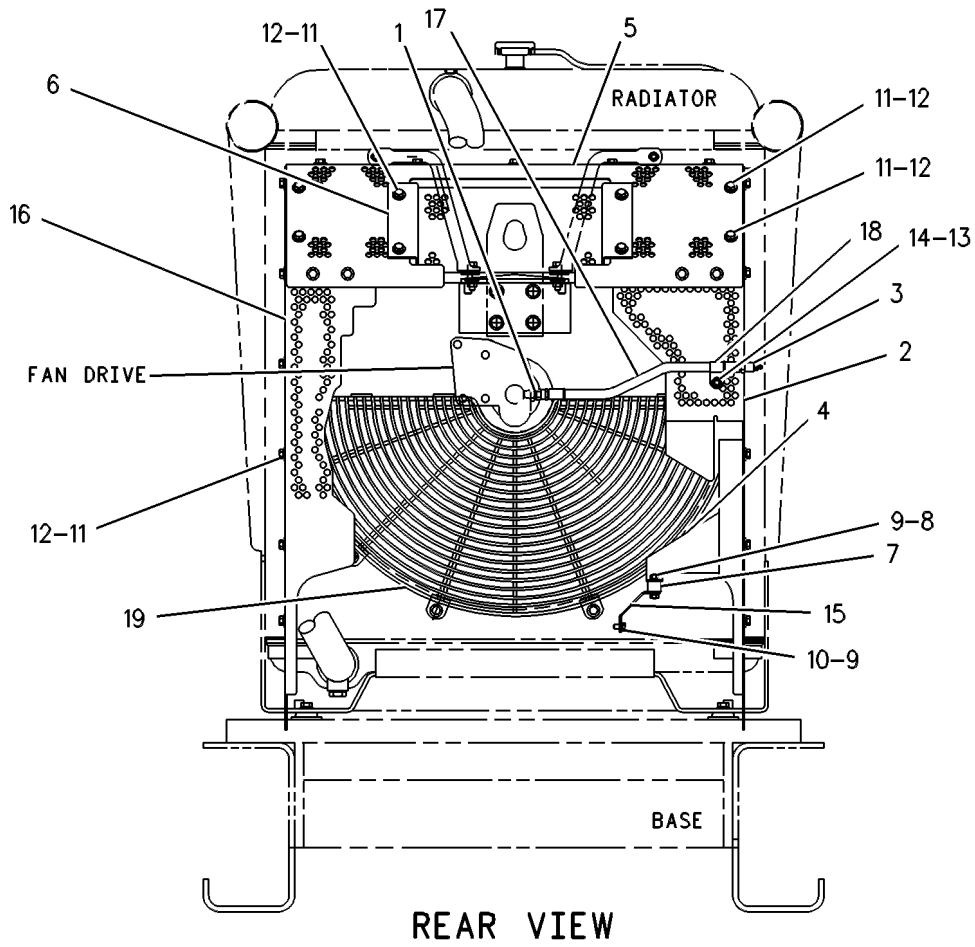
C - CHANGE FROM PREVIOUS TYPE

I - REFER TO HYDRAULIC INFORMATION SYSTEM

# COOLING SYSTEM

7E-0089 GUARD GP-FAN (contd.)

i01856327



GRAPHIC #1

<END>

g00256156

# COOLING SYSTEM

## 7E-1216 GUARD GP-FAN

S/N: 85Z3764-UP

FOR USE WITH BELT TIGHTENER

AN ATTACHMENT

TYPE 1

SMCS-1360

i01856329

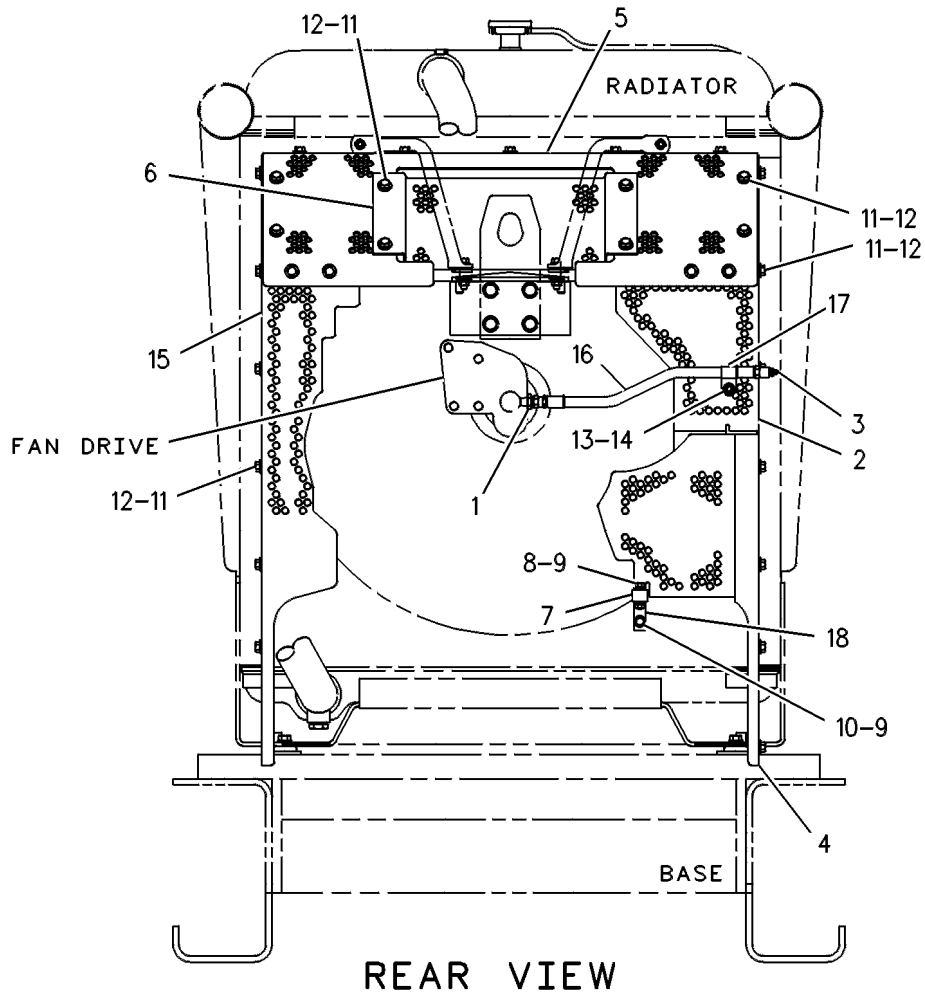
NOTE	REF NO	GRAPHIC REF	PART NUMBER	QTY	PART NAME						SEE PAGE
					1	2	3	4	5	6 (PRODUCT LEVEL)	
	1	1	<b>8L-6557</b>	1	CONNECTOR						
	2	1	<b>7E-6067</b>	1	GUARD AS						
		1	<b>9F-2978</b>	4	NUT-WELD (3/8-16-THD)						
	3	1	<b>2D-4867</b>	1	FITTING-GREASE (1/8-27 PTF) (FAN GUARD)						
	4	1	<b>7E-6070</b>	1	GUARD AS						
		1	<b>9F-2978</b>	4	NUT-WELD (3/8-16-THD)						
	5	1	<b>7E-6068</b>	1	GUARD AS						
		1	<b>9F-2978</b>	4	NUT-WELD (3/8-16-THD)						
	6	1	<b>7E-6072</b>	1	GUARD						
	7	1	<b>7C-0100</b>	1	MOUNT-FLEXIBLE						
	8	1	<b>6V-8189</b>	2	NUT (5/16-18-THD)						
	9	1	<b>8T-4224</b>	3	WASHER-HARD (8.8X16X2-MM THK)						
	10	1	<b>5K-0906</b>	1	BOLT (5/16-18X0.625-IN)						
	11	1	<b>5M-3062</b>	33	BOLT (3/8-16X0.75-IN)						
	12	1	<b>5P-1075</b>	33	WASHER-HARD (10.2X22.5X3-MM THK)						
	13	1	<b>8T-4896</b>	1	WASHER-HARD (10.2X18.5X2.5-MM THK)						
	14	1	<b>4L-6459</b>	1	BOLT (3/8-16X2.5-IN)						
	15	1	<b>7E-0090</b>	1	GUARD AS						
		1	<b>9F-2978</b>	4	NUT-WELD (3/8-16-THD)						
I	16	1	<b>3N-7229</b>	1	HOSE AS						
	17	1	<b>5P-9298</b>	1	CLIP						
	18	1	<b>7V-7584</b>	1	ANGLE						

I - REFER TO HYDRAULIC INFORMATION SYSTEM

# COOLING SYSTEM

7E-1216 GUARD GP-FAN (contd.)

i01856329



GRAPHIC #1

<END>

g00237610



# COOLING SYSTEM

## 7E-1216 GUARD GP-FAN

S/N: 85Z3764-UP

FOR USE WITH BELT TIGHTENER

AN ATTACHMENT

TYPE 2

SMCS-1360

i01856331

NOTE	REF NO	GRAPHIC REF	PART NUMBER	QTY	PART NAME						SEE PAGE
					1	2	3	4	5	6 (PRODUCT LEVEL)	
	1	1	<b>8L-6557</b>	1	CONNECTOR						
	2	1	<b>7E-6067</b>	1	GUARD AS						
		1	<b>9F-2978</b>	4	NUT-WELD (3/8-16-THD)						
	3	1	<b>2D-4867</b>	1	FITTING-GREASE (1/8-27 PTF) (FAN GUARD)						
	4	1	<b>7E-6070</b>	1	GUARD AS						
		1	<b>9F-2978</b>	4	NUT-WELD (3/8-16-THD)						
	5	1	<b>7E-6068</b>	1	GUARD AS						
		1	<b>9F-2978</b>	4	NUT-WELD (3/8-16-THD)						
	6	1	<b>7E-6072</b>	1	GUARD						
	7	1	<b>7C-0100</b>	1	MOUNT-FLEXIBLE						
	8	1	<b>6V-8189</b>	2	NUT (5/16-18-THD)						
	9	1	<b>8T-4224</b>	3	WASHER-HARD (8.8X16X2-MM THK)						
	10	1	<b>5K-0906</b>	1	BOLT (5/16-18X0.625-IN)						
C	11	1	<b>5M-3062</b>	38	BOLT (3/8-16X0.75-IN)						
C	12	1	<b>5P-1075</b>	38	WASHER-HARD (10.2X22.5X3-MM THK)						
	13	1	<b>8T-4896</b>	1	WASHER-HARD (10.2X18.5X2.5-MM THK)						
	14	1	<b>4L-6459</b>	1	BOLT (3/8-16X2.5-IN)						
	15	1	<b>7E-0090</b>	1	GUARD AS						
		1	<b>9F-2978</b>	4	NUT-WELD (3/8-16-THD)						
I	16	1	<b>3N-7229</b>	1	HOSE AS						
	17	1	<b>124-0174</b>	1	CLIP (LOOP)						
	18	1	<b>7V-7584</b>	1	ANGLE						
C	19	1	<b>1W-9829</b>	1	GUARD AS-FAN						

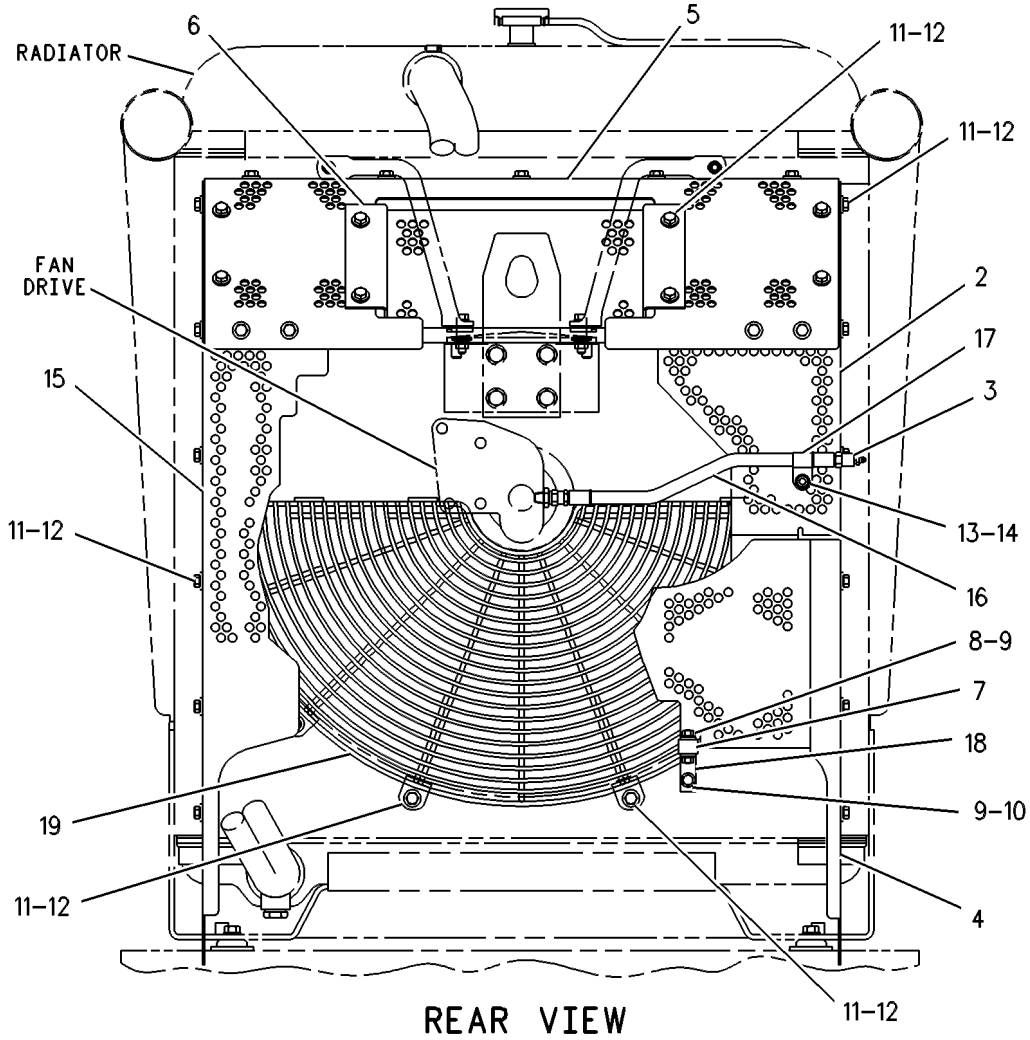
C - CHANGE FROM PREVIOUS TYPE

I - REFER TO HYDRAULIC INFORMATION SYSTEM

# COOLING SYSTEM

7E-1216 GUARD GP-FAN (contd.)

i01856331



REAR VIEW

GRAPHIC #1

<END>

g00256183

# COOLING SYSTEM

## 9Y-1503 GUARD GP-FAN

S/N: 85Z3764-UP

FOR USE WITH AIR-TO-AIR AFTERCOOLED AR & BELT TIGHTNER  
AN ATTACHMENT

SMCS-1360

i01856346

NOTE	REF NO	GRAPHIC REF	PART NUMBER	QTY	PART NAME						SEE PAGE
					1	2	3	4	5	6	
	1	1	<b>9Y-1507</b>	1	PLATE AS-GUARD						
	2	1	<b>8T-9101</b>	2	BOLT (3/8-16X2.75-IN)						
		1	<b>8T-4896</b>	2	WASHER-HARD (10.2X18.5X2.5-MM THK)						
	3	1	<b>2D-4867</b>	1	FITTING-GREASE (1/8-27 PTF) (FAN GUARD)						
	4	1	<b>124-0174</b>	1	CLIP (LOOP)						
I	5	1	<b>3N-7229</b>	1	HOSE AS						
	6	1	<b>8L-6557</b>	1	CONNECTOR						
	7	1	<b>5M-3062</b>	26	BOLT (3/8-16X0.75-IN)						
	8	1	<b>5P-1075</b>	30	WASHER-HARD (10.2X22.5X3-MM THK)						
	9	1	<b>9B-7237</b>	1	BOLT (3/8-16X1.25-IN)						
	10	1	<b>9S-8752</b>	2	NUT-FULL (3/8-16-THD)						
	11	1	<b>9Y-1508</b>	1	PLATE						
	12	1	<b>4L-6454</b>	1	BOLT (3/8-16X1-IN)						
	13	1	<b>9Y-1504</b>	1	PLATE AS (RH)						
	14	1	<b>9Y-1505</b>	1	PLATE AS (LH)						
	15	1	<b>9Y-1506</b>	1	PLATE						
B	16	1	<b>6B-0933</b>	1	SPACER (10.31X19.05X6.35-MM THK)						
	17	1	<b>105-4827</b>	1	BRACKET						

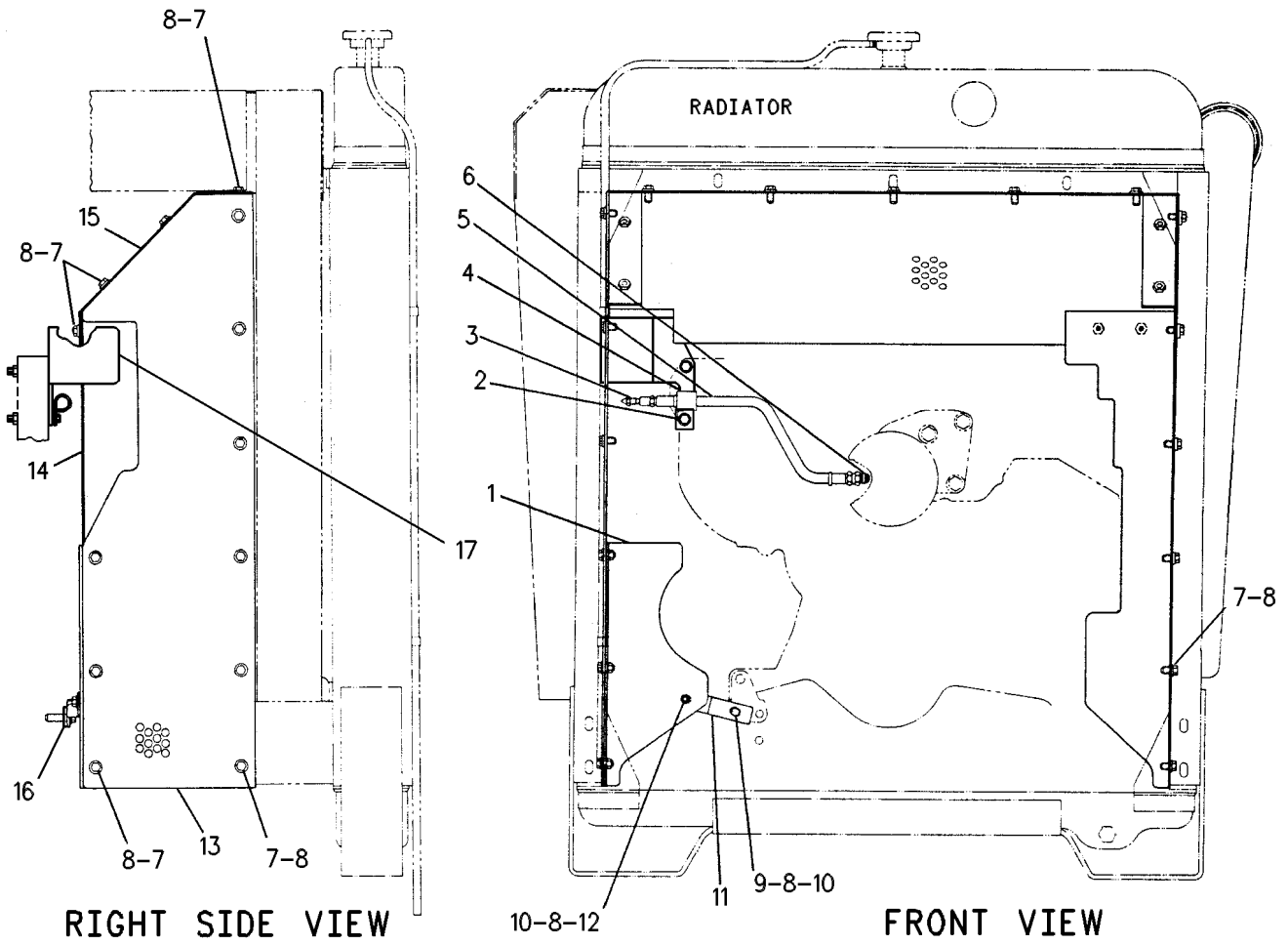
B - USE AS REQUIRED

I - REFER TO HYDRAULIC INFORMATION SYSTEM

# COOLING SYSTEM

9Y-1503 GUARD GP-FAN (contd.)

i01856346



GRAPHIC #1

<END>

g00270779

# COOLING SYSTEM

## 9Y-5747 GUARD GP-FAN

S/N: 85Z3764-UP

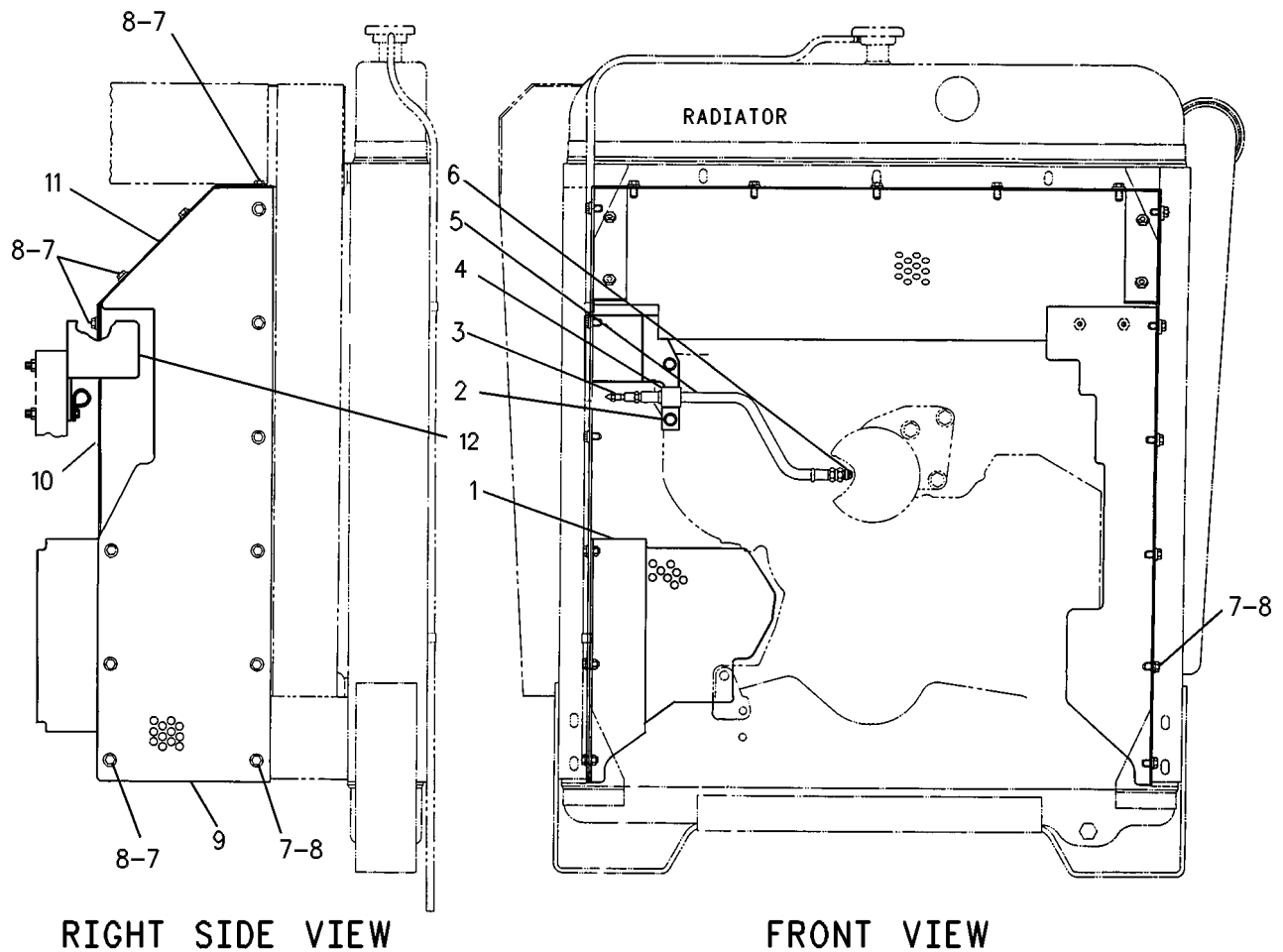
FOR USE WITH AIR-TO-AIR AFTERCOOLED AIR ATTACHMENT

SMCS-1360

i01856354

NOTE	REF NO	GRAPHIC REF	PART NUMBER	QTY	PART NAME						SEE PAGE
					1	2	3	4	5	6 (PRODUCT LEVEL)	
	1	1	<b>9Y-5051</b>	1	PLATE AS						
	2	1	<b>8T-9101</b>	2	BOLT (3/8-16X2.75-IN)						
		1	<b>8T-4896</b>	2	WASHER-HARD (10.2X18.5X2.5-MM THK)						
	3	1	<b>2D-4867</b>	1	FITTING-GREASE (1/8-27 PTF) (FAN GUARD)						
	4	1	<b>124-0174</b>	1	CLIP (LOOP)						
I	5	1	<b>3N-7229</b>	1	HOSE AS						
	6	1	<b>8L-6557</b>	1	CONNECTOR						
	7	1	<b>5M-3062</b>	26	BOLT (3/8-16X0.75-IN)						
	8	1	<b>5P-1075</b>	26	WASHER-HARD (10.2X22.5X3-MM THK)						
	9	1	<b>9Y-1504</b>	1	PLATE AS (RH)						
	10	1	<b>9Y-1505</b>	1	PLATE AS (LH)						
	11	1	<b>9Y-1506</b>	1	PLATE						
	12	1	<b>105-4827</b>	1	BRACKET						

I - REFER TO HYDRAULIC INFORMATION SYSTEM



GRAPHIC #1

<END>

g00270785

# COOLING SYSTEM

## 7C-8630 GUARD GP-RADIATOR

S/N: 85Z3764-UP

DUCT FLANGE

FOR USE WITH AIR-TO-AIR AFTERCOOLED AR

PART OF 7C-8384, 9Y-5795 RADIATOR GP

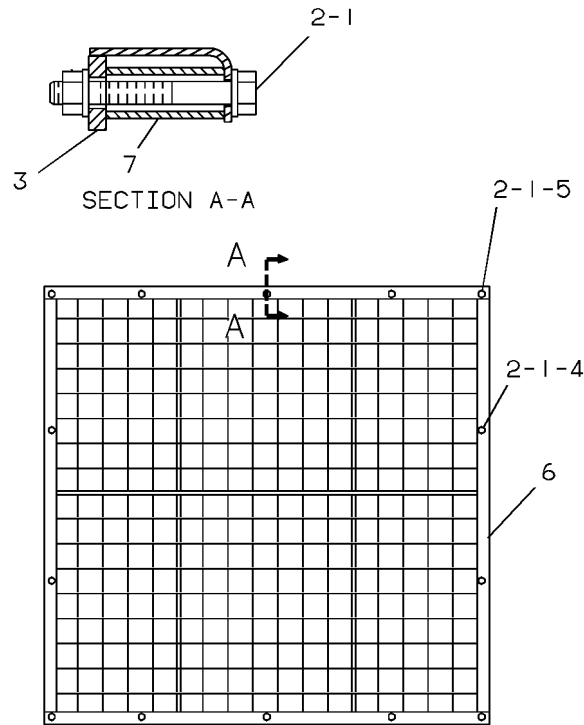
AN ATTACHMENT

SMCS-7155

i01523116

NOTE	REF NO	GRAPHIC REF	PART NUMBER	QTY	PART NAME						SEE PAGE
					1	2	3	4	5	6	
C	1	1	<b>9M-1974</b>	14	WASHER-HARD (8.8X16X2-MM THK)						
	2	1	<b>1D-4539</b>	14	BOLT (5/16-18X2.5-IN)						
C	3	1	<b>7E-6086</b>	2	BAR AS						
	(EACH INCLUDES)										
C		1	<b>4K-9097</b>	3	NUT-WELD (5/16-18-THD)						
		4	<b>061-9325</b>	4	PIPE						
		5	<b>3H-4656</b>	4	SPACER (1.5-IN THK)						
		6	<b>7C-8629</b>	1	FLANGE AS-DUCT						
		7	<b>9W-1991</b>	6	SPACER (10.7X17.1X40-MM THK)						

C - CHANGE FROM PREVIOUS TYPE



GRAPHIC #1

<END>

g00221539

# COOLING SYSTEM

## 3N-3270 HEAT EXCHANGER GP-SEA WATER

S/N: 85Z3764-UP

FOR USE WITH EXPANSION TANK AND AUXILIARY LINES

PART OF 3N-4925 HEAT EXCHANGER GP-SEA WATER

AN ATTACHMENT

SMCS-1379

i03439043

NOTE	REF NO	GRAPHIC REF	PART NUMBER	QTY	PART NAME						SEE PAGE
					1	2	3	4	5	6	
	1	1	<b>5D-6642</b>	2	SEAL -O-RING						
	2	1	<b>9B-0877</b>	2	PLUG						
	3	1	<b>8L-4478</b>	2	DOWEL						
	4	1	<b>1A-2029</b>	14	BOLT (3/8-16X1.125-IN)						
	5	1	<b>7L-0875</b>	1	BONNET-HEAT EXCHANGER						
	6	1	<b>7L-0874</b>	2	GASKET-HEAT EXCHANGER						
	7	1	<b>7L-0877</b>	1	BONNET-HEAT EXCHANGER						
	8	1	<b>5L-7685</b>	2	ROD AS-ZINC						
					(EACH INCLUDES)						
		1	<b>6L-2280</b>	1	ROD-ZINC (HEAT EXCHANGER)						
		1	<b>233-8525</b>	1	PLUG-PIPE						
	9	1	<b>5M-2894</b>	14	WASHER-HARD (10.2X18.5X2.5-MM THK)						
	10	1	<b>3B-1915</b>	2	BOLT (3/8-16X1.375-IN)						
	11	1	<b>0S-1619</b>	2	BOLT (3/8-16X3-IN)						
	12	1	<b>9L-9132</b>	4	WASHER-HARD (10.2X25.5X2.5-MM THK)						
	13	1	<b>7N-1991</b>	1	SUPPORT-EXPANSION TANK						
BC	14	1	<b>6B-0933</b>	2	SPACER (10.31X19.05X6.35-MM THK)						
	15	1	<b>297-6414</b>	1	BUNDLE-EXCHANGER TUBE						

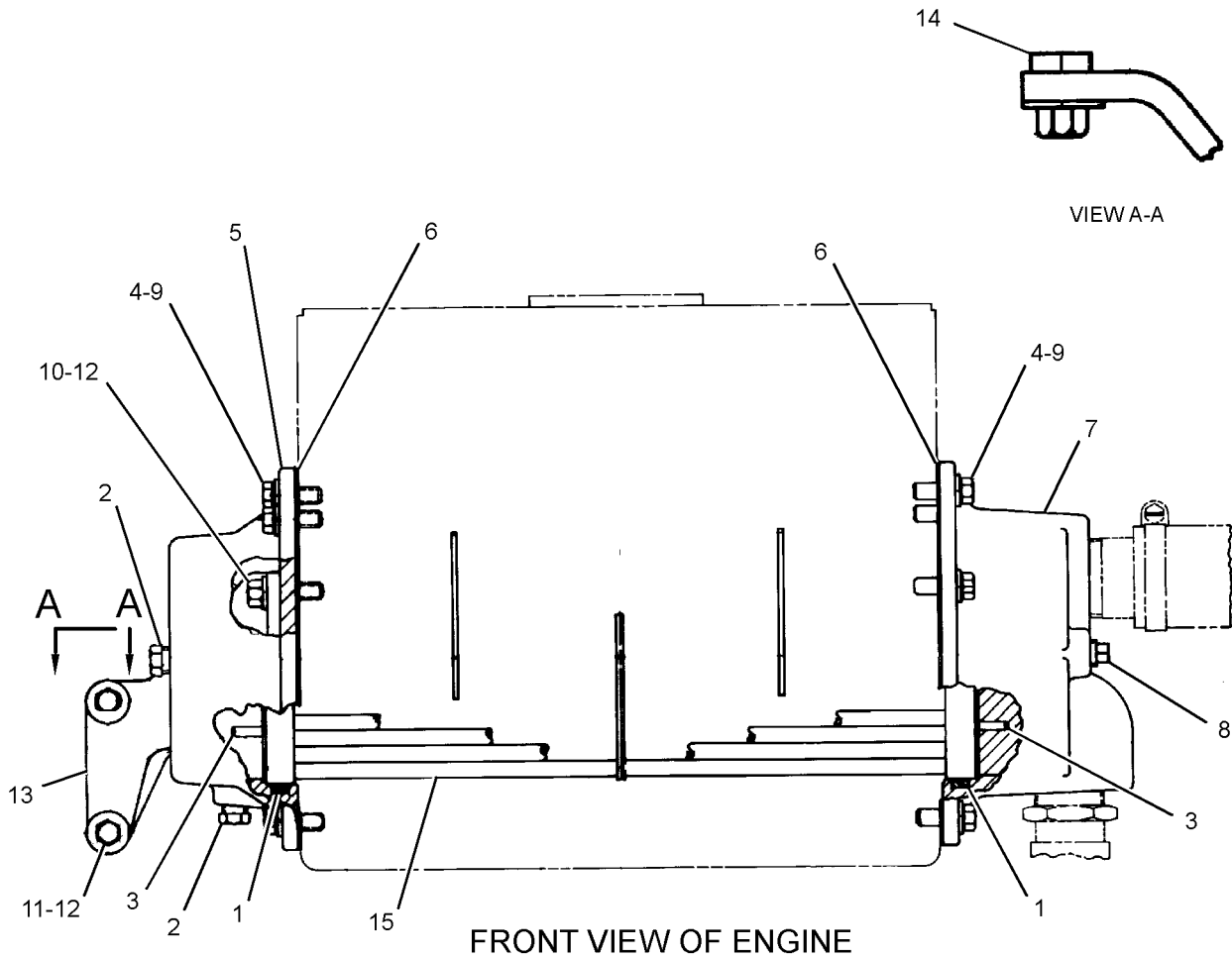
B - USE AS REQUIRED

C - CHANGE FROM PREVIOUS TYPE

# COOLING SYSTEM

3N-3270 HEAT EXCHANGER GP-SEA WATER (contd.)

i03439043



GRAPHIC #1

<END>

g01410824



# COOLING SYSTEM

## 3N-4925 HEAT EXCHANGER GP-SEA WATER

S/N: 85Z3764-UP

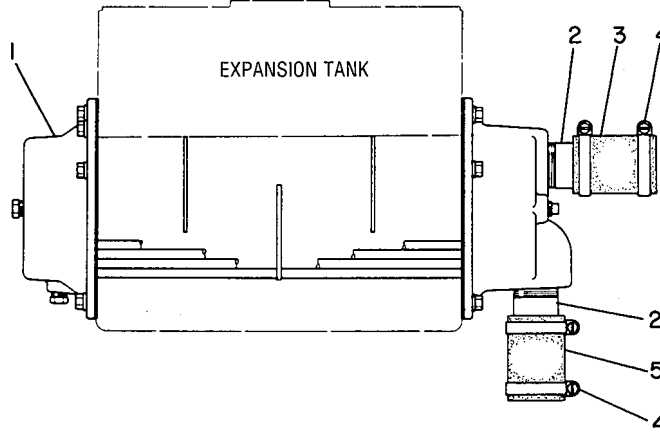
**FOR USE WITH EXPANSION TANK, AUXILIARY WATER PUMP OR AUXILIARY WATER LINES  
AN ATTACHMENT**

**SMCS-1379**

**i02014959**

NOTE	REF NO	GRAPHIC REF	PART NUMBER	QTY	PART NAME						SEE PAGE
					1	2	3	4	5	6 (PRODUCT LEVEL)	
Y	1	1	<b>3N-3270</b>	1	HEAT EXCHANGER GP-SEA WATER						297
	2	1	<b>4H-7137</b>	2	PIPE						
G	3	1	<b>5P-1258</b>		HOSE (3.50-IN)						
	4	1	<b>9M-0164</b>	4	CLAMP-HOSE						
G	5	1	<b>5P-1258</b>		HOSE (3.50-IN)						

G - ORDER BY THE INCH  
Y - SEPARATE ILLUSTRATION



GRAPHIC #1

<END>

g00134754

# COOLING SYSTEM

## 3N-7990 HEAT EXCHANGER GP-SEA WATER

S/N: 85Z3764-UP

23 SQUARE FEET COOLING

PART OF 3N-8775 HEAT EXCHANGER GP-SEA WATER

AN ATTACHMENT

SMCS-1379

i06675499

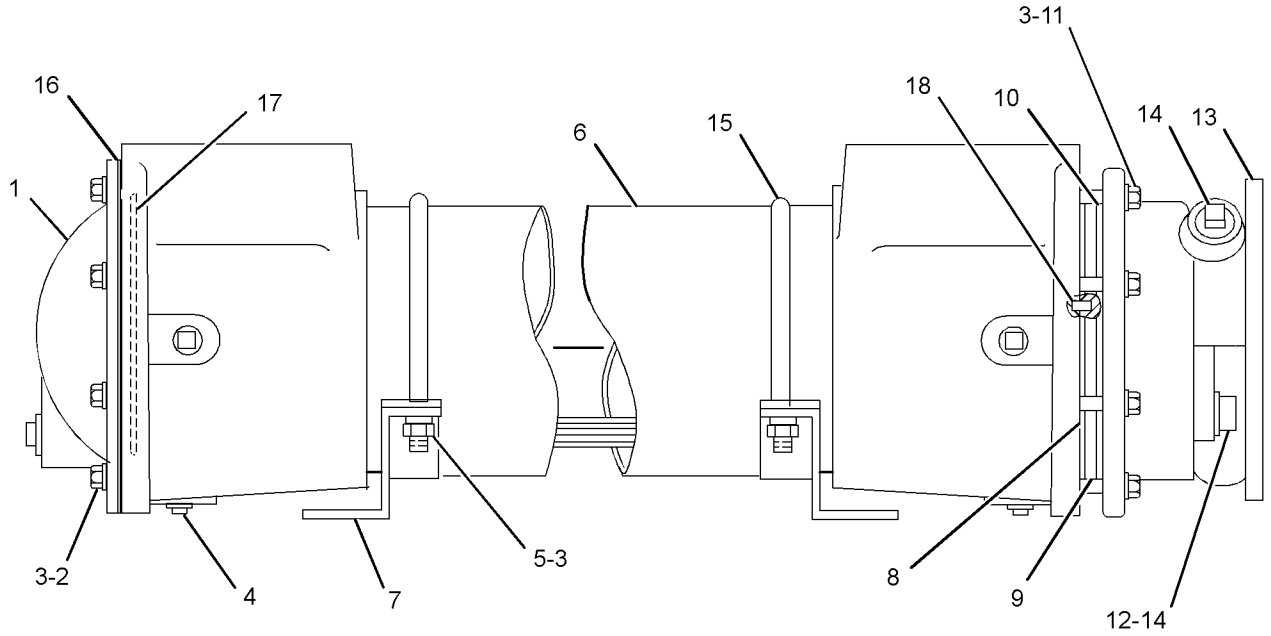
NOTE	REF NO	GRAPHIC REF	PART NUMBER	QTY	PART NAME						SEE PAGE
					1	2	3	4	5	6 (PRODUCT LEVEL)	
	1	1	<b>8L-4502</b>	1	BONNET (RETURN)						
	2	1	<b>9B-7237</b>	8	BOLT (3/8-16X1.25-IN)						
	3	1	<b>3B-4506</b>	20	LOCKWASHER						
	4	1	<b>6L-2282</b>	4	PLUG-PIPE						
	5	1	<b>6V-8801</b>	4	NUT (3/8-16-THD)						
	6	1	<b>3N-9636</b>	1	SHELL AS						
	7	1	<b>3N-9612</b>	2	BRACKET AS						
	8	1	<b>8L-4497</b>	1	GASKET						
	9	1	<b>293-0004</b>	1	CORE AS (HEAT EXCHANGER)						
	10	1	<b>8L-4498</b>	1	GASKET						
	11	1	<b>5S-7383</b>	8	BOLT (3/8-16X1.75-IN)						
	12	1	<i>8L-4521</i>	2	ROD AS-ZINC						
					(EACH INCLUDES)						
		1	<b>6L-2280</b>	1	ROD-ZINC (HEAT EXCHANGER)						
		1	<b>5B-9169</b>	1	PLUG-DRAIN (HEAT EXCHANGER)						
	13	1	<b>3N-9607</b>	1	BONNET						
	14	1	<b>5B-9169</b>	2	PLUG-DRAIN (HEAT EXCHANGER)						
	15	1	<b>3N-9599</b>	2	U-BOLT						
B	16	1	<b>8L-9767</b>	32	SHIM (0.015-IN THK)						
	17	1	<b>3N-7351</b>	1	SEAL-RUBBER						
	18	1	<b>1H-1200</b>	1	PIN-SPRING						

B - USE AS REQUIRED

# COOLING SYSTEM

3N-7990 HEAT EXCHANGER GP-SEA WATER (contd.)

i06675499



GRAPHIC #1

<END>

g01261822

# COOLING SYSTEM

## 3N-8775 HEAT EXCHANGER GP-SEA WATER

S/N: 85Z3764-UP

28-SQ FT COOLING

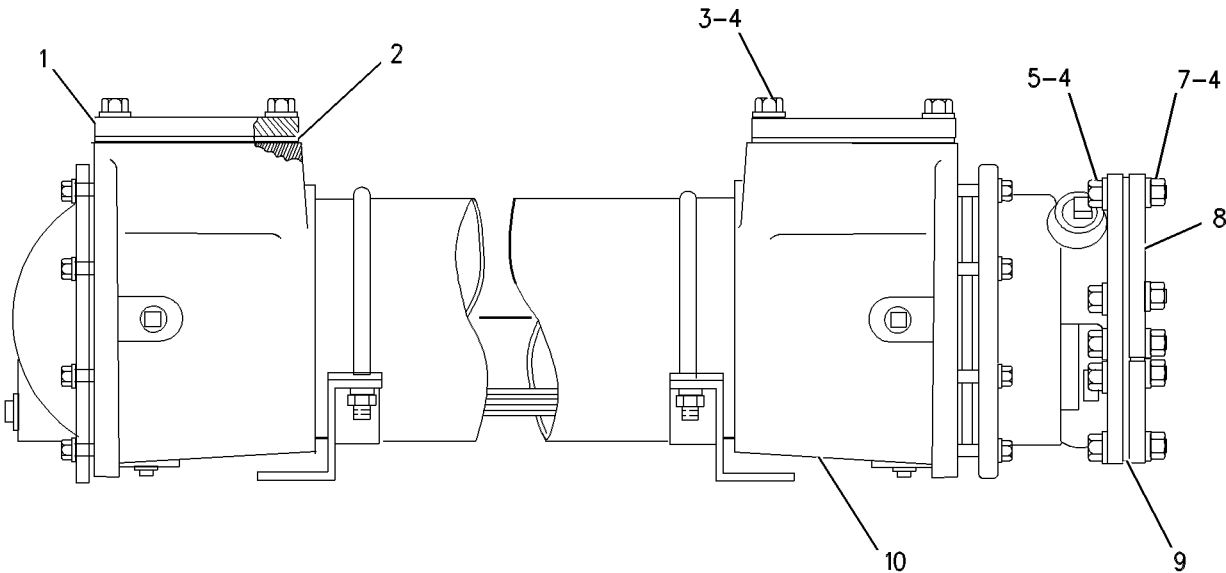
FOR USE WITH ALL 60 HERTZ RATINGS FOR HEAT EXCHANGE SIZING  
AN ATTACHMENT

SMCS-1379

i01983550

NOTE	REF NO	GRAPHIC REF	PART NUMBER	QTY	PART NAME						SEE PAGE
					1	2	3	4	5	6 (PRODUCT LEVEL)	
	1	1	<b>3N-9479</b>	2	FLANGE						
	2	1	<b>4L-3862</b>	2	GASKET						
	3	1	<b>9B-7237</b>	8	BOLT (3/8-16X1.25-IN)						
	4	1	<b>8T-4896</b>	24	WASHER-HARD (10.2X18.5X2.5-MM THK)						
	5	1	<b>6V-8801</b>	8	NUT (3/8-16-THD)						
	7	1	<b>5S-7383</b>	8	BOLT (3/8-16X1.75-IN)						
	8	1	<b>3N-1555</b>	2	FLANGE						
	9	1	<b>4F-4873</b>	2	GASKET						
Y	10	1	<b>3N-7990</b>	1	HEAT EXCHANGER GP-SEA WATER						300

Y - SEPARATE ILLUSTRATION



GRAPHIC #1

<END>

g00610171

# COOLING SYSTEM

## 6C-9480 HEAT EXCHANGER GP-SEA WATER

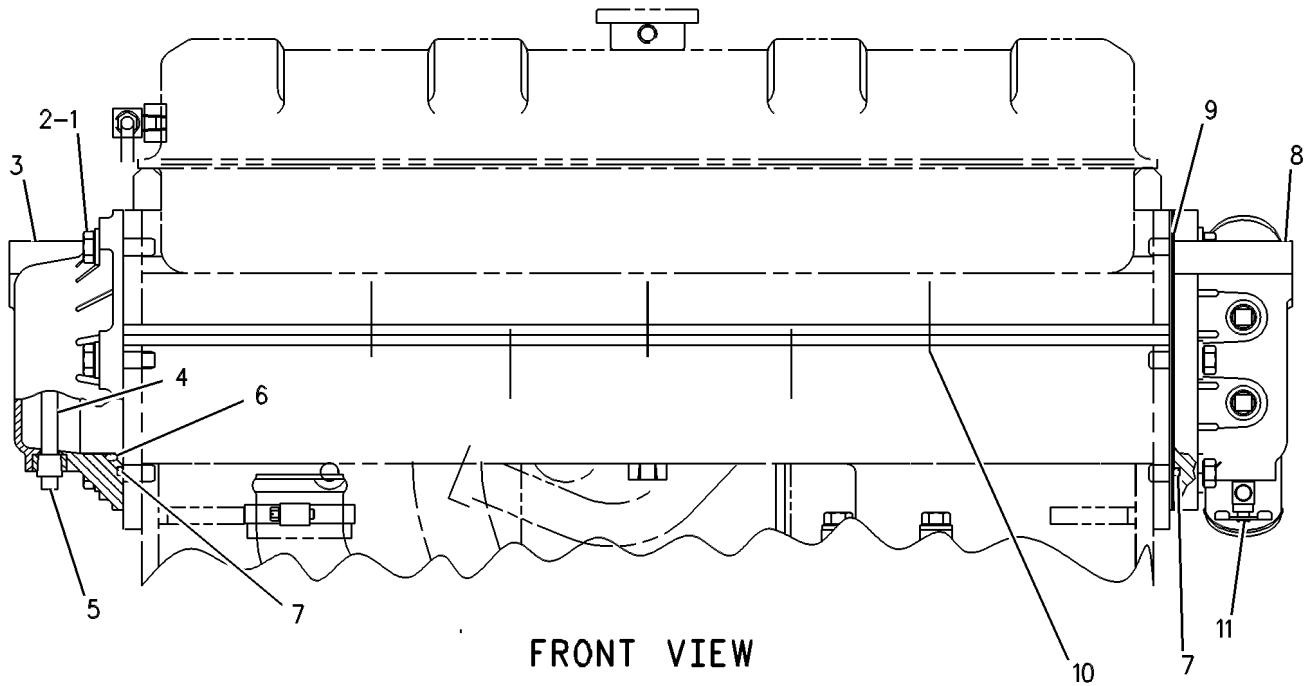
S/N: 85Z3764-UP

FOR USE WITH 112-4033-PAGE: 426, 112-5740-PAGE: 315  
AN ATTACHMENT

SMCS-1379

i03439081

NOTE	REF NO	GRAPHIC REF	PART NUMBER	QTY	PART NAME						SEE PAGE
					1	2	3	4	5	6	
	1	1	<b>0S-1588</b>	12	BOLT (3/8-16X1.25-IN)						
	2	1	<b>9X-6458</b>	12	WASHER-HARD (10.2X22.5X3-MM THK)						
	3	1	<b>103-5820</b>	1	BONNET-EXCHANGER						
	4	1	<b>6L-2283</b>	3	ROD-ZINC (HEAT EXCHANGER)						
	5	1	<b>6L-2282</b>	3	PLUG-PIPE						
	6	1	<b>6V-5504</b>	1	SEAL-O-RING						
	7	1	<b>5F-3999</b>	2	SEAL-O-RING						
	8	1	<b>9Y-5163</b>	1	BONNET-HEAT EXCHANGER						
	9	1	<b>4P-3873</b>	1	GASKET						
	10	1	<b>9Y-3333</b>	1	BUNDLE AS						
	11	1	<b>2P-4173</b>	1	VALVE-DRAIN (HEAT EXCHANGER)						



GRAPHIC #1

<END>

g00253780

# COOLING SYSTEM

## 7C-1488 HEAT EXCHANGER GP-SEA WATER

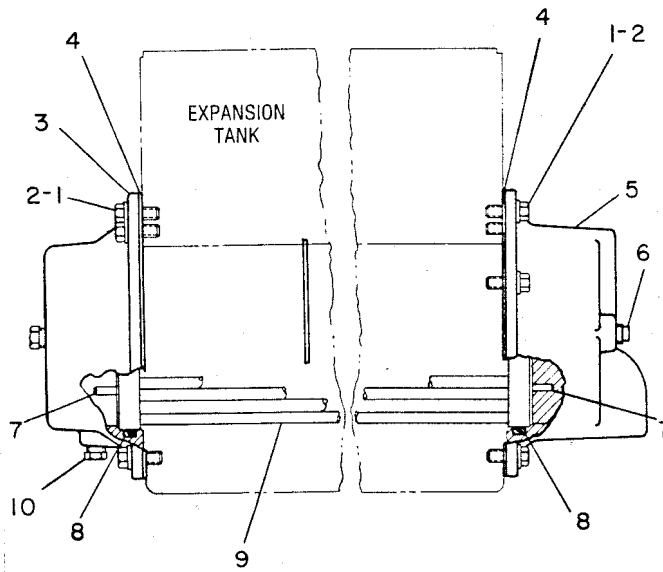
S/N: 85Z3764-UP

PART OF 7C-1489 HEAT EXCHANGER GP-SEA WATER  
AN ATTACHMENT

SMCS-1379

i03634496

NOTE	REF NO	GRAPHIC REF	PART NUMBER	QTY	PART NAME						SEE PAGE
					1	2	3	4	5	6	
	1	1	<b>1A-2029</b>	14	BOLT (3/8-16X1.125-IN)						
	2	1	<b>5M-2894</b>	14	WASHER-HARD (10.2X18.5X2.5-MM THK)						
	3	1	<b>7L-0875</b>	1	BONNET-HEAT EXCHANGER						
	4	1	<b>7L-0874</b>	2	GASKET-HEAT EXCHANGER						
	5	1	<b>7L-0877</b>	1	BONNET-HEAT EXCHANGER						
	6	1	<b>5L-7685</b>	2	ROD AS-ZINC (AUXILIARY SEA WATER PUMP)						
					(EACH INCLUDES)						
		1	<b>233-8525</b>	1	PLUG-PIPE						
		1	<b>6L-2280</b>	1	ROD-ZINC (SEA WATER HEAT EXCHANGER)						
	7	1	<b>8L-4478</b>	2	DOWEL						
	8	1	<b>5D-6642</b>	2	SEAL-O-RING						
	9	1	<b>310-3658</b>	1	BUNDLE AS-TUBE						
	10	1	<b>9B-0887</b>	2	PLUG-PIPE						



FRONT VIEW

GRAPHIC #1

<END>

g00186851

# COOLING SYSTEM

## 7C-1489 HEAT EXCHANGER GP-SEA WATER

S/N: 85Z3764-UP

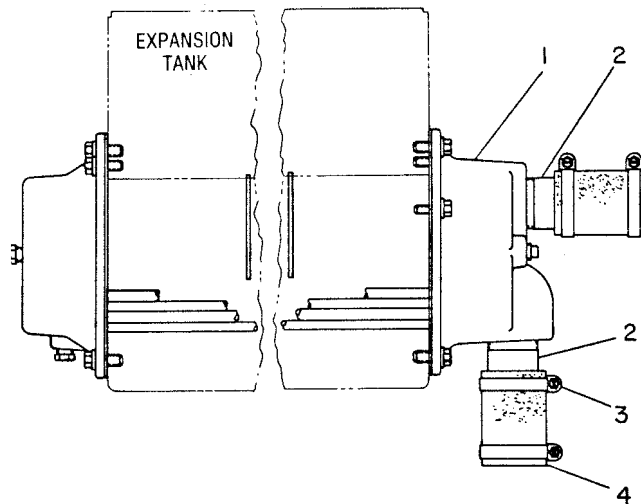
FOR USE WITH WATERCOOLED MANIFOLDS ONLY  
AN ATTACHMENT

SMCS-1379

i00662615

NOTE	REF NO	GRAPHIC REF	PART NUMBER	QTY	PART NAME						SEE PAGE
					1	2	3	4	5	6 (PRODUCT LEVEL)	
Y	1	1	<b>7C-1488</b>	1	HEAT EXCHANGER GP-SEA WATER						304
	2	1	<b>4H-7137</b>	2	PIPE						
	3	1	<b>9M-0164</b>	4	CLAMP-HOSE						
E	4	1	<b>5P-1258</b>	2	HOSE (8.89CM EA.)						

E - ORDER BY THE CENTIMETER  
Y - SEPARATE ILLUSTRATION



FRONT VIEW

GRAPHIC #1

<END>

g00186849

# COOLING SYSTEM

## 130-8357 HOUSING & REGULATOR GP

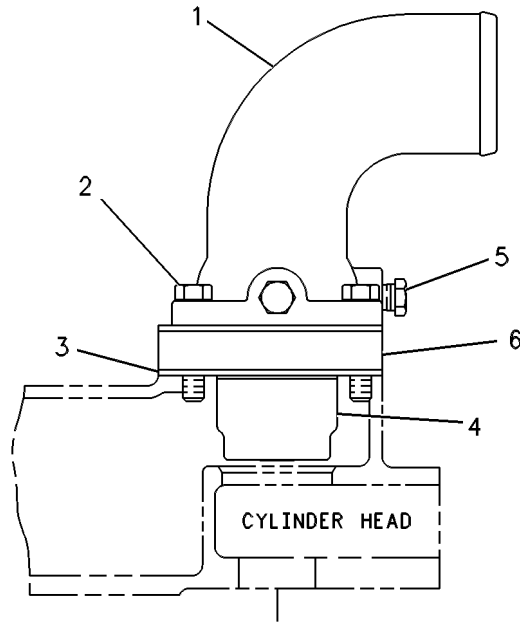
S/N: 85Z3764-UP

FOR USE WITH 112-4033-PAGE: 426  
AN ATTACHMENT

SMCS-1355, 1393

i02014411

NOTE	REF NO	GRAPHIC REF	PART NUMBER	QTY	PART NAME						SEE PAGE
					1	2	3	4	5	6 (PRODUCT LEVEL)	
	1	1	<b>3N-3806</b>	1	ELBOW-OUTLET						
	2	1	<b>0L-2070</b>	4	BOLT (3/8-16X2.25-IN)						
	3	1	<b>7N-0944</b>	1	GASKET (WATER TEMPERATURE REGULATOR)						
	4	1	<b>111-8010</b>	1	REGULATOR-WATER TEMPERATURE						
	5	1	<b>8T-6765</b>	2	PLUG-PIPE (1/4-18-THD)						
	6	1	<b>130-8356</b>	1	SPACER (25.5-MM THK)						



RIGHT SIDE VIEW

GRAPHIC #1

<END>

g00261235



# COOLING SYSTEM

## 132-2076 HOUSING & REGULATOR GP

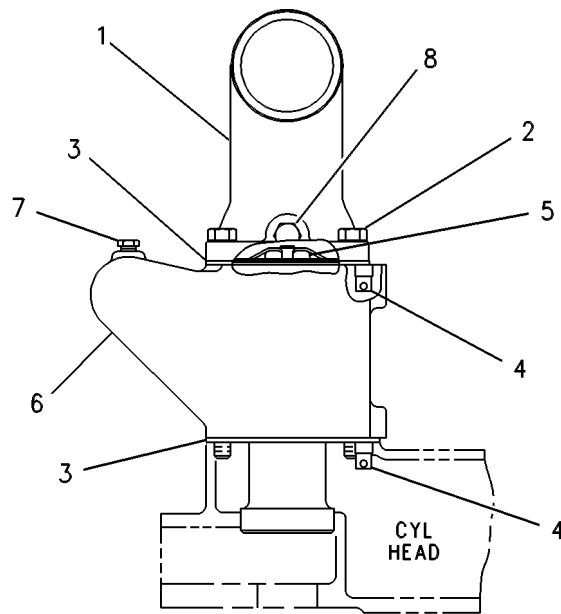
S/N: 85Z3764-UP

FOR USE WITH DITA ENGINES WITH KEEL COOLING  
AN ATTACHMENT

SMCS-1355, 1393

i01850240

NOTE	REF NO	GRAPHIC REF	PART NUMBER	QTY	PART NAME						SEE PAGE
					1	2	3	4	5	6 (PRODUCT LEVEL)	
	1	1	<b>6A-9611</b>	1	PIPE-OUTLET						
	2	1	<b>5B-9603</b>	4	BOLT (3/8-16X5-IN)						
	3	1	<b>7N-0944</b>	2	GASKET						
	4	1	<b>8N-4485</b>	2	VALVE AS-VENT						
	5	1	<b>111-8010</b>	1	REGULATOR-WATER TEMPERATURE						
	6	1	<b>7N-6745</b>	1	HOUSING-REGULATOR						
	7	1	<b>8T-6764</b>	1	PLUG-PIPE (1/8-27-THD)						
	8	1	<b>8T-6765</b>	1	PLUG-PIPE (1/4-18-THD)						



LEFT SIDE VIEW

GRAPHIC #1

<END>

g00270699

# COOLING SYSTEM

## 3N-3279 HOUSING & REGULATOR GP

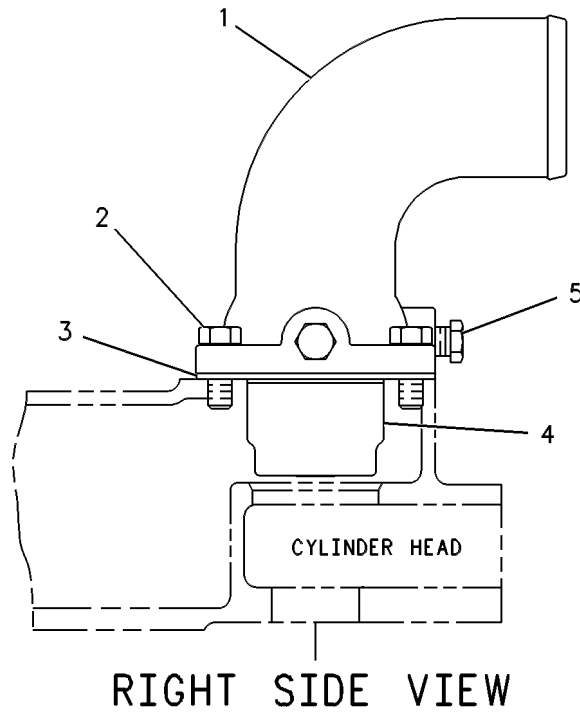
S/N: 85Z3764-UP  
FOR USE WITH EXPANSION TANK  
AN ATTACHMENT

SMCS-1355, 1393

i01987268

NOTE	REF NO	GRAPHIC REF	PART NUMBER	QTY	PART NAME						SEE PAGE
					1	2	3	4	5	6 (PRODUCT LEVEL)	
	1	1	<b>3N-3806</b>	1	ELBOW-OUTLET						
C	2	1	<b>0S-1594</b>	4	BOLT (3/8-16X1-IN)						
C	3	1	<b>7N-0944</b>	1	GASKET (WATER TEMPERATURE REGULATOR)						
C	4	1	<b>111-8010</b>	1	REGULATOR-WATER TEMPERATURE (COOLANT)						
C	5	1	<b>8T-6765</b>	2	PLUG-PIPE (1/4-18-THD)						

C - CHANGE FROM PREVIOUS TYPE



GRAPHIC #1

<END>

g00255247

# COOLING SYSTEM

## 6N-5782 HOUSING & REGULATOR GP

S/N: 85Z3764-UP

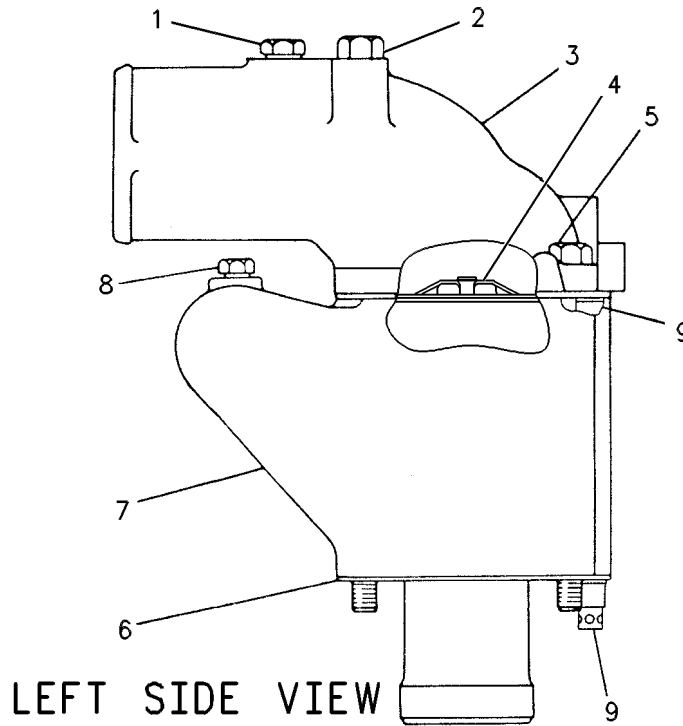
FOR USE WITH TURBOCHARGED AFTERCOOLED ENGINES WITH WATERCOOLED EXHAUST MANIFOLD  
AN ATTACHMENT

SMCS-1355, 1393

i01987271

NOTE	REF NO	GRAPHIC REF	PART NUMBER	QTY	PART NAME						SEE PAGE
					1	2	3	4	5	6 (PRODUCT LEVEL)	
	1	1	<b>8T-6765</b>	1	PLUG-PIPE (1/4-18-THD)						
	2	1	<b>8F-6350</b>	1	BOLT (3/8-16X8-IN)						
	3	1	<b>6N-4879</b>	1	ELBOW-OUTLET						
C	4	1	<b>111-8010</b>	1	REGULATOR-WATER TEMPERATURE (COOLANT)						
	5	1	<b>5B-9603</b>	3	BOLT (3/8-16X5-IN)						
C	6	1	<b>7N-0944</b>	2	GASKET (WATER TEMPERATURE REGULATOR)						
C	7	1	<b>7N-6745</b>	1	HOUSING-REGULATOR						
	8	1	<b>8T-6764</b>	1	PLUG-PIPE (1/8-27-THD)						
C	9	1	<b>8N-4485</b>	2	VALVE AS-VENT (REGULATOR, HOUSING)						

C - CHANGE FROM PREVIOUS TYPE



GRAPHIC #1

<END>

g00255432

# COOLING SYSTEM

## 7C-7414 HOUSING & REGULATOR GP

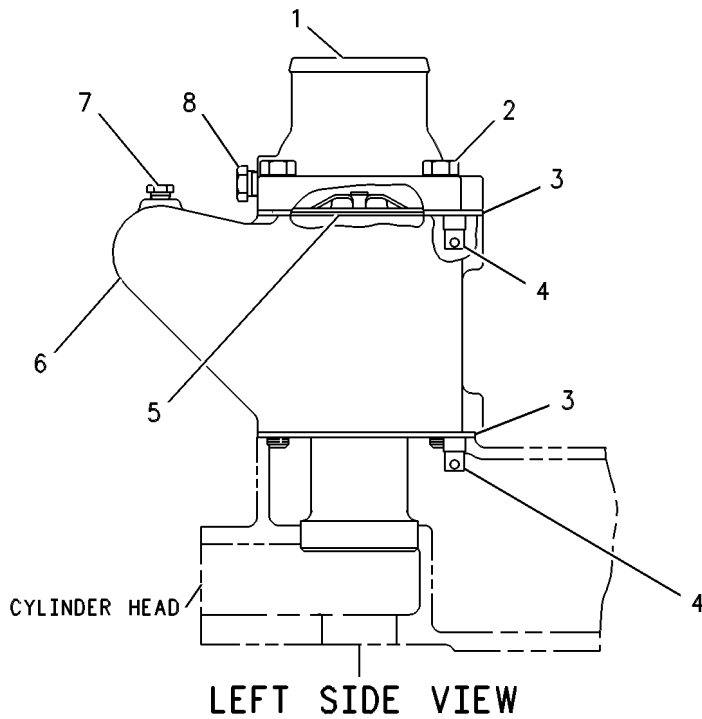
S/N: 85Z3764-UP

**CANNOT BE USED WITH EXPANSION TANKS  
AN ATTACHMENT**

SMCS-1355, 1393

i05888570

NOTE	REF NO	GRAPHIC REF	PART NUMBER	QTY	PART NAME						SEE PAGE
					1	2	3	4	5	6 (PRODUCT LEVEL)	
	1	1	<b>1P-9989</b>	1	PIPE-HEAD OUTLET						
	2	1	<b>5B-9603</b>	4	BOLT (3/8-16X5-IN)						
	3	1	<b>331-8553</b>	2	GASKET						
	4	1	<b>8N-4485</b>	2	VALVE AS-VENT						
	5	1	<b>116-7577</b>	1	REGULATOR-WATER TEMPERATURE (97-DEG C)						
	6	1	<b>7N-6745</b>	1	HOUSING-REGULATOR						
	7	1	<b>8T-6764</b>	1	PLUG-PIPE (1/8-27-THD)						
	8	1	<b>8T-6765</b>	1	PLUG-PIPE (1/4-18-THD)						



GRAPHIC #1

<END>

g00248364

# COOLING SYSTEM

## 170-0560 KIT-WATER PUMP

S/N: 85Z3764-UP  
**WATER PUMP GASKET KIT**  
**FIELD INSTALLATION**

**SMCS-1361**

**i07588420**

NOTE	PART NUMBER	QTY	PART NAME 1 2 3 4 5 6 (PRODUCT LEVEL)	SEE PAGE
	<b>6H-3957</b>	2	BALL BEARING	
	<b>0S-1594</b>	1	BOLT (3/8-16X1-IN)	
	<b>6K-3771</b>	1	BOLT-12 POINT HEAD (7/16-14X1.5-IN)	
	<b>4N-5834</b>	1	FILTER-FOAM (WATER PUMP HOUSING)	
	<b>1K-6985</b>	1	RING-RETAINING	
	<b>262-4378</b>	1	SEAL AS-WATER PUMP	
	<b>154-4482</b>	1	SEAL-LIP TYPE	
	<b>172-5185</b>	1	SHAFT-WATER PUMP	
	<b>9X-6458</b>	1	WASHER-HARD (10.2X22.5X3-MM THK)	

<END>

## 170-0566 KIT-WATER PUMP

S/N: 85Z3764-UP  
**WATER PUMP REBUILD KIT**  
**FIELD INSTALLATION**

**SMCS-1361**

**i06688369**

NOTE	PART NUMBER	QTY	PART NAME 1 2 3 4 5 6 (PRODUCT LEVEL)	SEE PAGE
	<b>6H-3957</b>	1	BALL BEARING	
	<b>8H-9789</b>	1	BALL BEARING	
	<b>0L-1352</b>	1	BOLT (3/8-16X3.25-IN)	
	<b>0S-1594</b>	1	BOLT (3/8-16X1-IN)	
	<b>8T-6765</b>	1	PLUG-PIPE (1/4-18-THD)	
	<b>1K-6985</b>	1	RING-RETAINING	
	<b>262-4378</b>	1	SEAL AS-WATER PUMP	
	<b>154-4482</b>	1	SEAL-LIP TYPE	
	<b>172-5185</b>	1	SHAFT-WATER PUMP	
	<b>9M-6527</b>	2	WASHER-HARD (10.2X25.5X5-MM THK)	

<END>

# COOLING SYSTEM

## 170-0570 KIT-WATER PUMP

S/N: 85Z3764-UP  
FIELD INSTALLATION

SMCS-1361

i06749835

NOTE	PART NUMBER	QTY	PART NAME 1 2 3 4 5 6 (PRODUCT LEVEL)	SEE PAGE
	<b>169-1750</b>	1	SEAL GP	
	<b>6H-3957</b>	1	BALL BEARING	
	<b>8H-9789</b>	1	BALL BEARING	
	<b>0S-1594</b>	2	BOLT (3/8-16X1-IN)	
	<b>3B-8428</b>	1	BOLT (7/16-14X3.25-IN)	
	<b>4N-5834</b>	1	FILTER-FOAM (WATER PUMP HOUSING)	
	<b>172-0038</b>	1	GASKET	
	<b>1K-6985</b>	1	RING-RETAINING	
	<b>154-4482</b>	1	SEAL-LIP TYPE	
	<b>149-0791</b>	1	SHAFT-WATER PUMP	
	<b>4S-9191</b>	1	WASHER (12X22.5X5-MM THK)	
	<b>9X-6458</b>	1	WASHER-HARD (10.2X22.5X3-MM THK)	

<END>

## 377-7037 KIT-WATER PUMP

S/N: 85Z3764-UP  
FIELD INSTALLATION

SMCS-1361

i07232319

NOTE	PART NUMBER	QTY	PART NAME 1 2 3 4 5 6 (PRODUCT LEVEL)	SEE PAGE
	<b>108-7930</b>	1	BEARING AS-ROLLER	
	<b>165-3929</b>	1	BOLT (3/8-16X1.5-IN)	
	<b>1A-1135</b>	1	BOLT (5/8-11X2-IN)	
	<b>136-3742</b>	1	FILTER	
	<b>111-2721</b>	1	PLUG-FELT	
	<b>136-1107</b>	1	RETAINER	
	<b>153-1256</b>	1	SEAL-LIP TYPE	
	<b>9M-3786</b>	1	SEAL-O-RING	
	<b>109-0077</b>	1	SEAL-O-RING	
	<b>122-3772</b>	1	SEAL-O-RING	
	<b>349-2654</b>	1	SEAL-WATER PUMP	
	<b>135-4928</b>	1	SHAFT-WATER PUMP	
	<b>5S-0581</b>	1	WASHER-HARD (17X38X8-MM THK)	
	<b>9M-6527</b>	1	WASHER-HARD (10.2X25.5X5-MM THK)	

FOR A LIST OF RELATED PARTS THAT MAY BE  
REQUIRED FOR THE ENGINE REBUILD TO THE KIT  
CONSIST, PLEASE VISIT:

[HTTP://DEALER.CAT.COM/RELATED](http://dealer.cat.com/related)

<END>

# COOLING SYSTEM

## 433-9952 KIT-WATER PUMP

S/N: 85Z3764-UP

CONTAINS THE GASKETS AND SEALS TO REINSTALL WATER PUMP AND ATTACHING LINES.  
FIELD REPLACEMENT FOR 223-2484 KIT-GASKET  
FIELD INSTALLATION

SMCS-1361

i07321009

NOTE	PART NUMBER	QTY	PART NAME						SEE PAGE
			1	2	3	4	5	6 (PRODUCT LEVEL)	
	<b>1W-2636</b>	1	GASKET						
	<b>198-1517</b>	1	GASKET						
	<b>7C-0307</b>	1	GASKET (REGULATOR HOUSING, OUTLET)						
	<b>109-0076</b>	1	SEAL-O-RING						
	<b>109-0077</b>	2	SEAL-O-RING						
	<b>122-3772</b>	1	SEAL-O-RING						
FOR A LIST OF RELATED PARTS THAT REQUIRED FOR THE ENGINE REBUILD TO THE KIT CONSIST, PLEASE VISIT									
<a href="https://dealer.cat.com/related">HTTPS://DEALER.CAT.COM/RELATED</a>									
<END>									

# COOLING SYSTEM

## 6N-8492 LINES GP-AFTERCOOLER WATER

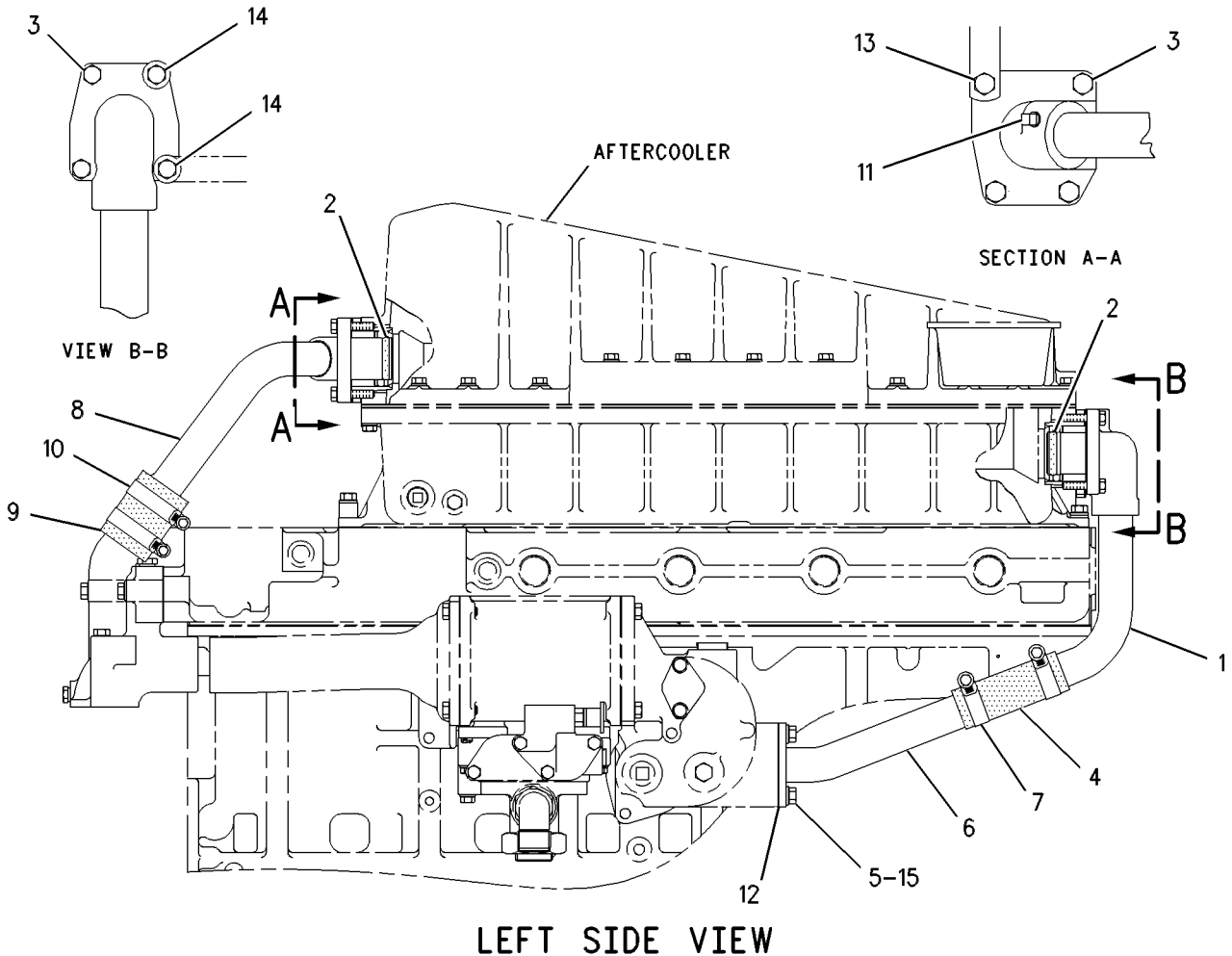
S/N: 85Z3764-UP

SMCS-1380

i03705485

NOTE	REF NO	GRAPHIC REF	PART NUMBER	QTY	PART NAME						SEE PAGE
					1	2	3	4	5	6 (PRODUCT LEVEL)	
	1	1	<b>175-3418</b>	1	TUBE AS						
	2	1	<b>5M-5860</b>	2	SEAL-O-RING						
	3	1	<b>1A-9579</b>	7	BOLT (5/16-18X1.5-IN)						
E	4	1	<b>5P-1255</b>		HOSE (11.43-CM)						
	5	1	<b>0S-1594</b>	2	BOLT (3/8-16X1-IN)						
	6	1	<b>175-3419</b>	1	TUBE AS						
	7	1	<b>8T-4983</b>	2	CLAMP-HOSE						
	8	1	<b>7N-0816</b>	1	TUBE AS-SUPPLY						
E	9	1	<b>5P-1257</b>		HOSE (7.62-CM)						
	10	1	<b>8T-6703</b>	2	CLAMP-HOSE						
	11	1	<b>8T-6764</b>	1	PLUG-PIPE (1/8-27-THD)						
	12	1	<b>2A-3541</b>	1	GASKET						
B	13	1	<b>1A-9579</b>	1	BOLT (5/16-18X1.5-IN)						
B	14	1	<b>9M-1974</b>	2	WASHER-HARD (8.8X16X2-MM THK)						
	15	1	<b>5M-2894</b>	2	WASHER-HARD (10.2X18.5X2.5-MM THK)						

B - USE AS REQUIRED  
E - ORDER BY THE CENTIMETER



GRAPHIC #1

<END>

g00620117



# COOLING SYSTEM

## 112-5740 LINES GP-AUXILIARY SEA WATER

S/N: 85Z3764-UP

FOR USE WITH 112-4033-PAGE: 426

AN ATTACHMENT

SMCS-1380, 3319

i03439182

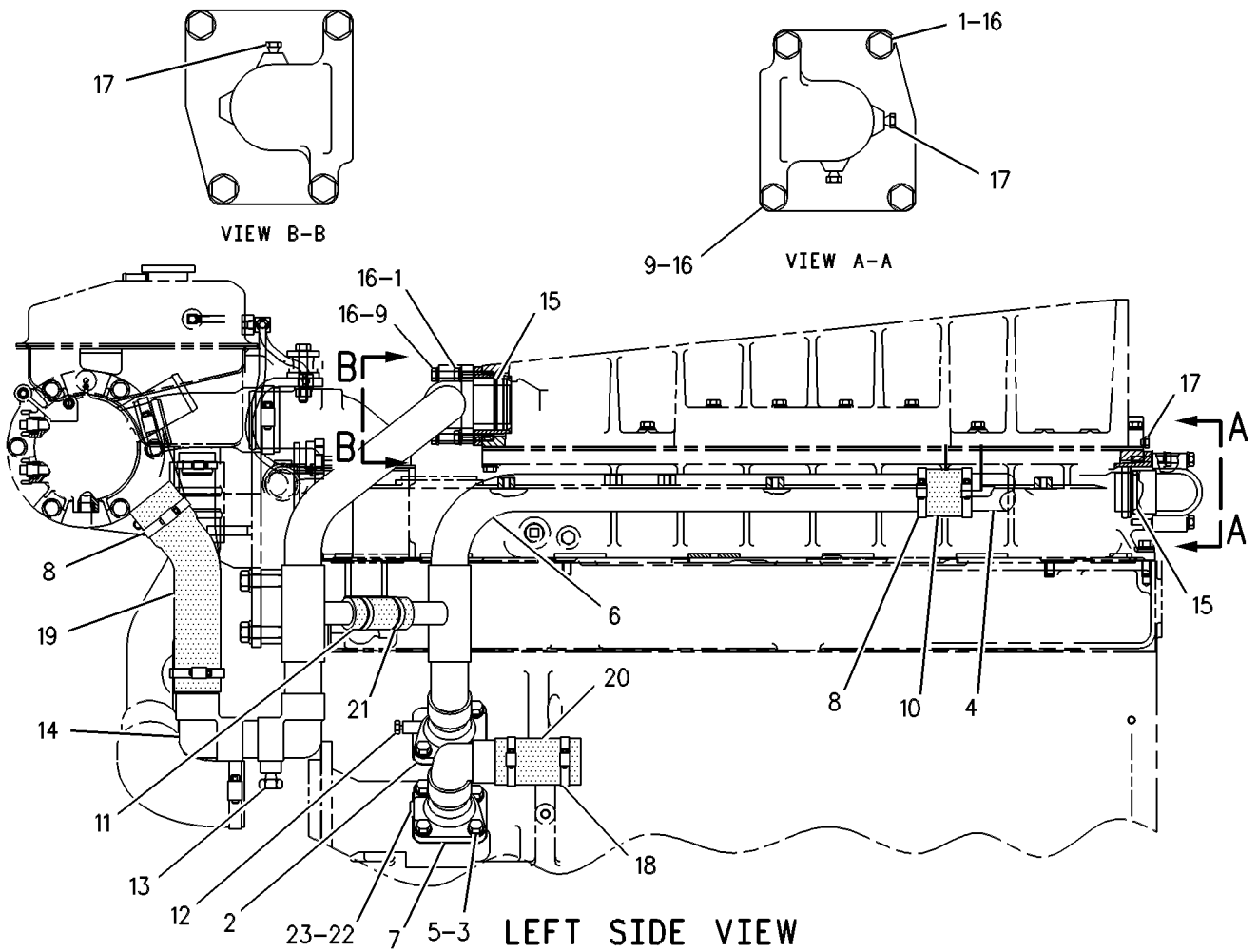
NOTE	REF NO	GRAPHIC REF	PART NUMBER	QTY	PART NAME						SEE PAGE
					1	2	3	4	5	6 (PRODUCT LEVEL)	
	1	1	<b>1A-9579</b>	4	BOLT (5/16-18X1.5-IN)						
	2	1	<b>2N-5291</b>	2	GASKET						
	3	1	<b>3H-5841</b>	6	BOLT (3/8-16X1-IN)						
	4	1	<b>4N-9862</b>	1	TUBE AS-WATER						
	5	1	<b>5M-2894</b>	6	WASHER-HARD (10.2X18.5X2.5-MM THK)						
	6	1	<b>5N-8585</b>	1	TUBE AS-SUPPLY						
	7	1	<b>5N-8590</b>	1	TUBE AS						
	8	1	<b>5P-0597</b>	4	CLAMP-HOSE						
	9	1	<b>1D-4539</b>	4	BOLT (5/16-18X2.5-IN)						
E	10	1	<b>5P-1256</b>		HOSE (6.98CM)						
E	11	1	<b>5P-1251</b>		HOSE (7.6CM)						
	12	1	<b>9B-0887</b>	1	PLUG-PIPE						
	13	1	<b>3E-7428</b>	2	PLUG-PIPE (1/4-18-THD)						
	14	1	<b>10B-8210</b>	1	TUBE AS						
	15	1	<b>5M-5860</b>	2	SEAL-O-RING						
	16	1	<b>9M-1974</b>	8	WASHER-HARD (8.8X16X2-MM THK)						
	17	1	<b>012-7950</b>	4	PLUG						
	18	1	<b>5P-2230</b>	2	CLAMP-HOSE						
	19	1	<b>6C-9279</b>	1	HOSE						
E	20	1	<b>5P-1256</b>		HOSE (6.98CM)						
	21	1	<b>9M-7958</b>	2	CLAMP-HOSE						
	22	1	<b>5B-9169</b>	1	PLUG-DRAIN (AUXILIARY SEA WATER LINES)						
	23	1	<b>6L-2280</b>	1	ROD-ZINC (AUXILIARY SEA WATER LINES)						

E - ORDER BY THE CENTIMETER

# COOLING SYSTEM

112-5740 LINES GP-AUXILIARY SEA WATER (contd.)

i03439182



GRAPHIC #1

<END>

g00256196

# COOLING SYSTEM

## 3N-4920 LINES GP-AUXILIARY SEA WATER

S/N: 85Z3764-UP

FOR USE WITH HEAT EXCHANGER AND SEA WATER PUMP  
AN ATTACHMENT

SMCS-1380, 3319

i03439089

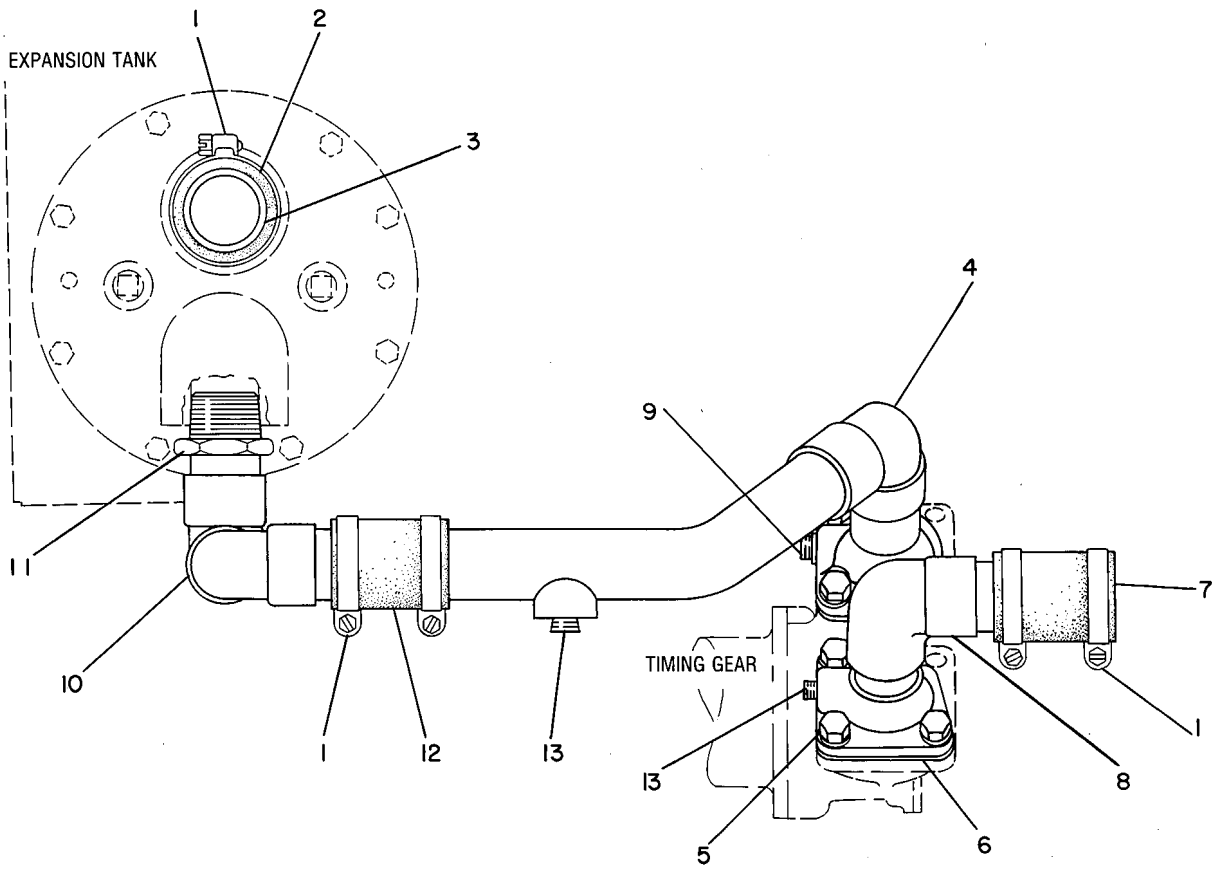
NOTE	REF NO	GRAPHIC REF	PART NUMBER	QTY	PART NAME						SEE PAGE
					1	2	3	4	5	6 (PRODUCT LEVEL)	
	1	1	<b>9M-0164</b>	6	CLAMP-HOSE						
CE	2	1	<b>5P-1258</b>		HOSE (8.89CM)						
	3	1	<b>4H-7137</b>	1	PIPE						
C	4	1	<b>5N-8588</b>	1	TUBE AS-OUTLET						
C	5	1	<b>3H-5841</b>	6	BOLT (3/8-16X1-IN)						
C		1	<b>5M-2894</b>	6	WASHER-HARD (10.2X18.5X2.5-MM THK)						
C	6	1	<b>2N-5291</b>	2	GASKET						
CE	7	1	<b>5P-1256</b>		HOSE (7.62-CM)						
C	8	1	<b>5N-8590</b>	1	TUBE AS						
	9	1	<i>5L-7685</i>	1	ROD AS-ZINC						
			<b>6L-2280</b>	1	ROD-ZINC (AUXILIARY SEA WATER LINES)						
		1	<b>233-8525</b>	1	PLUG-PIPE						
	10	1	<b>7L-0217</b>	1	TUBE AS						
	11	1	<b>5L-2994</b>	1	ADAPTER-MALE						
E	12	1	<b>5P-1256</b>		HOSE (7.62-CM)						
	13	1	<b>8B-8817</b>	2	PLUG						

C - CHANGE FROM PREVIOUS TYPE  
E - ORDER BY THE CENTIMETER

# COOLING SYSTEM

3N-4920 LINES GP-AUXILIARY SEA WATER (contd.)

103439089



GRAPHIC #1

<END>

g00150362

# COOLING SYSTEM

## 5N-8875 LINES GP-AUXILIARY SEA WATER

S/N: 85Z3764-UP

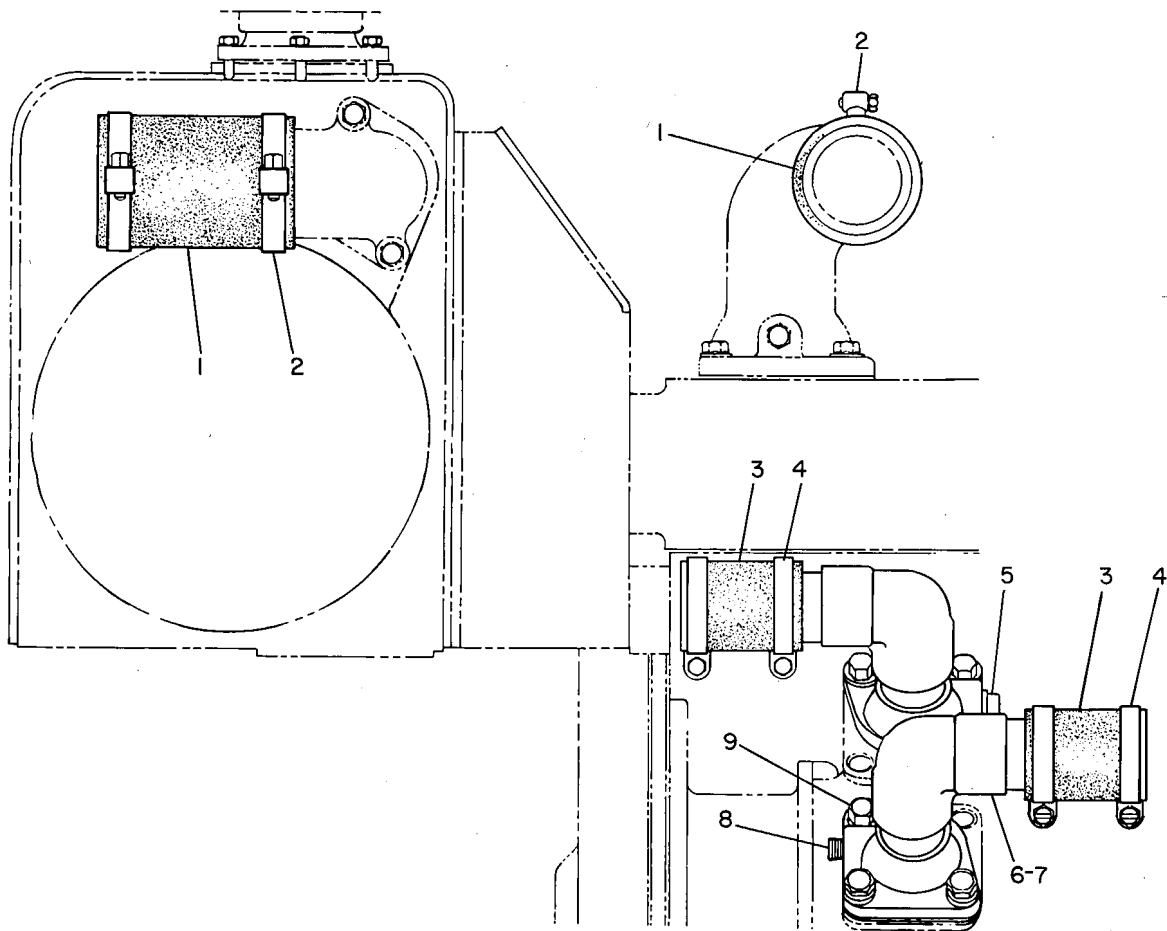
FOR USE WITH 9N-1869-PAGE: 219, HEAT EXCHANGER & SEA WATER PUMP  
AN ATTACHMENT

SMCS-1380, 3319

i01850246

NOTE	REF NO	GRAPHIC REF	PART NUMBER	QTY	PART NAME						SEE PAGE
					1	2	3	4	5	6 (PRODUCT LEVEL)	
E	1	1	<b>5P-1262</b>		HOSE (24CM)						
	2	1	<b>9M-7959</b>	4	CLAMP-HOSE						
E	3	1	<b>5P-1256</b>		HOSE (22CM)						
	4	1	<b>9M-0164</b>	4	CLAMP-HOSE						
	5	1	<b>6L-2280</b>	1	ROD-ZINC						
		1	<b>5B-9169</b>	1	PLUG-DRAIN (AUXILIARY SEA WATER LINES)						
	6	1	<b>5N-8590</b>	1	TUBE AS						
	7	1	<b>2N-5291</b>	2	GASKET						
	8	1	<b>8B-8817</b>	1	PLUG						
	9	1	<b>3H-5841</b>	6	BOLT (3/8-16X1-IN)						
		1	<b>5M-2894</b>	6	WASHER-HARD (10.2X18.5X2.5-MM THK)						

E - ORDER BY THE CENTIMETER



GRAPHIC #1

<END>

g00150353

# COOLING SYSTEM

## 5N-9114 LINES GP-AUXILIARY SEA WATER

S/N: 85Z3764-UP

FOR USE WITH REMOTE HEAT EXCHANGER AND SEA WATER PUMP  
AN ATTACHMENT

SMCS-1380, 3319

i03439142

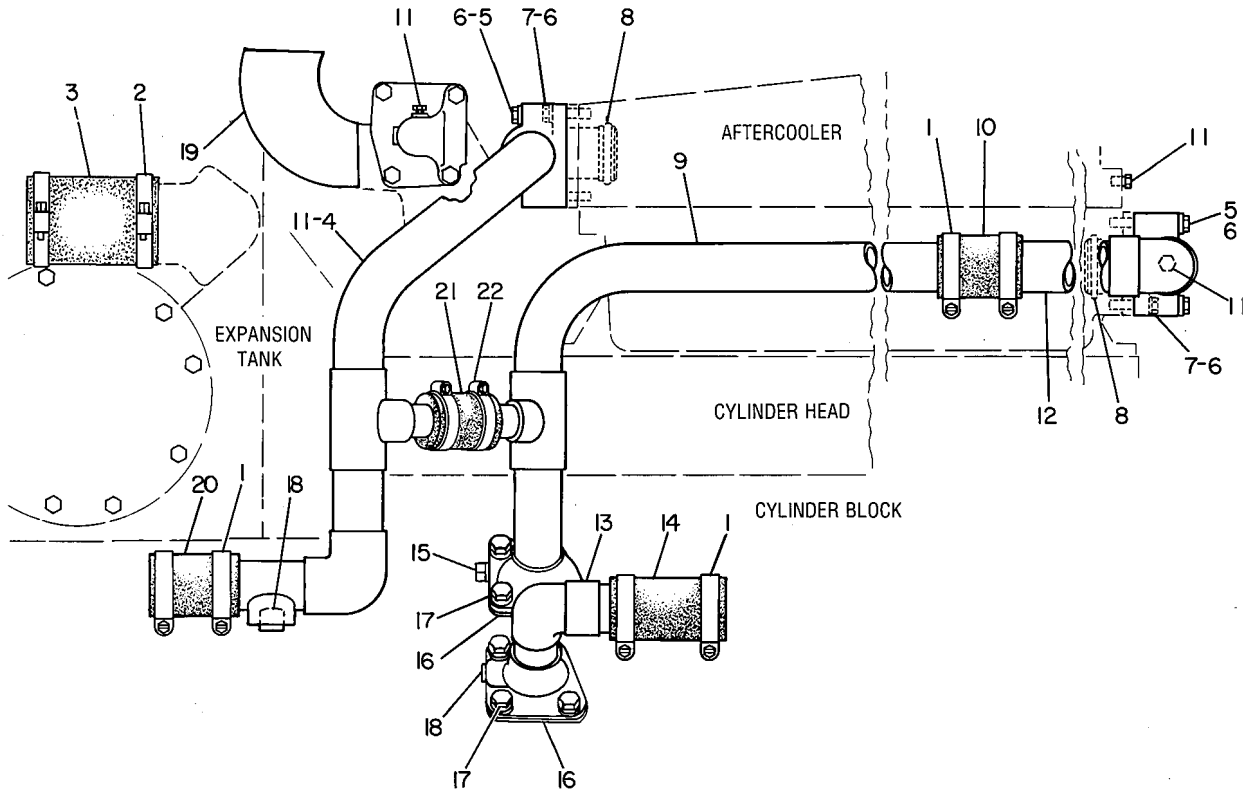
NOTE	REF NO	GRAPHIC REF	PART NUMBER	QTY	PART NAME						SEE PAGE
					1	2	3	4	5	6 (PRODUCT LEVEL)	
	1	1	<b>5P-0597</b>	6	CLAMP-HOSE						
	2	1	<b>5P-4868</b>	2	CLAMP-HOSE						
E	3	1	<b>5P-1262</b>		HOSE (11.4-CM)						
	4	1	<b>7N-0583</b>	1	TUBE AS						
	5	1	<b>5P-2955</b>	4	BOLT (5/16-18X2.5-IN)						
	6	1	<b>9M-1974</b>	8	WASHER-HARD (8.8X16X2-MM THK)						
	7	1	<b>1A-9579</b>	4	BOLT (5/16-18X1.5-IN)						
	8	1	<b>5M-5860</b>	2	SEAL-O-RING						
	9	1	<b>5N-8585</b>	1	TUBE AS-SUPPLY						
E	10	1	<b>5P-1256</b>		HOSE (7.62-CM)						
	11	1	<b>012-7950</b>	4	PLUG						
	12	1	<b>4N-9862</b>	1	TUBE AS-WATER						
	13	1	<b>5N-8590</b>	1	TUBE AS						
E	14	1	<b>5P-1256</b>		HOSE (10.16-CM)						
	15	1	<b>6L-2279</b>	1	PLUG-PIPE						
		1	<b>6L-2280</b>	1	ROD-ZINC (AUXILIARY SEA WATER LINES)						
	16	1	<b>2N-5291</b>	2	GASKET						
	17	1	<b>3H-5841</b>	6	BOLT (3/8-16X1-IN)						
		1	<b>5M-2894</b>	6	WASHER-HARD (10.2X18.5X2.5-MM THK)						
	18	1	<b>8B-8817</b>	2	PLUG						
E	19	1	<b>3R-1317</b>	1	HOSE (10.1-CM)						
E	20	1	<b>5P-1256</b>		HOSE (7.62-CM)						
E	21	1	<b>5P-1251</b>		HOSE (8-CM)						
	22	1	<b>5P-2230</b>	2	CLAMP-HOSE						

E - ORDER BY THE CENTIMETER

# COOLING SYSTEM

5N-9114 LINES GP-AUXILIARY SEA WATER (contd.)

103439142



GRAPHIC #1

<END>

g00151755

# COOLING SYSTEM

## 6C-8904 LINES GP-AUXILIARY SEA WATER

S/N: 85Z3764-UP

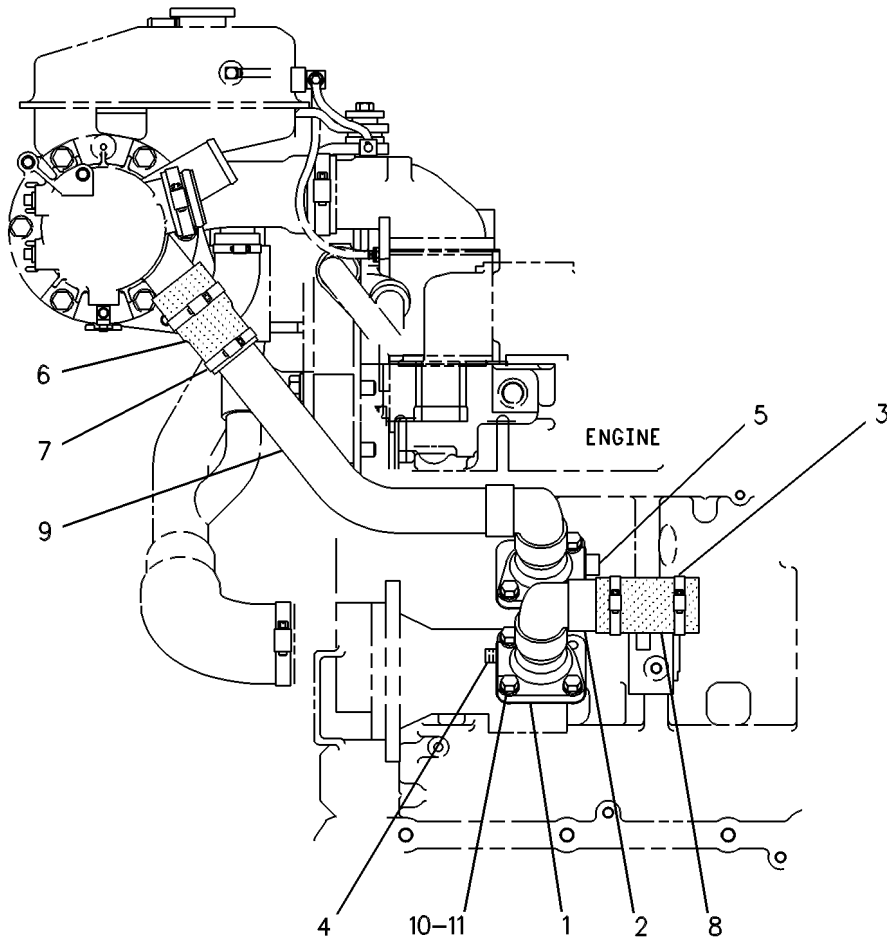
FOR USE WITH 6C-9480-PAGE: 303  
AN ATTACHMENT

SMCS-1380, 3319

i00664321

NOTE	REF NO	GRAPHIC REF	PART NUMBER	QTY	PART NAME						SEE PAGE
					1	2	3	4	5	6 (PRODUCT LEVEL)	
	1	1	<b>2N-5291</b>	2	GASKET						
	2	1	<b>5N-8590</b>	1	TUBE AS						
	3	1	<b>9M-0164</b>	2	CLAMP-HOSE						
	4	1	<b>8B-8817</b>	1	PLUG						
	5	1	<b>6L-2279</b>	1	PLUG-PIPE						
		1	<b>6L-2280</b>	1	ROD-ZINC						
	6	1	<b>112-3710</b>	1	HOSE						
	7	1	<b>5P-0597</b>	2	CLAMP-HOSE						
E	8	1	<b>5P-1256</b>		HOSE (9.6CM)						
	9	1	<b>112-4247</b>	1	TUBE AS						
	10	1	<b>5M-2894</b>	6	WASHER-HARD (10.2X18.5X2.5-MM THK)						
	11	1	<b>3H-5841</b>	6	BOLT (3/8-16X1-IN)						
AB		1	<b>9S-3263</b>		COMPOUND-THREAD LOCK						

A - NOT PART OF THIS GROUP  
B - USE AS REQUIRED  
E - ORDER BY THE CENTIMETER



LEFT SIDE VIEW

GRAPHIC #1

<END>

g00247152



# COOLING SYSTEM

## 135-5159 LINES GP-COOLANT DRAIN

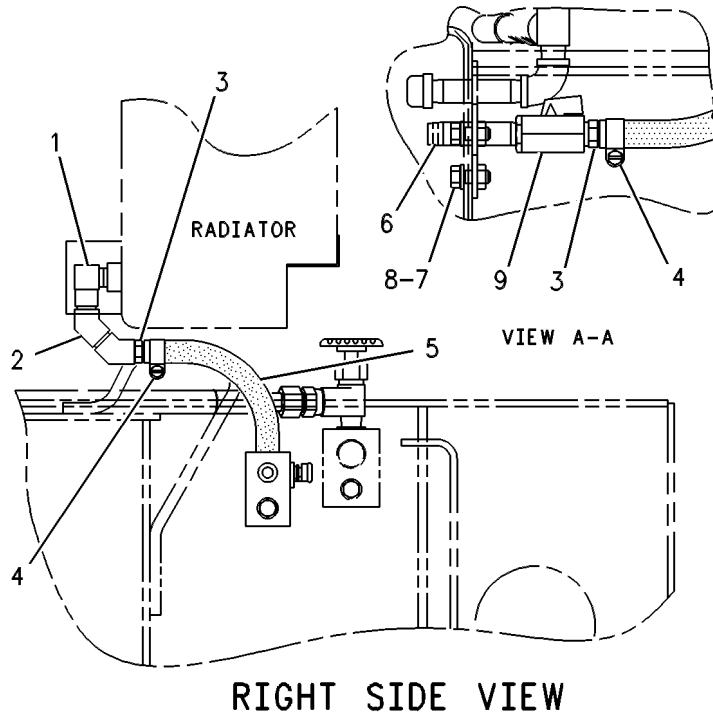
S/N: 85Z3764-UP

FOR USE WITH 133-9671-PAGE: 383, 133-9673-PAGE: 384, RADIATOR WITH 3/8 NPTF DRAIN AN ATTACHMENT

SMCS-1380

i01698103

NOTE	REF NO	GRAPHIC REF	PART NUMBER	QTY	PART NAME						SEE PAGE
					1	2	3	4	5	6 (PRODUCT LEVEL)	
1	1	1	<b>003-2143</b>	1	ELBOW						
2	1	1	<b>1L-2279</b>	2	ELBOW						
3	1	1	<b>9M-7961</b>	2	FITTING						
4	1	1	<b>5D-1026</b>	2	CLAMP-BAND						
5	1	1	<b>9X-2133</b>		HOSE (60CM)						
6	1	1	<b>9Y-3730</b>	1	FITTING AS						
		1	<b>1F-0750</b>	1	NUT-WELD (3/8-16-THD)						
		1	<b>4F-0186</b>	1	NIPPLE-PIPE						
7	1	1	<b>5S-7379</b>	1	BOLT (3/8-16X0.875-IN)						
8	1	1	<b>8T-4896</b>	1	WASHER-HARD (10.2X18.5X2.5-MM THK)						
9	1	1	<b>129-1090</b>	1	VALVE-DRAIN (COOLANT DRAIN)						



GRAPHIC #1

<END>

g00272399

# COOLING SYSTEM

## 5N-5569 LINES GP-COOLANT DRAIN

S/N: 85Z3764-UP

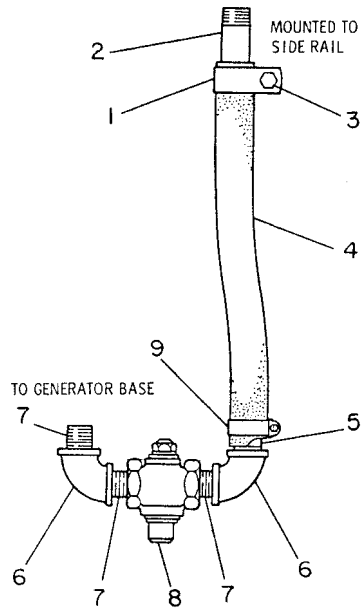
FOR USE WITH PACKAGE GENERATOR SET WITH WIDE BASE  
AN ATTACHMENT

SMCS-1380

i01856436

NOTE	REF NO	GRAPHIC REF	PART NUMBER	QTY	PART NAME						SEE PAGE
					1	2	3	4	5	6 (PRODUCT LEVEL)	
	1	1	<b>2L-2685</b>	1	CLIP						
	2	1	<b>3B-7747</b>	1	NIPPLE-PIPE						
	3	1	<b>0S-1590</b>	1	BOLT (3/8-16X2-IN)						
		1	<b>1D-4717</b>	1	NUT (3/8-16-THD)						
		1	<b>5M-2894</b>	2	WASHER-HARD (10.2X18.5X2.5-MM THK)						
		1	<b>2B-0941</b>	1	SPACER (10.5X19X19-MM THK)						
E	4	1	<b>5P-1506</b>		HOSE (38.1CM)						
	5	1	<b>9N-0415</b>	1	FITTING						
	6	1	<b>4B-5984</b>	2	ELBOW						
	7	1	<b>3B-7745</b>	3	NIPPLE-PIPE						
	8	1	<b>9B-4202</b>	1	VALVE-DRAIN (COOLANT DRAIN)						
	9	1	<b>9M-7958</b>	1	CLAMP-HOSE						

E - ORDER BY THE CENTIMETER



GRAPHIC #1

<END>

g00151068

# COOLING SYSTEM

## 7W-7316 LINES GP-COOLANT DRAIN

S/N: 85Z3764-UP

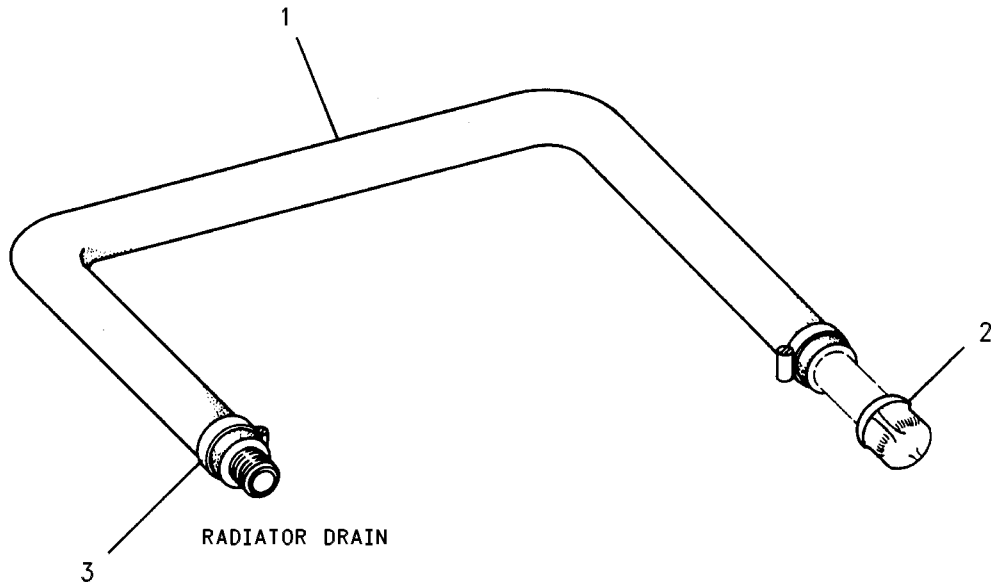
FOR USE WITH 7W-6541-PAGE: 199  
AN ATTACHMENT

SMCS-1380

i01768495

NOTE	REF NO	GRAPHIC REF	PART NUMBER	QTY	PART NAME						SEE PAGE
					1	2	3	4	5	6 (PRODUCT LEVEL)	
E	1	1	<b>5P-1401</b>		HOSE (54CM)						
		1	<b>9N-0415</b>	1	FITTING						
	2	1	<b>3B-6485</b>	1	CAP-PIPE						
	3	1	<b>9M-7958</b>	2	CLAMP-HOSE						

E - ORDER BY THE CENTIMETER



GRAPHIC #1

<END>

g00486914

# COOLING SYSTEM

## 9Y-5766 LINES GP-COOLANT DRAIN

S/N: 85Z3764-UP

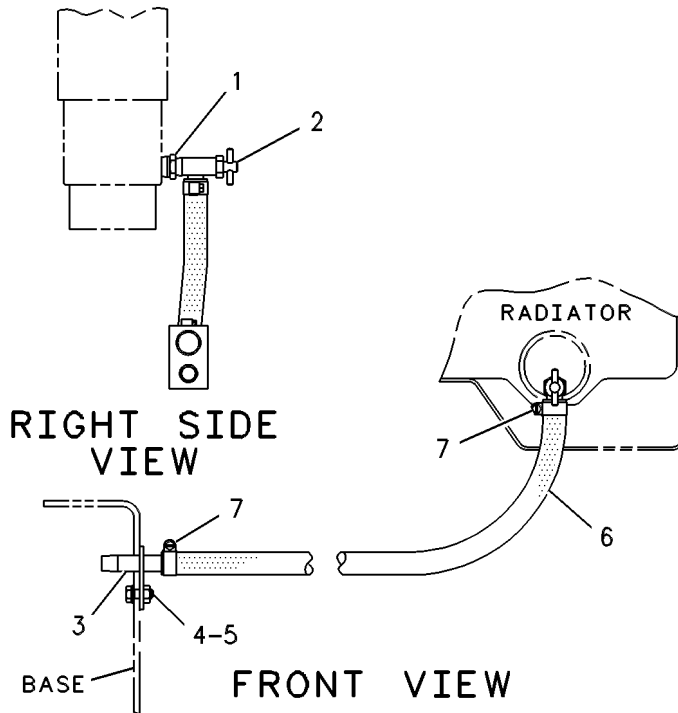
FOR USE WITH ENGINE & GENERATOR BASE  
AN ATTACHMENT

SMCS-1380

i01850318

NOTE	REF NO	GRAPHIC REF	PART NUMBER	QTY	PART NAME						SEE PAGE
					1	2	3	4	5	6	
	1	1	<b>3B-7255</b>	1	BUSHING-REDUCER						
	2	1	<b>8F-8151</b>	1	VALVE-SHUTOFF (COOLANT DRAIN)						
	3	1	<b>9Y-3730</b>	1	FITTING AS						
		1	<b>9F-2978</b>	1	NUT-WELD (3/8-16-THD)						
		1	<b>4F-0186</b>	1	NIPPLE-PIPE						
	4	1	<b>5S-7379</b>	1	BOLT (3/8-16X0.875-IN)						
	5	1	<b>8T-4896</b>	1	WASHER-HARD (10.2X18.5X2.5-MM THK)						
E	6	1	<b>5P-0767</b>		HOSE (88CM)						
	7	1	<b>5D-1026</b>	2	CLAMP-BAND						

E - ORDER BY THE CENTIMETER



GRAPHIC #1

<END>

g00260908

# COOLING SYSTEM

## 9Y-6361 LINES GP-COOLANT DRAIN

S/N: 85Z3764-UP

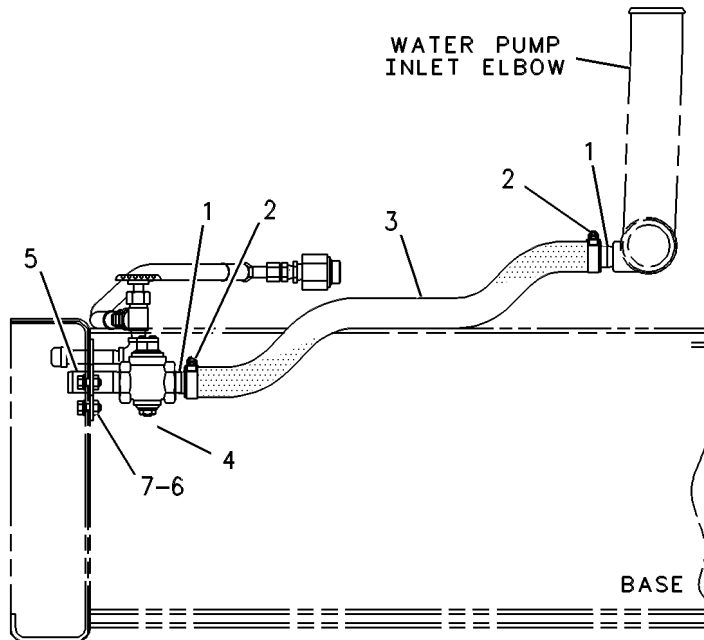
FOR USE WITH RESILIENT MOUNTED ENGINES  
AN ATTACHMENT

SMCS-1380

i01850319

NOTE	REF NO	GRAPHIC REF	PART NUMBER	QTY	PART NAME						SEE PAGE
					1	2	3	4	5	6	
	1	1	<b>9N-0415</b>	2	FITTING						
	2	1	<b>9M-7958</b>	2	CLAMP-HOSE						
E	3	1	<b>5P-1251</b>		HOSE (75CM)						
	4	1	<b>9B-4202</b>	1	VALVE-DRAIN (COOLANT DRAIN)						
	5	1	<b>9Y-3324</b>	1	FITTING AS						
		1	<b>9F-2978</b>	1	NUT-WELD (3/8-16-THD)						
		1	<b>3B-7747</b>	1	NIPPLE-PIPE						
	6	1	<b>8T-4896</b>	1	WASHER-HARD (10.2X18.5X2.5-MM THK)						
	7	1	<b>5S-7379</b>	1	BOLT (3/8-16X0.875-IN)						

E - ORDER BY THE CENTIMETER



FRONT VIEW

GRAPHIC #1

<END>

g00263292

# COOLING SYSTEM

## 116-7730 LINES GP-VENT

S/N: 85Z3764-UP

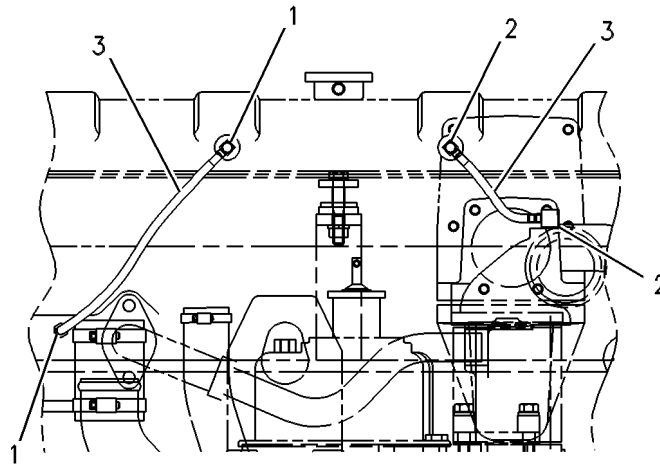
FOR USE WITH 112-4033-PAGE: 426  
AN ATTACHMENT

**SMCS-1380**

**i00662484**

NOTE	REF NO	GRAPHIC REF	PART NUMBER	QTY	PART NAME						SEE PAGE
					1	2	3	4	5	6 (PRODUCT LEVEL)	
	1	1	<b>4S-7606</b>	2	ELBOW						
	2	1	<b>5H-4778</b>	2	ELBOW						
I	3	1	<b>116-7734</b>	2	HOSE AS						

I - REFER TO HYDRAULIC INFORMATION SYSTEM



**REAR VIEW**

GRAPHIC #1

<END>

g00256201

# COOLING SYSTEM

## 125-4585 LINES GP-VENT

S/N: 85Z3764-UP

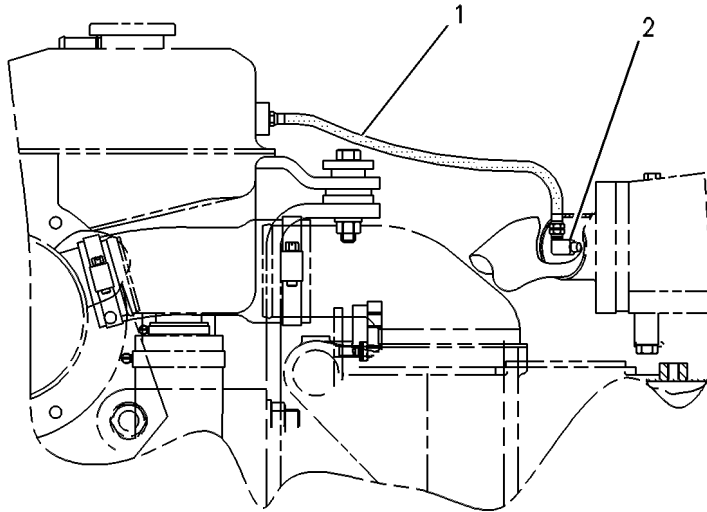
FOR USE WITH TURBOCHARGED AFTERCOOLED ENGINES  
AN ATTACHMENT

SMCS-1380

i00648874

NOTE	REF NO	GRAPHIC REF	PART NUMBER	QTY	PART NAME						SEE PAGE
					1	2	3	4	5	6 (PRODUCT LEVEL)	
I	1	1	116-7734	1	HOSE AS						
	2	1	4S-7606	1	ELBOW						

I - REFER TO HYDRAULIC INFORMATION SYSTEM



LEFT SIDE VIEW

GRAPHIC #1

<END>

g00263228

# COOLING SYSTEM

## 135-5369 LINES GP-VENT

S/N: 85Z3764-UP

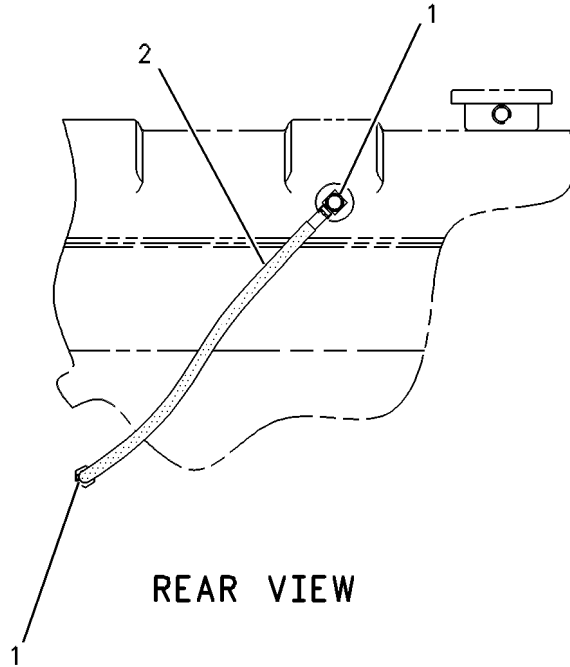
FOR USE WITH 112-4033-PAGE: 426, 118-1337-PAGE: 331  
AN ATTACHMENT

SMCS-1380

i00662497

NOTE	REF NO	GRAPHIC REF	PART NUMBER	QTY	PART NAME						SEE PAGE
					1	2	3	4	5	6 (PRODUCT LEVEL)	
	1	1	<b>4S-7606</b>	2	ELBOW						
I	2	1	<b>116-7734</b>	1	HOSE AS						

I - REFER TO HYDRAULIC INFORMATION SYSTEM



GRAPHIC #1

<END>

g00261187



# COOLING SYSTEM

## 118-1337 LINES GP-WATER

S/N: 85Z3764-UP

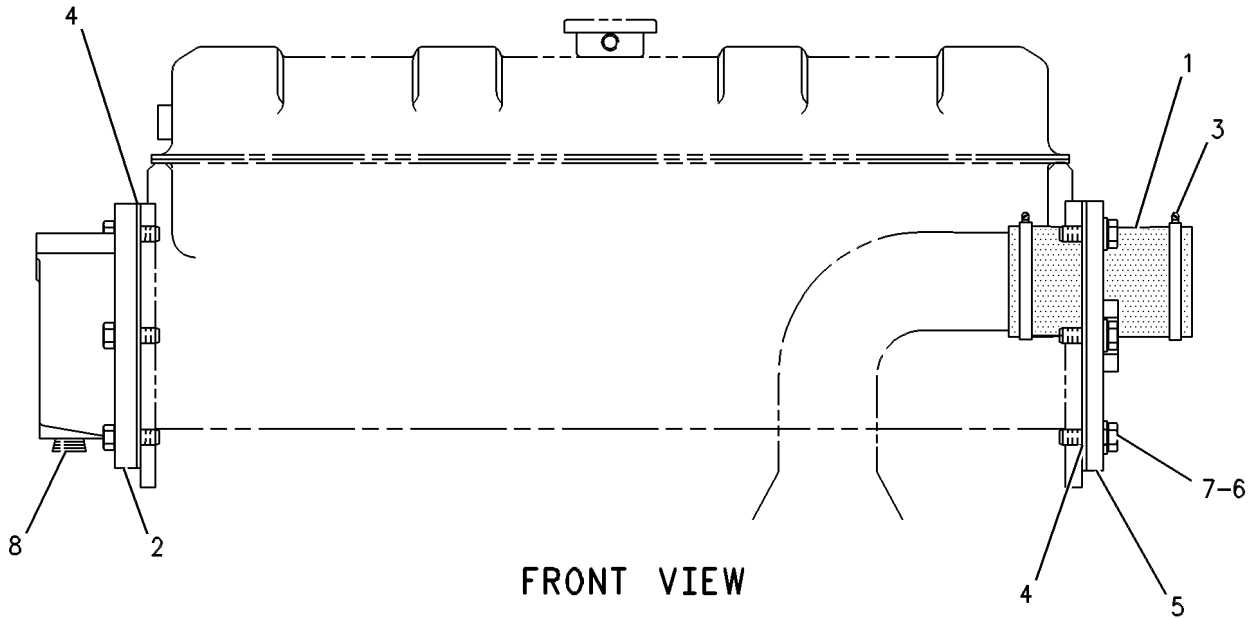
**ONLY FOR USE WITH NON-AFTERCOOLED ENGINES WITH KEEL COOLING  
AN ATTACHMENT**

**SMCS-1355, 1380, 1393**

**i01768532**

NOTE	REF NO	GRAPHIC REF	PART NUMBER	QTY	PART NAME						SEE PAGE
					1	2	3	4	5	6 (PRODUCT LEVEL)	
E	1	1	<b>5P-1262</b>		HOSE (15CM)						
	2	1	<b>2W-0760</b>	1	BONNET-EXPANSION TANK						
	3	1	<b>9M-7959</b>	2	CLAMP-HOSE						
	4	1	<b>4N-6187</b>	2	GASKET						
	5	1	<b>2W-0761</b>	1	PLATE						
	6	1	<b>1A-2029</b>	12	BOLT (3/8-16X1.125-IN)						
	7	1	<b>5M-2894</b>	6	WASHER-HARD (10.2X18.5X2.5-MM THK)						
	8	1	<b>8T-6762</b>	1	PLUG-PIPE (1/2-14-THD)						

E - ORDER BY THE CENTIMETER



GRAPHIC #1

<END>

g00256160

# COOLING SYSTEM

## 118-5606 LINES GP-WATER

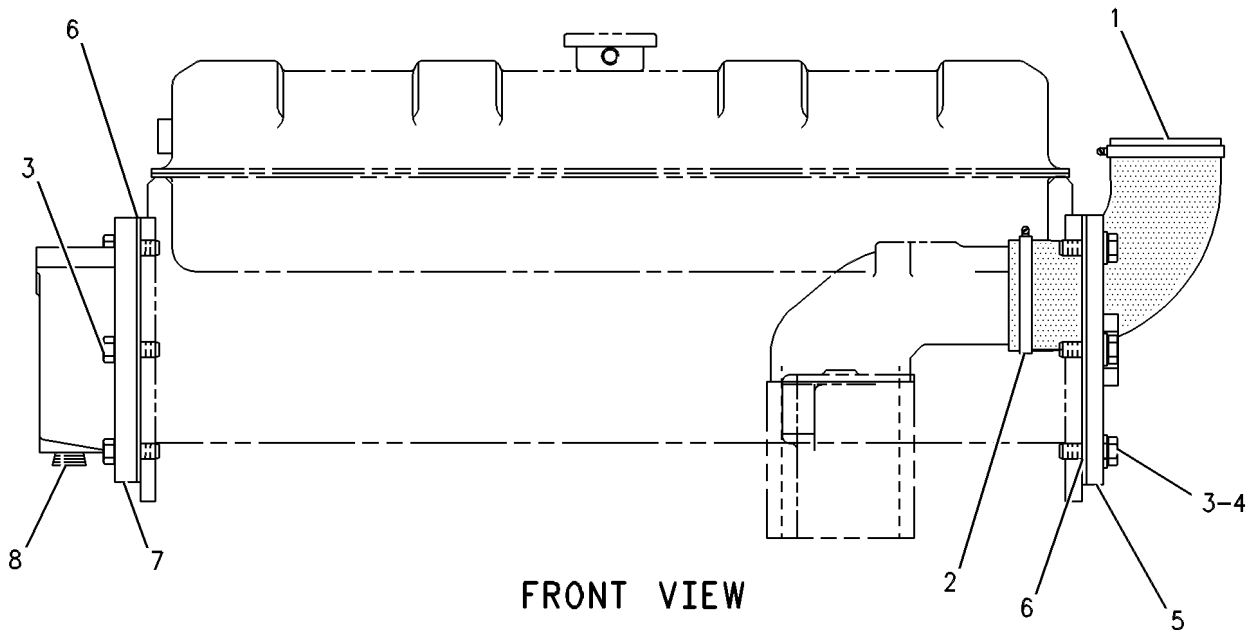
S/N: 85Z3764-UP

FOR USE WITH 112-4033-PAGE: 426, AFTERCOOLED ENGINES WITH KEEL COOLING  
AN ATTACHMENT

SMCS-1355, 1380, 1393

i00662225

NOTE	REF NO	GRAPHIC REF	PART NUMBER	QTY	PART NAME						SEE PAGE
					1	2	3	4	5	6 (PRODUCT LEVEL)	
	1	1	<b>3R-1317</b>	1	HOSE						
	2	1	<b>9M-7959</b>	2	CLAMP-HOSE						
	3	1	<b>1A-2029</b>	12	BOLT (3/8-16X1.125-IN)						
	4	1	<b>5M-2894</b>	6	WASHER-HARD (10.2X18.5X2.5-MM THK)						
	5	1	<b>2W-0761</b>	1	PLATE						
	6	1	<b>4N-6187</b>	2	GASKET						
	7	1	<b>2W-0760</b>	1	BONNET-EXPANSION TANK						
	8	1	<b>8T-6762</b>	1	PLUG-PIPE (1/2-14-THD)						



FRONT VIEW

GRAPHIC #1

<END>

g00256148

# COOLING SYSTEM

## 1W-7910 LINES GP-WATER-VENT

S/N: 85Z3764-UP

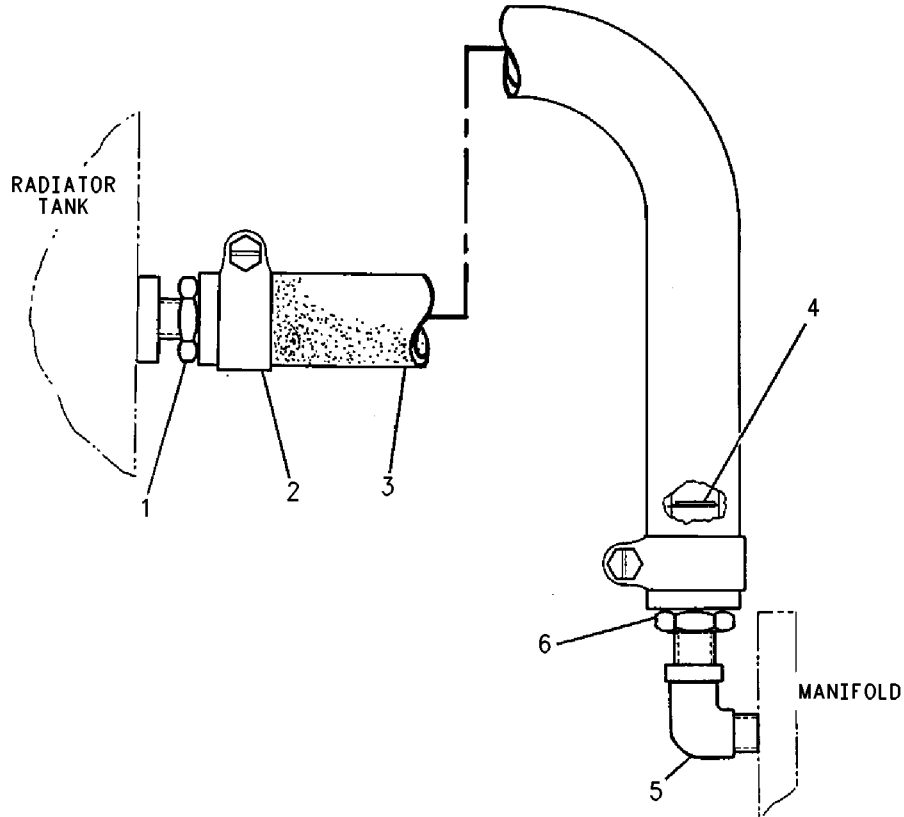
FOR USE WITH WATERCOOLED EXHAUST MANIFOLD AND RADIATOR  
AN ATTACHMENT

SMCS-1355, 1380, 1393

i01893438

NOTE	REF NO	GRAPHIC REF	PART NUMBER	QTY	PART NAME						SEE PAGE
					1	2	3	4	5	6 (PRODUCT LEVEL)	
C	1	1	<b>7D-7026</b>	1	CONNECTOR-HOSE						
C	2	1	<b>5D-1026</b>	2	CLAMP-BAND						
CE	3	1	<b>5P-0767</b>		HOSE (36CM)						
C	4	1	<b>8N-4485</b>	1	VALVE AS-VENT (WATER LINES)						
C	5	1	<b>3B-6552</b>	1	ELBOW-PIPE						
C	6	1	<b>6V-7183</b>	1	CONNECTOR-HOSE						

C - CHANGE FROM PREVIOUS TYPE  
E - ORDER BY THE CENTIMETER



GRAPHIC #1

<END>

g00917236

# COOLING SYSTEM

## 1W-8497 LINES GP-WATER

S/N: 85Z3764-UP

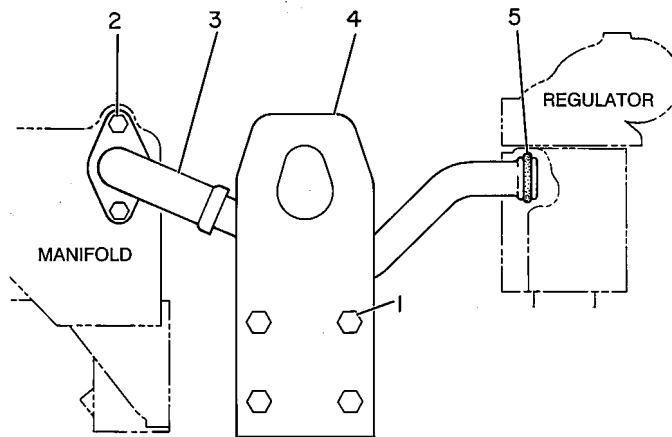
FOR USE WITH 1W-8483-PAGE: 529  
AN ATTACHMENT

SMCS-1355, 1380, 1393

i00662643

NOTE	REF NO	GRAPHIC REF	PART NUMBER	QTY	PART NAME						SEE PAGE
					1	2	3	4	5	6 (PRODUCT LEVEL)	
CB	1	1	<b>4B-3823</b>	4	BOLT (1/2-13X1.25-IN)						
CB		1	<b>5P-8245</b>	4	WASHER-HARD (13.5X25.5X3-MM THK)						
	2	1	<b>0S-1594</b>	2	BOLT (3/8-16X1-IN)						
C	3	1	<b>7W-4864</b>	1	TUBE AS-MANIFOLD INLET						
		1	<b>6L-6580</b>	1	GASKET						
	4	1	<b>8N-3272</b>	1	PLATE-LIFTING EYE						
	5	1	<b>9M-4849</b>	1	SEAL-O-RING						

B - USE AS REQUIRED  
C - CHANGE FROM PREVIOUS TYPE



FRONT VIEW

GRAPHIC #1

<END>

g00181215

# COOLING SYSTEM

## 2W-6779 LINES GP-WATER-BYPASS RELIEF

S/N: 85Z3764-UP

FOR USE WITH 7W-1339-PAGE: 269, 112-5740-PAGE: 315

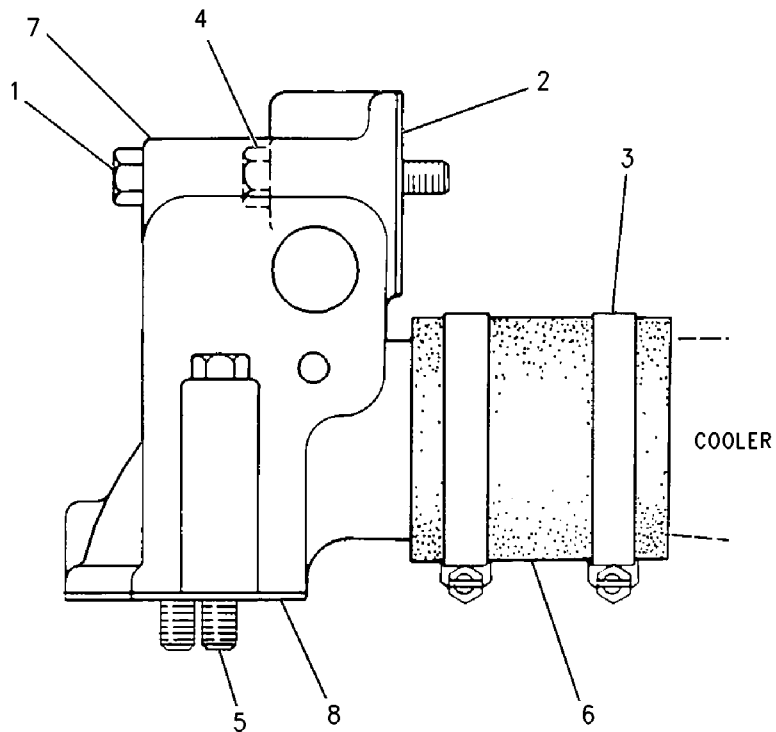
ALSO AN ATTACHMENT

SMCS-1355, 1380, 1393

i01791031

NOTE	REF NO	GRAPHIC REF	PART NUMBER	QTY	PART NAME						SEE PAGE
					1	2	3	4	5	6 (PRODUCT LEVEL)	
	1	1	<b>0T-0065</b>	1	BOLT (3/8-16X3.5-IN)						
	2	1	<b>2P-6132</b>	1	GASKET-ELBOW						
	3	1	<b>8T-4984</b>	2	CLAMP-HOSE						
	4	1	<b>0S-1590</b>	1	BOLT (3/8-16X2-IN)						
	5	1	<b>0S-1619</b>	2	BOLT (3/8-16X3-IN)						
	6	1	<b>131-6645</b>	1	HOSE						
Y	7	1	<b>8N-4112</b>	1	LINES GP-WATER						339
	8	1	<b>7N-0200</b>	1	GASKET						

Y - SEPARATE ILLUSTRATION



GRAPHIC #1

<END>

g00917281

# COOLING SYSTEM

## 3N-4921 LINES GP-WATER

S/N: 85Z3764-UP

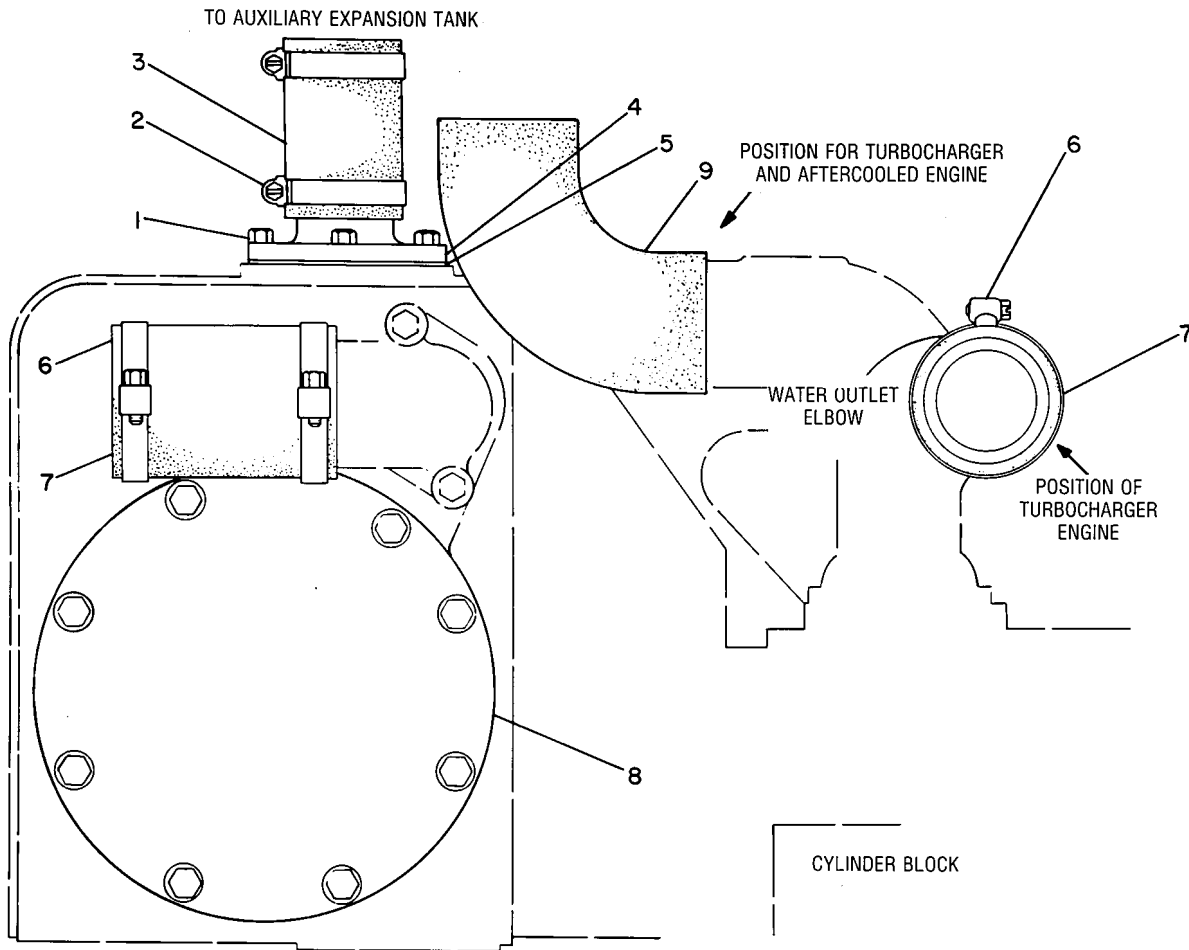
KEEL COOLING  
AN ATTACHMENT

SMCS-1355, 1380, 1393

i01768531

NOTE	REF NO	GRAPHIC REF	PART NUMBER	QTY	PART NAME						SEE PAGE
					1	2	3	4	5	6	
	1	1	<b>0S-1615</b>	6	BOLT (1/4-20X0.75-IN)						
	2	1	<b>9M-0164</b>	2	CLAMP-HOSE						
CE	3	1	<b>5P-1258</b>		HOSE (8.89CM)						
	4	1	<b>4L-2892</b>	1	PIPE-SURGE TANK						
	5	1	<b>4L-7636</b>	1	GASKET						
	6	1	<b>9M-7959</b>	4	CLAMP-HOSE						
CE	7	1	<b>5P-1262</b>		HOSE (114.30CM)						
Y	8	1	<b>3N-4924</b>	1	COVER GP-EXPANSION TANK						271
C	9	1	<b>3R-1317</b>	1	HOSE						

C - CHANGE FROM PREVIOUS TYPE  
E - ORDER BY THE CENTIMETER  
Y - SEPARATE ILLUSTRATION



GRAPHIC #1

<END>

g00143475

# COOLING SYSTEM

## 4W-6157 LINES GP-WATER

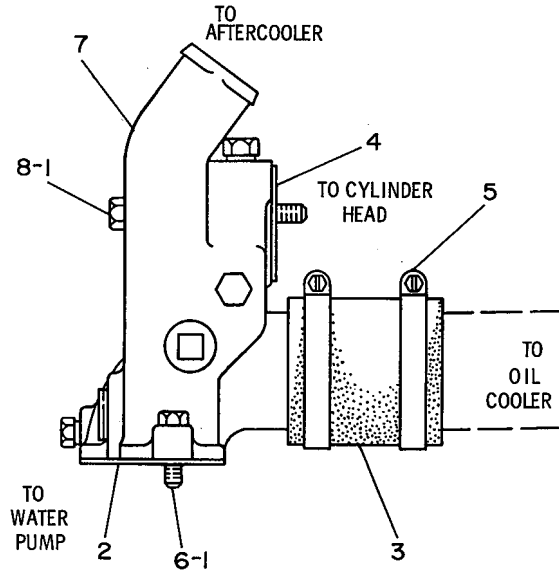
S/N: 85Z3764-UP

SMCS-1355, 1380, 1393

i02356161

NOTE	REF NO	GRAPHIC REF	PART NUMBER	QTY	PART NAME						SEE PAGE
					1	2	3	4	5	6 (PRODUCT LEVEL)	
C	1	1	<b>0T-0065</b>	2	BOLT (3/8-16X3.5-IN)						
	2	1	<b>7N-0200</b>	1	GASKET						
	3	1	<b>131-6645</b>	1	HOSE						
	4	1	<b>2P-6132</b>	1	GASKET-ELBOW						
	5	1	<b>8T-4984</b>	2	CLAMP-HOSE						
	6	1	<b>0S-1588</b>	1	BOLT (3/8-16X1.25-IN)						
Y	7	1	<b>8N-4408</b>	1	LINES GP-WATER						340
	8	1	<b>0S-1590</b>	1	BOLT (3/8-16X2-IN)						

C - CHANGE FROM PREVIOUS TYPE  
 Y - SEPARATE ILLUSTRATION



GRAPHIC #1

<END>

g00108281

# COOLING SYSTEM

## 6C-9481 LINES GP-WATER

S/N: 85Z3764-UP

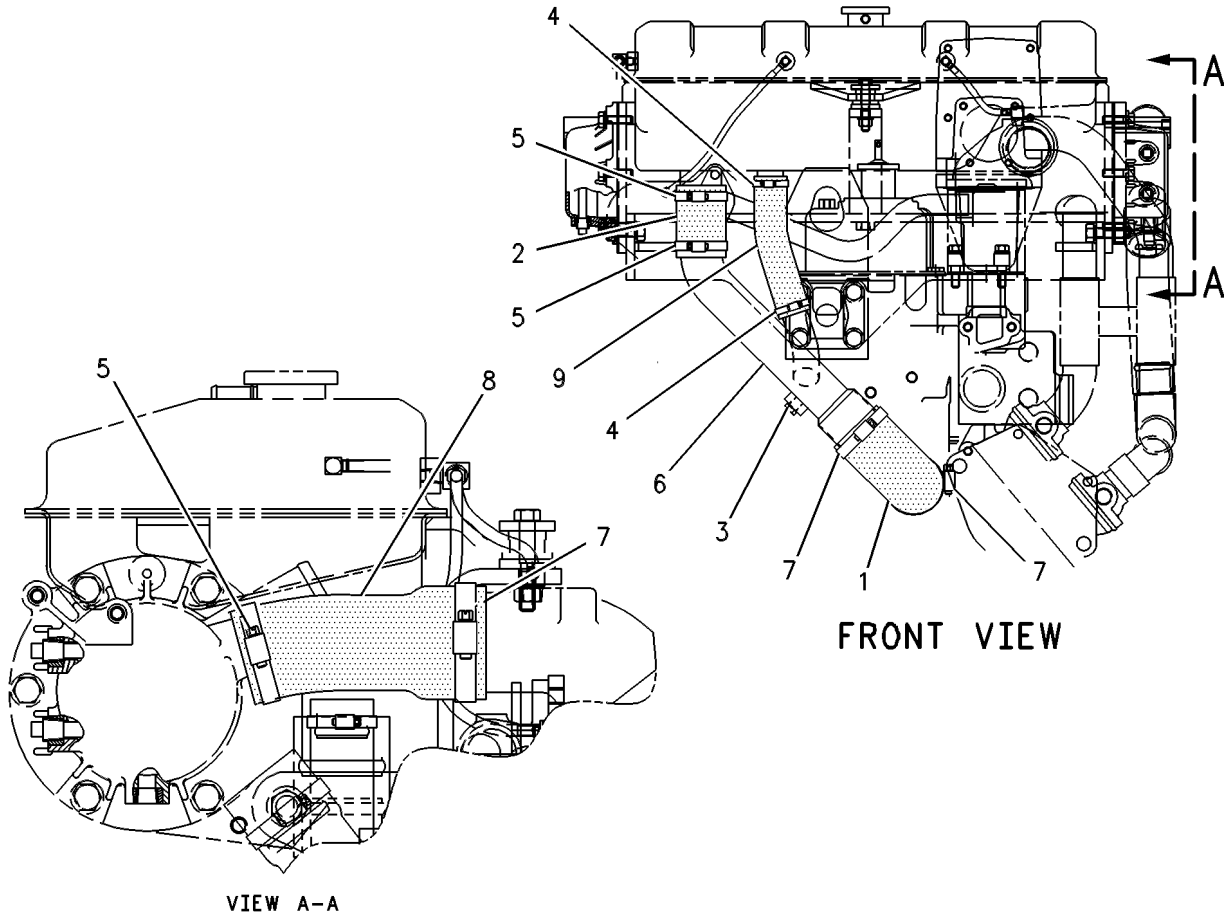
FOR USE WITH 112-4033-PAGE: 426, 6C-9480-PAGE: 303  
AN ATTACHMENT

SMCS-1355, 1380, 1393

i00637950

NOTE	REF NO	GRAPHIC REF	PART NUMBER	QTY	PART NAME						SEE PAGE
					1	2	3	4	5	6 (PRODUCT LEVEL)	
	1	1	<b>3R-1317</b>	1	HOSE						
E	2	1	<b>5P-1259</b>		HOSE (8.89 CM)						
	3	1	<b>8T-6765</b>	1	PLUG-PIPE (1/4-18-THD)						
	4	1	<b>5P-2230</b>	2	CLAMP-HOSE						
	5	1	<b>5P-0597</b>	3	CLAMP-HOSE						
	6	1	<b>6C-9277</b>	1	TUBE AS						
	7	1	<b>5P-4868</b>	3	CLAMP-HOSE						
	8	1	<b>6C-9275</b>	1	HOSE						
E	9	1	<b>5P-1253</b>		HOSE (27.94 CM)						

E - ORDER BY THE CENTIMETER



GRAPHIC #1

<END>

g00256359



# COOLING SYSTEM

## 8N-4112 LINES GP-WATER-BYPASS RELIEF

S/N: 85Z3764-UP

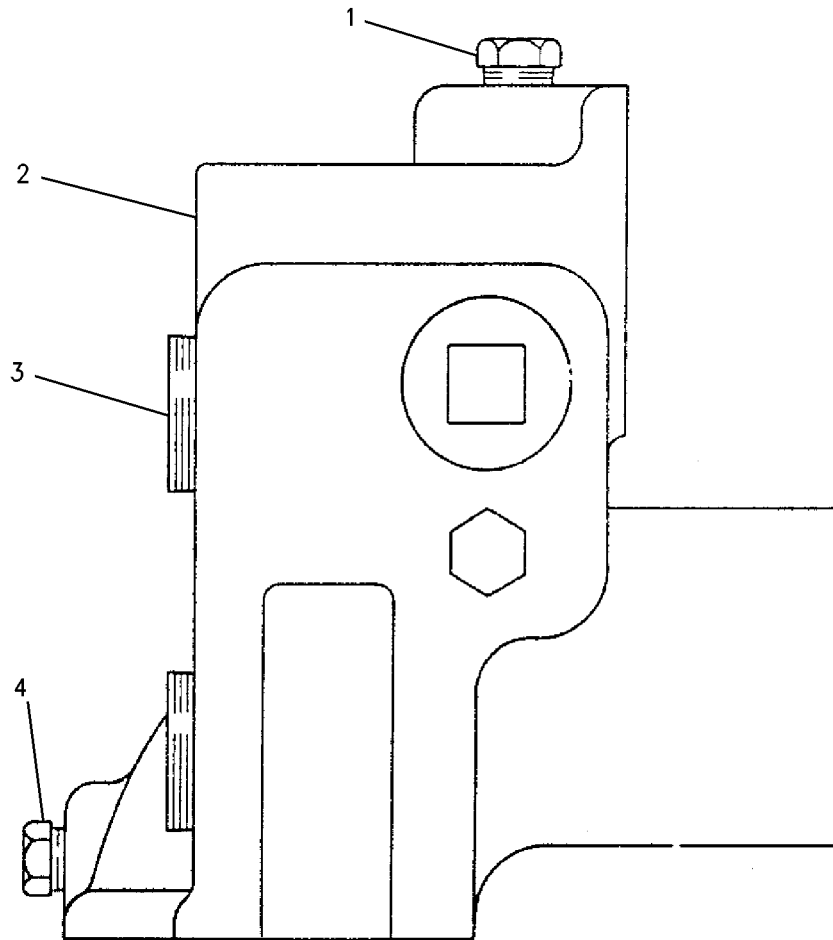
PART OF 2W-6779 LINES GP-WATER  
ALSO AN ATTACHMENT

SMCS-1355, 1380, 1393

i03755141

NOTE	REF NO	GRAPHIC REF	PART NUMBER	QTY	PART NAME						SEE PAGE
					1	2	3	4	5	6 (PRODUCT LEVEL)	
B	1	1	<b>8T-6767</b>	1	PLUG-PIPE (3/8-18-THD)						
	2	1	<b>7N-0172</b>	1	ELBOW						
B	3	1	<b>7X-7731</b>	3	PLUG-PIPE (3/4-14-THD)						
B	4	1	<b>8T-6765</b>	2	PLUG-PIPE (1/4-18-THD)						

B - USE AS REQUIRED



GRAPHIC #1

<END>

g00647688

# COOLING SYSTEM

## 8N-4408 LINES GP-WATER

S/N: 85Z3764-UP

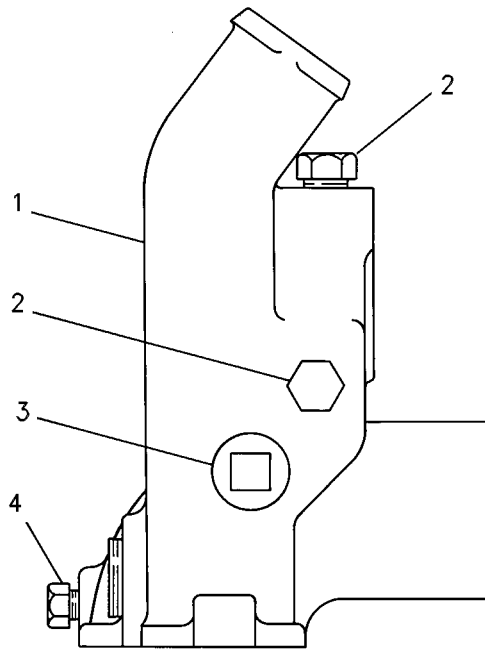
BYPASS & OUTLET ELBOW

PART OF 4W-6157 LINES GP-WATER

SMCS-1355, 1380, 1393

i00803688

NOTE	REF NO	GRAPHIC REF	PART NUMBER	QTY	PART NAME						SEE PAGE
					1	2	3	4	5	6 (PRODUCT LEVEL)	
	1	1	<b>7N-5856</b>	1	ELBOW-BYPASS						
	2	1	<b>8T-6767</b>	2	PLUG-PIPE (3/8-18-THD)						
	3	1	<b>7X-7731</b>	2	PLUG-PIPE (3/4-14-THD)						
	4	1	<b>8T-6765</b>	1	PLUG-PIPE (1/4-18-THD)						



GRAPHIC #1

<END>

g00380074

# COOLING SYSTEM

## 2W-9169 MANIFOLD GP-WATER

S/N: 85Z3764-4749

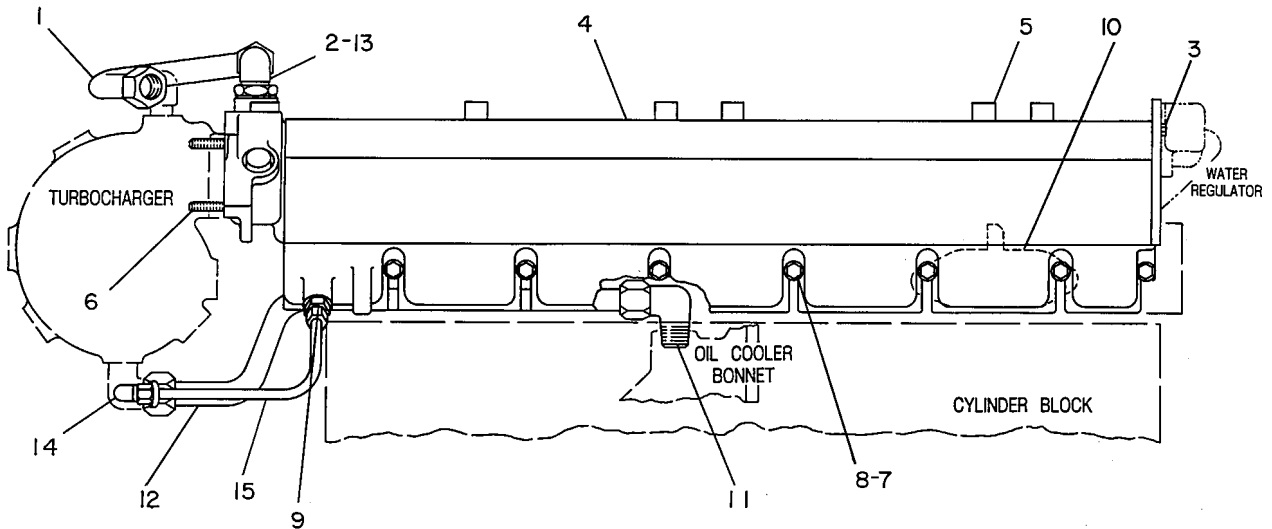
WATERCOOLED

SMCS-1362

i00967417

NOTE	REF NO	GRAPHIC REF	PART NUMBER	QTY	PART NAME						SEE PAGE
					1	2	3	4	5	6 (PRODUCT LEVEL)	
	1	1	<b>4W-2339</b>	1	TUBE AS-WATER						
	2	1	<b>030-7951</b>	1	ELBOW-FLARED						
C	3	1	<b>5M-6214</b>	1	PLUG (1/8-27 PTF)						
	4	1	<b>1W-8356</b>	1	MANIFOLD AS-EXHAUST						
	5	1	<b>6K-2198</b>	5	BOSS (3/8-16X1-IN)						
	6	1	<b>6L-8562</b>	4	STUD-TAPERLOCK (3/8-16X1.77-IN)						
	7	1	<b>1B-5355</b>	7	NUT-FULL (3/8-16-THD)						
		1	<b>5M-2894</b>	7	WASHER-HARD (10.2X18.5X2.5-MM THK)						
	8	1	<b>2M-4779</b>	7	STUD-TAPERLOCK (3/8-16X1.75-IN)						
C	9	1	<b>8L-3282</b>	1	CONNECTOR						
	10	1	<b>8S-6410</b>	3	GASKET-MANIFOLD						
	11	1	<b>9S-7296</b>	1	ELBOW-FLARED						
	12	1	<b>2W-9168</b>	1	TUBE AS						
	13	1	<b>7M-8485</b>	1	SEAL-O-RING						
C	14	1	<b>032-1268</b>	1	CONNECTOR (90-DEG)						
C	15	1	<b>7C-1549</b>	1	TUBE AS						

C - CHANGE FROM PREVIOUS TYPE



GRAPHIC #1

<END>

g00201634

# COOLING SYSTEM

## 2W-9169 MANIFOLD GP-WATER

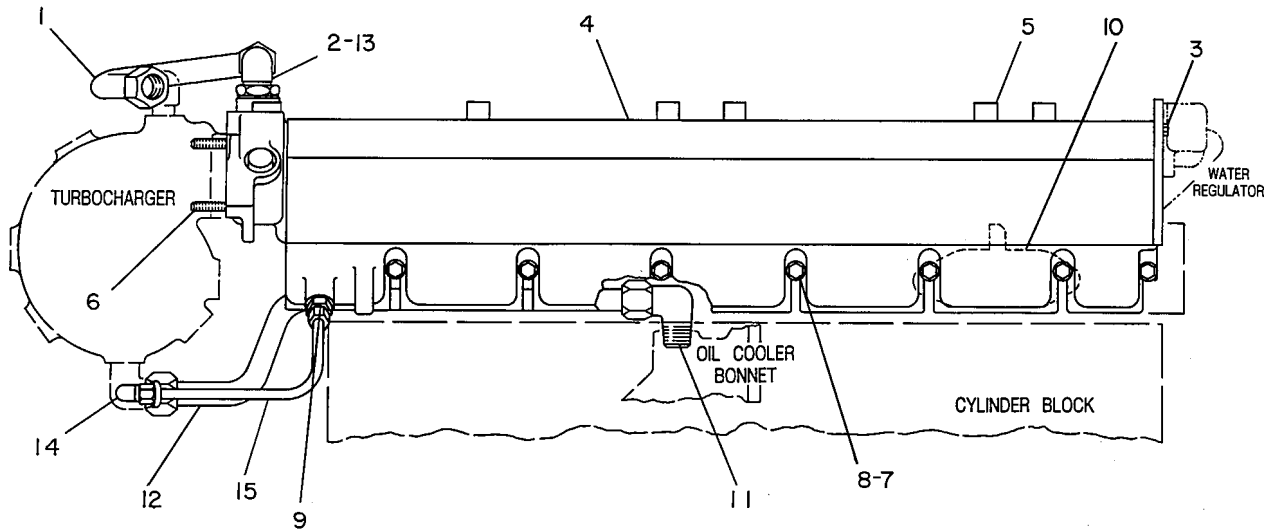
S/N: 85Z4750-UP  
WATERCOOLED

SMCS-1362

i00671693

NOTE	REF NO	GRAPHIC REF	PART NUMBER	QTY	PART NAME						SEE PAGE
					1	2	3	4	5	6 (PRODUCT LEVEL)	
	1	1	<b>4W-2339</b>	1	TUBE AS-WATER						
	2	1	<b>030-7951</b>	1	ELBOW-FLARED						
	3	1	<b>5M-6214</b>	1	PLUG (1/8-27 PTF)						
	4	1	<b>1W-8356</b>	1	MANIFOLD AS-EXHAUST						
	5	1	<b>6K-2198</b>	5	BOSS (3/8-16X1-IN)						
	6	1	<b>6L-8562</b>	4	STUD-TAPERLOCK (3/8-16X1.77-IN)						
	7	1	<b>1B-5355</b>	7	NUT-FULL (3/8-16-THD)						
		1	<b>5M-2894</b>	7	WASHER-HARD (10.2X18.5X2.5-MM THK)						
	8	1	<b>2M-4779</b>	7	STUD-TAPERLOCK (3/8-16X1.75-IN)						
	9	1	<b>8L-3282</b>	1	CONNECTOR						
C	10	1	<b>9Y-1979</b>	3	GASKET-MANIFOLD						
	11	1	<b>9S-7296</b>	1	ELBOW-FLARED						
	12	1	<b>2W-9168</b>	1	TUBE AS						
	13	1	<b>7M-8485</b>	1	SEAL-O-RING						
	14	1	<b>032-1268</b>	1	CONNECTOR (90-DEG)						
	15	1	<b>7C-1549</b>	1	TUBE AS						

C - CHANGE FROM PREVIOUS TYPE



GRAPHIC #1

<END>

g00201634

# COOLING SYSTEM

## 206-2866 PUMP AS-BILGE

S/N: 85Z15134-UP

PART OF 6L-5858 PUMP GP-BILGE  
AN ATTACHMENT

**SMCS-1371**

**i01978238**

NOTE	PART NUMBER	QTY	PART NAME 1 2 3 4 5 6 (PRODUCT LEVEL)	SEE PAGE
	<b>234-7496</b>	1	ADAPTER	
			(HOUSING AS TO PEDESTAL AS)	
	<b>234-7495</b>	1	CLAMP AS	
			(SHAFT TO ADAPTER)	
	<b>234-7498</b>	1	CLUTCH & MOUNTING GP	
			(TO ADAPTER AS)	
	<b>234-7497</b>	1	PEDESTAL AS	
	<b>234-7499</b>	1	CLUTCH AS	
	<b>2N-3955</b>	1	GASKET	
			(HOUSING AS TO ADAPTER)	
	<b>234-7489</b>	1	HOUSING AS	
			(BILGE PUMP)	
	<b>234-7490</b>	1	IMPELLER	
			(TO SHAFT)	
	<b>2N-3960</b>	1	KEY-WOODRUFF	
			(IMPELLER TO SHAFT)	
	<b>234-7491</b>	1	LOCKNUT	
			(IMPELLER TO SHAFT)	
	<b>234-7494</b>	1	SEAL AS	
			(SHAFT TO ADAPTER)	
	<b>234-7492</b>	1	SLEEVE	
			(CLAMP TO SHAFT)	
			<END>	

# COOLING SYSTEM

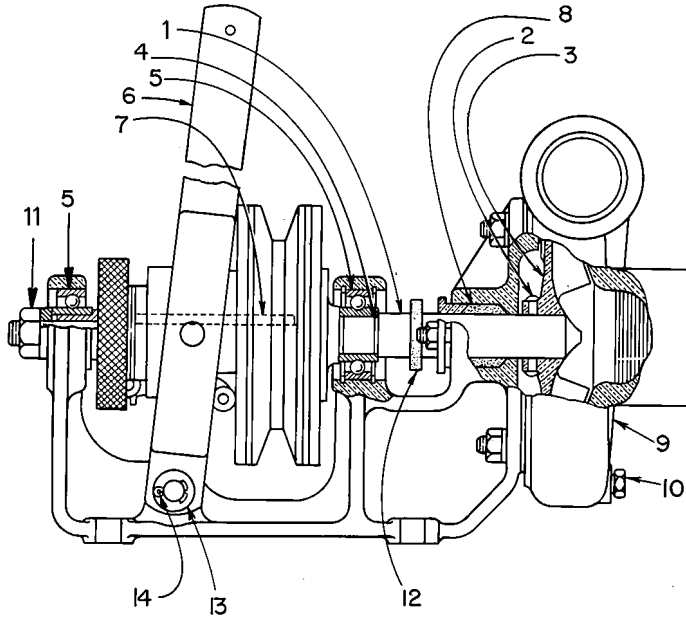
## 6L-5875 PUMP AS-BILGE-RH

S/N: 85Z3764-15133  
PART OF 6L-5858 PUMP GP-BILGE  
AN ATTACHMENT

SMCS-1371

i01873030

NOTE	REF NO	GRAPHIC REF	PART NUMBER	QTY	PART NAME						SEE PAGE
					1	2	3	4	5	6	
	1	1	<b>6L-7366</b>	1	IMPELLER AS						
	2	1	<b>1A-1345</b>	1	PIN						
	3	1	<b>6L-7367</b>	1	IMPELLER						
	4	1	<b>6L-7369</b>	1	SHIM (BALL BEARING) (0.005 IN THK)						
	5	1	<b>5F-5049</b>	2	BEARING						
	6	1	<b>5F-5061</b>	1	LEVER AS						
	7	1	<b>5F-5062</b>	1	KEY						
	8	1	<b>5F-5047</b>	1	PACKING						
	9	1	<b>6L-7365</b>	1	HOUSING AS						
	10	1	<b>6B-7440</b>	1	PLUG-PIPE						
	11	1	<b>1B-4205</b>	1	NUT (1/2-20-THD)						
	12	1	<b>6L-7368</b>	1	PACKING						
	13	1	<b>5F-5041</b>	2	WASHER						
	14	1	<b>3B-4604</b>	1	PIN-COTTER						



GRAPHIC #1

<END>

g00240893

# COOLING SYSTEM

## 5N-9356 PUMP GP-AUXILIARY SEA WATER

S/N: 85Z3764-UP

FOR USE WITH ATTACHMENT & AUXILIARY LINES GPS  
AN ATTACHMENT

SMCS-1371

i00719605

NOTE	REF NO	GRAPHIC REF	PART NUMBER	QTY	PART NAME	SEE PAGE
					1 2 3 4 5 6 (PRODUCT LEVEL)	
	1	1	<b>5P-6923</b>	1	ADAPTER	
	2	1	<b>2N-1287</b>	1	ELBOW-FLARED	
	3	1	<b>2W-4461</b>	1	TUBE AS	
YR	4	1	<b>5N-9357</b>	1	PUMP GP-AUXILIARY SEA WATER	347
	5	1	<b>3L-2875</b>	1	CLIP	
	6	1	<b>5J-7303</b>	1	ELBOW	
	7	1	<b>2P-3204</b>	3	BOLT-WASHER HEAD	
	8	1	<b>2P-0220</b>	1	GASKET-PUMP	
	9	1	<b>0S-1589</b>	2	BOLT (5/8-11X1.75-IN)	
B	10	1	<b>3B-7262</b>	1	NIPPLE-PIPE	
B	11	1	<b>3B-6488</b>	1	COUPLING-PIPE	
B	12	1	<b>5M-6213</b>	1	PLUG-PIPE (1/4-18-THD)	
B	13	1	<b>004-5933</b>	1	TEE-PIPE	
B	14	1	<b>7J-8611</b>	1	ELBOW-PIPE	
	15	1	<b>3B-7764</b>	1	BUSHING (REDUCING)	

B - USE AS REQUIRED

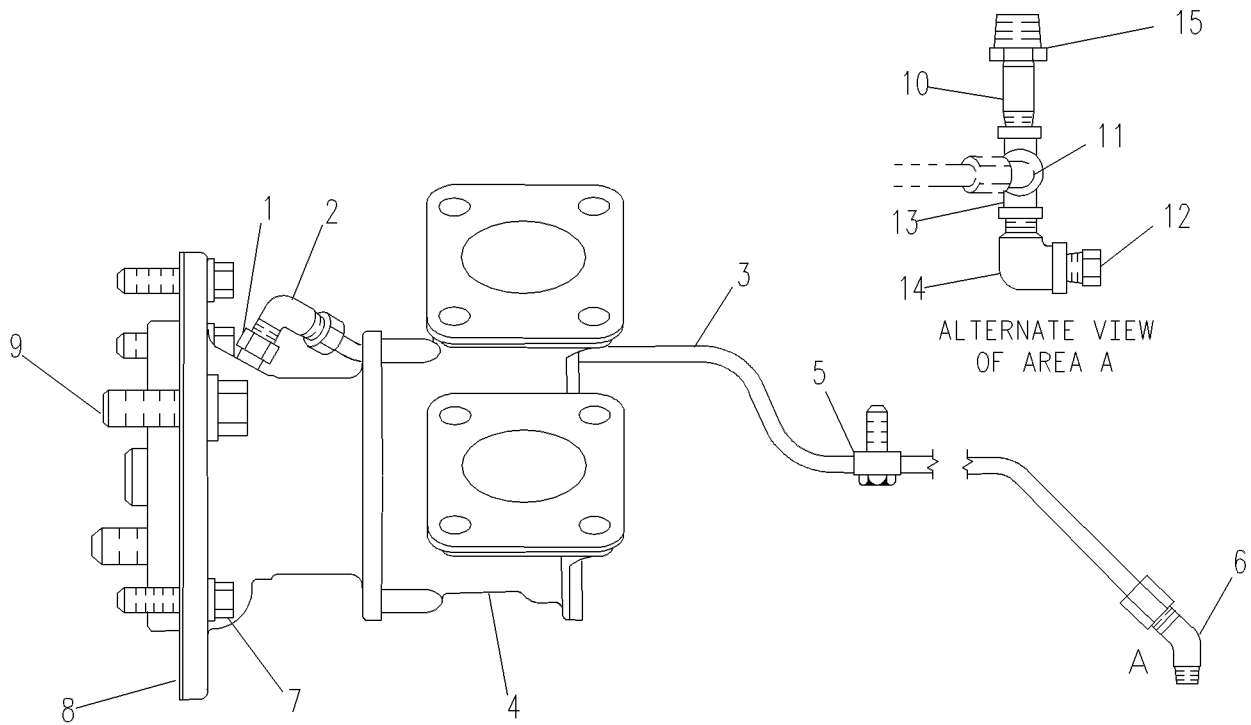
R - REMANUFACTURED PART MAY BE AVAILABLE

Y - SEPARATE ILLUSTRATION

# COOLING SYSTEM

5N-9356 PUMP GP-AUXILIARY SEA WATER (contd.)

i00719605



GRAPHIC #1

<END>

g00315608



# COOLING SYSTEM

## 5N-9357 PUMP GP-AUXILIARY SEA WATER\*R

S/N: 85Z3764-UP

PART OF 5N-9356 PUMP GP-AUXILIARY SEA WATER

AN ATTACHMENT

SMCS-1371

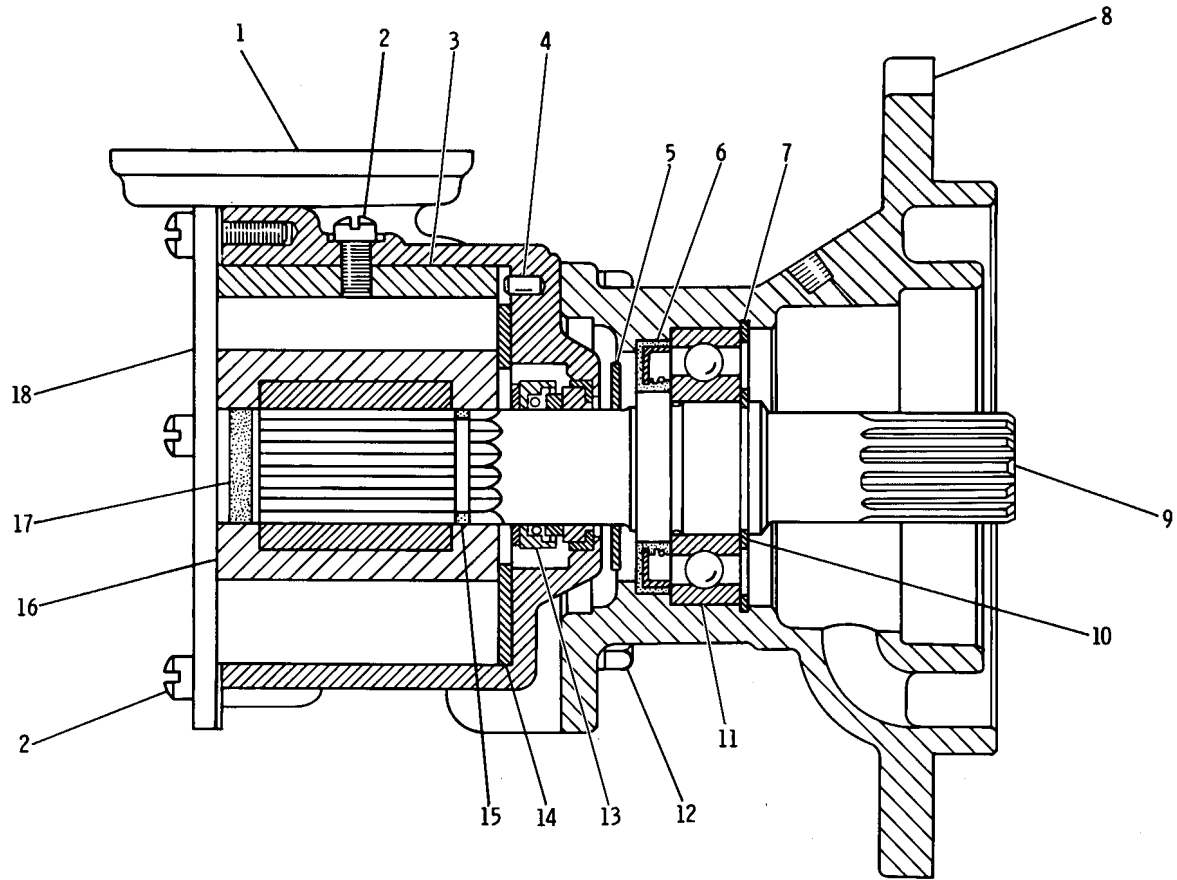
i01045688

NOTE	REF NO	GRAPHIC REF	PART NUMBER	QTY	PART NAME						SEE PAGE
					1	2	3	4	5	6 (PRODUCT LEVEL)	
	1	1	<b>7L-7504</b>	1	BODY						
	2	1	<b>3F-7586</b>	6	SCREW-MACHINE						
	3	1	<b>6L-8790</b>	1	CAMSHAFT						
	4	1	<b>4L-9022</b>	1	DOWEL						
	5	1	<b>1L-4786</b>	1	SLINGER						
	6	1	<b>163-5713</b>	1	SEAL-LIP TYPE						
	7	1	<b>1L-4775</b>	1	RING-RETAINING						
	8	1	<b>5N-9358</b>	1	HOUSING-BEARING						
	9	1	<b>5N-9359</b>	1	SHAFT						
	10	1	<b>4M-5285</b>	1	RING-RETAINING						
	11	1	<b>7L-7508</b>	1	BALL BEARING						
	12	1	<b>4M-0061</b>	4	BOLT (5/16-18X0.75-IN)						
		1	<b>4M-0062</b>	4	LOCKWASHER						
	13	1	<b>7L-2130</b>	1	SEAL AS						
	14	1	<b>4L-8473</b>	1	PLATE-WEAR						
	15	1	<b>8F-3469</b>	1	SEAL-O-RING						
	16	1	<b>5N-9360</b>	1	IMPELLER AS						
	17	1	<b>2L-7985</b>	1	SEAL-SPLINE						
	18	1	<b>5N-5288</b>	1	COVER-END						
		1	<b>1L-4785</b>	1	GASKET						

# COOLING SYSTEM

5N-9357 PUMP GP-AUXILIARY SEA WATER (contd.)

i01045688



GRAPHIC #1

<END>

g00151808

# COOLING SYSTEM

## 6L-5858 PUMP GP-BILGE

S/N: 85Z3764-15133

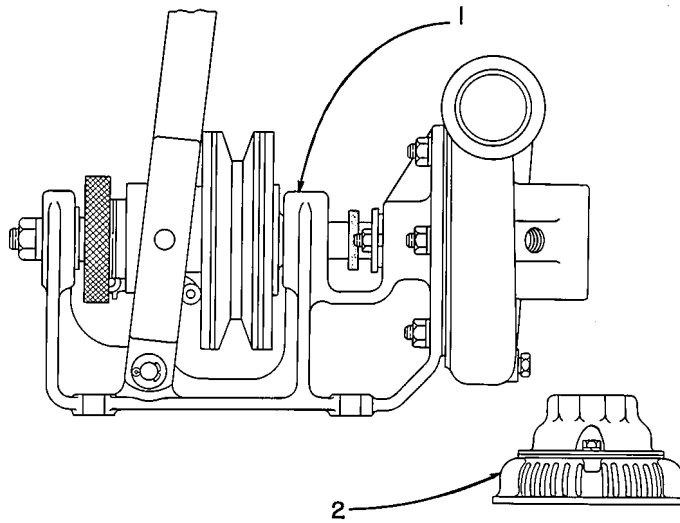
**NOTE: 2 5F-3581 VEE BELTS ARE AVAILABLE FOR USE WITH FRONT POWER TAKE-OFF.  
FOR USE WITH MARINE AUXILIARY ENGINE  
AN ATTACHMENT**

**SMCS-1371**

**i00637817**

NOTE	REF NO	GRAPHIC REF	PART NUMBER	QTY	PART NAME						SEE PAGE
					1	2	3	4	5	6 (PRODUCT LEVEL)	
Y	1	1	<b>6L-5875</b>	1	PUMP AS-BILGE						344
Y	2	1	<b>3F-4394</b>	1	FOOT VALVE & STRAINER AS						284

Y - SEPARATE ILLUSTRATION



GRAPHIC #1

<END>

g00205632

# COOLING SYSTEM

## 6L-5858 PUMP GP-BILGE

S/N: 85Z15134-UP

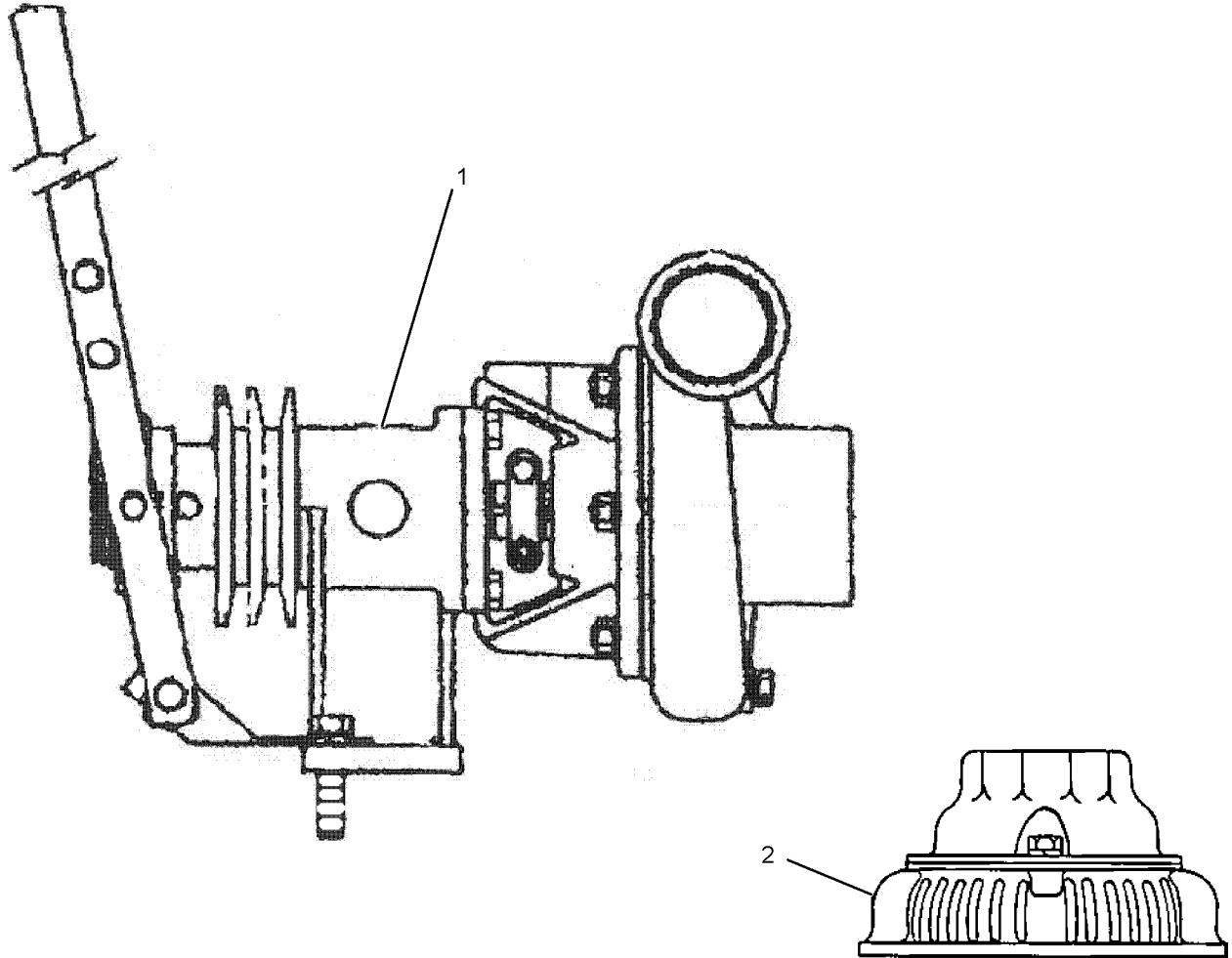
**NOTE: 2 5F-3581 VEE BELTS ARE AVAILABLE FOR USE WITH FRONT POWER TAKE-OFF.  
FOR USE WITH MARINE AUXILIARY ENGINE  
AN ATTACHMENT**

SMCS-1371

i02519701

NOTE	REF NO	GRAPHIC REF	PART NUMBER	QTY	PART NAME						SEE PAGE
					1	2	3	4	5	6 (PRODUCT LEVEL)	
CY	1	1	<b>206-2866</b>	1	PUMP AS-BILGE						343
Y	2	1	<b>3F-4394</b>	1	FOOT VALVE & STRAINER AS						284

C - CHANGE FROM PREVIOUS TYPE  
Y - SEPARATE ILLUSTRATION



GRAPHIC #1

<END>

g01261021

# COOLING SYSTEM

## 155-0067 PUMP GP-WATER\*R

S/N: 85Z3764-UP

PART OF 7N-5908 PUMP GP-WATER

AN ATTACHMENT

**SMCS-1361**

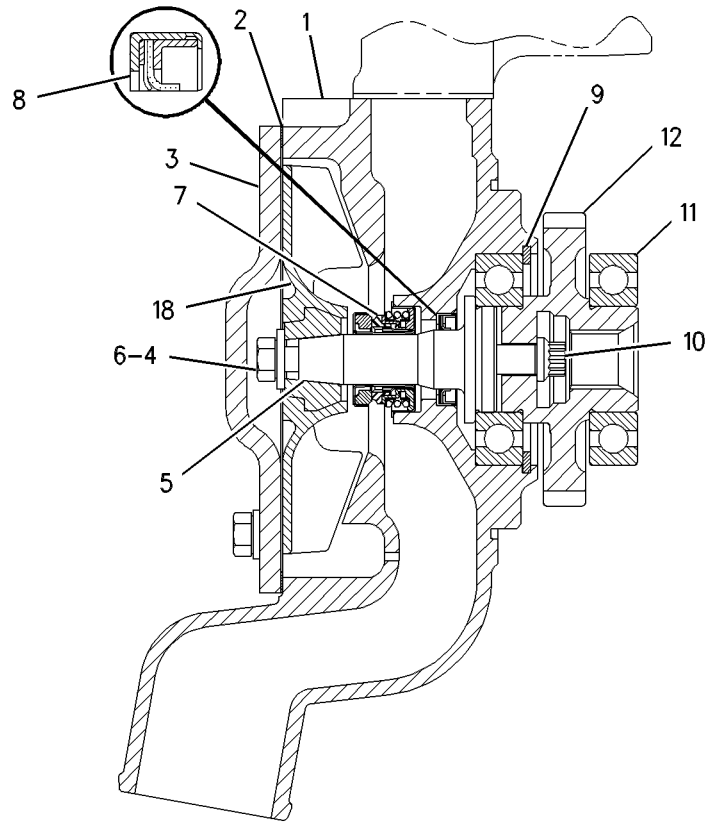
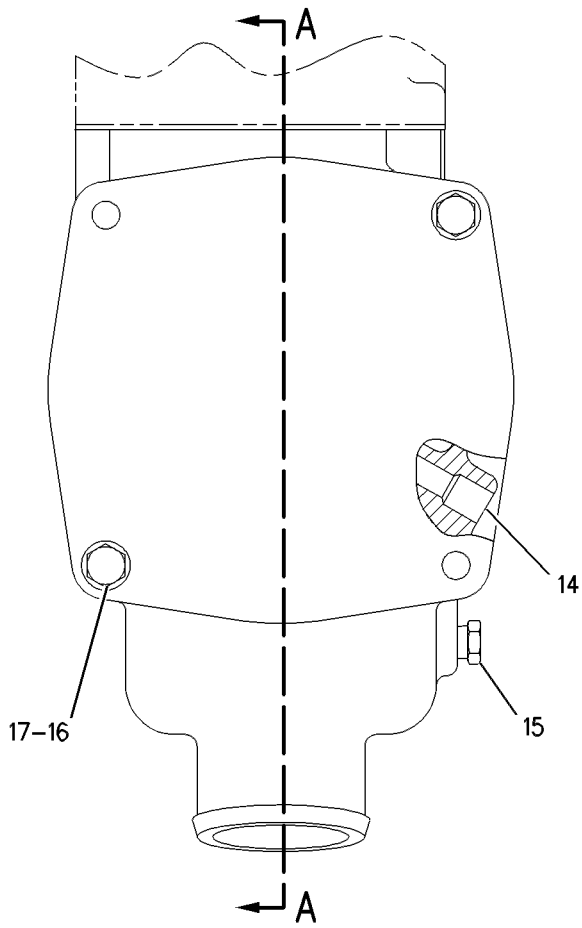
**i03439308**

NOTE	REF NO	GRAPHIC REF	PART NUMBER	QTY	PART NAME						SEE PAGE
					1	2	3	4	5	6 (PRODUCT LEVEL)	
	1	1	<b>154-3945</b>	1	HOUSING-WATER PUMP						
	2	1	<b>8N-5928</b>	1	GASKET						
	3	1	<b>8N-5929</b>	1	COVER-WATER PUMP						
J	4	1	<b>9X-6458</b>	1	WASHER-HARD (10.2X22.5X3-MM THK)						
J	5	1	<b>149-0791</b>	1	SHAFT-WATER PUMP						
J	6	1	<b>0S-1594</b>	1	BOLT (3/8-16X1-IN)						
J	7	1	<b>169-1750</b>	1	SEAL GP (WATER PUMP)						
J	8	1	<b>154-4482</b>	1	SEAL-LIP TYPE						
J	9	1	<b>1K-6985</b>	1	RING-RETAINING						
J	10	1	<b>6K-3771</b>	1	BOLT-12 POINT HEAD (7/16-14X1.5-IN)						
J	11	1	<b>6H-3957</b>	2	BALL BEARING						
	12	1	<b>2W-7678</b>	1	GEAR AS (40-TEETH)						
J	14	1	<b>4N-5834</b>	1	FILTER-FOAM (WATER PUMP HOUSING)						
	15	1	<b>8T-6765</b>	1	PLUG-PIPE (1/4-18-THD)						
	16	1	<b>0L-1351</b>	2	BOLT (3/8-16X0.875-IN)						
	17	1	<b>5M-2894</b>	2	WASHER-HARD (10.2X18.5X2.5-MM THK)						
	18	1	<b>155-8758</b>	1	IMPELLER-PUMP						
					AVAILABLE REPAIR KIT(S):						
J			<b>170-0567</b>	1	KIT-WATER PUMP (REBUILD)						
					(INCLUDES SEAL GP, SHAFT, LIP SEAL, BOLT, FILTER & BALL BEARINGS)						
J - KIT MARKED J INCLUDES PART(S) MARKED J											

# COOLING SYSTEM

155-0067 PUMP GP-WATER (contd.)

i03439308



SECTION A-A

GRAPHIC #1

<END>

g00494074

# COOLING SYSTEM

## 155-0068 PUMP GP-WATER\*R

S/N: 85Z14305-14543

PART OF 7N-5909 PUMP GP-WATER

AN ATTACHMENT

SMCS-1361

i03439309

NOTE	REF NO	GRAPHIC REF	PART NUMBER	QTY	PART NAME						SEE PAGE
					1	2	3	4	5	6 (PRODUCT LEVEL)	
	1	1	<b>154-3945</b>	1	HOUSING-WATER PUMP						
	2	1	<b>8N-5928</b>	1	GASKET						
	3	1	<b>8N-5929</b>	1	COVER-WATER PUMP						
J	4	1	<b>9X-6458</b>	1	WASHER-HARD (10.2X22.5X3-MM THK)						
	5	1	<b>149-0791</b>	1	SHAFT-WATER PUMP						
J	6	1	<b>0S-1594</b>	1	BOLT (3/8-16X1-IN)						
	7	1	<b>169-1750</b>	1	SEAL GP (WATER PUMP)						
	8	1	<b>154-4482</b>	1	SEAL-LIP TYPE						
J	9	1	<b>1K-6985</b>	1	RING-RETAINING						
J	10	1	<b>3B-8428</b>	1	BOLT (7/16-14X3.25-IN)						
J	11	1	<b>6H-3957</b>	1	BALL BEARING						
	12	1	<b>7W-0450</b>	1	GEAR (40-TEETH)						
J	13	1	<b>4S-9191</b>	1	WASHER (12X22.5X5-MM THK)						
J	14	1	<b>4N-5834</b>	1	FILTER-FOAM (WATER PUMP HOUSING)						
	15	1	<b>8T-6765</b>	1	PLUG-PIPE (1/4-18-THD)						
	16	1	<b>0L-1351</b>	1	BOLT (3/8-16X0.875-IN)						
	17	1	<b>5M-2894</b>	1	WASHER-HARD (10.2X18.5X2.5-MM THK)						
J	18	1	<b>8H-9789</b>	1	BALL BEARING						
B	19	1	<b>0L-1351</b>	1	BOLT (3/8-16X0.875-IN)						
B	20	1	<b>5M-2894</b>	1	WASHER-HARD (10.2X18.5X2.5-MM THK)						
	21	1	<b>155-8758</b>	1	IMPELLER-PUMP						
					AVAILABLE REPAIR KIT(S):						
J			<b>170-0564</b>	1	KIT-WATER PUMP (REBUILD)						
					KIT CONTAINS STRAIGHT SHAFT, REQUIRES 1725189 STRAIGHT FIT IMPELLER						

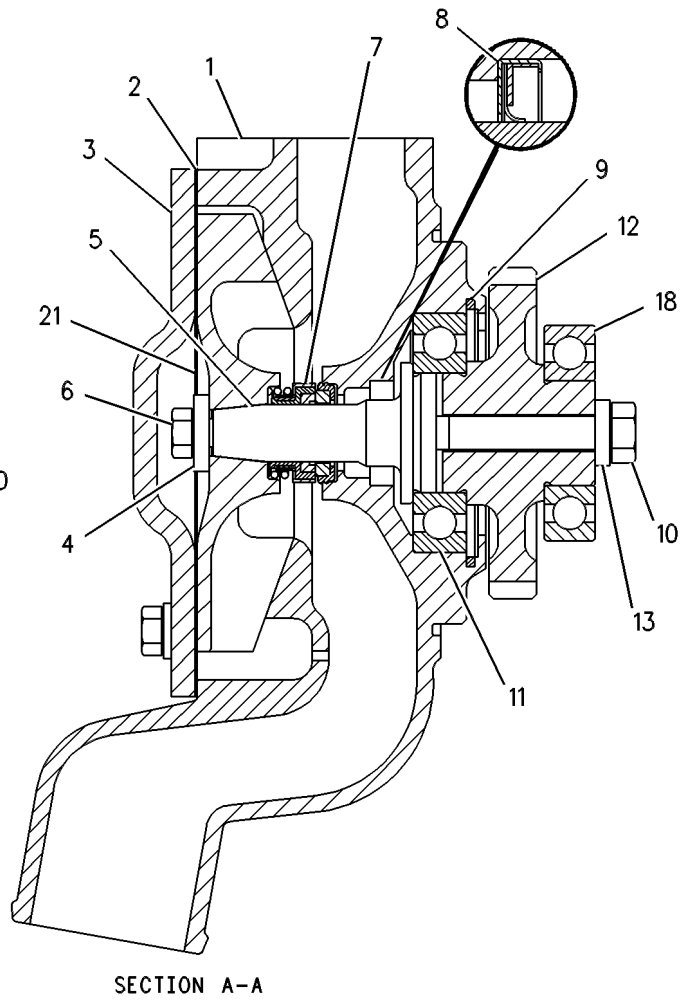
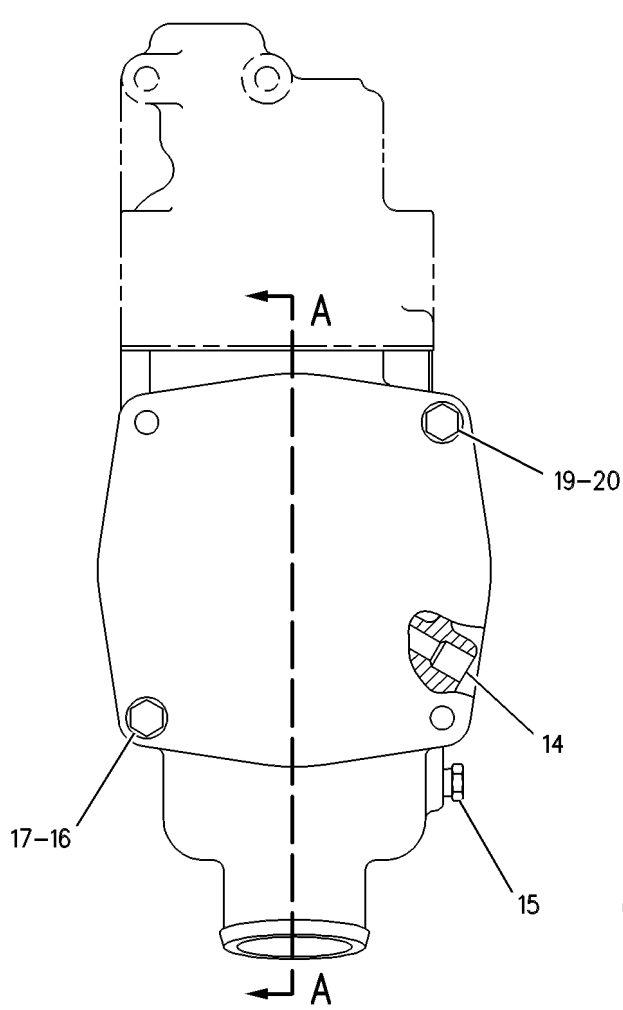
B - USE AS REQUIRED

J - KIT MARKED J INCLUDES PART(S) MARKED J

# COOLING SYSTEM

155-0068 PUMP GP-WATER (contd.)

i03439309



GRAPHIC #1

<END>

g00117670



# COOLING SYSTEM

## 155-0072 PUMP GP-WATER

S/N: 85Z14305-14543

PART OF 7N-6208 PUMP GP-WATER

ALSO AN ATTACHMENT

**SMCS-1361**

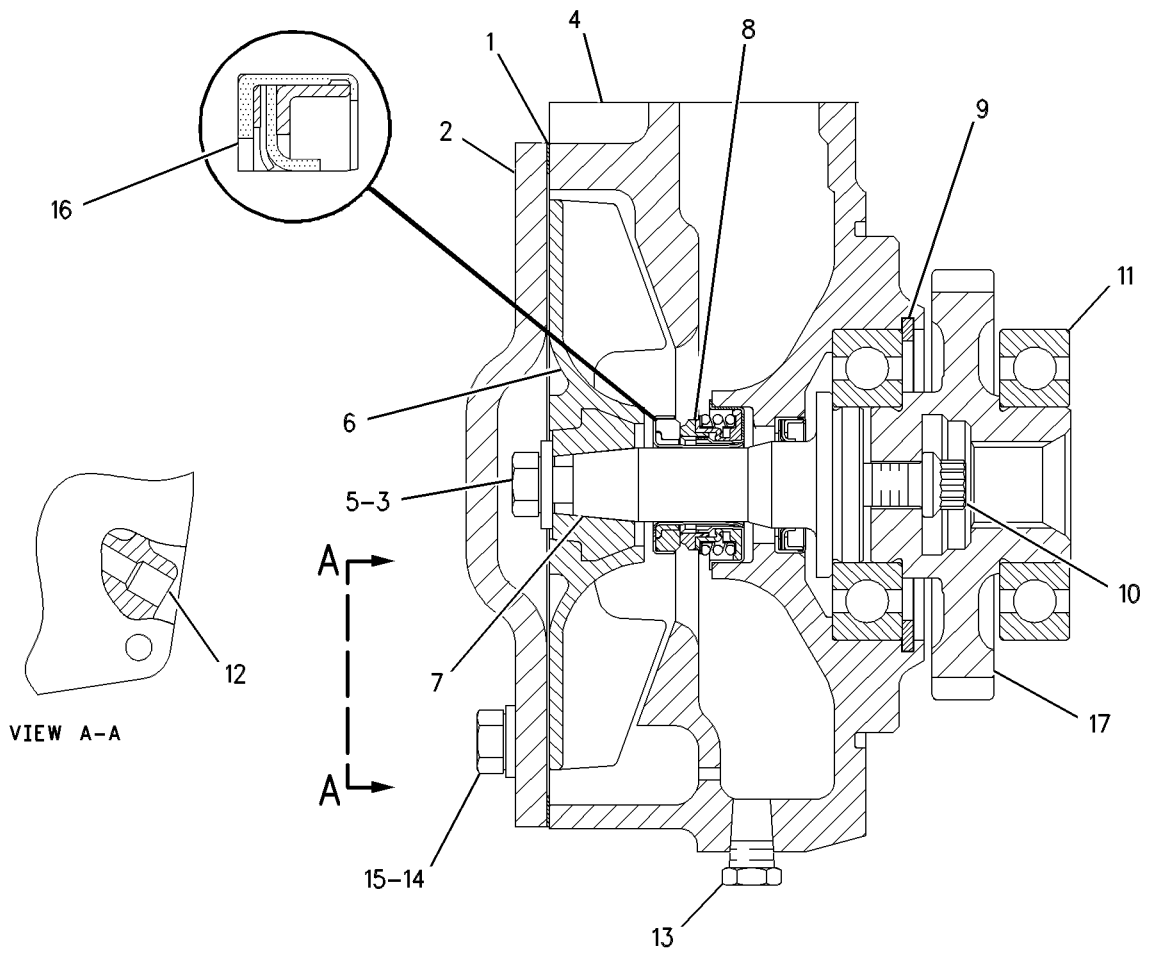
**i03439311**

NOTE	REF NO	GRAPHIC REF	PART NUMBER	QTY	PART NAME						SEE PAGE
					1	2	3	4	5	6 (PRODUCT LEVEL)	
	1	1	<b>8N-5928</b>	1	GASKET						
	2	1	<b>8N-5929</b>	1	COVER-WATER PUMP						
J	3	1	<b>9X-6458</b>	1	WASHER-HARD (10.2X22.5X3-MM THK)						
	4	1	<b>154-3946</b>	1	HOUSING-WATER PUMP						
J	5	1	<b>0S-1594</b>	1	BOLT (3/8-16X1-IN)						
	6	1	<b>155-8758</b>	1	IMPELLER-PUMP						
J	7	1	<b>149-0791</b>	1	SHAFT-WATER PUMP						
	8	1	<b>169-1750</b>	1	SEAL GP (WATER PUMP)						
J	9	1	<b>1K-6985</b>	1	RING-RETAINING						
J	10	1	<b>6K-3771</b>	1	BOLT-12 POINT HEAD (7/16-14X1.5-IN)						
J	11	1	<b>6H-3957</b>	2	BALL BEARING						
J	12	1	<b>4N-5834</b>	1	FILTER-FOAM (WATER PUMP HOUSING)						
	13	1	<b>8T-6765</b>	1	PLUG-PIPE (1/4-18-THD)						
	14	1	<b>0L-1351</b>	2	BOLT (3/8-16X0.875-IN)						
	15	1	<b>5M-2894</b>	2	WASHER-HARD (10.2X18.5X2.5-MM THK)						
J	16	1	<b>154-4482</b>	1	SEAL-LIP TYPE						
	17	1	<b>2W-7678</b>	1	GEAR AS (40-TEETH)						
					AVAILABLE REPAIR KIT(S):						
J			<b>170-0560</b>		KIT-WATER PUMP (WATER PUMP)						
					(ALSO INCLUDES SEAL GP)						
J - KIT MARKED J INCLUDES PART(S) MARKED J											

# COOLING SYSTEM

155-0072 PUMP GP-WATER (contd.)

i03439311



GRAPHIC #1

<END>

g00452866

# COOLING SYSTEM

## 172-7760 PUMP GP-WATER\*R

S/N: 85Z14544-UP

PART OF 7N-5909 PUMP GP-WATER  
AN ATTACHMENT

SMCS-1361

i01940258

NOTE	REF NO	GRAPHIC REF	PART NUMBER	QTY	PART NAME						SEE PAGE
					1	2	3	4	5	6 (PRODUCT LEVEL)	
	1	1	<b>8N-5929</b>	1	COVER-WATER PUMP						
J	2	1	<b>169-1750</b>	1	SEAL GP (WATER PUMP)						
J	3	1	<b>154-4482</b>	1	SEAL-LIP TYPE						
J	4	1	<b>1K-6985</b>	1	RING-RETAINING						
	5	1	<b>6K-3771</b>	1	BOLT-12 POINT HEAD (7/16-14X1.5-IN)						
J	6	1	<b>6H-3957</b>	2	BALL BEARING						
	7	1	<b>4P-7831</b>	1	GEAR AS-PUMP (33-TEETH)						
	8	1	<b>0L-1351</b>	2	BOLT (3/8-16X0.875-IN)						
	9	1	<b>5M-2894</b>	2	WASHER-HARD (10.2X18.5X2.5-MM THK)						
	10	1	<b>8T-6765</b>	1	PLUG-PIPE (1/4-18-THD)						
	11	1	<b>172-7827</b>	1	HOUSING-WATER PUMP						
	12	1	<b>172-0038</b>	1	GASKET						
	13	1	<b>172-5189</b>	1	IMPELLER-PUMP						
J	14	1	<b>172-5185</b>	1	SHAFT-WATER PUMP						
					AVAILABLE REPAIR KIT(S):						
AJ				<b>170-0570</b>	KIT-WATER PUMP (REBUILD)						
					(INCLUDES SEAL GP, SHAFT, LIP SEAL, BOLT & BALL BEARINGS)						

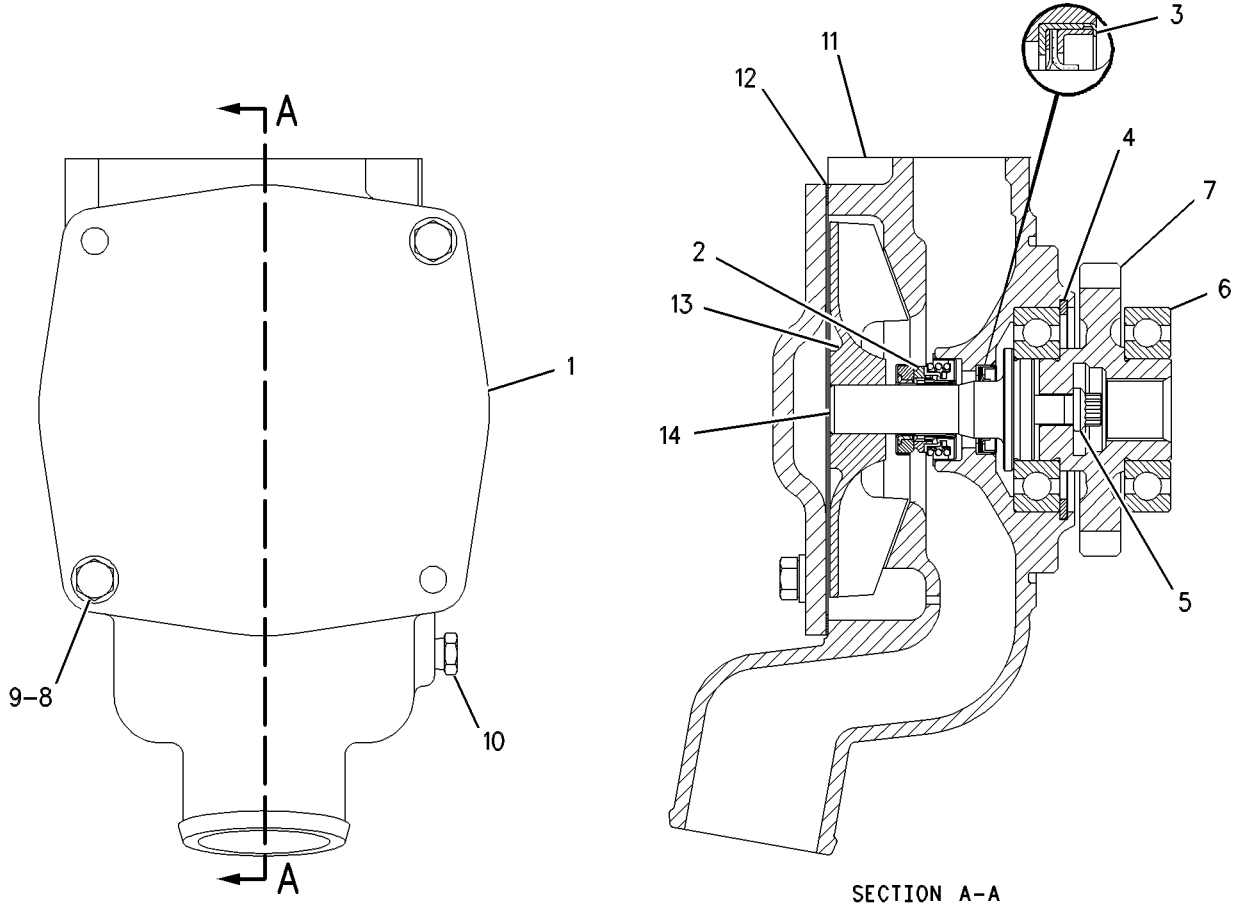
A - NOT PART OF THIS GROUP

J - KIT MARKED J INCLUDES PART(S) MARKED J

# COOLING SYSTEM

172-7760 PUMP GP-WATER (contd.)

i01940258



GRAPHIC #1

<END>

g00595869

# COOLING SYSTEM

## 172-7766 PUMP GP-WATER\*R

S/N: 85Z3764-UP

PART OF 7N-5908 PUMP GP-WATER

AN ATTACHMENT

SMCS-1361

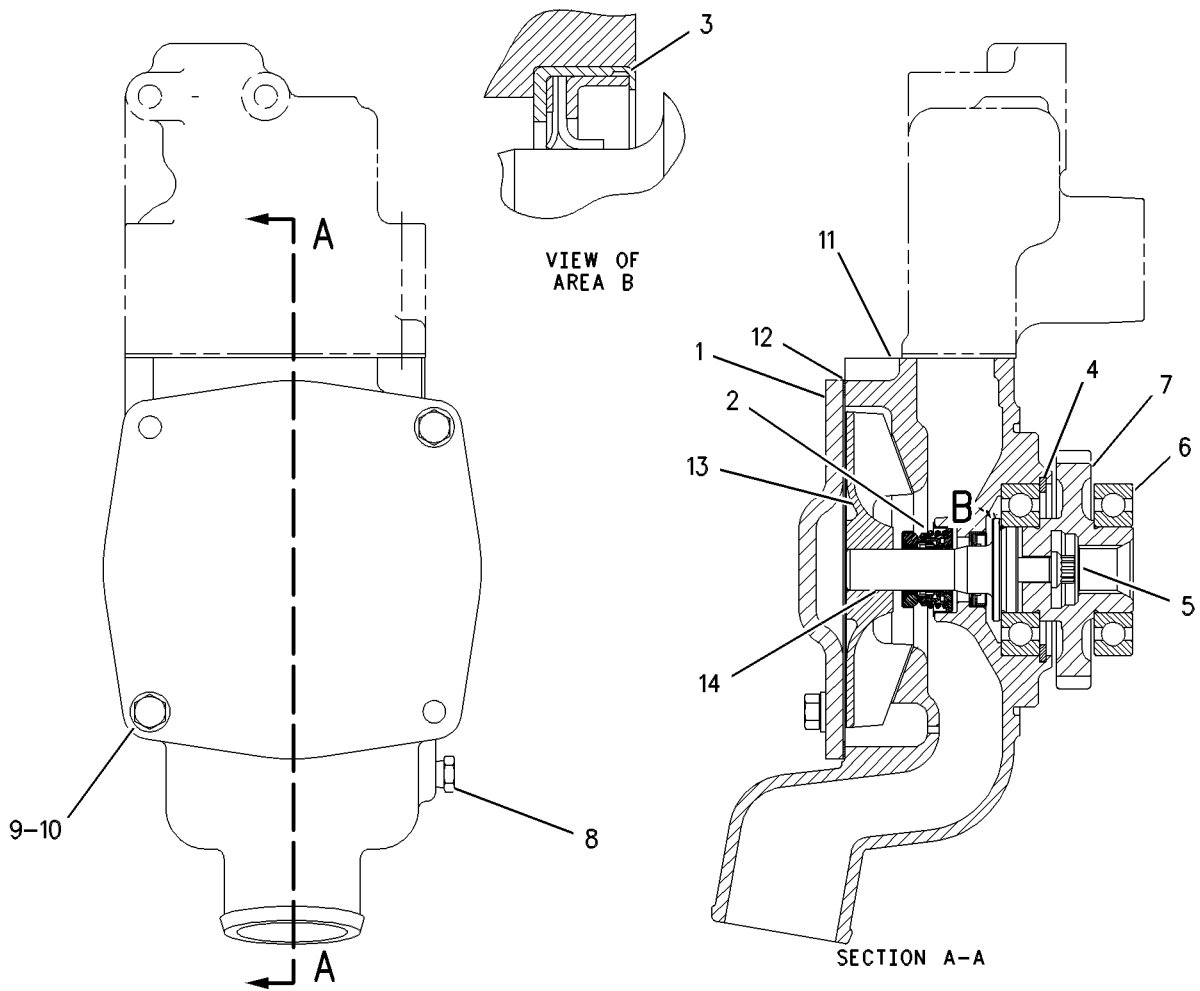
i01940305

NOTE	REF NO	GRAPHIC REF	PART NUMBER	QTY	PART NAME						SEE PAGE
					1	2	3	4	5	6 (PRODUCT LEVEL)	
	1	1	<b>8N-5929</b>	1	COVER-WATER PUMP						
J	2	1	<b>169-1750</b>	1	SEAL GP (WATER PUMP)						
J	3	1	<b>154-4482</b>	1	SEAL-LIP TYPE						
J	4	1	<b>1K-6985</b>	1	RING-RETAINING						
J	5	1	<b>6K-3771</b>	1	BOLT-12 POINT HEAD (7/16-14X1.5-IN)						
J	6	1	<b>6H-3957</b>	2	BALL BEARING						
	7	1	<b>2W-7678</b>	1	GEAR AS (40-TEETH)						
	8	1	<b>8T-6765</b>	1	PLUG-PIPE (1/4-18-THD)						
	9	1	<b>0L-1351</b>	2	BOLT (3/8-16X0.875-IN)						
	10	1	<b>5M-2894</b>	2	WASHER-HARD (10.2X18.5X2.5-MM THK)						
	11	1	<b>172-7827</b>	1	HOUSING-WATER PUMP						
J	12	1	<b>172-0038</b>	1	GASKET						
	13	1	<b>172-5189</b>	1	IMPELLER-PUMP						
J	14	1	<b>172-5185</b>	1	SHAFT-WATER PUMP						
					AVAILABLE REPAIR KIT(S):						
J			<b>170-0567</b>	1	KIT-WATER PUMP (REBUILD)						
					(INCLUDES SEAL GP, SHAFT, LIP SEAL, BOLT & BALL BEARINGS)						
J - KIT MARKED J INCLUDES PART(S) MARKED J											

# COOLING SYSTEM

172-7766 PUMP GP-WATER (contd.)

i01940305



GRAPHIC #1

<END>

g00603488

# COOLING SYSTEM

## 172-7767 PUMP GP-WATER\*R

S/N: 85Z14544-UP

PART OF 7N-5909 PUMP GP-WATER

AN ATTACHMENT

SMCS-1361

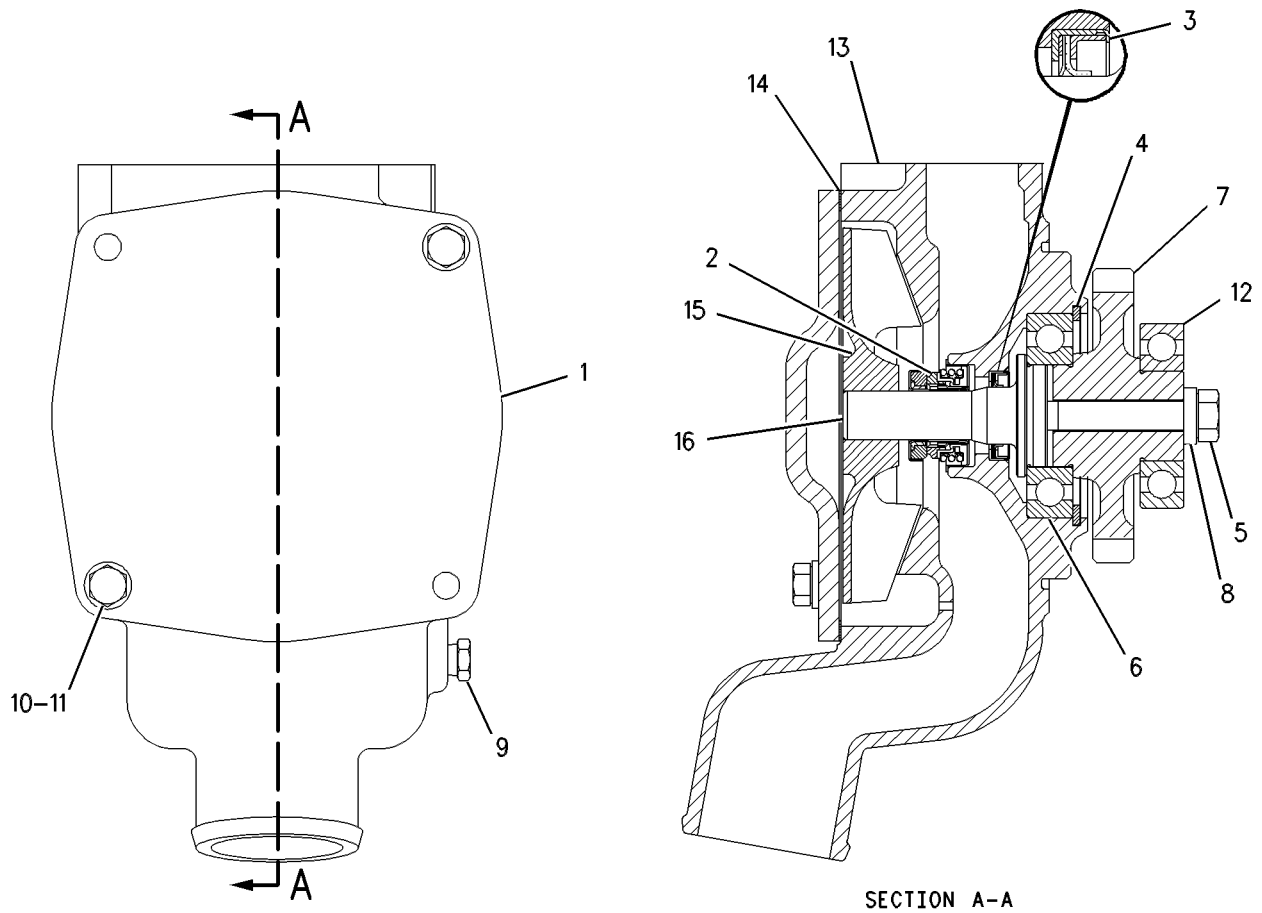
i02016440

NOTE	REF NO	GRAPHIC REF	PART NUMBER	QTY	PART NAME						SEE PAGE
					1	2	3	4	5	6 (PRODUCT LEVEL)	
	1	1	<b>8N-5929</b>	1	COVER-WATER PUMP						
J	2	1	<b>169-1750</b>	1	SEAL GP (WATER PUMP)						
J	3	1	<b>154-4482</b>	1	SEAL-LIP TYPE						
J	4	1	<b>1K-6985</b>	1	RING-RETAINING						
J	5	1	<b>3B-8428</b>	1	BOLT (7/16-14X3.25-IN)						
J	6	1	<b>6H-3957</b>	1	BALL BEARING						
	7	1	<b>7W-0450</b>	1	GEAR (40-TEETH)						
J	8	1	<b>4S-9191</b>	1	WASHER (12X22.5X5-MM THK)						
	9	1	<b>8T-6765</b>	1	PLUG-PIPE (1/4-18-THD)						
	10	1	<b>0L-1351</b>	2	BOLT (3/8-16X0.875-IN)						
	11	1	<b>5M-2894</b>	2	WASHER-HARD (10.2X18.5X2.5-MM THK)						
J	12	1	<b>8H-9789</b>	1	BALL BEARING						
	13	1	<b>172-7827</b>	1	HOUSING-WATER PUMP						
	14	1	<b>172-0038</b>	1	GASKET						
	15	1	<b>172-5189</b>	1	IMPELLER-PUMP						
J	16	1	<b>172-5185</b>	1	SHAFT-WATER PUMP						
					AVAILABLE REPAIR KIT(S):						
J			<b>170-0570</b>	1	KIT-WATER PUMP (REBUILD)						
					(ALSO INCLUDES WASHER, BOLT, & FILTER)						
J - KIT MARKED J INCLUDES PART(S) MARKED J											

# COOLING SYSTEM

172-7767 PUMP GP-WATER (contd.)

i02016440



GRAPHIC #1

<END>

g00597105



# COOLING SYSTEM

## 172-7771 PUMP GP-WATER\*R

S/N: 85Z14544-UP

PART OF 7N-6208 PUMP GP-WATER

ALSO AN ATTACHMENT

SMCS-1361

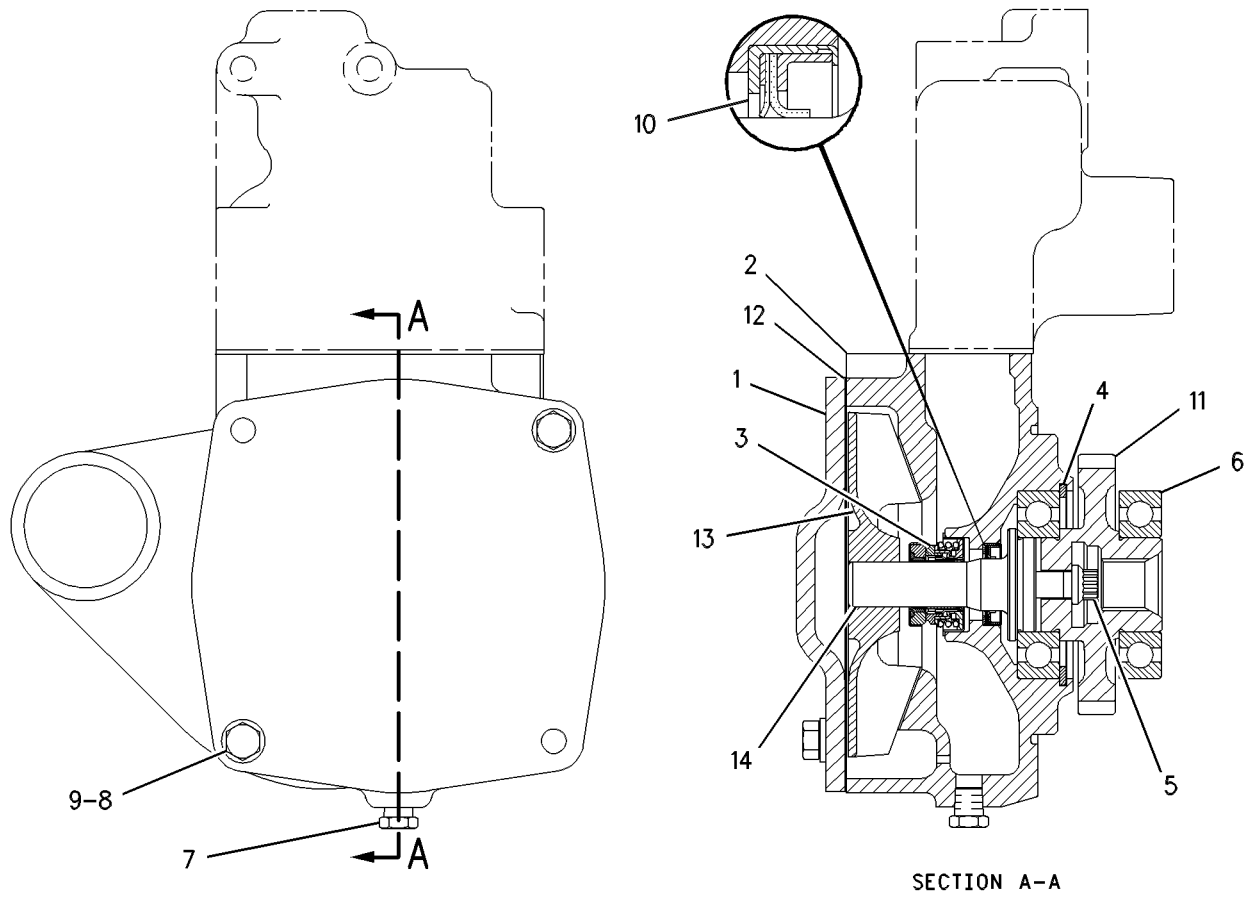
i02016466

NOTE	REF NO	GRAPHIC REF	PART NUMBER	QTY	PART NAME						SEE PAGE
					1	2	3	4	5	6 (PRODUCT LEVEL)	
	1	1	<b>8N-5929</b>	1	COVER-WATER PUMP						
	2	1	<b>154-3946</b>	1	HOUSING-WATER PUMP						
J	3	1	<b>169-1750</b>	1	SEAL GP (WATER PUMP)						
J	4	1	<b>1K-6985</b>	1	RING-RETAINING						
J	5	1	<b>6K-3771</b>	1	BOLT-12 POINT HEAD (7/16-14X1.5-IN)						
J	6	1	<b>6H-3957</b>	2	BALL BEARING						
	7	1	<b>8T-6765</b>	1	PLUG-PIPE (1/4-18-THD)						
	8	1	<b>0L-1351</b>	2	BOLT (3/8-16X0.875-IN)						
	9	1	<b>5M-2894</b>	2	WASHER-HARD (10.2X18.5X2.5-MM THK)						
J	10	1	<b>154-4482</b>	1	SEAL-LIP TYPE						
	11	1	<b>2W-7678</b>	1	GEAR AS (40-TEETH)						
J	12	1	<b>172-0038</b>	1	GASKET						
	13	1	<b>172-5189</b>	1	IMPELLER-PUMP						
J	14	1	<b>172-5185</b>	1	SHAFT-WATER PUMP						
					AVAILABLE REPAIR KIT(S):						
J			<b>170-0567</b>	KIT-WATER PUMP (REBUILD)							
					(ALSO INCLUDES FILTER, BOLT & WASHER)						
J - KIT MARKED J INCLUDES PART(S) MARKED J											

# COOLING SYSTEM

172-7771 PUMP GP-WATER (contd.)

i02016466



GRAPHIC #1

<END>

g00604729

# COOLING SYSTEM

## 2W-8001 PUMP GP-WATER\*R

S/N: 85Z3764-14304

PART OF 7N-5909 PUMP GP-WATER

ALSO AN ATTACHMENT

SMCS-1361

i03439201

NOTE	REF NO	GRAPHIC REF	PART NUMBER	QTY	PART NAME						SEE PAGE
					1	2	3	4	5	6 (PRODUCT LEVEL)	
	1	1	<b>1W-4619</b>	1	HOUSING-PUMP						
	2	1	<b>8N-5928</b>	1	GASKET						
	3	1	<b>8N-5929</b>	1	COVER-WATER PUMP						
J	4	1	<b>9X-6458</b>	1	WASHER-HARD (10.2X22.5X3-MM THK)						
	5	1	<b>2W-7255</b>	1	SHAFT-WATER PUMP						
J	6	1	<b>0S-1594</b>	1	BOLT (3/8-16X1-IN)						
	7	1	<b>4W-3864</b>	1	SEAL AS-WATER PUMP						
C	8	1	<b>8C-5210</b>	1	SEAL-LIP TYPE						
J	9	1	<b>1K-6985</b>	1	RING-RETAINING						
J	10	1	<b>3B-8428</b>	1	BOLT (7/16-14X3.25-IN)						
J	11	1	<b>6H-3957</b>	1	BALL BEARING						
	12	1	<b>7W-0450</b>	1	GEAR (40-TEETH)						
J	13	1	<b>4S-9191</b>	1	WASHER (12X22.5X5-MM THK)						
J	14	1	<b>4N-5834</b>	1	FILTER-FOAM (WATER PUMP HOUSING)						
	15	1	<b>8T-6765</b>	1	PLUG-PIPE (1/4-18-THD)						
	16	1	<b>0L-1351</b>	1	BOLT (3/8-16X0.875-IN)						
	17	1	<b>5M-2894</b>	1	WASHER-HARD (10.2X18.5X2.5-MM THK)						
J	18	1	<b>8H-9789</b>	1	BALL BEARING						
C	19	1	<b>0L-1351</b>	1	BOLT (3/8-16X0.875-IN)						
CB	20	1	<b>5M-2894</b>	1	WASHER-HARD (10.2X18.5X2.5-MM THK)						
	21	1	<b>134-7422</b>	1	IMPELLER-PUMP						
					AVAILABLE REPAIR KIT(S):						
J			<b>170-0564</b>		KIT-WATER PUMP (REBUILD)						
					(ALSO INCLUDES SEAL GP, STRAIGHT SHAFT & SEALS; REQUIRES 1725189 STRAIGHT FIT IMPELLER)						

B - USE AS REQUIRED

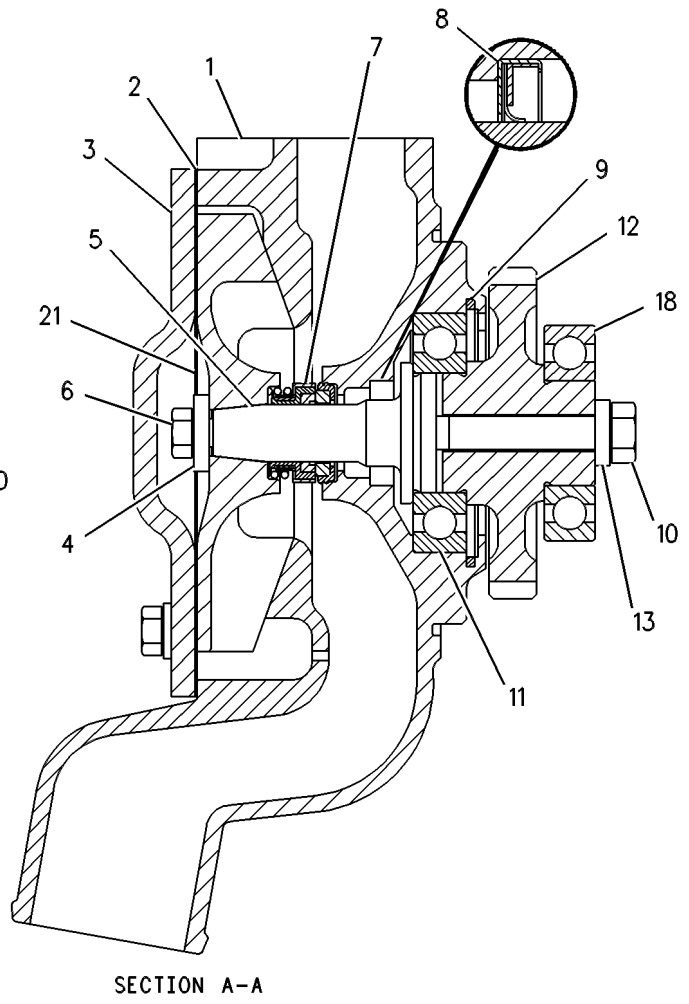
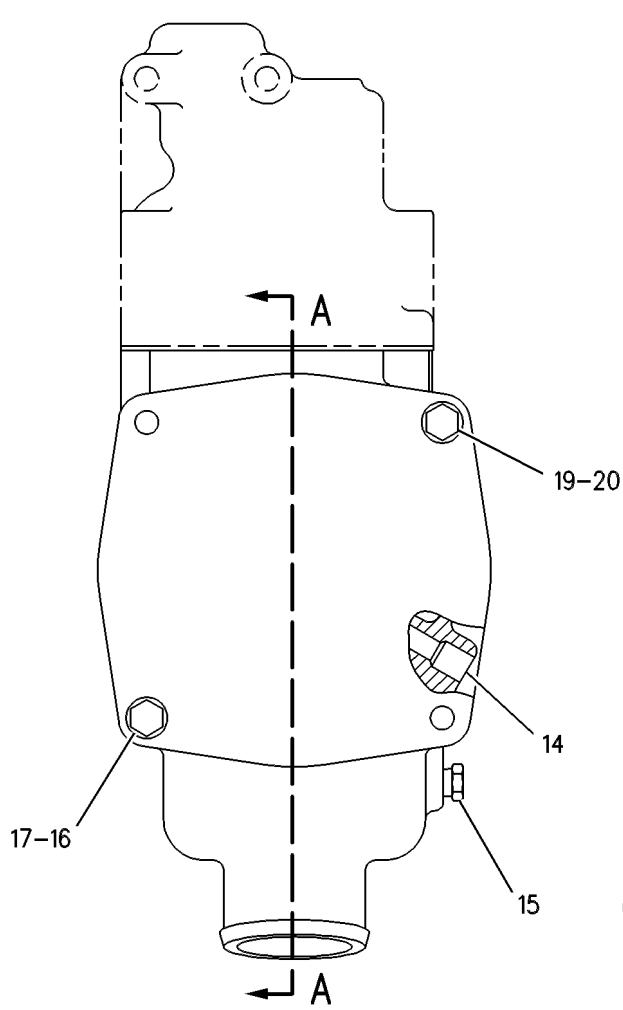
C - CHANGE FROM PREVIOUS TYPE

J - KIT MARKED J INCLUDES PART(S) MARKED J

# COOLING SYSTEM

2W-8001 PUMP GP-WATER (contd.)

i03439201



GRAPHIC #1

<END>

g00117670

# COOLING SYSTEM

## 2W-8002 PUMP GP-WATER\*R

S/N: 85Z3764-UP

PART OF 7N-5908 PUMP GP-WATER  
AN ATTACHMENT

SMCS-1361

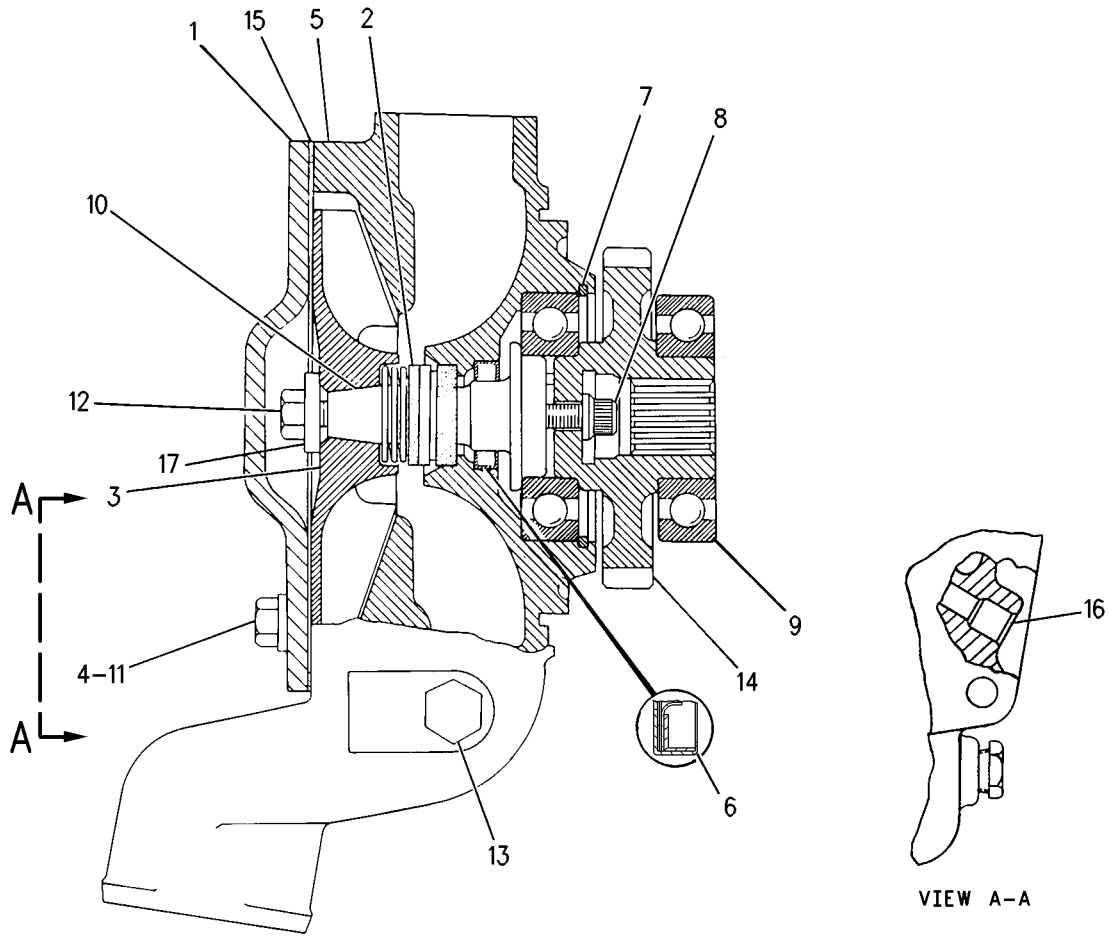
i03439221

NOTE	REF NO	GRAPHIC REF	PART NUMBER	QTY	PART NAME						SEE PAGE
					1	2	3	4	5	6 (PRODUCT LEVEL)	
	1	1	<b>8N-5929</b>	1	COVER-WATER PUMP						
	2	1	<b>4W-3864</b>	1	SEAL AS-WATER PUMP						
	3	1	<b>7N-5910</b>	1	IMPELLER-PUMP						
	4	1	<b>0L-1351</b>	2	BOLT (3/8-16X0.875-IN)						
	5	1	<b>1W-4619</b>	1	HOUSING-PUMP						
	6	1	<b>8C-5210</b>	1	SEAL-LIP TYPE						
J	7	1	<b>1K-6985</b>	1	RING-RETAINING						
J	8	1	<b>6K-3771</b>	1	BOLT-12 POINT HEAD (7/16-14X1.5-IN)						
J	9	1	<b>6H-3957</b>	2	BALL BEARING						
	10	1	<b>2W-7255</b>	1	SHAFT-WATER PUMP						
	11	1	<b>5M-2894</b>	2	WASHER-HARD (10.2X18.5X2.5-MM THK)						
J	12	1	<b>0S-1594</b>	1	BOLT (3/8-16X1-IN)						
	13	1	<b>5M-6213</b>	1	PLUG-PIPE (1/4-18-THD)						
	14	1	<b>2W-7678</b>	1	GEAR AS (40-TEETH)						
	15	1	<b>8N-5928</b>	1	GASKET						
J	16	1	<b>4N-5834</b>	1	FILTER-FOAM (WATER PUMP HOUSING)						
	17	1	<b>9M-6527</b>	1	WASHER-HARD (10.2X25.5X5-MM THK)						
					AVAILABLE REPAIR KIT(S):						
J			<b>170-0560</b>	1	KIT-WATER PUMP (WATER PUMP)						
					(ALSO INCLUDES SHAFT, SEAL, WASHER & SEAL GP)						
J - KIT MARKED J INCLUDES PART(S) MARKED J											

# COOLING SYSTEM

2W-8002 PUMP GP-WATER (contd.)

i03439221



GRAPHIC #1

<END>

g00743614

# COOLING SYSTEM

## 2W-8004 PUMP GP-WATER

S/N: 85Z3764-14304

PART OF 7N-6208 PUMP GP-WATER

ALSO AN ATTACHMENT

**SMCS-1361**

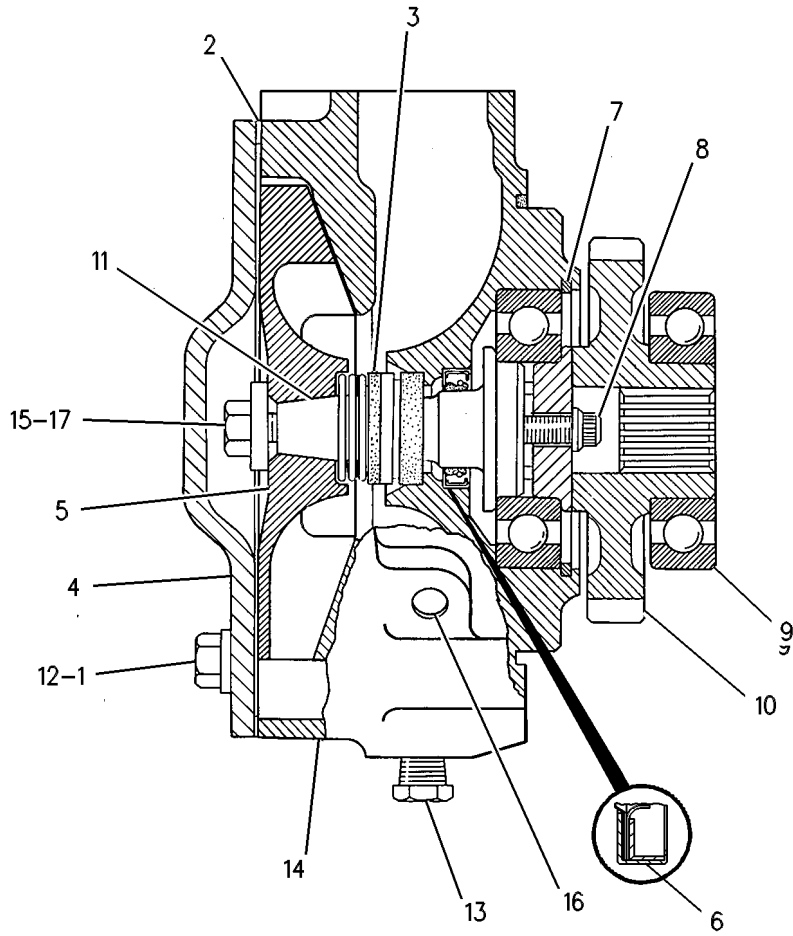
**i03439241**

NOTE	REF NO	GRAPHIC REF	PART NUMBER	QTY	PART NAME						SEE PAGE
					1	2	3	4	5	6 (PRODUCT LEVEL)	
	1	1	<b>0L-1351</b>	2	BOLT (3/8-16X0.875-IN)						
	2	1	<b>8N-5928</b>	1	GASKET						
	3	1	<b>4W-3864</b>	1	SEAL AS-WATER PUMP						
	4	1	<b>8N-5929</b>	1	COVER-WATER PUMP						
	5	1	<b>134-7422</b>	1	IMPELLER-PUMP						
	6	1	<b>8C-5210</b>	1	SEAL-LIP TYPE						
J	7	1	<b>1K-6985</b>	1	RING-RETAINING						
J	8	1	<b>6K-3771</b>	1	BOLT-12 POINT HEAD (7/16-14X1.5-IN)						
J	9	1	<b>6H-3957</b>	2	BALL BEARING						
	10	1	<b>2W-7678</b>	1	GEAR AS (40-TEETH)						
	11	1	<b>2W-7255</b>	1	SHAFT-WATER PUMP						
	12	1	<b>5M-2894</b>	2	WASHER-HARD (10.2X18.5X2.5-MM THK)						
	13	1	<b>8T-6765</b>	1	PLUG-PIPE (1/4-18-THD)						
	14	1	<b>1W-6557</b>	1	HOUSING-PUMP						
J	15	1	<b>0S-1594</b>	1	BOLT (3/8-16X1-IN)						
CJ	16	1	<b>4N-5834</b>	1	FILTER-FOAM (WATER PUMP HOUSING)						
J	17	1	<b>9X-6458</b>	1	WASHER-HARD (10.2X22.5X3-MM THK)						
					AVAILABLE REPAIR KIT(S):						
J			<b>170-0560</b>		KIT-WATER PUMP (WATER PUMP)						
					(ALSO INCLUDES SEAL GP, SHAFT & SEAL)						
C - CHANGE FROM PREVIOUS TYPE											
J - KIT MARKED J INCLUDES PART(S) MARKED J											

# COOLING SYSTEM

2W-8004 PUMP GP-WATER (contd.)

i03439241



GRAPHIC #1

<END>

g00270876



# COOLING SYSTEM

## 7N-5908 PUMP GP-WATER

S/N: 85Z3764-UP

AN ATTACHMENT

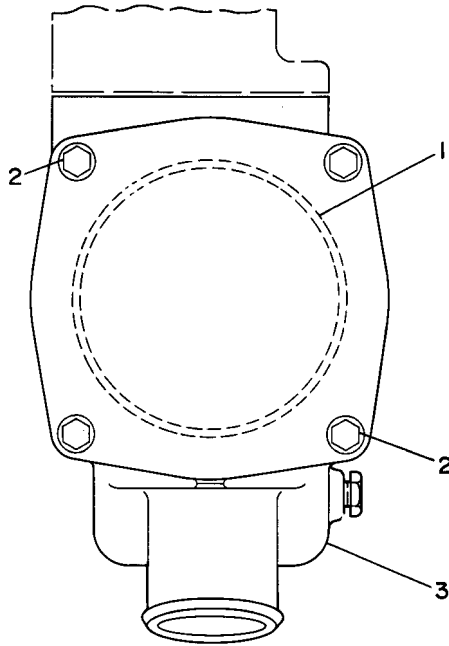
TYPE 1

SMCS-1361

i02012728

NOTE	REF NO	GRAPHIC REF	PART NUMBER	QTY	PART NAME						SEE PAGE
					1	2	3	4	5	6 (PRODUCT LEVEL)	
	1	1	<b>5F-3106</b>	1	SEAL-O-RING						
	2	1	<b>0T-0055</b>	2	BOLT (3/8-16X4.25-IN)						
		1	<b>5M-2894</b>	2	WASHER-HARD (10.2X18.5X2.5-MM THK)						
CYR	3	1	<b>2W-8002</b>	1	PUMP GP-WATER						367

C - CHANGE FROM PREVIOUS TYPE  
R - REMANUFACTURED PART MAY BE AVAILABLE  
Y - SEPARATE ILLUSTRATION



GRAPHIC #1

<END>

g00115819

# COOLING SYSTEM

## 7N-5908 PUMP GP-WATER

S/N: 85Z3764-UP

AN ATTACHMENT

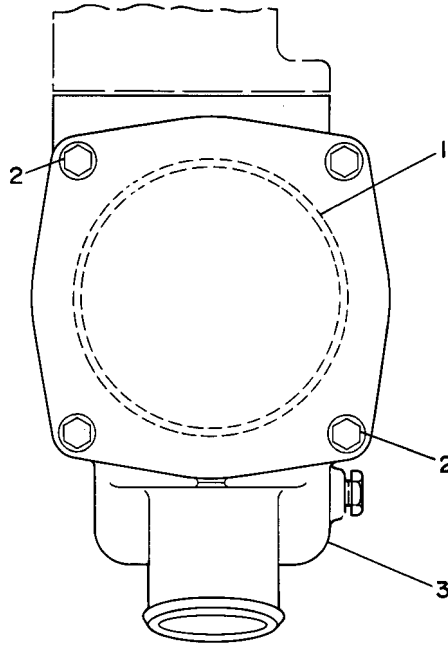
TYPE 2

SMCS-1361

i02012729

NOTE	REF NO	GRAPHIC REF	PART NUMBER	QTY	PART NAME						SEE PAGE
					1	2	3	4	5	6 (PRODUCT LEVEL)	
	1	1	<b>5F-3106</b>	1	SEAL-O-RING						
	2	1	<b>0T-0055</b>	2	BOLT (3/8-16X4.25-IN)						
		1	<b>5M-2894</b>	2	WASHER-HARD (10.2X18.5X2.5-MM THK)						
YR	3	1	<b>9Y-6435</b>	1	PUMP GP-WATER						381

R - REMANUFACTURED PART MAY BE AVAILABLE  
 Y - SEPARATE ILLUSTRATION



GRAPHIC #1

<END>

g00115819

# COOLING SYSTEM

## 7N-5908 PUMP GP-WATER

S/N: 85Z3764-UP

AN ATTACHMENT

TYPE 3

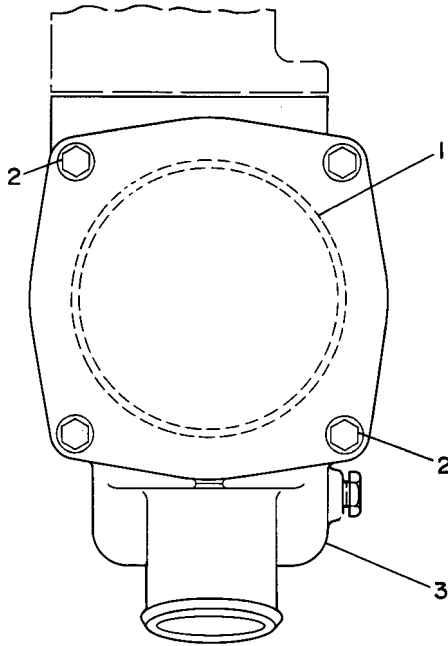
SMCS-1361

i00940245

NOTE	REF NO	GRAPHIC REF	PART NUMBER	QTY	PART NAME						SEE PAGE
					1	2	3	4	5	6 (PRODUCT LEVEL)	
	1	1	<b>5F-3106</b>	1	SEAL-O-RING						
	2	1	<b>0T-0055</b>	2	BOLT (3/8-16X4.25-IN)						
		1	<b>5M-2894</b>	2	WASHER-HARD (10.2X18.5X2.5-MM THK)						
YR	3	1	<b>155-0067</b>	1	PUMP GP-WATER						351

R - REMANUFACTURED PART MAY BE AVAILABLE

Y - SEPARATE ILLUSTRATION



GRAPHIC #1

<END>

g00115819

# COOLING SYSTEM

## 7N-5908 PUMP GP-WATER

S/N: 85Z3764-UP

AN ATTACHMENT

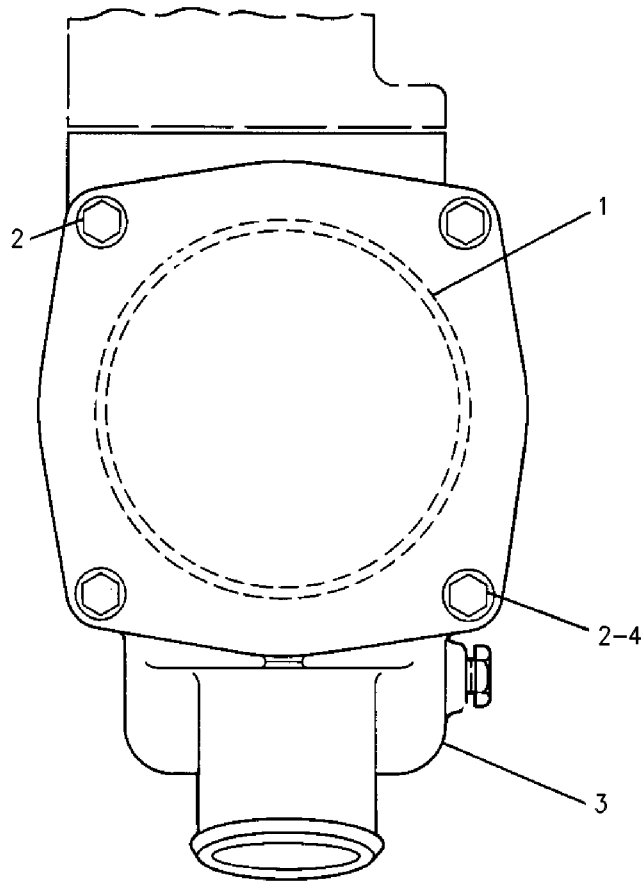
TYPE 4

SMCS-1361

i01142466

NOTE	REF NO	GRAPHIC REF	PART NUMBER	QTY	PART NAME						SEE PAGE
					1	2	3	4	5	6 (PRODUCT LEVEL)	
	1	1	<b>5F-3106</b>	1	SEAL-O-RING						
	2	1	<b>0T-0055</b>	2	BOLT (3/8-16X4.25-IN)						
CYR	3	1	<b>172-7766</b>	1	PUMP GP-WATER						359
	4	1	<b>5M-2894</b>	2	WASHER-HARD (10.2X18.5X2.5-MM THK)						

C - CHANGE FROM PREVIOUS TYPE  
R - REMANUFACTURED PART MAY BE AVAILABLE  
Y - SEPARATE ILLUSTRATION



GRAPHIC #1

<END>

g00608959

# COOLING SYSTEM

## 7N-5909 PUMP GP-WATER

S/N: 85Z3764-14304

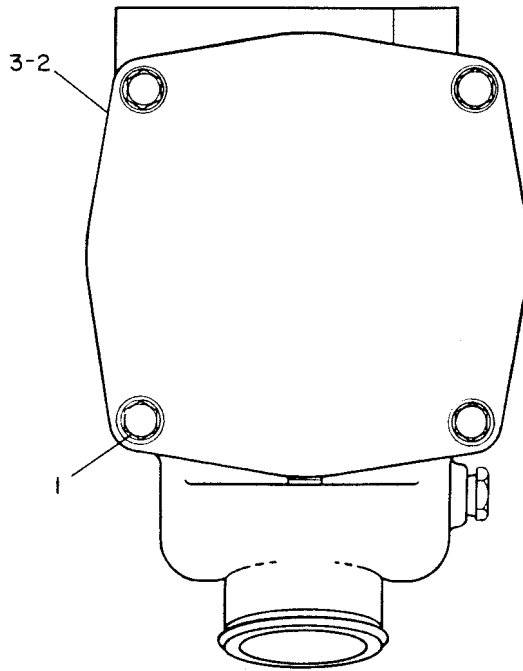
ALSO AN ATTACHMENT

SMCS-1361

i00165531

NOTE	REF NO	GRAPHIC REF	PART NUMBER	QTY	PART NAME						SEE PAGE
					1	2	3	4	5	6 (PRODUCT LEVEL)	
	1	1	<b>0T-0055</b>	2	BOLT (3/8-16X4.25-IN)						
		1	<b>5M-2894</b>	2	WASHER-HARD (10.2X18.5X2.5-MM THK)						
CYR	2	1	<b>2W-8001</b>	1	PUMP GP-WATER						365
	3	1	<b>5F-3106</b>	1	SEAL-O-RING						

C - CHANGE FROM PREVIOUS TYPE  
 R - REMANUFACTURED PART MAY BE AVAILABLE  
 Y - SEPARATE ILLUSTRATION



GRAPHIC #1

<END>

g00115596

# COOLING SYSTEM

## 7N-5909 PUMP GP-WATER

S/N: 85Z14305-14543

AN ATTACHMENT

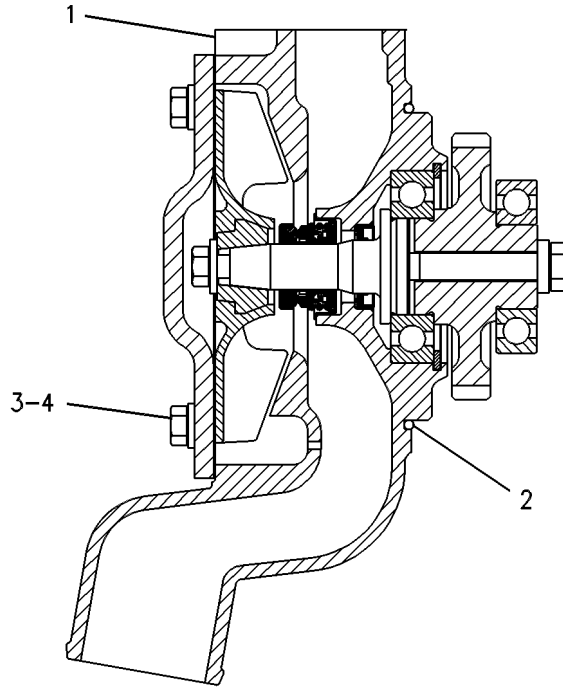
SMCS-1361

i01449166

NOTE	REF NO	GRAPHIC REF	PART NUMBER	QTY	PART NAME						SEE PAGE
					1	2	3	4	5	6 (PRODUCT LEVEL)	
YR	1	1	<b>155-0068</b>	1	PUMP GP-WATER						353
	2	1	<b>5F-3106</b>	1	SEAL-O-RING						
	3	1	<b>0T-0055</b>	2	BOLT (3/8-16X4.25-IN)						
	4	1	<b>5M-2894</b>	2	WASHER-HARD (10.2X18.5X2.5-MM THK)						

R - REMANUFACTURED PART MAY BE AVAILABLE

Y - SEPARATE ILLUSTRATION



GRAPHIC #1

<END>

g00386795

# COOLING SYSTEM

## 7N-5909 PUMP GP-WATER

S/N: 85Z14544-UP

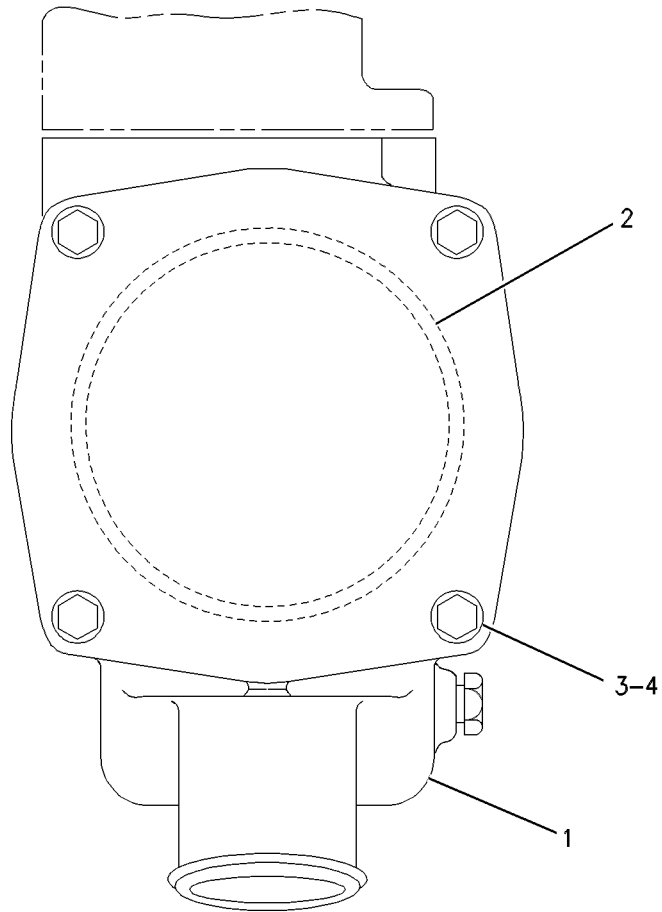
AN ATTACHMENT

SMCS-1361

i06186920

NOTE	REF NO	GRAPHIC REF	PART NUMBER	QTY	PART NAME						SEE PAGE
					1	2	3	4	5	6 (PRODUCT LEVEL)	
CYR	1	1	<b>172-7767</b>	1	PUMP GP-WATER						361
HELICAL TEETH ON THE DRIVE GEAR											
-OR-											
YR		1	<b>172-7760</b>	1	PUMP GP-WATER						357
STRAIGHT TEETH ON THE DRIVE GEAR											
	2	1	<b>5F-3106</b>	1	SEAL-O-RING						
	3	1	<b>0T-0055</b>	2	BOLT (3/8-16X4.25-IN)						
	4	1	<b>5M-2894</b>	2	WASHER-HARD (10.2X18.5X2.5-MM THK)						

C - CHANGE FROM PREVIOUS TYPE  
R - REMANUFACTURED PART MAY BE AVAILABLE  
Y - SEPARATE ILLUSTRATION



GRAPHIC #1

<END>

g00610395

# COOLING SYSTEM

## 7N-6208 PUMP GP-WATER

S/N: 85Z3764-14304

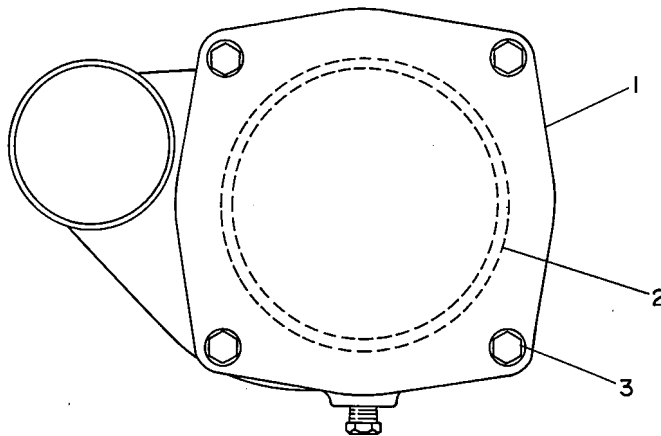
NON STANDARD PUMP WHICH HAS SIDE INLET AND SPLINE DRIVE  
ALSO AN ATTACHMENT

SMCS-1361

i00637720

NOTE	REF NO	GRAPHIC REF	PART NUMBER	QTY	PART NAME						SEE PAGE
					1	2	3	4	5	6 (PRODUCT LEVEL)	
CY	1	1	2W-8004	1	PUMP GP-WATER						369
	2	1	5F-3106	1	SEAL-O-RING						
	3	1	0T-0055	2	BOLT (3/8-16X4.25-IN)						
			1	5M-2894	2	WASHER-HARD (10.2X18.5X2.5-MM THK)					

C - CHANGE FROM PREVIOUS TYPE  
Y - SEPARATE ILLUSTRATION



GRAPHIC #1

<END>

g00164311



# COOLING SYSTEM

## 7N-6208 PUMP GP-WATER

S/N: 85Z14305-14543

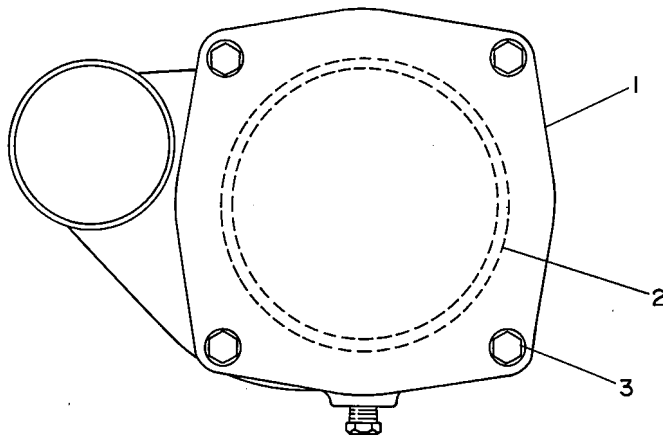
NON STANDARD PUMP WHICH HAS SIDE INLET AND SPLINE DRIVE  
ALSO AN ATTACHMENT

SMCS-1361

i00930063

NOTE	REF NO	GRAPHIC REF	PART NUMBER	QTY	PART NAME						SEE PAGE
					1	2	3	4	5	6 (PRODUCT LEVEL)	
CY	1	1	<b>155-0072</b>	1	PUMP GP-WATER						355
	2	1	<b>5F-3106</b>	1	SEAL-O-RING						
	3	1	<b>0T-0055</b>	2	BOLT (3/8-16X4.25-IN)						
			1	<b>5M-2894</b>	2	WASHER-HARD (10.2X18.5X2.5-MM THK)					

C - CHANGE FROM PREVIOUS TYPE  
Y - SEPARATE ILLUSTRATION



GRAPHIC #1

<END>

g00164311

# COOLING SYSTEM

## 7N-6208 PUMP GP-WATER

S/N: 85Z14544-UP

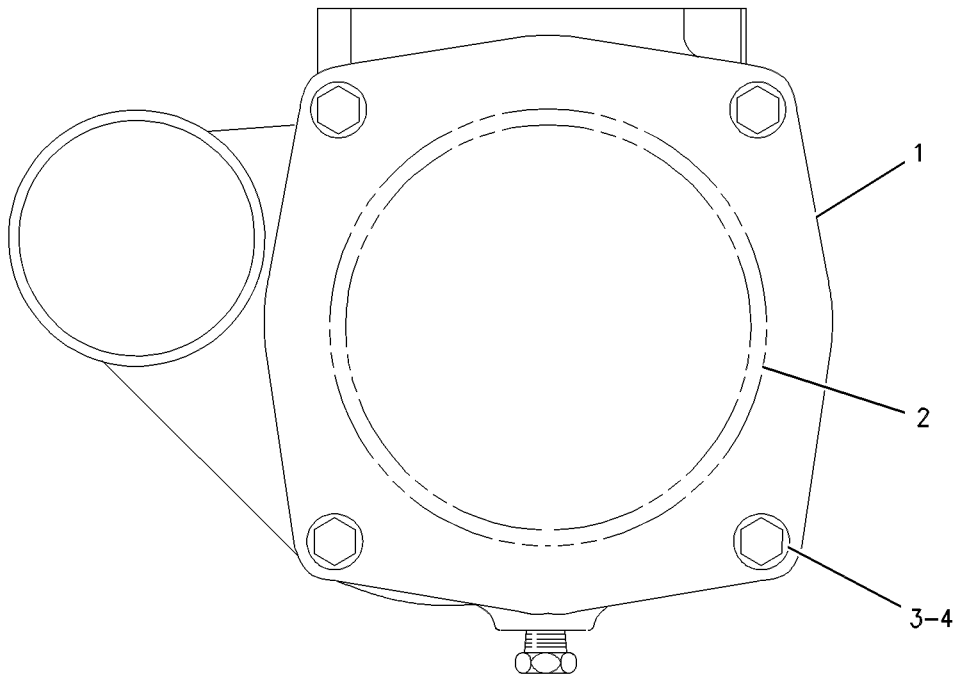
NON STANDARD PUMP WHICH HAS SIDE INLET AND SPLINE DRIVE  
ALSO AN ATTACHMENT

SMCS-1361

i01141719

NOTE	REF NO	GRAPHIC REF	PART NUMBER	QTY	PART NAME						SEE PAGE
					1	2	3	4	5	6 (PRODUCT LEVEL)	
CYR	1	1	<b>172-7771</b>	1	PUMP GP-WATER						363
	2	1	<b>5F-3106</b>	1	SEAL-O-RING						
	3	1	<b>0T-0055</b>	2	BOLT (3/8-16X4.25-IN)						
	4	1	<b>5M-2894</b>	2	WASHER-HARD (10.2X18.5X2.5-MM THK)						

C - CHANGE FROM PREVIOUS TYPE  
R - REMANUFACTURED PART MAY BE AVAILABLE  
Y - SEPARATE ILLUSTRATION



GRAPHIC #1

<END>

g00609426

# COOLING SYSTEM

## 9Y-6435 PUMP GP-WATER\*R

S/N: 85Z3764-UP

PART OF 7N-5908 PUMP GP-WATER  
AN ATTACHMENT

SMCS-1361

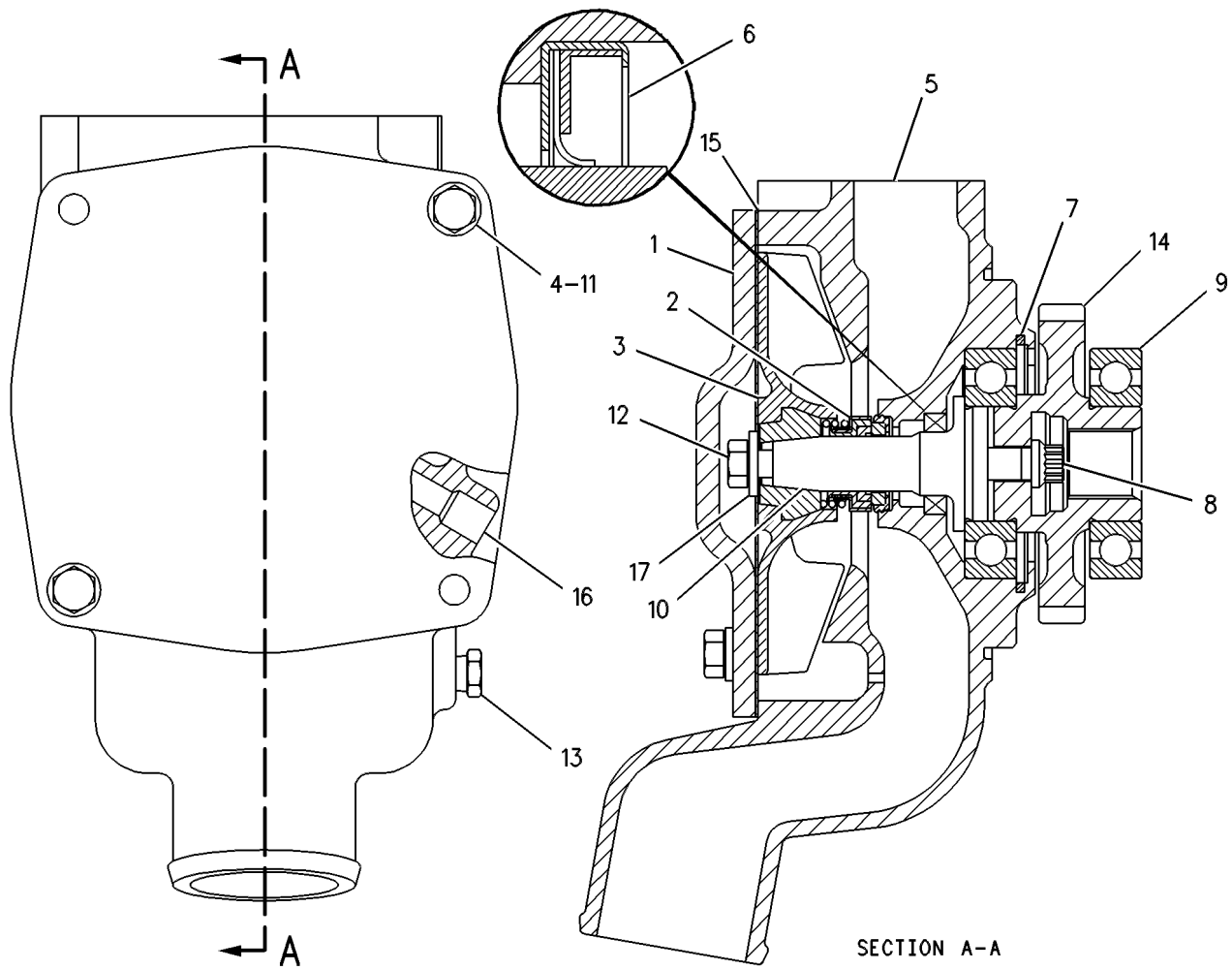
i03439282

NOTE	REF NO	GRAPHIC REF	PART NUMBER	QTY	PART NAME	SEE PAGE
					1 2 3 4 5 6 (PRODUCT LEVEL)	
	1	1	<b>8N-5929</b>	1	COVER-WATER PUMP	
	2	1	<b>4W-3864</b>	1	SEAL AS-WATER PUMP	
	3	1	<b>134-7422</b>	1	IMPELLER-PUMP	
	4	1	<b>0L-1351</b>	2	BOLT (3/8-16X0.875-IN)	
	5	1	<b>1W-4619</b>	1	HOUSING-PUMP	
	6	1	<b>8C-5210</b>	1	SEAL-LIP TYPE	
J	7	1	<b>1K-6985</b>	1	RING-RETAINING	
J	8	1	<b>6K-3771</b>	1	BOLT-12 POINT HEAD (7/16-14X1.5-IN)	
J	9	1	<b>6H-3957</b>	2	BALL BEARING	
	10	1	<b>2W-7255</b>	1	SHAFT-WATER PUMP	
	11	1	<b>5M-2894</b>	2	WASHER-HARD (10.2X18.5X2.5-MM THK)	
J	12	1	<b>0S-1594</b>	1	BOLT (3/8-16X1-IN)	
	13	1	<b>8T-6765</b>	1	PLUG-PIPE (1/4-18-THD)	
	14	1	<b>2W-7678</b>	1	GEAR AS (40-TEETH)	
	15	1	<b>8N-5928</b>	1	GASKET	
J	16	1	<b>4N-5834</b>	1	FILTER-FOAM (WATER PUMP HOUSING)	
J	17	1	<b>9X-6458</b>	1	WASHER-HARD (10.2X22.5X3-MM THK)	
					AVAILABLE REPAIR KIT(S):	
J			<b>170-0567</b>	1	KIT-WATER PUMP (REBUILD)	
					(INCLUDES SEAL GP, SHAFT, LIP SEAL, BOLT, FILTER & BALL BEARINGS)	
J - KIT MARKED J INCLUDES PART(S) MARKED J						

# COOLING SYSTEM

9Y-6435 PUMP GP-WATER (contd.)

i03439282



GRAPHIC #1

<END>

g00278802

# COOLING SYSTEM

## 133-9671 RADIATOR GP

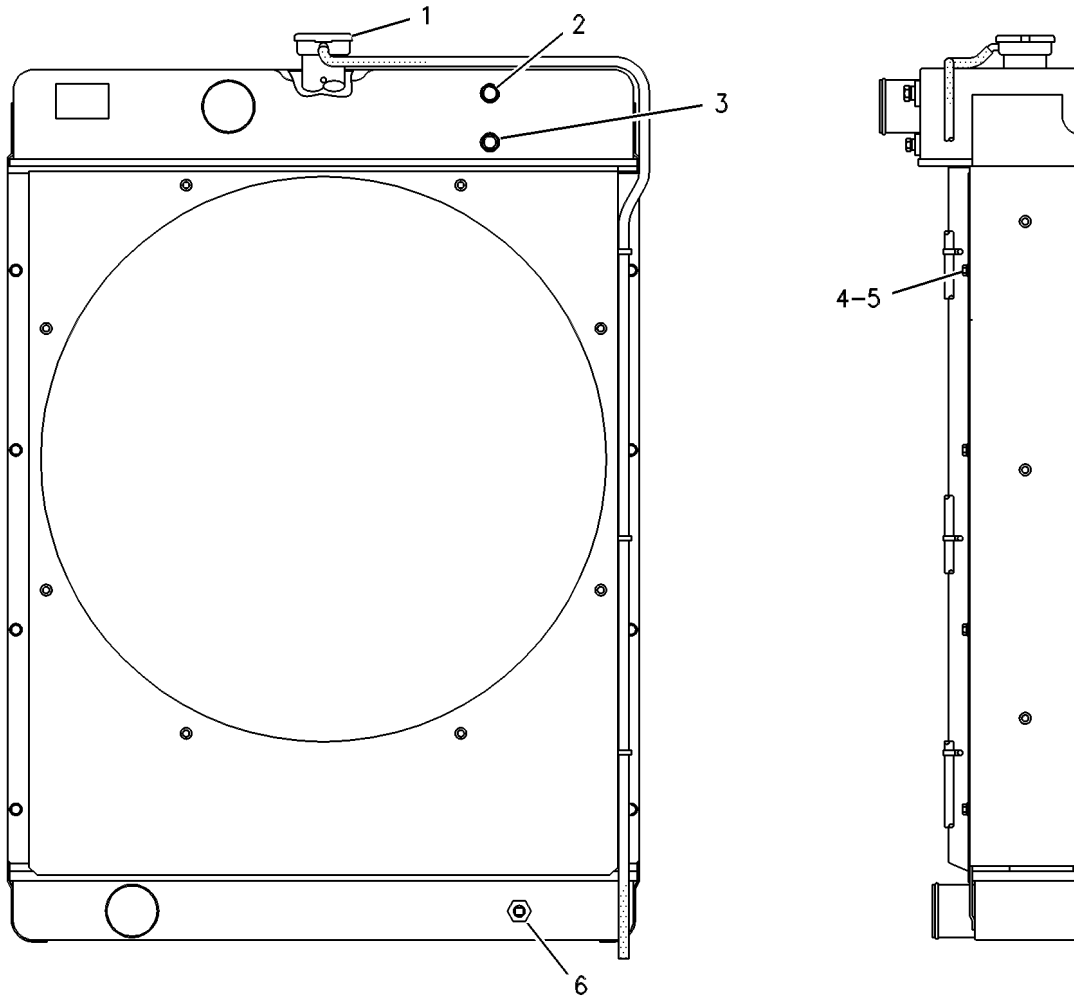
S/N: 85Z3764-UP

PART OF 9Y-5781 RADIATOR GP  
AN ATTACHMENT

**SMCS-1353**

**i01982730**

NOTE	REF NO	GRAPHIC REF	PART NUMBER	QTY	PART NAME						SEE PAGE
					1	2	3	4	5	6 (PRODUCT LEVEL)	
	1	1	<b>6L-8617</b>	1	CAP-PRESSURE (7-PSI) (PRESSURE)						
	2	1	<b>8T-6767</b>	1	PLUG-PIPE (3/8-18-THD)						
	3	1	<b>8T-6765</b>	1	PLUG-PIPE (1/4-18-THD)						
	4	1	<b>5S-7349</b>	8	BOLT (1/4-20X0.5-IN)						
	5	1	<b>8T-4205</b>	8	WASHER-HARD (7.2X14.5X2-MM THK)						
	6	1	<b>7X-7732</b>	1	PLUG-PIPE						



GRAPHIC #1

<END>

g00265631

# COOLING SYSTEM

## 133-9673 RADIATOR GP

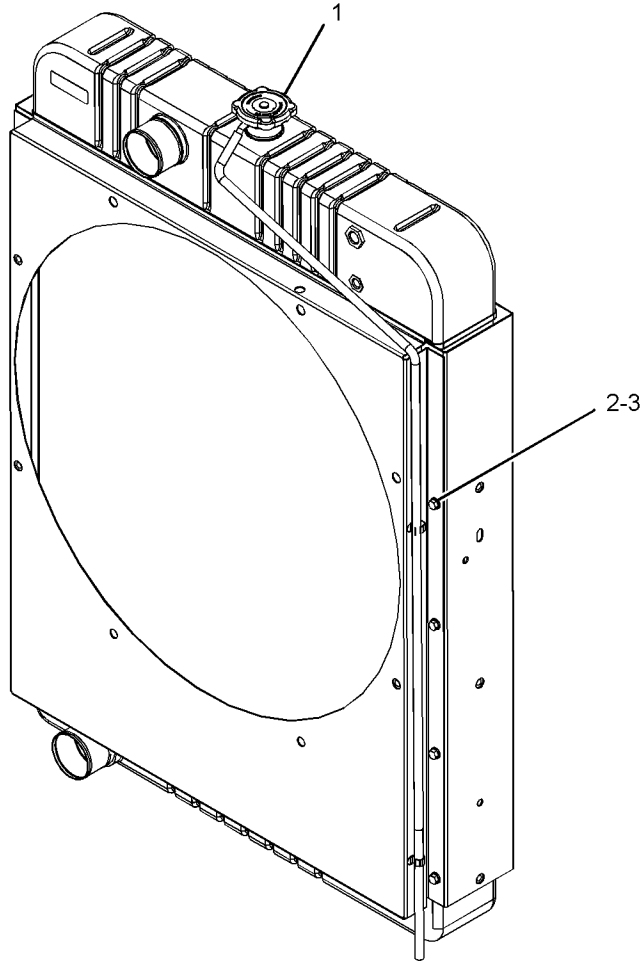
S/N: 85Z3764-UP

PART OF 9Y-5750 RADIATOR GP  
AN ATTACHMENT

SMCS-1353

i05879966

NOTE	REF NO	GRAPHIC REF	PART NUMBER	QTY	PART NAME						SEE PAGE
					1	2	3	4	5	6 (PRODUCT LEVEL)	
	1	1	<b>6L-8617</b>	1	CAP-PRESSURE (7-PSI) (RADIATOR)						
	2	1	<b>5S-7349</b>	8	BOLT (1/4-20X0.5-IN)						
	3	1	<b>8T-4205</b>	8	WASHER-HARD (7.2X14.5X2-MM THK)						



GRAPHIC #1

<END>

g03709721

# COOLING SYSTEM

## 3N-2790 RADIATOR GP

S/N: 85Z3764-UP  
HIGH CAPACITY  
AN ATTACHMENT

SMCS-1353

i03439342

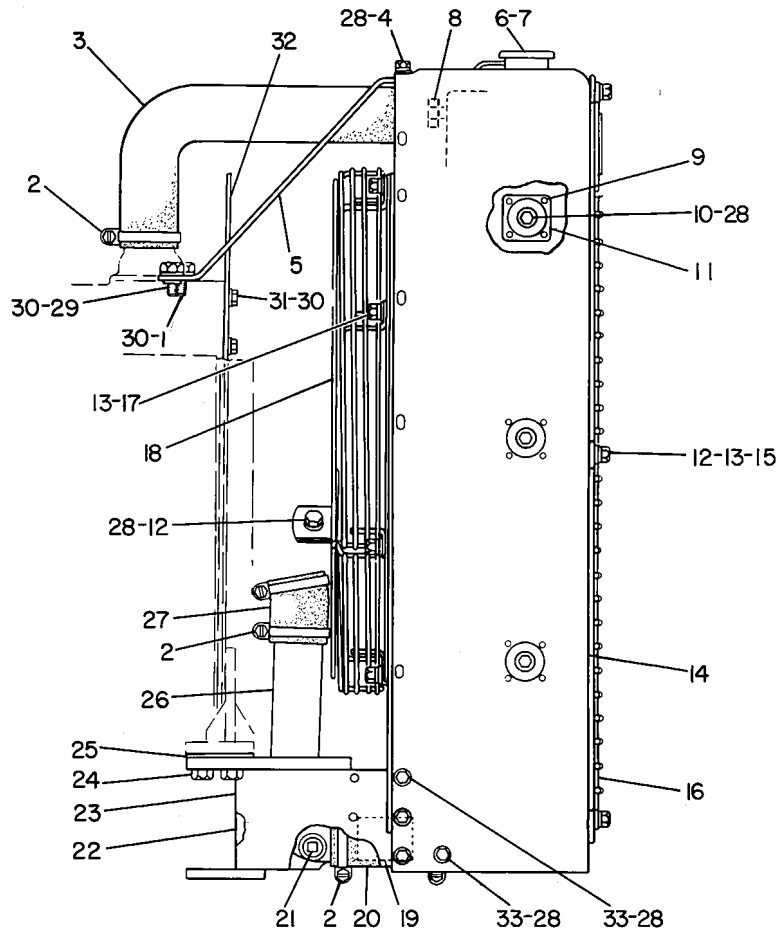
NOTE	REF NO	GRAPHIC REF	PART NUMBER	QTY	PART NAME						SEE PAGE
					1	2	3	4	5	6 (PRODUCT LEVEL)	
	1	1	<b>0S-1595</b>	1	BOLT (1/2-13X1.25-IN)						
	2	1	<b>9M-7959</b>	6	CLAMP-HOSE						
	3	1	<b>3N-6036</b>	1	HOSE (UPPER RADIATOR)						
	4	1	<b>0T-0102</b>	2	BOLT (3/8-16X0.625-IN)						
	5	1	<b>6N-7870</b>	1	BRACE						
	6	1	<b>2N-0256</b>	1	RADIATOR GP						
	7	1	<b>6L-8617</b>	1	CAP-PRESSURE (7-PSI) (RADIATOR)						
	8	1	<b>3J-5390</b>	1	PLUG (3/8-18-THD)						
	9	1	<b>9M-5733</b>	24	RIVET-POP						
	10	1	<b>2A-4639</b>	6	BOLT (3/8-16X1.625-IN)						
	11	1	<b>2L-4238</b>	6	MOUNT-FLEXIBLE						
C	12	1	<b>0S-1594</b>	8	BOLT (3/8-16X1-IN)						
	13	1	<b>3F-1417</b>	14	WASHER (10.3X30.2X3-MM THK)						
	14	1	<b>8L-4495</b>	1	SHELL AS-RADIATOR						
	15	1	<b>9F-2978</b>	6	NUT-WELD (3/8-16-THD)						
	16	1	<b>8L-4534</b>	1	GUARD-RADIATOR						
	17	1	<b>0S-0509</b>	8	BOLT (3/8-16X0.75-IN)						
C	18	1	<b>2W-5643</b>	1	GUARD AS-FAN (UPPER)						
C		1	<b>8N-1633</b>	1	GUARD AS-FAN (LOWER)						
	19	1	<b>3H-3338</b>	1	TUBE						
E	20	1	<b>5P-1262</b>		HOSE (15.24CM)						
	21	1	<b>1B-5174</b>	1	PLUG-PIPE						
	22	1	<b>4L-2922</b>	1	SUPPORT AS						
	23	1	<b>4L-2921</b>	1	SUPPORT AS						
	24	1	<b>0S-1592</b>	4	BOLT (5/8-11X1.25-IN)						
B	25	1	<b>4L-7893</b>	4	SHIM (0.598-IN THK)						
	26	1	<b>3N-2669</b>	1	ELBOW						
	27	1	<b>3N-6033</b>	1	HOSE-PUMP INLET (LOWER RADIATOR)						
C	28	1	<b>5M-2894</b>	18	WASHER-HARD (10.2X18.5X2.5-MM THK)						
	29	1	<b>0S-1585</b>	1	BOLT (1/2-13X1.5-IN)						
		1	<b>7N-2597</b>	1	SPACER (13.5X25.4X8.08-MM THK)						
C	30	1	<b>5P-8245</b>	6	WASHER-HARD (13.5X25.5X3-MM THK)						
C	31	1	<b>4B-3823</b>	4	BOLT (1/2-13X1.25-IN)						
C	32	1	<b>8N-3272</b>	1	PLATE-LIFTING EYE						
C	33	1	<b>0L-1351</b>	8	BOLT (3/8-16X0.875-IN)						

B - USE AS REQUIRED  
C - CHANGE FROM PREVIOUS TYPE  
E - ORDER BY THE CENTIMETER

# COOLING SYSTEM

3N-2790 RADIATOR GP (contd.)

103439342



GRAPHIC #1

<END>

g00151850



# COOLING SYSTEM

## 3N-4657 RADIATOR GP

S/N: 85Z3764-UP  
STANDARD CAPACITY  
AN ATTACHMENT

SMCS - 1353

i03439343

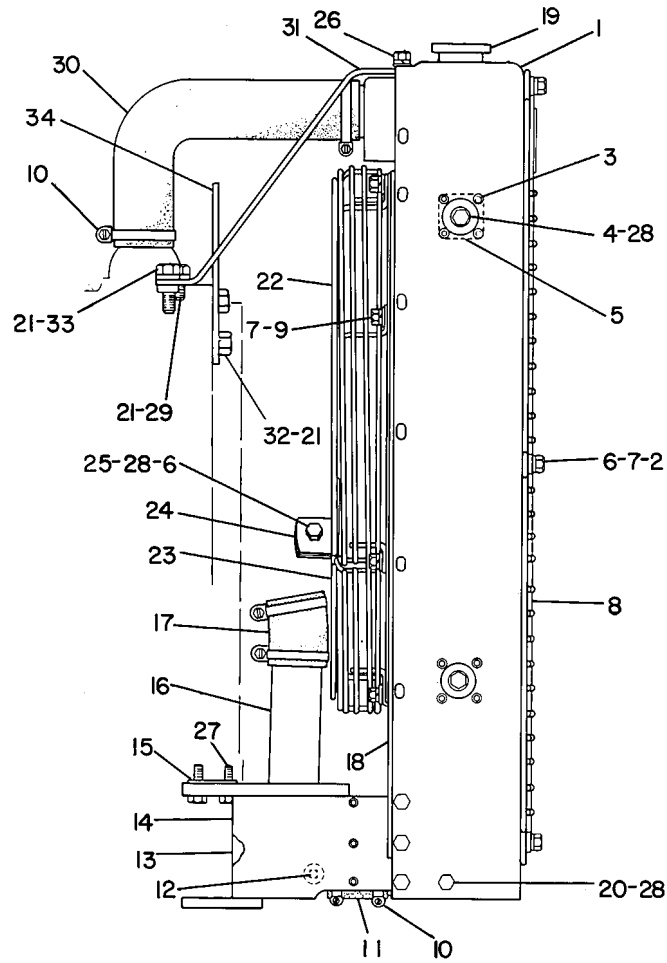
NOTE	REF NO	GRAPHIC REF	PART NUMBER	QTY	PART NAME						SEE PAGE
					1	2	3	4	5	6 (PRODUCT LEVEL)	
	1	1	<b>2N-1999</b>	1	SHELL AS-RADIATOR						
	2	1	<b>9F-2978</b>	6	NUT-WELD (3/8-16-THD)						
	3	1	<b>9M-5733</b>	16	RIVET-POP						
	4	1	<b>2A-4639</b>	4	BOLT (3/8-16X1.625-IN)						
	5	1	<b>2L-4238</b>	5	MOUNT-FLEXIBLE						
C	6	1	<b>0S-1594</b>	8	BOLT (3/8-16X1-IN)						
	7	1	<b>3F-1417</b>	14	WASHER (10.3X30.2X3-MM THK)						
	8	1	<b>8L-4534</b>	1	GUARD-RADIATOR						
	9	1	<b>0S-0509</b>	8	BOLT (3/8-16X0.75-IN)						
	10	1	<b>9M-7959</b>	6	CLAMP-HOSE						
E	11	1	<b>5P-1262</b>		HOSE (15.24CM)						
	12	1	<b>1B-5174</b>	1	PLUG-PIPE						
	13	1	<b>4L-2922</b>	1	SUPPORT AS						
	14	1	<b>4L-2921</b>	1	SUPPORT AS						
B	15	1	<b>4L-7893</b>	4	SHIM (0.598-IN THK)						
	16	1	<b>3N-2669</b>	1	ELBOW						
	17	1	<b>3N-6033</b>	1	HOSE-PUMP INLET (LOWER RADIATOR)						
	18	1	<b>2N-0254</b>	1	RADIATOR GP						
C		1	<b>3J-5390</b>	1	PLUG (3/8-18-THD)						
	19	1	<b>6L-8617</b>	1	CAP-PRESSURE (7-PSI) (RADIATOR)						
B	20	1	<b>0L-1351</b>	8	BOLT (3/8-16X0.875-IN)						
C	21	1	<b>5P-8245</b>	6	WASHER-HARD (13.5X25.5X3-MM THK)						
C	22	1	<b>2W-5643</b>	1	GUARD AS-FAN (UPPER)						
C	23	1	<b>8N-1633</b>	1	GUARD AS-FAN (LOWER)						
	24	1	<b>6N-8599</b>	2	CLIP						
	25	1	<b>9F-2978</b>	2	NUT-WELD (3/8-16-THD)						
	26	1	<b>0T-0102</b>	2	BOLT (3/8-16X0.625-IN)						
	27	1	<b>0S-1592</b>	4	BOLT (5/8-11X1.25-IN)						
C	28	1	<b>5M-2894</b>	16	WASHER-HARD (10.2X18.5X2.5-MM THK)						
C	29	1	<b>0S-1595</b>	1	BOLT (1/2-13X1.25-IN)						
	30	1	<b>3N-6034</b>	1	HOSE (UPPER RADIATOR)						
	31	1	<b>6N-7870</b>	1	BRACE						
C	32	1	<b>4B-3823</b>	4	BOLT (1/2-13X1.25-IN)						
C	33	1	<b>0S-1585</b>	1	BOLT (1/2-13X1.5-IN)						
C		1	<b>7N-2597</b>	1	SPACER (13.5X25.4X8.08-MM THK)						
C	34	1	<b>8N-3272</b>	1	PLATE-LIFTING EYE						

B - USE AS REQUIRED  
C - CHANGE FROM PREVIOUS TYPE  
E - ORDER BY THE CENTIMETER

# COOLING SYSTEM

3N-4657 RADIATOR GP (contd.)

i03439343



GRAPHIC #1

<END>

g00139213

# COOLING SYSTEM

## 7C-1091 RADIATOR GP

S/N: 85Z3764-UP

FOR USE WITH FRONT ENGINE SUPPORT

AN ATTACHMENT

TYPE 1

**SMCS-1353**

**i01982742**

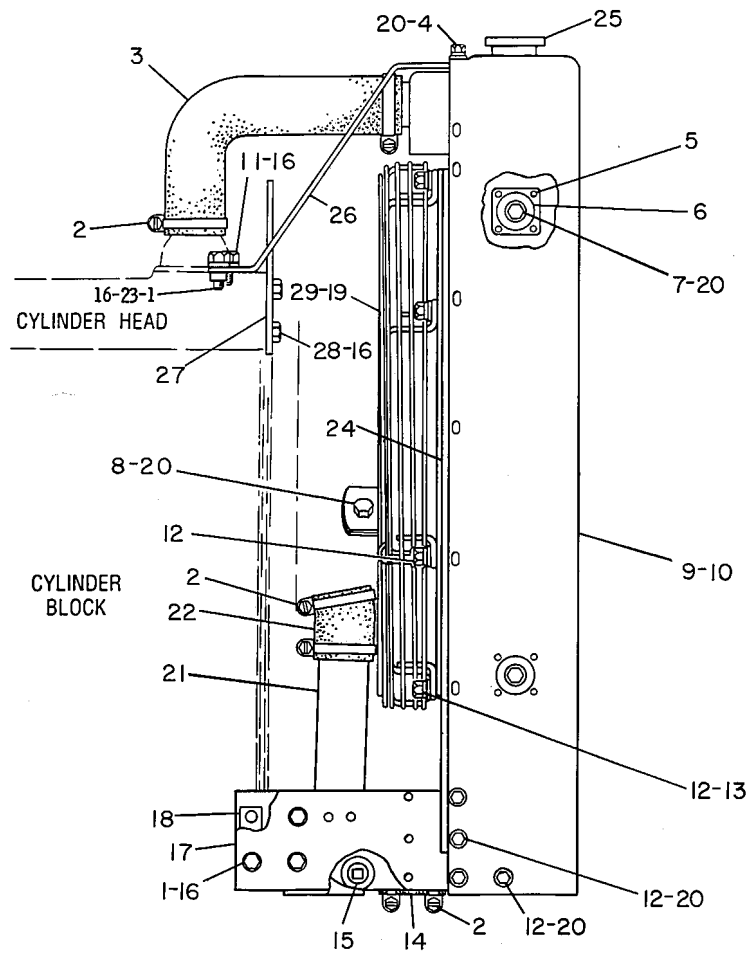
NOTE	REF NO	GRAPHIC REF	PART NUMBER	QTY	PART NAME						SEE PAGE
					1	2	3	4	5	6 (PRODUCT LEVEL)	
	1	1	<b>0S-1585</b>	9	BOLT (1/2-13X1.5-IN)						
	2	1	<b>9M-7959</b>	6	CLAMP-HOSE						
	3	1	<b>3N-6034</b>	1	HOSE (UPPER RADIATOR)						
	4	1	<b>0T-0102</b>	2	BOLT (3/8-16X0.625-IN)						
	5	1	<b>9M-5733</b>	16	RIVET-POP						
	6	1	<b>2L-4238</b>	4	MOUNT-FLEXIBLE						
	7	1	<b>2A-4639</b>	4	BOLT (3/8-16X1.625-IN)						
	8	1	<b>0S-1594</b>	2	BOLT (3/8-16X1-IN)						
	9	1	<b>2N-1999</b>	1	SHELL AS-RADIATOR						
	10	1	<b>9F-2978</b>	6	NUT-WELD (3/8-16-THD)						
	11	1	<b>0S-1595</b>	1	BOLT (1/2-13X1.25-IN)						
	12	1	<b>0S-0509</b>	16	BOLT (3/8-16X0.75-IN)						
	13	1	<b>3F-1417</b>	8	WASHER (10.3X30.2X3-MM THK)						
E	14	1	<b>5P-1262</b>		HOSE (7.62CM)						
	15	1	<b>1B-5174</b>	1	PLUG-PIPE						
	16	1	<b>5P-8245</b>	14	WASHER-HARD (13.5X25.5X3-MM THK)						
	17	1	<b>7W-6537</b>	2	PLATE						
	18	1	<b>7W-4915</b>	4	PLATE						
	19	1	<b>2W-5643</b>		GUARD AS-FAN (UPPER)						
	20	1	<b>5M-2894</b>	16	WASHER-HARD (10.2X18.5X2.5-MM THK)						
	21	1	<b>3N-2669</b>	1	ELBOW						
	22	1	<b>3N-6033</b>	1	HOSE-PUMP INLET (LOWER RADIATOR)						
	23	1	<b>7N-2597</b>	1	SPACER (13.5X25.4X8.08-MM THK)						
	24	1	<b>2N-0254</b>	1	RADIATOR GP						
		1	<b>3J-5390</b>	1	PLUG (3/8-18-THD)						
	25	1	<b>6L-8617</b>	1	CAP-PRESSURE (7-PSI) (PRESSURE)						
	26	1	<b>6N-7870</b>	1	BRACE						
	27	1	<b>8N-3272</b>	1	PLATE-LIFTING EYE						
	28	1	<b>4B-3823</b>	4	BOLT (1/2-13X1.25-IN)						
	29	1	<b>8N-1633</b>	1	GUARD AS-FAN (LOWER)						
		1	<b>9F-2978</b>	2	NUT-WELD (3/8-16-THD)						
		1	<b>6N-8599</b>	2	CLIP						

E - ORDER BY THE CENTIMETER

# COOLING SYSTEM

7C-1091 RADIATOR GP (contd.)

i01982742



GRAPHIC #1

<END>

g00201858

# COOLING SYSTEM

## 7C-1091 RADIATOR GP

S/N: 85Z3764-UP

FOR USE WITH FRONT ENGINE SUPPORT

AN ATTACHMENT

TYPE 2

SMCS-1353

i01850323

NOTE	REF NO	GRAPHIC REF	PART NUMBER	QTY	PART NAME						SEE PAGE
					1	2	3	4	5	6 (PRODUCT LEVEL)	
	1	1	<b>0S-1585</b>	9	BOLT (1/2-13X1.5-IN)						
	2	1	<b>9M-7959</b>	6	CLAMP-HOSE						
	3	1	<b>3N-6034</b>	1	HOSE (UPPER RADIATOR)						
	4	1	<b>0T-0102</b>	2	BOLT (3/8-16X0.625-IN)						
	5	1	<b>9M-5733</b>	16	RIVET-POP						
	6	1	<b>2L-4238</b>	4	MOUNT-FLEXIBLE						
	7	1	<b>2A-4639</b>	4	BOLT (3/8-16X1.625-IN)						
	8	1	<b>0S-1594</b>	2	BOLT (3/8-16X1-IN)						
	9	1	<b>2N-1999</b>	1	SHELL AS-RADIATOR						
	10	1	<b>9F-2978</b>	6	NUT-WELD (3/8-16-THD)						
	11	1	<b>0S-1595</b>	1	BOLT (1/2-13X1.25-IN)						
	12	1	<b>0S-0509</b>	16	BOLT (3/8-16X0.75-IN)						
	13	1	<b>3F-1417</b>	8	WASHER (10.3X30.2X3-MM THK)						
E	14	1	<b>5P-1262</b>		HOSE (7.62CM)						
	15	1	<b>1B-5174</b>	1	PLUG-PIPE						
	16	1	<b>5P-8245</b>	14	WASHER-HARD (13.5X25.5X3-MM THK)						
	17	1	<b>7W-6537</b>	2	PLATE						
	18	1	<b>7W-4915</b>	4	PLATE						
	19	1	<b>2W-5643</b>		GUARD AS-FAN (UPPER)						
	20	1	<b>5M-2894</b>	16	WASHER-HARD (10.2X18.5X2.5-MM THK)						
	21	1	<b>3N-2669</b>	1	ELBOW						
	22	1	<b>3N-6033</b>	1	HOSE-PUMP INLET (LOWER RADIATOR)						
	23	1	<b>7N-2597</b>	1	SPACER (13.5X25.4X8.08-MM THK)						
	24	1	<b>2N-0254</b>	1	RADIATOR GP						
		1	<b>3J-5390</b>	1	PLUG (3/8-18-THD)						
	25	1	<b>6L-8617</b>	1	CAP-PRESSURE (7-PSI)						
	26	1	<b>6N-7870</b>	1	BRACE						
	27	1	<b>8N-3272</b>	1	PLATE-LIFTING EYE						
	28	1	<b>4B-3823</b>	4	BOLT (1/2-13X1.25-IN)						
	29	1	<b>8N-1633</b>	1	GUARD AS-FAN (LOWER)						
		1	<b>9F-2978</b>	2	NUT-WELD (3/8-16-THD)						
		1	<b>6N-8599</b>	2	CLIP						
CY	30	1	<b>7C-2170</b>	1	FLANGE GP-RADIATOR						283

C - CHANGE FROM PREVIOUS TYPE

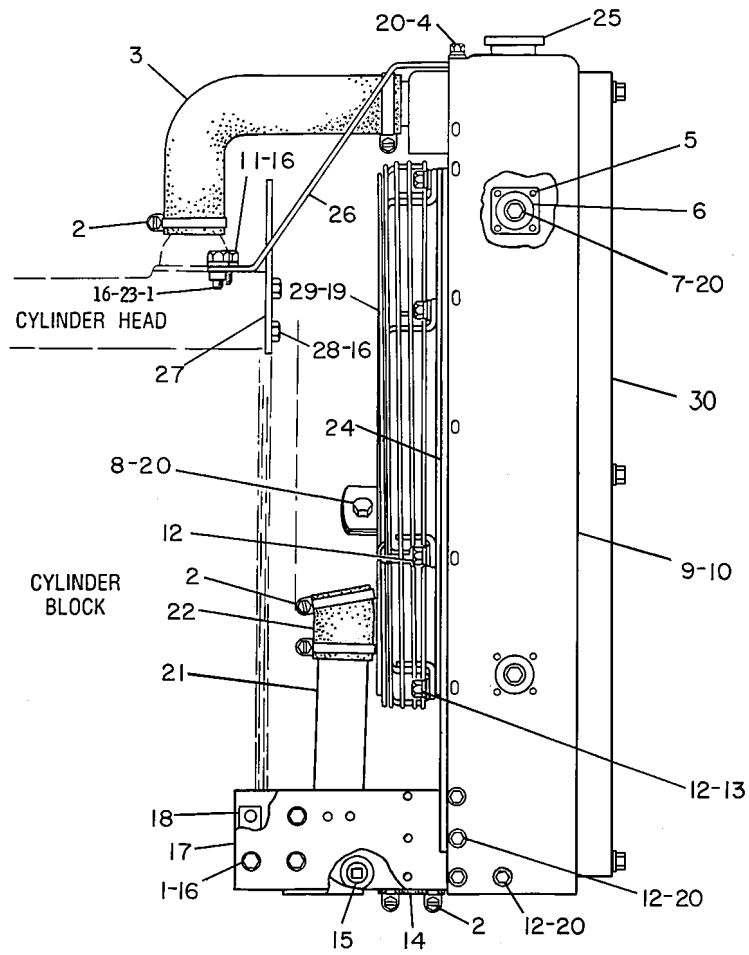
E - ORDER BY THE CENTIMETER

Y - SEPARATE ILLUSTRATION

# COOLING SYSTEM

7C-1091 RADIATOR GP (contd.)

101850323



GRAPHIC #1

<END>

g00234535

# COOLING SYSTEM

## 7C-1091 RADIATOR GP

S/N: 85Z3764-UP

FOR USE WITH FRONT ENGINE SUPPORT

AN ATTACHMENT

TYPE 3

SMCS-1353

i03422852

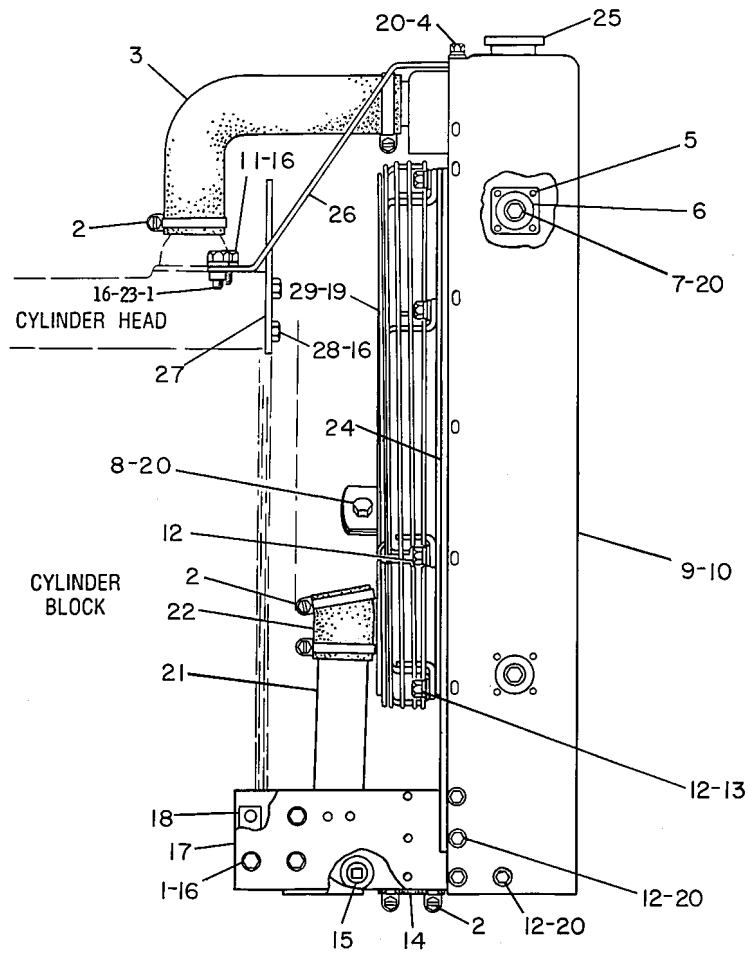
NOTE	REF NO	GRAPHIC REF	PART NUMBER	QTY	PART NAME						SEE PAGE
					1	2	3	4	5	6 (PRODUCT LEVEL)	
	1	1	<b>0S-1585</b>	9	BOLT (1/2-13X1.5-IN)						
	2	1	<b>9M-7959</b>	6	CLAMP-HOSE						
	3	1	<b>3N-6034</b>	1	HOSE (UPPER RADIATOR)						
	4	1	<b>0T-0102</b>	2	BOLT (3/8-16X0.625-IN)						
	5	1	<b>9M-5733</b>	16	RIVET-POP						
	6	1	<b>2L-4238</b>	4	MOUNT-FLEXIBLE						
	7	1	<b>2A-4639</b>	4	BOLT (3/8-16X1.625-IN)						
	8	1	<b>0S-1594</b>	2	BOLT (3/8-16X1-IN)						
	9	1	<b>2N-1999</b>	1	SHELL AS-RADIATOR						
	10	1	<b>9F-2978</b>	6	NUT-WELD (3/8-16-THD)						
	11	1	<b>0S-1595</b>	1	BOLT (1/2-13X1.25-IN)						
	12	1	<b>0S-0509</b>	16	BOLT (3/8-16X0.75-IN)						
	13	1	<b>3F-1417</b>	8	WASHER (10.3X30.2X3-MM THK)						
E	14	1	<b>5P-1262</b>		HOSE (7.62-CM)						
	15	1	<b>1B-5174</b>	1	PLUG-PIPE						
	16	1	<b>5P-8245</b>	14	WASHER-HARD (13.5X25.5X3-MM THK)						
	17	1	<b>7W-6537</b>	2	PLATE						
	18	1	<b>7W-4915</b>	4	PLATE						
	19	1	<b>2W-5643</b>	1	GUARD AS-FAN (UPPER)						
	20	1	<b>5M-2894</b>	16	WASHER-HARD (10.2X18.5X2.5-MM THK)						
	21	1	<b>3N-2669</b>	1	ELBOW						
	22	1	<b>3N-6033</b>	1	HOSE-PUMP INLET (LOWER RADIATOR)						
	23	1	<b>7N-2597</b>	1	SPACER (13.5X25.4X8.08-MM THK)						
	24	1	<b>2N-0254</b>	1	RADIATOR GP						
		1	<b>3J-5390</b>	1	PLUG (3/8-18-THD)						
	25	1	<b>6L-8617</b>	1	CAP-PRESSURE (7-PSI) (RADIATOR)						
	26	1	<b>6N-7870</b>	1	BRACE						
	27	1	<b>8N-3272</b>	1	PLATE-LIFTING EYE						
	28	1	<b>4B-3823</b>	4	BOLT (1/2-13X1.25-IN)						
	29	1	<b>8N-1633</b>	1	GUARD AS-FAN (LOWER)						
		1	<b>9F-2978</b>	2	NUT-WELD (3/8-16-THD)						
		1	<b>6N-8599</b>	2	CLIP						

E - ORDER BY THE CENTIMETER

# COOLING SYSTEM

7C-1091 RADIATOR GP (contd.)

103422852



GRAPHIC #1

<END>

g00240615



# COOLING SYSTEM

## 7C-1092 RADIATOR GP

S/N: 85Z3764-UP

FOR USE WITH FRONT ENGINE SUPPORT

AN ATTACHMENT

TYPE 1

**SMCS-1353**

**i01982743**

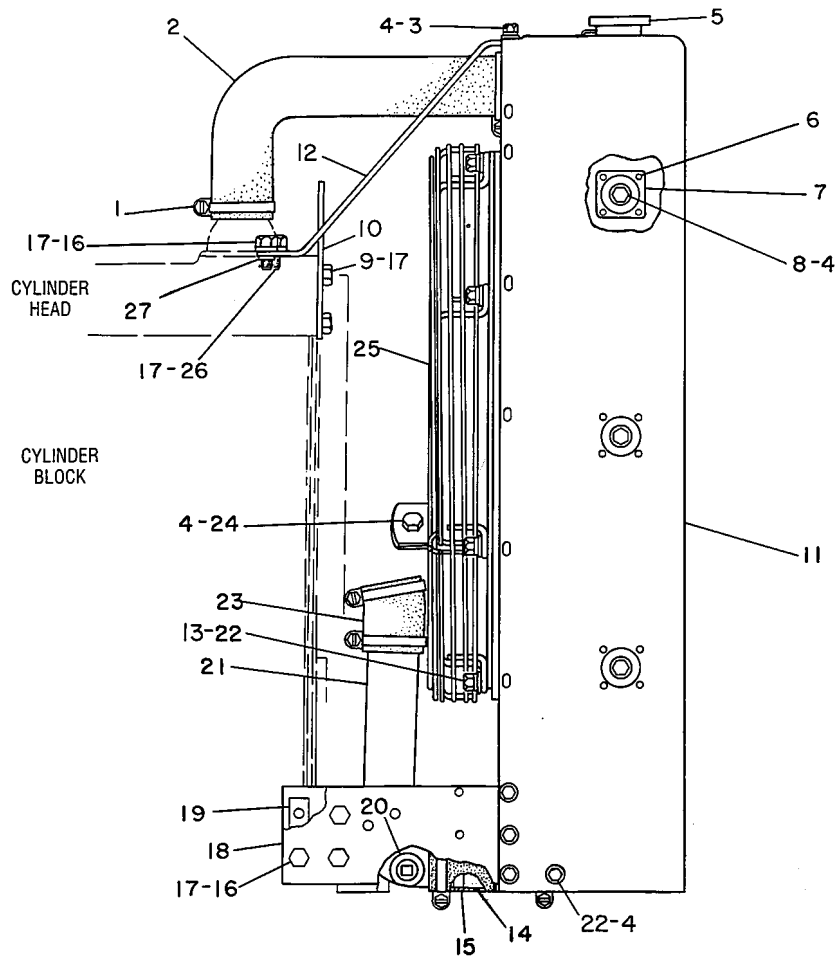
NOTE	REF NO	GRAPHIC REF	PART NUMBER	QTY	PART NAME						SEE PAGE
					1	2	3	4	5	6 (PRODUCT LEVEL)	
	1	1	<b>9M-7959</b>	6	CLAMP-HOSE						
	2	1	<b>3N-6036</b>	1	HOSE (UPPER RADIATOR)						
	3	1	<b>0T-0102</b>	2	BOLT (3/8-16X0.625-IN)						
	4	1	<b>5M-2894</b>	18	WASHER-HARD (10.2X18.5X2.5-MM THK)						
	5	1	<b>2N-0256</b>	1	RADIATOR GP						
		1	<b>3J-5390</b>	1	PLUG (3/8-18-THD)						
		1	<b>6L-8617</b>	1	CAP-PRESSURE (7-PSI) (PRESSURE)						
	6	1	<b>9M-5733</b>	24	RIVET-POP						
	7	1	<b>2L-4238</b>	6	MOUNT-FLEXIBLE						
	8	1	<b>2A-4639</b>	6	BOLT (3/8-16X1.625-IN)						
	9	1	<b>4B-3823</b>	4	BOLT (1/2-13X1.25-IN)						
	10	1	<b>8N-3272</b>	1	PLATE-LIFTING EYE						
	11	1	<b>8L-4495</b>	1	SHELL AS-RADIATOR						
		1	<b>9F-2978</b>	8	NUT-WELD (3/8-16-THD)						
	12	1	<b>6N-7870</b>	1	BRACE						
	13	1	<b>3F-1417</b>	8	WASHER (10.3X30.2X3-MM THK)						
	14	1	<b>3H-3338</b>	1	TUBE						
E	15	1	<b>5P-1262</b>		HOSE (15.24CM)						
	16	1	<b>0S-1585</b>	9	BOLT (1/2-13X1.5-IN)						
	17	1	<b>5P-8245</b>	14	WASHER-HARD (13.5X25.5X3-MM THK)						
	18	1	<b>7W-6537</b>	2	PLATE						
	19	1	<b>7W-4915</b>	4	PLATE						
	20	1	<b>1B-5174</b>	1	PLUG-PIPE						
	21	1	<b>3N-2669</b>	1	ELBOW						
	22	1	<b>0S-0509</b>	16	BOLT (3/8-16X0.75-IN)						
	23	1	<b>3N-6033</b>	1	HOSE-PUMP INLET (LOWER RADIATOR)						
	24	1	<b>0S-1594</b>	2	BOLT (3/8-16X1-IN)						
	25	1	<b>2W-5643</b>	1	GUARD AS-FAN (UPPER)						
		1	<b>8N-1633</b>	1	GUARD AS-FAN (LOWER)						
		1	<b>9F-2978</b>	2	NUT-WELD (3/8-16-THD)						
		1	<b>6N-8599</b>	2	CLIP						
	26	1	<b>0S-1595</b>	1	BOLT (1/2-13X1.25-IN)						
	27	1	<b>7N-2597</b>	1	SPACER (13.5X25.4X8.08-MM THK)						

E - ORDER BY THE CENTIMETER

# COOLING SYSTEM

7C-1092 RADIATOR GP (contd.)

i01982743



GRAPHIC #1

<END>

g00201830

# COOLING SYSTEM

## 7C-1092 RADIATOR GP

S/N: 85Z3764-UP

FOR USE WITH FRONT ENGINE SUPPORT

AN ATTACHMENT

TYPE 2

**SMCS-1353**

**i01850331**

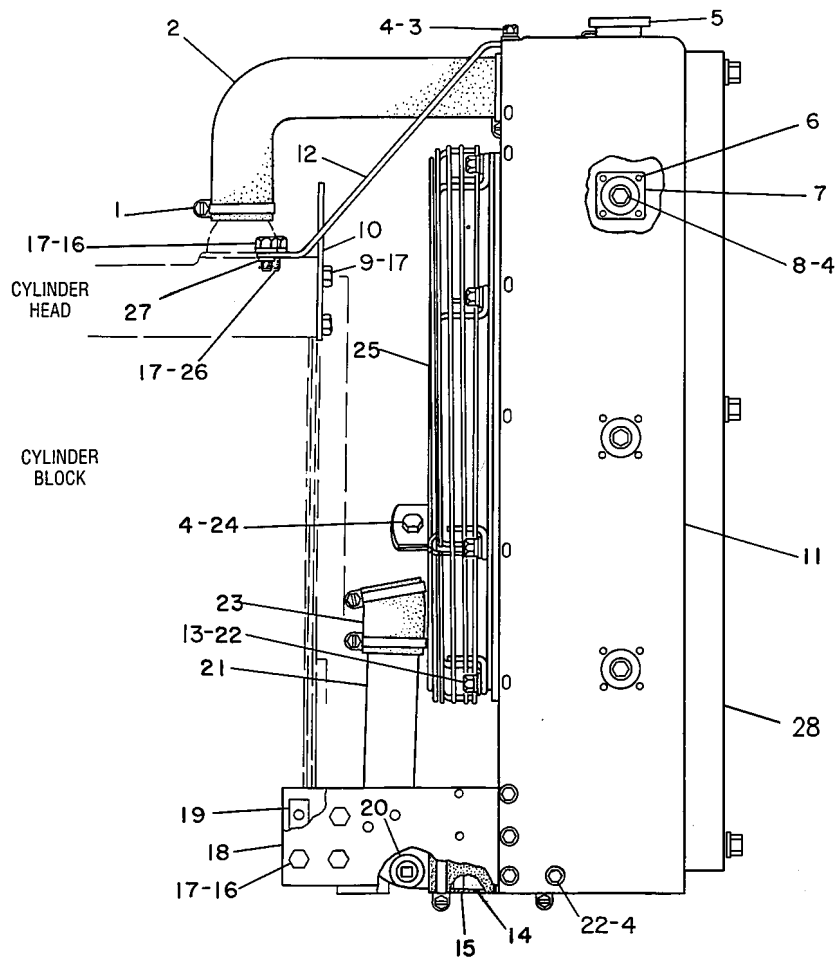
NOTE	REF NO	GRAPHIC REF	PART NUMBER	QTY	PART NAME						SEE PAGE
					1	2	3	4	5	6 (PRODUCT LEVEL)	
	1	1	<b>9M-7959</b>	6	CLAMP-HOSE						
	2	1	<b>3N-6036</b>	1	HOSE (UPPER RADIATOR)						
	3	1	<b>0T-0102</b>	2	BOLT (3/8-16X0.625-IN)						
	4	1	<b>5M-2894</b>	18	WASHER-HARD (10.2X18.5X2.5-MM THK)						
	5	1	<b>2N-0256</b>	1	RADIATOR GP						
		1	<b>3J-5390</b>	1	PLUG (3/8-18-THD)						
		1	<b>6L-8617</b>	1	CAP-PRESSURE (7-PSI)						
	6	1	<b>9M-5733</b>	24	RIVET-POP						
	7	1	<b>2L-4238</b>	6	MOUNT-FLEXIBLE						
	8	1	<b>2A-4639</b>	6	BOLT (3/8-16X1.625-IN)						
	9	1	<b>4B-3823</b>	4	BOLT (1/2-13X1.25-IN)						
	10	1	<b>8N-3272</b>	1	PLATE-LIFTING EYE						
	11	1	<b>8L-4495</b>	1	SHELL AS-RADIATOR						
		1	<b>9F-2978</b>	8	NUT-WELD (3/8-16-THD)						
	12	1	<b>6N-7870</b>	1	BRACE						
	13	1	<b>3F-1417</b>	8	WASHER (10.3X30.2X3-MM THK)						
	14	1	<b>3H-3338</b>	1	TUBE						
E	15	1	<b>5P-1262</b>		HOSE (15.24CM)						
	16	1	<b>0S-1585</b>	9	BOLT (1/2-13X1.5-IN)						
	17	1	<b>5P-8245</b>	14	WASHER-HARD (13.5X25.5X3-MM THK)						
	18	1	<b>7W-6537</b>	2	PLATE						
	19	1	<b>7W-4915</b>	4	PLATE						
	20	1	<b>1B-5174</b>	1	PLUG-PIPE						
	21	1	<b>3N-2669</b>	1	ELBOW						
	22	1	<b>0S-0509</b>	16	BOLT (3/8-16X0.75-IN)						
	23	1	<b>3N-6033</b>	1	HOSE-PUMP INLET (LOWER RADIATOR)						
	24	1	<b>0S-1594</b>	2	BOLT (3/8-16X1-IN)						
	25	1	<b>2W-5643</b>	1	GUARD AS-FAN (UPPER)						
		1	<b>8N-1633</b>	1	GUARD AS-FAN (LOWER)						
		1	<b>9F-2978</b>	2	NUT-WELD (3/8-16-THD)						
		1	<b>6N-8599</b>	2	CLIP						
	26	1	<b>0S-1595</b>	1	BOLT (1/2-13X1.25-IN)						
	27	1	<b>7N-2597</b>	1	SPACER (13.5X25.4X8.08-MM THK)						
CY	28	1	<b>7C-2170</b>	1	FLANGE GP-RADIATOR						283

C - CHANGE FROM PREVIOUS TYPE  
 E - ORDER BY THE CENTIMETER  
 Y - SEPARATE ILLUSTRATION

# COOLING SYSTEM

7C-1092 RADIATOR GP (contd.)

i01850331



GRAPHIC #1

<END>

g00234531

# COOLING SYSTEM

## 7C-1092 RADIATOR GP

S/N: 85Z3764-UP

FOR USE WITH FRONT ENGINE SUPPORT

AN ATTACHMENT

TYPE 3

SMCS-1353

i01773897

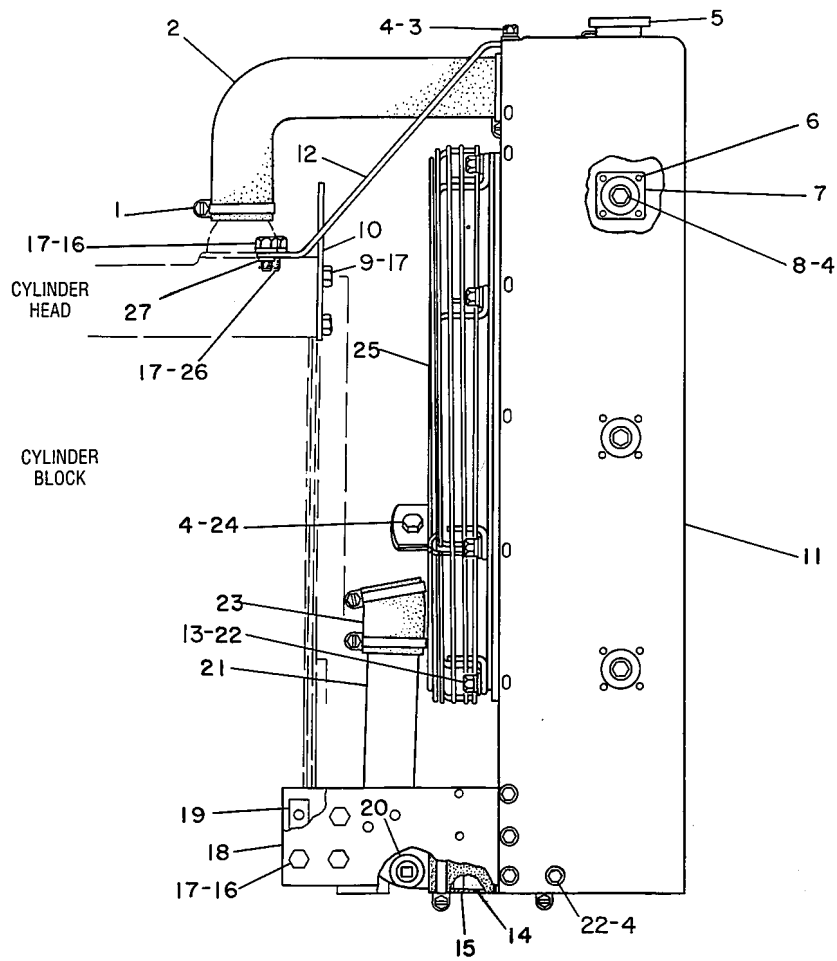
NOTE	REF NO	GRAPHIC REF	PART NUMBER	QTY	PART NAME						SEE PAGE
					1	2	3	4	5	6 (PRODUCT LEVEL)	
	1	1	9M-7959	6	CLAMP-HOSE						
	2	1	3N-6036	1	HOSE (UPPER RADIATOR)						
	3	1	0T-0102	2	BOLT (3/8-16X0.625-IN)						
	4	1	5M-2894	18	WASHER-HARD (10.2X18.5X2.5-MM THK)						
	5	1	2N-0256	1	RADIATOR GP						
		1	3J-5390	1	PLUG (3/8-18-THD)						
		1	6L-8617	1	CAP-PRESSURE (7-PSI)						
	6	1	9M-5733	24	RIVET-POP						
	7	1	2L-4238	6	MOUNT-FLEXIBLE						
	8	1	2A-4639	6	BOLT (3/8-16X1.625-IN)						
	9	1	4B-3823	4	BOLT (1/2-13X1.25-IN)						
	10	1	8N-3272	1	PLATE-LIFTING EYE						
	11	1	8L-4495	1	SHELL AS-RADIATOR						
		1	9F-2978	8	NUT-WELD (3/8-16-THD)						
	12	1	6N-7870	1	BRACE						
	13	1	3F-1417	8	WASHER (10.3X30.2X3-MM THK)						
	14	1	3H-3338	1	TUBE						
E	15	1	5P-1262		HOSE (15.24CM)						
	16	1	0S-1585	9	BOLT (1/2-13X1.5-IN)						
	17	1	5P-8245	14	WASHER-HARD (13.5X25.5X3-MM THK)						
	18	1	7W-6537	2	PLATE						
	19	1	7W-4915	4	PLATE						
	20	1	1B-5174	1	PLUG-PIPE						
	21	1	3N-2669	1	ELBOW						
	22	1	0S-0509	16	BOLT (3/8-16X0.75-IN)						
	23	1	3N-6033	1	HOSE-PUMP INLET (LOWER RADIATOR)						
	24	1	0S-1594	2	BOLT (3/8-16X1-IN)						
	25	1	2W-5643	1	GUARD AS-FAN (UPPER)						
		1	8N-1633	1	GUARD AS-FAN (LOWER)						
		1	9F-2978	2	NUT-WELD (3/8-16-THD)						
		1	6N-8599	2	CLIP						
	26	1	0S-1595	1	BOLT (1/2-13X1.25-IN)						
	27	1	7N-2597	1	SPACER (13.5X25.4X8.08-MM THK)						

E - ORDER BY THE CENTIMETER

# COOLING SYSTEM

7C-1092 RADIATOR GP (contd.)

i01773897



GRAPHIC #1

<END>

g00240616

# COOLING SYSTEM

## 7C-8384 RADIATOR GP

S/N: 85Z3764-UP

**FOR USE WITH AIR-TO-AIR AFTERCOOLED ARRANGEMENT & A BASE  
AN ATTACHMENT  
TYPE 1**

**SMCS-1353**

**i01850337**

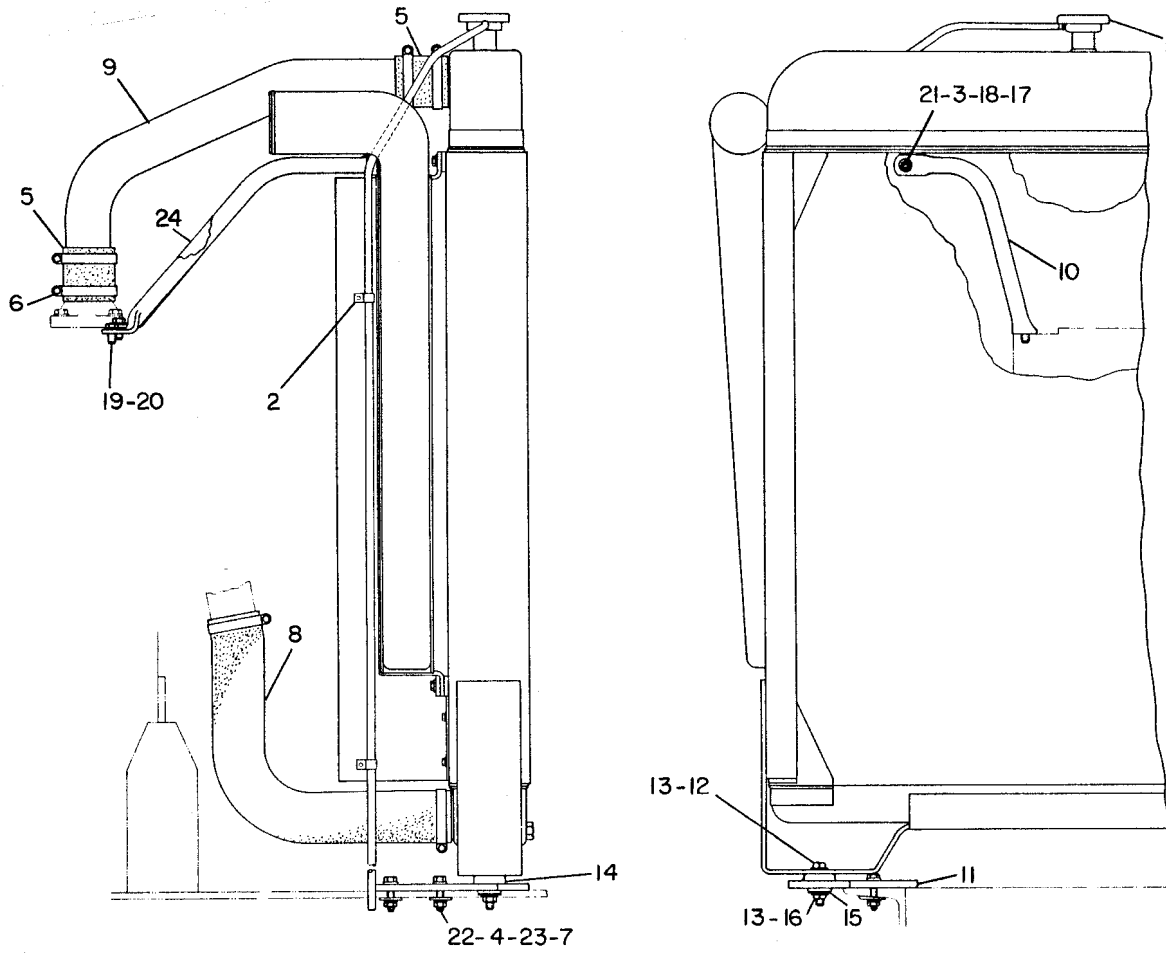
NOTE	REF NO	GRAPHIC REF	PART NUMBER	QTY	PART NAME						SEE PAGE
					1	2	3	4	5	6 (PRODUCT LEVEL)	
Y	1	1	7C-8385	1	RADIATOR GP						405
	2	1	9F-2947	2	CLIP						
	3	1	9N-0869	2	WASHER-HARD (8.8X25.5X2-MM THK)						
	4	1	5M-2894	8	WASHER-HARD (10.2X18.5X2.5-MM THK)						
	5	1	6L-4855	2	HOSE (UPPER RADIATOR)						
	6	1	9M-7959	6	CLAMP-HOSE						
	7	1	1D-4717	4	NUT (3/8-16-THD)						
	8	1	7C-8482	1	HOSE-RADIATOR (LOWER)						
	9	1	7C-8638	1	TUBE						
	10	1	7C-7536	1	BRACE (RH)						
	11	1	7C-7559	2	PLATE						
	12	1	0T-0319	2	BOLT (7/16-14X2-IN)						
	13	1	4B-1040	4	WASHER						
	14	1	7T-8332	2	MOUNTING						
	15	1	1C-1976	2	WASHER (0.438X1.5X0.075-IN THK)						
	16	1	1D-4718	2	NUT-FULL (7/16-14-THD)						
	17	1	0S-1618	2	BOLT (5/16-18X1-IN)						
	18	1	9M-1974	2	WASHER-HARD (8.8X16X2-MM THK)						
	19	1	0S-1595	2	BOLT (1/2-13X1.25-IN)						
	20	1	5P-8245	2	WASHER-HARD (13.5X25.5X3-MM THK)						
	21	1	1D-4716	2	NUT-FULL (5/16-18-THD)						
	22	1	2A-4639	4	BOLT (3/8-16X1.625-IN)						
	23	1	5P-1075	4	WASHER-HARD (10.2X22.5X3-MM THK)						
	24	1	7C-7535	1	BRACE (LH)						

Y - SEPARATE ILLUSTRATION

# COOLING SYSTEM

7C-8384 RADIATOR GP (contd.)

i01850337



GRAPHIC #1

<END>

g00195496



# COOLING SYSTEM

## 7C-8384 RADIATOR GP

S/N: 85Z3764-UP

**FOR USE WITH AIR-TO-AIR AFTERCOOLED ARRANGEMENT & A BASE  
AN ATTACHMENT  
TYPE 2**

**SMCS-1353**

**i01850346**

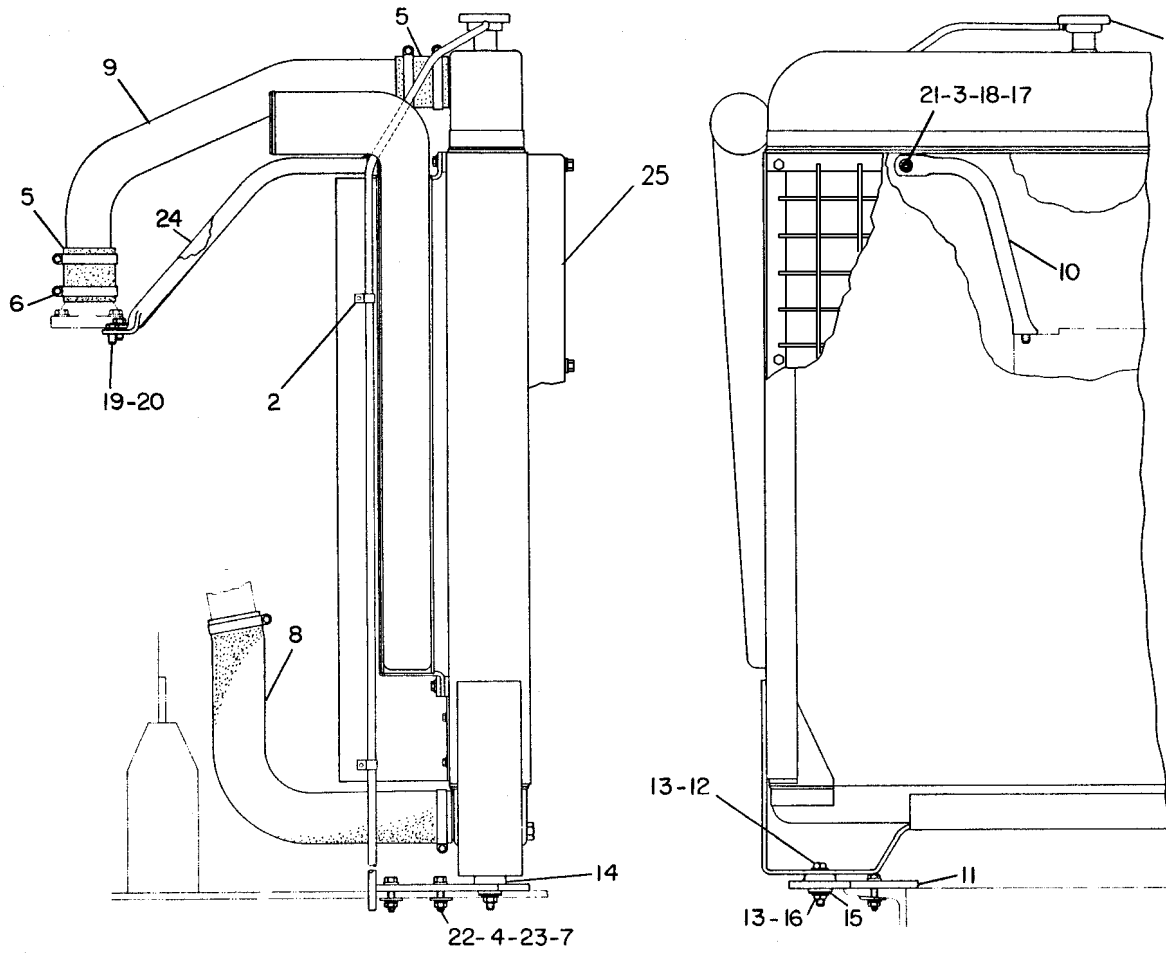
NOTE	REF NO	GRAPHIC REF	PART NUMBER	QTY	PART NAME						SEE PAGE
					1	2	3	4	5	6 (PRODUCT LEVEL)	
Y	1	1	7C-8385	1	RADIATOR GP						405
	2	1	9F-2947	2	CLIP						
	3	1	7X-0579	2	WASHER-HARD (8.8X25.5X2-MM THK)						
	4	1	8T-4896	8	WASHER-HARD (10.2X18.5X2.5-MM THK)						
	5	1	6L-4855	2	HOSE (UPPER RADIATOR)						
	6	1	9M-7959	6	CLAMP-HOSE						
	7	1	6V-8801	4	NUT (3/8-16-THD)						
	8	1	7C-8482	1	HOSE-RADIATOR (LOWER)						
	9	1	7C-8638	1	TUBE						
	10	1	7C-7536	1	BRACE (RH)						
	11	1	7C-7559	2	PLATE						
	12	1	7X-0310	2	BOLT (7/16-14X2-IN)						
	13	1	8T-5360	4	WASHER (12X22.5X2.5-MM THK)						
	14	1	7T-8332	2	MOUNTING						
	15	1	1C-1976	2	WASHER (0.438X1.5X0.075-IN THK)						
	16	1	7X-0447	2	NUT (7/16-14-THD)						
	17	1	4M-6425	2	BOLT (5/16-18X1-IN)						
	18	1	8T-4224	2	WASHER-HARD (8.8X16X2-MM THK)						
	19	1	8T-8917	2	BOLT (1/2-13X1.25-IN)						
	20	1	8T-4223	2	WASHER-HARD (13.5X25.5X3-MM THK)						
	21	1	6V-8189	2	NUT (5/16-18-THD)						
	22	1	7X-0288	4	BOLT (3/8-16X1.625-IN)						
	23	1	5P-1075	4	WASHER-HARD (10.2X22.5X3-MM THK)						
	24	1	7C-7535	1	BRACE (LH)						
CY	25	1	7C-8630	1	GUARD GP-RADIATOR						296

C - CHANGE FROM PREVIOUS TYPE  
Y - SEPARATE ILLUSTRATION

# COOLING SYSTEM

7C-8384 RADIATOR GP (contd.)

i01850346



GRAPHIC #1

<END>

g00234536

# COOLING SYSTEM

## 7C-8385 RADIATOR GP

S/N: 85Z3764-UP

PART OF 7C-8384, 9Y-5795 RADIATOR GP

AN ATTACHMENT

**SMCS-1353**

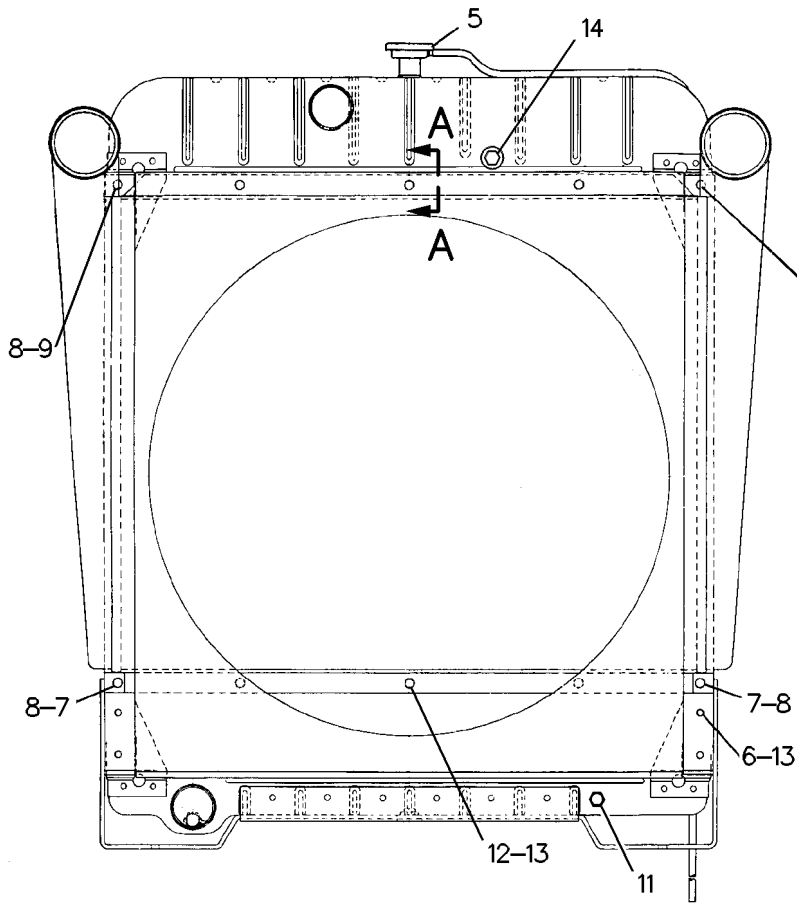
**i01982751**

NOTE	REF NO	GRAPHIC REF	PART NUMBER	QTY	PART NAME						SEE PAGE
					1	2	3	4	5	6 (PRODUCT LEVEL)	
	1	1	<b>7C-8386</b>	1	AFTERCOOLER AS						
	2	1	<b>7C-8637</b>	1	SHROUD AS						
		1	<b>9F-2978</b>	12	NUT-WELD (3/8-16-THD)						
	3	1	<b>7E-6086</b>	2	BAR AS						
	4	1	<b>5S-0003</b>	3	NUT (5/16-18-THD)						
	5	1	<b>6L-8617</b>	1	CAP-PRESSURE (7-PSI) (PRESSURE)						
	6	1	<b>0S-1617</b>	4	BOLT (5/16-18X0.75-IN)						
	7	1	<b>0S-1588</b>	2	BOLT (3/8-16X1.25-IN)						
	8	1	<b>5M-2894</b>	4	WASHER-HARD (10.2X18.5X2.5-MM THK)						
	9	1	<b>0S-1594</b>	2	BOLT (3/8-16X1-IN)						
	10	1	<b>7C-8627</b>	1	RADIATOR AS						
		1	<b>9F-2878</b>	4	NUT						
	11	1	<b>8T-6767</b>	1	PLUG-PIPE (3/8-18-THD)						
	12	1	<b>0S-1618</b>	9	BOLT (5/16-18X1-IN)						
	13	1	<b>9N-0869</b>	16	WASHER-HARD (8.8X25.5X2-MM THK)						
	14	1	<b>8T-6765</b>	1	PLUG-PIPE (1/4-18-THD)						
	15	1	<b>8T-6762</b>	1	PLUG-PIPE (1/2-14-THD)						

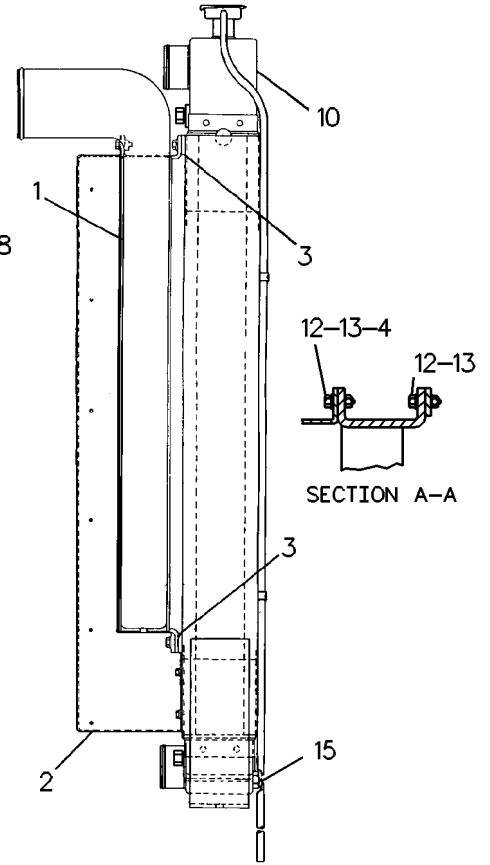
# COOLING SYSTEM

7C-8385 RADIATOR GP (contd.)

i01982751



FRONT VIEW



RIGHT SIDE VIEW

GRAPHIC #1

<END>

g00253506

# COOLING SYSTEM

## 7N-9517 RADIATOR GP

S/N: 85Z3764-UP  
0.88M SQUARE, 5 ROW  
AN ATTACHMENT

SMCS - 1353

i07389823

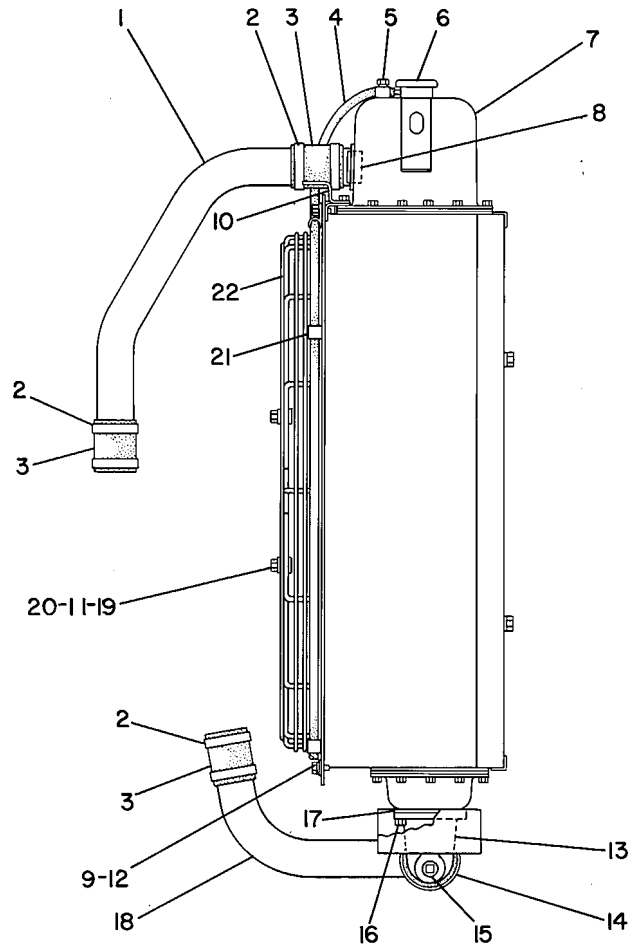
NOTE	REF NO	GRAPHIC REF	PART NUMBER	QTY	PART NAME						SEE PAGE
					1	2	3	4	5	6 (PRODUCT LEVEL)	
	1	1	<b>7N-9495</b>	1	TUBE-RADIATOR INLET						
	2	1	<b>5P-4868</b>	6	CLAMP-HOSE						
E	3	1	<b>5P-1262</b>		HOSE (26.7-CM)						
D	4	1	<b>5P-5991</b>		HOSE (1.6-M)						
	5	1	<b>5M-6214</b>	1	PLUG (1/8-27 PTF)						
	6	1	<b>6L-8617</b>	1	CAP-PRESSURE (7-PSI) (RADIATOR)						
CYR	7	1	<b>8N-8836</b>	1	RADIATOR GP						413
	8	1	<b>4H-9027</b>	1	PLUG-PIPE						
	9	1	<b>4B-5270</b>	20	WASHER (0.375X0.88X0.083-IN THK)						
	10	1	<b>4N-3032</b>	2	BRACKET-RADIATOR						
	11	1	<b>5M-2894</b>	4	WASHER-HARD (10.2X18.5X2.5-MM THK)						
	12	1	<b>0S-1617</b>	20	BOLT (5/16-18X0.75-IN)						
		1	<b>9M-1974</b>	20	WASHER-HARD (8.8X16X2-MM THK)						
	13	1	<b>4L-3864</b>	1	ELBOW-RADIATOR OUTLET						
	14	1	<b>5P-0598</b>	2	CLAMP-HOSE						
E		1	<b>5P-1265</b>		HOSE (8.9-CM)						
	15	1	<b>1B-5174</b>	1	PLUG-PIPE						
	16	1	<b>0S-1594</b>	4	BOLT (3/8-16X1-IN)						
	17	1	<b>4L-4642</b>	1	GASKET						
	18	1	<b>7N-9494</b>	1	TUBE-RADIATOR OUTLET						
	19	1	<b>0L-1351</b>	4	BOLT (3/8-16X0.875-IN)						
	20	1	<b>4L-5757</b>	3	STRAP						
	21	1	<b>3B-8404</b>	2	CLIP						
	22	1	<b>4N-2573</b>	2	GUARD AS-FAN						

C - CHANGE FROM PREVIOUS TYPE  
D - ORDER BY THE METER  
E - ORDER BY THE CENTIMETER  
R - REMANUFACTURED PART MAY BE AVAILABLE  
Y - SEPARATE ILLUSTRATION

# COOLING SYSTEM

7N-9517 RADIATOR GP (contd.)

107389823



GRAPHIC #1

<END>

g00148203

# COOLING SYSTEM

## 7W-7317 RADIATOR GP

S/N: 85Z3764-UP

FOR USE WITH FRONT SUPPORT

AN ATTACHMENT

TYPE 1

**SMCS-1353**

**i01982761**

NOTE	REF NO	GRAPHIC REF	PART NUMBER	QTY	PART NAME						SEE PAGE
					1	2	3	4	5	6 (PRODUCT LEVEL)	
	1	1	<b>0S-1595</b>	1	BOLT (1/2-13X1.25-IN)						
	2	1	<b>9M-7959</b>	6	CLAMP-HOSE						
	3	1	<b>3N-6036</b>	1	HOSE (UPPER RADIATOR)						
	4	1	<b>0T-0102</b>	2	BOLT (3/8-16X0.625-IN)						
	5	1	<b>9M-5733</b>	16	RIVET-POP						
	6	1	<b>2L-4238</b>	4	MOUNT-FLEXIBLE						
	7	1	<b>2A-4639</b>	4	BOLT (3/8-16X1.625-IN)						
	8	1	<b>7N-2597</b>	1	SPACER (13.5X25.4X8.08-MM THK)						
	9	1	<b>8L-4492</b>	1	SHELL AS-RADIATOR						
		1	<b>9F-2978</b>	8	NUT-WELD (3/8-16-THD)						
	10	1	<b>0S-1594</b>	2	BOLT (3/8-16X1-IN)						
	11	1	<b>4B-3823</b>	4	BOLT (1/2-13X1.25-IN)						
	12	1	<b>0S-0509</b>	16	BOLT (3/8-16X0.75-IN)						
	13	1	<b>8N-3272</b>	1	PLATE-LIFTING EYE						
E	14	1	<b>5P-1262</b>		HOSE (7.62CM LG)						
	15	1	<b>1B-5174</b>	1	PLUG-PIPE						
	16	1	<b>7W-4915</b>	4	PLATE						
	17	1	<b>7W-6537</b>	2	PLATE						
	18	1	<b>0S-1585</b>	9	BOLT (1/2-13X1.5-IN)						
	19	1	<b>2W-3889</b>	1	GUARD AS-FAN (UPPER)						
		1	<b>2W-3891</b>	1	GUARD AS-FAN (LOWER)						
B	20	1	<b>5M-2894</b>	16	WASHER-HARD (10.2X18.5X2.5-MM THK)						
	21	1	<b>3N-2669</b>	1	ELBOW						
	22	1	<b>3N-6033</b>	1	HOSE-PUMP INLET (LOWER RADIATOR)						
	23	1	<b>3F-1417</b>	8	WASHER (10.3X30.2X3-MM THK)						
	24	1	<b>4L-2114</b>	1	RADIATOR GP						
	25	1	<b>6L-8617</b>	1	CAP-PRESSURE (7-PSI) (PRESSURE)						
	26	1	<b>5S-7349</b>	8	BOLT (1/4-20X0.5-IN)						
		1	<b>8T-4205</b>	8	WASHER-HARD (7.2X14.5X2-MM THK)						
	27	1	<b>8T-6765</b>	1	PLUG-PIPE (1/4-18-THD)						
	28	1	<b>8T-6767</b>	1	PLUG-PIPE (3/8-18-THD)						
	29	1	<b>4F-8965</b>	2	BOLT (7/16-14X1.125-IN)						
	30	1	<b>4L-2138</b>	1	ELBOW-RADIATOR OUTLET						
	31	1	<b>5P-8245</b>	14	WASHER-HARD (13.5X25.5X3-MM THK)						
	32	1	<b>6N-7870</b>	1	BRACE						
	33	1	<b>3L-1585</b>	1	GASKET						

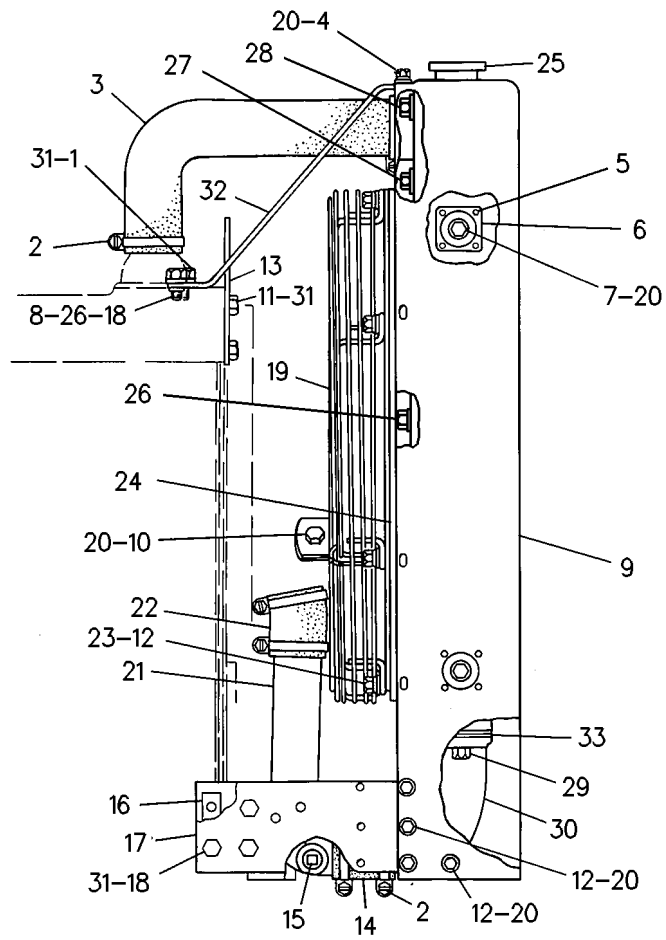
B - USE AS REQUIRED

E - ORDER BY THE CENTIMETER

# COOLING SYSTEM

7W-7317 RADIATOR GP (contd.)

i01982761



GRAPHIC #1

<END>

g00234493



# COOLING SYSTEM

## 7W-7317 RADIATOR GP

S/N: 85Z3764-UP

FOR USE WITH FRONT SUPPORT

AN ATTACHMENT

TYPE 2

**SMCS-1353**

**i01985206**

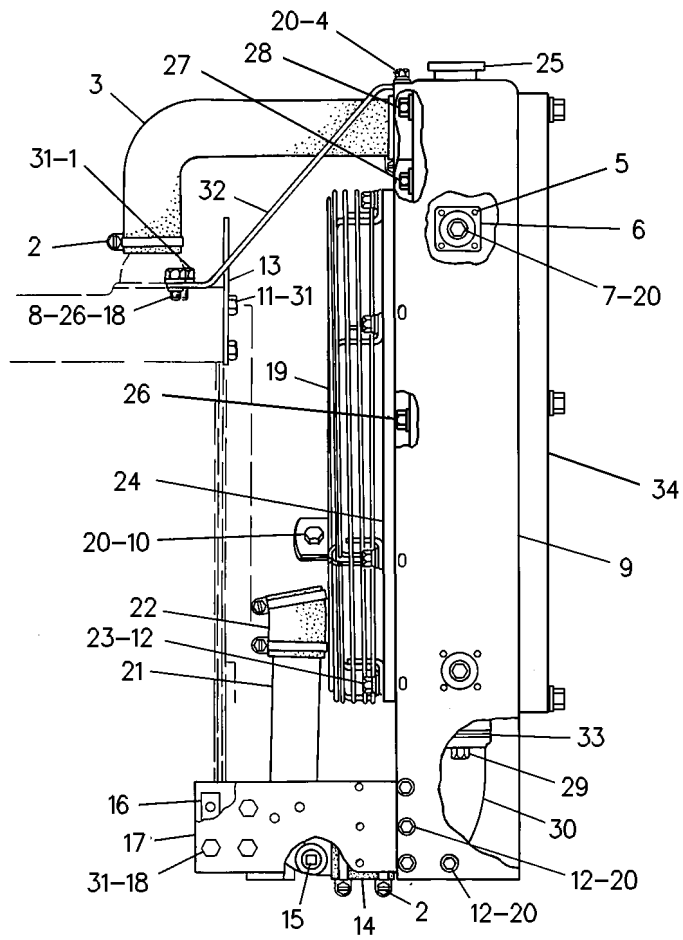
NOTE	REF NO	GRAPHIC REF	PART NUMBER	QTY	PART NAME						SEE PAGE
					1	2	3	4	5	6 (PRODUCT LEVEL)	
	1	1	<b>0S-1595</b>	1	BOLT (1/2-13X1.25-IN)						
	2	1	<b>9M-7959</b>	6	CLAMP-HOSE						
	3	1	<b>3N-6036</b>	1	HOSE (UPPER RADIATOR)						
	4	1	<b>0T-0102</b>	2	BOLT (3/8-16X0.625-IN)						
	5	1	<b>9M-5733</b>	16	RIVET-POP						
	6	1	<b>2L-4238</b>	4	MOUNT-FLEXIBLE						
	7	1	<b>2A-4639</b>	4	BOLT (3/8-16X1.625-IN)						
	8	1	<b>7N-2597</b>	1	SPACER (13.5X25.4X8.08-MM THK)						
	9	1	<b>8L-4492</b>	1	SHELL AS-RADIATOR						
		1	<b>9F-2978</b>	8	NUT-WELD (3/8-16-THD)						
	10	1	<b>0S-1594</b>	2	BOLT (3/8-16X1-IN)						
	11	1	<b>4B-3823</b>	4	BOLT (1/2-13X1.25-IN)						
	12	1	<b>0S-0509</b>	16	BOLT (3/8-16X0.75-IN)						
	13	1	<b>8N-3272</b>	1	PLATE-LIFTING EYE						
E	14	1	<b>5P-1262</b>		HOSE (7.62CM)						
	15	1	<b>1B-5174</b>	1	PLUG-PIPE						
	16	1	<b>7W-4915</b>	4	PLATE						
	17	1	<b>7W-6537</b>	2	PLATE						
	18	1	<b>0S-1585</b>	9	BOLT (1/2-13X1.5-IN)						
	19	1	<b>2W-3889</b>	1	GUARD AS-FAN (UPPER)						
		1	<b>2W-3891</b>	1	GUARD AS-FAN (LOWER)						
B	20	1	<b>5M-2894</b>	16	WASHER-HARD (10.2X18.5X2.5-MM THK)						
	21	1	<b>3N-2669</b>	1	ELBOW						
	22	1	<b>3N-6033</b>	1	HOSE-PUMP INLET (LOWER RADIATOR)						
	23	1	<b>3F-1417</b>	8	WASHER (10.3X30.2X3-MM THK)						
	24	1	<b>4L-2114</b>	1	RADIATOR GP						
	25	1	<b>6L-8617</b>	1	CAP-PRESSURE (7-PSI) (PRESSURE)						
	26	1	<b>5S-7349</b>	8	BOLT (1/4-20X0.5-IN)						
		1	<b>8T-4205</b>	8	WASHER-HARD (7.2X14.5X2-MM THK)						
	27	1	<b>8T-6765</b>	1	PLUG-PIPE (1/4-18-THD)						
	28	1	<b>8T-6767</b>	1	PLUG-PIPE (3/8-18-THD)						
	29	1	<b>4F-8965</b>	2	BOLT (7/16-14X1.125-IN)						
	30	1	<b>4L-2138</b>	1	ELBOW-RADIATOR OUTLET						
	31	1	<b>5P-8245</b>	14	WASHER-HARD (13.5X25.5X3-MM THK)						
	32	1	<b>6N-7870</b>	1	BRACE						
	33	1	<b>3L-1585</b>	1	GASKET						
CY	34	1	<b>7C-2169</b>	1	FLANGE GP-RADIATOR						282

B - USE AS REQUIRED  
 C - CHANGE FROM PREVIOUS TYPE  
 E - ORDER BY THE CENTIMETER  
 Y - SEPARATE ILLUSTRATION

# COOLING SYSTEM

7W-7317 RADIATOR GP (contd.)

i01985206



GRAPHIC #1

<END>

g00234537

# COOLING SYSTEM

## 8N-8836 RADIATOR GP\*R

S/N: 85Z3764-UP

PART OF 7N-9517 RADIATOR GP

AN ATTACHMENT

SMCS-1353

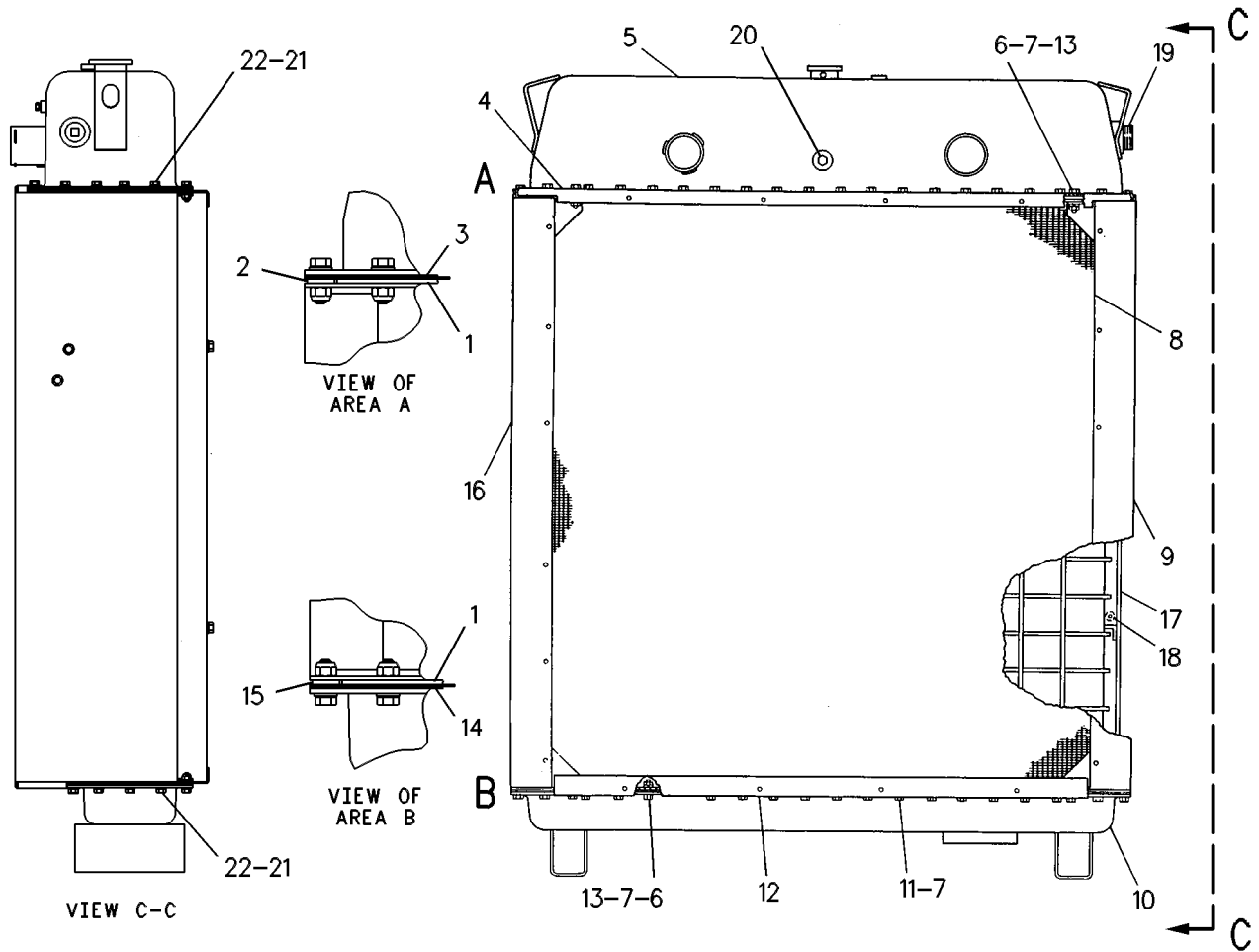
i03551602

NOTE	REF NO	GRAPHIC REF	PART NUMBER	QTY	PART NAME						SEE PAGE
					1	2	3	4	5	6 (PRODUCT LEVEL)	
	1	1	<b>4N-8194</b>	4	WASHER-CORE						
	2	1	<b>4N-8192</b>	2	PLATE AS						
					(EACH INCLUDES)						
		1	<b>5P-5157</b>	4	NUT-TAB WELD						
3		1	<b>4N-8185</b>	1	GASKET-TOP TANK						
4		1	<b>4N-8188</b>	1	PLATE AS-RADIATOR TOP						
		1	<b>4K-9097</b>	4	NUT-WELD (5/16-18-THD)						
5		1	<b>8N-8837</b>	1	TANK AS-RADIATOR TOP						
6		1	<b>1B-7182</b>	12	BOLT (5/16-18X1.25-IN)						
7		1	<b>031-4155</b>	82	LOCKNUT (5/16-18-THD)						
		1	<b>9M-1974</b>	82	WASHER-HARD (8.8X16X2-MM THK)						
8		1	<b>4N-8190</b>	1	CORE AS-RADIATOR						
9		1	<b>8N-4876</b>	1	PLATE AS (RH)						
		1	<b>1F-0750</b>	2	NUT-WELD (3/8-16-THD)						
		1	<b>4K-9097</b>	9	NUT-WELD (5/16-18-THD)						
10		1	<b>4N-8183</b>	1	TANK AS-RADIATOR BOTTOM						
11		1	<b>0S-1618</b>	76	BOLT (5/16-18X1-IN)						
12		1	<b>4N-8189</b>	1	PLATE AS-RADIATOR BOTTOM						
		1	<b>4K-9097</b>	4	NUT-WELD (5/16-18-THD)						
13		1	<b>5P-4116</b>	8	WASHER-HARD (8.8X20.5X2-MM THK)						
14		1	<b>4N-8184</b>	1	GASKET						
15		1	<b>4N-8193</b>	2	PLATE AS						
					(EACH INCLUDES)						
		1	<b>5P-5157</b>	3	NUT-TAB WELD						
16		1	<b>8N-4875</b>	1	PLATE AS (LH)						
		1	<b>1F-0750</b>	2	NUT-WELD (3/8-16-THD)						
		1	<b>4K-9097</b>	9	NUT-WELD (5/16-18-THD)						
17		1	<b>4N-5995</b>	1	GUARD-RADIATOR						
18		1	<b>0L-1143</b>	4	BOLT (3/8-16X2.5-IN)						
		1	<b>5M-2894</b>	4	WASHER-HARD (10.2X18.5X2.5-MM THK)						
19		1	<b>8T-6761</b>	1	PLUG-PIPE (1-11-1/2 NPT THD)						
20		1	<b>8T-6765</b>	1	PLUG-PIPE (1/4-18-THD)						
21		1	<b>3B-4505</b>	20	LOCKWASHER (8.1X15.4X2-MM THK)						
22		1	<b>0S-1617</b>	14	BOLT (5/16-18X0.75-IN)						

# COOLING SYSTEM

8N-8836 RADIATOR GP (contd.)

i03551602



GRAPHIC #1

<END>

g00237802

# COOLING SYSTEM

## 9Y-5750 RADIATOR GP

S/N: 85Z3764-UP

FOR USE WITH FRONT ENGINE SUPPORT, 9Y-5905--PAGE: 200  
AN ATTACHMENT

SMCS-1353

i01773936

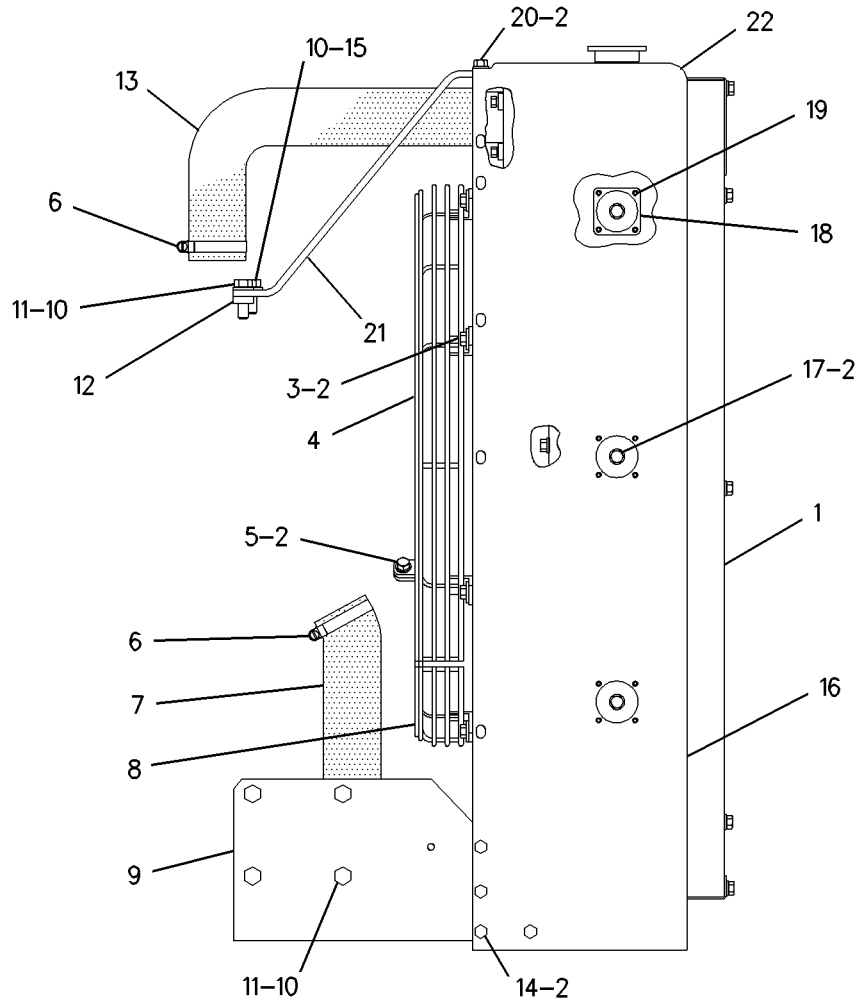
NOTE	REF NO	GRAPHIC REF	PART NUMBER	QTY	PART NAME						SEE PAGE
					1	2	3	4	5	6 (PRODUCT LEVEL)	
Y	1	1	7C-2170	1	FLANGE GP-RADIATOR						283
	2	1	8T-4896	26	WASHER-HARD (10.2X18.5X2.5-MM THK)						
	3	1	5M-3062	8	BOLT (3/8-16X0.75-IN)						
	4	1	2W-5643	1	GUARD AS-FAN (UPPER)						
	5	1	4L-6454	2	BOLT (3/8-16X1-IN)						
	6	1	9M-7959	4	CLAMP-HOSE						
	7	1	133-6518	1	HOSE-RADIATOR (LOWER)						
	8	1	8N-1633	1	GUARD AS-FAN (LOWER)						
		1	9F-2978	2	NUT-WELD (3/8-16-THD)						
		1	6N-8599	2	CLIP						
	9	1	9Y-5900	2	PLATE						
	10	1	8T-4223	10	WASHER-HARD (13.5X25.5X3-MM THK)						
	11	1	5P-2566	9	BOLT (1/2-13X1.5-IN)						
	12	1	7N-2597	1	SPACER (13.5X25.4X8.08-MM THK)						
	13	1	3N-6036	1	HOSE (UPPER RADIATOR)						
	14	1	5S-7379	8	BOLT (3/8-16X0.875-IN)						
	15	1	8T-8917	1	BOLT (1/2-13X1.25-IN)						
	16	1	8L-4495	1	SHELL AS-RADIATOR						
		1	9F-2978	8	NUT-WELD (3/8-16-THD)						
	17	1	7X-0288	6	BOLT (3/8-16X1.625-IN)						
	18	1	2L-4238	6	MOUNT-FLEXIBLE						
	19	1	9M-5733	24	RIVET-POP						
	20	1	5P-8167	2	BOLT (3/8-16X0.625-IN)						
	21	1	6N-7870	1	BRACE						
CY	22	1	133-9673	1	RADIATOR GP						384

C - CHANGE FROM PREVIOUS TYPE  
Y - SEPARATE ILLUSTRATION

# COOLING SYSTEM

9Y-5750 RADIATOR GP (contd.)

i01773936



GRAPHIC #1

<END>

g00685793

# COOLING SYSTEM

## 9Y-5751 RADIATOR GP

S/N: 85Z3764-UP

FOR USE WITH FRONT ENGINE SUPPORT  
AN ATTACHMENT

SMCS-1353

i01982766

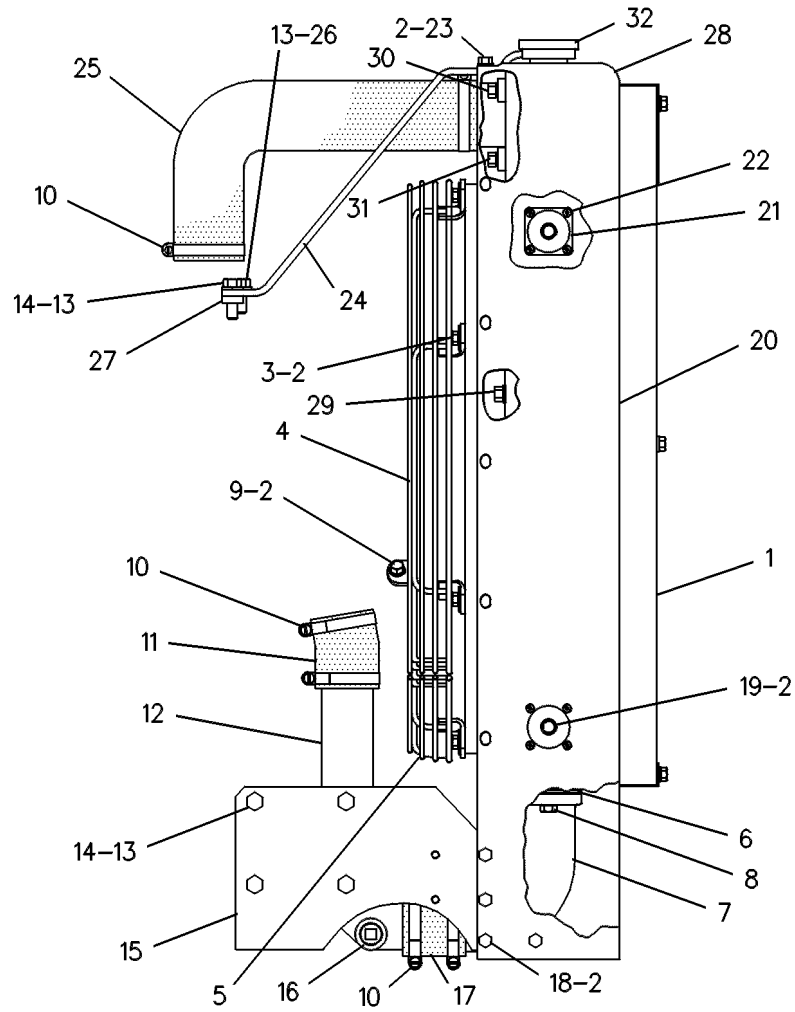
NOTE	REF NO	GRAPHIC REF	PART NUMBER	QTY	PART NAME						SEE PAGE
					1	2	3	4	5	6 (PRODUCT LEVEL)	
Y	1	1	<b>7C-2169</b>	1	FLANGE GP-RADIATOR						282
	2	1	<b>8T-4896</b>	24	WASHER-HARD (10.2X18.5X2.5-MM THK)						
	3	1	<b>5M-3062</b>	8	BOLT (3/8-16X0.75-IN)						
	4	1	<b>2W-3889</b>	1	GUARD AS-FAN (UPPER)						
		1	<b>9F-2978</b>	2	NUT-WELD (3/8-16-THD)						
		1	<b>6N-8599</b>	2	CLIP						
	5	1	<b>2W-3891</b>	1	GUARD AS-FAN (LOWER)						
	6	1	<b>3L-1585</b>	1	GASKET						
	7	1	<b>4L-2138</b>	1	ELBOW-RADIATOR OUTLET						
	8	1	<b>8T-6973</b>	2	BOLT (7/16-14X1.125-IN)						
	9	1	<b>4L-6454</b>	2	BOLT (3/8-16X1-IN)						
	10	1	<b>9M-7959</b>	6	CLAMP-HOSE						
	11	1	<b>3N-6033</b>	1	HOSE-PUMP INLET (LOWER RADIATOR)						
	12	1	<b>3N-2669</b>	1	ELBOW						
	13	1	<b>8T-4223</b>	10	WASHER-HARD (13.5X25.5X3-MM THK)						
	14	1	<b>5P-2566</b>	9	BOLT (1/2-13X1.5-IN)						
	15	1	<b>9Y-5900</b>	2	PLATE						
	16	1	<b>1B-5174</b>	1	PLUG-PIPE						
E	17	1	<b>5P-1262</b>		HOSE (8CM)						
	18	1	<b>5S-7379</b>	8	BOLT (3/8-16X0.875-IN)						
	19	1	<b>7X-0288</b>	4	BOLT (3/8-16X1.625-IN)						
	20	1	<b>8L-4492</b>	1	SHELL AS-RADIATOR						
		1	<b>9F-2978</b>	8	NUT-WELD (3/8-16-THD)						
	21	1	<b>2L-4238</b>	4	MOUNT-FLEXIBLE						
	22	1	<b>9M-5733</b>	16	RIVET-POP						
	23	1	<b>5P-8167</b>	2	BOLT (3/8-16X0.625-IN)						
	24	1	<b>6N-7870</b>	1	BRACE						
	25	1	<b>3N-6036</b>	1	HOSE (UPPER RADIATOR)						
	26	1	<b>8T-8917</b>	1	BOLT (1/2-13X1.25-IN)						
	27	1	<b>7N-2597</b>	1	SPACER (13.5X25.4X8.08-MM THK)						
	28	1	<b>4L-2114</b>	1	RADIATOR GP						
	29	1	<b>5S-7349</b>	8	BOLT (1/4-20X0.5-IN)						
		1	<b>8T-4205</b>	8	WASHER-HARD (7.2X14.5X2-MM THK)						
	30	1	<b>8T-6767</b>	1	PLUG-PIPE (3/8-18-THD)						
	31	1	<b>8T-6765</b>	1	PLUG-PIPE (1/4-18-THD)						
	32	1	<b>6L-8617</b>	1	CAP-PRESSURE (7-PSI) (PRESSURE)						

E - ORDER BY THE CENTIMETER  
Y - SEPARATE ILLUSTRATION

# COOLING SYSTEM

9Y-5751 RADIATOR GP (contd.)

i01982766



GRAPHIC #1

<END>

g00237628



# COOLING SYSTEM

## 9Y-5752 RADIATOR GP

S/N: 85Z3764-UP

FOR USE WITH FRONT ENGINE SUPPORT  
AN ATTACHMENT

SMCS-1353

i01982769

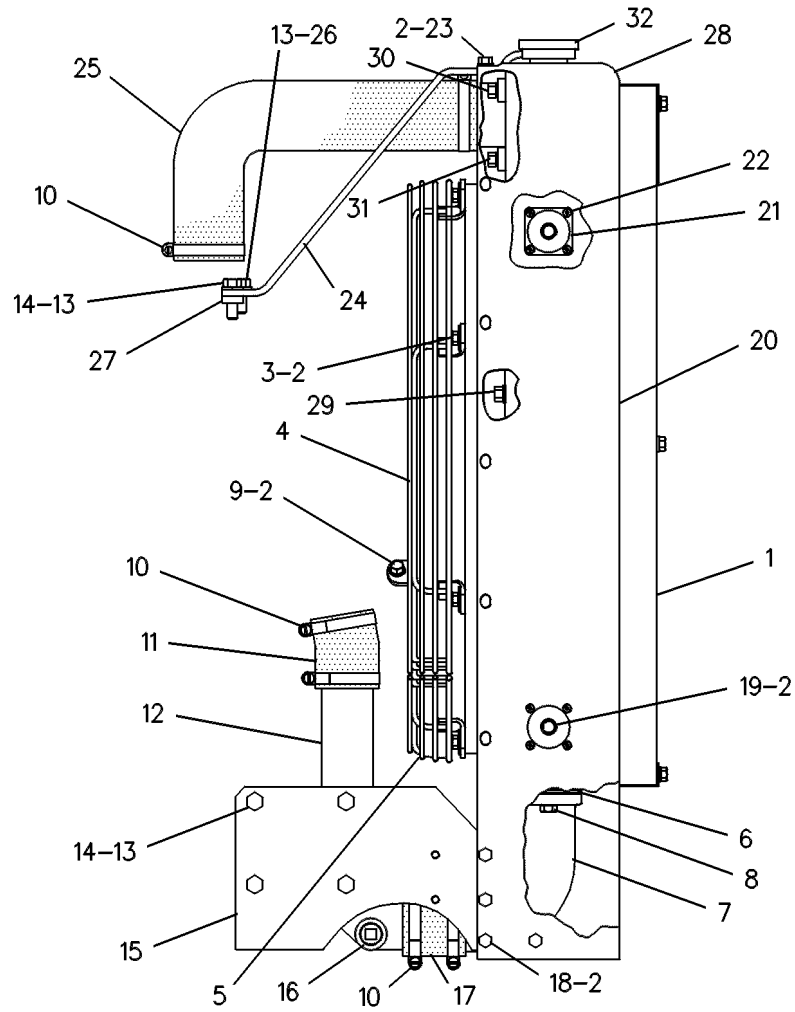
NOTE	REF NO	GRAPHIC REF	PART NUMBER	QTY	PART NAME						SEE PAGE
					1	2	3	4	5	6 (PRODUCT LEVEL)	
Y	1	1	<b>7C-2169</b>	1	FLANGE GP-RADIATOR						282
	2	1	<b>8T-4896</b>	24	WASHER-HARD (10.2X18.5X2.5-MM THK)						
	3	1	<b>5M-3062</b>	8	BOLT (3/8-16X0.75-IN)						
	4	1	<b>2W-3889</b>	1	GUARD AS-FAN (UPPER)						
		1	<b>9F-2978</b>	2	NUT-WELD (3/8-16-THD)						
		1	<b>6N-8599</b>	2	CLIP						
	5	1	<b>2W-3891</b>	1	GUARD AS-FAN (LOWER)						
	6	1	<b>3L-1585</b>	1	GASKET						
	7	1	<b>4L-2138</b>	1	ELBOW-RADIATOR OUTLET						
	8	1	<b>8T-6973</b>	2	BOLT (7/16-14X1.125-IN)						
	9	1	<b>4L-6454</b>	2	BOLT (3/8-16X1-IN)						
	10	1	<b>9M-7959</b>	6	CLAMP-HOSE						
	11	1	<b>3N-6033</b>	1	HOSE-PUMP INLET (LOWER RADIATOR)						
	12	1	<b>3N-2669</b>	1	ELBOW						
	13	1	<b>8T-4223</b>	10	WASHER-HARD (13.5X25.5X3-MM THK)						
	14	1	<b>5P-2566</b>	9	BOLT (1/2-13X1.5-IN)						
	15	1	<b>9Y-5900</b>	2	PLATE						
	16	1	<b>1B-5174</b>	1	PLUG-PIPE						
E	17	1	<b>5P-1262</b>		HOSE (8CM)						
	18	1	<b>5S-7379</b>	8	BOLT (3/8-16X0.875-IN)						
	19	1	<b>7X-0288</b>	4	BOLT (3/8-16X1.625-IN)						
	20	1	<b>8L-4492</b>	1	SHELL AS-RADIATOR						
		1	<b>9F-2978</b>	8	NUT-WELD (3/8-16-THD)						
	21	1	<b>2L-4238</b>	4	MOUNT-FLEXIBLE						
	22	1	<b>9M-5733</b>	16	RIVET-POP						
	23	1	<b>5P-8167</b>	2	BOLT (3/8-16X0.625-IN)						
	24	1	<b>6N-7870</b>	1	BRACE						
	25	1	<b>3N-6036</b>	1	HOSE (UPPER RADIATOR)						
	26	1	<b>8T-8917</b>	1	BOLT (1/2-13X1.25-IN)						
	27	1	<b>7N-2597</b>	1	SPACER (13.5X25.4X8.08-MM THK)						
	28	1	<b>4L-2115</b>	1	RADIATOR GP						
	29	1	<b>5S-7349</b>	8	BOLT (1/4-20X0.5-IN)						
	30	1	<b>8T-6767</b>	1	PLUG-PIPE (3/8-18-THD)						
		1	<b>8T-4205</b>	8	WASHER-HARD (7.2X14.5X2-MM THK)						
	31	1	<b>8T-6765</b>	1	PLUG-PIPE (1/4-18-THD)						
	32	1	<b>6L-8617</b>	1	CAP-PRESSURE (7-PSI) (PRESSURE)						

E - ORDER BY THE CENTIMETER  
Y - SEPARATE ILLUSTRATION

# COOLING SYSTEM

9Y-5752 RADIATOR GP (contd.)

i01982769



GRAPHIC #1

<END>

g00237628

# COOLING SYSTEM

## 9Y-5781 RADIATOR GP

S/N: 85Z3764-UP

FOR USE WITH FRONT ENGINE SUPPORT, 9Y-5905--PAGE: 200  
AN ATTACHMENT

SMCS-1353

i01856442

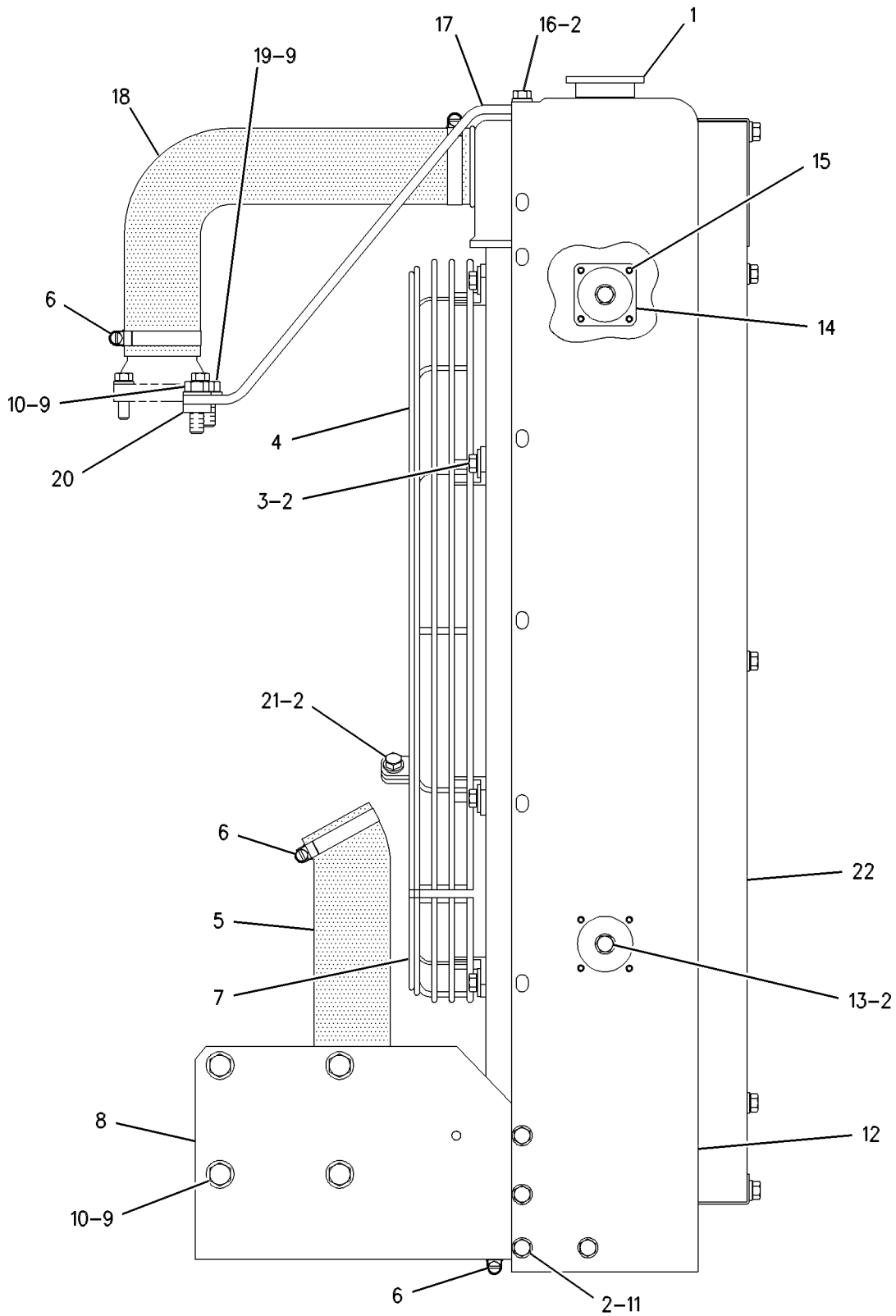
NOTE	REF NO	GRAPHIC REF	PART NUMBER	QTY	PART NAME						SEE PAGE
					1	2	3	4	5	6	
Y	1	1	<b>133-9671</b>	1	RADIATOR GP						383
	2	1	<b>8T-4896</b>	24	WASHER-HARD (10.2X18.5X2.5-MM THK)						
	3	1	<b>5M-3062</b>	8	BOLT (3/8-16X0.75-IN)						
	4	1	<b>2W-5643</b>	1	GUARD AS-FAN (UPPER)						
	5	1	<b>134-1245</b>	1	HOSE-RADIATOR (LOWER)						
	6	1	<b>9M-7959</b>	4	CLAMP-HOSE						
	7	1	<b>8N-1633</b>	1	GUARD AS-FAN (LOWER)						
		1	<b>9F-2978</b>	2	NUT-WELD (3/8-16-THD)						
		1	<b>6N-8599</b>	2	CLIP						
	8	1	<b>9Y-5900</b>	2	PLATE						
	9	1	<b>8T-4223</b>	10	WASHER-HARD (13.5X25.5X3-MM THK)						
	10	1	<b>5P-2566</b>	9	BOLT (1/2-13X1.5-IN)						
	11	1	<b>5S-7379</b>	8	BOLT (3/8-16X0.875-IN)						
	12	1	<b>2N-1999</b>	1	SHELL AS-RADIATOR						
		1	<b>8L-4488</b>	1	PLATE						
		1	<b>1F-0750</b>	8	NUT-WELD (3/8-16-THD)						
	13	1	<b>7X-0288</b>	4	BOLT (3/8-16X1.625-IN)						
	14	1	<b>2L-4238</b>	4	MOUNT-FLEXIBLE						
	15	1	<b>9M-5733</b>	16	RIVET-POP						
	16	1	<b>5P-8167</b>	2	BOLT (3/8-16X0.625-IN)						
	17	1	<b>6N-7870</b>	1	BRACE						
	18	1	<b>3N-6034</b>	1	HOSE (UPPER RADIATOR)						
	19	1	<b>8T-8917</b>	1	BOLT (1/2-13X1.25-IN)						
	20	1	<b>7N-2597</b>	1	SPACER (13.5X25.4X8.08-MM THK)						
	21	1	<b>4L-6454</b>	2	BOLT (3/8-16X1-IN)						
Y	22	1	<b>7C-2170</b>	1	FLANGE GP-RADIATOR						283

Y - SEPARATE ILLUSTRATION

# COOLING SYSTEM

9Y-5781 RADIATOR GP (contd.)

i01856442



RIGHT SIDE VIEW

GRAPHIC #1

<END>

g00636541

# COOLING SYSTEM

## 9Y-5795 RADIATOR GP

S/N: 85Z3764-UP

FOR USE WITH GENERATOR ENCLOSURE  
AN ATTACHMENT

**SMCS-1353**

**i01850450**

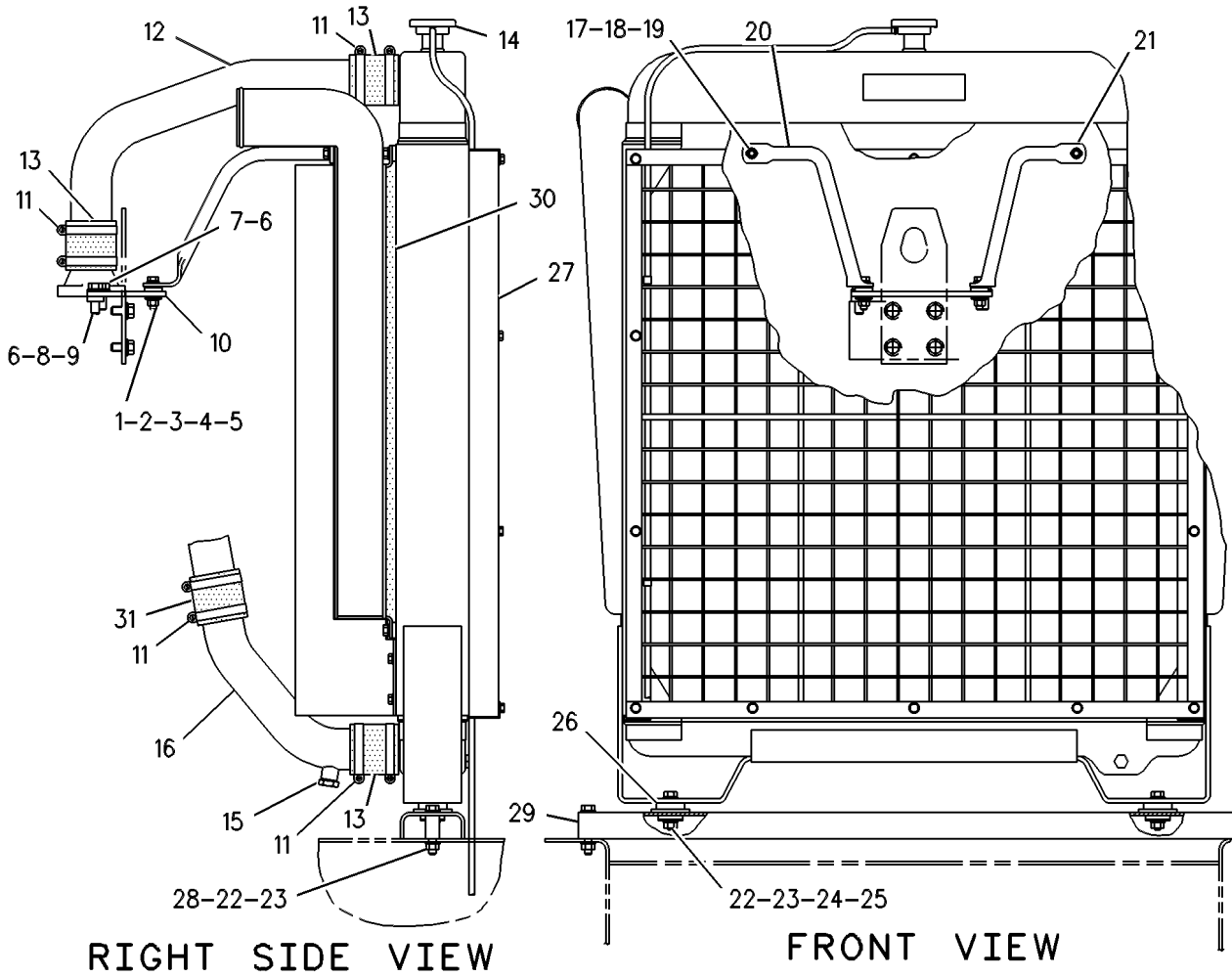
NOTE	REF NO	GRAPHIC REF	PART NUMBER	QTY	PART NAME						SEE PAGE
					1	2	3	4	5	6 (PRODUCT LEVEL)	
	1	1	<b>5S-7383</b>	2	BOLT (3/8-16X1.75-IN)						
	2	1	<b>7X-0772</b>	4	WASHER-HARD (10.2X25.5X2.5-MM THK)						
	3	1	<b>2W-9710</b>	2	MOUNT AS						
	4	1	<b>6V-8801</b>	2	NUT (3/8-16-THD)						
	5	1	<b>8T-4896</b>	4	WASHER-HARD (10.2X18.5X2.5-MM THK)						
	6	1	<b>8T-4223</b>	2	WASHER-HARD (13.5X25.5X3-MM THK)						
	7	1	<b>8T-8917</b>	1	BOLT (1/2-13X1.25-IN)						
	8	1	<b>7N-2597</b>	1	SPACER (13.5X25.4X8.08-MM THK)						
	9	1	<b>5P-2566</b>	1	BOLT (1/2-13X1.5-IN)						
	10	1	<b>9Y-6349</b>	1	BRACKET						
	11	1	<b>9M-7959</b>	8	CLAMP-HOSE						
	12	1	<b>9Y-3681</b>	1	TUBE-RADIATOR INLET						
E	13	1	<b>5P-1262</b>	3	HOSE (11.4CM EACH)						
Y	14	1	<b>7C-8385</b>	1	RADIATOR GP						405
	15	1	<b>3M-7045</b>	1	PLUG (3/4-14 NPT-THD)						
	16	1	<b>9Y-3682</b>	1	TUBE AS-OUTLET						
	17	1	<b>4M-6425</b>	2	BOLT (5/16-18X1-IN)						
	18	1	<b>6V-8189</b>	2	NUT (5/16-18-THD)						
	19	1	<b>8T-4224</b>	4	WASHER-HARD (8.8X16X2-MM THK)						
	20	1	<b>9Y-6350</b>	1	BRACE						
	21	1	<b>9Y-6351</b>	1	BRACE						
	22	1	<b>7X-0447</b>	4	NUT (7/16-14-THD)						
	23	1	<b>8T-5360</b>	8	WASHER (12X22.5X2.5-MM THK)						
	24	1	<b>7X-0310</b>	2	BOLT (7/16-14X2-IN)						
	25	1	<b>1C-1976</b>	2	WASHER (0.438X1.5X0.075-IN THK)						
	26	1	<b>7T-8332</b>	2	MOUNTING						
Y	27	1	<b>7C-8630</b>	1	GUARD GP-RADIATOR						296
	28	1	<b>7X-0312</b>	2	BOLT (7/16-14X2.5-IN)						
	29	1	<b>7E-1130</b>	1	PLATE AS						
D	30	1	<b>8T-1133</b>		SEAL (1.5M)						
E	31	1	<b>5P-1262</b>		HOSE (7.62CM)						

D - ORDER BY THE METER  
E - ORDER BY THE CENTIMETER  
Y - SEPARATE ILLUSTRATION

# COOLING SYSTEM

9Y-5795 RADIATOR GP (contd.)

i01850450



RIGHT SIDE VIEW

FRONT VIEW

GRAPHIC #1

<END>

g00253762

# COOLING SYSTEM

## 8N-0888 REGULATOR GP-TEMPERATURE

S/N: 85Z3764-UP

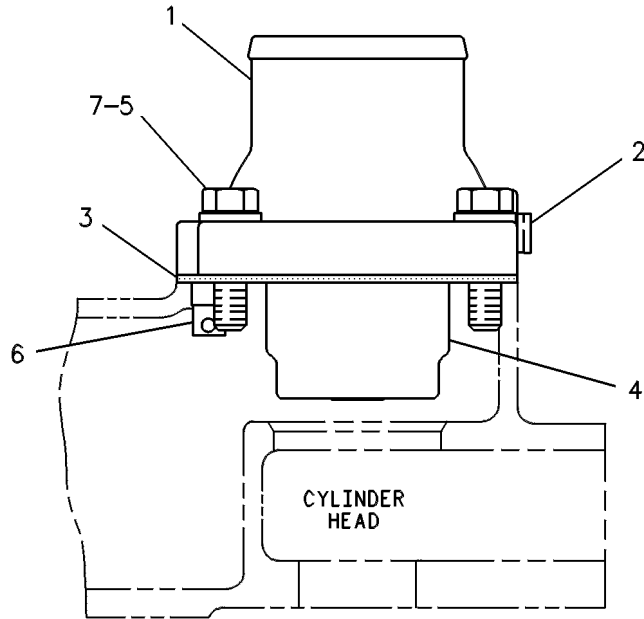
**CANNOT BE USED WITH UNDERGROUND MINING APPLICATIONS  
ALSO AN ATTACHMENT**

**SMCS-1355**

**i03995511**

NOTE	REF NO	GRAPHIC REF	PART NUMBER	QTY	PART NAME						SEE PAGE
					1	2	3	4	5	6 (PRODUCT LEVEL)	
C	1	1	<b>1W-6810</b>	1	PIPE-OUTLET						
C	2	1	<b>8T-6763</b>	1	PLUG-PIPE (1/4-18-THD)						
	3	1	<b>7N-0944</b>	1	GASKET (WATER TEMPERATURE REGULATOR)						
	4	1	<b>111-8010</b>	1	REGULATOR-WATER TEMPERATURE						
	5	1	<b>5S-7382</b>	4	BOLT (3/8-16X1.375-IN)						
C	6	1	<b>8N-4485</b>	1	VALVE AS-VENT (WATER TEMPERATURE REGULATOR)						
	7	1	<b>8T-4896</b>	4	WASHER-HARD (10.2X18.5X2.5-MM THK)						

C - CHANGE FROM PREVIOUS TYPE



**RIGHT SIDE VIEW**

GRAPHIC #1

<END>

g00108750

# COOLING SYSTEM

## 112-4033 TANK GP-EXPANSION

S/N: 85Z3764-UP

FOR USE WITH 6C-9480-PAGE: 303, 6C-9481-PAGE: 338, 116-7730-PAGE: 328, 112-5740-

PAGE: 315

AN ATTACHMENT

SMCS-1354

i01872132

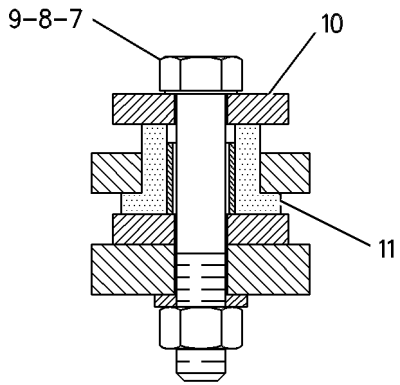
NOTE	REF NO	GRAPHIC REF	PART NUMBER	QTY	PART NAME						SEE PAGE
					1	2	3	4	5	6 (PRODUCT LEVEL)	
	1	1	<b>5P-8245</b>	8	WASHER-HARD (13.5X25.5X3-MM THK)						
	2	1	<b>2W-4546</b>	1	SPACER (36.9MM THK)						
	3	1	<b>6C-9278</b>	1	BRACKET						
	4	1	<b>0S-1587</b>	4	BOLT (1/2-13X1.75-IN)						
	5	1	<b>1F-7958</b>	4	NUT-FULL (1/2-13-THD)						
	6	1	<b>9X-8874</b>	4	BOLT (1/2-13X3-IN)						
	7	1	<b>0L-2070</b>	1	BOLT (3/8-16X2.25-IN)						
	8	1	<b>9S-8752</b>	1	NUT-FULL (3/8-16-THD)						
	9	1	<b>5M-2894</b>	1	WASHER-HARD (10.2X18.5X2.5-MM THK)						
	10	1	<b>1P-7346</b>	2	WASHER-HARD (10.2X35X6-MM THK)						
	11	1	<b>6N-6984</b>	1	MOUNT-RUBBER						
	12	1	<b>117-1698</b>	1	BRACKET AS						
	13	1	<b>7D-1649</b>	2	WASHER-HARD (13.5X32X5-MM THK)						
	14	1	<b>106-1706</b>	1	TANK AS-EXCHANGER						
	15	1	<b>036-1865</b>	1	CAP AS-RADIATOR (EXPANSION TANK)						
	16	1	<b>6B-9807</b>	2	BOSS						
	17	1	<b>1F-2417</b>	2	BOSS (1/4-28-THD)						
	18	1	<b>8T-6764</b>	3	PLUG-PIPE (1/8-27-THD)						
	19	1	<b>8T-6765</b>	2	PLUG-PIPE (1/4-18-THD)						
	20	1	<b>8N-3272</b>	1	PLATE-LIFTING EYE						



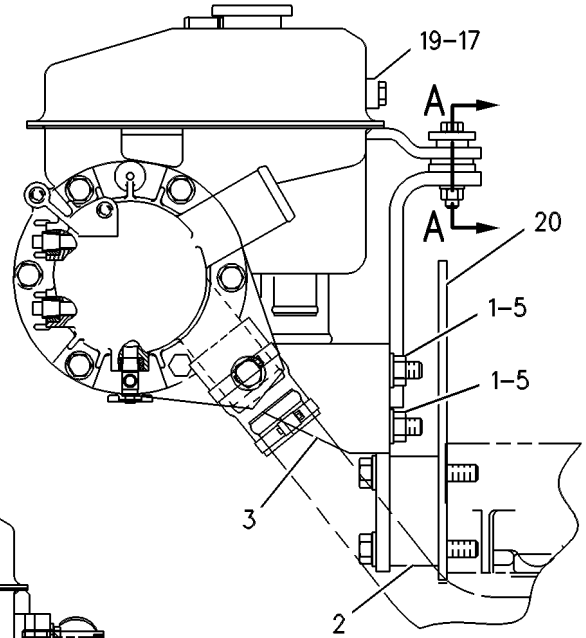
# COOLING SYSTEM

112-4033 TANK GP-EXPANSION (contd.)

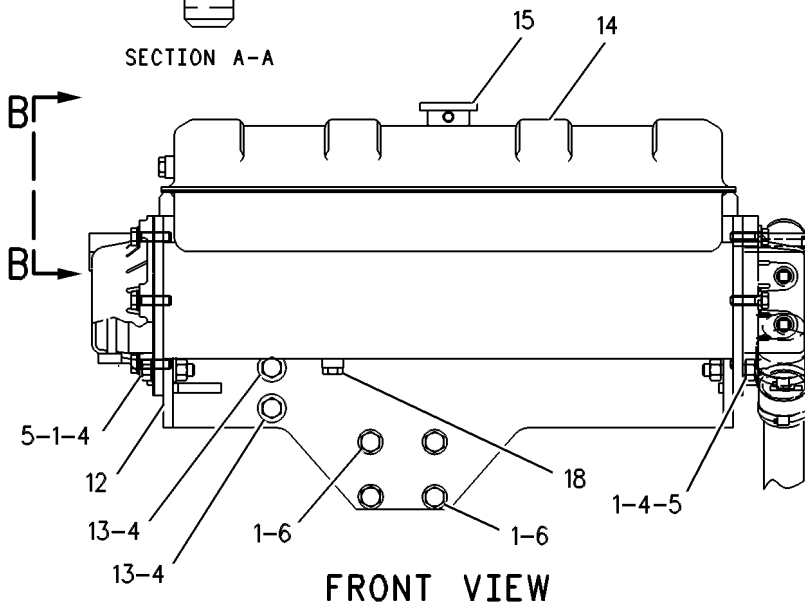
i01872132



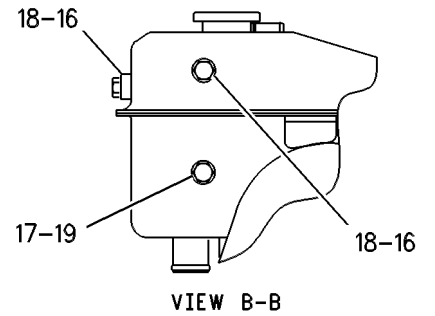
SECTION A-A



LEFT SIDE VIEW



FRONT VIEW



VIEW B-B

GRAPHIC #1

<END>

g00252703

# COOLING SYSTEM

## 3N-3269 TANK GP-EXPANSION

S/N: 85Z3764-UP

FOR USE WITH 3N-3279-PAGE: 308

CANNOT BE USED WITH RADIATOR OR FAN DRIVE  
AN ATTACHMENT

SMCS-1354

i03440340

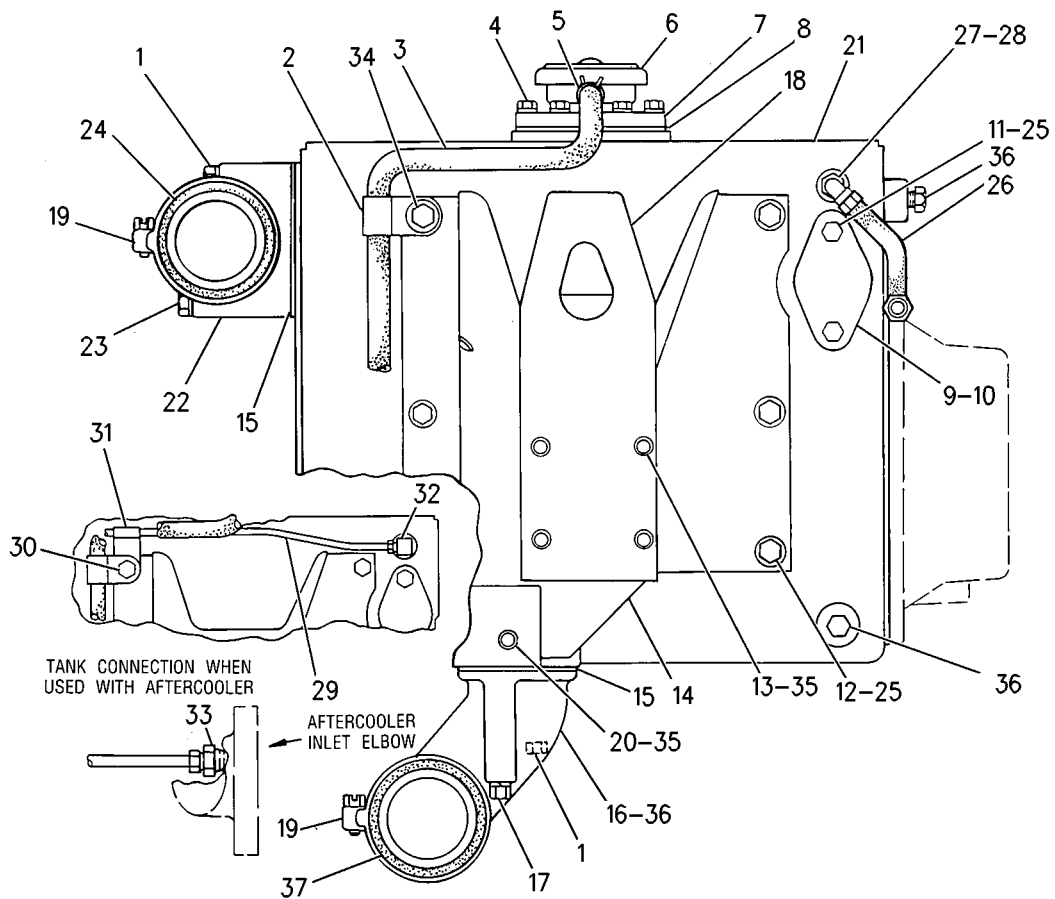
NOTE	REF NO	GRAPHIC REF	PART NUMBER	QTY	PART NAME						SEE PAGE
					1	2	3	4	5	6 (PRODUCT LEVEL)	
	1	1	<b>0L-1143</b>	2	BOLT (3/8-16X2.5-IN)						
	2	1	<b>5B-1345</b>	2	CLIP						
E	3	1	<b>5P-1420</b>		HOSE (112-CM)						
	4	1	<b>0S-1615</b>	6	BOLT (1/4-20X0.75-IN)						
		1	<b>5P-0537</b>	6	WASHER-HARD (7.2X14.5X2-MM THK)						
	5	1	<b>6L-8700</b>	1	CLAMP						
	6	1	<b>6L-8617</b>	1	CAP-PRESSURE (7-PSI) (EXPANSION TANK)						
	7	1	<b>8L-3934</b>	1	NECK AS-FILLER						
	8	1	<b>4L-7636</b>	1	GASKET						
	9	1	<b>6B-0041</b>	1	COVER						
	10	1	<b>6L-6580</b>	1	GASKET						
	11	1	<b>0S-0509</b>	2	BOLT (3/8-16X0.75-IN)						
	12	1	<b>1A-2029</b>	5	BOLT (3/8-16X1.125-IN)						
	13	1	<b>7B-3235</b>	4	BOLT (1/2-13X1.375-IN)						
	14	1	<b>6N-7845</b>	1	BRACKET AS-SUPPORT						
	15	1	<b>6L-5567</b>	2	GASKET						
	16	1	<b>3N-1439</b>	1	ELBOW						
	17	1	<b>0T-0065</b>	1	BOLT (3/8-16X3.5-IN)						
	18	1	<b>8N-3272</b>	1	PLATE-LIFTING EYE						
	19	1	<b>9M-7959</b>	4	CLAMP-HOSE						
	20	1	<b>2B-0947</b>	2	BOLT (1/2-13X2.25-IN)						
	21	1	<b>3N-4188</b>	1	TANK AS-EXPANSION						
	22	1	<b>1S-4662</b>	1	ELBOW-BYPASS						
	23	1	<b>0S-1619</b>	1	BOLT (3/8-16X3-IN)						
E	24	1	<b>5P-1262</b>		HOSE (7.62-CM)						
	25	1	<b>5M-2894</b>	7	WASHER-HARD (10.2X18.5X2.5-MM THK)						
I	26	1	<b>2D-9872</b>	1	HOSE AS						
N	27	1	<b>3B-6552</b>	1	ELBOW-PIPE						
P	28	1	<b>5M-6214</b>	1	PLUG (1/8-27 PTF)						
	29	1	<b>6N-6992</b>	1	TUBE AS						
	30	1	<b>3B-1915</b>	1	BOLT (3/8-16X1.375-IN)						
		1	<b>5M-2894</b>	1	WASHER-HARD (10.2X18.5X2.5-MM THK)						
	31	1	<b>4M-1149</b>	1	CLIP						
	32	1	<b>5K-9243</b>	1	ELBOW-FLARED						
J	33	1	<b>6L-3616</b>	1	CONNECTOR						
	34	1	<b>1A-2029</b>	1	BOLT (3/8-16X1.125-IN)						
L		1	<b>5M-2894</b>	1	WASHER-HARD (10.2X18.5X2.5-MM THK)						
	35	1	<b>2M-0849</b>	6	WASHER-HARD (13.5X25.5X5-MM THK)						
	36	1	<b>5M-6213</b>	3	PLUG-PIPE (1/4-18-THD)						
E	37	1	<b>5P-1262</b>		HOSE (5.87CM)						

E - ORDER BY THE CENTIMETER  
 I - REFER TO HYDRAULIC INFORMATION SYSTEM  
 J - USE WITH AFTERCOOLER  
 L - USE WITHOUT AFTERCOOLER  
 N - USE WITH WATER COOLED MANIFOLD  
 P - USE WITHOUT WATER COOLED MANIFOLD

# COOLING SYSTEM

3N-3269 TANK GP-EXPANSION (contd.)

i03440340



GRAPHIC #1

<END>

g00942714

# COOLING SYSTEM

## 6N-6082 TANK GP-EXPANSION

S/N: 85Z3764-UP

**FOR USE WITH AFTERCOOLED ENGINE WITH WATERCOOLED MANIFOLDS  
CANNOT BE USED WITH RADIATOR OR FAN DRIVE  
AN ATTACHMENT**

**SMCS-1354**

**i03440349**

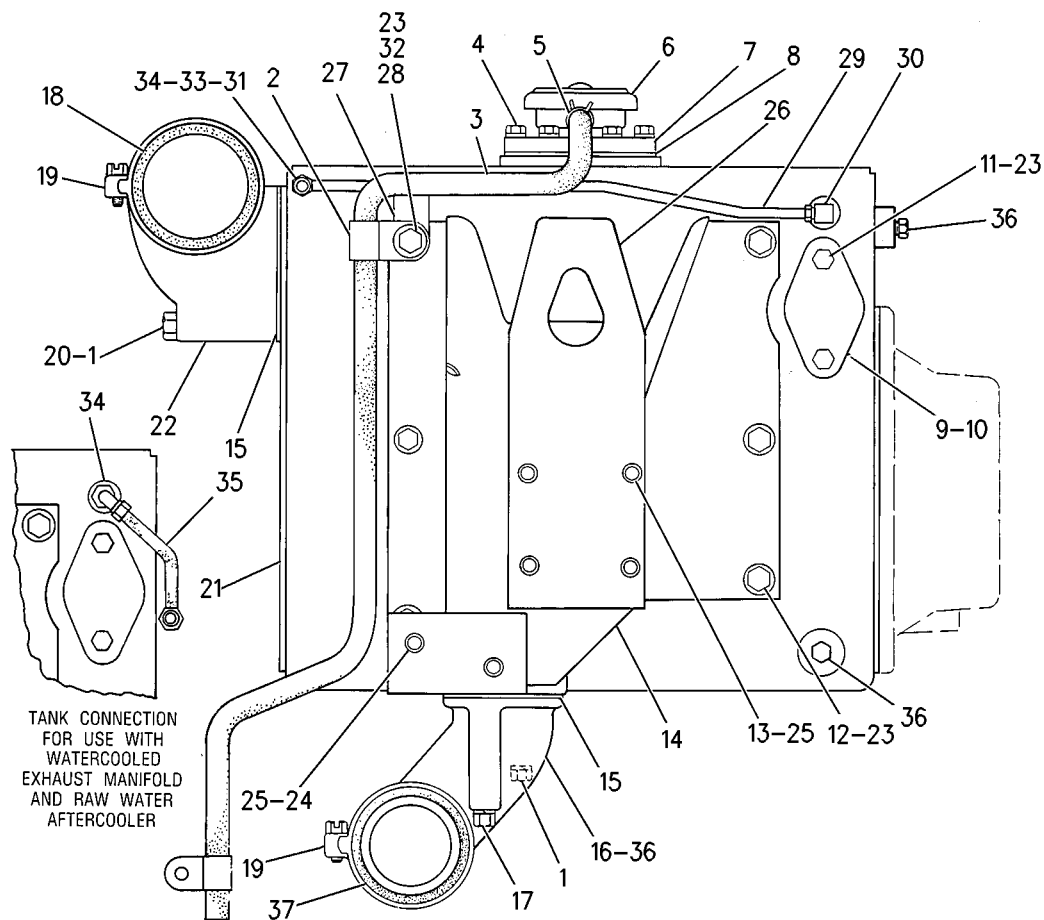
NOTE	REF NO	GRAPHIC REF	PART NUMBER	QTY	PART NAME						SEE PAGE
					1	2	3	4	5	6 (PRODUCT LEVEL)	
	1	1	<b>0L-1143</b>	2	BOLT (3/8-16X2.5-IN)						
	2	1	<b>5B-1345</b>	2	CLIP						
E	3	1	<b>5P-1420</b>		HOSE (7.62-CM)						
	4	1	<b>0S-1615</b>	6	BOLT (1/4-20X0.75-IN)						
		1	<b>5P-0537</b>	6	WASHER-HARD (7.2X14.5X2-MM THK)						
	5	1	<b>6L-8700</b>	1	CLAMP						
	6	1	<b>6L-8617</b>	1	CAP-PRESSURE (7-PSI) (EXPANSION TANK)						
	7	1	<b>8L-3934</b>	1	NECK AS-FILLER						
	8	1	<b>4L-7636</b>	1	GASKET						
	9	1	<b>6B-0041</b>	1	COVER						
	10	1	<b>6L-6580</b>	1	GASKET						
	11	1	<b>0S-0509</b>	2	BOLT (3/8-16X0.75-IN)						
	12	1	<b>1A-2029</b>	5	BOLT (3/8-16X1.125-IN)						
	13	1	<b>7B-3235</b>	4	BOLT (1/2-13X1.375-IN)						
	14	1	<b>6N-7845</b>	1	BRACKET AS-SUPPORT						
	15	1	<b>6L-5567</b>	2	GASKET						
	16	1	<b>3N-1439</b>	1	ELBOW						
	17	1	<b>0T-0065</b>	1	BOLT (3/8-16X3.5-IN)						
E	18	1	<b>5P-1262</b>		HOSE (7.62-CM)						
	19	1	<b>5P-4868</b>	4	CLAMP-HOSE						
	20	1	<b>8S-9191</b>	1	BOLT (3/8-16X4-IN)						
	21	1	<b>3N-4188</b>	1	TANK AS-EXPANSION						
	22	1	<b>6N-4878</b>	1	ELBOW						
	23	1	<b>5M-2894</b>	9	WASHER-HARD (10.2X18.5X2.5-MM THK)						
	24	1	<b>2B-0947</b>	2	BOLT (1/2-13X2.25-IN)						
	25	1	<b>2M-0849</b>	6	WASHER-HARD (13.5X25.5X5-MM THK)						
	26	1	<b>8N-3272</b>	1	PLATE-LIFTING EYE						
J	27	1	<b>4M-1149</b>	1	CLIP						
J	28	1	<b>3B-1915</b>	1	BOLT (3/8-16X1.375-IN)						
J	29	1	<b>6N-6992</b>	1	TUBE AS						
J	30	1	<b>5K-9243</b>	1	ELBOW-FLARED						
J	31	1	<b>6L-3616</b>	1	CONNECTOR						
L	32	1	<b>1A-2029</b>	1	BOLT (3/8-16X1.125-IN)						
L	33	1	<b>5M-6214</b>	1	PLUG (1/8-27 PTF)						
L	34	1	<b>3B-6552</b>	1	ELBOW-PIPE						
LI	35	1	<b>2D-9872</b>	1	HOSE AS						
	36	1	<b>5M-6213</b>	3	PLUG-PIPE (1/4-18-THD)						
E	37	1	<b>5P-1262</b>		HOSE (5.87CM)						

E - ORDER BY THE CENTIMETER  
 I - REFER TO HYDRAULIC INFORMATION SYSTEM  
 J - USED WITH JACKET WATER AFTERCOOLER  
 L - USED WITH RAW WATER AFTERCOOLER

# COOLING SYSTEM

6N-6082 TANK GP-EXPANSION (contd.)

i03440349



GRAPHIC #1

<END>

g00942803

# AIR INLET AND EXHAUST SYSTEM

## 7W-0687 ADAPTER GP-AIR CLEANER

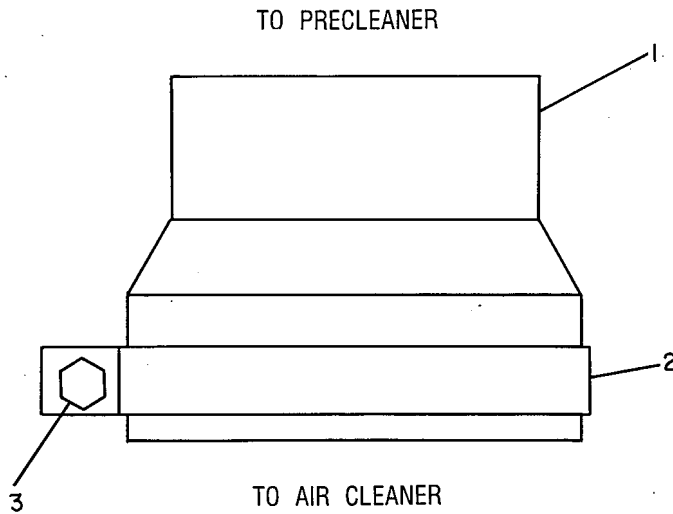
S/N: 85Z3764-UP

**FOR USE WITH DIRECT INJECTION TURBOCHARGED & TURBOCHARGED AFTERCOOLED IRRIGATION & GEN SET ENGINES  
CANNOT BE USED WITH GEN SET ENCLOSURES  
AN ATTACHMENT**

**SMCS-1051**

**i00649580**

NOTE	REF NO	GRAPHIC REF	PART NUMBER	QTY	PART NAME						SEE PAGE
					1	2	3	4	5	6 (PRODUCT LEVEL)	
	1	1	<b>4L-8443</b>	1	ADAPTER						
	2	1	<b>7S-7680</b>	1	CLAMP						
	3	1	<b>0S-1590</b>	1	BOLT (3/8-16X2-IN)						
		1	<b>1D-4717</b>	1	NUT (3/8-16-THD)						



GRAPHIC #1

<END>

g00171212

# AIR INLET AND EXHAUST SYSTEM

## 5N-1768 ADAPTER GP-EXHAUST

S/N: 85Z3764-UP

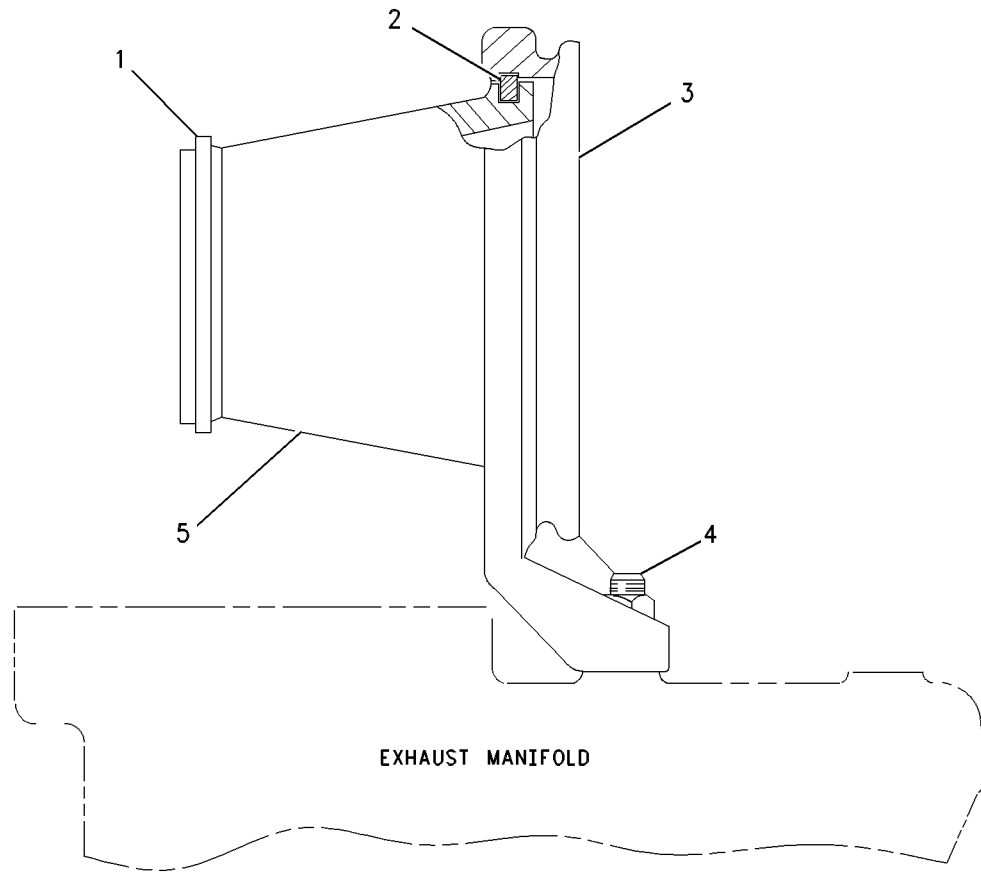
FOR USE WITH 2W-1738-PAGE: 27, 2W-1742-PAGE: 29

ALSO AN ATTACHMENT

SMCS-1061

i01144503

NOTE	REF NO	GRAPHIC REF	PART NUMBER	QTY	PART NAME						SEE PAGE
					1	2	3	4	5	6 (PRODUCT LEVEL)	
	1	1	<b>5L-8855</b>	1	RING-METAL SEAL						
	2	1	<b>5L-8854</b>	1	RING-SEALING						
	3	1	<b>3N-5869</b>	1	SUPPORT-ELBOW						
	4	1	<b>OS-1571</b>	2	BOLT (3/8-16X1.75-IN)						
		1	<b>1B-5355</b>	2	NUT-FULL (3/8-16-THD)						
	5	1	<b>5L-8856</b>	1	COUPLING-EXHAUST						



GRAPHIC #1

<END>

g00607938

# AIR INLET AND EXHAUST SYSTEM

## 4N-8267 AFTERCOOLER GP-WATER

S/N: 85Z3764-UP

SMCS - 1063

i04477654

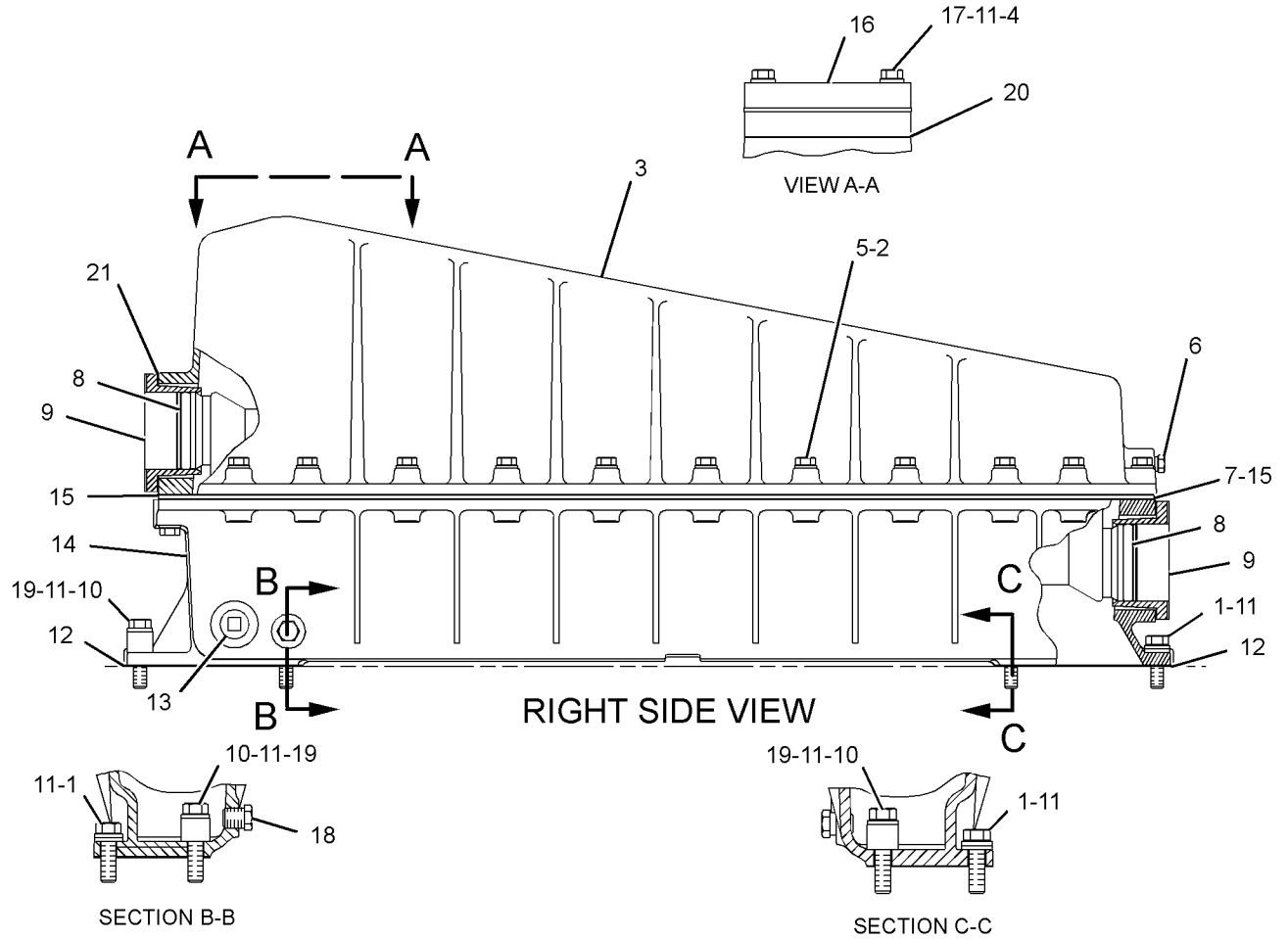
NOTE	REF NO	GRAPHIC REF	PART NUMBER	QTY	PART NAME						SEE PAGE
					1	2	3	4	5	6 (PRODUCT LEVEL)	
	1	1	<b>034-3557</b>	4	BOLT-LOCKING (3/8-16X1.125-IN)						
	2	1	<b>9M-1974</b>	24	WASHER-HARD (8.8X16X2-MM THK)						
	3	1	<b>126-1689</b>	1	COVER AS						
	4	1	<b>1H-6525</b>	4	INSERT						
	5	1	<b>1H-5514</b>	24	BOLT (5/16-18X1.625-IN)						
	6	1	<b>8T-6764</b>	1	PLUG-PIPE (1/8-27-THD)						
	7	1	<b>7W-0491</b>	1	CORE AS-AFTERCOOLER						
	8	1	<b>6L-1648</b>	2	SEAL-O-RING						
	9	1	<b>9L-5903</b>	2	ADAPTER						
	10	1	<b>031-0219</b>	4	BOLT-LOCKING (3/8-16X1.75-IN)						
	11	1	<b>5M-2894</b>	16	WASHER-HARD (10.2X18.5X2.5-MM THK)						
	12	1	<b>5S-6735</b>	2	GASKET						
	13	1	<b>8T-6762</b>	1	PLUG-PIPE (1/2-14-THD)						
	14	1	<b>126-1688</b>	1	HOUSING						
	15	1	<b>9L-5908</b>	2	GASKET						
	16	1	<b>9L-2625</b>	1	FLANGE-TRANSFER PIPE						
	17	1	<b>0L-2070</b>	4	BOLT (3/8-16X2.25-IN)						
	18	1	<b>8T-6765</b>	1	PLUG-PIPE (1/4-18-THD)						
	19	1	<b>4N-0205</b>	4	SPACER (0.42X0.75X0.6-IN THK)						
	20	1	<b>1N-9372</b>	1	GASKET-FLANGE (AIR INLET)						
	21	1	<b>2W-3679</b>	2	GASKET						



# AIR INLET AND EXHAUST SYSTEM

4N-8267 AFTERCOOLER GP-WATER (contd.)

i04477654



GRAPHIC #1

<END>

g02658178

# AIR INLET AND EXHAUST SYSTEM

## 6N-5960 AFTERCOOLER GP-WATER

S/N: 85Z3764-UP

SMCS - 1063

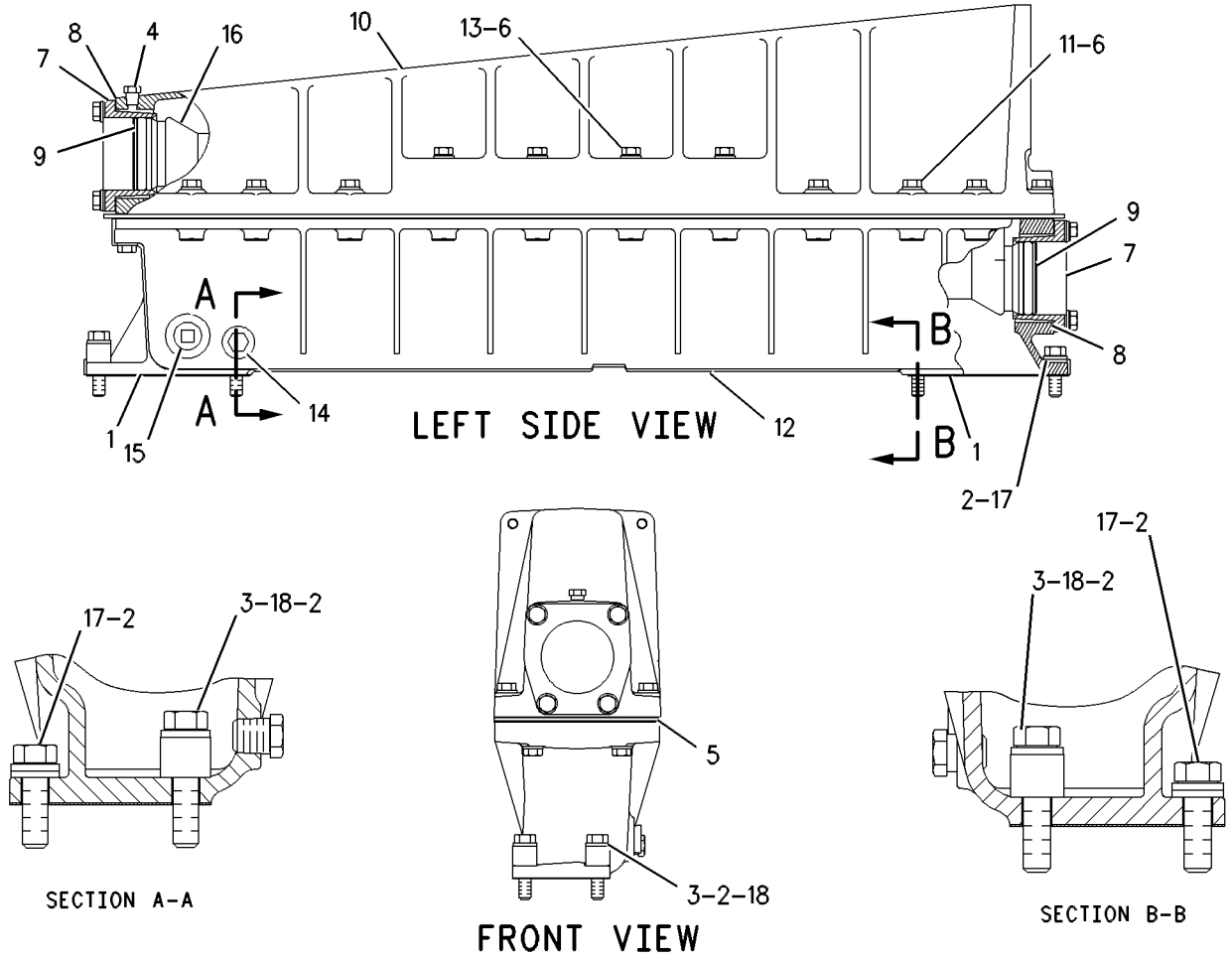
i05471141

NOTE	REF NO	GRAPHIC REF	PART NUMBER	QTY	PART NAME						SEE PAGE
					1	2	3	4	5	6 (PRODUCT LEVEL)	
	1	1	<b>5S-6735</b>	2	GASKET						
	2	1	<b>5M-2894</b>	12	WASHER-HARD (10.2X18.5X2.5-MM THK)						
	3	1	<b>031-0219</b>	4	BOLT-LOCKING (3/8-16X1.75-IN)						
	4	1	<b>8T-6764</b>	1	PLUG-PIPE (1/8-27-THD)						
	5	1	<b>9L-5908</b>	2	GASKET						
	6	1	<b>9M-1974</b>	24	WASHER-HARD (8.8X16X2-MM THK)						
	7	1	<b>9L-5903</b>	2	ADAPTER						
	8	1	<b>2W-3679</b>	2	GASKET						
	9	1	<b>6L-1648</b>	2	SEAL-O-RING						
	10	1	<b>4N-9580</b>	1	COVER-AFTERCOOLER HOUSING						
	11	1	<b>1H-5514</b>	20	BOLT (5/16-18X1.625-IN)						
	12	1	<b>126-1688</b>	1	HOUSING						
	13	1	<b>1D-4540</b>	4	BOLT (5/16-18X2.75-IN)						
	14	1	<b>8T-6765</b>	1	PLUG-PIPE (1/4-18-THD)						
	15	1	<b>8T-6762</b>	1	PLUG-PIPE (1/2-14-THD)						
	16	1	<b>7N-1101</b>	1	CORE AS-AFTERCOOLER						
	17	1	<b>034-3557</b>	4	BOLT-LOCKING (3/8-16X1.125-IN)						
	18	1	<b>4N-0205</b>	4	SPACER (0.42X0.75X0.6-IN THK)						

# AIR INLET AND EXHAUST SYSTEM

6N-5960 AFTERCOOLER GP-WATER (contd.)

105471141



GRAPHIC #1

<END>

g00639716

# AIR INLET AND EXHAUST SYSTEM

## 184-6536 AIR CLEANER GP

S/N: 85Z3764-UP  
FOR USE WITH DITA ENGINE  
AN ATTACHMENT

SMCS-1051, 1054

i02010077

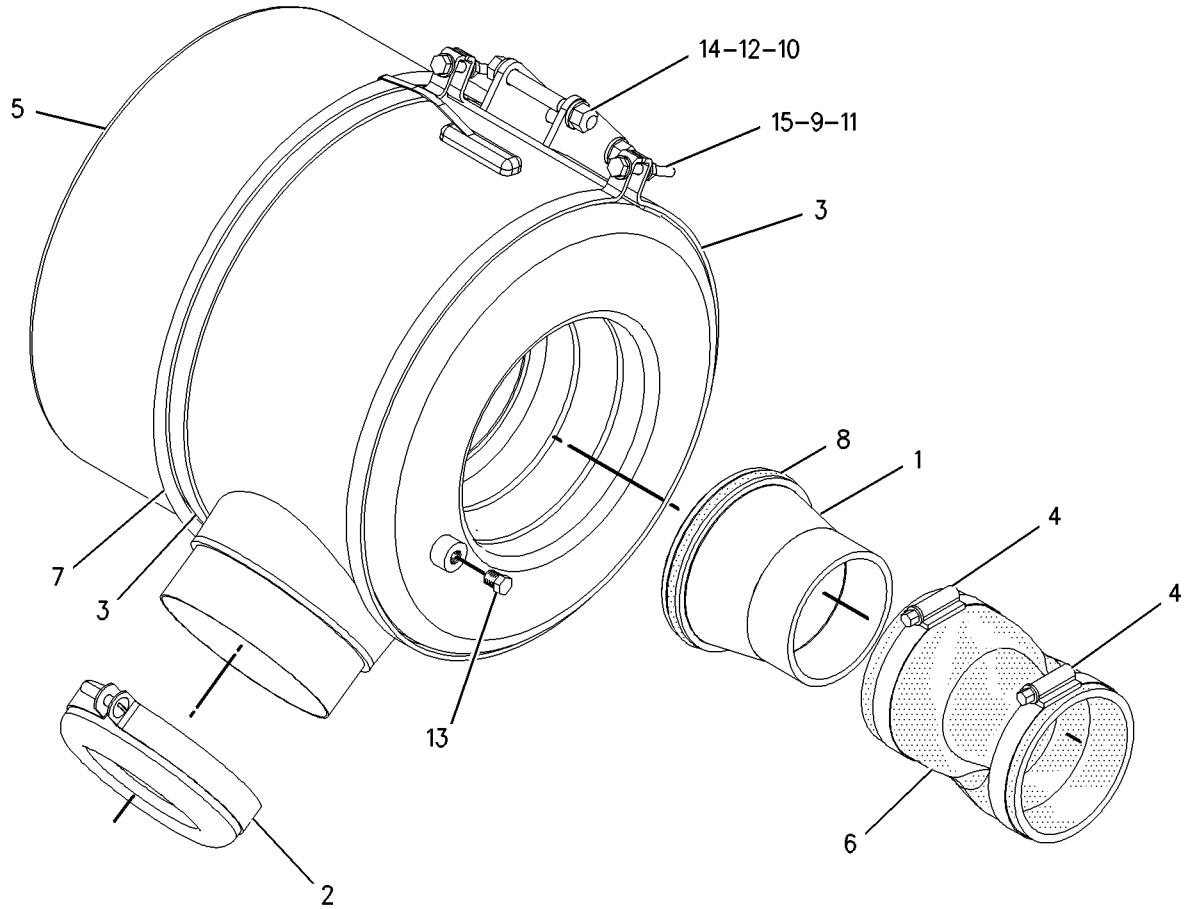
NOTE	REF NO	GRAPHIC REF	PART NUMBER	QTY	PART NAME						SEE PAGE
					1	2	3	4	5	6 (PRODUCT LEVEL)	
	1	1	<b>2W-9172</b>	1	ADAPTER-AIR CLEANER						
	2	1	<b>5L-7874</b>	1	SCREEN-AIR INLET (AIR CLEANER)						
	3	1	<b>5L-7875</b>	2	BAND-AIR CLEANER						
	4	1	<b>5P-1717</b>	2	CLAMP-HOSE						
Y	5	1	<b>6N-3685</b>	1	AIR CLEANER GP						456
	6	1	<b>121-3904</b>	1	HOSE						
	7	1	<b>184-6537</b>	1	BRACKET AS						
	8	1	<b>3H-0976</b>	1	SEAL-O-RING						
	9	1	<b>6V-8185</b>	2	NUT (1/4-20-THD)						
	10	1	<b>6V-8801</b>	2	NUT (3/8-16-THD)						
	11	1	<b>8T-4205</b>	4	WASHER-HARD (7.2X14.5X2-MM THK)						
	12	1	<b>8T-4896</b>	4	WASHER-HARD (10.2X18.5X2.5-MM THK)						
	13	1	<b>8T-6764</b>	1	PLUG-PIPE (1/8-27-THD)						
	14	1	<b>8T-7008</b>	2	BOLT (3/8-16X3-IN)						
	15	1	<b>8T-9367</b>	2	BOLT (1/4-20X2-IN)						

Y - SEPARATE ILLUSTRATION

# AIR INLET AND EXHAUST SYSTEM

184-6536 AIR CLEANER GP (contd.)

102010077



GRAPHIC #1

<END>

g00667850

# AIR INLET AND EXHAUST SYSTEM

## 2W-9171 AIR CLEANER GP

S/N: 85Z3764-UP

**FOR USE WITH REAR MOUNTED TURBOCHARGER & WATERCOOLED MANIFOLD  
AN ATTACHMENT**

SMCS-1051, 1054

i01982040

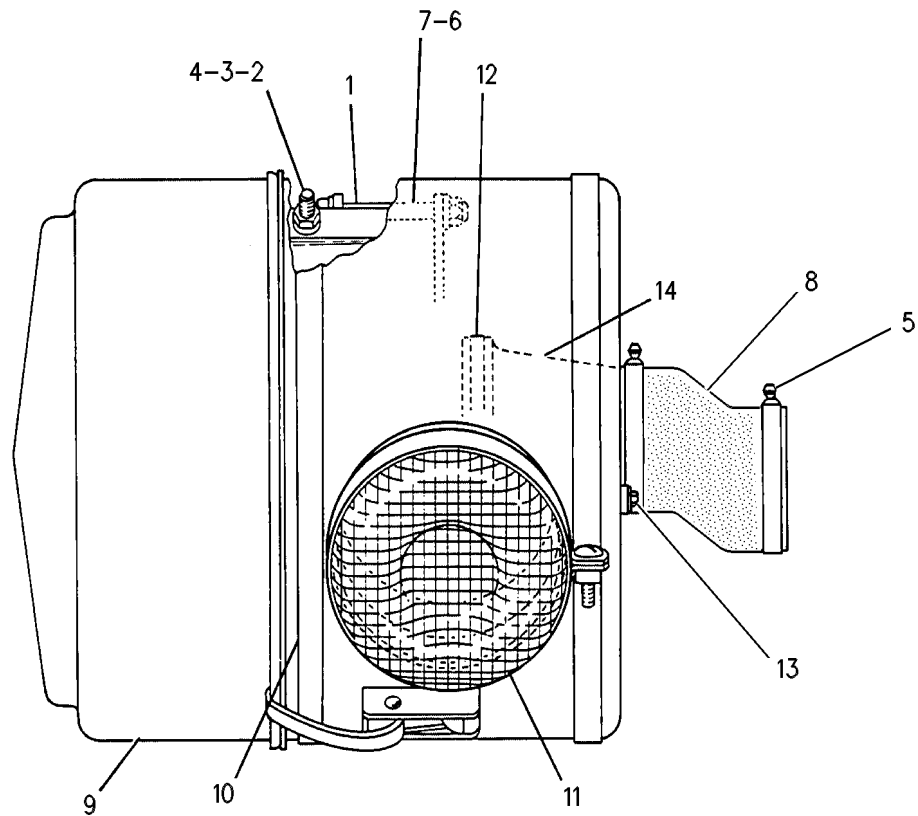
NOTE	REF NO	GRAPHIC REF	PART NUMBER	QTY	PART NAME						SEE PAGE
					1	2	3	4	5	6 (PRODUCT LEVEL)	
	1	1	<b>121-3905</b>	1	BRACKET AS						
	2	1	<b>8T-9367</b>	2	BOLT (1/4-20X2-IN)						
	3	1	<b>8T-4205</b>	4	WASHER-HARD (7.2X14.5X2-MM THK)						
	4	1	<b>6V-8185</b>	2	NUT (1/4-20-THD)						
	5	1	<b>5P-1717</b>	2	CLAMP-HOSE						
	6	1	<b>8T-7008</b>	2	BOLT (3/8-16X3-IN)						
		1	<b>8T-4896</b>	4	WASHER-HARD (10.2X18.5X2.5-MM THK)						
	7	1	<b>6V-8801</b>	2	NUT (3/8-16-THD)						
	8	1	<b>121-3904</b>	1	HOSE						
Y	9	1	<b>6N-3685</b>	1	AIR CLEANER GP						456
	10	1	<b>5L-7875</b>	2	BAND-AIR CLEANER						
	11	1	<b>5L-7874</b>	1	SCREEN-AIR INLET (AIR CLEANER)						
	12	1	<b>3H-0976</b>	1	SEAL-O-RING						
	13	1	<b>5M-6214</b>	1	PLUG (1/8-27 PTF)						
	14	1	<b>2W-9172</b>	1	ADAPTER-AIR CLEANER						

Y - SEPARATE ILLUSTRATION

# AIR INLET AND EXHAUST SYSTEM

2W-9171 AIR CLEANER GP (contd.)

i01982040



GRAPHIC #1

<END>

g00262055

# AIR INLET AND EXHAUST SYSTEM

## 4W-0890 AIR CLEANER GP

S/N: 85Z3764-UP

FOR USE WITH 160 KILOWATT 50 HERTZ STANDBY GENERATOR SET  
AN ATTACHMENT  
TYPE 1

SMCS-1051, 1054

i00730934

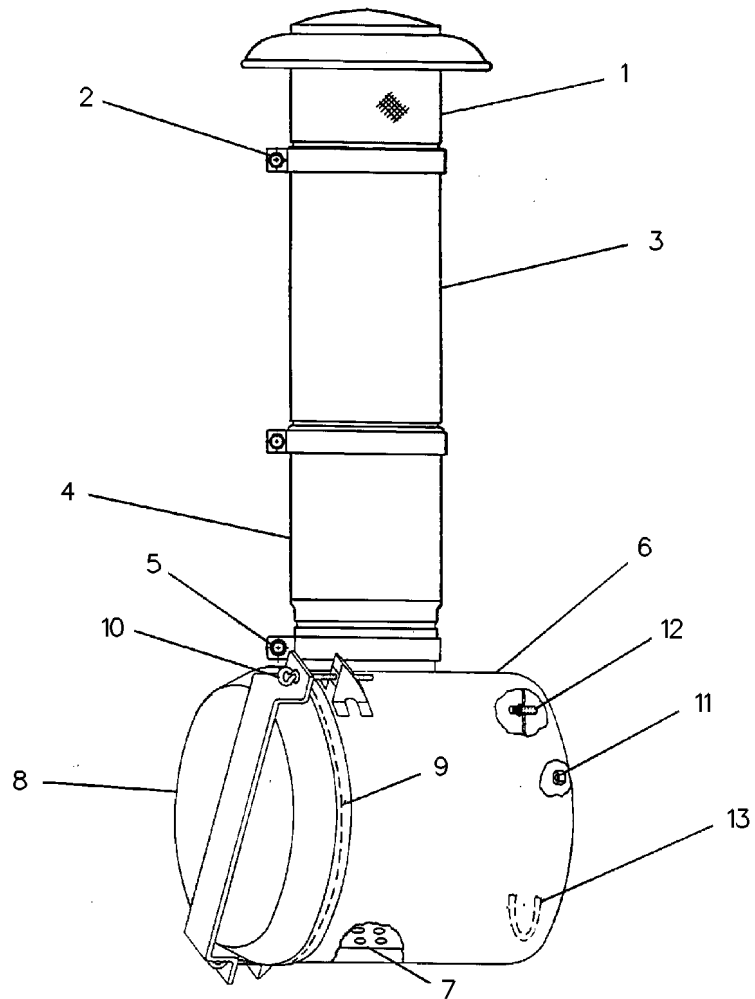
NOTE	REF NO	GRAPHIC REF	PART NUMBER	QTY	PART NAME						SEE PAGE
					1	2	3	4	5	6 (PRODUCT LEVEL)	
	1	1	<b>4S-8825</b>	1	HOOD AS (PRE-CLEANER)						
	2	1	<b>7F-0192</b>	1	BOLT (3/8-16X2-IN)						
		1	<b>1D-4717</b>	1	NUT (3/8-16-THD)						
	3	1	<b>8S-2383</b>	1	PIPE AS-AIR INLET						
	4	1	<b>4S-8826</b>	1	BODY AS (PRE-CLEANER)						
	5	1	<b>7F-0192</b>	1	BOLT (3/8-16X2-IN)						
		1	<b>1D-4717</b>	1	NUT (3/8-16-THD)						
	6	1	<b>1P-6450</b>	1	AIR CLEANER AS						
	7	1	<b>7W-5495</b>	1	FILTER ELEMENT AS-AIR (PRIMARY)						
		1	<b>1P-7360</b>	1	FILTER ELEMENT AS-AIR (SECONDARY)						
	8	1	<b>9Y-7773</b>	1	CUP AS-AIR CLEANER						
	9	1	<b>4P-5524</b>	1	SEAL-O-RING						
	10	1	<b>7S-3131</b>	2	ROD AS						
	11	1	<b>2K-4973</b>	8	LOCKNUT (3/8-16-THD)						
	12	1	<b>1T-0822</b>	2	BOLT-12 POINT HEAD (3/8-16X0.75-IN)						
	13	1	<b>1P-6832</b>	1	GASKET						



# AIR INLET AND EXHAUST SYSTEM

4W-0890 AIR CLEANER GP (contd.)

i00730934



GRAPHIC #1

<END>

g00217875

# AIR INLET AND EXHAUST SYSTEM

## 4W-0890 AIR CLEANER GP

S/N: 85Z3764-UP

FOR USE WITH 160 KILOWATT 50 HERTZ STANDBY GENERATOR SET  
AN ATTACHMENT  
TYPE 2

SMCS-1051, 1054

i01994498

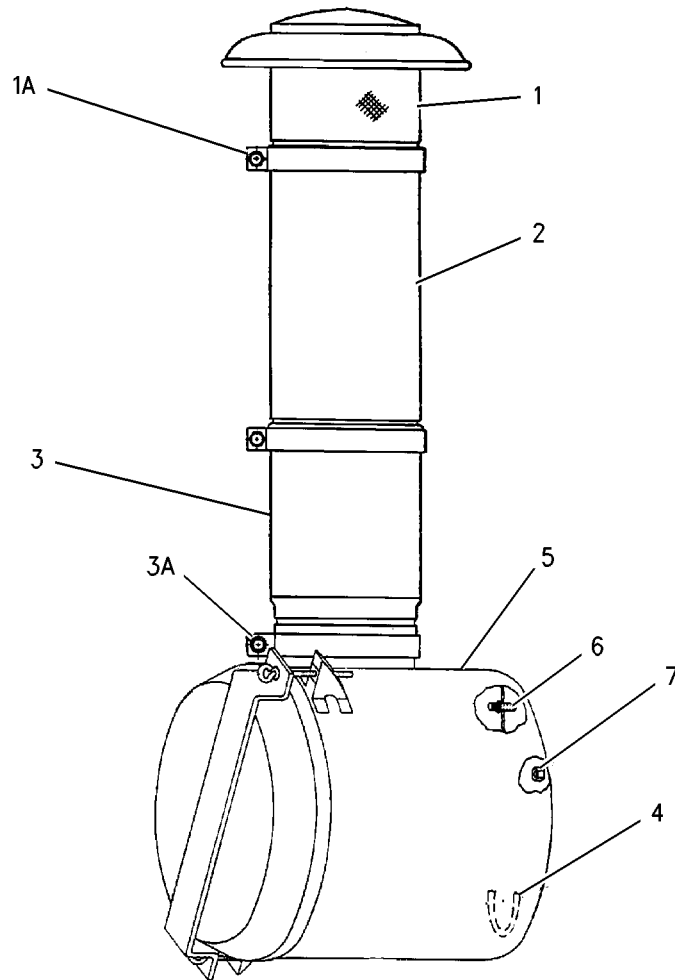
NOTE	REF NO	GRAPHIC REF	PART NUMBER	QTY	PART NAME						SEE PAGE
					1	2	3	4	5	6 (PRODUCT LEVEL)	
	1	1	<b>4S-8825</b>	1	HOOD AS (PRE-CLEANER)						
	1A	1	<b>7F-0192</b>	1	BOLT (3/8-16X2-IN)						
		1	<b>1D-4717</b>	1	NUT (3/8-16-THD)						
	2	1	<b>8S-2383</b>	1	PIPE AS-AIR INLET (INTAKE)						
		1	<b>8T-4835</b>	1	BOLT (1/2-13X2-IN)						
		1	<b>8T-4223</b>	2	WASHER-HARD (13.5X25.5X3-MM THK)						
		1	<b>8S-1460</b>	1	CLAMP						
		1	<b>6V-8188</b>	1	NUT (1/2-13-THD)						
	3	1	<b>4S-8826</b>	1	BODY AS (PRE-CLEANER)						
	3A	1	<b>7F-0192</b>	1	BOLT (3/8-16X2-IN)						
		1	<b>1D-4717</b>	1	NUT (3/8-16-THD)						
	4	1	<b>114-3540</b>	1	GASKET						
Y	5	1	<b>6I-0272</b>	1	AIR CLEANER GP						454
	6	1	<b>2K-4973</b>	8	LOCKNUT (3/8-16-THD)						
	7	1	<b>8T-4896</b>	8	WASHER-HARD (10.2X18.5X2.5-MM THK)						

Y - SEPARATE ILLUSTRATION

# AIR INLET AND EXHAUST SYSTEM

4W-0890 AIR CLEANER GP (contd.)

i01994498



GRAPHIC #1

<END>

g00802114

# AIR INLET AND EXHAUST SYSTEM

## 4W-0974 AIR CLEANER GP

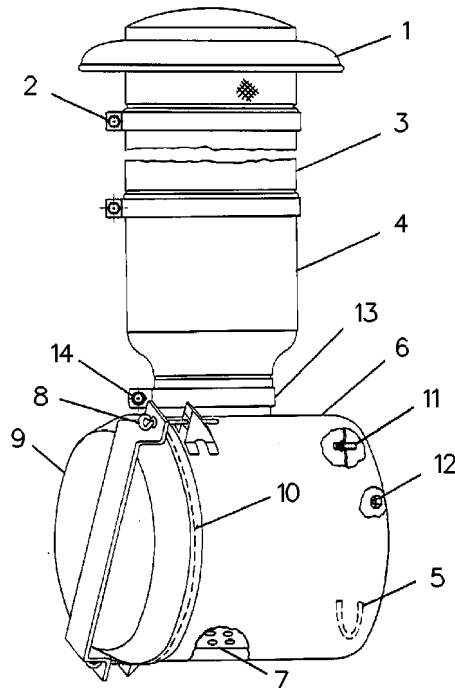
S/N: 85Z3764-UP

**FOR USE WITH 170 KW 60 HERTZ PRIME GEN SET, 179 KW 50 HERTZ STANDBY GEN SET & 198 KW  
60 HERTZ STANDBY GEN SET  
AN ATTACHMENT  
TYPE 1**

SMCS-1051, 1054

i00730712

NOTE	REF NO	GRAPHIC REF	PART NUMBER	QTY	PART NAME						SEE PAGE
					1	2	3	4	5	6	
	1	1	<b>9S-6758</b>	1	PRECLEANER AS						
	2	1	<b>0S-1591</b>	1	BOLT (3/8-16X1.5-IN)						
		1	<b>1D-4717</b>	1	NUT (3/8-16-THD)						
	3	1	<b>8S-2384</b>	1	PIPE AS-AIR INLET						
	4	1	<b>9S-6147</b>	1	BODY AS						
	5	1	<b>1P-6832</b>	1	GASKET						
	6	1	<b>1P-6450</b>	1	AIR CLEANER AS						
	7	1	<b>7W-5495</b>	1	FILTER ELEMENT AS-AIR (PRIMARY) (OUTER)						
		1	<b>1P-7360</b>	1	FILTER ELEMENT AS-AIR (SECONDARY) (INNER)						
	8	1	<b>7S-3131</b>	2	ROD AS						
	9	1	<b>9Y-7773</b>	1	CUP AS-AIR CLEANER						
	10	1	<b>4P-5524</b>	1	SEAL-O-RING						
	11	1	<b>1T-0822</b>	2	BOLT-12 POINT HEAD (3/8-16X0.75-IN)						
	12	1	<b>2K-4973</b>	8	LOCKNUT (3/8-16-THD)						
	13	1	<b>7S-7680</b>	1	CLAMP						
	14	1	<b>0S-1590</b>	1	BOLT (3/8-16X2-IN)						
		1	<b>1D-4717</b>	1	NUT (3/8-16-THD)						
		1	<b>5M-2894</b>	2	WASHER-HARD (10.2X18.5X2.5-MM THK)						



GRAPHIC #1

<END>

g00217896

# AIR INLET AND EXHAUST SYSTEM

## 4W-0974 AIR CLEANER GP

S/N: 85Z3764-UP

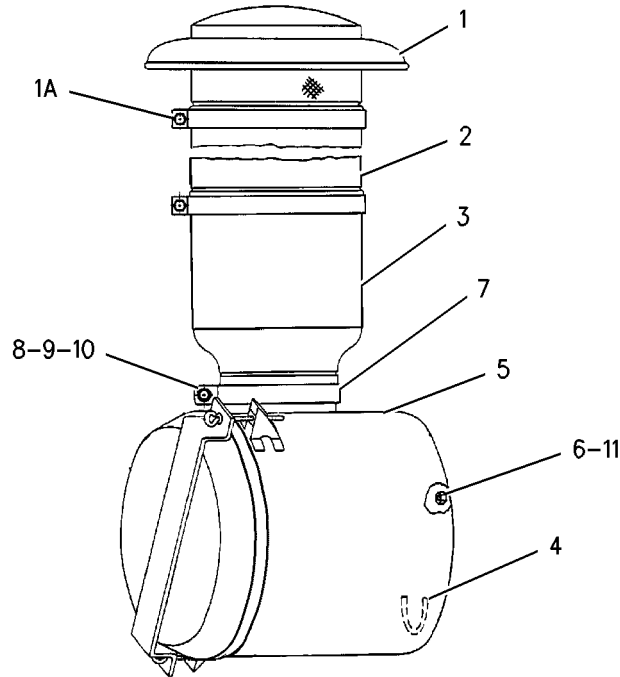
**FOR USE WITH 170 KW 60 HERTZ PRIME GEN SET, 179 KW 50 HERTZ STANDBY GEN SET & 198 KW  
60 HERTZ STANDBY GEN SET  
AN ATTACHMENT  
TYPE 2**

**SMCS-1051, 1054**

**i01987252**

NOTE	REF NO	GRAPHIC REF	PART NUMBER	QTY	PART NAME						SEE PAGE
					1	2	3	4	5	6 (PRODUCT LEVEL)	
	1	1	<b>9S-6758</b>	1	PRECLEANER AS (PRE-CLEANER)						
	1A	1	<b>0S-1591</b>	1	BOLT (3/8-16X1.5-IN)						
		1	<b>1D-4717</b>	1	NUT (3/8-16-THD)						
	2	1	<b>8S-2384</b>	1	PIPE AS-AIR INLET						
	3	1	<b>9S-6147</b>	1	BODY AS (PRE-CLEANER)						
C	4	1	<b>114-3540</b>	1	GASKET						
CY	5	1	<b>6I-0272</b>	1	AIR CLEANER GP						454
	6	1	<b>2K-4973</b>	8	LOCKNUT (3/8-16-THD)						
	7	1	<b>7S-7680</b>	1	CLAMP						
	8	1	<b>5M-2894</b>	2	WASHER-HARD (10.2X18.5X2.5-MM THK)						
	9	1	<b>0S-1590</b>	1	BOLT (3/8-16X2-IN)						
	10	1	<b>1D-4717</b>	1	NUT (3/8-16-THD)						
C	11	1	<b>8T-4896</b>	8	WASHER-HARD (10.2X18.5X2.5-MM THK)						

C - CHANGE FROM PREVIOUS TYPE  
Y - SEPARATE ILLUSTRATION



GRAPHIC #1

<END>

g00802221

# AIR INLET AND EXHAUST SYSTEM

## 4W-0975 AIR CLEANER GP

S/N: 85Z3764-UP

**FOR USE WITH 168 KW, 186 KW & 201 KW INDUSTRIAL ENGINE, 201 KW 60 HERTZ PRIME GEN SET  
& 227 KW 60 HERTZ STANDBY GEN SET  
AN ATTACHMENT  
TYPE 1**

**SMCS-1051, 1054**

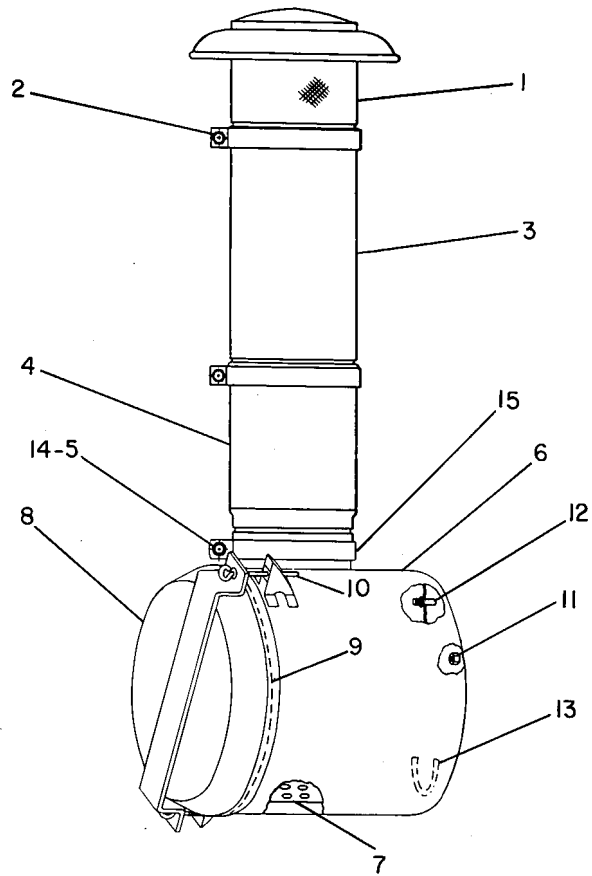
**i03440360**

NOTE	REF NO	GRAPHIC REF	PART NUMBER	QTY	PART NAME						SEE PAGE
					1	2	3	4	5	6 (PRODUCT LEVEL)	
1		1	<b>4S-8472</b>	1	HOOD AS (PRE-CLEANER)						
2		1	<b>0S-1591</b>	1	BOLT (3/8-16X1.5-IN)						
		1	<b>1D-4717</b>	1	NUT (3/8-16-THD)						
3		1	<b>8S-2384</b>	1	PIPE AS-AIR INLET (INTAKE)						
4		1	<b>4S-8473</b>	1	BODY AS (PRE-CLEANER)						
5		1	<b>0S-1590</b>	1	BOLT (3/8-16X2-IN)						
		1	<b>1D-4717</b>	1	NUT (3/8-16-THD)						
6		1	<b>1P-6450</b>	1	AIR CLEANER AS						
7		1	<b>7W-5495</b>	1	FILTER ELEMENT AS-AIR (PRIMARY) (CLEANER)						
		1	<b>1P-7360</b>	1	FILTER ELEMENT AS-AIR (SECONDARY) (CLEANER)						
8		1	<b>9Y-7773</b>	1	CUP AS-AIR CLEANER						
9		1	<b>4P-5524</b>	1	SEAL-O-RING						
10		1	<b>7S-3131</b>	2	ROD AS						
11		1	<b>2K-4973</b>	8	LOCKNUT (3/8-16-THD)						
12		1	<b>1T-0822</b>	2	BOLT-12 POINT HEAD (3/8-16X0.75-IN)						
13		1	<b>1P-6832</b>	1	GASKET						
14		1	<b>5M-2894</b>	2	WASHER-HARD (10.2X18.5X2.5-MM THK)						
15		1	<b>7S-7680</b>	1	CLAMP						

# AIR INLET AND EXHAUST SYSTEM

4W-0975 AIR CLEANER GP (contd.)

103440360



GRAPHIC #1

<END>

g00169860

# AIR INLET AND EXHAUST SYSTEM

## 4W-0975 AIR CLEANER GP

S/N: 85Z3764-UP

**FOR USE WITH 168 KW, 186 KW & 201 KW INDUSTRIAL ENGINE, 201 KW 60 HERTZ PRIME GEN SET  
& 227 KW 60 HERTZ STANDBY GEN SET  
AN ATTACHMENT  
TYPE 2**

**SMCS-1051, 1054**

**i01543855**

NOTE	REF NO	GRAPHIC REF	PART NUMBER	QTY	PART NAME						SEE PAGE
					1	2	3	4	5	6 (PRODUCT LEVEL)	
	1	1	<b>4S-8472</b>	1	HOOD AS (PRE-CLEANER)						
	1A	1	<b>0S-1591</b>	1	BOLT (3/8-16X1.5-IN)						
		1	<b>1D-4717</b>	1	NUT (3/8-16-THD)						
	2	1	<b>8S-2384</b>	1	PIPE AS-AIR INLET (INTAKE)						
	3	1	<b>4S-8473</b>	1	BODY AS (PRE-CLEANER)						
	4	1	<b>114-3540</b>	1	GASKET						
Y	5	1	<b>6I-0272</b>	1	AIR CLEANER GP						454
	6	1	<b>2K-4973</b>	8	LOCKNUT (3/8-16-THD)						
	7	1	<b>8T-4896</b>	8	WASHER-HARD (10.2X18.5X2.5-MM THK)						
	8	1	<b>7S-7680</b>	1	CLAMP						
	9	1	<b>5M-2894</b>	2	WASHER-HARD (10.2X18.5X2.5-MM THK)						
	10	1	<b>0S-1590</b>	1	BOLT (3/8-16X2-IN)						
	11	1	<b>1D-4717</b>	1	NUT (3/8-16-THD)						

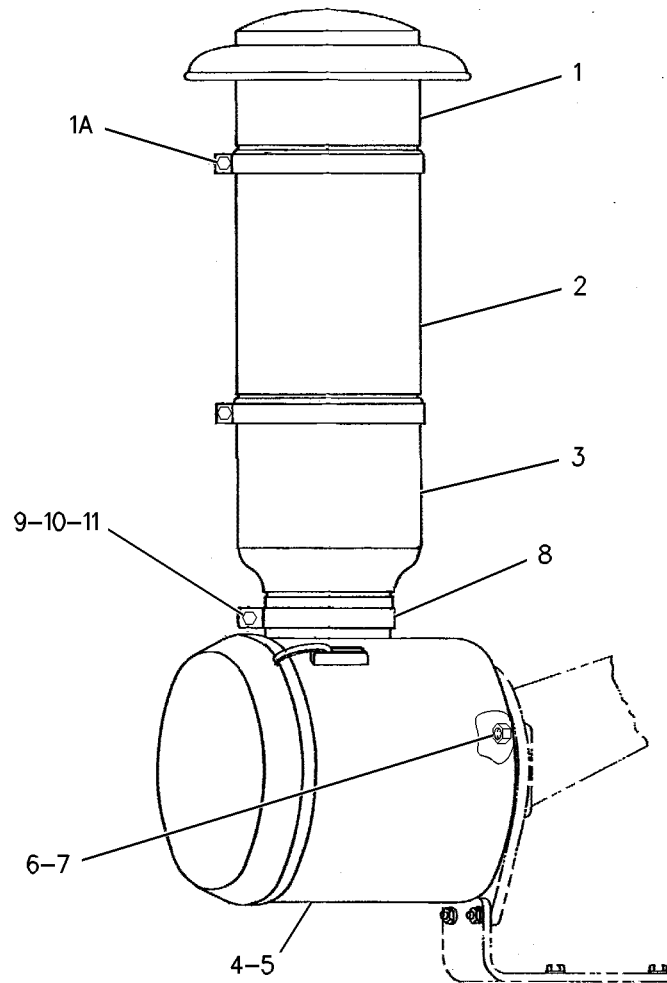
Y - SEPARATE ILLUSTRATION



# AIR INLET AND EXHAUST SYSTEM

4W-0975 AIR CLEANER GP (contd.)

i01543855



GRAPHIC #1

<END>

g00802167

# AIR INLET AND EXHAUST SYSTEM

## 6C-1438 AIR CLEANER GP

S/N: 85Z3764-UP

FOR USE WITH 4W-0960-PAGE: 522

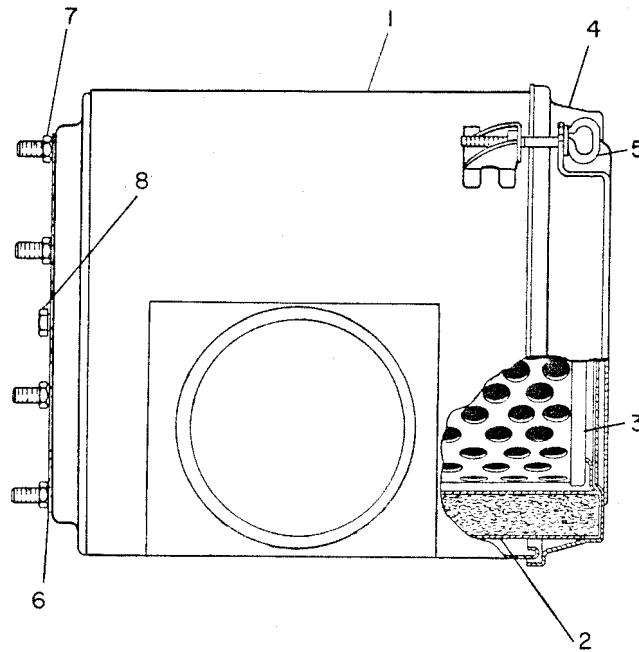
AN ATTACHMENT

TYPE 1

SMCS-1051, 1054

i03440545

NOTE	REF NO	GRAPHIC REF	PART NUMBER	QTY	PART NAME						SEE PAGE
					1	2	3	4	5	6 (PRODUCT LEVEL)	
	1	1	<b>1P-6450</b>	1	AIR CLEANER AS						
	2	1	<b>7W-5495</b>	1	FILTER ELEMENT AS-AIR (PRIMARY) (CLEANER)						
	3	1	<b>1P-7360</b>	1	FILTER ELEMENT AS-AIR (SECONDARY) (CLEANER)						
	4	1	<b>9Y-7773</b>	4	CUP AS-AIR CLEANER						
		1	<b>4P-5524</b>	1	SEAL-O-RING						
	5	1	<b>7S-3131</b>	2	ROD AS						
	6	1	<b>1P-6832</b>	1	GASKET						
	7	1	<b>2K-4973</b>	8	LOCKNUT (3/8-16-THD)						
	8	1	<b>1T-0822</b>	2	BOLT-12 POINT HEAD (3/8-16X0.75-IN)						



GRAPHIC #1

<END>

g00184591

# AIR INLET AND EXHAUST SYSTEM

## 6C-1438 AIR CLEANER GP

S/N: 85Z3764-UP

FOR USE WITH 4W-0960-PAGE: 522

AN ATTACHMENT

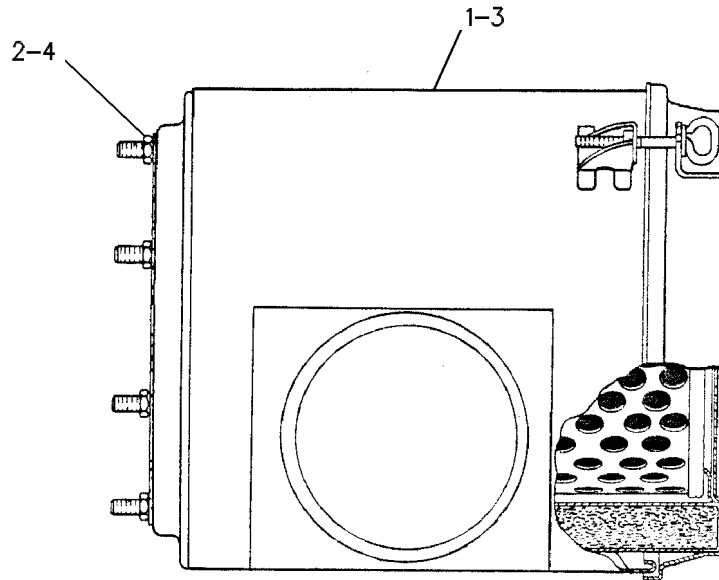
TYPE 2

SMCS-1051, 1054

i01544125

NOTE	REF NO	GRAPHIC REF	PART NUMBER	QTY	PART NAME						SEE PAGE
					1	2	3	4	5	6 (PRODUCT LEVEL)	
Y	1	1	<b>6I-0272</b>	1	AIR CLEANER GP						454
	2	1	<b>8T-4896</b>	8	WASHER-HARD (10.2X18.5X2.5-MM THK)						
	3	1	<b>114-3540</b>	1	GASKET						
	4	1	<b>2K-4973</b>	8	LOCKNUT (3/8-16-THD)						

Y - SEPARATE ILLUSTRATION



GRAPHIC #1

<END>

g00246019

# AIR INLET AND EXHAUST SYSTEM

## 6I-0272 AIR CLEANER GP

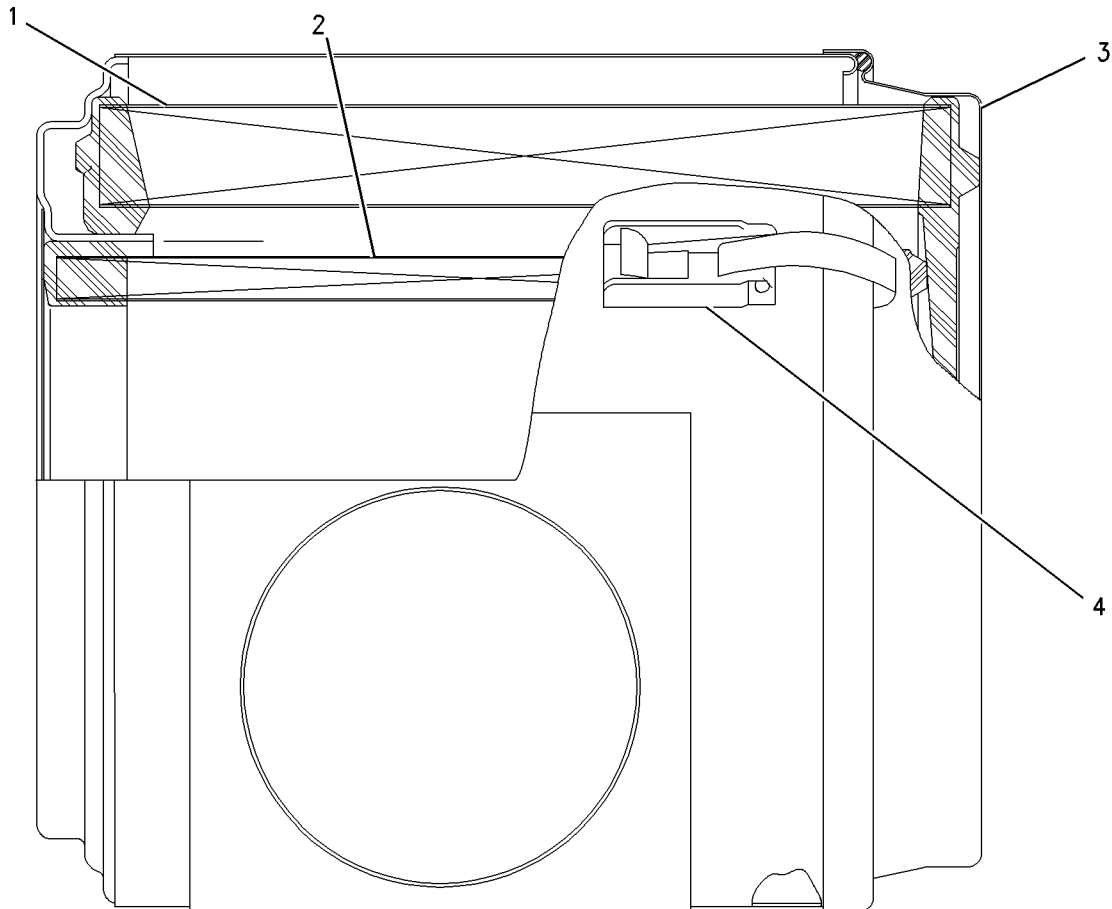
S/N: 85Z3764-UP

PART OF 4W-0890, 4W-0974, 4W-0975, 6C-1438 AIR CLEANER GP  
AN ATTACHMENT

SMCS-1051, 1054

i03440390

NOTE	REF NO	GRAPHIC REF	PART NUMBER	QTY	PART NAME						SEE PAGE
					1	2	3	4	5	6 (PRODUCT LEVEL)	
	1	1	<b>6I-0273</b>	1	FILTER ELEMENT AS-AIR (PRIMARY) (CLEANER)						
	2	1	<b>6I-0274</b>	1	FILTER ELEMENT AS-AIR (SECONDARY) (CLEANER)						
	3	1	<b>6I-0275</b>	1	COVER AS-AIR CLEANER						
		1	<b>4P-5524</b>	1	SEAL-O-RING						
		1	<b>101-2850</b>	1	FILM-INFORMATION (AIR CLEANER)						
4	1	1	<b>8N-4617</b>	2	KIT-AIR CLEANER CLAMP (EACH INCLUDES CLIP AS & RIVET)						



GRAPHIC #1

<END>

g00829935

# AIR INLET AND EXHAUST SYSTEM

## 6I-2576 AIR CLEANER GP

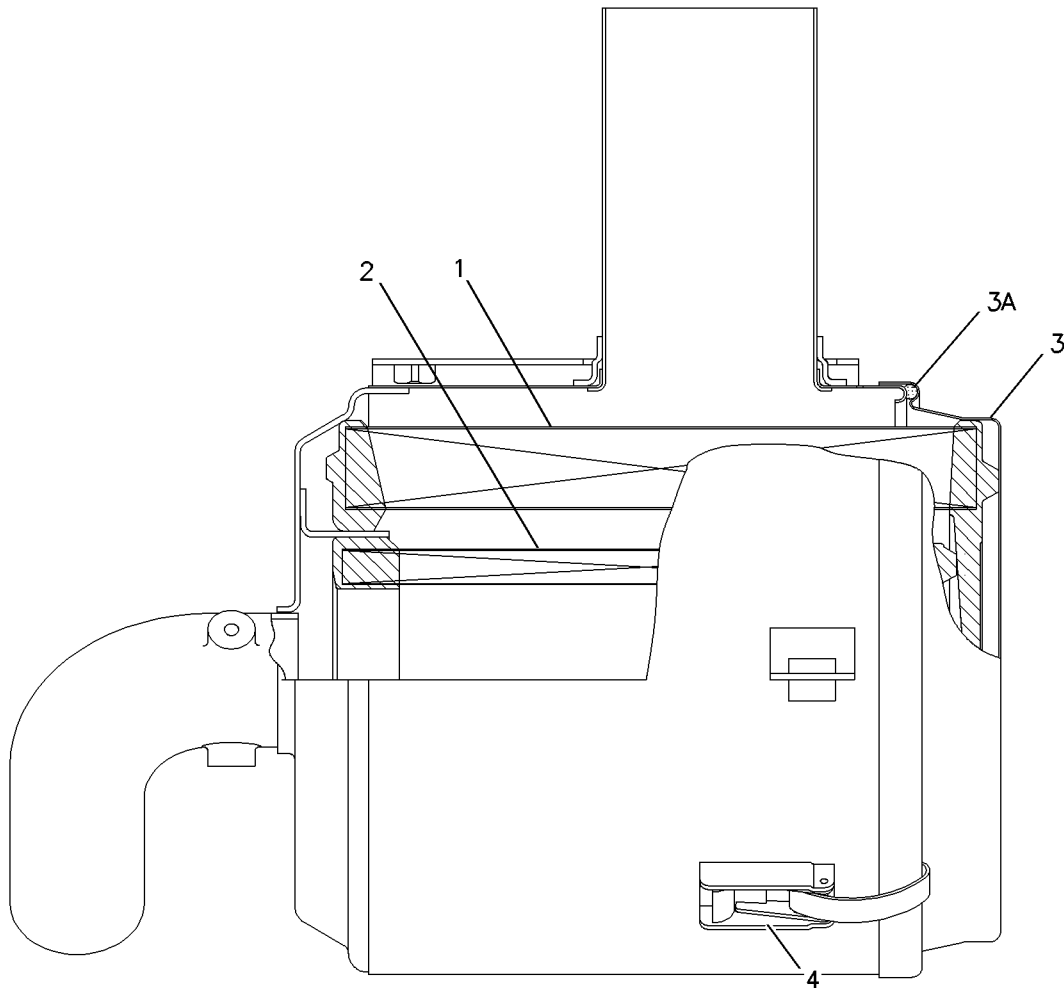
S/N: 85Z3764-UP

PART OF 7W-0649 AIR CLEANER GP  
AN ATTACHMENT

SMCS-1051, 1054

i01856831

NOTE	REF NO	GRAPHIC REF	PART NUMBER	QTY	PART NAME						SEE PAGE
					1	2	3	4	5	6 (PRODUCT LEVEL)	
	1	1	<b>6I-2503</b>	1	FILTER ELEMENT AS-AIR (PRIMARY)						
	2	1	<b>6I-2504</b>	1	FILTER ELEMENT AS-AIR (SECONDARY)						
	3	1	<b>6I-4464</b>	1	COVER AS-AIR CLEANER						
		1	<b>101-2850</b>	2	FILM-INFORMATION (AIR CLEANER)						
	3A	1	<b>4P-5524</b>	1	SEAL-O-RING						
	4	1	<b>8N-4617</b>	2	KIT-AIR CLEANER CLAMP						
(EACH INCLUDES CLIP AS & RIVET)											



GRAPHIC #1

<END>

g00825172

# AIR INLET AND EXHAUST SYSTEM

## 6N-3685 AIR CLEANER GP

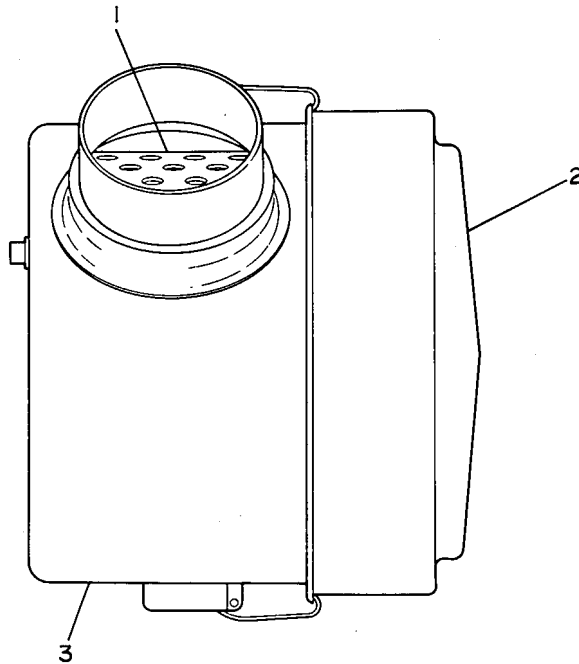
S/N: 85Z3764-UP

PART OF 184-6536, 2W-9171, 6N-4043, 7E-4268, 7E-6065, 7L-0257, 8N-2320 AIR CLEANER  
GP  
AN ATTACHMENT

SMCS-1051, 1054

i03907209

NOTE	REF NO	GRAPHIC REF	PART NUMBER	QTY	PART NAME						SEE PAGE	
					1	2	3	4	5	6 (PRODUCT LEVEL)		
	1	1	<b>4L-9852</b>	1	FILTER ELEMENT AS-AIR (PRIMARY)							
C	2	1	<b>1W-8589</b>	1	COVER-AIR CLEANER							
	3	1	<b>7L-8470</b>	1	BODY AS (AIR CLEANER)							
					AVAILABLE REPAIR KIT(S):							
					<b>2N-9882</b>	1	KIT-SPACER (AIR CLEANER)					
					(INCLUDES SPACERS & ADHESIVE)							
C - CHANGE FROM PREVIOUS TYPE												



GRAPHIC #1

<END>

g00191422

# AIR INLET AND EXHAUST SYSTEM

## 6N-3686 AIR CLEANER GP

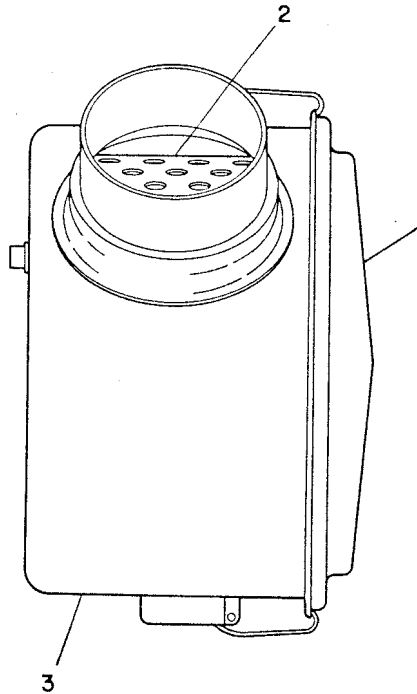
S/N: 85Z3764-UP

PART OF 7L-0250 AIR CLEANER GP  
AN ATTACHMENT

SMCS-1051, 1054

i03440380

NOTE	REF NO	GRAPHIC REF	PART NUMBER	QTY	PART NAME						SEE PAGE
					1	2	3	4	5	6 (PRODUCT LEVEL)	
	1	1	<b>1W-8588</b>	1	COVER-AIR CLEANER						
	2	1	<b>4L-9851</b>	1	FILTER ELEMENT AS-AIR (PRIMARY) (CLEANER)						
	3	1	<b>7L-8470</b>	1	BODY AS						
					AVAILABLE REPAIR KIT(S):						
				<b>2N-9882</b>	1	KIT-SPACER (AIR CLEANER)					
(INCLUDES SPACERS & ADHESIVE)											



GRAPHIC #1

<END>

g00191455

# AIR INLET AND EXHAUST SYSTEM

## 6N-4043 AIR CLEANER GP

S/N: 85Z3764-UP

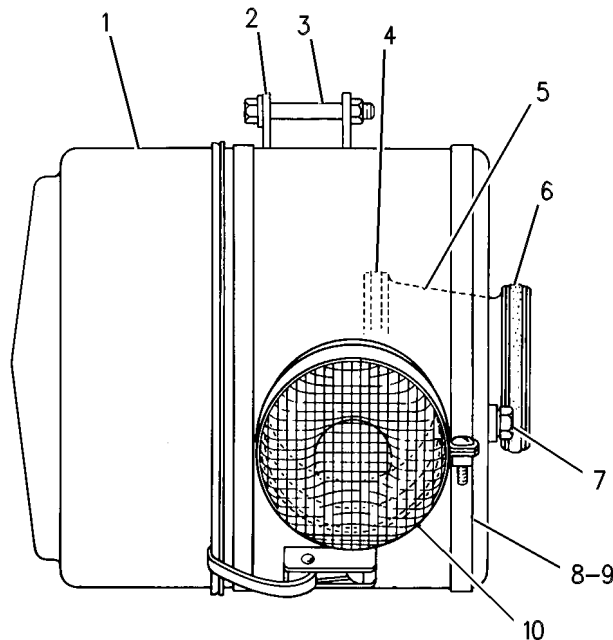
FOR USE WITH AFTERCOOLED ENGINES  
AN ATTACHMENT

SMCS-1051, 1054

i01982043

NOTE	REF NO	GRAPHIC REF	PART NUMBER	QTY	PART NAME						SEE PAGE
					1	2	3	4	5	6 (PRODUCT LEVEL)	
Y	1	1	<b>6N-3685</b>	1	AIR CLEANER GP						456
	2	1	<b>4N-9578</b>	1	BRACKET AS-AIR CLEANER						
	3	1	<b>8T-7008</b>	2	BOLT (3/8-16X3-IN)						
		1	<b>6V-8801</b>	2	NUT (3/8-16-THD)						
		1	<b>8T-4896</b>	4	WASHER-HARD (10.2X18.5X2.5-MM THK)						
	4	1	<b>7L-2031</b>	1	SEAL-O-RING						
	5	1	<b>5L-5344</b>	1	COUPLING						
	6	1	<b>7L-7460</b>	1	SEAL						
	7	1	<b>5M-6214</b>	1	PLUG (1/8-27 PTF)						
	8	1	<b>5L-7875</b>	2	BAND-AIR CLEANER						
	9	1	<b>8T-9367</b>	2	BOLT (1/4-20X2-IN)						
		1	<b>6V-8185</b>	2	NUT (1/4-20-THD)						
		1	<b>8T-4205</b>	4	WASHER-HARD (7.2X14.5X2-MM THK)						
	10	1	<b>5L-7874</b>	1	SCREEN-AIR INLET (AIR CLEANER)						

Y - SEPARATE ILLUSTRATION



GRAPHIC #1

<END>

g00241976



# AIR INLET AND EXHAUST SYSTEM

## 7E-4268 AIR CLEANER GP

S/N: 85Z11063-UP

FOR USE WITH PRIME POWER GEN SET  
AN ATTACHMENT

SMCS-1051, 1054

i01834416

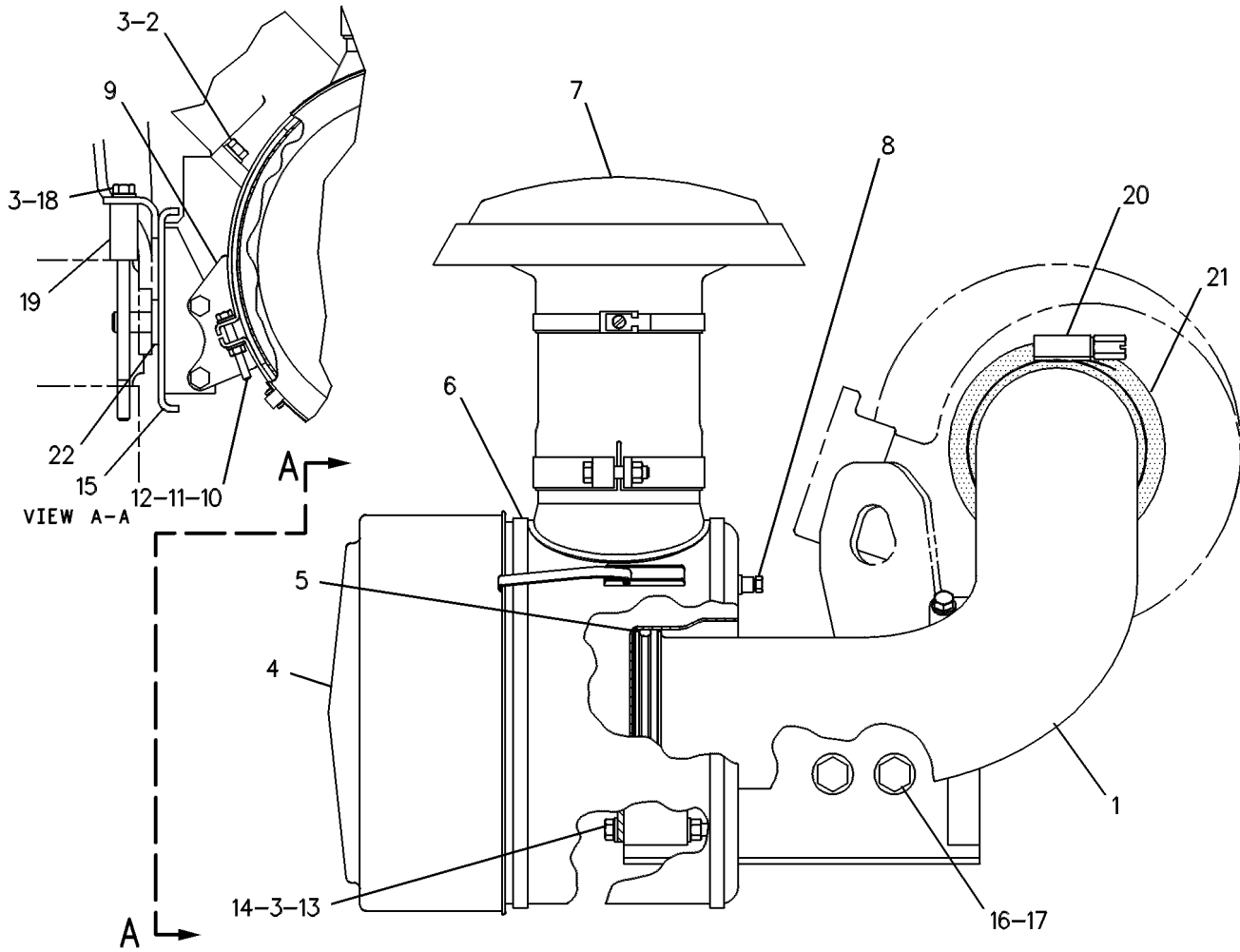
NOTE	REF NO	GRAPHIC REF	PART NUMBER	QTY	PART NAME						SEE PAGE
					1	2	3	4	5	6 (PRODUCT LEVEL)	
	1	1	<b>9Y-6368</b>	1	PIPE						
	2	1	<b>9B-7237</b>	2	BOLT (3/8-16X1.25-IN)						
	3	1	<b>8T-4896</b>	7	WASHER-HARD (10.2X18.5X2.5-MM THK)						
Y	4	1	<b>6N-3685</b>	1	AIR CLEANER GP						456
	5	1	<b>7L-2031</b>	1	SEAL-O-RING						
	6	1	<b>5L-7875</b>	2	BAND-AIR CLEANER						
Y	7	1	<i>6N-9148</i>	1	CAP GP-AIR CLEANER						475
	8	1	<b>8T-6764</b>	1	PLUG-PIPE (1/8-27-THD)						
	9	1	<b>4N-9578</b>	1	BRACKET AS-AIR CLEANER						
	10	1	<b>8T-9367</b>	2	BOLT (1/4-20X2-IN)						
	11	1	<b>8T-4205</b>	4	WASHER-HARD (7.2X14.5X2-MM THK)						
	12	1	<b>6V-8185</b>	2	NUT (1/4-20-THD)						
	13	1	<b>8T-7008</b>	2	BOLT (3/8-16X3-IN)						
	14	1	<b>6V-8801</b>	2	NUT (3/8-16-THD)						
	15	1	<b>8N-8724</b>	1	BRACKET AS-SUPPORT						
	16	1	<b>7X-0345</b>	2	BOLT (5/8-11X1.75-IN)						
	17	1	<b>8T-4122</b>	2	WASHER-HARD (17X32X3.5-MM THK)						
	18	1	<b>7X-0301</b>	1	BOLT (3/8-16X7-IN)						
	19	1	<b>1V-7753</b>	1	SPACER (0.546X0.841X1.75-IN THK)						
	20	1	<b>5P-0599</b>	2	CLAMP-BAND						
	21	1	<b>5S-3919</b>	1	HOSE						
	22	1	<b>7X-0515</b>	2	WASHER-HARD (17X35X5-MM THK)						

Y - SEPARATE ILLUSTRATION

# AIR INLET AND EXHAUST SYSTEM

7E-4268 AIR CLEANER GP (contd.)

i01834416



GRAPHIC #1

<END>

g00237612

# AIR INLET AND EXHAUST SYSTEM

## 7E-6065 AIR CLEANER GP

S/N: 85Z3764-UP

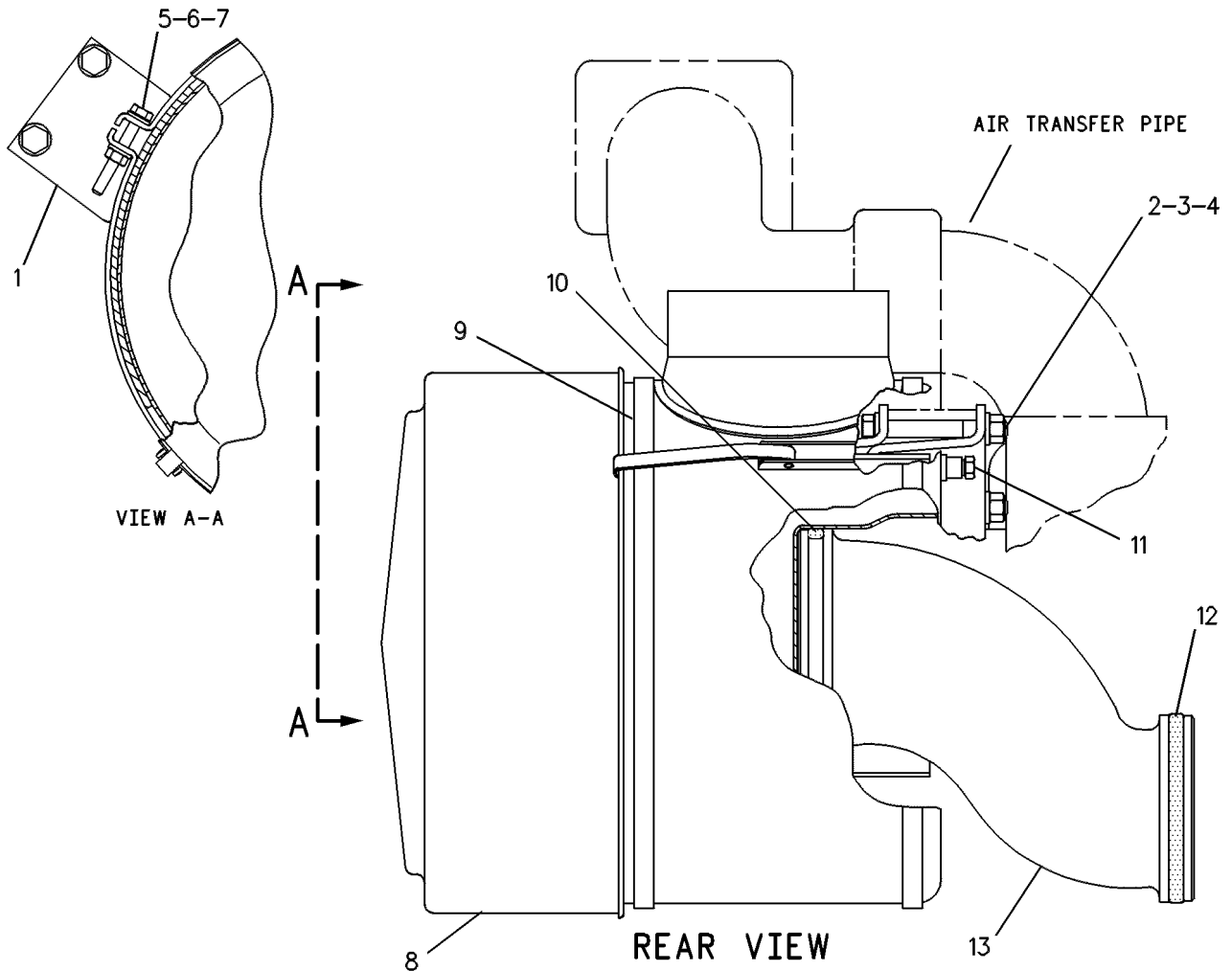
FOR USE WITH WATERCOOLED MANIFOLD AND TURBOCHARGER  
AN ATTACHMENT

SMCS-1051, 1054

i06689480

NOTE	REF NO	GRAPHIC REF	PART NUMBER	QTY	PART NAME						SEE PAGE
					1	2	3	4	5	6 (PRODUCT LEVEL)	
	1	1	<b>7E-6063</b>	1	BRACKET AS						
	2	1	<b>8T-7008</b>	2	BOLT (3/8-16X3-IN)						
	3	1	<b>8T-4896</b>	4	WASHER-HARD (10.2X18.5X2.5-MM THK)						
	4	1	<b>6V-8801</b>	2	NUT (3/8-16-THD)						
	5	1	<b>8T-9367</b>	2	BOLT (1/4-20X2-IN)						
	6	1	<b>8T-4205</b>	4	WASHER-HARD (7.2X14.5X2-MM THK)						
	7	1	<b>6V-8185</b>	2	NUT (1/4-20-THD)						
Y	8	1	<b>6N-3685</b>	1	AIR CLEANER GP						456
	9	1	<b>5L-7875</b>	2	BAND-AIR CLEANER						
	10	1	<b>7L-2031</b>	1	SEAL-O-RING						
	11	1	<b>5M-6214</b>	1	PLUG (1/8-27 PTF)						
	12	1	<b>7L-7460</b>	1	SEAL						
	13	1	<b>7E-6064</b>	1	PIPE						

Y - SEPARATE ILLUSTRATION



GRAPHIC #1

<END>

g00237618

# AIR INLET AND EXHAUST SYSTEM

## 7L-0250 AIR CLEANER GP

S/N: 85Z3764-UP

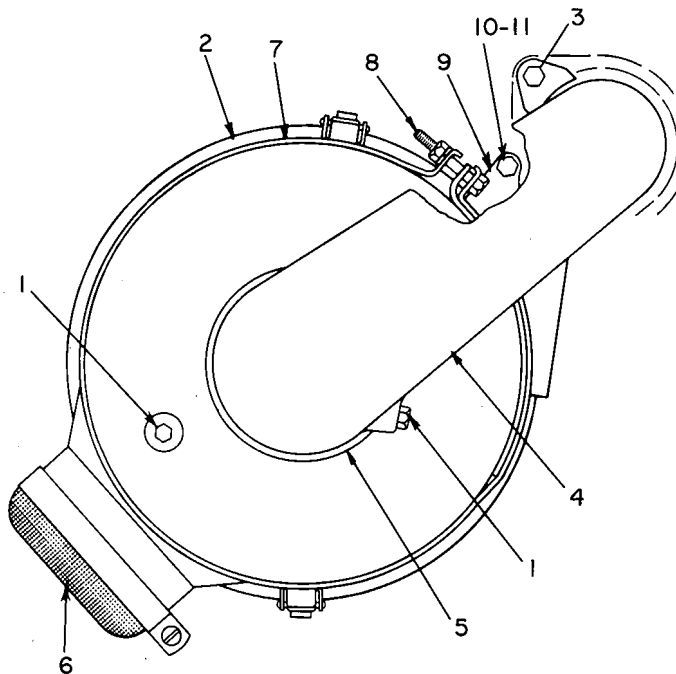
AN ATTACHMENT

SMCS-1051, 1054

i01893671

NOTE	REF NO	GRAPHIC REF	PART NUMBER	QTY	PART NAME						SEE PAGE
					1	2	3	4	5	6 (PRODUCT LEVEL)	
	1	1	<b>5M-6214</b>	2	PLUG (1/8-27 PTF)						
CY	2	1	<b>6N-3686</b>	1	AIR CLEANER GP						457
	3	1	<b>2P-3201</b>	1	BOLT-WASHER HEAD (3/8-16X1-IN)						
		1	<b>9L-1659</b>	1	LUG						
	4	1	<b>7L-5368</b>	1	ELBOW						
C		1	<b>4L-8337</b>	2	SEAL-O-RING						
C	5	1	<b>3H-0976</b>	2	SEAL-O-RING						
	6	1	<b>5L-7874</b>	1	SCREEN-AIR INLET (AIR CLEANER)						
	7	1	<b>5L-7875</b>	2	BAND-AIR CLEANER						
	8	1	<b>8T-9367</b>	2	BOLT (1/4-20X2-IN)						
		1	<b>6V-8185</b>	2	NUT (1/4-20-THD)						
		1	<b>8T-4205</b>	4	WASHER-HARD (7.2X14.5X2-MM THK)						
	9	1	<b>8L-5802</b>	1	BRACKET AS-MOUNTING						
	10	1	<b>8T-7008</b>	2	BOLT (3/8-16X3-IN)						
		1	<b>6V-8801</b>	2	NUT (3/8-16-THD)						
	11	1	<b>8T-4896</b>	4	WASHER-HARD (10.2X18.5X2.5-MM THK)						

C - CHANGE FROM PREVIOUS TYPE  
Y - SEPARATE ILLUSTRATION



GRAPHIC #1

<END>

g00218245

# AIR INLET AND EXHAUST SYSTEM

## 7L-0257 AIR CLEANER GP

S/N: 85Z3764-UP

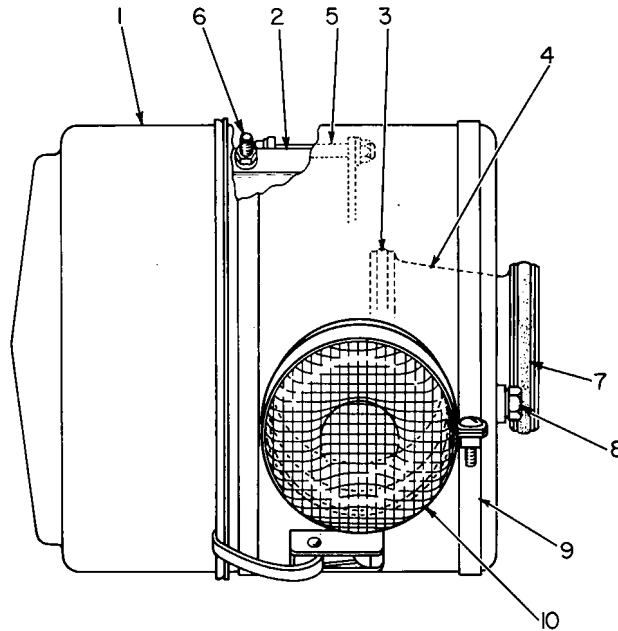
FOR USE WITH 1S-9937-PAGE: 470, REAR MOUNTED TURBOCHARGER  
AN ATTACHMENT

SMCS-1051, 1054

i01982056

NOTE	REF NO	GRAPHIC REF	PART NUMBER	QTY	PART NAME						SEE PAGE
					1	2	3	4	5	6 (PRODUCT LEVEL)	
CY	1	1	<b>6N-3685</b>	1	AIR CLEANER GP						456
	2	1	<b>8L-5802</b>	1	BRACKET AS-MOUNTING						
C	3	1	<b>3H-0976</b>	1	SEAL-O-RING						
	4	1	<b>5L-5344</b>	1	COUPLING						
	5	1	<b>2P-3210</b>	2	BOLT-WASHER HEAD						
		1	<b>1D-4717</b>	2	NUT (3/8-16-THD)						
		1	<b>5M-2894</b>	2	WASHER-HARD (10.2X18.5X2.5-MM THK)						
		1	<b>4B-4278</b>	2	WASHER (10.2X20.5X1.6-MM THK)						
6	1	1	<b>8T-9367</b>	2	BOLT (1/4-20X2-IN)						
		1	<b>6V-8185</b>	2	NUT (1/4-20-THD)						
		1	<b>8T-4205</b>	4	WASHER-HARD (7.2X14.5X2-MM THK)						
C	7	1	<b>5H-7704</b>	1	SEAL-O-RING						
	8	1	<b>5M-6214</b>	1	PLUG (1/8-27 PTF)						
	9	1	<b>5L-7875</b>	2	BAND-AIR CLEANER						
	10	1	<b>5L-7874</b>	1	SCREEN-AIR INLET (AIR CLEANER)						

C - CHANGE FROM PREVIOUS TYPE  
Y - SEPARATE ILLUSTRATION



GRAPHIC #1

<END>

g00143416

# AIR INLET AND EXHAUST SYSTEM

## 7W-0649 AIR CLEANER GP

S/N: 85Z3764-UP

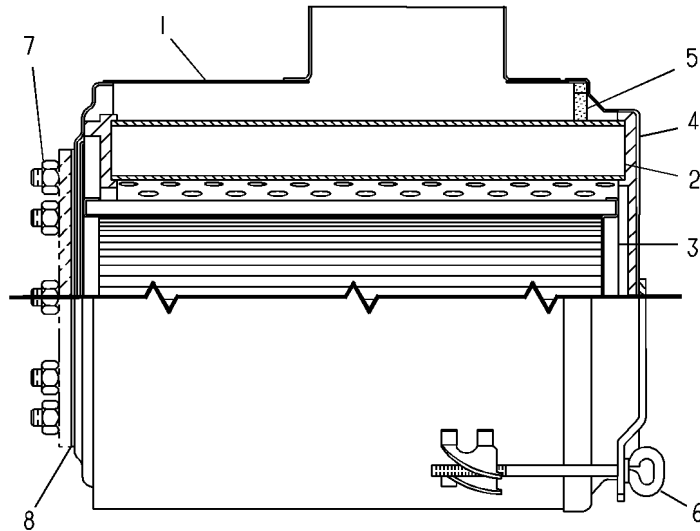
**FOR USE WITH DIRECT INJECTION TURBOCHARGED & TURBOCHARGED AFTERCOOLED IRRIGATION & GEN SET ENGINES**

**CANNOT BE USED WITH GEN SET ENGINE ENCLOSURES  
AN ATTACHMENT  
TYPE 1**

SMCS-1051, 1054

i03440382

NOTE	REF NO	GRAPHIC REF	PART NUMBER	QTY	PART NAME						SEE PAGE
					1	2	3	4	5	6 (PRODUCT LEVEL)	
	1	1	<b>7S-1778</b>	1	AIR CLEANER AS						
	2	1	<b>7W-5316</b>	1	FILTER ELEMENT AS-AIR (PRIMARY)						
	3	1	<b>2S-1287</b>	1	FILTER ELEMENT-AIR (SECONDARY)						
	4	1	<b>9M-4895</b>	1	CUP AS-AIR CLEANER						
	5	1	<b>9M-8513</b>	1	GASKET						
	6	1	<b>4S-6818</b>	2	ROD AS						
	7	1	<b>1D-4717</b>	8	NUT (3/8-16-THD)						
	8	1	<b>9S-1274</b>	1	GASKET						



GRAPHIC #1

<END>

g00169035

# AIR INLET AND EXHAUST SYSTEM

## 7W-0649 AIR CLEANER GP

S/N: 85Z3764-UP

**FOR USE WITH DIRECT INJECTION TURBOCHARGED & TURBOCHARGED AFTERCOOLED IRRIGATION & GEN SET ENGINES**

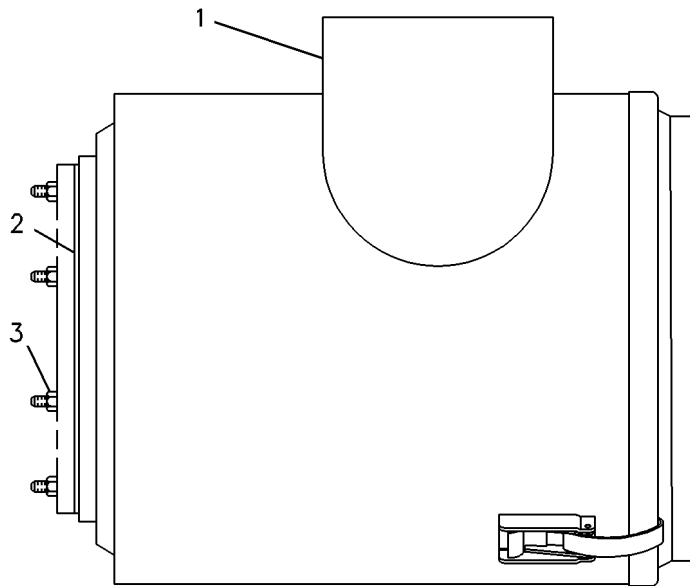
**CANNOT BE USED WITH GEN SET ENGINE ENCLOSURES  
AN ATTACHMENT  
TYPE 2**

**SMCS-1051, 1054**

**i00649570**

NOTE	REF NO	GRAPHIC REF	PART NUMBER	QTY	PART NAME						SEE PAGE
					1	2	3	4	5	6 (PRODUCT LEVEL)	
CY	1	1	<b>6I-2576</b>	1	AIR CLEANER GP						455
	2	1	<b>2K-4973</b>	8	LOCKNUT (3/8-16-THD)						
	3	1	<b>9S-1274</b>	1	GASKET						

C - CHANGE FROM PREVIOUS TYPE  
Y - SEPARATE ILLUSTRATION



GRAPHIC #1

<END>

g00234541

# AIR INLET AND EXHAUST SYSTEM

## 8N-2320 AIR CLEANER GP

S/N: 85Z3764-UP

AN ATTACHMENT

SMCS-1051, 1054

i01982060

NOTE	REF NO	GRAPHIC REF	PART NUMBER	QTY	PART NAME						SEE PAGE
					1	2	3	4	5	6 (PRODUCT LEVEL)	
	1	1	<b>8N-2314</b>	1	PIPE-AIR TRANSFER						
	2	1	<b>9B-7237</b>	2	BOLT (3/8-16X1.25-IN)						
	3	1	<b>8T-4896</b>	7	WASHER-HARD (10.2X18.5X2.5-MM THK)						
Y	4	1	<b>6N-3685</b>	1	AIR CLEANER GP						456
	5	1	<b>7L-2031</b>	1	SEAL-O-RING						
	6	1	<b>5M-6214</b>	1	PLUG (1/8-27 PTF)						
	7	1	<b>5L-7874</b>	1	SCREEN-AIR INLET (AIR CLEANER)						
	8	1	<b>5L-7875</b>	2	BAND-AIR CLEANER						
	9	1	<b>8T-9367</b>	2	BOLT (1/4-20X2-IN)						
		1	<b>6V-8185</b>	2	NUT (1/4-20-THD)						
		1	<b>8T-4205</b>	4	WASHER-HARD (7.2X14.5X2-MM THK)						
	10	1	<b>8T-7008</b>	2	BOLT (3/8-16X3-IN)						
		1	<b>6V-8801</b>	2	NUT (3/8-16-THD)						
	11	1	<b>4N-9578</b>	1	BRACKET AS-AIR CLEANER						
C	12	1	<b>7X-0345</b>	2	BOLT (5/8-11X1.75-IN)						
C		1	<b>7X-0515</b>	2	WASHER-HARD (17X35X5-MM THK)						
	13	1	<b>7X-0295</b>	1	BOLT (3/8-16X5.25-IN)						
C	14	1	<b>8N-8724</b>	1	BRACKET AS-SUPPORT						
	15	1	<b>5P-0599</b>	2	CLAMP-BAND						
	16	1	<b>5S-3919</b>	1	HOSE						
C	17	1	<b>8T-4122</b>	2	WASHER-HARD (17X32X3.5-MM THK)						

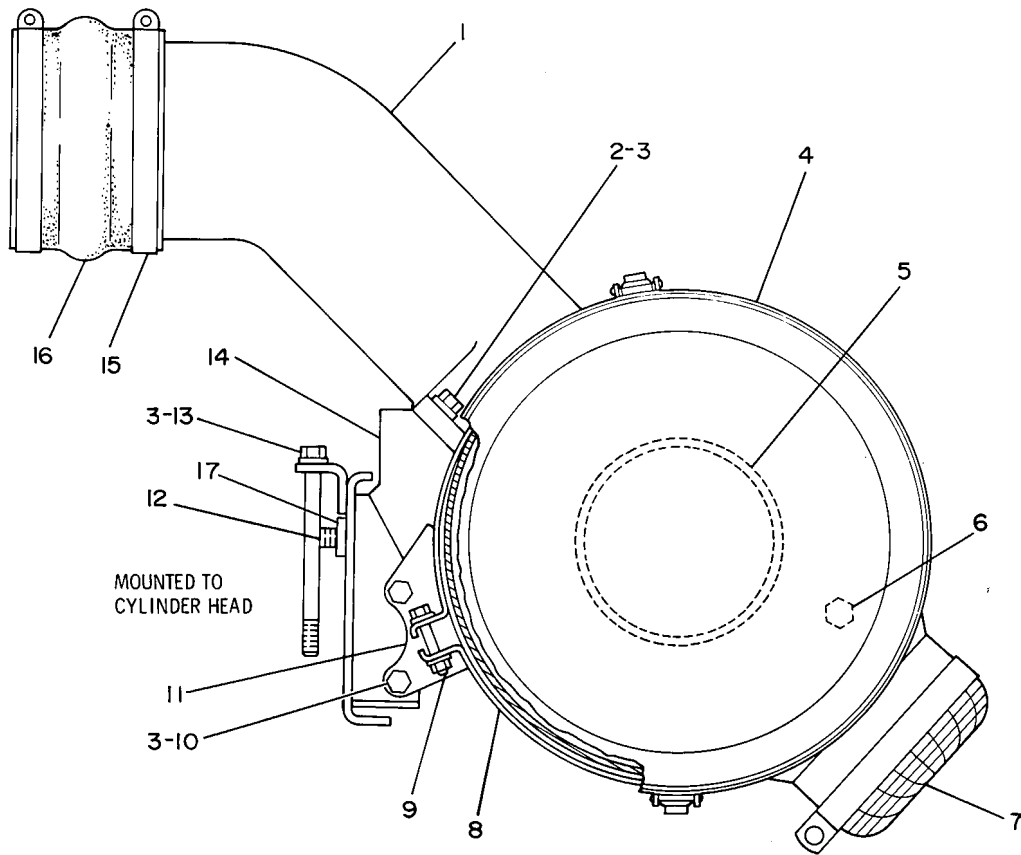
C - CHANGE FROM PREVIOUS TYPE  
Y - SEPARATE ILLUSTRATION



# AIR INLET AND EXHAUST SYSTEM

8N-2320 AIR CLEANER GP (contd.)

101982060



GRAPHIC #1

<END>

g00177388

# AIR INLET AND EXHAUST SYSTEM

## 8N-8833 AIR CLEANER GP

S/N: 85Z3764-UP

**FOR USE WITH TOP MOUNTED TURBOCHARGER ON TURBOCHARGED AFTERCOOLED ENGINES WITH MID-MOUNTED TURBOCHARGER AN ATTACHMENT**

SMCS-1051, 1054

i03440387

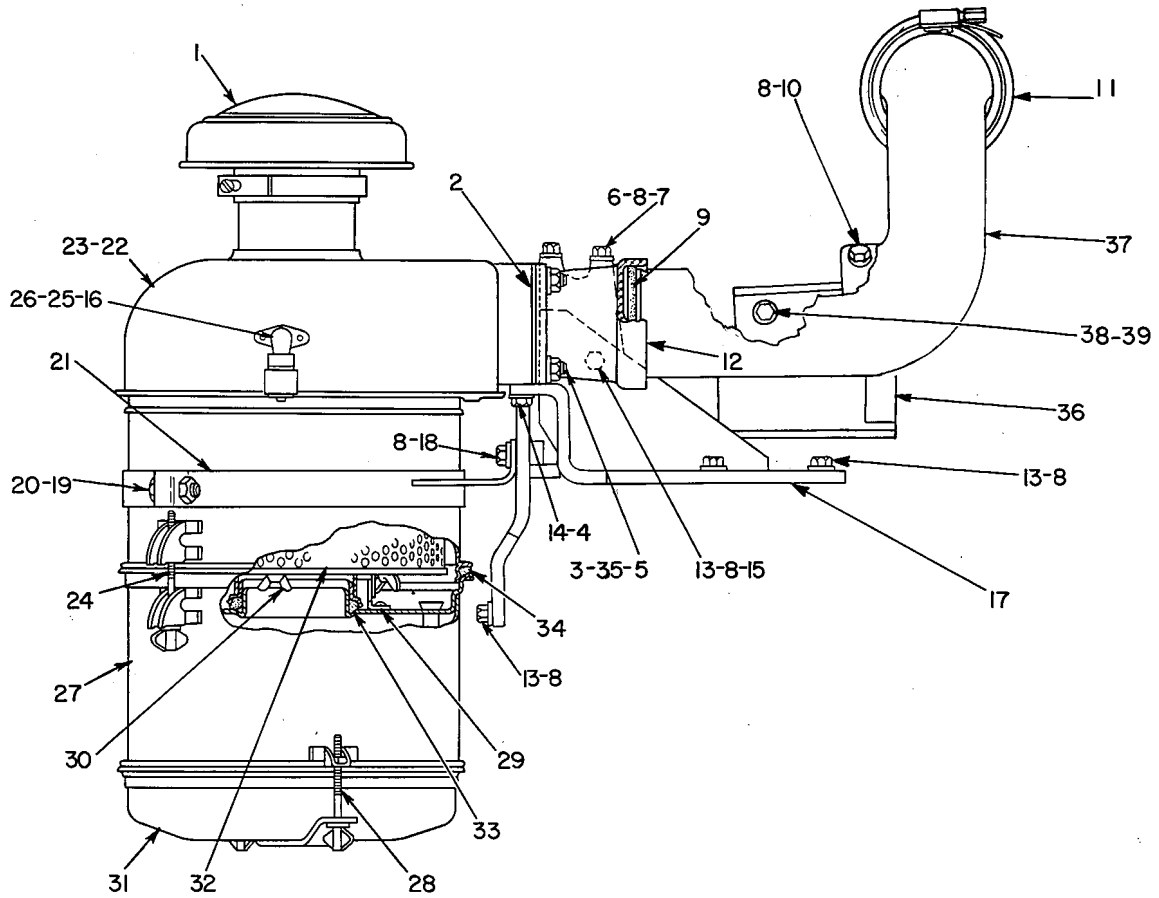
NOTE	REF NO	GRAPHIC REF	PART NUMBER	QTY	PART NAME						SEE PAGE
					1	2	3	4	5	6 (PRODUCT LEVEL)	
Y	1	1	<b>5L-8091</b>	1	CAP GP-AIR CLEANER						474
	2	1	<b>2F-3659</b>	1	GASKET						
	3	1	<b>1B-4205</b>	4	NUT (1/2-20-THD)						
C	4	1	<b>5P-8245</b>	2	WASHER-HARD (13.5X25.5X3-MM THK)						
	5	1	<b>6H-0205</b>	4	STUD						
	6	1	<b>8L-4292</b>	1	SUPPORT AS						
	7	1	<b>0S-1591</b>	2	BOLT (3/8-16X1.5-IN)						
	8	1	<b>5M-2894</b>	12	WASHER-HARD (10.2X18.5X2.5-MM THK)						
	9	1	<b>7L-2031</b>	1	SEAL-O-RING						
	10	1	<b>0S-1588</b>	2	BOLT (3/8-16X1.25-IN)						
	11	1	<b>5P-0599</b>	2	CLAMP-BAND						
		1	<b>5S-3919</b>	1	HOSE						
	12	1	<b>6L-3684</b>	1	PIPE-AIR TRANSFER						
	13	1	<b>1A-2029</b>	6	BOLT (3/8-16X1.125-IN)						
	14	1	<b>0S-1585</b>	2	BOLT (1/2-13X1.5-IN)						
	15	1	<b>1D-4717</b>	2	NUT (3/8-16-THD)						
Y	16	1	<b>2N-3322</b>	1	GAUGE GP-AIR CLEANER						514
	17	1	<b>5N-3904</b>	1	SUPPORT AS-AIR CLEANER						
	18	1	<b>3B-1915</b>	2	BOLT (3/8-16X1.375-IN)						
	19	1	<b>1A-1460</b>	1	BOLT (1/2-13X2-IN)						
	20	1	<b>1D-4717</b>	1	NUT (3/8-16-THD)						
	21	1	<b>6L-2186</b>	1	BRACKET AS-AIR CLEANER						
	22	1	<b>2S-5652</b>	1	AIR CLEANER AS						
	23	1	<b>2S-5649</b>	1	BODY AS-UPPER						
	24	1	<b>2S-4706</b>	4	ROD AS						
	25	1	<b>9F-2247</b>	1	PLUG-PIPE (1/8-27-THD)						
	26	1	<b>7M-1674</b>	1	SCREEN-AIR CLEANER INLET (CLEANER)						
	27	1	<b>9M-6378</b>	1	BODY AS-LOWER						
	28	1	<b>2S-4706</b>	2	ROD AS						
	29	1	<b>9M-6382</b>	1	RING-LOCK						
	30	1	<b>1S-4757</b>	3	NUT-WING						
	31	1	<b>2M-6451</b>	1	CUP AS						
	32	1	<b>2S-5648</b>	1	FILTER ELEMENT AS-AIR (PRIMARY)						
	33	1	<b>2M-6447</b>	1	GASKET						
	34	1	<b>2M-6449</b>	2	SEAL-O-RING						
	35	1	<b>3H-7654</b>	4	WASHER-HARD (13.5X22.5X3-MM THK)						
C	36	1	<b>1N-3367</b>	1	SUPPORT AS-PIPE						
	37	1	<b>8N-2314</b>	1	PIPE-AIR TRANSFER						
C	38	1	<b>0S-1589</b>	2	BOLT (5/8-11X1.75-IN)						
C	39	1	<b>8D-5054</b>	2	WASHER-HARD (17X30X3-MM THK)						

C - CHANGE FROM PREVIOUS TYPE  
Y - SEPARATE ILLUSTRATION

# AIR INLET AND EXHAUST SYSTEM

8N-8833 AIR CLEANER GP (contd.)

103440387



GRAPHIC #1

<END>

g00139683

# AIR INLET AND EXHAUST SYSTEM

## 1S-9937 CAP AS-AIR CLEANER

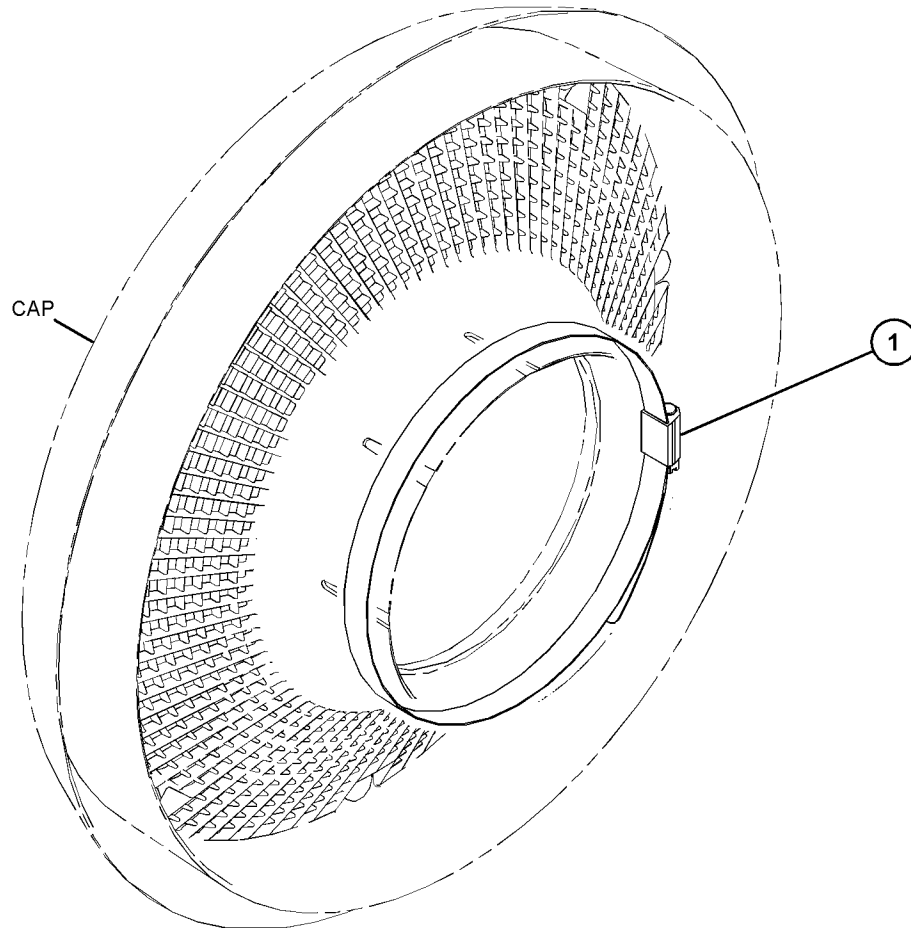
S/N: 85Z3764-UP

FOR USE WITH AIR CLEANER WITH 6 INCH INLET  
AN ATTACHMENT

SMCS-1051

i06805984

NOTE	REF NO	GRAPHIC REF	PART NUMBER	QTY	PART NAME						SEE PAGE
					1	2	3	4	5	6 (PRODUCT LEVEL)	
	1	1	285-7033	1	CLAMP-HOSE						



GRAPHIC #1

<END>

g06125552

# AIR INLET AND EXHAUST SYSTEM

## 7S-4411 CAP AS-RAIN-EXHAUST PIPE

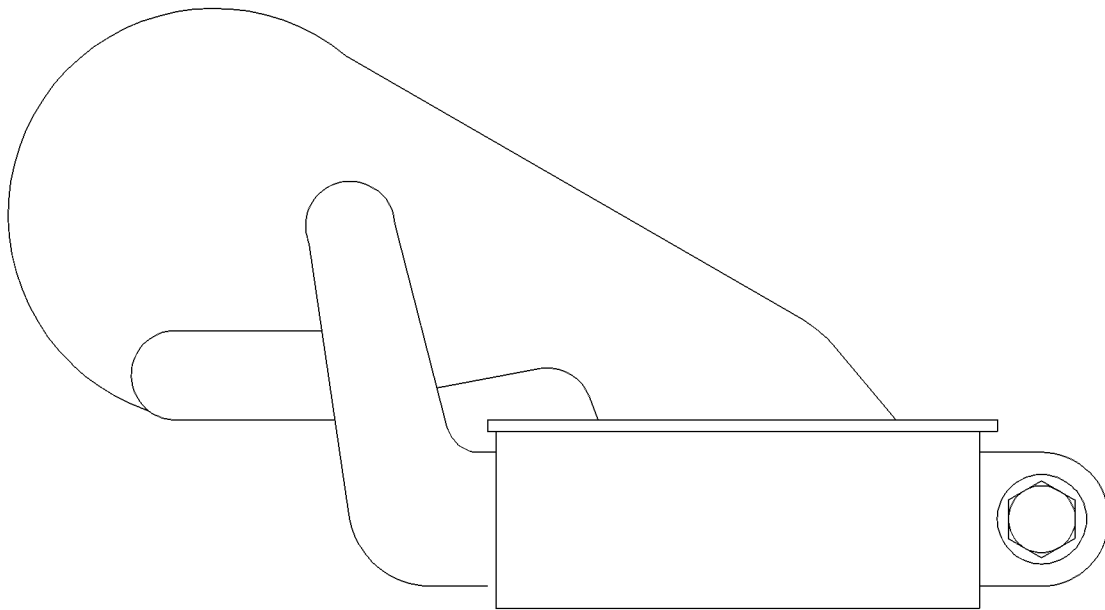
S/N: 85Z3764-UP

FOR USE WITH 6-INCH (152.4-MM) DIAMETER EXHAUST  
AN ATTACHMENT

SMCS-1072

i05502872

NOTE	REF NO	GRAPHIC REF	PART NUMBER	QTY	PART NAME						SEE PAGE
					1	2	3	4	5	6 (PRODUCT LEVEL)	
(NO SERVICED PARTS)											



GRAPHIC #1

<END>

g00595606

# AIR INLET AND EXHAUST SYSTEM

## 7S-4994 CAP AS-RAIN

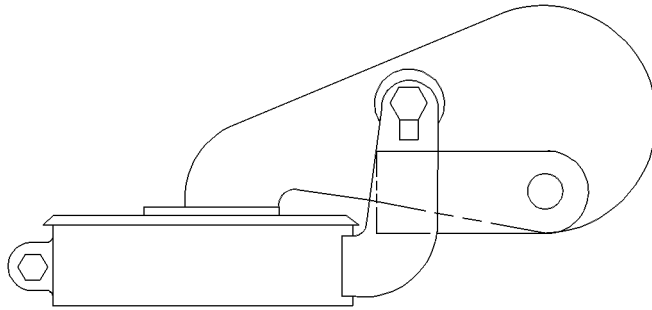
S/N: 85Z3764-UP

FOR USE WITH 4 INCH DIAMETER EXHAUST SYSTEM  
AN ATTACHMENT

SMCS-1072

i01791051

NOTE	REF NO	GRAPHIC REF	PART NUMBER	QTY	PART NAME						SEE PAGE
					1	2	3	4	5	6 (PRODUCT LEVEL)	
(NO SERVICED PARTS)											



GRAPHIC #1

<END>

g00281446

# AIR INLET AND EXHAUST SYSTEM

## 9S-7148 CAP AS-RAIN-EXHAUST PIPE

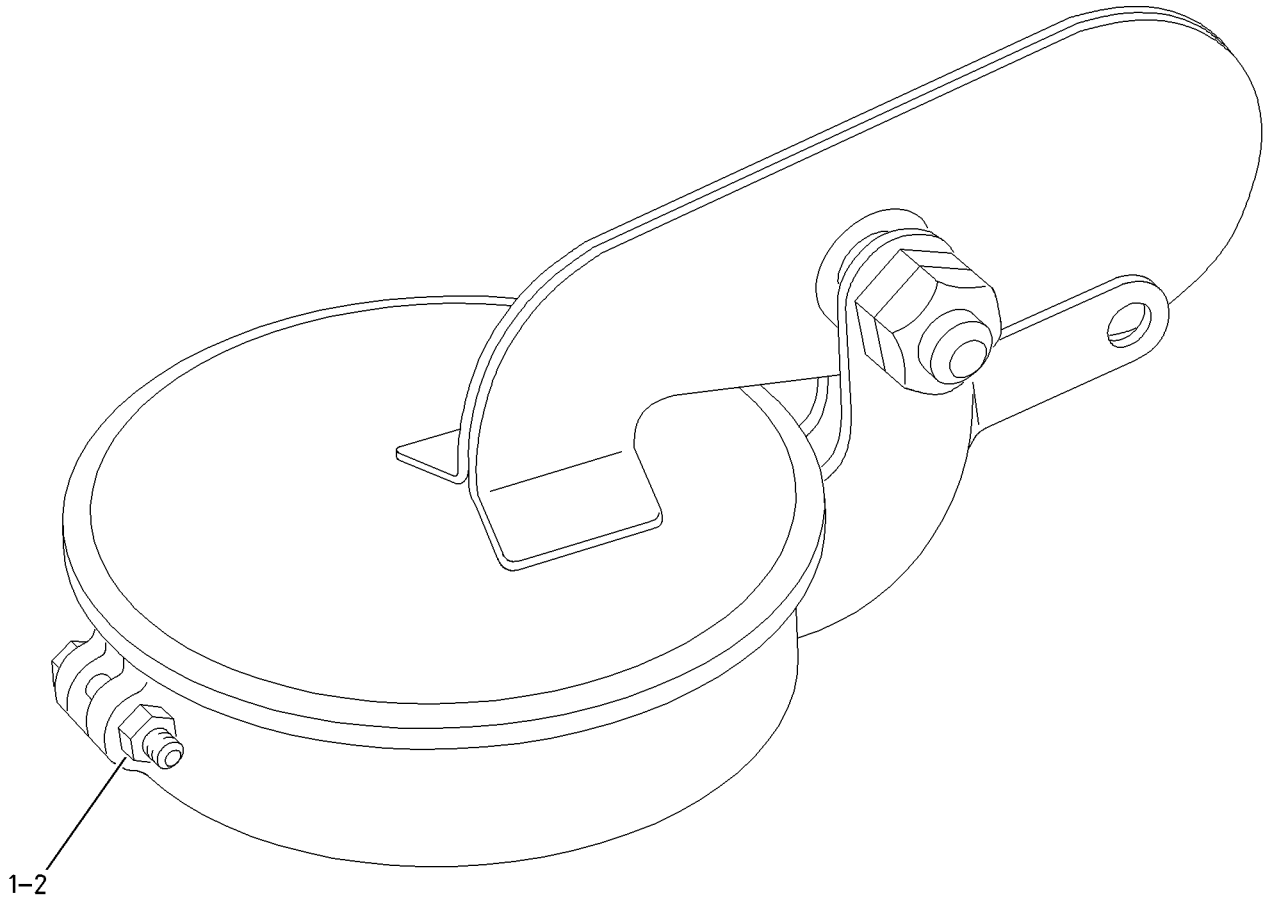
S/N: 85Z3764-UP

**5 TO 5-3/16 INCH DIAMETER, 10-1/4 INCH OVERALL LENGTH  
FOR USE WITH MUFFLER OR EXHAUST PIPE  
PART OF 5N-6177 MUFFLER GP  
AN ATTACHMENT**

SMCS-1072

i02332449

NOTE	REF NO	GRAPHIC REF	PART NUMBER	QTY	PART NAME						SEE PAGE
					1	2	3	4	5	6 (PRODUCT LEVEL)	
	1	1	<b>1B-2713</b>	1	BOLT (1/4-20X1.75-IN)						
	2	1	<b>9S-8750</b>	1	NUT-FULL (1/4-20-THD)						



GRAPHIC #1

<END>

g00791291

# AIR INLET AND EXHAUST SYSTEM

## 5L-8091 CAP GP-AIR CLEANER

S/N: 85Z3764-UP

CANNOT BE USED WITH INLET SCREEN

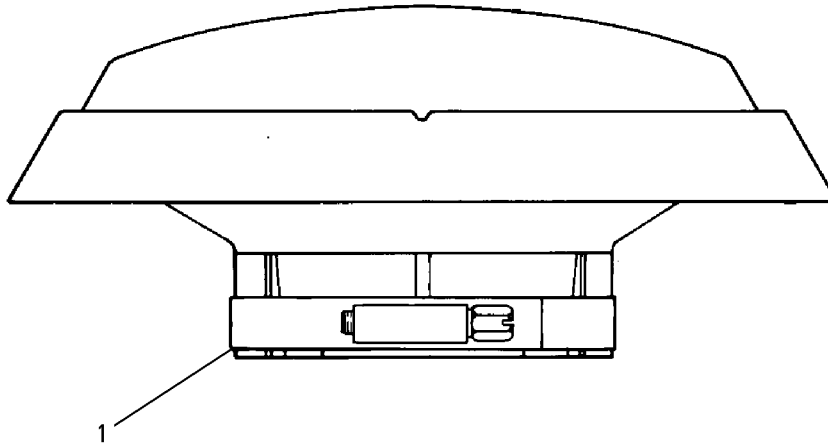
PART OF 8N-8833 AIR CLEANER GP, 6N-9148 CAP GP-AIR CLEANER  
AN ATTACHMENT

SMCS-1051

i01791053

NOTE	REF NO	GRAPHIC REF	PART NUMBER	QTY	PART NAME						SEE PAGE
					1	2	3	4	5	6 (PRODUCT LEVEL)	
C	1	1	5P-0599	1	CLAMP-BAND						

C - CHANGE FROM PREVIOUS TYPE



GRAPHIC #1

<END>

g00917611



# AIR INLET AND EXHAUST SYSTEM

## 6N-9148 CAP GP-AIR CLEANER

S/N: 85Z3764-UP

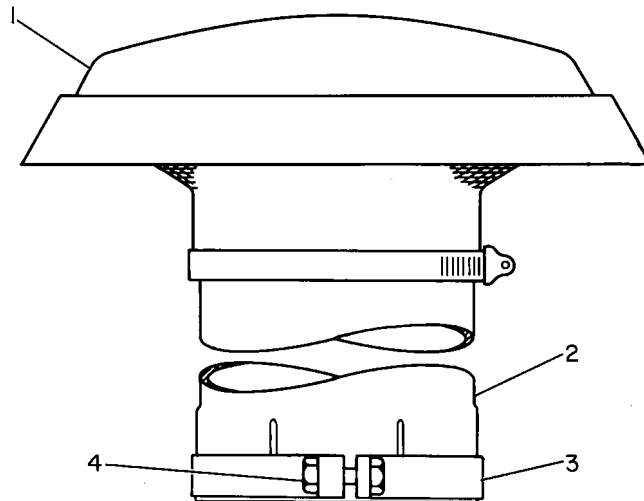
FOR USE WITH AFTERCOOLED ENGINE ONLY  
PART OF 7E-4268 AIR CLEANER GP  
AN ATTACHMENT

SMCS-1051

i00908349

NOTE	REF NO	GRAPHIC REF	PART NUMBER	QTY	PART NAME						SEE PAGE
					1	2	3	4	5	6 (PRODUCT LEVEL)	
Y	1	1	<b>5L-8091</b>	1	CAP GP-AIR CLEANER						474
	2	1	<b>3L-2221</b>	1	PIPE-EXTENSION						
C	3	1	<b>6F-8814</b>	1	CLAMP						
C	4	1	<b>0S-1571</b>	1	BOLT (3/8-16X1.75-IN)						
C		1	<b>1B-5355</b>	1	NUT-FULL (3/8-16-THD)						

C - CHANGE FROM PREVIOUS TYPE  
Y - SEPARATE ILLUSTRATION



GRAPHIC #1

<END>

g00142573

# AIR INLET AND EXHAUST SYSTEM

## 1W-1604 CARTRIDGE GP-TURBOCHARGER\*R

S/N: 85Z3764-UP

PART OF 2W-7277 TURBOCHARGER GP

SMCS-1053

i03440550

NOTE	REF NO	GRAPHIC REF	PART NUMBER	QTY	PART NAME						SEE PAGE
					1	2	3	4	5	6 (PRODUCT LEVEL)	
C	1	1	<b>8N-0819</b>	1	PLATE AS-BACKING						
		1	<b>7W-0130</b>	1	BEARING-THRUST						
		1	<b>7W-0131</b>	3	STUD-DRIVE						
J	2	1	<b>1P-1120</b>	1	RING-SEAL						
J	3	1	<b>6N-5004</b>	1	BEARING-THRUST						
	4	1	<b>7N-3760</b>	1	SHROUD						
	5	1	<b>6N-6611</b>	1	WHEEL & SHAFT AS						
J	6	1	<b>7N-3759</b>	1	RING-PISTON						
J	7	1	<b>9M-8915</b>	3	RING-RETAINING						
	8	1	<b>9N-2035</b>	1	HOUSING AS-CENTER						
		1	<b>4M-6646</b>	2	PIN-GROOVED						
		1	<b>7W-2368</b>	1	RING-SEAL						
	9	1	<b>9M-8911</b>	1	COLLAR-THRUST						
J	10	1	<b>9M-8919</b>	2	RING-SEAL						
	11	1	<b>9N-2046</b>	1	SPACER-THRUST						
J	12	1	<b>3S-4484</b>	1	LOCKNUT-TURBOCHARGER (5/16-24-THD)						
	13	1	<b>1W-1603</b>	1	WHEEL-COMPRESSOR						
	14	1	<b>0S-1616</b>	4	BOLT (1/4-20X1-IN)						
J	15	1	<b>9N-2036</b>	4	PLATE-LOCK						
					AVAILABLE REPAIR KIT(S):						
			<b>9N-2041</b>	1	KIT-BEARING						
J			<b>2W-0715</b>	1	KIT-CARTRIDGE (TURBOCHARGER)						

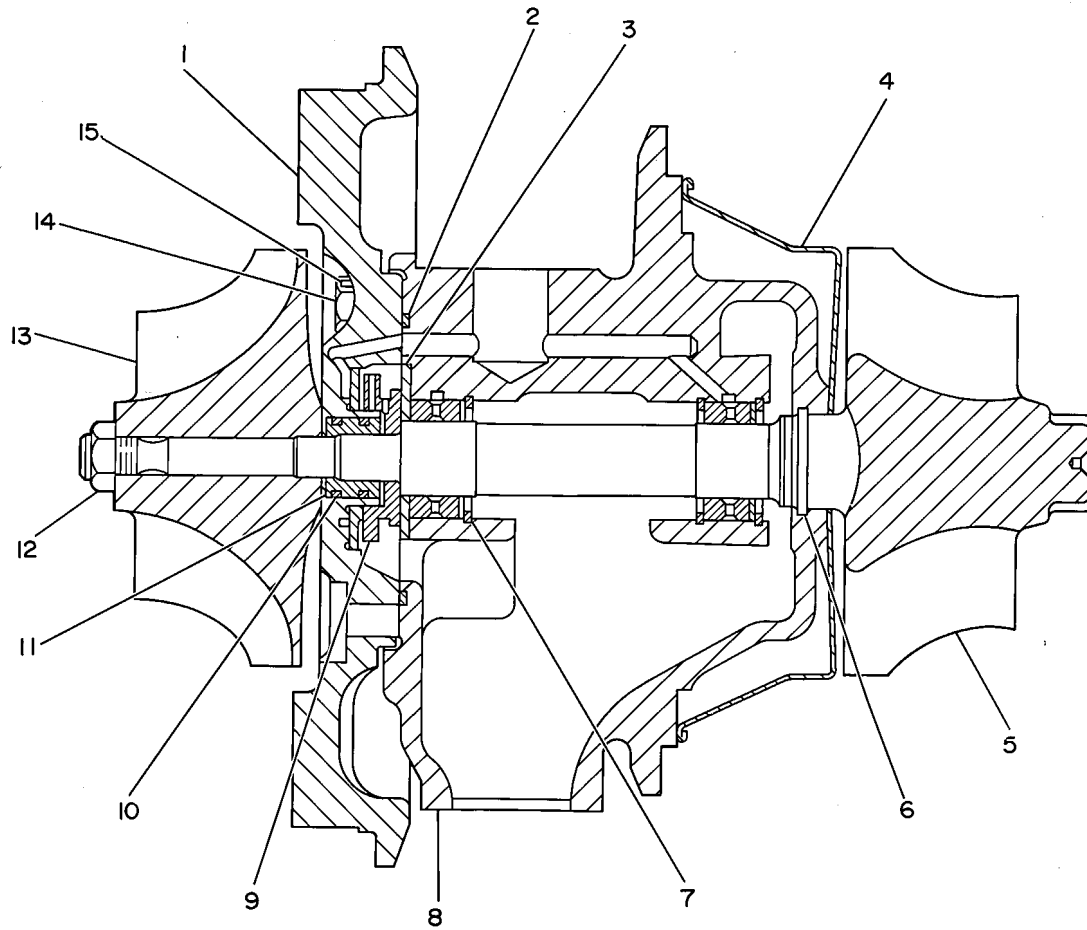
C - CHANGE FROM PREVIOUS TYPE

J - KIT MARKED J INCLUDES PART(S) MARKED J

# AIR INLET AND EXHAUST SYSTEM

1W-1604 CARTRIDGE GP-TURBOCHARGER (contd.)

103440550



GRAPHIC #1

<END>

g00187894

# AIR INLET AND EXHAUST SYSTEM

## 2W-3558 CARTRIDGE GP-TURBOCHARGER\*R

S/N: 85Z3764-UP

PART OF 2W-3556 TURBOCHARGER GP

SMCS-1053

i02821934

NOTE	REF NO	GRAPHIC REF	PART NUMBER	QTY	PART NAME						SEE PAGE
					1	2	3	4	5	6 (PRODUCT LEVEL)	
	1	1	<b>8N-0819</b>	1	PLATE AS-BACKING						
J	2	1	<b>1P-1120</b>	1	RING-SEAL						
J	3	1	<b>6N-5004</b>	1	BEARING-THRUST						
	4	1	<b>9N-3701</b>	1	SHROUD						
	5	1	<b>6N-8486</b>	1	WHEEL & SHAFT AS						
J	6	1	<b>7N-3759</b>	1	RING-PISTON						
J	7	1	<b>9M-8915</b>	3	RING-RETAINING						
	8	1	<b>9N-2035</b>	1	HOUSING AS-CENTER						
		1	<b>4M-6646</b>	2	PIN-GROOVED						
C		1	<b>7W-2368</b>	1	RING-SEAL						
	9	1	<b>9M-8911</b>	1	COLLAR-THRUST						
J	10	1	<b>9M-8919</b>	2	RING-SEAL						
	11	1	<b>9N-2046</b>	1	SPACER-THRUST						
J	12	1	<b>3S-4484</b>	1	LOCKNUT-TURBOCHARGER (5/16-24-THD)						
	13	1	<b>1W-8420</b>	1	WHEEL-COMPRESSOR						
	14	1	<b>0S-1616</b>	4	BOLT (1/4-20X1-IN)						
J	15	1	<b>9N-2036</b>	4	PLATE-LOCK						
					AVAILABLE REPAIR KIT(S):						
J			<b>2W-0715</b>	1	KIT-CARTRIDGE (TURBOCHARGER)						
			<b>9N-2041</b>	1	KIT-BEARING						

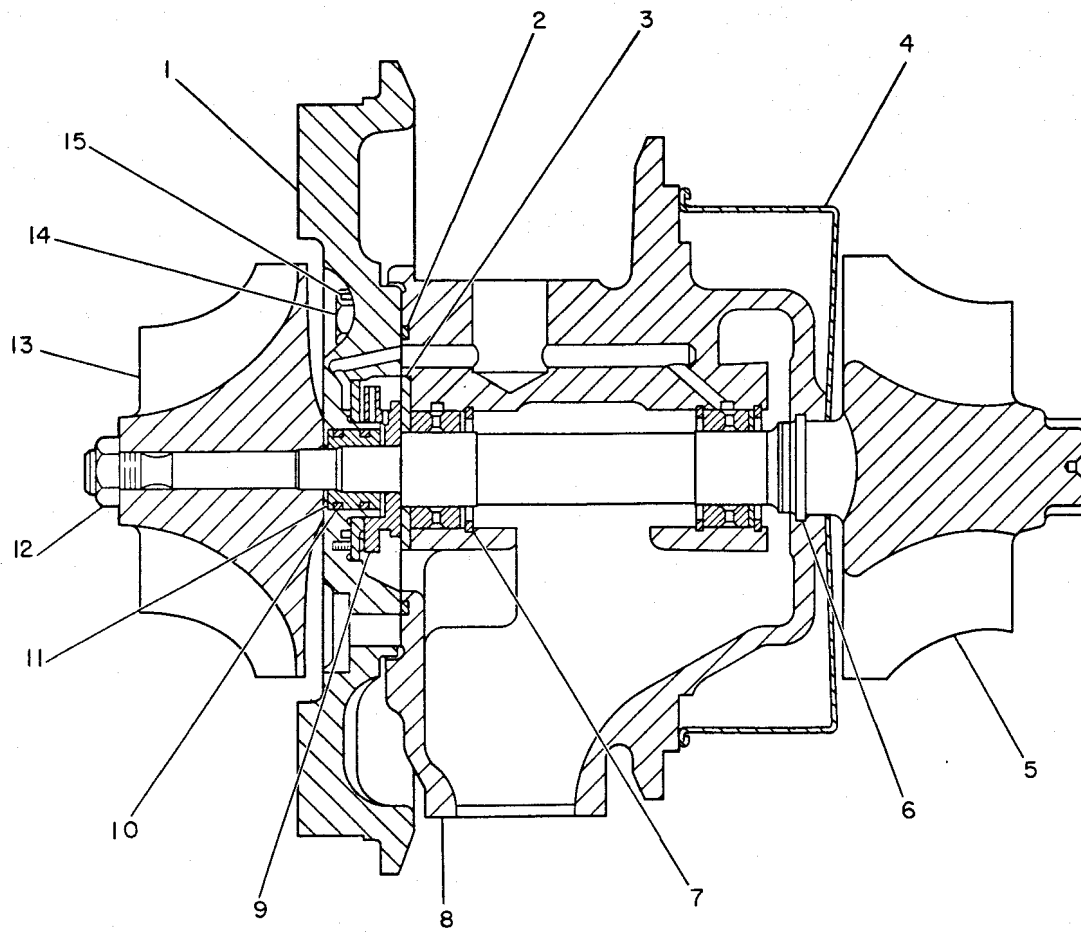
C - CHANGE FROM PREVIOUS TYPE

J - KIT MARKED J INCLUDES PART(S) MARKED J

# AIR INLET AND EXHAUST SYSTEM

2W-3558 CARTRIDGE GP-TURBOCHARGER (contd.)

102821934



GRAPHIC #1

<END>

g00194118

# AIR INLET AND EXHAUST SYSTEM

## 4W-2277 CARTRIDGE GP-TURBOCHARGER\*R

S/N: 85Z3764-UP

PART OF 110-3866, 4W-2276, 7C-4763 TURBOCHARGER GP

SMCS - 1053

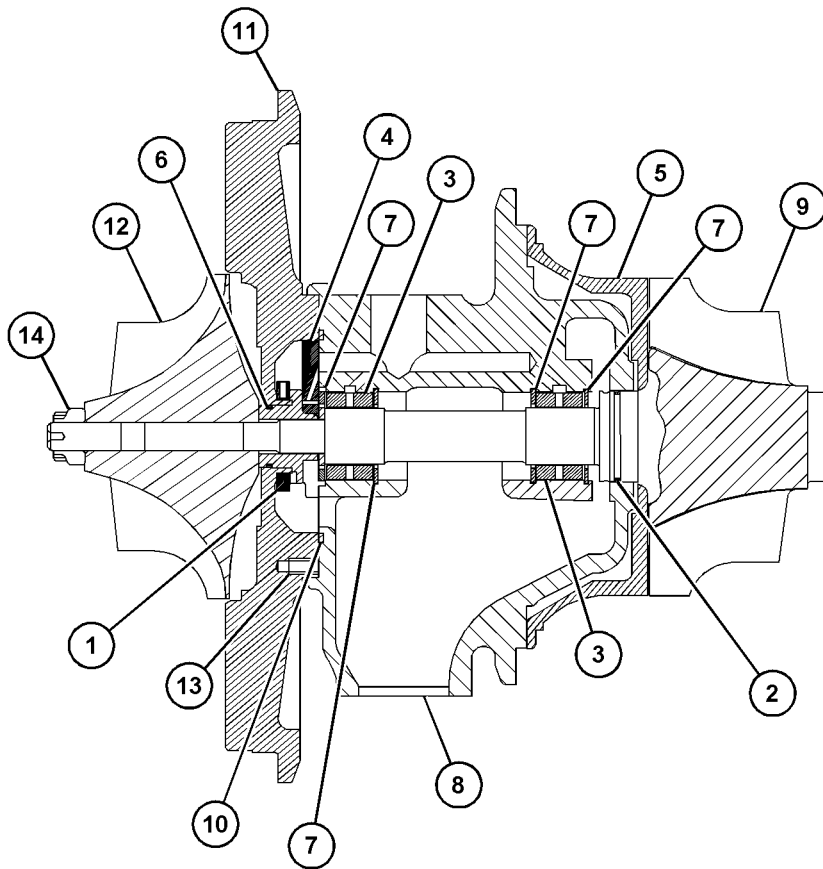
i07459575

NOTE	REF NO	GRAPHIC REF	PART NUMBER	QTY	PART NAME						SEE PAGE
					1	2	3	4	5	6 (PRODUCT LEVEL)	
	1	1	<b>506-9032</b>	1	COLLAR - THRUST						
J	2	1	<b>7N-6609</b>	1	RING-PISTON						
	3	1	<b>1P-1114</b>	2	BEARING-TURBOCHARGER						
	4	1	<b>1P-1111</b>	1	BEARING-THRUST						
	5	1	<b>7N-0012</b>	1	SHROUD						
J	6	1	<b>1P-1124</b>	1	RING-PISTON						
J	7	1	<b>2P-9607</b>	4	RING-RETAINING						
	8	1	<b>2P-9635</b>	1	HOUSING AS-CENTER						
	9	1	<b>155-5236</b>	2	SHAFT AS-TURBINE						
J	10	1	<b>1P-1120</b>	1	RING-SEAL						
	11	1	<b>4W-2278</b>	1	PLATE AS-BACKING						
	12	1	<b>4W-2280</b>	1	WHEEL-COMPRESSOR						
	13	1	<b>082-2753</b>	4	BOLT (1/4-20X0.62-IN)						
J	14	1	<b>155-5237</b>	1	NUT						
					AVAILABLE REPAIR KIT(S):						
J			<b>2W-0716</b>	1	KIT-TURBOCHARGER REPAIR						
					(INCLUDES SEAL RING, PISTON RING, RETAINING RINGS, & NUTS)						
J - KIT MARKED J SERVICES PART(S) MARKED J											

# AIR INLET AND EXHAUST SYSTEM

4W-2277 CARTRIDGE GP-TURBOCHARGER (contd.)

i07459575



GRAPHIC #1

<END>

g06372853

# AIR INLET AND EXHAUST SYSTEM

## 7C-7598 CARTRIDGE GP-TURBOCHARGER\*R

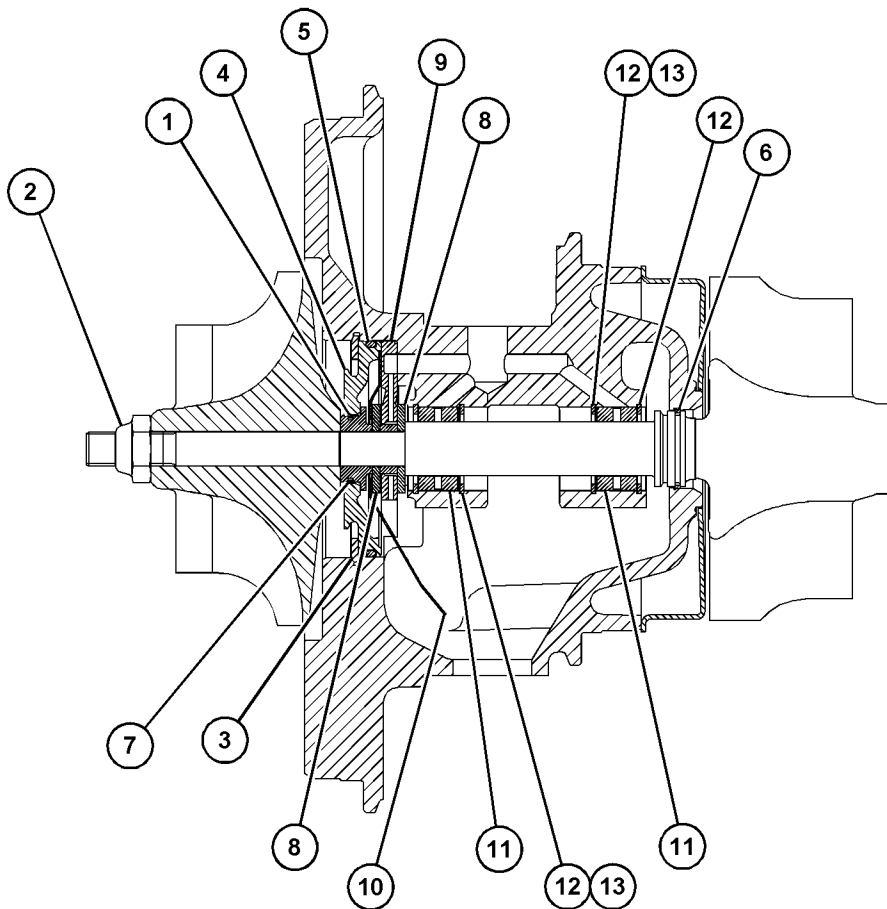
S/N: 85Z3764-UP

PART OF 7C-7580 TURBOCHARGER GP

SMCS-1053

i06895578

NOTE	REF NO	GRAPHIC REF	PART NUMBER	QTY	PART NAME						SEE PAGE
					1	2	3	4	5	6 (PRODUCT LEVEL)	
	1	1	<b>4W-7354</b>	1	RING-SEAL						
	2	1	<b>4W-7342</b>	1	NUT						
	3	1	<b>5S-4546</b>	1	RING-RETAINING						
	4	1	<b>5S-4556</b>	1	INSERT						
	5	1	<b>4P-9808</b>	1	SEAL-O-RING						
	6	1	<b>4M-8013</b>	1	RING-PISTON						
	7	1	<b>4W-7349</b>	1	SLEEVE-FLINGER						
	8	1	<b>4W-7346</b>	2	RING-THRUST						
	9	1	<b>209-2201</b>	1	BEARING-THRUST						
	10	1	<b>5S-4549</b>	1	DEFLECTOR-OIL						
	11	1	<b>209-2202</b>	2	BEARING-JOURNAL						
	12	1	<b>511-5792</b>	4	RING-RETAINING						
	13	1	<b>514-5960</b>	1	WASHER						



GRAPHIC #1

<END>

g06159094



# AIR INLET AND EXHAUST SYSTEM

## 7C-7600 CARTRIDGE GP-TURBOCHARGER\*R

S/N: 85Z3851-UP

PART OF 7C-7584 TURBOCHARGER GP

SMCS-1053

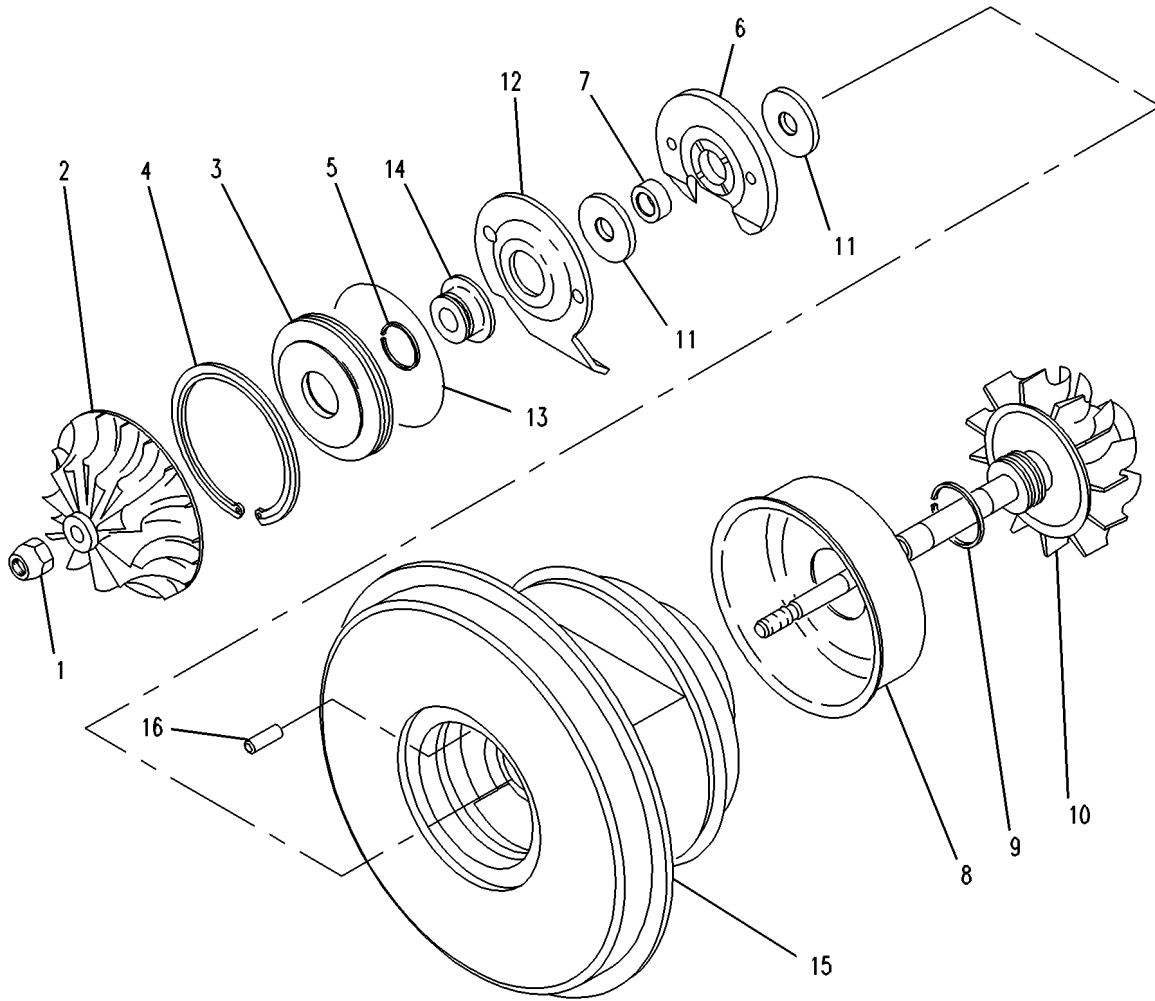
i00945500

NOTE	REF NO	GRAPHIC REF	PART NUMBER	QTY	PART NAME						SEE PAGE
					1	2	3	4	5	6	
	1	1	<b>4W-7342</b>	1	NUT						
	2	1	<b>4W-7350</b>	1	WHEEL-COMPRESSOR						
	3	1	<b>5S-4556</b>	1	INSERT						
	4	1	<b>5S-4546</b>	1	RING-RETAINING						
	5	1	<b>4M-8013</b>	1	RING-PISTON						
	6	1	<b>4N-7597</b>	1	BEARING AS						
	7	1	<b>4W-7352</b>	1	SLEEVE-SPACER						
	8	1	<b>4W-7355</b>	1	PLATE-BACKING						
	9	1	<b>4W-7354</b>	1	RING-SEAL						
	10	1	<b>7W-8844</b>	1	WHEEL & SHAFT AS						
	11	1	<b>4W-7346</b>	2	RING-THRUST						
	12	1	<b>5S-4549</b>	1	DEFLECTOR-OIL						
	13	1	<b>5P-5757</b>	1	SEAL-O-RING						
	14	1	<b>4W-7349</b>	1	SLEEVE-FLINGER						
	15	1	<b>7C-7611</b>	1	HOUSING AS-BEARING						
	16	1	<b>5S-5199</b>	1	PIN-GROOVED						
					AVAILABLE REPAIR KIT(S) :						
			<b>4W-7344</b>	1	KIT-BEARING						

# AIR INLET AND EXHAUST SYSTEM

7C-7600 CARTRIDGE GP-TURBOCHARGER (contd.)

i00945500



GRAPHIC #1

<END>

g00108448

# AIR INLET AND EXHAUST SYSTEM

## 7C-7601 CARTRIDGE GP-TURBOCHARGER\*R

S/N: 85Z3764-UP

PART OF 7C-8428 TURBOCHARGER GP

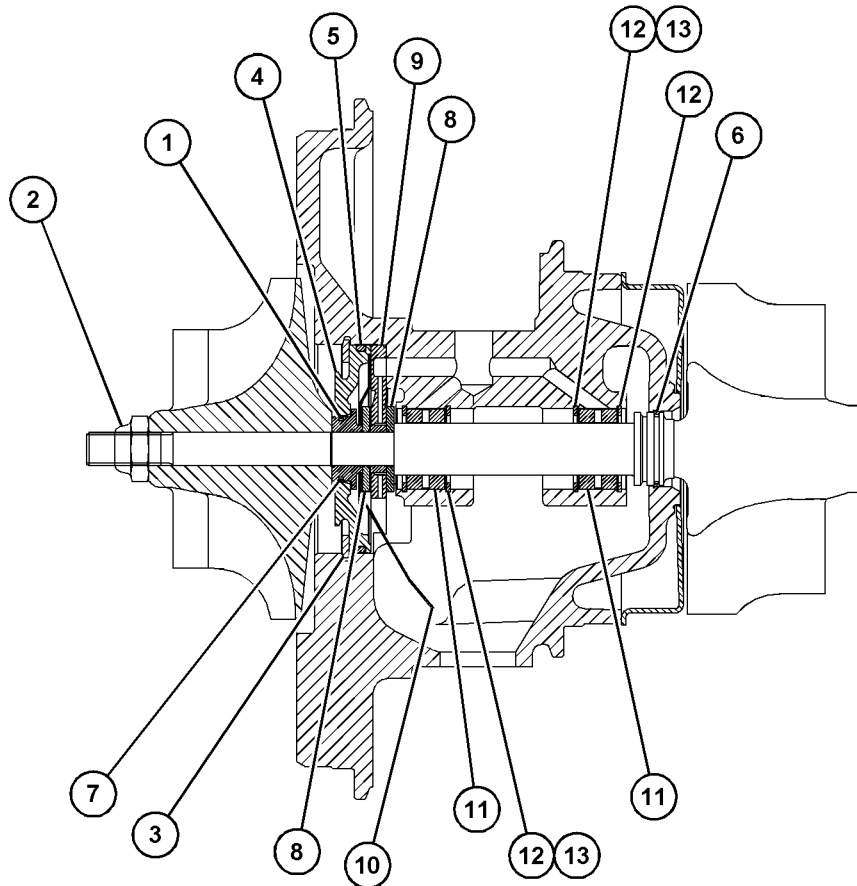
SMCS-1053

i06895583

NOTE	REF NO	GRAPHIC REF	PART NUMBER	QTY	PART NAME						SEE PAGE
					1	2	3	4	5	6	
	1	1	<b>4W-7354</b>	1	RING-SEAL						
	2	1	<b>4W-7342</b>	1	NUT						
	3	1	<b>5S-4546</b>	1	RING-RETAINING						
	4	1	<b>5S-4556</b>	1	INSERT						
	5	1	<b>4P-9808</b>	1	SEAL-O-RING						
	6	1	<b>4M-8013</b>	1	RING-PISTON						
	7	1	<b>4W-7349</b>	1	SLEEVE-FLINGER						
	8	1	<b>4W-7346</b>	2	RING-THRUST						
	9	1	<b>209-2201</b>	1	BEARING-THRUST						
	10	1	<b>5S-4549</b>	1	DEFLECTOR-OIL						
	11	1	<b>209-2202</b>	2	BEARING-JOURNAL						
	12	1	<b>511-5792</b>	4	RING-RETAINING						
	13	1	<b>514-5960</b>	2	WASHER						

AVAILABLE REPAIR KIT(S) :

<b>4W-7344</b>	1	KIT-BEARING (TURBOCHARGER CARTRIDGE)
----------------	---	--------------------------------------



GRAPHIC #1

<END>

g06159099

# AIR INLET AND EXHAUST SYSTEM

## 7C-9309 CARTRIDGE GP-TURBOCHARGER\*R

S/N: 85Z11063-UP

PART OF 7C-8632 TURBOCHARGER GP

**SMCS-1053**

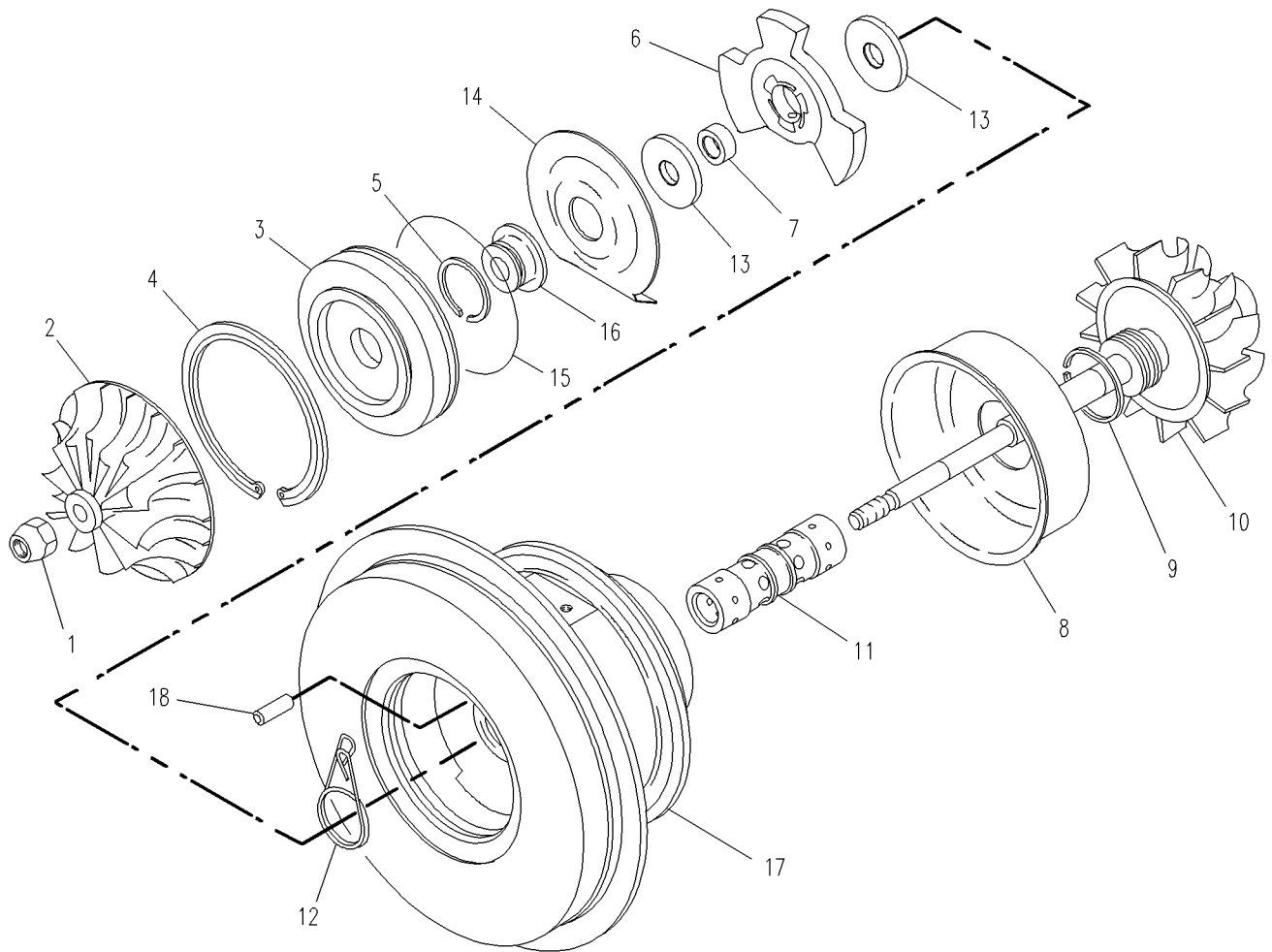
**i07573254**

NOTE	REF NO	GRAPHIC REF	PART NUMBER	QTY	PART NAME						SEE PAGE
					1	2	3	4	5	6 (PRODUCT LEVEL)	
	1	1	<b>7C-9699</b>	1	NUT						
	2	1	<b>7C-9301</b>	1	WHEEL-COMPRESSOR						
	3	1	<b>7C-9539</b>	1	INSERT						
	4	1	<b>5S-4546</b>	1	RING-RETAINING						
	5	1	<b>219-1937</b>	1	PISTON-SEAL						
	6	1	<b>4P-9809</b>	1	BEARING-THRUST						
	7	1	<b>7C-9536</b>	1	SLEEVE						
	8	1	<b>7C-9531</b>	1	PLATE-BACKING						
	9	1	<b>4W-7354</b>	1	RING-SEAL						
	10	1	<b>7C-9303</b>	1	WHEEL AS						
	11	1	<b>7C-9534</b>	1	BEARING						
	12	1	<b>7C-9533</b>	1	CLAMP-SPRING						
	13	1	<b>7C-9535</b>	2	RING-THRUST						
	14	1	<b>7C-9540</b>	1	DEFLECTOR-OIL						
	15	1	<b>5P-5757</b>	1	SEAL-O-RING						
	16	1	<b>7C-9541</b>	1	SLEEVE-FLINGER						
	17	1	<b>7C-9305</b>	1	HOUSING AS						
	18	1	<b>5S-5199</b>	1	PIN-GROOVED						

# AIR INLET AND EXHAUST SYSTEM

7C-9309 CARTRIDGE GP-TURBOCHARGER (contd.)

107573254



GRAPHIC #1

<END>

g00703778

# AIR INLET AND EXHAUST SYSTEM

## 7W-9187 CARTRIDGE GP-TURBOCHARGER

S/N: 85Z3764-3850

PART OF 7W-9047 TURBOCHARGER GP

SMCS-1053

i01996570

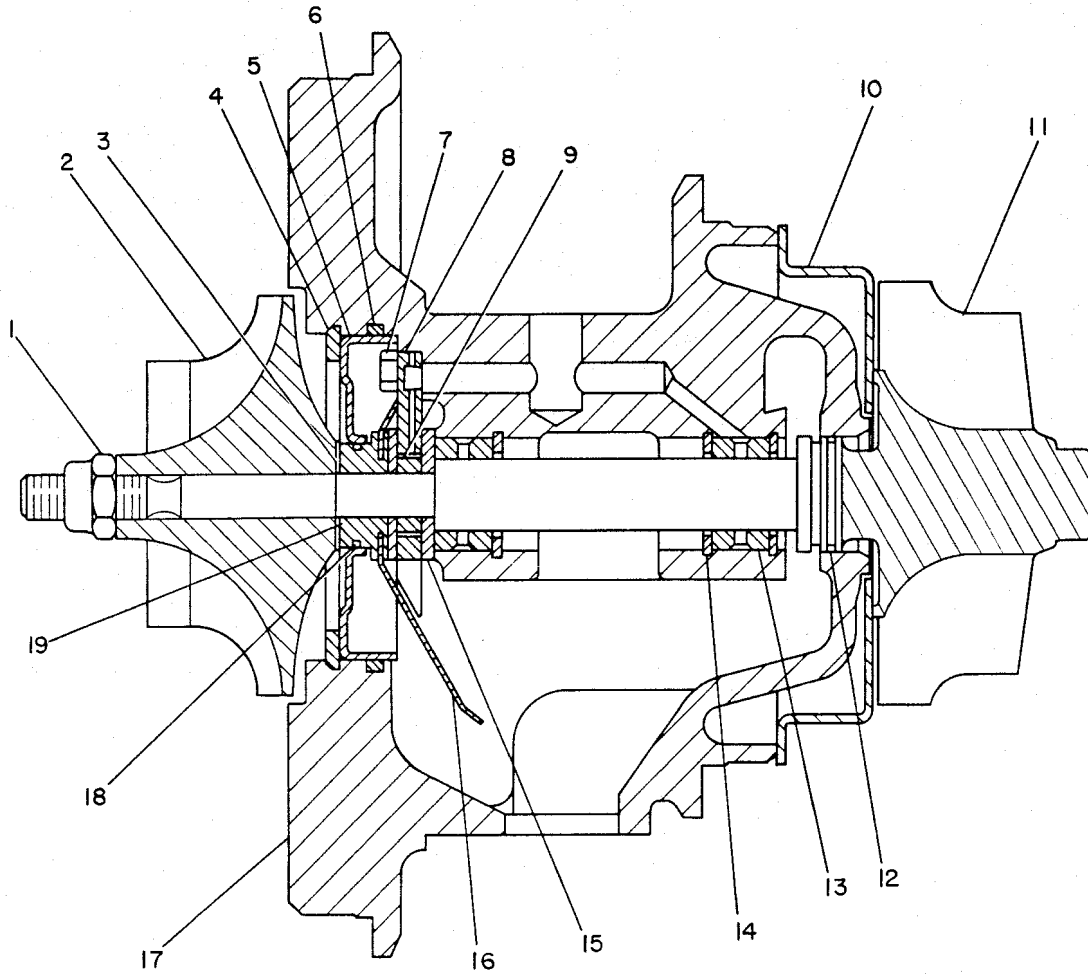
NOTE	REF NO	GRAPHIC REF	PART NUMBER	QTY	PART NAME						SEE PAGE
					1	2	3	4	5	6 (PRODUCT LEVEL)	
	1	1	<b>4W-7342</b>	1	NUT						
	2	1	<b>4W-7350</b>	1	WHEEL-COMPRESSOR						
BL	3	1	<b>4W-7362</b>	1	SHIM (0.076-MM THK)						
BL		1	<b>4W-7357</b>	1	SHIM (0.012-CM THK)						
B		1	<b>4W-7358</b>	1	SHIM (0.015-CM THK)						
B		1	<b>4W-7359</b>	1	SHIM (0.017-CM THK)						
B		1	<b>4W-7360</b>	1	SHIM (0.02-CM THK)						
B		1	<b>4W-7361</b>	1	SHIM (0.022-CM THK)						
B		1	<b>4W-7363</b>	1	SHIM (0.025-CM THK)						
	4	1	<b>5S-4546</b>	1	RING-RETAINING						
CL	5	1	<b>9Y-1134</b>	1	INSERT						
J	6	1	<b>4W-7356</b>	1	SEAL-O-RING						
L	7	1	<b>9B-1722</b>	2	SCREW (10-24X0.5-IN)						
	8	1	<b>4W-7347</b>	1	BEARING AS (THRUST)						
	9	1	<b>4W-7352</b>	1	SLEEVE-SPACER						
	10	1	<b>4W-7355</b>	1	PLATE-BACKING						
	11	1	<b>7W-8844</b>	1	WHEEL & SHAFT AS (SHAFT & TURBINE)						
JL	12	1	<b>4W-7354</b>	1	RING-SEAL						
L	13	1	<b>4W-7344</b>	2	KIT-BEARING (TURBOCHARGER)						
JL	14	1	<b>9M-8915</b>	3	RING-RETAINING						
	15	1	<b>4W-7346</b>	2	RING-THRUST						
	16	1	<b>4W-7345</b>	1	DEFLECTOR-OIL						
C	17	1	<b>4W-7343</b>	1	HOUSING AS-BEARING						
JL	18	1	<b>4M-8013</b>	1	RING-PISTON						
	19	1	<b>4W-7349</b>	1	SLEEVE-FLINGER						
					AVAILABLE REPAIR KIT(S):						
J			<b>7W-4872</b>	1	KIT-CARTRIDGE (TURBOCHARGER)						
CL			<b>9Y-1669</b>	1	KIT-TURBOCHARGER						

B - USE AS REQUIRED  
 C - CHANGE FROM PREVIOUS TYPE  
 J - KIT MARKED J INCLUDES PART(S) MARKED J  
 L - KIT MARKED L INCLUDES PART(S) MARKED L

# AIR INLET AND EXHAUST SYSTEM

7W-9187 CARTRIDGE GP-TURBOCHARGER (contd.)

101996570



GRAPHIC #1

<END>

g00194460

# AIR INLET AND EXHAUST SYSTEM

## 5L-7661 ELBOW GP-EXHAUST

S/N: 85Z3764-UP

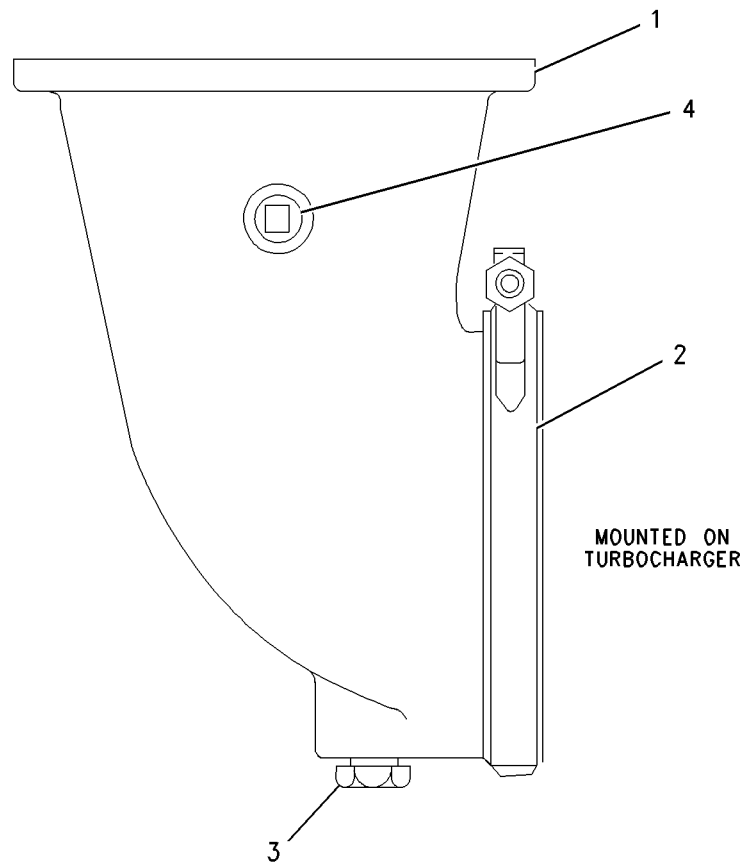
127-MM (5-INCH)

**FOR USE WITH 5-INCH DIAMETER EXHAUST SYSTEM  
AN ATTACHMENT**

**SMCS-1061**

**i05351114**

NOTE	REF NO	GRAPHIC REF	PART NUMBER	QTY	PART NAME						SEE PAGE
					1	2	3	4	5	6 (PRODUCT LEVEL)	
	1	1	<b>5L-7634</b>	1	ELBOW-EXHAUST						
	2	1	<b>5L-7631</b>	1	CLAMP						
	3	1	<b>8T-6767</b>	1	PLUG-PIPE (3/8-18-THD)						
	4	1	<b>8T-6765</b>	1	PLUG-PIPE (1/4-18-THD)						



GRAPHIC #1

<END>

g00738628



# AIR INLET AND EXHAUST SYSTEM

## 6L-2927 ELBOW GP-EXHAUST

S/N: 85Z3764-UP

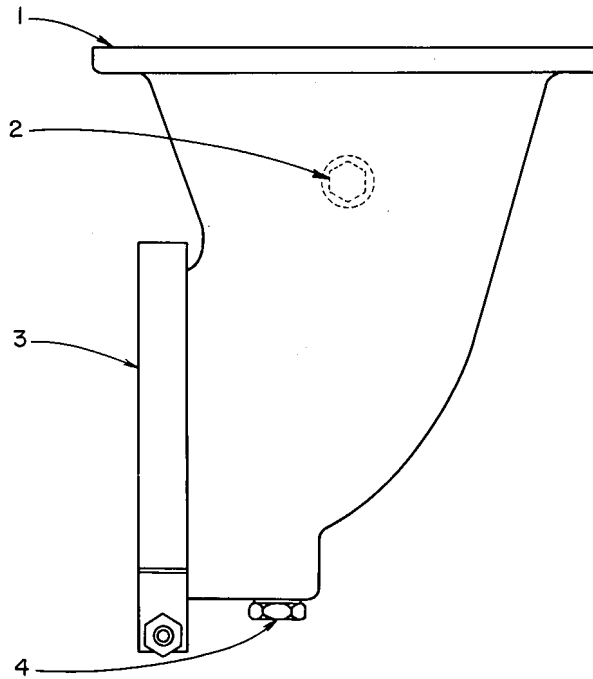
152.4 MM (6 INCH)

**FOR USE WITH DRY TURBOCHARGER  
AN ATTACHMENT**

**SMCS-1061**

**i05756197**

NOTE	REF NO	GRAPHIC REF	PART NUMBER	QTY	PART NAME						SEE PAGE
					1	2	3	4	5	6 (PRODUCT LEVEL)	
	1	1	<b>5L-7635</b>	1	ELBOW-EXHAUST						
	2	1	<b>8T-6765</b>	1	PLUG-PIPE (1/4-18-THD)						
	3	1	<b>5L-7631</b>	1	CLAMP						
	4	1	<b>8T-6767</b>	1	PLUG-PIPE (3/8-18-THD) (3/8-18 NPTF)						



GRAPHIC #1

<END>

g00205634

# AIR INLET AND EXHAUST SYSTEM

## 6N-6093 ELBOW GP-EXHAUST

S/N: 85Z3764-UP

152-MM (6-INCH)

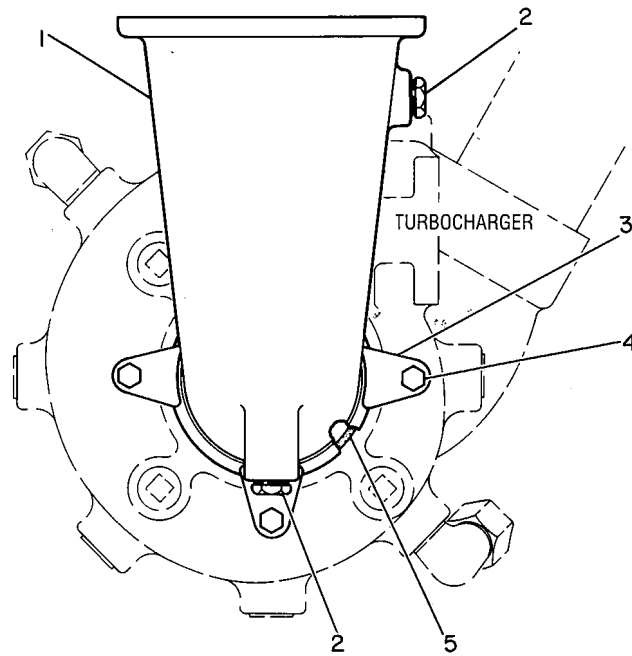
**CANNOT BE USED WITH EXHAUST RESTRICTOR  
AN ATTACHMENT**

**TYPE 1**

**SMCS-1061**

**i02054977**

NOTE	REF NO	GRAPHIC REF	PART NUMBER	QTY	PART NAME						SEE PAGE
					1	2	3	4	5	6 (PRODUCT LEVEL)	
	1	1	<b>4N-4967</b>	1	ELBOW-EXHAUST						
	2	1	<b>3J-5389</b>	2	PLUG (EXTERNAL)						
	3	1	<b>6N-0561</b>	4	CLIP						
	4	1	<b>5P-8167</b>	4	BOLT (3/8-16X0.625-IN)						
	5	1	<b>4N-3955</b>	1	GASKET						



GRAPHIC #1

<END>

g00135551

# AIR INLET AND EXHAUST SYSTEM

## 6N-6093 ELBOW GP-EXHAUST

S/N: 85Z3764-UP

152-MM (6-INCH)

**CANNOT BE USED WITH EXHAUST RESTRICTOR  
AN ATTACHMENT**

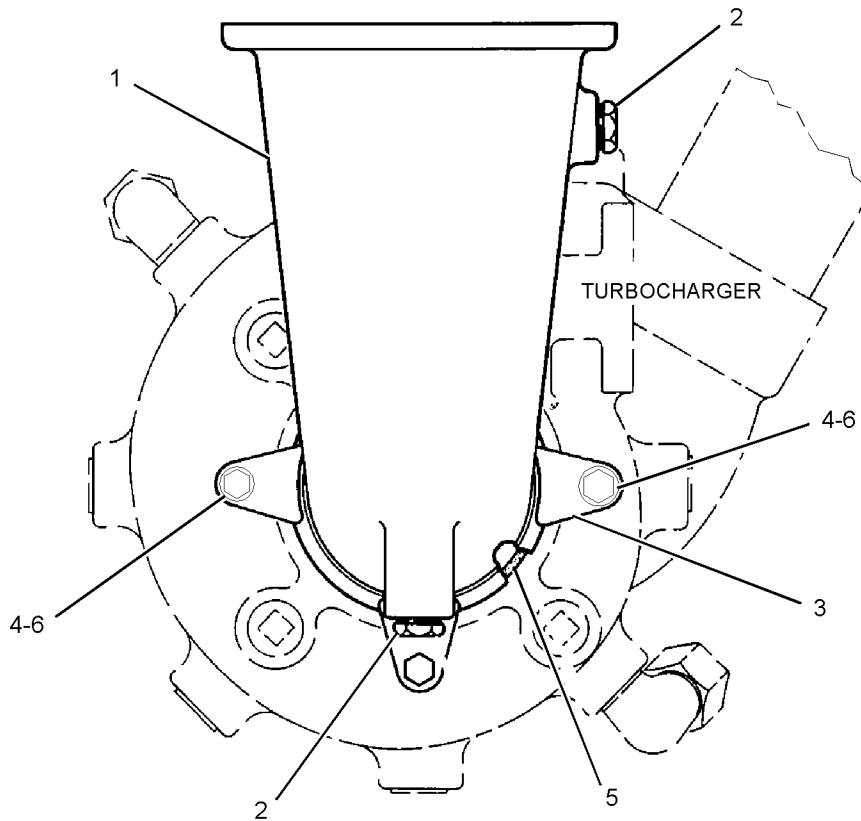
**TYPE 2**

**SMCS-1061**

**i05433690**

NOTE	REF NO	GRAPHIC REF	PART NUMBER	QTY	PART NAME						SEE PAGE
					1	2	3	4	5	6 (PRODUCT LEVEL)	
	1	1	<b>4N-4967</b>	1	ELBOW-EXHAUST						
	2	1	<b>3J-5389</b>	2	PLUG (EXTERNAL)						
	3	1	<b>6N-0561</b>	4	CLIP						
C	4	1	<b>0S-1594</b>	4	BOLT (3/8-16X1-IN)						
C	5	1	<b>255-6863</b>	1	GASKET						
C	6	1	<b>8M-9124</b>	4	WASHER (10X22.5X8-MM THK)						

C - CHANGE FROM PREVIOUS TYPE



GRAPHIC #1

<END>

g01168946

# AIR INLET AND EXHAUST SYSTEM

## 7L-0369 ELBOW GP-EXHAUST

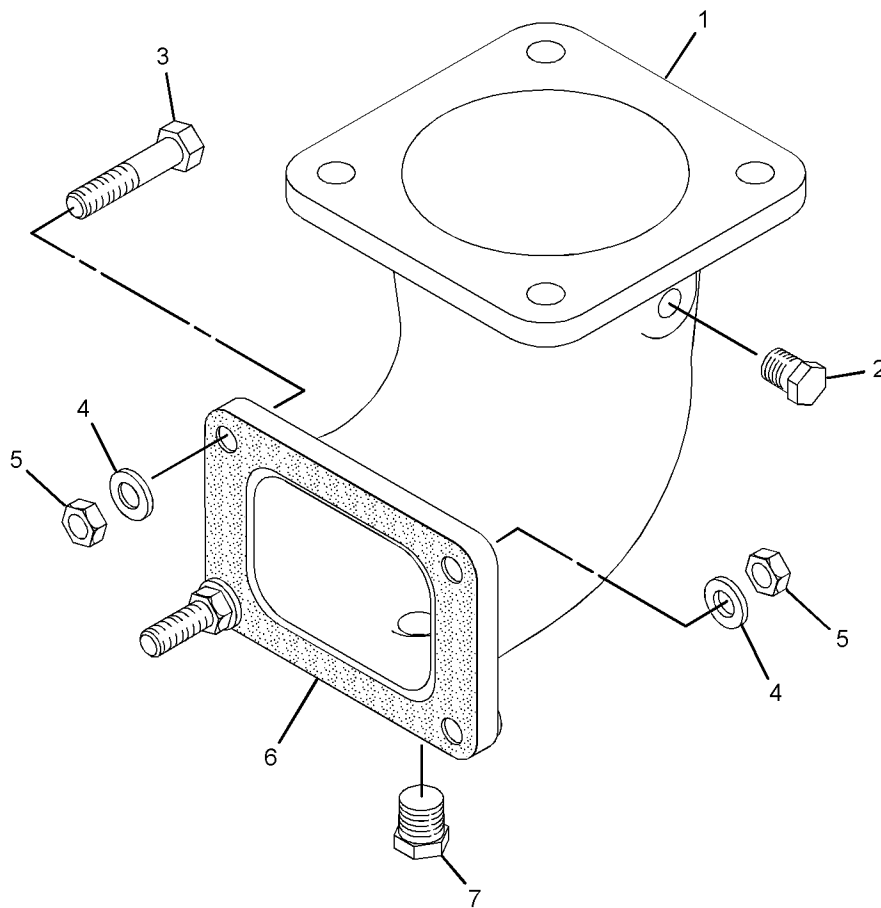
S/N: 85Z3764-UP

**CANNOT BE USED WITH DRY MANIFOLD  
AN ATTACHMENT**

SMCS-1061

i03007646

NOTE	REF NO	GRAPHIC REF	PART NUMBER	QTY	PART NAME						SEE PAGE
					1	2	3	4	5	6	
	1	1	<b>6L-7897</b>	1	ELBOW-EXHAUST						
	2	1	<b>5B-7890</b>	1	PLUG-PIPE						
	3	1	<b>3H-6623</b>	2	BOLT (3/8-16X2.25-IN)						
	4	1	<b>0T-0431</b>	4	WASHER (10.3X19X2.5-MM THK)						
	5	1	<b>8M-2296</b>	4	NUT-FULL (3/8-16-THD)						
	6	1	<b>7M-7273</b>	1	GASKET						
	7	1	<b>9B-0887</b>	1	PLUG-PIPE						



GRAPHIC #1

<END>

g01524225

# AIR INLET AND EXHAUST SYSTEM

## 7L-0443 ELBOW GP-EXHAUST

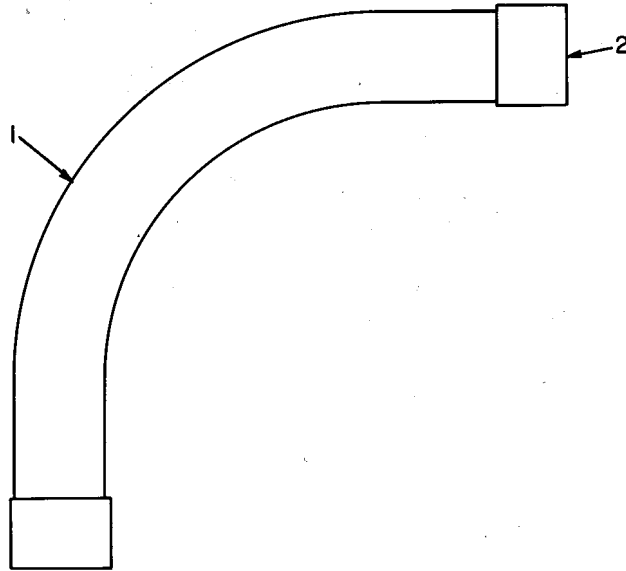
S/N: 85Z3764-UP

90 DEGREE BEND, 101.6 MM (4 INCH) ID  
AN ATTACHMENT

SMCS-1061

i00637663

NOTE	REF NO	GRAPHIC REF	PART NUMBER	QTY	PART NAME						SEE PAGE
					1	2	3	4	5	6 (PRODUCT LEVEL)	
	1	1	<b>5F-3065</b>	1	ELBOW						
	2	1	<b>1F-6320</b>	2	COUPLING-PIPE						



GRAPHIC #1

<END>

g00134517

# AIR INLET AND EXHAUST SYSTEM

## 8N-6044 ELBOW GP-EXHAUST

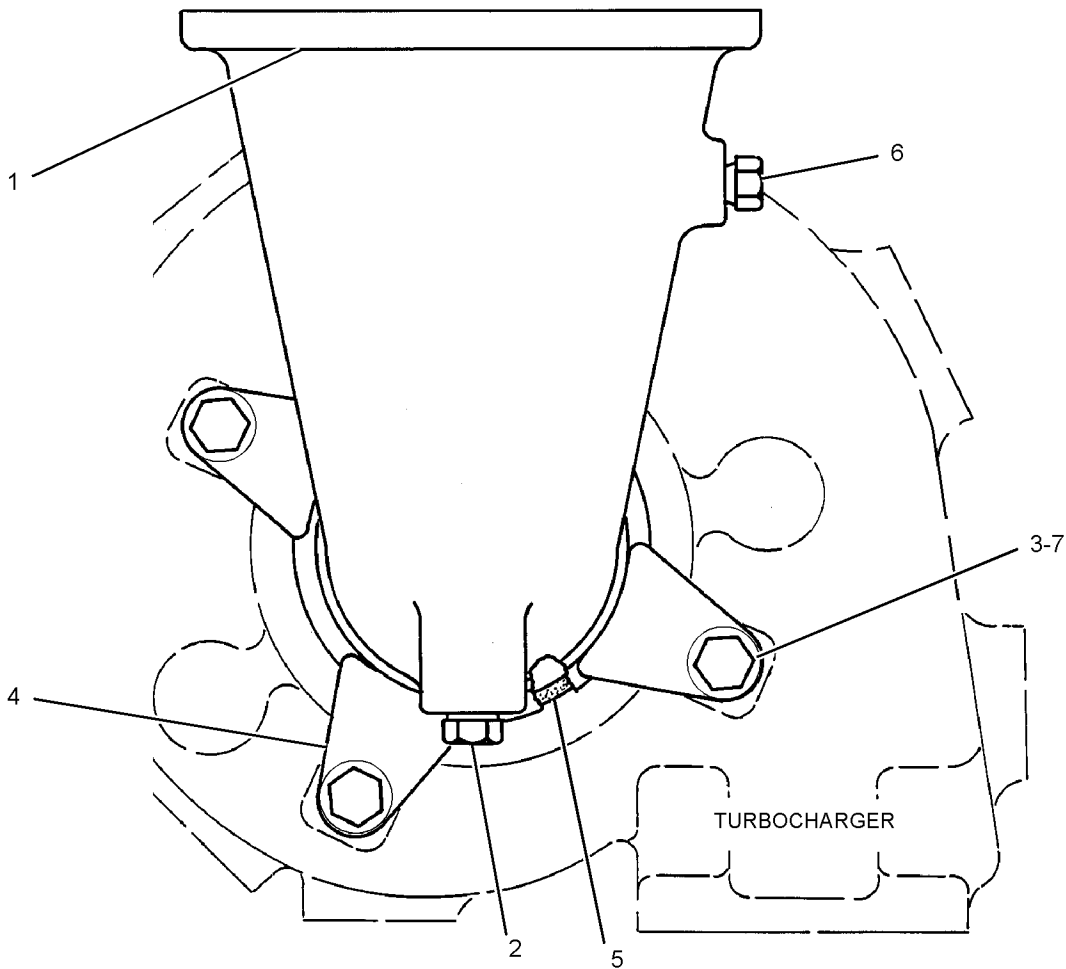
S/N: 85Z3764-UP

**FOR USE WITH REAR MOUNTED SMALL FRAME, WATERCOOLED TURBOCHARGER WITH MID FRAME MOUNTING AND WATERCOOLED MANIFOLD AN ATTACHMENT**

SMCS-1061

i02379694

NOTE	REF NO	GRAPHIC REF	PART NUMBER	QTY	PART NAME						SEE PAGE
					1	2	3	4	5	6	
	1	1	<b>4W-7505</b>	1	ELBOW-EXHAUST						
	2	1	<b>3E-7428</b>	1	PLUG-PIPE (1/4-18-THD)						
	3	1	<b>6N-0561</b>	4	CLIP						
	4	1	<b>0S-1594</b>	4	BOLT (3/8-16X1-IN)						
	5	1	<b>8N-6058</b>	1	GASKET						
	6	1	<b>8T-6767</b>	1	PLUG-PIPE (3/8-18-THD)						
	7	1	<b>8M-9124</b>	4	WASHER (10X22.5X8-MM THK)						



GRAPHIC #1

<END>

g01190930

# AIR INLET AND EXHAUST SYSTEM

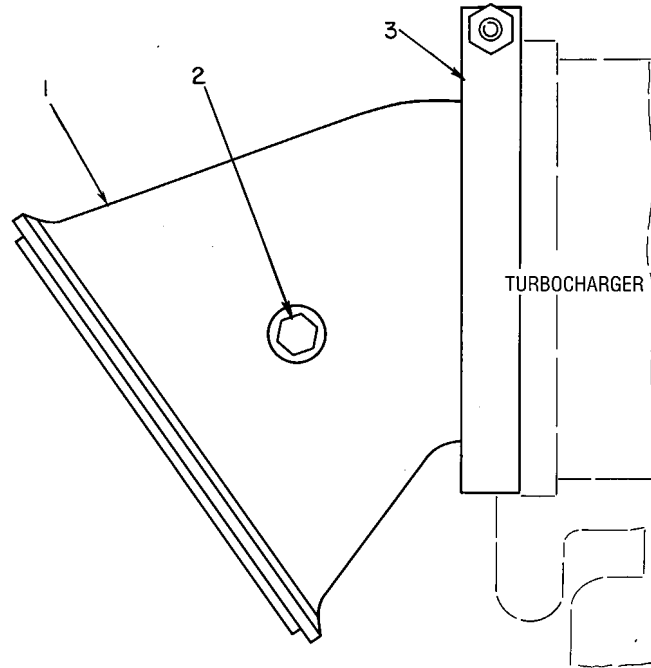
## 9L-2921 ELBOW GP-EXHAUST

S/N: 85Z3764-UP  
 35 DEGREE - 127 MM (5 IN)  
 AN ATTACHMENT

SMCS-1061

i00638623

NOTE	REF NO	GRAPHIC REF	PART NUMBER	QTY	PART NAME						SEE PAGE
					1	2	3	4	5	6 (PRODUCT LEVEL)	
	1	1	<b>9L-2915</b>	1	ELBOW-EXHAUST						
	2	1	<b>5B-7890</b>	1	PLUG-PIPE						
	3	1	<b>5L-7631</b>	1	CLAMP						



GRAPHIC #1

<END>

g00134859

# AIR INLET AND EXHAUST SYSTEM

## 1L-1508 ELBOW-EXHAUST

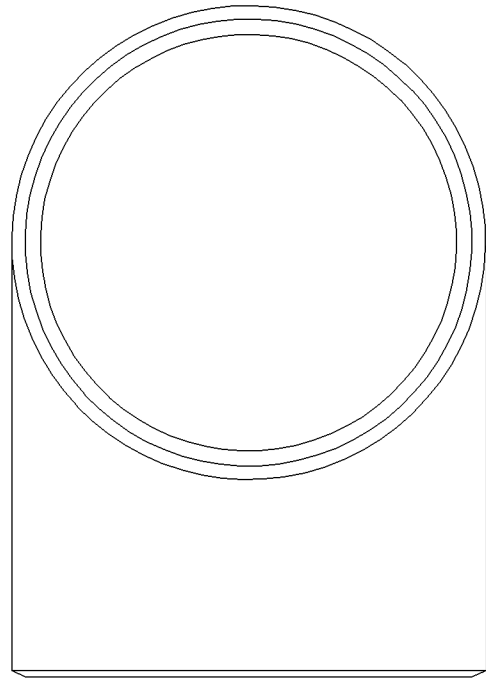
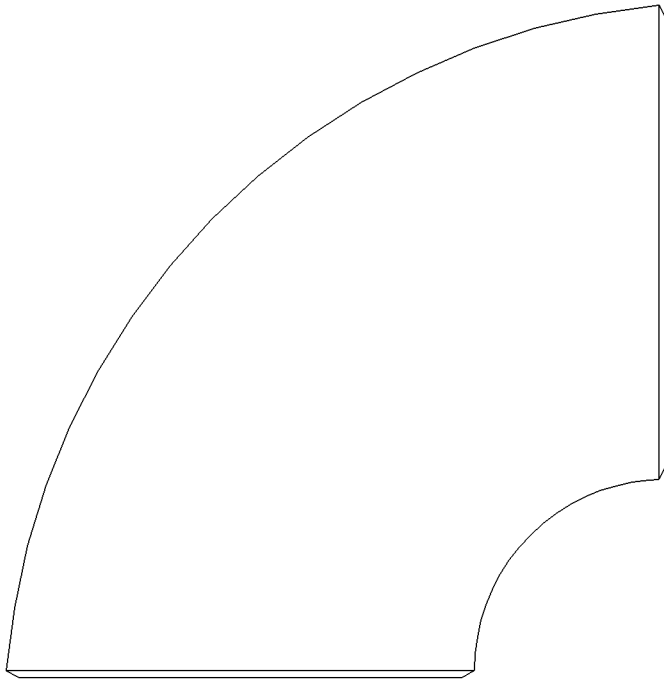
S/N: 85Z3764-UP

3 INCH ID, 90 DEGREES, LONG RADIUS  
AN ATTACHMENT

SMCS-1061

i01492255

NOTE	REF NO	GRAPHIC REF	PART NUMBER	QTY	PART NAME	SEE PAGE
					1 2 3 4 5 6 (PRODUCT LEVEL)	
(NO SERVICED PARTS)						



GRAPHIC #1

<END>

g00648631



# AIR INLET AND EXHAUST SYSTEM

## 2N-9263 ELBOW-EXHAUST

S/N: 85Z3764-UP

127-MM (5-INCH), 90-DEGREE BEND

FOR USE WITH 5L-7661-PAGE: 490

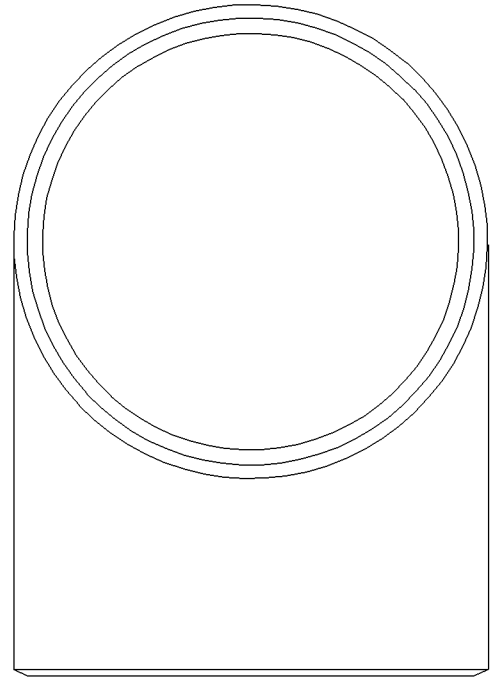
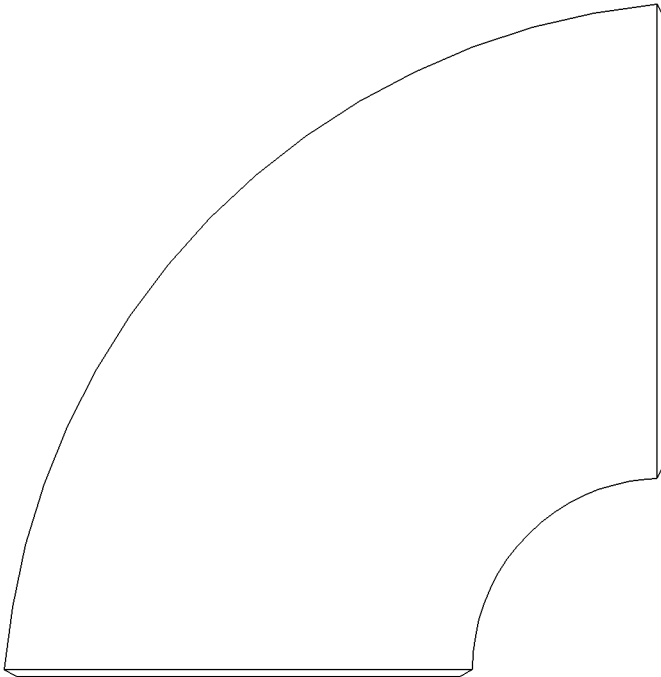
AN ATTACHMENT

SMCS-1061

i01376091

NOTE	REF NO	GRAPHIC REF	PART NUMBER	QTY	PART NAME						SEE PAGE
					1	2	3	4	5	6 (PRODUCT LEVEL)	

(NO SERVICED PARTS)



GRAPHIC #1

<END>

g00648631

# AIR INLET AND EXHAUST SYSTEM

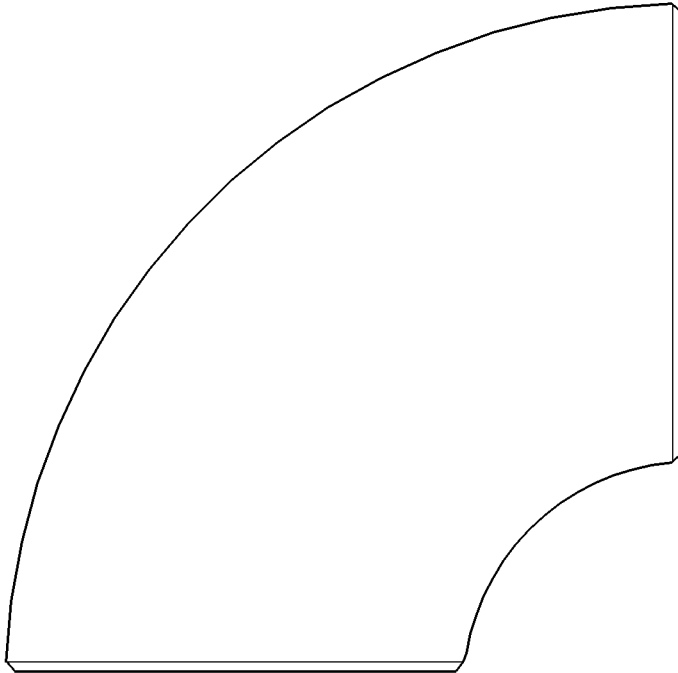
## 8L-9859 ELBOW-EXHAUST

S/N: 85Z3764-UP  
152.4-MM (6-INCH) PIPE  
AN ATTACHMENT

SMCS-1061

i01373048

NOTE	REF NO	GRAPHIC REF	PART NUMBER	QTY	PART NAME						SEE PAGE
					1	2	3	4	5	6 (PRODUCT LEVEL)	
(NO SERVICED PARTS)											



GRAPHIC #1

<END>

g00724697

# AIR INLET AND EXHAUST SYSTEM

## 1W-4486 FASTENER GP-EXHAUST MANIFOLD

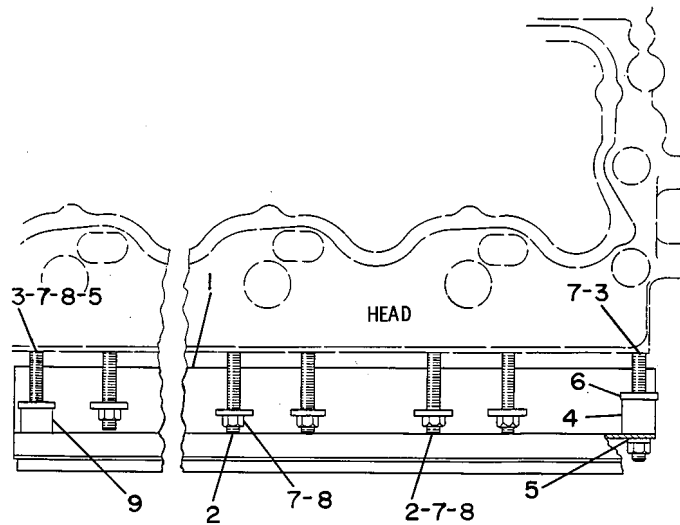
S/N: 85Z3764-7105

SMCS - 1059

i02355500

NOTE	REF NO	GRAPHIC REF	PART NUMBER	QTY	PART NAME						SEE PAGE
					1	2	3	4	5	6 (PRODUCT LEVEL)	
	1	1	<b>1W-7546</b>	1	SHIELD-HEAT						
	2	1	<b>7S-6719</b>	10	STUD-TAPERLOCK (3/8-16-THD)						
	3	1	<b>2M-2488</b>	2	STUD-TAPERLOCK (3/8-16X3.59-IN)						
	4	1	<b>1B-4971</b>	1	SPACER (0.406X1X1-IN THK)						
	5	1	<b>5M-2894</b>	2	WASHER-HARD (10.2X18.5X2.5-MM THK)						
	6	1	<b>9M-6527</b>	1	WASHER-HARD (10.2X25.5X5-MM THK)						
C	7	1	<b>1B-5355</b>	12	NUT-FULL (3/8-16-THD)						
	8	1	<b>8M-7145</b>	11	WASHER (10.2X28.5X5-MM THK)						
	9	1	<b>1M-7643</b>	1	SPACER (10.5X25.4X18.21-MM THK)						

C - CHANGE FROM PREVIOUS TYPE



GRAPHIC #1

<END>

g00112400

# AIR INLET AND EXHAUST SYSTEM

## 1W-4486 FASTENER GP-EXHAUST MANIFOLD

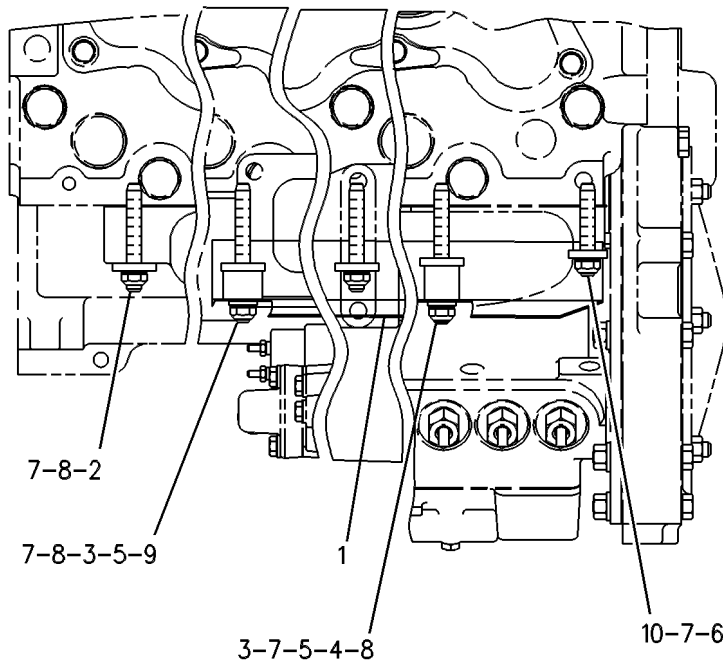
S/N: 85Z7106-UP

SMCS - 1059

i02355501

NOTE	REF NO	GRAPHIC REF	PART NUMBER	QTY	PART NAME						SEE PAGE
					1	2	3	4	5	6 (PRODUCT LEVEL)	
C	1	1	<b>4P-3306</b>	1	SHIELD-HEAT						
C	2	1	<b>6V-1426</b>	9	STUD-TAPERLOCK (3/8-16X2.75-IN, HIGH TEMP)						
C	3	1	<b>6V-1427</b>	2	STUD-TAPERLOCK (3/8-16X3.54-IN)						
C	4	1	<b>6B-7469</b>	1	SPACER (0.406X0.875X0.875-IN THK)						
C	5	1	<b>5M-2894</b>	2	WASHER-HARD (10.2X18.5X2.5-MM THK)						
	6	1	<b>134-0641</b>	1	WASHER-HARD (10.2X28.5X5-MM THK)						
C	7	1	<b>2N-2766</b>	12	LOCKNUT (3/8-16-THD)						
	8	1	<b>2S-6160</b>	11	WASHER-HARD (10.2X32X5-MM THK)						
	9	1	<b>1M-7643</b>	1	SPACER (10.5X25.4X18.21-MM THK)						
C	10	1	<b>106-1793</b>	1	STUD-TAPERLOCK (3/8-16X2.36-IN) (60-MM LENGTH)						
					-OR-						
	1		<b>9L-1658</b>	1	STUD-TAPERLOCK (3/8-16X2.598-IN) (66-MM LENGTH)						

C - CHANGE FROM PREVIOUS TYPE



**TOP VIEW**

GRAPHIC #1

<END>

g00109379

# AIR INLET AND EXHAUST SYSTEM

## 2W-7845 FITTING GP-EXHAUST

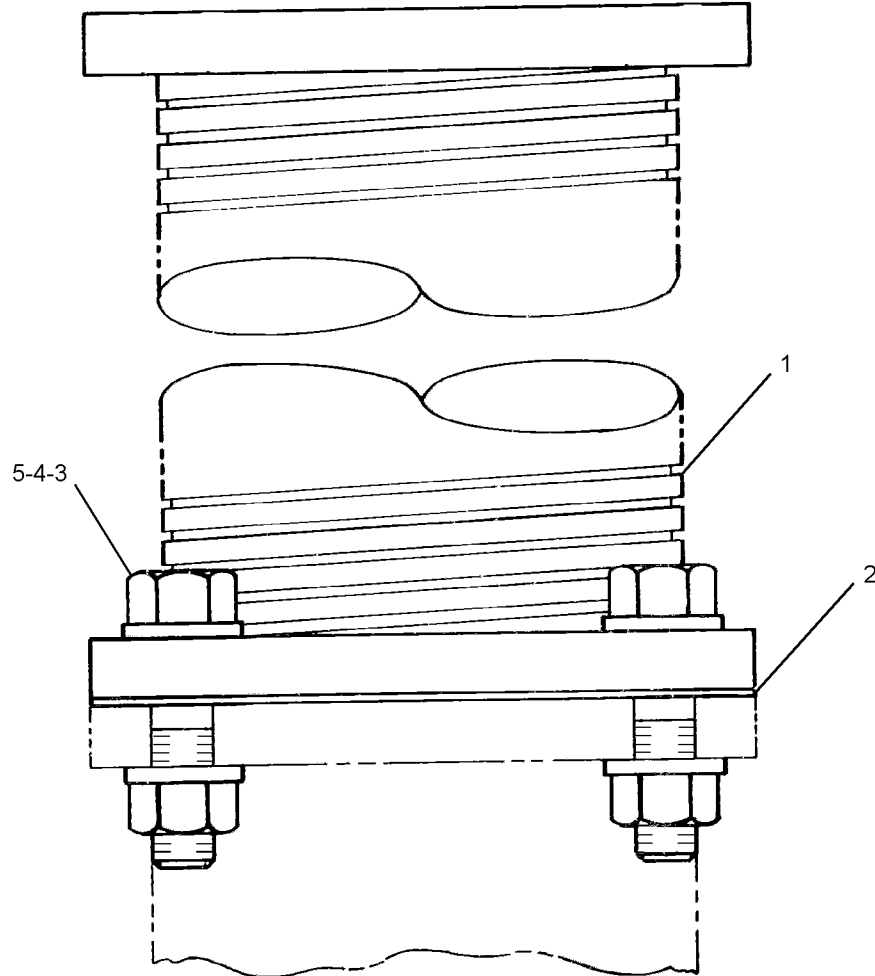
S/N: 85Z3764-UP

101.6 MM (4 INCH). FLEXIBLE  
AN ATTACHMENT

SMCS-1061

i03651988

NOTE	REF NO	GRAPHIC REF	PART NUMBER	QTY	PART NAME						SEE PAGE
					1	2	3	4	5	6 (PRODUCT LEVEL)	
	1	1	<b>3N-3013</b>	1	ADAPTER AS						
	2	1	<b>6L-4716</b>	1	GASKET-FLANGE						
	3	1	<b>1A-1460</b>	4	BOLT (1/2-13X2-IN)						
	4	1	<b>1B-5357</b>	4	NUT-FULL (1/2-13-THD)						
	5	1	<b>5P-8245</b>	8	WASHER-HARD (13.5X25.5X3-MM THK)						



GRAPHIC #1

<END>

g02009294

# AIR INLET AND EXHAUST SYSTEM

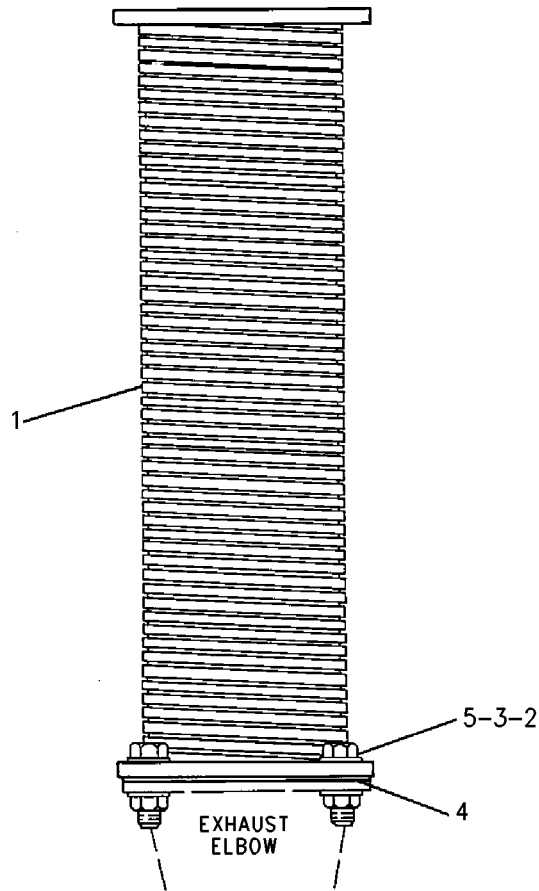
## 2W-7846 FITTING GP-EXHAUST-FLEXIBLE

S/N: 85Z3764-UP  
127-MM (5-INCH)  
AN ATTACHMENT

SMCS-1061

i05916146

NOTE	REF NO	GRAPHIC REF	PART NUMBER	QTY	PART NAME						SEE PAGE
					1	2	3	4	5	6 (PRODUCT LEVEL)	
	1	1	<b>3N-3015</b>	1	ADAPTER AS (FLEXIBLE)						
		1	<b>5N-4741</b>	2	FLANGE						
		1	<b>5N-4742</b>	1	HOSE - EXHAUST						
2		1	<b>5P-8247</b>	8	WASHER - HARD (17X32X3.5-MM THK)						
3		1	<b>7X-0448</b>	4	NUT (5/8-11-THD)						
4		1	<b>5L-8484</b>	1	GASKET						
5		1	<b>9X-8881</b>	4	BOLT (5/8-11X2.25-IN)						



GRAPHIC #1

<END>

g00657424

# AIR INLET AND EXHAUST SYSTEM

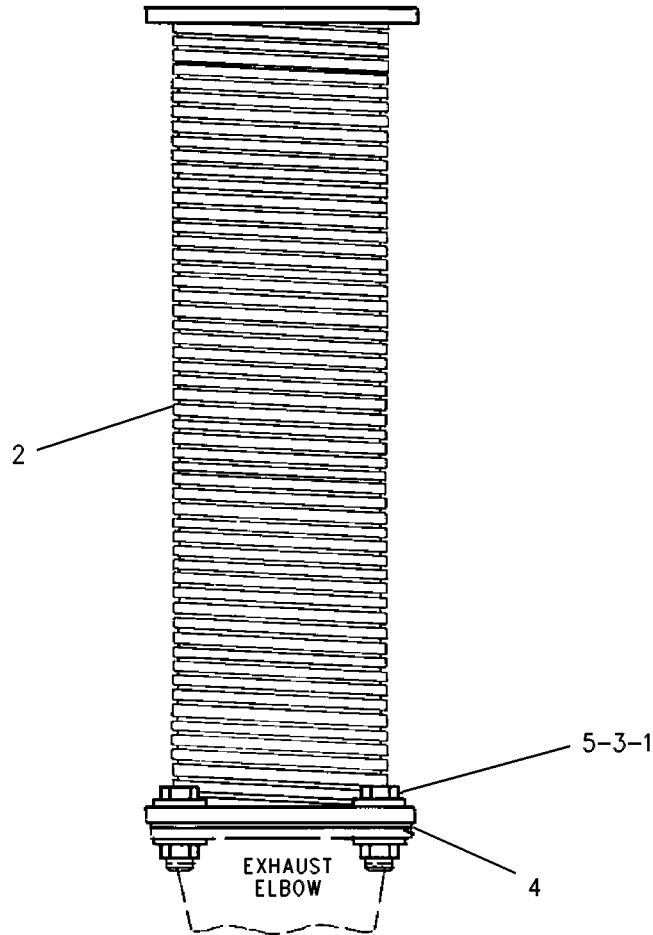
## 2W-7847 FITTING GP-EXHAUST-FLEXIBLE

S/N: 85Z3764-UP  
152-MM (6-INCH)  
AN ATTACHMENT

SMCS-1061

i05902754

NOTE	REF NO	GRAPHIC REF	PART NUMBER	QTY	PART NAME						SEE PAGE
					1	2	3	4	5	6 (PRODUCT LEVEL)	
	1	1	<b>5P-8247</b>	8	WASHER-HARD (17X32X3.5-MM THK)						
	2	1	<b>3N-3017</b>	1	ADAPTER AS (FLEXIBLE)						
		1	<b>5N-4739</b>	2	FLANGE						
	3	1	<b>4K-0367</b>	4	NUT-FULL (5/8-11-THD)						
	4	1	<b>5H-8331</b>	1	GASKET						
	5	1	<b>8S-9092</b>	4	BOLT (5/8-11X2.25-IN)						



GRAPHIC #1

<END>

g00617939

# AIR INLET AND EXHAUST SYSTEM

## 3N-3018 FITTING GP-EXHAUST

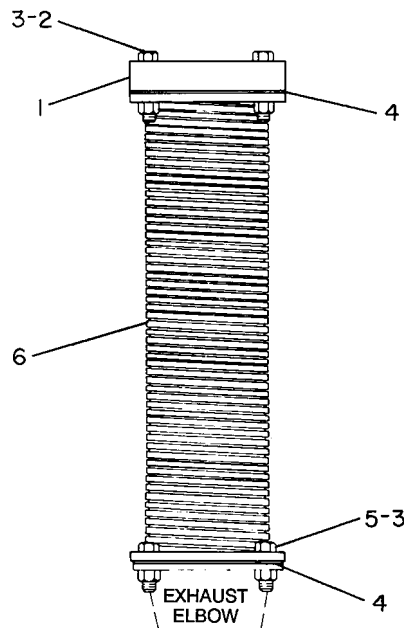
S/N: 85Z3764-UP  
152 MM (6 INCH)  
AN ATTACHMENT

SMCS-1061

i02024759

NOTE	REF NO	GRAPHIC REF	PART NUMBER	QTY	PART NAME						SEE PAGE
					1	2	3	4	5	6 (PRODUCT LEVEL)	
	1	1	<b>5H-8310</b>	1	FLANGE						
C	2	1	<b>1B-4367</b>	4	BOLT (5/8-11X3-IN)						
	3	1	<b>1B-5358</b>	8	NUT-FULL (5/8-11-THD)						
	4	1	<b>5H-8331</b>	2	GASKET						
	5	1	<b>1A-1135</b>	4	BOLT (5/8-11X2-IN)						
	6	1	<b>3N-3017</b>	1	ADAPTER AS (FLEXIBLE)						
		1	<b>5N-4739</b>	2	FLANGE						

C - CHANGE FROM PREVIOUS TYPE



GRAPHIC #1

<END>

g00142240



# AIR INLET AND EXHAUST SYSTEM

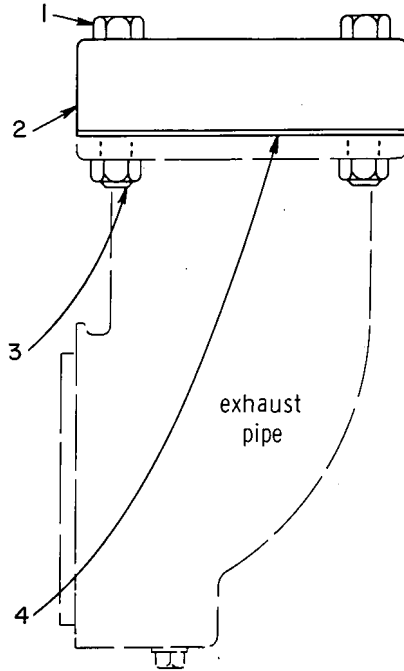
## 5L-9377 FITTING GP-EXHAUST

S/N: 85Z3764-UP  
127 MM (5 INCH)  
AN ATTACHMENT

SMCS-1061

i00640156

NOTE	REF NO	GRAPHIC REF	PART NUMBER	QTY	PART NAME						SEE PAGE
					1	2	3	4	5	6 (PRODUCT LEVEL)	
	1	1	<b>0S-1625</b>	4	BOLT (5/8-11X2.5-IN)						
	2	1	<b>5L-9376</b>	1	FLANGE						
	3	1	<b>1B-5358</b>	4	NUT-FULL (5/8-11-THD)						
	4	1	<b>5L-8484</b>	1	GASKET						



GRAPHIC #1

<END>

g00205631

# AIR INLET AND EXHAUST SYSTEM

## 1W-8823 FLANGE GP-EXHAUST

S/N: 85Z3764-UP

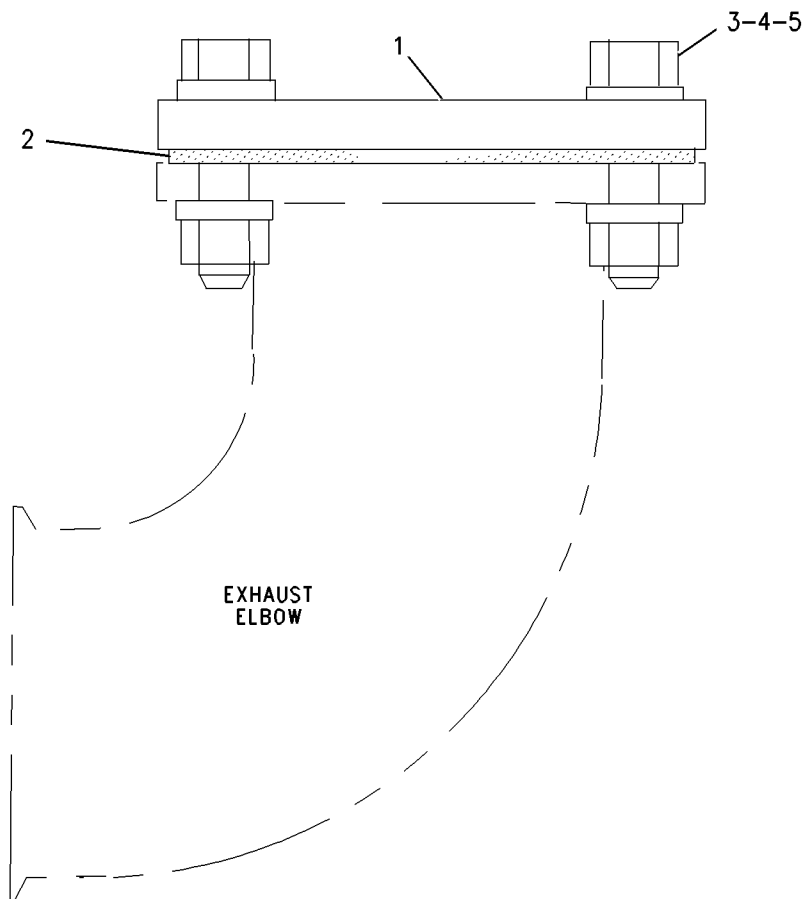
WELDABLE TO 101.6MM (4 INCH) AMERICAN STD.PIPE  
AN ATTACHMENT

SMCS-1061

i01611198

NOTE	REF NO	GRAPHIC REF	PART NUMBER	QTY	PART NAME						SEE PAGE
					1	2	3	4	5	6 (PRODUCT LEVEL)	
C	1	1	<b>5N-4737</b>	1	FLANGE						
C	2	1	<b>6L-4716</b>	1	GASKET - FLANGE						
	3	1	<b>1A-1460</b>	4	BOLT (1/2-13X2-IN)						
	4	1	<b>1F-7958</b>	4	NUT-FULL (1/2-13-THD)						
	5	1	<b>2M-0849</b>	8	WASHER-HARD (13.5X25.5X5-MM THK)						

C - CHANGE FROM PREVIOUS TYPE



GRAPHIC #1

<END>

g00833946

# AIR INLET AND EXHAUST SYSTEM

## 2W-7850 FLANGE GP-EXHAUST

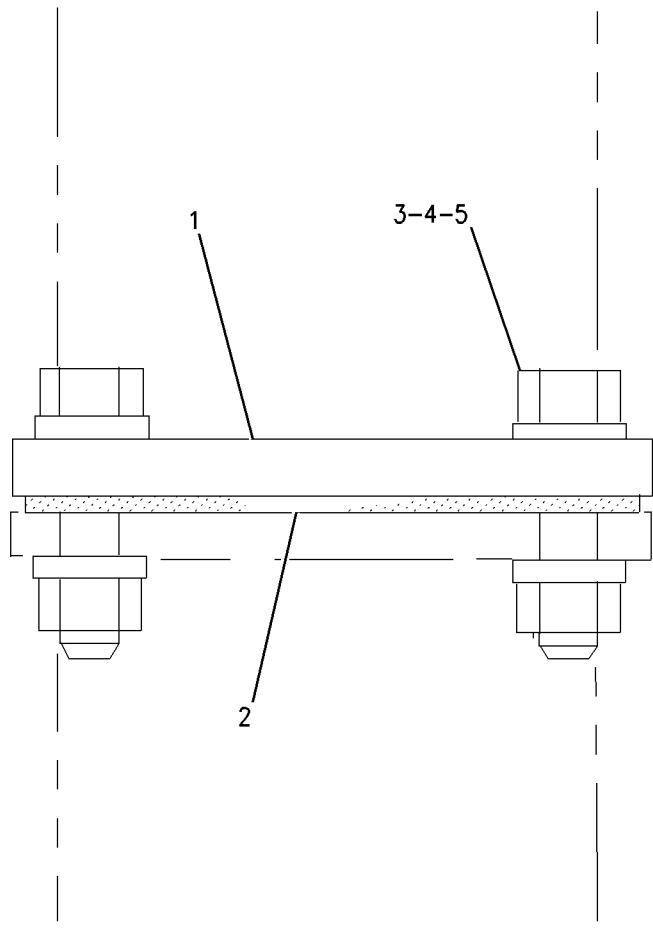
S/N: 85Z3764-UP

127-MM (5-INCH) DIAMETER PIPE  
FOR USE WITH 2N-9263-PAGE: 499  
AN ATTACHMENT

SMCS-1061

i04935225

NOTE	REF NO	GRAPHIC REF	PART NUMBER	QTY	PART NAME						SEE PAGE
					1	2	3	4	5	6 (PRODUCT LEVEL)	
	1	1	<b>5N-4741</b>	1	FLANGE						
	2	1	<b>5L-8484</b>	1	GASKET						
	3	1	<b>202-9008</b>	4	BOLT (5/8-11X2-IN)						
	4	1	<b>7X-0448</b>	4	NUT (5/8-11-THD)						
	5	1	<b>8T-4122</b>	8	WASHER-HARD (17X32X3.5-MM THK)						



GRAPHIC #1

<END>

g00783319

# AIR INLET AND EXHAUST SYSTEM

## 2W-7851 FLANGE GP-EXHAUST

S/N: 85Z3764-UP

152-MM (6-INCH) DIAMETER PIPE

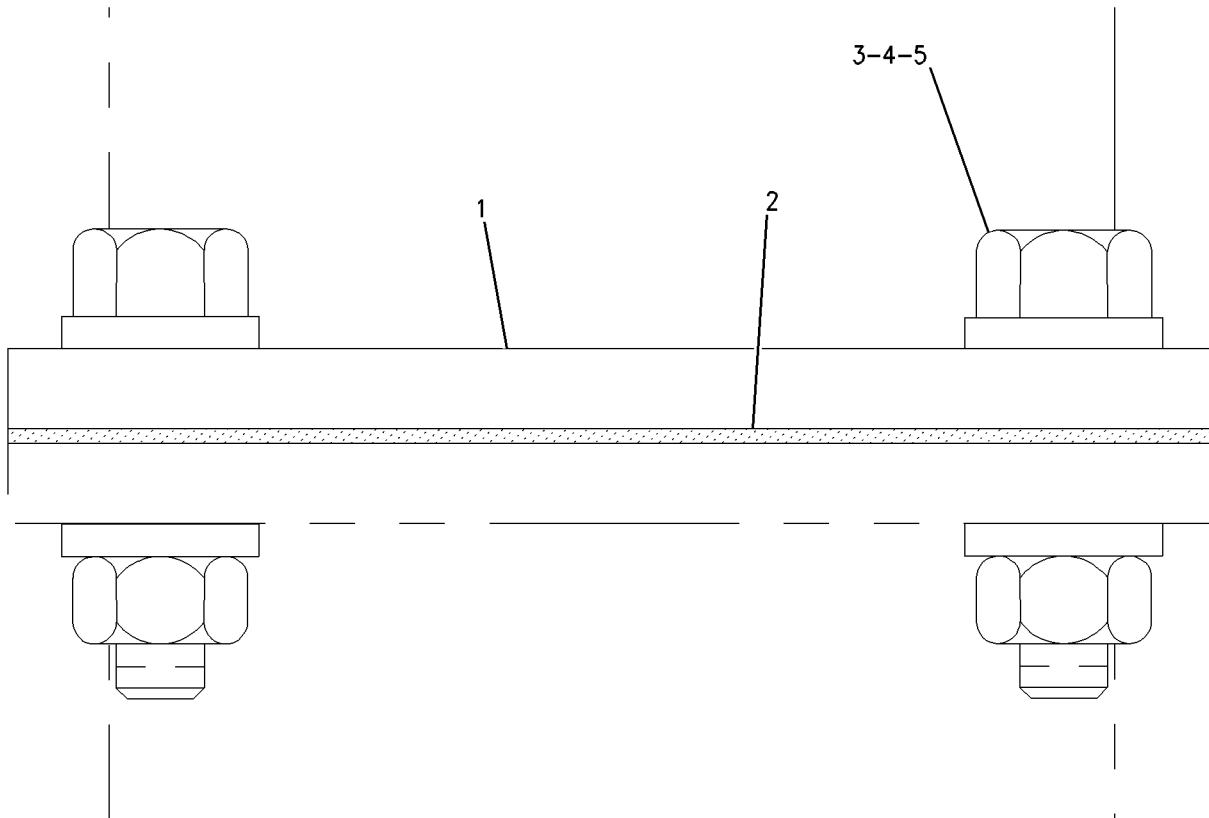
FOR USE WITH EXHAUST PIPE AND ELBOW, 8L-9859-PAGE: 500

CANNOT BE USED WITH WATERCOOLED EXHAUST ELBOW  
AN ATTACHMENT

SMCS-1061

i05769934

NOTE	REF NO	GRAPHIC REF	PART NUMBER	QTY	PART NAME						SEE PAGE
					1	2	3	4	5	6 (PRODUCT LEVEL)	
	1	1	<b>5N-4739</b>	1	FLANGE						
	2	1	<b>5H-8331</b>	1	GASKET						
	3	1	<b>1A-1135</b>	4	BOLT (5/8-11X2-IN)						
	4	1	<b>4K-0367</b>	4	NUT-FULL (5/8-11-THD)						
	5	1	<b>5P-8247</b>	8	WASHER-HARD (17X32X3.5-MM THK)						



GRAPHIC #1

<END>

g00768712

# AIR INLET AND EXHAUST SYSTEM

## 2W-7854 FLANGE GP-EXHAUST

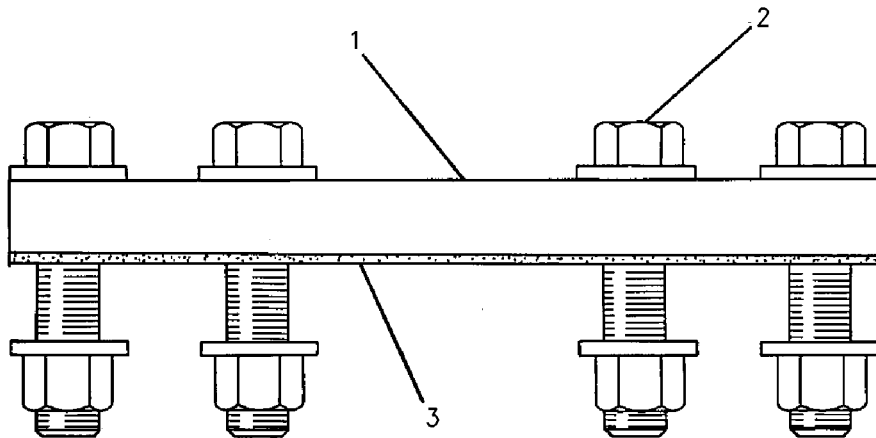
S/N: 85Z3764-UP

FOR USE WITH 114.3 MM (4.5 INCH) OD AMERICAN STD. PIPE, 2W-4070-PAGE: 537  
AN ATTACHMENT

SMCS-1061

i07032328

NOTE	REF NO	GRAPHIC REF	PART NUMBER	QTY	PART NAME						SEE PAGE
					1	2	3	4	5	6 (PRODUCT LEVEL)	
	1	1	<b>2W-7855</b>	1	FLANGE-EXHAUST						
	2	1	<b>202-9769</b>	6	BOLT (1/2-13X2.25-IN)						
		1	<b>6V-8188</b>	6	NUT (1/2-13-THD)						
		1	<b>8T-4223</b>	12	WASHER-HARD (13.5X25.5X3-MM THK)						
	3	1	<b>2W-7856</b>	1	GASKET-EXHAUST						



GRAPHIC #1

<END>

g00917703

# AIR INLET AND EXHAUST SYSTEM

## 2W-7857 FLANGE GP-EXHAUST

S/N: 85Z3764-UP

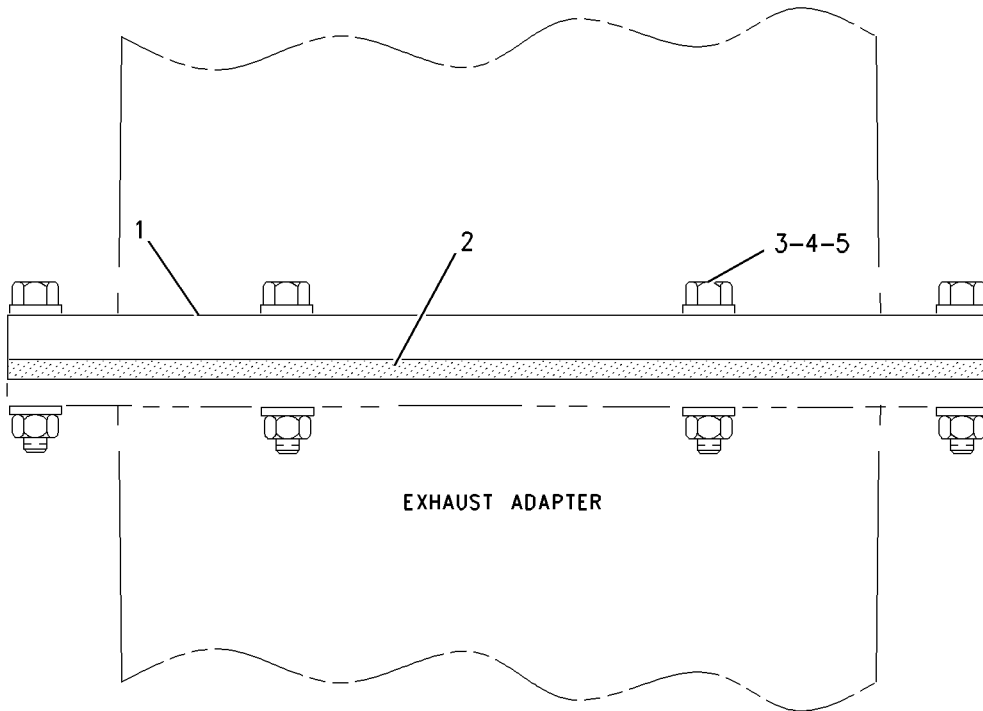
5 INCH. 2 REQUIRED

FOR USE WITH 141.3 MILLIMETER OUTSIDE DIAMETER AMERICAN STANDARD PIPE  
AN ATTACHMENT

SMCS-1061

i01508969

NOTE	REF NO	GRAPHIC REF	PART NUMBER	QTY	PART NAME						SEE PAGE
					1	2	3	4	5	6 (PRODUCT LEVEL)	
	1	1	<b>2W-7858</b>	1	FLANGE-EXHAUST						
	2	1	<b>2W-7859</b>	1	GASKET-EXHAUST						
	3	1	<b>202-9769</b>	6	BOLT (1/2-13X2.25-IN)						
	4	1	<b>6V-8188</b>	6	NUT (1/2-13-THD)						
	5	1	<b>8T-4223</b>	12	WASHER-HARD (13.5X25.5X3-MM THK)						



GRAPHIC #1

<END>

g00783337

# AIR INLET AND EXHAUST SYSTEM

## 2W-7860 FLANGE GP-EXHAUST

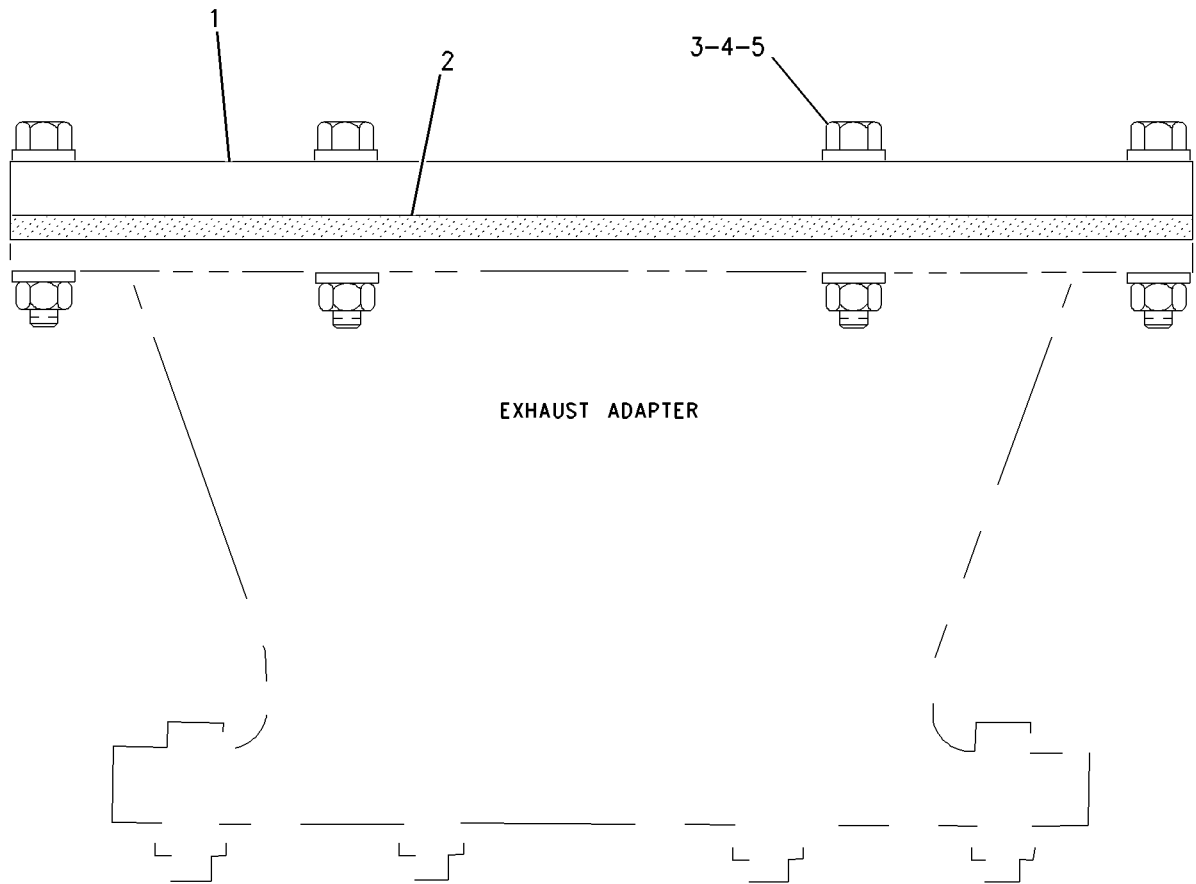
S/N: 85Z3764-UP

152-MM (6-INCH) DIAMETER PIPE  
FOR USE WITH 2W-4072-PAGE: 539  
AN ATTACHMENT

SMCS-1061

i05769936

NOTE	REF NO	GRAPHIC REF	PART NUMBER	QTY	PART NAME						SEE PAGE
					1	2	3	4	5	6 (PRODUCT LEVEL)	
	1	1	<b>2W-7861</b>	1	FLANGE - EXHAUST						
	2	1	<b>2W-7862</b>	1	GASKET - EXHAUST						
	3	1	<b>5L-4398</b>	6	BOLT (1/2-13X2.25-IN)						
	4	1	<b>1B-5357</b>	6	NUT - FULL (1/2-13-THD)						
	5	1	<b>5P-8245</b>	12	WASHER - HARD (13.5X25.5X3-MM THK)						



GRAPHIC #1

<END>

g00768699

# AIR INLET AND EXHAUST SYSTEM

## 2N-3322 GAUGE GP-AIR CLEANER

S/N: 85Z3764-UP

FOR USE WITH 7W-0687-PAGE: 432

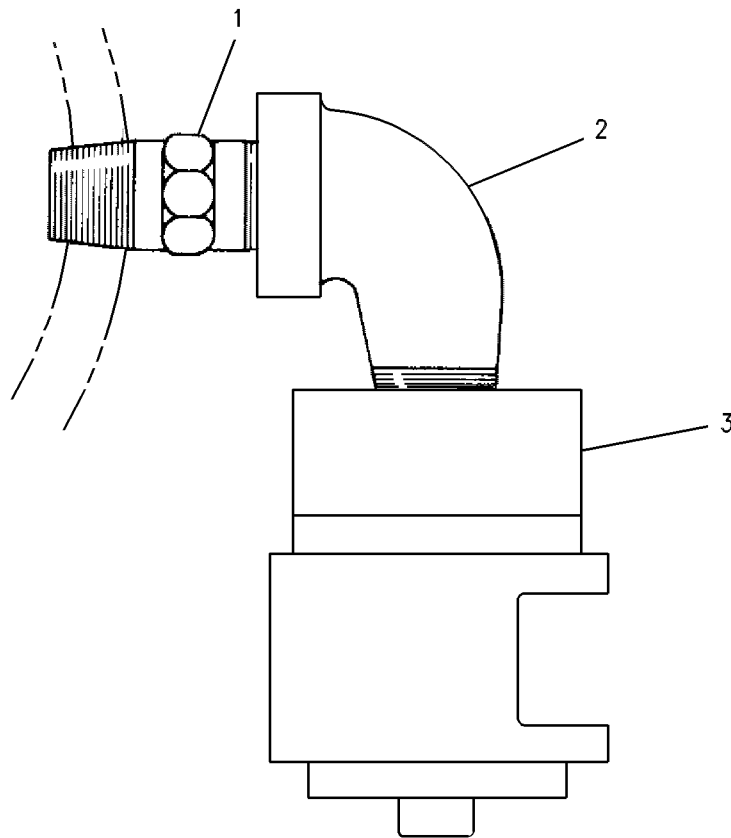
PART OF 8N-8833 AIR CLEANER GP

AN ATTACHMENT

SMCS-1051, 7452

i02437532

NOTE	REF NO	GRAPHIC REF	PART NUMBER	QTY	PART NAME						SEE PAGE
					1	2	3	4	5	6 (PRODUCT LEVEL)	
	1	1	<b>5L-3233</b>	1	FITTING-CONNECTOR						
	2	1	<b>3B-6552</b>	1	ELBOW-PIPE						
	3	1	<b>7S-0687</b>	1	INDICATOR-AIR FILTER CHANGE						



GRAPHIC #1

<END>

g00556162



# AIR INLET AND EXHAUST SYSTEM

## 6I-3830 KIT-AIR CLEANER

S/N: 85Z3764-UP

REQUIRES -6I2501 AND 6I2502 ELEMENTS OR 6I2503 AND 6I2504 ELEMENTS, USED TO REPLACE AXIAL SEAL ACLR ELEMENTS 7W5317 AND 2S1286 W/RADIAL SEAL ELEMENTS 6I2501 AND 6I2502. ALSO USED TO , REPLACE 7W5316 AND 2S1287 ELEMENTS W/6I2503 AND 6I2504 ELEMENTS. IN BOTH CASES THIS IS THE EGB STYLE 12 INCH SIZE ACLR , HSG WHICH HAS 195.1 MM DIA BOLT  
CIRCLE MOUNTING  
FIELD INSTALLATION

SMCS-1051

i06792781

NOTE	PART NUMBER	QTY	PART NAME 1 2 3 4 5 6 (PRODUCT LEVEL)	SEE PAGE
	<b>9S-1274</b>	1	GASKET	
<END>				

## 6I-3832 KIT-AIR CLEANER

S/N: 85Z3764-UP

FOR USE WITH 6I-0273 FILTER ELEMENT AS-AIR, 6I-0274 FILTER ELEMENT AS-AIR  
FIELD INSTALLATION

SMCS-1051

i06889822

NOTE	PART NUMBER	QTY	PART NAME 1 2 3 4 5 6 (PRODUCT LEVEL)	SEE PAGE
	<b>9D-6488</b>	1	GASKET	
	<b>105-7561</b>	3	GUIDE-ELEMENT	
<END>				

## 393-1165 KIT-TURBOCHARGER GASKET-TURBOCHARGER

S/N: 85Z3764-UP

KIT CONTAINS GASKETS AND SEALS TO REINSTALL THE TUROBS AND ATTACHING LINES. KIT  
INCLUDES TURBO MOUNTING HARDWARE  
FIELD INSTALLATION

SMCS-1052, 1053, 7555

i06731405

NOTE	PART NUMBER	QTY	PART NAME 1 2 3 4 5 6 (PRODUCT LEVEL)	SEE PAGE
	<b>1S-4295</b>	1	GASKET (TURBOCHARGER)	
	<b>8H-9788</b>	1	GASKET	
	<b>188-6126</b>	1	GASKET	
	<b>1S-4810</b>	1	GASKET-OIL DRAIN	
	<b>1S-6595</b>	1	GASKET-OIL SUPPLY	
	<b>391-2167</b>	4	LOCKNUT-FLANGE (3/8X16-THD)	
	<b>2M-9780</b>	1	SEAL-O-RING	
	<b>4L-8337</b>	2	SEAL-O-RING	
	<b>5H-7704</b>	2	SEAL-O-RING	
	<b>9M-4849</b>	1	SEAL-O-RING	
	<b>3K-0360</b>	2	SEAL-O-RING	
	<b>8M-5253</b>	1	SEAL-O-RING	
FOR A LIST OF RELATED PARTS THAT MAY BE REQUIRED FOR THE ENGINE REBUILD TO THE KIT CONSIST, PLEASE VISIT				
<a href="http://dealer.cat.com/related">HTTP://DEALER.CAT.COM/RELATED</a>				
<END>				

# AIR INLET AND EXHAUST SYSTEM

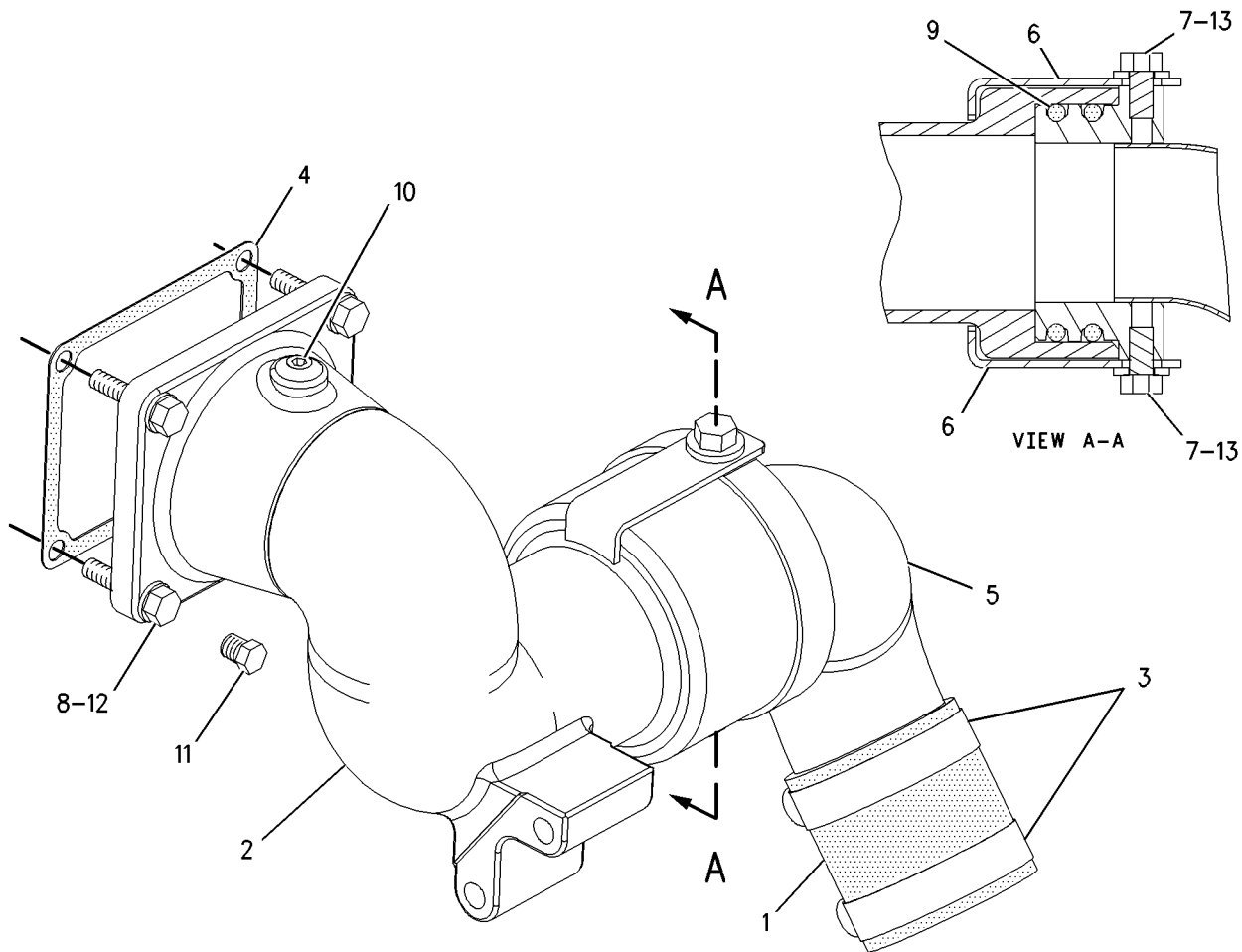
## 183-8575 LINES GP-AIR

S/N: 85Z14662-UP

SMCS-1071

i01228345

NOTE	REF NO	GRAPHIC REF	PART NUMBER	QTY	PART NAME						SEE PAGE
					1	2	3	4	5	6	
	1	1	<b>4N-9215</b>	1	HOSE-AIR						
	2	1	<b>4N-9579</b>	1	PIPE-AIR TRANSFER						
	3	1	<b>5P-4868</b>	2	CLAMP-HOSE						
	4	1	<b>6L-9691</b>	1	GASKET-FLANGE						
	5	1	<b>183-8456</b>	1	TUBE AS						
	6	1	<b>183-8579</b>	2	BRACKET						
	7	1	<b>0S-0509</b>	2	BOLT (3/8-16X0.75-IN)						
	8	1	<b>1B-2790</b>	4	BOLT (5/16-18X1.375-IN)						
	9	1	<b>4L-8337</b>	2	SEAL-O-RING						
	10	1	<b>8T-6757</b>	1	PLUG-PIPE						
	11	1	<b>8T-6764</b>	1	PLUG-PIPE (1/8-27-THD)						
	12	1	<b>9M-1974</b>	4	WASHER-HARD (8.8X16X2-MM THK)						
	13	1	<b>9X-6458</b>	2	WASHER-HARD (10.2X22.5X3-MM THK)						



GRAPHIC #1

<END>

g00666733

# AIR INLET AND EXHAUST SYSTEM

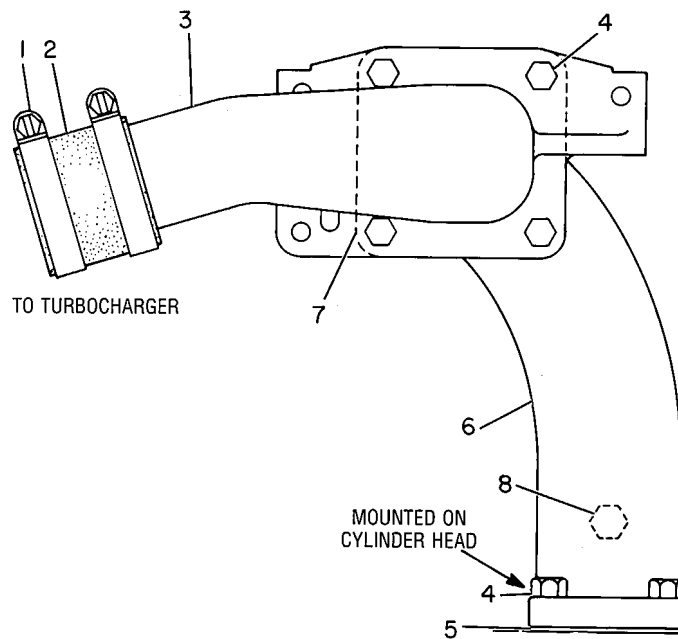
## 1W-1010 LINES GP-AIR

S/N: 85Z11063-UP

SMCS-1071

i00151179

NOTE	REF NO	GRAPHIC REF	PART NUMBER	QTY	PART NAME						SEE PAGE
					1	2	3	4	5	6 (PRODUCT LEVEL)	
	1	1	<b>5P-0597</b>	2	CLAMP-HOSE						
	2	1	<b>4N-9216</b>	1	HOSE-AIR						
	3	1	<b>6N-0511</b>	1	ELBOW						
	4	1	<b>1A-2029</b>	8	BOLT (3/8-16X1.125-IN)						
	5	1	<b>5S-6735</b>	1	GASKET						
	6	1	<b>2P-8862</b>	1	ELBOW-AIR TRANSFER						
	7	1	<b>1H-7666</b>	1	GASKET						
	8	1	<b>5M-6214</b>	1	PLUG (1/8-27 PTF)						



GRAPHIC #1

<END>

g00112104

# AIR INLET AND EXHAUST SYSTEM

## 2W-3559 LINES GP-AIR

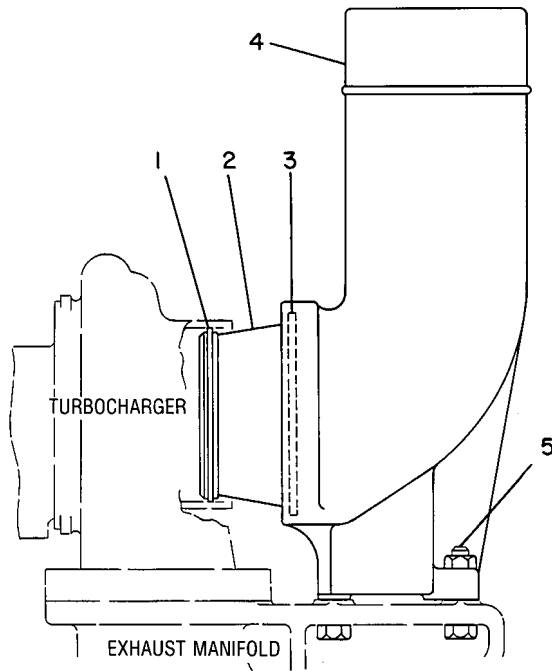
S/N: 85Z3764-UP

FOR USE WITH 2P-6574-PAGE: 531  
AN ATTACHMENT

SMCS-1071

i00649223

NOTE	REF NO	GRAPHIC REF	PART NUMBER	QTY	PART NAME						SEE PAGE
					1	2	3	4	5	6 (PRODUCT LEVEL)	
	1	1	<b>5L-8855</b>	1	RING-METAL SEAL						
	2	1	<b>6N-5978</b>	1	COUPLING-EXHAUST						
	3	1	<b>2S-5301</b>	1	RING-METAL SEAL						
	4	1	<b>2P-5472</b>	1	ELBOW-EXHAUST						
	5	1	<b>0S-1571</b>	4	BOLT (3/8-16X1.75-IN)						
		1	<b>1B-5355</b>	4	NUT-FULL (3/8-16-THD)						



GRAPHIC #1

<END>

g00154506

# AIR INLET AND EXHAUST SYSTEM

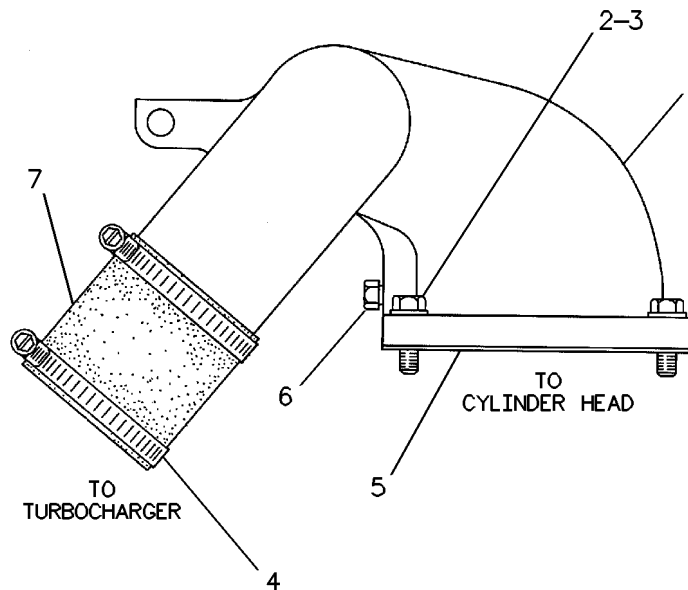
## 2W-9179 LINES GP-AIR

S/N: 85Z3764-UP

SMCS-1071

i00671713

NOTE	REF NO	GRAPHIC REF	PART NUMBER	QTY	PART NAME						SEE PAGE
					1	2	3	4	5	6	
	1	1	<b>2W-9178</b>	1	PIPE-AIR TRANSFER						
	2	1	<b>0S-1588</b>	4	BOLT (3/8-16X1.25-IN)						
	3	1	<b>5M-2894</b>	4	WASHER-HARD (10.2X18.5X2.5-MM THK)						
	4	1	<b>5P-4868</b>	2	CLAMP-HOSE						
	5	1	<b>5S-6735</b>	1	GASKET						
	6	1	<b>5M-6213</b>	1	PLUG-PIPE (1/4-18-THD)						
	7	1	<b>4N-9215</b>	1	HOSE-AIR						



GRAPHIC #1

<END>

g00224664

# AIR INLET AND EXHAUST SYSTEM

## 4N-9175 LINES GP-AIR

S/N: 85Z3764-UP

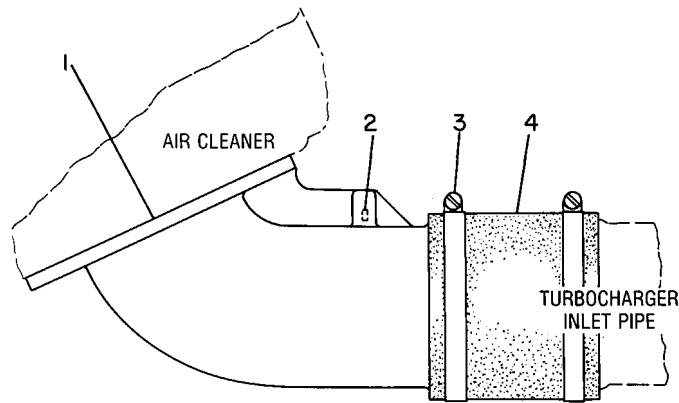
**CANNOT BE USED WITH GENERATOR SET ENGINE ENCLOSURE  
AN ATTACHMENT**

**SMCS-1071**

**i01774162**

NOTE	REF NO	GRAPHIC REF	PART NUMBER	QTY	PART NAME						SEE PAGE
					1	2	3	4	5	6 (PRODUCT LEVEL)	
	1	1	<b>4N-8328</b>	1	PIPE AS-OUTLET						
	2	1	<b>7M-1674</b>	1	SCREEN-AIR CLEANER INLET (AIR LINES)						
	3	1	<b>5P-0599</b>	2	CLAMP-BAND						
E	4	1	<b>5P-1270</b>		HOSE (12.70CM)						

E - ORDER BY THE CENTIMETER



GRAPHIC #1

<END>

g00115562

# AIR INLET AND EXHAUST SYSTEM

## 4W-0855 LINES GP-AIR

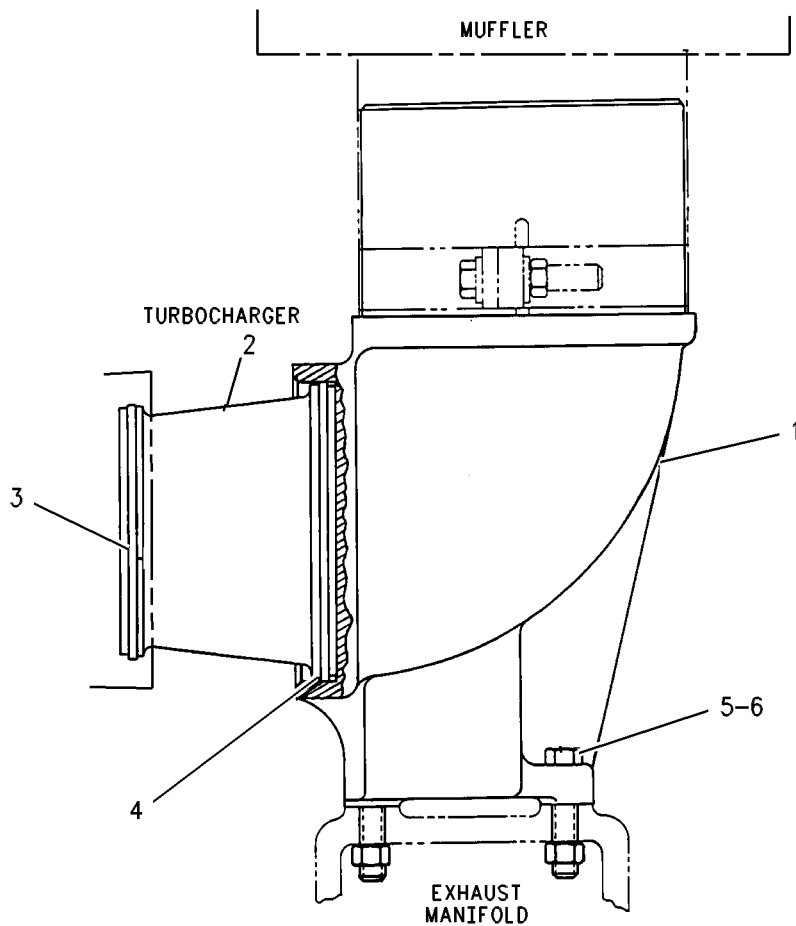
S/N: 85Z3764-UP

FOR USE WITH 201 KW 60 HERTZ PRIME GEN SET, 227 KW 60 HERTZ STANDBY GEN SET & 179 KW  
50 HERTZ STANDBY GET SET  
AN ATTACHMENT

SMCS-1071

i00970604

NOTE	REF NO	GRAPHIC REF	PART NUMBER	QTY	PART NAME						SEE PAGE
					1	2	3	4	5	6 (PRODUCT LEVEL)	
	1	1	<b>2P-5472</b>	1	ELBOW-EXHAUST						
	2	1	<b>5L-8856</b>	1	COUPLING-EXHAUST						
	3	1	<b>5L-8855</b>	1	RING-METAL SEAL						
	4	1	<b>2S-5301</b>	1	RING-METAL SEAL						
	5	1	<b>0S-1571</b>	4	BOLT (3/8-16X1.75-IN)						
	6	1	<b>1B-5355</b>	4	NUT-FULL (3/8-16-THD)						



GRAPHIC #1

<END>

g00495878

# AIR INLET AND EXHAUST SYSTEM

## 4W-0960 LINES GP-AIR

S/N: 85Z3764-11062

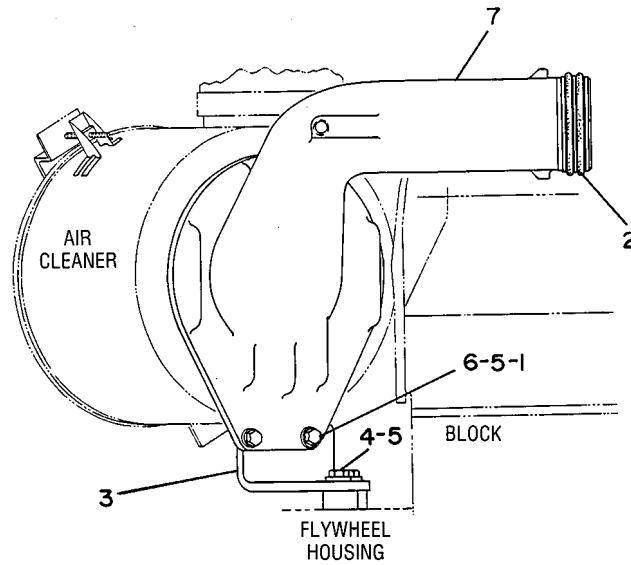
**FOR USE WITH GEN SET AND MID FRAME TOP MOUNT INDUSTRIAL ENGINE  
AN ATTACHMENT**

SMCS-1071

i01850914

NOTE	REF NO	GRAPHIC REF	PART NUMBER	QTY	PART NAME						SEE PAGE
					1	2	3	4	5	6 (PRODUCT LEVEL)	
	1	1	<b>1D-4717</b>	2	NUT (3/8-16-THD)						
	2	1	<b>5H-7704</b>	2	SEAL-O-RING						
C	3	1	<b>7C-2468</b>	1	BRACKET-SUPPORT						
C	4	1	<b>0S-1590</b>	2	BOLT (3/8-16X2-IN)						
C	5	1	<b>5M-2894</b>	4	WASHER-HARD (10.2X18.5X2.5-MM THK)						
	6	1	<b>0S-1591</b>	2	BOLT (3/8-16X1.5-IN)						
C	7	1	<b>7W-9195</b>	1	PIPE AS						
		1	<b>7M-1674</b>	1	SCREEN-AIR CLEANER INLET (AIR LINES)						
		1	<b>9M-2151</b>	8	STUD-TAPERLOCK (3/8-16X1.378-IN)						
		1	<b>5M-6214</b>	1	PLUG (1/8-27 PTF)						

C - CHANGE FROM PREVIOUS TYPE



GRAPHIC #1

<END>

g00186371



# AIR INLET AND EXHAUST SYSTEM

## 4W-0960 LINES GP-AIR

S/N: 85Z11063-UP

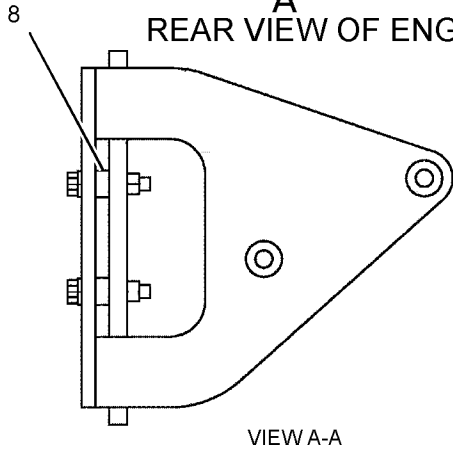
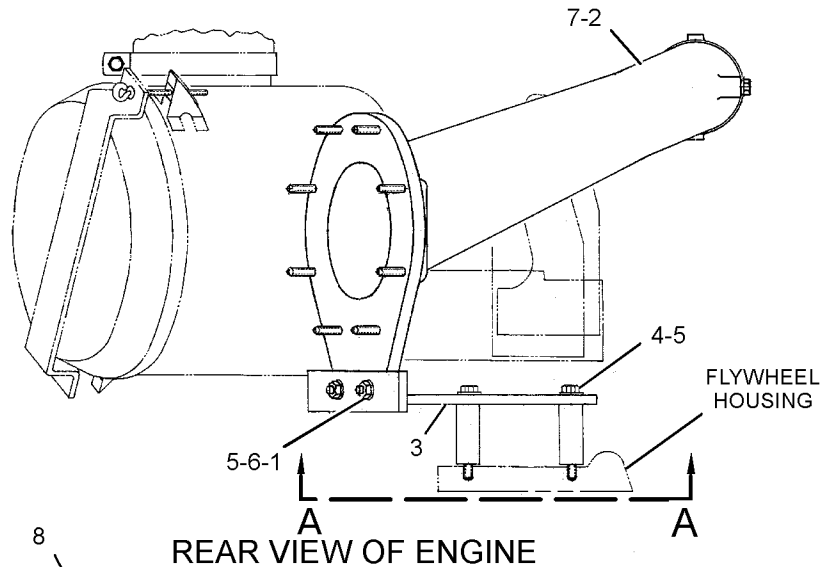
**FOR USE WITH GEN SET AND MID FRAME TOP MOUNT INDUSTRIAL ENGINE  
AN ATTACHMENT**

**SMCS-1071**

**i03765723**

NOTE	REF NO	GRAPHIC REF	PART NUMBER	QTY	PART NAME						SEE PAGE
					1	2	3	4	5	6 (PRODUCT LEVEL)	
C	1	1	<b>6V-8801</b>	2	NUT (3/8-16-THD)						
	2	1	<b>5H-7704</b>	2	SEAL-O-RING						
C	3	1	<b>9Y-6398</b>	1	BRACKET AS						
C	4	1	<b>7X-0291</b>	2	BOLT (3/8-16X3.75-IN)						
C	5	1	<b>8T-4896</b>	4	WASHER-HARD (10.2X18.5X2.5-MM THK)						
C	6	1	<b>8T-2501</b>	2	BOLT (3/8-16X2-IN)						
	7	1	<b>7W-9195</b>	1	PIPE AS						
		1	<b>7M-1674</b>	1	SCREEN-AIR CLEANER INLET (AIR LINES)						
		1	<b>9M-2151</b>	8	STUD-TAPERLOCK (3/8-16X1.378-IN)						
		1	<b>5M-6214</b>	1	PLUG (1/8-27 PTF)						
8	1		<b>6F-6405</b>	2	SPACER (0.438X0.75X0.375-IN THK)						

C - CHANGE FROM PREVIOUS TYPE



GRAPHIC #1

<END>

g02120073

# AIR INLET AND EXHAUST SYSTEM

## 6N-9317 LINES GP-AIR

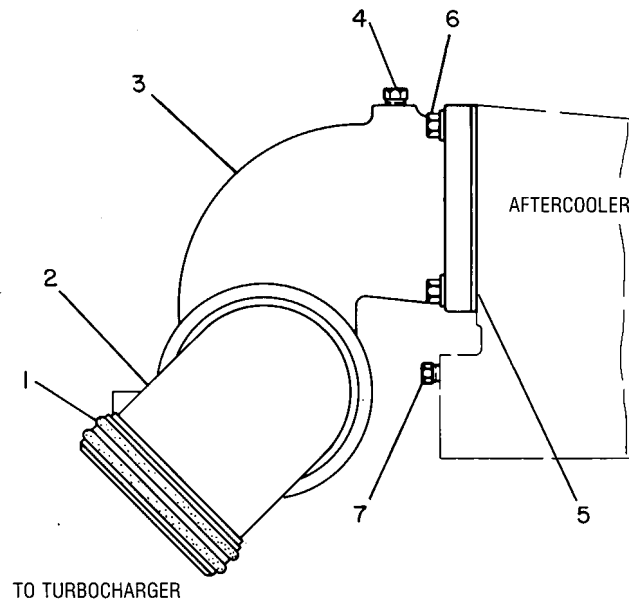
S/N: 85Z3764-UP

SMCS-1071

i00648409

NOTE	REF NO	GRAPHIC REF	PART NUMBER	QTY	PART NAME						SEE PAGE
					1	2	3	4	5	6 (PRODUCT LEVEL)	
	1	1	<b>4L-8337</b>	4	SEAL-O-RING						
	2	1	<b>6L-3052</b>	1	PIPE-AIR TRANSFER						
	3	1	<b>4N-9579</b>	1	PIPE-AIR TRANSFER						
	4	1	<b>9F-2247</b>	1	PLUG-PIPE (1/8-27-THD)						
	5	1	<b>6L-9691</b>	1	GASKET-FLANGE						
	6	1	<b>1B-2790</b>	4	BOLT (5/16-18X1.375-IN)						
		1	<b>9M-1974</b>	4	WASHER-HARD (8.8X16X2-MM THK)						
C	7	1	<b>5M-6214</b>	1	PLUG (1/8-27 PTF)						

C - CHANGE FROM PREVIOUS TYPE



GRAPHIC #1

<END>

g00143257

# AIR INLET AND EXHAUST SYSTEM

## 7C-8298 LINES GP-AIR

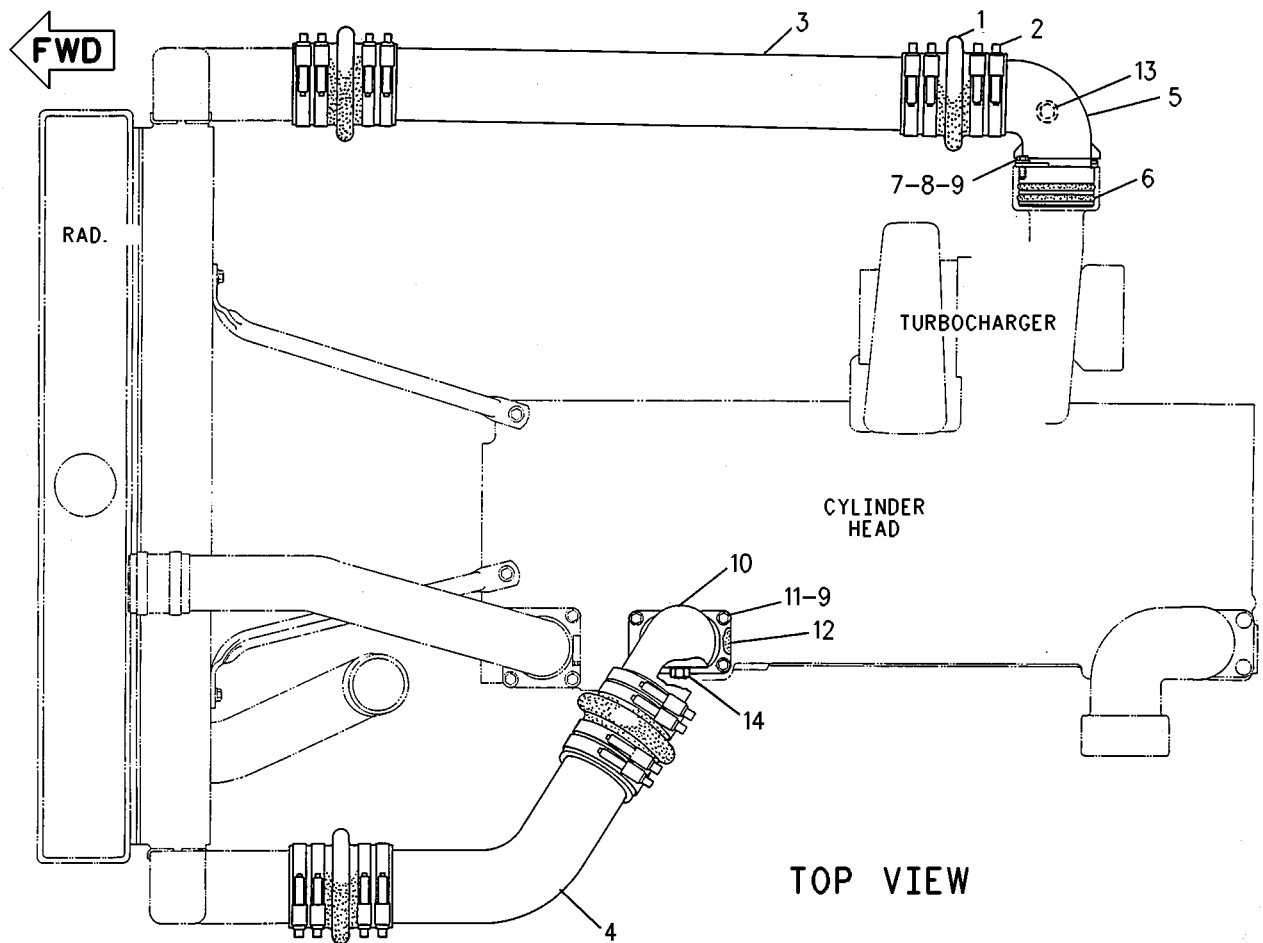
S/N: 85Z3764-UP

FOR USE WITH AIR-TO-AIR AFTERCOOLED ARRANGEMENT  
AN ATTACHMENT

SMCS-1071

i01834377

NOTE	REF NO	GRAPHIC REF	PART NUMBER	QTY	PART NAME						SEE PAGE
					1	2	3	4	5	6	
	1	1	7C-7534	4	HOSE						
	2	1	8T-4985	16	CLAMP-HOSE						
	3	1	7C-7863	1	TUBE						
	4	1	7C-7541	1	TUBE						
	5	1	7C-8481	1	ELBOW						
	6	1	4L-8337	2	SEAL-O-RING						
	7	1	7W-1944	2	RETAINER						
	8	1	5S-7379	2	BOLT (3/8-16X0.875-IN)						
	9	1	8T-4896	6	WASHER-HARD (10.2X18.5X2.5-MM THK)						
	10	1	7C-8299	1	ELBOW						
	11	1	8T-2502	4	BOLT (3/8-16X1.125-IN)						
	12	1	5S-6735	1	GASKET						
	13	1	8T-6764	1	PLUG-PIPE (1/8-27-THD)						
	14	1	8T-6765	1	PLUG-PIPE (1/4-18-THD)						



GRAPHIC #1

<END>

g00937960

# AIR INLET AND EXHAUST SYSTEM

## 7N-8756 LINES GP-AIR

S/N: 85Z3764-UP

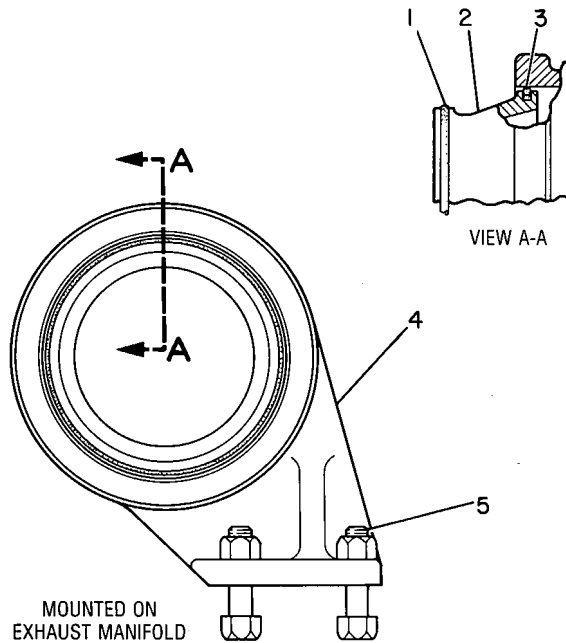
**FOR USE WITH TOP MOUNTED TURBOCHARGER  
AN ATTACHMENT**

**SMCS-1071**

**i02355577**

NOTE	REF NO	GRAPHIC REF	PART NUMBER	QTY	PART NAME						SEE PAGE
					1	2	3	4	5	6 (PRODUCT LEVEL)	
	1	1	<b>5L-8855</b>	1	RING-METAL SEAL						
	2	1	<b>6N-5978</b>	1	COUPLING-EXHAUST						
	3	1	<b>5L-8854</b>	1	RING-SEALING						
	4	1	<b>3N-5869</b>	1	SUPPORT-ELBOW						
C	5	1	<b>0S-1571</b>	2	BOLT (3/8-16X1.75-IN)						
		1	<b>1B-5355</b>	2	NUT-FULL (3/8-16-THD)						

C - CHANGE FROM PREVIOUS TYPE



GRAPHIC #1

<END>

g00158760

# AIR INLET AND EXHAUST SYSTEM

## 8N-2582 LINES GP-AIR

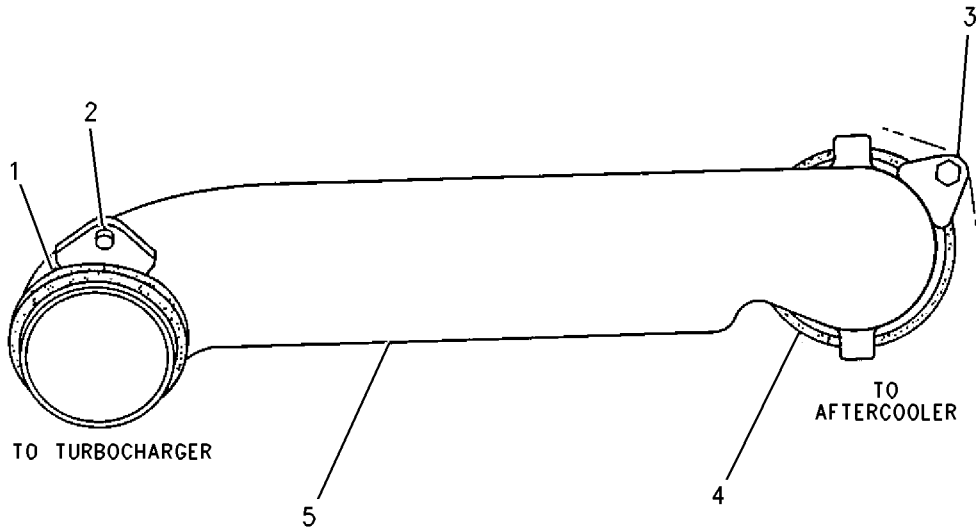
S/N: 85Z3764-UP

SMCS-1071

i01222803

NOTE	REF NO	GRAPHIC REF	PART NUMBER	QTY	PART NAME						SEE PAGE
					1	2	3	4	5	6 (PRODUCT LEVEL)	
	1	1	<b>4L-8337</b>	2	SEAL-O-RING						
C	2	1	<b>0L-1351</b>	1	BOLT (3/8-16X0.875-IN)						
C		1	<b>7W-1944</b>	1	RETAINER						
C	3	1	<b>7W-1945</b>	1	RETAINER						
	4	1	<b>5H-7704</b>	2	SEAL-O-RING						
	5	1	<b>4N-8582</b>	1	PIPE-AIR TRANSFER						

C - CHANGE FROM PREVIOUS TYPE



GRAPHIC #1

<END>

g00653383

# AIR INLET AND EXHAUST SYSTEM

## 8N-4703 LINES GP-AIR

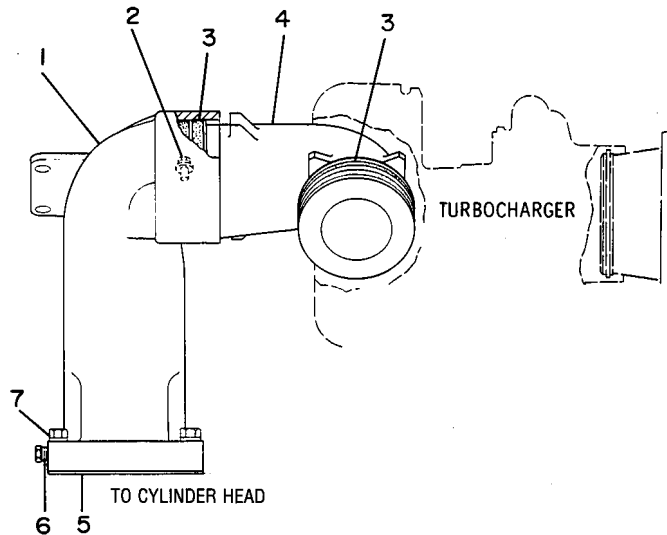
S/N: 85Z3764-UP

SMCS-1071

i00648396

NOTE	REF NO	GRAPHIC REF	PART NUMBER	QTY	PART NAME						SEE PAGE
					1	2	3	4	5	6 (PRODUCT LEVEL)	
C	1	1	<b>7C-0386</b>	1	ELBOW-AIR TRANSFER						
C		1	<b>5M-6214</b>	1	PLUG (1/8-27 PTF)						
	2	1	<b>0L-1351</b>	1	BOLT (3/8-16X0.875-IN)						
C		1	<b>7W-1944</b>	1	RETAINER						
	3	1	<b>4L-8337</b>	4	SEAL-O-RING						
	4	1	<b>5S-1293</b>	1	ELBOW						
	5	1	<b>5S-6735</b>	1	GASKET						
	6	1	<b>5M-6213</b>	1	PLUG-PIPE (1/4-18-THD)						
	7	1	<b>0S-1571</b>	4	BOLT (3/8-16X1.75-IN)						

C - CHANGE FROM PREVIOUS TYPE



GRAPHIC #1

<END>

g00189816

# AIR INLET AND EXHAUST SYSTEM

## 1W-8483 MANIFOLD GP-EXHAUST

S/N: 85Z3764-4746

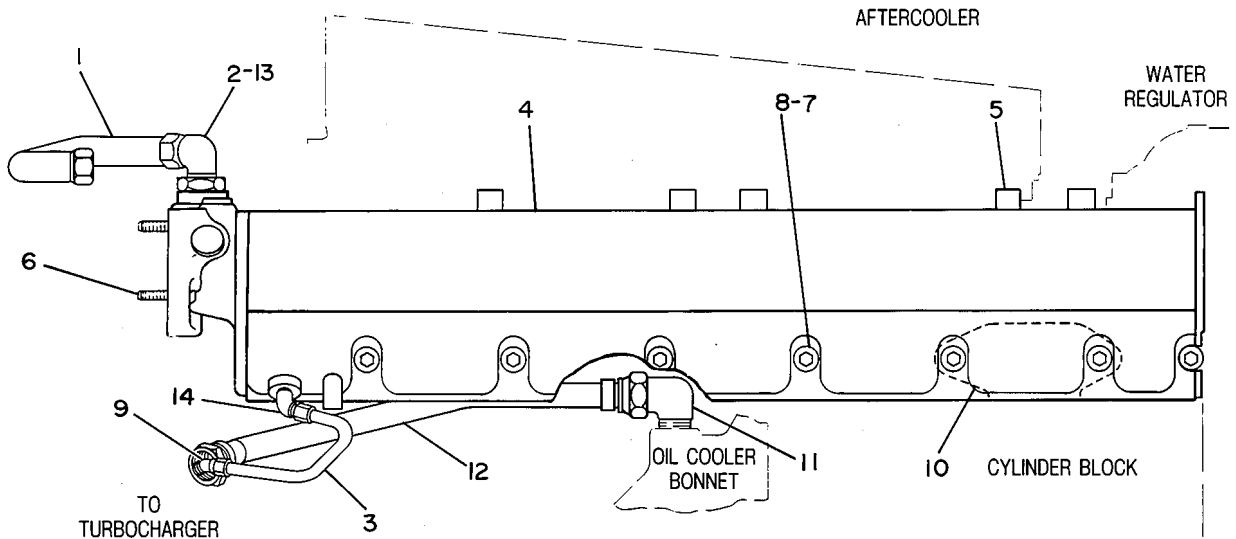
WATERCOOLED

SMCS-1059

i00662627

NOTE	REF NO	GRAPHIC REF	PART NUMBER	QTY	PART NAME						SEE PAGE
					1	2	3	4	5	6	
C	1	1	<b>7N-8470</b>	1	TUBE AS-WATER						
	2	1	<b>030-7951</b>	1	ELBOW-FLARED						
C	3	1	<b>7C-0376</b>	1	TUBE AS						
	4	1	<b>1W-8356</b>	1	MANIFOLD AS-EXHAUST						
	5	1	<b>6K-2198</b>	5	BOSS (3/8-16X1-IN)						
	6	1	<b>6L-8562</b>	4	STUD-TAPERLOCK (3/8-16X1.77-IN)						
	7	1	<b>1B-5355</b>	7	NUT-FULL (3/8-16-THD)						
		1	<b>5M-2894</b>	7	WASHER-HARD (10.2X18.5X2.5-MM THK)						
	8	1	<b>2M-4779</b>	7	STUD-TAPERLOCK (3/8-16X1.75-IN)						
	9	1	<b>001-6498</b>	1	ELBOW						
	10	1	<b>8S-6410</b>	3	GASKET-MANIFOLD						
	11	1	<b>9S-7296</b>	1	ELBOW-FLARED						
	12	1	<b>6N-6057</b>	1	TUBE AS						
	13	1	<b>7M-8485</b>	1	SEAL-O-RING						
	C	14	1	<b>4W-4076</b>	1	ELBOW					

C - CHANGE FROM PREVIOUS TYPE



GRAPHIC #1

<END>

g00185081

# AIR INLET AND EXHAUST SYSTEM

## 1W-8483 MANIFOLD GP-EXHAUST

S/N: 85Z4747-UP

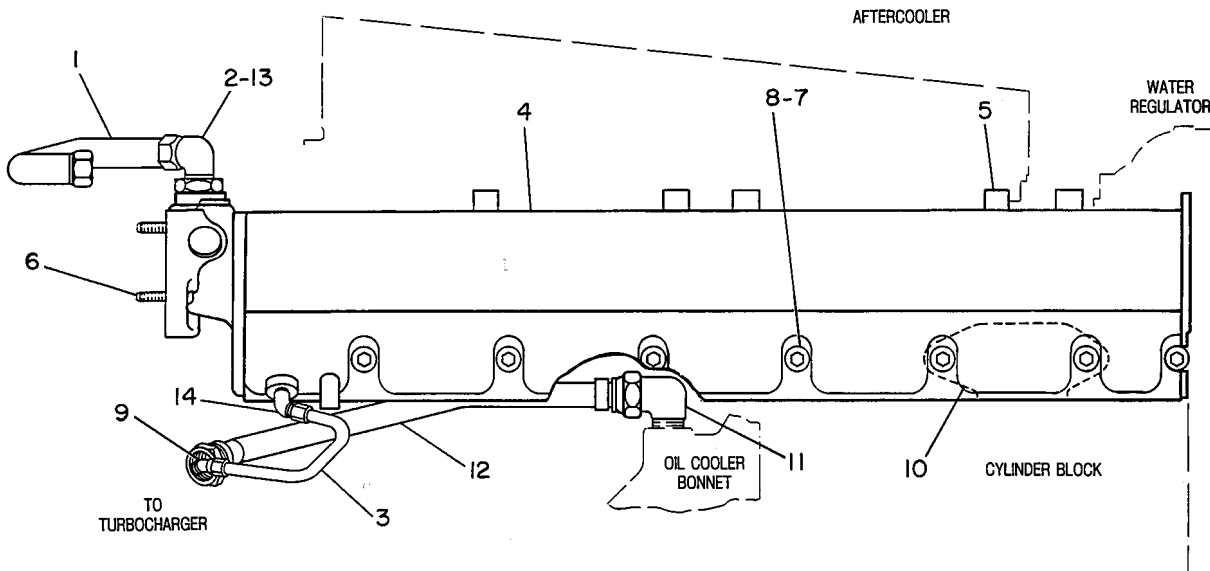
WATERCOOLED

SMCS-1059

i00648465

NOTE	REF NO	GRAPHIC REF	PART NUMBER	QTY	PART NAME						SEE PAGE
					1	2	3	4	5	6	
	1	1	<b>7N-8470</b>	1	TUBE AS-WATER						
	2	1	<b>030-7951</b>	1	ELBOW-FLARED						
	3	1	<b>7C-0376</b>	1	TUBE AS						
	4	1	<b>1W-8356</b>	1	MANIFOLD AS-EXHAUST						
	5	1	<b>6K-2198</b>	5	BOSS (3/8-16X1-IN)						
	6	1	<b>6L-8562</b>	4	STUD-TAPERLOCK (3/8-16X1.77-IN)						
	7	1	<b>1B-5355</b>	7	NUT-FULL (3/8-16-THD)						
		1	<b>5M-2894</b>	7	WASHER-HARD (10.2X18.5X2.5-MM THK)						
	8	1	<b>2M-4779</b>	7	STUD-TAPERLOCK (3/8-16X1.75-IN)						
	9	1	<b>001-6498</b>	1	ELBOW						
C	10	1	<b>9Y-1979</b>	3	GASKET-MANIFOLD						
	11	1	<b>9S-7296</b>	1	ELBOW-FLARED						
	12	1	<b>6N-6057</b>	1	TUBE AS						
	13	1	<b>7M-8485</b>	1	SEAL-O-RING						
	14	1	<b>4W-4076</b>	1	ELBOW						

C - CHANGE FROM PREVIOUS TYPE



GRAPHIC #1

<END>

g00201620



# AIR INLET AND EXHAUST SYSTEM

## 2P-6574 MANIFOLD GP-EXHAUST

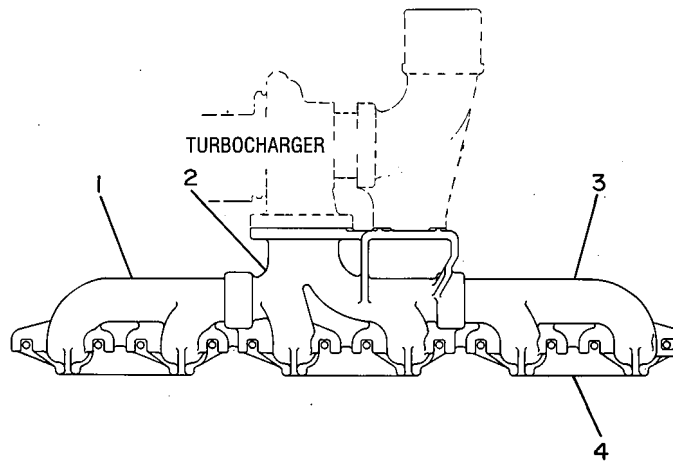
S/N: 85Z3764-4746

SMCS - 1059

i00152148

NOTE	REF NO	GRAPHIC REF	PART NUMBER	QTY	PART NAME						SEE PAGE
					1	2	3	4	5	6 (PRODUCT LEVEL)	
	1	1	<b>8S-7718</b>	1	MANIFOLD-EXHAUST (REAR) (REAR)						
	2	1	<b>8S-7717</b>	1	MANIFOLD-EXHAUST (CENTER)						
	3	1	<b>8S-7716</b>	1	MANIFOLD-EXHAUST (FRONT) (FRONT)						
C	4	1	<b>8S-6410</b>	3	GASKET-MANIFOLD						

C - CHANGE FROM PREVIOUS TYPE



GRAPHIC #1

<END>

g00111809

# AIR INLET AND EXHAUST SYSTEM

## 2P-6574 MANIFOLD GP-EXHAUST

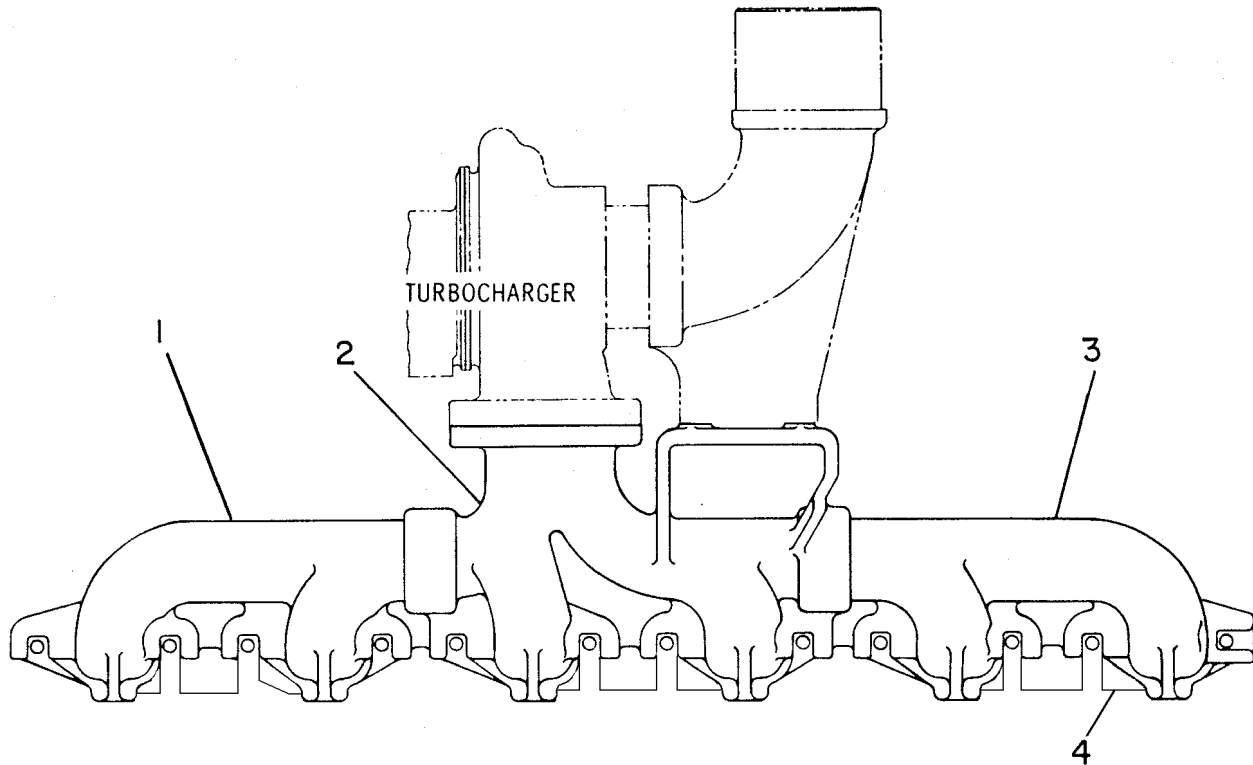
S/N: 85Z4747-UP

SMCS-1059

i01222838

NOTE	REF NO	GRAPHIC REF	PART NUMBER	QTY	PART NAME						SEE PAGE
					1	2	3	4	5	6 (PRODUCT LEVEL)	
	1	1	<b>8S-7718</b>	1	MANIFOLD-EXHAUST (REAR) (REAR)						
	2	1	<b>8S-7717</b>	1	MANIFOLD-EXHAUST (CENTER)						
	3	1	<b>8S-7716</b>	1	MANIFOLD-EXHAUST (FRONT) (FRONT)						
C	4	1	<b>9Y-1979</b>	3	GASKET-MANIFOLD						

C - CHANGE FROM PREVIOUS TYPE



GRAPHIC #1

<END>

g00116755

# AIR INLET AND EXHAUST SYSTEM

## 6N-0164 MANIFOLD GP-EXHAUST

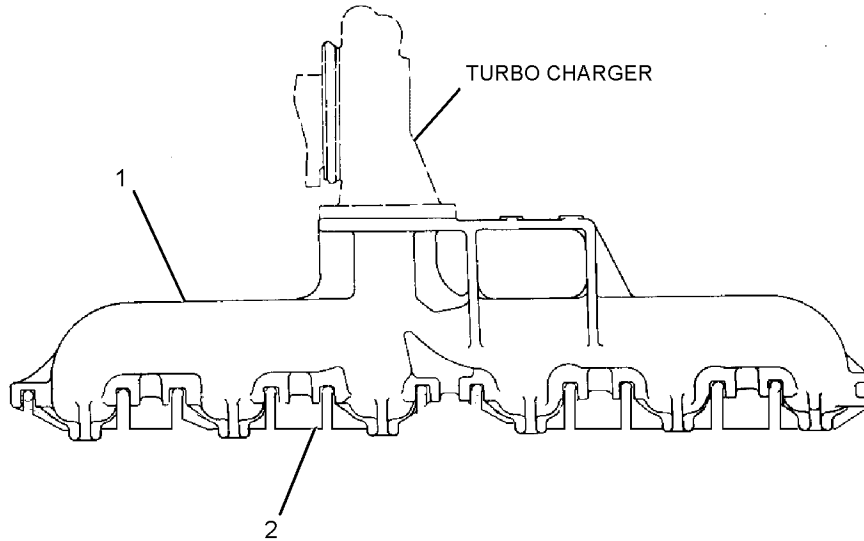
S/N: 85Z11063-UP

SMCS - 1059

i03343506

NOTE	REF NO	GRAPHIC REF	PART NUMBER	QTY	PART NAME						SEE PAGE
					1	2	3	4	5	6 (PRODUCT LEVEL)	
	1	1	<b>7N-3486</b>	1	MANIFOLD-EXHAUST						
C	2	1	<b>9Y-1979</b>	3	GASKET-MANIFOLD						

C - CHANGE FROM PREVIOUS TYPE



GRAPHIC #1

<END>

g01721636

# AIR INLET AND EXHAUST SYSTEM

## 7C-1058 MANIFOLD GP-EXHAUST

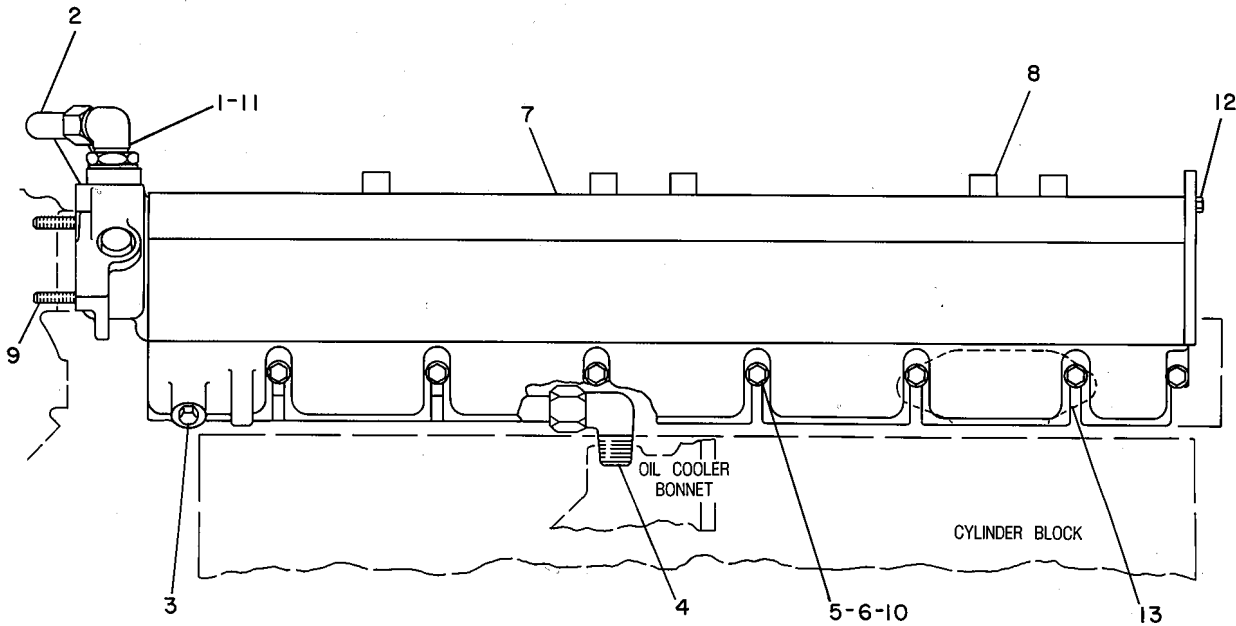
S/N: 85Z3764-4746

WATERCOOLED

SMCS-1059

i00970906

NOTE	REF NO	GRAPHIC REF	PART NUMBER	QTY	PART NAME						SEE PAGE
					1	2	3	4	5	6 (PRODUCT LEVEL)	
	1	1	<b>030-7951</b>	1	ELBOW-FLARED						
	2	1	<b>1W-8225</b>	1	TUBE AS						
	3	1	<b>3J-5390</b>	1	PLUG (3/8-18-THD)						
	4	1	<b>9S-7296</b>	1	ELBOW-FLARED						
	5	1	<b>2M-4779</b>	7	STUD-TAPERLOCK (3/8-16X1.75-IN)						
	6	1	<b>5M-2894</b>	7	WASHER-HARD (10.2X18.5X2.5-MM THK)						
	7	1	<b>1W-8356</b>	1	MANIFOLD AS-EXHAUST						
	8	1	<b>6K-2198</b>	5	BOSS (3/8-16X1-IN)						
	9	1	<b>6L-8562</b>	4	STUD-TAPERLOCK (3/8-16X1.77-IN)						
	10	1	<b>1B-5355</b>	7	NUT-FULL (3/8-16-THD)						
	11	1	<b>7M-8485</b>	1	SEAL-O-RING						
	12	1	<b>5M-6214</b>	1	PLUG (1/8-27 PTF)						
	13	1	<b>8S-6410</b>	3	GASKET-MANIFOLD						



GRAPHIC #1

<END>

g00180471

# AIR INLET AND EXHAUST SYSTEM

## 7C-1058 MANIFOLD GP-EXHAUST

S/N: 85Z4747-UP

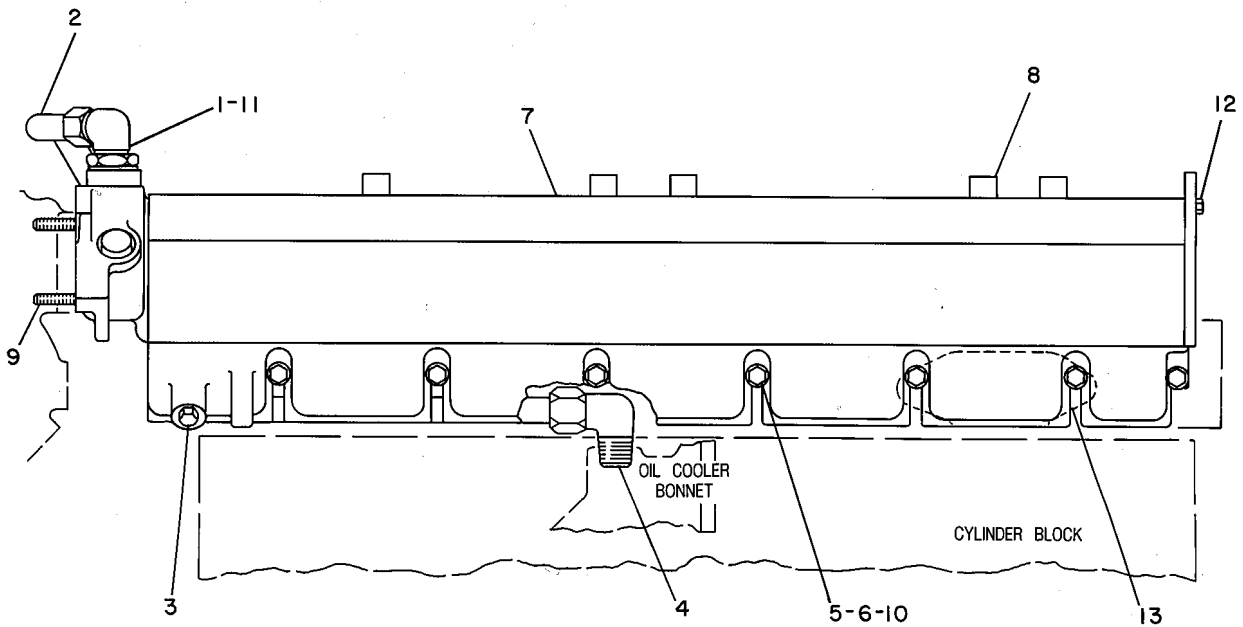
WATERCOOLED

SMCS-1059

i00971476

NOTE	REF NO	GRAPHIC REF	PART NUMBER	QTY	PART NAME						SEE PAGE
					1	2	3	4	5	6 (PRODUCT LEVEL)	
	1	1	<b>030-7951</b>	1	ELBOW-FLARED						
	2	1	<b>1W-8225</b>	1	TUBE AS						
	3	1	<b>3J-5390</b>	1	PLUG (3/8-18-THD)						
	4	1	<b>9S-7296</b>	1	ELBOW-FLARED						
	5	1	<b>2M-4779</b>	7	STUD-TAPERLOCK (3/8-16X1.75-IN)						
	6	1	<b>5M-2894</b>	7	WASHER-HARD (10.2X18.5X2.5-MM THK)						
	7	1	<b>1W-8356</b>	1	MANIFOLD AS-EXHAUST						
	8	1	<b>6K-2198</b>	5	BOSS (3/8-16X1-IN)						
	9	1	<b>6L-8562</b>	4	STUD-TAPERLOCK (3/8-16X1.77-IN)						
	10	1	<b>1B-5355</b>	7	NUT-FULL (3/8-16-THD)						
	11	1	<b>7M-8485</b>	1	SEAL-O-RING						
	12	1	<b>5M-6214</b>	1	PLUG (1/8-27 PTF)						
C	13	1	<b>9Y-1979</b>	3	GASKET-MANIFOLD						

C - CHANGE FROM PREVIOUS TYPE



GRAPHIC #1

<END>

g00180471

# AIR INLET AND EXHAUST SYSTEM

## 7W-0726 MOUNTING GP-AIR CLEANER

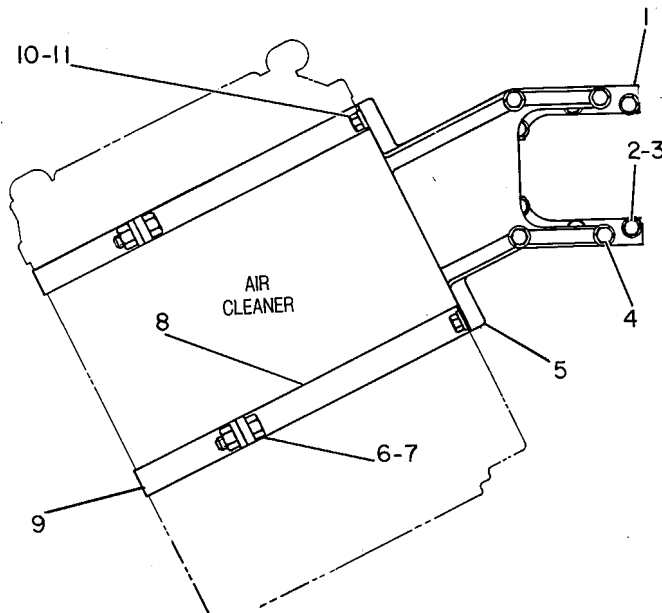
S/N: 85Z3764-UP

**FOR USE WITH DIRECT INJECTION TURBOCHARGED AFTERCOOLED IRRIGATION & GEN SET ENGINE  
CANNOT BE USED WITH GEN SET ENCLOSURES  
AN ATTACHMENT**

**SMCS-1051**

**i00649583**

NOTE	REF NO	GRAPHIC REF	PART NUMBER	QTY	PART NAME						SEE PAGE
					1	2	3	4	5	6 (PRODUCT LEVEL)	
	1	1	<b>6N-5457</b>	2	PLATE						
	2	1	<b>1D-4538</b>	6	BOLT (5/16-18X2.25-IN)						
	3	1	<b>9M-1974</b>	6	WASHER-HARD (8.8X16X2-MM THK)						
	4	1	<b>8S-9191</b>	4	BOLT (3/8-16X4-IN)						
	5	1	<b>6N-5456</b>	1	BRACKET						
	6	1	<b>0S-1595</b>	2	BOLT (1/2-13X1.25-IN)						
	7	1	<b>1D-4719</b>	2	NUT-FULL (1/2-13-THD)						
	8	1	<b>7S-5771</b>	2	STRAP-AIR CLEANER						
	9	1	<b>7S-5772</b>	2	STRAP-AIR CLEANER						
	10	1	<b>5M-2894</b>	4	WASHER-HARD (10.2X18.5X2.5-MM THK)						
	11	1	<b>0S-0509</b>	4	BOLT (3/8-16X0.75-IN)						



GRAPHIC #1

<END>

g00169072

# AIR INLET AND EXHAUST SYSTEM

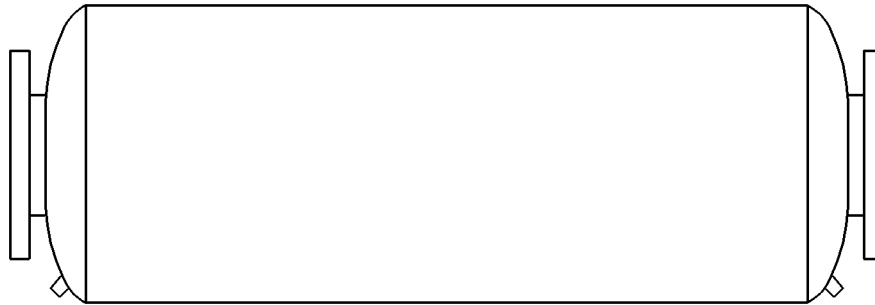
## 2W-4070 MUFFLER

S/N: 85Z3764-UP  
101.6 MM (4 INCH)  
AN ATTACHMENT

SMCS-1062

i01428239

NOTE	REF NO	GRAPHIC REF	PART NUMBER	QTY	PART NAME	SEE PAGE
					1 2 3 4 5 6 (PRODUCT LEVEL)	
(NO SERVICED PARTS)						



GRAPHIC #1

<END>

g00748156

# AIR INLET AND EXHAUST SYSTEM

## 2W-4071 MUFFLER

S/N: 85Z3764-UP  
127-MM (5-INCH) FLANGE  
AN ATTACHMENT

SMCS-1062

i01087237

NOTE	REF NO	GRAPHIC REF	PART NUMBER	QTY	PART NAME	SEE PAGE
					1 2 3 4 5 6 (PRODUCT LEVEL)	
(NO SERVICED PARTS)						



GRAPHIC #1

<END>

g00285847



# AIR INLET AND EXHAUST SYSTEM

## 2W-4072 MUFFLER

S/N: 85Z3764-UP

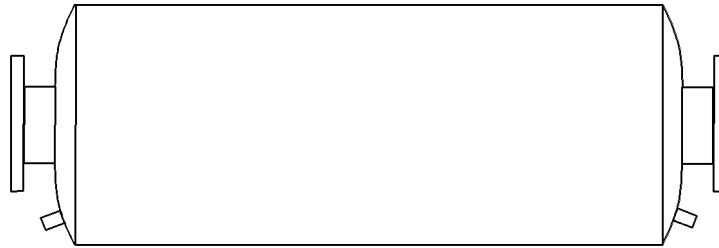
152-MM (6-INCH)

AN ATTACHMENT

SMCS-1062

i02460006

NOTE	REF NO	GRAPHIC REF	PART NUMBER	QTY	PART NAME						SEE PAGE
					1	2	3	4	5	6 (PRODUCT LEVEL)	
(NO SERVICED PARTS)											



GRAPHIC #1

<END>

g00283681

# AIR INLET AND EXHAUST SYSTEM

## 4W-0777 MUFFLER GP

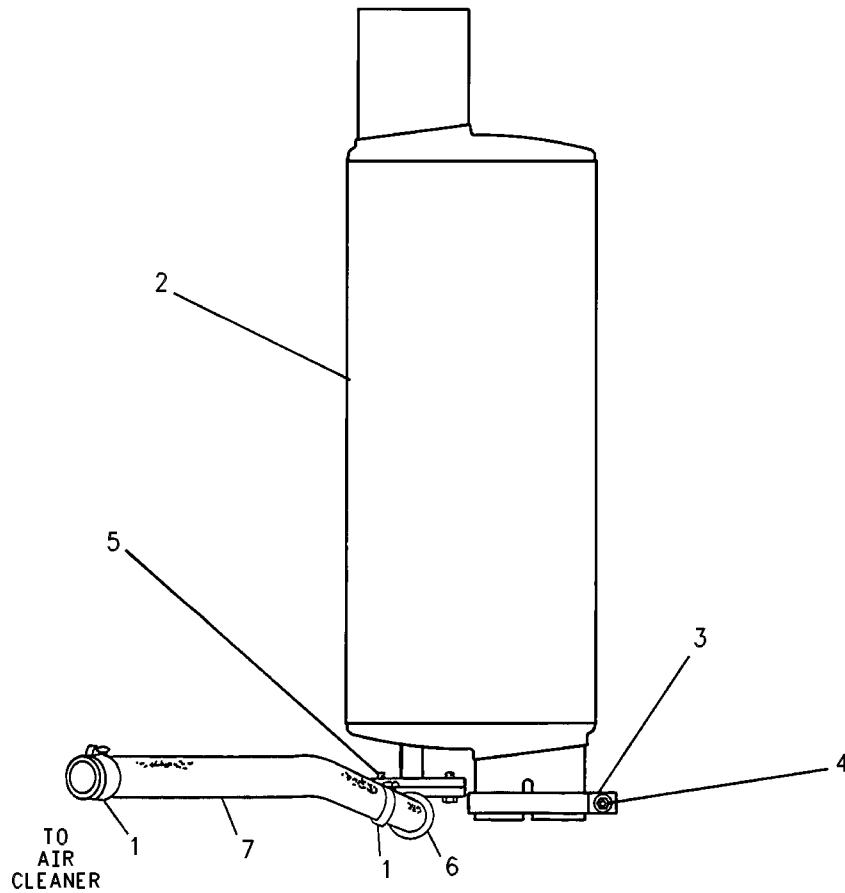
S/N: 85Z3764-UP

FOR USE WITH 160 KW 50 HERTZ STANDBY GEN SET, 2W-3559-PAGE: 518, 4W-0890-PAGE: 444,  
4W-0960-PAGE: 522  
AN ATTACHMENT

SMCS-1062

i00958716

NOTE	REF NO	GRAPHIC REF	PART NUMBER	QTY	PART NAME						SEE PAGE
					1	2	3	4	5	6	
	1	1	<b>5P-2230</b>	2	CLAMP-HOSE						
	2	1	<b>4W-0493</b>	1	MUFFLER AS-EJECTOR						
	3	1	<b>6F-8814</b>	1	CLAMP						
	4	1	<b>0S-1590</b>	1	BOLT (3/8-16X2-IN)						
		1	<b>1D-4717</b>	1	NUT (3/8-16-THD)						
		1	<b>5M-2894</b>	2	WASHER-HARD (10.2X18.5X2.5-MM THK)						
	5	1	<b>0S-1594</b>	2	BOLT (3/8-16X1-IN)						
	6	1	<b>4W-0645</b>	1	TUBE AS						
	7	1	<b>4W-0430</b>	1	HOSE						



GRAPHIC #1

<END>

g00498810

# AIR INLET AND EXHAUST SYSTEM

## 4W-0850 MUFFLER GP

S/N: 85Z3764-UP

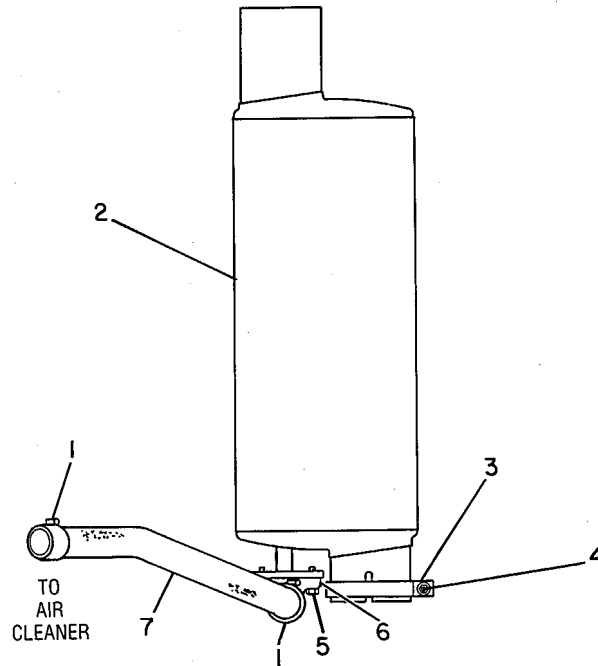
127 MM (5 INCH) ID

**FOR USE WITH 168 KW, 186 KW, & 201 KW IND.ENG., 201 KW 60 HERTZ PRIME GEN SET, 227 KW  
60 HERTZ STANDBY GEN SET & 198 KW 60 HERTZ STANDBY GEN SET  
AN ATTACHMENT**

**SMCS-1062**

**i00649540**

NOTE	REF NO	GRAPHIC REF	PART NUMBER	QTY	PART NAME						SEE PAGE
					1	2	3	4	5	6	
	1	1	<b>5P-0597</b>	2	CLAMP-HOSE						
	2	1	<b>4W-0456</b>	1	MUFFLER AS-EJECTOR						
	3	1	<b>6F-8814</b>	1	CLAMP						
	4	1	<b>0S-1590</b>	1	BOLT (3/8-16X2-IN)						
		1	<b>1D-4717</b>	1	NUT (3/8-16-THD)						
		1	<b>5M-2894</b>	2	WASHER-HARD (10.2X18.5X2.5-MM THK)						
	5	1	<b>0S-1588</b>	2	BOLT (3/8-16X1.25-IN)						
	6	1	<b>4W-0552</b>	1	TUBE AS						
	7	1	<b>4W-0505</b>	1	HOSE						



GRAPHIC #1

<END>

g00169839

# AIR INLET AND EXHAUST SYSTEM

## 4W-0851 MUFFLER GP

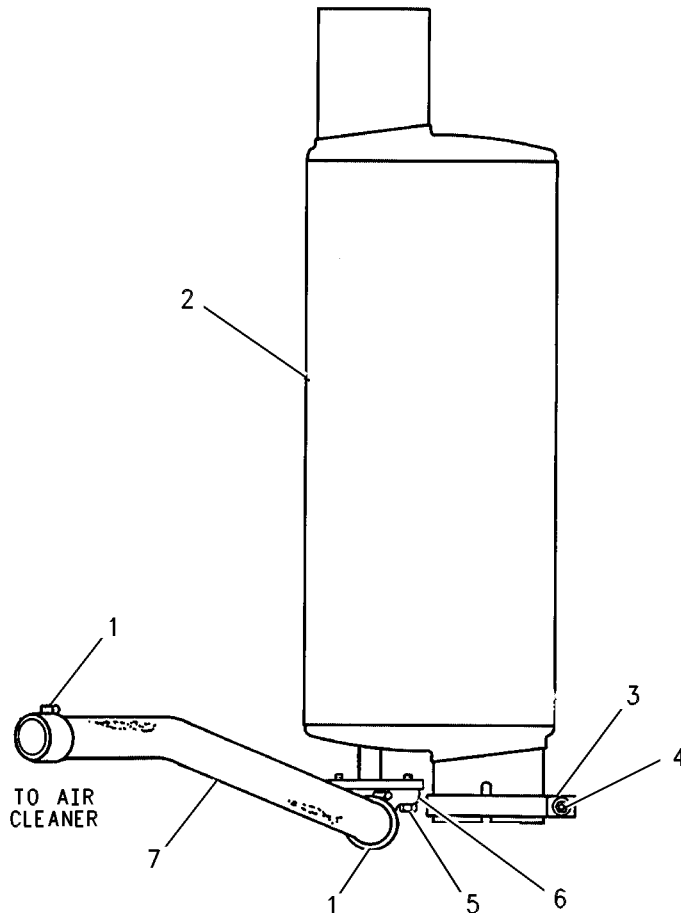
S/N: 85Z3764-UP

FOR USE WITH 179 KW 50 HERTZ STANDBY GEN SET, 170 KW 60 HERTZ PRIME GEN SET, 4W-0855-  
PAGE: 521, 4W-0974-PAGE: 447, 4W-0960-PAGE: 522, 2W-3559-PAGE: 518  
AN ATTACHMENT

SMCS-1062

i00970530

NOTE	REF NO	GRAPHIC REF	PART NUMBER	QTY	PART NAME						SEE PAGE
					1	2	3	4	5	6	
	1	1	<b>5P-0597</b>	2	CLAMP-HOSE						
	2	1	<b>4W-0455</b>	1	MUFFLER AS						
	3	1	<b>6F-8814</b>	1	CLAMP						
	4	1	<b>0S-1590</b>	1	BOLT (3/8-16X2-IN)						
		1	<b>1D-4717</b>	1	NUT (3/8-16-THD)						
		1	<b>5M-2894</b>	2	WASHER-HARD (10.2X18.5X2.5-MM THK)						
	5	1	<b>0S-1588</b>	2	BOLT (3/8-16X1.25-IN)						
	6	1	<b>4W-0552</b>	1	TUBE AS						
	7	1	<b>4W-0505</b>	1	HOSE						



GRAPHIC #1

<END>

g00495916

# AIR INLET AND EXHAUST SYSTEM

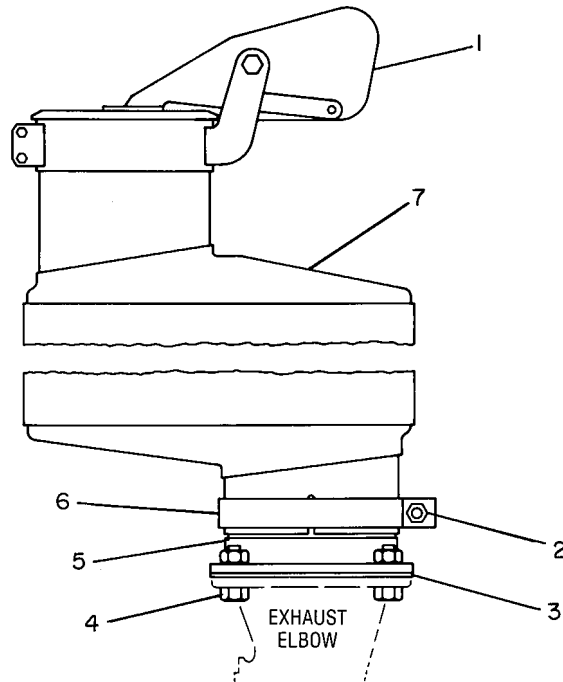
## 5N-6148 MUFFLER GP

S/N: 85Z3764-UP  
FOR USE WITH ENCLOSURE  
AN ATTACHMENT

SMCS-1062

i01973952

NOTE	REF NO	GRAPHIC REF	PART NUMBER	QTY	PART NAME						SEE PAGE
					1	2	3	4	5	6	
	1	1	<b>7S-5003</b>	1	CAP AS-RAIN (EXHAUST) (MUFFLER)						
	2	1	<b>2B-0947</b>	1	BOLT (1/2-13X2.25-IN)						
		1	<b>1B-5357</b>	1	NUT-FULL (1/2-13-THD)						
	3	1	<b>5H-8331</b>	1	GASKET						
	4	1	<b>0S-1566</b>	4	BOLT (5/8-11X1.5-IN)						
		1	<b>1B-5358</b>	4	NUT-FULL (5/8-11-THD)						
	5	1	<b>5N-6147</b>	1	PIPE AS-EXHAUST						
	6	1	<b>8S-1460</b>	1	CLAMP						
	7	1	<b>8N-4975</b>	1	MUFFLER AS						



GRAPHIC #1

<END>

g00137751

# AIR INLET AND EXHAUST SYSTEM

## 5N-6177 MUFFLER GP

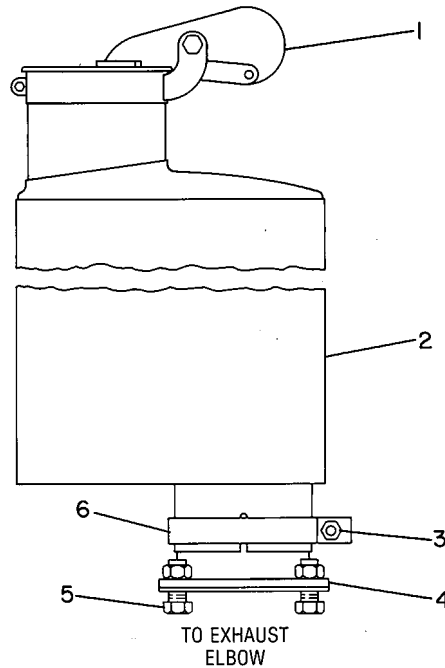
S/N: 85Z3764-UP  
 127 MM (5 INCH) ID  
 FOR USE WITH 5L-7661-PAGE: 490  
 AN ATTACHMENT

SMCS-1062

i02471410

NOTE	REF NO	GRAPHIC REF	PART NUMBER	QTY	PART NAME						SEE PAGE
					1	2	3	4	5	6 (PRODUCT LEVEL)	
Y	1	1	<b>9S-7148</b>	1	CAP AS-RAIN (EXHAUST) (MUFFLER)						473
	2	1	<b>8S-6558</b>	1	MUFFLER AS (EXHAUST)						
	3	1	<b>0S-1571</b>	1	BOLT (3/8-16X1.75-IN)						
		1	<b>1B-5355</b>	1	NUT-FULL (3/8-16-THD)						
	4	1	<b>5N-6176</b>	1	PIPE AS-EXHAUST						
		1	<b>5L-8484</b>	1	GASKET						
	5	1	<b>0S-1566</b>	4	BOLT (5/8-11X1.5-IN)						
		1	<b>1B-5358</b>	4	NUT-FULL (5/8-11-THD)						
	6	1	<b>6F-8814</b>	1	CLAMP						

Y - SEPARATE ILLUSTRATION



GRAPHIC #1

<END>

g00137536

# AIR INLET AND EXHAUST SYSTEM

## 4L-5801 PIPE GP-EXHAUST

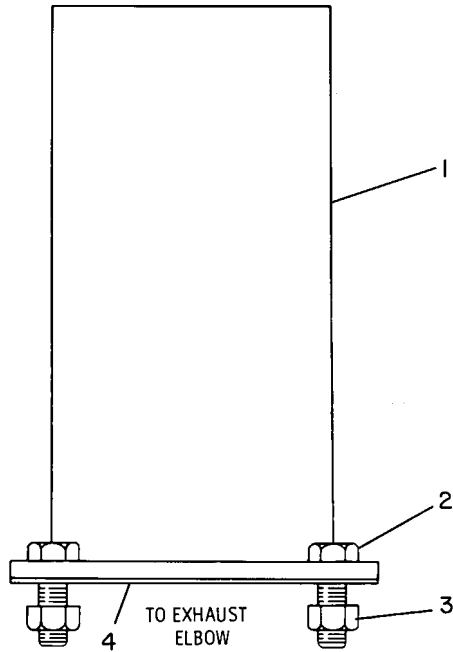
S/N: 85Z3764-UP  
152.4-MM (6-INCH)  
AN ATTACHMENT

SMCS-1061

i05371228

NOTE	REF NO	GRAPHIC REF	PART NUMBER	QTY	PART NAME						SEE PAGE
					1	2	3	4	5	6 (PRODUCT LEVEL)	
C	1	1	<b>5L-2264</b>	1	PIPE AS (EXHAUST)						
	2	1	<b>0S-1566</b>	4	BOLT (5/8-11X1.5-IN)						
	3	1	<b>4K-0367</b>	4	NUT-FULL (5/8-11-THD)						
	4	1	<b>5H-8331</b>	1	GASKET						

C - CHANGE FROM PREVIOUS TYPE



GRAPHIC #1

<END>

g00205793

# AIR INLET AND EXHAUST SYSTEM

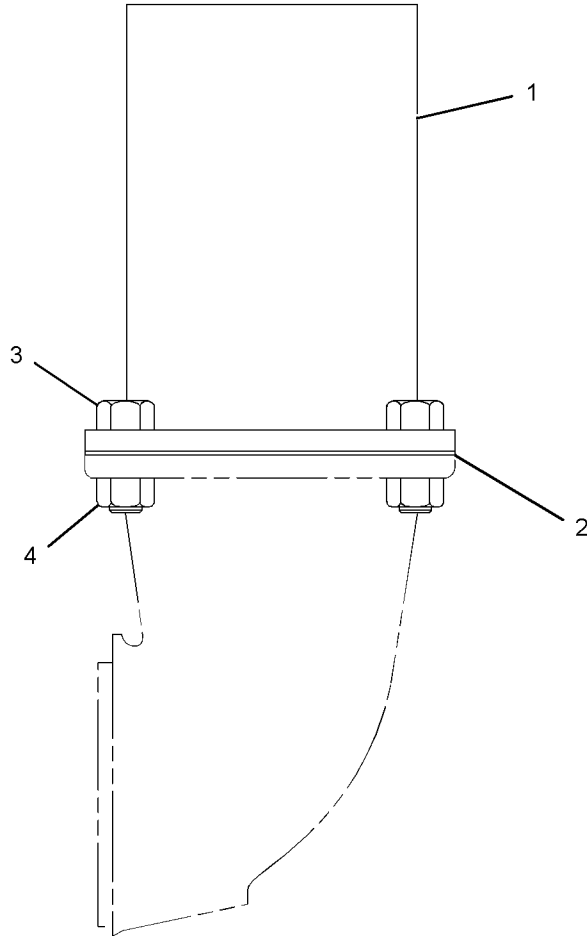
## 5L-8632 PIPE GP-EXHAUST

S/N: 85Z3764-UP  
127-MM (5-INCH)  
AN ATTACHMENT

SMCS-1061

i04997072

NOTE	REF NO	GRAPHIC REF	PART NUMBER	QTY	PART NAME						SEE PAGE
					1	2	3	4	5	6 (PRODUCT LEVEL)	
	1	1	<b>5L-8605</b>	1	PIPE AS-EXHAUST						
	2	1	<b>5L-8484</b>	1	GASKET						
	3	1	<b>8T-9393</b>	4	BOLT (5/8-11X1.5-IN)						
	4	1	<b>7X-0448</b>	4	NUT (5/8-11-THD)						



GRAPHIC #1

<END>

g01980694



# AIR INLET AND EXHAUST SYSTEM

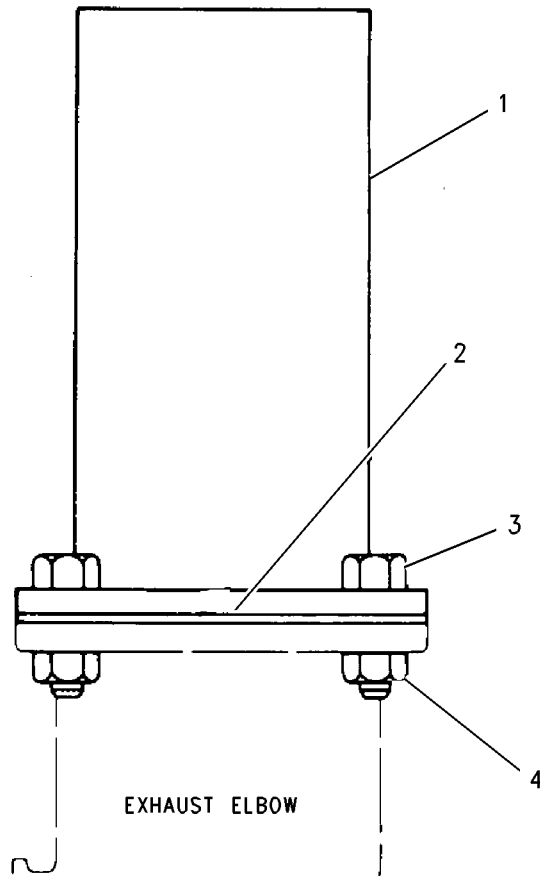
## 5L-8649 PIPE GP-EXHAUST

S/N: 85Z3764-UP  
 101.6-MM (4-INCH)  
 AN ATTACHMENT

SMCS-1061

i01791098

NOTE	REF NO	GRAPHIC REF	PART NUMBER	QTY	PART NAME						SEE PAGE
					1	2	3	4	5	6 (PRODUCT LEVEL)	
	1	1	<b>5L-8648</b>	1	PIPE AS-EXHAUST						
	2	1	<b>6L-4716</b>	1	GASKET-FLANGE						
	3	1	<b>0S-1595</b>	4	BOLT (1/2-13X1.25-IN)						
	4	1	<b>1B-5357</b>	4	NUT-FULL (1/2-13-THD)						



GRAPHIC #1

<END>

g00917273

# AIR INLET AND EXHAUST SYSTEM

## 130-6859 PRECLEANER AS-AIR CLEANER

S/N: 85Z3764-UP

127.8-MM INLET

FIELD REPLACEMENT FOR 5L-7942-PAGE: 549

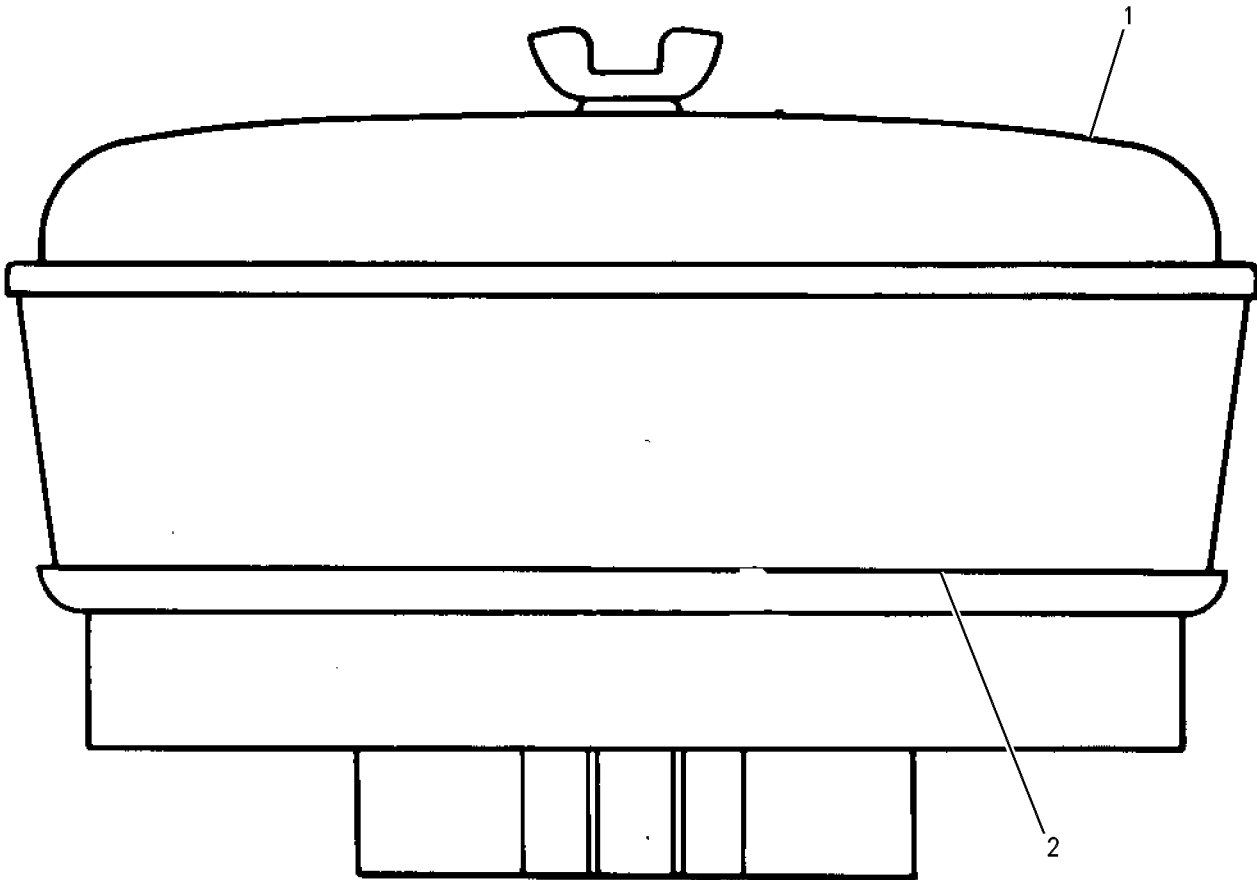
FOR USE WITH 3406C MARINE ENGINE

AN ATTACHMENT

SMCS-1055

i01439169

NOTE	REF NO	GRAPHIC REF	PART NUMBER	QTY	PART NAME						SEE PAGE
					1	2	3	4	5	6 (PRODUCT LEVEL)	
	1	1	9M-5201	1	COVER AS						
	2	1	6H-8021	1	BODY-PRECLEANER						



GRAPHIC #1

<END>

g00484570

# AIR INLET AND EXHAUST SYSTEM

## 5L-7942 PRECLEANER GP-AIR CLEANER

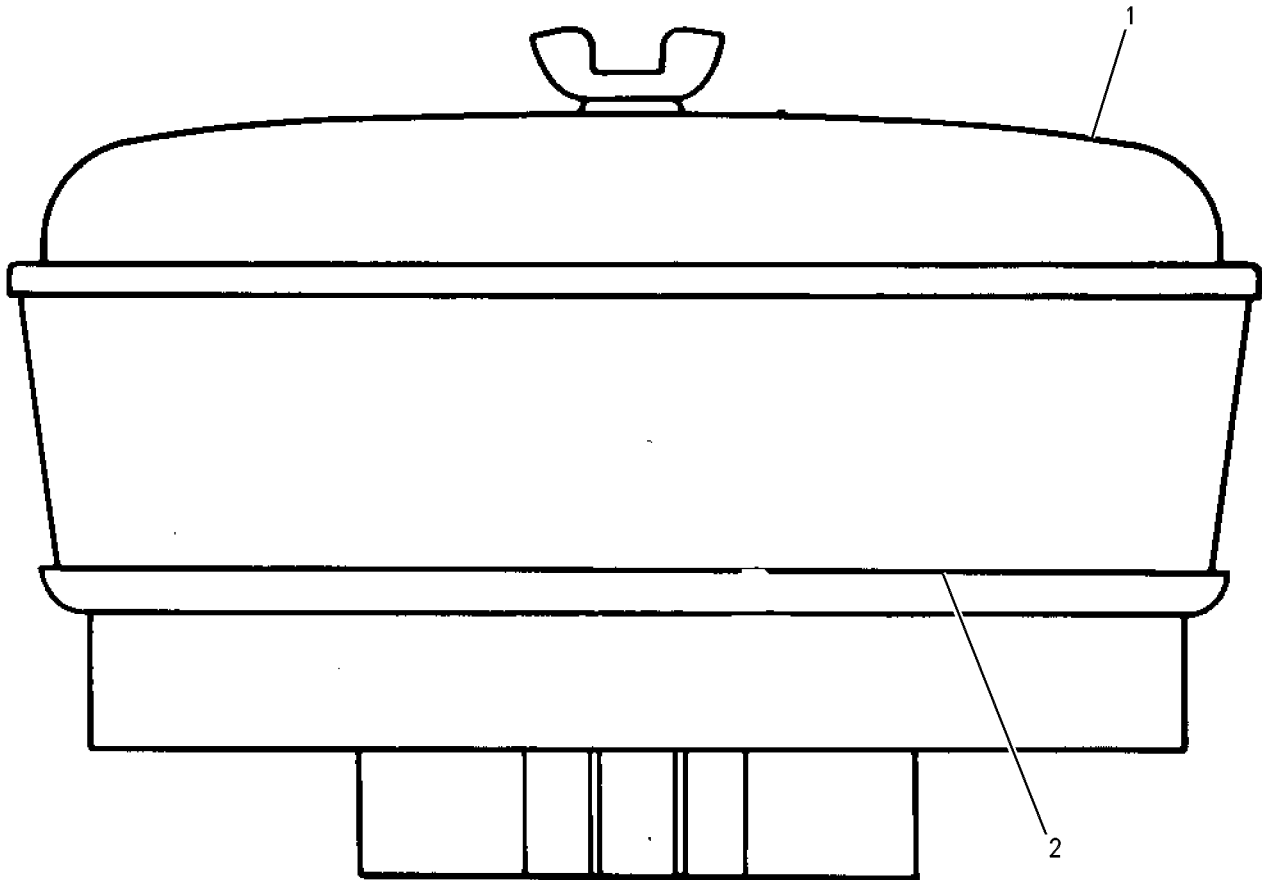
S/N: 85Z3764-UP

FIELD REPLACEMENT ORDER 130-6859-PAGE: 548  
AN ATTACHMENT

SMCS-1055

i00949957

NOTE	REF NO	GRAPHIC REF	PART NUMBER	QTY	PART NAME						SEE PAGE
					1	2	3	4	5	6 (PRODUCT LEVEL)	
	1	1	9M-5201	1	COVER AS						
	2	1	6H-8021	1	BODY-PRECLEANER						



GRAPHIC #1

<END>

g00484570

# AIR INLET AND EXHAUST SYSTEM

## 7W-6155 SHIELD GP-EXHAUST

S/N: 85Z3764-UP

**FOR USE WITH HYDRA MECHANICAL GOVERNOR  
CANNOT BE USED WITH WOODWARD PSG  
AN ATTACHMENT**

**SMCS-1067**

**i00947260**

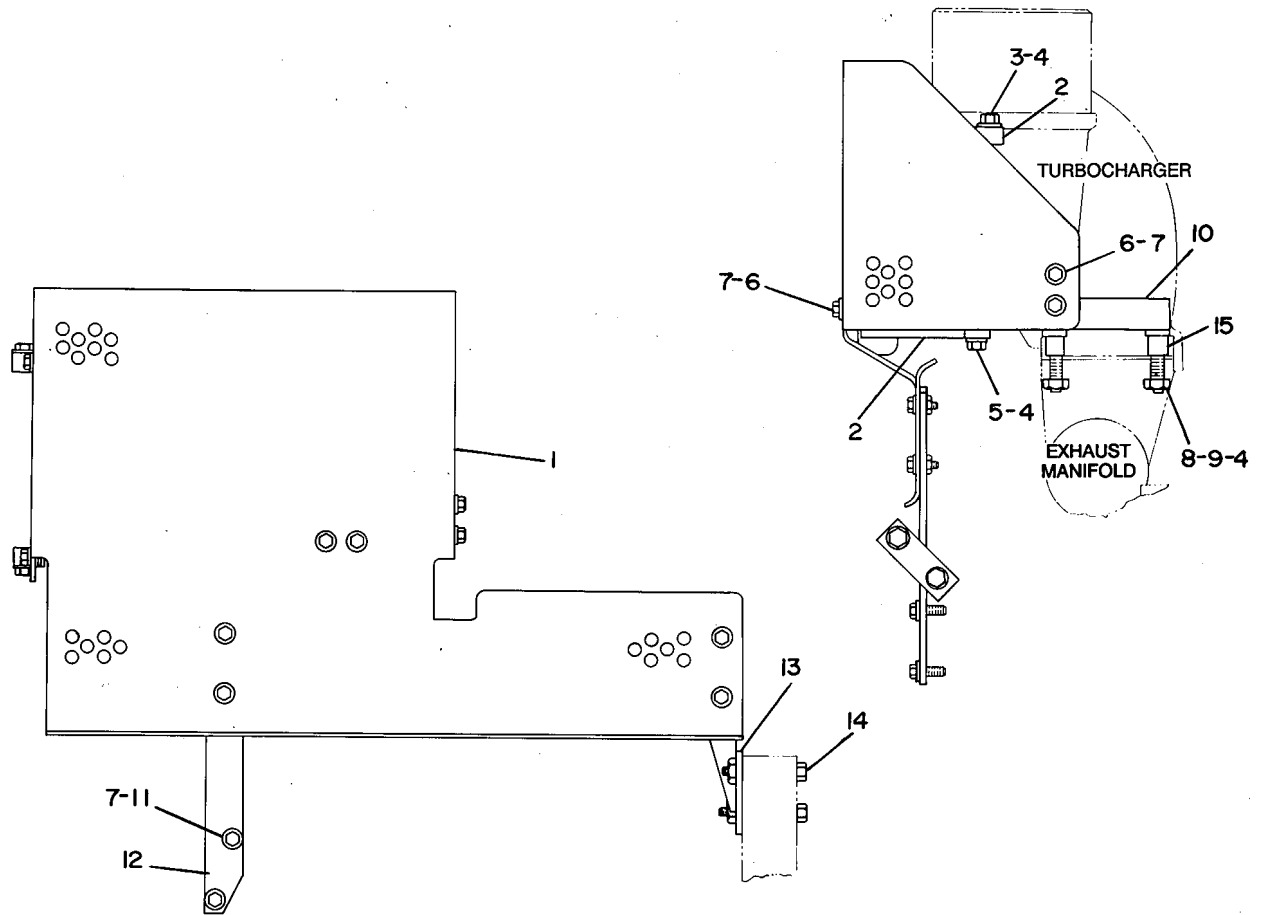
NOTE	REF NO	GRAPHIC REF	PART NUMBER	QTY	PART NAME						SEE PAGE
					1	2	3	4	5	6 (PRODUCT LEVEL)	
	1	1	<b>7W-6143</b>	1	SHIELD						
	2	1	<b>7W-6150</b>	2	BRACKET AS						
	3	1	<b>0S-1571</b>	1	BOLT (3/8-16X1.75-IN)						
	4	1	<b>5M-2894</b>	4	WASHER-HARD (10.2X18.5X2.5-MM THK)						
	5	1	<b>0S-1591</b>	1	BOLT (3/8-16X1.5-IN)						
	6	1	<b>0S-1615</b>	10	BOLT (1/4-20X0.75-IN)						
	7	1	<b>5P-4115</b>	12	WASHER-HARD (7.2X19X2-MM THK)						
	8	1	<b>0S-1590</b>	2	BOLT (3/8-16X2-IN)						
	9	1	<b>1B-5355</b>	2	NUT-FULL (3/8-16-THD)						
	10	1	<b>7W-6154</b>	1	BRACKET AS						
	11	1	<b>7B-2742</b>	2	BOLT (1/4-20X1.25-IN)						
	12	1	<b>7W-6145</b>	1	BRACKET AS						
	13	1	<b>7W-6148</b>	1	BRACKET AS						
	14	1	<b>0L-1143</b>	2	BOLT (3/8-16X2.5-IN)						
B	15	1	<b>4V-6698</b>	2	SPACER (10X16X16-MM THK)						

B - USE AS REQUIRED

# AIR INLET AND EXHAUST SYSTEM

7W-6155 SHIELD GP-EXHAUST (contd.)

i00947260



GRAPHIC #1

<END>

g00175130

# AIR INLET AND EXHAUST SYSTEM

## 110-3866 TURBOCHARGER GP

S/N: 85Z11512-UP

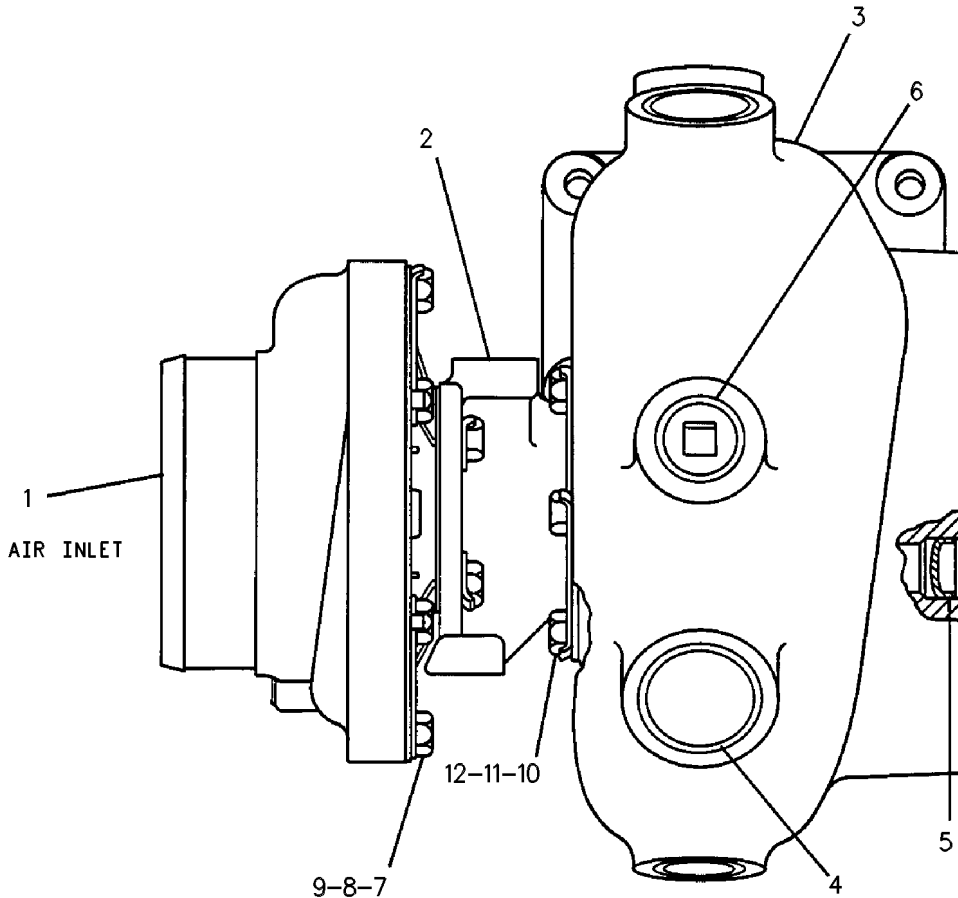
PART OF 4W-2080 TURBOCHARGER GP

SMCS-1052, 1053

i01739014

NOTE	REF NO	GRAPHIC REF	PART NUMBER	QTY	PART NAME						SEE PAGE
					1	2	3	4	5	6 (PRODUCT LEVEL)	
	1	1	<b>4W-2279</b>	1	HOUSING-COMPRESSOR						
YR	2	1	<b>4W-2277</b>	1	CARTRIDGE GP-TURBOCHARGER						480
	3	1	<b>8N-5496</b>	1	HOUSING AS (TURBINE)						
B	4	1	<b>2M-6471</b>	3	PLUG-CUP (38.10MM OD)						
B		1	<b>5S-0385</b>	3	PLUG-CUP (41.28MM OD)						
B	5	1	<b>100-6814</b>	3	PLUG-CUP (19.05MM OD)						
B		1	<b>100-6815</b>	3	PLUG-CUP (20.64MM OD)						
	6	1	<b>1B-5174</b>	2	PLUG-PIPE						
	7	1	<b>1C-0569</b>	6	BOLT (5/16-18X0.5-IN)						
	8	1	<b>4N-6864</b>	3	CLAMP (COMPRESSOR) (COMPRESSOR)						
	9	1	<b>4N-6865</b>	3	LOCK-PLATE						
	10	1	<b>6V-2489</b>	6	BOLT-HIGH TEMPERATURE						
	11	1	<b>1P-1112</b>	3	CLAMP (TURBINE) (TURBINE)						
	12	1	<b>1P-1113</b>	3	LOCK-PLATE						

B - USE AS REQUIRED  
R - REMANUFACTURED PART MAY BE AVAILABLE  
Y - SEPARATE ILLUSTRATION



GRAPHIC #1

<END>

g00255550

# AIR INLET AND EXHAUST SYSTEM

## 184-7209 TURBOCHARGER GP

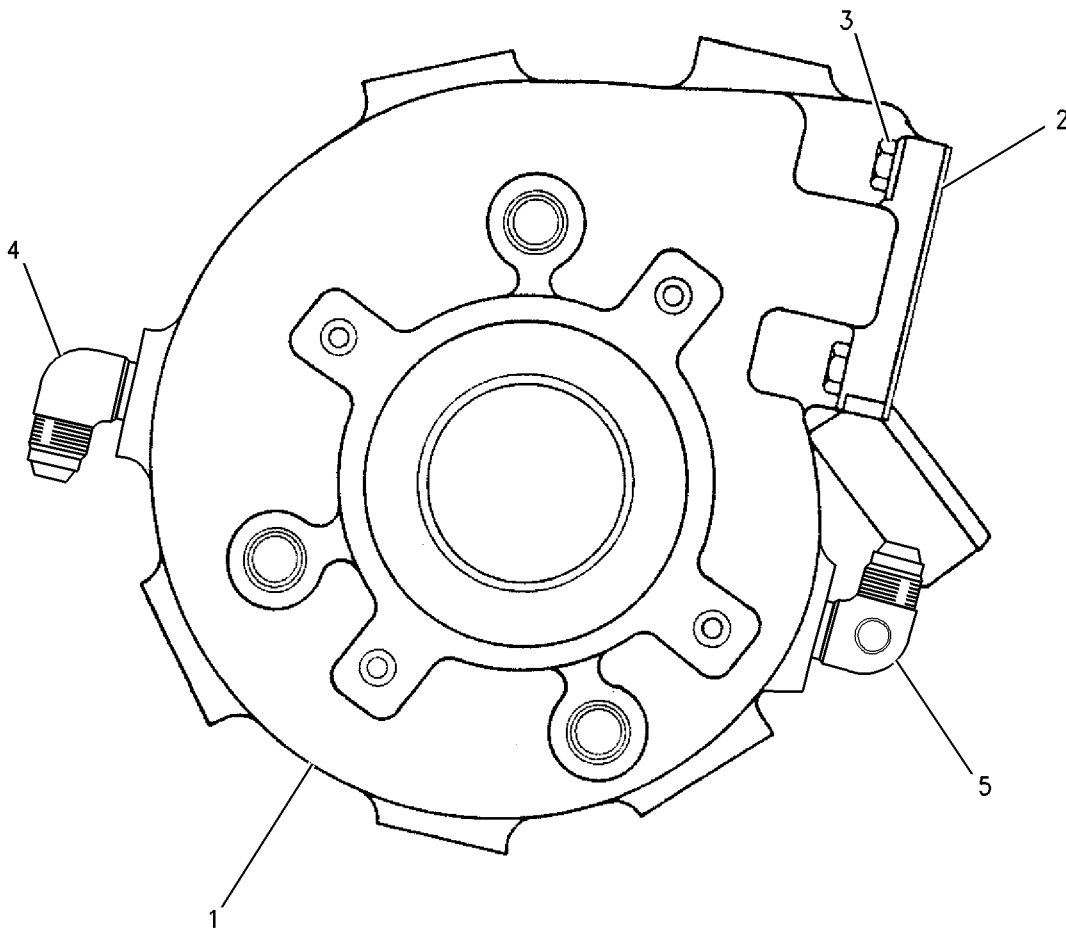
S/N: 85Z14662-UP

SMCS-1052, 1053

i01258461

NOTE	REF NO	GRAPHIC REF	PART NUMBER	QTY	PART NAME						SEE PAGE
					1	2	3	4	5	6 (PRODUCT LEVEL)	
Y	1	1	7C-4763	1	TURBOCHARGER GP						562
	2	1	1S-4295	1	GASKET (TURBOCHARGER)						
	3	1	2N-2766	4	LOCKNUT (3/8-16-THD)						
	4	1	9L-4007	1	ELBOW-FLARED (TURBO TO WATER LINE TOP)						
	5	1	6V-1760	1	ELBOW-FLARED (1/4-18 NPTF THREAD-BOTH SIDES) (TURBO TO WATER LINE BOTTOM)						
F			5M-6213	1	PLUG-PIPE (1/4-18-THD)						

F - NOT SHOWN  
Y - SEPARATE ILLUSTRATION



GRAPHIC #1

<END>

g00669682

# AIR INLET AND EXHAUST SYSTEM

## 1W-0541 TURBOCHARGER GP

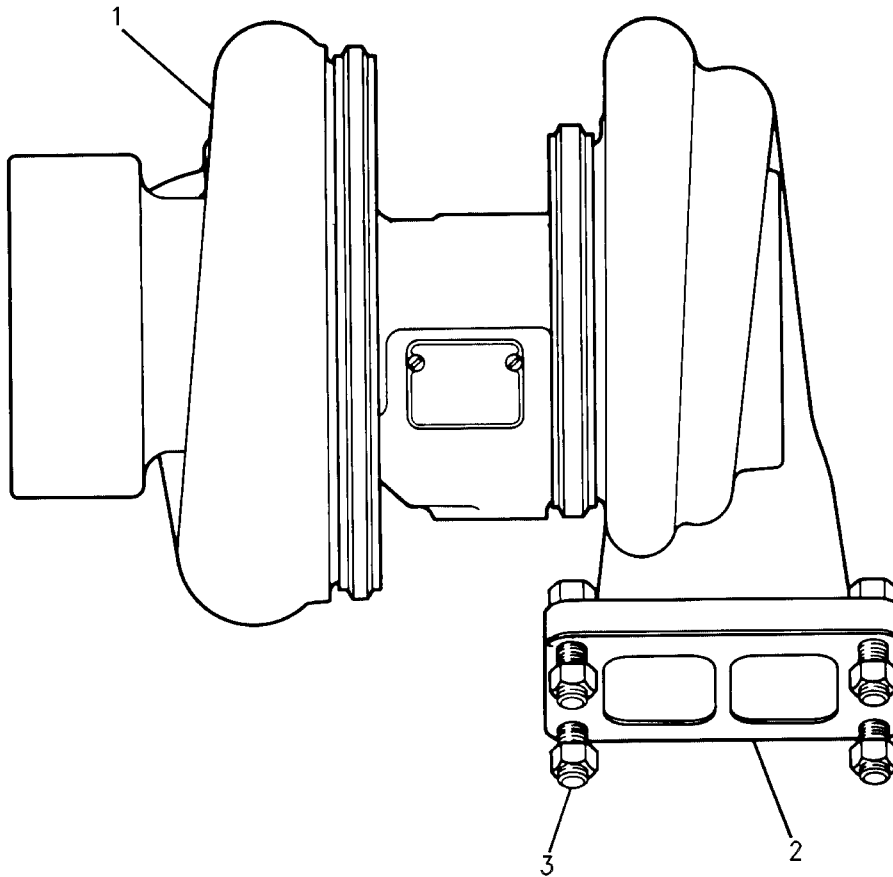
S/N: 85Z3764-UP

SMCS-1052, 1053

i00964765

NOTE	REF NO	GRAPHIC REF	PART NUMBER	QTY	PART NAME						SEE PAGE
					1	2	3	4	5	6 (PRODUCT LEVEL)	
CYR	1	1	<b>7N-2515</b>	1	TURBOCHARGER GP						569
	2	1	<b>1S-4295</b>	1	GASKET (TURBOCHARGER)						
	3	1	<b>7L-3195</b>	4	BOLT-HIGH TEMPERATURE (3/8-16X1.75-IN)						
		1	<b>2N-2766</b>	4	LOCKNUT (3/8-16-THD)						

C - CHANGE FROM PREVIOUS TYPE  
 R - REMANUFACTURED PART MAY BE AVAILABLE  
 Y - SEPARATE ILLUSTRATION



GRAPHIC #1

<END>

g00498800



# AIR INLET AND EXHAUST SYSTEM

## 1W-8096 TURBOCHARGER GP

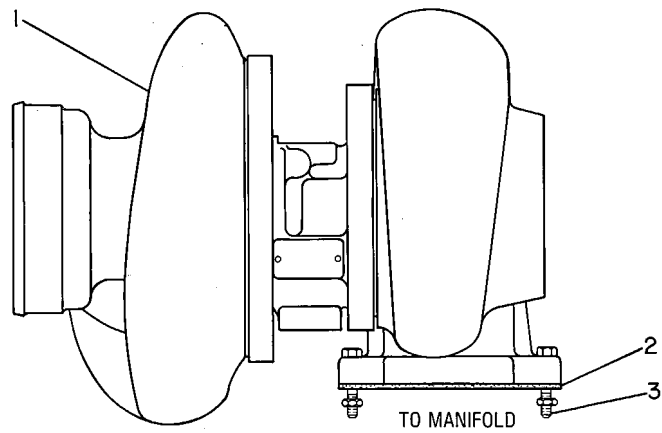
S/N: 85Z3764-UP

SMCS-1052, 1053

i00648449

NOTE	REF NO	GRAPHIC REF	PART NUMBER	QTY	PART NAME						SEE PAGE
					1	2	3	4	5	6 (PRODUCT LEVEL)	
CY	1	1	<b>2W-7277</b>	1	TURBOCHARGER GP						558
	2	1	<b>1S-4295</b>	1	GASKET (TURBOCHARGER)						
C	3	1	<b>7L-3195</b>	4	BOLT-HIGH TEMPERATURE (3/8-16X1.75-IN)						
		1	<b>2N-2766</b>	4	LOCKNUT (3/8-16-THD)						

C - CHANGE FROM PREVIOUS TYPE  
 Y - SEPARATE ILLUSTRATION



GRAPHIC #1

<END>

g00148301

# AIR INLET AND EXHAUST SYSTEM

## 2W-1576 TURBOCHARGER GP

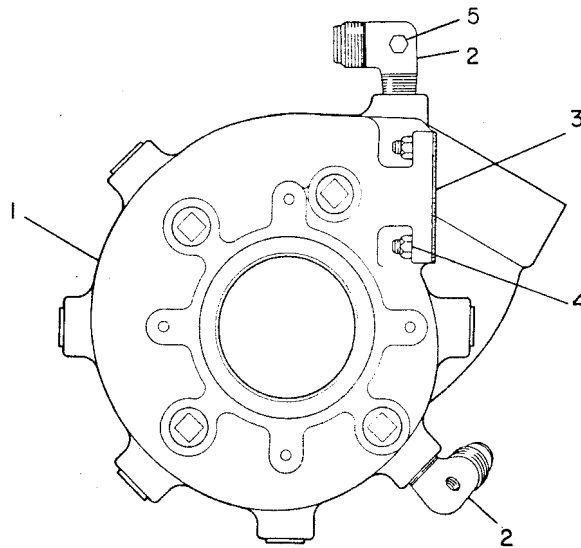
S/N: 85Z3764-UP

SMCS-1052, 1053

i00648525

NOTE	REF NO	GRAPHIC REF	PART NUMBER	QTY	PART NAME						SEE PAGE
					1	2	3	4	5	6 (PRODUCT LEVEL)	
YR	1	1	<b>2W-3556</b>	1	TURBOCHARGER GP						557
	2	1	<b>6V-1760</b>	2	ELBOW-FLARED						
	3	1	<b>7M-7273</b>	1	GASKET						
	4	1	<b>2N-2766</b>	4	LOCKNUT (3/8-16-THD)						
C	5	1	<b>5M-6213</b>	3	PLUG-PIPE (1/4-18-THD)						

C - CHANGE FROM PREVIOUS TYPE  
R - REMANUFACTURED PART MAY BE AVAILABLE  
Y - SEPARATE ILLUSTRATION



GRAPHIC #1

<END>

g00194090

# AIR INLET AND EXHAUST SYSTEM

## 2W-3556 TURBOCHARGER GP\*R

S/N: 85Z3764-UP

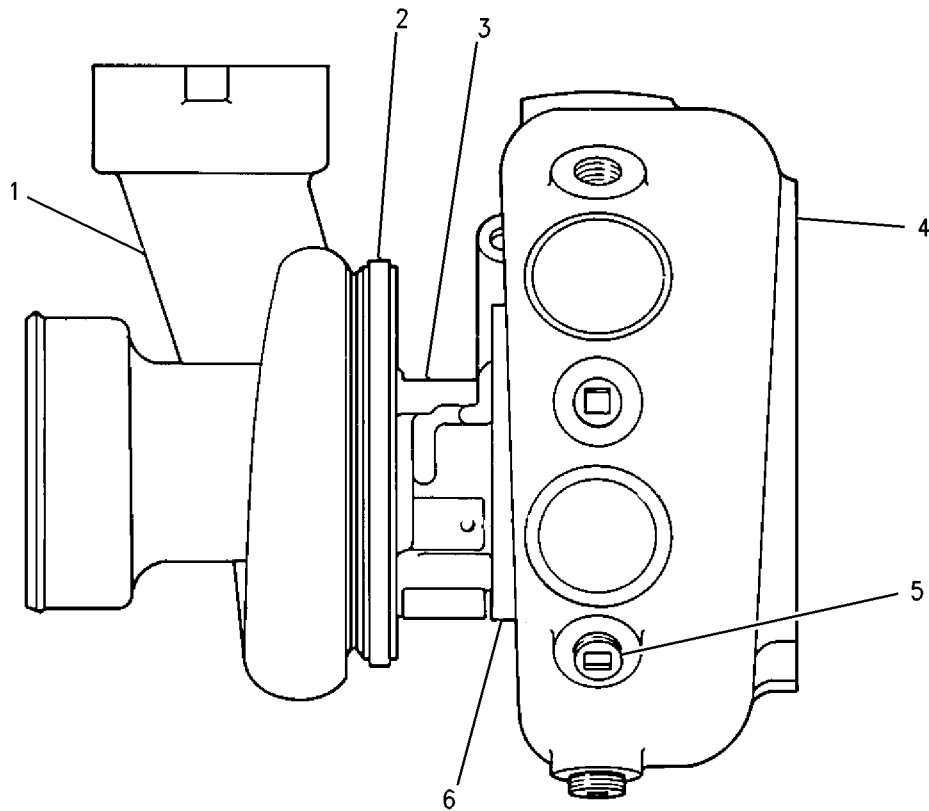
PART OF 2W-1576 TURBOCHARGER GP

SMCS-1052, 1053

i01739012

NOTE	REF NO	GRAPHIC REF	PART NUMBER	QTY	PART NAME						SEE PAGE
					1	2	3	4	5	6 (PRODUCT LEVEL)	
	1	1	<b>2W-3557</b>	1	HOUSING AS-COMPRESSOR						
	2	1	<b>3S-5129</b>	1	CLAMP AS (COMPRESSOR)						
YR	3	1	<b>2W-3558</b>	1	CARTRIDGE GP-TURBOCHARGER						478
	4	1	<b>6N-9906</b>	1	HOUSING AS-TURBINE						
B		1	<b>3B-0645</b>	3	PLUG-CUP (32.08-MM OD) (31.75MM OD)						
B		1	<b>4N-0932</b>	4	PLUG-CUP (57.53-MM OD) (57.15MM OD)						
B		1	<b>3P-1896</b>	3	PLUG-CUP (35.31-MM OD) (34.92MM OD)						
B		1	<b>100-6816</b>	4	PLUG-CUP (60.71-MM OD) (60.32MM OD)						
	5	1	<b>1B-5174</b>	5	PLUG-PIPE						
	6	1	<b>9N-2038</b>	1	CLAMP AS-TURBINE						

B - USE AS REQUIRED  
R - REMANUFACTURED PART MAY BE AVAILABLE  
Y - SEPARATE ILLUSTRATION



GRAPHIC #1

<END>

g00797297

# AIR INLET AND EXHAUST SYSTEM

## 2W-7277 TURBOCHARGER GP

S/N: 85Z3764-UP

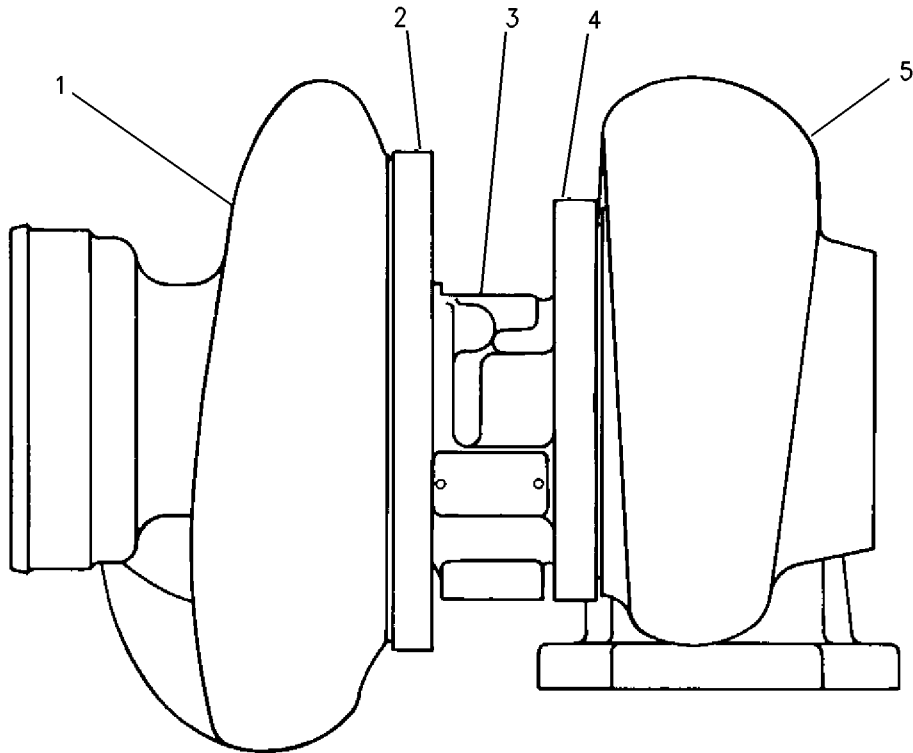
PART OF 1W-8096 TURBOCHARGER GP

SMCS-1052, 1053

i01535143

NOTE	REF NO	GRAPHIC REF	PART NUMBER	QTY	PART NAME						SEE PAGE
					1	2	3	4	5	6 (PRODUCT LEVEL)	
	1	1	<b>1W-1602</b>	1	HOUSING AS-COMPRESSOR						
	2	1	<b>3S-5129</b>	1	CLAMP AS (COMPRESSOR)						
YR	3	1	<b>1W-1604</b>	1	CARTRIDGE GP-TURBOCHARGER						476
	4	1	<b>9N-2038</b>	1	CLAMP AS-TURBINE						
	5	1	<b>1W-3559</b>	1	HOUSING						

R - REMANUFACTURED PART MAY BE AVAILABLE  
 Y - SEPARATE ILLUSTRATION



GRAPHIC #1

<END>

g00797110

# AIR INLET AND EXHAUST SYSTEM

## 4W-2080 TURBOCHARGER GP

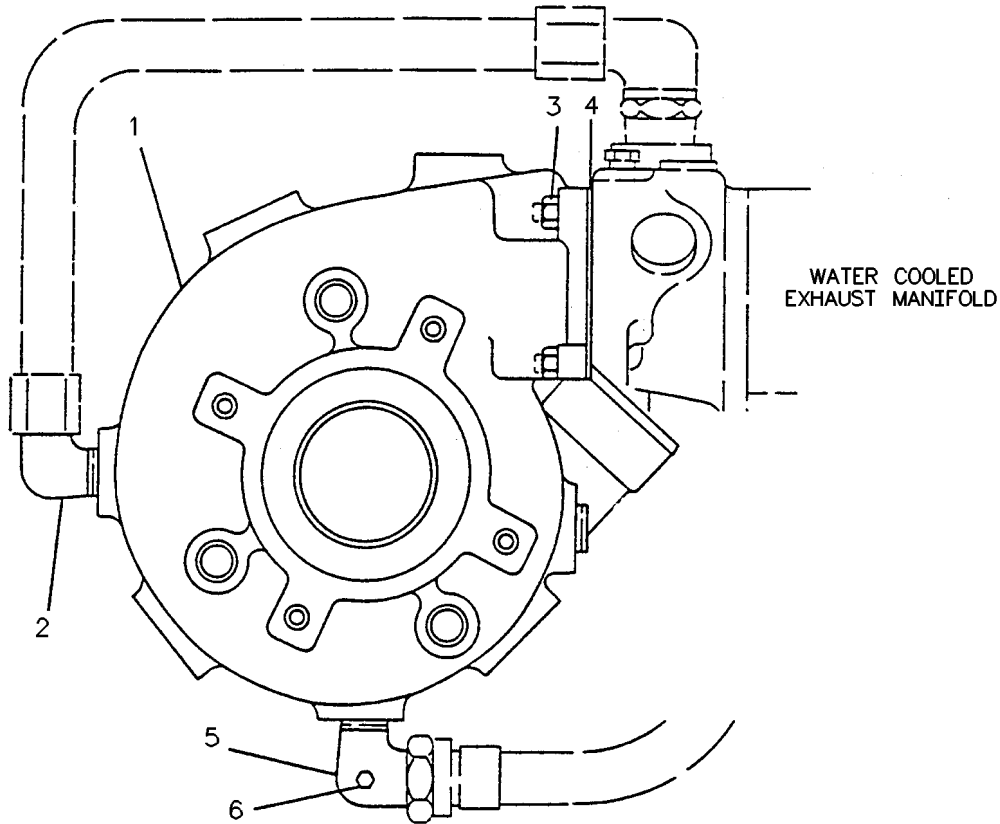
S/N: 85Z3764-11511

SMCS-1052, 1053

i01544031

NOTE	REF NO	GRAPHIC REF	PART NUMBER	QTY	PART NAME						SEE PAGE
					1	2	3	4	5	6 (PRODUCT LEVEL)	
YR	1	1	<b>4W-2276</b>	1	TURBOCHARGER GP						561
	2	1	<b>9L-4007</b>	1	ELBOW-FLARED						
	3	1	<b>2N-2766</b>	4	LOCKNUT (3/8-16-THD)						
	4	1	<b>7M-7273</b>	1	GASKET						
	5	1	<b>6V-1760</b>	1	ELBOW-FLARED						
C	6	1	<b>5M-6213</b>	1	PLUG-PIPE (1/4-18-THD)						

C - CHANGE FROM PREVIOUS TYPE  
 R - REMANUFACTURED PART MAY BE AVAILABLE  
 Y - SEPARATE ILLUSTRATION



GRAPHIC #1

<END>

g00216194

# AIR INLET AND EXHAUST SYSTEM

## 4W-2080 TURBOCHARGER GP

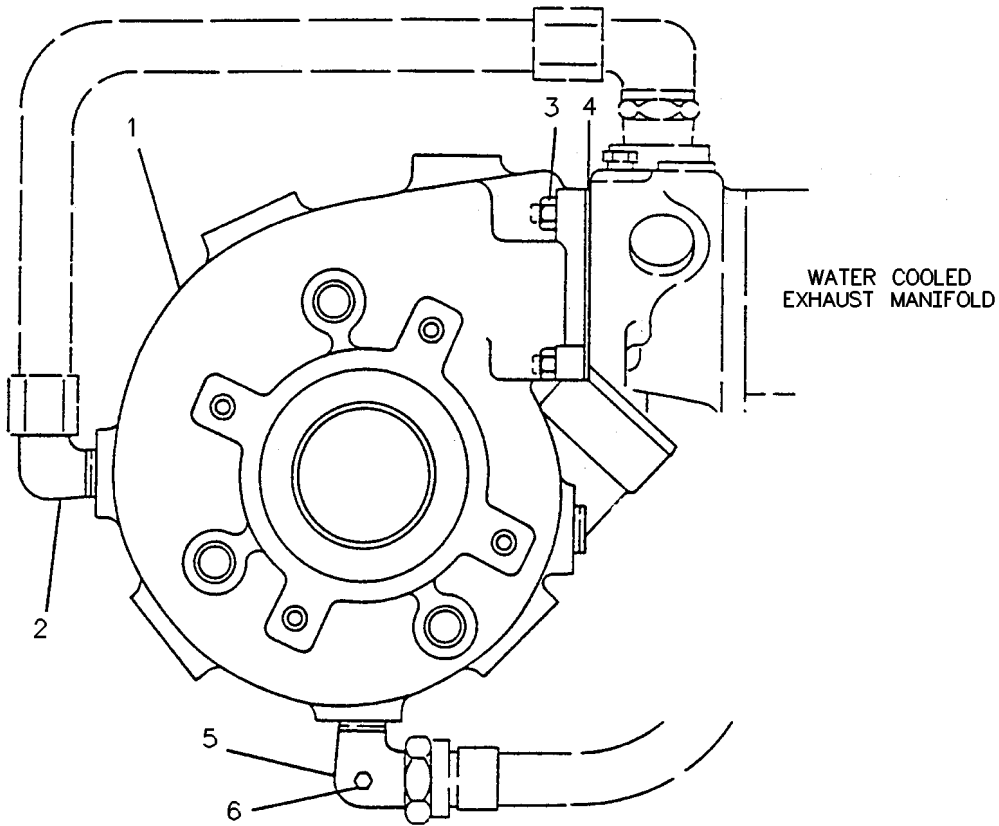
S/N: 85Z11512-UP

SMCS-1052, 1053

i00687393

NOTE	REF NO	GRAPHIC REF	PART NUMBER	QTY	PART NAME						SEE PAGE
					1	2	3	4	5	6 (PRODUCT LEVEL)	
CY	1	1	<b>110-3866</b>	1	TURBOCHARGER GP						552
	2	1	<b>9L-4007</b>	1	ELBOW-FLARED						
	3	1	<b>2N-2766</b>	4	LOCKNUT (3/8-16-THD)						
C	4	1	<b>1S-4295</b>	1	GASKET (TURBOCHARGER)						
	5	1	<b>6V-1760</b>	1	ELBOW-FLARED						
	6	1	<b>5M-6213</b>	1	PLUG-PIPE (1/4-18-THD)						

C - CHANGE FROM PREVIOUS TYPE  
Y - SEPARATE ILLUSTRATION



GRAPHIC #1

<END>

g00216194

# AIR INLET AND EXHAUST SYSTEM

## 4W-2276 TURBOCHARGER GP\*R

S/N: 85Z3764-11511

FIELD REPLACEMENT FOR 7C-4763-PAGE: 562

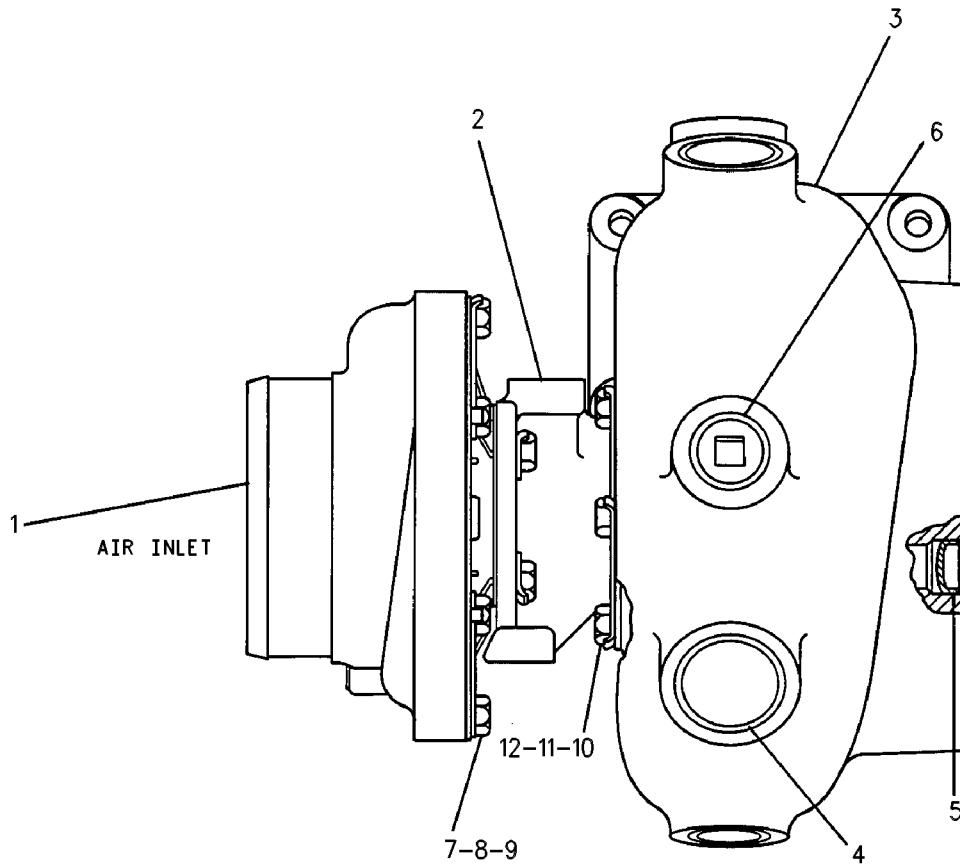
PART OF 4W-2080 TURBOCHARGER GP

SMCS-1052, 1053

i01349751

NOTE	REF NO	GRAPHIC REF	PART NUMBER	QTY	PART NAME						SEE PAGE
					1	2	3	4	5	6 (PRODUCT LEVEL)	
	1	1	<b>4W-2279</b>	1	HOUSING-COMPRESSOR						
YR	2	1	<b>4W-2277</b>	1	CARTRIDGE GP-TURBOCHARGER						480
	3	1	<b>4W-2308</b>	1	HOUSING AS-TURBINE						
	4	1	<b>2M-6471</b>	3	PLUG-CUP						
	5	1	<b>8F-6575</b>	3	PLUG-CUP						
	6	1	<b>1B-5174</b>	2	PLUG-PIPE						
	7	1	<b>1C-0569</b>	6	BOLT (5/16-18X0.5-IN)						
	8	1	<b>4N-6864</b>	3	CLAMP (COMPRESSOR) (COMPRESSOR)						
	9	1	<b>4N-6865</b>	3	LOCK-PLATE						
	10	1	<b>6V-2489</b>	6	BOLT-HIGH TEMPERATURE						
	11	1	<b>1P-1112</b>	3	CLAMP (TURBINE) (TURBINE)						
	12	1	<b>1P-1113</b>	3	LOCK-PLATE						

R - REMANUFACTURED PART MAY BE AVAILABLE  
 Y - SEPARATE ILLUSTRATION



GRAPHIC #1

<END>

g00518858

# AIR INLET AND EXHAUST SYSTEM

## 7C-4763 TURBOCHARGER GP

S/N: 85Z14662-UP

FIELD REPLACEMENT ORDER 4W-2276-PAGE: 561

PART OF 184-7209 TURBOCHARGER GP

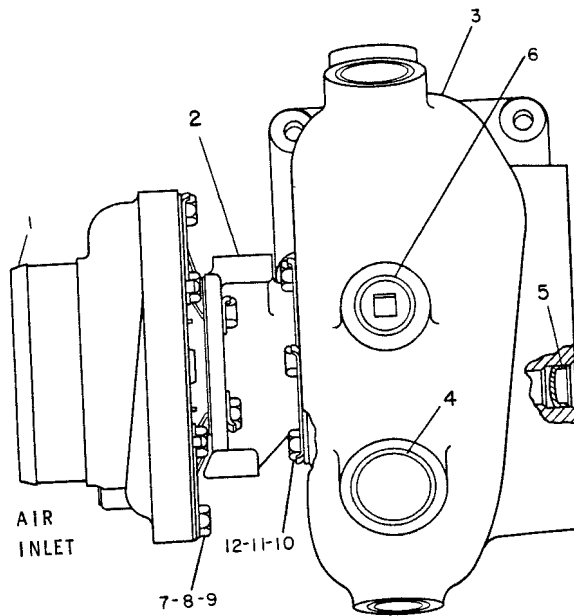
SMCS-1052, 1053

i01739013

NOTE	REF NO	GRAPHIC REF	PART NUMBER	QTY	PART NAME						SEE PAGE
					1	2	3	4	5	6 (PRODUCT LEVEL)	
	1	1	<b>4W-2279</b>	1	HOUSING-COMPRESSOR						
YR	2	1	<b>4W-2277</b>	1	CARTRIDGE GP-TURBOCHARGER						480
	3	1	<b>4W-2308</b>	1	HOUSING AS-TURBINE						
	4	1	<b>2M-6471</b>	3	PLUG-CUP						
	5	1	<b>8F-6575</b>	3	PLUG-CUP						
	6	1	<b>1B-5174</b>	2	PLUG-PIPE						
	7	1	<b>1C-0569</b>	6	BOLT (5/16-18X0.5-IN)						
	8	1	<b>4N-6864</b>	3	CLAMP (COMPRESSOR) (COMPRESSOR)						
	9	1	<b>4N-6865</b>	3	LOCK-PLATE						
	10	1	<b>6V-2489</b>	6	BOLT-HIGH TEMPERATURE						
	11	1	<b>1P-1112</b>	3	CLAMP (TURBINE) (TURBINE)						
	12	1	<b>1P-1113</b>	3	LOCK-PLATE						

R - REMANUFACTURED PART MAY BE AVAILABLE

Y - SEPARATE ILLUSTRATION



GRAPHIC #1

<END>

g00185981



# AIR INLET AND EXHAUST SYSTEM

## 7C-7580 TURBOCHARGER GP\*R

S/N: 85Z3764-UP

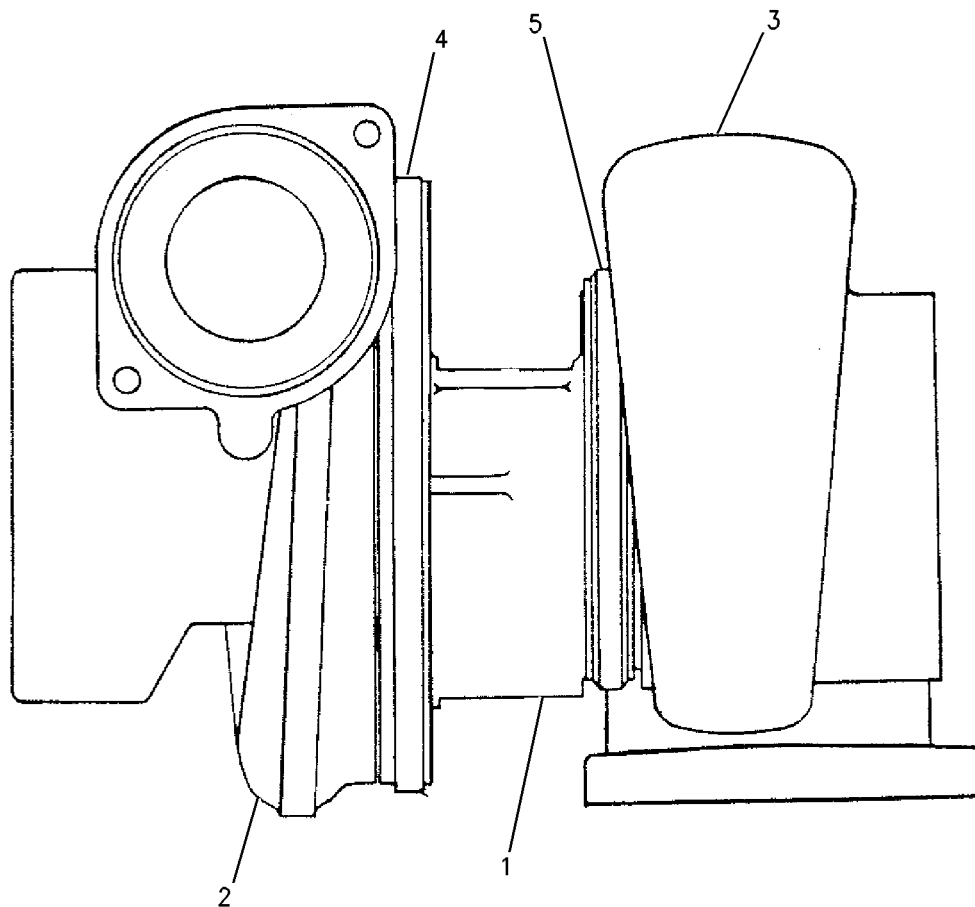
PART OF 7W-8581 TURBOCHARGER GP

SMCS-1052, 1053

i01535157

NOTE	REF NO	GRAPHIC REF	PART NUMBER	QTY	PART NAME						SEE PAGE
					1	2	3	4	5	6 (PRODUCT LEVEL)	
YR	1	1	<b>7C-7598</b>	1	CARTRIDGE GP - TURBOCHARGER						482
	2	1	<b>7W-8842</b>	1	HOUSING - COMPRESSOR						
	3	1	<b>7W-9447</b>	1	HOUSING						
	4	1	<b>7W-7778</b>	1	CLAMP AS (COMPRESSOR)						
	5	1	<b>5S-4517</b>	1	CLAMP AS (TURBINE)						

R - REMANUFACTURED PART MAY BE AVAILABLE  
 Y - SEPARATE ILLUSTRATION



GRAPHIC #1

<END>

g00648448

# AIR INLET AND EXHAUST SYSTEM

## 7C-7584 TURBOCHARGER GP

S/N: 85Z3851-UP

PART OF 7W-9047 TURBOCHARGER GP

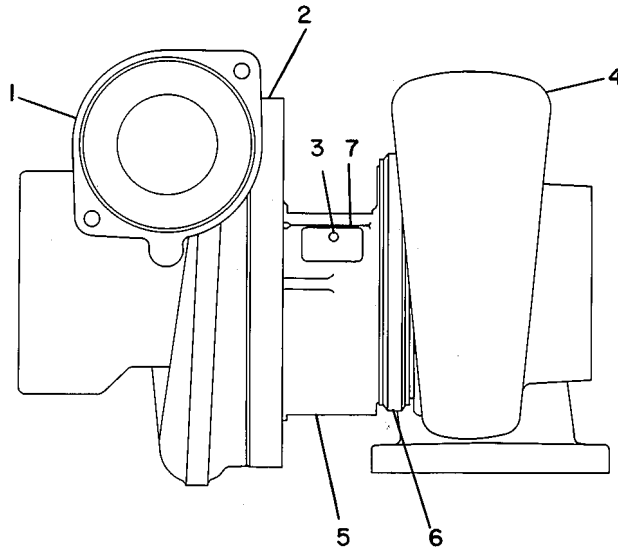
SMCS-1052, 1053

i01349762

NOTE	REF NO	GRAPHIC REF	PART NUMBER	QTY	PART NAME						SEE PAGE
					1	2	3	4	5	6	
	1	1	<b>4W-7353</b>	1	HOUSING-COMPRESSOR						
	2	1	<b>7W-7778</b>	1	CLAMP AS (COMPRESSOR)						
	3	1	<b>8H-3710</b>	2	SCREW-TAPPING (6-32X0.375-IN)						
	4	1	<b>7W-9188</b>	1	HOUSING						
YR	5	1	<b>7C-7600</b>	1	CARTRIDGE GP-TURBOCHARGER						483
	6	1	<b>5S-4517</b>	1	CLAMP AS (TURBINE)						
	7	1	<b>1W-4795</b>	1	PLATE-IDENTIFICATION (TURBOCHARGER CARTRIDGE)						

R - REMANUFACTURED PART MAY BE AVAILABLE

Y - SEPARATE ILLUSTRATION



GRAPHIC #1

<END>

g00116365

# AIR INLET AND EXHAUST SYSTEM

## 7C-8428 TURBOCHARGER GP

S/N: 85Z3764-UP

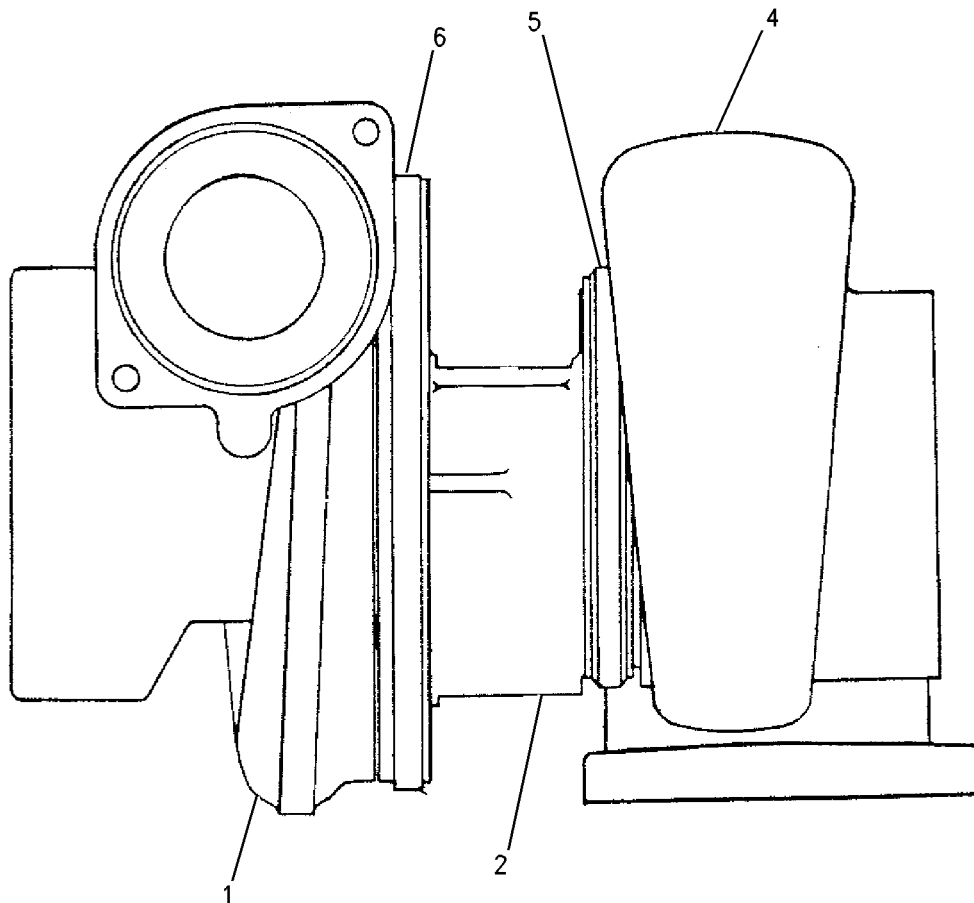
PART OF 7C-8429 TURBOCHARGER GP

SMCS-1052, 1053

i01774380

NOTE	REF NO	GRAPHIC REF	PART NUMBER	QTY	PART NAME						SEE PAGE
					1	2	3	4	5	6 (PRODUCT LEVEL)	
	1	1	<b>7C-0640</b>	1	HOUSING - COMPRESSOR						
YR	2	1	<b>7C-7601</b>	1	CARTRIDGE GP - TURBOCHARGER						485
	4	1	<b>7C-8427</b>	1	HOUSING						
	5	1	<b>5S-4517</b>	1	CLAMP AS (TURBINE)						
	6	1	<b>7W-7778</b>	1	CLAMP AS (COMPRESSOR)						

R - REMANUFACTURED PART MAY BE AVAILABLE  
 Y - SEPARATE ILLUSTRATION



GRAPHIC #1

<END>

g00907187

# AIR INLET AND EXHAUST SYSTEM

## 7C-8429 TURBOCHARGER GP

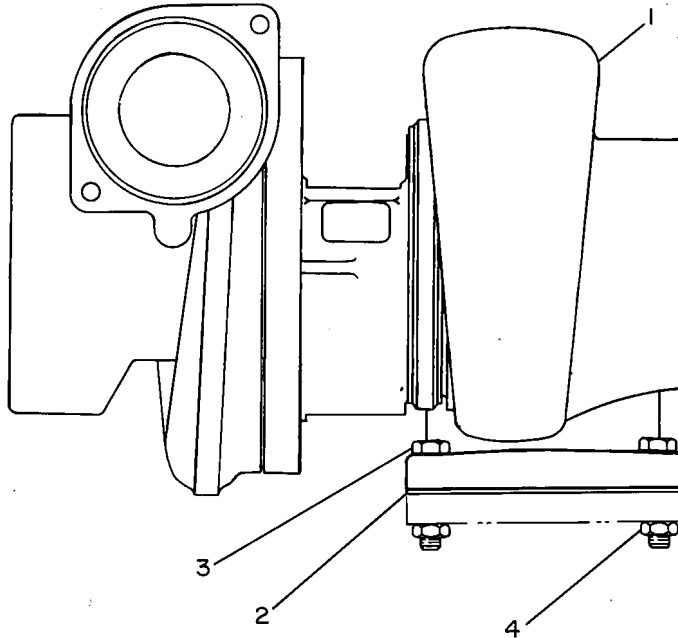
S/N: 85Z3764-UP

SMCS-1052, 1053

i00945555

NOTE	REF NO	GRAPHIC REF	PART NUMBER	QTY	PART NAME						SEE PAGE
					1	2	3	4	5	6 (PRODUCT LEVEL)	
Y	1	1	<b>7C-8428</b>	1	TURBOCHARGER GP						565
	2	1	<b>1S-4295</b>	1	GASKET (TURBOCHARGER)						
	3	1	<b>7L-3195</b>	4	BOLT-HIGH TEMPERATURE (3/8-16X1.75-IN)						
	4	1	<b>2N-2766</b>	4	LOCKNUT (3/8-16-THD)						

Y - SEPARATE ILLUSTRATION



GRAPHIC #1

<END>

g00118519

# AIR INLET AND EXHAUST SYSTEM

## 7C-8632 TURBOCHARGER GP\*R

S/N: 85Z11063-UP

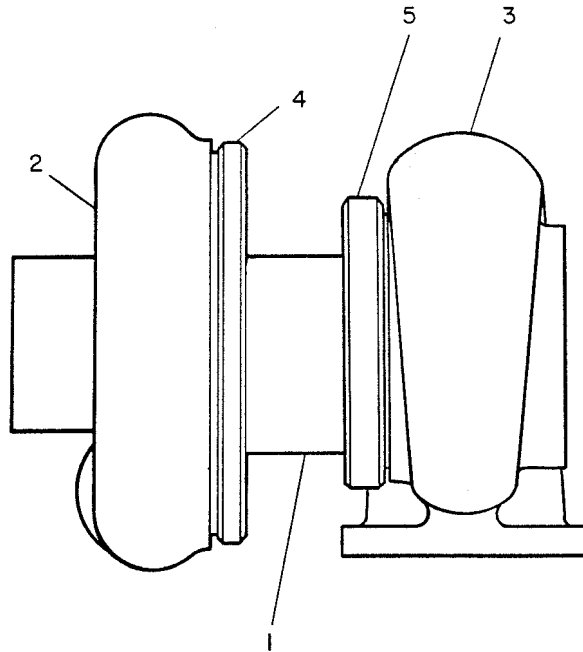
PART OF 7C-8657 TURBOCHARGER GP

SMCS-1052, 1053

i01349773

NOTE	REF NO	GRAPHIC REF	PART NUMBER	QTY	PART NAME						SEE PAGE
					1	2	3	4	5	6 (PRODUCT LEVEL)	
YR	1	1	<b>7C-9309</b>	1	CARTRIDGE GP - TURBOCHARGER						486
	2	1	<b>7C-9302</b>	1	HOUSING - COMPRESSOR						
	3	1	<b>7C-9304</b>	1	HOUSING						
	4	1	<b>7C-9538</b>	1	CLAMP AS - COMPRESSOR						
	5	1	<b>7C-9532</b>	1	CLAMP AS (TURBINE)						

R - REMANUFACTURED PART MAY BE AVAILABLE  
 Y - SEPARATE ILLUSTRATION



GRAPHIC #1

<END>

g00108302

# AIR INLET AND EXHAUST SYSTEM

## 7C-8657 TURBOCHARGER GP

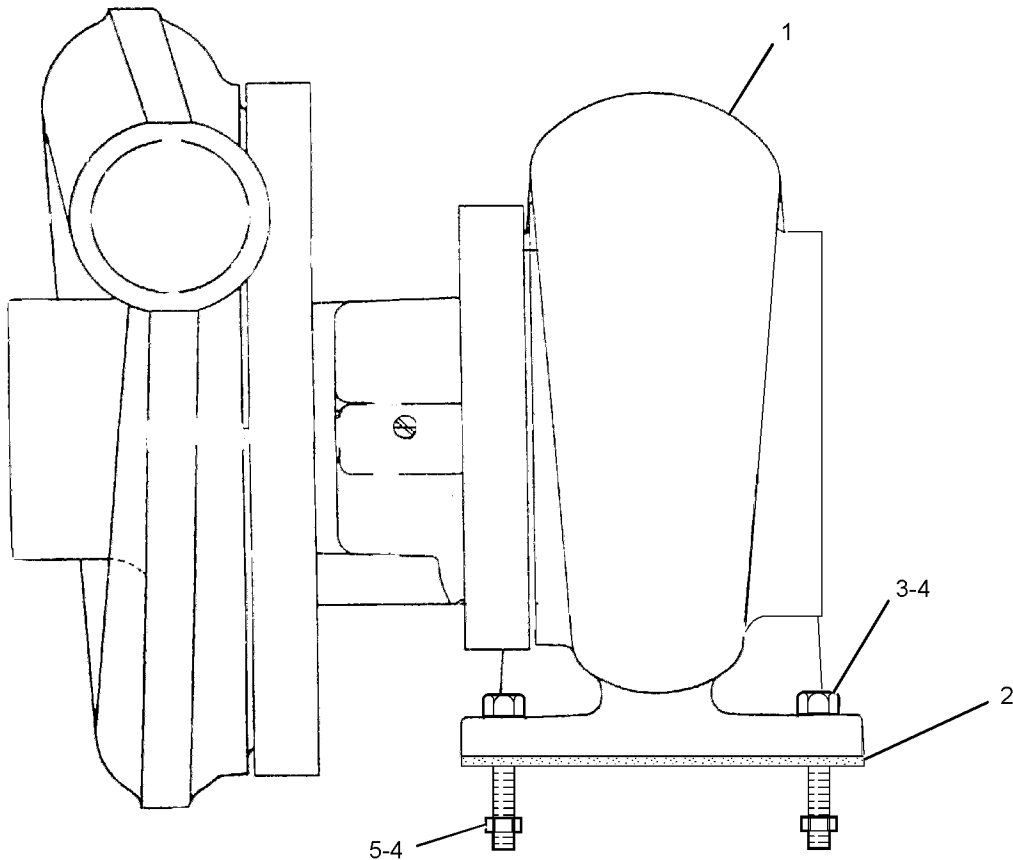
S/N: 85Z11063-UP

SMCS-1052, 1053

i03836456

NOTE	REF NO	GRAPHIC REF	PART NUMBER	QTY	PART NAME						SEE PAGE
					1	2	3	4	5	6 (PRODUCT LEVEL)	
YR	1	1	<b>7C-8632</b>	1	TURBOCHARGER GP						567
	2	1	<b>1P-0451</b>	1	GASKET						
	3	1	<b>9L-2295</b>	2	BOLT-HIGH TEMPERATURE (3/8-16X1.5-IN)						
	4	1	<b>2N-2766</b>	4	LOCKNUT (3/8-16-THD)						
	5	1	<b>7L-6443</b>	2	BOLT-HIGH TEMPERATURE (3/8-16X2.25-IN)						

R - REMANUFACTURED PART MAY BE AVAILABLE  
 Y - SEPARATE ILLUSTRATION



GRAPHIC #1

<END>

g02091633

# AIR INLET AND EXHAUST SYSTEM

## 7N-2515 TURBOCHARGER GP\*R

S/N: 85Z3764-UP

PART OF 1W-0541 TURBOCHARGER GP

SMCS-1052, 1053

i01996591

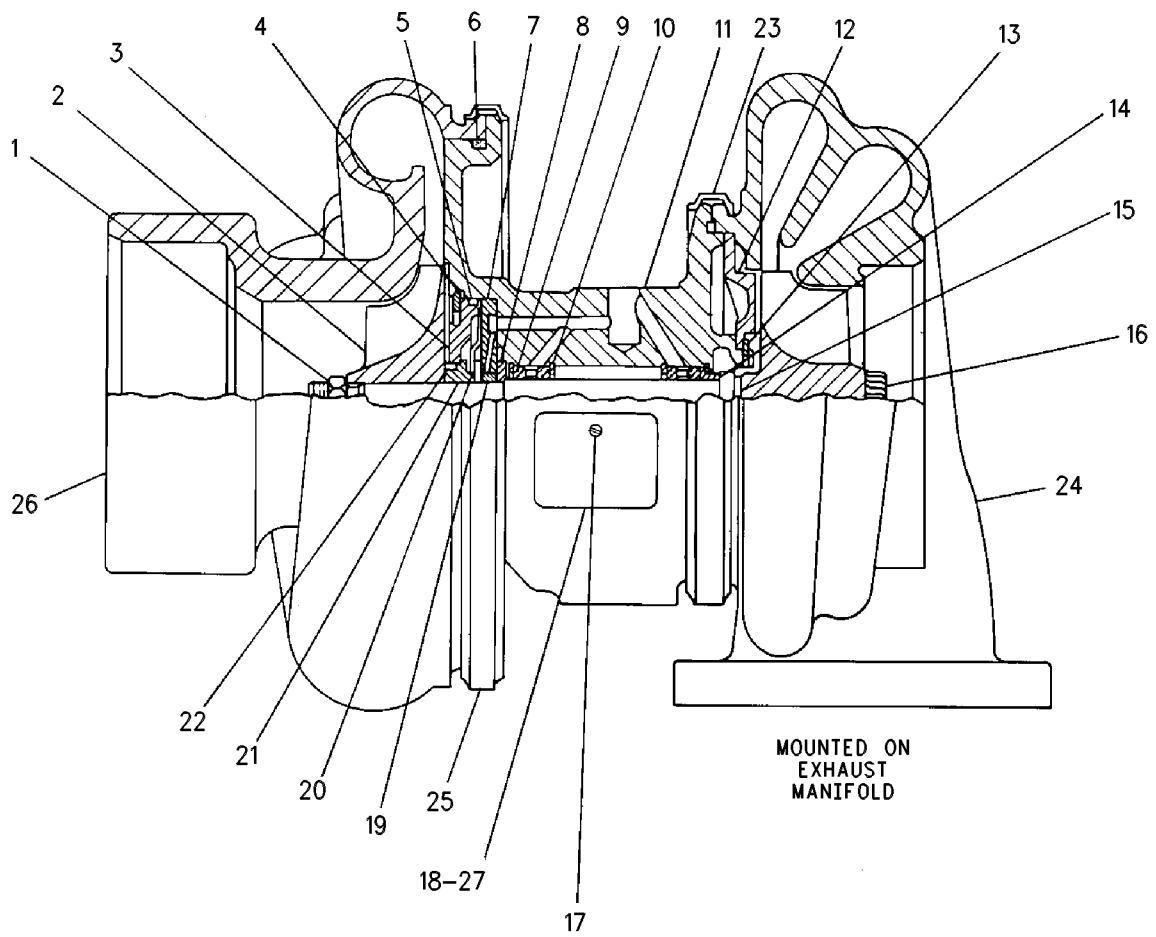
NOTE	REF NO	GRAPHIC REF	PART NUMBER	QTY	PART NAME						SEE PAGE		
					1	2	3	4	5	6 (PRODUCT LEVEL)			
CR	1	1	<b>9N-0111</b>	1	CARTRIDGE GP-TURBOCHARGER								
		1	<b>7N-0239</b>	1	NUT-TURBOCHARGER COMPRESSOR								
	2	1	<b>9N-2378</b>	1	WHEEL-COMPRESSOR								
	3	1	<b>5S-4556</b>	1	INSERT								
	4	1	<b>5S-4546</b>	1	RING-RETAINING								
	5	1	<b>5P-5757</b>	1	SEAL-O-RING								
	6	1	<b>5S-4554</b>	1	SEAL-O-RING								
	7	1	<b>8S-9223</b>	1	BEARING-THRUST								
	8	1	<b>5S-4550</b>	2	RING-THRUST								
	9	1	<b>5S-4557</b>	2	BEARING								
	10	1	<b>4M-6983</b>	4	RING-RETAINING								
	11	1	<b>4N-9540</b>	1	HOUSING AS-CENTER								
		1	<b>5S-5199</b>	1	PIN-GROOVED								
	12	1	<b>4N-9556</b>	1	SHROUD								
	13	1	<b>4M-6990</b>	1	RING-SNAP								
	14	1	<b>5S-4551</b>	1	SLEEVE-OIL CONTROL								
	15	1	<b>7N-2856</b>	1	RING-SEAL								
R	16	1	<b>9S-8993</b>	1	WHEEL AS								
C	17	1	<b>8H-3710</b>	1	SCREW-TAPPING (6-32X0.375-IN)								
	18	1	<b>9S-1180</b>	1	PLATE-IDENTIFICATION								
	19	1	<b>5S-4547</b>	1	SLEEVE-SPACER								
	20	1	<b>5S-4549</b>	1	DEFLECTOR-OIL								
	21	1	<b>8S-9222</b>	1	SLEEVE								
	22	1	<b>4M-8013</b>	2	RING-PISTON								
	23	1	<b>5S-4517</b>	1	CLAMP AS (TURBINE)								
	24	1	<b>9S-8996</b>	1	HOUSING								
	25	1	<b>5S-4558</b>	1	CLAMP AS-COMPRESSOR								
	26	1	<b>4N-3755</b>	1	COVER-COMPRESSOR								
C	27	1	<b>1W-4795</b>	1	PLATE-IDENTIFICATION (TURBOCHARGER CARTRIDGE)								
					AVAILABLE REPAIR KIT(S):								
					<b>2W-0725</b>	1	KIT-CARTRIDGE (TURBOCHARGER)						
					(INCLUDES RINGS, SEALS & SLEEVE)								

C - CHANGE FROM PREVIOUS TYPE  
R - REMANUFACTURED PART MAY BE AVAILABLE

# AIR INLET AND EXHAUST SYSTEM

7N-2515 TURBOCHARGER GP (contd.)

i01996591



GRAPHIC #1

<END>

g00513483



# AIR INLET AND EXHAUST SYSTEM

## 7W-8581 TURBOCHARGER GP

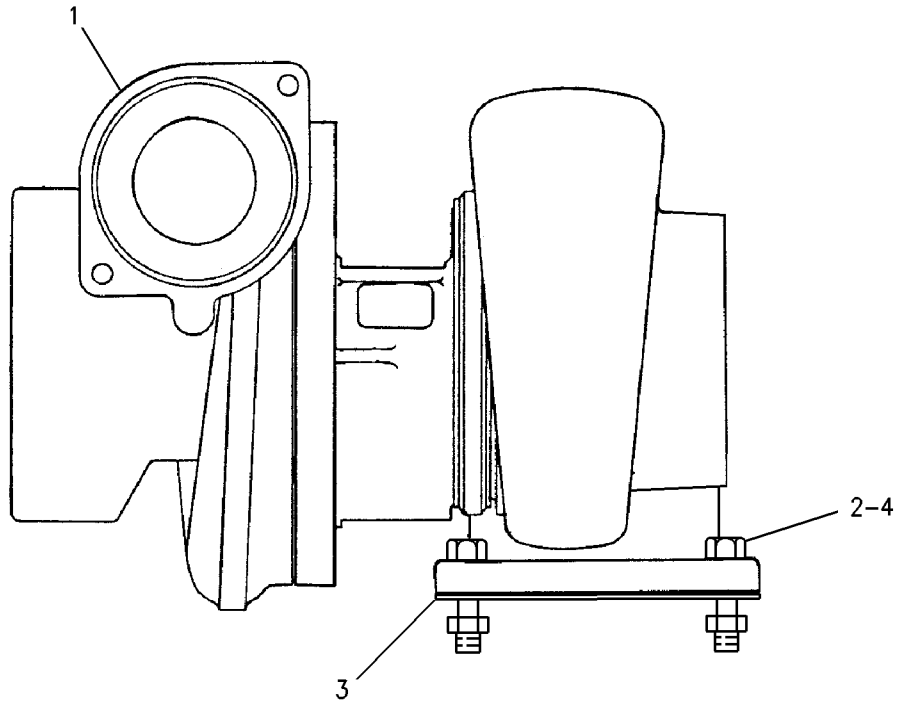
S/N: 85Z3764-UP

SMCS-1052, 1053

i01349823

NOTE	REF NO	GRAPHIC REF	PART NUMBER	QTY	PART NAME						SEE PAGE
					1	2	3	4	5	6 (PRODUCT LEVEL)	
CYR	1	1	7C-7580	1	TURBOCHARGER GP						563
	2	1	7L-3195	4	BOLT-HIGH TEMPERATURE (3/8-16X1.75-IN)						
	3	1	1S-4295	1	GASKET (TURBOCHARGER)						
	4	1	2N-2766	4	LOCKNUT (3/8-16-THD)						

C - CHANGE FROM PREVIOUS TYPE  
 R - REMANUFACTURED PART MAY BE AVAILABLE  
 Y - SEPARATE ILLUSTRATION



GRAPHIC #1

<END>

g00712607

# AIR INLET AND EXHAUST SYSTEM

## 7W-9047 TURBOCHARGER GP

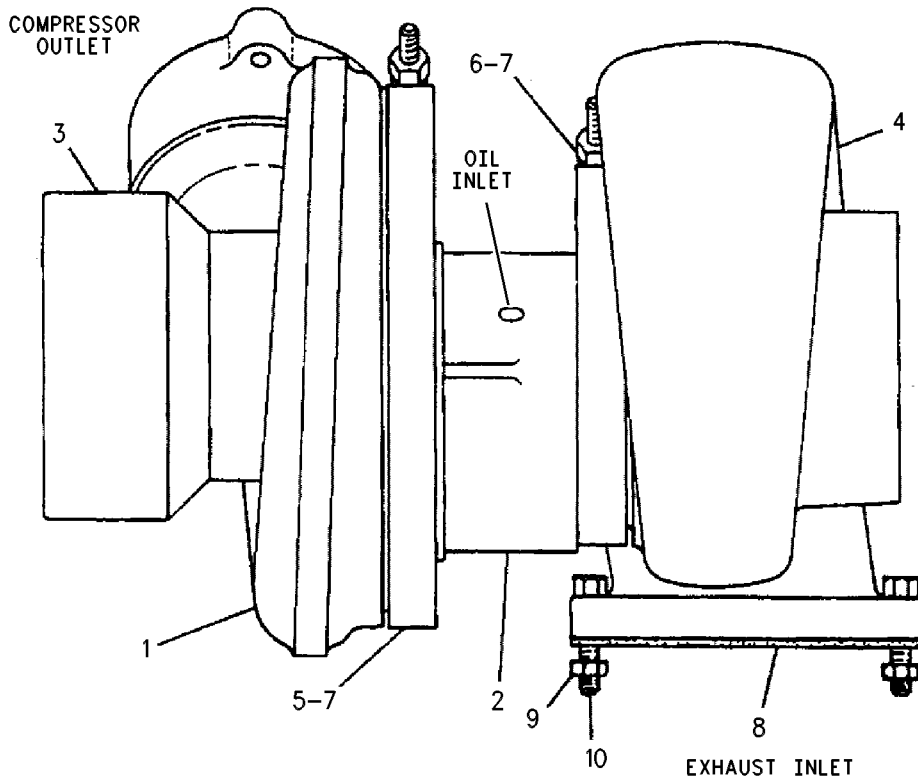
S/N: 85Z3764-3850

SMCS-1052, 1053

i01349788

NOTE	REF NO	GRAPHIC REF	PART NUMBER	QTY	PART NAME						SEE PAGE
					1	2	3	4	5	6	
	1	1	<b>7W-9186</b>	1	TURBOCHARGER GP						
Y	2	1	7W-9187	1	CARTRIDGE GP-TURBOCHARGER						488
	3	1	<b>4W-7353</b>	1	HOUSING-COMPRESSOR						
	4	1	<b>7W-9188</b>	1	HOUSING						
	5	1	<b>7W-7778</b>	1	CLAMP AS (COMPRESSOR)						
	6	1	<b>5S-4517</b>	1	CLAMP AS (TURBINE)						
	7	1	<b>1W-4795</b>	1	PLATE-IDENTIFICATION (TURBOCHARGER CARTRIDGE)						
		1	<b>8H-3710</b>	2	SCREW-TAPPING (6-32X0.375-IN)						
	8	1	<b>1S-4295</b>	1	GASKET (TURBOCHARGER)						
	9	1	<b>2N-2766</b>	4	LOCKNUT (3/8-16-THD)						
	10	1	<b>7L-3195</b>	4	BOLT-HIGH TEMPERATURE (3/8-16X1.75-IN)						

Y - SEPARATE ILLUSTRATION



GRAPHIC #1

<END>

g00485666

# AIR INLET AND EXHAUST SYSTEM

## 7W-9047 TURBOCHARGER GP

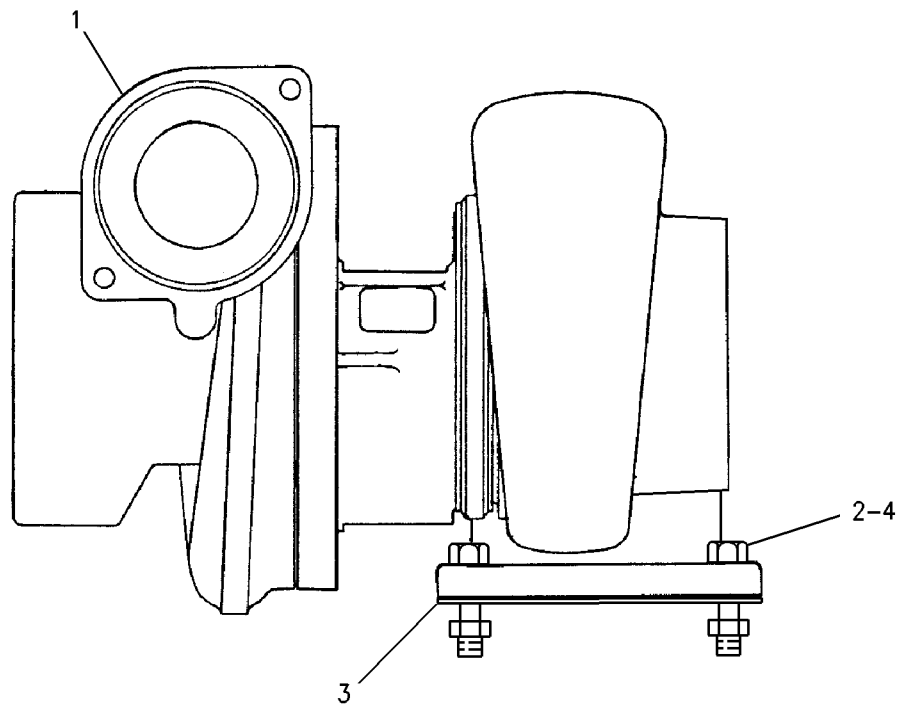
S/N: 85Z3851-UP

SMCS-1052, 1053

i01349815

NOTE	REF NO	GRAPHIC REF	PART NUMBER	QTY	PART NAME						SEE PAGE
					1	2	3	4	5	6 (PRODUCT LEVEL)	
Y	1	1	<b>7C-7584</b>	1	TURBOCHARGER GP						564
	2	1	<b>7L-3195</b>	4	BOLT-HIGH TEMPERATURE (3/8-16X1.75-IN)						
	3	1	<b>1S-4295</b>	1	GASKET (TURBOCHARGER)						
	4	1	<b>2N-2766</b>	4	LOCKNUT (3/8-16-THD)						

Y - SEPARATE ILLUSTRATION



GRAPHIC #1

<END>

g00712607

# FUEL SYSTEM

## 7E-0598 ACTUATOR AS-GOVERNOR

S/N: 85Z3764-UP

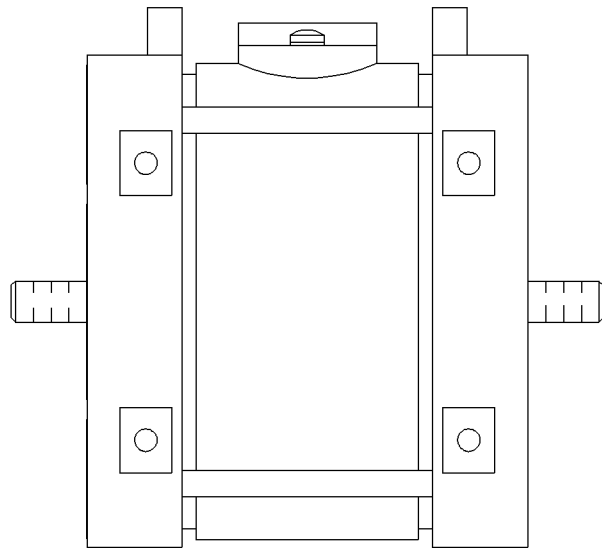
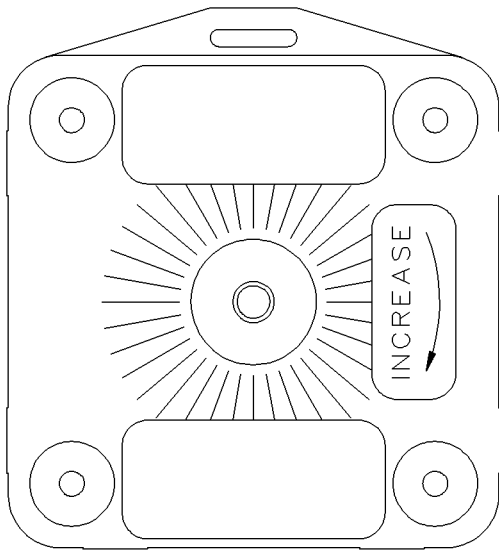
24 VOLT

AN ATTACHMENT

SMCS-1716

i01504416

NOTE	REF NO	GRAPHIC REF	PART NUMBER	QTY	PART NAME	SEE PAGE
					1 2 3 4 5 6 (PRODUCT LEVEL)	
(NO SERVICED PARTS)						



GRAPHIC #1

<END>

g00778071

# FUEL SYSTEM

## 9N-2722 ADAPTER GP-PRIMING PUMP

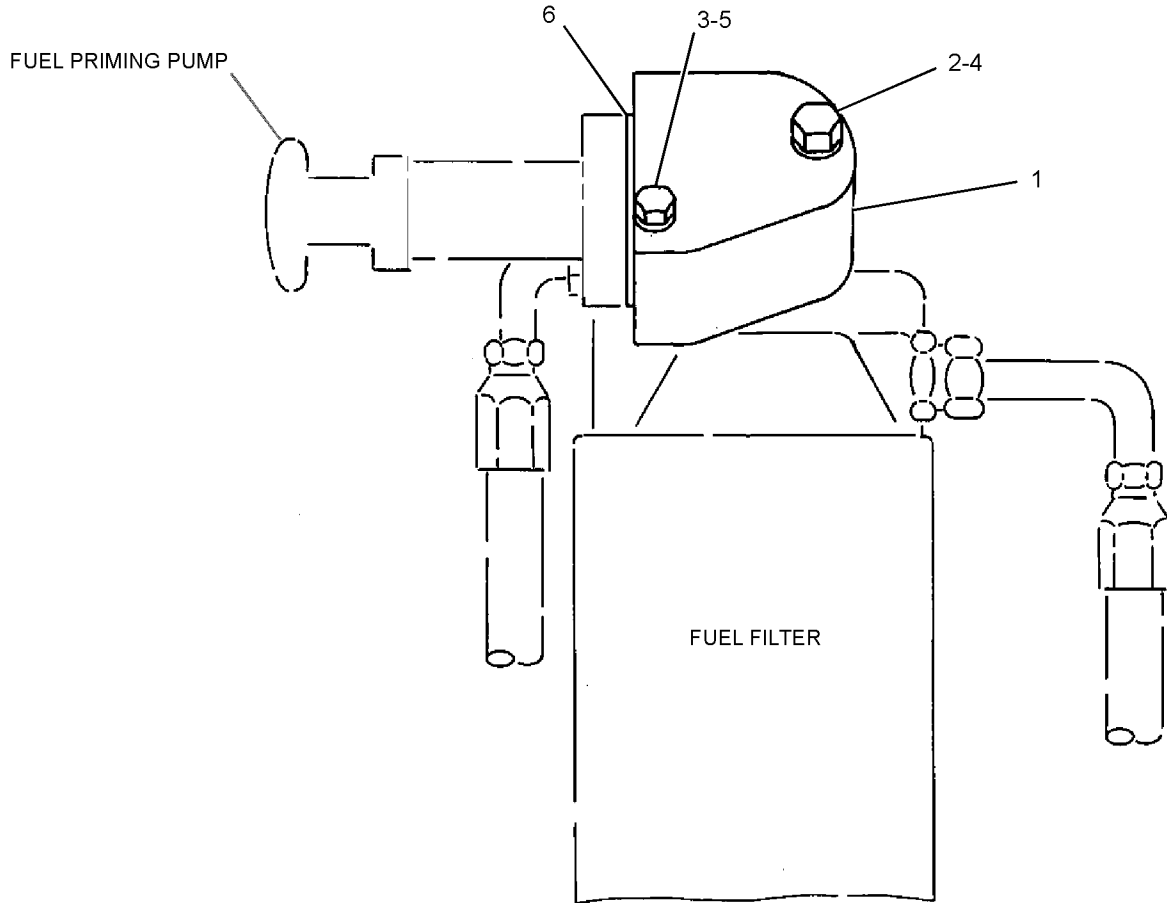
S/N: 85Z3764-UP

AN ATTACHMENT

SMCS - 1258

i03190681

NOTE	REF NO	GRAPHIC REF	PART NUMBER	QTY	PART NAME						SEE PAGE
					1	2	3	4	5	6 (PRODUCT LEVEL)	
	1	1	<b>9L-6378</b>	1	ADAPTER-PRIMING PUMP						
	2	1	<b>2B-2694</b>	1	BOLT (5/16-18X2-IN)						
	3	1	<b>8B-2377</b>	1	BOLT (1/4-20X2-IN)						
	4	1	<b>9M-1974</b>	1	WASHER-HARD (8.8X16X2-MM THK)						
	5	1	<b>5P-0537</b>	1	WASHER-HARD (7.2X14.5X2-MM THK)						
	6	1	<b>1P-0436</b>	2	GASKET (FUEL PRIMING PUMP)						



GRAPHIC #1

<END>

g01627078

# FUEL SYSTEM

## 4W-5391 BOX AS-GOVERNOR PREREGULATOR

S/N: 85Z3764-UP

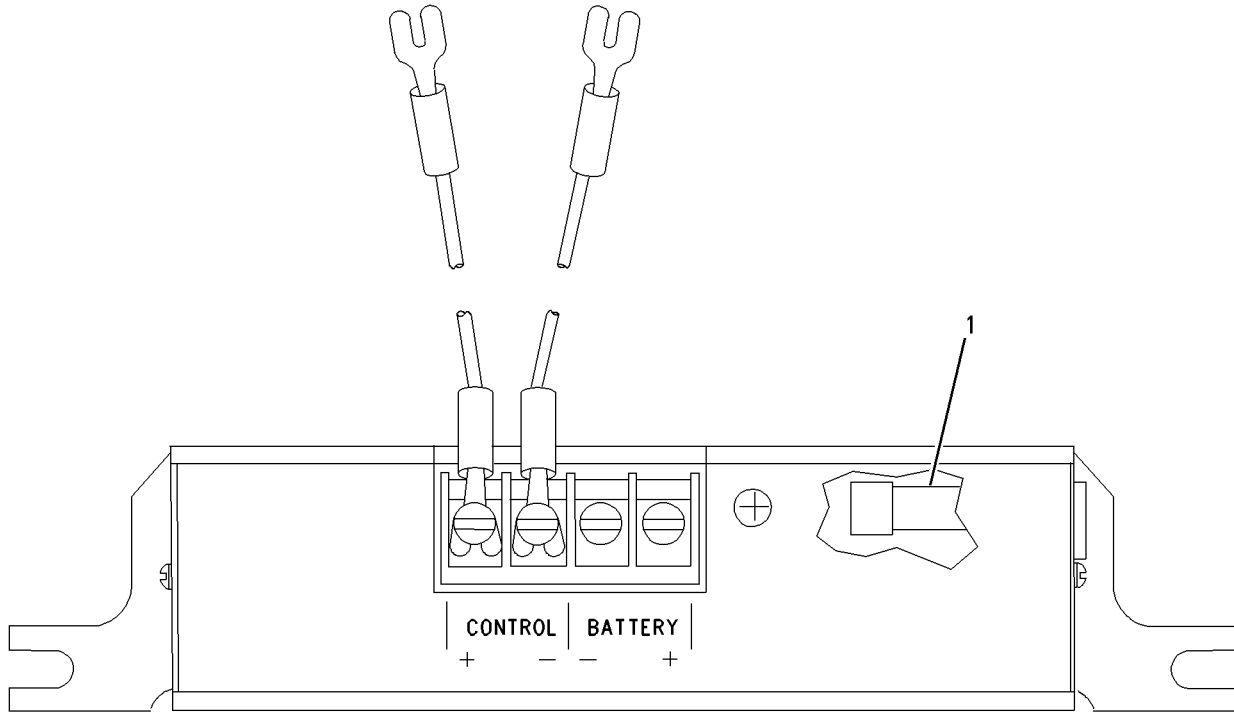
PART OF 4W-9314 GOVERNOR AS-ELECTRONIC, 7W-3401 PANEL AR-CONTROL  
AN ATTACHMENT

SMCS-1264

i02319945

NOTE	REF NO	GRAPHIC REF	PART NUMBER	QTY	PART NAME						SEE PAGE
					1	2	3	4	5	6 (PRODUCT LEVEL)	
B	1	1	7T-0037	3	FUSE (0.75-AMPERE)						

B - USE AS REQUIRED



GRAPHIC #1

<END>

g00758599

# FUEL SYSTEM

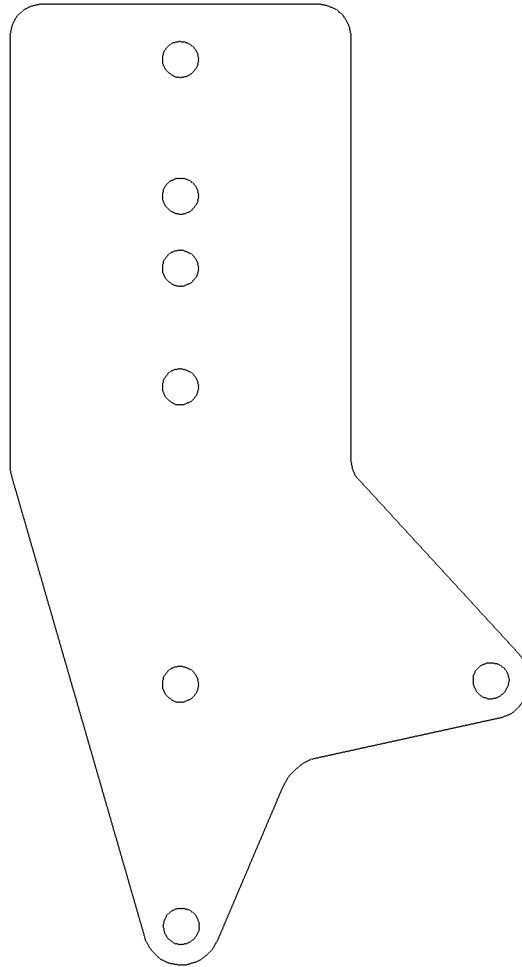
## 5N-5283 BRACKET-SUPPORT

S/N: 85Z3764-UP  
WATER SEPARATOR SUPPORT  
AN ATTACHMENT

SMCS-1263

i01846285

NOTE	REF NO	GRAPHIC REF	PART NUMBER	QTY	PART NAME						SEE PAGE
					1	2	3	4	5	6 (PRODUCT LEVEL)	
(NO SERVICED PARTS)											



GRAPHIC #1

<END>

g00943389

# FUEL SYSTEM

## 2W-0255 CAMSHAFT AS

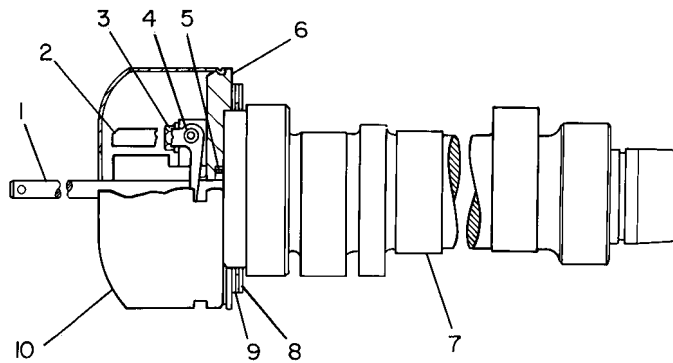
S/N: 85Z3764-UP

PART OF 2W-0256 PUMP GP-FUEL INJECTION

SMCS-1292

i00151073

NOTE	REF NO	GRAPHIC REF	PART NUMBER	QTY	PART NAME						SEE PAGE
					1	2	3	4	5	6	
	1	1	<b>8N-2510</b>	1	SHAFT-WEIGHT CARRIER						
	2	1	<b>7N-7264</b>	4	WEIGHT-GOVERNOR						
	3	1	<b>9Y-7037</b>	4	BOLT (1/4-20X1.25-IN)						
	4	1	<b>1S-5440</b>	4	DOWEL						
	5	1	<b>4N-9019</b>	1	DOWEL						
	6	1	<b>8N-2511</b>	1	CARRIER-WEIGHT						
	7	1	<b>2W-0254</b>	1	CAMSHAFT-FUEL PUMP						
	8	1	<b>7N-7166</b>	2	RACE-THRUST BEARING						
	9	1	<b>7L-3326</b>	1	BEARING-THRUST						
	10	1	<b>7N-7265</b>	1	SHIELD-WEIGHT CARRIER						



GRAPHIC #1

<END>

g00108352



# FUEL SYSTEM

## 8N-2513 CAMSHAFT AS

S/N: 85Z3764-UP

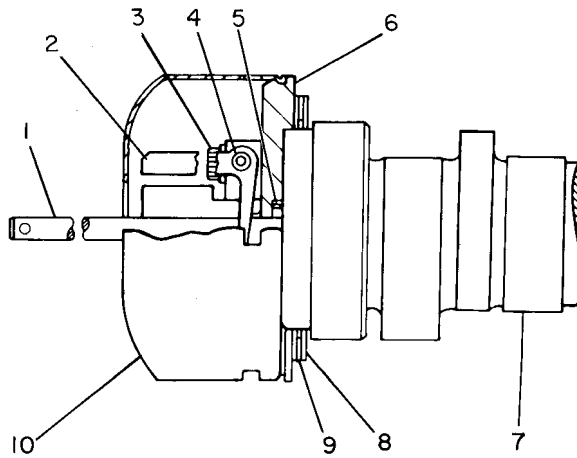
FUEL INJECTION PUMP

PART OF 7C-2605 PUMP GP-FUEL INJECTION, 8N-2525 PUMP GP-GOV & FUEL INJ

SMCS-1292

i00187214

NOTE	REF NO	GRAPHIC REF	PART NUMBER	QTY	PART NAME						SEE PAGE
					1	2	3	4	5	6 (PRODUCT LEVEL)	
	1	1	<b>8N-2510</b>	1	SHAFT-WEIGHT CARRIER						
	2	1	<b>7N-7264</b>	4	WEIGHT-GOVERNOR						
	3	1	<b>9Y-7037</b>	4	BOLT (1/4-20X1.25-IN)						
	4	1	<b>1S-5440</b>	4	DOWEL						
	5	1	<b>4N-9019</b>	1	DOWEL						
	6	1	<b>8N-2511</b>	1	CARRIER-WEIGHT						
	7	1	<b>1W-2555</b>	1	CAMSHAFT-FUEL PUMP						
	8	1	<b>7N-7166</b>	2	RACE-THRUST BEARING						
	9	1	<b>7L-3326</b>	1	BEARING-THRUST						
	10	1	<b>7N-7265</b>	1	SHIELD-WEIGHT CARRIER						



GRAPHIC #1

<END>

g00116721

# FUEL SYSTEM

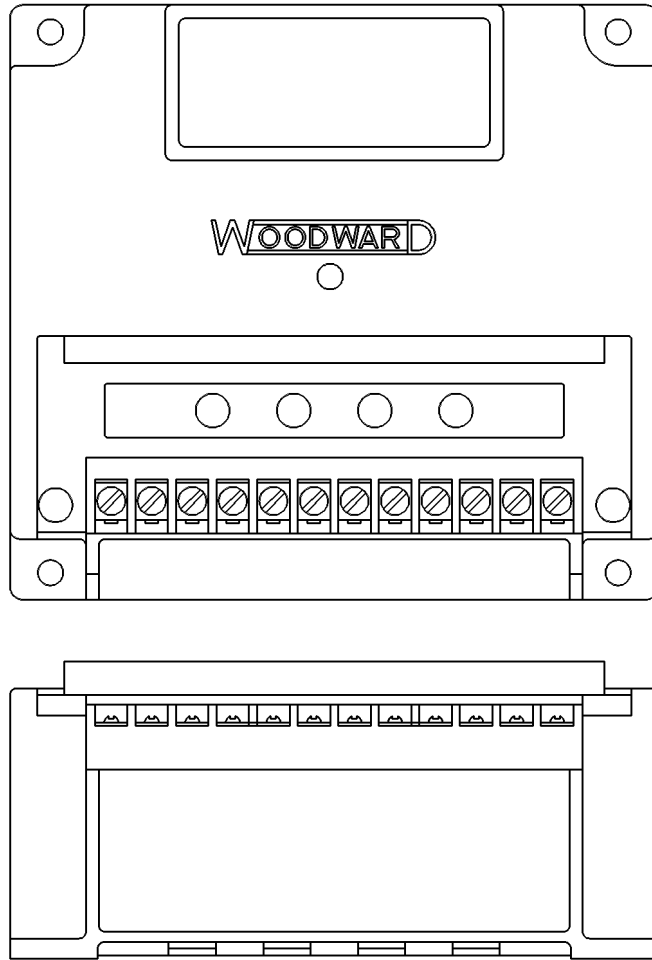
## 131-5455 CONTROL AS-GOVERNOR

S/N: 85Z3764-UP  
24-VOLT DC. WITH FUEL START LIMIT  
AN ATTACHMENT

SMCS-1264

i01774527

NOTE	REF NO	GRAPHIC REF	PART NUMBER	QTY	PART NAME	SEE PAGE
					1 2 3 4 5 6 (PRODUCT LEVEL)	
(NO SERVICED PARTS)						



GRAPHIC #1

<END>

g00272206

# FUEL SYSTEM

## 131-5567 CONTROL AS-GOVERNOR-LOAD SHARE

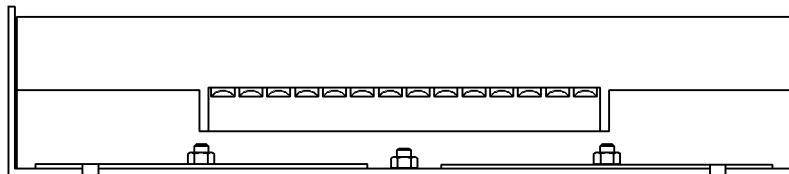
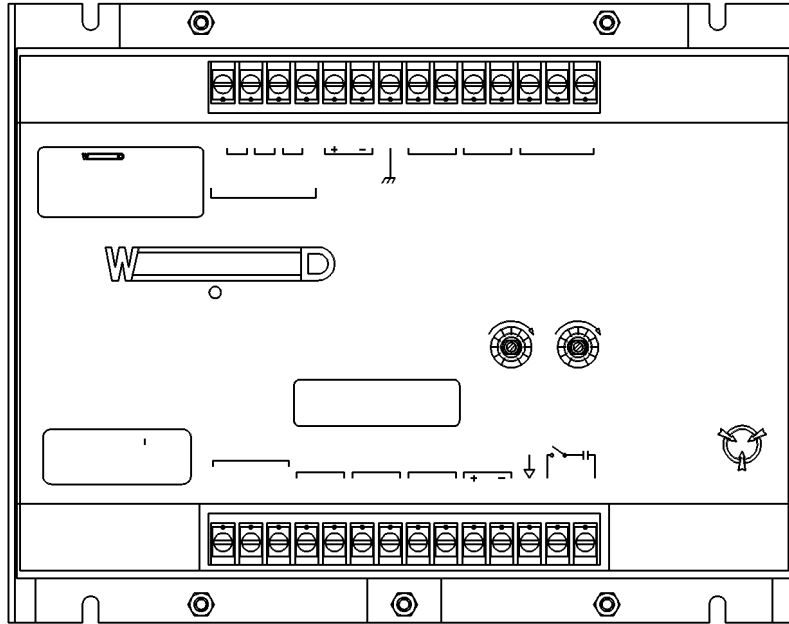
S/N: 85Z3764-UP

AN ATTACHMENT

SMCS-1264

i01774529

NOTE	REF NO	GRAPHIC REF	PART NUMBER	QTY	PART NAME						SEE PAGE
					1	2	3	4	5	6 (PRODUCT LEVEL)	
(NO SERVICED PARTS)											



GRAPHIC #1

<END>

g00272437

# FUEL SYSTEM

## 7E-2583 CONTROL AS-GOVERNOR

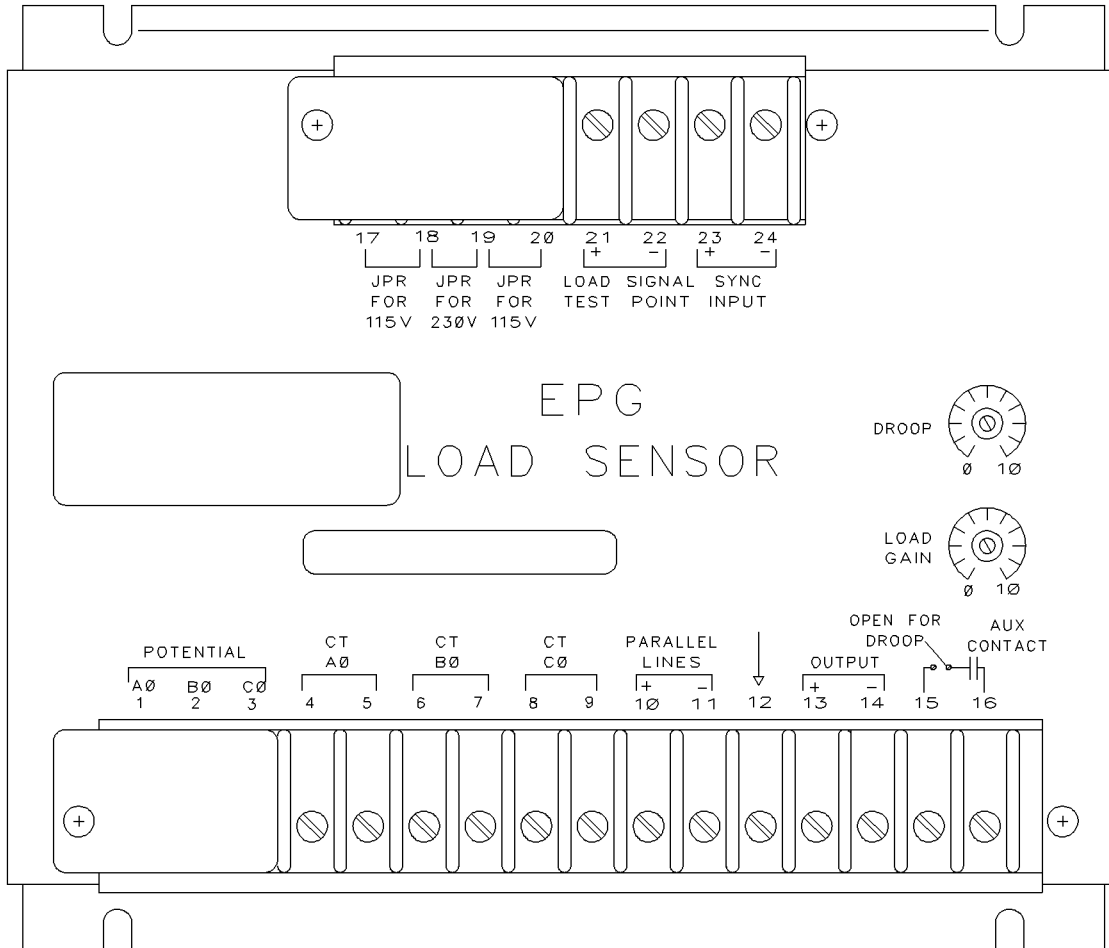
S/N: 85Z3764-UP

LOAD SENSOR  
AN ATTACHMENT

SMCS-1264

i01398864

NOTE	REF NO	GRAPHIC REF	PART NUMBER	QTY	PART NAME						SEE PAGE
					1	2	3	4	5	6 (PRODUCT LEVEL)	
(NO SERVICED PARTS)											



GRAPHIC #1

<END>

g00737147

# FUEL SYSTEM

## 7E-8396 CONTROL GP-FUEL-AUXILIARY

S/N: 85Z3764-UP

PART OF 103-4773 PANEL AR-CONTROL  
AN ATTACHMENT

**SMCS-1265**

**i05888584**

NOTE	PART NUMBER	QTY	PART NAME 1 2 3 4 5 6 (PRODUCT LEVEL)	SEE PAGE
	<b>4W-8790</b>	1	BLOCK-FUSE	
	<b>9Y-9781</b>	1	FILM-IDENTIFICATION (FUSE) (20-AMPERE)	
	<b>8M-0456</b>	1	FUSE (20-AMPERE)	
	<b>3T-2170</b>	1	RELAY AS (24-VOLT)	
			-OR-	
	<b>9Y-2921</b>	1	RELAY (24-VOLT)	
			<END>	

# FUEL SYSTEM

## 1W-6870 CONTROL GP-FUEL RATIO

S/N: 85Z3764-UP

92 CM TUBE LENGTH

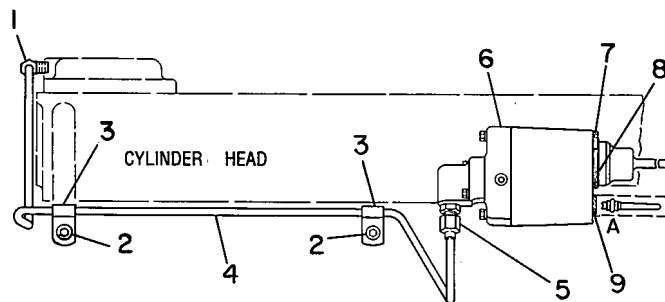
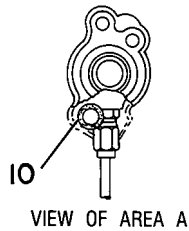
**CANNOT BE USED WITH WOODWARD GOVERNOR  
AN ATTACHMENT**

SMCS-1278

i01294528

NOTE	REF NO	GRAPHIC REF	PART NUMBER	QTY	PART NAME						SEE PAGE
					1	2	3	4	5	6 (PRODUCT LEVEL)	
C	1	1	<b>6K-1972</b>	1	ELBOW-FLARED						
C	2	1	<b>2H-3755</b>	2	BOLT (5/16-18X0.43-IN)						
C		1	<b>9M-1974</b>	2	WASHER-HARD (8.8X16X2-MM THK)						
C	3	1	<b>2B-2404</b>	2	CLIP						
	4	1	<b>1W-2128</b>	1	TUBE AS-CONTROL						
	5	1	<b>3J-7352</b>	1	CONNECTOR						
		1	<b>3J-7354</b>	1	SEAL-O-RING						
YC	6	1	<b>4W-1339</b>	1	CONTROL GP-FUEL RATIO						586
C	7	1	<b>8J-8343</b>	1	SEAL-O-RING						
C	8	1	<b>8M-8515</b>	1	SEAL-O-RING						
C	9	1	<b>033-5879</b>	1	SEAL-O-RING						
C	10	1	<b>5P-6620</b>	1	SEAL-O-RING						

C - CHANGE FROM PREVIOUS TYPE  
Y - SEPARATE ILLUSTRATION



GRAPHIC #1

<END>

g00192143

# FUEL SYSTEM

## 1W-6901 CONTROL GP-FUEL RATIO

S/N: 85Z3764-UP

110 CM TUBE LENGTH

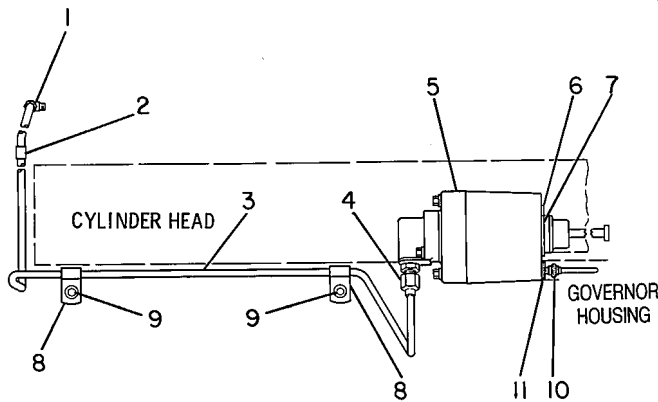
**CANNOT BE USED WITH WOODWARD GOVERNOR  
AN ATTACHMENT**

SMCS-1278

i01294529

NOTE	REF NO	GRAPHIC REF	PART NUMBER	QTY	PART NAME						SEE PAGE
					1	2	3	4	5	6 (PRODUCT LEVEL)	
	1	1	<b>2N-1287</b>	1	ELBOW-FLARED						
	2	1	<b>4M-1149</b>	1	CLIP						
	3	1	<b>1W-2127</b>	1	TUBE AS-CONTROL						
	4	1	<b>3J-7352</b>	1	CONNECTOR						
		1	<b>3J-7354</b>	1	SEAL-O-RING						
CY	5	1	<b>4W-1339</b>	1	CONTROL GP-FUEL RATIO						586
C	6	1	<b>8J-8343</b>	1	SEAL-O-RING						
C	7	1	<b>8M-8515</b>	1	SEAL-O-RING						
	8	1	<b>2B-2404</b>	2	CLIP						
	9	1	<b>2H-3755</b>	2	BOLT (5/16-18X0.43-IN)						
		1	<b>9M-1974</b>	2	WASHER-HARD (8.8X16X2-MM THK)						
C	10	1	<b>5P-6620</b>	1	SEAL-O-RING						
C	11	1	<b>033-5879</b>	1	SEAL-O-RING						

C - CHANGE FROM PREVIOUS TYPE  
Y - SEPARATE ILLUSTRATION



GRAPHIC #1

<END>

g00170723

# FUEL SYSTEM

## 4W-1339 CONTROL GP-FUEL RATIO

S/N: 85Z3764-UP

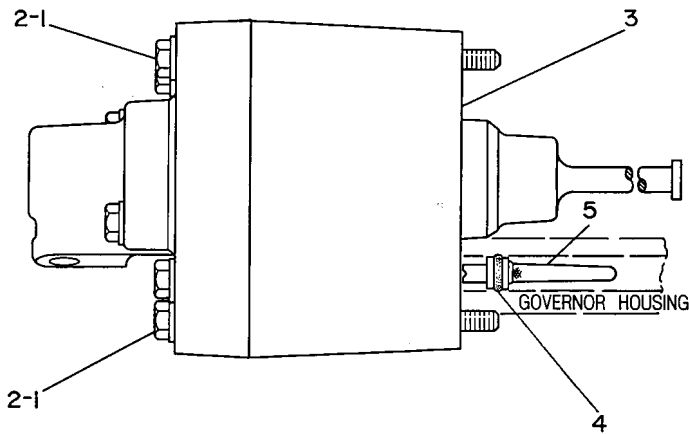
PART OF 1W-6870, 1W-6901 CONTROL GP-FUEL RATIO  
AN ATTACHMENT

SMCS-1278

i01942523

NOTE	REF NO	GRAPHIC REF	PART NUMBER	QTY	PART NAME						SEE PAGE
					1	2	3	4	5	6 (PRODUCT LEVEL)	
	1	1	<b>6V-5894</b>	2	BOLT (1/4-20X3.75-IN)						
	2	1	<b>5P-0537</b>	2	WASHER-HARD (7.2X14.5X2-MM THK)						
CYR	3	1	<b>7W-2830</b>	1	CONTROL GP-FUEL RATIO						587
	4	1	<b>2D-6392</b>	1	SEAL-O-RING						
	5	1	<b>8N-6680</b>	1	SCREEN AS (FUEL) (GOVERNOR HOUSING)						

C - CHANGE FROM PREVIOUS TYPE  
R - REMANUFACTURED PART MAY BE AVAILABLE  
Y - SEPARATE ILLUSTRATION



GRAPHIC #1

<END>

g00108227



# FUEL SYSTEM

## 7W-2830 CONTROL GP-FUEL RATIO\*R

S/N: 85Z3764-UP

PART OF 4W-1339 CONTROL GP-FUEL RATIO  
AN ATTACHMENT

SMCS-1278

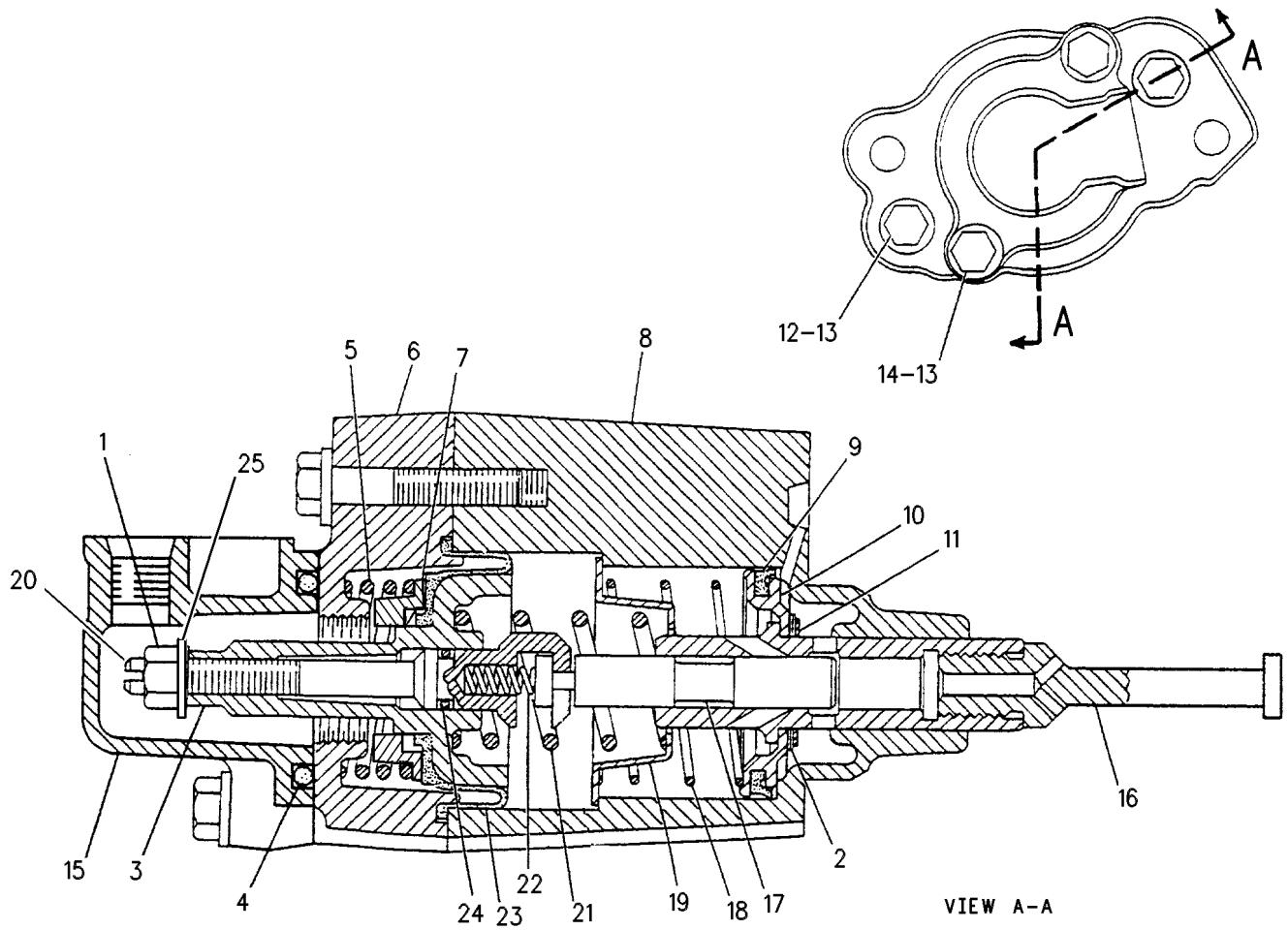
i01894710

NOTE	REF NO	GRAPHIC REF	PART NUMBER	QTY	PART NAME						SEE PAGE
					1	2	3	4	5	6 (PRODUCT LEVEL)	
	1	1	<b>9S-8748</b>	1	NUT-FULL (1/4-28-THD)						
	2	1	<b>2W-9315</b>	2	WASHER-SPRING						
	3	1	<b>4W-0924</b>	1	RETAINER						
	4	1	<b>5P-8210</b>	1	SEAL-O-RING						
	5	1	<b>7W-2826</b>	1	SPRING						
	6	1	<b>4P-7275</b>	1	COVER						
	7	1	<b>106-6493</b>	1	WASHER						
	8	1	<b>7N-9062</b>	1	HOUSING						
	9	1	<b>8N-5763</b>	1	SEAL						
	10	1	<b>8N-5764</b>	1	PISTON						
	11	1	<b>8F-4610</b>	1	RING-RETAINING						
	12	1	<b>2A-5546</b>	2	BOLT (1/4-20X1.375-IN)						
	13	1	<b>5P-0537</b>	4	WASHER-HARD (7.2X14.5X2-MM THK)						
	14	1	<b>5P-6945</b>	2	BOLT (1/4-20X1.125-IN)						
	15	1	<b>4P-7274</b>	1	COVER						
	16	1	<b>2W-9316</b>	1	VALVE AS (FUEL CONTROL)						
	17	1	<b>7N-9036</b>	1	VALVE (FUEL CONTROL)						
	18	1	<b>8N-5765</b>	1	SPRING						
	19	1	<b>7N-9035</b>	1	RETAINER						
	20	1	<b>7W-2015</b>	1	EXTENSION-VALVE						
	21	1	<b>7W-2827</b>	1	SPRING						
	22	1	<b>9N-1754</b>	1	SPRING						
	23	1	<b>6I-1564</b>	1	DIAPHRAGM						
	24	1	<b>3E-6760</b>	1	SEAL-O-RING						
	25	1	<b>115-3358</b>	1	WASHER (12.7X6.65X0.79-MM THK)						

# FUEL SYSTEM

7W-2830 CONTROL GP-FUEL RATIO (contd.)

i01894710



GRAPHIC #1

<END>

g00108920

# FUEL SYSTEM

## 159-1786 CONTROL GP-GOVERNOR

S/N: 85Z3764-UP

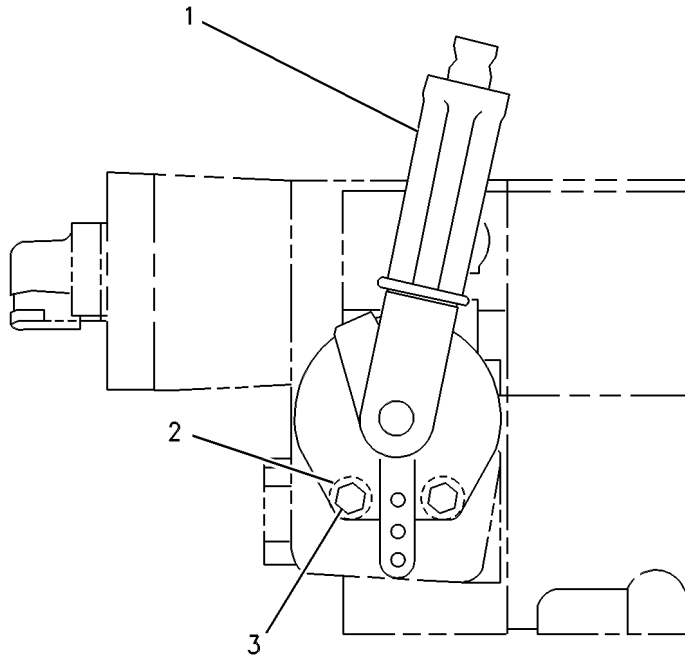
FOR USE WITH 2W-0862-PAGE: 1299  
AN ATTACHMENT

SMCS-1265, 1276

i00992173

NOTE	REF NO	GRAPHIC REF	PART NUMBER	QTY	PART NAME						SEE PAGE
					1	2	3	4	5	6 (PRODUCT LEVEL)	
Y	1	1	<b>4N-3828</b>	1	CONTROL GP-GOVERNOR						592
	2	1	<b>6N-0254</b>	1	SPACER						
	3	1	<b>2B-2694</b>	2	BOLT (5/16-18X2-IN)						

Y - SEPARATE ILLUSTRATION



GRAPHIC #1

<END>

g00504625

# FUEL SYSTEM

## 1N-5331 CONTROL GP-GOVERNOR

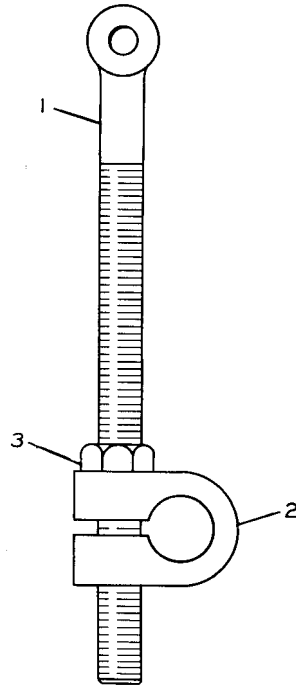
S/N: 85Z3764-UP

PROVIDES THREADED ADJUSTING LEVER  
AN ATTACHMENT

SMCS-1265, 1276

i00637430

NOTE	REF NO	GRAPHIC REF	PART NUMBER	QTY	PART NAME						SEE PAGE
					1	2	3	4	5	6 (PRODUCT LEVEL)	
	1	1	<b>5L-3946</b>	1	ROD END						
	2	1	<b>5L-3934</b>	1	HUB-ADJUSTABLE LEVER						
	3	1	<b>1B-2578</b>	1	NUT (3/8-16-THD)						



GRAPHIC #1

<END>

g00134857

# FUEL SYSTEM

## 3N-7741 CONTROL GP-GOVERNOR

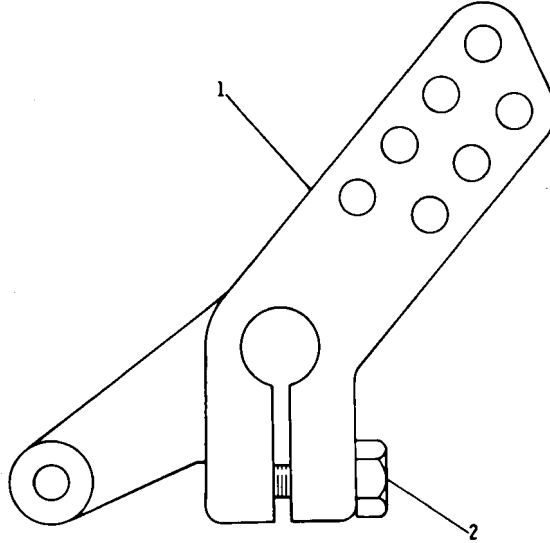
S/N: 85Z3764-UP

PROVIDES MULTI-HOLE GOVERNOR CONTROL  
AN ATTACHMENT

SMCS-1265, 1276

i02730243

NOTE	REF NO	GRAPHIC REF	PART NUMBER	QTY	PART NAME						SEE PAGE
					1	2	3	4	5	6 (PRODUCT LEVEL)	
	1	1	<b>5L-1171</b>	1	LEVER-GOVERNOR CONTROL						
	2	1	<b>0S-1618</b>	1	BOLT (5/16-18X1-IN)						



GRAPHIC #1

<END>

g00135082

# FUEL SYSTEM

## 4N-3828 CONTROL GP-GOVERNOR

S/N: 85Z3764-UP

REMOTE & POSITIVE LOCKING

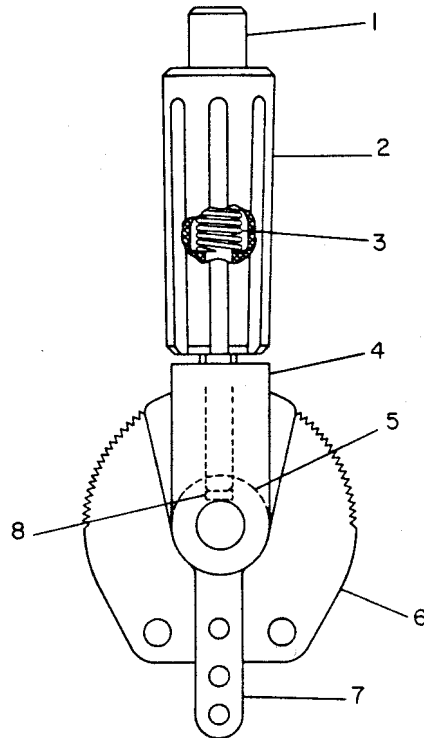
PART OF 159-1786, 4N-4599, 4W-9186 CONTROL GP-GOVERNOR  
AN ATTACHMENT

SMCS-1265, 1276

i00639501

NOTE	REF NO	GRAPHIC REF	PART NUMBER	QTY	PART NAME						SEE PAGE
					1	2	3	4	5	6 (PRODUCT LEVEL)	
C	1	1	<b>4W-2541</b>	1	SHAFT						
	2	1	<b>4N-4523</b>	1	HANDLE AS						
C	3	1	<b>4W-2542</b>	1	SPRING						
	4	1	<b>4N-4520</b>	1	GUIDE						
	5	1	<b>8L-4282</b>	1	HUB						
C	6	1	<b>6N-0775</b>	1	RATCHET-GOVERNOR CONTROL						
	7	1	<b>4N-4519</b>	1	QUADRANT-CONTROL						
	8	1	<b>5K-0605</b>	1	PLUG						

C - CHANGE FROM PREVIOUS TYPE



GRAPHIC #1

<END>

g00195610

# FUEL SYSTEM

## 4N-3829 CONTROL GP-GOVERNOR

S/N: 85Z3764-UP

POSITIVE LOCK & VERNIER

PART OF 4N-4600 CONTROL GP-GOVERNOR

AN ATTACHMENT

SMCS-1265, 1276

i03600701

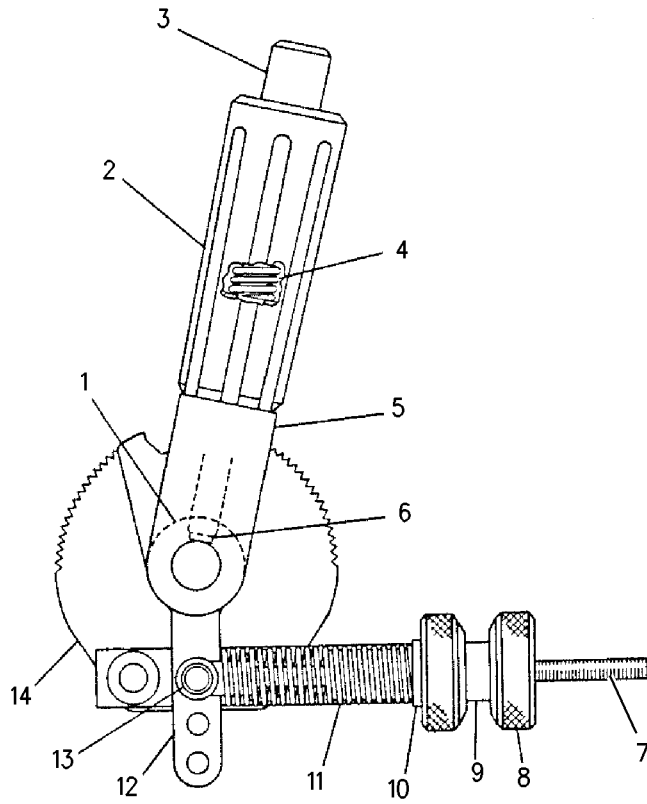
NOTE	REF NO	GRAPHIC REF	PART NUMBER	QTY	PART NAME						SEE PAGE
					1	2	3	4	5	6 (PRODUCT LEVEL)	
	1	1	<b>8L-4282</b>	1	HUB						
	2	1	<b>4N-4523</b>	1	HANDLE AS						
C	3	1	<b>4W-2541</b>	1	SHAFT						
C	4	1	<b>4W-2542</b>	1	SPRING						
	5	1	<b>4N-4520</b>	1	GUIDE						
	6	1	<b>5K-0605</b>	1	PLUG						
	7	1	<b>3N-3786</b>	1	ROD-THROTTLE CONTROL						
	8	1	<b>6B-5150</b>	2	LOCKNUT						
	9	1	<b>3N-3787</b>	1	BRACKET-CONTROL						
	10	1	<b>4J-6750</b>	1	SPACER (21-MM THK)						
	11	1	<b>2H-0210</b>	1	SPRING-SHUTOFF						
	12	1	<b>4N-4519</b>	1	QUADRANT-CONTROL						
	13	1	<b>1K-6539</b>	1	PIN						
		1	<b>3B-4604</b>	1	PIN-COTTER						
C	14	1	<b>6N-0775</b>	1	RATCHET-GOVERNOR CONTROL						

C - CHANGE FROM PREVIOUS TYPE

# FUEL SYSTEM

4N-3829 CONTROL GP-GOVERNOR (contd.)

i03600701



GRAPHIC #1

<END>

g00917619



# FUEL SYSTEM

## 4N-3830 CONTROL GP-GOVERNOR

S/N: 85Z3764-UP

POSITIVE LOCK

PART OF 4N-4601 CONTROL GP-GOVERNOR

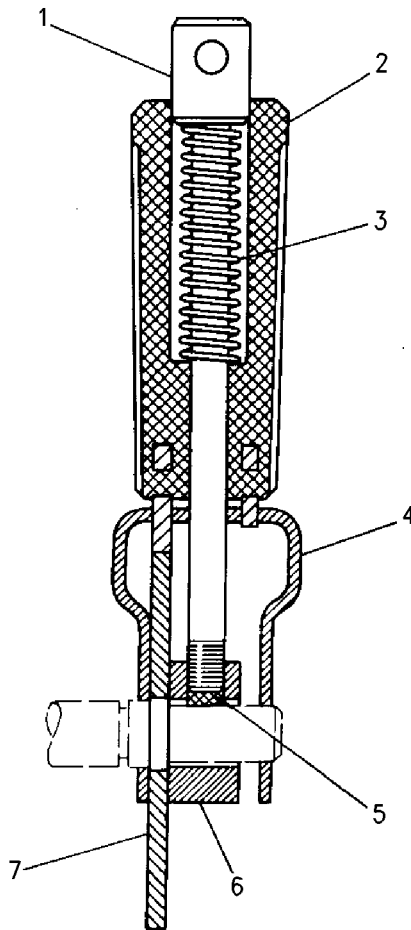
AN ATTACHMENT

SMCS-1265, 1276

i01793820

NOTE	REF NO	GRAPHIC REF	PART NUMBER	QTY	PART NAME						SEE PAGE
					1	2	3	4	5	6	
	1	1	<b>4W-2541</b>	1	SHAFT						
	2	1	<b>4N-4523</b>	1	HANDLE AS						
	3	1	<b>4W-2542</b>	1	SPRING						
	4	1	<b>4N-4520</b>	1	GUIDE						
	5	1	<b>5K-0605</b>	1	PLUG						
	6	1	<b>8L-4282</b>	1	HUB						
C	7	1	<b>6N-0775</b>	1	RATCHET-GOVERNOR CONTROL						

C - CHANGE FROM PREVIOUS TYPE



GRAPHIC #1

<END>

g00744117

# FUEL SYSTEM

## 4N-4599 CONTROL GP-GOVERNOR

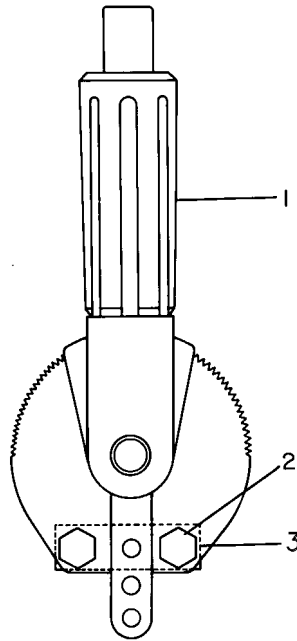
S/N: 85Z3764-UP  
 REMOTE & POSITIVE LOCK  
 AN ATTACHMENT

SMCS-1265, 1276

i00639514

NOTE	REF NO	GRAPHIC REF	PART NUMBER	QTY	PART NAME						SEE PAGE
					1	2	3	4	5	6 (PRODUCT LEVEL)	
Y	1	1	<b>4N-3828</b>	1	CONTROL GP-GOVERNOR						592
	2	1	<b>2B-2694</b>	2	BOLT (5/16-18X2-IN)						
	3	1	<b>6N-0254</b>	1	SPACER						

Y - SEPARATE ILLUSTRATION



GRAPHIC #1

<END>

g00240986

# FUEL SYSTEM

## 4N-4600 CONTROL GP-GOVERNOR

S/N: 85Z3764-UP

VERNIER & POSITIVE LOCK

FOR USE WITH SLEEVE METERING FUEL SYSTEM

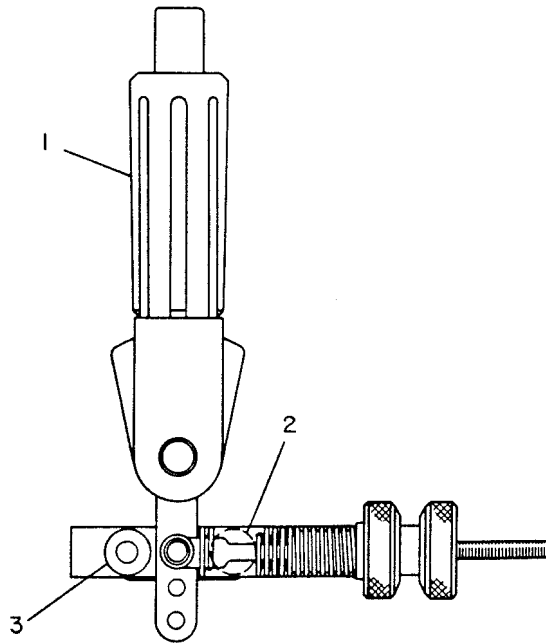
AN ATTACHMENT

SMCS-1265, 1276

i00742691

NOTE	REF NO	GRAPHIC REF	PART NUMBER	QTY	PART NAME						SEE PAGE
					1	2	3	4	5	6 (PRODUCT LEVEL)	
Y	1	1	<b>4N-3829</b>	1	CONTROL GP-GOVERNOR						593
	2	1	<b>6N-0254</b>	1	SPACER						
	3	1	<b>6N-0768</b>	2	SCREW-MACHINE						

Y - SEPARATE ILLUSTRATION



GRAPHIC #1

<END>

g00141625

# FUEL SYSTEM

## 4N-4601 CONTROL GP-GOVERNOR

S/N: 85Z3764-UP

POSITIVE LOCK

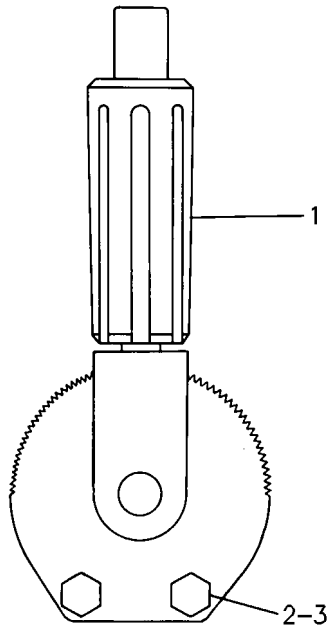
FOR USE WITH SLEEVE METERING FUEL SYSTEM  
AN ATTACHMENT

SMCS-1265, 1276

i00639519

NOTE	REF NO	GRAPHIC REF	PART NUMBER	QTY	PART NAME						SEE PAGE
					1	2	3	4	5	6 (PRODUCT LEVEL)	
Y	1	1	<b>4N-3830</b>	1	CONTROL GP-GOVERNOR						595
	2	1	<b>2B-2694</b>	2	BOLT (5/16-18X2-IN)						
	3	1	<b>6N-0254</b>	1	SPACER						

Y - SEPARATE ILLUSTRATION



GRAPHIC #1

<END>

g00229641

# FUEL SYSTEM

## 4W-9186 CONTROL GP-GOVERNOR

S/N: 85Z3764-UP

**REMOTE & POSITIVE LOCK  
AN ATTACHMENT**

SMCS-1265, 1276

i02121248

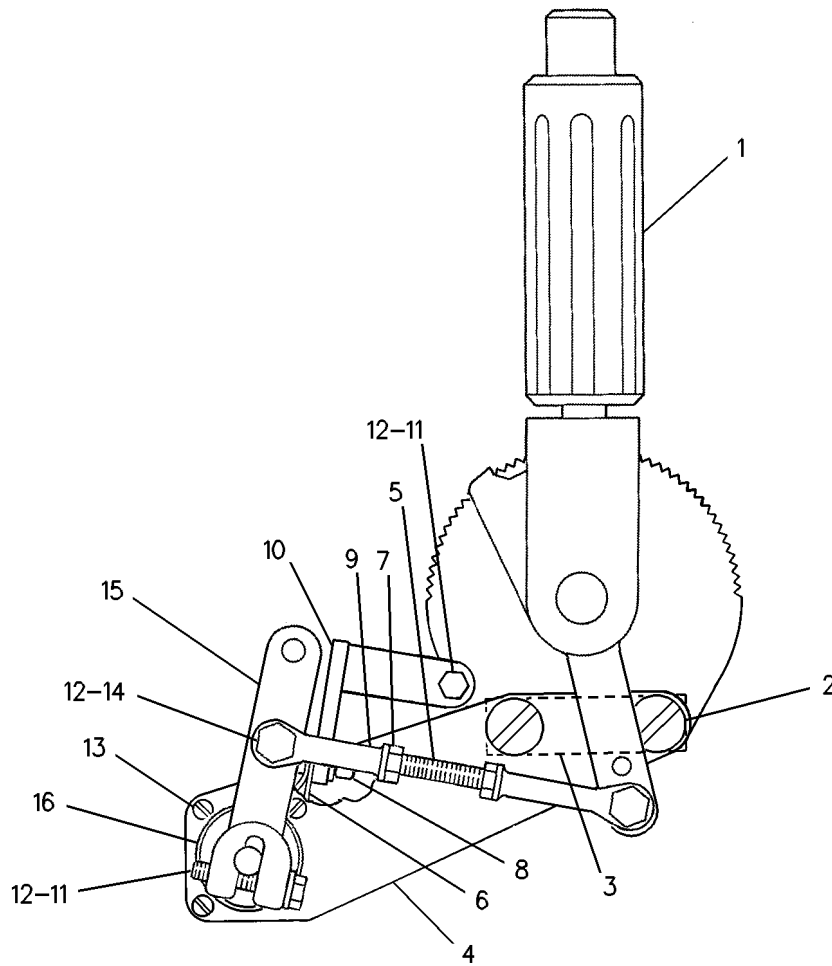
NOTE	REF NO	GRAPHIC REF	PART NUMBER	QTY	PART NAME						SEE PAGE
					1	2	3	4	5	6 (PRODUCT LEVEL)	
Y	1	1	<b>4N-3828</b>	1	CONTROL GP-GOVERNOR						592
	2	1	<b>6N-0768</b>	2	SCREW-MACHINE						
	3	1	<b>6N-0254</b>	1	SPACER						
	4	1	<b>8N-0816</b>	1	BRACKET						
	5	1	<b>8L-9315</b>	1	ROD						
	6	1	<b>4S-4455</b>	1	CLIP						
	7	1	<b>9M-1311</b>	2	NUT-JAM (1/4-28-THD)						
	8	1	<b>5S-7379</b>	1	BOLT (3/8-16X0.875-IN)						
		1	<b>6V-8801</b>	1	NUT (3/8-16-THD)						
		1	<b>8T-4896</b>	2	WASHER-HARD (10.2X18.5X2.5-MM THK)						
	9	1	<b>6L-7751</b>	2	ROD END						
	10	1	<b>4W-9185</b>	1	PLATE AS						
	11	1	<b>7X-2501</b>	2	BOLT (1/4-20X1.25-IN)						
	12	1	<b>8T-4205</b>	6	WASHER-HARD (7.2X14.5X2-MM THK)						
	13	1	<b>1H-8289</b>	4	SCREW-MACHINE						
		1	<b>3K-9089</b>	4	NUT-SELF LOCKING (5-40-THD)						
	14	1	<b>9F-6580</b>	2	BOLT (1/4-20X1.125-IN)						
		1	<b>2D-6235</b>	2	LOCKNUT (1/4-20-THD)						
	15	1	<b>8N-0076</b>	1	LEVER-GOVERNOR						
	16	1	<b>4W-7773</b>	1	MOTOR AS (GOVERNOR CONTROL)						
		1	<b>7G-8802</b>	1	MOTOR-GEAR						
		1	<b>7N-7779</b>	1	SOCKET-CONNECTOR (14-GA TO 18-GA)						
		1	<b>7N-7780</b>	1	PIN-CONNECTOR (14-GA TO 18-GA)						
		1	<b>7N-9738</b>	1	HOUSING-RECEPTACLE (14-GA TO 18-GA)						

Y - SEPARATE ILLUSTRATION

# FUEL SYSTEM

4W-9186 CONTROL GP-GOVERNOR (contd.)

i02121248



GRAPHIC #1

<END>

g00231522

# FUEL SYSTEM

## 7W-6542 CONTROL GP-GOVERNOR

S/N: 85Z3764-UP

WOODWARD 2301 LOADSHARING

AN ATTACHMENT

TYPE 1

SMCS-1265, 1276

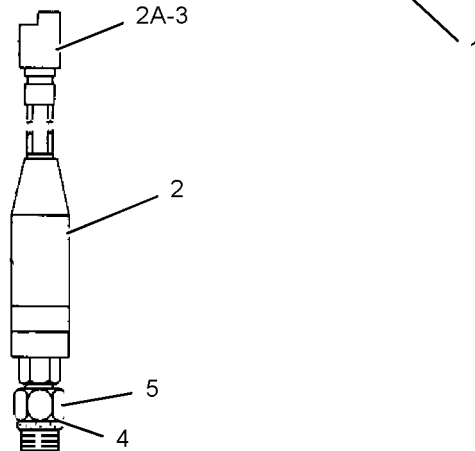
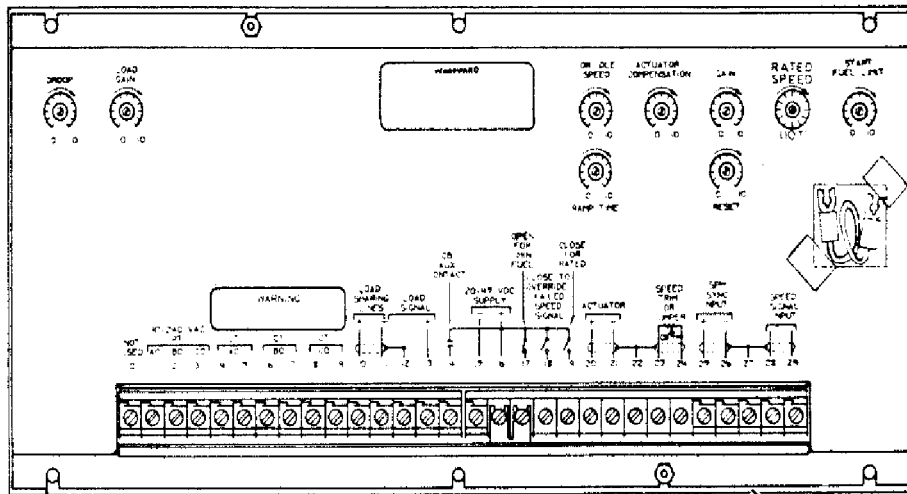
i02061404

NOTE	REF NO	GRAPHIC REF	PART NUMBER	QTY	PART NAME						SEE PAGE
					1	2	3	4	5	6 (PRODUCT LEVEL)	
CY	1	1	<b>131-5454</b>	1	CONTROL AS-ELECTRONIC GOVERNOR						1031
	2	1	<b>6T-4949</b>	1	SWITCH AS (FUEL PRESSURE)						
	2A	1	<b>7N-9738</b>	1	HOUSING-RECEPTACLE (14-GA TO 18-GA)						
		1	<b>7N-7780</b>	1	PIN-CONNECTOR (14-GA TO 18-GA)						
		1	<b>7N-7779</b>	1	SOCKET-CONNECTOR (14-GA TO 18-GA)						
	3	1	<b>3J-1907</b>	1	SEAL-O-RING						
	4	1	<b>2M-9780</b>	1	SEAL-O-RING						
	5	1	<b>5P-1404</b>	1	ADAPTER						
FY		1	<b>222-5398</b>	1	HARNES AS-WIRING (GOVERNOR ACTUATOR)						1072

C - CHANGE FROM PREVIOUS TYPE

F - NOT SHOWN

Y - SEPARATE ILLUSTRATION



GRAPHIC #1

<END>

g01060381

# FUEL SYSTEM

## 7W-6542 CONTROL GP-GOVERNOR

S/N: 85Z3764-UP

WOODWARD 2301 LOADSHARING

AN ATTACHMENT

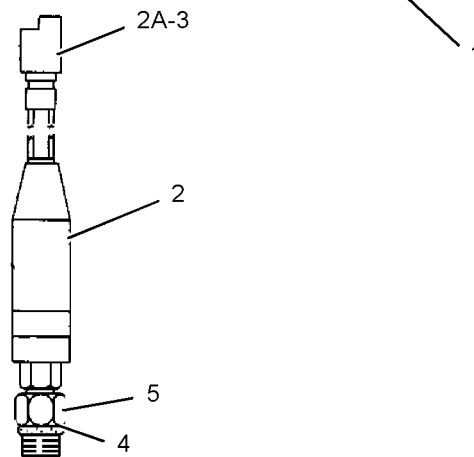
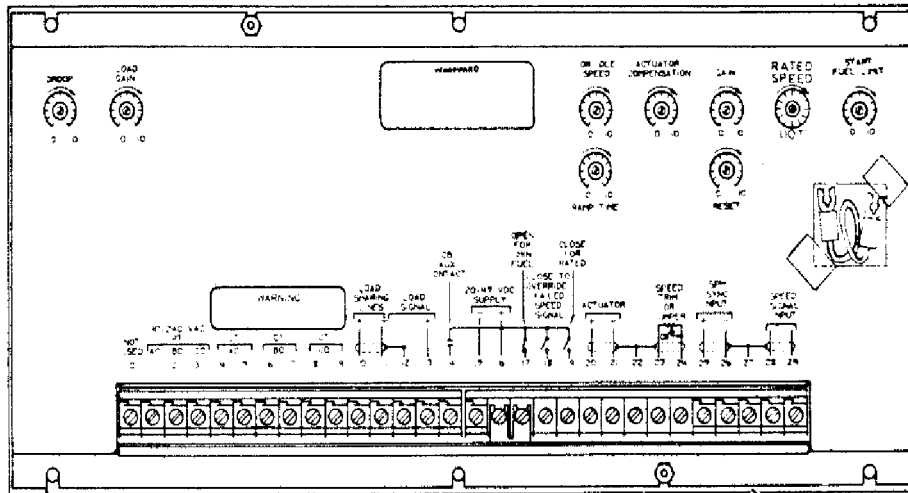
TYPE 2

SMCS-1265, 1276

i02079810

NOTE	REF NO	GRAPHIC REF	PART NUMBER	QTY	PART NAME						SEE PAGE
					1	2	3	4	5	6 (PRODUCT LEVEL)	
Y	1	1	<b>131-5454</b>	1	CONTROL AS-ELECTRONIC GOVERNOR						1031
	2	1	<b>6T-4949</b>	1	SWITCH AS (FUEL PRESSURE)						
	2A	1	<b>7N-9738</b>	1	HOUSING-RECEPTACLE (14-GA TO 18-GA)						
		1	<b>7N-7780</b>	1	PIN-CONNECTOR (14-GA TO 18-GA)						
		1	<b>7N-7779</b>	1	SOCKET-CONNECTOR (14-GA TO 18-GA)						
	3	1	<b>3J-1907</b>	1	SEAL-O-RING						
	4	1	<b>2M-9780</b>	1	SEAL-O-RING						
	5	1	<b>5P-1404</b>	1	ADAPTER						

Y - SEPARATE ILLUSTRATION



GRAPHIC #1

<END>

g01060381



# FUEL SYSTEM

## 8N-2177 CONTROL GP-GOVERNOR

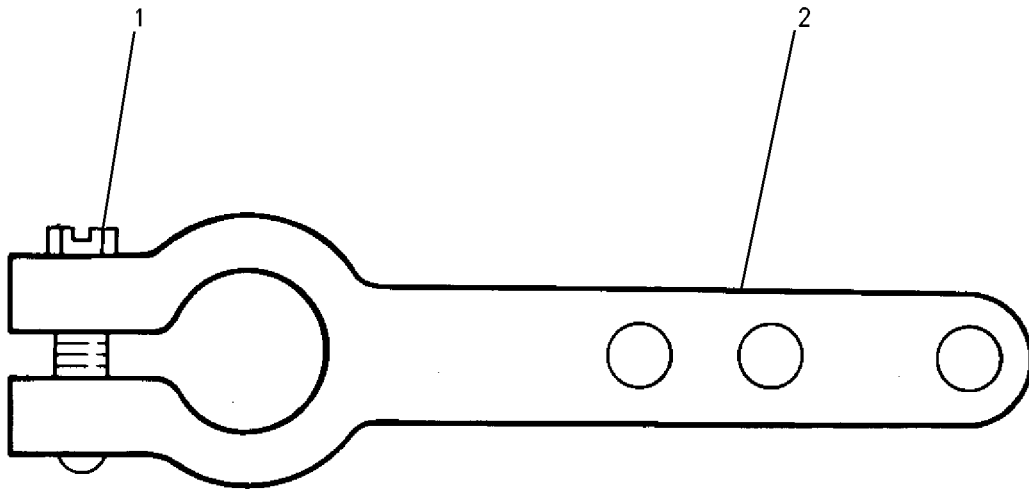
S/N: 85Z3764-UP

FOR USE WITH THREE HOLE GOVERNOR CONTROL LEVER  
AN ATTACHMENT

SMCS-1265, 1276

i01140918

NOTE	REF NO	GRAPHIC REF	PART NUMBER	QTY	PART NAME						SEE PAGE
					1	2	3	4	5	6 (PRODUCT LEVEL)	
	1	1	<b>1M-1254</b>	1	BOLT						
	2	1	<b>3N-4892</b>	1	LEVER-GOVERNOR CONTROL						



GRAPHIC #1

<END>

g00605343

# FUEL SYSTEM

## 2W-1972 DRAIN GP-FUEL

S/N: 85Z3764-UP

LINES & ALARM SWITCH

FOR USE WITH 2W-2382-PAGE: 677

AN ATTACHMENT

SMCS-1274

i01294532

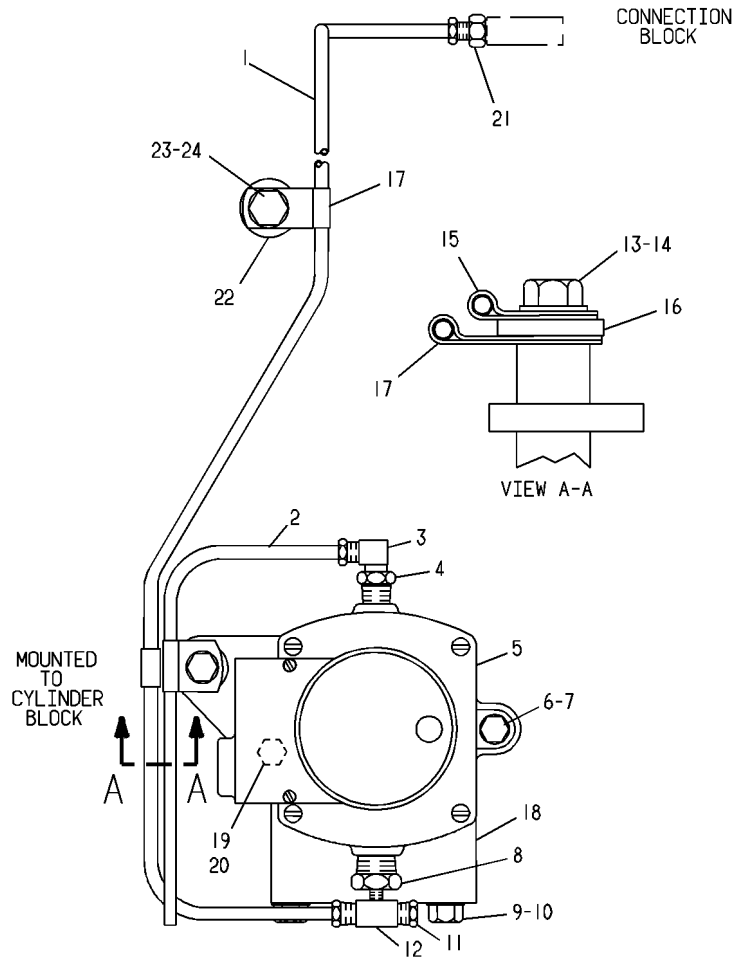
NOTE	REF NO	GRAPHIC REF	PART NUMBER	QTY	PART NAME						SEE PAGE
					1	2	3	4	5	6	
	1	1	2W-1977	1	TUBE AS						
	2	1	2W-1978	1	TUBE AS						
	3	1	5K-9243	1	ELBOW-FLARED						
	4	1	4M-5317	1	BUSHING-REDUCER						
C	5	1	2N-9768	1	SWITCH-LIQUID LEVEL (FUEL)						
	6	1	4F-7957	2	BOLT (1/4-20X0.875-IN)						
	7	1	5P-0537	2	WASHER-HARD (7.2X14.5X2-MM THK)						
	8	1	8B-1931	1	BUSHING-REDUCER						
	9	1	1A-2029	2	BOLT (3/8-16X1.125-IN)						
	10	1	5M-2894	2	WASHER-HARD (10.2X18.5X2.5-MM THK)						
	11	1	9L-8492	1	PLUG						
	12	1	9L-8496	1	TEE-INVERTED FLARED						
	13	1	1F-5842	1	BOLT (5/16-18X3.25-IN)						
	14	1	9M-1974	1	WASHER-HARD (8.8X16X2-MM THK)						
	15	1	2B-2404	1	CLIP						
	16	1	5D-1753	1	WASHER						
	17	1	3P-9200	2	CLIP						
	18	1	2W-1974	1	BRACKET AS-MOUNTING						
	19	1	1F-2280	1	SPACER (0.438X0.75X2.438-IN THK)						
	20	1	9F-6445	2	NUT-WELD (1/4-20-THD)						
	21	1	6L-3616	1	CONNECTOR						
	22	1	5S-7560	1	SPACER						
	23	1	4B-3388	1	BOLT (5/16-18X1.125-IN)						
	24	1	5P-4116	1	WASHER-HARD (8.8X20.5X2-MM THK)						

C - CHANGE FROM PREVIOUS TYPE

# FUEL SYSTEM

2W-1972 DRAIN GP-FUEL (contd.)

101294532



GRAPHIC #1

<END>

g00157225

# FUEL SYSTEM

## 8N-3221 DRIVE GP-GOVERNOR

S/N: 85Z3764-UP

PART OF 111-2126, 2W-3368, 7C-5220, 7C-5222, 7C-5226 PUMP GP-GOV & FUEL INJ  
AN ATTACHMENT

SMCS-1288

i01657994

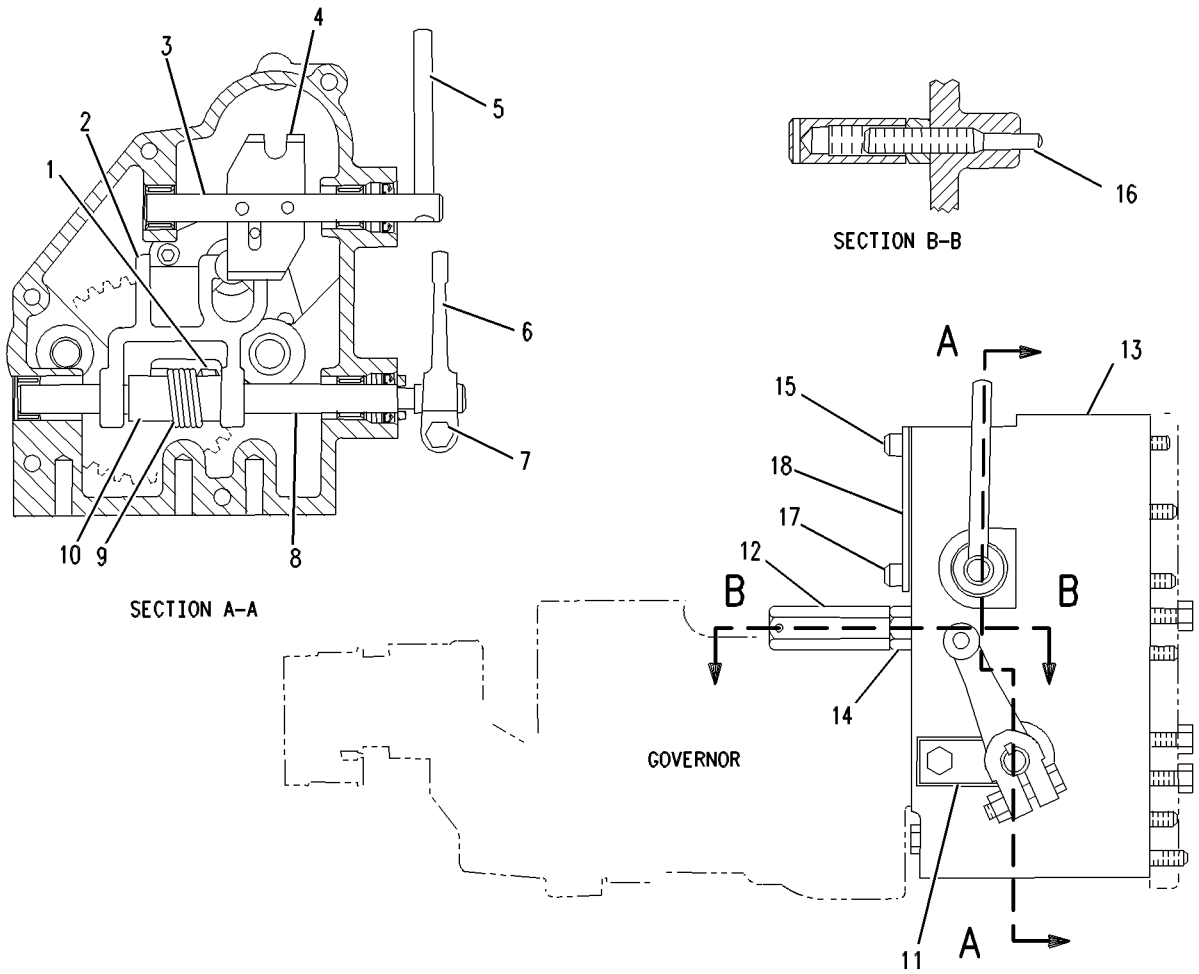
NOTE	REF NO	GRAPHIC REF	PART NUMBER	QTY	PART NAME						SEE PAGE
					1	2	3	4	5	6 (PRODUCT LEVEL)	
	1	1	<b>1N-9882</b>	1	BOLT-LOCKING						
		1	<b>8M-6701</b>	1	WASHER (0.281X0.5X0.032-IN THK)						
	2	1	<b>8N-3233</b>	1	LEVER-GOVERNOR						
	3	1	<b>8N-3234</b>	1	SHAFT-SHUTOFF						
	4	1	<b>8N-3235</b>	1	LEVER-SHUTOFF						
	5	1	<b>7L-4984</b>	1	STUD-TAPERLOCK (5/16-18X3.5-IN)						
	6	1	<b>3B-6424</b>	1	LEVER-CONTROL ROD						
		1	<b>5H-2532</b>	1	KEY-WOODRUFF						
	7	1	<b>2A-4996</b>	1	BOLT (3/8-24X1.375-IN)						
		1	<b>2L-6267</b>	1	LOCKNUT (3/8-24-THD)						
	8	1	<b>8N-3232</b>	1	SHAFT-GOVERNOR						
	9	1	<b>6N-2016</b>	1	SPRING-SHAFT						
	10	1	<b>4W-4564</b>	1	SLEEVE-SHAFT						
	11	1	<b>7N-1599</b>	1	PLATE-RETAINING						
C	12	1	<b>4W-8653</b>	1	COVER						
Y	13	1	<b>8N-3224</b>	1	HOUSING AS-GOVERNOR DRIVE						655
C	14	1	<b>7W-3349</b>	1	LOCKNUT						
	15	1	<b>5P-5034</b>	1	BOLT-SOCKET HEAD (1/4-20X4.75-IN)						
CM	16	1	<b>4W-8795</b>	1	SETSCREW-SOCKET						
	17	1	<b>8H-0708</b>	1	BOLT (1/4-20X0.5-IN)						
	18	1	<b>3L-5987</b>	1	COVER						
		1	<b>6L-1597</b>	1	GASKET						
	19	2	<b>8S-4711</b>	3	BOLT (1/4-20X4.5-IN)						
	20	2	<b>5M-6214</b>	1	PLUG (1/8-27 PTF)						
	21	2	<b>5P-5034</b>	1	BOLT-SOCKET HEAD (1/4-20X4.75-IN)						
	22	2	<b>4D-0514</b>	1	PLUG-PIPE						
	23	2	<b>4N-2955</b>	4	BOLT-SELF-LOCKING (1/4-20X0.875-IN)						
	24	2	<b>8N-3229</b>	1	GEAR AS-DRIVE (22 & 56 TEETH)						
		2	<b>3L-3324</b>	1	PIN						
	25	2	<b>8N-3238</b>	1	GEAR (16-TEETH)						
	26	2	<b>0S-1614</b>	4	BOLT (1/4-20X0.5-IN)						
	27	2	<b>5P-0537</b>	3	WASHER-HARD (7.2X14.5X2-MM THK)						
	28	2	<b>6V-5029</b>	1	SEAL-LIP TYPE						
	29	2	<b>3K-6983</b>	2	WASHER-RETAINING (0.38X0.50X0.05-IN)						
	30	2	<b>2H-3429</b>	1	RING-RETAINING						
	31	2	<b>8N-3226</b>	1	GEAR AS-DRIVE (22 TEETH)						
	32	2	<b>6F-7027</b>	2	BOLT (1/4-28X0.5-IN)						
	33	2	<b>8N-3239</b>	1	GASKET						
	34	2	<b>8H-9186</b>	1	SPRING						
	35	2	<b>8N-3236</b>	1	SUPPORT AS-RACK						
	36	2	<b>8S-6814</b>	1	PIN						
	37	2	<b>5H-5744</b>	1	BUSHING-TERMINAL						
	38	2	<b>2N-5920</b>	1	EXTENSION-RACK						
C	39	2	<b>0S-1616</b>	2	BOLT (1/4-20X1-IN)						
	40	2	<b>8L-5855</b>	1	COUPLING-GOVERNOR DRIVE						

C - CHANGE FROM PREVIOUS TYPE  
M - METRIC PART  
Y - SEPARATE ILLUSTRATION

# FUEL SYSTEM

8N-3221 DRIVE GP-GOVERNOR (contd.)

101657994



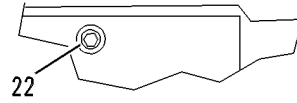
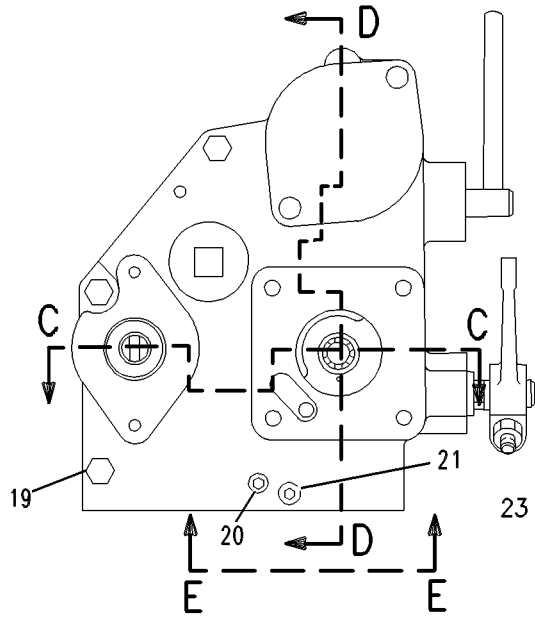
GRAPHIC #1

g00497239

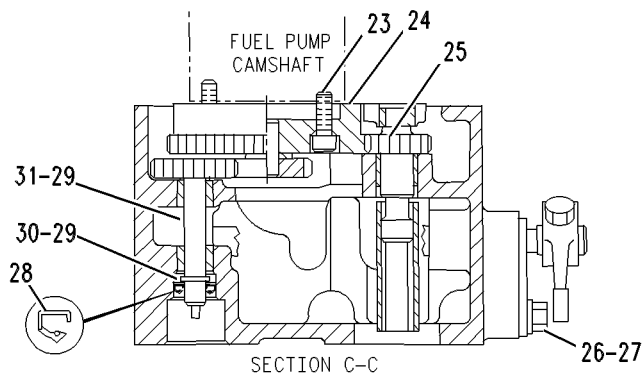
# FUEL SYSTEM

8N-3221 DRIVE GP-GOVERNOR (contd.)

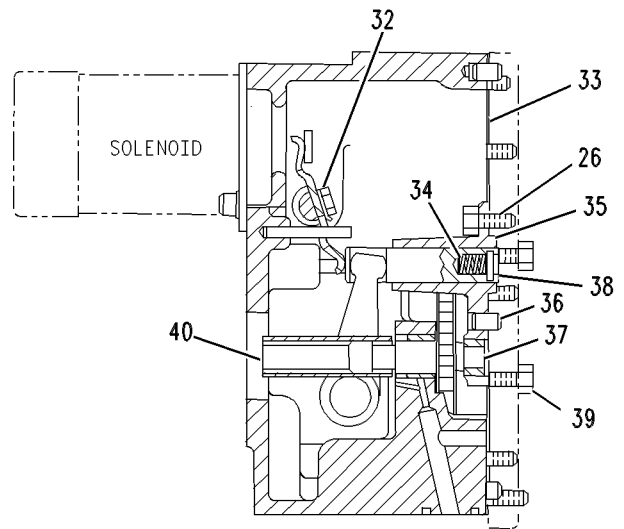
i01657994



SECTION E-E



SECTION C-C



SECTION D-D

GRAPHIC #2

<END>

g00497260

# FUEL SYSTEM

## 1W-8235 DRIVE GP-TACHOMETER

S/N: 85Z3764-UP

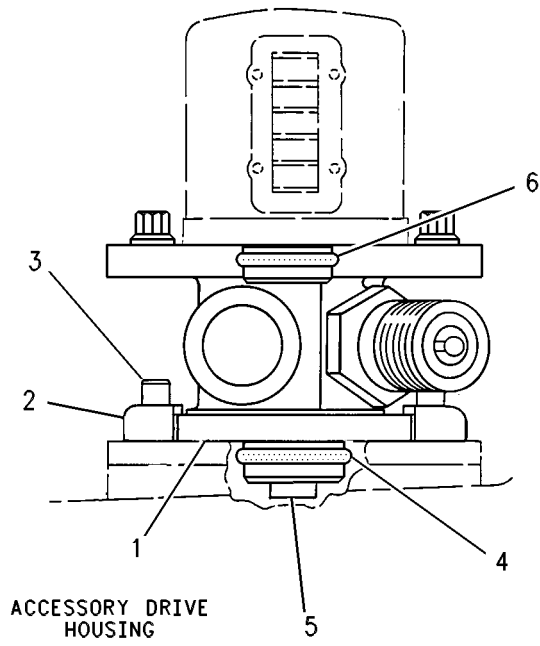
SINGLE  
AN ATTACHMENT

SMCS-7487

i02460207

NOTE	REF NO	GRAPHIC REF	PART NUMBER	QTY	PART NAME						SEE PAGE
					1	2	3	4	5	6	
	1	1	<b>1W-4581</b>	1	ADAPTER AS						
	2	1	<b>9S-0211</b>	2	CLAMP-METER						
	3	1	<b>8H-3127</b>	2	BOLT (1/4-20X0.75-IN)						
	4	1	<b>4M-8303</b>	1	SEAL-O-RING						
	5	1	<b>4N-0538</b>	1	COUPLING						
B	6	1	<b>4M-8303</b>	1	SEAL-O-RING						

B - USE AS REQUIRED



GRAPHIC #1

<END>

g00420007

# FUEL SYSTEM

## 1W-9010 DRIVE GP-TACHOMETER

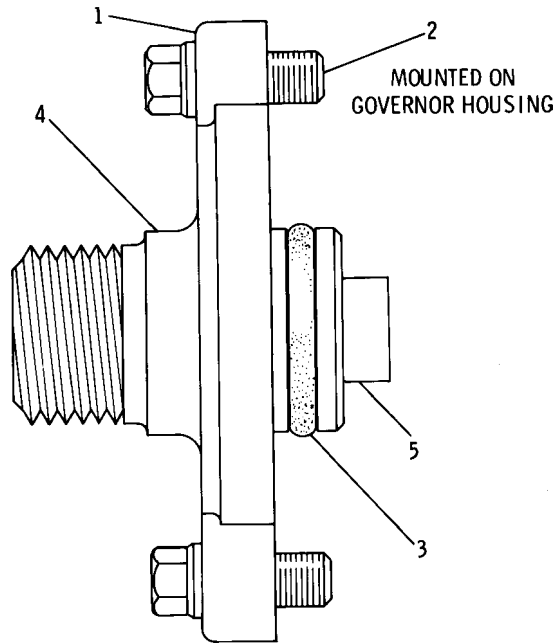
S/N: 85Z3764-UP

FOR USE WITH SERVICE METER  
AN ATTACHMENT

SMCS-7487

i00165495

NOTE	REF NO	GRAPHIC REF	PART NUMBER	QTY	PART NAME						SEE PAGE
					1	2	3	4	5	6 (PRODUCT LEVEL)	
	1	1	<b>9S-0211</b>	2	CLAMP-METER						
	2	1	<b>4M-5281</b>	2	BOLT (1/4-20X0.75-IN)						
	3	1	<b>4M-8303</b>	1	SEAL-O-RING						
	4	1	<b>1W-2316</b>	1	ADAPTER AS-DRIVE						
	5	1	<b>4N-0538</b>	1	COUPLING						



GRAPHIC #1

<END>

g00110585



# FUEL SYSTEM

## 4W-0313 DRIVE GP-TACHOMETER

S/N: 85Z3764-UP

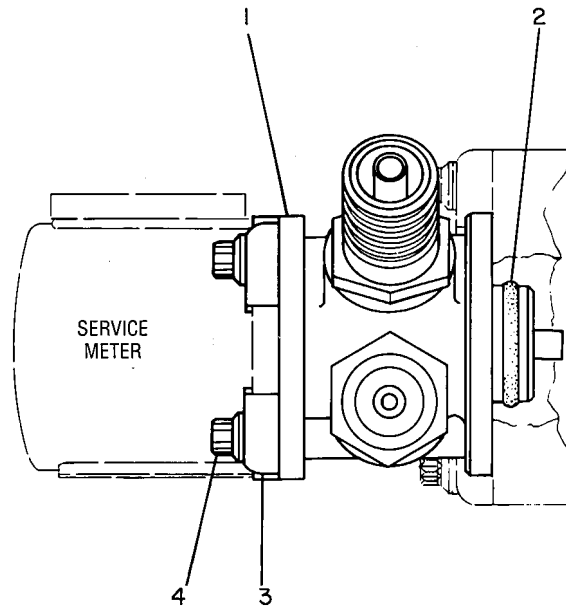
DUAL

AN ATTACHMENT

SMCS-7487

i00640802

NOTE	REF NO	GRAPHIC REF	PART NUMBER	QTY	PART NAME						SEE PAGE
					1	2	3	4	5	6 (PRODUCT LEVEL)	
	1	1	<b>1W-4580</b>	1	ADAPTER AS						
	2	1	<b>4M-8303</b>	1	SEAL-O-RING						
	3	1	<b>9S-0211</b>	2	CLAMP-METER						
	4	1	<b>9S-5033</b>	2	BOLT-12 POINT HEAD (1/4-20X0.625-IN)						



GRAPHIC #1

<END>

g00153704

# FUEL SYSTEM

## 7C-8993 FASTENER GP-FUEL INJ PUMP

S/N: 85Z3764-UP

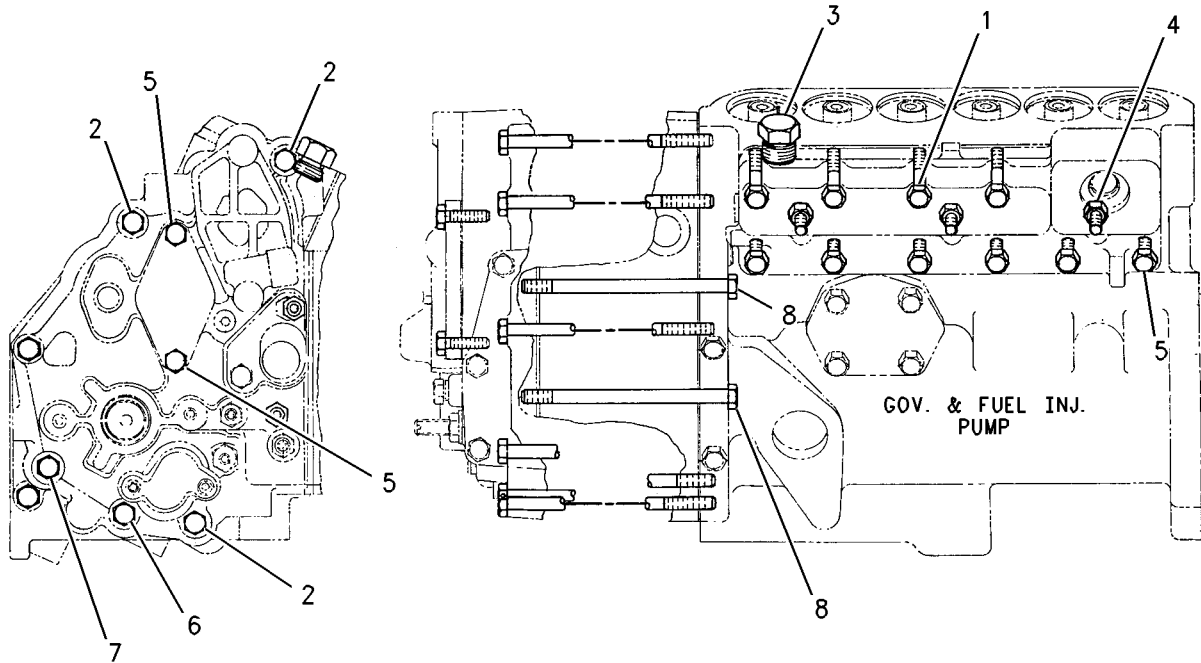
PART OF 108-4825, 108-4827, 2W-0055, 2W-0056, 7C-3025, 7C-3027, 7C-5299, 7C-9201,  
7W-9364, 7W-9365, 7W-9823 PUMP GP-GOV & FUEL INJ

SMCS-1251

i01673294

NOTE	REF NO	GRAPHIC REF	PART NUMBER	QTY	PART NAME						SEE PAGE
					1	2	3	4	5	6 (PRODUCT LEVEL)	
	1	1	<b>8B-2377</b>	4	BOLT (1/4-20X2-IN)						
	2	1	<b>4N-1761</b>	4	BOLT (1/4-20X6.5-IN)						
	3	1	<b>9S-4191</b>	1	PLUG (9/16-18-THD)						
	4	1	<b>0S-1614</b>	3	BOLT (1/4-20X0.5-IN)						
C	5	1	<b>4F-7957</b>	8	BOLT (1/4-20X0.875-IN)						
	6	1	<b>2S-7383</b>	1	BOLT (1/4-20X3.25-IN)						
	7	1	<b>8F-8178</b>	2	BOLT (1/4-20X3.25-IN)						
	8	1	<b>6B-4198</b>	2	BOLT (1/4-20X4.19-IN)						

C - CHANGE FROM PREVIOUS TYPE



GRAPHIC #1

<END>

g00652925

# FUEL SYSTEM

## 8N-3222 FASTENER GP-FUEL INJ PUMP

S/N: 85Z3764-UP

WOODWARD

PART OF 111-2124, 2W-3369, 7C-5221, 7C-5224, 7C-5227 PUMP GP-GOV & FUEL INJ  
AN ATTACHMENT

SMCS-1251

i00672364

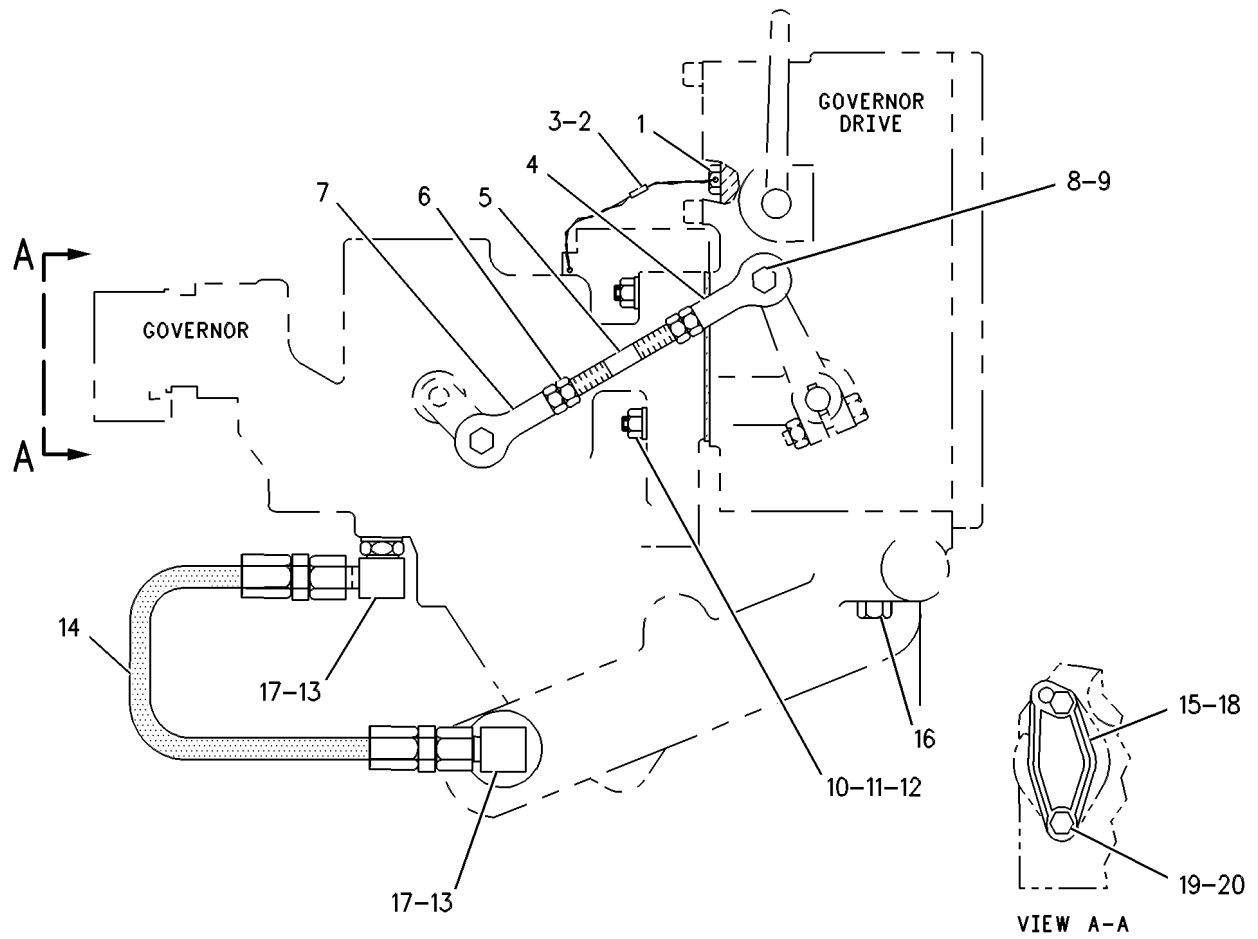
NOTE	REF NO	GRAPHIC REF	PART NUMBER	QTY	PART NAME						SEE PAGE
					1	2	3	4	5	6 (PRODUCT LEVEL)	
	1	1	<b>2B-2955</b>	1	BOLT						
	2	1	<b>8S-8158</b>	1	SEAL-WIRE						
BD	3	1	<b>8S-7115</b>		LOCKWIRE						
	4	1	<b>6L-3528</b>	1	GASKET						
	5	1	<b>2H-2292</b>	1	ROD-ADJUSTMENT						
	6	1	<b>6V-8186</b>	2	NUT-FULL (5/16-24-THD)						
	7	1	<b>5P-6672</b>	2	ROD END						
	8	1	<b>3D-8752</b>	2	LOCKNUT (5/16-24-THD)						
	9	1	<b>1B-1293</b>	2	BOLT (5/16-24X1.25-IN)						
	10	1	<b>5S-0003</b>	4	NUT (5/16-18-THD)						
	11	1	<b>4L-7547</b>	4	STUD-TAPERLOCK (5/16-18X2-IN)						
	12	1	<b>9M-1974</b>	4	WASHER-HARD (8.8X16X2-MM THK)						
C	13	1	<b>5P-2645</b>	2	ELBOW						
CI	14	1	<b>9N-3370</b>	1	HOSE AS						
C	15	1	<b>8N-8082</b>	1	COVER						
	16	1	<b>0S-1590</b>	2	BOLT (3/8-16X2-IN)						
C	17	1	<b>3J-7354</b>	2	SEAL-O-RING						
C	18	1	<b>4M-8303</b>	1	SEAL-O-RING						
C	19	1	<b>0S-1615</b>	2	BOLT (1/4-20X0.75-IN)						
C	20	1	<b>5P-0537</b>	2	WASHER-HARD (7.2X14.5X2-MM THK)						

B - USE AS REQUIRED  
 C - CHANGE FROM PREVIOUS TYPE  
 D - ORDER BY THE METER  
 I - REFER TO HYDRAULIC INFORMATION SYSTEM

# FUEL SYSTEM

8N-3222 FASTENER GP-FUEL INJ PUMP (contd.)

i00672364



GRAPHIC #1

<END>

g00256153

# FUEL SYSTEM

## 2W-1011 FILTER GP-FUEL

S/N: 85Z3764-UP

SMCS-1261

i05471404

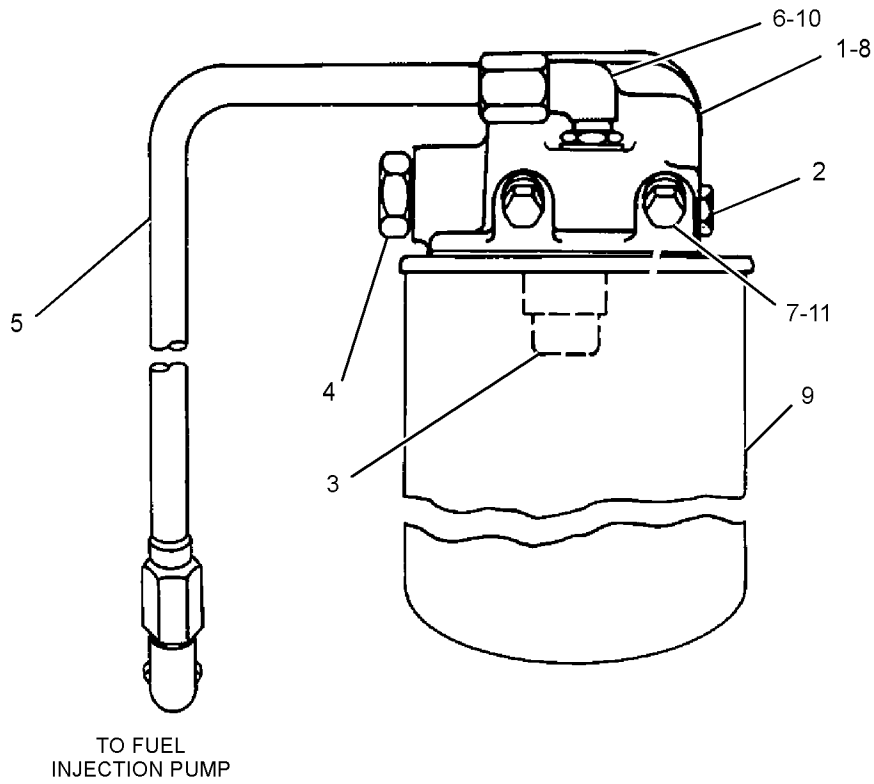
NOTE	REF NO	GRAPHIC REF	PART NUMBER	QTY	PART NAME						SEE PAGE
					1	2	3	4	5	6 (PRODUCT LEVEL)	
	1	1	<b>7N-9519</b>	1	BASE AS-FUEL FILTER						
	2	1	<b>5M-6214</b>	1	PLUG (1/8-27 PTF)						
	3	1	<b>9S-4167</b>	1	STUD-HOLLOW (1-14X1.47-IN)						
	4	1	<b>9S-4191</b>	1	PLUG (9/16-18-THD)						
		1	<b>3J-1907</b>	1	SEAL-O-RING						
C	5	1	<b>4W-9057</b>	1	TUBE AS (SECONDARY FUEL FILTER)						
	6	1	<b>030-7947</b>	2	ADAPTER-ELBOW						
	7	1	<b>6B-4198</b>	2	BOLT (1/4-20X4.19-IN)						
	8	1	<b>7N-9520</b>	1	GASKET						
	9	1	<b>1R-0750</b>	1	FILTER-FUEL (ADVANCED EFFICIENCY) (SECONDARY)						
	10	1	<b>3J-1907</b>	2	SEAL-O-RING						
	11	1	<b>5P-0537</b>	2	WASHER-HARD (7.2X14.5X2-MM THK)						

C - CHANGE FROM PREVIOUS TYPE

# FUEL SYSTEM

2W-1011 FILTER GP-FUEL (contd.)

i05471404



GRAPHIC #1

<END>

g03459459

# FUEL SYSTEM

## 6N-6282 FILTER GP-FUEL

S/N: 85Z3764-UP

DUPLEX, RH

**CANNOT BE USED WITH NO. 0 FLYWHEEL HOUSING  
AN ATTACHMENT**

**SMCS-1261**

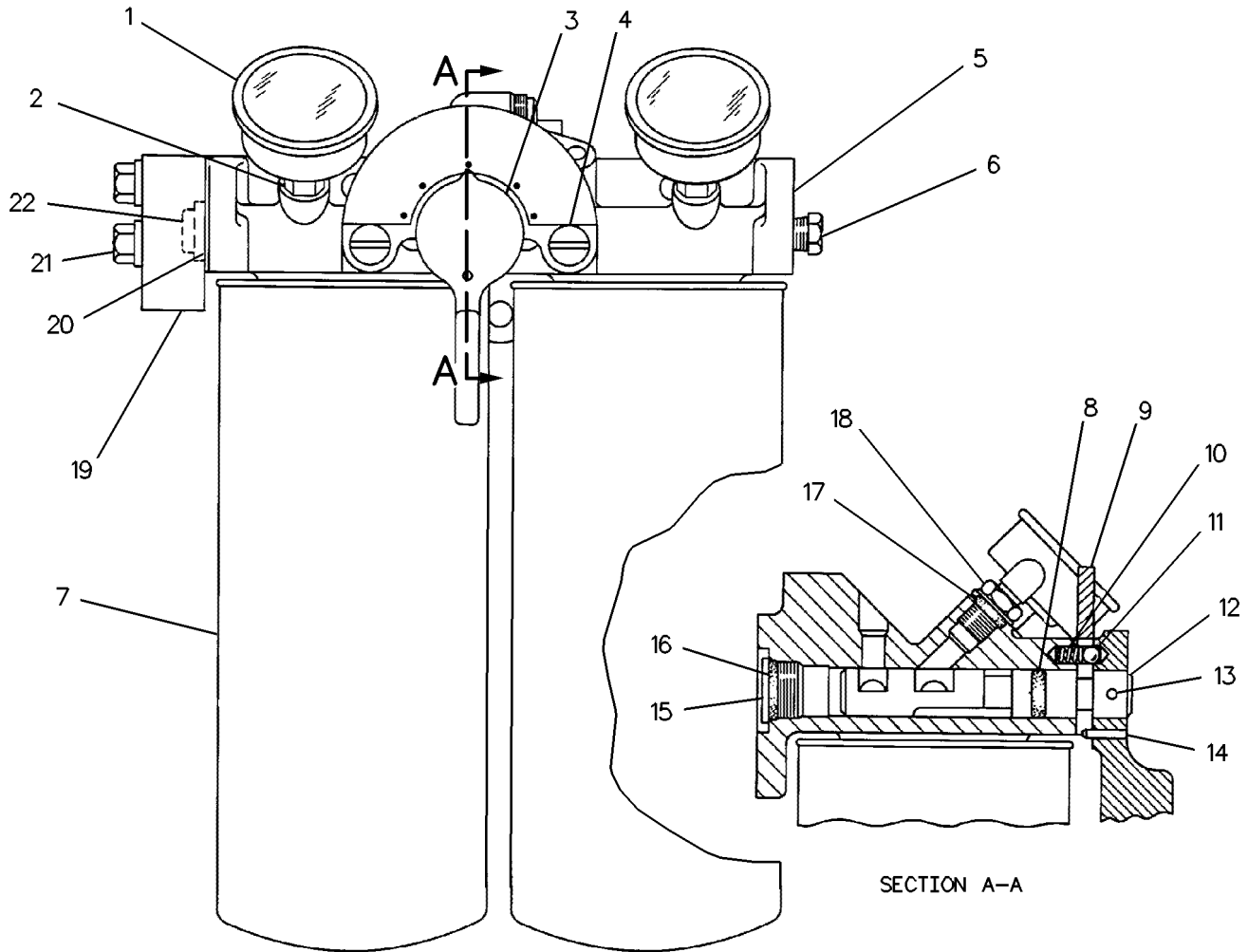
**i07796148**

NOTE	REF NO	GRAPHIC REF	PART NUMBER	QTY	PART NAME						SEE PAGE
					1	2	3	4	5	6 (PRODUCT LEVEL)	
	1	1	<b>266-0889</b>	2	INDICATOR AS (FUEL PRESSURE)						
	2	1	<b>5P-5528</b>	2	BUSHING-REDUCER						
		1	<b>3J-7354</b>	2	SEAL-O-RING						
	3	1	<b>6N-6251</b>	1	LEVER (FUEL FILTER DUPLEX VALVE)						
	4	1	<b>153-8498</b>	2	SCREW-FLAT HEAD (5/16-18X0.75-IN)						
	5	1	<b>6N-6259</b>	1	BASE AS-FUEL FILTER						
		1	<b>9S-4167</b>	2	STUD-HOLLOW (1-14X1.47-IN)						
	6	1	<b>5M-6213</b>	2	PLUG-PIPE (1/4-18-THD)						
	7	1	<b>1R-0749</b>	2	FILTER-FUEL (ADVANCED EFFICIENCY)						
	8	1	<b>2M-4453</b>	2	SEAL-O-RING						
	9	1	<b>6N-6248</b>	1	PLATE						
	10	1	<b>2S-3992</b>	1	SPRING						
	11	1	<b>2D-6642</b>	1	BALL						
	12	1	<b>6N-6252</b>	1	VALVE						
	13	1	<b>2K-8467</b>	1	PIN-SPRING						
	14	1	<b>4H-1641</b>	1	PIN-SPRING						
	15	1	<b>9S-8006</b>	1	PLUG (7/8-14-THD)						
	16	1	<b>2M-9780</b>	1	SEAL-O-RING						
	17	1	<b>3J-1907</b>	1	SEAL-O-RING						
	18	1	<b>030-7947</b>	1	ADAPTER-ELBOW (90-DEG)						
	19	1	<b>6N-6249</b>	1	JUNCTION BLOCK						
	20	1	<b>6N-6250</b>	1	GASKET						
	21	1	<b>0S-1571</b>	3	BOLT (3/8-16X1.75-IN)						
		1	<b>5M-2894</b>	3	WASHER-HARD (10.2X18.5X2.5-MM THK)						
	22	1	<b>7E-5346</b>	1	VALVE AS (FUEL CHECK)						

# FUEL SYSTEM

6N-6282 FILTER GP-FUEL (contd.)

i07796148



GRAPHIC #1

<END>

g00224302



# FUEL SYSTEM

## 6N-6290 FILTER GP-FUEL

S/N: 85Z3764-UP

DUPLEX, LH

**CANNOT BE USED WITH RH MOUNTED AIR STARTER WITH LH CONTROL  
AN ATTACHMENT**

SMCS-1261

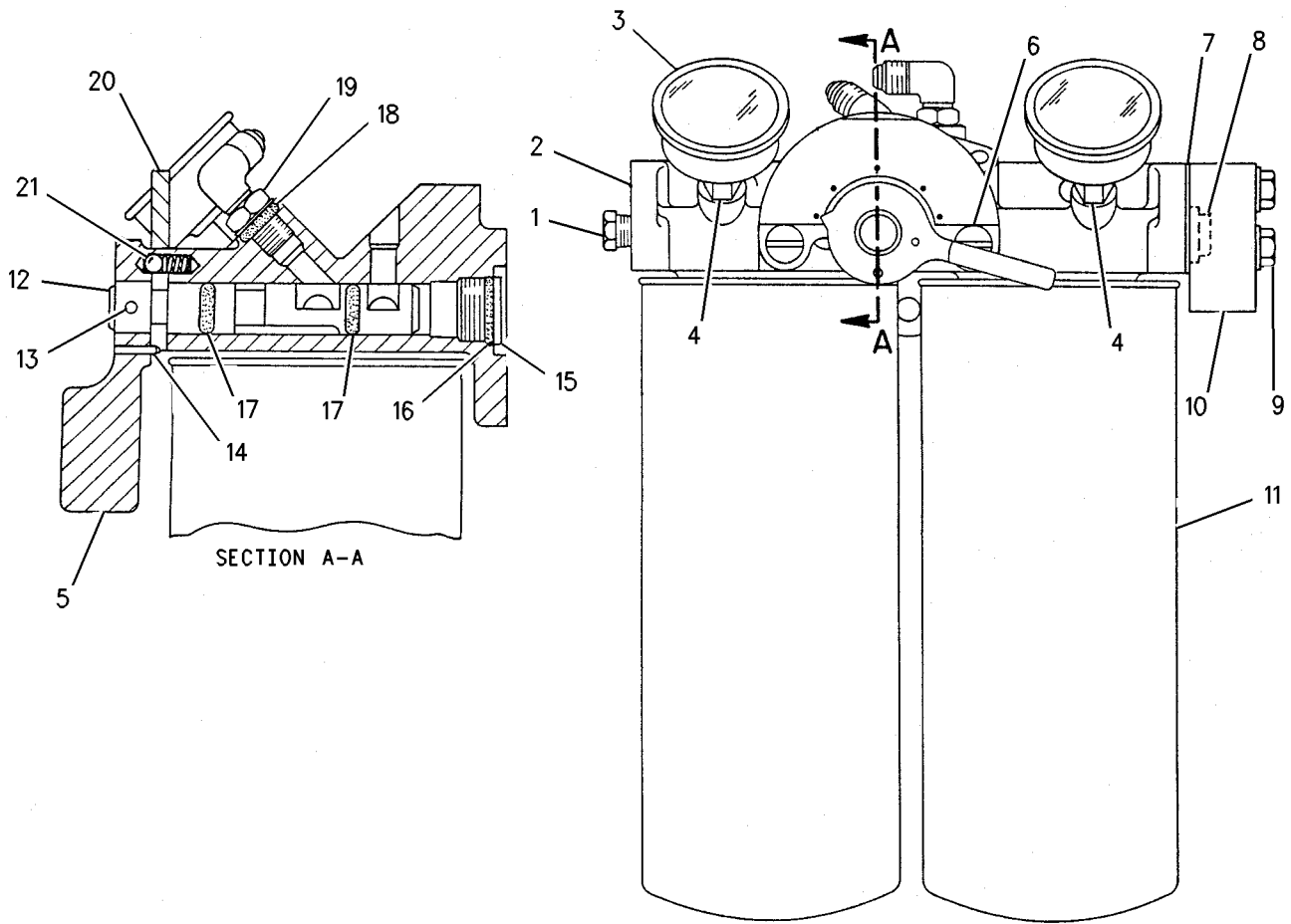
i03522761

NOTE	REF NO	GRAPHIC REF	PART NUMBER	QTY	PART NAME						SEE PAGE
					1	2	3	4	5	6 (PRODUCT LEVEL)	
	1	1	<b>5M-6213</b>	3	PLUG-PIPE (1/4-18-THD)						
	2	1	<b>6N-6259</b>	1	BASE AS-FUEL FILTER						
		1	<b>9S-4167</b>	2	STUD-HOLLOW (1-14X1.47-IN)						
	3	1	<b>266-0889</b>	2	INDICATOR AS (FUEL PRESSURE)						
	4	1	<b>5P-5528</b>	2	BUSHING-REDUCER						
		1	<b>3J-7354</b>	2	SEAL-O-RING						
	5	1	<b>6N-6251</b>	1	LEVER (FUEL FILTER DUPLEX VALVE)						
	6	1	<b>6L-3428</b>	2	SCREW-MACHINE						
	7	1	<b>6N-6250</b>	1	GASKET						
	8	1	<b>7E-5346</b>	1	VALVE AS (FUEL CHECK)						
	9	1	<b>0S-1571</b>	3	BOLT (3/8-16X1.75-IN)						
		1	<b>5M-2894</b>	3	WASHER-HARD (10.2X18.5X2.5-MM THK)						
	10	1	<b>6N-6300</b>	1	JUNCTION BLOCK						
	11	1	<b>1R-0749</b>	2	FILTER-FUEL (ADVANCED EFFICIENCY)						
	12	1	<b>6N-6252</b>	1	VALVE						
	13	1	<b>2K-8467</b>	1	PIN-SPRING						
	14	1	<b>4H-1641</b>	1	PIN-SPRING						
	15	1	<b>9S-8006</b>	1	PLUG (7/8-14-THD)						
	16	1	<b>2M-9780</b>	1	SEAL-O-RING						
	17	1	<b>2M-4453</b>	2	SEAL-O-RING						
	18	1	<b>3J-1907</b>	2	SEAL-O-RING						
	19	1	<b>030-7947</b>	2	ADAPTER-ELBOW						
	20	1	<b>6N-6248</b>	1	PLATE						
	21	1	<b>2S-3992</b>	1	SPRING						
		1	<b>2D-6642</b>	1	BALL						

# FUEL SYSTEM

6N-6290 FILTER GP-FUEL (contd.)

i03522761



GRAPHIC #1

<END>

g00890839

# FUEL SYSTEM

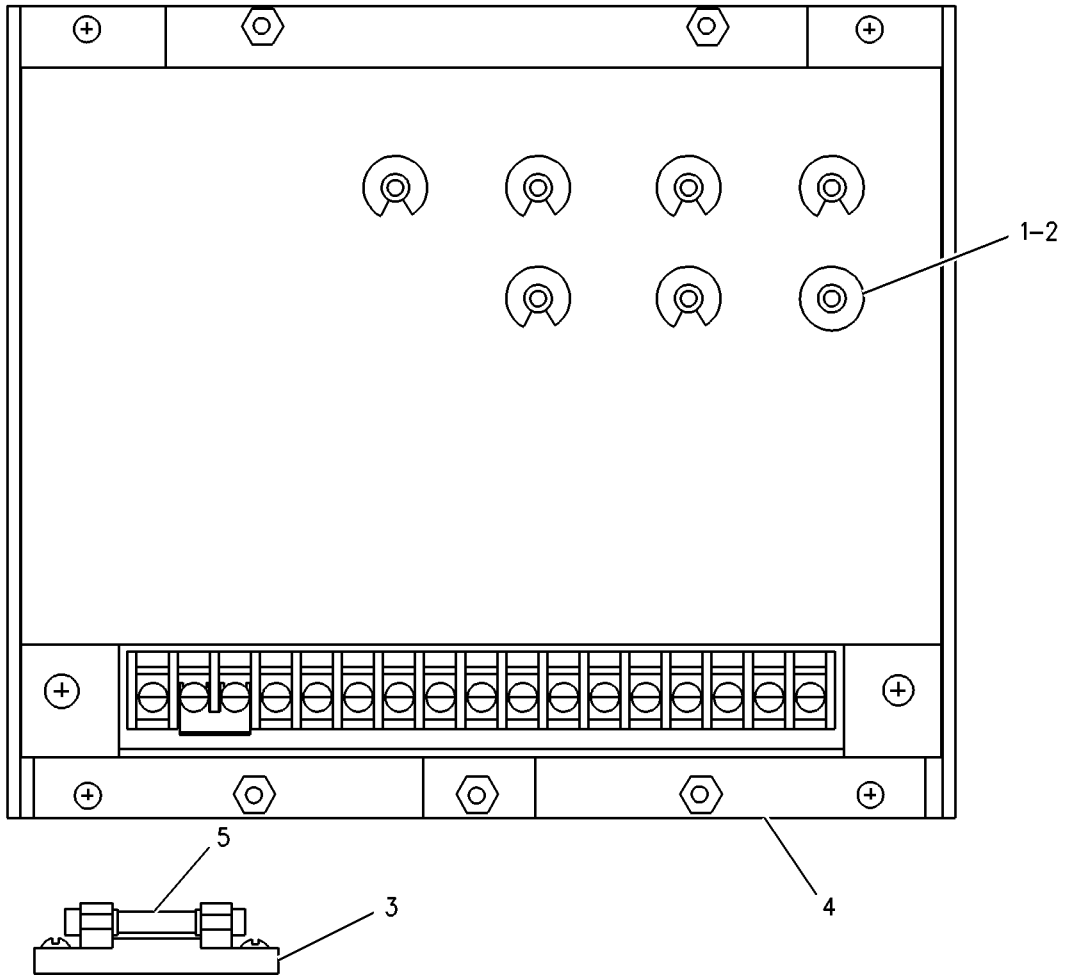
## 4P-2788 GOVERNOR AS-ELECTRONIC

S/N: 5CA5985-UP; 5DA5682-UP; 5EA5375-UP; 85Z3764-UP  
 FOR USE WITH EMCP II CONTROL PANEL AND WOODWARD EG3P ACTUATOR  
 PART OF 103-4773, 7W-0700 PANEL AR-CONTROL  
 AN ATTACHMENT

SMCS-1908

i02309676

NOTE	REF NO	GRAPHIC REF	PART NUMBER	QTY	PART NAME						SEE PAGE
					1	2	3	4	5	6 (PRODUCT LEVEL)	
	1	1	<b>4W-5971</b>	1	POTENTIOMETER (100-OHM) (ENGINE SPEED CONTROL)						
	2	1	<b>4W-5972</b>	1	KNOB (ENGINE SPEED CONTROL)						
	3	1	<b>4W-8790</b>	1	BLOCK-FUSE						
	4	1	<b>131-5453</b>	1	CONTROL AS-ELECTRONIC GOVERNOR						
	5	1	<b>7T-0037</b>	1	FUSE (0.75-AMPERE)						



GRAPHIC #1

<END>

g00923973

# FUEL SYSTEM

## 4W-9313 GOVERNOR AS-ELECTRONIC

S/N: 85Z3764-UP

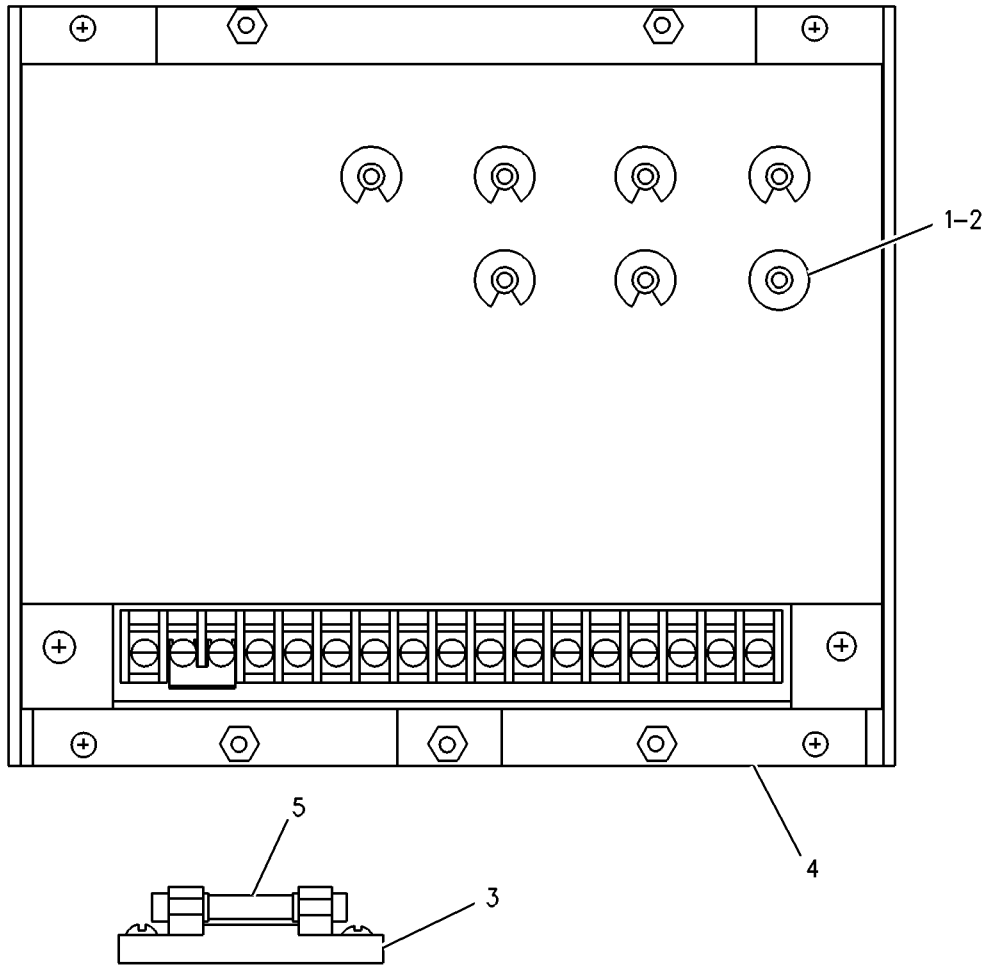
STANDBY

PART OF 103-4773 PANEL AR-CONTROL  
AN ATTACHMENT

SMCS-1908

i01806271

NOTE	REF NO	GRAPHIC REF	PART NUMBER	QTY	PART NAME						SEE PAGE
					1	2	3	4	5	6 (PRODUCT LEVEL)	
	1	1	<b>4W-5971</b>	1	POTENTIOMETER (100-OHM) (ENGINE SPEED CONTROL)						
	2	1	<b>4W-5972</b>	1	KNOB (ENGINE SPEED CONTROL)						
	3	1	<b>4W-8790</b>	1	BLOCK-FUSE						
	4	1	<b>131-5453</b>	1	CONTROL AS-ELECTRONIC GOVERNOR						
	5	1	<b>7T-0037</b>	1	FUSE (0.75-AMPERE)						



GRAPHIC #1

<END>

g00923989

# FUEL SYSTEM

## 4W-9314 GOVERNOR AS-ELECTRONIC

S/N: 85Z3764-UP

STANDBY WITH PREREGULATOR

PART OF 103-4773 PANEL AR-CONTROL

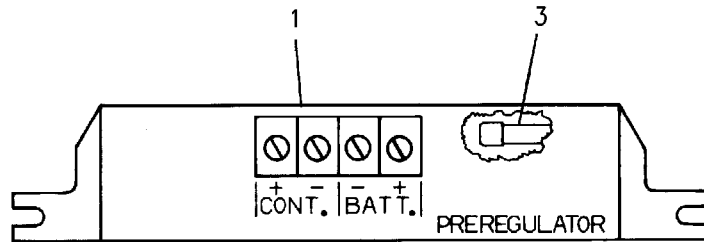
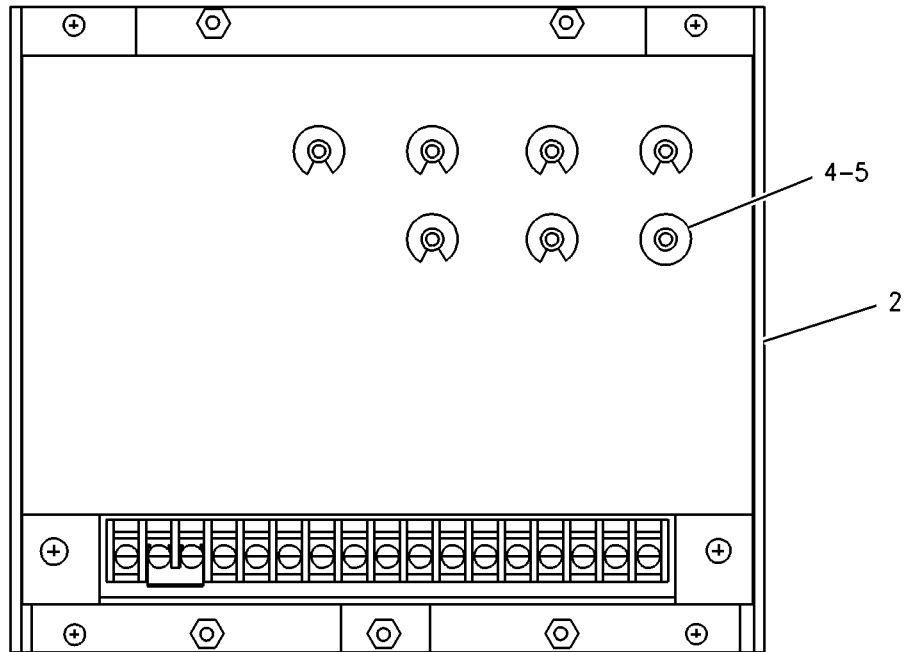
AN ATTACHMENT

SMCS-1908

i01453374

NOTE	REF NO	GRAPHIC REF	PART NUMBER	QTY	PART NAME						SEE PAGE
					1	2	3	4	5	6 (PRODUCT LEVEL)	
Y	1	1	<b>4W-5391</b>	1	BOX AS-GOVERNOR PREREGULATOR						576
	2	1	<b>131-5453</b>	1	CONTROL AS-ELECTRONIC GOVERNOR						
	3	1	<b>7T-0037</b>	1	FUSE (0.75-AMPERE)						
	4	1	<b>4W-5972</b>	1	KNOB (ENGINE SPEED CONTROL)						
	5	1	<b>4W-5971</b>	1	POTENTIOMETER (100-OHM) (ENGINE SPEED CONTROL)						

Y - SEPARATE ILLUSTRATION



GRAPHIC #1

<END>

g00760240

# FUEL SYSTEM

## 7E-1232 GOVERNOR AS-ELECTRONIC

S/N: 5CA5985-UP; 5DA5682-UP; 5EA5375-UP; 85Z3764-UP

FOR USAGE REFER TO CHART 4W-8000-PAGE: 1798, 7C-1000-PAGE: 1808, 103-1582-PAGE: 1788

PART OF 103-4773, 7W-0700 PANEL AR-CONTROL

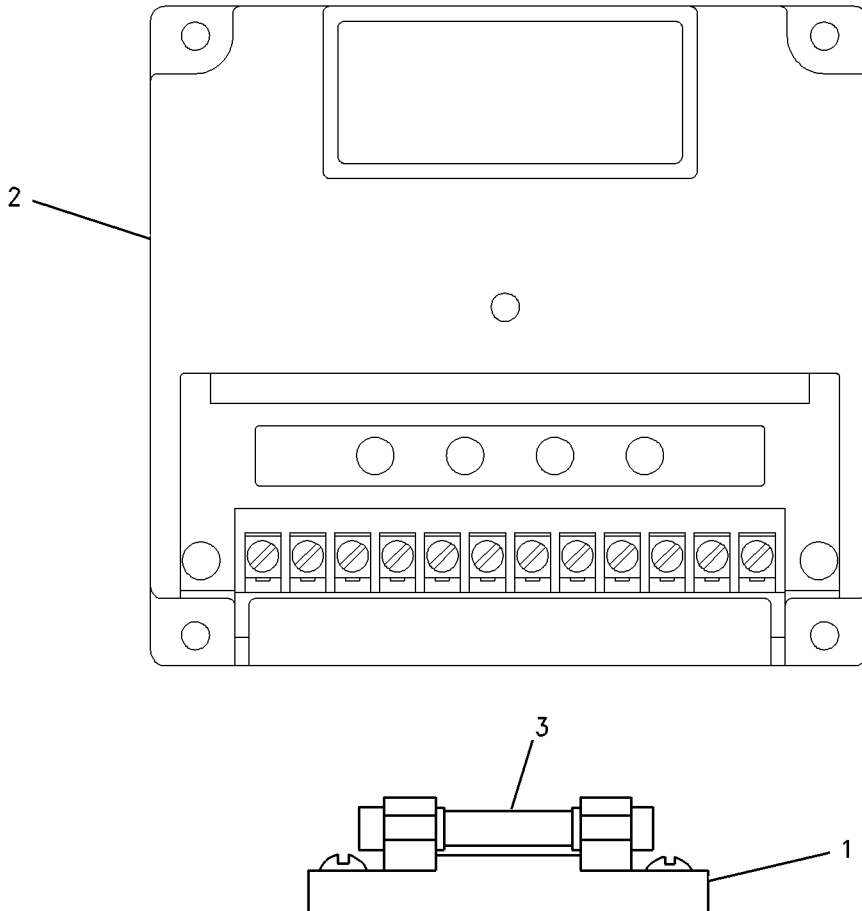
AN ATTACHMENT

SMCS-1908

i03079320

NOTE	REF NO	GRAPHIC REF	PART NUMBER	QTY	PART NAME						SEE PAGE
					1	2	3	4	5	6 (PRODUCT LEVEL)	
	1	1	<b>4W-8790</b>	1	BLOCK-FUSE						
	2	1	<b>131-5455</b>	1	CONTROL AS-GOVERNOR						
	3	1	<b>3K-8782</b>	1	FUSE (10-AMPERE)						
F			<b>9Y-9782</b>	1	FILM-IDENTIFICATION (10-AMPERE FUSE)						
F			<b>4W-5972</b>	1	KNOB (ENGINE SPEED CONTROL)						
F			<b>7E-1246</b>	1	POTENTIOMETER (2000-OHM) (ENGINE SPEED CONTROL)						
F			<b>7C-4550</b>	1	SEAL (ROTATING SHAFT)						
F			<b>4B-5324</b>	4	WASHER (3.9X9.6X1.2-MM THK)						
F			<b>5H-6555</b>	4	LOCKWASHER						
F			<b>9X-6258</b>	4	SCREW-MACHINE (6-32X0.5-IN)						
F			<b>9X-6259</b>	1	SCREW-MACHINE (6-32X0.375-IN)						
F			<b>117-8556</b>	1	WASHER (5.6X7.8X0.5-MM THK)						

F - NOT SHOWN



GRAPHIC #1

<END>

g00760270

# FUEL SYSTEM

## 7E-1233 GOVERNOR AS-ELECTRONIC

S/N: 5CA5985-UP; 5DA5682-UP; 5EA5375-UP

FOR USAGE REFER TO CHART 4W-8000-PAGE: 1798, 7C-1000-PAGE: 1808, 103-1582-PAGE: 1788

PART OF 7W-0700 PANEL AR-CONTROL

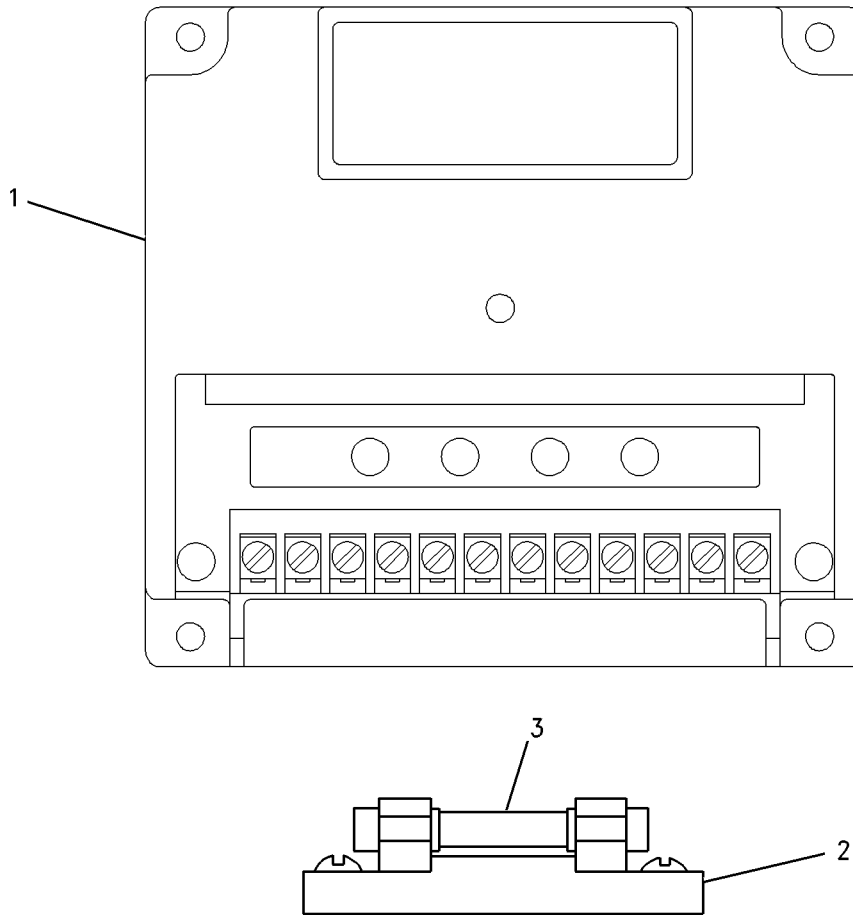
AN ATTACHMENT

SMCS-1908

i01453485

NOTE	REF NO	GRAPHIC REF	PART NUMBER	QTY	PART NAME						SEE PAGE
					1	2	3	4	5	6 (PRODUCT LEVEL)	
	1	1	<b>9Y-9847</b>	1	CONTROL AS-GOVERNOR						
	2	1	<b>4W-8790</b>	1	BLOCK-FUSE						
	3	1	<b>3K-8782</b>	1	FUSE (10-AMPERE)						
F		1	<b>4W-5972</b>	1	KNOB (ENGINE SPEED CONTROL)						
F		1	<b>7E-1246</b>	1	POTENTIOMETER (2000-OHM) (ENGINE SPEED CONTROL)						

F - NOT SHOWN



GRAPHIC #1

<END>

g00760466

# FUEL SYSTEM

## 2W-4108 GOVERNOR GP

S/N: 85Z3764-UP

PART OF 108-4825, 108-4827, 2W-0055, 2W-0056, 7C-3027, 7C-5299, 7C-9201, 7W-9364,  
7W-9365, 7W-9823 PUMP GP-GOV & FUEL INJ

SMCS-1264, 1908

i01970637

NOTE	REF NO	GRAPHIC REF	PART NUMBER	QTY	PART NAME						SEE PAGE
					1	2	3	4	5	6 (PRODUCT LEVEL)	
	1	1	<b>1W-6523</b>	1	PLUG						
C	2	1	<b>8N-3259</b>	1	COVER-HIGH IDLE						
		1	<b>6I-2003</b>	1	GASKET						
C	3	1	<b>7N-2594</b>	1	SETSCREW-SLOTTED						
C		1	<b>7N-8775</b>	1	NUT-HIGH IDLE						
C	4	1	<b>5P-6945</b>	2	BOLT (1/4-20X1.125-IN)						
		1	<b>5P-0537</b>	2	WASHER-HARD (7.2X14.5X2-MM THK)						
C	5	1	<b>3J-7354</b>	1	SEAL-O-RING						
C	6	1	<b>4N-5485</b>	1	BODY-VALVE						
C		1	<b>5F-9144</b>	1	SEAL-O-RING						
C	7	1	<b>4N-5484</b>	1	VALVE-NEEDLE (THROTTLE RESPONSE)						
C		1	<b>6H-9691</b>	1	SEAL-O-RING						
C	8	1	<b>0S-1616</b>	6	BOLT (1/4-20X1-IN)						
C	9	1	<b>7N-8780</b>	1	COVER AS-CONTROL						
	10	1	<b>5P-3272</b>	1	SEAL-LIP TYPE						
C	11	1	<b>150-3728</b>	1	GASKET						
C	12	1	<b>3P-0009</b>	1	INSULATOR						
C	13	1	<b>1P-2497</b>	2	BOLT-HEAD (10-24X1-IN)						
		1	<b>8T-0328</b>	2	WASHER-HARD (5.5X10X1-MM THK)						
C	14	1	<b>8N-3258</b>	1	COVER-LOAD STOP						
		1	<b>6I-2004</b>	1	GASKET						
	15	1	<b>6D-3897</b>	1	BOLT (8-32X0.5-IN)						
	16	1	<b>6L-5897</b>	2	BOLT (1/4-20X0.875-IN)						
	17	1	<b>2W-6104</b>	1	BLOCK AS-STOP						
		1	<b>2W-6103</b>	1	DOWEL						
	18	1	<b>1W-4243</b>	1	SPRING-BUMPER						
	19	1	<b>8N-2488</b>	1	BOLT-LOAD STOP						
	20	1	<b>8N-3256</b>	1	COLLAR-LOAD STOP						
	21	1	<b>8L-5832</b>	1	NUT-HEX (10-32-THD)						
	22	1	<b>5H-6552</b>	1	SETSCREW-SOCKET (10-32X1.25-IN)						
					-OR-						
		1	<b>9Y-4701</b>	1	SETSCREW-SOCKET (10-32X1.38-IN)						
	23	2	<b>031-0216</b>	3	BOLT (1/4-20X0.75-IN)						
	24	2	<b>1N-3800</b>	1	SLEEVE-RACK CONTROL						
	25	2	<b>6N-3504</b>	1	SEAT-GOVERNOR SPRING						
	26	2	<b>2W-2216</b>	1	SPRING-LINK						
	27	2	<b>2M-7819</b>	2	RING-RETAINING						
	28	2	<b>1N-3802</b>	1	SEAT-SPRING						
	29	2	<b>8N-2507</b>	1	PISTON AS-SERVO						
		2	<b>8N-2505</b>	1	VALVE-GOVERNOR SERVO (PISTON)						
		2	<b>7C-0791</b>	1	CYLINDER AS						
		2	<b>7N-7271</b>	1	LEVER-CONTROL						
		2	<b>3G-3835</b>	1	PIN						
	30	2	<b>1W-4098</b>	1	PISTON-GOVERNOR SERVO						
	31	2	<b>7W-0250</b>	1	SLEEVE						
	32	2	<b>5P-9757</b>	1	SEAL-O-RING						



# FUEL SYSTEM

**2W-4108 GOVERNOR GP (contd.)**

**i01970637**

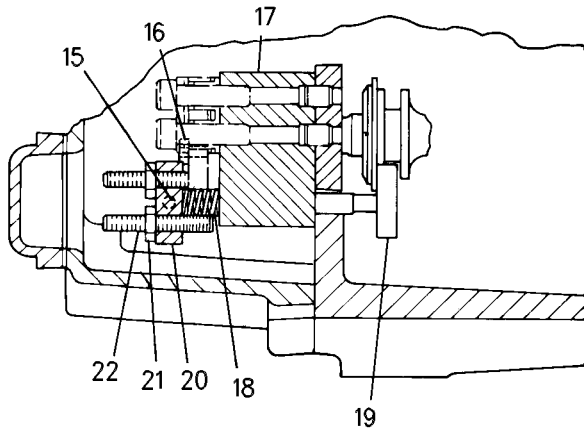
NOTE	REF NO	GRAPHIC REF	PART NUMBER	QTY	PART NAME						SEE PAGE
					1	2	3	4	5	6 (PRODUCT LEVEL)	
	33	2	<b>8N-2503</b>	1	ACTUATOR AS-GOVERNOR						
		2	<b>4N-6407</b>	1	SPOOL-DASHPOT						
		2	<b>4N-6406</b>	1	RING-SPACER						
	34	2	<b>4N-6404</b>	1	RING-RETAINING						
	35	2	<b>7E-4892</b>	2	RACE-THRUST BEARING						
	36	2	<b>7M-7219</b>	1	BEARING-THRUST						
	37	2	<b>4W-6868</b>	1	RISER-GOVERNOR						
	38	2	<b>4N-2953</b>	1	RING-LOCK						
	39	2	<b>8N-2495</b>	1	HOUSING AS-GOVERNOR						
		2	<b>8S-6814</b>	4	PIN (12.7MM LG)						
		2	<b>4F-6024</b>	2	PIN (8MM LG)						
	40	3	<b>7N-8785</b>	1	SHAFT-PIVOT						
	41	3	<b>150-3730</b>	1	GASKET						
	42	3	<b>7N-7270</b>	2	SLEEVE-SPRING						
	43	3	<b>7N-8821</b>	3	RING-RETAINING						
	44	3	<b>3K-5733</b>	1	SPRING						
	45	3	<b>8N-2501</b>	1	HOUSING AS-GOVERNOR						
		3	<b>7E-5346</b>	1	VALVE AS (GOVERNOR HOUSING FUEL CHECK)						
	46	3	<b>8N-2499</b>	1	SPRING-GUIDE						
	47	3	<b>3D-8317</b>	1	RING-RETAINING						
	48	3	<b>4N-0260</b>	1	SEAL-LIP TYPE						
	49	3	<b>2F-2290</b>	1	PLUG-CORE						
	50	3	<b>2W-9305</b>	2	PLATE-THROTTLE						
	51	3	<b>4N-0432</b>	1	BALL BEARING						
	52	3	<b>7N-2594</b>	1	SETSCREW-SLOTTED						
		3	<b>7W-4272</b>	1	NUT-SEALING (5/16-18-THD)						
	53	3	<b>7N-2171</b>	4	RING-RETAINING						
	54	3	<b>7N-2172</b>	2	PIN						
	55	3	<b>8N-3087</b>	1	STOP-IDLE DETENT						
	56	3	<b>2W-7400</b>	1	SPRING						
	57	3	<b>2W-6102</b>	1	LEVER-SPRING SEAT						
	58	3	<b>8N-3168</b>	1	LEVER-THROTTLE						

C - CHANGE FROM PREVIOUS TYPE

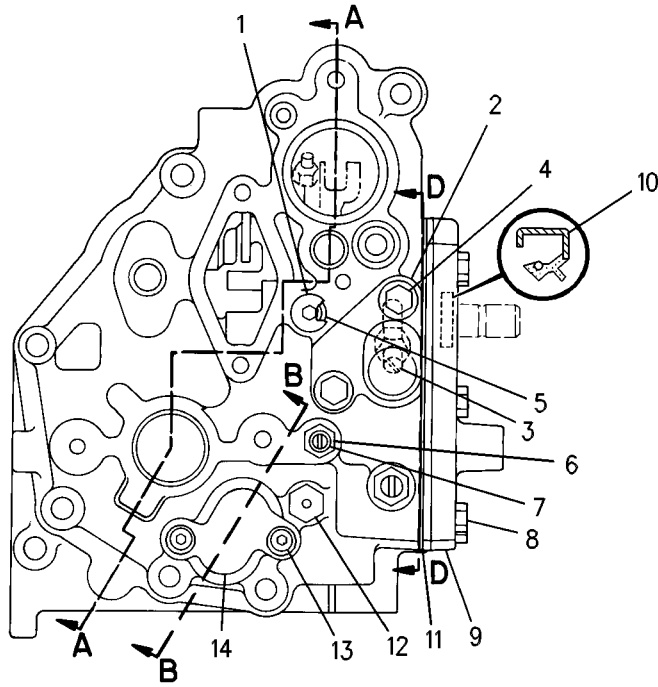
# FUEL SYSTEM

2W-4108 GOVERNOR GP (contd.)

i01970637



VIEW B-B



REFER TO ALL ILLUSTRATIONS OF THIS GROUP FOR AUXILIARY VIEWS

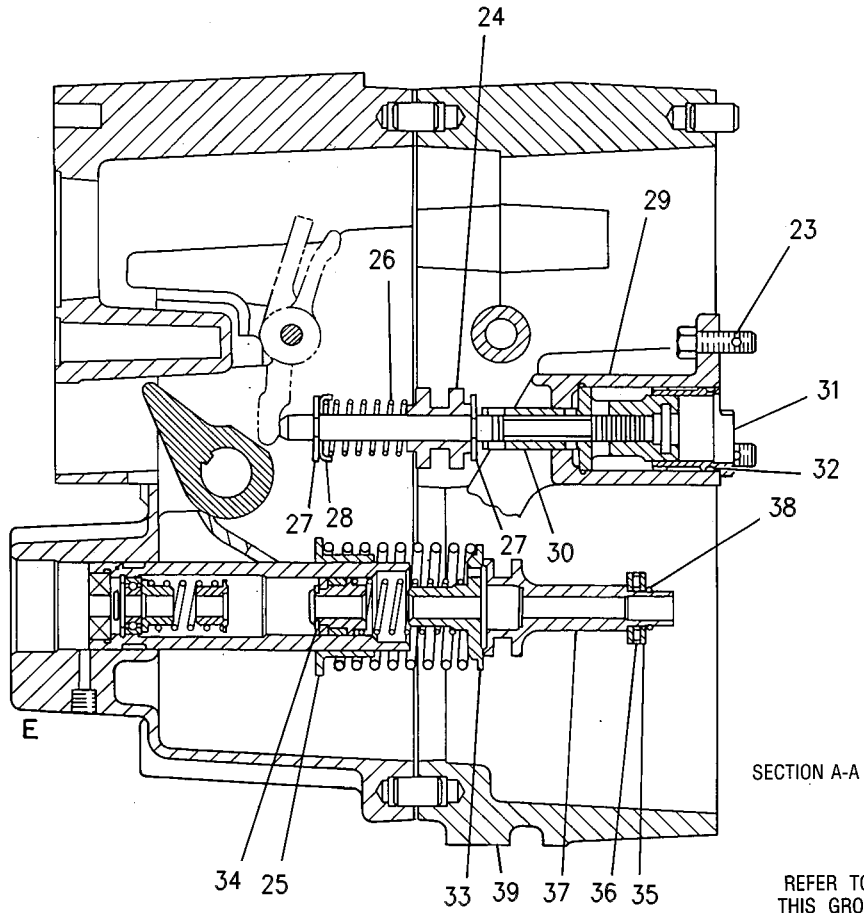
GRAPHIC #1

g00399376

# FUEL SYSTEM

2W-4108 GOVERNOR GP (contd.)

101970637



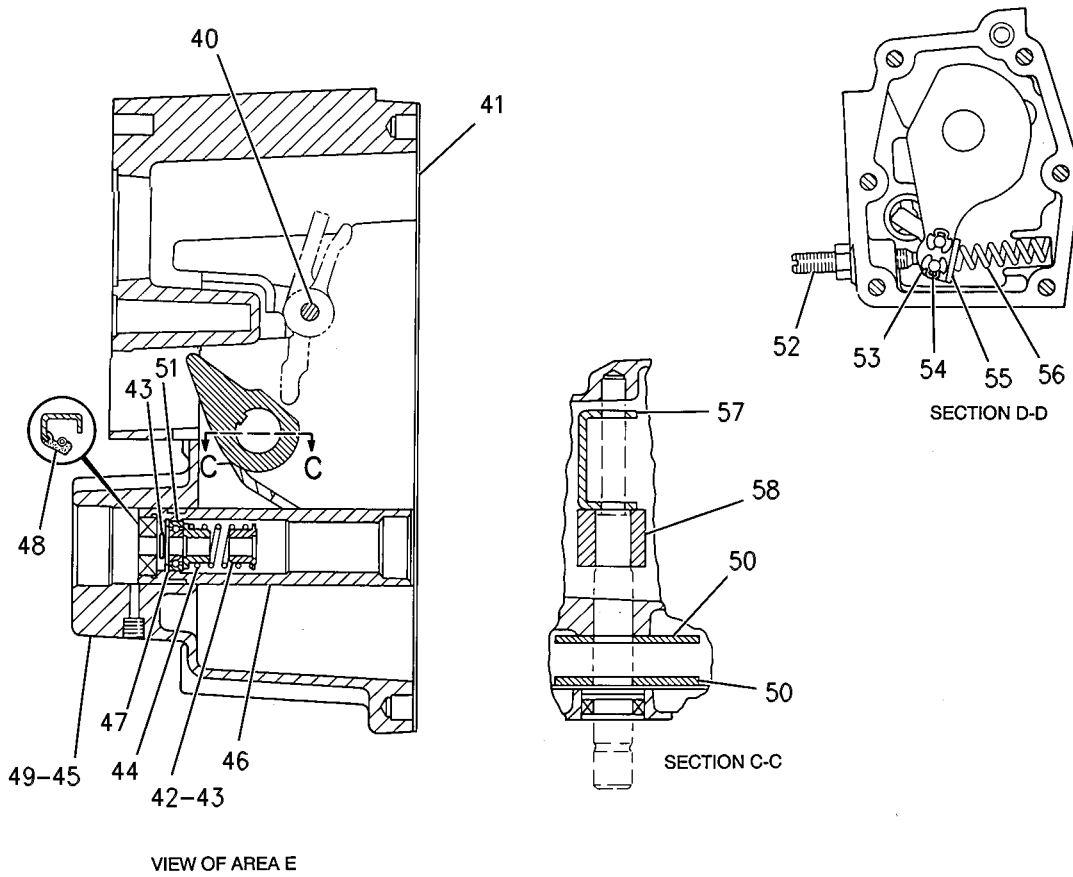
GRAPHIC #2

g00399377

# FUEL SYSTEM

2W-4108 GOVERNOR GP (contd.)

i01970637



GRAPHIC #3

<END>

g00399378

# FUEL SYSTEM

## 2W-6982 GOVERNOR GP

S/N: 85Z3764-UP

PART OF 7C-3025 PUMP GP-GOV & FUEL INJ

SMCS-1264, 1908

i01850942

NOTE	REF NO	GRAPHIC REF	PART NUMBER	QTY	PART NAME						SEE PAGE
					1	2	3	4	5	6 (PRODUCT LEVEL)	
	1	1	<b>1W-6523</b>	1	PLUG						
	2	1	<b>8N-3259</b>	1	COVER-HIGH IDLE						
		1	<b>6I-2003</b>	1	GASKET						
	3	1	<b>7N-2594</b>	1	SETSCREW-SLOTTED						
		1	<b>7N-8775</b>	1	NUT-HIGH IDLE						
C	4	1	<b>5P-6945</b>	2	BOLT (1/4-20X1.125-IN)						
		1	<b>5P-0537</b>	2	WASHER-HARD (7.2X14.5X2-MM THK)						
	5	1	<b>3J-7354</b>	1	SEAL-O-RING						
	6	1	<b>4N-5485</b>	1	BODY-VALVE						
		1	<b>5F-9144</b>	1	SEAL-O-RING						
	7	1	<b>4N-5484</b>	1	VALVE-NEEDLE						
					(VARIABLE-ORIFICE, FLOW-RESTRICTING, THROTTLE RESPONSE)						
		1	<b>6H-9691</b>	1	SEAL-O-RING						
C	8	1	<b>0S-1616</b>	6	BOLT (1/4-20X1-IN)						
	9	1	<b>7N-8780</b>	1	COVER AS-CONTROL						
	10	1	<b>8T-2604</b>	1	SEAL-LIP TYPE						
	11	1	<b>150-3728</b>	1	GASKET						
	12	1	<b>3P-0009</b>	1	INSULATOR						
	13	1	<b>1P-2497</b>	2	BOLT-HEAD (10-24X1-IN)						
		1	<b>8T-0328</b>	2	WASHER-HARD (5.5X10X1-MM THK)						
	14	1	<b>8N-3258</b>	1	COVER-LOAD STOP						
		1	<b>6I-2004</b>	1	GASKET						
	15	2	<b>2M-7819</b>	2	RING-RETAINING						
	16	2	<b>7N-8785</b>	1	SHAFT-PIVOT						
	17	2	<b>1N-3802</b>	1	SEAT-SPRING						
	18	2	<b>2W-2216</b>	1	SPRING-LINK						
	19	2	<b>1N-3800</b>	1	SLEEVE-RACK CONTROL						
	20	2	<b>8N-2507</b>	1	PISTON AS-SERVO						
		2	<b>8N-2505</b>	1	VALVE-GOVERNOR SERVO						
		2	<b>7C-0791</b>	1	CYLINDER AS						
C	21	2	<b>1W-4098</b>	1	PISTON-GOVERNOR SERVO						
C	22	2	<b>7W-0250</b>	1	SLEEVE						
	23	2	<b>5P-9757</b>	1	SEAL-O-RING						
	24	2	<b>031-0216</b>	3	BOLT (1/4-20X0.75-IN)						
	25	2	<b>4N-2953</b>	1	RING-LOCK						
	26	2	<b>7E-4892</b>	2	RACE-THRUST BEARING						
	27	2	<b>7M-7219</b>	1	BEARING-THRUST						
C	28	2	<b>4W-6868</b>	1	RISER-GOVERNOR						
	29	2	<b>7N-8821</b>	3	RING-RETAINING						
	30	2	<b>8N-2495</b>	1	HOUSING AS-GOVERNOR						
		2	<b>8S-6814</b>	3	PIN (12.7MM LG)						
		2	<b>4F-6024</b>	2	PIN (8MM)						
	31	2	<b>8N-2503</b>	1	ACTUATOR AS-GOVERNOR						
		2	<b>7N-7268</b>	1	SEAT-SPRING						
		2	<b>4N-6410</b>	1	SPRING-DASHPOT						
		2	<b>4N-6408</b>	1	PISTON AS						
		2	<b>4N-6407</b>	1	SPOOL-DASHPOT						

# FUEL SYSTEM

2W-6982 GOVERNOR GP (contd.)

i01850942

NOTE	REF NO	GRAPHIC REF	PART NUMBER	QTY	PART NAME						SEE PAGE
					1	2	3	4	5	6 (PRODUCT LEVEL)	
		2	<b>4N-6406</b>	1	RING-SPACER						
32		2	<b>4N-6404</b>	1	RING-RETAINING						
33		2	<b>3K-5733</b>	1	SPRING						
34		2	<b>4N-0432</b>	1	BALL BEARING						
35		2	<b>6N-3504</b>	1	SEAT-GOVERNOR SPRING						
36		2	<b>150-3730</b>	1	GASKET						
37		2	<b>8N-2501</b>	1	HOUSING AS-GOVERNOR						
		2	<b>7E-5346</b>	1	VALVE AS (CHECK)						
		2	<b>2F-2290</b>	1	PLUG-CORE						
38		2	<b>8N-2499</b>	1	SPRING-GUIDE						
39		2	<b>3D-8317</b>	1	RING-RETAINING						
40		2	<b>4N-0260</b>	1	SEAL-LIP TYPE						
41		2	<b>7N-7270</b>	2	SLEEVE-SPRING						
42		2	<b>7N-7267</b>	1	SPRING						
43		3	<b>6D-3897</b>	1	BOLT (8-32X0.5-IN)						
44		3	<b>6L-5897</b>	2	BOLT (1/4-20X0.875-IN)						
45		3	<b>2W-6104</b>	1	BLOCK AS-STOP						
		3	<b>8N-3303</b>	1	DOWEL						
46		3	<b>1W-4243</b>	1	SPRING-BUMPER						
47		3	<b>2W-5161</b>	1	BOLT-LOAD STOP						
48		3	<b>8N-3256</b>	1	COLLAR-LOAD STOP						
49		3	<b>8L-5832</b>	1	NUT-HEX (10-32-THD)						
50		3	<b>9Y-4701</b>	1	SETSCREW-SOCKET (10-32X1.38-IN)						
51		3	<b>2W-7400</b>	1	SPRING						
52		3	<b>8N-3087</b>	1	STOP-IDLE DETENT						
53		3	<b>7N-2172</b>	2	PIN						
54		3	<b>7N-2171</b>	4	RING-RETAINING						
55		3	<b>7N-2594</b>	1	SETSCREW-SLOTTED						
		3	<b>7W-4272</b>	1	NUT-SEALING (5/16-18-THD)						
C	56	3	<b>2W-9305</b>	2	PLATE-THROTTLE						
C	57	3	<b>8N-3168</b>	1	LEVER-THROTTLE						
C	58	3	<b>2W-6102</b>	1	LEVER-SPRING SEAT						

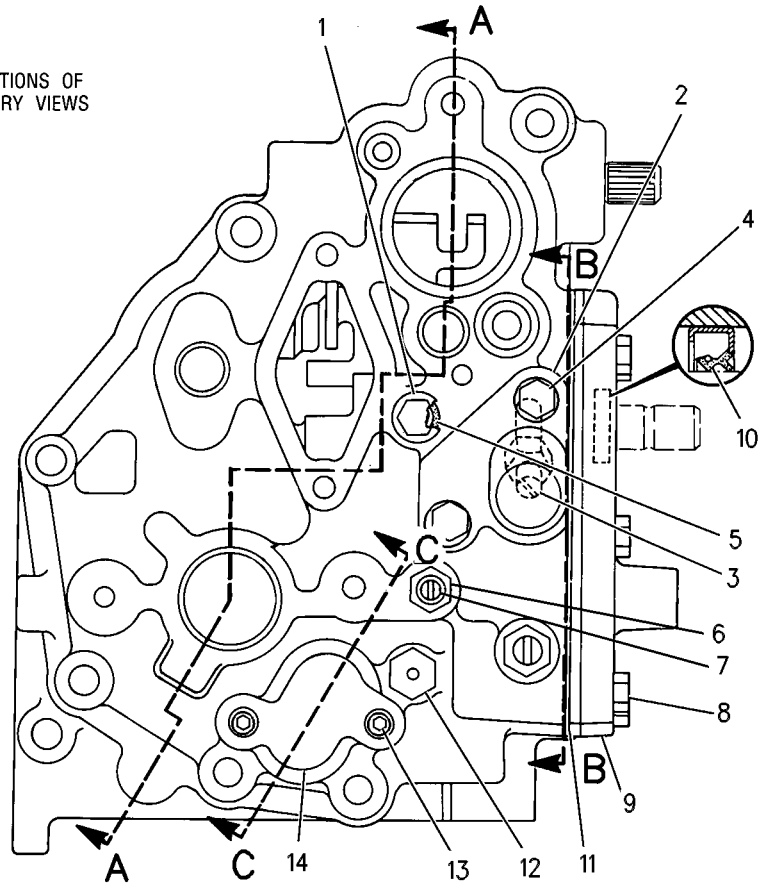
C - CHANGE FROM PREVIOUS TYPE

# FUEL SYSTEM

2W-6982 GOVERNOR GP (contd.)

i01850942

REFER TO ALL ILLUSTRATIONS OF  
THIS GROUP FOR AUXILIARY VIEWS



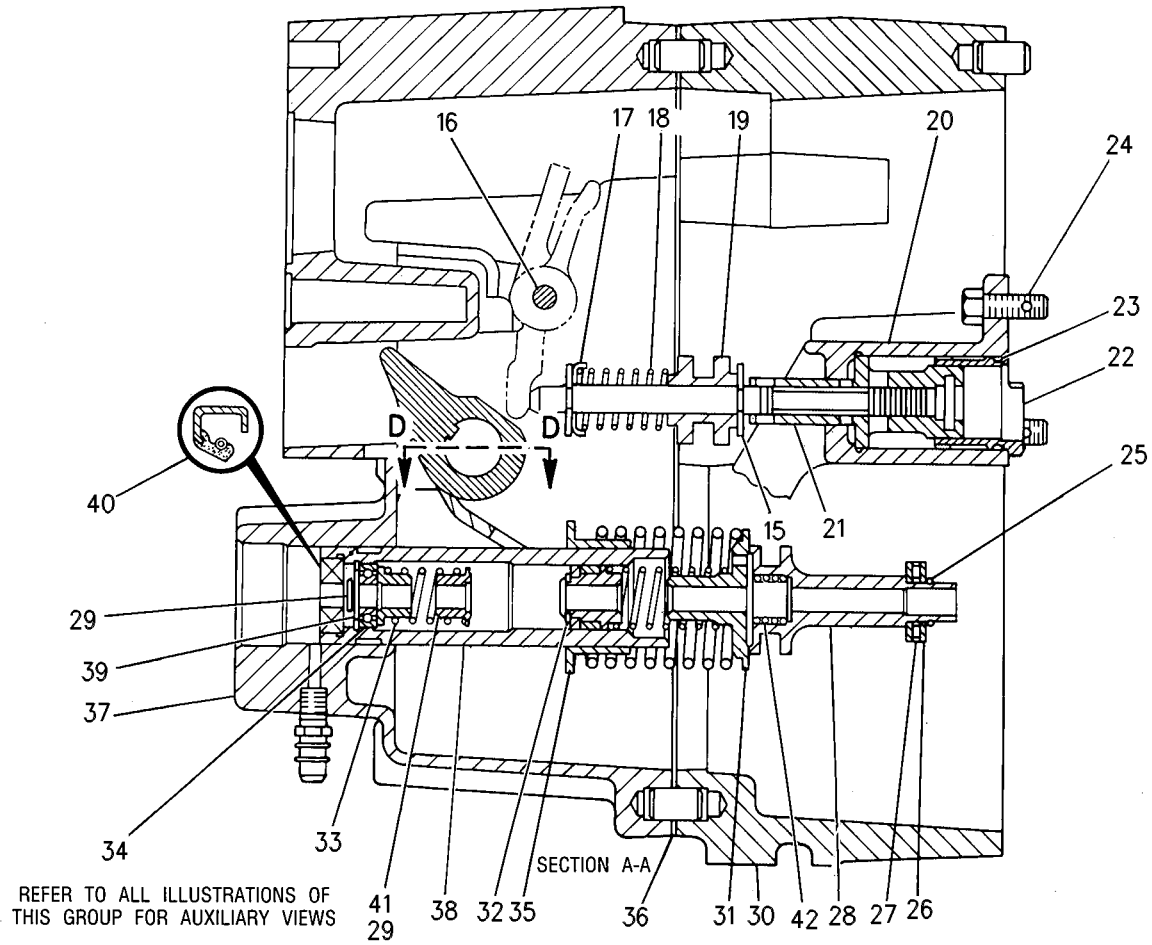
GRAPHIC #1

g00424479

# FUEL SYSTEM

2W-6982 GOVERNOR GP (contd.)

i01850942



GRAPHIC #2

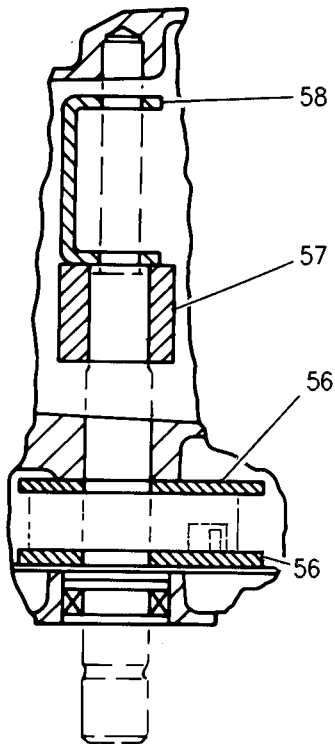
g00424480



# FUEL SYSTEM

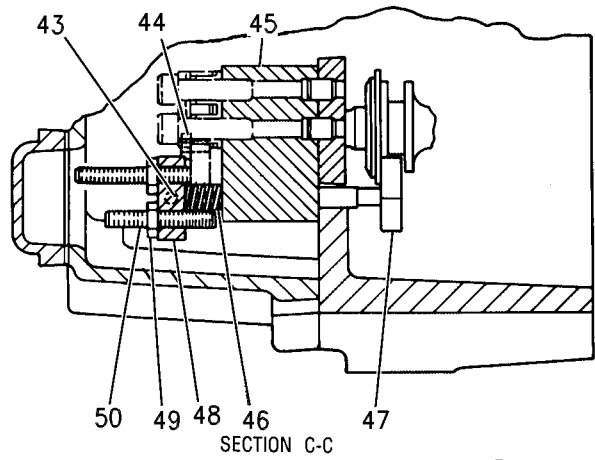
2W-6982 GOVERNOR GP (contd.)

i01850942

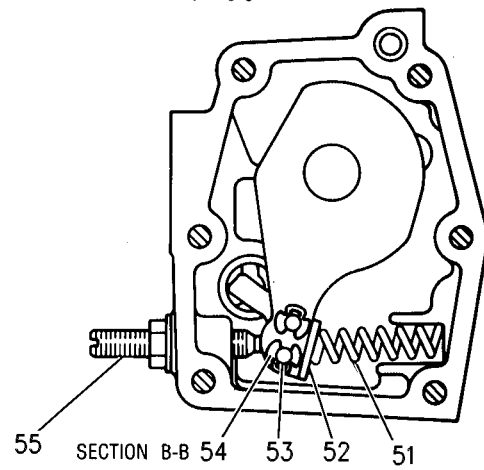


SECTION D-D

REFER TO ALL ILLUSTRATIONS OF THIS GROUP FOR AUXILIARY VIEWS



SECTION C-C



SECTION B-B

GRAPHIC #3

<END>

g00424481

# FUEL SYSTEM

## 4W-6814 GOVERNOR GP

S/N: 85Z3764-UP

WOODWARD

PART OF 8N-3353 GOVERNOR GP

AN ATTACHMENT

SMCS-1264, 1908

i00974147

NOTE	REF NO	GRAPHIC REF	PART NUMBER	QTY	PART NAME						SEE PAGE
					1	2	3	4	5	6 (PRODUCT LEVEL)	
C	1	1	5N-3891	2	WASHER						
	2	1	5N-3887	1	PIN						
	3	1	6N-7530	1	PIN-PIVOT						
	4	1	1W-4892	1	LEVER AS						
	5	1	6L-4007	1	VALVE AS-RELIEF						
	6	1	6F-3480	1	SLEEVE AS-ADJUSTMENT						
	7	1	2N-1894	1	PIN-SPRING						
	8	1	5N-3915	1	LINK AS						
	9	1	5N-3890	1	SHAFT-SPEED ADJUSTMENT						
	10	1	5N-3885	1	LINK-SPEED DROOP						
	11	1	5N-4111	1	SPACER (0.192X0.249X0.137-IN THK)						
	12	1	5N-4112	1	SPRING-TORSION						
	13	1	5N-3892	1	BRACKET						
	14	1	5H-6618	5	SCREW-MACHINE						
		1	8F-1434	5	LOCKWASHER						
	15	1	5N-3913	1	LEVER						
	16	1	5N-3911	1	SHAFT AS-DROOP						
	17	1	5N-3916	1	SLEEVE AS-ADJUSTMENT						
	18	1	1N-3316	3	SEAL-OIL						
	19	1	4B-2043	1	NUT (8-32-THD)						
	20	1	5N-3883	1	SCREW-DROOP ADJUSTMENT						
	21	1	6L-9838	2	SHAFT-TERMINAL						
	22	1	3N-5723	1	SPRING						
	23	1	3N-5729	1	SEAT-SPRING						
C	24	1	3B-4502	1	LOCKWASHER						
	25	1	3N-5728	1	STRUT-SERVO						
	26	1	3N-5727	1	PISTON-POWER						
	27	1	5N-3889	1	VALVE-NEEDLE						
		1	5N-3908	1	PLUG						
	28	1	5N-3912	1	CASE AS						
	29	1	6L-3997	1	PISTON-BUFFER						
	30	1	7L-3107	1	BASE AS-GOVERNOR						
	31	1	6L-3995	1	SEAT-SPRING						
	32	1	6L-3983	1	GEAR-IDLER (10-TEETH) (10 TEETH)						
	33	1	6L-3994	1	PLUNGER-VALVE						
	34	1	6L-3992	1	BUSHING-TERMINAL						
	35	1	7N-0001	1	BALL HEAD AS						
	36	1	7N-4533	1	BEARING-THRUST						
	37	1	6L-3996	1	SEAT-SPRING						
	38	1	7N-6052	1	SPRING AS-SPEED						
	39	1	5N-3886	1	SCREW (10-32X1.5-IN)						
	40	1	2F-2293	1	GASKET-COVER						
	41	1	5N-3909	1	CLUTCH AS						
	42	1	5N-3884	2	BLOCK-SPEED DROOP SLIDER						
	43	1	2W-1844	1	COVER						

# FUEL SYSTEM

**4W-6814 GOVERNOR GP (contd.)**

**i00974147**

NOTE	REF NO	GRAPHIC REF	PART NUMBER	QTY	PART NAME						SEE PAGE
					1	2	3	4	5	6 (PRODUCT LEVEL)	
	44	1	<b>6L-4003</b>	1	BUSHING						
	45	1	<b>6L-3990</b>	2	SPRING-BUFFER						
C	46	1	<b>3K-6168</b>	1	BOLT-SOCKET HEAD (10-32X0.625-IN)						
	47	1	<b>4W-5123</b>	1	MOTOR AS						
		1	<b>7N-7779</b>	1	SOCKET-CONNECTOR (14-GA TO 18-GA)						
		1	<b>7N-7780</b>	1	PIN-CONNECTOR (14-GA TO 18-GA)						
		1	<b>7N-9738</b>	1	HOUSING-RECEPTACLE (14-GA TO 18-GA)						
BD		1	<b>5P-5624</b>		WIRE (14-GA, BLACK)						
	48	1	<b>9N-6225</b>	4	SCREW (6-32X47.625-MM)						
		1	<b>9B-1117</b>	4	LOCKWASHER						

AVAILABLE REPAIR KIT(S):

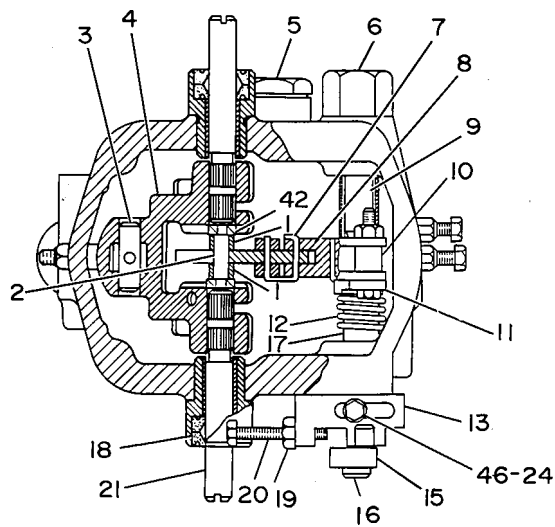
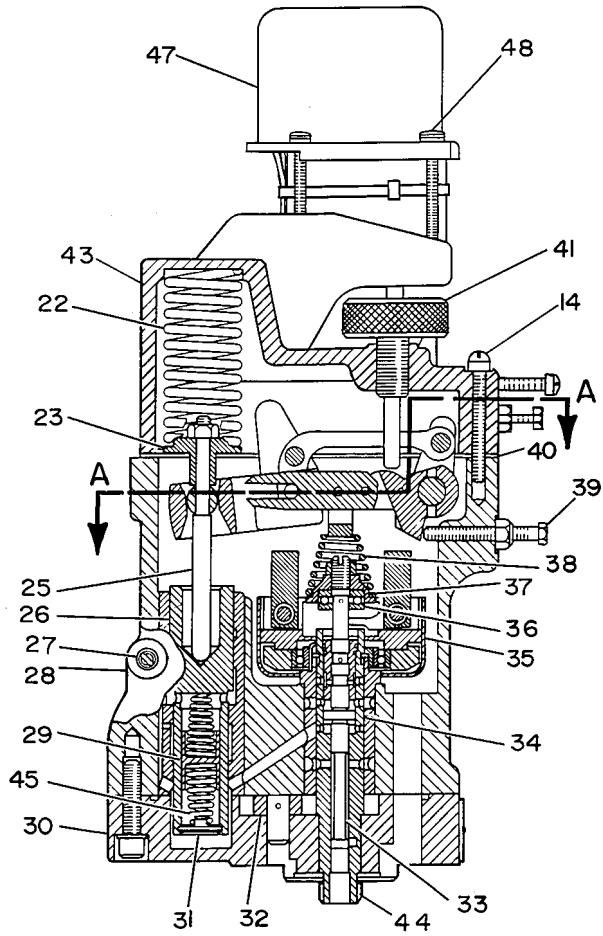
**7N-6807**    1    KIT-HARDWARE

B - USE AS REQUIRED  
 C - CHANGE FROM PREVIOUS TYPE  
 D - ORDER BY THE METER

# FUEL SYSTEM

4W-6814 GOVERNOR GP (contd.)

i00974147



SECTION A-A

GRAPHIC #1

<END>

g00209513

# FUEL SYSTEM

## 6I-1100 GOVERNOR GP\*R

S/N: 85Z3764-UP

PART OF 8N-3353 GOVERNOR GP  
AN ATTACHMENT

SMCS-1264, 1908

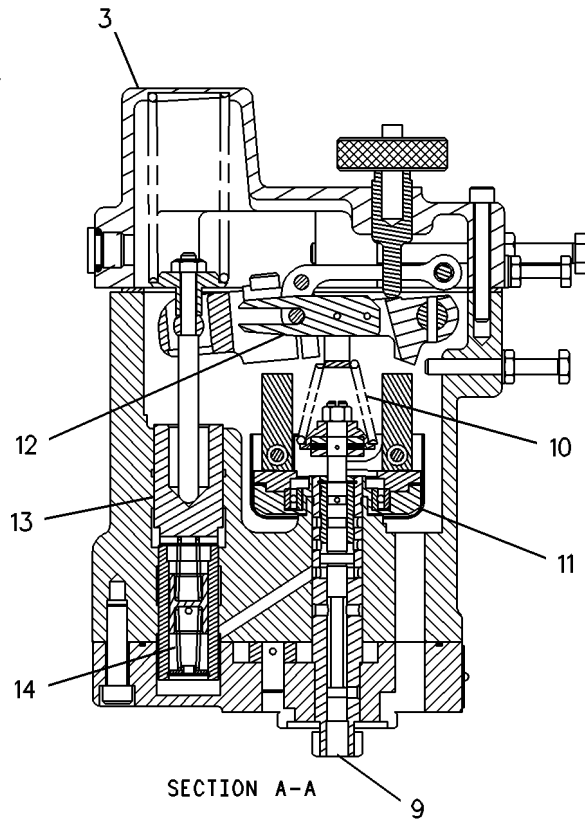
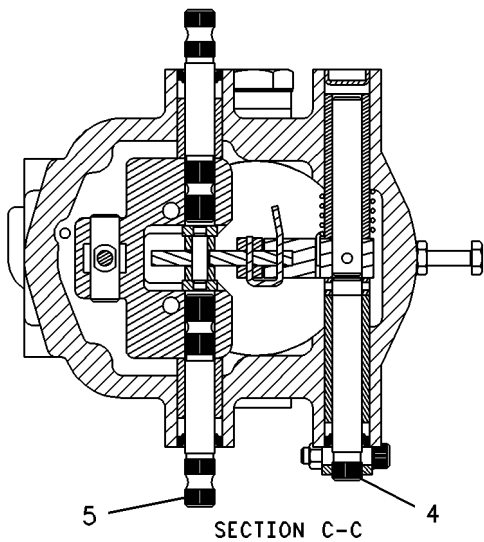
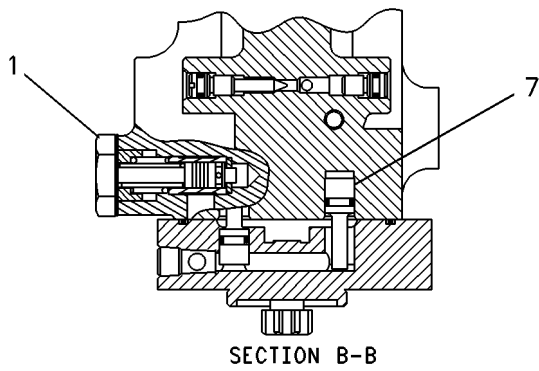
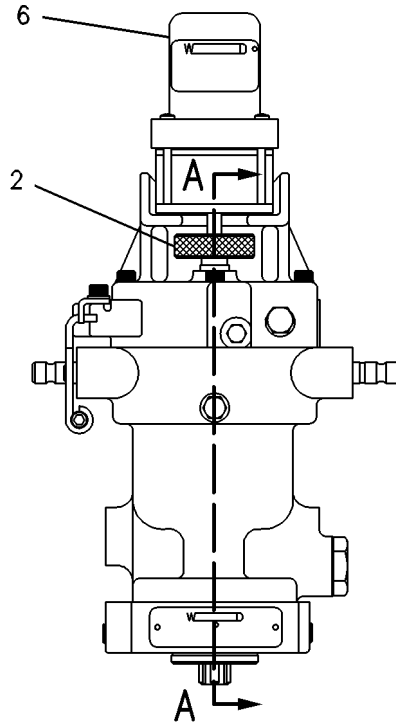
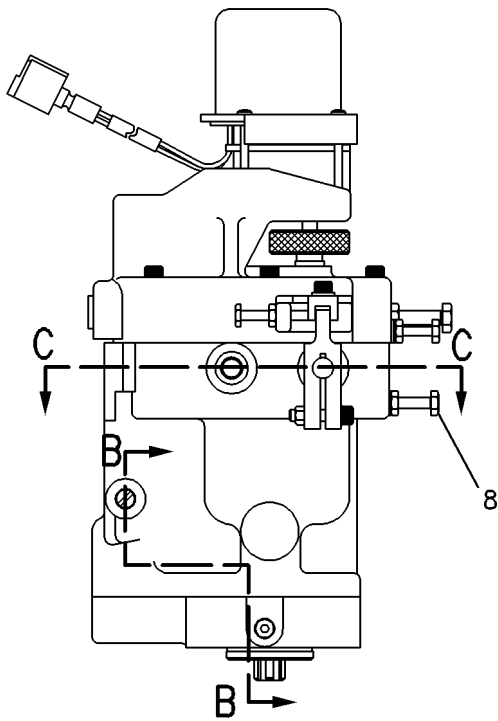
i01925404

NOTE	REF NO	GRAPHIC REF	PART NUMBER	QTY	PART NAME						SEE PAGE
					1	2	3	4	5	6 (PRODUCT LEVEL)	
	1	1	<b>6I-0984</b>	1	KIT-RELIEF VALVE (GOVERNOR)						
					(INCLUDES SLEEVE, PLUNGER, PLUG & SPRINGS)						
	2	1	<b>4P-8388</b>	1	CLUTCH AS						
	3	1	<b>4P-9624</b>	1	KIT-COVER REPAIR (GOVERNOR)						
					(INCLUDES COVER, SCREWS, NUTS & WASHERS)						
	4	1	<b>6I-1178</b>	1	KIT-DROOP SHAFT (GOVERNOR)						
					(INCLUDES SHAFT, BRACKET, LEVER, WASHER, NUT & SCREWS)						
	5	1	<b>4P-9622</b>	1	KIT-REPAIR (GOVERNOR)						
					(INCLUDES PIN, NUT, BUSHINGS & SHAFTS)						
	6	1	<b>4W-5123</b>	1	MOTOR AS						
		1	<b>7N-7779</b>	1	SOCKET-CONNECTOR (14-GA TO 18-GA)						
		1	<b>7N-7780</b>	1	PIN-CONNECTOR (14-GA TO 18-GA)						
		1	<b>7N-9738</b>	1	HOUSING-RECEPTACLE (14-GA TO 18-GA)						
	7	1	<b>4P-9623</b>	1	KIT-PLUG REPAIR (GOVERNOR)						
					(INCLUDES NEEDLE VALVE & PLUGS)						
	8	1	<b>4P-9625</b>	1	KIT-GOVERNOR CONTROL STOP						
					(INCLUDES WASHER, NUT & SCREW)						
	9	1	<b>4P-9627</b>	1	KIT-GOVERNOR VALVE						
					(INCLUDES GEAR, POST, PLUNGER, NUT & BUSHINGS)						
	10	1	<b>6I-1103</b>	1	SPRING AS						
	11	1	<b>7N-0001</b>	1	BALL HEAD AS						
	12	1	<b>4P-9626</b>	1	KIT-GOVERNOR LINKAGE						
					(INCLUDES NUT, SPRING, PIN, SPACER, LEVER & BLOCKS)						
	13	1	<b>4P-9629</b>	1	KIT-GOVERNOR PISTON						
					(INCLUDES POWER PISTON & BUFFER PISTON)						
	14	1	<b>4P-9628</b>	1	KIT-BUFFER SPRING (GOVERNOR)						
					(INCLUDES SEAT & SPRINGS)						
					AVAILABLE REPAIR KIT(S):						
			<b>4P-9621</b>	1	KIT-GOVERNOR REPAIR						
					(INCLUDES GASKET, PIN, SEALS, WASHER, PLUGS, RINGS, BEARING & RACE)						

# FUEL SYSTEM

6I-1100 GOVERNOR GP (contd.)

i01925404



GRAPHIC #1

<END>

g00232397

# FUEL SYSTEM

## 8N-3353 GOVERNOR GP

S/N: 85Z3764-UP

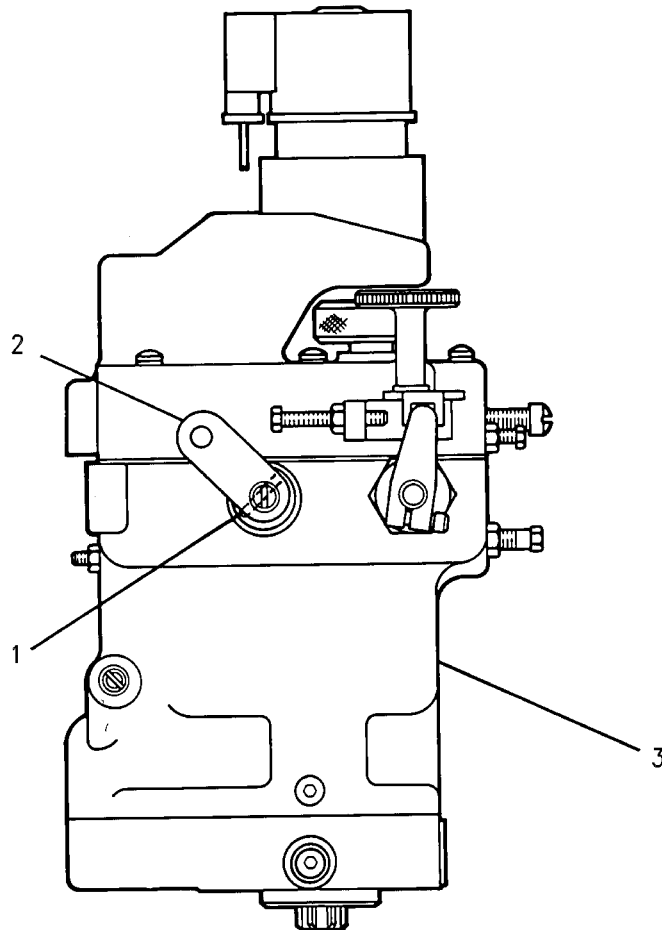
PART OF 2W-3369, 7C-5221, 7C-5224, 7C-5227 PUMP GP-GOV & FUEL INJ  
AN ATTACHMENT  
TYPE 1

SMCS-1264, 1908

i00945427

NOTE	REF NO	GRAPHIC REF	PART NUMBER	QTY	PART NAME						SEE PAGE
					1	2	3	4	5	6 (PRODUCT LEVEL)	
	1	1	<b>3L-1474</b>	1	PIN-TAPERED						
	2	1	<b>2W-6999</b>	1	LEVER-OUTPUT						
CY	3	1	<b>4W-6814</b>	1	GOVERNOR GP						636

C - CHANGE FROM PREVIOUS TYPE  
Y - SEPARATE ILLUSTRATION



GRAPHIC #1

<END>

g00486704

# FUEL SYSTEM

## 8N-3353 GOVERNOR GP

S/N: 85Z3764-UP

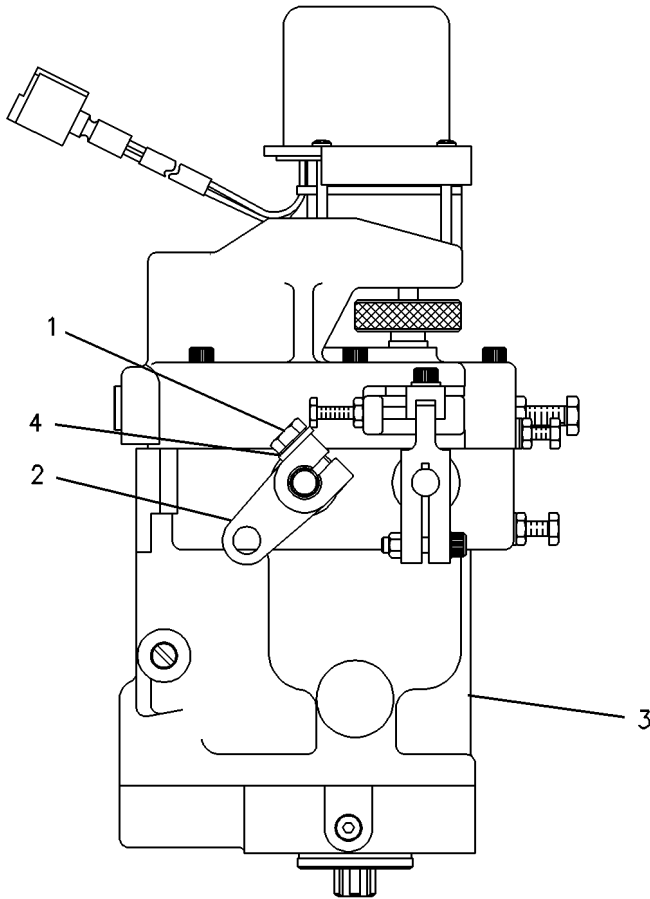
PART OF 111-2124, 2W-3369, 7C-5221, 7C-5224, 7C-5227 PUMP GP-GOV & FUEL INJ  
AN ATTACHMENT  
TYPE 2

SMCS-1264, 1908

i00672371

NOTE	REF NO	GRAPHIC REF	PART NUMBER	QTY	PART NAME						SEE PAGE
					1	2	3	4	5	6 (PRODUCT LEVEL)	
C	1	1	<b>4F-7957</b>	1	BOLT (1/4-20X0.875-IN)						
C	2	1	<b>2W-4869</b>	1	LEVER-GOVERNOR						
CYR	3	1	<b>6I-1100</b>	1	GOVERNOR GP						639
C	4	1	<b>5P-0537</b>	1	WASHER-HARD (7.2X14.5X2-MM THK)						

C - CHANGE FROM PREVIOUS TYPE  
R - REMANUFACTURED PART MAY BE AVAILABLE  
Y - SEPARATE ILLUSTRATION



GRAPHIC #1

<END>

g00233371



# FUEL SYSTEM

## 9Y-7273 GOVERNOR GP

S/N: 85Z3764-UP

PART OF 2W-0055, 2W-0056, 7C-3027, 7C-5299, 7C-9201, 7W-9364, 7W-9365 PUMP GP-GOV &  
FUEL INJ

SMCS-1264, 1908

i01850950

NOTE	REF NO	GRAPHIC REF	PART NUMBER	QTY	PART NAME						SEE PAGE
					1	2	3	4	5	6 (PRODUCT LEVEL)	
	1	1	<b>1W-6523</b>	1	PLUG						
	2	1	<b>8N-3259</b>	1	COVER-HIGH IDLE						
		1	<b>6I-2003</b>	1	GASKET						
	3	1	<b>7N-2594</b>	1	SETSCREW-SLOTTED						
		1	<b>7N-8775</b>	1	NUT-HIGH IDLE						
	4	1	<b>5P-6945</b>	2	BOLT (1/4-20X1.125-IN)						
		1	<b>5P-0537</b>	2	WASHER-HARD (7.2X14.5X2-MM THK)						
	5	1	<b>3J-7354</b>	1	SEAL-O-RING						
	6	1	<b>4N-5485</b>	1	BODY-VALVE						
		1	<b>5F-9144</b>	1	SEAL-O-RING						
	7	1	<b>4N-5484</b>	1	VALVE-NEEDLE						
					(VARIABLE-ORIFICE, FLOW-RESTRICTING, THROTTLE RESPONSE)						
		1	<b>6H-9691</b>	1	SEAL-O-RING						
	8	1	<b>0S-1616</b>	6	BOLT (1/4-20X1-IN)						
	9	1	<b>7N-8780</b>	1	COVER AS-CONTROL						
	10	1	<b>8T-2604</b>	1	SEAL-LIP TYPE						
	11	1	<b>150-3728</b>	1	GASKET						
	12	1	<b>3P-0009</b>	1	INSULATOR						
	13	1	<b>1P-2497</b>	2	BOLT-HEAD (10-24X1-IN)						
		1	<b>8T-0328</b>	2	WASHER-HARD (5.5X10X1-MM THK)						
	14	1	<b>8N-3258</b>	1	COVER-LOAD STOP						
		1	<b>6I-2004</b>	1	GASKET						
	15	1	<b>6D-3897</b>	1	BOLT (8-32X0.5-IN)						
	16	1	<b>6L-5897</b>	2	BOLT (1/4-20X0.875-IN)						
	17	1	<b>2W-6104</b>	1	BLOCK AS-STOP						
		1	<b>2W-6103</b>	1	DOWEL						
	18	1	<b>1W-4243</b>	1	SPRING-BUMPER						
	19	1	<b>8N-2488</b>	1	BOLT-LOAD STOP						
	20	1	<b>8N-3256</b>	1	COLLAR-LOAD STOP						
	21	1	<b>8L-5832</b>	1	NUT-HEX (10-32-THD)						
	22	1	<b>9Y-4701</b>	1	SETSCREW-SOCKET (10-32X1.38-IN)						
	23	2	<b>031-0216</b>	3	BOLT (1/4-20X0.75-IN)						
	24	2	<b>1N-3800</b>	1	SLEEVE-RACK CONTROL						
	25	2	<b>6N-3504</b>	1	SEAT-GOVERNOR SPRING						
	26	2	<b>2W-2216</b>	1	SPRING-LINK						
	27	2	<b>2M-7819</b>	2	RING-RETAINING						
	28	2	<b>1N-3802</b>	1	SEAT-SPRING						
	29	2	<b>8N-2507</b>	1	PISTON AS-SERVO						
		2	<b>8N-2505</b>	1	VALVE-GOVERNOR SERVO						
		2	<b>7C-0791</b>	1	CYLINDER AS						
		2	<b>7N-7271</b>	1	LEVER-CONTROL						
		2	<b>9Y-9917</b>	1	PIN						
	30	2	<b>1W-4098</b>	1	PISTON-GOVERNOR SERVO						
	31	2	<b>7W-0250</b>	1	SLEEVE						
	32	2	<b>5P-9757</b>	1	SEAL-O-RING						
	33	2	<b>8N-2503</b>	1	ACTUATOR AS-GOVERNOR						

# FUEL SYSTEM

9Y-7273 GOVERNOR GP (contd.)

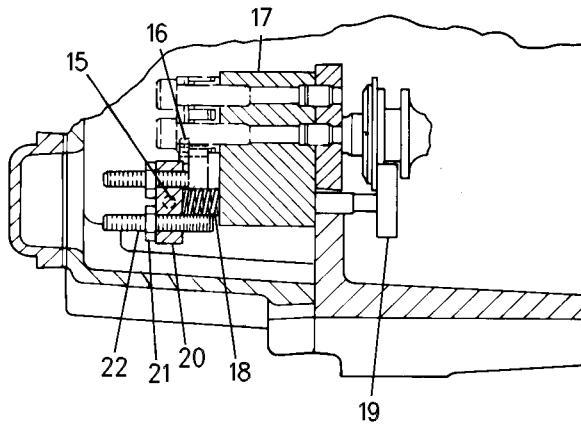
i01850950

NOTE	REF NO	GRAPHIC REF	PART NUMBER	QTY	PART NAME						SEE PAGE
					1	2	3	4	5	6 (PRODUCT LEVEL)	
		2	<b>4N-6408</b>	1	PISTON AS						
		2	<b>4N-6407</b>	1	SPOOL-DASHPOT						
		2	<b>4N-6406</b>	1	RING-SPACER						
34		2	<b>4N-6404</b>	1	RING-RETAINING						
35		2	<b>7E-4892</b>	2	RACE-THRUST BEARING						
36		2	<b>7M-7219</b>	1	BEARING-THRUST						
37		2	<b>4W-6868</b>	1	RISER-GOVERNOR						
38		2	<b>4N-2953</b>	1	RING-LOCK						
39		2	<b>8N-2495</b>	1	HOUSING AS-GOVERNOR						
		2	<b>8S-6814</b>	4	PIN (12.7MM LG.)						
		2	<b>4F-6024</b>	2	PIN (8MM LG.)						
40		3	<b>7N-8785</b>	1	SHAFT-PIVOT						
41		3	<b>150-3730</b>	1	GASKET						
42		3	<b>7N-7270</b>	2	SLEEVE-SPRING						
43		3	<b>7N-8821</b>	3	RING-RETAINING						
44		3	<b>3K-5733</b>	1	SPRING						
45		3	<b>9Y-7275</b>	1	HOUSING AS-GOVERNOR						
		3	<b>7E-5346</b>	1	VALVE AS (CHECK)						
		3	<b>8N-3945</b>	1	BUSHING-TERMINAL						
46		3	<b>8N-2499</b>	1	SPRING-GUIDE						
47		3	<b>3D-8317</b>	1	RING-RETAINING						
48		3	<b>4N-0260</b>	1	SEAL-LIP TYPE						
49		3	<b>2F-2290</b>	1	PLUG-CORE						
50		3	<b>2W-9305</b>	2	PLATE-THROTTLE						
51		3	<b>4N-0432</b>	1	BALL BEARING						
52		3	<b>7N-2594</b>	1	SETSCREW-SLOTTED						
		3	<b>7W-4272</b>	1	NUT-SEALING (5/16-18-THD)						
53		3	<b>7N-2171</b>	4	RING-RETAINING						
54		3	<b>7N-2172</b>	2	PIN						
55		3	<b>8N-3087</b>	1	STOP-IDLE DETENT						
56		3	<b>2W-7400</b>	1	SPRING						
57		3	<b>2W-6102</b>	1	LEVER-SPRING SEAT						
58		3	<b>8N-3168</b>	1	LEVER-THROTTLE						

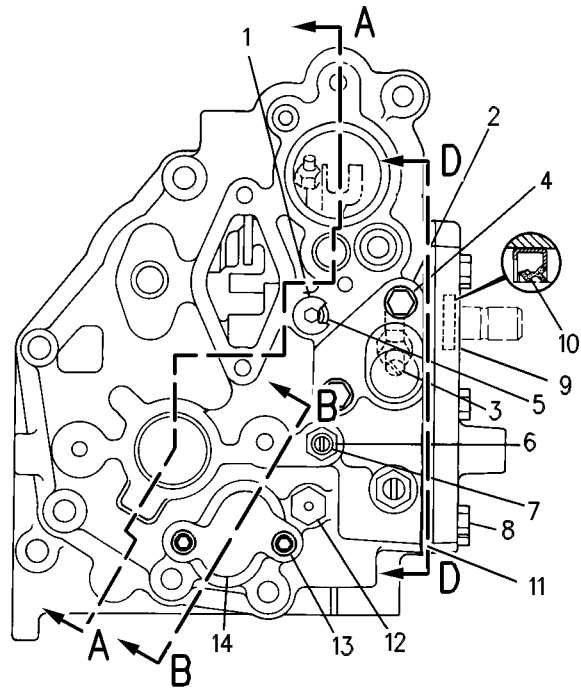
# FUEL SYSTEM

9Y-7273 GOVERNOR GP (contd.)

101850950



VIEW B-B



REFER TO ALL ILLUSTRATIONS OF  
THIS GROUP FOR AUXILIARY VIEWS

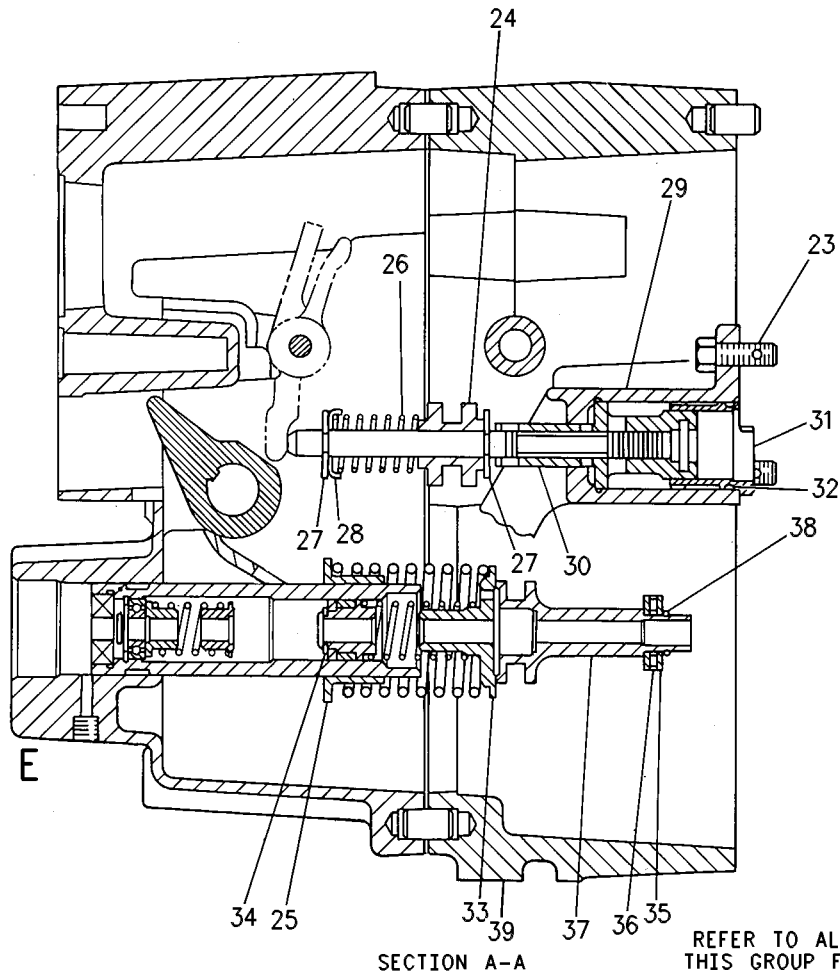
GRAPHIC #1

g00483748

# FUEL SYSTEM

9Y-7273 GOVERNOR GP (contd.)

i01850950



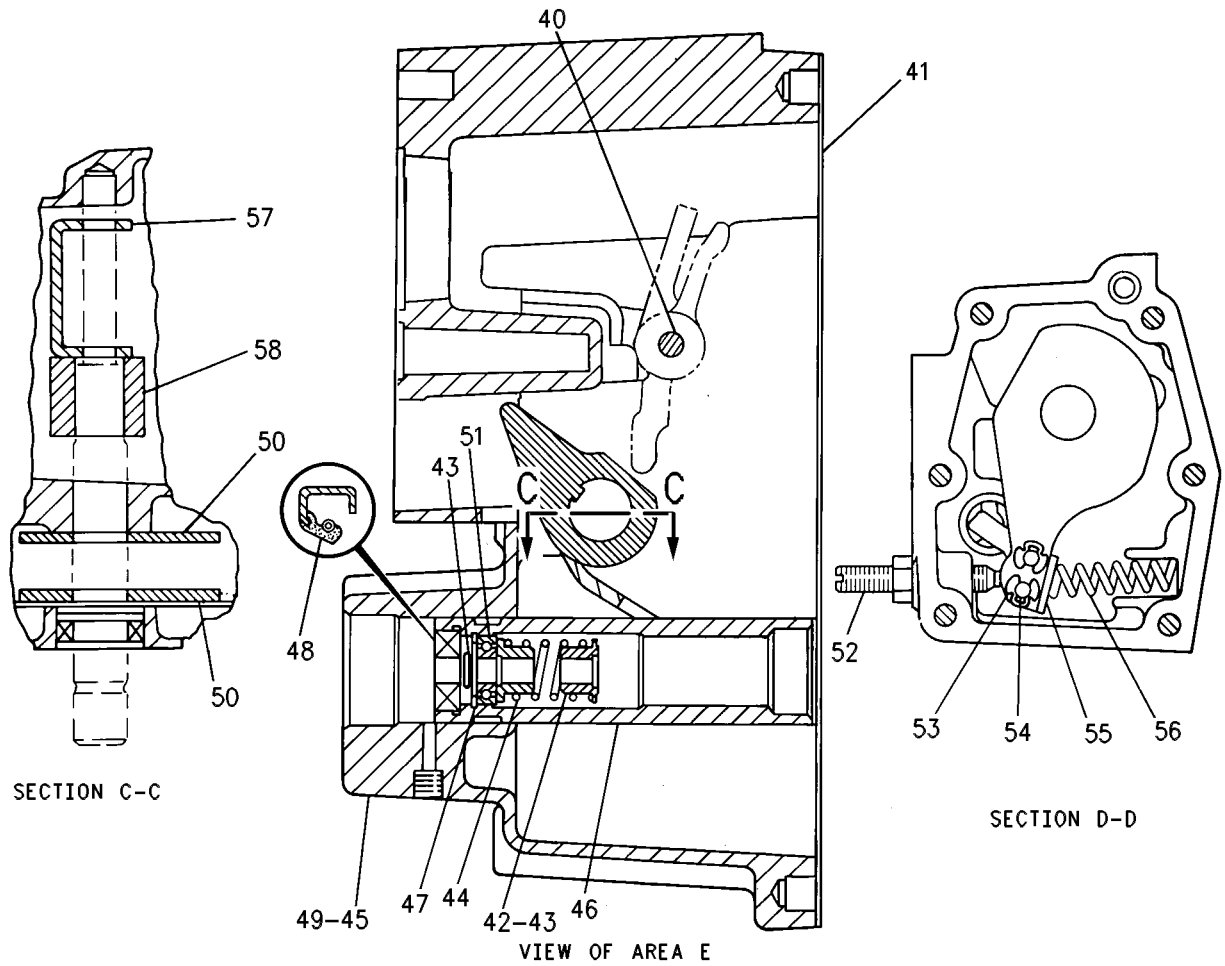
GRAPHIC #2

g00483749

# FUEL SYSTEM

9Y-7273 GOVERNOR GP (contd.)

101850950



GRAPHIC #3

<END>

g00483750

# FUEL SYSTEM

## 9Y-7274 GOVERNOR GP

S/N: 85Z3764-UP

PART OF 7C-3025 PUMP GP-GOV & FUEL INJ

SMCS-1264, 1908

i01850955

NOTE	REF NO	GRAPHIC REF	PART NUMBER	QTY	PART NAME						SEE PAGE
					1	2	3	4	5	6 (PRODUCT LEVEL)	
	1	1	<b>6D-3897</b>	1	BOLT (8-32X0.5-IN)						
	2	1	<b>6L-5897</b>	2	BOLT (1/4-20X0.875-IN)						
	3	1	<b>2W-6104</b>	1	BLOCK AS-STOP						
		1	<b>8N-3303</b>	1	DOWEL						
	4	1	<b>1W-4243</b>	1	SPRING-BUMPER						
	5	1	<b>2W-5161</b>	1	BOLT-LOAD STOP						
	6	1	<b>8N-3256</b>	1	COLLAR-LOAD STOP						
	7	1	<b>8L-5832</b>	1	NUT-HEX (10-32-THD)						
	8	1	<b>9Y-4701</b>	1	SETSCREW-SOCKET (10-32X1.38-IN)						
	9	1	<b>2W-7400</b>	1	SPRING						
	10	1	<b>8N-3087</b>	1	STOP-IDLE DETENT						
	11	1	<b>7N-2172</b>	2	PIN						
	12	1	<b>7N-2171</b>	4	RING-RETAINING						
	13	1	<b>7N-2594</b>	1	SETSCREW-SLOTTED						
		1	<b>7W-4272</b>	1	NUT-SEALING (5/16-18-THD)						
	14	1	<b>2W-9305</b>	2	PLATE-THROTTLE						
	15	1	<b>8N-3168</b>	1	LEVER-THROTTLE						
	16	1	<b>2W-6102</b>	1	LEVER-SPRING SEAT						
	17	2	<b>1W-6523</b>	1	PLUG						
	18	2	<b>8N-3259</b>	1	COVER-HIGH IDLE						
		2	<b>6I-2003</b>	1	GASKET						
	19	2	<b>7N-2594</b>	1	SETSCREW-SLOTTED						
		2	<b>7N-8775</b>	1	NUT-HIGH IDLE						
	20	2	<b>5P-6945</b>	2	BOLT (1/4-20X1.125-IN)						
		2	<b>5P-0537</b>	2	WASHER-HARD (7.2X14.5X2-MM THK)						
	21	2	<b>3J-7354</b>	1	SEAL-O-RING						
	22	2	<b>4N-5485</b>	1	BODY-VALVE						
		2	<b>5F-9144</b>	1	SEAL-O-RING						
	23	2	<b>4N-5484</b>	1	VALVE-NEEDLE						
					(VARIABLE-ORIFICE, FLOW-RESTRICTING, THROTTLE RESPONSE)						
		2	<b>6H-9691</b>	1	SEAL-O-RING						
	24	2	<b>0S-1616</b>	6	BOLT (1/4-20X1-IN)						
	25	2	<b>7N-8780</b>	1	COVER AS-CONTROL						
	26	2	<b>8T-2604</b>	1	SEAL-LIP TYPE						
	27	2	<b>150-3728</b>	1	GASKET						
	28	2	<b>3P-0009</b>	1	INSULATOR						
	29	2	<b>1P-2497</b>	2	BOLT-HEAD (10-24X1-IN)						
		2	<b>8T-0328</b>	2	WASHER-HARD (5.5X10X1-MM THK)						
	30	2	<b>8N-3258</b>	1	COVER-LOAD STOP						
		2	<b>6I-2004</b>	1	GASKET						
	31	3	<b>2M-7819</b>	2	RING-RETAINING						
	32	3	<b>7N-8785</b>	1	SHAFT-PIVOT						
	33	3	<b>1N-3802</b>	1	SEAT-SPRING						
	34	3	<b>2W-2216</b>	1	SPRING-LINK						
	35	3	<b>1N-3800</b>	1	SLEEVE-RACK CONTROL						
	36	3	<b>8N-2507</b>	1	PISTON AS-SERVO						
		3	<b>8N-2505</b>	1	VALVE-GOVERNOR SERVO						

# FUEL SYSTEM

9Y-7274 GOVERNOR GP (contd.)

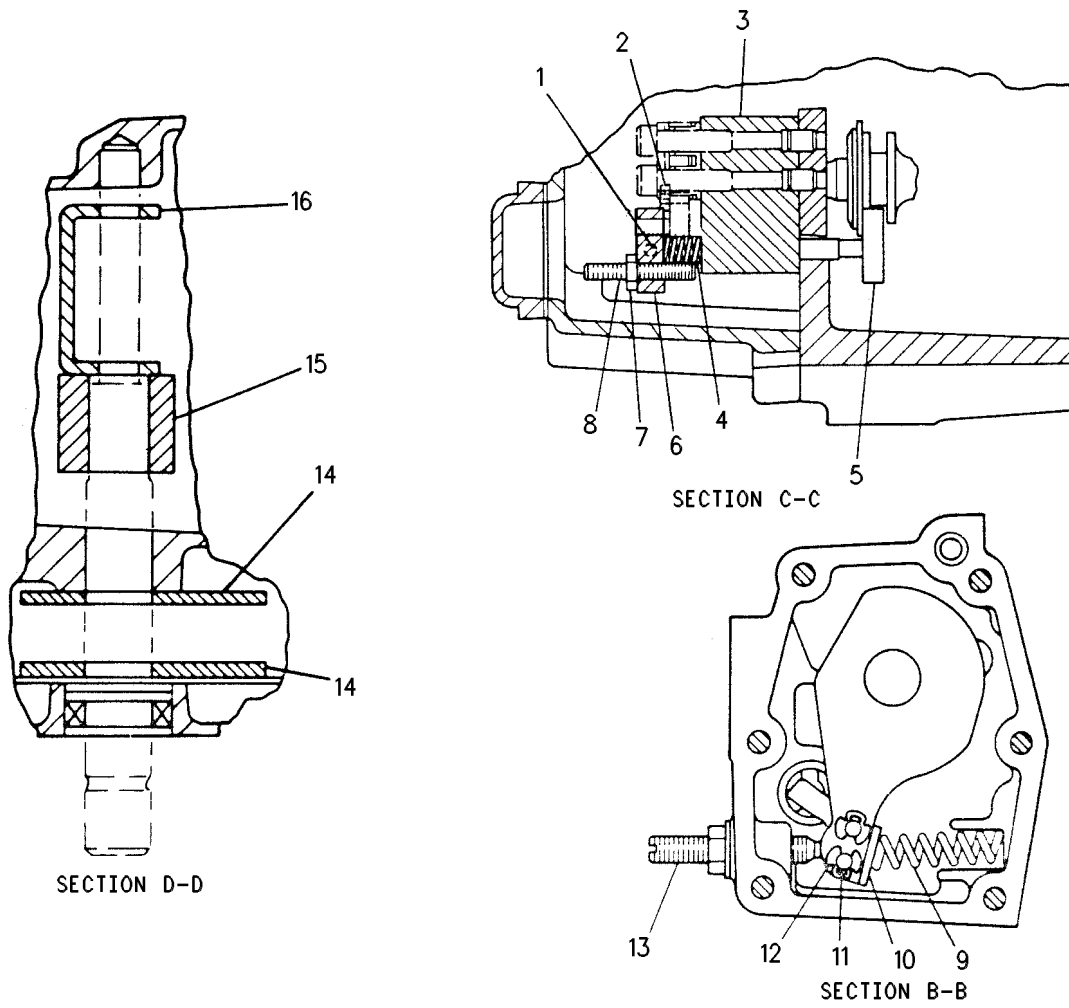
i01850955

NOTE	REF NO	GRAPHIC REF	PART NUMBER	QTY	PART NAME						SEE PAGE
					1	2	3	4	5	6 (PRODUCT LEVEL)	
		3	<b>7N-7271</b>	1	LEVER-CONTROL						
		3	<b>3G-3835</b>	1	PIN						
	37	3	<b>1W-4098</b>	1	PISTON-GOVERNOR SERVO						
	38	3	<b>7W-0250</b>	1	SLEEVE						
	39	3	<b>5P-9757</b>	1	SEAL-O-RING						
	40	3	<b>031-0216</b>	3	BOLT (1/4-20X0.75-IN)						
	41	3	<b>4N-2953</b>	1	RING-LOCK						
	42	3	<b>7E-4892</b>	2	RACE-THRUST BEARING						
	43	3	<b>7M-7219</b>	1	BEARING-THRUST						
	44	3	<b>4W-6868</b>	1	RISER-GOVERNOR						
	45	3	<b>7N-8821</b>	3	RING-RETAINING						
	46	3	<b>8N-2495</b>	1	HOUSING AS-GOVERNOR						
		3	<b>8S-6814</b>	4	PIN						
		3	<b>4F-6024</b>	2	PIN						
	47	3	<b>8N-2503</b>	1	ACTUATOR AS-GOVERNOR						
		3	<b>4N-6407</b>	1	SPOOL-DASHPOT						
		3	<b>4N-6406</b>	1	RING-SPACER						
	48	3	<b>4N-6404</b>	1	RING-RETAINING						
	49	3	<b>3K-5733</b>	1	SPRING						
	50	3	<b>4N-0432</b>	1	BALL BEARING						
	51	3	<b>6N-3504</b>	1	SEAT-GOVERNOR SPRING						
	52	3	<b>150-3730</b>	1	GASKET						
	53	3	<b>9Y-7275</b>	1	HOUSING AS-GOVERNOR						
		3	<b>7E-5346</b>	1	VALVE AS (CHECK)						
		3	<b>2F-2290</b>	1	PLUG-CORE						
		3	<b>8N-3945</b>	1	BUSHING-TERMINAL						
	54	3	<b>8N-2499</b>	1	SPRING-GUIDE						
	55	3	<b>3D-8317</b>	1	RING-RETAINING						
	56	3	<b>4N-0260</b>	1	SEAL-LIP TYPE						
	57	3	<b>7N-7270</b>	2	SLEEVE-SPRING						
	58	3	<b>7N-7267</b>	1	SPRING						

# FUEL SYSTEM

9Y-7274 GOVERNOR GP (contd.)

i01850955



GRAPHIC #1

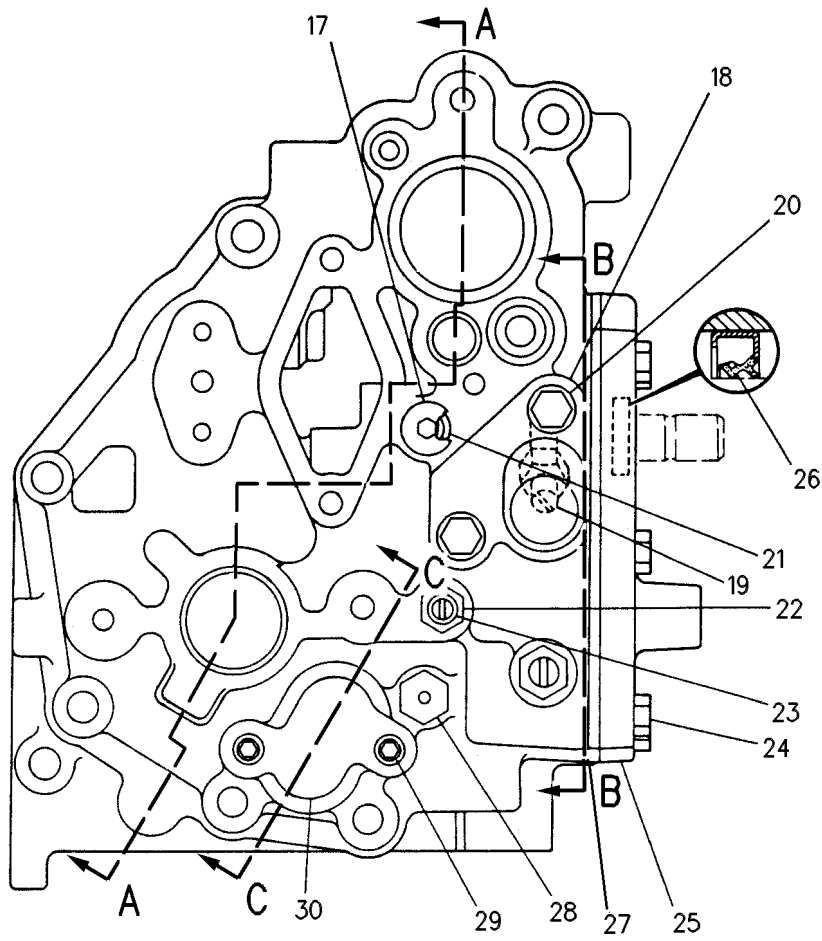
g00404766



# FUEL SYSTEM

9Y-7274 GOVERNOR GP (contd.)

101850955



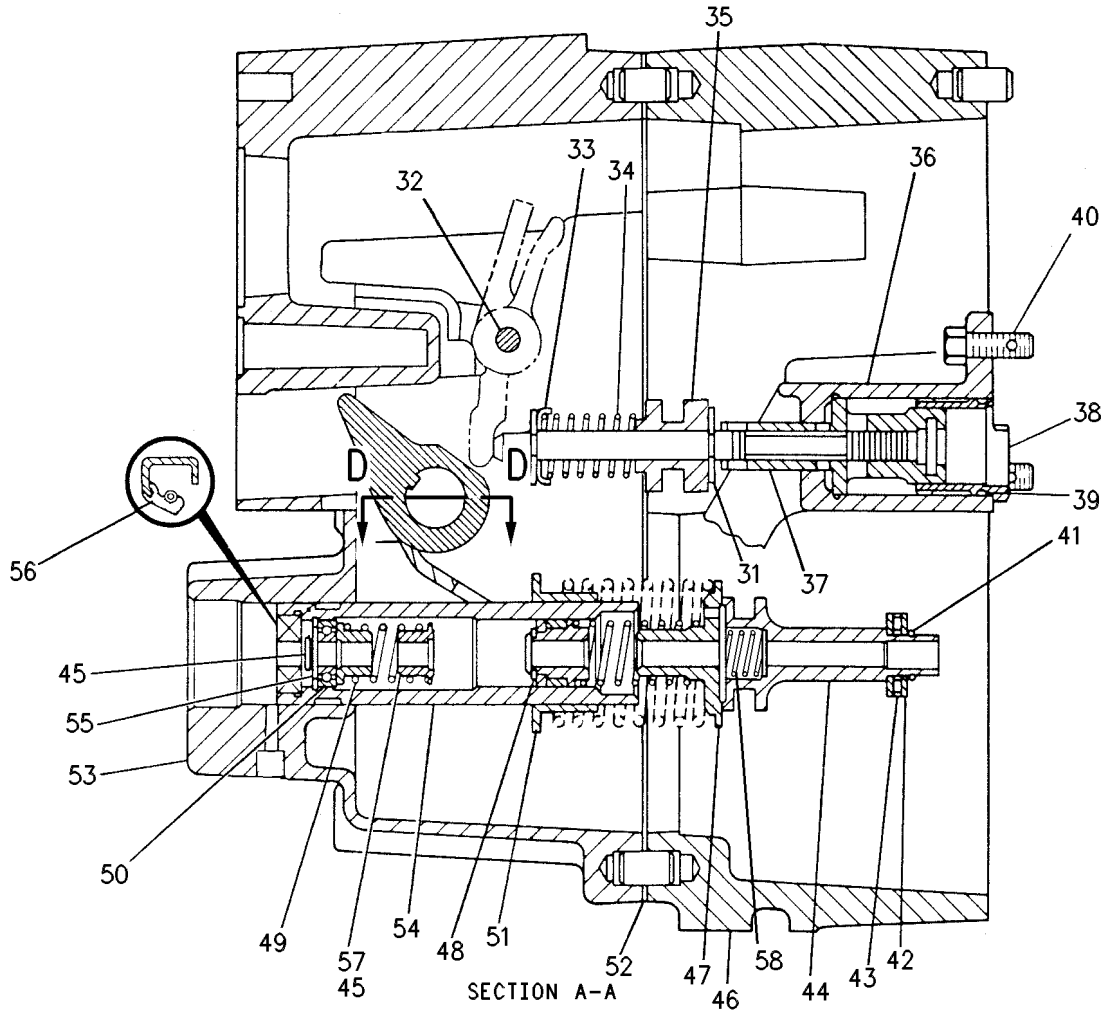
GRAPHIC #2

g00404746

# FUEL SYSTEM

9Y-7274 GOVERNOR GP (contd.)

i01850955



GRAPHIC #3

<END>

g00404747

# FUEL SYSTEM

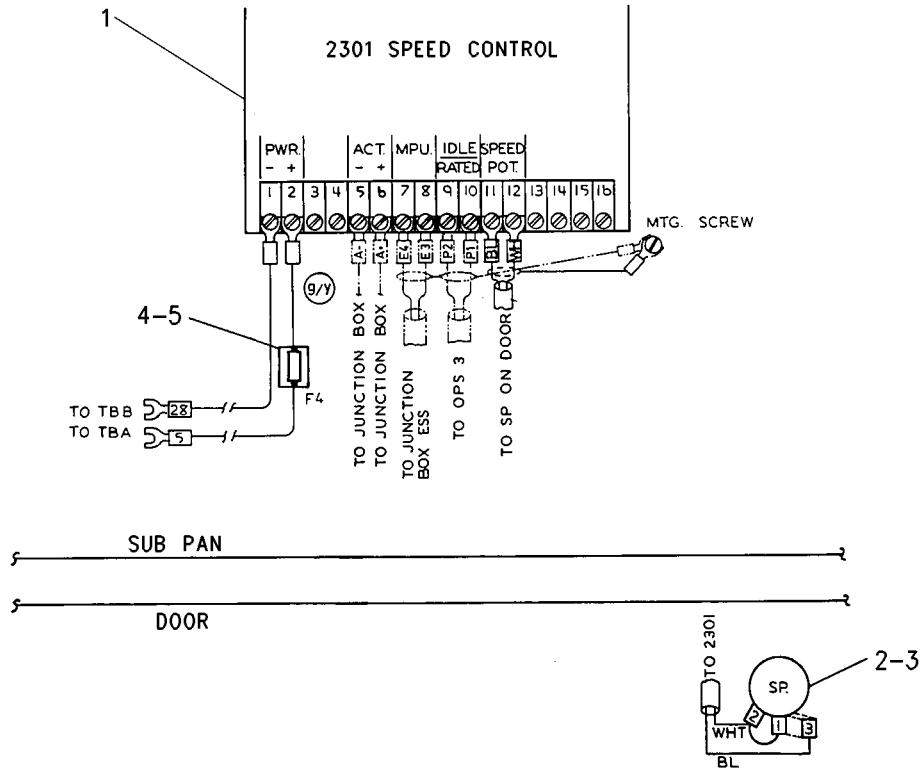
## 4W-8180 GOVERNOR GP-ELECTRONIC

S/N: 5CA5985-UP; 5DA5682-UP; 5EA5375-UP  
 FOR USAGE REFER TO CHART 4W-8000-PAGE: 1798  
 PART OF 7W-0700 PANEL AR-CONTROL  
 AN ATTACHMENT

SMCS-1908

i02173109

NOTE	REF NO	GRAPHIC REF	PART NUMBER	QTY	PART NAME						SEE PAGE
					1	2	3	4	5	6 (PRODUCT LEVEL)	
	1	1	<b>131-5453</b>	1	CONTROL AS-ELECTRONIC GOVERNOR						
	2	1	<b>4W-5971</b>	1	POTENTIOMETER (100-OHM) (ENGINE SPEED CONTROL)						
	3	1	<b>4W-5972</b>	1	KNOB (ENGINE SPEED CONTROL)						
	4	1	<b>7T-0037</b>	1	FUSE (0.75-AMPERE)						
	5	1	<b>4W-8790</b>	1	BLOCK-FUSE						



GRAPHIC #1

<END>

g00737455

# FUEL SYSTEM

## 4W-8185 GOVERNOR GP-ELECTRONIC

S/N: 5CA5985-UP; 5DA5682-UP; 5EA5375-UP

WITH PREREGULATOR

FOR USAGE REFER TO CHART 4W-8000-PAGE: 1798

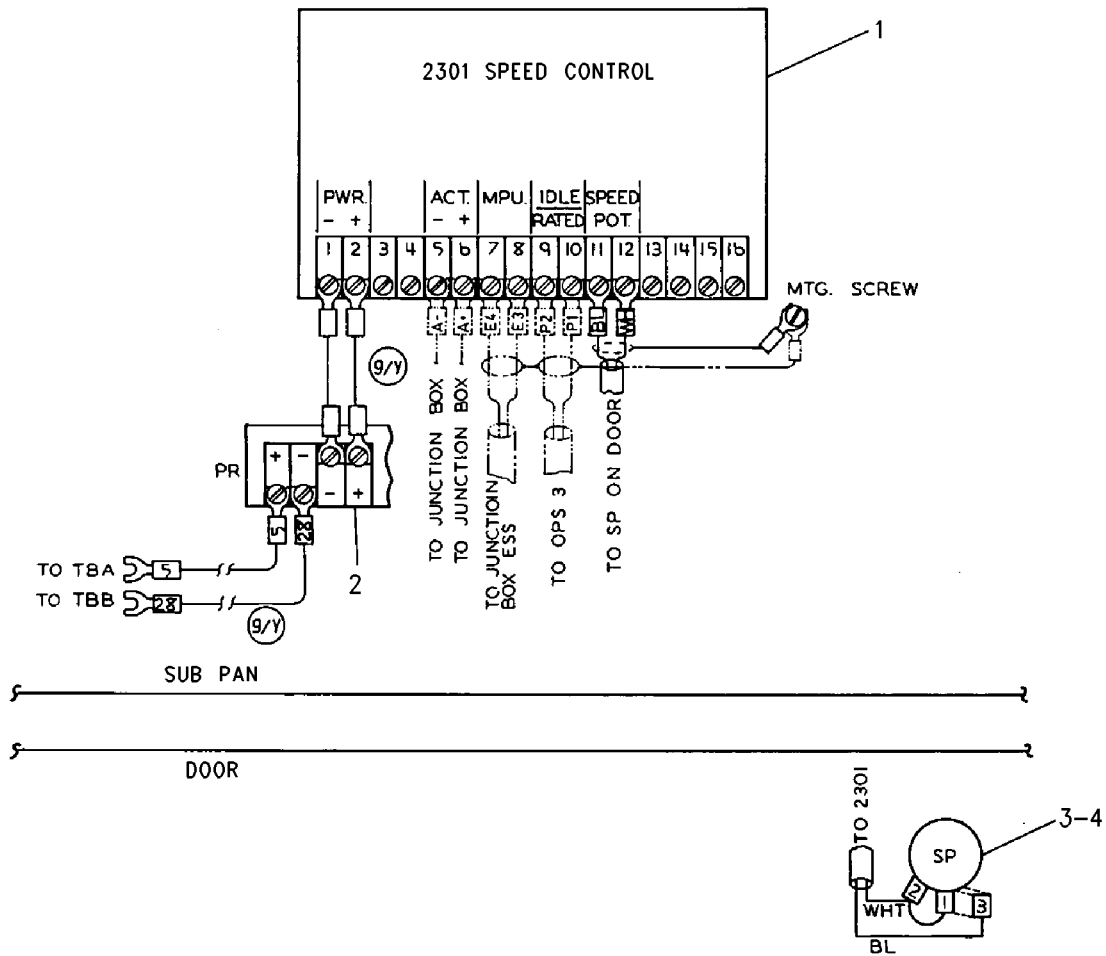
PART OF 7W-0700 PANEL AR-CONTROL

AN ATTACHMENT

SMCS-1908

i03765933

NOTE	REF NO	GRAPHIC REF	PART NUMBER	QTY	PART NAME						SEE PAGE
					1	2	3	4	5	6 (PRODUCT LEVEL)	
	1	1	<b>131-5453</b>	1	CONTROL AS-ELECTRONIC GOVERNOR						
	2	1	<b>4W-5391</b>	1	BOX AS-GOVERNOR PREREGULATOR						
		1	<b>7T-0037</b>	3	FUSE (0.75-AMPERE)						
	3	1	<b>4W-5971</b>	1	POTENTIOMETER (100-OHM) (ENGINE SPEED CONTROL)						
	4	1	<b>4W-5972</b>	1	KNOB (ENGINE SPEED CONTROL)						



GRAPHIC #1

<END>

g00737460

# FUEL SYSTEM

## 8N-3224 HOUSING AS-GOVERNOR DRIVE

S/N: 85Z3764-UP

PART OF 8N-3221 DRIVE GP-GOVERNOR

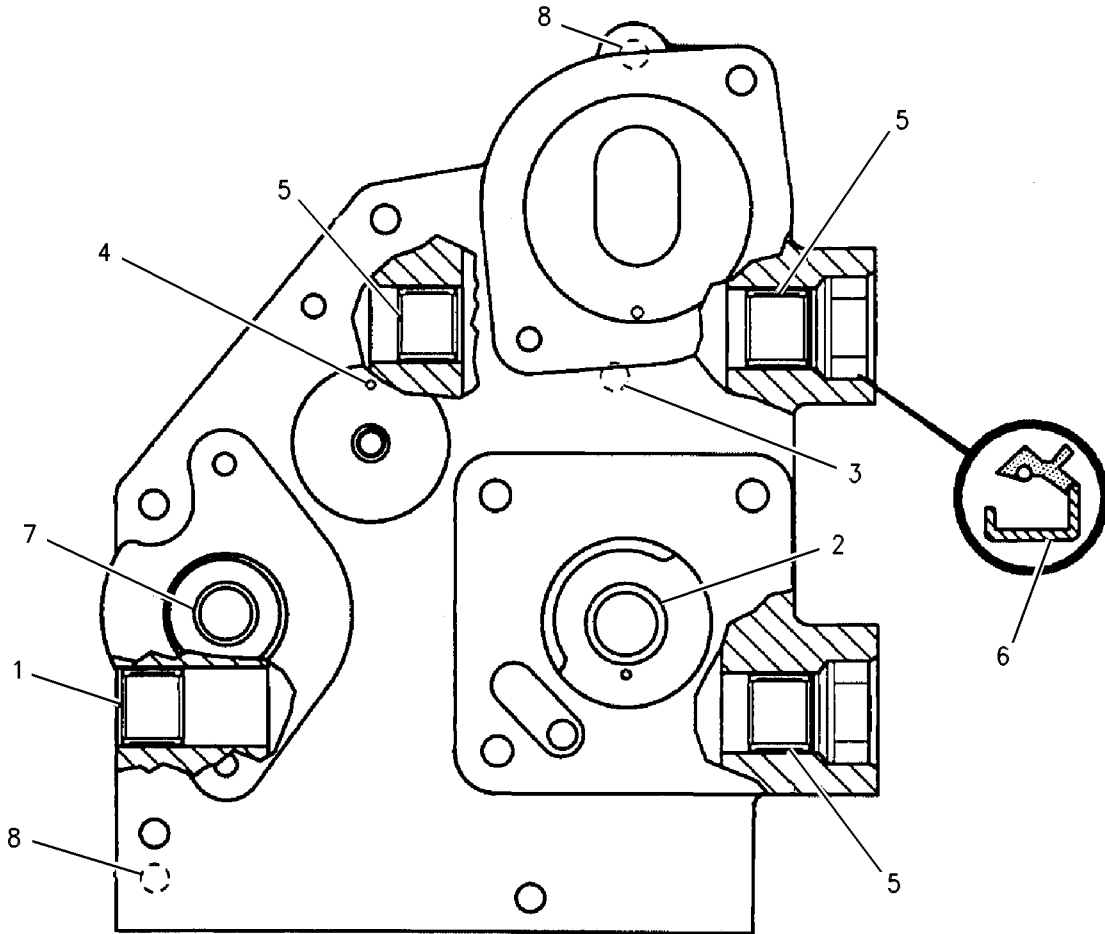
AN ATTACHMENT

TYPE 1

SMCS-1288

i00974096

NOTE	REF NO	GRAPHIC REF	PART NUMBER	QTY	PART NAME						SEE PAGE
					1	2	3	4	5	6	
	1	1	<b>5M-6228</b>	1	BEARING AS-NEEDLE						
	2	1	<b>7L-4975</b>	1	BUSHING						
	3	1	<b>2S-0987</b>	1	DOWEL						
	4	1	<b>1L-5316</b>	1	PIN-SPRING						
	5	1	<b>1F-4622</b>	3	BEARING AS-NEEDLE						
	6	1	<b>5P-0796</b>	2	SEAL-LIP TYPE						
	7	1	<b>5H-5744</b>	2	BUSHING-TERMINAL						
	8	1	<b>8S-6814</b>	2	PIN						



GRAPHIC #1

<END>

g00587662

# FUEL SYSTEM

## 8N-3224 HOUSING AS-GOVERNOR DRIVE

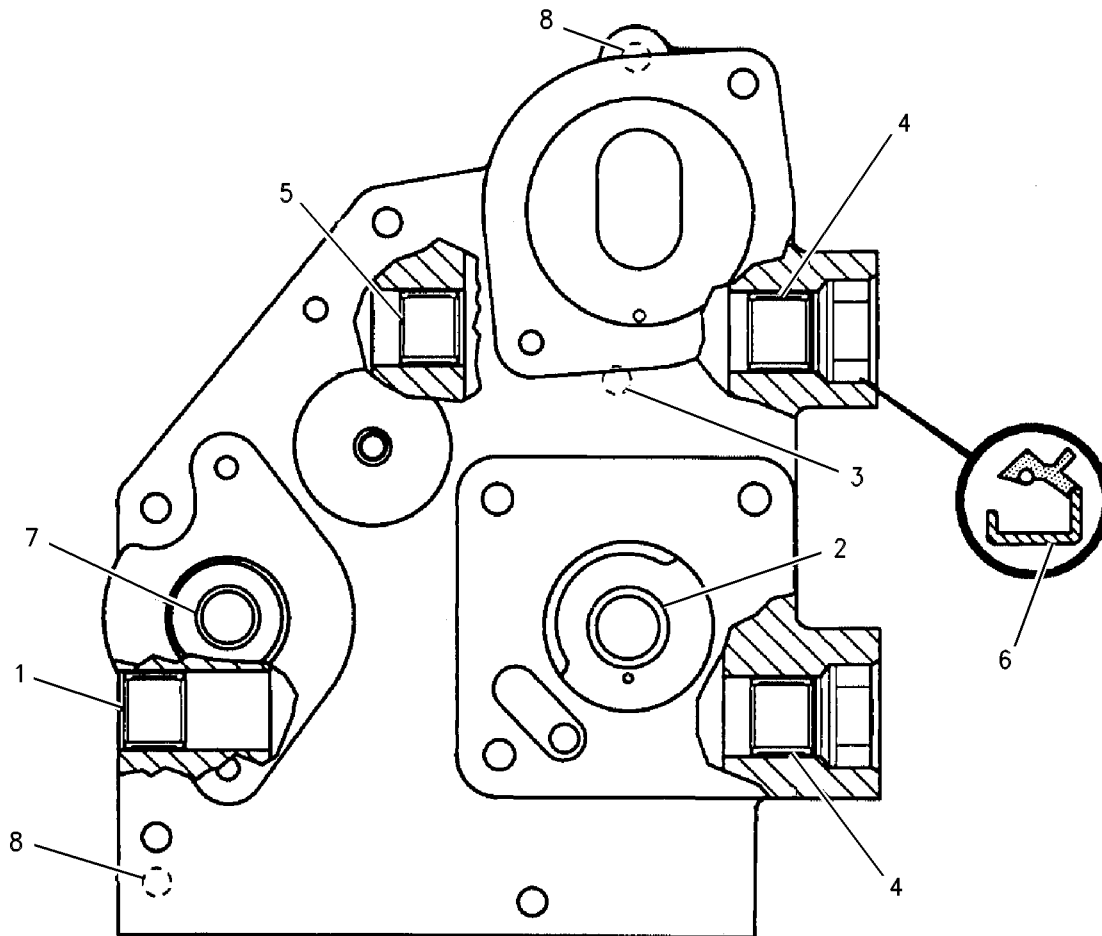
S/N: 85Z3764-UP  
 PART OF 8N-3221 DRIVE GP-GOVERNOR  
 AN ATTACHMENT  
 TYPE 2

SMCS-1288

i01145560

NOTE	REF NO	GRAPHIC REF	PART NUMBER	QTY	PART NAME						SEE PAGE
					1	2	3	4	5	6	
	1	1	<b>2L-7103</b>	1	BEARING AS-NEEDLE						
	2	1	<b>7L-4975</b>	1	BUSHING						
	3	1	<b>2S-0987</b>	1	DOWEL						
C	4	1	<b>9W-2187</b>	2	BEARING AS-NEEDLE						
	5	1	<b>1F-4622</b>	1	BEARING AS-NEEDLE						
	6	1	<b>5P-0796</b>	2	SEAL-LIP TYPE						
	7	1	<b>5H-5744</b>	2	BUSHING-TERMINAL						
	8	1	<b>8S-6814</b>	2	PIN						

C - CHANGE FROM PREVIOUS TYPE



GRAPHIC #1

<END>

g00607350

# FUEL SYSTEM

## 1W-3487 HOUSING GP-FUEL PUMP

S/N: 85Z3764-UP

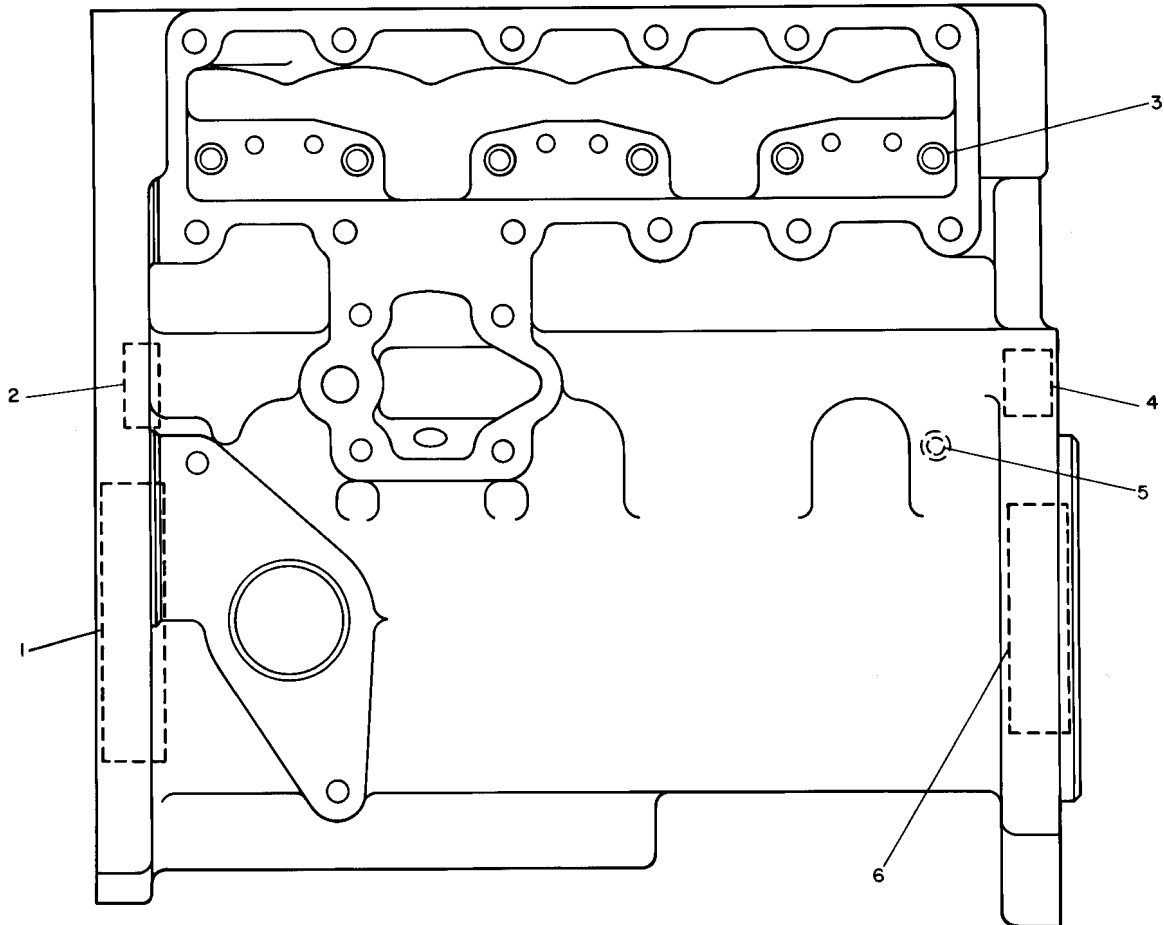
PART OF 2W-0256, 2W-3367, 2W-6179, 7C-2605, 7C-5219, 7C-5223, 7C-5225 PUMP GP-FUEL INJECTION, 7W-5932, 8N-2525 PUMP GP-GOV & FUEL INJ

ALSO AN ATTACHMENT

SMCS-1253

i00150672

NOTE	REF NO	GRAPHIC REF	PART NUMBER	QTY	PART NAME						SEE PAGE
					1	2	3	4	5	6 (PRODUCT LEVEL)	
	1	1	<b>8N-2518</b>	1	BUSHING						
	2	1	<b>1S-1953</b>	1	BEARING-RACK						
	3	1	<b>7N-7969</b>	6	DOWEL						
	4	1	<b>1W-3285</b>	1	BEARING-RACK						
	5	1	<b>4P-8480</b>	6	PIN-PUMP GUIDE						
	6	1	<b>7N-7970</b>	1	BUSHING						



GRAPHIC #1

<END>

g00114014

# FUEL SYSTEM

## 3N-8099 LINES GP-FLEXIBLE FUEL

S/N: 85Z3764-UP

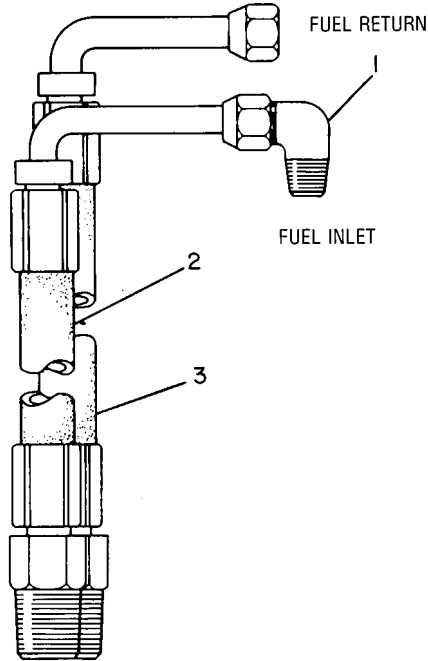
AN ATTACHMENT

SMCS-1274

i01774533

NOTE	REF NO	GRAPHIC REF	PART NUMBER	QTY	PART NAME						SEE PAGE
					1	2	3	4	5	6 (PRODUCT LEVEL)	
	1	1	<b>032-1268</b>	1	CONNECTOR (90-DEG)						
I	2	1	<b>3N-8097</b>	1	HOSE AS						
I	3	1	<b>3N-8098</b>	1	HOSE AS						

I - REFER TO HYDRAULIC INFORMATION SYSTEM



GRAPHIC #1

<END>

g00141604



# FUEL SYSTEM

## 5N-0379 LINES GP-FLEXIBLE FUEL

S/N: 85Z3764-UP

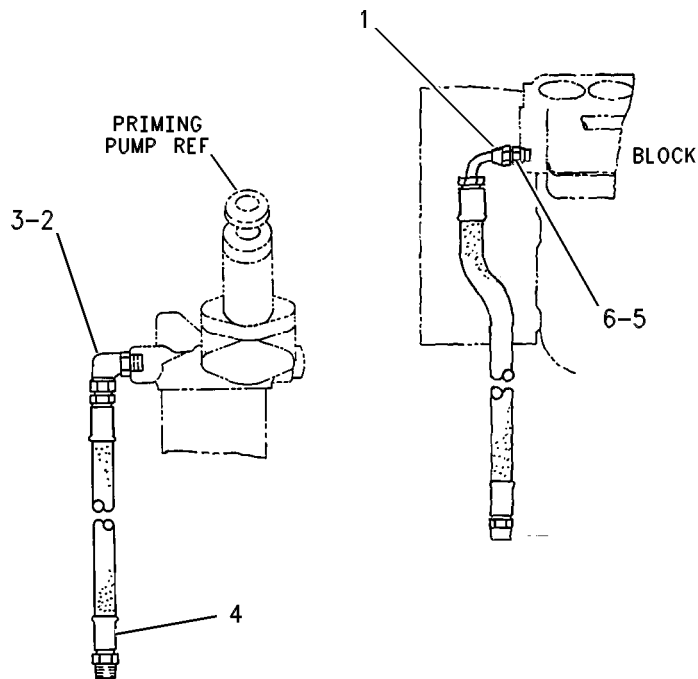
FOR USE WITH 4W-1876-PAGE: 747, 2W-6838-PAGE: 746  
AN ATTACHMENT

SMCS-1274

i00721204

NOTE	REF NO	GRAPHIC REF	PART NUMBER	QTY	PART NAME						SEE PAGE
					1	2	3	4	5	6 (PRODUCT LEVEL)	
I	1	1	<b>3N-8098</b>	1	HOSE AS						
	2	1	<b>005-4362</b>	1	ELBOW						
	3	1	<b>3K-0360</b>	1	SEAL-O-RING						
I	4	1	<b>3N-7155</b>	1	HOSE AS						
	5	1	<b>3J-7354</b>	1	SEAL-O-RING						
	6	1	<b>3J-7352</b>	1	CONNECTOR						

I - REFER TO HYDRAULIC INFORMATION SYSTEM



GRAPHIC #1

<END>

g00315601

# FUEL SYSTEM

## 5N-0410 LINES GP-FLEXIBLE FUEL

S/N: 85Z3764-UP

FOR USE WITH 4W-1241-PAGE: 751  
AN ATTACHMENT

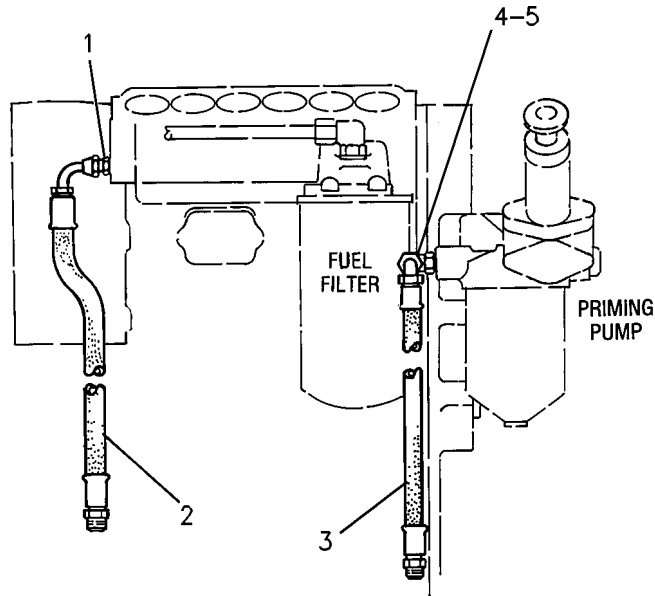
SMCS-1274

i00649653

NOTE	REF NO	GRAPHIC REF	PART NUMBER	QTY	PART NAME						SEE PAGE
					1	2	3	4	5	6 (PRODUCT LEVEL)	
	1	1	<b>3J-7352</b>	1	CONNECTOR						
		1	<b>3J-7354</b>	1	SEAL-O-RING						
I	2	1	<b>3N-8098</b>	1	HOSE AS						
I	3	1	<b>3N-8097</b>	1	HOSE AS						
B	4	1	<b>005-4362</b>	1	ELBOW						
B	5	1	<b>3K-0360</b>	1	SEAL-O-RING						

B - USE AS REQUIRED

I - REFER TO HYDRAULIC INFORMATION SYSTEM



GRAPHIC #1

<END>

g00231123

# FUEL SYSTEM

## 2W-1605 LINES GP-FUEL DRAIN

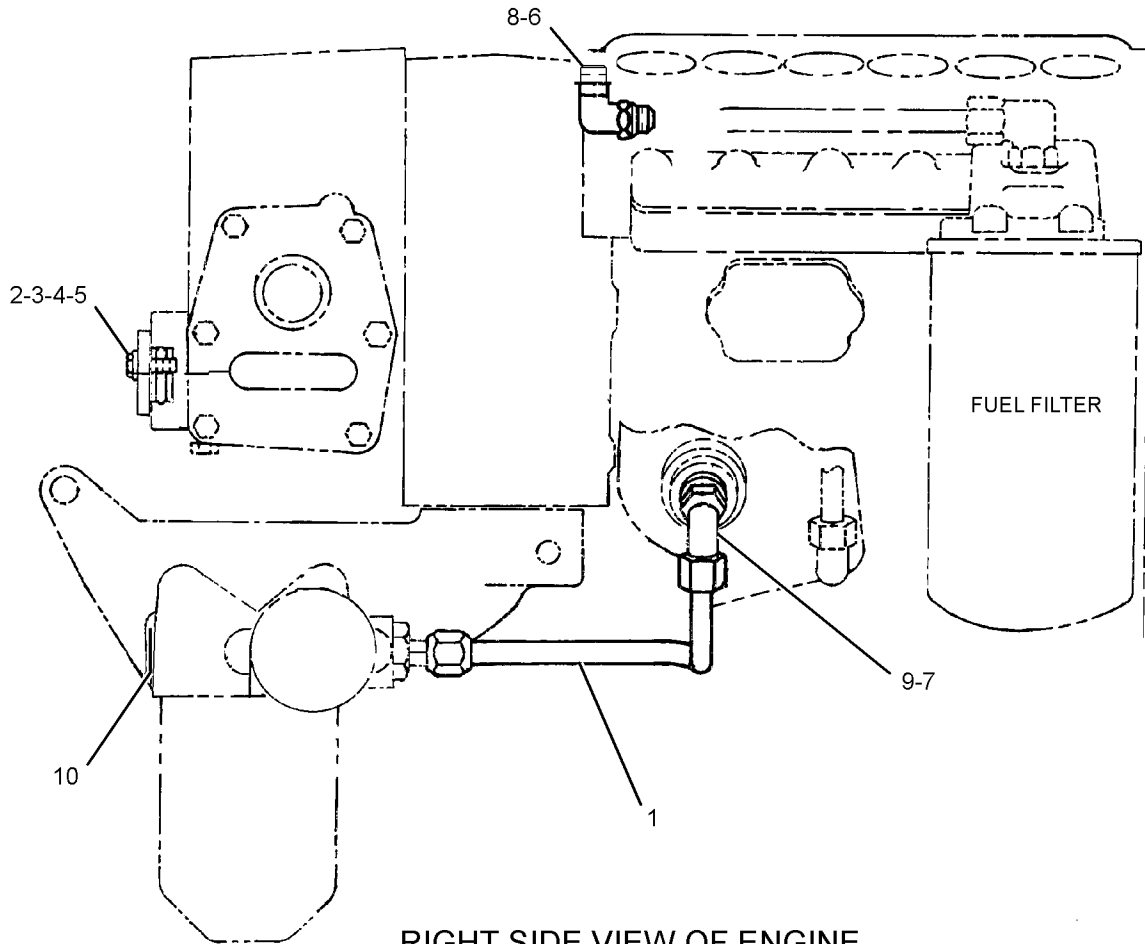
S/N: 85Z11063-UP

SMCS-1274

i04145394

NOTE	REF NO	GRAPHIC REF	PART NUMBER	QTY	PART NAME						SEE PAGE
					1	2	3	4	5	6 (PRODUCT LEVEL)	
	1	1	<b>1W-6629</b>	1	TUBE AS-FUEL FILTER						
C	2	1	<b>4W-7629</b>	1	COVER						
C	3	1	<b>4M-8303</b>	1	SEAL-O-RING						
C	4	1	<b>5P-0537</b>	2	WASHER-HARD (7.2X14.5X2-MM THK)						
C	5	1	<b>0S-1615</b>	2	BOLT (1/4-20X0.75-IN)						
C	6	1	<b>030-7946</b>	1	ELBOW						
	7	1	<b>3J-1907</b>	1	SEAL-O-RING						
C	8	1	<b>3J-7354</b>	1	SEAL-O-RING						
	9	1	<b>030-7947</b>	1	ADAPTER-ELBOW						
	10	1	<b>3K-0360</b>	1	SEAL-O-RING						

C - CHANGE FROM PREVIOUS TYPE



RIGHT SIDE VIEW OF ENGINE

GRAPHIC #1

<END>

g01960544

# FUEL SYSTEM

## 4W-1250 LINES GP-FUEL DRAIN

S/N: 85Z3764-UP

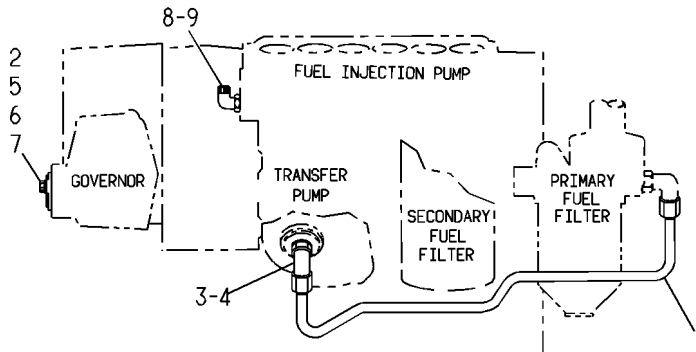
FOR USE WITH 4W-1241-PAGE: 751

SMCS-1274

i00663178

NOTE	REF NO	GRAPHIC REF	PART NUMBER	QTY	PART NAME						SEE PAGE
					1	2	3	4	5	6 (PRODUCT LEVEL)	
C	1	1	<b>4W-7982</b>	1	TUBE AS						
C	2	1	<b>4W-7629</b>	1	COVER						
	3	1	<b>030-7947</b>	1	ADAPTER-ELBOW						
	4	1	<b>3J-1907</b>	1	SEAL-O-RING						
C	5	1	<b>4M-8303</b>	1	SEAL-O-RING						
C	6	1	<b>0S-1615</b>	2	BOLT (1/4-20X0.75-IN)						
C	7	1	<b>5P-0537</b>	2	WASHER-HARD (7.2X14.5X2-MM THK)						
C	8	1	<b>030-7946</b>	1	ELBOW						
C	9	1	<b>3J-7354</b>	1	SEAL-O-RING						

C - CHANGE FROM PREVIOUS TYPE



GRAPHIC #1

<END>

g00173344

# FUEL SYSTEM

## 108-2865 LINES GP-FUEL INJECTION

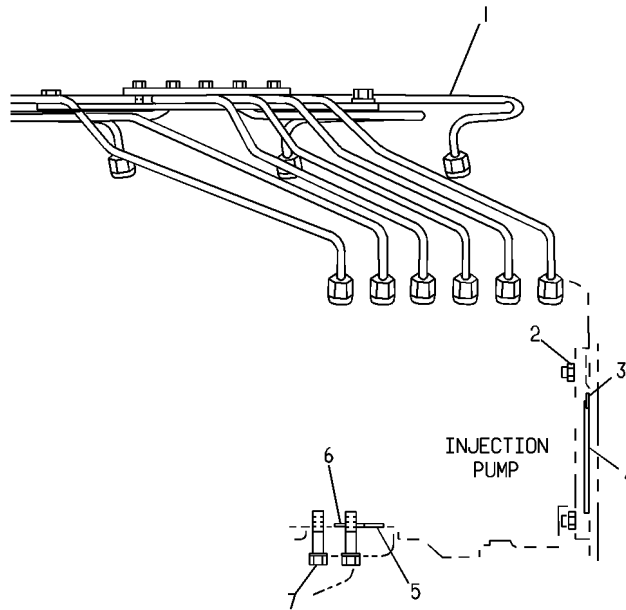
S/N: 85Z11355-UP

SMCS-1252, 1254

i00670915

NOTE	REF NO	GRAPHIC REF	PART NUMBER	QTY	PART NAME						SEE PAGE
					1	2	3	4	5	6 (PRODUCT LEVEL)	
Y	1	1	108-8603	1	LINES GP-FUEL INJECTION						664
	2	1	3S-2713	3	NUT-FULL (3/8-24-THD)						
	3	1	6V-6921	1	SEAL-RING						
	4	1	2H-3934	1	SEAL-O-RING						
	5	1	5F-7054	1	SEAL-O-RING						
	6	1	2H-3932	1	SEAL-O-RING						
	7	1	0L-2070	2	BOLT (3/8-16X2.25-IN)						
		1	5M-2894	2	WASHER-HARD (10.2X18.5X2.5-MM THK)						

Y - SEPARATE ILLUSTRATION



GRAPHIC #1

<END>

g00192240

# FUEL SYSTEM

## 108-8603 LINES GP-FUEL INJECTION

S/N: 85Z11355-UP

PART OF 108-2865 LINES GP-FUEL INJECTION

SMCS-1252, 1254

i00670927

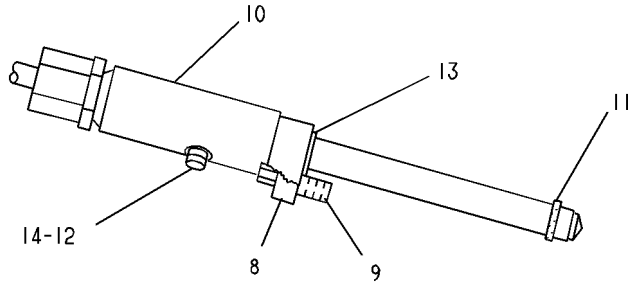
NOTE	REF NO	GRAPHIC REF	PART NUMBER	QTY	PART NAME						SEE PAGE
					1	2	3	4	5	6 (PRODUCT LEVEL)	
CY	1	1	7C-8876	1	LINES GP-FUEL INJECTION						686
CY	2	1	7C-8877	1	LINES GP-FUEL INJECTION						687
	3	1	1W-9168	3	CLAMP-FUEL LINE (NON-THREADED)						
	4	1	1W-9169	3	CLAMP-FUEL LINE (THREADED)						
	5	1	5P-4939	3	SCREW-MACHINE (10-24X15.88-IN)						
	6	1	5M-2894	4	WASHER-HARD (10.2X18.5X2.5-MM THK)						
	7	1	0S-1594	4	BOLT (3/8-16X1-IN)						
	8	1	8N-5132	6	CLAMP-NOZZLE						
	9	1	1T-0416	6	BOLT (5/16-18X0.75-IN)						
R	10	1	100-7560	6	NOZZLE AS-FUEL VALVE (EACH INCLUDES)						
	11	1	9L-9098	1	SEAL-CARBON STOP						
	12	1	9X-2836	1	SCREW-BUTTON HEAD						
	13	1	7W-4487	1	WASHER-SPECIAL (9.76X17.14X1.27-MM THK)						
	14	1	8T-0659	1	WASHER						
	15	1	8H-9204	6	WASHER-FELT (19/32X7/8X5/16-IN THK)						
	16	1	3V-2431	4	WASHER (10.2X16X2-MM THK)						

C - CHANGE FROM PREVIOUS TYPE  
R - REMANUFACTURED PART MAY BE AVAILABLE  
Y - SEPARATE ILLUSTRATION

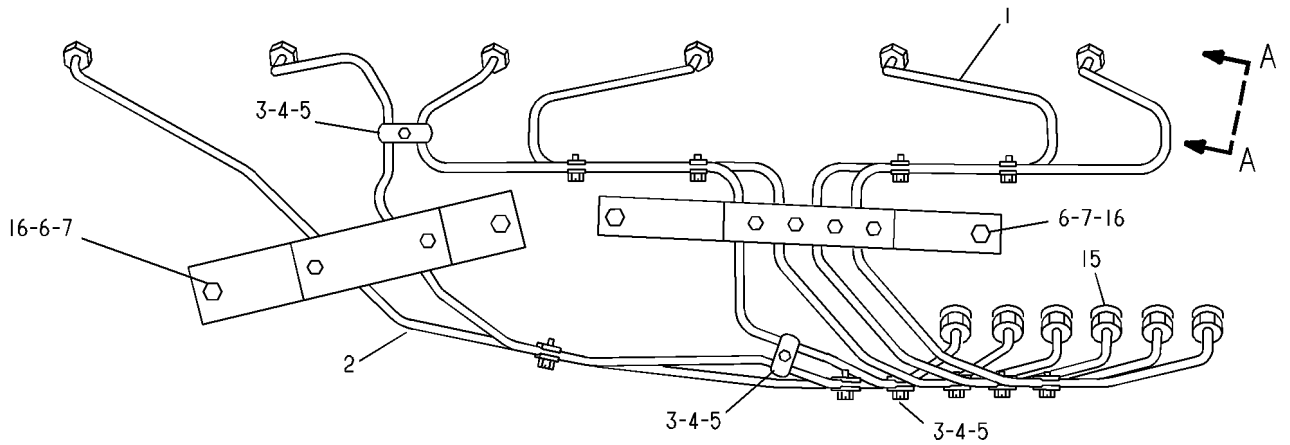
# FUEL SYSTEM

108-8603 LINES GP-FUEL INJECTION (contd.)

100670927



VIEW A-A



TOP VIEW

GRAPHIC #1

<END>

g00199020

# FUEL SYSTEM

## 132-4675 LINES GP-FUEL INJECTION

S/N: 85Z14662-UP

PART OF 179-8213 LINES GP-FUEL INJECTION

SMCS-1252, 1254

i01110573

NOTE	REF NO	GRAPHIC REF	PART NUMBER	QTY	PART NAME						SEE PAGE
					1	2	3	4	5	6 (PRODUCT LEVEL)	
Y	1	1	7C-8876	1	LINES GP-FUEL INJECTION						686
Y	2	1	7C-8877	1	LINES GP-FUEL INJECTION						687
	3	1	1W-9168	3	CLAMP-FUEL LINE (NON-THREADED)						
	4	1	1W-9169	3	CLAMP-FUEL LINE (THREADED)						
	5	1	5P-4939	3	SCREW-MACHINE (10-24X15.88-IN)						
	6	1	5M-2894	4	WASHER-HARD (10.2X18.5X2.5-MM THK)						
	7	1	0S-1594	4	BOLT (3/8-16X1-IN)						
	8	1	8N-5132	6	CLAMP-NOZZLE						
	9	1	1T-0416	6	BOLT (5/16-18X0.75-IN)						
R	10	1	170-5181	6	NOZZLE AS-FUEL VALVE						
					(EACH INCLUDES)						
	11	1	9L-9098	1	SEAL-CARBON STOP						
	12	1	9X-2836	1	SCREW-BUTTON HEAD						
	13	1	7W-4482	1	WASHER (17.14X9.76X3.18-MM THK)						
	14	1	114-3364	1	WASHER-SPECIAL (SEALING)						
	15	1	8H-9204	6	WASHER-FELT (19/32X7/8X5/16-IN THK)						

R - REMANUFACTURED PART MAY BE AVAILABLE

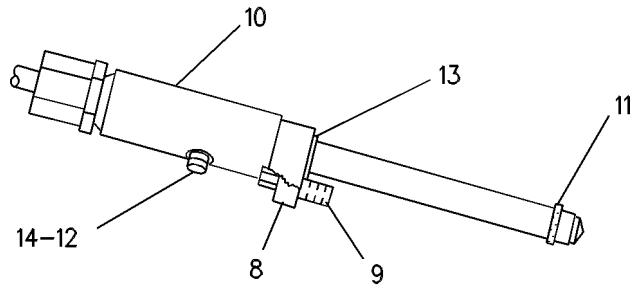
Y - SEPARATE ILLUSTRATION



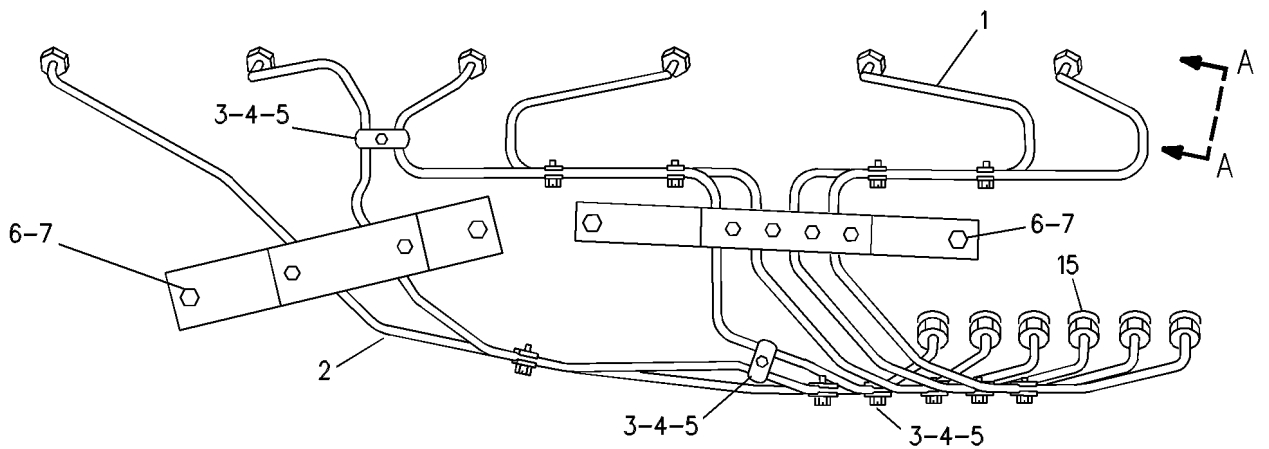
# FUEL SYSTEM

132-4675 LINES GP-FUEL INJECTION (contd.)

i01110573



VIEW A-A



TOP VIEW

GRAPHIC #1

<END>

g00241697

# FUEL SYSTEM

## 179-8213 LINES GP-FUEL INJECTION

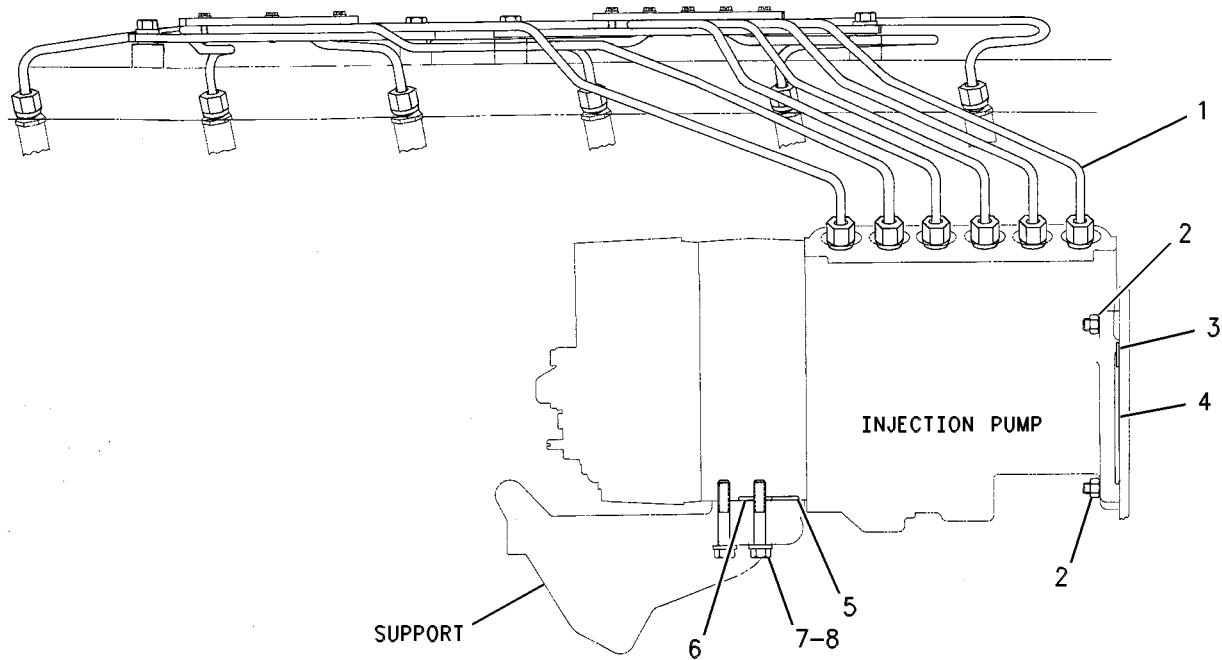
S/N: 85Z14662-UP

SMCS-1252, 1254

i01228404

NOTE	REF NO	GRAPHIC REF	PART NUMBER	QTY	PART NAME						SEE PAGE
					1	2	3	4	5	6 (PRODUCT LEVEL)	
Y	1	1	132-4675	1	LINES GP-FUEL INJECTION						666
	2	1	3S-2713	3	NUT-FULL (3/8-24-THD)						
	3	1	6V-6921	1	SEAL-RING						
	4	1	2H-3934	1	SEAL-O-RING						
	5	1	5F-7054	1	SEAL-O-RING						
	6	1	2H-3932	1	SEAL-O-RING						
	7	1	0L-2070	2	BOLT (3/8-16X2.25-IN)						
	8	1	5M-2894	2	WASHER-HARD (10.2X18.5X2.5-MM THK)						

Y - SEPARATE ILLUSTRATION



GRAPHIC #1

<END>

g00663350

# FUEL SYSTEM

## 1W-3008 LINES GP-FUEL INJECTION

S/N: 85Z3764-7296

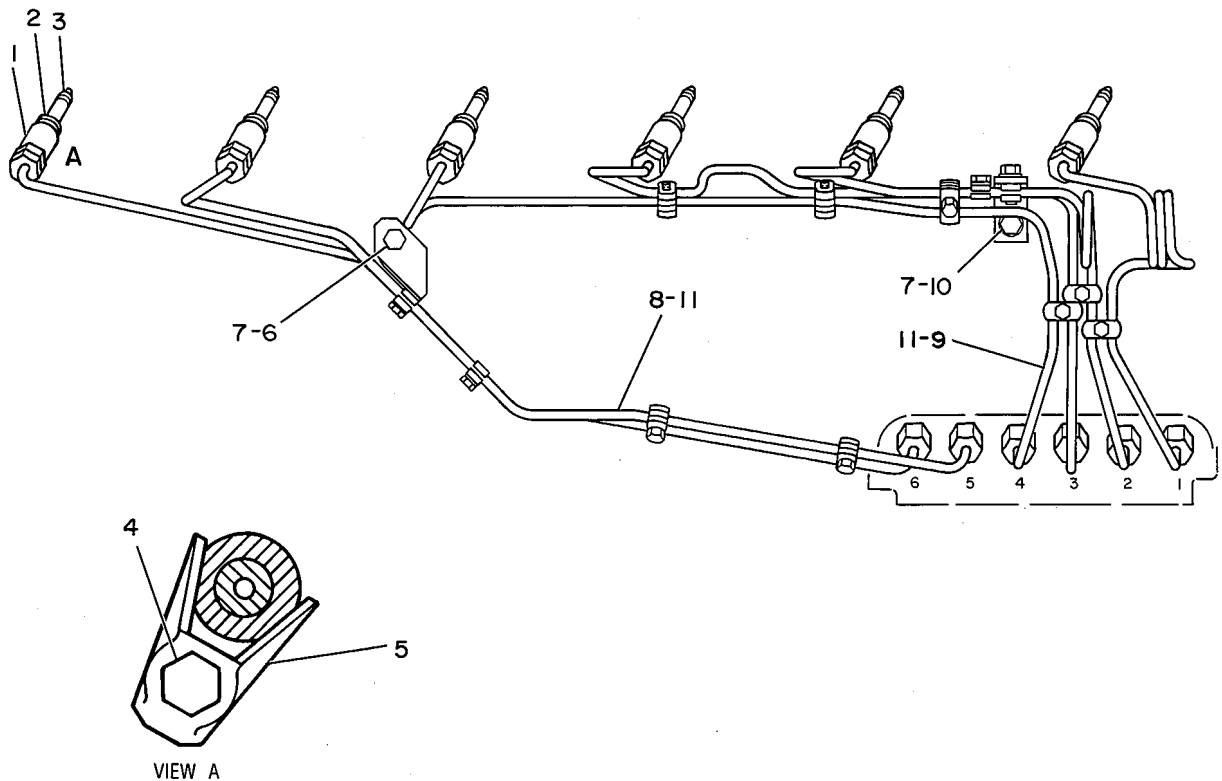
PART OF 1W-3609 LINES GP-FUEL INJECTION

SMCS-1252, 1254

i00151194

NOTE	REF NO	GRAPHIC REF	PART NUMBER	QTY	PART NAME						SEE PAGE
					1	2	3	4	5	6 (PRODUCT LEVEL)	
R	1	1	<b>8N-7005</b>	6	INJECTOR GP-FUEL						
					(EACH INCLUDES)						
		1	<b>8C-3234</b>	1	SCREW-BUTTON HEAD						
		1	<b>8T-0659</b>	1	WASHER						
	2	1	<b>7W-4486</b>	1	WASHER (9.76X17.14X1.8-MM THK)						
	3	1	<b>9L-9098</b>	1	SEAL-CARBON STOP						
	4	1	<b>1T-0416</b>	6	BOLT (5/16-18X0.75-IN)						
	5	1	<b>8N-5132</b>	6	CLAMP-NOZZLE						
	6	1	<b>1A-5183</b>	1	BOLT (3/8-16X4.75-IN)						
	7	1	<b>5M-2894</b>	2	WASHER-HARD (10.2X18.5X2.5-MM THK)						
Y	8	1	<b>7C-5551</b>	1	LINES GP-FUEL INJECTION						684
Y	9	1	<b>7C-5553</b>	1	LINES GP-FUEL INJECTION						685
	10	1	<b>0S-1591</b>	1	BOLT (3/8-16X1.5-IN)						
	11	1	<b>8H-9204</b>	6	WASHER-FELT (19/32X7/8X5/16-IN THK)						

R - REMANUFACTURED PART MAY BE AVAILABLE  
 Y - SEPARATE ILLUSTRATION



GRAPHIC #1

<END>

g00113997

# FUEL SYSTEM

## 1W-3008 LINES GP-FUEL INJECTION

S/N: 85Z7297-8207

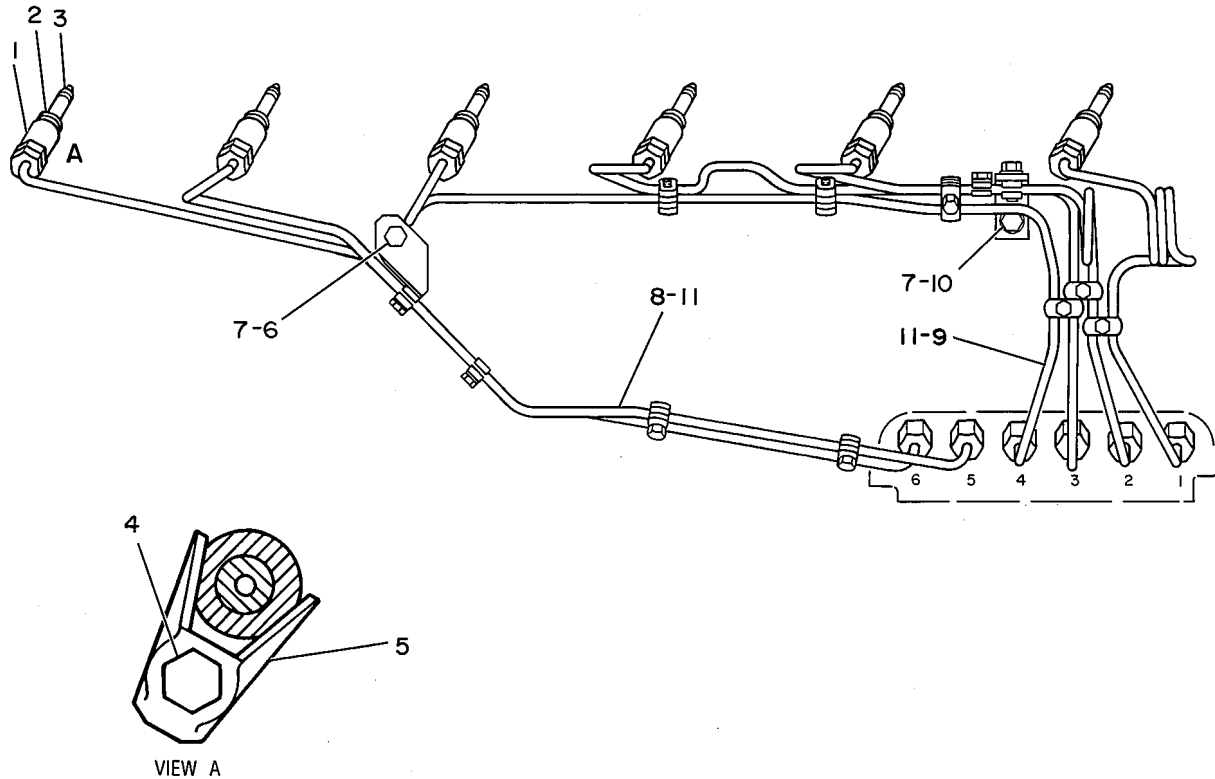
PART OF 1W-3609 LINES GP-FUEL INJECTION

SMCS-1252, 1254

i00151205

NOTE	REF NO	GRAPHIC REF	PART NUMBER	QTY	PART NAME						SEE PAGE
					1	2	3	4	5	6 (PRODUCT LEVEL)	
R	1	1	<b>8N-7005</b>	6	INJECTOR GP-FUEL						
					(EACH INCLUDES)						
C		1	<b>8C-3234</b>	1	SCREW-BUTTON HEAD						
		1	<b>8T-0659</b>	1	WASHER						
C	2	1	<b>7W-4486</b>	1	WASHER (9.76X17.14X1.8-MM THK)						
	3	1	<b>9L-9098</b>	1	SEAL-CARBON STOP						
	4	1	<b>1T-0416</b>	6	BOLT (5/16-18X0.75-IN)						
	5	1	<b>8N-5132</b>	6	CLAMP-NOZZLE						
	6	1	<b>1A-5183</b>	1	BOLT (3/8-16X4.75-IN)						
	7	1	<b>5M-2894</b>	2	WASHER-HARD (10.2X18.5X2.5-MM THK)						
Y	8	1	<b>4P-4195</b>	1	LINES GP-FUEL INJECTION						679
Y	9	1	<b>7C-5553</b>	1	LINES GP-FUEL INJECTION						685
	10	1	<b>0S-1591</b>	1	BOLT (3/8-16X1.5-IN)						
	11	1	<b>8H-9204</b>	6	WASHER-FELT (19/32X7/8X5/16-IN THK)						

C - CHANGE FROM PREVIOUS TYPE  
 R - REMANUFACTURED PART MAY BE AVAILABLE  
 Y - SEPARATE ILLUSTRATION



GRAPHIC #1

<END>

g00113997

# FUEL SYSTEM

## 1W-3008 LINES GP-FUEL INJECTION

S/N: 85Z8208-8777

PART OF 1W-3609 LINES GP-FUEL INJECTION

SMCS-1252, 1254

i00150659

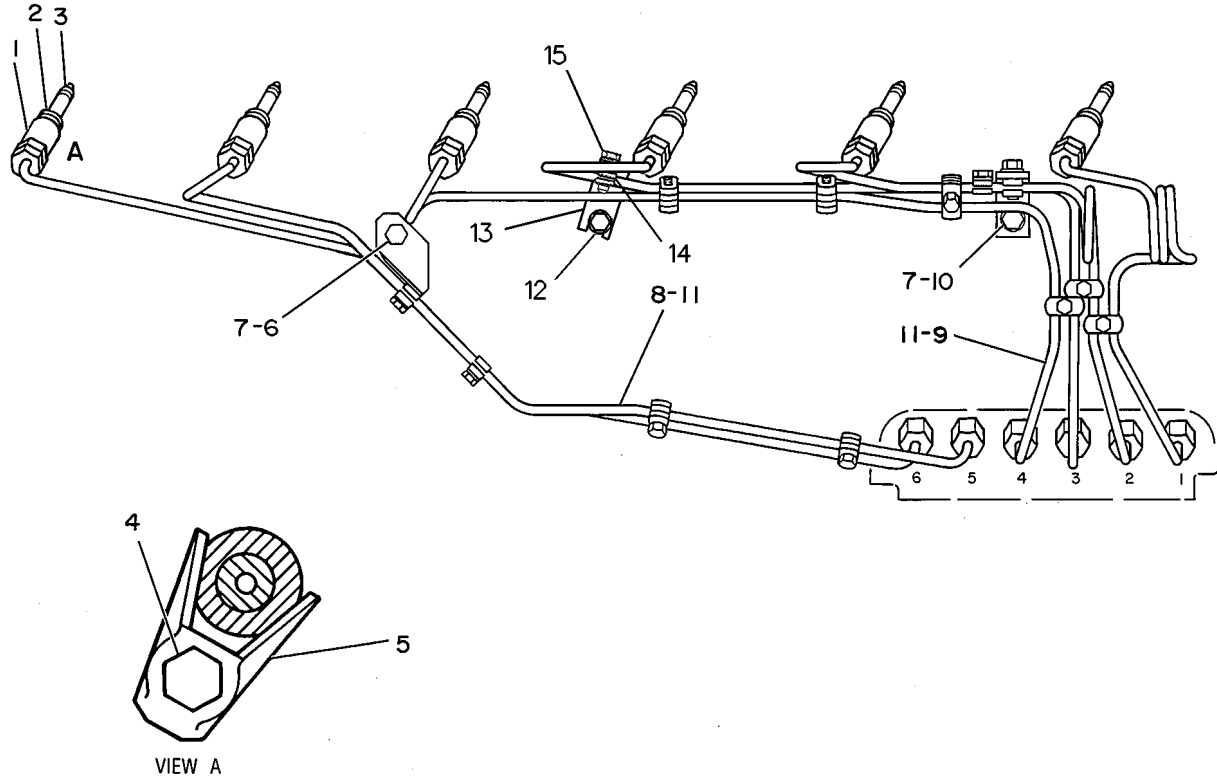
NOTE	REF NO	GRAPHIC REF	PART NUMBER	QTY	PART NAME						SEE PAGE
					1	2	3	4	5	6 (PRODUCT LEVEL)	
R	1	1	<b>8N-7005</b>	6	INJECTOR GP-FUEL						
					(EACH INCLUDES)						
		1	<b>8C-3234</b>	1	SCREW-BUTTON HEAD						
		1	<b>8T-0659</b>	1	WASHER						
	2	1	<b>7W-4486</b>	1	WASHER (9.76X17.14X1.8-MM THK)						
	3	1	<b>9L-9098</b>	1	SEAL-CARBON STOP						
	4	1	<b>1T-0416</b>	6	BOLT (5/16-18X0.75-IN)						
	5	1	<b>8N-5132</b>	6	CLAMP-NOZZLE						
	6	1	<b>1A-5183</b>	1	BOLT (3/8-16X4.75-IN)						
	7	1	<b>5M-2894</b>	2	WASHER-HARD (10.2X18.5X2.5-MM THK)						
Y	8	1	<i>4P-4195</i>	1	LINES GP-FUEL INJECTION						679
CY	9	1	<i>4P-1892</i>	1	LINES GP-FUEL INJECTION						678
	10	1	<b>0S-1591</b>	1	BOLT (3/8-16X1.5-IN)						
	11	1	<b>8H-9204</b>	6	WASHER-FELT (19/32X7/8X5/16-IN THK)						
C	12	1	<b>2P-3200</b>	1	BOLT-WASHER HEAD						
C	13	1	<b>4P-2578</b>	1	BRACKET						
C	14	1	<b>1W-9169</b>	1	CLAMP-FUEL LINE (THREADED)						
C		1	<b>1W-9167</b>	1	CLAMP AS-FUEL LINE						
C	15	1	<b>9N-3388</b>	1	BOLT (10-24X0.75-IN)						
C		1	<b>4B-4274</b>	1	WASHER (5.5X13X1.2-MM THK)						

C - CHANGE FROM PREVIOUS TYPE  
R - REMANUFACTURED PART MAY BE AVAILABLE  
Y - SEPARATE ILLUSTRATION

# FUEL SYSTEM

1W-3008 LINES GP-FUEL INJECTION (contd.)

i00150659



GRAPHIC #1

<END>

g00114302

# FUEL SYSTEM

## 1W-3008 LINES GP-FUEL INJECTION

S/N: 85Z8778-UP

PART OF 1W-3609 LINES GP-FUEL INJECTION

SMCS-1252, 1254

i01350350

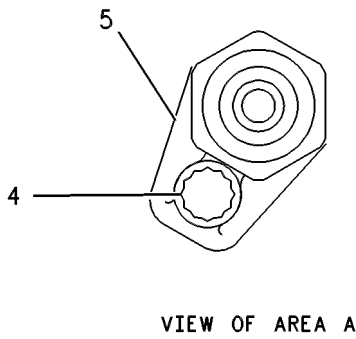
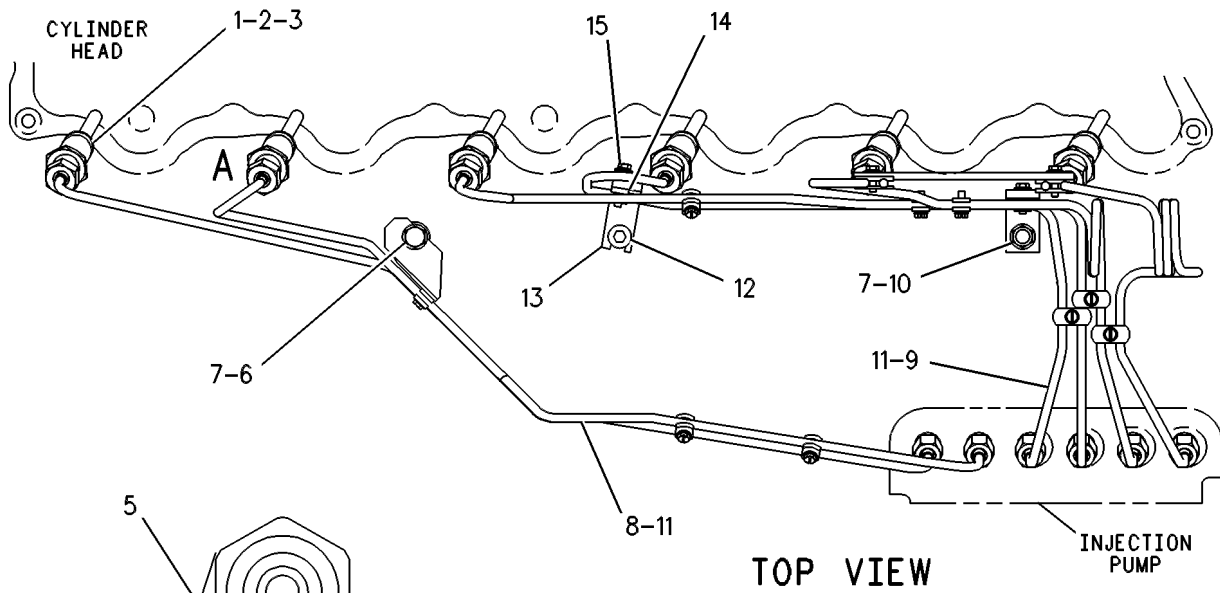
NOTE	REF NO	GRAPHIC REF	PART NUMBER	QTY	PART NAME						SEE PAGE
					1	2	3	4	5	6 (PRODUCT LEVEL)	
R	1	1	<b>8N-7005</b>	6	INJECTOR GP-FUEL						
					(EACH INCLUDES)						
		1	<b>8C-3234</b>	1	SCREW-BUTTON HEAD						
		1	<b>8T-0659</b>	1	WASHER						
	2	1	<b>7W-4486</b>	1	WASHER (9.76X17.14X1.8-MM THK)						
	3	1	<b>9L-9098</b>	1	SEAL-CARBON STOP						
	4	1	<b>1T-0416</b>	6	BOLT (5/16-18X0.75-IN)						
	5	1	<b>8N-5132</b>	6	CLAMP-NOZZLE						
	6	1	<b>0T-0055</b>	1	BOLT (3/8-16X4.25-IN)						
	7	1	<b>5M-2894</b>	2	WASHER-HARD (10.2X18.5X2.5-MM THK)						
Y	8	1	<b>4P-9330</b>	1	LINES GP-FUEL INJECTION						680
YC	9	1	<b>4P-9331</b>	1	LINES GP-FUEL INJECTION						682
	10	1	<b>0S-1591</b>	1	BOLT (3/8-16X1.5-IN)						
	11	1	<b>8H-9204</b>	6	WASHER-FELT (19/32X7/8X5/16-IN THK)						
C	12	1	<b>2P-3200</b>	1	BOLT-WASHER HEAD						
C	13	1	<b>4P-2578</b>	1	BRACKET						
C	14	1	<b>1W-9169</b>	1	CLAMP-FUEL LINE (THREADED)						
C		1	<b>1W-9167</b>	1	CLAMP AS-FUEL LINE						
C	15	1	<b>9N-3388</b>	1	BOLT (10-24X0.75-IN)						
C		1	<b>4B-4274</b>	1	WASHER (5.5X13X1.2-MM THK)						

C - CHANGE FROM PREVIOUS TYPE  
R - REMANUFACTURED PART MAY BE AVAILABLE  
Y - SEPARATE ILLUSTRATION

# FUEL SYSTEM

1W-3008 LINES GP-FUEL INJECTION (contd.)

i01350350



GRAPHIC #1

<END>

g00279104



# FUEL SYSTEM

## 1W-3609 LINES GP-FUEL INJECTION

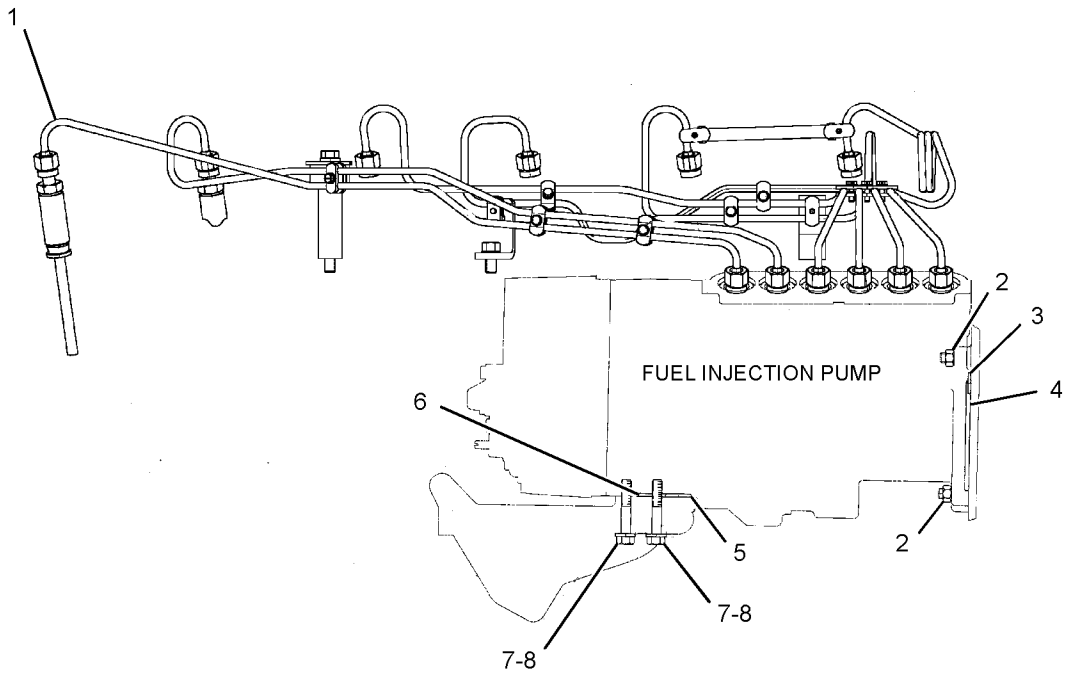
S/N: 85Z3764-UP

SMCS-1252, 1254

i05366227

NOTE	REF NO	GRAPHIC REF	PART NUMBER	QTY	PART NAME						SEE PAGE
					1	2	3	4	5	6 (PRODUCT LEVEL)	
Y	1	1	1W-3008	1	LINES GP-FUEL INJECTION						669
C	2	1	3S-2713	3	NUT-FULL (3/8-24-THD)						
C	3	1	6V-6921	1	SEAL-RING						
	4	1	2H-3934	1	SEAL-O-RING						
	5	1	5P-6718	1	SEAL-O-RING						
	6	1	2H-3932	1	SEAL-O-RING						
C	7	1	0L-2070	2	BOLT (3/8-16X2.25-IN)						
C	8	1	5M-2894	2	WASHER-HARD (10.2X18.5X2.5-MM THK)						

C - CHANGE FROM PREVIOUS TYPE  
Y - SEPARATE ILLUSTRATION



GRAPHIC #1

<END>

g03399706

# FUEL SYSTEM

## 2W-1508 LINES GP-FUEL INJECTION

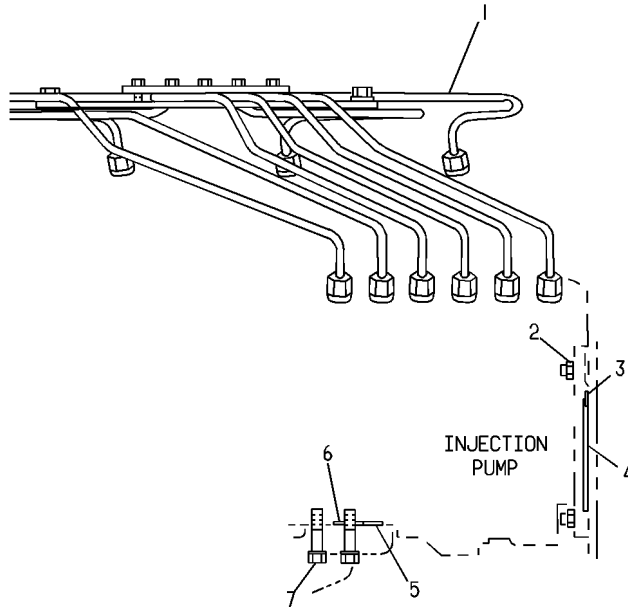
S/N: 85Z3764-UP

SMCS-1252, 1254

i00648521

NOTE	REF NO	GRAPHIC REF	PART NUMBER	QTY	PART NAME						SEE PAGE
					1	2	3	4	5	6 (PRODUCT LEVEL)	
Y	1	1	8N-8175	1	LINES GP-FUEL INJECTION						692
	2	1	3S-2713	3	NUT-FULL (3/8-24-THD)						
	3	1	6V-6921	1	SEAL-RING						
	4	1	2H-3934	1	SEAL-O-RING						
	5	1	5F-7054	1	SEAL-O-RING						
	6	1	2H-3932	1	SEAL-O-RING						
C	7	1	0L-2070	2	BOLT (3/8-16X2.25-IN)						
C		1	5M-2894	2	WASHER-HARD (10.2X18.5X2.5-MM THK)						

C - CHANGE FROM PREVIOUS TYPE  
Y - SEPARATE ILLUSTRATION



GRAPHIC #1

<END>

g00192240

# FUEL SYSTEM

## 2W-2382 LINES GP-FUEL INJECTION

S/N: 85Z3764-UP

DOUBLE WALLED

FOR USE WITH 2W-1972-PAGE: 604

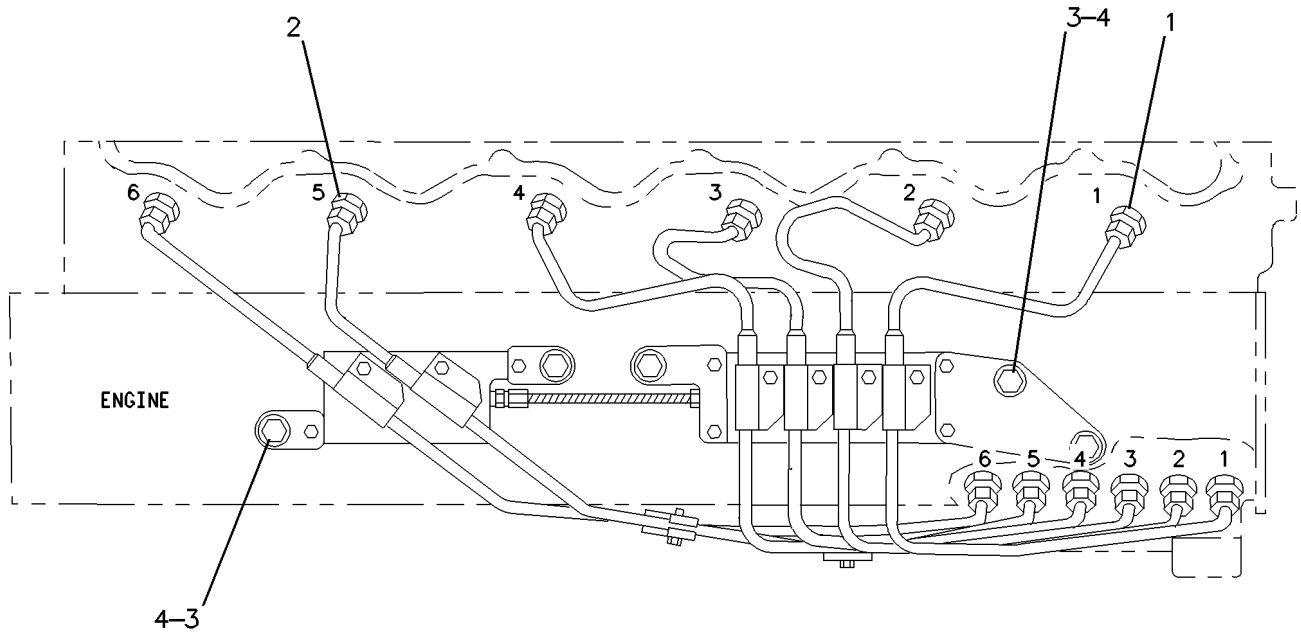
AN ATTACHMENT

SMCS-1252, 1254

i00662701

NOTE	REF NO	GRAPHIC REF	PART NUMBER	QTY	PART NAME						SEE PAGE
					1	2	3	4	5	6 (PRODUCT LEVEL)	
CY	1	1	7C-9361	1	LINES GP-FUEL INJECTION						688
CY	2	1	7C-9362	1	LINES GP-FUEL INJECTION						689
	3	1	0S-1594	5	BOLT (3/8-16X1-IN)						
	4	1	8M-7145	5	WASHER (10.2X28.5X5-MM THK)						

C - CHANGE FROM PREVIOUS TYPE  
Y - SEPARATE ILLUSTRATION



GRAPHIC #1

<END>

g00202554

# FUEL SYSTEM

## 4P-1892 LINES GP-FUEL INJECTION

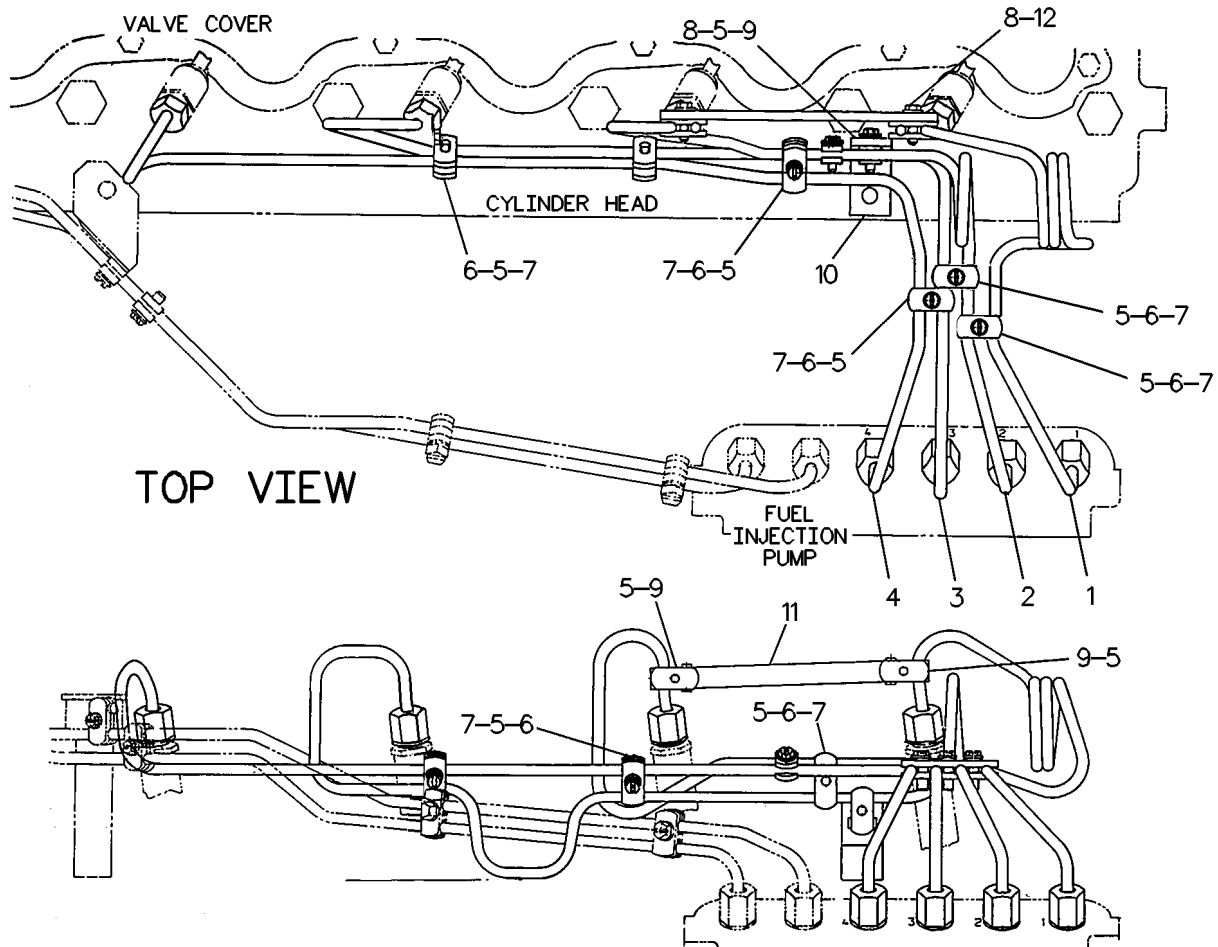
S/N: 85Z8208-8777

PART OF 1W-3008 LINES GP-FUEL INJECTION

SMCS-1252, 1254

i01350354

NOTE	REF NO	GRAPHIC REF	PART NUMBER	QTY	PART NAME						SEE PAGE
					1	2	3	4	5	6 (PRODUCT LEVEL)	
	1	1	4P-1831	1	LINE AS-FUEL INJECTION						
	2	1	4P-1832	1	LINE AS-FUEL INJECTION						
	3	1	4P-1833	1	LINE AS-FUEL INJECTION						
	4	1	4P-1834	1	LINE AS-FUEL INJECTION						
	5	1	1W-9169	10	CLAMP-FUEL LINE (THREADED)						
	6	1	1W-9168	7	CLAMP-FUEL LINE (NON-THREADED)						
	7	1	5P-4939	7	SCREW-MACHINE (10-24X15.88-IN)						
	8	1	9N-3388	3	BOLT (10-24X0.75-IN)						
	9	1	1W-9167	3	CLAMP AS-FUEL LINE						
	10	1	7C-7614	1	BRACKET AS						
	11	1	9Y-7524	1	PLATE						
	12	1	4B-4274	2	WASHER (5.5X13X1.2-MM THK)						



GRAPHIC #1

<END>

g00114292

# FUEL SYSTEM

## 4P-4195 LINES GP-FUEL INJECTION

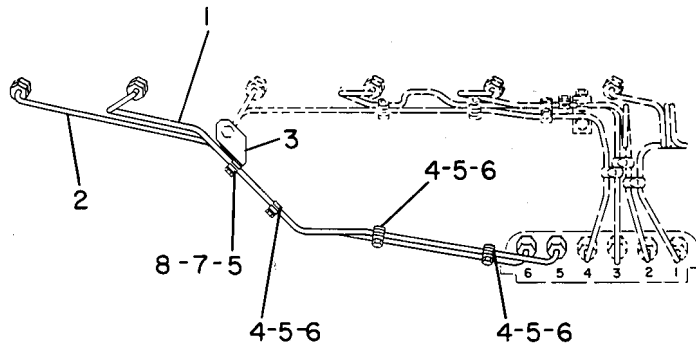
S/N: 85Z7297-8777

PART OF 1W-3008 LINES GP-FUEL INJECTION

SMCS-1252, 1254

i01350379

NOTE	REF NO	GRAPHIC REF	PART NUMBER	QTY	PART NAME						SEE PAGE
					1	2	3	4	5	6 (PRODUCT LEVEL)	
	1	1	<b>7C-5555</b>	1	LINE AS-FUEL INJECTION						
	2	1	<b>4P-1376</b>	1	LINE AS-FUEL INJECTION						
	3	1	<b>2W-0745</b>	1	BRACKET AS						
	4	1	<b>1W-9169</b>	3	CLAMP-FUEL LINE (THREADED)						
	5	1	<b>1W-9168</b>	4	CLAMP-FUEL LINE (NON-THREADED)						
	6	1	<b>5P-4939</b>	3	SCREW-MACHINE (10-24X15.88-IN)						
	7	1	<b>9N-3388</b>	1	BOLT (10-24X0.75-IN)						
	8	1	<b>1W-9167</b>	1	CLAMP AS-FUEL LINE						



GRAPHIC #1

<END>

g00113297

# FUEL SYSTEM

## 4P-9330 LINES GP-FUEL INJECTION

S/N: 85Z8778-UP

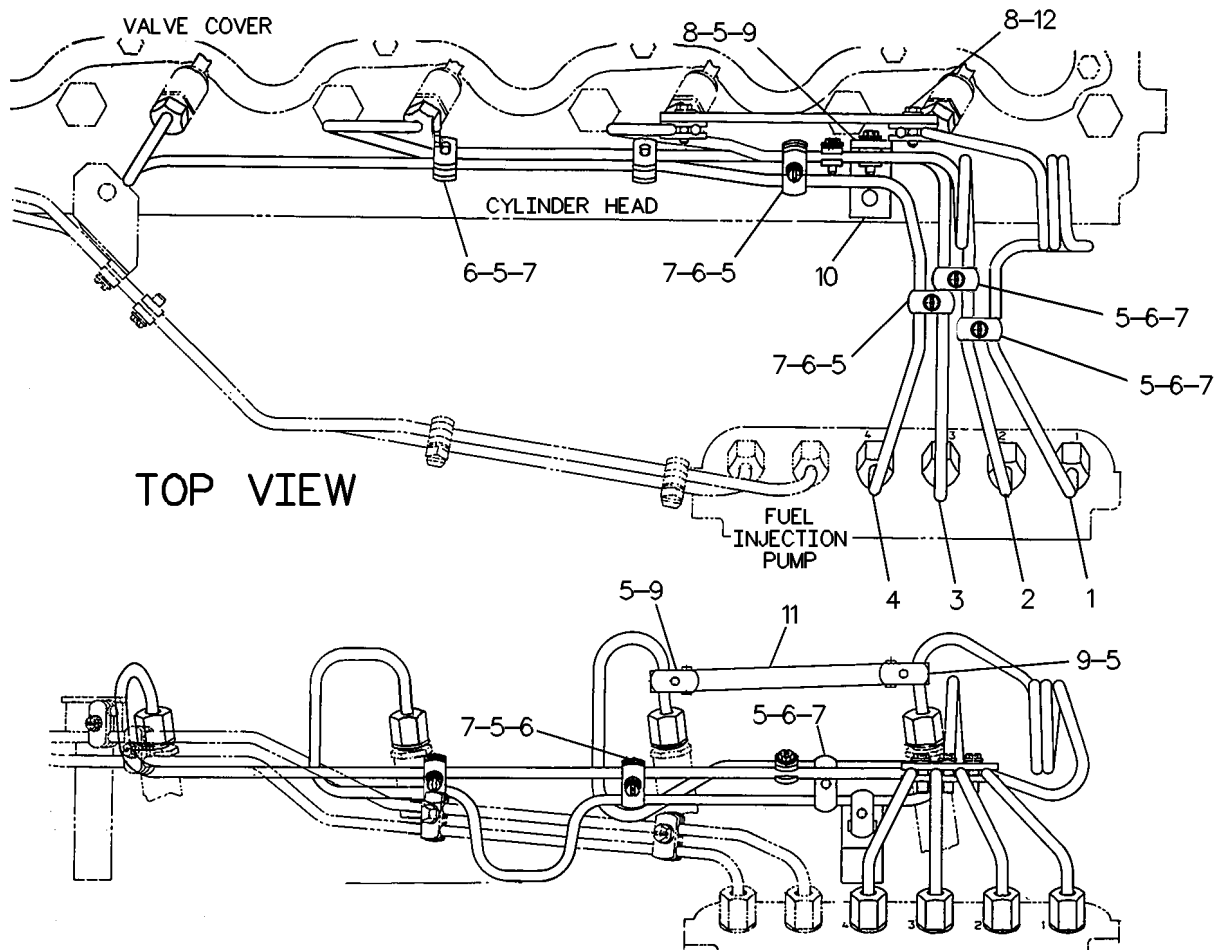
PART OF 1W-3008 LINES GP-FUEL INJECTION

TYPE 1

SMCS-1252, 1254

i03806669

NOTE	REF NO	GRAPHIC REF	PART NUMBER	QTY	PART NAME						SEE PAGE
					1	2	3	4	5	6 (PRODUCT LEVEL)	
	1	1	<b>4P-9381</b>	1	LINE AS-FUEL INJECTION (CYL NO. 1)						
	2	1	<b>4P-9382</b>	1	LINE AS-FUEL INJECTION (CYL NO. 2)						
	3	1	<b>4P-9383</b>	1	LINE AS-FUEL INJECTION (CYL NO. 3)						
	4	1	<b>4P-9384</b>	1	LINE AS-FUEL INJECTION (CYL NO. 4)						
	5	1	<b>1W-9169</b>	10	CLAMP-FUEL LINE (THREADED)						
	6	1	<b>1W-9168</b>	7	CLAMP-FUEL LINE (NON-THREADED)						
	7	1	<b>5P-4939</b>	7	SCREW-MACHINE (10-24X15.88-IN)						
	8	1	<b>9N-3388</b>	3	BOLT (10-24X0.75-IN)						
	9	1	<b>1W-9167</b>	3	CLAMP AS-FUEL LINE						
	10	1	<b>7C-7614</b>	1	BRACKET AS						
	11	1	<b>9Y-7524</b>	1	PLATE						
	12	1	<b>4B-4274</b>	2	WASHER (5.5X13X1.2-MM THK)						



GRAPHIC #1

<END>

g00114292

# FUEL SYSTEM

## 4P-9330 LINES GP-FUEL INJECTION

S/N: 85Z8778-UP

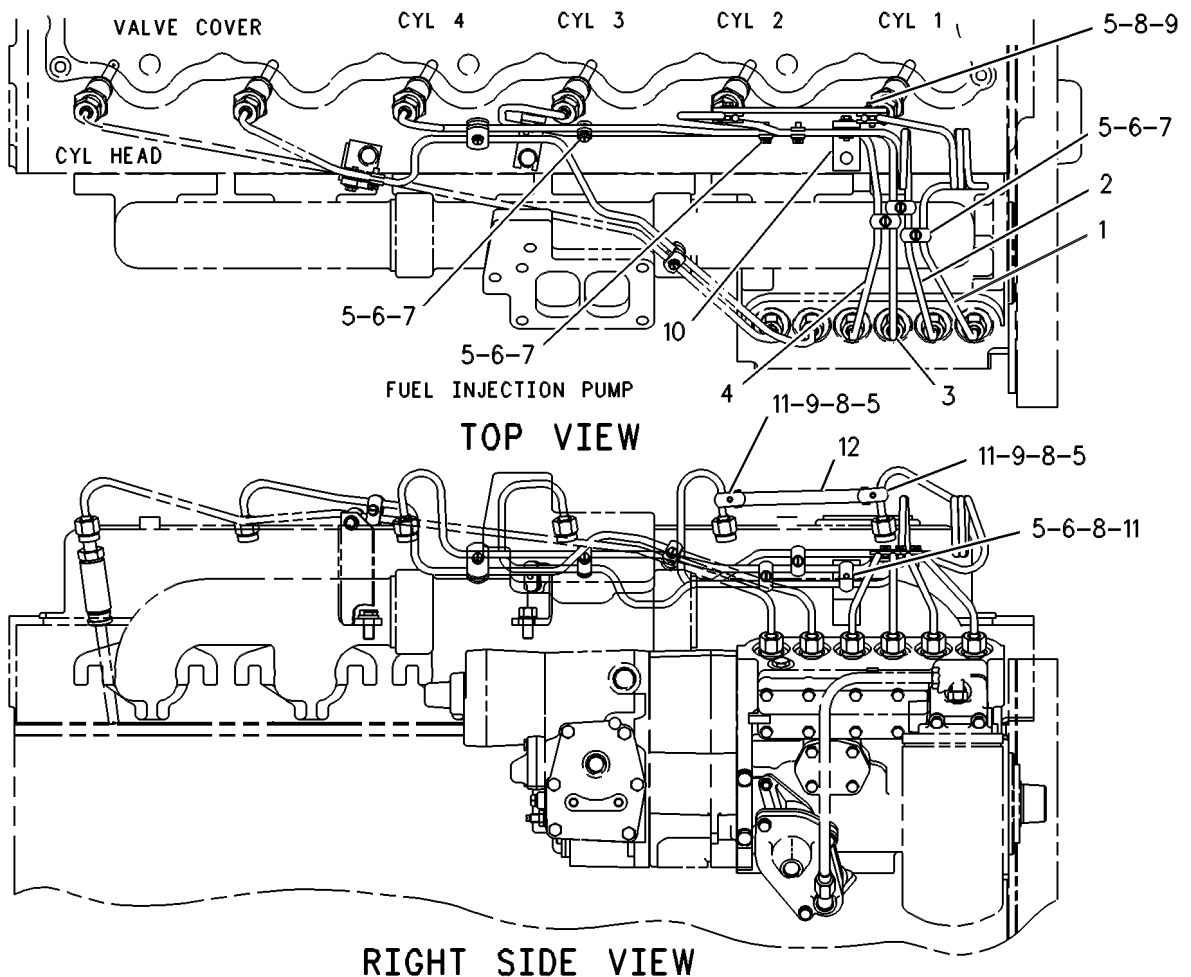
PART OF 1W-3008 LINES GP-FUEL INJECTION  
TYPE 2

SMCS-1252, 1254

i03806671

NOTE	REF NO	GRAPHIC REF	PART NUMBER	QTY	PART NAME						SEE PAGE
					1	2	3	4	5	6 (PRODUCT LEVEL)	
	1	1	<b>4P-9381</b>	1	LINE AS-FUEL INJECTION (CYL NO. 1)						
	2	1	<b>4P-9382</b>	1	LINE AS-FUEL INJECTION (CYL NO. 2)						
C	3	1	<b>104-4253</b>	1	LINE AS-FUEL INJECTION (CYL NO. 3)						
C	4	1	<b>104-4254</b>	1	LINE AS-FUEL INJECTION (CYL NO. 4)						
	5	1	<b>1W-9169</b>	9	CLAMP-FUEL LINE (THREADED)						
	6	1	<b>1W-9168</b>	7	CLAMP-FUEL LINE (NON-THREADED)						
	7	1	<b>5P-4939</b>	6	SCREW-MACHINE (10-24X15.88-IN)						
	8	1	<b>9N-3388</b>	3	BOLT (10-24X0.75-IN)						
C	9	1	<b>1W-9167</b>	2	CLAMP AS-FUEL LINE						
	10	1	<b>7C-7614</b>	1	BRACKET AS						
	11	1	<b>4B-4274</b>	3	WASHER (5.5X13X1.2-MM THK)						
	12	1	<b>9Y-7524</b>	1	PLATE						

C - CHANGE FROM PREVIOUS TYPE



GRAPHIC #1

<END>

g00274011

# FUEL SYSTEM

## 4P-9331 LINES GP-FUEL INJECTION

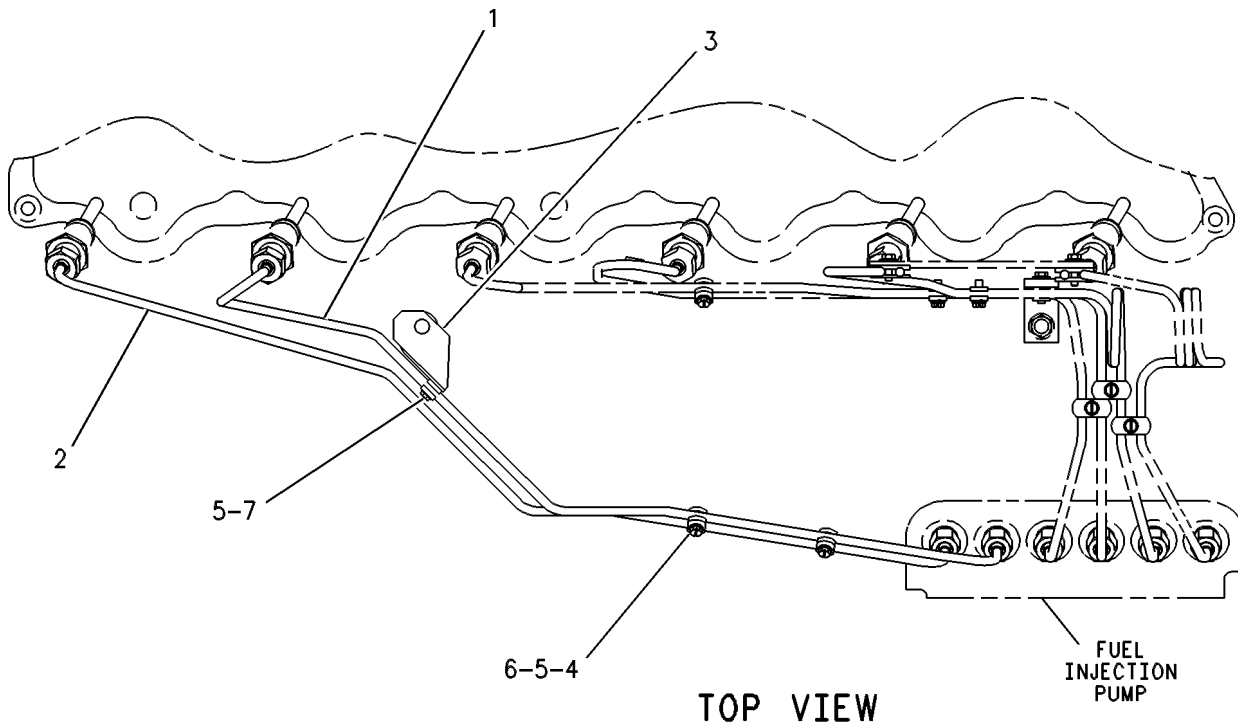
S/N: 85Z8778-UP

PART OF 1W-3008 LINES GP-FUEL INJECTION

SMCS-1252, 1254

i03806690

NOTE	REF NO	GRAPHIC REF	PART NUMBER	QTY	PART NAME						SEE PAGE
					1	2	3	4	5	6 (PRODUCT LEVEL)	
	1	1	<b>4P-9385</b>	1	LINE AS-FUEL INJECTION (CYL NO. 5)						
	2	1	<b>4P-9386</b>	1	LINE AS-FUEL INJECTION (CYL NO. 6)						
	3	1	<b>122-9405</b>	1	BRACKET AS						
	4	1	<b>1W-9169</b>	2	CLAMP-FUEL LINE (THREADED)						
	5	1	<b>1W-9168</b>	4	CLAMP-FUEL LINE (NON-THREADED)						
	6	1	<b>5P-4939</b>	2	SCREW-MACHINE (10-24X15.88-IN)						
	7	1	<b>9N-3388</b>	1	BOLT (10-24X0.75-IN)						



GRAPHIC #1

<END>

g00323282



# FUEL SYSTEM

## 7C-4468 LINES GP-FUEL INJECTION

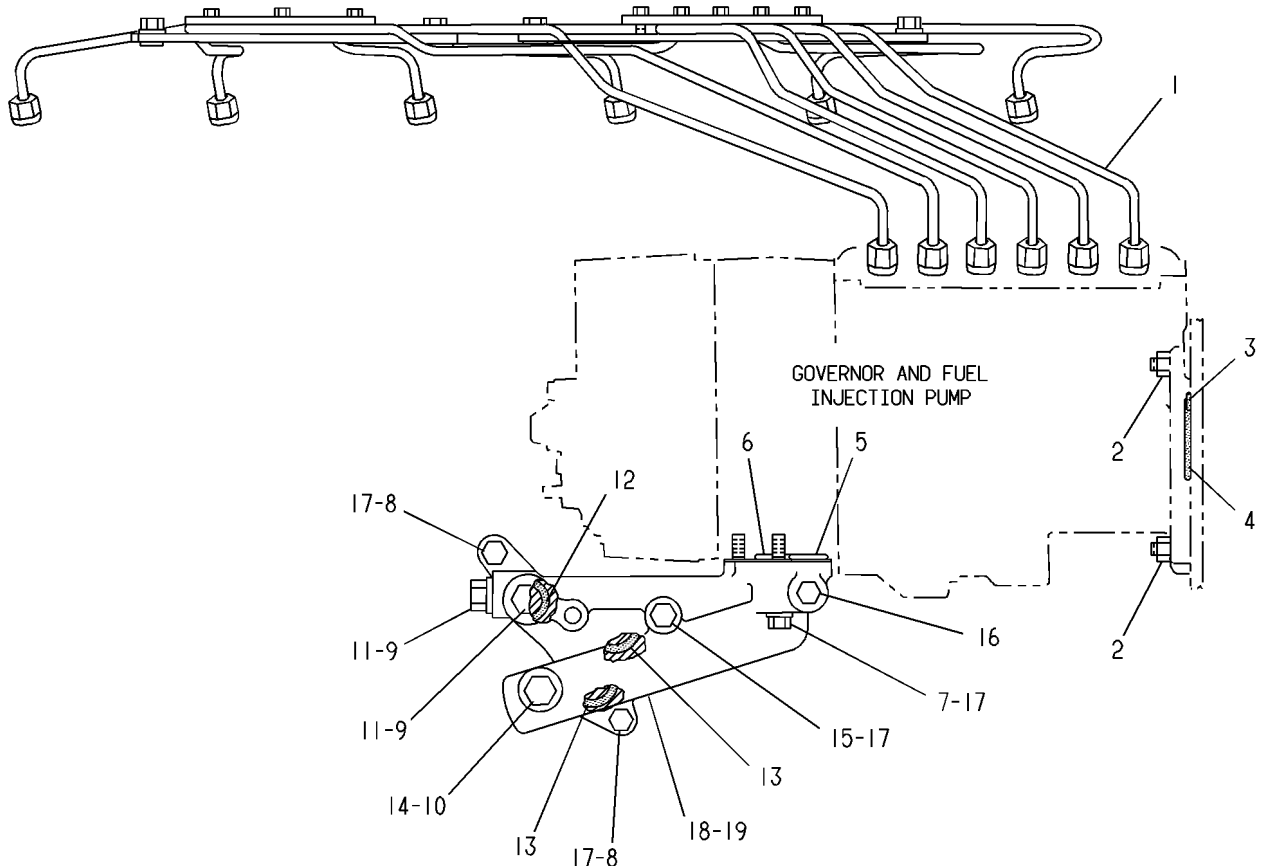
S/N: 85Z3764-UP

SMCS-1252, 1254

i03294959

NOTE	REF NO	GRAPHIC REF	PART NUMBER	QTY	PART NAME						SEE PAGE
					1	2	3	4	5	6 (PRODUCT LEVEL)	
Y	1	1	8N-8175	1	LINES GP-FUEL INJECTION						692
	2	1	3S-2713	3	NUT-FULL (3/8-24-THD)						
	3	1	6V-6921	1	SEAL-RING						
	4	1	2H-3934	1	SEAL-O-RING						
	5	1	5F-7054	1	SEAL-O-RING						
	6	1	2H-3932	1	SEAL-O-RING						
	7	1	0L-2070	2	BOLT (3/8-16X2.25-IN)						
	8	1	1A-2029	2	BOLT (3/8-16X1.125-IN)						
	9	1	3K-0360	2	SEAL-O-RING						
	10	1	3J-7354	1	SEAL-O-RING						
	11	1	9S-4185	2	PLUG (3/4-16-THD)						
	12	1	8M-5253	1	SEAL-O-RING						
	13	1	8M-5248	2	SEAL-O-RING						
	14	1	9S-8002	1	PLUG (7/16-20-THD)						
	15	1	0S-1608	1	BOLT (3/8-16X3.75-IN)						
	16	1	5M-6213	1	PLUG-PIPE (1/4-18-THD)						
	17	1	5M-2894	5	WASHER-HARD (10.2X18.5X2.5-MM THK)						
	18	1	4W-1512	1	SUPPORT AS-PUMP						
		1	5H-4279	1	PLUG-CUP						
		1	8T-6765	1	PLUG-PIPE (1/4-18-THD)						

Y - SEPARATE ILLUSTRATION



GRAPHIC #1

<END>

g00180476

# FUEL SYSTEM

## 7C-5551 LINES GP-FUEL INJECTION

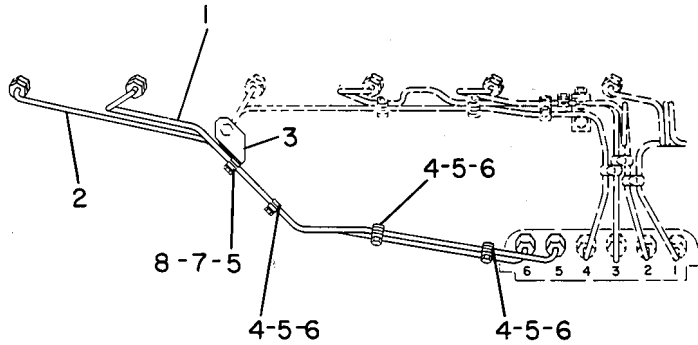
S/N: 85Z3764-7296

PART OF 1W-3008 LINES GP-FUEL INJECTION

SMCS-1252, 1254

i01350383

NOTE	REF NO	GRAPHIC REF	PART NUMBER	QTY	PART NAME						SEE PAGE
					1	2	3	4	5	6 (PRODUCT LEVEL)	
	1	1	<b>7C-5555</b>	1	LINE AS-FUEL INJECTION						
	2	1	<b>7C-5556</b>	1	LINE AS-FUEL INJECTION						
	3	1	<b>2W-0745</b>	1	BRACKET AS						
	4	1	<b>1W-9169</b>	3	CLAMP-FUEL LINE (THREADED)						
	5	1	<b>1W-9168</b>	4	CLAMP-FUEL LINE (NON-THREADED)						
	6	1	<b>5P-4939</b>	3	SCREW-MACHINE (10-24X15.88-IN)						
	7	1	<b>9N-3388</b>	1	BOLT (10-24X0.75-IN)						
	8	1	<b>1W-9167</b>	1	CLAMP AS-FUEL LINE						



GRAPHIC #1

<END>

g00113297

# FUEL SYSTEM

## 7C-5553 LINES GP-FUEL INJECTION

S/N: 85Z3764-8207

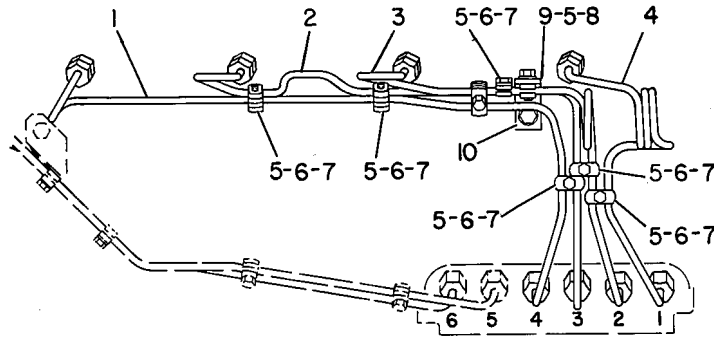
PART OF 1W-3008 LINES GP-FUEL INJECTION

SMCS-1252, 1254

i01350384

NOTE	REF NO	GRAPHIC REF	PART NUMBER	QTY	PART NAME						SEE PAGE
					1	2	3	4	5	6 (PRODUCT LEVEL)	
	1	1	<b>7C-5564</b>	1	LINE AS-FUEL INJECTION						
	2	1	<b>7C-5563</b>	1	LINE AS-FUEL INJECTION						
	3	1	<b>7C-5562</b>	1	LINE AS-FUEL INJECTION						
	4	1	<b>7C-5561</b>	1	LINE AS-FUEL INJECTION						
	5	1	<b>1W-9169</b>	8	CLAMP-FUEL LINE (THREADED)						
	6	1	<b>1W-9168</b>	7	CLAMP-FUEL LINE (NON-THREADED)						
	7	1	<b>5P-4939</b>	7	SCREW-MACHINE (10-24X15.88-IN)						
	8	1	<b>9N-3388</b>	1	BOLT (10-24X0.75-IN)						
	9	1	<b>1W-9167</b>	1	CLAMP AS-FUEL LINE						
C	10	1	<b>7C-7614</b>	1	BRACKET AS						

C - CHANGE FROM PREVIOUS TYPE



GRAPHIC #1

<END>

g00112391

# FUEL SYSTEM

## 7C-8876 LINES GP-FUEL INJECTION

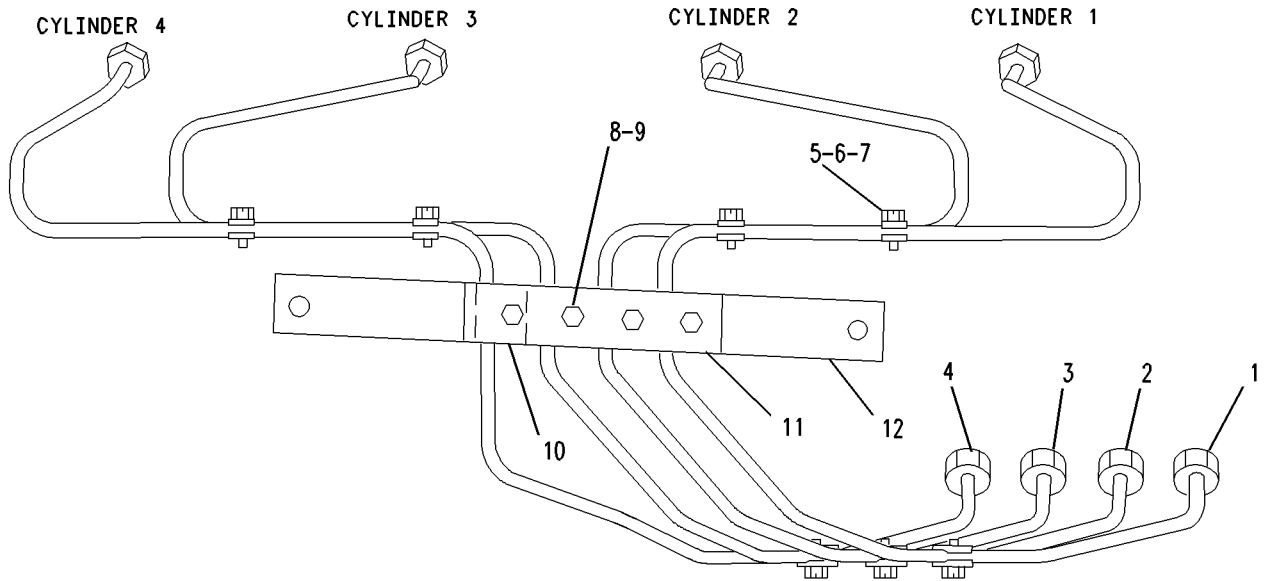
S/N: 85Z4342-UP

PART OF 108-8603, 132-4675, 8N-8175 LINES GP-FUEL INJECTION

SMCS-1252, 1254

i01832929

NOTE	REF NO	GRAPHIC REF	PART NUMBER	QTY	PART NAME						SEE PAGE
					1	2	3	4	5	6 (PRODUCT LEVEL)	
	1	1	<b>7C-7991</b>	1	LINE AS (CYLINDER 1)						
	2	1	<b>7C-7992</b>	1	LINE AS (CYLINDER 2)						
	3	1	<b>7C-7993</b>	1	LINE AS (CYLINDER 3)						
	4	1	<b>7C-7994</b>	1	LINE AS (CYLINDER 4)						
	5	1	<b>1W-9168</b>	7	CLAMP-FUEL LINE (NON-THREADED)						
	6	1	<b>1W-9169</b>	7	CLAMP-FUEL LINE (THREADED)						
	7	1	<b>5P-4939</b>	7	SCREW-MACHINE (10-24X15.88-IN)						
	8	1	<b>6V-6867</b>	4	SCREW-MACHINE						
	9	1	<b>3B-4502</b>	4	LOCKWASHER						
	10	1	<b>5M-5528</b>	8	DAMPER-FUEL LINE						
	11	1	<b>2W-4058</b>	1	CLAMP						
	12	1	<b>2W-4057</b>	1	SUPPORT						



TOP VIEW

GRAPHIC #1

<END>

g00936367

# FUEL SYSTEM

## 7C-8877 LINES GP-FUEL INJECTION

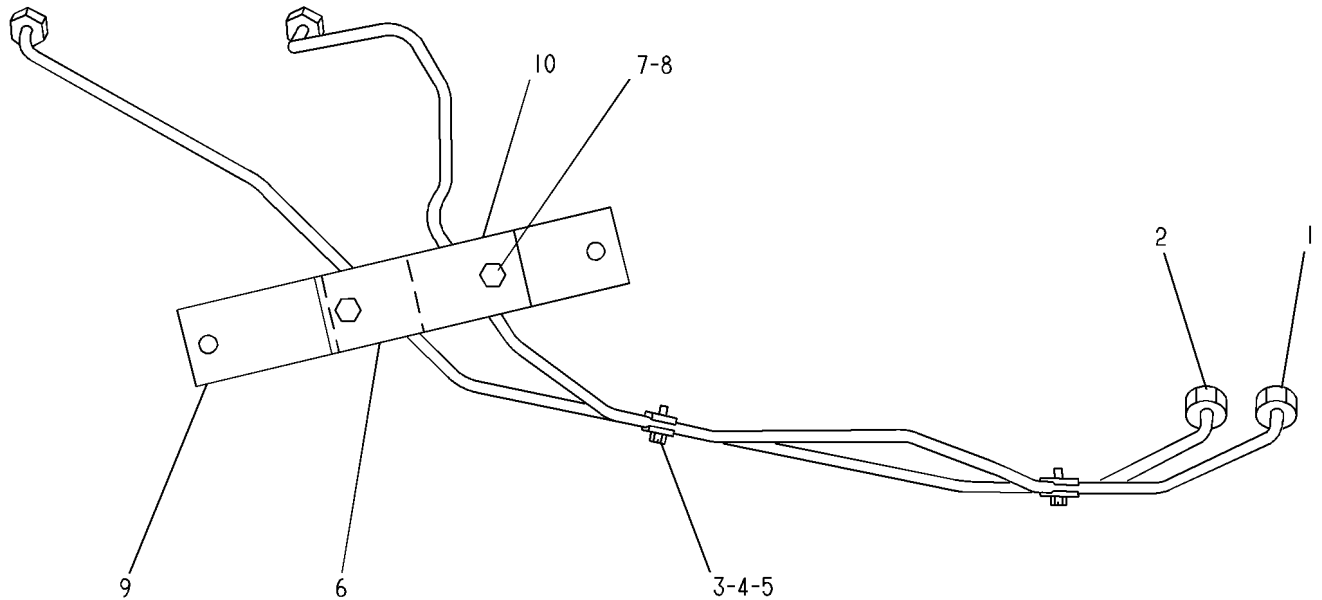
S/N: 85Z4342-UP

PART OF 108-8603, 132-4675, 8N-8175 LINES GP-FUEL INJECTION

SMCS-1252, 1254

i00649521

NOTE	REF NO	GRAPHIC REF	PART NUMBER	QTY	PART NAME						SEE PAGE
					1	2	3	4	5	6 (PRODUCT LEVEL)	
	1	1	<b>7C-7995</b>	1	LINE AS (LINE 5)						
	2	1	<b>7C-7996</b>	1	LINE AS (LINE 6)						
	3	1	<b>1W-9168</b>	2	CLAMP-FUEL LINE (NON-THREADED)						
	4	1	<b>1W-9169</b>	2	CLAMP-FUEL LINE (THREADED)						
	5	1	<b>5P-4939</b>	2	SCREW-MACHINE (10-24X15.88-IN)						
	6	1	<b>5M-5528</b>	4	DAMPER-FUEL LINE						
	7	1	<b>6V-6867</b>	2	SCREW-MACHINE						
	8	1	<b>3B-4502</b>	2	LOCKWASHER						
	9	1	<b>2W-4056</b>	1	SUPPORT						
	10	1	<b>2W-4059</b>	1	CLAMP						



TOP VIEW

GRAPHIC #1

<END>

g00180480

# FUEL SYSTEM

## 7C-9361 LINES GP-FUEL INJECTION-DOUBLE WALLED

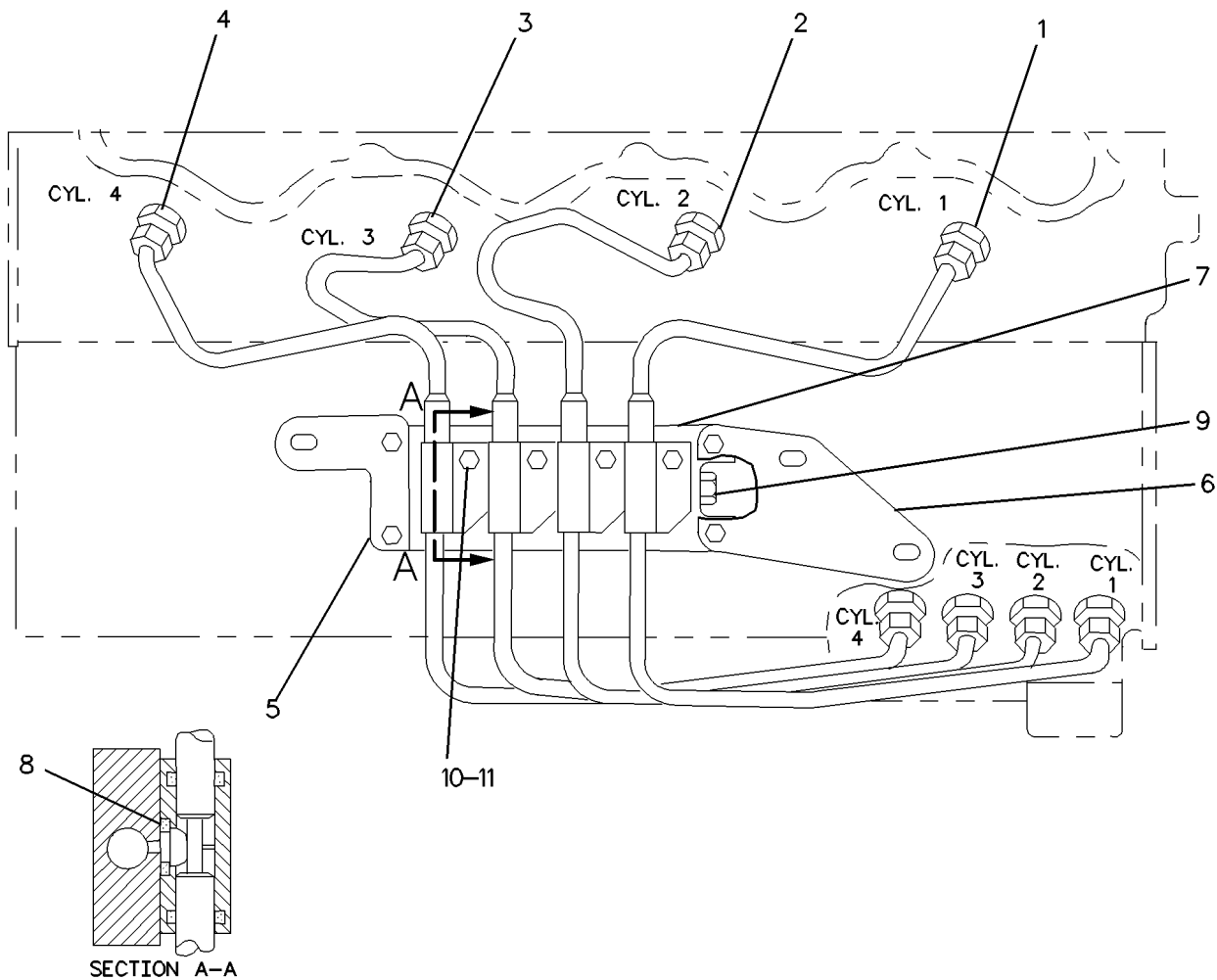
S/N: 85Z3764-UP

PART OF 2W-2382 LINES GP-FUEL INJECTION  
AN ATTACHMENT

SMCS-1252, 1254

i01832949

NOTE	REF NO	GRAPHIC REF	PART NUMBER	QTY	PART NAME						SEE PAGE
					1	2	3	4	5	6	
	1	1	<b>7C-9771</b>	1	LINE AS-FUEL INJECTION (CYLINDER 1)						
	2	1	<b>7C-9772</b>	1	LINE AS-FUEL INJECTION (CYLINDER 2)						
	3	1	<b>7C-9773</b>	1	LINE AS-FUEL INJECTION (CYLINDER 3)						
	4	1	<b>7C-9774</b>	1	LINE AS-FUEL INJECTION (CYLINDER 4)						
	5	1	<b>2W-2379</b>	1	PLATE						
	6	1	<b>2W-2380</b>	1	PLATE						
	7	1	<b>2W-2346</b>	1	PLATE						
	8	1	<b>6F-5559</b>	4	SEAL-O-RING						
	9	1	<b>5M-6214</b>	1	PLUG (1/8-27 PTF)						
	10	1	<b>0S-1615</b>	8	BOLT (1/4-20X0.75-IN)						
	11	1	<b>5P-0537</b>	8	WASHER-HARD (7.2X14.5X2-MM THK)						



GRAPHIC #1

<END>

g00202565

# FUEL SYSTEM

## 7C-9362 LINES GP-FUEL INJECTION-DOUBLE WALLED

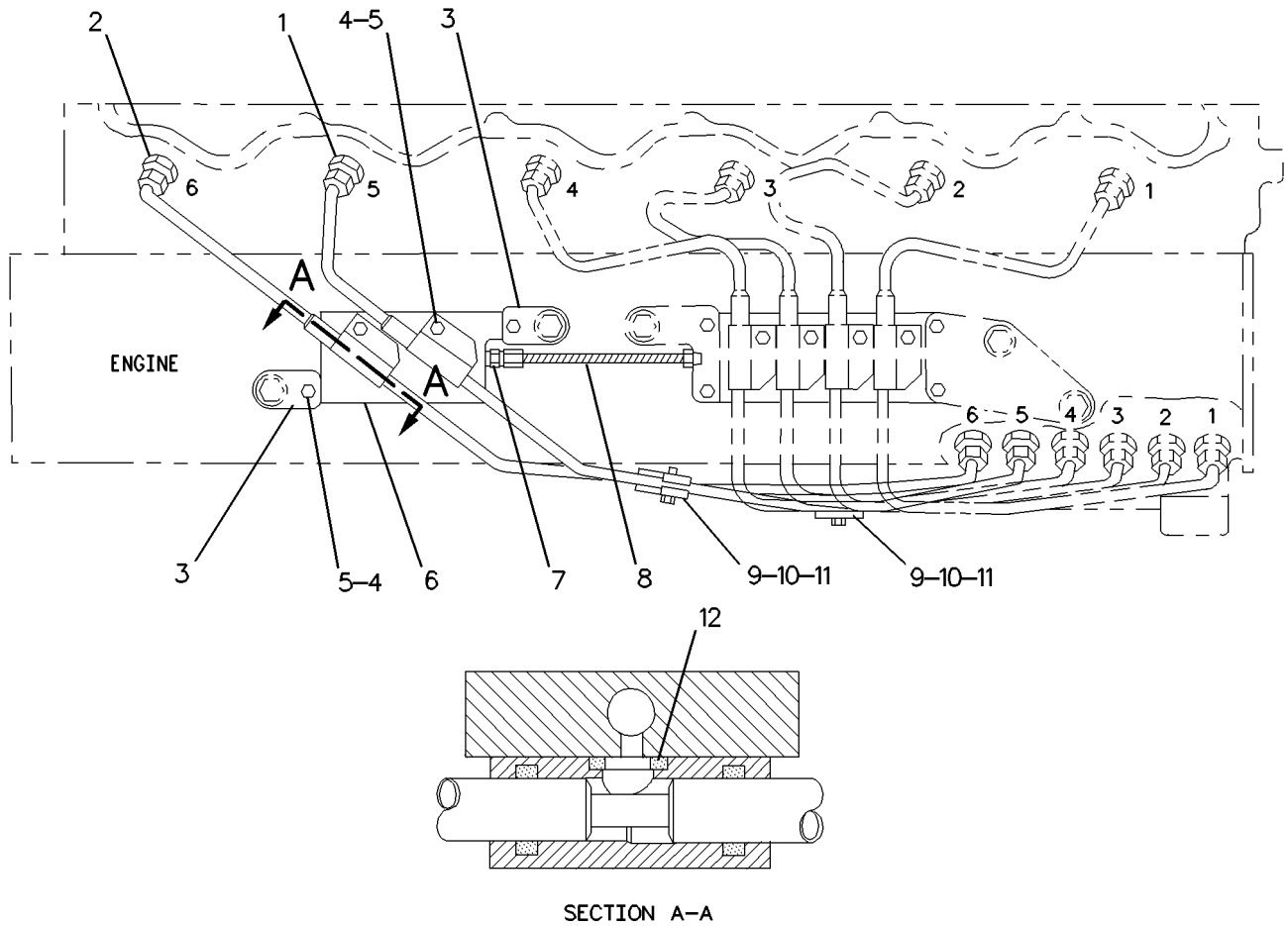
S/N: 85Z3764-UP

PART OF 2W-2382 LINES GP-FUEL INJECTION  
AN ATTACHMENT

SMCS-1252, 1254

i00662683

NOTE	REF NO	GRAPHIC REF	PART NUMBER	QTY	PART NAME						SEE PAGE
					1	2	3	4	5	6 (PRODUCT LEVEL)	
	1	1	<b>7C-9775</b>	1	LINE AS-FUEL INJECTION						
	2	1	<b>7C-9776</b>	1	LINE AS-FUEL INJECTION						
	3	1	<b>2W-2355</b>	2	PLATE						
	4	1	<b>5P-0537</b>	4	WASHER-HARD (7.2X14.5X2-MM THK)						
	5	1	<b>0S-1615</b>	4	BOLT (1/4-20X0.75-IN)						
	6	1	<b>2W-2345</b>	1	PLATE						
	7	1	<b>001-7025</b>	2	CONNECTOR						
	8	1	<b>2W-2360</b>	1	TUBE AS						
	9	1	<b>2W-7263</b>	2	CLAMP-FUEL LINE (THREADED)						
	10	1	<b>2W-7264</b>	2	CLAMP-FUEL LINE (NOT THREADED)						
	11	1	<b>7N-9020</b>	2	SCREW AS						
	12	1	<b>6F-5559</b>	2	SEAL-O-RING						



GRAPHIC #1

<END>

g00202566

# FUEL SYSTEM

## 7W-9690 LINES GP-FUEL INJECTION

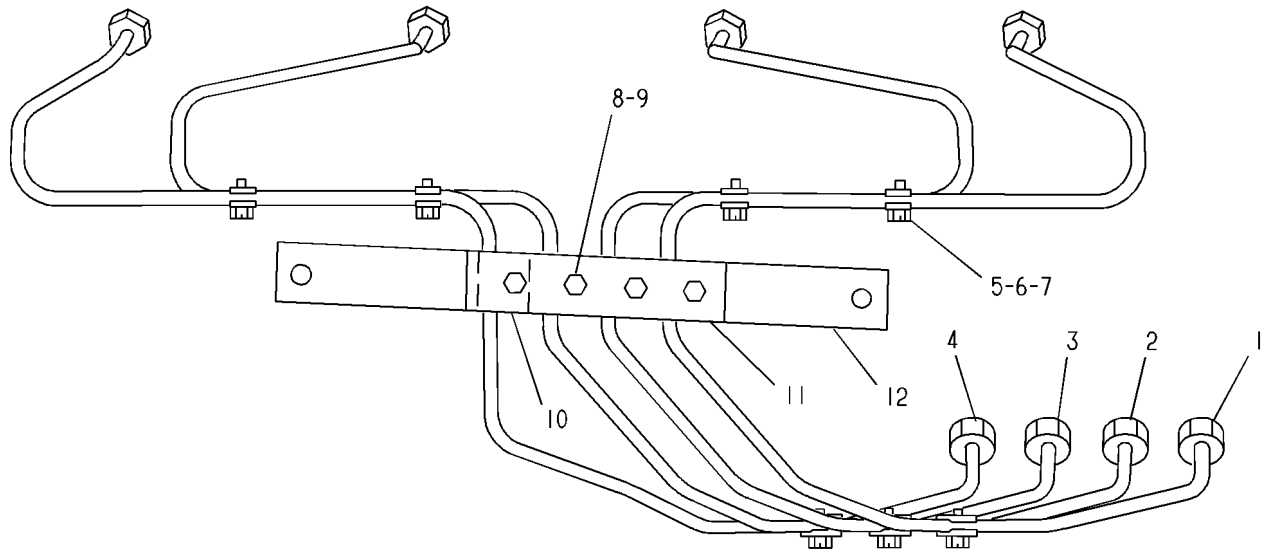
S/N: 85Z3764-4341

PART OF 8N-8175 LINES GP-FUEL INJECTION

SMCS-1252, 1254

i00637719

NOTE	REF NO	GRAPHIC REF	PART NUMBER	QTY	PART NAME						SEE PAGE
					1	2	3	4	5	6 (PRODUCT LEVEL)	
	1	1	<b>7W-9691</b>	1	LINE AS-FUEL INJECTION						
	2	1	<b>7W-9692</b>	1	LINE AS-FUEL INJECTION						
	3	1	<b>7W-9693</b>	1	LINE AS-FUEL INJECTION						
	4	1	<b>7W-9694</b>	1	LINE AS-FUEL INJECTION						
	5	1	<b>1W-9168</b>	7	CLAMP-FUEL LINE (NON-THREADED)						
	6	1	<b>1W-9169</b>	7	CLAMP-FUEL LINE (THREADED)						
	7	1	<b>5P-4939</b>	7	SCREW-MACHINE (10-24X15.88-IN)						
	8	1	<b>6V-6867</b>	4	SCREW-MACHINE						
	9	1	<b>3B-4502</b>	4	LOCKWASHER						
	10	1	<b>5M-5528</b>	4	DAMPER-FUEL LINE						
	11	1	<b>2W-4058</b>	1	CLAMP						
	12	1	<b>2W-4057</b>	1	SUPPORT						



TOP VIEW

GRAPHIC #1

<END>

g00180479



# FUEL SYSTEM

## 7W-9697 LINES GP-FUEL INJECTION

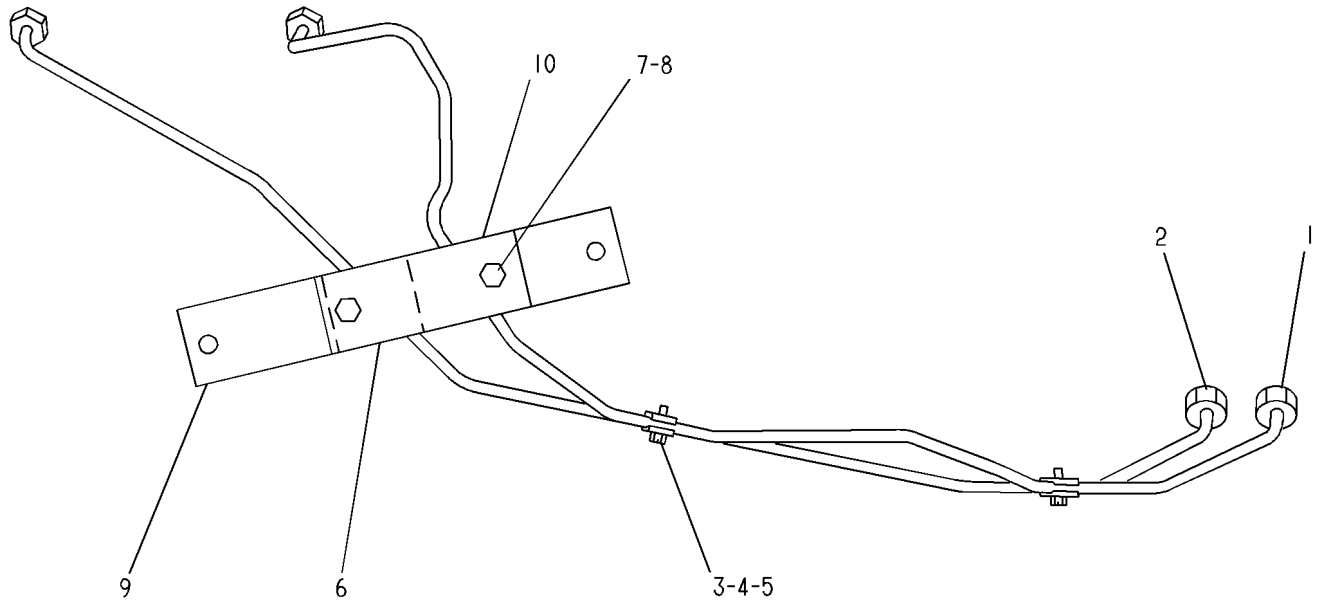
S/N: 85Z3764-4341

PART OF 8N-8175 LINES GP-FUEL INJECTION

SMCS-1252, 1254

i00648353

NOTE	REF NO	GRAPHIC REF	PART NUMBER	QTY	PART NAME						SEE PAGE
					1	2	3	4	5	6 (PRODUCT LEVEL)	
	1	1	<b>7W-9695</b>	1	LINE AS-FUEL INJECTION						
	2	1	<b>7W-9696</b>	1	LINE AS-FUEL INJECTION						
	3	1	<b>1W-9168</b>	2	CLAMP-FUEL LINE (NON-THREADED)						
	4	1	<b>1W-9169</b>	2	CLAMP-FUEL LINE (THREADED)						
	5	1	<b>5P-4939</b>	2	SCREW-MACHINE (10-24X15.88-IN)						
	6	1	<b>5M-5528</b>	4	DAMPER-FUEL LINE						
	7	1	<b>6V-6867</b>	2	SCREW-MACHINE						
	8	1	<b>3B-4502</b>	2	LOCKWASHER						
	9	1	<b>2W-4056</b>	1	SUPPORT						
	10	1	<b>2W-4059</b>	1	CLAMP						



TOP VIEW

GRAPHIC #1

<END>

g00180480

# FUEL SYSTEM

## 8N-8175 LINES GP-FUEL INJECTION

S/N: 85Z3764-4341

PART OF 2W-1508, 7C-4468 LINES GP-FUEL INJECTION

SMCS-1252, 1254

i00648407

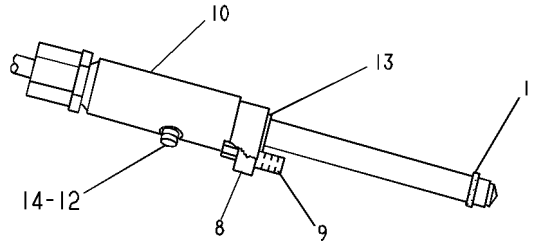
NOTE	REF NO	GRAPHIC REF	PART NUMBER	QTY	PART NAME						SEE PAGE
					1	2	3	4	5	6 (PRODUCT LEVEL)	
CY	1	1	7W-9690	1	LINES GP-FUEL INJECTION						690
CY	2	1	7W-9697	1	LINES GP-FUEL INJECTION						691
	3	1	1W-9168	3	CLAMP-FUEL LINE (NON-THREADED)						
	4	1	1W-9169	3	CLAMP-FUEL LINE (THREADED)						
	5	1	5P-4939	3	SCREW-MACHINE (10-24X15.88-IN)						
	6	1	5M-2894	4	WASHER-HARD (10.2X18.5X2.5-MM THK)						
	7	1	0S-1594	4	BOLT (3/8-16X1-IN)						
	8	1	8N-5132	6	CLAMP-NOZZLE						
	9	1	1T-0416	6	BOLT (5/16-18X0.75-IN)						
R	10	1	8N-7005	6	INJECTOR GP-FUEL (EACH INCLUDES)						
	11	1	9L-9098	1	SEAL-CARBON STOP						
	12	1	2W-1230	1	SCREW-BUTTON HEAD						
	13	1	1W-7461	1	WASHER						
	14	1	1W-8616	1	WASHER						
	15	1	8H-9204	6	WASHER-FELT (19/32X7/8X5/16-IN THK)						
	16	1	3V-2431	4	WASHER (10.2X16X2-MM THK)						

C - CHANGE FROM PREVIOUS TYPE  
R - REMANUFACTURED PART MAY BE AVAILABLE  
Y - SEPARATE ILLUSTRATION

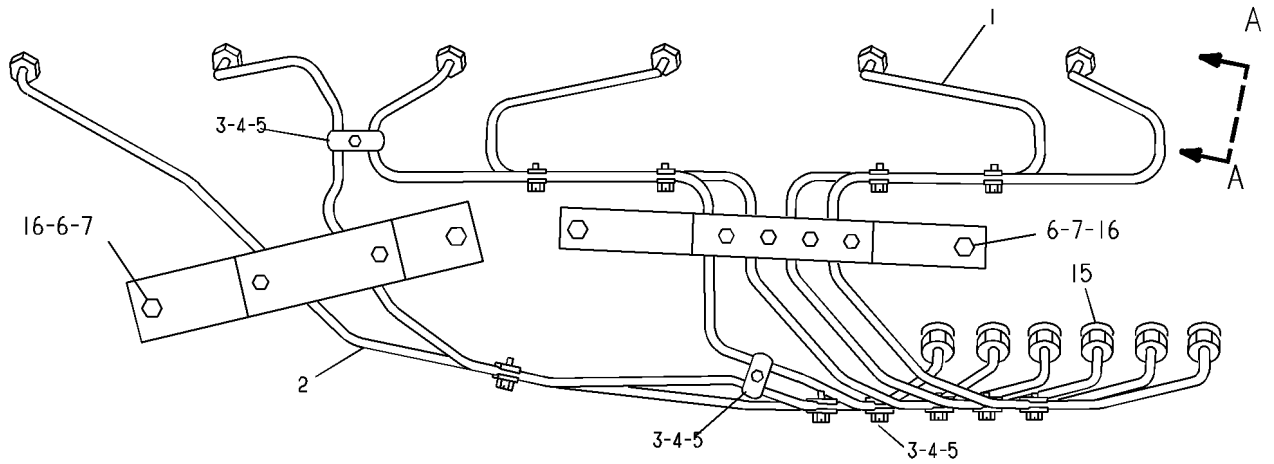
# FUEL SYSTEM

8N-8175 LINES GP-FUEL INJECTION (contd.)

100648407



VIEW A-A



GRAPHIC #1

<END>

g00180478

# FUEL SYSTEM

## 8N-8175 LINES GP-FUEL INJECTION

S/N: 85Z4342-UP

PART OF 2W-1508, 7C-4468 LINES GP-FUEL INJECTION

SMCS-1252, 1254

i00648412

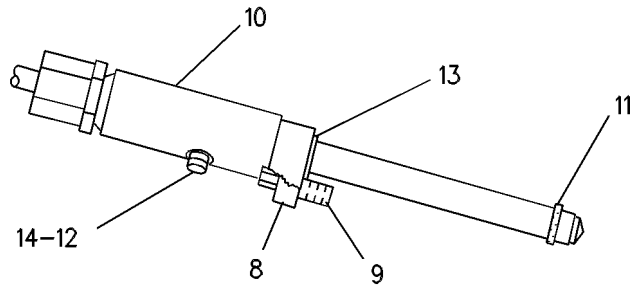
NOTE	REF NO	GRAPHIC REF	PART NUMBER	QTY	PART NAME						SEE PAGE
					1	2	3	4	5	6 (PRODUCT LEVEL)	
CY	1	1	7C-8876	1	LINES GP-FUEL INJECTION						686
CY	2	1	7C-8877	1	LINES GP-FUEL INJECTION						687
	3	1	1W-9168	3	CLAMP-FUEL LINE (NON-THREADED)						
	4	1	1W-9169	3	CLAMP-FUEL LINE (THREADED)						
	5	1	5P-4939	3	SCREW-MACHINE (10-24X15.88-IN)						
	6	1	5M-2894	4	WASHER-HARD (10.2X18.5X2.5-MM THK)						
	7	1	0S-1594	4	BOLT (3/8-16X1-IN)						
	8	1	8N-5132	6	CLAMP-NOZZLE						
	9	1	1T-0416	6	BOLT (5/16-18X0.75-IN)						
R	10	1	8N-7005	6	INJECTOR GP-FUEL (EACH INCLUDES)						
	11	1	9L-9098	1	SEAL-CARBON STOP						
	12	1	2W-1230	1	SCREW-BUTTON HEAD						
	13	1	1W-7461	1	WASHER						
	14	1	1W-8616	1	WASHER						
	15	1	8H-9204	6	WASHER-FELT (19/32X7/8X5/16-IN THK)						

C - CHANGE FROM PREVIOUS TYPE  
R - REMANUFACTURED PART MAY BE AVAILABLE  
Y - SEPARATE ILLUSTRATION

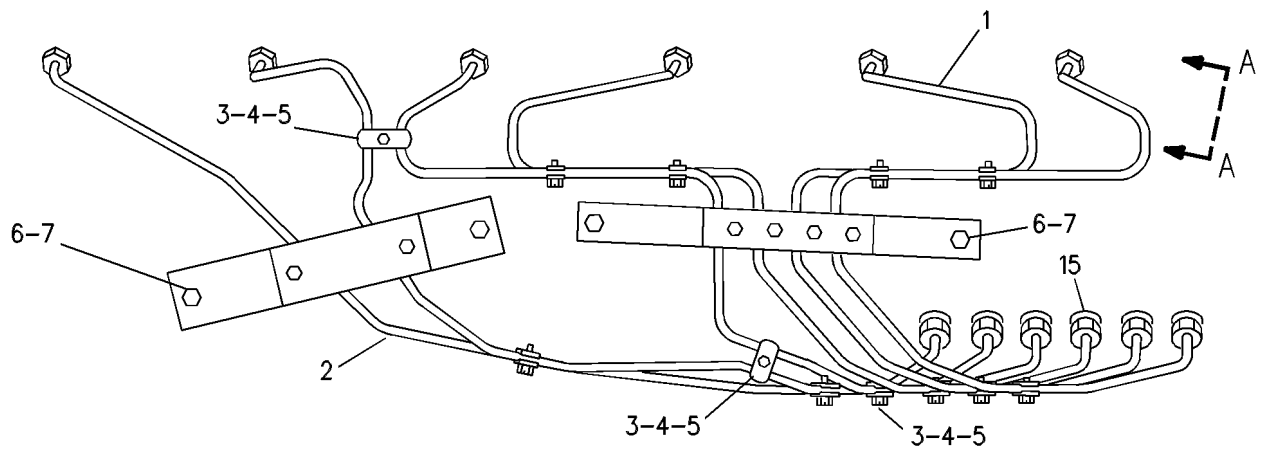
# FUEL SYSTEM

8N-8175 LINES GP-FUEL INJECTION (contd.)

i00648412



VIEW A-A



TOP VIEW

GRAPHIC #1

<END>

g00241697

# FUEL SYSTEM

## 9Y-6375 MOUNTING GP-GOVERNOR ACTUATOR

S/N: 85Z3764-UP

AN ATTACHMENT

SMCS-1716

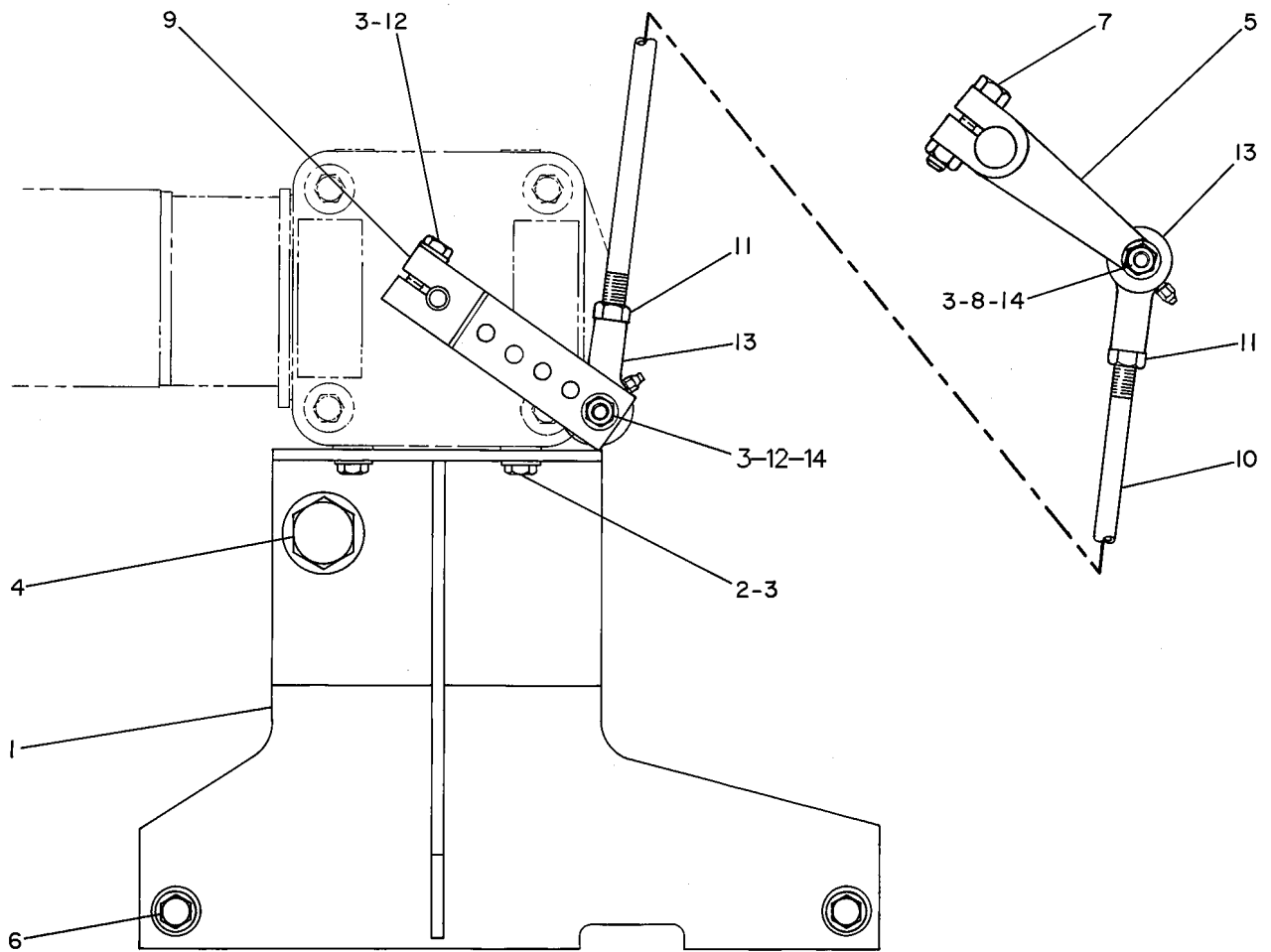
i01894945

NOTE	REF NO	GRAPHIC REF	PART NUMBER	QTY	PART NAME						SEE PAGE
					1	2	3	4	5	6	
	1	1	<b>9Y-6376</b>	1	BRACKET AS						
	2	1	<b>8T-9364</b>	4	BOLT (1/4-20X0.625-IN)						
	3	1	<b>8T-4205</b>	11	WASHER-HARD (7.2X14.5X2-MM THK)						
	4	1	<b>5C-6266</b>	1	BOLT (5/8-11X1-IN)						
		1	<b>8T-4122</b>	1	WASHER-HARD (17X32X3.5-MM THK)						
	5	1	<b>9L-1441</b>	1	LEVER-GOVERNOR CONTROL						
	6	1	<b>8T-8912</b>	2	BOLT (5/16-18X2.25-IN)						
		1	<b>8T-4224</b>	2	WASHER-HARD (8.8X16X2-MM THK)						
	7	1	<b>8C-6876</b>	1	BOLT (5/16-18X1.625-IN)						
		1	<b>6V-8189</b>	1	NUT (5/16-18-THD)						
	8	1	<b>7X-2501</b>	1	BOLT (1/4-20X1.25-IN)						
	9	1	<b>7C-9189</b>	1	LEVER-GOVERNOR CONTROL						
	10	1	<b>5D-9372</b>	1	ROD						
	11	1	<b>6V-8186</b>	2	NUT-FULL (5/16-24-THD)						
	12	1	<b>6D-2928</b>	2	BOLT (1/4-20X1.125-IN)						
	13	1	<b>7L-4186</b>	2	ROD END						
	14	1	<b>6V-8185</b>	2	NUT (1/4-20-THD)						

# FUEL SYSTEM

9Y-6375 MOUNTING GP-GOVERNOR ACTUATOR (contd.)

101894945



GRAPHIC #1

<END>

g00216807

# FUEL SYSTEM

## 2W-4160 PUMP & MTG GP-FUEL TRANSFER

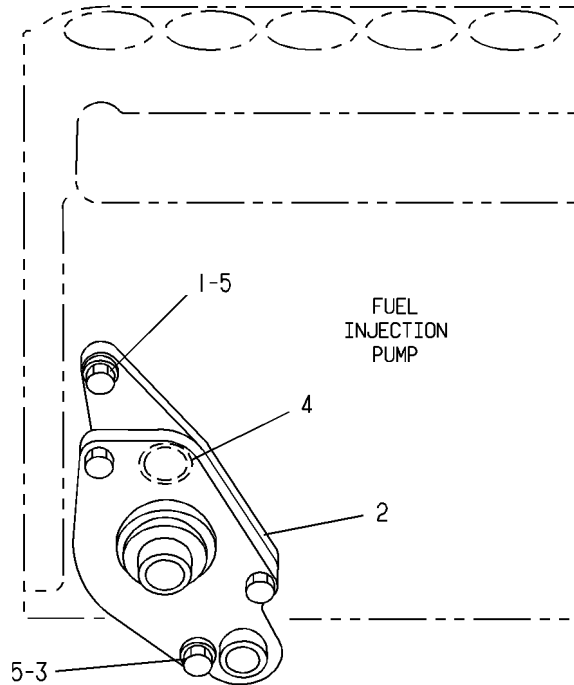
S/N: 85Z3764-UP

SMCS - 1256

i02355508

NOTE	REF NO	GRAPHIC REF	PART NUMBER	QTY	PART NAME						SEE PAGE
					1	2	3	4	5	6 (PRODUCT LEVEL)	
	1	1	<b>4F-7957</b>	1	BOLT (1/4-20X0.875-IN)						
YR	2	1	<b>1W-1695</b>	1	PUMP GP-FUEL TRANSFER						754
	3	1	<b>4B-9365</b>	1	BOLT (1/4-20X3-IN)						
C	4	1	<b>4J-8997</b>	1	SEAL-O-RING						
C	5	1	<b>5P-0537</b>	2	WASHER-HARD (7.2X14.5X2-MM THK)						

C - CHANGE FROM PREVIOUS TYPE  
 R - REMANUFACTURED PART MAY BE AVAILABLE  
 Y - SEPARATE ILLUSTRATION



GRAPHIC #1

<END>

g00108230



# FUEL SYSTEM

## 108-4830 PUMP GP-FUEL INJECTION

S/N: 85Z11355-UP

PART OF 108-4825, 108-4827 PUMP GP-GOV & FUEL INJ

SMCS-1251, 1290

i00943551

NOTE	REF NO	GRAPHIC REF	PART NUMBER	QTY	PART NAME						SEE PAGE
					1	2	3	4	5	6 (PRODUCT LEVEL)	
	1	1	<b>9S-4180</b>	2	PLUG						
	2	1	<b>4J-7533</b>	2	SEAL-O-RING						
	3	1	<b>1W-3286</b>	1	RACK-REGULATOR						
YR	4	1	<b>7W-5928</b>	6	PUMP GP-FUEL INJECTION						745
	5	1	<b>8N-5117</b>	6	BUSHING-TERMINAL						
	6	1	<b>114-8718</b>	6	SEAL-O-RING						
	7	1	<b>4W-6869</b>	6	SPACER (27X32.54X5.049-MM THK)						
	8	1	<b>150-3724</b>	1	GASKET						
	9	1	<b>7N-8421</b>	1	RING-RETAINING						
	10	1	<b>8N-2487</b>	1	WASHER-THRUST						
	11	1	<b>4P-9832</b>	6	LIFTER AS						
	12	1	<b>0S-1615</b>	4	BOLT (1/4-20X0.75-IN)						
	13	1	<b>7N-1047</b>	1	COVER-TIMING						
	14	1	<b>108-4828</b>	1	CAMSHAFT AS						
	15	1	<b>8N-2510</b>	1	SHAFT-WEIGHT CARRIER						
	16	1	<b>7N-7264</b>	4	WEIGHT-GOVERNOR						
	17	1	<b>9Y-7037</b>	4	BOLT (1/4-20X1.25-IN)						
	18	1	<b>1S-5440</b>	4	DOWEL						
	19	1	<b>7E-3986</b>	1	CARRIER-WEIGHT						
	20	1	<b>7N-7166</b>	2	RACE-THRUST BEARING						
	21	1	<b>7L-3326</b>	1	BEARING-THRUST						
	22	1	<b>4N-9019</b>	1	DOWEL						
	23	1	<b>4P-9840</b>	1	HOUSING AS						
	24	1	<b>1W-3285</b>	1	BEARING-RACK						
	25	1	<b>1S-1953</b>	1	BEARING-RACK						
	26	1	<b>6I-0979</b>	6	DOWEL						
	27	1	<b>7N-7970</b>	1	BUSHING						
	28	1	<b>4P-9828</b>	1	BUSHING						
	29	1	<b>4P-8480</b>	6	PIN-PUMP GUIDE						

R - REMANUFACTURED PART MAY BE AVAILABLE  
Y - SEPARATE ILLUSTRATION



# FUEL SYSTEM

## 110-7548 PUMP GP-FUEL INJECTION

S/N: 85Z3764-UP

10MM (.39 INCH)

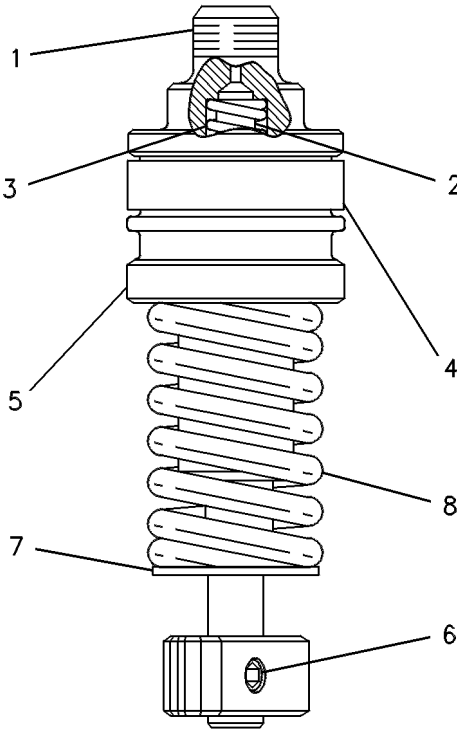
FIELD INSTALLATION

SMCS-1251, 1290

i01985666

NOTE	REF NO	GRAPHIC REF	PART NUMBER	QTY	PART NAME						SEE PAGE
					1	2	3	4	5	6 (PRODUCT LEVEL)	
	1	1	<b>1W-9171</b>	1	BONNET - VALVE						
	2	1	<b>1W-6987</b>	1	VALVE AS-CHECK (FUEL INJECTION PUMP)						
	3	1	<b>8N-1415</b>	1	SPRING-CHECK						
	4	1	<b>7W-1927</b>	1	RING-RETAINING						
R	5	1	<b>7W-5929</b>	1	PLUNGER & BARREL AS (FUEL PUMP)						
	6	1	<b>7C-5278</b>	1	BOLT-PLUNGER GEAR (FUEL PUMP)						
	7	1	<b>7N-1066</b>	1	WASHER-RETAINING						
	8	1	<b>7N-1067</b>	1	SPRING-LIFTER						

R - REMANUFACTURED PART MAY BE AVAILABLE



GRAPHIC #1

<END>

g00243619

# FUEL SYSTEM

## 110-7549 PUMP GP-FUEL INJECTION

S/N: 85Z3764-UP

9MM (.35 INCH)

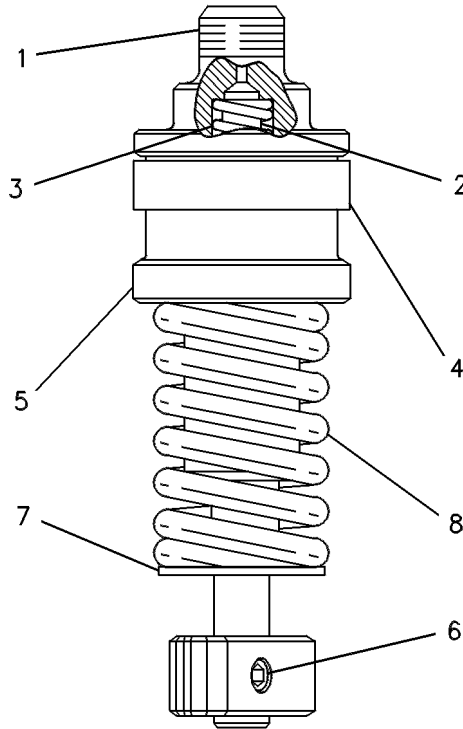
FIELD INSTALLATION

SMCS-1251, 1290

i01988254

NOTE	REF NO	GRAPHIC REF	PART NUMBER	QTY	PART NAME						SEE PAGE
					1	2	3	4	5	6 (PRODUCT LEVEL)	
	1	1	<b>1W-9171</b>	1	BONNET - VALVE						
	2	1	<b>1W-6987</b>	1	VALVE AS-CHECK (FUEL INJECTION PUMP)						
	3	1	<b>8N-1415</b>	1	SPRING-CHECK						
	4	1	<b>7W-1927</b>	1	RING-RETAINING						
R	5	1	<b>1W-6541</b>	1	PLUNGER AS						
	6	1	<b>7C-5278</b>	1	BOLT-PLUNGER GEAR (FUEL PUMP)						
	7	1	<b>7N-1066</b>	1	WASHER-RETAINING						
	8	1	<b>7N-1067</b>	1	SPRING-LIFTER						

R - REMANUFACTURED PART MAY BE AVAILABLE



GRAPHIC #1

<END>

g00243620

# FUEL SYSTEM

## 154-3199 PUMP GP-FUEL INJECTION

S/N: 85Z11355-UP

PART OF 111-2126 PUMP GP-GOV & FUEL INJ  
AN ATTACHMENT

SMCS-1251, 1290

i00943553

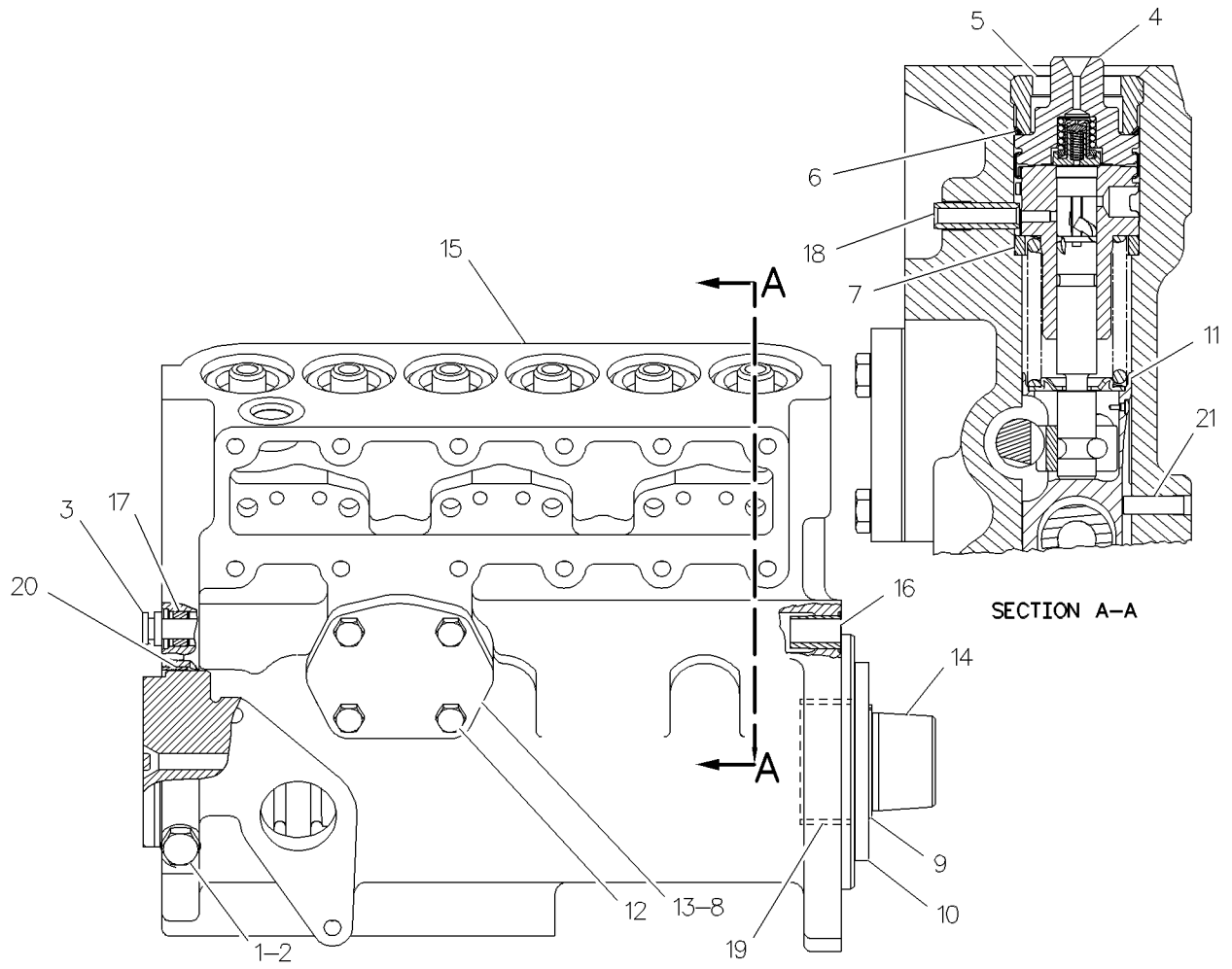
NOTE	REF NO	GRAPHIC REF	PART NUMBER	QTY	PART NAME						SEE PAGE
					1	2	3	4	5	6 (PRODUCT LEVEL)	
	1	1	<b>9S-4180</b>	2	PLUG						
	2	1	<b>4J-7533</b>	2	SEAL-O-RING						
	3	1	<b>1W-3286</b>	1	RACK-REGULATOR						
YR	4	1	<b>7W-5928</b>	6	PUMP GP-FUEL INJECTION						745
	5	1	<b>8N-5117</b>	6	BUSHING-TERMINAL						
	6	1	<b>114-8718</b>	6	SEAL-O-RING						
	7	1	<b>4W-6869</b>	6	SPACER (27X32.54X5.049-MM THK)						
	8	1	<b>150-3724</b>	1	GASKET						
	9	1	<b>7N-8421</b>	1	RING-RETAINING						
	10	1	<b>8N-2487</b>	1	WASHER-THRUST						
	11	1	<b>4P-9832</b>	6	LIFTER AS						
	12	1	<b>0S-1615</b>	4	BOLT (1/4-20X0.75-IN)						
	13	1	<b>7N-1047</b>	1	COVER-TIMING						
	14	1	<b>108-4829</b>	1	CAMSHAFT-FUEL PUMP						
	15	1	<b>4P-9840</b>	1	HOUSING AS						
	16	1	<b>1W-3285</b>	1	BEARING-RACK						
	17	1	<b>1S-1953</b>	1	BEARING-RACK						
	18	1	<b>6I-0979</b>	6	DOWEL						
	19	1	<b>7N-7970</b>	1	BUSHING						
	20	1	<b>4P-9828</b>	1	BUSHING						
	21	1	<b>4P-8480</b>	6	PIN-PUMP GUIDE						

R - REMANUFACTURED PART MAY BE AVAILABLE  
Y - SEPARATE ILLUSTRATION

# FUEL SYSTEM

154-3199 PUMP GP-FUEL INJECTION (contd.)

i00943553



GRAPHIC #1

<END>

g00358149

# FUEL SYSTEM

## 1W-6539 PUMP GP-FUEL INJECTION\*R

S/N: 85Z3764-UP

PART OF 2W-0256, 2W-3367, 2W-6179, 6I-2833, 6I-2834, 6I-2836, 6I-2837, 6I-2994, 7C-5219 PUMP GP-FUEL INJECTION, 8N-2525 PUMP GP-GOV & FUEL INJ

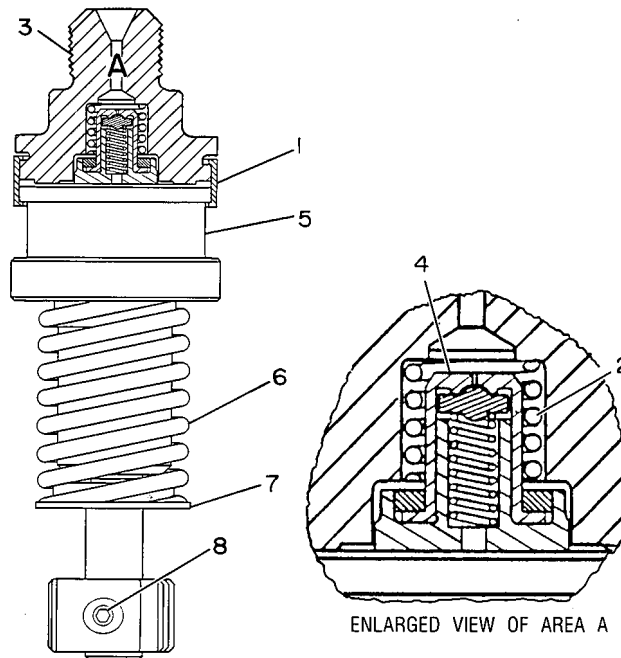
ALSO AN ATTACHMENT

SMCS-1251, 1290

i01894796

NOTE	REF NO	GRAPHIC REF	PART NUMBER	QTY	PART NAME						SEE PAGE
					1	2	3	4	5	6 (PRODUCT LEVEL)	
	1	1	<b>7W-1927</b>	1	RING-RETAINING						
	2	1	<b>8N-1415</b>	1	SPRING-CHECK						
	3	1	<b>1W-9171</b>	1	BONNET-VALVE						
	4	1	<b>1W-6987</b>	1	VALVE AS-CHECK (FUEL)						
R	5	1	<b>1W-6541</b>	1	PLUNGER AS						
	6	1	<b>7N-1067</b>	1	SPRING-LIFTER						
	7	1	<b>7W-2808</b>	1	WASHER-RETAINING						
C	8	1	<b>7C-5278</b>	1	BOLT-PLUNGER GEAR (FUEL PUMP) (12.1MM LG)						

C - CHANGE FROM PREVIOUS TYPE  
R - REMANUFACTURED PART MAY BE AVAILABLE



GRAPHIC #1

<END>

g00108358

# FUEL SYSTEM

## 2W-0256 PUMP GP-FUEL INJECTION

S/N: 85Z3764-UP

PART OF 2W-0055, 2W-0056, 7C-3027, 7C-5299 PUMP GP-GOV & FUEL INJ  
TYPE 1

SMCS-1251, 1290

i00903735

NOTE	REF NO	GRAPHIC REF	PART NUMBER	QTY	PART NAME						SEE PAGE
					1	2	3	4	5	6 (PRODUCT LEVEL)	
	1	1	<b>9S-4180</b>	2	PLUG						
		1	<b>4J-7533</b>	2	SEAL-O-RING						
	2	1	<b>1W-3286</b>	1	RACK-REGULATOR						
Y	3	1	<i>1W-3487</i>	1	HOUSING GP-FUEL PUMP						657
YR	4	1	<b>1W-6539</b>	6	PUMP GP-FUEL INJECTION						705
	5	1	<b>8N-5117</b>	6	BUSHING-TERMINAL						
	6	1	<b>7E-4846</b>	6	SEAL-O-RING						
C	7	1	<b>4W-6869</b>	6	SPACER (27X32.54X5.049-MM THK)						
Y	8	1	<i>2W-0255</i>	1	CAMSHAFT AS						578
	9	1	<b>7N-8421</b>	1	RING-RETAINING						
	10	1	<b>8N-2487</b>	1	WASHER-THRUST						
	11	1	<b>8N-2489</b>	6	LIFTER AS						
	12	1	<b>0S-1615</b>	4	BOLT (1/4-20X0.75-IN)						
	13	1	<b>7N-1047</b>	1	COVER-TIMING						
		1	<b>7N-1046</b>	1	GASKET-COVER						

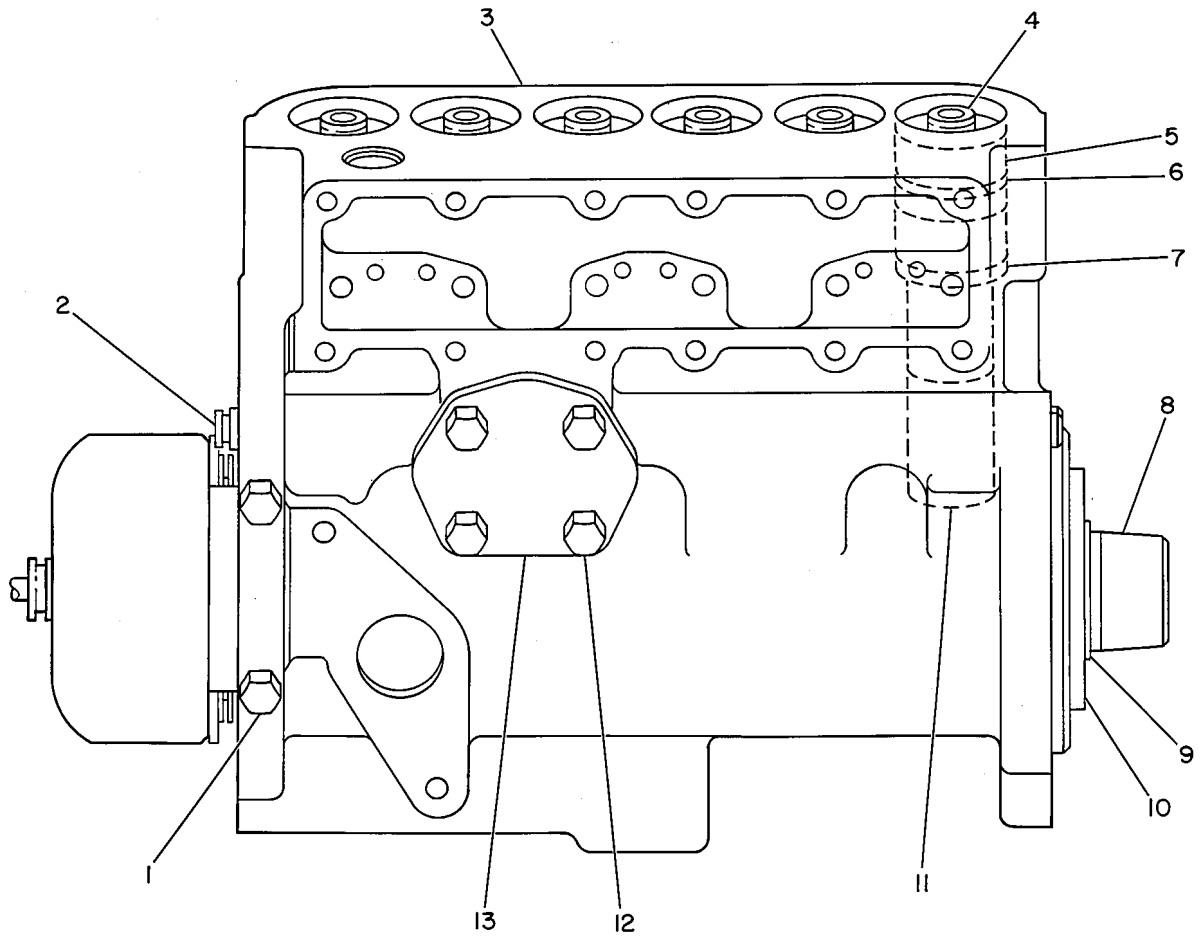
C - CHANGE FROM PREVIOUS TYPE  
R - REMANUFACTURED PART MAY BE AVAILABLE  
Y - SEPARATE ILLUSTRATION



# FUEL SYSTEM

2W-0256 PUMP GP-FUEL INJECTION (contd.)

100903735



GRAPHIC #1

<END>

g00113639

# FUEL SYSTEM

## 2W-0256 PUMP GP-FUEL INJECTION

S/N: 85Z3764-UP

PART OF 2W-0055, 2W-0056, 7C-3027, 7C-5299 PUMP GP-GOV & FUEL INJ  
TYPE 2

SMCS-1251, 1290

i00794543

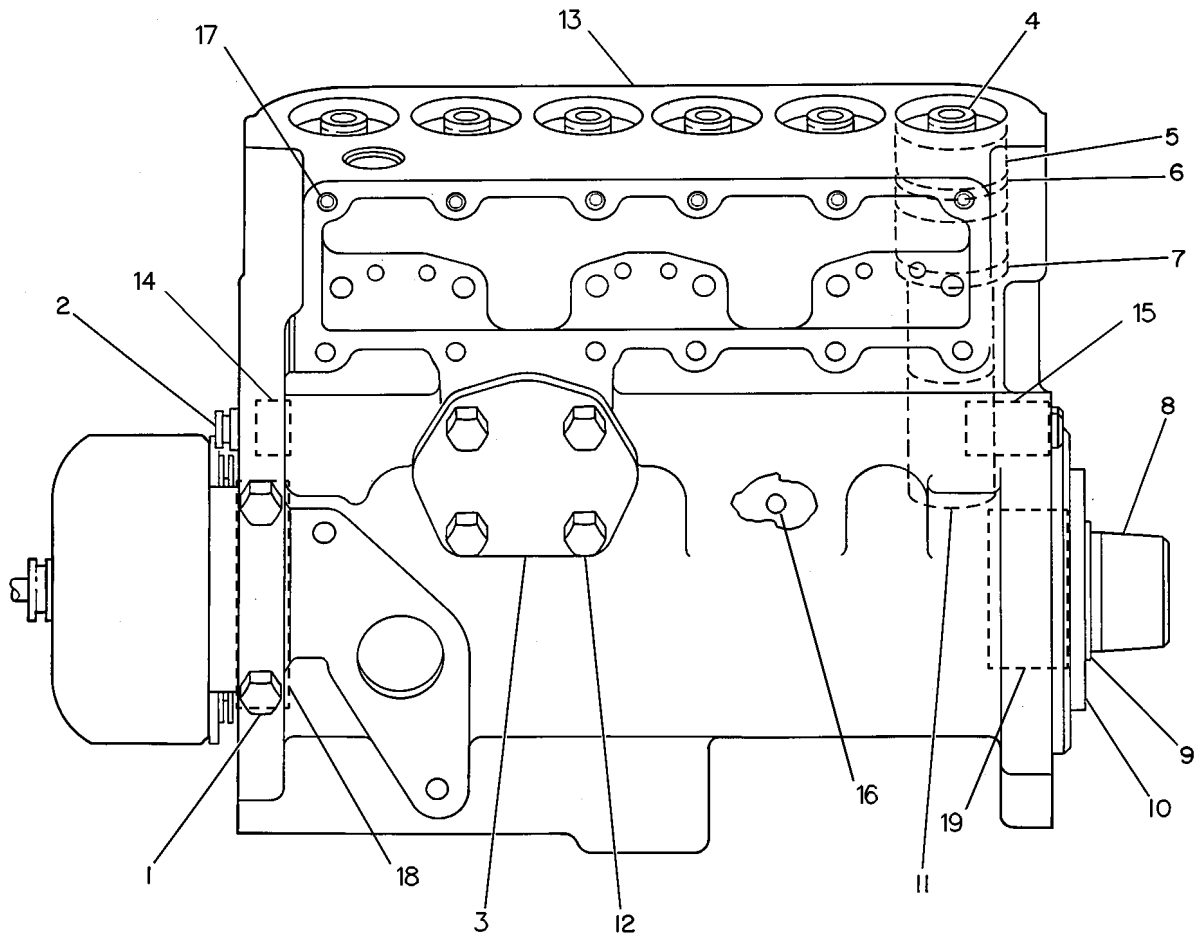
NOTE	REF NO	GRAPHIC REF	PART NUMBER	QTY	PART NAME						SEE PAGE
					1	2	3	4	5	6 (PRODUCT LEVEL)	
	1	1	<b>9S-4180</b>	2	PLUG						
		1	<b>4J-7533</b>	2	SEAL-O-RING						
	2	1	<b>1W-3286</b>	1	RACK-REGULATOR						
	3	1	<b>7N-1047</b>	1	COVER-TIMING						
		1	<b>150-3724</b>	1	GASKET						
YR	4	1	<b>1W-6539</b>	6	PUMP GP-FUEL INJECTION						705
	5	1	<b>8N-5117</b>	6	BUSHING-TERMINAL						
	6	1	<b>114-8718</b>	6	SEAL-O-RING						
	7	1	<b>4W-6869</b>	6	SPACER (27X32.54X5.049-MM THK)						
Y	8	1	<b>2W-0255</b>	1	CAMSHAFT AS						578
	9	1	<b>7N-8421</b>	1	RING-RETAINING						
	10	1	<b>8N-2487</b>	1	WASHER-THRUST						
C	11	1	<b>4P-9832</b>	6	LIFTER AS						
	12	1	<b>0S-1615</b>	4	BOLT (1/4-20X0.75-IN)						
C	13	1	<b>6I-2987</b>	1	HOUSING AS-PUMP						
	14	1	<b>1S-1953</b>	1	BEARING-RACK						
	15	1	<b>1W-3285</b>	1	BEARING-RACK						
	16	1	<b>4P-8480</b>	6	PIN-PUMP GUIDE						
	17	1	<b>6I-0979</b>	6	DOWEL						
	18	1	<b>6I-1631</b>	1	BUSHING						
	19	1	<b>7N-7970</b>	1	BUSHING						

C - CHANGE FROM PREVIOUS TYPE  
R - REMANUFACTURED PART MAY BE AVAILABLE  
Y - SEPARATE ILLUSTRATION

# FUEL SYSTEM

2W-0256 PUMP GP-FUEL INJECTION (contd.)

i00794543



GRAPHIC #1

<END>

g00114494

# FUEL SYSTEM

## 2W-3367 PUMP GP-FUEL INJECTION

S/N: 85Z3764-UP

PART OF 2W-3368 PUMP GP-GOV & FUEL INJ  
AN ATTACHMENT

SMCS-1251, 1290

i00968186

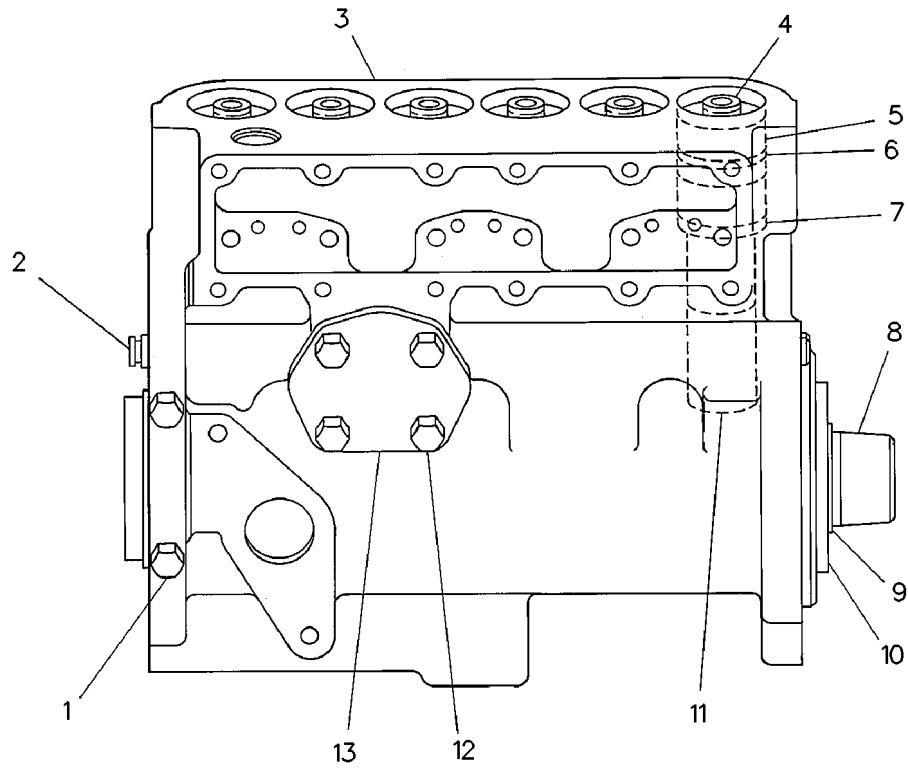
NOTE	REF NO	GRAPHIC REF	PART NUMBER	QTY	PART NAME						SEE PAGE
					1	2	3	4	5	6 (PRODUCT LEVEL)	
	1	1	<b>9S-4180</b>	2	PLUG						
		1	<b>4J-7533</b>	2	SEAL-O-RING						
	2	1	<b>1W-3286</b>	1	RACK-REGULATOR						
Y	3	1	<i>1W-3487</i>	1	HOUSING GP-FUEL PUMP						657
YR	4	1	<b>1W-6539</b>	6	PUMP GP-FUEL INJECTION						705
	5	1	<b>8N-5117</b>	6	BUSHING-TERMINAL						
	6	1	<b>7E-4846</b>	6	SEAL-O-RING						
	7	1	<b>4W-6869</b>	6	SPACER (27X32.54X5.049-MM THK)						
	8	1	<b>2W-0254</b>	1	CAMSHAFT-FUEL PUMP						
	9	1	<b>7N-8421</b>	1	RING-RETAINING						
	10	1	<b>8N-2487</b>	1	WASHER-THRUST						
	11	1	<b>8N-2489</b>	6	LIFTER AS						
	12	1	<b>0S-1615</b>	4	BOLT (1/4-20X0.75-IN)						
	13	1	<b>7N-1047</b>	1	COVER-TIMING						
		1	<b>7N-1046</b>	1	GASKET-COVER						

R - REMANUFACTURED PART MAY BE AVAILABLE  
Y - SEPARATE ILLUSTRATION

# FUEL SYSTEM

2W-3367 PUMP GP-FUEL INJECTION (contd.)

i00968186



GRAPHIC #1

<END>

g00222305

# FUEL SYSTEM

## 2W-6179 PUMP GP-FUEL INJECTION

S/N: 85Z3764-UP

PART OF 7C-3025 PUMP GP-GOV & FUEL INJ

SMCS-1251, 1290

i00152086

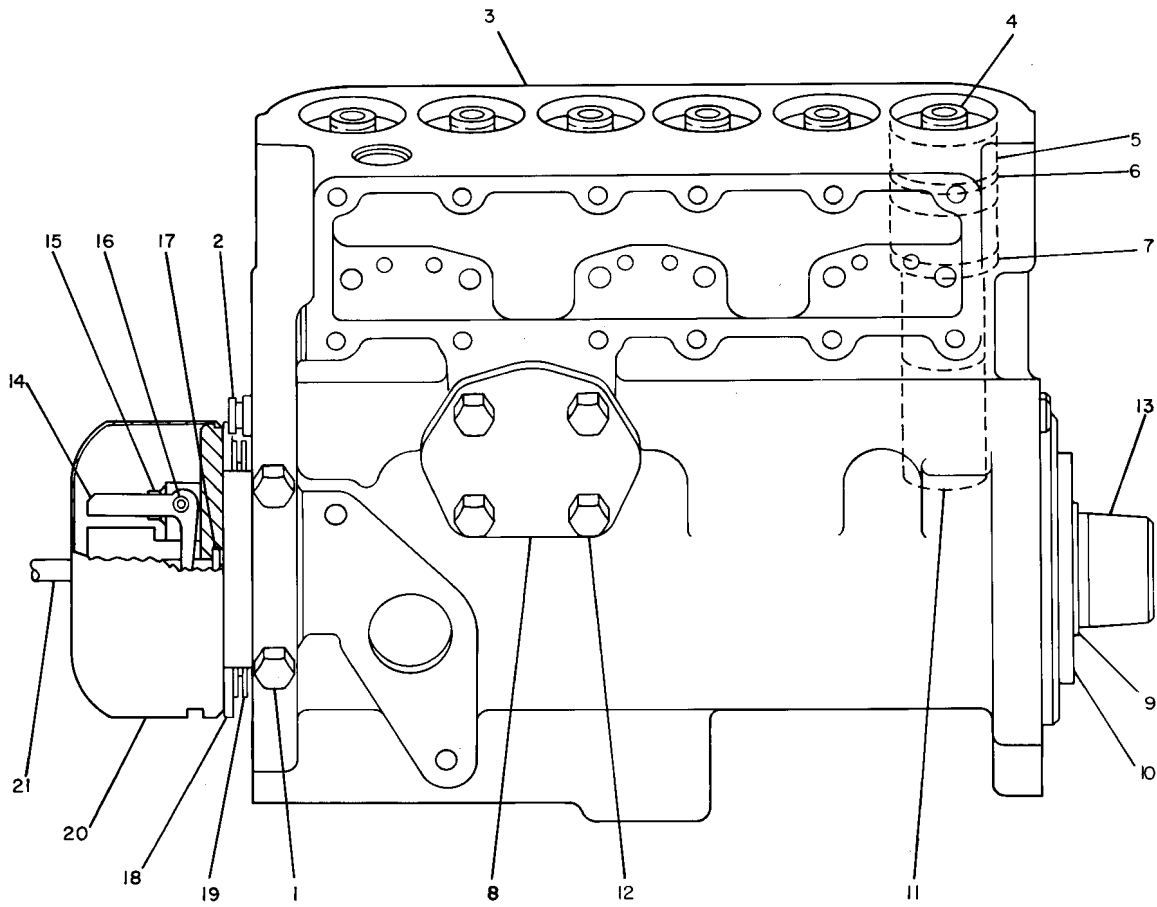
NOTE	REF NO	GRAPHIC REF	PART NUMBER	QTY	PART NAME						SEE PAGE
					1	2	3	4	5	6 (PRODUCT LEVEL)	
	1	1	<b>9S-4180</b>	2	PLUG						
		1	<b>4J-7533</b>	2	SEAL-O-RING						
	2	1	<b>1W-3286</b>	1	RACK-REGULATOR						
Y	3	1	<i>1W-3487</i>	1	HOUSING GP-FUEL PUMP						657
YR	4	1	<b>1W-6539</b>	6	PUMP GP-FUEL INJECTION						705
	5	1	<b>8N-5117</b>	6	BUSHING-TERMINAL						
	6	1	<b>114-8718</b>	6	SEAL-O-RING						
	7	1	<b>4W-6869</b>	6	SPACER (27X32.54X5.049-MM THK)						
	8	1	<b>7N-1047</b>	1	COVER-TIMING						
		1	<b>7N-1046</b>	1	GASKET-COVER						
	9	1	<b>7N-8421</b>	1	RING-RETAINING						
	10	1	<b>8N-2487</b>	1	WASHER-THRUST						
	11	1	<b>8N-2489</b>	6	LIFTER AS						
	12	1	<b>0S-1615</b>	4	BOLT (1/4-20X0.75-IN)						
	13	1	<b>2W-6174</b>	1	CAMSHAFT AS						
	14	1	<b>7N-7264</b>	4	WEIGHT-GOVERNOR						
	15	1	<b>9Y-7037</b>	4	BOLT (1/4-20X1.25-IN)						
	16	1	<b>1S-5440</b>	4	DOWEL						
	17	1	<b>4N-9019</b>	1	DOWEL						
	18	1	<b>8N-2511</b>	1	CARRIER-WEIGHT						
	19	1	<b>7N-7166</b>	2	RACE-THRUST BEARING						
		1	<b>7L-3326</b>	1	BEARING-THRUST						
	20	1	<b>7N-7265</b>	1	SHIELD-WEIGHT CARRIER						
	21	1	<b>8N-2510</b>	1	SHAFT-WEIGHT CARRIER						

R - REMANUFACTURED PART MAY BE AVAILABLE  
 Y - SEPARATE ILLUSTRATION

# FUEL SYSTEM

2W-6179 PUMP GP-FUEL INJECTION (contd.)

100152086



GRAPHIC #1

<END>

g00114036

# FUEL SYSTEM

## 6I-2831 PUMP GP-FUEL INJECTION

S/N: 85Z3764-UP

PART OF 7W-9365 PUMP GP-GOV & FUEL INJ

SMCS-1251, 1290

i00863767

NOTE	REF NO	GRAPHIC REF	PART NUMBER	QTY	PART NAME						SEE PAGE
					1	2	3	4	5	6 (PRODUCT LEVEL)	
	1	1	<b>9S-4180</b>	2	PLUG						
		1	<b>4J-7533</b>	2	SEAL-O-RING						
	2	1	<b>1W-3286</b>	1	RACK-REGULATOR						
	3	1	<b>0S-1615</b>	4	BOLT (1/4-20X0.75-IN)						
YR	4	1	<b>7W-5928</b>	6	PUMP GP-FUEL INJECTION						745
	5	1	<b>8N-5117</b>	6	BUSHING-TERMINAL						
	6	1	<b>114-8718</b>	6	SEAL-O-RING						
	7	1	<b>4W-6869</b>	6	SPACER (27X32.54X5.049-MM THK)						
	8	1	<b>7N-1047</b>	1	COVER-TIMING						
		1	<b>150-3724</b>	1	GASKET						
	9	1	<b>7N-8421</b>	1	RING-RETAINING						
	10	1	<b>8N-2487</b>	1	WASHER-THRUST						
	11	1	<b>4P-9832</b>	6	LIFTER AS						
	12	1	<b>4P-9840</b>	1	HOUSING AS						
	13	1	<b>1S-1953</b>	1	BEARING-RACK (REAR)						
	14	1	<b>1W-3285</b>	1	BEARING-RACK (FRONT)						
	15	1	<b>4P-8480</b>	6	PIN-PUMP GUIDE						
	16	1	<b>6I-0979</b>	6	DOWEL						
	17	1	<b>4P-9828</b>	1	BUSHING						
	18	1	<b>7N-7970</b>	1	BUSHING						
	19	1	<b>4P-9027</b>	1	CAMSHAFT AS						
	20	1	<b>7N-7264</b>	4	WEIGHT-GOVERNOR						
	21	1	<b>9Y-7037</b>	4	BOLT (1/4-20X1.25-IN)						
	22	1	<b>1S-5440</b>	4	DOWEL (DIM 4.755MM)						
	23	1	<b>4N-9019</b>	1	DOWEL (DIM 3.175MM)						
	24	1	<b>7E-3986</b>	1	CARRIER-WEIGHT						
	25	1	<b>7L-3326</b>	1	BEARING-THRUST						
	26	1	<b>8N-2510</b>	1	SHAFT-WEIGHT CARRIER						
	27	1	<b>7N-7166</b>	2	RACE-THRUST BEARING						

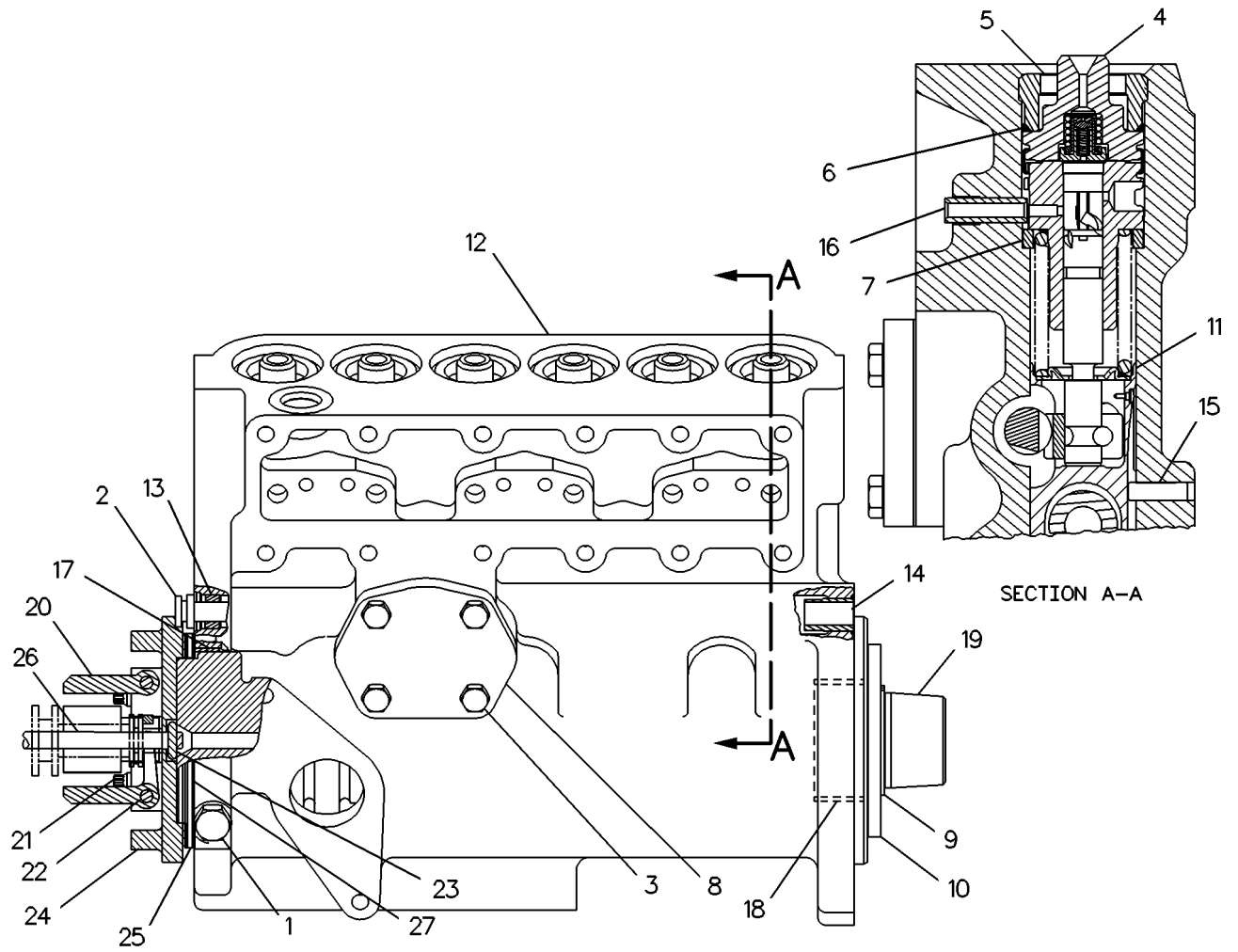
R - REMANUFACTURED PART MAY BE AVAILABLE  
 Y - SEPARATE ILLUSTRATION



# FUEL SYSTEM

6I-2831 PUMP GP-FUEL INJECTION (contd.)

i00863767



GRAPHIC #1

<END>

g00108452

# FUEL SYSTEM

## 6I-2832 PUMP GP-FUEL INJECTION

S/N: 85Z3764-UP

PART OF 7C-9201, 7W-9823 PUMP GP-GOV & FUEL INJ

SMCS-1251, 1290

i02882247

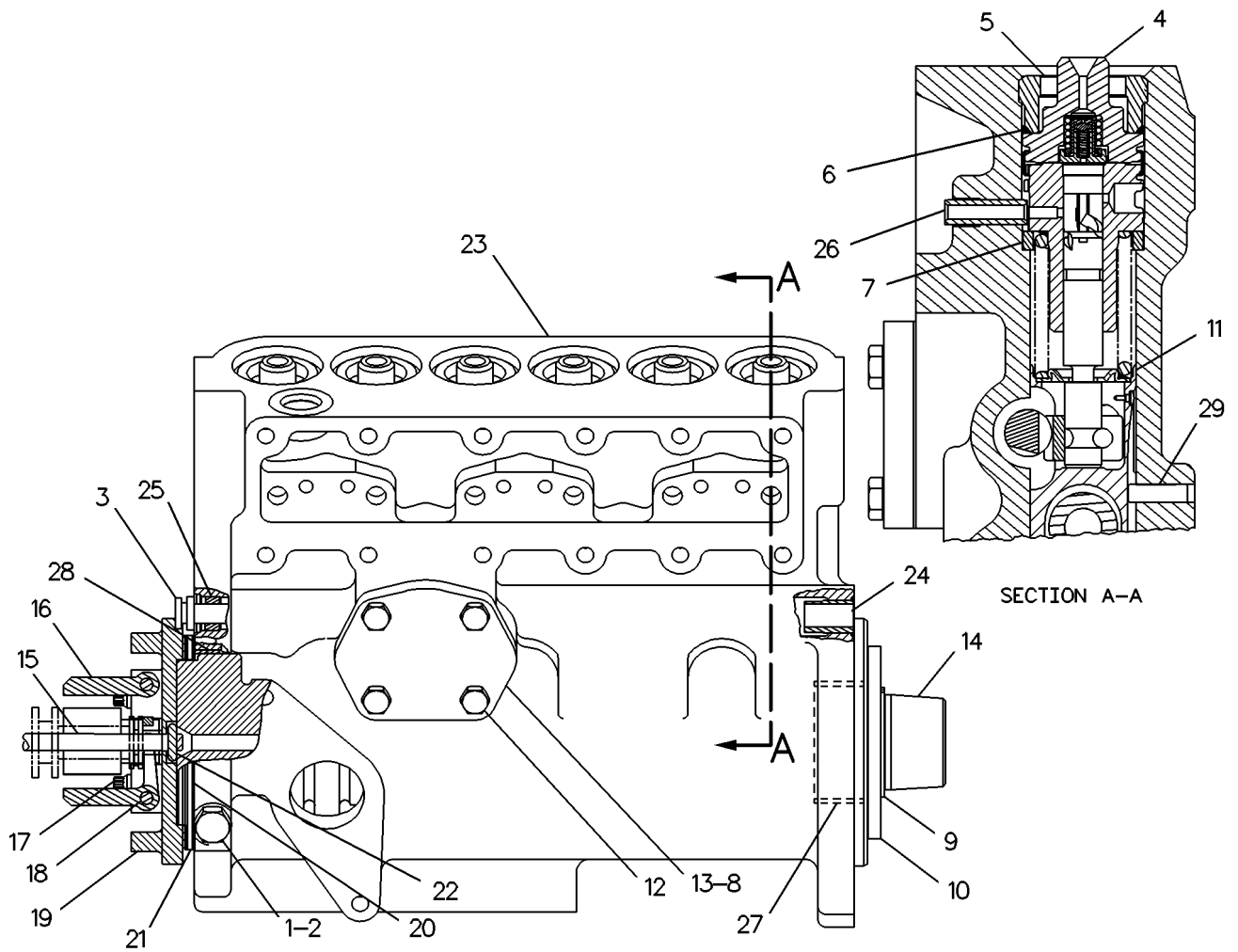
NOTE	REF NO	GRAPHIC REF	PART NUMBER	QTY	PART NAME						SEE PAGE
					1	2	3	4	5	6 (PRODUCT LEVEL)	
	1	1	<b>9S-4180</b>	2	PLUG						
	2	1	<b>4J-7533</b>	2	SEAL-O-RING						
	3	1	<b>1W-3286</b>	1	RACK-REGULATOR						
YR	4	1	<b>7W-5928</b>	6	PUMP GP-FUEL INJECTION						745
	5	1	<b>8N-5117</b>	6	BUSHING-TERMINAL						
	6	1	<b>114-8718</b>	6	SEAL-O-RING						
	7	1	<b>4W-6869</b>	6	SPACER (27X32.54X5.049-MM THK)						
	8	1	<b>150-3724</b>	1	GASKET						
	9	1	<b>7N-8421</b>	1	RING-RETAINING						
	10	1	<b>8N-2487</b>	1	WASHER-THRUST						
	11	1	<b>4P-9832</b>	6	LIFTER AS						
	12	1	<b>0S-1615</b>	4	BOLT (1/4-20X0.75-IN)						
	13	1	<b>7N-1047</b>	1	COVER-TIMING						
	14	1	<b>4P-9021</b>	1	CAMSHAFT AS						
		1	<b>6I-2841</b>	1	CAMSHAFT-FUEL PUMP						
	15	1	<b>8N-2510</b>	1	SHAFT-WEIGHT CARRIER						
	16	1	<b>7N-7264</b>	4	WEIGHT-GOVERNOR						
	17	1	<b>9Y-7037</b>	4	BOLT (1/4-20X1.25-IN)						
	18	1	<b>1S-5440</b>	4	DOWEL						
	19	1	<b>7E-3986</b>	1	CARRIER-WEIGHT						
	20	1	<b>7N-7166</b>	2	RACE-THRUST BEARING						
	21	1	<b>7L-3326</b>	1	BEARING-THRUST						
	22	1	<b>4N-9019</b>	1	DOWEL						
	23	1	<b>4P-9840</b>	1	HOUSING AS						
	24	1	<b>1W-3285</b>	1	BEARING-RACK						
	25	1	<b>1S-1953</b>	1	BEARING-RACK						
	26	1	<b>6I-0979</b>	6	DOWEL						
	27	1	<b>7N-7970</b>	1	BUSHING						
	28	1	<b>4P-9828</b>	1	BUSHING						
	29	1	<b>4P-8480</b>	6	PIN-PUMP GUIDE						

R - REMANUFACTURED PART MAY BE AVAILABLE  
 Y - SEPARATE ILLUSTRATION

# FUEL SYSTEM

6I-2832 PUMP GP-FUEL INJECTION (contd.)

i02882247



GRAPHIC #1

<END>

g00108461

# FUEL SYSTEM

## 6I-2833 PUMP GP-FUEL INJECTION

S/N: 85Z3764-UP

PART OF 7W-9364 PUMP GP-GOV & FUEL INJ

SMCS-1251, 1290

i00965738

NOTE	REF NO	GRAPHIC REF	PART NUMBER	QTY	PART NAME						SEE PAGE
					1	2	3	4	5	6 (PRODUCT LEVEL)	
	1	1	<b>9S-4180</b>	2	PLUG						
	2	1	<b>4J-7533</b>	2	SEAL-O-RING						
	3	1	<b>1W-3286</b>	1	RACK-REGULATOR						
YR	4	1	<b>1W-6539</b>	6	PUMP GP-FUEL INJECTION						705
	5	1	<b>8N-5117</b>	6	BUSHING-TERMINAL						
	6	1	<b>114-8718</b>	6	SEAL-O-RING						
	7	1	<b>4W-6869</b>	6	SPACER (27X32.54X5.049-MM THK)						
	8	1	<b>150-3724</b>	1	GASKET						
	9	1	<b>7N-8421</b>	1	RING-RETAINING						
	10	1	<b>8N-2487</b>	1	WASHER-THRUST						
	11	1	<b>4P-9832</b>	6	LIFTER AS						
	12	1	<b>0S-1615</b>	4	BOLT (1/4-20X0.75-IN)						
	13	1	<b>7N-1047</b>	1	COVER-TIMING						
	14	1	<b>4P-9021</b>	1	CAMSHAFT AS						
		1	<b>6I-2841</b>	1	CAMSHAFT-FUEL PUMP						
	15	1	<b>8N-2510</b>	1	SHAFT-WEIGHT CARRIER						
	16	1	<b>7N-7264</b>	4	WEIGHT-GOVERNOR						
	17	1	<b>9Y-7037</b>	4	BOLT (1/4-20X1.25-IN)						
	18	1	<b>1S-5440</b>	4	DOWEL						
	19	1	<b>7E-3986</b>	1	CARRIER-WEIGHT						
	20	1	<b>7N-7166</b>	2	RACE-THRUST BEARING						
	21	1	<b>7L-3326</b>	1	BEARING-THRUST						
	22	1	<b>4P-9019</b>	1	STATOR GP-MAIN						
	23	1	<b>4P-9840</b>	1	HOUSING AS						
	24	1	<b>1W-3285</b>	1	BEARING-RACK						
	25	1	<b>1S-1953</b>	1	BEARING-RACK						
	26	1	<b>6I-0979</b>	6	DOWEL						
	27	1	<b>7N-7970</b>	1	BUSHING						
	28	1	<b>4P-9828</b>	1	BUSHING						
	29	1	<b>4P-8480</b>	6	PIN-PUMP GUIDE						

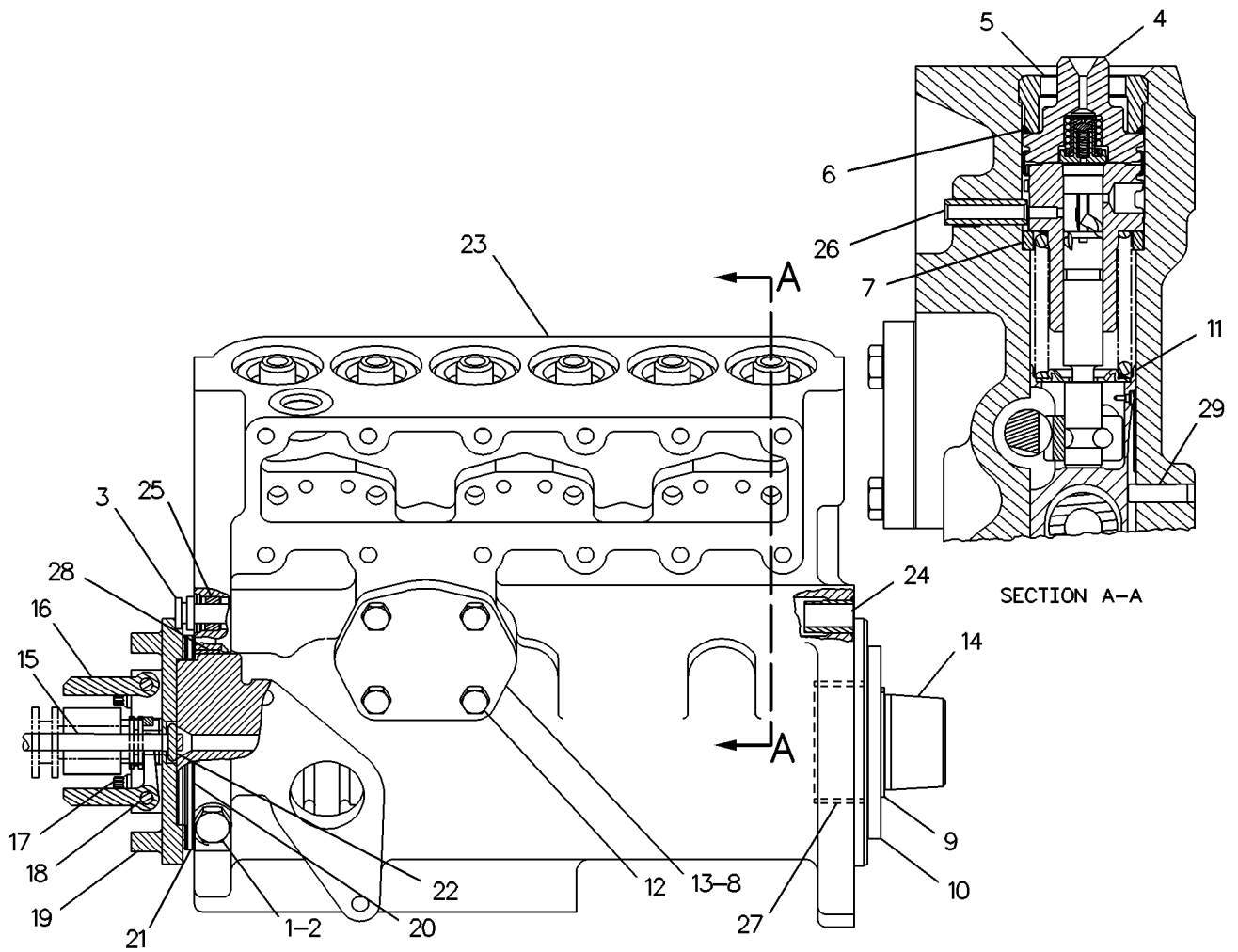
R - REMANUFACTURED PART MAY BE AVAILABLE

Y - SEPARATE ILLUSTRATION

# FUEL SYSTEM

6I-2833 PUMP GP-FUEL INJECTION (contd.)

i00965738



GRAPHIC #1

<END>

g00108461

# FUEL SYSTEM

## 6I-2834 PUMP GP-FUEL INJECTION

S/N: 85Z3764-UP

PART OF 2W-0055, 2W-0056, 7C-3027, 7C-5299 PUMP GP-GOV & FUEL INJ

SMCS-1251, 1290

i00794555

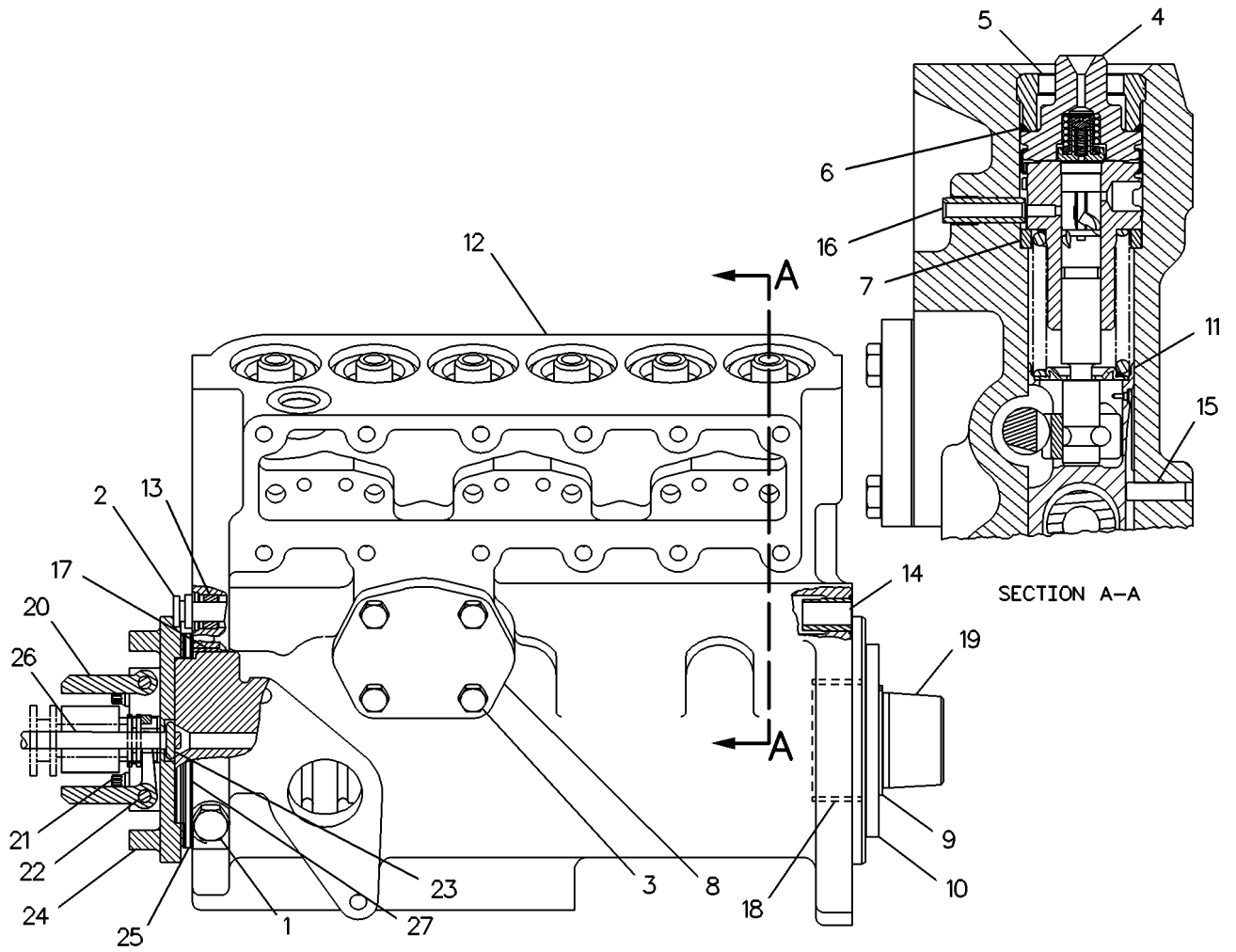
NOTE	REF NO	GRAPHIC REF	PART NUMBER	QTY	PART NAME						SEE PAGE
					1	2	3	4	5	6 (PRODUCT LEVEL)	
	1	1	<b>9S-4180</b>	2	PLUG						
		1	<b>4J-7533</b>	2	SEAL-O-RING						
	2	1	<b>1W-3286</b>	1	RACK-REGULATOR						
	3	1	<b>0S-1615</b>	4	BOLT (1/4-20X0.75-IN)						
YR	4	1	<b>1W-6539</b>	6	PUMP GP-FUEL INJECTION						705
	5	1	<b>8N-5117</b>	6	BUSHING-TERMINAL						
	6	1	<b>114-8718</b>	6	SEAL-O-RING						
	7	1	<b>4W-6869</b>	6	SPACER (27X32.54X5.049-MM THK)						
	8	1	<b>7N-1047</b>	1	COVER-TIMING						
		1	<b>150-3724</b>	1	GASKET						
	9	1	<b>7N-8421</b>	1	RING-RETAINING						
	10	1	<b>8N-2487</b>	1	WASHER-THRUST						
	11	1	<b>4P-9832</b>	6	LIFTER AS						
	12	1	<b>4P-9840</b>	1	HOUSING AS						
	13	1	<b>1S-1953</b>	1	BEARING-RACK						
	14	1	<b>1W-3285</b>	1	BEARING-RACK						
	15	1	<b>4P-8480</b>	6	PIN-PUMP GUIDE						
	16	1	<b>6I-0979</b>	6	DOWEL						
	17	1	<b>4P-9828</b>	1	BUSHING						
	18	1	<b>7N-7970</b>	1	BUSHING						
	19	1	<b>4P-9028</b>	1	CAMSHAFT AS						
		1	<b>6I-2842</b>	1	CAMSHAFT-FUEL PUMP						
	20	1	<b>7N-7264</b>	4	WEIGHT-GOVERNOR						
	21	1	<b>9Y-7037</b>	4	BOLT (1/4-20X1.25-IN)						
	22	1	<b>1S-5440</b>	4	DOWEL						
	23	1	<b>4N-9019</b>	1	DOWEL						
	24	1	<b>7E-3986</b>	1	CARRIER-WEIGHT						
	25	1	<b>7L-3326</b>	1	BEARING-THRUST						
	26	1	<b>8N-2510</b>	1	SHAFT-WEIGHT CARRIER						
	27	1	<b>7N-7166</b>	2	RACE-THRUST BEARING						

R - REMANUFACTURED PART MAY BE AVAILABLE  
 Y - SEPARATE ILLUSTRATION

# FUEL SYSTEM

6I-2834 PUMP GP-FUEL INJECTION (contd.)

i00794555



GRAPHIC #1

<END>

g00108452

# FUEL SYSTEM

## 6I-2836 PUMP GP-FUEL INJECTION

S/N: 85Z3764-UP

PART OF 2W-3368 PUMP GP-GOV & FUEL INJ  
AN ATTACHMENT

SMCS-1251, 1290

i00967383

NOTE	REF NO	GRAPHIC REF	PART NUMBER	QTY	PART NAME						SEE PAGE
					1	2	3	4	5	6 (PRODUCT LEVEL)	
	1	1	<b>9S-4180</b>	2	PLUG						
	2	1	<b>4J-7533</b>	2	SEAL-O-RING						
	3	1	<b>1W-3286</b>	1	RACK-REGULATOR						
YR	4	1	<b>1W-6539</b>	6	PUMP GP-FUEL INJECTION						705
	5	1	<b>8N-5117</b>	6	BUSHING-TERMINAL						
	6	1	<b>114-8718</b>	6	SEAL-O-RING						
	7	1	<b>4W-6869</b>	6	SPACER (27X32.54X5.049-MM THK)						
	8	1	<b>150-3724</b>	1	GASKET						
	9	1	<b>7N-8421</b>	1	RING-RETAINING						
	10	1	<b>8N-2487</b>	1	WASHER-THRUST						
	11	1	<b>4P-9832</b>	6	LIFTER AS						
	12	1	<b>0S-1615</b>	4	BOLT (1/4-20X0.75-IN)						
	13	1	<b>7N-1047</b>	1	COVER-TIMING						
	14	1	<b>6I-2842</b>	1	CAMSHAFT-FUEL PUMP						
	15	1	<b>4P-9840</b>	1	HOUSING AS						
	16	1	<b>1W-3285</b>	1	BEARING-RACK						
	17	1	<b>1S-1953</b>	1	BEARING-RACK						
	18	1	<b>6I-0979</b>	6	DOWEL						
	19	1	<b>7N-7970</b>	1	BUSHING						
	20	1	<b>4P-9828</b>	1	BUSHING						
	21	1	<b>4P-8480</b>	6	PIN-PUMP GUIDE						

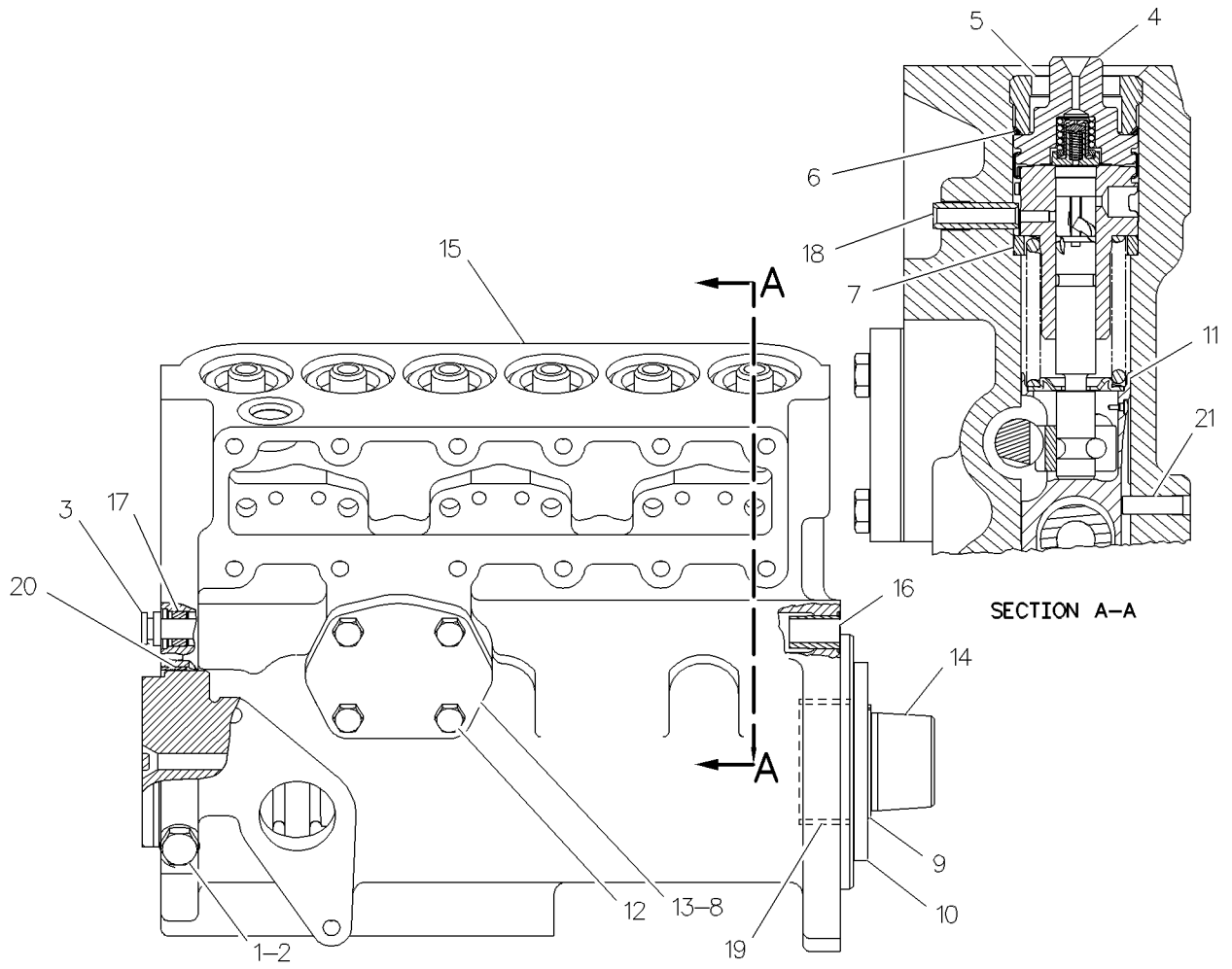
R - REMANUFACTURED PART MAY BE AVAILABLE  
Y - SEPARATE ILLUSTRATION



# FUEL SYSTEM

6I-2836 PUMP GP-FUEL INJECTION (contd.)

i00967383



GRAPHIC #1

<END>

g00358149

# FUEL SYSTEM

## 6I-2837 PUMP GP-FUEL INJECTION

S/N: 85Z3764-UP

PART OF 7C-3025 PUMP GP-GOV & FUEL INJ

SMCS-1251, 1290

i00905612

NOTE	REF NO	GRAPHIC REF	PART NUMBER	QTY	PART NAME						SEE PAGE
					1	2	3	4	5	6 (PRODUCT LEVEL)	
	1	1	<b>9S-4180</b>	2	PLUG						
	2	1	<b>4J-7533</b>	2	SEAL-O-RING						
	3	1	<b>1W-3286</b>	1	RACK-REGULATOR						
YR	4	1	<b>1W-6539</b>	6	PUMP GP-FUEL INJECTION						705
	5	1	<b>8N-5117</b>	6	BUSHING-TERMINAL						
	6	1	<b>114-8718</b>	6	SEAL-O-RING						
	7	1	<b>4W-6869</b>	6	SPACER (27X32.54X5.049-MM THK)						
	8	1	<b>150-3724</b>	1	GASKET						
	9	1	<b>7N-8421</b>	1	RING-RETAINING						
	10	1	<b>8N-2487</b>	1	WASHER-THRUST						
	11	1	<b>4P-9832</b>	6	LIFTER AS						
	12	1	<b>0S-1615</b>	4	BOLT (1/4-20X0.75-IN)						
	13	1	<b>7N-1047</b>	1	COVER-TIMING						
	14	1	<b>4P-9024</b>	1	CAMSHAFT AS						
	15	1	<b>8N-2510</b>	1	SHAFT-WEIGHT CARRIER						
	16	1	<b>7N-7264</b>	4	WEIGHT-GOVERNOR						
	17	1	<b>9Y-7037</b>	4	BOLT (1/4-20X1.25-IN)						
	18	1	<b>1S-5440</b>	4	DOWEL						
	19	1	<b>7E-3986</b>	1	CARRIER-WEIGHT						
	20	1	<b>7N-7166</b>	2	RACE-THRUST BEARING						
	21	1	<b>7L-3326</b>	1	BEARING-THRUST						
	22	1	<b>4N-9019</b>	1	DOWEL						
	23	1	<b>4P-9840</b>	1	HOUSING AS						
	24	1	<b>1W-3285</b>	1	BEARING-RACK						
	25	1	<b>1S-1953</b>	1	BEARING-RACK						
	26	1	<b>6I-0979</b>	6	DOWEL						
	27	1	<b>7N-7970</b>	1	BUSHING						
	28	1	<b>4P-9828</b>	1	BUSHING						
	29	1	<b>4P-8480</b>	6	PIN-PUMP GUIDE						

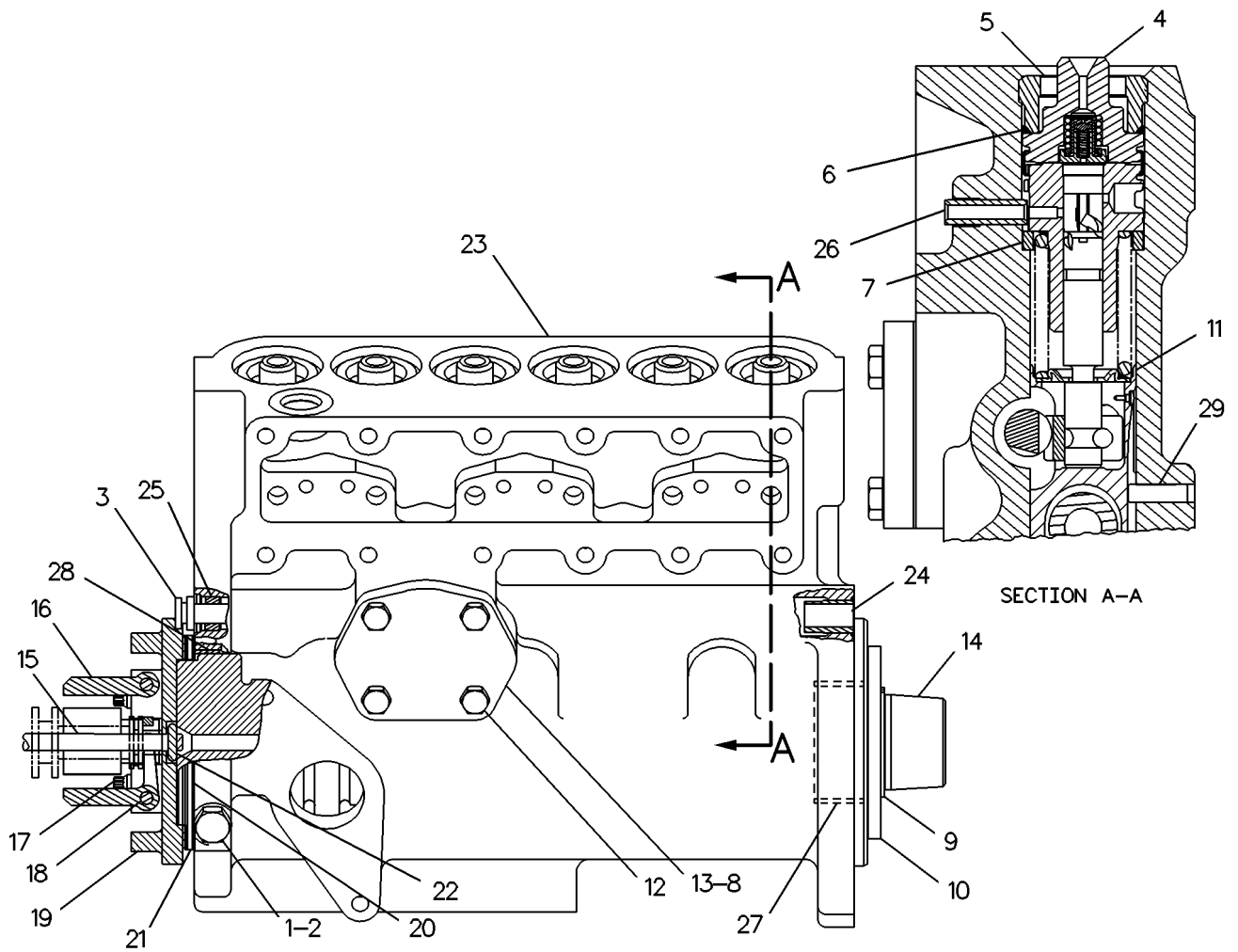
R - REMANUFACTURED PART MAY BE AVAILABLE

Y - SEPARATE ILLUSTRATION

# FUEL SYSTEM

6I-2837 PUMP GP-FUEL INJECTION (contd.)

i00905612



GRAPHIC #1

<END>

g00108461

# FUEL SYSTEM

## 6I-2994 PUMP GP-FUEL INJECTION

S/N: 85Z3764-UP

PART OF 7C-5220 PUMP GP-GOV & FUEL INJ  
AN ATTACHMENT

SMCS-1251, 1290

i00970678

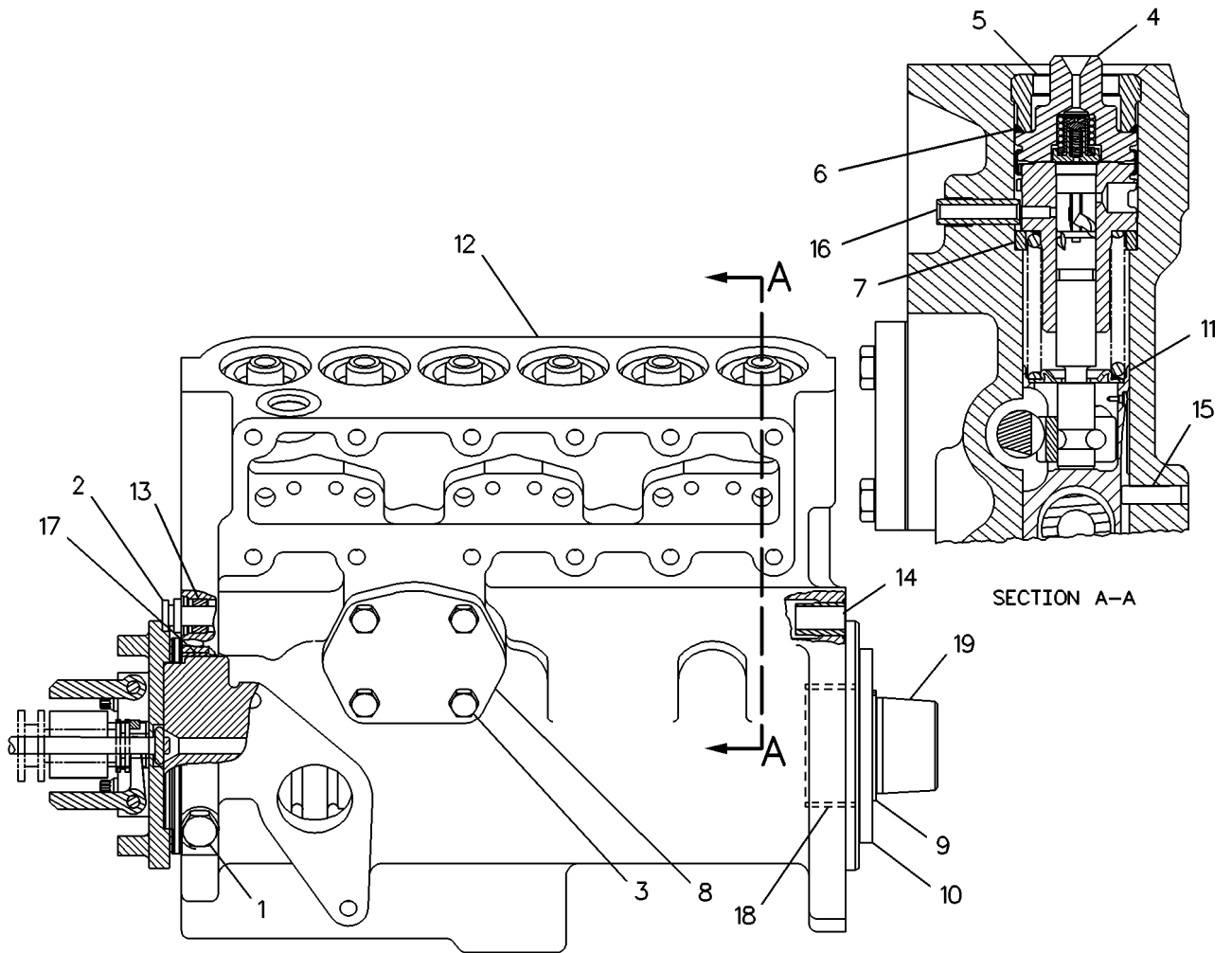
NOTE	REF NO	GRAPHIC REF	PART NUMBER	QTY	PART NAME						SEE PAGE
					1	2	3	4	5	6 (PRODUCT LEVEL)	
	1	1	<b>9S-4180</b>	2	PLUG						
		1	<b>4J-7533</b>	2	SEAL-O-RING						
	2	1	<b>1W-3286</b>	1	RACK-REGULATOR						
	3	1	<b>0S-1615</b>	4	BOLT (1/4-20X0.75-IN)						
YR	4	1	<b>1W-6539</b>	6	PUMP GP-FUEL INJECTION						705
	5	1	<b>8N-5117</b>	6	BUSHING-TERMINAL						
	6	1	<b>114-8718</b>	6	SEAL-O-RING						
	7	1	<b>4W-6869</b>	6	SPACER (27X32.54X5.049-MM THK)						
	8	1	<b>7N-1047</b>	1	COVER-TIMING						
		1	<b>150-3724</b>	1	GASKET						
	9	1	<b>7N-8421</b>	1	RING-RETAINING						
	10	1	<b>8N-2487</b>	1	WASHER-THRUST						
	11	1	<b>4P-9832</b>	6	LIFTER AS						
	12	1	<b>4P-9840</b>	1	HOUSING AS						
	13	1	<b>1S-1953</b>	1	BEARING-RACK						
	14	1	<b>1W-3285</b>	1	BEARING-RACK						
	15	1	<b>4P-8480</b>	6	PIN-PUMP GUIDE						
	16	1	<b>6I-0979</b>	6	DOWEL						
	17	1	<b>4P-9828</b>	1	BUSHING						
	18	1	<b>7N-7970</b>	1	BUSHING						
	19	1	<b>6I-2841</b>	1	CAMSHAFT-FUEL PUMP						

R - REMANUFACTURED PART MAY BE AVAILABLE  
Y - SEPARATE ILLUSTRATION

# FUEL SYSTEM

6I-2994 PUMP GP-FUEL INJECTION (contd.)

i00970678



GRAPHIC #1

<END>

g00229451

# FUEL SYSTEM

## 6I-2995 PUMP GP-FUEL INJECTION

S/N: 85Z3764-UP

PART OF 7C-5222 PUMP GP-GOV & FUEL INJ  
AN ATTACHMENT

SMCS-1251, 1290

i02863589

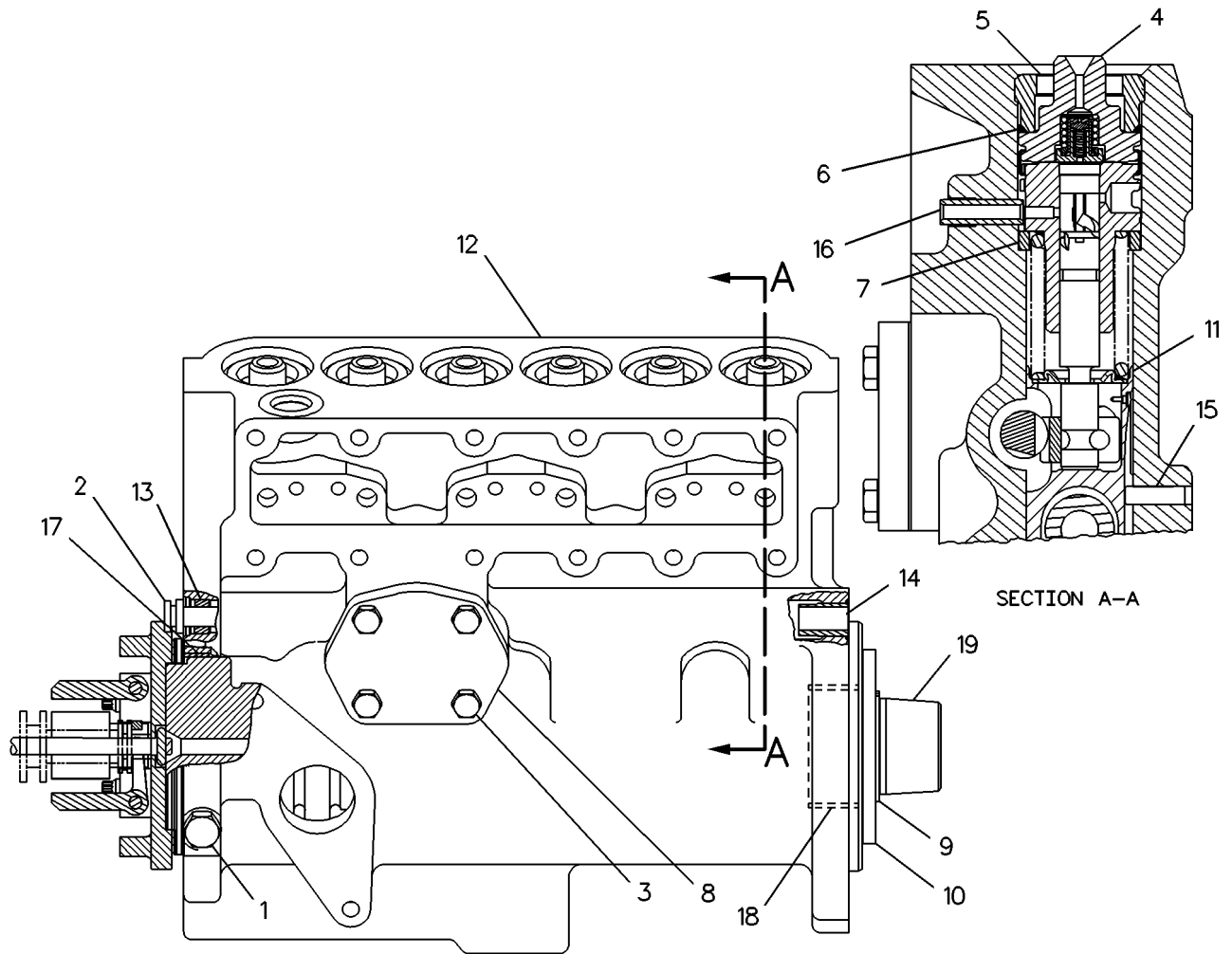
NOTE	REF NO	GRAPHIC REF	PART NUMBER	QTY	PART NAME						SEE PAGE
					1	2	3	4	5	6 (PRODUCT LEVEL)	
	1	1	<b>9S-4180</b>	2	PLUG						
		1	<b>4J-7533</b>	2	SEAL-O-RING						
	2	1	<b>1W-3286</b>	1	RACK-REGULATOR						
	3	1	<b>0S-1615</b>	4	BOLT (1/4-20X0.75-IN)						
YR	4	1	<b>7W-5928</b>	6	PUMP GP-FUEL INJECTION						745
	5	1	<b>8N-5117</b>	6	BUSHING-TERMINAL						
	6	1	<b>114-8718</b>	6	SEAL-O-RING						
	7	1	<b>4W-6869</b>	6	SPACER (27X32.54X5.049-MM THK)						
	8	1	<b>7N-1047</b>	1	COVER-TIMING						
		1	<b>150-3724</b>	1	GASKET						
	9	1	<b>7N-8421</b>	1	RING-RETAINING						
	10	1	<b>8N-2487</b>	1	WASHER-THRUST						
	11	1	<b>4P-9832</b>	6	LIFTER AS						
	12	1	<b>4P-9840</b>	1	HOUSING AS						
	13	1	<b>1S-1953</b>	1	BEARING-RACK						
	14	1	<b>1W-3285</b>	1	BEARING-RACK						
	15	1	<b>4P-8480</b>	6	PIN-PUMP GUIDE						
	16	1	<b>6I-0979</b>	6	DOWEL						
	17	1	<b>4P-9828</b>	1	BUSHING						
	18	1	<b>7N-7970</b>	1	BUSHING						
	19	1	<b>6I-2841</b>	1	CAMSHAFT-FUEL PUMP						

R - REMANUFACTURED PART MAY BE AVAILABLE  
Y - SEPARATE ILLUSTRATION

# FUEL SYSTEM

6I-2995 PUMP GP-FUEL INJECTION (contd.)

i02863589



GRAPHIC #1

<END>

g00229451

# FUEL SYSTEM

## 6I-2996 PUMP GP-FUEL INJECTION

S/N: 85Z3764-UP

PART OF 7C-5226 PUMP GP-GOV & FUEL INJ  
AN ATTACHMENT

SMCS-1251, 1290

i00970779

NOTE	REF NO	GRAPHIC REF	PART NUMBER	QTY	PART NAME						SEE PAGE
					1	2	3	4	5	6 (PRODUCT LEVEL)	
	1	1	<b>9S-4180</b>	2	PLUG						
		1	<b>4J-7533</b>	2	SEAL-O-RING						
	2	1	<b>1W-3286</b>	1	RACK-REGULATOR						
	3	1	<b>0S-1615</b>	4	BOLT (1/4-20X0.75-IN)						
YR	4	1	<b>7W-5928</b>	6	PUMP GP-FUEL INJECTION						745
	5	1	<b>8N-5117</b>	6	BUSHING-TERMINAL						
	6	1	<b>114-8718</b>	6	SEAL-O-RING						
	7	1	<b>4W-6869</b>	6	SPACER (27X32.54X5.049-MM THK)						
	8	1	<b>7N-1047</b>	1	COVER-TIMING						
		1	<b>150-3724</b>	1	GASKET						
	9	1	<b>7N-8421</b>	1	RING-RETAINING						
	10	1	<b>8N-2487</b>	1	WASHER-THRUST						
	11	1	<b>4P-9832</b>	6	LIFTER AS						
	12	1	<b>4P-9840</b>	1	HOUSING AS						
	13	1	<b>1S-1953</b>	1	BEARING-RACK						
	14	1	<b>1W-3285</b>	1	BEARING-RACK						
	15	1	<b>4P-8480</b>	6	PIN-PUMP GUIDE						
	16	1	<b>6I-0979</b>	6	DOWEL						
	17	1	<b>4P-9828</b>	1	BUSHING						
	18	1	<b>7N-7970</b>	1	BUSHING						
	19	1	<b>6I-2840</b>	1	CAMSHAFT-FUEL PUMP						

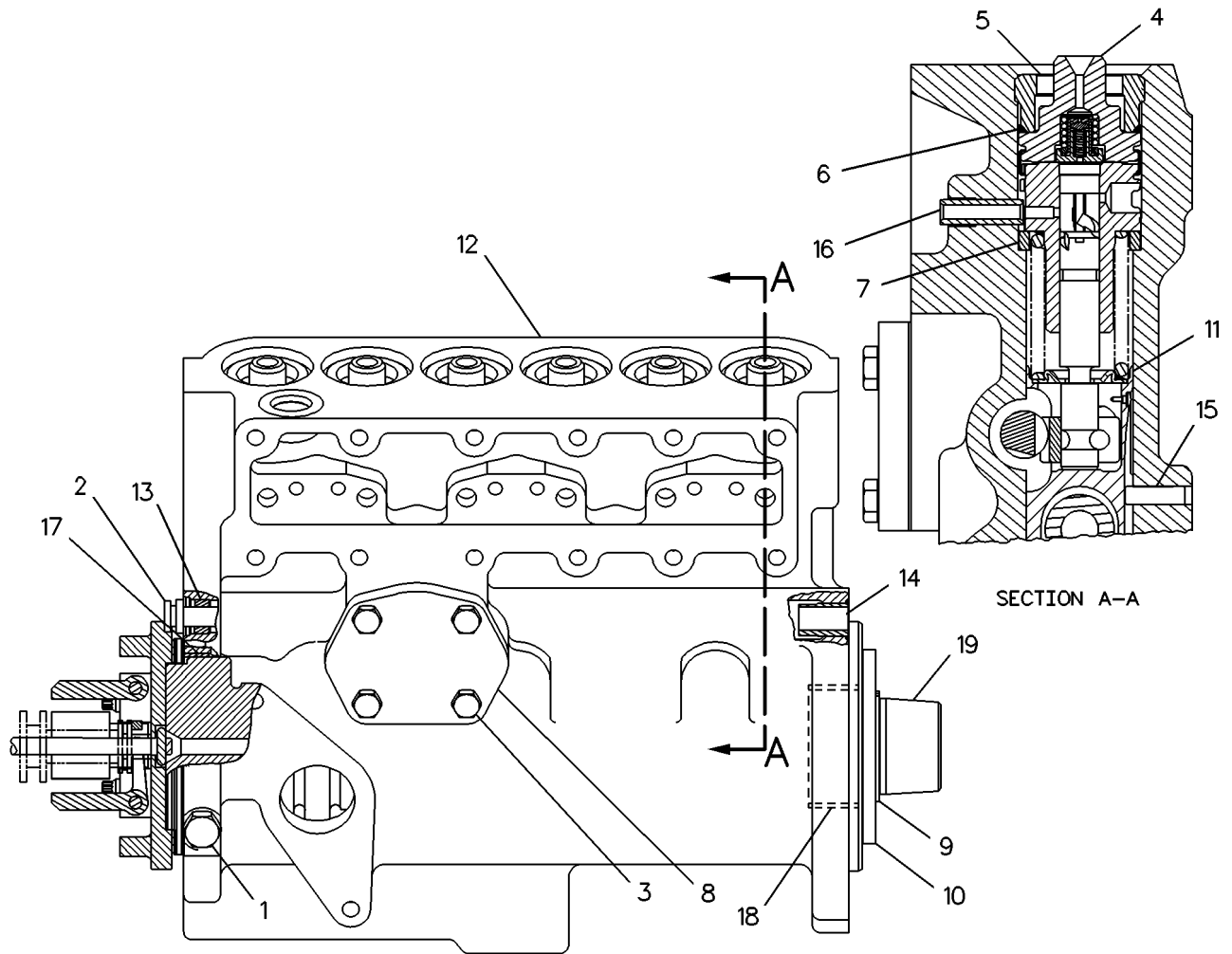
R - REMANUFACTURED PART MAY BE AVAILABLE  
Y - SEPARATE ILLUSTRATION



# FUEL SYSTEM

6I-2996 PUMP GP-FUEL INJECTION (contd.)

i00970779



GRAPHIC #1

<END>

g00229451

# FUEL SYSTEM

## 7C-2605 PUMP GP-FUEL INJECTION

S/N: 85Z3764-UP

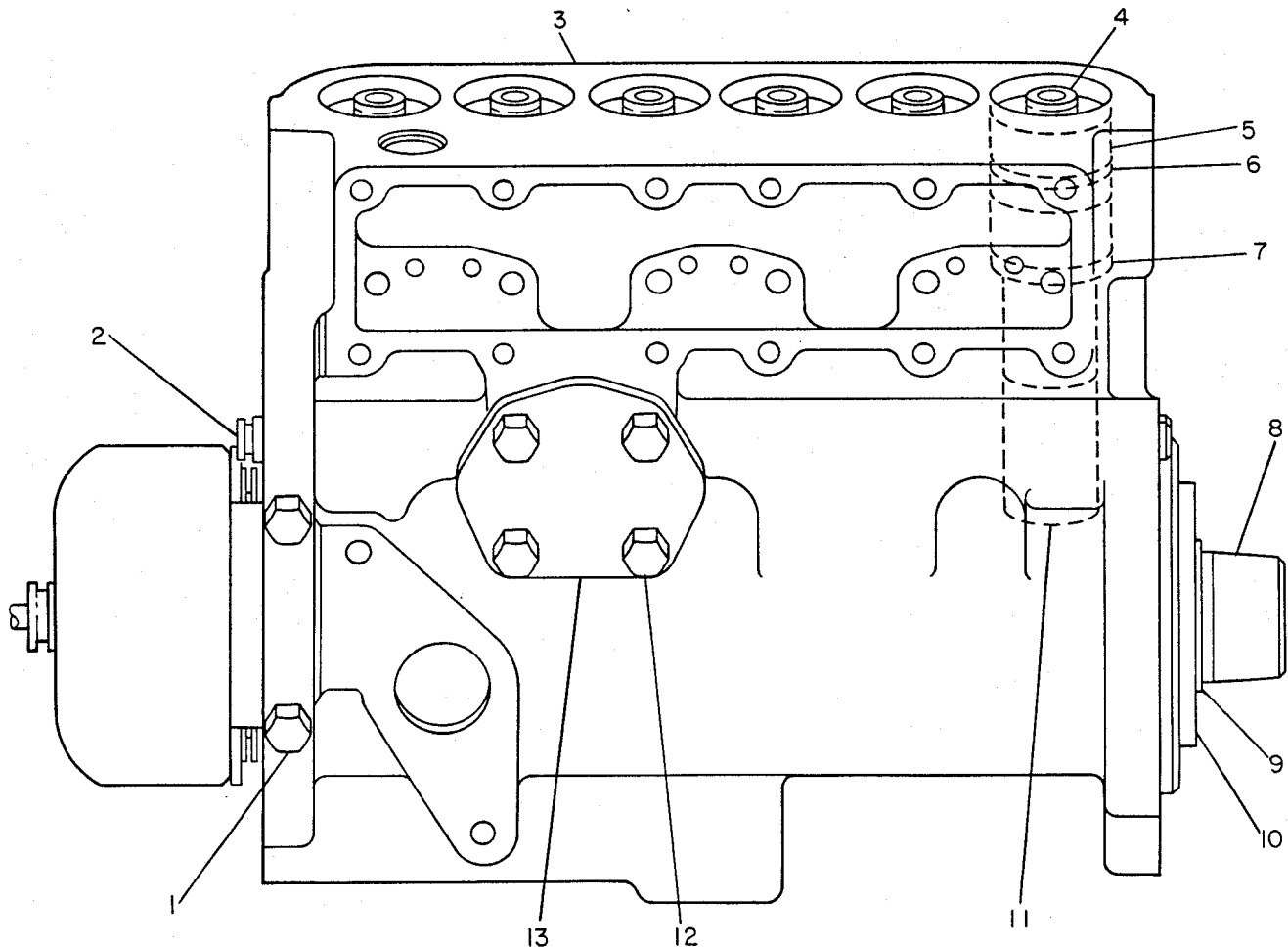
PART OF 7C-9201, 7W-9823 PUMP GP-GOV & FUEL INJ

SMCS-1251, 1290

i01360358

NOTE	REF NO	GRAPHIC REF	PART NUMBER	QTY	PART NAME						SEE PAGE
					1	2	3	4	5	6	
	1	1	<b>9S-4180</b>	2	PLUG						
		1	<b>4J-7533</b>	2	SEAL-O-RING						
	2	1	<b>1W-3286</b>	1	RACK-REGULATOR						
Y	3	1	<b>1W-3487</b>	1	HOUSING GP-FUEL PUMP						657
YR	4	1	<b>7W-5928</b>	6	PUMP GP-FUEL INJECTION						745
	5	1	<b>8N-5117</b>	6	BUSHING-TERMINAL						
	6	1	<b>7E-4846</b>	6	SEAL-O-RING						
	7	1	<b>4W-6869</b>	6	SPACER (27X32.54X5.049-MM THK)						
Y	8	1	<b>8N-2513</b>	1	CAMSHAFT AS						579
	9	1	<b>7N-8421</b>	1	RING-RETAINING						
	10	1	<b>8N-2487</b>	1	WASHER-THRUST						
	11	1	<b>8N-2489</b>	6	LIFTER AS						
	12	1	<b>0S-1615</b>	4	BOLT (1/4-20X0.75-IN)						
	13	1	<b>7N-1047</b>	1	COVER-TIMING						
		1	<b>7N-1046</b>	1	GASKET-COVER						

R - REMANUFACTURED PART MAY BE AVAILABLE  
 Y - SEPARATE ILLUSTRATION



GRAPHIC #1

<END>

g00118478

# FUEL SYSTEM

## 7C-5219 PUMP GP-FUEL INJECTION

S/N: 85Z3764-UP

PART OF 7C-5220 PUMP GP-GOV & FUEL INJ

AN ATTACHMENT

TYPE 1

SMCS-1251, 1290

i01360360

NOTE	REF NO	GRAPHIC REF	PART NUMBER	QTY	PART NAME						SEE PAGE
					1	2	3	4	5	6 (PRODUCT LEVEL)	
	1	1	<b>9S-4180</b>	2	PLUG						
		1	<b>4J-7533</b>	2	SEAL - O-RING						
	2	1	<b>1W-3286</b>	1	RACK-REGULATOR						
Y	3	1	<i>1W-3487</i>	1	HOUSING GP-FUEL PUMP						657
YR	4	1	<b>1W-6539</b>	6	PUMP GP-FUEL INJECTION						705
	5	1	<b>8N-5117</b>	6	BUSHING-TERMINAL						
	6	1	<b>7E-4846</b>	6	SEAL-O-RING						
	7	1	<b>4W-6869</b>	6	SPACER (27X32.54X5.049-MM THK)						
	8	1	<b>1W-2555</b>	1	CAMSHAFT-FUEL PUMP						
	9	1	<b>7N-8421</b>	1	RING-RETAINING						
	10	1	<b>8N-2487</b>	1	WASHER-THRUST						
	11	1	<b>8N-2489</b>	6	LIFTER AS						
	12	1	<b>0S-1615</b>	4	BOLT (1/4-20X0.75-IN)						
	13	1	<b>7N-1047</b>	1	COVER-TIMING						
		1	<b>7N-1046</b>	1	GASKET-COVER						

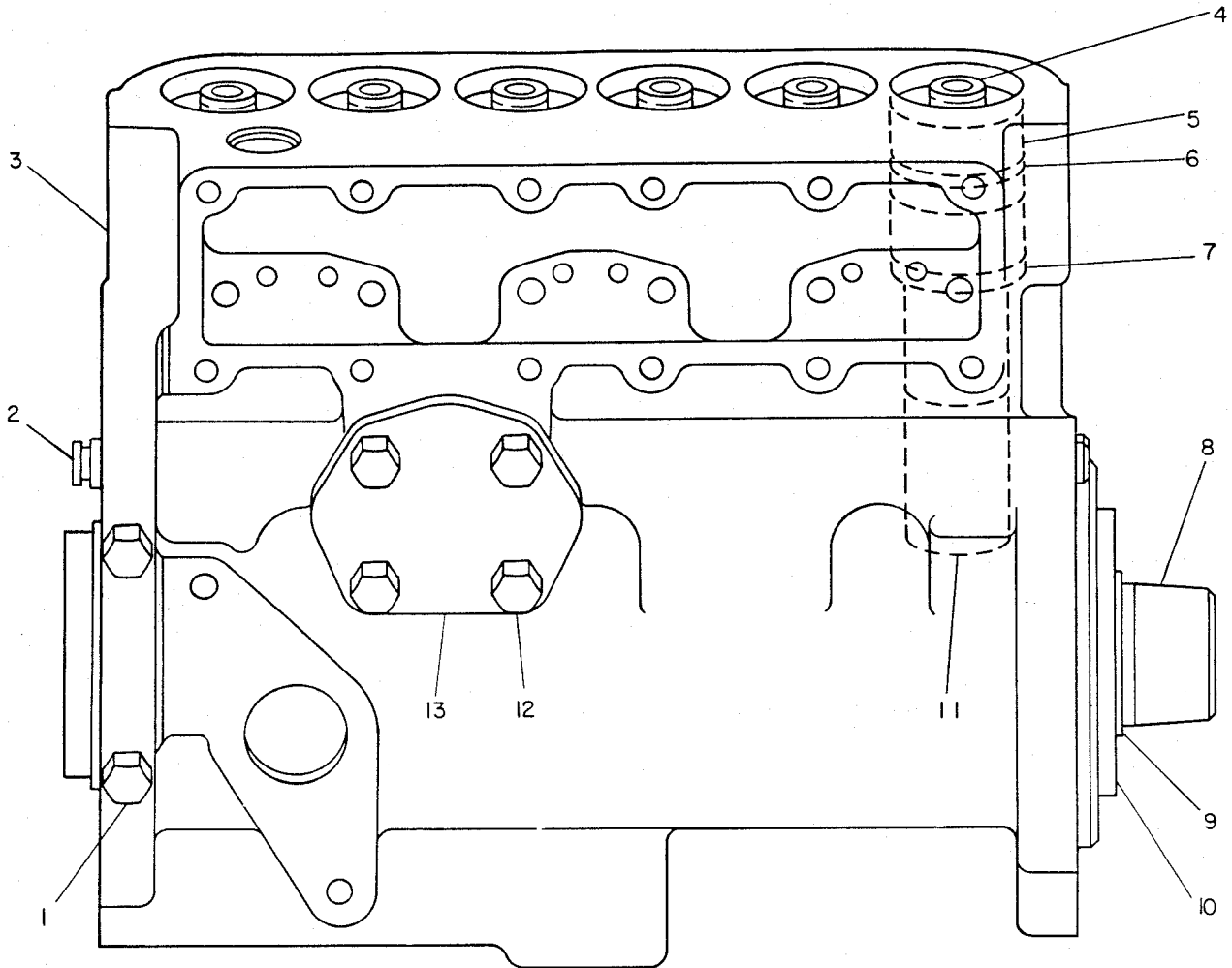
R - REMANUFACTURED PART MAY BE AVAILABLE

Y - SEPARATE ILLUSTRATION

# FUEL SYSTEM

7C-5219 PUMP GP-FUEL INJECTION (contd.)

101360360



GRAPHIC #1

<END>

g00186506

# FUEL SYSTEM

## 7C-5219 PUMP GP-FUEL INJECTION

S/N: 85Z3764-UP

PART OF 7C-5220 PUMP GP-GOV & FUEL INJ

AN ATTACHMENT

TYPE 2

SMCS-1251, 1290

i00945372

NOTE	REF NO	GRAPHIC REF	PART NUMBER	QTY	PART NAME						SEE PAGE
					1	2	3	4	5	6 (PRODUCT LEVEL)	
	1	1	<b>9S-4180</b>	2	PLUG						
		1	<b>4J-7533</b>	2	SEAL-O-RING						
	2	1	<b>1W-3286</b>	1	RACK-REGULATOR						
	3	1	<b>0S-1615</b>	4	BOLT (1/4-20X0.75-IN)						
YR	4	1	<b>1W-6539</b>	6	PUMP GP-FUEL INJECTION						705
	5	1	<b>8N-5117</b>	6	BUSHING-TERMINAL						
	6	1	<b>114-8718</b>	6	SEAL-O-RING						
	7	1	<b>4W-6869</b>	6	SPACER (27X32.54X5.049-MM THK)						
	8	1	<b>7N-1047</b>	1	COVER-TIMING						
		1	<b>150-3724</b>	1	GASKET						
	9	1	<b>7N-8421</b>	1	RING-RETAINING						
	10	1	<b>8N-2487</b>	1	WASHER-THRUST						
C	11	1	<b>4P-9832</b>	6	LIFTER AS						
C	12	1	<b>6I-2987</b>	1	HOUSING AS-PUMP						
	13	1	<b>1S-1953</b>	1	BEARING-RACK						
	14	1	<b>1W-3285</b>	1	BEARING-RACK						
	15	1	<b>4P-8480</b>	6	PIN-PUMP GUIDE						
	16	1	<b>6I-0979</b>	6	DOWEL						
	17	1	<b>6I-1631</b>	1	BUSHING						
	18	1	<b>7N-7970</b>	1	BUSHING						
	19	1	<b>1W-2555</b>	1	CAMSHAFT-FUEL PUMP						

C - CHANGE FROM PREVIOUS TYPE  
R - REMANUFACTURED PART MAY BE AVAILABLE  
Y - SEPARATE ILLUSTRATION



# FUEL SYSTEM

## 7C-5223 PUMP GP-FUEL INJECTION

S/N: 85Z3764-UP

PART OF 7C-5222 PUMP GP-GOV & FUEL INJ

AN ATTACHMENT

TYPE 1

SMCS-1251, 1290

i01360364

NOTE	REF NO	GRAPHIC REF	PART NUMBER	QTY	PART NAME						SEE PAGE
					1	2	3	4	5	6 (PRODUCT LEVEL)	
	1	1	<b>9S-4180</b>	2	PLUG						
		1	<b>4J-7533</b>	2	SEAL - O-RING						
	2	1	<b>1W-3286</b>	1	RACK-REGULATOR						
Y	3	1	<i>1W-3487</i>	1	HOUSING GP-FUEL PUMP						657
YR	4	1	<b>7W-5928</b>	6	PUMP GP-FUEL INJECTION						745
	5	1	<b>8N-5117</b>	6	BUSHING-TERMINAL						
	6	1	<b>7E-4846</b>	6	SEAL - O-RING						
	7	1	<b>4W-6869</b>	6	SPACER (27X32.54X5.049-MM THK)						
	8	1	<b>1W-2555</b>	1	CAMSHAFT-FUEL PUMP						
	9	1	<b>7N-8421</b>	1	RING-RETAINING						
	10	1	<b>8N-2487</b>	1	WASHER-THRUST						
	11	1	<b>8N-2489</b>	6	LIFTER AS						
	12	1	<b>0S-1615</b>	4	BOLT (1/4-20X0.75-IN)						
	13	1	<b>7N-1047</b>	1	COVER-TIMING						
		1	<b>7N-1046</b>	1	GASKET-COVER						

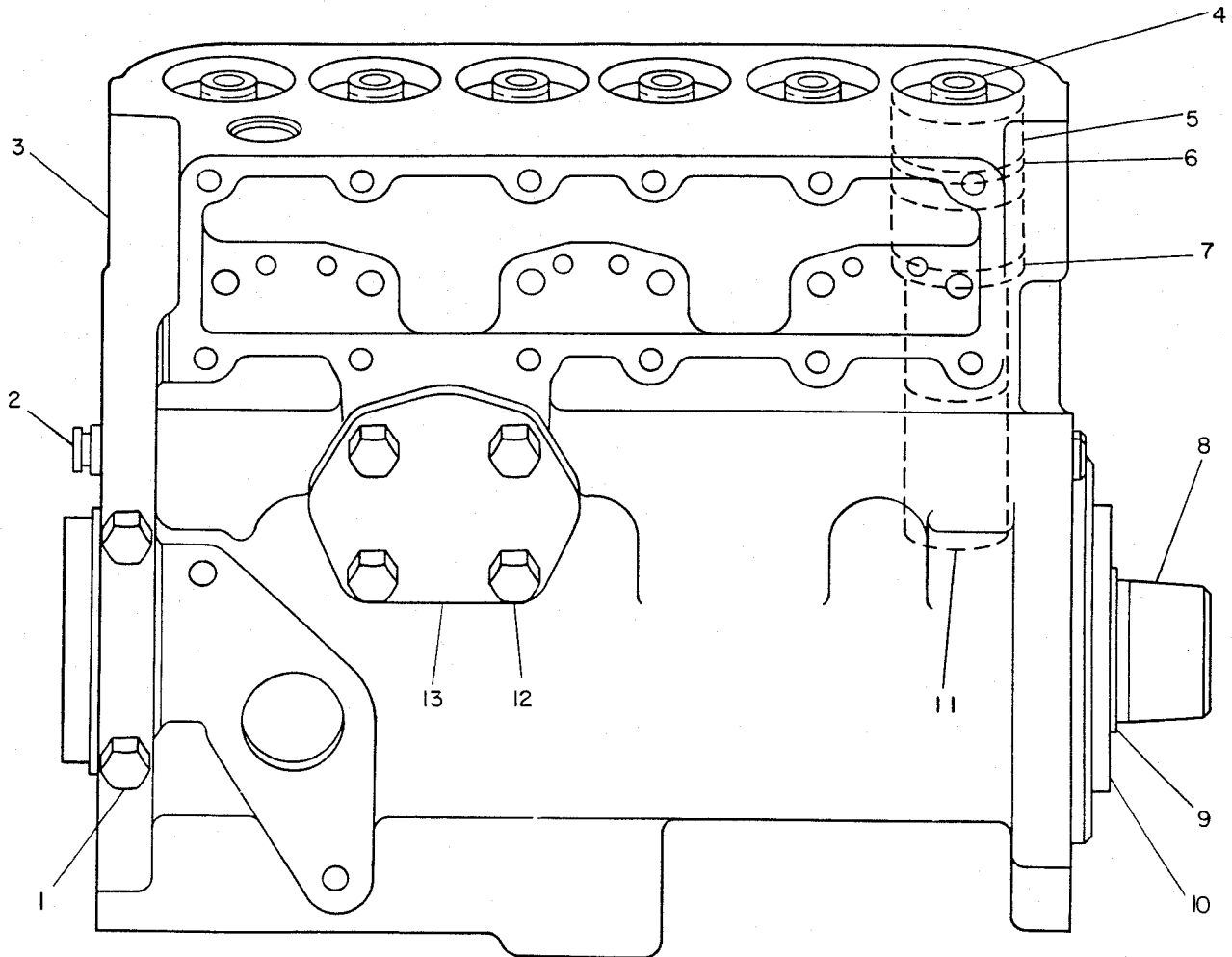
R - REMANUFACTURED PART MAY BE AVAILABLE

Y - SEPARATE ILLUSTRATION

# FUEL SYSTEM

7C-5223 PUMP GP-FUEL INJECTION (contd.)

i01360364



GRAPHIC #1

<END>

g00186512



# FUEL SYSTEM

## 7C-5223 PUMP GP-FUEL INJECTION

S/N: 85Z3764-UP

PART OF 7C-5222 PUMP GP-GOV & FUEL INJ

AN ATTACHMENT

TYPE 2

SMCS-1251, 1290

i00945416

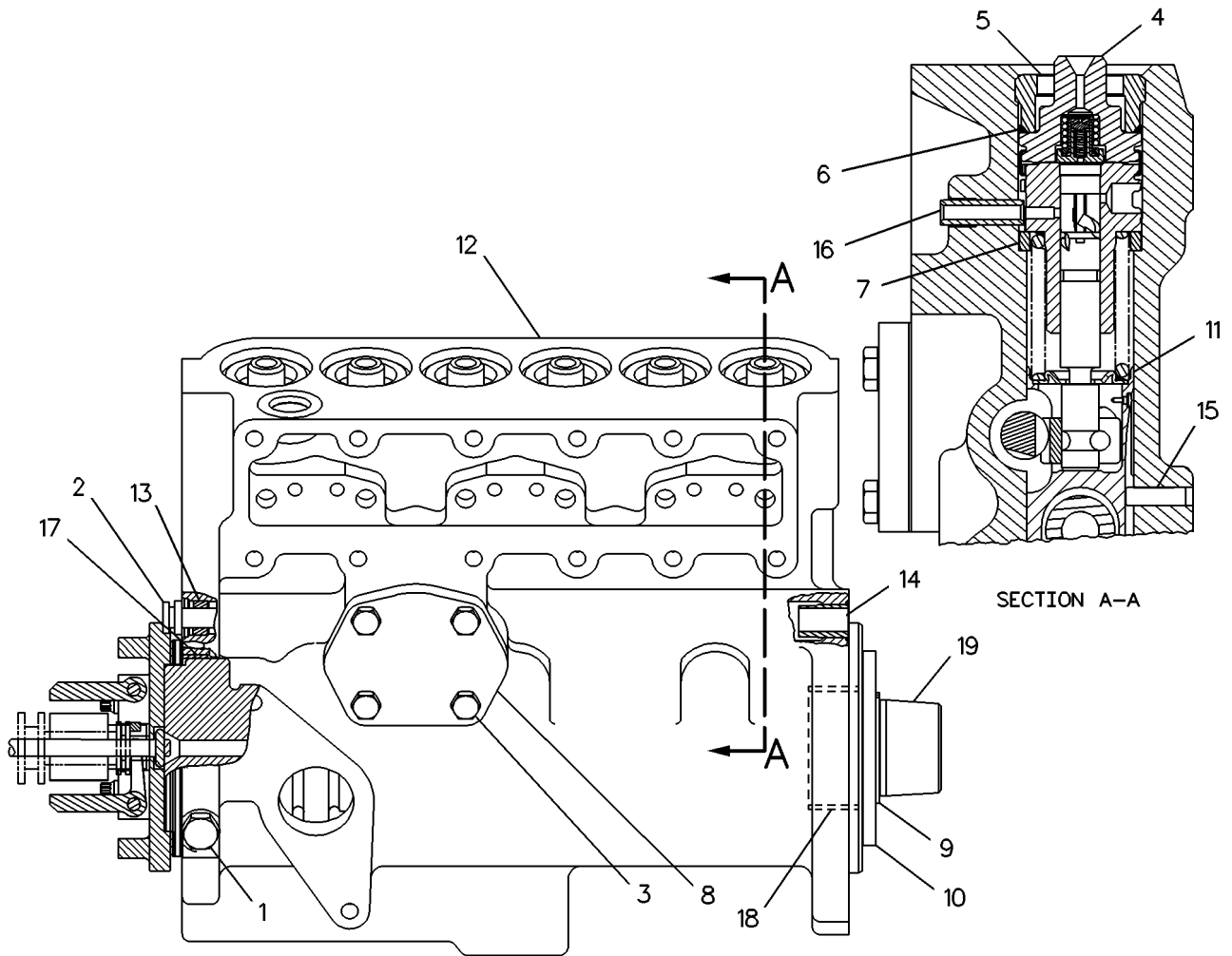
NOTE	REF NO	GRAPHIC REF	PART NUMBER	QTY	PART NAME						SEE PAGE
					1	2	3	4	5	6 (PRODUCT LEVEL)	
	1	1	<b>9S-4180</b>	2	PLUG						
		1	<b>4J-7533</b>	2	SEAL -O-RING						
	2	1	<b>1W-3286</b>	1	RACK-REGULATOR						
	3	1	<b>0S-1615</b>	4	BOLT (1/4-20X0.75-IN)						
YR	4	1	<b>7W-5928</b>	6	PUMP GP-FUEL INJECTION						745
	5	1	<b>8N-5117</b>	6	BUSHING-TERMINAL						
	6	1	<b>114-8718</b>	6	SEAL-O-RING						
	7	1	<b>4W-6869</b>	6	SPACER (27X32.54X5.049-MM THK)						
	8	1	<b>7N-1047</b>	1	COVER-TIMING						
		1	<b>150-3724</b>	1	GASKET						
	9	1	<b>7N-8421</b>	1	RING-RETAINING						
	10	1	<b>8N-2487</b>	1	WASHER-THRUST						
C	11	1	<b>4P-9832</b>	6	LIFTER AS						
C	12	1	<b>6I-2987</b>	1	HOUSING AS-PUMP						
	13	1	<b>1S-1953</b>	1	BEARING-RACK						
	14	1	<b>1W-3285</b>	1	BEARING-RACK						
	15	1	<b>4P-8480</b>	6	PIN-PUMP GUIDE						
	16	1	<b>6I-0979</b>	6	DOWEL						
	17	1	<b>6I-1631</b>	1	BUSHING						
	18	1	<b>7N-7970</b>	1	BUSHING						
	19	1	<b>1W-2555</b>	1	CAMSHAFT-FUEL PUMP						

C - CHANGE FROM PREVIOUS TYPE  
R - REMANUFACTURED PART MAY BE AVAILABLE  
Y - SEPARATE ILLUSTRATION

# FUEL SYSTEM

7C-5223 PUMP GP-FUEL INJECTION (contd.)

i00945416



GRAPHIC #1

<END>

g00229451

# FUEL SYSTEM

## 7C-5225 PUMP GP-FUEL INJECTION

S/N: 85Z3764-UP

PART OF 7C-5226 PUMP GP-GOV & FUEL INJ

AN ATTACHMENT

TYPE 1

SMCS-1251, 1290

i01360370

NOTE	REF NO	GRAPHIC REF	PART NUMBER	QTY	PART NAME						SEE PAGE
					1	2	3	4	5	6 (PRODUCT LEVEL)	
	1	1	<b>9S-4180</b>	2	PLUG						
		1	<b>4J-7533</b>	2	SEAL - O-RING						
	2	1	<b>1W-3286</b>	1	RACK-REGULATOR						
Y	3	1	<i>1W-3487</i>	1	HOUSING GP-FUEL PUMP						657
YR	4	1	<b>7W-5928</b>	6	PUMP GP-FUEL INJECTION						745
	5	1	<b>8N-5117</b>	6	BUSHING-TERMINAL						
	6	1	<b>7E-4846</b>	6	SEAL-O-RING						
	7	1	<b>4W-6869</b>	6	SPACER (27X32.54X5.049-MM THK)						
	8	1	<b>7W-7331</b>	1	CAMSHAFT-FUEL PUMP						
	9	1	<b>7N-8421</b>	1	RING-RETAINING						
	10	1	<b>8N-2487</b>	1	WASHER-THRUST						
	11	1	<b>8N-2489</b>	6	LIFTER AS						
	12	1	<b>0S-1615</b>	4	BOLT (1/4-20X0.75-IN)						
	13	1	<b>7N-1047</b>	1	COVER-TIMING						
		1	<b>7N-1046</b>	1	GASKET-COVER						

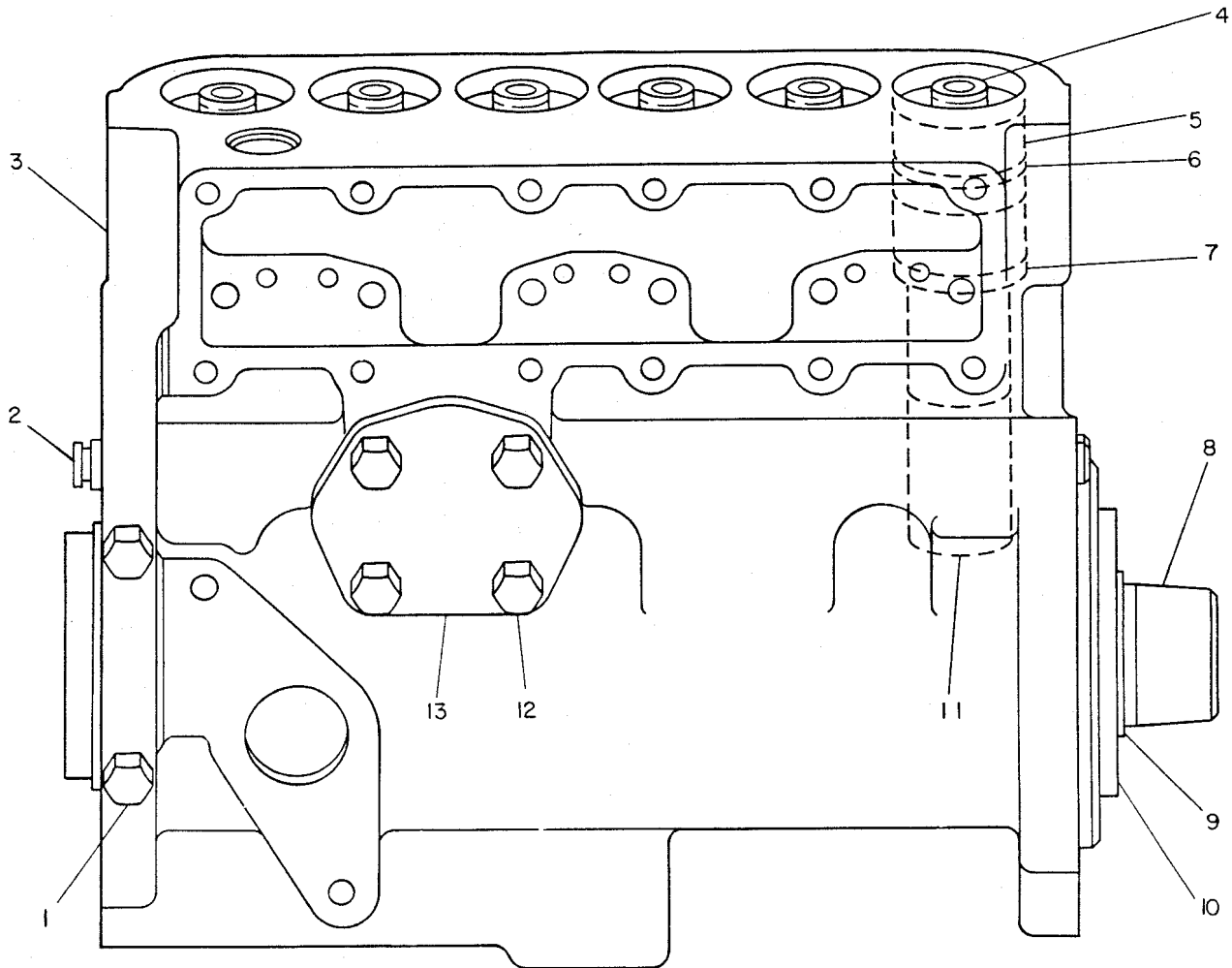
R - REMANUFACTURED PART MAY BE AVAILABLE

Y - SEPARATE ILLUSTRATION

# FUEL SYSTEM

7C-5225 PUMP GP-FUEL INJECTION (contd.)

i01360370



GRAPHIC #1

<END>

g00186516

# FUEL SYSTEM

## 7C-5225 PUMP GP-FUEL INJECTION

S/N: 85Z3764-UP

PART OF 7C-5226 PUMP GP-GOV & FUEL INJ

AN ATTACHMENT

TYPE 2

SMCS-1251, 1290

i00945421

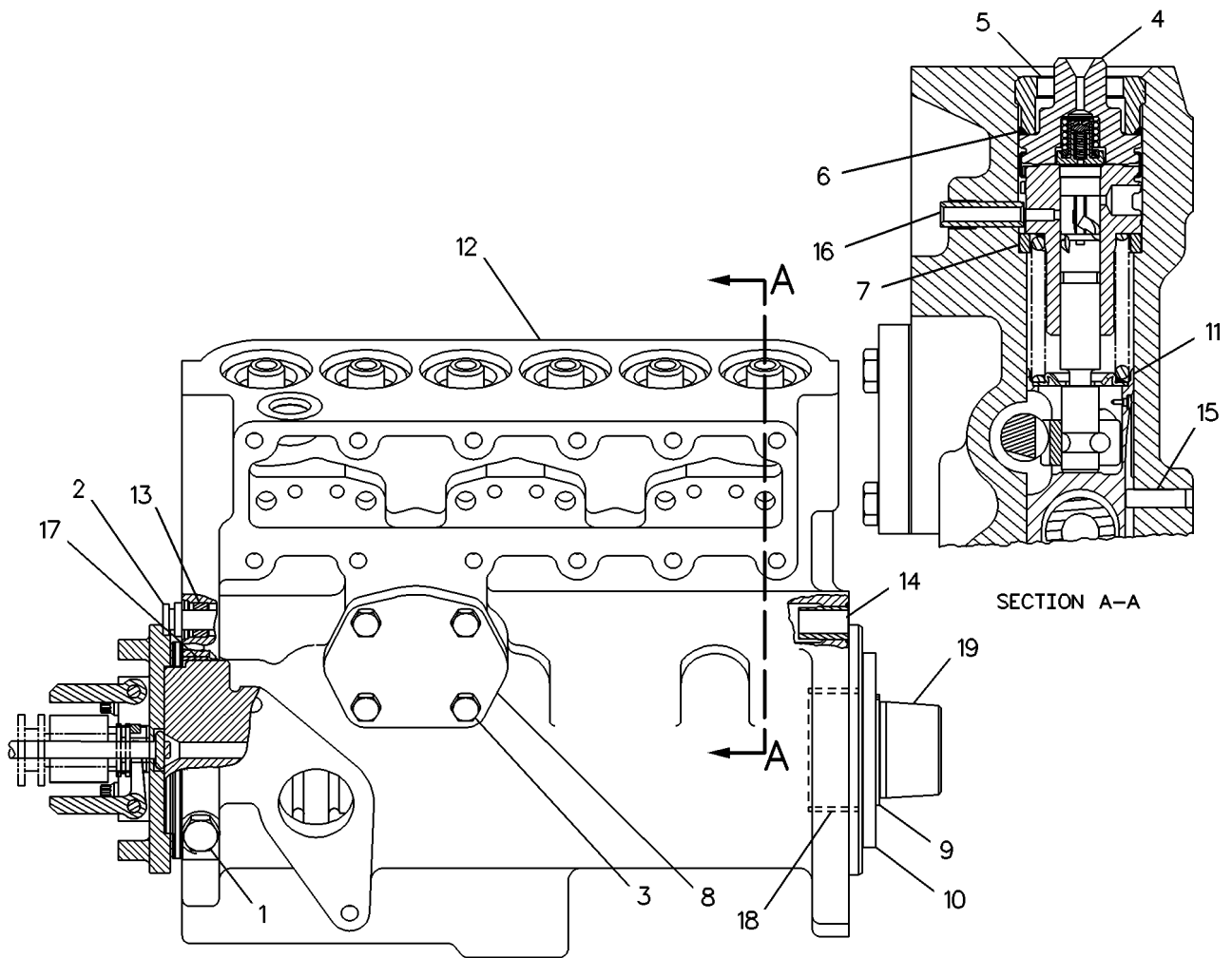
NOTE	REF NO	GRAPHIC REF	PART NUMBER	QTY	PART NAME						SEE PAGE
					1	2	3	4	5	6 (PRODUCT LEVEL)	
	1	1	<b>9S-4180</b>	2	PLUG						
		1	<b>4J-7533</b>	2	SEAL - O - RING						
	2	1	<b>1W-3286</b>	1	RACK - REGULATOR						
	3	1	<b>0S-1615</b>	4	BOLT (1/4-20X0.75-IN)						
YR	4	1	<b>7W-5928</b>	6	PUMP GP-FUEL INJECTION						745
	5	1	<b>8N-5117</b>	6	BUSHING - TERMINAL						
	6	1	<b>114-8718</b>	6	SEAL - O - RING						
	7	1	<b>4W-6869</b>	6	SPACER (27X32.54X5.049-MM THK)						
	8	1	<b>7N-1047</b>	1	COVER - TIMING						
		1	<b>150-3724</b>	1	GASKET						
	9	1	<b>7N-8421</b>	1	RING - RETAINING						
	10	1	<b>8N-2487</b>	1	WASHER - THRUST						
C	11	1	<b>4P-9832</b>	6	LIFTER AS						
C	12	1	<b>6I-2987</b>	1	HOUSING AS - PUMP						
	13	1	<b>1S-1953</b>	1	BEARING - RACK						
	14	1	<b>1W-3285</b>	1	BEARING - RACK						
	15	1	<b>4P-8480</b>	6	PIN - PUMP GUIDE						
	16	1	<b>6I-0979</b>	6	DOWEL						
	17	1	<b>6I-1631</b>	1	BUSHING						
	18	1	<b>7N-7970</b>	1	BUSHING						
	19	1	<b>7W-7331</b>	1	CAMSHAFT - FUEL PUMP						

C - CHANGE FROM PREVIOUS TYPE  
R - REMANUFACTURED PART MAY BE AVAILABLE  
Y - SEPARATE ILLUSTRATION

# FUEL SYSTEM

7C-5225 PUMP GP-FUEL INJECTION (contd.)

i00945421



GRAPHIC #1

<END>

g00229451

# FUEL SYSTEM

## 7W-5928 PUMP GP-FUEL INJECTION\*R

S/N: 85Z3764-UP

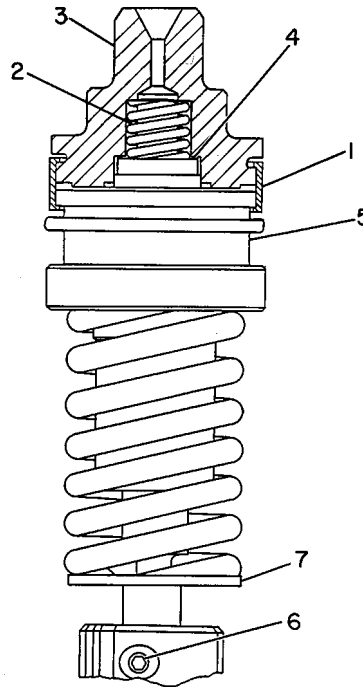
OPTIONAL FIELD REPLACEMENT ORDER 432-8277 PUMP GP-FUEL INJECTION  
 PART OF 108-4830, 154-3199, 6I-2831, 6I-2832, 6I-2995, 6I-2996, 7C-2605, 7C-5223,  
 7C-5225 PUMP GP-FUEL INJECTION, 7W-5932 PUMP GP-GOV & FUEL INJ  
 ALSO AN ATTACHMENT

SMCS-1251, 1290

i01985662

NOTE	REF NO	GRAPHIC REF	PART NUMBER	QTY	PART NAME						SEE PAGE
					1	2	3	4	5	6	
	1	1	<b>7W-1927</b>	1	RING-RETAINING						
	2	1	<b>8N-1415</b>	1	SPRING-CHECK						
	3	1	<b>1W-9171</b>	1	BONNET-VALVE						
	4	1	<b>1W-6987</b>	1	VALVE AS-CHECK (FUEL INJECTION PUMP)						
R	5	1	<b>7W-5929</b>	1	PLUNGER & BARREL AS (FUEL PUMP)						
C	6	1	<b>7C-5278</b>	1	BOLT-PLUNGER GEAR (FUEL PUMP)						
C	7	1	<b>7N-1066</b>	1	WASHER-RETAINING						

C - CHANGE FROM PREVIOUS TYPE  
 R - REMANUFACTURED PART MAY BE AVAILABLE



GRAPHIC #1

<END>

g00108247

# FUEL SYSTEM

## 2W-6838 PUMP GP-FUEL PRIMING

S/N: 85Z3764-UP

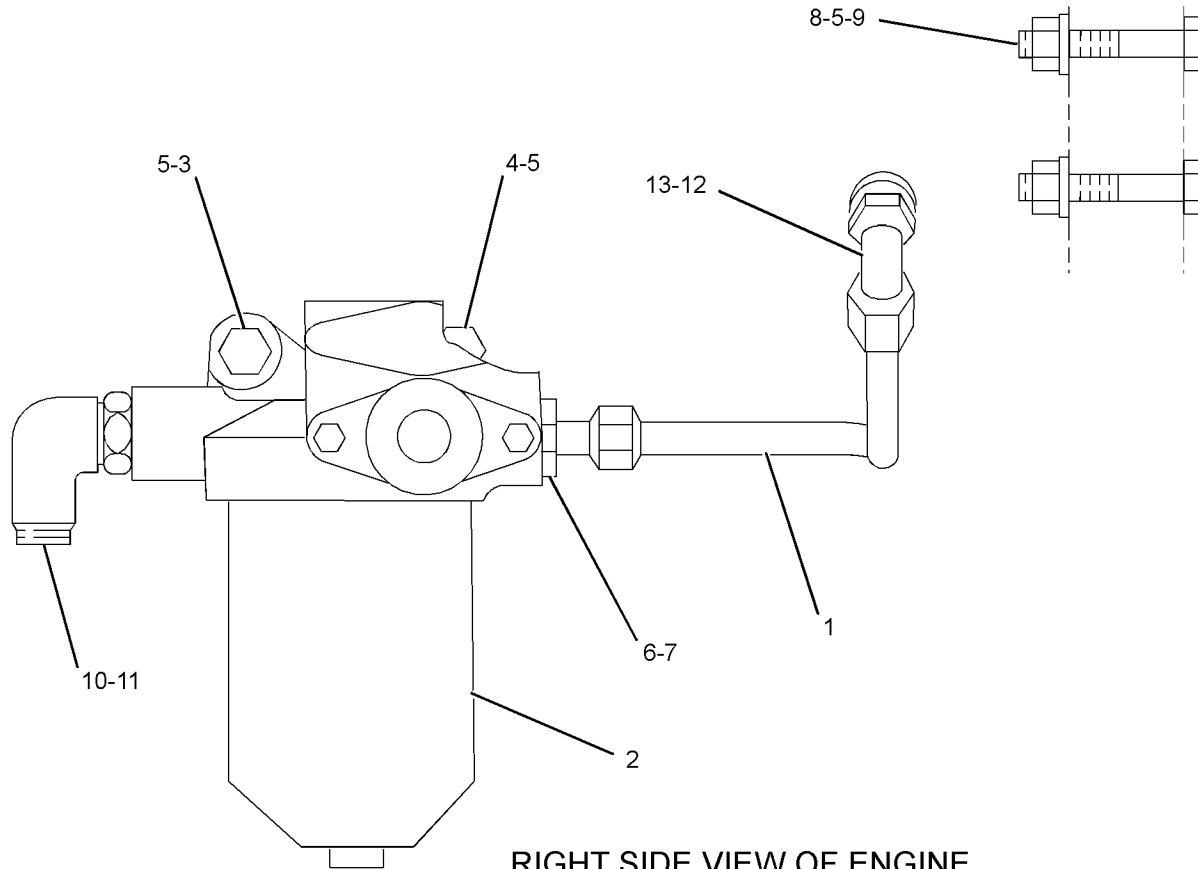
FOR USE WITH 9N-2722-PAGE: 575, 4N-4601-PAGE: 598  
AN ATTACHMENT

SMCS-1258

i05171681

NOTE	REF NO	GRAPHIC REF	PART NUMBER	QTY	PART NAME						SEE PAGE
					1	2	3	4	5	6 (PRODUCT LEVEL)	
	1	1	<b>1W-6629</b>	1	TUBE AS-FUEL FILTER						
Y	2	1	<i>8N-6201</i>	1	PUMP GP-FUEL PRM & PRIM FILTER						753
	3	1	<b>1A-2029</b>	1	BOLT (3/8-16X1.125-IN)						
	4	1	<b>8S-9191</b>	1	BOLT (3/8-16X4-IN)						
C	5	1	<b>5M-2894</b>	4	WASHER-HARD (10.2X18.5X2.5-MM THK)						
	6	1	<b>030-8194</b>	1	CONNECTOR						
	7	1	<b>2M-9780</b>	1	SEAL-O-RING						
C	8	1	<b>0L-2070</b>	2	BOLT (3/8-16X2.25-IN)						
	9	1	<b>9S-8752</b>	2	NUT-FULL (3/8-16-THD)						
B	10	1	<b>005-4362</b>	1	ELBOW						
B	11	1	<b>3K-0360</b>	1	SEAL-O-RING						
	12	1	<b>3J-1907</b>	1	SEAL-O-RING						
	13	1	<b>030-7947</b>	1	ADAPTER-ELBOW						

B - USE AS REQUIRED  
C - CHANGE FROM PREVIOUS TYPE  
Y - SEPARATE ILLUSTRATION



RIGHT SIDE VIEW OF ENGINE

GRAPHIC #1

<END>

g03350683



# FUEL SYSTEM

## 4W-1876 PUMP GP-FUEL PRIMING

S/N: 85Z11063-UP

SMCS - 1258

i04233568

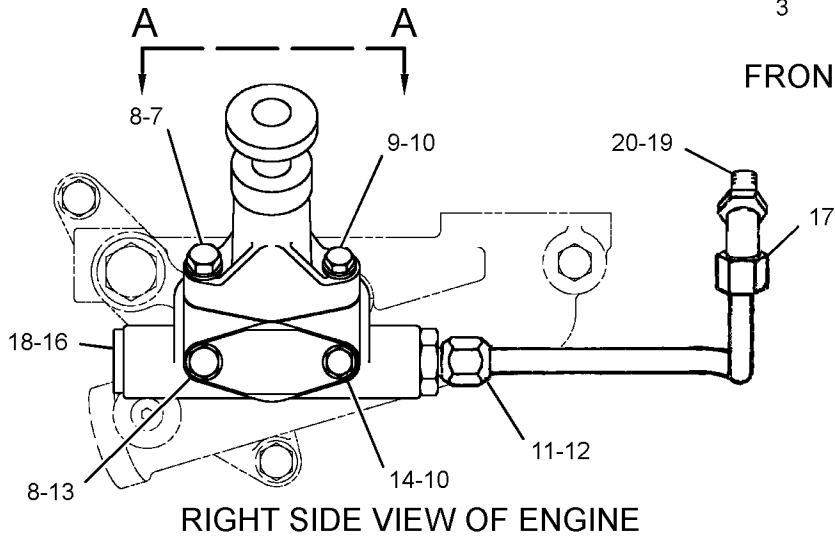
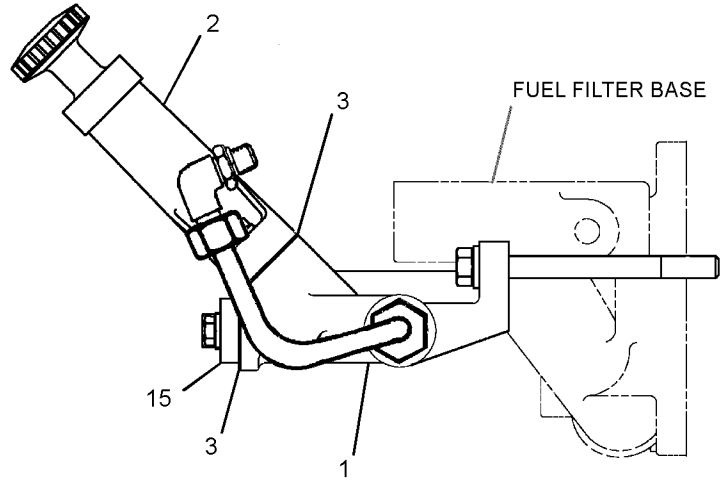
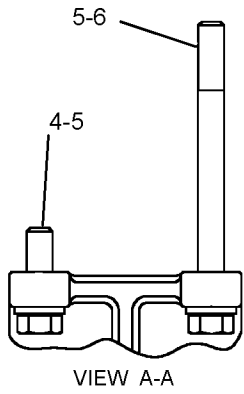
NOTE	REF NO	GRAPHIC REF	PART NUMBER	QTY	PART NAME						SEE PAGE
					1	2	3	4	5	6 (PRODUCT LEVEL)	
C	1	1	<b>7W-8834</b>	1	BASE-FUEL PRIMING PUMP						
	2	1	<b>137-5541</b>	1	PUMP GP-FUEL PRIMING (HAND)						
	3	1	<b>1P-0436</b>	2	GASKET (FUEL PRIMING PUMP)						
	4	1	<b>0S-1588</b>	1	BOLT (3/8-16X1.25-IN)						
	5	1	<b>5M-2894</b>	2	WASHER-HARD (10.2X18.5X2.5-MM THK)						
	6	1	<b>0T-0055</b>	1	BOLT (3/8-16X4.25-IN)						
	7	1	<b>1B-7182</b>	1	BOLT (5/16-18X1.25-IN)						
	8	1	<b>9M-1974</b>	2	WASHER-HARD (8.8X16X2-MM THK)						
	9	1	<b>7B-2742</b>	1	BOLT (1/4-20X1.25-IN)						
	10	1	<b>5P-0537</b>	2	WASHER-HARD (7.2X14.5X2-MM THK)						
	11	1	<b>030-8194</b>	1	CONNECTOR						
	12	1	<b>2M-9780</b>	1	SEAL-O-RING						
	13	1	<b>0S-1618</b>	1	BOLT (5/16-18X1-IN)						
	14	1	<b>4F-7957</b>	1	BOLT (1/4-20X0.875-IN)						
	15	1	<b>8N-3573</b>	1	COVER						
	16	1	<b>1P-1669</b>	1	PLUG-SEAL						
	17	1	<b>1W-6629</b>	1	TUBE AS-FUEL FILTER						
	18	1	<b>3K-0360</b>	1	SEAL-O-RING						
	19	1	<b>030-7947</b>	1	ADAPTER-ELBOW						
	20	1	<b>3J-1907</b>	1	SEAL-O-RING						

C - CHANGE FROM PREVIOUS TYPE

# FUEL SYSTEM

4W-1876 PUMP GP-FUEL PRIMING (contd.)

i04233568



GRAPHIC #1

<END>

g02470657

# FUEL SYSTEM

## 8N-3365 PUMP GP-FUEL PRIMING

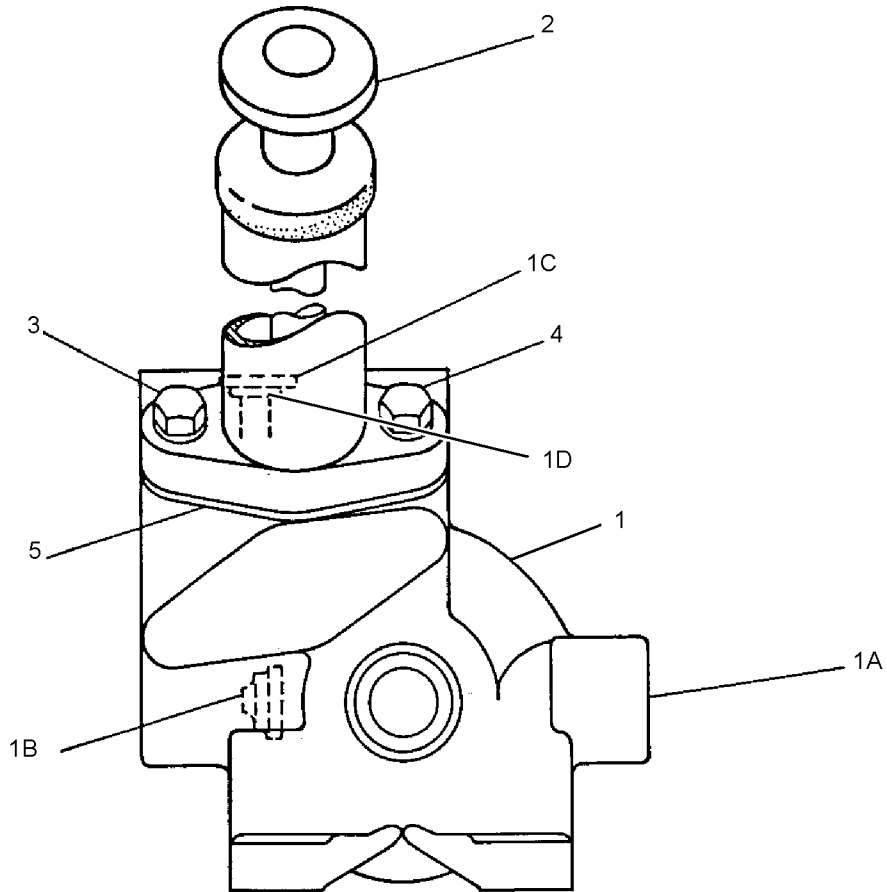
S/N: 85Z3764-UP

PART OF 8N-5251 PUMP GP-FUEL PRM & PRIM FILTER

SMCS-1258

i03441021

NOTE	REF NO	GRAPHIC REF	PART NUMBER	QTY	PART NAME						SEE PAGE
					1	2	3	4	5	6 (PRODUCT LEVEL)	
	1	1	<b>1W-6350</b>	1	BASE AS-FUEL FILTER						
	1A	1	<b>8N-0803</b>	1	BASE-FILTER						
	1B	1	<b>7E-5346</b>	1	VALVE AS (FUEL CHECK)						
	1C	1	<b>9S-8003</b>	2	PLUG (1/2-20-THD)						
	1D	1	<b>1J-9671</b>	2	SEAL-O-RING						
	2	1	<b>105-2508</b>	1	PUMP AS-FUEL PRIMING						
	3	1	<b>7B-2742</b>	1	BOLT (1/4-20X1.25-IN)						
		1	<b>5P-0537</b>	1	WASHER-HARD (7.2X14.5X2-MM THK)						
	4	1	<b>1B-7182</b>	1	BOLT (5/16-18X1.25-IN)						
		1	<b>9M-1974</b>	1	WASHER-HARD (8.8X16X2-MM THK)						
	5	1	<b>1P-0436</b>	1	GASKET (FUEL PRIMING PUMP)						



GRAPHIC #1

<END>

g01118696

# FUEL SYSTEM

## 8N-6200 PUMP GP-FUEL PRIMING

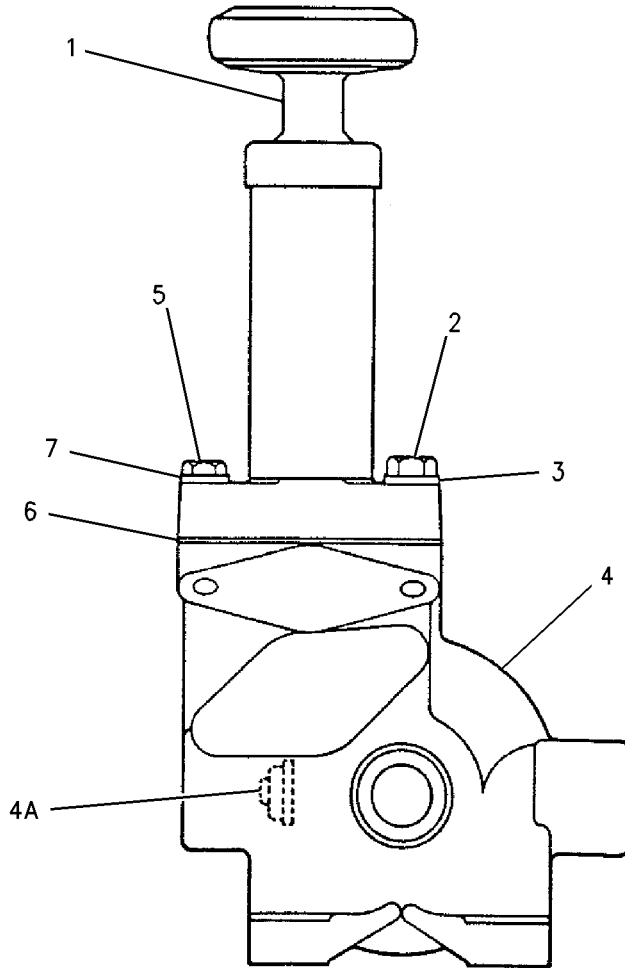
S/N: 85Z3764-UP

PART OF 8N-6201 PUMP GP-FUEL PRM & PRIM FILTER  
AN ATTACHMENT

SMCS-1258

i03151046

NOTE	REF NO	GRAPHIC REF	PART NUMBER	QTY	PART NAME						SEE PAGE
					1	2	3	4	5	6	
	1	1	<b>137-5541</b>	1	PUMP GP-FUEL PRIMING						
	2	1	<b>1B-7182</b>	1	BOLT (5/16-18X1.25-IN)						
	3	1	<b>9M-1974</b>	1	WASHER-HARD (8.8X16X2-MM THK)						
	4	1	<b>2W-6688</b>	1	BASE AS-FUEL FILTER						
		1	<b>8N-6199</b>	1	BASE-PUMP & FILTER						
	4A	1	<b>7E-5346</b>	1	VALVE AS (FUEL FILTER BASE CHECK)						
	5	1	<b>7B-2742</b>	1	BOLT (1/4-20X1.25-IN)						
	6	1	<b>1P-0436</b>	1	GASKET (FUEL PRIMING PUMP)						
	7	1	<b>5P-0537</b>	1	WASHER-HARD (7.2X14.5X2-MM THK)						



GRAPHIC #1

<END>

g01007988

# FUEL SYSTEM

## 4W-1241 PUMP GP-FUEL PRM & PRIM FILTER

S/N: 85Z3764-UP

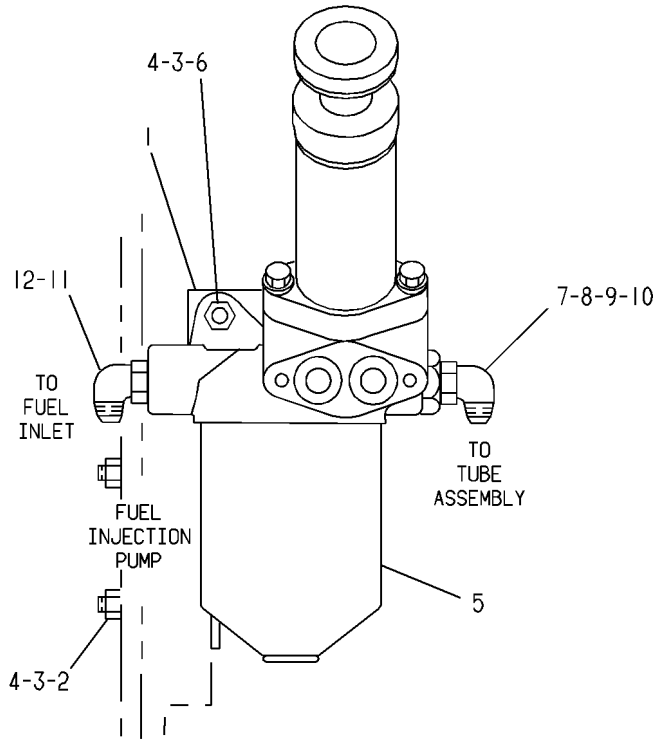
PROVIDES FRONT MOUNTED PRIMING PUMP AND PRIMARY FUEL FILTER  
FOR USE WITH 4W-1250-PAGE: 662

SMCS-1256, 1258, 1260

i00666287

NOTE	REF NO	GRAPHIC REF	PART NUMBER	QTY	PART NAME						SEE PAGE
					1	2	3	4	5	6 (PRODUCT LEVEL)	
	1	1	<b>4W-1242</b>	1	BRACKET AS						
	2	1	<b>0L-1143</b>	2	BOLT (3/8-16X2.5-IN)						
	3	1	<b>1D-4717</b>	4	NUT (3/8-16-THD)						
	4	1	<b>5M-2894</b>	8	WASHER-HARD (10.2X18.5X2.5-MM THK)						
Y	5	1	<b>8N-5251</b>	1	PUMP GP-FUEL PRM & PRIM FILTER						752
	6	1	<b>0S-1591</b>	2	BOLT (3/8-16X1.5-IN)						
	7	1	<b>5P-1404</b>	1	ADAPTER						
	8	1	<b>2M-9780</b>	1	SEAL-O-RING						
	9	1	<b>030-7947</b>	1	ADAPTER-ELBOW						
	10	1	<b>3J-1907</b>	1	SEAL-O-RING						
	11	1	<b>030-7948</b>	1	ELBOW						
	12	1	<b>3K-0360</b>	1	SEAL-O-RING						

Y - SEPARATE ILLUSTRATION



GRAPHIC #1

<END>

g00169779

# FUEL SYSTEM

## 8N-5251 PUMP GP-FUEL PRM & PRIM FILTER

S/N: 85Z3764-UP

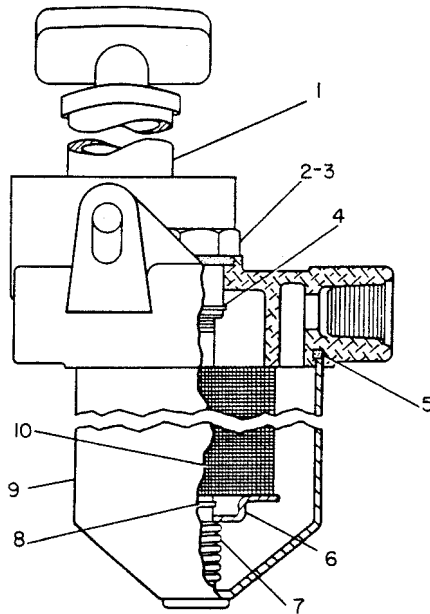
PART OF 4W-1241 PUMP GP-FUEL PRM & PRIM FILTER

SMCS-1256, 1258, 1260

i02017808

NOTE	REF NO	GRAPHIC REF	PART NUMBER	QTY	PART NAME						SEE PAGE
					1	2	3	4	5	6 (PRODUCT LEVEL)	
Y	1	1	8N-3365	1	PUMP GP-FUEL PRIMING						749
	2	1	8H-2807	1	NUT (3/8-24-THD)						
	3	1	2J-0157	1	SEAL-O-RING						
	4	1	1L-3769	1	RING-RETAINING						
	5	1	8H-2778	1	SEAL-RING (FUEL PRIMING PUMP)						
	6	1	7H-9678	1	RETAINER-ELEMENT						
	7	1	7S-9323	1	SPRING						
	8	1	2H-3429	1	RING-RETAINING						
	9	1	8H-2810	1	CASE AS-FILTER						
	10	1	9M-2341	1	FILTER ELEMENT-WTR SEP & FUEL (STANDARD EFFICIENCY) (PRIMARY)						

Y - SEPARATE ILLUSTRATION



GRAPHIC #1

<END>

g00110583

# FUEL SYSTEM

## 8N-6201 PUMP GP-FUEL PRM & PRIM FILTER

S/N: 85Z3764-UP

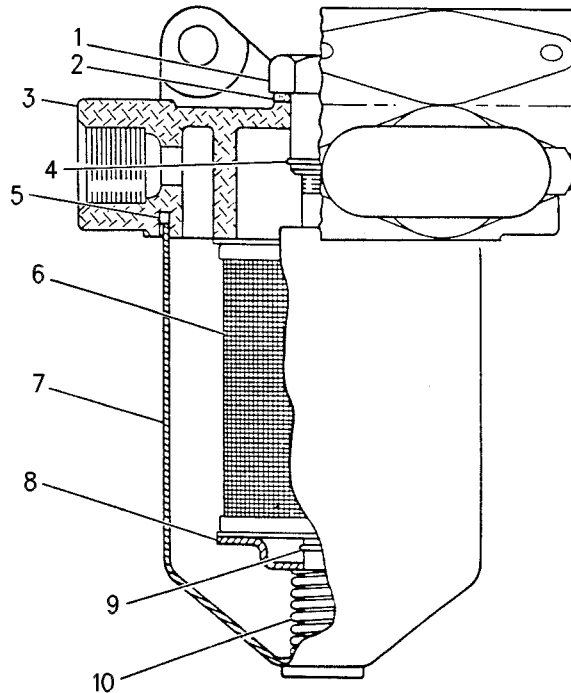
PART OF 2W-6838 PUMP GP-FUEL PRIMING  
AN ATTACHMENT

SMCS-1256, 1258, 1260

i02017809

NOTE	REF NO	GRAPHIC REF	PART NUMBER	QTY	PART NAME						SEE PAGE
					1	2	3	4	5	6 (PRODUCT LEVEL)	
	1	1	<b>8H-2807</b>	1	NUT (3/8-24-THD)						
	2	1	<b>2J-0157</b>	1	SEAL-O-RING						
Y	3	1	<b>8N-6200</b>	1	PUMP GP-FUEL PRIMING						750
	4	1	<b>1L-3769</b>	1	RING-RETAINING						
	5	1	<b>8H-2778</b>	1	SEAL-RING (FUEL PRIMING PUMP)						
	6	1	<b>9M-2341</b>	1	FILTER ELEMENT-WTR SEP & FUEL (STANDARD EFFICIENCY) (PRIMARY)						
	7	1	<b>8H-2810</b>	1	CASE AS-FILTER						
	8	1	<b>7H-9678</b>	1	RETAINER-ELEMENT						
	9	1	<b>2H-3429</b>	1	RING-RETAINING						
	10	1	<b>7S-9323</b>	1	SPRING						

Y - SEPARATE ILLUSTRATION



GRAPHIC #1

<END>

g00605826

# FUEL SYSTEM

## 1W-1695 PUMP GP-FUEL TRANSFER\*R

S/N: 85Z3764-6266

OPTIONAL FIELD REPLACEMENT ORDER 1-279-4980 PUMP GP-FUEL TRANSFER, 1- OR-3537 PUMP  
GP-FUEL TRANSFER

PART OF 2W-4160 PUMP & MTG GP-FUEL TRANSFER

SMCS-1256

i02277762

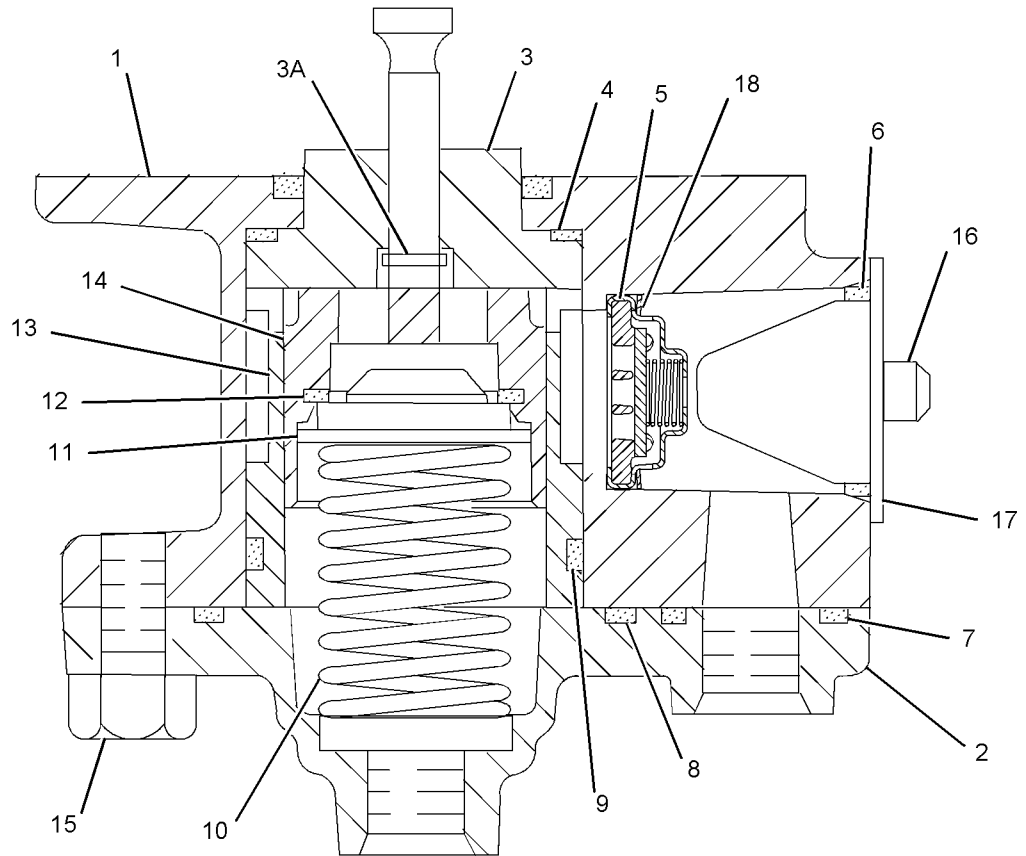
NOTE	REF NO	GRAPHIC REF	PART NUMBER	QTY	PART NAME						SEE PAGE
					1	2	3	4	5	6	
	1	1	<b>1W-1698</b>	1	HOUSING-TRANSFER PUMP						
	2	1	<b>1W-1699</b>	1	COVER						
	3	1	<b>1W-5912</b>	1	GUIDE & TAPPET AS						
	3A	1	<b>7N-8821</b>	1	RING-RETAINING						
	4	1	<b>6J-2419</b>	1	SEAL-O-RING						
	5	1	<b>7W-8412</b>	3	VALVE AS (FUEL CHECK)						
	6	1	<b>3D-2824</b>	1	SEAL-O-RING						
	7	1	<b>6F-6672</b>	1	SEAL-O-RING						
	8	1	<b>3D-2898</b>	1	SEAL-O-RING						
	9	1	<b>5P-8215</b>	1	SEAL-O-RING						
	10	1	<b>7W-0134</b>	1	SPRING-PUMP						
	11	1	<b>8N-2637</b>	1	WASHER (21.3X29.5X1.6-MM THK)						
	12	1	<b>7C-0396</b>	1	SPACER						
	13	1	<b>8N-2641</b>	1	SLEEVE						
	14	1	<b>1W-1669</b>	1	PISTON						
	15	1	<b>0S-1615</b>	2	BOLT (1/4-20X0.75-IN)						
	16	1	<b>6D-8498</b>	2	SCREW-HEAD						
	17	1	<b>8N-2640</b>	1	COVER						
	18	1	<b>7E-4656</b>	1	RETAINER						



# FUEL SYSTEM

1W-1695 PUMP GP-FUEL TRANSFER (contd.)

i02277762



GRAPHIC #1

<END>

g01140545

# FUEL SYSTEM

## 1W-1695 PUMP GP-FUEL TRANSFER\*R

S/N: 85Z6267-UP

OPTIONAL FIELD REPLACEMENT ORDER 1-279-4980 PUMP GP-FUEL TRANSFER, 1- OR-3537 PUMP  
GP-FUEL TRANSFER

PART OF 2W-4160 PUMP & MTG GP-FUEL TRANSFER

SMCS-1256

i05471827

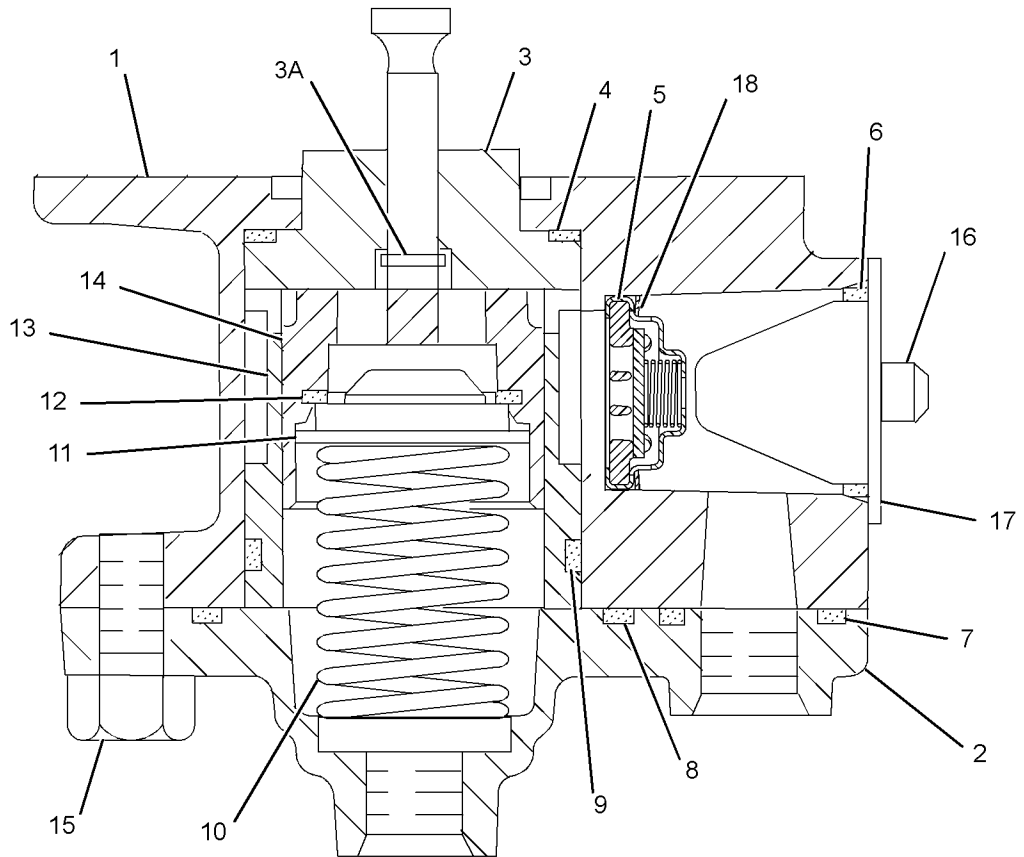
NOTE	REF NO	GRAPHIC REF	PART NUMBER	QTY	PART NAME						SEE PAGE
					1	2	3	4	5	6	
	1	1	<b>1W-1698</b>	1	HOUSING-TRANSFER PUMP						
	2	1	<b>1W-1699</b>	1	COVER						
	3	1	<b>1W-5912</b>	1	GUIDE & TAPPET AS						
	3A	1	<b>7N-8821</b>	1	RING-RETAINING						
	4	1	<b>6J-2419</b>	1	SEAL-O-RING						
C	5	1	<b>7E-2464</b>	3	VALVE AS-CHECK (FUEL TRANSFER PUMP)						
	6	1	<b>3D-2824</b>	1	SEAL-O-RING						
	7	1	<b>6F-6672</b>	1	SEAL-O-RING						
	8	1	<b>3D-2898</b>	1	SEAL-O-RING						
	9	1	<b>5P-8215</b>	1	SEAL-O-RING						
	10	1	<b>7W-0134</b>	1	SPRING-PUMP						
	11	1	<b>8N-2637</b>	1	WASHER (21.3X29.5X1.6-MM THK)						
C	12	1	<b>7E-3667</b>	1	SPACER (25.46X28.86X1.84-MM THK)						
	13	1	<b>8N-2641</b>	1	SLEEVE						
	14	1	<b>1W-1669</b>	1	PISTON						
	15	1	<b>0S-1615</b>	2	BOLT (1/4-20X0.75-IN)						
	16	1	<b>6D-8498</b>	2	SCREW-HEAD						
	17	1	<b>8N-2640</b>	1	COVER						
	18	1	<b>7E-4656</b>	1	RETAINER						

C - CHANGE FROM PREVIOUS TYPE

# FUEL SYSTEM

1W-1695 PUMP GP-FUEL TRANSFER (contd.)

i05471827



GRAPHIC #1

<END>

g01192017

# FUEL SYSTEM

## 108-4825 PUMP GP-GOV & FUEL INJ

S/N: 85Z11355-13100

SMCS - 1286

i01142392

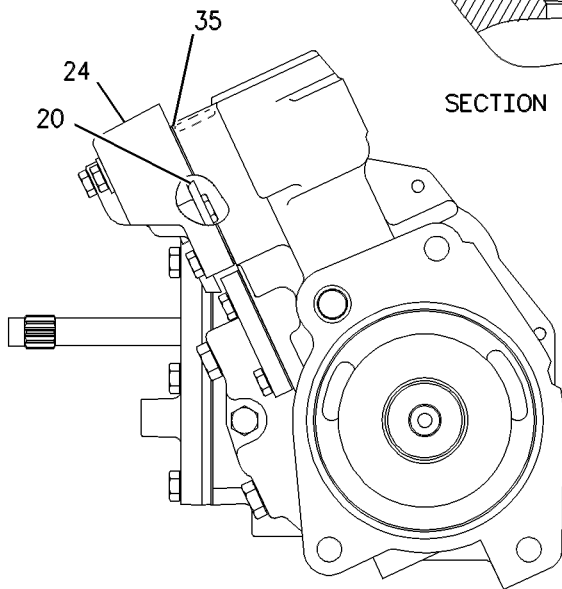
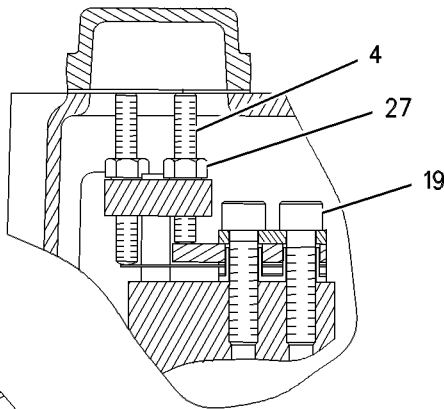
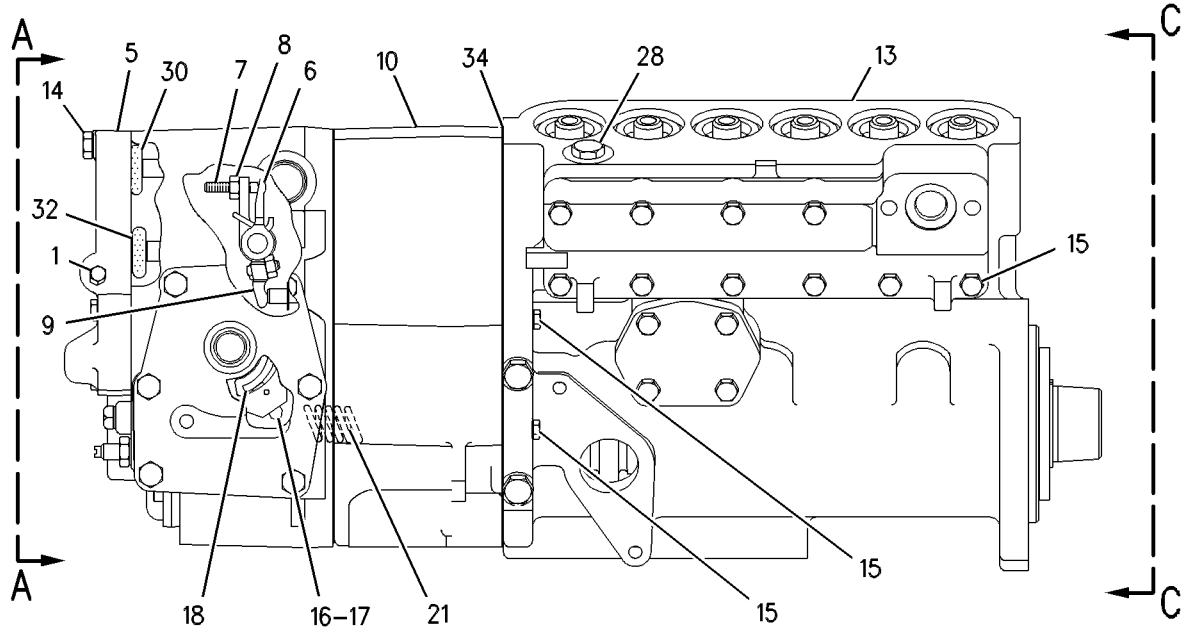
NOTE	REF NO	GRAPHIC REF	PART NUMBER	QTY	PART NAME						SEE PAGE
					1	2	3	4	5	6 (PRODUCT LEVEL)	
	1	1	<b>9S-4180</b>	1	PLUG						
		1	<b>4J-7533</b>	1	SEAL-O-RING						
	4	1	<b>5H-6552</b>	1	SETSCREW-SOCKET (10-32X1.25-IN)						
	5	1	<b>8N-3799</b>	1	COVER-FUEL RATIO						
	6	1	<b>4W-5735</b>	1	LEVER AS-PIVOT						
	7	1	<b>115-1249</b>	1	SETSCREW-SOCKET						
	8	1	<b>8L-5832</b>	1	NUT-HEX (10-32-THD)						
	9	1	<b>4W-5734</b>	1	LEVER AS						
		1	<b>6V-6835</b>	1	SETSCREW-SOCKET (10-32X0.625-IN)						
		1	<b>8L-5832</b>	1	NUT-HEX (10-32-THD)						
YC	10	1	<b>2W-4108</b>	1	GOVERNOR GP						626
Y	13	1	<b>108-4830</b>	1	PUMP GP-FUEL INJECTION						699
	14	1	<b>0S-1616</b>	2	BOLT (1/4-20X1-IN)						
Y	15	1	<b>7C-8993</b>	1	FASTENER GP-FUEL INJ PUMP						612
	16	1	<b>7N-2176</b>	1	PIN-DETENT						
	17	1	<b>7N-1052</b>	1	DOWEL						
	18	1	<b>8N-3093</b>	1	SPRING-DETENT						
Y	19	1	<b>8N-7276</b>	1	TORQUE CONTROL GP						861
	20	1	<b>8N-5784</b>	1	DEFLECTOR-PULSE						
	21	1	<b>7W-1224</b>	1	SPRING						
	22	1	<b>8N-5403</b>	1	SHAFT AS-THROTTLE						
	23	1	<b>2W-5448</b>	1	COVER						
	24	1	<b>7N-9907</b>	1	COVER						
	27	1	<b>8L-5832</b>	1	NUT-HEX (10-32-THD)						
	28	1	<b>3J-1907</b>	1	SEAL-O-RING						
	29	1	<b>5P-6620</b>	1	SEAL-O-RING						
	30	1	<b>8J-8343</b>	1	SEAL-O-RING						
	31	1	<b>8M-8515</b>	1	SEAL-O-RING						
	32	1	<b>033-5879</b>	1	SEAL-O-RING						
	33	1	<b>144-0477</b>	1	GASKET						
	34	1	<b>150-3726</b>	1	GASKET						
	35	1	<b>150-3727</b>	1	GASKET-FUEL						

C - CHANGE FROM PREVIOUS TYPE  
Y - SEPARATE ILLUSTRATION

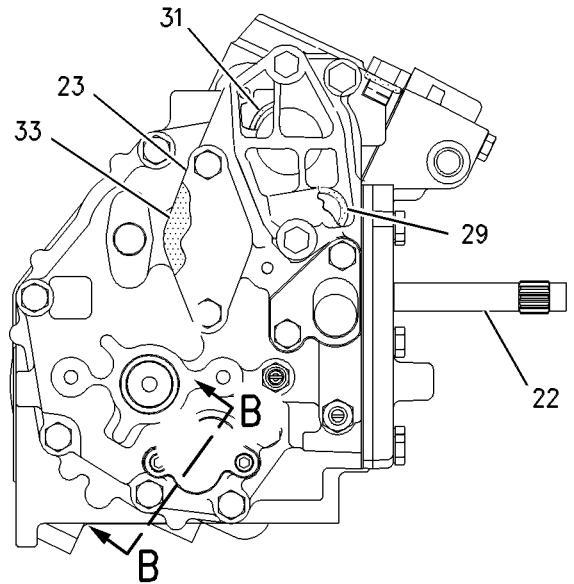
# FUEL SYSTEM

108-4825 PUMP GP-GOV & FUEL INJ (contd.)

i01142392



VIEW C-C



VIEW A-A

GRAPHIC #1

<END>

g00604574

# FUEL SYSTEM

## 108-4827 PUMP GP-GOV & FUEL INJ S/N: 85Z11355-UP

SMCS - 1286

i01138060

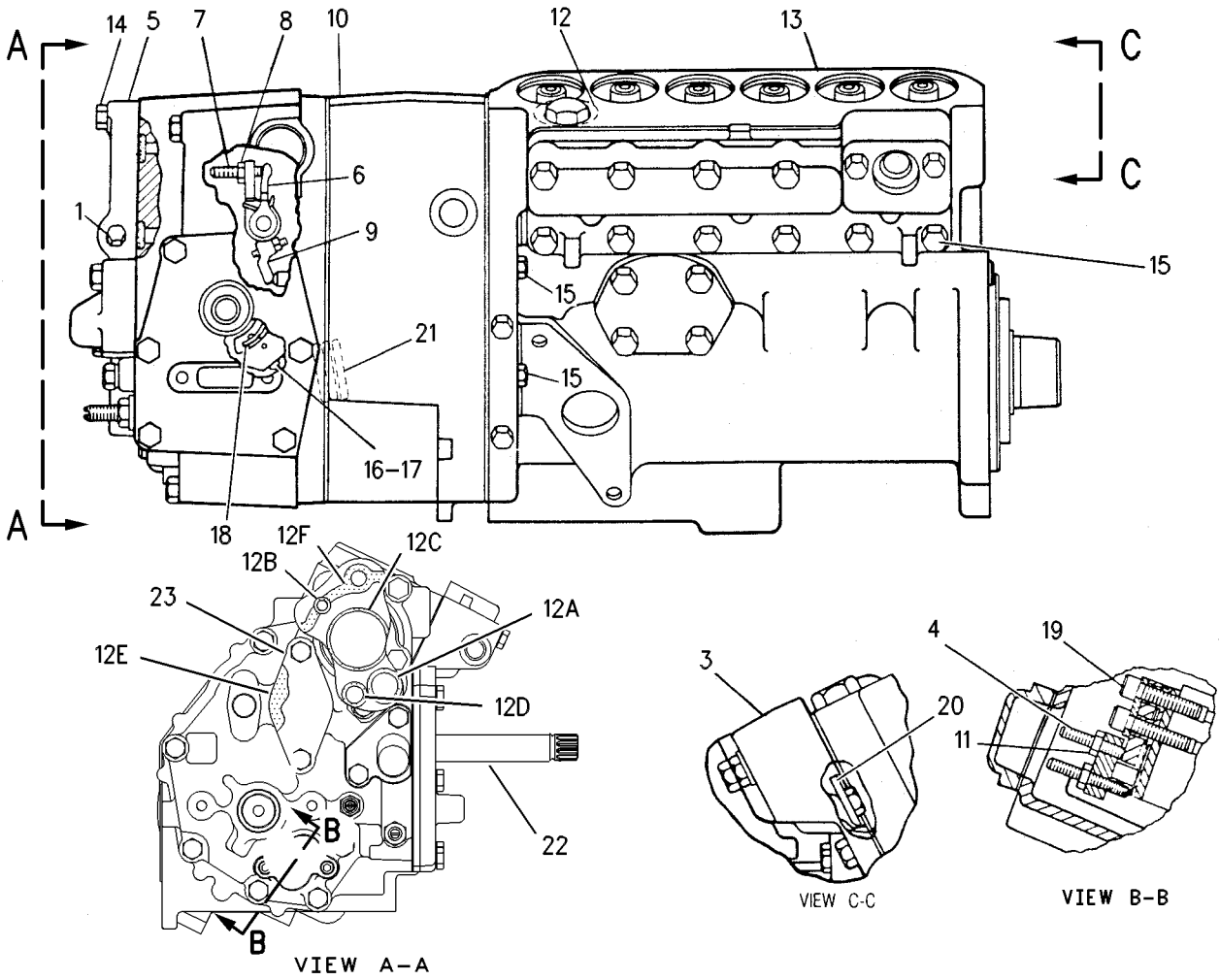
NOTE	REF NO	GRAPHIC REF	PART NUMBER	QTY	PART NAME						SEE PAGE
					1	2	3	4	5	6 (PRODUCT LEVEL)	
	1	1	<b>9S-4180</b>	1	PLUG						
	3	1	<b>7N-9907</b>	1	COVER						
	4	1	<b>5H-6552</b>	1	SETSCREW-SOCKET (10-32X1.25-IN)						
	5	1	<b>8N-3799</b>	1	COVER-FUEL RATIO						
	6	1	<b>4W-5735</b>	1	LEVER AS-PIVOT						
	7	1	<b>6V-6835</b>	1	SETSCREW-SOCKET (10-32X0.625-IN)						
	8	1	<b>8L-5832</b>	1	NUT-HEX (10-32-THD)						
	9	1	<b>4W-5734</b>	1	LEVER AS						
		1	<b>6V-6835</b>	1	SETSCREW-SOCKET (10-32X0.625-IN)						
		1	<b>8L-5832</b>	1	NUT-HEX (10-32-THD)						
Y	10	1	<b>2W-4108</b>	1	GOVERNOR GP						626
	11	1	<b>8L-5832</b>	1	NUT-HEX (10-32-THD)						
	12	1	<b>3J-1907</b>	1	SEAL-O-RING						
	12A	1	<b>5P-6620</b>	1	SEAL-O-RING						
	12B	1	<b>8J-8343</b>	1	SEAL-O-RING						
	12C	1	<b>8M-8515</b>	1	SEAL-O-RING						
	12D	1	<b>033-5879</b>	1	SEAL-O-RING						
	12E	1	<b>144-0477</b>	1	GASKET						
	12F	1	<b>150-3726</b>	1	GASKET						
	12G	1	<b>150-3727</b>	1	GASKET-FUEL						
Y	13	1	<b>108-4830</b>	1	PUMP GP-FUEL INJECTION						699
	14	1	<b>0S-1616</b>	2	BOLT (1/4-20X1-IN)						
Y	15	1	<b>7C-8993</b>	1	FASTENER GP-FUEL INJ PUMP						612
	16	1	<b>7N-2176</b>	1	PIN-DETENT						
	17	1	<b>7N-1052</b>	1	DOWEL						
	18	1	<b>8N-3093</b>	1	SPRING-DETENT						
Y	19	1	<b>8N-7276</b>	1	TORQUE CONTROL GP						861
	20	1	<b>8N-5784</b>	1	DEFLECTOR-PULSE						
	21	1	<b>7C-2193</b>	1	SPRING						
	22	1	<b>8N-5403</b>	1	SHAFT AS-THROTTLE						
	23	1	<b>2W-5448</b>	1	COVER						

Y - SEPARATE ILLUSTRATION

# FUEL SYSTEM

108-4827 PUMP GP-GOV & FUEL INJ (contd.)

101138060



GRAPHIC #1

<END>

g00603057

# FUEL SYSTEM

## 111-2124 PUMP GP-GOV & FUEL INJ

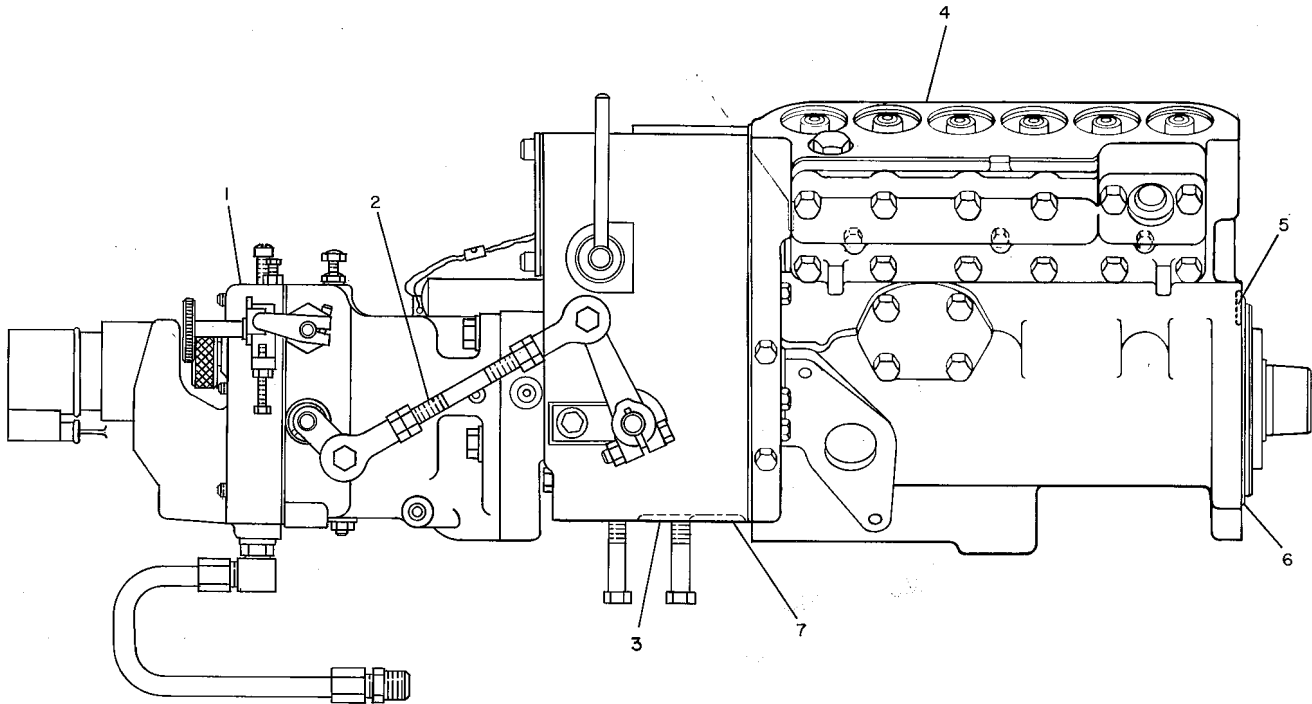
S/N: 85Z11355-UP  
25 DEGREE TIMING  
AN ATTACHMENT

SMCS-1286

i00671536

NOTE	REF NO	GRAPHIC REF	PART NUMBER	QTY	PART NAME						SEE PAGE
					1	2	3	4	5	6 (PRODUCT LEVEL)	
Y	1	1	8N-3353	1	GOVERNOR GP						641
Y	2	1	8N-3222	1	FASTENER GP-FUEL INJ PUMP						613
	3	1	2H-3932	1	SEAL-O-RING						
Y	4	1	111-2126	1	PUMP GP-GOV & FUEL INJ						763
	5	1	6V-6921	1	SEAL-RING						
	6	1	2H-3934	1	SEAL-O-RING						
	7	1	5F-7054	1	SEAL-O-RING						

Y - SEPARATE ILLUSTRATION



GRAPHIC #1

<END>

g00186498



# FUEL SYSTEM

## 111-2126 PUMP GP-GOV & FUEL INJ

S/N: 85Z11355-UP

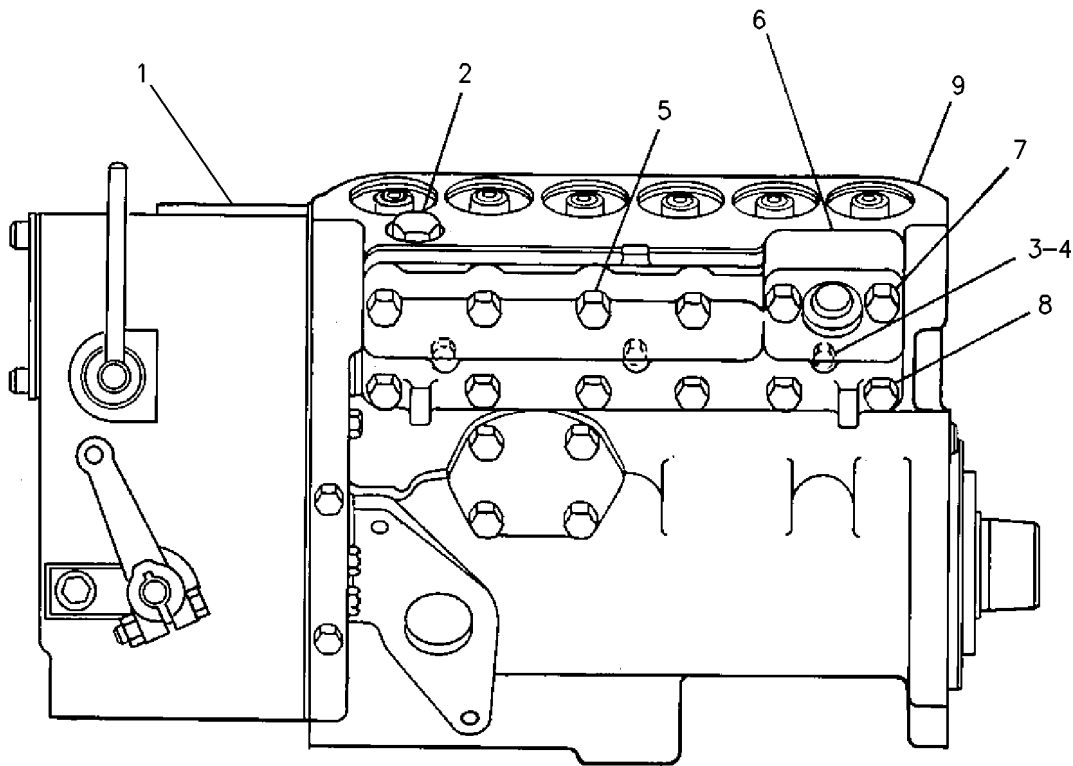
PART OF 111-2124 PUMP GP-GOV & FUEL INJ  
AN ATTACHMENT

SMCS-1286

i00943552

NOTE	REF NO	GRAPHIC REF	PART NUMBER	QTY	PART NAME						SEE PAGE
					1	2	3	4	5	6 (PRODUCT LEVEL)	
Y	1	1	8N-3221	1	DRIVE GP-GOVERNOR						606
	2	1	9S-4191	1	PLUG (9/16-18-THD)						
		1	3J-1907	1	SEAL-O-RING						
	3	1	0S-1614	3	BOLT (1/4-20X0.5-IN)						
	4	1	8N-5784	1	DEFLECTOR-PULSE						
	5	1	8B-2377	4	BOLT (1/4-20X2-IN)						
	6	1	7N-9907	1	COVER						
		1	150-3727	1	GASKET-FUEL						
	7	1	1B-2713	2	BOLT (1/4-20X1.75-IN)						
		1	4B-4276	2	WASHER (7X16X1.6-MM THK)						
	8	1	4F-7957	6	BOLT (1/4-20X0.875-IN)						
Y	9	1	154-3199	1	PUMP GP-FUEL INJECTION						703

Y - SEPARATE ILLUSTRATION



GRAPHIC #1

<END>

g00230005

# FUEL SYSTEM

## 2W-0055 PUMP GP-GOV & FUEL INJ

S/N: 85Z3764-UP

TYPE 1

SMCS-1286

i00970619

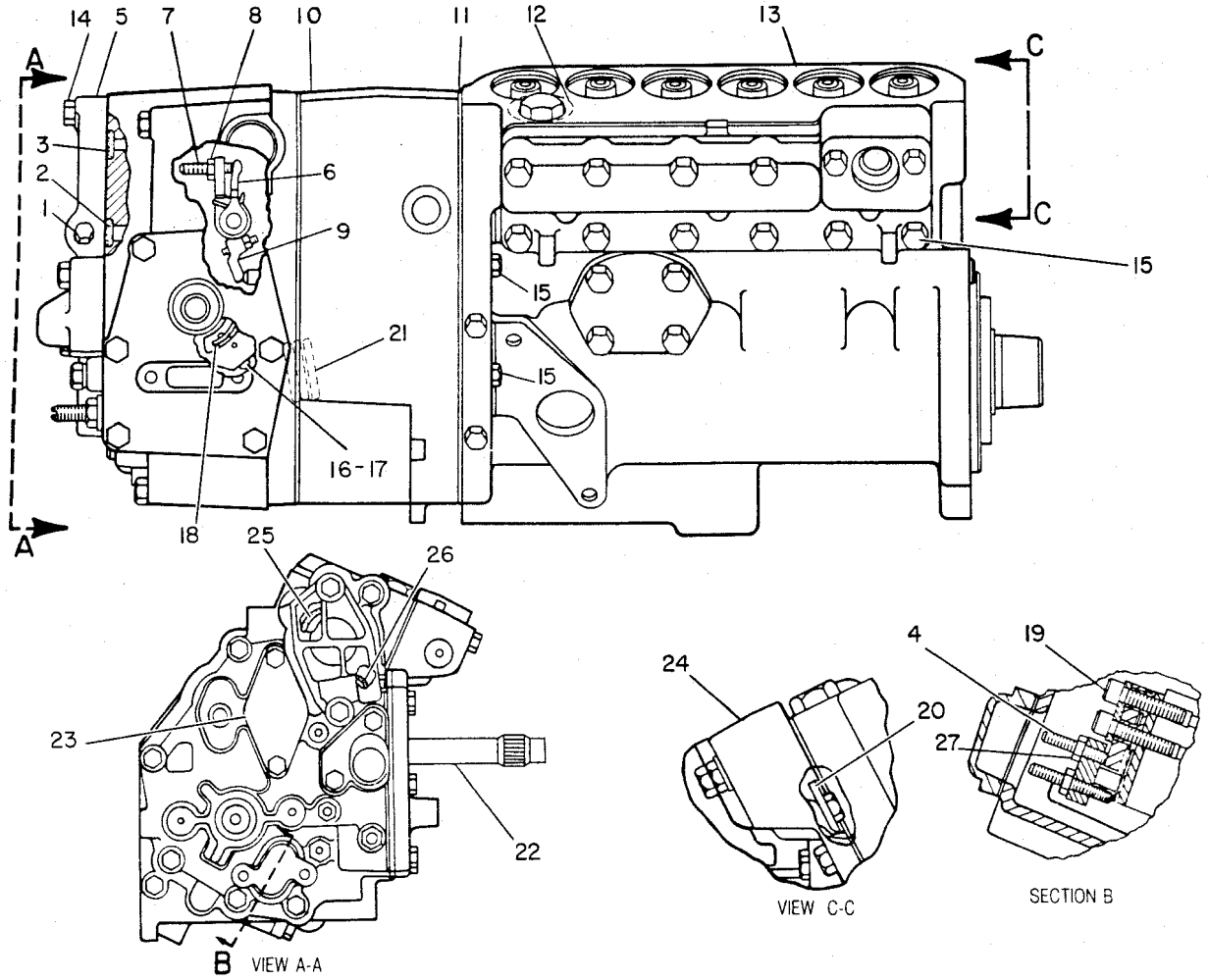
NOTE	REF NO	GRAPHIC REF	PART NUMBER	QTY	PART NAME						SEE PAGE
					1	2	3	4	5	6 (PRODUCT LEVEL)	
	1	1	<b>9S-4180</b>	1	PLUG						
		1	<b>4J-7533</b>	1	SEAL-O-RING						
	2	1	<b>033-5879</b>	1	SEAL-O-RING						
	3	1	<b>8J-8343</b>	1	SEAL-O-RING						
	4	1	<b>7N-5334</b>	1	SETSCREW-SOCKET (25.4-MM LG)						
					-OR-						
		1	<b>5H-6552</b>	1	SETSCREW-SOCKET (10-32X1.25-IN)						
	5	1	<b>8N-3799</b>	1	COVER-FUEL RATIO						
	6	1	<b>4W-5735</b>	1	LEVER AS-PIVOT						
	7	1	<b>6V-6835</b>	1	SETSCREW-SOCKET (10-32X0.625-IN)						
C	8	1	<b>8L-5832</b>	1	NUT-HEX (10-32-THD)						
	9	1	<b>4W-5734</b>	1	LEVER AS						
		1	<b>6V-6835</b>	1	SETSCREW-SOCKET (10-32X0.625-IN)						
C		1	<b>8L-5832</b>	1	NUT-HEX (10-32-THD)						
Y	10	1	<b>2W-4108</b>	1	GOVERNOR GP						626
	11	1	<b>7N-8768</b>	1	GASKET						
	12	1	<b>3J-1907</b>	1	SEAL-O-RING						
Y	13	1	<b>2W-0256</b>	1	PUMP GP-FUEL INJECTION						706
C	14	1	<b>0S-1616</b>	2	BOLT (1/4-20X1-IN)						
CY	15	1	<b>7C-8993</b>	1	FASTENER GP-FUEL INJ PUMP						612
	16	1	<b>7N-2176</b>	1	PIN-DETENT						
	17	1	<b>7N-1052</b>	1	DOWEL						
	18	1	<b>8N-3093</b>	1	SPRING-DETENT						
Y	19	1	<b>8N-7276</b>	1	TORQUE CONTROL GP						861
C	20	1	<b>8N-5784</b>	1	DEFLECTOR-PULSE						
	21	1	<b>4W-8915</b>	1	SPRING						
	22	1	<b>8N-5403</b>	1	SHAFT AS-THROTTLE						
	23	1	<b>2W-5448</b>	1	COVER						
		1	<b>2W-5447</b>	1	GASKET						
	24	1	<b>7N-9907</b>	1	COVER						
		1	<b>7N-9554</b>	1	GASKET						
	25	1	<b>8M-8515</b>	1	SEAL-O-RING						
	26	1	<b>5P-6620</b>	1	SEAL-O-RING						
C	27	1	<b>8L-5832</b>	1	NUT-HEX (10-32-THD)						

C - CHANGE FROM PREVIOUS TYPE  
Y - SEPARATE ILLUSTRATION

# FUEL SYSTEM

2W-0055 PUMP GP-GOV & FUEL INJ (contd.)

100970619



GRAPHIC #1

<END>

g00108328

# FUEL SYSTEM

## 2W-0055 PUMP GP-GOV & FUEL INJ

S/N: 85Z3764-UP

TYPE 2

SMCS-1286

i00970665

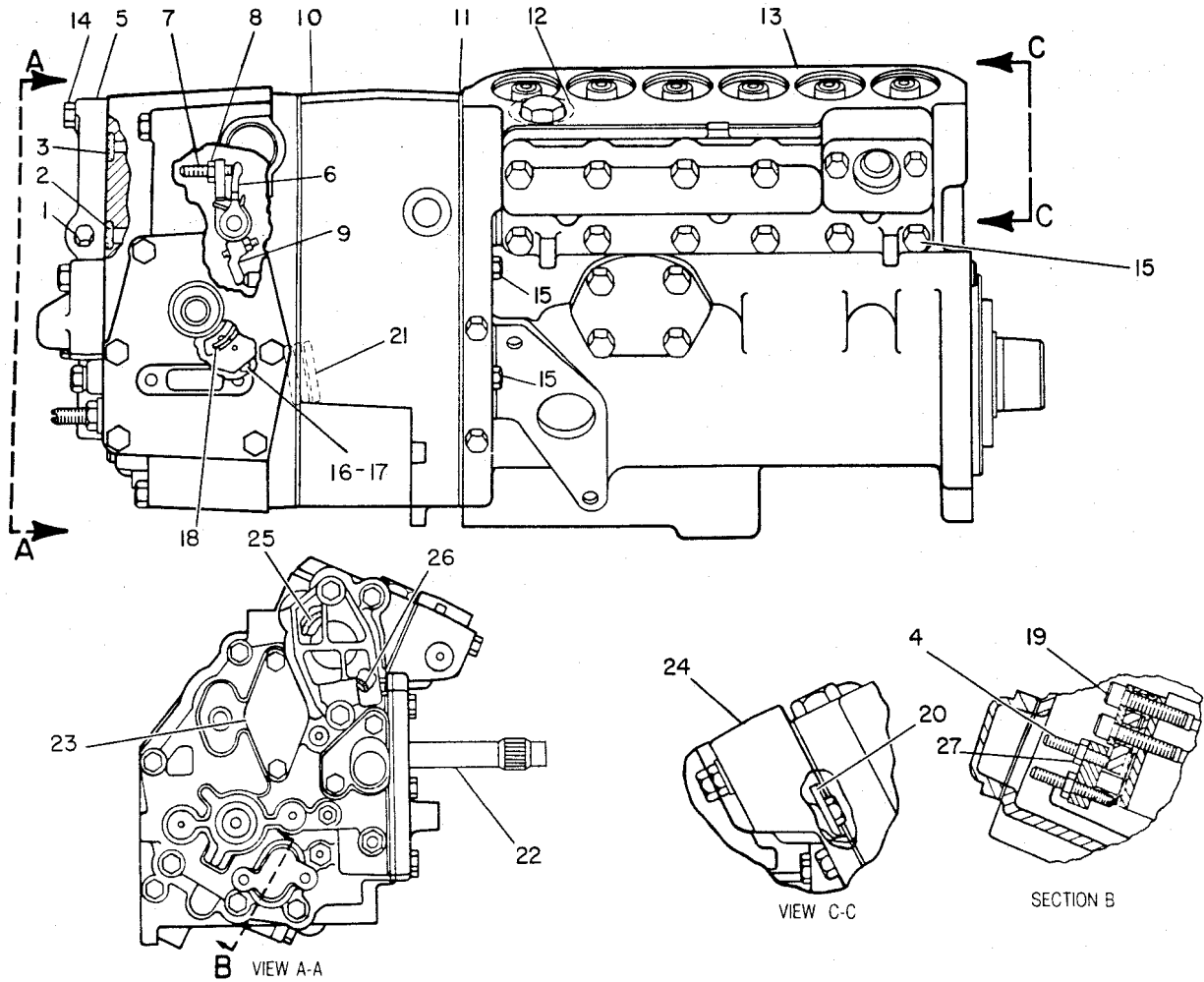
NOTE	REF NO	GRAPHIC REF	PART NUMBER	QTY	PART NAME						SEE PAGE
					1	2	3	4	5	6 (PRODUCT LEVEL)	
	1	1	<b>9S-4180</b>	1	PLUG						
		1	<b>4J-7533</b>	1	SEAL-O-RING						
	2	1	<b>033-5879</b>	1	SEAL-O-RING						
	3	1	<b>8J-8343</b>	1	SEAL-O-RING						
	4	1	<b>7N-5334</b>	1	SETSCREW-SOCKET (25.4-MM LG)						
					-OR-						
		1	<b>5H-6552</b>	1	SETSCREW-SOCKET (10-32X1.25-IN)						
	5	1	<b>8N-3799</b>	1	COVER-FUEL RATIO						
	6	1	<b>4W-5735</b>	1	LEVER AS-PIVOT						
	7	1	<b>6V-6835</b>	1	SETSCREW-SOCKET (10-32X0.625-IN)						
C	8	1	<b>8L-5832</b>	1	NUT-HEX (10-32-THD)						
	9	1	<b>4W-5734</b>	1	LEVER AS						
		1	<b>6V-6835</b>	1	SETSCREW-SOCKET (10-32X0.625-IN)						
C		1	<b>8L-5832</b>	1	NUT-HEX (10-32-THD)						
Y	10	1	<b>2W-4108</b>	1	GOVERNOR GP						626
	11	1	<b>7N-8768</b>	1	GASKET						
	12	1	<b>3J-1907</b>	1	SEAL-O-RING						
CY	13	1	<b>6I-2834</b>	1	PUMP GP-FUEL INJECTION						720
C	14	1	<b>0S-1616</b>	2	BOLT (1/4-20X1-IN)						
CY	15	1	<b>7C-8993</b>	1	FASTENER GP-FUEL INJ PUMP						612
	16	1	<b>7N-2176</b>	1	PIN-DETENT						
	17	1	<b>7N-1052</b>	1	DOWEL						
	18	1	<b>8N-3093</b>	1	SPRING-DETENT						
Y	19	1	<b>8N-7276</b>	1	TORQUE CONTROL GP						861
C	20	1	<b>8N-5784</b>	1	DEFLECTOR-PULSE						
	21	1	<b>4W-8915</b>	1	SPRING						
	22	1	<b>8N-5403</b>	1	SHAFT AS-THROTTLE						
	23	1	<b>2W-5448</b>	1	COVER						
		1	<b>2W-5447</b>	1	GASKET						
	24	1	<b>7N-9907</b>	1	COVER						
		1	<b>7N-9554</b>	1	GASKET						
	25	1	<b>8M-8515</b>	1	SEAL-O-RING						
	26	1	<b>5P-6620</b>	1	SEAL-O-RING						
C	27	1	<b>8L-5832</b>	1	NUT-HEX (10-32-THD)						

C - CHANGE FROM PREVIOUS TYPE  
Y - SEPARATE ILLUSTRATION

# FUEL SYSTEM

2W-0055 PUMP GP-GOV & FUEL INJ (contd.)

100970665



GRAPHIC #1

<END>

g00108328

# FUEL SYSTEM

## 2W-0055 PUMP GP-GOV & FUEL INJ

S/N: 85Z3764-UP

TYPE 3

SMCS - 1286

i00970702

NOTE	REF NO	GRAPHIC REF	PART NUMBER	QTY	PART NAME	SEE PAGE
					1 2 3 4 5 6 (PRODUCT LEVEL)	
	1	1	<b>9S-4180</b>	1	PLUG	
		1	<b>4J-7533</b>	1	SEAL-O-RING	
	2	1	<b>033-5879</b>	1	SEAL-O-RING	
	3	1	<b>8J-8343</b>	1	SEAL-O-RING	
	4	1	<b>7N-5334</b>	1	SETSCREW-SOCKET (25.4-MM LG)	
					-OR-	
		1	<b>5H-6552</b>	1	SETSCREW-SOCKET (10-32X1.25-IN)	
	5	1	<b>8N-3799</b>	1	COVER-FUEL RATIO	
	6	1	<b>4W-5735</b>	1	LEVER AS-PIVOT	
	7	1	<b>6V-6835</b>	1	SETSCREW-SOCKET (10-32X0.625-IN)	
	8	1	<b>8L-5832</b>	1	NUT-HEX (10-32-THD)	
	9	1	<b>4W-5734</b>	1	LEVER AS	
		1	<b>6V-6835</b>	1	SETSCREW-SOCKET (10-32X0.625-IN)	
		1	<b>8L-5832</b>	1	NUT-HEX (10-32-THD)	
CY	10	1	<b>9Y-7273</b>	1	GOVERNOR GP	643
	11	1	<b>7N-8768</b>	1	GASKET	
	12	1	<b>3J-1907</b>	1	SEAL-O-RING	
Y	13	1	<b>6I-2834</b>	1	PUMP GP-FUEL INJECTION	720
C	14	1	<b>0S-1616</b>	2	BOLT (1/4-20X1-IN)	
Y	15	1	<b>7C-8993</b>	1	FASTENER GP-FUEL INJ PUMP	612
	16	1	<b>7N-2176</b>	1	PIN-DETENT	
	17	1	<b>7N-1052</b>	1	DOWEL	
	18	1	<b>8N-3093</b>	1	SPRING-DETENT	
Y	19	1	<b>8N-7276</b>	1	TORQUE CONTROL GP	861
	20	1	<b>8N-5784</b>	1	DEFLECTOR-PULSE	
	21	1	<b>8N-9599</b>	1	SPRING	
	22	1	<b>8N-5403</b>	1	SHAFT AS-THROTTLE	
	23	1	<b>2W-5448</b>	1	COVER	
		1	<b>2W-5447</b>	1	GASKET	
	24	1	<b>7N-9907</b>	1	COVER	
		1	<b>7N-9554</b>	1	GASKET	
	25	1	<b>8M-8515</b>	1	SEAL-O-RING	
	26	1	<b>5P-6620</b>	1	SEAL-O-RING	
C	27	1	<b>8L-5832</b>	1	NUT-HEX (10-32-THD)	

C - CHANGE FROM PREVIOUS TYPE  
Y - SEPARATE ILLUSTRATION



# FUEL SYSTEM

## 2W-0055 PUMP GP-GOV & FUEL INJ

S/N: 85Z3764-UP

TYPE 4

SMCS-1286

i01138184

NOTE	REF NO	GRAPHIC REF	PART NUMBER	QTY	PART NAME	SEE PAGE
					1 2 3 4 5 6 (PRODUCT LEVEL)	
	1	1	<b>9S-4180</b>	1	PLUG	
	2	1	<b>033-5879</b>	1	SEAL-O-RING	
	3	1	<b>8J-8343</b>	1	SEAL-O-RING	
	4	1	<b>7N-5334</b>	1	SETSCREW-SOCKET (25.4-MM LG)	
					-OR-	
		1	<b>5H-6552</b>	1	SETSCREW-SOCKET (10-32X1.25-IN)	
	5	1	<b>8N-3799</b>	1	COVER-FUEL RATIO	
	6	1	<b>4W-5735</b>	1	LEVER AS-PIVOT	
	7	1	<b>6V-6835</b>	1	SETSCREW-SOCKET (10-32X0.625-IN)	
	8	1	<b>8L-5832</b>	1	NUT-HEX (10-32-THD)	
	9	1	<b>4W-5734</b>	1	LEVER AS	
		1	<b>6V-6835</b>	1	SETSCREW-SOCKET (10-32X0.625-IN)	
		1	<b>8L-5832</b>	1	NUT-HEX (10-32-THD)	
CY	10	1	<b>2W-4108</b>	1	GOVERNOR GP	626
	11	1	<b>150-3726</b>	1	GASKET	
	12	1	<b>3J-1907</b>	1	SEAL-O-RING	
Y	13	1	<b>6I-2834</b>	1	PUMP GP-FUEL INJECTION	720
C	14	1	<b>0S-1616</b>	2	BOLT (1/4-20X1-IN)	
Y	15	1	<b>7C-8993</b>	1	FASTENER GP-FUEL INJ PUMP	612
	16	1	<b>7N-2176</b>	1	PIN-DETENT	
	17	1	<b>7N-1052</b>	1	DOWEL	
	18	1	<b>8N-3093</b>	1	SPRING-DETENT	
Y	19	1	<b>8N-7276</b>	1	TORQUE CONTROL GP	861
	20	1	<b>8N-5784</b>	1	DEFLECTOR-PULSE	
	21	1	<b>8N-9599</b>	1	SPRING	
	22	1	<b>8N-5403</b>	1	SHAFT AS-THROTTLE	
	23	1	<b>2W-5448</b>	1	COVER	
		1	<b>144-0477</b>	1	GASKET	
	24	1	<b>7N-9907</b>	1	COVER	
		1	<b>150-3727</b>	1	GASKET-FUEL	
	25	1	<b>8M-8515</b>	1	SEAL-O-RING	
	26	1	<b>5P-6620</b>	1	SEAL-O-RING	
C	27	1	<b>8L-5832</b>	1	NUT-HEX (10-32-THD)	

C - CHANGE FROM PREVIOUS TYPE  
Y - SEPARATE ILLUSTRATION





# FUEL SYSTEM

## 2W-0056 PUMP GP-GOV & FUEL INJ

S/N: 85Z3764-UP

TYPE 1

SMCS - 1286

i00970860

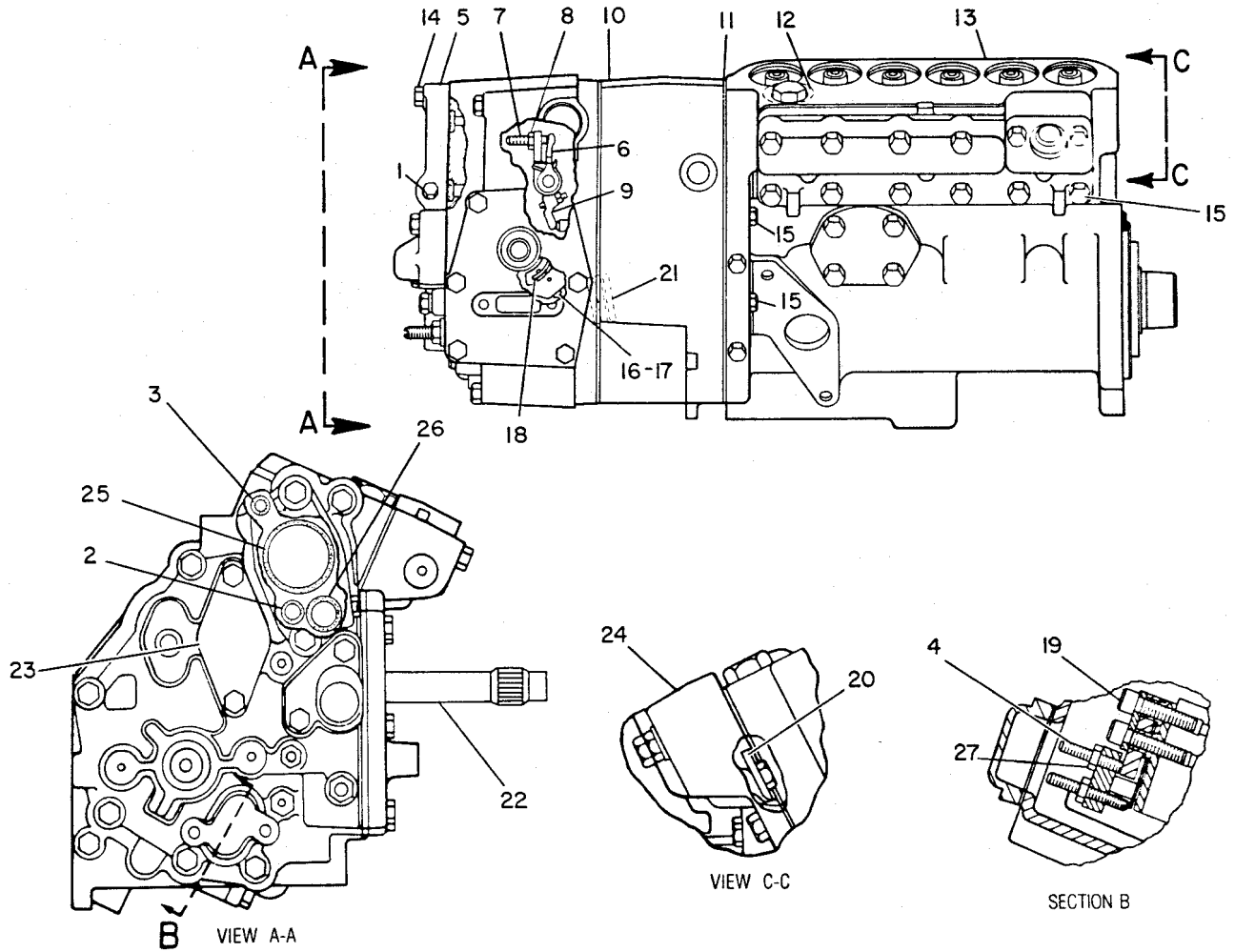
NOTE	REF NO	GRAPHIC REF	PART NUMBER	QTY	PART NAME						SEE PAGE
					1	2	3	4	5	6 (PRODUCT LEVEL)	
	1	1	<b>9S-4180</b>	1	PLUG						
		1	<b>4J-7533</b>	1	SEAL-O-RING						
	2	1	<b>033-5879</b>	1	SEAL-O-RING						
	3	1	<b>8J-8343</b>	1	SEAL-O-RING						
C	4	1	<b>7N-5334</b>	1	SETSCREW-SOCKET (25.4-MM LG)						
					-OR-						
		1	<b>5H-6552</b>	1	SETSCREW-SOCKET (10-32X1.25-IN)						
	5	1	<b>8N-3799</b>	1	COVER-FUEL RATIO						
	6	1	<b>4W-5735</b>	1	LEVER AS-PIVOT						
	7	1	<b>6V-6835</b>	1	SETSCREW-SOCKET (10-32X0.625-IN)						
	8	1	<b>8L-5832</b>	1	NUT-HEX (10-32-THD)						
	9	1	<b>4W-5734</b>	1	LEVER AS						
		1	<b>6V-6835</b>	1	SETSCREW-SOCKET (10-32X0.625-IN)						
		1	<b>8L-5832</b>	1	NUT-HEX (10-32-THD)						
Y	10	1	<b>2W-4108</b>	1	GOVERNOR GP						626
	11	1	<b>7N-8768</b>	1	GASKET						
	12	1	<b>3J-1907</b>	1	SEAL-O-RING						
Y	13	1	<b>2W-0256</b>	1	PUMP GP-FUEL INJECTION						706
C	14	1	<b>0S-1616</b>	2	BOLT (1/4-20X1-IN)						
CY	15	1	<b>7C-8993</b>	1	FASTENER GP-FUEL INJ PUMP						612
	16	1	<b>7N-2176</b>	1	PIN-DETENT						
	17	1	<b>7N-1052</b>	1	DOWEL						
	18	1	<b>8N-3093</b>	1	SPRING-DETENT						
CY	19	1	<b>8N-7276</b>	1	TORQUE CONTROL GP						861
	20	1	<b>8N-5784</b>	1	DEFLECTOR-PULSE						
	21	1	<b>7W-1224</b>	1	SPRING						
	22	1	<b>8N-5403</b>	1	SHAFT AS-THROTTLE						
	23	1	<b>2W-5448</b>	1	COVER						
		1	<b>2W-5447</b>	1	GASKET						
	24	1	<b>7N-9907</b>	1	COVER						
		1	<b>7N-9554</b>	1	GASKET						
	25	1	<b>8M-8515</b>	1	SEAL-O-RING						
	26	1	<b>5P-6620</b>	1	SEAL-O-RING						
C	27	1	<b>8L-5832</b>	1	NUT-HEX (10-32-THD)						

C - CHANGE FROM PREVIOUS TYPE  
Y - SEPARATE ILLUSTRATION

# FUEL SYSTEM

2W-0056 PUMP GP-GOV & FUEL INJ (contd.)

i00970860



GRAPHIC #1

<END>

g00195650

# FUEL SYSTEM

## 2W-0056 PUMP GP-GOV & FUEL INJ

S/N: 85Z3764-UP

TYPE 2

SMCS - 1286

i00971466

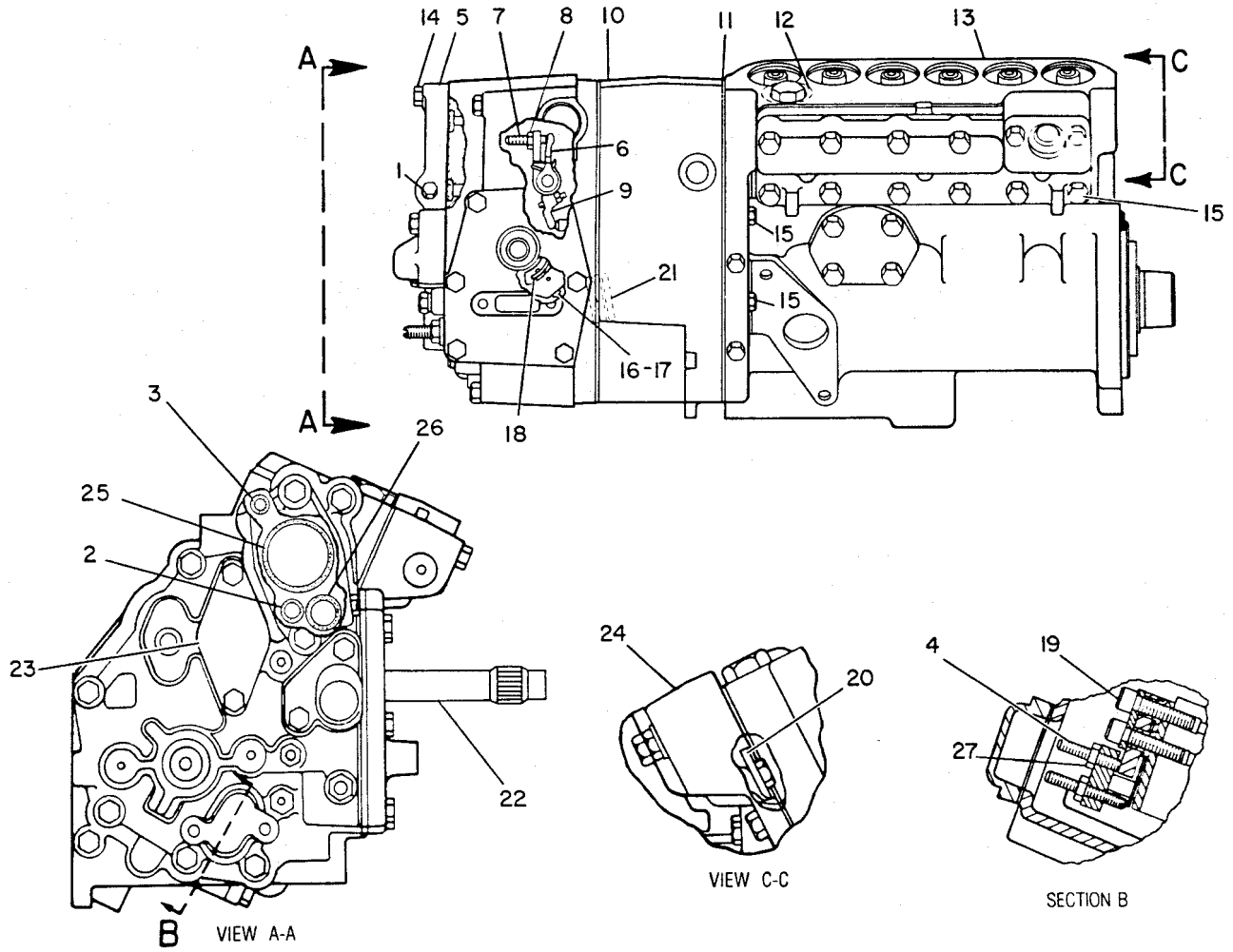
NOTE	REF NO	GRAPHIC REF	PART NUMBER	QTY	PART NAME						SEE PAGE
					1	2	3	4	5	6 (PRODUCT LEVEL)	
	1	1	<b>9S-4180</b>	1	PLUG						
		1	<b>4J-7533</b>	1	SEAL-O-RING						
	2	1	<b>033-5879</b>	1	SEAL-O-RING						
	3	1	<b>8J-8343</b>	1	SEAL-O-RING						
C	4	1	<b>7N-5334</b>	1	SETSCREW-SOCKET (25.4-MM LG)						
					-OR-						
		1	<b>5H-6552</b>	1	SETSCREW-SOCKET (10-32X1.25-IN)						
	5	1	<b>8N-3799</b>	1	COVER-FUEL RATIO						
	6	1	<b>4W-5735</b>	1	LEVER AS-PIVOT						
	7	1	<b>6V-6835</b>	1	SETSCREW-SOCKET (10-32X0.625-IN)						
	8	1	<b>8L-5832</b>	1	NUT-HEX (10-32-THD)						
	9	1	<b>4W-5734</b>	1	LEVER AS						
		1	<b>6V-6835</b>	1	SETSCREW-SOCKET (10-32X0.625-IN)						
		1	<b>8L-5832</b>	1	NUT-HEX (10-32-THD)						
Y	10	1	<b>2W-4108</b>	1	GOVERNOR GP						626
	11	1	<b>7N-8768</b>	1	GASKET						
	12	1	<b>3J-1907</b>	1	SEAL-O-RING						
CY	13	1	<b>6I-2834</b>	1	PUMP GP-FUEL INJECTION						720
C	14	1	<b>0S-1616</b>	2	BOLT (1/4-20X1-IN)						
CY	15	1	<b>7C-8993</b>	1	FASTENER GP-FUEL INJ PUMP						612
	16	1	<b>7N-2176</b>	1	PIN-DETENT						
	17	1	<b>7N-1052</b>	1	DOWEL						
	18	1	<b>8N-3093</b>	1	SPRING-DETENT						
CY	19	1	<b>8N-7276</b>	1	TORQUE CONTROL GP						861
	20	1	<b>8N-5784</b>	1	DEFLECTOR-PULSE						
	21	1	<b>7W-1224</b>	1	SPRING						
	22	1	<b>8N-5403</b>	1	SHAFT AS-THROTTLE						
	23	1	<b>2W-5448</b>	1	COVER						
		1	<b>2W-5447</b>	1	GASKET						
	24	1	<b>7N-9907</b>	1	COVER						
		1	<b>7N-9554</b>	1	GASKET						
	25	1	<b>8M-8515</b>	1	SEAL-O-RING						
	26	1	<b>5P-6620</b>	1	SEAL-O-RING						
C	27	1	<b>8L-5832</b>	1	NUT-HEX (10-32-THD)						

C - CHANGE FROM PREVIOUS TYPE  
Y - SEPARATE ILLUSTRATION

# FUEL SYSTEM

2W-0056 PUMP GP-GOV & FUEL INJ (contd.)

i00971466



GRAPHIC #1

<END>

g00195650

# FUEL SYSTEM

## 2W-0056 PUMP GP-GOV & FUEL INJ

S/N: 85Z3764-UP

TYPE 3

SMCS - 1286

i00971469

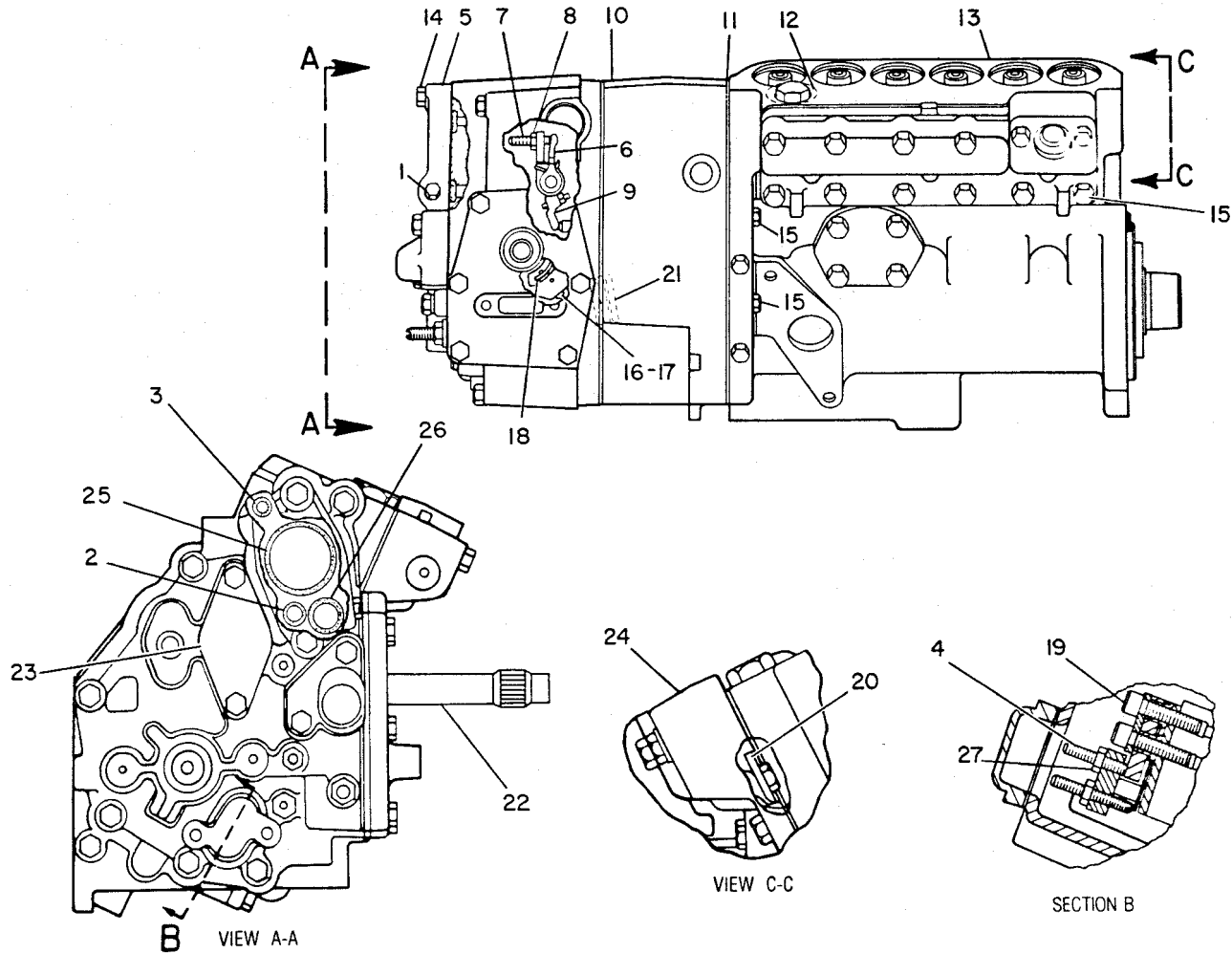
NOTE	REF NO	GRAPHIC REF	PART NUMBER	QTY	PART NAME	SEE PAGE
					1 2 3 4 5 6 (PRODUCT LEVEL)	
	1	1	<b>9S-4180</b>	1	PLUG	
		1	<b>4J-7533</b>	1	SEAL-O-RING	
	2	1	<b>033-5879</b>	1	SEAL-O-RING	
	3	1	<b>8J-8343</b>	1	SEAL-O-RING	
	4	1	<b>7N-5334</b>	1	SETSCREW-SOCKET (25.4-MM LG)	
					-OR-	
		1	<b>5H-6552</b>	1	SETSCREW-SOCKET (10-32X1.25-IN)	
	5	1	<b>8N-3799</b>	1	COVER-FUEL RATIO	
	6	1	<b>4W-5735</b>	1	LEVER AS-PIVOT	
	7	1	<b>6V-6835</b>	1	SETSCREW-SOCKET (10-32X0.625-IN)	
	8	1	<b>8L-5832</b>	1	NUT-HEX (10-32-THD)	
	9	1	<i>4W-5734</i>	1	LEVER AS	
		1	<b>6V-6835</b>	1	SETSCREW-SOCKET (10-32X0.625-IN)	
		1	<b>8L-5832</b>	1	NUT-HEX (10-32-THD)	
CY	10	1	<b>9Y-7273</b>	1	GOVERNOR GP	643
	11	1	<b>7N-8768</b>	1	GASKET	
	12	1	<i>3J-1907</i>	1	SEAL-O-RING	
Y	13	1	<b>6I-2834</b>	1	PUMP GP-FUEL INJECTION	720
	14	1	<b>0S-1616</b>	2	BOLT (1/4-20X1-IN)	
Y	15	1	<i>7C-8993</i>	1	FASTENER GP-FUEL INJ PUMP	612
	16	1	<b>7N-2176</b>	1	PIN-DETENT	
	17	1	<b>7N-1052</b>	1	DOWEL	
	18	1	<b>8N-3093</b>	1	SPRING-DETENT	
Y	19	1	<b>8N-7276</b>	1	TORQUE CONTROL GP	861
	20	1	<b>8N-5784</b>	1	DEFLECTOR-PULSE	
	21	1	<b>7W-1224</b>	1	SPRING	
	22	1	<b>8N-5403</b>	1	SHAFT AS-THROTTLE	
	23	1	<b>2W-5448</b>	1	COVER	
		1	<b>2W-5447</b>	1	GASKET	
	24	1	<b>7N-9907</b>	1	COVER	
		1	<b>7N-9554</b>	1	GASKET	
	25	1	<b>8M-8515</b>	1	SEAL-O-RING	
	26	1	<b>5P-6620</b>	1	SEAL-O-RING	
C	27	1	<b>8L-5832</b>	1	NUT-HEX (10-32-THD)	

C - CHANGE FROM PREVIOUS TYPE  
Y - SEPARATE ILLUSTRATION

# FUEL SYSTEM

2W-0056 PUMP GP-GOV & FUEL INJ (contd.)

i00971469



GRAPHIC #1

<END>

g00195650

# FUEL SYSTEM

## 2W-0056 PUMP GP-GOV & FUEL INJ

S/N: 85Z3764-UP

TYPE 4

SMCS - 1286

i01137393

NOTE	REF NO	GRAPHIC REF	PART NUMBER	QTY	PART NAME						SEE PAGE
					1	2	3	4	5	6 (PRODUCT LEVEL)	
	1	1	<b>9S-4180</b>	1	PLUG						
	2	1	<b>033-5879</b>	1	SEAL-O-RING						
	3	1	<b>8J-8343</b>	1	SEAL-O-RING						
	4	1	<b>7N-5334</b>	1	SETSCREW-SOCKET (25.4-MM LG)						
					-OR-						
		1	<b>5H-6552</b>	1	SETSCREW-SOCKET (10-32X1.25-IN)						
	5	1	<b>8N-3799</b>	1	COVER-FUEL RATIO						
	6	1	<b>4W-5735</b>	1	LEVER AS-PIVOT						
	7	1	<b>6V-6835</b>	1	SETSCREW-SOCKET (10-32X0.625-IN)						
	8	1	<b>8L-5832</b>	1	NUT-HEX (10-32-THD)						
	9	1	<b>4W-5734</b>	1	LEVER AS						
		1	<b>6V-6835</b>	1	SETSCREW-SOCKET (10-32X0.625-IN)						
		1	<b>8L-5832</b>	1	NUT-HEX (10-32-THD)						
CY	10	1	<b>2W-4108</b>	1	GOVERNOR GP						626
	11	1	<b>150-3726</b>	1	GASKET						
	12	1	<b>3J-1907</b>	1	SEAL-O-RING						
Y	13	1	<b>6I-2834</b>	1	PUMP GP-FUEL INJECTION						720
	14	1	<b>0S-1616</b>	2	BOLT (1/4-20X1-IN)						
Y	15	1	<b>7C-8993</b>	1	FASTENER GP-FUEL INJ PUMP						612
	16	1	<b>7N-2176</b>	1	PIN-DETENT						
	17	1	<b>7N-1052</b>	1	DOWEL						
	18	1	<b>8N-3093</b>	1	SPRING-DETENT						
Y	19	1	<b>8N-7276</b>	1	TORQUE CONTROL GP						861
	20	1	<b>8N-5784</b>	1	DEFLECTOR-PULSE						
	21	1	<b>7W-1224</b>	1	SPRING						
	22	1	<b>8N-5403</b>	1	SHAFT AS-THROTTLE						
	23	1	<b>2W-5448</b>	1	COVER						
		1	<b>144-0477</b>	1	GASKET						
	24	1	<b>7N-9907</b>	1	COVER						
		1	<b>150-3727</b>	1	GASKET-FUEL						
	25	1	<b>8M-8515</b>	1	SEAL-O-RING						
	26	1	<b>5P-6620</b>	1	SEAL-O-RING						
	27	1	<b>8L-5832</b>	1	NUT-HEX (10-32-THD)						

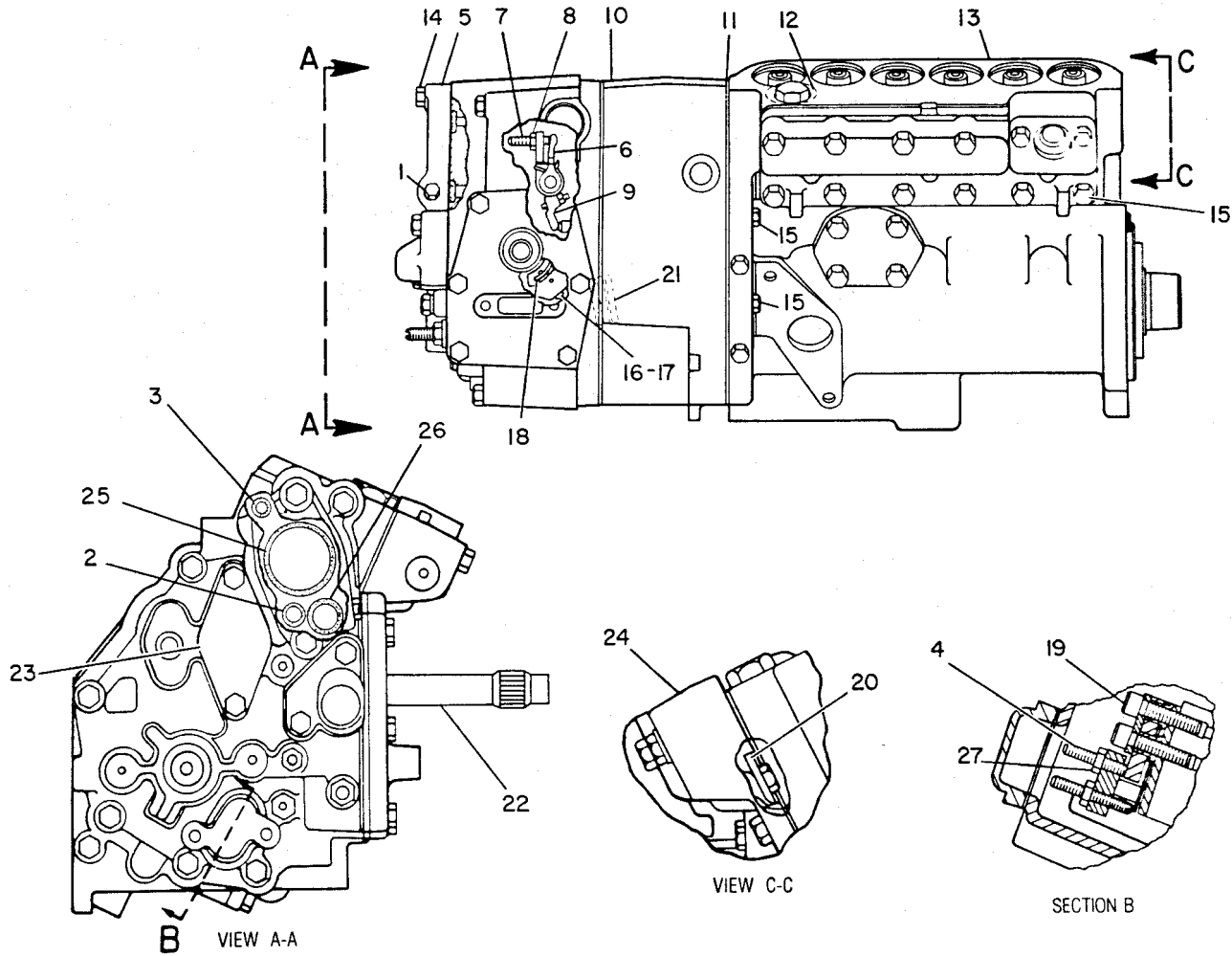
C - CHANGE FROM PREVIOUS TYPE  
Y - SEPARATE ILLUSTRATION



# FUEL SYSTEM

2W-0056 PUMP GP-GOV & FUEL INJ (contd.)

i01137393



GRAPHIC #1

<END>

g00195650

# FUEL SYSTEM

## 2W-3368 PUMP GP-GOV & FUEL INJ

S/N: 85Z3764-9757

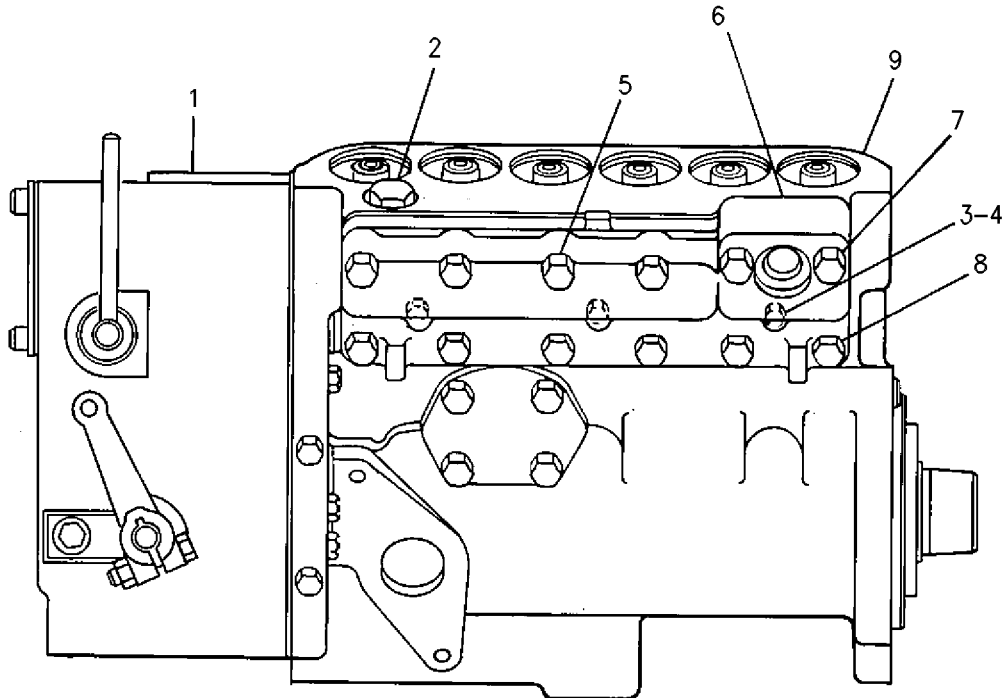
PART OF 2W-3369 PUMP GP-GOV & FUEL INJ  
AN ATTACHMENT

SMCS-1286

i00970904

NOTE	REF NO	GRAPHIC REF	PART NUMBER	QTY	PART NAME						SEE PAGE
					1	2	3	4	5	6	
Y	1	1	8N-3221	1	DRIVE GP-GOVERNOR						606
	2	1	9S-4191	1	PLUG (9/16-18-THD)						
		1	3J-1907	1	SEAL-O-RING						
	3	1	0S-1614	3	BOLT (1/4-20X0.5-IN)						
	4	1	8N-5784	1	DEFLECTOR-PULSE						
	5	1	8B-2377	4	BOLT (1/4-20X2-IN)						
	6	1	7N-9907	1	COVER						
		1	7N-9554	1	GASKET						
	7	1	1B-2713	2	BOLT (1/4-20X1.75-IN)						
		1	4B-4276	2	WASHER (7X16X1.6-MM THK)						
	8	1	4F-7957	6	BOLT (1/4-20X0.875-IN)						
Y	9	1	2W-3367	1	PUMP GP-FUEL INJECTION						710

Y - SEPARATE ILLUSTRATION



GRAPHIC #1

<END>

g00498509

# FUEL SYSTEM

## 2W-3368 PUMP GP-GOV & FUEL INJ

S/N: 85Z9758-UP

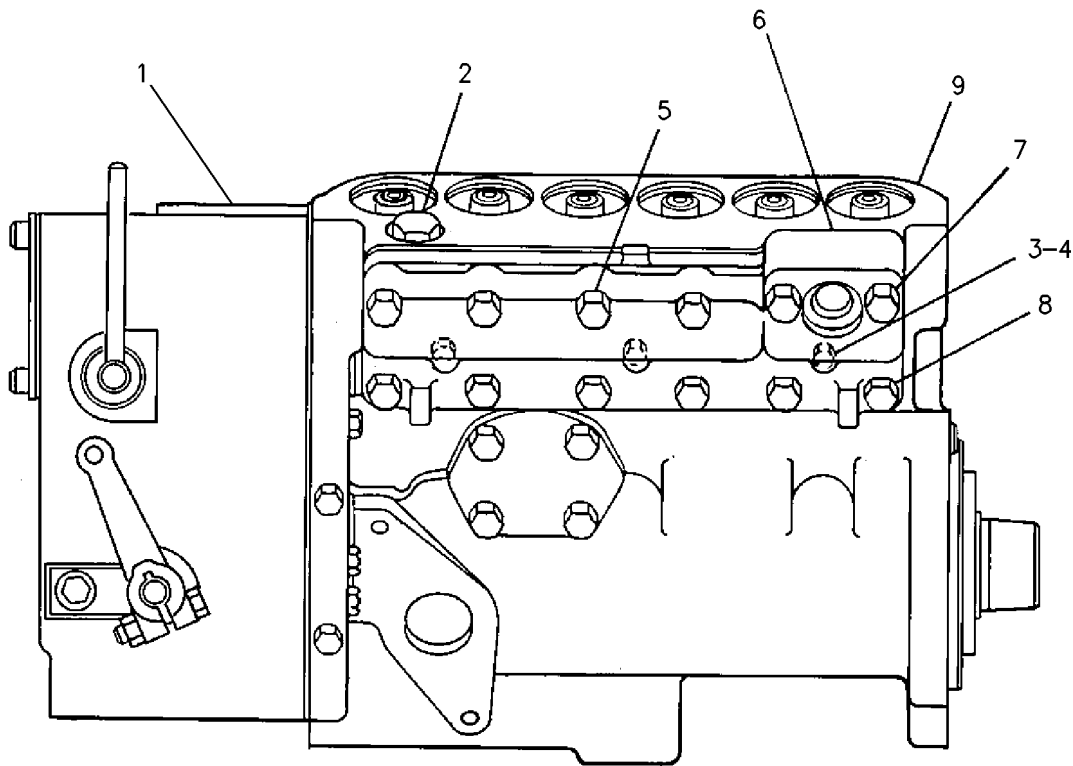
PART OF 2W-3369 PUMP GP-GOV & FUEL INJ  
AN ATTACHMENT

SMCS-1286

i00971472

NOTE	REF NO	GRAPHIC REF	PART NUMBER	QTY	PART NAME						SEE PAGE
					1	2	3	4	5	6 (PRODUCT LEVEL)	
Y	1	1	8N-3221	1	DRIVE GP-GOVERNOR						606
	2	1	9S-4191	1	PLUG (9/16-18-THD)						
		1	3J-1907	1	SEAL-O-RING						
	3	1	0S-1614	3	BOLT (1/4-20X0.5-IN)						
	4	1	8N-5784	1	DEFLECTOR-PULSE						
	5	1	8B-2377	4	BOLT (1/4-20X2-IN)						
	6	1	7N-9907	1	COVER						
		1	150-3727	1	GASKET-FUEL						
	7	1	1B-2713	2	BOLT (1/4-20X1.75-IN)						
		1	4B-4276	2	WASHER (7X16X1.6-MM THK)						
	8	1	4F-7957	6	BOLT (1/4-20X0.875-IN)						
Y	9	1	6I-2836	1	PUMP GP-FUEL INJECTION						722

Y - SEPARATE ILLUSTRATION



GRAPHIC #1

<END>

g00230005

# FUEL SYSTEM

## 2W-3369 PUMP GP-GOV & FUEL INJ

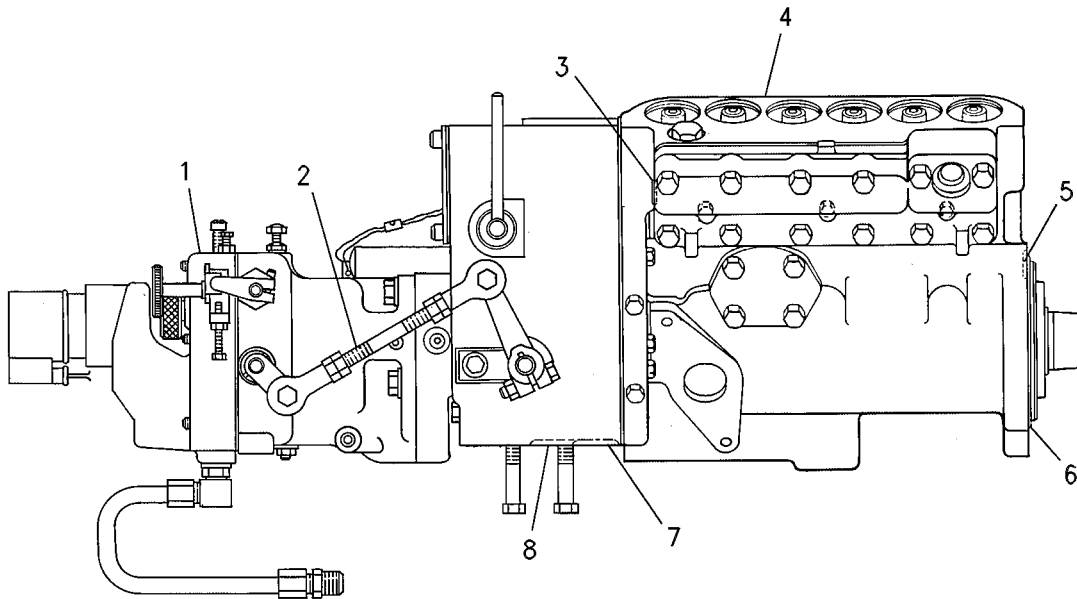
S/N: 85Z3764-UP  
 21 DEGREE TIMING  
 AN ATTACHMENT

SMCS-1286

i01739884

NOTE	REF NO	GRAPHIC REF	PART NUMBER	QTY	PART NAME						SEE PAGE
					1	2	3	4	5	6 (PRODUCT LEVEL)	
Y	1	1	8N-3353	1	GOVERNOR GP						641
Y	2	1	8N-3222	1	FASTENER GP-FUEL INJ PUMP						613
C	3	1	3J-7354	1	SEAL-O-RING						
Y	4	1	2W-3368	1	PUMP GP-GOV & FUEL INJ						780
C	5	1	6V-6921	1	SEAL-RING						
C	6	1	2H-3934	1	SEAL-O-RING						
C	7	1	5F-7054	1	SEAL-O-RING						
C	8	1	2H-3932	1	SEAL-O-RING						
FY		1	8N-6670	1	SWITCH GP-GOVERNOR (REMOTE MOUNTED GOVERNOR RAISE/LOWER)						1296

C - CHANGE FROM PREVIOUS TYPE  
 F - NOT SHOWN  
 Y - SEPARATE ILLUSTRATION



GRAPHIC #1

<END>

g00504454

# FUEL SYSTEM

## 7C-3025 PUMP GP-GOV & FUEL INJ

S/N: 85Z3764-UP

TYPE 1

SMCS-1286

i00945243

NOTE	REF NO	GRAPHIC REF	PART NUMBER	QTY	PART NAME						SEE PAGE
					1	2	3	4	5	6 (PRODUCT LEVEL)	
	1	1	<b>9S-4180</b>	1	PLUG						
		1	<b>4J-7533</b>	1	SEAL-O-RING						
	2	1	<b>033-5879</b>	1	SEAL-O-RING						
	3	1	<b>8J-8343</b>	1	SEAL-O-RING						
C	4	1	<b>0S-1616</b>	2	BOLT (1/4-20X1-IN)						
	5	1	<b>8N-3799</b>	1	COVER-FUEL RATIO						
	6	1	<b>8N-5403</b>	1	SHAFT AS-THROTTLE						
	7	1	<b>7N-5334</b>	1	SETSCREW-SOCKET (25.4-MM LG)						
C	8	1	<b>7C-2193</b>	1	SPRING						
	9	1	<b>7N-2176</b>	1	PIN-DETENT						
	10	1	<b>8N-3093</b>	1	SPRING-DETENT						
	11	1	<b>7N-1052</b>	1	DOWEL						
Y	12	1	<b>8N-7276</b>	1	TORQUE CONTROL GP						861
	13	1	<b>8M-8515</b>	1	SEAL-O-RING						
	14	1	<b>2W-5448</b>	1	COVER						
		1	<b>2W-5447</b>	1	GASKET						
CY	15	1	<b>7C-8993</b>	1	FASTENER GP-FUEL INJ PUMP						612
	16	1	<b>5P-6620</b>	1	SEAL-O-RING						
	17	1	<b>4W-5734</b>	1	LEVER AS						
	18	1	<b>6V-6835</b>	1	SETSCREW-SOCKET (10-32X0.625-IN)						
	19	1	<b>4B-2049</b>	1	NUT (10-32-THD)						
	20	1	<b>8N-5784</b>	1	DEFLECTOR-PULSE						
Y	21	1	<b>2W-6179</b>	1	PUMP GP-FUEL INJECTION						712
	22	1	<b>7N-9907</b>	1	COVER						
		1	<b>7N-9554</b>	1	GASKET						
	23	1	<b>3J-1907</b>	1	SEAL-O-RING						
CY	24	1	<b>2W-6982</b>	1	GOVERNOR GP						631
	25	1	<b>7N-8768</b>	1	GASKET						
C	26	1	<b>8L-5832</b>	1	NUT-HEX (10-32-THD)						
	27	1	<b>8B-2377</b>	4	BOLT (1/4-20X2-IN)						

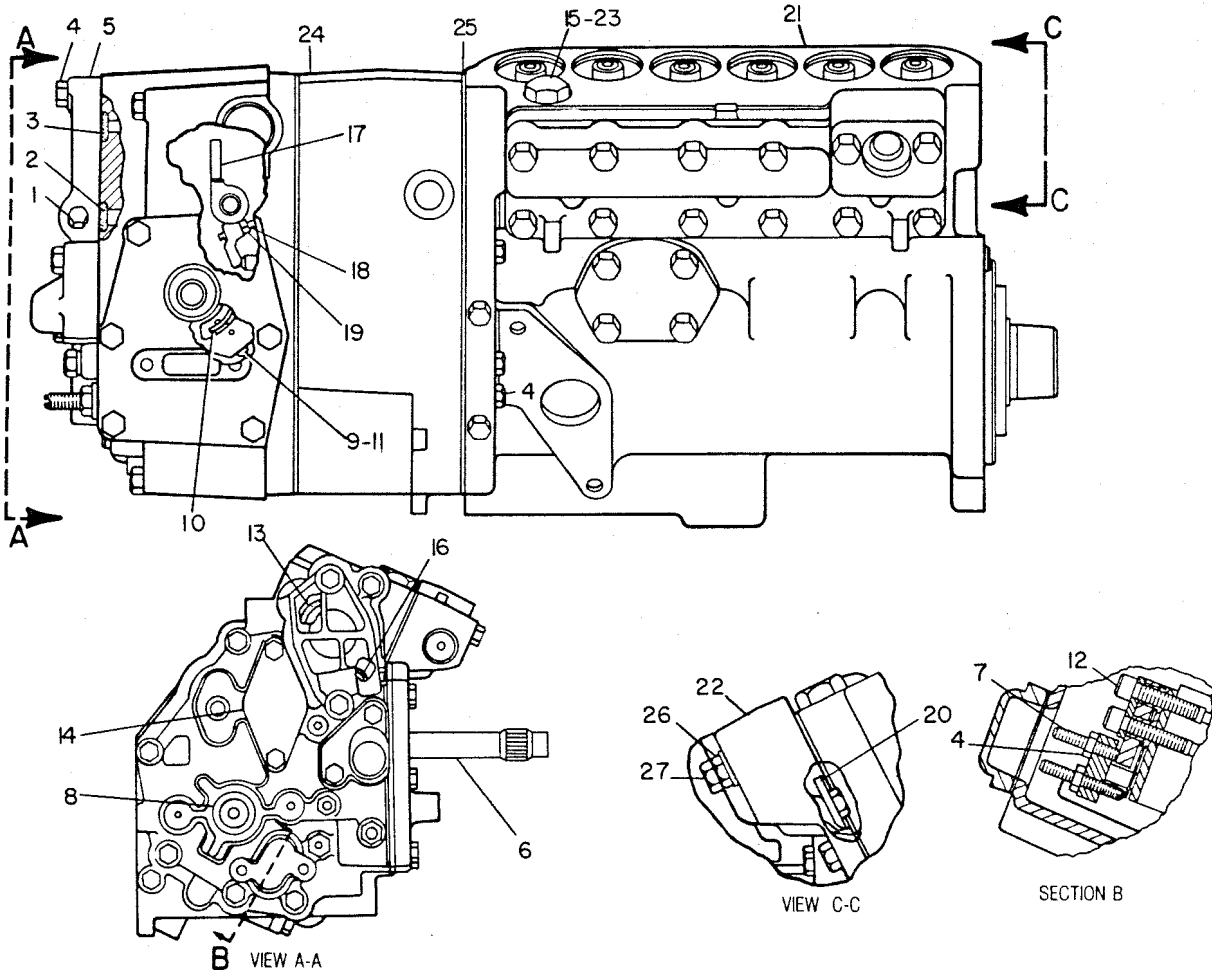
C - CHANGE FROM PREVIOUS TYPE

Y - SEPARATE ILLUSTRATION

# FUEL SYSTEM

7C-3025 PUMP GP-GOV & FUEL INJ (contd.)

i00945243



GRAPHIC #1

<END>

g00193263

# FUEL SYSTEM

## 7C-3025 PUMP GP-GOV & FUEL INJ

S/N: 85Z3764-UP

TYPE 2

SMCS-1286

i00945240

NOTE	REF NO	GRAPHIC REF	PART NUMBER	QTY	PART NAME						SEE PAGE
					1	2	3	4	5	6 (PRODUCT LEVEL)	
	1	1	<b>9S-4180</b>	1	PLUG						
		1	<b>4J-7533</b>	1	SEAL-O-RING						
	2	1	<b>033-5879</b>	1	SEAL-O-RING						
	3	1	<b>8J-8343</b>	1	SEAL-O-RING						
C	4	1	<b>0S-1616</b>	2	BOLT (1/4-20X1-IN)						
	5	1	<b>8N-3799</b>	1	COVER-FUEL RATIO						
	6	1	<b>8N-5403</b>	1	SHAFT AS-THROTTLE						
	7	1	<b>5H-6552</b>	1	SETSCREW-SOCKET (10-32X1.25-IN)						
C	8	1	<b>7C-2193</b>	1	SPRING						
	9	1	<b>7N-2176</b>	1	PIN-DETENT						
	10	1	<b>8N-3093</b>	1	SPRING-DETENT						
	11	1	<b>7N-1052</b>	1	DOWEL						
Y	12	1	<b>8N-7276</b>	1	TORQUE CONTROL GP						861
	13	1	<b>8M-8515</b>	1	SEAL-O-RING						
	14	1	<b>2W-5448</b>	1	COVER						
		1	<b>2W-5447</b>	1	GASKET						
CY	15	1	<b>7C-8993</b>	1	FASTENER GP-FUEL INJ PUMP						612
	16	1	<b>5P-6620</b>	1	SEAL-O-RING						
	17	1	<b>4W-5734</b>	1	LEVER AS						
	18	1	<b>6V-6835</b>	1	SETSCREW-SOCKET (10-32X0.625-IN)						
	19	1	<b>4B-2049</b>	1	NUT (10-32-THD)						
	20	1	<b>8N-5784</b>	1	DEFLECTOR-PULSE						
CY	21	1	<b>6I-2837</b>	1	PUMP GP-FUEL INJECTION						724
	22	1	<b>7N-9907</b>	1	COVER						
		1	<b>7N-9554</b>	1	GASKET						
	23	1	<b>3J-1907</b>	1	SEAL-O-RING						
CY	24	1	<b>2W-6982</b>	1	GOVERNOR GP						631
	25	1	<b>7N-8768</b>	1	GASKET						
C	26	1	<b>8L-5832</b>	1	NUT-HEX (10-32-THD)						
	27	1	<b>8B-2377</b>	4	BOLT (1/4-20X2-IN)						

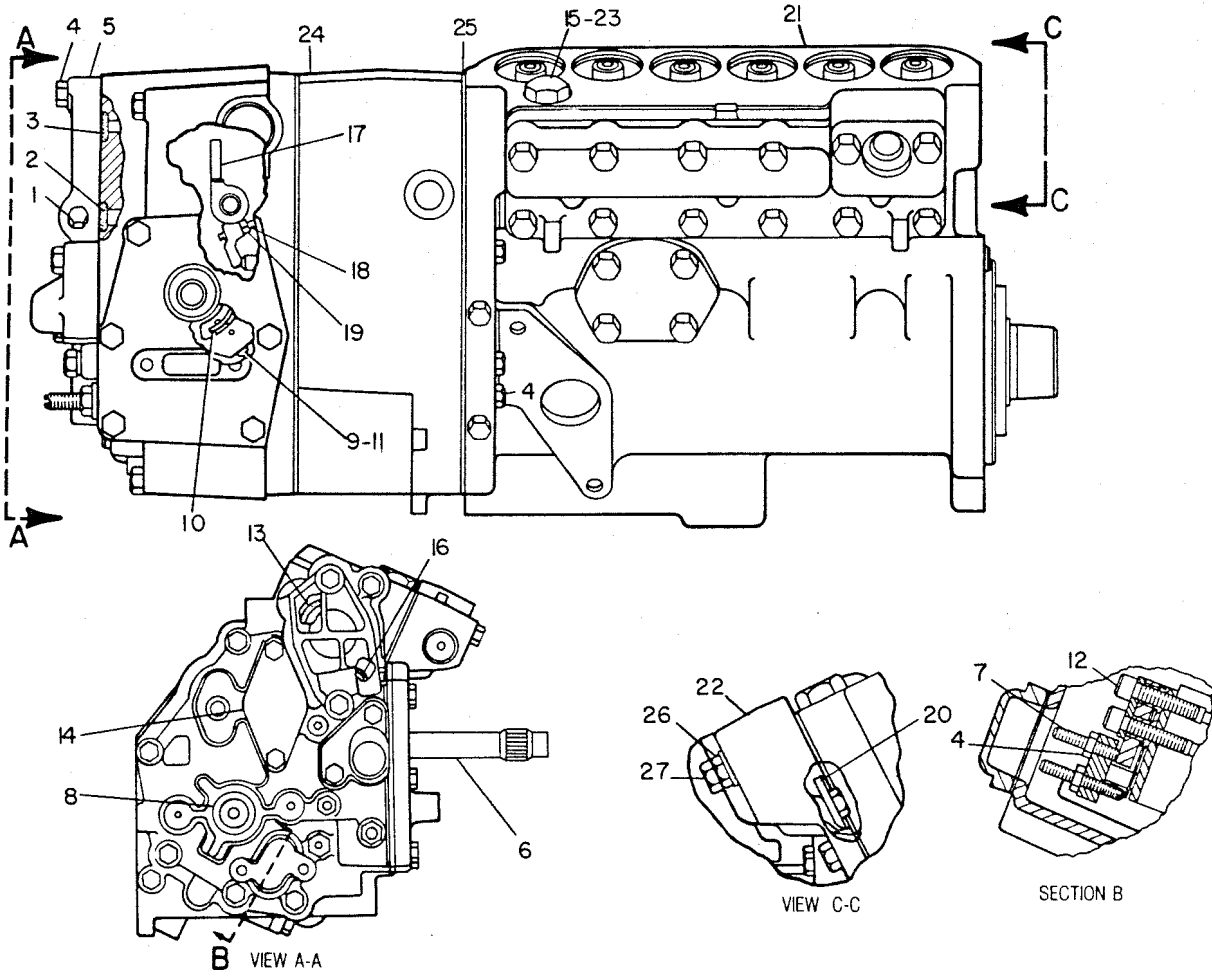
C - CHANGE FROM PREVIOUS TYPE

Y - SEPARATE ILLUSTRATION

# FUEL SYSTEM

7C-3025 PUMP GP-GOV & FUEL INJ (contd.)

i00945240



GRAPHIC #1

<END>

g00193263



# FUEL SYSTEM

## 7C-3025 PUMP GP-GOV & FUEL INJ

S/N: 85Z3764-UP

TYPE 3

SMCS-1286

i00945236

NOTE	REF NO	GRAPHIC REF	PART NUMBER	QTY	PART NAME						SEE PAGE
					1	2	3	4	5	6 (PRODUCT LEVEL)	
	1	1	<b>9S-4180</b>	1	PLUG						
		1	<b>4J-7533</b>	1	SEAL-O-RING						
	2	1	<b>033-5879</b>	1	SEAL-O-RING						
	3	1	<b>8J-8343</b>	1	SEAL-O-RING						
	4	1	<b>0S-1616</b>	2	BOLT (1/4-20X1-IN)						
	5	1	<b>8N-3799</b>	1	COVER-FUEL RATIO						
	6	1	<b>8N-5403</b>	1	SHAFT AS-THROTTLE						
	7	1	<b>5H-6552</b>	1	SETSCREW-SOCKET (10-32X1.25-IN)						
	8	1	<b>7C-2193</b>	1	SPRING						
	9	1	<b>7N-2176</b>	1	PIN-DETENT						
	10	1	<b>8N-3093</b>	1	SPRING-DETENT						
	11	1	<b>7N-1052</b>	1	DOWEL						
Y	12	1	<b>8N-7276</b>	1	TORQUE CONTROL GP						861
	13	1	<b>8M-8515</b>	1	SEAL-O-RING						
	14	1	<b>2W-5448</b>	1	COVER						
		1	<b>2W-5447</b>	1	GASKET						
Y	15	1	<b>7C-8993</b>	1	FASTENER GP-FUEL INJ PUMP						612
	16	1	<b>5P-6620</b>	1	SEAL-O-RING						
	17	1	<b>4W-5734</b>	1	LEVER AS						
	18	1	<b>6V-6835</b>	1	SETSCREW-SOCKET (10-32X0.625-IN)						
	19	1	<b>4B-2049</b>	1	NUT (10-32-THD)						
	20	1	<b>8N-5784</b>	1	DEFLECTOR-PULSE						
Y	21	1	<b>6I-2837</b>	1	PUMP GP-FUEL INJECTION						724
	22	1	<b>7N-9907</b>	1	COVER						
		1	<b>7N-9554</b>	1	GASKET						
	23	1	<b>3J-1907</b>	1	SEAL-O-RING						
CY	24	1	<b>9Y-7274</b>	1	GOVERNOR GP						648
	25	1	<b>7N-8768</b>	1	GASKET						
	26	1	<b>8L-5832</b>	1	NUT-HEX (10-32-THD)						
	27	1	<b>8B-2377</b>	4	BOLT (1/4-20X2-IN)						

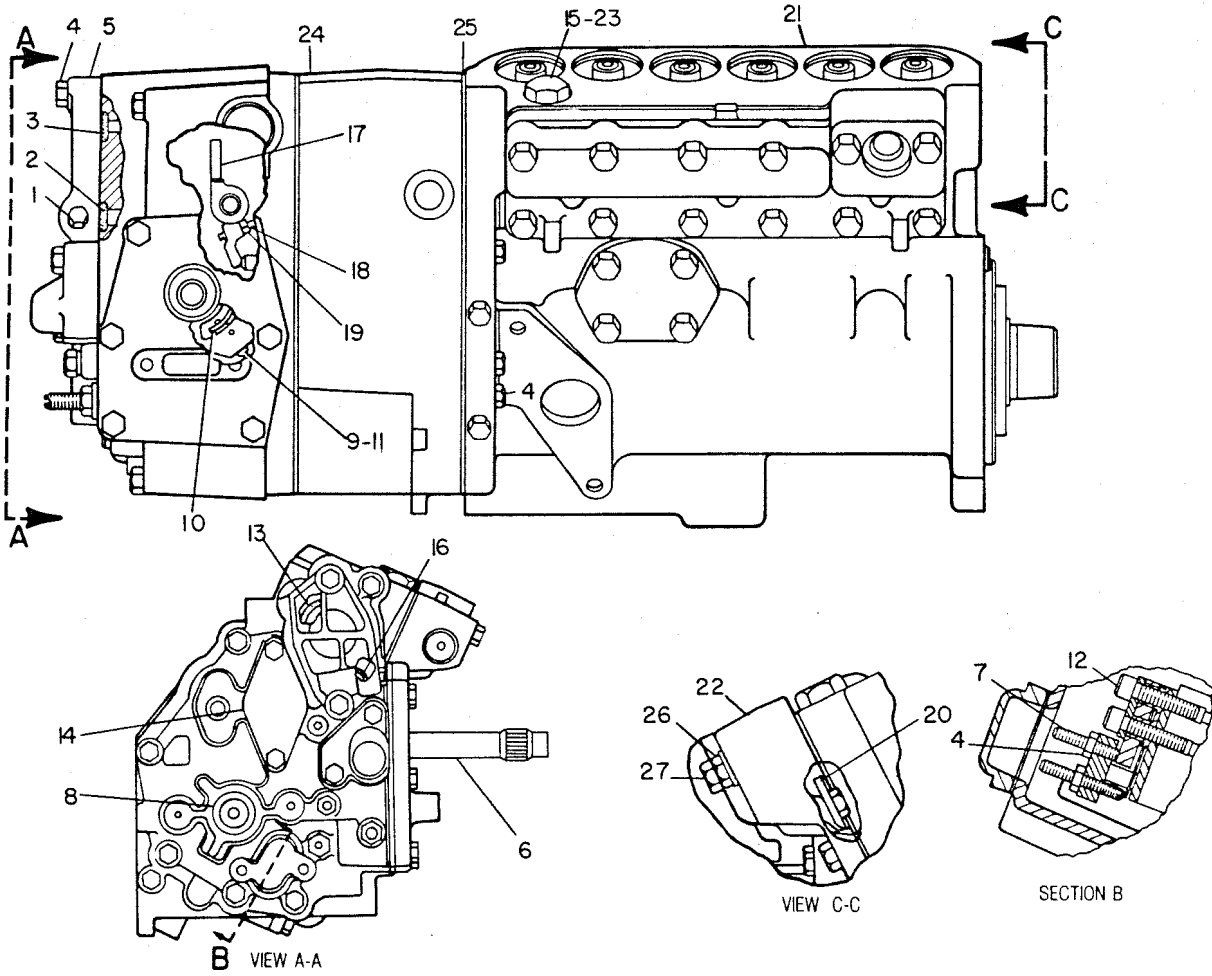
C - CHANGE FROM PREVIOUS TYPE

Y - SEPARATE ILLUSTRATION

# FUEL SYSTEM

7C-3025 PUMP GP-GOV & FUEL INJ (contd.)

i00945236



GRAPHIC #1

<END>

g00193263

# FUEL SYSTEM

## 7C-3025 PUMP GP-GOV & FUEL INJ

S/N: 85Z3764-UP

TYPE 4

SMCS-1286

i01141432

NOTE	REF NO	GRAPHIC REF	PART NUMBER	QTY	PART NAME						SEE PAGE
					1	2	3	4	5	6 (PRODUCT LEVEL)	
	1	1	<b>9S-4180</b>	1	PLUG						
		1	<b>4J-7533</b>	1	SEAL-O-RING						
	4	1	<b>0S-1616</b>	2	BOLT (1/4-20X1-IN)						
	5	1	<b>8N-3799</b>	1	COVER-FUEL RATIO						
	6	1	<b>8N-5403</b>	1	SHAFT AS-THROTTLE						
	7	1	<b>5H-6552</b>	1	SETSCREW-SOCKET (10-32X1.25-IN)						
	8	1	<b>7C-2193</b>	1	SPRING						
	9	1	<b>7N-2176</b>	1	PIN-DETENT						
	10	1	<b>8N-3093</b>	1	SPRING-DETENT						
	11	1	<b>7N-1052</b>	1	DOWEL						
Y	12	1	<b>8N-7276</b>	1	TORQUE CONTROL GP						861
	14	1	<b>2W-5448</b>	1	COVER						
Y	15	1	<b>7C-8993</b>	1	FASTENER GP-FUEL INJ PUMP						612
	17	1	<b>4W-5734</b>	1	LEVER AS						
	18	1	<b>6V-6835</b>	1	SETSCREW-SOCKET (10-32X0.625-IN)						
	19	1	<b>8L-5832</b>	1	NUT-HEX (10-32-THD)						
	20	1	<b>8N-5784</b>	1	DEFLECTOR-PULSE						
Y	21	1	<b>6I-2837</b>	1	PUMP GP-FUEL INJECTION						724
	22	1	<b>7N-9907</b>	1	COVER						
CY	24	1	<b>2W-6982</b>	1	GOVERNOR GP						631
	26	1	<b>8L-5832</b>	1	NUT-HEX (10-32-THD)						
	27	1	<b>8B-2377</b>	4	BOLT (1/4-20X2-IN)						
	28	1	<b>033-5879</b>	1	SEAL-O-RING						
	29	1	<b>8J-8343</b>	1	SEAL-O-RING						
	30	1	<b>8M-8515</b>	1	SEAL-O-RING						
	31	1	<b>144-0477</b>	1	GASKET						
	32	1	<b>5P-6620</b>	1	SEAL-O-RING						
	33	1	<b>150-3727</b>	1	GASKET-FUEL						
	34	1	<b>3J-1907</b>	1	SEAL-O-RING						
	35	1	<b>150-3726</b>	1	GASKET						

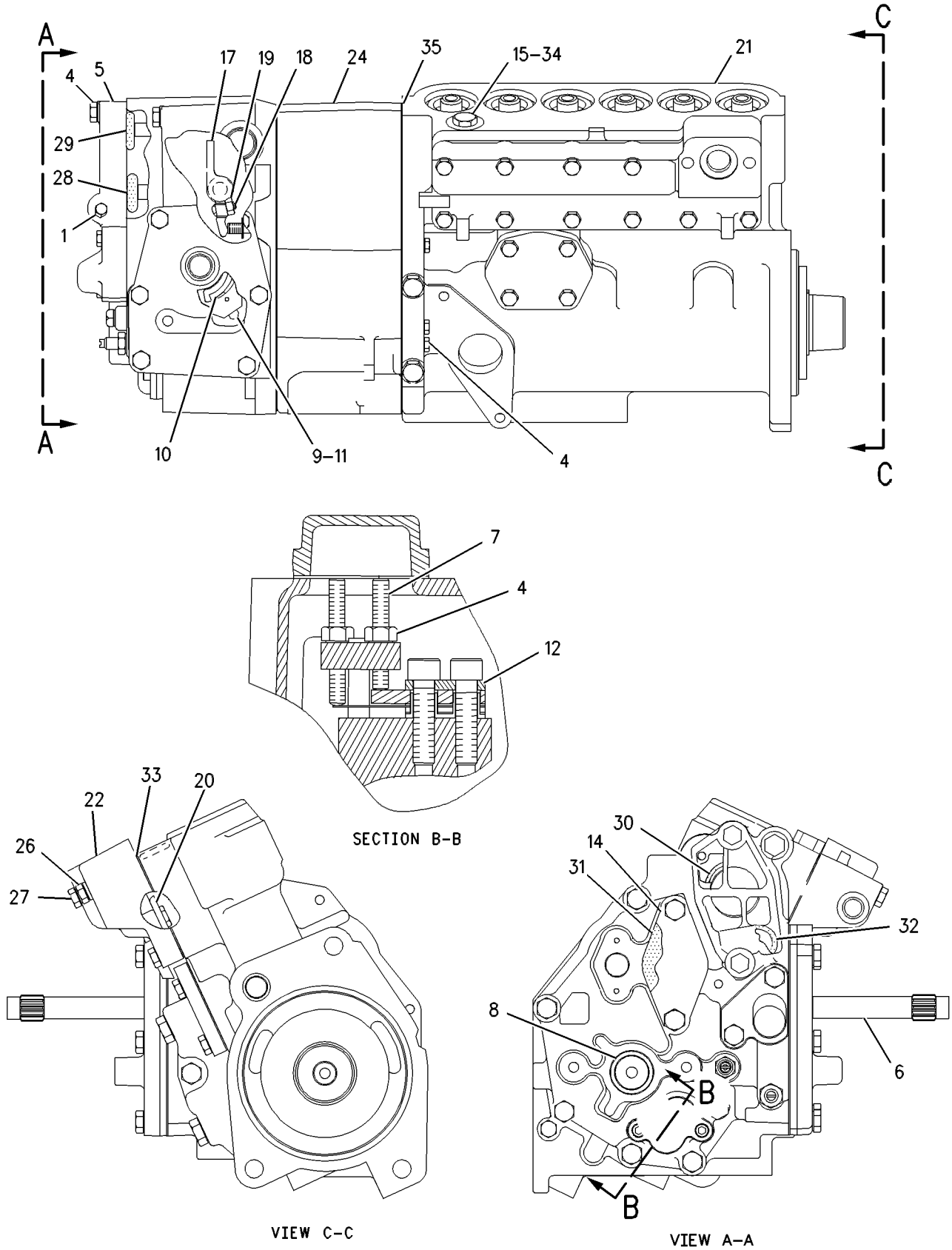
C - CHANGE FROM PREVIOUS TYPE

Y - SEPARATE ILLUSTRATION

# FUEL SYSTEM

7C-3025 PUMP GP-GOV & FUEL INJ (contd.)

i01141432



GRAPHIC #1

<END>

g00605838

# FUEL SYSTEM

## 7C-3027 PUMP GP-GOV & FUEL INJ

S/N: 85Z3764-UP

TYPE 1

SMCS - 1286

i00945330

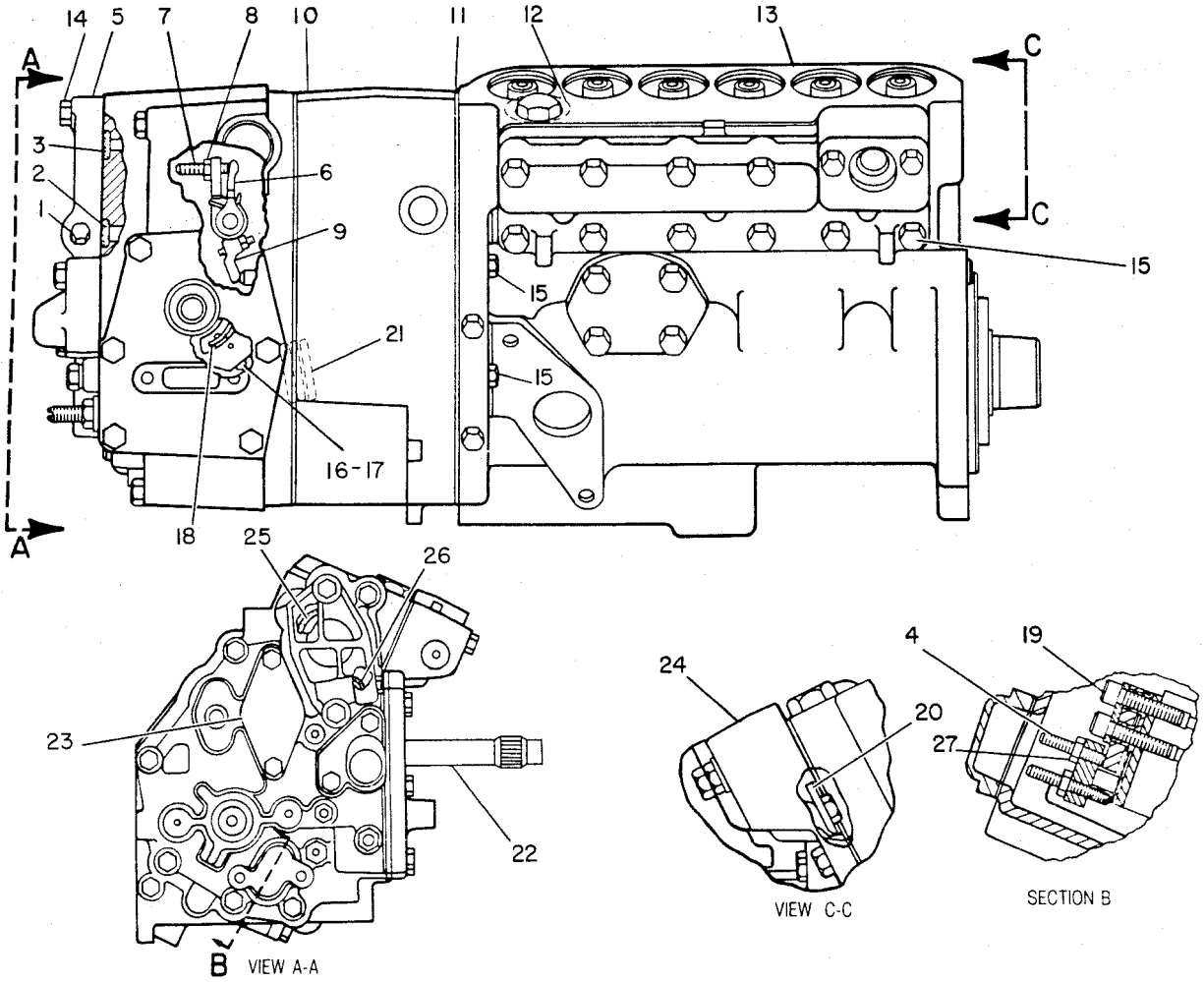
NOTE	REF NO	GRAPHIC REF	PART NUMBER	QTY	PART NAME	SEE PAGE
					1 2 3 4 5 6 (PRODUCT LEVEL)	
	1	1	<b>9S-4180</b>	1	PLUG	
		1	<b>4J-7533</b>	1	SEAL-O-RING	
	2	1	<b>033-5879</b>	1	SEAL-O-RING	
	3	1	<b>8J-8343</b>	1	SEAL-O-RING	
	4	1	<b>7N-5334</b>	1	SETSCREW-SOCKET (25.4-MM LG)	
					-OR-	
		1	<b>5H-6552</b>	1	SETSCREW-SOCKET (10-32X1.25-IN)	
	5	1	<b>8N-3799</b>	1	COVER-FUEL RATIO	
	6	1	<b>4W-5735</b>	1	LEVER AS-PIVOT	
	7	1	<b>6V-6835</b>	1	SETSCREW-SOCKET (10-32X0.625-IN)	
C	8	1	<b>8L-5832</b>	1	NUT-HEX (10-32-THD)	
	9	1	<b>4W-5734</b>	1	LEVER AS	
		1	<b>6V-6835</b>	1	SETSCREW-SOCKET (10-32X0.625-IN)	
C		1	<b>8L-5832</b>	1	NUT-HEX (10-32-THD)	
Y	10	1	<b>2W-4108</b>	1	GOVERNOR GP	626
	11	1	<b>7N-8768</b>	1	GASKET	
	12	1	<b>3J-1907</b>	1	SEAL-O-RING	
Y	13	1	<b>2W-0256</b>	1	PUMP GP-FUEL INJECTION	706
C	14	1	<b>0S-1616</b>	2	BOLT (1/4-20X1-IN)	
CY	15	1	<b>7C-8993</b>	1	FASTENER GP-FUEL INJ PUMP	612
	16	1	<b>7N-2176</b>	1	PIN-DETENT	
	17	1	<b>7N-1052</b>	1	DOWEL	
	18	1	<b>8N-3093</b>	1	SPRING-DETENT	
Y	19	1	<b>8N-7276</b>	1	TORQUE CONTROL GP	861
	20	1	<b>8N-5784</b>	1	DEFLECTOR-PULSE	
	21	1	<b>7C-2193</b>	1	SPRING	
	22	1	<b>8N-5403</b>	1	SHAFT AS-THROTTLE	
	23	1	<b>2W-5448</b>	1	COVER	
		1	<b>2W-5447</b>	1	GASKET	
	24	1	<b>7N-9907</b>	1	COVER	
		1	<b>7N-9554</b>	1	GASKET	
	25	1	<b>8M-8515</b>	1	SEAL-O-RING	
	26	1	<b>5P-6620</b>	1	SEAL-O-RING	
C	27	1	<b>8L-5832</b>	1	NUT-HEX (10-32-THD)	

C - CHANGE FROM PREVIOUS TYPE  
Y - SEPARATE ILLUSTRATION

# FUEL SYSTEM

7C-3027 PUMP GP-GOV & FUEL INJ (contd.)

i00945330



GRAPHIC #1

<END>

g00108328

# FUEL SYSTEM

## 7C-3027 PUMP GP-GOV & FUEL INJ

S/N: 85Z3764-UP

TYPE 2

SMCS-1286

i00945328

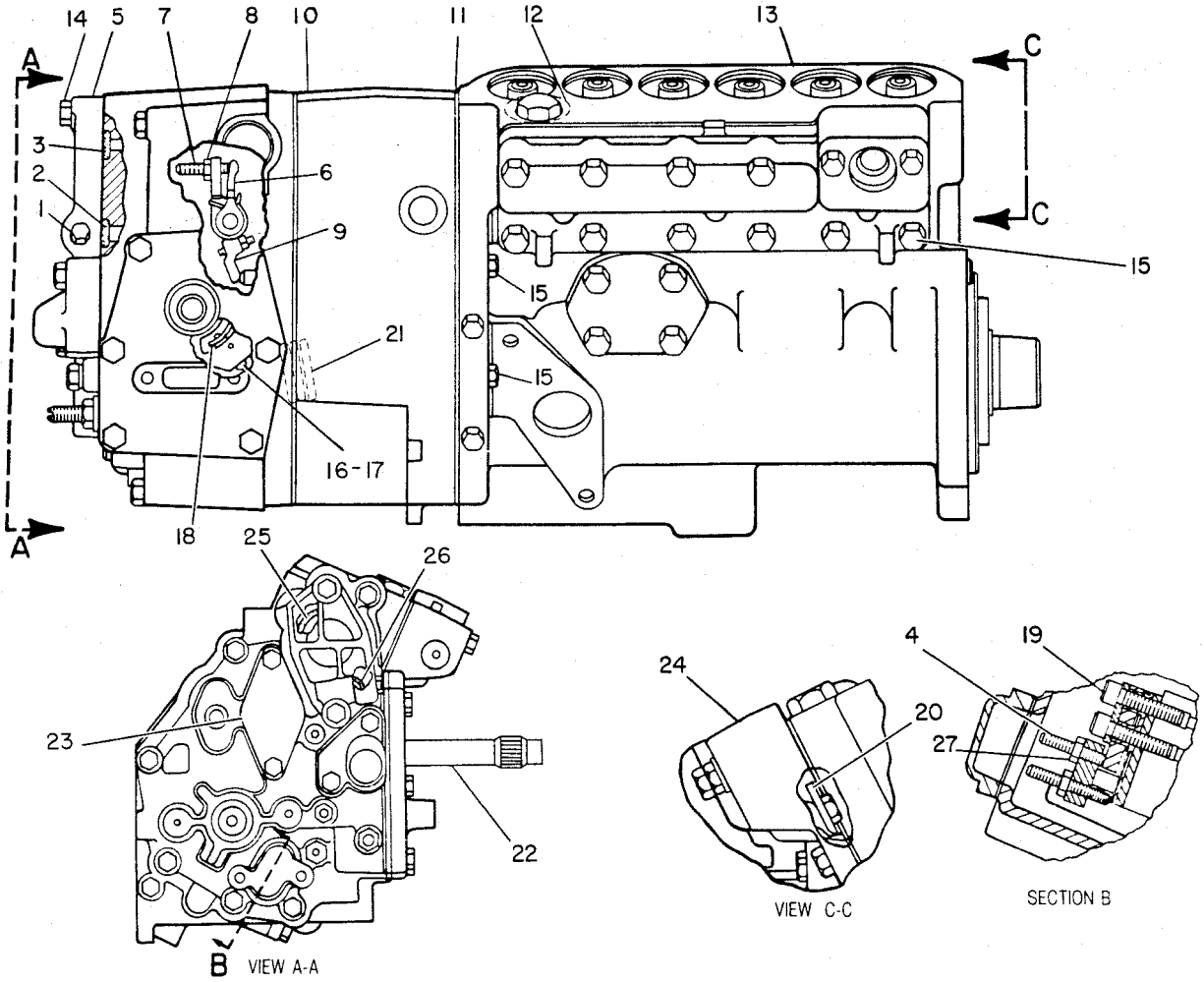
NOTE	REF NO	GRAPHIC REF	PART NUMBER	QTY	PART NAME	SEE PAGE
					1 2 3 4 5 6 (PRODUCT LEVEL)	
	1	1	<b>9S-4180</b>	1	PLUG	
		1	<b>4J-7533</b>	1	SEAL-O-RING	
	2	1	<b>033-5879</b>	1	SEAL-O-RING	
	3	1	<b>8J-8343</b>	1	SEAL-O-RING	
	4	1	<b>7N-5334</b>	1	SETSCREW-SOCKET (25.4-MM LG)	
					-OR-	
		1	<b>5H-6552</b>	1	SETSCREW-SOCKET (10-32X1.25-IN)	
	5	1	<b>8N-3799</b>	1	COVER-FUEL RATIO	
	6	1	<b>4W-5735</b>	1	LEVER AS-PIVOT	
	7	1	<b>6V-6835</b>	1	SETSCREW-SOCKET (10-32X0.625-IN)	
	8	1	<b>8L-5832</b>	1	NUT-HEX (10-32-THD)	
	9	1	<b>4W-5734</b>	1	LEVER AS	
		1	<b>6V-6835</b>	1	SETSCREW-SOCKET (10-32X0.625-IN)	
		1	<b>8L-5832</b>	1	NUT-HEX (10-32-THD)	
Y	10	1	<b>2W-4108</b>	1	GOVERNOR GP	626
	11	1	<b>7N-8768</b>	1	GASKET	
	12	1	<b>3J-1907</b>	1	SEAL-O-RING	
YC	13	1	<b>6I-2834</b>	1	PUMP GP-FUEL INJECTION	720
	14	1	<b>0S-1616</b>	2	BOLT (1/4-20X1-IN)	
Y	15	1	<b>7C-8993</b>	1	FASTENER GP-FUEL INJ PUMP	612
	16	1	<b>7N-2176</b>	1	PIN-DETENT	
	17	1	<b>7N-1052</b>	1	DOWEL	
	18	1	<b>8N-3093</b>	1	SPRING-DETENT	
Y	19	1	<b>8N-7276</b>	1	TORQUE CONTROL GP	861
	20	1	<b>8N-5784</b>	1	DEFLECTOR-PULSE	
	21	1	<b>7C-2193</b>	1	SPRING	
	22	1	<b>8N-5403</b>	1	SHAFT AS-THROTTLE	
	23	1	<b>2W-5448</b>	1	COVER	
		1	<b>2W-5447</b>	1	GASKET	
	24	1	<b>7N-9907</b>	1	COVER	
		1	<b>7N-9554</b>	1	GASKET	
	25	1	<b>8M-8515</b>	1	SEAL-O-RING	
	26	1	<b>5P-6620</b>	1	SEAL-O-RING	
	27	1	<b>8L-5832</b>	1	NUT-HEX (10-32-THD)	

C - CHANGE FROM PREVIOUS TYPE  
Y - SEPARATE ILLUSTRATION

# FUEL SYSTEM

7C-3027 PUMP GP-GOV & FUEL INJ (contd.)

i00945328



GRAPHIC #1

<END>

g00108328



# FUEL SYSTEM

## 7C-3027 PUMP GP-GOV & FUEL INJ

S/N: 85Z3764-UP

TYPE 3

SMCS - 1286

i00945326

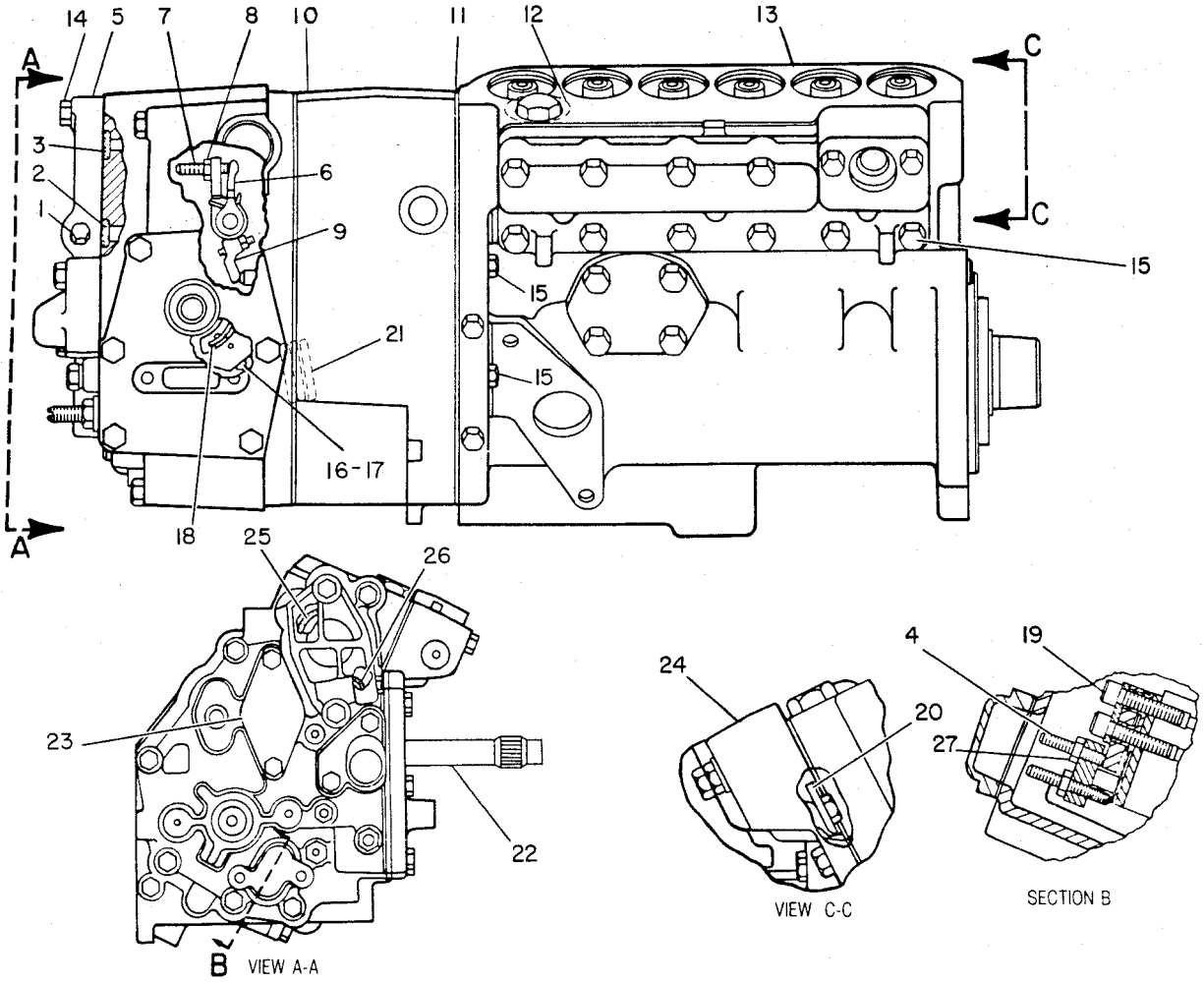
NOTE	REF NO	GRAPHIC REF	PART NUMBER	QTY	PART NAME	SEE PAGE
					1 2 3 4 5 6 (PRODUCT LEVEL)	
	1	1	<b>9S-4180</b>	1	PLUG	
		1	<b>4J-7533</b>	1	SEAL-O-RING	
	2	1	<b>033-5879</b>	1	SEAL-O-RING	
	3	1	<b>8J-8343</b>	1	SEAL-O-RING	
	4	1	<b>7N-5334</b>	1	SETSCREW-SOCKET (25.4-MM LG)	
					-OR-	
		1	<b>5H-6552</b>	1	SETSCREW-SOCKET (10-32X1.25-IN)	
	5	1	<b>8N-3799</b>	1	COVER-FUEL RATIO	
	6	1	<b>4W-5735</b>	1	LEVER AS-PIVOT	
	7	1	<b>6V-6835</b>	1	SETSCREW-SOCKET (10-32X0.625-IN)	
	8	1	<b>8L-5832</b>	1	NUT-HEX (10-32-THD)	
	9	1	<b>4W-5734</b>	1	LEVER AS	
		1	<b>6V-6835</b>	1	SETSCREW-SOCKET (10-32X0.625-IN)	
		1	<b>8L-5832</b>	1	NUT-HEX (10-32-THD)	
CY	10	1	<b>9Y-7273</b>	1	GOVERNOR GP	643
	11	1	<b>7N-8768</b>	1	GASKET	
	12	1	<b>3J-1907</b>	1	SEAL-O-RING	
Y	13	1	<b>6I-2834</b>	1	PUMP GP-FUEL INJECTION	720
	14	1	<b>0S-1616</b>	2	BOLT (1/4-20X1-IN)	
Y	15	1	<b>7C-8993</b>	1	FASTENER GP-FUEL INJ PUMP	612
	16	1	<b>7N-2176</b>	1	PIN-DETENT	
	17	1	<b>7N-1052</b>	1	DOWEL	
	18	1	<b>8N-3093</b>	1	SPRING-DETENT	
Y	19	1	<b>8N-7276</b>	1	TORQUE CONTROL GP	861
	20	1	<b>8N-5784</b>	1	DEFLECTOR-PULSE	
	21	1	<b>7C-2193</b>	1	SPRING	
	22	1	<b>8N-5403</b>	1	SHAFT AS-THROTTLE	
	23	1	<b>2W-5448</b>	1	COVER	
		1	<b>2W-5447</b>	1	GASKET	
	24	1	<b>7N-9907</b>	1	COVER	
		1	<b>7N-9554</b>	1	GASKET	
	25	1	<b>8M-8515</b>	1	SEAL-O-RING	
	26	1	<b>5P-6620</b>	1	SEAL-O-RING	
	27	1	<b>8L-5832</b>	1	NUT-HEX (10-32-THD)	

C - CHANGE FROM PREVIOUS TYPE  
Y - SEPARATE ILLUSTRATION

# FUEL SYSTEM

7C-3027 PUMP GP-GOV & FUEL INJ (contd.)

i00945326



GRAPHIC #1

<END>

g00108328

# FUEL SYSTEM

## 7C-3027 PUMP GP-GOV & FUEL INJ

S/N: 85Z3764-UP

TYPE 4

SMCS-1286

i01142172

NOTE	REF NO	GRAPHIC REF	PART NUMBER	QTY	PART NAME						SEE PAGE
					1	2	3	4	5	6 (PRODUCT LEVEL)	
	1	1	<b>9S-4180</b>	1	PLUG						
		1	<b>4J-7533</b>	1	SEAL-O-RING						
	4	1	<b>5H-6552</b>	1	SETSCREW-SOCKET (10-32X1.25-IN)						
	5	1	<b>8N-3799</b>	1	COVER-FUEL RATIO						
	6	1	<b>4W-5735</b>	1	LEVER AS-PIVOT						
	7	1	<b>115-1249</b>	1	SETSCREW-SOCKET						
	8	1	<b>8L-5832</b>	1	NUT-HEX (10-32-THD)						
	9	1	<b>4W-5734</b>	1	LEVER AS						
		1	<b>6V-6835</b>	1	SETSCREW-SOCKET (10-32X0.625-IN)						
		1	<b>8L-5832</b>	1	NUT-HEX (10-32-THD)						
YC	10	1	<b>2W-4108</b>	1	GOVERNOR GP						626
Y	13	1	<b>6I-2834</b>	1	PUMP GP-FUEL INJECTION						720
	14	1	<b>0S-1616</b>	2	BOLT (1/4-20X1-IN)						
Y	15	1	<b>7C-8993</b>	1	FASTENER GP-FUEL INJ PUMP						612
	16	1	<b>7N-2176</b>	1	PIN-DETENT						
	17	1	<b>7N-1052</b>	1	DOWEL						
	18	1	<b>8N-3093</b>	1	SPRING-DETENT						
Y	19	1	<b>8N-7276</b>	1	TORQUE CONTROL GP						861
	20	1	<b>8N-5784</b>	1	DEFLECTOR-PULSE						
	21	1	<b>7C-2193</b>	1	SPRING						
	22	1	<b>8N-5403</b>	1	SHAFT AS-THROTTLE						
	23	1	<b>2W-5448</b>	1	COVER						
	24	1	<b>7N-9907</b>	1	COVER						
	27	1	<b>8L-5832</b>	1	NUT-HEX (10-32-THD)						
	28	1	<b>3J-1907</b>	1	SEAL-O-RING						
	29	1	<b>5P-6620</b>	1	SEAL-O-RING						
	30	1	<b>8J-8343</b>	1	SEAL-O-RING						
	31	1	<b>8M-8515</b>	1	SEAL-O-RING						
	32	1	<b>033-5879</b>	1	SEAL-O-RING						
	33	1	<b>144-0477</b>	1	GASKET						
	34	1	<b>150-3726</b>	1	GASKET						
	35	1	<b>150-3727</b>	1	GASKET-FUEL						

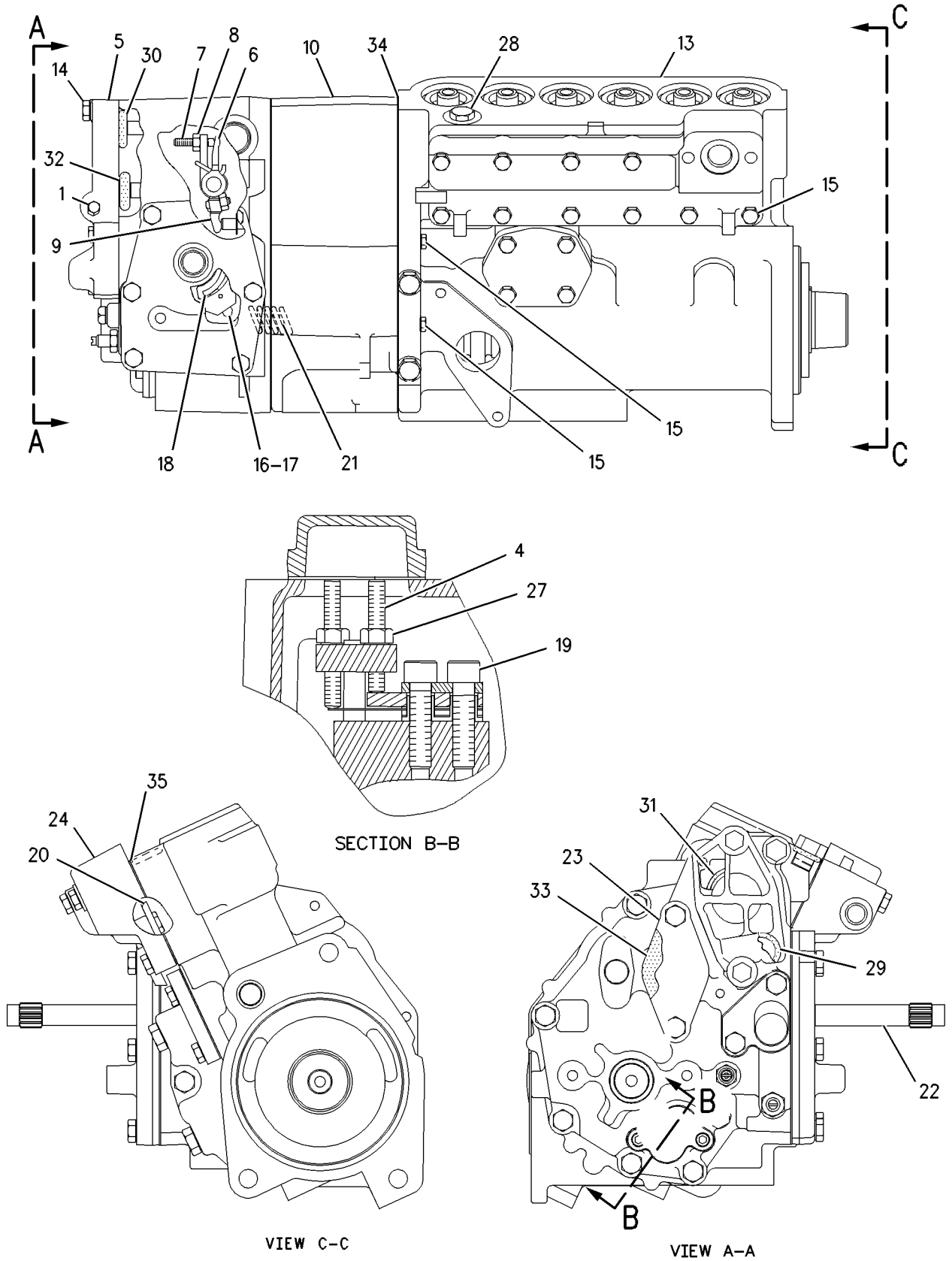
C - CHANGE FROM PREVIOUS TYPE

Y - SEPARATE ILLUSTRATION

# FUEL SYSTEM

7C-3027 PUMP GP-GOV & FUEL INJ (contd.)

i01142172



GRAPHIC #1

<END>

g00604574

# FUEL SYSTEM

## 7C-5220 PUMP GP-GOV & FUEL INJ

S/N: 85Z3764-UP

PART OF 7C-5221 PUMP GP-GOV & FUEL INJ

AN ATTACHMENT

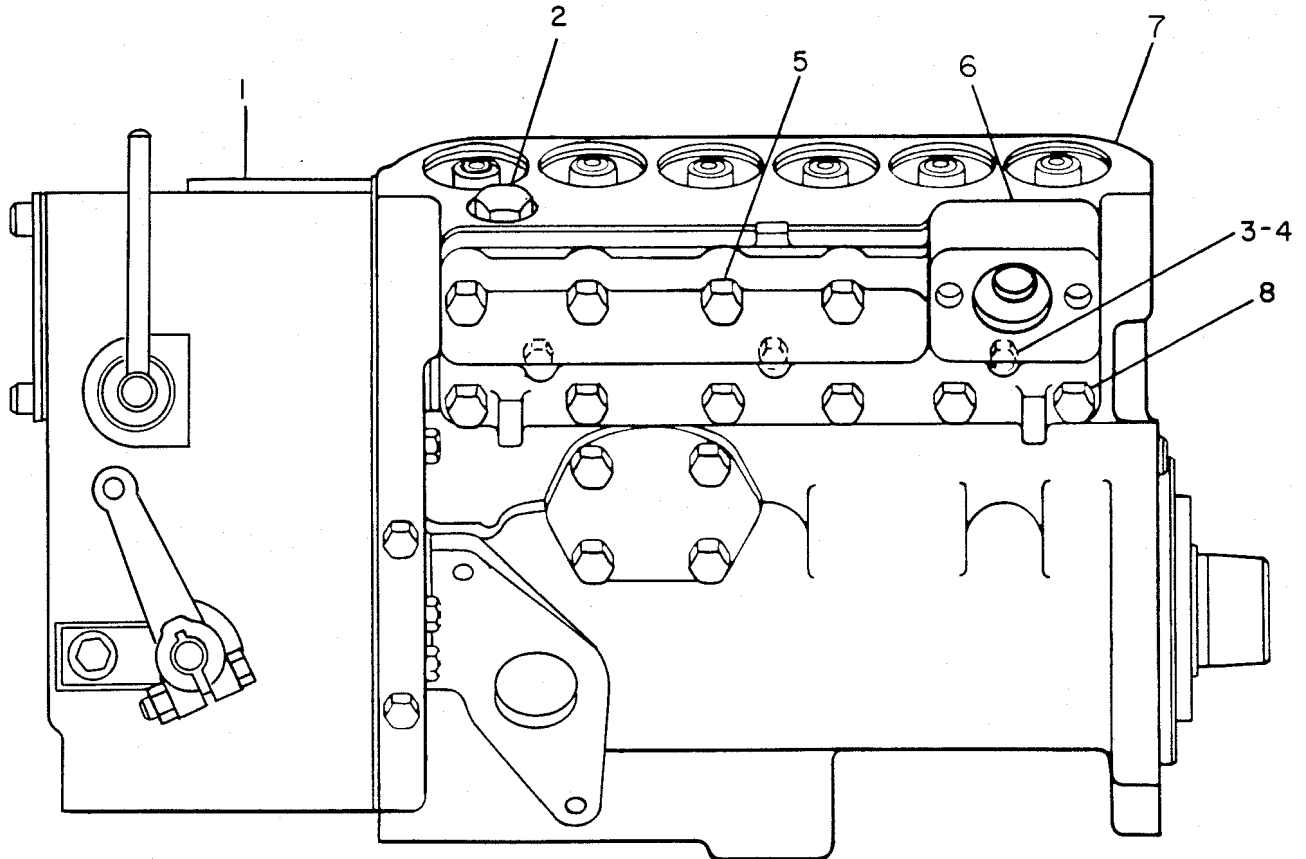
TYPE 1

SMCS-1286

i00945377

NOTE	REF NO	GRAPHIC REF	PART NUMBER	QTY	PART NAME						SEE PAGE
					1	2	3	4	5	6 (PRODUCT LEVEL)	
Y	1	1	8N-3227	1	DRIVE GP-GOVERNOR						606
	2	1	9S-4191	1	PLUG (9/16-18-THD)						
		1	3J-1907	1	SEAL-O-RING						
	3	1	0S-1614	3	BOLT (1/4-20X0.5-IN)						
	4	1	8N-5784	1	DEFLECTOR-PULSE						
	5	1	8B-2377	4	BOLT (1/4-20X2-IN)						
	6	1	7N-9907	1	COVER						
		1	7N-9554	1	GASKET						
Y	7	1	7C-5219	1	PUMP GP-FUEL INJECTION						733
	8	1	0S-1616	6	BOLT (1/4-20X1-IN)						

Y - SEPARATE ILLUSTRATION



GRAPHIC #1

<END>

g00186502

# FUEL SYSTEM

## 7C-5220 PUMP GP-GOV & FUEL INJ

S/N: 85Z3764-UP

PART OF 7C-5221 PUMP GP-GOV & FUEL INJ

AN ATTACHMENT

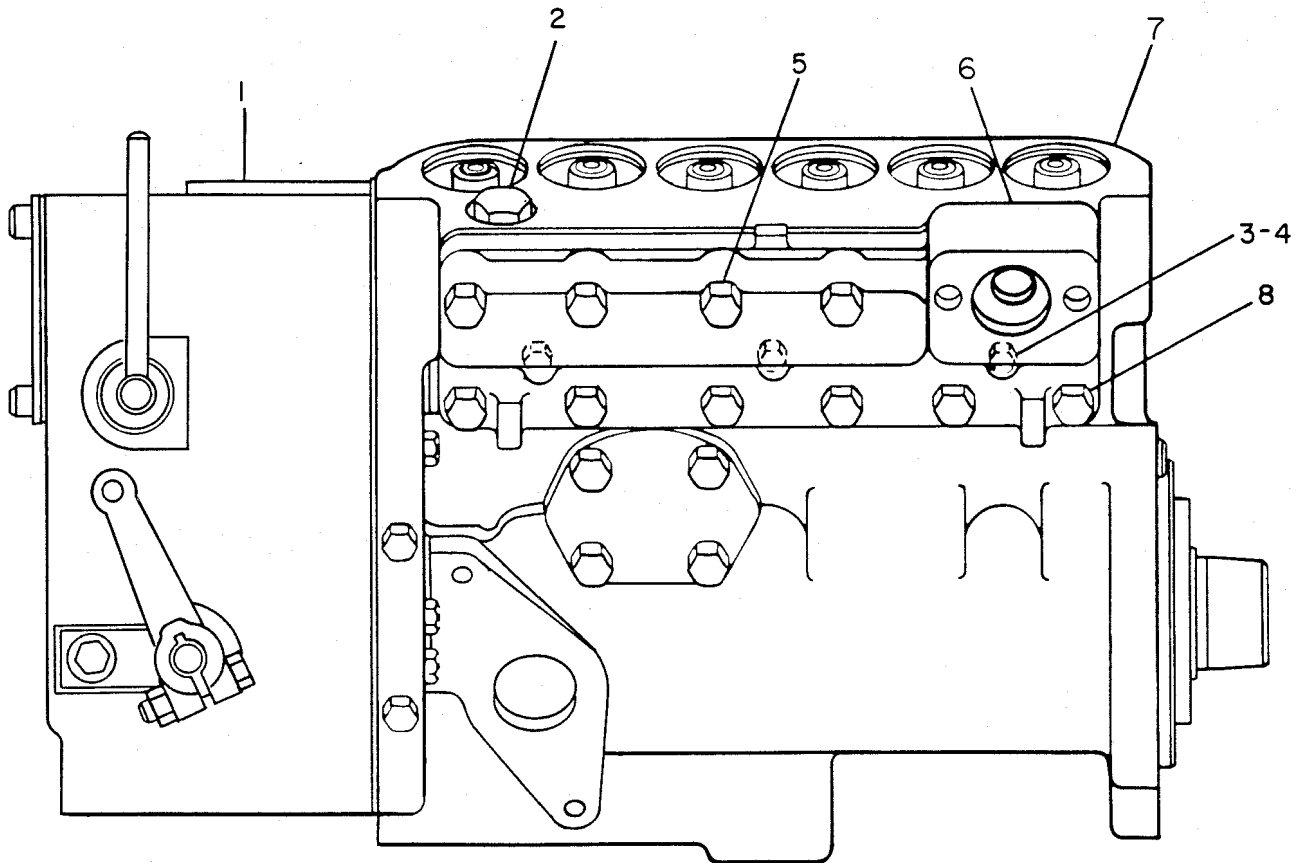
TYPE 2

SMCS-1286

i00945374

NOTE	REF NO	GRAPHIC REF	PART NUMBER	QTY	PART NAME						SEE PAGE
					1	2	3	4	5	6 (PRODUCT LEVEL)	
Y	1	1	8N-3227	1	DRIVE GP-GOVERNOR						606
	2	1	9S-4191	1	PLUG (9/16-18-THD)						
		1	3J-1907	1	SEAL-O-RING						
	3	1	0S-1614	3	BOLT (1/4-20X0.5-IN)						
	4	1	8N-5784	1	DEFLECTOR-PULSE						
	5	1	8B-2377	4	BOLT (1/4-20X2-IN)						
	6	1	7N-9907	1	COVER						
		1	150-3727	1	GASKET-FUEL						
YC	7	1	6I-2994	1	PUMP GP-FUEL INJECTION						726
	8	1	0S-1616	6	BOLT (1/4-20X1-IN)						

C - CHANGE FROM PREVIOUS TYPE  
Y - SEPARATE ILLUSTRATION



GRAPHIC #1

<END>

g00186502

# FUEL SYSTEM

## 7C-5221 PUMP GP-GOV & FUEL INJ

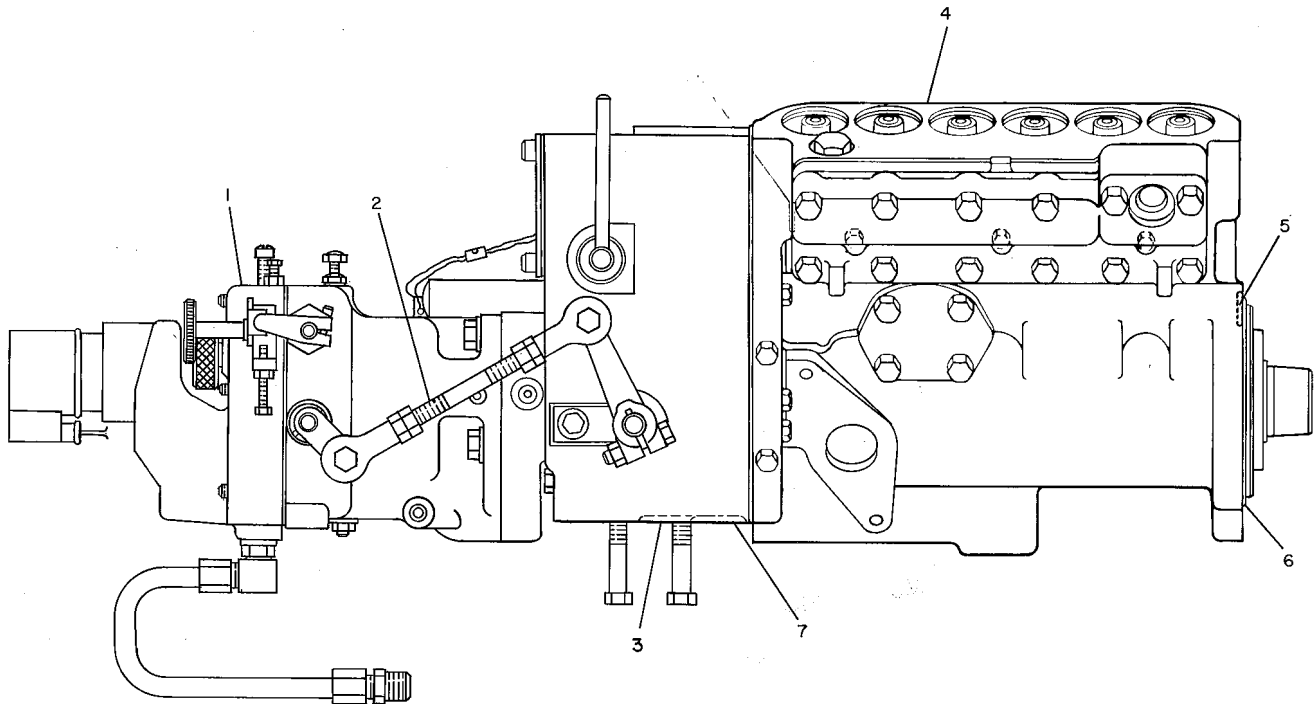
S/N: 85Z3764-UP  
 9MM, 18 DEGREE TIMING  
 AN ATTACHMENT

SMCS-1286

i01774536

NOTE	REF NO	GRAPHIC REF	PART NUMBER	QTY	PART NAME						SEE PAGE
					1	2	3	4	5	6 (PRODUCT LEVEL)	
Y	1	1	8N-3353	1	GOVERNOR GP						641
Y	2	1	8N-3222	1	FASTENER GP-FUEL INJ PUMP						613
	3	1	2H-3932	1	SEAL-O-RING						
Y	4	1	7C-5220	1	PUMP GP-GOV & FUEL INJ						799
	5	1	6V-6921	1	SEAL-RING						
	6	1	2H-3934	1	SEAL-O-RING						
	7	1	5F-7054	1	SEAL-O-RING						
FY			8N-6670	1	SWITCH GP-GOVERNOR						1296
(REMOTE MOUNTED GOVERNOR RAISE/LOWER)											

F - NOT SHOWN  
 Y - SEPARATE ILLUSTRATION



GRAPHIC #1

<END>

g00186498

# FUEL SYSTEM

## 7C-5222 PUMP GP-GOV & FUEL INJ

S/N: 85Z3764-UP

PART OF 7C-5224 PUMP GP-GOV & FUEL INJ

AN ATTACHMENT

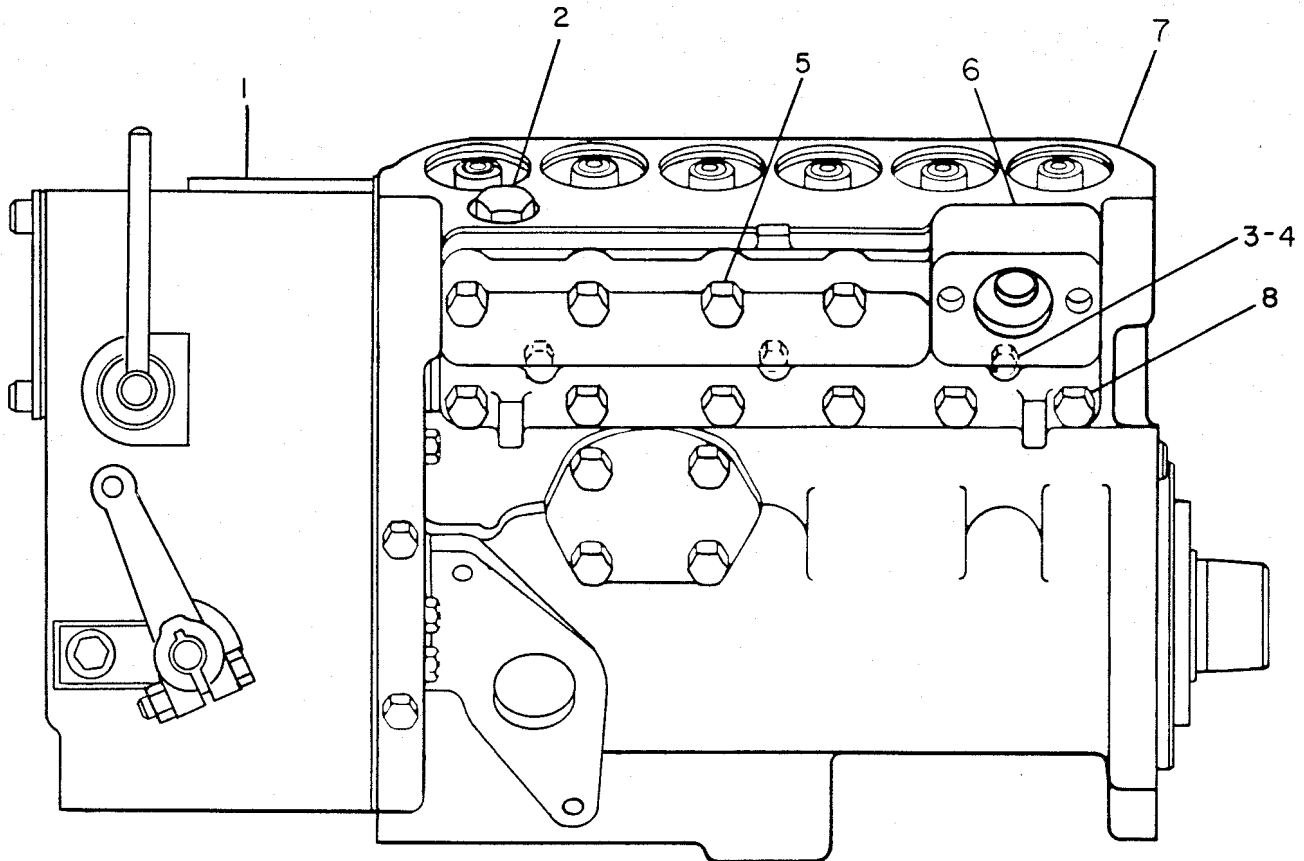
TYPE 1

SMCS-1286

i00945382

NOTE	REF NO	GRAPHIC REF	PART NUMBER	QTY	PART NAME						SEE PAGE
					1	2	3	4	5	6 (PRODUCT LEVEL)	
Y	1	1	8N-3227	1	DRIVE GP-GOVERNOR						606
	2	1	9S-4191	1	PLUG (9/16-18-THD)						
		1	3J-1907	1	SEAL-O-RING						
	3	1	0S-1614	3	BOLT (1/4-20X0.5-IN)						
	4	1	8N-5784	1	DEFLECTOR-PULSE						
	5	1	8B-2377	4	BOLT (1/4-20X2-IN)						
	6	1	7N-9907	1	COVER						
		1	7N-9554	1	GASKET						
Y	7	1	7C-5223	1	PUMP GP-FUEL INJECTION						737
	8	1	0S-1616	6	BOLT (1/4-20X1-IN)						

Y - SEPARATE ILLUSTRATION



GRAPHIC #1

<END>

g00186511



# FUEL SYSTEM

## 7C-5222 PUMP GP-GOV & FUEL INJ

S/N: 85Z3764-UP

PART OF 7C-5224 PUMP GP-GOV & FUEL INJ

AN ATTACHMENT

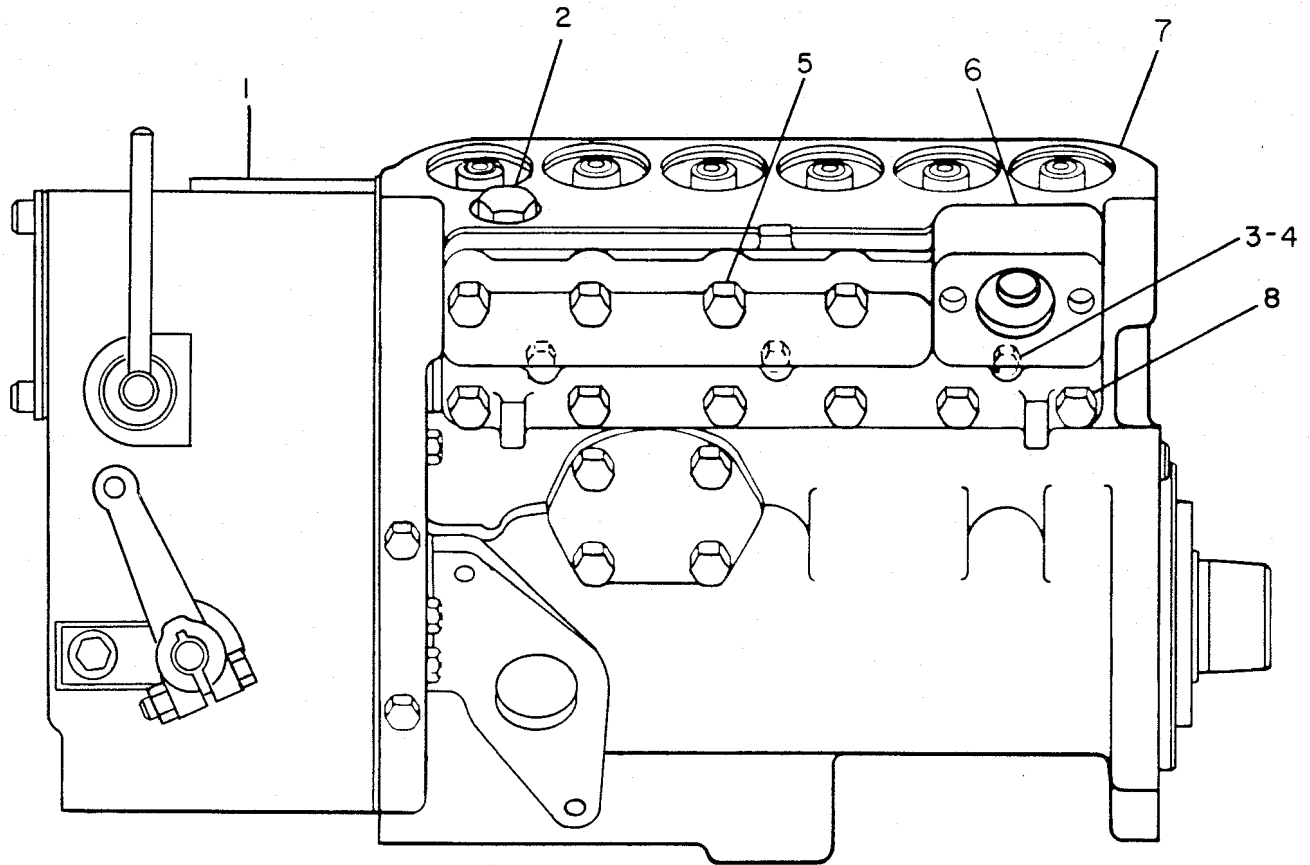
TYPE 2

SMCS-1286

i00945380

NOTE	REF NO	GRAPHIC REF	PART NUMBER	QTY	PART NAME						SEE PAGE
					1	2	3	4	5	6 (PRODUCT LEVEL)	
Y	1	1	8N-3227	1	DRIVE GP-GOVERNOR						606
	2	1	9S-4191	1	PLUG (9/16-18-THD)						
		1	3J-1907	1	SEAL-O-RING						
	3	1	0S-1614	3	BOLT (1/4-20X0.5-IN)						
	4	1	8N-5784	1	DEFLECTOR-PULSE						
	5	1	8B-2377	4	BOLT (1/4-20X2-IN)						
	6	1	7N-9907	1	COVER						
		1	150-3727	1	GASKET-FUEL						
CY	7	1	6I-2995	1	PUMP GP-FUEL INJECTION						728
	8	1	0S-1616	6	BOLT (1/4-20X1-IN)						

C - CHANGE FROM PREVIOUS TYPE  
Y - SEPARATE ILLUSTRATION



GRAPHIC #1

<END>

g00186511

# FUEL SYSTEM

## 7C-5224 PUMP GP-GOV & FUEL INJ

S/N: 85Z3764-UP  
10MM, 18 DEGREE TIMING  
AN ATTACHMENT

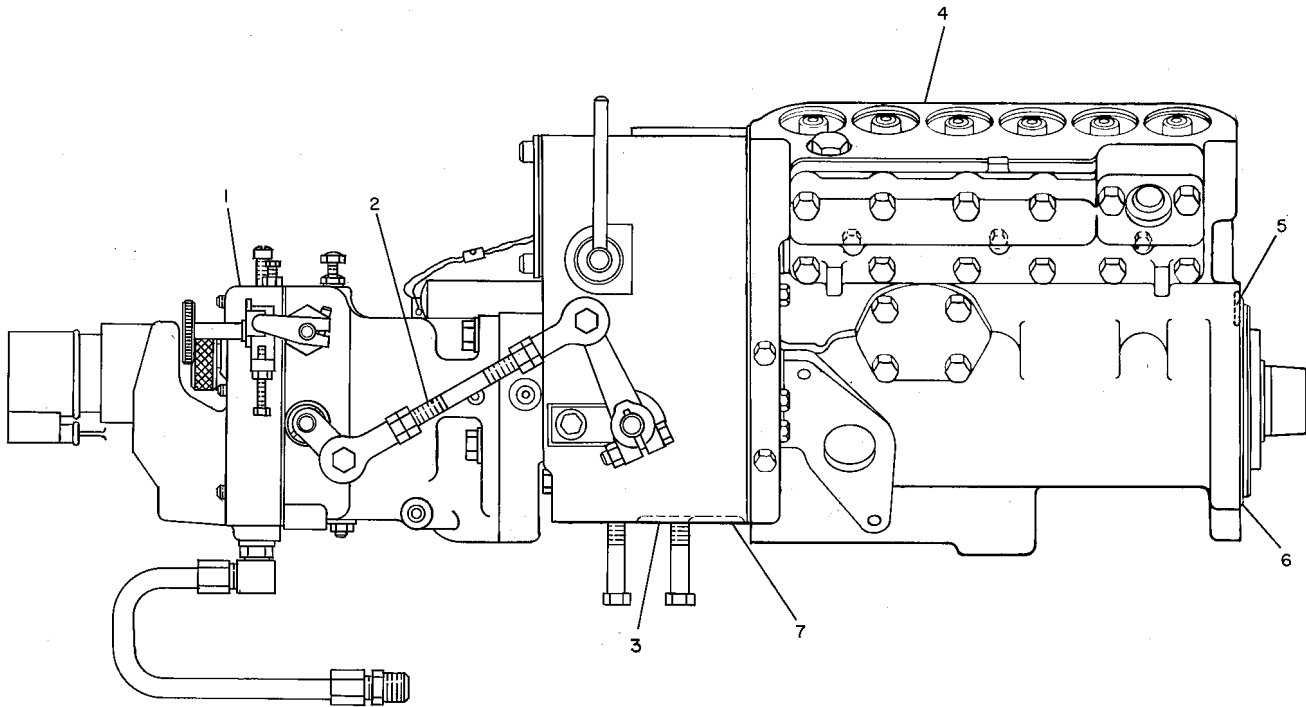
SMCS-1286

i01739855

NOTE	REF NO	GRAPHIC REF	PART NUMBER	QTY	PART NAME						SEE PAGE
					1	2	3	4	5	6	
Y	1	1	8N-3353	1	GOVERNOR GP						641
Y	2	1	8N-3222	1	FASTENER GP-FUEL INJ PUMP						613
	3	1	2H-3932	1	SEAL-O-RING						
Y	4	1	7C-5222	1	PUMP GP-GOV & FUEL INJ						802
	5	1	6V-6921	1	SEAL-RING						
	6	1	2H-3934	1	SEAL-O-RING						
	7	1	5F-7054	1	SEAL-O-RING						
FY			8N-6670	1	SWITCH GP-GOVERNOR						1296
(REMOTE MOUNTED GOVERNOR RAISE/LOWER)											

F - NOT SHOWN

Y - SEPARATE ILLUSTRATION



GRAPHIC #1

<END>

g00186510

# FUEL SYSTEM

## 7C-5226 PUMP GP-GOV & FUEL INJ

S/N: 85Z3764-UP

PART OF 7C-5227 PUMP GP-GOV & FUEL INJ

AN ATTACHMENT

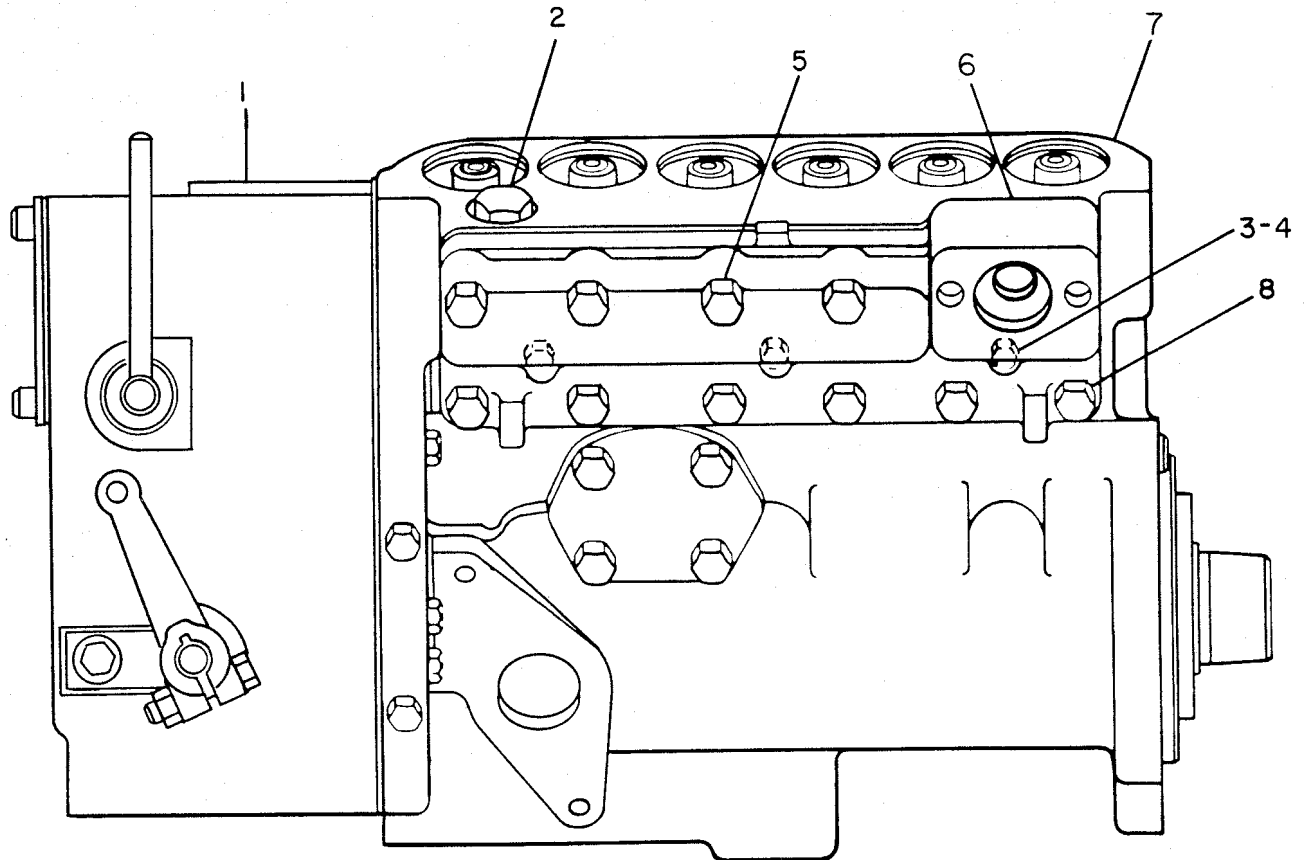
TYPE 1

SMCS-1286

i00945447

NOTE	REF NO	GRAPHIC REF	PART NUMBER	QTY	PART NAME						SEE PAGE
					1	2	3	4	5	6 (PRODUCT LEVEL)	
Y	1	1	8N-3227	1	DRIVE GP-GOVERNOR						606
	2	1	9S-4191	1	PLUG (9/16-18-THD)						
		1	3J-1907	1	SEAL-O-RING						
	3	1	0S-1614	3	BOLT (1/4-20X0.5-IN)						
	4	1	8N-5784	1	DEFLECTOR-PULSE						
	5	1	8B-2377	4	BOLT (1/4-20X2-IN)						
	6	1	7N-9907	1	COVER						
		1	7N-9554	1	GASKET						
Y	7	1	7C-5225	1	PUMP GP-FUEL INJECTION						741
	8	1	0S-1616	6	BOLT (1/4-20X1-IN)						

Y - SEPARATE ILLUSTRATION



GRAPHIC #1

<END>

g00186514

# FUEL SYSTEM

## 7C-5226 PUMP GP-GOV & FUEL INJ

S/N: 85Z3764-UP

PART OF 7C-5227 PUMP GP-GOV & FUEL INJ

AN ATTACHMENT

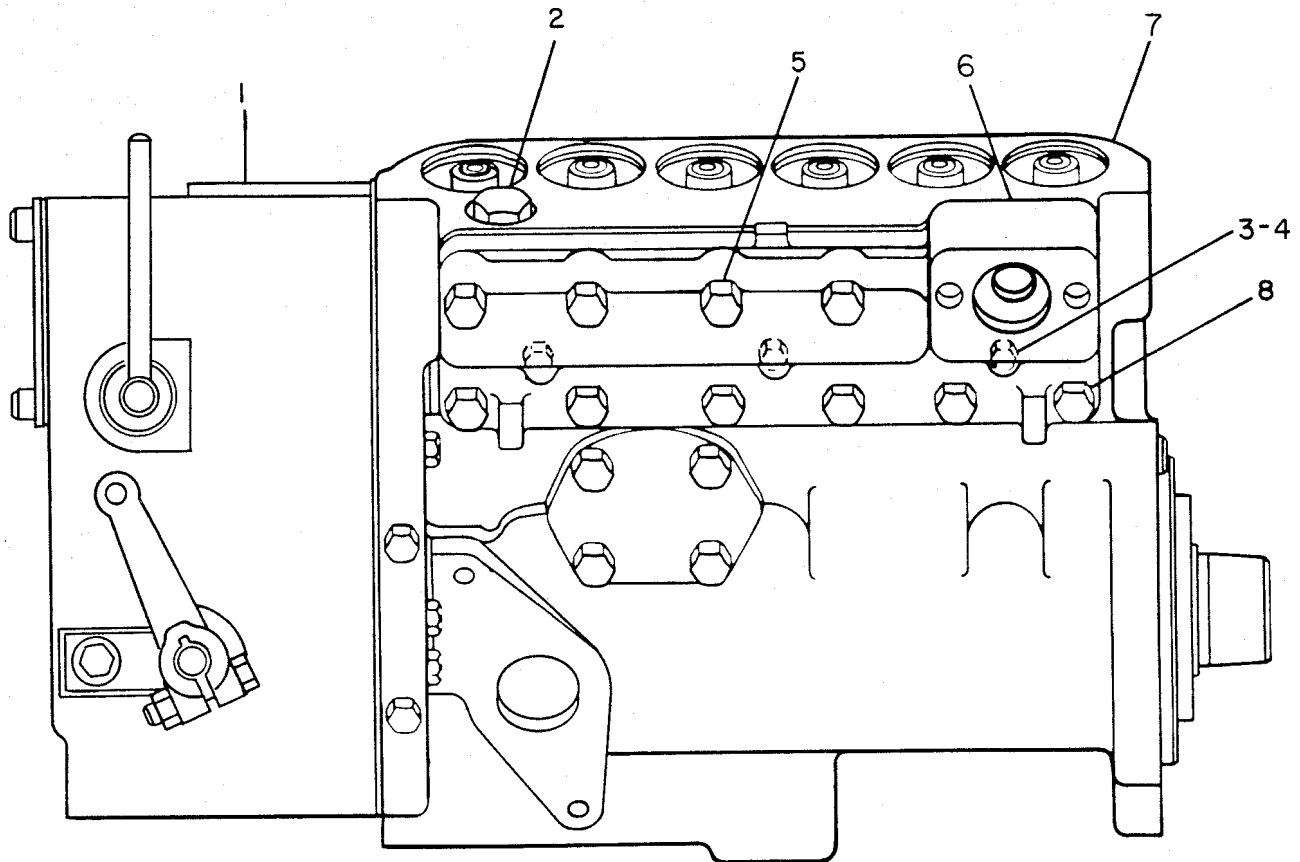
TYPE 2

SMCS-1286

i00945445

NOTE	REF NO	GRAPHIC REF	PART NUMBER	QTY	PART NAME						SEE PAGE
					1	2	3	4	5	6 (PRODUCT LEVEL)	
Y	1	1	8N-3227	1	DRIVE GP-GOVERNOR						606
	2	1	9S-4191	1	PLUG (9/16-18-THD)						
		1	3J-1907	1	SEAL-O-RING						
	3	1	0S-1614	3	BOLT (1/4-20X0.5-IN)						
	4	1	8N-5784	1	DEFLECTOR-PULSE						
	5	1	8B-2377	4	BOLT (1/4-20X2-IN)						
	6	1	7N-9907	1	COVER						
		1	150-3727	1	GASKET-FUEL						
CY	7	1	6I-2996	1	PUMP GP-FUEL INJECTION						730
	8	1	0S-1616	6	BOLT (1/4-20X1-IN)						

C - CHANGE FROM PREVIOUS TYPE  
Y - SEPARATE ILLUSTRATION



GRAPHIC #1

<END>

g00186514

# FUEL SYSTEM

## 7C-5227 PUMP GP-GOV & FUEL INJ

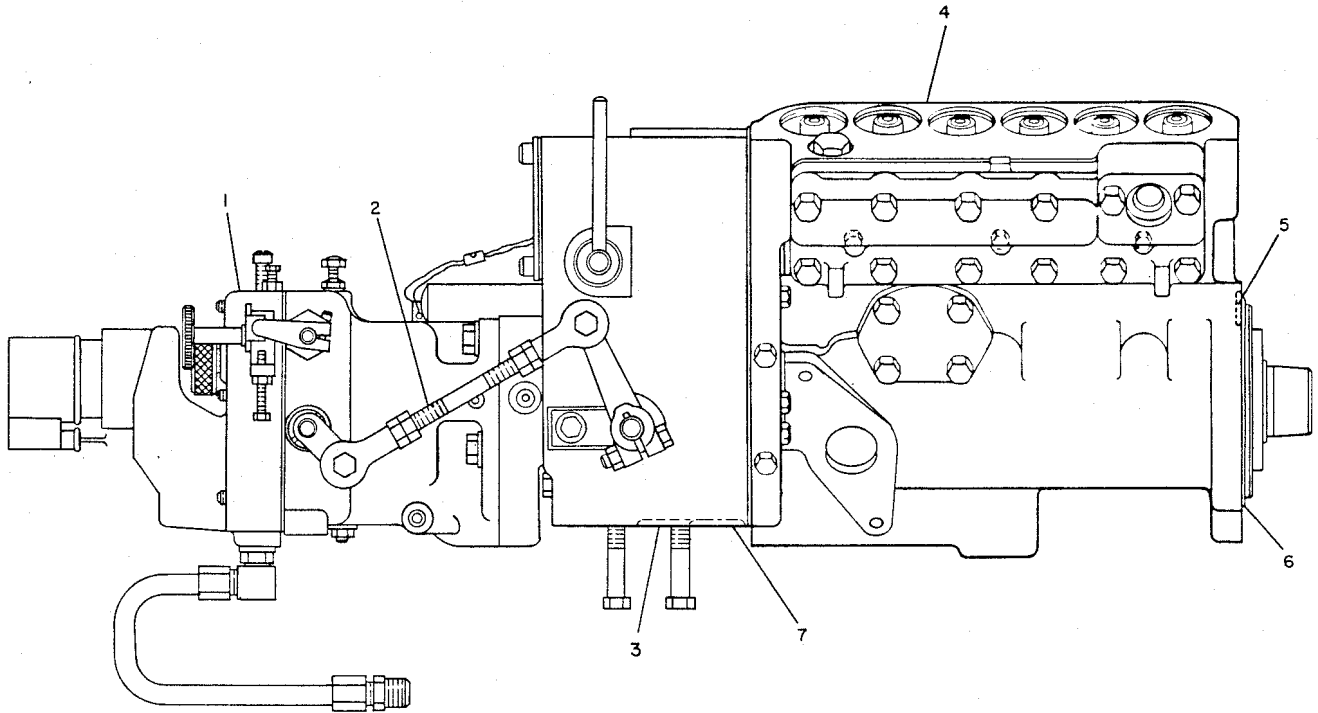
S/N: 85Z3764-UP  
 10MM, 14 DEGREE TIMING  
 AN ATTACHMENT

SMCS-1286

i01739898

NOTE	REF NO	GRAPHIC REF	PART NUMBER	QTY	PART NAME						SEE PAGE
					1	2	3	4	5	6 (PRODUCT LEVEL)	
Y	1	1	8N-3353	1	GOVERNOR GP						641
Y	2	1	8N-3222	1	FASTENER GP-FUEL INJ PUMP						613
	3	1	2H-3932	1	SEAL-O-RING						
Y	4	1	7C-5226	1	PUMP GP-GOV & FUEL INJ						805
	5	1	6V-6921	1	SEAL-RING						
	6	1	2H-3934	1	SEAL-O-RING						
	7	1	5F-7054	1	SEAL-O-RING						
FY			8N-6670	1	SWITCH GP-GOVERNOR (REMOTE MOUNTED GOVERNOR RAISE/LOWER)						1296

F - NOT SHOWN  
 Y - SEPARATE ILLUSTRATION



GRAPHIC #1

<END>

g00186513

# FUEL SYSTEM

## 7C-5299 PUMP GP-GOV & FUEL INJ

S/N: 85Z3764-UP

TYPE 1

SMCS - 1286

i00945491

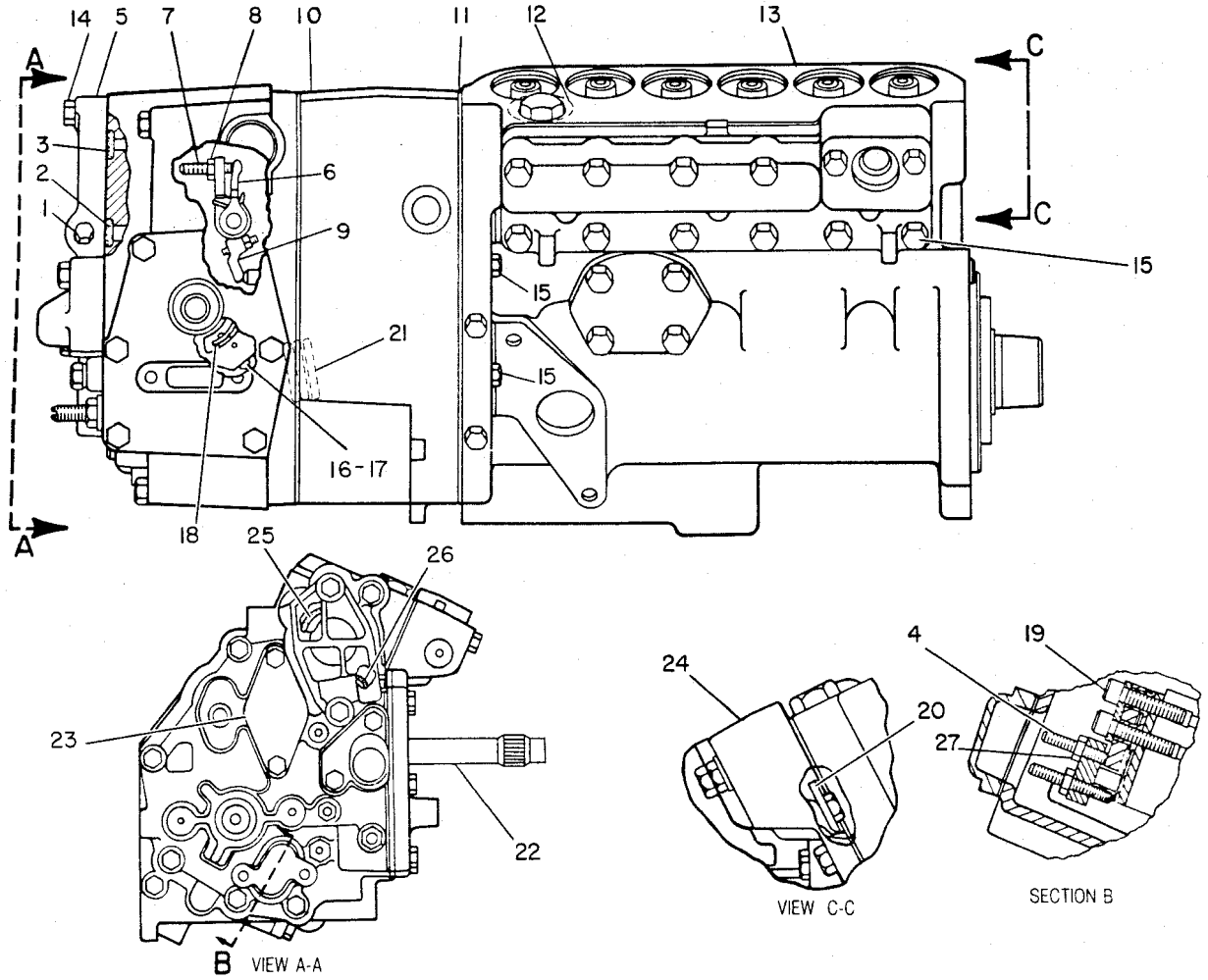
NOTE	REF NO	GRAPHIC REF	PART NUMBER	QTY	PART NAME						SEE PAGE
					1	2	3	4	5	6 (PRODUCT LEVEL)	
	1	1	<b>9S-4180</b>	1	PLUG						
		1	<b>4J-7533</b>	1	SEAL-O-RING						
	2	1	<b>033-5879</b>	1	SEAL-O-RING						
	3	1	<b>8J-8343</b>	1	SEAL-O-RING						
	4	1	<b>7N-5334</b>	1	SETSCREW-SOCKET (25.4-MM LG)						
	5	1	<b>8N-3799</b>	1	COVER-FUEL RATIO						
	6	1	<b>4W-5735</b>	1	LEVER AS-PIVOT						
	7	1	<b>6V-6835</b>	1	SETSCREW-SOCKET (10-32X0.625-IN)						
C	8	1	<b>8L-5832</b>	1	NUT-HEX (10-32-THD)						
	9	1	<b>4W-5734</b>	1	LEVER AS						
		1	<b>6V-6835</b>	1	SETSCREW-SOCKET (10-32X0.625-IN)						
C		1	<b>8L-5832</b>	1	NUT-HEX (10-32-THD)						
Y	10	1	<b>2W-4108</b>	1	GOVERNOR GP						626
	11	1	<b>7N-8768</b>	1	GASKET						
	12	1	<i>3J-1907</i>	1	SEAL-O-RING						
Y	13	1	<b>2W-0256</b>	1	PUMP GP-FUEL INJECTION						706
C	14	1	<b>0S-1616</b>	2	BOLT (1/4-20X1-IN)						
CY	15	1	<i>7C-8993</i>	1	FASTENER GP-FUEL INJ PUMP						612
	16	1	<b>7N-2176</b>	1	PIN-DETENT						
	17	1	<b>7N-1052</b>	1	DOWEL						
	18	1	<b>8N-3093</b>	1	SPRING-DETENT						
Y	19	1	<b>8N-7276</b>	1	TORQUE CONTROL GP						861
C	20	1	<b>8N-5784</b>	1	DEFLECTOR-PULSE						
	21	1	<b>8N-9596</b>	1	SPRING						
	22	1	<b>8N-5403</b>	1	SHAFT AS-THROTTLE						
	23	1	<b>2W-5448</b>	1	COVER						
		1	<b>2W-5447</b>	1	GASKET						
	24	1	<b>7N-9907</b>	1	COVER						
		1	<b>7N-9554</b>	1	GASKET						
	25	1	<b>8M-8515</b>	1	SEAL-O-RING						
	26	1	<b>5P-6620</b>	1	SEAL-O-RING						
C	27	1	<b>8L-5832</b>	1	NUT-HEX (10-32-THD)						

C - CHANGE FROM PREVIOUS TYPE  
Y - SEPARATE ILLUSTRATION

# FUEL SYSTEM

7C-5299 PUMP GP-GOV & FUEL INJ (contd.)

100945491



GRAPHIC #1

<END>

g00108328

# FUEL SYSTEM

## 7C-5299 PUMP GP-GOV & FUEL INJ

S/N: 85Z3764-UP

TYPE 2

SMCS - 1286

i00945490

NOTE	REF NO	GRAPHIC REF	PART NUMBER	QTY	PART NAME						SEE PAGE
					1	2	3	4	5	6	
	1	1	<b>9S-4180</b>	1	PLUG						
		1	<b>4J-7533</b>	1	SEAL-O-RING						
	2	1	<b>033-5879</b>	1	SEAL-O-RING						
	3	1	<b>8J-8343</b>	1	SEAL-O-RING						
	4	1	<b>5H-6552</b>	1	SETSCREW-SOCKET (10-32X1.25-IN)						
	5	1	<b>8N-3799</b>	1	COVER-FUEL RATIO						
	6	1	<b>4W-5735</b>	1	LEVER AS-PIVOT						
	7	1	<b>6V-6835</b>	1	SETSCREW-SOCKET (10-32X0.625-IN)						
C	8	1	<b>8L-5832</b>	1	NUT-HEX (10-32-THD)						
	9	1	<b>4W-5734</b>	1	LEVER AS						
		1	<b>6V-6835</b>	1	SETSCREW-SOCKET (10-32X0.625-IN)						
C		1	<b>8L-5832</b>	1	NUT-HEX (10-32-THD)						
Y	10	1	<b>2W-4108</b>	1	GOVERNOR GP						626
	11	1	<b>7N-8768</b>	1	GASKET						
	12	1	<b>3J-1907</b>	1	SEAL-O-RING						
CY	13	1	<b>6I-2834</b>	1	PUMP GP-FUEL INJECTION						720
C	14	1	<b>0S-1616</b>	2	BOLT (1/4-20X1-IN)						
CY	15	1	<b>7C-8993</b>	1	FASTENER GP-FUEL INJ PUMP						612
	16	1	<b>7N-2176</b>	1	PIN-DETENT						
	17	1	<b>7N-1052</b>	1	DOWEL						
	18	1	<b>8N-3093</b>	1	SPRING-DETENT						
Y	19	1	<b>8N-7276</b>	1	TORQUE CONTROL GP						861
C	20	1	<b>8N-5784</b>	1	DEFLECTOR-PULSE						
	21	1	<b>8N-9596</b>	1	SPRING						
	22	1	<b>8N-5403</b>	1	SHAFT AS-THROTTLE						
	23	1	<b>2W-5448</b>	1	COVER						
		1	<b>2W-5447</b>	1	GASKET						
	24	1	<b>7N-9907</b>	1	COVER						
		1	<b>7N-9554</b>	1	GASKET						
	25	1	<b>8M-8515</b>	1	SEAL-O-RING						
	26	1	<b>5P-6620</b>	1	SEAL-O-RING						
C	27	1	<b>8L-5832</b>	1	NUT-HEX (10-32-THD)						

C - CHANGE FROM PREVIOUS TYPE  
 Y - SEPARATE ILLUSTRATION





# FUEL SYSTEM

## 7C-5299 PUMP GP-GOV & FUEL INJ

S/N: 85Z3764-UP

TYPE 3

SMCS - 1286

i00945489

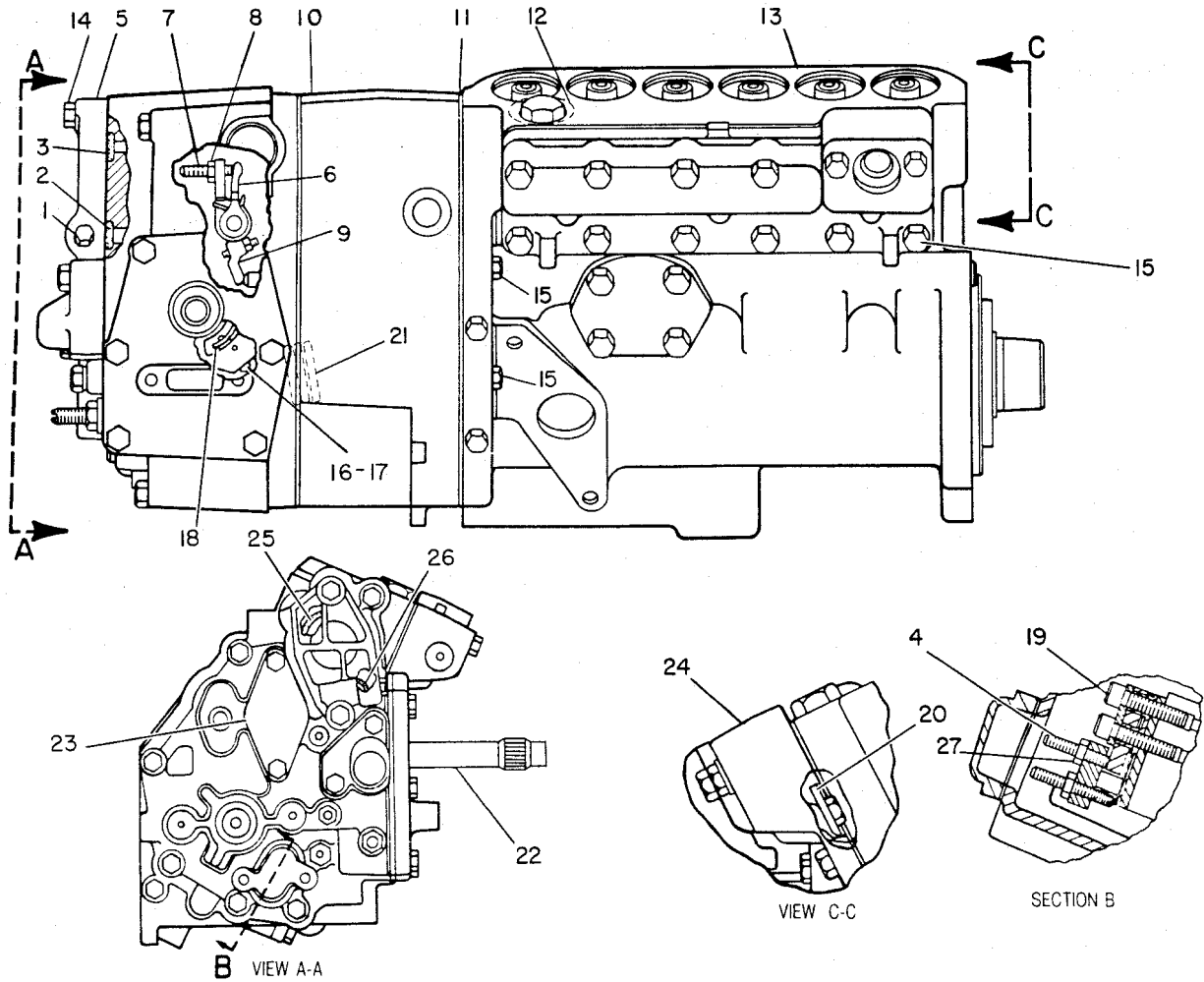
NOTE	REF NO	GRAPHIC REF	PART NUMBER	QTY	PART NAME	SEE PAGE
					1 2 3 4 5 6 (PRODUCT LEVEL)	
	1	1	<b>9S-4180</b>	1	PLUG	
		1	<b>4J-7533</b>	1	SEAL-O-RING	
	2	1	<b>033-5879</b>	1	SEAL-O-RING	
	3	1	<b>8J-8343</b>	1	SEAL-O-RING	
	4	1	<b>5H-6552</b>	1	SETSCREW-SOCKET (10-32X1.25-IN)	
	5	1	<b>8N-3799</b>	1	COVER-FUEL RATIO	
	6	1	<b>4W-5735</b>	1	LEVER AS-PIVOT	
	7	1	<b>6V-6835</b>	1	SETSCREW-SOCKET (10-32X0.625-IN)	
	8	1	<b>8L-5832</b>	1	NUT-HEX (10-32-THD)	
	9	1	<b>4W-5734</b>	1	LEVER AS	
		1	<b>6V-6835</b>	1	SETSCREW-SOCKET (10-32X0.625-IN)	
		1	<b>8L-5832</b>	1	NUT-HEX (10-32-THD)	
CY	10	1	<b>9Y-7273</b>	1	GOVERNOR GP	643
	11	1	<b>7N-8768</b>	1	GASKET	
	12	1	<b>3J-1907</b>	1	SEAL-O-RING	
Y	13	1	<b>6I-2834</b>	1	PUMP GP-FUEL INJECTION	720
	14	1	<b>0S-1616</b>	2	BOLT (1/4-20X1-IN)	
Y	15	1	<b>7C-8993</b>	1	FASTENER GP-FUEL INJ PUMP	612
	16	1	<b>7N-2176</b>	1	PIN-DETENT	
	17	1	<b>7N-1052</b>	1	DOWEL	
	18	1	<b>8N-3093</b>	1	SPRING-DETENT	
Y	19	1	<b>8N-7276</b>	1	TORQUE CONTROL GP	861
	20	1	<b>8N-5784</b>	1	DEFLECTOR-PULSE	
	21	1	<b>8N-9596</b>	1	SPRING	
	22	1	<b>8N-5403</b>	1	SHAFT AS-THROTTLE	
	23	1	<b>2W-5448</b>	1	COVER	
		1	<b>2W-5447</b>	1	GASKET	
	24	1	<b>7N-9907</b>	1	COVER	
		1	<b>7N-9554</b>	1	GASKET	
	25	1	<b>8M-8515</b>	1	SEAL-O-RING	
	26	1	<b>5P-6620</b>	1	SEAL-O-RING	
C	27	1	<b>8L-5832</b>	1	NUT-HEX (10-32-THD)	

C - CHANGE FROM PREVIOUS TYPE  
Y - SEPARATE ILLUSTRATION

# FUEL SYSTEM

7C-5299 PUMP GP-GOV & FUEL INJ (contd.)

100945489



GRAPHIC #1

<END>

g00108328

# FUEL SYSTEM

## 7C-5299 PUMP GP-GOV & FUEL INJ

S/N: 85Z3764-UP

TYPE 4

SMCS - 1286

i01134316

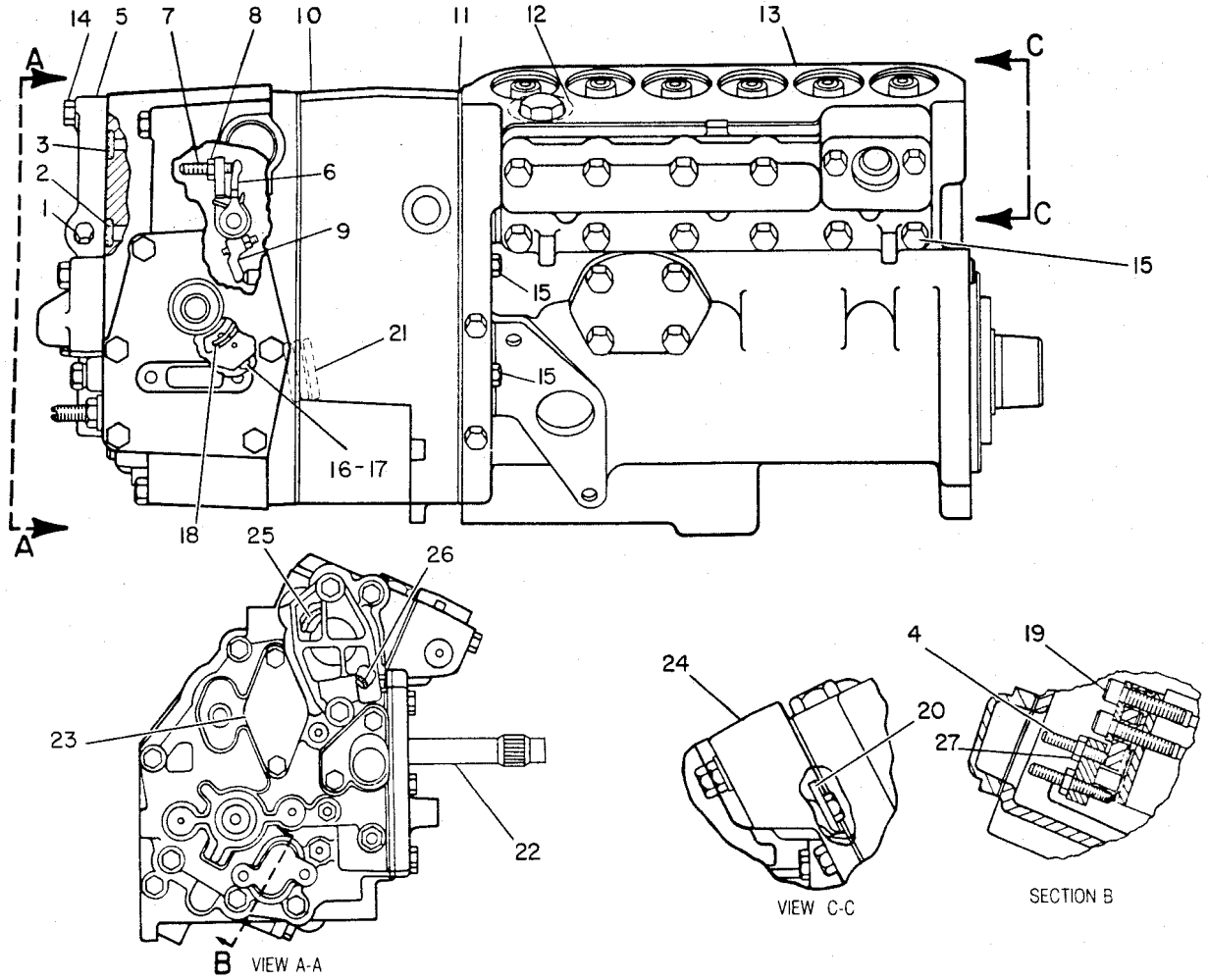
NOTE	REF NO	GRAPHIC REF	PART NUMBER	QTY	PART NAME	SEE PAGE
					1 2 3 4 5 6 (PRODUCT LEVEL)	
	1	1	<b>9S-4180</b>	1	PLUG	
		1	<b>4J-7533</b>	1	SEAL-O-RING	
	2	1	<b>033-5879</b>	1	SEAL-O-RING	
	3	1	<b>8J-8343</b>	1	SEAL-O-RING	
	4	1	<b>5H-6552</b>	1	SETSCREW-SOCKET (10-32X1.25-IN)	
	5	1	<b>8N-3799</b>	1	COVER-FUEL RATIO	
	6	1	<b>4W-5735</b>	1	LEVER AS-PIVOT	
	7	1	<b>6V-6835</b>	1	SETSCREW-SOCKET (10-32X0.625-IN)	
	8	1	<b>8L-5832</b>	1	NUT-HEX (10-32-THD)	
	9	1	<b>4W-5734</b>	1	LEVER AS	
		1	<b>6V-6835</b>	1	SETSCREW-SOCKET (10-32X0.625-IN)	
		1	<b>8L-5832</b>	1	NUT-HEX (10-32-THD)	
CY	10	1	<b>2W-4108</b>	1	GOVERNOR GP	626
	11	1	<b>150-3726</b>	1	GASKET	
	12	1	<b>3J-1907</b>	1	SEAL-O-RING	
Y	13	1	<b>6I-2834</b>	1	PUMP GP-FUEL INJECTION	720
	14	1	<b>0S-1616</b>	2	BOLT (1/4-20X1-IN)	
Y	15	1	<b>7C-8993</b>	1	FASTENER GP-FUEL INJ PUMP	612
	16	1	<b>7N-2176</b>	1	PIN-DETENT	
	17	1	<b>7N-1052</b>	1	DOWEL	
	18	1	<b>8N-3093</b>	1	SPRING-DETENT	
Y	19	1	<b>8N-7276</b>	1	TORQUE CONTROL GP	861
	20	1	<b>8N-5784</b>	1	DEFLECTOR-PULSE	
	21	1	<b>8N-9596</b>	1	SPRING	
	22	1	<b>8N-5403</b>	1	SHAFT AS-THROTTLE	
	23	1	<b>2W-5448</b>	1	COVER	
		1	<b>144-0477</b>	1	GASKET	
	24	1	<b>7N-9907</b>	1	COVER	
		1	<b>150-3727</b>	1	GASKET-FUEL	
	25	1	<b>8M-8515</b>	1	SEAL-O-RING	
	26	1	<b>5P-6620</b>	1	SEAL-O-RING	
C	27	1	<b>8L-5832</b>	1	NUT-HEX (10-32-THD)	

C - CHANGE FROM PREVIOUS TYPE  
 Y - SEPARATE ILLUSTRATION

# FUEL SYSTEM

7C-5299 PUMP GP-GOV & FUEL INJ (contd.)

101134316



GRAPHIC #1

<END>

g00108328

# FUEL SYSTEM

## 7C-9201 PUMP GP-GOV & FUEL INJ

S/N: 85Z3764-UP

TYPE 1

SMCS - 1286

i00945560

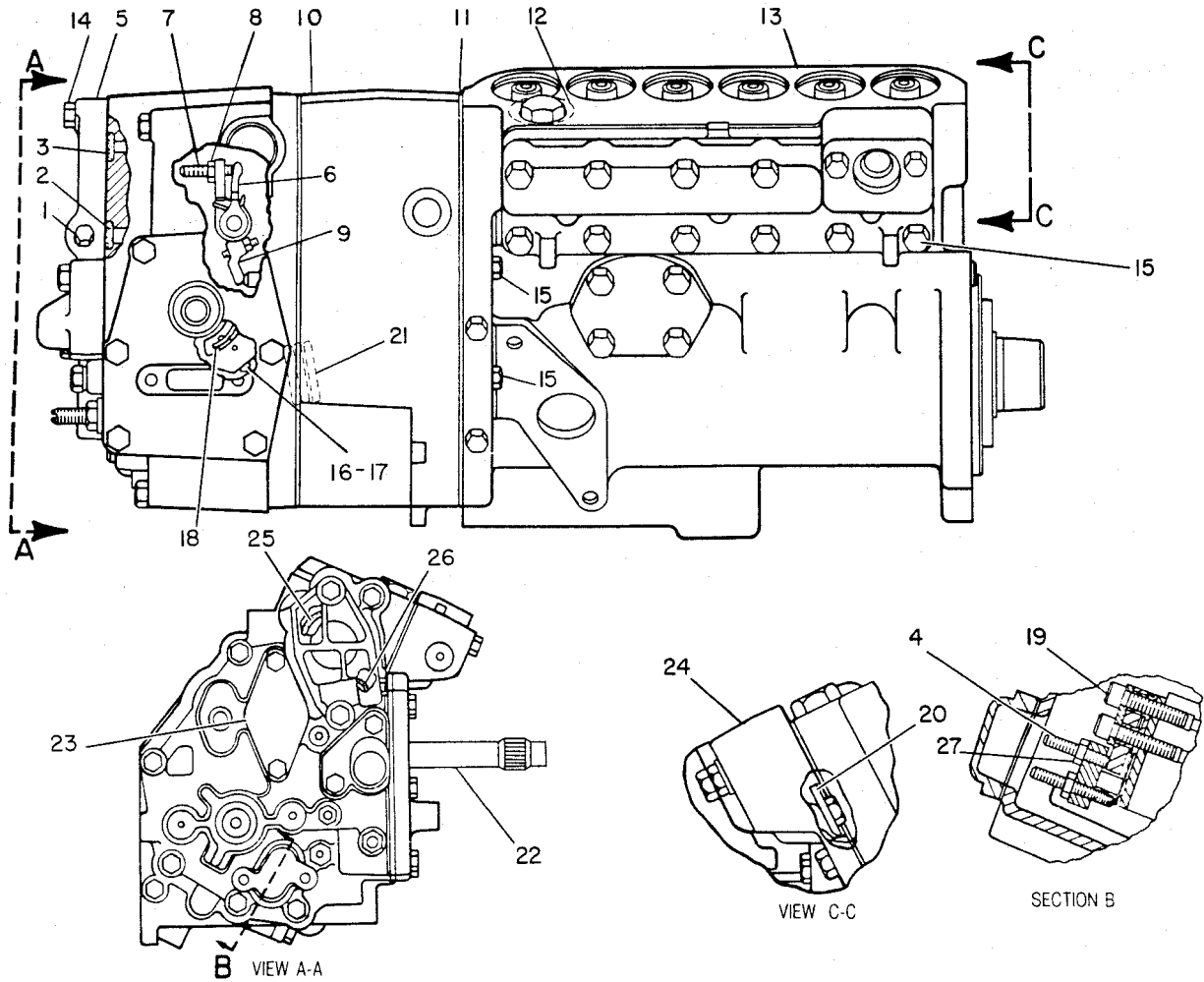
NOTE	REF NO	GRAPHIC REF	PART NUMBER	QTY	PART NAME						SEE PAGE
					1	2	3	4	5	6 (PRODUCT LEVEL)	
	1	1	<b>9S-4180</b>	1	PLUG						
		1	<b>4J-7533</b>	1	SEAL-O-RING						
	2	1	<b>033-5879</b>	1	SEAL-O-RING						
	3	1	<b>8J-8343</b>	1	SEAL-O-RING						
	4	1	<b>5H-6552</b>	1	SETSCREW-SOCKET (10-32X1.25-IN)						
	5	1	<b>8N-3799</b>	1	COVER-FUEL RATIO						
	6	1	<b>4W-5735</b>	1	LEVER AS-PIVOT						
	7	1	<b>6V-6835</b>	1	SETSCREW-SOCKET (10-32X0.625-IN)						
	8	1	<b>8L-5832</b>	1	NUT-HEX (10-32-THD)						
	9	1	<b>4W-5734</b>	1	LEVER AS						
		1	<b>6V-6835</b>	1	SETSCREW-SOCKET (10-32X0.625-IN)						
		1	<b>8L-5832</b>	1	NUT-HEX (10-32-THD)						
Y	10	1	<b>2W-4108</b>	1	GOVERNOR GP						626
	11	1	<b>7N-8768</b>	1	GASKET						
	12	1	<b>3J-1907</b>	1	SEAL-O-RING						
Y	13	1	<i>7C-2605</i>	1	PUMP GP-FUEL INJECTION						732
	14	1	<b>0S-1616</b>	2	BOLT (1/4-20X1-IN)						
Y	15	1	<i>7C-8993</i>	1	FASTENER GP-FUEL INJ PUMP						612
	16	1	<b>7N-2176</b>	1	PIN-DETENT						
	17	1	<b>7N-1052</b>	1	DOWEL						
	18	1	<b>8N-3093</b>	1	SPRING-DETENT						
Y	19	1	<i>1W-8668</i>	1	TORQUE CONTROL GP						860
	20	1	<b>8N-5784</b>	1	DEFLECTOR-PULSE						
	21	1	<b>4W-8915</b>	1	SPRING						
	22	1	<b>8N-5403</b>	1	SHAFT AS-THROTTLE						
	23	1	<b>2W-5448</b>	1	COVER						
		1	<b>7E-6785</b>	1	GASKET						
	24	1	<b>7N-9907</b>	1	COVER						
		1	<b>7N-9554</b>	1	GASKET						
	25	1	<b>8M-8515</b>	1	SEAL-O-RING						
	26	1	<b>5P-6620</b>	1	SEAL-O-RING						
	27	1	<b>8L-5832</b>	1	NUT-HEX (10-32-THD)						

Y - SEPARATE ILLUSTRATION

# FUEL SYSTEM

7C-9201 PUMP GP-GOV & FUEL INJ (contd.)

100945560



GRAPHIC #1

<END>

g00108328

# FUEL SYSTEM

## 7C-9201 PUMP GP-GOV & FUEL INJ

S/N: 85Z3764-UP

TYPE 2

SMCS - 1286

i00945561

NOTE	REF NO	GRAPHIC REF	PART NUMBER	QTY	PART NAME						SEE PAGE
					1	2	3	4	5	6 (PRODUCT LEVEL)	
	1	1	<b>9S-4180</b>	1	PLUG						
		1	<b>4J-7533</b>	1	SEAL-O-RING						
	2	1	<b>033-5879</b>	1	SEAL-O-RING						
	3	1	<b>8J-8343</b>	1	SEAL-O-RING						
	4	1	<b>5H-6552</b>	1	SETSCREW-SOCKET (10-32X1.25-IN)						
	5	1	<b>8N-3799</b>	1	COVER-FUEL RATIO						
	6	1	<b>4W-5735</b>	1	LEVER AS-PIVOT						
	7	1	<b>6V-6835</b>	1	SETSCREW-SOCKET (10-32X0.625-IN)						
	8	1	<b>8L-5832</b>	1	NUT-HEX (10-32-THD)						
	9	1	<b>8L-5832</b>	1	NUT-HEX (10-32-THD)						
Y	10	1	<b>2W-4108</b>	1	GOVERNOR GP						626
	11	1	<b>7N-8768</b>	1	GASKET						
	12	1	<b>3J-1907</b>	1	SEAL-O-RING						
Y	13	1	<b>6I-2832</b>	1	PUMP GP-FUEL INJECTION						716
	14	1	<b>0S-1616</b>	2	BOLT (1/4-20X1-IN)						
Y	15	1	<i>7C-8993</i>	1	FASTENER GP-FUEL INJ PUMP						612
	16	1	<b>7N-2176</b>	1	PIN-DETENT						
	17	1	<b>7N-1052</b>	1	DOWEL						
	18	1	<b>8N-3093</b>	1	SPRING-DETENT						
Y	19	1	<i>1W-8668</i>	1	TORQUE CONTROL GP						860
	20	1	<b>8N-5784</b>	1	DEFLECTOR-PULSE						
	21	1	<b>4W-8915</b>	1	SPRING						
	22	1	<b>8N-5403</b>	1	SHAFT AS-THROTTLE						
	23	1	<b>2W-5448</b>	1	COVER						
		1	<b>7E-6785</b>	1	GASKET						
	24	1	<b>7N-9907</b>	1	COVER						
		1	<b>7N-9554</b>	1	GASKET						
	25	1	<b>8M-8515</b>	1	SEAL-O-RING						
	26	1	<b>5P-6620</b>	1	SEAL-O-RING						

Y - SEPARATE ILLUSTRATION





# FUEL SYSTEM

## 7C-9201 PUMP GP-GOV & FUEL INJ

S/N: 85Z3764-UP

TYPE 3

SMCS-1286

i00945559

NOTE	REF NO	GRAPHIC REF	PART NUMBER	QTY	PART NAME						SEE PAGE
					1	2	3	4	5	6 (PRODUCT LEVEL)	
	1	1	<b>9S-4180</b>	1	PLUG						
		1	<b>4J-7533</b>	1	SEAL-O-RING						
	2	1	<b>033-5879</b>	1	SEAL-O-RING						
	3	1	<b>8J-8343</b>	1	SEAL-O-RING						
	4	1	<b>5H-6552</b>	1	SETSCREW-SOCKET (10-32X1.25-IN)						
	5	1	<b>8N-3799</b>	1	COVER-FUEL RATIO						
	6	1	<b>4W-5735</b>	1	LEVER AS-PIVOT						
	7	1	<b>6V-6835</b>	1	SETSCREW-SOCKET (10-32X0.625-IN)						
	8	1	<b>8L-5832</b>	1	NUT-HEX (10-32-THD)						
	9	1	<b>8L-5832</b>	1	NUT-HEX (10-32-THD)						
CY	10	1	<b>9Y-7273</b>	1	GOVERNOR GP						643
	11	1	<b>7N-8768</b>	1	GASKET						
	12	1	<b>3J-1907</b>	1	SEAL-O-RING						
Y	13	1	<b>6I-2832</b>	1	PUMP GP-FUEL INJECTION						716
	14	1	<b>0S-1616</b>	2	BOLT (1/4-20X1-IN)						
Y	15	1	<i>7C-8993</i>	1	FASTENER GP-FUEL INJ PUMP						612
	16	1	<b>7N-2176</b>	1	PIN-DETENT						
	17	1	<b>7N-1052</b>	1	DOWEL						
	18	1	<b>8N-3093</b>	1	SPRING-DETENT						
Y	19	1	<i>1W-8668</i>	1	TORQUE CONTROL GP						860
	20	1	<b>8N-5784</b>	1	DEFLECTOR-PULSE						
	21	1	<b>4W-8915</b>	1	SPRING						
	22	1	<b>8N-5403</b>	1	SHAFT AS-THROTTLE						
	23	1	<b>2W-5448</b>	1	COVER						
		1	<b>7E-6785</b>	1	GASKET						
	24	1	<b>7N-9907</b>	1	COVER						
		1	<b>7N-9554</b>	1	GASKET						
	25	1	<b>8M-8515</b>	1	SEAL-O-RING						
	26	1	<b>5P-6620</b>	1	SEAL-O-RING						

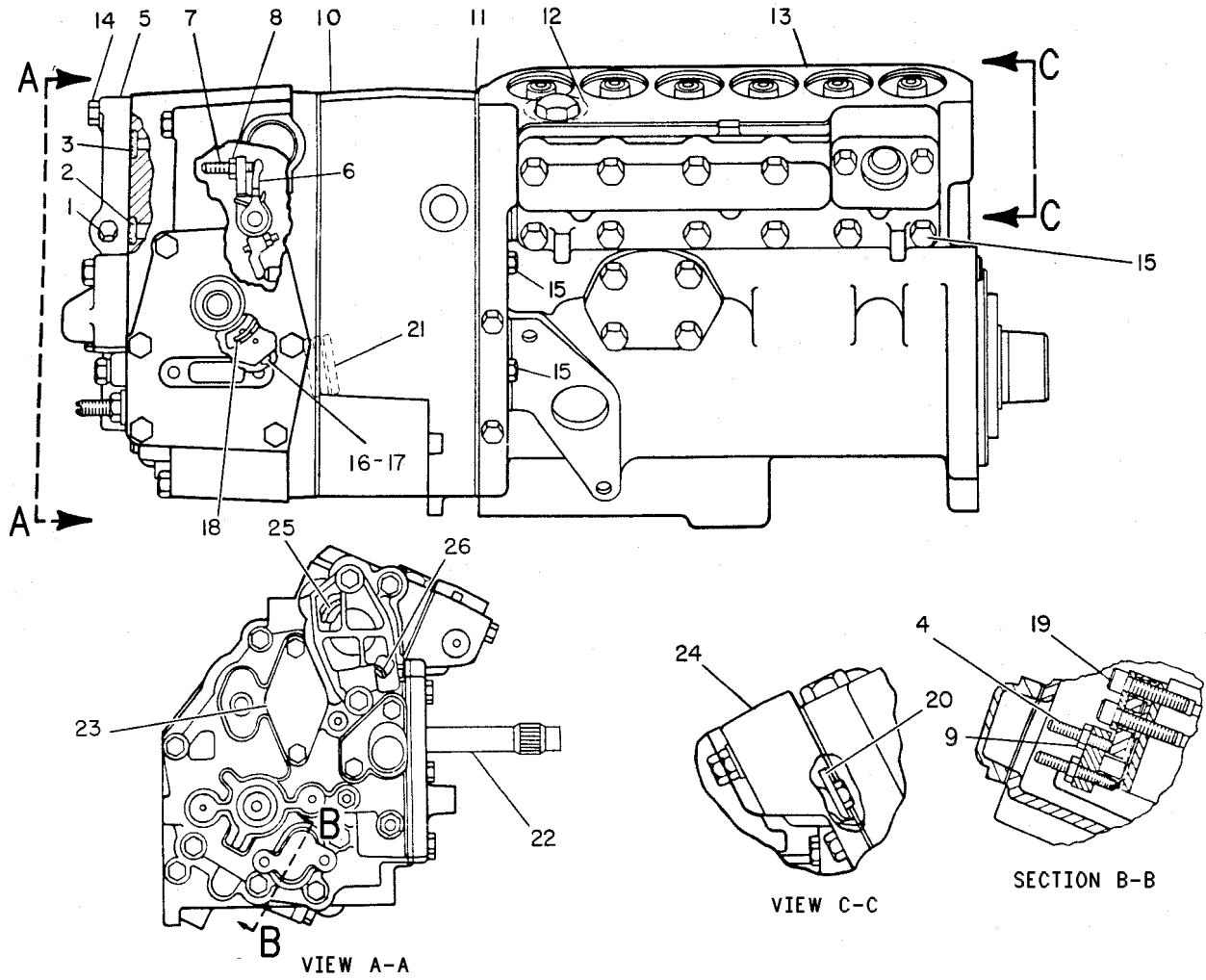
C - CHANGE FROM PREVIOUS TYPE

Y - SEPARATE ILLUSTRATION

# FUEL SYSTEM

7C-9201 PUMP GP-GOV & FUEL INJ (contd.)

100945559



GRAPHIC #1

<END>

g00248888

# FUEL SYSTEM

## 7C-9201 PUMP GP-GOV & FUEL INJ

S/N: 85Z3764-UP

TYPE 4

SMCS-1286

i01137384

NOTE	REF NO	GRAPHIC REF	PART NUMBER	QTY	PART NAME						SEE PAGE
					1	2	3	4	5	6 (PRODUCT LEVEL)	
	1	1	<b>9S-4180</b>	1	PLUG						
	2	1	<b>033-5879</b>	1	SEAL-O-RING						
	3	1	<b>8J-8343</b>	1	SEAL-O-RING						
	4	1	<b>5H-6552</b>	1	SETSCREW-SOCKET (10-32X1.25-IN)						
	5	1	<b>8N-3799</b>	1	COVER-FUEL RATIO						
	6	1	<b>4W-5735</b>	1	LEVER AS-PIVOT						
	7	1	<b>6V-6835</b>	1	SETSCREW-SOCKET (10-32X0.625-IN)						
	8	1	<b>8L-5832</b>	1	NUT-HEX (10-32-THD)						
	9	1	<b>8L-5832</b>	1	NUT-HEX (10-32-THD)						
CY	10	1	<b>2W-4108</b>	1	GOVERNOR GP						626
	11	1	<b>150-3726</b>	1	GASKET						
	12	1	<b>3J-1907</b>	1	SEAL-O-RING						
Y	13	1	<b>6I-2832</b>	1	PUMP GP-FUEL INJECTION						716
	14	1	<b>0S-1616</b>	2	BOLT (1/4-20X1-IN)						
Y	15	1	<i>7C-8993</i>	1	FASTENER GP-FUEL INJ PUMP						612
	16	1	<b>7N-2176</b>	1	PIN-DETENT						
	17	1	<b>7N-1052</b>	1	DOWEL						
	18	1	<b>8N-3093</b>	1	SPRING-DETENT						
Y	19	1	<i>1W-8668</i>	1	TORQUE CONTROL GP						860
	20	1	<b>8N-5784</b>	1	DEFLECTOR-PULSE						
	21	1	<b>4W-8915</b>	1	SPRING						
	22	1	<b>8N-5403</b>	1	SHAFT AS-THROTTLE						
	23	1	<b>2W-5448</b>	1	COVER						
		1	<b>144-0477</b>	1	GASKET						
	24	1	<b>7N-9907</b>	1	COVER						
		1	<b>150-3727</b>	1	GASKET-FUEL						
	25	1	<b>8M-8515</b>	1	SEAL-O-RING						
	26	1	<b>5P-6620</b>	1	SEAL-O-RING						

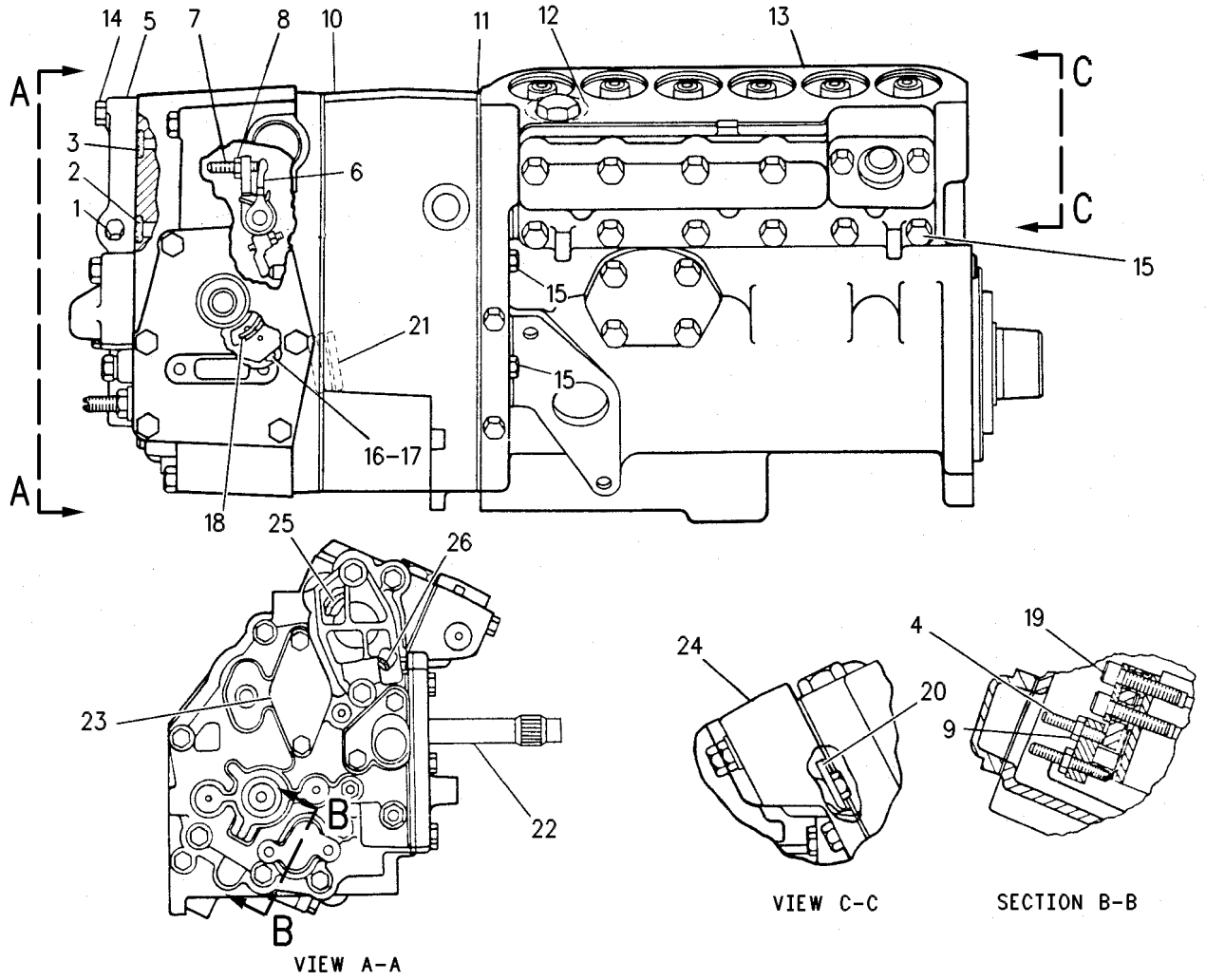
C - CHANGE FROM PREVIOUS TYPE

Y - SEPARATE ILLUSTRATION

# FUEL SYSTEM

7C-9201 PUMP GP-GOV & FUEL INJ (contd.)

i01137384



GRAPHIC #1

<END>

g00248841

# FUEL SYSTEM

## 7W-5932 PUMP GP-GOV & FUEL INJ

S/N: 85Z3764-UP

PART OF 7W-9365 PUMP GP-GOV & FUEL INJ

SMCS-1286

i01360374

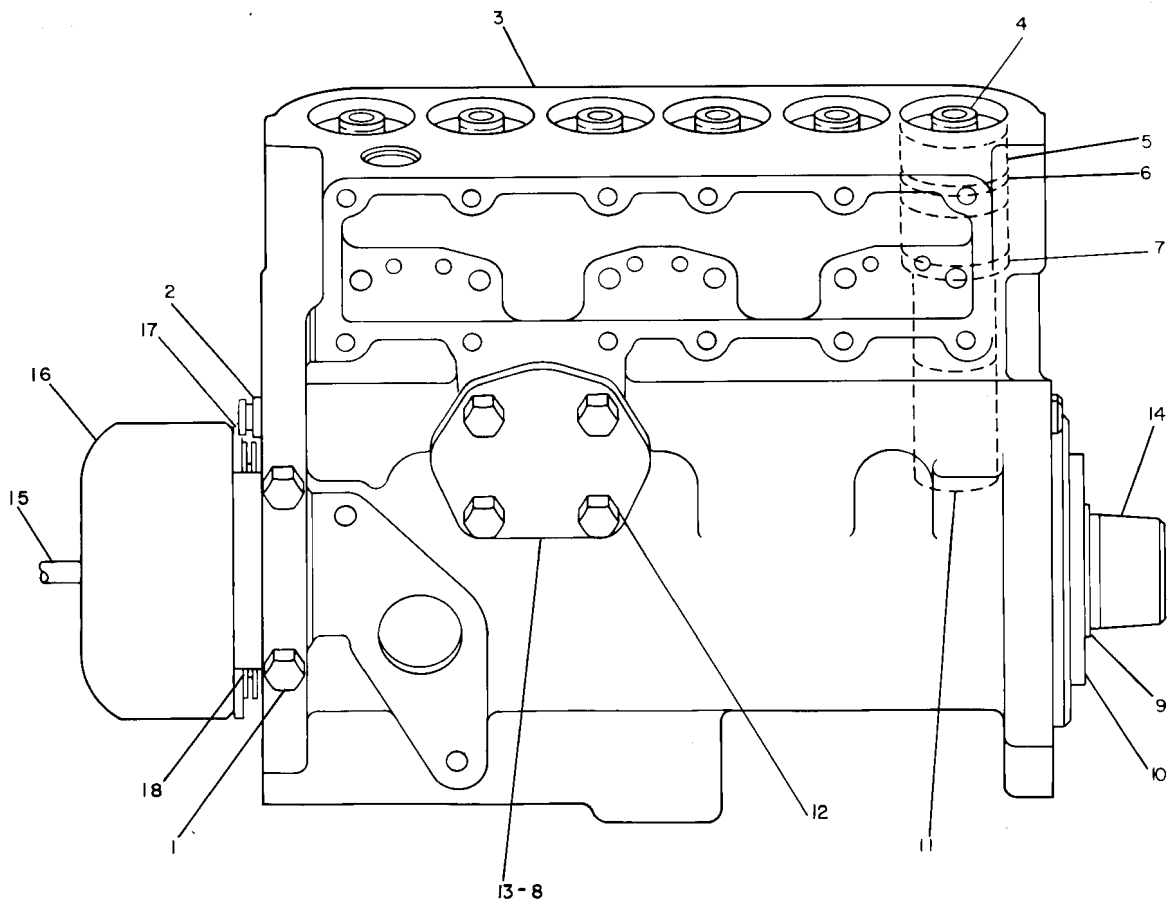
NOTE	REF NO	GRAPHIC REF	PART NUMBER	QTY	PART NAME						SEE PAGE
					1	2	3	4	5	6 (PRODUCT LEVEL)	
	1	1	<b>9S-4180</b>	2	PLUG						
		1	<b>4J-7533</b>	2	SEAL-O-RING						
	2	1	<b>1W-3286</b>	1	RACK-REGULATOR						
Y	3	1	<i>1W-3487</i>	1	HOUSING GP-FUEL PUMP						657
YR	4	1	<b>7W-5928</b>	6	PUMP GP-FUEL INJECTION						745
	5	1	<b>8N-5117</b>	6	BUSHING-TERMINAL						
	6	1	<b>7E-4846</b>	6	SEAL-O-RING						
	7	1	<b>4W-6869</b>	6	SPACER (27X32.54X5.049-MM THK)						
	8	1	<b>7N-1046</b>	1	GASKET-COVER						
	9	1	<b>7N-8421</b>	1	RING-RETAINING						
	10	1	<b>8N-2487</b>	1	WASHER-THRUST						
	11	1	<b>8N-2489</b>	6	LIFTER AS						
	12	1	<b>0S-1615</b>	4	BOLT (1/4-20X0.75-IN)						
	13	1	<b>7N-1047</b>	1	COVER-TIMING						
	14	1	<b>7W-5930</b>	1	CAMSHAFT AS						
		1	<b>7W-7331</b>	1	CAMSHAFT-FUEL PUMP						
	15	1	<b>8N-2510</b>	1	SHAFT-WEIGHT CARRIER						
		1	<b>4N-9019</b>	1	DOWEL						
	16	1	<b>7N-7265</b>	1	SHIELD-WEIGHT CARRIER						
		1	<b>7N-7264</b>	4	WEIGHT-GOVERNOR						
		1	<b>9Y-7037</b>	4	BOLT (1/4-20X1.25-IN)						
		1	<b>1S-5440</b>	4	DOWEL						
	17	1	<b>8N-2511</b>	1	CARRIER-WEIGHT						
	18	1	<b>7N-7166</b>	2	RACE-THRUST BEARING						
		1	<b>7L-3326</b>	1	BEARING-THRUST						

R - REMANUFACTURED PART MAY BE AVAILABLE  
 Y - SEPARATE ILLUSTRATION

# FUEL SYSTEM

7W-5932 PUMP GP-GOV & FUEL INJ (contd.)

101360374



GRAPHIC #1

<END>

g00116720

# FUEL SYSTEM

## 7W-9364 PUMP GP-GOV & FUEL INJ

S/N: 85Z3764-UP

TYPE 1

SMCS - 1286

i00951326

NOTE	REF NO	GRAPHIC REF	PART NUMBER	QTY	PART NAME						SEE PAGE
					1	2	3	4	5	6 (PRODUCT LEVEL)	
	1	1	<b>9S-4180</b>	1	PLUG						
		1	<b>4J-7533</b>	1	SEAL-O-RING						
	2	1	<b>033-5879</b>	1	SEAL-O-RING						
	3	1	<b>8J-8343</b>	1	SEAL-O-RING						
	4	1	<b>7N-5334</b>	1	SETSCREW-SOCKET (25.4-MM LG)						
	5	1	<b>8N-3799</b>	1	COVER-FUEL RATIO						
	6	1	<b>4W-5735</b>	1	LEVER AS-PIVOT						
	7	1	<b>6V-6835</b>	1	SETSCREW-SOCKET (10-32X0.625-IN)						
C	8	1	<b>8L-5832</b>	1	NUT-HEX (10-32-THD)						
	9	1	<b>4W-5734</b>	1	LEVER AS						
		1	<b>6V-6835</b>	1	SETSCREW-SOCKET (10-32X0.625-IN)						
C		1	<b>8L-5832</b>	1	NUT-HEX (10-32-THD)						
Y	10	1	<b>2W-4108</b>	1	GOVERNOR GP						626
	11	1	<b>7N-8768</b>	1	GASKET						
	12	1	<b>3J-1907</b>	1	SEAL-O-RING						
Y	13	1	<b>8N-2525</b>	1	PUMP GP-GOV & FUEL INJ						846
C	14	1	<b>0S-1616</b>	2	BOLT (1/4-20X1-IN)						
CY	15	1	<b>7C-8993</b>	1	FASTENER GP-FUEL INJ PUMP						612
	16	1	<b>7N-2176</b>	1	PIN-DETENT						
	17	1	<b>7N-1052</b>	1	DOWEL						
	18	1	<b>8N-3093</b>	1	SPRING-DETENT						
Y	19	1	<b>8N-7276</b>	1	TORQUE CONTROL GP						861
C	20	1	<b>8N-5784</b>	1	DEFLECTOR-PULSE						
	21	1	<b>4W-8915</b>	1	SPRING						
	22	1	<b>8N-5403</b>	1	SHAFT AS-THROTTLE						
	23	1	<b>2W-5448</b>	1	COVER						
		1	<b>2W-5447</b>	1	GASKET						
	24	1	<b>7N-9907</b>	1	COVER						
		1	<b>7N-9554</b>	1	GASKET						
	25	1	<b>8M-8515</b>	1	SEAL-O-RING						
	26	1	<b>5P-6620</b>	1	SEAL-O-RING						
C	27	1	<b>8L-5832</b>	1	NUT-HEX (10-32-THD)						

C - CHANGE FROM PREVIOUS TYPE  
 Y - SEPARATE ILLUSTRATION





# FUEL SYSTEM

## 7W-9364 PUMP GP-GOV & FUEL INJ

S/N: 85Z3764-UP

TYPE 2

SMCS - 1286

i00958774

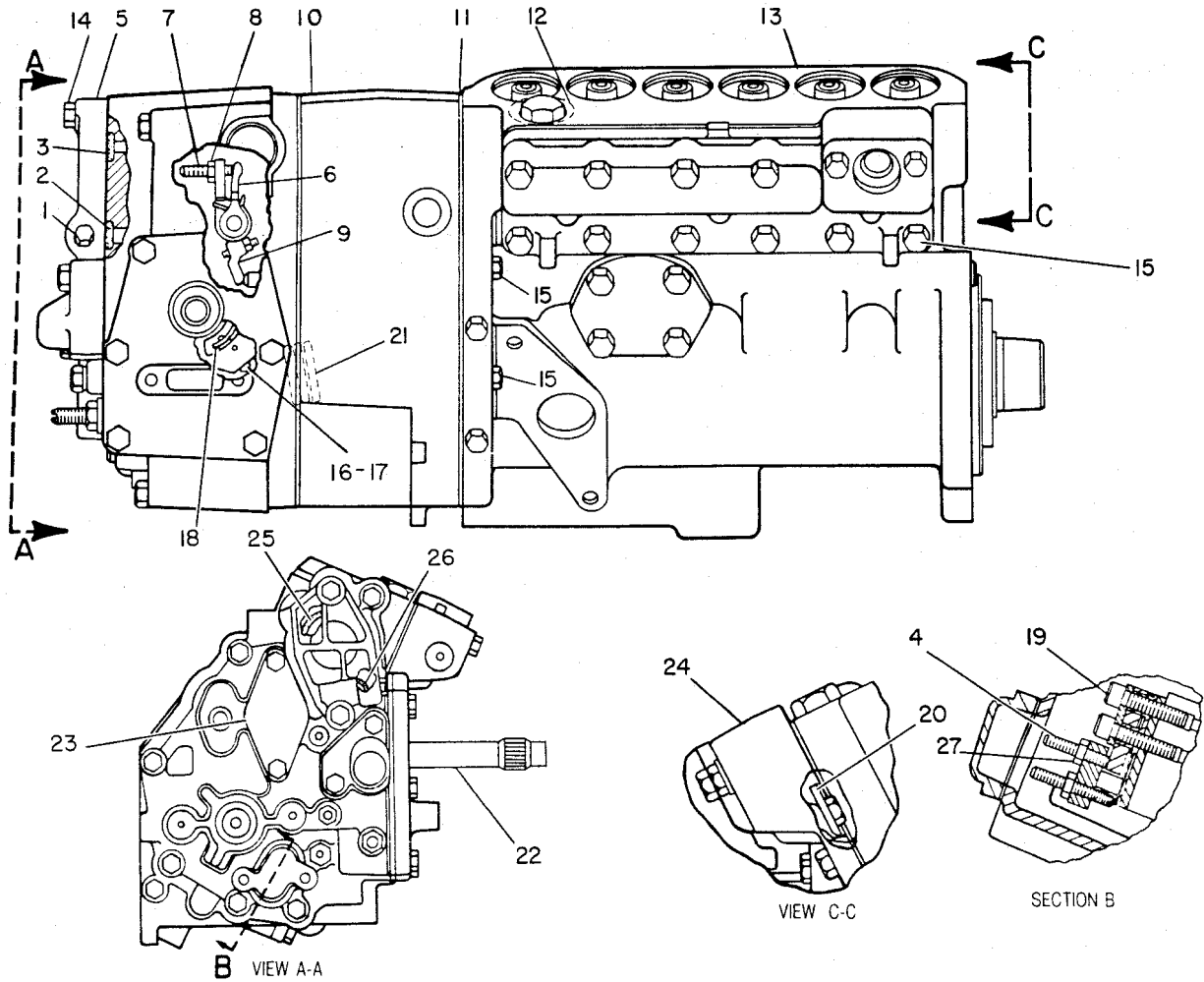
NOTE	REF NO	GRAPHIC REF	PART NUMBER	QTY	PART NAME						SEE PAGE
					1	2	3	4	5	6 (PRODUCT LEVEL)	
	1	1	<b>9S-4180</b>	1	PLUG						
		1	<b>4J-7533</b>	1	SEAL-O-RING						
	2	1	<b>033-5879</b>	1	SEAL-O-RING						
	3	1	<b>8J-8343</b>	1	SEAL-O-RING						
	4	1	<b>5H-6552</b>	1	SETSCREW-SOCKET (10-32X1.25-IN)						
	5	1	<b>8N-3799</b>	1	COVER-FUEL RATIO						
	6	1	<b>4W-5735</b>	1	LEVER AS-PIVOT						
	7	1	<b>6V-6835</b>	1	SETSCREW-SOCKET (10-32X0.625-IN)						
C	8	1	<b>8L-5832</b>	1	NUT-HEX (10-32-THD)						
	9	1	<b>4W-5734</b>	1	LEVER AS						
		1	<b>6V-6835</b>	1	SETSCREW-SOCKET (10-32X0.625-IN)						
C		1	<b>8L-5832</b>	1	NUT-HEX (10-32-THD)						
Y	10	1	<b>2W-4108</b>	1	GOVERNOR GP						626
	11	1	<b>7N-8768</b>	1	GASKET						
	12	1	<b>3J-1907</b>	1	SEAL-O-RING						
Y	13	1	<b>6I-2833</b>	1	PUMP GP-FUEL INJECTION						718
C	14	1	<b>0S-1616</b>	2	BOLT (1/4-20X1-IN)						
CY	15	1	<b>7C-8993</b>	1	FASTENER GP-FUEL INJ PUMP						612
	16	1	<b>7N-2176</b>	1	PIN-DETENT						
	17	1	<b>7N-1052</b>	1	DOWEL						
	18	1	<b>8N-3093</b>	1	SPRING-DETENT						
Y	19	1	<b>8N-7276</b>	1	TORQUE CONTROL GP						861
C	20	1	<b>8N-5784</b>	1	DEFLECTOR-PULSE						
	21	1	<b>4W-8915</b>	1	SPRING						
	22	1	<b>8N-5403</b>	1	SHAFT AS-THROTTLE						
	23	1	<b>2W-5448</b>	1	COVER						
		1	<b>2W-5447</b>	1	GASKET						
	24	1	<b>7N-9907</b>	1	COVER						
		1	<b>7N-9554</b>	1	GASKET						
	25	1	<b>8M-8515</b>	1	SEAL-O-RING						
	26	1	<b>5P-6620</b>	1	SEAL-O-RING						
C	27	1	<b>8L-5832</b>	1	NUT-HEX (10-32-THD)						

C - CHANGE FROM PREVIOUS TYPE  
Y - SEPARATE ILLUSTRATION

# FUEL SYSTEM

7W-9364 PUMP GP-GOV & FUEL INJ (contd.)

100958774



GRAPHIC #1

<END>

g00108328

# FUEL SYSTEM

## 7W-9364 PUMP GP-GOV & FUEL INJ

S/N: 85Z3764-UP

TYPE 3

SMCS - 1286

i00980861

NOTE	REF NO	GRAPHIC REF	PART NUMBER	QTY	PART NAME						SEE PAGE
					1	2	3	4	5	6	
	1	1	<b>9S-4180</b>	1	PLUG						
		1	<b>4J-7533</b>	1	SEAL-O-RING						
	2	1	<b>033-5879</b>	1	SEAL-O-RING						
	3	1	<b>8J-8343</b>	1	SEAL-O-RING						
	4	1	<b>5H-6552</b>	1	SETSCREW-SOCKET (10-32X1.25-IN)						
	5	1	<b>8N-3799</b>	1	COVER-FUEL RATIO						
	6	1	<b>4W-5735</b>	1	LEVER AS-PIVOT						
	7	1	<b>6V-6835</b>	1	SETSCREW-SOCKET (10-32X0.625-IN)						
	8	1	<b>8L-5832</b>	1	NUT-HEX (10-32-THD)						
	9	1	<i>4W-5734</i>	1	LEVER AS						
		1	<b>6V-6835</b>	1	SETSCREW-SOCKET (10-32X0.625-IN)						
		1	<b>8L-5832</b>	1	NUT-HEX (10-32-THD)						
YC	10	1	<b>9Y-7273</b>	1	GOVERNOR GP						643
	11	1	<b>7N-8768</b>	1	GASKET						
	12	1	<b>3J-1907</b>	1	SEAL-O-RING						
Y	13	1	<b>6I-2833</b>	1	PUMP GP-FUEL INJECTION						718
	14	1	<b>0S-1616</b>	2	BOLT (1/4-20X1-IN)						
Y	15	1	<i>7C-8993</i>	1	FASTENER GP-FUEL INJ PUMP						612
	16	1	<b>7N-2176</b>	1	PIN-DETENT						
	17	1	<b>7N-1052</b>	1	DOWEL						
	18	1	<b>8N-3093</b>	1	SPRING-DETENT						
Y	19	1	<b>8N-7276</b>	1	TORQUE CONTROL GP						861
	20	1	<b>8N-5784</b>	1	DEFLECTOR-PULSE						
	21	1	<b>4W-8915</b>	1	SPRING						
	22	1	<b>8N-5403</b>	1	SHAFT AS-THROTTLE						
	23	1	<b>2W-5448</b>	1	COVER						
		1	<b>7E-6785</b>	1	GASKET						
	24	1	<b>7N-9907</b>	1	COVER						
		1	<b>7N-9554</b>	1	GASKET						
	25	1	<b>8M-8515</b>	1	SEAL-O-RING						
	26	1	<b>5P-6620</b>	1	SEAL-O-RING						
	27	1	<b>8L-5832</b>	1	NUT-HEX (10-32-THD)						

C - CHANGE FROM PREVIOUS TYPE  
Y - SEPARATE ILLUSTRATION



# FUEL SYSTEM

## 7W-9364 PUMP GP-GOV & FUEL INJ

S/N: 85Z3764-UP

TYPE 4

SMCS - 1286

i01136291

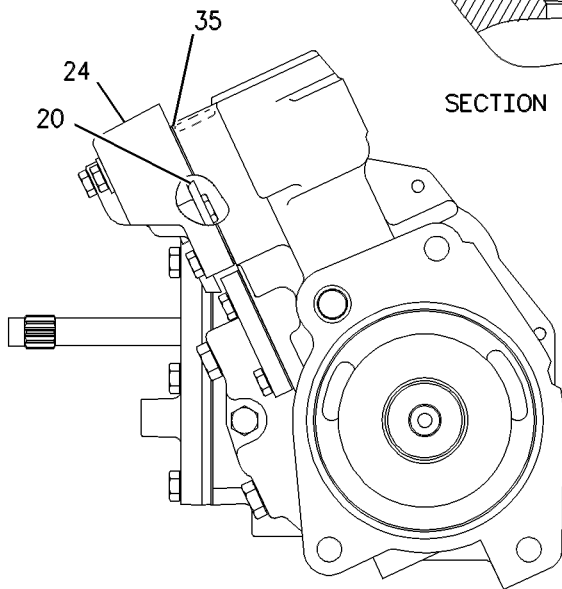
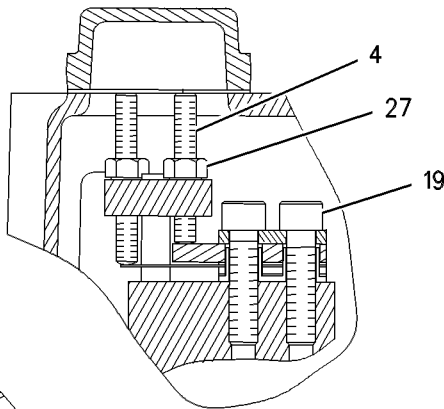
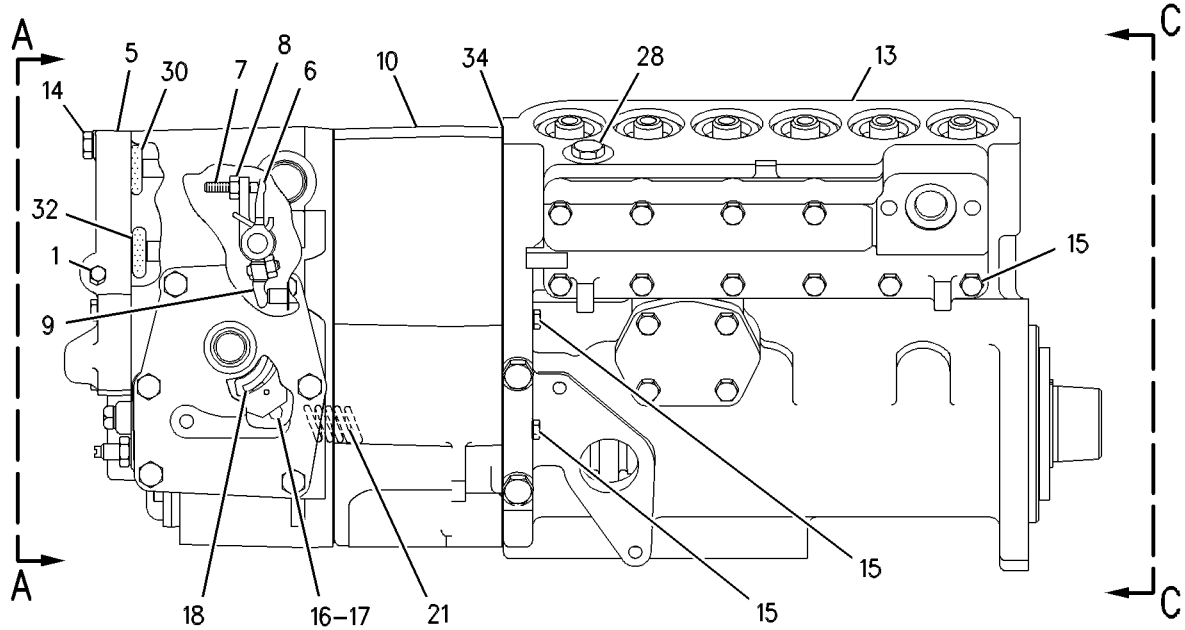
NOTE	REF NO	GRAPHIC REF	PART NUMBER	QTY	PART NAME						SEE PAGE
					1	2	3	4	5	6 (PRODUCT LEVEL)	
	1	1	<b>9S-4180</b>	1	PLUG						
		1	<b>4J-7533</b>	1	SEAL-O-RING						
	4	1	<b>5H-6552</b>	1	SETSCREW-SOCKET (10-32X1.25-IN)						
	5	1	<b>8N-3799</b>	1	COVER-FUEL RATIO						
	6	1	<b>4W-5735</b>	1	LEVER AS-PIVOT						
	7	1	<b>115-1249</b>	1	SETSCREW-SOCKET						
	8	1	<b>8L-5832</b>	1	NUT-HEX (10-32-THD)						
	9	1	<b>4W-5734</b>	1	LEVER AS						
		1	<b>6V-6835</b>	1	SETSCREW-SOCKET (10-32X0.625-IN)						
		1	<b>8L-5832</b>	1	NUT-HEX (10-32-THD)						
YC	10	1	<b>2W-4108</b>	1	GOVERNOR GP						626
Y	13	1	<b>6I-2833</b>	1	PUMP GP-FUEL INJECTION						718
	14	1	<b>0S-1616</b>	2	BOLT (1/4-20X1-IN)						
Y	15	1	<b>7C-8993</b>	1	FASTENER GP-FUEL INJ PUMP						612
	16	1	<b>7N-2176</b>	1	PIN-DETENT						
	17	1	<b>7N-1052</b>	1	DOWEL						
	18	1	<b>8N-3093</b>	1	SPRING-DETENT						
Y	19	1	<b>8N-7276</b>	1	TORQUE CONTROL GP						861
	20	1	<b>8N-5784</b>	1	DEFLECTOR-PULSE						
	21	1	<b>4W-8915</b>	1	SPRING						
	22	1	<b>8N-5403</b>	1	SHAFT AS-THROTTLE						
	23	1	<b>2W-5448</b>	1	COVER						
	24	1	<b>7N-9907</b>	1	COVER						
	27	1	<b>8L-5832</b>	1	NUT-HEX (10-32-THD)						
	28	1	<b>3J-1907</b>	1	SEAL-O-RING						
	29	1	<b>5P-6620</b>	1	SEAL-O-RING						
	30	1	<b>8J-8343</b>	1	SEAL-O-RING						
	31	1	<b>8M-8515</b>	1	SEAL-O-RING						
	32	1	<b>033-5879</b>	1	SEAL-O-RING						
	33	1	<b>144-0477</b>	1	GASKET						
	34	1	<b>150-3726</b>	1	GASKET						
	35	1	<b>150-3727</b>	1	GASKET-FUEL						

C - CHANGE FROM PREVIOUS TYPE  
Y - SEPARATE ILLUSTRATION

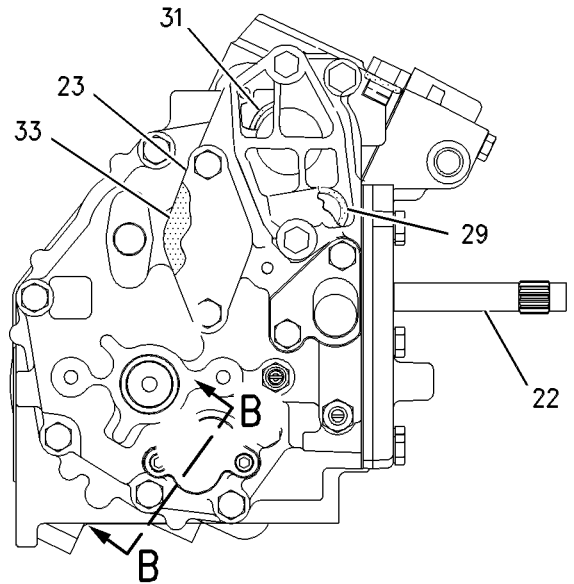
# FUEL SYSTEM

7W-9364 PUMP GP-GOV & FUEL INJ (contd.)

i01136291



VIEW C-C



VIEW A-A

GRAPHIC #1

<END>

g00604574

# FUEL SYSTEM

## 7W-9365 PUMP GP-GOV & FUEL INJ

S/N: 85Z3764-UP

TYPE 1

SMCS - 1286

i00980867

NOTE	REF NO	GRAPHIC REF	PART NUMBER	QTY	PART NAME						SEE PAGE
					1	2	3	4	5	6 (PRODUCT LEVEL)	
	1	1	<b>9S-4180</b>	1	PLUG						
		1	<b>4J-7533</b>	1	SEAL-O-RING						
	2	1	<b>033-5879</b>	1	SEAL-O-RING						
	3	1	<b>8J-8343</b>	1	SEAL-O-RING						
	4	1	<b>7N-5334</b>	1	SETSCREW-SOCKET (25.4-MM LG)						
	5	1	<b>8N-3799</b>	1	COVER-FUEL RATIO						
	6	1	<b>4W-5735</b>	1	LEVER AS-PIVOT						
	7	1	<b>6V-6835</b>	1	SETSCREW-SOCKET (10-32X0.625-IN)						
C	8	1	<b>8L-5832</b>	1	NUT-HEX (10-32-THD)						
	9	1	<i>4W-5734</i>	1	LEVER AS						
		1	<b>6V-6835</b>	1	SETSCREW-SOCKET (10-32X0.625-IN)						
C		1	<b>8L-5832</b>	1	NUT-HEX (10-32-THD)						
Y	10	1	<b>2W-4108</b>	1	GOVERNOR GP						626
	11	1	<b>7N-8768</b>	1	GASKET						
	12	1	<i>3J-1907</i>	1	SEAL-O-RING						
Y	13	1	<b>7W-5932</b>	1	PUMP GP-GOV & FUEL INJ						824
C	14	1	<b>0S-1616</b>	2	BOLT (1/4-20X1-IN)						
CY	15	1	<i>7C-8993</i>	1	FASTENER GP-FUEL INJ PUMP						612
	16	1	<b>7N-2176</b>	1	PIN-DETENT						
	17	1	<b>7N-1052</b>	1	DOWEL						
	18	1	<b>8N-3093</b>	1	SPRING-DETENT						
Y	19	1	<b>8N-7276</b>	1	TORQUE CONTROL GP						861
C	20	1	<b>8N-5784</b>	1	DEFLECTOR-PULSE						
	21	1	<b>4W-8915</b>	1	SPRING						
	22	1	<b>8N-5403</b>	1	SHAFT AS-THROTTLE						
	23	1	<b>2W-5448</b>	1	COVER						
		1	<b>2W-5447</b>	1	GASKET						
	24	1	<b>7N-9907</b>	1	COVER						
		1	<b>7N-9554</b>	1	GASKET						
	25	1	<b>8M-8515</b>	1	SEAL-O-RING						
	26	1	<b>5P-6620</b>	1	SEAL-O-RING						
C	27	1	<b>8L-5832</b>	1	NUT-HEX (10-32-THD)						

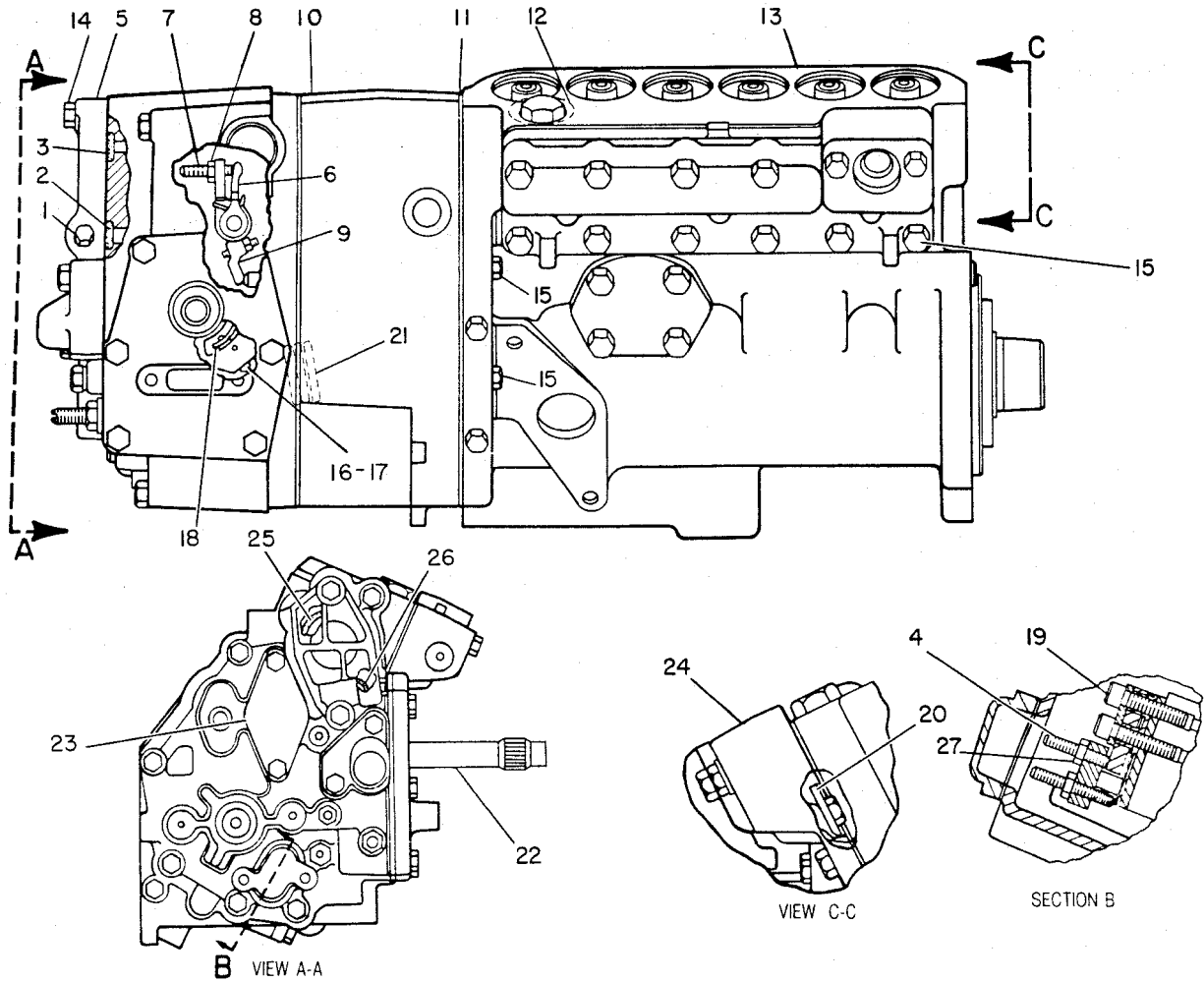
C - CHANGE FROM PREVIOUS TYPE  
 Y - SEPARATE ILLUSTRATION



# FUEL SYSTEM

7W-9365 PUMP GP-GOV & FUEL INJ (contd.)

100980867



GRAPHIC #1

<END>

g00108328

# FUEL SYSTEM

## 7W-9365 PUMP GP-GOV & FUEL INJ

S/N: 85Z3764-UP

TYPE 2

SMCS - 1286

i00980869

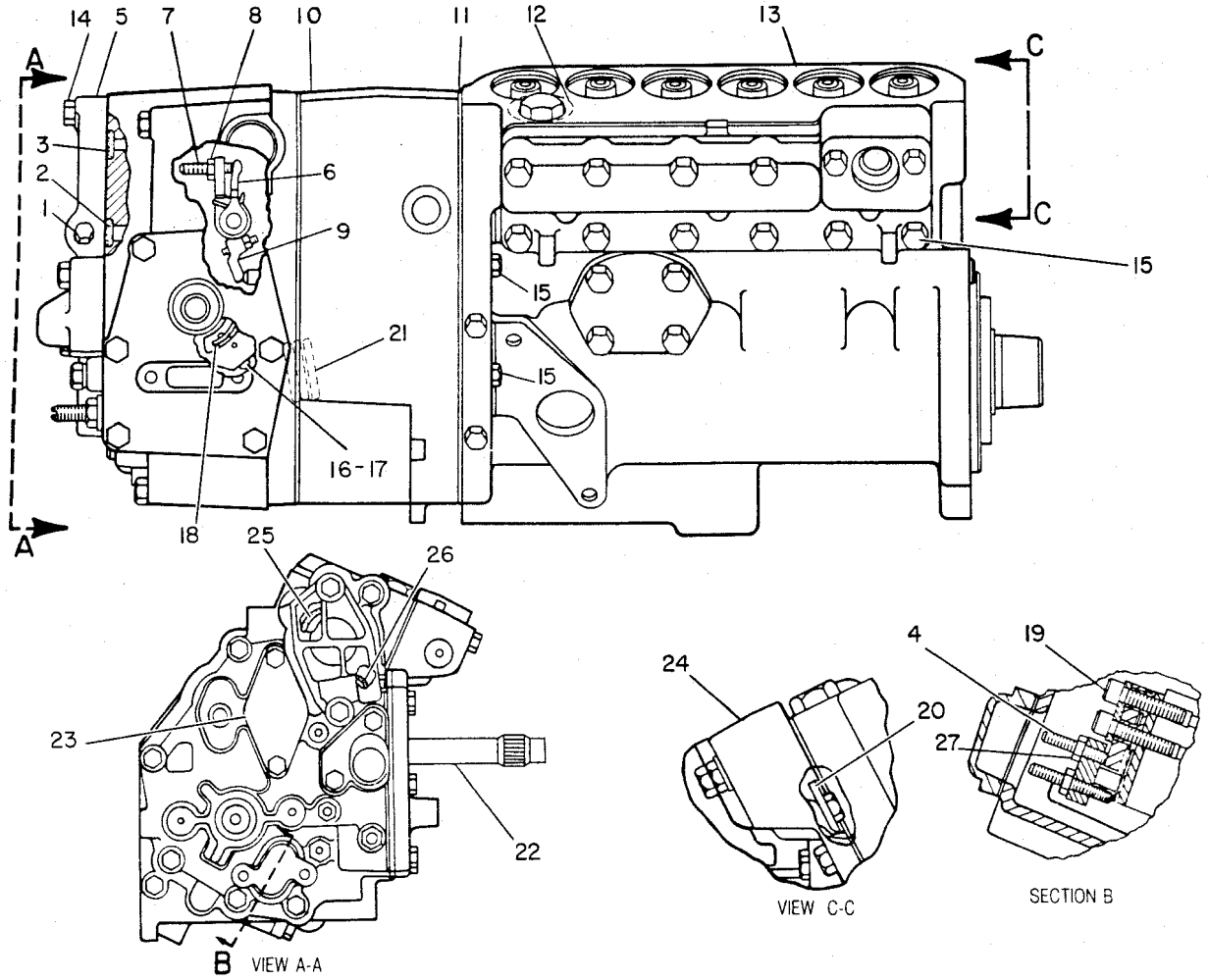
NOTE	REF NO	GRAPHIC REF	PART NUMBER	QTY	PART NAME						SEE PAGE
					1	2	3	4	5	6	
	1	1	<b>9S-4180</b>	1	PLUG						
		1	<b>4J-7533</b>	1	SEAL-O-RING						
	2	1	<b>033-5879</b>	1	SEAL-O-RING						
	3	1	<b>8J-8343</b>	1	SEAL-O-RING						
	4	1	<b>5H-6552</b>	1	SETSCREW-SOCKET (10-32X1.25-IN)						
	5	1	<b>8N-3799</b>	1	COVER-FUEL RATIO						
	6	1	<b>4W-5735</b>	1	LEVER AS-PIVOT						
	7	1	<b>6V-6835</b>	1	SETSCREW-SOCKET (10-32X0.625-IN)						
C	8	1	<b>8L-5832</b>	1	NUT-HEX (10-32-THD)						
	9	1	<i>4W-5734</i>	1	LEVER AS						
		1	<b>6V-6835</b>	1	SETSCREW-SOCKET (10-32X0.625-IN)						
C		1	<b>8L-5832</b>	1	NUT-HEX (10-32-THD)						
Y	10	1	<b>2W-4108</b>	1	GOVERNOR GP						626
	11	1	<b>7N-8768</b>	1	GASKET						
	12	1	<i>3J-1907</i>	1	SEAL-O-RING						
Y	13	1	<b>6I-2831</b>	1	PUMP GP-FUEL INJECTION						714
C	14	1	<b>0S-1616</b>	2	BOLT (1/4-20X1-IN)						
CY	15	1	<i>7C-8993</i>	1	FASTENER GP-FUEL INJ PUMP						612
	16	1	<b>7N-2176</b>	1	PIN-DETENT						
	17	1	<b>7N-1052</b>	1	DOWEL						
	18	1	<b>8N-3093</b>	1	SPRING-DETENT						
Y	19	1	<b>8N-7276</b>	1	TORQUE CONTROL GP						861
C	20	1	<b>8N-5784</b>	1	DEFLECTOR-PULSE						
	21	1	<b>4W-8915</b>	1	SPRING						
	22	1	<b>8N-5403</b>	1	SHAFT AS-THROTTLE						
	23	1	<b>2W-5448</b>	1	COVER						
		1	<b>7E-6785</b>	1	GASKET						
	24	1	<b>7N-9907</b>	1	COVER						
		1	<b>7N-9554</b>	1	GASKET						
	25	1	<b>8M-8515</b>	1	SEAL-O-RING						
	26	1	<b>5P-6620</b>	1	SEAL-O-RING						
C	27	1	<b>8L-5832</b>	1	NUT-HEX (10-32-THD)						

C - CHANGE FROM PREVIOUS TYPE  
 Y - SEPARATE ILLUSTRATION

# FUEL SYSTEM

7W-9365 PUMP GP-GOV & FUEL INJ (contd.)

100980869



GRAPHIC #1

<END>

g00108328

# FUEL SYSTEM

## 7W-9365 PUMP GP-GOV & FUEL INJ

S/N: 85Z3764-UP

TYPE 3

SMCS - 1286

i00980875

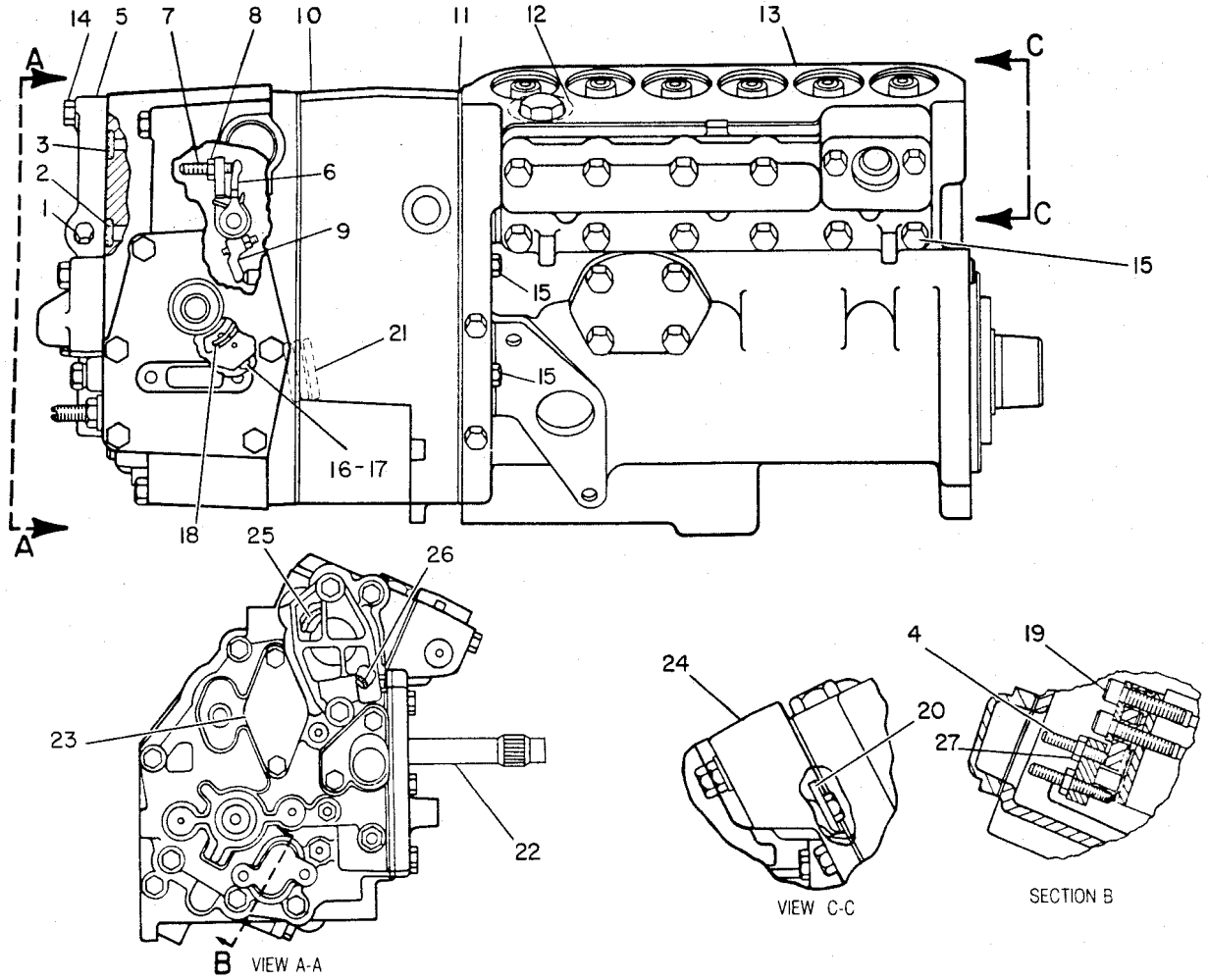
NOTE	REF NO	GRAPHIC REF	PART NUMBER	QTY	PART NAME	SEE PAGE
					1 2 3 4 5 6 (PRODUCT LEVEL)	
	1	1	<b>9S-4180</b>	1	PLUG	
		1	<b>4J-7533</b>	1	SEAL-O-RING	
	2	1	<b>033-5879</b>	1	SEAL-O-RING	
	3	1	<b>8J-8343</b>	1	SEAL-O-RING	
	4	1	<b>5H-6552</b>	1	SETSCREW-SOCKET (10-32X1.25-IN)	
	5	1	<b>8N-3799</b>	1	COVER-FUEL RATIO	
	6	1	<b>4W-5735</b>	1	LEVER AS-PIVOT	
	7	1	<b>6V-6835</b>	1	SETSCREW-SOCKET (10-32X0.625-IN)	
	8	1	<b>8L-5832</b>	1	NUT-HEX (10-32-THD)	
	9	1	4W-5734	1	LEVER AS	
		1	<b>6V-6835</b>	1	SETSCREW-SOCKET (10-32X0.625-IN)	
		1	<b>8L-5832</b>	1	NUT-HEX (10-32-THD)	
YC	10	1	<b>9Y-7273</b>	1	GOVERNOR GP	643
	11	1	<b>7N-8768</b>	1	GASKET	
	12	1	3J-1907	1	SEAL-O-RING	
Y	13	1	<b>6I-2831</b>	1	PUMP GP-FUEL INJECTION	714
	14	1	<b>0S-1616</b>	2	BOLT (1/4-20X1-IN)	
Y	15	1	7C-8993	1	FASTENER GP-FUEL INJ PUMP	612
	16	1	<b>7N-2176</b>	1	PIN-DETENT	
	17	1	<b>7N-1052</b>	1	DOWEL	
	18	1	<b>8N-3093</b>	1	SPRING-DETENT	
Y	19	1	<b>8N-7276</b>	1	TORQUE CONTROL GP	861
	20	1	<b>8N-5784</b>	1	DEFLECTOR-PULSE	
	21	1	<b>4W-8915</b>	1	SPRING	
	22	1	<b>8N-5403</b>	1	SHAFT AS-THROTTLE	
	23	1	<b>2W-5448</b>	1	COVER	
		1	<b>7E-6785</b>	1	GASKET	
	24	1	<b>7N-9907</b>	1	COVER	
		1	<b>7N-9554</b>	1	GASKET	
	25	1	<b>8M-8515</b>	1	SEAL-O-RING	
	26	1	<b>5P-6620</b>	1	SEAL-O-RING	
	27	1	<b>8L-5832</b>	1	NUT-HEX (10-32-THD)	

C - CHANGE FROM PREVIOUS TYPE  
Y - SEPARATE ILLUSTRATION

# FUEL SYSTEM

7W-9365 PUMP GP-GOV & FUEL INJ (contd.)

100980875



GRAPHIC #1

<END>

g00108328

# FUEL SYSTEM

## 7W-9365 PUMP GP-GOV & FUEL INJ

S/N: 85Z3764-UP

TYPE 4

SMCS-1286

i01136698

NOTE	REF NO	GRAPHIC REF	PART NUMBER	QTY	PART NAME	SEE PAGE
					1 2 3 4 5 6 (PRODUCT LEVEL)	
	1	1	<b>9S-4180</b>	1	PLUG	
	2	1	<b>033-5879</b>	1	SEAL-O-RING	
	3	1	<b>8J-8343</b>	1	SEAL-O-RING	
	4	1	<b>5H-6552</b>	1	SETSCREW-SOCKET (10-32X1.25-IN)	
	5	1	<b>8N-3799</b>	1	COVER-FUEL RATIO	
	6	1	<b>4W-5735</b>	1	LEVER AS-PIVOT	
	7	1	<b>6V-6835</b>	1	SETSCREW-SOCKET (10-32X0.625-IN)	
	8	1	<b>8L-5832</b>	1	NUT-HEX (10-32-THD)	
	9	1	<b>4W-5734</b>	1	LEVER AS	
		1	<b>6V-6835</b>	1	SETSCREW-SOCKET (10-32X0.625-IN)	
		1	<b>8L-5832</b>	1	NUT-HEX (10-32-THD)	
CY	10	1	<b>2W-4108</b>	1	GOVERNOR GP	626
	11	1	<b>150-3726</b>	1	GASKET	
	12	1	<b>3J-1907</b>	1	SEAL-O-RING	
Y	13	1	<b>6I-2831</b>	1	PUMP GP-FUEL INJECTION	714
	14	1	<b>0S-1616</b>	2	BOLT (1/4-20X1-IN)	
Y	15	1	<b>7C-8993</b>	1	FASTENER GP-FUEL INJ PUMP	612
	16	1	<b>7N-2176</b>	1	PIN-DETENT	
	17	1	<b>7N-1052</b>	1	DOWEL	
	18	1	<b>8N-3093</b>	1	SPRING-DETENT	
Y	19	1	<b>8N-7276</b>	1	TORQUE CONTROL GP	861
	20	1	<b>8N-5784</b>	1	DEFLECTOR-PULSE	
	21	1	<b>4W-8915</b>	1	SPRING	
	22	1	<b>8N-5403</b>	1	SHAFT AS-THROTTLE	
	23	1	<b>2W-5448</b>	1	COVER	
		1	<b>144-0477</b>	1	GASKET	
	24	1	<b>7N-9907</b>	1	COVER	
		1	<b>150-3727</b>	1	GASKET-FUEL	
	25	1	<b>8M-8515</b>	1	SEAL-O-RING	
	26	1	<b>5P-6620</b>	1	SEAL-O-RING	
	27	1	<b>8L-5832</b>	1	NUT-HEX (10-32-THD)	

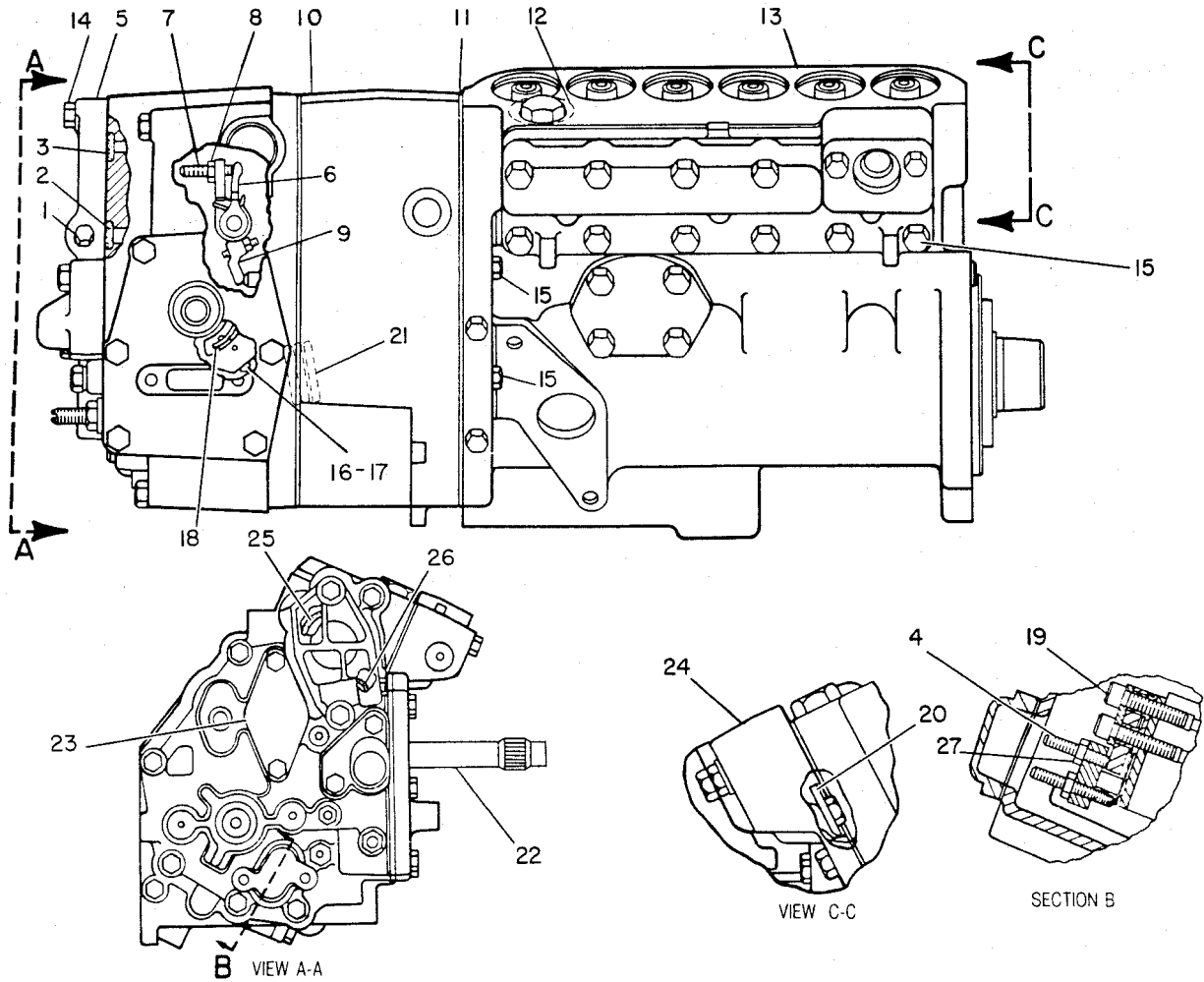
C - CHANGE FROM PREVIOUS TYPE

Y - SEPARATE ILLUSTRATION

# FUEL SYSTEM

7W-9365 PUMP GP-GOV & FUEL INJ (contd.)

101136698



GRAPHIC #1

<END>

g00108328

# FUEL SYSTEM

## 7W-9823 PUMP GP-GOV & FUEL INJ

S/N: 85Z3764-UP

TYPE 1

SMCS - 1286

i00980943

NOTE	REF NO	GRAPHIC REF	PART NUMBER	QTY	PART NAME						SEE PAGE
					1	2	3	4	5	6 (PRODUCT LEVEL)	
	1	1	<b>9S-4180</b>	1	PLUG						
		1	<b>4J-7533</b>	1	SEAL-O-RING						
	2	1	<b>033-5879</b>	1	SEAL-O-RING						
	3	1	<b>8J-8343</b>	1	SEAL-O-RING						
	4	1	<b>7N-5334</b>	1	SETSCREW-SOCKET (25.4-MM LG)						
	5	1	<b>8N-3799</b>	1	COVER-FUEL RATIO						
	6	1	<b>4W-5735</b>	1	LEVER AS-PIVOT						
	7	1	<b>6V-6835</b>	1	SETSCREW-SOCKET (10-32X0.625-IN)						
C	8	1	<b>8L-5832</b>	1	NUT-HEX (10-32-THD)						
	9	1	<i>4W-5734</i>	1	LEVER AS						
		1	<b>6V-6835</b>	1	SETSCREW-SOCKET (10-32X0.625-IN)						
C		1	<b>8L-5832</b>	1	NUT-HEX (10-32-THD)						
Y	10	1	<b>2W-4108</b>	1	GOVERNOR GP						626
	11	1	<b>7N-8768</b>	1	GASKET						
	12	1	<i>3J-1907</i>	1	SEAL-O-RING						
Y	13	1	<i>7C-2605</i>	1	PUMP GP-FUEL INJECTION						732
C	14	1	<b>0S-1616</b>	2	BOLT (1/4-20X1-IN)						
CY	15	1	<i>7C-8993</i>	1	FASTENER GP-FUEL INJ PUMP						612
	16	1	<b>7N-2176</b>	1	PIN-DETENT						
	17	1	<b>7N-1052</b>	1	DOWEL						
	18	1	<b>8N-3093</b>	1	SPRING-DETENT						
Y	19	1	<b>8N-7276</b>	1	TORQUE CONTROL GP						861
C	20	1	<b>8N-5784</b>	1	DEFLECTOR-PULSE						
	21	1	<b>7W-1224</b>	1	SPRING						
	22	1	<b>8N-5403</b>	1	SHAFT AS-THROTTLE						
	23	1	<b>2W-5448</b>	1	COVER						
		1	<b>2W-5447</b>	1	GASKET						
	24	1	<b>7N-9907</b>	1	COVER						
		1	<b>7N-9554</b>	1	GASKET						
	25	1	<b>8M-8515</b>	1	SEAL-O-RING						
	26	1	<b>5P-6620</b>	1	SEAL-O-RING						
C	27	1	<b>8L-5832</b>	1	NUT-HEX (10-32-THD)						

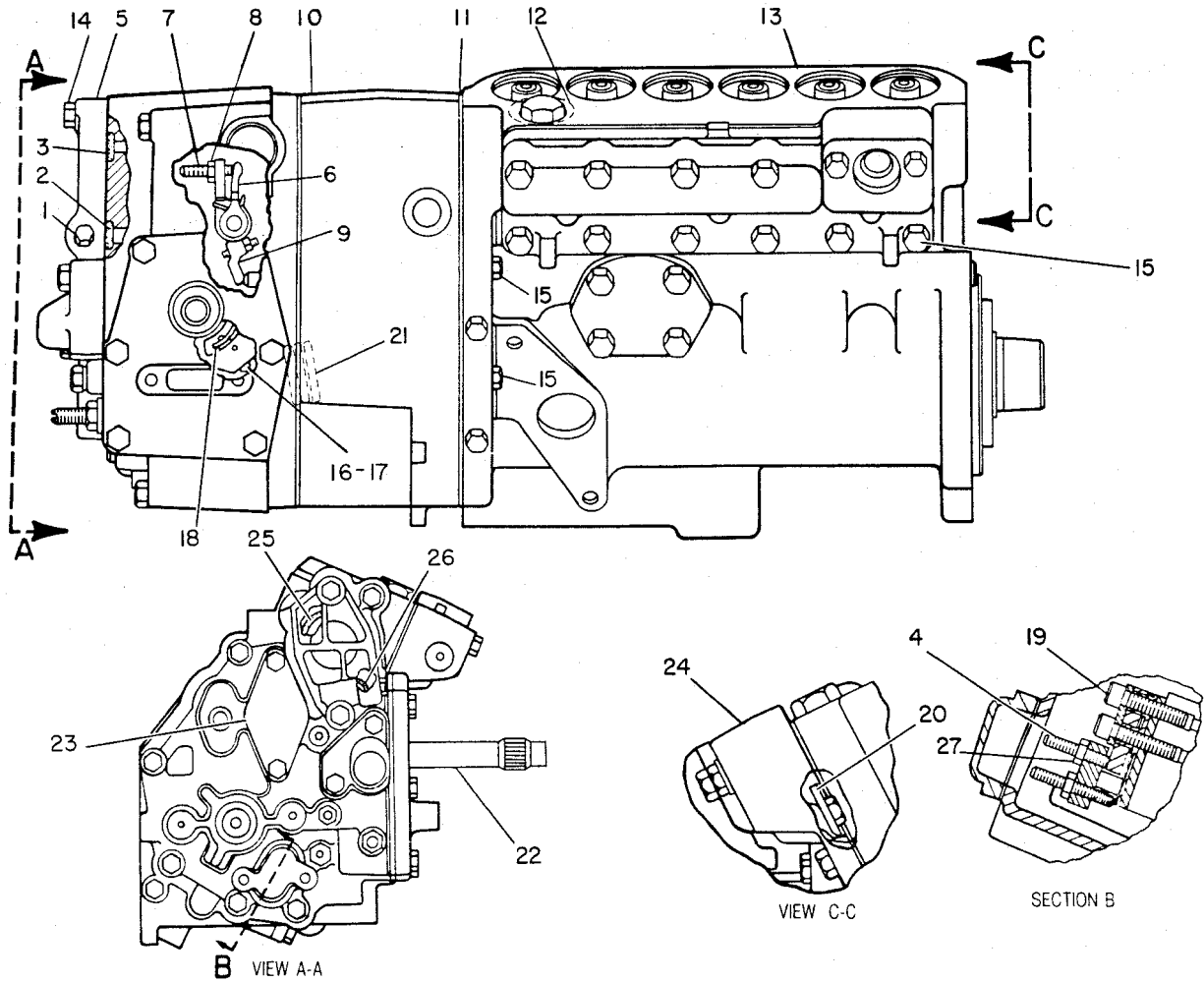
C - CHANGE FROM PREVIOUS TYPE  
Y - SEPARATE ILLUSTRATION



# FUEL SYSTEM

7W-9823 PUMP GP-GOV & FUEL INJ (contd.)

100980943



GRAPHIC #1

<END>

g00108328

# FUEL SYSTEM

## 7W-9823 PUMP GP-GOV & FUEL INJ

S/N: 85Z3764-UP

TYPE 2

SMCS - 1286

i01390236

NOTE	REF NO	GRAPHIC REF	PART NUMBER	QTY	PART NAME						SEE PAGE
					1	2	3	4	5	6 (PRODUCT LEVEL)	
	1	1	<b>9S-4180</b>	1	PLUG						
		1	<b>4J-7533</b>	1	SEAL-O-RING						
	2	1	<b>033-5879</b>	1	SEAL-O-RING						
	3	1	<b>8J-8343</b>	1	SEAL-O-RING						
	4	1	<b>5H-6552</b>	1	SETSCREW-SOCKET (10-32X1.25-IN)						
	5	1	<b>8N-3799</b>	1	COVER-FUEL RATIO						
	6	1	<b>4W-5735</b>	1	LEVER AS-PIVOT						
	7	1	<b>6V-6835</b>	1	SETSCREW-SOCKET (10-32X0.625-IN)						
C	8	1	<b>8L-5832</b>	1	NUT-HEX (10-32-THD)						
	9	1	<i>4W-5734</i>	1	LEVER AS						
		1	<b>6V-6835</b>	1	SETSCREW-SOCKET (10-32X0.625-IN)						
C		1	<b>8L-5832</b>	1	NUT-HEX (10-32-THD)						
Y	10	1	<b>2W-4108</b>	1	GOVERNOR GP						626
	11	1	<b>7N-8768</b>	1	GASKET						
	12	1	<i>3J-1907</i>	1	SEAL-O-RING						
Y	13	1	<b>6I-2832</b>	1	PUMP GP-FUEL INJECTION						716
C	14	1	<b>0S-1616</b>	2	BOLT (1/4-20X1-IN)						
CY	15	1	<i>7C-8993</i>	1	FASTENER GP-FUEL INJ PUMP						612
	16	1	<b>7N-2176</b>	1	PIN-DETENT						
	17	1	<b>7N-1052</b>	1	DOWEL						
	18	1	<b>8N-3093</b>	1	SPRING-DETENT						
Y	19	1	<b>8N-7276</b>	1	TORQUE CONTROL GP						861
C	20	1	<b>8N-5784</b>	1	DEFLECTOR-PULSE						
	21	1	<b>7W-1224</b>	1	SPRING						
	22	1	<b>8N-5403</b>	1	SHAFT AS-THROTTLE						
	23	1	<b>2W-5448</b>	1	COVER						
		1	<b>7E-6785</b>	1	GASKET						
	24	1	<b>7N-9907</b>	1	COVER						
		1	<b>7N-9554</b>	1	GASKET						
	25	1	<b>8M-8515</b>	1	SEAL-O-RING						
	26	1	<b>5P-6620</b>	1	SEAL-O-RING						
C	27	1	<b>8L-5832</b>	1	NUT-HEX (10-32-THD)						

C - CHANGE FROM PREVIOUS TYPE  
 Y - SEPARATE ILLUSTRATION



# FUEL SYSTEM

## 8N-2525 PUMP GP-GOV & FUEL INJ

S/N: 85Z3764-UP

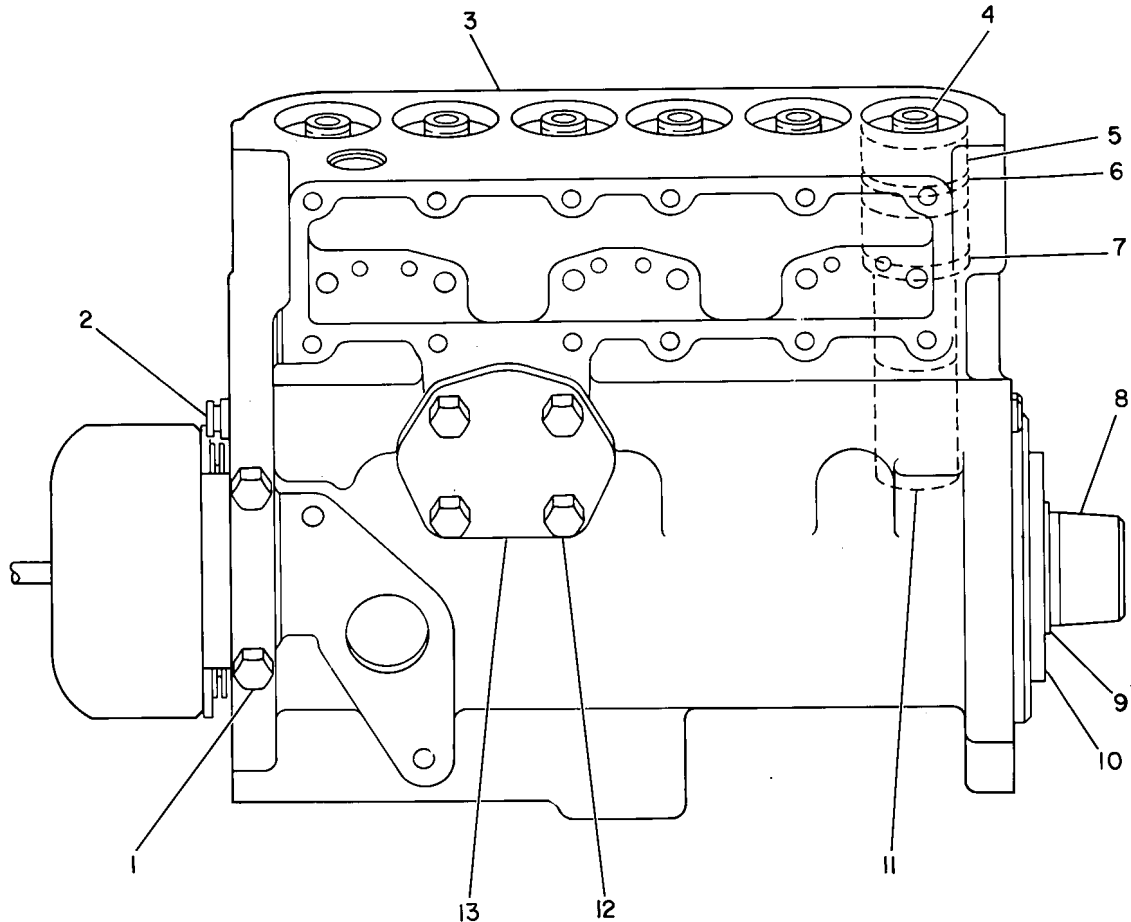
PART OF 7W-9364 PUMP GP-GOV & FUEL INJ

SMCS-1286

i01360376

NOTE	REF NO	GRAPHIC REF	PART NUMBER	QTY	PART NAME						SEE PAGE
					1	2	3	4	5	6	
	1	1	<b>9S-4180</b>	2	PLUG						
		1	<b>4J-7533</b>	2	SEAL-O-RING						
	2	1	<b>1W-3286</b>	1	RACK-REGULATOR						
Y	3	1	<i>1W-3487</i>	1	HOUSING GP-FUEL PUMP						657
CYR	4	1	<b>1W-6539</b>	6	PUMP GP-FUEL INJECTION						705
	5	1	<b>8N-5117</b>	6	BUSHING-TERMINAL						
	6	1	<b>7E-4846</b>	6	SEAL-O-RING						
	7	1	<b>4W-6869</b>	6	SPACER (27X32.54X5.049-MM THK)						
Y	8	1	<i>8N-2513</i>	1	CAMSHAFT AS						579
	9	1	<b>7N-8421</b>	1	RING-RETAINING						
	10	1	<b>8N-2487</b>	1	WASHER-THRUST						
	11	1	<b>8N-2489</b>	6	LIFTER AS						
	12	1	<b>0S-1615</b>	4	BOLT (1/4-20X0.75-IN)						
	13	1	<b>7N-1047</b>	1	COVER-TIMING						
		1	<b>7N-1046</b>	1	GASKET-COVER						

C - CHANGE FROM PREVIOUS TYPE  
R - REMANUFACTURED PART MAY BE AVAILABLE  
Y - SEPARATE ILLUSTRATION



GRAPHIC #1

<END>

g00115729

# FUEL SYSTEM

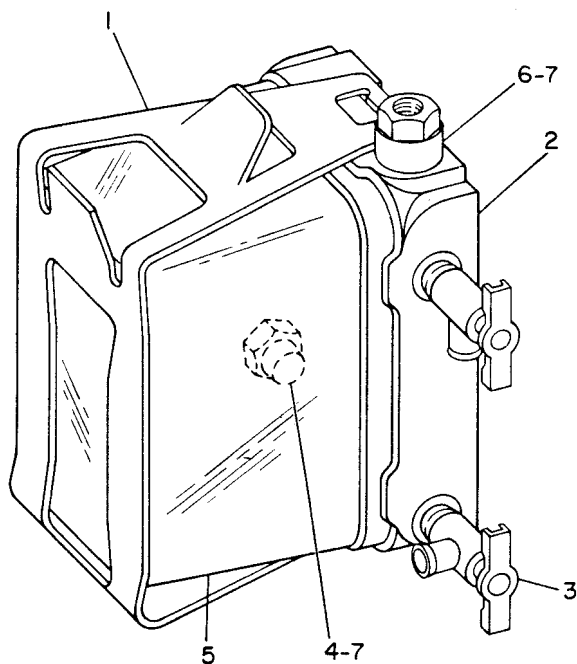
## 9N-6519 SEPARATOR GP-WATER

S/N: 85Z3764-UP  
AN ATTACHMENT

SMCS-1263

i03808369

NOTE	REF NO	GRAPHIC REF	PART NUMBER	QTY	PART NAME						SEE PAGE
					1	2	3	4	5	6 (PRODUCT LEVEL)	
	1	1	<b>8N-9802</b>	1	CLAMP						
	2	1	<b>8N-9801</b>	1	BASE-SEPARATOR						
	3	1	<b>6V-2611</b>	2	VALVE (DRAIN) (WATER)						
	4	1	<b>3K-8460</b>	2	PLUG (1/2-20-THD)						
	5	1	<b>8N-9803</b>	1	FILTER-FUEL (WATER SEPARATOR)						
	6	1	<b>5P-4675</b>	2	ADAPTER						
	7	1	<b>1J-9671</b>	6	SEAL-O-RING						



GRAPHIC #1

<END>

g00146339

# FUEL SYSTEM

## 2W-7699 SHUTOFF GP-MANUAL

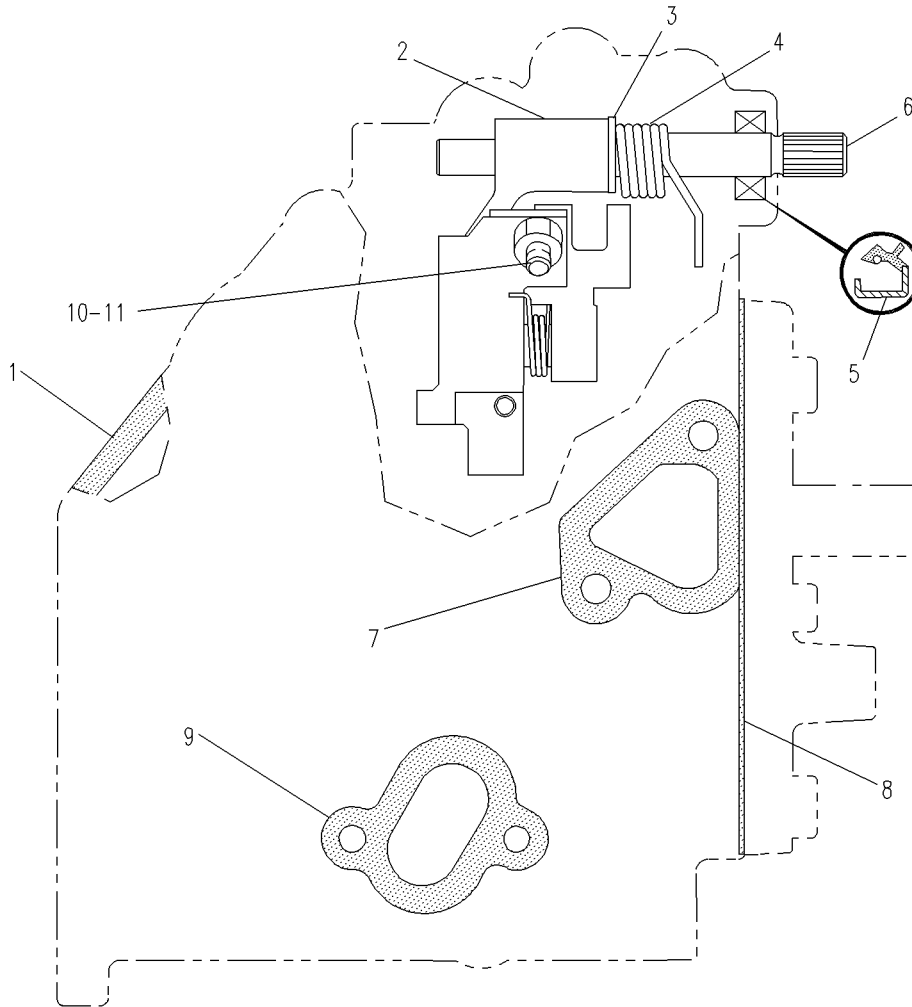
S/N: 85Z3764-UP  
AN ATTACHMENT

SMCS-1265, 1704, 7418

i01439161

NOTE	REF NO	GRAPHIC REF	PART NUMBER	QTY	PART NAME						SEE PAGE
					1	2	3	4	5	6 (PRODUCT LEVEL)	
	1	1	<b>150-3730</b>	1	GASKET						
	2	1	<b>2W-5374</b>	1	LEVER-SHUTOFF						
	3	1	<b>8S-7803</b>	1	RING-RETAINING						
	4	1	<b>1W-6520</b>	1	SPRING						
	5	1	<b>6V-5029</b>	1	SEAL-LIP TYPE						
	6	1	<b>1W-6522</b>	1	SHAFT-THROTTLE						
	7	1	<b>6I-2003</b>	1	GASKET						
	8	1	<b>150-3728</b>	1	GASKET						
	9	1	<b>6I-2004</b>	1	GASKET						
C	10	1	<b>7N-5334</b>	1	SETSCREW-SOCKET (25.4-MM LG)						
	11	1	<b>4B-2049</b>	1	NUT (10-32-THD)						

C - CHANGE FROM PREVIOUS TYPE



GRAPHIC #1

<END>

g00753845

# FUEL SYSTEM

## 2W-9161 SHUTOFF GP-MANUAL

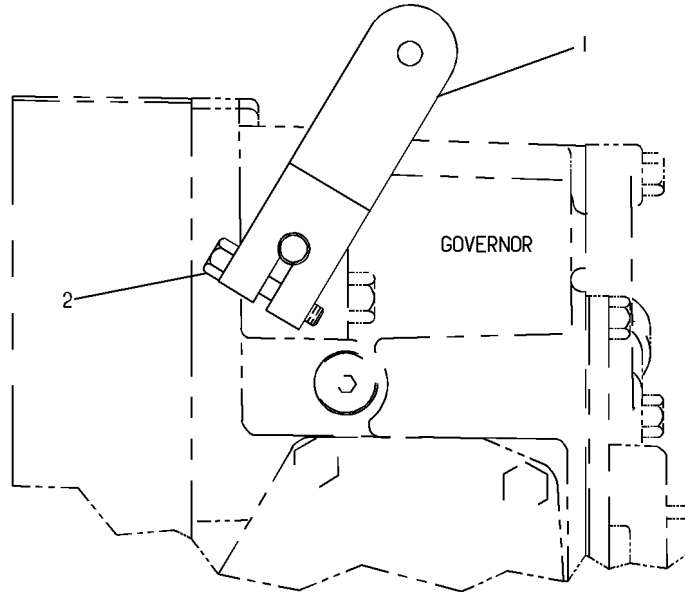
S/N: 85Z3764-UP

FOR USE WITH PEEC GOVERNOR, 2W-7699-PAGE: 848  
AN ATTACHMENT

SMCS-1265, 1704, 7418

i00708389

NOTE	REF NO	GRAPHIC REF	PART NUMBER	QTY	PART NAME						SEE PAGE
					1	2	3	4	5	6 (PRODUCT LEVEL)	
	1	1	<b>1N-9954</b>	1	LEVER						
	2	1	<b>9F-6580</b>	1	BOLT (1/4-20X1.125-IN)						



GRAPHIC #1

<END>

g00157527

# FUEL SYSTEM

## 2W-7640 SHUTOFF GP-MECHANICAL

S/N: 85Z3764-UP

FOR USE WITH LH OIL FILLER

**CANNOT BE USED WITH AUXILIARY SEA WATER LINES OR ELECT. SHUT-OFF, FOUR HOLE INST. PANEL WHEN MTD. ON VALVE COVER, 6N-5782-PAGE: 309, & EXP.TANK AN ATTACHMENT**

SMCS-1704, 7418

i01857023

NOTE	REF NO	GRAPHIC REF	PART NUMBER	QTY	PART NAME						SEE PAGE
					1	2	3	4	5	6 (PRODUCT LEVEL)	
B	1	1	<b>7N-2597</b>	2	SPACER (13.5X25.4X8.08-MM THK)						
	2	1	<b>0S-1587</b>	1	BOLT (1/2-13X1.75-IN)						
B		1	<b>5P-8245</b>	1	WASHER-HARD (13.5X25.5X3-MM THK)						
	3	1	<b>0S-1615</b>	1	BOLT (1/4-20X0.75-IN)						
		1	<b>5P-9287</b>	1	WASHER-HARD (7.2X32X2-MM THK)						
		1	<b>2W-7704</b>	1	CLAMP						
	4	1	<b>5P-0537</b>	5	WASHER-HARD (7.2X14.5X2-MM THK)						
	5	1	<b>4W-7577</b>	1	TUBE AS						
	6	1	<b>2W-8697</b>	1	SUPPORT						
	7	1	<b>4W-7578</b>	1	TUBE AS						
	8	1	<b>4K-7240</b>	1	U-BOLT						
		1	<b>9S-8750</b>	2	NUT-FULL (1/4-20-THD)						
	9	1	<b>032-1268</b>	4	CONNECTOR (90-DEG)						
	10	1	<b>4W-7576</b>	1	TUBE AS						
	11	1	<b>4S-3652</b>	2	TEE-UNION						
	12	1	<b>0S-1617</b>	1	BOLT (5/16-18X0.75-IN)						
	13	1	<b>9M-1974</b>	3	WASHER-HARD (8.8X16X2-MM THK)						
	14	1	<b>4H-2804</b>	1	SPACER (0.344X0.5X0.219-IN THK)						
	15	1	<b>4W-7582</b>	1	TUBE AS						
	16	1	<b>7M-6425</b>	1	CLIP						
	17	1	<b>0S-1616</b>	2	BOLT (1/4-20X1-IN)						
	18	1	<b>7K-4129</b>	2	UNION-FLARED						
C	19	1	<b>8M-2770</b>	2	CLIP (LOOP)						
BC	20	1	<b>8H-8769</b>	2	BOLT (5/16-18X4.25-IN)						
I	21	1	<b>7D-9052</b>	2	HOSE AS						
B	22	1	<b>7B-9149</b>	2	SPACER (0.437X0.875X3.344-IN THK)						
	23	1	<b>6K-9194</b>	1	ELBOW						
	24	1	<b>030-3978</b>	1	CONNECTOR						
		1	<b>3J-7354</b>	1	SEAL-O-RING						
	25	1	<b>4W-7579</b>	1	TUBE AS						
	26	1	<b>5P-4592</b>	2	ELBOW-FLARED						
	27	1	<b>101-5724</b>	1	VALVE (OIL TEMPERATURE SENSING)						
	28	1	<b>6L-9781</b>	1	CONNECTOR						
	29	1	<b>4W-7584</b>	1	TUBE AS						
	30	1	<b>5N-9552</b>	1	CYLINDER						
	31	1	<b>2W-5447</b>	1	GASKET						
	32	1	<b>5R-5304</b>	1	ADAPTER						
		1	<b>6V-0441</b>	1	PLATE-ORIFICE						
	33	2	<b>4W-7580</b>	1	TUBE AS						
C	34	2	<b>030-3978</b>	1	CONNECTOR						
	35	2	<b>3J-7354</b>	1	SEAL-O-RING						
C	36	2	<b>101-5720</b>	1	VALVE (OIL PRESSURE SENSING)						
	37	2	<b>4W-7583</b>	1	TUBE AS						
	38	2	<b>032-1268</b>	1	CONNECTOR (90-DEG) (FLARED)						



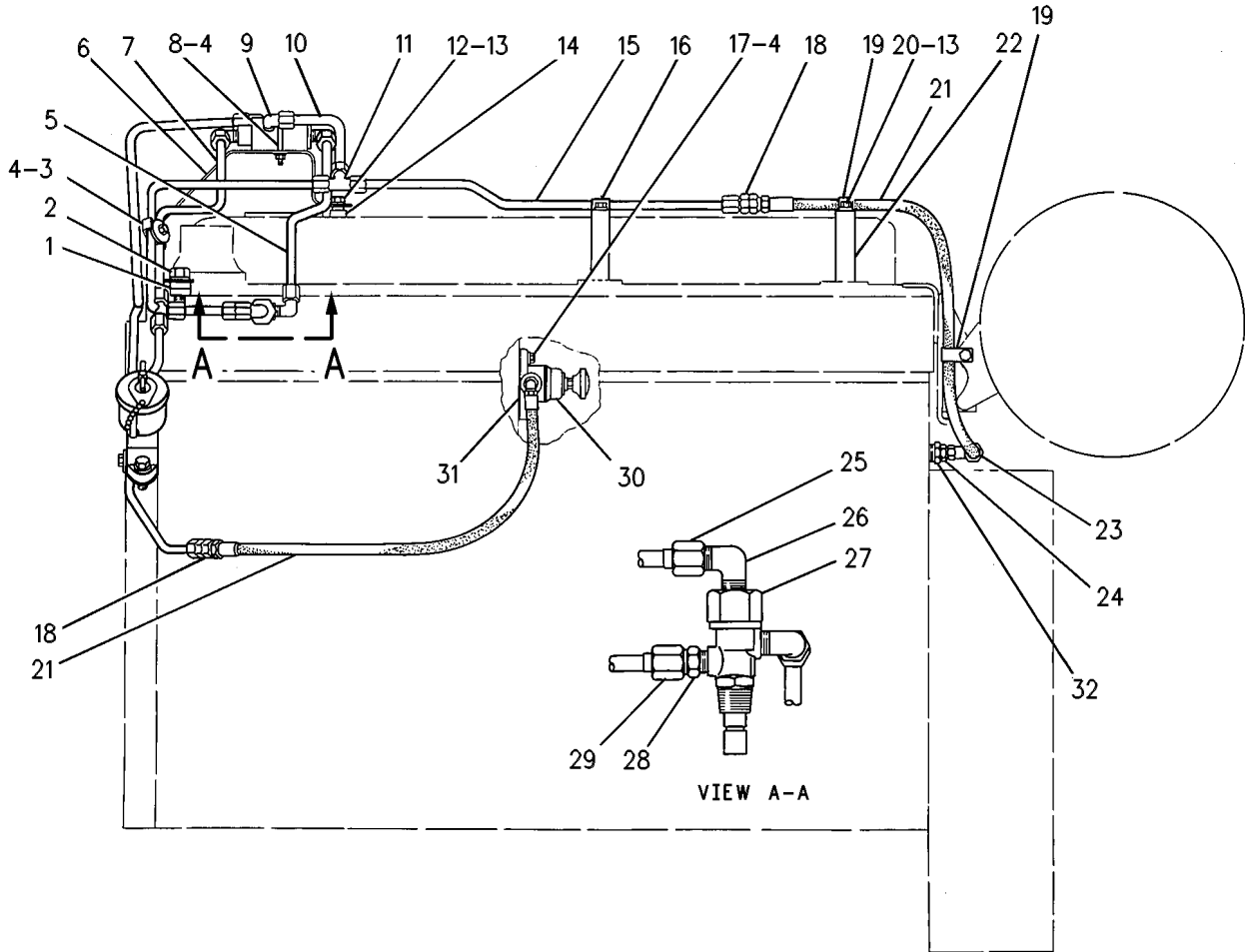
# FUEL SYSTEM

2W-7640 SHUTOFF GP-MECHANICAL (contd.)

i01857023

NOTE	REF NO	GRAPHIC REF	PART NUMBER	QTY	PART NAME						SEE PAGE
					1	2	3	4	5	6 (PRODUCT LEVEL)	
	39	2	<b>6N-2985</b>	1	CAP AS-FILLER (ENGINE)						
	40	2	<b>9M-5732</b>	1	RIVET-POP						
		2	<b>2A-3211</b>	1	WASHER (5.5X12.3X0.8-MM THK)						
	41	2	<b>3N-4395</b>	1	PIPE-OIL FILLER						
	42	2	<b>1A-2029</b>	2	BOLT (3/8-16X1.125-IN)						
		2	<b>5M-2894</b>	2	WASHER-HARD (10.2X18.5X2.5-MM THK)						
	43	2	<b>2P-2720</b>	1	GASKET						
	44	2	<b>8H-1603</b>	1	CLIP						
C	45	2	<b>6K-9194</b>	1	ELBOW						
CB	46	2	<b>0S-1617</b>	2	BOLT (5/16-18X0.75-IN)						
CB		2	<b>3B-4505</b>	2	LOCKWASHER (8.1X15.4X2-MM THK)						

B - USE AS REQUIRED  
 C - CHANGE FROM PREVIOUS TYPE  
 I - REFER TO HYDRAULIC INFORMATION SYSTEM



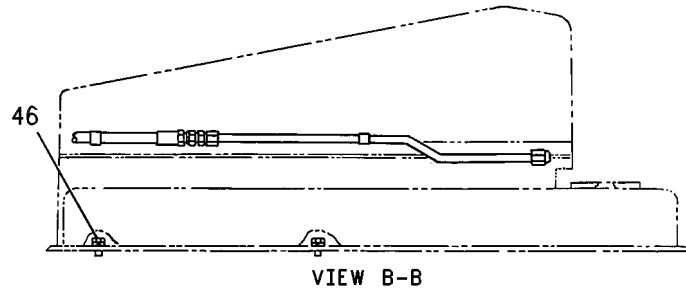
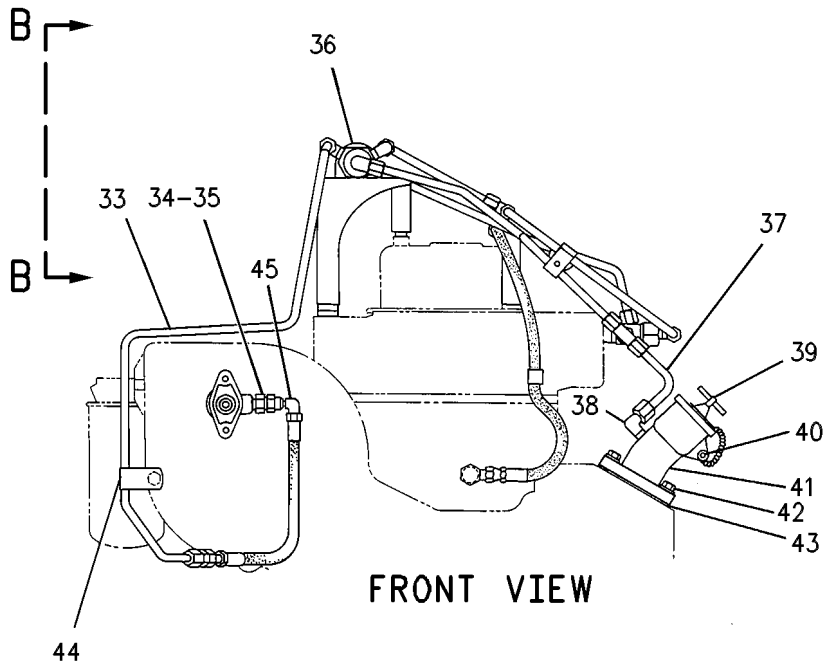
GRAPHIC #1

g00419967

# FUEL SYSTEM

2W-7640 SHUTOFF GP-MECHANICAL (contd.)

i01857023



GRAPHIC #2

<END>

g00419968

# FUEL SYSTEM

## 7W-4905 TANK & BASE GP-FUEL

S/N: 85Z3764-UP

FOR USE WITH FRONT SUPPORT, 7W-6541-PAGE: 199  
AN ATTACHMENT

SMCS-1273

i01857245

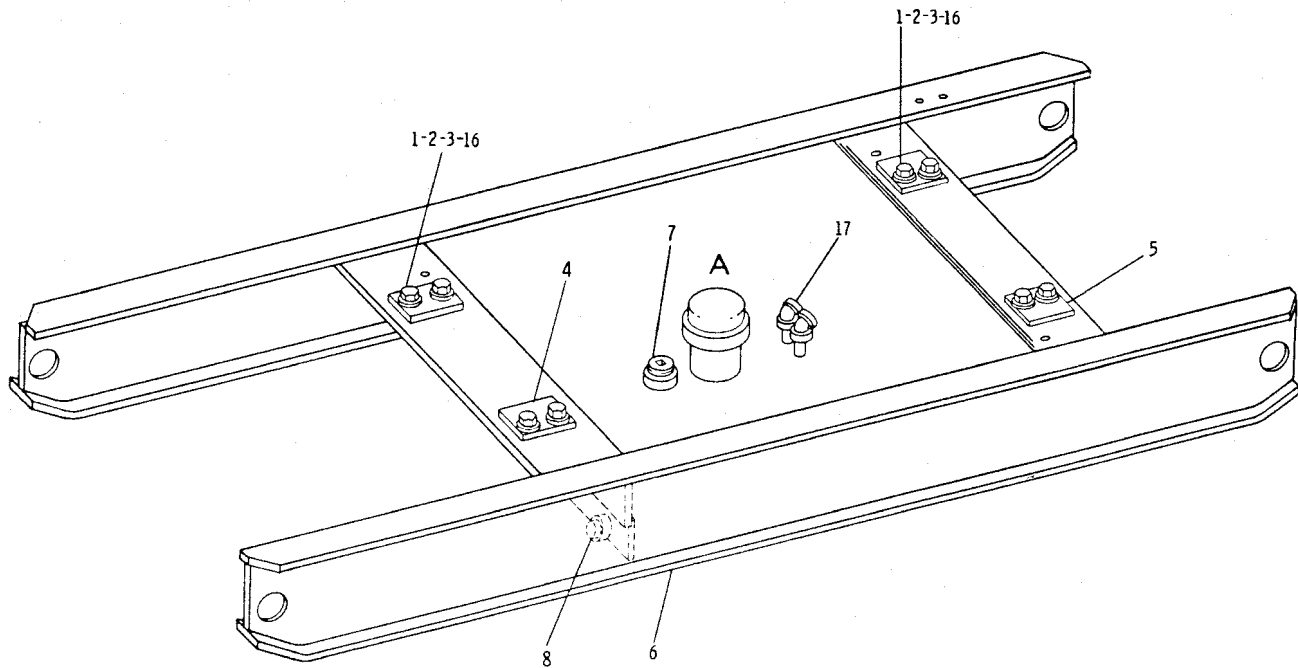
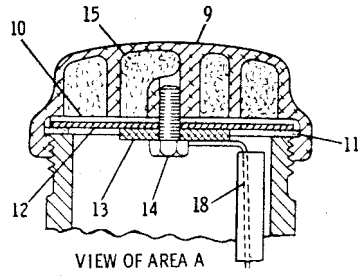
NOTE	REF NO	GRAPHIC REF	PART NUMBER	QTY	PART NAME						SEE PAGE
					1	2	3	4	5	6 (PRODUCT LEVEL)	
	1	1	<b>0S-1625</b>	8	BOLT (5/8-11X2.5-IN)						
	2	1	<b>1D-4720</b>	8	NUT (5/8-11-THD)						
	3	1	<b>5P-8247</b>	16	WASHER-HARD (17X32X3.5-MM THK)						
	4	1	<b>9D-6943</b>	2	PLATE						
	5	1	<b>7W-4913</b>	2	PLATE						
	6	1	<b>7W-4904</b>	1	BASE AS						
	7	1	<b>7B-9665</b>	1	PLUG						
	8	1	<b>3B-0342</b>	1	PLUG-PIPE						
	9	1	<b>4B-5441</b>	1	CAP AS-FILLER (FUEL)						
		1	<b>4B-5389</b>	1	CAP-TANK FILLER (FUEL)						
	10	1	<b>4B-5423</b>	1	GASKET						
	11	1	<b>7T-2037</b>	1	GASKET						
	12	1	<b>3F-4134</b>	1	BAFFLE (FUEL TANK FILL CAP)						
	13	1	<b>7B-2002</b>	1	WASHER (10.2X44.5X3-MM THK)						
	14	1	<b>3H-8389</b>	1	SCREW-FILLER CAP						
	15	1	<b>4B-5949</b>	2	FILTER ELEMENT-FUEL (FUEL CAP) (FUEL TANK CAP)						
B	16	1	<b>2H-5972</b>	8	SHIM (0.034-IN THK)						
	17	1	<b>5P-8934</b>	2	ELBOW						
	18	1	<b>5N-5175</b>	1	PLUNGER						

B - USE AS REQUIRED

# FUEL SYSTEM

7W-4905 TANK & BASE GP-FUEL (contd.)

101857245



GRAPHIC #1

<END>

g00185025

# FUEL SYSTEM

## 7W-4907 TANK & BASE GP-FUEL

S/N: 85Z3764-UP

ENCLOSURE

FOR USE WITH 7W-6541-PAGE: 199

AN ATTACHMENT

**SMCS-1273**

**i01857358**

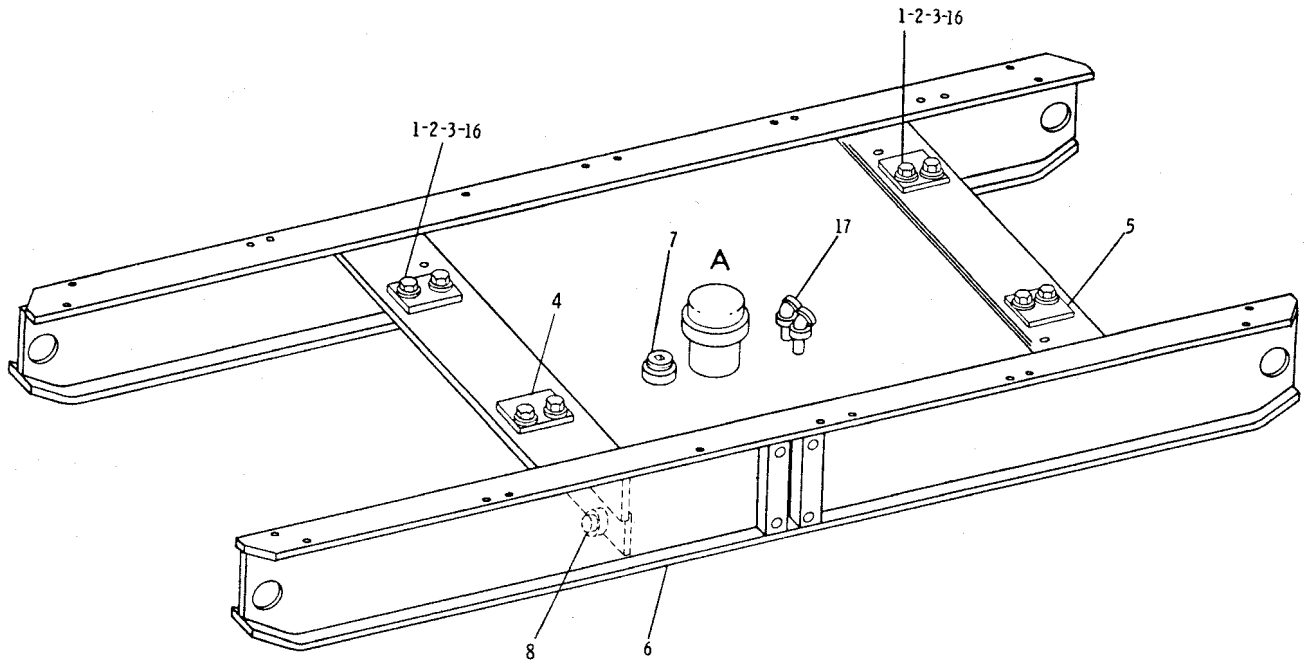
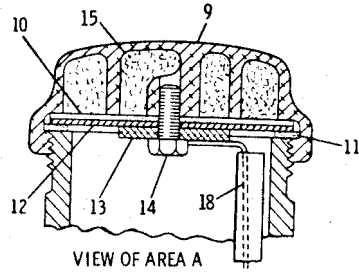
NOTE	REF NO	GRAPHIC REF	PART NUMBER	QTY	PART NAME						SEE PAGE
					1	2	3	4	5	6 (PRODUCT LEVEL)	
	1	1	<b>0S-1625</b>	8	BOLT (5/8-11X2.5-IN)						
	2	1	<b>1D-4720</b>	8	NUT (5/8-11-THD)						
	3	1	<b>5P-8247</b>	16	WASHER-HARD (17X32X3.5-MM THK)						
	4	1	<b>9D-6943</b>	2	PLATE						
	5	1	<b>7W-4913</b>	2	PLATE						
	6	1	<b>7W-4906</b>	1	BASE AS-ENCLOSURE						
	7	1	<b>7B-9665</b>	1	PLUG						
	8	1	<b>3B-0342</b>	1	PLUG-PIPE						
	9	1	<b>4B-5441</b>	1	CAP AS-FILLER (FUEL)						
		1	<b>4B-5389</b>	1	CAP-TANK FILLER (FUEL)						
	10	1	<b>4B-5423</b>	1	GASKET						
	11	1	<b>7T-2037</b>	1	GASKET						
	12	1	<b>3F-4134</b>	1	BAFFLE (FUEL TANK FILL CAP)						
	13	1	<b>7B-2002</b>	1	WASHER (10.2X44.5X3-MM THK)						
	14	1	<b>3H-8389</b>	1	SCREW-FILLER CAP						
	15	1	<b>4B-5949</b>	2	FILTER ELEMENT-FUEL (FUEL CAP) (FUEL TANK CAP)						
B	16	1	<b>2H-5972</b>	8	SHIM (0.034-IN THK)						
	17	1	<b>5P-8934</b>	2	ELBOW						
	18	1	<b>5N-5175</b>	1	PLUNGER						

B - USE AS REQUIRED

# FUEL SYSTEM

7W-4907 TANK & BASE GP-FUEL (contd.)

101857358



GRAPHIC #1

<END>

g00185499

# FUEL SYSTEM

## 9Y-5761 TANK & BASE GP-FUEL

S/N: 85Z3764-UP

FOR USE WITH GENERATOR ENCLOSURE  
AN ATTACHMENT

SMCS-1273

i01857375

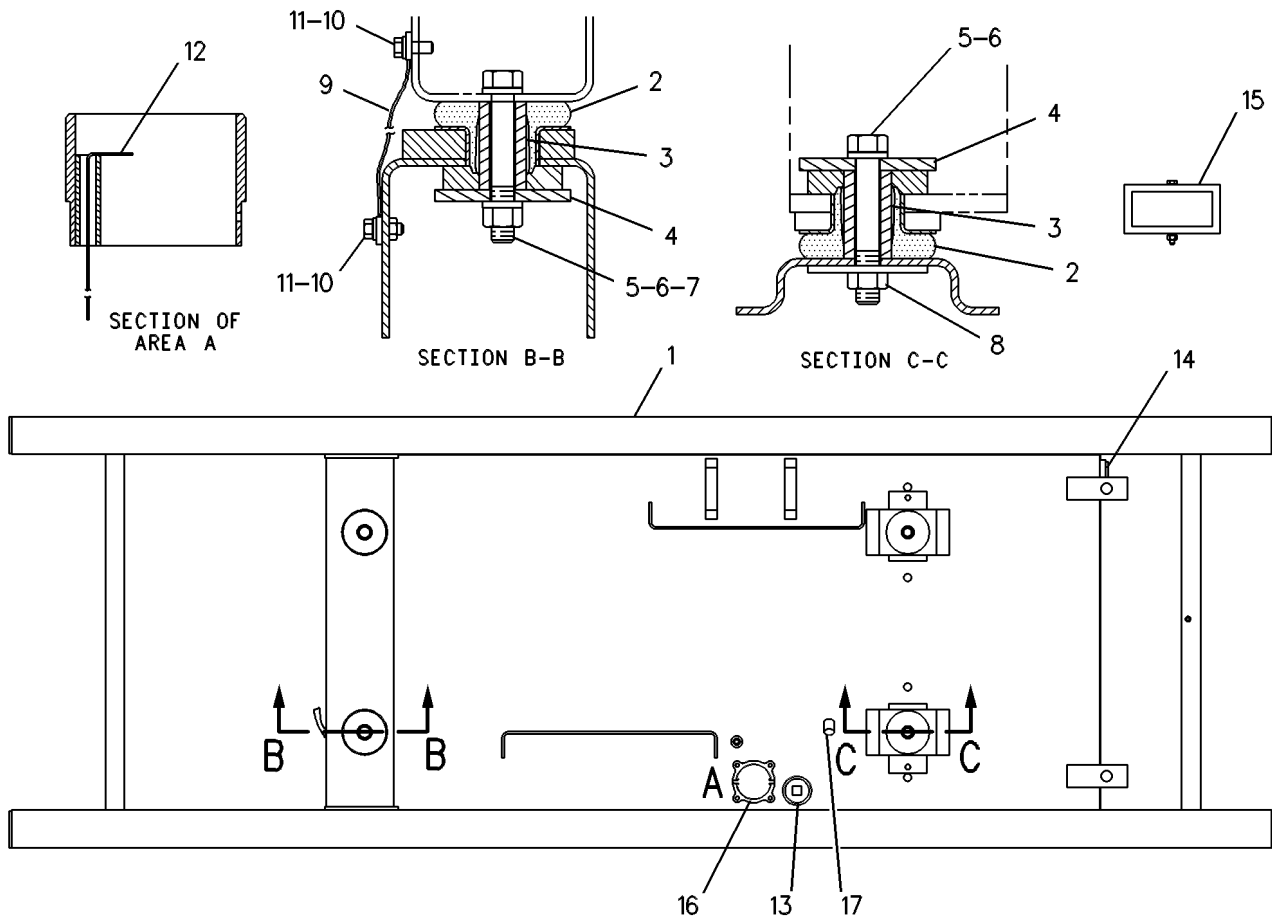
NOTE	REF NO	GRAPHIC REF	PART NUMBER	QTY	PART NAME						SEE PAGE
					1	2	3	4	5	6 (PRODUCT LEVEL)	
	1	1	<b>9Y-5757</b>	1	BASE AS						
		1	<b>7M-4387</b>	2	WASHER						
	2	1	<b>9W-9930</b>	4	MOUNT AS						
	3	1	<b>9W-6582</b>	4	SLEEVE						
	4	1	<b>9W-6584</b>	4	WASHER (20.5X114X10-MM THK)						
	5	1	<b>1D-4614</b>	4	BOLT (3/4-10X5-IN)						
	6	1	<b>5P-8248</b>	6	WASHER-HARD (20X36.5X3.5-MM THK)						
	7	1	<b>2J-3506</b>	2	NUT-FULL (3/4-10-THD)						
	8	1	<b>9Y-5762</b>	2	PLATE AS						
		1	<b>8J-7236</b>	1	NUT-WELD (3/4-10-THD)						
	9	1	<b>034-3665</b>	1	STRAP-GROUNDING						
	10	1	<b>9B-7237</b>	2	BOLT (3/8-16X1.25-IN)						
	11	1	<b>8T-4896</b>	2	WASHER-HARD (10.2X18.5X2.5-MM THK)						
	12	1	<b>9Y-5758</b>	1	PLUNGER						
	13	1	<b>7B-9665</b>	1	PLUG						
	14	1	<b>1B-5170</b>	1	PLUG-PIPE						
Y	15	1	<i>3N-8594</i>	2	COVER GP-ENGINE LIFTING EYE						96
	16	1	<b>7T-2036</b>	1	CAP AS-FILLER (FUEL)						
		1	<b>3F-4134</b>	1	BAFFLE (FUEL TANK FILL CAP)						
		1	<b>4B-5423</b>	1	GASKET						
		1	<b>4B-5949</b>	1	FILTER ELEMENT-FUEL (FUEL CAP) (FUEL TANK CAP)						
		1	<b>7B-2002</b>	1	WASHER (10.2X44.5X3-MM THK)						
		1	<b>7T-2009</b>	1	VALVE AS (FUEL TANK CAP)						
		1	<b>7T-2037</b>	1	GASKET						
		1	<b>8P-0408</b>	1	CAP-FILLER (FUEL TANK)						
	17	1	<b>5P-8934</b>	2	ELBOW						

Y - SEPARATE ILLUSTRATION

# FUEL SYSTEM

9Y-5761 TANK & BASE GP-FUEL (contd.)

i01857375



GRAPHIC #1

<END>

g00253726



# FUEL SYSTEM

## 1W-1597 TORQUE CONTROL GP

S/N: 85Z3764-UP

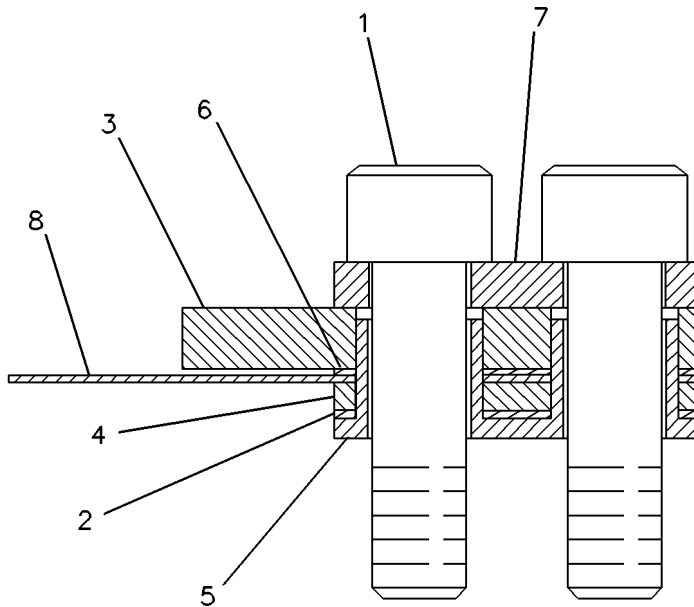
AN ATTACHMENT

SMCS-1257

i00165215

NOTE	REF NO	GRAPHIC REF	PART NUMBER	QTY	PART NAME						SEE PAGE
					1	2	3	4	5	6	
C	1	1	<b>6L-5897</b>	2	BOLT (1/4-20X0.875-IN)						
C	2	1	<b>7W-5700</b>	1	CONTACT						
C	3	1	<b>2W-7234</b>	1	BAR-LOAD STOP (4-MM)						
C	4	1	<b>7N-1796</b>	1	SPACER (1.549-MM THK)						
	5	1	<b>1P-6452</b>	1	INSULATOR						
	6	1	<b>2P-2685</b>	1	SPACER (0.635-MM THK)						
	7	1	<b>8M-9062</b>	1	RETAINER-SPRING (3.05-MM THK)						
	8	1	<b>8N-7520</b>	1	SPRING-TORQUE (0.559-MM THK)						

C - CHANGE FROM PREVIOUS TYPE



GRAPHIC #1

<END>

g00108408

# FUEL SYSTEM

## 1W-8668 TORQUE CONTROL GP

S/N: 85Z3764-UP

FOR USE WITH ENGINE TEST SPEC REQUIRING TORQUE RISE FOR .018 IN (0.46MM) TORQUE SPRING

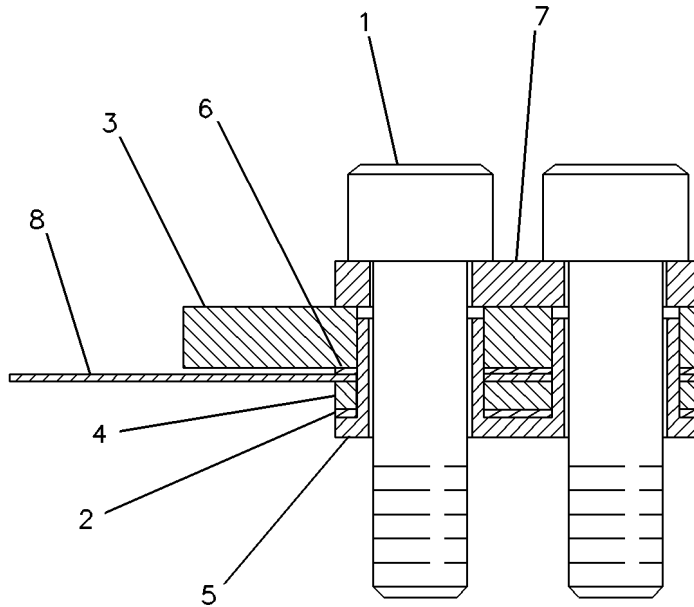
PART OF 7C-9201 PUMP GP-GOV & FUEL INJ  
ALSO AN ATTACHMENT

SMCS-1257

i01846066

NOTE	REF NO	GRAPHIC REF	PART NUMBER	QTY	PART NAME						SEE PAGE
					1	2	3	4	5	6	
C	1	1	<b>6L-5897</b>	2	BOLT (1/4-20X0.875-IN)						
C	2	1	<b>7W-5700</b>	1	CONTACT						
C	3	1	<b>2W-7234</b>	1	BAR-LOAD STOP (4-MM)						
C	4	1	<b>7N-1796</b>	1	SPACER (1.549-MM THK)						
	5	1	<b>1P-6452</b>	1	INSULATOR						
	6	1	<b>2P-2685</b>	1	SPACER (0.635-MM THK)						
	7	1	<b>8M-9062</b>	1	RETAINER-SPRING (3.05-MM THK)						
	8	1	<b>8N-7521</b>	1	SPRING-TORQUE (0.457-MM THK)						

C - CHANGE FROM PREVIOUS TYPE



GRAPHIC #1

<END>

g00108408

# FUEL SYSTEM

## 8N-7276 TORQUE CONTROL GP

S/N: 85Z3764-UP

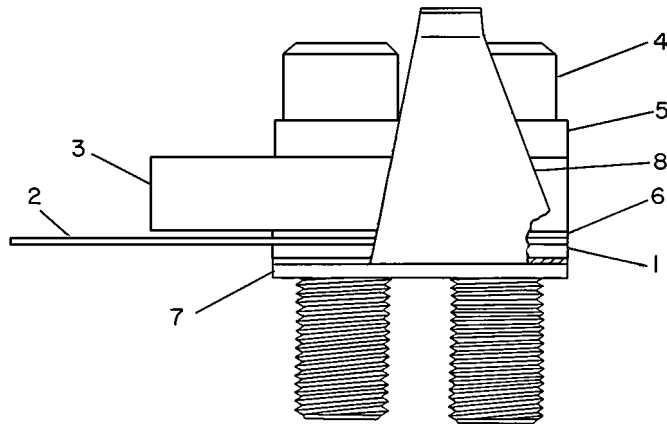
PART OF 108-4825, 108-4827, 2W-0055, 2W-0056, 7C-3025, 7C-3027, 7C-5299, 7W-9364,  
7W-9365, 7W-9823 PUMP GP-GOV & FUEL INJ

SMCS-1257

i02355615

NOTE	REF NO	GRAPHIC REF	PART NUMBER	QTY	PART NAME						SEE PAGE
					1	2	3	4	5	6 (PRODUCT LEVEL)	
C	1	1	<b>7N-1796</b>	1	SPACER (1.549-MM THK)						
	2	1	<b>8N-7519</b>	1	SPRING-TORQUE (0.635-MM THK)						
	3	1	<b>2W-7234</b>	1	BAR-LOAD STOP (4-MM)						
C	4	1	<b>6L-5897</b>	2	BOLT (1/4-20X0.875-IN)						
	5	1	<b>8M-9062</b>	1	RETAINER-SPRING (3.05-MM THK)						
	6	1	<b>2P-2685</b>	1	SPACER (0.635-MM THK)						
	7	1	<b>1P-6452</b>	1	INSULATOR						
C	8	1	<b>7W-5700</b>	1	CONTACT						

C - CHANGE FROM PREVIOUS TYPE



GRAPHIC #1

<END>

g00108387

# ELECTRICAL AND STARTING SYSTEM

## 100-4510 ALTERNATOR GP-CHARGING

S/N: 85Z3764-UP

12 VOLT, 55 AMPERE

FOR USE WITH FRONT ENGINE SUPPORT

CANNOT BE USED WITH POWER TAKE-OFF

AN ATTACHMENT

**SMCS-1405**

**i05469811**

NOTE	REF NO	GRAPHIC REF	PART NUMBER	QTY	PART NAME						SEE PAGE
					1	2	3	4	5	6 (PRODUCT LEVEL)	
	1	1	<b>4J-9683</b>	1	SPACER (0.56X1X1.5-IN THK)						
	2	1	<b>9X-8878</b>	1	BOLT (1/2-13X5.25-IN)						
	3	1	<b>1F-7958</b>	2	NUT-FULL (1/2-13-THD)						
	4	1	<b>6L-3483</b>	2	COVER-TERMINAL						
	5	1	<b>036-2176</b>	1	V-BELT (ALTERNATOR)						
	6	1	<b>5M-2894</b>	2	WASHER-HARD (10.2X18.5X2.5-MM THK)						
YR	7	1	<b>6T-1396</b>	1	ALTERNATOR GP-CHARGING						908
	8	1	<b>8L-4897</b>	1	PULLEY-ALTERNATOR (1-GROOVE)						
	9	1	<b>3N-2704</b>	1	PLATE-MOUNTING						
	10	1	<b>0S-1585</b>	1	BOLT (1/2-13X1.5-IN)						
	11	1	<b>4B-3388</b>	2	BOLT (5/16-18X1.125-IN)						
	12	1	<b>8S-4182</b>	1	STRAP						
	13	1	<b>9S-1366</b>	1	BOLT (1/2-13X2.5-IN)						
	14	1	<b>2M-0849</b>	1	WASHER-HARD (13.5X25.5X5-MM THK)						
	15	1	<b>1K-4649</b>	1	SPACER (0.516X1X1-IN THK)						
	16	1	<b>3N-2705</b>	1	BRACKET-MOUNTING						
	17	1	<b>0S-1588</b>	1	BOLT (3/8-16X1.25-IN)						
		1	<b>9S-8752</b>	1	NUT-FULL (3/8-16-THD)						
	18	1	<b>0S-1619</b>	1	BOLT (3/8-16X3-IN)						
	19	1	<b>5P-8245</b>	4	WASHER-HARD (13.5X25.5X3-MM THK)						
	20	1	<b>9M-1974</b>	2	WASHER-HARD (8.8X16X2-MM THK)						

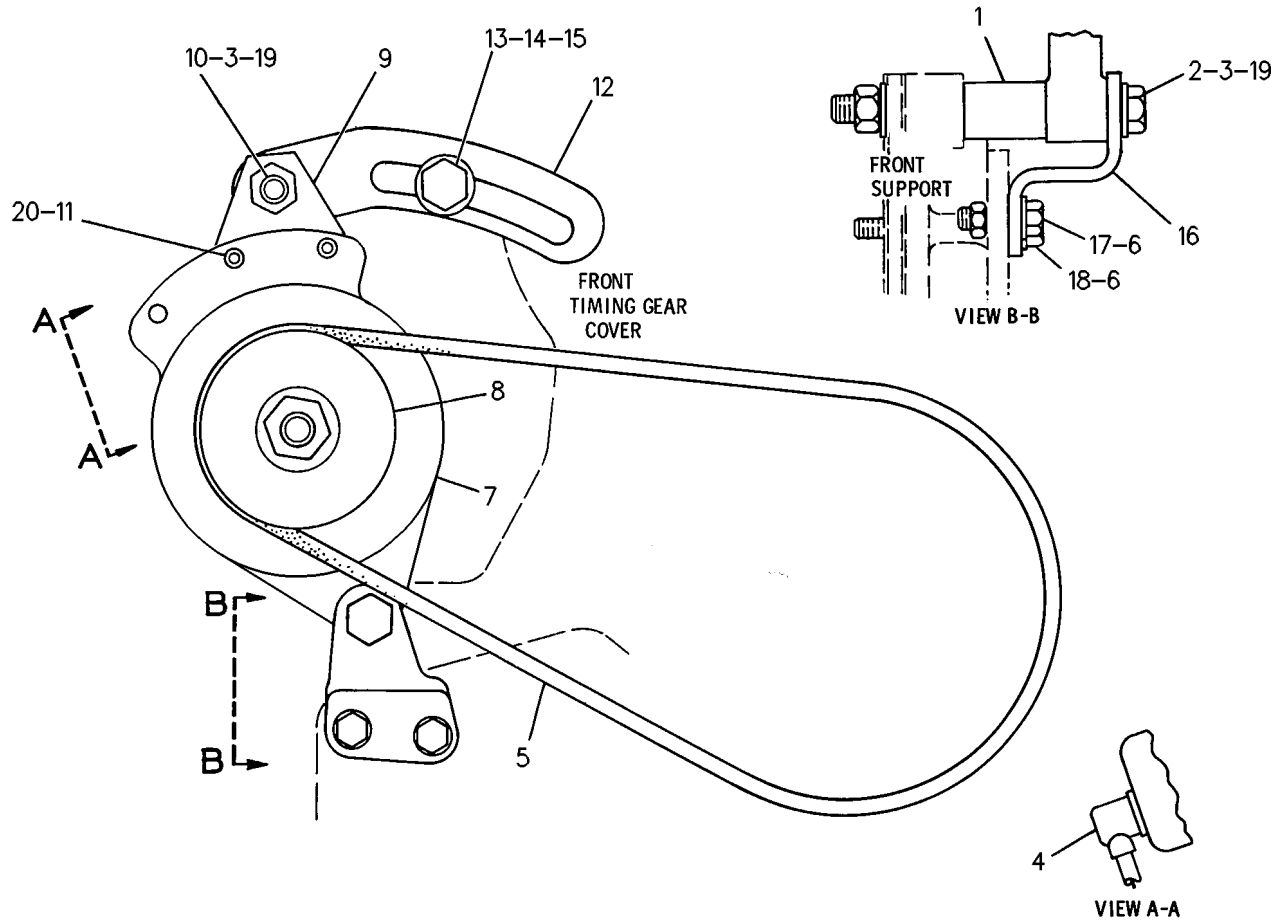
R - REMANUFACTURED PART MAY BE AVAILABLE

Y - SEPARATE ILLUSTRATION

# ELECTRICAL AND STARTING SYSTEM

100-4510 ALTERNATOR GP-CHARGING (contd.)

105469811



GRAPHIC #1

<END>

g00229258

# ELECTRICAL AND STARTING SYSTEM

## 100-4511 ALTERNATOR GP-CHARGING

S/N: 85Z3764-UP

24 VOLT, 35 AMPERE

FOR USE WITH FRONT ENGINE SUPPORT  
CANNOT BE USED WITH PTO OR FAN DRIVE  
AN ATTACHMENT

SMCS-1405

i03441160

NOTE	REF NO	GRAPHIC REF	PART NUMBER	QTY	PART NAME						SEE PAGE
					1	2	3	4	5	6 (PRODUCT LEVEL)	
	1	1	<b>4J-9683</b>	1	SPACER (0.56X1X1.5-IN THK)						
	2	1	<b>9X-8878</b>	1	BOLT (1/2-13X5.25-IN)						
	3	1	<b>1F-7958</b>	2	NUT-FULL (1/2-13-THD)						
	4	1	<b>6L-3483</b>	2	COVER-TERMINAL						
	5	1	<b>5L-3979</b>	1	V-BELT GP (ALTERNATOR)						
	6	1	<b>5M-2894</b>	2	WASHER-HARD (10.2X18.5X2.5-MM THK)						
YR	7	1	<b>6T-1395</b>	1	ALTERNATOR GP-CHARGING						906
	8	1	<b>8L-4897</b>	1	PULLEY-ALTERNATOR (1-GROOVE)						
	9	1	<b>3N-2704</b>	1	PLATE-MOUNTING						
	10	1	<b>0S-1587</b>	1	BOLT (1/2-13X1.75-IN)						
	11	1	<b>4B-3388</b>	2	BOLT (5/16-18X1.125-IN)						
	12	1	<b>8S-4182</b>	1	STRAP						
	13	1	<b>9S-1366</b>	1	BOLT (1/2-13X2.5-IN)						
	14	1	<b>2M-0849</b>	1	WASHER-HARD (13.5X25.5X5-MM THK)						
	15	1	<b>1K-4649</b>	1	SPACER (0.516X1X1-IN THK)						
	16	1	<b>3N-2705</b>	1	BRACKET-MOUNTING						
	17	1	<b>0S-1588</b>	1	BOLT (3/8-16X1.25-IN)						
		1	<b>9S-8752</b>	1	NUT-FULL (3/8-16-THD)						
	18	1	<b>0S-1619</b>	1	BOLT (3/8-16X3-IN)						
	19	1	<b>5P-8245</b>	4	WASHER-HARD (13.5X25.5X3-MM THK)						
	20	1	<b>9M-1974</b>	2	WASHER-HARD (8.8X16X2-MM THK)						

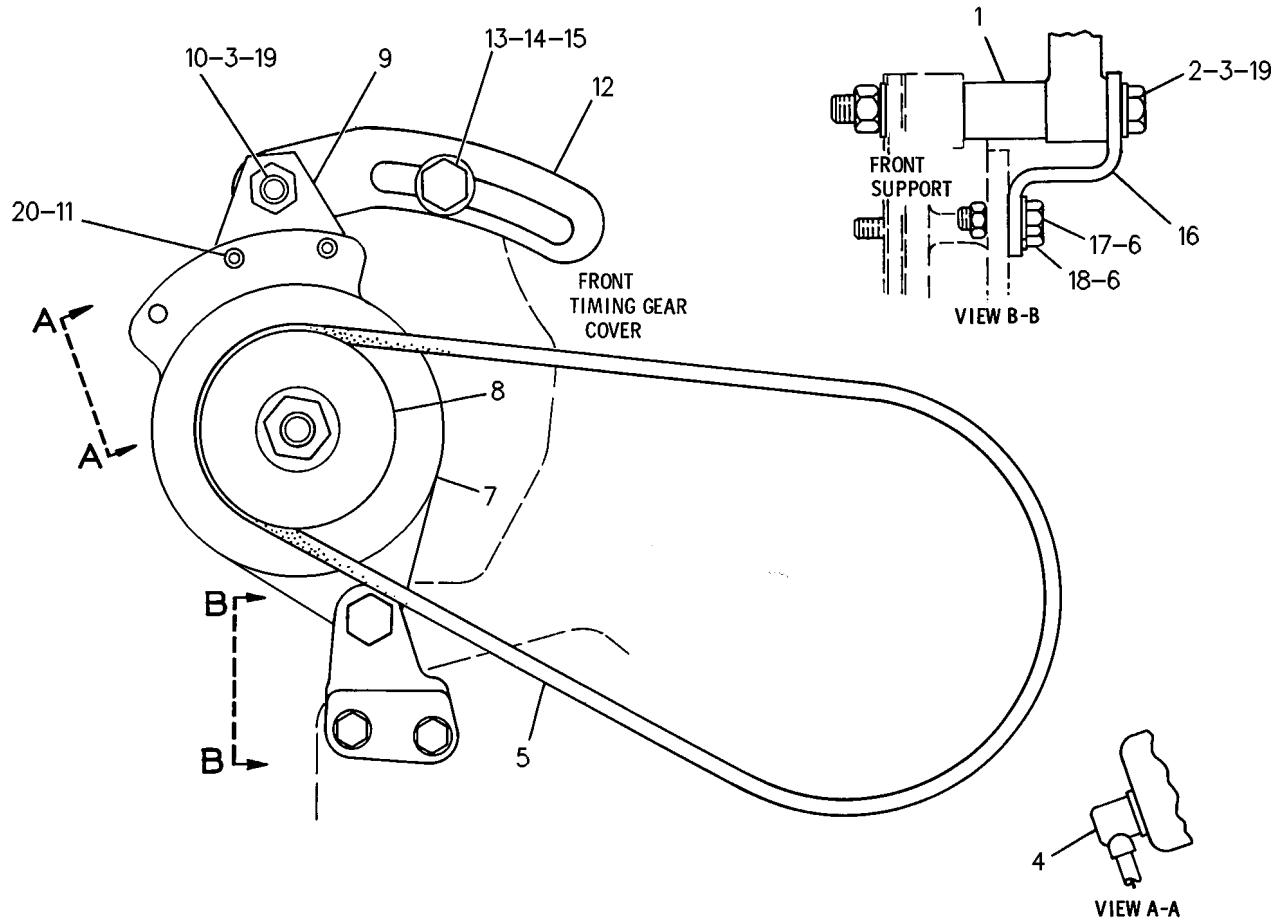
R - REMANUFACTURED PART MAY BE AVAILABLE

Y - SEPARATE ILLUSTRATION

# ELECTRICAL AND STARTING SYSTEM

100-4511 ALTERNATOR GP-CHARGING (contd.)

103441160



GRAPHIC #1

<END>

g00229258

# ELECTRICAL AND STARTING SYSTEM

## 100-5045 ALTERNATOR GP-CHARGING

S/N: 85Z3764-UP

24 VOLT, 50 AMPERE

FIELD REPLACEMENT ORDER 169-3345-PAGE: 873

PART OF 100-5047 ALTERNATOR GP-CHARGING

AN ATTACHMENT

SMCS-1405

i05421649

NOTE	REF NO	GRAPHIC REF	PART NUMBER	QTY	PART NAME						SEE PAGE
					1	2	3	4	5	6 (PRODUCT LEVEL)	
	1	1	<b>7T-2793</b>	1	FAN AS (12-BLADE)						
	2	1	<b>7T-2790</b>	1	ROTOR AS						
	3	1	<b>7T-6418</b>	1	STATOR AS						
	4	1	<b>7T-2792</b>	1	FRAME AS						
	5	1	<b>7T-6417</b>	1	COIL AS						
	6	1	<b>7T-2798</b>	1	REGULATOR AS-VOLTAGE (24-VOLT) (ALTERNATOR)						
	7	1	<b>7T-2797</b>	1	COVER						
	8	1	<b>7T-6416</b>	1	HOLDER AS-BRUSH (ALTERNATOR)						
	9	1	<b>7T-2795</b>	1	FRAME AS						
	10	1	<b>2K-4821</b>	1	LOCKNUT (5/8-18-THD)						
	11	1	<b>5P-8247</b>	1	WASHER-HARD (17X32X3.5-MM THK)						
	12	1	<b>7T-2801</b>	1	CONDENSER						
	13	1	<b>7X-0447</b>	1	NUT (7/16-14-THD)						
	14	1	<b>2H-3920</b>	1	LOCKWASHER						
	15	1	<b>9L-6770</b>	1	CAP-DUST						
	16	1	<b>6V-8185</b>	1	NUT (1/4-20-THD)						
	17	1	<b>1H-3244</b>	1	LOCKWASHER						
	18	1	<b>7T-2802</b>	1	WIRE AS						
			<b>1B-8705</b>	1	KEY-WOODRUFF						
					AVAILABLE REPAIR KIT(S):						
			<b>7T-2799</b>	1	KIT-BEARING (INCLUDES BEARINGS)						
			<b>7T-2800</b>	1	KIT-TERMINAL (ALTERNATOR AIR) (INCLUDES INSULATORS, LOCKWASHERS, WASHERS & NUTS)						
			<b>7T-2803</b>	1	KIT-HARDWARE (ALTERNATOR AIR) (INCLUDES SCREW ASSEMBLIES & BOLT ASSEMBLIES)						
			<b>7T-2804</b>	1	KIT-ALTERNATOR TERMINAL (RELAY) (INCLUDES CAP, BOLT, WIRE AS & BUSHING)						
			<b>7T-2805</b>	1	KIT-ALTERNATOR TERMINAL (NEGATIVE) (INCLUDES NUTS, LOCKWASHERS, WASHER & INSULATORS)						
			<b>7T-2816</b>	1	KIT-HARDWARE (ALTERNATOR AIR) (INCLUDES WASHERS, SPACERS, RING, PLATE AS, BOLT AS & PLATE)						

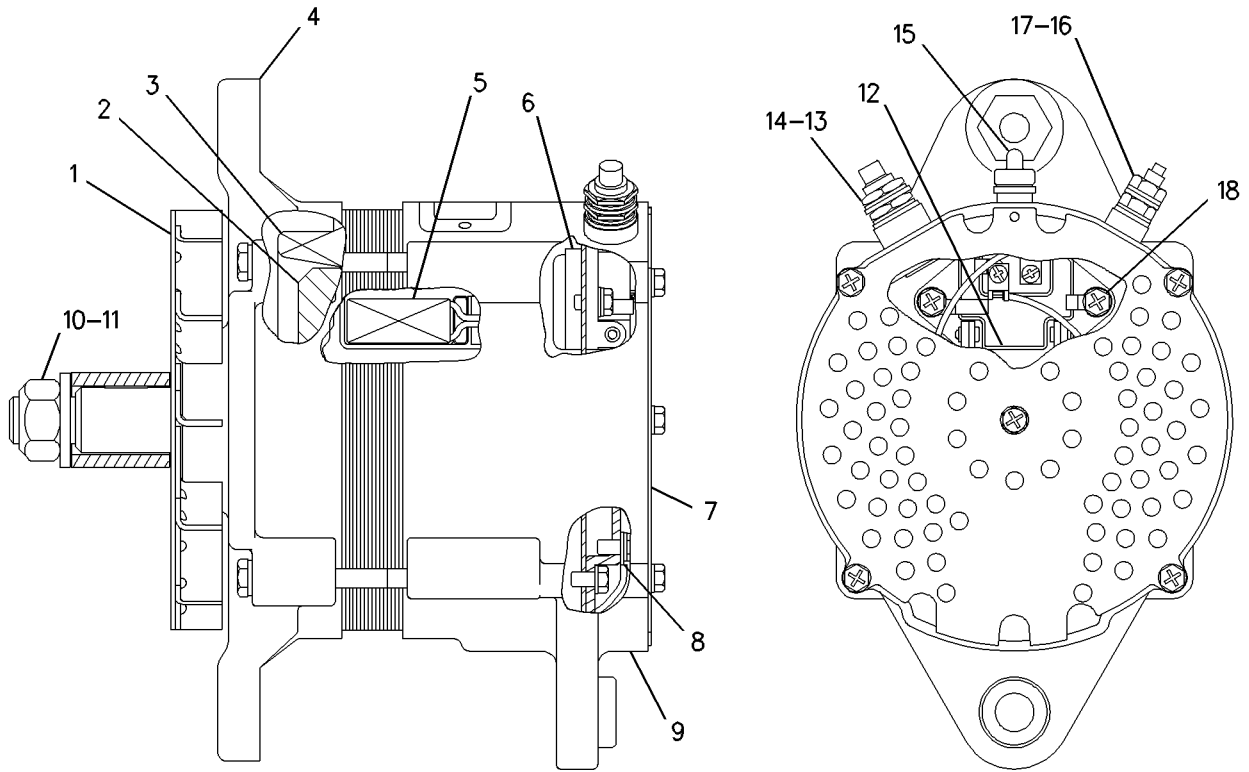
F - NOT SHOWN



# ELECTRICAL AND STARTING SYSTEM

100-5045 ALTERNATOR GP-CHARGING (contd.)

i05421649



GRAPHIC #1

<END>

g00784210

# ELECTRICAL AND STARTING SYSTEM

## 100-5046 ALTERNATOR GP-CHARGING\*R

S/N: 85Z3764-UP

24-VOLTS, 50-AMPERE

FIELD REPLACEMENT ORDER 169-3345-PAGE: 873

PART OF 100-5047 ALTERNATOR GP-CHARGING

AN ATTACHMENT

SMCS-1405

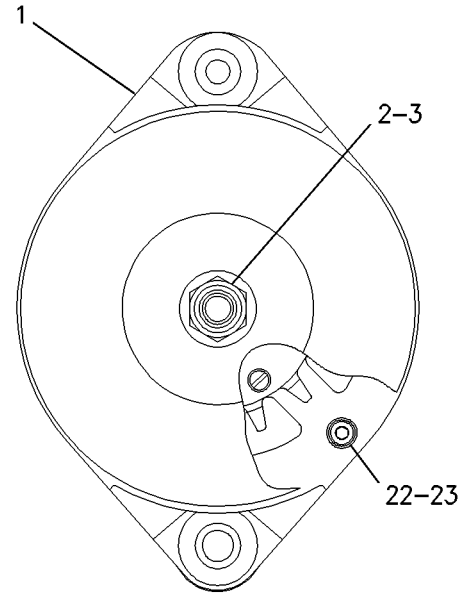
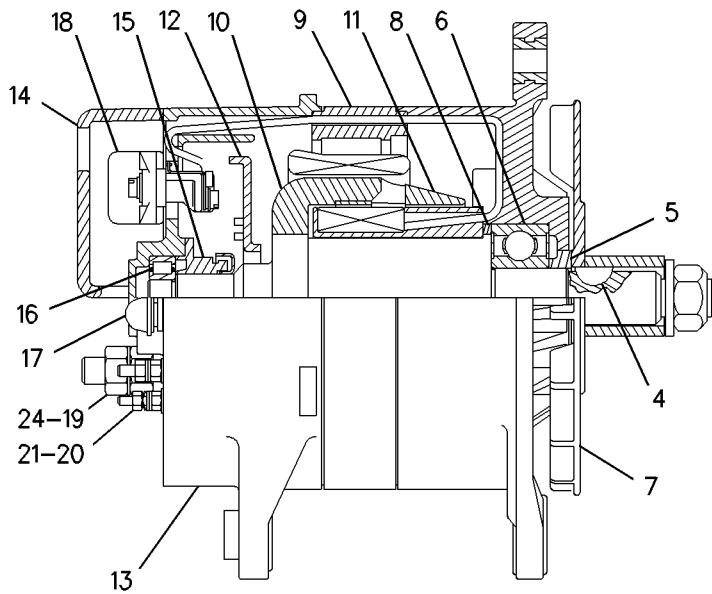
i05422115

NOTE	REF NO	GRAPHIC REF	PART NUMBER	QTY	PART NAME						SEE PAGE
					1	2	3	4	5	6	
	1	1	<b>9G-7566</b>	1	FRAME-DRIVE END						
	2	1	<b>2K-4821</b>	1	LOCKNUT (5/8-18-THD)						
	3	1	<b>5P-8247</b>	1	WASHER-HARD (17X32X3.5-MM THK)						
	4	1	<b>1B-8705</b>	1	KEY-WOODRUFF						
	5	1	<b>9G-7549</b>	1	SPACER (25X40X9.5-MM THK)						
	6	1	<b>9G-7551</b>	1	BEARING						
	7	1	<b>9G-7564</b>	1	FAN						
	8	1	<b>9G-7548</b>	1	RING						
	9	1	<b>3T-1886</b>	1	STATOR AS						
	10	1	<b>3T-1885</b>	1	COIL AS-FIELD						
	11	1	<b>9G-7560</b>	1	ROTOR AS						
	12	1	<b>3T-1887</b>	1	DIODE AS						
	13	1	<b>9G-7568</b>	1	FRAME AS-REAR						
	14	1	<b>9G-7562</b>	1	COVER AS						
	15	1	<b>9G-7553</b>	1	RING-COVER						
	16	1	<b>9G-7552</b>	1	BEARING						
	17	1	<b>9L-6770</b>	1	CAP-DUST						
	18	1	<b>9G-7567</b>	1	REGULATOR AS-VOLTAGE (24-VOLT) (ALTERNATOR)						
	19	1	<b>7X-0447</b>	1	NUT (7/16-14-THD)						
M	20	1	<b>5C-2874</b>	1	NUT (M5X0.8-THD)						
	21	1	<b>7X-0620</b>	1	WASHER-HARD (5.5X13X1.6-MM THK)						
M	22	1	<b>9X-6001</b>	4	BOLT (M5X0.8X150-MM)						
	23	1	<b>8T-0328</b>	4	WASHER-HARD (5.5X10X1-MM THK)						
	24	1	<b>8T-5360</b>	1	WASHER (12X22.5X2.5-MM THK)						
					AVAILABLE REPAIR KIT(S):						
			<b>9G-7554</b>	1	KIT-TERMINAL GROUND (ALTERNATOR AIR) (INCLUDES LOCK WASHERS & HEX NUTS)						
			<b>9G-7555</b>	1	KIT-OUTPUT TERMINAL (ALTERNATOR AIR) (INCLUDES BUSHINGS, LOCK WASHERS & HEX NUTS)						
			<b>9G-7556</b>	1	KIT-CAPACITOR (ALTERNATOR AIR) (INCLUDES CAPACITOR, LOCK WASHER & SCREWS)						
			<b>9G-7559</b>	1	KIT-RELAY TERMINAL (ALTERNATOR AIR) (INCLUDES TUBE, NUT, TERMINAL, WASHERS, BUSHING & CAP)						
			<b>9G-7565</b>	1	KIT-REGULATOR TERMINAL (ALTERNATOR AIR) (INCLUDES WASHERS, BUSHING & HEX NUT)						
M - METRIC PART											

# ELECTRICAL AND STARTING SYSTEM

100-5046 ALTERNATOR GP-CHARGING (contd.)

i05422115



GRAPHIC #1

<END>

g00784242

# ELECTRICAL AND STARTING SYSTEM

## 100-5047 ALTERNATOR GP-CHARGING\*R

S/N: 85Z3764-UP

24-VOLT, 50-AMPERE

FIELD REPLACEMENT ORDER 169-3345-PAGE: 873

FIELD REPLACEMENT FOR 100-5045-PAGE: 866: FOR 100-5046-PAGE: 868

PART OF 7E-5070 ALTERNATOR GP-CHARGING

AN ATTACHMENT

SMCS-1405

i05422624

NOTE	PART NUMBER	QTY	PART NAME						SEE PAGE
			1	2	3	4	5	6 (PRODUCT LEVEL)	
Y	100-5045	1	ALTERNATOR GP-CHARGING						866
			-OR-						
YR	100-5046	1	ALTERNATOR GP-CHARGING						868
R - REMANUFACTURED PART MAY BE AVAILABLE									
Y - SEPARATE ILLUSTRATION									

<END>

# ELECTRICAL AND STARTING SYSTEM

## 121-3906 ALTERNATOR GP-CHARGING

S/N: 85Z3764-UP

24 VOLT, 35 AMPERE

FOR USE WITH 3N-3274-PAGE: 184, 9Y-5905-PAGE: 200

CANNOT BE USED WITH 7W-6541-PAGE: 199

AN ATTACHMENT

**SMCS-1405**

**i01698146**

NOTE	REF NO	GRAPHIC REF	PART NUMBER	QTY	PART NAME						SEE PAGE
					1	2	3	4	5	6	
YR	1	1	<b>6T-1395</b>	1	ALTERNATOR GP-CHARGING						906
	2	1	<b>3N-2704</b>	1	PLATE-MOUNTING						
	3	1	<b>8S-4182</b>	1	STRAP						
	4	1	<b>0S-1571</b>	1	BOLT (3/8-16X1.75-IN)						
	5	1	<b>6L-3483</b>	2	COVER-TERMINAL						
	6	1	<b>4B-3388</b>	2	BOLT (5/16-18X1.125-IN)						
	7	1	<b>9M-1974</b>	2	WASHER-HARD (8.8X16X2-MM THK)						
	8	1	<b>0S-1587</b>	1	BOLT (1/2-13X1.75-IN)						
	9	1	<b>1F-7958</b>	2	NUT-FULL (1/2-13-THD)						
	10	1	<b>5P-8245</b>	4	WASHER-HARD (13.5X25.5X3-MM THK)						
	11	1	<b>9S-1366</b>	1	BOLT (1/2-13X2.5-IN)						
	12	1	<b>2M-0849</b>	1	WASHER-HARD (13.5X25.5X5-MM THK)						
	13	1	<b>4J-9683</b>	1	SPACER (0.56X1X1.5-IN THK)						
	14	1	<b>9X-8878</b>	1	BOLT (1/2-13X5.25-IN)						
	15	1	<b>0T-0065</b>	1	BOLT (3/8-16X3.5-IN)						
	16	1	<b>9S-8752</b>	1	NUT-FULL (3/8-16-THD)						
	17	1	<b>5M-2894</b>	2	WASHER-HARD (10.2X18.5X2.5-MM THK)						
	18	1	<b>9Y-3031</b>	1	BRACKET-MOUNTING						
	19	1	<b>068-5590</b>	1	V-BELT (1118-MM LG) (ALTERNATOR)						
	20	1	<b>8L-4897</b>	1	PULLEY-ALTERNATOR						
	21	1	<b>1K-4649</b>	1	SPACER (0.516X1X1-IN THK)						

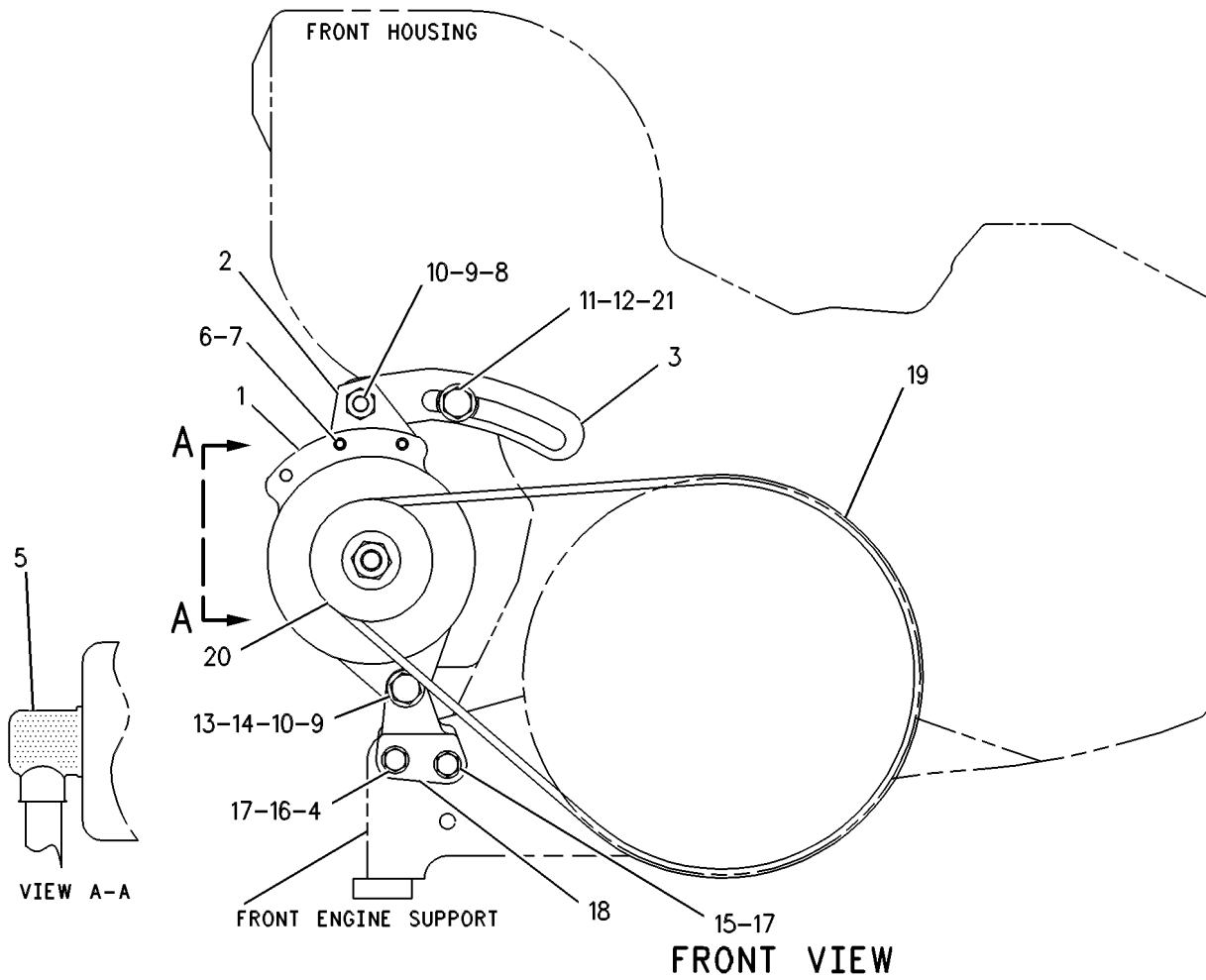
R - REMANUFACTURED PART MAY BE AVAILABLE

Y - SEPARATE ILLUSTRATION

# ELECTRICAL AND STARTING SYSTEM

121-3906 ALTERNATOR GP-CHARGING (contd.)

i01698146



GRAPHIC #1

<END>

g00256147

# ELECTRICAL AND STARTING SYSTEM

## 169-3345 ALTERNATOR GP-CHARGING\*R

S/N: 85Z3764-UP

24-VOLT, 50-AMPERE

FIELD REPLACEMENT FOR 100-5047-PAGE: 870: FOR 100-5045-PAGE: 866: FOR 100-5046-PAGE: 868

SMCS-1405

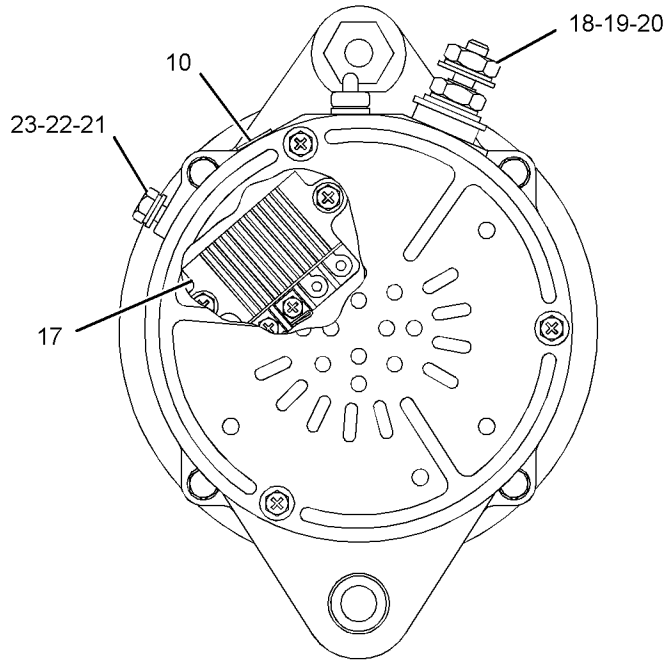
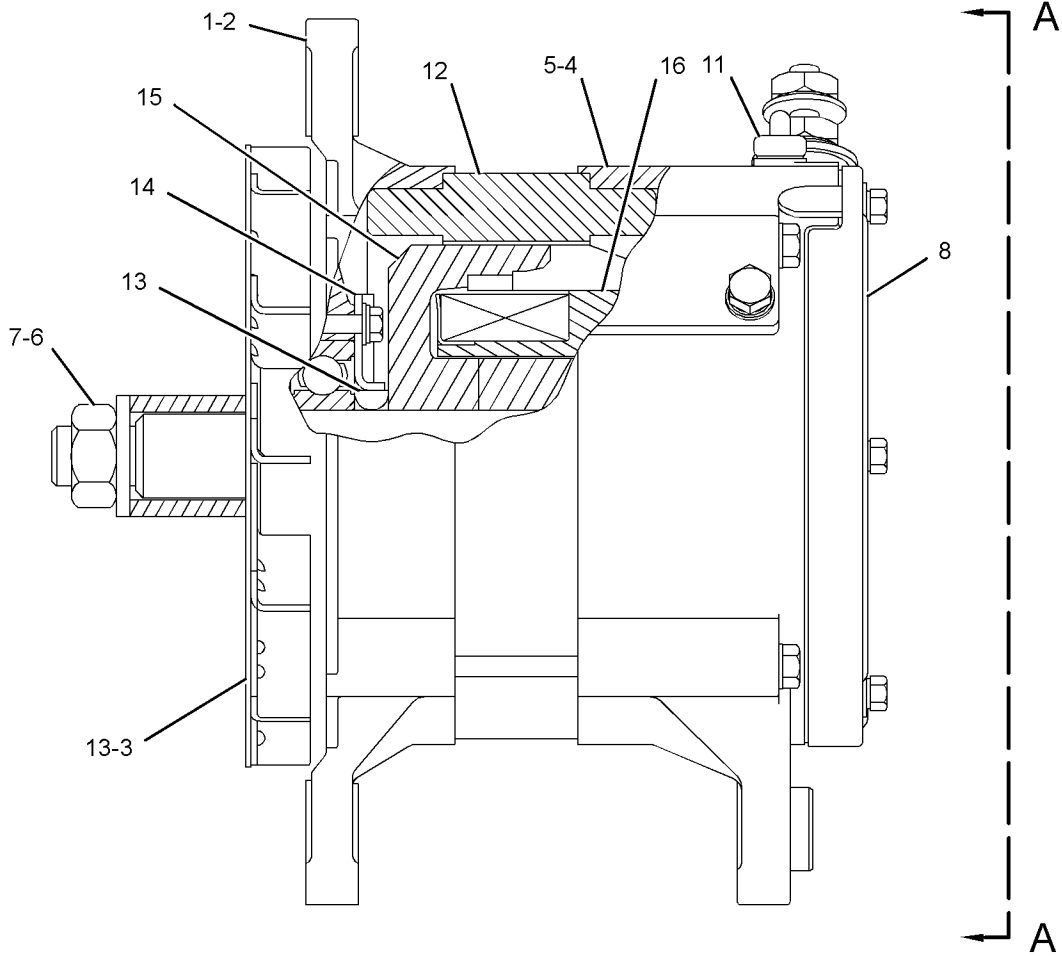
i07435935

NOTE	REF NO	GRAPHIC REF	PART NUMBER	QTY	PART NAME						SEE PAGE
					1	2	3	4	5	6	
	1	1	<b>185-2653</b>	1	FRAME						
	2	1	<b>185-2652</b>	1	FRAME AS						
	3	1	<b>185-2639</b>	1	FAN AS (ALTERNATOR)						
	4	1	<b>185-2640</b>	1	FRAME AS						
	5	1	<b>185-2645</b>	1	FRAME						
	6	1	<b>2K-4821</b>	1	LOCKNUT (5/8-18-THD)						
	7	1	<b>5P-8247</b>	1	WASHER-HARD (17X32X3.5-MM THK)						
	8	1	<b>228-9657</b>	1	COVER AS						
	10	1	<b>185-2647</b>	1	GROMMET						
	11	1	<b>9L-6770</b>	1	CAP-DUST						
	12	1	<b>190-0065</b>	1	STATOR AS-ALTERNATOR						
	13	1	<b>185-2638</b>	2	COLLAR						
	14	1	<b>185-2654</b>	1	PLATE						
	15	1	<b>185-2650</b>	1	ROTOR AS (ALTERNATOR)						
	16	1	<b>185-2644</b>	1	COIL AS						
	17	1	<b>185-2648</b>	1	REGULATOR AS-VOLTAGE (24-VOLT) (ALTERNATOR)						
	18	1	<b>6V-8189</b>	1	NUT (5/16-18-THD)						
	19	1	<b>8T-4224</b>	1	WASHER-HARD (8.8X16X2-MM THK)						
	20	1	<b>3F-9556</b>	1	LOCKWASHER						
	21	1	<b>5S-7349</b>	1	BOLT (1/4-20X0.5-IN)						
	22	1	<b>8T-4205</b>	1	WASHER-HARD (7.2X14.5X2-MM THK)						
	23	1	<b>1H-3244</b>	1	LOCKWASHER						
					AVAILABLE REPAIR KIT(S):						
			<b>185-2655</b>	1	KIT-BEARING (ALTERNATOR)						
					(INCLUDES BEARINGS)						
			<b>199-8436</b>	1	KIT-TERMINAL (ALTERNATOR AIR)						
					(INCLUDES HOLDER AS, PLATE, INSULATOR, PIN, BOLT KITS, GROMMET & NUT)						
			<b>199-7891</b>	1	KIT-TERMINAL (ALTERNATOR AIR)						
					(INCLUDES INSULATORS, WASHERS & NUTS)						
			<b>185-2658</b>	1	KIT-HARDWARE (ALTERNATOR AIR)						
					(INCLUDES BOLT KITS)						

# ELECTRICAL AND STARTING SYSTEM

169-3345 ALTERNATOR GP-CHARGING (contd.)

i07435935



VIEW A-A

GRAPHIC #1

<END>

g01946223



# ELECTRICAL AND STARTING SYSTEM

## 266-7227 ALTERNATOR GP-CHARGING\*R

S/N: 85Z3764-UP

24-VOLT, 60-AMPERE

FIELD REPLACEMENT FOR 4N-3986-PAGE: 896

SMCS-1405

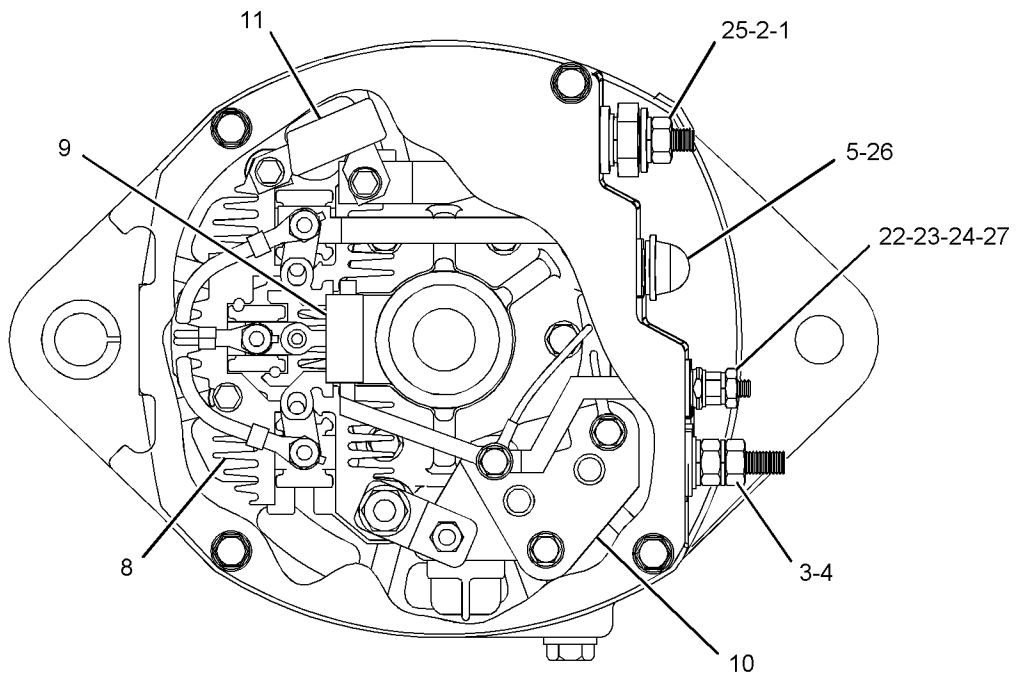
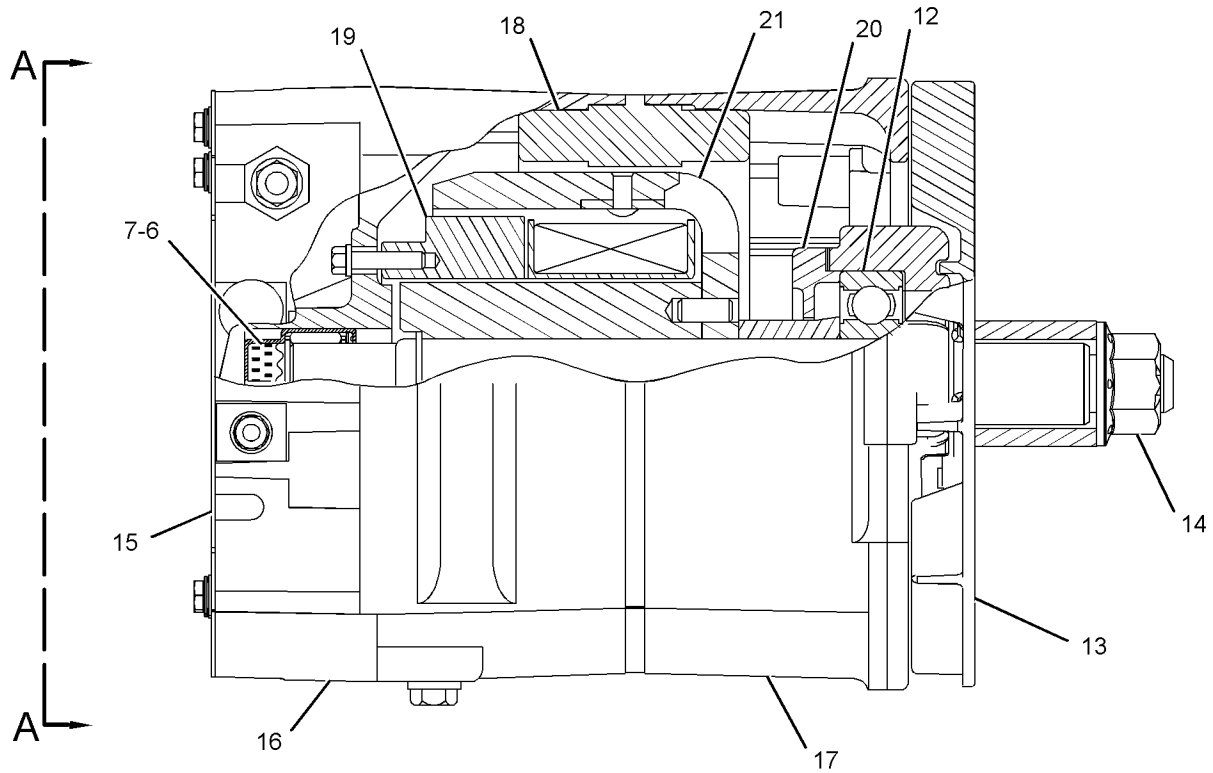
i04404610

NOTE	REF NO	GRAPHIC REF	PART NUMBER	QTY	PART NAME						SEE PAGE
					1	2	3	4	5	6 (PRODUCT LEVEL)	
	1	1	<b>8T-4205</b>	1	WASHER-HARD (7.2X14.5X2-MM THK)						
	2	1	<b>1H-3244</b>	1	LOCKWASHER						
	3	1	<b>6V-8187</b>	1	NUT (1/4-28-THD)						
	4	1	<b>292-3815</b>	2	KIT-TERMINAL						
	5	1	<b>9L-6770</b>	1	CAP-DUST						
	6	1	<b>5P-3418</b>	1	BEARING-ROLLER						
	7	1	<b>5P-3419</b>	1	RACE-BEARING INNER						
	8	1	<b>291-8247</b>	1	RECTIFIER AS						
	9	1	<b>202-2708</b>	1	DIODE AS						
	10	1	<b>3T-6354</b>	1	REGULATOR AS-VOLTAGE (24-VOLT) (ALTERNATOR)						
	11	1	<b>291-8253</b>	1	CAPACITOR AS						
	12	1	<b>202-9897</b>	1	BEARING-SPECIAL BALL						
	13	1	<b>100-6531</b>	1	FAN-ALTERNATOR (11-BLADE)						
	14	1	<b>187-2034</b>	1	NUT-FLANGE (5/8-18-THD)						
	15	1	<b>291-8274</b>	1	PLATE						
	16	1	<b>291-8271</b>	1	HOUSING AS						
	17	1	<b>202-2700</b>	1	FRAME						
	18	1	<b>291-8263</b>	1	STATOR AS						
	19	1	<b>6N-1945</b>	1	COIL AS-FIELD						
	20	1	<b>9S-2390</b>	1	RETAINER						
	21	1	<b>9S-2302</b>	1	ROTOR AS						
	22	1	<b>4B-2047</b>	1	NUT (10-24-THD)						
	23	1	<b>8T-0328</b>	1	WASHER-HARD (5.5X10X1-MM THK)						
	24	1	<b>8F-1434</b>	1	LOCKWASHER						
	25	1	<b>202-2784</b>	1	KIT-ALTERNATOR TERMINAL (OUTPUT) (KIT INCLUDES NUT, WASHERS, INSULATORS, CONNECTORS, ADAPTER, & SCREW)						
	26	1	<b>202-2785</b>	1	KIT-ALTERNATOR TERMINAL (RELAY) (KIT INCLUDES STUD, BUSHINGS, CONNECTOR, & NUT)						
	27	1	<b>202-2786</b>	1	KIT-ALTERNATOR TERMINAL (INDICATOR LIGHT) (KIT INCLUDES NUTS, WASHERS, BUSHINGS, & CONNECTOR)						
F			<b>202-2787</b>	1	KIT-HARDWARE (ALTERNATOR AIR) (KIT INCLUDES NUTS, SCREWS, WASHER, BOOT, COLLAR, & CONNECTOR)						
F - NOT SHOWN											

# ELECTRICAL AND STARTING SYSTEM

266-7227 ALTERNATOR GP-CHARGING (contd.)

i04404610



VIEW A-A

GRAPHIC #1

<END>

g01394690

# ELECTRICAL AND STARTING SYSTEM

## 331-5717 ALTERNATOR GP-CHARGING\*R

S/N: 85Z3764-UP  
24-VOLT, 105-AMPERE  
FIELD INSTALLATION

SMCS-1405

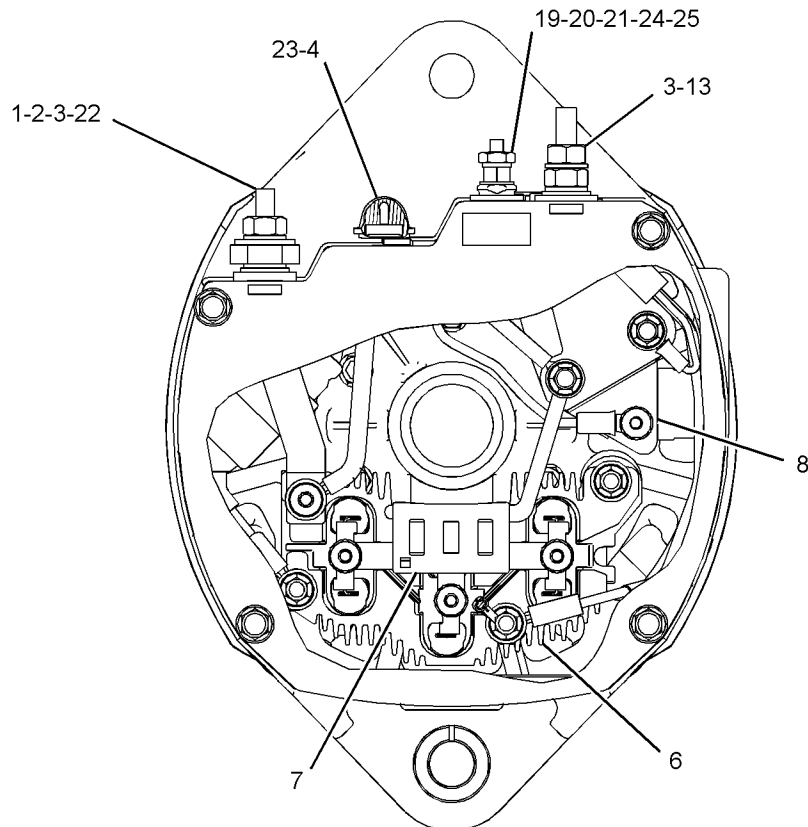
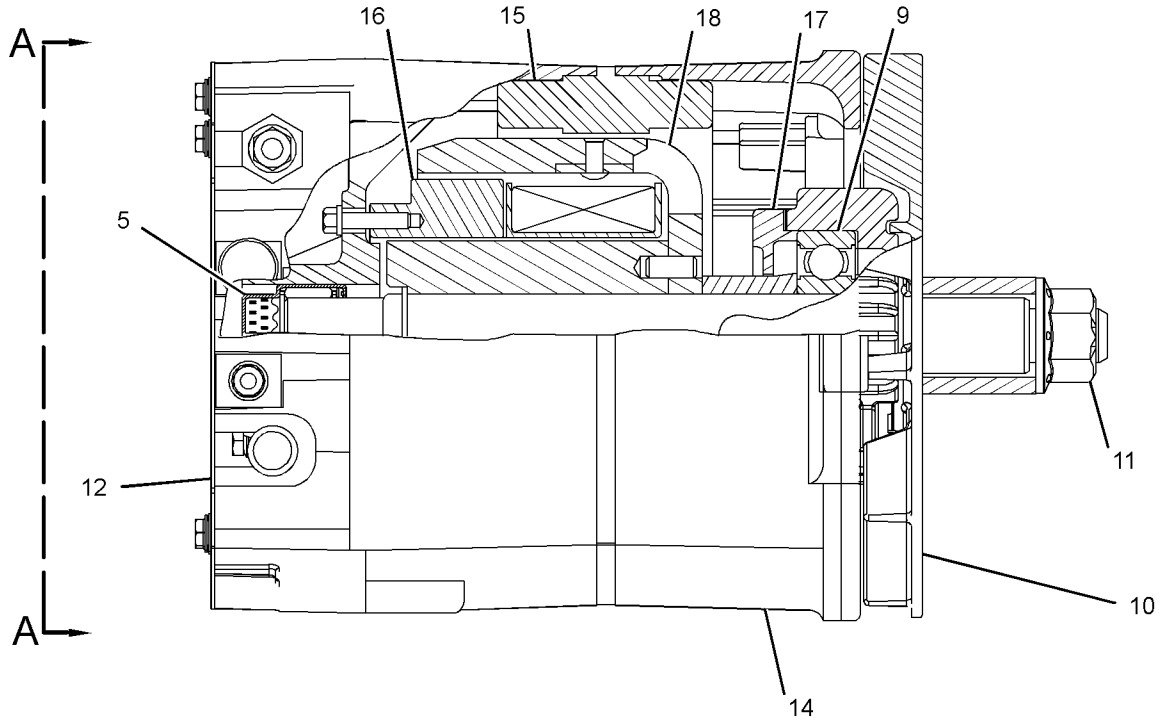
i07764775

NOTE	REF NO	GRAPHIC REF	PART NUMBER	QTY	PART NAME						SEE PAGE
					1	2	3	4	5	6 (PRODUCT LEVEL)	
	1	1	<b>8T-4205</b>	1	WASHER-HARD (7.2X14.5X2-MM THK)						
	2	1	<b>1H-3244</b>	1	LOCKWASHER						
	3	1	<b>6V-8187</b>	2	NUT (1/4-28-THD)						
	4	1	<b>9L-6770</b>	1	CAP-DUST						
	5	1	<b>231-6133</b>	1	KIT-BEARING (ALTERNATOR)						
		1	<b>5P-3419</b>	1	RACE-BEARING INNER						
		1	<b>229-9407</b>	1	BEARING AS						
	6	1	<b>308-1362</b>	1	RECTIFIER AS						
	7	1	<b>202-2708</b>	1	DIODE AS (ALTERNATOR)						
	8	1	<b>3T-6354</b>	1	REGULATOR AS-VOLTAGE (24-VOLT) (ALTERNATOR)						
	9	1	<b>202-9897</b>	1	BEARING-SPECIAL BALL						
	10	1	<b>100-6531</b>	1	FAN-ALTERNATOR (11-BLADE)						
	11	1	<b>187-2034</b>	1	NUT-FLANGE (5/8-18-THD)						
	12	1	<b>202-2783</b>	1	PLATE						
	13	1	<b>292-3815</b>	1	KIT-TERMINAL						
	14	1	<b>202-2700</b>	1	FRAME (ALTERNATOR)						
	15	1	<b>308-1365</b>	1	STATOR AS (ALTERNATOR)						
	16	1	<b>308-1366</b>	1	COIL AS (ALTERNATOR)						
	17	1	<b>9S-2390</b>	1	RETAINER						
	18	1	<b>299-1761</b>	1	ROTOR AS						
	19	1	<b>4B-2047</b>	1	NUT (10-24-THD)						
	20	1	<b>8T-0328</b>	1	WASHER-HARD (5.5X10X1-MM THK)						
	21	1	<b>8F-1434</b>	1	LOCKWASHER						
	22	1	<b>202-2784</b>	1	KIT-ALTERNATOR TERMINAL						
					(INCLUDES NUT, LOCKWASHERS, WASHERS, INSULATORS, SCREW, CONNECTORS, & ADAPTER)						
	23	1	<b>202-2785</b>	1	KIT-ALTERNATOR TERMINAL						
					(INCLUDES STUD, BUSHINGS, WASHERS, CONNECTOR, AND NUT)						
	24	1	<b>202-2787</b>	1	KIT-HARDWARE (ALTERNATOR)						
					(INCLUDES NUT AS, SCREW AS, SCREW, PLUG, LOCKWASHER, NUT, CONNECTOR, BOLT, COLLAR & BOOT)						
	25	1	<b>328-8410</b>	1	KIT-TERMINAL						

# ELECTRICAL AND STARTING SYSTEM

331-5717 ALTERNATOR GP-CHARGING (contd.)

i07764775



VIEW A-A

<END>

GRAPHIC #1

g02141298

# ELECTRICAL AND STARTING SYSTEM

## 3N-2706 ALTERNATOR GP-CHARGING

S/N: 85Z3764-UP

24 VOLT, 35 AMPERE

**CANNOT BE USED WITH MOBILE EQUIPMENT FRONT SUPPORT  
AN ATTACHMENT**

**SMCS-1405**

**i06108172**

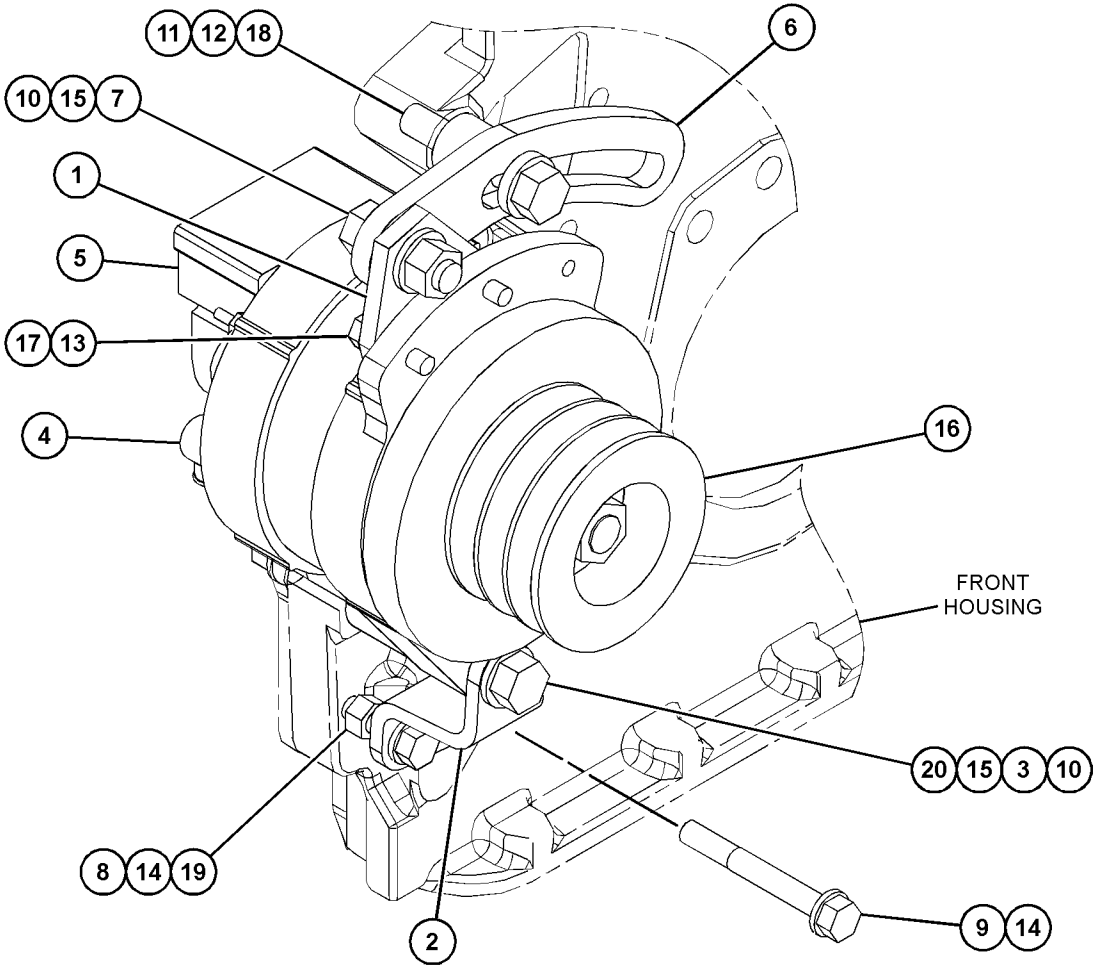
NOTE	REF NO	GRAPHIC REF	PART NUMBER	QTY	PART NAME						SEE PAGE
					1	2	3	4	5	6 (PRODUCT LEVEL)	
	1	1	<b>3N-2704</b>	1	PLATE-MOUNTING						
	2	1	<b>3N-2705</b>	1	BRACKET-MOUNTING						
	3	1	<b>4J-9683</b>	1	SPACER (0.56X1X1.5-IN THK)						
	4	1	<b>6L-3483</b>	2	COVER-TERMINAL						
YR	5	1	<b>6T-1395</b>	1	ALTERNATOR GP-CHARGING						906
	6	1	<b>8S-4182</b>	1	STRAP						
	7	1	<b>0S-1585</b>	1	BOLT (1/2-13X1.5-IN)						
	8	1	<b>0S-1588</b>	1	BOLT (3/8-16X1.25-IN)						
	9	1	<b>0S-1619</b>	1	BOLT (3/8-16X3-IN)						
	10	1	<b>1F-7958</b>	2	NUT-FULL (1/2-13-THD)						
	11	1	<b>1K-4649</b>	1	SPACER (0.516X1X1-IN THK)						
	12	1	<b>2M-0849</b>	1	WASHER-HARD (13.5X25.5X5-MM THK)						
	13	1	<b>4B-3388</b>	2	BOLT (5/16-18X1.125-IN)						
	14	1	<b>5M-2894</b>	2	WASHER-HARD (10.2X18.5X2.5-MM THK)						
	15	1	<b>5P-8245</b>	4	WASHER-HARD (13.5X25.5X3-MM THK)						
	16	1	<b>8L-4529</b>	1	PULLEY-ALTERNATOR						
	17	1	<b>9M-1974</b>	2	WASHER-HARD (8.8X16X2-MM THK)						
	18	1	<b>9S-1366</b>	1	BOLT (1/2-13X2.5-IN)						
	19	1	<b>9S-8752</b>	1	NUT-FULL (3/8-16-THD)						
	20	1	<b>9X-8878</b>	1	BOLT (1/2-13X5.25-IN)						

R - REMANUFACTURED PART MAY BE AVAILABLE  
Y - SEPARATE ILLUSTRATION

# ELECTRICAL AND STARTING SYSTEM

3N-2706 ALTERNATOR GP-CHARGING (contd.)

i06108172



GRAPHIC #1

<END>

g03684286

# ELECTRICAL AND STARTING SYSTEM

## 3N-2707 ALTERNATOR GP-CHARGING

S/N: 85Z3764-UP

24 VOLT, 35 AMPERE

FOR USE WITH FRONT ENGINE SUPPORT

CANNOT BE USED WITH FAN DRIVE OR FRONT POWER TAKE-OFF

AN ATTACHMENT

TYPE 1

SMCS-1405

i03441105

NOTE	REF NO	GRAPHIC REF	PART NUMBER	QTY	PART NAME						SEE PAGE
					1	2	3	4	5	6 (PRODUCT LEVEL)	
	1	1	<b>4J-9683</b>	1	SPACER (0.56X1X1.5-IN THK)						
	2	1	<b>2H-6488</b>	1	BOLT (1/2-13X5-IN)						
	3	1	<b>1D-4719</b>	2	NUT-FULL (1/2-13-THD)						
	4	1	<b>6L-3483</b>	2	COVER-TERMINAL						
J	5	1	<b>068-5590</b>	1	V-BELT (1118-MM LG) (ALTERNATOR)						
	6	1	<b>5M-2894</b>	2	WASHER-HARD (10.2X18.5X2.5-MM THK)						
YR	7	1	<b>6T-1395</b>	1	ALTERNATOR GP-CHARGING						906
	8	1	<b>8L-4897</b>	1	PULLEY-ALTERNATOR (1-GROOVE)						
	9	1	<b>3N-2704</b>	1	PLATE-MOUNTING						
	10	1	<b>7B-3235</b>	1	BOLT (1/2-13X1.375-IN)						
	11	1	<b>0S-1618</b>	2	BOLT (5/16-18X1-IN)						
	12	1	<b>8S-4182</b>	1	STRAP						
	13	1	<b>9S-1366</b>	1	BOLT (1/2-13X2.5-IN)						
	14	1	<b>2M-0849</b>	2	WASHER-HARD (13.5X25.5X5-MM THK)						
	15	1	<b>1K-4649</b>	1	SPACER (0.516X1X1-IN THK)						
	16	1	<b>3N-2705</b>	1	BRACKET-MOUNTING						
	17	1	<b>0S-1588</b>	1	BOLT (3/8-16X1.25-IN)						
		1	<b>1D-4717</b>	1	NUT (3/8-16-THD) (FULL)						
	18	1	<b>0L-1352</b>	1	BOLT (3/8-16X3.25-IN)						
L	19	1	<b>5L-3979</b>	1	V-BELT GP (ALTERNATOR)						

J - NOT REQUIRED WHEN USED ON 3304 & 3306 INDUSTRIAL ENGINES

L - NOT REQUIRED WHEN USED ON 3304 & 3306 MARINE ENGINES

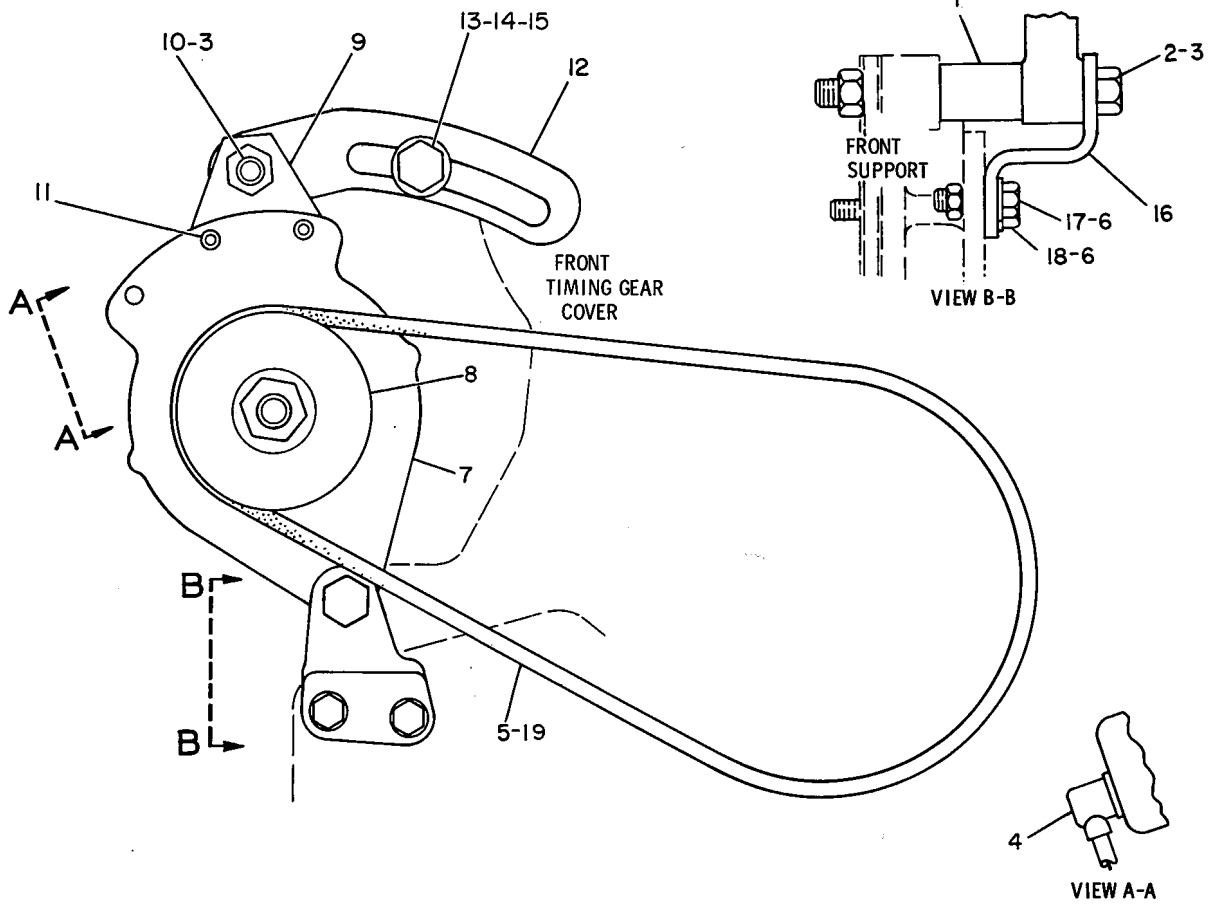
R - REMANUFACTURED PART MAY BE AVAILABLE

Y - SEPARATE ILLUSTRATION

# ELECTRICAL AND STARTING SYSTEM

3N-2707 ALTERNATOR GP-CHARGING (contd.)

103441105



GRAPHIC #1

<END>

g00203776



# ELECTRICAL AND STARTING SYSTEM

## 3N-2707 ALTERNATOR GP-CHARGING

S/N: 85Z3764-UP

24 VOLT, 35 AMPERE

FOR USE WITH FRONT ENGINE SUPPORT

CANNOT BE USED WITH FAN DRIVE OR FRONT POWER TAKE-OFF  
AN ATTACHMENT

TYPE 2

SMCS-1405

i01948198

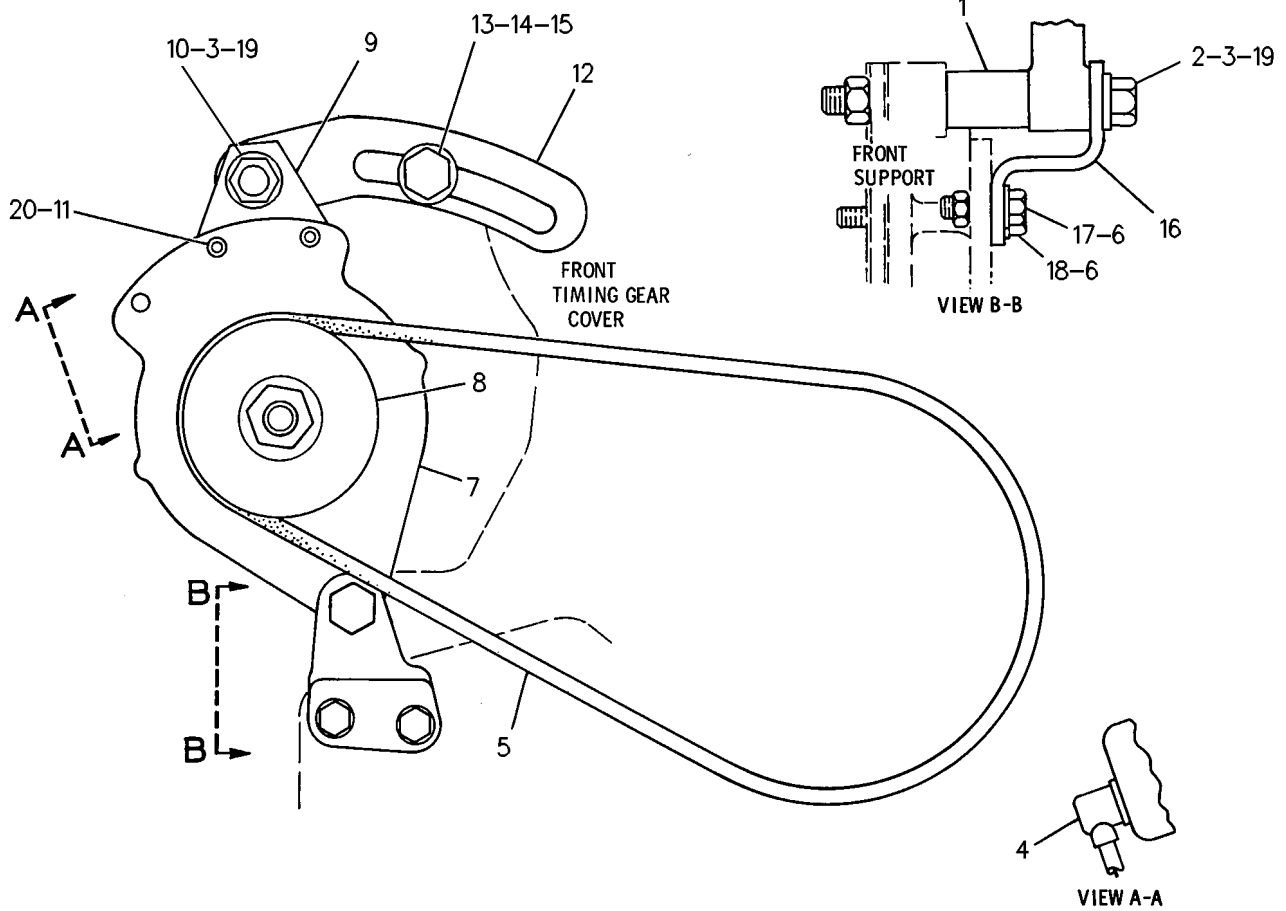
NOTE	REF NO	GRAPHIC REF	PART NUMBER	QTY	PART NAME						SEE PAGE
					1	2	3	4	5	6 (PRODUCT LEVEL)	
	1	1	<b>4J-9683</b>	1	SPACER (0.56X1X1.5-IN THK)						
C	2	1	<b>9X-8878</b>	1	BOLT (1/2-13X5.25-IN)						
C	3	1	<b>1F-7958</b>	2	NUT-FULL (1/2-13-THD)						
	4	1	<b>6L-3483</b>	2	COVER-TERMINAL						
C	5	1	<b>068-5590</b>	1	V-BELT (1118-MM LG) (ALTERNATOR)						
	6	1	<b>5M-2894</b>	2	WASHER-HARD (10.2X18.5X2.5-MM THK)						
YR	7	1	<b>6T-1395</b>	1	ALTERNATOR GP-CHARGING						906
	8	1	<b>8L-4897</b>	1	PULLEY-ALTERNATOR						
	9	1	<b>3N-2704</b>	1	PLATE-MOUNTING						
C	10	1	<b>0S-1587</b>	1	BOLT (1/2-13X1.75-IN)						
C	11	1	<b>4B-3388</b>	2	BOLT (5/16-18X1.125-IN)						
	12	1	<b>8S-4182</b>	1	STRAP						
	13	1	<b>9S-1366</b>	1	BOLT (1/2-13X2.5-IN)						
C	14	1	<b>2M-0849</b>	1	WASHER-HARD (13.5X25.5X5-MM THK)						
	15	1	<b>1K-4649</b>	1	SPACER (0.516X1X1-IN THK)						
	16	1	<b>3N-2705</b>	1	BRACKET-MOUNTING						
	17	1	<b>0S-1588</b>	1	BOLT (3/8-16X1.25-IN)						
C		1	<b>9S-8752</b>	1	NUT-FULL (3/8-16-THD)						
C	18	1	<b>0S-1619</b>	1	BOLT (3/8-16X3-IN)						
C	19	1	<b>5P-8245</b>	4	WASHER-HARD (13.5X25.5X3-MM THK)						
C	20	1	<b>9M-1974</b>	2	WASHER-HARD (8.8X16X2-MM THK)						

C - CHANGE FROM PREVIOUS TYPE  
R - REMANUFACTURED PART MAY BE AVAILABLE  
Y - SEPARATE ILLUSTRATION

# ELECTRICAL AND STARTING SYSTEM

3N-2707 ALTERNATOR GP-CHARGING (contd.)

i01948198



GRAPHIC #1

<END>

g00229858

# ELECTRICAL AND STARTING SYSTEM

## 3N-2708 ALTERNATOR GP-CHARGING

S/N: 85Z3764-UP  
12 VOLT, 55 AMPERE  
AN ATTACHMENT

SMCS-1405

i05755355

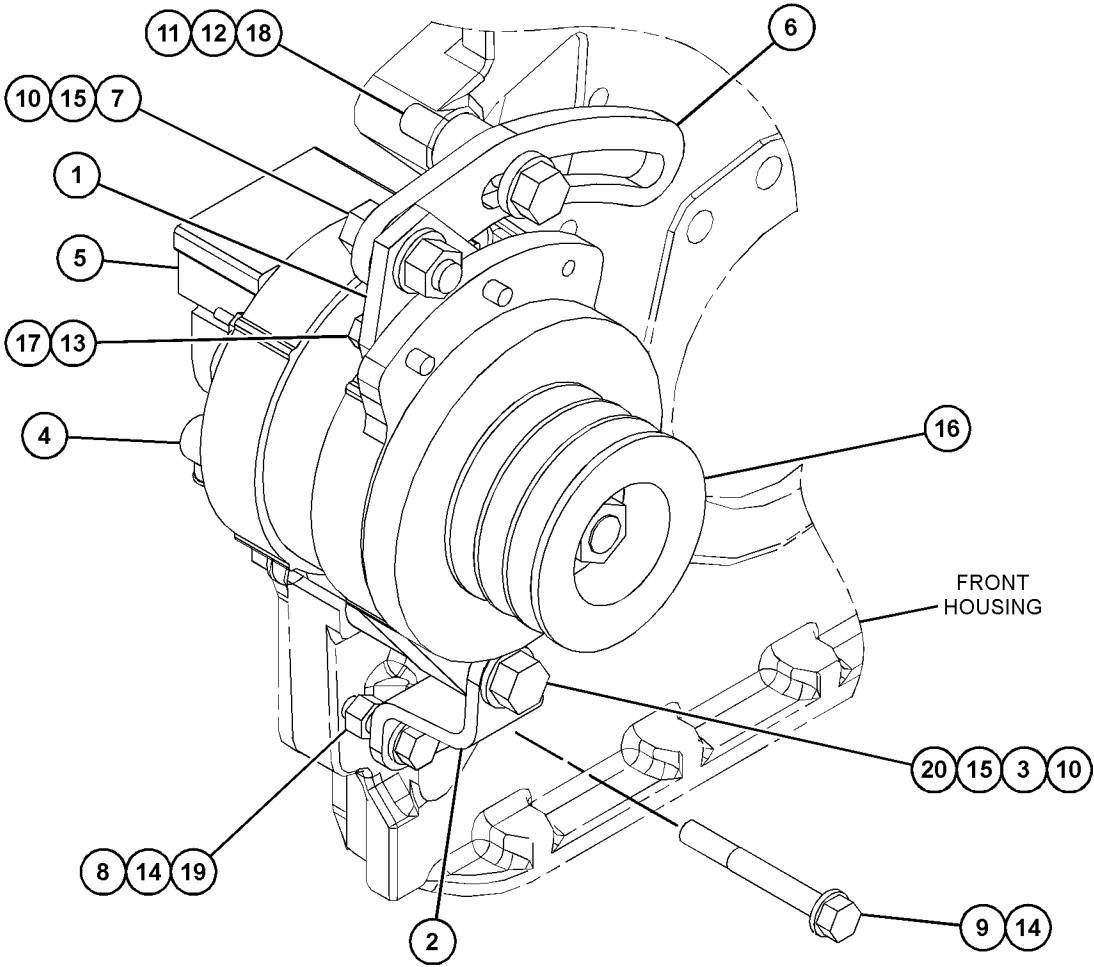
NOTE	REF NO	GRAPHIC REF	PART NUMBER	QTY	PART NAME						SEE PAGE
					1	2	3	4	5	6 (PRODUCT LEVEL)	
	1	1	<b>3N-2704</b>	1	PLATE-MOUNTING						
	2	1	<b>3N-2705</b>	1	BRACKET-MOUNTING						
	3	1	<b>4J-9683</b>	1	SPACER (0.56X1X1.5-IN THK)						
	4	1	<b>6L-3483</b>	2	COVER-TERMINAL						
YR	5	1	<b>6T-1396</b>	1	ALTERNATOR GP-CHARGING						908
	6	1	<b>8S-4182</b>	1	STRAP						
	7	1	<b>0S-1585</b>	1	BOLT (1/2-13X1.5-IN)						
	8	1	<b>0S-1588</b>	1	BOLT (3/8-16X1.25-IN)						
	9	1	<b>0S-1619</b>	1	BOLT (3/8-16X3-IN)						
	10	1	<b>1F-7958</b>	2	NUT-FULL (1/2-13-THD)						
	11	1	<b>1K-4649</b>	1	SPACER (0.516X1X1-IN THK)						
	12	1	<b>2M-0849</b>	1	WASHER-HARD (13.5X25.5X5-MM THK)						
	13	1	<b>4B-3388</b>	2	BOLT (5/16-18X1.125-IN)						
	14	1	<b>5M-2894</b>	2	WASHER-HARD (10.2X18.5X2.5-MM THK)						
	15	1	<b>5P-8245</b>	4	WASHER-HARD (13.5X25.5X3-MM THK)						
	16	1	<b>8L-4529</b>	1	PULLEY-ALTERNATOR						
	17	1	<b>9M-1974</b>	2	WASHER-HARD (8.8X16X2-MM THK)						
	18	1	<b>9S-1366</b>	1	BOLT (1/2-13X2.5-IN)						
	19	1	<b>9S-8752</b>	1	NUT-FULL (3/8-16-THD)						
	20	1	<b>9X-8878</b>	1	BOLT (1/2-13X5.25-IN)						

R - REMANUFACTURED PART MAY BE AVAILABLE  
Y - SEPARATE ILLUSTRATION

# ELECTRICAL AND STARTING SYSTEM

3N-2708 ALTERNATOR GP-CHARGING (contd.)

i05755355



GRAPHIC #1

<END>

g03684286

# ELECTRICAL AND STARTING SYSTEM

## 3N-2709 ALTERNATOR GP-CHARGING

S/N: 85Z3764-UP

12 VOLT, 55 AMPERE

FOR USE WITH FRONT ENGINE SUPPORT

CANNOT BE USED WITH FAN DRIVE

AN ATTACHMENT

TYPE 1

SMCS-1405

i01948228

NOTE	REF NO	GRAPHIC REF	PART NUMBER	QTY	PART NAME						SEE PAGE
					1	2	3	4	5	6 (PRODUCT LEVEL)	
	1	1	<b>4J-9683</b>	1	SPACER (0.56X1X1.5-IN THK)						
	2	1	<b>2H-6488</b>	1	BOLT (1/2-13X5-IN)						
	3	1	<b>1D-4719</b>	2	NUT-FULL (1/2-13-THD)						
	4	1	<b>6L-3483</b>	2	COVER-TERMINAL						
J	5	1	<b>068-5590</b>	1	V-BELT (1118-MM LG) (ALTERNATOR)						
					-OR-						
L		1	<b>1N-4635</b>	1	V-BELT GP (991-MM LG) (ALTERNATOR)						
	6	1	<b>5M-2894</b>	2	WASHER-HARD (10.2X18.5X2.5-MM THK)						
YR	7	1	<b>6T-1396</b>	1	ALTERNATOR GP-CHARGING						908
	8	1	<b>8L-4897</b>	1	PULLEY-ALTERNATOR						
	9	1	<b>3N-2704</b>	1	PLATE-MOUNTING						
	10	1	<b>7B-3235</b>	1	BOLT (1/2-13X1.375-IN)						
	11	1	<b>0S-1618</b>	2	BOLT (5/16-18X1-IN)						
	12	1	<b>8S-4182</b>	1	STRAP						
	13	1	<b>9S-1366</b>	1	BOLT (1/2-13X2.5-IN)						
	14	1	<b>2M-0849</b>	1	WASHER-HARD (13.5X25.5X5-MM THK)						
	15	1	<b>1K-4649</b>	1	SPACER (0.516X1X1-IN THK)						
	16	1	<b>3N-2705</b>	1	BRACKET-MOUNTING						
	17	1	<b>0S-1588</b>	1	BOLT (3/8-16X1.25-IN)						
		1	<b>1D-4717</b>	1	NUT (3/8-16-THD)						
	18	1	<b>0S-1619</b>	1	BOLT (3/8-16X3-IN)						

J - NOT REQUIRED WHEN USED ON 3304 & 3306 INDUSTRIAL ENGINE

L - NOT REQUIRED WHEN USED ON 3304 & 3306 MARINE ENGINE

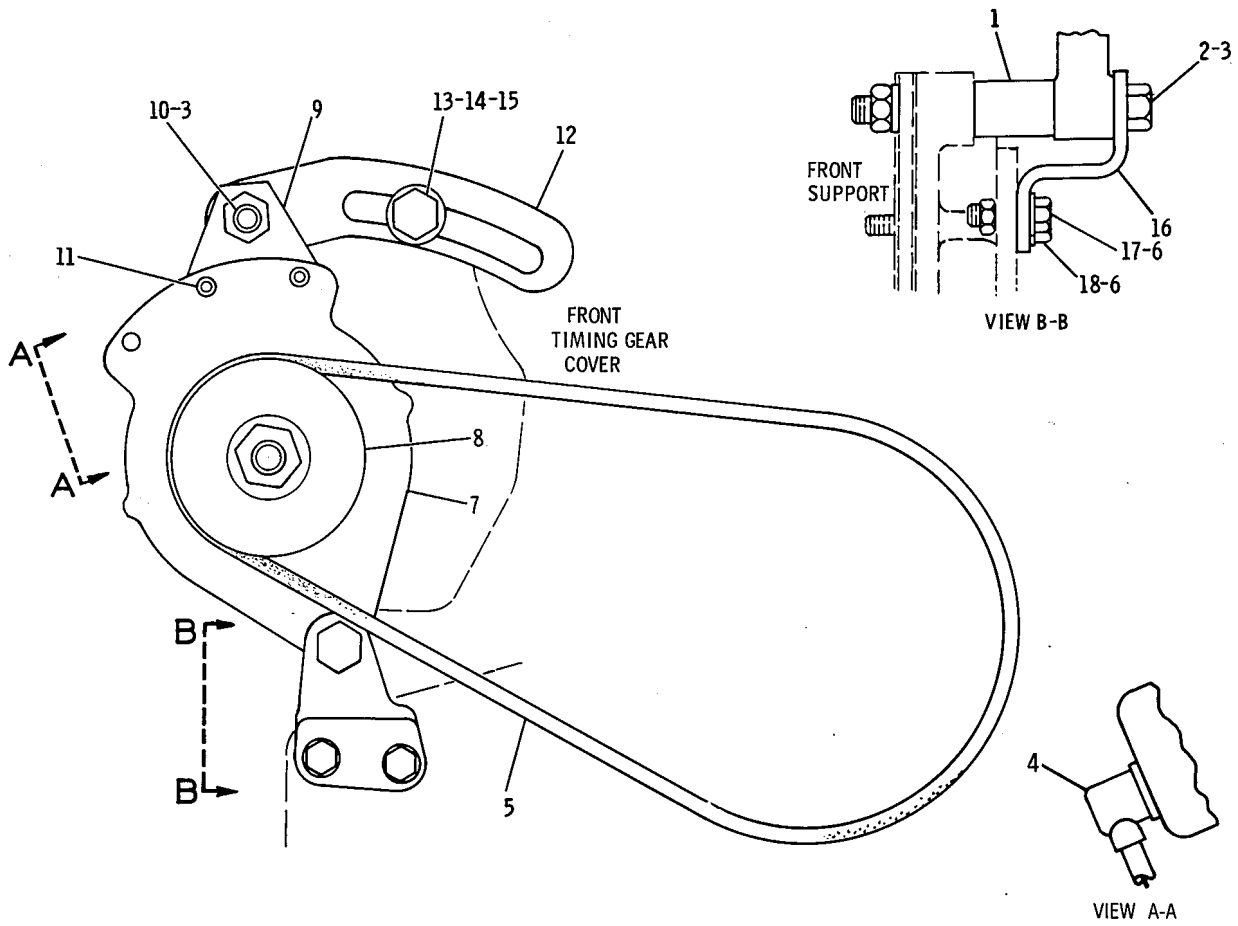
R - REMANUFACTURED PART MAY BE AVAILABLE

Y - SEPARATE ILLUSTRATION

# ELECTRICAL AND STARTING SYSTEM

3N-2709 ALTERNATOR GP-CHARGING (contd.)

i01948228



GRAPHIC #1

<END>

g00185673

# ELECTRICAL AND STARTING SYSTEM

## 3N-2709 ALTERNATOR GP-CHARGING

S/N: 85Z3764-UP

12 VOLT, 55 AMPERE

FOR USE WITH FRONT ENGINE SUPPORT

CANNOT BE USED WITH FAN DRIVE

AN ATTACHMENT

TYPE 2

**SMCS-1405**

**i01664243**

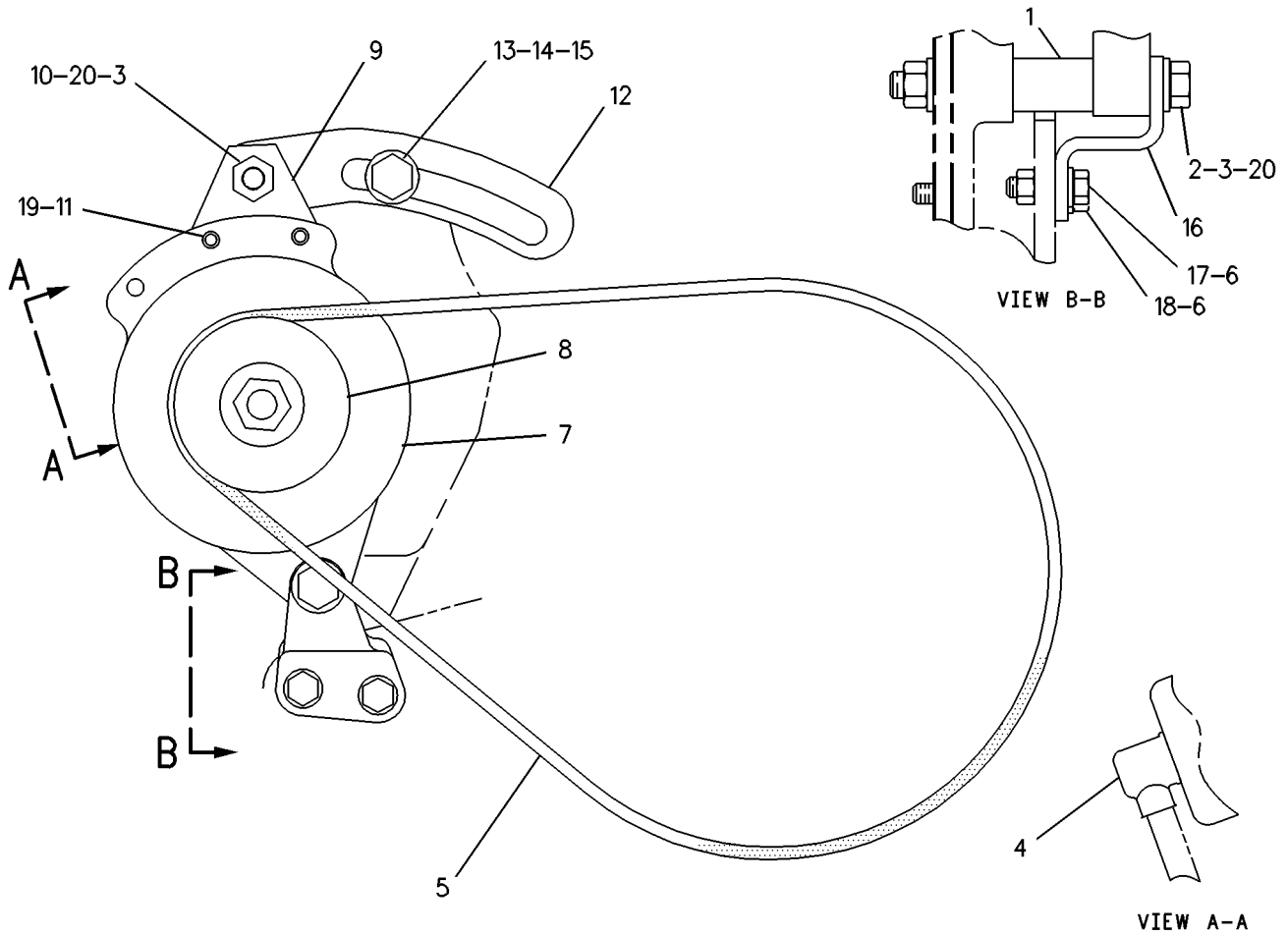
NOTE	REF NO	GRAPHIC REF	PART NUMBER	QTY	PART NAME						SEE PAGE
					1	2	3	4	5	6 (PRODUCT LEVEL)	
	1	1	<b>4J-9683</b>	1	SPACER (0.56X1X1.5-IN THK)						
C	2	1	<b>9X-8878</b>	1	BOLT (1/2-13X5.25-IN)						
C	3	1	<b>1F-7958</b>	2	NUT-FULL (1/2-13-THD)						
	4	1	<b>6L-3483</b>	2	COVER-TERMINAL						
C	5	1	<b>068-5590</b>	1	V-BELT (1118-MM LG) (ALTERNATOR)						
	6	1	<b>5M-2894</b>	2	WASHER-HARD (10.2X18.5X2.5-MM THK)						
YR	7	1	<b>6T-1396</b>	1	ALTERNATOR GP-CHARGING						908
	8	1	<b>8L-4897</b>	1	PULLEY-ALTERNATOR						
	9	1	<b>3N-2704</b>	1	PLATE-MOUNTING						
C	10	1	<b>0S-1587</b>	1	BOLT (1/2-13X1.75-IN)						
C	11	1	<b>4B-3388</b>	2	BOLT (5/16-18X1.125-IN)						
	12	1	<b>8S-4182</b>	1	STRAP						
	13	1	<b>9S-1366</b>	1	BOLT (1/2-13X2.5-IN)						
	14	1	<b>2M-0849</b>	1	WASHER-HARD (13.5X25.5X5-MM THK)						
	15	1	<b>1K-4649</b>	1	SPACER (0.516X1X1-IN THK)						
	16	1	<b>3N-2705</b>	1	BRACKET-MOUNTING						
	17	1	<b>0S-1588</b>	1	BOLT (3/8-16X1.25-IN)						
C		1	<b>9S-8752</b>	1	NUT-FULL (3/8-16-THD)						
	18	1	<b>0S-1619</b>	1	BOLT (3/8-16X3-IN)						
C	19	1	<b>9M-1974</b>	2	WASHER-HARD (8.8X16X2-MM THK)						
C	20	1	<b>5P-8245</b>	4	WASHER-HARD (13.5X25.5X3-MM THK)						

C - CHANGE FROM PREVIOUS TYPE  
R - REMANUFACTURED PART MAY BE AVAILABLE  
Y - SEPARATE ILLUSTRATION

# ELECTRICAL AND STARTING SYSTEM

3N-2709 ALTERNATOR GP-CHARGING (contd.)

i01664243



GRAPHIC #1

<END>

g00229835



# ELECTRICAL AND STARTING SYSTEM

## 3N-4663 ALTERNATOR GP-CHARGING

S/N: 85Z3764-UP

24 VOLT, 35 AMPERE

FOR USE WITH FRONT POWER TAKE-OFF  
AN ATTACHMENT

**SMCS-1405**

**i01664266**

NOTE	REF NO	GRAPHIC REF	PART NUMBER	QTY	PART NAME	SEE PAGE
					1 2 3 4 5 6 (PRODUCT LEVEL)	
	1	1	<b>6L-3483</b>	2	COVER-TERMINAL	
YR	2	1	<b>6T-1395</b>	1	ALTERNATOR GP-CHARGING	906
	3	1	<b>1A-1460</b>	1	BOLT (1/2-13X2-IN)	
		1	<b>1M-4991</b>	2	SPACER	
		1	<b>2M-0849</b>	1	WASHER-HARD (13.5X25.5X5-MM THK)	
4	1	1	<b>5L-6217</b>	1	BAR-ADJUSTMENT	
5	1	1	<b>0S-1618</b>	1	BOLT (5/16-18X1-IN)	
		1	<b>9M-1974</b>	1	WASHER-HARD (8.8X16X2-MM THK)	
		1	<b>9N-0869</b>	1	WASHER-HARD (8.8X25.5X2-MM THK)	
6	1	1	<b>8L-5227</b>	1	PULLEY-ALTERNATOR	
7	1	1	<b>6L-8161</b>	1	V-BELT SET (INCLUDES 2 BELTS)(ALTERNATOR)	
8	1	1	<b>2B-0947</b>	1	BOLT (1/2-13X2.25-IN)	
		1	<b>1K-6872</b>	1	LOCKNUT (1/2-13-THD)	
9	1	1	<b>8L-5379</b>	1	BRACKET	
10	1	1	<b>8L-5380</b>	1	BRACKET	
11	1	1	<b>1A-2029</b>	2	BOLT (3/8-16X1.125-IN)	
		1	<b>5M-2894</b>	2	WASHER-HARD (10.2X18.5X2.5-MM THK)	

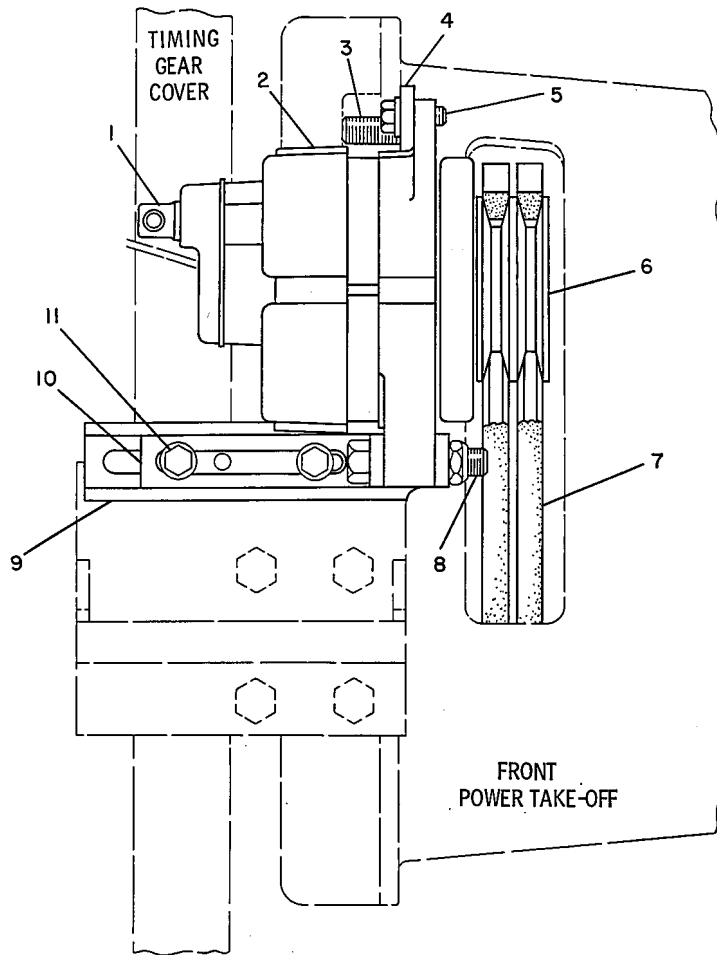
R - REMANUFACTURED PART MAY BE AVAILABLE

Y - SEPARATE ILLUSTRATION

# ELECTRICAL AND STARTING SYSTEM

3N-4663 ALTERNATOR GP-CHARGING (contd.)

101664266



GRAPHIC #1

<END>

g00186251

# ELECTRICAL AND STARTING SYSTEM

## 3N-4664 ALTERNATOR GP-CHARGING

S/N: 85Z3764-UP

24 VOLT, 50 AMPERE

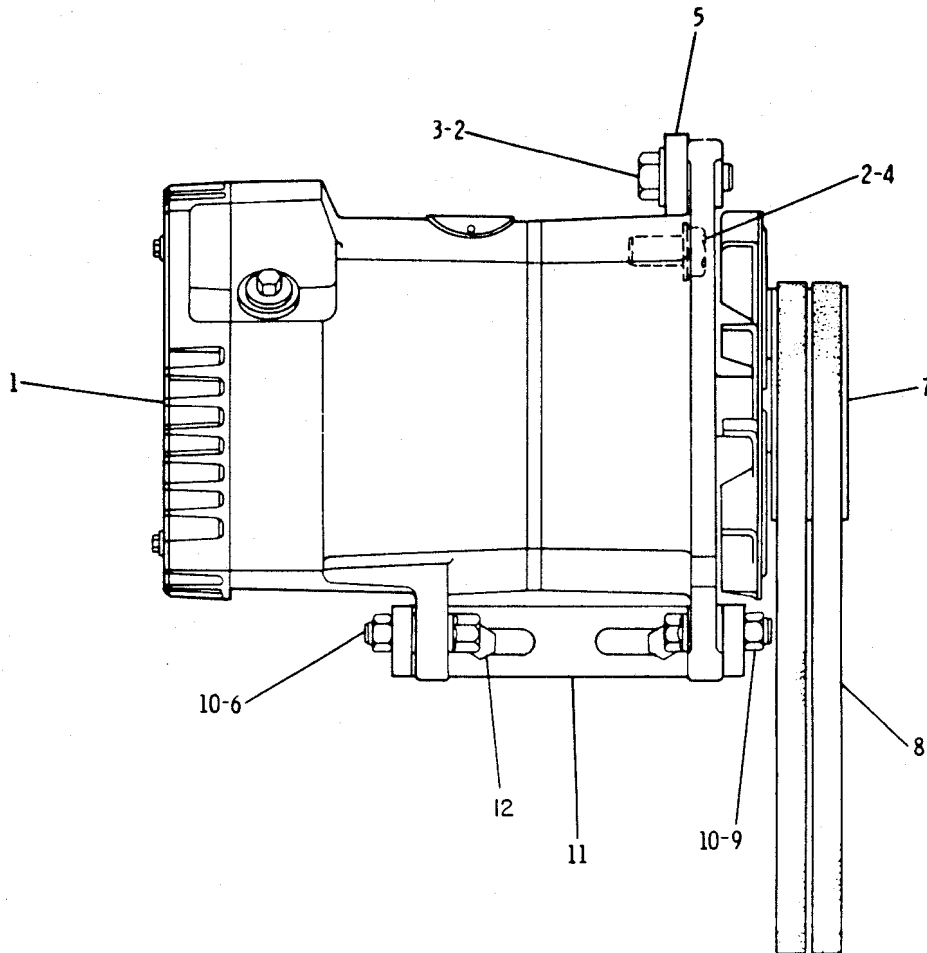
FOR USE WITH FRONT POWER TAKE-OFF  
AN ATTACHMENT

SMCS-1405

i06111761

NOTE	REF NO	GRAPHIC REF	PART NUMBER	QTY	PART NAME						SEE PAGE
					1	2	3	4	5	6	
YR	1	1	<b>4N-3986</b>	1	ALTERNATOR GP-CHARGING (24-VOLT, 60-AMPERE)						896
	2	1	<b>0S-1595</b>	2	BOLT (1/2-13X1.25-IN)						
	3	1	<b>2M-0849</b>	1	WASHER-HARD (13.5X25.5X5-MM THK)						
	4	1	<b>3H-0449</b>	2	WASHER (1.25X0.531X0.036-IN THK)						
C	5	1	<b>4W-7727</b>	1	STRAP-ADJUSTMENT						
	6	1	<b>0S-1587</b>	1	BOLT (1/2-13X1.75-IN)						
	7	1	<b>8M-8331</b>	1	PULLEY						
C	8	1	<b>9L-6128</b>	1	V-BELT SET (INCLUDES 2-BELTS) (ALTERNATOR)						
	9	1	<b>0S-1585</b>	1	BOLT (1/2-13X1.5-IN)						
	10	1	<b>1K-6872</b>	2	LOCKNUT (1/2-13-THD)						
	11	1	<b>3N-4445</b>	1	BRACKET						
	12	1	<b>2P-3200</b>	2	BOLT-WASHER HEAD						

C - CHANGE FROM PREVIOUS TYPE  
R - REMANUFACTURED PART MAY BE AVAILABLE  
Y - SEPARATE ILLUSTRATION



GRAPHIC #1

<END>

g00185937

# ELECTRICAL AND STARTING SYSTEM

## 3T-6352 ALTERNATOR GP-CHARGING\*R

S/N: 85Z3764-UP

24-VOLT, 35-AMPERE

FIELD REPLACEMENT ORDER 6N-9294-PAGE: 903

PART OF 6N-9294 ALTERNATOR GP-CHARGING

AN ATTACHMENT

SMCS-1405

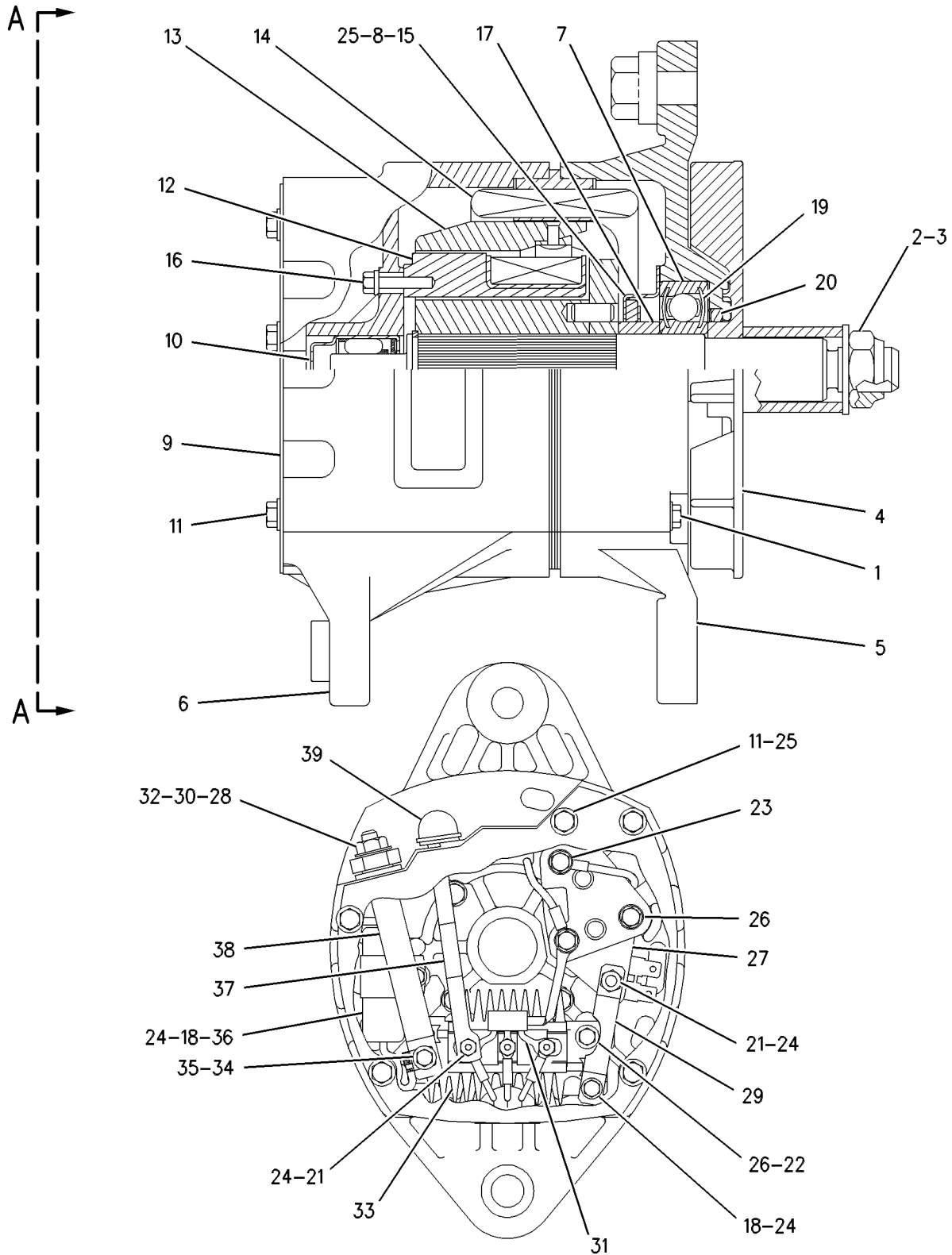
i02766398

NOTE	REF NO	GRAPHIC REF	PART NUMBER	QTY	PART NAME						SEE PAGE		
					1	2	3	4	5	6 (PRODUCT LEVEL)			
1	1	1	7N-9024	4	BOLT (10-24X2.5-IN)								
2	1	1	2K-4821	1	LOCKNUT (5/8-18-THD)								
3	1	1	7F-7621	1	WASHER (0.635X1.25X0.09-IN THK)								
4	1	1	3E-5454	1	FAN-ALTERNATOR (11-BLADE)								
5	1	1	7N-7810	1	FRAME AS-DRIVE END								
6	1	1	7N-7805	1	HOUSING								
7	1	1	6V-2202	1	BALL BEARING								
8	1	1	9S-2437	3	SCREW-TAPPING (10-24X19.05-MM)								
9	1	1	7N-7809	1	PLATE								
10	1	1	5P-6920	1	BEARING-ROLLER								
11	1	1	030-9612	5	SCREW-FORMING (10-24X0.5-IN)								
12	1	1	7N-7806	1	COIL AS-FIELD								
13	1	1	7N-7800	1	ROTOR AS								
14	1	1	7N-7804	1	STATOR AS								
15	1	1	9L-2137	1	RETAINER AS								
16	1	1	9N-3388	4	BOLT (10-24X0.75-IN)								
17	1	1	7N-7795	1	COLLAR								
18	1	1	9S-2544	2	SCREW-HEX HEAD (8-32X11.13-MM)								
19	1	1	9L-2140	1	PLATE								
20	1	1	9L-2139	1	WASHER-FELT (1.31X1.68X0.125-IN THK)								
21	1	1	4B-2043	4	NUT (8-32-THD)								
22	1	1	8T-0328	2	WASHER-HARD (5.5X10X1-MM THK)								
23	1	1	6N-1872	2	SCREW AS (8-32X1.25-IN)								
24	1	1	9B-7233	6	LOCKWASHER								
25	1	1	8F-1434	4	LOCKWASHER								
26	1	1	7N-9023	2	SCREW AS (8-32X26.9-MM)								
27	1	1	3T-6354	1	REGULATOR AS-VOLTAGE (24-VOLT) (ALTERNATOR)								
28	1	1	1H-3244	1	LOCKWASHER								
29	1	1	7N-7811	1	CONNECTOR								
30	1	1	6V-8187	1	NUT (1/4-28-THD)								
31	1	1	112-9119	1	DIODE AS-ALTERNATOR								
32	1	1	8T-4205	1	WASHER-HARD (7.2X14.5X2-MM THK)								
33	1	1	7N-7122	1	RECTIFIER AS (ALTERNATOR)								
34	1	1	7N-9021	1	SCREW AS (8-32X1.34-IN)								
35	1	1	7N-7796	1	BUSHING-TERMINAL								
36	1	1	7N-7802	1	CAPACITOR AS								
37	1	1	7N-7801	1	CONNECTOR								
38	1	1	7N-7798	1	CONNECTOR								
39	1	1	9L-6770	1	CAP-DUST (CONNECTOR)								
					AVAILABLE REPAIR KIT(S):								
					7N-7807	1	KIT-OUTPUT TERMINAL (ALTERNATOR)						
					(INCLUDES INSULATOR, SCREW, WASHERS, LOCKWASHER, NUT & ADAPTER)								
					7N-7808	1	KIT-RELAY TERMINAL (ALTERNATOR)						
					(INCLUDES STUD, BUSHINGS, WASHERS & NUT AS)								

# ELECTRICAL AND STARTING SYSTEM

3T-6352 ALTERNATOR GP-CHARGING (contd.)

102766398



VIEW A-A

GRAPHIC #1

<END>

g00329017

# ELECTRICAL AND STARTING SYSTEM

## 4N-3986 ALTERNATOR GP-CHARGING\*R

S/N: 85Z3764-UP

24-VOLT, 60-AMPERE

FIELD REPLACEMENT ORDER 1- 3T-4688 TERMINAL-RING, 266-7227-PAGE: 875

PART OF 3N-4664 ALTERNATOR GP-CHARGING

AN ATTACHMENT

SMCS-1405

i02858057

NOTE	REF NO	GRAPHIC REF	PART NUMBER	QTY	PART NAME						SEE PAGE
					1	2	3	4	5	6 (PRODUCT LEVEL)	
	1	1	<b>6N-1876</b>	1	HOUSING AS (RECTIFIER)						
	2	1	<b>9S-2396</b>	1	BUSHING-TERMINAL						
	3	1	<b>9N-0943</b>	1	PLUG-BEARING WELL						
	4	1	<b>5P-3418</b>	1	BEARING-ROLLER						
	5	1	<b>6N-1968</b>	1	STATOR AS						
		1	<b>2L-8075</b>	3	TERMINAL-RING (14-GA TO 16-GA, NO. 8 SCREW)						
		1	<b>9N-0939</b>	1	GROMMET						
	6	1	<b>9N-0942</b>	1	PLATE-COVER						
	7	1	<b>2P-5616</b>	1	FRAME-DRIVE END						
	8	1	<b>9S-2390</b>	1	RETAINER						
	9	1	<b>9N-0937</b>	1	RECTIFIER AS						
	10	1	<b>9S-2302</b>	1	ROTOR AS						
	11	1	<b>5P-7807</b>	1	BALL BEARING						
	12	1	<b>100-6531</b>	1	FAN-ALTERNATOR (11-BLADE)						
	13	1	<b>5P-3419</b>	1	RACE-BEARING INNER						
	14	1	<b>7F-7621</b>	1	WASHER (0.635X1.25X0.09-IN THK)						
	15	1	<b>2K-4821</b>	1	LOCKNUT (5/8-18-THD)						
	16	1	<b>6N-1945</b>	1	COIL AS-FIELD						
	17	1	<b>9X-2500</b>	4	SCREW-HEX FLANGE (10-24X38.1-MM)						
	18	1	<b>9N-3388</b>	5	BOLT (10-24X0.75-IN)						
	19	1	<b>100-6532</b>	1	COLLAR-ALTERNATOR						
	20	1	<b>9S-2009</b>	4	BOLT-FLANGE HEAD (10-24X3.625-IN)						
	21	2	<b>6N-1944</b>	1	DIODE AS						
	22	2	<b>6N-1870</b>	2	SCREW AS (8-32X34-MM)						
	23	2	<b>8T-0328</b>	2	WASHER-HARD (5.5X10X1-MM THK)						
	24	2	<b>9S-2544</b>	7	SCREW-HEX HEAD (8-32X11.13-MM)						
	25	2	<b>9B-7233</b>	11	LOCKWASHER						
	26	2	<b>4B-2043</b>	4	NUT (8-32-THD)						
	27	2	<b>6V-8187</b>	2	NUT (1/4-28-THD)						
	28	2	<b>1H-3244</b>	2	LOCKWASHER						
	29	2	<b>6N-1925</b>	1	BRACKET						
	30	2	<b>6N-1946</b>	1	CAPACITOR AS						
	31	2	<b>6N-1872</b>	3	SCREW AS (8-32X1.25-IN)						
	32	2	<b>3T-6354</b>	1	REGULATOR AS-VOLTAGE (24-VOLT) (ALTERNATOR)						
	33	2	<b>6N-1873</b>	1	LEAD AS						
	34	2	<b>2L-8075</b>	3	TERMINAL-RING (14-GA TO 16-GA, NO. 8 SCREW)						
	35	2	<b>8T-4205</b>	2	WASHER-HARD (7.2X14.5X2-MM THK)						
	36	2	<b>6N-1871</b>	1	LEAD AS						
	37	2	<b>8M-6701</b>	3	WASHER (0.281X0.5X0.032-IN THK)						
	38	2	<b>6N-1856</b>	4	BUSHING-TERMINAL						
					AVAILABLE REPAIR KIT(S):						
			<b>6N-1875</b>	1	KIT-OUTPUT TERMINAL (ALTERNATOR)						
					(INCLUDES TERMINAL, LEAD ASSEMBLY, BUSHING, WASHERS, NUTS & LOCKWASHERS)						

# ELECTRICAL AND STARTING SYSTEM

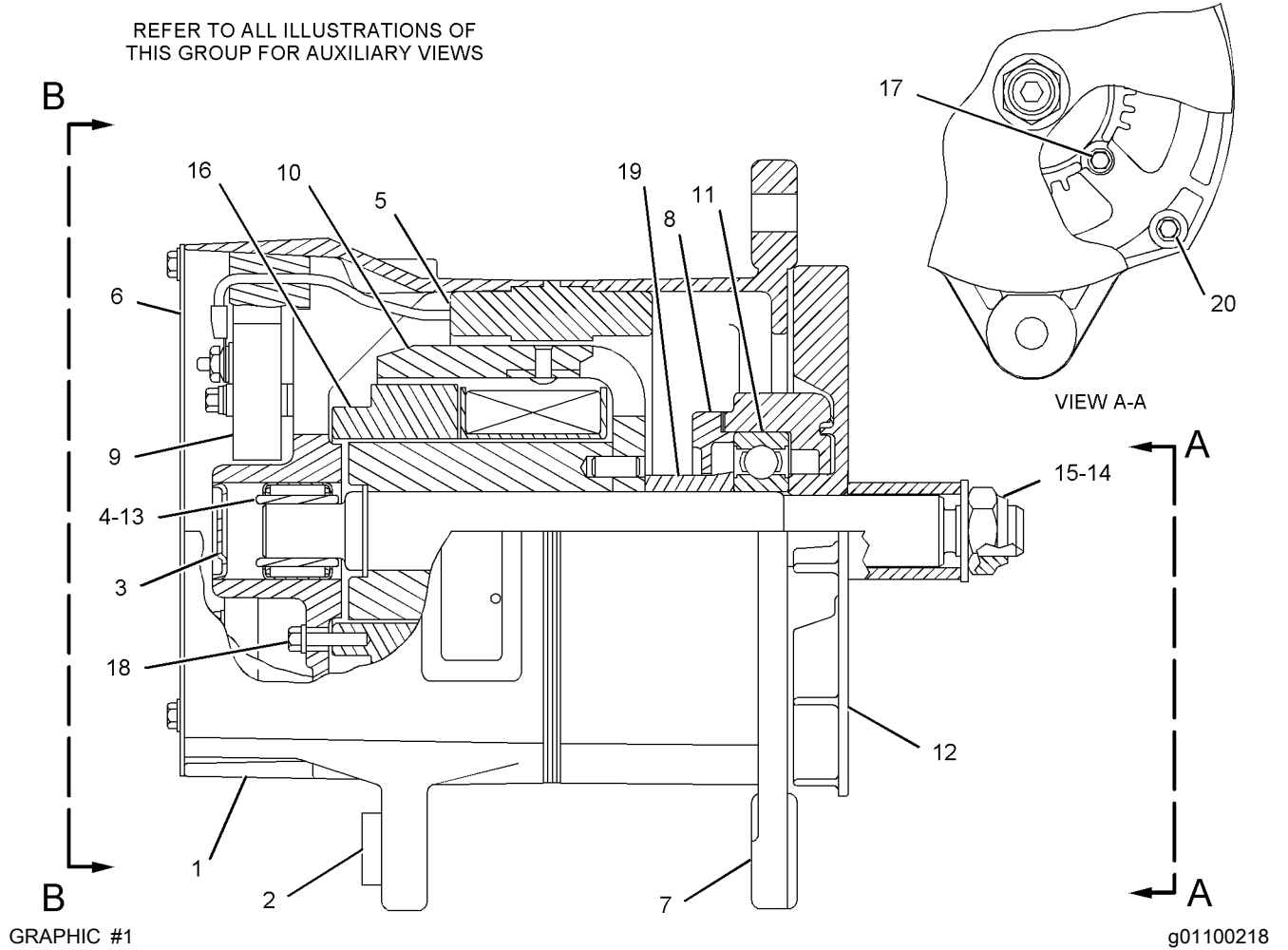
4N-3986 ALTERNATOR GP-CHARGING (contd.)

i02858057

NOTE	REF NO	GRAPHIC REF	PART NUMBER	QTY	PART NAME	SEE PAGE
			<b>105-3762</b>	1	KIT-ALTERNATOR TERMINAL	

(INCLUDES TERMINAL ASSEMBLY, INSULATOR, BUSHING, WASHER, NUTS & LOCKWASHERS)

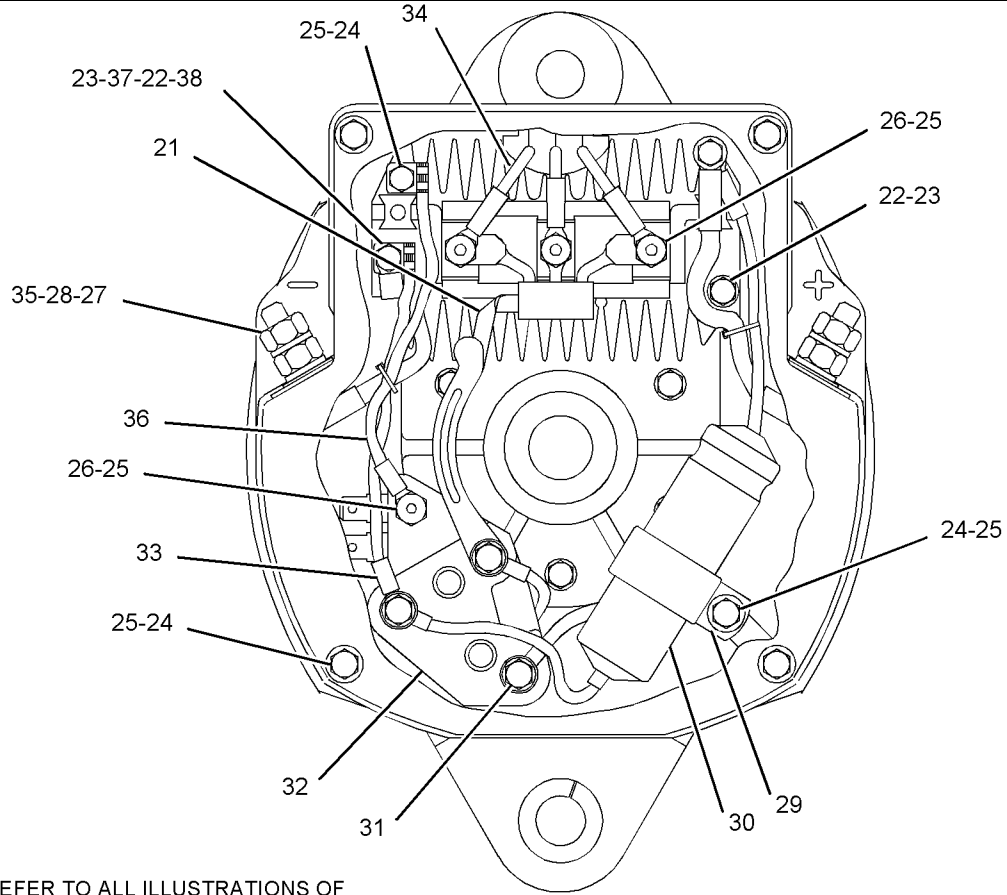
REFER TO ALL ILLUSTRATIONS OF THIS GROUP FOR AUXILIARY VIEWS



# ELECTRICAL AND STARTING SYSTEM

4N-3986 ALTERNATOR GP-CHARGING (contd.)

i02858057



REFER TO ALL ILLUSTRATIONS OF THIS GROUP FOR AUXILIARY VIEWS

VIEW B-B

<END>

GRAPHIC #2

g01117023



# ELECTRICAL AND STARTING SYSTEM

## 5N-5692 ALTERNATOR GP-CHARGING\*R

S/N: 85Z3764-UP  
24-VOLT, 45-AMPERE  
AN ATTACHMENT  
TYPE 1

SMCS-1405

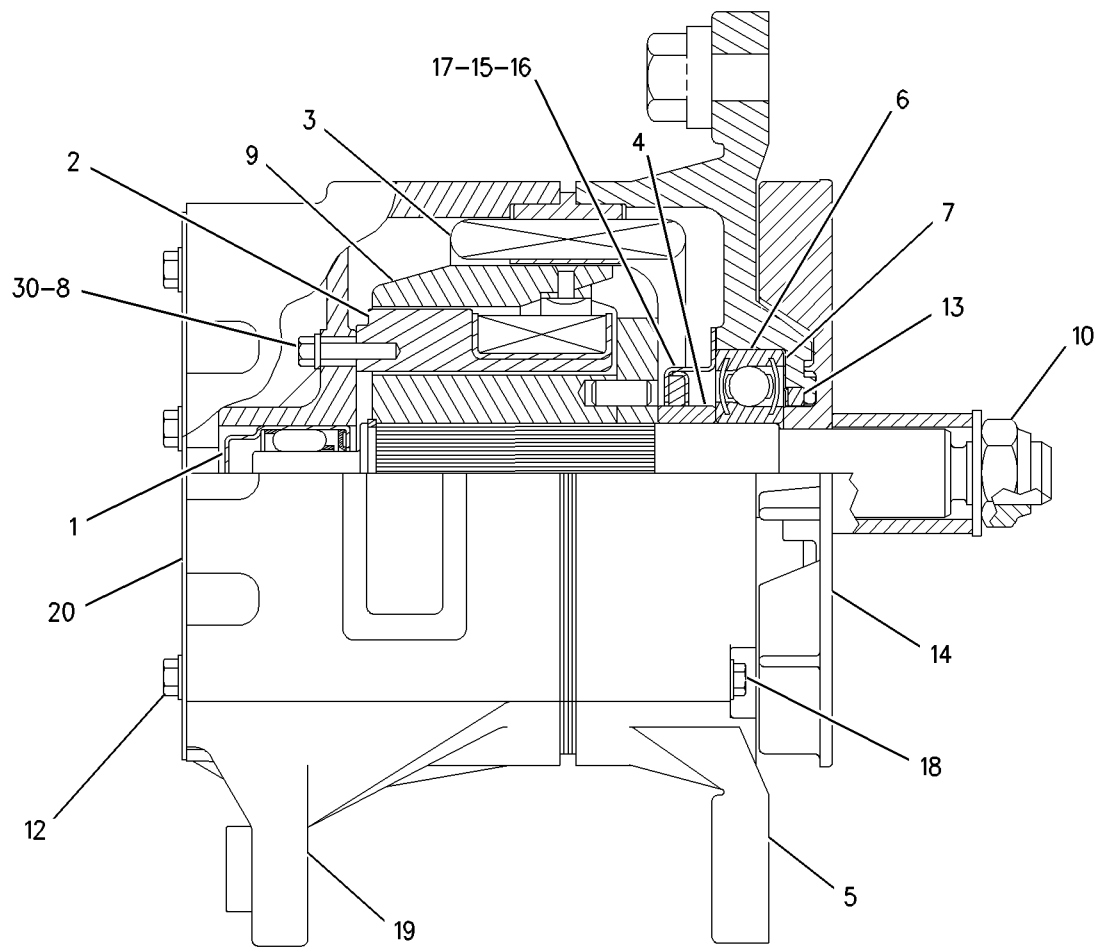
i04724629

NOTE	REF NO	GRAPHIC REF	PART NUMBER	QTY	PART NAME						SEE PAGE
					1	2	3	4	5	6 (PRODUCT LEVEL)	
	1	1	<b>5P-6920</b>	1	BEARING-ROLLER						
	2	1	<b>7N-7806</b>	1	COIL AS-FIELD						
	3	1	<b>9G-5578</b>	1	STATOR AS (24-VOLT)						
	4	1	<b>7N-7795</b>	1	COLLAR						
	5	1	<b>7N-7810</b>	1	FRAME AS-DRIVE END						
	6	1	<b>6V-2202</b>	1	BALL BEARING						
	7	1	<b>9L-2140</b>	1	PLATE						
	8	1	<b>7X-3353</b>	4	SCREW-HEX HEAD (10X24X19.05-MM)						
	9	1	<b>7N-7800</b>	1	ROTOR AS						
	10	1	<b>187-2034</b>	1	NUT-FLANGE (5/8-18-THD)						
	12	1,2	<b>030-9612</b>	5	SCREW-FORMING (10-24X0.5-IN)						
	13	1	<b>9L-2139</b>	1	WASHER-FELT (1.31X1.68X0.125-IN THK)						
	14	1	<b>3E-5454</b>	1	FAN-ALTERNATOR (11-BLADE)						
	15	1	<b>9S-2437</b>	3	SCREW-TAPPING (10-24X19.05-MM)						
	16	1	<b>9L-2137</b>	1	RETAINER AS						
	17	1,2	<b>8F-1434</b>	4	LOCKWASHER						
	18	1	<b>7N-9024</b>	4	BOLT (10-24X2.5-IN)						
	19	1	<b>7N-7805</b>	1	HOUSING						
	20	1	<b>7N-7809</b>	1	PLATE						
	21	2	<b>8T-4205</b>	1	WASHER-HARD (7.2X14.5X2-MM THK)						
	22	2	<b>9B-7233</b>	6	LOCKWASHER						
	23	2	<b>9L-6770</b>	1	CAP-DUST						
	25	2	<b>6N-1872</b>	2	SCREW AS (8-32X1.25-IN)						
	26	2	<b>7N-9023</b>	2	SCREW AS (8-32X26.9-MM)						
	27	2	<b>3T-6354</b>	1	REGULATOR AS-VOLTAGE (24-VOLT) (ALTERNATOR AIR)						
	28	2	<b>6V-8377</b>	4	NUT (8-32-THD)						
	29	2	<b>7N-7811</b>	1	CONNECTOR						
	30	1,2	<b>8T-0328</b>	6	WASHER-HARD (5.5X10X1-MM THK)						
	31	2	<b>112-9119</b>	1	DIODE AS-ALTERNATOR						
	32	2	<b>7N-9021</b>	1	SCREW AS (8-32X1.34-IN)						
	33	2	<b>7N-7796</b>	1	BUSHING-TERMINAL						
	34	2	<b>7N-7802</b>	1	CAPACITOR AS						
	35	2	<b>7N-7798</b>	1	CONNECTOR						
	36	2	<b>7N-7801</b>	1	CONNECTOR						
	37	2	<b>9S-2544</b>	2	SCREW-HEX HEAD (8-32X11.13-MM)						
	38	2	<b>1H-3244</b>	1	LOCKWASHER						
	39	2	<b>6V-8187</b>	1	NUT (1/4-28-THD)						
	40	2	<b>206-4202</b>	1	RECTIFIER AS						
					AVAILABLE REPAIR KIT(S):						
			<b>7N-7807</b>	1	KIT-OUTPUT TERMINAL (ALTERNATOR) (INCLUDES INSULATOR, SCREWS, WASHERS, LOCKWASHERS, NUTS & ADAPTERS)						
			<b>7N-7808</b>	1	KIT-RELAY TERMINAL (ALTERNATOR) (INCLUDES STUDS, BUSHINGS, WASHERS & NUT AS)						

# ELECTRICAL AND STARTING SYSTEM

5N-5692 ALTERNATOR GP-CHARGING (contd.)

i04724629



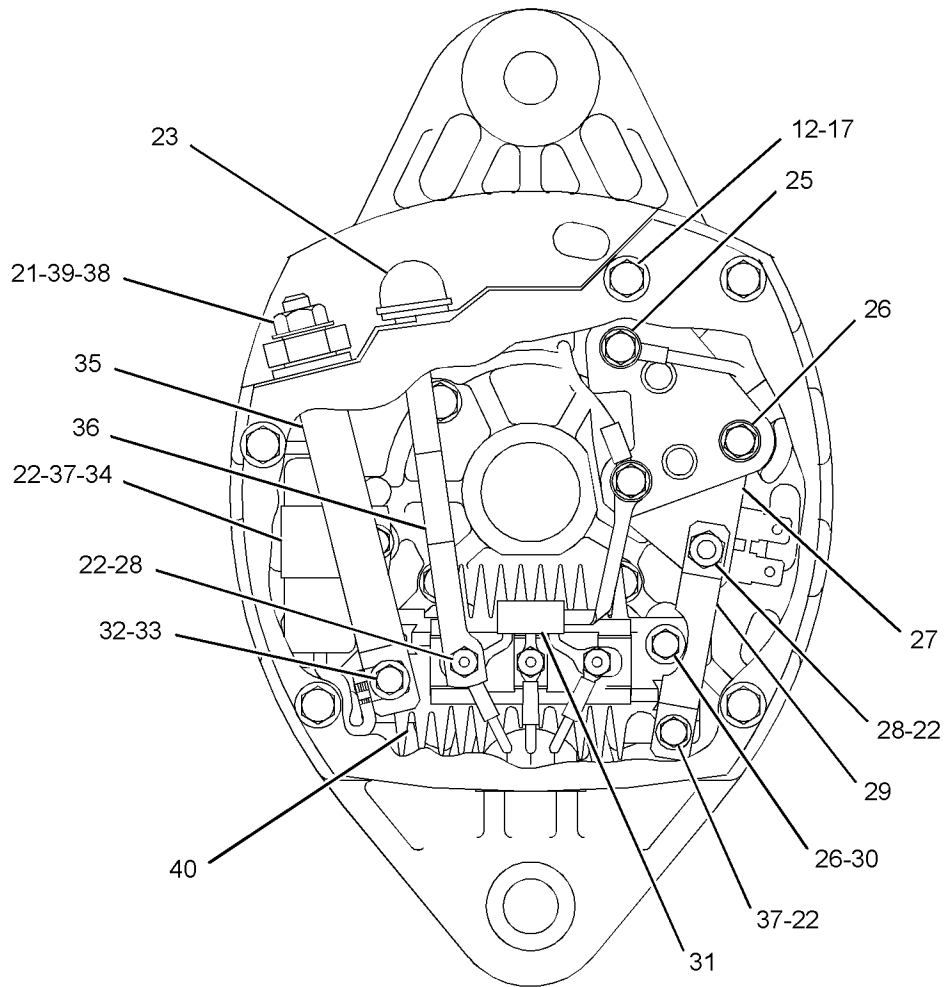
GRAPHIC #1

g01313047

# ELECTRICAL AND STARTING SYSTEM

5N-5692 ALTERNATOR GP-CHARGING (contd.)

i04724629



GRAPHIC #2

<END>

g01313052

# ELECTRICAL AND STARTING SYSTEM

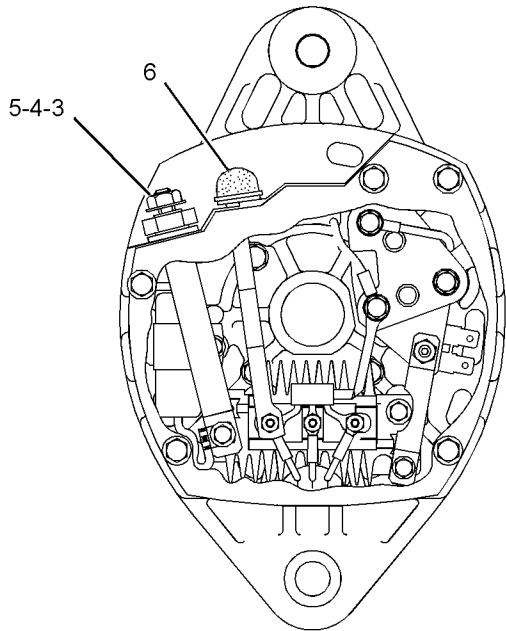
## 5N-5692 ALTERNATOR GP-CHARGING\*R

S/N: 85Z3764-UP  
 24-VOLT, 45-AMPERE  
 AN ATTACHMENT  
 TYPE 2

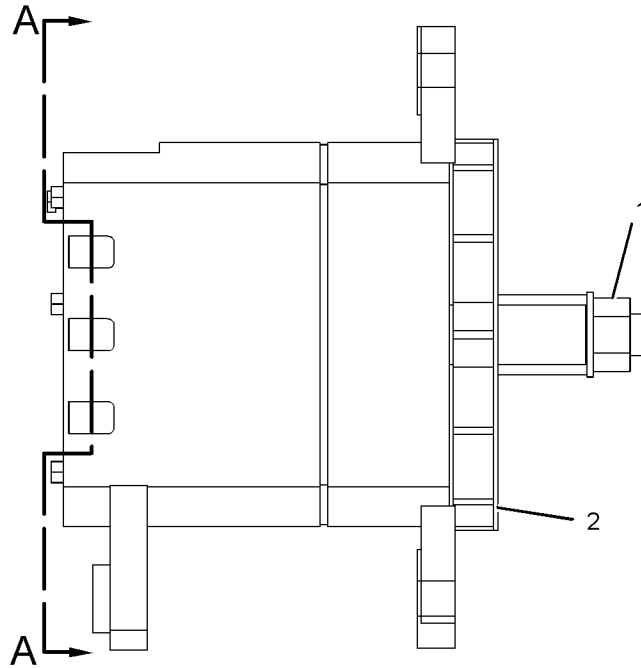
SMCS-1405

i07451806

NOTE	REF NO	GRAPHIC REF	PART NUMBER	QTY	PART NAME						SEE PAGE
					1	2	3	4	5	6 (PRODUCT LEVEL)	
	1	1	<b>187-2034</b>	1	NUT-FLANGE (5/8-18-THD)						
	2	1	<b>3E-5454</b>	1	FAN-ALTERNATOR (11-BLADE)						
	3	1	<b>6V-8187</b>	1	NUT (1/4-28-THD)						
	4	1	<b>1H-3244</b>	1	LOCKWASHER						
	5	1	<b>8T-4205</b>	1	WASHER-HARD (7.2X14.5X2-MM THK)						
	6	1	<b>9L-6770</b>	1	CAP-DUST						



SECTION A-A



GRAPHIC #1

<END>

g01947385

# ELECTRICAL AND STARTING SYSTEM

## 6N-9294 ALTERNATOR GP-CHARGING\*R

S/N: 85Z3764-UP

24-VOLT, 35-AMPERE

FIELD REPLACEMENT FOR 9G-4574-PAGE: 921, 3T-6352-PAGE: 894

AN ATTACHMENT

TYPE 1

**SMCS-1405**

**i01234412**

NOTE	PART NUMBER	QTY	PART NAME 1 2 3 4 5 6 (PRODUCT LEVEL)	SEE PAGE
YR	3T-6352	1	ALTERNATOR GP-CHARGING	894
			-OR-	
YR	7N-9720	1	ALTERNATOR GP-CHARGING	919
			-OR-	
CYR	9G-4574	1	ALTERNATOR GP-CHARGING	921
			-OR-	
C - CHANGE FROM PREVIOUS TYPE				
R - REMANUFACTURED PART MAY BE AVAILABLE				
Y - SEPARATE ILLUSTRATION				
<END>				

# ELECTRICAL AND STARTING SYSTEM

## 6N-9294 ALTERNATOR GP-CHARGING\*R

S/N: 85Z3764-UP

24-VOLT, 35-AMPERE

FIELD REPLACEMENT FOR 9G-4574-PAGE: 921, 3T-6352-PAGE: 894  
AN ATTACHMENT

TYPE 2

SMCS-1405

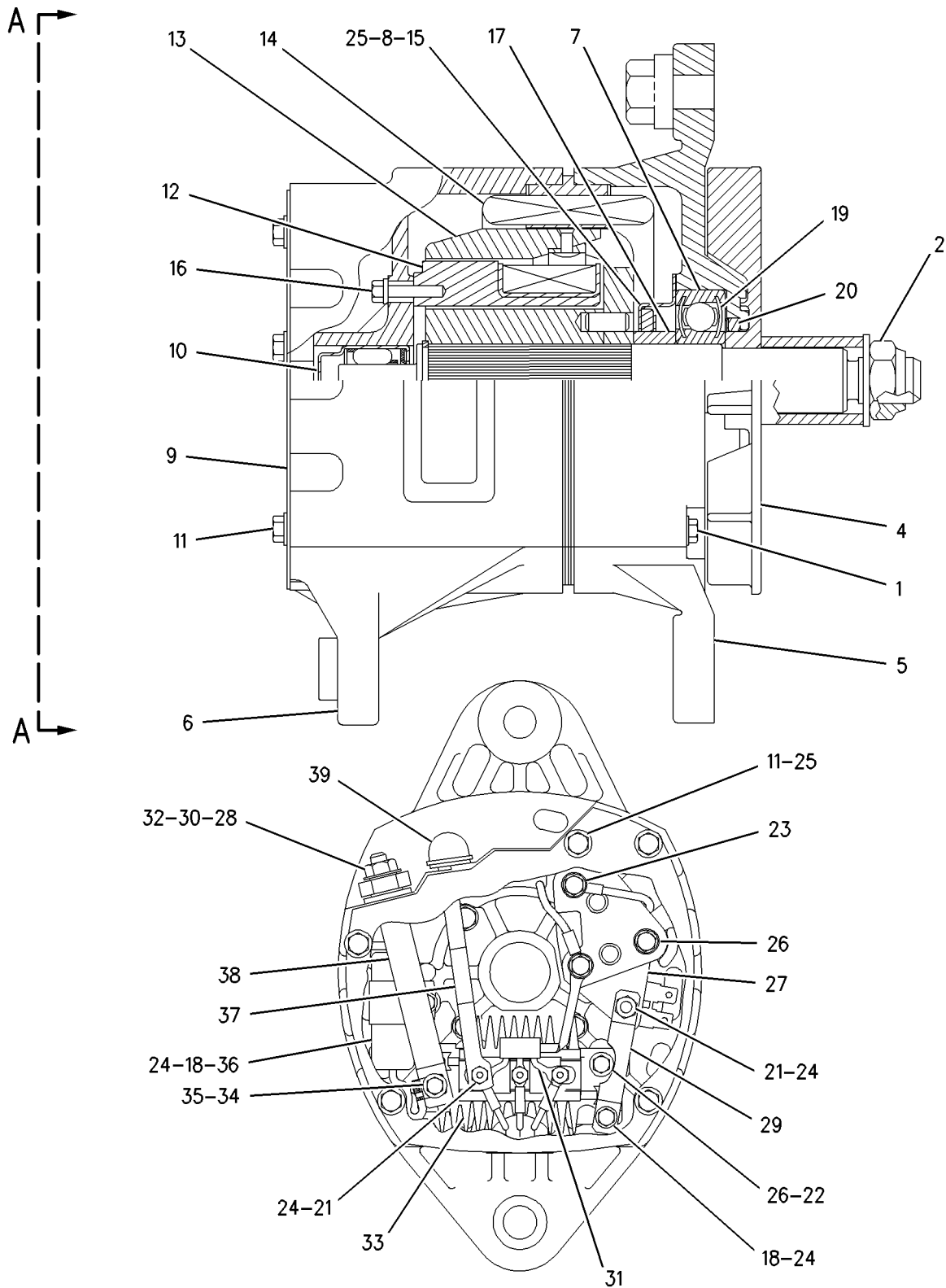
i03501681

NOTE	REF NO	GRAPHIC REF	PART NUMBER	QTY	PART NAME						SEE PAGE
					1	2	3	4	5	6 (PRODUCT LEVEL)	
	1	1	7N-9024	4	BOLT (10-24X2.5-IN)						
	2	1	187-2034	1	NUT-FLANGE (5/8-18-THD)						
	4	1	3E-5454	1	FAN-ALTERNATOR (11-BLADE)						
	5	1	7N-7810	1	FRAME AS-DRIVE END						
	6	1	7N-7805	1	HOUSING						
	7	1	6V-2202	1	BALL BEARING						
	8	1	9S-2437	3	SCREW-TAPPING (10-24X19.05-MM)						
	9	1	7N-7809	1	PLATE						
	10	1	5P-6920	1	BEARING-ROLLER						
	11	1	030-9612	5	SCREW-FORMING (10-24X0.5-IN)						
	12	1	7N-7806	1	COIL AS-FIELD						
	13	1	7N-7800	1	ROTOR AS						
	14	1	7N-7804	1	STATOR AS						
	15	1	9L-2137	1	RETAINER AS						
	16	1	7X-3353	4	SCREW-HEX HEAD (10X24X19.05-MM)						
	17	1	7N-7795	1	COLLAR						
	18	1	9S-2544	2	SCREW-HEX HEAD (8-32X11.13-MM)						
	19	1	9L-2140	1	PLATE						
	20	1	9L-2139	1	WASHER-FELT (1.31X1.68X0.125-IN THK)						
	21	1	6V-8377	4	NUT (8-32-THD)						
	22	1	8T-0328	6	WASHER-HARD (5.5X10X1-MM THK)						
	23	1	6N-1872	2	SCREW AS (8-32X1.25-IN)						
	24	1	9B-7233	6	LOCKWASHER						
	25	1	8F-1434	4	LOCKWASHER						
	26	1	7N-9023	2	SCREW AS (8-32X26.9-MM)						
	27	1	3T-6354	1	REGULATOR AS-VOLTAGE (24-VOLT) (ALTERNATOR)						
	28	1	1H-3244	1	LOCKWASHER						
	29	1	7N-7811	1	CONNECTOR						
	30	1	6V-8187	1	NUT (1/4-28-THD)						
	31	1	112-9119	1	DIODE AS-ALTERNATOR						
	32	1	8T-4205	1	WASHER-HARD (7.2X14.5X2-MM THK)						
	33	1	206-4202	1	RECTIFIER AS						
	34	1	7N-9021	1	SCREW AS (8-32X1.34-IN)						
	35	1	7N-7796	1	BUSHING-TERMINAL						
	36	1	7N-7802	1	CAPACITOR AS						
	37	1	7N-7801	1	CONNECTOR						
	38	1	7N-7798	1	CONNECTOR						
	39	1	9L-6770	1	CAP-DUST						
					AVAILABLE REPAIR KIT(S):						
			7N-7807	1	KIT-OUTPUT TERMINAL (ALTERNATOR)						
					(INCLUDES INSULATOR, SCREW, WASHERS, LOCKWASHER, NUT & ADAPTER)						
			7N-7808	1	KIT-RELAY TERMINAL (ALTERNATOR)						
					(INCLUDES STUD, BUSHINGS, WASHERS & NUT AS)						

# ELECTRICAL AND STARTING SYSTEM

6N-9294 ALTERNATOR GP-CHARGING (contd.)

103501681



VIEW A-A

GRAPHIC #1

<END>

g00810638

# ELECTRICAL AND STARTING SYSTEM

## 6T-1395 ALTERNATOR GP-CHARGING\*R

S/N: 85Z3764-UP

24-VOLT, 35-AMPERE

PART OF 100-4511, 121-3906, 3N-2706, 3N-2707, 3N-4663, 7E-5073, 7E-5074 ALTERNATOR  
GP-CHARGING  
AN ATTACHMENT

SMCS-1405

i05442111

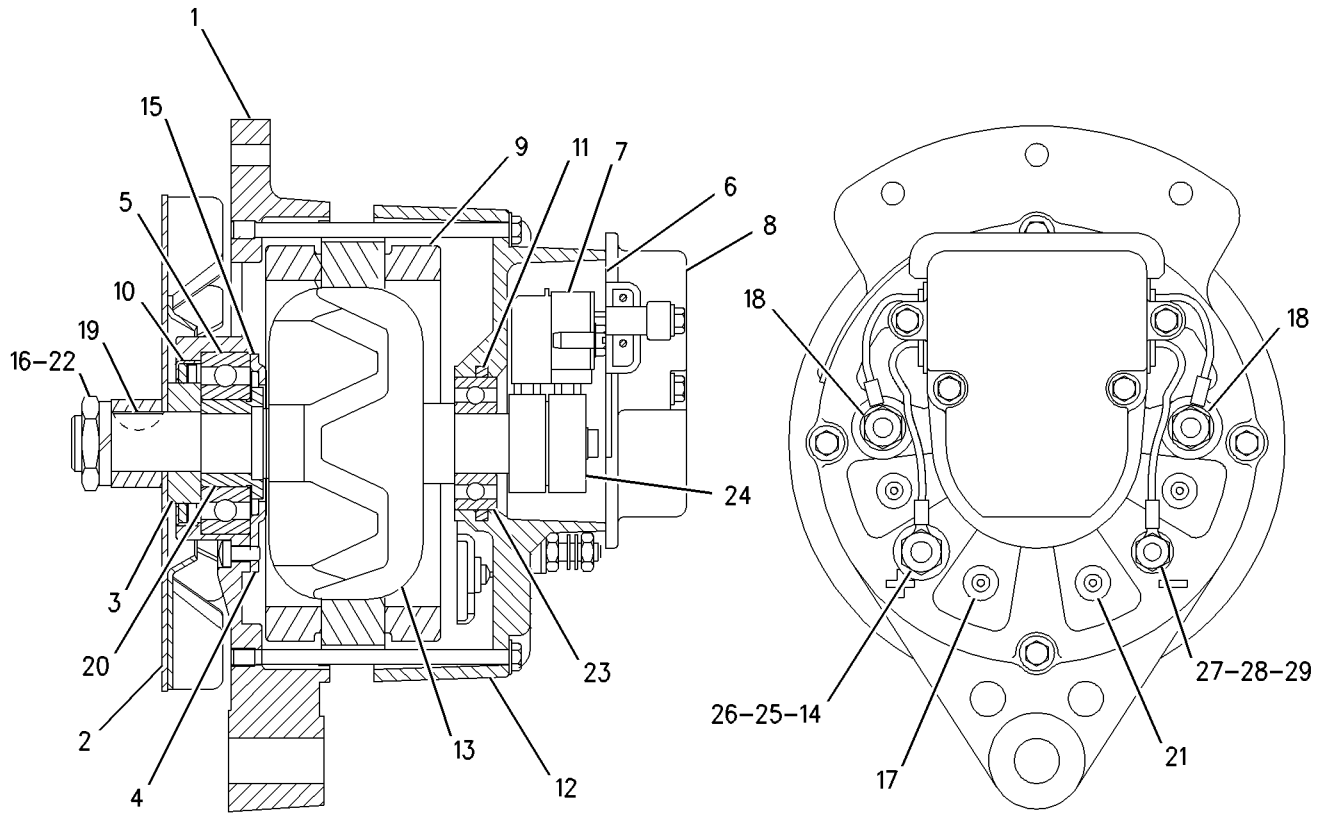
NOTE	REF NO	GRAPHIC REF	PART NUMBER	QTY	PART NAME						SEE PAGE
					1	2	3	4	5	6 (PRODUCT LEVEL)	
	1	1	<b>8L-9655</b>	1	HOUSING-FRONT						
	2	1	<b>8L-9661</b>	1	FAN-ALTERNATOR (14-BLADE)						
	3	1	<b>1N-9087</b>	1	SPACER (0.628X1.35X0.33-MM THK)						
	4	1	<b>8L-9657</b>	1	RETAINER-FRONT BEARING						
	5	1	<b>1S-7056</b>	1	BALL BEARING						
	6	1	<b>8L-9362</b>	1	GASKET-COVER						
	7	1	<b>6T-2031</b>	1	BRUSH AS						
	8	1	<b>134-8278</b>	1	REGULATOR GP-VOLTAGE (24 VOLT) (ALTERNATOR)						
	9	1	<b>143-9760</b>	1	STATOR AS						
	10	1	<b>8L-9663</b>	1	SEAL-GREASE						
	11	1	<b>9G-5208</b>	1	RETAINER-REAR BEARING						
	12	1	<b>6T-9446</b>	1	HOUSING-REAR						
	13	1	<b>3N-1202</b>	1	ROTOR AS						
		1	<b>5P-6836</b>	1	BEARING (DOUBLE SHIELD)						
		1	<b>3K-6168</b>	1	BOLT-SOCKET HEAD (10-32X0.625-IN)						
		1	<b>7H-2079</b>	1	LOCKWASHER						
		1	<b>3N-1223</b>	1	WASHER (0.196X0.312X0.067-IN THK)						
	14	1	<b>6V-8185</b>	1	NUT (1/4-20-THD)						
	15	1	<b>8L-9656</b>	1	WASHER (31.8X40.9X2.36-MM THK)						
	16	1	<b>6V-8645</b>	1	NUT (5/8-18-THD)						
	17	1	<b>7T-0676</b>	1	DIODE AS-POSITIVE (3 DIODE)						
	18	1	<b>7T-0895</b>	2	CAP (ALTERNATOR)						
	19	1	<b>1B-8704</b>	1	KEY-WOODRUFF						
	20	1	<b>8L-9654</b>	1	SLEEVE-SHAFT						
	21	1	<b>7T-0677</b>	1	DIODE AS-NEGATIVE (3 DIODE)						
	22	1	<b>3B-4510</b>	1	LOCKWASHER						
	23	1	<b>5P-6836</b>	1	BEARING (DOUBLE SHIELD)						
	24	1	<b>3N-1200</b>	1	RING AS-SLIP						
	25	1	<b>8T-4205</b>	1	WASHER-HARD (7.2X14.5X2-MM THK)						
	26	1	<b>1H-3244</b>	1	LOCKWASHER						
	27	1	<b>4B-2047</b>	1	NUT (10-24-THD)						
	28	1	<b>8T-0328</b>	1	WASHER-HARD (5.5X10X1-MM THK)						
	29	1	<b>8F-1434</b>	1	LOCKWASHER						
					AVAILABLE REPAIR KIT(S):						
			<b>140-3005</b>	1	KIT-TERMINAL (ALTERNATOR)						
					(INCLUDES INSULATORS, NUTS, LOCKWASHERS, SCREWS & WASHERS)						
			<b>140-3004</b>	1	KIT-HARDWARE (ALTERNATOR)						
					(INCLUDES BOLTS, LOCKWASHERS, NUTS, SCREWS, STRAPS & WASHERS)						



# ELECTRICAL AND STARTING SYSTEM

6T-1395 ALTERNATOR GP-CHARGING (contd.)

i05442111



GRAPHIC #1

<END>

g00862986

# ELECTRICAL AND STARTING SYSTEM

## 6T-1396 ALTERNATOR GP-CHARGING\*R

S/N: 85Z3764-UP

12-VOLT, 51-AMPERE

PART OF 100-4510, 3N-2708, 3N-2709 ALTERNATOR GP-CHARGING  
AN ATTACHMENT

SMCS-1405

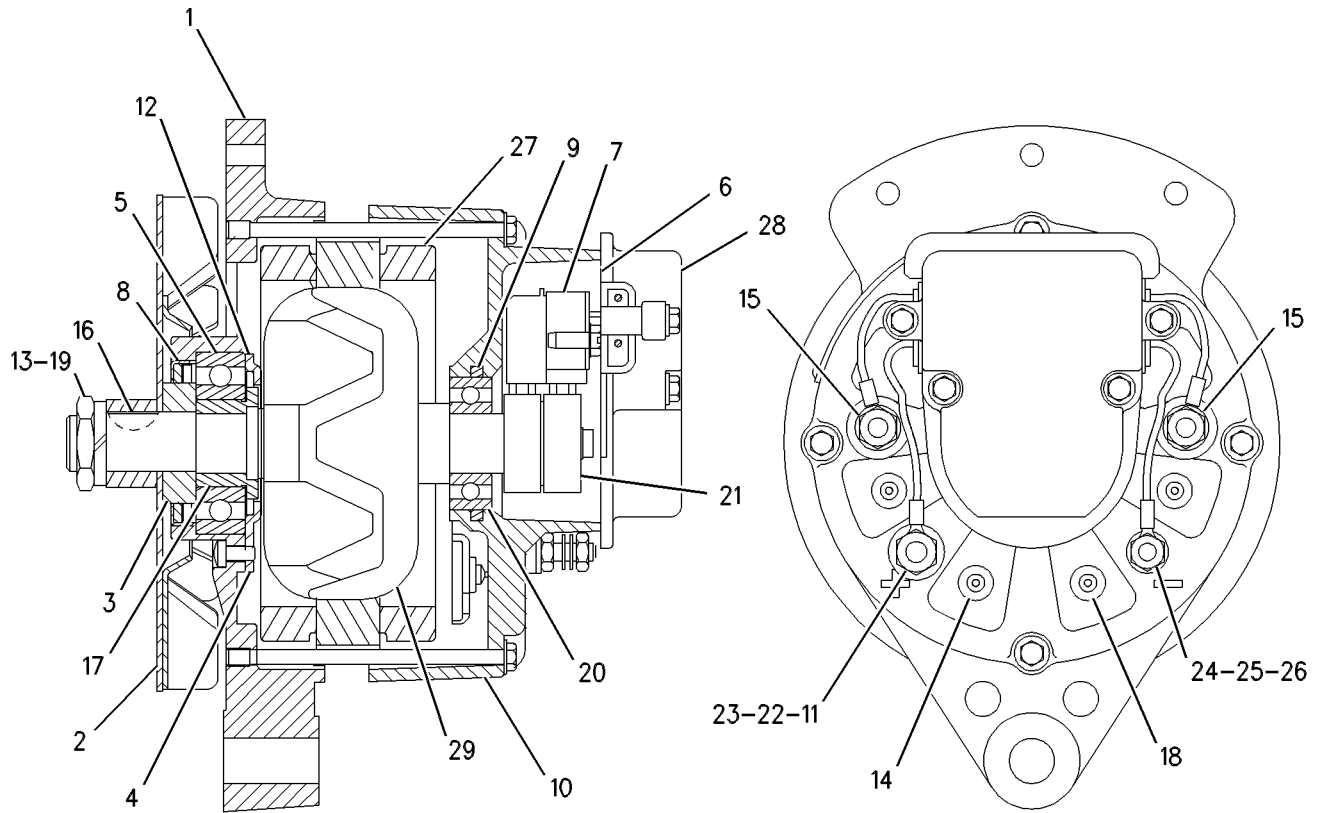
i07599963

NOTE	REF NO	GRAPHIC REF	PART NUMBER	QTY	PART NAME						SEE PAGE
					1	2	3	4	5	6 (PRODUCT LEVEL)	
	1	1	<b>8L-9655</b>	1	HOUSING-FRONT						
	2	1	<b>8L-9661</b>	1	FAN-ALTERNATOR (14-BLADE)						
	3	1	<b>1N-9087</b>	1	SPACER (0.628X1.35X0.33-MM THK)						
	4	1	<b>8L-9657</b>	1	RETAINER-FRONT BEARING						
	5	1	<b>1S-7056</b>	1	BALL BEARING						
	6	1	<b>8L-9362</b>	1	GASKET-COVER						
	7	1	<b>6T-2031</b>	1	BRUSH AS (ALTERNATOR)						
	8	1	<b>8L-9663</b>	1	SEAL-GREASE						
	9	1	<b>9G-5208</b>	1	RETAINER-REAR BEARING						
	10	1	<b>6T-9446</b>	1	HOUSING-REAR						
	11	1	<b>6V-8185</b>	1	NUT (1/4-20-THD)						
	12	1	<b>8L-9656</b>	1	WASHER (31.8X40.9X2.36-MM THK)						
	13	1	<b>6V-8645</b>	1	NUT (5/8-18-THD)						
	14	1	<b>7T-0676</b>	1	DIODE AS-POSITIVE (3 DIODE)						
	15	1	<b>7T-0895</b>	2	CAP (CONNECTOR)						
	16	1	<b>1B-8704</b>	1	KEY-WOODRUFF						
	17	1	<b>8L-9654</b>	1	SLEEVE-SHAFT						
	18	1	<b>7T-0677</b>	1	DIODE AS-NEGATIVE (3 DIODE)						
	19	1	<b>3B-4510</b>	1	LOCKWASHER						
	20	1	<b>5P-6836</b>	1	BEARING (DOUBLE SHIELD)						
	21	1	<b>3N-1200</b>	1	RING AS-SLIP						
	22	1	<b>8T-4205</b>	1	WASHER-HARD (7.2X14.5X2-MM THK)						
	23	1	<b>1H-3244</b>	1	LOCKWASHER						
	24	1	<b>4B-2047</b>	1	NUT (10-24-THD)						
	25	1	<b>8T-0328</b>	1	WASHER-HARD (5.5X10X1-MM THK)						
	26	1	<b>8F-1434</b>	1	LOCKWASHER						
	27	1	<b>143-9759</b>	1	STATOR AS						
	28	1	<b>134-8277</b>	1	REGULATOR GP-VOLTAGE (ALTERNATOR AIR) (12-VOLT)						
	29	1	<b>3N-1203</b>	1	ROTOR AS						
		1	<b>5P-6836</b>	1	BEARING (DOUBLE SHIELD)						
		1	<b>3K-6168</b>	1	BOLT-SOCKET HEAD (10-32X0.625-IN)						
		1	<b>7H-2079</b>	1	LOCKWASHER						
		1	<b>3N-1223</b>	1	WASHER (0.196X0.312X0.067-IN THK)						
					AVAILABLE REPAIR KIT(S):						
			<b>140-3004</b>	1	KIT-HARDWARE (ALTERNATOR)						
					(INCLUDES BOLTS, NUTS, KEY LOCKWASHERS & SCREWS)						
			<b>140-3005</b>	1	KIT-TERMINAL (ALTERNATOR)						
					(INCLUDES CAP, SLEEVES, NUTS, INSULATORS & WASHERS)						

# ELECTRICAL AND STARTING SYSTEM

6T-1396 ALTERNATOR GP-CHARGING (contd.)

i07599963



GRAPHIC #1

<END>

g00282513

# ELECTRICAL AND STARTING SYSTEM

## 7E-5070 ALTERNATOR GP-CHARGING

S/N: 85Z3764-UP

24 VOLT, 50 AMPERE

FOR USE WITH FAN DRIVE & FRONT ENGINE SUPPORT  
AN ATTACHMENT

SMCS-1405

i00945575

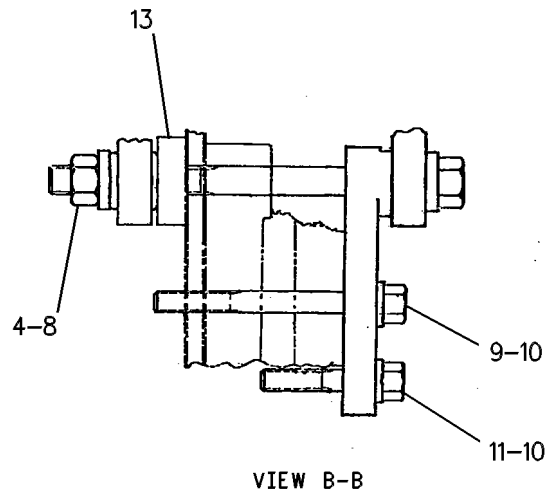
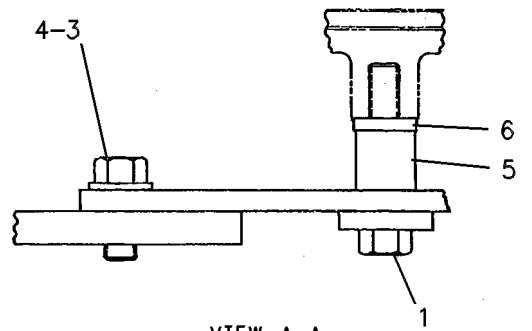
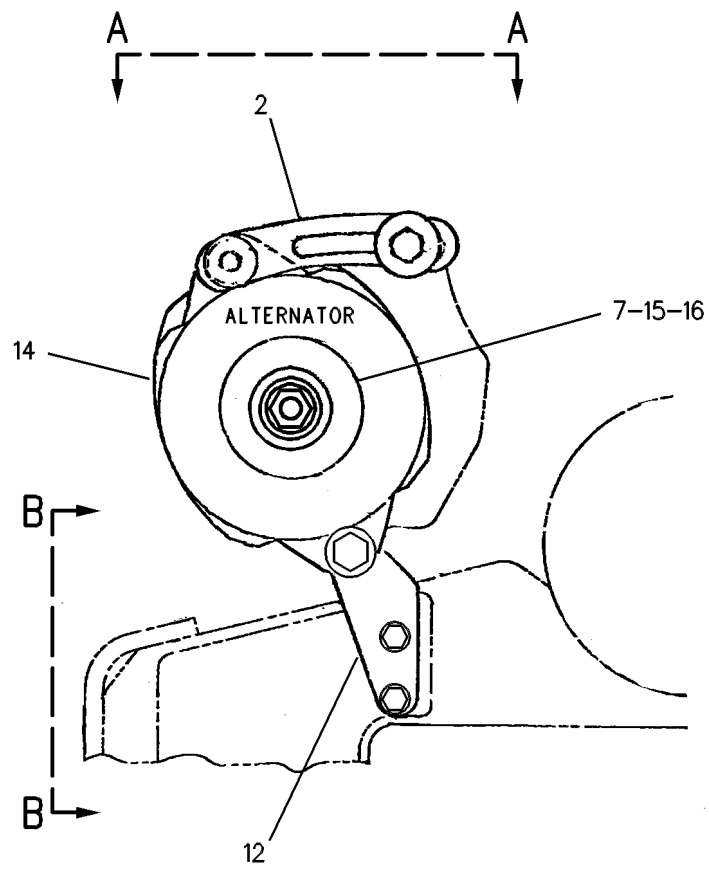
NOTE	REF NO	GRAPHIC REF	PART NUMBER	QTY	PART NAME						SEE PAGE
					1	2	3	4	5	6 (PRODUCT LEVEL)	
	1	1	<b>1A-5822</b>	1	BOLT (1/2-13X2.75-IN)						
		1	<b>9N-5022</b>	1	WASHER-HARD						
	2	1	<b>8S-4182</b>	1	STRAP						
	3	1	<b>7B-3235</b>	1	BOLT (1/2-13X1.375-IN)						
	4	1	<b>5P-8245</b>	3	WASHER-HARD (13.5X25.5X3-MM THK)						
	5	1	<b>1K-4649</b>	1	SPACER (0.516X1X1-IN THK)						
	6	1	<b>1F-7960</b>	1	WASHER (13.5X32X6-MM THK)						
	7	1	<b>8L-8867</b>	1	PULLEY						
	8	1	<b>2A-1531</b>	1	BOLT (1/2-13X6.5-IN)						
		1	<b>1F-7958</b>	1	NUT-FULL (1/2-13-THD)						
	9	1	<b>0S-1608</b>	1	BOLT (3/8-16X3.75-IN)						
	10	1	<b>5M-2894</b>	2	WASHER-HARD (10.2X18.5X2.5-MM THK)						
	11	1	<b>0S-1590</b>	1	BOLT (3/8-16X2-IN)						
	12	1	<b>7E-0143</b>	1	BRACKET AS-ALTERNATOR						
	13	1	<b>1L-1526</b>	1	SPACER (0.5-IN THK)						
YR	14	1	<b>100-5047</b>	1	ALTERNATOR GP-CHARGING (24-VOLT, 50-AMPERE)						870
B	15	1	<b>6H-0199</b>	1	WASHER (.109IN THK)						
B	16	1	<b>9S-1302</b>	1	WASHER (27X44.45X2.5-MM THK) (.090IN THK)						

B - USE AS REQUIRED  
R - REMANUFACTURED PART MAY BE AVAILABLE  
Y - SEPARATE ILLUSTRATION

# ELECTRICAL AND STARTING SYSTEM

7E-5070 ALTERNATOR GP-CHARGING (contd.)

i00945575



GRAPHIC #1

<END>

g00237614

# ELECTRICAL AND STARTING SYSTEM

## 7E-5073 ALTERNATOR GP-CHARGING

S/N: 85Z3764-UP

24 VOLT, 35 AMPERE

FOR USE WITH FAN DRIVE & FRONT SUPPORT  
AN ATTACHMENT

SMCS-1405

i00670795

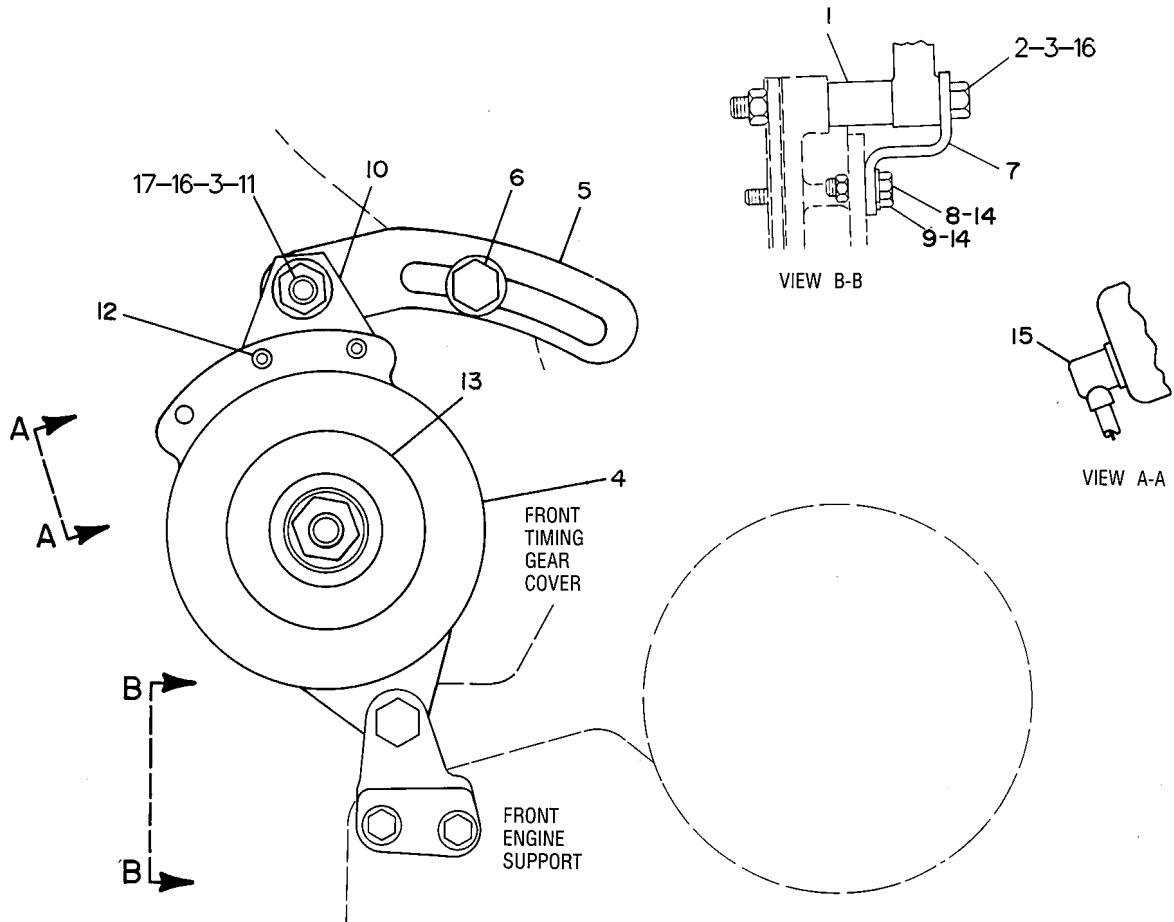
NOTE	REF NO	GRAPHIC REF	PART NUMBER	QTY	PART NAME						SEE PAGE
					1	2	3	4	5	6 (PRODUCT LEVEL)	
	1	1	<b>4J-9683</b>	1	SPACER (0.56X1X1.5-IN THK)						
	2	1	<b>2H-6488</b>	1	BOLT (1/2-13X5-IN)						
	3	1	<b>1F-7958</b>	2	NUT-FULL (1/2-13-THD)						
YR	4	1	<b>6T-1395</b>	1	ALTERNATOR GP-CHARGING						906
	5	1	<b>8S-4182</b>	1	STRAP						
	6	1	<b>9S-1366</b>	1	BOLT (1/2-13X2.5-IN)						
		1	<b>2M-0849</b>	1	WASHER-HARD (13.5X25.5X5-MM THK)						
		1	<b>1K-4649</b>	1	SPACER (0.516X1X1-IN THK)						
	7	1	<b>9Y-3031</b>	1	BRACKET-MOUNTING						
	8	1	<b>2A-4639</b>	1	BOLT (3/8-16X1.625-IN)						
		1	<b>9S-8752</b>	1	NUT-FULL (3/8-16-THD)						
	9	1	<b>0T-0065</b>	1	BOLT (3/8-16X3.5-IN)						
	10	1	<b>3N-2704</b>	1	PLATE-MOUNTING						
	11	1	<b>0S-1585</b>	1	BOLT (1/2-13X1.5-IN)						
	12	1	<b>0S-1618</b>	2	BOLT (5/16-18X1-IN)						
		1	<b>9M-1974</b>	2	WASHER-HARD (8.8X16X2-MM THK)						
	13	1	<b>8L-4529</b>	1	PULLEY-ALTERNATOR						
	14	1	<b>5M-2894</b>	3	WASHER-HARD (10.2X18.5X2.5-MM THK)						
	15	1	<b>6L-3483</b>	2	COVER-TERMINAL						
	16	1	<b>5P-8245</b>	4	WASHER-HARD (13.5X25.5X3-MM THK)						
	17	1	<b>5P-1076</b>	1	WASHER-HARD (13.5X30X4-MM THK)						

R - REMANUFACTURED PART MAY BE AVAILABLE  
Y - SEPARATE ILLUSTRATION

# ELECTRICAL AND STARTING SYSTEM

7E-5073 ALTERNATOR GP-CHARGING (contd.)

i00670795



GRAPHIC #1

<END>

g00228217

# ELECTRICAL AND STARTING SYSTEM

## 7E-5074 ALTERNATOR GP-CHARGING

S/N: 85Z3764-UP  
 24 VOLT, 35 AMPERE  
 FOR USE WITH FRONT SUPPORT  
 CANNOT BE USED WITH FAN DRIVE  
 AN ATTACHMENT

SMCS-1405

i01698142

NOTE	REF NO	GRAPHIC REF	PART NUMBER	QTY	PART NAME						SEE PAGE
					1	2	3	4	5	6 (PRODUCT LEVEL)	
	1	1	<b>4J-9683</b>	1	SPACER (0.56X1X1.5-IN THK)						
	2	1	<b>2H-6488</b>	1	BOLT (1/2-13X5-IN)						
	3	1	<b>1F-7958</b>	2	NUT-FULL (1/2-13-THD)						
	4	1	<b>6L-3483</b>	2	COVER-TERMINAL						
	5	1	<b>5L-3979</b>	1	V-BELT GP (ALTERNATOR)						
	6	1	<b>5M-2894</b>	3	WASHER-HARD (10.2X18.5X2.5-MM THK)						
YR	7	1	<b>6T-1395</b>	1	ALTERNATOR GP-CHARGING						906
	8	1	<b>8L-4897</b>	1	PULLEY-ALTERNATOR						
	9	1	<b>3N-2704</b>	1	PLATE-MOUNTING						
	10	1	<b>7B-3235</b>	1	BOLT (1/2-13X1.375-IN)						
	11	1	<b>0S-1618</b>	2	BOLT (5/16-18X1-IN)						
	12	1	<b>8S-4182</b>	1	STRAP						
	13	1	<b>9S-1366</b>	1	BOLT (1/2-13X2.5-IN)						
	14	1	<b>2M-0849</b>	1	WASHER-HARD (13.5X25.5X5-MM THK)						
	15	1	<b>1K-4649</b>	1	SPACER (0.516X1X1-IN THK)						
	16	1	<b>9Y-3031</b>	1	BRACKET-MOUNTING						
	17	1	<b>0S-1571</b>	1	BOLT (3/8-16X1.75-IN)						
		1	<b>9S-8752</b>	1	NUT-FULL (3/8-16-THD)						
	18	1	<b>0T-0065</b>	1	BOLT (3/8-16X3.5-IN)						
	19	1	<b>5P-8245</b>	4	WASHER-HARD (13.5X25.5X3-MM THK)						
	20	1	<b>9M-1974</b>	2	WASHER-HARD (8.8X16X2-MM THK)						

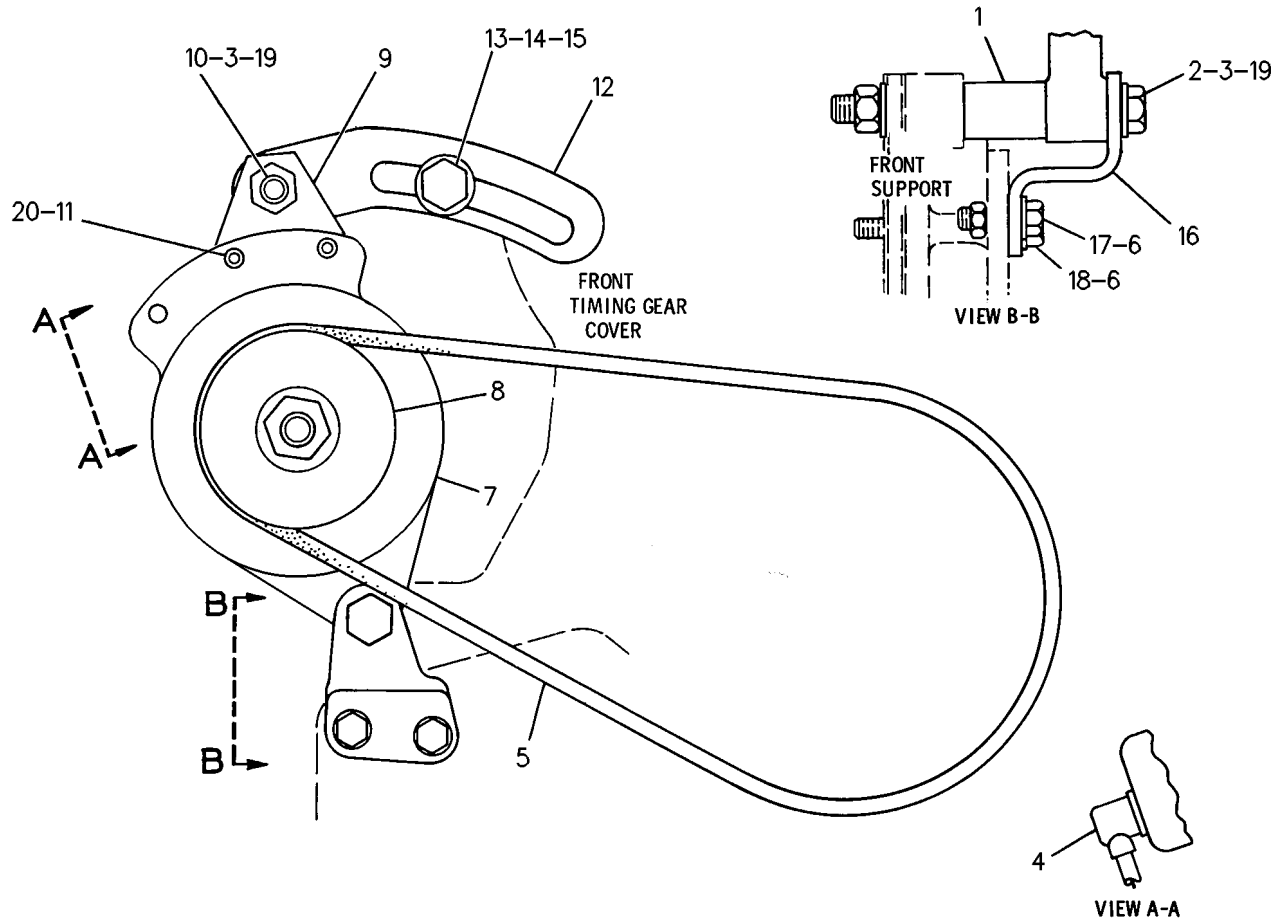
R - REMANUFACTURED PART MAY BE AVAILABLE  
 Y - SEPARATE ILLUSTRATION



# ELECTRICAL AND STARTING SYSTEM

7E-5074 ALTERNATOR GP-CHARGING (contd.)

101698142



GRAPHIC #1

<END>

g00229258

# ELECTRICAL AND STARTING SYSTEM

## 7G-7889 ALTERNATOR GP-CHARGING\*R

S/N: 85Z3764-UP  
12-VOLT, 60-AMPERE  
AN ATTACHMENT

SMCS-1405

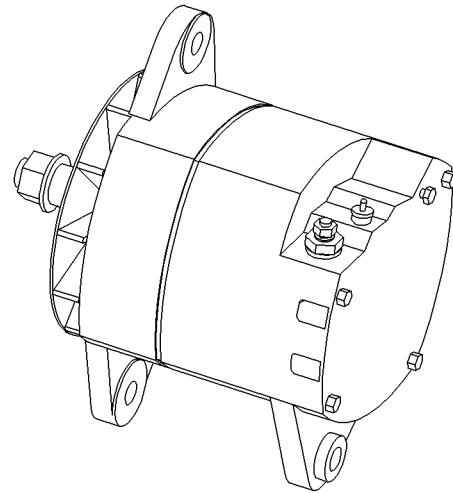
i05779035

NOTE	REF NO	GRAPHIC REF	PART NUMBER	QTY	PART NAME						SEE PAGE
					1	2	3	4	5	6 (PRODUCT LEVEL)	
	1	1	<b>5P-6920</b>	1	BEARING-ROLLER						
	2	1	<b>9G-5233</b>	1	COIL AS-FIELD						
	3	1	<b>9G-5234</b>	1	STATOR AS						
	4	1	<b>7N-7795</b>	1	COLLAR						
	5	1	<b>7N-7810</b>	1	FRAME AS-DRIVE END						
	6	1	<b>6V-2202</b>	1	BALL BEARING						
	7	1	<b>9L-2140</b>	1	PLATE						
	8	1,2	<b>8F-1434</b>	4	LOCKWASHER						
	9	1	<b>7N-7800</b>	1	ROTOR AS						
	10	1	<b>187-2034</b>	1	NUT-FLANGE (5/8-18-THD)						
	11	2	<b>8T-4205</b>	2	WASHER-HARD (7.2X14.5X2-MM THK)						
	12	1	<b>7N-9024</b>	4	BOLT (10-24X2.5-IN)						
	13	1	<b>9L-2139</b>	1	WASHER-FELT (1.31X1.68X0.125-IN THK)						
	14	1	<b>3E-5454</b>	1	FAN-ALTERNATOR (11-BLADE)						
	15	1	<b>9S-2437</b>	3	SCREW-TAPPING (10-24X19.05-MM)						
	16	1	<b>9L-2137</b>	1	RETAINER AS						
	17	2	<b>206-4202</b>	1	RECTIFIER AS (ALTERNATOR)						
	18	1	<b>7N-7805</b>	1	HOUSING						
	19	1	<b>7X-3353</b>	4	SCREW-HEX HEAD (10X24X19.05-MM)						
	20	1	<b>7N-7809</b>	1	PLATE						
	21	2	<b>9G-5232</b>	1	KIT-OUTPUT TERMINAL (ALTERNATOR)						
					(INCLUDES INSULATOR, SCREW, WASHERS, LOCKWASHERS & NUTS)						
	22	2	<b>7N-7808</b>	1	KIT-RELAY TERMINAL (ALTERNATOR)						
					(INCLUDES STUD, BUSHINGS, WASHERS & NUT AS)						
	23	2	<b>9L-6770</b>	1	CAP-DUST						
	24	1,2	<b>030-9612</b>	5	SCREW-FORMING (10-24X0.5-IN)						
	25	2	<b>6N-1872</b>	2	SCREW AS (8-32X1.25-IN)						
	26	2	<b>7N-9023</b>	2	SCREW AS (8-32X26.9-MM)						
	27	2	<b>3E-5451</b>	1	REGULATOR AS-VOLTAGE (12-VOLT) (ALTERNATOR)						
	28	2	<b>6V-8377</b>	4	NUT (8-32-THD)						
	29	2	<b>7N-7811</b>	1	CONNECTOR						
	30	2	<b>9S-2544</b>	2	SCREW-HEX HEAD (8-32X11.13-MM)						
	31	2	<b>112-9119</b>	1	DIODE AS-ALTERNATOR						
	32	1,2	<b>8T-0328</b>	6	WASHER-HARD (5.5X10X1-MM THK)						
	33	2	<b>7N-9021</b>	1	SCREW AS (8-32X1.34-IN)						
		2	<b>7N-7796</b>	1	BUSHING-TERMINAL						
	34	2	<b>7N-7802</b>	1	CAPACITOR AS						
	35	2	<b>7N-7798</b>	1	CONNECTOR						
	36	2	<b>7N-7801</b>	1	CONNECTOR						
	37	2	<b>9B-7233</b>	6	LOCKWASHER						
	39	2	<b>1H-3244</b>	1	LOCKWASHER						
	40	2	<b>6V-8187</b>	1	NUT (1/4-28-THD)						

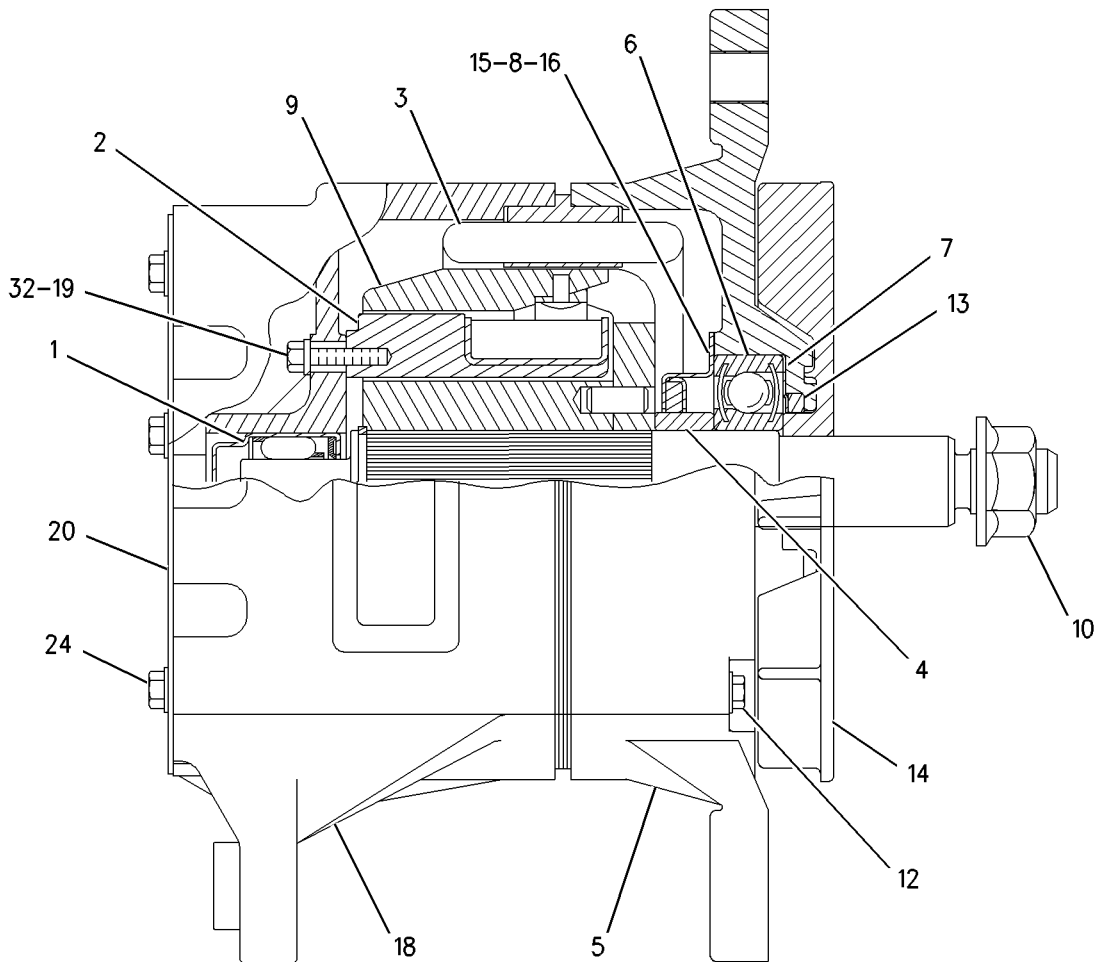
# ELECTRICAL AND STARTING SYSTEM

7G-7889 ALTERNATOR GP-CHARGING (contd.)

i05779035



ISOMETRIC VIEW



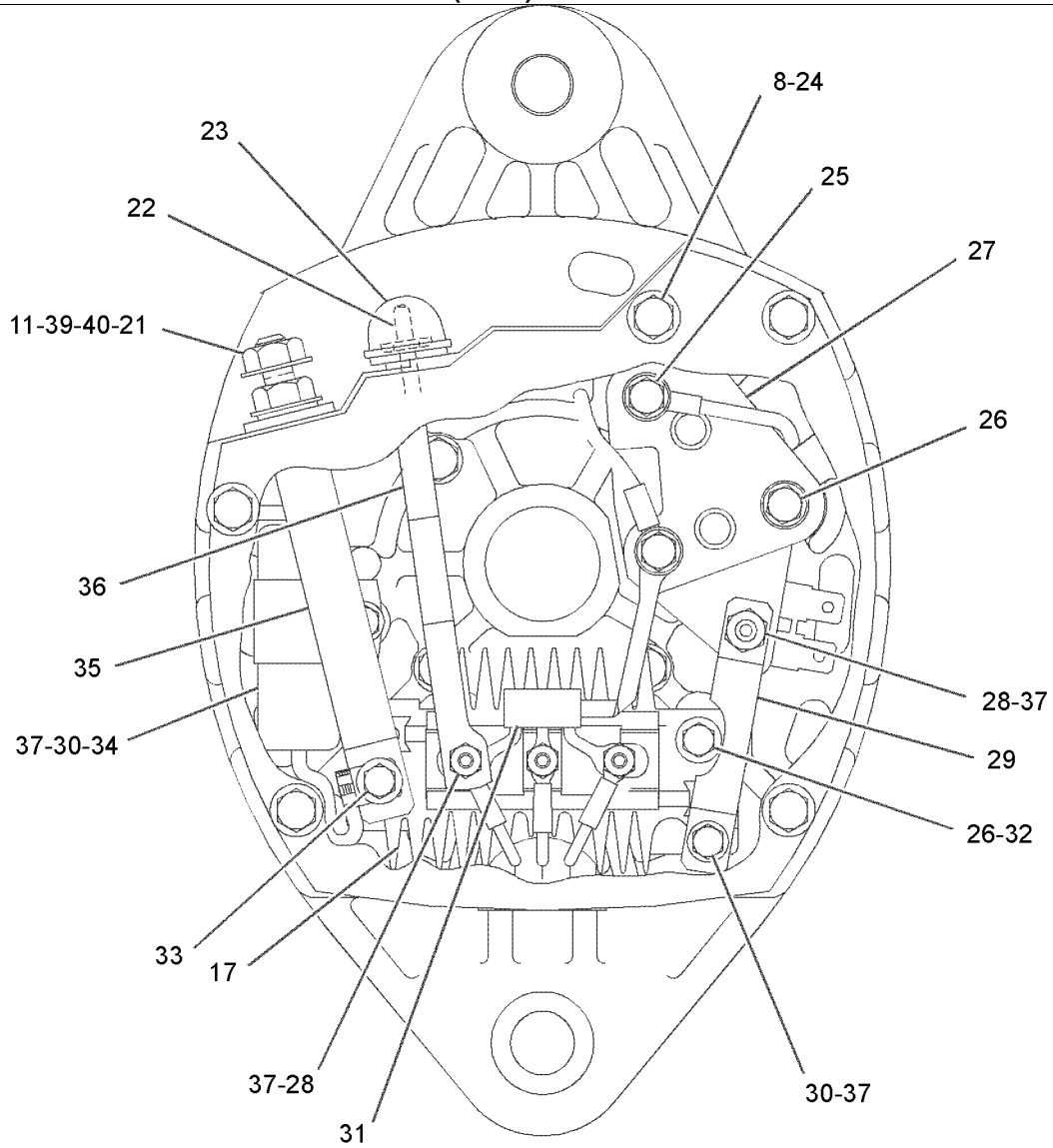
GRAPHIC #1

g00806410

# ELECTRICAL AND STARTING SYSTEM

7G-7889 ALTERNATOR GP-CHARGING (contd.)

i05779035



GRAPHIC #2

<END>

g01033326

# ELECTRICAL AND STARTING SYSTEM

## 7N-9720 ALTERNATOR GP-CHARGING\*R

S/N: 85Z3764-UP

24-VOLT, 35-AMPERE

PART OF 6N-9294 ALTERNATOR GP-CHARGING  
AN ATTACHMENT

SMCS-1405

i07767773

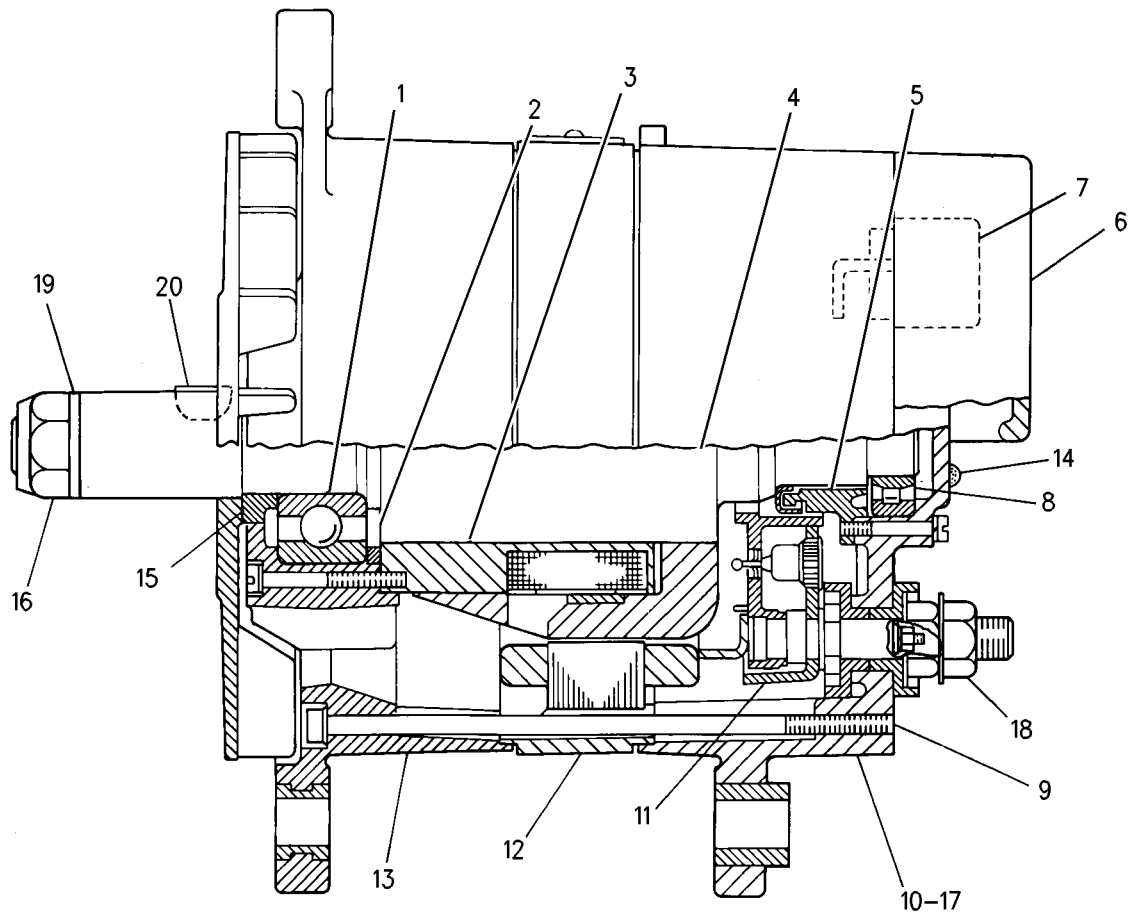
NOTE	REF NO	GRAPHIC REF	PART NUMBER	QTY	PART NAME						SEE PAGE
					1	2	3	4	5	6 (PRODUCT LEVEL)	
	1	1	<b>9G-7551</b>	1	BEARING						
	2	1	<b>9G-7548</b>	1	RING						
	3	1	<b>9G-7558</b>	1	COIL AS-FIELD						
	4	1	<b>9G-7560</b>	1	ROTOR AS						
	5	1	<b>9G-7553</b>	1	RING-COVER						
	6	1	<b>9G-7562</b>	1	COVER AS						
	7	1	<b>9G-7567</b>	1	REGULATOR AS-VOLTAGE (24-VOLT) (ALTERNATOR)						
	8	1	<b>9G-7552</b>	1	BEARING						
M	9	1	<b>9X-6001</b>	4	BOLT (M5X0.8X150-MM)						
		1	<b>8T-0328</b>	4	WASHER-HARD (5.5X10X1-MM THK)						
	10	1	<b>9G-7568</b>	1	FRAME AS-REAR						
	11	1	<b>3T-1887</b>	1	DIODE AS						
	12	1	<b>9G-7561</b>	1	STATOR AS						
	13	1	<b>9G-7566</b>	1	FRAME-DRIVE END						
C	14	1	<b>9L-6770</b>	1	CAP-DUST						
	15	1	<b>9G-7549</b>	1	SPACER (25X40X9.5-MM THK)						
	16	1	<b>2K-4821</b>	1	LOCKNUT (5/8-18-THD)						
M	17	1	<b>5C-2874</b>	1	NUT (M5X0.8-THD)						
		1	<b>7X-0620</b>	1	WASHER-HARD (5.5X13X1.6-MM THK)						
	18	1	<b>1L-9048</b>	1	NUT-PLATED JAM (7/16-14-THD)						
		1	<b>8T-5360</b>	1	WASHER (12X22.5X2.5-MM THK)						
	19	1	<b>5P-8247</b>	1	WASHER-HARD (17X32X3.5-MM THK)						
	20	1	<b>1B-8705</b>	1	KEY-WOODRUFF						
					AVAILABLE REPAIR KIT(S):						
			<b>9G-7554</b>	1	KIT-TERMINAL GROUND (ALTERNATOR AIR) (INCLUDES NUTS & LOCKWASHERS)						
			<b>9G-7555</b>	1	KIT-OUTPUT TERMINAL (ALTERNATOR AIR) (INCLUDES NUTS, WASHERS, & BUSHINGS)						
			<b>9G-7559</b>	1	KIT-RELAY TERMINAL (ALTERNATOR AIR) (INCLUDES SPLICE, NUT, TUBE, TERMINAL, WASHERS, LOCKWASHER & BUSHING)						
			<b>9G-7565</b>	1	KIT-REGULATOR TERMINAL (ALTERNATOR AIR) (INCLUDES NUTS, LOCKWASHERS, WASHERS, & BUSHING)						

C - CHANGE FROM PREVIOUS TYPE  
M - METRIC PART

# ELECTRICAL AND STARTING SYSTEM

7N-9720 ALTERNATOR GP-CHARGING (contd.)

i07767773



GRAPHIC #1

<END>

g00792015

# ELECTRICAL AND STARTING SYSTEM

## 9G-4574 ALTERNATOR GP-CHARGING\*R

S/N: 85Z3764-UP

24-VOLT, 35-AMPERE

FIELD REPLACEMENT ORDER 6N-9294-PAGE: 903

PART OF 6N-9294 ALTERNATOR GP-CHARGING

AN ATTACHMENT

SMCS-1405

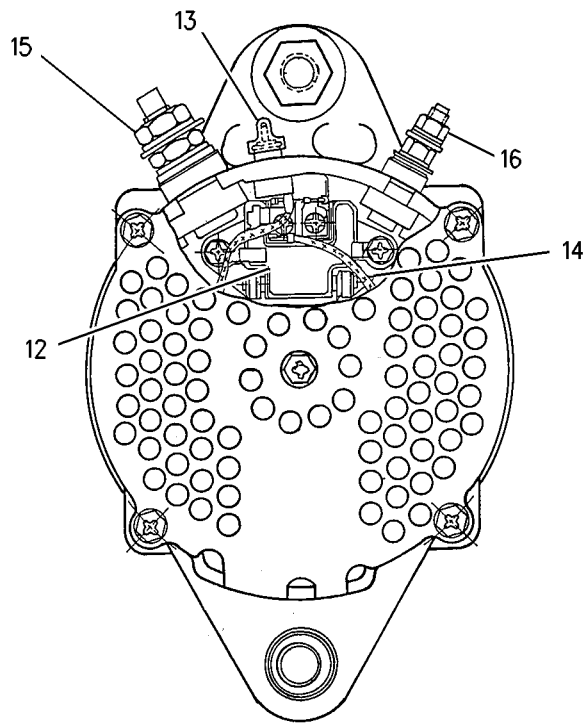
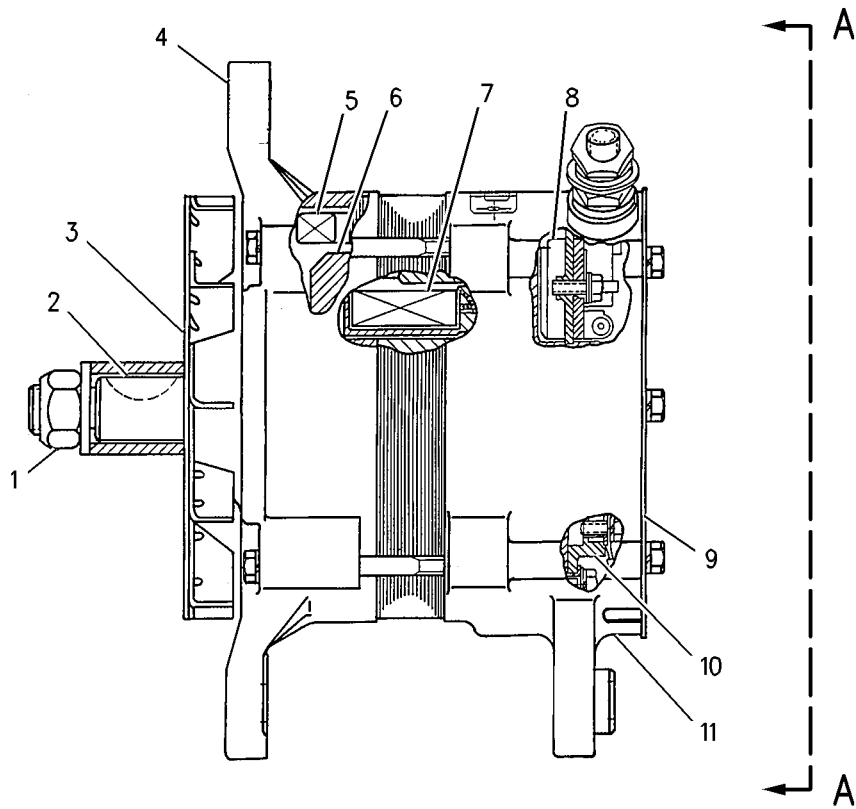
i03640849

NOTE	REF NO	GRAPHIC REF	PART NUMBER	QTY	PART NAME						SEE PAGE
					1	2	3	4	5	6	
	1	1	<b>2K-4821</b>	1	LOCKNUT (5/8-18-THD)						
		1	<b>5P-8247</b>	1	WASHER-HARD (17X32X3.5-MM THK)						
	2	1	<b>1B-8705</b>	1	KEY-WOODRUFF						
	3	1	<b>7T-2793</b>	1	FAN AS (12-BLADE)						
	4	1	<b>7T-2792</b>	1	FRAME AS						
	5	1	<b>7T-2794</b>	1	STATOR AS						
	6	1	<b>7T-2790</b>	1	ROTOR AS						
	7	1	<b>7T-2791</b>	1	COIL AS						
	8	1	<b>7T-2798</b>	1	REGULATOR AS-VOLTAGE (24-VOLT) (ALTERNATOR)						
	9	1	<b>7T-2797</b>	1	COVER						
	10	1	<b>7T-2796</b>	1	HOLDER AS-BRUSH						
	11	1	<b>7T-2795</b>	1	FRAME AS						
	12	1	<b>7T-2801</b>	1	CONDENSER						
	13	1	<b>9L-6770</b>	1	CAP-DUST						
	14	1	<b>7T-2802</b>	1	WIRE AS						
	15	1	<b>7X-0447</b>	1	NUT (7/16-14-THD)						
		1	<b>2H-3920</b>	1	LOCKWASHER						
	16	1	<b>6V-8185</b>	1	NUT (1/4-20-THD)						
		1	<b>1H-3244</b>	1	LOCKWASHER						
					AVAILABLE REPAIR KIT(S):						
			<b>7T-2800</b>	1	KIT-TERMINAL (ALTERNATOR AIR) (POSITIVE) (INCLUDES INSULATORS, NUTS, LOCKWASHERS, & WASHERS)						
			<b>7T-2804</b>	1	KIT-ALTERNATOR TERMINAL (RELAY) (INCLUDES WIRE AS, CAP, BOLT, & INSULATOR)						
			<b>7T-2805</b>	1	KIT-ALTERNATOR TERMINAL (NEGATIVE) (INCLUDES INSULATORS, NUTS, WASHERS, & LOCKWASHERS)						
			<b>7T-2799</b>	1	KIT-BEARING (INCLUDES BEARINGS)						
			<b>7T-2803</b>	1	KIT-HARDWARE (ALTERNATOR AIR) (INCLUDES SCREW ASSEMBLY & BOLT ASSEMBLY)						
			<b>7T-2816</b>	1	KIT-HARDWARE (ALTERNATOR AIR) (INCLUDES PLATE ASSEMBLY, PLATE BOLT ASSEMBLY, WASHERS, SPACERS, & RING)						

# ELECTRICAL AND STARTING SYSTEM

9G-4574 ALTERNATOR GP-CHARGING (contd.)

103640849



VIEW A-A

GRAPHIC #1

<END>

g00792011



# ELECTRICAL AND STARTING SYSTEM

## 110-0583 BATTERY CHARGER

S/N: 85Z3764-UP

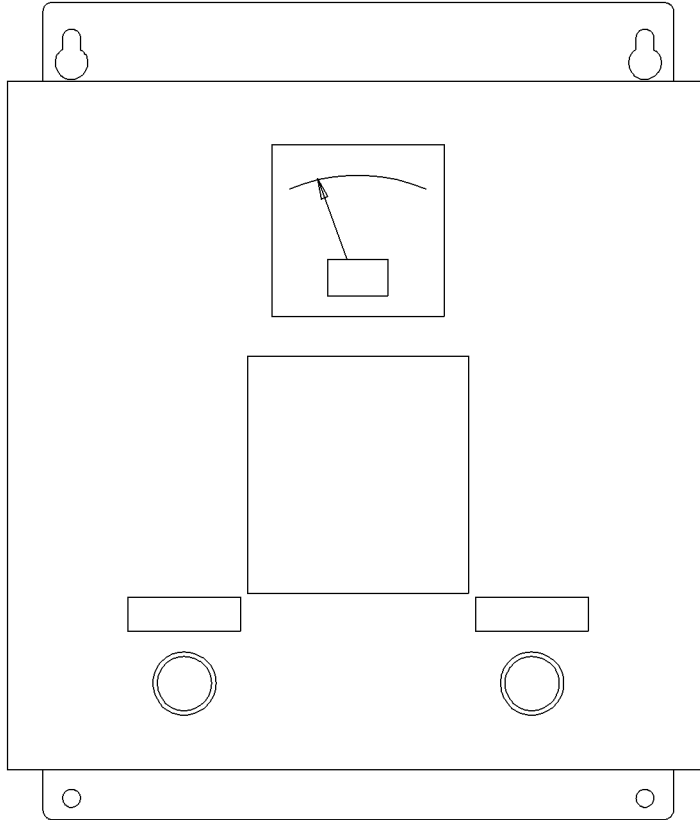
24 VOLT DC, 10 AMPERE, 115 VOLT INPUT  
AN ATTACHMENT

SMCS-1401, 1406

i01438932

NOTE	REF NO	GRAPHIC REF	PART NUMBER	QTY	PART NAME	SEE PAGE
------	--------	-------------	-------------	-----	-----------	----------

(NO SERVICED PARTS)



GRAPHIC #1

<END>

g00753987

# ELECTRICAL AND STARTING SYSTEM

## 110-0585 BATTERY CHARGER

S/N: 85Z3764-UP

24 VOLT DC, 10 AMPERE, 230 VOLT INPUT  
AN ATTACHMENT

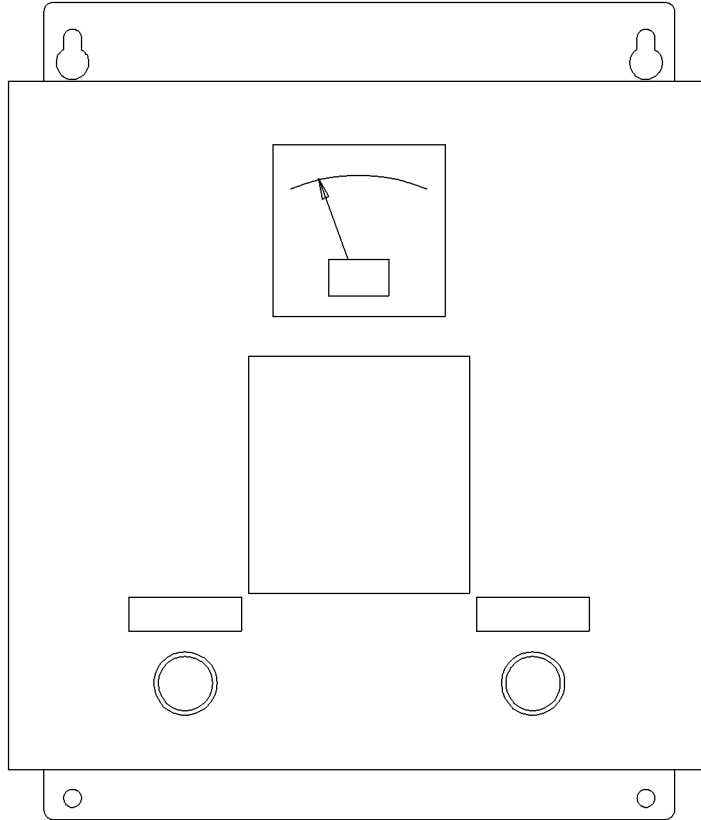
SMCS-1401, 1406

i01438936

NOTE	REF NO	GRAPHIC REF	PART NUMBER	QTY	PART NAME	SEE PAGE
------	--------	-------------	-------------	-----	-----------	----------

1 2 3 4 5 6 (PRODUCT LEVEL)

(NO SERVICED PARTS)



GRAPHIC #1

<END>

g00753999

# ELECTRICAL AND STARTING SYSTEM

## 110-0586 BATTERY CHARGER

S/N: 85Z3764-UP

24 VOLT DC, SINGLE RATE, 115 VOLT INPUT  
AN ATTACHMENT

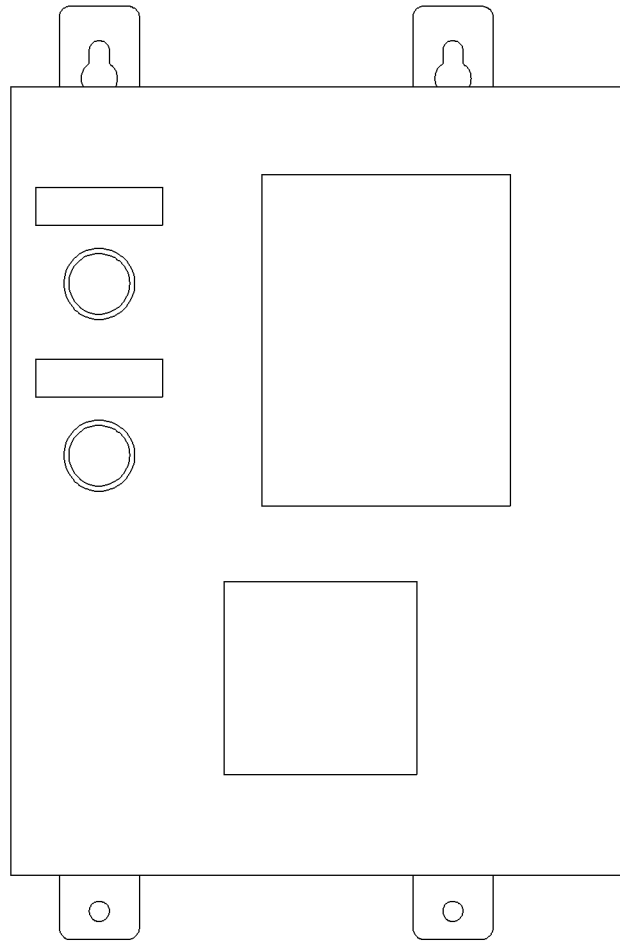
SMCS-1401, 1406

i01424036

NOTE	REF NO	GRAPHIC REF	PART NUMBER	QTY	PART NAME	SEE PAGE
------	--------	-------------	-------------	-----	-----------	----------

1	2	3	4	5	6	(PRODUCT LEVEL)
---	---	---	---	---	---	-----------------

(NO SERVICED PARTS)



GRAPHIC #1

<END>

g00746537

# ELECTRICAL AND STARTING SYSTEM

## 110-0587 BATTERY CHARGER

S/N: 85Z3764-UP

24 VOLT DC, SINGLE RATE, 230 VOLT INPUT  
AN ATTACHMENT

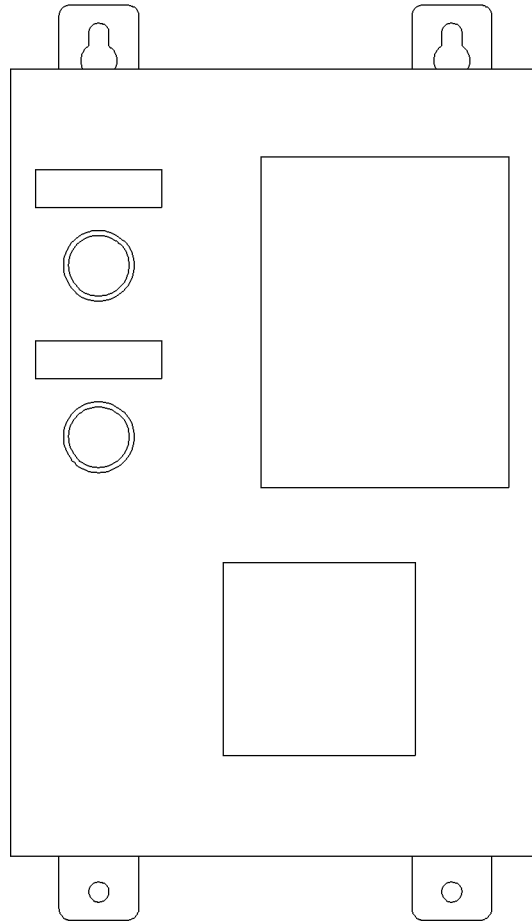
SMCS-1401, 1406

i01424035

NOTE	REF NO	GRAPHIC REF	PART NUMBER	QTY	PART NAME	SEE PAGE
------	--------	-------------	-------------	-----	-----------	----------

1 2 3 4 5 6 (PRODUCT LEVEL)

(NO SERVICED PARTS)



GRAPHIC #1

<END>

g00746527

# ELECTRICAL AND STARTING SYSTEM

## 7C-3874 BATTERY CHARGER

S/N: 85Z3764-UP

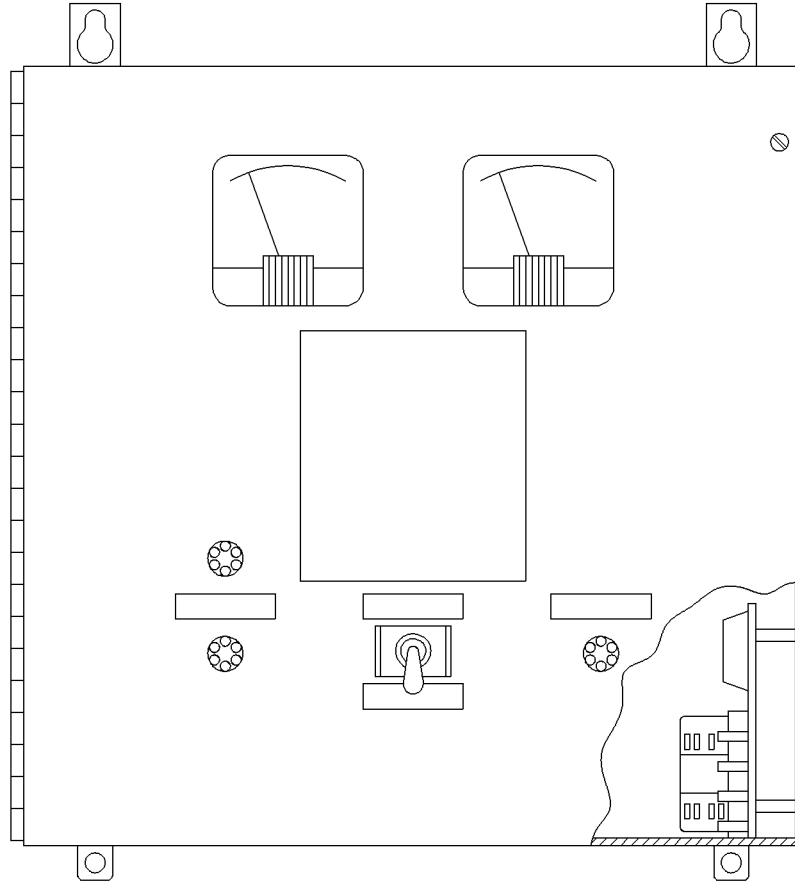
24-VOLT DC WITH FAILURE ALARM  
FOR USE WITH LEAD ACID OR NICAD BATTERIES  
AN ATTACHMENT

SMCS-1401, 1406

i01424029

NOTE	REF NO	GRAPHIC REF	PART NUMBER	QTY	PART NAME	SEE PAGE
					1 2 3 4 5 6 (PRODUCT LEVEL)	

(NO SERVICED PARTS)



GRAPHIC #1

<END>

g00746505

# ELECTRICAL AND STARTING SYSTEM

## 7C-9141 BATTERY CHARGER

S/N: 85Z3764-UP

24-VOLT DC SINGLE RATE - 120-VOLT AC/50 OR 60 HERTZ SUPPLY  
AN ATTACHMENT

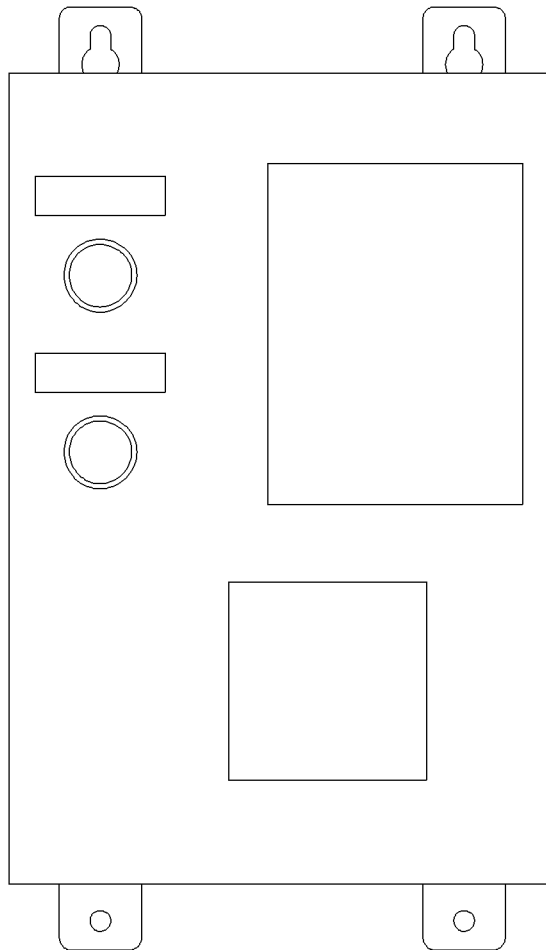
SMCS-1401, 1406

i01424032

NOTE	REF NO	GRAPHIC REF	PART NUMBER	QTY	PART NAME	SEE PAGE
------	--------	-------------	-------------	-----	-----------	----------

1 2 3 4 5 6 (PRODUCT LEVEL)

(NO SERVICED PARTS)



GRAPHIC #1

<END>

g00746529

# ELECTRICAL AND STARTING SYSTEM

## 7C-9142 BATTERY CHARGER

S/N: 85Z3764-UP

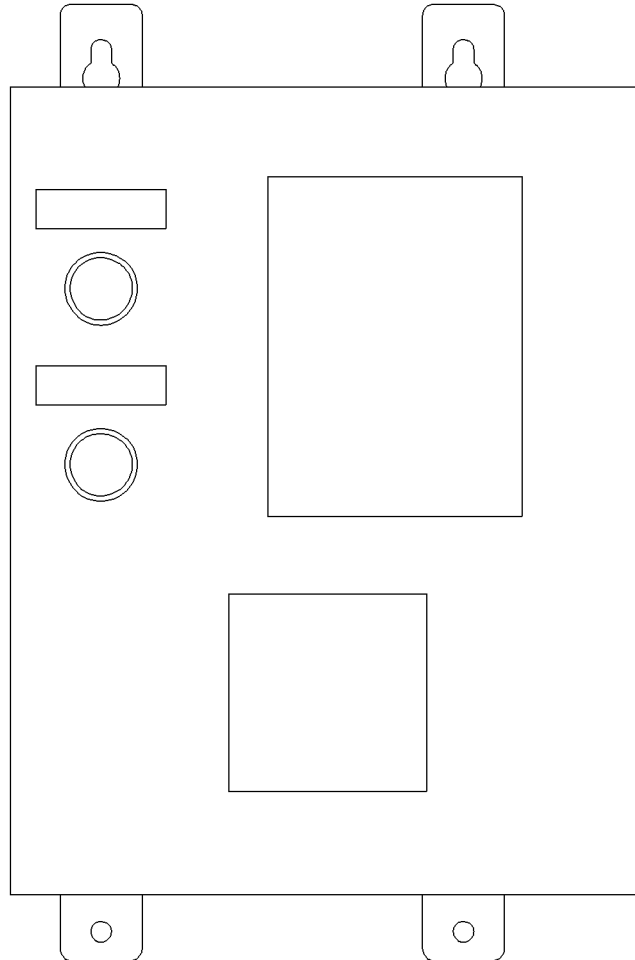
24 VOLT DC SINGLE RATE - 240 VOLT AC/50 OR 60 HERTZ SUPPLY  
AN ATTACHMENT

SMCS-1401, 1406

i01424033

NOTE	REF NO	GRAPHIC REF	PART NUMBER	QTY	PART NAME						SEE PAGE
					1	2	3	4	5	6 (PRODUCT LEVEL)	

(NO SERVICED PARTS)



GRAPHIC #1

<END>

g00746530

# ELECTRICAL AND STARTING SYSTEM

## 7W-0408 BATTERY CHARGER

S/N: 85Z3764-UP

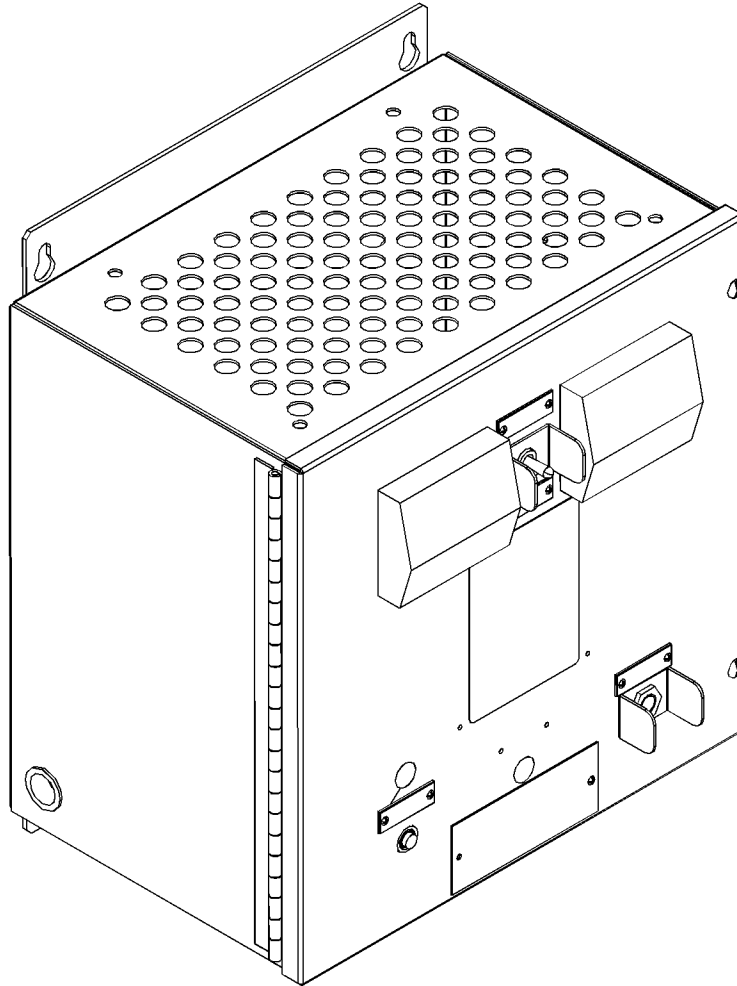
24-VOLT

FOR USE WITH LEAD ACID OR NICAD BATTERY  
AN ATTACHMENT

SMCS-1401, 1406

i05898832

NOTE	REF NO	GRAPHIC REF	PART NUMBER	QTY	PART NAME						SEE PAGE
					1	2	3	4	5	6 (PRODUCT LEVEL)	
(NO SERVICED PARTS)											



GRAPHIC #1

<END>

g02717432



# ELECTRICAL AND STARTING SYSTEM

## 9Y-6010 BATTERY CHARGER

S/N: 85Z3764-UP

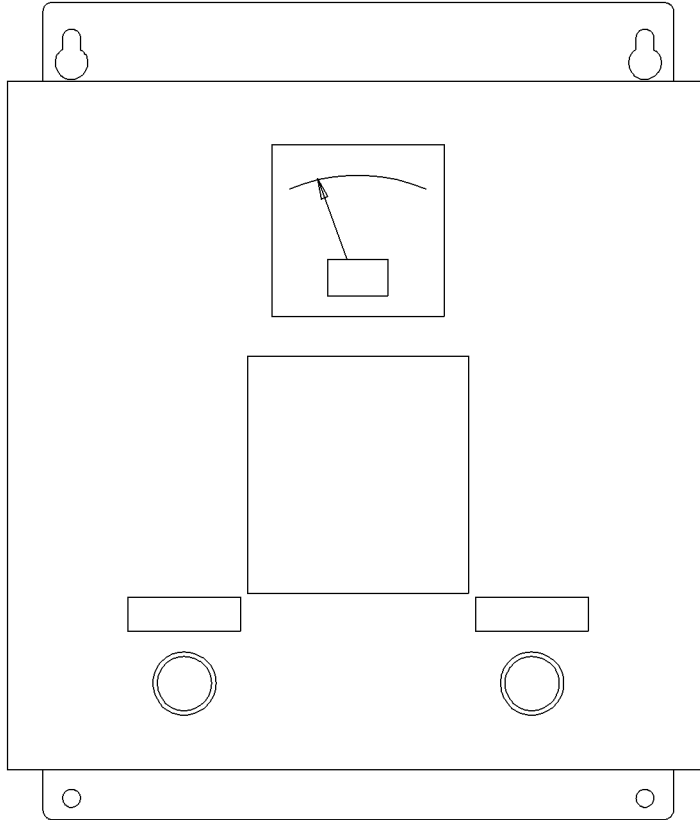
24 VOLT D.C. SINGLE RATE, 10 AMP, 115 VOLT INPUT  
AN ATTACHMENT

SMCS-1401, 1406

i01438943

NOTE	REF NO	GRAPHIC REF	PART NUMBER	QTY	PART NAME	SEE PAGE
------	--------	-------------	-------------	-----	-----------	----------

(NO SERVICED PARTS)



GRAPHIC #1

<END>

g00753996

# ELECTRICAL AND STARTING SYSTEM

## 9Y-6014 BATTERY CHARGER

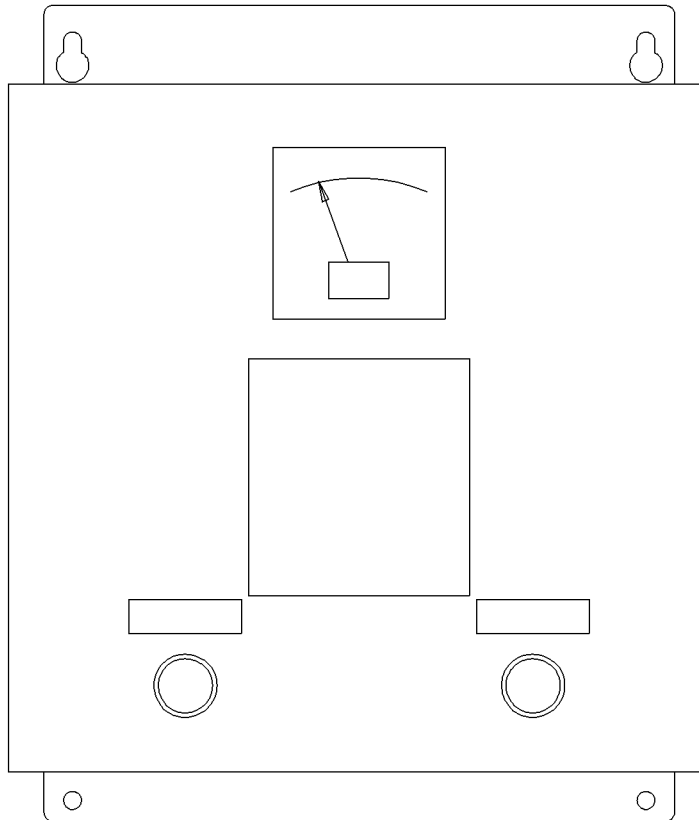
S/N: 85Z3764-UP

FOR USE WITH LOW MAINTENANCE BATTERIES  
CANNOT BE USED WITH MAINTENANCE FREE BATTERIES  
AN ATTACHMENT

SMCS-1401, 1406

i01438947

NOTE	REF NO	GRAPHIC REF	PART NUMBER	QTY	PART NAME	SEE PAGE
					1 2 3 4 5 6 (PRODUCT LEVEL)	
(NO SERVICED PARTS)						



GRAPHIC #1

<END>

g00753993

# ELECTRICAL AND STARTING SYSTEM

## 7C-1899 BATTERY GP

S/N: 85Z3764-UP

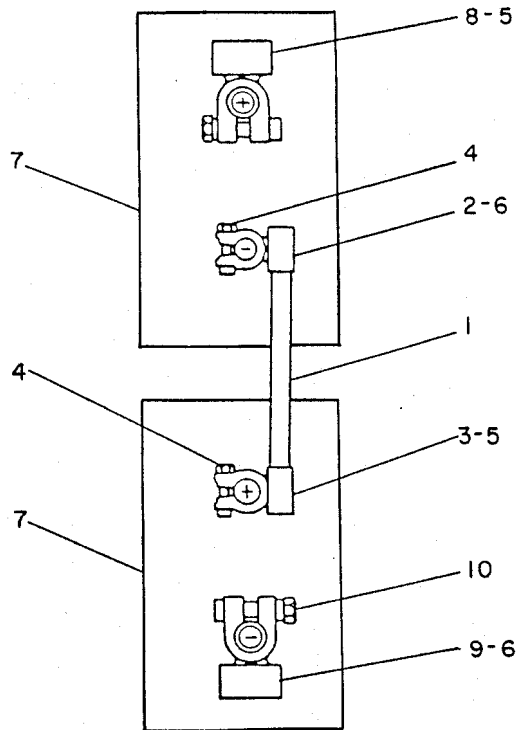
**24 VOLT, 580 COLD CRANKING AMPERE, 66-AMPERE HOUR  
FOR USE WITH BATTERY SUPPORT  
AN ATTACHMENT**

SMCS-1401

i03523528

NOTE	REF NO	GRAPHIC REF	PART NUMBER	QTY	PART NAME						SEE PAGE
					1	2	3	4	5	6 (PRODUCT LEVEL)	
	1	1	<b>2V-7397</b>	1	CABLE AS						
E		1	<b>5P-0747</b>		CABLE (00-GA, BLACK) (20-CM)						
	2	1	<b>5M-9205</b>	1	TERMINAL AS (NEGATIVE)						
	3	1	<b>5M-9204</b>	1	TERMINAL AS (POSITIVE)						
	4	1	<b>1M-6119</b>	1	BOLT (5/16-18X1.375-IN)						
		1	<b>1M-6120</b>	1	NUT (5/16-18-THD)						
	5	1	<b>9G-0004</b>	2	COVER AS-TERMINAL (RED)						
	6	1	<b>9G-0003</b>	2	COVER AS-TERMINAL (BLACK)						
	7	1	<b>3T-5857</b>	2	BATTERY (12-VOLT) (WET)						
	8	1	<b>5M-9204</b>	1	TERMINAL AS (POSITIVE)						
	9	1	<b>5M-9205</b>	1	TERMINAL AS (NEGATIVE)						
	10	1	<b>1M-6119</b>	1	BOLT (5/16-18X1.375-IN)						
		1	<b>1M-6120</b>	1	NUT (5/16-18-THD)						

E - ORDER BY THE CENTIMETER



GRAPHIC #1

<END>

g00185831

# ELECTRICAL AND STARTING SYSTEM

## 7C-1900 BATTERY GP

S/N: 85Z3764-UP

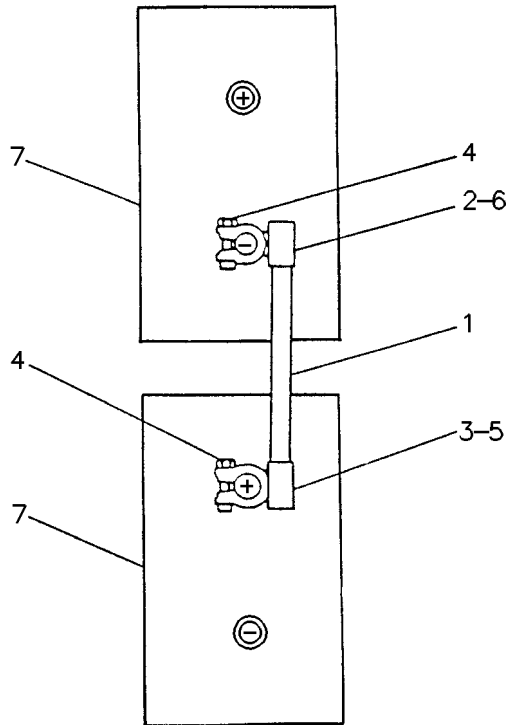
**24-VOLT, 700-COLD CRANKING AMPERE, 100-AMPERE HOUR  
AN ATTACHMENT**

**SMCS-1401**

**i03637760**

NOTE	REF NO	GRAPHIC REF	PART NUMBER	QTY	PART NAME						SEE PAGE
					1	2	3	4	5	6 (PRODUCT LEVEL)	
	1	1	<b>2V-7397</b>	1	CABLE AS						
E		1	<b>5P-0747</b>		CABLE (00-GA, BLACK) (20-CM)						
	2	1	<b>5M-9205</b>	1	TERMINAL AS (NEGATIVE)						
	3	1	<b>5M-9204</b>	1	TERMINAL AS (POSITIVE)						
	4	1	<b>1M-6119</b>	1	BOLT (5/16-18X1.375-IN)						
		1	<b>1M-6120</b>	1	NUT (5/16-18-THD)						
	5	1	<b>9G-0004</b>	2	COVER AS-TERMINAL (RED)						
	6	1	<b>9G-0003</b>	2	COVER AS-TERMINAL (BLACK)						
	7	1	<b>3T-5760</b>	2	BATTERY GP (12-VOLT, 750-CCA)						
					(EACH INCLUDES)						
		1	<b>123-1373</b>	6	CAP AS-FILLER (7/8-9-THD)						

E - ORDER BY THE CENTIMETER



GRAPHIC #1

<END>

g00214497

# ELECTRICAL AND STARTING SYSTEM

## 7C-1976 BATTERY GP

S/N: 85Z3764-UP

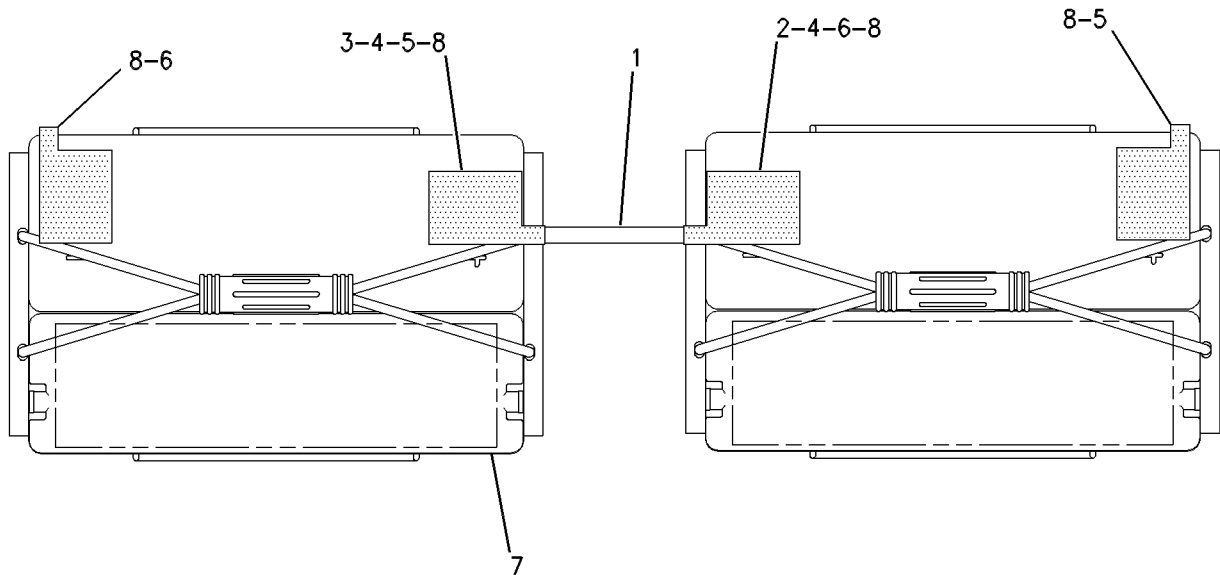
**24 VOLT, 67 AMPERE. LOW MAINTENANCE  
FOR USE WITH BATTERY SUPPORT  
AN ATTACHMENT**

**SMCS-1401**

**i03392284**

NOTE	REF NO	GRAPHIC REF	PART NUMBER	QTY	PART NAME						SEE PAGE
					1	2	3	4	5	6 (PRODUCT LEVEL)	
	1	1	<b>2V-7397</b>	1	CABLE AS						
E		1	<b>5P-0747</b>		CABLE (00-GA, BLACK) (20CM)						
	2	1	<b>5M-9205</b>	1	TERMINAL AS (NEGATIVE)						
	3	1	<b>5M-9204</b>	1	TERMINAL AS (POSITIVE)						
	4	1	<b>1M-6119</b>	1	BOLT (5/16-18X1.375-IN)						
		1	<b>1M-6120</b>	1	NUT (5/16-18-THD)						
	5	1	<b>9G-0004</b>	2	COVER AS-TERMINAL (RED)						
	6	1	<b>9G-0003</b>	2	COVER AS-TERMINAL (BLACK)						
	7	1	<b>153-5656</b>	2	BATTERY (12-VOLT, MAINTENANCE FREE, WET)						
	8	1	<b>8L-8413</b>	4	STRAP-CABLE (WHITE)						

E - ORDER BY THE CENTIMETER



GRAPHIC #1

<END>

g00635090

# ELECTRICAL AND STARTING SYSTEM

## 7C-1977 BATTERY GP

S/N: 85Z3764-UP

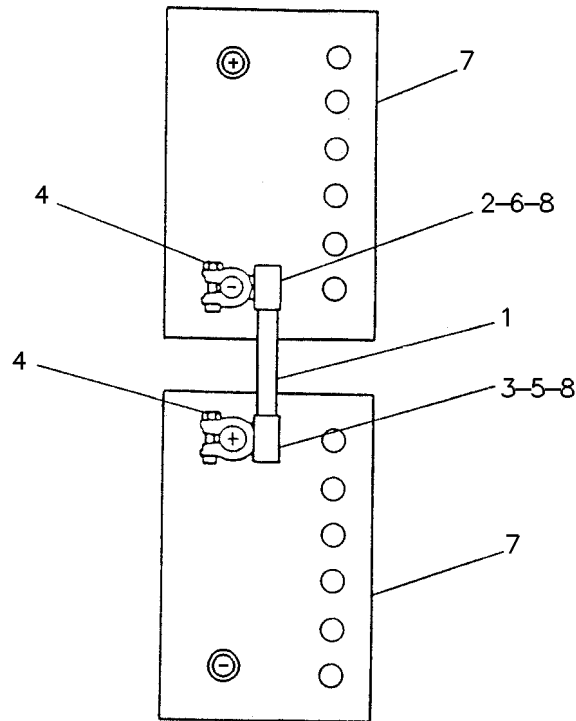
**24-VOLT, 615-COLD CRANKING AMPERE, 92-AMPERE HOUR  
AN ATTACHMENT**

**SMCS-1401**

**i03523530**

NOTE	REF NO	GRAPHIC REF	PART NUMBER	QTY	PART NAME						SEE PAGE
					1	2	3	4	5	6	
	1	1	<b>2V-7397</b>	1	CABLE AS						
E		1	<b>5P-0747</b>		CABLE (00-GA, BLACK) (20-CM)						
	2	1	<b>5M-9205</b>	1	TERMINAL AS (NEGATIVE)						
	3	1	<b>5M-9204</b>	1	TERMINAL AS (POSITIVE)						
	4	1	<b>1M-6119</b>	1	BOLT (5/16-18X1.375-IN)						
		1	<b>1M-6120</b>	1	NUT (5/16-18-THD)						
	5	1	<b>9G-0004</b>	2	COVER AS-TERMINAL (RED)						
	6	1	<b>9G-0003</b>	2	COVER AS-TERMINAL (BLACK)						
	7	1	<b>9G-4233</b>	2	BATTERY (12-VOLT) (DRY)						
					(EACH INCLUDES)						
		1	<b>7N-0060</b>	6	VENT AS (BATTERY)						
	8	1	<b>8L-8413</b>	4	STRAP-CABLE (WHITE)						

E - ORDER BY THE CENTIMETER



GRAPHIC #1

<END>

g00216211

# ELECTRICAL AND STARTING SYSTEM

## 7L-7867 BATTERY GP

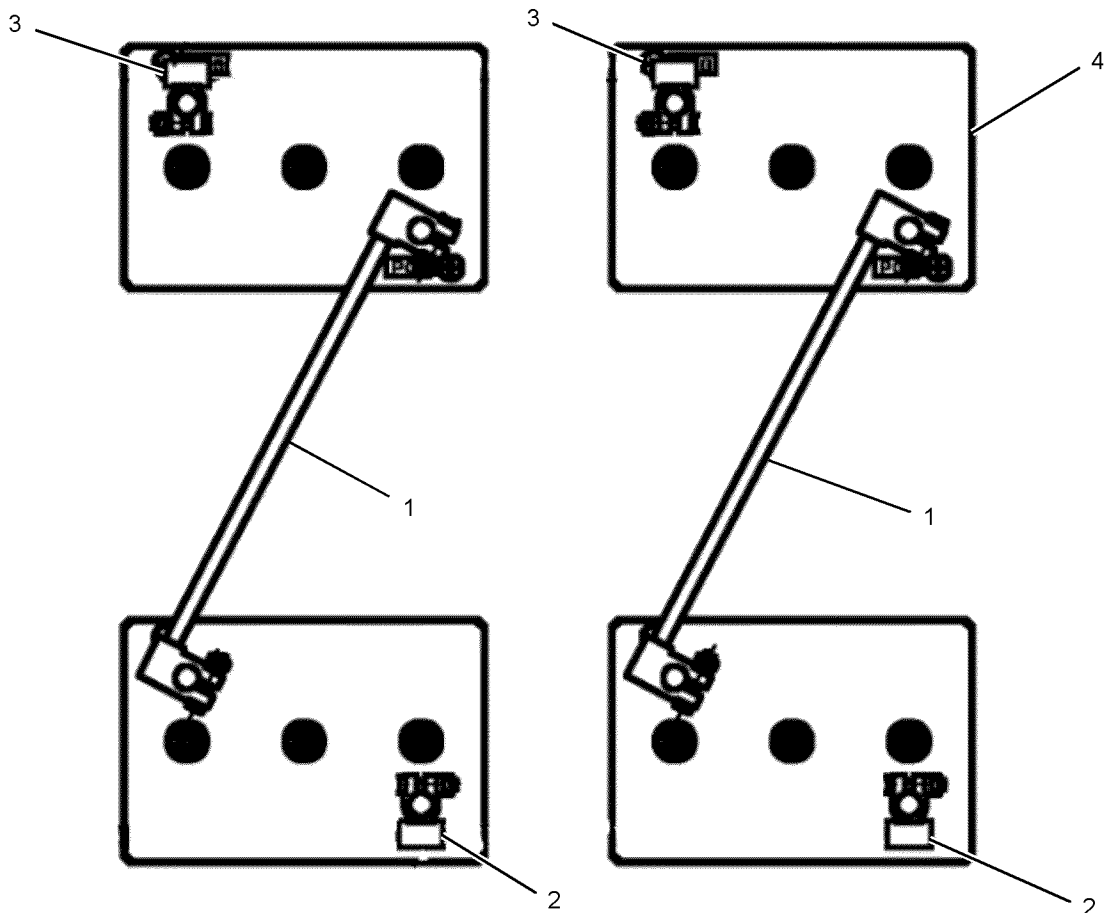
S/N: 85Z3764-UP  
12 VOLT, 240 AMPERE  
AN ATTACHMENT

SMCS-1401

i04722649

NOTE	REF NO	GRAPHIC REF	PART NUMBER	QTY	PART NAME						SEE PAGE
					1	2	3	4	5	6	
	1	1	<b>1L-5686</b>	2	CABLE AS						
					(EACH INCLUDES)						
E		1	<b>5P-0747</b>		CABLE (00-GA, BLACK) (32CM)						
		1	<b>1M-6119</b>	2	BOLT (5/16-18X1.375-IN)						
		1	<b>1M-6120</b>	2	NUT (5/16-18-THD)						
	2	1	<b>5M-9204</b>	2	TERMINAL AS (POSITIVE)						
					(EACH INCLUDES)						
		1	<b>1M-6119</b>	1	BOLT (5/16-18X1.375-IN)						
		1	<b>1M-6120</b>	1	NUT (5/16-18-THD)						
	3	1	<b>5M-9205</b>	2	TERMINAL AS (NEGATIVE)						
					(EACH INCLUDES)						
		1	<b>1M-6119</b>	1	BOLT (5/16-18X1.375-IN)						
		1	<b>1M-6120</b>	1	NUT (5/16-18-THD)						
	4	1	<b>8C-3629</b>	4	BATTERY (6-VOLT)						

E - ORDER BY THE CENTIMETER



GRAPHIC #1

<END>

g02869876

# ELECTRICAL AND STARTING SYSTEM

## 7L-7871 BATTERY GP

S/N: 85Z3764-UP

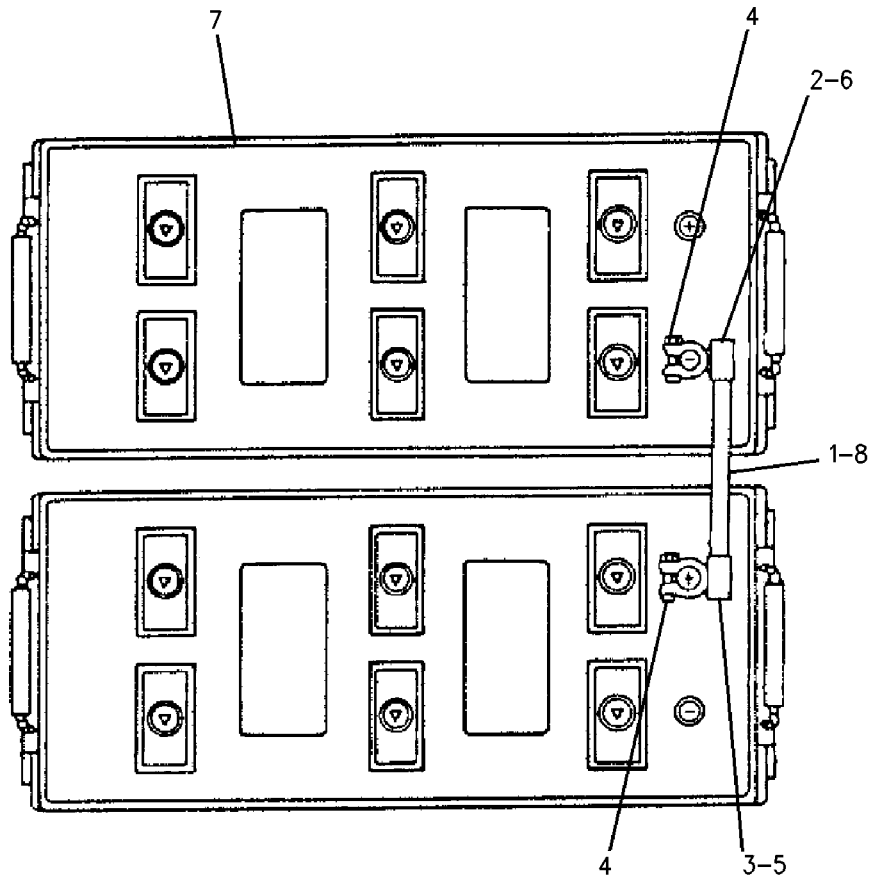
**24-VOLT, 1000-COLD CRANKING AMPERE, 140-AMPERE HOUR  
AN ATTACHMENT  
TYPE 1**

SMCS-1401

i03537921

NOTE	REF NO	GRAPHIC REF	PART NUMBER	QTY	PART NAME						SEE PAGE
					1	2	3	4	5	6 (PRODUCT LEVEL)	
	1	1	<b>2V-7397</b>	1	CABLE AS						
E		1	<b>5P-0747</b>		CABLE (00-GA, BLACK) (20-CM)						
	2	1	<b>5M-9205</b>	1	TERMINAL AS (NEGATIVE)						
		1	<b>1M-6119</b>	1	BOLT (5/16-18X1.375-IN)						
		1	<b>1M-6120</b>	1	NUT (5/16-18-THD)						
	3	1	<b>5M-9204</b>	1	TERMINAL AS (POSITIVE)						
	4	1	<b>1M-6119</b>	1	BOLT (5/16-18X1.375-IN)						
		1	<b>1M-6120</b>	1	NUT (5/16-18-THD)						
	5	1	<b>9G-0004</b>	2	COVER AS-TERMINAL (RED)						
	6	1	<b>9G-0003</b>	2	COVER AS-TERMINAL (BLACK)						
	7	1	<b>9G-4232</b>	2	BATTERY (12-VOLT) (DRY)						
					(EACH INCLUDES)						
		1	<b>7N-0060</b>	6	VENT AS						
	8	1	<b>8L-8413</b>	2	STRAP-CABLE (WHITE)						

E - ORDER BY THE CENTIMETER



GRAPHIC #1

<END>

g00637336



# ELECTRICAL AND STARTING SYSTEM

## 7L-7871 BATTERY GP

S/N: 85Z3764-UP

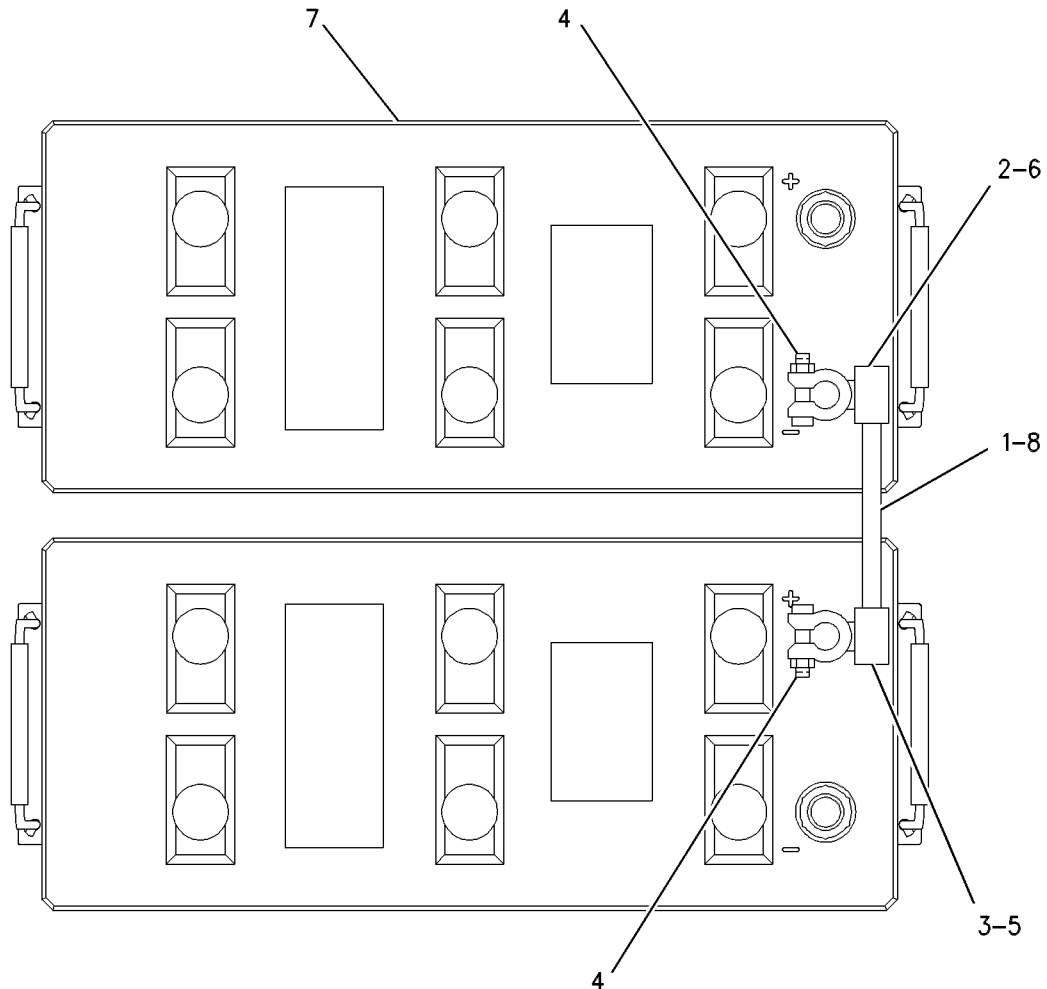
**24-VOLT, 1000-COLD CRANKING AMPERE, 140-AMPERE HOUR  
AN ATTACHMENT  
TYPE 2**

**SMCS-1401**

**i05326833**

NOTE	REF NO	GRAPHIC REF	PART NUMBER	QTY	PART NAME						SEE PAGE
					1	2	3	4	5	6 (PRODUCT LEVEL)	
	1	1	<b>2V-7397</b>	1	CABLE AS						
E		1	<b>5P-0747</b>		CABLE (00-GA, BLACK) (20-CM)						
	2	1	<b>8T-9757</b>	1	TERMINAL AS-BATTERY (NEGATIVE)						
	3	1	<b>8C-5917</b>	1	TERMINAL AS-BATTERY (POSITIVE)						
	4	1	<b>1M-6119</b>	2	BOLT (5/16-18X1.375-IN)						
		1	<b>1M-6120</b>	2	NUT (5/16-18-THD)						
	5	1	<b>9G-0004</b>	1	COVER AS-TERMINAL (RED)						
	6	1	<b>9G-0003</b>	1	COVER AS-TERMINAL (BLACK)						
C	7	1	<b>9X-9720</b>	2	BATTERY (12-VOLT) (DRY)						
					(EACH INCLUDES)						
		1	<b>7N-0060</b>	6	VENT AS (BATTERY)						
	8	1	<b>8L-8413</b>	2	STRAP-CABLE (WHITE)						

C - CHANGE FROM PREVIOUS TYPE  
E - ORDER BY THE CENTIMETER



GRAPHIC #1

<END>

g00621897

# ELECTRICAL AND STARTING SYSTEM

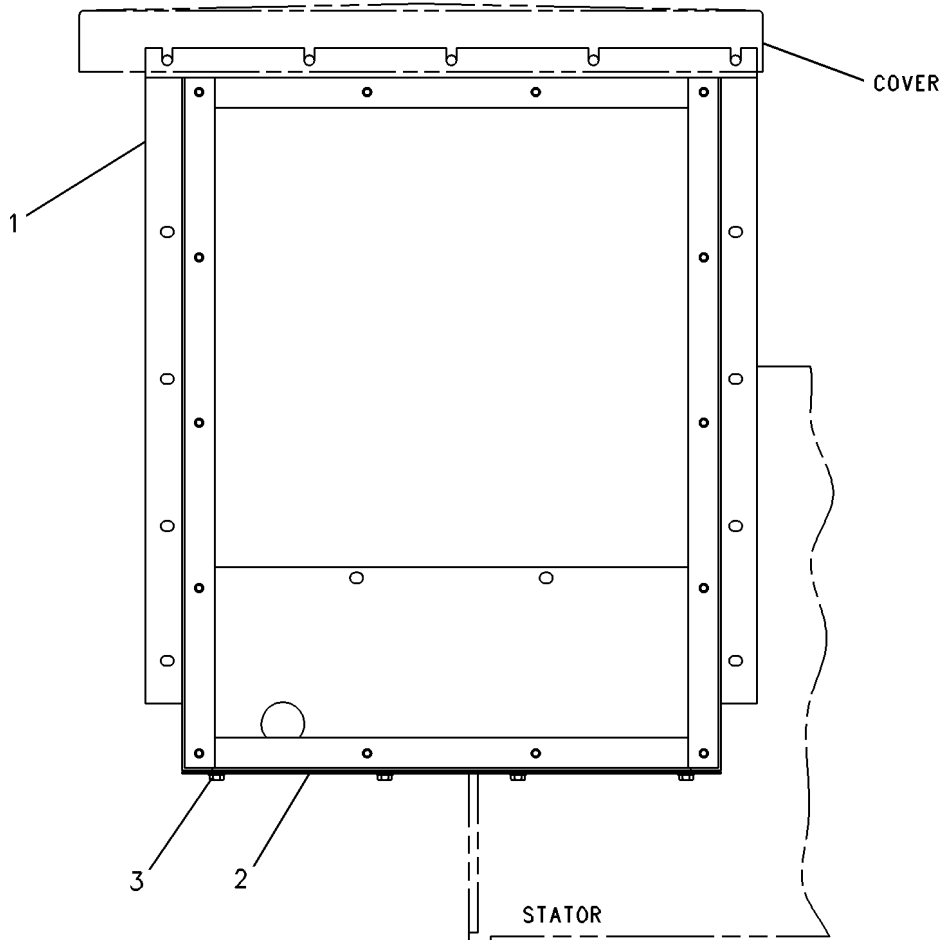
## 107-3056 BOX GP-EXTENSION TERMINAL

S/N: 8JF1-UP; 6CG1-UP; 6DG1-UP; 6EG1-UP  
 FOR USAGE REFER TO CHART 4W-8145-PAGE: 1768  
 AN ATTACHMENT

SMCS-4460

i00670901

NOTE	REF NO	GRAPHIC REF	PART NUMBER	QTY	PART NAME						SEE PAGE
					1	2	3	4	5	6 (PRODUCT LEVEL)	
	1	1	<b>4P-3910</b>	1	BOX AS-EXTENSION						
		1	<b>4K-9097</b>	22	NUT-WELD (5/16-18-THD)						
	2	1	<b>6I-3647</b>	1	COVER-BOTTOM						
	3	1	<b>104-3045</b>	8	BOLT-FLANGE HEAD (5/16-18X0.625-IN)						



RIGHT SIDE VIEW

GRAPHIC #1

<END>

g00234685

# ELECTRICAL AND STARTING SYSTEM

## 107-3057 BOX GP-EXTENSION TERMINAL

S/N: 5CA5985-UP; 5DA5682-UP; 5EA5375-UP; 5FA4499-UP

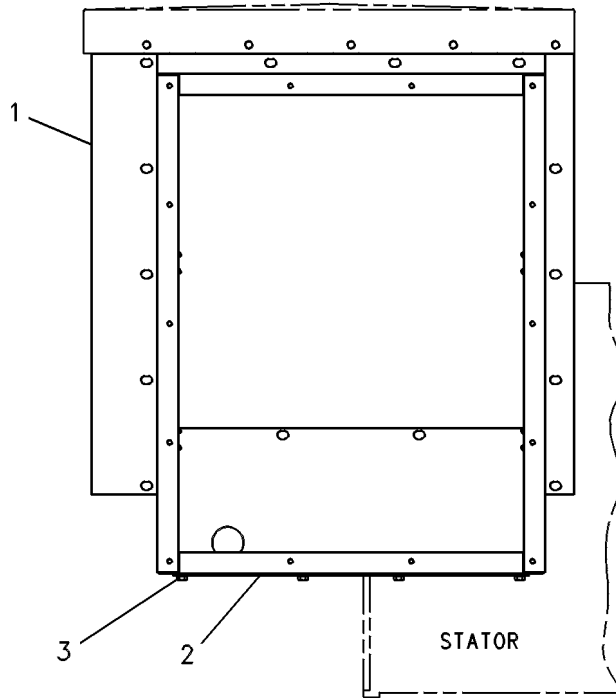
FOR USAGE REFER TO CHART 4W-8145-PAGE: 1768

PART OF 3N-5566, 3N-5567 BOX GP-GENERATOR CONNECTION  
AN ATTACHMENT

SMCS-4460

i00638661

NOTE	REF NO	GRAPHIC REF	PART NUMBER	QTY	PART NAME						SEE PAGE
					1	2	3	4	5	6 (PRODUCT LEVEL)	
	1	1	<b>3N-6712</b>	1	BOX AS-EXTENSION						
		1	<b>4K-9097</b>	22	NUT-WELD (5/16-18-THD)						
	2	1	<b>7W-7310</b>	1	COVER-BOTTOM						
	3	1	<b>104-3045</b>	8	BOLT-FLANGE HEAD (5/16-18X0.625-IN)						



GRAPHIC #1

<END>

g00235666

# ELECTRICAL AND STARTING SYSTEM

## 3N-6710 BOX GP-EXTENSION TERMINAL

S/N: 5CA5985-UP; 5DA5682-UP; 5EA5375-UP; 5FA4499-UP

RH MOUNTED

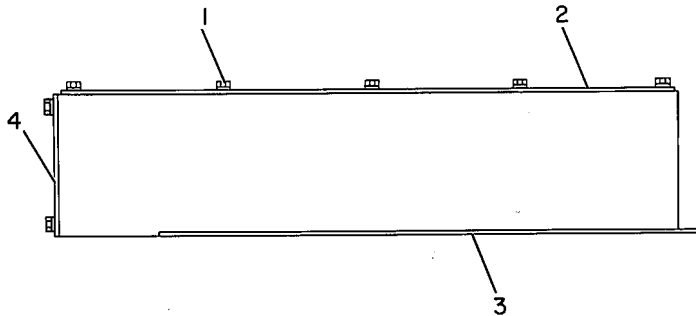
PART OF 3N-5566, 3N-5567 BOX GP-GENERATOR CONNECTION  
AN ATTACHMENT

SMCS-4460

i00710574

NOTE	REF NO	GRAPHIC REF	PART NUMBER	QTY	PART NAME						SEE PAGE
					1	2	3	4	5	6 (PRODUCT LEVEL)	
C	1	1	<b>1P-5121</b>	22	SCREW-HEAD (5/16-18X1-IN)						
	2	1	<b>3N-6713</b>	1	COVER AS-EXTENSION BOX						
	3	1	<b>3N-6712</b>	1	BOX AS-EXTENSION						
C	4	1	<b>7W-7310</b>	1	COVER-BOTTOM						

C - CHANGE FROM PREVIOUS TYPE



GRAPHIC #1

<END>

g00188596

# ELECTRICAL AND STARTING SYSTEM

## 4P-3909 BOX GP-EXTENSION TERMINAL

S/N: 8JF1-UP; 6CG1-UP; 6DG1-UP; 6EG1-UP

FOR USE WITH 4P-3386-PAGE: 1391

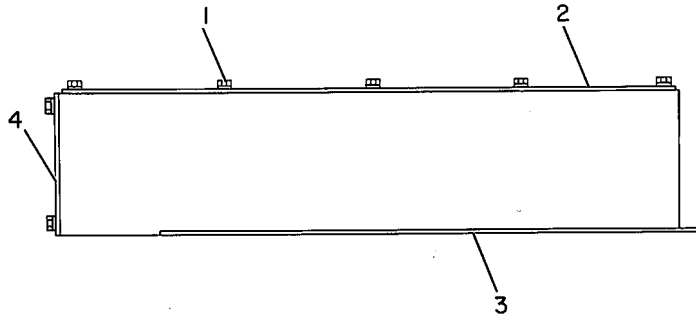
AN ATTACHMENT

SMCS-4460

i00979699

NOTE	REF NO	GRAPHIC REF	PART NUMBER	QTY	PART NAME						SEE PAGE
					1	2	3	4	5	6 (PRODUCT LEVEL)	
	1	1	<b>1P-5121</b>	22	SCREW-HEAD (5/16-18X1-IN)						
Y	2	1	<b>3N-6713</b>	1	COVER AS-EXTENSION BOX						1052
	3	1	<b>4P-3910</b>	1	BOX AS-EXTENSION						
	4	1	<b>6I-3647</b>	1	COVER-BOTTOM						

Y - SEPARATE ILLUSTRATION



GRAPHIC #1

<END>

g00188596

# ELECTRICAL AND STARTING SYSTEM

## 3N-5566 BOX GP-GENERATOR CONNECTION

S/N: 5CA5985-UP; 5DA5682-UP

440 FRAME

AN ATTACHMENT

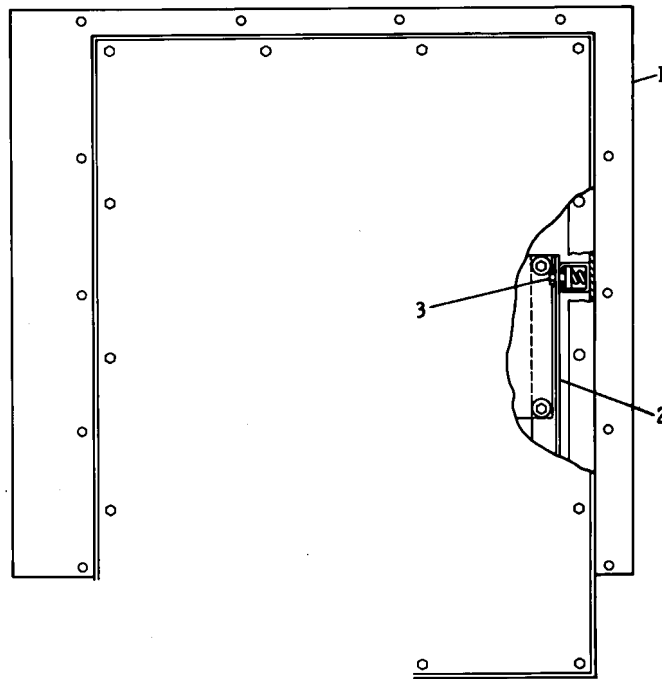
TYPE 1

SMCS-4460

i00638777

NOTE	REF NO	GRAPHIC REF	PART NUMBER	QTY	PART NAME						SEE PAGE
					1	2	3	4	5	6 (PRODUCT LEVEL)	
Y	1	1	3N-6710	1	BOX GP-EXTENSION TERMINAL						942
	2	1	3N-7308	1	CONNECTION AS						
	3	1	0S-0509	4	BOLT (3/8-16X0.75-IN)						
		1	3N-6734	4	NUT-SPRING (3/8-16-THD)						
		1	9F-5644	4	LOCKWASHER						

Y - SEPARATE ILLUSTRATION



GRAPHIC #1

<END>

g00135323

# ELECTRICAL AND STARTING SYSTEM

## 3N-5566 BOX GP-GENERATOR CONNECTION

S/N: 5CA5985-UP; 5DA5682-UP

440 FRAME

AN ATTACHMENT

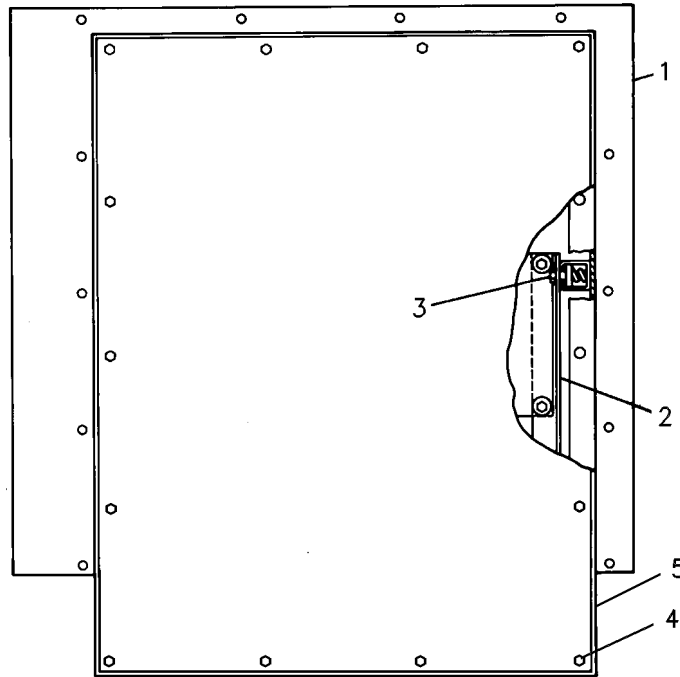
TYPE 2

SMCS-4460

i00736366

NOTE	REF NO	GRAPHIC REF	PART NUMBER	QTY	PART NAME						SEE PAGE
					1	2	3	4	5	6 (PRODUCT LEVEL)	
CY	1	1	107-3057	1	BOX GP-EXTENSION TERMINAL						941
	2	1	3N-7308	1	CONNECTION AS						
	3	1	0S-0509	4	BOLT (3/8-16X0.75-IN)						
		1	3N-6734	4	NUT-SPRING (3/8-16-THD)						
		1	9F-5644	4	LOCKWASHER						
CY	4	1	106-1771	1	FASTENER GP-EXTENSION BOX						1063
CY	5	1	3N-6713	1	COVER AS-EXTENSION BOX						1052

C - CHANGE FROM PREVIOUS TYPE  
Y - SEPARATE ILLUSTRATION



GRAPHIC #1

<END>

g00239523

# ELECTRICAL AND STARTING SYSTEM

## 3N-5567 BOX GP-GENERATOR CONNECTION

S/N: 5EA5375-UP; 5FA4499-UP

AN ATTACHMENT

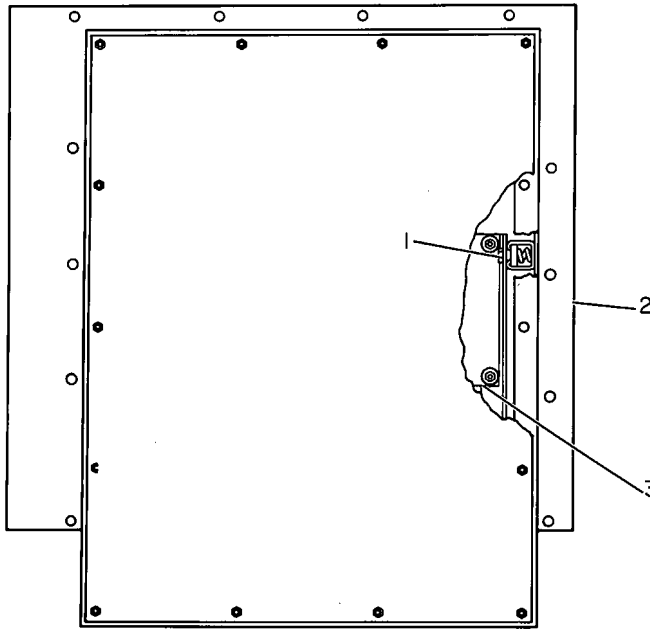
TYPE 1

SMCS-4460

i00639962

NOTE	REF NO	GRAPHIC REF	PART NUMBER	QTY	PART NAME						SEE PAGE
					1	2	3	4	5	6 (PRODUCT LEVEL)	
	1	1	<b>0S-0509</b>	4	BOLT (3/8-16X0.75-IN)						
		1	<b>3N-6734</b>	4	NUT-SPRING (3/8-16-THD)						
		1	<b>9F-5644</b>	4	LOCKWASHER						
Y	2	1	<i>3N-6710</i>	1	BOX GP-EXTENSION TERMINAL						942
	3	1	<b>3N-7309</b>	1	CONNECTION AS						

Y - SEPARATE ILLUSTRATION



GRAPHIC #1

<END>

g00135322



# ELECTRICAL AND STARTING SYSTEM

## 3N-5567 BOX GP-GENERATOR CONNECTION

S/N: 5EA5375-UP; 5FA4499-UP

AN ATTACHMENT

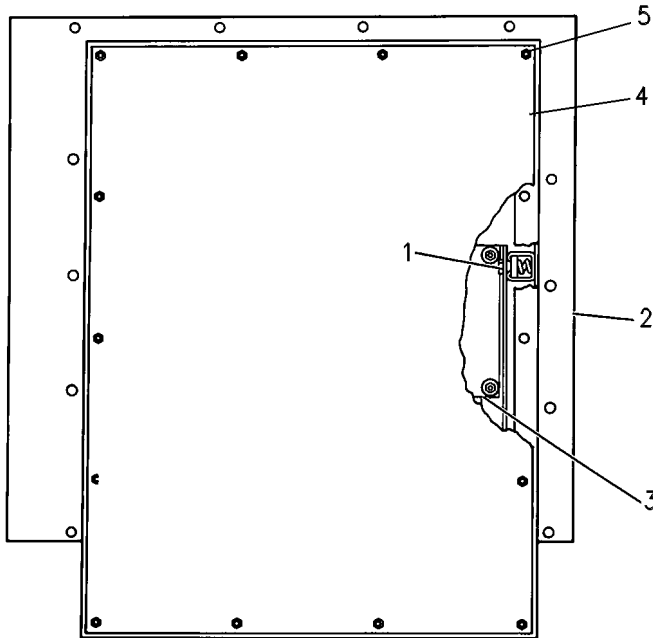
TYPE 2

SMCS-4460

i00639954

NOTE	REF NO	GRAPHIC REF	PART NUMBER	QTY	PART NAME						SEE PAGE
					1	2	3	4	5	6 (PRODUCT LEVEL)	
	1	1	<b>0S-0509</b>	4	BOLT (3/8-16X0.75-IN)						
		1	<b>3N-6734</b>	4	NUT-SPRING (3/8-16-THD)						
		1	<b>9F-5644</b>	4	LOCKWASHER						
Y	2	1	107-3057	1	BOX GP-EXTENSION TERMINAL						941
	3	1	<b>3N-7309</b>	1	CONNECTION AS						
Y	4	1	<b>3N-6713</b>	1	COVER AS-EXTENSION BOX						1052
Y	5	1	106-1771	1	FASTENER GP-EXTENSION BOX						1063

Y - SEPARATE ILLUSTRATION



GRAPHIC #1

<END>

g00237004

# ELECTRICAL AND STARTING SYSTEM

## 2W-8685 BOX GP-JUNCTION

S/N: 85Z3764-UP

### POWER DISTRIBUTION

FOR USE WITH AUTOMATIC START/STOP

FOR USAGE REFER TO CHART 5N-8487-PAGE: 1747

AN ATTACHMENT

SMCS-7426

i02462093

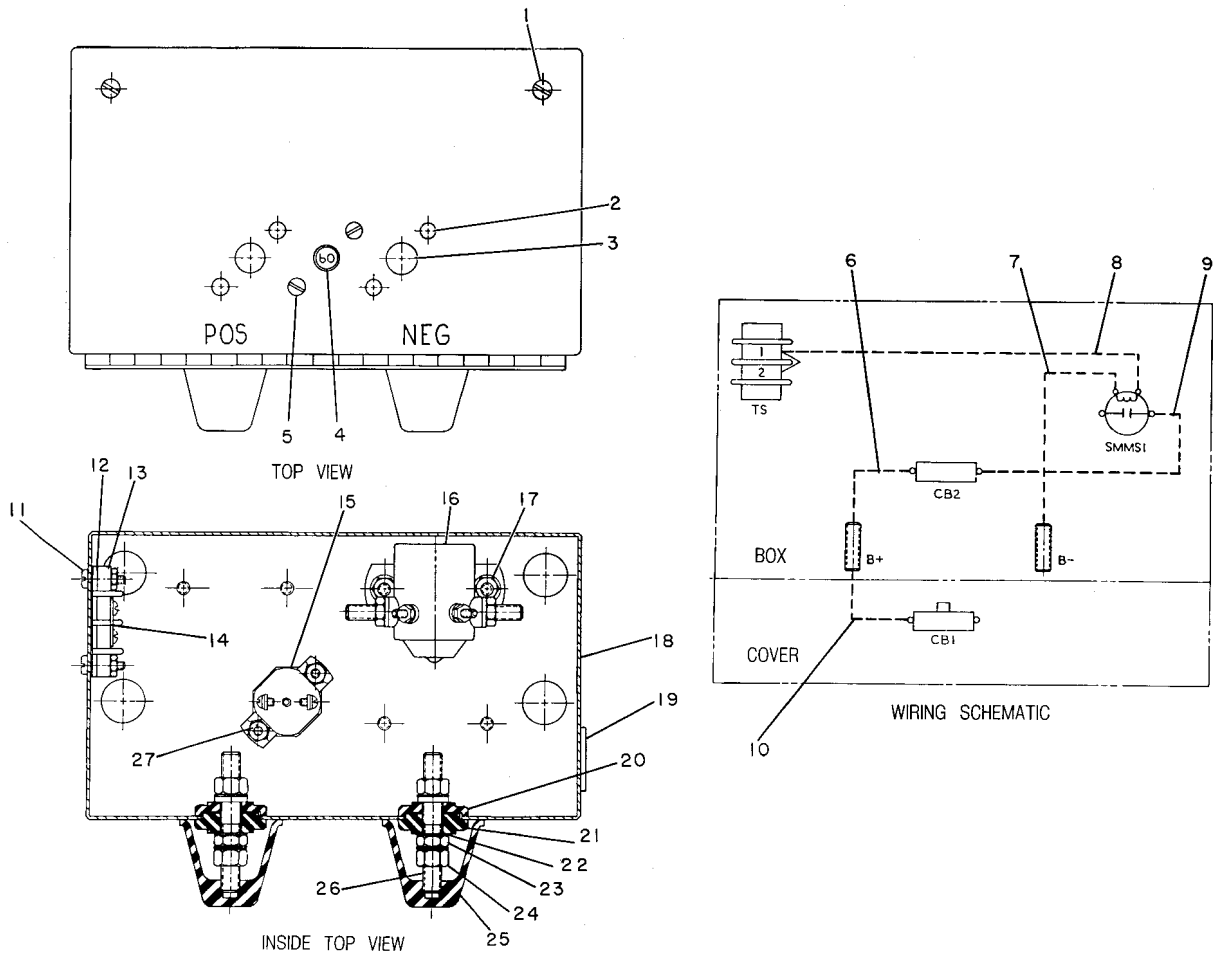
NOTE	REF NO	GRAPHIC REF	PART NUMBER	QTY	PART NAME						SEE PAGE
					1	2	3	4	5	6 (PRODUCT LEVEL)	
	1	1	9M-5520	2	SCREW-TAPPING (10-24X0.5-IN)						
	2	1	6K-9591	4	PLUG-BUTTON						
	3	1	3L-4566	2	PLUG-BUTTON						
	4	1	6T-3645	1	CIRCUIT BREAKER GP (60-AMPERE)						
	5	1	7S-4338	2	SCREW-MACHINE (8-32X0.75-IN)						
	6	1	2W-8940	1	WIRE AS (10 GA) (TAN)						
	7	1	2W-8937	1	WIRE AS (16 GA) (GREEN/YELLOW)						
	8	1	2W-8936	1	WIRE AS (10 GA) (TAN)						
	9	1	2W-8938	1	WIRE AS (10 GA) (TAN)						
	10	1	2W-8939	1	WIRE AS (6 GA) (TAN)						
	11	1	2N-3480	2	SCREW-MACHINE (10-24X0.75-IN)						
		1	4B-2047	2	NUT (10-24-THD)						
	12	1	5N-0367	1	FILM-IDENTIFICATION (TERMINAL MARKER)						
	13	1	6L-5855	1	STRIP-TERMINAL						
	14	1	6L-8150	1	JUMPER-STRIP (TERMINAL)						
	15	1	1N-9770	1	CIRCUIT BREAKER AS (12.5-AMPERE)						
		1	6V-8376	2	SCREW-MACHINE (8-32X0.25-IN)						
		1	9B-7233	2	LOCKWASHER						
	16	1	9F-3099	1	SWITCH GP-MAGNETIC (24-VOLT) (STARTING MOTOR)						
		1	4B-2043	2	NUT (8-32-THD)						
		1	6V-8186	2	NUT-FULL (5/16-24-THD)						
		1	3B-4501	2	LOCKWASHER						
		1	3L-6789	2	LOCKWASHER						
		1	8F-0908	2	WASHER (0.318X0.562X0.035-IN THK)						
	17	1	9S-8750	2	NUT-FULL (1/4-20-THD)						
		1	5P-0537	2	WASHER-HARD (7.2X14.5X2-MM THK)						
	18	1	4W-7599	1	ENCLOSURE AS						
		1	5L-8957	4	STUD-WELD (3/8-16X1-IN)						
		1	3H-5366	6	STUD-WELD (1/4-20X0.625-IN)						
	19	1	4F-8711	1	PLUG-BUTTON						
C	20	1	7W-2710	2	INSULATOR						
C	21	1	7W-2709	2	INSULATOR						
	22	1	3L-7314	8	WASHER (0.406X0.62X0.032-IN THK)						
	23	1	6H-5431	2	NUT-BRASS JAM (3/8-16-THD)						
	24	1	5P-7751	4	NUT-BRONZE (3/8-16-THD)						
	25	1	5N-8998	2	BOOT						
	26	1	5N-7510	2	STUD (3/8-16, 3/8-16X2.76-IN)						
	27	1	3K-8106	2	SCREW-MACHINE (8-32X1-IN)						
		1	4B-4863	2	WASHER (4.7X11X1.2-MM THK)						

C - CHANGE FROM PREVIOUS TYPE

# ELECTRICAL AND STARTING SYSTEM

2W-8685 BOX GP-JUNCTION (contd.)

102462093



GRAPHIC #1

<END>

g00174236

# ELECTRICAL AND STARTING SYSTEM

## 2W-8901 BOX GP-JUNCTION

S/N: 85Z3764-UP

PROVIDES BOX GP FOR ELECTRIC SHUT-OFF ON RADIATOR COOLED MARINE ENGINES  
FOR USAGE REFER TO CHART 5N-8487-PAGE: 1747  
AN ATTACHMENT

SMCS-7426

i02462123

NOTE	PART NUMBER	QTY	PART NAME						SEE PAGE
			1	2	3	4	5	6 (PRODUCT LEVEL)	
Y	7W-8001	1	BOX GP-JUNCTION						959
Y	7W-8051	1	SWITCH GP-ENGINE (SHUTOFF)						1292

Y - SEPARATE ILLUSTRATION

<END>

## 2W-8903 BOX GP-JUNCTION

S/N: 85Z3764-UP

PROVIDES BOX GP FOR ELECTRIC SHUT-OFF ON RADIATOR COOLED MARINES ENGINES  
FOR USAGE REFER TO CHART 5N-8487-PAGE: 1747  
AN ATTACHMENT

SMCS-7426

i02462121

NOTE	PART NUMBER	QTY	PART NAME						SEE PAGE
			1	2	3	4	5	6 (PRODUCT LEVEL)	
Y	7W-8003	1	BOX GP-JUNCTION						960
Y	7W-8051	1	SWITCH GP-ENGINE (SHUTOFF)						1292
	9G-3186	2	TERMINAL-FORK (18-GA TO 22-GA, NO. 8 SCREW)						
BD	5P-5677		WIRE (18-GA, BLACK)						

B - USE AS REQUIRED  
D - ORDER BY THE METER  
Y - SEPARATE ILLUSTRATION

<END>

# ELECTRICAL AND STARTING SYSTEM

## 4W-9601 BOX GP-JUNCTION

S/N: 85Z3764-UP

ENERGIZED TO SHUT OFF ENGINE PROTECTION SYSTEM

FOR USE WITH ELECTRIC SWITCHGEAR

FOR USAGE REFER TO CHART 5N-8487-PAGE: 1747

PART OF 7W-8001 BOX GP-JUNCTION

AN ATTACHMENT

SMCS-7426

i03706850

NOTE	REF NO	GRAPHIC REF	PART NUMBER	QTY	PART NAME						SEE PAGE
					1	2	3	4	5	6 (PRODUCT LEVEL)	
	1	1	2W-8602	2	STRIP-TERMINAL						
C	2	1	211-0130	16	NUT (10-24-THD)						
C	3	1	5N-5159	5	JUMPER-STRIP						
	4	1	2N-3480	1	SCREW-MACHINE (10-24X0.75-IN)						
	5	1	2W-8684	1	FILM-IDENTIFICATION (TERMINAL MARKER)						
	6	1	6I-1862	1	HARNESS AS-BOX						
		1	9G-3186	30	TERMINAL-FORK (18-GA TO 22-GA, NO. 8 SCREW)						
		1	9G-3662	2	GROMMET						
		1	9G-3695	1	PLUG-SEAL						
B		1	1S-9593	70	STRAP-CABLE						
		1	2W-4899	1	DIODE AS						
		1	5P-1475	21	TERMINAL-FORK (14-GA TO 16-GA, NO. 8 SCREW)						
		1	5P-3059	15	TERMINAL-FORK (18-GA TO 22-GA, NO. 6 SCREW)						
		1	7N-7221	1	TERMINAL-BLADE (18-GA TO 22-GA)						
		1	7N-7779	3	SOCKET-CONNECTOR (14-GA TO 18-GA)						
		1	7N-7780	2	PIN-CONNECTOR (14-GA TO 18-GA)						
		1	7N-7782	2	HOUSING-PLUG (14-GA TO 18-GA)						
		1	7T-6364	9	TERMINAL-BLADE (12-GA TO 16-GA)						
		1	8N-1610	1	TERMINAL-BLADE (18-GA TO 22-GA)						
C	7	1	4W-9733	1	CONTROL AS-GOVERNOR (ELECTRONIC SPEED)						
		1	1P-7326	6	WASHER (4.32X9.52X1.52-MM THK)						
	8	1	2N-2258	16	RIVET-POP						
	9	1	2W-8603	4	MOUNT-FLEXIBLE						
	10	1	4W-3925	1	BOX AS-JUNCTION						
		1	6V-7192	7	NUT-INSERT (10-24-THD)						
	11	1	2W-0394	1	CLAMP						
	12	1	4W-7957	1	PLATE GP-IDENTIFICATION (JUNCTION BOX)						
	13	1	1L-6561	1	PLUG						
	14	1	109-6507	1	SWITCH AS-PUSH BUTTON (SECONDARY STOP)						
	15	1	111-1325	1	BLOCK-CONTACT (2-POLE)						
	16	1	2W-8802	4	STRIP-SEAL						
	17	1	4W-8471	1	RELAY-TIME DELAY						
	18	1	3L-4566	1	PLUG-BUTTON						
	19	1	6T-3644	1	CIRCUIT BREAKER AS (20-AMPERE) (FUEL SHUT-OFF SOLENOID)						
		1	6V-8376	2	SCREW-MACHINE (8-32X0.25-IN)						
		1	9B-7233	2	LOCKWASHER						
	20	1	111-1323	1	BLOCK-CONTACT (1-POLE)						
	21	1	7S-4338	4	SCREW-MACHINE (8-32X0.75-IN)						
	22	1	6T-3642	1	CIRCUIT BREAKER AS (10-AMPERE) (LOGIC CIRCUIT)						
		1	6V-8376	2	SCREW-MACHINE (8-32X0.25-IN)						
		1	9B-7233	2	LOCKWASHER						
	23	1	6K-9591	2	PLUG-BUTTON						
	24	1	8M-5312	2	SPACER (0.203X0.75X0.25-IN THK)						

# ELECTRICAL AND STARTING SYSTEM

4W-9601 **BOX GP-JUNCTION** (contd.)

**i03706850**

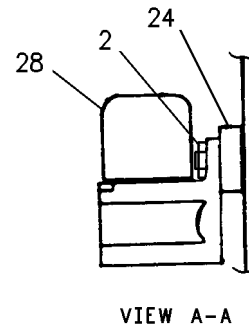
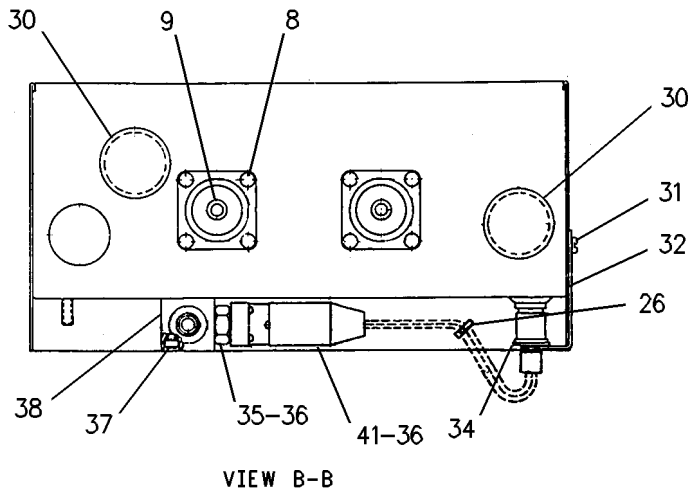
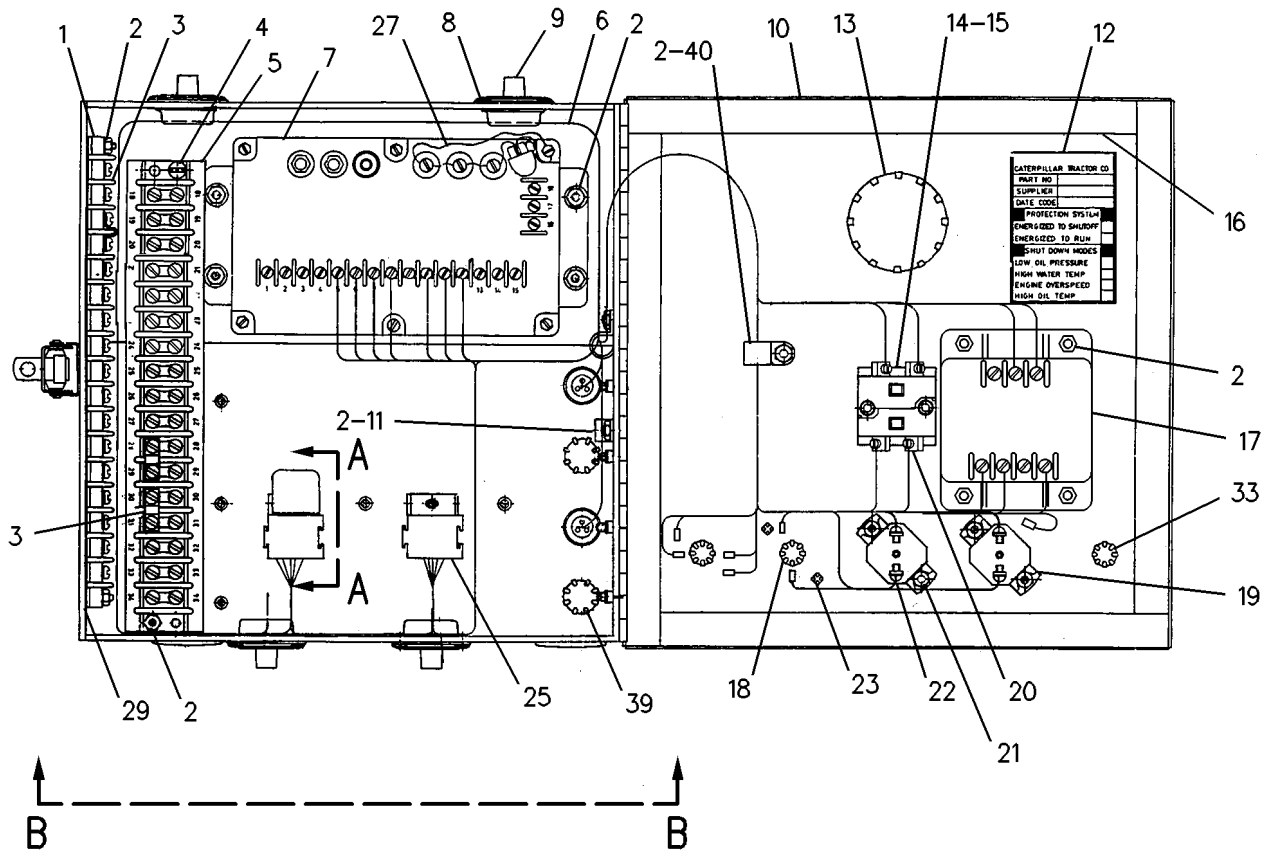
NOTE	REF NO	GRAPHIC REF	PART NUMBER	QTY	PART NAME						SEE PAGE
					1	2	3	4	5	6 (PRODUCT LEVEL)	
	25	1	<b>7T-6365</b>	2	HOUSING-RECEPTACLE						
C	26	1	<b>1S-9593</b>	1	STRAP-CABLE						
D	27	1	<b>5P-6025</b>		LOCKWIRE (0.2-M)						
		1	<b>8S-8158</b>	1	SEAL-WIRE						
	28	1	<b>3E-6477</b>	1	RELAY AS (24-VOLT) (FUEL SHUT-OFF)						
	29	1	<b>2W-8803</b>	1	FILM-IDENTIFICATION (TERMINAL MARKER)						
	30	1	<b>4F-8711</b>	2	PLUG-BUTTON						
	31	1	<b>2N-3479</b>	4	SCREW (10-24X0.5-IN)						
	32	1	<b>4W-3969</b>	2	BRACKET-RETAINER						
	33	1	<b>8M-3839</b>	2	BUTTON-PLUG						
C	34	1	<b>6V-2673</b>	1	CAP-PROTECTION						
C	35	1	<b>9S-4684</b>	4	PLUG						
	36	1	<b>3J-1907</b>	5	SEAL-O-RING						
	37	1	<b>7X-3364</b>	3	BOLT (10-24X1.25-IN)						
	38	1	<b>5N-9222</b>	1	MANIFOLD-PRESSURE						
C	39	1	<b>4H-3001</b>	2	PLUG-BUTTON						
C	40	1	<b>7W-6788</b>	2	CLAMP						
C	41	1	<b>6T-1546</b>	1	SWITCH AS-PRESSURE (ENGINE OIL)						
		1	<b>7N-7781</b>	1	HOUSING-RECEPTACLE (14-GA TO 18-GA)						
		1	<b>7N-7779</b>	1	SOCKET-CONNECTOR (14-GA TO 18-GA)						
		1	<b>7N-7780</b>	2	PIN-CONNECTOR (14-GA TO 18-GA)						

B - USE AS REQUIRED  
 C - CHANGE FROM PREVIOUS TYPE  
 D - ORDER BY THE METER

# ELECTRICAL AND STARTING SYSTEM

4W-9601 BOX GP-JUNCTION (contd.)

103706850



GRAPHIC #1

<END>

g00231185

# ELECTRICAL AND STARTING SYSTEM

## 4W-9602 BOX GP-JUNCTION

S/N: 85Z3764-UP

FOR USE WITH ELECTRICAL SWITCHGEAR  
FOR USAGE REFER TO CHART 5N-8487-PAGE: 1747  
AN ATTACHMENT

SMCS-7426

i05181069

NOTE	REF NO	GRAPHIC REF	PART NUMBER	QTY	PART NAME						SEE PAGE
					1	2	3	4	5	6 (PRODUCT LEVEL)	
	1	1	<b>2W-8602</b>	2	STRIP-TERMINAL						
C	2	1	<b>4B-2047</b>	12	NUT (10-24-THD)						
C	3	1	<b>5N-5159</b>	3	JUMPER-STRIP						
	4	1	<b>2N-3480</b>	1	SCREW-MACHINE (10-24X0.75-IN)						
	5	1	<b>2W-8684</b>	1	FILM-IDENTIFICATION (TERMINAL MARKER)						
	6	1	<b>6I-1842</b>	1	HARNESS AS-BOX						
		1	<b>1S-9593</b>	70	STRAP-CABLE						
		1	<b>5P-1475</b>	15	TERMINAL-FORK (14-GA TO 16-GA, NO. 8 SCREW)						
		1	<b>5P-2321</b>	2	TERMINAL-FORK (14-GA TO 16-GA, NO. 6 SCREW)						
		1	<b>5P-3059</b>	14	TERMINAL-FORK (18-GA TO 22-GA, NO. 6 SCREW)						
		1	<b>7N-7779</b>	3	SOCKET-CONNECTOR (14-GA TO 18-GA)						
		1	<b>7N-7780</b>	2	PIN-CONNECTOR (14-GA TO 18-GA)						
		1	<b>7N-7782</b>	2	HOUSING-PLUG (14-GA TO 18-GA)						
		1	<b>7T-6364</b>	9	TERMINAL-BLADE (12-GA TO 16-GA)						
		1	<b>9G-3186</b>	27	TERMINAL-FORK (18-GA TO 22-GA, NO. 8 SCREW)						
		1	<b>9G-3662</b>	2	GROMMET						
		1	<b>9G-3695</b>	1	PLUG-SEAL						
CR	7	1	<b>379-3359</b>	1	SWITCH AS-SPEED (ELECTRONIC SPEED)						
		1	<b>6V-6790</b>	6	SCREW-WASHER HEAD (6-19X0.625-IN)						
		1	<b>1P-7326</b>	6	WASHER (4.32X9.52X1.52-MM THK)						
	8	1	<b>2N-2258</b>	16	RIVET-POP						
	9	1	<b>2W-8603</b>	4	MOUNT-FLEXIBLE						
	10	1	<b>4W-3925</b>	1	BOX AS-JUNCTION						
		1	<b>6V-7192</b>	7	NUT-INSERT (10-24-THD)						
	11	1	<b>2W-0394</b>	1	CLAMP						
	12	1	<b>4W-7957</b>	1	PLATE GP-IDENTIFICATION (JUNCTION BOX)						
	13	1	<b>1L-6561</b>	1	PLUG						
	14	1	<b>109-6507</b>	1	SWITCH AS-PUSH BUTTON (EMERGENCY STOP)						
	15	1	<b>111-1325</b>	2	BLOCK-CONTACT (2-POLE)						
	16	1	<b>2W-8802</b>	4	STRIP-SEAL						
	17	1	<b>5N-4988</b>	2	DIODE AS						
	18	1	<b>3L-4566</b>	1	PLUG-BUTTON						
	19	1	<b>6T-3644</b>	1	CIRCUIT BREAKER AS (20-AMPERE) (FUEL SHUTOFF SOLENOID)						
		1	<b>6V-8376</b>	2	SCREW-MACHINE (8-32X0.25-IN)						
		1	<b>9B-7233</b>	2	LOCKWASHER						
	20	1	<b>8M-5312</b>	2	SPACER (0.203X0.75X0.25-IN THK)						
	21	1	<b>7S-4338</b>	4	SCREW-MACHINE (8-32X0.75-IN)						
	22	1	<b>6T-3642</b>	1	CIRCUIT BREAKER AS (10-AMPERE) (LOGIC CIRCUIT)						
		1	<b>6V-8376</b>	2	SCREW-MACHINE (8-32X0.25-IN)						
		1	<b>9B-7233</b>	2	LOCKWASHER						
	23	1	<b>6K-9591</b>	2	PLUG-BUTTON						
	24	1	<b>2W-8935</b>	1	WIRE AS						
	25	1	<b>7T-6365</b>	2	HOUSING-RECEPTACLE						
C	26	1	<b>1S-9593</b>	1	STRAP-CABLE						
BD	27	1	<b>5P-6025</b>		LOCKWIRE						



# ELECTRICAL AND STARTING SYSTEM

4W-9602 **BOX GP-JUNCTION** (contd.)

**i05181069**

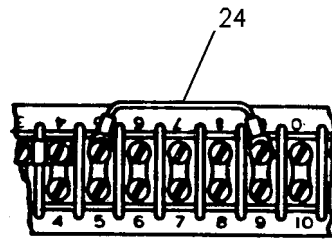
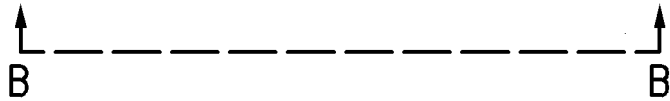
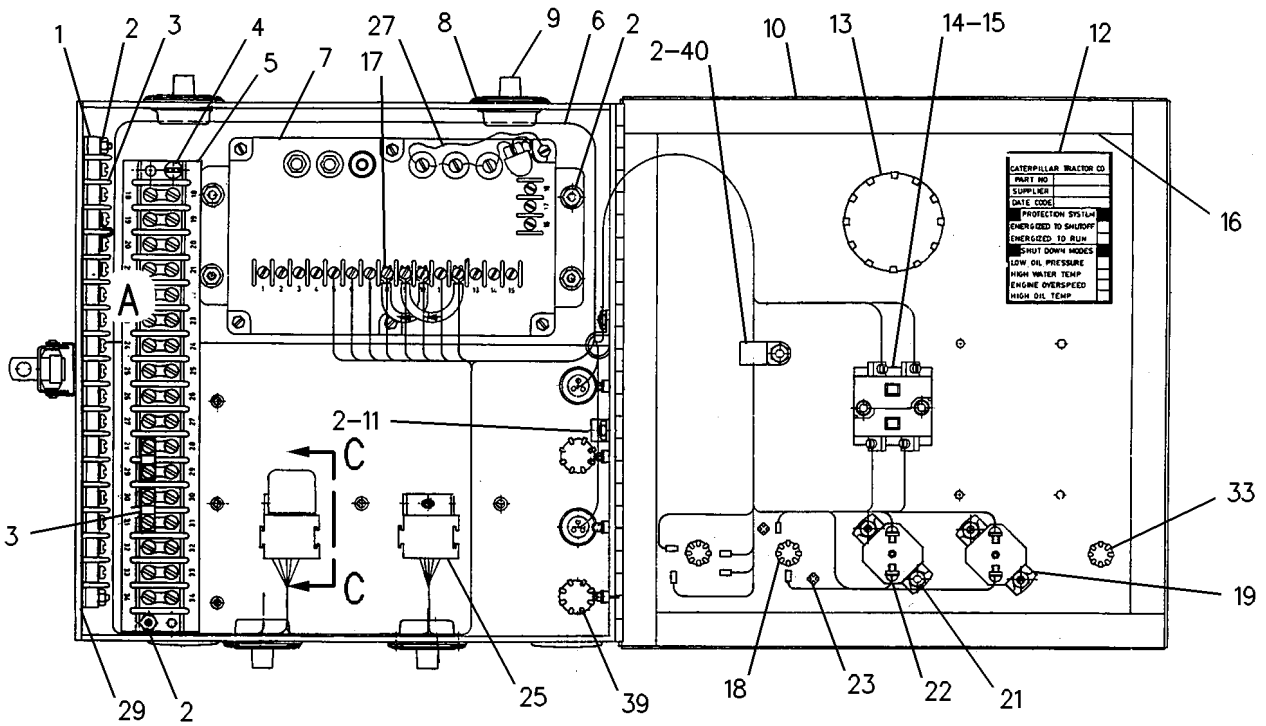
NOTE	REF NO	GRAPHIC REF	PART NUMBER	QTY	PART NAME						SEE PAGE
					1	2	3	4	5	6 (PRODUCT LEVEL)	
		1	<b>8S-8158</b>	1	SEAL-WIRE						
	28	1	<b>3E-6477</b>	1	RELAY AS (24-VOLT) (FUEL SHUT-OFF)						
	29	1	<b>2W-8803</b>	1	FILM-IDENTIFICATION (TERMINAL MARKER)						
	30	1	<b>4F-8711</b>	2	PLUG-BUTTON						
	31	1	<b>2N-3479</b>	4	SCREW (10-24X0.5-IN)						
	32	1	<b>4W-3969</b>	2	BRACKET-RETAINER						
	33	1	<b>8M-3839</b>	2	BUTTON-PLUG						
C	34	1	<b>6V-2673</b>	1	CAP-PROTECTION						
C	35	1	<b>9S-4684</b>	4	PLUG						
	36	1	<b>3J-1907</b>	5	SEAL-O-RING						
	37	1	<b>7L-0688</b>	3	BOLT-SOCKET HEAD (10-24X1.2-IN)						
	38	1	<b>5N-9222</b>	1	MANIFOLD-PRESSURE						
C	39	1	<b>4H-3001</b>	2	PLUG-BUTTON						
C	40	1	<b>7W-6788</b>	2	CLAMP						
C	41	1	<b>6T-1546</b>	1	SWITCH AS-PRESSURE (ENGINE OIL)						
		1	<b>7N-7781</b>	1	HOUSING-RECEPTACLE (14-GA TO 18-GA)						
		1	<b>7N-7779</b>	1	SOCKET-CONNECTOR (14-GA TO 18-GA)						
		1	<b>7N-7780</b>	2	PIN-CONNECTOR (14-GA TO 18-GA)						

B - USE AS REQUIRED  
 C - CHANGE FROM PREVIOUS TYPE  
 D - ORDER BY THE METER  
 R - REMANUFACTURED PART MAY BE AVAILABLE

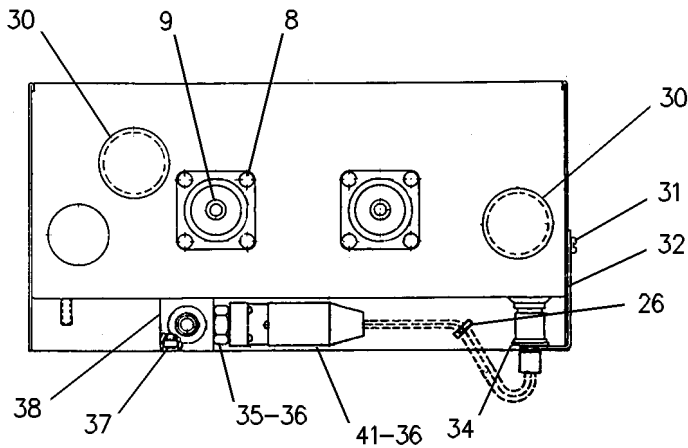
# ELECTRICAL AND STARTING SYSTEM

4W-9602 BOX GP-JUNCTION (contd.)

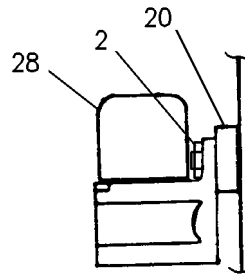
i05181069



VIEW OF AREA A



VIEW B-B



VIEW C-C

GRAPHIC #1

<END>

g00231157

# ELECTRICAL AND STARTING SYSTEM

## 7W-7999 BOX GP-JUNCTION

S/N: 85Z3764-UP  
POWER DISTRIBUTION  
AN ATTACHMENT

SMCS-7426

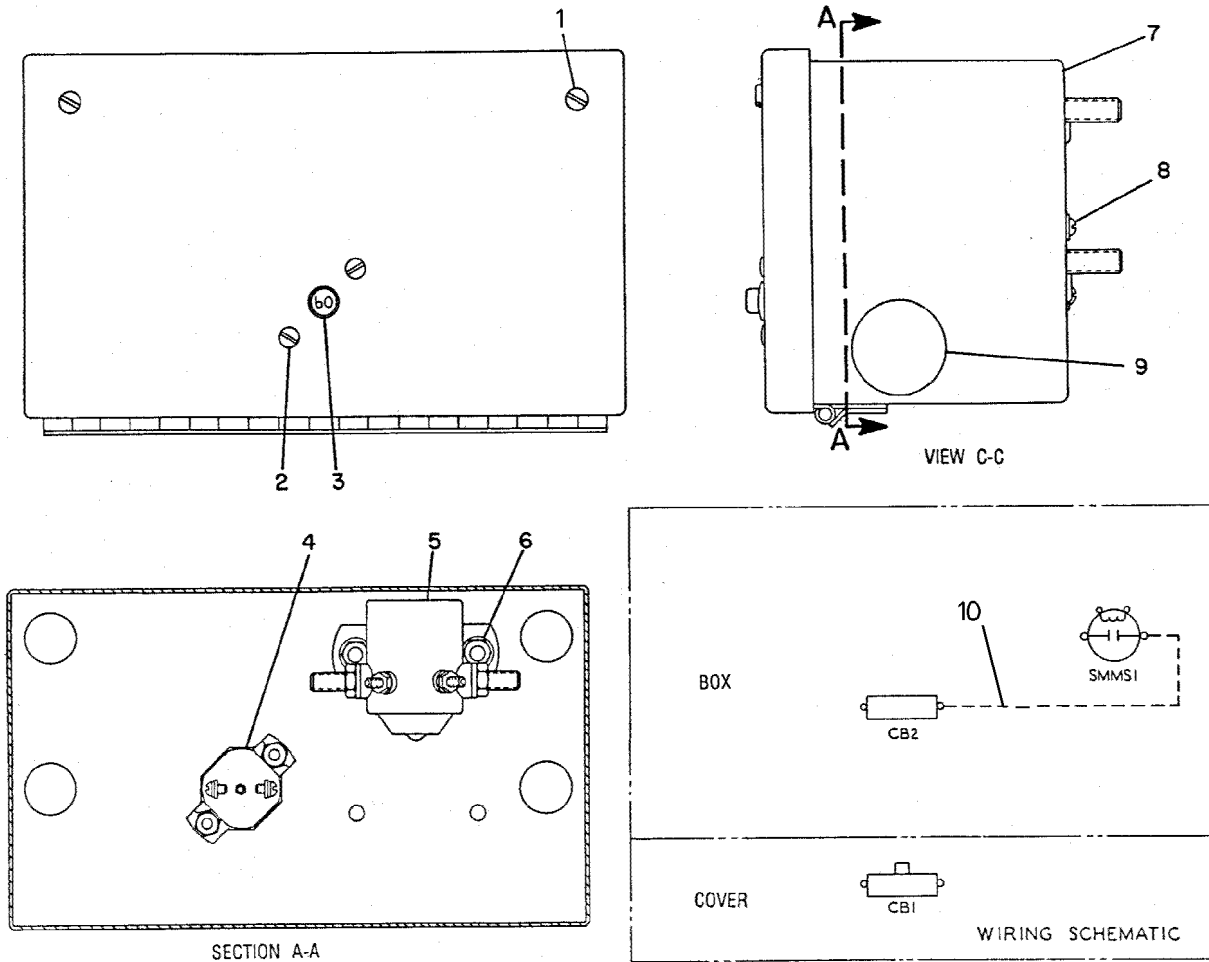
i01309391

NOTE	REF NO	GRAPHIC REF	PART NUMBER	QTY	PART NAME						SEE PAGE
					1	2	3	4	5	6 (PRODUCT LEVEL)	
	1	1	<b>9M-5520</b>	2	SCREW-TAPPING (10-24X0.5-IN)						
	2	1	<b>7S-4338</b>	2	SCREW-MACHINE (8-32X0.75-IN)						
	3	1	<b>6T-3645</b>	1	CIRCUIT BREAKER GP (60-AMPERE)						
	4	1	<b>1N-9770</b>	1	CIRCUIT BREAKER AS (12.5-AMPERE)						
		1	<b>6V-8376</b>	2	SCREW-MACHINE (8-32X0.25-IN)						
		1	<b>9B-7233</b>	2	LOCKWASHER						
	5	1	<b>9F-3099</b>	1	SWITCH GP-MAGNETIC (24-VOLT) (STARTING MOTOR)						
		1	<b>4B-2043</b>	2	NUT (8-32-THD)						
		1	<b>4F-2294</b>	2	NUT-JAM (5/16-24-THD)						
		1	<b>3B-4501</b>	2	LOCKWASHER						
		1	<b>3L-6789</b>	2	LOCKWASHER						
		1	<b>8F-0908</b>	2	WASHER (0.318X0.562X0.035-IN THK)						
	6	1	<b>9S-8750</b>	2	NUT-FULL (1/4-20-THD)						
		1	<b>5P-0537</b>	2	WASHER-HARD (7.2X14.5X2-MM THK)						
	7	1	<b>7W-9048</b>	1	ENCLOSURE AS						
	8	1	<b>3K-8106</b>	2	SCREW-MACHINE (8-32X1-IN)						
		1	<b>4B-4863</b>	2	WASHER (4.7X11X1.2-MM THK)						
	9	1	<b>4F-8711</b>	1	PLUG-BUTTON						
	10	1	<b>2W-8938</b>	1	WIRE AS						

# ELECTRICAL AND STARTING SYSTEM

7W-7999 BOX GP-JUNCTION (contd.)

101309391



GRAPHIC #1

<END>

g00214653

# ELECTRICAL AND STARTING SYSTEM

## **7W-8001 BOX GP-JUNCTION**

S/N: 85Z3764-UP

FOR USE WITH 122-4549-PAGE: 1298

PART OF 2W-8901 BOX GP-JUNCTION

AN ATTACHMENT

**SMCS-7426**

**i00971488**

NOTE	PART NUMBER	QTY	PART NAME						SEE PAGE
			1	2	3	4	5	6 (PRODUCT LEVEL)	
Y	7W-8052	1	DIODE GP						1058
Y	4W-9601	1	BOX GP-JUNCTION						951

Y - SEPARATE ILLUSTRATION

<END>

# ELECTRICAL AND STARTING SYSTEM

## 7W-8003 BOX GP-JUNCTION

S/N: 85Z3764-UP

FOR USE WITH 7W-6687-PAGE: 1300

PART OF 2W-8903 BOX GP-JUNCTION

AN ATTACHMENT

SMCS-7426

i03423081

NOTE	REF NO	GRAPHIC REF	PART NUMBER	QTY	PART NAME						SEE PAGE
					1	2	3	4	5	6 (PRODUCT LEVEL)	
	1	2	<b>1S-9593</b>	1	STRAP-CABLE						
	2	1	<b>2W-8603</b>	4	MOUNT-FLEXIBLE						
	3	1	<b>2N-2258</b>	16	RIVET-POP						
	4	1	<b>2W-8803</b>	1	FILM-IDENTIFICATION (TERMINAL MARKER)						
	5	1	<b>2W-8602</b>	2	STRIP-TERMINAL						
	6	1	<b>2N-3480</b>	1	SCREW-MACHINE (10-24X0.75-IN)						
	7	1	<b>6T-3644</b>	1	CIRCUIT BREAKER AS (20-AMPERE) (FUEL SHUT-OFF SOLENOID)						
		1	<b>6V-8376</b>	2	SCREW-MACHINE (8-32X0.25-IN)						
		1	<b>9B-7233</b>	2	LOCKWASHER						
	8	1	<b>4H-3001</b>	2	PLUG-BUTTON						
	9	2	<b>5N-9222</b>	1	MANIFOLD-PRESSURE (ENGINE OIL)						
	10	2	<b>3J-1907</b>	5	SEAL-O-RING						
	11	2	<b>9S-4684</b>	4	PLUG						
	12	1	<b>4W-7957</b>	1	PLATE GP-IDENTIFICATION (JUNCTION BOX)						
C	13	1	<b>5N-5159</b>	10	JUMPER-STRIP						
	14	2	<b>4W-3969</b>	2	BRACKET-RETAINER						
	15	1	<b>8M-3839</b>	2	BUTTON-PLUG						
	16	1	<b>5N-4988</b>	1	DIODE AS (5-AMPERE)						
	17	2	<b>3E-6477</b>	1	RELAY AS (24-VOLT) (FUEL SHUT-OFF)						
	17A	2	<b>3E-6477</b>	1	RELAY AS (24-VOLT) (WATER SOLENOID)						
	18	2	<b>9X-4276</b>	1	SWITCH AS-PRESSURE (ENGINE OIL)						
		2	<b>7N-7781</b>	1	HOUSING-RECEPTACLE (14-GA TO 18-GA)						
		2	<b>7N-7779</b>	1	SOCKET-CONNECTOR (14-GA TO 18-GA)						
		2	<b>7N-7780</b>	2	PIN-CONNECTOR (14-GA TO 18-GA)						
	19	1	<b>4W-8471</b>	2	RELAY-TIME DELAY						
	20	1	<b>6T-3642</b>	1	CIRCUIT BREAKER AS (10-AMPERE)						
		1	<b>6V-8376</b>	2	SCREW-MACHINE (8-32X0.25-IN)						
		1	<b>9B-7233</b>	2	LOCKWASHER						
	21	1	<b>3L-4566</b>	1	PLUG-BUTTON						
	22	1	<b>6K-9591</b>	2	PLUG-BUTTON						
	23	1	<b>109-6507</b>	1	SWITCH AS-PUSH BUTTON (SECONDARY STOP)						
	24	1	<b>2W-8802</b>	4	STRIP-SEAL						
	25	2	<b>4F-8711</b>	2	PLUG-BUTTON						
	26	1	<b>1L-6561</b>	1	PLUG						
	27	1	<b>6I-1841</b>	1	HARNESS AS-BOX						
		1	<b>1S-9593</b>	70	STRAP-CABLE						
D		1	<b>5P-6009</b>		TUBE-HEAT SHRINK (9.52-MM DIA) (0.1-M)						
		1	<b>5P-1475</b>	15	TERMINAL-FORK (14-GA TO 16-GA, NO. 8 SCREW)						
		1	<b>5P-3059</b>	4	TERMINAL-FORK (18-GA TO 22-GA, NO. 6 SCREW)						
		1	<b>7N-7782</b>	2	HOUSING-PLUG (14-GA TO 18-GA)						
		1	<b>7T-6364</b>	10	TERMINAL-BLADE (12-GA TO 16-GA)						
		1	<b>9G-3186</b>	34	TERMINAL-FORK (18-GA TO 22-GA, NO. 8 SCREW)						
		1	<b>9G-3662</b>	2	GROMMET						
	28	1	<b>4W-3925</b>	1	BOX AS-JUNCTION						
	29	1	<b>4P-0396</b>	1	PLATE AS-JUNCTION BOX						

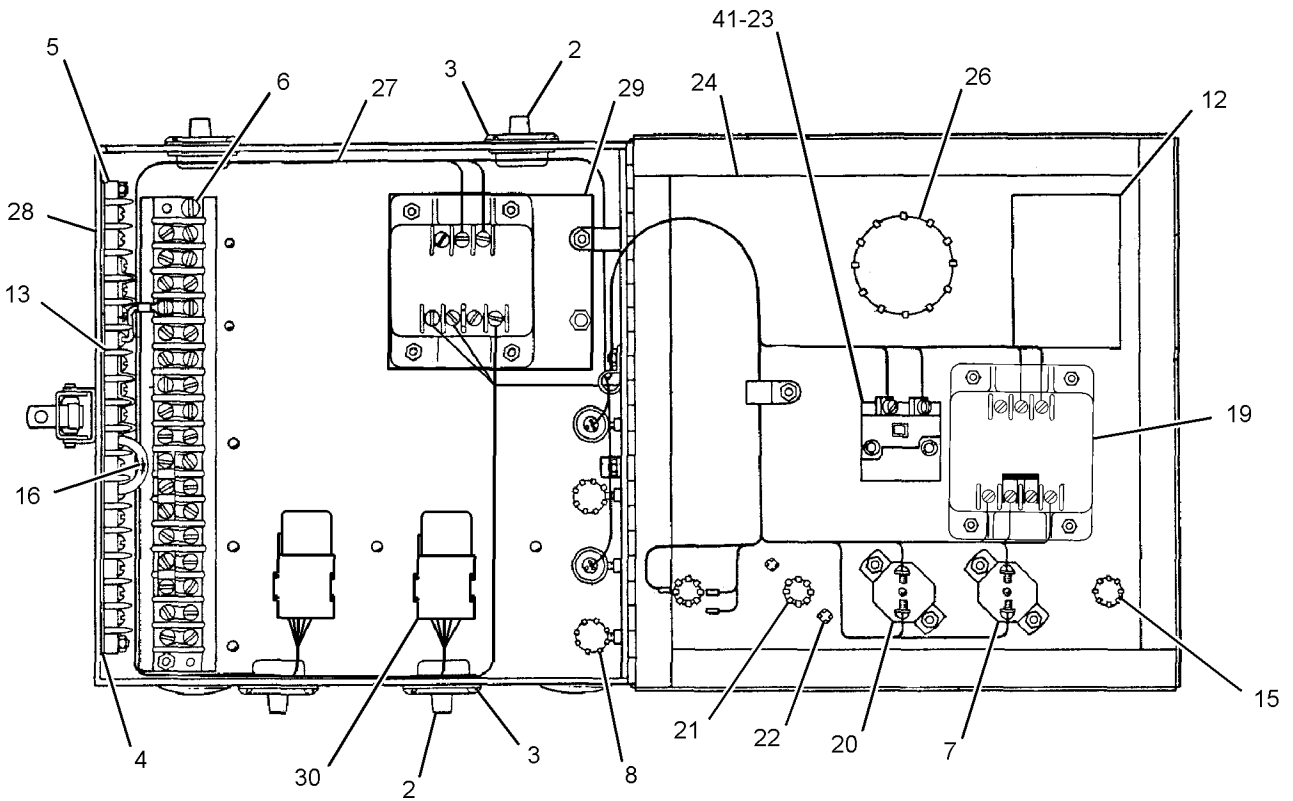
# ELECTRICAL AND STARTING SYSTEM

7W-8003 **BOX GP-JUNCTION** (contd.)

**i03423081**

NOTE	REF NO	GRAPHIC REF	PART NUMBER	QTY	PART NAME	1 2 3 4 5 6 (PRODUCT LEVEL)						SEE PAGE	
	30	1	<b>7T-6365</b>	2	HOUSING-RECEPTACLE								
	31	2	<b>7W-1171</b>	3	CLAMP								
	32	2	<b>2W-8935</b>	1	WIRE AS								
	33	2	<b>2W-8684</b>	1	FILM-IDENTIFICATION (TERMINAL MARKER)								
	34	2	<b>4B-2042</b>	18	NUT (8-32-THD)								
	35	2	<b>7L-0688</b>	3	BOLT-SOCKET HEAD (10-24X1.2-IN)								
	36	2	<b>6V-2673</b>	1	CAP-PROTECTION								
	37	2	<b>2N-3479</b>	4	SCREW (10-24X0.5-IN)								
	38	2	<b>9X-8486</b>	4	SCREW-MACHINE (8-32X0.75-IN)								
	39	2	<b>7W-1170</b>	1	CLAMP								
	40	2	<b>8M-5312</b>	2	SPACER (0.203X0.75X0.25-IN THK)								
C	41	1	<b>111-1323</b>	1	BLOCK-CONTACT (1-POLE)								
	42	2	<b>7W-7881</b>	1	JUMPER								

C - CHANGE FROM PREVIOUS TYPE  
D - ORDER BY THE METER



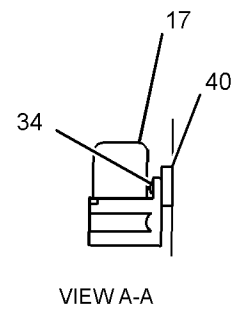
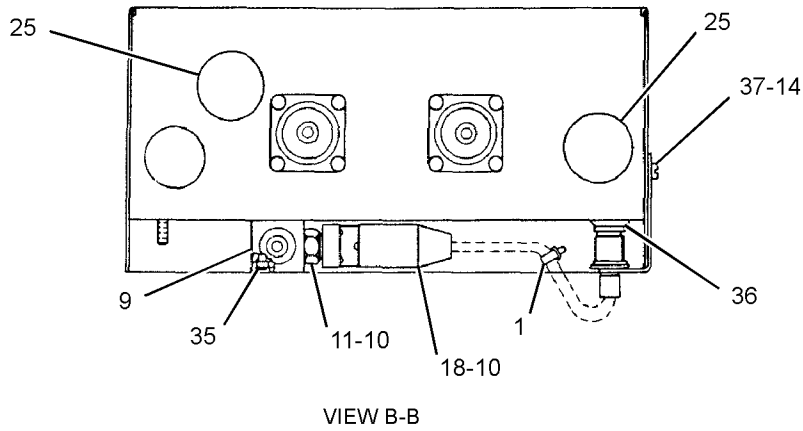
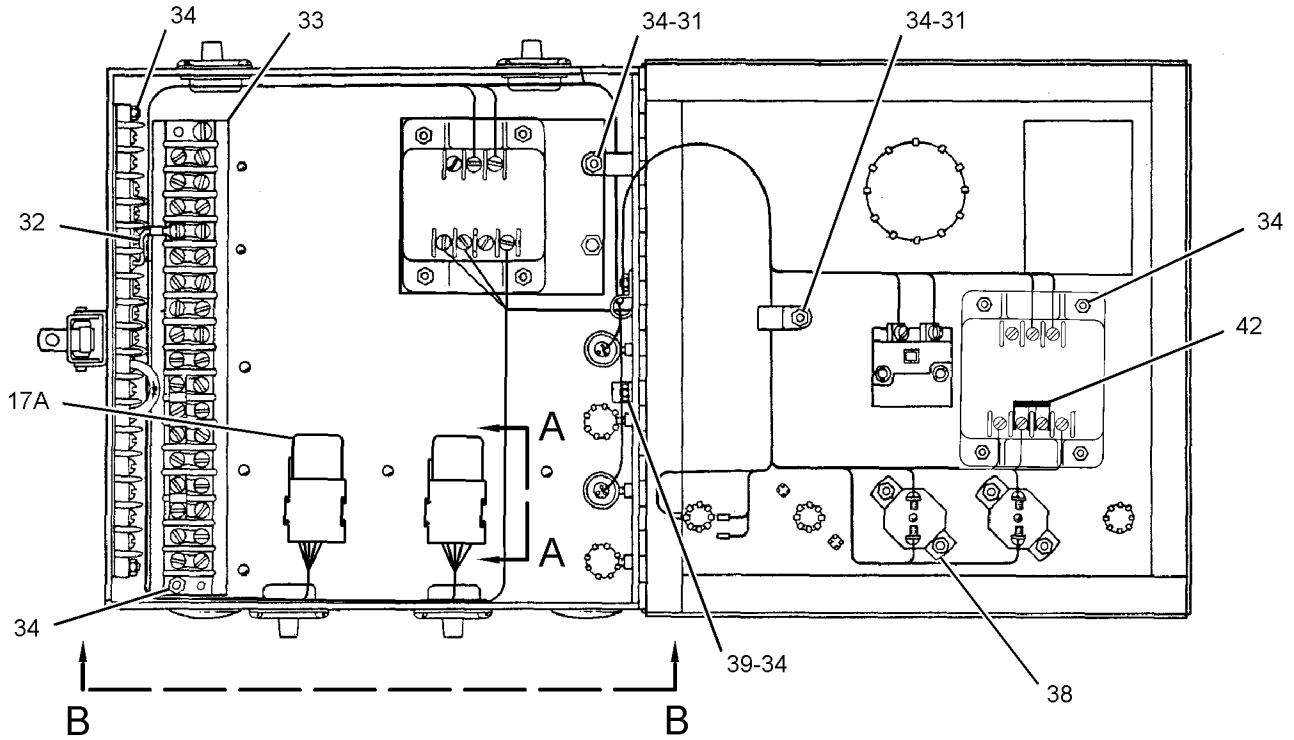
GRAPHIC #1

g01342791

# ELECTRICAL AND STARTING SYSTEM

7W-8003 BOX GP-JUNCTION (contd.)

i03423081



GRAPHIC #2

<END>

g01342792



# ELECTRICAL AND STARTING SYSTEM

## 7W-0825 CABLE GP-BATTERY

S/N: 85Z3764-UP

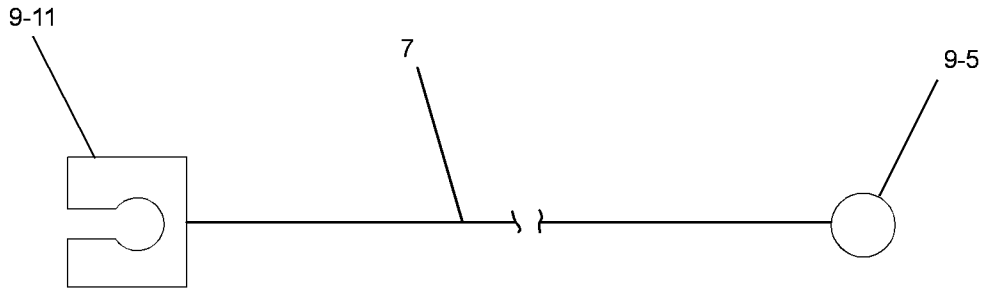
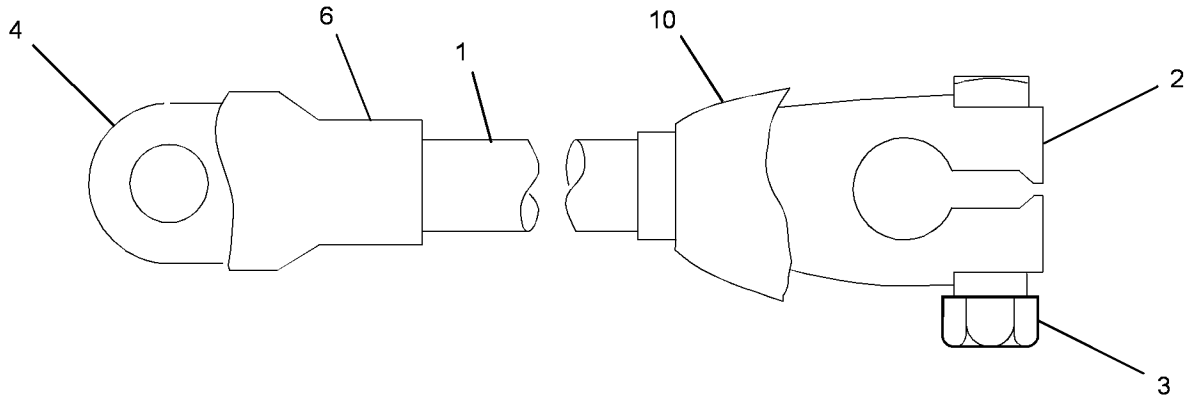
**PROVIDES A POSITIVE AND A NEGATIVE CABLE ASSEMBLY  
AN ATTACHMENT**

**SMCS-1402**

**i07043688**

NOTE	REF NO	GRAPHIC REF	PART NUMBER	QTY	PART NAME						SEE PAGE
					1	2	3	4	5	6 (PRODUCT LEVEL)	
	1	1	<b>8W-3083</b>	1	CABLE AS (BATTERY)						
	2	1	<b>3S-6050</b>	1	TERMINAL AS-BATTERY (NEGATIVE)						
	3	1	<b>1M-6119</b>	1	BOLT (5/16-18X1.375-IN)						
		1	<b>1M-6120</b>	1	NUT (5/16-18-THD)						
	4	1	<b>1S-7252</b>	1	TERMINAL-CABLE (00-GA, 3/8-IN SCREW)						
	5	1	<b>7N-5274</b>	1	COVER AS-TERMINAL (BLACK) (BATTERY)						
	6	1	<b>9G-8909</b>	1	COVER-TERMINAL (BLACK) (RING)						
	7	1	<b>3V-6785</b>	1	CABLE AS (BATTERY)						
E		1	<b>5P-0761</b>		CABLE (00-GA, RED) (188-CM)						
	8	1	<b>3S-6049</b>	1	TERMINAL AS-BATTERY (POSITIVE)						
		1	<b>1M-6119</b>	1	BOLT (5/16-18X1.375-IN)						
		1	<b>1M-6120</b>	1	NUT (5/16-18-THD)						
	9	1	<b>1S-7251</b>	1	TERMINAL-CABLE (00-GA, 1/2-IN SCREW)						
	10	1	<b>8N-1725</b>	1	COVER AS-TERMINAL (RED) (BATTERY)						
	11	1	<b>8N-0869</b>	1	COVER-TERMINAL (RED) (RING)						

E - ORDER BY THE CENTIMETER



GRAPHIC #1

<END>

g02741740

# ELECTRICAL AND STARTING SYSTEM

## **4W-8148 CIRCUIT BREAKER AS**

S/N: 5CA5985-UP; 5DA5682-UP; 5EA5375-UP; 5FA4499-UP; 8JF1-UP; 6CG1-UP; 6DG1-UP;  
6EG1-UP

125 AMPERE

FOR USE WITH 4W-8214-PAGE: 1105  
CANNOT BE USED WITH TERMINAL STRIP  
AN ATTACHMENT

SMCS-1420, 4461

i01742033

NOTE	PART NUMBER	QTY	PART NAME						SEE PAGE
			1	2	3	4	5	6 (PRODUCT LEVEL)	
	7W-0167	1	CIRCUIT BREAKER AS						
<END>									

## **4W-8149 CIRCUIT BREAKER AS**

S/N: 5CA5985-UP; 5DA5682-UP; 5EA5375-UP; 5FA4499-UP; 8JF1-UP; 6CG1-UP; 6DG1-UP  
125 AMPERE. WITH SHUNT TRIP

FOR USE WITH OR, 4W-8214-PAGE: 1105  
CANNOT BE USED WITH TERMINAL STRIP  
AN ATTACHMENT

SMCS-1420, 4461

i01742037

NOTE	PART NUMBER	QTY	PART NAME						SEE PAGE
			1	2	3	4	5	6 (PRODUCT LEVEL)	
	4W-9617	1	CIRCUIT BREAKER AS (125-AMPERE)						
<END>									

## **4W-8150 CIRCUIT BREAKER AS**

S/N: 5CA5985-UP; 5DA5682-UP; 5EA5375-UP; 5FA4499-UP; 8JF1-UP; 6EG1-UP  
150 AMPERE

FOR USE WITH 4W-8214-PAGE: 1105  
CANNOT BE USED WITH TERMINAL STRIP  
AN ATTACHMENT

SMCS-1420, 4461

i01742040

NOTE	PART NUMBER	QTY	PART NAME						SEE PAGE
			1	2	3	4	5	6 (PRODUCT LEVEL)	
	7W-0168	1	CIRCUIT BREAKER AS						
<END>									

## **4W-8151 CIRCUIT BREAKER AS**

S/N: 5CA5985-UP; 5DA5682-UP; 5EA5375-UP; 5FA4499-UP  
150 AMPERE. WITH SHUNT TRIP

FOR USE WITH 4W-8214-PAGE: 1105  
CANNOT BE USED WITH TERMINAL STRIP  
AN ATTACHMENT

SMCS-1420, 4461

i01742042

NOTE	PART NUMBER	QTY	PART NAME						SEE PAGE
			1	2	3	4	5	6 (PRODUCT LEVEL)	
	4W-9618	1	CIRCUIT BREAKER AS (150-AMPERE)						
<END>									

# ELECTRICAL AND STARTING SYSTEM

## 4W-8152 CIRCUIT BREAKER AS

S/N: 5CA5985-UP

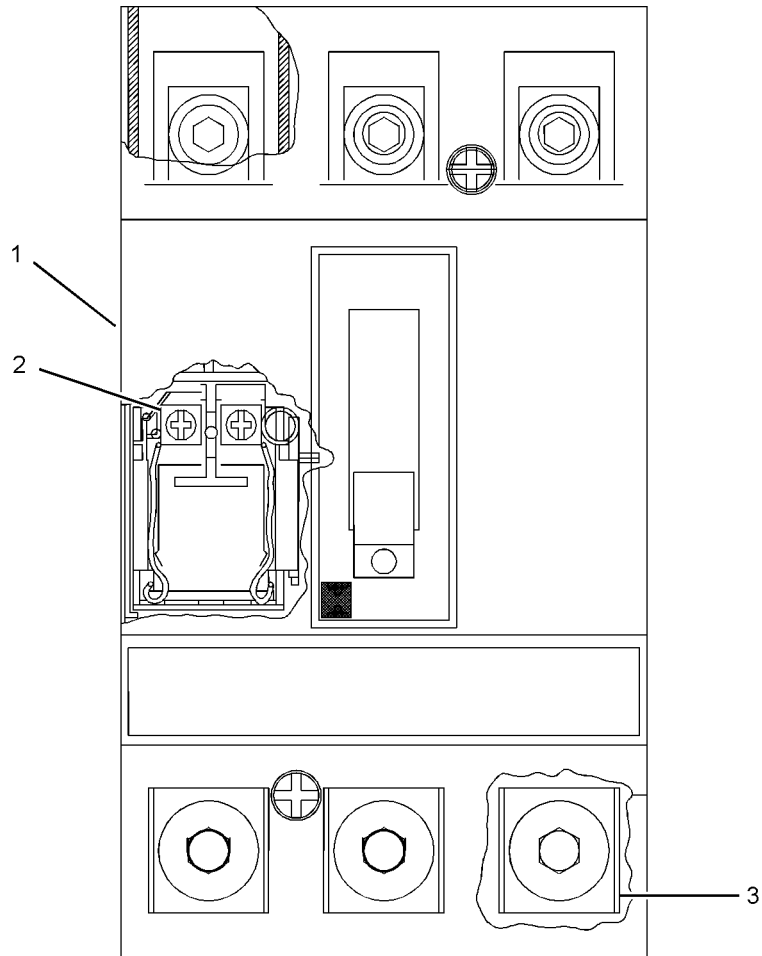
175 AMPERE

**CANNOT BE USED WITH TERMINAL STRIP  
AN ATTACHMENT**

SMCS-1420, 4461

i01952000

NOTE	REF NO	GRAPHIC REF	PART NUMBER	QTY	PART NAME						SEE PAGE
					1	2	3	4	5	6 (PRODUCT LEVEL)	
1	1	1	<b>168-8970</b>	1	CIRCUIT BREAKER GP (175-AMPERE)						
2	1	1	<b>143-6856</b>	1	SHUNT-TRIP						
3	1	1	<b>207-8645</b>	1	KIT-TERMINAL (CIRCUIT BREAKER)						



GRAPHIC #1

<END>

g01029782

# ELECTRICAL AND STARTING SYSTEM

## **4W-8153 CIRCUIT BREAKER AS**

S/N: 5CA5985-UP

175 AMPERE. WITH SHUNT TRIP

CANNOT BE USED WITH TERMINAL STRIP  
AN ATTACHMENT

SMCS-1420, 4461

i01738325

NOTE	PART NUMBER	QTY	PART NAME 1 2 3 4 5 6 (PRODUCT LEVEL)	SEE PAGE
	5N-3353	1	CIRCUIT BREAKER AS (175-AMPERE)	
<END>				

## **4W-8154 CIRCUIT BREAKER AS**

S/N: 5CA5985-UP

200 AMPERE

CANNOT BE USED WITH TERMINAL STRIP  
AN ATTACHMENT

SMCS-1420, 4461

i01738326

NOTE	PART NUMBER	QTY	PART NAME 1 2 3 4 5 6 (PRODUCT LEVEL)	SEE PAGE
	3N-7554	1	CIRCUIT BREAKER AS	
<END>				

## **4W-8155 CIRCUIT BREAKER AS**

S/N: 5CA5985-UP

200 AMPERE. WITH SHUNT TRIP

CANNOT BE USED WITH TERMINAL STRIP  
AN ATTACHMENT

SMCS-1420, 4461

i01738329

NOTE	PART NUMBER	QTY	PART NAME 1 2 3 4 5 6 (PRODUCT LEVEL)	SEE PAGE
	5N-3352	1	CIRCUIT BREAKER AS (200-AMPERE)	
<END>				

## **4W-8156 CIRCUIT BREAKER AS**

S/N: 5CA5985-UP

225 AMPERE

CANNOT BE USED WITH TERMINAL STRIP  
AN ATTACHMENT

SMCS-1420, 4461

i01738271

NOTE	PART NUMBER	QTY	PART NAME 1 2 3 4 5 6 (PRODUCT LEVEL)	SEE PAGE
	3N-7555	1	CIRCUIT BREAKER AS	
<END>				

# ELECTRICAL AND STARTING SYSTEM

## **4W-8157 CIRCUIT BREAKER AS**

S/N: 5CA5985-UP

225 AMPERE. WITH SHUNT TRIP  
CANNOT BE USED WITH TERMINAL STRIP  
AN ATTACHMENT

SMCS-1420, 4461

i01738268

NOTE	PART NUMBER	QTY	PART NAME						SEE PAGE
			1	2	3	4	5	6 (PRODUCT LEVEL)	
	5N-3351	1	CIRCUIT BREAKER AS						
<END>									

## **7W-0173 CIRCUIT BREAKER AS**

S/N: 5CA5985-UP

80 AMPERE. WITH SHUNT TRIP  
CANNOT BE USED WITH TERMINAL STRIP  
AN ATTACHMENT

SMCS-1420, 4461

i01742094

NOTE	PART NUMBER	QTY	PART NAME						SEE PAGE
			1	2	3	4	5	6 (PRODUCT LEVEL)	
	4W-9614	1	CIRCUIT BREAKER AS (80-AMPERE)						
<END>									

# ELECTRICAL AND STARTING SYSTEM

## 104-4379 CIRCUIT BREAKER GP

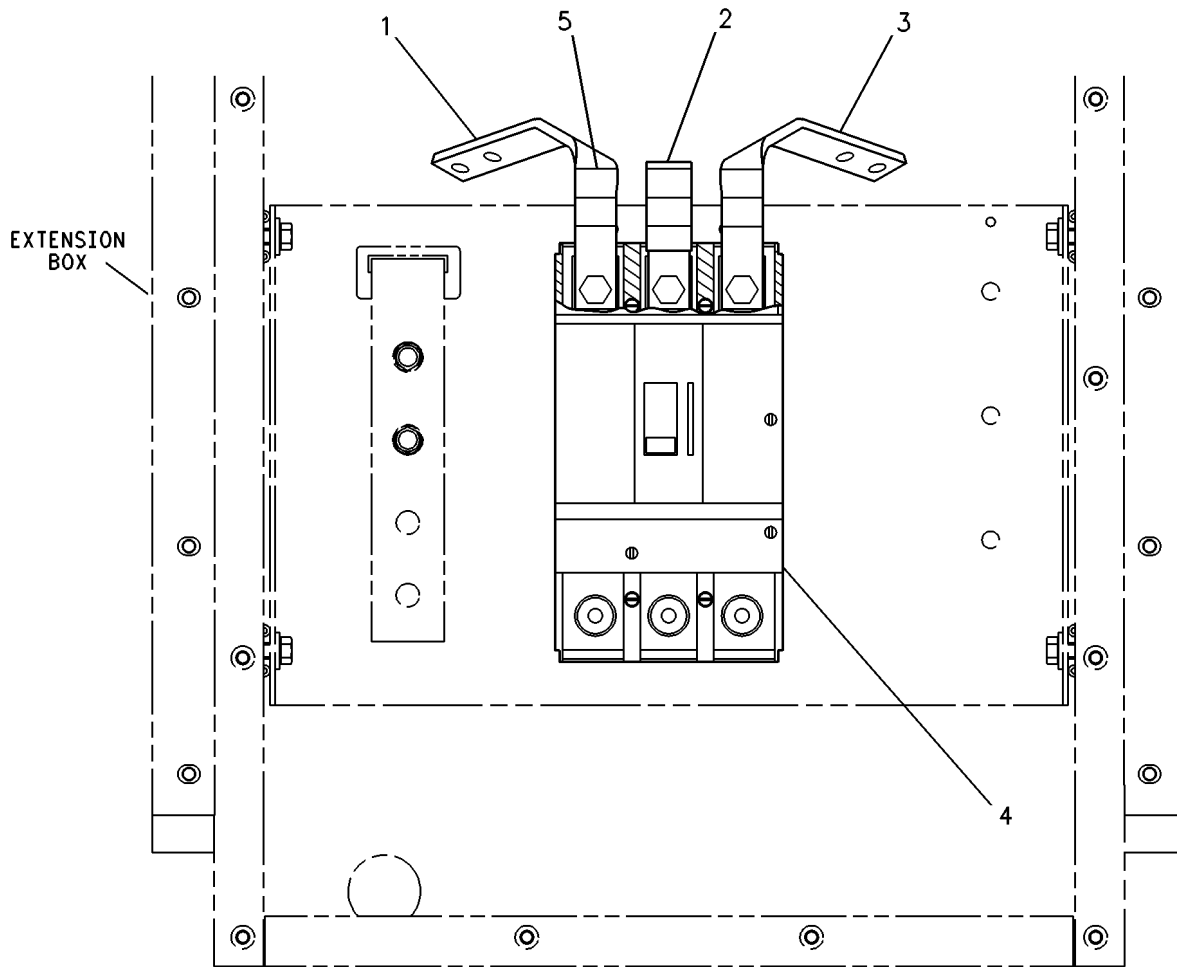
S/N: 5CA5985-UP; 5DA5682-UP; 5EA5375-UP; 5FA4499-UP; 6CG1-UP  
125 AMPERE

FOR USAGE REFER TO CHART 4W-8145-PAGE: 1768  
AN ATTACHMENT

SMCS-1420, 4461

i01955189

NOTE	REF NO	GRAPHIC REF	PART NUMBER	QTY	PART NAME						SEE PAGE
					1	2	3	4	5	6 (PRODUCT LEVEL)	
	1	1	<b>100-5954</b>	1	BAR (T1, 250-AMPERE)						
	2	1	<b>100-5955</b>	1	BAR AS (T2, 250-AMPERE)						
	3	1	<b>100-5956</b>	1	BAR (T3, 250-AMPERE)						
	4	1	<b>104-7614</b>	1	CIRCUIT BREAKER GP (125-AMPERE)						
		1	<b>104-8679</b>	1	SHUNT						
	5	1	<b>9Y-4275</b>	1	FILM-INFORMATION (TERMINAL STRIP)						



GRAPHIC #1

<END>

g00234714

# ELECTRICAL AND STARTING SYSTEM

## 104-4380 CIRCUIT BREAKER GP

S/N: 5CA5985-UP; 5DA5682-UP; 5EA5375-UP; 5FA4499-UP

150 AMPERE

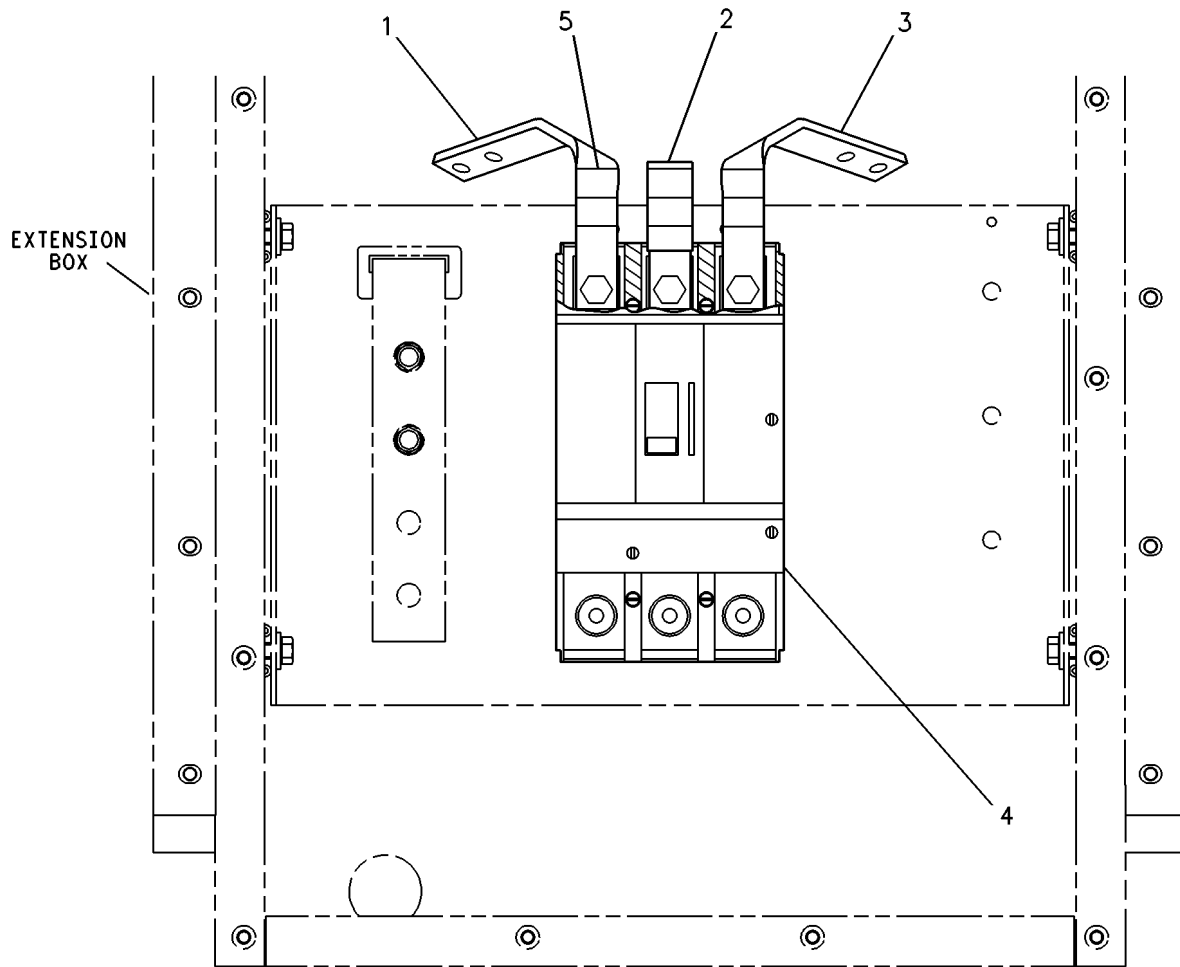
FOR USAGE REFER TO CHART 4W-8145-PAGE: 1768

AN ATTACHMENT

SMCS-1420, 4461

i01955190

NOTE	REF NO	GRAPHIC REF	PART NUMBER	QTY	PART NAME						SEE PAGE
					1	2	3	4	5	6 (PRODUCT LEVEL)	
	1	1	<b>100-5954</b>	1	BAR (T1, 250-AMPERE)						
	2	1	<b>100-5955</b>	1	BAR AS (T2, 250-AMPERE)						
	3	1	<b>100-5956</b>	1	BAR (T3, 250-AMPERE)						
	4	1	<b>104-7615</b>	1	CIRCUIT BREAKER GP (150-AMPERE)						
		1	<b>104-8679</b>	1	SHUNT						
	5	1	<b>9Y-4275</b>	1	FILM-INFORMATION (TERMINAL STRIP)						



GRAPHIC #1

<END>

g00234714

# ELECTRICAL AND STARTING SYSTEM

## 104-4381 CIRCUIT BREAKER GP

S/N: 5CA5985-UP; 5DA5682-UP; 5EA5375-UP; 5FA4499-UP

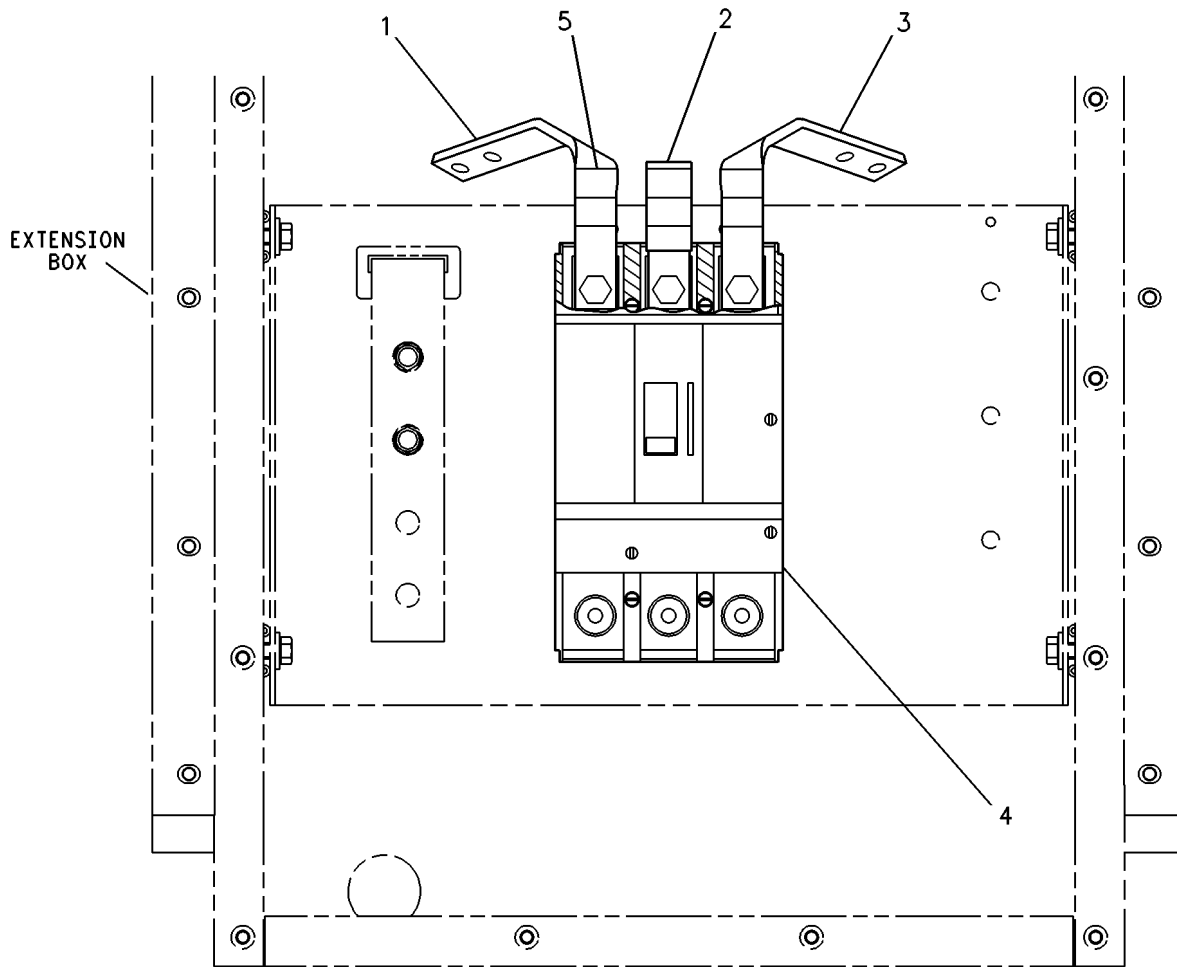
175 AMPERE

FOR USAGE REFER TO CHART 4W-8145-PAGE: 1768  
AN ATTACHMENT

SMCS-1420, 4461

i01955191

NOTE	REF NO	GRAPHIC REF	PART NUMBER	QTY	PART NAME						SEE PAGE
					1	2	3	4	5	6 (PRODUCT LEVEL)	
	1	1	<b>100-5954</b>	1	BAR (T1, 250-AMPERE)						
	2	1	<b>100-5955</b>	1	BAR AS (T2, 250-AMPERE)						
	3	1	<b>100-5956</b>	1	BAR (T3, 250-AMPERE)						
	4	1	<b>104-7617</b>	1	CIRCUIT BREAKER GP (175-AMPERE)						
		1	<b>104-8679</b>	1	SHUNT						
	5	1	<b>9Y-4275</b>	1	FILM-INFORMATION (TERMINAL STRIP)						



GRAPHIC #1

<END>

g00234714



# ELECTRICAL AND STARTING SYSTEM

## 104-4382 CIRCUIT BREAKER GP

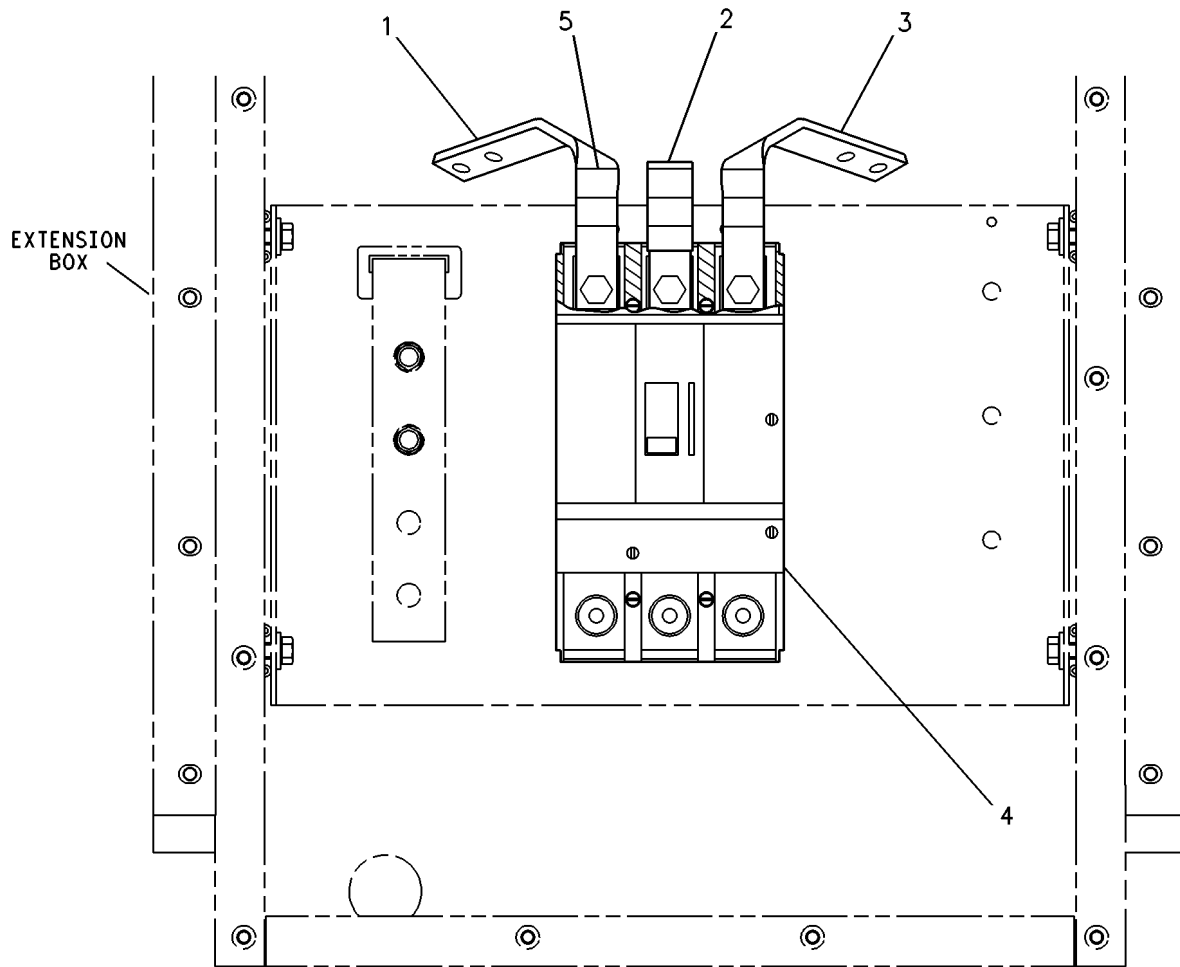
S/N: 5CA5985-UP; 5DA5682-UP; 5EA5375-UP; 5FA4499-UP  
200 AMPERE

FOR USAGE REFER TO CHART 4W-8145-PAGE: 1768  
AN ATTACHMENT

SMCS-1420, 4461

i01955193

NOTE	REF NO	GRAPHIC REF	PART NUMBER	QTY	PART NAME						SEE PAGE
					1	2	3	4	5	6 (PRODUCT LEVEL)	
	1	1	<b>100-5954</b>	1	BAR (T1, 250-AMPERE)						
	2	1	<b>100-5955</b>	1	BAR AS (T2, 250-AMPERE)						
	3	1	<b>100-5956</b>	1	BAR (T3, 250-AMPERE)						
	4	1	<b>104-7619</b>	1	CIRCUIT BREAKER GP (200-AMPERE)						
		1	<b>104-8679</b>	1	SHUNT						
	5	1	<b>9Y-4275</b>	1	FILM-INFORMATION (TERMINAL STRIP)						



GRAPHIC #1

<END>

g00234714

# ELECTRICAL AND STARTING SYSTEM

## 104-4383 CIRCUIT BREAKER GP

S/N: 5CA5985-UP; 5DA5682-UP; 5EA5375-UP; 5FA4499-UP; 8JF1-UP; 6CG1-UP; 6DG1-UP;  
6EG1-UP

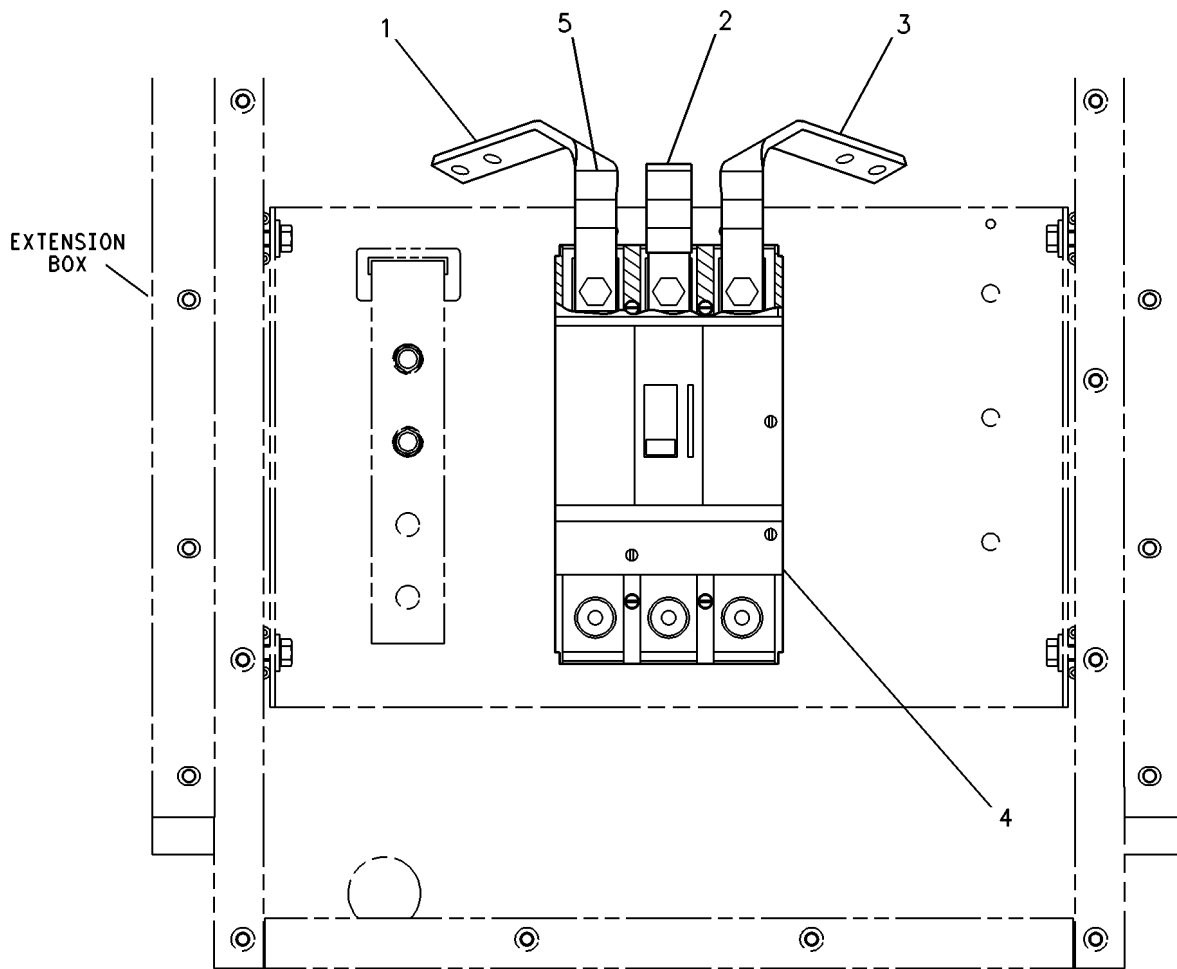
225 AMPERE

FOR USAGE REFER TO CHART 4W-8145-PAGE: 1768  
AN ATTACHMENT

SMCS-1420, 4461

i02855121

NOTE	REF NO	GRAPHIC REF	PART NUMBER	QTY	PART NAME						SEE PAGE
					1	2	3	4	5	6 (PRODUCT LEVEL)	
	1	1	<b>100-5954</b>	1	BAR (T1, 250-AMPERE)						
	2	1	<b>100-5955</b>	1	BAR AS (T2, 250-AMPERE)						
	3	1	<b>100-5956</b>	1	BAR (T3, 250-AMPERE)						
	4	1	<b>104-7621</b>	1	CIRCUIT BREAKER GP (225-AMPERE)						
		1	<b>104-8679</b>	1	SHUNT						
	5	1	<b>9Y-4275</b>	1	FILM-INFORMATION (TERMINAL STRIP)						



GRAPHIC #1

<END>

g00234714

# ELECTRICAL AND STARTING SYSTEM

## 104-4384 CIRCUIT BREAKER GP

S/N: 5CA5985-UP; 5DA5682-UP; 5EA5375-UP; 5FA4499-UP; 8JF1-UP; 6CG1-UP; 6DG1-UP;  
6EG1-UP

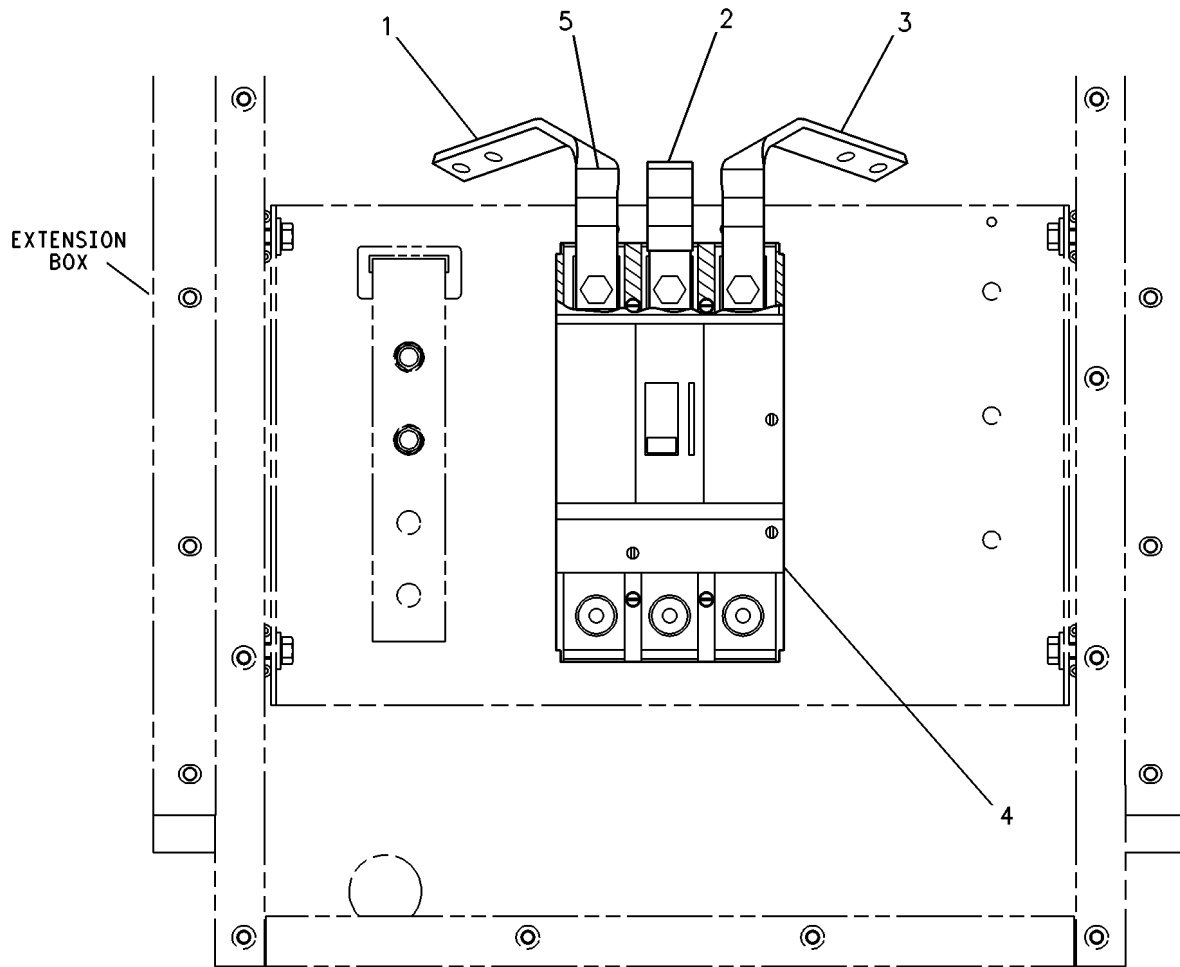
250 AMPERE

FOR USAGE REFER TO CHART 4W-8145-PAGE: 1768  
AN ATTACHMENT

SMCS-1420, 4461

i02855147

NOTE	REF NO	GRAPHIC REF	PART NUMBER	QTY	PART NAME						SEE PAGE
					1	2	3	4	5	6 (PRODUCT LEVEL)	
	1	1	<b>100-5954</b>	1	BAR (T1, 250-AMPERE)						
	2	1	<b>100-5955</b>	1	BAR AS (T2, 250-AMPERE)						
	3	1	<b>100-5956</b>	1	BAR (T3, 250-AMPERE)						
	4	1	<b>104-7623</b>	1	CIRCUIT BREAKER GP (250-AMPERE)						
		1	<b>104-8679</b>	1	SHUNT						
	5	1	<b>9Y-4275</b>	1	FILM-INFORMATION (TERMINAL STRIP)						



GRAPHIC #1

<END>

g00234714

# ELECTRICAL AND STARTING SYSTEM

## 104-4385 CIRCUIT BREAKER GP

S/N: 5CA5985-UP; 5DA5682-UP; 5EA5375-UP; 5FA4499-UP; 8JF1-UP; 6CG1-UP; 6DG1-UP;  
6EG1-UP

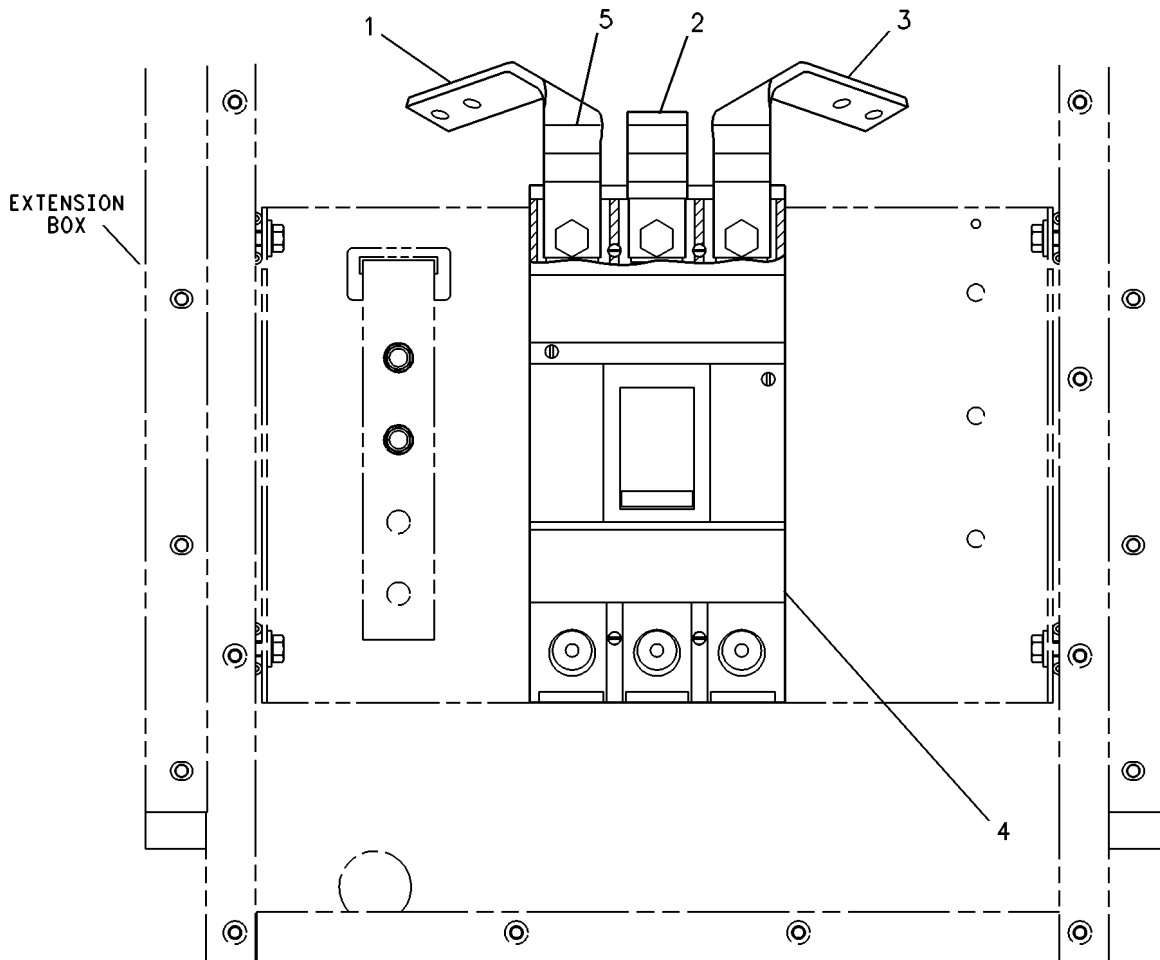
300 AMPERE

FOR USAGE REFER TO CHART 4W-8145-PAGE: 1768  
AN ATTACHMENT

SMCS-1420, 4461

i02870302

NOTE	REF NO	GRAPHIC REF	PART NUMBER	QTY	PART NAME						SEE PAGE
					1	2	3	4	5	6 (PRODUCT LEVEL)	
	1	1	<b>104-4365</b>	1	BAR (T1, 600-AMPERE)						
	2	1	<b>104-4364</b>	1	BAR AS (T2, 600-AMPERE)						
	3	1	<b>104-4363</b>	1	BAR (T3, 600-AMPERE)						
	4	1	<b>104-7625</b>	1	CIRCUIT BREAKER GP (300-AMPERE)						
		1	<b>104-8680</b>	1	SHUNT						
	5	1	<b>9Y-4275</b>	1	FILM-INFORMATION (TERMINAL STRIP)						



GRAPHIC #1

<END>

g00234719

# ELECTRICAL AND STARTING SYSTEM

## 104-4386 CIRCUIT BREAKER GP

S/N: 5CA5985-UP; 5DA5682-UP; 5EA5375-UP; 5FA4499-UP; 8JF1-UP; 6CG1-UP; 6DG1-UP;  
6EG1-UP

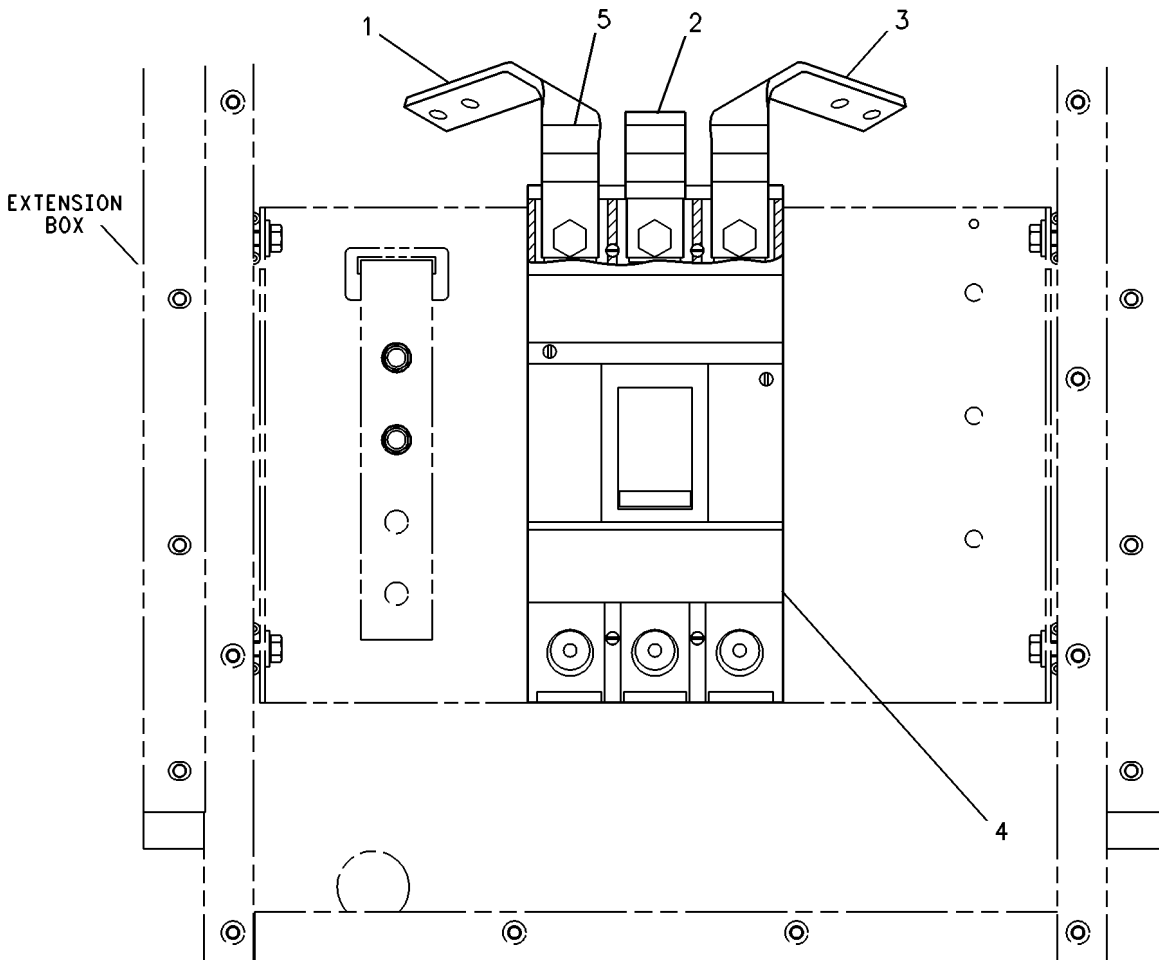
350 AMPERE

FOR USAGE REFER TO CHART 4W-8145-PAGE: 1768  
AN ATTACHMENT

SMCS-1420, 4461

i02870300

NOTE	REF NO	GRAPHIC REF	PART NUMBER	QTY	PART NAME						SEE PAGE
					1	2	3	4	5	6 (PRODUCT LEVEL)	
	1	1	<b>104-4365</b>	1	BAR (T1, 600-AMPERE)						
	2	1	<b>104-4364</b>	1	BAR AS (T2, 600-AMPERE)						
	3	1	<b>104-4363</b>	1	BAR (T3, 600-AMPERE)						
	4	1	<b>104-7627</b>	1	CIRCUIT BREAKER GP (350-AMPERE)						
		1	<b>104-8680</b>		SHUNT						
	5	1	<b>9Y-4275</b>	1	FILM-INFORMATION (TERMINAL STRIP)						



GRAPHIC #1

<END>

g00234719

# ELECTRICAL AND STARTING SYSTEM

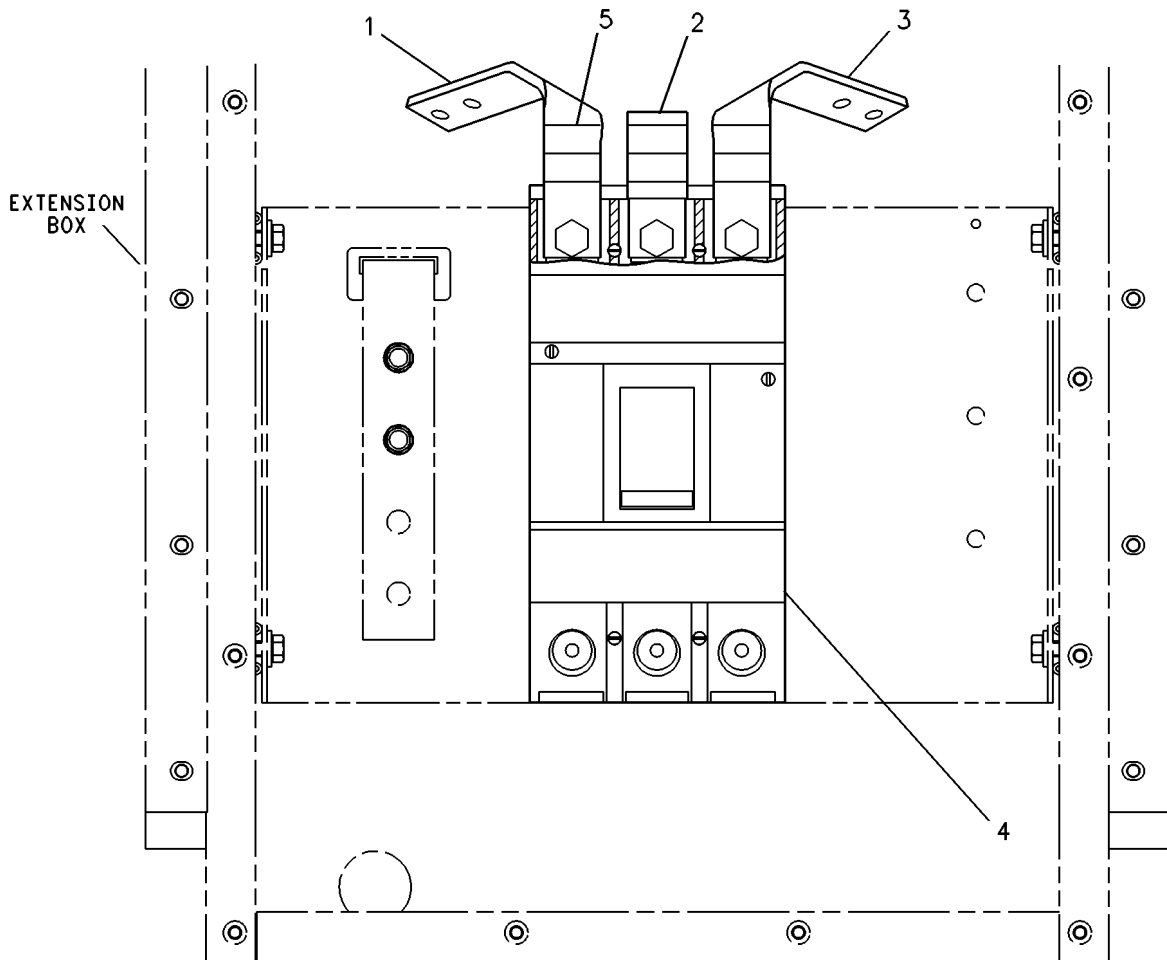
## 104-4387 CIRCUIT BREAKER GP

S/N: 5CA5985-UP; 5DA5682-UP; 5EA5375-UP; 5FA4499-UP; 8JF1-UP; 6CG1-UP; 6DG1-UP;  
6EG1-UP  
400 AMPERE  
FOR USAGE REFER TO CHART 4W-8145-PAGE: 1768  
AN ATTACHMENT

SMCS-1420, 4461

i02870299

NOTE	REF NO	GRAPHIC REF	PART NUMBER	QTY	PART NAME						SEE PAGE
					1	2	3	4	5	6 (PRODUCT LEVEL)	
	1	1	<b>104-4365</b>	1	BAR (T1, 600-AMPERE)						
	2	1	<b>104-4364</b>	1	BAR AS (T2, 600-AMPERE)						
	3	1	<b>104-4363</b>	1	BAR (T3, 600-AMPERE)						
	4	1	<b>104-7628</b>	1	CIRCUIT BREAKER GP (400-AMPERE)						
		1	<b>104-8680</b>	1	SHUNT						
	5	1	<b>9Y-4275</b>	1	FILM-INFORMATION (TERMINAL STRIP)						



GRAPHIC #1

<END>

g00234719

# ELECTRICAL AND STARTING SYSTEM

## 104-4388 CIRCUIT BREAKER GP

S/N: 5CA5985-UP; 5DA5682-UP; 5EA5375-UP; 5FA4499-UP; 8JF1-UP; 6CG1-UP; 6DG1-UP;  
6EG1-UP

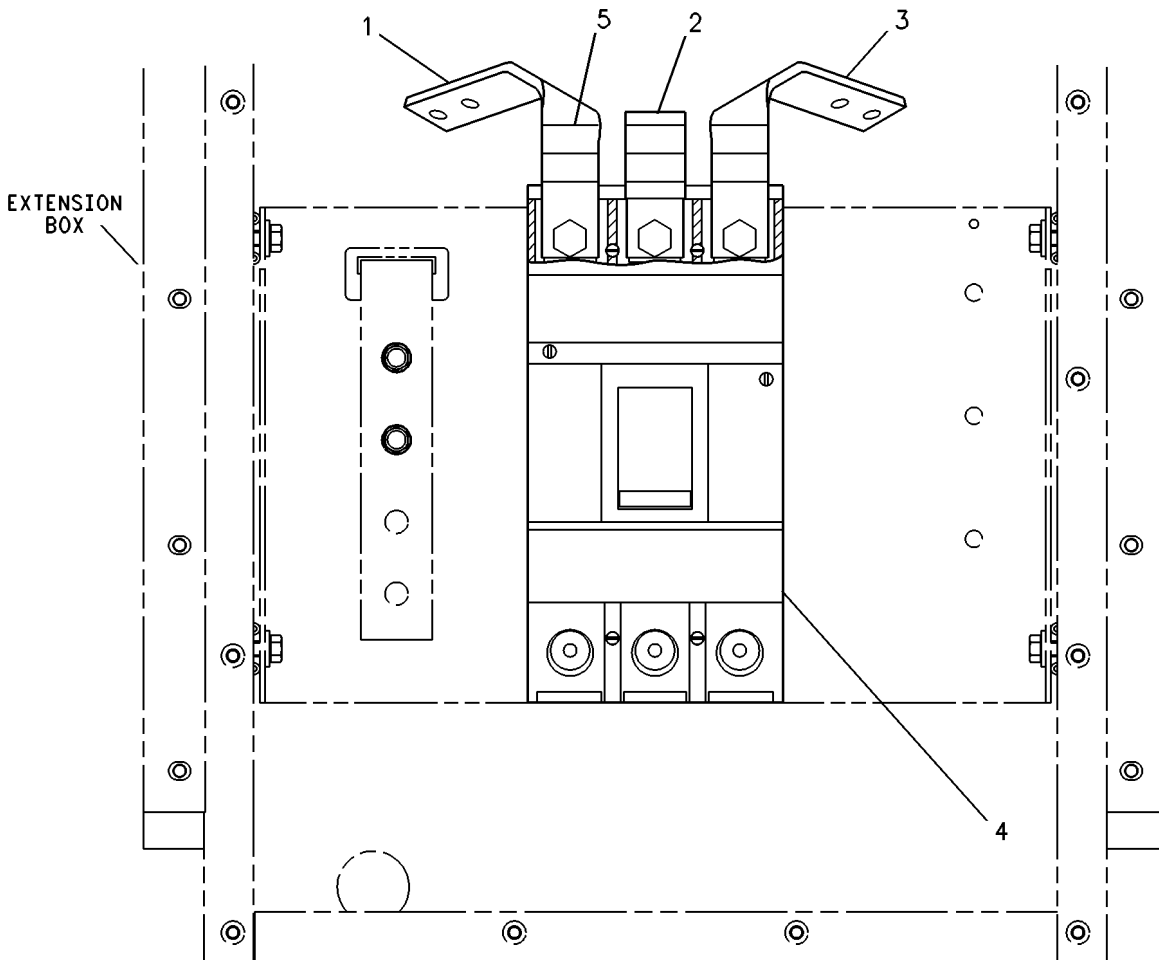
450-AMPERE

FOR USAGE REFER TO CHART 4W-8145-PAGE: 1768  
AN ATTACHMENT

SMCS-1420, 4461

i02309774

NOTE	REF NO	GRAPHIC REF	PART NUMBER	QTY	PART NAME						SEE PAGE
					1	2	3	4	5	6 (PRODUCT LEVEL)	
	1	1	104-4365	1	BAR (T1, 600-AMPERE)						
	2	1	104-4364	1	BAR AS (T2, 600-AMPERE)						
	3	1	104-4363	1	BAR (T3, 600-AMPERE)						
	4	1	104-7629	1	CIRCUIT BREAKER GP (450-AMPERE)						
		1	104-8680	1	SHUNT						
	5	1	9Y-4275	1	FILM-INFORMATION (TERMINAL STRIP)						



GRAPHIC #1

<END>

g00234719

# ELECTRICAL AND STARTING SYSTEM

## 104-4389 CIRCUIT BREAKER GP

S/N: 5CA5985-UP; 5DA5682-UP; 5EA5375-UP; 5FA4499-UP; 8JF1-UP; 6CG1-UP; 6DG1-UP;  
6EG1-UP

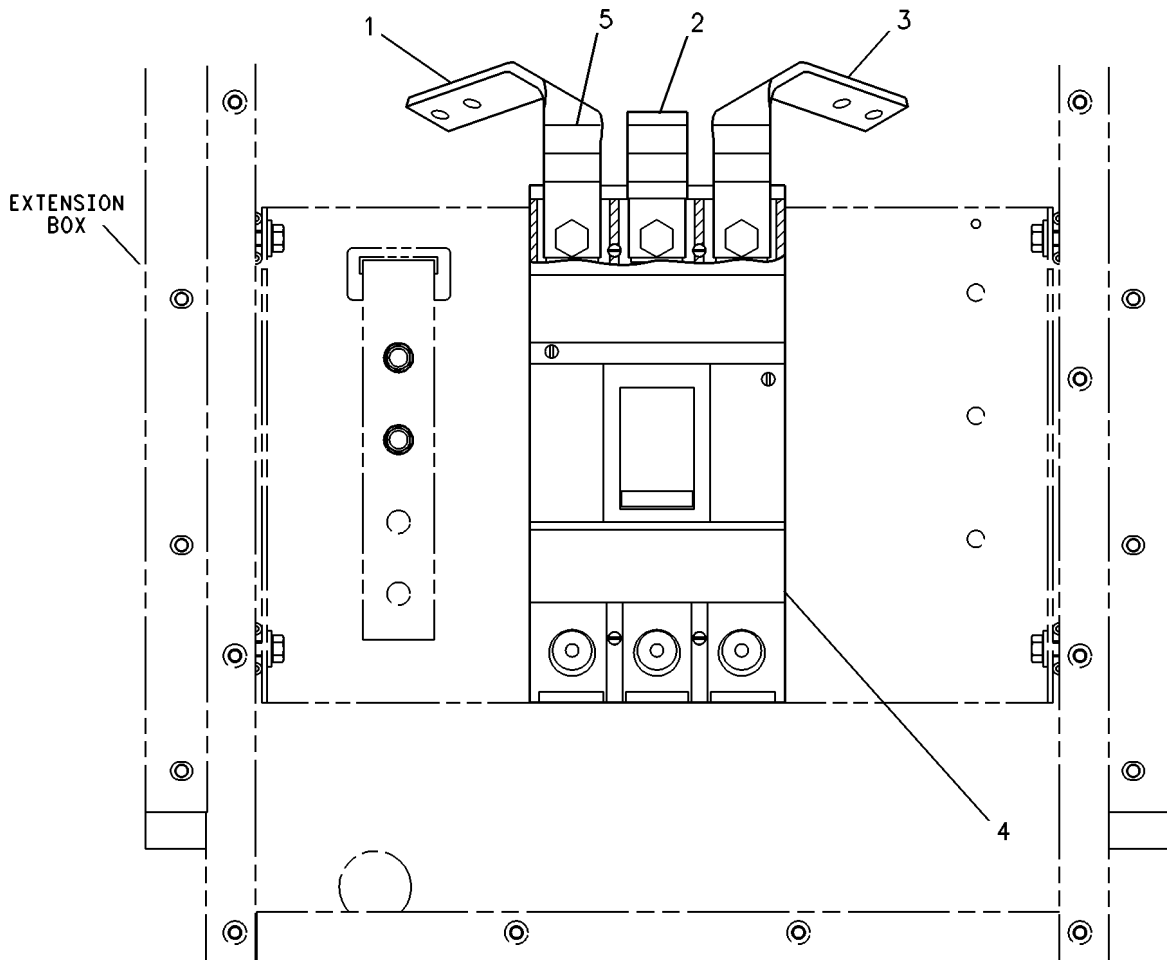
500-AMPERE

FOR USAGE REFER TO CHART 4W-8145-PAGE: 1768  
AN ATTACHMENT

SMCS-1420, 4461

i02309775

NOTE	REF NO	GRAPHIC REF	PART NUMBER	QTY	PART NAME						SEE PAGE
					1	2	3	4	5	6 (PRODUCT LEVEL)	
	1	1	<b>104-4365</b>	1	BAR (T1, 600-AMPERE)						
	2	1	<b>104-4364</b>	1	BAR AS (T2, 600-AMPERE)						
	3	1	<b>104-4363</b>	1	BAR (T3, 600-AMPERE)						
	4	1	<b>104-7630</b>	1	CIRCUIT BREAKER GP (500-AMPERE)						
		1	<b>104-8680</b>	1	SHUNT						
	5	1	<b>9Y-4275</b>	1	FILM-INFORMATION (TERMINAL STRIP)						



GRAPHIC #1

<END>

g00234719



# ELECTRICAL AND STARTING SYSTEM

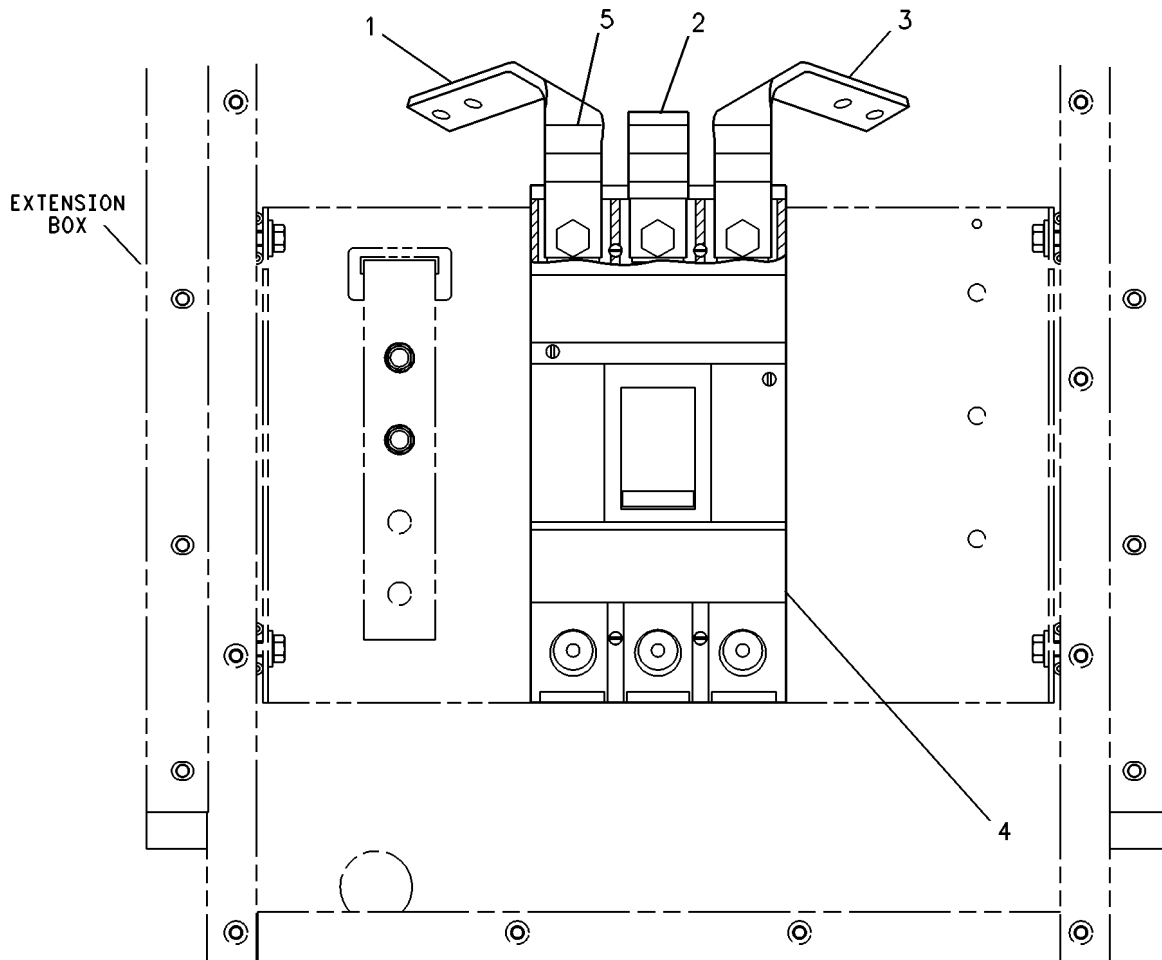
## 104-4390 CIRCUIT BREAKER GP

S/N: 5CA5985-UP; 5DA5682-UP; 5EA5375-UP; 5FA4499-UP; 8JF1-UP; 6CG1-UP; 6DG1-UP;  
 6EG1-UP  
 600-AMPERE  
 FOR USAGE REFER TO CHART 4W-8145-PAGE: 1768  
 AN ATTACHMENT

SMCS-1420, 4461

i02309808

NOTE	REF NO	GRAPHIC REF	PART NUMBER	QTY	PART NAME						SEE PAGE
					1	2	3	4	5	6 (PRODUCT LEVEL)	
	1	1	<b>104-4365</b>	1	BAR (T1, 600-AMPERE)						
	2	1	<b>104-4364</b>	1	BAR AS (T2, 600-AMPERE)						
	3	1	<b>104-4363</b>	1	BAR (T3, 600-AMPERE)						
	4	1	<b>104-7631</b>	1	CIRCUIT BREAKER GP (600-AMPERE) (3 POLE)						
		1	<b>104-8680</b>	1	SHUNT						
	5	1	<b>9Y-4275</b>	1	FILM-INFORMATION (TERMINAL STRIP)						



GRAPHIC #1

<END>

g00234719

# ELECTRICAL AND STARTING SYSTEM

## 104-4391 CIRCUIT BREAKER GP

S/N: 5CA5985-UP; 5DA5682-UP; 5EA5375-UP; 5FA4499-UP; 8JF1-UP; 6CG1-UP; 6DG1-UP;  
6EG1-UP

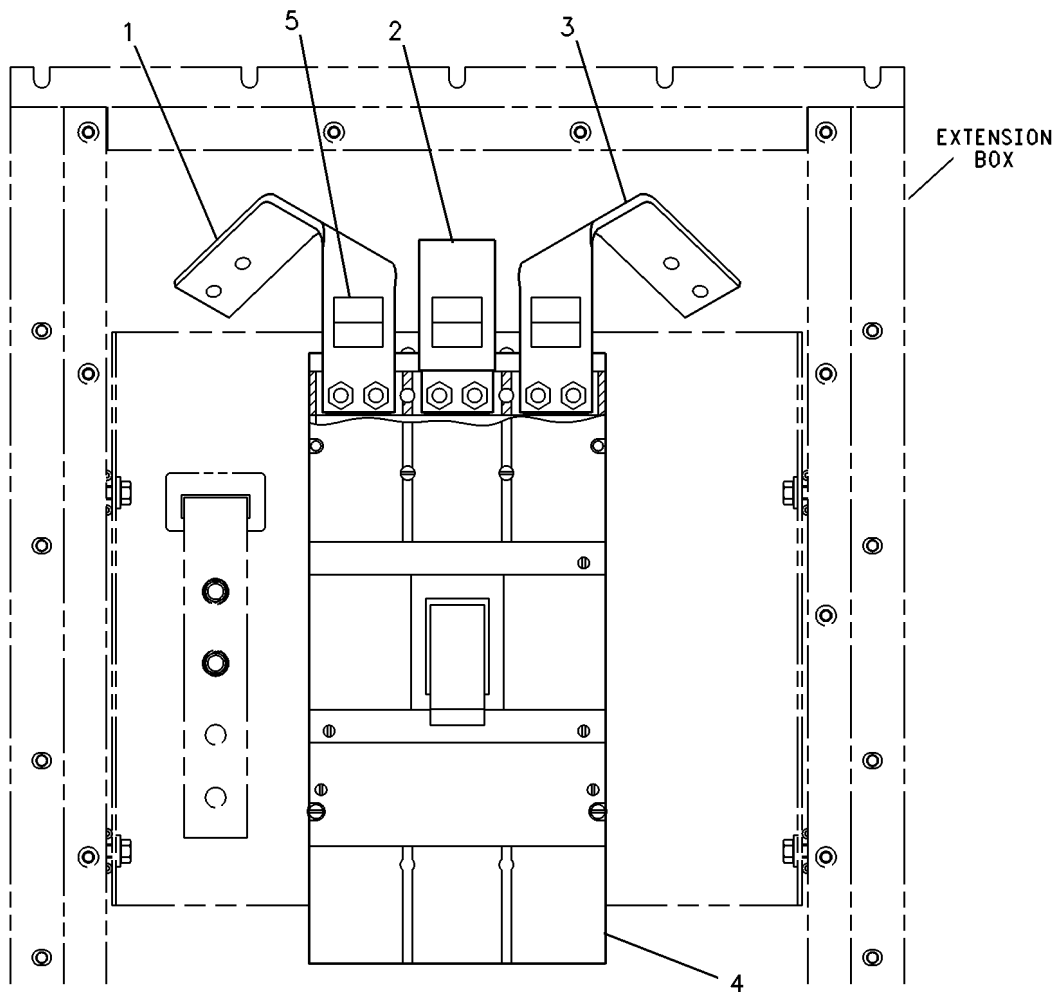
700-AMPERE

FOR USAGE REFER TO CHART 4W-8145-PAGE: 1768  
AN ATTACHMENT

SMCS-1420, 4461

i02309811

NOTE	REF NO	GRAPHIC REF	PART NUMBER	QTY	PART NAME						SEE PAGE
					1	2	3	4	5	6 (PRODUCT LEVEL)	
	1	1	<b>104-4371</b>	1	BAR (T1-800 AMPERE)						
	2	1	<b>104-4370</b>	1	BAR AS (T2-800 AMPERE)						
	3	1	<b>104-4366</b>	1	BAR (T3-800 AMPERE)						
	4	1	<b>104-7632</b>	1	CIRCUIT BREAKER GP (700-AMPERE)						
		1	<b>104-8680</b>	1	SHUNT						
	5	1	<b>9Y-4275</b>	1	FILM-INFORMATION (TERMINAL STRIP)						



GRAPHIC #1

<END>

g00234722

# ELECTRICAL AND STARTING SYSTEM

## 104-4392 CIRCUIT BREAKER GP

S/N: 5CA5985-UP; 5DA5682-UP; 5EA5375-UP; 5FA4499-UP; 8JF1-UP; 6CG1-UP; 6DG1-UP;  
6EG1-UP

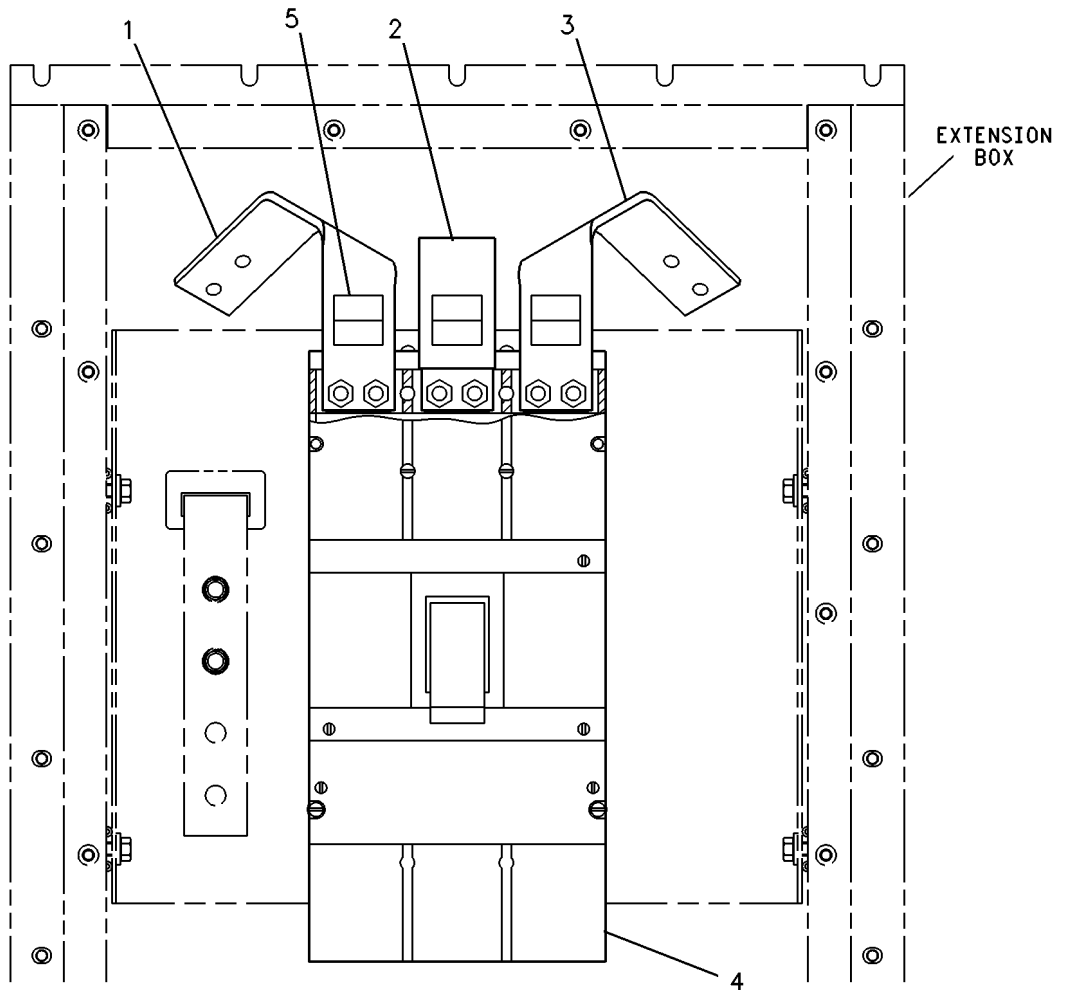
800-AMPERE

FOR USAGE REFER TO CHART 4W-8145-PAGE: 1768  
AN ATTACHMENT

SMCS-1420, 4461

i02309814

NOTE	REF NO	GRAPHIC REF	PART NUMBER	QTY	PART NAME						SEE PAGE
					1	2	3	4	5	6 (PRODUCT LEVEL)	
	1	1	<b>104-4371</b>	1	BAR (T1-800 AMPERE)						
	2	1	<b>104-4370</b>	1	BAR AS (T2-800 AMPERE)						
	3	1	<b>104-4366</b>	1	BAR (T3-800 AMPERE)						
	4	1	<b>104-7633</b>	1	CIRCUIT BREAKER GP (800-AMPERE)						
		1	<b>104-8680</b>	1	SHUNT						
	5	1	<b>9Y-4275</b>	1	FILM-INFORMATION (TERMINAL STRIP)						



GRAPHIC #1

<END>

g00234722

# ELECTRICAL AND STARTING SYSTEM

## 104-4393 CIRCUIT BREAKER GP

S/N: 5CA5985-UP; 5DA5682-UP; 5EA5375-UP; 5FA4499-UP; 8JF1-UP; 6CG1-UP; 6DG1-UP;  
6EG1-UP

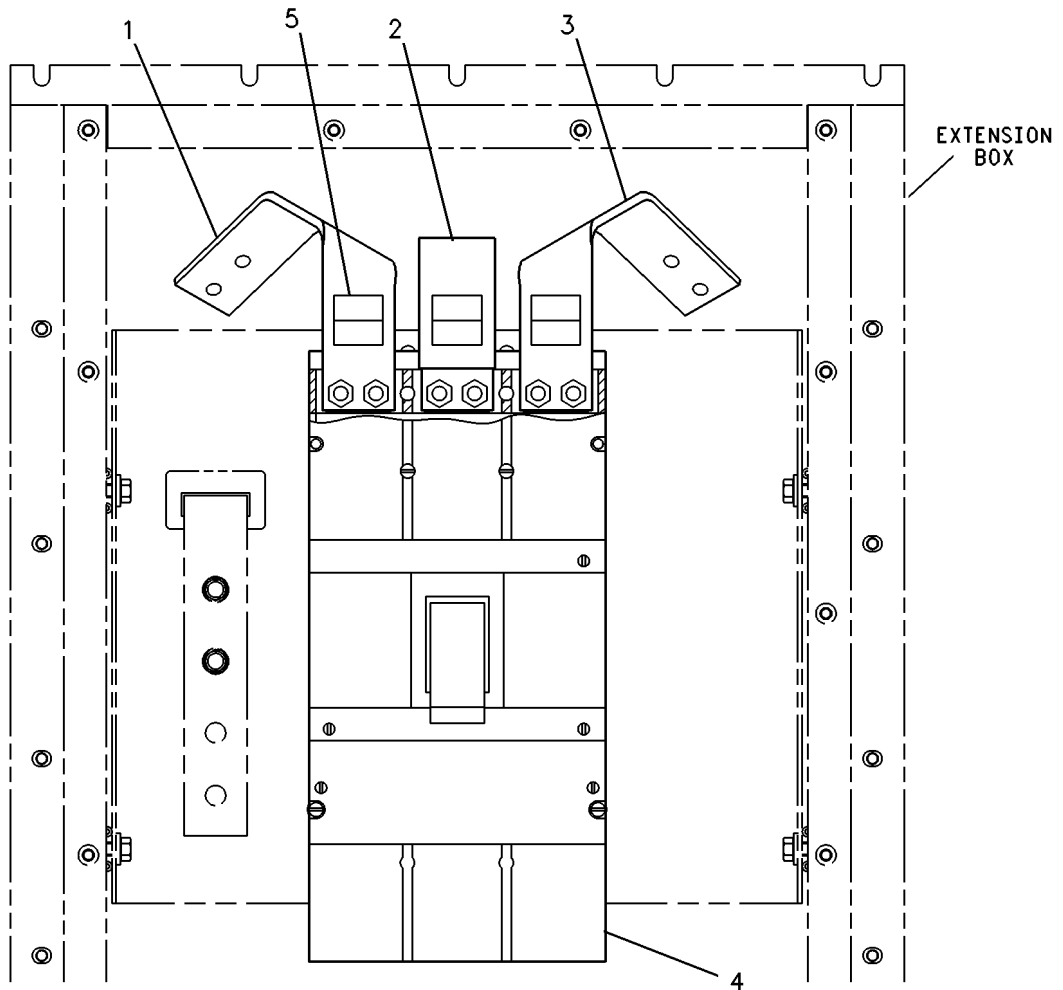
1000-AMPERE

FOR USAGE REFER TO CHART 4W-8145-PAGE: 1768  
AN ATTACHMENT

SMCS-1420, 4461

i02309820

NOTE	REF NO	GRAPHIC REF	PART NUMBER	QTY	PART NAME						SEE PAGE
					1	2	3	4	5	6 (PRODUCT LEVEL)	
	1	1	<b>104-4377</b>	1	BAR AS (T1-1200 AMPERE)						
	2	1	<b>104-4374</b>	1	BAR AS (T2-1200 AMPERE)						
	3	1	<b>104-4373</b>	1	BAR AS (T3-1200 AMPERE)						
	4	1	<b>104-7634</b>	1	CIRCUIT BREAKER GP (1000-AMPERE)						
		1	<b>104-8680</b>	1	SHUNT						
5	1	1	<b>9Y-4275</b>	1	FILM-INFORMATION (TERMINAL STRIP)						



GRAPHIC #1

<END>

g00234722

# ELECTRICAL AND STARTING SYSTEM

## 104-4394 CIRCUIT BREAKER GP

S/N: 5CA5985-UP; 5DA5682-UP; 5EA5375-UP; 5FA4499-UP; 8JF1-UP; 6CG1-UP; 6DG1-UP;  
6EG1-UP

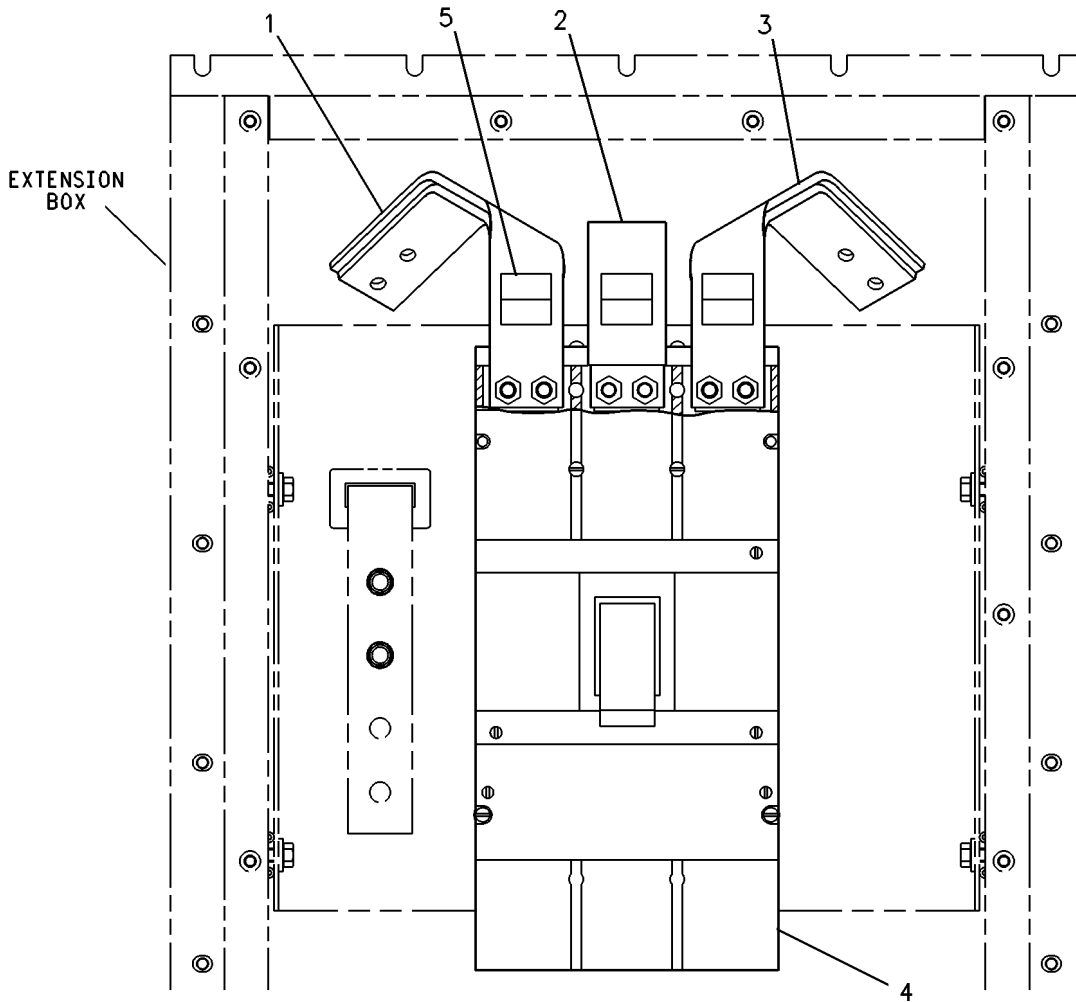
1200-AMPERE

FOR USAGE REFER TO CHART 4W-8145-PAGE: 1768  
AN ATTACHMENT

SMCS-1420, 4461

i02309821

NOTE	REF NO	GRAPHIC REF	PART NUMBER	QTY	PART NAME						SEE PAGE
					1	2	3	4	5	6 (PRODUCT LEVEL)	
	1	1	104-4377	1	BAR AS (T1-1200 AMPERE)						
	2	1	104-4374	1	BAR AS (T2-1200 AMPERE)						
	3	1	104-4373	1	BAR AS (T3-1200 AMPERE)						
	4	1	104-7635	1	CIRCUIT BREAKER GP (1200-AMPERE)						
		1	125-9312	1	TERMINAL						
		1	104-8680	1	SHUNT						
5		1	9Y-4275	1	FILM-INFORMATION (TERMINAL STRIP)						



GRAPHIC #1

<END>

g00234726

# ELECTRICAL AND STARTING SYSTEM

## 113-0833 CIRCUIT BREAKER GP

S/N: 8JF1-UP; 6CG1-UP; 6DG1-UP; 6EG1-UP

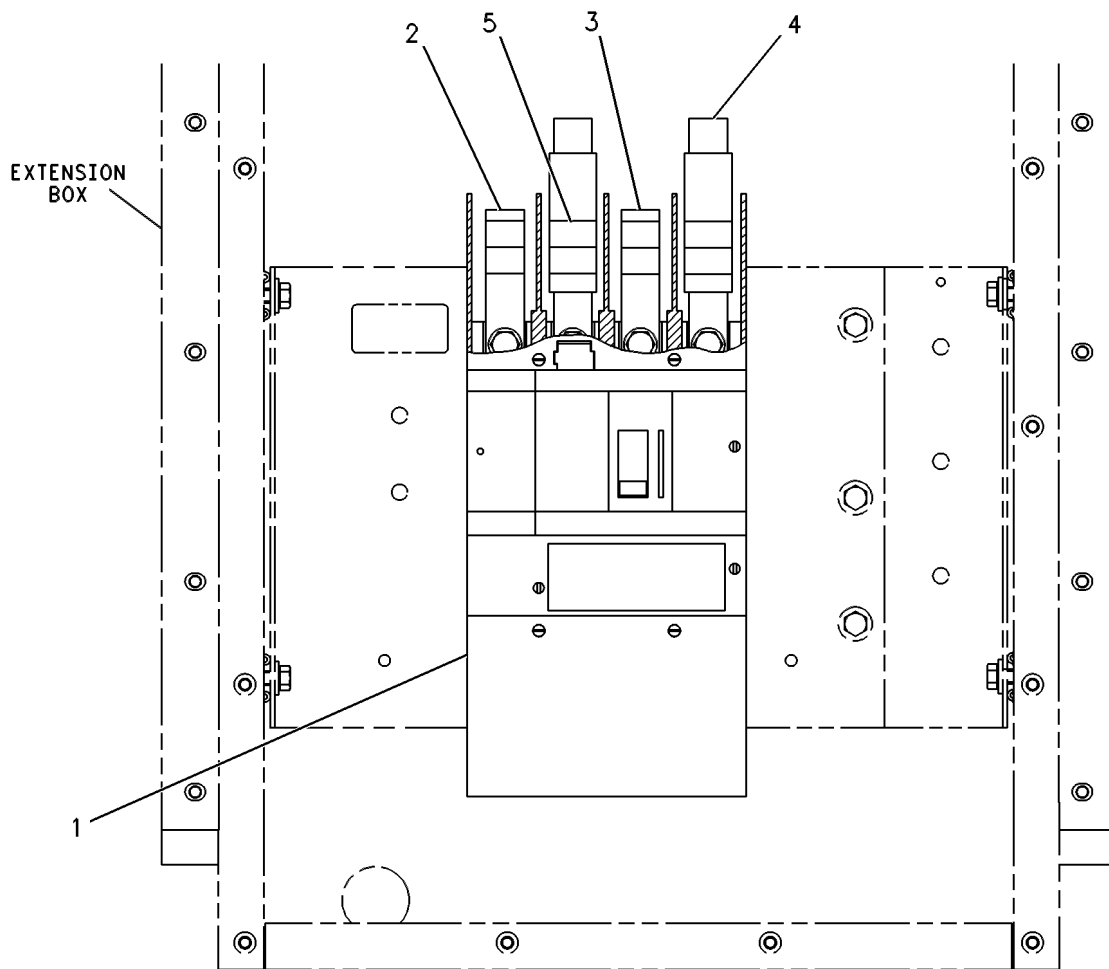
200 AMPERE

FOR USAGE REFER TO CHART 4W-8145-PAGE: 1768  
AN ATTACHMENT

SMCS-1420, 4461

i02470633

NOTE	REF NO	GRAPHIC REF	PART NUMBER	QTY	PART NAME						SEE PAGE
					1	2	3	4	5	6 (PRODUCT LEVEL)	
1		1	<b>113-0821</b>	1	CIRCUIT BREAKER GP (200-AMPERE)						
		1	<b>113-0856</b>	1	SHUNT-TRIP						
2		1	<b>113-0796</b>	1	BAR (T0, 250-AMPERE)						
3		1	<b>113-0798</b>	1	BAR (T2, 250-AMPERE)						
4		1	<b>113-0797</b>	2	BAR AS (T1, T3 250-AMPERE)						
5		1	<b>9Y-4275</b>	1	FILM-INFORMATION (TERMINAL STRIP)						



GRAPHIC #1

<END>

g00255528

# ELECTRICAL AND STARTING SYSTEM

## 113-0834 CIRCUIT BREAKER GP

S/N: 8JF1-UP; 6CG1-UP; 6DG1-UP; 6EG1-UP

250 AMPERE

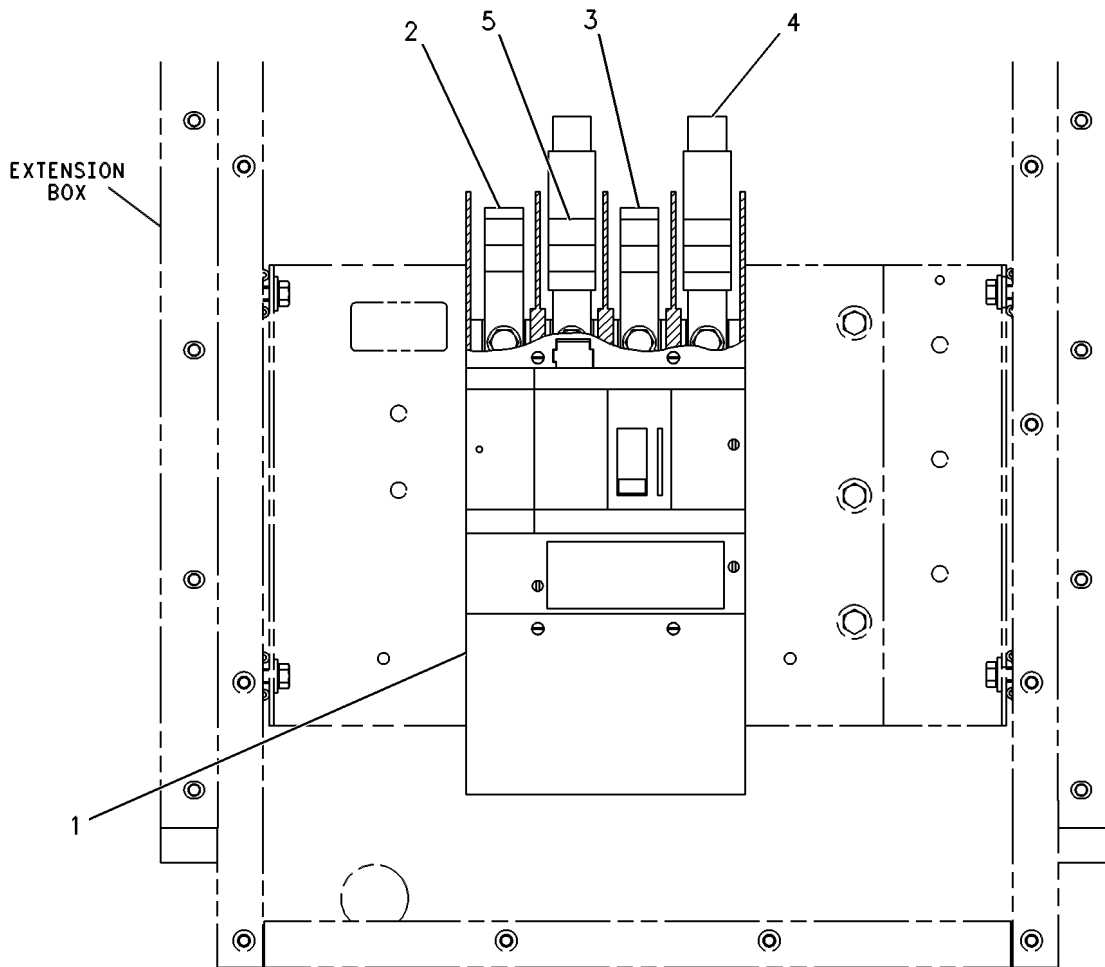
FOR USAGE REFER TO CHART 4W-8145-PAGE: 1768

AN ATTACHMENT

SMCS-1420, 4461

i02470632

NOTE	REF NO	GRAPHIC REF	PART NUMBER	QTY	PART NAME						SEE PAGE
					1	2	3	4	5	6 (PRODUCT LEVEL)	
	1	1	<b>113-0822</b>	1	CIRCUIT BREAKER GP (250-AMPERE)						
		1	<b>113-0856</b>	1	SHUNT-TRIP						
2		1	<b>113-0796</b>	1	BAR (T0, 250-AMPERE)						
3		1	<b>113-0798</b>	1	BAR (T2, 250-AMPERE)						
4		1	<b>113-0797</b>	2	BAR AS (T1, T3 250-AMPERE)						
5		1	<b>9Y-4275</b>	1	FILM-INFORMATION (TERMINAL STRIP)						



GRAPHIC #1

<END>

g00255528

# ELECTRICAL AND STARTING SYSTEM

## 113-0836 CIRCUIT BREAKER GP

S/N: 8JF1-UP; 6CG1-UP; 6DG1-UP; 6EG1-UP

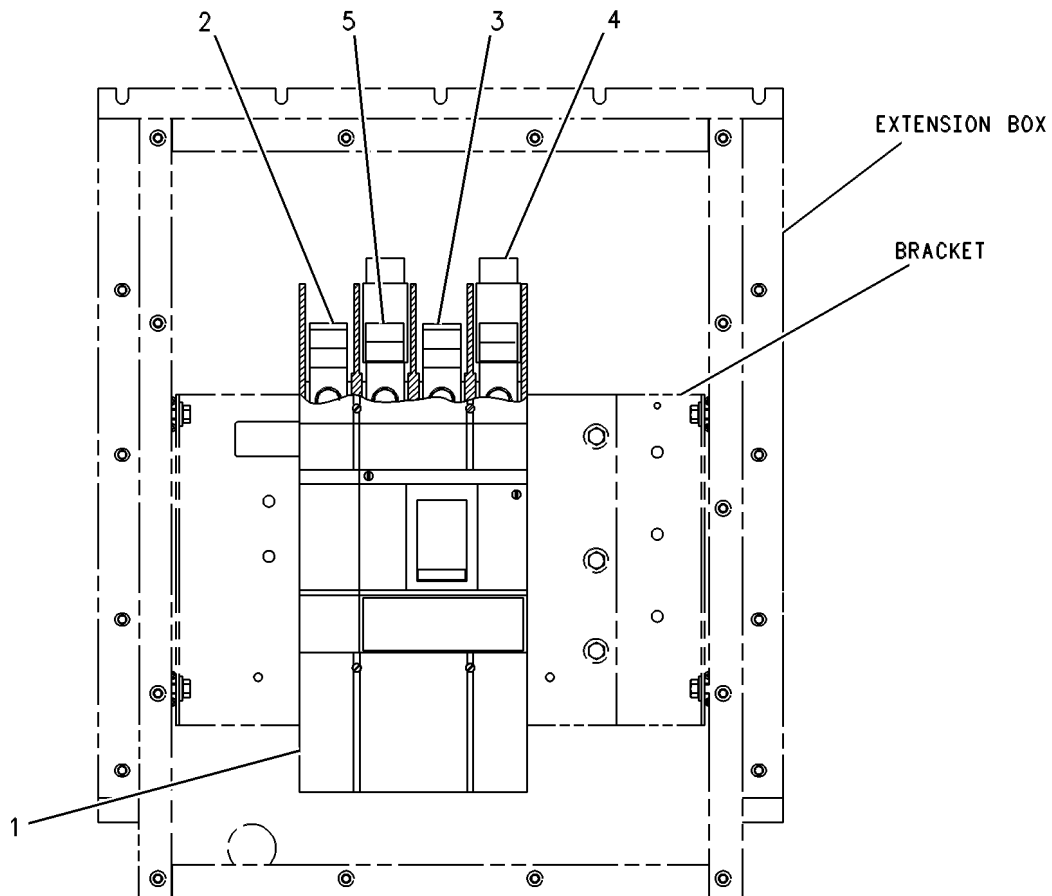
400-AMPERE

FOR USAGE REFER TO CHART 4W-8145-PAGE: 1768  
AN ATTACHMENT

SMCS-1420, 4461

i02309846

NOTE	REF NO	GRAPHIC REF	PART NUMBER	QTY	PART NAME						SEE PAGE
					1	2	3	4	5	6 (PRODUCT LEVEL)	
1		1	<b>113-0824</b>	1	CIRCUIT BREAKER GP (400 AMPERE)						
		1	<b>113-0857</b>	1	SHUNT-TRIP						
2		1	<b>113-0799</b>	1	BAR (T0-630 AMPERE)						
3		1	<b>113-0801</b>	1	BAR (T2-630 AMPERE)						
4		1	<b>113-0800</b>	2	BAR AS (TI,T2-630 AMPERE)						
5		1	<b>9Y-4275</b>	1	FILM-INFORMATION (TERMINAL STRIP)						



GRAPHIC #1

<END>

g00254443



# ELECTRICAL AND STARTING SYSTEM

## 113-0838 CIRCUIT BREAKER GP

S/N: 8JF1-UP; 6CG1-UP; 6DG1-UP; 6EG1-UP

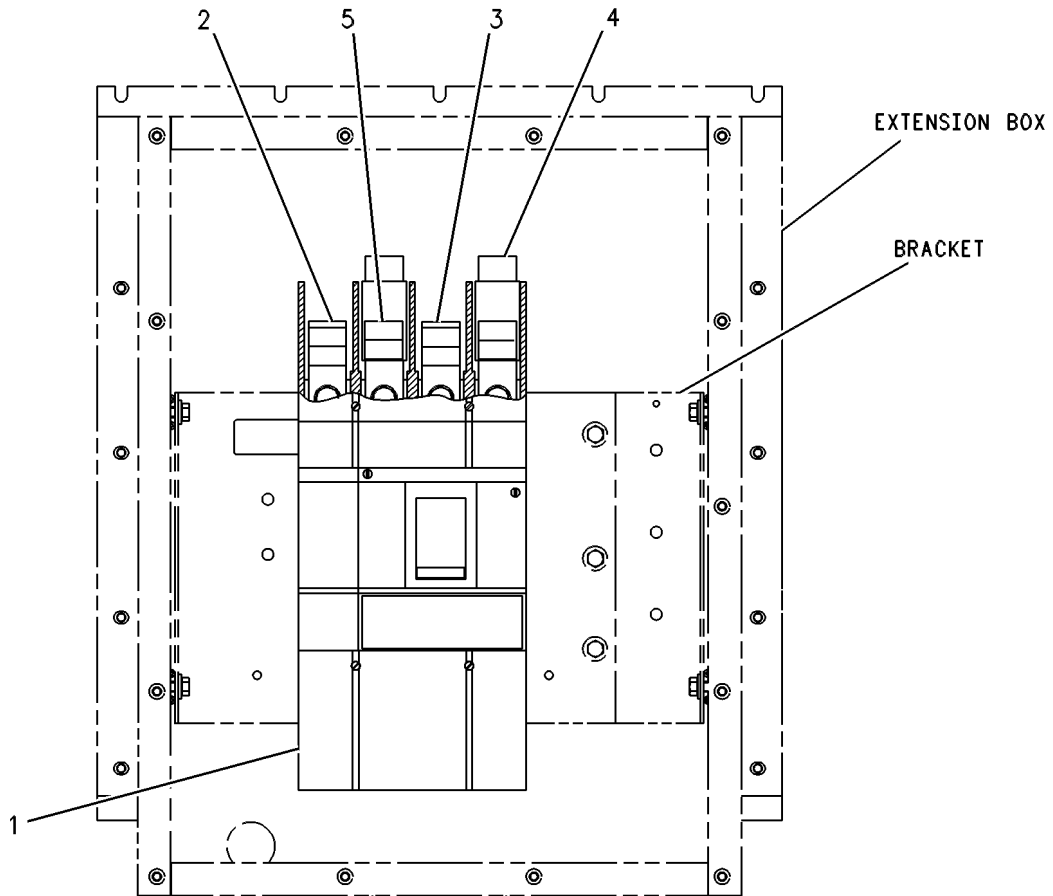
630-AMPERE

FOR USAGE REFER TO CHART 4W-8145-PAGE: 1768  
AN ATTACHMENT

SMCS-1420, 4461

i02309848

NOTE	REF NO	GRAPHIC REF	PART NUMBER	QTY	PART NAME						SEE PAGE
					1	2	3	4	5	6 (PRODUCT LEVEL)	
	1	1	<b>113-0826</b>	1	CIRCUIT BREAKER GP (630 AMPERE)						
		1	<b>113-0857</b>	1	SHUNT-TRIP						
2		1	<b>113-0799</b>	1	BAR (T0-630 AMPERE)						
3		1	<b>113-0801</b>	1	BAR (T2-630 AMPERE)						
4		1	<b>113-0800</b>	2	BAR AS (T1,T2-630 AMPERE)						
5		1	<b>9Y-4275</b>	1	FILM-INFORMATION (TERMINAL STRIP)						



GRAPHIC #1

<END>

g00254443

# ELECTRICAL AND STARTING SYSTEM

## 113-0839 CIRCUIT BREAKER GP

S/N: 8JF1-UP; 6CG1-UP; 6DG1-UP; 6EG1-UP

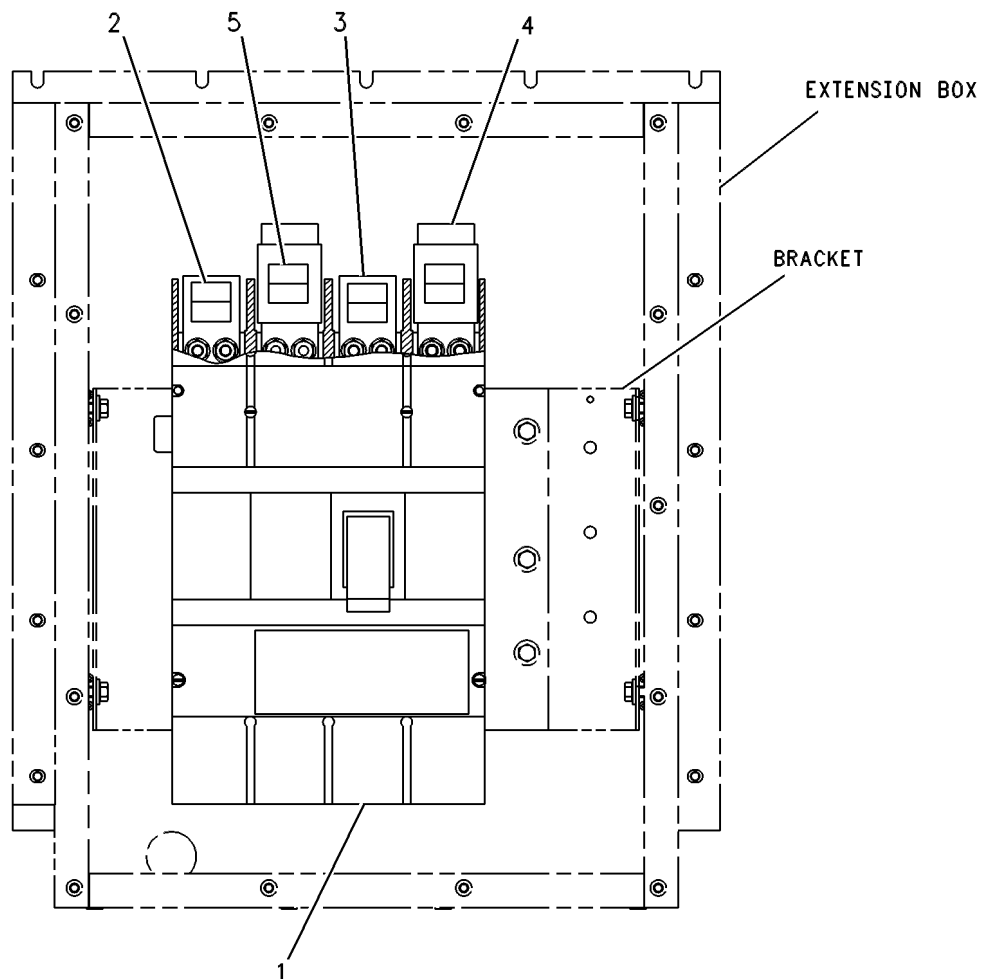
800-AMPERE

FOR USAGE REFER TO CHART 4W-8145-PAGE: 1768  
AN ATTACHMENT

SMCS-1420, 4461

i05737529

NOTE	REF NO	GRAPHIC REF	PART NUMBER	QTY	PART NAME						SEE PAGE
					1	2	3	4	5	6 (PRODUCT LEVEL)	
1		1	<b>113-0827</b>	1	CIRCUIT BREAKER GP (800 AMPERE)						
		1	<b>113-0857</b>	1	SHUNT-TRIP						
2		1	<b>113-0802</b>	1	BAR (T0-800 AMPERE)						
3		1	<b>113-0804</b>	1	BAR (T2-800 AMPERE)						
4		1	<b>131-2831</b>	2	BAR AS (T1,T3-800 AMPERE)						
5		1	<b>9Y-4275</b>	1	FILM-INFORMATION (TERMINAL STRIP)						



GRAPHIC #1

<END>

g00254447

# ELECTRICAL AND STARTING SYSTEM

## 168-0342 CIRCUIT BREAKER GP

S/N: 5CA5985-UP; 5DA5682-UP; 8JF1-UP; 6CG1-UP; 6DG1-UP; 6EG1-UP

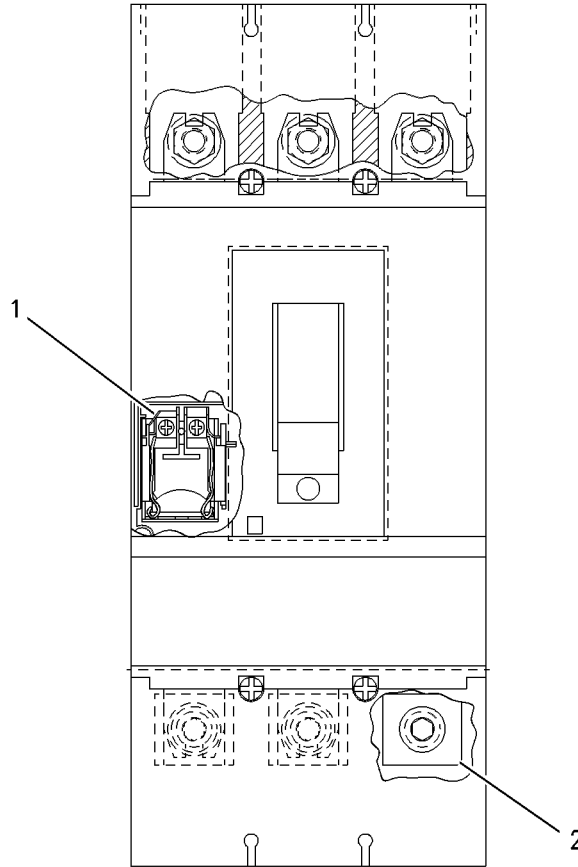
300-400 AMPERE

PART OF 169-1837 CIRCUIT BREAKER GP  
AN ATTACHMENT

SMCS-1420, 4461

i01162529

NOTE	REF NO	GRAPHIC REF	PART NUMBER	QTY	PART NAME						SEE PAGE
					1	2	3	4	5	6 (PRODUCT LEVEL)	
1	1	1	143-6856	1	SHUNT-TRIP						
2	1	1	169-1855	1	LUG						



**FRONT VIEW**

GRAPHIC #1

<END>

g00619660

# ELECTRICAL AND STARTING SYSTEM

## 168-0343 CIRCUIT BREAKER GP

S/N: 5CA5985-UP; 5DA5682-UP; 8JF1-UP; 6CG1-UP; 6DG1-UP; 6EG1-UP

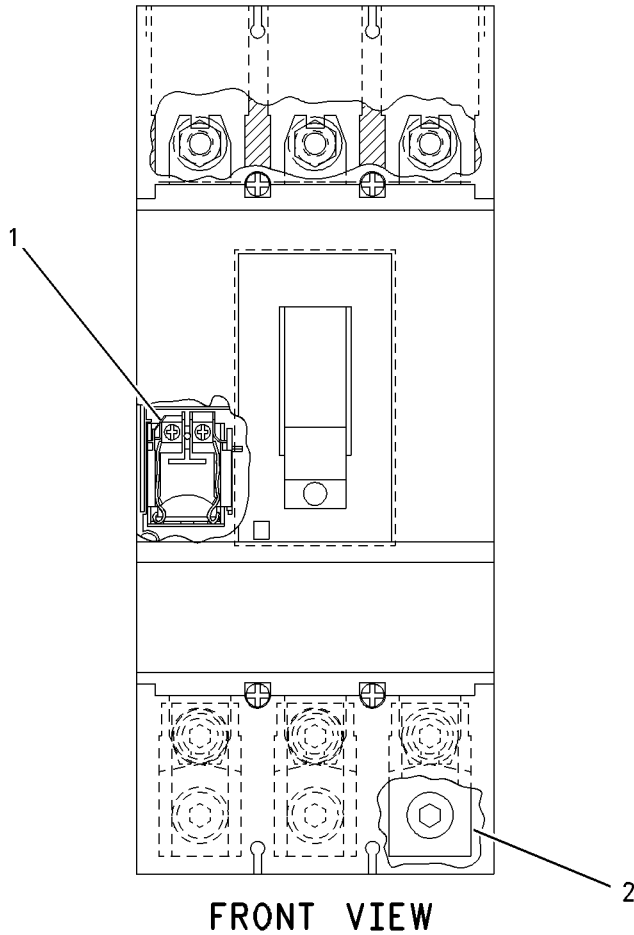
450-AMPERE TO 600-AMPERE

PART OF 169-1839 CIRCUIT BREAKER GP  
AN ATTACHMENT

SMCS-1420, 4461

i01850210

NOTE	REF NO	GRAPHIC REF	PART NUMBER	QTY	PART NAME						SEE PAGE
					1	2	3	4	5	6 (PRODUCT LEVEL)	
	1	1	<b>143-6856</b>	1	SHUNT-TRIP						
	2	1	<b>168-0345</b>	1	LUG AS						



FRONT VIEW

GRAPHIC #1

<END>

g00942445

# ELECTRICAL AND STARTING SYSTEM

## 168-8967 CIRCUIT BREAKER GP

S/N: 8JF1-UP

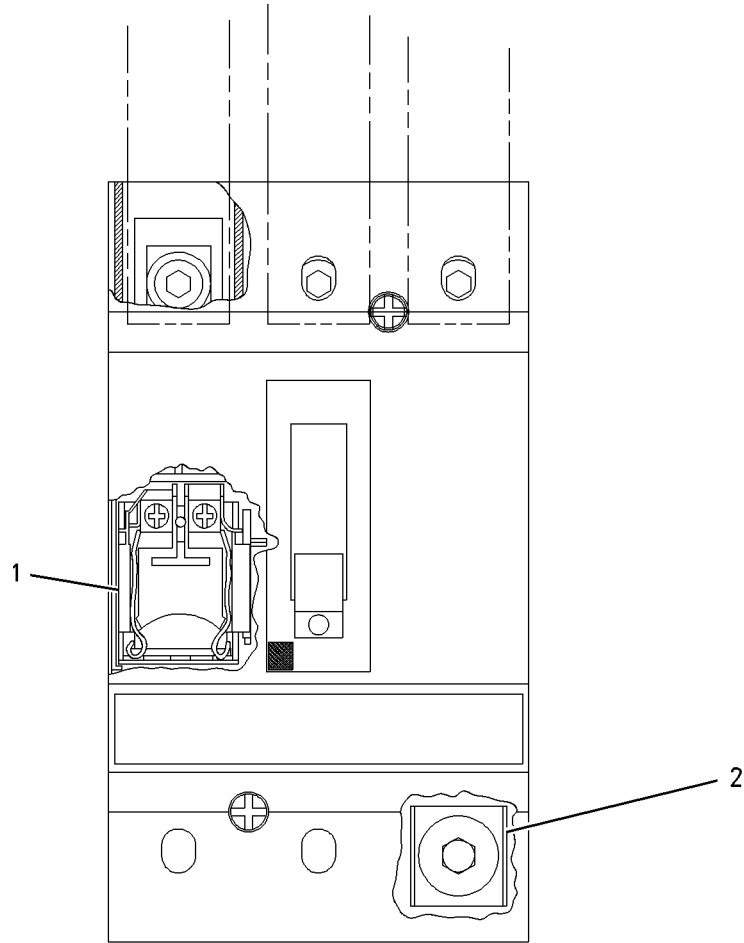
100-AMPERE

PART OF 169-1828 CIRCUIT BREAKER GP  
AN ATTACHMENT

SMCS-1420, 4461

i01925411

NOTE	REF NO	GRAPHIC REF	PART NUMBER	QTY	PART NAME						SEE PAGE
					1	2	3	4	5	6 (PRODUCT LEVEL)	
	1	1	<b>143-6856</b>	1	SHUNT-TRIP						
	2	1	<b>207-8644</b>	1	KIT-TERMINAL (CIRCUIT BREAKER)						
(INCLUDES 4 LUGS)											



**FRONT VIEW**

GRAPHIC #1

<END>

g00942448

# ELECTRICAL AND STARTING SYSTEM

## 168-8970 CIRCUIT BREAKER GP

S/N: 5CA5985-UP; 5DA5682-UP

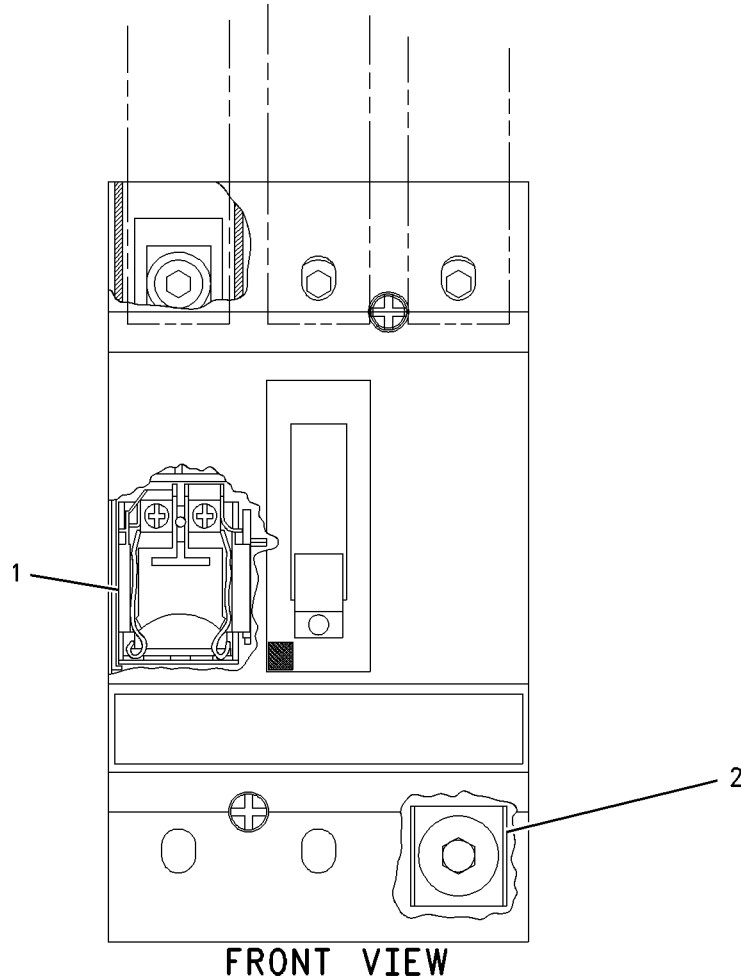
175-AMPERE

PART OF 169-1831 CIRCUIT BREAKER GP  
AN ATTACHMENT

SMCS-1420, 4461

i01925547

NOTE	REF NO	GRAPHIC REF	PART NUMBER	QTY	PART NAME						SEE PAGE
					1	2	3	4	5	6 (PRODUCT LEVEL)	
	1	1	<b>143-6856</b>	1	SHUNT-TRIP						
	2	1	<b>207-8644</b>	1	KIT-TERMINAL (CIRCUIT BREAKER)						
(INCLUDES 4 LUGS)											



GRAPHIC #1

<END>

g00942453

# ELECTRICAL AND STARTING SYSTEM

## 168-8972 CIRCUIT BREAKER GP

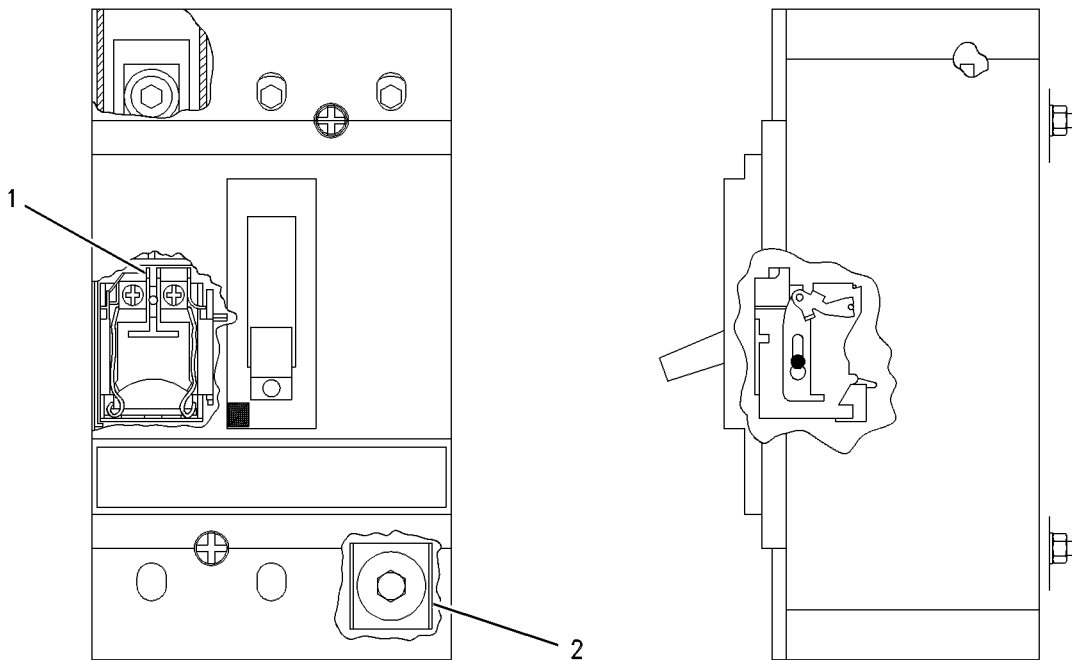
S/N: 5CA5985-UP; 5DA5682-UP; 8JF1-UP; 6CG1-UP; 6DG1-UP; 6EG1-UP  
225-AMPERE

PART OF 169-1833 CIRCUIT BREAKER GP  
AN ATTACHMENT

SMCS-1420, 4461

i01902928

NOTE	REF NO	GRAPHIC REF	PART NUMBER	QTY	PART NAME						SEE PAGE
					1	2	3	4	5	6 (PRODUCT LEVEL)	
	1	1	<b>143-6856</b>	1	SHUNT-TRIP						
	2	1	<b>207-8644</b>	1	KIT-TERMINAL (CIRCUIT BREAKER)						
(INCLUDES 4 LUGS)											



GRAPHIC #1

<END>

g00624816

# ELECTRICAL AND STARTING SYSTEM

## 168-8973 CIRCUIT BREAKER GP

S/N: 5CA5985-UP; 5DA5682-UP; 8JF1-UP; 6CG1-UP; 6DG1-UP; 6EG1-UP

250-AMPERE

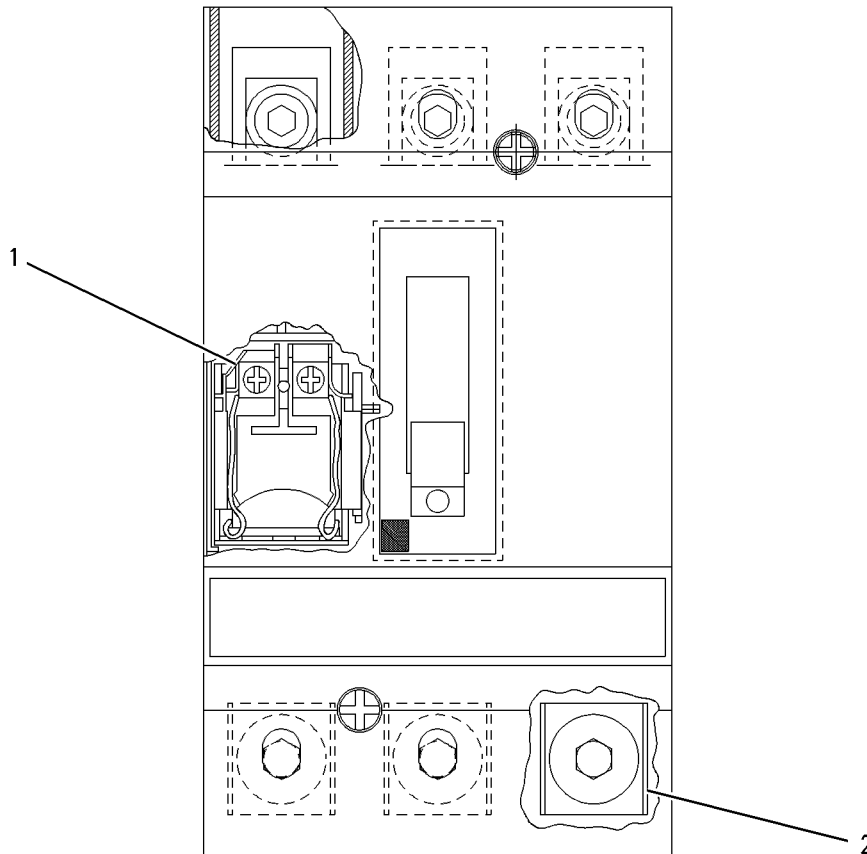
PART OF 169-1834 CIRCUIT BREAKER GP  
AN ATTACHMENT

SMCS-1420, 4461

i02825008

NOTE	REF NO	GRAPHIC REF	PART NUMBER	QTY	PART NAME						SEE PAGE
					1	2	3	4	5	6	
	1	1	<b>143-6856</b>	1	SHUNT-TRIP						
	2	1	<b>207-8656</b>	1	KIT-TERMINAL (CIRCUIT BREAKER)						

(INCLUDES 4 LUGS)



GRAPHIC #1

<END>

g00624318



# ELECTRICAL AND STARTING SYSTEM

## 169-1828 CIRCUIT BREAKER GP

S/N: 8JF1-UP

100 AMPERE

FOR USE WITH 6I-3340-PAGE: 1134

AN ATTACHMENT

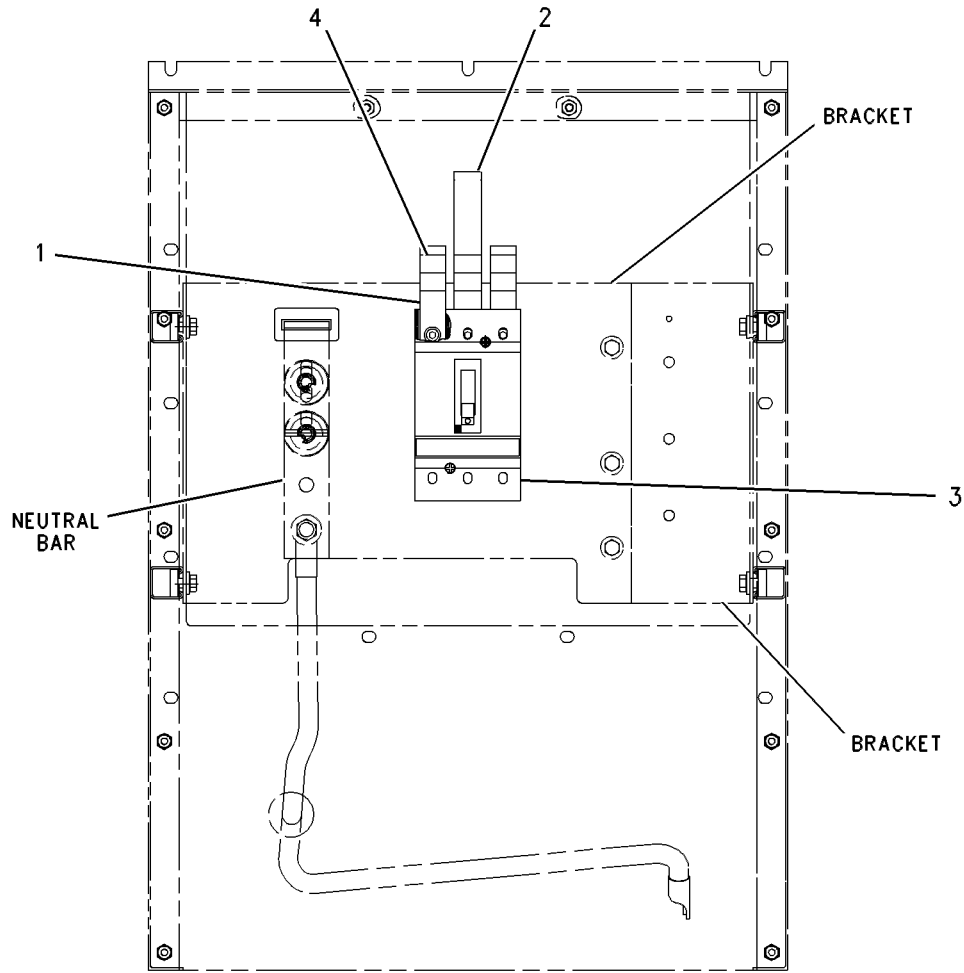
TYPE 1

SMCS-1420, 4461

i01955228

NOTE	REF NO	GRAPHIC REF	PART NUMBER	QTY	PART NAME						SEE PAGE
					1	2	3	4	5	6 (PRODUCT LEVEL)	
	1	1	<b>169-1842</b>	2	BAR						
	2	1	<b>169-1844</b>	1	BAR AS						
Y	3	1	<b>168-8967</b>	1	CIRCUIT BREAKER GP (100-AMPERE)						991
	4	1	<b>9Y-4275</b>	1	FILM-INFORMATION (TERMINAL STRIP)						

Y - SEPARATE ILLUSTRATION



GRAPHIC #1

<END>

g00620603

# ELECTRICAL AND STARTING SYSTEM

## 169-1828 CIRCUIT BREAKER GP

S/N: 8JF1-UP

100 AMPERE

FOR USE WITH 6I-3340-PAGE: 1134

AN ATTACHMENT

TYPE 2

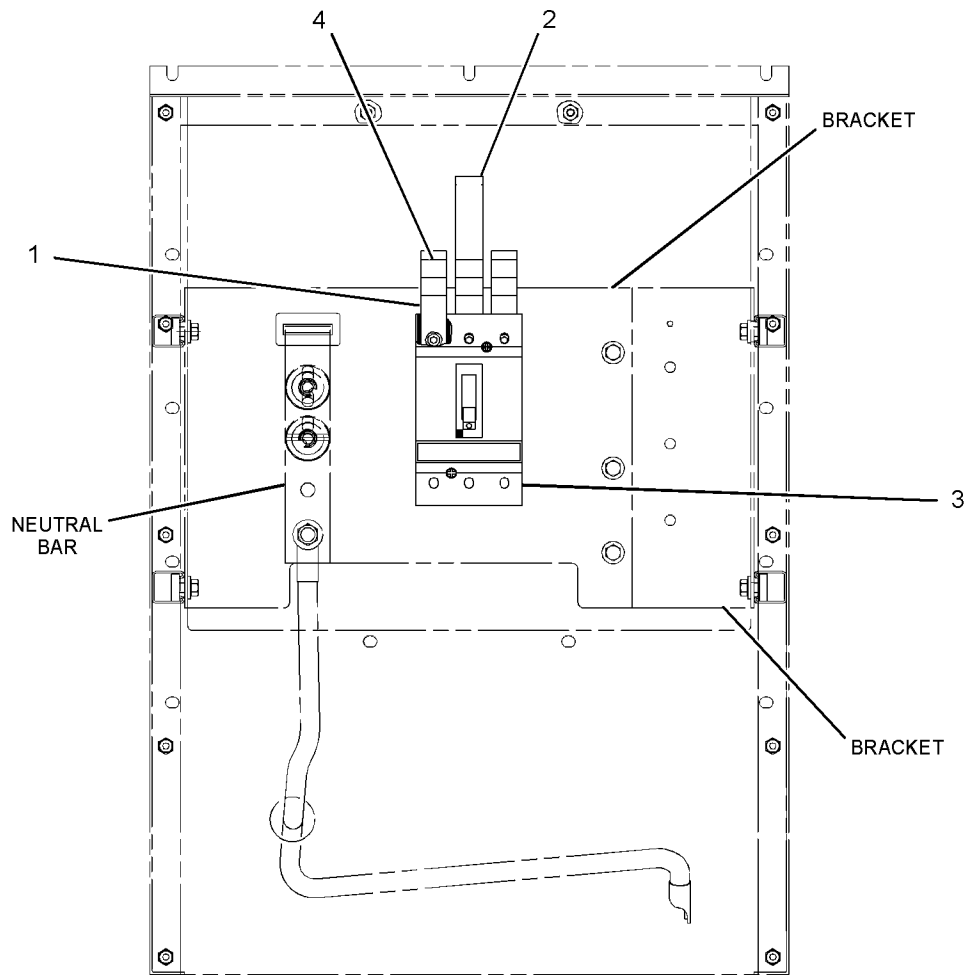
SMCS-1420, 4461

i05737603

NOTE	REF NO	GRAPHIC REF	PART NUMBER	QTY	PART NAME						SEE PAGE
					1	2	3	4	5	6 (PRODUCT LEVEL)	
	1	1	<b>169-1842</b>	2	BAR						
	2	1	<b>169-1844</b>	1	BAR AS						
CY	3	1	<b>275-7781</b>	1	CIRCUIT BREAKER GP (100-AMPERE)						1012
	4	1	<b>9Y-4275</b>	1	FILM-INFORMATION (TERMINAL STRIP)						

C - CHANGE FROM PREVIOUS TYPE

Y - SEPARATE ILLUSTRATION



GRAPHIC #1

<END>

g01262253

# ELECTRICAL AND STARTING SYSTEM

## 169-1831 CIRCUIT BREAKER GP

S/N: 5CA5985-UP; 5DA5682-UP

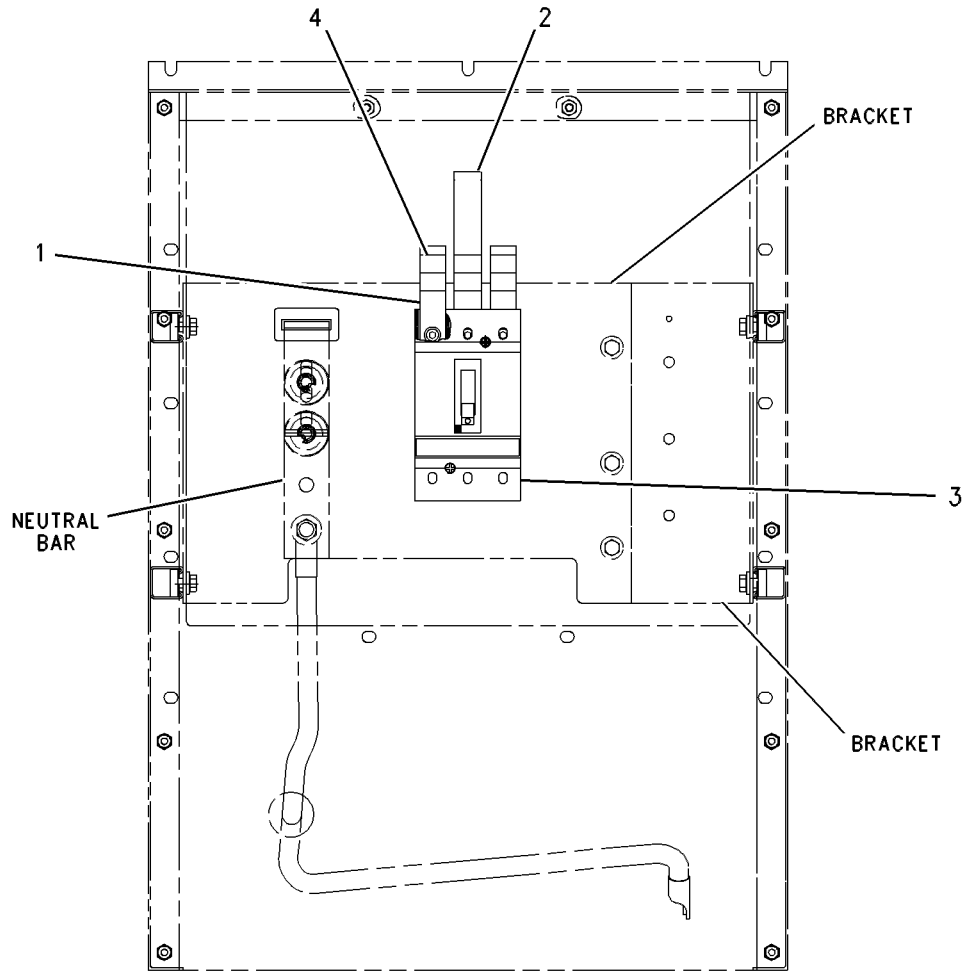
175 AMPERE  
AN ATTACHMENT  
TYPE 1

SMCS-1420, 4461

i01955229

NOTE	REF NO	GRAPHIC REF	PART NUMBER	QTY	PART NAME						SEE PAGE
					1	2	3	4	5	6 (PRODUCT LEVEL)	
	1	1	<b>169-1842</b>	2	BAR						
	2	1	<b>169-1844</b>	1	BAR AS						
Y	3	1	<b>168-8970</b>	1	CIRCUIT BREAKER GP (175-AMPERE)						992
	4	1	<b>9Y-4275</b>	1	FILM-INFORMATION (TERMINAL STRIP)						

Y - SEPARATE ILLUSTRATION



GRAPHIC #1

<END>

g00620603

# ELECTRICAL AND STARTING SYSTEM

## 169-1831 CIRCUIT BREAKER GP

S/N: 5CA5985-UP; 5DA5682-UP

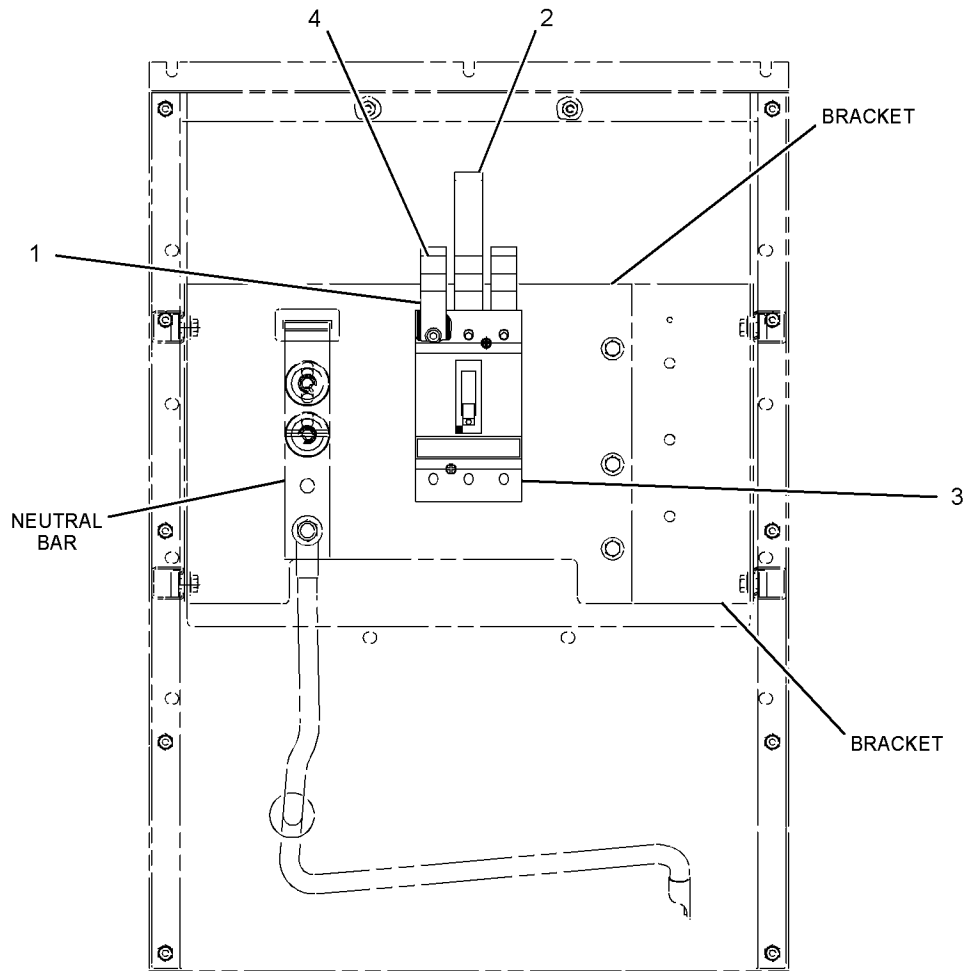
175 AMPERE  
AN ATTACHMENT  
TYPE 2

SMCS-1420, 4461

i05737565

NOTE	REF NO	GRAPHIC REF	PART NUMBER	QTY	PART NAME						SEE PAGE
					1	2	3	4	5	6 (PRODUCT LEVEL)	
	1	1	<b>169-1842</b>	2	BAR						
	2	1	<b>169-1844</b>	1	BAR AS						
CY	3	1	<b>275-7784</b>	1	CIRCUIT BREAKER GP (175-AMPERE)						1013
	4	1	<b>9Y-4275</b>	1	FILM-INFORMATION (TERMINAL STRIP)						

C - CHANGE FROM PREVIOUS TYPE  
Y - SEPARATE ILLUSTRATION



GRAPHIC #1

<END>

g01263133

# ELECTRICAL AND STARTING SYSTEM

## 169-1833 CIRCUIT BREAKER GP

S/N: 5CA5985-UP; 5DA5682-UP; 8JF1-UP; 6CG1-UP; 6DG1-UP; 6EG1-UP  
225 AMPERE

FOR USE WITH 169-1849-PAGE: 1091, 6I-3340-PAGE: 1134, 107-3056-PAGE: 940, 4P-5719-  
PAGE: 1056, 6I-3340-PAGE: 1134

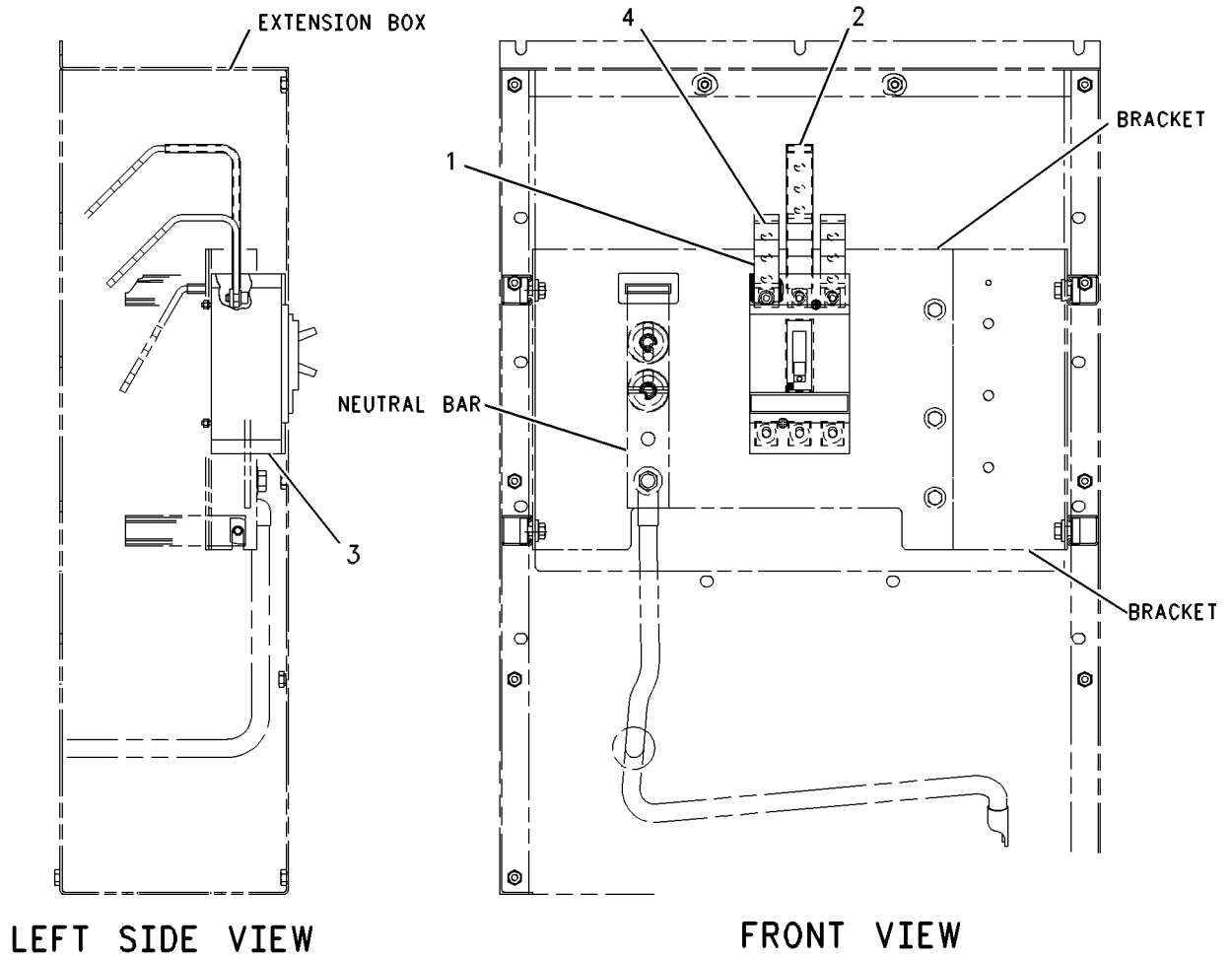
AN ATTACHMENT  
TYPE 1

SMCS-1420, 4461

i01955230

NOTE	REF NO	GRAPHIC REF	PART NUMBER	QTY	PART NAME						SEE PAGE
					1	2	3	4	5	6 (PRODUCT LEVEL)	
	1	1	169-1842	2	BAR						
	2	1	169-1844	1	BAR AS						
Y	3	1	168-8972	1	CIRCUIT BREAKER GP (225-AMPERE)						993
	4	1	9Y-4275	1	FILM-INFORMATION (TERMINAL STRIP)						

Y - SEPARATE ILLUSTRATION



GRAPHIC #1

<END>

g00622645

# ELECTRICAL AND STARTING SYSTEM

## 169-1833 CIRCUIT BREAKER GP

S/N: 5CA5985-UP; 5DA5682-UP; 8JF1-UP; 6CG1-UP; 6DG1-UP; 6EG1-UP  
225 AMPERE

FOR USE WITH 169-1849-PAGE: 1091, 6I-3340-PAGE: 1134, 107-3056-PAGE: 940, 4P-5719-  
PAGE: 1056, 6I-3340-PAGE: 1134

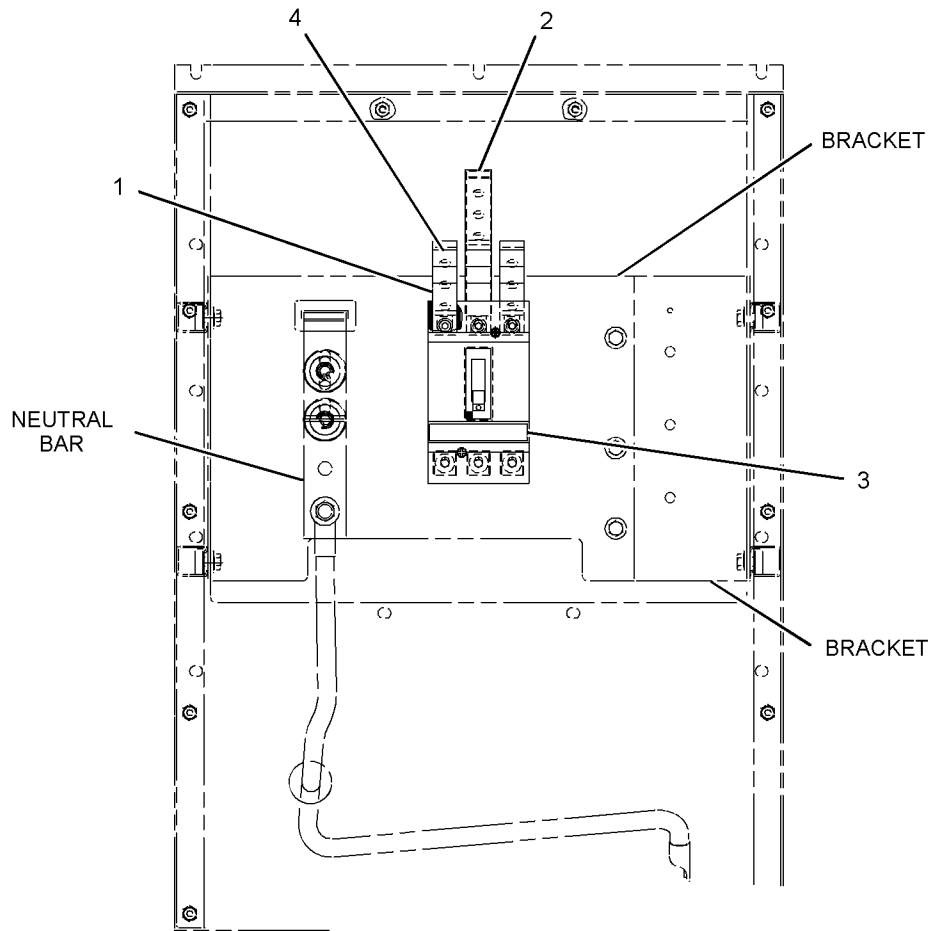
AN ATTACHMENT  
TYPE 2

SMCS-1420, 4461

i05737584

NOTE	REF NO	GRAPHIC REF	PART NUMBER	QTY	PART NAME						SEE PAGE
					1	2	3	4	5	6 (PRODUCT LEVEL)	
	1	1	169-1842	2	BAR						
	2	1	169-1844	1	BAR AS						
CY	3	1	275-7786	1	CIRCUIT BREAKER GP (225-AMPERE)						1014
	4	1	9Y-4275	1	FILM-INFORMATION (TERMINAL STRIP)						

C - CHANGE FROM PREVIOUS TYPE  
Y - SEPARATE ILLUSTRATION



GRAPHIC #1

<END>

g01263184



# ELECTRICAL AND STARTING SYSTEM

## 169-1834 CIRCUIT BREAKER GP

S/N: 5CA5985-UP; 5DA5682-UP; 8JF1-UP; 6CG1-UP; 6DG1-UP; 6EG1-UP  
250 AMPERE

FOR USE WITH 169-1849-PAGE: 1091, 6I-3340-PAGE: 1134, 107-3056-PAGE: 940, 4P-5719-  
PAGE: 1056, 6I-3340-PAGE: 1134

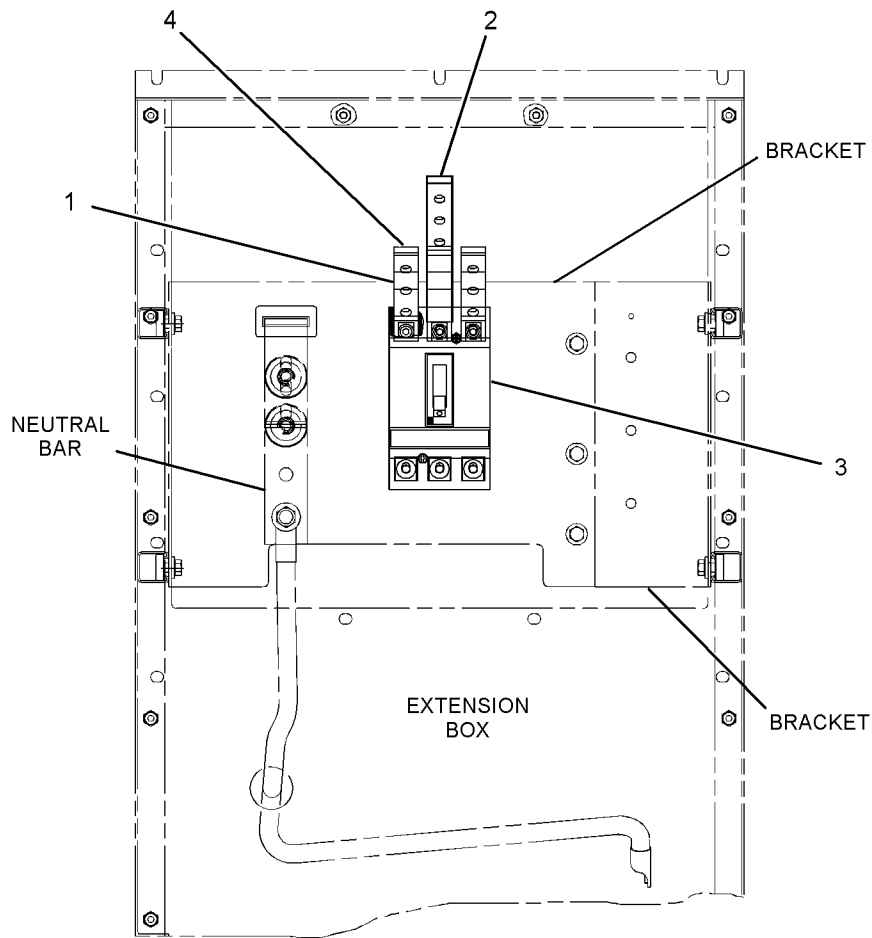
AN ATTACHMENT  
TYPE 2

SMCS-1420, 4461

i05737588

NOTE	REF NO	GRAPHIC REF	PART NUMBER	QTY	PART NAME						SEE PAGE
					1	2	3	4	5	6 (PRODUCT LEVEL)	
	1	1	<b>169-1842</b>	2	BAR						
	2	1	<b>169-1844</b>	1	BAR AS						
CY	3	1	<b>275-7787</b>	1	CIRCUIT BREAKER GP (250-AMPERE)						1015
	4	1	<b>9Y-4275</b>	1	FILM-INFORMATION (TERMINAL STRIP)						

C - CHANGE FROM PREVIOUS TYPE  
Y - SEPARATE ILLUSTRATION



GRAPHIC #1

<END>

g01262367



# ELECTRICAL AND STARTING SYSTEM

## 169-1837 CIRCUIT BREAKER GP

S/N: 5CA5985-UP; 5DA5682-UP; 8JF1-UP; 6CG1-UP; 6DG1-UP; 6EG1-UP

300-AMPERE TO 400-AMPERE

FOR USE WITH 169-1849-PAGE: 1091, 6I-3340-PAGE: 1134, 107-3056-PAGE: 940, 4P-5719-

PAGE: 1056, 6I-3340-PAGE: 1134

AN ATTACHMENT

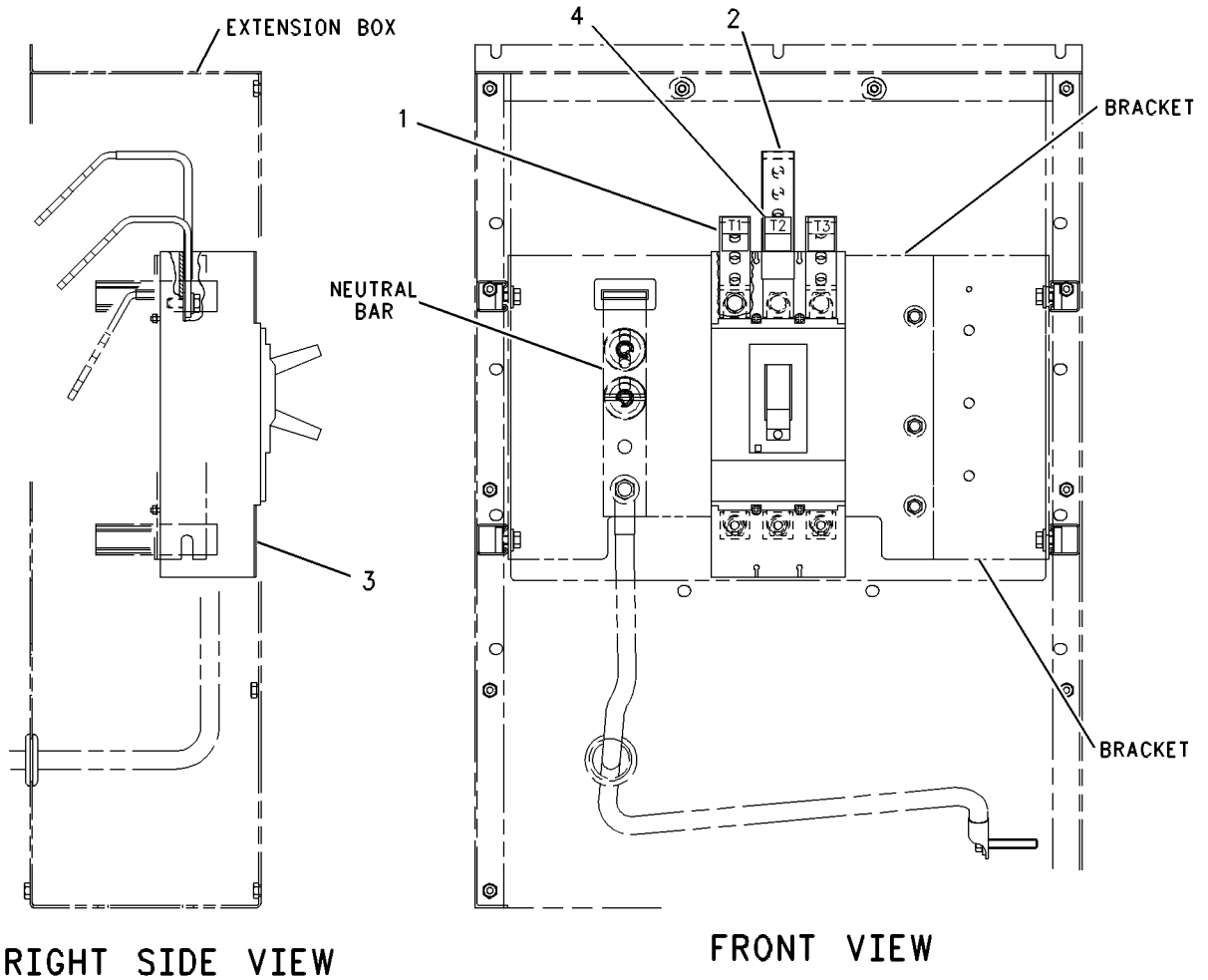
TYPE 1

SMCS-1420, 4461

i02309859

NOTE	REF NO	GRAPHIC REF	PART NUMBER	QTY	PART NAME						SEE PAGE
					1	2	3	4	5	6 (PRODUCT LEVEL)	
	1	1	<b>169-1843</b>	2	BAR						
	2	1	<b>169-1845</b>	1	BAR AS						
Y	3	1	<b>168-0342</b>	1	CIRCUIT BREAKER GP (400-AMPERE)						989
	4	1	<b>9Y-4275</b>	1	FILM-INFORMATION (TERMINAL STRIP)						

Y - SEPARATE ILLUSTRATION



GRAPHIC #1

<END>

g00619643

# ELECTRICAL AND STARTING SYSTEM

## 169-1837 CIRCUIT BREAKER GP

S/N: 5CA5985-UP; 5DA5682-UP; 8JF1-UP; 6CG1-UP; 6DG1-UP; 6EG1-UP

300-AMPERE TO 400-AMPERE

FOR USE WITH 169-1849-PAGE: 1091, 6I-3340-PAGE: 1134, 107-3056-PAGE: 940, 4P-5719-

PAGE: 1056, 6I-3340-PAGE: 1134

AN ATTACHMENT

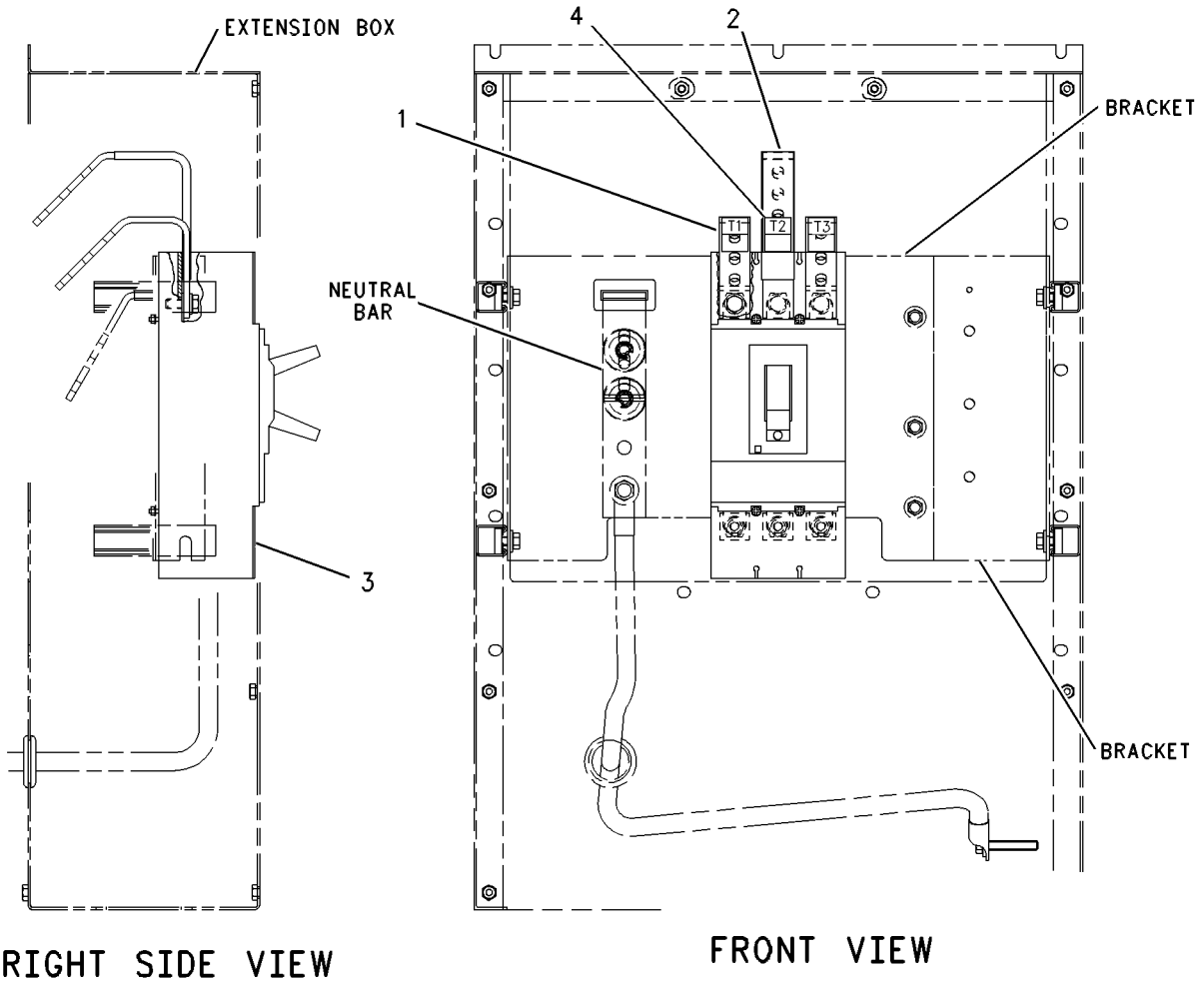
TYPE 2

SMCS-1420, 4461

i05539538

NOTE	REF NO	GRAPHIC REF	PART NUMBER	QTY	PART NAME						SEE PAGE
					1	2	3	4	5	6 (PRODUCT LEVEL)	
	1	1	<b>169-1843</b>	2	BAR						
	2	1	<b>169-1845</b>	1	BAR AS						
C	3	1	<b>421-1810</b>	1	CIRCUIT BREAKER AS (300 TO 400-AMPERE)						
	4	1	<b>9Y-4275</b>	1	FILM-INFORMATION (TERMINAL STRIP)						

C - CHANGE FROM PREVIOUS TYPE



GRAPHIC #1

<END>

g00619643

# ELECTRICAL AND STARTING SYSTEM

## 169-1839 CIRCUIT BREAKER GP

S/N: 5CA5985-UP; 5DA5682-UP; 8JF1-UP; 6CG1-UP; 6DG1-UP; 6EG1-UP

450-AMPERE TO 600-AMPERE

FOR USE WITH 169-1849-PAGE: 1091, 6I-3340-PAGE: 1134, 107-3056-PAGE: 940, 4P-5719-

PAGE: 1056, 6I-3340-PAGE: 1134

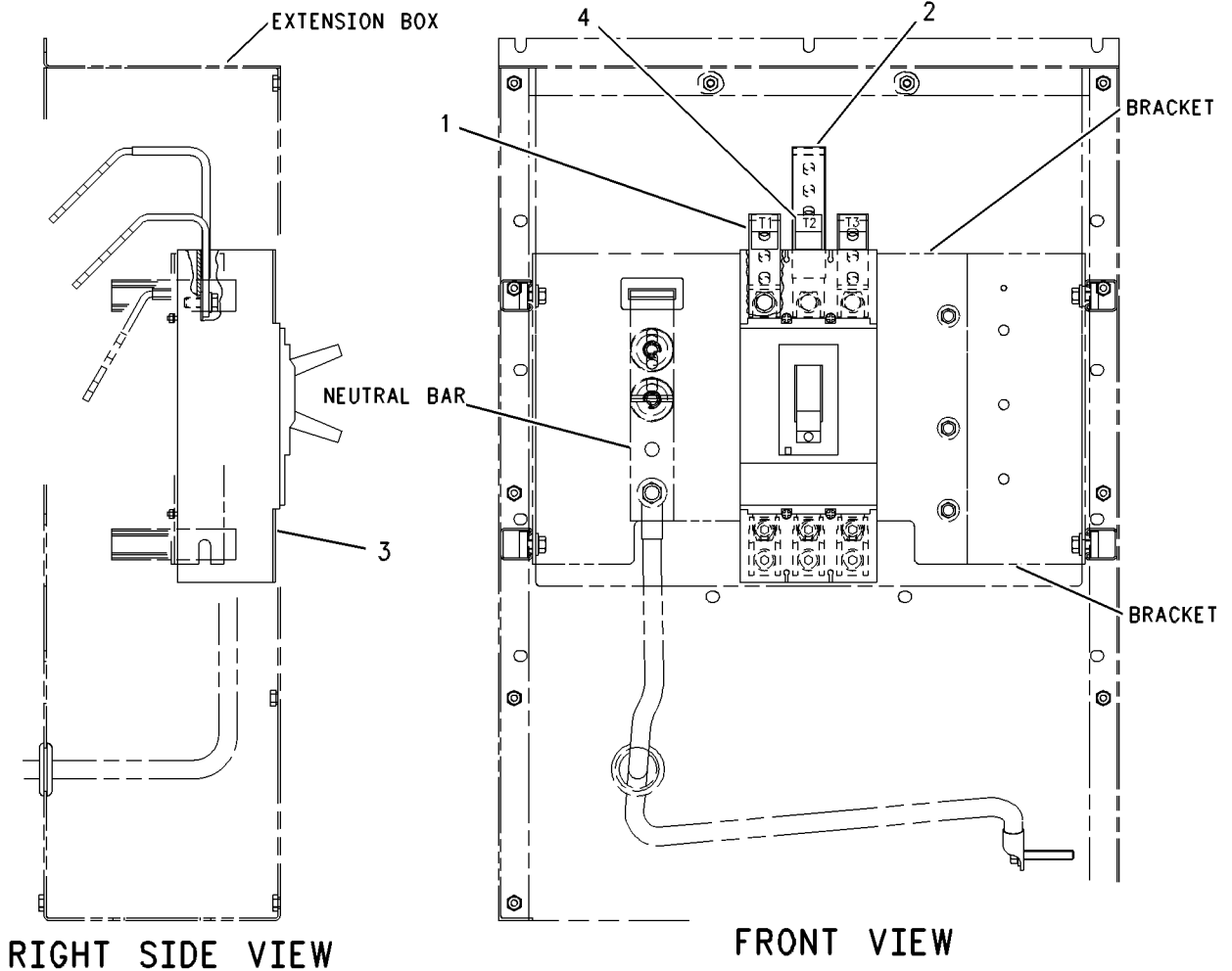
AN ATTACHMENT

SMCS-1420, 4461

i02309860

NOTE	REF NO	GRAPHIC REF	PART NUMBER	QTY	PART NAME						SEE PAGE
					1	2	3	4	5	6 (PRODUCT LEVEL)	
	1	1	<b>169-1843</b>	2	BAR						
	2	1	<b>169-1845</b>	1	BAR AS						
Y	3	1	<b>168-0343</b>	1	CIRCUIT BREAKER GP (600-AMPERE)						990
	4	1	<b>9Y-4275</b>	1	FILM-INFORMATION (TERMINAL STRIP)						

Y - SEPARATE ILLUSTRATION



GRAPHIC #1

<END>

g00619447

# ELECTRICAL AND STARTING SYSTEM

## 175-1329 CIRCUIT BREAKER GP

S/N: 8JF1-UP; 6CG1-UP; 6DG1-UP; 6EG1-UP

320-AMPERE TO 400-AMPERE

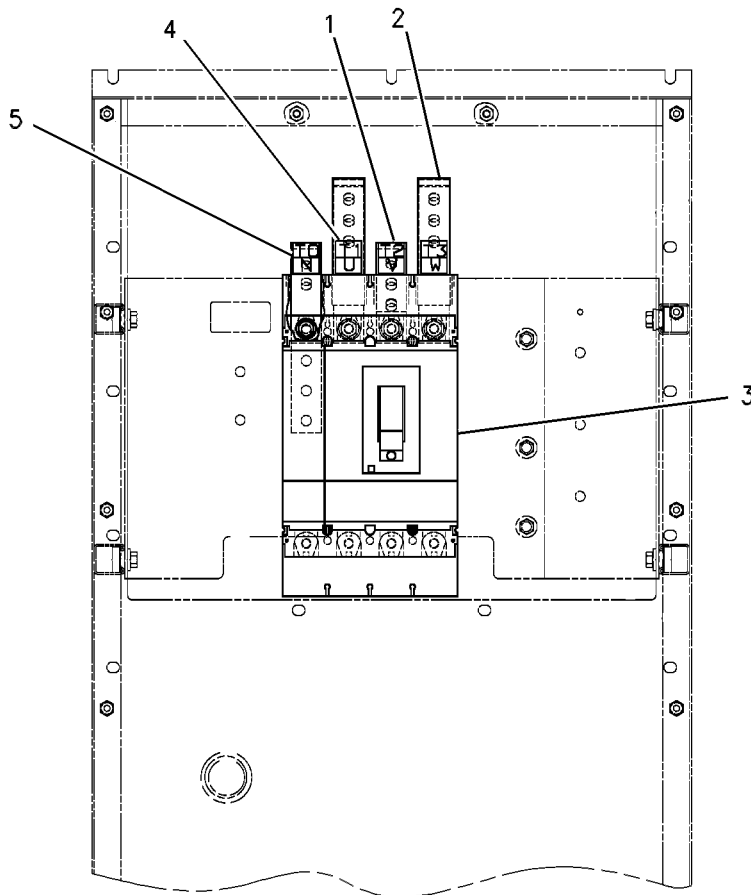
FOR USE WITH 169-1859-PAGE: 1093, 4P-5719-PAGE: 1056, 107-3056-PAGE: 940  
AN ATTACHMENT

SMCS-1420, 4461

i02309858

NOTE	REF NO	GRAPHIC REF	PART NUMBER	QTY	PART NAME						SEE PAGE
					1	2	3	4	5	6 (PRODUCT LEVEL)	
	1	1	<b>169-1843</b>	1	BAR						
	2	1	<b>169-1845</b>	2	BAR AS						
Y	3	1	<b>175-1331</b>	1	CIRCUIT BREAKER GP (300 TO 400-AMPERE)						1008
	4	1	<b>9Y-4275</b>	1	FILM-INFORMATION (TERMINAL STRIP)						
	5	1	<b>169-1863</b>	1	BAR						

Y - SEPARATE ILLUSTRATION



GRAPHIC #1

<END>

g00648644

# ELECTRICAL AND STARTING SYSTEM

## 175-1330 CIRCUIT BREAKER GP

S/N: 8JF1-UP; 6CG1-UP; 6DG1-UP; 6EG1-UP

500-AMPERE TO 630-AMPERE

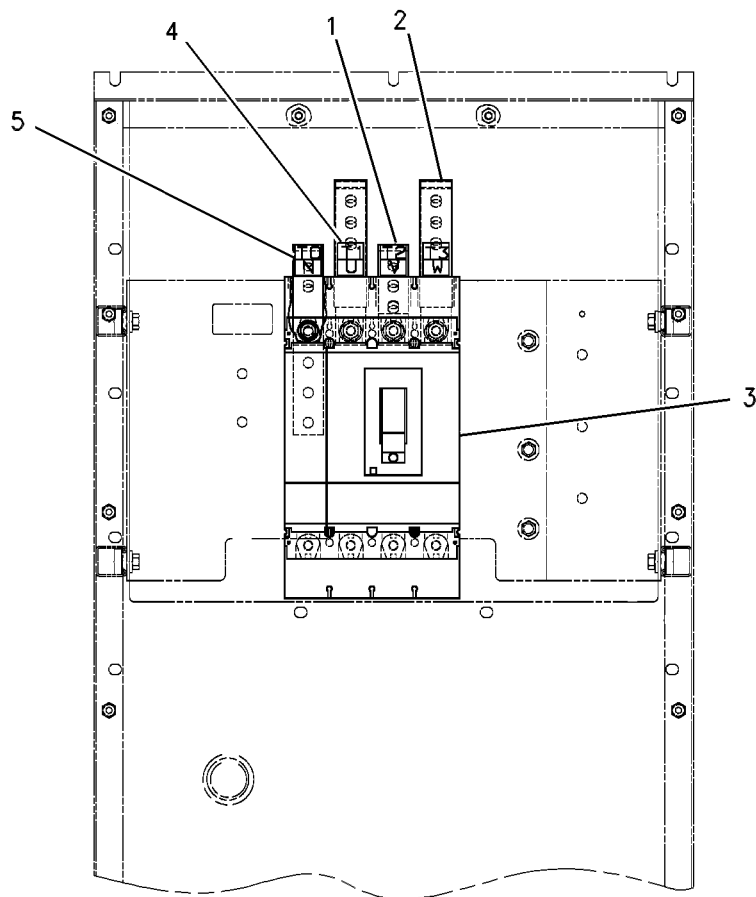
FOR USE WITH 169-1859-PAGE: 1093, 4P-5719-PAGE: 1056, 107-3056-PAGE: 940  
AN ATTACHMENT

SMCS-1420, 4461

i05737585

NOTE	REF NO	GRAPHIC REF	PART NUMBER	QTY	PART NAME						SEE PAGE
					1	2	3	4	5	6 (PRODUCT LEVEL)	
	1	1	<b>169-1843</b>	1	BAR						
	2	1	<b>169-1845</b>	2	BAR AS						
Y	3	1	<b>175-1332</b>	1	CIRCUIT BREAKER GP (500 TO 630-AMPERE)						1009
	4	1	<b>9Y-4275</b>	1	FILM-INFORMATION (TERMINAL STRIP)						
	5	1	<b>169-1863</b>	1	BAR						

Y - SEPARATE ILLUSTRATION



GRAPHIC #1

<END>

g00648644

# ELECTRICAL AND STARTING SYSTEM

## 175-1331 CIRCUIT BREAKER GP

S/N: 8JF1-UP; 6CG1-UP; 6DG1-UP; 6EG1-UP

320-AMPERE TO 400-AMPERE

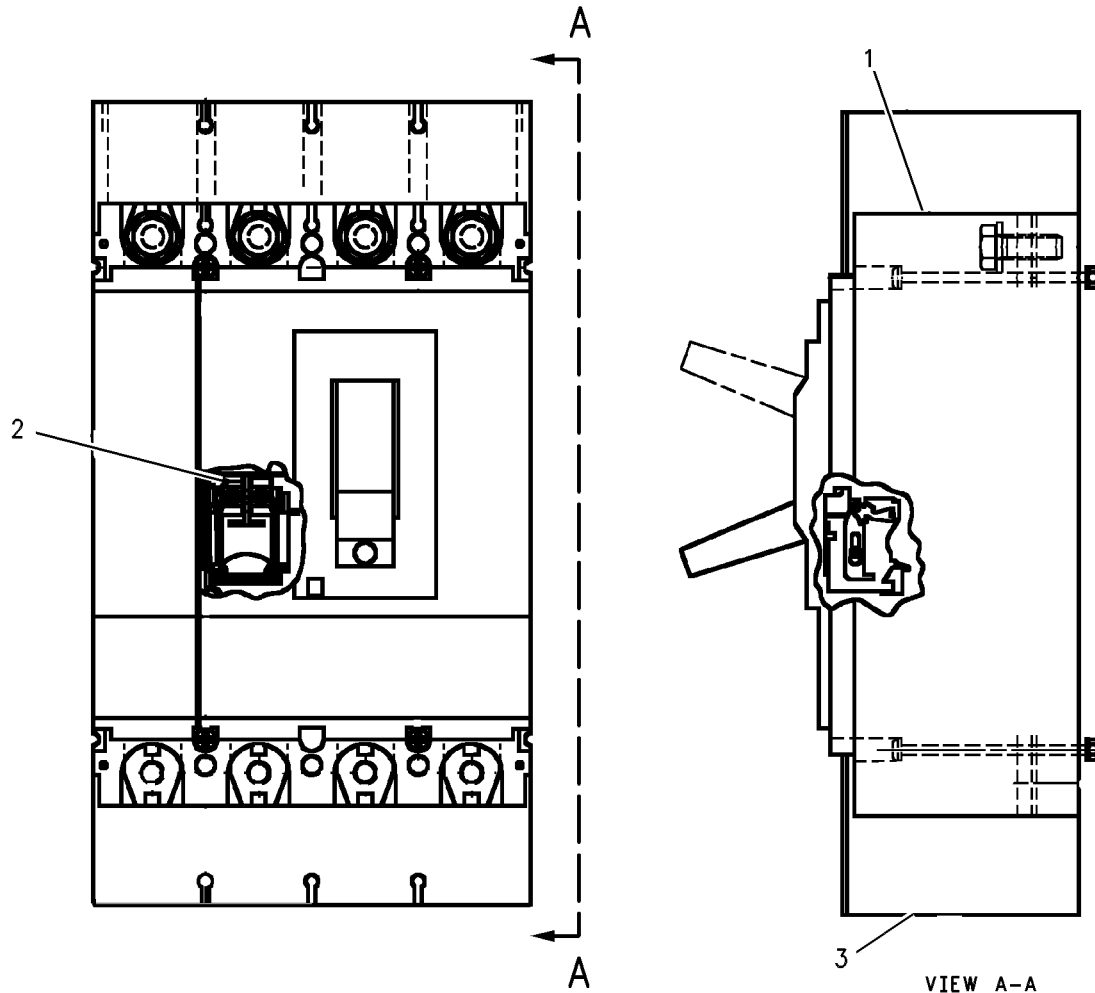
PART OF 175-1329 CIRCUIT BREAKER GP

AN ATTACHMENT

SMCS-1420, 4461

i02342852

NOTE	REF NO	GRAPHIC REF	PART NUMBER	QTY	PART NAME						SEE PAGE
					1	2	3	4	5	6 (PRODUCT LEVEL)	
	1	1	<b>143-5853</b>	1	CIRCUIT BREAKER AS (400-AMPERE)						
	2	1	<b>143-6856</b>	1	SHUNT-TRIP						
	3	1	<b>175-1333</b>	1	SHIELD-TERMINAL						



GRAPHIC #1

<END>

g00648534

# ELECTRICAL AND STARTING SYSTEM

## 175-1332 CIRCUIT BREAKER GP

S/N: 8JF1-UP; 6CG1-UP; 6DG1-UP; 6EG1-UP

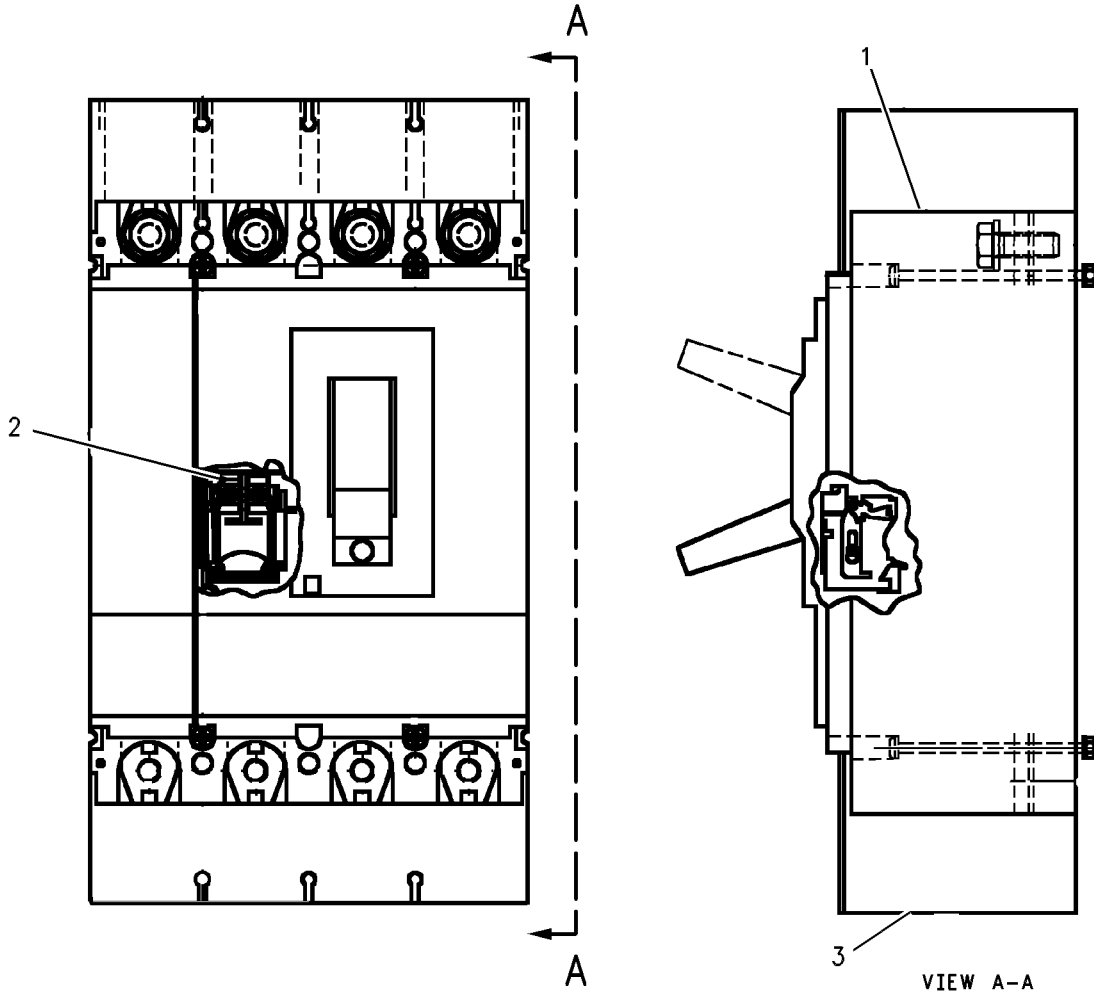
500-AMPERE TO 630-AMPERE

PART OF 175-1330 CIRCUIT BREAKER GP  
AN ATTACHMENT

SMCS-1420, 4461

i02342853

NOTE	REF NO	GRAPHIC REF	PART NUMBER	QTY	PART NAME						SEE PAGE
					1	2	3	4	5	6 (PRODUCT LEVEL)	
1	1	1	143-7610	1	CIRCUIT BREAKER AS (630-AMPERE)						
2	1	1	143-6856	1	SHUNT-TRIP						
3	1	1	175-1333	1	SHIELD-TERMINAL						



GRAPHIC #1

<END>

g00648552

# ELECTRICAL AND STARTING SYSTEM

## 175-1335 CIRCUIT BREAKER GP

S/N: 8JF1-UP; 6CG1-UP; 6DG1-UP; 6EG1-UP

200-AMPERE TO 250-AMPERE

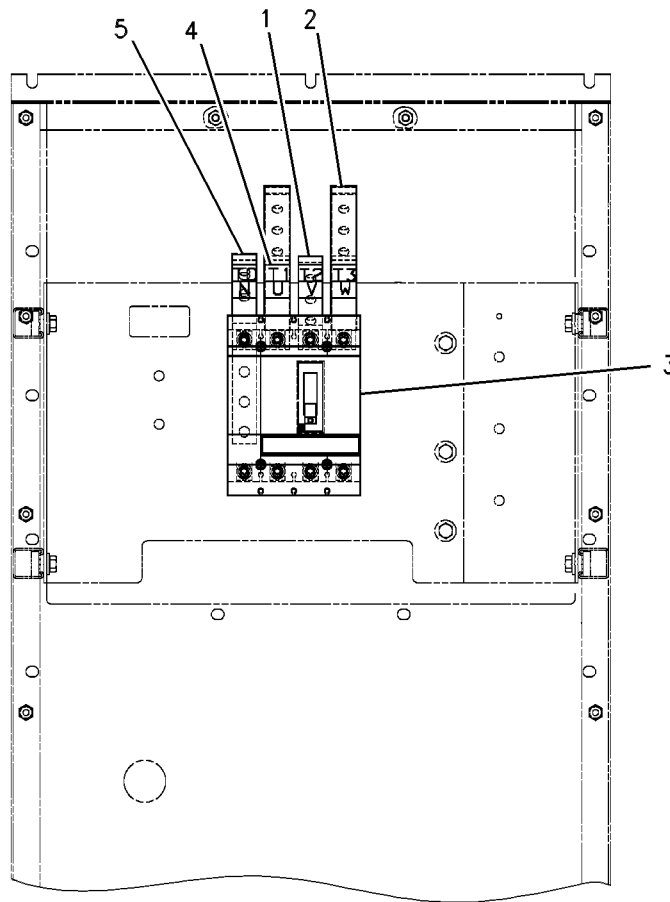
FOR USE WITH 169-1859-PAGE: 1093, 4P-5719-PAGE: 1056, 107-3056-PAGE: 940  
AN ATTACHMENT

SMCS-1420, 4461

i05888949

NOTE	REF NO	GRAPHIC REF	PART NUMBER	QTY	PART NAME						SEE PAGE
					1	2	3	4	5	6 (PRODUCT LEVEL)	
	1	1	<b>169-1842</b>	1	BAR						
	2	1	<b>169-1844</b>	2	BAR AS						
Y	3	1	<b>175-1337</b>	1	CIRCUIT BREAKER GP (200 TO 250-AMPERE)						1011
	4	1	<b>9Y-4275</b>	1	FILM-INFORMATION (TERMINAL STRIP)						
	5	1	<b>169-1862</b>	1	BAR						

Y - SEPARATE ILLUSTRATION



GRAPHIC #1

<END>

g00648633



# ELECTRICAL AND STARTING SYSTEM

## 175-1337 CIRCUIT BREAKER GP

S/N: 8JF1-UP; 6CG1-UP; 6DG1-UP; 6EG1-UP

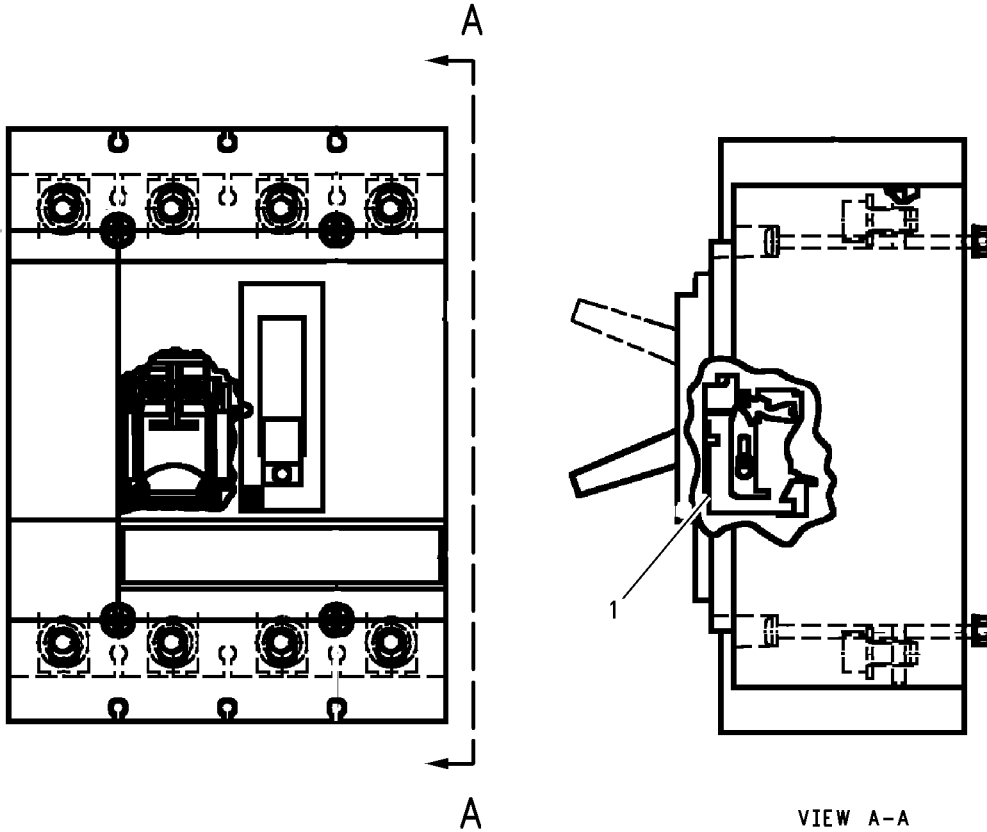
200-AMPERE TO 250-AMPERE

PART OF 175-1335 CIRCUIT BREAKER GP  
AN ATTACHMENT

SMCS-1420, 4461

i05888951

NOTE	REF NO	GRAPHIC REF	PART NUMBER	QTY	PART NAME						SEE PAGE
					1	2	3	4	5	6 (PRODUCT LEVEL)	
	1	1	143-6856	1	SHUNT-TRIP						



GRAPHIC #1

<END>

g00891262

# ELECTRICAL AND STARTING SYSTEM

## 275-7781 CIRCUIT BREAKER GP

S/N: 8JF1-UP

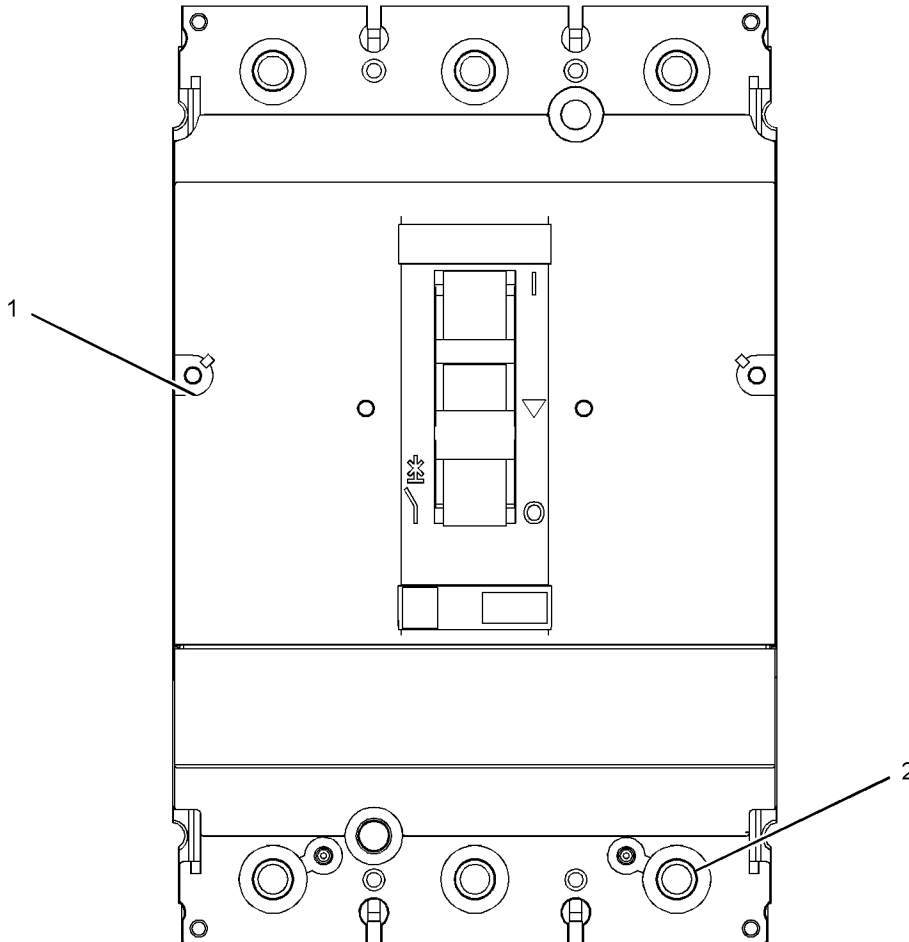
100-AMPERE

PART OF 169-1828 CIRCUIT BREAKER GP  
AN ATTACHMENT

SMCS-1420, 4461

i02518105

NOTE	REF NO	GRAPHIC REF	PART NUMBER	QTY	PART NAME						SEE PAGE
					1	2	3	4	5	6	
	1	1	<b>275-8389</b>	1	SHUNT-TRIP						
	2	1	<b>275-8390</b>	1	KIT-TERMINAL (CIRCUIT BREAKER)						
(INCLUDES 3 LUGS)											



GRAPHIC #1

<END>

g01262421

# ELECTRICAL AND STARTING SYSTEM

## 275-7784 CIRCUIT BREAKER GP

S/N: 5CA5985-UP; 5DA5682-UP

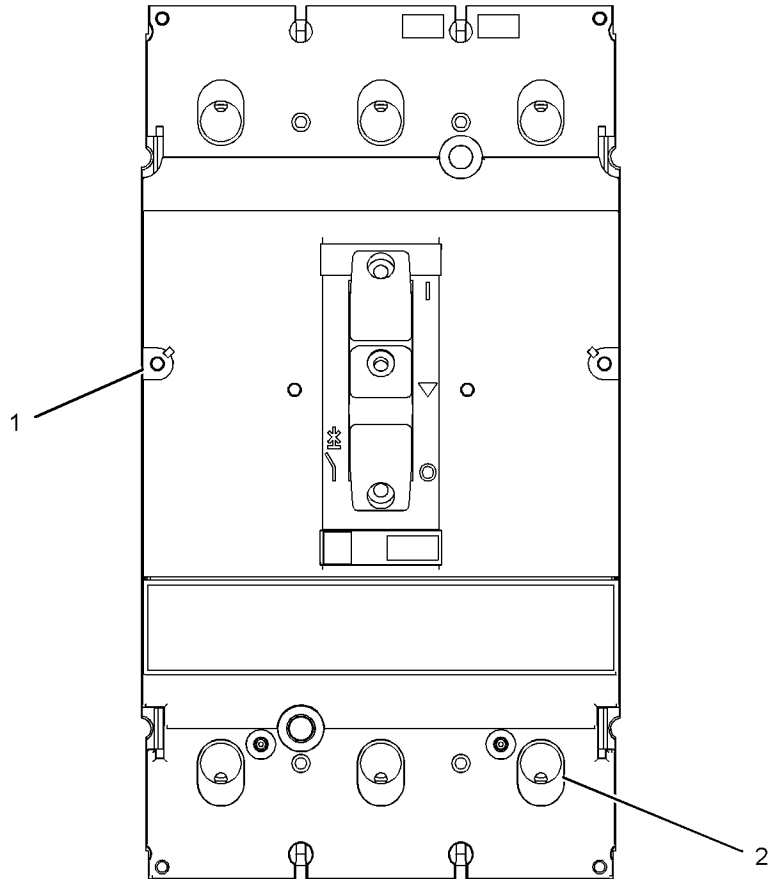
175-AMPERE

PART OF 169-1831 CIRCUIT BREAKER GP  
AN ATTACHMENT

SMCS-1420, 4461

i02636573

NOTE	REF NO	GRAPHIC REF	PART NUMBER	QTY	PART NAME						SEE PAGE
					1	2	3	4	5	6 (PRODUCT LEVEL)	
	1	1	<b>275-8389</b>	1	SHUNT-TRIP						
	2	1	<b>275-8415</b>	1	KIT-TERMINAL (CIRCUIT BREAKER)						
(INCLUDES 3 LUGS)											



GRAPHIC #1

<END>

g01262357

# ELECTRICAL AND STARTING SYSTEM

## 275-7786 CIRCUIT BREAKER GP

S/N: 5CA5985-UP; 5DA5682-UP; 8JF1-UP; 6CG1-UP; 6DG1-UP; 6EG1-UP

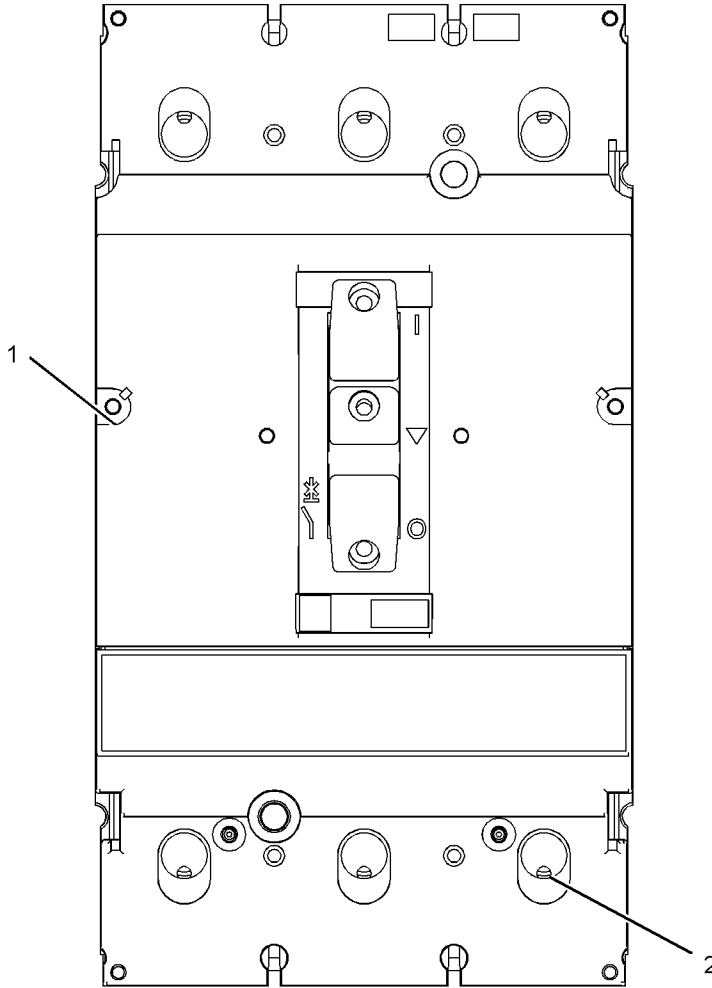
225-AMPERE

PART OF 169-1833 CIRCUIT BREAKER GP  
AN ATTACHMENT

SMCS-1420, 4461

i05737579

NOTE	REF NO	GRAPHIC REF	PART NUMBER	QTY	PART NAME						SEE PAGE
					1	2	3	4	5	6 (PRODUCT LEVEL)	
1	1	1	<b>275-8389</b>	1	SHUNT-TRIP						
2	1	1	<b>275-8415</b>	1	KIT-TERMINAL (CIRCUIT BREAKER)						
(INCLUDES 3 LUGS)											



GRAPHIC #1

<END>

g01262879

# ELECTRICAL AND STARTING SYSTEM

## 275-7787 CIRCUIT BREAKER GP

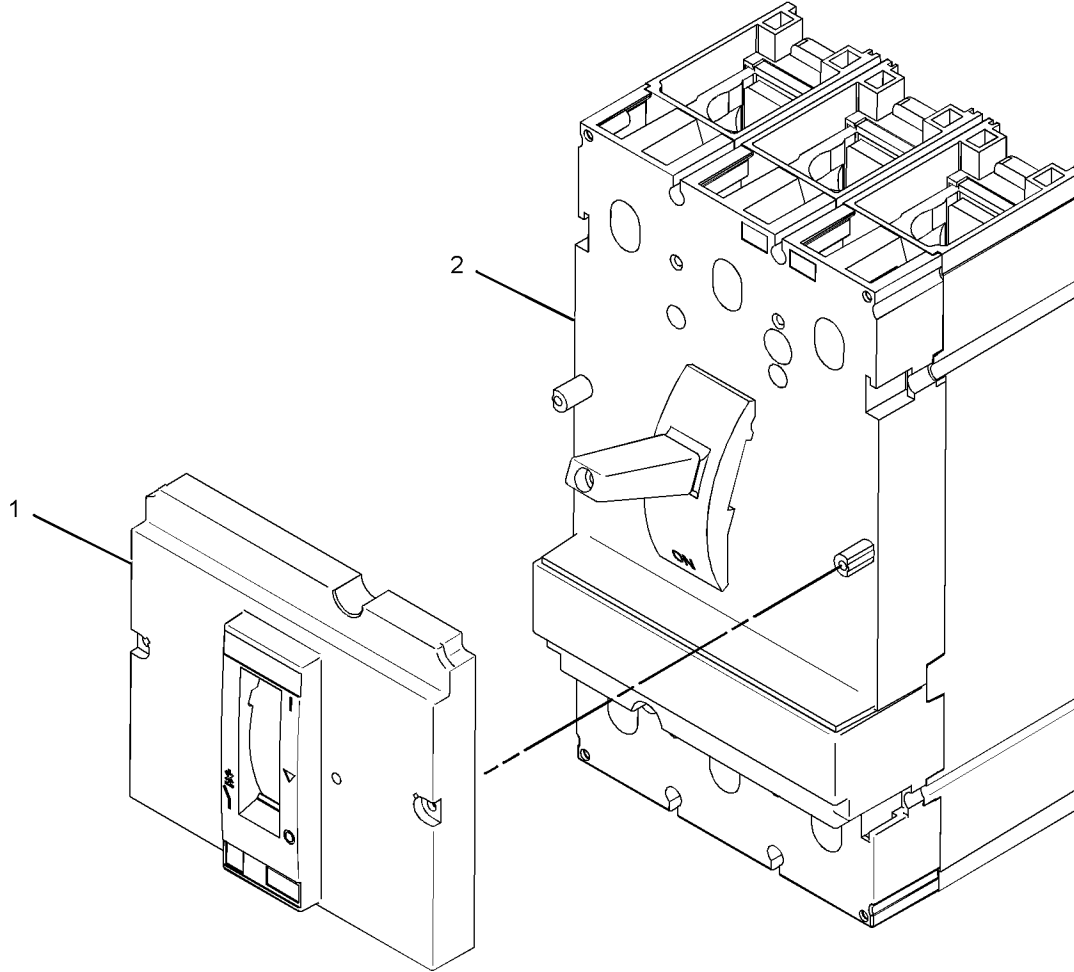
S/N: 5CA5985-UP; 5DA5682-UP; 8JF1-UP; 6CG1-UP; 6DG1-UP; 6EG1-UP  
250-AMPERE

PART OF 169-1834 CIRCUIT BREAKER GP  
AN ATTACHMENT

SMCS-1420, 4461

i02636586

NOTE	REF NO	GRAPHIC REF	PART NUMBER	QTY	PART NAME						SEE PAGE
					1	2	3	4	5	6 (PRODUCT LEVEL)	
	1	1	<b>275-8389</b>	1	SHUNT-TRIP						
	2	1	<b>275-8415</b>	1	KIT-TERMINAL (CIRCUIT BREAKER)						
(INCLUDES 3 LUGS)											



GRAPHIC #1

<END>

g01262312

# ELECTRICAL AND STARTING SYSTEM

## 275-7791 CIRCUIT BREAKER GP

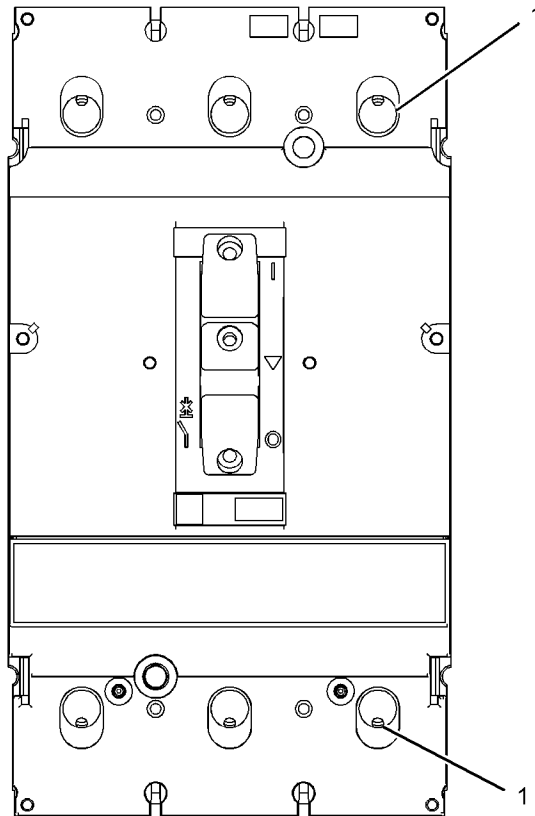
S/N: 5CA5985-UP; 5DA5682-UP

FOR USE WITH GENSETS  
AN ATTACHMENT

SMCS-1420, 4461

i02548599

NOTE	REF NO	GRAPHIC REF	PART NUMBER	QTY	PART NAME	SEE PAGE
	1	1	<b>275-8415</b>	2	KIT-TERMINAL (CIRCUIT BREAKER) (EACH INCLUDES 3 LUGS)	



GRAPHIC #1

<END>

g01356802

# ELECTRICAL AND STARTING SYSTEM

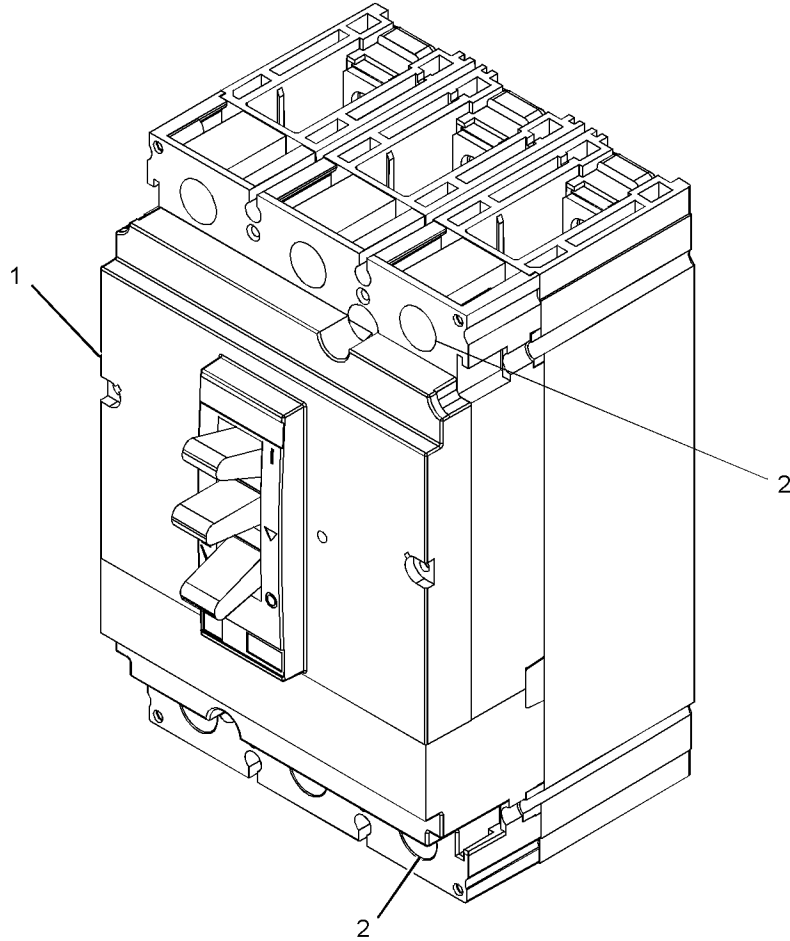
## 275-7792 CIRCUIT BREAKER GP

S/N: 5CA5985-UP; 5DA5682-UP; 5EA5375-UP; 5FA4499-UP  
AN ATTACHMENT

SMCS-1420, 4461

i02565225

NOTE	REF NO	GRAPHIC REF	PART NUMBER	QTY	PART NAME						SEE PAGE
					1	2	3	4	5	6 (PRODUCT LEVEL)	
	1	1	<b>275-8389</b>	1	SHUNT-TRIP						
	2	1	<b>275-8415</b>	2	KIT-TERMINAL (CIRCUIT BREAKER)						
(EACH INCLUDES 3 LUGS)											



GRAPHIC #1

<END>

g01339717

# ELECTRICAL AND STARTING SYSTEM

## 6T-3645 CIRCUIT BREAKER GP

S/N: 5DA5682-UP; 5EA5375-UP; 5FA4499-UP; 85Z3764-UP

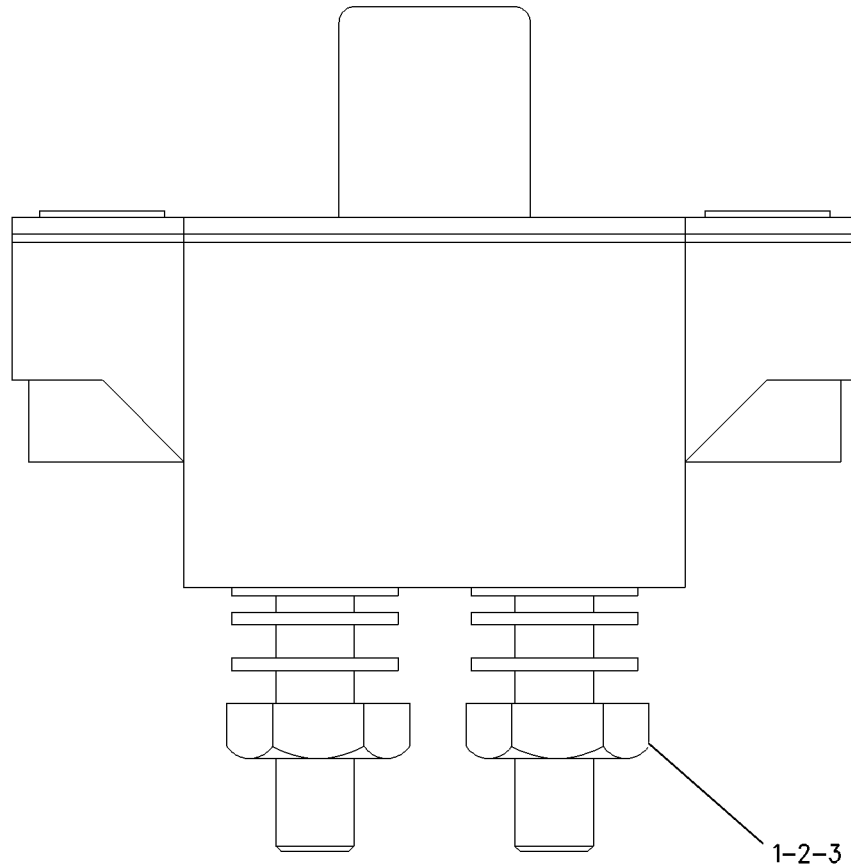
60-AMPERE

PART OF 7C-5024 MOUNTING GP-CIRCUIT BREAKER  
AN ATTACHMENT

SMCS-1420, 4461

i02519980

NOTE	REF NO	GRAPHIC REF	PART NUMBER	QTY	PART NAME						SEE PAGE
					1	2	3	4	5	6 (PRODUCT LEVEL)	
	1	1	<b>6V-8378</b>	2	NUT (10-32-THD)						
	2	1	<b>8F-1434</b>	2	LOCKWASHER						
	3	1	<b>8T-0328</b>	2	WASHER-HARD (5.5X10X1-MM THK)						



GRAPHIC #1

<END>

g00890488



# ELECTRICAL AND STARTING SYSTEM

## 103-8974 CONNECTION GP-ELECTRICAL

S/N: 5CA5985-UP; 5DA5682-UP; 5EA5375-UP; 5FA4499-UP; 8JF1-UP; 6CG1-UP; 6DG1-UP;  
6EG1-UP

FOR USE WITH EMCP II  
AN ATTACHMENT

SMCS-1408

i02788289

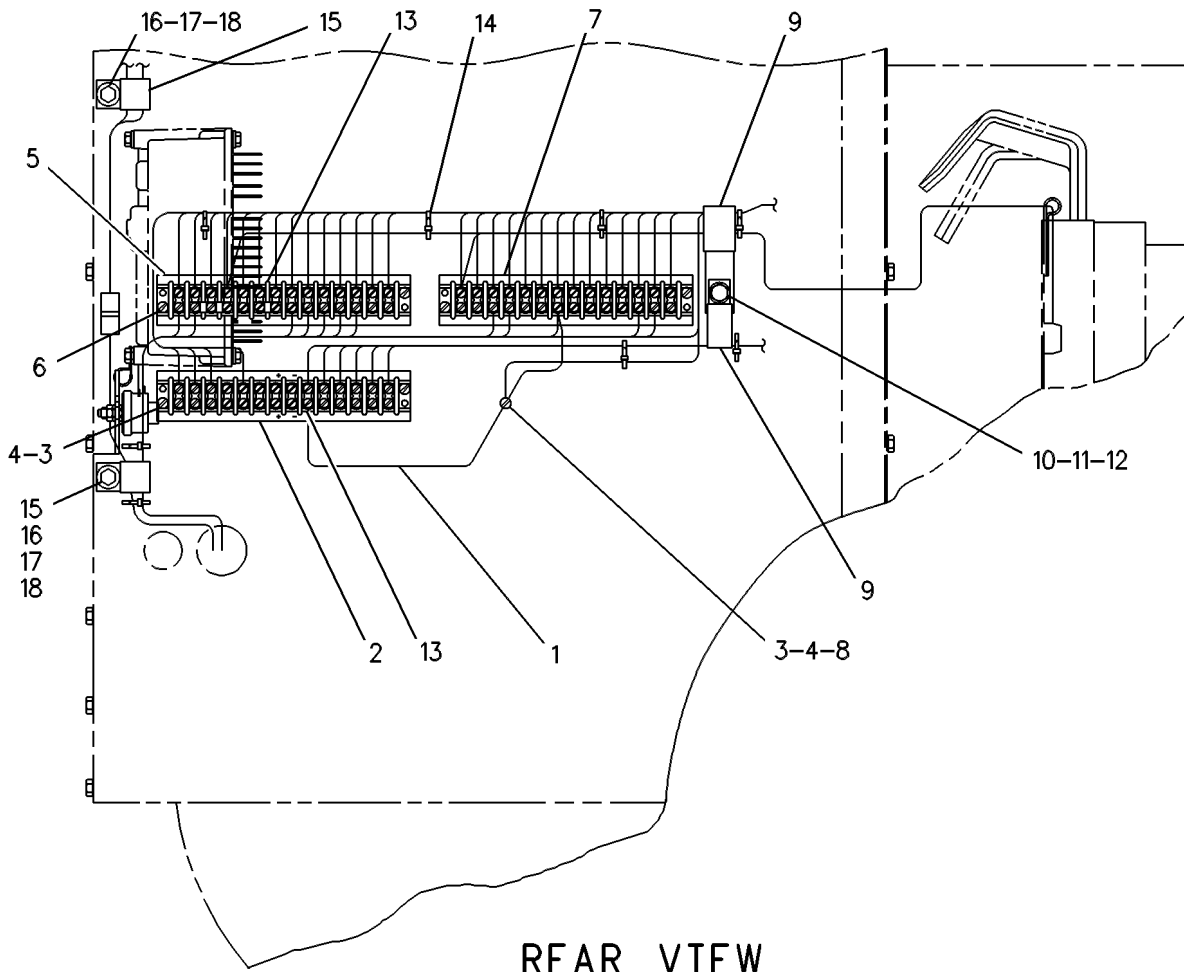
NOTE	REF NO	GRAPHIC REF	PART NUMBER	QTY	PART NAME						SEE PAGE
					1	2	3	4	5	6 (PRODUCT LEVEL)	
	1	1	<b>7W-0922</b>	1	WIRE AS-STRAP (GROUND)						
	2	1	<b>108-2780</b>	1	FILM-IDENTIFICATION (TERMINAL MARKER)						
	3	1	<b>6V-7978</b>	7	SCREW-MACHINE (10-32X0.375-IN)						
	4	1	<b>9S-5937</b>	7	LOCKNUT (10-32-THD)						
	5	1	<b>7C-4551</b>	1	FILM-IDENTIFICATION (TERMINAL MARKER)						
	6	1	<b>4D-1260</b>	3	STRIP AS-TERMINAL						
					(EACH INCLUDES)						
		1	<b>6V-8376</b>	28	SCREW-MACHINE (8-32X0.25-IN)						
	7	1	<b>7C-4552</b>	1	FILM-IDENTIFICATION (TERMINAL MARKER)						
	8	1	<b>9F-8125</b>	1	LOCKWASHER						
	9	1	<b>5N-2840</b>	2	CLIP						
	10	1	<b>4L-6454</b>	1	BOLT (3/8-16X1-IN)						
	11	1	<b>5P-1075</b>	2	WASHER-HARD (10.2X22.5X3-MM THK)						
	12	1	<b>6V-8801</b>	1	NUT (3/8-16-THD)						
	13	1	<b>5N-5159</b>	4	JUMPER-STRIP						
B	14	1	<b>3S-2093</b>	20	STRAP-CABLE						
	15	1	<b>7C-4354</b>	2	CLIP						
	16	1	<b>8T-0023</b>	2	BOLT-HEAD LOCKING (5/16-18X1-IN)						
	17	1	<b>8T-4224</b>	2	WASHER-HARD (8.8X16X2-MM THK)						
	18	1	<b>6V-8189</b>	2	NUT (5/16-18-THD)						

B - USE AS REQUIRED

# ELECTRICAL AND STARTING SYSTEM

103-8974 CONNECTION GP-ELECTRICAL (contd.)

i02788289



REAR VIEW

GRAPHIC #1

<END>

g00272158

# ELECTRICAL AND STARTING SYSTEM

## 4P-4635 CONNECTION GP-ELECTRICAL

S/N: 5CA5985-UP; 5DA5682-UP; 5EA5375-UP; 5FA4499-UP; 8JF1-UP; 6CG1-UP; 6DG1-UP;  
6EG1-UP

600-VOLT. AC

FOR USE WITH SMALL BRUSHLESS GENERATORS  
CANNOT BE USED WITH GENERATOR MOUNTED CONTROL PANELS  
AN ATTACHMENT

SMCS-1408

i02788286

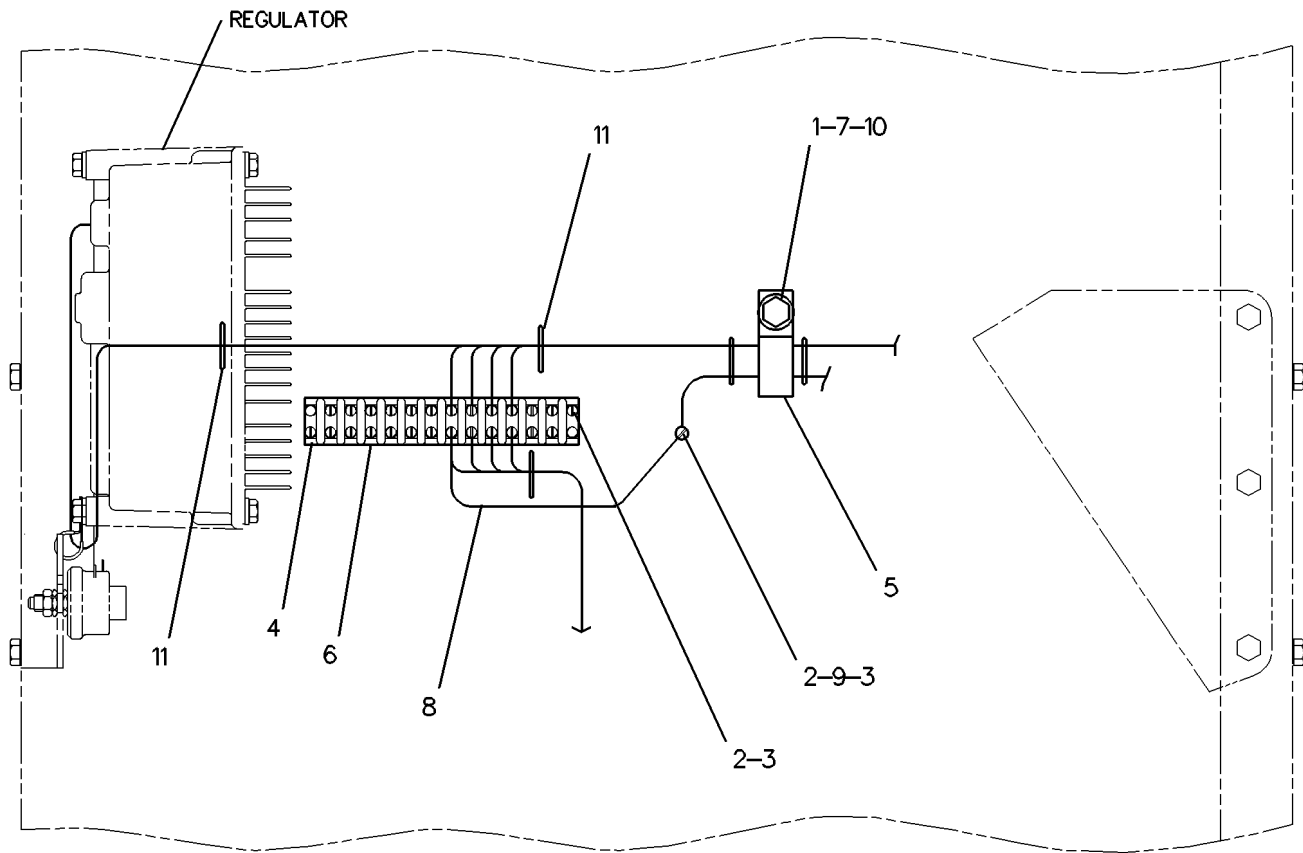
NOTE	REF NO	GRAPHIC REF	PART NUMBER	QTY	PART NAME						SEE PAGE
					1	2	3	4	5	6 (PRODUCT LEVEL)	
	1	1	<b>0S-0509</b>	1	BOLT (3/8-16X0.75-IN)						
	2	1	<b>2N-3480</b>	3	SCREW-MACHINE (10-24X0.75-IN)						
	3	1	<b>4B-2047</b>	3	NUT (10-24-THD)						
	4	1	<b>4D-1260</b>	1	STRIP AS-TERMINAL						
		1	<b>6V-8376</b>	28	SCREW-MACHINE (8-32X0.25-IN)						
	5	1	<b>4S-4455</b>	1	CLIP						
	6	1	<b>4W-7662</b>	1	MARKER						
	7	1	<b>5M-2894</b>	2	WASHER-HARD (10.2X18.5X2.5-MM THK)						
	8	1	<b>7W-0922</b>	1	WIRE AS-STRAP						
	9	1	<b>9F-8125</b>	1	LOCKWASHER						
	10	1	<b>9S-8752</b>	1	NUT-FULL (3/8-16-THD)						
B	11	1	<b>8L-8413</b>	10	STRAP-CABLE (WHITE) (GROUND)						

B - USE AS REQUIRED

# ELECTRICAL AND STARTING SYSTEM

4P-4635 CONNECTION GP-ELECTRICAL (contd.)

i02788286



REAR VIEW

GRAPHIC #1

<END>

g00218016

# ELECTRICAL AND STARTING SYSTEM

## 7C-4858 CONNECTION GP-ELECTRICAL

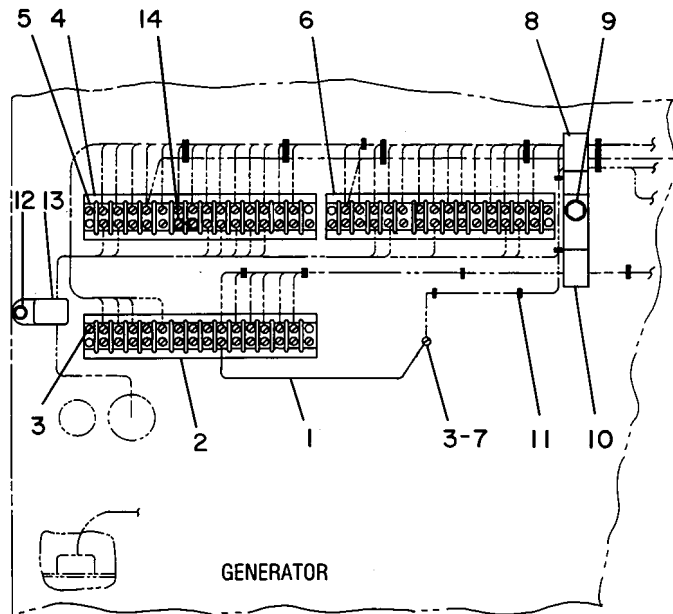
S/N: 8JF1-UP; 6CG1-UP; 6DG1-UP; 6EG1-UP  
 FOR USE WITH 7C-1000-PAGE: 1808, EMCP CONTROL PANEL  
 AN ATTACHMENT

SMCS-1408

i03607322

NOTE	REF NO	GRAPHIC REF	PART NUMBER	QTY	PART NAME						SEE PAGE
					1	2	3	4	5	6 (PRODUCT LEVEL)	
	1	1	<b>7W-0922</b>	1	WIRE AS-STRAP (GROUND)						
	2	1	<b>7C-4553</b>	1	MARKER						
	3	1	<b>030-1193</b>	7	SCREW-MACHINE (10-32X19.05-MM)						
		1	<b>9S-5937</b>	7	LOCKNUT (10-32-THD)						
	4	1	<b>7C-4551</b>	1	FILM-IDENTIFICATION (TERMINAL MARKER)						
	5	1	<b>4D-1260</b>	3	STRIP AS-TERMINAL						
					(EACH INCLUDES)						
		1	<b>6V-8396</b>	28	FILM-INSTRUCTION						
	6	1	<b>7C-4552</b>	1	FILM-IDENTIFICATION (TERMINAL MARKER)						
	7	1	<b>9F-8125</b>	1	LOCKWASHER						
	8	1	<b>5N-2840</b>	1	CLIP						
	9	1	<b>4L-6454</b>	1	BOLT (3/8-16X1-IN)						
		1	<b>8T-4896</b>	2	WASHER-HARD (10.2X18.5X2.5-MM THK)						
		1	<b>6V-8801</b>	1	NUT (3/8-16-THD)						
	10	1	<b>4S-4455</b>	1	CLIP						
B	11	1	<b>3S-2093</b>	20	STRAP-CABLE						
	12	1	<b>8T-0023</b>	1	BOLT-HEAD LOCKING (5/16-18X1-IN)						
		1	<b>8T-4224</b>	1	WASHER-HARD (8.8X16X2-MM THK)						
		1	<b>6V-8189</b>	1	NUT (5/16-18-THD)						
	13	1	<b>3S-8664</b>	1	CLIP (LOOP)						
	14	1	<b>5N-5159</b>	3	JUMPER-STRIP						

B - USE AS REQUIRED



GRAPHIC #1

<END>

g00209705

# ELECTRICAL AND STARTING SYSTEM

## 7W-0920 CONNECTION GP-ELECTRICAL

S/N: 85Z3764-UP

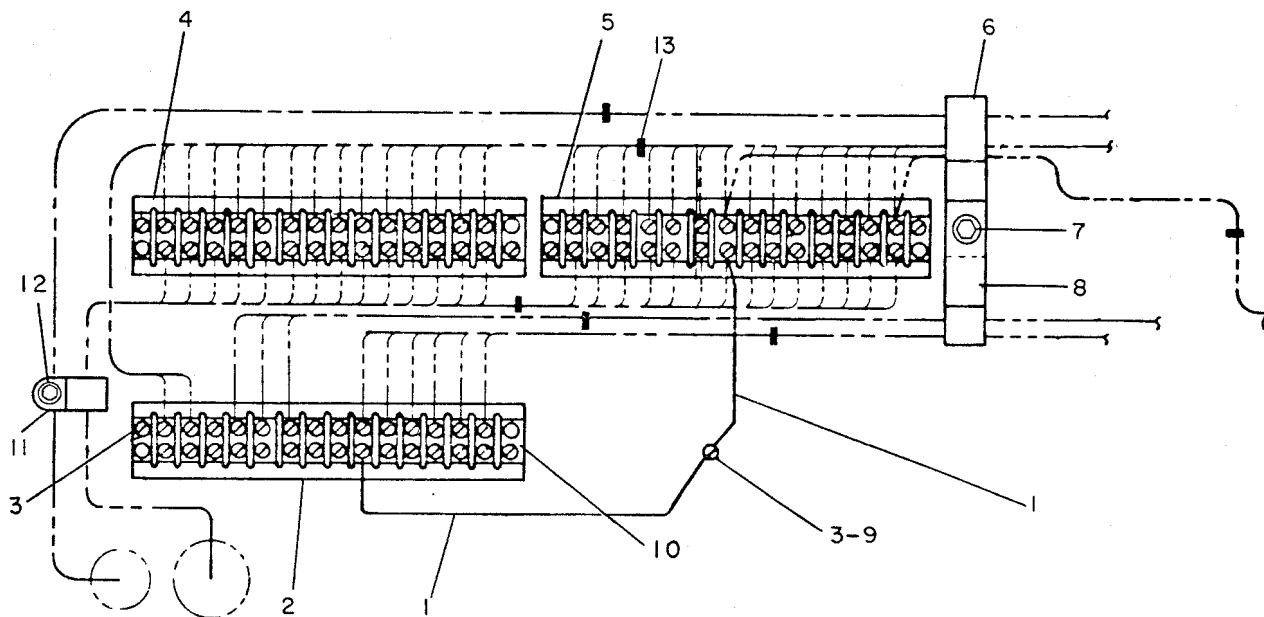
FOR USAGE REFER TO CHART 5N-8487-PAGE: 1747  
AN ATTACHMENT

SMCS-1408

i03607323

NOTE	REF NO	GRAPHIC REF	PART NUMBER	QTY	PART NAME						SEE PAGE
					1	2	3	4	5	6	
	1	1	<b>7W-0922</b>	2	WIRE AS-STRAP (GROUND)						
	2	1	<b>4W-7662</b>	1	MARKER						
	3	1	<b>030-1193</b>	7	SCREW-MACHINE (10-32X19.05-MM)						
		1	<b>9S-5937</b>	7	LOCKNUT (10-32-THD)						
	4	1	<b>4W-7660</b>	1	MARKER						
	5	1	<b>4W-7661</b>	1	MARKER						
	6	1	<b>5N-2840</b>	1	CLIP						
	7	1	<b>0S-0509</b>	1	BOLT (3/8-16X0.75-IN)						
		1	<b>5M-2894</b>	2	WASHER-HARD (10.2X18.5X2.5-MM THK)						
		1	<b>9S-8752</b>	1	NUT-FULL (3/8-16-THD)						
	8	1	<b>4S-4455</b>	1	CLIP						
	9	1	<b>9F-8125</b>	1	LOCKWASHER						
	10	1	<b>4D-1260</b>	3	STRIP AS-TERMINAL						
					(EACH INCLUDES)						
		1	<b>6V-8376</b>	28	SCREW-MACHINE (8-32X0.25-IN)						
	11	1	<b>3S-8664</b>	1	CLIP (LOOP)						
	12	1	<b>8T-0023</b>	1	BOLT-HEAD LOCKING (5/16-18X1-IN)						
		1	<b>3B-4505</b>	1	LOCKWASHER (8.1X15.4X2-MM THK)						
		1	<b>6V-8189</b>	1	NUT (5/16-18-THD)						
C	13	1	<b>3S-2093</b>	20	STRAP-CABLE						

C - CHANGE FROM PREVIOUS TYPE



GRAPHIC #1

<END>

g00192994

# ELECTRICAL AND STARTING SYSTEM

## 4P-5975 CONTACTOR GP

S/N: 85Z3764-UP

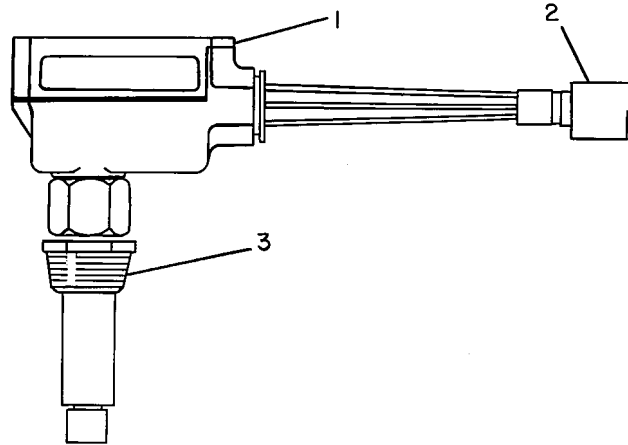
WATER TEMPERATURE SHUT-OFF  
AN ATTACHMENT

SMCS-1400, 7400

i01223653

NOTE	REF NO	GRAPHIC REF	PART NUMBER	QTY	PART NAME						SEE PAGE
					1	2	3	4	5	6 (PRODUCT LEVEL)	
	1	1	<b>7E-9658</b>	1	CONTACTOR AS (WATER TEMPERATURE)						
	2	1	<b>7N-7781</b>	1	HOUSING-RECEPTACLE (14-GA TO 18-GA)						
		1	<b>7N-7779</b>	1	SOCKET-CONNECTOR (14-GA TO 18-GA)						
		1	<b>7N-7780</b>	2	PIN-CONNECTOR (14-GA TO 18-GA)						
B	3	1	<b>5B-4855</b>	1	BUSHING-REDUCER						

B - USE AS REQUIRED



GRAPHIC #1

<END>

g00195042

# ELECTRICAL AND STARTING SYSTEM

## 5N-8518 CONTACTOR GP

S/N: 85Z3764-UP

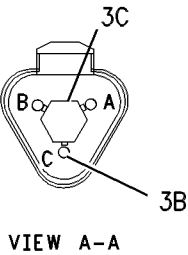
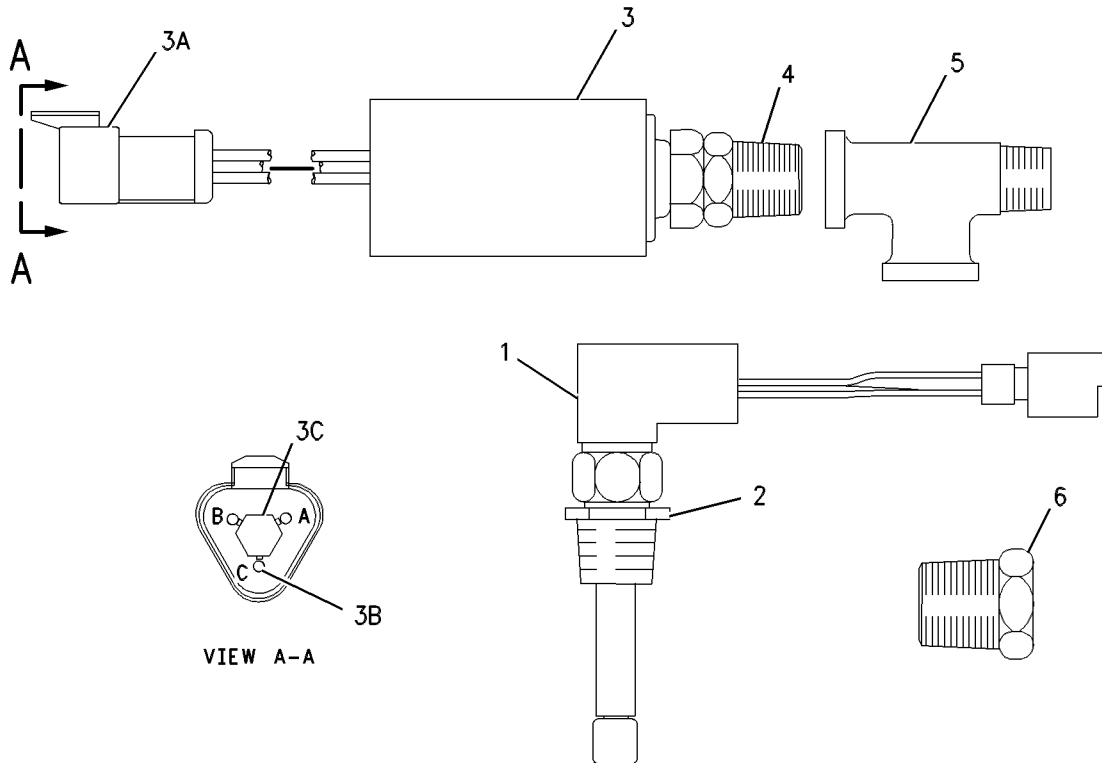
**OIL PRESSURE & WATER TEMPERATURE  
FOR USAGE REFER TO CHART 5N-8487-PAGE: 1747  
AN ATTACHMENT**

**SMCS-1400, 7400**

**i01895511**

NOTE	REF NO	GRAPHIC REF	PART NUMBER	QTY	PART NAME						SEE PAGE
					1	2	3	4	5	6 (PRODUCT LEVEL)	
Y	1	1	<b>5N-8857</b>	1	SWITCH AS-TEMPERATURE						1290
B	2	1	<b>5B-4855</b>	1	BUSHING-REDUCER						
	3	1	<b>162-0782</b>	1	SWITCH AS-PRESSURE (ENGINE OIL)						
	3A	1	<b>102-8803</b>	1	KIT-RECEPTACLE (3-PIN) (ENGINE OIL PRESSURE SWITCH)						
					(INCLUDES RECEPTACLE AS & WEDGE)						
	3B	1	<b>8T-8729</b>	3	PIN-CONNECTOR (16-GA TO 20-GA)						
	3C	1	<b>3E-3371</b>	1	WEDGE-RECEPTACLE LOCK (3-PIN)						
B	4	1	<b>4M-5317</b>	1	BUSHING-REDUCER						
BC	5	1	<b>5P-3422</b>	1	TEE-PIPE						
B	6	1	<b>8B-2664</b>	1	BUSHING-REDUCER						

B - USE AS REQUIRED  
C - CHANGE FROM PREVIOUS TYPE  
Y - SEPARATE ILLUSTRATION



GRAPHIC #1

<END>

g00594003



# ELECTRICAL AND STARTING SYSTEM

## 5N-9176 CONTACTOR GP

S/N: 85Z3764-UP

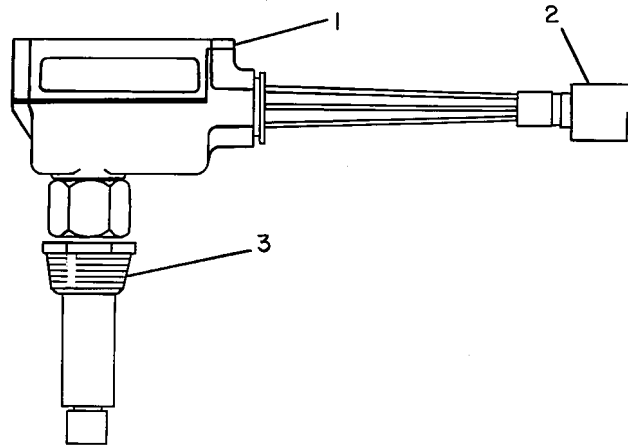
**OIL PRESSURE-WATER TEMPERATURE SHUT-OFF  
FOR USAGE REFER TO CHART 5N-8487-PAGE: 1747  
AN ATTACHMENT**

**SMCS-1400, 7400**

**i00968857**

NOTE	REF NO	GRAPHIC REF	PART NUMBER	QTY	PART NAME						SEE PAGE
					1	2	3	4	5	6 (PRODUCT LEVEL)	
	1	1	5N-8857	1	SWITCH AS-TEMPERATURE						
	2	1	7N-7781	1	HOUSING-RECEPTACLE (14-GA TO 18-GA)						
		1	7N-7779	1	SOCKET-CONNECTOR (14-GA TO 18-GA)						
		1	7N-7780	2	PIN-CONNECTOR (14-GA TO 18-GA)						
		1	5N-8597	1	CONTACTOR						
B	3	1	5B-4855	1	BUSHING-REDUCER						

B - USE AS REQUIRED



GRAPHIC #1

<END>

g00195042

# ELECTRICAL AND STARTING SYSTEM

## 3N-8790 CONTACTOR GP-ALARM

S/N: 85Z3764-UP

FOR USE WITH PACKAGE GENERATOR SET  
AN ATTACHMENT

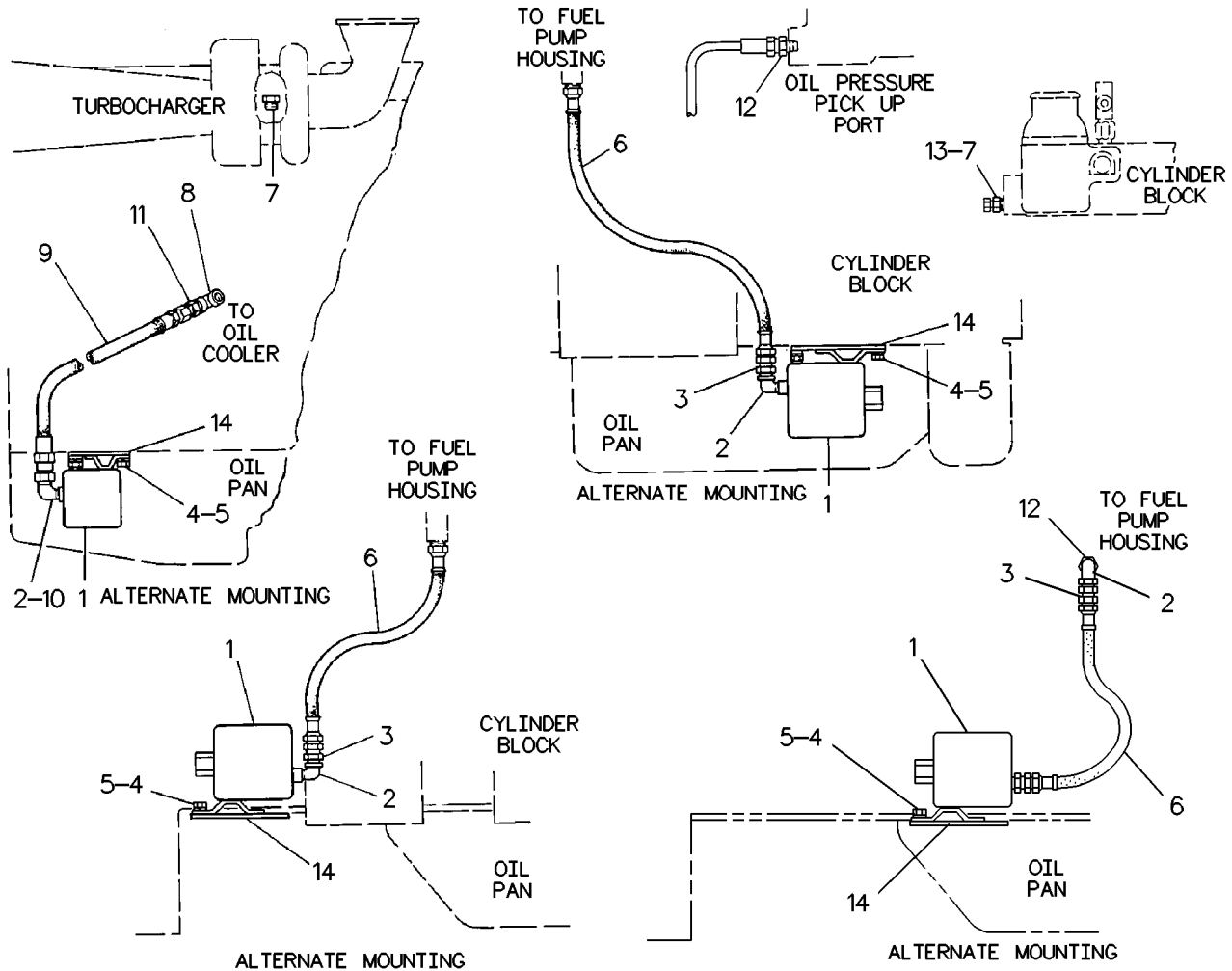
SMCS-7400

i01955373

NOTE	REF NO	GRAPHIC REF	PART NUMBER	QTY	PART NAME						SEE PAGE
					1	2	3	4	5	6 (PRODUCT LEVEL)	
	1	1	<b>3N-7443</b>	1	SWITCH AS-PRESSURE (ENGINE OIL)						
	2	1	<b>3B-6552</b>	1	ELBOW-PIPE						
B	3	1	<b>2R-1922</b>	1	CONNECTOR						
	4	1	<b>6V-1322</b>	3	BOLT (1/4-20X0.375-IN)						
	5	1	<b>8T-4205</b>	3	WASHER-HARD (7.2X14.5X2-MM THK)						
I	6	1	<b>3N-7243</b>	1	HOSE AS						
	7	1	<b>3N-7529</b>	1	CONTACTOR-TEMPERATURE (WATER)						
	8	1	<b>1F-9369</b>	1	TEE-SERVICE						
I	9	1	<b>3N-7233</b>	1	HOSE AS						
	10	1	<b>5K-5068</b>	1	FITTING-PIPE (1/8-27 PTF)						
	11	1	<b>3B-9400</b>	1	CONNECTOR						
B	12	1	<b>4M-5317</b>	1	BUSHING-REDUCER						
B	13	1	<b>8B-2664</b>	1	BUSHING-REDUCER						
	14	1	<b>3N-6245</b>	1	PLATE-MOUNTING						

B - USE AS REQUIRED

I - REFER TO HYDRAULIC INFORMATION SYSTEM



GRAPHIC #1

<END>

g00222904

# ELECTRICAL AND STARTING SYSTEM

## 7W-5342 CONTACTOR GP-ALARM

S/N: 85Z3764-UP

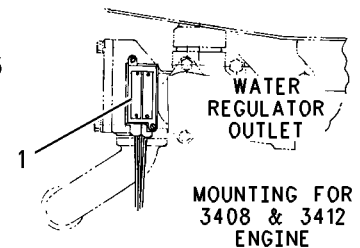
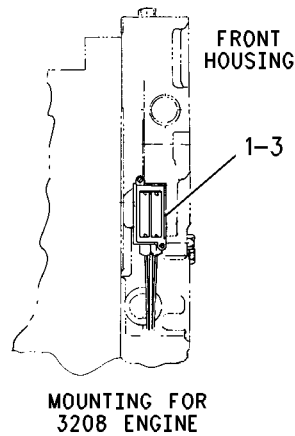
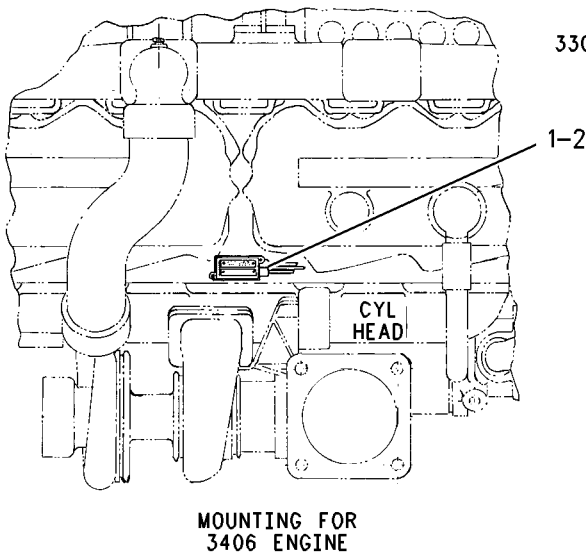
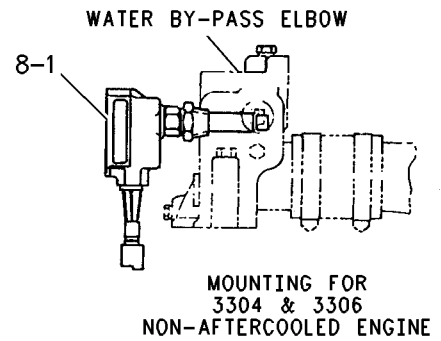
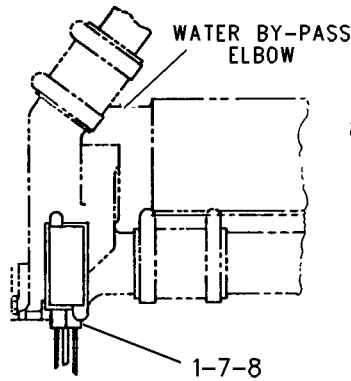
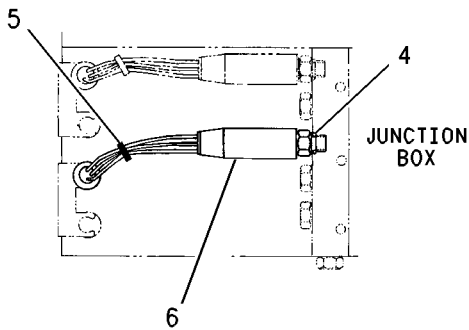
FOR USE WITH EXPANSION TANK  
AN ATTACHMENT

SMCS-7400

i01908007

NOTE	REF NO	GRAPHIC REF	PART NUMBER	QTY	PART NAME						SEE PAGE
					1	2	3	4	5	6 (PRODUCT LEVEL)	
CYJ	1	1	<b>2W-8916</b>	1	SWITCH AS-TEMPERATURE (ENGINE COOLANT)						1288
	2	1	<b>6L-5652</b>	1	ADAPTER						
	3	1	<b>5B-4855</b>	1	BUSHING-REDUCER						
	4	1	<b>3J-1907</b>	1	SEAL-O-RING						
	5	1	<b>8L-8413</b>	1	STRAP-CABLE (WHITE)						
	6	1	<b>6T-6652</b>	1	SWITCH AS-PRESSURE (ENGINE OIL)						
CJ	7	1	<b>012-8140</b>	1	HOUSING-RECEPTACLE (14-GA TO 18-GA)						
					SOCKET-CONNECTOR (14-GA TO 18-GA)						
					PIN-CONNECTOR (14-GA TO 18-GA)						
C	8	1	<b>6L-5652</b>	1	ADAPTER						

C - CHANGE FROM PREVIOUS TYPE  
J - PARTS REFERENCED IN MULTIPLE VIEWS  
Y - SEPARATE ILLUSTRATION



GRAPHIC #1

<END>

g00697693

# ELECTRICAL AND STARTING SYSTEM

## 7L-7367 CONTACTOR GP-OVERSPEED

S/N: 85Z3764-UP

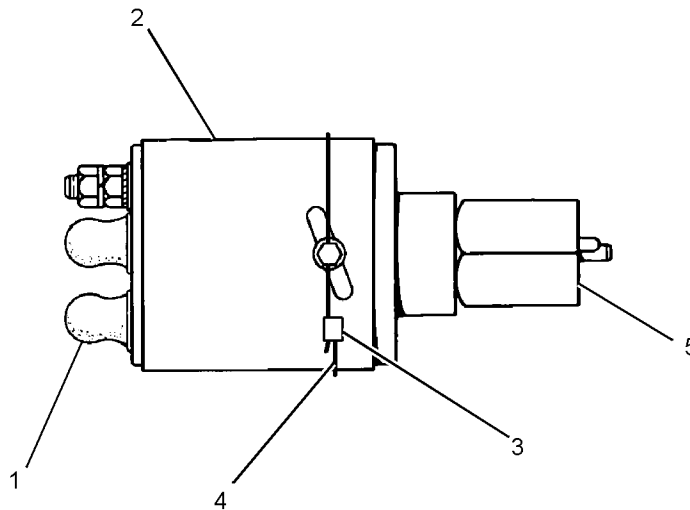
FOR USE WITH ENGINES RATED 1600-2950 RPM EQUIPPED WITH TACHOMETER DRIVE  
AN ATTACHMENT

SMCS-7410

i03683525

NOTE	REF NO	GRAPHIC REF	PART NUMBER	QTY	PART NAME						SEE PAGE
					1	2	3	4	5	6 (PRODUCT LEVEL)	
	1	1	<b>1H-4560</b>	2	BOOT-SPARK PLUG						
C	2	1	<b>3N-4026</b>	1	CONTACTOR (OVERSPEED)						
	3	1	<b>5H-9942</b>	1	SEAL						
BD	4	1	<b>5P-6025</b>		LOCKWIRE (0.3-M)						
	5	1	<b>5M-1822</b>	3	WASHER (9.9X19X1-MM THK)						

B - USE AS REQUIRED  
C - CHANGE FROM PREVIOUS TYPE  
D - ORDER BY THE METER



GRAPHIC #1

<END>

g01996933

# ELECTRICAL AND STARTING SYSTEM

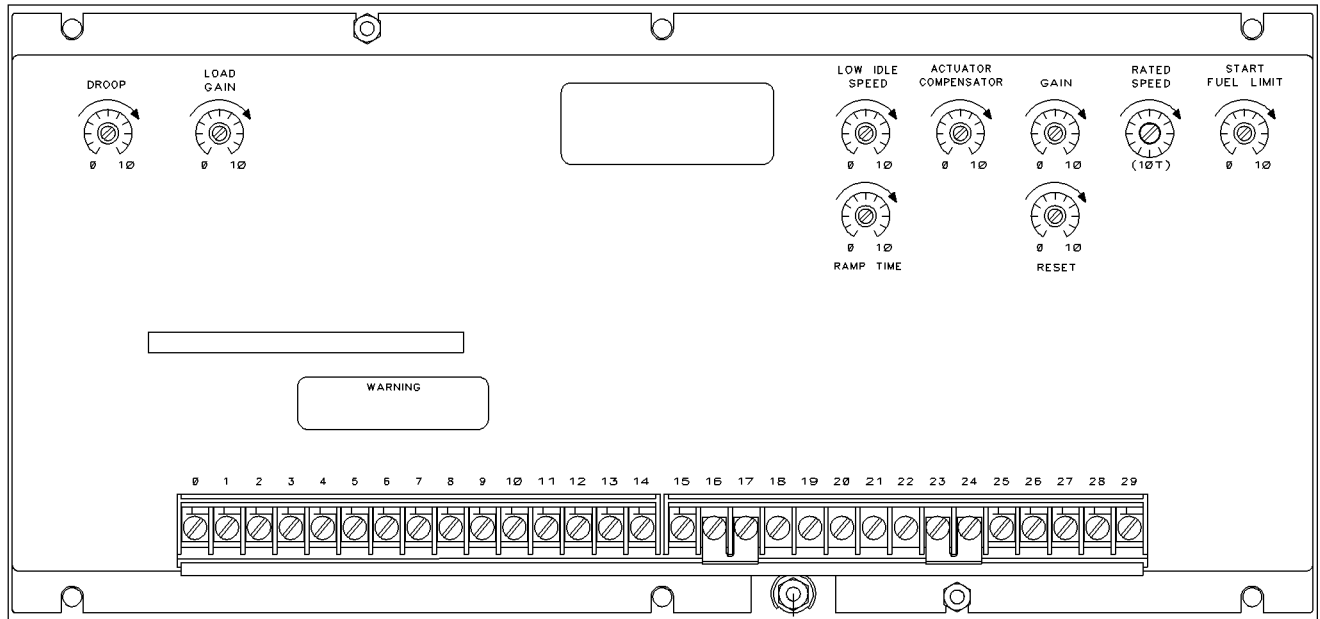
## 131-5454 CONTROL AS-ELECTRONIC GOVERNOR-LOAD SHARE MODULE

S/N: 85Z3764-UP  
PART OF 7W-6542 CONTROL GP-GOVERNOR  
AN ATTACHMENT

SMCS-1908

i07828459

NOTE	REF NO	GRAPHIC REF	PART NUMBER	QTY	PART NAME 1 2 3 4 5 6 (PRODUCT LEVEL)	SEE PAGE
(NO SERVICED PARTS)						



GRAPHIC #1

<END>

g00928056

# ELECTRICAL AND STARTING SYSTEM

## 4W-8005 CONTROL GP-AUTO START/STOP

S/N: 5CA5985-UP; 5DA5682-UP; 5EA5375-UP  
 FOR USAGE REFER TO CHART 4W-8000-PAGE: 1798  
 PART OF 7W-0700 PANEL AR-CONTROL  
 AN ATTACHMENT

SMCS-1426, 4462

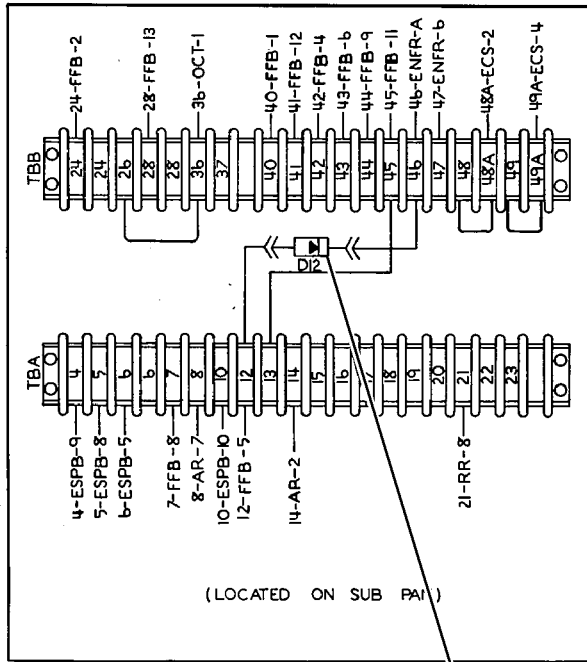
i02868543

NOTE	REF NO	GRAPHIC REF	PART NUMBER	QTY	PART NAME						SEE PAGE
					1	2	3	4	5	6 (PRODUCT LEVEL)	
1		1	<b>4W-8735</b>	1	SWITCH-STOP (EMERGENCY)						
2		1	<b>3N-5976</b>	1	SWITCH (PHASE SELECT) (ENGINE CONTROL)						
3		1	<b>4W-8744</b>	2	TRACK-MOUNTING						
4		1	<b>3N-5978</b>	2	TIMER AS-ON DELAY						
5		1	<b>3N-5714</b>	1	RELAY AS (24-VOLT) (RUN)						
5A		1	<b>3N-5714</b>	1	RELAY AS (24-VOLT) (ARMING)						
5B		1	<b>3N-5714</b>	1	RELAY AS (24-VOLT) (ENGINE FAILURE)						
6		1	<b>4W-8743</b>	3	SOCKET-RELAY						
7		1	<b>4W-8734</b>	1	BOARD AS-FAULT						
8		1	<b>4W-8748</b>	1	BRACKET-AUTO CONTROL						
9		1	<b>4W-8747</b>	1	PLATE-AUTO CONTROL						
10		1	<b>2W-8683</b>	1	BLOCK-CONTACT						
11		1	<b>2W-4899</b>	3	DIODE AS						

# ELECTRICAL AND STARTING SYSTEM

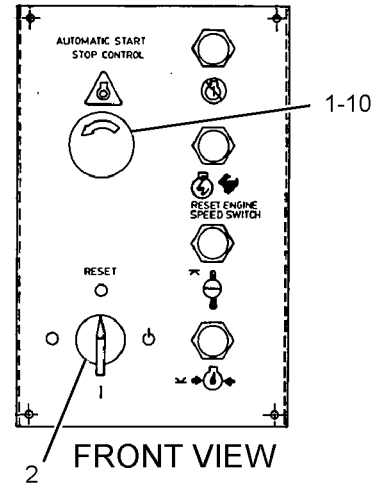
4W-8005 CONTROL GP-AUTO START/STOP (contd.)

102868543

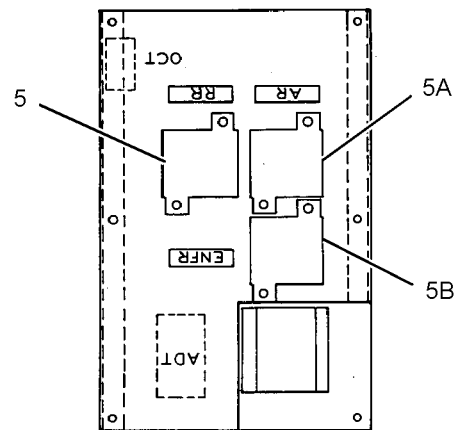


(LOCATED ON SUB PAI)

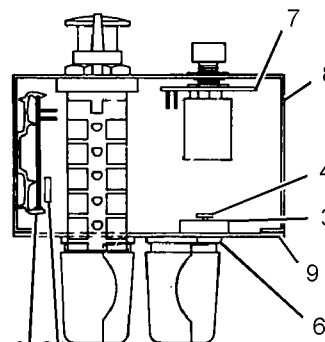
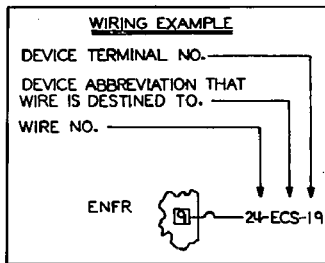
11



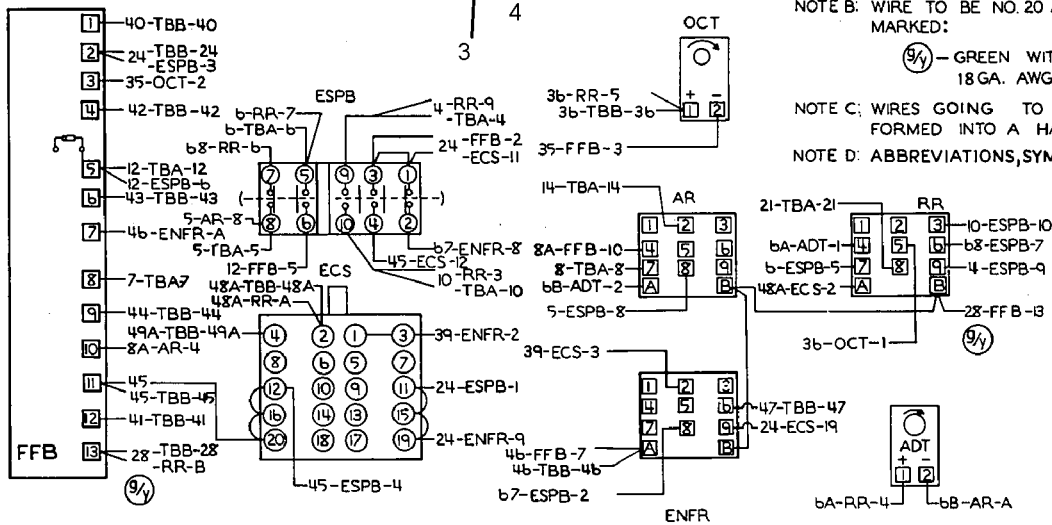
FRONT VIEW



BACK VIEW



END VIEW



GRAPHIC #1

<END>

NOTE B: WIRE TO BE NO.20 AWG EXCEPT WHERE MARKED:

(9/4) - GREEN WITH YELLOW STRIPE  
18 GA. AWG. (GROUND)

NOTE C: WIRES GOING TO T.B. SHOULD BE FORMED INTO A HARNESS

NOTE D: ABBREVIATIONS, SYMBOLS, AND SCHEMATICS

g01035521

# ELECTRICAL AND STARTING SYSTEM

## 7W-8942 CONTROL GP-AUTO START/STOP

S/N: 85Z3764-UP

4 LIGHT 24VDC

AN ATTACHMENT

SMCS-1426, 4462

i03021864

NOTE	REF NO	GRAPHIC REF	PART NUMBER	QTY	PART NAME						SEE PAGE
					1	2	3	4	5	6 (PRODUCT LEVEL)	
	1	1	<b>4W-8226</b>	1	MARKER						
	2	1	<b>4W-8229</b>	2	STRIP-TERMINAL (20 POINT)						
	3	1	<b>4W-8227</b>	1	MARKER						
	4	1	<b>4W-8734</b>	1	BOARD AS-FAULT (24 VOLT)						
		1	<b>3N-5719</b>	4	LAMP (24-VOLT) (CLEAR)						
		1	<b>4W-8745</b>	4	HOUSING AS-LAMP						
		1	<b>4W-8746</b>	4	LENS-LAMP (RED)						
	5	1	<b>3N-5976</b>	1	SWITCH (PHASE SELECT) (ENGINE CONTROL)						
	6	1	<b>4W-8735</b>	1	SWITCH-STOP (EMERGENCY)						
	7	1	<b>2W-8683</b>	1	BLOCK-CONTACT						
	8	1	<b>4W-8787</b>	3	SOCKET-RELAY						
	9	1	<b>3N-5714</b>	1	RELAY AS (24-VOLT) (RUN)						
	9A	1	<b>3N-5714</b>	1	RELAY AS (24-VOLT) (ARMING)						
	9B	1	<b>3N-5714</b>	1	RELAY AS (24-VOLT) (ENGINE FAILURE)						
	10	1	<b>3N-5978</b>	1	TIMER AS-ON DELAY (ARMING)						
	10A	1	<b>3N-5978</b>	1	TIMER AS-ON DELAY (OVER CRANK)						
	11	1	<b>5N-5502</b>	2	DIODE AS						
E	12	1	<b>6V-1075</b>		TRACK-MOUNTING (16-CM)						

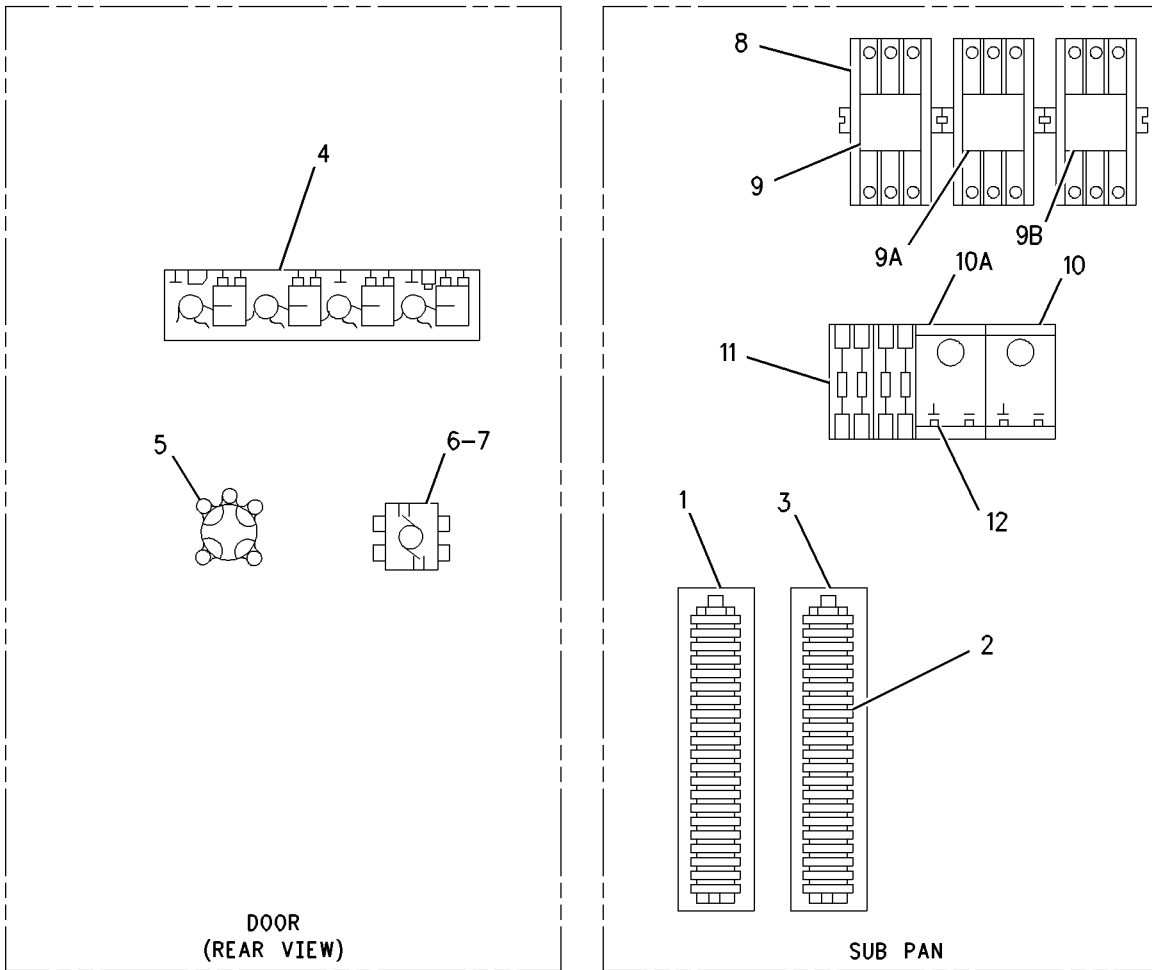
E - ORDER BY THE CENTIMETER



# ELECTRICAL AND STARTING SYSTEM

7W-8942 CONTROL GP-AUTO START/STOP (contd.)

i03021864



GRAPHIC #1

<END>

g00902189

# ELECTRICAL AND STARTING SYSTEM

## 7W-8943 CONTROL GP-AUTO START/STOP

S/N: 85Z3764-UP

4 LIGHT 32VDC

AN ATTACHMENT

SMCS-1426, 4462

i03021865

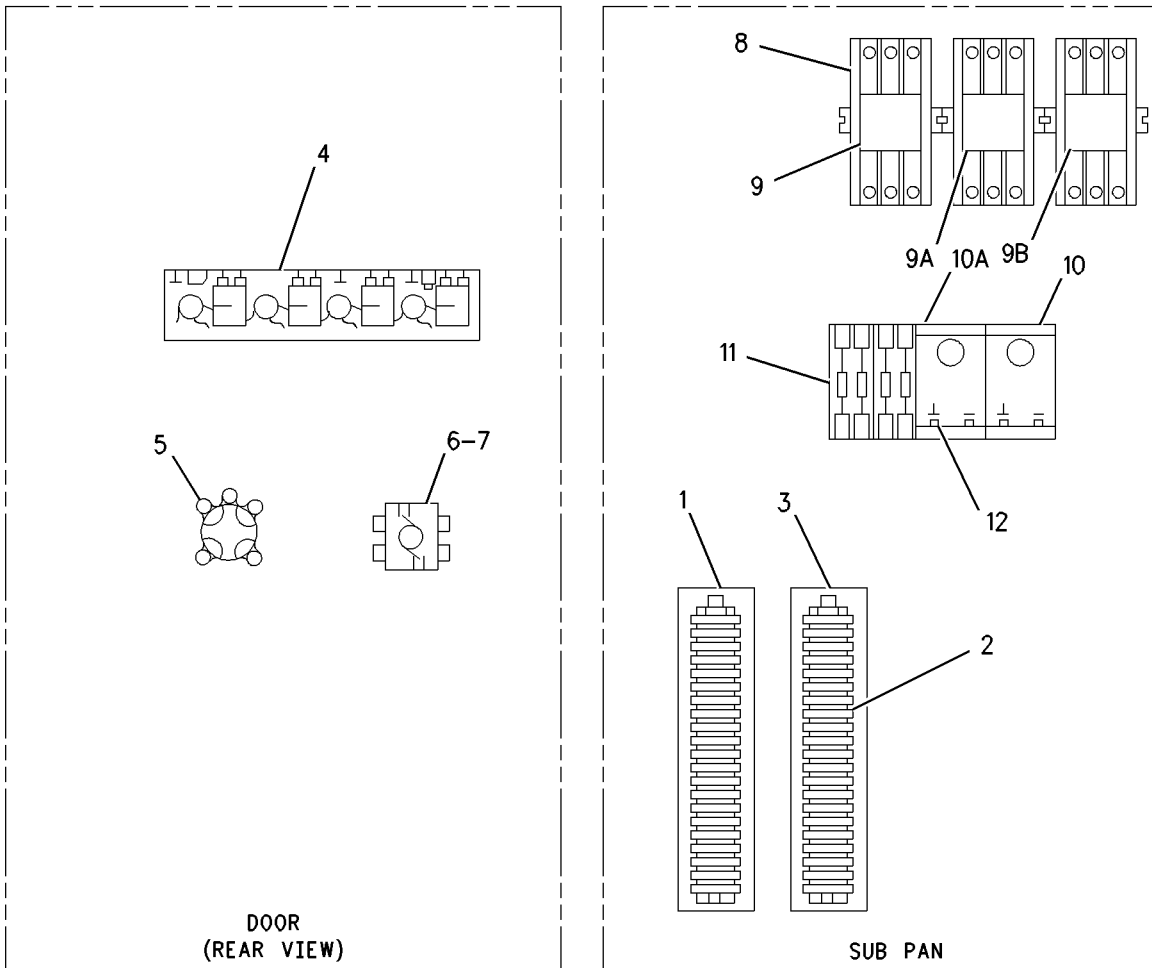
NOTE	REF NO	GRAPHIC REF	PART NUMBER	QTY	PART NAME						SEE PAGE
					1	2	3	4	5	6 (PRODUCT LEVEL)	
	1	1	<b>4W-8226</b>	1	MARKER						
	2	1	<b>4W-8229</b>	2	STRIP-TERMINAL (20 POINT)						
	3	1	<b>4W-8227</b>	1	MARKER						
	4	1	<b>7W-3403</b>	1	BOARD AS-FAULT (32 VOLT)						
		1	<b>3N-5719</b>	4	LAMP (24-VOLT) (CLEAR)						
		1	<b>4W-8745</b>	4	HOUSING AS-LAMP						
		1	<b>4W-8746</b>	4	LENS-LAMP (RED)						
	5	1	<b>3N-5976</b>	1	SWITCH (PHASE SELECT) (4 POSITION) (ENGINE CONTROL)						
	6	1	<b>4W-8735</b>	1	SWITCH-STOP (EMERGENCY)						
	7	1	<b>2W-8683</b>	1	BLOCK-CONTACT						
	8	1	<b>4W-8787</b>	3	SOCKET-RELAY						
	9	1	<b>5N-5498</b>	1	RELAY (32-VOLT DC) (RUN)						
	9A	1	<b>5N-5498</b>	1	RELAY (32-VOLT DC) (ARMING)						
	9B	1	<b>5N-5498</b>	1	RELAY (32-VOLT DC) (ENGINE FAILURE)						
	10	1	<b>3N-5978</b>	1	TIMER AS-ON DELAY (ARMING)						
	10A	1	<b>3N-5978</b>	1	TIMER AS-ON DELAY (OVER CRANK)						
	11	1	<b>5N-5502</b>	2	DIODE AS						
E	12	1	<b>6V-1075</b>		TRACK-MOUNTING (16-CM)						

E - ORDER BY THE CENTIMETER

# ELECTRICAL AND STARTING SYSTEM

7W-8943 CONTROL GP-AUTO START/STOP (contd.)

103021865



GRAPHIC #1

<END>

g00902195

# ELECTRICAL AND STARTING SYSTEM

## 440-2105 CONTROL GP-ELECTRONIC-PL641E CELLULAR\*R

S/N: 85Z3764-UP

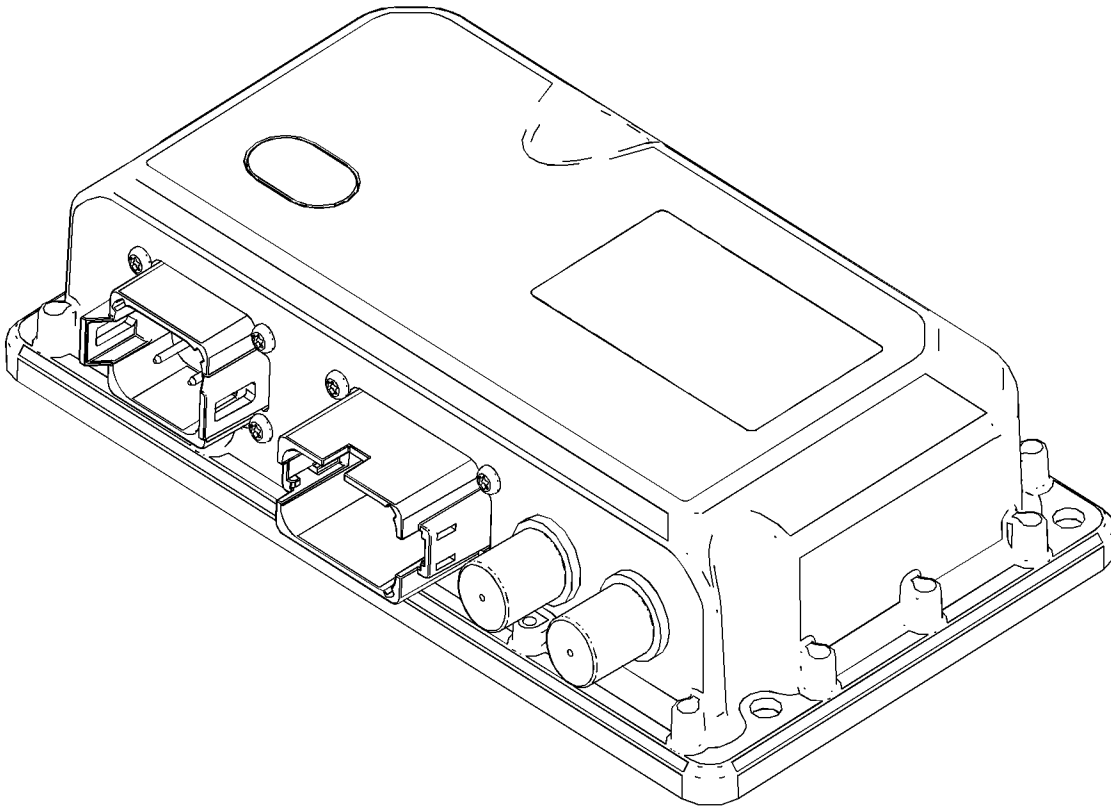
PART OF 426-5363 INSTALLATION GP-COMMUNICATION

SMCS-1410, 1917, 1924, 4490

i07704290

NOTE	REF NO	GRAPHIC REF	PART NUMBER	QTY	PART NAME						SEE PAGE
					1	2	3	4	5	6 (PRODUCT LEVEL)	
F			568-5111	1	SOFTWARE GP-MONITOR (CELLULAR)						

F - NOT SHOWN



GRAPHIC #1

<END>

g06131293

# ELECTRICAL AND STARTING SYSTEM

## 4W-8004 CONTROL GP-MANUAL START/STOP

S/N: 5CA5985-UP; 5DA5682-UP; 5EA5375-UP  
 FOR USAGE REFER TO CHART 4W-8000-PAGE: 1798  
 PART OF 7W-0700 PANEL AR-CONTROL  
 AN ATTACHMENT

SMCS-1426, 7418

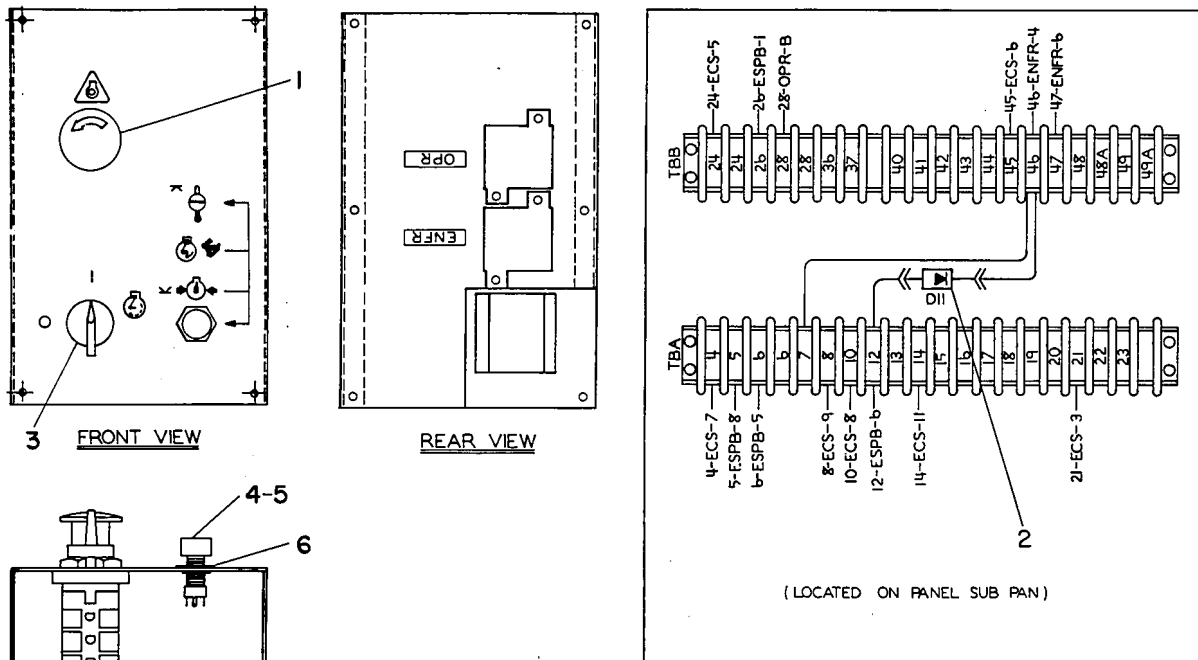
i02787182

NOTE	REF NO	GRAPHIC REF	PART NUMBER	QTY	PART NAME						SEE PAGE
					1	2	3	4	5	6 (PRODUCT LEVEL)	
	1	1	<b>4W-8735</b>	1	SWITCH-STOP (EMERGENCY)						
	2	1	<b>2W-4899</b>	3	DIODE AS						
	3	1	<b>7W-6967</b>	1	SWITCH-ROTARY (ENGINE CONTROL)						
	4	1	<b>4W-8746</b>	1	LENS-LAMP (RED)						
	5	1	<b>3N-5719</b>	1	LAMP (24-VOLT) (CLEAR)						
	6	1	<b>4W-8745</b>	1	HOUSING AS-LAMP						
	7	1	<b>4W-8740</b>	1	BRACKET-CONTROL						
	8	1	<b>4W-8741</b>	1	PLATE-MANUAL CONTROL						
	9	1	<b>4W-8743</b>	2	SOCKET-RELAY						
	10	1	<b>3N-5714</b>	2	RELAY AS (24-VOLT) (OIL PRESSURE/ENGINE FAILURE)						

# ELECTRICAL AND STARTING SYSTEM

4W-8004 CONTROL GP-MANUAL START/STOP (contd.)

102787182



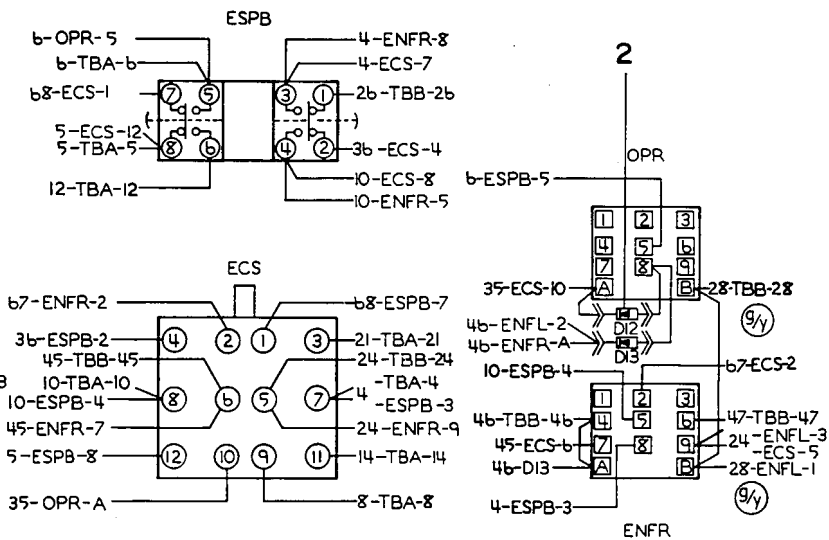
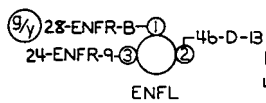
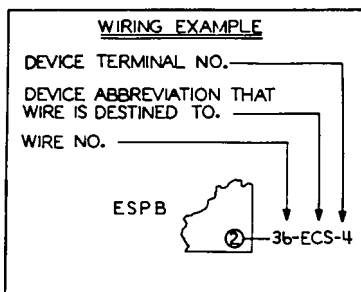
(LOCATED ON PANEL SUB PAN)

NOTE B: WIRE TO BE NO.20 AWG EXCEPT WHERE MARKED:

(9/y) — GREEN WITH YELLOW STRIPE  
18 GA. AWG (GROUND)

NOTE C: WIRES GOING TO T.B SHOULD BE FORMED INTO A HARNESS

NOTE D: ABBREVIATIONS,SYMBOLS,AND SCHEMATIC



GRAPHIC #1

<END>

g00209999

# ELECTRICAL AND STARTING SYSTEM

## 7W-8944 CONTROL GP-MANUAL START/STOP

S/N: 85Z3764-UP

1 LIGHT 24VDC

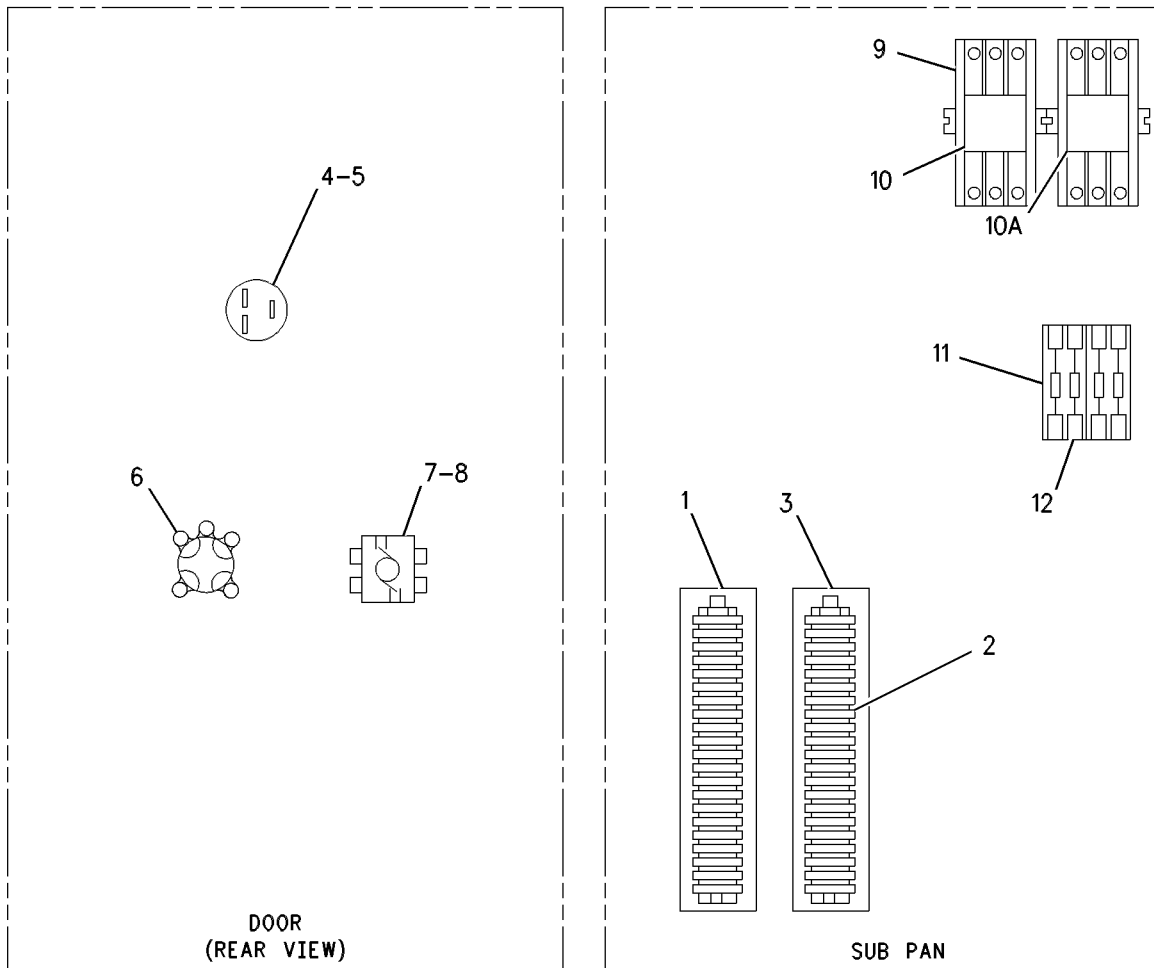
AN ATTACHMENT

SMCS-1426, 7418

i03630933

NOTE	REF NO	GRAPHIC REF	PART NUMBER	QTY	PART NAME						SEE PAGE
					1	2	3	4	5	6 (PRODUCT LEVEL)	
	1	1	<b>4W-8226</b>	1	MARKER						
	2	1	<b>4W-8229</b>	2	STRIP-TERMINAL (20 POINT)						
	3	1	<b>4W-8227</b>	1	MARKER						
	4	1	<b>5N-5499</b>	1	LAMP AS (RED)						
	5	1	<b>3N-5719</b>	1	LAMP (24-VOLT) (CLEAR)						
	6	1	<b>7W-6967</b>	1	SWITCH-ROTARY (ENGINE CONTROL)						
	7	1	<b>4W-8735</b>	1	SWITCH-STOP (EMERGENCY)						
	8	1	<b>2W-8683</b>	1	BLOCK-CONTACT						
	9	1	<b>4W-8787</b>	2	SOCKET-RELAY						
	10	1	<b>3N-5714</b>	1	RELAY AS (24-VOLT) (ENGINE OIL PRESSURE)						
	10A	1	<b>3N-5714</b>	1	RELAY AS (24-VOLT) (ENGINE FAILURE)						
	11	1	<b>5N-5502</b>	2	DIODE AS						
E	12	1	<b>6V-1075</b>		TRACK-MOUNTING (6-CM)						

E - ORDER BY THE CENTIMETER



GRAPHIC #1

<END>

g00579021

# ELECTRICAL AND STARTING SYSTEM

## 7W-8945 CONTROL GP-MANUAL START/STOP

S/N: 85Z3764-UP

1 LIGHT 32VDC

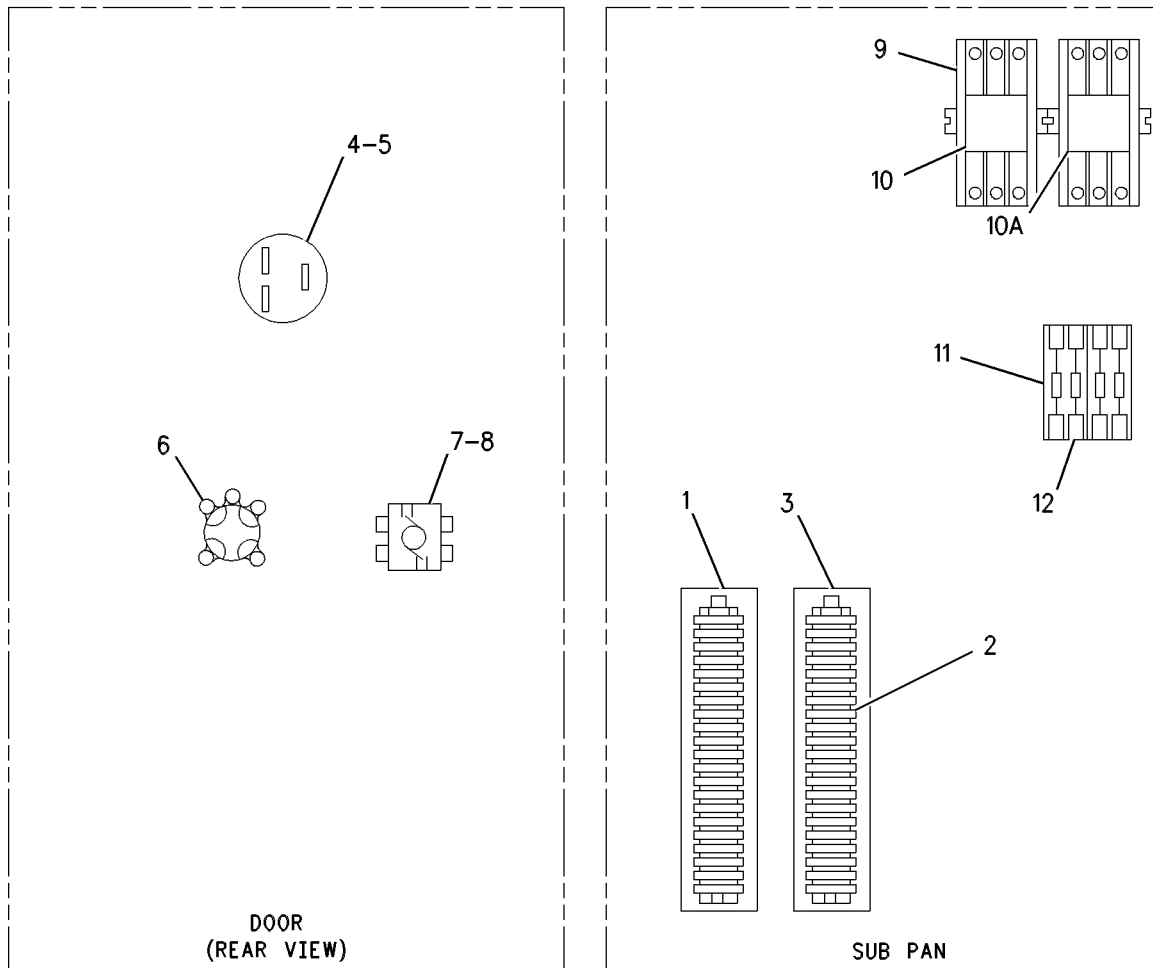
AN ATTACHMENT

SMCS-1426, 7418

i03630935

NOTE	REF NO	GRAPHIC REF	PART NUMBER	QTY	PART NAME						SEE PAGE
					1	2	3	4	5	6 (PRODUCT LEVEL)	
	1	1	<b>4W-8226</b>	1	MARKER						
	2	1	<b>4W-8229</b>	2	STRIP-TERMINAL (20 POINT)						
	3	1	<b>4W-8227</b>	1	MARKER						
	4	1	<b>5N-5499</b>	1	LAMP AS (RED)						
	5	1	<b>3N-5719</b>	1	LAMP (24-VOLT) (CLEAR)						
	6	1	<b>7W-6967</b>	1	SWITCH-ROTARY (ENGINE CONTROL)						
	7	1	<b>4W-8735</b>	1	SWITCH-STOP (EMERGENCY)						
	8	1	<b>2W-8683</b>	1	BLOCK-CONTACT						
	9	1	<b>4W-8787</b>	2	SOCKET-RELAY						
	10	1	<b>5N-5498</b>	1	RELAY (32-VOLT DC) (ENGINE OIL PRESSURE)						
	10A	1	<b>5N-5498</b>	1	RELAY (32-VOLT DC) (ENGINE FAILURE)						
	11	1	<b>5N-5502</b>	2	DIODE AS						
E	12	1	<b>6V-1075</b>		TRACK-MOUNTING (6-CM)						

E - ORDER BY THE CENTIMETER



GRAPHIC #1

<END>

g00579030



# ELECTRICAL AND STARTING SYSTEM

## 7W-8946 CONTROL GP-MANUAL START/STOP

S/N: 85Z3764-UP

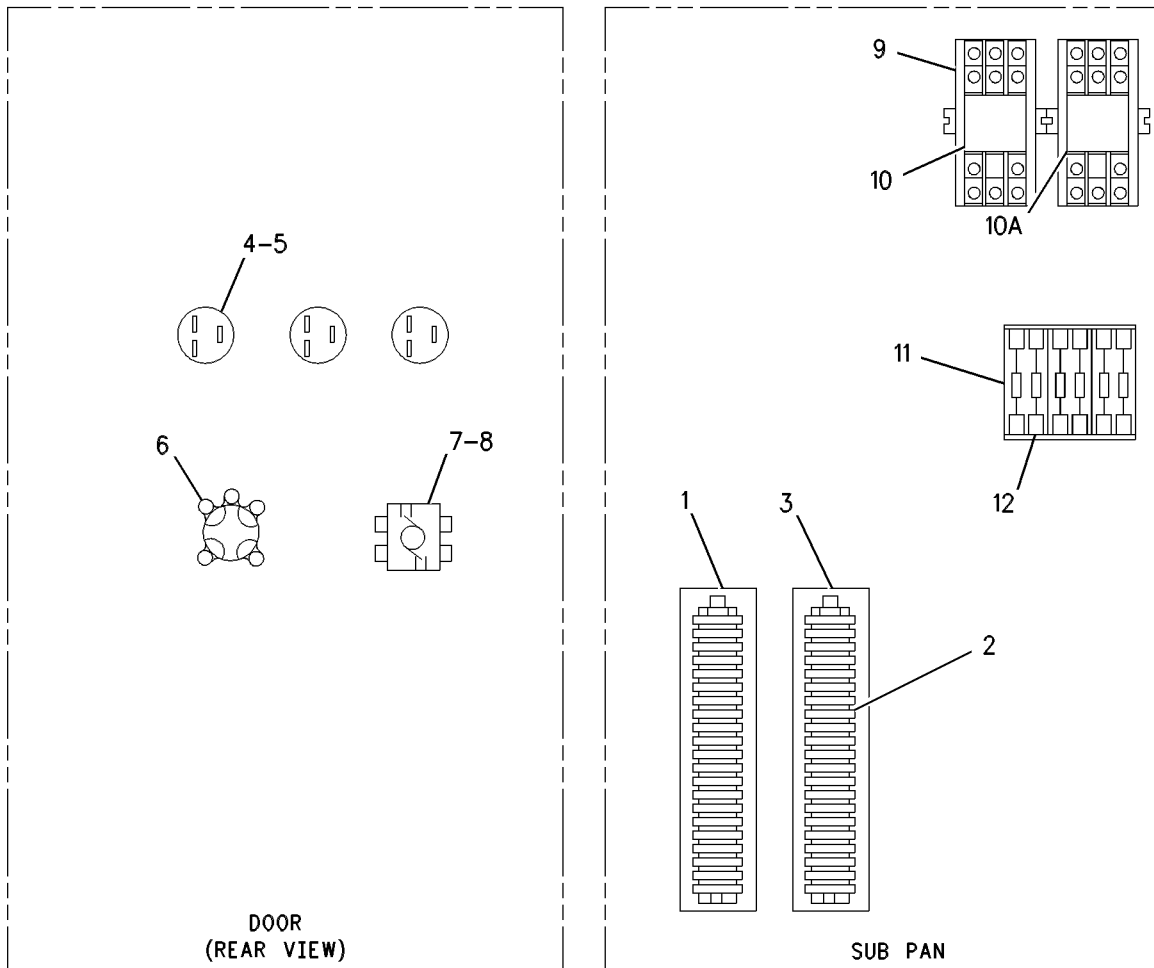
3 LIGHT 24VDC  
AN ATTACHMENT

SMCS-1426, 7418

i03630937

NOTE	REF NO	GRAPHIC REF	PART NUMBER	QTY	PART NAME						SEE PAGE
					1	2	3	4	5	6 (PRODUCT LEVEL)	
	1	1	<b>4W-8226</b>	1	MARKER						
	2	1	<b>4W-8229</b>	2	STRIP-TERMINAL						
	3	1	<b>4W-8227</b>	1	MARKER						
	4	1	<b>5N-5499</b>	3	LAMP AS (RED)						
	5	1	<b>3N-5719</b>	3	LAMP (24-VOLT) (CLEAR)						
	6	1	<b>7W-6967</b>	1	SWITCH-ROTARY (ENGINE CONTROL)						
	7	1	<b>4W-8735</b>	1	SWITCH-STOP (EMERGENCY)						
	8	1	<b>2W-8683</b>	1	BLOCK-CONTACT						
	9	1	<b>4W-8787</b>	2	SOCKET-RELAY						
	10	1	<b>3N-5714</b>	1	RELAY AS (24-VOLT) (ENGINE OIL PRESSURE)						
	10A	1	<b>3N-5714</b>	1	RELAY AS (24-VOLT) (ENGINE FAILURE)						
	11	1	<b>5N-5502</b>	3	DIODE AS						
E	12	1	<b>6V-1075</b>		TRACK-MOUNTING (8-CM)						

E - ORDER BY THE CENTIMETER



GRAPHIC #1

<END>

g00579056

# ELECTRICAL AND STARTING SYSTEM

## 7W-8947 CONTROL GP-MANUAL START/STOP

S/N: 85Z3764-UP

3 LIGHT 32VDC

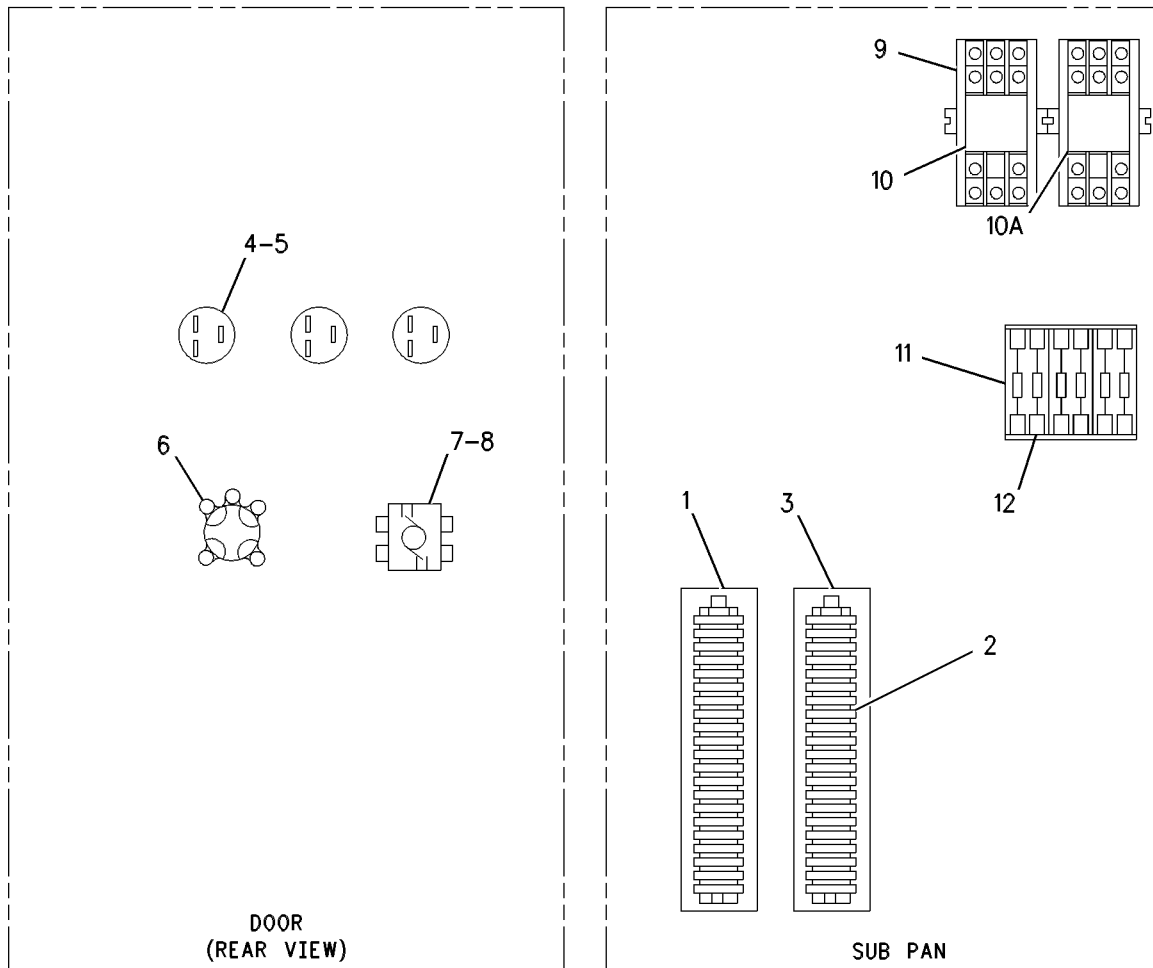
AN ATTACHMENT

SMCS-1426, 7418

i03630939

NOTE	REF NO	GRAPHIC REF	PART NUMBER	QTY	PART NAME						SEE PAGE
					1	2	3	4	5	6 (PRODUCT LEVEL)	
	1	1	<b>4W-8226</b>	1	MARKER						
	2	1	<b>4W-8229</b>	2	STRIP-TERMINAL (20 POINT)						
	3	1	<b>4W-8227</b>	1	MARKER						
	4	1	<b>5N-5499</b>	3	LAMP AS (RED)						
	5	1	<b>3N-5719</b>	3	LAMP (24-VOLT) (CLEAR)						
	6	1	<b>7W-6967</b>	1	SWITCH-ROTARY (ENGINE CONTROL)						
	7	1	<b>4W-8735</b>	1	SWITCH-STOP (EMERGENCY)						
	8	1	<b>2W-8683</b>	1	BLOCK-CONTACT						
	9	1	<b>4W-8787</b>	2	SOCKET-RELAY						
	10	1	<b>5N-5498</b>	1	RELAY (32-VOLT DC) (ENGINE OIL PRESSURE)						
	10A	1	<b>5N-5498</b>	1	RELAY (32-VOLT DC) (ENGINE FAILURE)						
	11	1	<b>5N-5502</b>	3	DIODE AS						
E	12	1	<b>6V-1075</b>		TRACK-MOUNTING (8-CM)						

E - ORDER BY THE CENTIMETER



GRAPHIC #1

<END>

g00579069

# ELECTRICAL AND STARTING SYSTEM

## 106-0447 CONTROL GP-MANUAL VOLTAGE

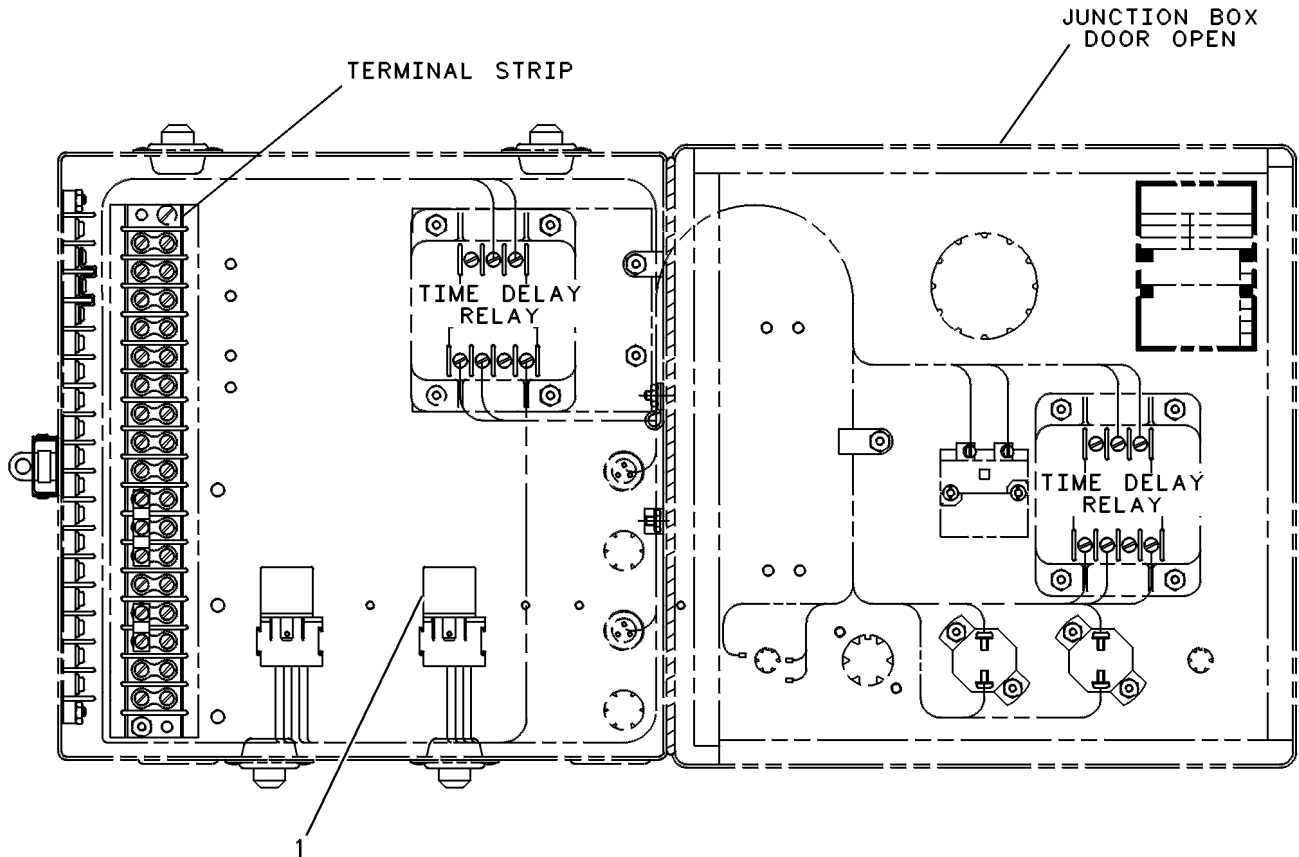
S/N: 85Z3764-UP

TO CONNECT FROM 24 VOLT DC TO 12 VOLT DC ENGINE PROTECTION SYSTEM WHEN JUNCTION BOX HAS 2 RELAYS AN ATTACHMENT

SMCS-4467

i02309951

NOTE	REF NO	GRAPHIC REF	PART NUMBER	QTY	PART NAME						SEE PAGE
					1	2	3	4	5	6 (PRODUCT LEVEL)	
	1	1	<b>3E-9362</b>	2	RELAY AS (12-VOLT)						



GRAPHIC #1

<END>

g00236583

# ELECTRICAL AND STARTING SYSTEM

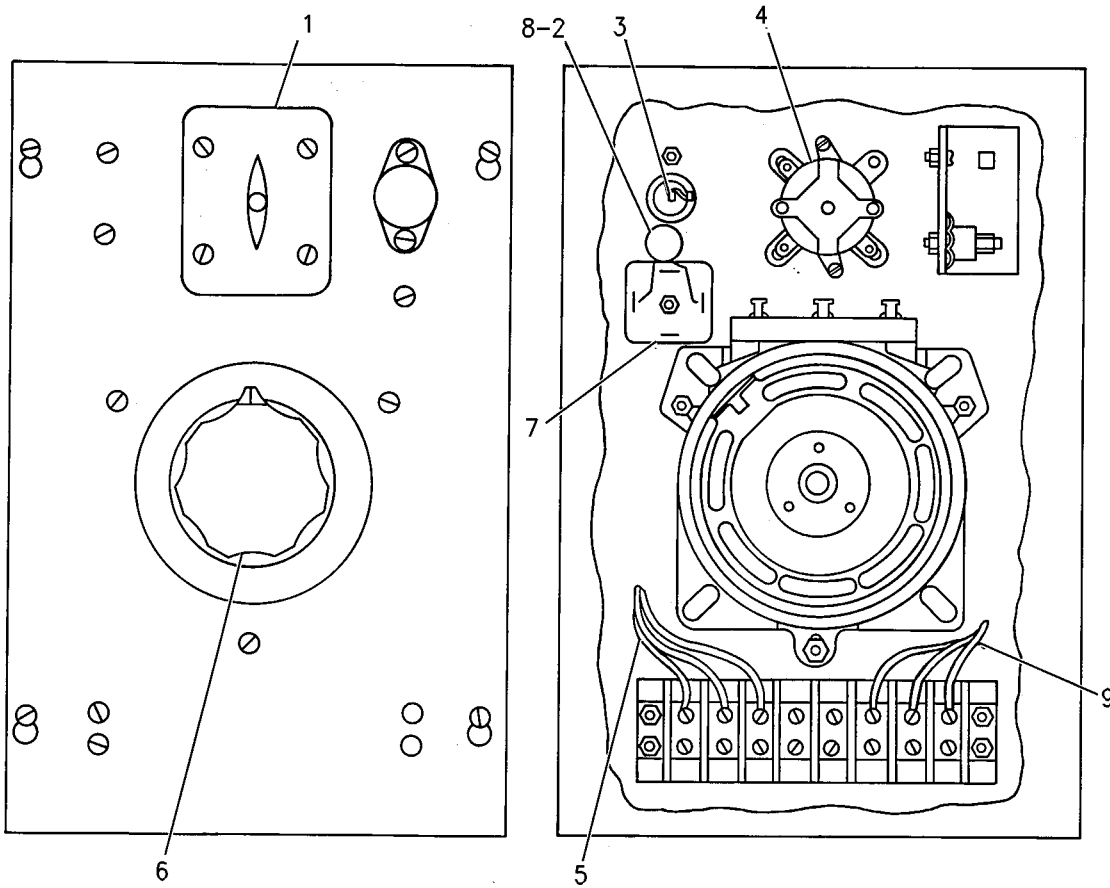
## 5N-0591 CONTROL GP-MANUAL VOLTAGE

S/N: 8JF1-UP; 6CG1-UP; 6DG1-UP; 6EG1-UP  
FOR USE WITH PERMANENT MAGNET  
AN ATTACHMENT

SMCS-4467

i07119964

NOTE	REF NO	GRAPHIC REF	PART NUMBER	QTY	PART NAME						SEE PAGE
					1	2	3	4	5	6 (PRODUCT LEVEL)	
	1	1	<b>5N-0605</b>	1	PLATE-SWITCH						
	2	1	<b>5N-0603</b>	1	VARISTOR AS						
	3	1	<b>5N-0610</b>	1	FUSE (12-AMPERE)						
	4	1	<b>5N-0612</b>	1	SWITCH-ROTARY (MANUAL/AUTO VOLTAGE CONTROL)						
	5	1	<b>5N-0606</b>	1	HARNESS AS-PANEL (MANUAL VOLTAGE CONTROL)						
	6	1	<b>5N-0613</b>	1	TRANSFORMER (VARIABLE)						
	7	1	<b>5N-9107</b>	1	RECTIFIER						
	8	1	<b>5N-9095</b>	1	HOLDER-FUSE						
	9	1	<b>7W-7429</b>	1	HARNESS AS-PANEL (MANUAL VOLTAGE CONTROL)						



FRONT VIEW

REAR VIEW

GRAPHIC #1

<END>

g00888388

# ELECTRICAL AND STARTING SYSTEM

## 5N-1613 CONTROL GP-MANUAL VOLTAGE

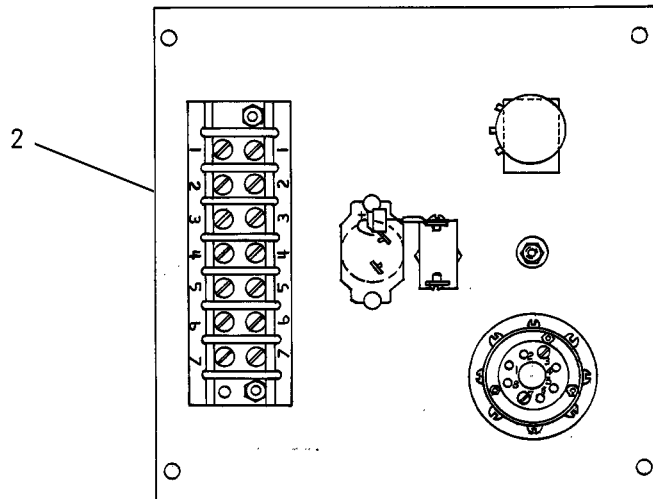
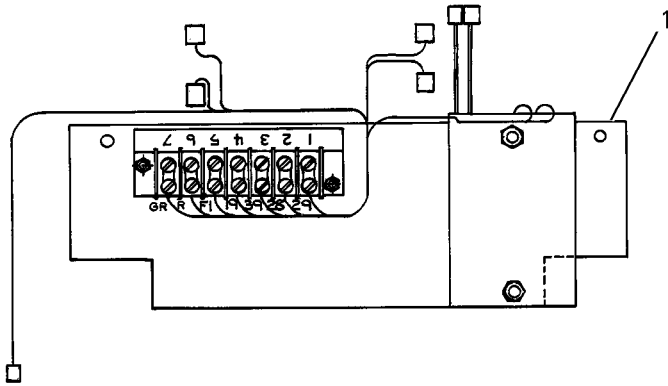
S/N: 5DA5682-UP; 5EA5375-UP; 5FA4499-UP

AN ATTACHMENT

SMCS-4467

i01490232

NOTE	REF NO	GRAPHIC REF	PART NUMBER	QTY	PART NAME						SEE PAGE
					1	2	3	4	5	6 (PRODUCT LEVEL)	
	1	1	<b>4W-1461</b>	1	CONTROL AS-VALVE						
	2	1	<b>5N-4224</b>	1	PANEL AS-VOLTAGE CONTROL						



GRAPHIC #1

<END>

g00774179

# ELECTRICAL AND STARTING SYSTEM

## 7C-2700 CONTROL GP-MANUAL VOLTAGE

S/N: 5CA5985-UP; 8JF1-UP; 6CG1-UP; 6DG1-UP; 6EG1-UP; 85Z3764-UP  
FOR USE WITH VR3 REGULATOR  
AN ATTACHMENT

SMCS-4467

i01297441

NOTE	PART NUMBER	QTY	PART NAME						SEE PAGE
			1	2	3	4	5	6 (PRODUCT LEVEL)	
(NO SERVICED PARTS)									
<END>									

# ELECTRICAL AND STARTING SYSTEM

## 5N-9174 CONTROL GP-VOLTAGE

S/N: 85Z3764-UP

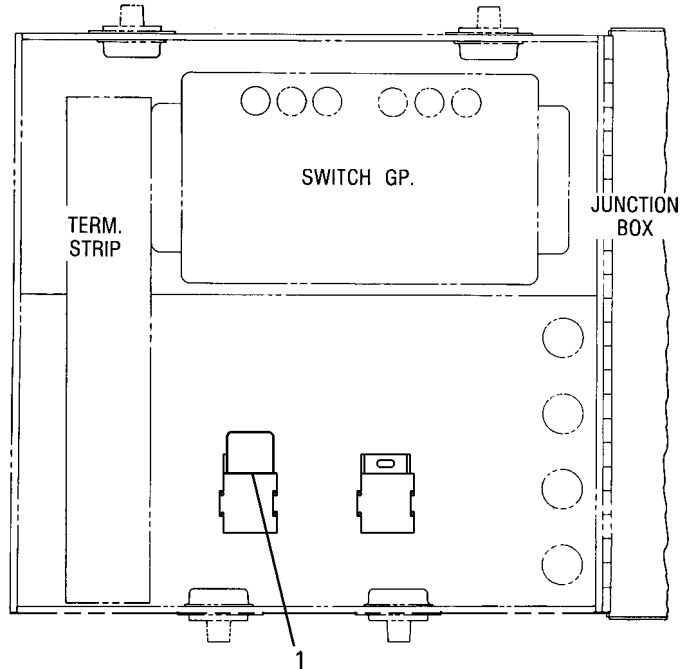
12 VOLT DC RELAY

FOR USE WITH 2W-8901-PAGE: 950, 2W-8903-PAGE: 950, 4W-9601-PAGE: 951, 4W-9602-PAGE: 954, 7W-8001-PAGE: 959  
AN ATTACHMENT

SMCS-1410, 4467, 4490

i03523601

NOTE	REF NO	GRAPHIC REF	PART NUMBER	QTY	PART NAME						SEE PAGE
					1	2	3	4	5	6 (PRODUCT LEVEL)	
	1	1	3E-9362	1	RELAY AS (12-VOLT)						



GRAPHIC #1

<END>

g00231075

# ELECTRICAL AND STARTING SYSTEM

## 5N-9175 CONTROL GP-VOLTAGE

S/N: 85Z3764-UP

32 VOLT DC RELAY

FOR USE WITH 2W-8901-PAGE: 950, 2W-8903-PAGE: 950, 4W-9601-PAGE: 951, 4W-9602-PAGE: 954, 7W-8001-PAGE: 959, 7W-8003-PAGE: 960

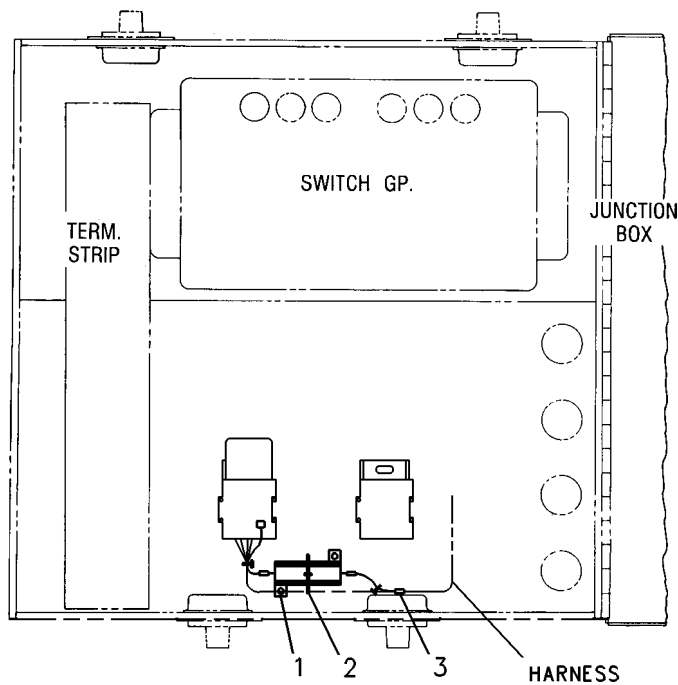
FOR USAGE REFER TO CHART 5N-8487-PAGE: 1747  
AN ATTACHMENT

SMCS-1410, 4467, 4490

i01951421

NOTE	REF NO	GRAPHIC REF	PART NUMBER	QTY	PART NAME						SEE PAGE
					1	2	3	4	5	6 (PRODUCT LEVEL)	
	1	1	<b>6I-1909</b>	1	RESISTOR AS (25 WATT/150 OHM)						
	2	1	<b>1S-9593</b>	3	STRAP-CABLE						
D	3	1	<b>5P-6009</b>		TUBE-HEAT SHRINK (9.52-MM DIA)						

D - ORDER BY THE METER



GRAPHIC #1

<END>

g00231076



# ELECTRICAL AND STARTING SYSTEM

## 5N-0363 CONVERSION GP-WIRING

S/N: 85Z3764-UP

OVERSPEED PROTECTION ONLY CONVERSION

FOR USE WITH 2W-8901-PAGE: 950, 2W-8903-PAGE: 950, 4W-9601-PAGE: 951

FOR USAGE REFER TO CHART 5N-8487-PAGE: 1747

AN ATTACHMENT

SMCS-1408

i01509293

NOTE	PART NUMBER	QTY	PART NAME						SEE PAGE
			1	2	3	4	5	6 (PRODUCT LEVEL)	
	4F-8711	1	PLUG-BUTTON						
<END>									

# ELECTRICAL AND STARTING SYSTEM

## 3N-6713 COVER AS-EXTENSION BOX

S/N: 5CA5985-UP; 5DA5682-UP; 5EA5375-UP; 5FA4499-UP; 8JF1-UP; 6CG1-UP; 6DG1-UP;  
6EG1-UP

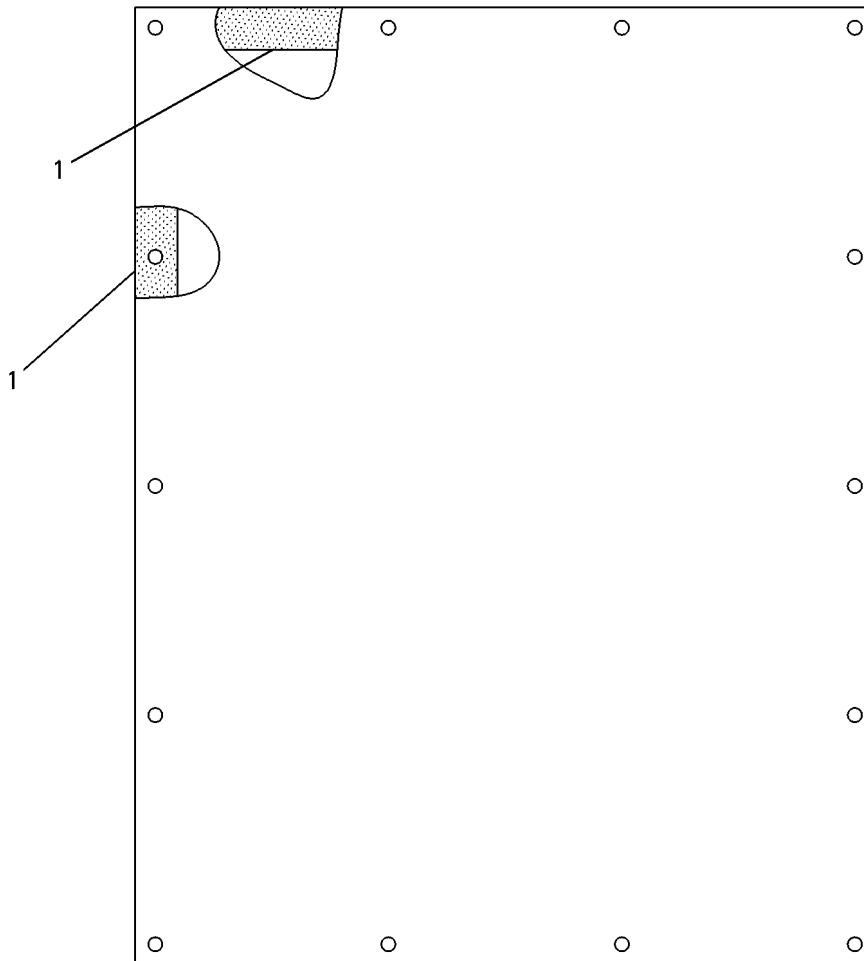
PART OF 4P-3909 BOX GP-EXTENSION TERMINAL, 3N-5566, 3N-5567 BOX GP-GENERATOR  
CONNECTION  
AN ATTACHMENT

SMCS-4460

i00709712

NOTE	REF NO	GRAPHIC REF	PART NUMBER	QTY	PART NAME						SEE PAGE
					1	2	3	4	5	6 (PRODUCT LEVEL)	
BE	1	1	101-2863		SEAL (242CM)						

B - USE AS REQUIRED  
E - ORDER BY THE CENTIMETER



GRAPHIC #1

<END>

g00234731

# ELECTRICAL AND STARTING SYSTEM

## 192-0284 COVER GP-CIRCUIT BREAKER

S/N: 8JF1-UP; 6CG1-UP; 6DG1-UP; 6EG1-UP

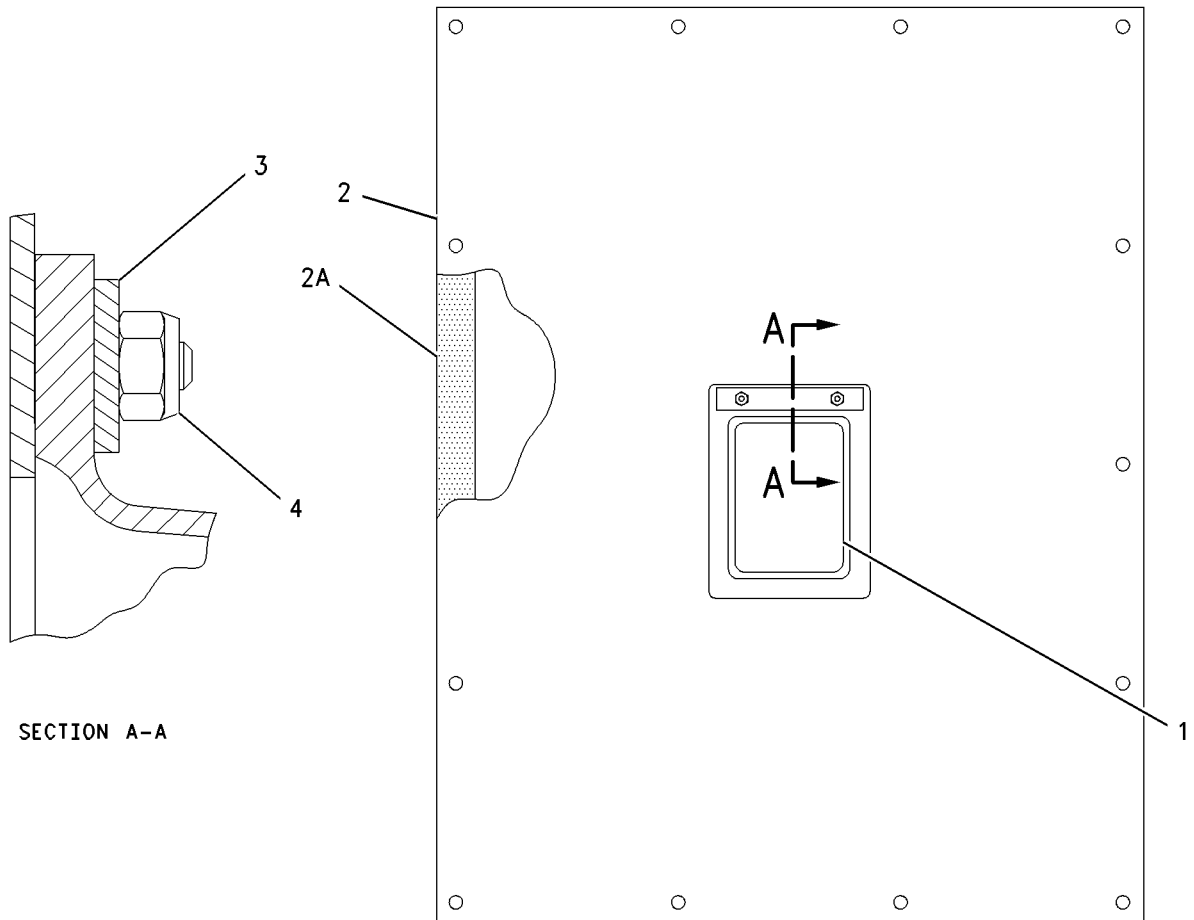
FOR USE WITH 107-3056-PAGE: 940, 169-1849-PAGE: 1091, 169-1859-PAGE: 1093, 169-1828-PAGE: 995, 169-1831-PAGE: 997, 169-1833-PAGE: 999, 169-1834-PAGE: 1001, 175-1335-PAGE: 1010  
AN ATTACHMENT

SMCS-1420, 4461

i03169780

NOTE	REF NO	GRAPHIC REF	PART NUMBER	QTY	PART NAME						SEE PAGE
					1	2	3	4	5	6 (PRODUCT LEVEL)	
	1	1	<b>4P-5721</b>	1	BOOT-CIRCUIT BREAKER						
	2	1	<b>192-0341</b>	1	COVER AS						
E	2A	1	<b>101-2863</b>		SEAL (242CM)						
	3	1	<b>4P-5718</b>	1	STRIP						
	4	1	<b>4L-1250</b>	2	LOCKNUT (10-32-THD)						

E - ORDER BY THE CENTIMETER



GRAPHIC #1

<END>

g00728356

# ELECTRICAL AND STARTING SYSTEM

## 252-7646 COVER GP-CIRCUIT BREAKER

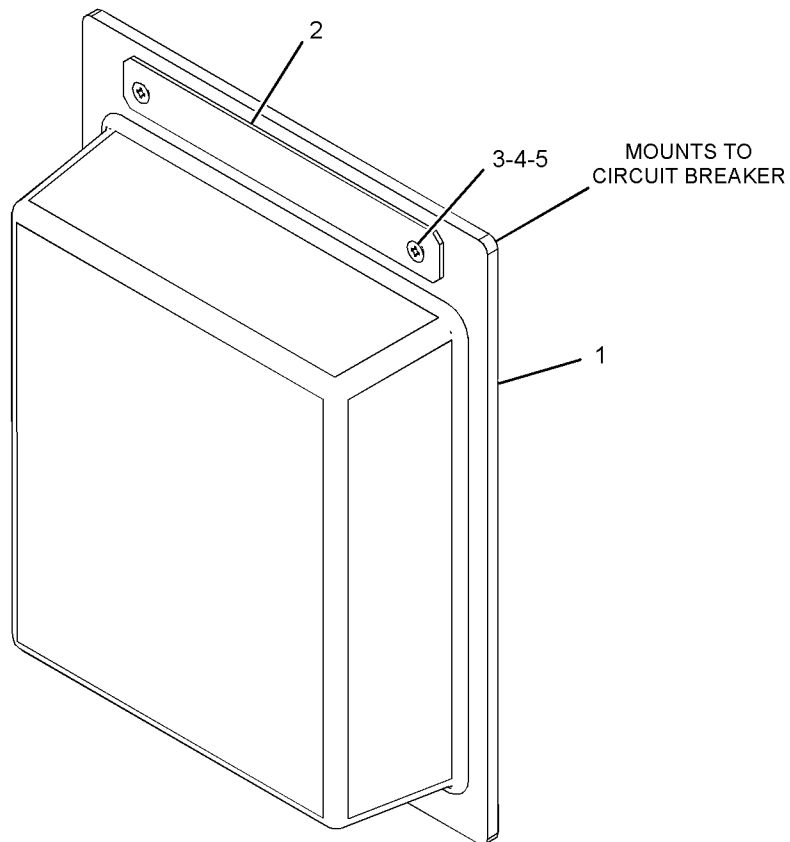
S/N: 8JF1-UP; 6CG1-UP; 6DG1-UP; 6EG1-UP  
 FOR USE WITH P-FRAME AND NSJ-FRAME CIRCUIT BREAKERS  
 PART OF 270-4639 COVER GP-CIRCUIT BREAKER  
 AN ATTACHMENT

SMCS-1420, 4461

i07403508

NOTE	REF NO	GRAPHIC REF	PART NUMBER	QTY	PART NAME						SEE PAGE
					1	2	3	4	5	6 (PRODUCT LEVEL)	
	1	1	<b>252-7647</b>	1	BOOT						
	2	1	<b>252-7648</b>	1	STRIP						
M	3	1	<b>096-3773</b>	2	SCREW-MACHINE (M4X0.7X25-MM)						
	4	1	<b>096-6166</b>	2	WASHER-HARD (4.5X9X1-MM THK)						
M	5	1	<b>8T-2659</b>	2	LOCKNUT (M4X0.7-THD)						

M - METRIC PART



GRAPHIC #1

<END>

g06315065

# ELECTRICAL AND STARTING SYSTEM

## 270-4639 COVER GP-CIRCUIT BREAKER

S/N: 8JF1-UP; 6CG1-UP; 6DG1-UP; 6EG1-UP

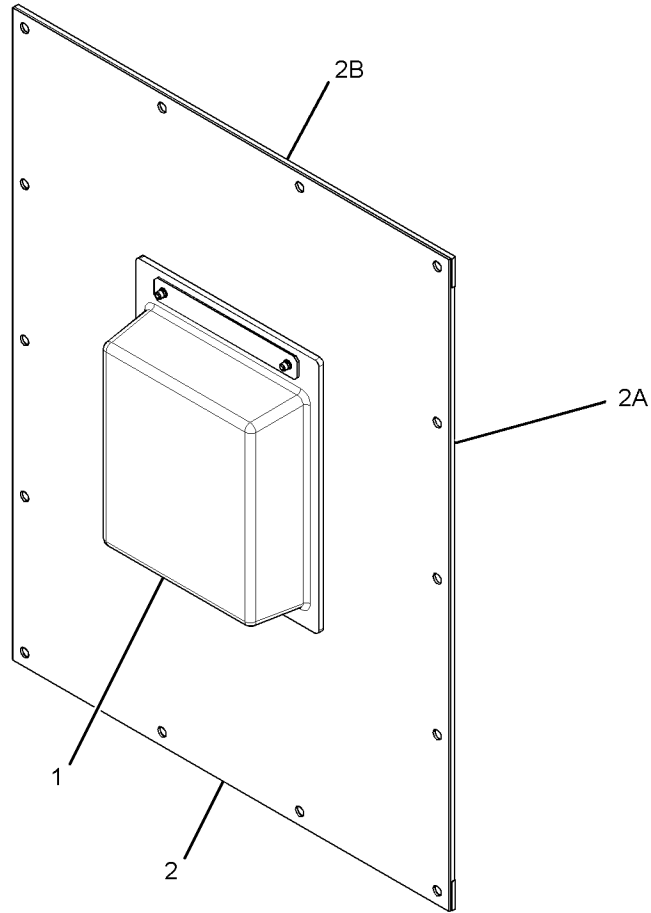
AN ATTACHMENT

SMCS-1420, 4461

i02731342

NOTE	REF NO	GRAPHIC REF	PART NUMBER	QTY	PART NAME						SEE PAGE
					1	2	3	4	5	6 (PRODUCT LEVEL)	
Y	1	1	252-7646	1	COVER GP-CIRCUIT BREAKER						1054
	2	1	<b>270-4638</b>	1	COVER AS-EXTENSION BOX						
E	2A	1	<b>101-2863</b>		SEAL (65.2-CM EACH)						
E	2B	1	<b>101-2863</b>		SEAL (55.4-CM EACH)						

E - ORDER BY THE CENTIMETER  
Y - SEPARATE ILLUSTRATION



GRAPHIC #1

<END>

g01379890

# ELECTRICAL AND STARTING SYSTEM

## 4P-5719 COVER GP-CIRCUIT BREAKER

S/N: 8JF1-UP; 6CG1-UP; 6DG1-UP; 6EG1-UP

FOR USE WITH GENERATOR MOUNTED CIRCUIT BREAKER, 440 SQUARE LAMINATION GENERATORS WHICH USE "NSJ" 300 TO 600 AMPERE, 3 POLE, OR 320 TO 630 AMPERE 4 POLE CIRCUIT BREAKER

CANNOT BE USED WITH 100 TO 250 AMPERE, 3 POLE OR 200 TO 250 AMPERE, 4 POLE "NSF" CIRCUIT BREAKER

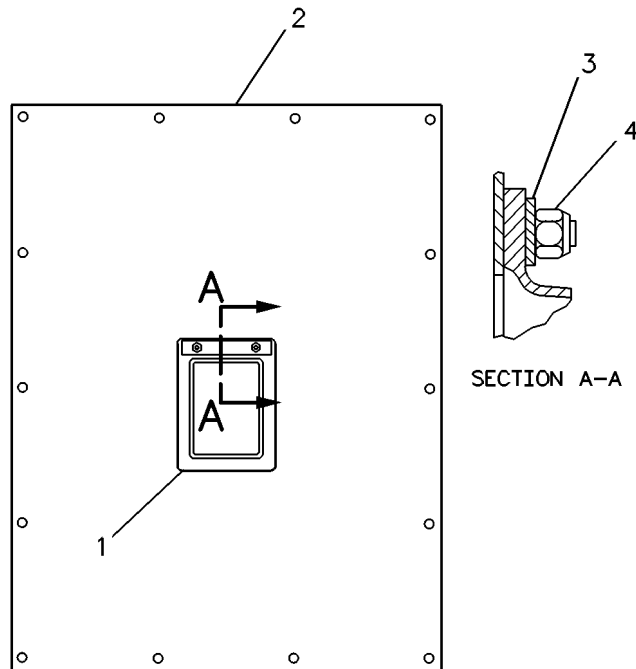
FOR USAGE REFER TO CHART 4W-8145-PAGE: 1768  
AN ATTACHMENT

SMCS-1420, 4461

i03174941

NOTE	REF NO	GRAPHIC REF	PART NUMBER	QTY	PART NAME						SEE PAGE
					1	2	3	4	5	6 (PRODUCT LEVEL)	
	1	1	<b>4P-5721</b>	1	BOOT-CIRCUIT BREAKER						
	2	1	<b>4P-5979</b>	1	COVER AS-EXTENSION BOX						
E		1	<b>101-2863</b>		SEAL (242-CM)						
	3	1	<b>4P-5718</b>	1	STRIP						
	4	1	<b>4L-1250</b>	2	LOCKNUT (10-32-THD)						

E - ORDER BY THE CENTIMETER



GRAPHIC #1

<END>

g00215775

# ELECTRICAL AND STARTING SYSTEM

## 4W-8306 COVER-EXTENSION BOX

S/N: 5CA5985-UP; 5DA5682-UP; 5EA5375-UP; 5FA4499-UP; 8JF1-UP; 6CG1-UP; 6DG1-UP;  
6EG1-UP

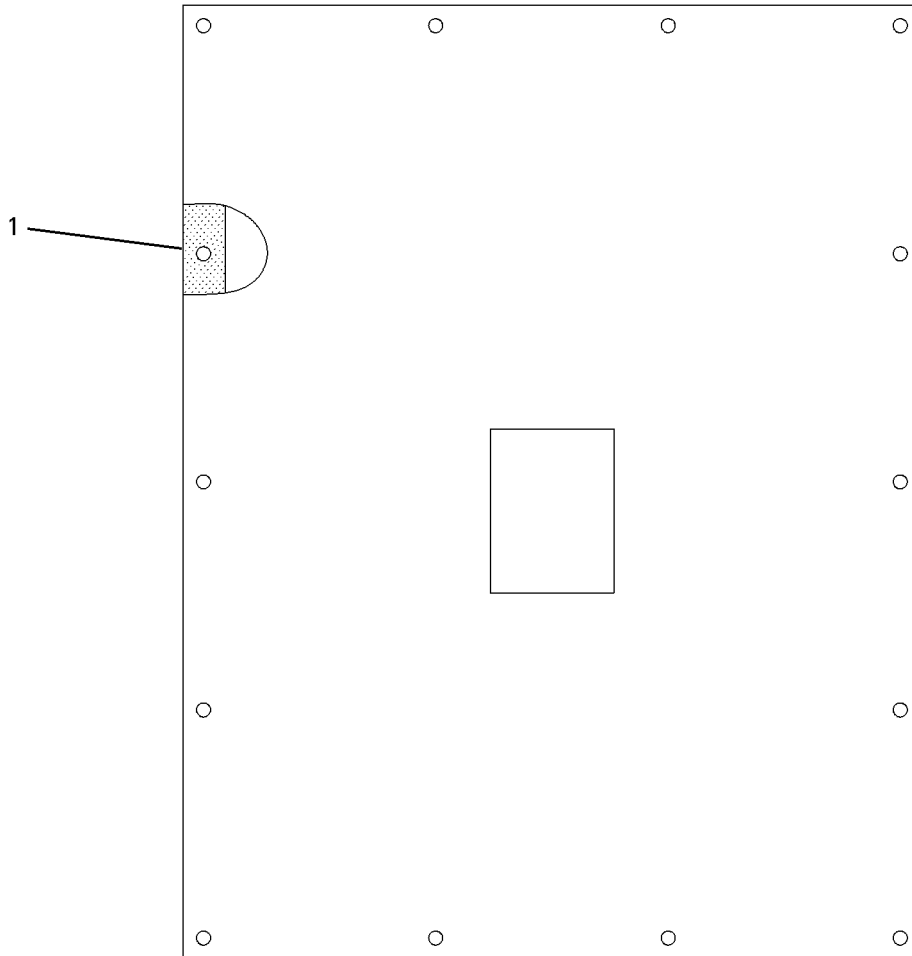
FOR USE WITH 107-3057-PAGE: 941, 169-1875-PAGE: 1094, 106-1771-PAGE: 1063  
CANNOT BE USED WITH 100 TO 250 AMPERE, 3 POLE OR 200 TO 250 AMPERE, 4 POLE "NSF"  
CIRCUIT BREAKER, 3N-6713-PAGE: 1052  
AN ATTACHMENT

SMCS-4460

i01379058

NOTE	REF NO	GRAPHIC REF	PART NUMBER	QTY	PART NAME						SEE PAGE
					1	2	3	4	5	6 (PRODUCT LEVEL)	
BE	1	1	101-2863		SEAL (242CM)						

B - USE AS REQUIRED  
E - ORDER BY THE CENTIMETER



GRAPHIC #1

<END>

g00728155

# ELECTRICAL AND STARTING SYSTEM

## 7W-8052 DIODE GP

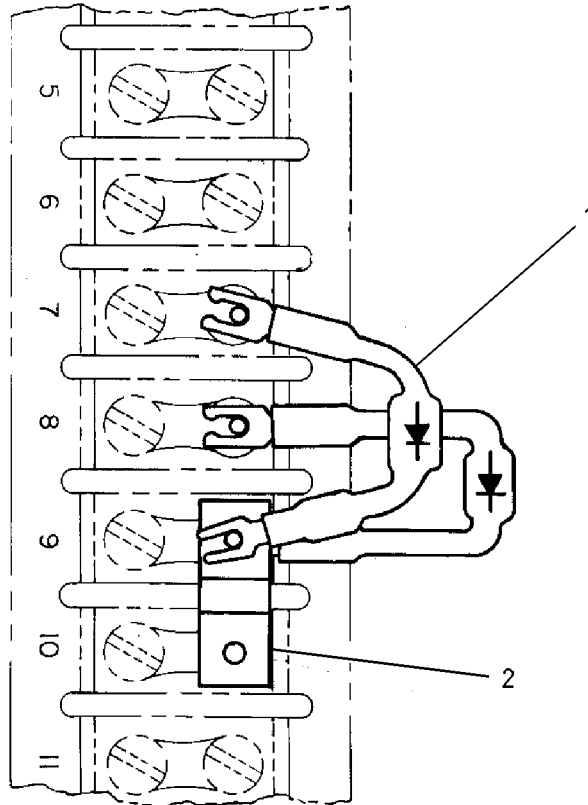
S/N: 85Z3764-UP

PART OF 7W-8001 BOX GP-JUNCTION  
AN ATTACHMENT

SMCS-1408

i02183666

NOTE	REF NO	GRAPHIC REF	PART NUMBER	QTY	PART NAME						SEE PAGE
					1	2	3	4	5	6 (PRODUCT LEVEL)	
1	1	1	<b>5N-4988</b>	2	DIODE AS (5-AMPERE)						
2	1	1	<b>5N-5159</b>	1	JUMPER-STRIP						



JUNCTION BOX  
TERMINAL STRIP

GRAPHIC #1

<END>

g00698280



# ELECTRICAL AND STARTING SYSTEM

## 4W-8378 FASTENER GP-CIRCUIT BREAKER

S/N: 5CA5985-UP; 5DA5682-UP; 5EA5375-UP; 5FA4499-UP; 8JF1-UP; 6CG1-UP; 6DG1-UP;  
6EG1-UP

LOW VOLTAGE

FOR USE WITH MOUNTING GPS, 4W-8214-PAGE: 1105

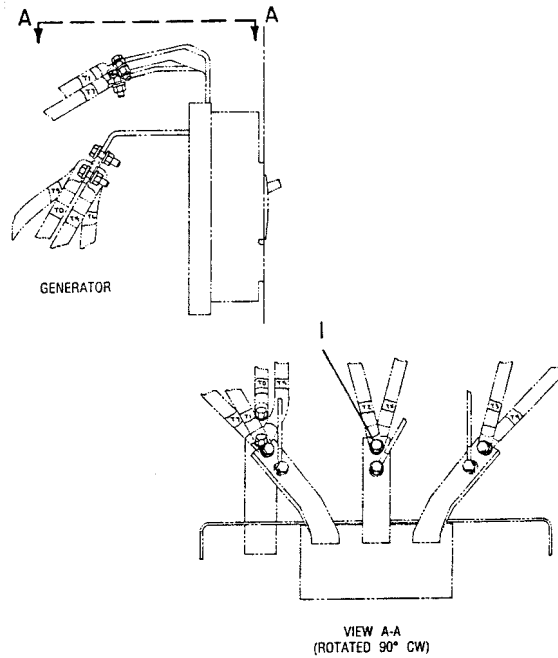
FOR USAGE REFER TO CHART 4W-8145-PAGE: 1768

AN ATTACHMENT

SMCS-1420, 4461

i01790249

NOTE	REF NO	GRAPHIC REF	PART NUMBER	QTY	PART NAME						SEE PAGE
					1	2	3	4	5	6 (PRODUCT LEVEL)	
	1	1	<b>5S-7382</b>	5	BOLT (3/8-16X1.375-IN)						
		1	<b>5P-1075</b>	10	WASHER-HARD (10.2X22.5X3-MM THK)						
		1	<b>8L-7395</b>	5	NUT-FULL						



GRAPHIC #1

<END>

g00171687

# ELECTRICAL AND STARTING SYSTEM

## 4W-8379 FASTENER GP-CIRCUIT BREAKER

S/N: 5CA5985-UP; 5DA5682-UP; 5EA5375-UP; 8JF1-UP; 6CG1-UP; 6DG1-UP; 6EG1-UP

LOW VOLTAGE

FOR USE WITH MOUNTING GP

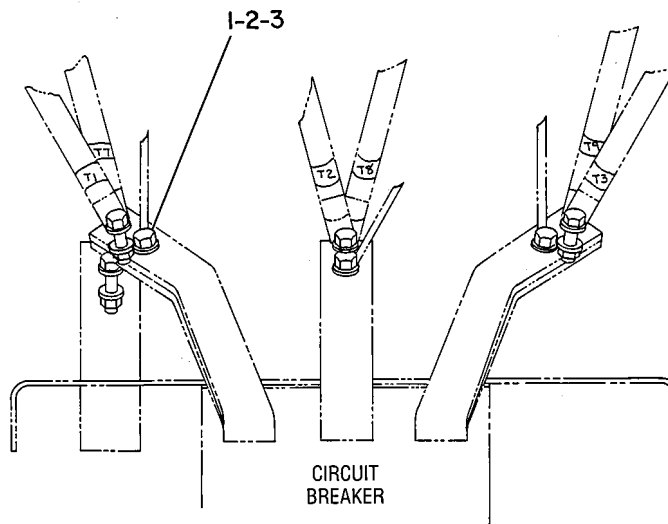
FOR USAGE REFER TO CHART 4W-8145-PAGE: 1768

AN ATTACHMENT

SMCS-1420, 4461

i02183650

NOTE	REF NO	GRAPHIC REF	PART NUMBER	QTY	PART NAME						SEE PAGE
					1	2	3	4	5	6 (PRODUCT LEVEL)	
1	1	1	<b>5S-7383</b>	5	BOLT (3/8-16X1.75-IN)						
2	1	1	<b>5P-1075</b>	10	WASHER-HARD (10.2X22.5X3-MM THK)						
3	1	1	<b>8L-7395</b>	5	NUT-FULL						



GRAPHIC #1

<END>

g00170287

# ELECTRICAL AND STARTING SYSTEM

## 7W-1688 FASTENER GP-CIRCUIT BREAKER

S/N: 5CA5985-UP; 5DA5682-UP; 5EA5375-UP

FOR USE WITH 12 WIRE GENERATOR & 600 AMPERE AND BELOW CIRCUIT BREAKERS

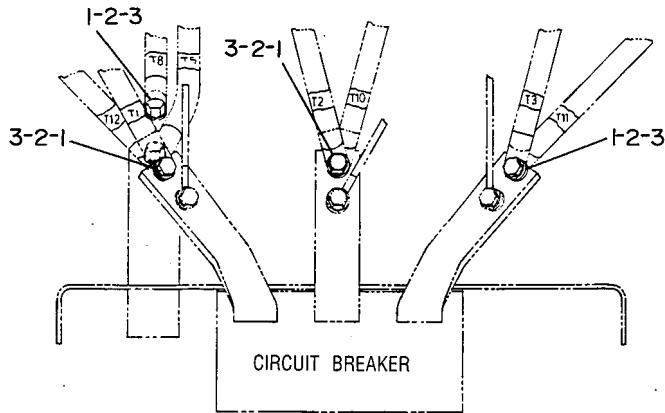
FOR USAGE REFER TO CHART 4W-8145-PAGE: 1768

AN ATTACHMENT

SMCS-1420, 4461

i01793915

NOTE	REF NO	GRAPHIC REF	PART NUMBER	QTY	PART NAME						SEE PAGE
					1	2	3	4	5	6 (PRODUCT LEVEL)	
1	1	1	<b>5S-7382</b>	4	BOLT (3/8-16X1.375-IN)						
2	1	1	<b>5P-1075</b>	8	WASHER-HARD (10.2X22.5X3-MM THK)						
3	1	1	<b>8L-7395</b>	4	NUT-FULL						



GRAPHIC #1

<END>

g00188533

# ELECTRICAL AND STARTING SYSTEM

## 7W-1689 FASTENER GP-CIRCUIT BREAKER

S/N: 5CA5985-UP; 5DA5682-UP; 5EA5375-UP

FOR USE WITH 12 WIRE GENERATORS & CIRCUIT BREAKERS ABOVE 1200 AMPERE

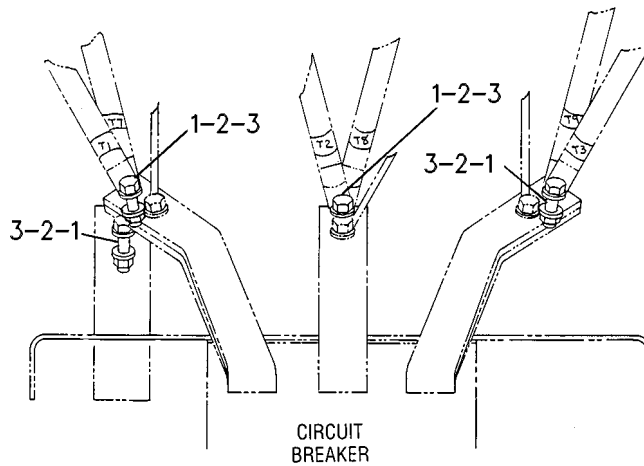
FOR USAGE REFER TO CHART 4W-8145-PAGE: 1768

AN ATTACHMENT

SMCS-1420, 4461

i01793917

NOTE	REF NO	GRAPHIC REF	PART NUMBER	QTY	PART NAME						SEE PAGE
					1	2	3	4	5	6 (PRODUCT LEVEL)	
1	1	1	<b>4L-9337</b>	4	BOLT (3/8-16X1.5-IN)						
2	1	1	<b>5P-1075</b>	8	WASHER-HARD (10.2X22.5X3-MM THK)						
3	1	1	<b>8L-7395</b>	4	NUT-FULL						



GRAPHIC #1

<END>

g00240984

# ELECTRICAL AND STARTING SYSTEM

## 106-1771 FASTENER GP-EXTENSION BOX

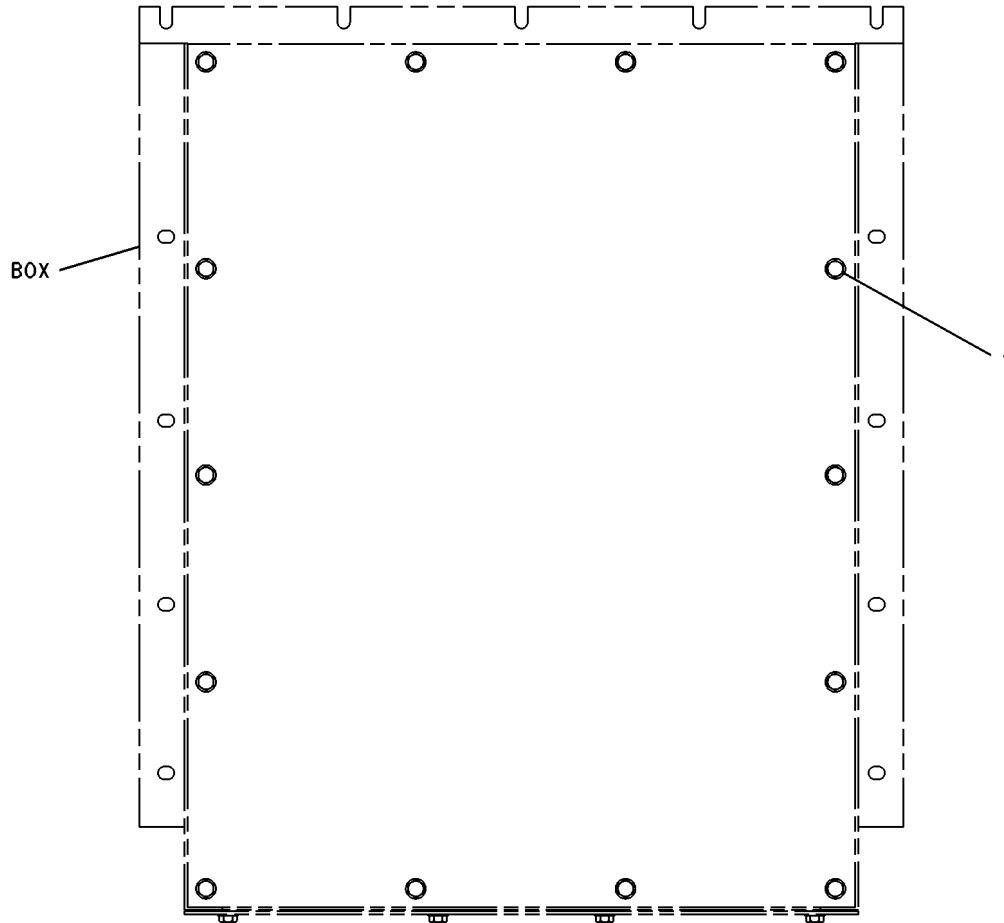
S/N: 5CA5985-UP; 5DA5682-UP; 5EA5375-UP; 5FA4499-UP; 8JF1-UP; 6CG1-UP; 6DG1-UP;  
6EG1-UP

FOR USAGE REFER TO CHART 4W-8145-PAGE: 1768  
PART OF 3N-5566, 3N-5567 BOX GP-GENERATOR CONNECTION  
AN ATTACHMENT

SMCS-4460

i04434311

NOTE	REF NO	GRAPHIC REF	PART NUMBER	QTY	PART NAME						SEE PAGE
					1	2	3	4	5	6 (PRODUCT LEVEL)	
	1	1	104-3045	14	BOLT-FLANGE HEAD (5/16-18X0.625-IN)						



RIGHT SIDE VIEW

GRAPHIC #1

<END>

g00234681

# ELECTRICAL AND STARTING SYSTEM

## 103-1737 FASTENER GP-WIRING HARNESS

S/N: 85Z3764-UP

PART OF 103-1497 WIRING GP-ENGINE  
AN ATTACHMENT

SMCS-1408, 7553

i00958639

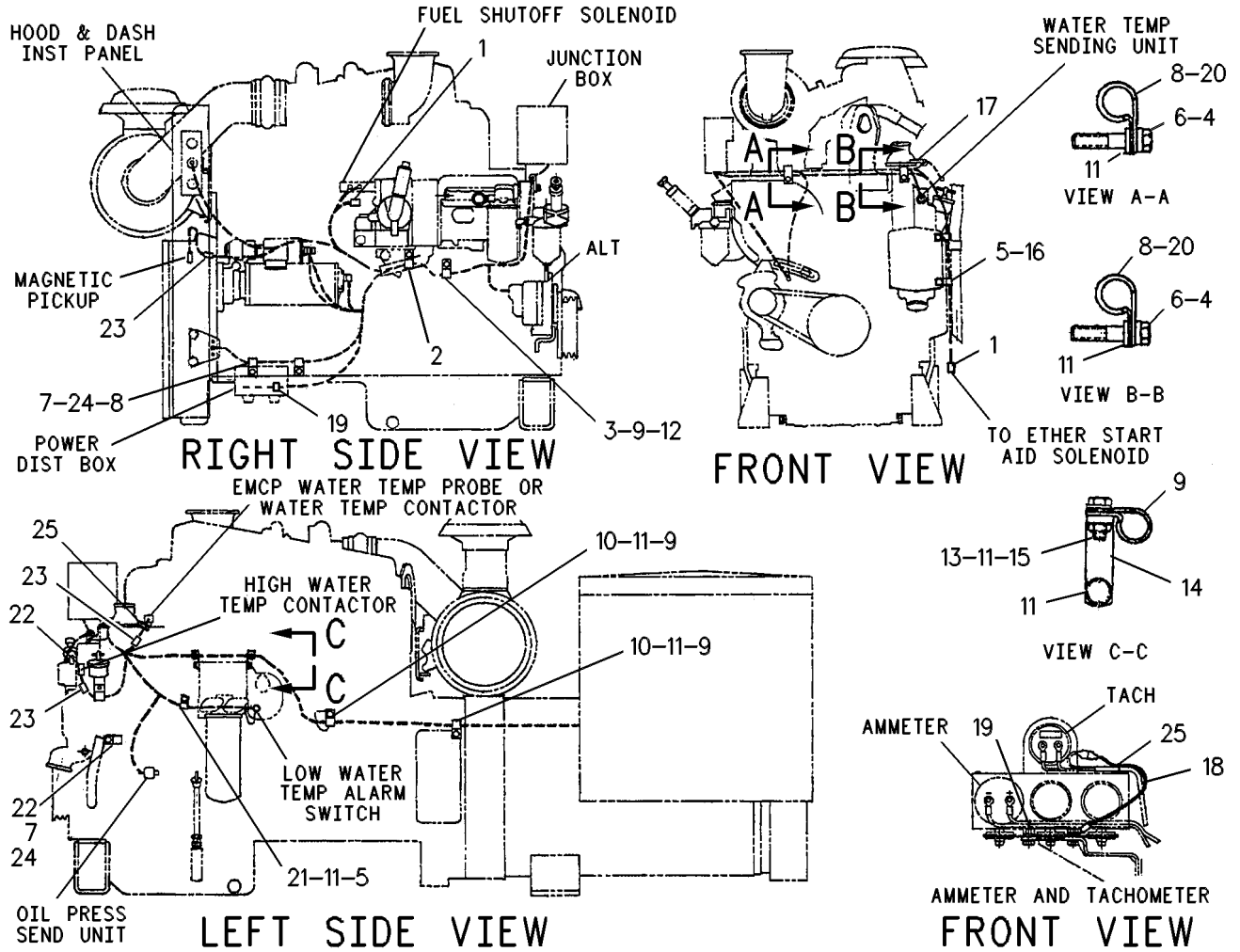
NOTE	REF NO	GRAPHIC REF	PART NUMBER	QTY	PART NAME						SEE PAGE
					1	2	3	4	5	6 (PRODUCT LEVEL)	
	1	1	<b>9G-9151</b>	2	CLIP						
B	2	1	<b>4S-4455</b>	1	CLIP						
	3	1	<b>8T-4224</b>	1	WASHER-HARD (8.8X16X2-MM THK)						
	4	1	<b>8T-9377</b>	2	BOLT (3/8-16X2.25-IN)						
	5	1	<b>8M-2773</b>	3	CLIP (LOOP)						
B	6	1	<b>7X-0575</b>	2	WASHER-HARD (10.2X22.5X5-MM THK)						
B	7	1	<b>8T-4224</b>	3	WASHER-HARD (8.8X16X2-MM THK)						
B	8	1	<b>7C-4354</b>	4	CLIP						
	9	1	<b>4S-4455</b>	5	CLIP						
	10	1	<b>0S-1594</b>	2	BOLT (3/8-16X1-IN)						
	11	1	<b>8T-4896</b>	8	WASHER-HARD (10.2X18.5X2.5-MM THK)						
	12	1	<b>5K-0906</b>	1	BOLT (5/16-18X0.625-IN)						
	13	1	<b>8T-2502</b>	2	BOLT (3/8-16X1.125-IN)						
	14	1	<b>8S-2749</b>	2	SUPPORT						
	15	1	<b>6V-8801</b>	2	NUT (3/8-16-THD)						
	16	1	<b>7X-0292</b>	2	BOLT (3/8-16X4.5-IN)						
B	17	1	<b>4S-4455</b>	1	CLIP						
B	18	1	<b>2W-0619</b>	1	WIRE AS						
	19	1	<b>8L-8413</b>	2	STRAP-CABLE (WHITE)						
B	20	1	<b>5N-2840</b>	2	CLIP						
	21	1	<b>5M-3062</b>	1	BOLT (3/8-16X0.75-IN)						
B	22	1	<b>8M-2773</b>	2	CLIP (LOOP)						
B	23	1	<b>9G-9151</b>	3	CLIP						
B	24	1	<b>5K-0906</b>	3	BOLT (5/16-18X0.625-IN)						
B	25	1	<b>8L-8413</b>	3	STRAP-CABLE (WHITE)						

B - USE AS REQUIRED

# ELECTRICAL AND STARTING SYSTEM

103-1737 FASTENER GP-WIRING HARNESS (contd.)

i00958639



GRAPHIC #1

<END>

g00240499

# ELECTRICAL AND STARTING SYSTEM

## 7W-5086 FASTENER GP-WIRING HARNESS

S/N: 85Z3764-UP

FOR USAGE REFER TO CHART 5N-8487-PAGE: 1747

AN ATTACHMENT

SMCS-1408, 7553

i00730857

NOTE	REF NO	GRAPHIC REF	PART NUMBER	QTY	PART NAME						SEE PAGE
					1	2	3	4	5	6 (PRODUCT LEVEL)	
	1	1	<b>9G-9151</b>	2	CLIP						
	2	1	<b>0S-1617</b>	2	BOLT (5/16-18X0.75-IN)						
	3	1	<b>9M-1974</b>	2	WASHER-HARD (8.8X16X2-MM THK)						
C	4	1	<b>0L-2070</b>	1	BOLT (3/8-16X2.25-IN)						
C	5	1	<b>8M-2773</b>	2	CLIP (LOOP)						
	6	1	<b>8S-9191</b>	1	BOLT (3/8-16X4-IN)						
BC	7	1	<b>5M-2894</b>	1	WASHER-HARD (10.2X18.5X2.5-MM THK) (18.5MM .728IN OD)						
	8	1	<b>6D-4636</b>	2	CLIP (LOOP)						
BC	9	1	<b>4S-4455</b>	6	CLIP						
	10	1	<b>0S-1594</b>	2	BOLT (3/8-16X1-IN)						
C	11	1	<b>5M-2894</b>	8	WASHER-HARD (10.2X18.5X2.5-MM THK) (18.5MM .728IN OD)						
BC	12	1	<b>0L-1143</b>	1	BOLT (3/8-16X2.5-IN) (63.50MM)						
	13	1	<b>1A-2029</b>	2	BOLT (3/8-16X1.125-IN)						
	14	1	<b>8S-2749</b>	2	SUPPORT						
	15	1	<b>1D-4717</b>	2	NUT (3/8-16-THD)						
BC	16	1	<b>0L-2070</b>	1	BOLT (3/8-16X2.25-IN) (57.15MM)						
C	17	1	<b>3S-2093</b>	1	STRAP-CABLE						
BC	18	1	<b>5N-4686</b>		TAPE-ELECTRICAL (VINYL)						
FBC		1	<b>7K-1181</b>	4	STRAP-CABLE (USE WITH BELT GUARD)						

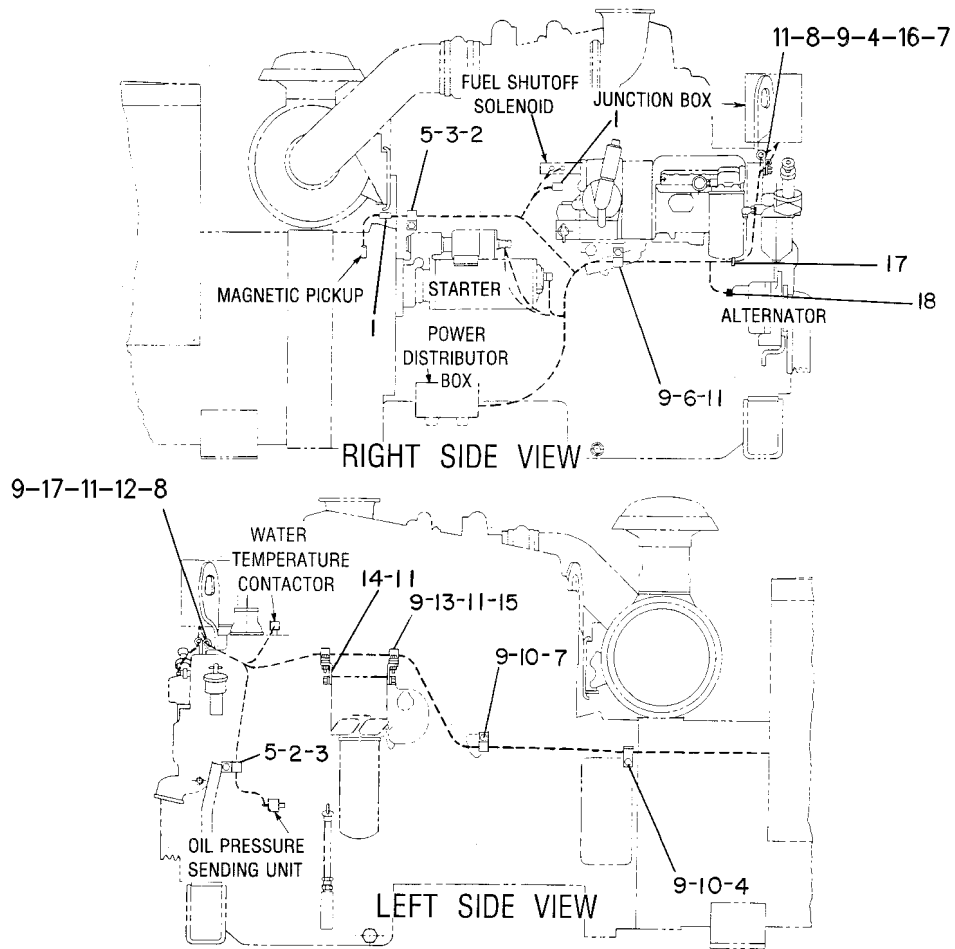
B - USE AS REQUIRED  
 C - CHANGE FROM PREVIOUS TYPE  
 F - NOT SHOWN



# ELECTRICAL AND STARTING SYSTEM

7W-5086 FASTENER GP-WIRING HARNESS (contd.)

100730857



GRAPHIC #1

<END>

g00296139

# ELECTRICAL AND STARTING SYSTEM

## 7W-9610 FASTENER GP-WIRING HARNESS

S/N: 85Z3764-UP

PART OF 7W-3139 WIRING GP-ENGINE, 103-1949 WIRING GP-PANEL  
AN ATTACHMENT

SMCS-1408, 7553

i01834657

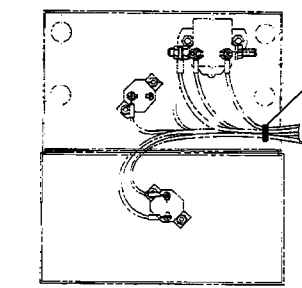
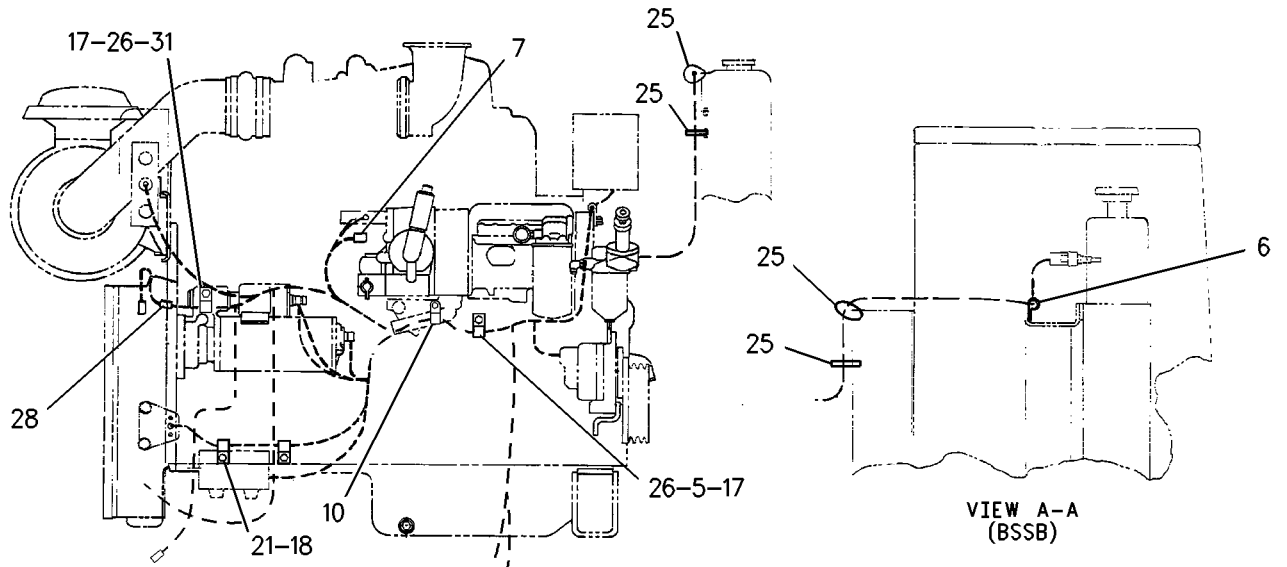
NOTE	REF NO	GRAPHIC REF	PART NUMBER	QTY	PART NAME						SEE PAGE
					1	2	3	4	5	6 (PRODUCT LEVEL)	
B	1	1	8M-2773	1	CLIP (LOOP)						
	2	1	8M-2773	4	CLIP (LOOP)						
	3	1	5M-3062	1	BOLT (3/8-16X0.75-IN)						
	4	1	8T-4896	8	WASHER-HARD (10.2X18.5X2.5-MM THK)						
	5	1	4S-4455	5	CLIP						
	6	1	4L-6454	2	BOLT (3/8-16X1-IN)						
	7	1	9G-9151	2	CLIP						
B	8	1	8T-4224	1	WASHER-HARD (8.8X16X2-MM THK)						
B	9	1	7C-4354	2	CLIP						
B	10	1	4S-4455	2	CLIP						
B	11	1	5K-0906	1	BOLT (5/16-18X0.625-IN)						
B	12	1	8L-8413	3	STRAP-CABLE (WHITE)						
	13	1	7X-0292	2	BOLT (3/8-16X4.5-IN)						
	14	1	8T-2502	2	BOLT (3/8-16X1.125-IN)						
	15	1	8S-2749	2	SUPPORT						
B	16	1	5N-2840	2	CLIP						
	17	1	5K-0906	2	BOLT (5/16-18X0.625-IN)						
B	18	1	8T-4224	2	WASHER-HARD (8.8X16X2-MM THK)						
	19	1	2W-0619	1	WIRE AS						
C	20	1	8L-8413	2	STRAP-CABLE (WHITE)						
CB	21	1	7C-4354	2	CLIP						
CB		1	5K-0906	2	BOLT (5/16-18X0.625-IN)						
	22	1	7X-0575	2	WASHER-HARD (10.2X22.5X5-MM THK)						
	23	1	6V-8801	2	NUT (3/8-16-THD)						
B	24	1	8M-2773	3	CLIP (LOOP)						
B	25	1	8L-8413	5	STRAP-CABLE (WHITE)						
	26	1	8T-4224	2	WASHER-HARD (8.8X16X2-MM THK)						
	27	1	8T-9377	2	BOLT (3/8-16X2.25-IN)						
B	28	1	9G-9151	3	CLIP						
B	29	1	8T-4896	1	WASHER-HARD (10.2X18.5X2.5-MM THK)						
B	30	1	5P-8167	1	BOLT (3/8-16X0.625-IN)						
	31	1	7C-4354	1	CLIP						

B - USE AS REQUIRED  
C - CHANGE FROM PREVIOUS TYPE

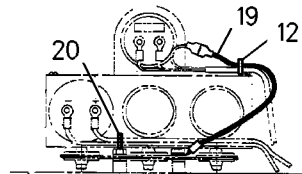
# ELECTRICAL AND STARTING SYSTEM

7W-9610 FASTENER GP-WIRING HARNESS (contd.)

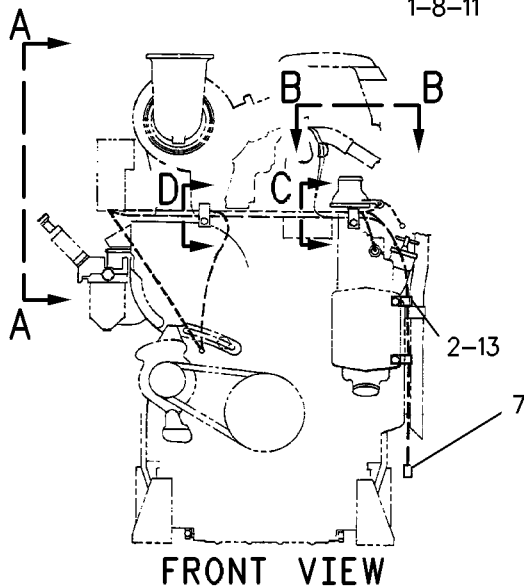
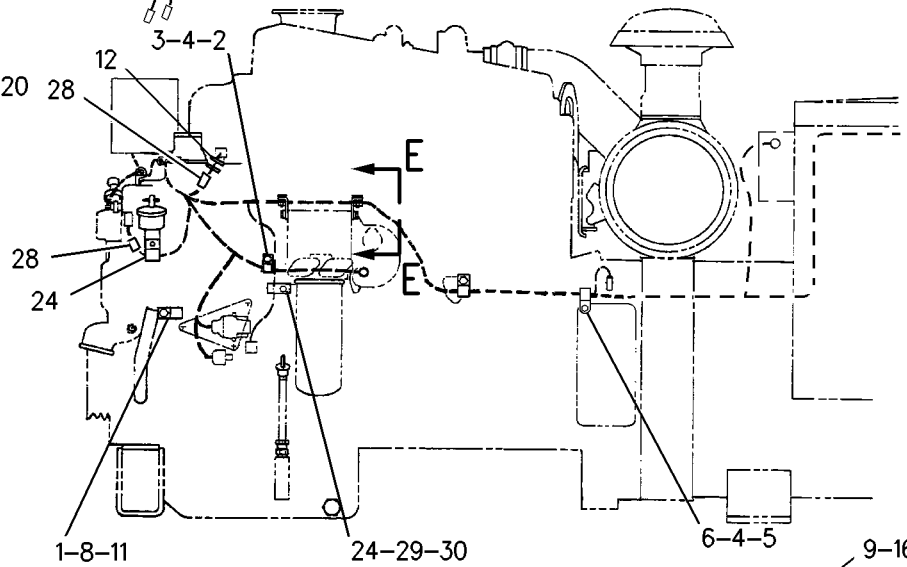
101834657



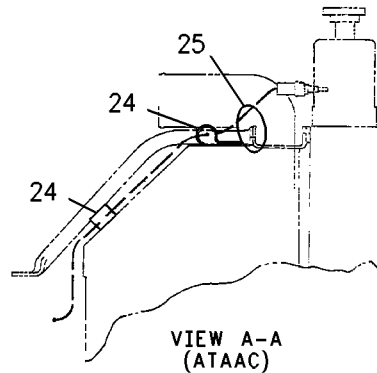
POWER DISTRIBUTION BOX



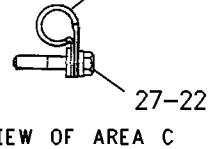
AMMETER AND TACHOMETER



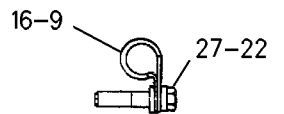
FRONT VIEW



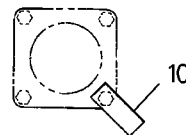
VIEW A-A (ATAAC)



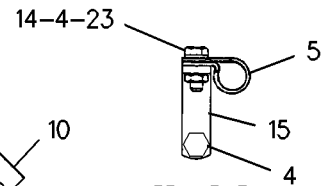
VIEW OF AREA C



VIEW OF AREA D



VIEW B-B



VIEW E-E

GRAPHIC #1

<END>

g00937891

# ELECTRICAL AND STARTING SYSTEM

## 360-4226 HARNESS AS-CONTROL-PRODUCT LINK

S/N: 85Z3764-UP

PART OF 426-5362 INSTALLATION GP-COMMUNICATION

SMCS-1408

i06097262

NOTE	PART NUMBER	QTY	PART NAME 1 2 3 4 5 6 (PRODUCT LEVEL)	SEE PAGE
	<b>340-7298</b>	1	CAP AS	
	<b>374-7466</b>	1	CAP-SEAL	
	<b>374-7468</b>	1	CAP-SEAL	
	<b>133-0969</b>	1	CONNECTOR-SOCKET (16-GA TO 18-GA)	
	<b>126-1774</b>	1	COVER-CONNECTOR	
	<b>155-2256</b>	2	KIT-CONNECTING PLUG (12-PIN)	
	<b>155-2260</b>	2	KIT-CONNECTING PLUG (3-PIN)	
	<b>155-2274</b>	1	KIT-CONNECTING PLUG (6-PIN)	
			(EACH PLUG KIT INCLUDES PLUS AS, WEDGE, & INTERFACE SEAL)	
	<b>102-8803</b>	1	KIT-RECEPTACLE (3-PIN)	
			(INCLUDES RECEPTACLE AS & WEDGE)	
	<b>8T-8729</b>	6	PIN-CONNECTOR (16-GA TO 20-GA)	
	<b>147-1445</b>	1	PLUG AS-CONNECTOR (70-PIN)	
	<b>159-9322</b>	1	SEAL-O-RING	
	<b>8T-8737</b>	63	PLUG-SEAL	
	<b>133-0970</b>	1	RECEPTACLE AS-CONNECTOR (TEE)	
	<b>210-8950</b>	1	RECEPTACLE-CONNECTOR (9-PIN)	
	<b>8T-8730</b>	48	SOCKET-CONNECTOR (16-GA TO 18-GA)	
	<b>7K-1181</b>	2	STRAP-CABLE	
E	<b>125-7874</b>		TUBE-HEAT SHRINK (5.72-MM DIA) (15-CM)	
E	<b>125-7875</b>		TUBE-HEAT SHRINK (7.44-MM DIA) (10-CM)	
E - ORDER BY THE CENTIMETER				

<END>

# ELECTRICAL AND STARTING SYSTEM

## 105-7185 HARNESS AS-PANEL-CIRCUIT BREAKER

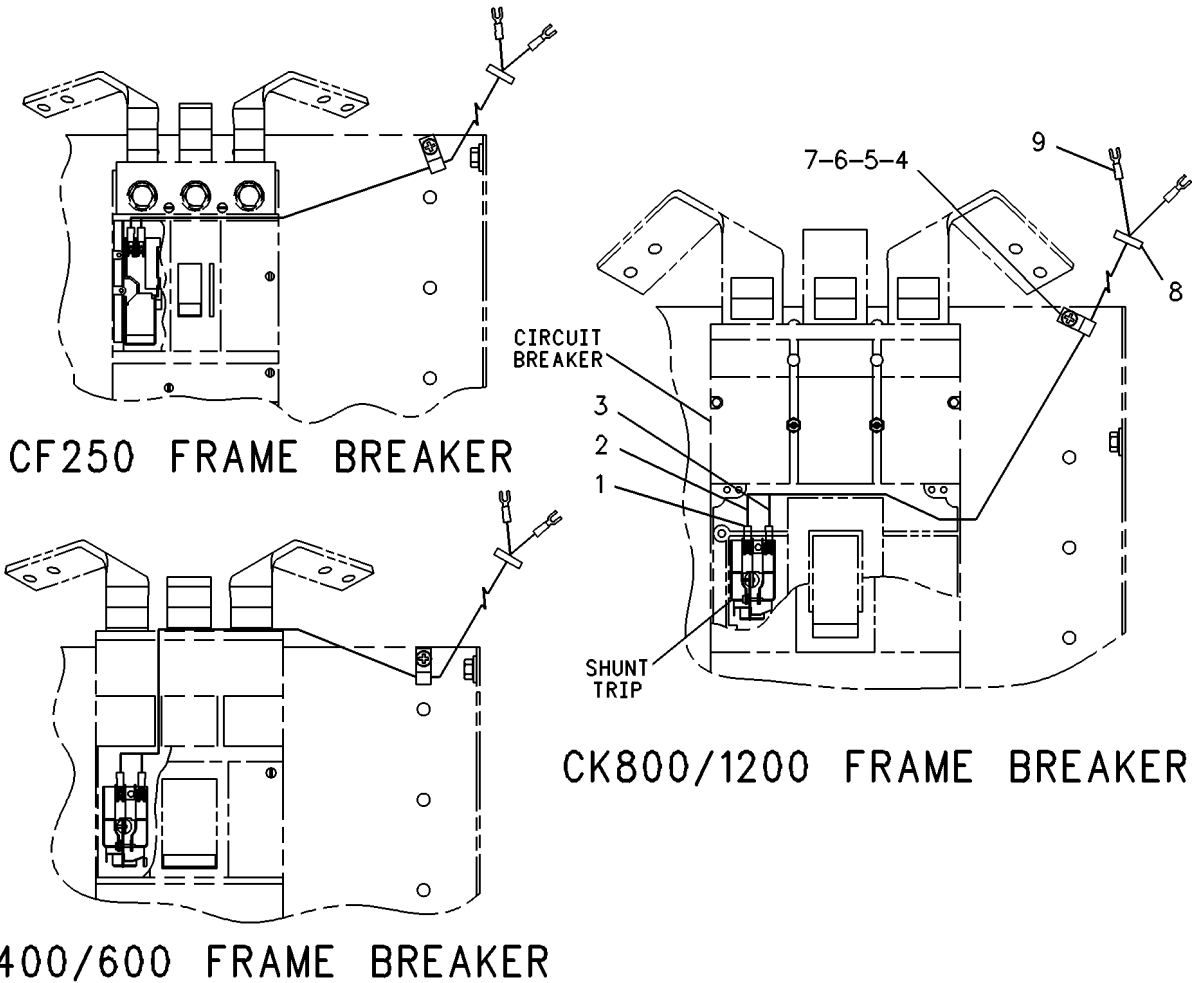
S/N: 5CA5985-UP; 5DA5682-UP; 5EA5375-UP; 5FA4499-UP; 8JF1-UP; 6CG1-UP; 6DG1-UP;  
6EG1-UP  
SHUNT TRIP  
FOR USAGE REFER TO CHART 4W-8145-PAGE: 1768  
AN ATTACHMENT

SMCS-1408

i02462363

NOTE	REF NO	GRAPHIC REF	PART NUMBER	QTY	PART NAME						SEE PAGE
					1	2	3	4	5	6 (PRODUCT LEVEL)	
	1	1	<b>109-3038</b>	2	END-WIRE (16-GA)						
D	2	1	<b>5P-0651</b>		WIRE-ELECTRICAL (16-GA, ORANGE) (1.9-M)						
D	3	1	<b>5P-5623</b>		WIRE-ELECTRICAL (16-GA, BLACK) (1.9-M)						
	4	1	<b>8M-2771</b>	1	CLIP						
	5	1	<b>4B-4274</b>	1	WASHER (5.5X13X1.2-MM THK)						
	6	1	<b>6J-4762</b>	1	SCREW (10-32X0.625-IN)						
	7	1	<b>9S-5937</b>	1	LOCKNUT (10-32-THD)						
B	8	1	<b>8L-8413</b>	6	STRAP-CABLE (WHITE)						
	9	1	<b>5P-1476</b>	2	TERMINAL-FORK (14-GA TO 16-GA, NO. 10 SCREW)						

B - USE AS REQUIRED  
D - ORDER BY THE METER



GRAPHIC #1

<END>

g00234686

# ELECTRICAL AND STARTING SYSTEM

## 128-0830 HARNESS AS-POWER-DIGITAL VOLTAGE REGULATOR

S/N: 5CA5985-UP; 5DA5682-UP; 8JF1-UP; 6EG1-UP

PROVIDES A POWER WIRING HARNESS OF BATTERY POWER TO THE DIGITAL VOLTAGE REGULATOR  
AN ATTACHMENT

SMCS-1408

i03706928

NOTE	PART NUMBER	QTY	PART NAME						SEE PAGE
			1	2	3	4	5	6 (PRODUCT LEVEL)	
	109-3038	2	END-WIRE (16-GA)						
	1S-9593	5	STRAP-CABLE						
	131-1474	2	TERMINAL AS						
			(EACH INCLUDES)						
	5P-2321	1	TERMINAL-FORK (14-GA TO 16-GA, NO. 6 SCREW)						
E	125-7874		TUBE-HEAT SHRINK (5.72-MM DIA) (3-CM)						
E - ORDER BY THE CENTIMETER									
<END>									

## 242-9752 HARNESS AS-POWER-DIGITAL VOLTAGE REGULATOR

S/N: 8JF1-UP; 6CG1-UP; 6DG1-UP; 6EG1-UP

PART OF 242-7961 WIRING GP-GENERATOR

AN ATTACHMENT

SMCS-1408

i05281483

NOTE	PART NUMBER	QTY	PART NAME						SEE PAGE
			1	2	3	4	5	6 (PRODUCT LEVEL)	
	102-8802	1	KIT-RECEPTACLE (2-PIN)						
			(RECEPTACLE KIT INCLUDES RECEPTACLE AS & WEDGE)						
	6V-7939	2	DISPENSER GP-MARKER TAPE						
	8T-8729	2	PIN-CONNECTOR (16-GA TO 20-GA)						
	2L-8081	2	TERMINAL-RING (14-GA TO 16-GA, 1/2-IN SCREW)						
<END>									

## 222-5398 HARNESS AS-WIRING-ELECTRONIC GOVERNOR ACTUATOR

S/N: 85Z3764-UP

2301A

PART OF 7W-6542 CONTROL GP-GOVERNOR

AN ATTACHMENT

SMCS-1408

i03741587

NOTE	PART NUMBER	QTY	PART NAME						SEE PAGE
			1	2	3	4	5	6 (PRODUCT LEVEL)	
	7N-9737	1	HOUSING-RECEPTACLE (14-GA TO 18-GA)						
	102-8803	1	KIT-RECEPTACLE (3-PIN)						
			(INCLUDES RECEPTACLE AS & WEDGE)						
	7N-7780	1	PIN-CONNECTOR (14-GA TO 18-GA)						
	8T-8729	1	PIN-CONNECTOR (16-GA TO 20-GA)						
	7N-7779	1	SOCKET-CONNECTOR (14-GA TO 18-GA)						
	3E-3371	1	WEDGE-RECEPTACLE LOCK (3-PIN)						
<END>									

# ELECTRICAL AND STARTING SYSTEM

## 240-6833 HARNESS AS-WIRING-AC, LOW VOLTAGE GENERATOR S/N: 8JF1-UP; 6CG1-UP; 6DG1-UP; 6EG1-UP FOR USE WITH LOW VOLTAGE GENERATOR AN ATTACHMENT

SMCS-1408

i05378994

NOTE	PART NUMBER	QTY	PART NAME						SEE PAGE
			1	2	3	4	5	6 (PRODUCT LEVEL)	
	5N-9117	1	ADAPTER						
	5N-9072	1	CLIP						
	5N-9067	1	COLLAR						
	109-3038	6	END-WIRE (16-GA)						
	062-5388	1	LOCKNUT (1-11-1/2-THD)						
	8L-8413	28	STRAP-CABLE (WHITE)						
	2L-8081	4	TERMINAL-RING (14-GA TO 16-GA, 1/2-IN SCREW)						
	2L-8076	5	TERMINAL-RING (14-GA TO 16-GA, NO. 10 SCREW)						
	5P-1475	9	TERMINAL-FORK (14-GA TO 16-GA, NO. 8 SCREW)						
<END>									

## 240-6834 HARNESS AS-WIRING-AC, MEDIUM VOLTAGE GENERATOR S/N: 8JF1-UP; 6CG1-UP; 6DG1-UP; 6EG1-UP FOR USE WITH MEDIUM VOLTAGE GENERATOR AN ATTACHMENT

SMCS-1408

i02153918

NOTE	PART NUMBER	QTY	PART NAME						SEE PAGE
			1	2	3	4	5	6 (PRODUCT LEVEL)	
	5N-9117	1	ADAPTER						
	5N-9072	1	CLIP						
	5N-9067	1	COLLAR						
	109-3038	10	END-WIRE (16-GA)						
	062-5388	1	LOCKNUT (1-11-1/2-THD)						
	8L-8413	28	STRAP-CABLE (WHITE)						
	2L-8076	5	TERMINAL-RING (14-GA TO 16-GA, NO. 10 SCREW)						
	5P-1475	9	TERMINAL-FORK (14-GA TO 16-GA, NO. 8 SCREW)						
<END>									

# ELECTRICAL AND STARTING SYSTEM

## 242-3100 HARNESS AS-WIRING-GENERATOR TERMINAL STRIP

S/N: 8JF1-UP; 6CG1-UP; 6DG1-UP; 6EG1-UP  
 PART OF 241-3378, 242-7960 WIRING GP-GENERATOR  
 AN ATTACHMENT

SMCS-1408

i05141989

NOTE	PART NUMBER	QTY	PART NAME 1 2 3 4 5 6 (PRODUCT LEVEL)	SEE PAGE
	<b>8C-6354</b>	1	CAP-RECEPTACLE (ET CONNECTOR)	
	<b>109-3038</b>	24	END-WIRE (16-GA)	
	<b>244-0452</b>	27	END-WIRE (14-GA TO 20-GA)	
	<b>174-0503</b>	1	KIT-CONNECTING PLUG (3-PIN)	
			(INCLUDES PLUG AS & WEDGE)	
	<b>8T-8729</b>	5	PIN-CONNECTOR (16-GA TO 20-GA)	
	<b>234-1856</b>	1	PLUG-CONNECTOR (6-PIN)	
	<b>234-1857</b>	1	PLUG-CONNECTOR (9-PIN)	
	<b>234-1858</b>	1	PLUG-CONNECTOR (12-PIN)	
	<b>8T-8736</b>	1	RECEPTACLE-CONNECTOR (9-PIN)	
	<b>134-2540</b>	1	RECEPTACLE AS-CONNECTOR (3-PIN)	
	<b>246-7013</b>	1	SEAL (6-POSITION)	
	<b>246-7014</b>	1	SEAL (9-POSITION)	
	<b>246-7015</b>	1	SEAL (12-POSITION)	
	<b>8T-8730</b>	3	SOCKET-CONNECTOR (16-GA TO 18-GA)	
	<b>8L-8413</b>	7	STRAP-CABLE (WHITE)	
E	<b>9X-8243</b>		TUBE-HEAT SHRINK (39.9-MM DIA) (5-CM)	

E - ORDER BY THE CENTIMETER

<END>



# ELECTRICAL AND STARTING SYSTEM

## 242-3104 HARNESS AS-WIRING-GENERATOR TERMINAL STRIP S/N: 8JF1-UP; 6CG1-UP; 6DG1-UP; 6EG1-UP PART OF 242-7961 WIRING GP-GENERATOR AN ATTACHMENT

SMCS-1408

i05180850

NOTE	PART NUMBER	QTY	PART NAME 1 2 3 4 5 6 (PRODUCT LEVEL)	SEE PAGE
	8C-6354	1	CAP-RECEPTACLE (ET CONNECTOR)	
	8L-8413	5	STRAP-CABLE (WHITE)	
	8T-8729	5	PIN-CONNECTOR (16-GA TO 20-GA)	
	8T-8730	5	SOCKET-CONNECTOR (16-GA TO 18-GA)	
	8T-8736	1	RECEPTACLE-CONNECTOR (9-PIN)	
E	9X-8243		TUBE-HEAT SHRINK (39.9-MM DIA) (5-CM)	
	109-3038	22	END-WIRE (16-GA)	
	134-2540	1	RECEPTACLE AS-CONNECTOR (3-PIN)	
E	153-2707		CABLE-ELECTRICAL (2-CONDUCTOR, 18-GA) (67-CM)	
	155-2270	1	KIT-CONNECTING PLUG (2-PIN)	
	174-0503	1	KIT-CONNECTING PLUG (3-PIN)	
			(EACH PLUG KIT INCLUDES PLUG AS, WEDGE & INTERFACE SEAL)	
	234-1856	1	PLUG-CONNECTOR (6-PIN)	
	234-1857	1	PLUG-CONNECTOR (9-PIN)	
	234-1858	1	PLUG-CONNECTOR (12-PIN)	
	244-0452	27	END-WIRE (14-GA TO 20-GA)	
	246-7013	1	SEAL (6-POSITION)	
	246-7014	1	SEAL (9-POSITION)	
	246-7015	1	SEAL (12-POSITION)	

E - ORDER BY THE CENTIMETER

<END>

## 243-4271 HARNESS AS-WIRING-GENERATOR TERMINAL STRIP S/N: 8JF1-UP; 6CG1-UP; 6DG1-UP; 6EG1-UP PART OF 243-4285 WIRING GP-GENERATOR AN ATTACHMENT

SMCS-1408

i02294679

NOTE	PART NUMBER	QTY	PART NAME 1 2 3 4 5 6 (PRODUCT LEVEL)	SEE PAGE
	244-0452	24	END-WIRE (14-GA TO 20-GA)	
	234-1856	1	PLUG-CONNECTOR (6-PIN)	
	234-1857	1	PLUG-CONNECTOR (9-PIN)	
	234-1858	1	PLUG-CONNECTOR (12-PIN)	
	246-7013	1	SEAL (6-POSITION)	
	246-7014	1	SEAL (9-POSITION)	
	246-7015	1	SEAL (12-POSITION)	
	8L-8413	7	STRAP-CABLE (WHITE)	

<END>

# ELECTRICAL AND STARTING SYSTEM

## 423-7018 HARNESS AS-WIRING-PRODUCT LINK RADIO

S/N: 85Z3764-UP

3-METER EXTENSION

PART OF 426-5363 INSTALLATION GP-COMMUNICATION

SMCS-1408

i06733922

NOTE	PART NUMBER	QTY	PART NAME 1 2 3 4 5 6 (PRODUCT LEVEL)	SEE PAGE
	155-2255	1	KIT-CONNECTING PLUG (12-PIN)	
	155-2256	1	KIT-CONNECTING PLUG (12-PIN)	
			(EACH KIT INCLUDES PLUG AS, WEDGE, & INTERFACE SEAL)	
	102-8801	1	KIT-RECEPTACLE (12-PIN)	
	190-7614	1	KIT-RECEPTACLE (12-PIN)	
			(EACH KIT INCLUDES RECEPTACLE AS & WEDGE)	
	8T-8729	8	PIN-CONNECTOR (16-GA TO 20-GA)	
	8T-8737	8	PLUG-SEAL	
	8T-8730	8	SOCKET-CONNECTOR (16-GA TO 18-GA)	
<END>				

## 447-5512 HARNESS AS-WIRING-PL461 TO PL462 CONVERSION

S/N: 85Z3764-UP

PART OF 426-5363 INSTALLATION GP-COMMUNICATION

SMCS-1408

i05433648

NOTE	PART NUMBER	QTY	PART NAME 1 2 3 4 5 6 (PRODUCT LEVEL)	SEE PAGE
	8T-8729	8	PIN-CONNECTOR (16-GA TO 20-GA)	
	8T-8730	8	SOCKET-CONNECTOR (16-GA TO 18-GA)	
	8T-8737	8	PLUG-SEAL	
	155-2255	1	KIT-CONNECTING PLUG (12-PIN)	
			(KIT INCLUDES PLUG AS, WEDGE & INTERFACE SEAL)	
	190-7614	1	KIT-RECEPTACLE (12-PIN)	
			(KIT INCLUDES RECEPTACLE AS & WEDGE)	
<END>				

# ELECTRICAL AND STARTING SYSTEM

## 7W-4981 HARNESS GP-WIRING

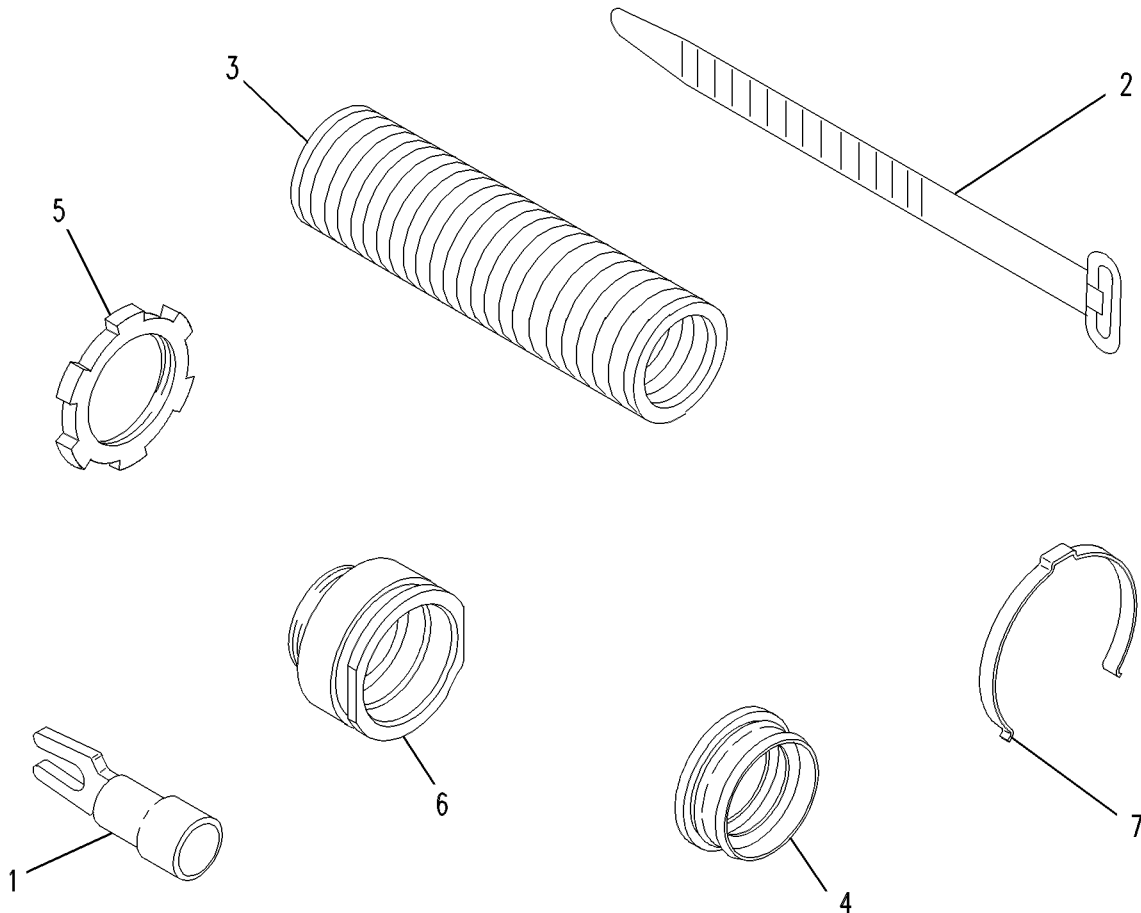
S/N: 85Z3764-UP  
GENERATOR INTERCONNECT  
AN ATTACHMENT

SMCS-1408

i01132492

NOTE	REF NO	GRAPHIC REF	PART NUMBER	QTY	PART NAME						SEE PAGE
					1	2	3	4	5	6 (PRODUCT LEVEL)	
	1	1	<b>5P-1475</b>	42	TERMINAL-FORK (14-GA TO 16-GA, NO. 8 SCREW) (#8 SCREW 14-16 GA)						
	2	1	<b>8L-8413</b>	13	STRAP-CABLE (WHITE)						
BD	3	1	<b>6V-5817</b>		CONDUIT-FLEXIBLE (26.1-MM ID, SPLIT)						
	4	1	<b>5N-9067</b>	2	COLLAR						
	5	1	<b>062-5388</b>	2	LOCKNUT (1-11-1/2-THD)						
	6	1	<b>5N-9117</b>	2	ADAPTER						
	7	1	<b>5N-9072</b>	2	CLIP (25.4MM)						
CF		1	<b>3S-8888</b>	1	DISPENSER GP-MARKER TAPE (NUMBERS ONE TO ONE THOUSAND) (NUMERIC)						
THE FOLLOWING WIRES ARE AVAILABLE:											
BD		1	<b>5P-5623</b>		WIRE-ELECTRICAL (16-GA, BLACK)						
BD		1	<b>5P-5624</b>		WIRE (14-GA, BLACK)						

B - USE AS REQUIRED  
C - CHANGE FROM PREVIOUS TYPE  
D - ORDER BY THE METER  
F - NOT SHOWN



GRAPHIC #1

<END>

g00598652

# ELECTRICAL AND STARTING SYSTEM

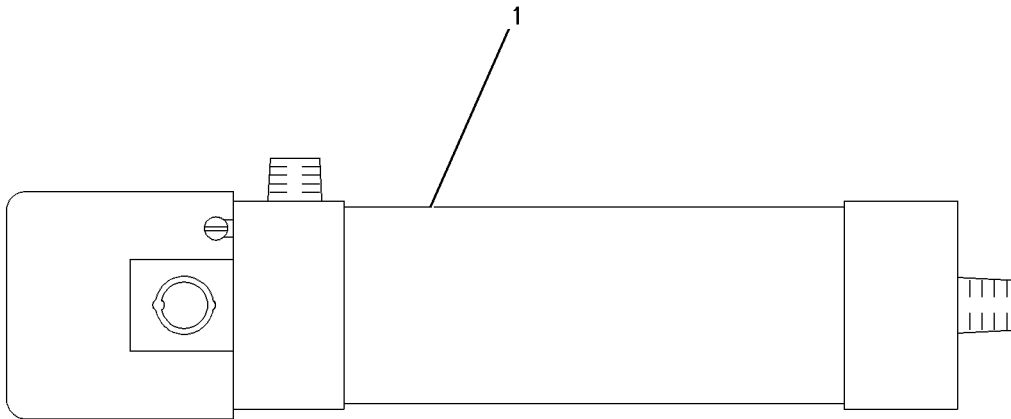
## 7E-6247 HEATER GP-JACKET WATER

S/N: 85Z3764-UP  
120-VOLT TO 240-VOLT. 3-KILOWATT  
AN ATTACHMENT  
TYPE 1

SMCS-1383

i04434913

NOTE	REF NO	GRAPHIC REF	PART NUMBER	QTY	PART NAME						SEE PAGE
					1	2	3	4	5	6 (PRODUCT LEVEL)	
	1	1	105-7123	1	THERMOSTAT AS (190-DEG F) (JACKET WATER HEATER)						



GRAPHIC #1

<END>

g00598641

# ELECTRICAL AND STARTING SYSTEM

## 7E-6247 HEATER GP-JACKET WATER

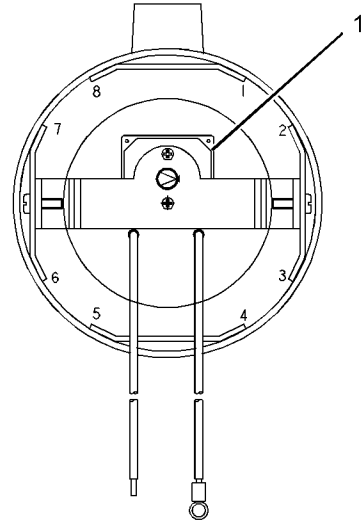
S/N: 85Z3764-UP  
 120-VOLT TO 240-VOLT. 3-KILOWATT  
 AN ATTACHMENT  
 TYPE 2

SMCS-1383

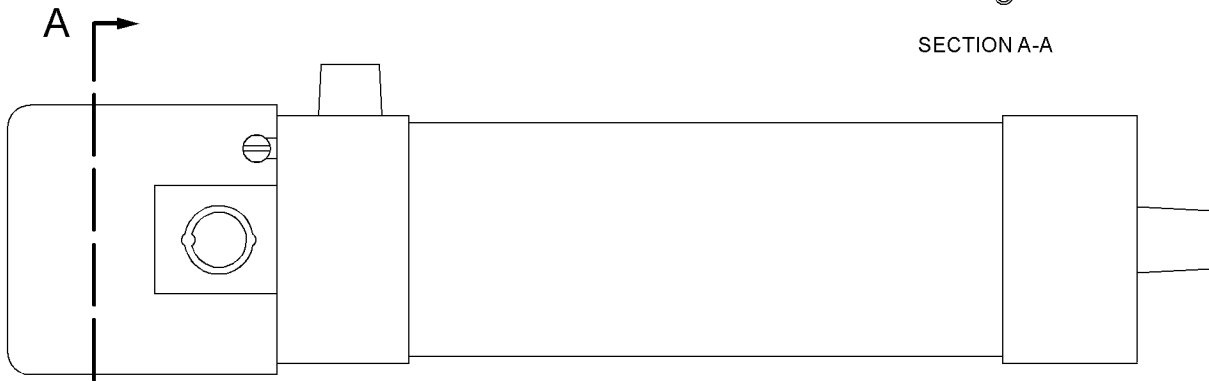
i03021944

NOTE	REF NO	GRAPHIC REF	PART NUMBER	QTY	PART NAME	SEE PAGE
C	1	1	127-6260	1	THERMOSTAT AS (20-DEG C TO 80-DEG C) (JACKET WATER HEATER)	

C - CHANGE FROM PREVIOUS TYPE



SECTION A-A



GRAPHIC #1

<END>

g01397474

# ELECTRICAL AND STARTING SYSTEM

## 7E-6247 HEATER GP-JACKET WATER

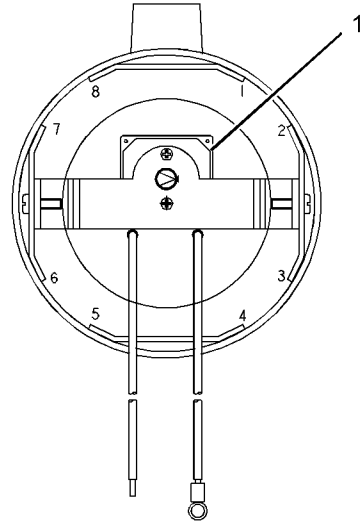
S/N: 85Z3764-UP  
 120-VOLT TO 240-VOLT. 3-KILOWATT  
 AN ATTACHMENT  
 TYPE 3

SMCS-1383

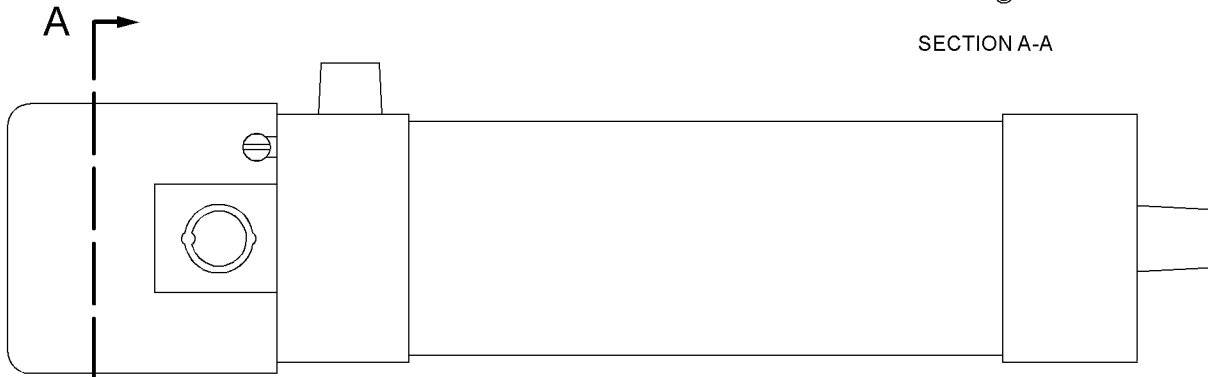
i03167895

NOTE	REF NO	GRAPHIC REF	PART NUMBER	QTY	PART NAME 1 2 3 4 5 6 (PRODUCT LEVEL)	SEE PAGE
C	1	1	109-8932	1	THERMOSTAT (60 DEG F TO 160 DEG F) (JACKET WATER HEATER)	

C - CHANGE FROM PREVIOUS TYPE



SECTION A-A



GRAPHIC #1

<END>

g01397474

# ELECTRICAL AND STARTING SYSTEM

## 3N-5583 HOLDER

S/N: 5CA5985-UP; 5DA5682-UP; 5EA5375-UP; 5FA4499-UP

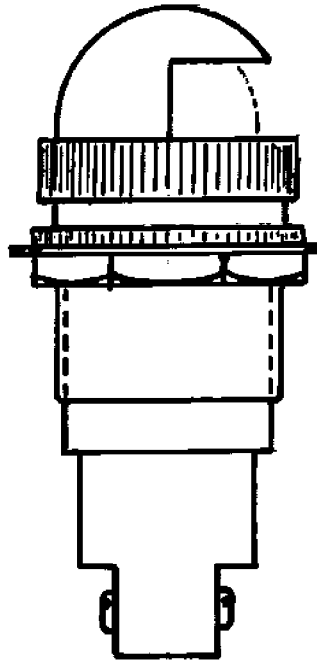
AUXILIARY

AN ATTACHMENT AND FIELD INSTALLATION

SMCS-1429

i01757671

NOTE	REF NO	GRAPHIC REF	PART NUMBER	QTY	PART NAME	SEE PAGE
					1 2 3 4 5 6 (PRODUCT LEVEL)	
(NO SERVICED PARTS)						



GRAPHIC #1

<END>

g00901128

# ELECTRICAL AND STARTING SYSTEM

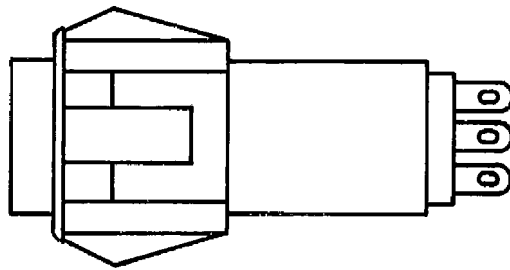
## 3N-5718 HOLDER

S/N: 5CA5985-UP; 5DA5682-UP; 5EA5375-UP; 5FA4499-UP  
SWITCH-RED  
AN ATTACHMENT

SMCS-1429

i01297465

NOTE	REF NO	GRAPHIC REF	PART NUMBER	QTY	PART NAME	SEE PAGE
					1 2 3 4 5 6 (PRODUCT LEVEL)	
(NO SERVICED PARTS)						



GRAPHIC #1

<END>

g00235698



# ELECTRICAL AND STARTING SYSTEM

## 426-5362 INSTALLATION GP-COMMUNICATION-~~PLE601~~ NETWORK MANAGER

S/N: 85Z3764-UP  
FIELD INSTALLATION

SMCS-1408, 1901, 1902, 7610, 7620

i06098882

NOTE	PART NUMBER	QTY	PART NAME						SEE PAGE
			1	2	3	4	5	6 (PRODUCT LEVEL)	
Y	<b>360-4226</b>	1	HARNESS AS-CONTROL						1070
M	<b>7X-2534</b>	4	BOLT (M6X1X50-MM)						
	<b>417-4722</b>	1	CONTROL GP-COMMUNICATION (NETWORK MANAGER)						
	<b>8C-5607</b>	8	MOUNT-ISOLATION						
M	<b>344-5673</b>	4	NUT (M6X1-THD)						
	<b>8C-5608</b>	4	SPACER (6.5X9.5X25.4-MM THK)						
	<b>7K-1181</b>	15	STRAP-CABLE						
	<b>9X-6165</b>	4	WASHER (6.5X22X2.5-MM THK)						
	<b>9X-8256</b>	4	WASHER (6.6X12X2-MM THK)						

M - METRIC PART  
Y - SEPARATE ILLUSTRATION

<END>

## 426-5363 INSTALLATION GP-COMMUNICATION-~~PL641~~ CELLULAR

S/N: 85Z3764-UP  
FIELD INSTALLATION

SMCS-1408, 1901, 1902, 7610, 7620

i06632416

NOTE	PART NUMBER	QTY	PART NAME						SEE PAGE
			1	2	3	4	5	6 (PRODUCT LEVEL)	
Y	<b>423-7018</b>	1	HARNESS AS-WIRING (PRODUCT LINK RADIO)						1076
CYR	<b>440-2105</b>	1	CONTROL GP-ELECTRONIC (PRODUCT LINK ELITE 641 CELLULAR)						1038
M	<b>8T-4971</b>	4	BOLT (M6X1X30-MM)						
	<b>433-9722</b>	1	FILM-IDENTIFICATION (WIRELESS COM DEVICE, READ OMM)						
	<b>433-9728</b>	1	FILM-WARNING (EXPLOSION, WIRELESS, OMM, U.S.)						
	<b>433-9730</b>	1	FILM-WARNING (EXPLOSION, WIRELESS, OMM, INTL)						
M	<b>344-5673</b>	4	NUT (M6X1-THD)						
	<b>9X-8256</b>	8	WASHER (6.6X12X2-MM THK)						

C - CHANGE FROM PREVIOUS TYPE  
M - METRIC PART  
R - REMANUFACTURED PART MAY BE AVAILABLE  
Y - SEPARATE ILLUSTRATION

<END>

# ELECTRICAL AND STARTING SYSTEM

## 6I-1864 KIT-RELAY

S/N: 85Z3764-UP

12-VOLT

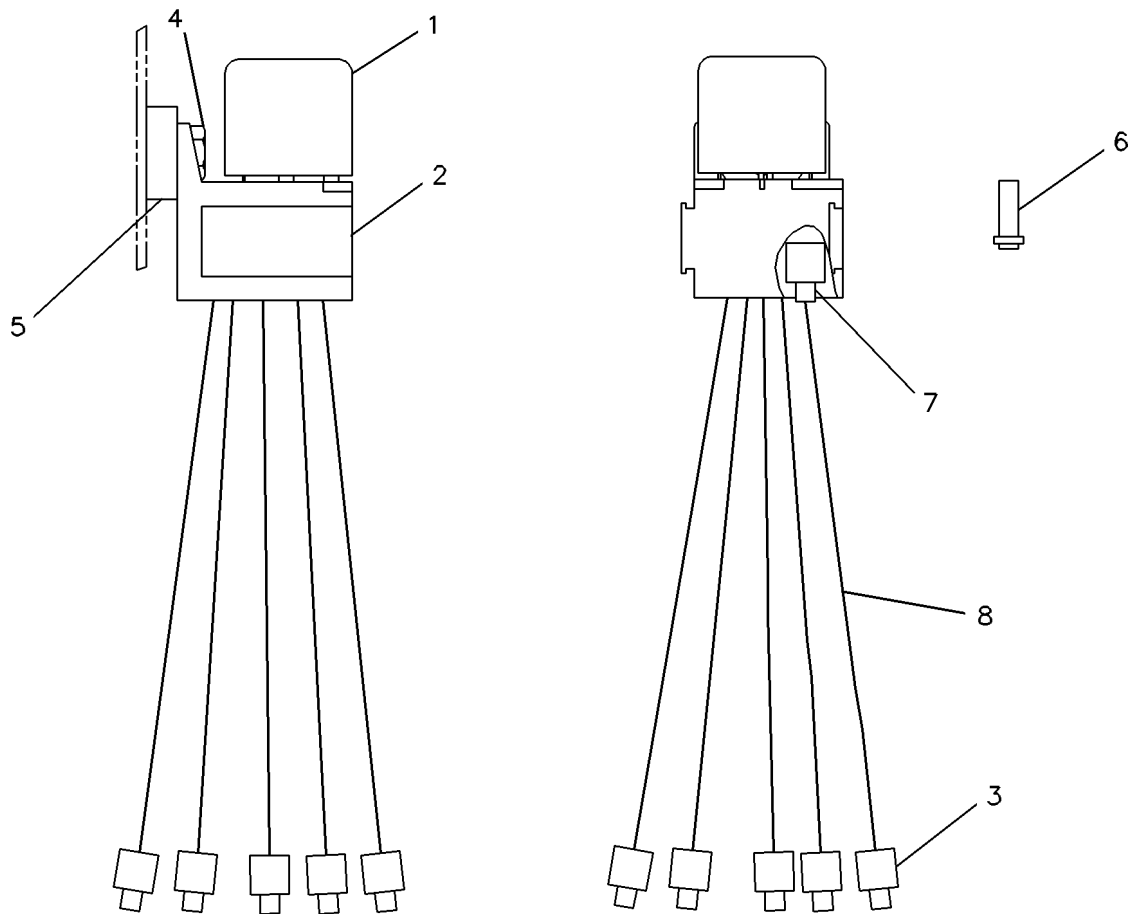
FIELD INSTALLATION

SMCS-1422, 1426

i02310854

NOTE	REF NO	GRAPHIC REF	PART NUMBER	QTY	PART NAME						SEE PAGE
					1	2	3	4	5	6 (PRODUCT LEVEL)	
	1	1	<b>3E-9362</b>	1	RELAY AS (12-VOLT)						
	2	1	<b>7T-6365</b>	1	HOUSING-RECEPTACLE						
	3	1	<b>4S-1988</b>	5	TERMINAL-BLADE (14-GA TO 16-GA)						
	4	1	<b>4B-2047</b>	1	NUT (10-24-THD)						
	5	1	<b>8M-5312</b>	1	SPACER (0.203X0.75X0.25-IN THK)						
	6	1	<b>1S-9593</b>	10	STRAP-CABLE						
	7	1	<b>7T-6364</b>	5	TERMINAL-BLADE (12-GA TO 16-GA)						
D	8	1	<b>5P-5624</b>		WIRE (14-GA, BLACK)						

D - ORDER BY THE METER



GRAPHIC #1

<END>

g00127722

# ELECTRICAL AND STARTING SYSTEM

## 7C-7466 KIT-SOLENOID

S/N: 85Z3764-UP

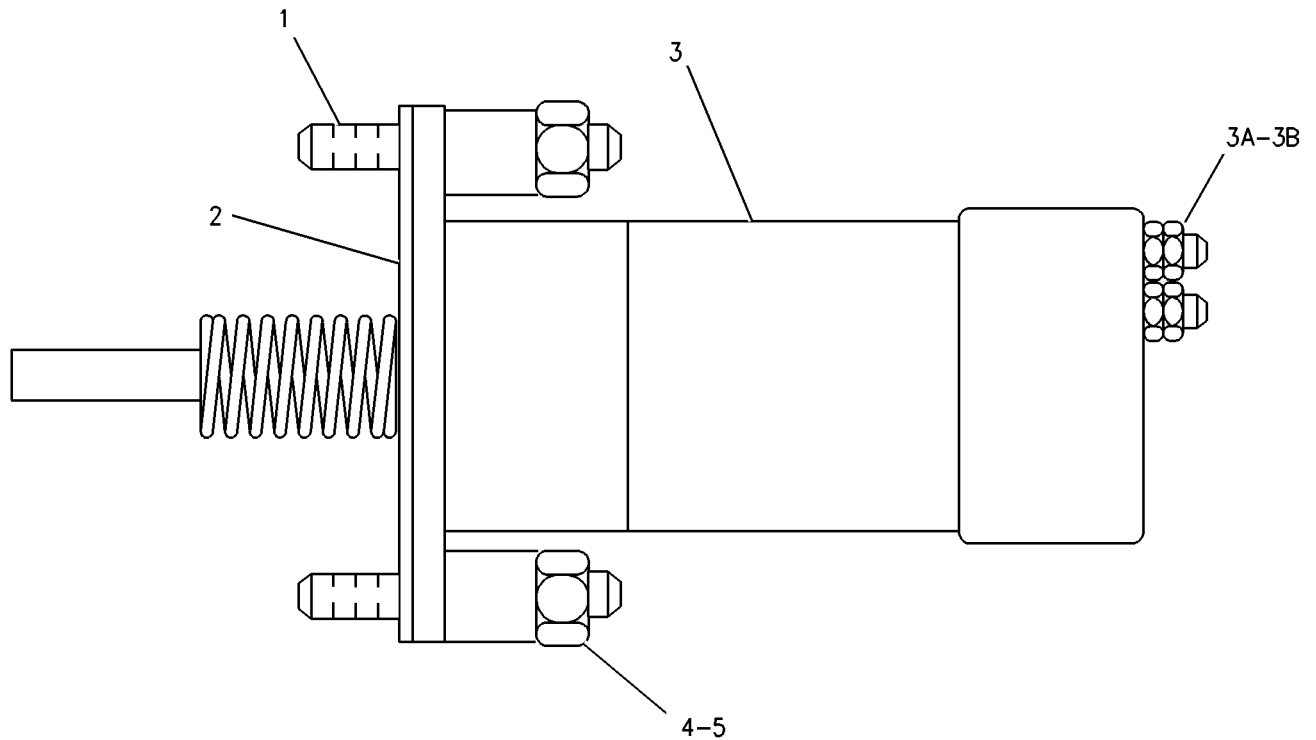
REPAIR

FIELD INSTALLATION

SMCS-1259

i01896397

NOTE	REF NO	GRAPHIC REF	PART NUMBER	QTY	PART NAME						SEE PAGE
					1	2	3	4	5	6 (PRODUCT LEVEL)	
	1	1	<b>7C-5544</b>	2	STUD						
	2	1	<b>6I-2002</b>	1	GASKET						
	3	1	<b>125-5773</b>	1	SOLENOID GP-SHUTOFF						
	3A	1	<b>6V-8377</b>	2	NUT (8-32-THD)						
	3B	1	<b>9B-7233</b>	2	LOCKWASHER						
	4	1	<b>5P-0537</b>	2	WASHER-HARD (7.2X14.5X2-MM THK)						
	5	1	<b>1B-4330</b>	2	NUT (1/4-20-THD)						



GRAPHIC #1

<END>

g00843655

ELECTRICAL AND STARTING SYSTEM

**7W-9833 KIT-TRANSFORMER ISOLATION**

S/N: 5CA5985-UP; 5DA5682-UP; 5EA5375-UP

FIELD INSTALLATION

SMCS-4476

i01297497

NOTE	PART NUMBER	QTY	PART NAME 1 2 3 4 5 6 (PRODUCT LEVEL)	SEE PAGE
(NO SERVICED PARTS)				
<END>				

# ELECTRICAL AND STARTING SYSTEM

## 172-0208 LUBRICATOR GP-AIR MOTOR

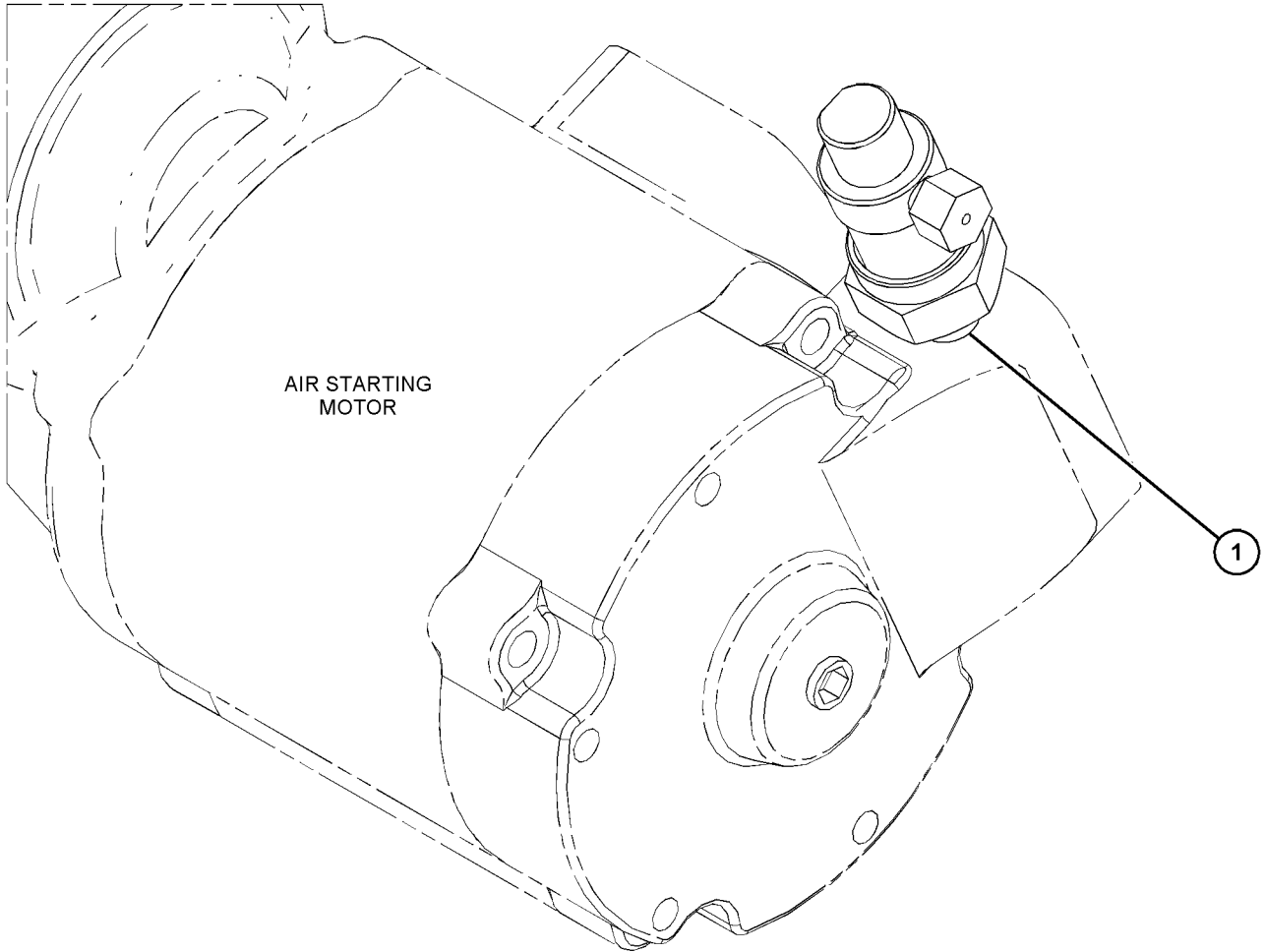
S/N: 85Z3764-UP

PART OF 106-5520 STARTING MOTOR GP-AIR  
AN ATTACHMENT

SMCS-1451

i06680413

NOTE	REF NO	GRAPHIC REF	PART NUMBER	QTY	PART NAME						SEE PAGE		
					1	2	3	4	5	6 (PRODUCT LEVEL)			
	1	1	362-0105	1	FITTING								
					AVAILABLE REPAIR KIT(S):								
					186-4180	1	KIT-SEAL (LUBRICATOR)						
					(INCLUDES O-RING SEALS, FILTER, U-CUP SEAL & SPRING)								



GRAPHIC #1

<END>

g06072531

# ELECTRICAL AND STARTING SYSTEM

## 9Y-6496 MODULE GP-INTERFACE

S/N: 85Z3764-UP

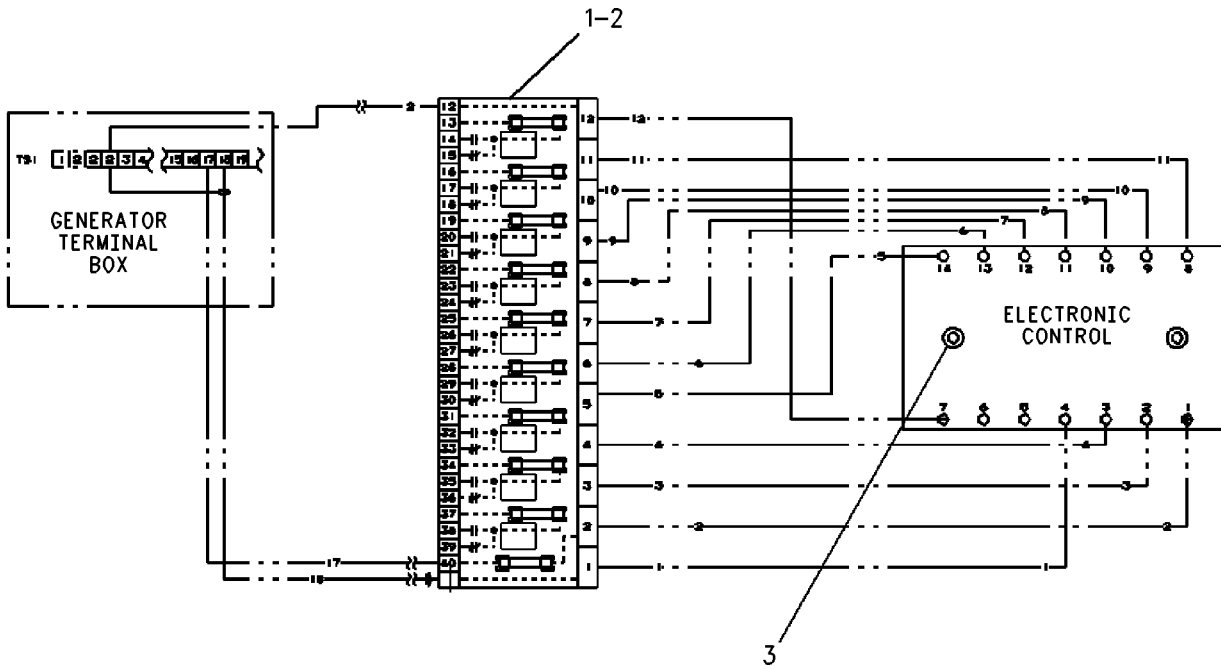
EMCP CUSTOMER INTERFACE MODULE  
AN ATTACHMENT

SMCS-7600

i07609317

NOTE	REF NO	GRAPHIC REF	PART NUMBER	QTY	PART NAME						SEE PAGE
					1	2	3	4	5	6 (PRODUCT LEVEL)	
	1	1	<b>9Y-6497</b>	1	BOARD AS-RELAY						
E		1	<b>6V-1075</b>		TRACK-MOUNTING (34-CM)						
		1	<b>8K-4644</b>	10	FUSE (1-AMPERE)						
	2	1	<b>6V-2687</b>	2	SCREW-PAN HEAD (10-24X1-IN)						
Y	3	1	<b>9X-0203</b>	1	MODULE GP-RELAY DRIVER						1693

E - ORDER BY THE CENTIMETER  
Y - SEPARATE ILLUSTRATION



GRAPHIC #1

<END>

g00681384

# ELECTRICAL AND STARTING SYSTEM

## 113-0850 MOUNTING GP-CIRCUIT BREAKER

S/N: 8JF1-UP; 6CG1-UP; 6DG1-UP; 6EG1-UP  
 FOR USAGE REFER TO CHART 4W-8145-PAGE: 1768  
 AN ATTACHMENT

SMCS-1420, 4461

i01857432

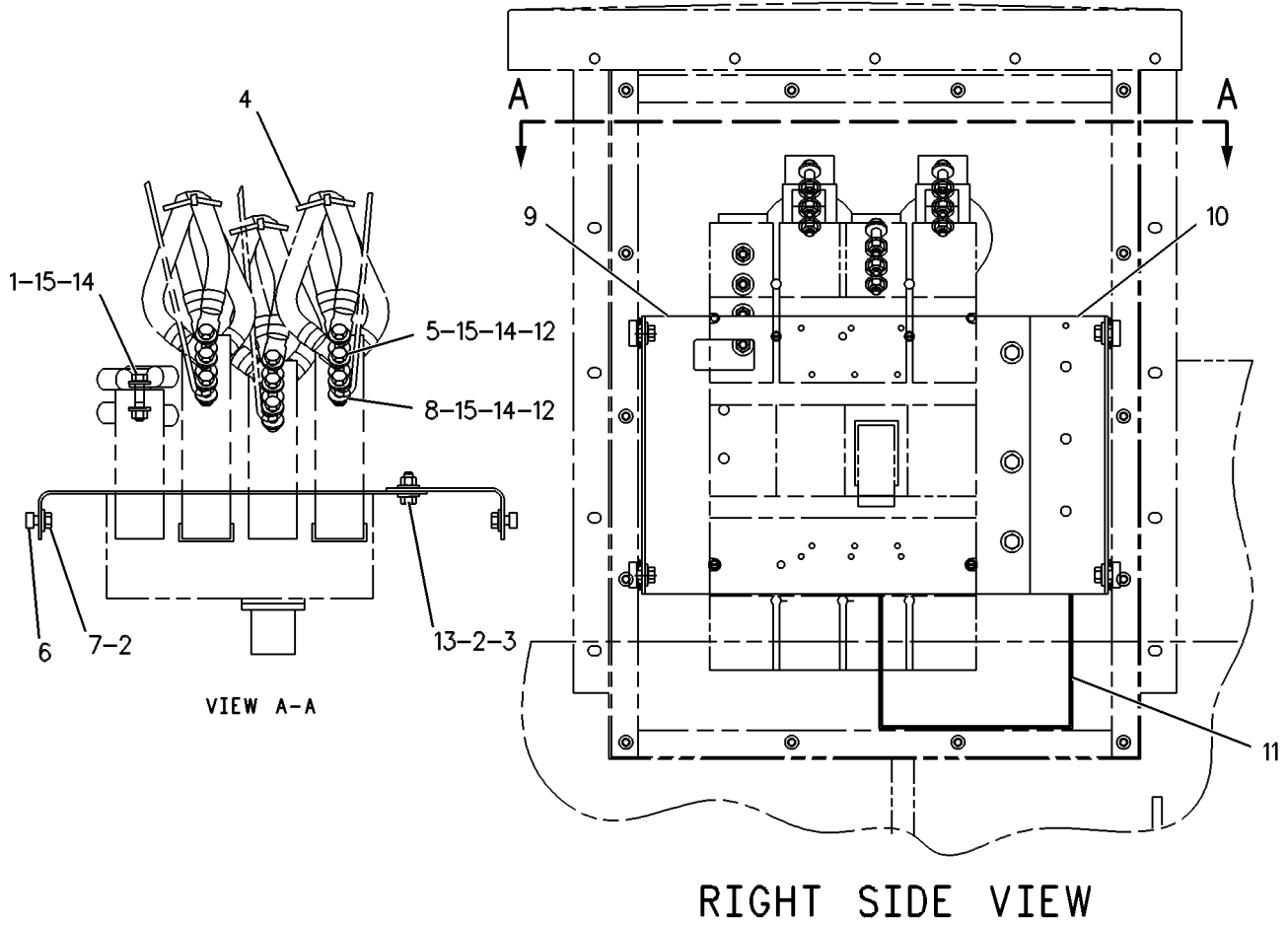
NOTE	REF NO	GRAPHIC REF	PART NUMBER	QTY	PART NAME						SEE PAGE
					1	2	3	4	5	6 (PRODUCT LEVEL)	
	1	1	<b>7X-0288</b>	4	BOLT (3/8-16X1.625-IN)						
	2	1	<b>5P-1075</b>	10	WASHER-HARD (10.2X22.5X3-MM THK)						
	3	1	<b>6V-8801</b>	3	NUT (3/8-16-THD)						
B	4	1	<b>7K-1181</b>	3	STRAP-CABLE						
	5	1	<b>5S-7382</b>	6	BOLT (3/8-16X1.375-IN)						
	6	1	<b>3N-6734</b>	4	NUT-SPRING (3/8-16-THD)						
	7	1	<b>5M-3062</b>	4	BOLT (3/8-16X0.75-IN)						
	8	1	<b>4L-6454</b>	3	BOLT (3/8-16X1-IN)						
	9	1	<b>113-0809</b>	1	BRACKET						
	10	1	<b>113-0845</b>	1	BRACKET						
	11	1	<b>4W-9449</b>	1	FILM-INFORMATION (GENERATOR WIRING DIAGRAM)						
	12	1	<b>9B-7237</b>	6	BOLT (3/8-16X1.25-IN)						
	13	1	<b>4L-6454</b>	3	BOLT (3/8-16X1-IN)						
	14	1	<b>6V-8801</b>	13	NUT (3/8-16-THD)						
	15	1	<b>5P-1075</b>	26	WASHER-HARD (10.2X22.5X3-MM THK)						

B - USE AS REQUIRED

# ELECTRICAL AND STARTING SYSTEM

113-0850 MOUNTING GP-CIRCUIT BREAKER (contd.)

i01857432



GRAPHIC #1

<END>

g00255651



# ELECTRICAL AND STARTING SYSTEM

## 169-1849 MOUNTING GP-CIRCUIT BREAKER

S/N: 8JF1-UP; 6CG1-UP; 6DG1-UP; 6EG1-UP

440 FRAME

**CANNOT BE USED WITH CONNECTION GP-TERMINAL STRIP  
AN ATTACHMENT**

**SMCS-1420, 4461**

**i01857433**

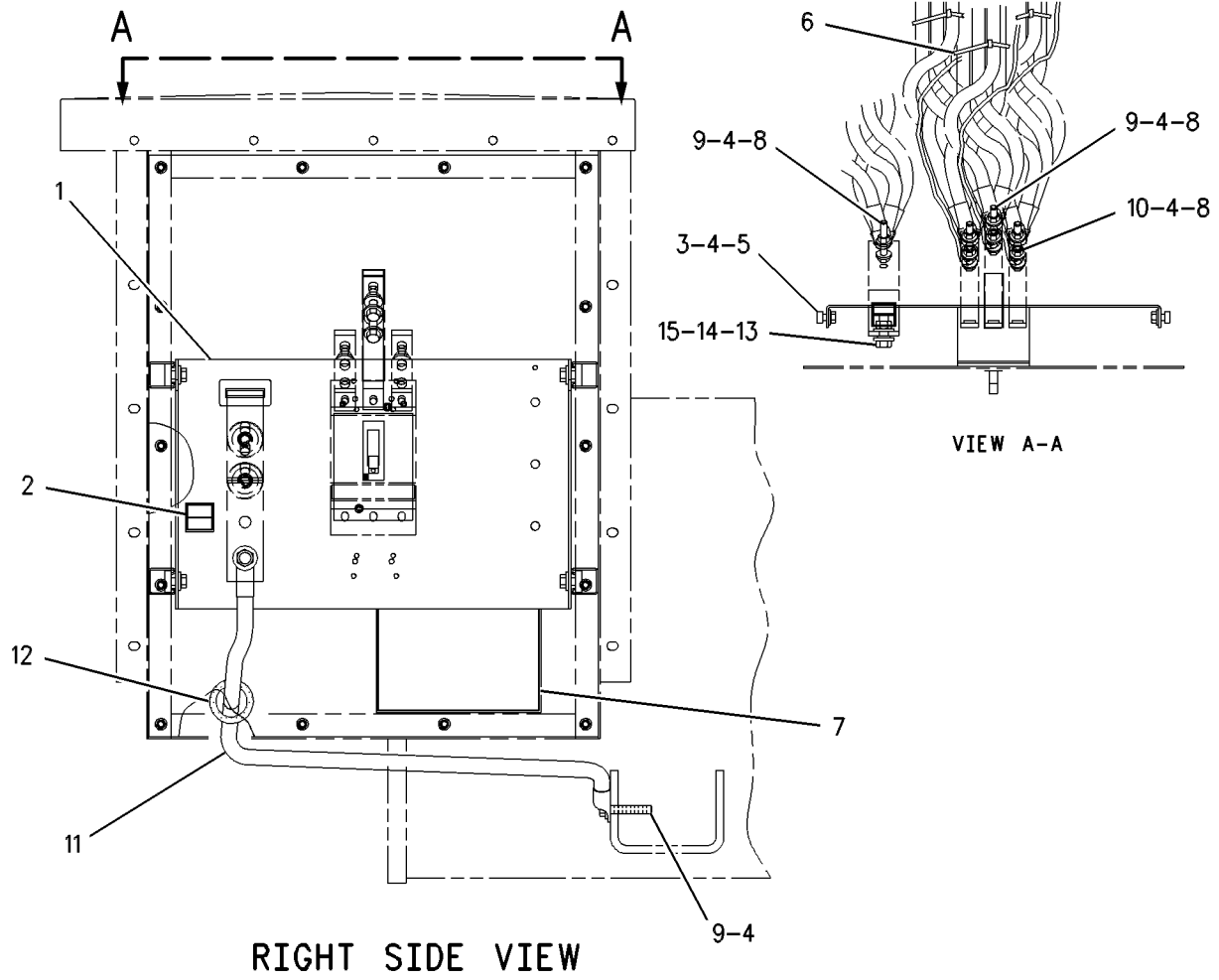
NOTE	REF NO	GRAPHIC REF	PART NUMBER	QTY	PART NAME						SEE PAGE
					1	2	3	4	5	6 (PRODUCT LEVEL)	
	1	1	<b>169-1853</b>	1	BRACKET						
	2	1	<b>4W-6393</b>	1	FILM-TERMINAL STRIP						
	3	1	<b>3N-6734</b>	4	NUT-SPRING (3/8-16-THD)						
	4	1	<b>5P-1075</b>	19	WASHER-HARD (10.2X22.5X3-MM THK)						
	5	1	<b>5M-3062</b>	4	BOLT (3/8-16X0.75-IN)						
B	6	1	<b>7K-1181</b>	3	STRAP-CABLE						
	7	1	<b>4W-9449</b>	1	FILM-INFORMATION (GENERATOR WIRING DIAGRAM)						
	8	1	<b>6V-8801</b>	7	NUT (3/8-16-THD)						
	9	1	<b>8T-0192</b>	5	BOLT (3/8-16X2.25-IN)						
	10	1	<b>9B-7237</b>	3	BOLT (3/8-16X1.25-IN)						
	11	1	<b>132-6790</b>	1	CABLE AS						
	12	1	<b>4D-3100</b>	1	GROMMET						
	13	1	<b>5P-2566</b>	1	BOLT (1/2-13X1.5-IN)						
	14	1	<b>5P-1076</b>	2	WASHER-HARD (13.5X30X4-MM THK)						
	15	1	<b>6V-8188</b>	1	NUT (1/2-13-THD)						

B - USE AS REQUIRED

# ELECTRICAL AND STARTING SYSTEM

169-1849 MOUNTING GP-CIRCUIT BREAKER (contd.)

i01857433



GRAPHIC #1

<END>

g00621075

# ELECTRICAL AND STARTING SYSTEM

## 169-1859 MOUNTING GP-CIRCUIT BREAKER

S/N: 8JF1-UP; 6CG1-UP; 6DG1-UP; 6EG1-UP

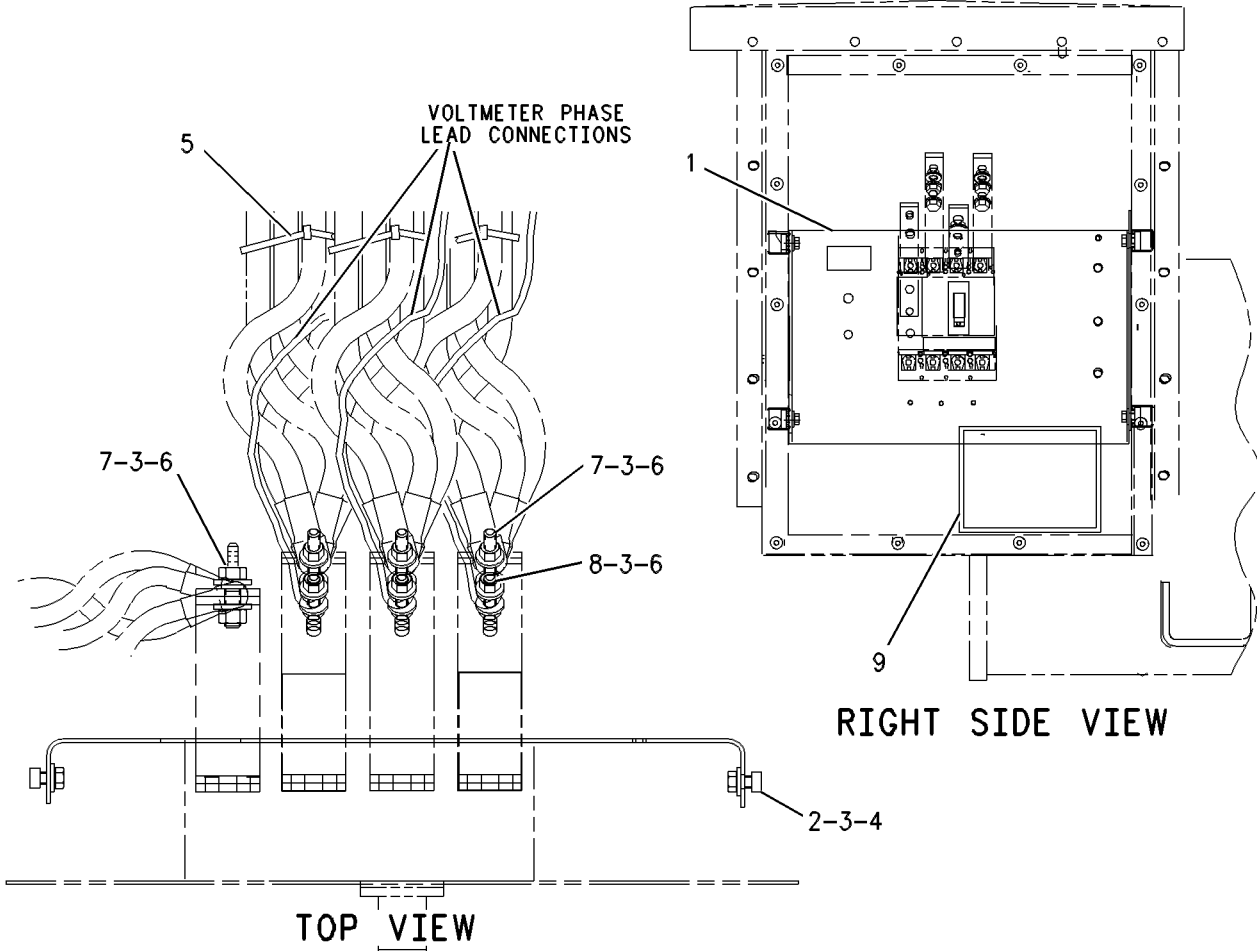
440 FRAME  
AN ATTACHMENT

SMCS-1420, 4461

i01857434

NOTE	REF NO	GRAPHIC REF	PART NUMBER	QTY	PART NAME						SEE PAGE
					1	2	3	4	5	6	
	1	1	<b>169-1853</b>	1	BRACKET						
	2	1	<b>3N-6734</b>	4	NUT-SPRING (3/8-16-THD)						
	3	1	<b>5P-1075</b>	18	WASHER-HARD (10.2X22.5X3-MM THK)						
	4	1	<b>5M-3062</b>	4	BOLT (3/8-16X0.75-IN)						
B	5	1	<b>7K-1181</b>	3	STRAP-CABLE						
	6	1	<b>6V-8801</b>	7	NUT (3/8-16-THD)						
	7	1	<b>8T-0192</b>	4	BOLT (3/8-16X2.25-IN)						
	8	1	<b>9B-7237</b>	3	BOLT (3/8-16X1.25-IN)						
	9	1	<b>4W-9449</b>	1	FILM-INFORMATION (GENERATOR WIRING DIAGRAM)						

B - USE AS REQUIRED



GRAPHIC #1

<END>

g00641019

# ELECTRICAL AND STARTING SYSTEM

## 169-1875 MOUNTING GP-CIRCUIT BREAKER

S/N: 5CA5985-UP; 5DA5682-UP; 5EA5375-UP; 5FA4499-UP  
 PROVIDES MOUNTING FOR 175 TO 300 AMPERE CIRCUIT BREAKER  
 FOR USE WITH 107-3057-PAGE: 941  
 CANNOT BE USED WITH CONNECTION GP-TERMINAL STRIP  
 AN ATTACHMENT

SMCS-1420, 4461

i03302904

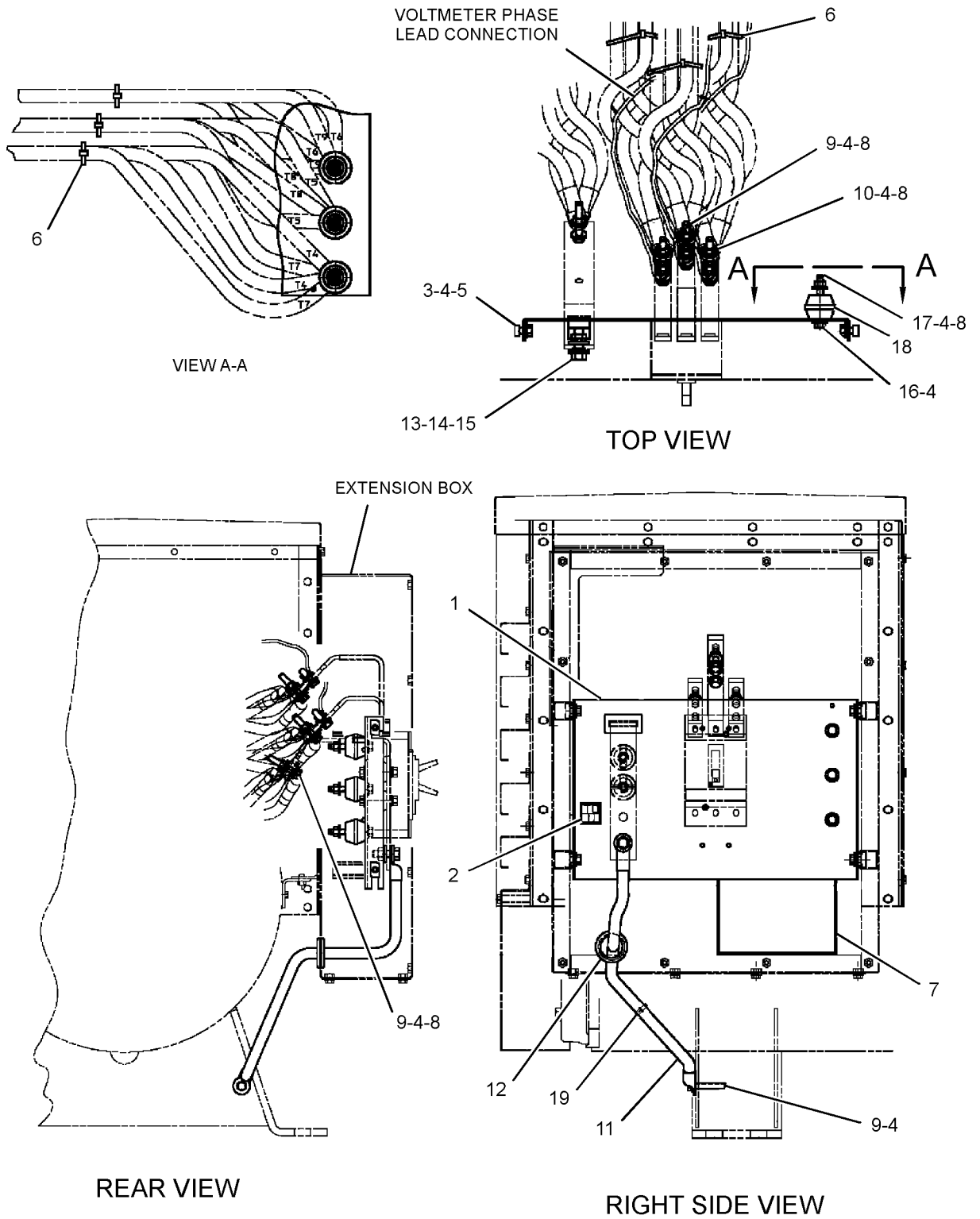
NOTE	REF NO	GRAPHIC REF	PART NUMBER	QTY	PART NAME						SEE PAGE
					1	2	3	4	5	6 (PRODUCT LEVEL)	
	1	1	<b>169-1853</b>	1	BRACKET						
	2	1	<b>4W-6393</b>	1	FILM-TERMINAL STRIP						
	3	1	<b>3N-6734</b>	4	NUT-SPRING (3/8-16-THD)						
	4	1	<b>5P-1075</b>	25	WASHER-HARD (10.2X22.5X3-MM THK)						
	5	1	<b>5M-3062</b>	4	BOLT (3/8-16X0.75-IN)						
B	6	1	<b>7K-1181</b>	6	STRAP-CABLE						
	7	1	<b>4W-9449</b>	1	FILM-INFORMATION (GENERATOR WIRING DIAGRAM)						
	8	1	<b>6V-8801</b>	10	NUT (3/8-16-THD)						
	9	1	<b>8T-0192</b>	5	BOLT (3/8-16X2.25-IN)						
	10	1	<b>9B-7237</b>	3	BOLT (3/8-16X1.25-IN)						
	11	1	<b>7E-1158</b>	1	CABLE AS						
	12	1	<b>4D-3100</b>	1	GROMMET						
	13	1	<b>5P-2566</b>	1	BOLT (1/2-13X1.5-IN)						
	14	1	<b>5P-1076</b>	2	WASHER-HARD (13.5X30X4-MM THK)						
	15	1	<b>6V-8188</b>	1	NUT (1/2-13-THD)						
	16	1	<b>5P-8167</b>	3	BOLT (3/8-16X0.625-IN)						
	17	1	<b>8T-5409</b>	3	STUD-TAPERLOCK (3/8-16X1.57-IN)						
	18	1	<b>4W-7142</b>	3	INSULATOR						
	19	1	<b>7K-1181</b>	1	STRAP-CABLE						

B - USE AS REQUIRED

# ELECTRICAL AND STARTING SYSTEM

169-1875 MOUNTING GP-CIRCUIT BREAKER (contd.)

i03302904



GRAPHIC #1

<END>

g01937493

# ELECTRICAL AND STARTING SYSTEM

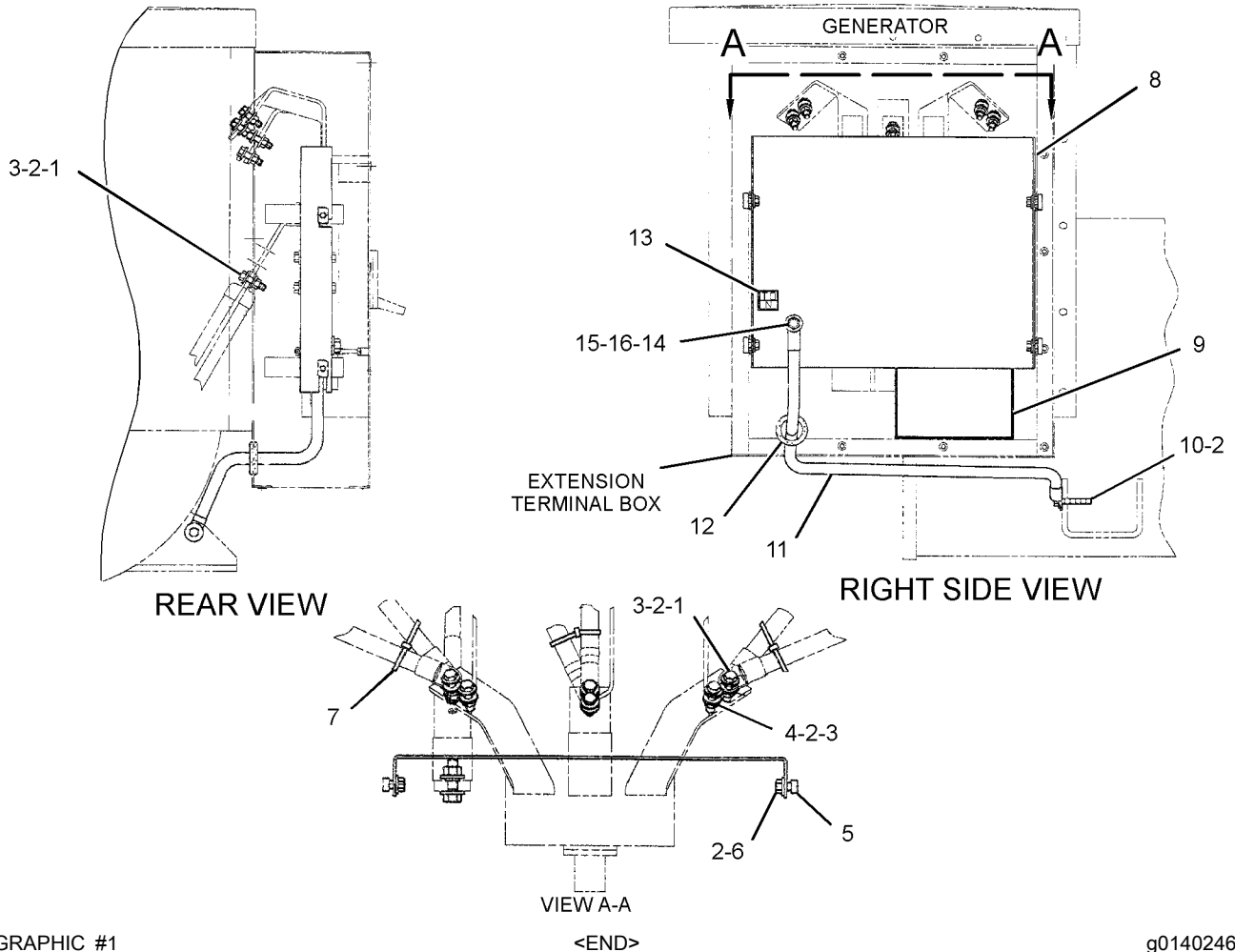
## 270-4655 MOUNTING GP-CIRCUIT BREAKER

S/N: 8JF1-UP; 6CG1-UP; 6DG1-UP; 6EG1-UP  
AN ATTACHMENT

SMCS-1420, 4461

i02735002

NOTE	REF NO	GRAPHIC REF	PART NUMBER	QTY	PART NAME						SEE PAGE
					1	2	3	4	5	6 (PRODUCT LEVEL)	
	1	1	<b>5S-7382</b>	4	BOLT (3/8-16X1.375-IN)						
	2	1	<b>5P-1075</b>	19	WASHER-HARD (10.2X22.5X3-MM THK)						
	3	1	<b>6V-8801</b>	7	NUT (3/8-16-THD)						
	4	1	<b>9B-7237</b>	3	BOLT (3/8-16X1.25-IN)						
	5	1	<b>3N-6734</b>	4	NUT-SPRING (3/8-16-THD)						
	6	1	<b>5M-3062</b>	4	BOLT (3/8-16X0.75-IN)						
	7	1	<b>7K-1181</b>	3	STRAP-CABLE						
	8	1	<b>270-4647</b>	1	BRACKET						
	9	1	<b>4W-9449</b>	1	FILM-INFORMATION (GENERATOR WIRING DIAGRAM)						
	10	1	<b>8T-0192</b>	1	BOLT (3/8-16X2.25-IN)						
	11	1	<b>7E-1158</b>	1	CABLE AS						
	12	1	<b>4D-3100</b>	1	GROMMET						
	13	1	<b>4W-6393</b>	1	FILM-TERMINAL STRIP						
	14	1	<b>5P-2566</b>	1	BOLT (1/2-13X1.5-IN)						
	15	1	<b>6V-8188</b>	1	NUT (1/2-13-THD)						
	16	1	<b>5P-1076</b>	2	WASHER-HARD (13.5X30X4-MM THK)						



GRAPHIC #1

<END>

g01402460

# ELECTRICAL AND STARTING SYSTEM

## 4P-7146 MOUNTING GP-CIRCUIT BREAKER

S/N: 8JF1-UP; 6CG1-UP; 6DG1-UP; 6EG1-UP

440 FRAME

FOR USAGE REFER TO CHART 4W-8145-PAGE: 1768

AN ATTACHMENT

TYPE 1

SMCS-1420, 4461

i01857399

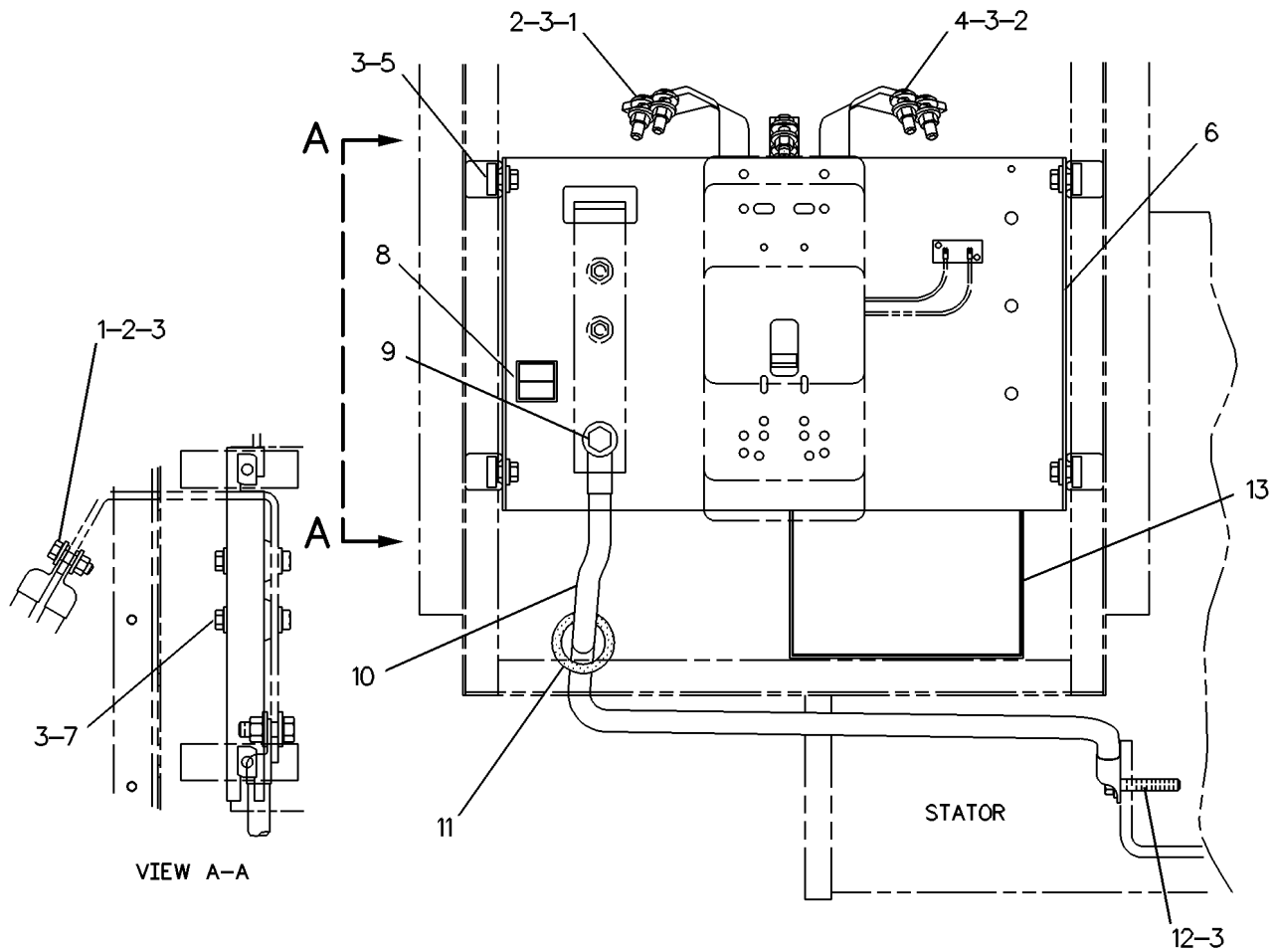
NOTE	REF NO	GRAPHIC REF	PART NUMBER	QTY	PART NAME						SEE PAGE
					1	2	3	4	5	6 (PRODUCT LEVEL)	
	1	1	<b>9B-7237</b>	4	BOLT (3/8-16X1.25-IN)						
	2	1	<b>6V-8801</b>	7	NUT (3/8-16-THD)						
	3	1	<b>5P-1075</b>	21	WASHER-HARD (10.2X22.5X3-MM THK)						
	4	1	<b>4L-6454</b>	3	BOLT (3/8-16X1-IN)						
	5	1	<b>5M-3062</b>	4	BOLT (3/8-16X0.75-IN)						
		1	<b>3N-6734</b>	4	NUT-SPRING (3/8-16-THD)						
	6	1	<b>4W-8302</b>	1	BRACKET						
	7	1	<b>5P-8167</b>	2	BOLT (3/8-16X0.625-IN)						
	8	1	<b>4W-6393</b>	1	FILM-TERMINAL STRIP						
	9	1	<b>5P-2566</b>	1	BOLT (1/2-13X1.5-IN)						
		1	<b>6V-8188</b>	1	NUT (1/2-13-THD)						
		1	<b>5P-1076</b>	2	WASHER-HARD (13.5X30X4-MM THK)						
	10	1	<b>4W-7334</b>	1	CABLE AS						
	11	1	<b>4D-3100</b>	1	GROMMET						
	12	1	<b>8T-0192</b>	1	BOLT (3/8-16X2.25-IN)						
	13	1	<b>4W-9449</b>	1	FILM-INFORMATION (GENERATOR WIRING DIAGRAM)						
F		1	<b>7K-1181</b>	3	STRAP-CABLE						

F - NOT SHOWN

# ELECTRICAL AND STARTING SYSTEM

4P-7146 MOUNTING GP-CIRCUIT BREAKER (contd.)

i01857399



GRAPHIC #1

<END>

g00215783



# ELECTRICAL AND STARTING SYSTEM

## 4P-7146 MOUNTING GP-CIRCUIT BREAKER

S/N: 8JF1-UP; 6CG1-UP; 6DG1-UP; 6EG1-UP

440 FRAME

FOR USAGE REFER TO CHART 4W-8145-PAGE: 1768

AN ATTACHMENT

TYPE 2

SMCS-1420, 4461

i01857401

NOTE	REF NO	GRAPHIC REF	PART NUMBER	QTY	PART NAME						SEE PAGE
					1	2	3	4	5	6 (PRODUCT LEVEL)	
	1	1	<b>9B-7237</b>	4	BOLT (3/8-16X1.25-IN)						
	2	1	<b>6V-8801</b>	7	NUT (3/8-16-THD)						
C	3	1	<b>5P-1075</b>	19	WASHER-HARD (10.2X22.5X3-MM THK)						
	4	1	<b>4L-6454</b>	3	BOLT (3/8-16X1-IN)						
	5	1	<b>5M-3062</b>	4	BOLT (3/8-16X0.75-IN)						
		1	<b>3N-6734</b>	4	NUT-SPRING (3/8-16-THD)						
C	6	1	<b>106-4975</b>	1	BRACKET						
	7	1	<b>4W-9449</b>	1	FILM-INFORMATION (GENERATOR WIRING DIAGRAM)						
	8	1	<b>4W-6393</b>	1	FILM-TERMINAL STRIP						
	9	1	<b>5P-2566</b>	1	BOLT (1/2-13X1.5-IN)						
		1	<b>6V-8188</b>	1	NUT (1/2-13-THD)						
		1	<b>5P-1076</b>	2	WASHER-HARD (13.5X30X4-MM THK)						
C	10	1	<b>7E-1158</b>	1	CABLE AS						
	11	1	<b>4D-3100</b>	1	GROMMET						
	12	1	<b>8T-0192</b>	1	BOLT (3/8-16X2.25-IN)						
F		1	<b>7K-1181</b>	3	STRAP-CABLE						

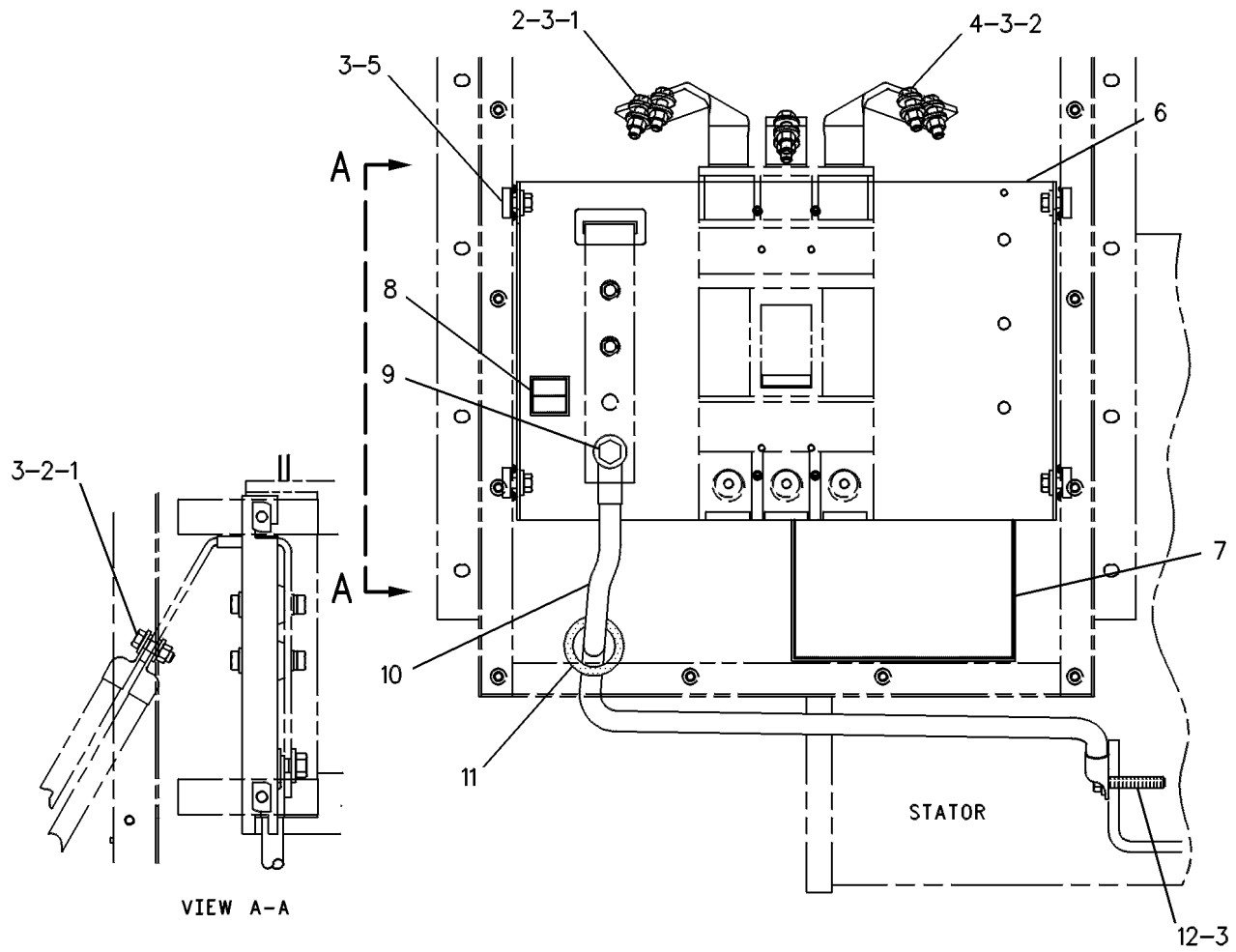
C - CHANGE FROM PREVIOUS TYPE

F - NOT SHOWN

# ELECTRICAL AND STARTING SYSTEM

4P-7146 MOUNTING GP-CIRCUIT BREAKER (contd.)

i01857401



GRAPHIC #1

<END>

g00235591

# ELECTRICAL AND STARTING SYSTEM

## 4P-7147 MOUNTING GP-CIRCUIT BREAKER

S/N: 8JF1-UP; 6CG1-UP; 6DG1-UP; 6EG1-UP

440 FRAME

FOR USAGE REFER TO CHART 4W-8145-PAGE: 1768

AN ATTACHMENT

TYPE 1

SMCS-1420, 4461

i01857405

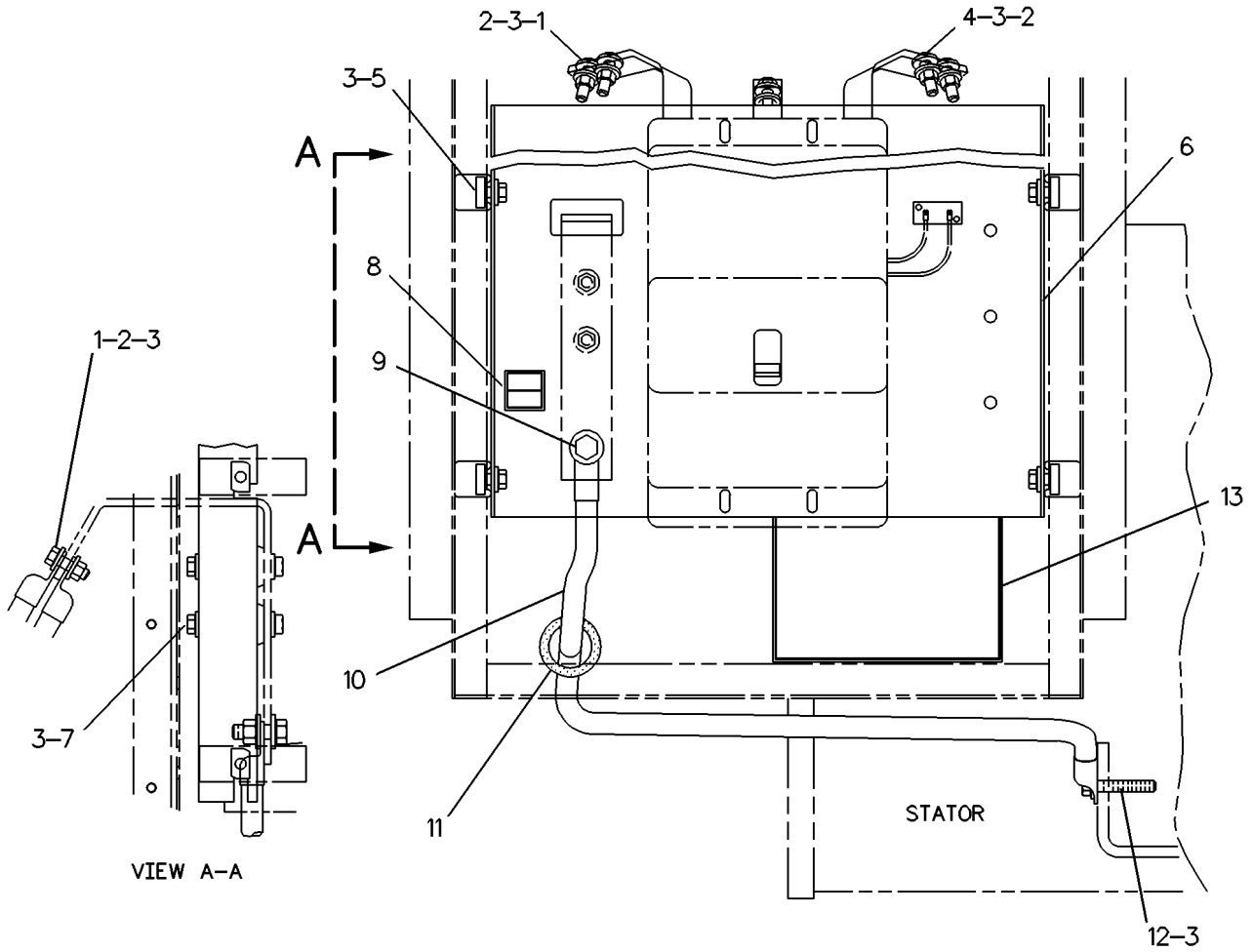
NOTE	REF NO	GRAPHIC REF	PART NUMBER	QTY	PART NAME						SEE PAGE
					1	2	3	4	5	6 (PRODUCT LEVEL)	
	1	1	<b>9B-7237</b>	3	BOLT (3/8-16X1.25-IN)						
	2	1	<b>6V-8801</b>	7	NUT (3/8-16-THD)						
	3	1	<b>5P-1075</b>	21	WASHER-HARD (10.2X22.5X3-MM THK)						
	4	1	<b>5S-7382</b>	4	BOLT (3/8-16X1.375-IN)						
	5	1	<b>5M-3062</b>	4	BOLT (3/8-16X0.75-IN)						
		1	<b>3N-6734</b>	4	NUT-SPRING (3/8-16-THD)						
	6	1	<b>4W-8303</b>	1	BRACKET-CIRCUIT BREAKER						
	7	1	<b>5P-8167</b>	2	BOLT (3/8-16X0.625-IN)						
	8	1	<b>4W-6393</b>	1	FILM-TERMINAL STRIP						
	9	1	<b>5P-2566</b>	1	BOLT (1/2-13X1.5-IN)						
		1	<b>6V-8188</b>	1	NUT (1/2-13-THD)						
		1	<b>5P-1076</b>	2	WASHER-HARD (13.5X30X4-MM THK)						
	10	1	<b>4W-7334</b>	1	CABLE AS						
	11	1	<b>4D-3100</b>	1	GROMMET						
	12	1	<b>8T-0192</b>	1	BOLT (3/8-16X2.25-IN)						
	13	1	<b>4W-9449</b>	1	FILM-INFORMATION (GENERATOR WIRING DIAGRAM)						
	F	1	<b>7K-1181</b>	3	STRAP-CABLE						

F - NOT SHOWN

# ELECTRICAL AND STARTING SYSTEM

4P-7147 MOUNTING GP-CIRCUIT BREAKER (contd.)

i01857405



GRAPHIC #1

<END>

g00215797

# ELECTRICAL AND STARTING SYSTEM

## 4P-7147 MOUNTING GP-CIRCUIT BREAKER

S/N: 8JF1-UP; 6CG1-UP; 6DG1-UP; 6EG1-UP

440 FRAME

FOR USAGE REFER TO CHART 4W-8145-PAGE: 1768

AN ATTACHMENT

TYPE 2

SMCS-1420, 4461

i01857406

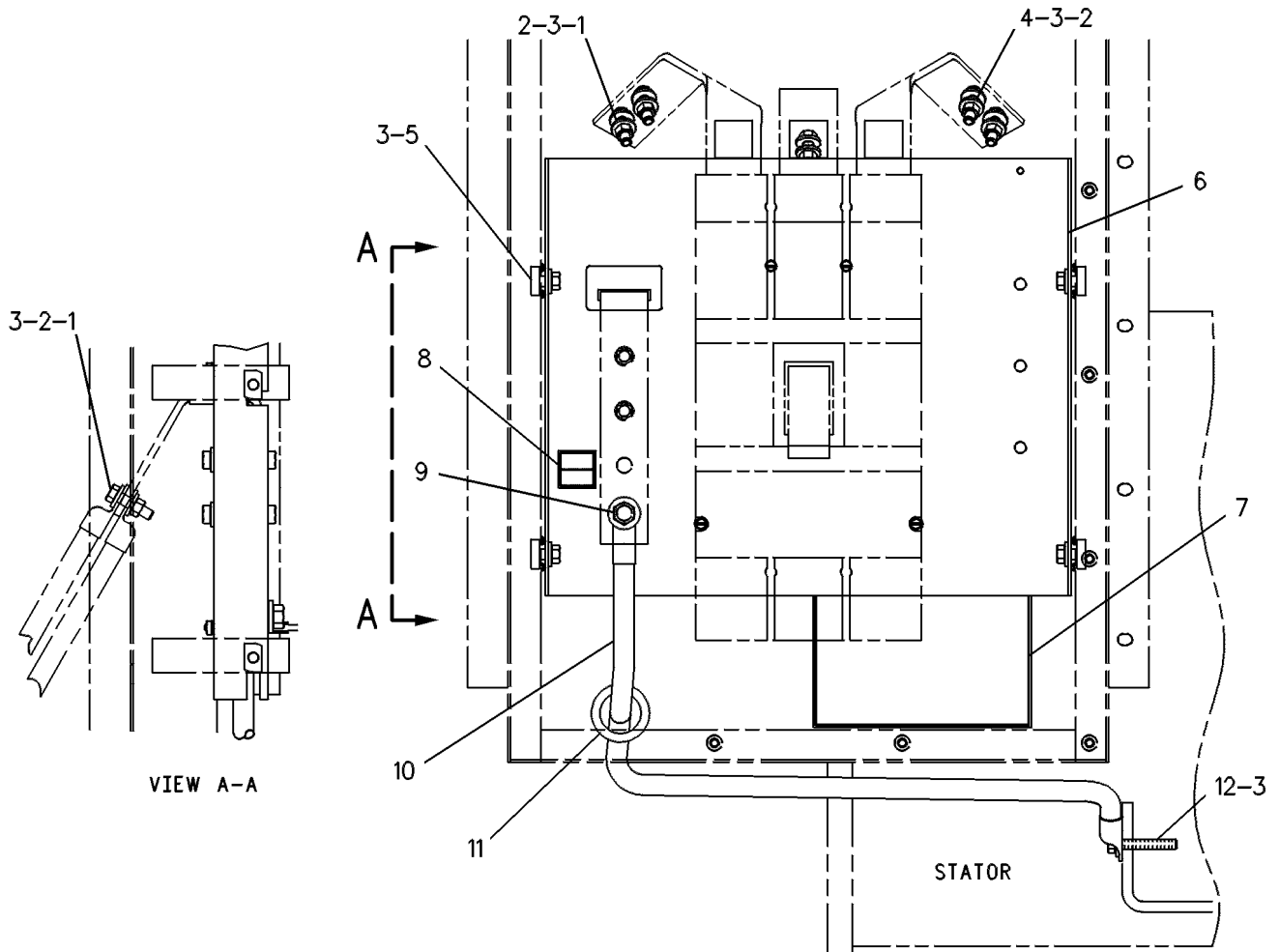
NOTE	REF NO	GRAPHIC REF	PART NUMBER	QTY	PART NAME						SEE PAGE
					1	2	3	4	5	6 (PRODUCT LEVEL)	
	1	1	<b>9B-7237</b>	3	BOLT (3/8-16X1.25-IN)						
	2	1	<b>6V-8801</b>	7	NUT (3/8-16-THD)						
C	3	1	<b>5P-1075</b>	19	WASHER-HARD (10.2X22.5X3-MM THK)						
	4	1	<b>5S-7382</b>	4	BOLT (3/8-16X1.375-IN)						
	5	1	<b>5M-3062</b>	4	BOLT (3/8-16X0.75-IN)						
		1	<b>3N-6734</b>	4	NUT-SPRING (3/8-16-THD)						
C	6	1	<b>106-4974</b>	1	BRACKET						
	7	1	<b>4W-9449</b>	1	FILM-INFORMATION (GENERATOR WIRING DIAGRAM)						
	8	1	<b>4W-6393</b>	1	FILM-TERMINAL STRIP						
	9	1	<b>5P-2566</b>	1	BOLT (1/2-13X1.5-IN)						
		1	<b>6V-8188</b>	1	NUT (1/2-13-THD)						
		1	<b>5P-1076</b>	2	WASHER-HARD (13.5X30X4-MM THK)						
	10	1	<b>7E-1158</b>	1	CABLE AS						
	11	1	<b>4D-3100</b>	1	GROMMET						
	12	1	<b>8T-0192</b>	1	BOLT (3/8-16X2.25-IN)						
F		1	<b>7K-1181</b>	3	STRAP-CABLE						

C - CHANGE FROM PREVIOUS TYPE  
F - NOT SHOWN

# ELECTRICAL AND STARTING SYSTEM

4P-7147 MOUNTING GP-CIRCUIT BREAKER (contd.)

i01857406



GRAPHIC #1

<END>

g00235562

# ELECTRICAL AND STARTING SYSTEM

## 4W-8214 MOUNTING GP-CIRCUIT BREAKER

S/N: 5CA5985-UP; 5DA5682-UP; 5EA5375-UP  
 CANNOT BE USED WITH TERMINAL STRIP CONNECTION  
 FOR USAGE REFER TO CHART 4W-8145-PAGE: 1768  
 AN ATTACHMENT

SMCS-1420, 4461

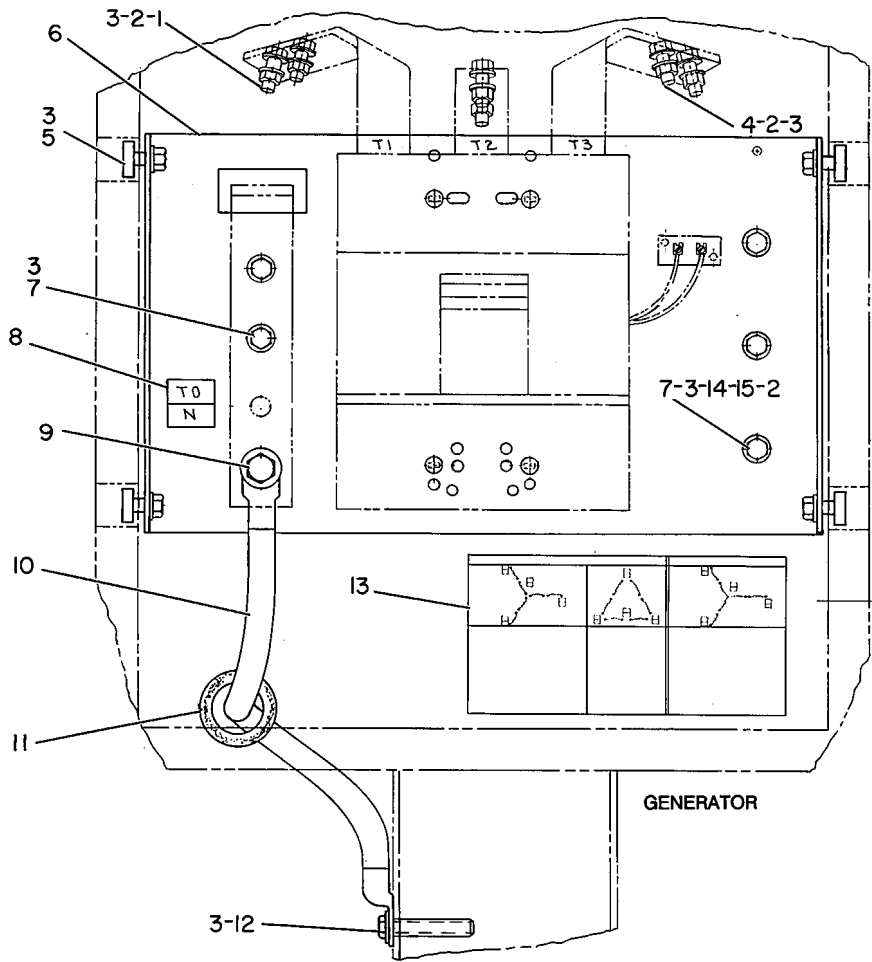
i01857413

NOTE	REF NO	GRAPHIC REF	PART NUMBER	QTY	PART NAME						SEE PAGE
					1	2	3	4	5	6 (PRODUCT LEVEL)	
	1	1	<b>9B-7237</b>	4	BOLT (3/8-16X1.25-IN)						
	2	1	<b>8L-7395</b>	10	NUT-FULL						
	3	1	<b>5P-1075</b>	27	WASHER-HARD (10.2X22.5X3-MM THK)						
	4	1	<b>4L-6454</b>	3	BOLT (3/8-16X1-IN)						
	5	1	<b>5M-3062</b>	4	BOLT (3/8-16X0.75-IN)						
		1	<b>3N-6734</b>	4	NUT-SPRING (3/8-16-THD)						
	6	1	<b>4W-8302</b>	1	BRACKET						
	7	1	<b>5P-8167</b>	5	BOLT (3/8-16X0.625-IN)						
	8	1	<b>4W-6393</b>	1	FILM-TERMINAL STRIP						
	9	1	<b>5P-2566</b>	1	BOLT (1/2-13X1.5-IN)						
		1	<b>6V-8188</b>	1	NUT (1/2-13-THD)						
		1	<b>5P-1076</b>	2	WASHER-HARD (13.5X30X4-MM THK)						
	10	1	<b>4W-7334</b>	1	CABLE AS						
	11	1	<b>4D-3100</b>	1	GROMMET						
	12	1	<b>8T-0192</b>	1	BOLT (3/8-16X2.25-IN)						
	13	1	<b>4W-9449</b>	1	FILM-INFORMATION (GENERATOR WIRING DIAGRAM)						
	14	1	<b>4W-7142</b>	3	INSULATOR						
	15	1	<b>8T-5409</b>	3	STUD-TAPERLOCK (3/8-16X1.57-IN)						
		1	<b>7K-1181</b>	3	STRAP-CABLE						

# ELECTRICAL AND STARTING SYSTEM

4W-8214 MOUNTING GP-CIRCUIT BREAKER (contd.)

i01857413



GRAPHIC #1

<END>

g00169422



# ELECTRICAL AND STARTING SYSTEM

## 4W-8215 MOUNTING GP-CIRCUIT BREAKER

S/N: 5CA5985-UP; 5DA5682-UP; 5EA5375-UP  
**CANNOT BE USED WITH TERMINAL STRIP CONNECTION GP**  
**FOR USAGE REFER TO CHART 4W-8145-PAGE: 1768**  
**AN ATTACHMENT**

**SMCS-1420, 4461**

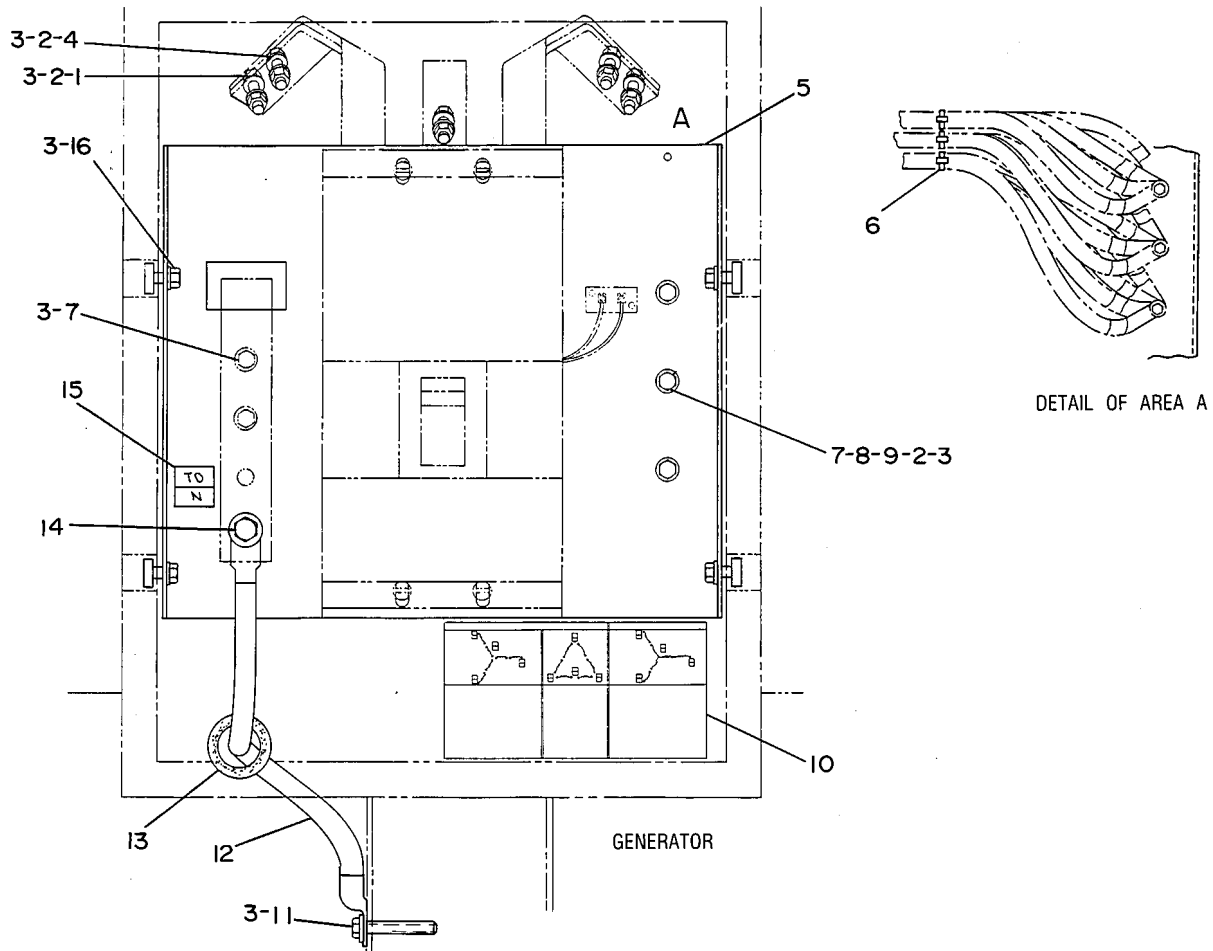
**i01857415**

NOTE	REF NO	GRAPHIC REF	PART NUMBER	QTY	PART NAME						SEE PAGE
					1	2	3	4	5	6 (PRODUCT LEVEL)	
	1	1	<b>5S-7382</b>	4	BOLT (3/8-16X1.375-IN)						
	2	1	<b>8L-7395</b>	10	NUT-FULL						
	3	1	<b>5P-1075</b>	27	WASHER-HARD (10.2X22.5X3-MM THK)						
	4	1	<b>9B-7237</b>	3	BOLT (3/8-16X1.25-IN)						
	5	1	<b>4W-8303</b>	1	BRACKET-CIRCUIT BREAKER						
	6	1	<b>7K-1181</b>	3	STRAP-CABLE						
	7	1	<b>5P-8167</b>	5	BOLT (3/8-16X0.625-IN)						
	8	1	<b>4W-7142</b>	3	INSULATOR						
	9	1	<b>8T-5409</b>	3	STUD-TAPERLOCK (3/8-16X1.57-IN)						
	10	1	<b>4W-9449</b>	1	FILM-INFORMATION (GENERATOR WIRING DIAGRAM)						
	11	1	<b>8T-0192</b>	1	BOLT (3/8-16X2.25-IN)						
	12	1	<b>4W-7334</b>	1	CABLE AS						
	13	1	<b>4D-3100</b>	1	GROMMET						
	14	1	<b>5P-2566</b>	1	BOLT (1/2-13X1.5-IN)						
		1	<b>6V-8188</b>	1	NUT (1/2-13-THD)						
		1	<b>5P-1076</b>	2	WASHER-HARD (13.5X30X4-MM THK)						
	15	1	<b>4W-6393</b>	1	FILM-TERMINAL STRIP						
	16	1	<b>5M-3062</b>	4	BOLT (3/8-16X0.75-IN)						
		1	<b>3N-6734</b>	4	NUT-SPRING (3/8-16-THD)						

# ELECTRICAL AND STARTING SYSTEM

4W-8215 MOUNTING GP-CIRCUIT BREAKER (contd.)

i01857415



GRAPHIC #1

<END>

g00171238

# ELECTRICAL AND STARTING SYSTEM

## 7C-5024 MOUNTING GP-CIRCUIT BREAKER

S/N: 85Z3764-UP

FOR USE WITH MOUNTING GP-CONTACTOR  
AN ATTACHMENT

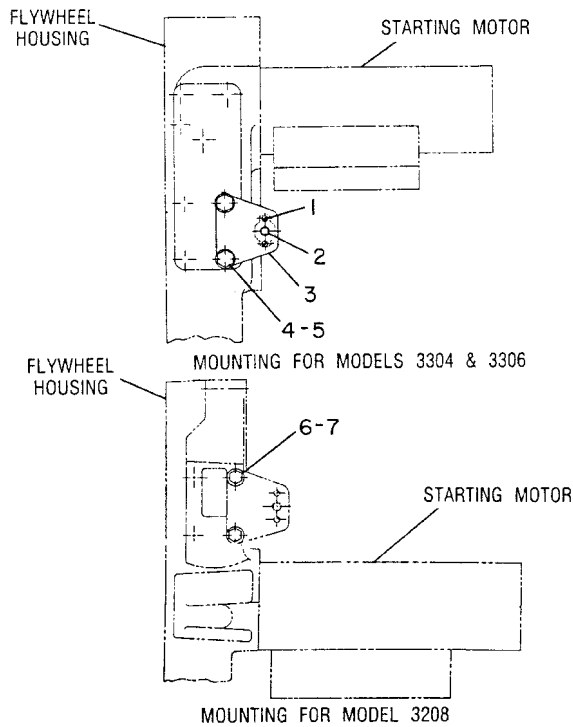
SMCS-1420, 4461

i01833987

NOTE	REF NO	GRAPHIC REF	PART NUMBER	QTY	PART NAME						SEE PAGE
					1	2	3	4	5	6 (PRODUCT LEVEL)	
	1	1	<b>5M-6668</b>	2	SCREW-MACHINE (8-32X0.75-IN)						
Y	2	1	<b>6T-3645</b>	1	CIRCUIT BREAKER GP (60-AMPERE)						1018
	3	1	<b>7C-4900</b>	1	PLATE						
B	4	1	<b>5C-6266</b>	2	BOLT (5/8-11X1-IN)						
B	5	1	<b>8T-4122</b>	2	WASHER-HARD (17X32X3.5-MM THK)						
B	6	1	<b>5P-2228</b>	2	BOLT (1/2-13X1-IN)						
B	7	1	<b>8T-4223</b>	2	WASHER-HARD (13.5X25.5X3-MM THK)						

B - USE AS REQUIRED

Y - SEPARATE ILLUSTRATION



GRAPHIC #1

<END>

g00191266

# ELECTRICAL AND STARTING SYSTEM

## 7E-1160 MOUNTING GP-CIRCUIT BREAKER

S/N: 5CA5985-UP; 5DA5682-UP; 5EA5375-UP; 5FA4499-UP  
 FOR USE WITH PRIME POWER PKGS AND 447 FRAME GENERATORS  
 AN ATTACHMENT  
 TYPE 1

SMCS-1420, 4461

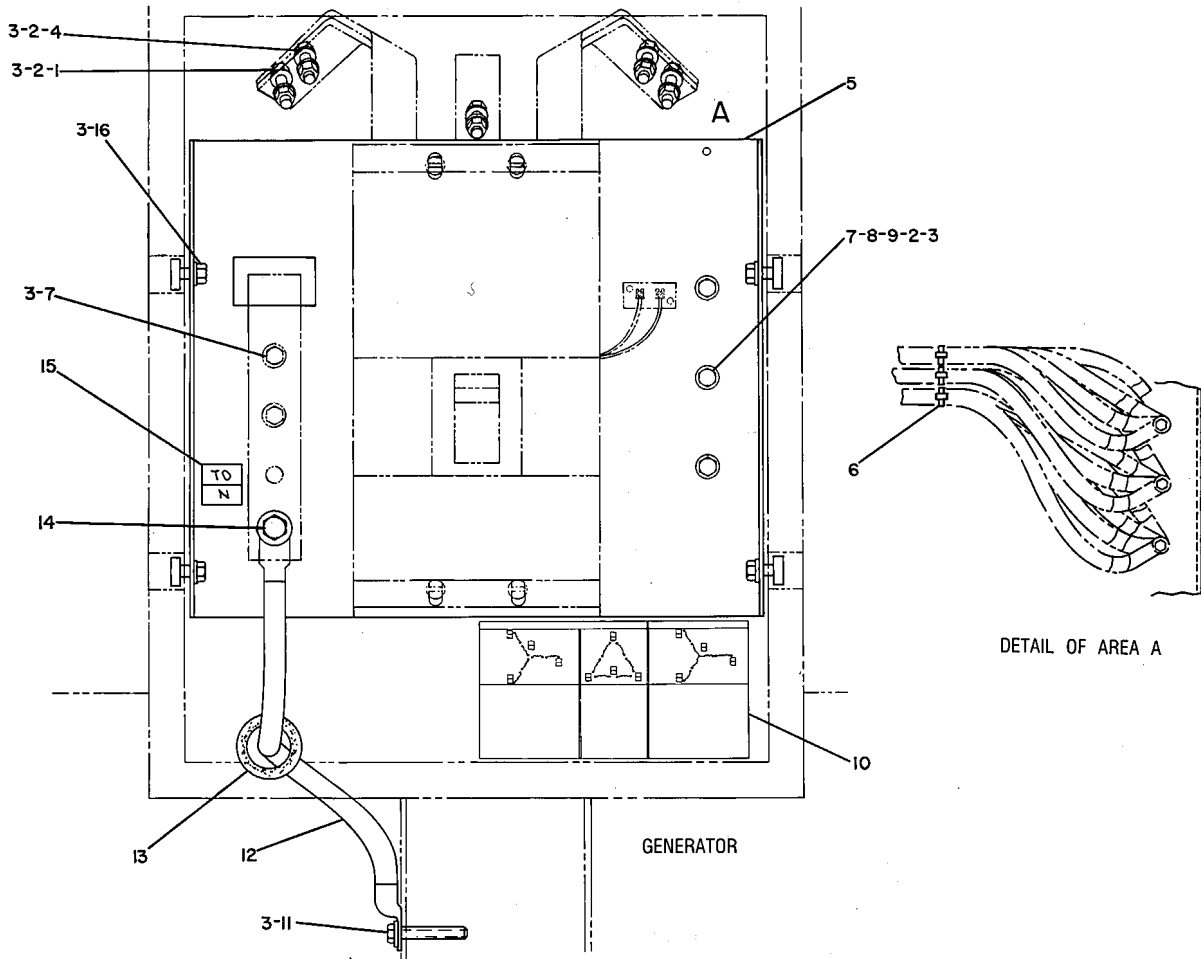
i01857419

NOTE	REF NO	GRAPHIC REF	PART NUMBER	QTY	PART NAME						SEE PAGE
					1	2	3	4	5	6	
	1	1	<b>5S-7382</b>	4	BOLT (3/8-16X1.375-IN)						
	2	1	<b>6V-8801</b>	10	NUT (3/8-16-THD)						
	3	1	<b>5P-1075</b>	27	WASHER-HARD (10.2X22.5X3-MM THK)						
	4	1	<b>9B-7237</b>	3	BOLT (3/8-16X1.25-IN)						
	5	1	<b>4W-8303</b>	1	BRACKET-CIRCUIT BREAKER						
	6	1	<b>7K-1181</b>	3	STRAP-CABLE						
	7	1	<b>5P-8167</b>	5	BOLT (3/8-16X0.625-IN)						
	8	1	<b>4W-7142</b>	3	INSULATOR						
	9	1	<b>8T-5409</b>	3	STUD-TAPERLOCK (3/8-16X1.57-IN)						
	10	1	<b>4W-9449</b>	1	FILM-INFORMATION (GENERATOR WIRING DIAGRAM)						
	11	1	<b>8T-0192</b>	1	BOLT (3/8-16X2.25-IN)						
	12	1	<b>7E-1158</b>	1	CABLE AS						
	13	1	<b>4D-3100</b>	1	GROMMET						
	14	1	<b>5P-2566</b>	1	BOLT (1/2-13X1.5-IN)						
		1	<b>6V-8188</b>	1	NUT (1/2-13-THD)						
		1	<b>5P-1076</b>	2	WASHER-HARD (13.5X30X4-MM THK)						
	15	1	<b>4W-6393</b>	1	FILM-TERMINAL STRIP						
	16	1	<b>5M-3062</b>	4	BOLT (3/8-16X0.75-IN)						
		1	<b>3N-6734</b>	4	NUT-SPRING (3/8-16-THD)						

# ELECTRICAL AND STARTING SYSTEM

7E-1160 MOUNTING GP-CIRCUIT BREAKER (contd.)

101857419



GRAPHIC #1

<END>

g00203083

# ELECTRICAL AND STARTING SYSTEM

## 7E-1160 MOUNTING GP-CIRCUIT BREAKER

S/N: 5CA5985-UP; 5DA5682-UP; 5EA5375-UP; 5FA4499-UP  
 FOR USE WITH PRIME POWER PKGS AND 447 FRAME GENERATORS  
 AN ATTACHMENT  
 TYPE 2

SMCS-1420, 4461

i01857420

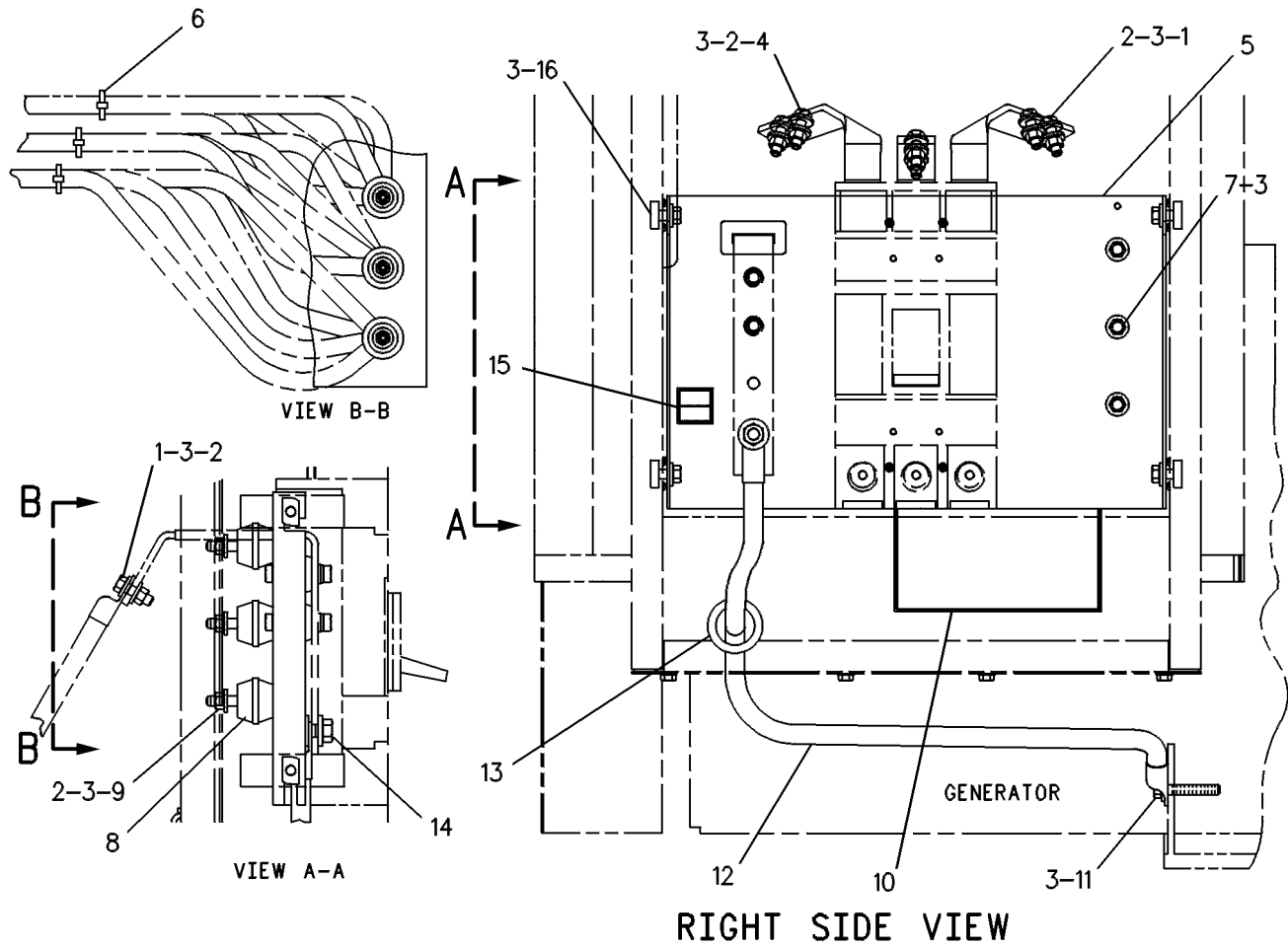
NOTE	REF NO	GRAPHIC REF	PART NUMBER	QTY	PART NAME						SEE PAGE
					1	2	3	4	5	6 (PRODUCT LEVEL)	
	1	1	<b>5S-7382</b>	4	BOLT (3/8-16X1.375-IN)						
	2	1	<b>6V-8801</b>	10	NUT (3/8-16-THD)						
C	3	1	<b>5P-1075</b>	25	WASHER-HARD (10.2X22.5X3-MM THK)						
	4	1	<b>9B-7237</b>	3	BOLT (3/8-16X1.25-IN)						
C	5	1	<b>10G-4974</b>	1	BRACKET						
	6	1	<b>7K-1181</b>	3	STRAP-CABLE						
C	7	1	<b>5P-8167</b>	3	BOLT (3/8-16X0.625-IN)						
	8	1	<b>4W-7142</b>	3	INSULATOR						
	9	1	<b>8T-5409</b>	3	STUD-TAPERLOCK (3/8-16X1.57-IN)						
	10	1	<b>4W-9449</b>	1	FILM-INFORMATION (GENERATOR WIRING DIAGRAM)						
	11	1	<b>8T-0192</b>	1	BOLT (3/8-16X2.25-IN)						
	12	1	<b>7E-1158</b>	1	CABLE AS						
	13	1	<b>4D-3100</b>	1	GROMMET						
	14	1	<b>5P-2566</b>	1	BOLT (1/2-13X1.5-IN)						
		1	<b>6V-8188</b>	1	NUT (1/2-13-THD)						
		1	<b>5P-1076</b>	2	WASHER-HARD (13.5X30X4-MM THK)						
	15	1	<b>4W-6393</b>	1	FILM-TERMINAL STRIP						
	16	1	<b>5M-3062</b>	4	BOLT (3/8-16X0.75-IN)						
		1	<b>3N-6734</b>	4	NUT-SPRING (3/8-16-THD)						

C - CHANGE FROM PREVIOUS TYPE

# ELECTRICAL AND STARTING SYSTEM

7E-1160 MOUNTING GP-CIRCUIT BREAKER (contd.)

i01857420



GRAPHIC #1

<END>

g00235728

# ELECTRICAL AND STARTING SYSTEM

## 7E-1161 MOUNTING GP-CIRCUIT BREAKER

S/N: 5CA5985-UP; 5DA5682-UP; 5EA5375-UP; 5FA4499-UP  
 FOR USE WITH 440 FRAME, CIRCUIT BREAKER UP TO 600 AMPERES  
 AN ATTACHMENT  
 TYPE 1

SMCS-1420, 4461

i01857424

NOTE	REF NO	GRAPHIC REF	PART NUMBER	QTY	PART NAME						SEE PAGE
					1	2	3	4	5	6 (PRODUCT LEVEL)	
	1	1	<b>9B-7237</b>	4	BOLT (3/8-16X1.25-IN)						
	2	1	<b>6V-8801</b>	10	NUT (3/8-16-THD)						
	3	1	<b>5P-1075</b>	27	WASHER-HARD (10.2X22.5X3-MM THK)						
	4	1	<b>4L-6454</b>	3	BOLT (3/8-16X1-IN)						
	5	1	<b>5M-3062</b>	4	BOLT (3/8-16X0.75-IN)						
		1	<b>3N-6734</b>	4	NUT-SPRING (3/8-16-THD)						
	6	1	<b>4W-8302</b>	1	BRACKET						
	7	1	<b>5P-8167</b>	5	BOLT (3/8-16X0.625-IN)						
	8	1	<b>4W-6393</b>	1	FILM-TERMINAL STRIP						
	9	1	<b>5P-2566</b>	1	BOLT (1/2-13X1.5-IN)						
		1	<b>6V-8188</b>	1	NUT (1/2-13-THD)						
		1	<b>5P-1076</b>	2	WASHER-HARD (13.5X30X4-MM THK)						
	10	1	<b>7E-1158</b>	1	CABLE AS						
	11	1	<b>4D-3100</b>	1	GROMMET						
	12	1	<b>8T-0192</b>	1	BOLT (3/8-16X2.25-IN)						
	13	1	<b>4W-9449</b>	1	FILM-INFORMATION (GENERATOR WIRING DIAGRAM)						
	14	1	<b>4W-7142</b>	3	INSULATOR						
	15	1	<b>8T-5409</b>	3	STUD-TAPERLOCK (3/8-16X1.57-IN)						
F		1	<b>7K-1181</b>	3	STRAP-CABLE						

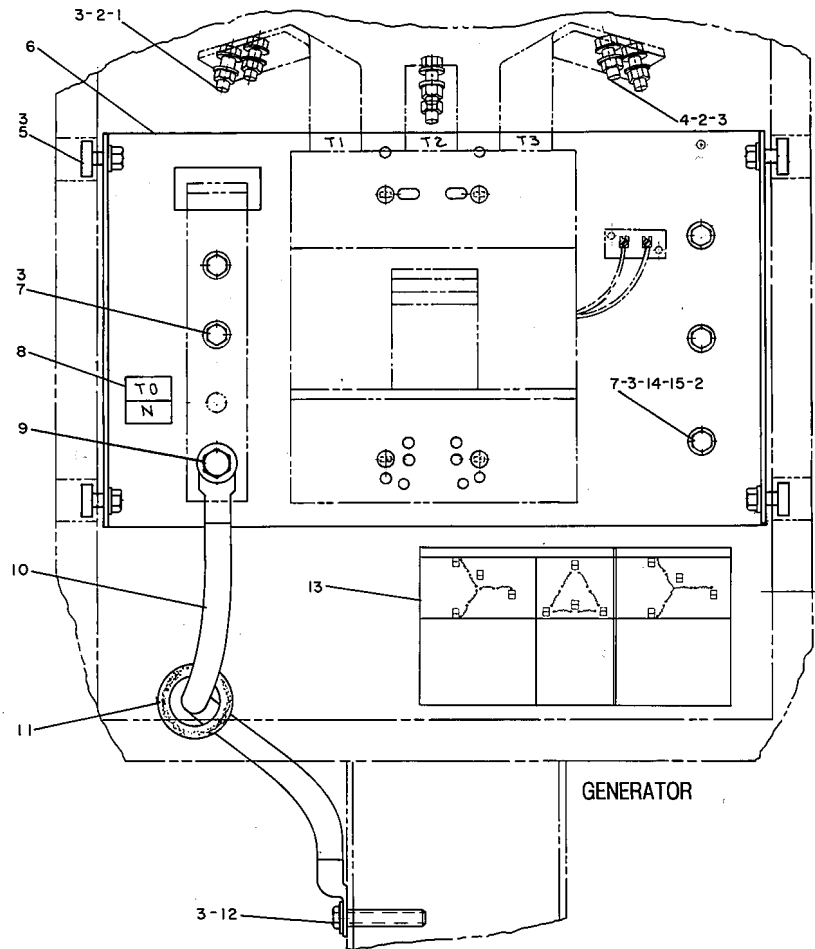
F - NOT SHOWN



# ELECTRICAL AND STARTING SYSTEM

7E-1161 MOUNTING GP-CIRCUIT BREAKER (contd.)

101857424



GRAPHIC #1

<END>

g00203084

# ELECTRICAL AND STARTING SYSTEM

## 7E-1161 MOUNTING GP-CIRCUIT BREAKER

S/N: 5CA5985-UP; 5DA5682-UP; 5EA5375-UP; 5FA4499-UP  
 FOR USE WITH 440 FRAME, CIRCUIT BREAKER UP TO 600 AMPERES  
 AN ATTACHMENT  
 TYPE 2

SMCS-1420, 4461

i01857425

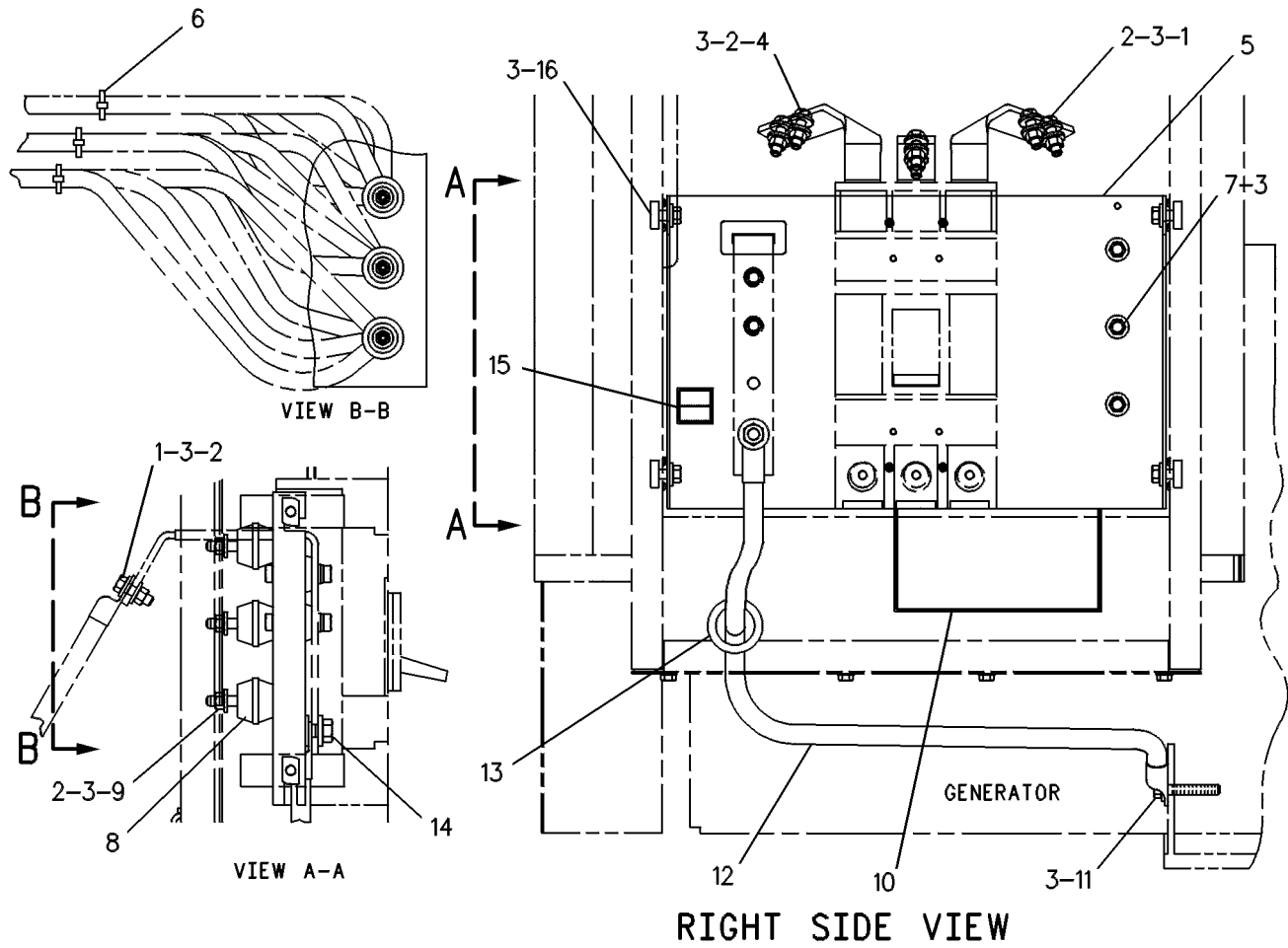
NOTE	REF NO	GRAPHIC REF	PART NUMBER	QTY	PART NAME						SEE PAGE
					1	2	3	4	5	6 (PRODUCT LEVEL)	
	1	1	<b>4L-6454</b>	3	BOLT (3/8-16X1-IN)						
	2	1	<b>6V-8801</b>	10	NUT (3/8-16-THD)						
C	3	1	<b>5P-1075</b>	25	WASHER-HARD (10.2X22.5X3-MM THK)						
	4	1	<b>9B-7237</b>	4	BOLT (3/8-16X1.25-IN)						
C	5	1	<b>10G-4975</b>	1	BRACKET						
	6	1	<b>7K-1181</b>	3	STRAP-CABLE						
C	7	1	<b>5P-8167</b>	3	BOLT (3/8-16X0.625-IN)						
	8	1	<b>4W-7142</b>	3	INSULATOR						
	9	1	<b>8T-5409</b>	3	STUD-TAPERLOCK (3/8-16X1.57-IN)						
	10	1	<b>4W-9449</b>	1	FILM-INFORMATION (GENERATOR WIRING DIAGRAM)						
	11	1	<b>8T-0192</b>	1	BOLT (3/8-16X2.25-IN)						
	12	1	<b>7E-1158</b>	1	CABLE AS						
	13	1	<b>4D-3100</b>	1	GROMMET						
	14	1	<b>5P-2566</b>	1	BOLT (1/2-13X1.5-IN)						
		1	<b>6V-8188</b>	1	NUT (1/2-13-THD)						
		1	<b>5P-1076</b>	2	WASHER-HARD (13.5X30X4-MM THK)						
	15	1	<b>4W-6393</b>	1	FILM-TERMINAL STRIP						
	16	1	<b>5M-3062</b>	4	BOLT (3/8-16X0.75-IN)						
		1	<b>3N-6734</b>	4	NUT-SPRING (3/8-16-THD)						

C - CHANGE FROM PREVIOUS TYPE

# ELECTRICAL AND STARTING SYSTEM

7E-1161 MOUNTING GP-CIRCUIT BREAKER (contd.)

i01857425



GRAPHIC #1

<END>

g00235728

# ELECTRICAL AND STARTING SYSTEM

## 9Y-8051 MOUNTING GP-CIRCUIT BREAKER

S/N: 85Z3764-UP

FOR USE WITH 700 AMPERE THRU 1200 AMPERE CIRCUIT BREAKERS  
AN ATTACHMENT

SMCS-1420, 4461

i01959532

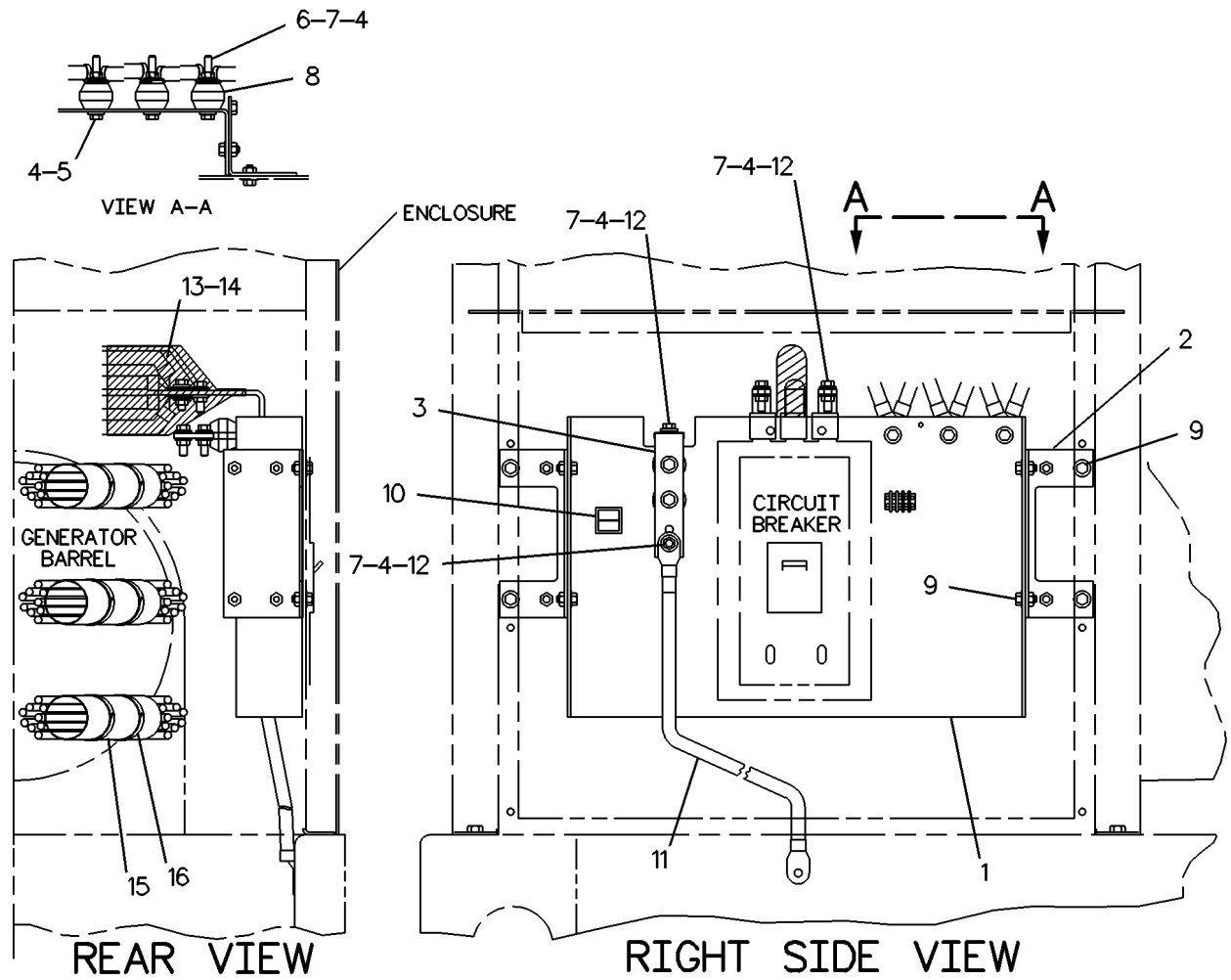
NOTE	REF NO	GRAPHIC REF	PART NUMBER	QTY	PART NAME						SEE PAGE
					1	2	3	4	5	6 (PRODUCT LEVEL)	
	1	1	<b>9Y-0969</b>	1	PLATE						
	2	1	<b>9Y-5840</b>	2	BRACKET AS						
	3	1	<b>9Y-7642</b>	1	NEUTRAL BUS BAR AS						
		1	<b>4W-7142</b>	2	INSULATOR						
	4	1	<b>5P-1075</b>	24	WASHER-HARD (10.2X22.5X3-MM THK)						
	5	1	<b>5P-8167</b>	3	BOLT (3/8-16X0.625-IN)						
	6	1	<b>8T-5409</b>	3	STUD-TAPERLOCK (3/8-16X1.57-IN)						
	7	1	<b>6V-8801</b>	12	NUT (3/8-16-THD)						
	8	1	<b>4W-7142</b>	3	INSULATOR						
	9	1	<b>031-3414</b>	8	SCREW-TENSILOCK						
	10	1	<b>9Y-4275</b>	1	FILM-INFORMATION (TERMINAL STRIP)						
	11	1	<b>4W-7334</b>	1	CABLE AS						
	12	1	<b>5S-7382</b>	9	BOLT (3/8-16X1.375-IN)						
	13	1	<b>5N-4685</b>	1	TAPE-ELECTRICAL						
	14	1	<b>5N-4686</b>	1	TAPE-ELECTRICAL (VINYL)						
	15	1	<b>7H-8213</b>	2	MAT						
B	16	1	<b>6K-0806</b>	20	STRAP-CABLE						

B - USE AS REQUIRED

# ELECTRICAL AND STARTING SYSTEM

9Y-8051 MOUNTING GP-CIRCUIT BREAKER (contd.)

i01959532



GRAPHIC #1

<END>

g00210916

# ELECTRICAL AND STARTING SYSTEM

## 102-9976 MOUNTING GP-CONTACTOR

S/N: 85Z3764-UP

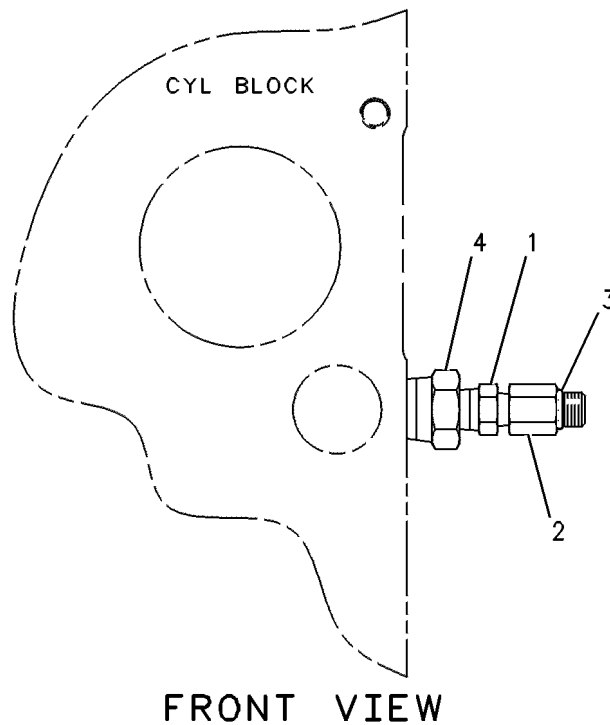
**REQUIRES EMCP II OIL PRESSURE SENSORS  
CANNOT BE USED WITH AIR COMPRESSOR  
AN ATTACHMENT**

**SMCS-7400**

**i01761309**

NOTE	REF NO	GRAPHIC REF	PART NUMBER	QTY	PART NAME						SEE PAGE
					1	2	3	4	5	6	
	1	1	<b>6K-1019</b>	1	NIPPLE-PIPE (REDUCING)						
	2	1	<b>5P-5528</b>	1	BUSHING-REDUCER						
	3	1	<b>3J-7354</b>	1	SEAL-O-RING						
B	4	1	<b>6B-5072</b>	1	ADAPTER						

B - USE AS REQUIRED



GRAPHIC #1

<END>

g00236582

# ELECTRICAL AND STARTING SYSTEM

## 125-9775 MOUNTING GP-CONTACTOR

S/N: 85Z3764-UP

FOR USE WITH 4W-9602-PAGE: 954  
AN ATTACHMENT

**SMCS-7400**

**i01834931**

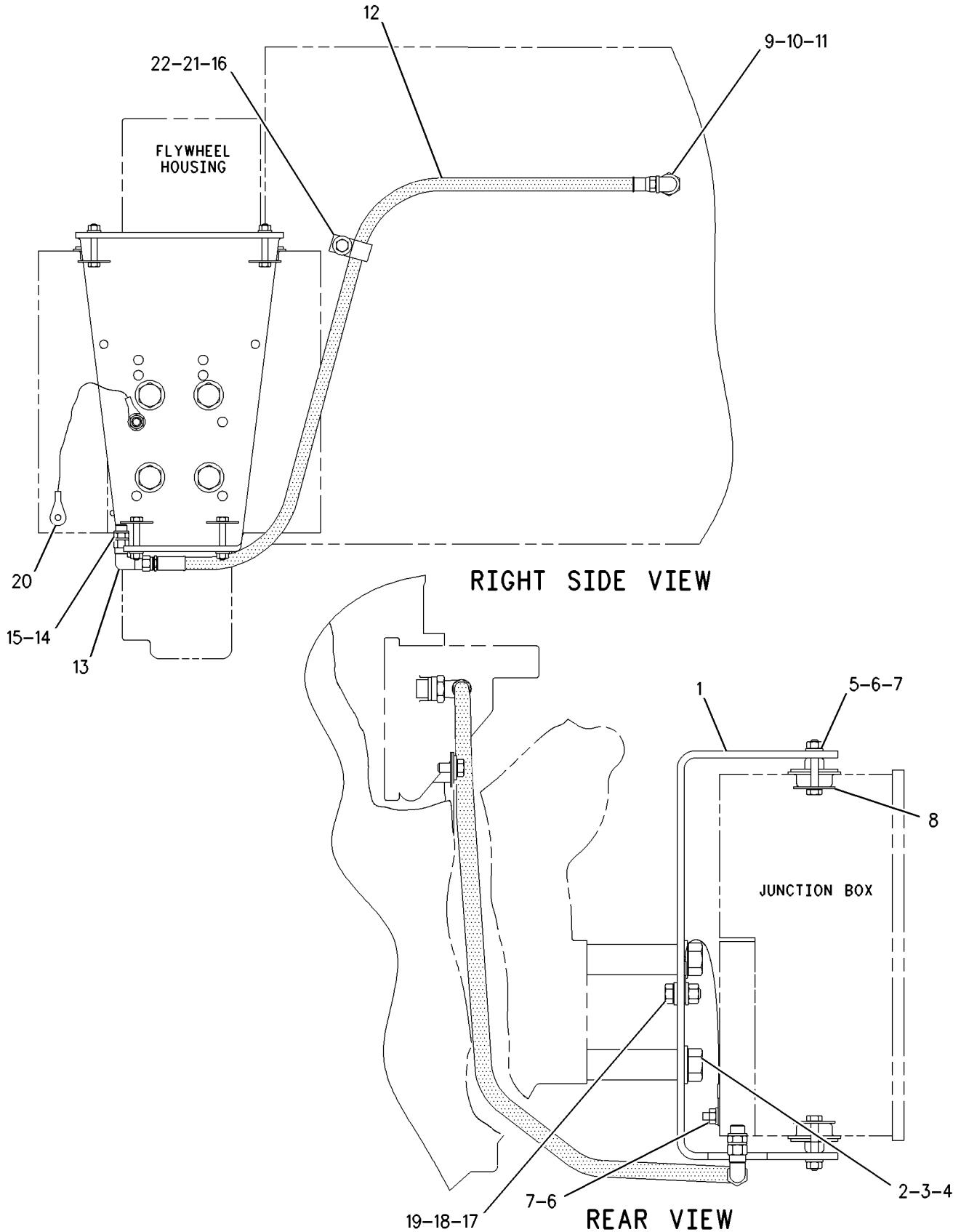
NOTE	REF NO	GRAPHIC REF	PART NUMBER	QTY	PART NAME						SEE PAGE
					1	2	3	4	5	6 (PRODUCT LEVEL)	
	1	1	<b>4W-7544</b>	1	PLATE						
	2	1	<b>7X-0354</b>	4	BOLT (5/8-11X4.5-IN)						
	3	1	<b>8T-4122</b>	4	WASHER-HARD (17X32X3.5-MM THK)						
	4	1	<b>5A-5257</b>	4	TUBE						
	5	1	<b>7X-3178</b>	4	BOLT (1/4-20X1.625-IN)						
	6	1	<b>8T-4205</b>	5	WASHER-HARD (7.2X14.5X2-MM THK)						
	7	1	<b>6V-8185</b>	5	NUT (1/4-20-THD)						
	8	1	<b>2W-8604</b>	4	WASHER (6.5X35X1.5-MM THK)						
	9	1	<b>3K-0360</b>	1	SEAL-O-RING						
	10	1	<b>8J-7844</b>	1	ADAPTER						
	11	1	<b>6V-4245</b>	1	ELBOW						
I	12	1	<b>3N-4792</b>	1	HOSE AS						
	13	1	<b>7K-9197</b>	1	ELBOW						
	14	1	<b>3J-7354</b>	1	SEAL-O-RING						
	15	1	<b>3J-7352</b>	1	CONNECTOR						
	16	1	<b>8M-2773</b>	1	CLIP (LOOP)						
	17	1	<b>5S-7379</b>	1	BOLT (3/8-16X0.875-IN)						
	18	1	<b>8T-4896</b>	2	WASHER-HARD (10.2X18.5X2.5-MM THK)						
	19	1	<b>6V-8801</b>	1	NUT (3/8-16-THD)						
	20	1	<b>1H-6936</b>	1	WIRE AS						
	21	1	<b>5P-4116</b>	1	WASHER-HARD (8.8X20.5X2-MM THK)						
	22	1	<b>5K-0906</b>	1	BOLT (5/16-18X0.625-IN)						

I - REFER TO HYDRAULIC INFORMATION SYSTEM

# ELECTRICAL AND STARTING SYSTEM

125-9775 MOUNTING GP-CONTACTOR (contd.)

i01834931



GRAPHIC #1

<END>

g00937925



# ELECTRICAL AND STARTING SYSTEM

## 4W-7525 MOUNTING GP-CONTACTOR

S/N: 85Z3764-UP

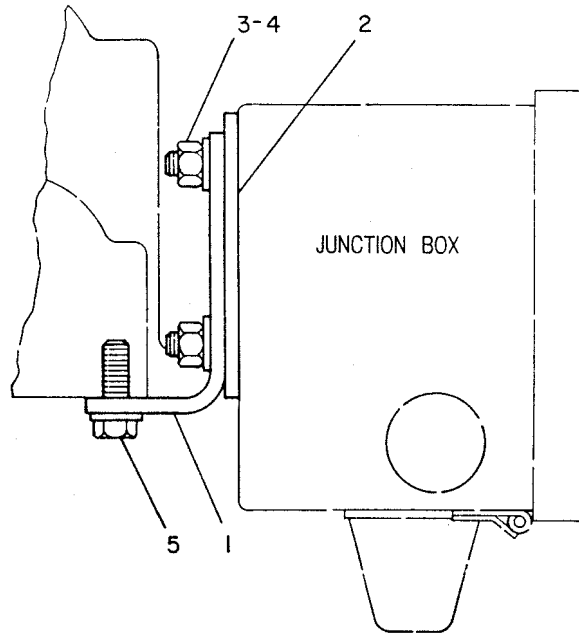
POWER DISTRIBUTION BOX

FOR USE WITH ELECTRIC STARTING MOTOR AND/OR ALTERNATOR  
AN ATTACHMENT

SMCS-7400

i01833616

NOTE	REF NO	GRAPHIC REF	PART NUMBER	QTY	PART NAME						SEE PAGE
					1	2	3	4	5	6 (PRODUCT LEVEL)	
	1	1	<b>2W-0390</b>	1	BRACKET						
	2	1	<b>7G-4327</b>	2	PLATE						
	3	1	<b>1D-4717</b>	4	NUT (3/8-16-THD)						
	4	1	<b>8T-4896</b>	4	WASHER-HARD (10.2X18.5X2.5-MM THK)						
	5	1	<b>8T-2502</b>	2	BOLT (3/8-16X1.125-IN)						



REAR VIEW  
MOUNTING FOR DIESEL ENGINE

GRAPHIC #1

<END>

g00194701

# ELECTRICAL AND STARTING SYSTEM

## 7C-0368 MOUNTING GP-CONTACTOR

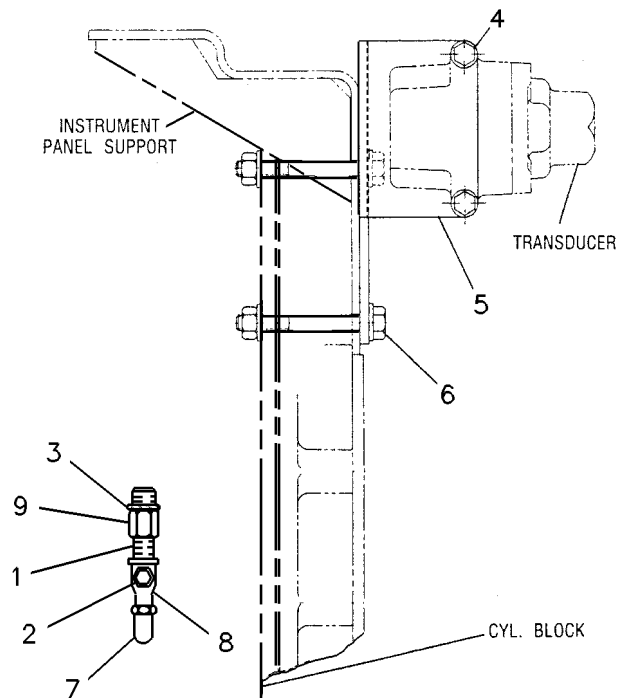
S/N: 85Z3764-UP

**CANNOT BE USED WITH JUNCTION BOX & POWER BOX INSERT OR TWO STAGE AIR CLEANER AN ATTACHMENT**

**SMCS-7400**

**i00974100**

NOTE	REF NO	GRAPHIC REF	PART NUMBER	QTY	PART NAME						SEE PAGE
					1	2	3	4	5	6	
	1	1	<b>6V-1813</b>	1	FITTING						
	2	1	<b>5M-6214</b>	1	PLUG (1/8-27 PTF)						
	3	1	<b>3J-7354</b>	1	SEAL-O-RING						
	4	1	<b>1B-2714</b>	2	BOLT (1/4-20X2.5-IN)						
		1	<b>5P-0537</b>	4	WASHER-HARD (7.2X14.5X2-MM THK)						
		1	<b>9S-8750</b>	2	NUT-FULL (1/4-20-THD)						
	5	1	<b>7C-0369</b>	1	BRACKET						
	6	1	<b>0T-0573</b>	2	BOLT (3/8-16X2.75-IN)						
		1	<b>5M-2894</b>	4	WASHER-HARD (10.2X18.5X2.5-MM THK)						
		1	<b>1D-4717</b>	2	NUT (3/8-16-THD)						
	7	1	<b>3B-8822</b>	1	ELBOW						
	8	1	<b>5P-3422</b>	1	TEE-PIPE						
	9	1	<b>5P-5528</b>	1	BUSHING-REDUCER						



GRAPHIC #1

<END>

g00218843

# ELECTRICAL AND STARTING SYSTEM

## 7W-4972 MOUNTING GP-CONTACTOR

S/N: 85Z3764-UP

JUNCTION BOX

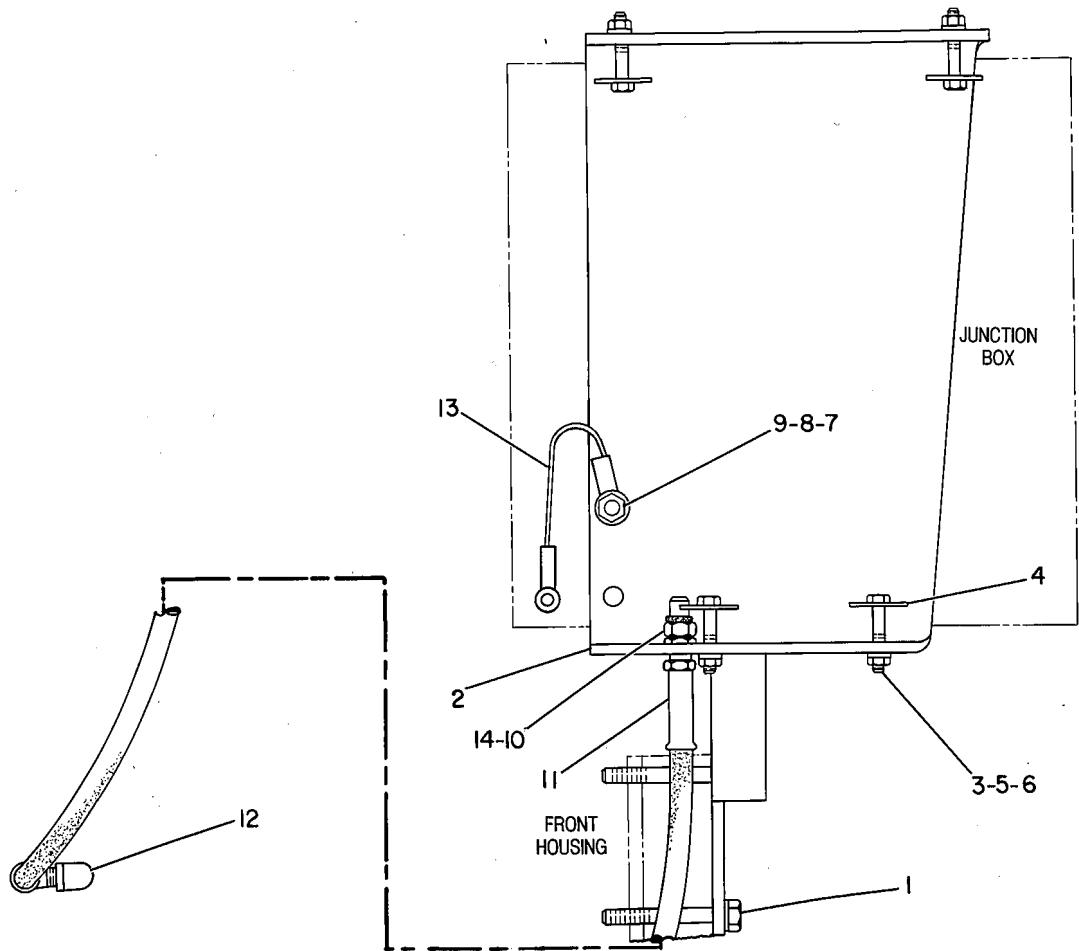
CANNOT BE USED WITH 4N-6975-PAGE: 217  
AN ATTACHMENT

SMCS-7400

i00638957

NOTE	REF NO	GRAPHIC REF	PART NUMBER	QTY	PART NAME						SEE PAGE
					1	2	3	4	5	6	
	1	1	<b>8T-9101</b>	3	BOLT (3/8-16X2.75-IN)						
	2	1	<b>7W-6627</b>	1	SUPPORT AS-BOX						
	3	1	<b>7B-8167</b>	4	BOLT (1/4-20X1.625-IN)						
	4	1	<b>2W-8604</b>	4	WASHER (6.5X35X1.5-MM THK)						
	5	1	<b>5P-0537</b>	5	WASHER-HARD (7.2X14.5X2-MM THK)						
	6	1	<b>9S-8750</b>	5	NUT-FULL (1/4-20-THD)						
	7	1	<b>5S-7379</b>	1	BOLT (3/8-16X0.875-IN)						
	8	1	<b>8T-4896</b>	2	WASHER-HARD (10.2X18.5X2.5-MM THK)						
	9	1	<b>6V-8801</b>	1	NUT (3/8-16-THD)						
	10	1	<b>3J-7352</b>	1	CONNECTOR						
I	11	1	<b>6N-3170</b>	1	HOSE AS						
	12	1	<b>3B-8822</b>	2	ELBOW						
	13	1	<b>1H-6936</b>	1	WIRE AS						
	14	1	<b>3J-7354</b>	1	SEAL-O-RING						

I - REFER TO HYDRAULIC INFORMATION SYSTEM



GRAPHIC #1

<END>

g00169382

# ELECTRICAL AND STARTING SYSTEM

## 9Y-5591 MOUNTING GP-CONTACTOR

S/N: 85Z3764-UP

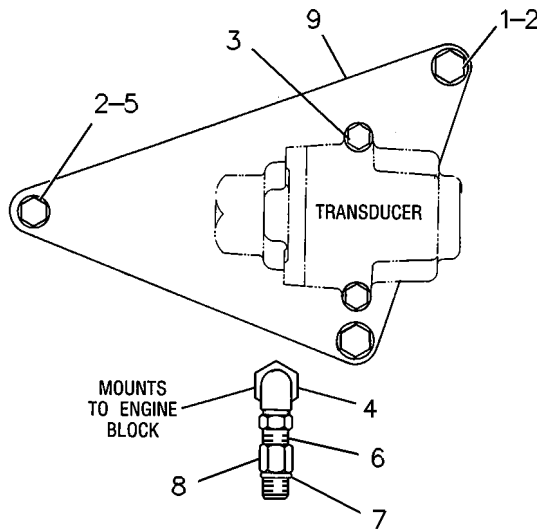
**FOR USE WITH EMCP CONTROL PANEL ONLY, RESILENT MOUNTED GENERATOR SET  
CANNOT BE USED WITH AIR COMPRESSOR  
AN ATTACHMENT**

**SMCS-7400**

**i00946095**

NOTE	REF NO	GRAPHIC REF	PART NUMBER	QTY	PART NAME						SEE PAGE
					1	2	3	4	5	6	
	1	1	<b>0S-1571</b>	2	BOLT (3/8-16X1.75-IN)						
		1	<b>5M-2894</b>	2	WASHER-HARD (10.2X18.5X2.5-MM THK)						
	2	1	<b>2A-2677</b>	3	SPACER (10.7X17.14X19.05-MM THK)						
	3	1	<b>1B-2714</b>	2	BOLT (1/4-20X2.5-IN)						
		1	<b>5P-0537</b>	2	WASHER-HARD (7.2X14.5X2-MM THK)						
	4	1	<b>3B-8822</b>	1	ELBOW						
B		1	<b>3B-6768</b>	1	BUSHING-REDUCER (19 MM LG)						
B		1	<b>8B-1931</b>	1	BUSHING-REDUCER (27.9 MM LG)						
	5	1	<b>1A-9579</b>	1	BOLT (5/16-18X1.5-IN)						
		1	<b>9M-1974</b>	1	WASHER-HARD (8.8X16X2-MM THK)						
	6	1	<b>6V-1813</b>	1	FITTING						
	7	1	<b>3J-7354</b>	1	SEAL-O-RING						
	8	1	<b>5P-5528</b>	1	BUSHING-REDUCER						
	9	1	<b>9Y-5592</b>	1	PLATE AS						

B - USE AS REQUIRED



**LEFT SIDE VIEW**

GRAPHIC #1

<END>

g00229961

# ELECTRICAL AND STARTING SYSTEM

## 5N-6064 MOUNTING GP-JACKET WTR HEATER

S/N: 85Z3764-UP

CANNOT BE USED WITH HEAVY DUTY AIR CLEANER

AN ATTACHMENT

TYPE 1

SMCS-1383

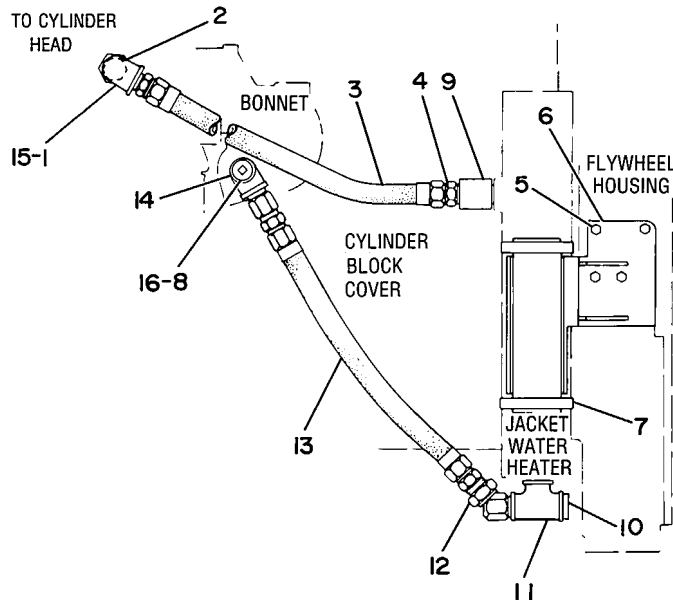
i00647507

NOTE	REF NO	GRAPHIC REF	PART NUMBER	QTY	PART NAME						SEE PAGE
					1	2	3	4	5	6	
	1	1	<b>3B-6555</b>	1	ELBOW						
	2	1	<b>007-0950</b>	1	ADAPTER-PIPE						
I	3	1	<b>5N-6062</b>	1	HOSE AS						
	4	1	<b>1L-5987</b>	1	CONNECTOR-PIPE						
	5	1	<b>0L-1351</b>	4	BOLT (3/8-16X0.875-IN)						
		1	<b>5M-2894</b>	4	WASHER-HARD (10.2X18.5X2.5-MM THK)						
	6	1	<b>5N-6061</b>	1	BRACKET AS						
C	7	1	<b>8T-6726</b>	2	CLAMP-HOSE						
CB	8	1	<b>2B-0858</b>	1	PLUG-PIPE						
C	9	1	<b>3B-6491</b>	1	COUPLING-PIPE						
	10	1	<b>3B-0551</b>	1	PLUG-PIPE						
C	11	1	<b>4B-7770</b>	1	TEE						
	12	1	<b>001-5262</b>	1	ELBOW						
I	13	1	<b>5N-6063</b>	1	HOSE AS						
C	14	1	<b>1N-8559</b>	1	TEE-SERVICE						
C	15	1	<b>004-5703</b>	2	ADAPTER-PIPE						
C	16	1	<b>8B-2664</b>	1	BUSHING-REDUCER						

B - USE AS REQUIRED

C - CHANGE FROM PREVIOUS TYPE

I - REFER TO HYDRAULIC INFORMATION SYSTEM



GRAPHIC #1

<END>

g00190450

# ELECTRICAL AND STARTING SYSTEM

## 5N-6064 MOUNTING GP-JACKET WTR HEATER

S/N: 85Z3764-UP

CANNOT BE USED WITH HEAVY DUTY AIR CLEANER  
AN ATTACHMENT  
TYPE 2

SMCS-1383

i01390231

NOTE	REF NO	GRAPHIC REF	PART NUMBER	QTY	PART NAME						SEE PAGE
					1	2	3	4	5	6 (PRODUCT LEVEL)	
CI	1	1	<b>5N-6062</b>	1	HOSE AS						
	2	1	<b>3B-6491</b>	1	COUPLING-PIPE						
	3	1	<b>0L-1351</b>	4	BOLT (3/8-16X0.875-IN)						
	4	1	<b>5M-2894</b>	4	WASHER-HARD (10.2X18.5X2.5-MM THK)						
	5	1	<b>5N-6061</b>	1	BRACKET AS						
I	6	1	<b>5N-6063</b>	1	HOSE AS						
	7	1	<b>001-5262</b>	2	ELBOW						
	8	1	<b>8B-2664</b>	1	BUSHING-REDUCER						
B	9	1	<b>2B-0858</b>	1	PLUG-PIPE						
	10	1	<b>1N-8559</b>	1	TEE-SERVICE						
	11	1	<b>4B-7770</b>	1	TEE						
	12	1	<b>3B-0551</b>	1	PLUG-PIPE						
	13	1	<b>8T-6726</b>	2	CLAMP-HOSE						
C	14	1	<b>3B-7866</b>	1	NIPPLE-PIPE						
C	15	1	<b>3F-1783</b>	1	ELBOW-REDUCING						
	16	1	<b>004-5703</b>	2	ADAPTER-PIPE						

B - USE AS REQUIRED

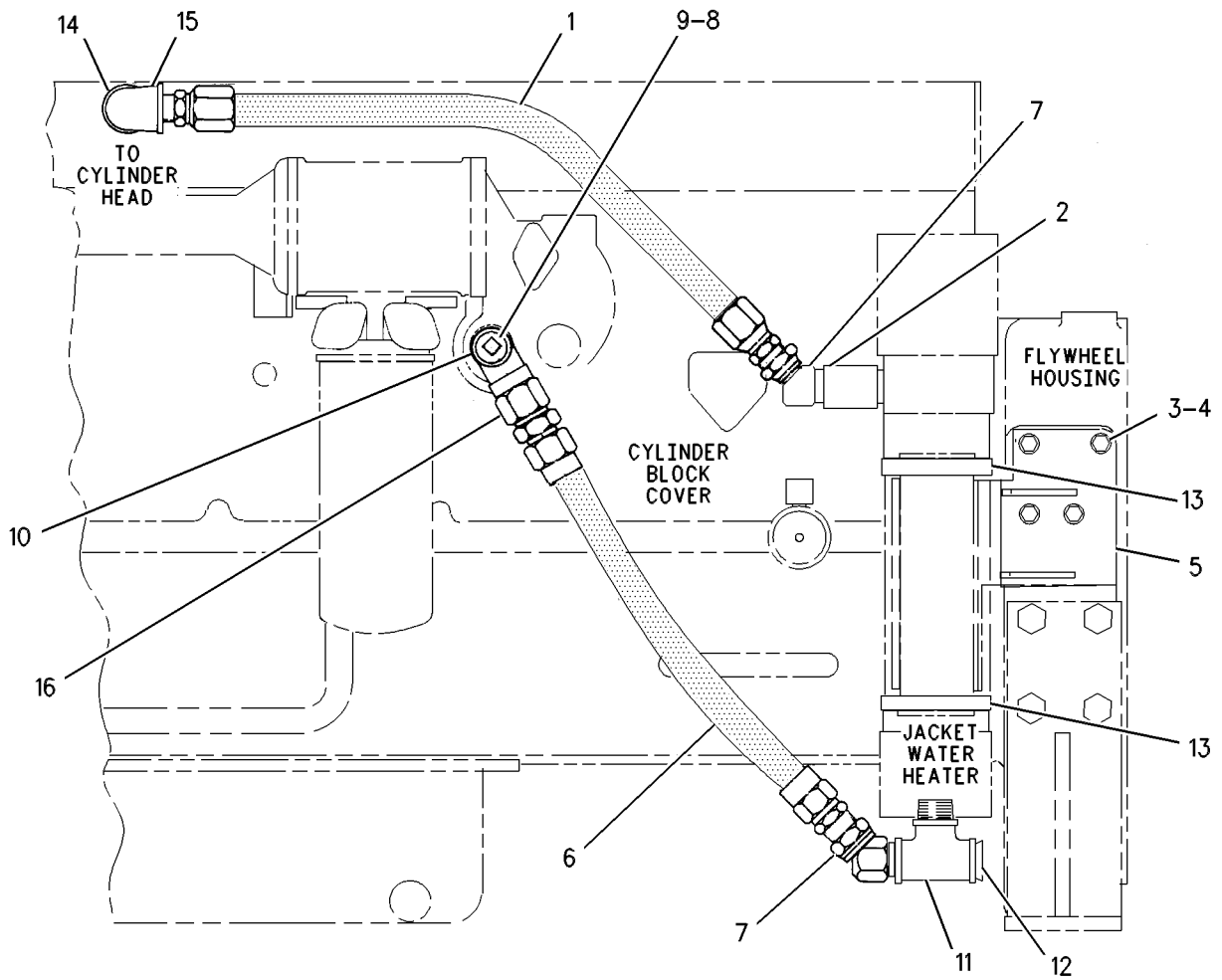
C - CHANGE FROM PREVIOUS TYPE

I - REFER TO HYDRAULIC INFORMATION SYSTEM

# ELECTRICAL AND STARTING SYSTEM

5N-6064 MOUNTING GP-JACKET WTR HEATER (contd.)

i01390231



GRAPHIC #1

<END>

g00633962

# ELECTRICAL AND STARTING SYSTEM

## 4W-7609 MOUNTING GP-TRANSFORMER

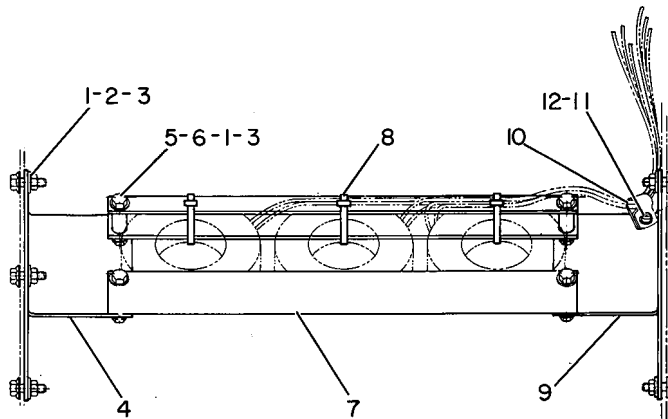
S/N: 5CA5985-UP; 5DA5682-UP; 5EA5375-UP; 5FA4499-UP

**FOR USE WITH GEN MTD CONTROL PANEL ON ALL 440 FRAME SIZE GENERATORS  
AN ATTACHMENT**

**SMCS-4476**

**i01790285**

NOTE	REF NO	GRAPHIC REF	PART NUMBER	QTY	PART NAME						SEE PAGE
					1	2	3	4	5	6 (PRODUCT LEVEL)	
	1	1	<b>6V-8189</b>	9	NUT (5/16-18-THD)						
	2	1	<b>8T-0023</b>	5	BOLT-HEAD LOCKING (5/16-18X1-IN)						
	3	1	<b>5P-4116</b>	13	WASHER-HARD (8.8X20.5X2-MM THK)						
	4	1	<b>4W-7387</b>	1	BRACKET (LH)						
	5	1	<b>5P-2955</b>	4	BOLT (5/16-18X2.5-IN)						
	6	1	<b>7K-3377</b>	4	PIPE						
	7	1	<b>4W-7388</b>	2	CHANNEL-MOUNTING						
	8	1	<b>7K-1181</b>	3	STRAP-CABLE						
	9	1	<b>4W-7386</b>	1	BRACKET (RH)						
	10	1	<b>067-3605</b>	1	CLAMP-HOSE						
	11	1	<b>5H-6467</b>	1	SCREW-MACHINE						
		1	<b>9S-5937</b>	1	LOCKNUT (10-32-THD)						
	12	1	<b>4B-4274</b>	2	WASHER (5.5X13X1.2-MM THK)						



GRAPHIC #1

<END>

g00169395



# ELECTRICAL AND STARTING SYSTEM

## 4W-8216 NEUTRAL BUS BAR AS

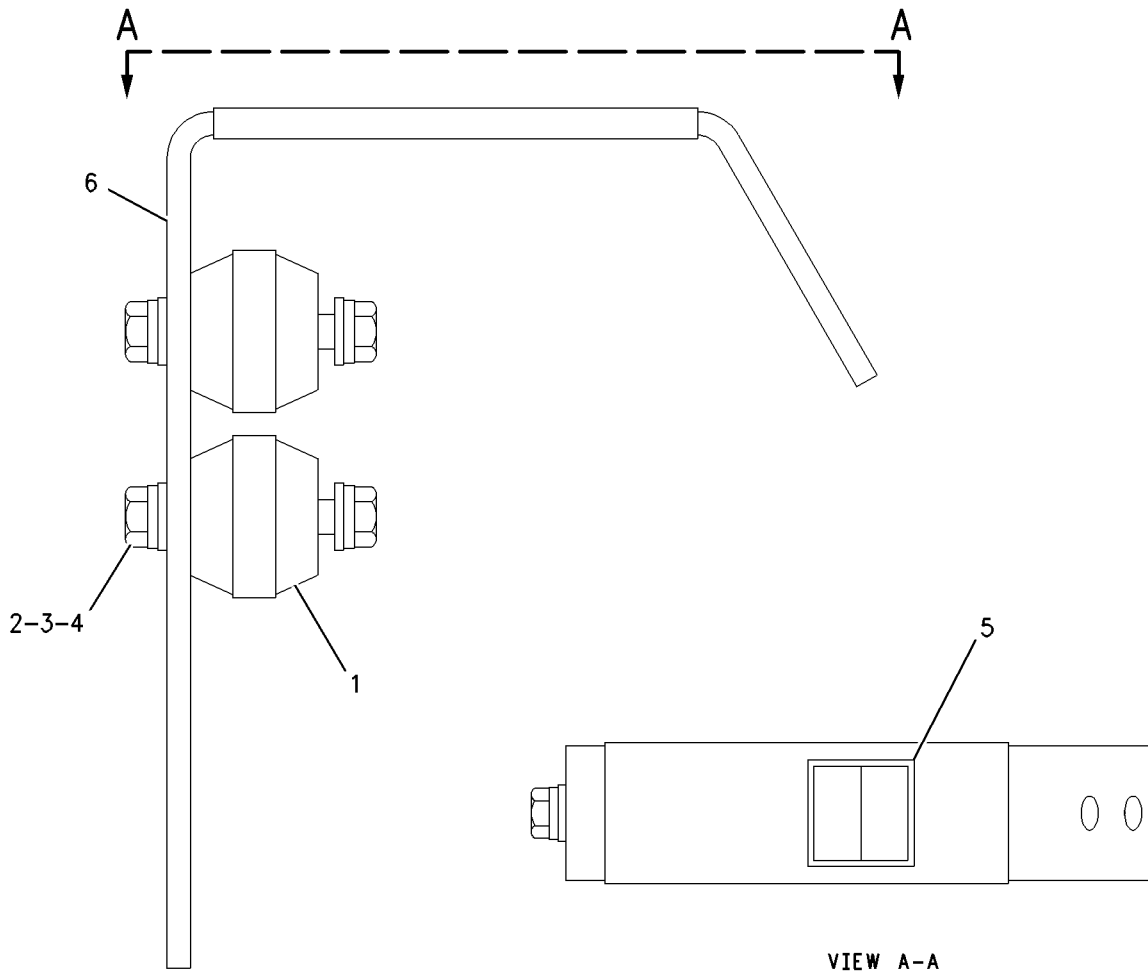
S/N: 5CA5985-UP; 5DA5682-UP; 5EA5375-UP; 5FA4499-UP  
800-AMPERE

FOR USE WITH 4W-8214-PAGE: 1105, 4W-8215-PAGE: 1107  
AN ATTACHMENT

SMCS-445B

i02345357

NOTE	REF NO	GRAPHIC REF	PART NUMBER	QTY	PART NAME						SEE PAGE
					1	2	3	4	5	6 (PRODUCT LEVEL)	
	1	1	<b>4W-7142</b>	2	INSULATOR						
	2	1	<b>3B-4506</b>	4	LOCKWASHER						
	3	1	<b>8T-4896</b>	4	WASHER-HARD (10.2X18.5X2.5-MM THK)						
	4	1	<b>5M-3062</b>	4	BOLT (3/8-16X0.75-IN)						
	5	1	<b>4W-6393</b>	1	FILM-TERMINAL STRIP						
	6	1	<b>204-6608</b>	1	BAR AS (NEUTRAL-800 AMPERE)						



GRAPHIC #1

<END>

g00897549

# ELECTRICAL AND STARTING SYSTEM

## 4W-8217 NEUTRAL BUS BAR AS

S/N: 5CA5985-UP; 5DA5682-UP; 5EA5375-UP; 5FA4499-UP

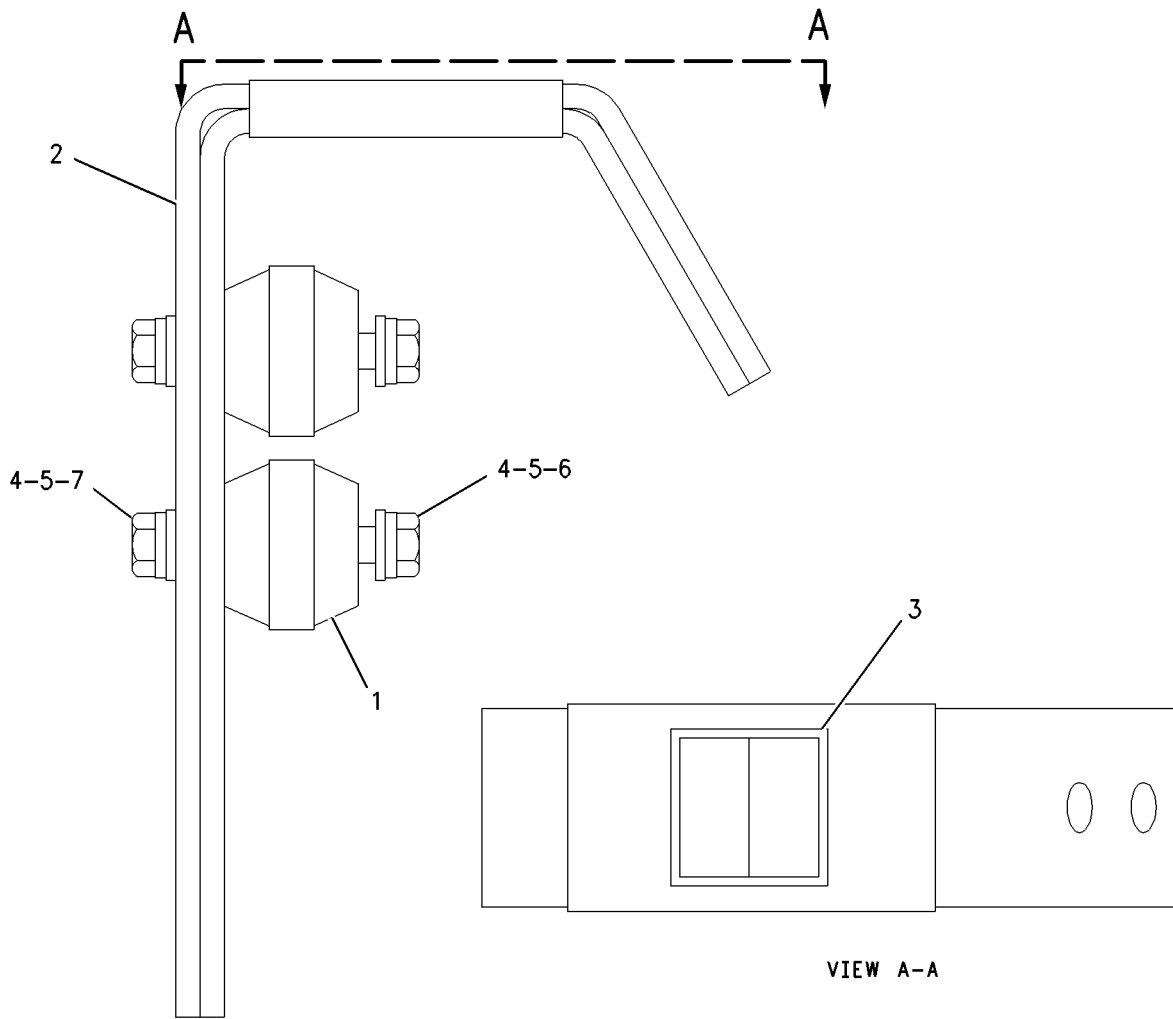
1200-AMPERE

FOR USE WITH 4W-8215-PAGE: 1107  
AN ATTACHMENT

SMCS-445B

i01957301

NOTE	REF NO	GRAPHIC REF	PART NUMBER	QTY	PART NAME						SEE PAGE
					1	2	3	4	5	6	
	1	1	<b>4W-7142</b>	2	INSULATOR						
	2	1	<b>204-6609</b>	1	BAR AS (NEUTRAL - 1200 AMPERE)						
	3	1	<b>4W-6393</b>	1	FILM-TERMINAL STRIP						
	4	1	<b>3B-4506</b>	4	LOCKWASHER						
	5	1	<b>8T-4896</b>	4	WASHER-HARD (10.2X18.5X2.5-MM THK)						
	6	1	<b>5M-3062</b>	2	BOLT (3/8-16X0.75-IN)						
	7	1	<b>4L-6454</b>	2	BOLT (3/8-16X1-IN)						



GRAPHIC #1

<END>

g00897553

# ELECTRICAL AND STARTING SYSTEM

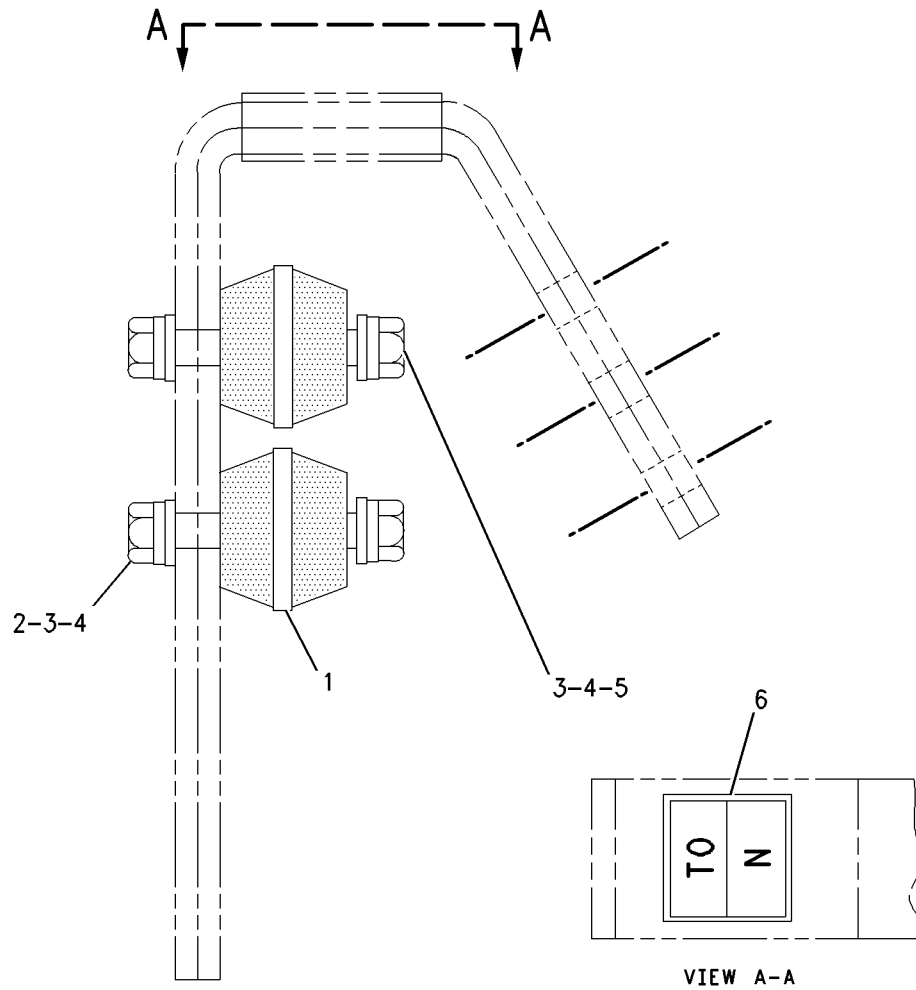
## 6I-3339 NEUTRAL BUS BAR AS

S/N: 8JF1-UP; 6DG1-UP; 6EG1-UP  
1200 AMPERE  
AN ATTACHMENT

SMCS-445B

i01857441

NOTE	REF NO	GRAPHIC REF	PART NUMBER	QTY	PART NAME						SEE PAGE
					1	2	3	4	5	6 (PRODUCT LEVEL)	
	1	1	<b>4W-7142</b>	2	INSULATOR						
	2	1	<b>4L-6454</b>	2	BOLT (3/8-16X1-IN)						
	3	1	<b>8T-4896</b>	4	WASHER-HARD (10.2X18.5X2.5-MM THK)						
	4	1	<b>3B-4506</b>	4	LOCKWASHER						
	5	1	<b>5M-3062</b>	2	BOLT (3/8-16X0.75-IN)						
	6	1	<b>4W-6393</b>	1	FILM-TERMINAL STRIP						



GRAPHIC #1

<END>

g00858817

# ELECTRICAL AND STARTING SYSTEM

## 6I-3340 NEUTRAL BUS BAR AS

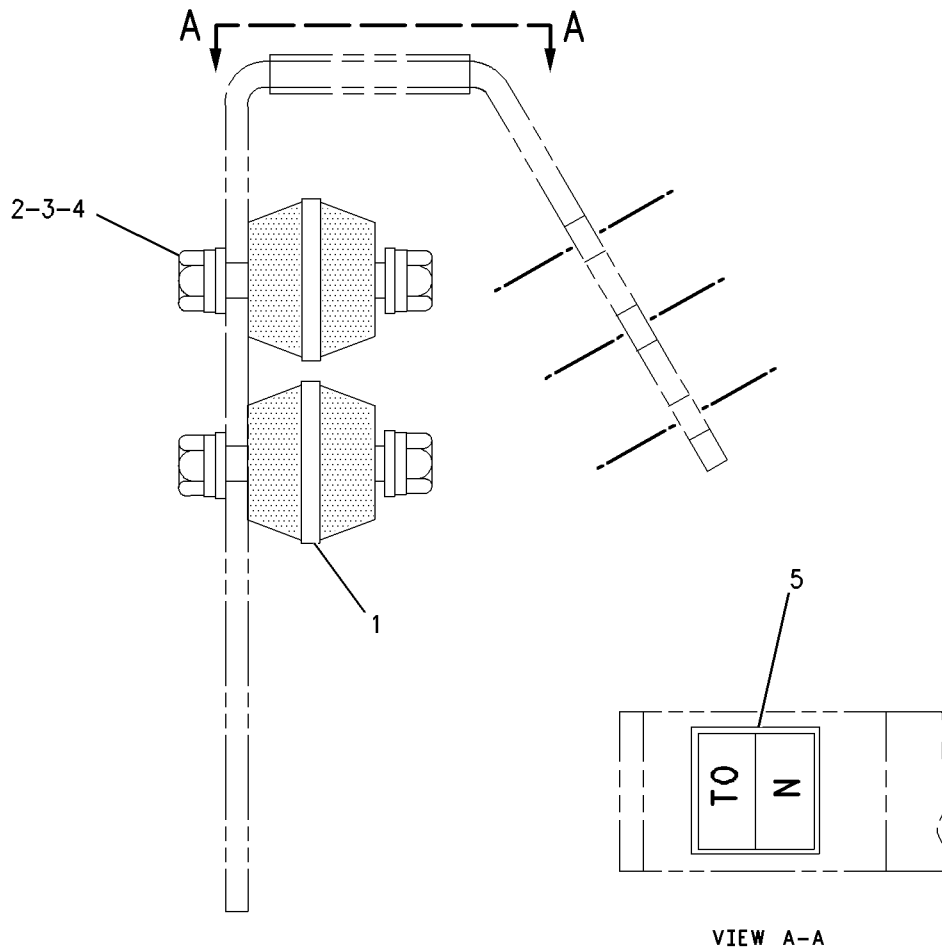
S/N: 8JF1-UP; 6DG1-UP; 6EG1-UP

**800 AMPERE  
AN ATTACHMENT**

**SMCS-445B**

**i01857443**

NOTE	REF NO	GRAPHIC REF	PART NUMBER	QTY	PART NAME						SEE PAGE
					1	2	3	4	5	6 (PRODUCT LEVEL)	
	1	1	<b>4W-7142</b>	2	INSULATOR						
	2	1	<b>3B-4506</b>	4	LOCKWASHER						
	3	1	<b>8T-4896</b>	4	WASHER-HARD (10.2X18.5X2.5-MM THK)						
	4	1	<b>5M-3062</b>	4	BOLT (3/8-16X0.75-IN)						
	5	1	<b>4W-6393</b>	1	FILM-TERMINAL STRIP						



GRAPHIC #1

<END>

g00858729

# ELECTRICAL AND STARTING SYSTEM

## 138-3809 RELAY AS-POWER

S/N: 8JF1-UP; 6DG1-UP  
24-VOLT DC HEATER CONTROL  
AN ATTACHMENT

SMCS-1422, 1426, 4493

i02519446

NOTE	PART NUMBER	QTY	PART NAME						SEE PAGE
			1	2	3	4	5	6 (PRODUCT LEVEL)	
(NO SERVICED PARTS)									
<END>									

# ELECTRICAL AND STARTING SYSTEM

## 3N-6998 SENDER GP-WATER TEMPERATURE & OIL PRESSURE

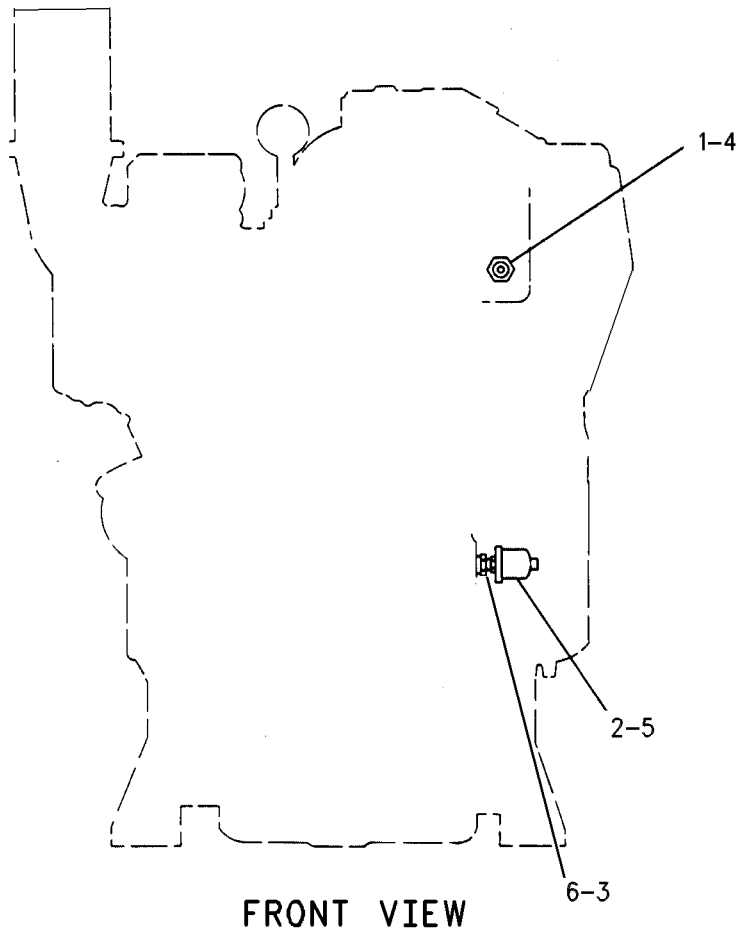
S/N: 85Z3764-UP  
ALSO AN ATTACHMENT

SMCS-7400

i01038799

NOTE	REF NO	GRAPHIC REF	PART NUMBER	QTY	PART NAME						SEE PAGE
					1	2	3	4	5	6 (PRODUCT LEVEL)	
CJ	1	1	<b>6N-5926</b>	1	SENDER AS-TEMPERATURE (WATER)						
CL	2	1	<b>030-2010</b>	1	SENDER AS-PRESSURE (OIL PRESSURE)						
B	3	1	<b>4M-5317</b>	1	BUSHING-REDUCER						
C	4	1	<b>8B-2664</b>	1	BUSHING-REDUCER						
C	5	1	<b>4B-2049</b>	1	NUT (10-32-THD)						
C		1	<b>8F-1434</b>	1	LOCKWASHER						
CB	6	1	<b>8B-1931</b>	1	BUSHING-REDUCER						

B - USE AS REQUIRED  
 C - CHANGE FROM PREVIOUS TYPE  
 J - MOUNT IN TOP FRONT PORT OF WATER BYPASS ELBOW LH  
 L - MOUNT IN SECOND PORT FROM FRONT ON LH SIDE OF ENGINE



GRAPHIC #1

<END>

g00535990

# ELECTRICAL AND STARTING SYSTEM

## 111-3794 SENSOR GP-COOLANT LEVEL

S/N: 85Z3764-UP

FIELD REPLACEMENT ORDER 165-6634-PAGE: 1138, 239-9957-PAGE: 1140

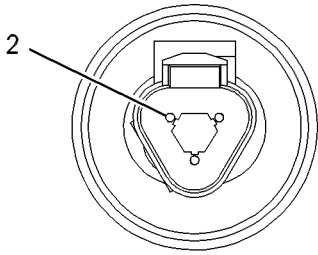
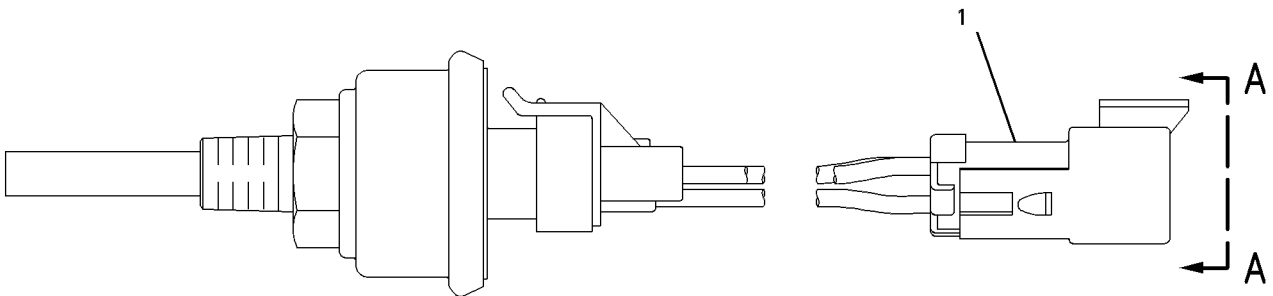
PART OF 3E-3761 SENSOR GP-LIQUID LEVEL

AN ATTACHMENT

SMCS-7422

i05379081

NOTE	REF NO	GRAPHIC REF	PART NUMBER	QTY	PART NAME						SEE PAGE
					1	2	3	4	5	6 (PRODUCT LEVEL)	
1	1	1	<b>102-8803</b>	1	KIT-RECEPTACLE (3-PIN)						
					(INCLUDES RECEPTACLE AS & WEDGE)						
2	1	1	<b>8T-8729</b>	3	PIN-CONNECTOR (16-GA TO 20-GA)						



VIEW A-A

GRAPHIC #1

<END>

g00625744

# ELECTRICAL AND STARTING SYSTEM

## 165-6634 SENSOR GP-COOLANT LEVEL

S/N: 85Z3764-UP

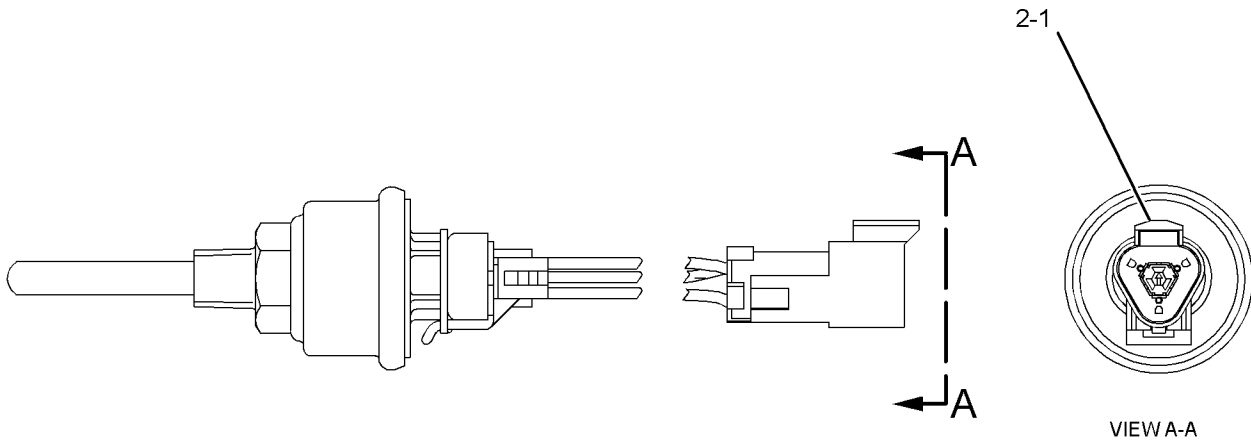
FIELD REPLACEMENT ORDER 239-9957-PAGE: 1140

FIELD REPLACEMENT FOR 111-3794-PAGE: 1137

SMCS-7422

i06894117

NOTE	REF NO	GRAPHIC REF	PART NUMBER	QTY	PART NAME						SEE PAGE
					1	2	3	4	5	6 (PRODUCT LEVEL)	
1	1	1	<b>102-8803</b>	1	KIT-RECEPTACLE (3-PIN)						
					(INCLUDES RECEPTACLE AS & WEDGE)						
2	1	1	<b>8T-8729</b>	3	PIN-CONNECTOR (16-GA TO 20-GA)						



GRAPHIC #1

<END>

g01278073



# ELECTRICAL AND STARTING SYSTEM

## 430-9449 SENSOR GP-COOLANT LEVEL

S/N: 85Z3764-UP

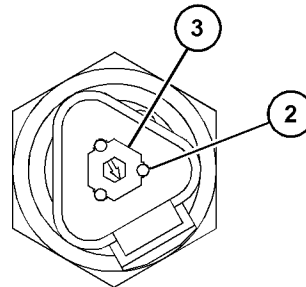
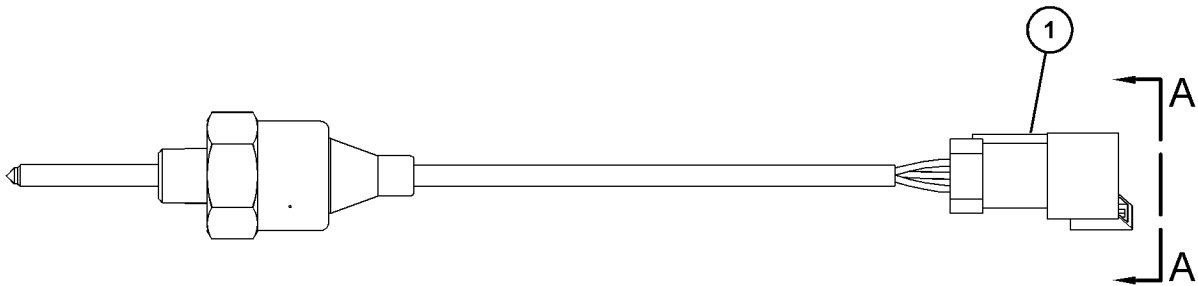
FIELD REPLACEMENT FOR 239-9957-PAGE: 1140

PART OF 239-9957 SENSOR GP-LIQUID LEVEL

SMCS-7422

i07388859

NOTE	REF NO	GRAPHIC REF	PART NUMBER	QTY	PART NAME						SEE PAGE
					1	2	3	4	5	6 (PRODUCT LEVEL)	
	1	1	<b>171-0596</b>	1	RECEPTACLE AS-CONNECTOR (3-PIN)						
	2	1	<b>8T-8729</b>	3	PIN-CONNECTOR (16-GA TO 20-GA)						
	3	1	<b>3E-3371</b>	1	WEDGE-RECEPTACLE LOCK (3-PIN)						



VIEW A-A

GRAPHIC #1

<END>

g03842849

# ELECTRICAL AND STARTING SYSTEM

## 239-9957 SENSOR GP-LIQUID LEVEL

S/N: 85Z3764-UP

COOLANT LOSS

FIELD REPLACEMENT ORDER 430-9449-PAGE: 1139

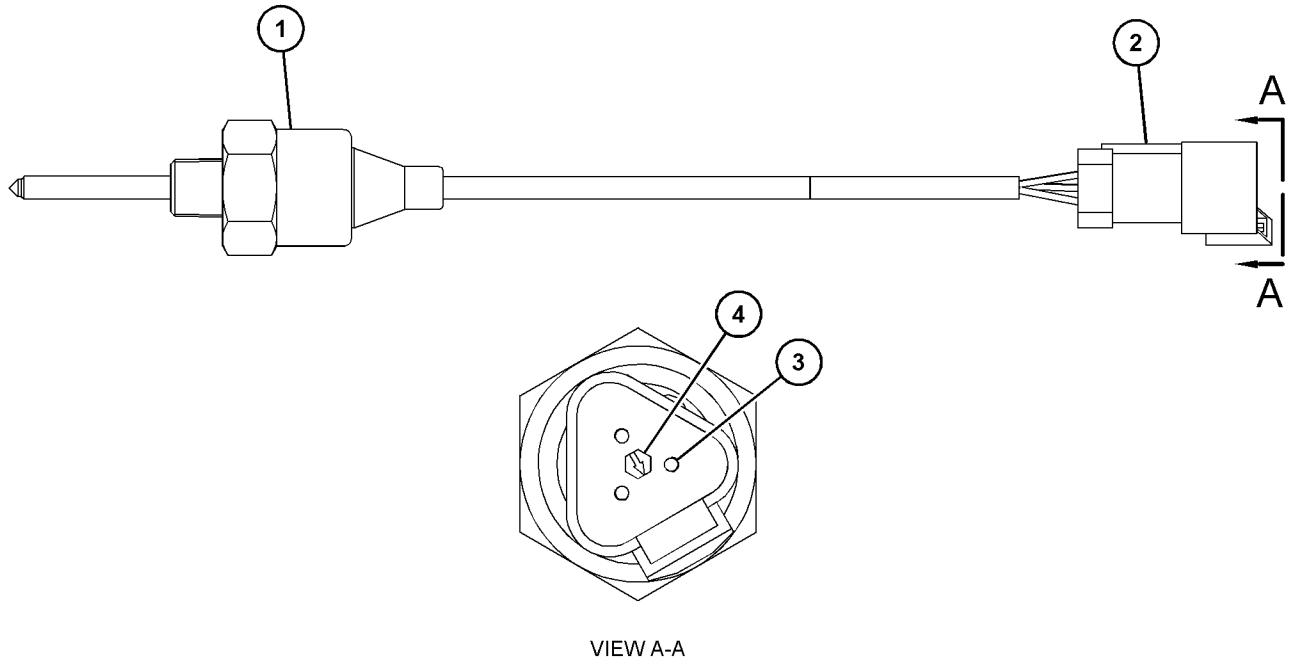
FIELD REPLACEMENT FOR 165-6634-PAGE: 1138: FOR 111-3794-PAGE: 1137

SMCS-7422

i06192519

NOTE	REF NO	GRAPHIC REF	PART NUMBER	QTY	PART NAME						SEE PAGE
					1	2	3	4	5	6 (PRODUCT LEVEL)	
Y	1	1	<b>430-9449</b>	1	SENSOR GP-COOLANT LEVEL						1139
	2	1	<b>171-0596</b>	1	RECEPTACLE AS-CONNECTOR (3-PIN)						
	3	1	<b>8T-8729</b>	3	PIN-CONNECTOR (16-GA TO 20-GA)						
	4	1	<b>3E-3371</b>	1	WEDGE-RECEPTACLE LOCK (3-PIN)						

Y - SEPARATE ILLUSTRATION



GRAPHIC #1

<END>

g03845657

# ELECTRICAL AND STARTING SYSTEM

## 3E-3761 SENSOR GP-LIQUID LEVEL

S/N: 85Z3764-UP

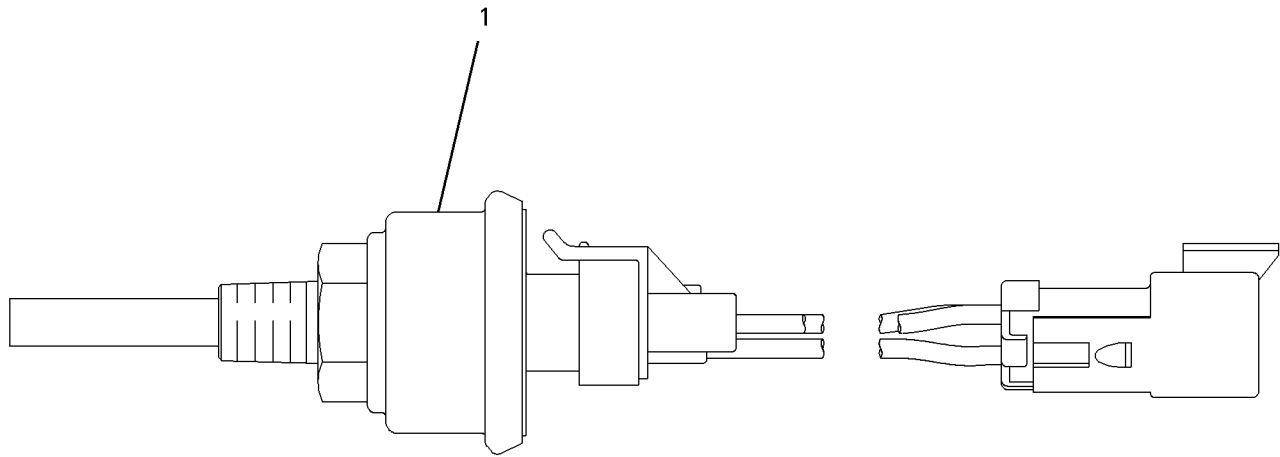
REQUIRES AN INSTALLED RADIATOR  
AN ATTACHMENT

SMCS-7422

i03457461

NOTE	REF NO	GRAPHIC REF	PART NUMBER	QTY	PART NAME						SEE PAGE
					1	2	3	4	5	6 (PRODUCT LEVEL)	
Y	1	1	111-3794	1	SENSOR GP-COOLANT LEVEL						1137

Y - SEPARATE ILLUSTRATION



GRAPHIC #1

<END>

g00648377

# ELECTRICAL AND STARTING SYSTEM

## 133-3917 SENSOR GP-PRESSURE

S/N: 85Z3764-UP

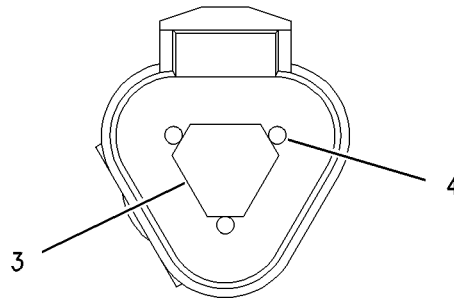
PART OF 103-6101 CONTROL GP-ENGINE MONITORING  
AN ATTACHMENT

SMCS-1718, 1916, 1917, 1923, 1924, 1925

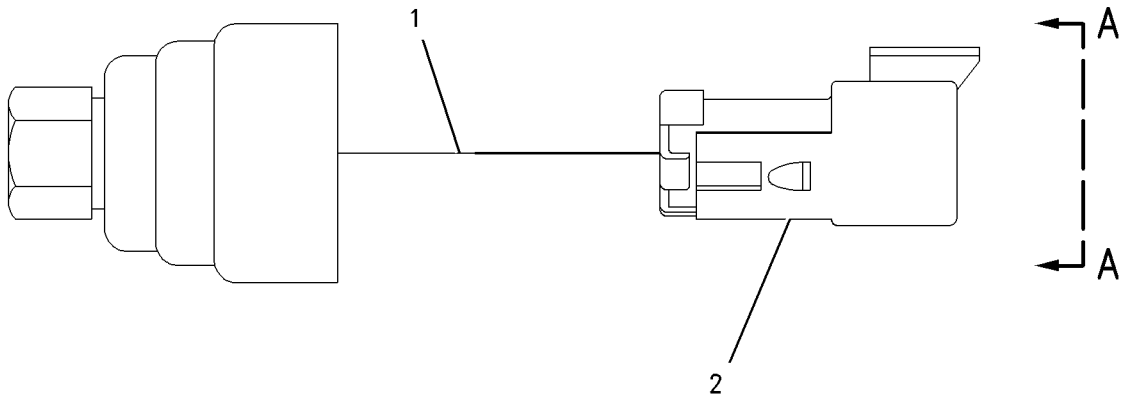
i02673329

NOTE	REF NO	GRAPHIC REF	PART NUMBER	QTY	PART NAME						SEE PAGE
					1	2	3	4	5	6 (PRODUCT LEVEL)	
E	1	1	<b>9X-1813</b>		SLEEVE (14-CM)						
	2	1	<b>102-8803</b>	1	KIT-RECEPTACLE (3-PIN) (INCLUDES RECEPTACLE ASSEMBLY & WEDGE)						
	3	1	<b>3E-3371</b>	1	WEDGE-RECEPTACLE LOCK (3-PIN)						
	4	1	<b>186-3735</b>	3	PIN-CONNECTOR (16-GA TO 18-GA)						

E - ORDER BY THE CENTIMETER



VIEW A-A



GRAPHIC #1

<END>

g00744022

# ELECTRICAL AND STARTING SYSTEM

## 145-2362 SENSOR GP-PRESSURE

S/N: 85Z3764-UP

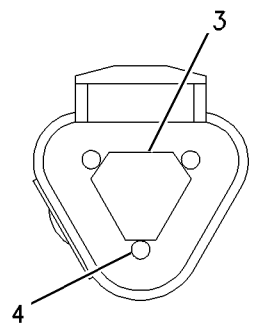
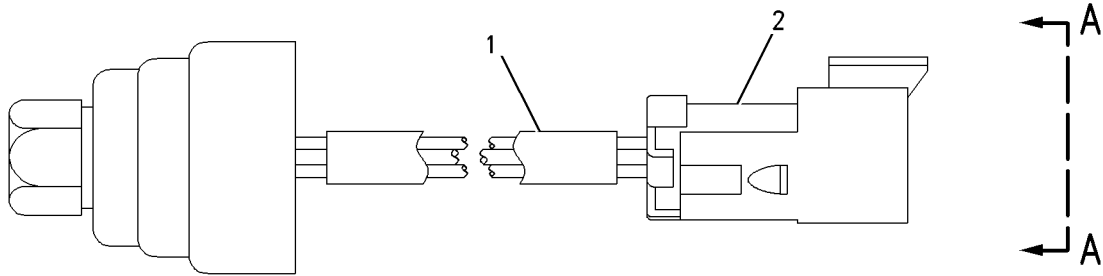
FIELD REPLACEMENT ORDER 216-8684-PAGE: 1145  
PART OF 103-6101 CONTROL GP-ENGINE MONITORING  
AN ATTACHMENT

SMCS-1718, 1916, 1917, 1923, 1924, 1925

i02762311

NOTE	REF NO	GRAPHIC REF	PART NUMBER	QTY	PART NAME						SEE PAGE
					1	2	3	4	5	6 (PRODUCT LEVEL)	
E	1	1	<b>9X-1813</b>		SLEEVE (14-CM)						
	2	1	<b>102-8803</b>	1	KIT-RECEPTACLE (3-PIN) (INCLUDES RECEPTACLE AS & WEDGE)						
	3	1	<b>3E-3371</b>	1	WEDGE-RECEPTACLE LOCK (3-PIN)						
	4	1	<b>9X-3401</b>	3	PIN-CONNECTOR (16-GA TO 18-GA)						

E - ORDER BY THE CENTIMETER



VIEW A-A

GRAPHIC #1

<END>

g00707687

# ELECTRICAL AND STARTING SYSTEM

## 163-8516 SENSOR GP-PRESSURE

S/N: 85Z3764-UP

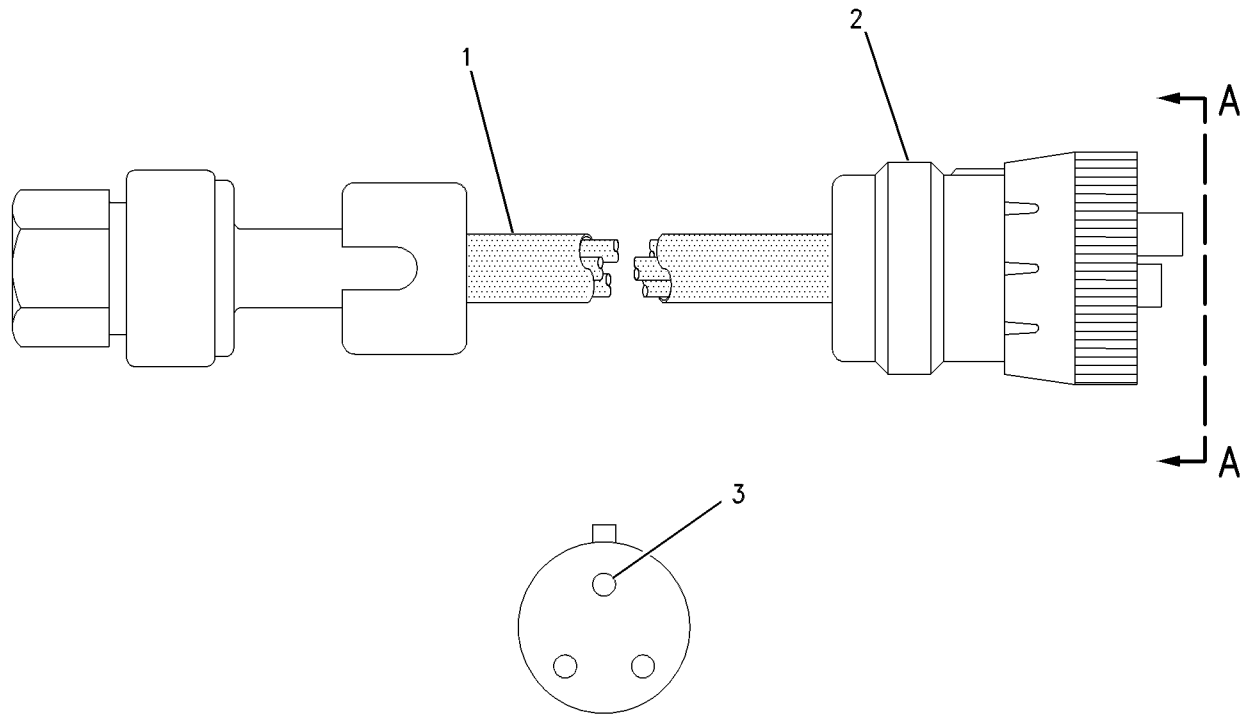
PART OF 7C-6513 CONTROL GP-EMCP ELECTRONIC  
AN ATTACHMENT

SMCS-1718, 1916, 1917, 1923, 1924, 1925

i06101204

NOTE	REF NO	GRAPHIC REF	PART NUMBER	QTY	PART NAME						SEE PAGE
					1	2	3	4	5	6 (PRODUCT LEVEL)	
BE	1	1	<b>9X-1813</b>		SLEEVE						
	2	1	<b>8T-8731</b>	1	PLUG-CONNECTOR (3-PIN)						
	3	1	<b>194-5226</b>	1	WIRE AS (16-GA)						
					-OR-						
		1	<b>194-5227</b>	1	WIRE AS (14-GA)						

B - USE AS REQUIRED  
E - ORDER BY THE CENTIMETER



GRAPHIC #1

<END>

g00564568

# ELECTRICAL AND STARTING SYSTEM

## 216-8684 SENSOR GP-PRESSURE

S/N: 85Z3764-UP

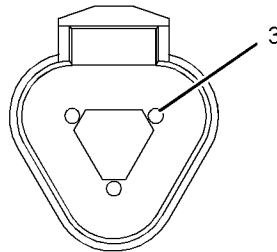
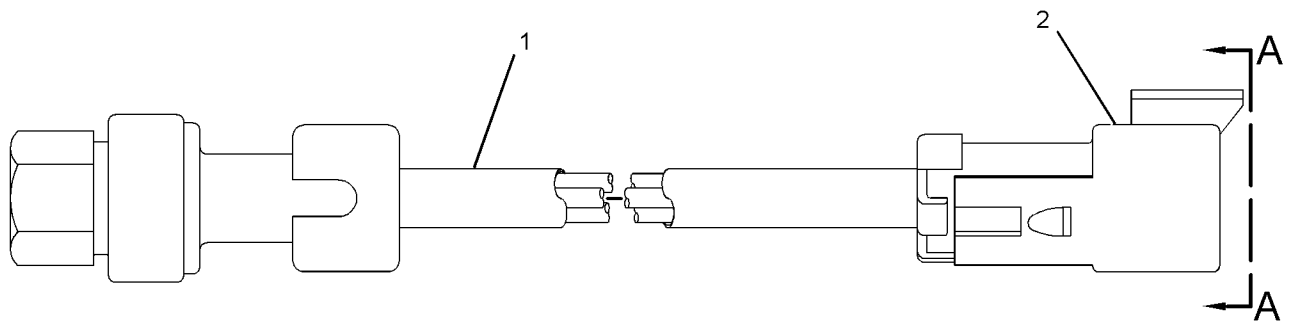
FIELD REPLACEMENT FOR 145-2362-PAGE: 1143  
PART OF 103-6101 CONTROL GP-ENGINE MONITORING  
AN ATTACHMENT

SMCS-1718, 1916, 1917, 1923, 1924, 1925

i05738110

NOTE	REF NO	GRAPHIC REF	PART NUMBER	QTY	PART NAME						SEE PAGE
					1	2	3	4	5	6 (PRODUCT LEVEL)	
E	1	1	<b>9X-1813</b>		SLEEVE (34-CM)						
	2	1	<b>102-8803</b>	1	KIT-RECEPTACLE (3-PIN) (INCLUDES RECEPTACLE AS & WEDGE)						
	3	1	<b>180-9339</b>	3	PIN-CONNECTOR (14-GA TO 18-GA)						

E - ORDER BY THE CENTIMETER



VIEW A-A

GRAPHIC #1

<END>

g01820878

# ELECTRICAL AND STARTING SYSTEM

## 3E-6489 SENSOR GP-PRESSURE

S/N: 85Z3764-UP

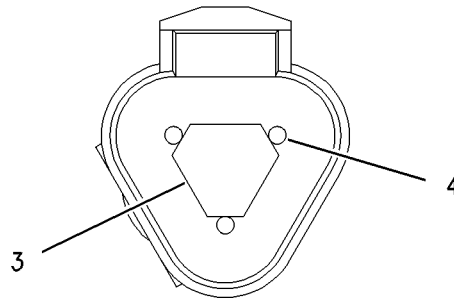
PART OF 103-6101 CONTROL GP-ENGINE MONITORING  
AN ATTACHMENT

SMCS-1718, 1916, 1917, 1923, 1924, 1925

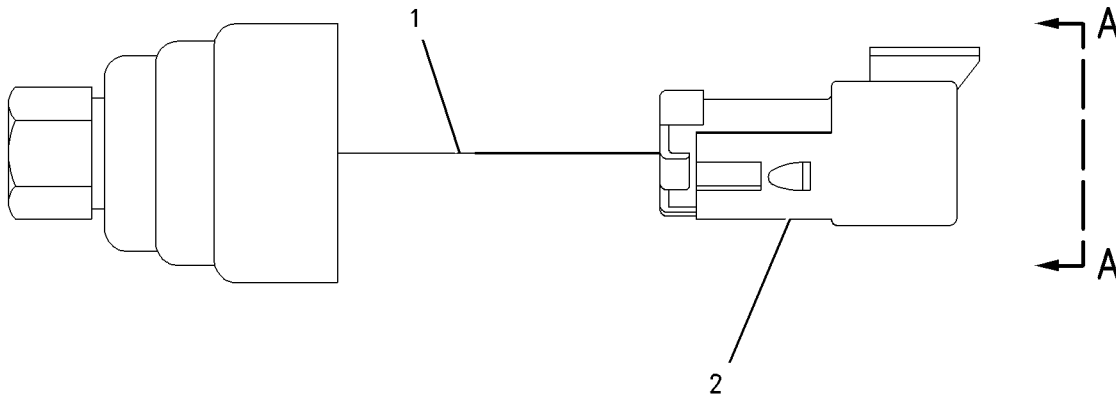
i02673328

NOTE	REF NO	GRAPHIC REF	PART NUMBER	QTY	PART NAME						SEE PAGE
					1	2	3	4	5	6 (PRODUCT LEVEL)	
E	1	1	<b>9X-1813</b>		SLEEVE (14-CM)						
	2	1	<b>102-8803</b>	1	KIT-RECEPTACLE (3-PIN) (INCLUDES RECEPTACLE AS & WEDGE)						
	3	1	<b>3E-3371</b>	1	WEDGE-RECEPTACLE LOCK (3-PIN)						
	4	1	<b>186-3735</b>	3	PIN-CONNECTOR (16-GA TO 18-GA)						

E - ORDER BY THE CENTIMETER



VIEW A-A



GRAPHIC #1

<END>

g00744022



# ELECTRICAL AND STARTING SYSTEM

## 189-5746 SENSOR GP-SPEED

S/N: 85Z3764-UP

FIELD REPLACEMENT FOR 3E-7886-PAGE: 1149

PART OF 206-2588 SENSOR GP-SPEED

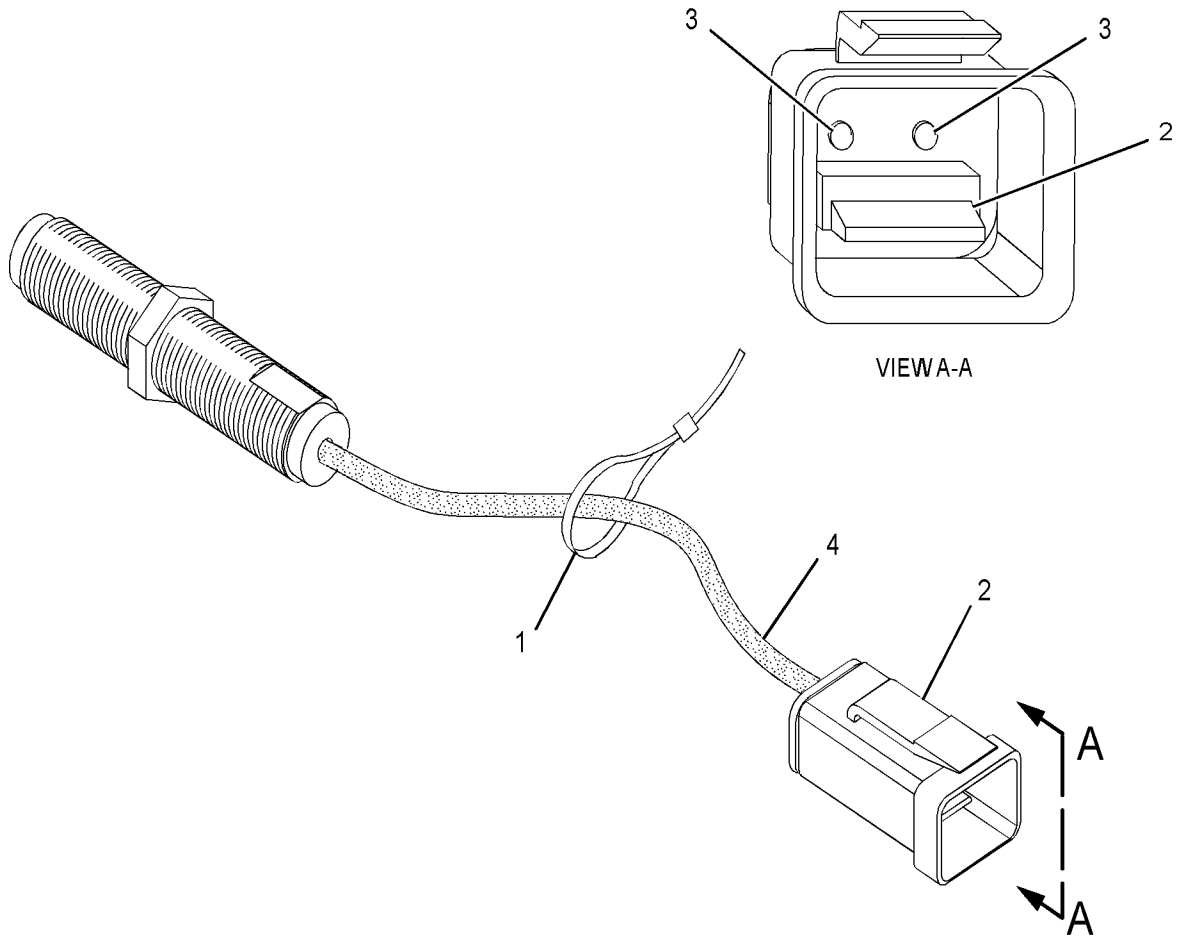
AN ATTACHMENT

SMCS-1907

i06128272

NOTE	REF NO	GRAPHIC REF	PART NUMBER	QTY	PART NAME						SEE PAGE
					1	2	3	4	5	6 (PRODUCT LEVEL)	
	1	1	<b>171-5349</b>	1	STRAP-MARKER						
	2	1	<b>102-8802</b>	1	KIT-RECEPTACLE (2-PIN)						
					(INCLUDES RECEPTACLE AS & WEDGE)						
	3	1	<b>126-1767</b>	2	PIN-CONNECTOR (14-GA TO 16-GA)						
					-OR-						
		1	<b>9X-3401</b>	2	PIN-CONNECTOR (16-GA TO 18-GA)						
E	4	1	<b>9X-1386</b>		SLEEVE (14-CM)						

E - ORDER BY THE CENTIMETER



GRAPHIC #1

<END>

g01353977

# ELECTRICAL AND STARTING SYSTEM

## 206-2588 SENSOR GP-SPEED

S/N: 85Z3764-UP

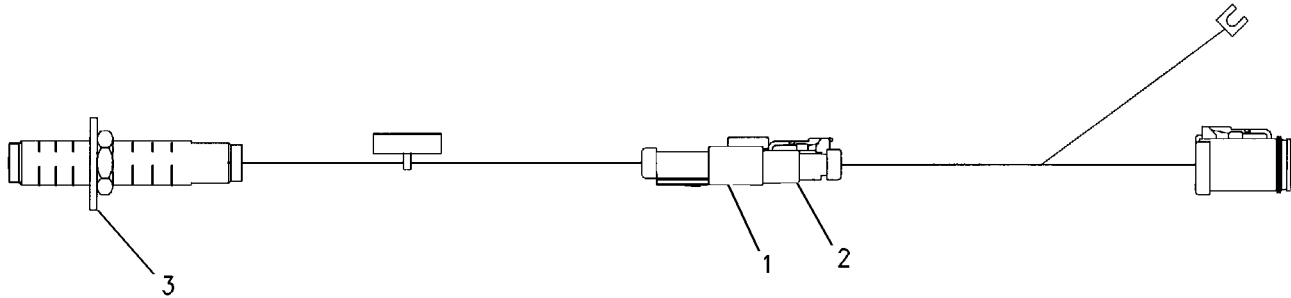
FOR USE WITH TACHOMETER THAT HAS A 6 PIN DEUTSCH CONNECTOR  
AN ATTACHMENT

SMCS-1907

i03021877

NOTE	REF NO	GRAPHIC REF	PART NUMBER	QTY	PART NAME						SEE PAGE
					1	2	3	4	5	6 (PRODUCT LEVEL)	
Y	1	1	<b>189-5746</b>	1	SENSOR GP-SPEED (ENGINE)						1147
	2	1	<b>206-2587</b>	1	HARNES AS-SENSOR (SPEED)						
		1	<b>155-2270</b>	1	KIT-CONNECTING PLUG (2-PIN)						
					(INCLUDES PLUG AS & WEDGE)						
		1	<b>155-2274</b>	1	KIT-CONNECTING PLUG (6-PIN)						
					(INCLUDES PLUG AS & WEDGE)						
		1	<b>155-2261</b>	1	WEDGE-PLUG LOCK (2-PIN)						
		1	<b>155-2263</b>	1	WEDGE-PLUG LOCK (6-PIN)						
		1	<b>8T-8737</b>	4	PLUG-SEAL						
	3	1	<b>4B-4281</b>	1	WASHER (16.8X33X2.5-MM THK)						

Y - SEPARATE ILLUSTRATION



GRAPHIC #1

<END>

g00812323

# ELECTRICAL AND STARTING SYSTEM

## 3E-7886 SENSOR GP-SPEED

S/N: 85Z3764-UP

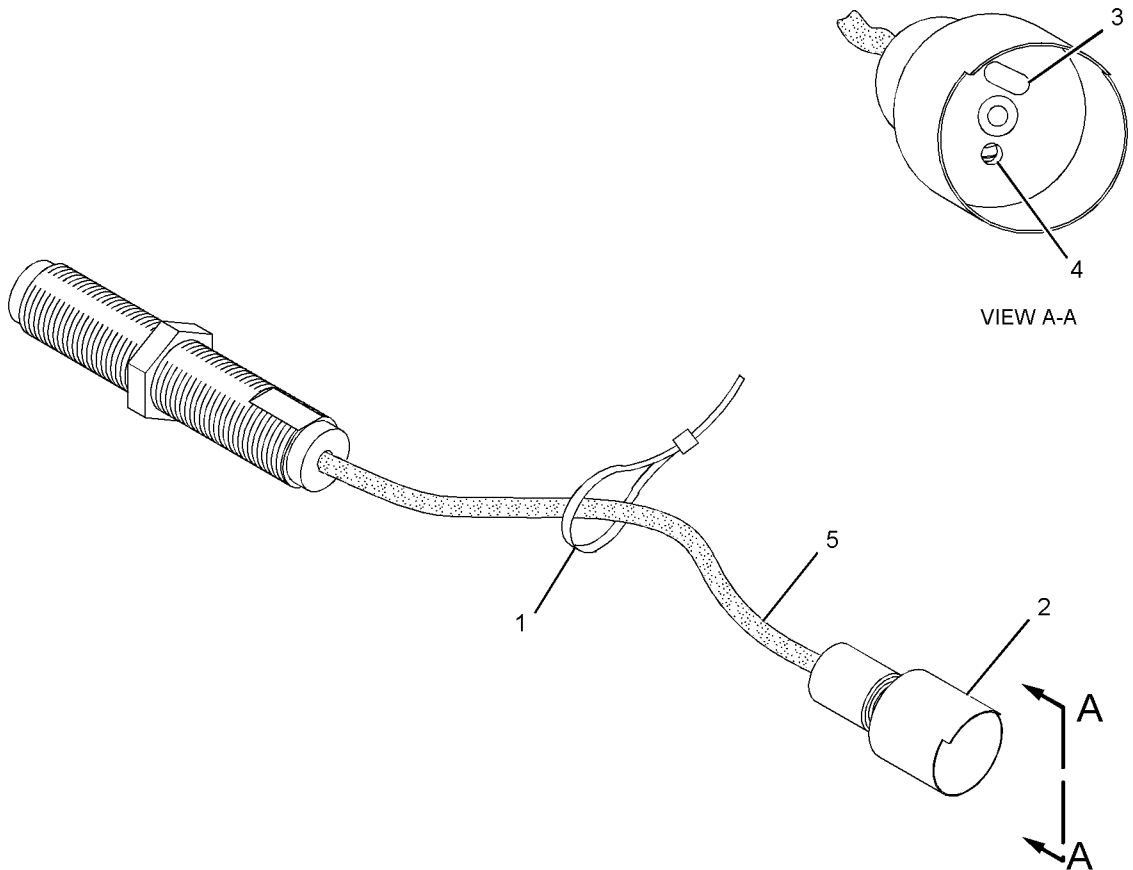
**FIELD REPLACEMENT ORDER 1-155-2270 KIT-CONNECTING PLUG, 2-186-3736 SOCKET-CONNECTOR, 189-5746-PAGE: 1147  
PART OF 7W-3355 SENSOR GP-SPEED  
AN ATTACHMENT**

**SMCS-1907**

**i07459674**

NOTE	REF NO	GRAPHIC REF	PART NUMBER	QTY	PART NAME						SEE PAGE
					1	2	3	4	5	6 (PRODUCT LEVEL)	
	1	1	<b>171-5349</b>	1	STRAP-MARKER						
	2	1	<b>7N-9738</b>	1	HOUSING-RECEPTACLE (14-GA TO 18-GA)						
	3	1	<b>7N-7780</b>	1	PIN-CONNECTOR (14-GA TO 18-GA)						
	4	1	<b>7N-7779</b>	1	SOCKET-CONNECTOR (14-GA TO 18-GA)						
E	5	1	<b>9X-1386</b>		SLEEVE (14-CM)						
					AVAILABLE REPAIR KIT(S):						
			<b>155-2270</b>	1	KIT-CONNECTING PLUG (2-PIN)						
					(INCLUDES PLUG AS & WEDGE)						

E - ORDER BY THE CENTIMETER



GRAPHIC #1

<END>

g01123339

# ELECTRICAL AND STARTING SYSTEM

## 4P-7610 SENSOR GP-SPEED

S/N: 85Z3764-UP

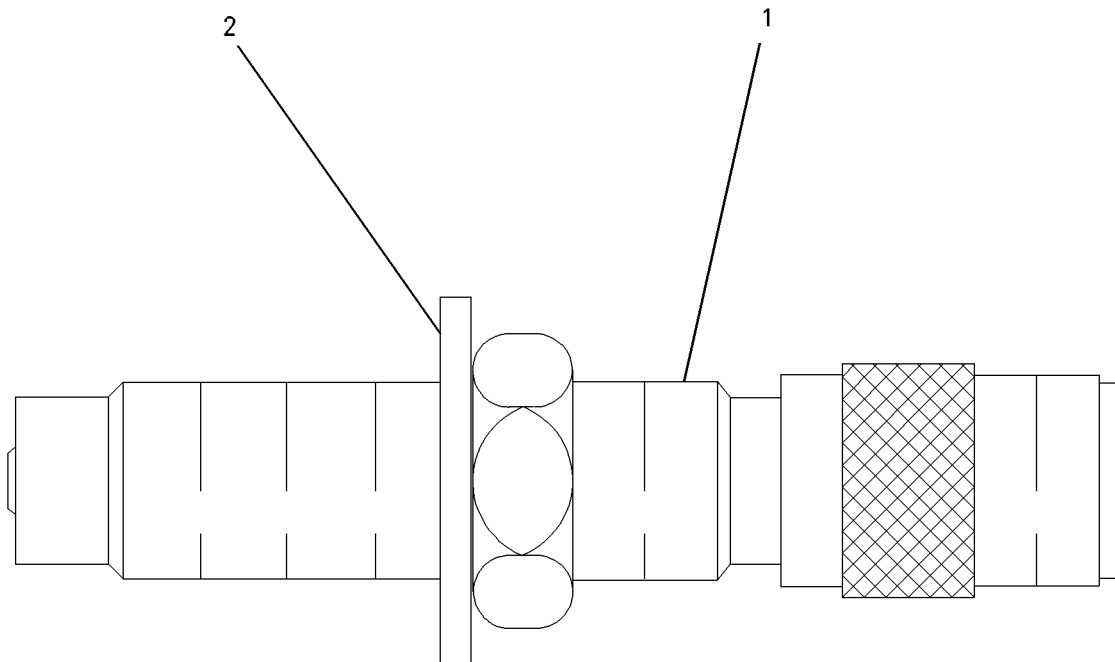
FOR USE WITH ELECTRONIC MODULAR CONTROL PANEL  
AN ATTACHMENT

SMCS-1907

i07581811

NOTE	REF NO	GRAPHIC REF	PART NUMBER	QTY	PART NAME						SEE PAGE
					1	2	3	4	5	6 (PRODUCT LEVEL)	
	1	1	<b>6V-2455</b>	1	SENSOR GP-SPEED (LOW OUTPUT)						
		1	<b>171-5349</b>	1	STRAP-MARKER						
		1	<b>186-3735</b>	2	PIN-CONNECTOR (16-GA TO 18-GA)						
E		1	<b>9X-1386</b>		SLEEVE (14-CM)						
		1	<b>102-8802</b>	1	KIT-RECEPTACLE (2-PIN)						
					(INCLUDES RECEPTACLE AS & WEDGE)						
	2	1	<b>4B-4281</b>	1	WASHER (16.8X33X2.5-MM THK)						

E - ORDER BY THE CENTIMETER



GRAPHIC #1

<END>

g00722623

# ELECTRICAL AND STARTING SYSTEM

## 5N-8757 SENSOR GP-SPEED

S/N: 85Z3764-UP

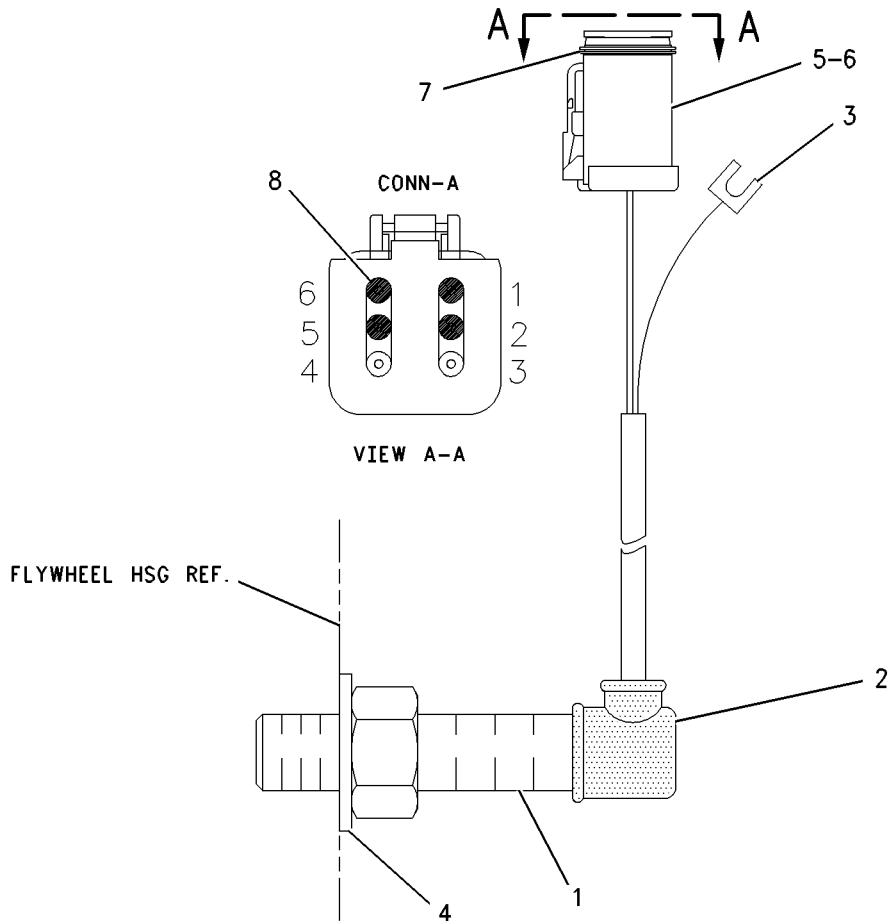
FOR USE WITH TACHOMETER

CANNOT BE USED WITH DUAL SPEED SWITCH  
AN ATTACHMENT

SMCS-1907

i05196670

NOTE	REF NO	GRAPHIC REF	PART NUMBER	QTY	PART NAME						SEE PAGE
					1	2	3	4	5	6 (PRODUCT LEVEL)	
	1	1	<b>5N-6753</b>	1	SENSOR GP-SPEED (ENGINE)						
	2	1	<b>6L-3483</b>	1	COVER-TERMINAL						
	3	1	<b>9G-3186</b>	1	TERMINAL-FORK (18-GA TO 22-GA, NO. 8 SCREW)						
	4	1	<b>4B-4281</b>	1	WASHER (16.8X33X2.5-MM THK)						
	5	1	<b>9X-3402</b>	2	SOCKET-CONNECTOR (16-GA TO 18-GA)						
	6	1	<b>155-2274</b>	1	KIT-CONNECTING PLUG (6-PIN) (INCLUDES PLUG AS, WEDGE & INTERFACE SEAL)						
	7	1	<b>155-2263</b>	1	WEDGE-PLUG LOCK (6-PIN)						
	8	1	<b>8T-8737</b>	4	PLUG-SEAL						



GRAPHIC #1

<END>

g00917923

# ELECTRICAL AND STARTING SYSTEM

## 7W-3355 SENSOR GP-SPEED

S/N: 85Z3764-UP

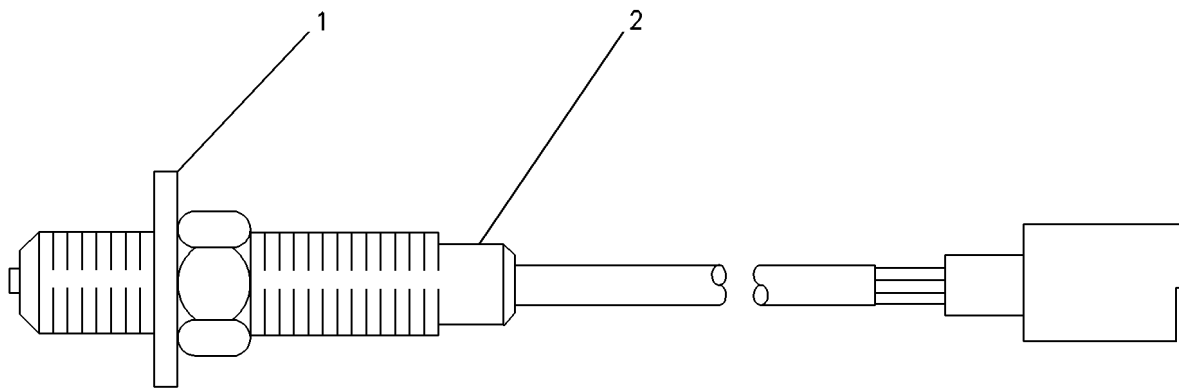
FOR USE WITH ENGINE MOUNTED INSTRUMENT PANEL  
FOR USAGE REFER TO CHART 5N-8487-PAGE: 1747  
AN ATTACHMENT

**SMCS-1907**

**i06687068**

NOTE	REF NO	GRAPHIC REF	PART NUMBER	QTY	PART NAME						SEE PAGE
					1	2	3	4	5	6 (PRODUCT LEVEL)	
B	1	1	<b>4B-4281</b>	1	WASHER (16.8X33X2.5-MM THK)						
Y	2	1	<b>3E-7886</b>	1	SENSOR GP-SPEED						1149

B - USE AS REQUIRED  
Y - SEPARATE ILLUSTRATION



GRAPHIC #1

<END>

g00065532

# ELECTRICAL AND STARTING SYSTEM

## 9W-5565 SENSOR GP-TEMP & PRESS

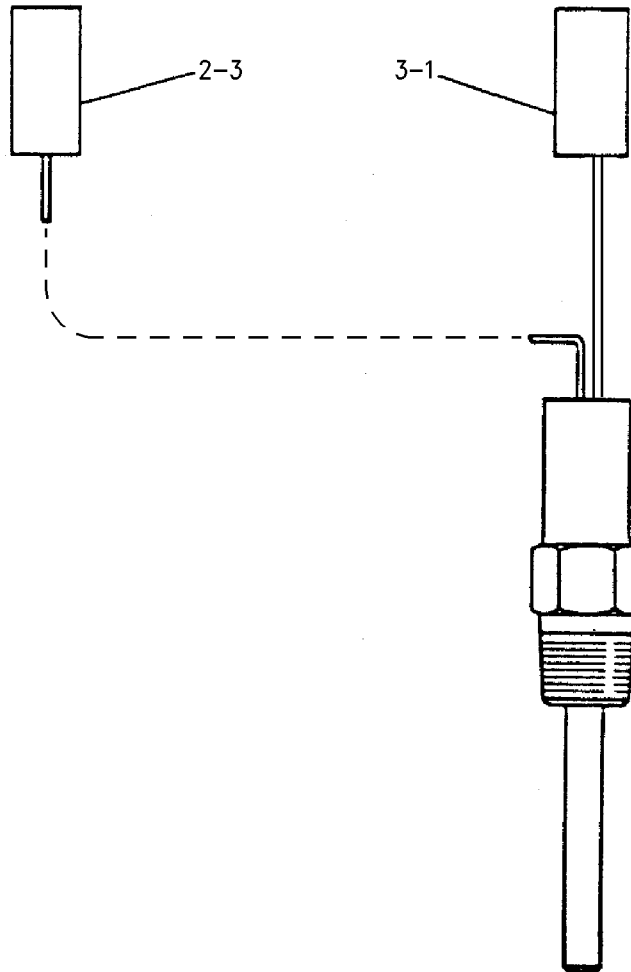
S/N: 85Z3764-UP

PART OF 7C-6513 CONTROL GP-EMCP ELECTRONIC  
AN ATTACHMENT

SMCS-1439, 1919, 7400

i01424761

NOTE	REF NO	GRAPHIC REF	PART NUMBER	QTY	PART NAME						SEE PAGE
					1	2	3	4	5	6 (PRODUCT LEVEL)	
	1	1	<b>7N-9737</b>	1	HOUSING-RECEPTACLE (14-GA TO 18-GA)						
	2	1	<b>7N-9738</b>	1	HOUSING-RECEPTACLE (14-GA TO 18-GA)						
	3	1	<b>7N-7780</b>	2	PIN-CONNECTOR (14-GA TO 18-GA)						
		1	<b>9G-3695</b>	2	PLUG-SEAL						



GRAPHIC #1

<END>

g00747344

# ELECTRICAL AND STARTING SYSTEM

## 102-0050 SENSOR GP-TEMPERATURE

S/N: 85Z3764-UP

8-VOLT, 500-HERTZ

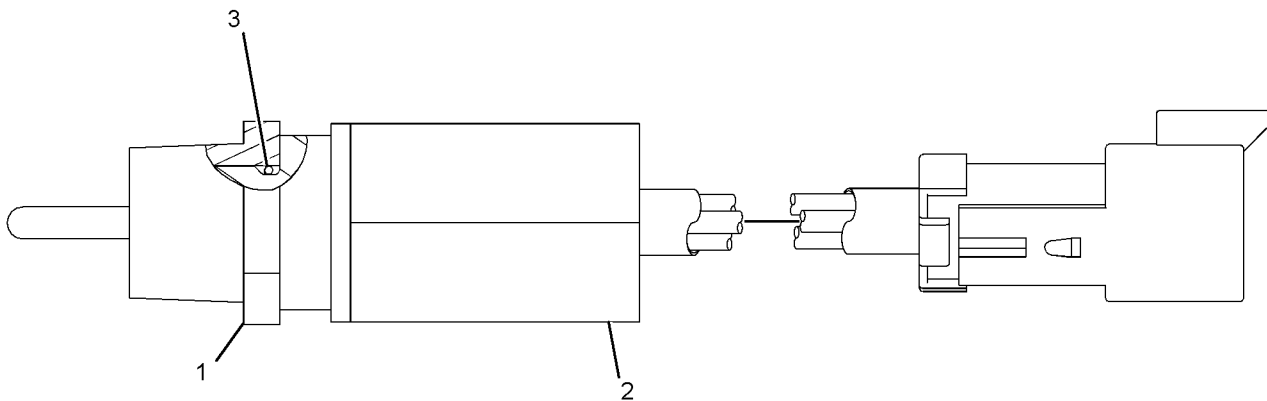
PART OF 103-6101 CONTROL GP-ENGINE MONITORING  
AN ATTACHMENT

SMCS-1906, 1919, 1921, 1922, 1928, 1929

i07544679

NOTE	REF NO	GRAPHIC REF	PART NUMBER	QTY	PART NAME						SEE PAGE
					1	2	3	4	5	6 (PRODUCT LEVEL)	
	1	1	<b>9X-3271</b>	1	ADAPTER (1/2-14-THD)						
Y	2	1	<b>134-2252</b>	1	SENSOR GP-TEMPERATURE (8-VOLT) (AIR)						1155
	3	1	<b>3J-1907</b>	1	SEAL-O-RING						

Y - SEPARATE ILLUSTRATION



GRAPHIC #1

<END>

g02530536



# ELECTRICAL AND STARTING SYSTEM

## 134-2252 SENSOR GP-TEMPERATURE

S/N: 85Z3764-UP

8-VOLT. PULSE WIDTH MODULATED

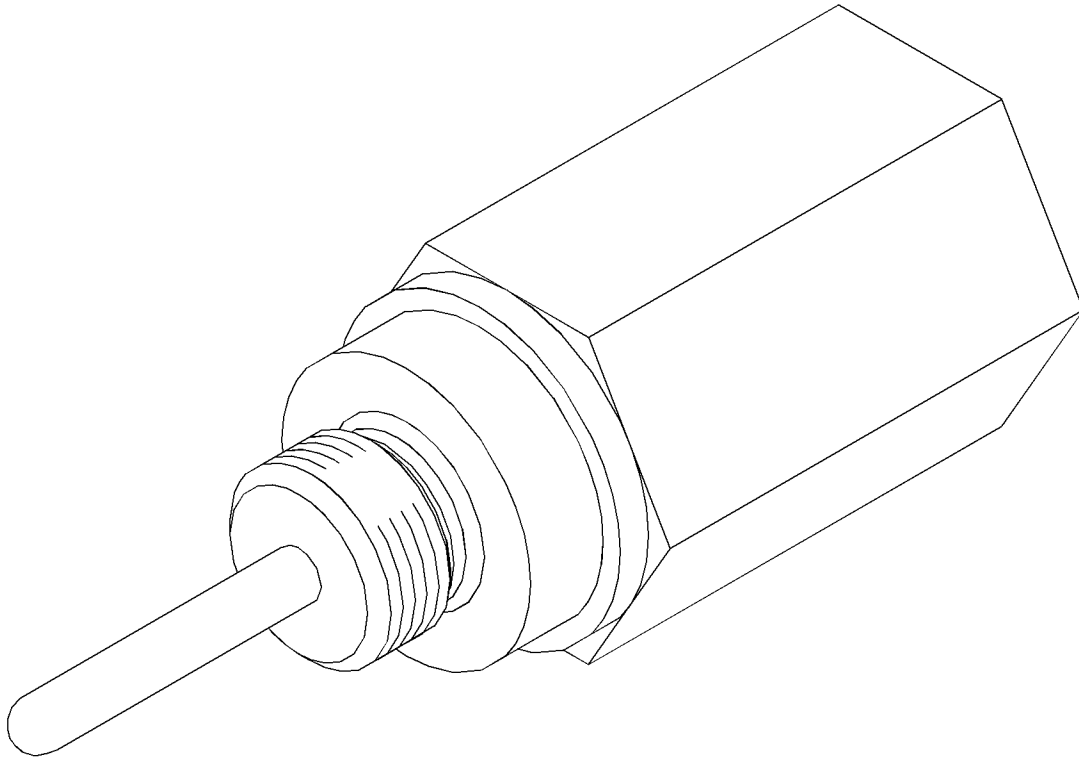
PART OF 102-0050 SENSOR GP-TEMPERATURE  
AN ATTACHMENT

SMCS-1906, 1919, 1921, 1922, 1928, 1929

i07118517

NOTE	REF NO	GRAPHIC REF	PART NUMBER	QTY	PART NAME						SEE PAGE
					1	2	3	4	5	6 (PRODUCT LEVEL)	

(NO SERVICED PARTS)



GRAPHIC #1

<END>

g02440456

# ELECTRICAL AND STARTING SYSTEM

## 111-7760 SHUTOFF GP-ELECTRICAL

S/N: 85Z3764-UP  
 ENERGIZE TO RUN  
 PART OF 103-4773 PANEL AR-CONTROL  
 AN ATTACHMENT

**SMCS-7418**

**i05888899**

NOTE	PART NUMBER	QTY	PART NAME 1 2 3 4 5 6 (PRODUCT LEVEL)	SEE PAGE
	<b>111-1325</b>	1	BLOCK-CONTACT (2-POLE)	
	<b>111-1324</b>	1	BLOCK-CONTACT (1-POLE)	
B	<b>4W-8790</b>	1	BLOCK-FUSE	
	<b>106-8848</b>	1	DIODE AS-SUPPRESSOR	
	<b>4S-1988</b>	2	TERMINAL-BLADE (14-GA TO 16-GA)	
D	<b>6V-1614</b>		TUBE-HEAT SHRINK (9.52-MM DIA) (0.1-M)	
B	<b>9Y-9781</b>	1	FILM-IDENTIFICATION (FUSE) (20-AMPERE DC)	
B	<b>8M-0456</b>	1	FUSE (20-AMPERE)	
B	<b>9Y-2921</b>	2	RELAY (24-VOLT)	
	<b>109-6507</b>	1	SWITCH AS-PUSH BUTTON (EMERGENCY STOP)	

B - USE AS REQUIRED  
 D - ORDER BY THE METER

<END>

## 111-7761 SHUTOFF GP-ELECTRICAL

S/N: 85Z3764-UP  
 ENERGIZE TO SHUTOFF  
 PART OF 103-4773 PANEL AR-CONTROL  
 AN ATTACHMENT

**SMCS-7418**

**i05888902**

NOTE	PART NUMBER	QTY	PART NAME 1 2 3 4 5 6 (PRODUCT LEVEL)	SEE PAGE
Y	<b>102-8619</b>	1	CONTROL GP-EMCP ELECTRONIC	1641
	<b>111-1324</b>	1	BLOCK-CONTACT (1-POLE)	
	<b>111-1323</b>	2	BLOCK-CONTACT (1-POLE)	
	<b>4W-8790</b>	1	BLOCK-FUSE	
	<b>9Y-9782</b>	1	FILM-IDENTIFICATION (10-AMPERE FUSE)	
	<b>3K-8782</b>	1	FUSE (10-AMPERE)	
	<b>9Y-2921</b>	1	RELAY (24-VOLT)	
	<b>109-6507</b>	1	SWITCH AS-PUSH BUTTON (EMERGENCY STOP)	

Y - SEPARATE ILLUSTRATION

<END>

# ELECTRICAL AND STARTING SYSTEM

## 1W-8217 SHUTOFF GP-ELECTRICAL

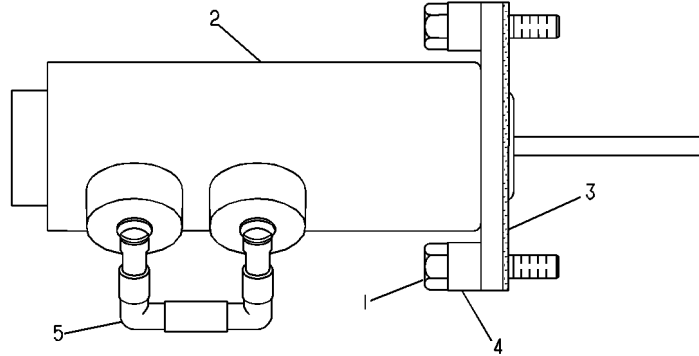
S/N: 85Z3764-UP

12 VOLT. ENERGIZED TO SHUTDOWN SOLENOID  
AN ATTACHMENT

SMCS-7418

i02462701

NOTE	REF NO	GRAPHIC REF	PART NUMBER	QTY	PART NAME						SEE PAGE
					1	2	3	4	5	6 (PRODUCT LEVEL)	
	1	1	<b>9F-6580</b>	2	BOLT (1/4-20X1.125-IN)						
	2	1	<b>110-6464</b>	1	SOLENOID (SHUTOFF)						
	3	1	<b>6I-2002</b>	1	GASKET						
	4	1	<b>5G-2003</b>	2	SPACER (6.8X13X10-MM THK)						
	5	1	<b>1W-9070</b>	1	DIODE AS						



GRAPHIC #1

<END>

g00154195

# ELECTRICAL AND STARTING SYSTEM

## 2W-5203 SHUTOFF GP-ELECTRICAL

S/N: 85Z3764-UP

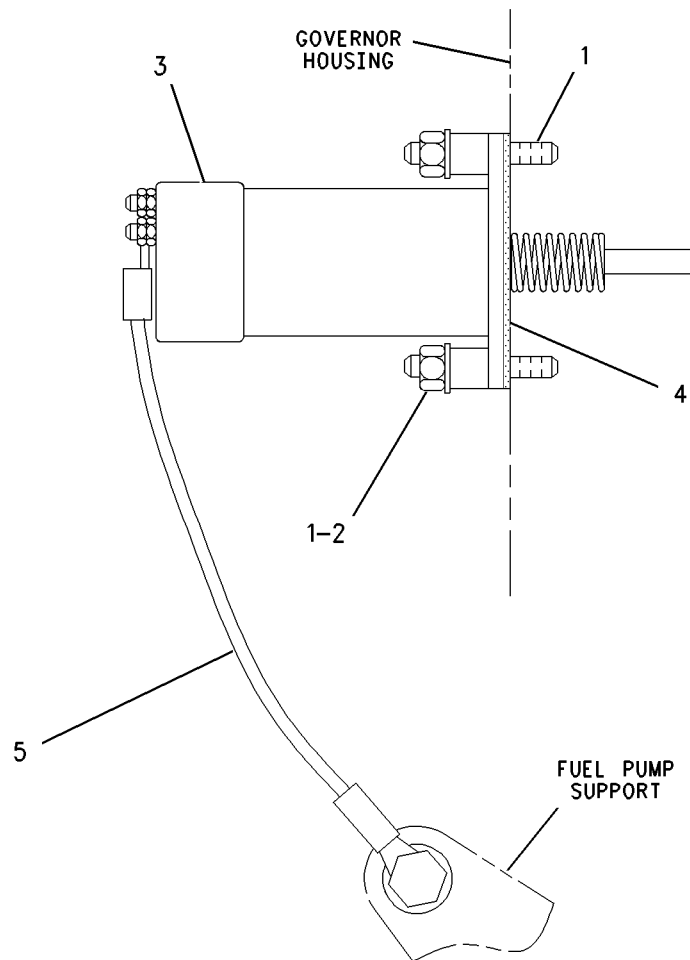
12 VOLT, ENERGIZED TO RUN

FOR USAGE REFER TO CHART 5N-8487-PAGE: 1747  
AN ATTACHMENT

SMCS-7418

i01896018

NOTE	REF NO	GRAPHIC REF	PART NUMBER	QTY	PART NAME						SEE PAGE
					1	2	3	4	5	6 (PRODUCT LEVEL)	
	1	1	<b>7B-2742</b>	2	BOLT (1/4-20X1.25-IN)						
					-OR-						
		1	<b>9X-2649</b>	2	STUD (1/4-20X1.75-IN)						
		1	<b>9S-8750</b>	2	NUT-FULL (1/4-20-THD)						
	2	1	<b>5P-0537</b>	2	WASHER-HARD (7.2X14.5X2-MM THK)						
	3	1	<b>125-5773</b>	1	SOLENOID GP-SHUTOFF						
		1	<b>9B-7233</b>	2	LOCKWASHER						
		1	<b>6V-8377</b>	2	NUT (8-32-THD)						
	4	1	<b>6I-2002</b>	1	GASKET						
	5	1	<b>9D-6637</b>	1	WIRE AS						



GRAPHIC #1

<END>

g00789166

# ELECTRICAL AND STARTING SYSTEM

## 2W-8197 SHUTOFF GP-ELECTRICAL

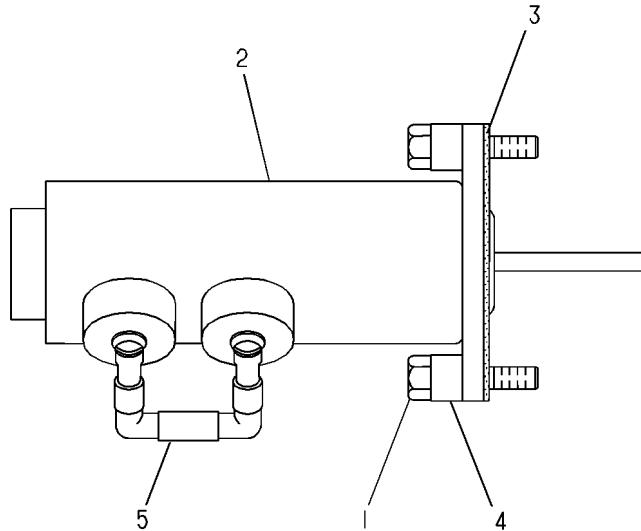
S/N: 85Z3764-UP

**24 VOLT. ENERGIZED TO SHUTDOWN SOLENOID  
ALSO AN ATTACHMENT**

**SMCS-7418**

**i02462705**

NOTE	REF NO	GRAPHIC REF	PART NUMBER	QTY	PART NAME						SEE PAGE
					1	2	3	4	5	6 (PRODUCT LEVEL)	
	1	1	<b>6D-2928</b>	2	BOLT (1/4-20X1.125-IN)						
	2	1	<b>110-6465</b>	1	SOLENOID (SHUTOFF)						
	3	1	<b>6I-2002</b>	1	GASKET						
	4	1	<b>5G-2003</b>	2	SPACER (6.8X13X10-MM THK)						
	5	1	<b>1W-9070</b>	1	DIODE AS						



GRAPHIC #1

<END>

g00164188

# ELECTRICAL AND STARTING SYSTEM

## 2W-8198 SHUTOFF GP-ELECTRICAL

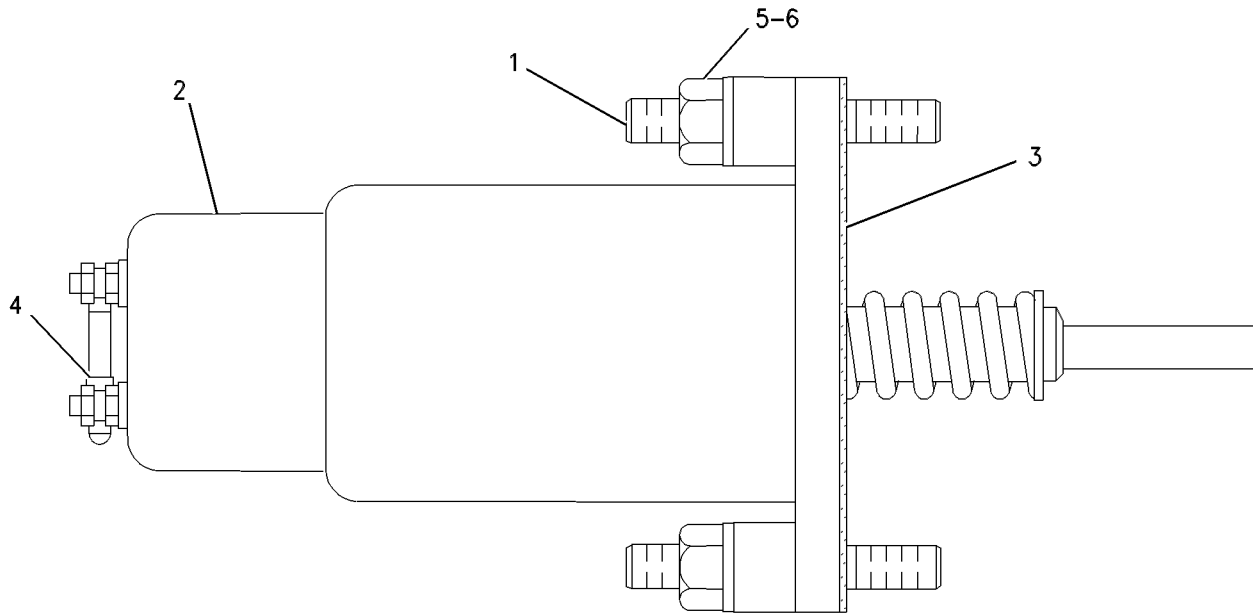
S/N: 85Z3764-UP  
24-VOLT. ENERGIZED TO RUN SOLENOID  
AN ATTACHMENT

SMCS-7418

i02462711

NOTE	REF NO	GRAPHIC REF	PART NUMBER	QTY	PART NAME						SEE PAGE
					1	2	3	4	5	6 (PRODUCT LEVEL)	
	1	1	<b>9X-2649</b>	2	STUD (1/4-20X1.75-IN)						
Y	2	1	<b>125-5774</b>	1	SOLENOID GP-SHUTOFF (24-VOLT)						1165
	3	1	<b>6I-2002</b>	1	GASKET						
	4	1	<b>1W-9070</b>	1	DIODE AS (BIPOLAR VOLTAGE TRANSIENT SUPPRESSOR)						
	5	1	<b>9S-8750</b>	2	NUT-FULL (1/4-20-THD)						
	6	1	<b>5P-0537</b>	2	WASHER-HARD (7.2X14.5X2-MM THK)						

Y - SEPARATE ILLUSTRATION



GRAPHIC #1

<END>

g00616391

# ELECTRICAL AND STARTING SYSTEM

## 5N-8351 SHUTOFF GP-ELECTRICAL

S/N: 85Z3764-UP

24-32 VOLT

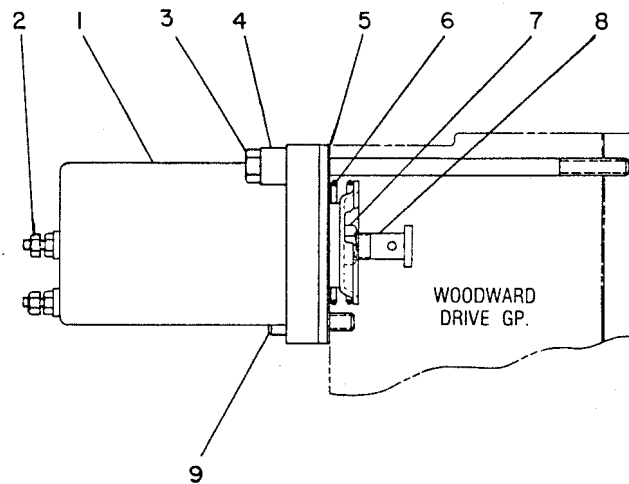
FOR USAGE REFER TO CHART 5N-8487-PAGE: 1747  
AN ATTACHMENT

SMCS-7418

i00638642

NOTE	REF NO	GRAPHIC REF	PART NUMBER	QTY	PART NAME						SEE PAGE
					1	2	3	4	5	6	
C	1	1	<b>8C-6099</b>	1	SOLENOID GP-SHUTOFF						
	2	1	<b>6V-8377</b>	2	NUT (8-32-THD)						
		1	<b>9B-7233</b>	2	LOCKWASHER						
	3	1	<b>7X-0271</b>	1	BOLT (1/4-20X5.5-IN)						
C	4	1	<b>5G-2003</b>	1	SPACER (6.8X13X10-MM THK)						
	5	1	<b>8L-3873</b>	1	GASKET						
	6	1	<b>7N-9845</b>	1	SPRING						
	7	1	<b>5B-9079</b>	1	NUT-JAM (3/8-24-THD)						
	8	1	<b>7L-5189</b>	1	SHAFT-SOLENOID						
C	9	1	<b>8H-0707</b>	1	BOLT (1/4-20X1-IN)						

C - CHANGE FROM PREVIOUS TYPE



GRAPHIC #1

<END>

g00185582

# ELECTRICAL AND STARTING SYSTEM

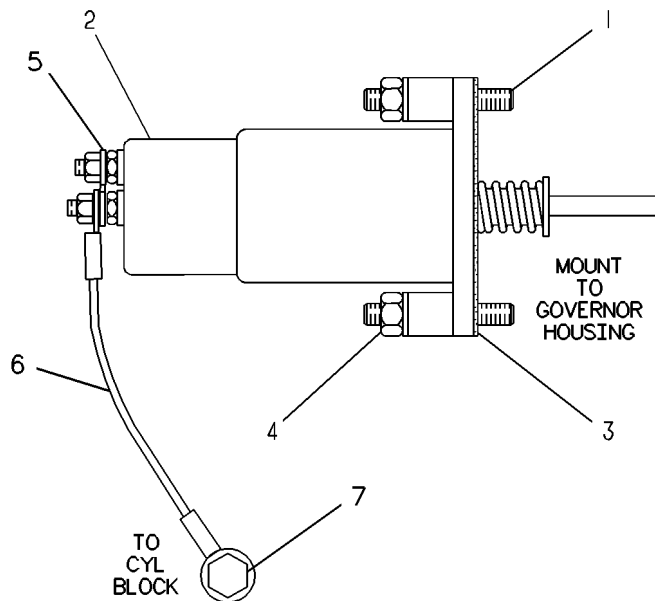
## 7W-6466 SHUTOFF GP-ELECTRICAL

S/N: 85Z3764-UP  
12 VOLT. ENERGIZED TO RUN SOLENOID  
AN ATTACHMENT

SMCS-7418

i01878538

NOTE	REF NO	GRAPHIC REF	PART NUMBER	QTY	PART NAME						SEE PAGE
					1	2	3	4	5	6	
	1	1	<b>9X-2649</b>	2	STUD (1/4-20X1.75-IN)						
	2	1	<b>125-5773</b>	1	SOLENOID GP-SHUTOFF						
		1	<b>9B-7233</b>	2	LOCKWASHER						
		1	<b>6V-8377</b>	2	NUT (8-32-THD)						
3	1	1	<b>6I-2002</b>	1	GASKET						
4	1	1	<b>9S-8750</b>	2	NUT-FULL (1/4-20-THD)						
		1	<b>5P-0537</b>	2	WASHER-HARD (7.2X14.5X2-MM THK)						
5	1	1	<b>1W-9070</b>	1	DIODE AS						
6	1	1	<b>9D-6637</b>	1	WIRE AS						
7	1	1	<b>1C-0569</b>	1	BOLT (5/16-18X0.5-IN)						
		1	<b>9M-1974</b>	1	WASHER-HARD (8.8X16X2-MM THK)						



GRAPHIC #1

<END>

g00213537



# ELECTRICAL AND STARTING SYSTEM

## 2W-3560 SILENCER GP-AIR STARTING

S/N: 85Z3764-UP

1 1/2 - 11 1/2 NPT THREAD

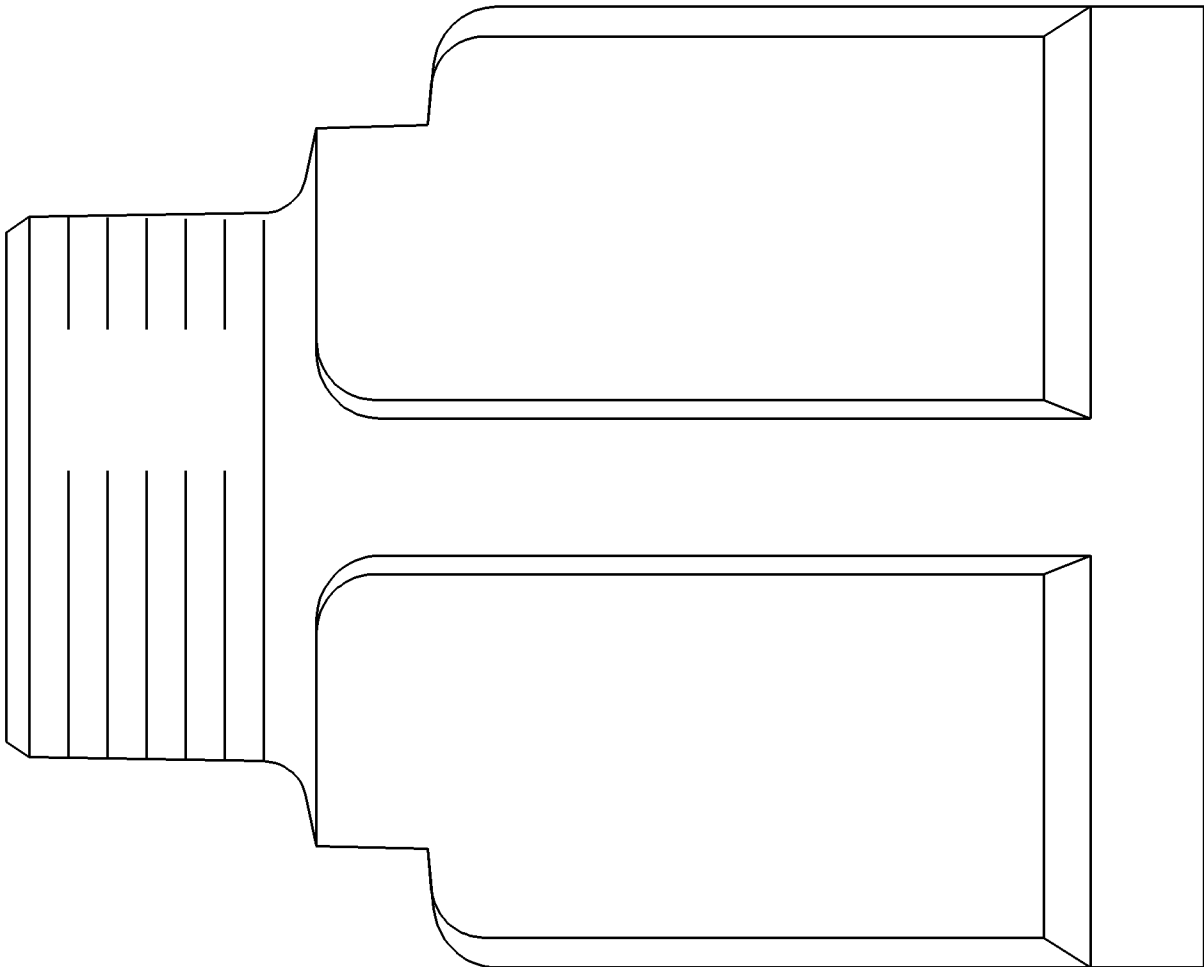
FOR USE WITH 7W-9654-PAGE: 1173

AN ATTACHMENT

SMCS-1468

i01407315

NOTE	REF NO	GRAPHIC REF	PART NUMBER	QTY	PART NAME						SEE PAGE
					1	2	3	4	5	6 (PRODUCT LEVEL)	
(NO SERVICED PARTS)											



GRAPHIC #1

<END>

g00741515

# ELECTRICAL AND STARTING SYSTEM

## 138-2544 SILENCER-AIR STARTING

S/N: 85Z3764-UP

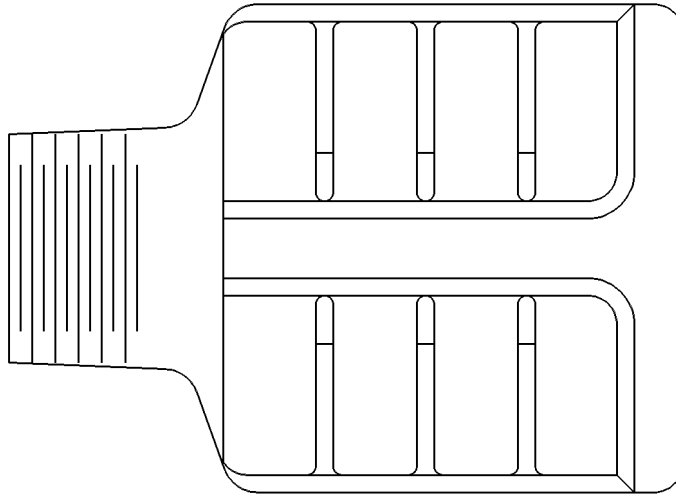
REQUIRES AIR STARTING MOTOR WITH 1 1/4 - 11 1/2 NPT THREAD EXHAUST PORT  
AN ATTACHMENT

SMCS-1468

i00671768

NOTE	REF NO	GRAPHIC REF	PART NUMBER	QTY	PART NAME	SEE PAGE
					1 2 3 4 5 6 (PRODUCT LEVEL)	

(INDIVIDUAL PARTS ARE NOT SERVICED SEPARATELY)



GRAPHIC #1

<END>

g00283682

# ELECTRICAL AND STARTING SYSTEM

## 125-5774 SOLENOID GP-SHUTOFF

S/N: 85Z3764-UP

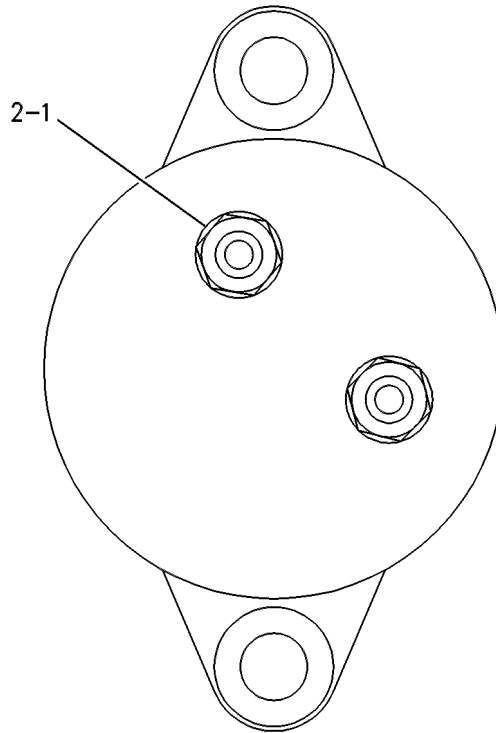
24-VOLT DC

PART OF 2W-8198 SHUTOFF GP-ELECTRICAL  
AN ATTACHMENT

SMCS-1259

i02462730

NOTE	REF NO	GRAPHIC REF	PART NUMBER	QTY	PART NAME						SEE PAGE
					1	2	3	4	5	6 (PRODUCT LEVEL)	
	1	1	<b>6V-8377</b>	2	NUT (8-32-THD)						
	2	1	<b>9B-7233</b>	2	LOCKWASHER						



GRAPHIC #1

<END>

g00260074

# ELECTRICAL AND STARTING SYSTEM

## 2W-7278 STARTING AID GP-ETHER

S/N: 85Z3764-UP  
 24 VOLT. LONG BLOCK ATOMIZER  
 AN ATTACHMENT

SMCS-1456

i01926889

NOTE	PART NUMBER	QTY	PART NAME 1 2 3 4 5 6 (PRODUCT LEVEL)	SEE PAGE
	<b>6N-9995</b>	1	ATOMIZER-ETHER	
	<b>3B-7764</b>	1	BUSHING (REDUCING)	
	<b>7N-2059</b>	1	CLAMP AS (CYLINDER)	
	<b>6N-9587</b>	2	CONNECTOR	
	<b>5P-2948</b>	1	FITTING AS	
	<b>5P-5391</b>	1	FILM-INSTRUCTION (DIRECT ELECTRIC STARTING)	
	<b>7N-9801</b>	1	GASKET	
	<b>3T-0306</b>	1	SWITCH AS (ETHER AID ON/OFF)	
	<b>6N-5899</b>	1	SWITCH AS-TEMPERATURE (ETHER AID ARMING)	
	<b>2V-1713</b>	1	TAG-NOTICE (STARTING AID)	
	<b>2L-8075</b>	4	TERMINAL-RING (14-GA TO 16-GA, NO. 8 SCREW)	
	<b>7N-0140</b>	1	TUBE AS-COIL	
	<b>8N-3536</b>	1	TUBE-STEEL	
	<b>6N-7674</b>	1	VALVE AS (ETHER START)	
D	<b>5P-5623</b>		WIRE-ELECTRICAL (16-GA, BLACK) (3 M)	
AJ	<b>7N-0296</b>	1	CYLINDER AS-ETHER	

A - NOT PART OF THIS GROUP  
 D - ORDER BY THE METER  
 J - PROCURE LOCALLY FROM YOUR CATERPILLAR DEALER

<END>

# ELECTRICAL AND STARTING SYSTEM

## 4W-6945 STARTING AID GP-ETHER

S/N: 85Z3764-UP

FOR USE WITH 3N-4657-PAGE: 387  
AN ATTACHMENT

SMCS-1456

i02584511

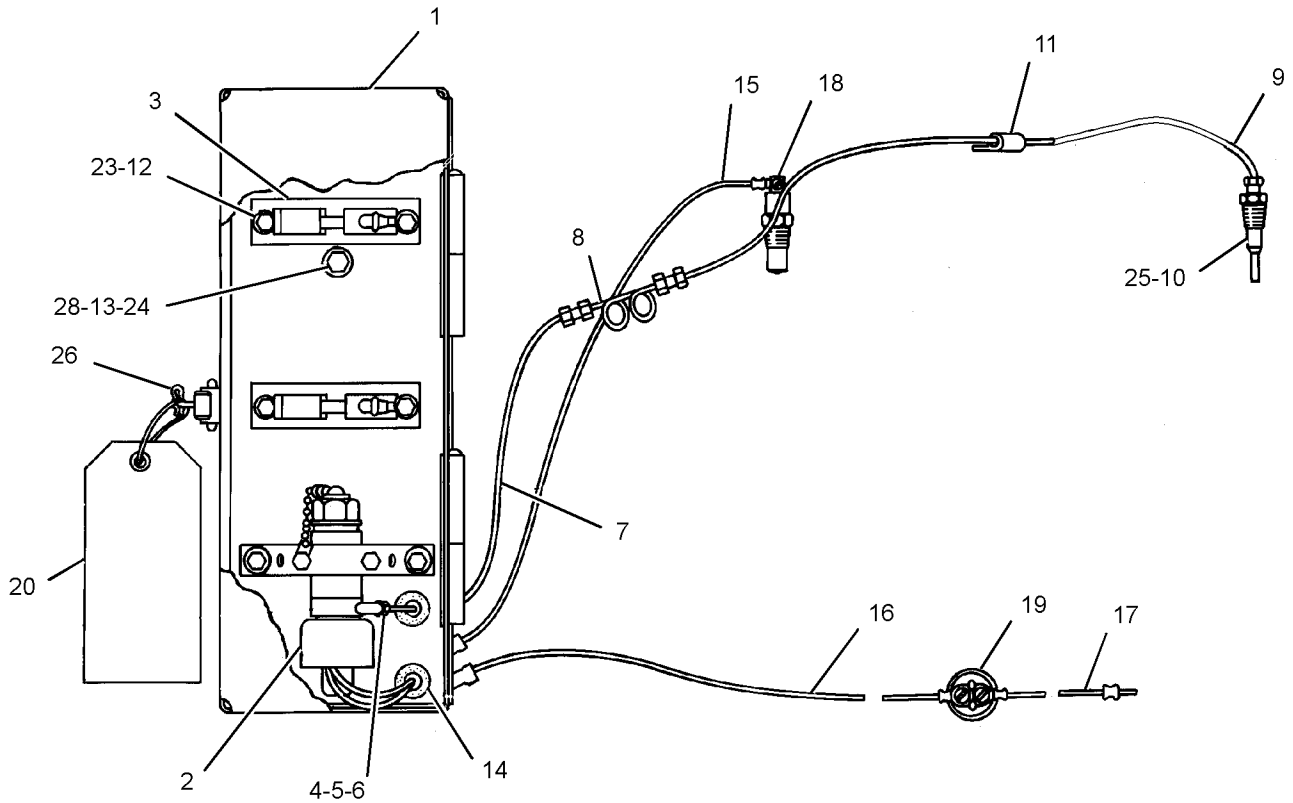
NOTE	REF NO	GRAPHIC REF	PART NUMBER	QTY	PART NAME						SEE PAGE
					1	2	3	4	5	6 (PRODUCT LEVEL)	
	1	1	<b>197-3309</b>	1	BOX AS						
		1	<b>4B-4310</b>	4	RIVET						
		1	<b>4K-9097</b>	6	NUT-WELD (5/16-18-THD)						
		1	<b>9F-6595</b>	1	CATCH						
		1	<b>9F-6596</b>	1	HOOK						
		1	<b>9B-2923</b>	1	HINGE						
	2	1	<b>6N-7674</b>	1	VALVE AS (ETHER START)						
		1	<b>5P-5610</b>	2	CONNECTOR						
		1	<b>7N-9801</b>	1	GASKET						
	3	1	<b>7N-2059</b>	2	CLAMP AS (CYLINDER)						
	4	1	<b>5P-6315</b>	1	ELBOW-FLARELESS						
	5	1	<b>5P-6314</b>	1	SLEEVE						
	6	1	<b>5P-6313</b>	1	NUT (5/16-24-THD)						
	7	1	<b>4W-6938</b>	1	TUBE-STEEL						
	8	1	<b>7N-0140</b>	1	TUBE AS-COIL						
	9	1	<b>4W-6939</b>	1	TUBE-STEEL						
	10	1	<b>6N-9995</b>	1	ATOMIZER-ETHER						
	11	1	<b>6V-2686</b>	1	CLIP						
	12	1	<b>2H-3755</b>	6	BOLT (5/16-18X0.43-IN)						
	13	1	<b>0S-0509</b>	2	BOLT (3/8-16X0.75-IN)						
	14	1	<b>9D-7303</b>	2	GROMMET						
	15	1	<b>4W-6935</b>	1	WIRE AS						
	16	1	<b>4W-6936</b>	1	WIRE AS						
	17	1	<b>4W-6937</b>	1	WIRE AS						
	18	1	<b>6N-5899</b>	1	SWITCH AS-TEMPERATURE (ETHER AID ARMING)						
		1	<b>6V-8376</b>	1	SCREW-MACHINE (8-32X0.25-IN)						
		1	<b>9B-7233</b>	1	LOCKWASHER						
	19	1	<b>3T-0306</b>	1	SWITCH AS (ETHER AID ON-OFF)						
	20	1	<b>2V-1713</b>	1	TAG-NOTICE (STARTING AID)						
	23	1	<b>9M-1974</b>	6	WASHER-HARD (8.8X16X2-MM THK)						
B	24	1	<b>5M-2894</b>	4	WASHER-HARD (10.2X18.5X2.5-MM THK)						
	25	1	<b>3B-7764</b>	1	BUSHING (REDUCING) (FOR USE WITH AFTERCOOLER)						
	26	1	<b>5P-0372</b>	1	LOCK PIN						
B	28	1	<b>1D-4717</b>	2	NUT (3/8-16-THD)						
F			<b>5P-5391</b>	1	FILM-INSTRUCTION (DIRECT ELECTRIC STARTING) (MOUNTED ON CONTROL PANEL)						
BF			<b>8L-8413</b>	6	STRAP-CABLE (WHITE)						
AJ			<b>7N-0296</b>		CYLINDER AS-ETHER						

A - NOT PART OF THIS GROUP  
 B - USE AS REQUIRED  
 F - NOT SHOWN  
 J - PROCURE LOCALLY FROM YOUR CATERPILLAR DEALER

# ELECTRICAL AND STARTING SYSTEM

4W-6945 STARTING AID GP-ETHER (contd.)

i02584511



LEFT SIDE VIEW OF ENGINE

GRAPHIC #1

<END>

g01299930

# ELECTRICAL AND STARTING SYSTEM

## 106-5520 STARTING MOTOR GP-AIR

S/N: 85Z3764-UP

FOR USE WITH 2W-3560-PAGE: 1163

AN ATTACHMENT

SMCS-1451

i03441162

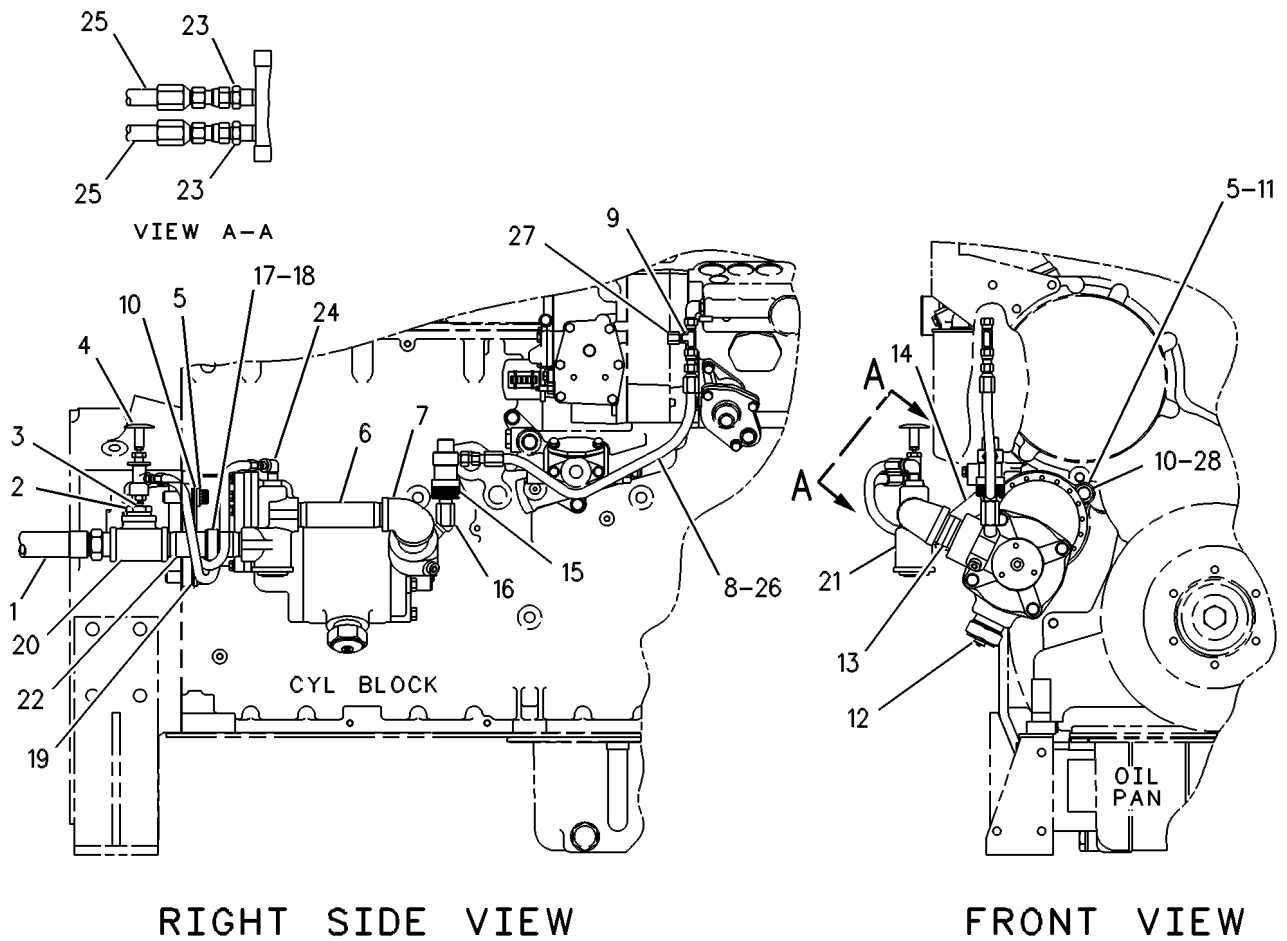
NOTE	REF NO	GRAPHIC REF	PART NUMBER	QTY	PART NAME						SEE PAGE
					1	2	3	4	5	6 (PRODUCT LEVEL)	
I	1	1	<b>9L-4652</b>	1	HOSE AS						
	2	1	<b>4D-3967</b>	1	BUSHING-REDUCER						
	3	1	<b>6V-1813</b>	1	FITTING						
	4	1	<b>4N-3410</b>	1	VALVE AS-CONTROL (STARTING)						
		1	<b>2W-0629</b>	1	KNOB-ENGINE START						
	5	1	<b>8S-2332</b>	3	BOLT-12 POINT HEAD (5/8-11X1.75-IN)						
	6	1	<b>6N-2430</b>	1	NIPPLE-PIPE						
	7	1	<b>3L-9071</b>	1	ELBOW-REDUCING						
BI	8	1	<b>6N-3170</b>	1	HOSE AS						
	9	1	<b>052-0572</b>	1	TEE-SWIVEL						
B	10	1	<b>8S-2331</b>	3	BOLT-12 POINT HEAD (5/8-11X2-IN)						
B	11	1	<b>9H-1024</b>	2	WASHER-HARD (17X30X6-MM THK)						
YR	12	1	<b>106-5521</b>	1	STARTING MOTOR GP-AIR						1171
	13	1	<b>5L-3785</b>	1	NIPPLE-PIPE						
	14	1	<b>2W-1786</b>	1	BRACKET AS						
		1	<b>1K-3047</b>	1	WASHER (17.5X28.6X3-MM THK)						
Y	15	1	<b>172-0208</b>	1	LUBRICATOR GP-AIR MOTOR						1087
	16	1	<b>1L-2279</b>	1	ELBOW						
	17	1	<b>9M-2904</b>	1	CLAMP-HOSE (35-50MM DIA)						
	18	1	<b>1H-0690</b>	1	STRIP-FELT						
	19	1	<b>4H-7869</b>	1	GASKET						
	20	1	<b>4B-7770</b>	1	TEE						
	21	1	<b>7M-9544</b>	1	VALVE (AIR STARTING MOTOR)						
	22	1	<b>7B-7908</b>	1	NIPPLE-PIPE						
	23	1	<b>4S-6399</b>	2	CONNECTOR						
	24	1	<b>6V-4245</b>	1	ELBOW						
I	25	1	<b>4W-4536</b>	2	HOSE AS						
BI	26	1	<b>6N-1936</b>	1	HOSE AS						
	27	1	<b>9L-8493</b>	1	CAP-FLARED						
B	28	1	<b>9H-1024</b>	2	WASHER-HARD (17X30X6-MM THK)						

B - USE AS REQUIRED  
 I - REFER TO HYDRAULIC INFORMATION SYSTEM  
 R - REMANUFACTURED PART MAY BE AVAILABLE  
 Y - SEPARATE ILLUSTRATION

# ELECTRICAL AND STARTING SYSTEM

106-5520 STARTING MOTOR GP-AIR (contd.)

i03441162



GRAPHIC #1

<END>

g00256270



# ELECTRICAL AND STARTING SYSTEM

## 106-5521 STARTING MOTOR GP-AIR\*R

S/N: 85Z3764-UP

PART OF 106-5520 STARTING MOTOR GP-AIR  
AN ATTACHMENT

SMCS-1451

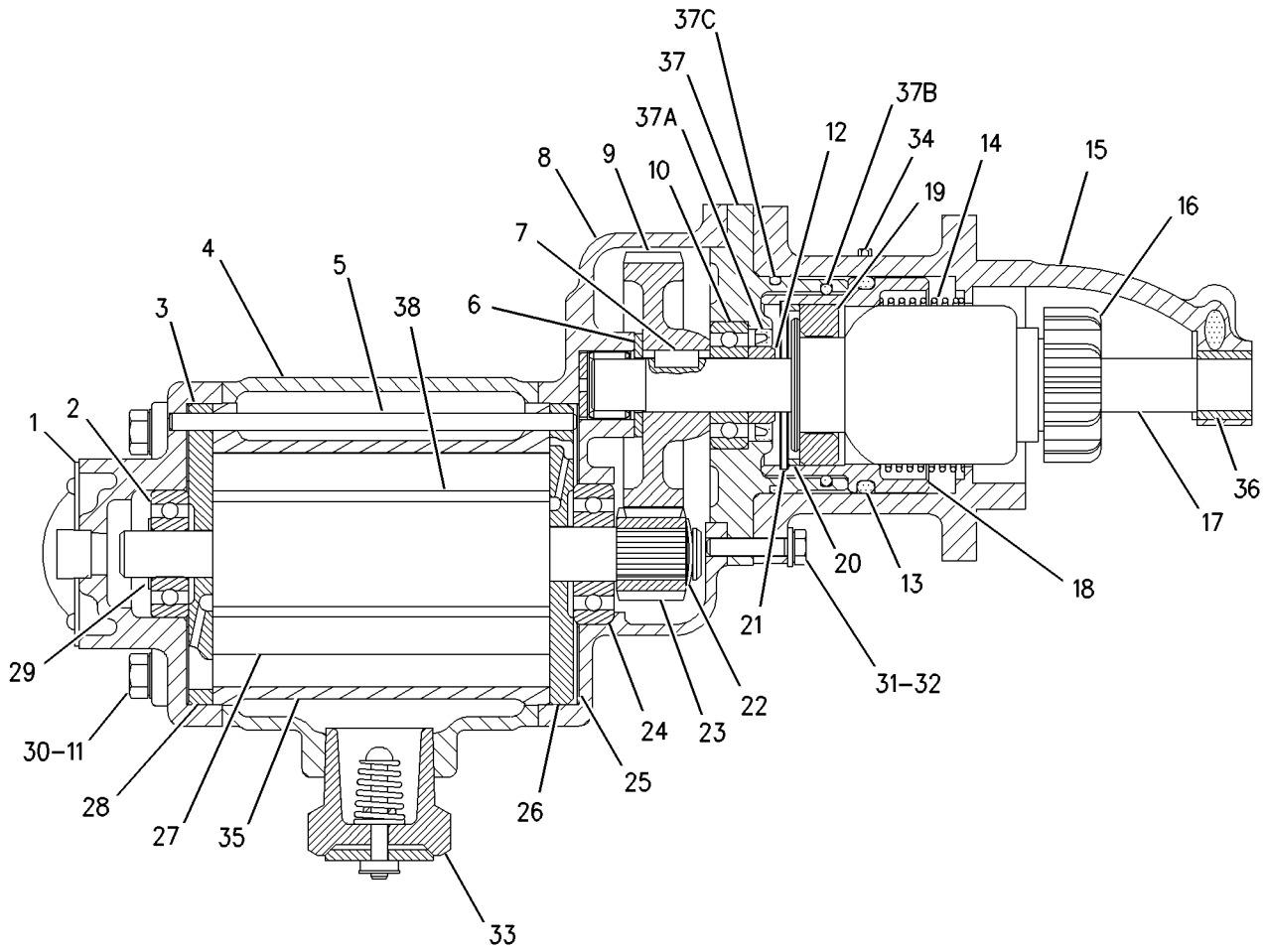
i06927063

NOTE	REF NO	GRAPHIC REF	PART NUMBER	QTY	PART NAME						SEE PAGE
					1	2	3	4	5	6 (PRODUCT LEVEL)	
	1	1	<b>4N-4371</b>	1	COVER AS-HOUSING						
		1	<b>7M-7410</b>	1	PLUG-PIPE						
	2	1	<b>4N-4375</b>	1	BALL BEARING						
	3	1	<b>4N-4377</b>	1	PLATE-REAR END						
	4	1	<b>4N-4383</b>	1	HOUSING-MOTOR						
	5	1	<b>4N-4379</b>	1	DOWEL-CYLINDER						
	6	1	<b>4N-4390</b>	1	WASHER-THRUST (0.797X1.50X0.125-IN THK)						
	7	1	<b>4N-4391</b>	1	KEY-GEAR						
	8	1	<b>4N-4387</b>	1	CASE AS-GEAR						
		1	<b>4N-4388</b>	1	WASHER-SPECIAL						
		1	<b>009-1436</b>	1	BEARING						
	9	1	<b>4N-4389</b>	1	GEAR-DRIVE (43 TEETH)						
	10	1	<b>5F-8651</b>	1	BALL BEARING						
	11	1	<b>105-5136</b>	4	WASHER (9.92X16.67X0.79-MM THK)						
	12	1	<b>4N-4397</b>	1	COLLAR-DRIVE SHAFT						
	13	1	<b>3P-0653</b>	1	SEAL-O-RING						
	14	1	<b>4N-4403</b>	1	SPRING-RING						
	15	1	<b>105-5138</b>	1	HOUSING						
	16	1	<b>4N-4517</b>	1	DRIVE AS-MOTOR						
	17	1	<b>4N-4421</b>	1	SHAFT-DRIVE						
	18	1	<b>105-5137</b>	1	PISTON						
	19	1	<b>4N-4400</b>	2	RING-SHIFT						
	20	1	<b>4N-4402</b>	1	SPACER (2.156X2.375X0.188-IN THK)						
	21	1	<b>052-0512</b>	1	RING-RETAINING						
	22	1	<b>4N-4386</b>	1	RETAINER-PINION						
	23	1	<b>4N-4385</b>	1	PINION-ROTOR						
	24	1	<b>9B-9774</b>	1	BALL BEARING						
	25	1	<b>4N-4384</b>	1	GASKET-GEAR CASE						
	26	1	<b>4N-4382</b>	1	PLATE-FRONT END						
	27	1	<b>4N-4381</b>	1	ROTOR						
	28	1	<b>4N-4376</b>	1	GASKET-HOUSING COVER						
	29	1	<b>5L-4035</b>	1	RING-RETAINING (EXTERNAL)						
	30	1	<b>8F-8544</b>	4	BOLT (3/8-16X6.25-IN)						
	31	1	<b>7B-2742</b>	11	BOLT (1/4-20X1.25-IN)						
	32	1	<b>5P-0537</b>	11	WASHER-HARD (7.2X14.5X2-MM THK)						
	33	1	<b>4N-4409</b>	1	DEFLECTOR AS						
	34	1	<b>8T-6763</b>	2	PLUG-PIPE (1/4-18-THD)						
	35	1	<b>4N-4378</b>	1	CYLINDER						
	36	1	<b>6D-3787</b>	1	BEARING-ROLLER						
	37	1	<b>4N-4392</b>	1	COVER AS-CASE						
	37A	1	<b>4N-4393</b>	1	SEAL-LIP TYPE (28.58MM ID)						
	37B	1	<b>6J-2244</b>	1	SEAL-O-RING (66.27MM ID)						
	37C	1	<b>6V-1179</b>	1	SEAL-O-RING (72.62MM ID)						
	38	1	<b>4N-4380</b>	1	KIT-VANE (AIR STARTING MOTOR)						

# ELECTRICAL AND STARTING SYSTEM

106-5521 STARTING MOTOR GP-AIR (contd.)

i06927063



GRAPHIC #1

<END>

g00852149

# ELECTRICAL AND STARTING SYSTEM

## 7W-9654 STARTING MOTOR GP-AIR

S/N: 85Z3764-UP

FOR USE WITH 2W-3560-PAGE: 1163  
AN ATTACHMENT

SMCS-1451

i01896075

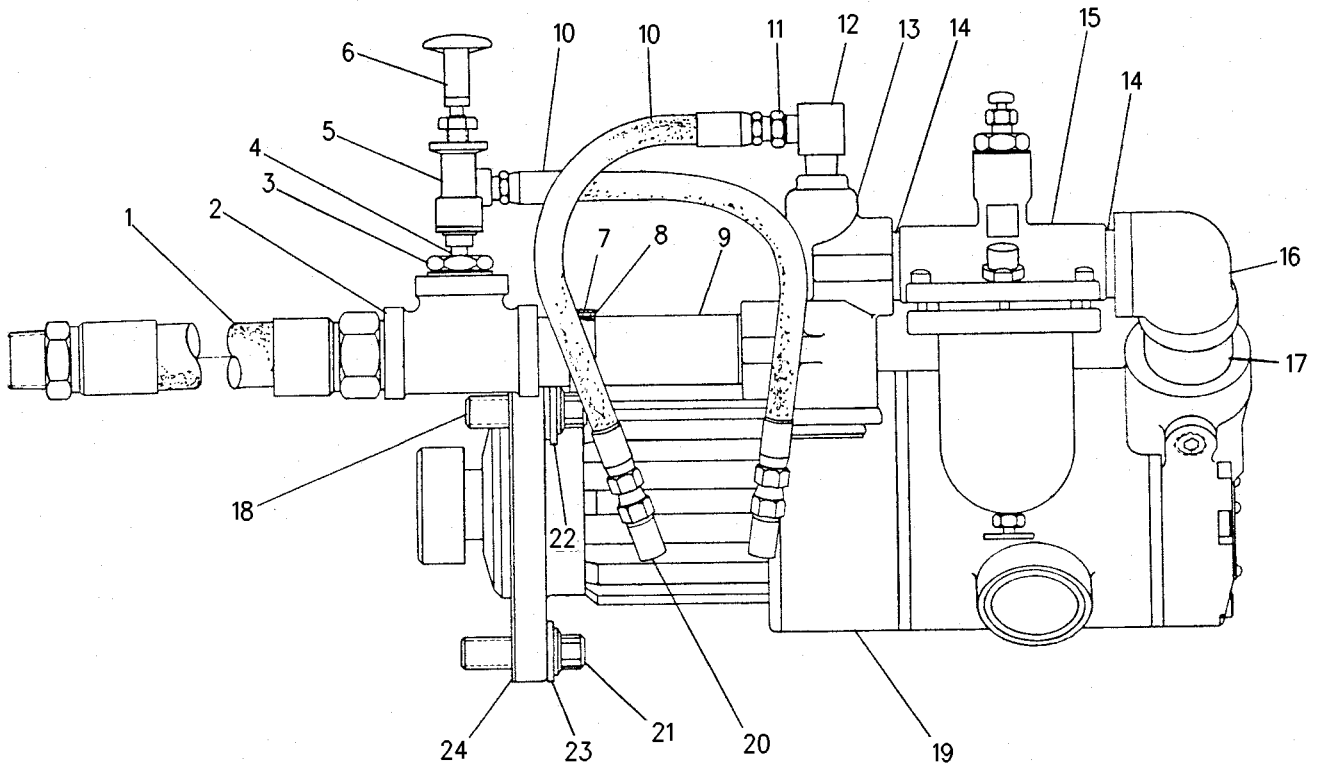
NOTE	REF NO	GRAPHIC REF	PART NUMBER	QTY	PART NAME						SEE PAGE
					1	2	3	4	5	6 (PRODUCT LEVEL)	
I	1	1	<b>9L-4652</b>	1	HOSE AS						
	2	1	<b>4B-7770</b>	1	TEE						
	3	1	<b>4D-3967</b>	1	BUSHING-REDUCER						
	4	1	<b>6V-1813</b>	1	FITTING						
	5	1	<b>4N-3410</b>	1	VALVE AS-CONTROL (STARTING)						
	6	1	<b>2W-0629</b>	1	KNOB-ENGINE START						
	7	1	<b>9M-2904</b>	1	CLAMP-HOSE						
	8	1	<b>1H-0690</b>	1	STRIP-FELT						
	9	1	<b>6N-2430</b>	1	NIPPLE-PIPE						
I	10	1	<b>3N-4579</b>	2	HOSE AS						
	11	1	<b>4M-5317</b>	1	BUSHING-REDUCER						
	12	1	<b>3D-8884</b>	1	ELBOW						
	13	1	<b>7M-9544</b>	1	VALVE (AIR STARTING MOTOR)						
	14	1	<b>3B-7749</b>	2	NIPPLE-PIPE						
	15	1	<b>4L-3124</b>	1	LUBRICATOR GP-AIR MOTOR						
	16	1	<b>3L-9071</b>	1	ELBOW-REDUCING						
	17	1	<b>3B-7750</b>	1	FITTING						
	18	1	<b>8S-2332</b>	1	BOLT-12 POINT HEAD (5/8-11X1.75-IN)						
Y	19	1	<b>7W-9655</b>	1	STARTING MOTOR GP-AIR						1175
	20	1	<b>5J-7303</b>	2	ELBOW						
	21	1	<b>7J-8902</b>	2	BOLT-12 POINT HEAD (5/8-11X1.5-IN)						
	22	1	<b>2W-1816</b>	1	BRACKET AS						
		1	<b>1K-3047</b>	1	WASHER (17.5X28.6X3-MM THK)						
	23	1	<b>2S-5658</b>	2	WASHER-HARD (17X29X3-MM THK)						
24	1	<b>4H-7869</b>	1	GASKET							

I - REFER TO HYDRAULIC INFORMATION SYSTEM  
Y - SEPARATE ILLUSTRATION

# ELECTRICAL AND STARTING SYSTEM

7W-9654 STARTING MOTOR GP-AIR (contd.)

i01896075



GRAPHIC #1

<END>

g00917533

# ELECTRICAL AND STARTING SYSTEM

## 7W-9655 STARTING MOTOR GP-AIR

S/N: 85Z3764-UP

PART OF 7W-9654 STARTING MOTOR GP-AIR  
AN ATTACHMENT

SMCS-1451

i04056549

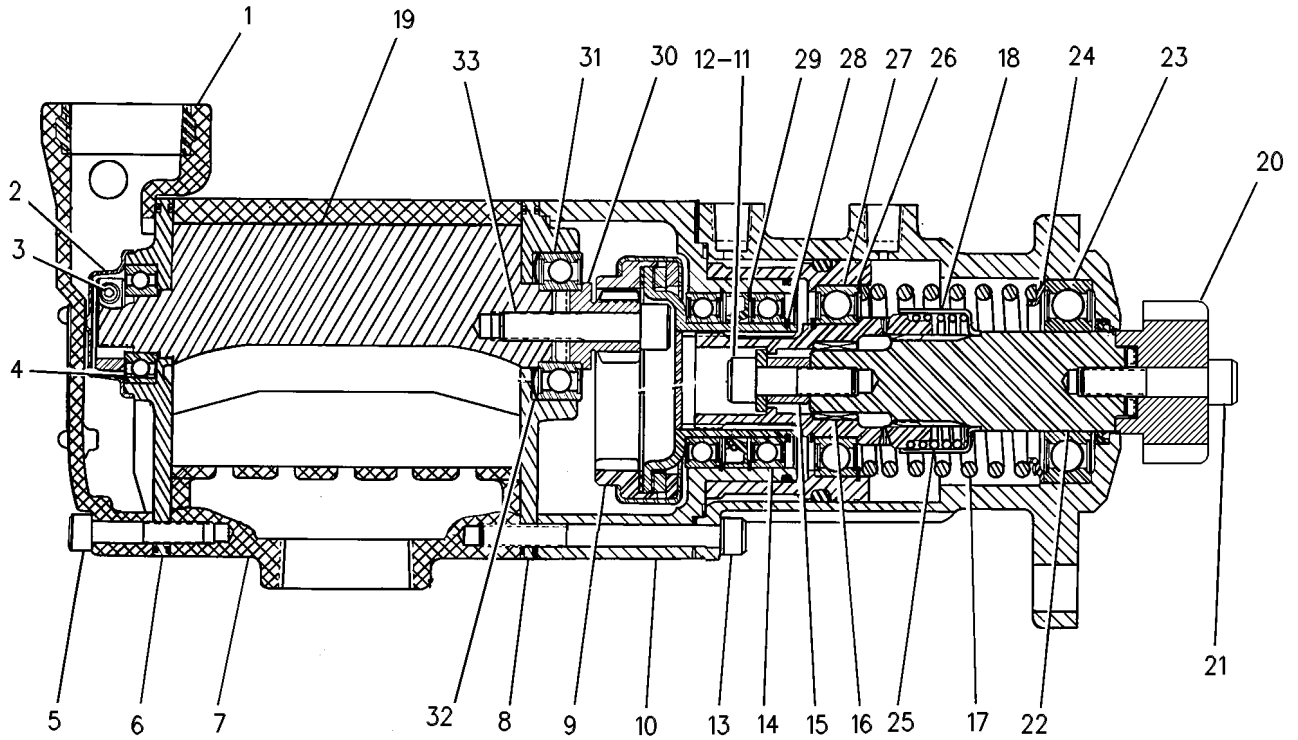
NOTE	REF NO	GRAPHIC REF	PART NUMBER	QTY	PART NAME						SEE PAGE
					1	2	3	4	5	6 (PRODUCT LEVEL)	
	1	1	<b>7W-0510</b>	1	COVER AS						
	2	1	<b>7W-0517</b>	1	COVER-ROTOR NUT						
	3	1	<b>7W-0516</b>	1	NUT-ROTOR CLAMP						
	4	1	<b>8T-2182</b>	1	BALL BEARING						
M	5	1	<b>6V-5193</b>	4	BOLT-SOCKET HEAD (M8X1.25X40-MM)						
	6	1	<b>7W-0511</b>	1	PLATE-REAR END						
	7	1	<b>7W-0512</b>	1	HOUSING AS-CYLINDER						
	8	1	<b>7W-0513</b>	1	PLATE-FRONT END						
	9	1	<b>7W-0521</b>	1	GEAR AS (27-TEETH)						
	10	1	<b>7W-0520</b>	1	CASE-GEAR						
M	11	1	<b>8T-0271</b>	1	BOLT-SOCKET HEAD (M10X1.5X35-MM)						
	12	1	<b>7W-0534</b>	1	WASHER (10.3X22.2X4-MM THK)						
M	13	1	<b>8T-2224</b>	4	BOLT-SOCKET HEAD (M8X1.25X85-MM)						
	14	1	<b>8T-0727</b>	2	BALL BEARING						
	15	1	<b>7W-0533</b>	1	SPACER (10.3X16X15-MM THK)						
	16	1	<b>8T-0726</b>	1	BEARING-ROLLER						
	17	1	<b>7W-0530</b>	1	SPRING-RETURN						
	18	1	<b>7W-0529</b>	1	CUP-SPRING						
	19	1	<b>7W-0514</b>	1	ROTOR						
	20	1	<b>124-4433</b>	1	PINION-DRIVE (12-TEETH)						
	21	1	<b>293-7466</b>	1	BOLT-SOCKET HEAD (M10X1.5X45-MM)						
	22	1	<b>7W-0532</b>	1	SHAFT-DRIVE						
	23	1	<b>060-7519</b>	1	BALL BEARING						
	24	1	<b>7W-0531</b>	1	SEAT-SPRING						
	25	1	<b>7W-0528</b>	1	SPRING-CLUTCH						
	26	1	<b>8T-2191</b>	1	RING-RETAINING						
	27	1	<b>8T-0728</b>	1	BALL BEARING						
	28	1	<b>2L-6965</b>	2	RING-RETAINING						
	29	1	<b>8T-2190</b>	2	RING-RETAINING						
	30	1	<b>7W-0519</b>	1	PINION-ROTOR (9-TEETH)						
	31	1	<b>1S-7056</b>	1	BALL BEARING						
	32	1	<b>7W-0518</b>	2	WASHER-WAVE						
M	33	1	<b>8T-1160</b>	1	BOLT-SOCKET HEAD (M10X1.5X50-MM)						
					AVAILABLE REPAIR KIT(S):						
			<b>7W-0523</b>	1	KIT-PISTON (AIR STARTING MOTOR) (INCLUDES O-RING)						
			<b>7W-0525</b>	1	KIT-JAW CLUTCH (AIR STARTING MOTOR) (INCLUDES SPLINES & BEARING)						
			<b>7W-0538</b>	1	KIT-DRIVE (AIR STARTING MOTOR) (INCLUDES GASKET, O-RING, HOUSING, SEAL, BEARING, BOLTS & WASHERS)						
			<b>7W-0540</b>	1	KIT-SEAL & VANE (AIR STARTING MOTOR) (INCLUDES O-RINGS, VANES, GASKET, SEALS & WASHERS)						

M - METRIC PART

# ELECTRICAL AND STARTING SYSTEM

7W-9655 STARTING MOTOR GP-AIR (contd.)

i04056549



GRAPHIC #1

<END>

g00257945

# ELECTRICAL AND STARTING SYSTEM

## 106-8552 STARTING MOTOR GP-ELECTRIC

S/N: 85Z3764-UP

24-VOLT

FIELD REPLACEMENT ORDER 6V-5227-PAGE: 1222

PART OF 6V-5227 STARTING MOTOR GP-ELECTRIC

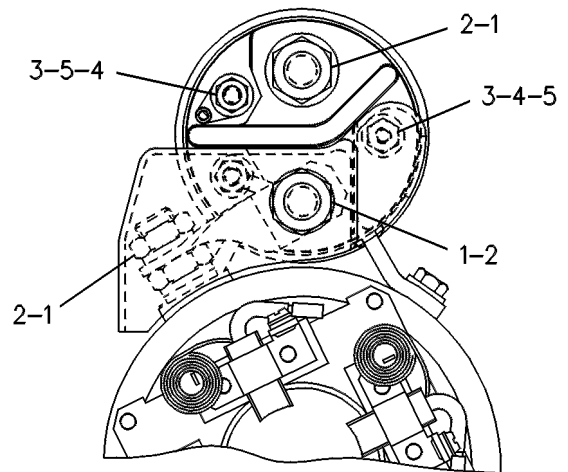
AN ATTACHMENT

SMCS-1453

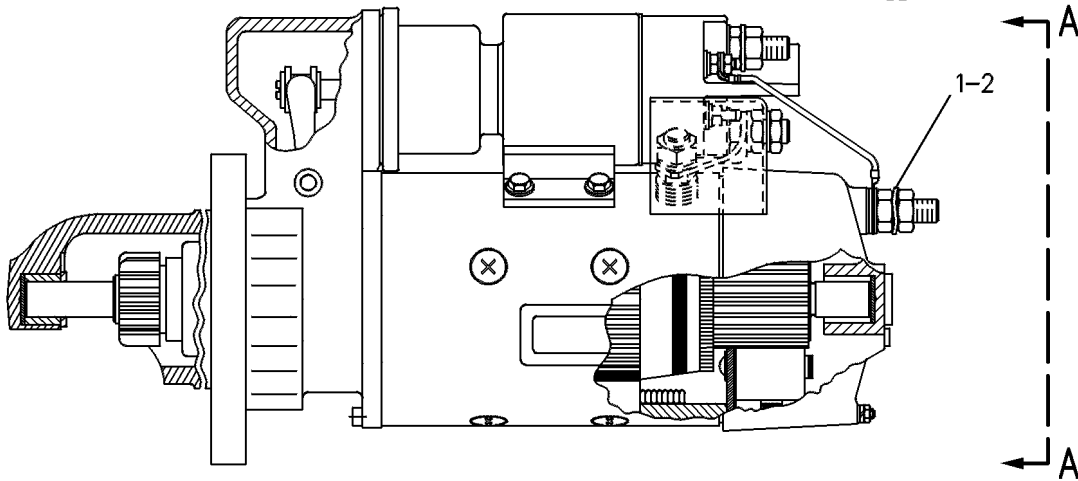
i02351674

NOTE	REF NO	GRAPHIC REF	PART NUMBER	QTY	PART NAME						SEE PAGE
					1	2	3	4	5	6	
	1	1	<b>7X-0562</b>	5	WASHER-HARD (13.5X19X0.8-MM THK)						
M	2	1	<b>8T-4244</b>	5	NUT (M12X1.75-THD)						
M	3	1	<b>5C-2874</b>	2	NUT (M5X0.8-THD)						
	4	1	<b>8F-1434</b>	2	LOCKWASHER						
	5	1	<b>8T-0328</b>	2	WASHER-HARD (5.5X10X1-MM THK)						

M - METRIC PART



VIEW A-A



GRAPHIC #1

<END>

g00108498

# ELECTRICAL AND STARTING SYSTEM

## 106-8555 STARTING MOTOR GP-ELECTRIC

S/N: 85Z3764-15150

24 VOLT

FIELD REPLACEMENT ORDER 6V-5227-PAGE: 1222

PART OF 1W-3851 STARTING MOTOR GP-ELECTRIC

AN ATTACHMENT

SMCS-1453

i01000116

NOTE	PART NUMBER	QTY	PART NAME						SEE PAGE
			1	2	3	4	5	6 (PRODUCT LEVEL)	
Y	6V-5023	1	STARTING MOTOR GP-ELECTRIC						1216
			-OR-						
Y	6V-5207	1	STARTING MOTOR GP-ELECTRIC						1217
			-OR-						
Y	6V-5226	1	STARTING MOTOR GP-ELECTRIC						1220
Y - SEPARATE ILLUSTRATION									
<END>									



# ELECTRICAL AND STARTING SYSTEM

## 143-0540 STARTING MOTOR GP-ELECTRIC\*R

S/N: 85Z3764-UP

FIELD REPLACEMENT FOR 8C-5580-PAGE: 1263

PART OF 7C-9128 STARTING MOTOR GP-ELECTRIC

AN ATTACHMENT

SMCS-1453

i02018053

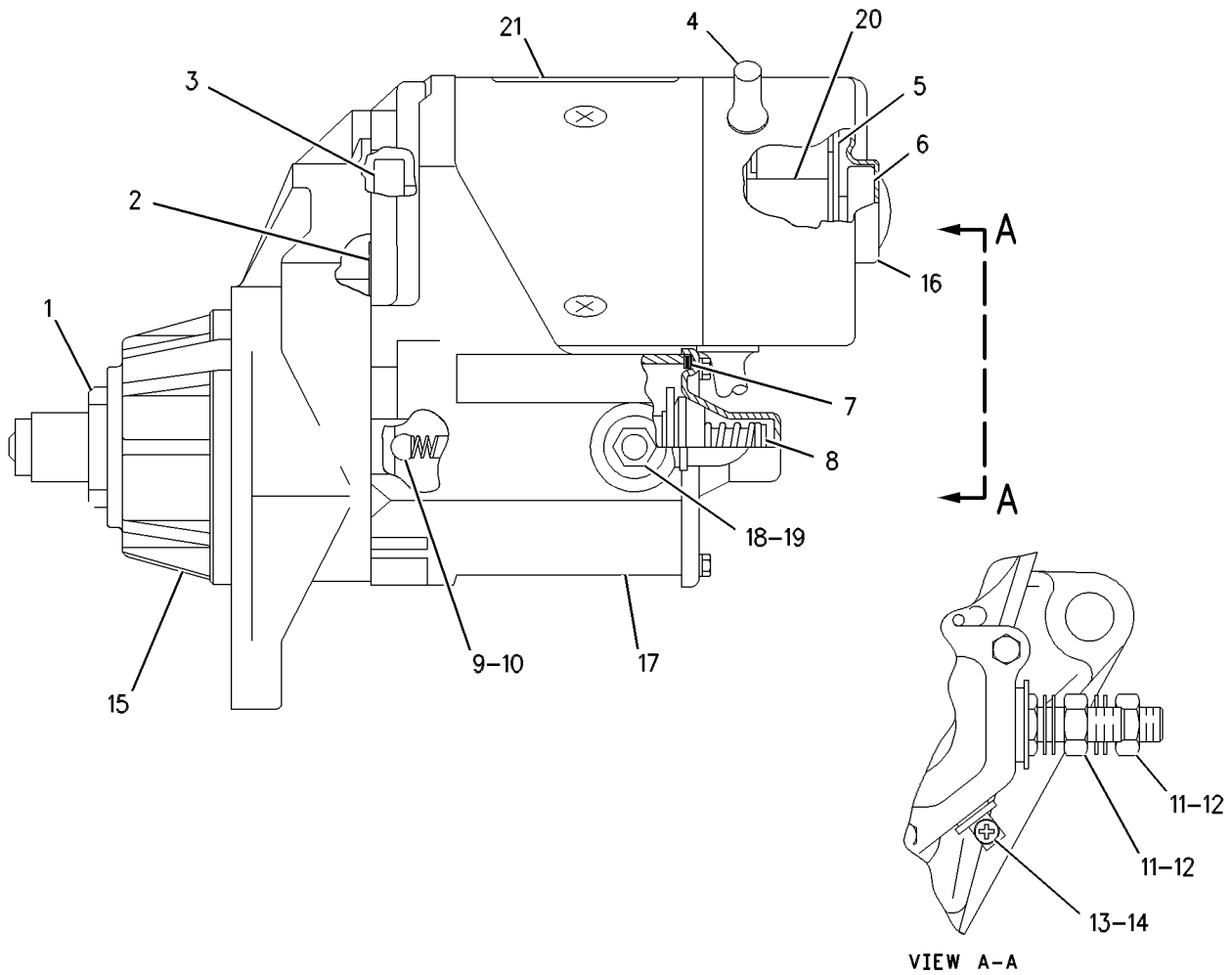
NOTE	REF NO	GRAPHIC REF	PART NUMBER	QTY	PART NAME						SEE PAGE
					1	2	3	4	5	6	
	1	1	<b>7T-6093</b>	1	CLUTCH AS						
	2	1	<b>7T-6087</b>	1	WASHER (15.2X40X0.5-MM THK)						
	3	1	<b>7T-6088</b>	1	BEARING AS						
	4	1	<b>3E-5153</b>	1	COVER-STARTING MOTOR						
	5	1	<b>7T-6092</b>	1	HOLDER AS-BRUSH (STARTING MOTOR)						
	6	1	<b>2P-8104</b>	1	BEARING						
	7	1	<b>8C-9783</b>	1	GASKET						
	8	1	<b>8C-9778</b>	1	PLUNGER AS						
	9	1	<b>8J-4455</b>	1	BALL						
	10	1	<b>7T-6090</b>	1	SPRING						
M	11	1	<b>8T-4244</b>	2	NUT (M12X1.75-THD)						
	12	1	<b>7X-0562</b>	2	WASHER-HARD (13.5X19X0.8-MM THK)						
	13	1	<b>8F-1434</b>	1	LOCKWASHER						
M	14	1	<b>9X-2036</b>	1	SCREW-PAN HEAD						
	15	1	<b>3E-6020</b>	1	HOUSING AS						
	16	1	<b>143-1343</b>	1	FRAME-STARTER						
	17	1	<b>3E-6022</b>	1	SWITCH AS (STARTER) (24 VOLT)						
M	18	1	<b>8T-4133</b>	1	NUT (M10X1.5-THD)						
	19	1	<b>8T-4121</b>	1	WASHER-HARD (11X21X2.5-MM THK)						
	20	1	<b>3E-6238</b>	1	ARMATURE AS						
	21	1	<b>3E-6237</b>	1	CASE AS-STARTING MOTOR						
					AVAILABLE REPAIR KIT(S):						
			<b>7T-6099</b>	1	KIT-GEAR (STARTING MOTOR) (INCLUDES RETAINER, PINION & ROLLERS)						
			<b>8C-5457</b>	1	KIT-CONTACT (STARTING MOTOR) (INCLUDES NUT, BOLT, WASHER, PLATE & BUSHINGS)						
			<b>3E-5463</b>	1	KIT-CONTACT (STARTING MOTOR) (INCLUDES NUT, WASHER, STUD, SEAL, PLATES & BUSHINGS)						
			<b>146-6729</b>	1	KIT-HARDWARE (STARTING MOTOR) (INCLUDES PLATE, BOLTS, SCREWS & SCREW ASSEMBLIES)						

M - METRIC PART

# ELECTRICAL AND STARTING SYSTEM

143-0540 STARTING MOTOR GP-ELECTRIC (contd.)

i02018053



GRAPHIC #1

<END>

g00289858

# ELECTRICAL AND STARTING SYSTEM

## 143-0540 STARTING MOTOR GP-ELECTRIC\*R

S/N: 85Z3764-UP

FIELD REPLACEMENT FOR 8C-5580-PAGE: 1263

PART OF 7C-9128 STARTING MOTOR GP-ELECTRIC

AN ATTACHMENT

SMCS-1453

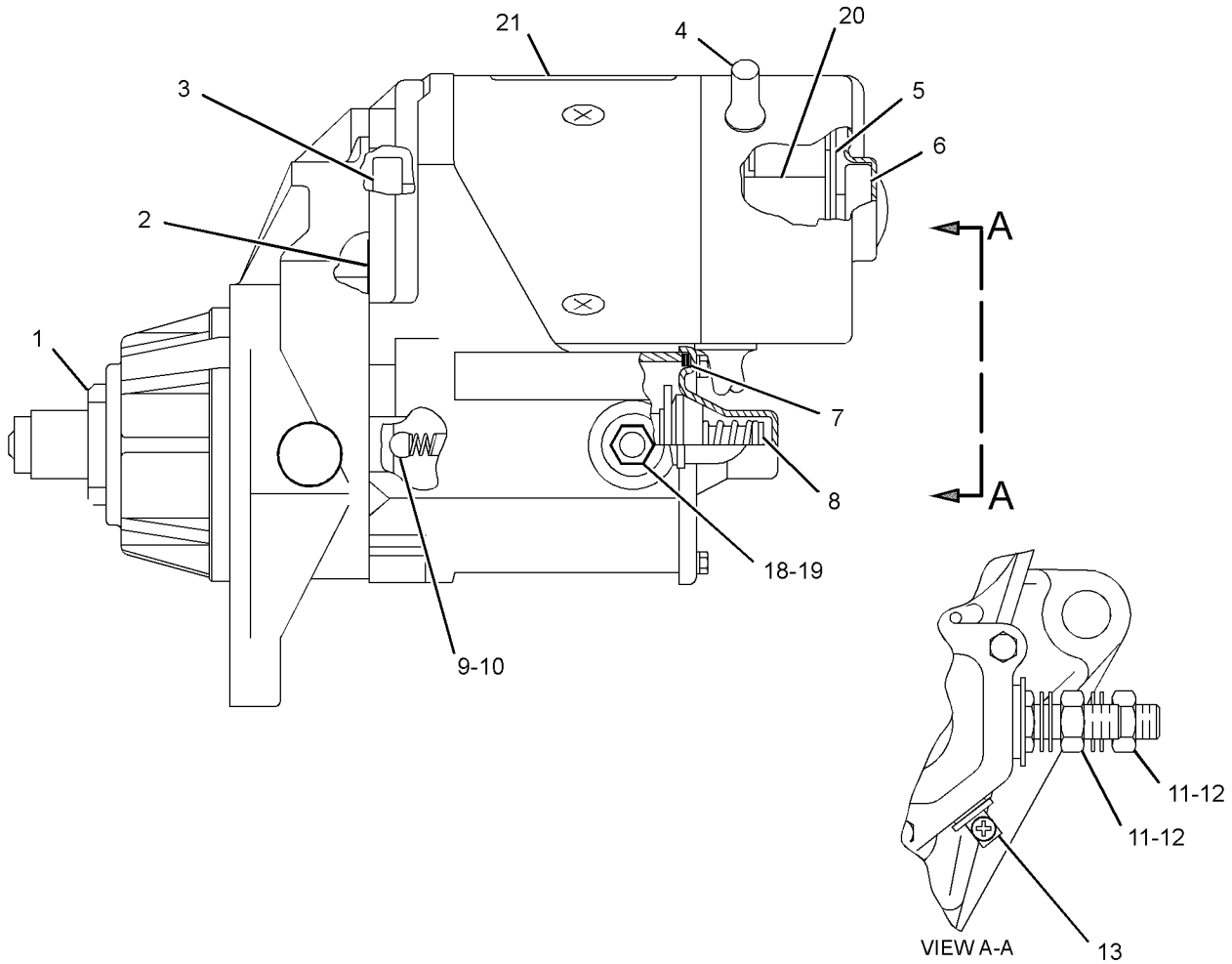
i07820634

NOTE	REF NO	GRAPHIC REF	PART NUMBER	QTY	PART NAME						SEE PAGE
					1	2	3	4	5	6 (PRODUCT LEVEL)	
	1	1	<b>7T-6093</b>	1	CLUTCH AS						
	2	1	<b>7T-6087</b>	1	WASHER (15.2X40X0.5-MM THK)						
	3	1	<b>7T-6088</b>	1	BEARING AS						
	4	1	<b>3E-5153</b>	1	COVER-STARTING MOTOR						
	5	1	<b>7T-6092</b>	1	HOLDER AS-BRUSH (STARTING MOTOR)						
	6	1	<b>2P-8104</b>	1	BEARING						
	7	1	<b>8C-9783</b>	1	GASKET						
	8	1	<b>8C-9778</b>	1	PLUNGER AS						
	9	1	<b>8J-4455</b>	1	BALL						
	10	1	<b>7T-6090</b>	1	SPRING						
M	11	1	<b>8T-4244</b>	2	NUT (M12X1.75-THD)						
	12	1	<b>7X-0562</b>	2	WASHER-HARD (13.5X19X0.8-MM THK)						
	13	1	<b>8F-1434</b>	1	LOCKWASHER						
M	18	1	<b>8T-4133</b>	1	NUT (M10X1.5-THD)						
	19	1	<b>8T-4121</b>	1	WASHER-HARD (11X21X2.5-MM THK)						
	20	1	<b>3E-6238</b>	1	ARMATURE AS						
	21	1	<b>3E-6237</b>	1	CASE AS-STARTING MOTOR						
					AVAILABLE REPAIR KIT(S):						
			<b>7T-6099</b>	1	KIT-GEAR (STARTING MOTOR) (INCLUDES RETAINER, PINION & ROLLERS)						
			<b>8C-5457</b>	1	KIT-CONTACT (STARTING MOTOR) (INCLUDES NUT, BOLT, WASHER, PLATE & BUSHINGS)						
			<b>3E-5463</b>	1	KIT-CONTACT (STARTING MOTOR) (INCLUDES NUT, WASHER, STUD, SEAL, PLATES & BUSHINGS)						
			<b>146-6729</b>	1	KIT-HARDWARE (STARTING MOTOR) (INCLUDES PLATE, BOLTS, SCREWS & SCREW ASSEMBLIES)						
M - METRIC PART											

# ELECTRICAL AND STARTING SYSTEM

143-0540 STARTING MOTOR GP-ELECTRIC (contd.)

i07820634



GRAPHIC #1

<END>

g03715475

# ELECTRICAL AND STARTING SYSTEM

## 1W-3851 STARTING MOTOR GP-ELECTRIC

S/N: 85Z3764-UP

24-VOLT

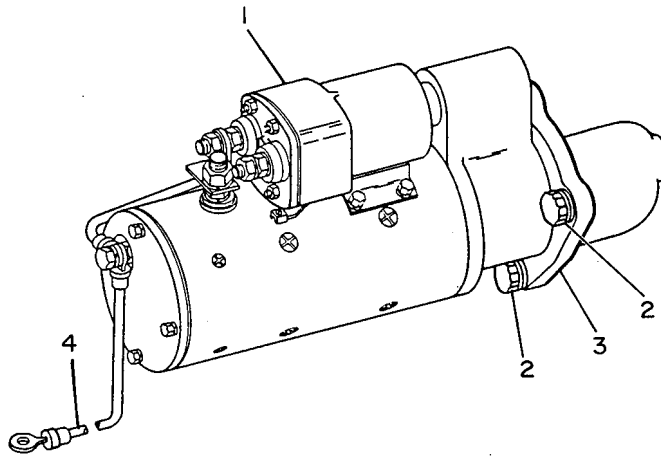
AN ATTACHMENT

SMCS-1453

i00903729

NOTE	REF NO	GRAPHIC REF	PART NUMBER	QTY	PART NAME						SEE PAGE
					1	2	3	4	5	6 (PRODUCT LEVEL)	
CY	1	1	3T-4586	1	STARTING MOTOR GP-ELECTRIC						1204
	2	1	7J-8902	3	BOLT-12 POINT HEAD (5/8-11X1.5-IN)						
		1	8D-5054	3	WASHER-HARD (17X30X3-MM THK)						
	3	1	4H-7869	1	GASKET						
	4	1	9F-4337	1	WIRE AS						

C - CHANGE FROM PREVIOUS TYPE  
Y - SEPARATE ILLUSTRATION



GRAPHIC #1

<END>

g00113373

# ELECTRICAL AND STARTING SYSTEM

## 1W-3851 STARTING MOTOR GP-ELECTRIC

S/N: 85Z3764-15150

24-VOLT

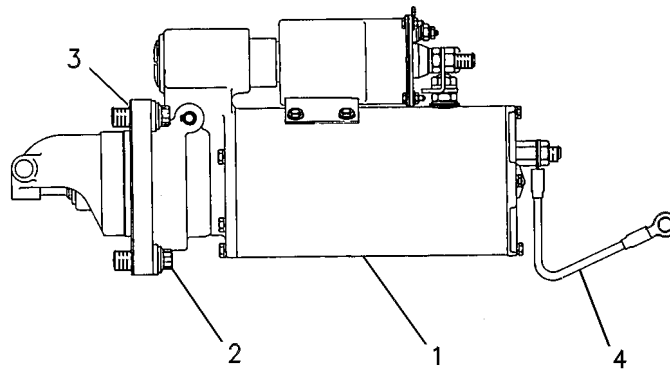
AN ATTACHMENT

SMCS-1453

i00903728

NOTE	REF NO	GRAPHIC REF	PART NUMBER	QTY	PART NAME						SEE PAGE
					1	2	3	4	5	6 (PRODUCT LEVEL)	
CY	1	1	106-8555	1	STARTING MOTOR GP-ELECTRIC						1178
	2	1	7J-8902	3	BOLT-12 POINT HEAD (5/8-11X1.5-IN)						
		1	8D-5054	3	WASHER-HARD (17X30X3-MM THK)						
	3	1	4H-7869	1	GASKET						
	4	1	9F-4337	1	WIRE AS						

C - CHANGE FROM PREVIOUS TYPE  
 Y - SEPARATE ILLUSTRATION



GRAPHIC #1

<END>

g00108494

# ELECTRICAL AND STARTING SYSTEM

## 1W-3851 STARTING MOTOR GP-ELECTRIC

S/N: 85Z15151-UP

24-VOLT

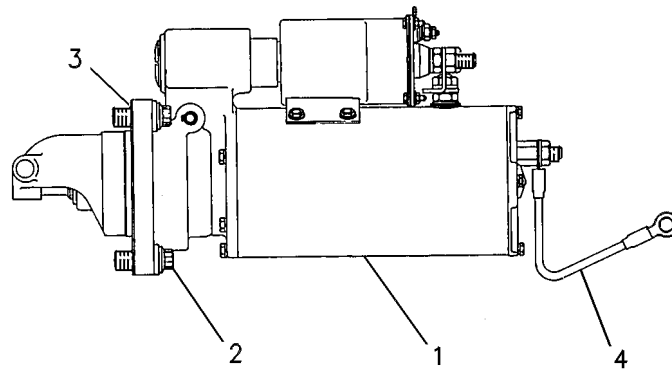
AN ATTACHMENT

SMCS-1453

i02351670

NOTE	REF NO	GRAPHIC REF	PART NUMBER	QTY	PART NAME						SEE PAGE
					1	2	3	4	5	6 (PRODUCT LEVEL)	
CY	1	1	207-1554	1	STARTING MOTOR GP-ELECTRIC						1192
	2	1	7J-8902	3	BOLT-12 POINT HEAD (5/8-11X1.5-IN)						
		1	8D-5054	3	WASHER-HARD (17X30X3-MM THK)						
	3	1	4H-7869	1	GASKET						
	4	1	9F-4337	1	WIRE AS						

C - CHANGE FROM PREVIOUS TYPE  
 Y - SEPARATE ILLUSTRATION



GRAPHIC #1

<END>

g00108494

# ELECTRICAL AND STARTING SYSTEM

## 207-1522 STARTING MOTOR GP-ELECTRIC

S/N: 85Z15151-UP

12 VOLT

FIELD REPLACEMENT ORDER 207-1525-PAGE: 1188

PART OF 4W-4756 STARTING MOTOR GP-ELECTRIC

AN ATTACHMENT

SMCS-1453

i07575119

NOTE	REF NO	GRAPHIC REF	PART NUMBER	QTY	PART NAME						SEE PAGE
					1	2	3	4	5	6	
	1	1	<b>3T-3434</b>	6	PLUG (FELT)						
	2	1	<b>7T-3279</b>	1	HOUSING AS						
	3	1	<b>8T-8566</b>	1	TERMINAL AS						
	4	1	<b>6V-8188</b>	4	NUT (1/2-13-THD)						
	5	1	<b>7X-0562</b>	4	WASHER-HARD (13.5X19X0.8-MM THK)						
	6	1	<b>3T-3422</b>	1	WIRE AS						
	7	1	<b>8T-8570</b>	1	HOLDER AS-BRUSH (STARTING MOTOR)						
	8	1	<b>8T-8568</b>	1	COIL AS-FIELD						
	9	1	<b>7T-3454</b>	1	INSULATOR						
	10	1	<b>283-1107</b>	1	KIT-CONNECTOR (STARTING MOTOR)						
					(INCLUDES CONNECTORS, BOLT & TERMINAL)						
	11	1	<b>7T-3451</b>	1	KIT-INSULATOR (STARTING MOTOR)						
					(INCLUDES INSULATORS & GROMMET)						
	12	1	<b>8T-8569</b>	1	INSULATOR-TERMINAL						
	13	1	<b>5S-7349</b>	4	BOLT (1/4-20X0.5-IN)						
	14	1	<b>8T-4205</b>	4	WASHER-HARD (7.2X14.5X2-MM THK)						
	15	1	<b>8H-1141</b>	4	SHOE-POLE						
	16	1	<b>3R-8797</b>	8	SCREW & WASHER AS (3/8-24X0.72-IN)						
R	17	1	<b>7T-3275</b>	1	ARMATURE AS (12-VOLT)						
	18	1	<b>7T-3973</b>	1	HOUSING AS-LEVER						
	19	1	<b>4M-1831</b>	1	PLUG-LEVER HOUSING						
	20	1	<b>7L-2894</b>	1	GASKET						
	21	1	<b>0S-1597</b>	5	BOLT (1/4-28X1-IN)						
R	22	1	<b>6N-3827</b>	1	DRIVE AS-MOTOR						
	23	1	<b>7T-3974</b>	1	HOUSING AS-DRIVE						
	24	1	<b>7X-3373</b>	6	BOLT (5/16-18X0.88-IN)						
	25	1	<b>555-2607</b>	1	KIT-SOLENOID (12-VOLT) (STARTING MOTOR)						
					(INCLUDES BOLTS, CONNECTORS, NUTS & INSTRUCTION SHEET)						
	26	1	<b>6V-8378</b>	2	NUT (10-32-THD)						
	27	1	<b>8F-1434</b>	2	LOCKWASHER						
	28	1	<b>8T-0328</b>	2	WASHER-HARD (5.5X10X1-MM THK)						
	29	1	<b>8T-9884</b>	1	KIT-INSULATOR (STARTING MOTOR)						
					(INCLUDES INSULATORS)						
	30	1	<b>8T-9885</b>	1	KIT-BRUSH (STARTING MOTOR)						
					(INCLUDES BRUSHES, SPRINGS, SCREWS, SEAL & SCREW AS)						
	31	1	<b>7T-3268</b>	1	KIT-LEVER (STARTING MOTOR)						
					(INCLUDES LEVER AS, SEALS, NUT & RETAINER)						
					AVAILABLE REPAIR KIT(S):						
			<b>7T-3267</b>		KIT-BUSHING (STARTING MOTOR)						
					(INCLUDES BUSHINGS, WICKS, CUPS, SEALS, GASKET, SCREW AS, WASHERS, SPACER & NUT)						

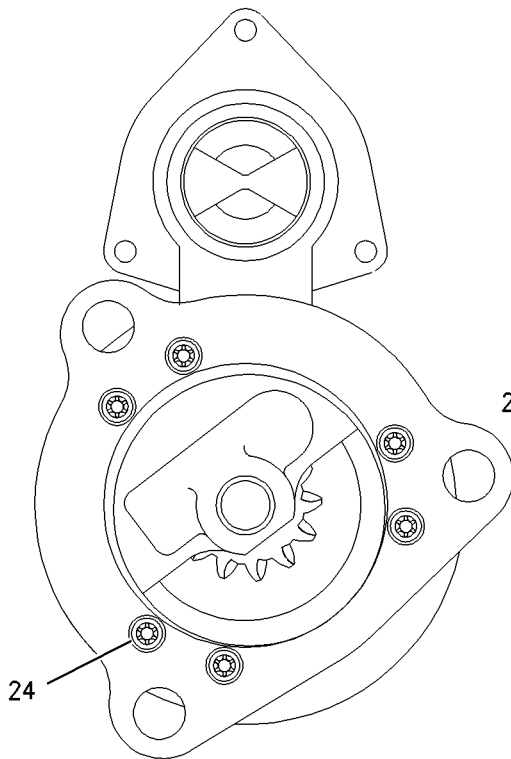
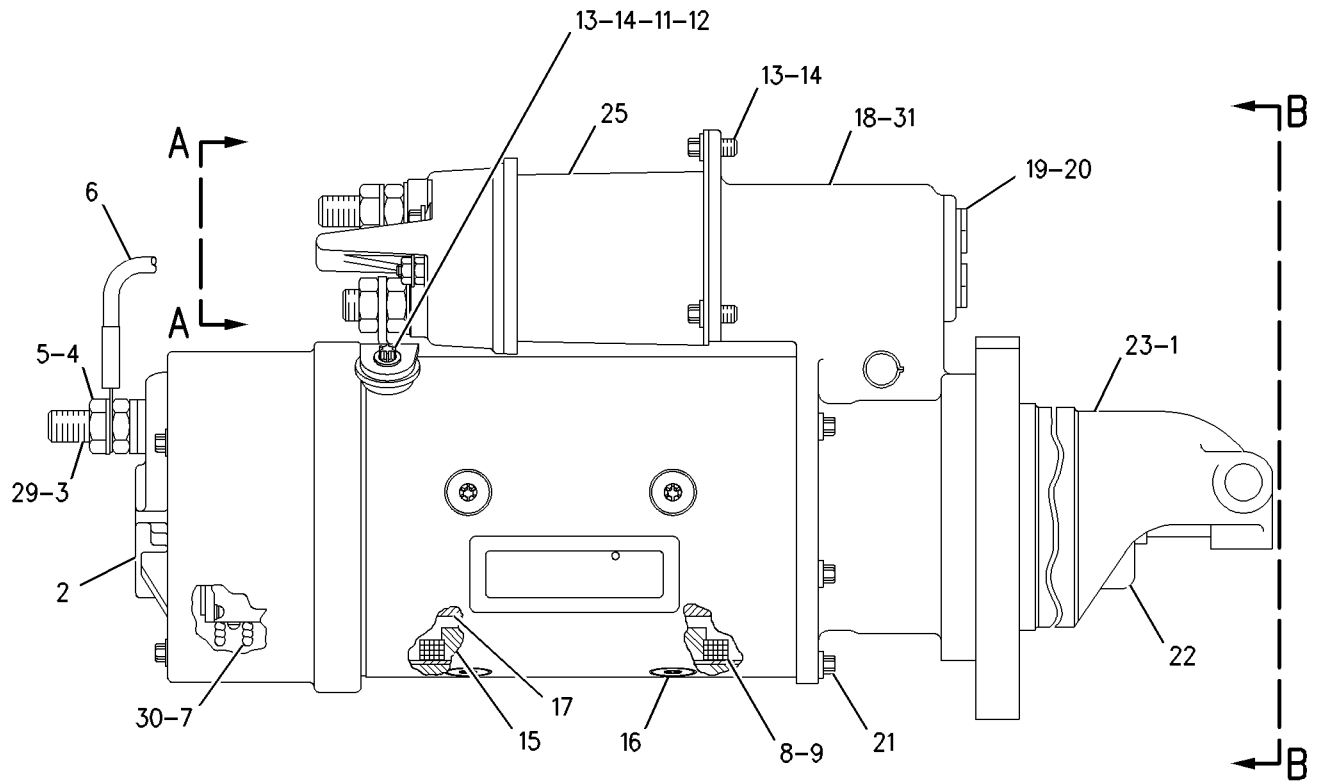
R - REMANUFACTURED PART MAY BE AVAILABLE



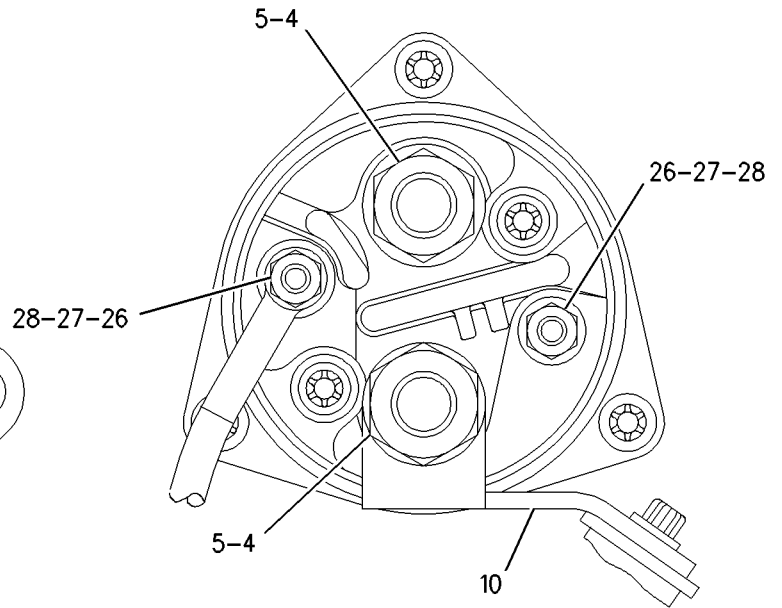
# ELECTRICAL AND STARTING SYSTEM

207-1522 STARTING MOTOR GP-ELECTRIC (contd.)

i07575119



VIEW B-B



VIEW A-A

GRAPHIC #1

<END>

g00921296

# ELECTRICAL AND STARTING SYSTEM

## 207-1525 STARTING MOTOR GP-ELECTRIC\*R

S/N: 85Z15151-UP

12-VOLT

FIELD REPLACEMENT FOR 6V-3948-PAGE: 1211: FOR 207-1531-PAGE: 1190: FOR 207-1522-  
PAGE: 1186

SMCS-1453

i07619027

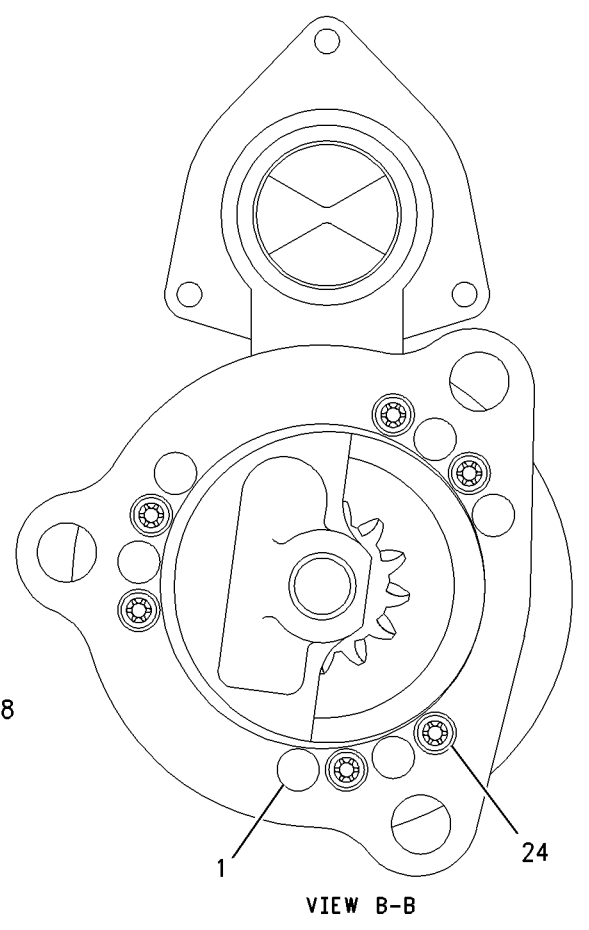
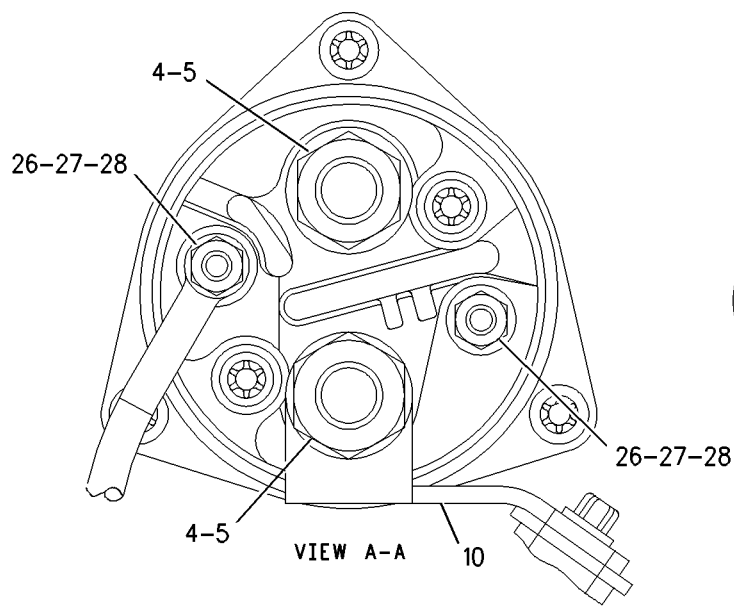
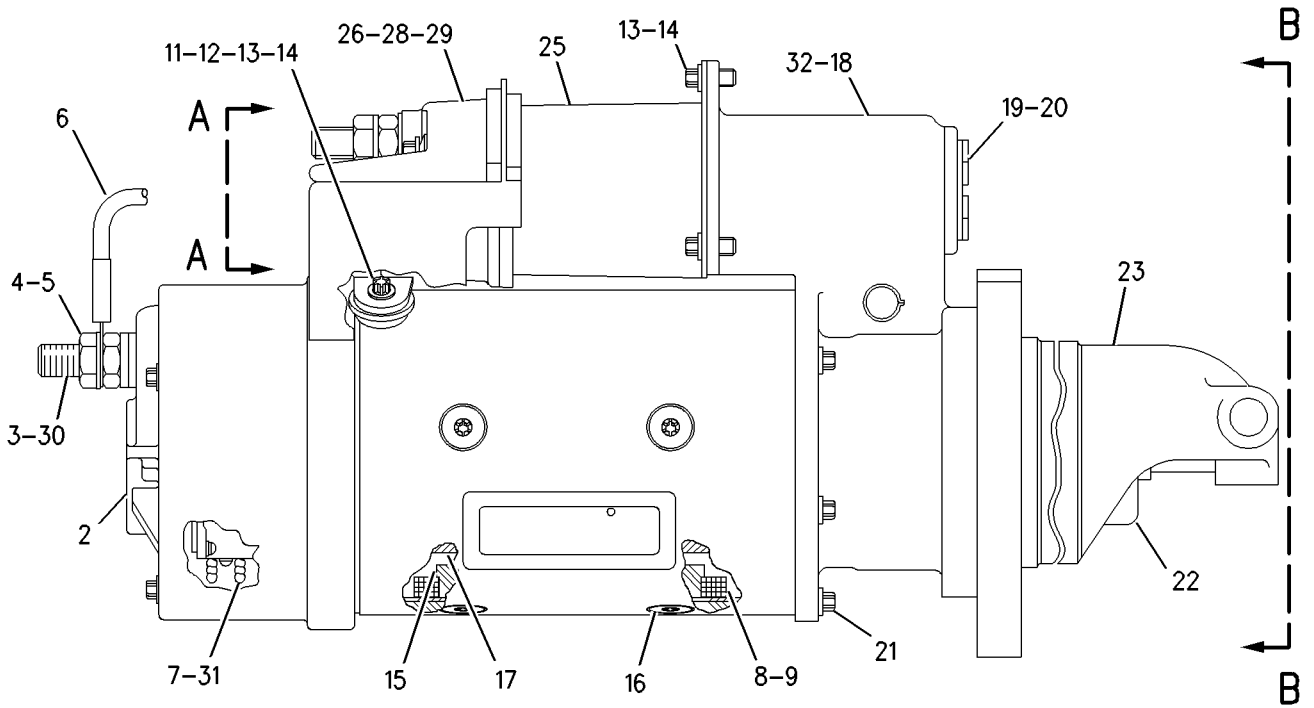
NOTE	REF NO	GRAPHIC REF	PART NUMBER	QTY	PART NAME						SEE PAGE
					1	2	3	4	5	6	
	1	1	<b>3T-3434</b>	6	PLUG						
	2	1	<b>7T-3279</b>	1	HOUSING AS						
	3	1	<b>8T-8566</b>	1	TERMINAL AS						
	4	1	<b>6V-8188</b>	4	NUT (1/2-13-THD)						
	5	1	<b>7X-0562</b>	4	WASHER-HARD (13.5X19X0.8-MM THK)						
	6	1	<b>3T-3422</b>	1	WIRE AS						
	7	1	<b>8T-8570</b>	1	HOLDER AS-BRUSH (STARTING MOTOR)						
	8	1	<b>8T-8568</b>	1	COIL AS-FIELD						
	9	1	<b>7T-3454</b>	1	INSULATOR						
	10	1	<b>283-1107</b>	1	KIT-CONNECTOR (STARTING MOTOR)						
					(INCLUDES CONNECTORS, BOLT & TERMINAL)						
	11	1	<b>7T-3451</b>	1	KIT-INSULATOR (STARTING MOTOR)						
					(INCLUDES INSULATORS & GROMMET)						
	12	1	<b>8T-8569</b>	1	INSULATOR-TERMINAL						
	13	1	<b>5S-7349</b>	4	BOLT (1/4-20X0.5-IN)						
	14	1	<b>8T-4205</b>	4	WASHER-HARD (7.2X14.5X2-MM THK)						
	15	1	<b>8H-1141</b>	4	SHOE-POLE						
	16	1	<b>3R-8797</b>	8	SCREW & WASHER AS (3/8-24X0.72-IN)						
R	17	1	<b>7T-3275</b>	1	ARMATURE AS (12-VOLT)						
	18	1	<b>3E-7775</b>	1	HOUSING AS						
	19	1	<b>4M-1831</b>	1	PLUG-LEVER HOUSING						
	20	1	<b>7L-2894</b>	1	GASKET						
	21	1	<b>0S-1597</b>	5	BOLT (1/4-28X1-IN)						
R	22	1	<b>6N-3827</b>	1	DRIVE AS-MOTOR						
	23	1	<b>7T-3974</b>	1	HOUSING AS-DRIVE						
	24	1	<b>7X-3373</b>	6	BOLT (5/16-18X0.88-IN)						
	25	1	<b>555-2607</b>	1	KIT-SOLENOID (12-VOLT) (STARTING MOTOR)						
					(INCLUDES BOLTS, NUTS, CONNECTORS & INSTRUCTION SHEET)						
	26	1	<b>6V-8378</b>	3	NUT (10-32-THD)						
	27	1	<b>8F-1434</b>	2	LOCKWASHER						
	28	1	<b>8T-0328</b>	3	WASHER-HARD (5.5X10X1-MM THK)						
	29	1	<b>9X-4824</b>	1	COVER-STARTING MOTOR						
	30	1	<b>8T-9884</b>	1	KIT-INSULATOR (STARTING MOTOR)						
					(INCLUDES INSULATORS & BUSHING)						
	31	1	<b>8T-9885</b>	1	KIT-BRUSH (STARTING MOTOR)						
					(INCLUDES BRUSH, SPRING, SCREW, SEAL & SCREW AS)						
	32	1	<b>7T-3268</b>	1	KIT-LEVER (STARTING MOTOR)						
					(INCLUDES LEVER AS, SEALS, NUT, GASKET & RETAINER)						
	33	1	<b>7T-3267</b>	1	KIT-BUSHING (STARTING MOTOR)						
					(INCLUDES BUSHINGS, WICKS, CUPS, SEALS, GASKET, SCREW AS, WASHERS, SPACER & NUT)						

R - REMANUFACTURED PART MAY BE AVAILABLE

# ELECTRICAL AND STARTING SYSTEM

207-1525 STARTING MOTOR GP-ELECTRIC (contd.)

i07619027



GRAPHIC #1

<END>

g00853452

# ELECTRICAL AND STARTING SYSTEM

## 207-1531 STARTING MOTOR GP-ELECTRIC

S/N: 85Z15164-UP

12 VOLT

FIELD REPLACEMENT ORDER 207-1525-PAGE: 1188

PART OF 7N-6504 STARTING MOTOR GP-ELECTRIC

AN ATTACHMENT

SMCS-1453

i07573623

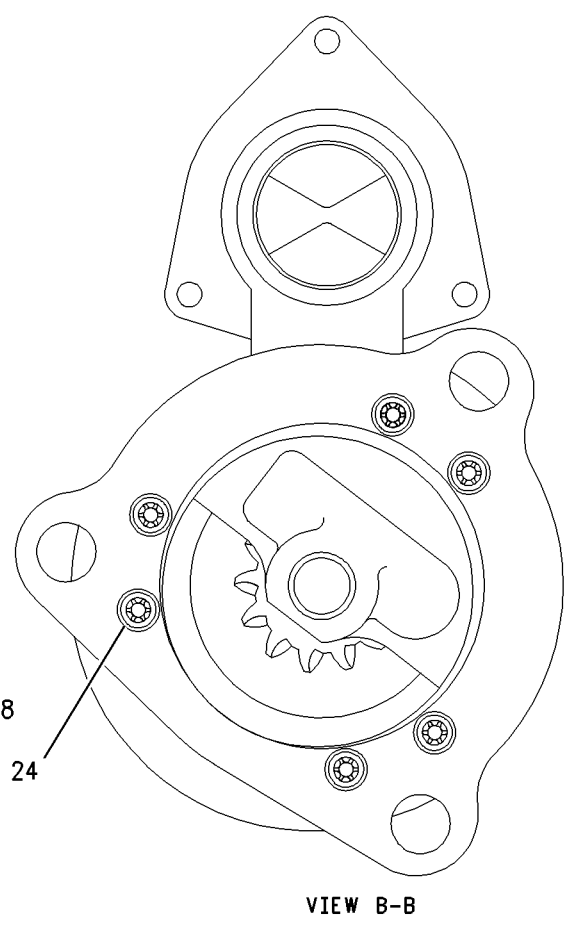
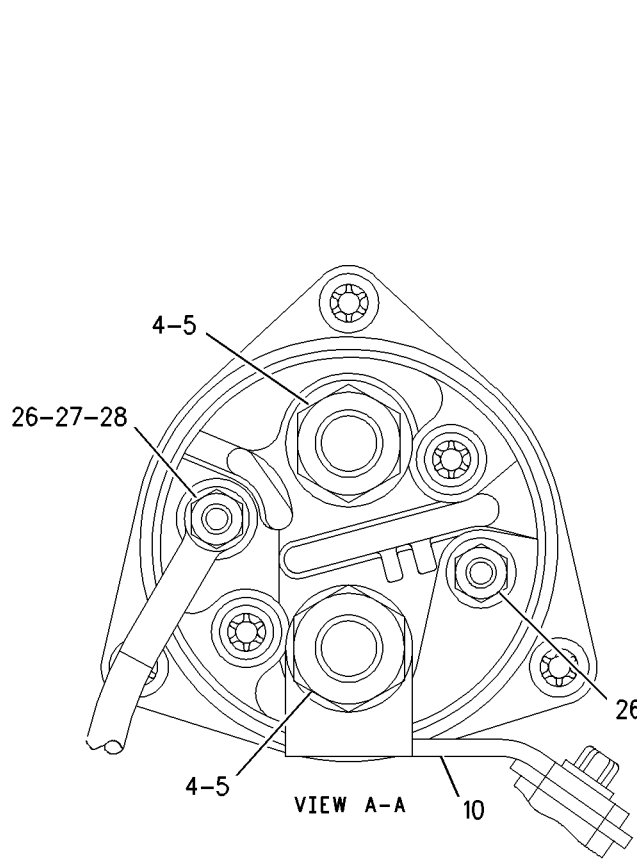
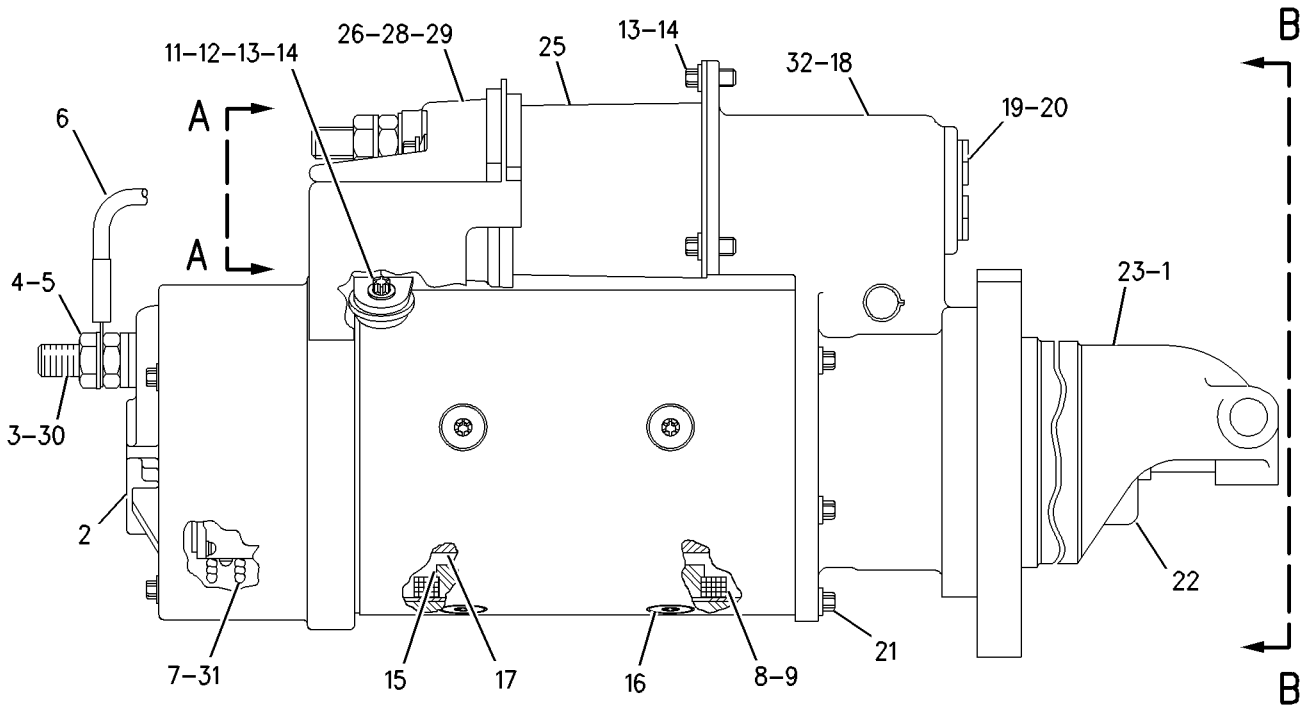
NOTE	REF NO	GRAPHIC REF	PART NUMBER	QTY	PART NAME						SEE PAGE
					1	2	3	4	5	6	
	1	1	<b>3T-3434</b>	6	PLUG						
	2	1	<b>7T-3279</b>	1	HOUSING AS						
	3	1	<b>8T-8566</b>	1	TERMINAL AS						
	4	1	<b>6V-8188</b>	4	NUT (1/2-13-THD)						
	5	1	<b>7X-0562</b>	4	WASHER-HARD (13.5X19X0.8-MM THK)						
	6	1	<b>3T-3422</b>	1	WIRE AS						
	7	1	<b>8T-8570</b>	1	HOLDER AS-BRUSH (STARTING MOTOR)						
	8	1	<b>8T-8568</b>	1	COIL AS-FIELD						
	9	1	<b>7T-3454</b>	1	INSULATOR						
	10	1	<b>283-1107</b>	1	KIT-CONNECTOR (STARTING MOTOR)						
					(INCLUDES CONNECTORS, BOLT & TERMINAL)						
	11	1	<b>7T-3451</b>	1	KIT-INSULATOR (STARTING MOTOR)						
					(INCLUDES INSULATORS & GROMMET)						
	12	1	<b>8T-8569</b>	1	INSULATOR-TERMINAL						
	13	1	<b>5S-7349</b>	4	BOLT (1/4-20X0.5-IN)						
	14	1	<b>8T-4205</b>	4	WASHER-HARD (7.2X14.5X2-MM THK)						
	15	1	<b>8H-1141</b>	4	SHOE-POLE						
	16	1	<b>3R-8797</b>	8	SCREW & WASHER AS (3/8-24X0.72-IN)						
R	17	1	<b>7T-3275</b>	1	ARMATURE AS (12-VOLT)						
	18	1	<b>3E-7775</b>	1	HOUSING AS						
	19	1	<b>4M-1831</b>	1	PLUG-LEVER HOUSING						
	20	1	<b>7L-2894</b>	1	GASKET						
	21	1	<b>0S-1597</b>	5	BOLT (1/4-28X1-IN)						
R	22	1	<b>6N-3827</b>	1	DRIVE AS-MOTOR						
	23	1	<b>7T-3974</b>	1	HOUSING AS-DRIVE						
	24	1	<b>7X-3373</b>	6	BOLT (5/16-18X0.88-IN)						
	25	1	<b>555-2607</b>	1	KIT-SOLENOID (12-VOLT) (STARTING MOTOR)						
					(INCLUDES BOLTS, CONNECTORS, NUTS & INSTRUCTION SHEET)						
	26	1	<b>6V-8378</b>	3	NUT (10-32-THD)						
	27	1	<b>8F-1434</b>	2	LOCKWASHER						
	28	1	<b>8T-0328</b>	3	WASHER-HARD (5.5X10X1-MM THK)						
	29	1	<b>9X-4824</b>	1	COVER-STARTING MOTOR						
	30	1	<b>8T-9884</b>	1	KIT-INSULATOR (STARTING MOTOR)						
					(INCLUDES INSULATORS & BUSHING)						
	31	1	<b>8T-9885</b>	1	KIT-BRUSH (STARTING MOTOR)						
					(INCLUDES BRUSHES, SPRINGS, SCREWS, SEAL & SCREW ASSEMBLIES)						
	32	1	<b>7T-3268</b>	1	KIT-LEVER (STARTING MOTOR)						
					(INCLUDES LEVER AS, SEALS, NUT, GASKET & RETAINER)						
					AVAILABLE REPAIR KIT(S):						
			<b>7T-3267</b>	1	KIT-BUSHING (STARTING MOTOR)						
					(INCLUDES SEALS, GASKET, BUSHINGS, SCREW ASSEMBLIES, SPACER, WASHERS, NUT & CUPS)						

R - REMANUFACTURED PART MAY BE AVAILABLE

# ELECTRICAL AND STARTING SYSTEM

207-1531 STARTING MOTOR GP-ELECTRIC (contd.)

i07573623



GRAPHIC #1

<END>

g00884049

# ELECTRICAL AND STARTING SYSTEM

## 207-1554 STARTING MOTOR GP-ELECTRIC

S/N: 85Z15151-UP

24 VOLT

FIELD REPLACEMENT ORDER 207-1560-PAGE: 1197

FIELD REPLACEMENT FOR 207-1555-PAGE: 1193

PART OF 1W-3851 STARTING MOTOR GP-ELECTRIC

AN ATTACHMENT

SMCS-1453

i01801420

NOTE	PART NUMBER	QTY	PART NAME						SEE PAGE
			1	2	3	4	5	6 (PRODUCT LEVEL)	
Y	6V-5226	1	STARTING MOTOR GP-ELECTRIC						1220
			-OR-						
Y	207-1555	1	STARTING MOTOR GP-ELECTRIC						1193
Y - SEPARATE ILLUSTRATION									

<END>

# ELECTRICAL AND STARTING SYSTEM

## 207-1555 STARTING MOTOR GP-ELECTRIC

S/N: 85Z15151-UP

24 VOLT

FIELD REPLACEMENT ORDER 207-1560-PAGE: 1197

PART OF 207-1554 STARTING MOTOR GP-ELECTRIC

AN ATTACHMENT

SMCS-1453

i07327817

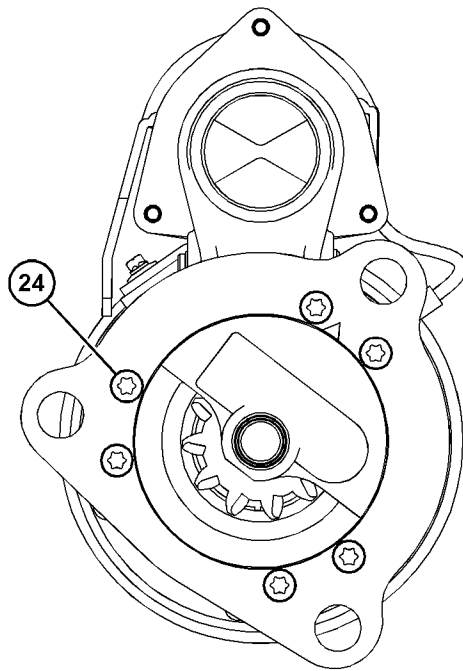
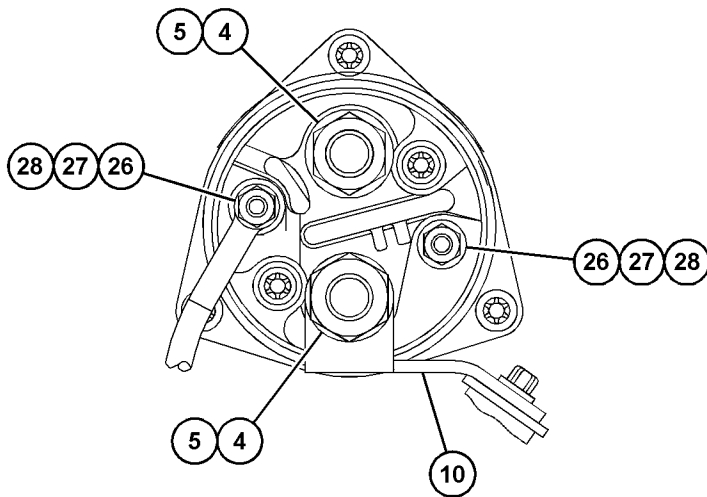
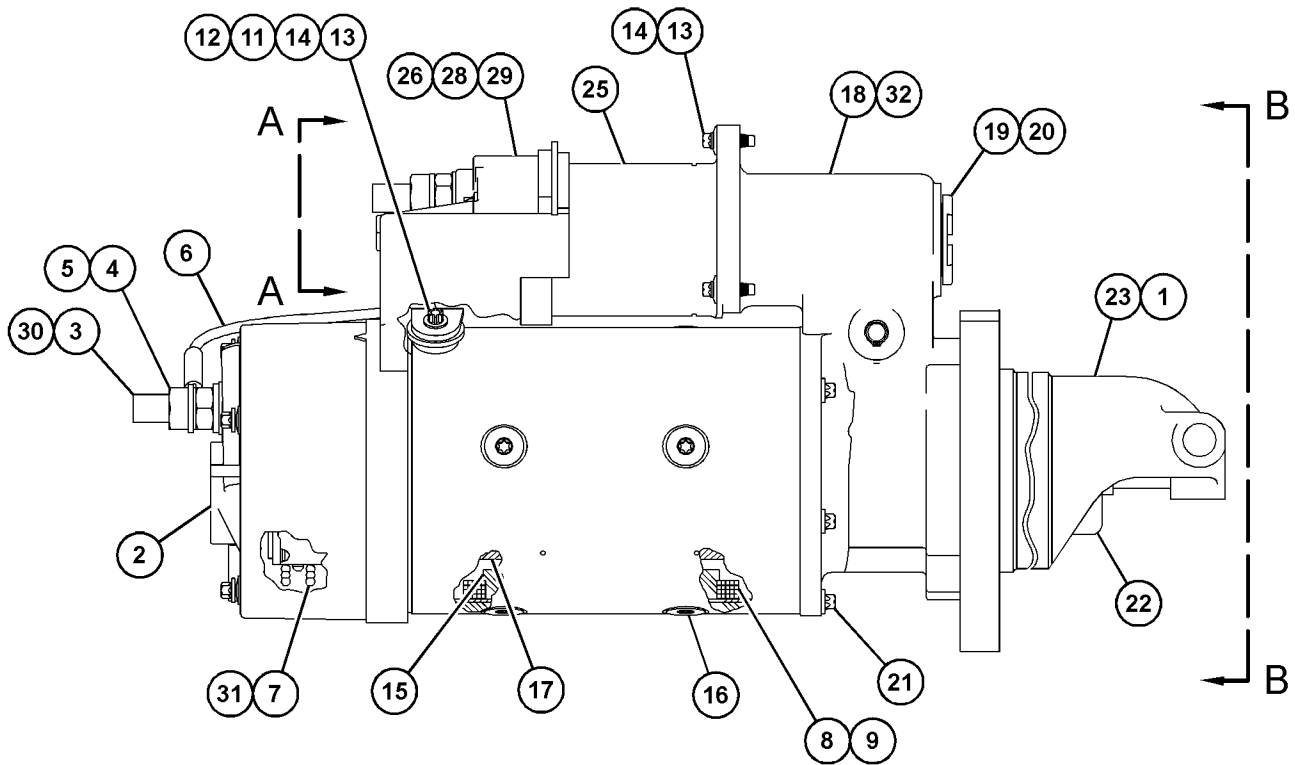
NOTE	REF NO	GRAPHIC REF	PART NUMBER	QTY	PART NAME						SEE PAGE
					1	2	3	4	5	6 (PRODUCT LEVEL)	
	1	1	<b>3T-3434</b>	6	PLUG						
	2	1	<b>7T-3279</b>	1	HOUSING AS						
	3	1	<b>8T-8566</b>	1	TERMINAL AS						
	4	1	<b>6V-8188</b>	4	NUT (1/2-13-THD)						
	5	1	<b>7X-0562</b>	4	WASHER-HARD (13.5X19X0.8-MM THK)						
	6	1	<b>3T-3422</b>	1	WIRE AS						
	7	1	<b>7T-3278</b>	1	HOLDER AS-BRUSH						
	8	1	<b>7T-3277</b>	1	COIL AS-FIELD						
	9	1	<b>7T-3454</b>	1	INSULATOR						
	10	1	<b>283-1107</b>	1	KIT-CONNECTOR (STARTING MOTOR)						
					(INCLUDES CONNECTORS, BOLT & TERMINAL)						
	11	1	<b>7T-3451</b>	1	KIT-INSULATOR (STARTING MOTOR)						
					(INCLUDES INSULATORS & GROMMET)						
	12	1	<b>8T-8569</b>	1	INSULATOR-TERMINAL						
	13	1	<b>5S-7349</b>	4	BOLT (1/4-20X0.5-IN)						
	14	1	<b>8T-4205</b>	4	WASHER-HARD (7.2X14.5X2-MM THK)						
	15	1	<b>8H-1141</b>	4	SHOE-POLE						
	16	1	<b>3R-8797</b>	8	SCREW & WASHER AS (3/8-24X0.72-IN)						
R	17	1	<b>7T-3276</b>	1	ARMATURE AS (24-VOLT)						
	18	1	<b>3E-7775</b>	1	HOUSING AS						
	19	1	<b>4M-1831</b>	1	PLUG-LEVER HOUSING						
	20	1	<b>7L-2894</b>	1	GASKET						
	21	1	<b>0S-1597</b>	5	BOLT (1/4-28X1-IN)						
R	22	1	<b>6N-3827</b>	1	DRIVE AS-MOTOR						
	23	1	<b>7T-3974</b>	1	HOUSING AS-DRIVE						
	24	1	<b>7X-3373</b>	6	BOLT (5/16-18X0.88-IN)						
	25	1	<b>548-9596</b>	1	KIT-SOLENOID (24-VOLT) (INSULATED)						
					(INCLUDES NUTS, BOLTS, INSTRUCTION SHEET & CONNECTORS)						
	26	1	<b>6V-8378</b>	3	NUT (10-32-THD)						
	27	1	<b>8F-1434</b>	2	LOCKWASHER						
	28	1	<b>8T-0328</b>	3	WASHER-HARD (5.5X10X1-MM THK)						
	29	1	<b>9X-4824</b>	1	COVER-STARTING MOTOR						
	30	1	<b>8T-9884</b>	1	KIT-INSULATOR (STARTING MOTOR)						
					(INCLUDES INSULATORS)						
	31	1	<b>8C-3655</b>	1	KIT-BRUSH (STARTING MOTOR)						
					(INCLUDES BRUSHES, SPRINGS, SCREWS, SEAL, SCREW AS.)						
	32	1	<b>7T-3268</b>	1	KIT-LEVER (STARTING MOTOR)						
					(INCLUDES LEVER AS., SEALS, NUT, GASKET, RETAINER)						
					AVAILABLE REPLACEMENT PART(S):						
			<b>7T-3267</b>		KIT-BUSHING (STARTING MOTOR)						
					(INCLUDES BUSHINGS, WICKS, CUPS, SEALS, GASKET, SCREW AS., WASHERS, SPACER, NUT)						

R - REMANUFACTURED PART MAY BE AVAILABLE

# ELECTRICAL AND STARTING SYSTEM

207-1555 STARTING MOTOR GP-ELECTRIC (contd.)

i07327817



GRAPHIC #1

<END>

g06288228



# ELECTRICAL AND STARTING SYSTEM

## 207-1558 STARTING MOTOR GP-ELECTRIC

S/N: 85Z15151-UP

24-VOLT

FIELD REPLACEMENT ORDER 207-1560-PAGE: 1197

PART OF 9L-5065 STARTING MOTOR GP-ELECTRIC

AN ATTACHMENT

SMCS-1453

i07459329

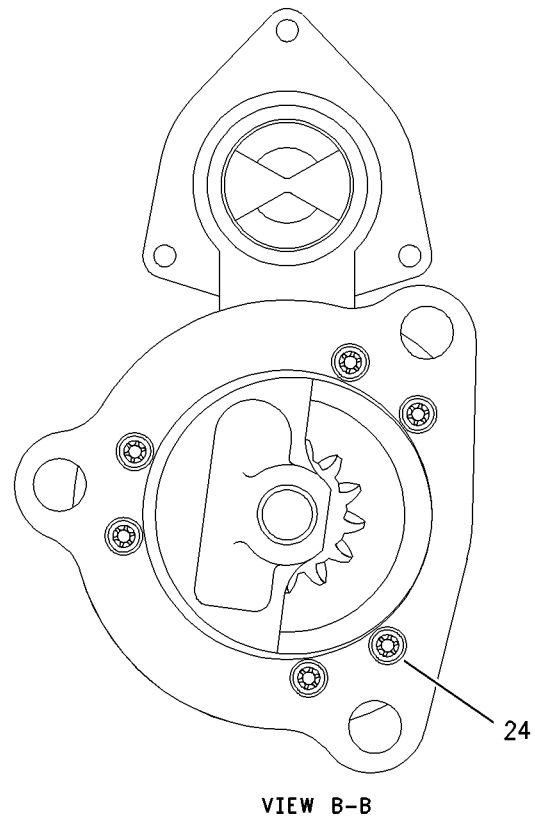
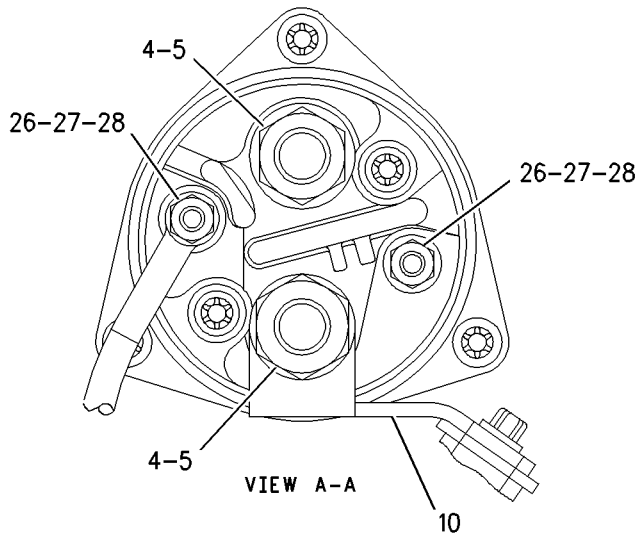
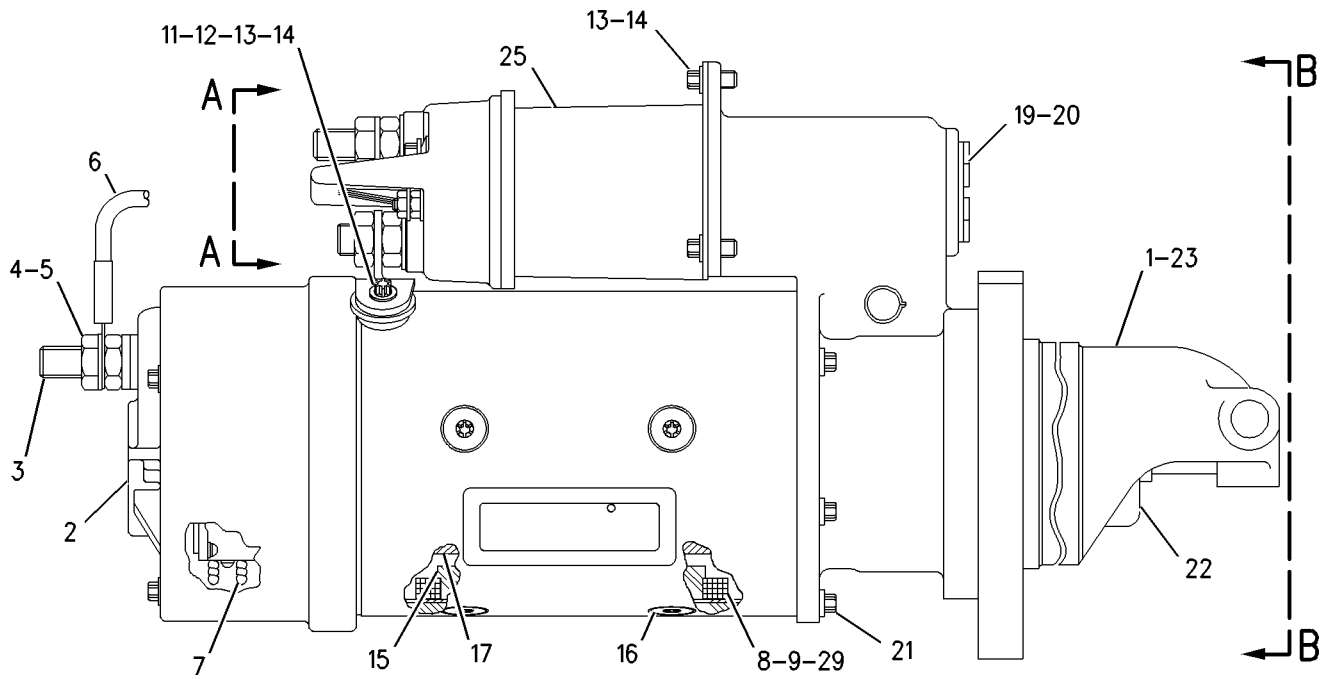
NOTE	REF NO	GRAPHIC REF	PART NUMBER	QTY	PART NAME						SEE PAGE
					1	2	3	4	5	6	
	1	1	<b>3T-3434</b>	6	PLUG						
	2	1	<b>7T-3279</b>	1	HOUSING AS						
	3	1	<b>8T-8566</b>	1	TERMINAL AS						
	4	1	<b>6V-8188</b>	4	NUT (1/2-13-THD)						
	5	1	<b>7X-0562</b>	4	WASHER-HARD (13.5X19X0.8-MM THK)						
	6	1	<b>3T-3422</b>	1	WIRE AS						
	7	1	<b>7T-3278</b>	1	HOLDER AS-BRUSH (STARTING MOTOR)						
	8	1	<b>7T-3277</b>	1	COIL AS-FIELD						
	9	1	<b>7T-3454</b>	1	INSULATOR						
	10	1	<b>283-1107</b>	1	KIT-CONNECTOR (STARTING MOTOR)						
					(KIT INCLUDES CONNECTORS, BOLT, & TERMINAL)						
	11	1	<b>7T-3451</b>	1	KIT-INSULATOR (STARTING MOTOR)						
					(KIT INCLUDES TERMINALS & GROMMET)						
	12	1	<b>8T-8569</b>	1	INSULATOR-TERMINAL						
	13	1	<b>5S-7349</b>	4	BOLT (1/4-20X0.5-IN)						
	14	1	<b>8T-4205</b>	4	WASHER-HARD (7.2X14.5X2-MM THK)						
	15	1	<b>8H-1141</b>	4	SHOE-POLE						
	16	1	<b>3R-8797</b>	8	SCREW & WASHER AS (3/8-24X0.72-IN)						
R	17	1	<b>7T-3276</b>	1	ARMATURE AS (24-VOLT)						
	18	1	<b>3E-7775</b>	1	HOUSING AS						
	19	1	<b>4M-1831</b>	1	PLUG-LEVER HOUSING						
	20	1	<b>7L-2894</b>	1	GASKET						
	21	1	<b>0S-1597</b>	5	BOLT (1/4-28X1-IN)						
R	22	1	<b>6N-3827</b>	1	DRIVE AS-MOTOR						
	23	1	<b>7T-3974</b>	1	HOUSING AS-DRIVE						
	24	1	<b>7X-3373</b>	6	BOLT (5/16-18X0.88-IN)						
	25	1	<b>548-9596</b>	1	KIT-SOLENOID (24-VOLT) (STARTING MOTOR)						
					(KIT INCLUDES BOLT, NUTS, & CONNECTORS)						
	26	1	<b>6V-8378</b>	2	NUT (10-32-THD)						
	27	1	<b>8F-1434</b>	2	LOCKWASHER						
	28	1	<b>8T-0328</b>	2	WASHER-HARD (5.5X10X1-MM THK)						
	29	1	<b>8T-9884</b>	1	KIT-INSULATOR (STARTING MOTOR)						
					(INCLUDES INSULATORS & BUSHING)						
	30	1	<b>8C-3655</b>	1	KIT-BRUSH (STARTING MOTOR)						
					(INCLUDES BRUSHES, SPRINGS, SCREWS, SEAL & SCREW ASSEMBLIES)						
	31	1	<b>7T-3268</b>	1	KIT-LEVER (STARTING MOTOR)						
					(INCLUDES LEVER AS, SEALS, NUT, GASKET & RETAINER)						
	32	1	<b>1H-2629</b>	2	STRIP-INSULATION						
					AVAILABLE REPAIR KIT(S):						
			<b>7T-3267</b>	1	KIT-BUSHING (STARTING MOTOR)						
					(INCLUDES BUSHINGS, WICKS, CUPS, SEALS, SCREW ASSEMBLIES, WASHERS, SPACER & NUT)						

R - REMANUFACTURED PART MAY BE AVAILABLE

# ELECTRICAL AND STARTING SYSTEM

207-1558 STARTING MOTOR GP-ELECTRIC (contd.)

i07459329



GRAPHIC #1

<END>

g00846197

# ELECTRICAL AND STARTING SYSTEM

## 207-1560 STARTING MOTOR GP-ELECTRIC\*R

S/N: 85Z3764-UP

24-VOLT

FIELD REPLACEMENT FOR 9X-4453-PAGE: 1274: FOR 207-1561-PAGE: 1198: FOR 6V-5538-PAGE: 1226: FOR 207-1558-PAGE: 1195: FOR 6V-5226-PAGE: 1220: FOR 6V-5227-PAGE:

1222: FOR 207-1554-PAGE: 1192

PART OF 7N-6505 STARTING MOTOR GP-ELECTRIC  
AN ATTACHMENT

SMCS-1453

i04364247

NOTE	PART NUMBER	QTY	PART NAME						SEE PAGE
			1	2	3	4	5	6 (PRODUCT LEVEL)	
Y	6V-5538	1	STARTING MOTOR GP-ELECTRIC (24-VOLT)						1226
			-OR-						
Y	207-1561	1	STARTING MOTOR GP-ELECTRIC (24-VOLT)						1198
Y - SEPARATE ILLUSTRATION									
<END>									

# ELECTRICAL AND STARTING SYSTEM

## 207-1561 STARTING MOTOR GP-ELECTRIC

S/N: 85Z3764-UP

24-VOLT

FIELD REPLACEMENT ORDER 207-1560-PAGE: 1197

PART OF 207-1560 STARTING MOTOR GP-ELECTRIC

AN ATTACHMENT

SMCS-1453

i07814367

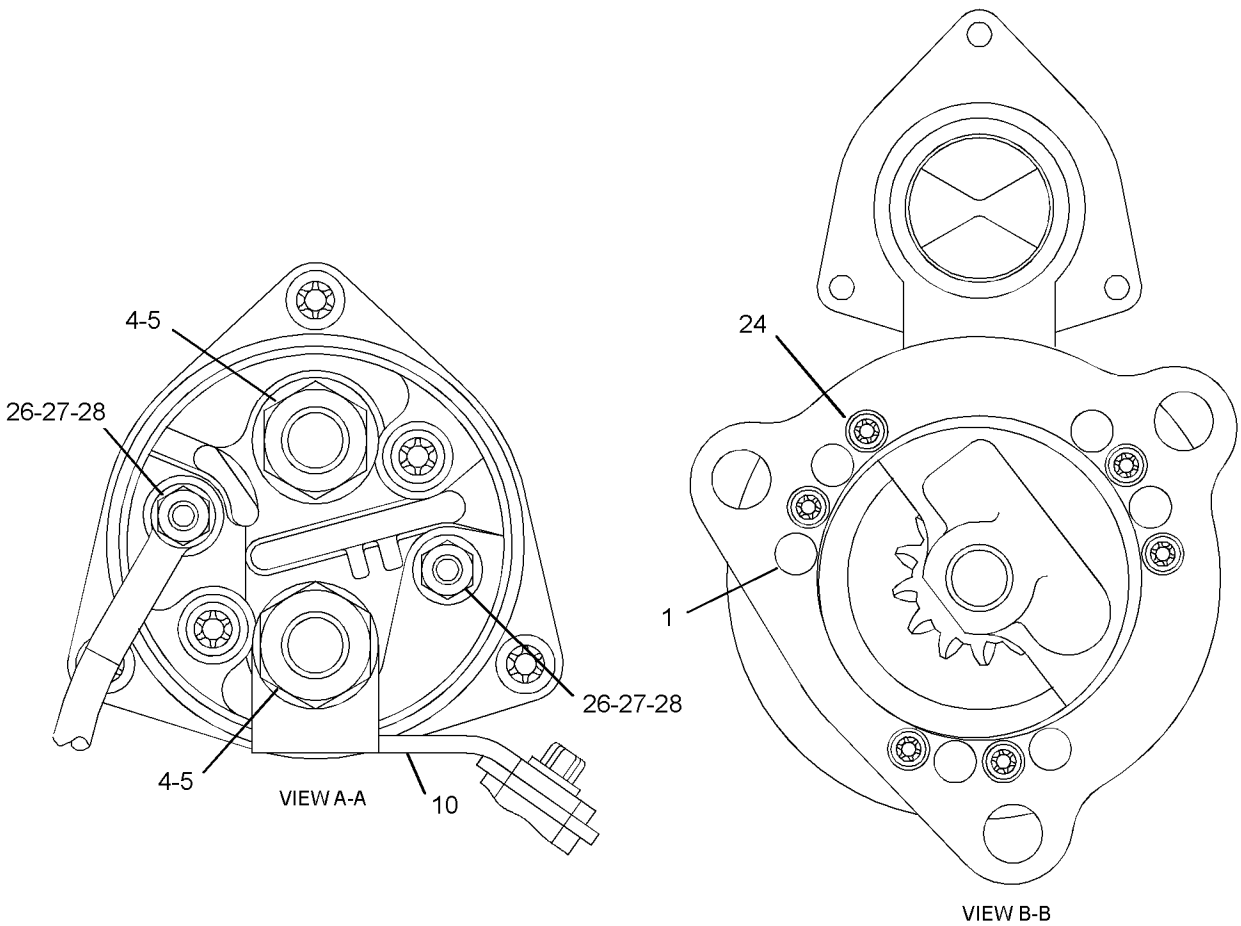
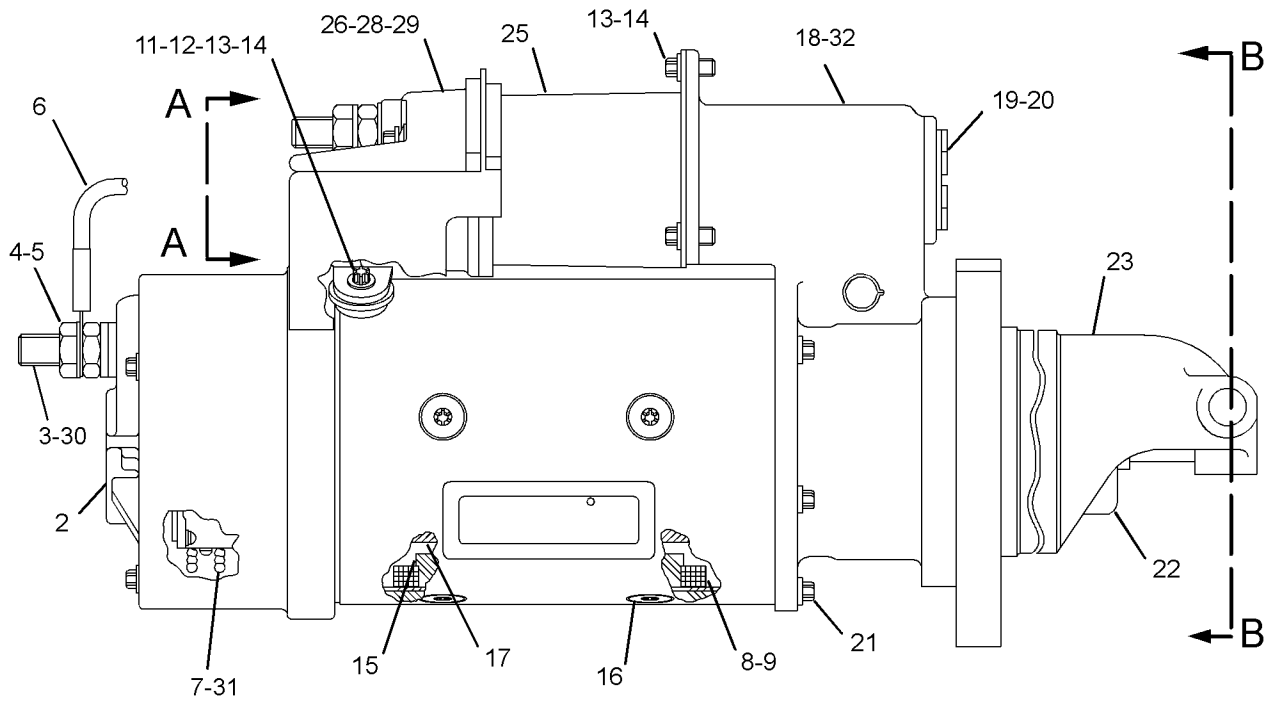
NOTE	REF NO	GRAPHIC REF	PART NUMBER	QTY	PART NAME						SEE PAGE
					1	2	3	4	5	6	
	1	1	<b>3T-3434</b>	6	PLUG						
	2	1	<b>7T-3279</b>	1	HOUSING AS						
	3	1	<b>8T-8566</b>	1	TERMINAL AS						
	4	1	<b>6V-8188</b>	4	NUT (1/2-13-THD)						
	5	1	<b>7X-0562</b>	4	WASHER-HARD (13.5X19X0.8-MM THK)						
	6	1	<b>3T-3422</b>	1	WIRE AS						
	7	1	<b>7T-3278</b>	1	HOLDER AS-BRUSH (STARTING MOTOR)						
	8	1	<b>7T-3277</b>	1	COIL AS-FIELD						
	9	1	<b>7T-3454</b>	1	INSULATOR						
	10	1	<b>283-1107</b>	1	KIT-CONNECTOR (STARTING MOTOR)						
					(INCLUDES STARTER TERMINAL, BOLT & CONNECTORS)						
	11	1	<b>7T-3451</b>	1	KIT-INSULATOR (STARTING MOTOR)						
					(INCLUDES INSULATOR TERMINALS & GROMMET)						
	12	1	<b>8T-8569</b>	1	INSULATOR-TERMINAL						
	13	1	<b>5S-7349</b>	4	BOLT (1/4-20X0.5-IN)						
	14	1	<b>8T-4205</b>	4	WASHER-HARD (7.2X14.5X2-MM THK)						
	15	1	<b>8H-1141</b>	4	SHOE-POLE						
	16	1	<b>3R-8797</b>	8	SCREW & WASHER AS (3/8-24X0.72-IN)						
R	17	1	<b>7T-3276</b>	1	ARMATURE AS (24-VOLT)						
	18	1	<b>3E-7775</b>	1	HOUSING AS						
	19	1	<b>4M-1831</b>	1	PLUG-LEVER HOUSING						
	20	1	<b>7L-2894</b>	1	GASKET						
	21	1	<b>0S-1597</b>	5	BOLT (1/4-28X1-IN)						
R	22	1	<b>6N-3827</b>	1	DRIVE AS-MOTOR						
	23	1	<b>7T-3974</b>	1	HOUSING AS-DRIVE						
	24	1	<b>7X-3373</b>	6	BOLT (5/16-18X0.88-IN)						
	25	1	<b>548-9596</b>	1	KIT-SOLENOID (24-VOLT)						
					(INCLUDES NUTS, BOLT, COVER, INSTRUCTION SHEET & CONNECTORS)						
	26	1	<b>6V-8378</b>	3	NUT (10-32-THD)						
	27	1	<b>8F-1434</b>	2	LOCKWASHER						
	28	1	<b>8T-0328</b>	2	WASHER-HARD (5.5X10X1-MM THK)						
	29	1	<b>9X-4824</b>	2	COVER-STARTING MOTOR						
	30	1	<b>8T-9884</b>	1	KIT-INSULATOR (STARTING MOTOR)						
					(INCLUDES INSULATORS & BUSHING)						
	31	1	<b>8C-3655</b>	1	KIT-BRUSH (STARTING MOTOR)						
					(INCLUDES BRUSHES, SPRINGS, SCREWS, SEAL & SCREW AS)						
	32	1	<b>7T-3268</b>	1	KIT-LEVER (STARTING MOTOR)						
					(INCLUDES LEVER AS, SEALS, NUT, GASKET & RETAINER)						
					AVAILABLE REPAIR KIT(S):						
			<b>7T-3267</b>	1	KIT-BUSHING (STARTING MOTOR)						
					(INCLUDES BUSHINGS, WICKS, CUPS, SEALS, SCREW AS, WASHERS, SPACER & NUT)						

R - REMANUFACTURED PART MAY BE AVAILABLE

# ELECTRICAL AND STARTING SYSTEM

207-1561 STARTING MOTOR GP-ELECTRIC (contd.)

i07814367



GRAPHIC #1

<END>

g03347239

# ELECTRICAL AND STARTING SYSTEM

## 3E-7864 STARTING MOTOR GP-ELECTRIC

S/N: 85Z3764-15163

FIELD REPLACEMENT ORDER 6V-3948-PAGE: 1211

PART OF 7N-6504 STARTING MOTOR GP-ELECTRIC

AN ATTACHMENT

SMCS-1453

i01857550

NOTE	REF NO	GRAPHIC REF	PART NUMBER	QTY	PART NAME						SEE PAGE
					1	2	3	4	5	6 (PRODUCT LEVEL)	
	1	1	<b>5S-7349</b>	4	BOLT (1/4-20X0.5-IN)						
R	2	1	<b>6N-3827</b>	1	DRIVE AS-MOTOR						
	3	1	<b>2H-3429</b>	1	RING-RETAINING						
	4	1	<b>4B-2049</b>	3	NUT (10-32-THD)						
	5	1	<b>8F-1434</b>	2	LOCKWASHER						
	6	1	<b>7T-3271</b>	1	CONNECTOR						
	7	1	<b>4B-4274</b>	3	WASHER (5.5X13X1.2-MM THK)						
	8	1	<b>036-9823</b>	5	BOLT (1/4-28X1-IN)						
	9	1	<b>8T-8568</b>	1	COIL AS-FIELD						
	10	1	<b>3F-0379</b>	8	SCREW-POLE SHOE (3/8-24-THD)						
R	11	1	<b>7T-3275</b>	1	ARMATURE AS (12-VOLT)						
	12	1	<b>8H-1141</b>	4	SHOE-POLE						
	13	1	<b>7T-3454</b>	1	INSULATOR						
	14	1	<b>7T-3279</b>	1	HOUSING AS						
	15	1	<b>8T-8570</b>	1	HOLDER AS-BRUSH (STARTING MOTOR)						
	16	1	<b>3T-3422</b>	1	WIRE AS						
	17	1	<b>8T-8566</b>	1	TERMINAL AS						
	18	1	<b>8T-4205</b>	1	WASHER-HARD (7.2X14.5X2-MM THK)						
	19	1	<b>6V-8188</b>	4	NUT (1/2-13-THD)						
	20	1	<b>7X-0562</b>	4	WASHER-HARD (13.5X19X0.8-MM THK)						
	21	1	<b>036-9821</b>	1	WASHER						
	22	1	<b>7T-3451</b>	1	KIT-INSULATOR (STARTING MOTOR)						
	23	1	<b>8T-8569</b>	1	INSULATOR-TERMINAL						
	24	1	<b>3E-5449</b>	1	SOLENOID AS-STARTING MOTOR (12-VOLT)						
	25	1	<b>9X-4824</b>	1	COVER-STARTING MOTOR						
	26	1	<b>7T-3269</b>	1	BOOT						
	27	1	<b>7T-3270</b>	1	PLUNGER AS						
	28	1	<b>9M-7609</b>	1	SPRING (SHIFT LEVER)						
	29	1	<b>4M-1828</b>	1	RETAINER-SPRING						
	30	1	<b>4M-1827</b>	1	RETAINER-SPRING						
	31	1	<b>4M-1831</b>	1	PLUG-LEVER HOUSING						
	32	1	<b>3E-7775</b>	1	HOUSING AS						
	33	1	<b>7T-3974</b>	1	HOUSING AS-DRIVE						
	34	1	<b>7X-3373</b>	6	BOLT (5/16-18X0.88-IN)						
	35	1	<b>3T-3434</b>	6	PLUG						
	36	1	<b>8T-0328</b>	3	WASHER-HARD (5.5X10X1-MM THK)						
JZ	37	1		4	SPRING						
JZ	38	1		4	BRUSH						
JZ	39	1		4	SCREW						
JPZ	40	1		6	SCREW AS						
JPZ	41	1		1	SEAL-O-RING						
LZ	42	1		3	INSULATOR						
LZ		1		1	BUSHING						
NZ	43	1		1	LEVER AS						
NZ	44	1		1	LEVER AS						
NPZ	45	1		1	NUT						

# ELECTRICAL AND STARTING SYSTEM

**3E-7864 STARTING MOTOR GP-ELECTRIC (contd.)**

**i01857550**

NOTE	REF NO	GRAPHIC REF	PART NUMBER	QTY	PART NAME						SEE PAGE
					1	2	3	4	5	6 (PRODUCT LEVEL)	
NPZ	46	1		1	SEAL-O-RING						
PZ	47	1		1	SEAL-O-RING						
NZ	48	1		1	RETAINER						
NPZ	49	1		1	GASKET						
PZ	50	1		1	BUSHING						
PZ	51	1		2	PLUG-CUP						
PZ	52	1		1	PLUG-CUP						
PZ	53	1		1	PLUG						
PZ	54	1		1	PLUG						
PZ	55	1		1	PLUG						
PZ	56	1		1	BUSHING						
PZ	57	1		1	WASHER						
NZ	58	1		1	SEAL-O-RING						
NZ	59	1		1	SEAL-O-RING						
PZ	60	1		1	RETAINER-SEAL						
PZ	61	1		1	SPACER						
PZ	62	1		1	BUSHING						
PZ	63	1		1	GASKET-WASHER						
Z	64	1		1	HOUSING						

**AVAILABLE REPAIR KIT(S) :**

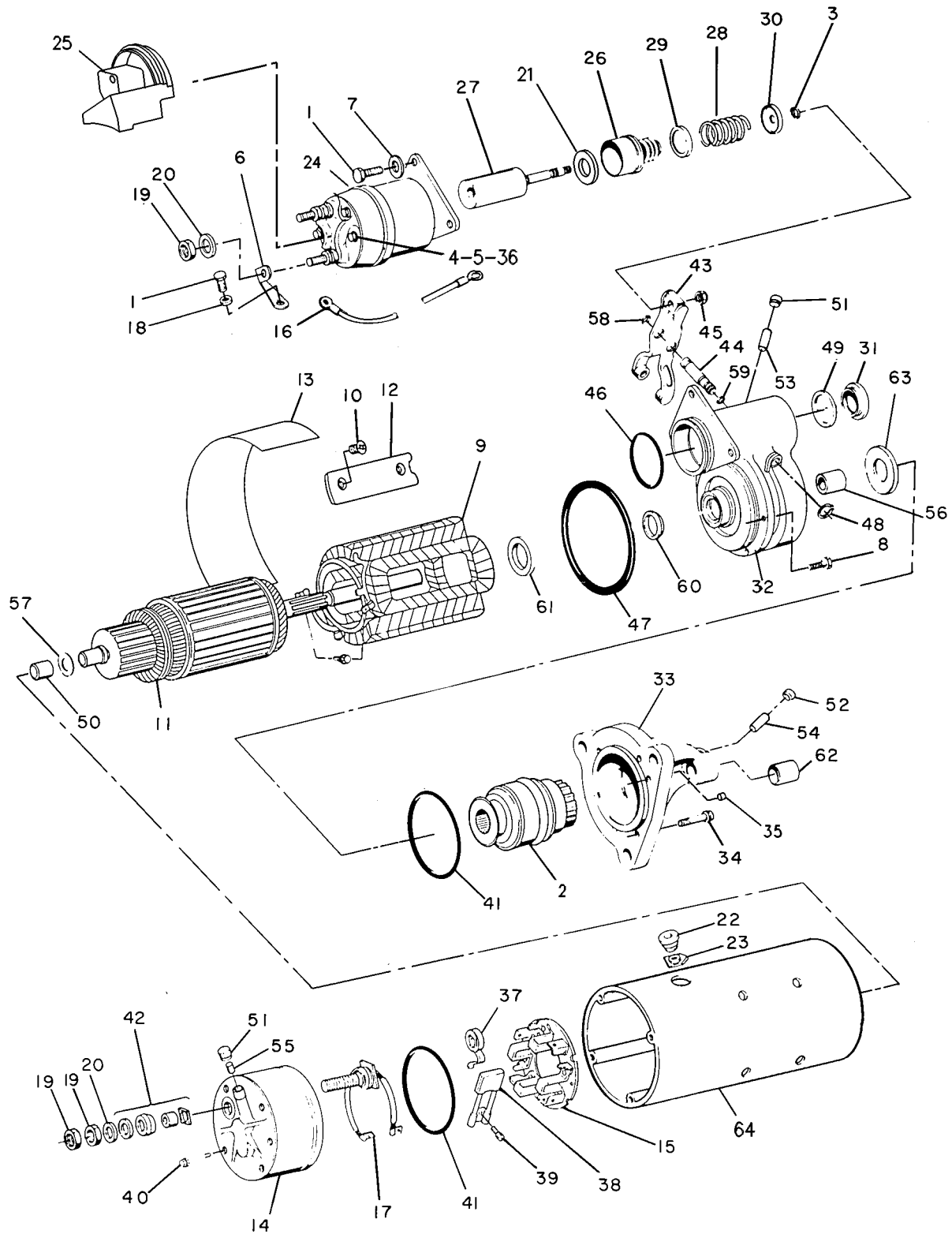
J		<b>8T-9885</b>	1	KIT-BRUSH (STARTING MOTOR)						
P		<b>7T-3267</b>	1	KIT-BUSHING (STARTING MOTOR)						
N		<b>7T-3268</b>	1	KIT-LEVER (STARTING MOTOR)						
L		<b>8T-9884</b>	1	KIT-INSULATOR (STARTING MOTOR)						

J - KIT MARKED J INCLUDES PART(S) MARKED J  
 L - KIT MARKED L INCLUDES PART(S) MARKED L  
 N - KIT MARKED N INCLUDES PART(S) MARKED N  
 P - KIT MARKED P INCLUDES PART(S) MARKED P  
 R - REMANUFACTURED PART MAY BE AVAILABLE  
 Z - NOT SERVICED SEPARATELY

# ELECTRICAL AND STARTING SYSTEM

3E-7864 STARTING MOTOR GP-ELECTRIC (contd.)

i01857550



GRAPHIC #1

<END>

g00240435





# ELECTRICAL AND STARTING SYSTEM

## 3T-2655 STARTING MOTOR GP-ELECTRIC\*R

S/N: 85Z3764-UP

12 VOLT

FIELD REPLACEMENT ORDER 6V-3948-PAGE: 1211

FIELD REPLACEMENT FOR 8C-3596-PAGE: 1243: FOR 9W-0058-PAGE: 1269

SMCS-1453

i00893911

NOTE	PART NUMBER	QTY	PART NAME						SEE PAGE
			1	2	3	4	5	6 (PRODUCT LEVEL)	
Y	7T-2265	1	STARTING MOTOR GP-ELECTRIC						1241
			-OR-						
Y	8C-3648	1	STARTING MOTOR GP-ELECTRIC						1254
Y - SEPARATE ILLUSTRATION									

<END>

## 3T-4586 STARTING MOTOR GP-ELECTRIC

S/N: 85Z3764-UP

24 VOLT

FIELD REPLACEMENT ORDER 4N-3181-PAGE: 1207, 6V-5227-PAGE: 1222

PART OF 1W-3851 STARTING MOTOR GP-ELECTRIC  
AN ATTACHMENT

SMCS-1453

i00956590

NOTE	PART NUMBER	QTY	PART NAME						SEE PAGE
			1	2	3	4	5	6 (PRODUCT LEVEL)	
Y	8N-2145	1	STARTING MOTOR GP-ELECTRIC						1265
			-OR-						
Y	8C-3650	1	STARTING MOTOR GP-ELECTRIC						1257
			-OR-						
Y	9X-4453	1	STARTING MOTOR GP-ELECTRIC						1274
Y - SEPARATE ILLUSTRATION									

<END>

# ELECTRICAL AND STARTING SYSTEM

## 3T-6305 STARTING MOTOR GP-ELECTRIC

S/N: 85Z3764-UP

24-VOLT

FIELD REPLACEMENT ORDER 6V-5227-PAGE: 1222

PART OF 4N-3181 STARTING MOTOR GP-ELECTRIC

AN ATTACHMENT

SMCS-1453

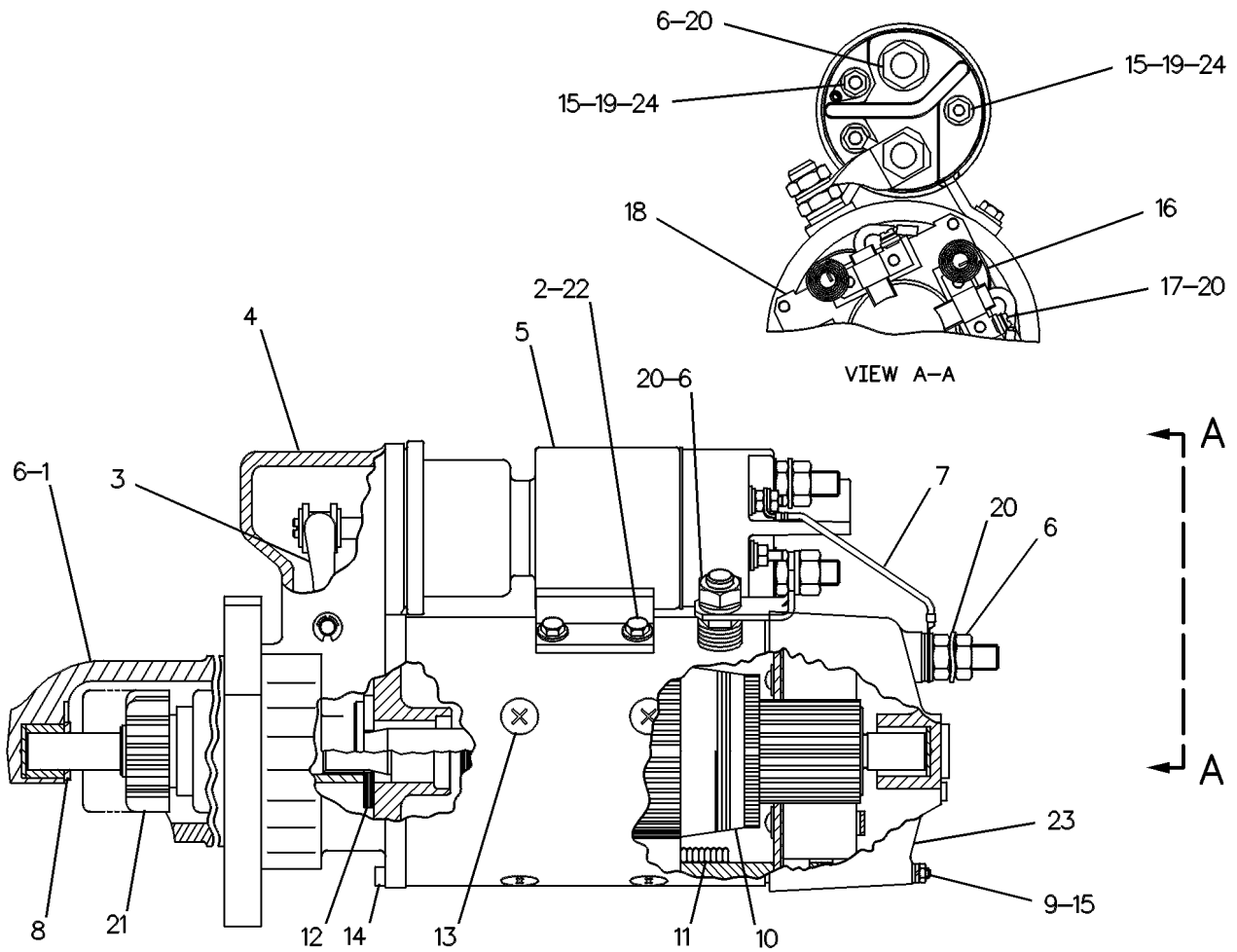
i01914002

NOTE	REF NO	GRAPHIC REF	PART NUMBER	QTY	PART NAME						SEE PAGE
					1	2	3	4	5	6 (PRODUCT LEVEL)	
	1	1	<b>3T-7022</b>	1	HOUSING AS-DRIVE						
C	2	1	<b>8T-4205</b>	4	WASHER-HARD (7.2X14.5X2-MM THK)						
	3	1	<b>3T-0863</b>	1	LEVER-SHIFT						
	4	1	<b>3T-0864</b>	1	HOUSING AS-LEVER						
			<b>3T-0842</b>	1	BEARING AS						
C	5	1	<b>9X-0332</b>	1	KIT-SOLENOID (STARTING MOTOR)						
					(INCLUDES SOLENOID AS, WIRE, BAR, NUT & LOCKWASHERS)						
CM	6	1	<b>8T-4244</b>	4	NUT (M12X1.75-THD)						
	7	1	<b>3T-4716</b>	1	WIRE AS						
	8	1	<b>3T-7020</b>	1	WASHER (19.5X30X1.5-MM THK)						
	9	1	<b>3T-0847</b>	4	SCREW-SPECIAL (M5X10-THD, M5X13-THD)						
	10	1	<b>3T-0867</b>	1	ARMATURE AS (24-VOLT)						
	11	1	<b>3T-0865</b>	1	COIL AS-FIELD						
	12	1	<b>3T-7021</b>	1	PLATE-BRAKE						
M	13	1	<b>3T-0850</b>	8	SCREW (M10X1.5-THD)						
M	14	1	<b>3T-0849</b>	12	BOLT-SOCKET HEAD (M6X1X25-MM)						
CM	15	1	<b>5C-2874</b>	6	NUT (M5X0.8-THD)						
	16	1	<b>3T-0858</b>	4	SPRING						
CM	17	1	<b>6V-9673</b>	4	SCREW-MACHINE (M5X0.8X12-MM)						
	18	1	<b>3T-0862</b>	1	PLATE AS-BRUSH						
	19	1	<b>8T-0328</b>	6	WASHER-HARD (5.5X10X1-MM THK)						
C	20	1	<b>7X-0562</b>	4	WASHER-HARD (13.5X19X0.8-MM THK)						
	21	1	<b>4N-4517</b>	1	DRIVE AS-MOTOR						
CM	22	1	<b>8T-4970</b>	4	BOLT (M6X1X14-MM)						
	23	1	<b>3T-7025</b>	1	COVER-END						
C	24	1	<b>8F-1434</b>	2	LOCKWASHER						
					AVAILABLE REPAIR KIT(S):						
			<b>3T-0844</b>	1	KIT-BRUSH						
					(INCLUDES BRUSHES)						
			<b>3T-2768</b>	1	KIT-SEAL						
					(INCLUDES SEALS & RINGS)						
			<b>3T-2769</b>	1	KIT-HARDWARE (STARTING MOTOR)						
					(INCLUDES WIRE AS, NUTS, WASHERS, LOCKWASHERS, BUSHING & BAR)						
			<b>3T-7017</b>	1	KIT-BEARING						
					(INCLUDES BEARINGS, SEAL, & SPACERS)						
			<b>7T-2339</b>	1	KIT-LEVER						
					(INCLUDES LEVER, CLIP & SEALS)						
C - CHANGE FROM PREVIOUS TYPE											
M - METRIC PART											

# ELECTRICAL AND STARTING SYSTEM

3T-6305 STARTING MOTOR GP-ELECTRIC (contd.)

i01914002



GRAPHIC #1

<END>

g00114652

# ELECTRICAL AND STARTING SYSTEM

## 4N-3181 STARTING MOTOR GP-ELECTRIC\*R

S/N: 85Z3764-UP

24-VOLT

FIELD REPLACEMENT ORDER 6V-5227-PAGE: 1222

FIELD REPLACEMENT FOR 8C-3597-PAGE: 1246: FOR 7T-0798-PAGE: 1239: FOR 3T-4586-PAGE: 1204

PART OF 7N-6505 STARTING MOTOR GP-ELECTRIC  
AN ATTACHMENT

SMCS-1453

i01768847

NOTE	PART NUMBER	QTY	PART NAME						SEE PAGE
			1	2	3	4	5	6 (PRODUCT LEVEL)	
Y	3T-6305	1	STARTING MOTOR GP-ELECTRIC						1205
			-OR-						
Y	8C-3651	1	STARTING MOTOR GP-ELECTRIC						1260
			-OR-						
Y	9X-4447	1	STARTING MOTOR GP-ELECTRIC						1272
Y - SEPARATE ILLUSTRATION									

<END>

# ELECTRICAL AND STARTING SYSTEM

## 4W-4756 STARTING MOTOR GP-ELECTRIC

S/N: 85Z3764-15150

12 VOLT

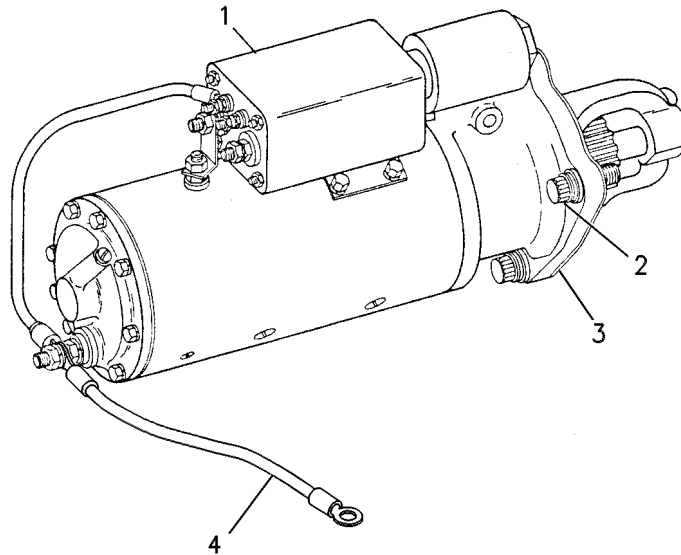
FOR USE WITH SAE NO.2 FLYWHEEL HOUSING & NEW SCROLL FUEL SYSTEM  
AN ATTACHMENT

SMCS-1453

i00637886

NOTE	REF NO	GRAPHIC REF	PART NUMBER	QTY	PART NAME						SEE PAGE
					1	2	3	4	5	6 (PRODUCT LEVEL)	
CY	1	1	8C-3596	1	STARTING MOTOR GP-ELECTRIC						1243
	2	1	8S-2332	3	BOLT-12 POINT HEAD (5/8-11X1.75-IN)						
	3	1	4N-1059	1	GASKET						
B	4	1	9F-4337	1	WIRE AS						

B - USE AS REQUIRED  
C - CHANGE FROM PREVIOUS TYPE  
Y - SEPARATE ILLUSTRATION



GRAPHIC #1

<END>

g00256136

# ELECTRICAL AND STARTING SYSTEM

## 4W-4756 STARTING MOTOR GP-ELECTRIC

S/N: 85Z15151-UP

12 VOLT

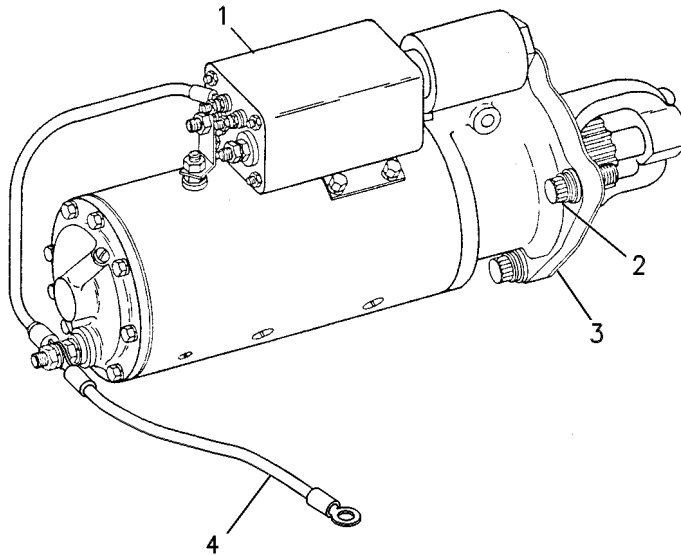
FOR USE WITH SAE NO.2 FLYWHEEL HOUSING & NEW SCROLL FUEL SYSTEM  
AN ATTACHMENT

SMCS-1453

i01798083

NOTE	REF NO	GRAPHIC REF	PART NUMBER	QTY	PART NAME						SEE PAGE
					1	2	3	4	5	6 (PRODUCT LEVEL)	
CY	1	1	207-1522	1	STARTING MOTOR GP-ELECTRIC						1186
	2	1	8S-2332	3	BOLT-12 POINT HEAD (5/8-11X1.75-IN)						
	3	1	4N-1059	1	GASKET						
B	4	1	9F-4337	1	WIRE AS						

B - USE AS REQUIRED  
C - CHANGE FROM PREVIOUS TYPE  
Y - SEPARATE ILLUSTRATION



GRAPHIC #1

<END>

g00256136

# ELECTRICAL AND STARTING SYSTEM

## 4W-4757 STARTING MOTOR GP-ELECTRIC

S/N: 85Z3764-UP

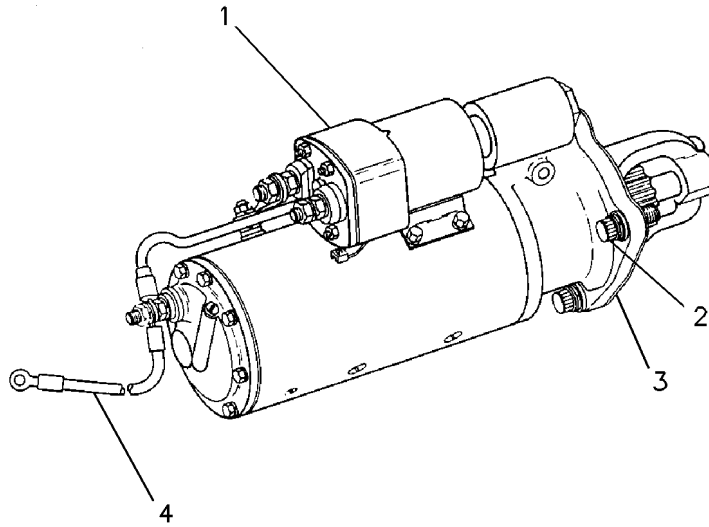
FOR USE WITH SAE NO.2 FLYWHEEL HOUSING & NEW SCROLL FUEL SYSTEM

SMCS-1453

i00546426

NOTE	REF NO	GRAPHIC REF	PART NUMBER	QTY	PART NAME						SEE PAGE
					1	2	3	4	5	6 (PRODUCT LEVEL)	
CY	1	1	8C-3597	1	STARTING MOTOR GP-ELECTRIC						1246
	2	1	8S-2332	3	BOLT-12 POINT HEAD (5/8-11X1.75-IN)						
	3	1	4H-7869	1	GASKET						
	4	1	9F-4337	1	WIRE AS						

C - CHANGE FROM PREVIOUS TYPE  
Y - SEPARATE ILLUSTRATION



GRAPHIC #1

<END>

g00223613



# ELECTRICAL AND STARTING SYSTEM

## 6V-3948 STARTING MOTOR GP-ELECTRIC\*R

S/N: 85Z3764-UP

12-VOLT

FIELD REPLACEMENT ORDER 207-1525-PAGE: 1188

FIELD REPLACEMENT FOR 3T-2655-PAGE: 1204: FOR 3E-7864-PAGE: 1200: FOR 8C-3596-PAGE: 1243: FOR 7T-2265-PAGE: 1241: FOR 8C-3648-PAGE: 1254: FOR 6V-3969-PAGE: 1213

SMCS-1453

i01650064

NOTE	PART NUMBER	QTY	PART NAME						SEE PAGE
			1	2	3	4	5	6 (PRODUCT LEVEL)	
Y	6V-3954	1	STARTING MOTOR GP-ELECTRIC						1212
			-OR-						
Y	6V-3969	1	STARTING MOTOR GP-ELECTRIC						1213
Y - SEPARATE ILLUSTRATION									

<END>

# ELECTRICAL AND STARTING SYSTEM

## 6V-3954 STARTING MOTOR GP-ELECTRIC

S/N: 85Z3764-UP

12 VOLT

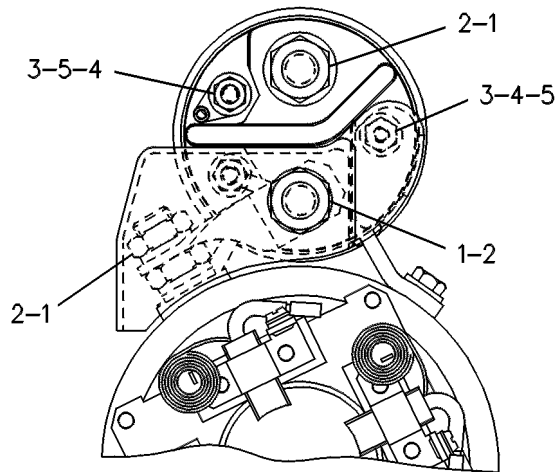
PART OF 6V-3948 STARTING MOTOR GP-ELECTRIC

SMCS-1453

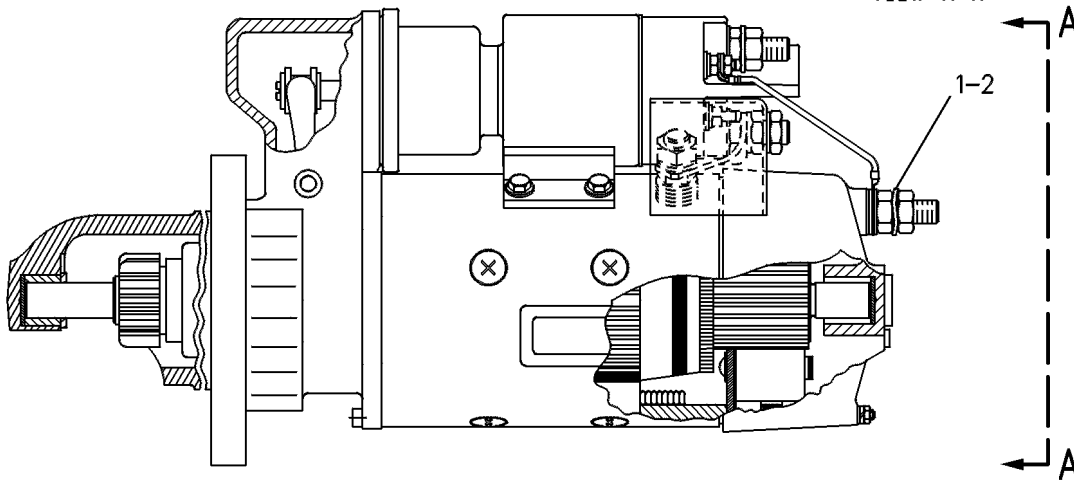
i00571875

NOTE	REF NO	GRAPHIC REF	PART NUMBER	QTY	PART NAME						SEE PAGE
					1	2	3	4	5	6	
	1	1	<b>7X-0562</b>	5	WASHER-HARD (13.5X19X0.8-MM THK)						
M	2	1	<b>8T-4244</b>	5	NUT (M12X1.75-THD)						
M	3	1	<b>5C-2874</b>	2	NUT (M5X0.8-THD)						
	4	1	<b>8F-1434</b>	2	LOCKWASHER						
	5	1	<b>8T-0328</b>	2	WASHER-HARD (5.5X10X1-MM THK)						

M - METRIC PART



VIEW A-A



GRAPHIC #1

<END>

g00240442

# ELECTRICAL AND STARTING SYSTEM

## 6V-3969 STARTING MOTOR GP-ELECTRIC

S/N: 85Z3764-UP

12-VOLT

FIELD REPLACEMENT ORDER 6V-3948-PAGE: 1211

PART OF 6V-3948 STARTING MOTOR GP-ELECTRIC

SMCS-1453

i02289560

NOTE	REF NO	GRAPHIC REF	PART NUMBER	QTY	PART NAME						SEE PAGE
					1	2	3	4	5	6 (PRODUCT LEVEL)	
	1	1	<b>8F-1434</b>	2	LOCKWASHER						
	2	1	<b>6V-8188</b>	4	NUT (1/2-13-THD)						
	3	1	<b>8T-8566</b>	1	TERMINAL AS						
	4	1	<b>7X-0562</b>	4	WASHER-HARD (13.5X19X0.8-MM THK)						
	5	1	<b>3T-3422</b>	1	WIRE AS						
	6	1	<b>8T-8570</b>	1	HOLDER AS-BRUSH						
	7	1	<b>5S-7349</b>	4	BOLT (1/4-20X0.5-IN)						
	8	1	<b>8T-4205</b>	4	WASHER-HARD (7.2X14.5X2-MM THK)						
R	9	1	<b>7T-3275</b>	1	ARMATURE AS (12-VOLT)						
	10	1	<b>4M-1831</b>	1	PLUG-LEVER HOUSING						
	11	1	<b>7L-2894</b>	1	GASKET						
	12	1	<b>3E-5449</b>	1	SOLENOID AS-STARTING MOTOR (12-VOLT)						
	13	1	<b>036-9821</b>	1	WASHER						
	14	1	<b>7T-3269</b>	1	BOOT						
	15	1	<b>4M-1828</b>	1	RETAINER-SPRING						
	16	1	<b>9M-7609</b>	1	SPRING (SHIFT LEVER)						
	17	1	<b>4M-1827</b>	1	RETAINER-SPRING						
	18	1	<b>2H-3429</b>	1	RING-RETAINING						
	19	1	<b>4B-2049</b>	3	NUT (10-32-THD)						
R	20	1	<b>6N-3827</b>	1	DRIVE AS-MOTOR						
	21	1	<b>9X-4824</b>	1	COVER-STARTING MOTOR						
	22	1	<b>8T-0328</b>	3	WASHER-HARD (5.5X10X1-MM THK)						
	23	1	<b>8T-8568</b>	1	COIL AS-FIELD						
	24	1	<b>7T-3454</b>	1	INSULATOR						
	25	1	<b>8H-1141</b>	4	SHOE-POLE						
	26	1	<b>3F-0379</b>	8	SCREW-POLE SHOE (3/8-24-THD)						
	27	1	<b>7T-3271</b>	1	CONNECTOR						
	28	1	<b>8T-8569</b>	1	INSULATOR-TERMINAL						
	29	1	<b>7T-3451</b>	1	KIT-INSULATOR (STARTING MOTOR)						
	30	1	<b>3E-7775</b>	1	HOUSING AS						
	31	1	<b>036-9823</b>	5	BOLT (1/4-28X1-IN)						
	32	1	<b>7T-3974</b>	1	HOUSING AS-DRIVE						
	33	1	<b>3T-3434</b>	6	PLUG						
	34	1	<b>7X-3373</b>	6	BOLT (5/16-18X0.88-IN)						
	35	1	<b>7T-3270</b>	1	PLUNGER AS						
	36	1	<b>7T-3279</b>	1	HOUSING AS						
					AVAILABLE REPAIR KIT(S):						
			<b>8T-9885</b>	1	KIT-BRUSH (STARTING MOTOR) (INCLUDES SPRINGS, BRUSH ASSEMBLIES & SCREWS)						
			<b>7T-3267</b>	1	KIT-BUSHING (STARTING MOTOR) (INCLUDES BUSHINGS, WICKS, CUPS, SCREW AS, WASHER, SPACER, NUT, SEALS & GASKET)						
			<b>7T-3268</b>	1	KIT-LEVER (STARTING MOTOR) (INCLUDES RETAINER, LEVER ASSEMBLIES, NUT & SEALS)						

# ELECTRICAL AND STARTING SYSTEM

**6V-3969 STARTING MOTOR GP-ELECTRIC (contd.)**

**i02289560**

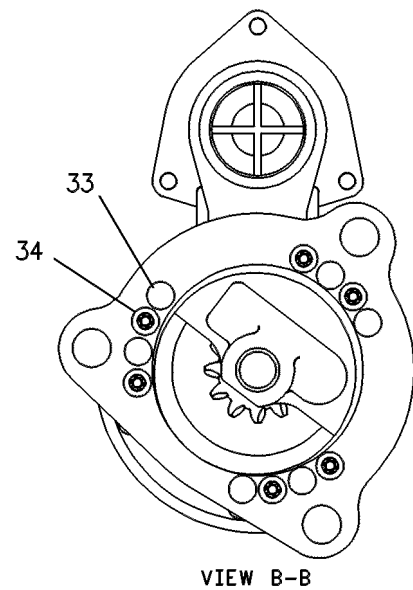
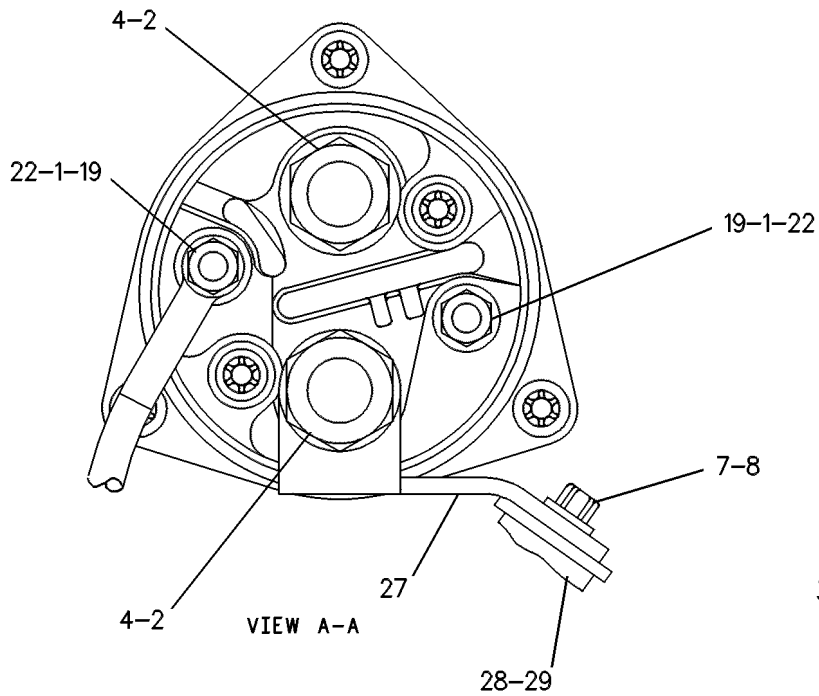
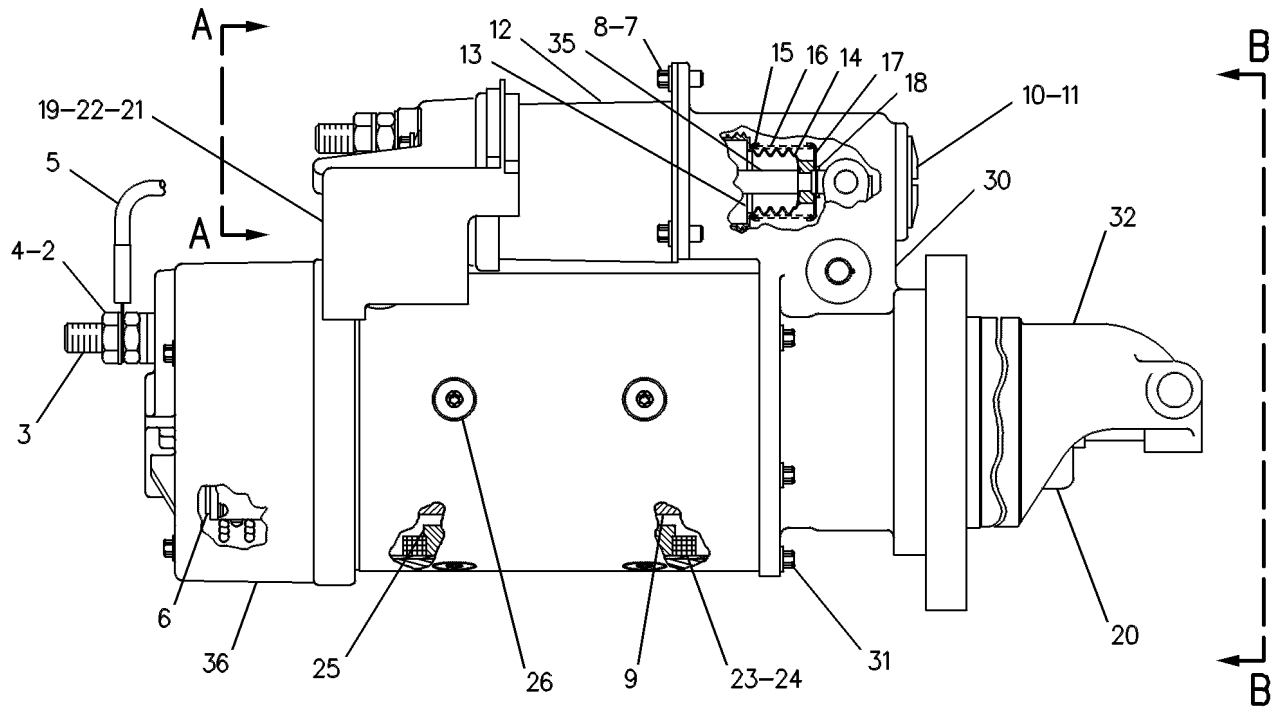
NOTE	REF NO	GRAPHIC REF	PART NUMBER	QTY	PART NAME						SEE PAGE
					1	2	3	4	5	6 (PRODUCT LEVEL)	
			<b>8T-9884</b>	1	KIT-INSULATOR (STARTING MOTOR)						
(INCLUDES BUSHING & INSULATORS)											

R - REMANUFACTURED PART MAY BE AVAILABLE

# ELECTRICAL AND STARTING SYSTEM

6V-3969 STARTING MOTOR GP-ELECTRIC (contd.)

102289560



GRAPHIC #1

<END>

g00240466

# ELECTRICAL AND STARTING SYSTEM

## 6V-5023 STARTING MOTOR GP-ELECTRIC

S/N: 85Z3764-15150

24-VOLT

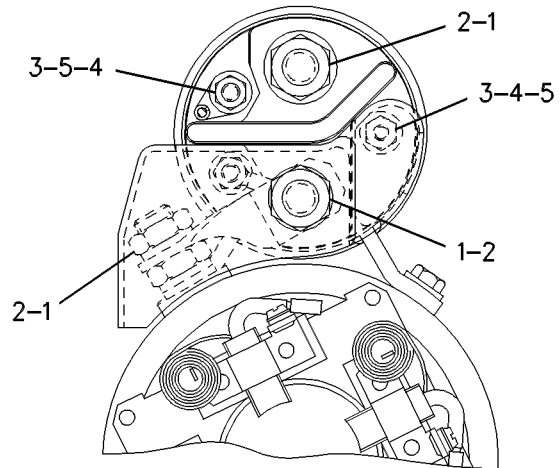
PART OF 106-8555 STARTING MOTOR GP-ELECTRIC  
AN ATTACHMENT

SMCS-1453

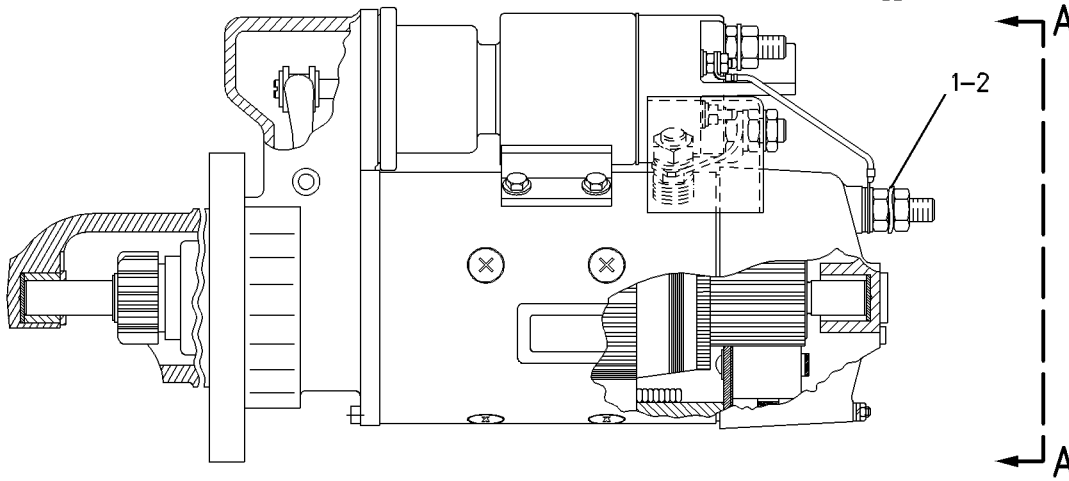
i02351672

NOTE	REF NO	GRAPHIC REF	PART NUMBER	QTY	PART NAME						SEE PAGE
					1	2	3	4	5	6	
	1	1	<b>7X-0562</b>	5	WASHER-HARD (13.5X19X0.8-MM THK)						
M	2	1	<b>8T-4244</b>	5	NUT (M12X1.75-THD)						
M	3	1	<b>5C-2874</b>	2	NUT (M5X0.8-THD)						
	4	1	<b>8F-1434</b>	2	LOCKWASHER						
	5	1	<b>8T-0328</b>	2	WASHER-HARD (5.5X10X1-MM THK)						

M - METRIC PART



VIEW A-A



GRAPHIC #1

<END>

g00380072

# ELECTRICAL AND STARTING SYSTEM

## 6V-5207 STARTING MOTOR GP-ELECTRIC

S/N: 85Z3764-15150

24-VOLT

FIELD REPLACEMENT ORDER 6V-5227-PAGE: 1222

PART OF 106-8555 STARTING MOTOR GP-ELECTRIC

AN ATTACHMENT

SMCS-1453

i01940520

NOTE	REF NO	GRAPHIC REF	PART NUMBER	QTY	PART NAME						SEE PAGE
					1	2	3	4	5	6 (PRODUCT LEVEL)	
	1	1	<b>8F-1434</b>	2	LOCKWASHER						
	2	1	<b>6V-8188</b>	4	NUT (1/2-13-THD)						
	3	1	<b>8T-8566</b>	1	TERMINAL AS						
	4	1	<b>7X-0562</b>	4	WASHER-HARD (13.5X19X0.8-MM THK)						
	5	1	<b>3T-3422</b>	1	WIRE AS						
	6	1	<b>7T-3278</b>	1	HOLDER AS-BRUSH (STARTING MOTOR)						
	7	1	<b>5S-7349</b>	4	BOLT (1/4-20X0.5-IN)						
	8	1	<b>8T-4205</b>	4	WASHER-HARD (7.2X14.5X2-MM THK)						
R	9	1	<b>7T-3276</b>	1	ARMATURE AS (24-VOLT)						
	10	1	<b>4M-1831</b>	1	PLUG-LEVER HOUSING						
	11	1	<b>7L-2894</b>	1	GASKET						
	12	1	<b>9X-9511</b>	1	SOLENOID AS (24-VOLT) (STARTING MOTOR)						
	13	1	<b>036-9821</b>	1	WASHER						
	14	1	<b>7T-3269</b>	1	BOOT						
	15	1	<b>4M-1828</b>	1	RETAINER-SPRING						
	16	1	<b>9M-7609</b>	1	SPRING (SHIFT LEVER)						
	17	1	<b>4M-1827</b>	1	RETAINER-SPRING						
	18	1	<b>2H-3429</b>	1	RING-RETAINING						
	19	1	<b>4B-2049</b>	3	NUT (10-32-THD)						
R	20	1	<b>6N-3827</b>	1	DRIVE AS-MOTOR						
	21	1	<b>9X-4824</b>	1	COVER-STARTING MOTOR						
	22	1	<b>8T-0328</b>	3	WASHER-HARD (5.5X10X1-MM THK)						
	23	1	<b>7T-3277</b>	1	COIL AS-FIELD						
	24	1	<b>7T-3454</b>	1	INSULATOR						
	25	1	<b>8H-1141</b>	4	SHOE-POLE						
	26	1	<b>3F-0379</b>	8	SCREW-POLE SHOE (3/8-24-THD)						
	27	1	<b>7T-3271</b>	1	CONNECTOR						
	28	1	<b>8T-8569</b>	1	INSULATOR-TERMINAL						
	29	1	<b>7T-3451</b>	1	KIT-INSULATOR (STARTING MOTOR)						
	30	1	<b>3E-7775</b>	1	HOUSING AS						
	31	1	<b>036-9823</b>	5	BOLT (1/4-28X1-IN)						
	32	1	<b>7T-3974</b>	1	HOUSING AS-DRIVE						
	33	1	<b>3T-3434</b>	6	PLUG						
	34	1	<b>7X-3373</b>	6	BOLT (5/16-18X0.88-IN)						
	35	1	<b>7T-3270</b>	1	PLUNGER AS						
	36	1	<b>7T-3279</b>	1	HOUSING AS						
					AVAILABLE REPAIR KIT(S):						
			<b>8C-3655</b>	1	KIT-BRUSH (STARTING MOTOR) (INCLUDES SPRINGS, BRUSH ASSEMBLIES & SCREWS)						
			<b>7T-3267</b>	1	KIT-BUSHING (STARTING MOTOR) (INCLUDES BUSHINGS, CUPS, SEALS, SCREW AS, WASHERS, NUTS & WICKS)						
			<b>7T-3268</b>	1	KIT-LEVER (STARTING MOTOR) (INCLUDES RETAINER, LEVER ASSEMBLIES, NUT & SEALS)						

# ELECTRICAL AND STARTING SYSTEM

6V-5207 **STARTING MOTOR GP-ELECTRIC (contd.)**

**i01940520**

NOTE	REF	GRAPHIC	PART NUMBER	QTY	PART NAME						SEE PAGE
	NO	REF			1	2	3	4	5	6 (PRODUCT LEVEL)	
			<b>8T-9884</b>	1	KIT-INSULATOR (STARTING MOTOR)						
					(INCLUDES BUSHING & INSULATORS)						

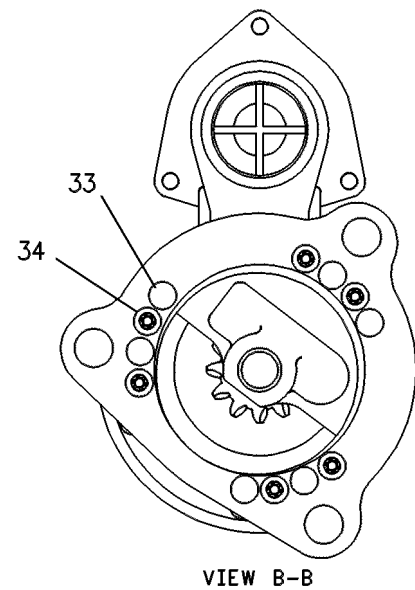
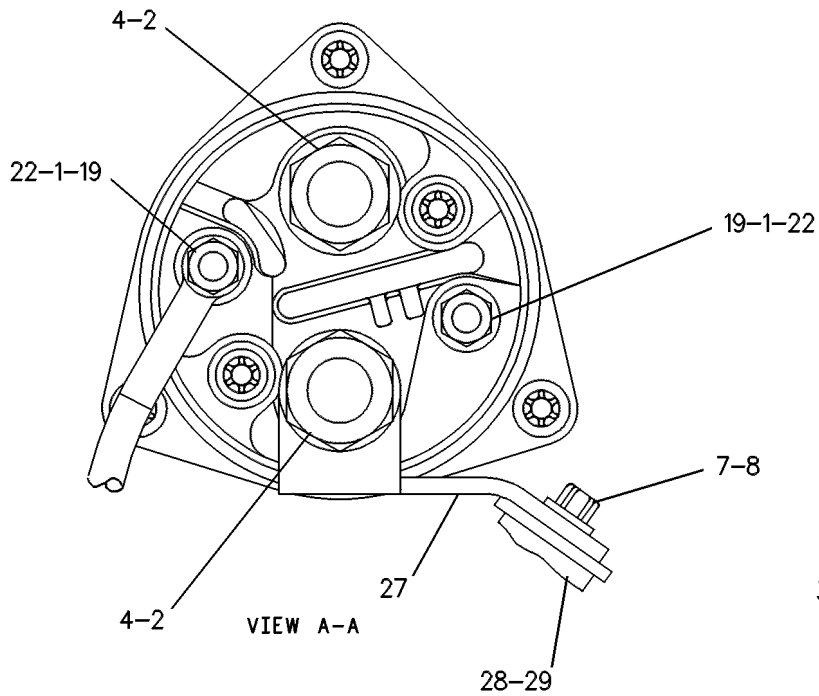
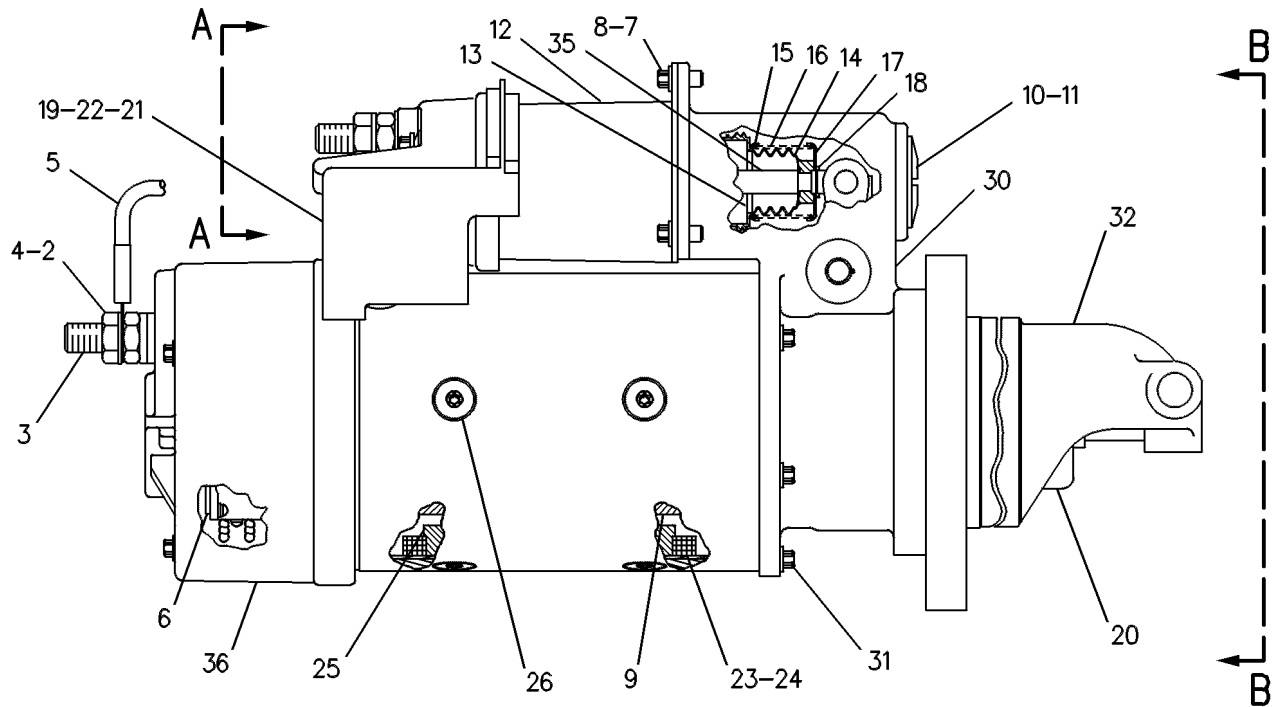
R - REMANUFACTURED PART MAY BE AVAILABLE



# ELECTRICAL AND STARTING SYSTEM

6V-5207 STARTING MOTOR GP-ELECTRIC (contd.)

i01940520



GRAPHIC #1

<END>

g00108652

# ELECTRICAL AND STARTING SYSTEM

## 6V-5226 STARTING MOTOR GP-ELECTRIC

S/N: 85Z3764-UP

24 VOLT

FIELD REPLACEMENT ORDER 207-1560-PAGE: 1197

PART OF 106-8555, 207-1554 STARTING MOTOR GP-ELECTRIC

AN ATTACHMENT

SMCS-1453

i01940521

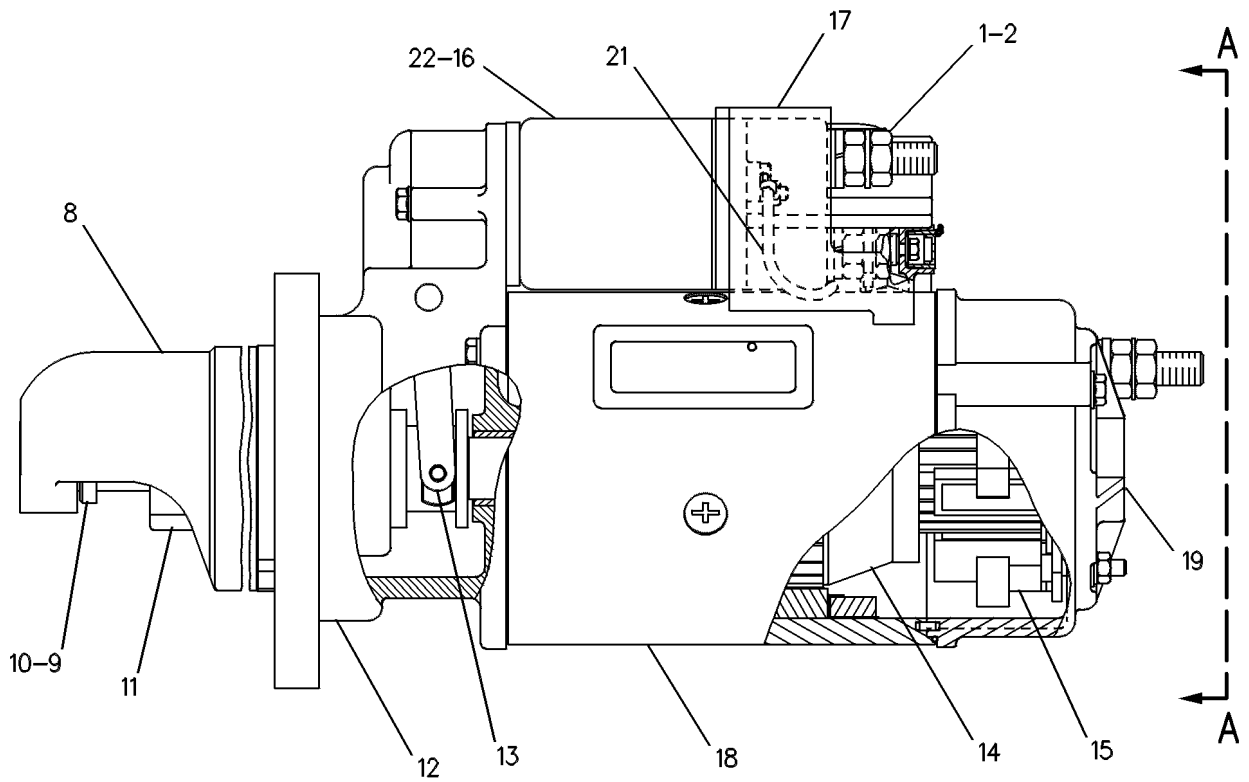
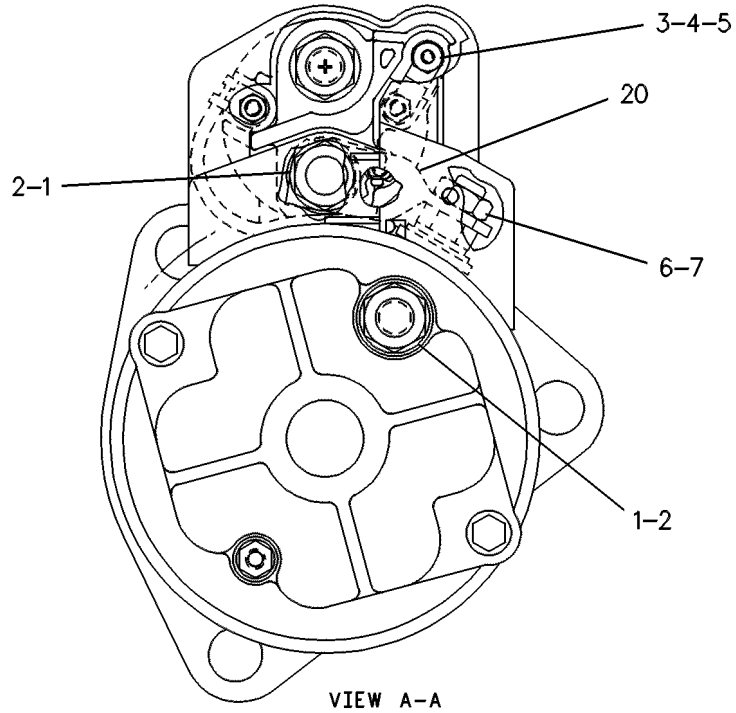
NOTE	REF NO	GRAPHIC REF	PART NUMBER	QTY	PART NAME						SEE PAGE
					1	2	3	4	5	6 (PRODUCT LEVEL)	
	1	1	<b>6V-8188</b>	3	NUT (1/2-13-THD)						
	2	1	<b>7X-0562</b>	3	WASHER-HARD (13.5X19X0.8-MM THK)						
	3	1	<b>4B-2049</b>	1	NUT (10-32-THD)						
	4	1	<b>8F-1434</b>	1	LOCKWASHER						
	5	1	<b>8T-0328</b>	1	WASHER-HARD (5.5X10X1-MM THK)						
M	6	1	<b>8T-4133</b>	1	NUT (M10X1.5-THD)						
	7	1	<b>8T-4121</b>	1	WASHER-HARD (11X21X2.5-MM THK)						
	8	1	<b>3E-0142</b>	1	HOUSING AS						
	9	1	<b>3E-0141</b>	1	STOP-STARTING MOTOR						
	10	1	<b>4N-7521</b>	1	RING-LOCK						
	11	1	<b>3E-0143</b>	1	DRIVE AS-STARTING MOTOR						
	12	1	<b>3E-0144</b>	1	HOUSING AS						
	13	1	<b>3E-0140</b>	1	LEVER AS-STARTING MOTOR						
	14	1	<b>3E-0138</b>	1	ARMATURE AS (24-VOLT) (STARTING MOTOR)						
	15	1	<b>3E-0137</b>	1	HOLDER AS-BRUSH (STARTING MOTOR)						
	16	1	<b>3E-0135</b>	1	SOLENOID AS (24-VOLT) (STARTING MOTOR)						
	17	1	<b>3E-0125</b>	1	COVER AS-STARTING MOTOR						
	18	1	<b>3E-0139</b>	1	HOUSING AS						
	19	1	<b>3E-0136</b>	1	HOUSING AS						
	20	1	<b>3E-0132</b>	1	CONNECTOR						
	21	1	<b>3E-0133</b>	1	WIRE AS-STARTING MOTOR						
	22	1	<b>3E-0134</b>	1	COVER-PLUNGER						
					AVAILABLE REPAIR KIT(S):						
			<b>3E-0128</b>	1	KIT-BRUSH (24-VOLT) (INCLUDES O-RINGS, SCREW, SPRING & BRUSH)						
			<b>3E-0131</b>	1	KIT-WASHER (24-VOLT) (INCLUDES WASHERS)						
			<b>3E-0127</b>	1	KIT-BEARING (INCLUDES BEARINGS)						
			<b>3E-0129</b>	1	KIT-HARDWARE (24-VOLT) (INCLUDES WASHERS, BOLTS, LOCKWASHERS, NUTS, BUSHINGS & PLATE)						
			<b>3E-0130</b>	1	KIT-STARTING MOTOR SEAL (24-VOLT) (INCLUDES SEALS & O-RINGS)						
			<b>3E-0145</b>	1	KIT-STARTING MOTOR PIN (24-VOLT) (INCLUDES O-RINGS, SHAFT & RING)						

M - METRIC PART

# ELECTRICAL AND STARTING SYSTEM

6V-5226 STARTING MOTOR GP-ELECTRIC (contd.)

i01940521



GRAPHIC #1

<END>

g00108496

# ELECTRICAL AND STARTING SYSTEM

## 6V-5227 STARTING MOTOR GP-ELECTRIC\*R

S/N: 85Z3764-UP

24-VOLT

FIELD REPLACEMENT ORDER 207-1560-PAGE: 1197

FIELD REPLACEMENT FOR 106-8555-PAGE: 1178: FOR 3T-4586-PAGE: 1204: FOR 3T-2652-PAGE: 1203: FOR 8C-3650-PAGE: 1257: FOR 7T-0798-PAGE: 1239: FOR 4N-3181-PAGE: 1207: FOR 3T-6305-PAGE: 1205: FOR 6V-5537-PAGE: 1223: FOR 6V-5538-PAGE: 1226: FOR 106-8552-PAGE: 1177: FOR 9X-4447-PAGE: 1272: FOR 9X-4453-PAGE: 1274: FOR 8C-3651-PAGE: 1260: FOR 8C-3647-PAGE: 1251: FOR 8N-2145-PAGE: 1265: FOR 6V-5207-PAGE:

1217

PART OF 7N-6505 STARTING MOTOR GP-ELECTRIC  
AN ATTACHMENT

SMCS-1453

i01949268

NOTE	PART NUMBER	QTY	PART NAME						SEE PAGE
			1	2	3	4	5	6 (PRODUCT LEVEL)	
Y	6V-5537	1	STARTING MOTOR GP-ELECTRIC (24-VOLT)						1223
			-OR-						
Y	6V-5538	1	STARTING MOTOR GP-ELECTRIC (24-VOLT)						1226
			-OR-						
Y	106-8552	1	STARTING MOTOR GP-ELECTRIC (24-VOLT)						1177
Y - SEPARATE ILLUSTRATION									
<END>									

# ELECTRICAL AND STARTING SYSTEM

## 6V-5537 STARTING MOTOR GP-ELECTRIC

S/N: 85Z3764-UP

24-VOLT

FIELD REPLACEMENT ORDER 6V-5227-PAGE: 1222

PART OF 6V-5227 STARTING MOTOR GP-ELECTRIC

AN ATTACHMENT

SMCS-1453

i01857564

NOTE	REF NO	GRAPHIC REF	PART NUMBER	QTY	PART NAME						SEE PAGE
					1	2	3	4	5	6 (PRODUCT LEVEL)	
	1	1	<b>8F-1434</b>	2	LOCKWASHER						
	2	1	<b>6V-8188</b>	4	NUT (1/2-13-THD)						
	3	1	<b>8T-8566</b>	1	TERMINAL AS						
	4	1	<b>7X-0562</b>	4	WASHER-HARD (13.5X19X0.8-MM THK)						
	5	1	<b>3T-3422</b>	1	WIRE AS						
	6	1	<b>7T-3278</b>	1	HOLDER AS-BRUSH (STARTING MOTOR)						
	7	1	<b>5S-7349</b>	4	BOLT (1/4-20X0.5-IN)						
	8	1	<b>8T-4205</b>	4	WASHER-HARD (7.2X14.5X2-MM THK)						
R	9	1	<b>7T-3276</b>	1	ARMATURE AS (24-VOLT)						
	10	1	<b>4M-1831</b>	1	PLUG-LEVER HOUSING						
	11	1	<b>7L-2894</b>	1	GASKET						
	12	1	<b>9X-9511</b>	1	SOLENOID AS (24-VOLT) (STARTING MOTOR)						
	13	1	<b>036-9821</b>	1	WASHER						
	14	1	<b>7T-3269</b>	1	BOOT						
	15	1	<b>4M-1828</b>	1	RETAINER-SPRING						
	16	1	<b>9M-7609</b>	1	SPRING (SHIFT LEVER)						
	17	1	<b>4M-1827</b>	1	RETAINER-SPRING						
	18	1	<b>2H-3429</b>	1	RING-RETAINING						
	19	1	<b>4B-2049</b>	3	NUT (10-32-THD)						
R	20	1	<b>6N-3827</b>	1	DRIVE AS-MOTOR						
	21	1	<b>9X-4824</b>	1	COVER-STARTING MOTOR						
	22	1	<b>8T-0328</b>	3	WASHER-HARD (5.5X10X1-MM THK)						
	23	1	<b>7T-3277</b>	1	COIL AS-FIELD						
	24	1	<b>7T-3454</b>	1	INSULATOR						
	25	1	<b>8H-1141</b>	4	SHOE-POLE						
	26	1	<b>3F-0379</b>	8	SCREW-POLE SHOE (3/8-24-THD)						
	27	1	<b>7T-3271</b>	1	CONNECTOR						
	28	1	<b>8T-8569</b>	1	INSULATOR-TERMINAL						
	29	1	<b>7T-3451</b>	1	KIT-INSULATOR (STARTING MOTOR)						
	30	1	<b>3E-7775</b>	1	HOUSING AS						
	31	1	<b>036-9823</b>	5	BOLT (1/4-28X1-IN)						
	32	1	<b>7T-3974</b>	1	HOUSING AS-DRIVE						
	33	1	<b>3T-3434</b>	6	PLUG						
	34	1	<b>7X-3373</b>	6	BOLT (5/16-18X0.88-IN)						
	35	1	<b>7T-3270</b>	1	PLUNGER AS						
	36	1	<b>7T-3279</b>	1	HOUSING AS						
					AVAILABLE REPAIR KIT(S):						
			<b>8C-3655</b>	1	KIT-BRUSH (STARTING MOTOR) (INCLUDES SPRINGS, BRUSH ASSEMBLIES & SCREWS)						
			<b>7T-3267</b>	1	KIT-BUSHING (STARTING MOTOR) (INCLUDES BUSHINGS, CUPS, SEALS, SCREW AS, WASHERS, NUTS & WICKS)						
			<b>7T-3268</b>	1	KIT-LEVER (STARTING MOTOR) (INCLUDES RETAINER, LEVER ASSEMBLIES, NUT & SEALS)						

# ELECTRICAL AND STARTING SYSTEM

**6V-5537 STARTING MOTOR GP-ELECTRIC (contd.)**

**i01857564**

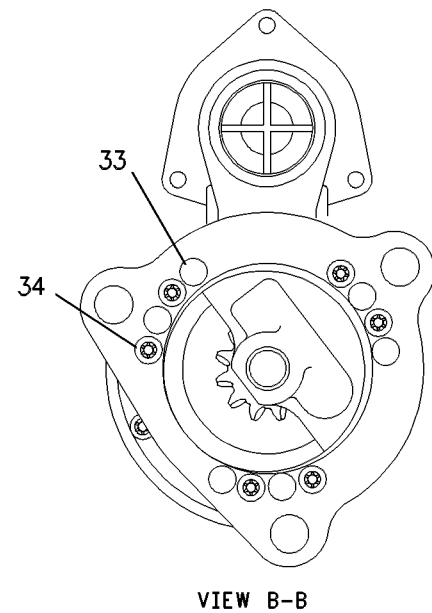
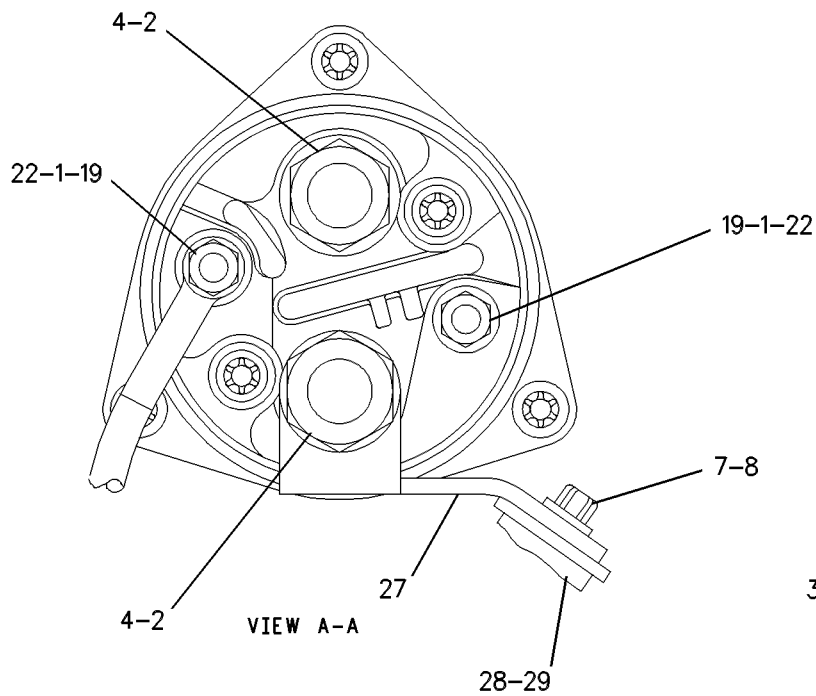
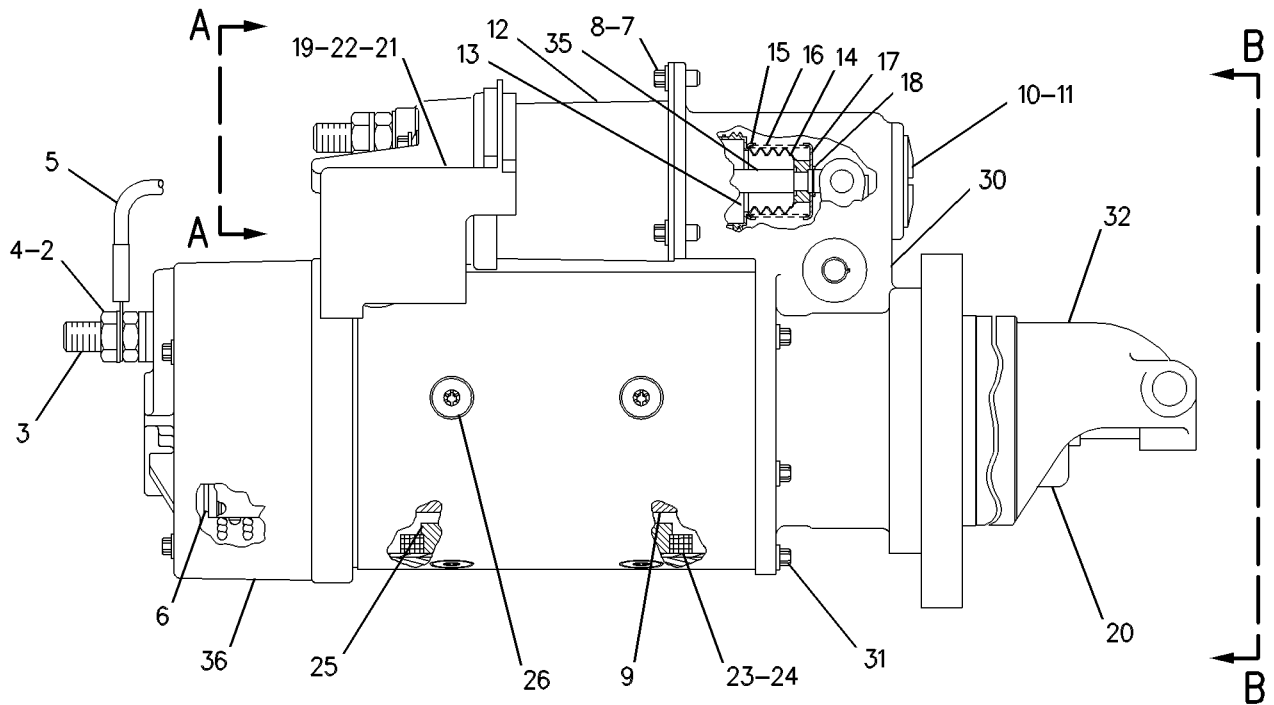
NOTE	REF NO	GRAPHIC REF	PART NUMBER	QTY	PART NAME 1 2 3 4 5 6 (PRODUCT LEVEL)	SEE PAGE
			<b>8T-9884</b>	1	KIT-INSULATOR (STARTING MOTOR) (INCLUDES BUSHING & INSULATORS)	

R - REMANUFACTURED PART MAY BE AVAILABLE

# ELECTRICAL AND STARTING SYSTEM

6V-5537 STARTING MOTOR GP-ELECTRIC (contd.)

i01857564



GRAPHIC #1

<END>

g00589377

# ELECTRICAL AND STARTING SYSTEM

## 6V-5538 STARTING MOTOR GP-ELECTRIC

S/N: 85Z3764-UP

24-VOLT

FIELD REPLACEMENT ORDER 207-1560-PAGE: 1197

PART OF 6V-5227 STARTING MOTOR GP-ELECTRIC

AN ATTACHMENT

SMCS-1453

i05473725

NOTE	REF NO	GRAPHIC REF	PART NUMBER	QTY	PART NAME						SEE PAGE
					1	2	3	4	5	6 (PRODUCT LEVEL)	
	1	1	<b>6V-8188</b>	3	NUT (1/2-13-THD)						
	2	1	<b>7X-0562</b>	3	WASHER-HARD (13.5X19X0.8-MM THK)						
	3	1	<b>4B-2049</b>	1	NUT (10-32-THD)						
	4	1	<b>8F-1434</b>	1	LOCKWASHER						
	5	1	<b>8T-0328</b>	1	WASHER-HARD (5.5X10X1-MM THK)						
M	6	1	<b>8T-4133</b>	1	NUT (M10X1.5-THD)						
	7	1	<b>8T-4121</b>	1	WASHER-HARD (11X21X2.5-MM THK)						
	8	1	<b>3E-0142</b>	1	HOUSING AS						
	9	1	<b>3E-0141</b>	1	STOP-STARTING MOTOR						
	10	1	<b>4N-7521</b>	1	RING-LOCK						
	11	1	<b>3E-0143</b>	1	DRIVE AS-STARTING MOTOR						
	12	1	<b>3E-0144</b>	1	HOUSING AS						
	13	1	<b>3E-0140</b>	1	LEVER AS-STARTING MOTOR						
	14	1	<b>3E-0138</b>	1	ARMATURE AS (24-VOLT)						
	15	1	<b>3E-0137</b>	1	HOLDER AS-BRUSH (STARTING MOTOR)						
	16	1	<b>3E-0135</b>	1	SOLENOID AS (24-VOLT) (STARTING MOTOR)						
	17	1	<b>3E-0125</b>	1	COVER AS-STARTING MOTOR						
	18	1	<b>3E-0139</b>	1	HOUSING AS						
	19	1	<b>3E-0136</b>	1	HOUSING AS						
	20	1	<b>3E-0132</b>	1	CONNECTOR						
	21	1	<b>3E-0133</b>	1	WIRE AS-STARTING MOTOR						
	22	1	<b>3E-0134</b>	1	COVER-PLUNGER						
					AVAILABLE REPAIR KIT(S):						
			<b>3E-0128</b>	1	KIT-BRUSH (24-VOLT) (INCLUDES O-RINGS, SCREW, SPRING & BRUSH)						
			<b>3E-0131</b>	1	KIT-WASHER (24-VOLT) (INCLUDES WASHERS)						
			<b>3E-0127</b>	1	KIT-BEARING (INCLUDES SEAL, BEARING AS & BUSHING)						
			<b>3E-0129</b>	1	KIT-HARDWARE (24-VOLT) (INCLUDES WASHERS, BOLTS, LOCKWASHERS, NUTS, BUSHINGS & PLATE)						
			<b>3E-0130</b>	1	KIT-STARTING MOTOR SEAL (24-VOLT) (INCLUDES SEALS & O-RINGS)						
			<b>3E-0145</b>	1	KIT-STARTING MOTOR PIN (24-VOLT) (INCLUDES O-RINGS, SHAFT & RING)						

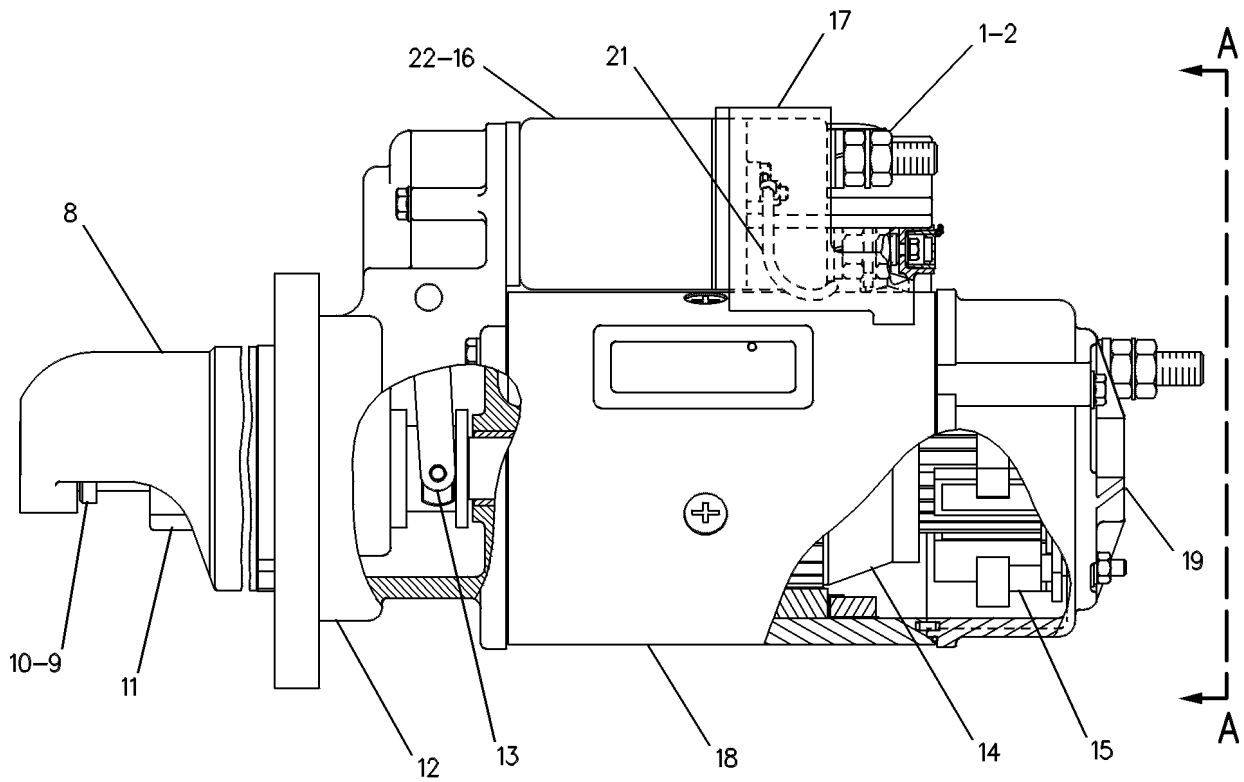
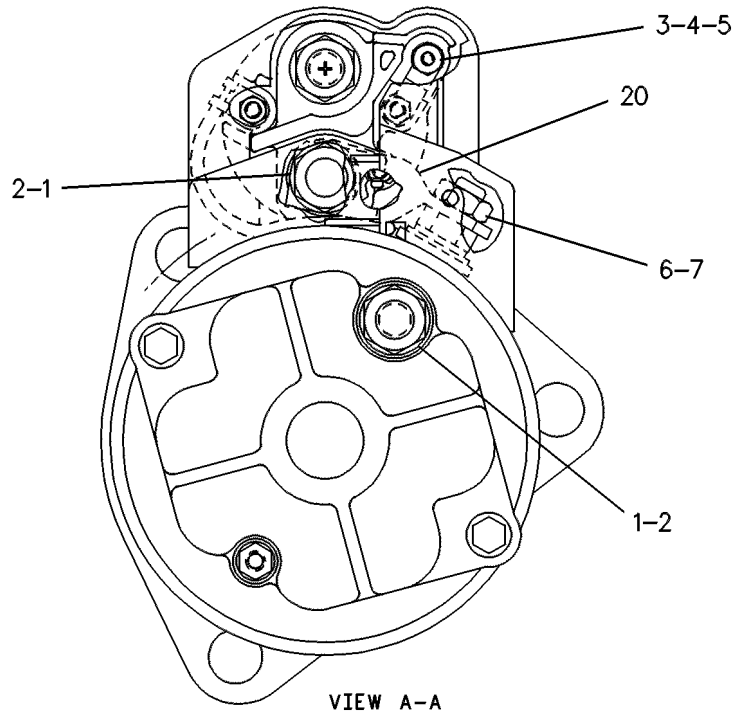
M - METRIC PART



# ELECTRICAL AND STARTING SYSTEM

6V-5538 STARTING MOTOR GP-ELECTRIC (contd.)

i05473725



GRAPHIC #1

<END>

g00108496

# ELECTRICAL AND STARTING SYSTEM

## 6V-5795 STARTING MOTOR GP-ELECTRIC

S/N: 85Z3764-15164

24-VOLT

FIELD REPLACEMENT FOR 8C-3597-PAGE: 1246: FOR 3T-2652-PAGE: 1203: FOR 7T-0798-  
PAGE: 1239: FOR 8C-3647-PAGE: 1251

SMCS-1453

i01836681

NOTE	REF NO	GRAPHIC REF	PART NUMBER	QTY	PART NAME						SEE PAGE
					1	2	3	4	5	6 (PRODUCT LEVEL)	
	1	1	<b>5S-7349</b>	4	BOLT (1/4-20X0.5-IN)						
	2	1	<b>3T-3434</b>	6	PLUG						
	3	1	<b>2H-3429</b>	1	RING-RETAINING						
	4	1	<b>4B-2049</b>	3	NUT (10-32-THD)						
	5	1	<b>8F-1434</b>	2	LOCKWASHER						
	6	1	<b>7T-3271</b>	1	CONNECTOR						
	7	1	<b>7L-2894</b>	1	GASKET						
	8	1	<b>036-9823</b>	5	BOLT (1/4-28X1-IN)						
	9	1	<b>7T-3277</b>	1	COIL AS-FIELD						
	10	1	<b>3F-0379</b>	8	SCREW-POLE SHOE (3/8-24-THD)						
R	11	1	<b>7T-3276</b>	1	ARMATURE AS (24-VOLT)						
	12	1	<b>8H-1141</b>	4	SHOE-POLE						
	13	1	<b>7T-3454</b>	1	INSULATOR						
	14	1	<b>7T-3279</b>	1	HOUSING AS						
	15	1	<b>7T-3278</b>	1	HOLDER AS-BRUSH (STARTING MOTOR)						
	16	1	<b>3T-3422</b>	1	WIRE AS						
	17	1	<b>8T-8566</b>	1	TERMINAL AS						
	18	1	<b>8T-4205</b>	4	WASHER-HARD (7.2X14.5X2-MM THK)						
	19	1	<b>6V-8188</b>	4	NUT (1/2-13-THD)						
	20	1	<b>7X-0562</b>	4	WASHER-HARD (13.5X19X0.8-MM THK)						
	21	1	<b>9X-4824</b>	1	COVER-STARTING MOTOR						
	22	1	<b>7T-3451</b>	1	KIT-INSULATOR (STARTING MOTOR)						
	23	1	<b>8T-8569</b>	1	INSULATOR-TERMINAL						
	24	1	<b>9X-9511</b>	1	SOLENOID AS (24-VOLT) (STARTING MOTOR)						
	25	1	<b>036-9821</b>	1	WASHER						
	26	1	<b>7T-3269</b>	1	BOOT						
	27	1	<b>7T-3270</b>	1	PLUNGER AS						
	28	1	<b>9M-7609</b>	1	SPRING (SHIFT LEVER)						
	29	1	<b>4M-1828</b>	1	RETAINER-SPRING						
	30	1	<b>4M-1827</b>	1	RETAINER-SPRING						
	31	1	<b>4M-1831</b>	1	PLUG-LEVER HOUSING						
	32	1	<b>3E-7775</b>	1	HOUSING AS						
	33	1	<b>7T-3974</b>	1	HOUSING AS-DRIVE						
	34	1	<b>7X-3373</b>	6	BOLT (5/16-18X0.88-IN)						
R	35	1	<b>6N-3827</b>	1	DRIVE AS-MOTOR						
	36	1	<b>8T-0328</b>	3	WASHER-HARD (5.5X10X1-MM THK)						
JZ	37	1		4	SPRING						
JZ	38	1		4	BRUSH						
JZ	39	1		4	SCREW						
JPZ	40	1		6	SCREW AS						
JPZ	41	1		2	SEAL (O-RING)						
LZ	42	1		3	INSULATOR						
LZ		1		1	BUSHING						
NZ	43	1		1	LEVER AS						
NZ	44	1		1	LEVER AS						
NPZ	45	1		1	NUT						

# ELECTRICAL AND STARTING SYSTEM

**6V-5795 STARTING MOTOR GP-ELECTRIC (contd.)**

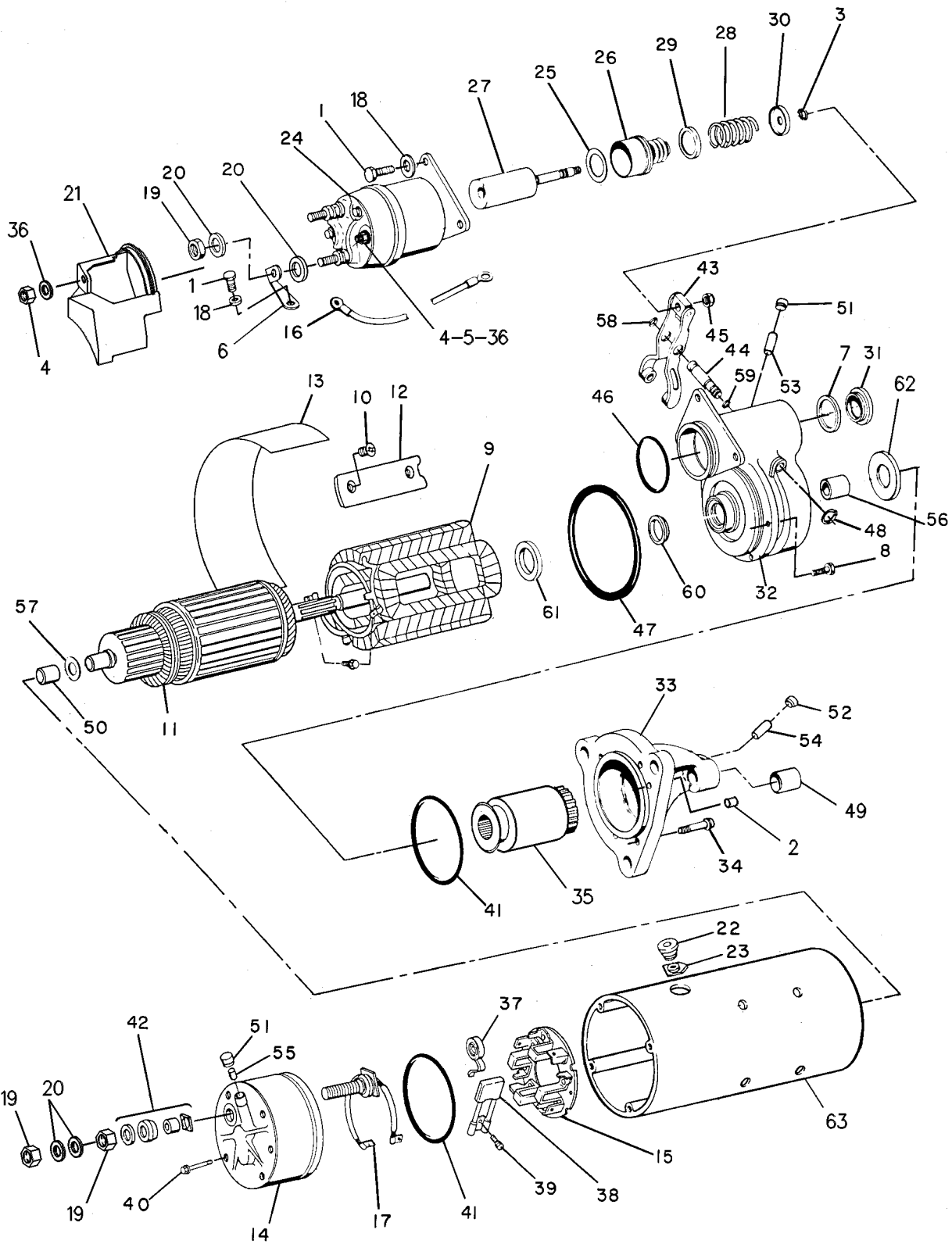
**i01836681**

NOTE	REF NO	GRAPHIC REF	PART NUMBER	QTY	PART NAME						SEE PAGE
					1	2	3	4	5	6 (PRODUCT LEVEL)	
NPZ	46	1		1	SEAL (O-RING)						
PZ	47	1		1	SEAL (O-RING)						
NZ	48	1		1	RETAINER						
PZ	49	1		1	BUSHING						
PZ	50	1		1	BUSHING						
PZ	51	1		2	CUP (PLUG)						
PZ	52	1		1	CUP (PLUG)						
PZ	53	1		1	PLUG						
PZ	54	1		1	PLUG						
PZ	55	1		1	PLUG						
PZ	56	1		1	BUSHING						
PZ	57	1		1	WASHER						
NZ	58	1		1	SEAL (O-RING)						
NZ	59	1		1	SEAL (O-RING)						
PZ	60	1		1	RETAINER (SEAL)						
PZ	61	1		1	SPACER						
PZ	62	1		1	GASKET (WASHER)						
Z	63	1		1	HOUSING						
AVAILABLE REPAIR KIT(S):											
J			<b>8C-3655</b>	1	KIT-BRUSH (STARTING MOTOR)						
(INCLUDES SEAL, BRUSHES, SPRINGS, SCREWS & SCREW ASSEMBLIES)											
P			<b>7T-3267</b>	1	KIT-BUSHING (STARTING MOTOR)						
(INCLUDES NUT, SPACER, GASKET, BUSHINGS, WICKS, CUPS, WASHERS, SEALS & SCREW ASSEMBLIES)											
N			<b>7T-3268</b>	1	KIT-LEVER (STARTING MOTOR)						
(INCLUDES NUT, GASKET, RETAINER, SEALS & LEVER ASSEMBLIES)											
L			<b>8T-9884</b>	1	KIT-INSULATOR (STARTING MOTOR)						
(INCLUDES BUSHING & INSULATORS)											
J - KIT MARKED J INCLUDES PART(S) MARKED J L - KIT MARKED L INCLUDES PART(S) MARKED L N - KIT MARKED N INCLUDES PART(S) MARKED N P - KIT MARKED P INCLUDES PART(S) MARKED P R - REMANUFACTURED PART MAY BE AVAILABLE Z - NOT SERVICED SEPARATELY											

# ELECTRICAL AND STARTING SYSTEM

6V-5795 STARTING MOTOR GP-ELECTRIC (contd.)

101836681



GRAPHIC #1

<END>

g00238337

# ELECTRICAL AND STARTING SYSTEM

## 7C-9128 STARTING MOTOR GP-ELECTRIC

S/N: 85Z3764-UP

24 VOLT - 4.5 KW

FOR USE WITH BUILDING SERVICE STANDBY OR PRIME-POWER AT TEMPERATURES ABOVE 60 DEGREE  
FAHRENHEIT  
AN ATTACHMENT

**SMCS-1453**

**i01099864**

NOTE	PART NUMBER	QTY	PART NAME 1 2 3 4 5 6 (PRODUCT LEVEL)	SEE PAGE
Y	<b>8C-5580</b>	1	STARTING MOTOR GP-ELECTRIC	1263
			-OR-	
CYR	<b>143-0540</b>	1	STARTING MOTOR GP-ELECTRIC	1179
B	<b>4M-0061</b>	1	BOLT (5/16-18X0.75-IN)	
	<b>8S-2332</b>	3	BOLT-12 POINT HEAD (5/8-11X1.75-IN)	
	<b>4N-1059</b>	1	GASKET	
B	<b>7H-3937</b>	1	LOCKWASHER	
B	<b>8T-4224</b>	1	WASHER-HARD (8.8X16X2-MM THK)	
	<b>9F-4337</b>	1	WIRE AS	

B - USE AS REQUIRED  
 C - CHANGE FROM PREVIOUS TYPE  
 R - REMANUFACTURED PART MAY BE AVAILABLE  
 Y - SEPARATE ILLUSTRATION

<END>

# ELECTRICAL AND STARTING SYSTEM

## 7N-6504 STARTING MOTOR GP-ELECTRIC

S/N: 85Z3764-UP

12 VOLT

FOR USE WITH SAE NO.1 FLYWHEEL HOUSING, SINGLE MOTOR 12 VOLT, 195 AMPERE STARTING SYSTEM, REAR GEAR TRAIN

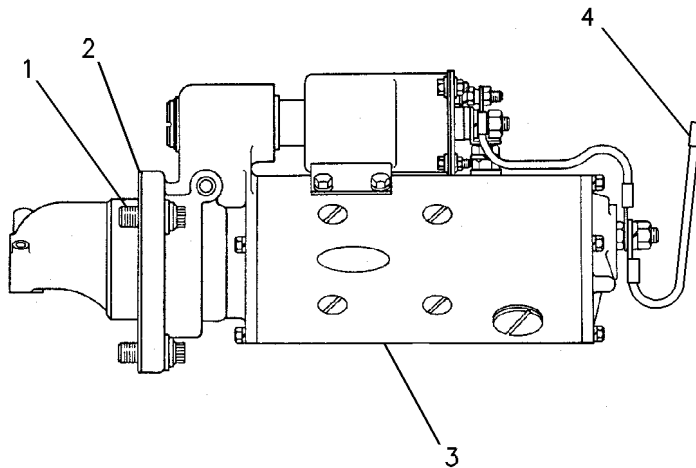
CANNOT BE USED WITH TACHOMETER DRIVE AN ATTACHMENT

SMCS-1453

i00592146

NOTE	REF NO	GRAPHIC REF	PART NUMBER	QTY	PART NAME						SEE PAGE
					1	2	3	4	5	6 (PRODUCT LEVEL)	
	1	1	<b>8S-2332</b>	3	BOLT-12 POINT HEAD (5/8-11X1.75-IN)						
	2	1	<b>4H-7869</b>	1	GASKET						
YC	3	1	<i>9W-0058</i>	1	STARTING MOTOR GP-ELECTRIC						1269
	4	1	<b>9F-4337</b>	1	WIRE AS						

C - CHANGE FROM PREVIOUS TYPE  
Y - SEPARATE ILLUSTRATION



GRAPHIC #1

<END>

g00229738

# ELECTRICAL AND STARTING SYSTEM

## 7N-6504 STARTING MOTOR GP-ELECTRIC

S/N: 85Z3764-15163

12 VOLT

FOR USE WITH SAE NO.1 FLYWHEEL HOUSING, SINGLE MOTOR 12 VOLT, 195 AMPERE STARTING SYSTEM, REAR GEAR TRAIN

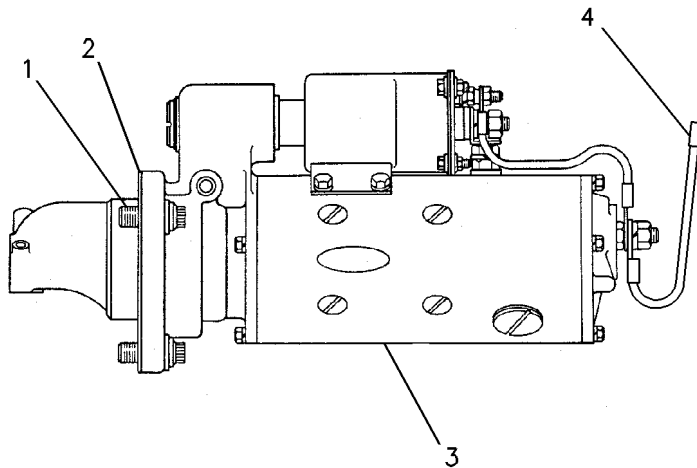
CANNOT BE USED WITH TACHOMETER DRIVE AN ATTACHMENT

SMCS-1453

i00637728

NOTE	REF NO	GRAPHIC REF	PART NUMBER	QTY	PART NAME						SEE PAGE
					1	2	3	4	5	6 (PRODUCT LEVEL)	
	1	1	<b>8S-2332</b>	3	BOLT-12 POINT HEAD (5/8-11X1.75-IN)						
	2	1	<b>4H-7869</b>	1	GASKET						
YC	3	1	<b>3E-7864</b>	1	STARTING MOTOR GP-ELECTRIC						1200
	4	1	<b>9F-4337</b>	1	WIRE AS						

C - CHANGE FROM PREVIOUS TYPE  
Y - SEPARATE ILLUSTRATION



GRAPHIC #1

<END>

g00229738

# ELECTRICAL AND STARTING SYSTEM

## 7N-6504 STARTING MOTOR GP-ELECTRIC

S/N: 85Z15164-UP

12 VOLT

FOR USE WITH SAE NO.1 FLYWHEEL HOUSING, SINGLE MOTOR 12 VOLT, 195 AMPERE STARTING SYSTEM, REAR GEAR TRAIN

CANNOT BE USED WITH TACHOMETER DRIVE AN ATTACHMENT

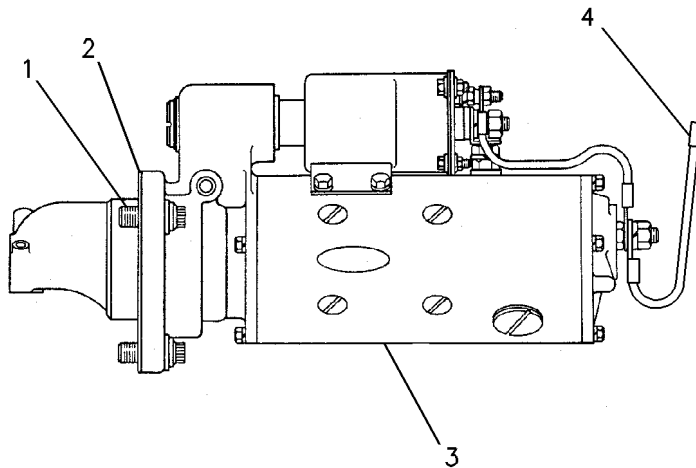
SMCS-1453

i01719112

NOTE	REF NO	GRAPHIC REF	PART NUMBER	QTY	PART NAME						SEE PAGE
					1	2	3	4	5	6 (PRODUCT LEVEL)	
	1	1	<b>8S-2332</b>	3	BOLT-12 POINT HEAD (5/8-11X1.75-IN)						
	2	1	<b>4H-7869</b>	1	GASKET						
CY	3	1	<b>207-1531</b>	1	STARTING MOTOR GP-ELECTRIC						1190
	4	1	<b>9F-4337</b>	1	WIRE AS						

C - CHANGE FROM PREVIOUS TYPE

Y - SEPARATE ILLUSTRATION



GRAPHIC #1

<END>

g00229738



# ELECTRICAL AND STARTING SYSTEM

## 7N-6505 STARTING MOTOR GP-ELECTRIC

S/N: 85Z3764-UP

24 VOLT

FOR USE WITH SAE NO 1 FLYWHEEL HOUSING  
AN ATTACHMENT

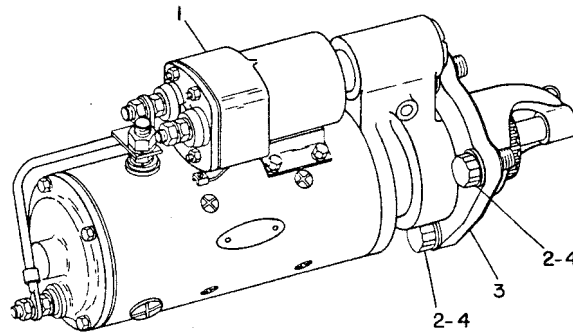
TYPE 1

SMCS-1453

i01098999

NOTE	REF NO	GRAPHIC REF	PART NUMBER	QTY	PART NAME						SEE PAGE
					1	2	3	4	5	6 (PRODUCT LEVEL)	
YR	1	1	4N-3181	1	STARTING MOTOR GP-ELECTRIC						1207
	2	1	8S-2332	3	BOLT-12 POINT HEAD (5/8-11X1.75-IN)						
	3	1	4H-7869	1	GASKET						
	4	1	4D-3704	3	WASHER-HARD (17X30X5-MM THK)						
FY	1	1	3L-6655	1	WIRING GP-ELECTRIC STARTING						1330

F - NOT SHOWN  
R - REMANUFACTURED PART MAY BE AVAILABLE  
Y - SEPARATE ILLUSTRATION



GRAPHIC #1

<END>

g00154605

# ELECTRICAL AND STARTING SYSTEM

## 7N-6505 STARTING MOTOR GP-ELECTRIC

S/N: 85Z3764-UP

24 VOLT

FOR USE WITH SAE NO 1 FLYWHEEL HOUSING  
AN ATTACHMENT

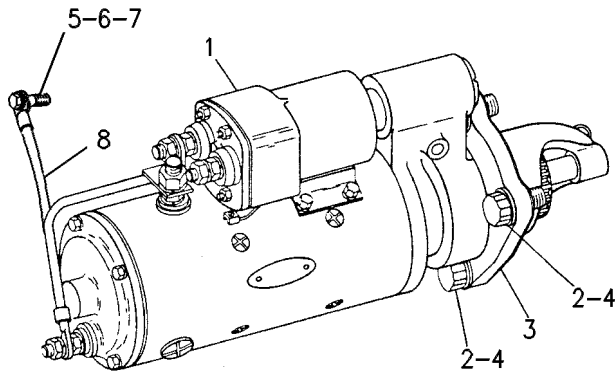
TYPE 2

SMCS-1453

i01099001

NOTE	REF NO	GRAPHIC REF	PART NUMBER	QTY	PART NAME						SEE PAGE
					1	2	3	4	5	6 (PRODUCT LEVEL)	
YR	1	1	4N-3181	1	STARTING MOTOR GP-ELECTRIC						1207
	2	1	8S-2332	3	BOLT-12 POINT HEAD (5/8-11X1.75-IN)						
	3	1	4N-1059	1	GASKET						
	4	1	4D-3704	3	WASHER-HARD (17X30X5-MM THK)						
B	5	1	4M-0061	1	BOLT (5/16-18X0.75-IN)						
B	6	1	7H-3937	1	LOCKWASHER						
B	7	1	8T-4224	1	WASHER-HARD (8.8X16X2-MM THK)						
	8	1	9F-4337	1	WIRE AS						

B - USE AS REQUIRED  
R - REMANUFACTURED PART MAY BE AVAILABLE  
Y - SEPARATE ILLUSTRATION



GRAPHIC #1

<END>

g00235873

# ELECTRICAL AND STARTING SYSTEM

## 7N-6505 STARTING MOTOR GP-ELECTRIC

S/N: 85Z3764-UP

24 VOLT

FOR USE WITH SAE NO 1 FLYWHEEL HOUSING  
AN ATTACHMENT

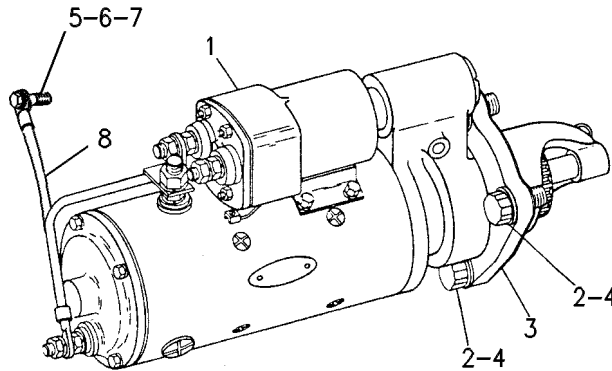
TYPE 3

SMCS-1453

i00729477

NOTE	REF NO	GRAPHIC REF	PART NUMBER	QTY	PART NAME						SEE PAGE
					1	2	3	4	5	6 (PRODUCT LEVEL)	
YR	1	1	<b>6V-5227</b>	1	STARTING MOTOR GP-ELECTRIC						1222
	2	1	<b>8S-2332</b>	3	BOLT-12 POINT HEAD (5/8-11X1.75-IN)						
	3	1	<b>4H-7869</b>	1	GASKET						
	4	1	<b>2S-0736</b>	3	WASHER-HARD (17X27X3.5-MM THK)						
B	5	1	<b>4M-0061</b>	1	BOLT (5/16-18X0.75-IN)						
B	6	1	<b>7H-3937</b>	1	LOCKWASHER						
B	7	1	<b>8T-4224</b>	1	WASHER-HARD (8.8X16X2-MM THK)						
	8	1	<b>9F-4337</b>	1	WIRE AS						

B - USE AS REQUIRED  
R - REMANUFACTURED PART MAY BE AVAILABLE  
Y - SEPARATE ILLUSTRATION



GRAPHIC #1

<END>

g00235873

# ELECTRICAL AND STARTING SYSTEM

## 7N-6505 STARTING MOTOR GP-ELECTRIC

S/N: 85Z3764-UP

24 VOLT

FOR USE WITH SAE NO 1 FLYWHEEL HOUSING  
AN ATTACHMENT

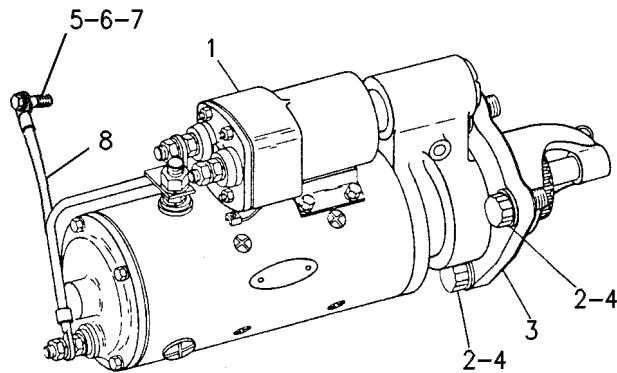
TYPE 4

SMCS-1453

i01828875

NOTE	REF NO	GRAPHIC REF	PART NUMBER	QTY	PART NAME						SEE PAGE
					1	2	3	4	5	6 (PRODUCT LEVEL)	
CYR	1	1	<b>207-1560</b>	1	STARTING MOTOR GP-ELECTRIC						1197
	2	1	<b>8S-2332</b>	3	BOLT-12 POINT HEAD (5/8-11X1.75-IN)						
	3	1	<b>4H-7869</b>	1	GASKET						
	4	1	<b>2S-0736</b>	3	WASHER-HARD (17X27X3.5-MM THK)						
B	5	1	<b>4M-0061</b>	1	BOLT (5/16-18X0.75-IN)						
B	6	1	<b>7H-3937</b>	1	LOCKWASHER						
B	7	1	<b>8T-4224</b>	1	WASHER-HARD (8.8X16X2-MM THK)						
	8	1	<b>9F-4337</b>	1	WIRE AS						

B - USE AS REQUIRED  
 C - CHANGE FROM PREVIOUS TYPE  
 R - REMANUFACTURED PART MAY BE AVAILABLE  
 Y - SEPARATE ILLUSTRATION



GRAPHIC #1

<END>

g00235873

# ELECTRICAL AND STARTING SYSTEM

## 7T-0798 STARTING MOTOR GP-ELECTRIC

S/N: 85Z3764-15150

24-VOLT

FIELD REPLACEMENT ORDER 4N-3181-PAGE: 1207, 6V-5227-PAGE: 1222, 6V-5795-  
PAGE: 1228

PART OF 3T-2652 STARTING MOTOR GP-ELECTRIC  
AN ATTACHMENT

SMCS-1453

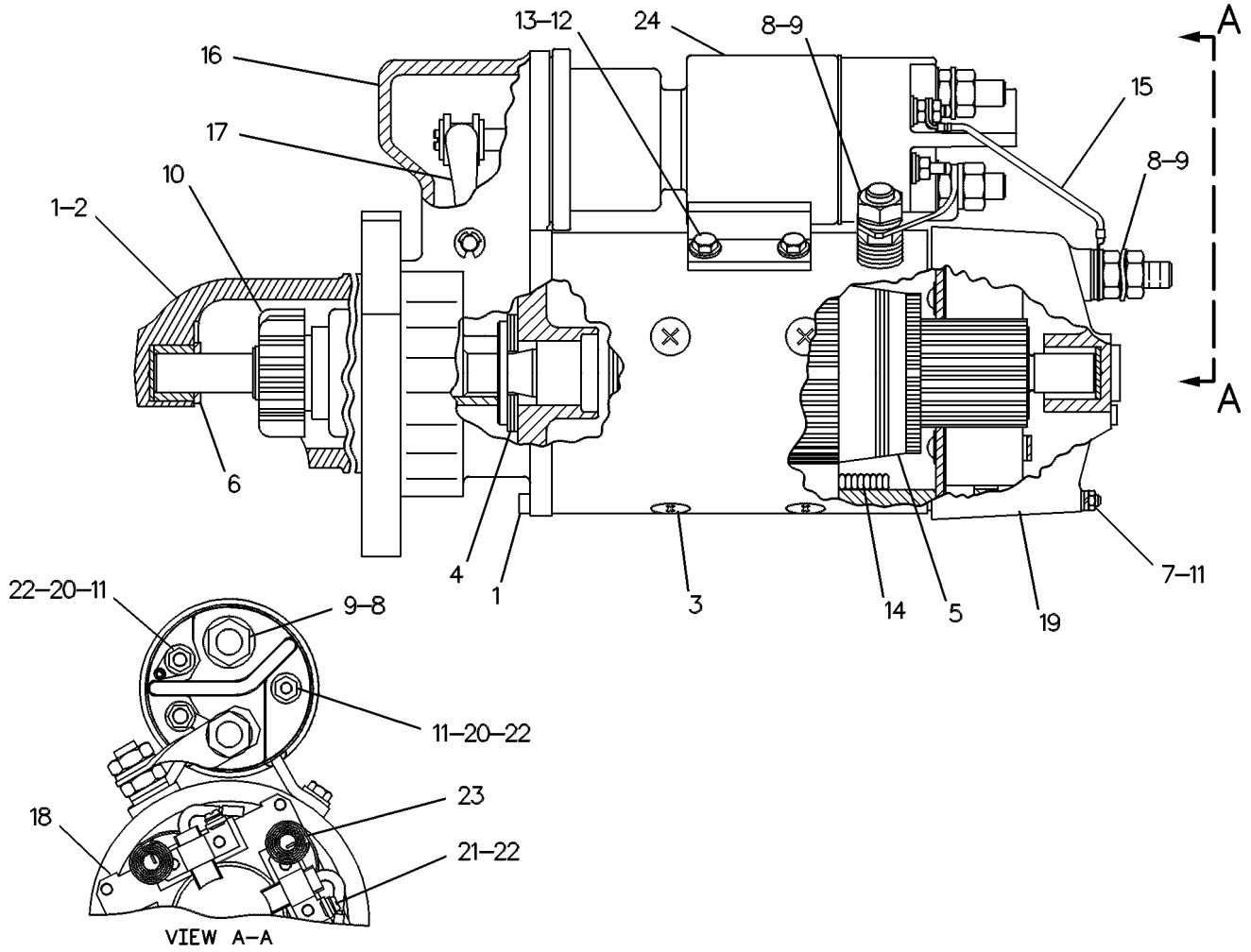
i04396499

NOTE	REF NO	GRAPHIC REF	PART NUMBER	QTY	PART NAME						SEE PAGE
					1	2	3	4	5	6 (PRODUCT LEVEL)	
M	1	1	<b>3T-0849</b>	12	BOLT-SOCKET HEAD (M6X1X25-MM)						
	2	1	<b>3T-7022</b>	1	HOUSING AS-DRIVE						
M	3	1	<b>3T-0850</b>	8	SCREW (M10X1.5-THD)						
	4	1	<b>3T-7021</b>	1	PLATE-BRAKE						
	5	1	<b>3T-0867</b>	1	ARMATURE AS (24-VOLT)						
	6	1	<b>3T-7020</b>	1	WASHER (19.5X30X1.5-MM THK)						
	7	1	<b>3T-0847</b>	4	SCREW-SPECIAL (M5X10-THD, M5X13-THD)						
	8	1	<b>7X-0562</b>	4	WASHER-HARD (13.5X19X0.8-MM THK)						
M	9	1	<b>8T-4244</b>	4	NUT (M12X1.75-THD)						
	10	1	<b>4N-4517</b>	1	DRIVE AS-MOTOR						
M	11	1	<b>5C-2874</b>	6	NUT (M5X0.8-THD)						
M	12	1	<b>8T-4970</b>	4	BOLT (M6X1X14-MM)						
	13	1	<b>8T-4205</b>	4	WASHER-HARD (7.2X14.5X2-MM THK)						
	14	1	<b>3T-0865</b>	1	COIL AS-FIELD						
	15	1	<b>3T-4716</b>	1	WIRE AS						
	16	1	<b>3T-0864</b>	1	HOUSING AS-LEVER						
	17	1	<b>3T-0863</b>	1	LEVER-SHIFT						
	18	1	<b>3T-0862</b>	1	PLATE AS-BRUSH						
	19	1	<b>3T-7025</b>	1	COVER-END						
	20	1	<b>8F-1434</b>	2	LOCKWASHER						
M	21	1	<b>6V-9673</b>	4	SCREW-MACHINE (M5X0.8X12-MM)						
	22	1	<b>8T-0328</b>	6	WASHER-HARD (5.5X10X1-MM THK)						
	23	1	<b>3T-0858</b>	4	SPRING						
	24	1	<b>9X-0332</b>	1	KIT-SOLENOID (24-VOLT) (STARTING MOTOR)						
					(INCLUDES SOLENOID AS, WIRE, LOCKWASHERS, BAR & NUT)						
					AVAILABLE REPAIR KIT(S):						
			<b>3T-0844</b>	1	KIT-BRUSH (STARTING MOTOR)						
					(INCLUDES BRUSHES)						
			<b>3T-2768</b>	1	KIT-SEAL (STARTING MOTOR)						
					(INCLUDES SEALS & RINGS)						
			<b>3T-2769</b>	1	KIT-HARDWARE (STARTING MOTOR)						
					(INCLUDES WIRE AS, NUTS, WASHERS, LOCKWASHERS, BUSHING & BAR)						
			<b>3T-7017</b>	1	KIT-BEARING (STARTING MOTOR)						
					(INCLUDES BEARINGS, SEAL & SPACERS)						
			<b>7T-2339</b>	1	KIT-LEVER (STARTING MOTOR)						
					(INCLUDES LEVER, CLIP & SEALS)						
M - METRIC PART											

# ELECTRICAL AND STARTING SYSTEM

7T-0798 STARTING MOTOR GP-ELECTRIC (contd.)

i04396499



GRAPHIC #1

<END>

g00237703

# ELECTRICAL AND STARTING SYSTEM

## 7T-2265 STARTING MOTOR GP-ELECTRIC

S/N: 85Z3764-UP

12 VOLT

FIELD REPLACEMENT ORDER 6V-3948-PAGE: 1211

PART OF 3T-2655 STARTING MOTOR GP-ELECTRIC

SMCS-1453

i01896231

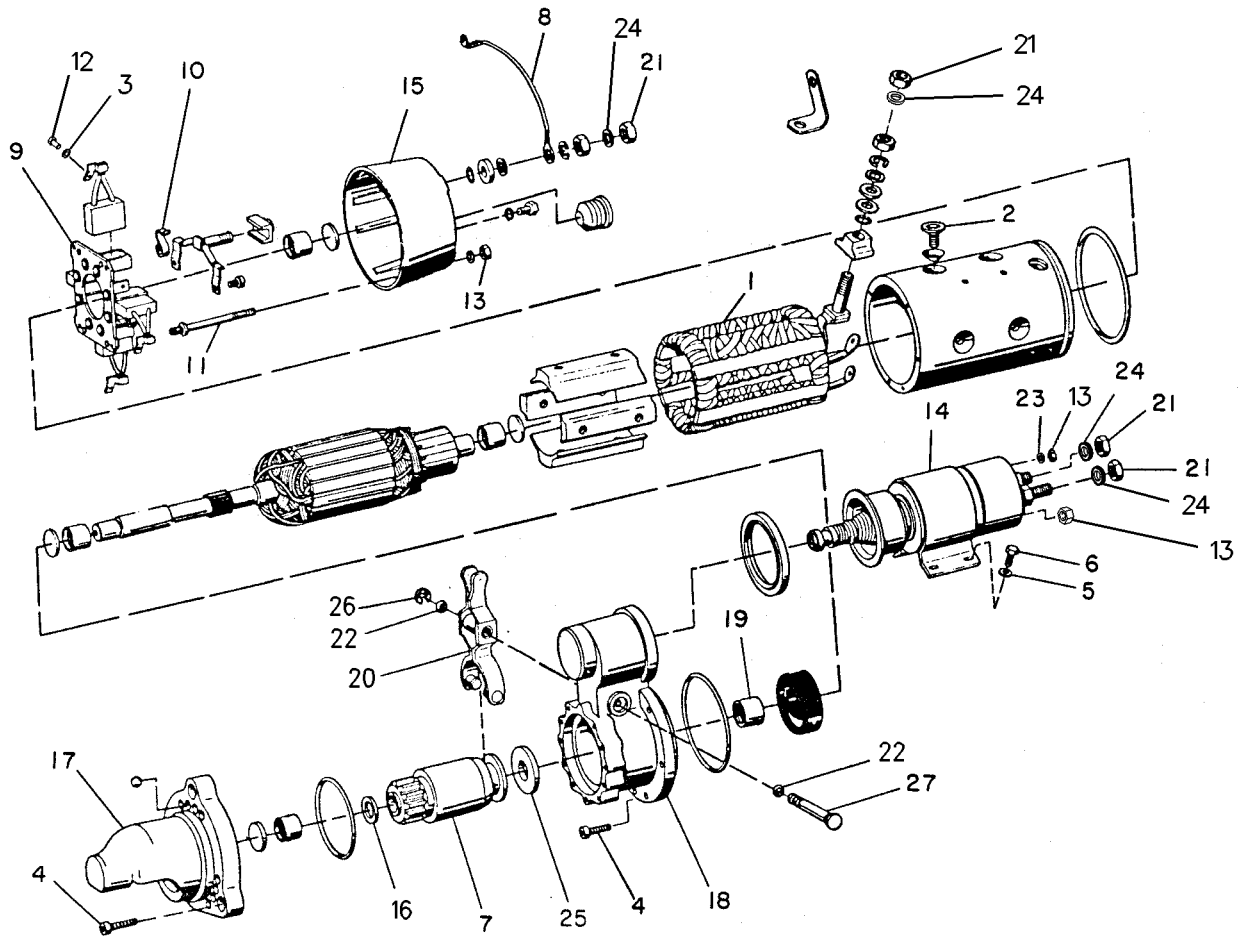
NOTE	REF NO	GRAPHIC REF	PART NUMBER	QTY	PART NAME						SEE PAGE
					1	2	3	4	5	6 (PRODUCT LEVEL)	
C	1	1	<b>7T-2883</b>	1	COIL AS-FIELD						
M	2	1	<b>3T-0850</b>	8	SCREW (M10X1.5-THD)						
	3	1	<b>8T-0328</b>	6	WASHER-HARD (5.5X10X1-MM THK)						
M	4	1	<b>3T-0849</b>	12	BOLT-SOCKET HEAD (M6X1X25-MM)						
C	5	1	<b>8T-4205</b>	4	WASHER-HARD (7.2X14.5X2-MM THK)						
CM	6	1	<b>8T-4970</b>	4	BOLT (M6X1X14-MM)						
	7	1	<b>4N-4517</b>	1	DRIVE AS-MOTOR						
	8	1	<b>3T-4716</b>	1	WIRE AS						
	9	1	<b>7T-2882</b>	1	PLATE AS-BRUSH						
	10	1	<b>3T-0858</b>	4	SPRING						
	11	1	<b>3T-0847</b>	4	SCREW-SPECIAL (M5X10-THD, M5X13-THD)						
CM	12	1	<b>6V-9673</b>	4	SCREW-MACHINE (M5X0.8X12-MM)						
CM	13	1	<b>5C-2874</b>	6	NUT (M5X0.8-THD)						
C	14	1	<b>9X-8236</b>	1	SOLENOID AS (STARTING MOTOR)						
	15	1	<b>3T-7025</b>	1	COVER-END						
	16	1	<b>3T-7020</b>	1	WASHER (19.5X30X1.5-MM THK)						
	17	1	<b>3T-7022</b>	1	HOUSING AS-DRIVE						
	18	1	<b>3T-0864</b>	1	HOUSING AS-LEVER						
	19	1	<b>3T-0842</b>	1	BEARING AS						
	20	1	<b>3T-0863</b>	1	LEVER-SHIFT						
CM	21	1	<b>8T-4244</b>	4	NUT (M12X1.75-THD)						
JZ	22	1		2	SEAL						
	23	1	<b>8F-1434</b>	2	LOCKWASHER						
C	24	1	<b>7X-0562</b>	4	WASHER-HARD (13.5X19X0.8-MM THK)						
	25	1	<b>3T-7021</b>	1	PLATE-BRAKE						
JZ	26	1		1	CLIP						
JZ	27	1		1	LEVER						
					AVAILABLE REPAIR KIT(S):						
J			<b>7T-2339</b>	1	KIT-LEVER						
C			<b>9X-9652</b>	1	KIT-ARMATURE (STARTING MOTOR)						
					(INCLUDES ARMATURE, SEAL, BEARINGS, PLUG & SHIMS)						
C			<b>3T-7017</b>	1	KIT-BEARING						
					(INCLUDES BEARINGS, SEAL & SPACERS)						
C			<b>3T-2769</b>	1	KIT-HARDWARE (STARTING MOTOR)						
					(INCLUDES BUSHINGS, WASHERS, NUTS, LOCKWASHERS, BAR & WIRE ASSEMBLIES)						
C			<b>9X-8235</b>	1	KIT-BRUSH (STARTING MOTOR)						
C			<b>3T-2768</b>	1	KIT-SEAL						
					(INCLUDES SEALS & GASKETS)						

C - CHANGE FROM PREVIOUS TYPE  
 J - KIT MARKED J INCLUDES PART(S) MARKED J  
 M - METRIC PART  
 Z - NOT SERVICED SEPARATELY

# ELECTRICAL AND STARTING SYSTEM

7T-2265 STARTING MOTOR GP-ELECTRIC (contd.)

i01896231



GRAPHIC #1

<END>

g00847171



# ELECTRICAL AND STARTING SYSTEM

## 8C-3596 STARTING MOTOR GP-ELECTRIC

S/N: 85Z3764-15150

12 VOLT

FIELD REPLACEMENT ORDER 3T-2655-PAGE: 1204, 6V-3948-PAGE: 1211

PART OF 4W-4756 STARTING MOTOR GP-ELECTRIC

AN ATTACHMENT

SMCS-1453

i01857575

NOTE	REF NO	GRAPHIC REF	PART NUMBER	QTY	PART NAME						SEE PAGE
					1	2	3	4	5	6 (PRODUCT LEVEL)	
	1	1	<b>5S-7349</b>	4	BOLT (1/4-20X0.5-IN)						
	2	1	<b>7L-2894</b>	1	GASKET						
	3	1	<b>2H-3429</b>	1	RING-RETAINING						
	4	1	<b>4B-2049</b>	2	NUT (10-32-THD)						
	5	1	<b>8F-1434</b>	2	LOCKWASHER						
	6	1	<b>7T-3271</b>	1	CONNECTOR						
	7	1	<b>8T-0328</b>	2	WASHER-HARD (5.5X10X1-MM THK)						
	8	1	<b>036-9823</b>	5	BOLT (1/4-28X1-IN)						
	9	1	<b>8T-8568</b>	1	COIL AS-FIELD						
	10	1	<b>3F-0379</b>	8	SCREW-POLE SHOE (3/8-24-THD)						
R	11	1	<b>7T-3275</b>	1	ARMATURE AS (12-VOLT)						
	12	1	<b>8H-1141</b>	4	SHOE-POLE						
	13	1	<b>7T-3454</b>	1	INSULATOR						
	14	1	<b>7T-3279</b>	1	HOUSING AS						
	15	1	<b>8T-8570</b>	1	HOLDER AS-BRUSH (STARTING MOTOR)						
	16	1	<b>3T-3422</b>	1	WIRE AS						
	17	1	<b>8T-8566</b>	1	TERMINAL AS						
	18	1	<b>8T-4205</b>	4	WASHER-HARD (7.2X14.5X2-MM THK)						
	19	1	<b>6V-8188</b>	4	NUT (1/2-13-THD)						
	20	1	<b>7X-0562</b>	4	WASHER-HARD (13.5X19X0.8-MM THK)						
PZ	21	1		1	GASKET (WASHER)						
	22	1	<b>7T-3451</b>	1	KIT-INSULATOR (STARTING MOTOR)						
	23	1	<b>8T-8569</b>	1	INSULATOR-TERMINAL						
	24	1	<b>3E-5449</b>	1	SOLENOID AS-STARTING MOTOR (12-VOLT)						
	25	1	<b>036-9821</b>	1	WASHER						
	26	1	<b>7T-3269</b>	1	BOOT						
	27	1	<b>7T-3270</b>	1	PLUNGER AS						
	28	1	<b>9M-7609</b>	1	SPRING (SHIFT LEVER)						
	29	1	<b>4M-1828</b>	1	RETAINER-SPRING						
	30	1	<b>4M-1827</b>	1	RETAINER-SPRING						
	31	1	<b>4M-1831</b>	1	PLUG-LEVER HOUSING						
	32	1	<b>7T-3973</b>	1	HOUSING AS-LEVER						
	33	1	<b>7T-3974</b>	1	HOUSING AS-DRIVE						
	34	1	<b>7X-3373</b>	6	BOLT (5/16-18X0.88-IN)						
R	35	1	<b>6N-3827</b>	1	DRIVE AS-MOTOR						
Z	36	1		1	HOUSING						
JZ	37	1		4	SPRING						
JZ	38	1		4	BRUSH						
JZ	39	1		4	SCREW						
JPZ	40	1		6	SCREW AS						
JPZ	41	1		1	SEAL (O-RING)						
LZ	42	1		3	INSULATOR						
LZ		1		1	BUSHING						
NZ	43	1		1	LEVER AS						
NZ	44	1		1	LEVER AS						

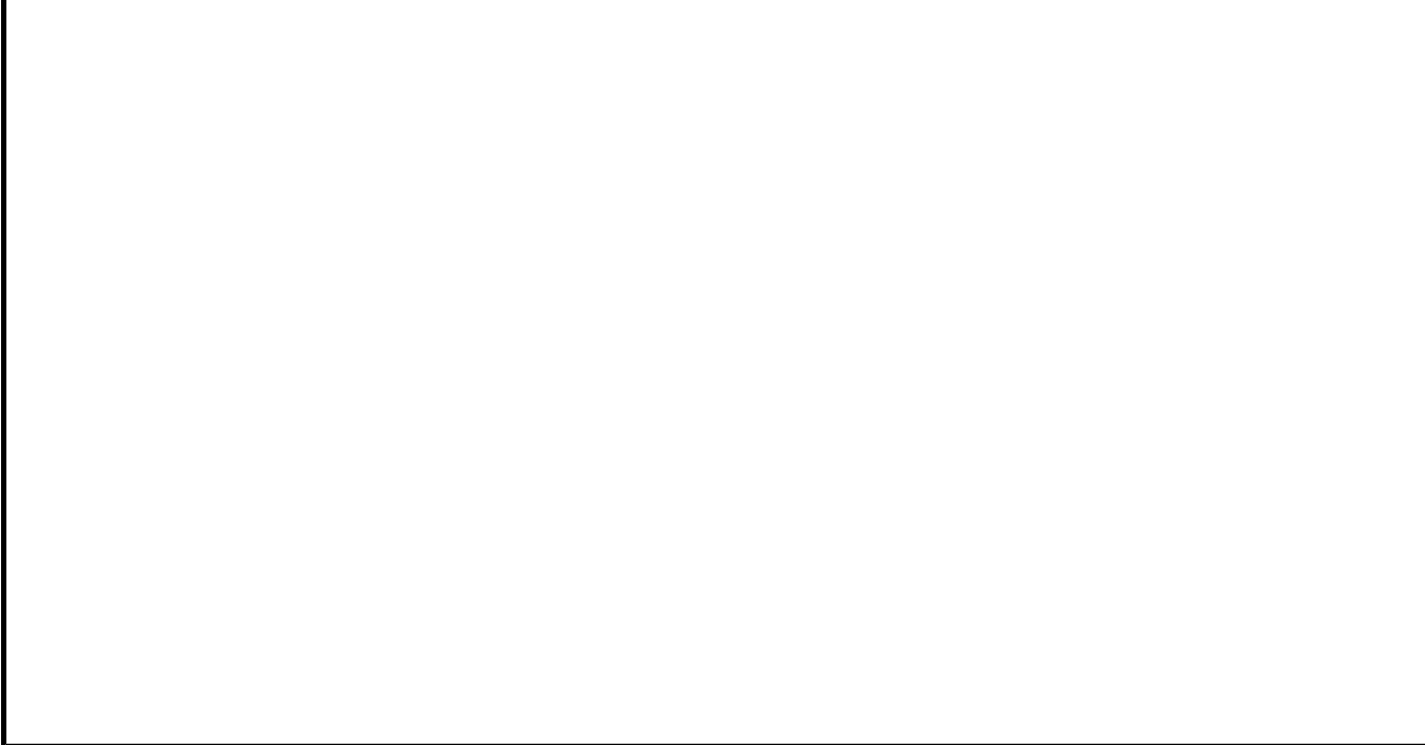
# ELECTRICAL AND STARTING SYSTEM

8C-3596 **STARTING MOTOR GP-ELECTRIC** (contd.)

**i01857575**

NOTE	REF NO	GRAPHIC REF	PART NUMBER	QTY	PART NAME						SEE PAGE
					1	2	3	4	5	6 (PRODUCT LEVEL)	
NPZ	45	1		1	NUT						
NPZ	46	1		1	SEAL (O-RING)						
PZ	47	1		1	SEAL (O-RING)						
NZ	48	1		1	RETAINER						
PZ	49	1		1	BUSHING						
PZ	50	1		1	BUSHING						
PZ	51	1		2	CUP (PLUG)						
PZ	52	1		1	CUP (PLUG)						
PZ	53	1		1	PLUG						
PZ	54	1		1	PLUG						
PZ	55	1		1	PLUG						
PZ	56	1		1	BUSHING						
PZ	57	1		1	WASHER						
NZ	58	1		1	SEAL (O-RING)						
NZ	59	1		1	SEAL (O-RING)						
PZ	60	1		1	RETAINER (SEAL)						
PZ	61	1		1	SPACER						
AF		1	<b>3T-3434</b>	6	PLUG						
(USED TO PLUG EXTRA HOLES IN HOUSING AS)											
AVAILABLE REPAIR KIT(S):											
J			<b>8T-9885</b>	1	KIT-BRUSH (STARTING MOTOR)						
P			<b>7T-3267</b>	1	KIT-BUSHING (STARTING MOTOR)						
N			<b>7T-3268</b>	1	KIT-LEVER (STARTING MOTOR)						
L			<b>8T-9884</b>	1	KIT-INSULATOR (STARTING MOTOR)						

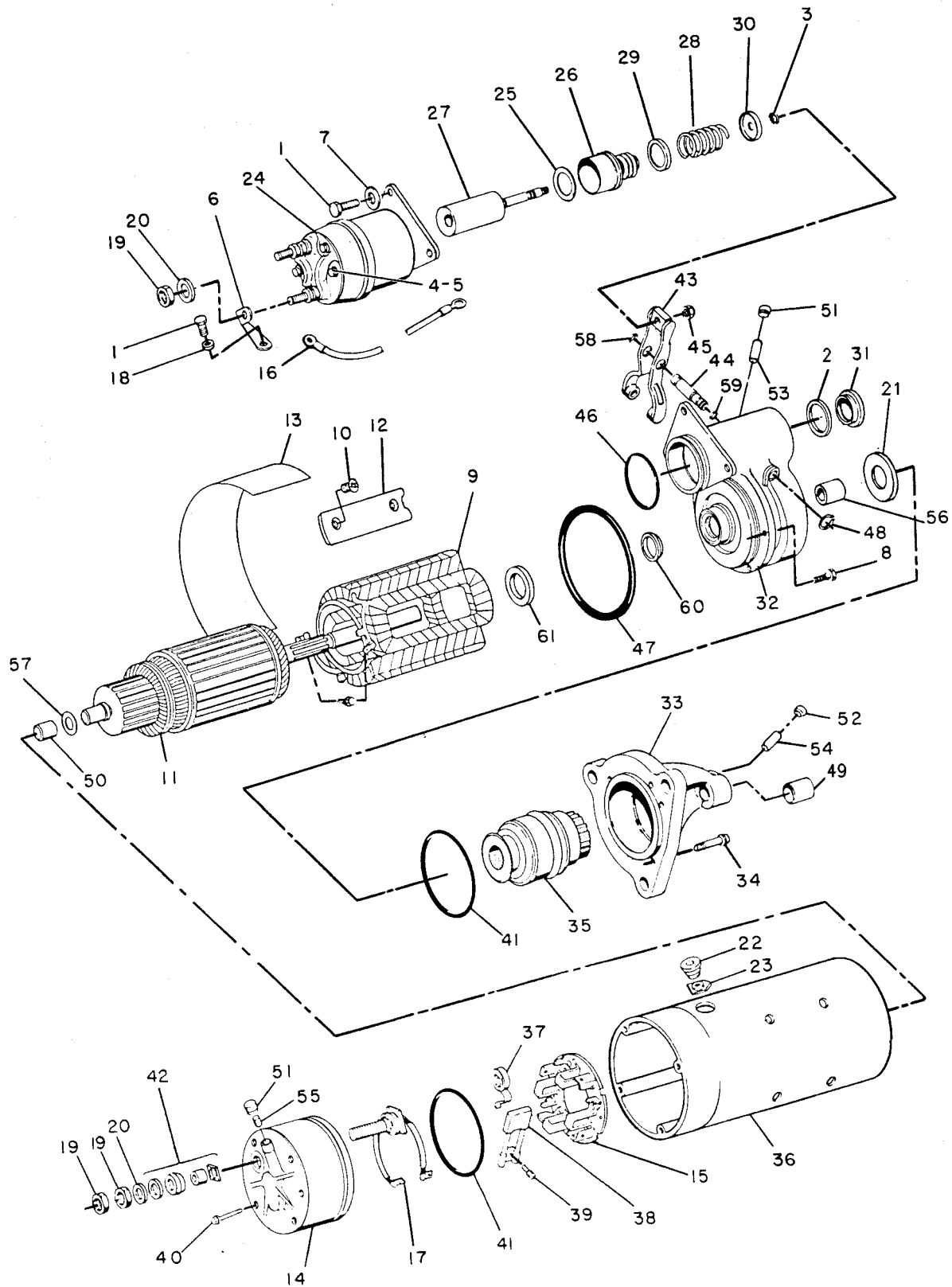
A - NOT PART OF THIS GROUP  
 F - NOT SHOWN  
 J - KIT MARKED J INCLUDES PART(S) MARKED J  
 L - KIT MARKED L INCLUDES PART(S) MARKED L  
 N - KIT MARKED L INCLUDES PART(S) MARKED N  
 P - KIT MARKED P INCLUDES PART(S) MARKED P  
 R - REMANUFACTURED PART MAY BE AVAILABLE  
 Z - NOT SERVICED SEPARATELY



# ELECTRICAL AND STARTING SYSTEM

8C-3596 STARTING MOTOR GP-ELECTRIC (contd.)

101857575



GRAPHIC #1

<END>

g00240320

# ELECTRICAL AND STARTING SYSTEM

## 8C-3597 STARTING MOTOR GP-ELECTRIC

S/N: 85Z3764-15164

24 VOLT

FIELD REPLACEMENT ORDER 4N-3181-PAGE: 1207, 6V-5795-PAGE: 1228

PART OF 4W-4757 STARTING MOTOR GP-ELECTRIC

SMCS-1453

i02014600

NOTE	REF NO	GRAPHIC REF	PART NUMBER	QTY	PART NAME						SEE PAGE
					1	2	3	4	5	6 (PRODUCT LEVEL)	
	1	1	<b>5S-7349</b>	4	BOLT (1/4-20X0.5-IN)						
	2	1	<b>8T-0328</b>	2	WASHER-HARD (5.5X10X1-MM THK)						
	3	1	<b>2H-3429</b>	1	RING-RETAINING						
	4	1	<b>4B-2049</b>	2	NUT (10-32-THD)						
	5	1	<b>8F-1434</b>	2	LOCKWASHER						
	6	1	<b>7T-3271</b>	1	CONNECTOR						
	7	1	<b>8T-4205</b>	4	WASHER-HARD (7.2X14.5X2-MM THK)						
	8	1	<b>036-9823</b>	5	BOLT (1/4-28X1-IN)						
	9	1	<b>7T-3277</b>	1	COIL AS-FIELD						
	10	1	<b>3F-0379</b>	8	SCREW-POLE SHOE (3/8-24-THD)						
R	11	1	<b>7T-3276</b>	1	ARMATURE AS (24-VOLT)						
	12	1	<b>8H-1141</b>	4	SHOE-POLE						
	13	1	<b>7T-3454</b>	1	INSULATOR						
	14	1	<b>7T-3279</b>	1	HOUSING AS						
	15	1	<b>7T-3278</b>	1	HOLDER AS-BRUSH (STARTING MOTOR)						
	16	1	<b>3T-3422</b>	1	WIRE AS						
	17	1	<b>8T-8566</b>	1	TERMINAL AS						
	18	1	<b>7L-2894</b>	1	GASKET						
	19	1	<b>6V-8188</b>	4	NUT (1/2-13-THD)						
	20	1	<b>7X-0562</b>	4	WASHER-HARD (13.5X19X0.8-MM THK)						
	21	1	<b>1H-2629</b>	2	STRIP-INSULATION						
	22	1	<b>7T-3451</b>	1	KIT-INSULATOR (STARTING MOTOR)						
	23	1	<b>8T-8569</b>	1	INSULATOR-TERMINAL						
	24	1	<b>9X-9511</b>	1	SOLENOID AS (24-VOLT) (STARTING MOTOR)						
	25	1	<b>036-9821</b>	1	WASHER						
	26	1	<b>7T-3269</b>	1	BOOT						
	27	1	<b>7T-3270</b>	1	PLUNGER AS						
	28	1	<b>9M-7609</b>	1	SPRING (SHIFT LEVER)						
	29	1	<b>4M-1828</b>	1	RETAINER-SPRING						
	30	1	<b>4M-1827</b>	1	RETAINER-SPRING						
	31	1	<b>4M-1831</b>	1	PLUG-LEVER HOUSING						
	32	1	<b>7T-3973</b>	1	HOUSING AS-LEVER						
	33	1	<b>7T-3974</b>	1	HOUSING AS-DRIVE						
	34	1	<b>7X-3373</b>	6	BOLT (5/16-18X0.88-IN)						
R	35	1	<b>6N-3827</b>	1	DRIVE AS-MOTOR						
Z	36	1		1	HOUSING						
JZ	37	1		4	SPRING						
JZ	38	1		4	BRUSH						
JZ	39	1		4	SCREW						
JPZ	40	1		6	SCREW AS						
JPZ	41	1		1	SEAL (O-RING)						
LZ	42	1		3	INSULATOR						
LZ		1		1	BUSHING						
NZ	43	1		1	LEVER AS						
NZ	44	1		1	LEVER AS						
NPZ	45	1		1	NUT						

# ELECTRICAL AND STARTING SYSTEM

**8C-3597 STARTING MOTOR GP-ELECTRIC (contd.)**

**i02014600**

NOTE	REF NO	GRAPHIC REF	PART NUMBER	QTY	PART NAME						SEE PAGE
					1	2	3	4	5	6 (PRODUCT LEVEL)	
NPZ	46	1		1	SEAL (O-RING)						
PZ	47	1		1	SEAL (O-RING)						
NZ	48	1		1	RETAINER						
PZ	49	1		1	GASKET (WASHER)						
PZ	50	1		1	BUSHING						
PZ	51	1		2	CUP (PLUG)						
PZ	52	1		1	CUP (PLUG)						
PZ	53	1		1	PLUG						
PZ	54	1		1	PLUG						
PZ	55	1		1	PLUG						
PZ	56	1		1	BUSHING						
PZ	57	1		1	WASHER						
NZ	58	1		1	SEAL (O-RING)						
NZ	59	1		1	SEAL (O-RING)						
PZ	60	1		1	RETAINER (SEAL)						
PZ	61	1		1	SPACER						
PZ	62	1		1	BUSHING						
Q		1	<b>3T-3434</b>	6	PLUG						

**AVAILABLE REPAIR KIT(S) :**

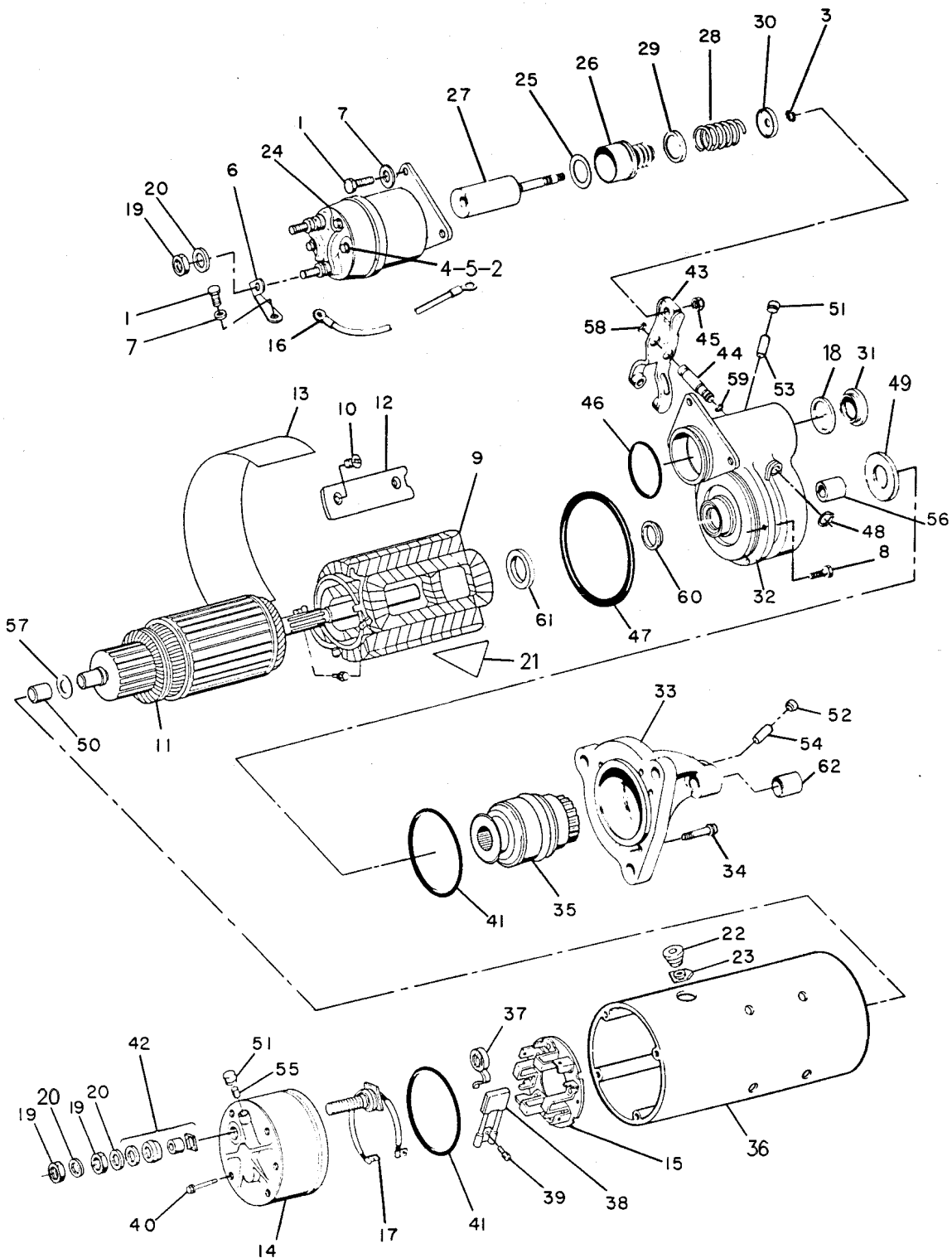
J		<b>8C-3655</b>	1	KIT-BRUSH (STARTING MOTOR)						
P		<b>7T-3267</b>	1	KIT-BUSHING (STARTING MOTOR)						
N		<b>7T-3268</b>	1	KIT-LEVER (STARTING MOTOR)						
L		<b>8T-9884</b>	1	KIT-INSULATOR (STARTING MOTOR)						

J - KIT MARKED J INCLUDES PART(S) MARKED J  
 L - KIT MARKED L INCLUDES PART(S) MARKED L  
 N - KIT MARKED N INCLUDES PART(S) MARKED N  
 P - KIT MARKED P INCLUDES PART(S) MARKED P  
 Q - REQUIRED TO PLUG EXTRA HOLES IN HSG AS.  
 R - REMANUFACTURED PART MAY BE AVAILABLE  
 Z - NOT SERVICED SEPARATELY

# ELECTRICAL AND STARTING SYSTEM

8C-3597 STARTING MOTOR GP-ELECTRIC (contd.)

i02014600



GRAPHIC #1

<END>

g00240509

# ELECTRICAL AND STARTING SYSTEM

## 8C-3597 STARTING MOTOR GP-ELECTRIC

S/N: 85Z15165-UP

24 VOLT

FIELD REPLACEMENT ORDER 4N-3181-PAGE: 1207, 6V-5795-PAGE: 1228

PART OF 4W-4757 STARTING MOTOR GP-ELECTRIC

SMCS-1453

i07526129

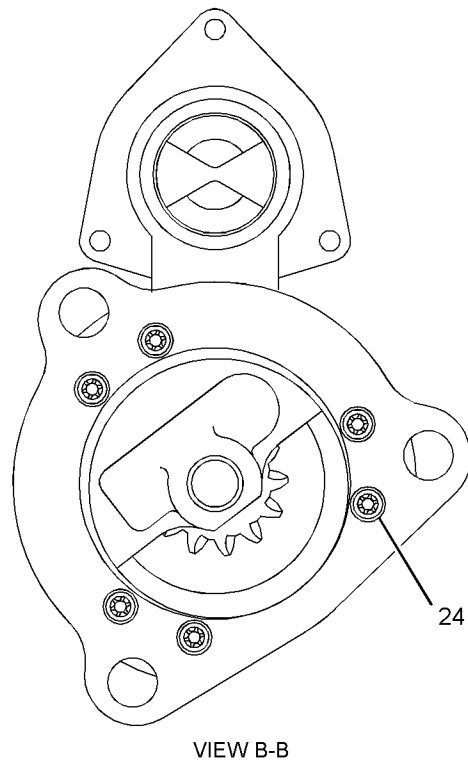
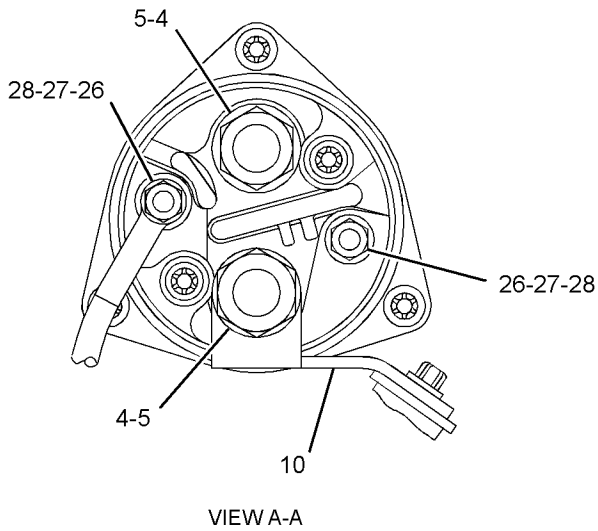
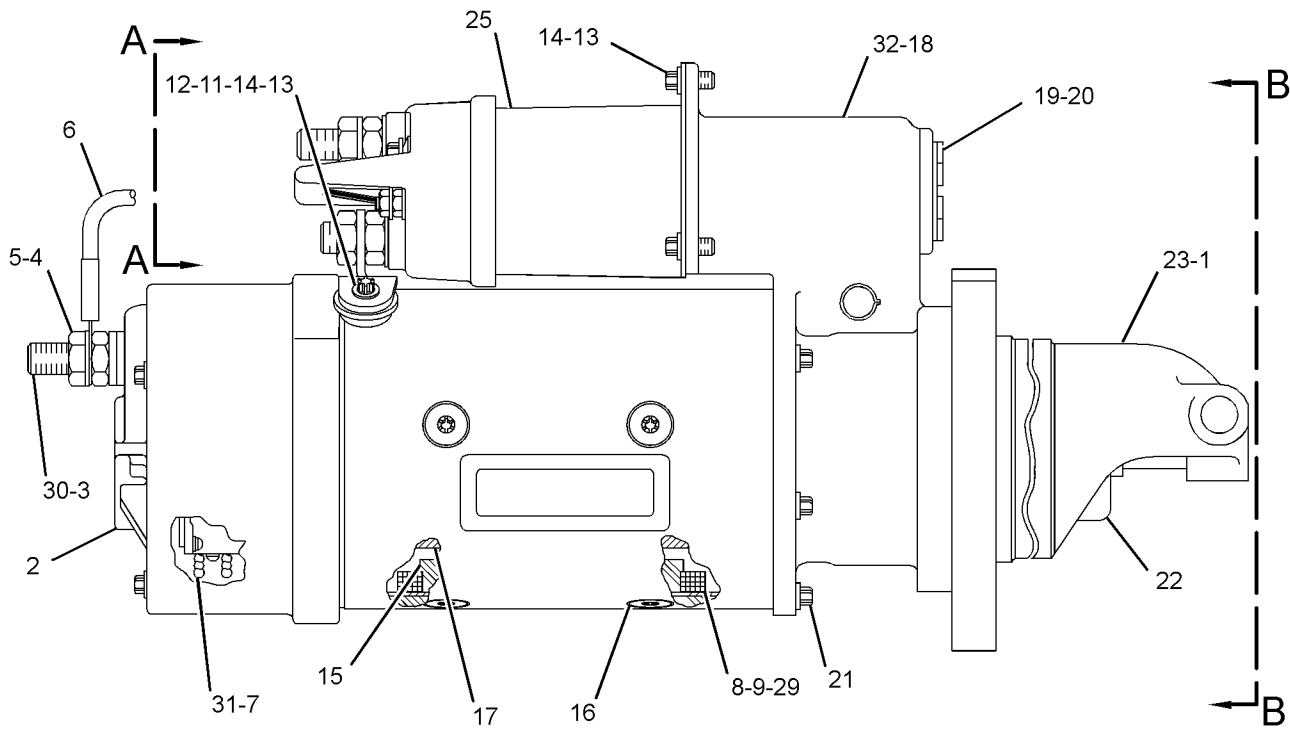
NOTE	REF NO	GRAPHIC REF	PART NUMBER	QTY	PART NAME						SEE PAGE
					1	2	3	4	5	6 (PRODUCT LEVEL)	
	1	1	<b>3T-3434</b>	6	PLUG						
	2	1	<b>7T-3279</b>	1	HOUSING AS						
	3	1	<b>8T-8566</b>	1	TERMINAL AS						
	4	1	<b>6V-8188</b>	4	NUT (1/2-13-THD)						
	5	1	<b>7X-0562</b>	4	WASHER-HARD (13.5X19X0.8-MM THK)						
	6	1	<b>3T-3422</b>	1	WIRE AS						
	7	1	<b>7T-3278</b>	1	HOLDER AS-BRUSH (STARTING MOTOR)						
	8	1	<b>7T-3277</b>	1	COIL AS-FIELD						
	9	1	<b>7T-3454</b>	1	INSULATOR						
	10	1	<b>283-1107</b>	1	KIT-CONNECTOR (STARTING MOTOR)						
					(INCLUDES CONNECTORS, TERMINAL-STARTER & BOLT)						
	11	1	<b>7T-3451</b>	1	KIT-INSULATOR (STARTING MOTOR)						
					(INCLUDES INSULATORS & GROMMET)						
	12	1	<b>8T-8569</b>	1	INSULATOR-TERMINAL						
	13	1	<b>5S-7349</b>	4	BOLT (1/4-20X0.5-IN)						
	14	1	<b>8T-4205</b>	4	WASHER-HARD (7.2X14.5X2-MM THK)						
	15	1	<b>8H-1141</b>	4	SHOE-POLE						
	16	1	<b>3R-8797</b>	8	SCREW & WASHER AS (3/8-24X0.72-IN)						
R	17	1	<b>7T-3276</b>	1	ARMATURE AS (24-VOLT)						
	18	1	<b>7T-3973</b>	1	HOUSING AS-LEVER						
	19	1	<b>4M-1831</b>	1	PLUG-LEVER HOUSING						
	20	1	<b>7L-2894</b>	1	GASKET						
	21	1	<b>0S-1597</b>	5	BOLT (1/4-28X1-IN)						
R	22	1	<b>6N-3827</b>	1	DRIVE AS-MOTOR						
	23	1	<b>7T-3974</b>	1	HOUSING AS-DRIVE						
	24	1	<b>7X-3373</b>	6	BOLT (5/16-18X0.88-IN)						
C	25	1	<b>548-9596</b>	1	KIT-SOLENOID (24-VOLT) (STARTING MOTOR)						
					(INCLUDES NUTS, BOLTS & CONNECTORS)						
C	26	1	<b>6V-8378</b>	2	NUT (10-32-THD)						
	27	1	<b>8F-1434</b>	2	LOCKWASHER						
	28	1	<b>8T-0328</b>	2	WASHER-HARD (5.5X10X1-MM THK)						
	29	1	<b>1H-2629</b>	2	STRIP-INSULATION						
	30	1	<b>8T-9884</b>	1	KIT-INSULATOR (STARTING MOTOR)						
					(INCLUDES INSULATORS & BUSHING)						
	31	1	<b>8C-3655</b>	1	KIT-BRUSH (STARTING MOTOR)						
					(INCLUDES BRUSHES, SPRINGS, SCREWS, SEAL & SCREW AS)						
	32	1	<b>7T-3268</b>	1	KIT-LEVER (STARTING MOTOR)						
					(INCLUDES LEVER ASSEMBLIES, SEALS, NUT, GASKET & RETAINER)						
					AVAILABLE REPAIR KIT(S):						
			<b>7T-3267</b>	1	KIT-BUSHING (STARTING MOTOR)						
					(INCLUDES BUSHINGS, WICKS, CUPS, SEALS, GASKET, SCREW AS, WASHERS, SPACER & NUT)						

C - CHANGE FROM PREVIOUS TYPE  
R - REMANUFACTURED PART MAY BE AVAILABLE

# ELECTRICAL AND STARTING SYSTEM

8C-3597 STARTING MOTOR GP-ELECTRIC (contd.)

i07526129



GRAPHIC #1

<END>

g01957695



# ELECTRICAL AND STARTING SYSTEM

## 8C-3647 STARTING MOTOR GP-ELECTRIC

S/N: 85Z3764-15150

24-VOLT

FIELD REPLACEMENT ORDER 6V-5227-PAGE: 1222, 6V-5795-PAGE: 1228

PART OF 3T-2652 STARTING MOTOR GP-ELECTRIC

AN ATTACHMENT

SMCS-1453

i01836694

NOTE	REF NO	GRAPHIC REF	PART NUMBER	QTY	PART NAME						SEE PAGE
					1	2	3	4	5	6 (PRODUCT LEVEL)	
	1	1	<b>5S-7349</b>	4	BOLT (1/4-20X0.5-IN)						
	2	1	<b>8T-0328</b>	2	WASHER-HARD (5.5X10X1-MM THK)						
	3	1	<b>2H-3429</b>	1	RING-RETAINING						
	4	1	<b>4B-2049</b>	2	NUT (10-32-THD)						
	5	1	<b>8F-1434</b>	2	LOCKWASHER						
	6	1	<b>7T-3271</b>	1	CONNECTOR						
	7	1	<b>8T-4205</b>	4	WASHER-HARD (7.2X14.5X2-MM THK)						
	8	1	<b>036-9823</b>	5	BOLT (1/4-28X1-IN)						
	9	1	<b>7T-3277</b>	1	COIL AS-FIELD						
	10	1	<b>3F-0379</b>	8	SCREW-POLE SHOE (3/8-24-THD)						
R	11	1	<b>7T-3276</b>	1	ARMATURE AS (24-VOLT)						
	12	1	<b>8H-1141</b>	4	SHOE-POLE						
	13	1	<b>7T-3454</b>	1	INSULATOR						
	14	1	<b>7T-3279</b>	1	HOUSING AS						
	15	1	<b>7T-3278</b>	1	HOLDER AS-BRUSH (STARTING MOTOR)						
	16	1	<b>3T-3422</b>	1	WIRE AS						
	17	1	<b>8T-8566</b>	1	TERMINAL AS						
	18	1	<b>3T-3434</b>	6	PLUG						
	19	1	<b>6V-8188</b>	4	NUT (1/2-13-THD)						
	20	1	<b>7X-0562</b>	4	WASHER-HARD (13.5X19X0.8-MM THK)						
Z	21	1		1	HOUSING						
	22	1	<b>7T-3451</b>	1	KIT-INSULATOR (STARTING MOTOR)						
	23	1	<b>8T-8569</b>	1	INSULATOR-TERMINAL						
	24	1	<b>9X-9511</b>	1	SOLENOID AS (24-VOLT) (STARTING MOTOR)						
	25	1	<b>036-9821</b>	1	WASHER						
	26	1	<b>7T-3269</b>	1	BOOT						
	27	1	<b>7T-3270</b>	1	PLUNGER AS						
	28	1	<b>9M-7609</b>	1	SPRING (SHIFT LEVER)						
	29	1	<b>4M-1828</b>	1	RETAINER-SPRING						
	30	1	<b>4M-1827</b>	1	RETAINER-SPRING						
	31	1	<b>4M-1831</b>	1	PLUG-LEVER HOUSING						
	32	1	<b>3E-7775</b>	1	HOUSING AS						
	33	1	<b>7T-3974</b>	1	HOUSING AS-DRIVE						
	34	1	<b>7X-3373</b>	6	BOLT (5/16-18X0.88-IN)						
R	35	1	<b>6N-3827</b>	1	DRIVE AS-MOTOR						
	36	1	<b>1H-2629</b>	2	STRIP-INSULATION						
JZ	37	1		4	SPRING						
JZ	38	1		4	BRUSH						
JZ	39	1		4	SCREW						
JPZ	40	1		6	SCREW AS						
JPZ	41	1		1	SEAL-O-RING						
LZ	42	1		3	INSULATOR						
LZ		1		1	BUSHING						
NZ	43	1		1	LEVER AS						
NZ	44	1		1	LEVER AS						

# ELECTRICAL AND STARTING SYSTEM

**8C-3647 STARTING MOTOR GP-ELECTRIC (contd.)**

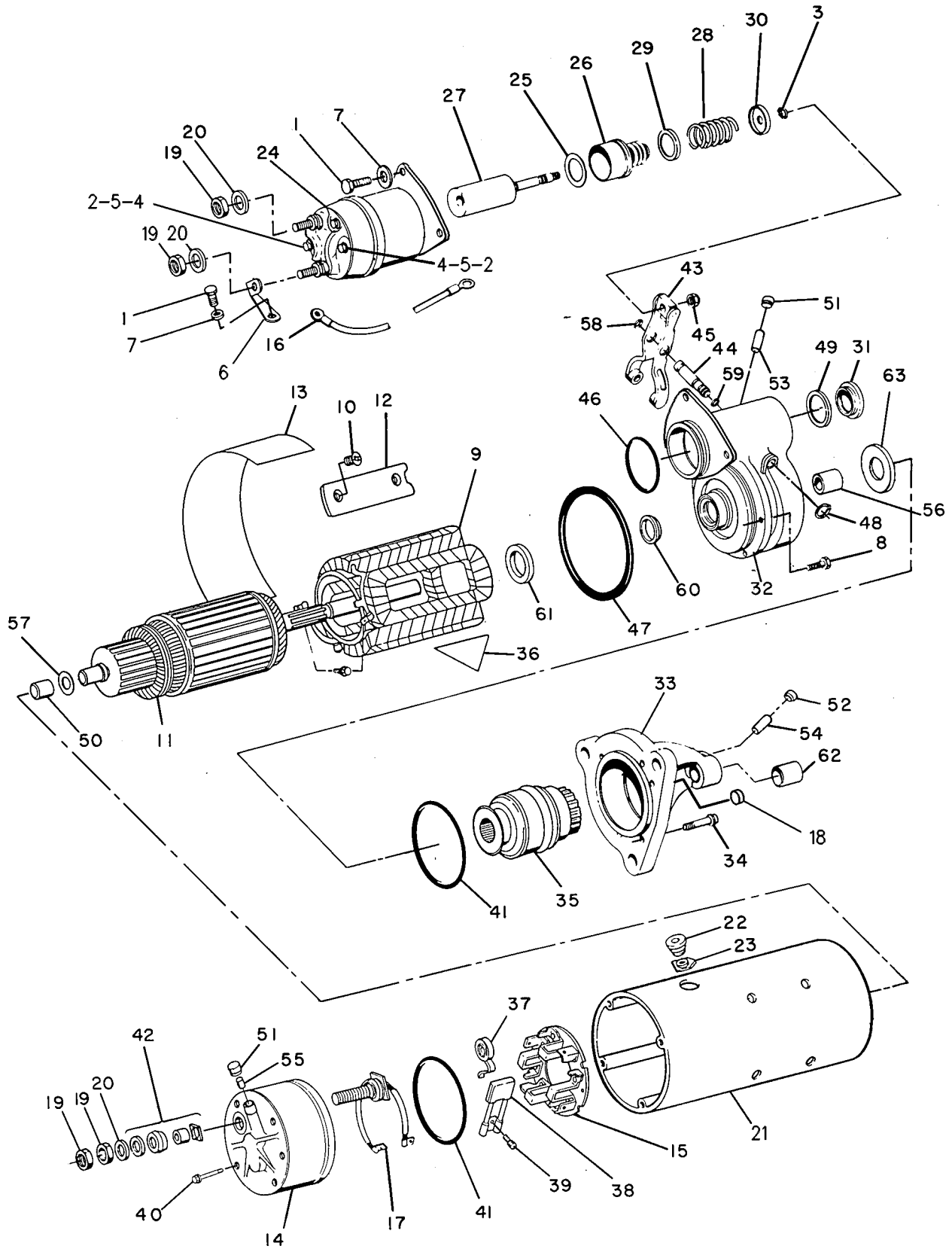
**i01836694**

NOTE	REF NO	GRAPHIC REF	PART NUMBER	QTY	PART NAME						SEE PAGE
					1	2	3	4	5	6 (PRODUCT LEVEL)	
NPZ	45	1		1	NUT						
NPZ	46	1		1	SEAL-O-RING						
PZ	47	1		1	SEAL-O-RING						
NZ	48	1		1	RETAINER						
NP	49	1	<b>7L-2894</b>	1	GASKET						
PZ	50	1		1	BUSHING						
PZ	51	1		2	PLUG-CUP						
PZ	52	1		1	PLUG-CUP						
PZ	53	1		1	PLUG						
PZ	54	1		1	PLUG						
PZ	55	1		1	PLUG						
PZ	56	1		1	BUSHING						
PZ	57	1		1	WASHER						
NZ	58	1		1	SEAL-O-RING						
NZ	59	1		1	SEAL-O-RING						
PZ	60	1		1	RETAINER-SEAL						
PZ	61	1		1	SPACER						
PZ	62	1		1	BUSHING						
PZ	63	1		1	GASKET						
					AVAILABLE REPAIR KIT(S):						
J			<b>8C-3655</b>	1	KIT-BRUSH (STARTING MOTOR)						
					(INCLUDES SEAL, BRUSHES, SPRINGS, SCREWS & SCREW ASSEMBLIES)						
P			<b>7T-3267</b>	1	KIT-BUSHING (STARTING MOTOR)						
					(INCLUDES NUT, SPACER, GASKET, BUSHINGS, WICKS, CUPS, WASHERS, SEALS & SCREW ASSEMBLIES)						
N			<b>7T-3268</b>	1	KIT-LEVER (STARTING MOTOR)						
					(INCLUDES NUT, GASKET, RETAINER, SEALS & LEVER ASSEMBLIES)						
L			<b>8T-9884</b>	1	KIT-INSULATOR (STARTING MOTOR)						
					(INCLUDES BUSHING & INSULATORS)						
J - KIT MARKED J INCLUDES PART(S) MARKED J L - KIT MARKED L INCLUDES PART(S) MARKED L N - KIT MARKED N INCLUDES PART(S) MARKED N P - KIT MARKED P INCLUDES PART(S) MARKED P R - REMANUFACTURED PART MAY BE AVAILABLE Z - NOT SERVICED SEPARATELY											

# ELECTRICAL AND STARTING SYSTEM

8C-3647 STARTING MOTOR GP-ELECTRIC (contd.)

101836694



GRAPHIC #1

<END>

g00240262

# ELECTRICAL AND STARTING SYSTEM

## 8C-3648 STARTING MOTOR GP-ELECTRIC

S/N: 85Z3764-UP

12 VOLT

FIELD REPLACEMENT ORDER 6V-3948-PAGE: 1211

PART OF 3T-2655 STARTING MOTOR GP-ELECTRIC

SMCS-1453

i01940525

NOTE	REF NO	GRAPHIC REF	PART NUMBER	QTY	PART NAME						SEE PAGE
					1	2	3	4	5	6 (PRODUCT LEVEL)	
	1	1	<b>5S-7349</b>	4	BOLT (1/4-20X0.5-IN)						
	2	1	<b>7L-2894</b>	1	GASKET						
	3	1	<b>2H-3429</b>	1	RING-RETAINING						
	4	1	<b>4B-2049</b>	2	NUT (10-32-THD)						
	5	1	<b>8F-1434</b>	2	LOCKWASHER						
	6	1	<b>7T-3271</b>	1	CONNECTOR						
	7	1	<b>8T-4205</b>	4	WASHER-HARD (7.2X14.5X2-MM THK)						
	8	1	<b>036-9823</b>	5	BOLT (1/4-28X1-IN)						
	9	1	<b>8T-8568</b>	1	COIL AS-FIELD						
	10	1	<b>3F-0379</b>	8	SCREW-POLE SHOE (3/8-24-THD)						
R	11	1	<b>7T-3275</b>	1	ARMATURE AS (12-VOLT)						
	12	1	<b>8H-1141</b>	4	SHOE-POLE						
	13	1	<b>7T-3454</b>	1	INSULATOR						
	14	1	<b>7T-3279</b>	1	HOUSING AS						
	15	1	<b>8T-8570</b>	1	HOLDER AS-BRUSH (STARTING MOTOR)						
	16	1	<b>3T-3422</b>	1	WIRE AS						
	17	1	<b>8T-8566</b>	1	TERMINAL AS						
	18	1	<b>8T-0328</b>	2	WASHER-HARD (5.5X10X1-MM THK)						
	19	1	<b>6V-8188</b>	4	NUT (1/2-13-THD)						
	20	1	<b>7X-0562</b>	4	WASHER-HARD (13.5X19X0.8-MM THK)						
	21	1	<b>3T-3434</b>	6	PLUG						
	22	1	<b>7T-3451</b>	1	KIT-INSULATOR (STARTING MOTOR)						
	23	1	<b>8T-8569</b>	1	INSULATOR-TERMINAL						
	24	1	<b>3E-5449</b>	1	SOLENOID AS-STARTING MOTOR (12-VOLT)						
	25	1	<b>036-9821</b>	1	WASHER						
	26	1	<b>7T-3269</b>	1	BOOT						
	27	1	<b>7T-3270</b>	1	PLUNGER AS						
	28	1	<b>9M-7609</b>	1	SPRING (SHIFT LEVER)						
	29	1	<b>4M-1828</b>	1	RETAINER-SPRING						
	30	1	<b>4M-1827</b>	1	RETAINER-SPRING						
	31	1	<b>4M-1831</b>	1	PLUG-LEVER HOUSING						
	32	1	<b>7T-3973</b>	1	HOUSING AS-LEVER						
	33	1	<b>7T-3974</b>	1	HOUSING AS-DRIVE						
	34	1	<b>7X-3373</b>	6	BOLT (5/16-18X0.88-IN)						
R	35	1	<b>6N-3827</b>	1	DRIVE AS-MOTOR						
Z	36	1		1	HOUSING						
JZ	37	1		4	SPRING						
JZ	38	1		4	BRUSH						
JZ	39	1		4	SCREW						
JPZ	40	1		6	SCREW AS						
JPZ	41	1		1	SEAL-O-RING						
LZ	42	1		3	INSULATOR						
LZ		1		1	BUSHING						
NZ	43	1		1	LEVER AS						
NZ	44	1		1	LEVER AS						
PZ	45	1		1	NUT						

# ELECTRICAL AND STARTING SYSTEM

**8C-3648 STARTING MOTOR GP-ELECTRIC (contd.)**

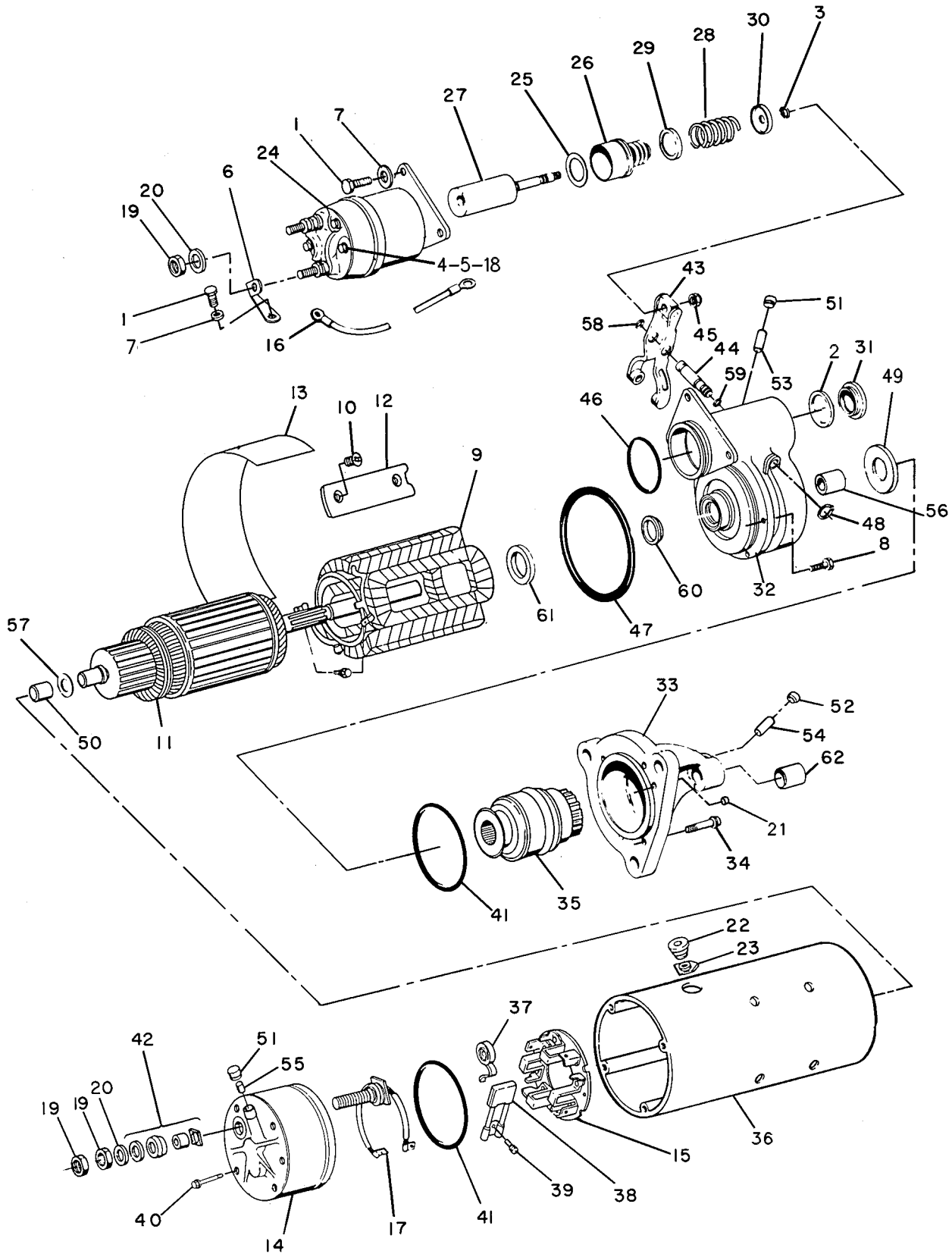
**i01940525**

NOTE	REF NO	GRAPHIC REF	PART NUMBER	QTY	PART NAME						SEE PAGE
					1	2	3	4	5	6 (PRODUCT LEVEL)	
PZ	46	1		1	SEAL-O-RING						
PZ	47	1		1	SEAL-O-RING						
NZ	48	1		1	RETAINER						
PZ	49	1		1	GASKET						
PZ	50	1		1	BUSHING						
PZ	51	1		2	PLUG-CUP						
PZ	52	1		1	PLUG-CUP						
PZ	53	1		1	PLUG						
PZ	54	1		1	PLUG						
PZ	55	1		1	PLUG						
PZ	56	1		1	BUSHING						
PZ	57	1		1	WASHER						
NZ	58	1		1	SEAL-O-RING						
NZ	59	1		1	SEAL-O-RING						
PZ	60	1		1	RETAINER-SEAL						
PZ	61	1		1	SPACER						
PZ	62	1		1	BUSHING						
AVAILABLE REPAIR KIT(S):											
J			<b>8T-9885</b>	1	KIT-BRUSH (STARTING MOTOR)						
(INCLUDES SPRINGS, BRUSH ASSEMBLIES & SCREWS)											
P			<b>7T-3267</b>	1	KIT-BUSHING (STARTING MOTOR)						
(INCLUDES BUSHING, CUPS, SEALS, SCREW AS, WASHERS, NUTS & WICKS)											
N			<b>7T-3268</b>	1	KIT-LEVER (STARTING MOTOR)						
(INCLUDES RETAINER, LEVER ASSEMBLIES, NUT & SEALS)											
L			<b>8T-9884</b>	1	KIT-INSULATOR (STARTING MOTOR)						
(INCLUDES BUSHING & INSULATORS)											
J - KIT MARKED J INCLUDES PART(S) MARKED J L - KIT MARKED L INCLUDES PART(S) MARKED L N - KIT MARKED N INCLUDES PART(S) MARKED N P - KIT MARKED P INCLUDES PART(S) MARKED P R - REMANUFACTURED PART MAY BE AVAILABLE Z - NOT SERVICED SEPARATELY											

# ELECTRICAL AND STARTING SYSTEM

8C-3648 STARTING MOTOR GP-ELECTRIC (contd.)

i01940525



GRAPHIC #1

<END>

g00240319

# ELECTRICAL AND STARTING SYSTEM

## 8C-3650 STARTING MOTOR GP-ELECTRIC

S/N: 85Z3764-UP

24 VOLT

FIELD REPLACEMENT ORDER 6V-5227-PAGE: 1222

PART OF 3T-4586 STARTING MOTOR GP-ELECTRIC

AN ATTACHMENT

SMCS-1453

i01896235

NOTE	REF NO	GRAPHIC REF	PART NUMBER	QTY	PART NAME						SEE PAGE
					1	2	3	4	5	6 (PRODUCT LEVEL)	
	1	1	<b>8F-1434</b>	2	LOCKWASHER						
	2	1	<b>6V-8188</b>	4	NUT (1/2-13-THD)						
	3	1	<b>8T-8566</b>	1	TERMINAL AS						
	4	1	<b>7X-0562</b>	4	WASHER-HARD (13.5X19X0.8-MM THK)						
	5	1	<b>3T-3422</b>	1	WIRE AS						
	6	1	<b>7T-3278</b>	1	HOLDER AS-BRUSH (STARTING MOTOR)						
	7	1	<b>5S-7349</b>	4	BOLT (1/4-20X0.5-IN)						
	8	1	<b>8T-4205</b>	4	WASHER-HARD (7.2X14.5X2-MM THK)						
R	9	1	<b>7T-3276</b>	2	ARMATURE AS (24-VOLT)						
	10	1	<b>4M-1831</b>	1	PLUG-LEVER HOUSING						
	11	1	<b>7L-2894</b>	1	GASKET						
	12	1	<b>9X-9511</b>	1	SOLENOID AS (24-VOLT) (STARTING MOTOR)						
	13	1	<b>036-9821</b>	1	WASHER						
	14	1	<b>7T-3269</b>	1	BOOT						
	15	1	<b>4M-1828</b>	1	RETAINER-SPRING						
	16	1	<b>9M-7609</b>	1	SPRING (SHIFT LEVER)						
	17	1	<b>4M-1827</b>	1	RETAINER-SPRING						
	18	1	<b>2H-3429</b>	1	RING-RETAINING						
	19	1	<b>4B-2049</b>	2	NUT (10-32-THD)						
R	20	1	<b>6N-3827</b>	1	DRIVE AS-MOTOR						
	21	1	<b>7T-3279</b>	1	HOUSING AS						
	22	1	<b>8T-0328</b>	2	WASHER-HARD (5.5X10X1-MM THK)						
	23	1	<b>7T-3277</b>	1	COIL AS-FIELD						
	24	1	<b>7T-3454</b>	1	INSULATOR						
	25	1	<b>8H-1141</b>	4	SHOE-POLE						
	26	1	<b>3F-0379</b>	8	SCREW-POLE SHOE (3/8-24-THD)						
	27	1	<b>7T-3271</b>	1	CONNECTOR						
	28	1	<b>8T-8569</b>	1	INSULATOR-TERMINAL						
	29	1	<b>7T-3451</b>	1	KIT-INSULATOR (STARTING MOTOR)						
	30	1	<b>3E-7775</b>	1	HOUSING AS						
	31	1	<b>036-9823</b>	5	BOLT (1/4-28X1-IN)						
	32	1	<b>7T-3974</b>	1	HOUSING AS-DRIVE						
	33	1	<b>3T-3434</b>	6	PLUG						
	34	1	<b>7X-3373</b>	6	BOLT (5/16-18X0.88-IN)						
	35	1	<b>7T-3270</b>	1	PLUNGER AS						
	36	1	<b>1H-2629</b>	2	STRIP-INSULATION						
					AVAILABLE REPAIR KIT(S):						
			<b>8C-3655</b>	1	KIT-BRUSH (STARTING MOTOR) (INCLUDES SPRINGS, BRUSH ASSEMBLIES & SCREWS)						
			<b>7T-3267</b>	1	KIT-BUSHING (STARTING MOTOR) (INCLUDES BUSHING, CUPS, SEALS, SCREW AS, WASHERS, NUTS & WICKS)						
			<b>7T-3268</b>	1	KIT-LEVER (STARTING MOTOR) (INCLUDES RETAINER, LEVER ASSEMBLIES, NUT & SEALS)						

# ELECTRICAL AND STARTING SYSTEM

8C-3650 **STARTING MOTOR GP-ELECTRIC (contd.)**

**i01896235**

NOTE	REF	GRAPHIC	PART NUMBER	QTY	PART NAME						SEE PAGE
	NO	REF			1	2	3	4	5	6 (PRODUCT LEVEL)	
			<b>8T-9884</b>	1	KIT-INSULATOR (STARTING MOTOR)						
					(INCLUDES BUSHING & INSULATORS)						

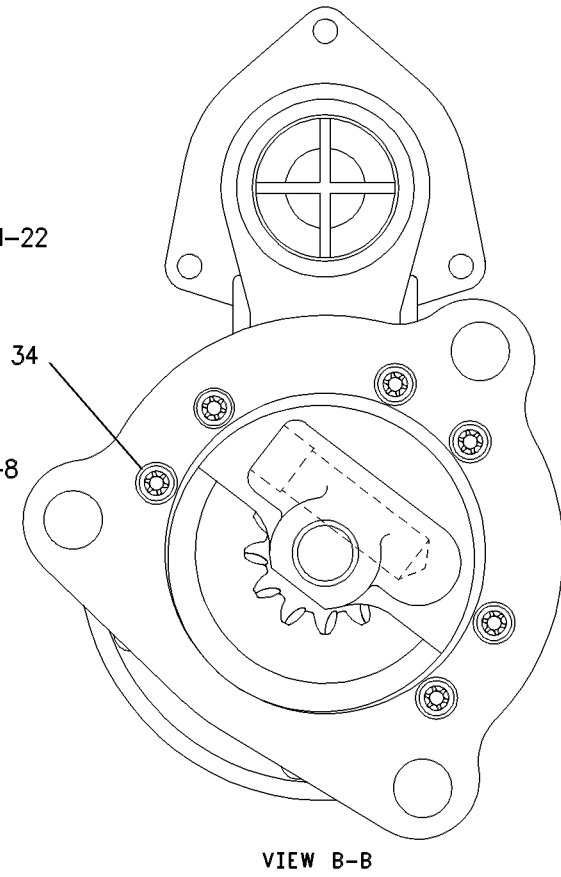
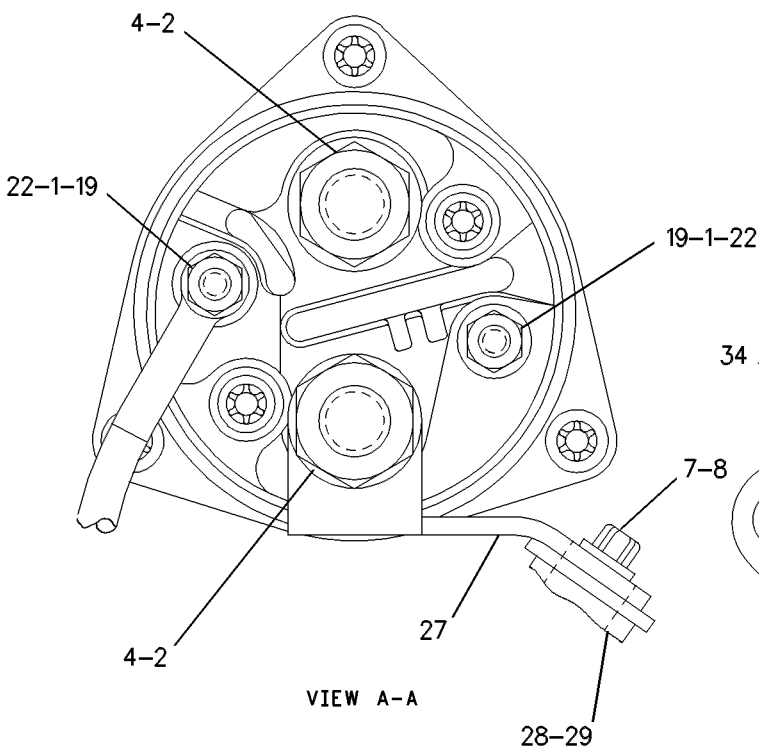
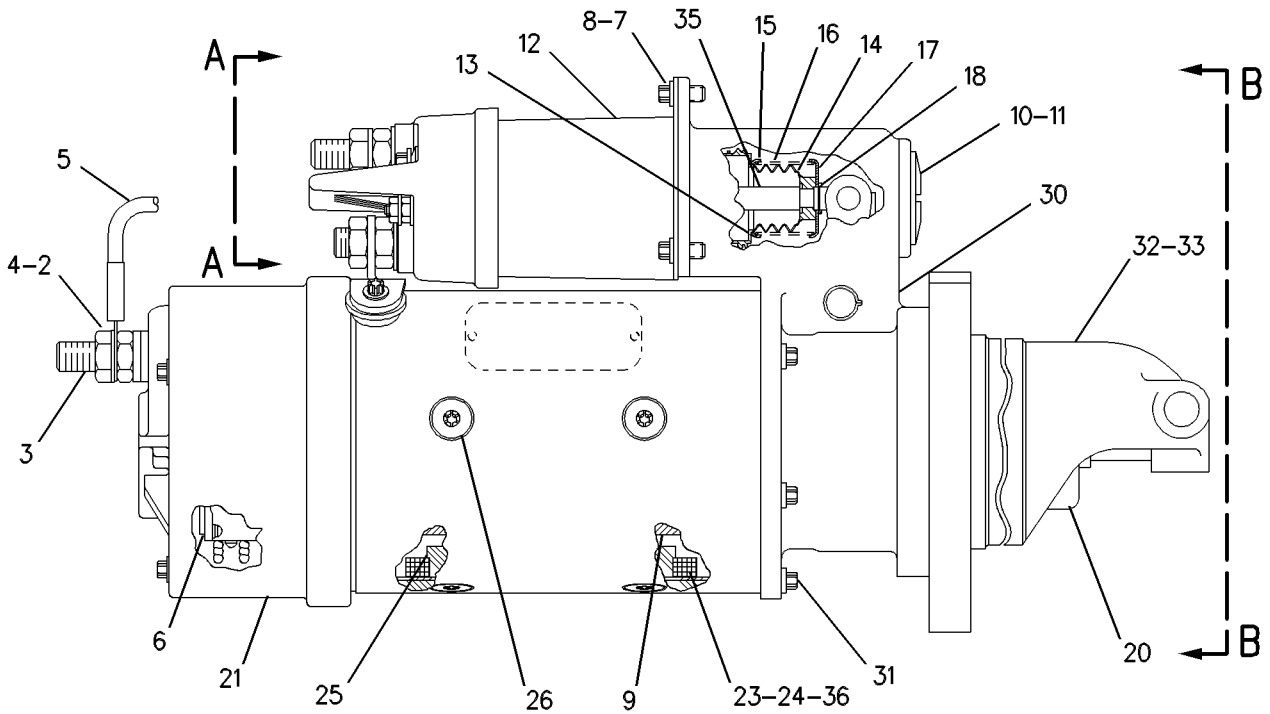
R - REMANUFACTURED PART MAY BE AVAILABLE



# ELECTRICAL AND STARTING SYSTEM

8C-3650 STARTING MOTOR GP-ELECTRIC (contd.)

101896235



GRAPHIC #1

<END>

g00580157

# ELECTRICAL AND STARTING SYSTEM

## 8C-3651 STARTING MOTOR GP-ELECTRIC

S/N: 85Z3764-UP

24-VOLT

FIELD REPLACEMENT ORDER 6V-5227-PAGE: 1222

PART OF 4N-3181 STARTING MOTOR GP-ELECTRIC

AN ATTACHMENT

SMCS-1453

i01940528

NOTE	REF NO	GRAPHIC REF	PART NUMBER	QTY	PART NAME						SEE PAGE
					1	2	3	4	5	6 (PRODUCT LEVEL)	
	1	1	<b>5S-7349</b>	4	BOLT (1/4-20X0.5-IN)						
NP	2	1	<b>7L-2894</b>	1	GASKET						
	3	1	<b>2H-3429</b>	1	RING-RETAINING						
	4	1	<b>4B-2049</b>	2	NUT (10-32-THD)						
	5	1	<b>8F-1434</b>	2	LOCKWASHER						
	6	1	<b>7T-3271</b>	1	CONNECTOR						
	7	1	<b>8T-4205</b>	4	WASHER-HARD (7.2X14.5X2-MM THK)						
	8	1	<b>036-9823</b>	5	BOLT (1/4-28X1-IN)						
	9	1	<b>7T-3277</b>	1	COIL AS-FIELD						
	10	1	<b>3F-0379</b>	8	SCREW-POLE SHOE (3/8-24-THD)						
R	11	1	<b>7T-3276</b>	1	ARMATURE AS (24-VOLT)						
	12	1	<b>8H-1141</b>	4	SHOE-POLE						
	13	1	<b>7T-3454</b>	1	INSULATOR						
	14	1	<b>7T-3279</b>	1	HOUSING AS						
	15	1	<b>7T-3278</b>	1	HOLDER AS-BRUSH (STARTING MOTOR)						
	16	1	<b>3T-3422</b>	1	WIRE AS						
	17	1	<b>8T-8566</b>	1	TERMINAL AS						
	18	1	<b>8T-0328</b>	2	WASHER-HARD (5.5X10X1-MM THK)						
	19	1	<b>6V-8188</b>	4	NUT (1/2-13-THD)						
	20	1	<b>7X-0562</b>	4	WASHER-HARD (13.5X19X0.8-MM THK)						
	21	1	<b>7X-3373</b>	6	BOLT (5/16-18X0.88-IN)						
	22	1	<b>7T-3451</b>	1	KIT-INSULATOR (STARTING MOTOR)						
	23	1	<b>8T-8569</b>	1	INSULATOR-TERMINAL						
	24	1	<b>9X-9511</b>	1	SOLENOID AS (24-VOLT) (STARTING MOTOR)						
	25	1	<b>036-9821</b>	1	WASHER						
	26	1	<b>7T-3269</b>	1	BOOT						
	27	1	<b>7T-3270</b>	1	PLUNGER AS						
	28	1	<b>9M-7609</b>	1	SPRING (SHIFT LEVER)						
	29	1	<b>4M-1828</b>	1	RETAINER-SPRING						
	30	1	<b>4M-1827</b>	1	RETAINER-SPRING						
	31	1	<b>4M-1831</b>	1	PLUG-LEVER HOUSING						
	32	1	<b>7T-3973</b>	1	HOUSING AS-LEVER						
	33	1	<b>7T-3974</b>	1	HOUSING AS-DRIVE						
	34	1	<b>3T-3434</b>	6	PLUG						
R	35	1	<b>6N-3827</b>	1	DRIVE AS-MOTOR						
	36	1	<b>1H-2629</b>	2	STRIP-INSULATION						
JZ	37	1		4	SPRING						
JZ	38	1		4	BRUSH						
JZ	39	1		4	SCREW						
JPZ	40	1		6	SCREW AS						
JPZ	41	1		1	SEAL-O-RING						
LZ	42	1		3	INSULATOR						
LZ		1		1	BUSHING						
NZ	43	1		1	LEVER AS						
NZ	44	1		1	LEVER AS						

# ELECTRICAL AND STARTING SYSTEM

**8C-3651 STARTING MOTOR GP-ELECTRIC (contd.)**

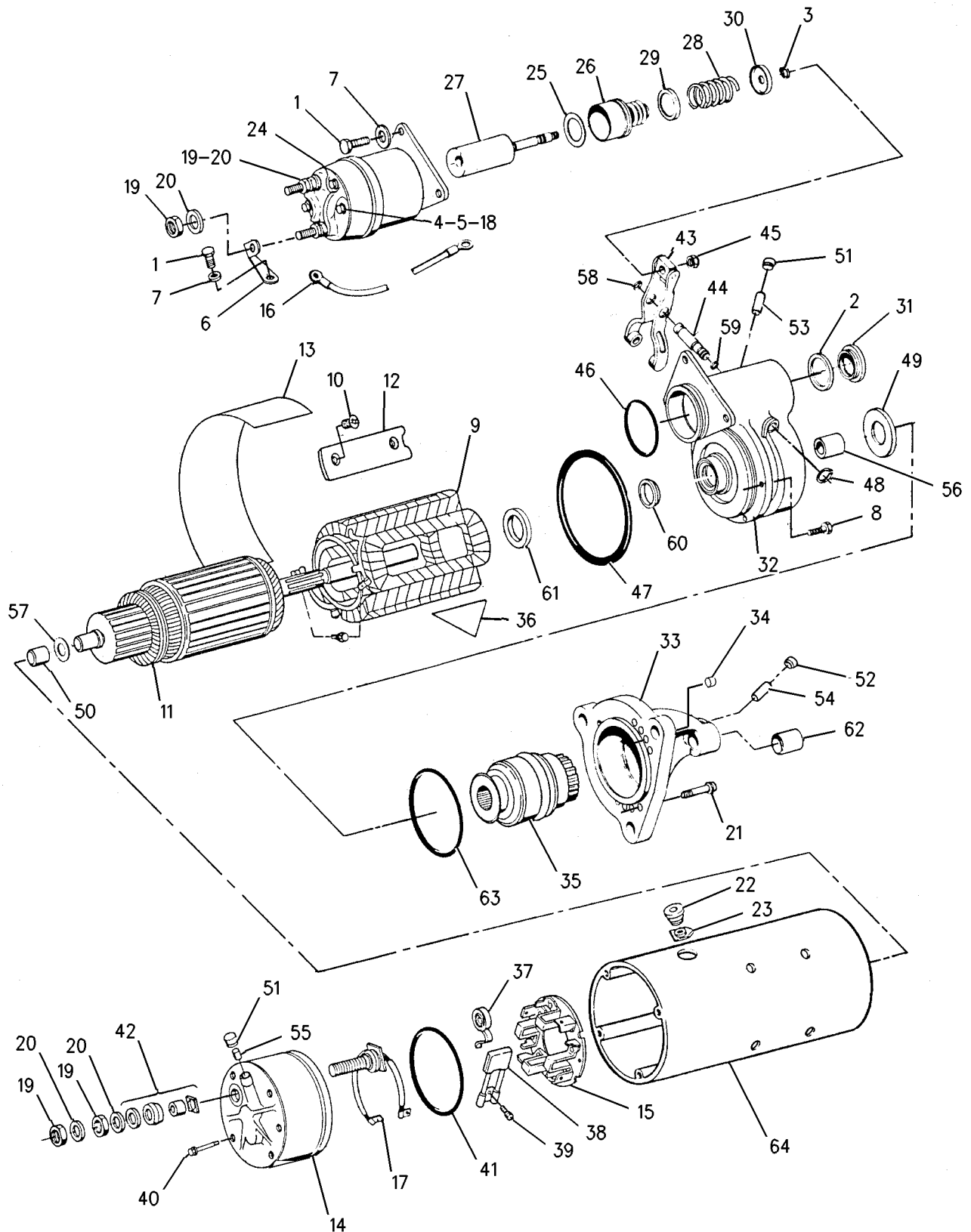
**i01940528**

NOTE	REF NO	GRAPHIC REF	PART NUMBER	QTY	PART NAME						SEE PAGE
					1	2	3	4	5	6 (PRODUCT LEVEL)	
NPZ	45	1		1	NUT						
NPZ	46	1		1	SEAL-O-RING						
PZ	47	1		1	SEAL-O-RING						
NZ	48	1		1	RETAINER						
PZ	49	1		1	GASKET-WASHER						
PZ	50	1		1	BUSHING						
PZ	51	1		2	CUP						
PZ	52	1		1	CUP						
PZ	53	1		1	PLUG						
PZ	54	1		1	PLUG						
PZ	55	1		1	PLUG						
PZ	56	1		1	BUSHING						
PZ	57	1		1	WASHER						
NZ	58	1		1	SEAL-O-RING						
NZ	59	1		1	SEAL-O-RING						
PZ	60	1		1	RETAINER-SEAL						
PZ	61	1		1	SPACER						
PZ	62	1		1	BUSHING						
PZ	63	1		1	SEAL-O-RING						
Z	64	1		1	HOUSING						
AVAILABLE REPAIR KIT(S) :											
J			<b>8C-3655</b>	1	KIT-BRUSH (STARTING MOTOR)						
					(INCLUDES SEAL, BRUSHES, SPRINGS, SCREWS & SCREW ASSEMBLIES)						
L			<b>8T-9884</b>	1	KIT-INSULATOR (STARTING MOTOR)						
					(INCLUDES BUSHING & INSULATORS)						
N			<b>7T-3268</b>	1	KIT-LEVER (STARTING MOTOR)						
					(INCLUDES NUT, GASKET, RETAINER, SEALS & LEVER ASSEMBLIES)						
P			<b>7T-3267</b>	1	KIT-BUSHING (STARTING MOTOR)						
					(INCLUDES NUT, SPACER, GASKET, BUSHINGS, WICKS, CUPS, WASHERS, SEALS & SCREW ASSEMBLIES)						
J - KIT MARKED J INCLUDES PART(S) MARKED J L - KIT MARKED L INCLUDES PART(S) MARKED L N - KIT MARKED N INCLUDES PART(S) MARKED N P - KIT MARKED P INCLUDES PART(S) MARKED P R - REMANUFACTURED PART MAY BE AVAILABLE Z - NOT SERVICED SEPARATELY											

# ELECTRICAL AND STARTING SYSTEM

8C-3651 STARTING MOTOR GP-ELECTRIC (contd.)

i01940528



GRAPHIC #1

<END>

g00691609

# ELECTRICAL AND STARTING SYSTEM

## 8C-5580 STARTING MOTOR GP-ELECTRIC

S/N: 85Z3764-UP

FIELD REPLACEMENT ORDER 143-0540-PAGE: 1179

PART OF 7C-9128 STARTING MOTOR GP-ELECTRIC

AN ATTACHMENT

SMCS-1453

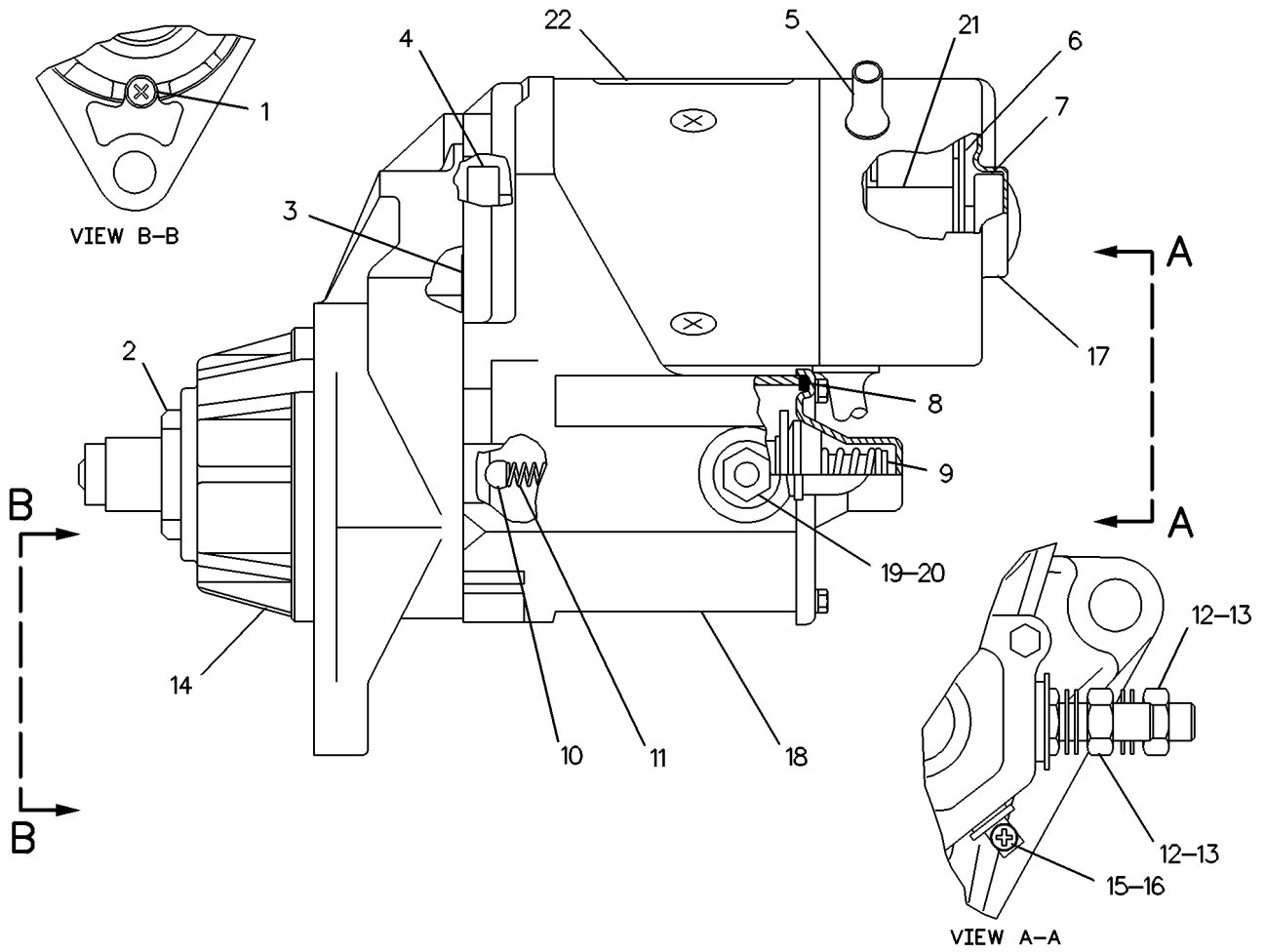
i01857662

NOTE	REF NO	GRAPHIC REF	PART NUMBER	QTY	PART NAME						SEE PAGE
					1	2	3	4	5	6 (PRODUCT LEVEL)	
M	1	1	<b>3T-7534</b>	3	SCREW						
	2	1	<b>7T-6093</b>	1	CLUTCH AS						
	3	1	<b>7T-6087</b>	1	WASHER (15.2X40X0.5-MM THK)						
	4	1	<b>7T-6088</b>	1	BEARING AS						
	5	1	<b>7T-6130</b>	1	COVER						
	6	1	<b>7T-6092</b>	1	HOLDER AS-BRUSH (STARTING MOTOR)						
	7	1	<b>2P-8104</b>	1	BEARING						
	8	1	<b>8C-9783</b>	1	GASKET						
	9	1	<b>8C-9778</b>	1	PLUNGER AS						
	10	1	<b>8J-4455</b>	1	BALL						
	11	1	<b>7T-6090</b>	1	SPRING						
M	12	1	<b>8T-4244</b>	2	NUT (M12X1.75-THD)						
	13	1	<b>7X-0562</b>	2	WASHER-HARD (13.5X19X0.8-MM THK)						
	14	1	<b>3E-6020</b>	1	HOUSING AS						
M	15	1	<b>6V-9673</b>	1	SCREW-MACHINE (M5X0.8X12-MM)						
	16	1	<b>8F-1434</b>	1	LOCKWASHER						
	17	1	<b>3E-6021</b>	1	FRAME-STARTER						
	18	1	<b>3E-6022</b>	1	SWITCH AS (24 VOLT STARTER)						
M	19	1	<b>8T-4133</b>	1	NUT (M10X1.5-THD)						
	20	1	<b>8T-4121</b>	1	WASHER-HARD (11X21X2.5-MM THK)						
	21	1	<b>3E-6238</b>	1	ARMATURE AS						
	22	1	<b>3E-6237</b>	1	CASE AS-STARTING MOTOR						
					AVAILABLE REPAIR KIT(S):						
					<b>7T-6099</b>	1	KIT-GEAR				
					(INCLUDES RETAINER, PINION & ROLLERS)						
					<b>7T-6100</b>	1	KIT-HARDWARE				
					(INCLUDES PLATE, BOLT ASSEMBLIES & SCREW ASSEMBLIES)						
					<b>8C-5457</b>	1	KIT-CONTACT				
					(INCLUDES NUT, BOLT, WASHER, PLATE & BUSHINGS)						
					<b>3E-5463</b>	1	KIT-CONTACT				
					(INCLUDES NUT, WASHER, STUD, SEAL, PLATES & BUSHINGS)						
M - METRIC PART											

# ELECTRICAL AND STARTING SYSTEM

8C-5580 STARTING MOTOR GP-ELECTRIC (contd.)

i01857662



GRAPHIC #1

<END>

g00222348

# ELECTRICAL AND STARTING SYSTEM

## 8N-2145 STARTING MOTOR GP-ELECTRIC

S/N: 85Z3764-UP

24 VOLT

FIELD REPLACEMENT ORDER 6V-5227-PAGE: 1222

PART OF 3T-4586 STARTING MOTOR GP-ELECTRIC

AN ATTACHMENT

**SMCS-1453**

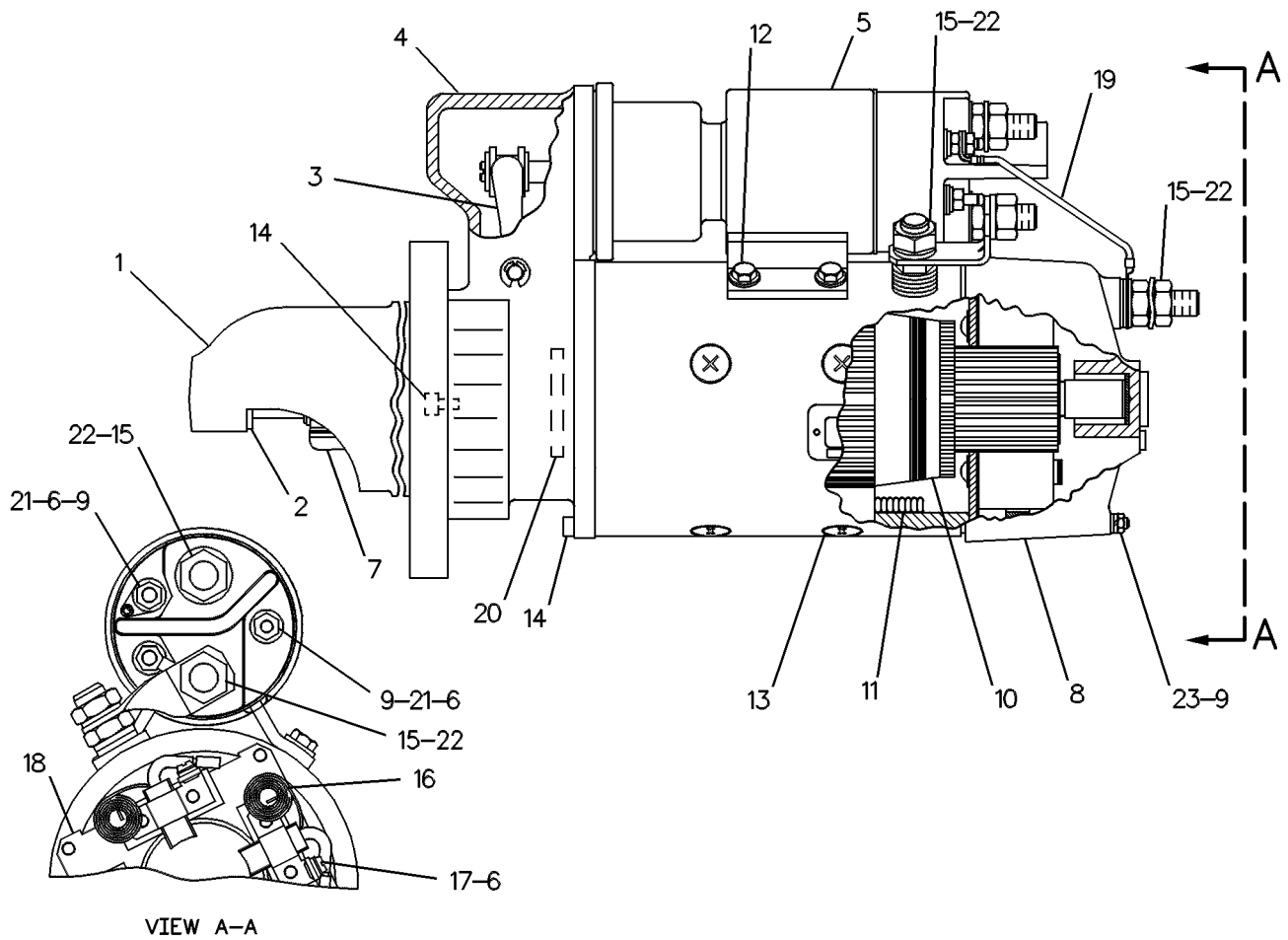
**i01914351**

NOTE	REF NO	GRAPHIC REF	PART NUMBER	QTY	PART NAME						SEE PAGE
					1	2	3	4	5	6 (PRODUCT LEVEL)	
	1	1	<b>3T-7022</b>	1	HOUSING AS-DRIVE						
	2	1	<b>3T-7020</b>	1	WASHER (19.5X30X1.5-MM THK)						
	3	1	<b>3T-0863</b>	1	LEVER-SHIFT						
	4	1	<b>3T-0864</b>	1	HOUSING AS-LEVER						
		1	<b>3T-0842</b>	1	BEARING AS						
	5	1	<b>9X-0332</b>	1	KIT-SOLENOID (STARTING MOTOR)						
					(INCLUDES SOLENOID AS, WIRE, BAR, NUT & LOCKWASHERS)						
	6	1	<b>8T-0328</b>	6	WASHER-HARD (5.5X10X1-MM THK)						
	7	1	<b>4N-4517</b>	1	DRIVE AS-MOTOR						
	8	1	<b>3T-7025</b>	1	COVER-END						
M	9	1	<b>5C-2874</b>	6	NUT (M5X0.8-THD)						
	10	1	<b>3T-0867</b>	1	ARMATURE AS (24-VOLT)						
	11	1	<b>3T-0865</b>	1	COIL AS-FIELD						
M	12	1	<b>8T-4970</b>	4	BOLT (M6X1X14-MM)						
		1	<b>8T-4205</b>	4	WASHER-HARD (7.2X14.5X2-MM THK)						
M	13	1	<b>3T-0850</b>	8	SCREW (M10X1.5-THD)						
M	14	1	<b>3T-0849</b>	12	BOLT-SOCKET HEAD (M6X1X25-MM)						
M	15	1	<b>8T-4244</b>	4	NUT (M12X1.75-THD)						
	16	1	<b>3T-0858</b>	4	SPRING						
M	17	1	<b>6V-9673</b>	4	SCREW-MACHINE (M5X0.8X12-MM)						
	18	1	<b>3T-0862</b>	1	PLATE AS-BRUSH						
	19	1	<b>3T-4716</b>	1	WIRE AS						
	20	1	<b>3T-7021</b>	1	PLATE-BRAKE						
	21	1	<b>8F-1434</b>	2	LOCKWASHER						
	22	1	<b>7X-0562</b>	4	WASHER-HARD (13.5X19X0.8-MM THK)						
	23	1	<b>3T-0847</b>	4	SCREW-SPECIAL (M5X10-THD, M5X13-THD)						
					AVAILABLE REPAIR KIT(S):						
			<b>3T-0844</b>	1	KIT-BRUSH						
					(INCLUDES BRUSHES)						
			<b>3T-2768</b>	1	KIT-SEAL						
					(INCLUDES SEALS & RINGS)						
			<b>3T-2769</b>	1	KIT-HARDWARE (STARTING MOTOR)						
					(INCLUDES WIRE AS, NUTS, WASHERS, LOCKWASHERS, BUSHING & BAR)						
			<b>3T-7017</b>	1	KIT-BEARING						
					(INCLUDES BEARING SEALS & SPACERS)						
C			<b>7T-2339</b>	1	KIT-LEVER						
					(INCLUDES LEVER, SEALS, & CLIP)						
C - CHANGE FROM PREVIOUS TYPE											
M - METRIC PART											

# ELECTRICAL AND STARTING SYSTEM

8N-2145 STARTING MOTOR GP-ELECTRIC (contd.)

i01914351



GRAPHIC #1

<END>

g00114653



# ELECTRICAL AND STARTING SYSTEM

## 9L-5065 STARTING MOTOR GP-ELECTRIC

S/N: 85Z3764-15150

24-VOLT

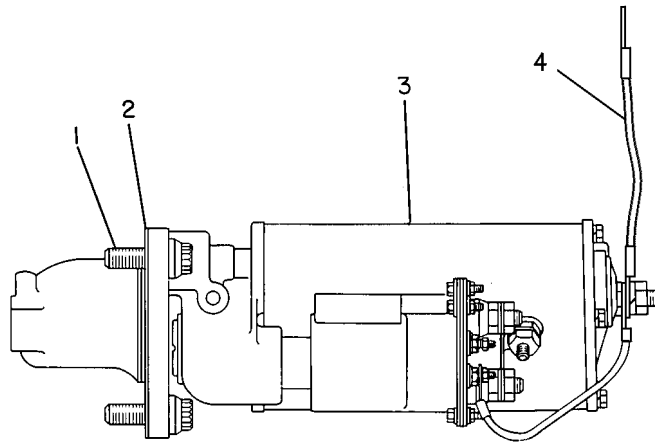
FOR USE WITH NEW SCROLL FUEL SYSTEM  
AN ATTACHMENT

SMCS-1453

i02355526

NOTE	REF NO	GRAPHIC REF	PART NUMBER	QTY	PART NAME						SEE PAGE
					1	2	3	4	5	6 (PRODUCT LEVEL)	
	1	1	<b>8S-2332</b>	3	BOLT-12 POINT HEAD (5/8-11X1.75-IN)						
	2	1	<b>4N-1059</b>	1	GASKET						
CYR	3	1	<i>3T-2652</i>	1	STARTING MOTOR GP-ELECTRIC						1203
	4	1	<b>9F-4337</b>	1	WIRE AS						

C - CHANGE FROM PREVIOUS TYPE  
R - REMANUFACTURED PART MAY BE AVAILABLE  
Y - SEPARATE ILLUSTRATION



GRAPHIC #1

<END>

g00240289

# ELECTRICAL AND STARTING SYSTEM

## 9L-5065 STARTING MOTOR GP-ELECTRIC

S/N: 85Z15151-UP

24-VOLT

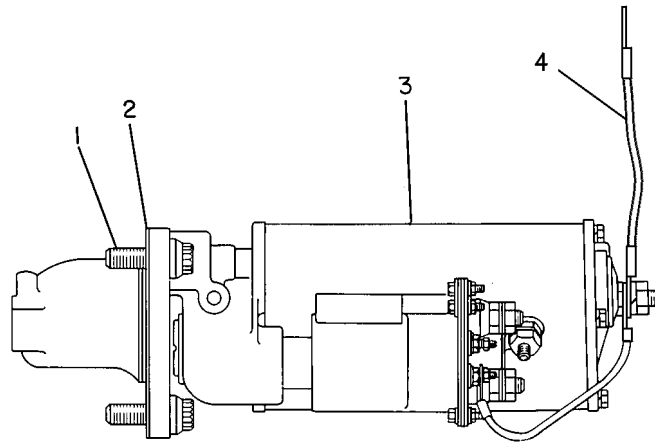
FOR USE WITH NEW SCROLL FUEL SYSTEM  
AN ATTACHMENT

SMCS-1453

i02355527

NOTE	REF NO	GRAPHIC REF	PART NUMBER	QTY	PART NAME						SEE PAGE
					1	2	3	4	5	6 (PRODUCT LEVEL)	
	1	1	<b>8S-2332</b>	3	BOLT-12 POINT HEAD (5/8-11X1.75-IN)						
	2	1	<b>4N-1059</b>	1	GASKET						
CY	3	1	<b>207-1558</b>	1	STARTING MOTOR GP-ELECTRIC						1195
J	4	1	<b>9F-4337</b>	1	WIRE AS						

C - CHANGE FROM PREVIOUS TYPE  
 J - CANNOT BE USED WITH MARINE PROPULSION OR MARINE AUX ENGINES  
 Y - SEPARATE ILLUSTRATION



GRAPHIC #1

<END>

g00240289

# ELECTRICAL AND STARTING SYSTEM

## 9W-0058 STARTING MOTOR GP-ELECTRIC

S/N: 85Z3764-UP

FIELD REPLACEMENT ORDER 3T-2655-PAGE: 1204

PART OF 7N-6504 STARTING MOTOR GP-ELECTRIC

AN ATTACHMENT

SMCS-1453

i02013776

NOTE	REF NO	GRAPHIC REF	PART NUMBER	QTY	PART NAME						SEE PAGE
					1	2	3	4	5	6 (PRODUCT LEVEL)	
	1	1	<b>5S-7349</b>	4	BOLT (1/4-20X0.5-IN)						
	2	1	<b>8C-4171</b>	1	PLATE-IDENTIFICATION (STARTING MOTOR)						
	3	1	<b>2H-3429</b>	1	RING-RETAINING						
	4	1	<b>6V-8378</b>	1	NUT (10-32-THD)						
	5	1	<b>8F-1434</b>	1	LOCKWASHER						
	6	1	<b>7T-3271</b>	1	CONNECTOR						
	7	1	<b>4B-4274</b>	3	WASHER (5.5X13X1.2-MM THK)						
	8	1	<b>036-9823</b>	5	BOLT (1/4-28X1-IN)						
	9	1	<b>8T-8568</b>	1	COIL AS-FIELD						
	10	1	<b>3F-0379</b>	8	SCREW-POLE SHOE (3/8-24-THD)						
R	11	1	<b>7T-3275</b>	1	ARMATURE AS (12-VOLT)						
	12	1	<b>8H-1141</b>	4	SHOE-POLE						
	13	1	<b>7T-3454</b>	1	INSULATOR						
	14	1	<b>7T-3279</b>	1	HOUSING AS						
	15	1	<b>8T-8570</b>	1	HOLDER AS-BRUSH (STARTING MOTOR)						
	16	1	<b>3T-3422</b>	1	WIRE AS						
	17	1	<b>8T-8566</b>	1	TERMINAL AS						
	18	1	<b>7F-4920</b>	1	WASHER						
	19	1	<b>3H-3680</b>	3	NUT-JAM (1/2-13-THD)						
	20	1	<b>4B-4280</b>	3	WASHER (13.5X27X2.5-MM THK)						
	21	1	<b>9B-0453</b>	1	LOCKWASHER						
	22	1	<b>7T-3451</b>	1	KIT-INSULATOR (STARTING MOTOR)						
	23	1	<b>8T-8569</b>	1	INSULATOR-TERMINAL						
	24	1	<b>8T-8818</b>	1	SOLENOID AS (STARTING MOTOR)						
	25	1	<b>036-9821</b>	1	WASHER						
	26	1	<b>7T-3269</b>	1	BOOT						
	27	1	<b>7T-3270</b>	1	PLUNGER AS						
	28	1	<b>9M-7609</b>	1	SPRING (SHIFT LEVER)						
	29	1	<b>4M-1828</b>	1	RETAINER-SPRING						
	30	1	<b>4M-1827</b>	1	RETAINER-SPRING						
	31	1	<b>4M-1831</b>	1	PLUG-LEVER HOUSING						
	32	1	<b>7T-3274</b>	1	HOUSING AS-LEVER						
	33	1	<b>7T-3974</b>	1	HOUSING AS-DRIVE						
	34	1	<b>7M-0336</b>	6	SCREW (5/16-18X0.859-IN)						
R	35	1	<b>6N-3827</b>	1	DRIVE AS-MOTOR						
	36	1	<b>3T-3434</b>	6	PLUG						
JZ	37	1		4	SPRING						
JZ	38	1		4	BRUSH						
JZ	39	1		4	SCREW						
JPZ	40	1		6	SCREW AS						
JPZ	41	1		1	SEAL-O-RING						
LZ	42	1		3	INSULATOR						
LZ		1		1	BUSHING						
NZ	43	1		1	LEVER AS						
NZ	44	1		1	LEVER AS						
NPZ	45	1		1	NUT						

# ELECTRICAL AND STARTING SYSTEM

**9W-0058 STARTING MOTOR GP-ELECTRIC (contd.)**

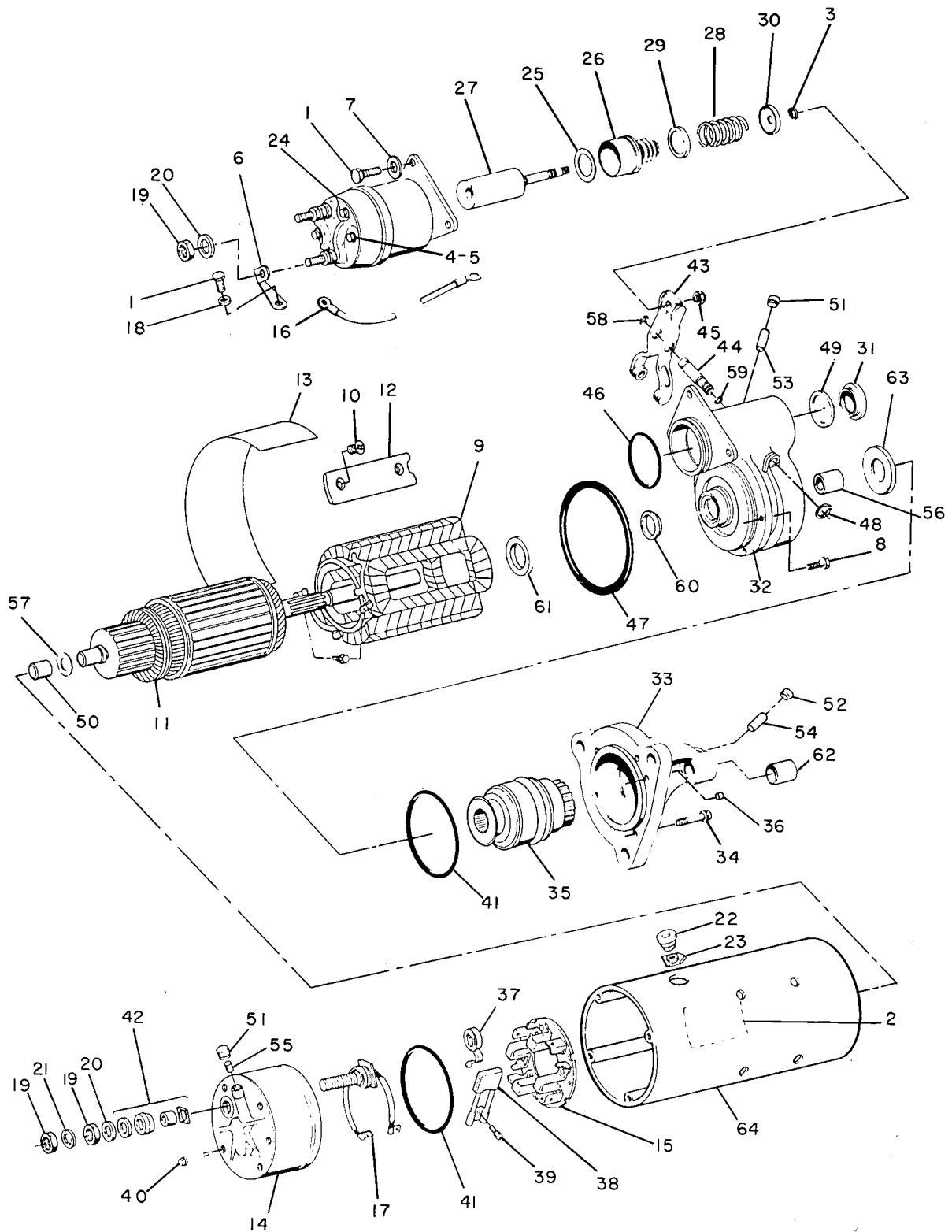
**i02013776**

NOTE	REF NO	GRAPHIC REF	PART NUMBER	QTY	PART NAME						SEE PAGE
					1	2	3	4	5	6 (PRODUCT LEVEL)	
NPZ	46	1		1	SEAL-O-RING						
PZ	47	1		1	SEAL-O-RING						
NZ	48	1		1	RETAINER						
NPZ	49	1		1	GASKET						
PZ	50	1		1	BUSHING						
PZ	51	1		2	CUP (PLUG)						
PZ	52	1		1	CUP (PLUG)						
PZ	53	1		1	PLUG						
PZ	54	1		1	PLUG						
PZ	55	1		1	PLUG						
PZ	56	1		1	BUSHING						
PZ	57	1		1	WASHER						
NZ	58	1		1	SEAL-O-RING						
NZ	59	1		1	SEAL-O-RING						
PZ	60	1		1	RETAINER (SEAL)						
PZ	61	1		1	SPACER						
PZ	62	1		1	BUSHING						
PZ	63	1		1	GASKET (WASHER)						
Z	64	1		1	HOUSING						
AVAILABLE REPAIR KIT(S):											
J			<b>8T-9885</b>	1	KIT-BRUSH (STARTING MOTOR)						
P			<b>7T-3267</b>	1	KIT-BUSHING (STARTING MOTOR)						
N			<b>7T-3268</b>	1	KIT-LEVER (STARTING MOTOR)						
L			<b>8T-9884</b>	1	KIT-INSULATOR (STARTING MOTOR)						
J - KIT MARKED J INCLUDES PART(S) MARKED J L - KIT MARKED L INCLUDES PART(S) MARKED L N - KIT MARKED N INCLUDES PART(S) MARKED N P - KIT MARKED P INCLUDES PART(S) MARKED P R - REMANUFACTURED PART MAY BE AVAILABLE Z - NOT SERVICED SEPARATELY											

# ELECTRICAL AND STARTING SYSTEM

9W-0058 STARTING MOTOR GP-ELECTRIC (contd.)

102013776



GRAPHIC #1

<END>

g00185867

# ELECTRICAL AND STARTING SYSTEM

## 9X-4447 STARTING MOTOR GP-ELECTRIC

S/N: 85Z3764-UP

24-VOLT

FIELD REPLACEMENT ORDER 6V-5227-PAGE: 1222

PART OF 4N-3181 STARTING MOTOR GP-ELECTRIC

AN ATTACHMENT

SMCS-1453

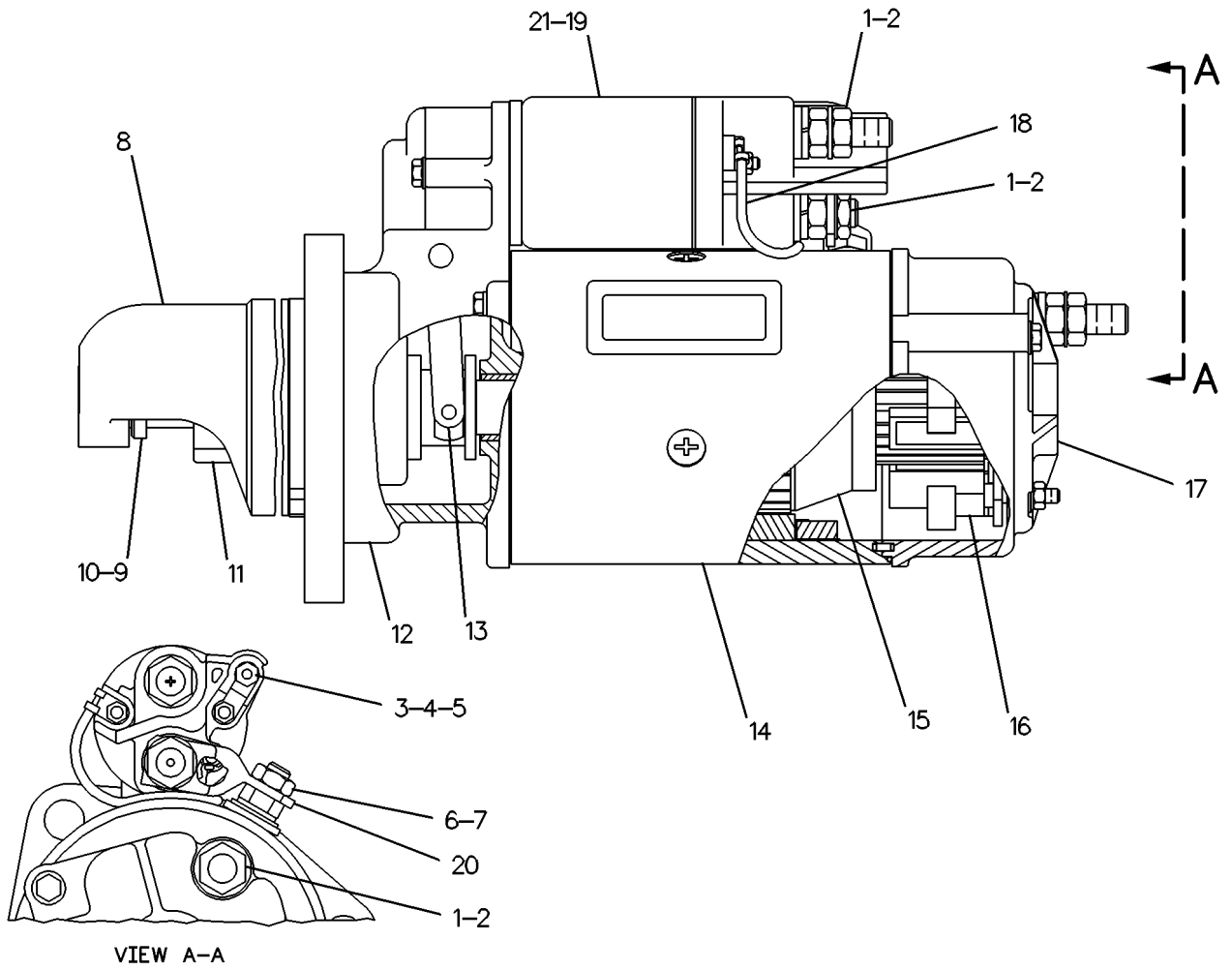
i04396482

NOTE	REF NO	GRAPHIC REF	PART NUMBER	QTY	PART NAME						SEE PAGE
					1	2	3	4	5	6 (PRODUCT LEVEL)	
	1	1	<b>6V-8188</b>	3	NUT (1/2-13-THD)						
	2	1	<b>7X-0562</b>	3	WASHER-HARD (13.5X19X0.8-MM THK)						
	3	1	<b>4B-2049</b>	1	NUT (10-32-THD)						
	4	1	<b>8F-1434</b>	1	LOCKWASHER						
	5	1	<b>8T-0328</b>	1	WASHER-HARD (5.5X10X1-MM THK)						
M	6	1	<b>8T-4133</b>	1	NUT (M10X1.5-THD)						
	7	1	<b>8T-4121</b>	1	WASHER-HARD (11X21X2.5-MM THK)						
	8	1	<b>3E-0142</b>	1	HOUSING AS						
	9	1	<b>3E-0141</b>	1	STOP-STARTING MOTOR						
	10	1	<b>4N-7521</b>	1	RING-LOCK						
	11	1	<b>3E-0143</b>	1	DRIVE AS-STARTING MOTOR						
	12	1	<b>3E-0144</b>	1	HOUSING AS						
	13	1	<b>3E-0140</b>	1	LEVER AS-STARTING MOTOR						
	14	1	<b>3E-0139</b>	1	HOUSING AS						
	15	1	<b>3E-0138</b>	1	ARMATURE AS (24-VOLT)						
	16	1	<b>3E-0137</b>	1	HOLDER AS-BRUSH (STARTING MOTOR)						
	17	1	<b>3E-0136</b>	1	HOUSING AS						
	18	1	<b>3E-0133</b>	1	WIRE AS-STARTING MOTOR						
	19	1	<b>3E-0135</b>	1	SOLENOID AS (24-VOLT) (STARTING MOTOR)						
	20	1	<b>3E-0132</b>	1	CONNECTOR						
	21	1	<b>3E-0134</b>	1	COVER-PLUNGER						
					AVAILABLE REPAIR KIT(S):						
			<b>3E-0128</b>	1	KIT-BRUSH (24-VOLT) (INCLUDES O-RINGS, SCREWS, SPRINGS & BRUSHES)						
			<b>3E-0130</b>	1	KIT-STARTING MOTOR SEAL (24-VOLT) (INCLUDES SEAL & RINGS)						
			<b>3E-0129</b>	1	KIT-HARDWARE (24-VOLT) (INCLUDES WIRE AS, NUTS, WASHERS, LOCKWASHERS, BUSHING & BAR)						
			<b>3E-0127</b>	1	KIT-BEARING (INCLUDES BEARING SEALS & SPACERS)						
			<b>3E-0131</b>	1	KIT-WASHER (24-VOLT) (INCLUDES WASHERS)						
			<b>3E-0145</b>	1	KIT-STARTING MOTOR PIN (24-VOLT) (INCLUDES O-RINGS, SHAFT & RING)						
M - METRIC PART											

# ELECTRICAL AND STARTING SYSTEM

9X-4447 STARTING MOTOR GP-ELECTRIC (contd.)

i04396482



GRAPHIC #1

<END>

g00114256

# ELECTRICAL AND STARTING SYSTEM

## 9X-4453 STARTING MOTOR GP-ELECTRIC

S/N: 85Z3764-UP

24 VOLT

FIELD REPLACEMENT ORDER 6V-5227-PAGE: 1222, 207-1560-PAGE: 1197

PART OF 3T-4586 STARTING MOTOR GP-ELECTRIC

AN ATTACHMENT

SMCS-1453

i01940529

NOTE	REF NO	GRAPHIC REF	PART NUMBER	QTY	PART NAME						SEE PAGE
					1	2	3	4	5	6	
	1	1	<b>6V-8188</b>	3	NUT (1/2-13-THD)						
	2	1	<b>7X-0562</b>	3	WASHER-HARD (13.5X19X0.8-MM THK)						
	3	1	<b>4B-2049</b>	1	NUT (10-32-THD)						
	4	1	<b>8F-1434</b>	1	LOCKWASHER						
	5	1	<b>8T-0328</b>	1	WASHER-HARD (5.5X10X1-MM THK)						
M	6	1	<b>8T-4133</b>	1	NUT (M10X1.5-THD)						
	7	1	<b>8T-4121</b>	1	WASHER-HARD (11X21X2.5-MM THK)						
	8	1	<b>3E-0142</b>	1	HOUSING AS						
	9	1	<b>3E-0141</b>	1	STOP-STARTING MOTOR						
	10	1	<b>4N-7521</b>	1	RING-LOCK						
	11	1	<b>3E-0143</b>	1	DRIVE AS-STARTING MOTOR						
	12	1	<b>3E-0144</b>	1	HOUSING AS						
	13	1	<b>3E-0140</b>	1	LEVER AS-STARTING MOTOR						
	14	1	<b>3E-0139</b>	1	HOUSING AS						
	15	1	<b>3E-0138</b>	1	ARMATURE AS (24-VOLT)						
	16	1	<b>3E-0137</b>	1	HOLDER AS-BRUSH (STARTING MOTOR)						
	17	1	<b>3E-0136</b>	1	HOUSING AS						
	18	1	<b>3E-0133</b>	1	WIRE AS-STARTING MOTOR						
	19	1	<b>3E-0135</b>	1	SOLENOID AS (24-VOLT) (STARTING MOTOR)						
	20	1	<b>3E-0132</b>	1	CONNECTOR						
	21	1	<b>3E-0134</b>	1	COVER-PLUNGER						
					AVAILABLE REPAIR KIT(S):						
			<b>3E-0128</b>	1	KIT-BRUSH (24-VOLT) (INCLUDES O-RINGS, SCREWS, SPRINGS & BRUSHES)						
			<b>3E-0130</b>	1	KIT-STARTING MOTOR SEAL (24-VOLT) (INCL SEAL & RINGS)						
			<b>3E-0129</b>	1	KIT-HARDWARE (24-VOLT) (INCLUDES WIRE AS, NUTS, WASHERS, LOCKWASHERS, BUSHING & BAR)						
			<b>3E-0127</b>	1	KIT-BEARING (INCLUDES BEARING SEALS & SPACERS)						
			<b>3E-0131</b>	1	KIT-WASHER (24-VOLT) (INCLUDES WASHERS)						
			<b>3E-0145</b>	1	KIT-STARTING MOTOR PIN (24-VOLT) (INCLUDES O-RINGS, SHAFT & RING)						

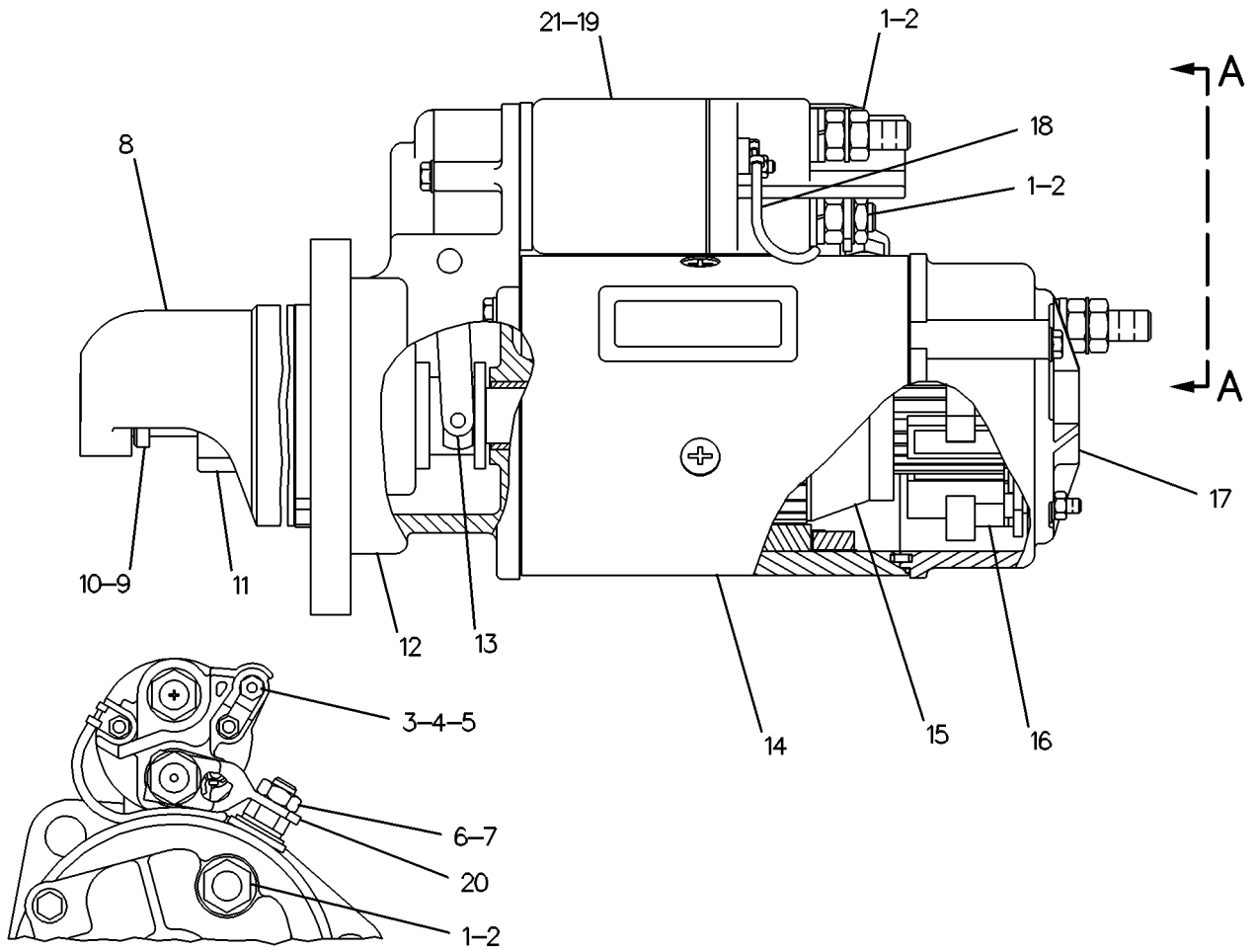
M - METRIC PART



# ELECTRICAL AND STARTING SYSTEM

9X-4453 STARTING MOTOR GP-ELECTRIC (contd.)

i01940529



VIEW A-A

GRAPHIC #1

<END>

g00114256

# ELECTRICAL AND STARTING SYSTEM

## 4P-7145 STRIP AS-TERMINAL

S/N: 8JF1-UP; 6CG1-UP; 6DG1-UP; 6EG1-UP  
 PART OF 4P-7152 CONNECTION GP-TERMINAL STRIP  
 AN ATTACHMENT

SMCS-4460, 7426

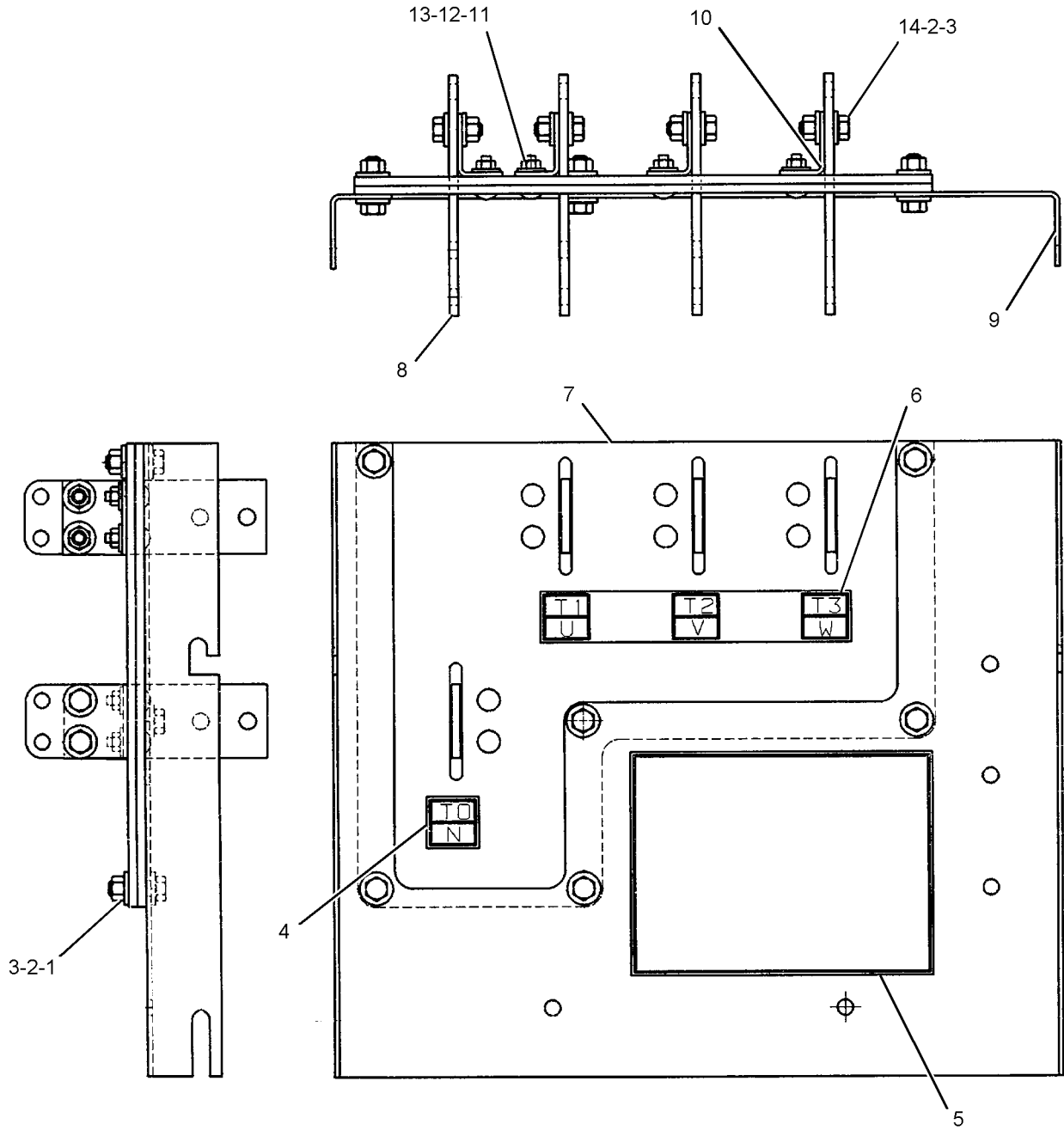
i02145487

NOTE	REF NO	GRAPHIC REF	PART NUMBER	QTY	PART NAME						SEE PAGE
					1	2	3	4	5	6 (PRODUCT LEVEL)	
	1	1	<b>9B-7237</b>	6	BOLT (3/8-16X1.25-IN)						
	2	1	<b>5P-1075</b>	28	WASHER-HARD (10.2X22.5X3-MM THK)						
	3	1	<b>6V-8801</b>	14	NUT (3/8-16-THD)						
	4	1	<b>4W-6393</b>	1	FILM-TERMINAL STRIP						
	5	1	<b>4W-9449</b>	1	FILM-INFORMATION (GENERATOR WIRING DIAGRAM)						
	6	1	<b>4W-6392</b>	1	FILM-TERMINAL STRIP (T1, T2, T3)						
	7	1	<b>4W-9995</b>	2	PLATE-INSULATOR						
	8	1	<b>4W-9993</b>	4	BAR-BUS						
	9	1	<b>4W-7200</b>	1	BRACKET-STRIP						
	10	1	<b>4W-8984</b>	4	BRACKET-SUPPORT						
	11	1	<b>1D-4669</b>	8	BOLT-CARRIAGE (1/4-20X1-IN)						
	12	1	<b>5P-4115</b>	8	WASHER-HARD (7.2X19X2-MM THK)						
	13	1	<b>6V-8185</b>	8	NUT (1/4-20-THD)						
	14	1	<b>4L-6454</b>	8	BOLT (3/8-16X1-IN)						

# ELECTRICAL AND STARTING SYSTEM

4P-7145 STRIP AS-TERMINAL (contd.)

i02145487



GRAPHIC #1

<END>

g01089811

# ELECTRICAL AND STARTING SYSTEM

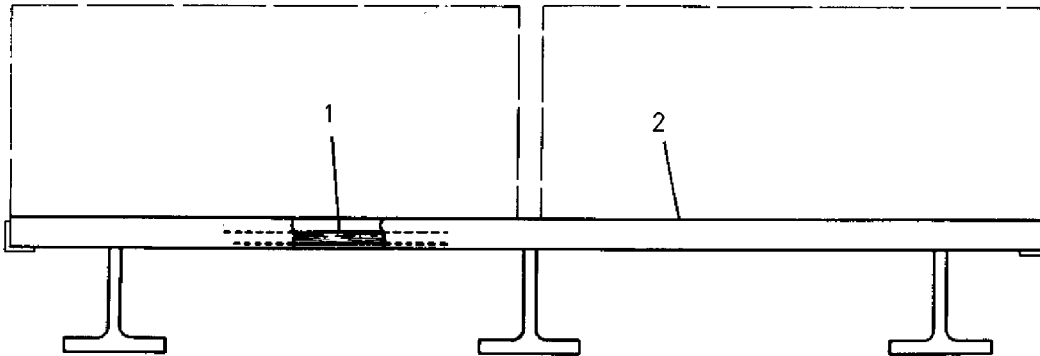
## 3N-7056 SUPPORT GP-BATTERY

S/N: 85Z3764-UP  
FLOOR TYPE, 2-BATTERY  
AN ATTACHMENT

SMCS-7257

i07039968

NOTE	REF NO	GRAPHIC REF	PART NUMBER	QTY	PART NAME						SEE PAGE
					1	2	3	4	5	6 (PRODUCT LEVEL)	
	1	1	3N-7055	1	BOARD						
	2	1	3N-7054	1	SUPPORT AS-BATTERY						



GRAPHIC #1

<END>

g00729953

# ELECTRICAL AND STARTING SYSTEM

## 7W-7803 SUPPORT GP-BATTERY

S/N: 85Z3764-UP

FOR USE WITH 7W-6541-PAGE: 199  
AN ATTACHMENT

SMCS-7257

i01698596

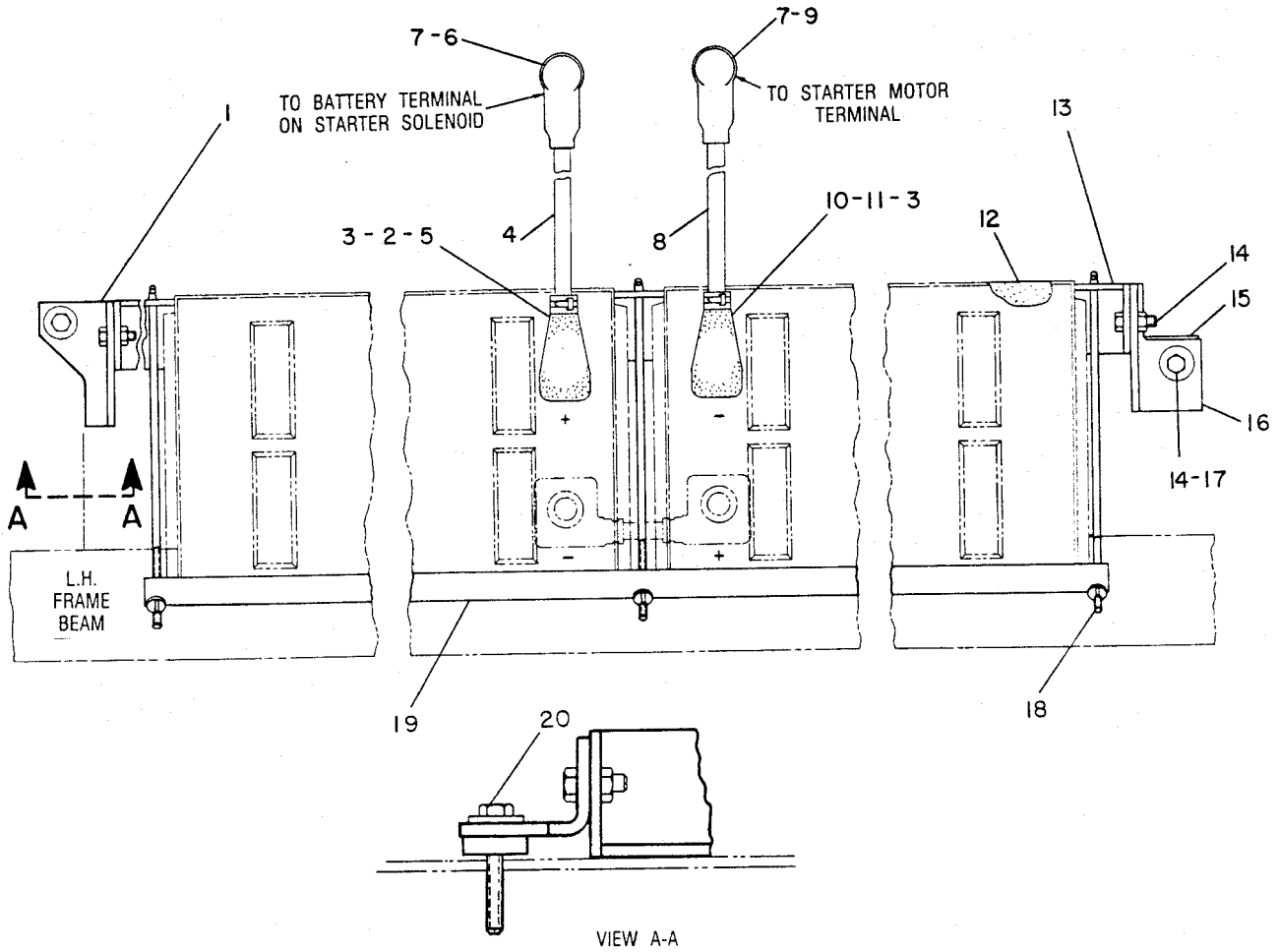
NOTE	REF NO	GRAPHIC REF	PART NUMBER	QTY	PART NAME						SEE PAGE
					1	2	3	4	5	6 (PRODUCT LEVEL)	
	1	1	<b>7C-1025</b>	1	PLATE						
	2	1	<b>8N-1725</b>	1	COVER AS-TERMINAL (RED)						
	3	1	<b>8L-8413</b>	2	STRAP-CABLE (WHITE)						
	4	1	<b>2G-5836</b>	1	CABLE AS						
E		1	<b>5P-0760</b>		CABLE (0-GA, RED) (RED) (130CM)						
	5	1	<b>3D-2098</b>	1	TERMINAL AS (POS)						
		1	<b>1M-6119</b>	1	BOLT (5/16-18X1.375-IN)						
		1	<b>1M-6120</b>	1	NUT (5/16-18-THD)						
	6	1	<b>1M-4986</b>	1	TERMINAL-RING (0-GA, 1/2-IN SCREW)						
	7	1	<b>8N-0869</b>	2	COVER-TERMINAL (RED)						
	8	1	<b>5N-5287</b>	1	CABLE AS						
E		1	<b>5P-0746</b>		CABLE (0-GA, BLACK) (105CM)						
	9	1	<b>1M-4986</b>	1	TERMINAL-RING (0-GA, 1/2-IN SCREW)						
	10	1	<b>3D-2098</b>	1	TERMINAL AS (POS)						
		1	<b>1M-6119</b>	1	BOLT (5/16-18X1.375-IN)						
		1	<b>1M-6120</b>	1	NUT (5/16-18-THD)						
	11	1	<b>7N-5274</b>	1	COVER AS-TERMINAL (BLACK)						
	12	1	<b>5H-0071</b>	2	MAT-BATTERY (SMALL)						
		1	<b>9M-5775</b>	2	MAT-BATTERY (LARGE)						
	13	1	<b>5N-4664</b>	1	SUPPORT AS						
	14	1	<b>3B-1915</b>	3	BOLT (3/8-16X1.375-IN)						
		1	<b>1D-4717</b>	3	NUT (3/8-16-THD)						
	15	1	<b>5M-0537</b>	1	PLATE						
	16	1	<b>5N-4661</b>	1	ANGLE						
	17	1	<b>6N-8863</b>	2	WASHER (10.2X32X2.5-MM THK)						
B	18	1	<b>5N-2042</b>	3	BOLT (360MM)						
B		1	<b>5N-2144</b>	3	BOLT-SPECIAL (BATTERY HOLD-DOWN) (310MM)						
		1	<b>035-0499</b>	3	NUT-WING (1/4-20-THD)						
		1	<b>5P-0537</b>	3	WASHER-HARD (7.2X14.5X2-MM THK)						
	19	1	<b>5N-2145</b>	1	ANGLE						
	20	1	<b>0S-1625</b>	1	BOLT (5/8-11X2.5-IN)						
		1	<b>5P-8247</b>	1	WASHER-HARD (17X32X3.5-MM THK)						
B		1	<b>6P-4231</b>	1	SPACER (9.93MM THK)						

B - USE AS REQUIRED  
E - ORDER BY THE CENTIMETER

# ELECTRICAL AND STARTING SYSTEM

7W-7803 SUPPORT GP-BATTERY (contd.)

101698596



GRAPHIC #1

VIEW A-A

<END>

g00186534

# ELECTRICAL AND STARTING SYSTEM

## 9Y-5767 SUPPORT GP-BATTERY

S/N: 85Z3764-UP  
FUEL TANK BASE  
AN ATTACHMENT

SMCS-7257

i00957043

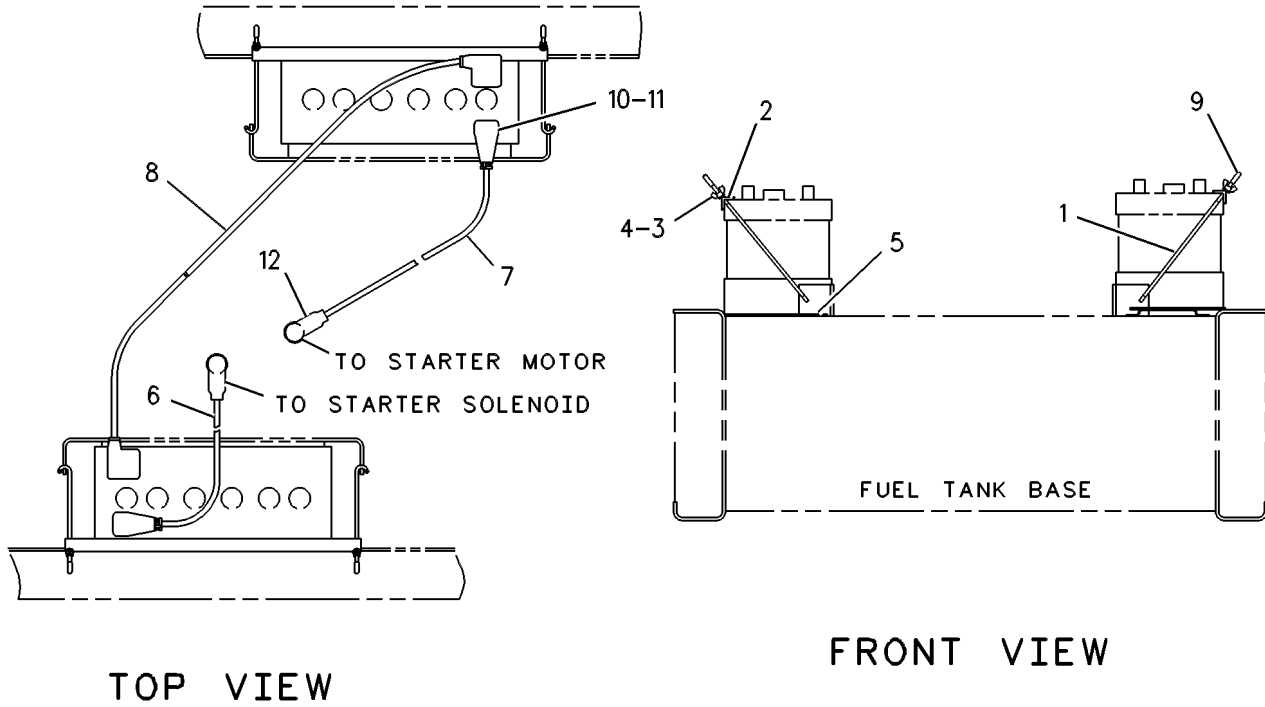
NOTE	REF NO	GRAPHIC REF	PART NUMBER	QTY	PART NAME						SEE PAGE
					1	2	3	4	5	6	
	1	1	<b>5H-0071</b>	2	MAT-BATTERY						
	2	1	<b>5N-2144</b>	4	BOLT-SPECIAL (BATTERY HOLD-DOWN)						
	3	1	<b>035-0499</b>	4	NUT-WING (1/4-20-THD)						
	4	1	<b>8T-4205</b>	4	WASHER-HARD (7.2X14.5X2-MM THK)						
	5	1	<b>9Y-5930</b>	2	ANGLE						
	6	1	<b>8C-0620</b>	4	PROTECTOR-THREAD						
	7	1	<b>2A-7095</b>	1	CABLE AS						
		1	<b>1S-7251</b>	1	TERMINAL-CABLE (00-GA, 1/2-IN SCREW)						
E		1	<b>5P-0761</b>		CABLE (00-GA, RED) (91CM)						
		1	<b>8N-0869</b>	1	COVER-TERMINAL (RED)						
		1	<b>8N-1725</b>	1	COVER AS-TERMINAL (RED)						
		1	<b>3S-6049</b>	1	TERMINAL AS-BATTERY (POSITIVE)						
		1	<b>1M-6119</b>	1	BOLT (5/16-18X1.375-IN)						
		1	<b>1M-6120</b>	1	NUT (5/16-18-THD)						
	8	1	<b>7E-2845</b>	1	CABLE AS						
		1	<b>1M-4986</b>	1	TERMINAL-RING (0-GA, 1/2-IN SCREW)						
		1	<b>7X-1169</b>	1	TERMINAL AS-BATTERY (NEGATIVE)						
E		1	<b>5P-0746</b>		CABLE (0-GA, BLACK) (115CM)						
	9	1	<b>1V-9260</b>	1	CABLE AS						
		1	<b>1M-6119</b>	2	BOLT (5/16-18X1.375-IN)						
		1	<b>1M-6120</b>	2	NUT (5/16-18-THD)						
		1	<b>1S-4915</b>	2	LINER (CONDUIT)						
		1	<b>3S-2093</b>	2	STRAP-CABLE						
E		1	<b>5P-0695</b>		CONDUIT (77CM)						
E		1	<b>5P-0761</b>		CABLE (00-GA, RED) (90CM)						
		1	<b>7N-5274</b>	1	COVER AS-TERMINAL (BLACK)						
		1	<b>8N-1725</b>	1	COVER AS-TERMINAL (RED)						
E		1	<b>8T-2225</b>		TUBE-HEAT SHRINK (25.4-MM DIA) (16CM)						
		1	<b>3S-6049</b>	1	TERMINAL AS-BATTERY (POSITIVE)						
		1	<b>1M-6119</b>	1	BOLT (5/16-18X1.375-IN)						
		1	<b>1M-6120</b>	1	NUT (5/16-18-THD)						
		1	<b>3S-6050</b>	1	TERMINAL AS-BATTERY (NEGATIVE)						
		1	<b>1M-6119</b>	1	BOLT (5/16-18X1.375-IN)						
		1	<b>1M-6120</b>	1	NUT (5/16-18-THD)						
	10	1	<b>7N-5274</b>	1	COVER AS-TERMINAL (BLACK)						
	11	1	<b>8L-8413</b>	1	STRAP-CABLE (WHITE)						
	12	1	<b>9G-8909</b>	1	COVER-TERMINAL (BLACK)						

E - ORDER BY THE CENTIMETER

# ELECTRICAL AND STARTING SYSTEM

9Y-5767 SUPPORT GP-BATTERY (contd.)

i00957043



GRAPHIC #1

<END>

g00256291



# ELECTRICAL AND STARTING SYSTEM

## 9Y-5768 SUPPORT GP-BATTERY

S/N: 85Z3764-UP  
NON-FUEL TANK BASE  
AN ATTACHMENT

SMCS-7257

i00957663

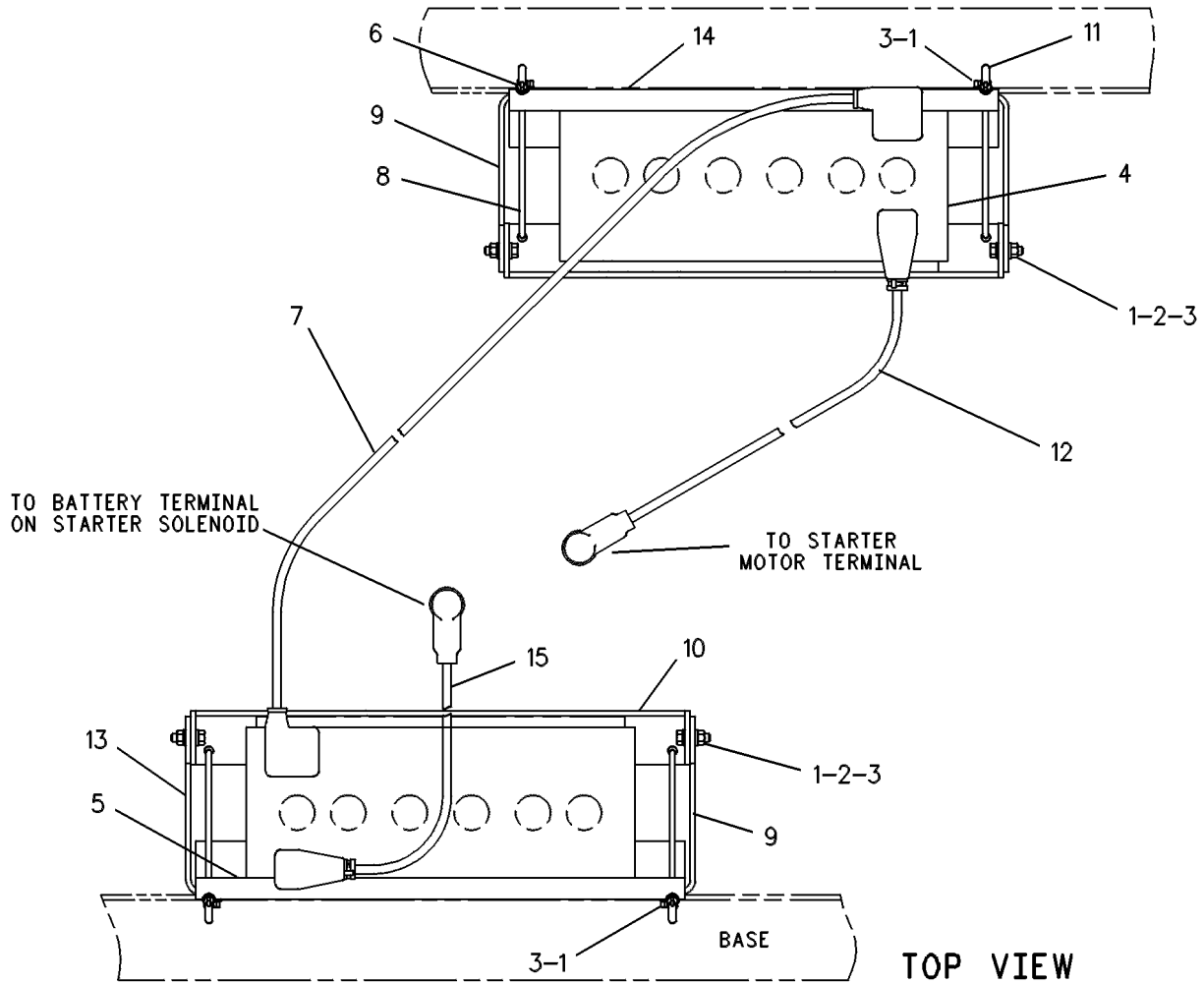
NOTE	REF NO	GRAPHIC REF	PART NUMBER	QTY	PART NAME						SEE PAGE
					1	2	3	4	5	6 (PRODUCT LEVEL)	
	1	1	<b>9B-7237</b>	16	BOLT (3/8-16X1.25-IN)						
	2	1	<b>6V-8801</b>	4	NUT (3/8-16-THD)						
	3	1	<b>8T-4896</b>	20	WASHER-HARD (10.2X18.5X2.5-MM THK)						
	4	1	<b>5H-0071</b>	2	MAT-BATTERY						
	5	1	<b>9Y-5925</b>	2	ANGLE AS						
	6	1	<b>035-0499</b>	4	NUT-WING (1/4-20-THD)						
		1	<b>8T-4205</b>	4	WASHER-HARD (7.2X14.5X2-MM THK)						
	7	1	<b>1V-9260</b>	1	CABLE AS						
		1	<b>1M-6119</b>	2	BOLT (5/16-18X1.375-IN)						
		1	<b>1M-6120</b>	2	NUT (5/16-18-THD)						
		1	<b>1S-4915</b>	2	LINER (CONDUIT)						
		1	<b>3S-2093</b>	2	STRAP-CABLE						
E		1	<b>5P-0695</b>		CONDUIT (77CM)						
E		1	<b>5P-0761</b>		CABLE (00-GA, RED) (90CM)						
		1	<b>7N-5274</b>	1	COVER AS-TERMINAL (BLACK)						
		1	<b>8N-1725</b>	1	COVER AS-TERMINAL (RED)						
E		1	<b>8T-2225</b>		TUBE-HEAT SHRINK (25.4-MM DIA) (16CM)						
		1	<b>3S-6049</b>	1	TERMINAL AS-BATTERY (POSITIVE)						
		1	<b>3S-6050</b>	1	TERMINAL AS-BATTERY (NEGATIVE)						
	8	1	<b>5N-2144</b>	4	BOLT-SPECIAL (BATTERY HOLD-DOWN)						
	9	1	<b>9Y-5923</b>	2	BRACKET AS						
	10	1	<b>9Y-5926</b>	2	SUPPORT AS						
	11	1	<b>8C-0620</b>	4	PROTECTOR-THREAD						
	12	1	<b>7E-2845</b>	1	CABLE AS						
		1	<b>1M-4986</b>	1	TERMINAL-RING (0-GA, 1/2-IN SCREW)						
		1	<b>7X-1169</b>	1	TERMINAL AS-BATTERY (NEGATIVE)						
E		1	<b>5P-0747</b>	1	CABLE (00-GA, BLACK) (115CM)						
	13	1	<b>9Y-5924</b>	2	BRACKET						
	14	1	<b>9Y-5930</b>	1	ANGLE						
	15	1	<b>2A-7095</b>	1	CABLE AS						
		1	<b>1S-7251</b>	1	TERMINAL-CABLE (00-GA, 1/2-IN SCREW)						
E		1	<b>5P-0761</b>		CABLE (00-GA, RED) (91CM)						
		1	<b>8N-0869</b>	1	COVER-TERMINAL (RED)						
		1	<b>8N-1725</b>	1	COVER AS-TERMINAL (RED)						
		1	<b>3S-6049</b>	1	TERMINAL AS-BATTERY (POSITIVE)						

E - ORDER BY THE CENTIMETER

# ELECTRICAL AND STARTING SYSTEM

9Y-5768 SUPPORT GP-BATTERY (contd.)

i00957663



GRAPHIC #1

<END>

g00237625

# ELECTRICAL AND STARTING SYSTEM

**143-7886 SWITCH AS-CIRCUIT BREAKER POSITION, FAULT INDICATOR**  
S/N: 5DA5682-UP; 5EA5375-UP; 5FA4499-UP; 8JF1-UP; 6DG1-UP  
FOR USE WITH NS CIRCUIT BREAKERS  
AN ATTACHMENT

SMCS-1400, 1435, 4450

i01280111

NOTE	PART NUMBER	QTY	PART NAME						SEE PAGE
			1	2	3	4	5	6 (PRODUCT LEVEL)	
(NO SERVICED PARTS)									
<END>									

# ELECTRICAL AND STARTING SYSTEM

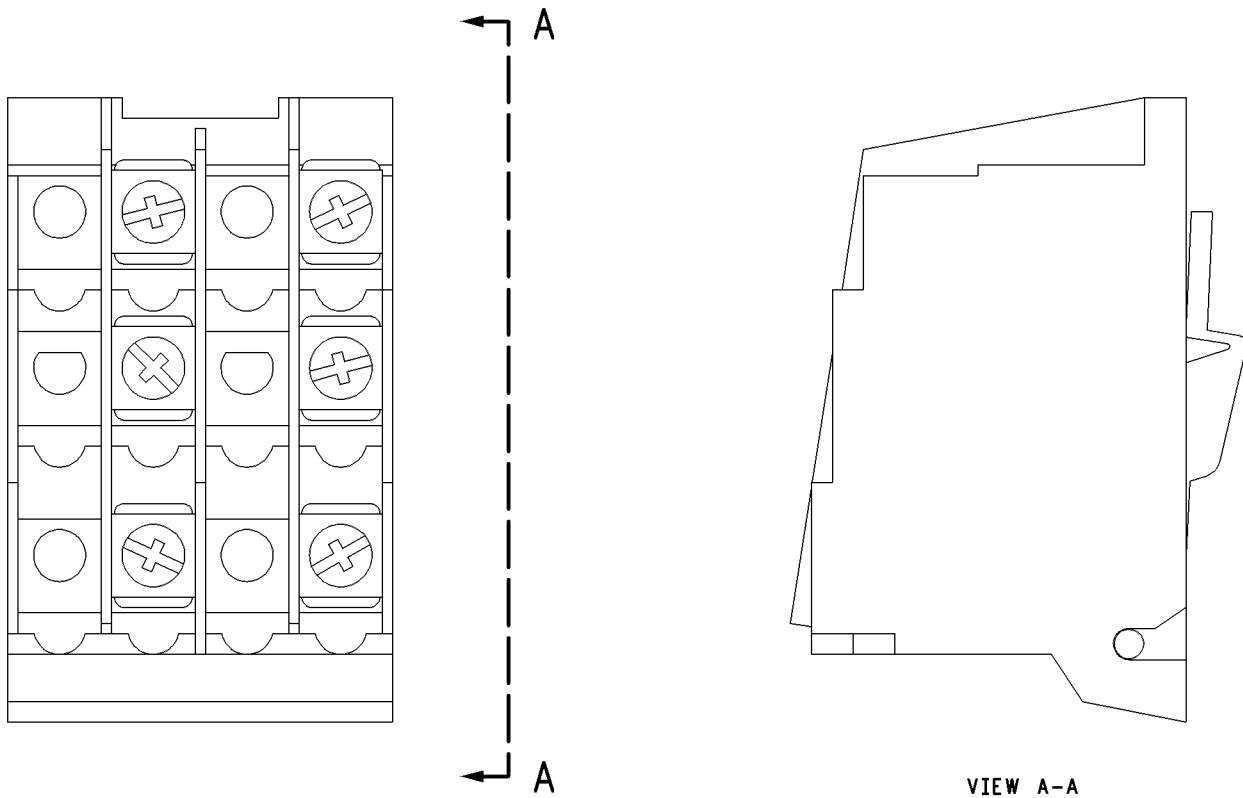
## 105-7931 SWITCH AS-AUXILIARY

S/N: 5CA5985-UP; 5DA5682-UP; 8JF1-UP; 6CG1-UP; 6DG1-UP; 6EG1-UP  
 RATES 6-AMPERE AT 480-VOLTS AC AND 3-AMPERE AT 600-VOLTS AC. PROVIDES REMOTE  
 INFORMATION OF THE BREAKER STATUS  
 FOR USE WITH 800/1000/1200-AMPERE CIRCUIT BREAKERS, 3-POLE, UL CIRCUIT BREAKER,  
 RATED 700 TO 1250 AMPERE  
 FOR USAGE REFER TO CHART 4W-8145-PAGE: 1768  
 AN ATTACHMENT

SMCS-4450

i03884831

NOTE	REF NO	GRAPHIC REF	PART NUMBER	QTY	PART NAME 1 2 3 4 5 6 (PRODUCT LEVEL)	SEE PAGE
(NO SERVICED PARTS)						



GRAPHIC #1

<END>

g00527862

# ELECTRICAL AND STARTING SYSTEM

## 107-8517 SWITCH AS-AUXILIARY-AUXILIARY

S/N: 5CA5985-UP; 5DA5682-UP; 5EA5375-UP; 5FA4499-UP; 8JF1-UP; 6CG1-UP; 6DG1-UP;  
6EG1-UP

PROVIDES REMOTE INFORMATION OF BREAKER STATUS. NOT FACTORY WIRED.  
FOR USE WITH 100 AMPERE THRU 250 AMPERE CIRCUIT BREAKERS  
FOR USAGE REFER TO CHART 4W-8145-PAGE: 1768  
AN ATTACHMENT

SMCS-4450

i01301959

NOTE	PART NUMBER	QTY	PART NAME 1 2 3 4 5 6 (PRODUCT LEVEL)	SEE PAGE
(NO SERVICED PARTS)				
<END>				

## 113-0859 SWITCH AS-AUXILIARY

S/N: 8JF1-UP; 6CG1-UP; 6DG1-UP; 6EG1-UP

REMOTE OPENING/CLOSING CIRCUIT BREAKER FAULT INDICATOR  
FOR USE WITH 160 THRU 250 AMPERE CIRCUIT BREAKERS  
AN ATTACHMENT

SMCS-4450

i01735866

NOTE	PART NUMBER	QTY	PART NAME 1 2 3 4 5 6 (PRODUCT LEVEL)	SEE PAGE
(NO SERVICED PARTS)				
<END>				

## 113-0860 SWITCH AS-AUXILIARY

S/N: 8JF1-UP

CIRCUIT BREAKER OPENING/CLOSING AND FAULT INDICATOR INFORMATION, INSTALL ON RH SIDE  
OF BREAKER UNDER FRONT COVER  
FOR USE WITH 320 TO 1250-AMPERE CIRCUIT BREAKERS  
AN ATTACHMENT

SMCS-4450

i02110350

NOTE	PART NUMBER	QTY	PART NAME 1 2 3 4 5 6 (PRODUCT LEVEL)	SEE PAGE
(NO SERVICED PARTS)				
<END>				

# ELECTRICAL AND STARTING SYSTEM

## 2W-8916 SWITCH AS-TEMPERATURE

S/N: 85Z3764-UP

FOR USE WITH ELECTRIC SHUT-OFF SYSTEM

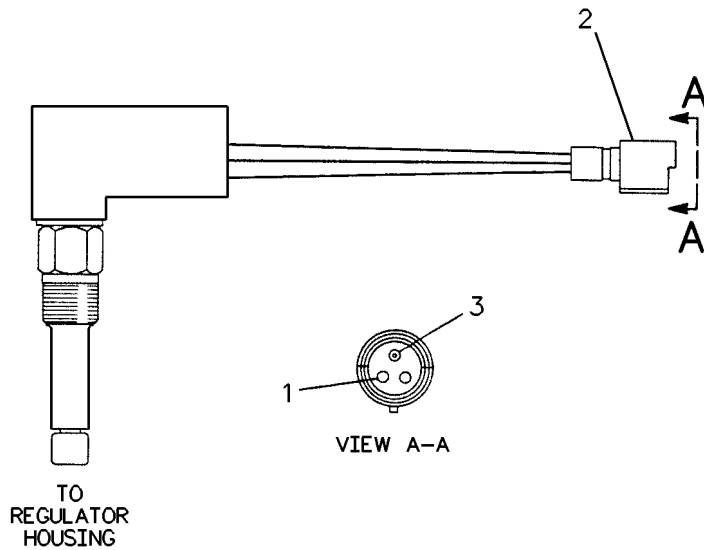
PART OF 7W-5342 CONTACTOR GP-ALARM

AN ATTACHMENT

SMCS-7400

i00638663

NOTE	REF NO	GRAPHIC REF	PART NUMBER	QTY	PART NAME						SEE PAGE
					1	2	3	4	5	6	
	1	1	<b>7N-7780</b>	2	PIN-CONNECTOR (14-GA TO 18-GA)						
	2	1	<b>7N-7781</b>	1	HOUSING-RECEPTACLE (14-GA TO 18-GA)						
	3	1	<b>7N-7779</b>	1	SOCKET-CONNECTOR (14-GA TO 18-GA) (CONNECTOR)						



GRAPHIC #1

<END>

g00210955

# ELECTRICAL AND STARTING SYSTEM

## 3N-7442 SWITCH AS-TEMPERATURE-JACKET WATER HEATER

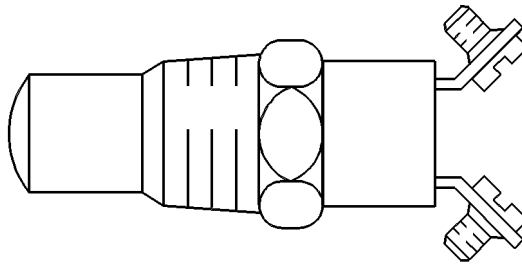
S/N: 85Z3764-UP

AN ATTACHMENT

SMCS-7400

i01280121

NOTE	REF NO	GRAPHIC REF	PART NUMBER	QTY	PART NAME						SEE PAGE
					1	2	3	4	5	6 (PRODUCT LEVEL)	
(NO SERVICED PARTS)											



GRAPHIC #1

<END>

g00285845

# ELECTRICAL AND STARTING SYSTEM

## 5N-8857 SWITCH AS-TEMPERATURE

S/N: 85Z3764-UP

FOR USAGE REFER TO CHART 5N-8487-PAGE: 1747

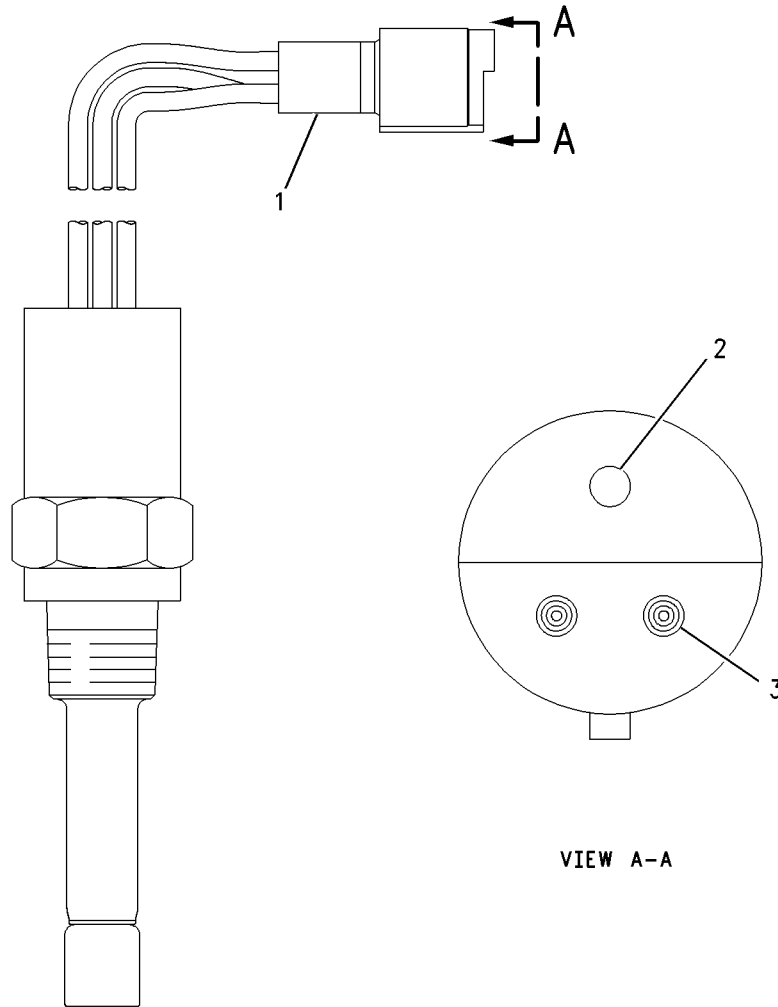
PART OF 5N-8518 CONTACTOR GP

AN ATTACHMENT

SMCS-7400

i01407286

NOTE	REF NO	GRAPHIC REF	PART NUMBER	QTY	PART NAME						SEE PAGE
					1	2	3	4	5	6 (PRODUCT LEVEL)	
	1	1	<b>7N-7781</b>	1	HOUSING-RECEPTACLE (14-GA TO 18-GA)						
	2	1	<b>7N-7779</b>	1	SOCKET-CONNECTOR (14-GA TO 18-GA)						
	3	1	<b>7N-7780</b>	2	PIN-CONNECTOR (14-GA TO 18-GA)						



GRAPHIC #1

<END>

g00740706



# ELECTRICAL AND STARTING SYSTEM

## 169-1864 SWITCH GP-AUXILIARY-CIRCUIT BREAKER POSITION INDICATOR

S/N: 5CA5985-UP; 5DA5682-UP; 8JF1-UP; 6CG1-UP; 6DG1-UP; 6EG1-UP  
 FOR USE WITH 169-1828-PAGE: 995, 169-1831-PAGE: 997, 169-1833-PAGE: 999, 169-1834-PAGE: 1001, 169-1837-PAGE: 1003, 169-1839-PAGE: 1005, MERLIN GERIN NS CIRCUIT BREAKERS  
 AN ATTACHMENT

SMCS-4450

i03884842

NOTE	PART NUMBER	QTY	PART NAME 1 2 3 4 5 6 (PRODUCT LEVEL)	SEE PAGE
	244-9825	2	SWITCH-AUXILIARY (SINGLE POLE, DUAL THROW) (CIRCUIT BREAKER POSN INDICATOR) (INSTALL IN POSITIONS 1 & 2 OF NS CIRCUIT BREAKER)	
<END>				

## 169-1866 SWITCH GP-AUXILIARY-CIRCUIT BREAKER POSITION INDICATOR

S/N: 8JF1-UP; 6CG1-UP; 6DG1-UP; 6EG1-UP  
 FOR USE WITH 175-1329-PAGE: 1006, 175-1330-PAGE: 1007, 175-1335-PAGE: 1010, MERLIN GERIN NS CIRCUIT BREAKERS  
 AN ATTACHMENT

SMCS-4450

i02896667

NOTE	PART NUMBER	QTY	PART NAME 1 2 3 4 5 6 (PRODUCT LEVEL)	SEE PAGE
	244-9825	1	SWITCH-AUXILIARY (SINGLE POLE, DUAL THROW) (CIRCUIT BREAKER POSN INDICATOR) (SWITCH IS TO BE INSTALLED INTO POSITION OF 1 OF THE NS CIRCUIT BREAKER TO PROVIDE BREAKER POSITION INDICATION)	
	244-9825	1	SWITCH-AUXILIARY (SINGLE POLE, DUAL THROW) (CIRCUIT BREAKER ALARM) (SWITCH IS TO BE INSTALLED INTO POSITION SD OF THE NS CIRCUIT BREAKER TO PROVIDE ALARM INDICATION)	
<END>				

# ELECTRICAL AND STARTING SYSTEM

## 7W-8051 SWITCH GP-ENGINE-SHUTOFF

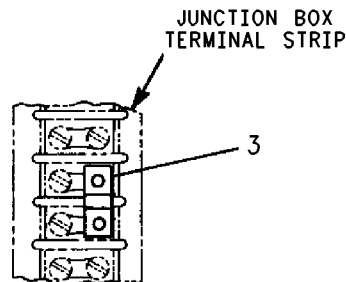
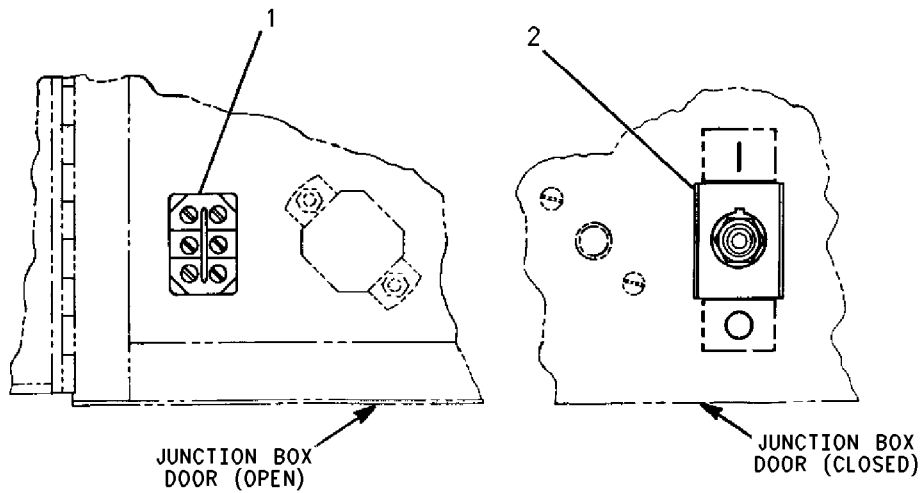
S/N: 85Z3764-UP

PART OF 2W-8901, 2W-8903 BOX GP-JUNCTION  
AN ATTACHMENT

SMCS-7332

i02235645

NOTE	REF NO	GRAPHIC REF	PART NUMBER	QTY	PART NAME						SEE PAGE
					1	2	3	4	5	6 (PRODUCT LEVEL)	
1	1	1	<b>5N-0364</b>	1	SWITCH AS-TOGGLE (ENGINE SHUTOFF)						
2	1	1	<b>5N-0361</b>	1	GUARD						
3	1	1	<b>5N-5159</b>	1	JUMPER-STRIP						



GRAPHIC #1

<END>

g00698260

# ELECTRICAL AND STARTING SYSTEM

## 133-9670 SWITCH GP-GOVERNOR

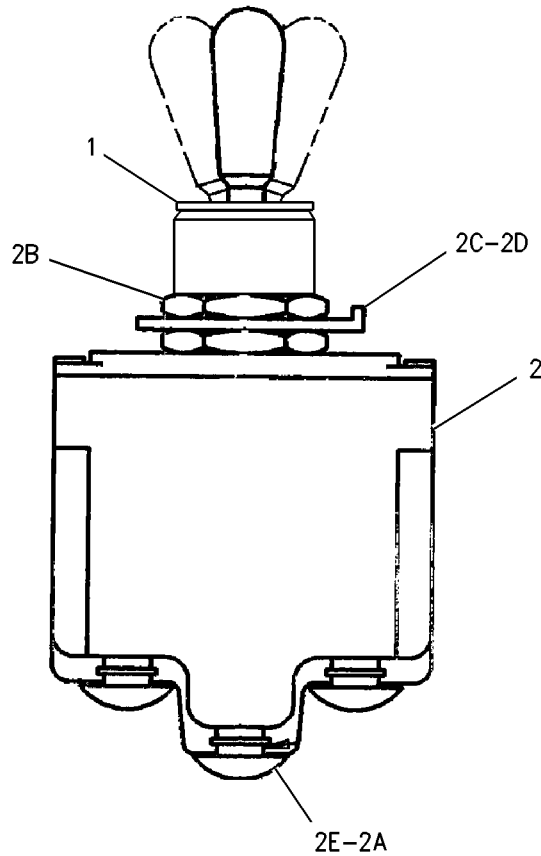
S/N: 85Z3764-UP

FOR USE WITH 28 VOLT SPEED ADJUST MOTOR  
AN ATTACHMENT

SMCS-1264

i03525643

NOTE	REF NO	GRAPHIC REF	PART NUMBER	QTY	PART NAME						SEE PAGE
					1	2	3	4	5	6 (PRODUCT LEVEL)	
	1	1	<b>3L-4576</b>	1	PLATE-IDENTIFICATION (GOVERNOR RAISE/LOWER)						
	2	1	<b>7N-8008</b>	1	SWITCH AS-TOGGLE (GOVERNOR RAISE/LOWER)						
	2A	1	<b>3L-8187</b>	6	LOCKWASHER						
	2B	1	<b>6T-3631</b>	2	NUT-HEX (15/32-32-THD)						
	2C	1	<b>6T-3632</b>	1	LOCKWASHER						
	2D	1	<b>6T-3633</b>	1	RING-LOCKING						
	2E	1	<b>6V-8374</b>	6	SCREW-MACHINE (6-32X0.25-IN)						



GRAPHIC #1

<END>

g00741606

# ELECTRICAL AND STARTING SYSTEM

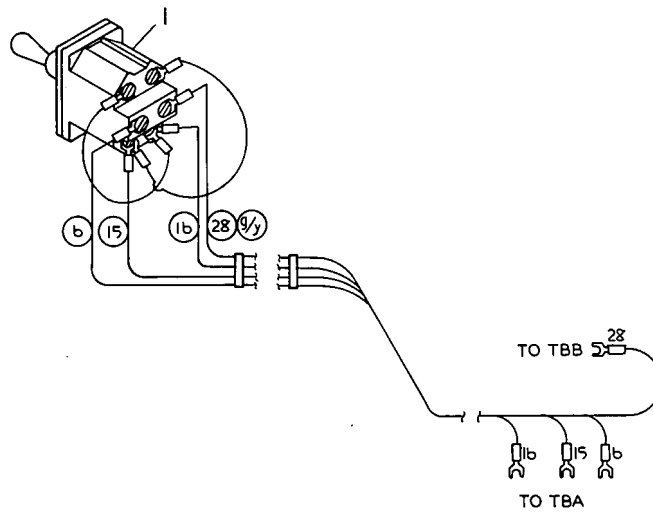
## 4W-8181 SWITCH GP-GOVERNOR

S/N: 5CA5985-UP; 5DA5682-UP; 5EA5375-UP  
 FOR USAGE REFER TO CHART 4W-8000-PAGE: 1798  
 PART OF 7W-0700 PANEL AR-CONTROL  
 AN ATTACHMENT

SMCS-1264

i02232709

NOTE	REF NO	GRAPHIC REF	PART NUMBER	QTY	PART NAME						SEE PAGE
					1	2	3	4	5	6 (PRODUCT LEVEL)	
	1	1	<b>7N-8008</b>	1	SWITCH AS-TOGGLE (GOVERNOR)						
		1	<b>3L-8187</b>	6	LOCKWASHER						
		1	<b>6T-3631</b>	2	NUT-HEX (15/32-32-THD)						
		1	<b>6T-3632</b>	1	LOCKWASHER						
		1	<b>6T-3633</b>	1	RING-LOCKING						
		1	<b>6V-8374</b>	6	SCREW-MACHINE (6-32X0.25-IN)						



WIRE CHART

WIRE NO.	TYPE AND SIZE	LENGTH IN MILLIMETERS
b	WHITE *20 AWG	1240
15	WHITE *20 AWG	1346
1b	WHITE *20 AWG	1314
28	GREEN WITH YELLOW STRIPE *18AWG	927

GRAPHIC #1

<END>

g00205830

# ELECTRICAL AND STARTING SYSTEM

## 4W-8182 SWITCH GP-GOVERNOR

S/N: 5CA5985-UP; 5DA5682-UP; 5EA5375-UP

STARTING AID

FOR USAGE REFER TO CHART 4W-8000-PAGE: 1798

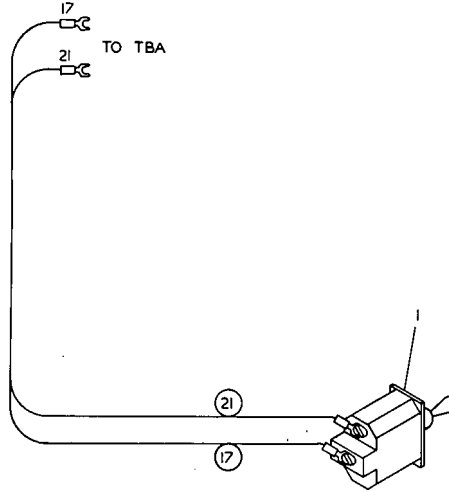
PART OF 7W-0700 PANEL AR-CONTROL

AN ATTACHMENT

SMCS-1264

i01612707

NOTE	REF NO	GRAPHIC REF	PART NUMBER	QTY	PART NAME						SEE PAGE
					1	2	3	4	5	6 (PRODUCT LEVEL)	
	1	1	9D-3721	1	SWITCH-TOGGLE (SINGLE POLE) (GOVERNOR)						



WIRE CHART

WIRE NO	TYPE AND SIZE	LENGTH OF WIRE IN MM
17	WHITE *20 AWG	1054
21	WHITE *20 AWG	1143

GRAPHIC #1

<END>

g00205831

# ELECTRICAL AND STARTING SYSTEM

## 8N-6670 SWITCH GP-GOVERNOR

S/N: 85Z3764-UP

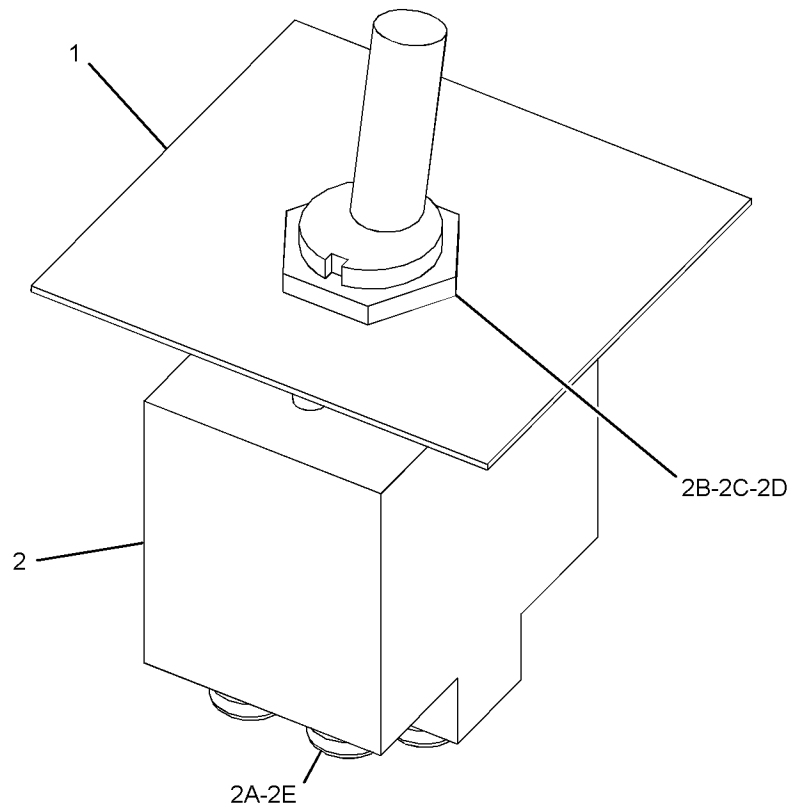
FOR USE WITH PSG ISOCHRONOUS GOVERNOR

PART OF 2W-3369, 7C-5221, 7C-5224, 7C-5227 PUMP GP-GOV & FUEL INJ  
AN ATTACHMENT

SMCS-1264

i02989045

NOTE	REF NO	GRAPHIC REF	PART NUMBER	QTY	PART NAME						SEE PAGE
					1	2	3	4	5	6 (PRODUCT LEVEL)	
	1	1	<b>3L-4576</b>	1	PLATE-IDENTIFICATION (GOVERNOR RAISE/LOWER)						
	2	1	<b>7N-8008</b>	1	SWITCH AS-TOGGLE (GOVERNOR RAISE/LOWER)						
	2A	1	<b>3L-8187</b>	6	LOCKWASHER (NO. 6)						
	2B	1	<b>6T-3631</b>	2	NUT-HEX (15/32-32-THD)						
	2C	1	<b>6T-3632</b>	1	LOCKWASHER (11.96X15.08X.5SMM THK)						
	2D	1	<b>6T-3633</b>	1	RING-LOCKING (12.3MM ID)						
	2E	1	<b>6V-8374</b>	6	SCREW-MACHINE (6-32X0.25-IN)						



GRAPHIC #1

<END>

g01515319

# ELECTRICAL AND STARTING SYSTEM

## 3N-8782 SWITCH GP-REMOTE STARTING

S/N: 85Z3764-UP

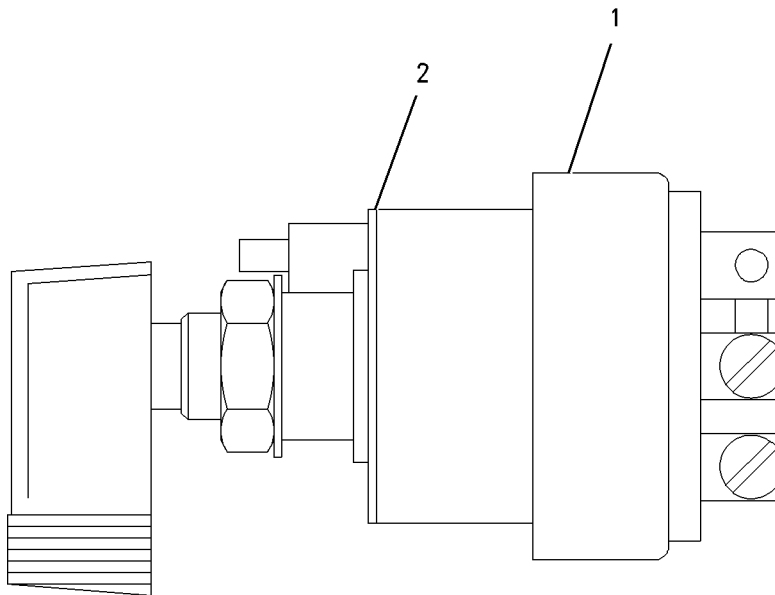
FOR USE WITH DIRECT INJECTION ENGINE  
AN ATTACHMENT

SMCS-1416

i02463361

NOTE	REF NO	GRAPHIC REF	PART NUMBER	QTY	PART NAME						SEE PAGE
					1	2	3	4	5	6 (PRODUCT LEVEL)	
Y	1	1	<b>9W-1077</b>	1	SWITCH GP-START (REMOTE)						1301
	2	1	<b>8J-4785</b>	1	PLATE-INSTRUCTION (START SWITCH) (REMOTE)						

Y - SEPARATE ILLUSTRATION



GRAPHIC #1

<END>

g00742147

# ELECTRICAL AND STARTING SYSTEM

## 122-4549 SWITCH GP-START

S/N: 85Z3764-UP

FOR USE WITH 7W-6685-PAGE: 1716, 7W-8001-PAGE: 959, 7W-8003-PAGE: 960

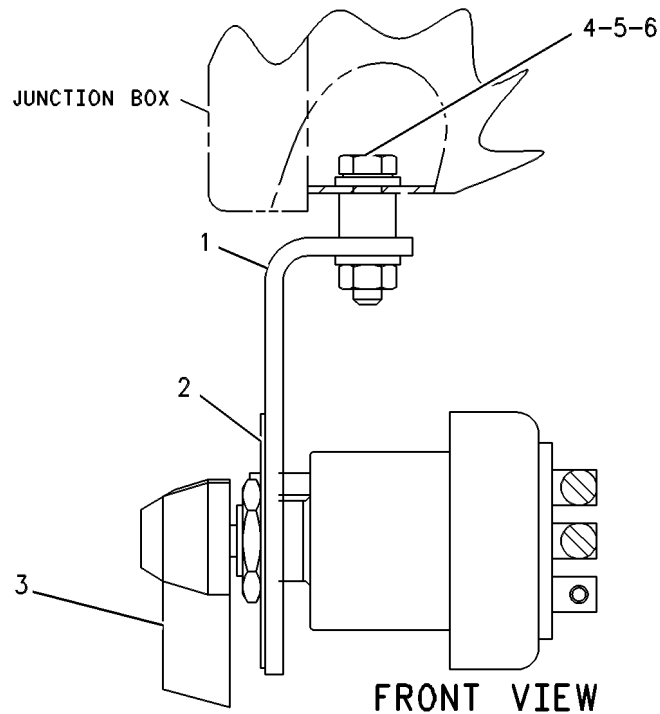
CANNOT BE USED WITH PACKAGE GENERATOR SETS OR AUTO START/STOP  
AN ATTACHMENT

SMCS-1416

i03441166

NOTE	REF NO	GRAPHIC REF	PART NUMBER	QTY	PART NAME						SEE PAGE
					1	2	3	4	5	6 (PRODUCT LEVEL)	
	1	1	<b>122-4275</b>	1	BRACKET AS						
		1	<b>5G-2308</b>	2	SPACER (7.50X12.7X10-MM THK)						
	2	1	<b>8J-4785</b>	1	PLATE-INSTRUCTION (START SWITCH) (ENGINE)						
Y	3	1	<b>9W-1077</b>	1	SWITCH GP-START (ENGINE)						1301
	4	1	<b>9F-6580</b>	2	BOLT (1/4-20X1.125-IN)						
	5	1	<b>5P-0537</b>	4	WASHER-HARD (7.2X14.5X2-MM THK)						
	6	1	<b>9S-8750</b>	2	NUT-FULL (1/4-20-THD)						

Y - SEPARATE ILLUSTRATION



GRAPHIC #1

<END>

g00256146



# ELECTRICAL AND STARTING SYSTEM

## 2W-0862 SWITCH GP-START

S/N: 85Z3764-UP

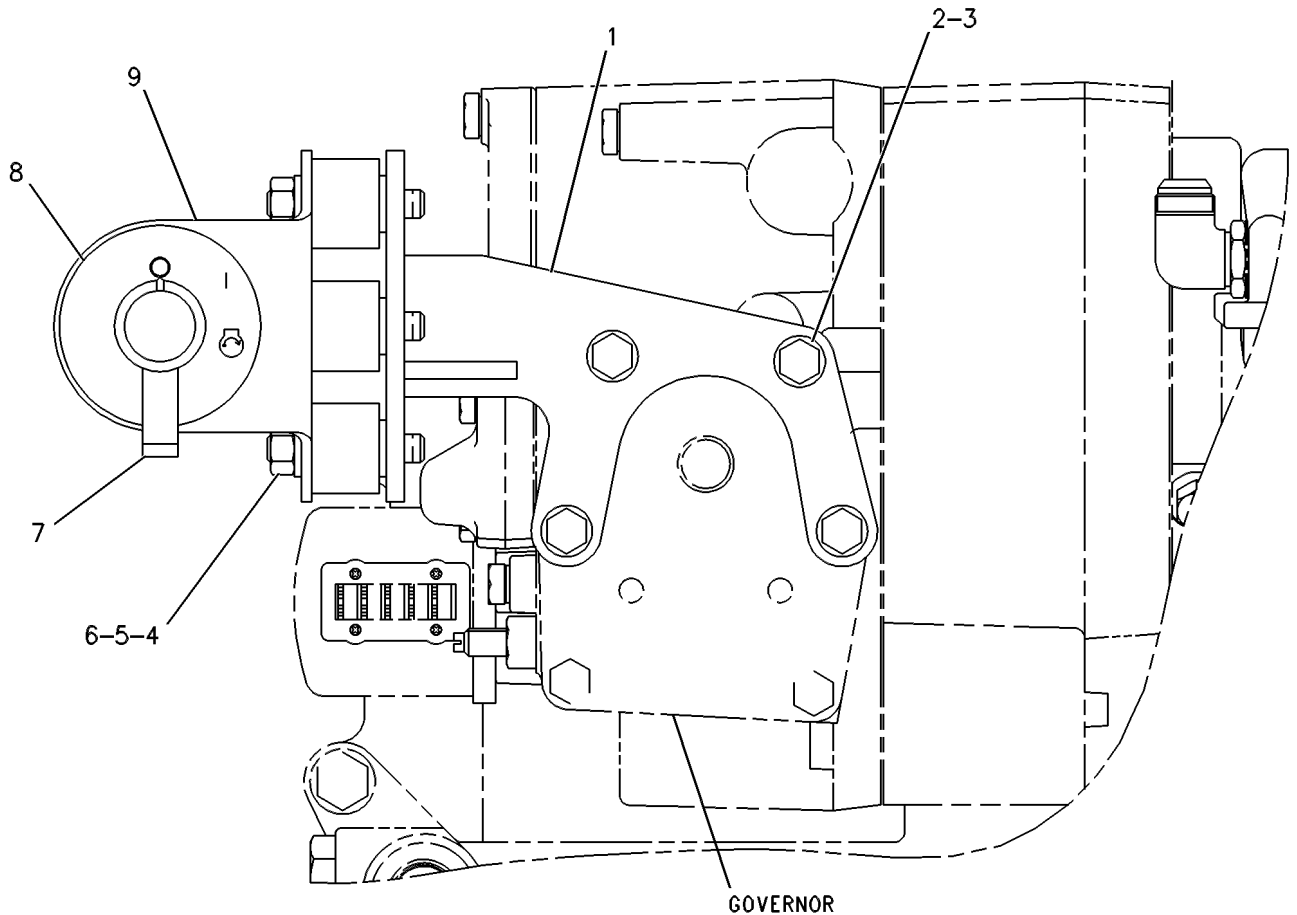
**CANNOT BE USED WITH PSG GOVERNOR  
AN ATTACHMENT**

SMCS-1416

i03441164

NOTE	REF NO	GRAPHIC REF	PART NUMBER	QTY	PART NAME						SEE PAGE
					1	2	3	4	5	6 (PRODUCT LEVEL)	
	1	1	<b>122-4638</b>	1	BRACKET AS						
	2	1	<b>7B-2742</b>	4	BOLT (1/4-20X1.25-IN)						
	3	1	<b>5P-0537</b>	4	WASHER-HARD (7.2X14.5X2-MM THK)						
	4	1	<b>7C-0100</b>	3	MOUNT-FLEXIBLE						
	5	1	<b>9M-1974</b>	6	WASHER-HARD (8.8X16X2-MM THK)						
	6	1	<b>5S-0003</b>	3	NUT (5/16-18-THD)						
CY	7	1	<b>9W-1077</b>	1	SWITCH GP-START (ENGINE)						1301
	8	1	<b>8J-4785</b>	1	PLATE-INSTRUCTION (START SWITCH) (ENGINE)						
	9	1	<b>122-4637</b>	1	BRACKET						

C - CHANGE FROM PREVIOUS TYPE  
Y - SEPARATE ILLUSTRATION



GRAPHIC #1

<END>

g00255391

# ELECTRICAL AND STARTING SYSTEM

## 7W-6687 SWITCH GP-START

S/N: 85Z3764-UP

FOR USE WITH 7W-8001-PAGE: 959, 7W-8003-PAGE: 960, 7W-6685-PAGE: 1716, AND WOODWARD  
PSG GOVERNOR

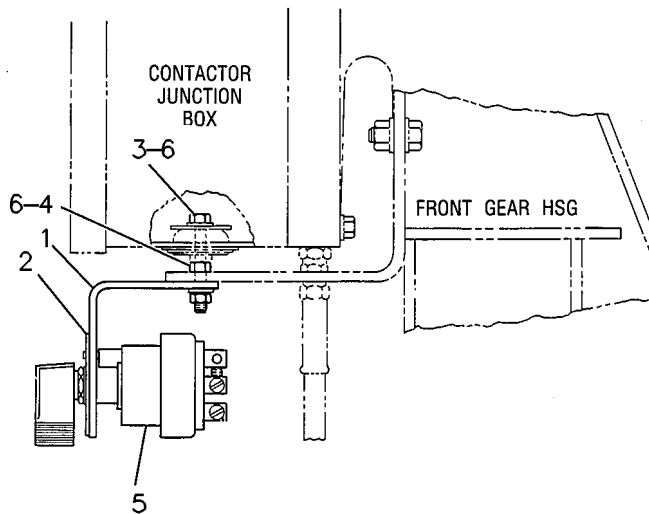
**CANNOT BE USED WITH GEN SET OR AUTO/START/STOP  
AN ATTACHMENT**

SMCS-1416

i01857824

NOTE	REF NO	GRAPHIC REF	PART NUMBER	QTY	PART NAME						SEE PAGE
					1	2	3	4	5	6 (PRODUCT LEVEL)	
	1	1	<b>7W-6603</b>	1	BRACKET						
	2	1	<b>8J-4785</b>	1	PLATE-INSTRUCTION (START SWITCH) (HEAT START)						
C	3	1	<b>8B-2377</b>	1	BOLT (1/4-20X2-IN)						
	4	1	<b>4F-7957</b>	1	BOLT (1/4-20X0.875-IN)						
		1	<b>9S-8750</b>	1	NUT-FULL (1/4-20-THD)						
Y	5	1	<b>9W-1077</b>	1	SWITCH GP-START (HEAT)						1301
C	6	1	<b>5P-0537</b>	2	WASHER-HARD (7.2X14.5X2-MM THK)						

C - CHANGE FROM PREVIOUS TYPE  
Y - SEPARATE ILLUSTRATION



GRAPHIC #1

<END>

g00214657

# ELECTRICAL AND STARTING SYSTEM

## 9W-1077 SWITCH GP-START

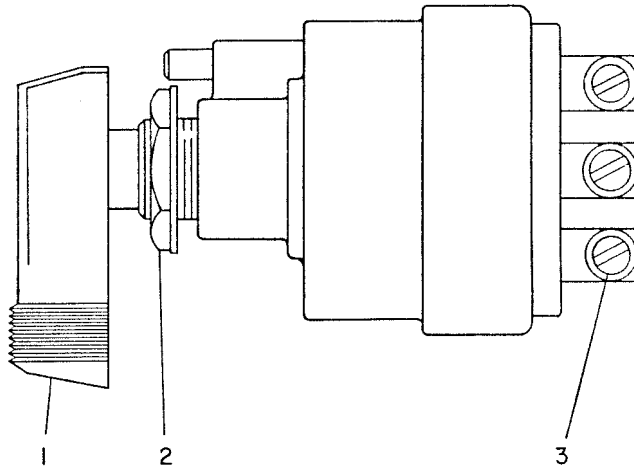
S/N: 85Z3764-UP

PART OF 3N-8782 SWITCH GP-REMOTE STARTING, 122-4549, 2W-0862, 7W-6687 SWITCH GP-START  
AN ATTACHMENT

SMCS-1416

i01901921

NOTE	REF NO	GRAPHIC REF	PART NUMBER	QTY	PART NAME						SEE PAGE
					1	2	3	4	5	6 (PRODUCT LEVEL)	
	1	1	<b>8F-3437</b>	1	LEVER-SWITCH (START)						
		1	<b>5L-7200</b>	1	SCREW (8-32X0.375-IN)						
		1	<b>3B-4501</b>	1	LOCKWASHER						
2		1	<b>8C-6808</b>	1	NUT (5/8-32-THD)						
		1	<b>7M-0327</b>	1	WASHER-THRUST (17.4X25.4X1.6-MM THK)						
3		1	<b>6V-8364</b>	4	SCREW-MACHINE (10-32X9.52-MM)						
		1	<b>8F-1434</b>	4	LOCKWASHER						



GRAPHIC #1

<END>

g00184487

# ELECTRICAL AND STARTING SYSTEM

## 2W-8911 SWITCH GP-STARTING AID-SECONDARY STOP

S/N: 85Z3764-UP

FOR USE WITH 2W-8901-PAGE: 950, 2W-8903-PAGE: 950, 4W-9601-PAGE: 951, 4W-9602-PAGE:  
954, 7W-8001-PAGE: 959, 7W-8003-PAGE: 960

AN ATTACHMENT

SMCS-1090, 1456

i01768853

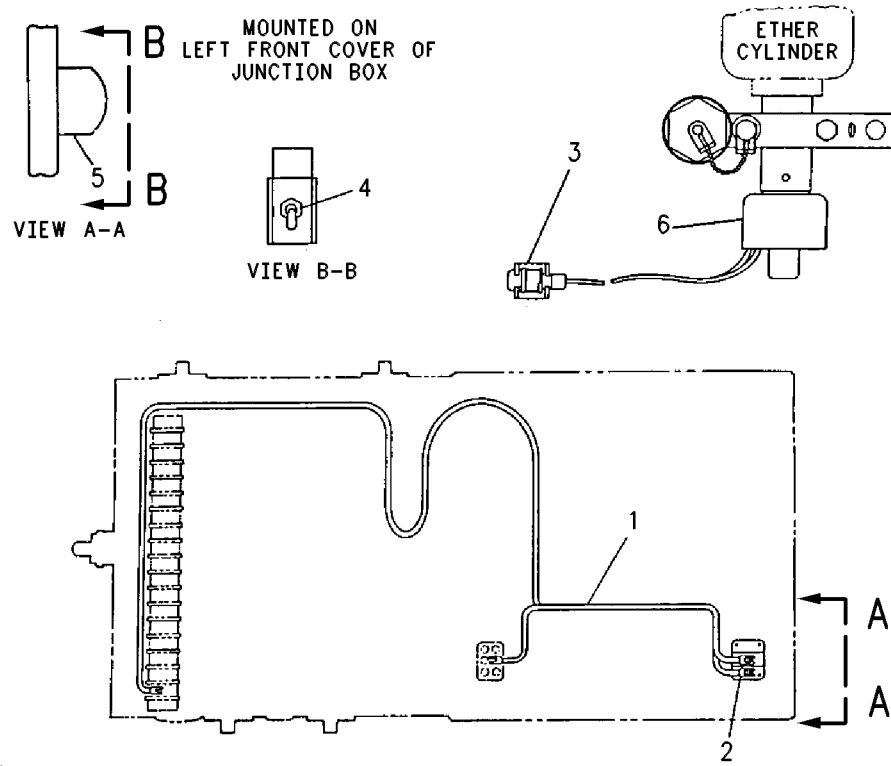
NOTE	REF NO	GRAPHIC REF	PART NUMBER	QTY	PART NAME						SEE PAGE
					1	2	3	4	5	6 (PRODUCT LEVEL)	
BD	1	1	<b>5P-5623</b>		WIRE-ELECTRICAL (16-GA, BLACK)						
	2	1	<b>5P-1475</b>	4	TERMINAL-FORK (14-GA TO 16-GA, NO. 8 SCREW)						
	3	1	<b>9G-9151</b>	1	CLIP						
	4	1	<b>9D-3721</b>	1	SWITCH-TOGGLE (SINGLE POLE) (ETHER AID ON-OFF)						
	5	1	<b>5N-0361</b>	1	GUARD						
	6	1	<b>9G-4365</b>	1	VALVE AS-ETHER START (24-VOLT)						
		1	<b>7N-9737</b>	1	HOUSING-RECEPTACLE (14-GA TO 18-GA)						
		1	<b>7N-7779</b>	1	SOCKET-CONNECTOR (14-GA TO 18-GA)						
		1	<b>7N-7780</b>	1	PIN-CONNECTOR (14-GA TO 18-GA)						
		1	<b>7N-9801</b>	1	GASKET						
BF		1	<b>1S-9593</b>	10	STRAP-CABLE						
FJ		1	<b>8N-1693</b>	1	SWITCH AS-TEMPERATURE (ETHER AID ARMING)						
		1	<b>6V-8376</b>	2	SCREW-MACHINE (8-32X0.25-IN)						
		1	<b>9B-7233</b>	2	LOCKWASHER						
A		1	<b>7N-0296</b>	1	CYLINDER AS-ETHER						
(MUST BE PROCURED LOCALLY FROM YOUR CATERPILLAR DEALER)											

A - NOT PART OF THIS GROUP  
 B - USE AS REQUIRED  
 D - ORDER BY THE METER  
 F - NOT SHOWN  
 J - MOUNTED ON TOP OF WATER BYPASS ELBOW

# ELECTRICAL AND STARTING SYSTEM

2W-8911 SWITCH GP-STARTING AID (contd.)

101768853



GRAPHIC #1

<END>

g00631058

# ELECTRICAL AND STARTING SYSTEM

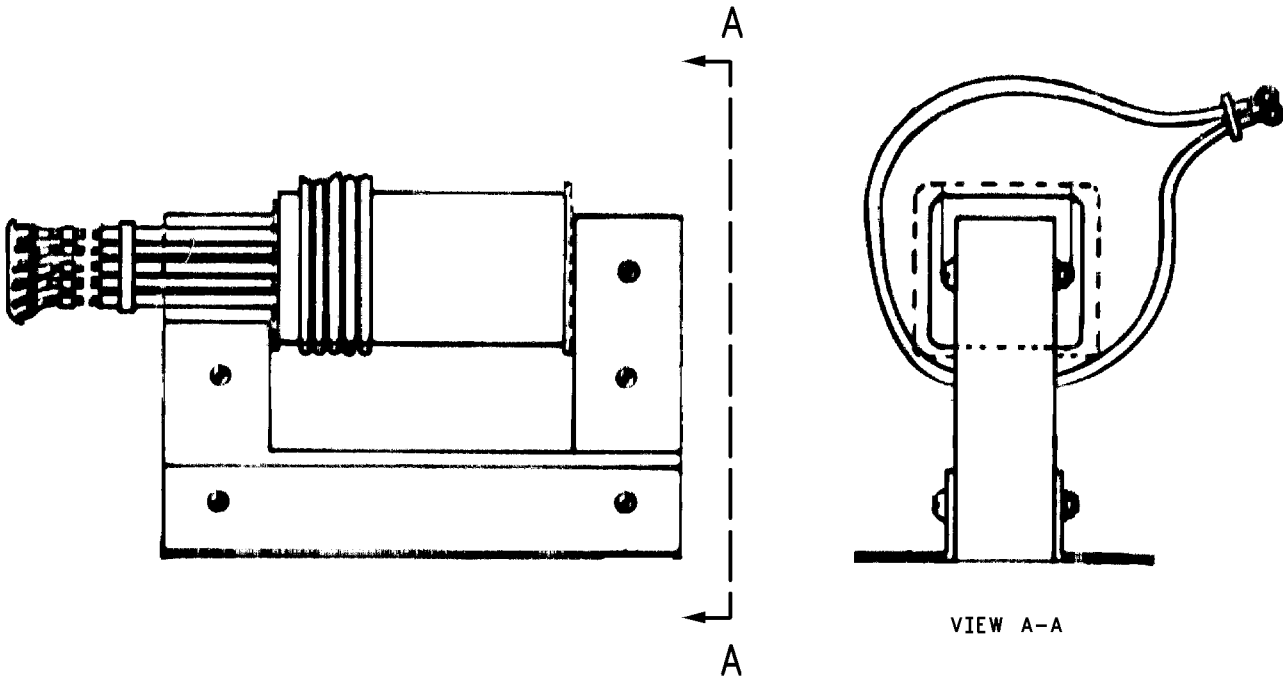
## 7W-6002 TRANSFORMER

S/N: 5CA5985-UP; 5DA5682-UP; 5EA5375-UP  
FOR USE WITH GENERATOR AR & CONNECTION DIAGRAM  
AN ATTACHMENT

SMCS-1409

i01438911

NOTE	REF NO	GRAPHIC REF	PART NUMBER	QTY	PART NAME	SEE PAGE
					1 2 3 4 5 6 (PRODUCT LEVEL)	
(NO SERVICED PARTS)						



GRAPHIC #1

<END>

g00753868

# ELECTRICAL AND STARTING SYSTEM

## 130-8239 TRANSFORMER AS

S/N: 8JF1-UP

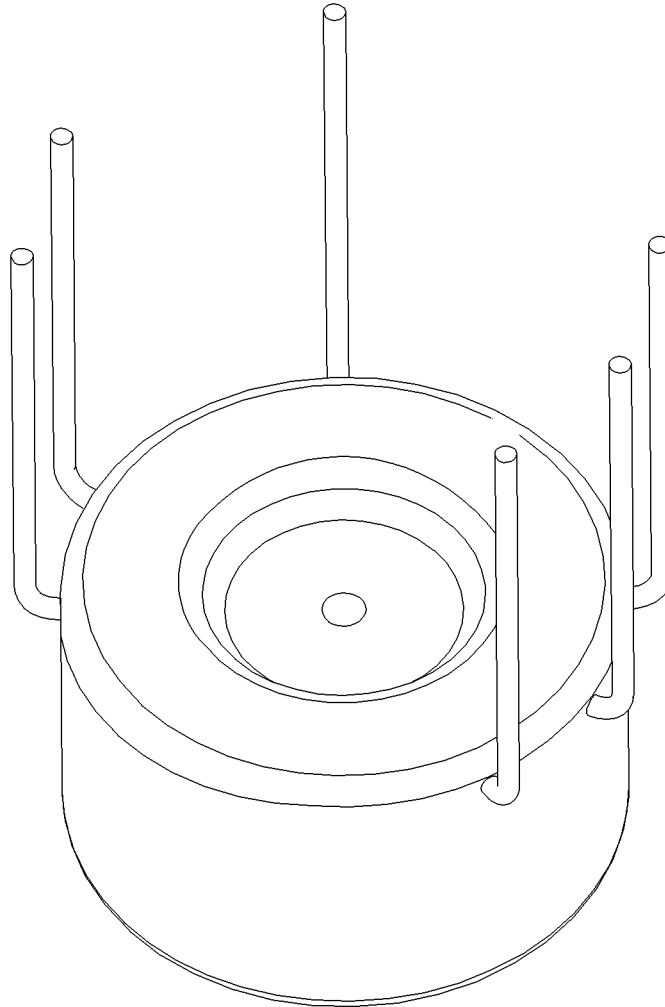
FOR USE WITH 200-VOLT OR 400-VOLT 50-HERTZ GENERATOR OR 240-VOLT OR 480-VOLT 60-HERTZ GENERATOR

CANNOT BE USED WITH MEDIUM VOLTAGE GENERATORS  
FIELD INSTALLATION

SMCS-1409

i01399118

NOTE	REF NO	GRAPHIC REF	PART NUMBER	QTY	PART NAME	SEE PAGE
					1 2 3 4 5 6 (PRODUCT LEVEL)	
(NO SERVICED PARTS)						



GRAPHIC #1

<END>

g00738412

# ELECTRICAL AND STARTING SYSTEM

## 130-8240 TRANSFORMER AS

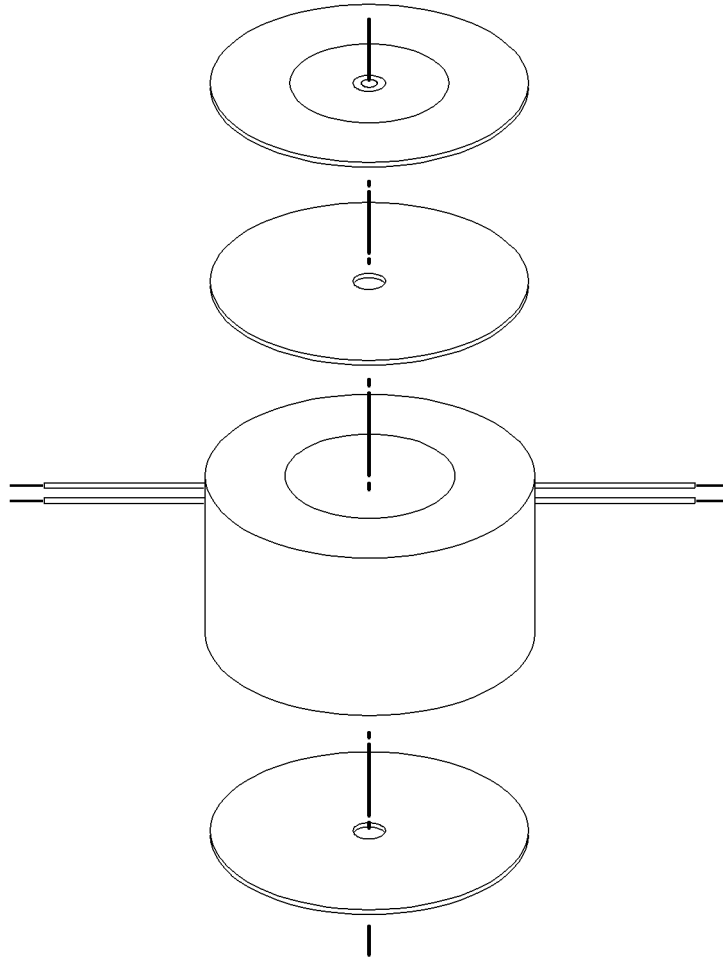
S/N: 8JF1-UP

FOR USE WITH SELF-EXCITED GENERATORS  
FIELD INSTALLATION

SMCS-1409

i01399150

NOTE	REF NO	GRAPHIC REF	PART NUMBER	QTY	PART NAME						SEE PAGE
					1	2	3	4	5	6 (PRODUCT LEVEL)	
(NO SERVICED PARTS)											



GRAPHIC #1

<END>

g00737276



# ELECTRICAL AND STARTING SYSTEM

## 244-4461 TRANSFORMER AS-CURRENT

S/N: 5FA4499-UP

300:5 RATIO

PART OF 7W-8744 GENERATOR GP

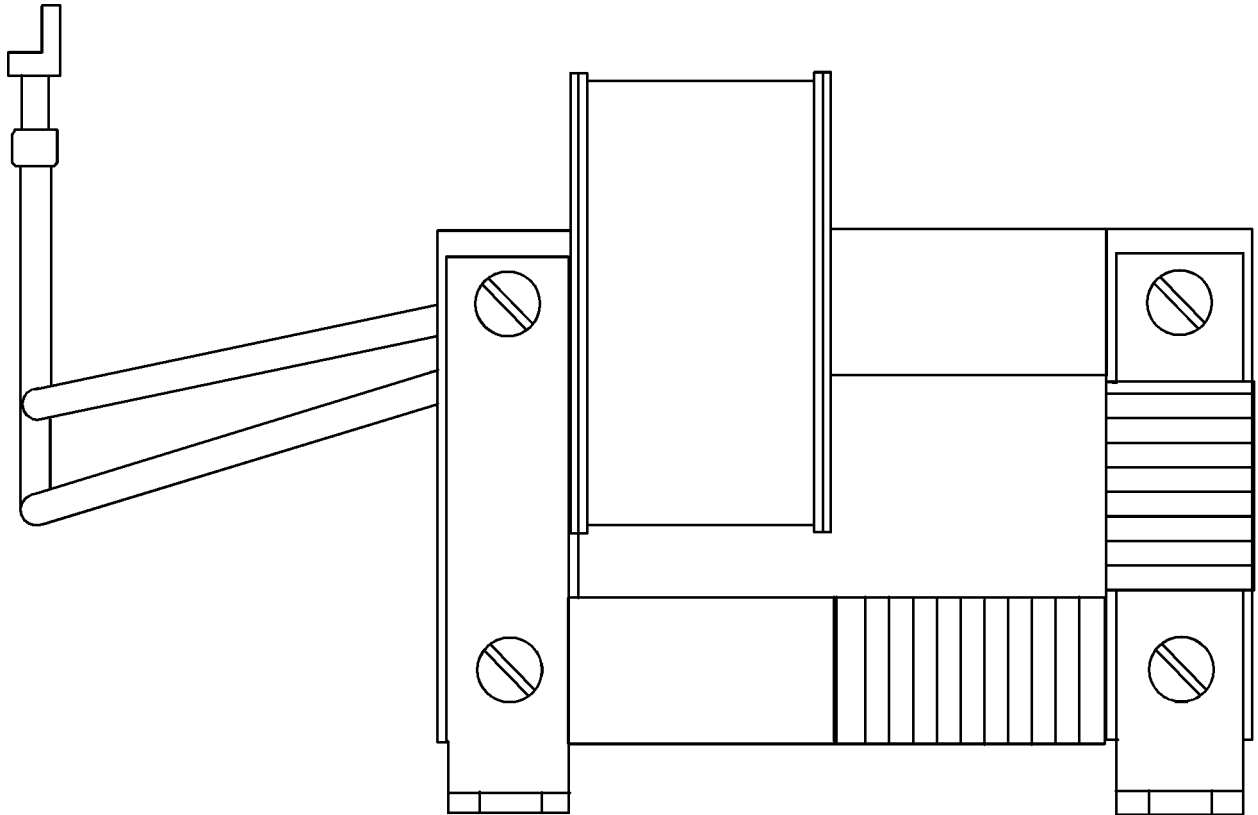
ALSO AN ATTACHMENT

SMCS-1409

i01989775

NOTE	REF NO	GRAPHIC REF	PART NUMBER	QTY	PART NAME						SEE PAGE
					1	2	3	4	5	6 (PRODUCT LEVEL)	

(NO SERVICED PARTS)



GRAPHIC #1

<END>

g01030839

# ELECTRICAL AND STARTING SYSTEM

## 4P-3905 TRANSFORMER AS

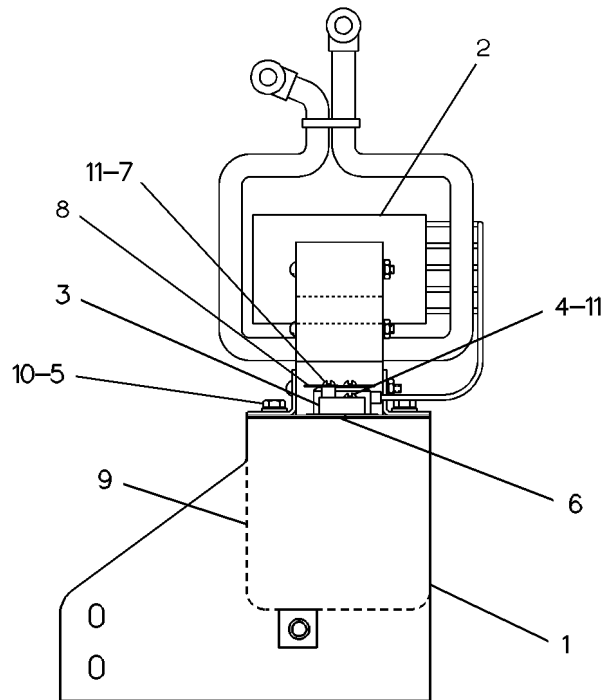
S/N: 6CG1-UP; 6DG1-UP

PART OF 4P-3844 TRANSFORMER GP-CURRENT  
AN ATTACHMENT

SMCS-1409

i00671567

NOTE	REF NO	GRAPHIC REF	PART NUMBER	QTY	PART NAME						SEE PAGE
					1	2	3	4	5	6 (PRODUCT LEVEL)	
	1	1	<b>4P-3908</b>	1	BRACKET-MOUNTING						
	2	1	<b>4P-8699</b>	1	TRANSFORMER						
	3	1	<b>3K-1649</b>	1	STRIP-TERMINAL						
	4	1	<b>3K-8106</b>	2	SCREW-MACHINE (8-32X1-IN)						
		1	<b>7X-1357</b>	2	SPACER (4.22X9.52X6.35-MM THK)						
	5	1	<b>1B-7182</b>	4	BOLT (5/16-18X1.25-IN)						
	6	1	<b>3N-9364</b>	1	MARKER						
	7	1	<b>4B-1224</b>	2	SCREW-MACHINE (8-32X1.5-IN)						
	8	1	<b>9Y-3846</b>	1	COVER						
	9	1	<b>4P-4883</b>	1	BRACKET-MOUNTING						
	10	1	<b>9M-1974</b>	8	WASHER-HARD (8.8X16X2-MM THK)						
		1	<b>5S-0003</b>	4	NUT (5/16-18-THD)						
	11	1	<b>4B-2043</b>	4	NUT (8-32-THD)						



GRAPHIC #1

<END>

g00221913

# ELECTRICAL AND STARTING SYSTEM

## 4P-3906 TRANSFORMER AS

S/N: 8JF1-UP; 6EG1-UP

SERIES BOOST

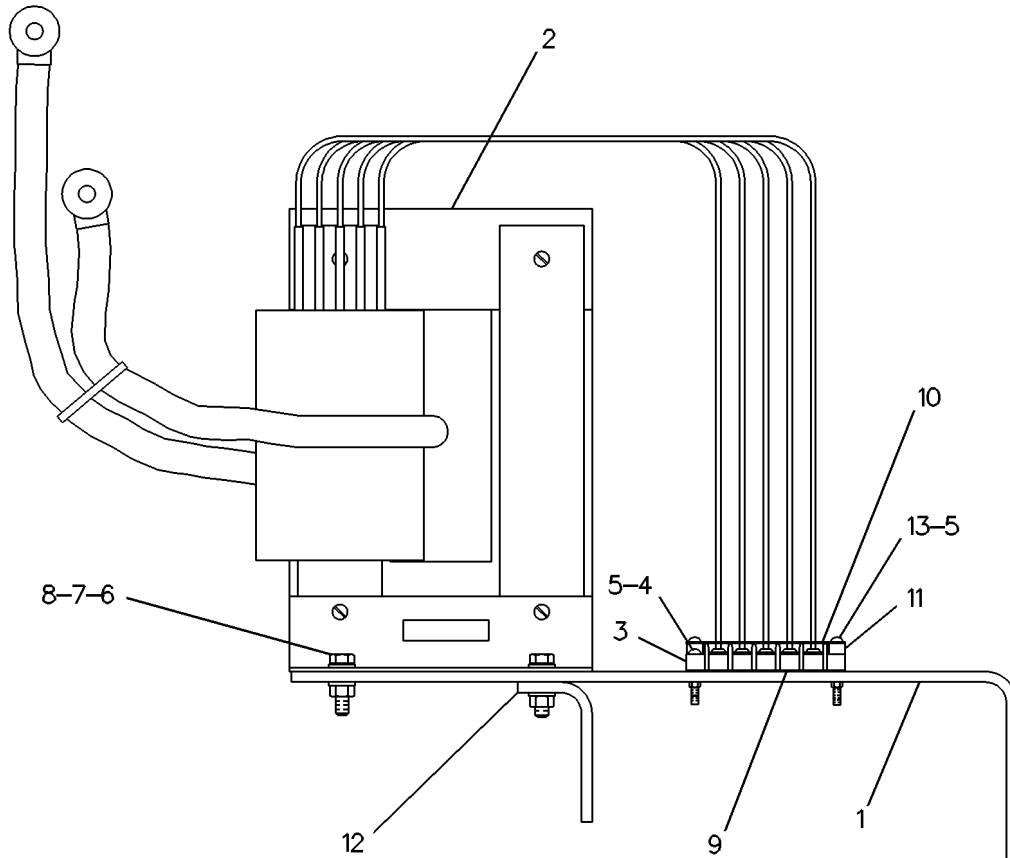
PART OF 4P-3846 TRANSFORMER GP-CURRENT  
AN ATTACHMENT

SMCS-1409

i00687370

NOTE	REF NO	GRAPHIC REF	PART NUMBER	QTY	PART NAME						SEE PAGE
					1	2	3	4	5	6 (PRODUCT LEVEL)	
	1	1	<b>4P-3908</b>	1	BRACKET-MOUNTING						
C	2	1	<b>4P-8697</b>	1	TRANSFORMER						
	3	1	<b>3K-1649</b>	1	STRIP-TERMINAL						
	4	1	<b>3K-8106</b>	2	SCREW-MACHINE (8-32X1-IN)						
	5	1	<b>4B-2043</b>	4	NUT (8-32-THD)						
	6	1	<b>1B-7182</b>	4	BOLT (5/16-18X1.25-IN)						
	7	1	<b>9M-1974</b>	8	WASHER-HARD (8.8X16X2-MM THK)						
	8	1	<b>5S-0003</b>	4	NUT (5/16-18-THD)						
	9	1	<b>3N-9364</b>	1	MARKER						
	10	1	<b>9Y-3846</b>	1	COVER						
	11	1	<b>7X-1357</b>	2	SPACER (4.22X9.52X6.35-MM THK)						
	12	1	<b>4P-4883</b>	1	BRACKET-MOUNTING						
	13	1	<b>4B-1224</b>	2	SCREW-MACHINE (8-32X1.5-IN)						

C - CHANGE FROM PREVIOUS TYPE



GRAPHIC #1

<END>

g00223270

# ELECTRICAL AND STARTING SYSTEM

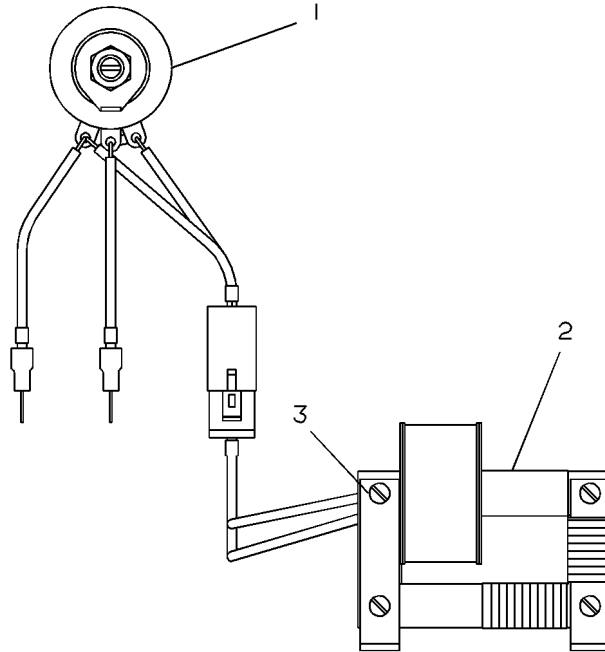
## 7C-6979 TRANSFORMER AS

S/N: 5CA5985-UP; 5DA5682-UP; 5EA5375-UP  
PART OF 9Y-3857 TRANSFORMER GP-CURRENT  
AN ATTACHMENT

SMCS-1409

i00637381

NOTE	REF NO	GRAPHIC REF	PART NUMBER	QTY	PART NAME						SEE PAGE
					1	2	3	4	5	6 (PRODUCT LEVEL)	
	1	1	<b>7C-8760</b>	1	RHEOSTAT AS						
	2	1	<b>7C-8761</b>	1	TRANSFORMER AS						
	3	1	<b>6V-5764</b>	4	SCREW-MACHINE (10-32X0.625-IN)						
		1	<b>9F-5599</b>	4	LOCKWASHER						



GRAPHIC #1

<END>

g00195156

# ELECTRICAL AND STARTING SYSTEM

## 9Y-3855 TRANSFORMER AS

S/N: 5FA4499-UP

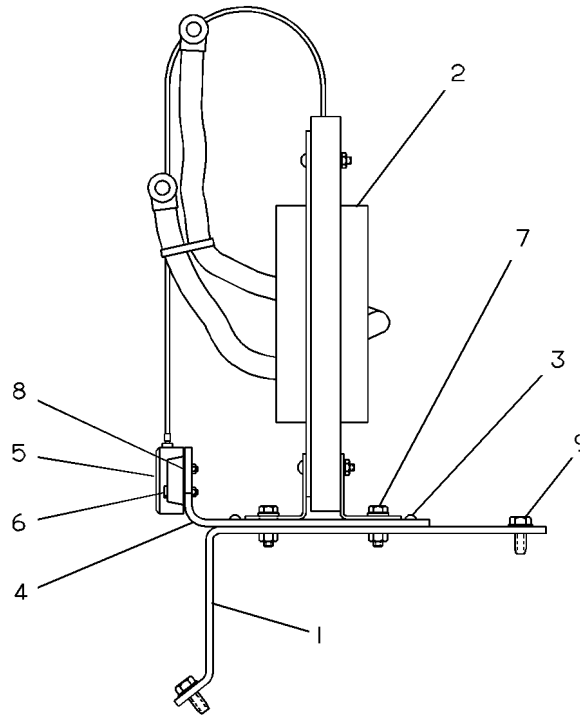
SERIES BOOST

PART OF 9Y-3885 TRANSFORMER GP-CURRENT  
AN ATTACHMENT

SMCS-1409

i00640679

NOTE	REF NO	GRAPHIC REF	PART NUMBER	QTY	PART NAME						SEE PAGE
					1	2	3	4	5	6 (PRODUCT LEVEL)	
	1	1	<b>3N-1966</b>	2	BRACKET-REGULATOR						
	2	1	<b>9Y-3860</b>	1	TRANSFORMER						
	3	1	<b>031-0243</b>	4	SCREW (1/4-20X0.625-IN)						
	4	1	<b>7C-9132</b>	1	BRACKET						
	5	1	<b>3K-1649</b>	1	STRIP-TERMINAL						
	6	1	<b>3K-8106</b>	2	SCREW-MACHINE (8-32X1-IN)						
		1	<b>4B-2043</b>	2	NUT (8-32-THD)						
	7	1	<b>0S-1618</b>	4	BOLT (5/16-18X1-IN)						
		1	<b>9M-1974</b>	4	WASHER-HARD (8.8X16X2-MM THK)						
		1	<b>5S-0003</b>	4	NUT (5/16-18-THD)						
	8	1	<b>3N-9364</b>	1	MARKER						
	9	1	<b>1P-5121</b>	4	SCREW-HEAD (5/16-18X1-IN)						



GRAPHIC #1

<END>

g00200097

# ELECTRICAL AND STARTING SYSTEM

## 4P-3844 TRANSFORMER GP-CURRENT

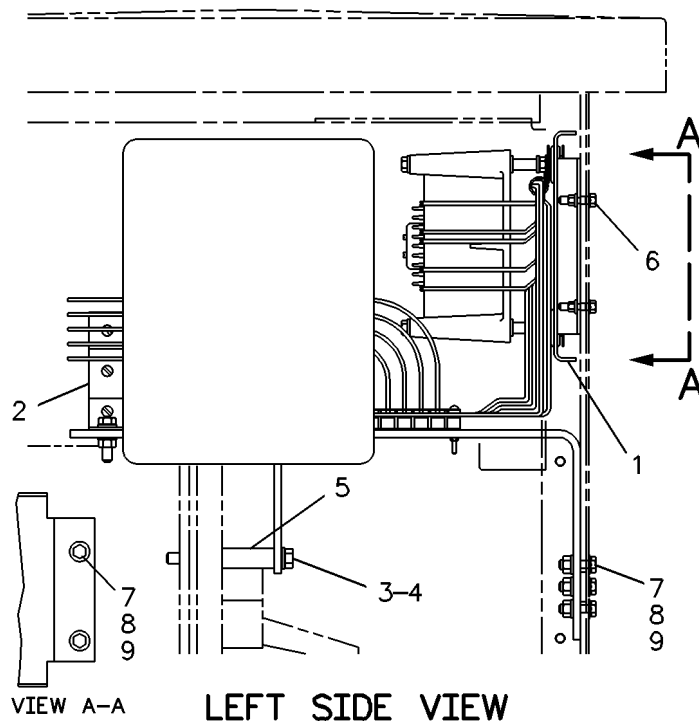
S/N: 6CG1-UP; 6DG1-UP  
 SERIES BOOST 440 FRAME  
 AN ATTACHMENT

SMCS-4476

i00671538

NOTE	REF NO	GRAPHIC REF	PART NUMBER	QTY	PART NAME						SEE PAGE
					1	2	3	4	5	6 (PRODUCT LEVEL)	
Y	1	1	6I-3836	1	MODULE AS						1671
Y	2	1	4P-3905	1	TRANSFORMER AS						1308
	3	1	8S-9191	1	BOLT (3/8-16X4-IN)						
	4	1	5M-2894	1	WASHER-HARD (10.2X18.5X2.5-MM THK)						
	5	1	061-9325	1	PIPE						
	6	1	3E-4323	2	BOLT-FLANGE HEAD (1/4-20X1-IN)						
	7	1	8T-0023	5	BOLT-HEAD LOCKING (5/16-18X1-IN)						
	8	1	9M-1974	5	WASHER-HARD (8.8X16X2-MM THK)						
	9	1	5S-0003	5	NUT (5/16-18-THD)						

Y - SEPARATE ILLUSTRATION



GRAPHIC #1

<END>

g00222191

# ELECTRICAL AND STARTING SYSTEM

## 4P-3846 TRANSFORMER GP-CURRENT

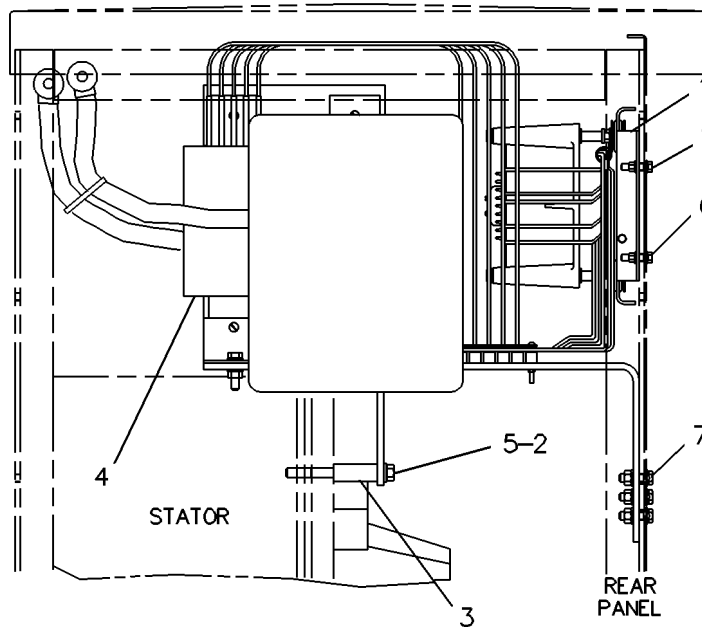
S/N: 8JF1-UP; 6EG1-UP  
 SERIES BOOST 440 FRAME  
 AN ATTACHMENT

SMCS-4476

i00671540

NOTE	REF NO	GRAPHIC REF	PART NUMBER	QTY	PART NAME						SEE PAGE
					1	2	3	4	5	6 (PRODUCT LEVEL)	
CY	1	1	6I-3836	1	MODULE AS						1671
	2	1	5M-2894	1	WASHER-HARD (10.2X18.5X2.5-MM THK)						
	3	1	061-9325	1	PIPE						
Y	4	1	4P-3906	1	TRANSFORMER AS						1309
	5	1	8S-9191	1	BOLT (3/8-16X4-IN)						
	6	1	3E-4323	2	BOLT-FLANGE HEAD (1/4-20X1-IN)						
C	7	1	8T-0023	5	BOLT-HEAD LOCKING (5/16-18X1-IN)						
C		1	5S-0003	5	NUT (5/16-18-THD)						
C		1	9M-1974	5	WASHER-HARD (8.8X16X2-MM THK)						

C - CHANGE FROM PREVIOUS TYPE  
 Y - SEPARATE ILLUSTRATION



GRAPHIC #1

<END>

g00223240

# ELECTRICAL AND STARTING SYSTEM

## 4P-3847 TRANSFORMER GP-CURRENT

S/N: 8JF1-UP; 6CG1-UP; 6DG1-UP; 6EG1-UP

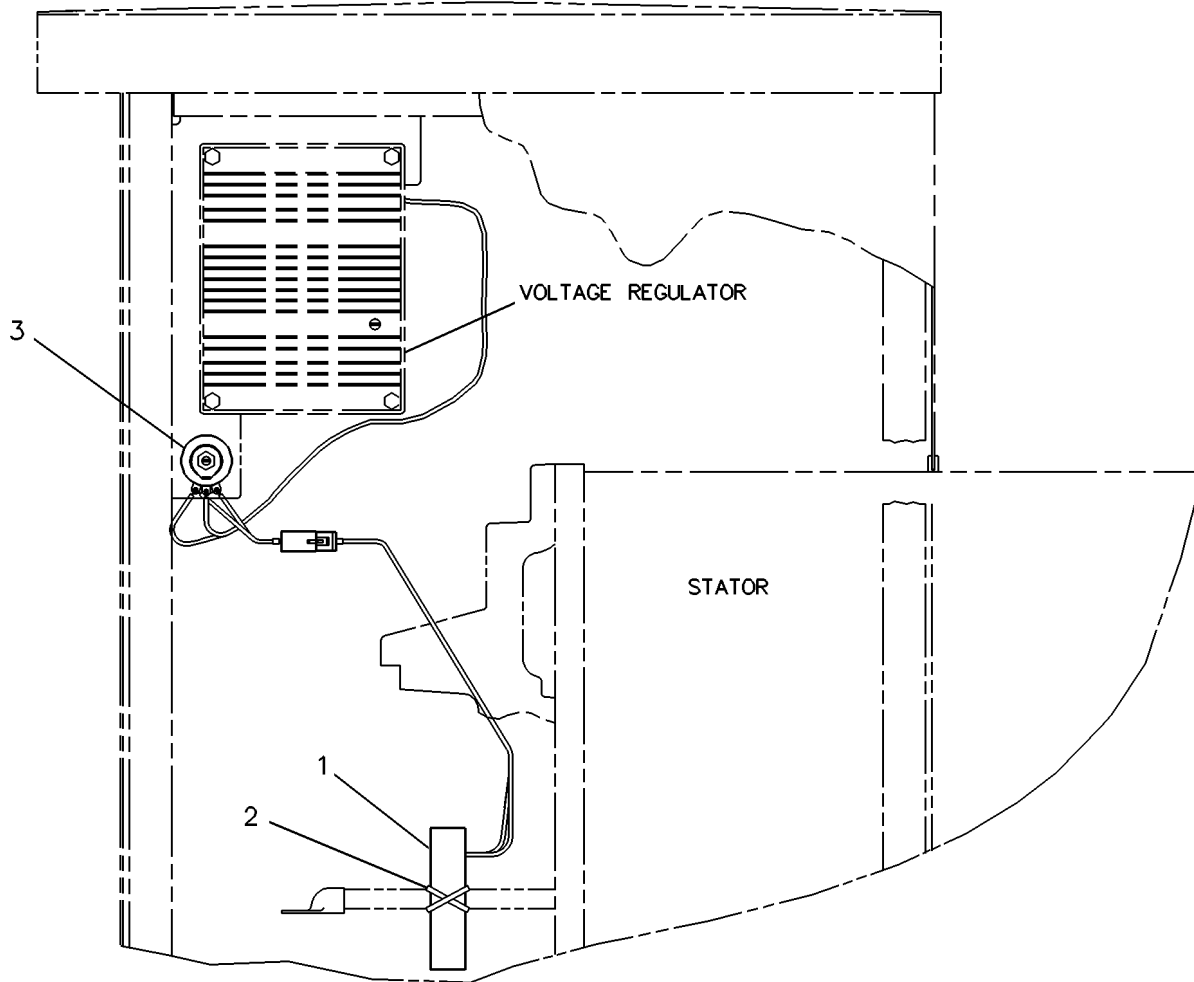
DROOP

FOR USE WITH VR3 REGULATOR  
AN ATTACHMENT

SMCS-4476

i00671564

NOTE	REF NO	GRAPHIC REF	PART NUMBER	QTY	PART NAME						SEE PAGE
					1	2	3	4	5	6 (PRODUCT LEVEL)	
	1	1	<b>9Y-9437</b>	1	TRANSFORMER AS						
	2	1	<b>7K-1181</b>	6	STRAP-CABLE						
	3	1	<b>7C-8760</b>	1	RHEOSTAT AS						



GRAPHIC #1

<END>

g00215742



# ELECTRICAL AND STARTING SYSTEM

## 7C-6850 TRANSFORMER GP-CURRENT

S/N: 5CA5985-UP; 5DA5682-UP; 5EA5375-UP

SERIES BOOST - 440 FRAME

**CANNOT BE USED WITH GENERATOR CONNECTION BOX  
AN ATTACHMENT**

**SMCS-4476**

**i01790296**

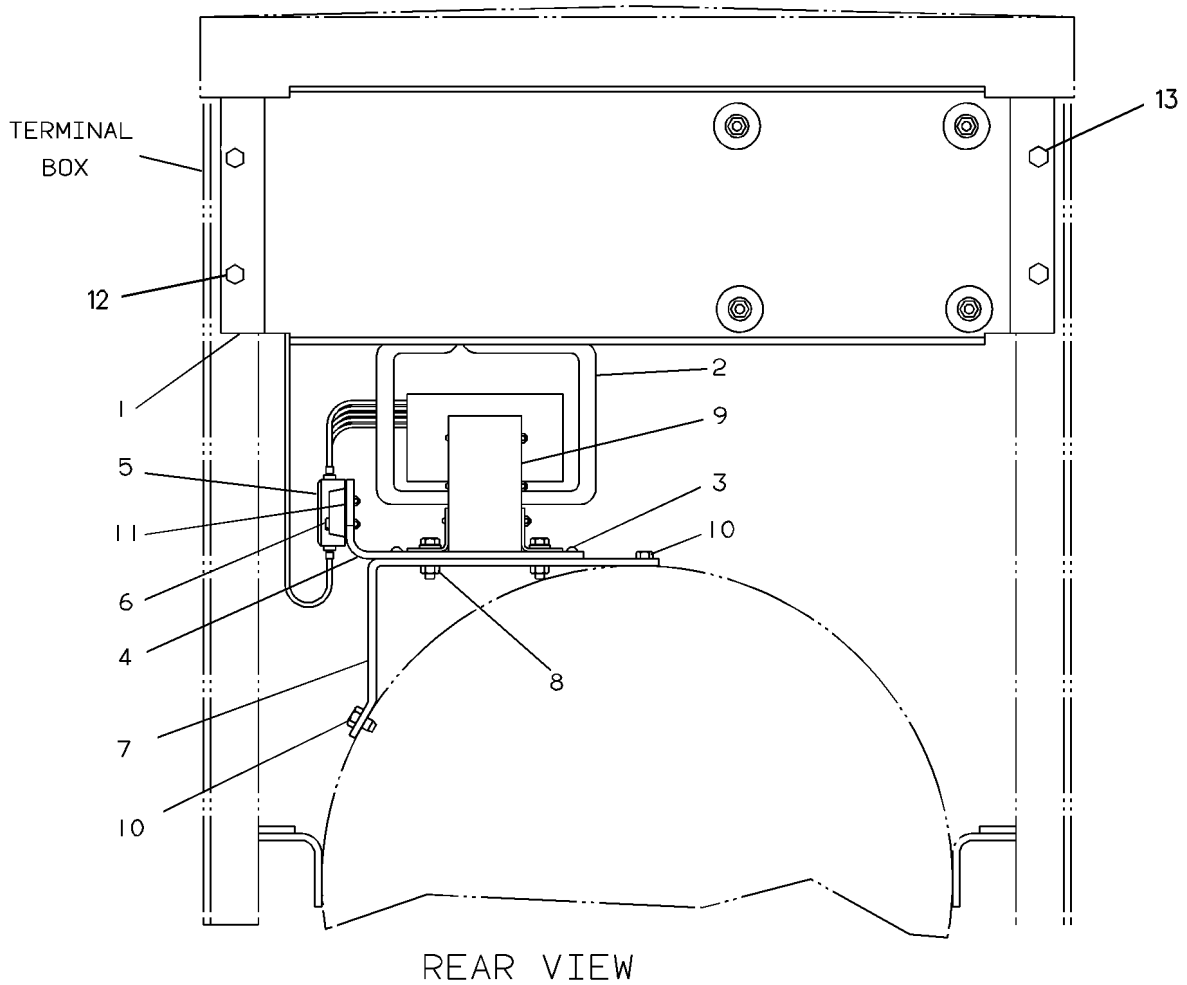
NOTE	REF NO	GRAPHIC REF	PART NUMBER	QTY	PART NAME						SEE PAGE
					1	2	3	4	5	6 (PRODUCT LEVEL)	
Y	1	1	9Y-3845	1	MODULE AS						1672
	2	1	9Y-3854	1	TRANSFORMER AS						
	3	1	031-0243	4	SCREW (1/4-20X0.625-IN)						
	4	1	7C-9132	1	BRACKET						
	5	1	3K-1649	1	STRIP-TERMINAL						
	6	1	4B-2043	2	NUT (8-32-THD)						
		1	3K-8106	2	SCREW-MACHINE (8-32X1-IN)						
	7	1	3N-1966	2	BRACKET-REGULATOR						
	8	1	5S-0003	4	NUT (5/16-18-THD)						
		1	0S-1618	4	BOLT (5/16-18X1-IN)						
		1	9M-1974	4	WASHER-HARD (8.8X16X2-MM THK)						
	9	1	9Y-3859	1	TRANSFORMER						
	10	1	1P-5121	4	SCREW-HEAD (5/16-18X1-IN)						
	11	1	3N-9364	1	MARKER						
	12	1	3E-4323	2	BOLT-FLANGE HEAD (1/4-20X1-IN)						
	13	1	5S-0003	2	NUT (5/16-18-THD)						
		1	8T-0023	2	BOLT-HEAD LOCKING (5/16-18X1-IN)						
		1	9M-1974	2	WASHER-HARD (8.8X16X2-MM THK)						

Y - SEPARATE ILLUSTRATION

# ELECTRICAL AND STARTING SYSTEM

7C-6850 TRANSFORMER GP-CURRENT (contd.)

i01790296



GRAPHIC #1

<END>

g00240985

# ELECTRICAL AND STARTING SYSTEM

## 7W-1616 TRANSFORMER GP-CURRENT

S/N: 5DA5682-UP

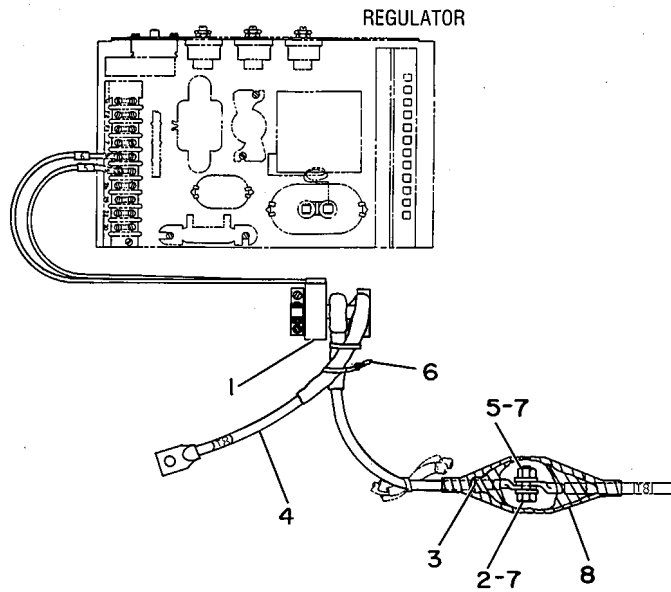
**PROVIDES A DROOP. WITH IRON & ASSEMBLY INSTRUCTIONS FOR WYE CONNECTIONS  
AN ATTACHMENT**

**SMCS-4476**

**i01793928**

NOTE	REF NO	GRAPHIC REF	PART NUMBER	QTY	PART NAME						SEE PAGE
					1	2	3	4	5	6 (PRODUCT LEVEL)	
	1	1	<b>7W-5038</b>	1	TRANSFORMER AS						
	2	1	<b>5M-3062</b>	1	BOLT (3/8-16X0.75-IN)						
B	3	1	<b>5N-4685</b>	1	TAPE-ELECTRICAL						
	4	1	<b>7W-1615</b>	1	LEAD AS						
	5	1	<b>8L-7395</b>	1	NUT-FULL						
B	6	1	<b>7K-1181</b>	3	STRAP-CABLE						
	7	1	<b>5P-1075</b>	2	WASHER-HARD (10.2X22.5X3-MM THK)						
B	8	1	<b>5N-4686</b>	1	TAPE-ELECTRICAL (VINYL)						

B - USE AS REQUIRED



GRAPHIC #1

<END>

g00172962

# ELECTRICAL AND STARTING SYSTEM

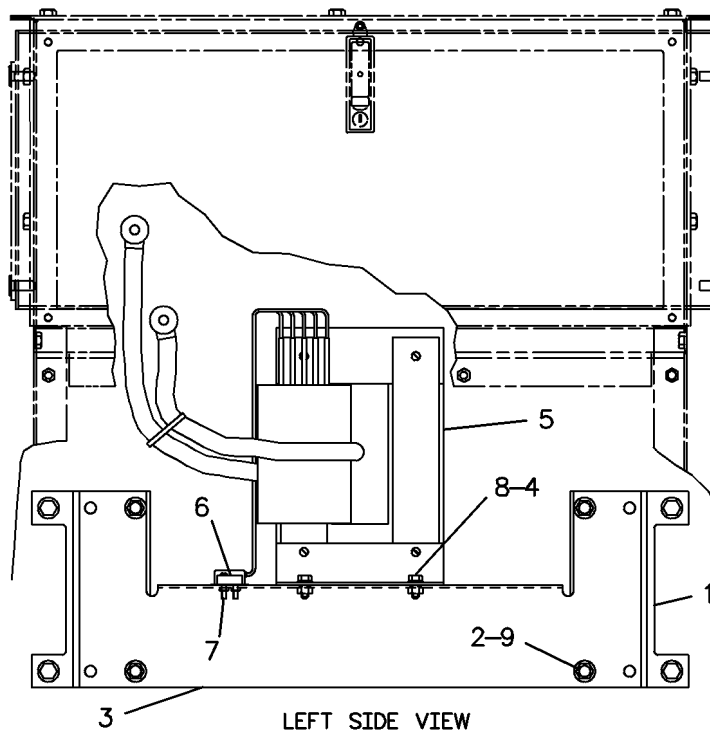
## 9Y-3842 TRANSFORMER GP-CURRENT

S/N: 6EG1-UP  
CURRENT - SERIES BOOST  
AN ATTACHMENT

SMCS-4476

i00672383

NOTE	REF NO	GRAPHIC REF	PART NUMBER	QTY	PART NAME						SEE PAGE
					1	2	3	4	5	6	
	1	1	<b>9Y-7187</b>	2	BRACKET AS						
					(EACH INCLUDES)						
	2	1	<b>9F-2978</b>	4	NUT-WELD (3/8-16-THD)						
	3	1	<b>9Y-7188</b>	1	PLATE AS						
	4	1	<b>6V-8189</b>	4	NUT (5/16-18-THD)						
	5	1	<b>9Y-3860</b>	1	TRANSFORMER						
	6	1	<b>3K-1649</b>	1	STRIP-TERMINAL						
		1	<b>3N-9364</b>	1	MARKER						
	7	1	<b>3K-8106</b>	2	SCREW-MACHINE (8-32X1-IN)						
		1	<b>4B-2043</b>	2	NUT (8-32-THD)						
	8	1	<b>4M-0061</b>	4	BOLT (5/16-18X0.75-IN)						
		1	<b>8T-4224</b>	8	WASHER-HARD (8.8X16X2-MM THK)						
	9	1	<b>5M-3062</b>	8	BOLT (3/8-16X0.75-IN)						
		1	<b>8T-4896</b>	8	WASHER-HARD (10.2X18.5X2.5-MM THK)						



GRAPHIC #1

<END>

g00199260

# ELECTRICAL AND STARTING SYSTEM

## 9Y-3857 TRANSFORMER GP-CURRENT

S/N: 5CA5985-UP; 5DA5682-UP; 5EA5375-UP

DROOP-WYE CONNECTION

FOR USE WITH GENERATOR WITH VR3 REGULATOR  
AN ATTACHMENT

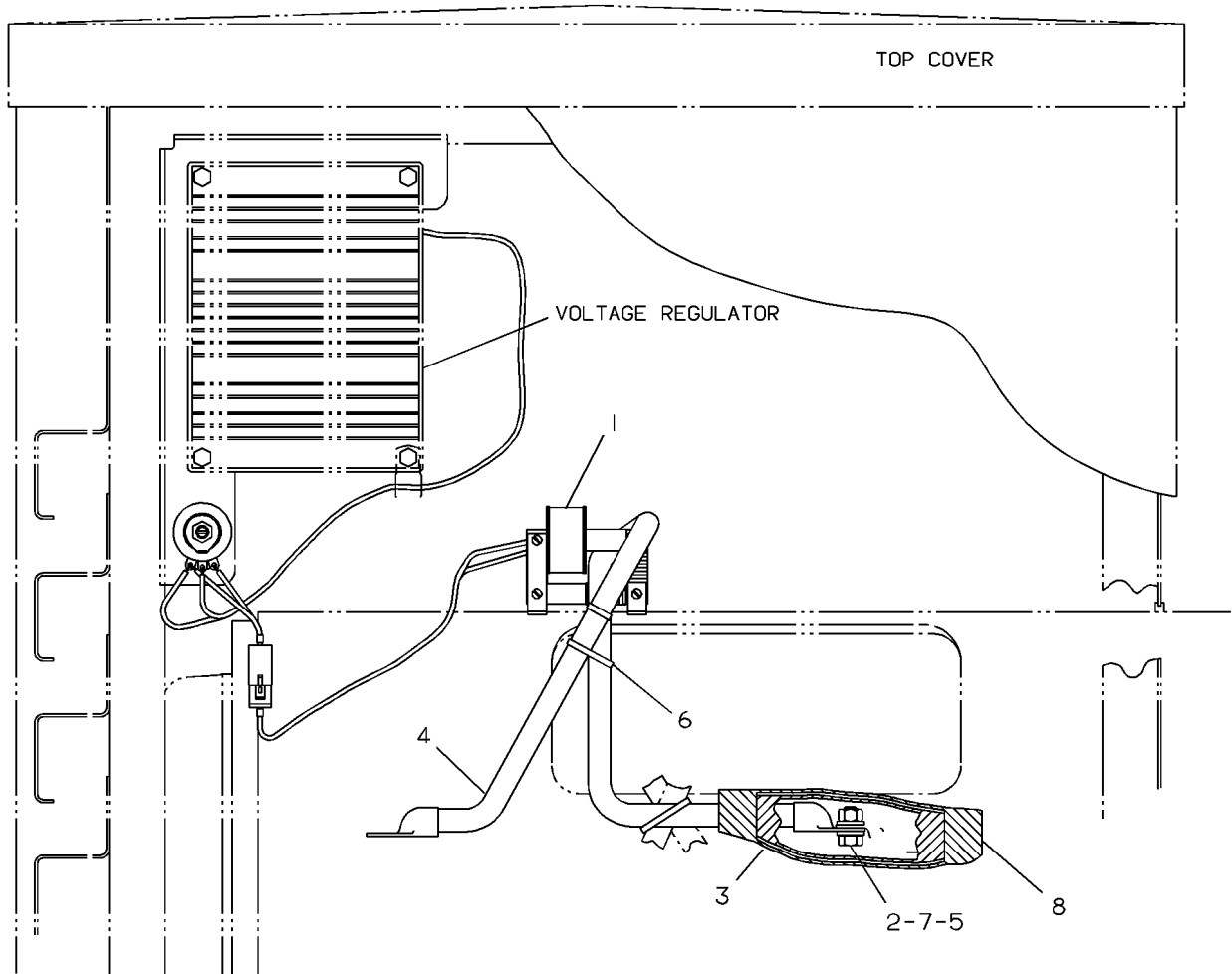
SMCS-4476

i01793921

NOTE	REF NO	GRAPHIC REF	PART NUMBER	QTY	PART NAME						SEE PAGE
					1	2	3	4	5	6 (PRODUCT LEVEL)	
Y	1	1	7C-6979	1	TRANSFORMER AS						1310
	2	1	5M-3062	1	BOLT (3/8-16X0.75-IN)						
B	3	1	5N-4685	1	TAPE-ELECTRICAL						
	4	1	7W-1615	1	LEAD AS						
	5	1	1D-4717	1	NUT (3/8-16-THD)						
B	6	1	7K-1181	3	STRAP-CABLE						
	7	1	5P-1075	2	WASHER-HARD (10.2X22.5X3-MM THK)						
B	8	1	5N-4686	1	TAPE-ELECTRICAL (VINYL)						

B - USE AS REQUIRED

Y - SEPARATE ILLUSTRATION



GRAPHIC #1

<END>

g00197052

# ELECTRICAL AND STARTING SYSTEM

## 9Y-3885 TRANSFORMER GP-CURRENT

S/N: 5FA4499-UP

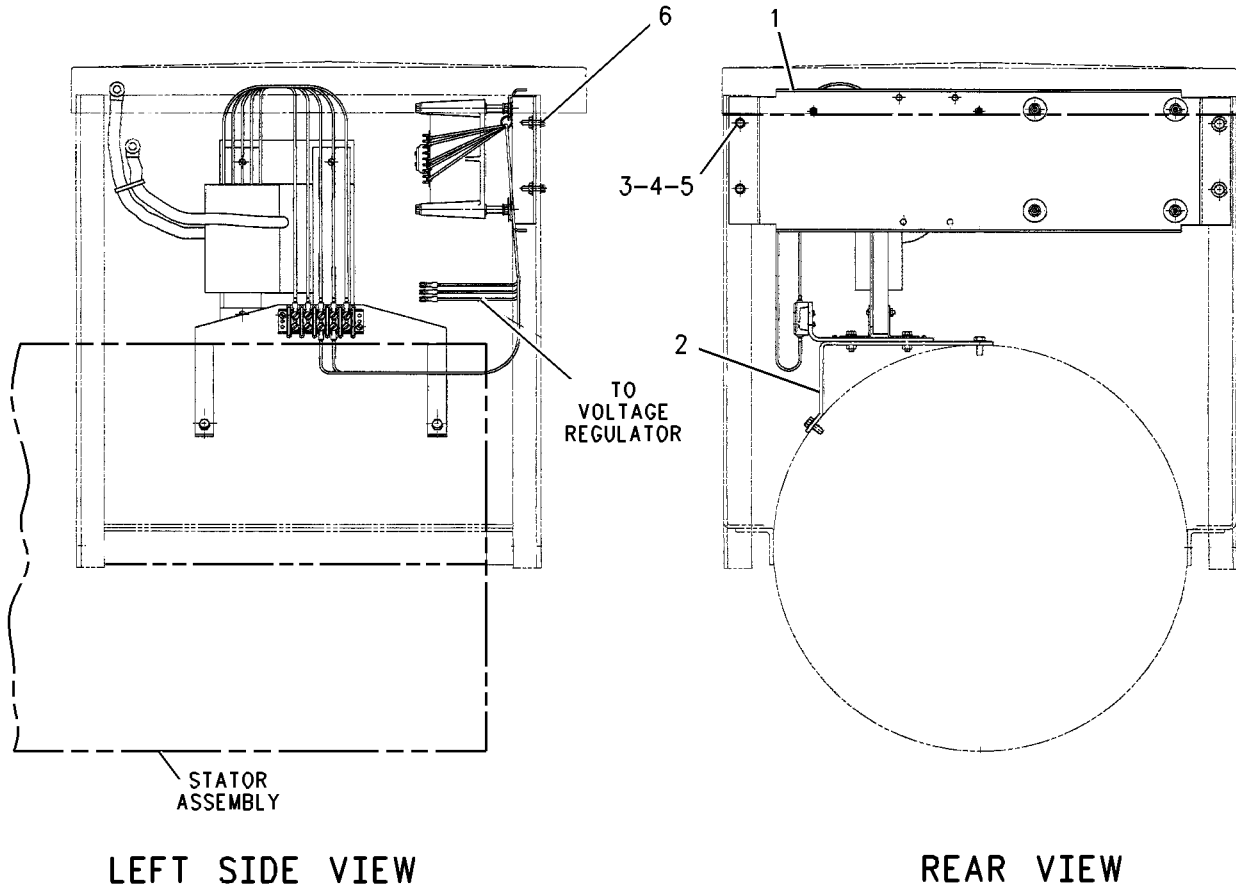
440 FRAME - FOR VR3 REGULATOR AS. SERIES BOOST  
AN ATTACHMENT

SMCS-4476

i01343635

NOTE	REF NO	GRAPHIC REF	PART NUMBER	QTY	PART NAME						SEE PAGE
					1	2	3	4	5	6 (PRODUCT LEVEL)	
Y	1	1	9Y-3845	1	MODULE AS						1672
Y	2	1	9Y-3855	1	TRANSFORMER AS						1311
	3	1	8T-0023	2	BOLT-HEAD LOCKING (5/16-18X1-IN)						
	4	1	9M-1974	2	WASHER-HARD (8.8X16X2-MM THK)						
	5	1	5S-0003	2	NUT (5/16-18-THD)						
	6	1	3E-4323	2	BOLT-FLANGE HEAD (1/4-20X1-IN)						

Y - SEPARATE ILLUSTRATION



GRAPHIC #1

<END>

g00710159

# ELECTRICAL AND STARTING SYSTEM

## 4W-8102 TRANSFORMER-CURRENT

S/N: 5CA5985-UP; 5DA5682-UP; 5EA5375-UP

RATIO 150:5

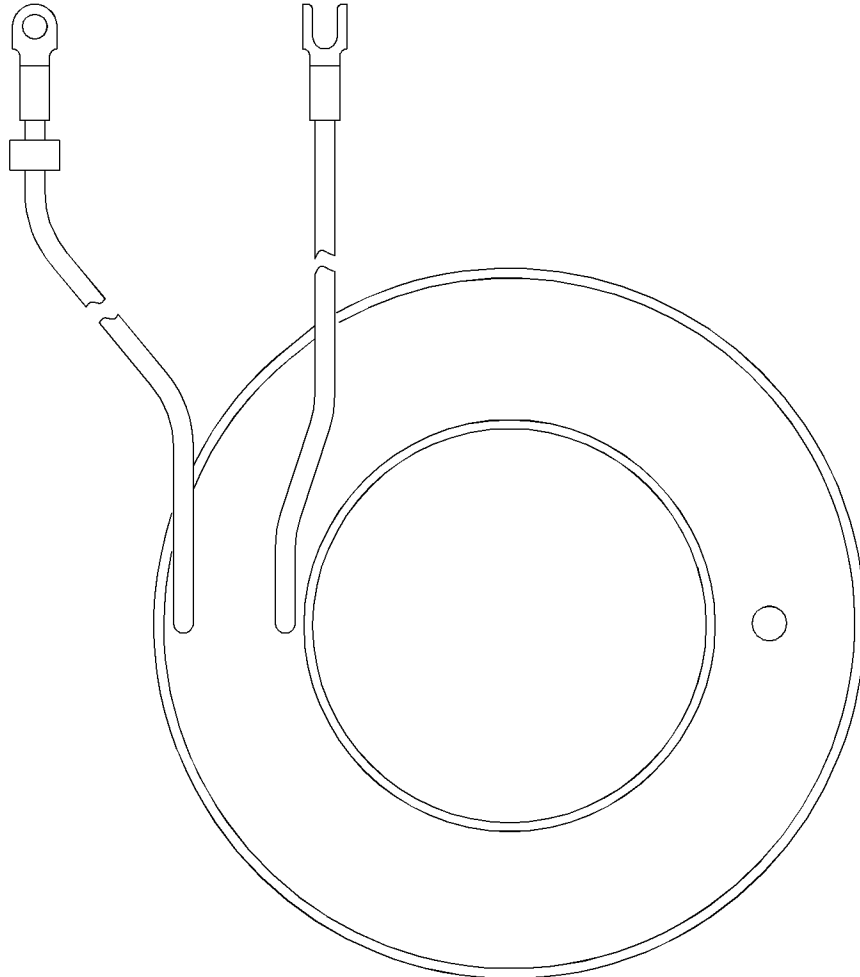
PART OF 7W-0700 PANEL AR-CONTROL  
AN ATTACHMENT

SMCS-4476

i02532281

NOTE	REF NO	GRAPHIC REF	PART NUMBER	QTY	PART NAME						SEE PAGE
					1	2	3	4	5	6 (PRODUCT LEVEL)	

(NO SERVICED PARTS)



GRAPHIC #1

<END>

g01260133

# ELECTRICAL AND STARTING SYSTEM

## 5N-5429 TRANSFORMER-CURRENT

S/N: 5CA5985-UP; 5DA5682-UP; 5EA5375-UP

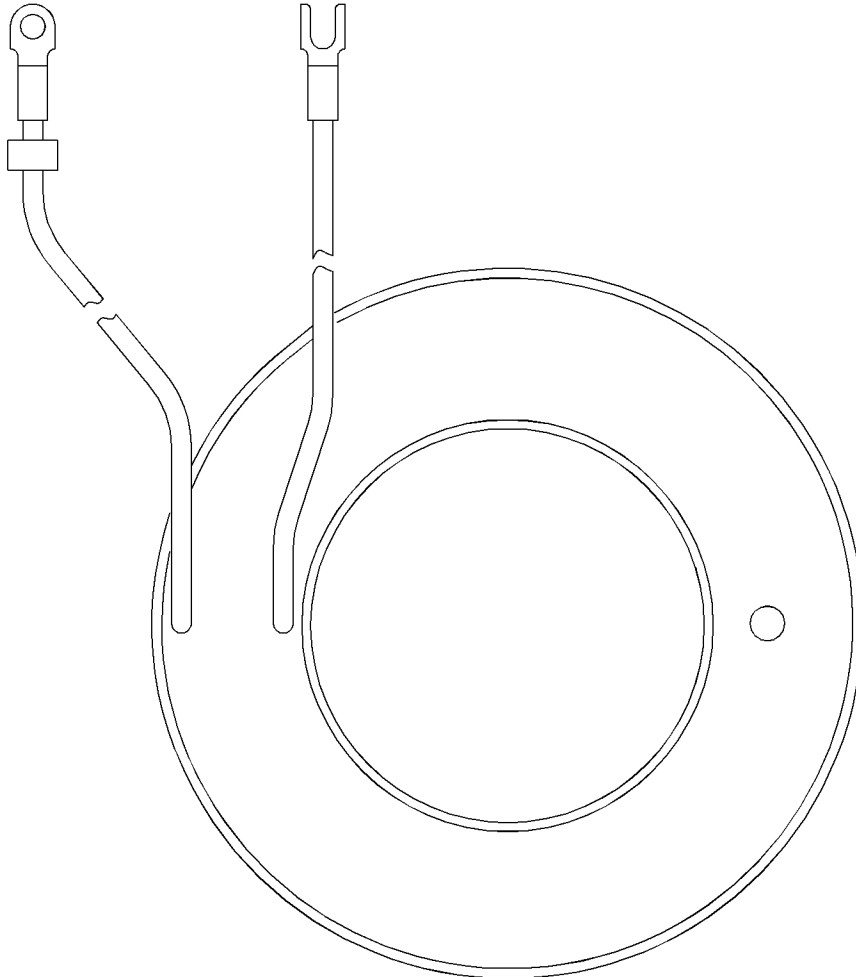
RATIO 100:5

PART OF 7W-0700 PANEL AR-CONTROL  
AN ATTACHMENT

SMCS-4476

i02517322

NOTE	REF NO	GRAPHIC REF	PART NUMBER	QTY	PART NAME						SEE PAGE
					1	2	3	4	5	6 (PRODUCT LEVEL)	
(NO SERVICED PARTS)											



GRAPHIC #1

<END>

g01260133



# ELECTRICAL AND STARTING SYSTEM

## 5N-5430 TRANSFORMER-CURRENT

S/N: 5CA5985-UP; 5DA5682-UP; 5EA5375-UP

RATIO 200:5

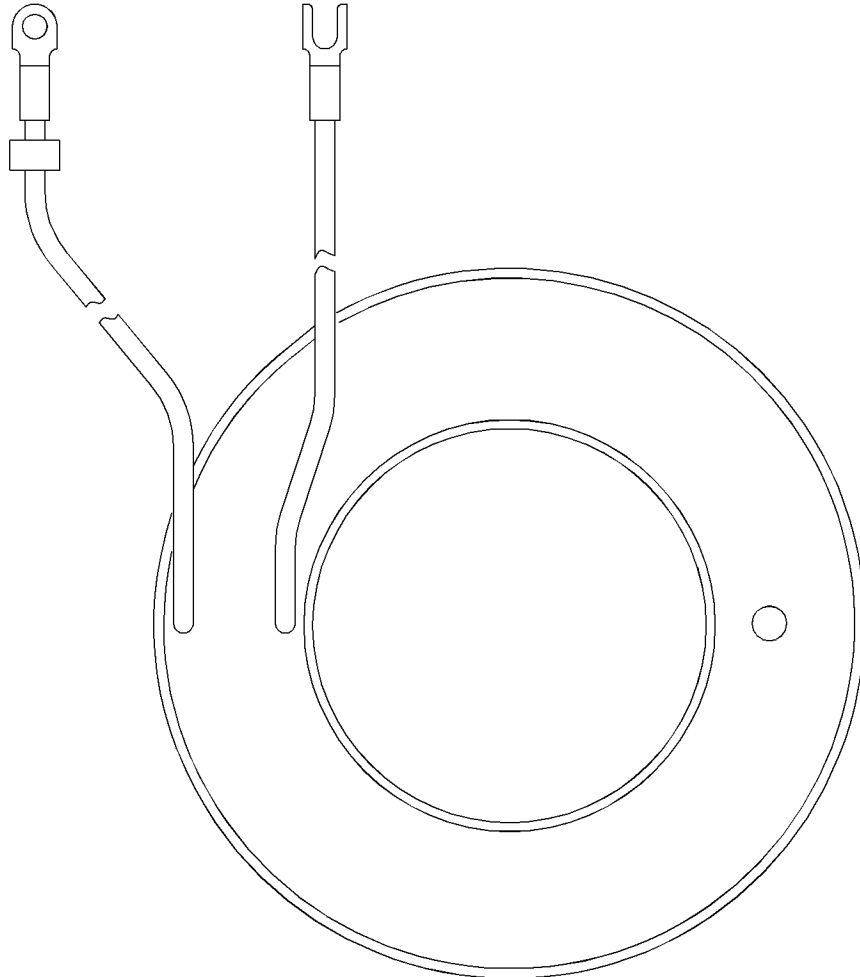
PART OF 7W-0700 PANEL AR-CONTROL  
AN ATTACHMENT

SMCS-4476

i02517324

NOTE	REF NO	GRAPHIC REF	PART NUMBER	QTY	PART NAME						SEE PAGE
					1	2	3	4	5	6 (PRODUCT LEVEL)	

(NO SERVICED PARTS)



GRAPHIC #1

<END>

g01260133

# ELECTRICAL AND STARTING SYSTEM

## 5N-5431 TRANSFORMER-CURRENT

S/N: 5CA5985-UP; 5DA5682-UP; 5EA5375-UP

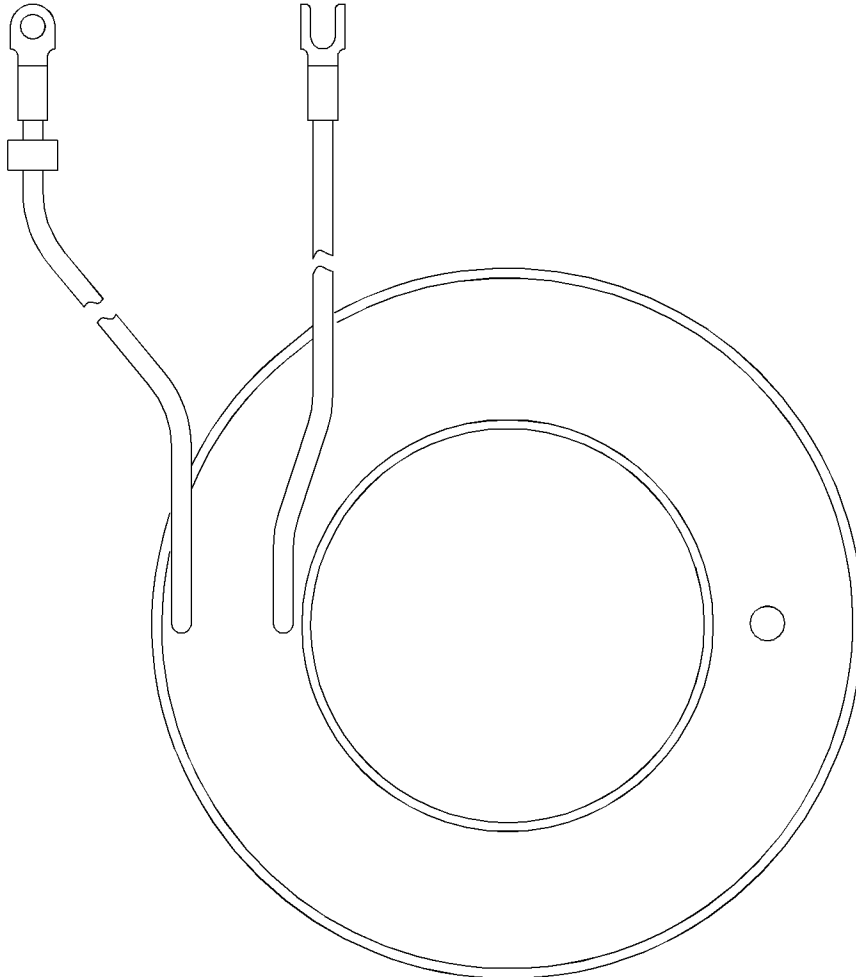
RATIO 300:5

PART OF 7W-0700 PANEL AR-CONTROL  
AN ATTACHMENT

SMCS-4476

i02517329

NOTE	REF NO	GRAPHIC REF	PART NUMBER	QTY	PART NAME						SEE PAGE
					1	2	3	4	5	6 (PRODUCT LEVEL)	
(NO SERVICED PARTS)											



GRAPHIC #1

<END>

g01260133

# ELECTRICAL AND STARTING SYSTEM

## 5N-5432 TRANSFORMER-CURRENT

S/N: 5CA5985-UP; 5DA5682-UP; 5EA5375-UP

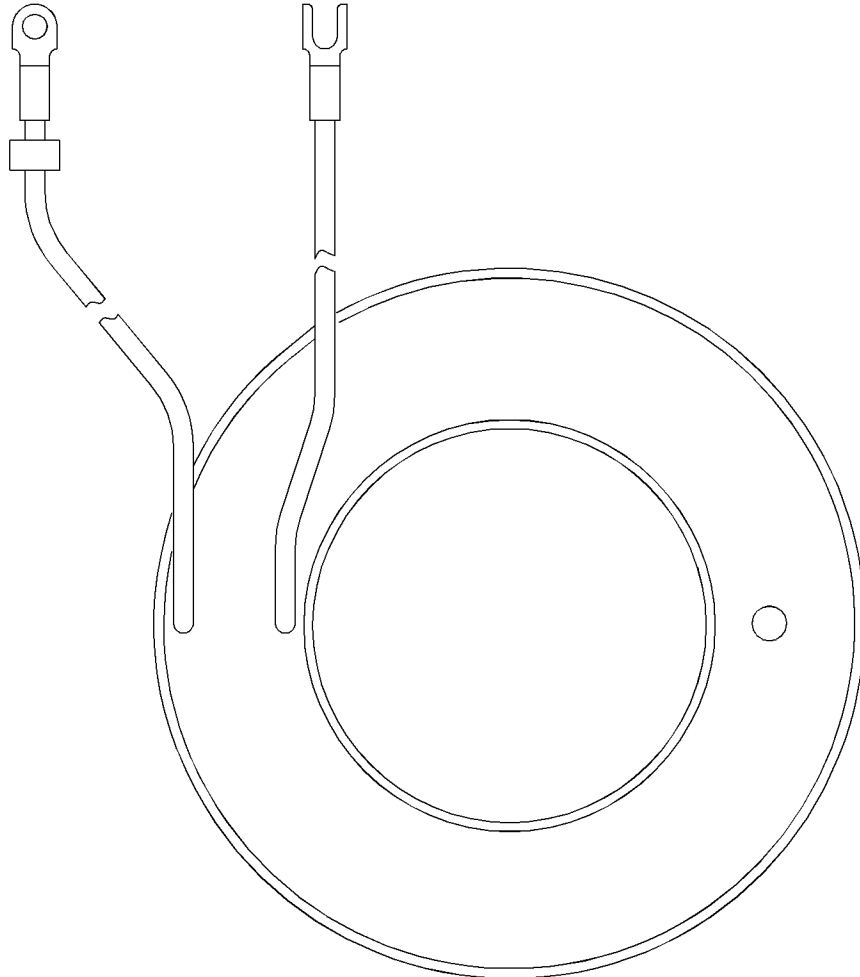
RATIO 400:5

PART OF 7W-0700 PANEL AR-CONTROL  
AN ATTACHMENT

SMCS-4476

i02517332

NOTE	REF NO	GRAPHIC REF	PART NUMBER	QTY	PART NAME						SEE PAGE
					1	2	3	4	5	6 (PRODUCT LEVEL)	
(NO SERVICED PARTS)											



GRAPHIC #1

<END>

g01260133

# ELECTRICAL AND STARTING SYSTEM

## 5N-5433 TRANSFORMER-CURRENT

S/N: 5CA5985-UP; 5DA5682-UP; 5EA5375-UP

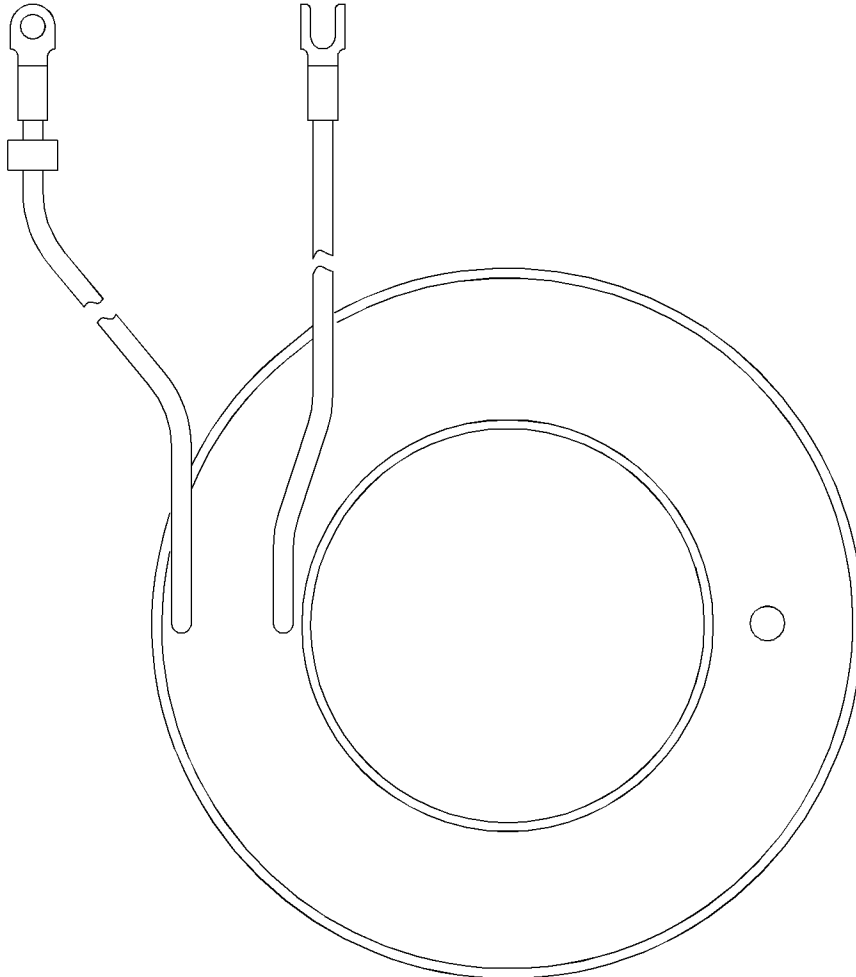
RATIO 600:5

PART OF 7W-0700 PANEL AR-CONTROL  
AN ATTACHMENT

SMCS-4476

i02517335

NOTE	REF NO	GRAPHIC REF	PART NUMBER	QTY	PART NAME						SEE PAGE
					1	2	3	4	5	6 (PRODUCT LEVEL)	
(NO SERVICED PARTS)											



GRAPHIC #1

<END>

g01260133

# ELECTRICAL AND STARTING SYSTEM

## 1L-5011 VALVE GP-AIR STARTING

S/N: 85Z3764-UP

**REQUIRED WHEN AIR SUPPLY PRESSURE EXCEEDS 1034 KPA. REGULATING AND PRESSURE REDUCING  
FOR USE WITH AIR STARTING MOTOR  
AN ATTACHMENT**

**SMCS-1462**

**i05366301**

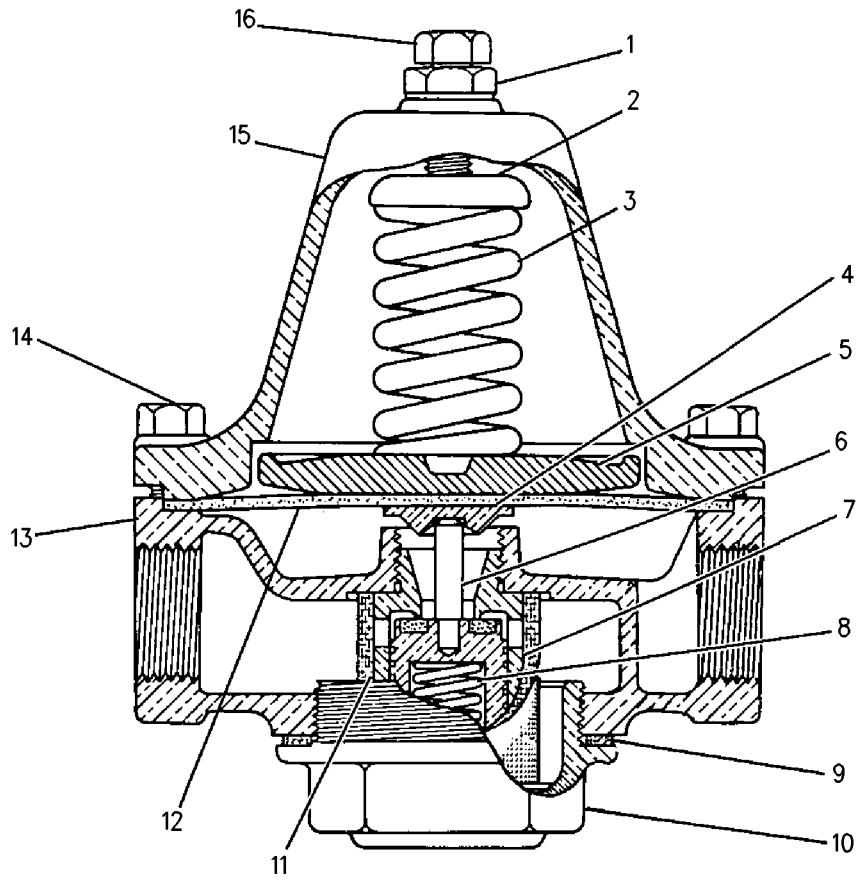
NOTE	REF NO	GRAPHIC REF	PART NUMBER	QTY	PART NAME						SEE PAGE
					1	2	3	4	5	6 (PRODUCT LEVEL)	
	1	1	<b>1L-9048</b>	1	NUT-PLATED JAM (7/16-14-THD)						
	2	1	<b>1H-9569</b>	1	BUTTON-SPRING						
	3	1	<b>1L-9049</b>	1	SPRING-PRESSURE						
	4	1	<b>1L-9060</b>	1	BUTTON						
	5	1	<b>1H-9572</b>	1	PLATE-PRESSURE						
	6	1	<b>1L-9064</b>	1	PISTON AS						
	7	1	<b>7L-8705</b>	1	CYLINDER						
	8	1	<b>1L-9067</b>	1	SPRING-PISTON						
	9	1	<b>1H-9580</b>	1	GASKET-PLUG						
	10	1	<b>1L-9069</b>	1	PLUG AS						
	11	1	<b>1L-9066</b>	1	SCREEN-STRAINER (AIR STARTING VALVE)						
	12	1	<b>1L-9063</b>	1	DIAPHRAGM						
	13	1	<b>1L-9068</b>	1	BODY-VALVE						
	14	1	<b>1L-9062</b>	6	BOLT (3/8-24X1.5-IN)						
	15	1	<b>1L-9059</b>	1	HOUSING-SPRING						
C	16	1	<b>0T-0320</b>	1	BOLT (7/16-14X1.25-IN)						
	F		<b>1B-4203</b>	6	NUT-FULL (3/8-24-THD)						

C - CHANGE FROM PREVIOUS TYPE  
F - NOT SHOWN

# ELECTRICAL AND STARTING SYSTEM

1L-5011 VALVE GP-AIR STARTING (contd.)

i05366301



GRAPHIC #1

<END>

g00741516

# ELECTRICAL AND STARTING SYSTEM

## 1N-8509 WIRING GP-ALTERNATOR

S/N: 85Z3764-UP

FOR USE WITH 6N-9294-PAGE: 903, 25 SI ALTERNATOR  
AN ATTACHMENT

SMCS-1405, 1408

i02730569

NOTE	PART NUMBER	QTY	PART NAME						SEE PAGE
			1	2	3	4	5	6 (PRODUCT LEVEL)	
	<b>2L-9724</b>	2	CLIP-WIRE						
	<b>1L-9899</b>	1	MARKER (WIRE CODE)						
	<b>4L-2791</b>	1	MARKER (WIRE CODE)						
	<b>3S-2093</b>	2	STRAP-CABLE						
	<b>8L-8413</b>	2	STRAP-CABLE (WHITE)						
	<b>2L-8049</b>	2	TERMINAL-RING (6-GA, NO. 10 SCREW)						
	<b>2L-8052</b>	2	TERMINAL-RING (6-GA, 3/8-IN SCREW)						
	<b>2L-8054</b>	3	TERMINAL-RING (6-GA, 1/2-IN SCREW)						
	<b>2L-8057</b>	2	TERMINAL-RING (8-GA, NO. 10 SCREW)						
	<b>2L-8060</b>	2	TERMINAL-RING (8-GA, 3/8-IN SCREW)						
	<b>2L-8061</b>	3	TERMINAL-RING (8-GA, 1/2-IN SCREW)						
	<b>9G-4342</b>	2	TERMINAL-RING (4-GA, NO. 10 SCREW)						
	<b>9G-4344</b>	3	TERMINAL-RING (4-GA, 1/2-IN SCREW)						
	<b>9G-4343</b>	1	TERMINAL-RING (4-GA, 1/4-IN SCREW)						
	<b>2L-8050</b>	1	TERMINAL-RING (6-GA, 1/4-IN SCREW)						
	<b>2L-8058</b>	1	TERMINAL-RING (8-GA, 1/4-IN SCREW)						
	<b>9G-4336</b>	2	TERMINAL-RING (4-GA, 3/8-IN SCREW)						
D	<b>5P-5689</b>		WIRE (8-GA, BLACK) (1.8-M)						
D	<b>5P-5675</b>		WIRE (6-GA, BLACK) (3-M)						
D	<b>6V-2369</b>		CABLE (4-GA, BLACK) (3-M)						
D - ORDER BY THE METER									

<END>

# ELECTRICAL AND STARTING SYSTEM

## 3L-6655 WIRING GP-ELECTRIC STARTING-HEAT START

S/N: 85Z3764-UP

PART OF 7N-6505 STARTING MOTOR GP-ELECTRIC  
AN ATTACHMENT

SMCS-1408, 1453

i01350657

NOTE	PART NUMBER	QTY	PART NAME						SEE PAGE
			1	2	3	4	5	6 (PRODUCT LEVEL)	
	<b>1H-5166</b>	2	CLIP						
	<b>2L-9724</b>	3	CLIP-WIRE						
	<b>9F-9203</b>	2	CONNECTOR						
	<b>1L-9899</b>	1	MARKER						
	<b>8L-8413</b>	6	STRAP-CABLE (WHITE)						
	<b>3S-2093</b>	2	STRAP-CABLE						
	<b>4H-8310</b>	1	STRAP-CONNECTOR						
	<b>2L-8052</b>	1	TERMINAL-RING (6-GA, 3/8-IN SCREW)						
	<b>2L-8054</b>	2	TERMINAL-RING (6-GA, 1/2-IN SCREW)						
	<b>2L-8066</b>	4	TERMINAL-RING (10-GA TO 12-GA, NO. 10 SCREW)						
	<b>2L-8068</b>	4	TERMINAL-RING (10-GA TO 12-GA, 5/16-IN SCREW)						
	<b>2L-8081</b>	2	TERMINAL-RING (14-GA TO 16-GA, 1/2-IN SCREW)						
	<b>2L-8076</b>	4	TERMINAL-RING (14-GA TO 16-GA, NO. 10 SCREW)						
	<b>2L-8071</b>	1	TERMINAL-RING (10-GA TO 12-GA, 1/2-IN SCREW)						
	<b>6N-2569</b>	2	TERMINAL (SNAP)						
D	<b>4S-8784</b>		WIRE-LIGHTING (NO.6) (1.2M)						
D	<b>4S-8785</b>		WIRE-LIGHTING (NO.10) (9M)						
D	<b>4S-8787</b>		WIRE-LIGHTING (NO.14) (12M)						

D - ORDER BY THE METER

<END>

## 145-5138 WIRING GP-ELECTRONIC CONTROL

S/N: 5CA5985-UP; 5DA5682-UP; 8JF1-UP; 6EG1-UP

DIGITAL VOLTAGE REGULATOR POWER

AN ATTACHMENT

SMCS-1408, 1900

i02289094

NOTE	PART NUMBER	QTY	PART NAME						SEE PAGE
			1	2	3	4	5	6 (PRODUCT LEVEL)	
B	<b>128-0830</b>	1	HARNESS AS-POWER (DIGITAL VOLTAGE REGULATOR)						
	<b>1S-9593</b>	5	STRAP-CABLE						
	<b>5P-2321</b>	2	TERMINAL-FORK (14-GA TO 16-GA, NO. 6 SCREW)						

B - USE AS REQUIRED

<END>



# ELECTRICAL AND STARTING SYSTEM

## 103-1497 WIRING GP-ENGINE

S/N: 85Z3764-UP

FOR USE WITH 4P-7610-PAGE: 1150, EMCP, ROUND LAM GEN SET WITH MOUNTED TERMINAL BOX  
AN ATTACHMENT

SMCS-1403

i01698164

NOTE	PART NUMBER	QTY	PART NAME						SEE PAGE
			1	2	3	4	5	6 (PRODUCT LEVEL)	
Y	103-1737	1	FASTENER GP-WIRING HARNESS						1064
	103-1496	1	HARNESS AS-WIRING						
	155-2270	1	KIT-CONNECTING PLUG (2-PIN)						
			(INCLUDES PLUG AS & WEDGE)						
Y - SEPARATE ILLUSTRATION									
<END>									

## 7W-0921 WIRING GP-ENGINE-SHUNT TRIP

S/N: 5CA5985-UP; 5DA5682-UP; 5EA5375-UP; 5FA4499-UP; 8JF1-UP; 6CG1-UP; 6DG1-UP;  
6EG1-UP

FOR USAGE REFER TO CHART 4W-8145-PAGE: 1768  
AN ATTACHMENT

SMCS-1403

i00917560

NOTE	PART NUMBER	QTY	PART NAME						SEE PAGE
			1	2	3	4	5	6 (PRODUCT LEVEL)	
	8M-2771	1	CLIP						
	9S-5937	1	LOCKNUT (10-32-THD)						
	5H-6467	1	SCREW-MACHINE						
	8L-8413	6	STRAP-CABLE (WHITE)						
	5P-1476	2	TERMINAL-FORK (14-GA TO 16-GA, NO. 10 SCREW)						
	5P-2321	2	TERMINAL-FORK (14-GA TO 16-GA, NO. 6 SCREW)						
	4B-4274	1	WASHER (5.5X13X1.2-MM THK)						
<END>									

## 7W-3139 WIRING GP-ENGINE

S/N: 85Z3764-UP

FOR USE WITH ALL ENGINE ATTACHMENTS WHICH REQUIRE WIRING  
AN ATTACHMENT

SMCS-1403

i03441163

NOTE	PART NUMBER	QTY	PART NAME						SEE PAGE
			1	2	3	4	5	6 (PRODUCT LEVEL)	
Y	7W-9610	1	FASTENER GP-WIRING HARNESS						1068
	7C-0535	1	HARNESS GP-WIRING (ENGINE)						
	155-2270	1	KIT-CONNECTING PLUG (2-PIN) (ENGINE WIRING HARNESS)						
			(INCLUDES PLUG AS & WEDGE)						
Y - SEPARATE ILLUSTRATION									
<END>									

# ELECTRICAL AND STARTING SYSTEM

## 241-3378 WIRING GP-GENERATOR

S/N: 8JF1-UP; 6CG1-UP; 6DG1-UP; 6EG1-UP

DIGITAL VOLTAGE REGULATOR

FOR USE WITH EMCP II

AN ATTACHMENT

SMCS-1404, 1408, 4459

i05141969

NOTE	PART NUMBER	QTY	PART NAME						SEE PAGE
			1	2	3	4	5	6 (PRODUCT LEVEL)	
Y	242-3100	1	HARNESS AS-WIRING (GENERATOR TERMINAL STRIP)						1074
	241-2967	1	HARNESS AS-WIRING (VOLTAGE ADJUSTMENT)						
	109-3038	3	END-WIRE (16-GA)						
	5P-1476	3	TERMINAL-FORK (14-GA TO 16-GA, NO. 10 SCREW)						
E	125-7874		TUBE-HEAT SHRINK (5.72-MM DIA) (3-CM)						
	110-7884	1	SWITCH AS-TOGGLE (MOMENTARY) (VOLTAGE ADJUSTMENT)						
	3L-8187	3	LOCKWASHER						
	6T-3631	2	NUT-HEX (15/32-32-THD)						
	6T-3632	1	LOCKWASHER						
	6T-3633	1	RING-LOCKING						
	6V-8374	3	SCREW-MACHINE (6-32X0.25-IN)						
	5R-7137	1	WASHER-SEALING						

E - ORDER BY THE CENTIMETER

Y - SEPARATE ILLUSTRATION

<END>

## 241-3379 WIRING GP-GENERATOR

S/N: 8JF1-UP; 6CG1-UP; 6DG1-UP; 6EG1-UP

VR6 VOLTAGE REGULATOR

FOR USE WITH EMCP II

AN ATTACHMENT

SMCS-1404, 1408, 4459

i02307347

NOTE	PART NUMBER	QTY	PART NAME						SEE PAGE
			1	2	3	4	5	6 (PRODUCT LEVEL)	
	243-7201	1	HARNESS AS-WIRING (VR6 VOLTAGE REGULATOR)						
	5P-1475	10	TERMINAL-FORK (14-GA TO 16-GA, NO. 8 SCREW)						
	8L-8413	17	STRAP-CABLE (WHITE)						
	109-3038	10	END-WIRE (16-GA)						
	241-2968	1	HARNESS AS-WIRING (VOLTAGE ADJUSTMENT)						
	109-3038	2	END-WIRE (16-GA)						
	4W-5972	1	KNOB						
	127-9070	1	POTENTIOMETER (10,000-OHM) (VOLTAGE ADJUST)						
	7C-4550	1	SEAL (ROTATING SHAFT)						

<END>

# ELECTRICAL AND STARTING SYSTEM

## 242-7960 WIRING GP-GENERATOR

S/N: 8JF1-UP; 6CG1-UP; 6DG1-UP; 6EG1-UP

DIGITAL VOLTAGE REGULATOR

FOR USE WITH GENSET WITHOUT INSTALLED EMCP II  
AN ATTACHMENT

SMCS-1404, 1408, 4459

i03294342

NOTE	PART NUMBER	QTY	PART NAME						SEE PAGE
			1	2	3	4	5	6 (PRODUCT LEVEL)	
Y	242-3100	1	HARNESS AS-WIRING (GENERATOR TERMINAL STRIP)						1074
Y - SEPARATE ILLUSTRATION									

<END>

## 242-7961 WIRING GP-GENERATOR

S/N: 8JF1-UP; 6CG1-UP; 6DG1-UP; 6EG1-UP

DIGITAL VOLTAGE REGULATOR

FOR USE WITH GENSET WITHOUT BATTERY POWER, WITHOUT INSTALLED EMCP II  
AN ATTACHMENT

SMCS-1404, 1408, 4459

i06637717

NOTE	PART NUMBER	QTY	PART NAME						SEE PAGE
			1	2	3	4	5	6 (PRODUCT LEVEL)	
Y	242-9752	1	HARNESS AS-POWER (DIGITAL VOLTAGE REGULATOR)						1072
Y	242-3104	1	HARNESS AS-WIRING (GENERATOR TERMINAL STRIP)						1075

9V-2818 1 GROMMET

Y - SEPARATE ILLUSTRATION

<END>

## 243-4269 WIRING GP-GENERATOR

S/N: 8JF1-UP; 6CG1-UP; 6DG1-UP; 6EG1-UP

VR6 VOLTAGE REGULATOR

FOR USE WITH GENSET WITHOUT INSTALLED EMCP II  
AN ATTACHMENT

SMCS-1404, 1408, 4459

i02066189

NOTE	PART NUMBER	QTY	PART NAME						SEE PAGE
			1	2	3	4	5	6 (PRODUCT LEVEL)	
	243-7201	1	HARNESS AS-WIRING (VR6 VOLTAGE REGULATOR)						
	5P-1475	9	TERMINAL-FORK (14-GA TO 16-GA, NO. 8 SCREW)						
	8L-8413	25	STRAP-CABLE (WHITE)						
	109-3038	9	END-WIRE (16-GA)						

<END>

# ELECTRICAL AND STARTING SYSTEM

## 243-4285 WIRING GP-GENERATOR

S/N: 8JF1-UP; 6CG1-UP; 6DG1-UP; 6EG1-UP

DIGITAL VOLTAGE REGULATOR

FOR USE WITH HIGH VOLTAGE, WALL MOUNTED EMCP II  
AN ATTACHMENT

SMCS-1404, 1408, 4459

i04071269

NOTE	PART NUMBER	QTY	PART NAME 1 2 3 4 5 6 (PRODUCT LEVEL)	SEE PAGE
Y	243-4271	1	HARNESS AS-WIRING (GENERATOR TERMINAL STRIP)	1075
	350-9226		HARNESS AS-WIRING (VOLTAGE ADJUSTMENT)	
	109-3038	3	END-WIRE (16-GA)	
	9X-6772	30	STRAP-CABLE	
	131-1477	1	TERMINAL AS	
	5P-1476	1	TERMINAL-FORK (14-GA TO 16-GA, NO. 10 SCREW)	
E	125-7874		TUBE-HEAT SHRINK (5.72-MM DIA) (3-CM)	
	110-7884	1	SWITCH AS-TOGGLE (MOMENTARY) (VOLTAGE ADJUSTMENT)	
	3L-8187	3	LOCKWASHER	
	6T-3632	1	LOCKWASHER	
	6T-3631	2	NUT-HEX (15/32-32-THD)	
	6T-3633	1	RING-LOCKING	
	6V-8374	3	SCREW-MACHINE (6-32X0.25-IN)	
	5R-7137	1	WASHER-SEALING	

E - ORDER BY THE CENTIMETER

Y - SEPARATE ILLUSTRATION

<END>

# ELECTRICAL AND STARTING SYSTEM

## 103-1949 WIRING GP-PANEL

S/N: 85Z3764-UP

FOR USE WITH EMCP II, ROUND AND SQUARE LAM GEN SETS  
AN ATTACHMENT

SMCS-4459

i03441165

NOTE	PART NUMBER	QTY	PART NAME 1 2 3 4 5 6 (PRODUCT LEVEL)	SEE PAGE
Y	7W-9610	1	FASTENER GP-WIRING HARNESS	1068
	102-9977	1	HARNESS AS-WIRING (ENGINE)	
	155-2270	2	KIT-CONNECTING PLUG (2-PIN) (ENGINE WIRING HARNESS) (EACH INCLUDES PLUG AS & WEDGE)	
	155-2260	3	KIT-CONNECTING PLUG (3-PIN) (ENGINE WIRING HARNESS) (EACH INCLUDES PLUG AS & WEDGE)	
	102-8803	1	KIT-RECEPTACLE (3-PIN) (ENGINE WIRING HARNESS) (INCLUDES RECEPTACLE AS & WEDGE) -OR-	
	129-1014	1	HARNESS AS-WIRING (ENGINE)	
	155-2270	6	KIT-CONNECTING PLUG (2-PIN) (ENGINE WIRING HARNESS) (EACH INCLUDES PLUG AS & WEDGE)	
	102-8802	1	KIT-RECEPTACLE (2-PIN) (ENGINE WIRING HARNESS) (INCLUDES RECEPTACLE AS & WEDGE)	
	155-2260	4	KIT-CONNECTING PLUG (3-PIN) (ENGINE WIRING HARNESS) (EACH INCLUDES PLUG AS & WEDGE)	
	102-8803	1	KIT-RECEPTACLE (3-PIN) (ENGINE WIRING HARNESS) (INCLUDES RECEPTACLES AS & WEDGE)	
	102-8805	1	KIT-RECEPTACLE (6-PIN) (ENGINE WIRING HARNESS) (INCLUDES RECEPTACLE AS & WEDGE)	

Y - SEPARATE ILLUSTRATION

<END>

# ELECTRICAL AND STARTING SYSTEM

## 4L-1192 WIRING GP-SHUTOFF

S/N: 85Z3764-UP

FOR USAGE REFER TO CHART 5N-8487 CHART-AUTOMATIC START/STOP, 5N-8487-PAGE: 1747  
AN ATTACHMENT

SMCS-1408, 7418

i01923498

NOTE	PART NUMBER	QTY	PART NAME						SEE PAGE
			1	2	3	4	5	6 (PRODUCT LEVEL)	
	<b>1H-5166</b>	4	CLIP						
	<b>9G-9151</b>	3	CLIP						
	<b>9G-9153</b>	2	CLIP						
	<b>2L-9724</b>	4	CLIP-WIRE						
	<b>053-2171</b>	1	GROMMET						
	<b>7N-9737</b>	3	HOUSING-RECEPTACLE (14-GA TO 18-GA)						
	<b>7N-7782</b>	1	HOUSING-PLUG (14-GA TO 18-GA)						
	<b>7N-7780</b>	4	PIN-CONNECTOR (14-GA TO 18-GA)						
	<b>7N-7779</b>	4	SOCKET-CONNECTOR (14-GA TO 18-GA)						
	<b>8S-4626</b>	2	SPLICE-WIRE						
B	<b>8L-8413</b>	50	STRAP-CABLE (WHITE)						
	<b>2L-8075</b>	21	TERMINAL-RING (14-GA TO 16-GA, NO. 8 SCREW)						
	<b>2L-8081</b>	2	TERMINAL-RING (14-GA TO 16-GA, 1/2-IN SCREW)						
	<b>2L-8074</b>	4	TERMINAL-RING (14-GA TO 16-GA, NO. 6 SCREW)						
	<b>2L-8065</b>	6	TERMINAL-RING (10-GA TO 12-GA, NO. 8 SCREW)						
	<b>2L-8079</b>	2	TERMINAL-RING (14-GA TO 16-GA, 3/8-IN SCREW)						
D	<b>5P-5624</b>		WIRE (14-GA, BLACK)						
E	<b>6V-2744</b>		WIRE-ELECTRICAL (18-GA)						

B - USE AS REQUIRED  
D - ORDER BY THE METER  
E - ORDER BY THE CENTIMETER

<END>

# ENCLOSURES, GUARDS AND BASES

## 279-6644 BASE AS-ENGINE & GENERATOR

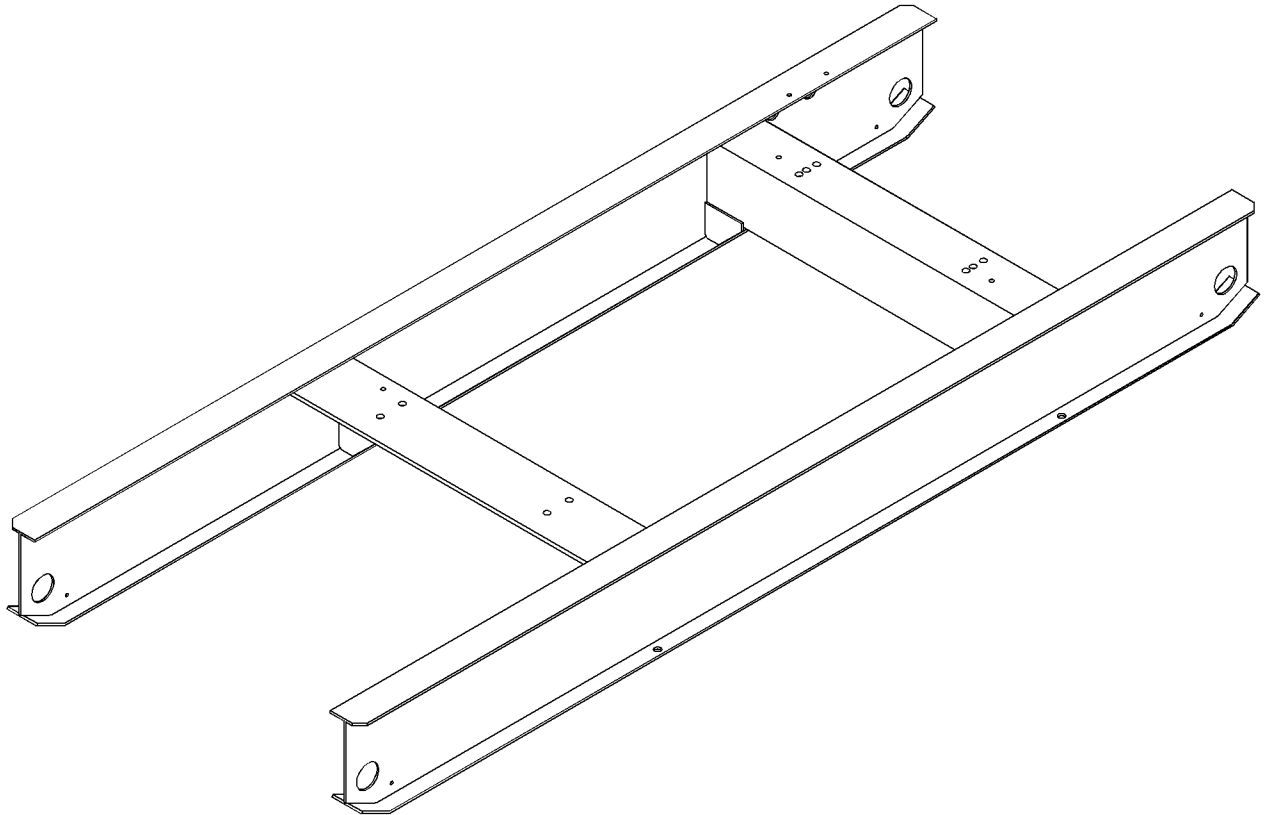
S/N: 85Z3764-UP

PART OF 7W-4901 RAIL GP-ENGINE SUPPORT  
AN ATTACHMENT

SMCS-7060

i02476229

NOTE	REF NO	GRAPHIC REF	PART NUMBER	QTY	PART NAME	SEE PAGE
					1 2 3 4 5 6 (PRODUCT LEVEL)	
(NO SERVICED PARTS)						



GRAPHIC #1

<END>

g01279215

# ENCLOSURES, GUARDS AND BASES

## 107-6331 BASE GP-ENGINE & GENERATOR

S/N: 85Z3764-UP

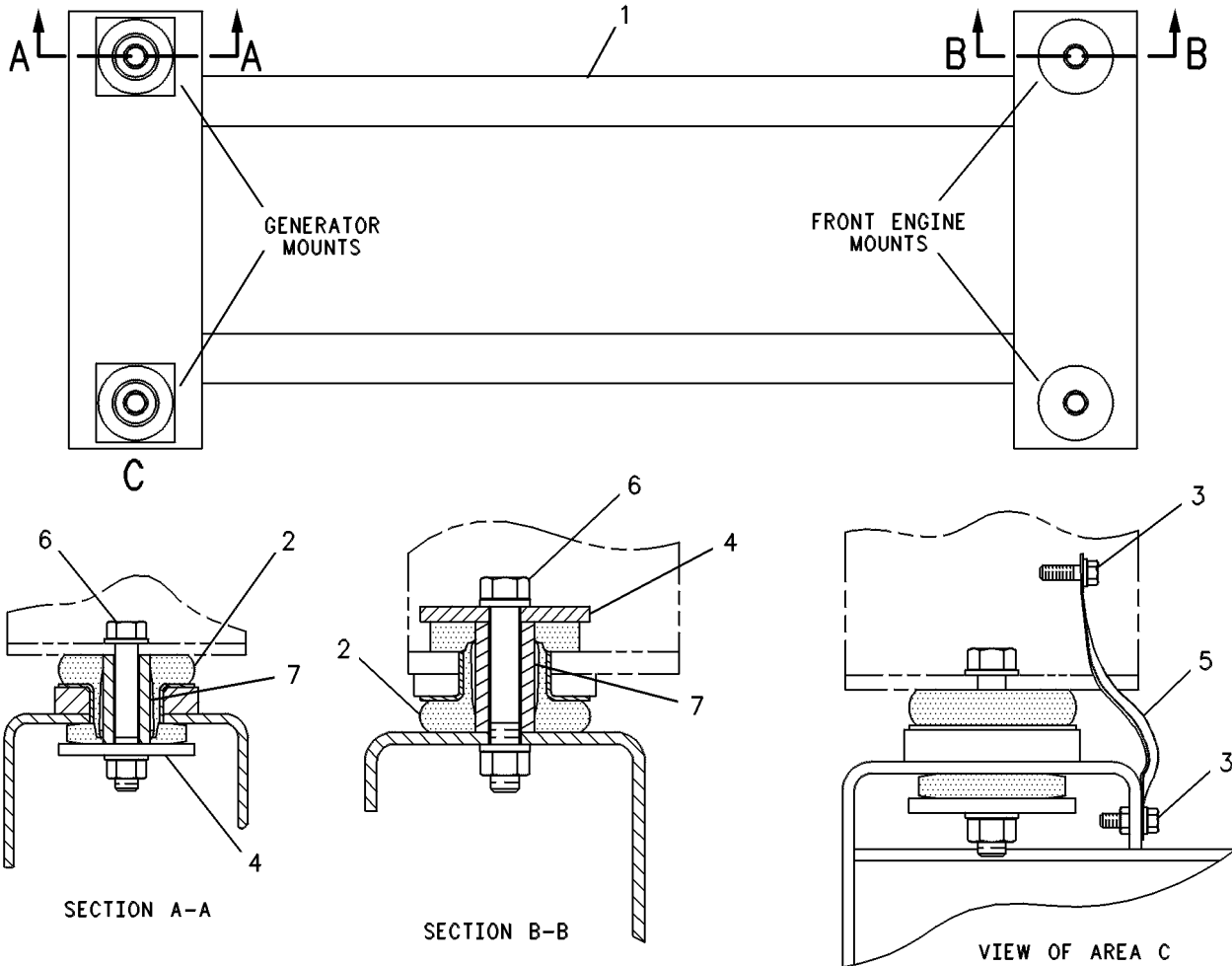
FOR USE WITH DITA ENGINE

CANNOT BE USED WITH MOUNTED BATTERY RACKS & MOUNTED ENCLOSURES  
AN ATTACHMENT

SMCS-7060

i00958643

NOTE	REF NO	GRAPHIC REF	PART NUMBER	QTY	PART NAME						SEE PAGE
					1	2	3	4	5	6 (PRODUCT LEVEL)	
	1	1	<b>107-4437</b>	1	BASE AS						
		1	<b>9F-2978</b>	1	NUT-WELD (3/8-16-THD)						
	2	1	<b>9W-9930</b>	4	MOUNT AS						
	3	1	<b>9B-7237</b>	2	BOLT (3/8-16X1.25-IN)						
		1	<b>8T-4896</b>	2	WASHER-HARD (10.2X18.5X2.5-MM THK)						
	4	1	<b>9W-6584</b>	4	WASHER (20.5X114X10-MM THK)						
	5	1	<b>034-3665</b>	1	STRAP-GROUNDING						
	6	1	<b>1D-4614</b>	4	BOLT (3/4-10X5-IN)						
		1	<b>2J-3506</b>	4	NUT-FULL (3/4-10-THD)						
		1	<b>5P-8248</b>	8	WASHER-HARD (20X36.5X3.5-MM THK)						
	7	1	<b>9W-6582</b>	4	SLEEVE						



GRAPHIC #1

<END>

g00235432



# ENCLOSURES, GUARDS AND BASES

## 107-8204 BASE GP-ENGINE & GENERATOR

S/N: 85Z3764-UP

FOR USE WITH ATAAAC ENGINE

**CANNOT BE USED WITH MOUNTED BATTERY RACKS & MOUNTED ENCLOSURES  
AN ATTACHMENT**

**SMCS-7060**

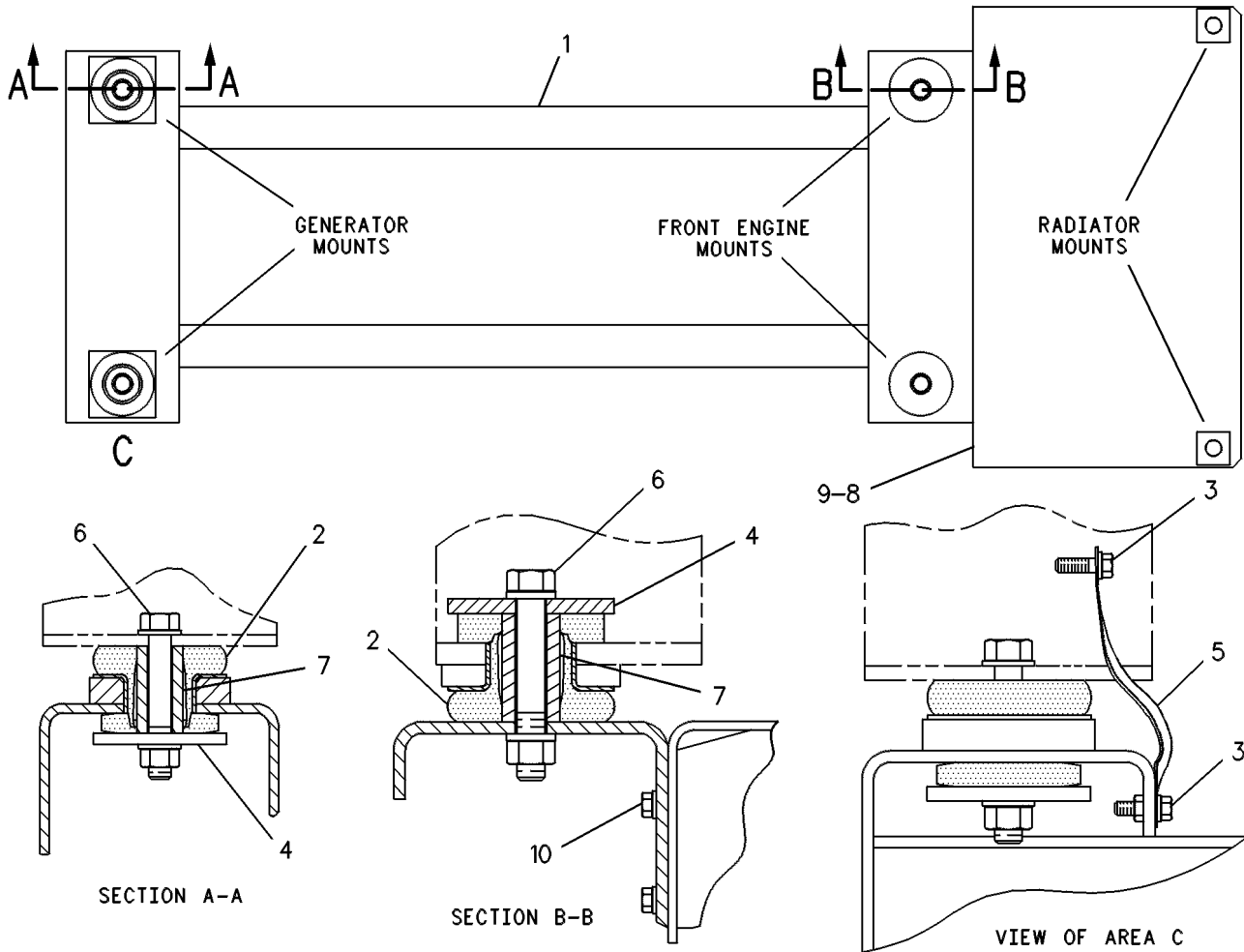
**i00958711**

NOTE	REF NO	GRAPHIC REF	PART NUMBER	QTY	PART NAME						SEE PAGE
					1	2	3	4	5	6	
	1	1	<b>107-4437</b>	1	BASE AS						
		1	<b>9F-2978</b>	1	NUT-WELD (3/8-16-THD)						
2		1	<b>9W-9930</b>	4	MOUNT AS						
3		1	<b>9B-7237</b>	2	BOLT (3/8-16X1.25-IN)						
		1	<b>8T-4896</b>	2	WASHER-HARD (10.2X18.5X2.5-MM THK)						
4		1	<b>9W-6584</b>	4	WASHER (20.5X114X10-MM THK)						
5		1	<b>034-3665</b>	1	STRAP-GROUNDING						
6		1	<b>1D-4614</b>	4	BOLT (3/4-10X5-IN)						
		1	<b>2J-3506</b>	4	NUT-FULL (3/4-10-THD)						
		1	<b>5P-8248</b>	8	WASHER-HARD (20X36.5X3.5-MM THK)						
7		1	<b>9W-6582</b>	4	SLEEVE						
8		1	<b>107-8203</b>	1	SUPPORT AS						
9		1	<b>9F-2978</b>	5	NUT-WELD (3/8-16-THD)						
10		1	<b>0S-1588</b>	5	BOLT (3/8-16X1.25-IN)						
		1	<b>9X-6458</b>	5	WASHER-HARD (10.2X22.5X3-MM THK)						

# ENCLOSURES, GUARDS AND BASES

107-8204 BASE GP-ENGINE & GENERATOR (contd.)

i00958711



GRAPHIC #1

<END>

g00235442

# ENCLOSURES, GUARDS AND BASES

## 3N-6267 BASE GP-ENGINE & GENERATOR

S/N: 85Z3764-UP

ENGINE, ELECTRIC SET

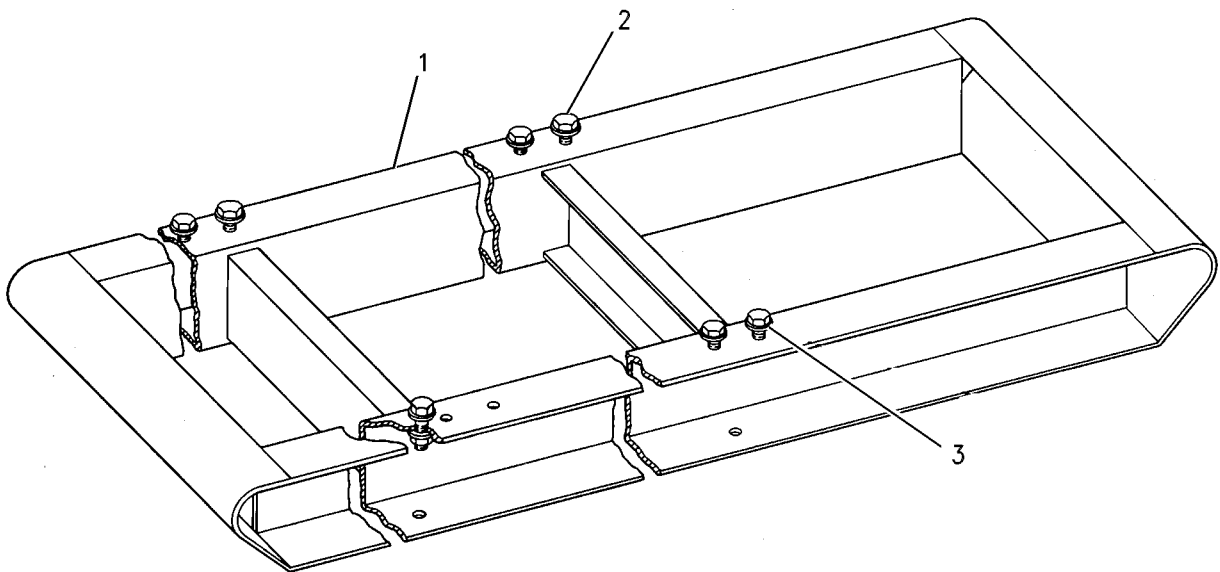
CANNOT BE USED WITH LIFTING ARCH, ENCLOSURE OR BATTERY RACK  
AN ATTACHMENT

SMCS-7060

i00968207

NOTE	REF NO	GRAPHIC REF	PART NUMBER	QTY	PART NAME						SEE PAGE
					1	2	3	4	5	6 (PRODUCT LEVEL)	
	1	1	<b>3N-7449</b>	1	BASE AS-ENGINE & GENERATOR						
C	2	1	<b>1A-1135</b>	8	BOLT (5/8-11X2-IN)						
C		1	<b>1D-4720</b>	8	NUT (5/8-11-THD)						
C	3	1	<b>5P-8247</b>	16	WASHER-HARD (17X32X3.5-MM THK)						

C - CHANGE FROM PREVIOUS TYPE



GRAPHIC #1

<END>

g00495951

# ENCLOSURES, GUARDS AND BASES

## 4P-1980 BASE GP-ENGINE & GENERATOR

S/N: 85Z3764-UP

NON-FUEL TANK

AN ATTACHMENT

SMCS-7060

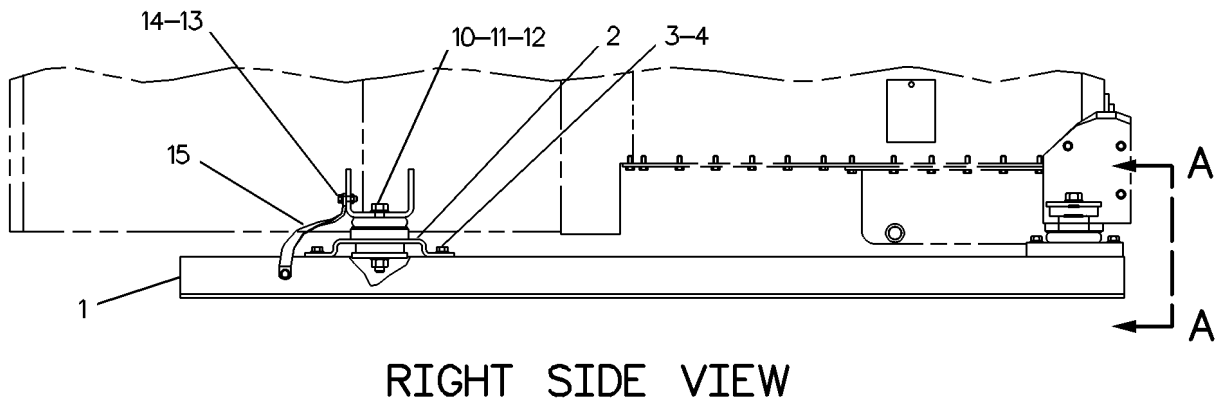
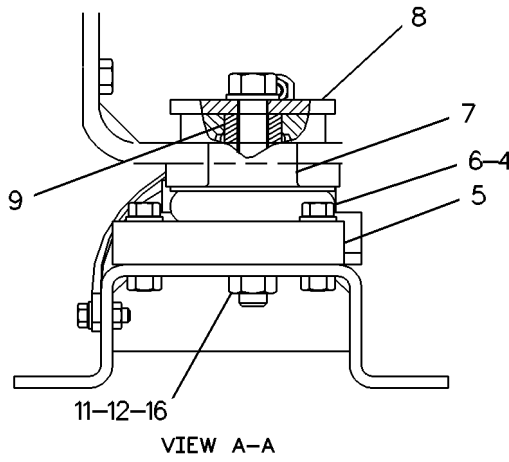
i00671740

NOTE	REF NO	GRAPHIC REF	PART NUMBER	QTY	PART NAME						SEE PAGE
					1	2	3	4	5	6 (PRODUCT LEVEL)	
	1	1	<b>4P-1979</b>	2	BASE AS						
					(EACH INCLUDES)						
		1	<b>1F-0748</b>	10	NUT-WELD (1/2-13-THD)						
		1	<b>9F-2978</b>	1	NUT-WELD (3/8-16-THD)						
	2	1	<b>4P-1978</b>	2	BRACKET AS						
	3	1	<b>0S-1585</b>	8	BOLT (1/2-13X1.5-IN)						
	4	1	<b>5P-8245</b>	16	WASHER-HARD (13.5X25.5X3-MM THK)						
	5	1	<b>4P-1977</b>	2	PLATE						
	6	1	<b>1A-1460</b>	8	BOLT (1/2-13X2-IN)						
	7	1	<b>9W-9930</b>	4	MOUNT AS						
	8	1	<b>9W-6584</b>	4	WASHER (20.5X114X10-MM THK)						
	9	1	<b>9W-6582</b>	4	SLEEVE						
	10	1	<b>1D-4614</b>	2	BOLT (3/4-10X5-IN)						
	11	1	<b>5P-8248</b>	8	WASHER-HARD (20X36.5X3.5-MM THK)						
	12	1	<b>2J-3506</b>	4	NUT-FULL (3/4-10-THD)						
	13	1	<b>8T-4896</b>	2	WASHER-HARD (10.2X18.5X2.5-MM THK)						
	14	1	<b>9B-7237</b>	2	BOLT (3/8-16X1.25-IN)						
	15	1	<b>034-3665</b>	1	STRAP-GROUNDING						
	16	1	<b>6K-1330</b>	2	BOLT (3/4-10X5.75-IN)						

# ENCLOSURES, GUARDS AND BASES

4P-1980 BASE GP-ENGINE & GENERATOR (contd.)

i00671740



RIGHT SIDE VIEW

GRAPHIC #1

<END>

g00218926

# ENCLOSURES, GUARDS AND BASES

## 7W-4903 BASE GP-ENGINE & GENERATOR

S/N: 85Z3764-UP

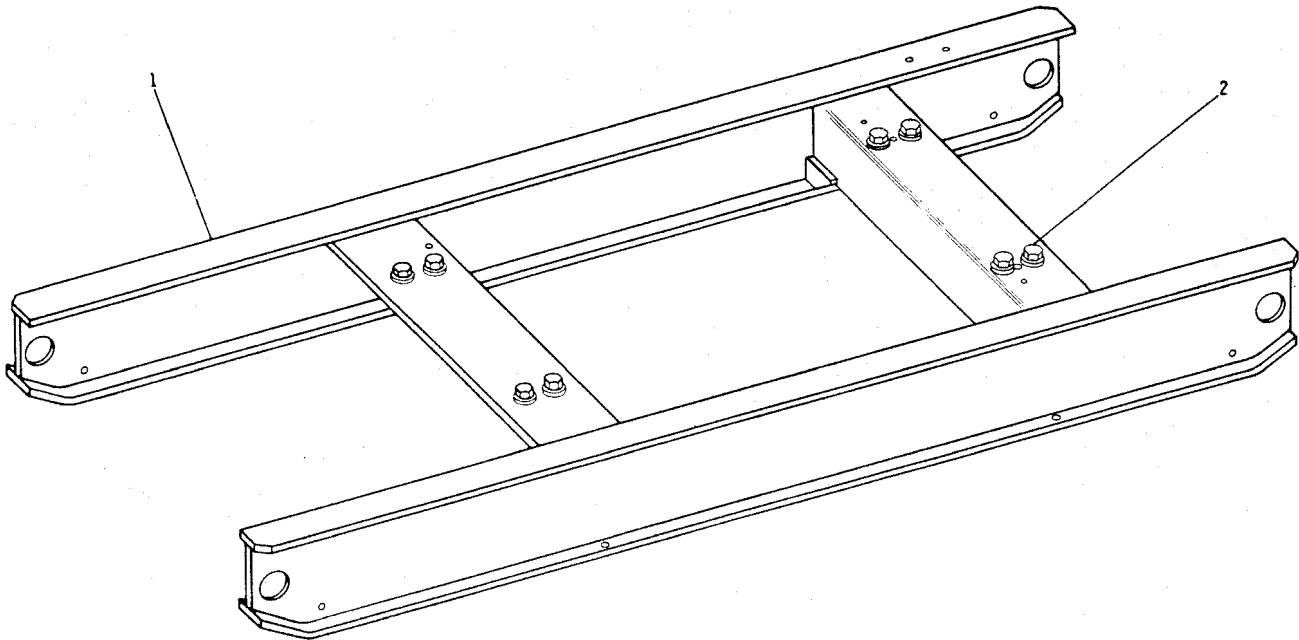
FOR USE WITH 7W-6541-PAGE: 199  
AN ATTACHMENT

SMCS-7060

i01852807

NOTE	REF NO	GRAPHIC REF	PART NUMBER	QTY	PART NAME						SEE PAGE
					1	2	3	4	5	6 (PRODUCT LEVEL)	
	1	1	<b>1A-1135</b>	8	BOLT (5/8-11X2-IN)						
		1	<b>5P-8247</b>	16	WASHER-HARD (17X32X3.5-MM THK)						
		1	<b>1D-4720</b>	8	NUT (5/8-11-THD)						
B		1	<b>2H-5972</b>	8	SHIM (0.034-IN THK)						
	2	1	<b>7W-4902</b>	1	BASE AS-ENGINE & GENERATOR						

B - USE AS REQUIRED



GRAPHIC #1

<END>

g00184142

# ENCLOSURES, GUARDS AND BASES

## 9Y-5769 BASE GP-ENGINE & GENERATOR

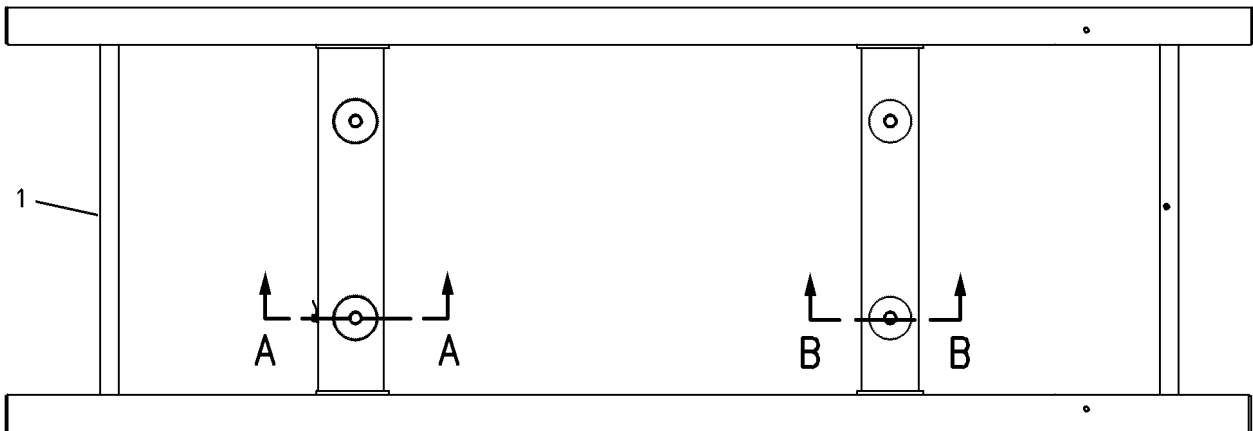
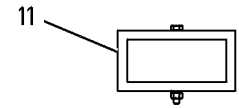
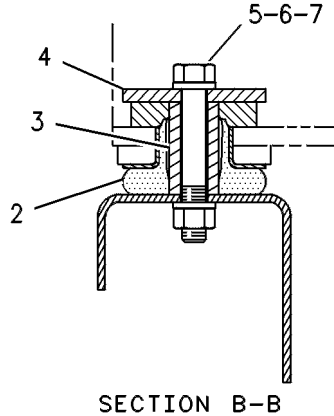
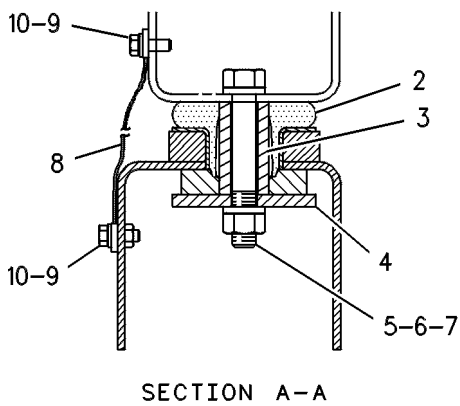
S/N: 85Z3764-UP  
NON-FUEL TANK  
AN ATTACHMENT

SMCS-7060

i00957695

NOTE	REF NO	GRAPHIC REF	PART NUMBER	QTY	PART NAME						SEE PAGE
					1	2	3	4	5	6 (PRODUCT LEVEL)	
	1	1	<b>9Y-5759</b>	1	BASE AS						
		1	<b>9F-2978</b>	2	NUT-WELD (3/8-16-THD)						
		1	<b>8J-7236</b>	8	NUT-WELD (3/4-10-THD)						
	2	1	<b>9W-9930</b>	4	MOUNT AS						
	3	1	<b>9W-6582</b>	4	SLEEVE						
	4	1	<b>9W-6584</b>	4	WASHER (20.5X114X10-MM THK)						
	5	1	<b>1D-4614</b>	4	BOLT (3/4-10X5-IN)						
	6	1	<b>5P-8248</b>	8	WASHER-HARD (20X36.5X3.5-MM THK)						
	7	1	<b>2J-3506</b>	4	NUT-FULL (3/4-10-THD)						
	8	1	<b>034-3665</b>	1	STRAP-GROUNDING						
	9	1	<b>9B-7237</b>	2	BOLT (3/8-16X1.25-IN)						
	10	1	<b>8T-4896</b>	2	WASHER-HARD (10.2X18.5X2.5-MM THK)						
Y	11	1	<b>3N-8594</b>	2	COVER GP-ENGINE LIFTING EYE						96

Y - SEPARATE ILLUSTRATION



GRAPHIC #1

<END>

g00237626

# ENCLOSURES, GUARDS AND BASES

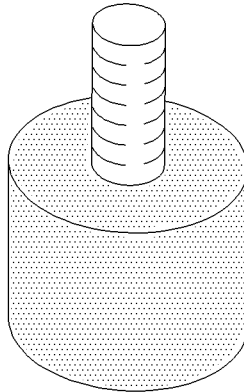
## 7W-0037 BUMPER-RUBBER

S/N: 5CA5985-UP  
25.4MM OD, 1/4-20-2A THD  
FIELD INSTALLATION

SMCS-7156

i01757666

NOTE	REF NO	GRAPHIC REF	PART NUMBER	QTY	PART NAME	SEE PAGE
					1 2 3 4 5 6 (PRODUCT LEVEL)	
(NO SERVICED PARTS)						



GRAPHIC #1

<END>

g00900883



# ENCLOSURES, GUARDS AND BASES

## 5N-6767 ENCLOSURE GP-GENERATOR

S/N: 85Z3764-UP

PACKAGED GENERATOR SET

FOR USE WITH TOP MOUNTED TURBOCHARGER, PACKAGE GENERATOR SET WITH WIDE BASE  
AN ATTACHMENT

SMCS-7274

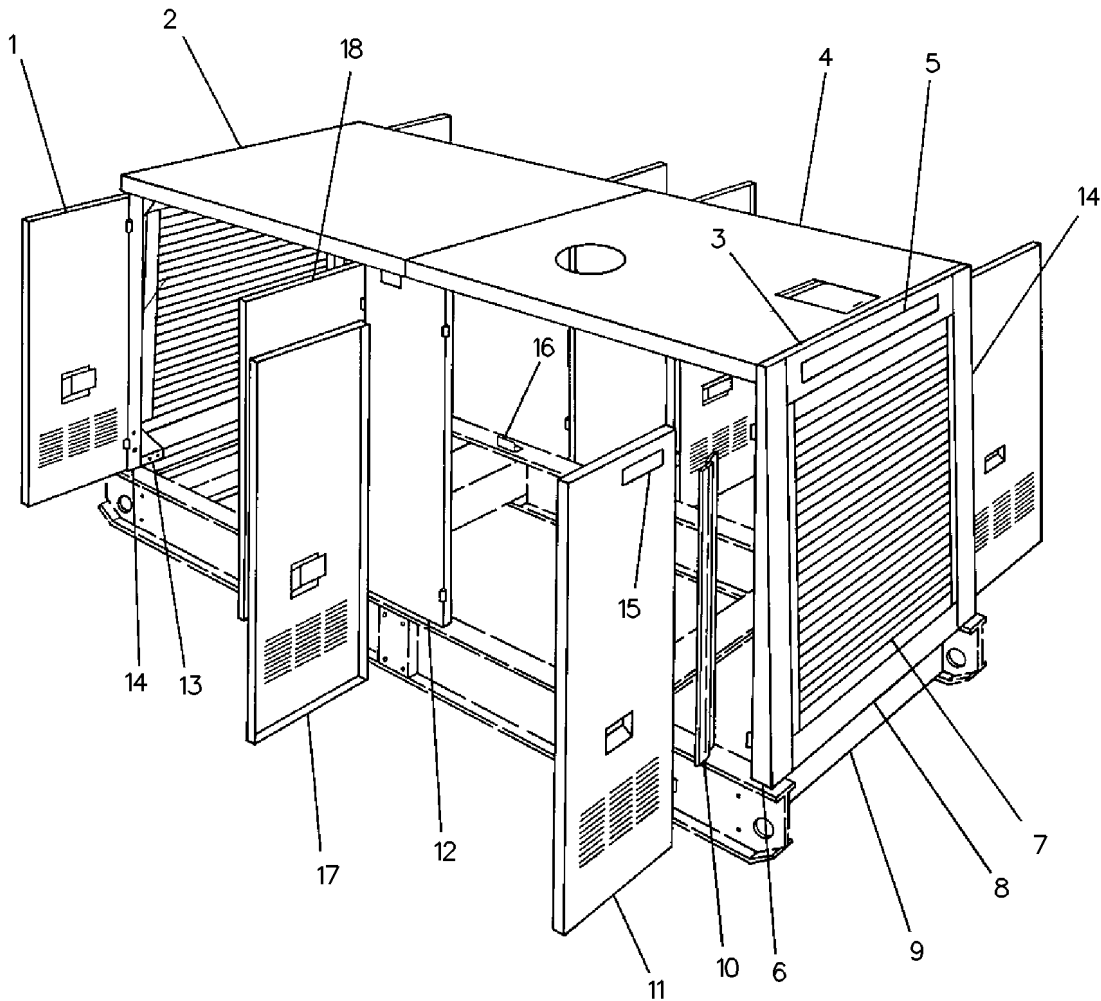
i01998112

NOTE	REF NO	GRAPHIC REF	PART NUMBER	QTY	PART NAME						SEE PAGE
					1	2	3	4	5	6 (PRODUCT LEVEL)	
	1	1	<b>5N-5719</b>	2	DOOR AS						
	2	1	<b>5N-6768</b>	1	PANEL AS-TOP						
	3	1	<b>5N-5711</b>	2	FRAME-TOP END						
	4	1	<b>5N-6769</b>	1	PANEL AS-TOP						
	5	1	<b>7E-5948</b>	2	FILM-IDENTIFICATION (CATERPILLAR)						
	6	1	<b>5N-5716</b>	2	POST AS						
	7	1	<b>5N-5718</b>	2	GRILL AS						
					(EACH INCLUDES)						
		1	<b>4L-6458</b>	4	NUT-FULL (1/4-20-THD)						
		1	<b>5P-4115</b>	4	WASHER-HARD (7.2X19X2-MM THK)						
	8	1	<b>5N-5712</b>	2	FRAME-BOTTOM END						
	9	1	<b>5N-6195</b>	1	GUARD AS-FRONT						
		1	<b>5N-5713</b>	1	GUARD AS (REAR)						
C	10	1	<b>5N-8349</b>	2	BAFFLE AS						
	11	1	<b>5N-5720</b>	2	DOOR AS						
	12	1	<b>5N-5384</b>	1	PANEL AS (RH)						
		1	<b>5N-5385</b>	1	PANEL AS (LH)						
	13	1	<b>5N-5721</b>	8	BRACE AS						
	14	1	<b>5N-5717</b>	2	POST AS						
	15	1	<b>7E-5947</b>	2	FILM-IDENTIFICATION (CAT)						
	16	1	<b>5N-5387</b>	4	BRACKET						
	17	1	<b>5N-6189</b>	2	DOOR AS						
	18	1	<b>5N-6188</b>	2	DOOR AS						
					AVAILABLE REPAIR KIT(S):						
			<b>5N-5390</b>	1	KIT-HARDWARE (GENERATOR ENCLOSURE)						
					(INCLUDES SCREWS & NUTS)						
C - CHANGE FROM PREVIOUS TYPE											

# ENCLOSURES, GUARDS AND BASES

5N-6767 ENCLOSURE GP-GENERATOR (contd.)

i01998112



GRAPHIC #1

<END>

g00222992

# ENCLOSURES, GUARDS AND BASES

## 9Y-1509 GUARD GP-ENGINE

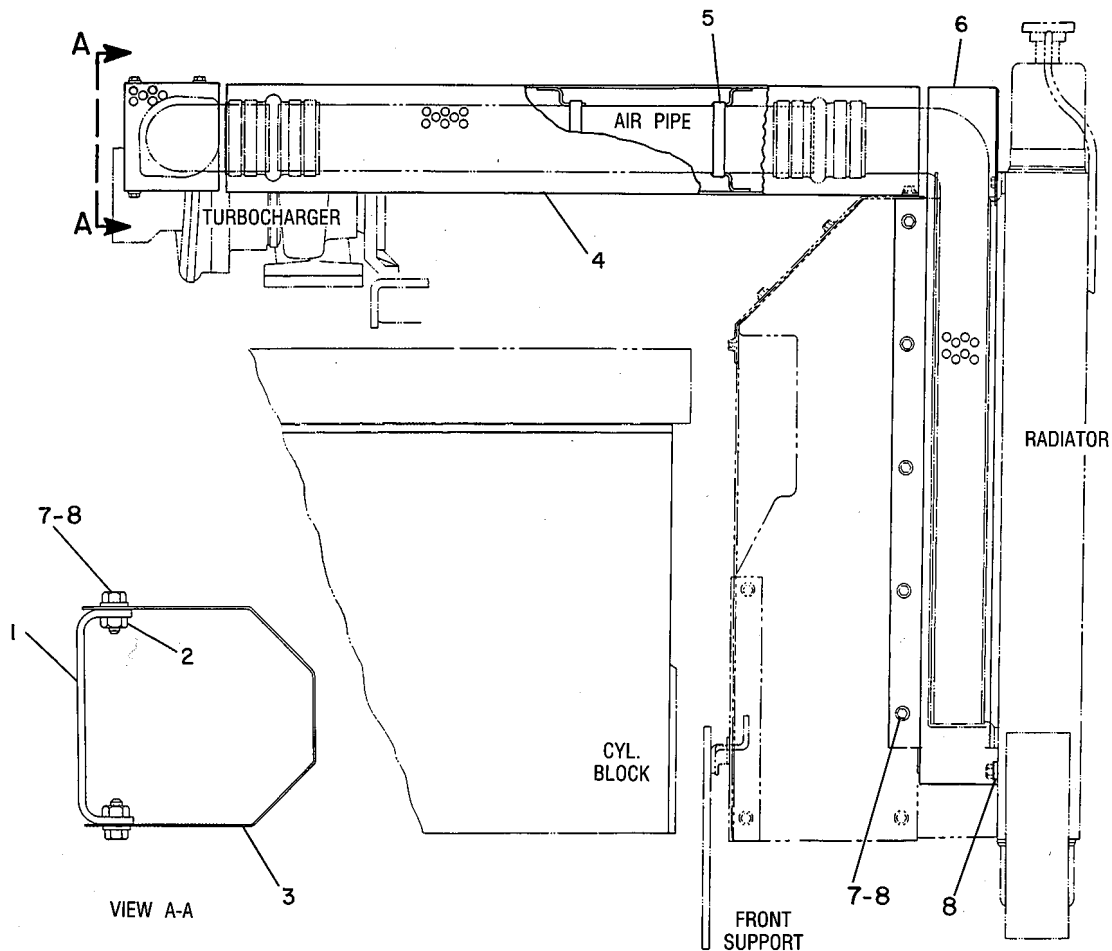
S/N: 85Z3764-UP

FOR USE WITH AIR-TO-AIR AFTERCOOLED AIR ATTACHMENT

SMCS-7154

i01685268

NOTE	REF NO	GRAPHIC REF	PART NUMBER	QTY	PART NAME						SEE PAGE
					1	2	3	4	5	6	
	1	1	<b>9Y-1513</b>	1	PLATE AS						
	2	1	<b>9F-2978</b>	3	NUT-WELD (3/8-16-THD)						
	3	1	<b>9Y-1512</b>	1	GUARD-ELBOW						
	4	1	<b>9Y-1510</b>	1	GUARD AS-PIPE						
		1	<b>6C-3679</b>	4	RIVET-POP						
		1	<b>192-4645</b>	1	PLATE-WARNING (HOT SURFACE)						
	5	1	<b>8T-4985</b>	3	CLAMP-HOSE						
	6	1	<b>9Y-1511</b>	1	GUARD						
	7	1	<b>0S-0509</b>	8	BOLT (3/8-16X0.75-IN)						
	8	1	<b>5P-1075</b>	9	WASHER-HARD (10.2X22.5X3-MM THK)						



GRAPHIC #1

<END>

g00199940

# ENCLOSURES, GUARDS AND BASES

## 7W-4901 RAIL GP-ENGINE SUPPORT

S/N: 85Z3764-UP

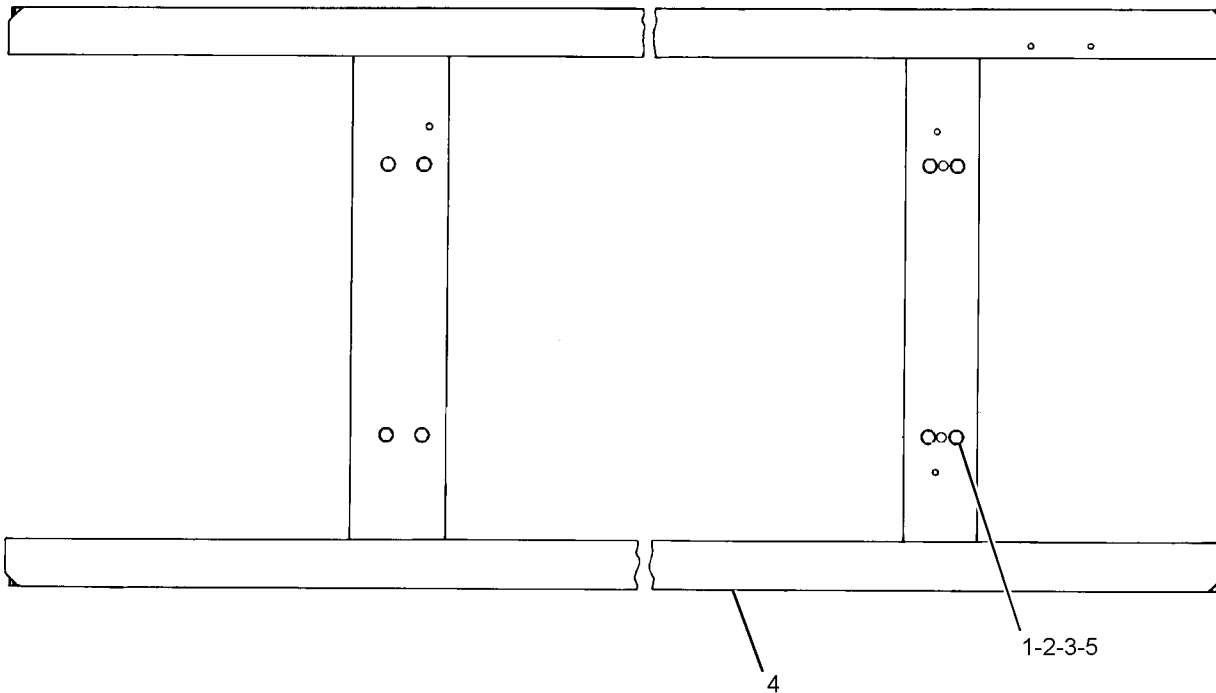
FOR USE WITH 7W-6541-PAGE: 199  
AN ATTACHMENT

SMCS-7060

i05384760

NOTE	REF NO	GRAPHIC REF	PART NUMBER	QTY	PART NAME						SEE PAGE
					1	2	3	4	5	6 (PRODUCT LEVEL)	
	1	1	<b>202-9008</b>	6	BOLT (5/8-11X2-IN)						
	2	1	<b>8T-4122</b>	12	WASHER-HARD (17X32X3.5-MM THK)						
	3	1	<b>7X-0448</b>	6	NUT (5/8-11-THD)						
Y	4	1	<b>279-6644</b>	1	BASE AS-ENGINE & GENERATOR						1337
B	5	1	<b>2H-5972</b>	10	SHIM (0.034-IN THK)						

B - USE AS REQUIRED  
Y - SEPARATE ILLUSTRATION



GRAPHIC #1

<END>

g01257598

# GENERATORS

## 103-1839 CONNECTION GP-GENERATOR LEADS

S/N: 6DG1-UP; 6EG1-UP

FOR USE WITH 4 LEAD, WYE CONNECTED GENERATORS  
AN ATTACHMENT

**SMCS-4460**

**i01724215**

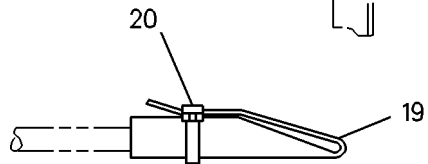
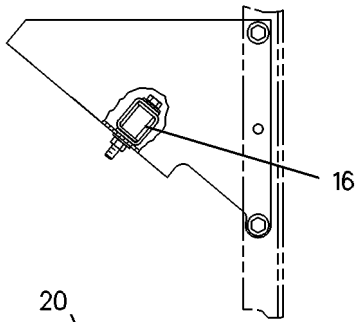
NOTE	REF NO	GRAPHIC REF	PART NUMBER	QTY	PART NAME						SEE PAGE
					1	2	3	4	5	6 (PRODUCT LEVEL)	
	1	1	<b>8T-0023</b>	4	BOLT-HEAD LOCKING (5/16-18X1-IN)						
	2	1	<b>5P-4116</b>	8	WASHER-HARD (8.8X20.5X2-MM THK)						
	3	1	<b>6V-8189</b>	6	NUT (5/16-18-THD)						
B	4	1	<b>5P-2955</b>	2	BOLT (5/16-18X2.5-IN)						
B	5	1	<b>5P-4116</b>	4	WASHER-HARD (8.8X20.5X2-MM THK)						
B	6	1	<b>6K-0806</b>	9	STRAP-CABLE						
B	7	1	<b>6J-4762</b>	1	SCREW (10-32X0.625-IN)						
B	8	1	<b>4B-4274</b>	2	WASHER (5.5X13X1.2-MM THK)						
B	9	1	<b>9S-5937</b>	1	LOCKNUT (10-32-THD)						
B	10	1	<b>8J-1256</b>	1	CLIP (LOOP)						
	11	1	<b>6I-3022</b>	1	BRACKET						
B	12	1	<b>7K-1181</b>	12	STRAP-CABLE						
	13	1	<b>4P-5533</b>	1	BRACKET						
B	14	1	<b>7K-3377</b>	4	PIPE						
B	15	1	<b>6V-8189</b>	2	NUT (5/16-18-THD)						
B	16	1	<b>8B-0544</b>	2	SPACER						
	17	1	<b>5P-2955</b>	2	BOLT (5/16-18X2.5-IN)						
	18	1	<b>4W-7388</b>	2	CHANNEL-MOUNTING						
BE	19	1	<b>9X-2639</b>		SLEEVE						
	20	1	<b>3S-2093</b>	4	STRAP-CABLE						

B - USE AS REQUIRED  
E - ORDER BY THE CENTIMETER

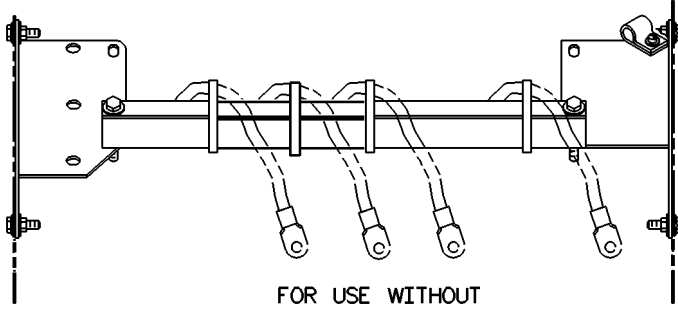
# GENERATORS

103-1839 CONNECTION GP-GENERATOR LEADS (contd.)

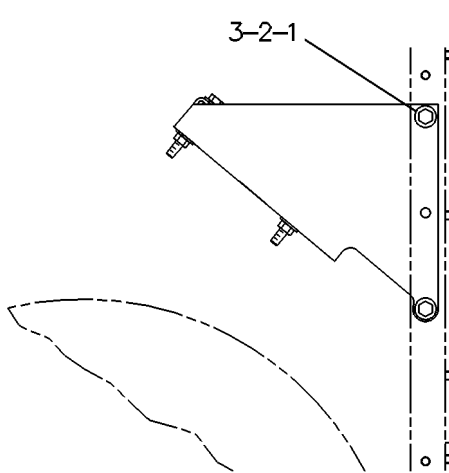
i01724215



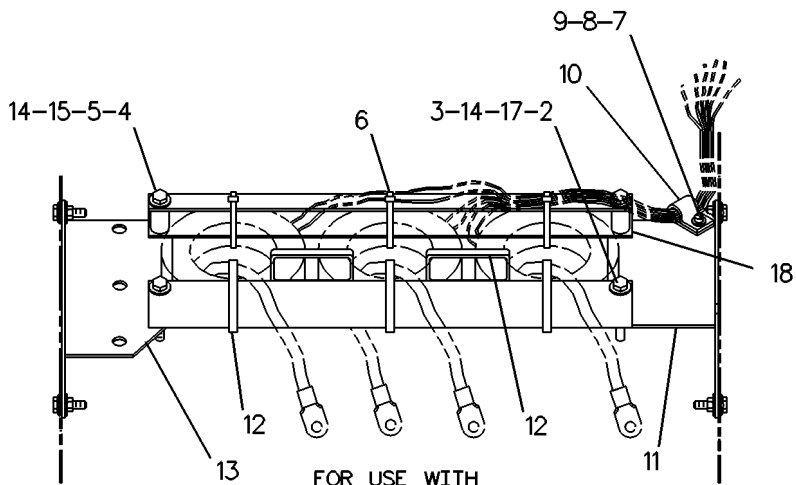
TERMINAL LUG PROTECTOR



FOR USE WITHOUT  
CURRENT TRANSFORMERS



GRAPHIC #1



FOR USE WITH  
CURRENT TRANSFORMERS

<END>

g00234499

# GENERATORS

## 4P-5534 CONNECTION GP-GENERATOR LEADS

S/N: 8JF1-UP; 6CG1-UP; 6DG1-UP; 6EG1-UP  
 FOR USE WITH 440 GENERATORS-SQUARE LAMINATION  
 AN ATTACHMENT

SMCS-4460

i00671580

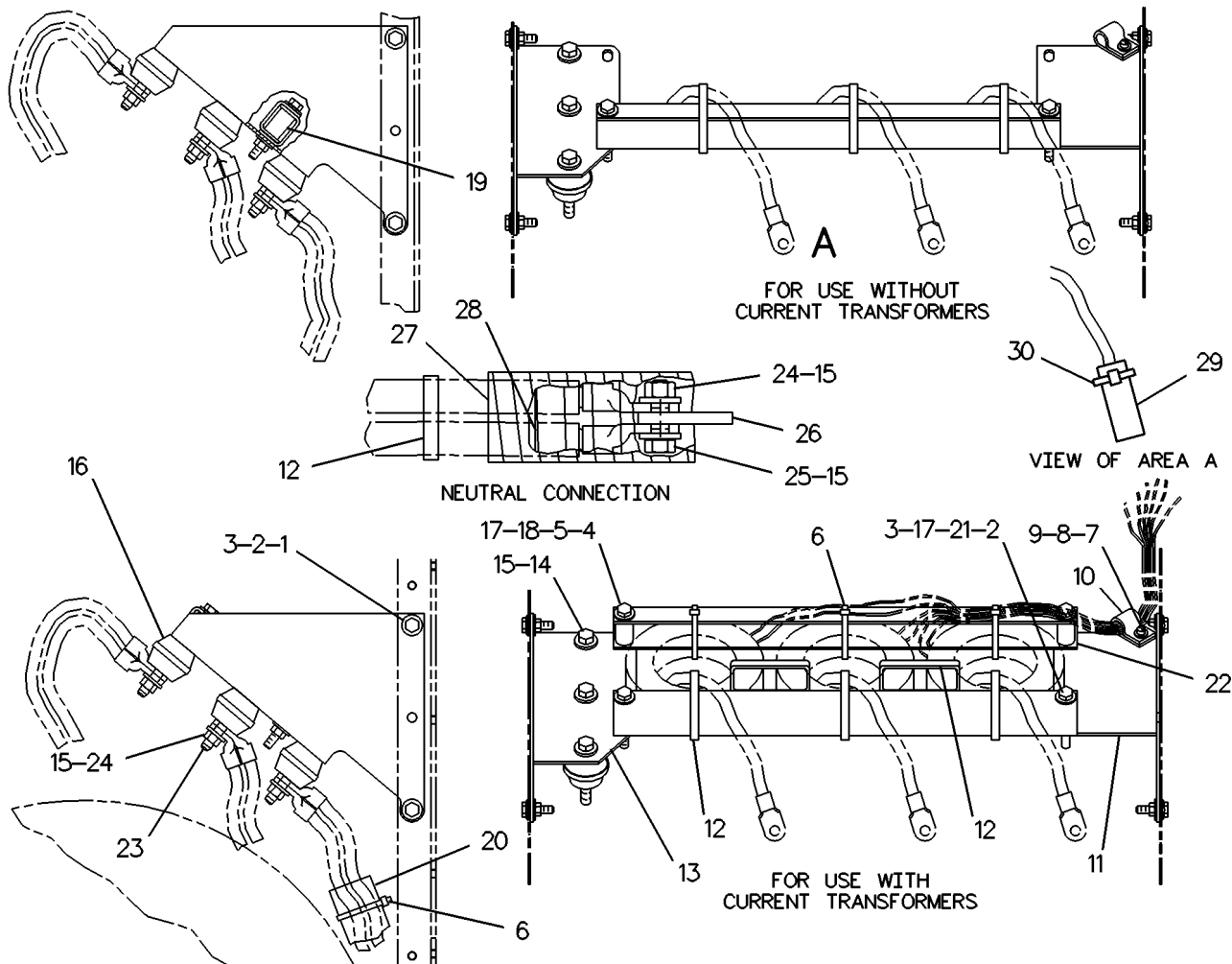
NOTE	REF NO	GRAPHIC REF	PART NUMBER	QTY	PART NAME						SEE PAGE
					1	2	3	4	5	6 (PRODUCT LEVEL)	
	1	1	<b>8T-0023</b>	4	BOLT-HEAD LOCKING (5/16-18X1-IN)						
	2	1	<b>5P-4116</b>	8	WASHER-HARD (8.8X20.5X2-MM THK)						
	3	1	<b>6V-8189</b>	6	NUT (5/16-18-THD)						
B	4	1	<b>8T-8912</b>	2	BOLT (5/16-18X2.25-IN)						
B	5	1	<b>5P-4116</b>	4	WASHER-HARD (8.8X20.5X2-MM THK)						
B	6	1	<b>6K-0806</b>	15	STRAP-CABLE						
	7	1	<b>6J-4762</b>	1	SCREW (10-32X0.625-IN)						
	8	1	<b>4B-4274</b>	2	WASHER (5.5X13X1.2-MM THK)						
	9	1	<b>9S-5937</b>	1	LOCKNUT (10-32-THD)						
	10	1	<b>8J-1256</b>	1	CLIP (LOOP)						
	11	1	<b>6I-3022</b>	1	BRACKET						
B	12	1	<b>7K-1181</b>	14	STRAP-CABLE						
	13	1	<b>4P-5533</b>	1	BRACKET						
	14	1	<b>5P-8167</b>	3	BOLT (3/8-16X0.625-IN)						
	15	1	<b>5P-1075</b>	12	WASHER-HARD (10.2X22.5X3-MM THK)						
	16	1	<b>4W-7142</b>	3	INSULATOR						
	17	1	<b>7K-3377</b>	4	PIPE						
	18	1	<b>6V-8189</b>	2	NUT (5/16-18-THD)						
	19	1	<b>8B-0544</b>	2	SPACER						
	20	1	<b>7H-8213</b>	3	MAT						
	21	1	<b>8T-8912</b>	2	BOLT (5/16-18X2.25-IN)						
	22	1	<b>4W-7388</b>	2	CHANNEL-MOUNTING						
	23	1	<b>8T-5409</b>	3	STUD-TAPERLOCK (3/8-16X1.57-IN)						
	24	1	<b>6V-8801</b>	6	NUT (3/8-16-THD)						
	25	1	<b>7W-0133</b>	1	BAR-CONNECTOR						
B	26	1	<b>5N-4686</b>	1	TAPE-ELECTRICAL (VINYL)						
B	27	1	<b>5N-4685</b>	1	TAPE-ELECTRICAL						
	28	1	<b>9B-7237</b>	3	BOLT (3/8-16X1.25-IN)						
BE	29	1	<b>9X-2639</b>		SLEEVE (138CM)						
B	30	1	<b>3S-2093</b>	6	STRAP-CABLE						

B - USE AS REQUIRED  
 E - ORDER BY THE CENTIMETER

# GENERATORS

4P-5534 CONNECTION GP-GENERATOR LEADS (contd.)

i00671580



GRAPHIC #1

<END>

g00222123



# GENERATORS

## 4P-7148 CONNECTION GP-GENERATOR LEADS

S/N: 6CG1-UP; 6DG1-UP; 6EG1-UP  
440 FRAME, 12 LEAD  
AN ATTACHMENT

SMCS-4460

i02462683

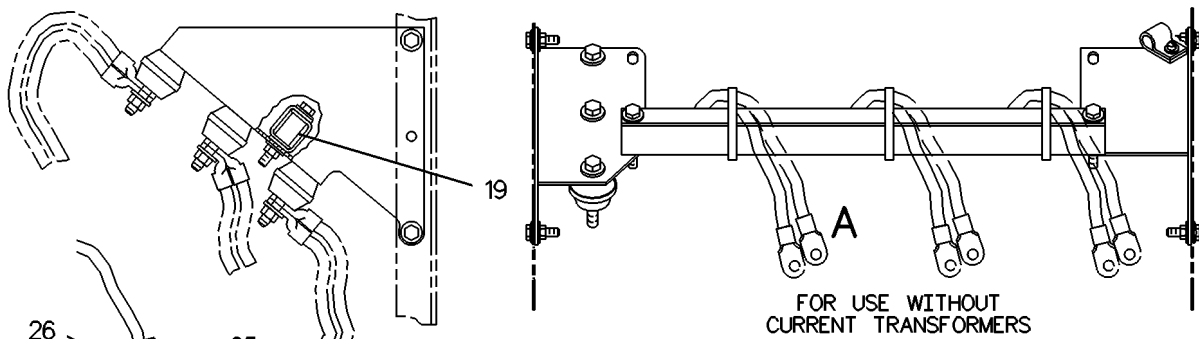
NOTE	REF NO	GRAPHIC REF	PART NUMBER	QTY	PART NAME						SEE PAGE
					1	2	3	4	5	6 (PRODUCT LEVEL)	
	1	1	<b>8T-0023</b>	4	BOLT-HEAD LOCKING (5/16-18X1-IN)						
	2	1	<b>5P-4116</b>	8	WASHER-HARD (8.8X20.5X2-MM THK)						
	3	1	<b>6V-8189</b>	6	NUT (5/16-18-THD)						
B	4	1	<b>8T-8912</b>	2	BOLT (5/16-18X2.25-IN)						
B	5	1	<b>5P-4116</b>	4	WASHER-HARD (8.8X20.5X2-MM THK)						
B	6	1	<b>6K-0806</b>	15	STRAP-CABLE						
	7	1	<b>6J-4762</b>	1	SCREW (10-32X0.625-IN)						
	8	1	<b>4B-4274</b>	2	WASHER (5.5X13X1.2-MM THK)						
	9	1	<b>9S-5937</b>	1	LOCKNUT (10-32-THD)						
	10	1	<b>8J-1256</b>	1	CLIP (LOOP)						
	11	1	<b>6I-3022</b>	1	BRACKET						
B	12	1	<b>7K-1181</b>	12	STRAP-CABLE						
	13	1	<b>4P-5533</b>	1	BRACKET						
	14	1	<b>5P-8167</b>	3	BOLT (3/8-16X0.625-IN)						
	15	1	<b>5P-1075</b>	6	WASHER-HARD (10.2X22.5X3-MM THK)						
	16	1	<b>4W-7142</b>	3	INSULATOR						
B	17	1	<b>7K-3377</b>	4	PIPE						
	18	1	<b>6V-8189</b>	2	NUT (5/16-18-THD)						
	19	1	<b>8B-0544</b>	2	SPACER						
	20	1	<b>7H-8213</b>	6	MAT						
	21	1	<b>8T-8912</b>	2	BOLT (5/16-18X2.25-IN)						
	22	1	<b>4W-7388</b>	2	CHANNEL-MOUNTING						
	23	1	<b>8T-5409</b>	3	STUD-TAPERLOCK (3/8-16X1.57-IN) (3/8-16X1.57-IN)						
	24	1	<b>6V-8801</b>	3	NUT (3/8-16-THD)						
E	25	1	<b>9X-2639</b>		SLEEVE (276-CM)						
B	26	1	<b>3S-2093</b>	12	STRAP-CABLE						

B - USE AS REQUIRED  
E - ORDER BY THE CENTIMETER

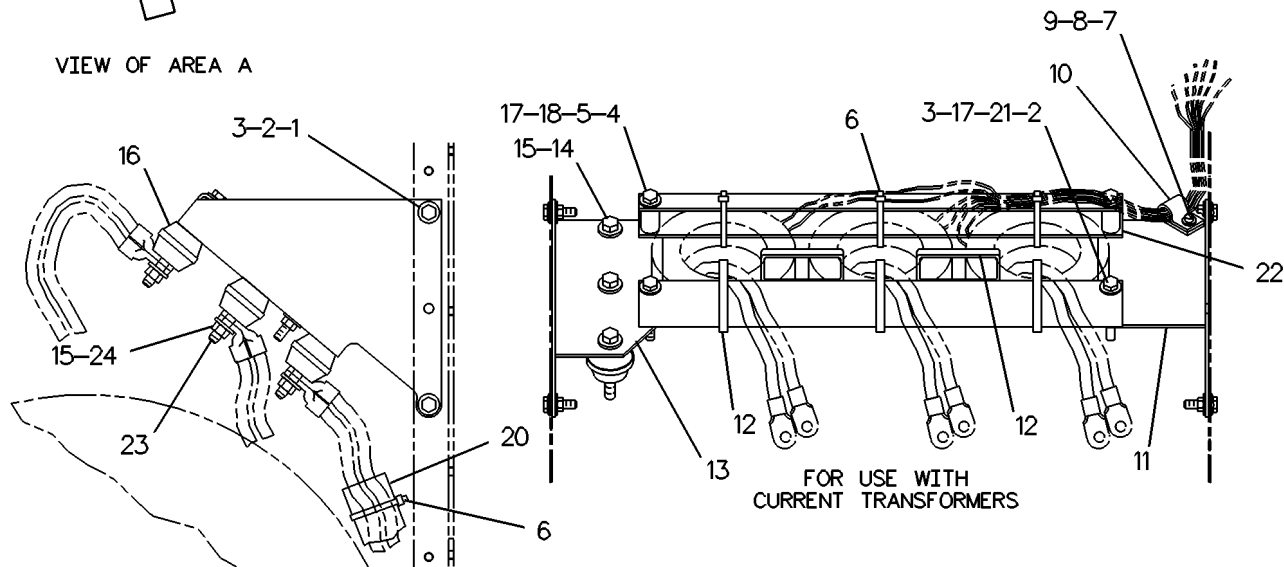
# GENERATORS

4P-7148 CONNECTION GP-GENERATOR LEADS (contd.)

i02462683



VIEW OF AREA A



GRAPHIC #1

<END>

g00222092

# GENERATORS

## 4P-7149 CONNECTION GP-GENERATOR LEADS

S/N: 8JF1-UP  
440 FRAME - 10 OR 20 LEAD, LOW VOLTAGE  
AN ATTACHMENT

SMCS-4460

i01724113

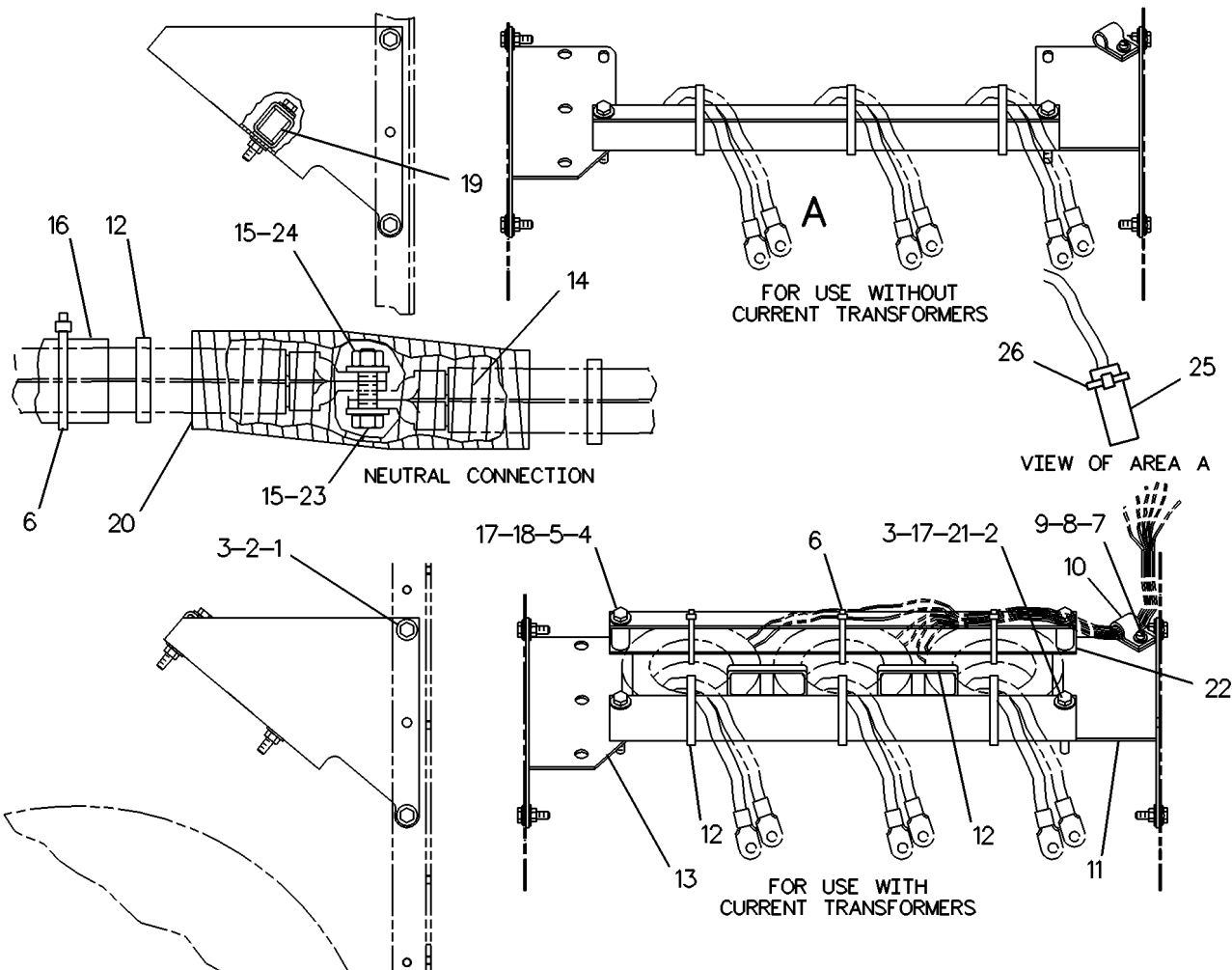
NOTE	REF NO	GRAPHIC REF	PART NUMBER	QTY	PART NAME						SEE PAGE
					1	2	3	4	5	6 (PRODUCT LEVEL)	
	1	1	<b>8T-0023</b>	4	BOLT-HEAD LOCKING (5/16-18X1-IN)						
	2	1	<b>5P-4116</b>	8	WASHER-HARD (8.8X20.5X2-MM THK)						
	3	1	<b>6V-8189</b>	6	NUT (5/16-18-THD)						
B	4	1	<b>5P-2955</b>	2	BOLT (5/16-18X2.5-IN)						
B	5	1	<b>5P-4116</b>	4	WASHER-HARD (8.8X20.5X2-MM THK)						
B	6	1	<b>6K-0806</b>	15	STRAP-CABLE						
	7	1	<b>6J-4762</b>	1	SCREW (10-32X0.625-IN)						
	8	1	<b>4B-4274</b>	2	WASHER (5.5X13X1.2-MM THK)						
	9	1	<b>9S-5937</b>	1	LOCKNUT (10-32-THD)						
	10	1	<b>8J-1256</b>	1	CLIP (LOOP)						
	11	1	<b>6I-3022</b>	1	BRACKET						
B	12	1	<b>7K-1181</b>	14	STRAP-CABLE						
	13	1	<b>4P-5533</b>	1	BRACKET						
B	14	1	<b>5N-4685</b>	1	TAPE-ELECTRICAL						
	15	1	<b>5P-1075</b>	16	WASHER-HARD (10.2X22.5X3-MM THK)						
	16	1	<b>7H-8213</b>	6	MAT						
B	17	1	<b>7K-3377</b>	4	PIPE						
B	18	1	<b>6V-8189</b>	2	NUT (5/16-18-THD)						
B	19	1	<b>8B-0544</b>	2	SPACER						
B	20	1	<b>5N-4686</b>	2	TAPE-ELECTRICAL (VINYL)						
	21	1	<b>5P-2955</b>	2	BOLT (5/16-18X2.5-IN)						
	22	1	<b>4W-7388</b>	2	CHANNEL-MOUNTING						
	23	1	<b>9B-7237</b>	8	BOLT (3/8-16X1.25-IN)						
	24	1	<b>6V-8801</b>	8	NUT (3/8-16-THD)						
BE	25	1	<b>9X-2639</b>		SLEEVE						
B	26	1	<b>3S-2093</b>	12	STRAP-CABLE						

B - USE AS REQUIRED  
E - ORDER BY THE CENTIMETER

# GENERATORS

4P-7149 CONNECTION GP-GENERATOR LEADS (contd.)

i01724113



GRAPHIC #1

<END>

g00231277

# GENERATORS

## 4P-7150 CONNECTION GP-GENERATOR LEADS

S/N: 8JF1-UP; 6CG1-UP; 6DG1-UP; 6EG1-UP  
 440 FRAME, 12 LEAD, LOW VOLTAGE  
 AN ATTACHMENT

SMCS-4460

i00671624

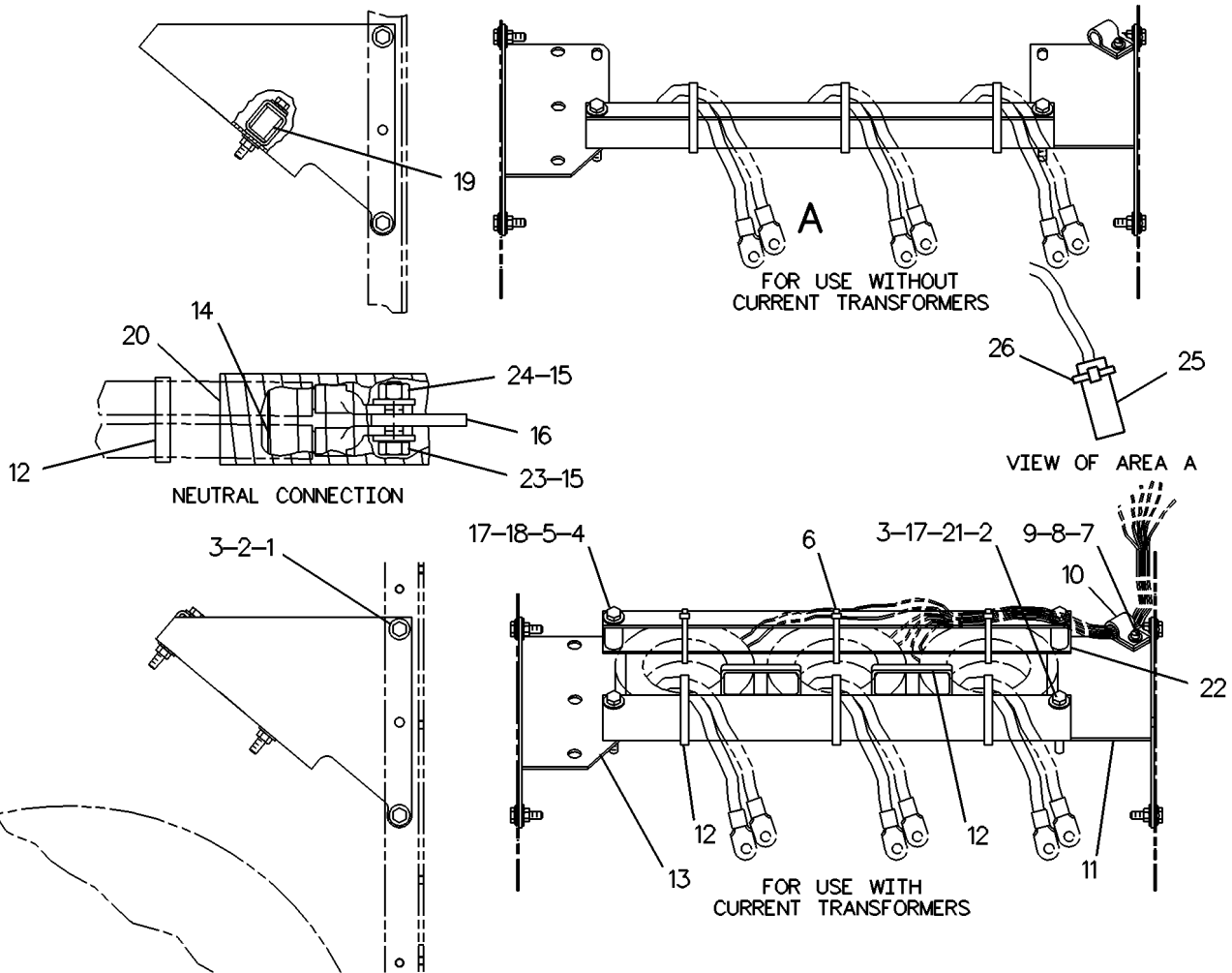
NOTE	REF NO	GRAPHIC REF	PART NUMBER	QTY	PART NAME						SEE PAGE
					1	2	3	4	5	6 (PRODUCT LEVEL)	
	1	1	<b>8T-0023</b>	4	BOLT-HEAD LOCKING (5/16-18X1-IN)						
	2	1	<b>5P-4116</b>	8	WASHER-HARD (8.8X20.5X2-MM THK)						
	3	1	<b>6V-8189</b>	6	NUT (5/16-18-THD)						
B	4	1	<b>5P-2955</b>	2	BOLT (5/16-18X2.5-IN)						
B	5	1	<b>5P-4116</b>	4	WASHER-HARD (8.8X20.5X2-MM THK)						
B	6	1	<b>6K-0806</b>	9	STRAP-CABLE						
	7	1	<b>6J-4762</b>	1	SCREW (10-32X0.625-IN)						
	8	1	<b>4B-4274</b>	2	WASHER (5.5X13X1.2-MM THK)						
	9	1	<b>9S-5937</b>	1	LOCKNUT (10-32-THD)						
	10	1	<b>8J-1256</b>	1	CLIP (LOOP)						
	11	1	<b>6I-3022</b>	1	BRACKET						
B	12	1	<b>7K-1181</b>	16	STRAP-CABLE						
	13	1	<b>4P-5533</b>	1	BRACKET						
B	14	1	<b>5N-4685</b>	2	TAPE-ELECTRICAL						
	15	1	<b>5P-1075</b>	12	WASHER-HARD (10.2X22.5X3-MM THK)						
B	16	1	<b>7W-0133</b>	2	BAR-CONNECTOR						
B	17	1	<b>7K-3377</b>	4	PIPE						
	18	1	<b>6V-8189</b>	2	NUT (5/16-18-THD)						
	19	1	<b>8B-0544</b>	2	SPACER						
B	20	1	<b>5N-4686</b>	2	TAPE-ELECTRICAL (VINYL)						
	21	1	<b>5P-2955</b>	2	BOLT (5/16-18X2.5-IN)						
	22	1	<b>4W-7388</b>	2	CHANNEL-MOUNTING						
	23	1	<b>9B-7237</b>	6	BOLT (3/8-16X1.25-IN)						
	24	1	<b>6V-8801</b>	6	NUT (3/8-16-THD)						
BE	25	1	<b>9X-2639</b>		SLEEVE (276CM)						
B	26	1	<b>3S-2093</b>	12	STRAP-CABLE						

B - USE AS REQUIRED  
 E - ORDER BY THE CENTIMETER

# GENERATORS

4P-7150 CONNECTION GP-GENERATOR LEADS (contd.)

i00671624



GRAPHIC #1

<END>

g00222101

# GENERATORS

## 4P-7151 CONNECTION GP-GENERATOR LEADS

S/N: 8JF1-UP  
440 FRAME - 10 LEAD, HIGH VOLTAGE  
AN ATTACHMENT

SMCS-4460

i01724114

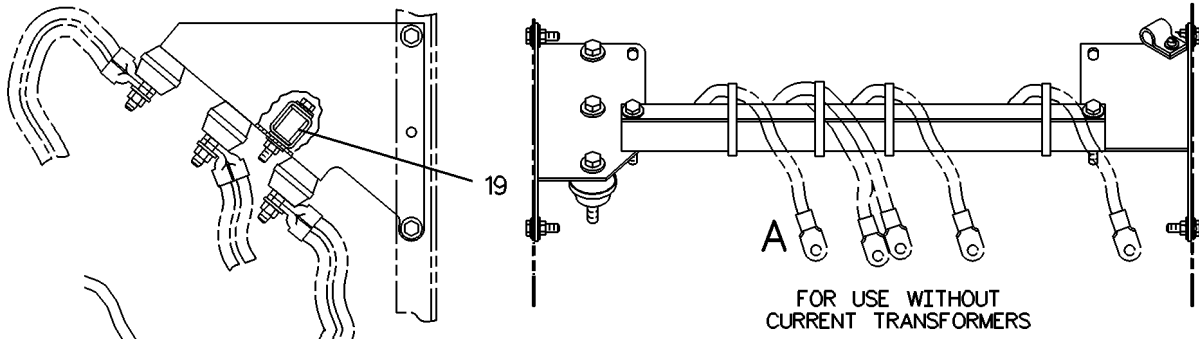
NOTE	REF NO	GRAPHIC REF	PART NUMBER	QTY	PART NAME						SEE PAGE
					1	2	3	4	5	6 (PRODUCT LEVEL)	
	1	1	<b>8T-0023</b>	4	BOLT-HEAD LOCKING (5/16-18X1-IN)						
	2	1	<b>5P-4116</b>	8	WASHER-HARD (8.8X20.5X2-MM THK)						
	3	1	<b>6V-8189</b>	6	NUT (5/16-18-THD)						
B	4	1	<b>8T-8912</b>	2	BOLT (5/16-18X2.25-IN)						
B	5	1	<b>5P-4116</b>	4	WASHER-HARD (8.8X20.5X2-MM THK)						
B	6	1	<b>6K-0806</b>	15	STRAP-CABLE						
	7	1	<b>6J-4762</b>	1	SCREW (10-32X0.625-IN)						
	8	1	<b>4B-4274</b>	2	WASHER (5.5X13X1.2-MM THK)						
	9	1	<b>9S-5937</b>	1	LOCKNUT (10-32-THD)						
	10	1	<b>8J-1256</b>	1	CLIP (LOOP)						
	11	1	<b>6I-3022</b>	1	BRACKET						
B	12	1	<b>7K-1181</b>	12	STRAP-CABLE						
	13	1	<b>4P-5533</b>	1	BRACKET						
	14	1	<b>5P-8167</b>	3	BOLT (3/8-16X0.625-IN)						
	15	1	<b>5P-1075</b>	6	WASHER-HARD (10.2X22.5X3-MM THK)						
	16	1	<b>4W-7142</b>	3	INSULATOR						
B	17	1	<b>7K-3377</b>	4	PIPE						
B	18	1	<b>6V-8189</b>	2	NUT (5/16-18-THD)						
B	19	1	<b>8B-0544</b>	2	SPACER						
B	20	1	<b>7H-8213</b>	6	MAT						
	21	1	<b>8T-8912</b>	2	BOLT (5/16-18X2.25-IN)						
	22	1	<b>4W-7388</b>	2	CHANNEL-MOUNTING						
	23	1	<b>8T-5409</b>	3	STUD-TAPERLOCK (3/8-16X1.57-IN)						
	24	1	<b>6V-8801</b>	3	NUT (3/8-16-THD)						
BE	25	1	<b>9X-2639</b>		SLEEVE						
B	26	1	<b>3S-2093</b>	8	STRAP-CABLE						

B - USE AS REQUIRED  
E - ORDER BY THE CENTIMETER

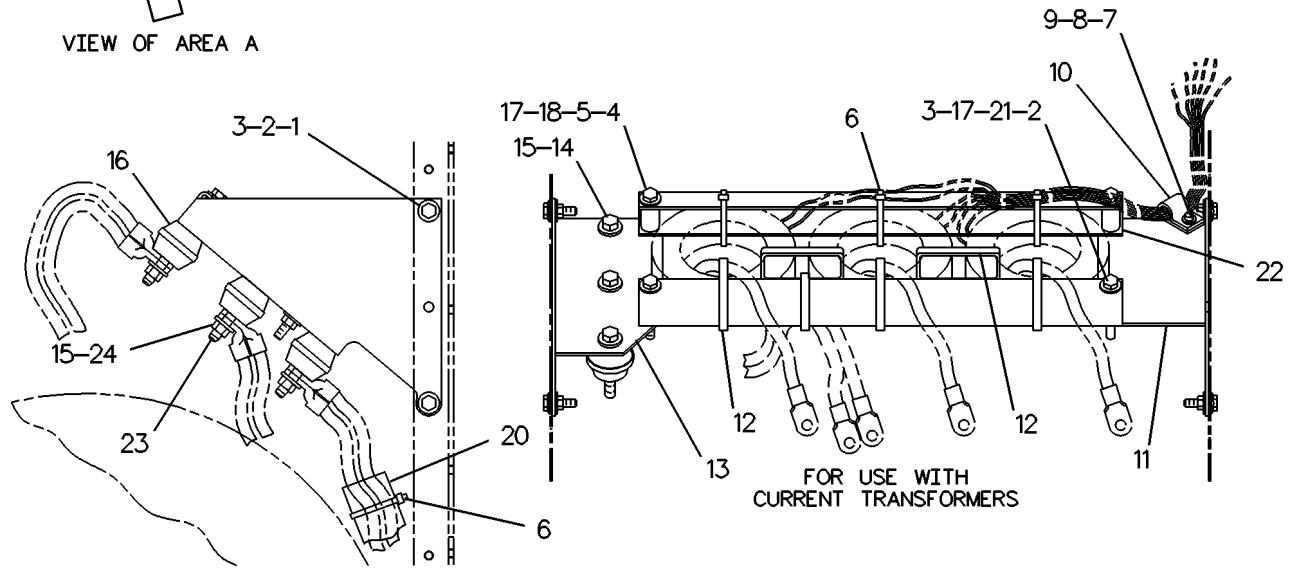
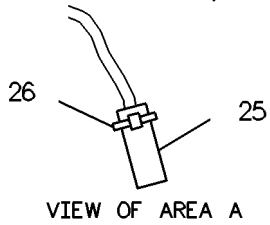
# GENERATORS

4P-7151 CONNECTION GP-GENERATOR LEADS (contd.)

i01724114



FOR USE WITHOUT  
CURRENT TRANSFORMERS



FOR USE WITH  
CURRENT TRANSFORMERS

GRAPHIC #1

<END>

g00231276



# GENERATORS

## 5N-4123 CONNECTION GP-GENERATOR LEADS

S/N: 5CA5985-UP; 5DA5682-UP; 5EA5375-UP; 5FA4499-UP; 8JF1-UP

**PROVIDES A CONNECTION GROUP THAT CAN BE USED TO CONNECT TEN LEAD GENERATORS FOR HIGH VOLTAGE APPLICATIONS**

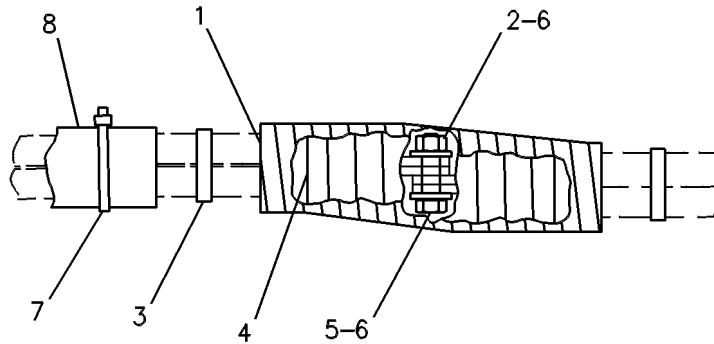
**PART OF 4P-3386, 4W-9657, 4W-9658, 4W-9659, 5N-5095, 7W-8746 GENERATOR AR**

**SMCS-4460**

**i04439331**

NOTE	REF NO	GRAPHIC REF	PART NUMBER	QTY	PART NAME						SEE PAGE
					1	2	3	4	5	6 (PRODUCT LEVEL)	
B	1	1	<b>5N-4686</b>	1	TAPE-ELECTRICAL (VINYL)						
	2	1	<b>6V-8801</b>	3	NUT (3/8-16-THD)						
	3	1	<b>7K-1181</b>	2	STRAP-CABLE						
B	4	1	<b>5N-4685</b>	1	TAPE-ELECTRICAL						
	5	1	<b>5M-3062</b>	3	BOLT (3/8-16X0.75-IN)						
	6	1	<b>5P-1075</b>	6	WASHER-HARD (10.2X22.5X3-MM THK)						
B	7	1	<b>6K-0806</b>	12	STRAP-CABLE						
B	8	1	<b>7H-8213</b>	3	MAT						

B - USE AS REQUIRED



GRAPHIC #1

<END>

g00239478

# GENERATORS

## 5N-4124 CONNECTION GP-GENERATOR LEADS

S/N: 5CA5985-UP; 5DA5682-UP; 5EA5375-UP; 8JF1-UP; 6EG1-UP

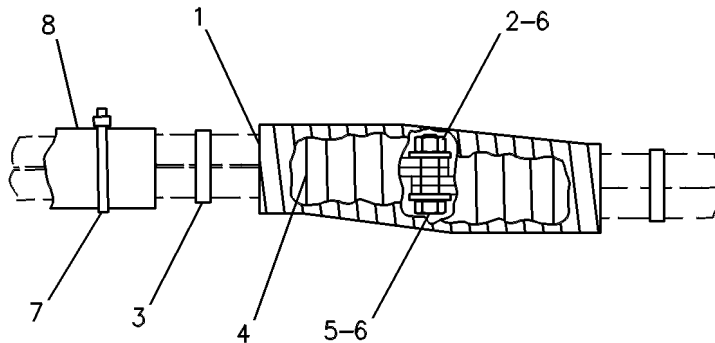
**PROVIDES A CONNECTION GROUP THAT CAN BE USED TO CONNECT TEN LEAD GENERATORS FOR LOW VOLTAGE APPLICATIONS AN ATTACHMENT**

**SMCS-4460**

**i01833570**

NOTE	REF NO	GRAPHIC REF	PART NUMBER	QTY	PART NAME						SEE PAGE
					1	2	3	4	5	6 (PRODUCT LEVEL)	
B	1	1	<b>5N-4686</b>	1	TAPE-ELECTRICAL (VINYL)						
	2	1	<b>6V-8801</b>	1	NUT (3/8-16-THD)						
B	3	1	<b>7K-1181</b>	2	STRAP-CABLE						
B	4	1	<b>5N-4685</b>	1	TAPE-ELECTRICAL						
	5	1	<b>9B-7237</b>	1	BOLT (3/8-16X1.25-IN)						
	6	1	<b>5P-1075</b>	2	WASHER-HARD (10.2X22.5X3-MM THK)						
B	7	1	<b>6K-0806</b>	12	STRAP-CABLE						
B	8	1	<b>7H-8213</b>	6	MAT						

B - USE AS REQUIRED



GRAPHIC #1

<END>

g00239478

# GENERATORS

## 5N-4125 CONNECTION GP-GENERATOR LEADS

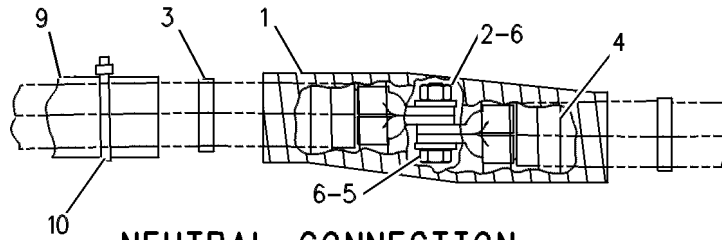
S/N: 5FA4499-UP; 6DG1-UP  
 20-LEAD, HIGH VOLTAGE  
 PART OF 109-3773, 7W-8746 GENERATOR AR

SMCS-4460

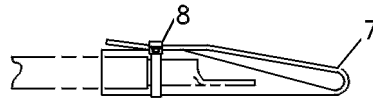
i05888880

NOTE	REF NO	GRAPHIC REF	PART NUMBER	QTY	PART NAME						SEE PAGE
					1	2	3	4	5	6 (PRODUCT LEVEL)	
B	1	1	<b>5N-4686</b>	1	TAPE-ELECTRICAL (VINYL)						
	2	1	<b>6V-8801</b>	3	NUT (3/8-16-THD)						
B	3	1	<b>7K-1181</b>	4	STRAP-CABLE						
B	4	1	<b>5N-4685</b>	1	TAPE-ELECTRICAL						
	5	1	<b>9B-7237</b>	3	BOLT (3/8-16X1.25-IN)						
	6	1	<b>5P-1075</b>	6	WASHER-HARD (10.2X22.5X3-MM THK)						
BE	7	1	<b>9X-2639</b>		SLEEVE						
	8	1	<b>3S-2093</b>	6	STRAP-CABLE						
B	9	1	<b>7H-8213</b>	3	MAT						
B	10	1	<b>6K-0806</b>	12	STRAP-CABLE						

B - USE AS REQUIRED  
 E - ORDER BY THE CENTIMETER



**NEUTRAL CONNECTION**



**TERMINAL LUG PROTECTOR**

GRAPHIC #1

<END>

g00262669

# GENERATORS

## 5N-4126 CONNECTION GP-GENERATOR LEADS

S/N: 5DA5682-UP; 5EA5375-UP; 5FA4499-UP

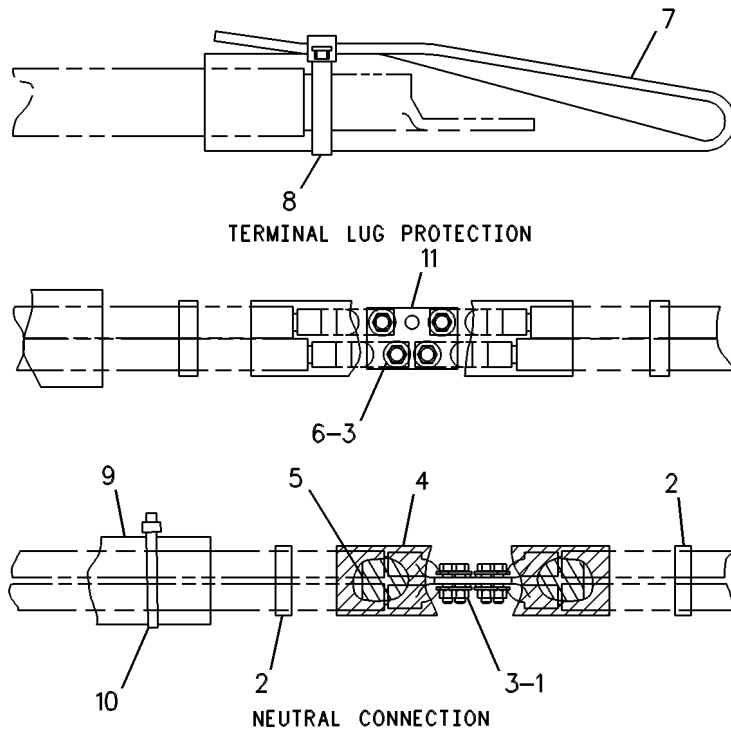
**PROVIDES A CONNECTION GROUP THAT CAN BE USED TO CONNECT TWENTY LEAD GENERATORS FOR  
LOW VOLTAGE APPLICATIONS  
AN ATTACHMENT**

**SMCS-4460**

**i01724115**

NOTE	REF NO	GRAPHIC REF	PART NUMBER	QTY	PART NAME						SEE PAGE
					1	2	3	4	5	6 (PRODUCT LEVEL)	
	1	1	<b>6V-8801</b>	4	NUT (3/8-16-THD)						
CB	2	1	<b>7K-1181</b>	4	STRAP-CABLE						
CB	3	1	<b>5P-1075</b>	8	WASHER-HARD (10.2X22.5X3-MM THK)						
CB	4	1	<b>5N-4686</b>	1	TAPE-ELECTRICAL (VINYL)						
CB	5	1	<b>5N-4685</b>	1	TAPE-ELECTRICAL						
CB	6	1	<b>9B-7237</b>	4	BOLT (3/8-16X1.25-IN)						
BE	7	1	<b>9X-2639</b>		SLEEVE						
	8	1	<b>3S-2093</b>	12	STRAP-CABLE						
B	9	1	<b>7H-8213</b>	6	MAT						
B	10	1	<b>6K-0806</b>	12	STRAP-CABLE						
	11	1	<b>7W-0133</b>	1	BAR-CONNECTOR						

B - USE AS REQUIRED  
 C - CHANGE FROM PREVIOUS TYPE  
 E - ORDER BY THE CENTIMETER



GRAPHIC #1

<END>

g00248430

# GENERATORS

## 5N-4513 CONNECTION GP-GENERATOR LEADS

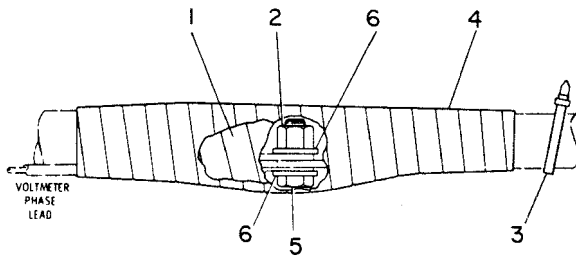
S/N: 5CA5985-UP; 5DA5682-UP; 5EA5375-UP  
 FOR USE WITH ALL GENERATORS WITH SERIES BOOST  
 AN ATTACHMENT

SMCS-4460

i01833568

NOTE	REF NO	GRAPHIC REF	PART NUMBER	QTY	PART NAME						SEE PAGE
					1	2	3	4	5	6 (PRODUCT LEVEL)	
CB	1	1	<b>5N-4685</b>		TAPE-ELECTRICAL						
C	2	1	<b>8L-7395</b>	6	NUT-FULL						
C	3	1	<b>7K-1181</b>	2	STRAP-CABLE						
CB	4	1	<b>5N-4686</b>		TAPE-ELECTRICAL (VINYL)						
C	5	1	<b>9B-7237</b>	6	BOLT (3/8-16X1.25-IN)						
C	6	1	<b>5P-1075</b>	12	WASHER-HARD (10.2X22.5X3-MM THK)						

B - USE AS REQUIRED  
 C - CHANGE FROM PREVIOUS TYPE



GRAPHIC #1

<END>

g00191996

# GENERATORS

## 7C-1781 CONNECTION GP-GENERATOR LEADS

S/N: 5CA5985-UP; 5DA5682-UP; 5EA5375-UP

CSA, SERIES-WYE, HIGH VOLTAGE

FOR USE WITH 5N-4123-PAGE: 1363, 5N-4125-PAGE: 1365, 7W-0571-PAGE: 1370, 7W-0572-PAGE: 1371

AN ATTACHMENT

SMCS-4460

i01790300

NOTE	PART NUMBER	QTY	PART NAME						SEE PAGE
			1	2	3	4	5	6 (PRODUCT LEVEL)	
	8T-0192	1	BOLT (3/8-16X2.25-IN)						
	6V-8801	2	NUT (3/8-16-THD)						
	5P-1075	3	WASHER-HARD (10.2X22.5X3-MM THK)						
<END>									

## 7C-1846 CONNECTION GP-GENERATOR LEADS

S/N: 5CA5985-UP; 5DA5682-UP; 5EA5375-UP

CSA, PARALLEL-WYE, LOW VOLTAGE

CANNOT BE USED WITH 5N-4123-PAGE: 1363, 5N-4125-PAGE: 1365, 7W-0571-PAGE: 1370, 7W-0572-PAGE: 1371, 4W-8214-PAGE: 1105, 4W-8215-PAGE: 1107, 4W-9994-PAGE: 1376

AN ATTACHMENT

SMCS-4460

i01790305

NOTE	PART NUMBER	QTY	PART NAME						SEE PAGE
			1	2	3	4	5	6 (PRODUCT LEVEL)	
	8T-0192	1	BOLT (3/8-16X2.25-IN)						
	1D-4717	2	NUT (3/8-16-THD)						
	5P-1075	3	WASHER-HARD (10.2X22.5X3-MM THK)						
<END>									

# GENERATORS

## 7W-0115 CONNECTION GP-GENERATOR LEADS

S/N: 5CA5985-UP; 5DA5682-UP; 5EA5375-UP; 6CG1-UP; 6DG1-UP; 6EG1-UP

12 LEADS-NEUTRAL-PARALLEL-WYE

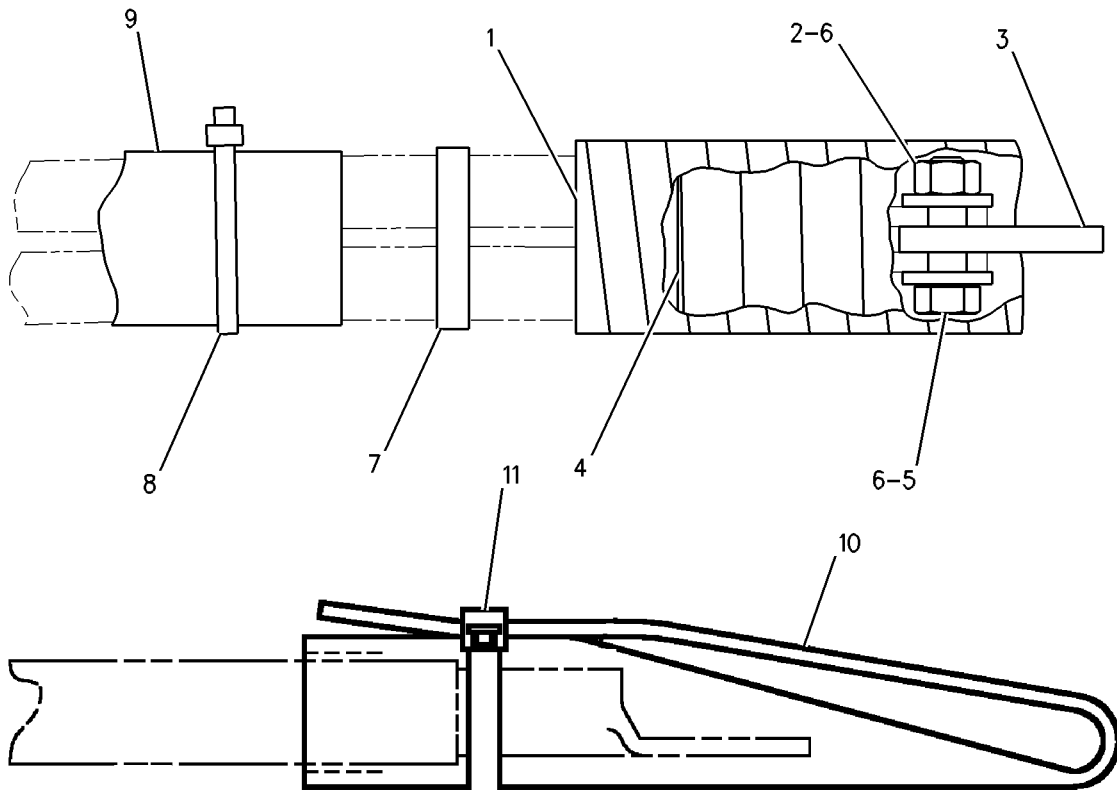
FOR USE WITH LOW VOLTAGE APPLICATIONS  
AN ATTACHMENT

SMCS-4460

i01736148

NOTE	REF NO	GRAPHIC REF	PART NUMBER	QTY	PART NAME						SEE PAGE
					1	2	3	4	5	6 (PRODUCT LEVEL)	
B	1	1	<b>5N-4686</b>		TAPE-ELECTRICAL (VINYL)						
	2	1	<b>6V-8801</b>	3	NUT (3/8-16-THD)						
	3	1	<b>7W-0133</b>	1	BAR-CONNECTOR						
B	4	1	<b>5N-4685</b>		TAPE-ELECTRICAL						
C	5	1	<b>9B-7237</b>	3	BOLT (3/8-16X1.25-IN)						
C	6	1	<b>5P-1075</b>	6	WASHER-HARD (10.2X22.5X3-MM THK)						
B	7	1	<b>7K-1181</b>	2	STRAP-CABLE						
B	8	1	<b>6K-0806</b>	12	STRAP-CABLE						
B	9	1	<b>7H-8213</b>	6	MAT						
BE	10	1	<b>9X-2639</b>		SLEEVE						
	11	1	<b>3S-2093</b>	6	STRAP-CABLE						

B - USE AS REQUIRED  
C - CHANGE FROM PREVIOUS TYPE  
E - ORDER BY THE CENTIMETER



TERMINAL LUG PROTECTOR

GRAPHIC #1

<END>

g00812694

# GENERATORS

## 7W-0571 CONNECTION GP-GENERATOR LEADS

S/N: 5DA5682-UP; 5EA5375-UP; 8JF1-UP; 6CG1-UP; 6DG1-UP; 6EG1-UP

12 LEAD 24 WIRE GEN FOR HIGH VOLTAGE APPLICATIONS

PART OF 109-3771, 109-3775, 109-3777, 109-3785, 109-3787, 4P-3386, 9Y-0426, 9Y-0427, 9Y-0428 GENERATOR AR

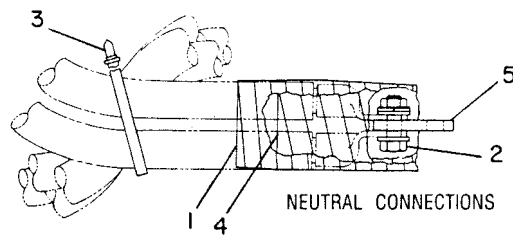
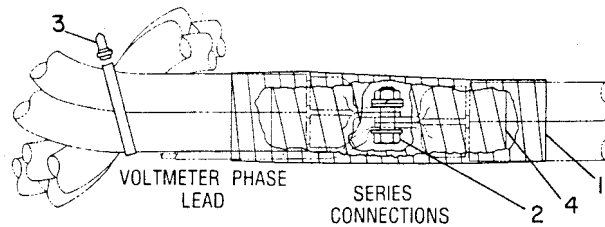
ALSO AN ATTACHMENT

SMCS-4460

i00672363

NOTE	REF NO	GRAPHIC REF	PART NUMBER	QTY	PART NAME						SEE PAGE
					1	2	3	4	5	6 (PRODUCT LEVEL)	
B	1	1	5N-4686		TAPE-ELECTRICAL (VINYL)						
B	2	1	5P-7749	6	BOLT-BRONZE						
B		1	5P-7751	6	NUT-BRONZE (3/8-16-THD)						
B		1	5P-7752	12	WASHER-BRONZE						
B		1	5P-7758	6	LOCKWASHER						
-OR-											
C		1	9B-7237	6	BOLT (3/8-16X1.25-IN) (CADMIUM)						
C		1	8L-7395	6	NUT-FULL (CADMIUM)						
C		1	5P-1075	12	WASHER-HARD (10.2X22.5X3-MM THK)						
B	3	1	7K-1181	4	STRAP-CABLE						
B	4	1	5N-4685		TAPE-ELECTRICAL						
	5	1	7W-0133	1	BAR-CONNECTOR						

B - USE AS REQUIRED  
C - CHANGE FROM PREVIOUS TYPE



GRAPHIC #1

<END>

g00194575



# GENERATORS

## 7W-0572 CONNECTION GP-GENERATOR LEADS

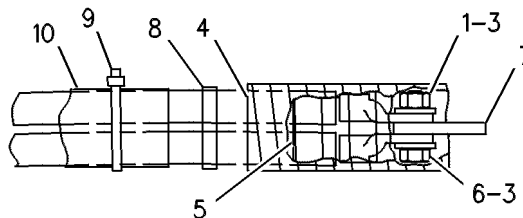
S/N: 5CA5985-UP; 5DA5682-UP; 5EA5375-UP  
 12 LEAD-12 WIRE GEN FOR HIGH VOLTAGE APPLICATIONS  
 PART OF 4W-8964, 4W-8966, 4W-8967, 4W-8968 GENERATOR AR  
 ALSO AN ATTACHMENT

SMCS-4460

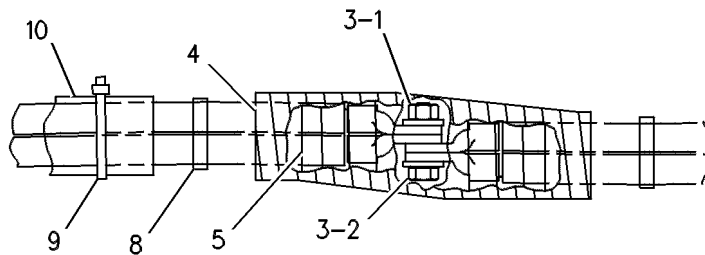
i00637744

NOTE	REF NO	GRAPHIC REF	PART NUMBER	QTY	PART NAME						SEE PAGE
					1	2	3	4	5	6 (PRODUCT LEVEL)	
	1	1	<b>6V-8801</b>	6	NUT (3/8-16-THD)						
	2	1	<b>5M-3062</b>	3	BOLT (3/8-16X0.75-IN)						
	3	1	<b>5P-1075</b>	12	WASHER-HARD (10.2X22.5X3-MM THK)						
B	4	1	<b>5N-4686</b>	1	TAPE-ELECTRICAL (VINYL)						
B	5	1	<b>5N-4685</b>	1	TAPE-ELECTRICAL						
	6	1	<b>9B-7237</b>	3	BOLT (3/8-16X1.25-IN)						
	7	1	<b>7W-0133</b>	1	BAR-CONNECTOR						
BC	8	1	<b>7K-1181</b>	2	STRAP-CABLE						
B	9	1	<b>6K-0806</b>	12	STRAP-CABLE						
B	10	1	<b>7H-8213</b>	6	MAT						
E	11	1	<b>9X-2639</b>		SLEEVE						
	12	1	<b>3S-2093</b>	3	STRAP-CABLE						

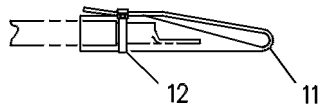
B - USE AS REQUIRED  
 C - CHANGE FROM PREVIOUS TYPE  
 E - ORDER BY THE CENTIMETER



NEUTRAL CONNECTION



SERIES CONNECTION



TERMINAL LUG PROTECTOR

GRAPHIC #1

<END>

g00240982

# GENERATORS

## 7W-0574 CONNECTION GP-GENERATOR LEADS

S/N: 5CA5985-UP; 5DA5682-UP; 5EA5375-UP; 6CG1-UP; 6DG1-UP

12 LEADS-24 WIRE GEN FOR DELTA APPLICATIONS

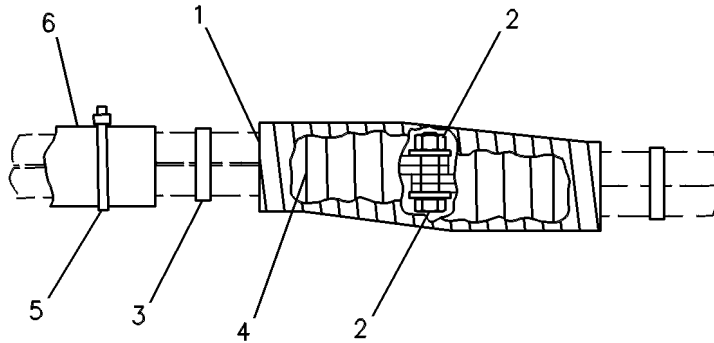
AN ATTACHMENT

SMCS-4460

i01793929

NOTE	REF NO	GRAPHIC REF	PART NUMBER	QTY	PART NAME						SEE PAGE
					1	2	3	4	5	6 (PRODUCT LEVEL)	
B	1	1	<b>5N-4686</b>		TAPE-ELECTRICAL (VINYL)						
B	2	1	<b>5P-7750</b>	3	BOLT-BRONZE (3/8-16X0.75-IN)						
B		1	<b>5P-7751</b>	3	NUT-BRONZE (3/8-16-THD)						
B		1	<b>5P-7752</b>	6	WASHER-BRONZE						
B		1	<b>5P-7758</b>	3	LOCKWASHER						
					-OR-						
		1	<b>5M-3062</b>	3	BOLT (3/8-16X0.75-IN) (CADMIUM)						
		1	<b>6V-8801</b>	3	NUT (3/8-16-THD)						
		1	<b>5P-1075</b>	6	WASHER-HARD (10.2X22.5X3-MM THK)						
B	3	1	<b>7K-1181</b>	2	STRAP-CABLE						
B	4	1	<b>5N-4685</b>		TAPE-ELECTRICAL						
B	5	1	<b>6K-0806</b>	12	STRAP-CABLE						
B	6	1	<b>7H-8213</b>	6	MAT						

B - USE AS REQUIRED



GRAPHIC #1

<END>

g00239479

# GENERATORS

## 4P-7152 CONNECTION GP-TERMINAL STRIP

S/N: 8JF1-UP; 6CG1-UP; 6DG1-UP; 6EG1-UP

440 FRAME

**CANNOT BE USED WITH MOUNTING GP-CIRCUIT BREAKER  
AN ATTACHMENT**

**SMCS-4460**

**i02145494**

NOTE	REF NO	GRAPHIC REF	PART NUMBER	QTY	PART NAME						SEE PAGE
					1	2	3	4	5	6 (PRODUCT LEVEL)	
	1	1	<b>7E-1158</b>	1	CABLE AS						
	2	1	<b>4D-3100</b>	1	GROMMET						
	3	1	<b>5S-7379</b>	3	BOLT (3/8-16X0.875-IN)						
	4	1	<b>5P-1075</b>	27	WASHER-HARD (10.2X22.5X3-MM THK)						
	5	1	<b>9B-7237</b>	5	BOLT (3/8-16X1.25-IN)						
	9	1	<b>5M-3062</b>	4	BOLT (3/8-16X0.75-IN)						
Y	10	1	<i>4P-7145</i>	1	STRIP AS-TERMINAL						1276
	11	1	<b>3N-6734</b>	4	NUT-SPRING (3/8-16-THD)						
	12	1	<b>7K-1181</b>	4	STRAP-CABLE						
	13	1	<b>8T-0192</b>	1	BOLT (3/8-16X2.25-IN)						
	14	1	<b>6V-8801</b>	11	NUT (3/8-16-THD)						
	15	1	<b>4M-0061</b>	2	BOLT (5/16-18X0.75-IN)						
	16	1	<b>5P-4116</b>	2	WASHER-HARD (8.8X20.5X2-MM THK)						
	17	1	<b>5P-8167</b>	3	BOLT (3/8-16X0.625-IN)						
	18	1	<b>4W-7142</b>	3	INSULATOR						
	19	1	<b>8T-5409</b>	3	STUD-TAPERLOCK (3/8-16X1.57-IN)						
B		1	<b>5P-3413</b>		SEALANT-PIPE (50-ML TUBE)						

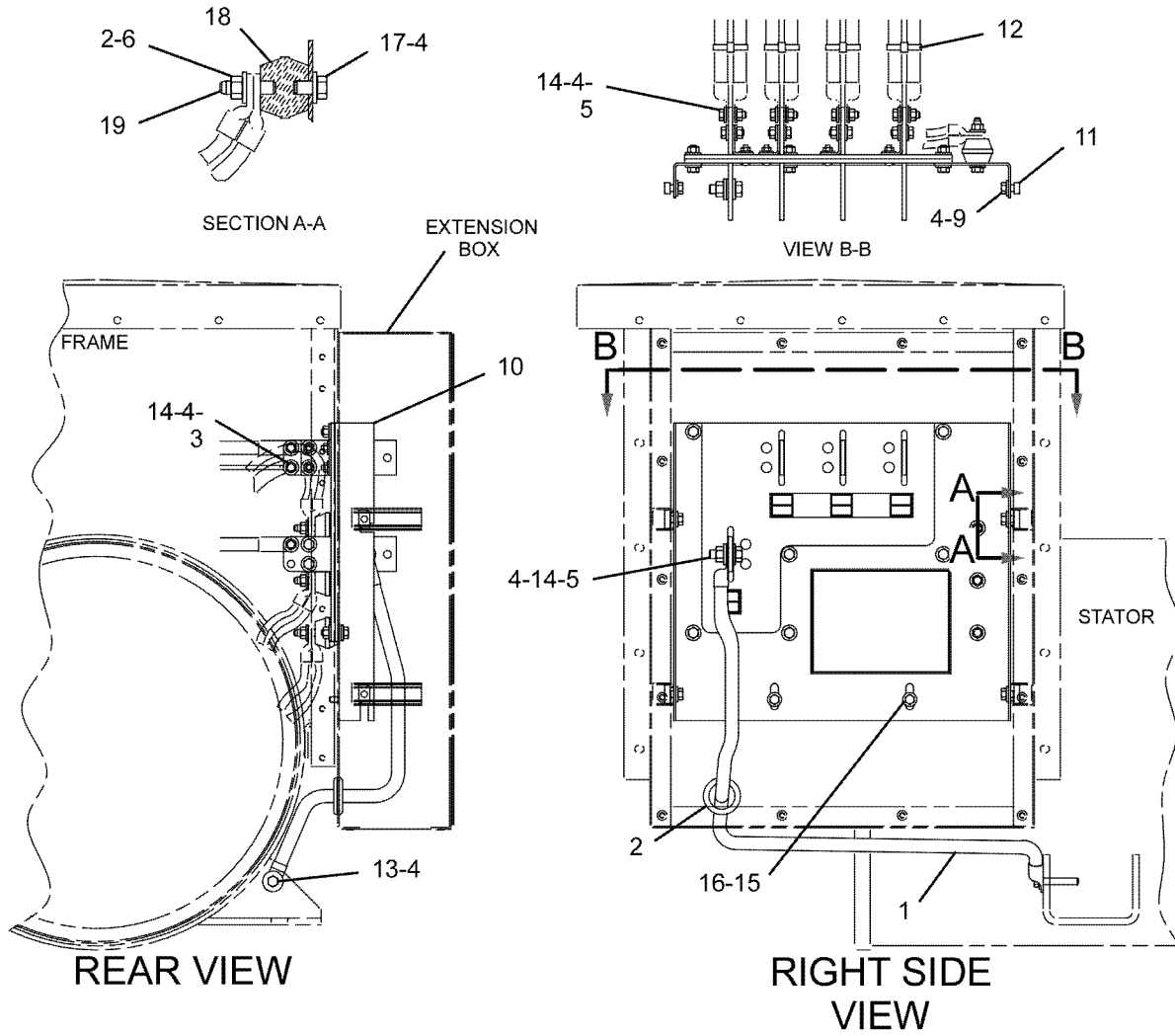
B - USE AS REQUIRED

Y - SEPARATE ILLUSTRATION

# GENERATORS

4P-7152 CONNECTION GP-TERMINAL STRIP (contd.)

i02145494



GRAPHIC #1

<END>

g01087906

# GENERATORS

## 4W-7405 CONNECTION GP-TERMINAL STRIP

S/N: 5CA5985-UP; 5DA5682-UP; 5EA5375-UP; 5FA4499-UP; 8JF1-UP; 6CG1-UP; 6DG1-UP;  
6EG1-UP

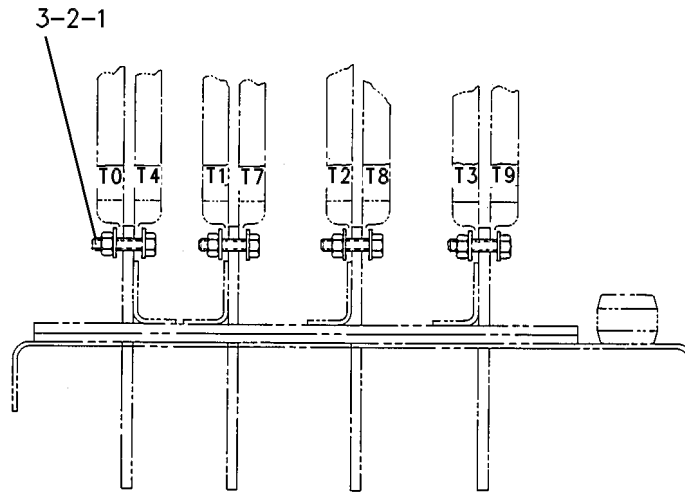
LOW VOLTAGE

FOR USE WITH EXTENSION TERMINAL BOX , CONNECTION GP  
CANNOT BE USED WITH CIRCUIT BREAKER  
AN ATTACHMENT

SMCS-4460

i01790224

NOTE	REF NO	GRAPHIC REF	PART NUMBER	QTY	PART NAME						SEE PAGE
					1	2	3	4	5	6 (PRODUCT LEVEL)	
	1	1	<b>5S-7382</b>	5	BOLT (3/8-16X1.375-IN)						
	2	1	<b>5P-1075</b>	10	WASHER-HARD (10.2X22.5X3-MM THK)						
	3	1	<b>1D-4717</b>	5	NUT (3/8-16-THD)						



GRAPHIC #1

<END>

g00268910

# GENERATORS

## 4W-9994 CONNECTION GP-TERMINAL STRIP

S/N: 5CA5985-UP; 5DA5682-UP; 5EA5375-UP

440 FRAME

FOR USE WITH 3N-6710-PAGE: 942

CANNOT BE USED WITH CIRCUIT BREAKER  
AN ATTACHMENT

SMCS-4460

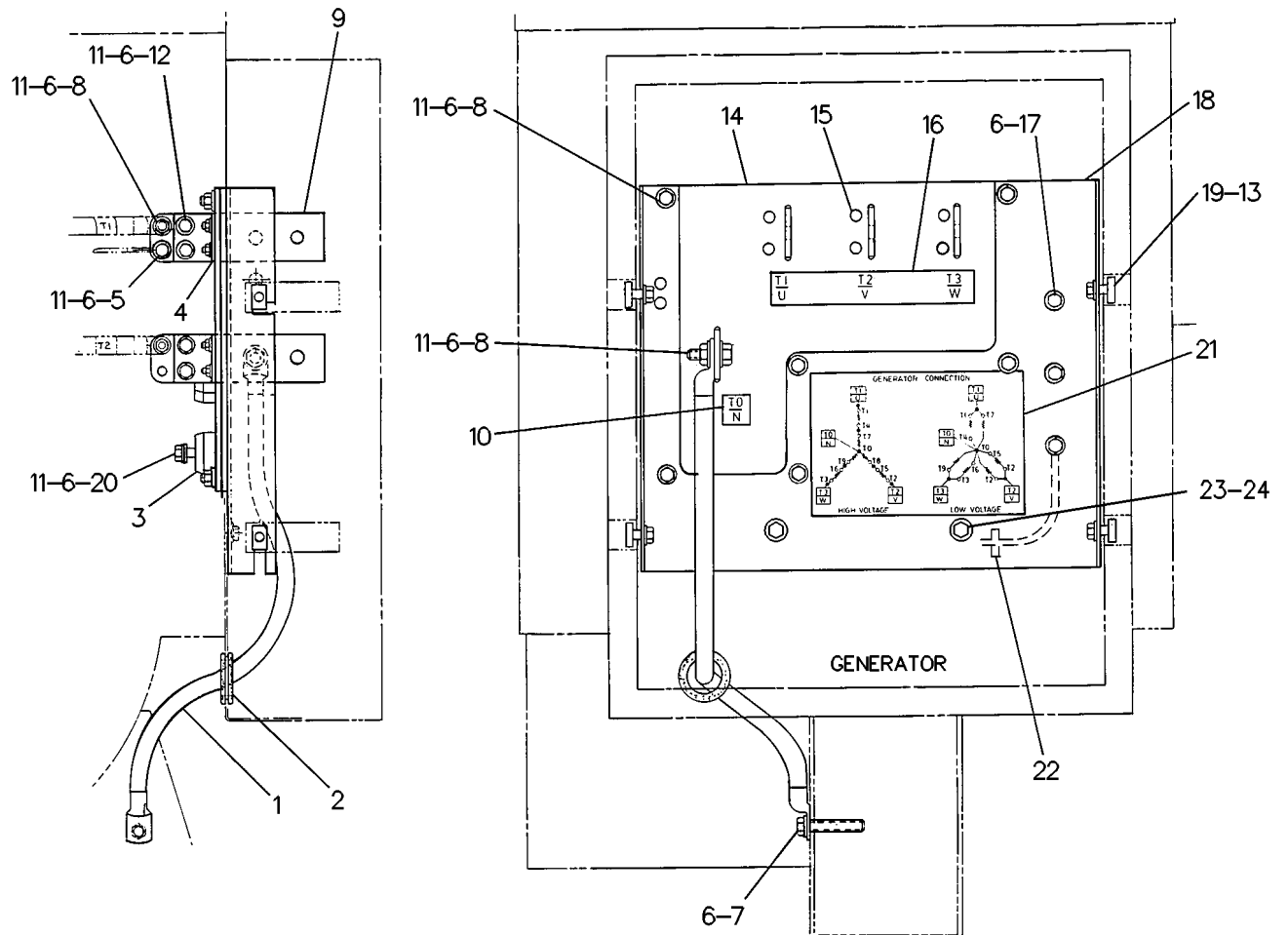
i01857982

NOTE	REF NO	GRAPHIC REF	PART NUMBER	QTY	PART NAME						SEE PAGE
					1	2	3	4	5	6 (PRODUCT LEVEL)	
	1	1	<b>4W-7334</b>	1	CABLE AS						
	2	1	<b>4D-3100</b>	1	GROMMET						
	3	1	<b>4W-7142</b>	3	INSULATOR (STANDOFF)						
	4	1	<b>4W-8984</b>	4	BRACKET-SUPPORT						
	5	1	<b>5S-7379</b>	3	BOLT (3/8-16X0.875-IN)						
	6	1	<b>5P-1075</b>	51	WASHER-HARD (10.2X22.5X3-MM THK)						
	7	1	<b>8T-0192</b>	1	BOLT (3/8-16X2.25-IN)						
	8	1	<b>9B-7237</b>	11	BOLT (3/8-16X1.25-IN)						
	9	1	<b>4W-9993</b>	4	BAR-BUS						
	10	1	<b>4W-6393</b>	1	FILM-TERMINAL STRIP						
	11	1	<b>6V-8801</b>	25	NUT (3/8-16-THD)						
	12	1	<b>4L-6454</b>	8	BOLT (3/8-16X1-IN)						
	13	1	<b>8T-4896</b>	4	WASHER-HARD (10.2X18.5X2.5-MM THK)						
	14	1	<b>4W-9995</b>	2	PLATE-INSULATOR						
	15	1	<b>1D-4669</b>	8	BOLT-CARRIAGE (1/4-20X1-IN)						
		1	<b>5P-4115</b>	8	WASHER-HARD (7.2X19X2-MM THK)						
		1	<b>6V-8185</b>	8	NUT (1/4-20-THD)						
	16	1	<b>4W-6392</b>	1	FILM-TERMINAL STRIP (T1, T2, T3)						
	17	1	<b>8T-9371</b>	3	BOLT (3/8-16X0.5-IN)						
	18	1	<b>4W-7200</b>	1	BRACKET-STRIP						
	19	1	<b>5M-3062</b>	4	BOLT (3/8-16X0.75-IN)						
		1	<b>3N-6734</b>	4	NUT-SPRING (3/8-16-THD)						
	20	1	<b>8T-5409</b>	3	STUD-TAPERLOCK (3/8-16X1.57-IN)						
	21	1	<b>4W-9449</b>	1	FILM-INFORMATION (GENERATOR WIRING DIAGRAM)						
	22	1	<b>7K-1181</b>	3	STRAP-CABLE						
	23	1	<b>4M-0061</b>	2	BOLT (5/16-18X0.75-IN)						
	24	1	<b>5P-4116</b>	2	WASHER-HARD (8.8X20.5X2-MM THK)						

# GENERATORS

4W-9994 CONNECTION GP-TERMINAL STRIP (contd.)

i01857982



GRAPHIC #1

<END>

g00234609

# GENERATORS

## 7E-1159 CONNECTION GP-TERMINAL STRIP

S/N: 5FA4499-UP

440 FRAME

AN ATTACHMENT

SMCS-4460

i01835166

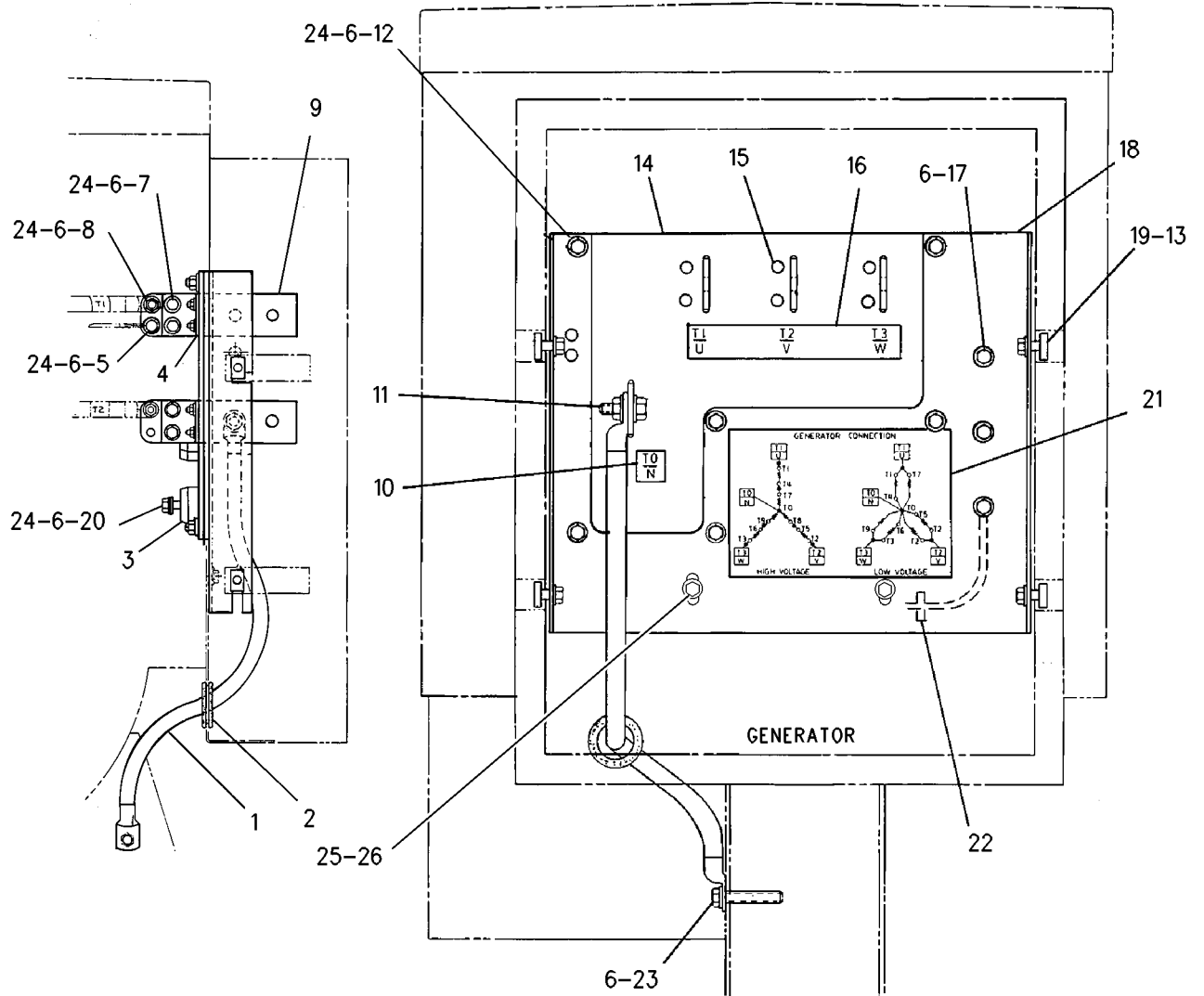
NOTE	REF NO	GRAPHIC REF	PART NUMBER	QTY	PART NAME						SEE PAGE
					1	2	3	4	5	6 (PRODUCT LEVEL)	
1	1	1	<b>7E-1158</b>	1	CABLE AS						
2	1	1	<b>4D-3100</b>	1	GROMMET						
3	1	1	<b>4W-7142</b>	3	INSULATOR (STANDOFF)						
4	1	1	<b>4W-8984</b>	4	BRACKET-SUPPORT						
5	1	1	<b>5S-7379</b>	3	BOLT (3/8-16X0.875-IN)						
6	1	1	<b>5P-1075</b>	49	WASHER-HARD (10.2X22.5X3-MM THK)						
7	1	1	<b>4L-6454</b>	8	BOLT (3/8-16X1-IN)						
8	1	1	<b>9B-7237</b>	4	BOLT (3/8-16X1.25-IN)						
9	1	1	<b>4W-9993</b>	4	BAR-BUS						
10	1	1	<b>4W-6393</b>	1	FILM-TERMINAL STRIP						
11	1	1	<b>5P-2566</b>	1	BOLT (1/2-13X1.5-IN)						
		1	<b>5P-1076</b>	2	WASHER-HARD (13.5X30X4-MM THK)						
		1	<b>6V-8188</b>	1	NUT (1/2-13-THD)						
12	1	1	<b>9B-7237</b>	6	BOLT (3/8-16X1.25-IN)						
13	1	1	<b>5M-2894</b>	4	WASHER-HARD (10.2X18.5X2.5-MM THK)						
14	1	1	<b>4W-9995</b>	2	PLATE-INSULATOR						
15	1	1	<b>1D-4669</b>	8	BOLT-CARRIAGE (1/4-20X1-IN)						
		1	<b>5P-4115</b>	8	WASHER-HARD (7.2X19X2-MM THK)						
		1	<b>6V-8185</b>	8	NUT (1/4-20-THD)						
16	1	1	<b>4W-6392</b>	1	FILM-TERMINAL STRIP (T1, T2, T3)						
17	1	1	<b>8T-9371</b>	3	BOLT (3/8-16X0.5-IN)						
18	1	1	<b>4W-7200</b>	1	BRACKET-STRIP						
19	1	1	<b>0S-0509</b>	4	BOLT (3/8-16X0.75-IN)						
		1	<b>3N-6734</b>	4	NUT-SPRING (3/8-16-THD)						
20	1	1	<b>8T-5409</b>	3	STUD-TAPERLOCK (3/8-16X1.57-IN)						
21	1	1	<b>4W-9449</b>	1	FILM-INFORMATION (GENERATOR WIRING DIAGRAM)						
22	1	1	<b>7K-1181</b>	3	STRAP-CABLE						
23	1	1	<b>8T-0192</b>	1	BOLT (3/8-16X2.25-IN)						
24	1	1	<b>6V-8801</b>	24	NUT (3/8-16-THD)						
25	1	1	<b>4M-0061</b>	2	BOLT (5/16-18X0.75-IN)						
26	1	1	<b>5P-4116</b>	2	WASHER-HARD (8.8X20.5X2-MM THK)						



# GENERATORS

7E-1159 CONNECTION GP-TERMINAL STRIP (contd.)

i01835166



GRAPHIC #1

<END>

g00937818

# GENERATORS

## 6L-3916 COUPLING GP-GENERATOR DRIVE

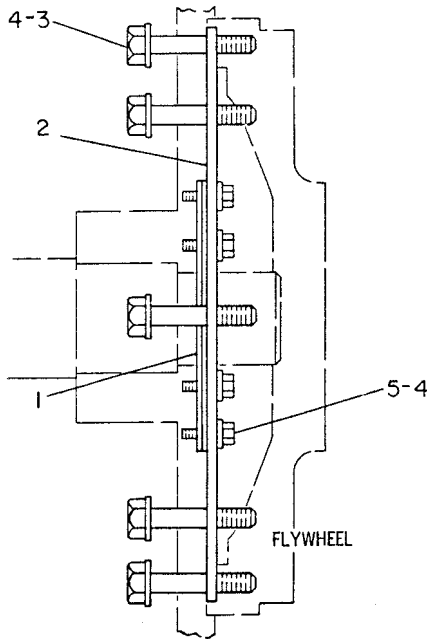
S/N: 5CA5985-UP; 5DA5682-UP; 5EA5375-UP; 5FA4499-UP; 85Z3764-UP  
 PART OF 3N-3143, 5N-3379 INSTALLATION AR-GENERATOR  
 AN ATTACHMENT

SMCS-4456

i01809519

NOTE	REF NO	GRAPHIC REF	PART NUMBER	QTY	PART NAME						SEE PAGE
					1	2	3	4	5	6 (PRODUCT LEVEL)	
B	1	1	<b>3L-2198</b>	4	SHIM (0.8-MM THK)						
	2	1	<b>2N-7025</b>	1	PLATE AS-COUPLING						
	3	1	<b>9S-1366</b>	8	BOLT (1/2-13X2.5-IN)						
C	4	1	<b>5P-8245</b>	20	WASHER-HARD (13.5X25.5X3-MM THK)						
C	5	1	<b>0S-1595</b>	12	BOLT (1/2-13X1.25-IN)						

B - USE AS REQUIRED  
 C - CHANGE FROM PREVIOUS TYPE



GRAPHIC #1

<END>

g00167205

# GENERATORS

## 109-3771 GENERATOR AR

S/N: 6CG1-UP  
240-480 VOLT, 60 HERTZ

SMCS-4450

i01858223

NOTE	PART NUMBER	QTY	PART NAME 1 2 3 4 5 6 (PRODUCT LEVEL)	SEE PAGE
Y	7W-0571	1	CONNECTION GP-GENERATOR LEADS	1370
	9Y-4335	2	FILM (CSA CONTROL PANEL APPROVAL) (CONTROL PANEL) (INSTALL INSIDE OF CONTROL PANEL)	
	4W-5138	1	FILM-INSTRUCTION (GROUND) (INSTALL NEAR GENERATOR GROUND BOLT OR CUSTOMER CONNECTION POINT)	
	7W-4445	2	FILM-WARNING (DANGER VOLTAGE) (INSTALL ON RH & LH SIDE PANELS, LOCATED 4 TO 5 INCHES FROM REAR & TOP OF GENERATOR)	
Y	109-3770	1	GENERATOR GP	1399
	7W-0096	1	PLATE-INFORMATION (GENERATOR INFORMATION) (GENERATOR NAMEPLATE) (INSTALL ON LH SIDE OF GENERATOR FRONT PANEL)	
	1W-7848	1	PLATE-SERIAL NUMBER (ENGLISH) (INSTALL ON THE FOOT OF RH GENERATOR FOOT)	
	2K-3219	4	SCREW-DRIVE (NO 6X0.25-IN) (USE TO INSTALL SERIAL NUMBER PLATE)	
Y - SEPARATE ILLUSTRATION				
<END>				

## 109-3773 GENERATOR AR

S/N: 6DG1-UP  
240-480 VOLT, 60 HERTZ

SMCS-4450

i01351174

NOTE	PART NUMBER	QTY	PART NAME 1 2 3 4 5 6 (PRODUCT LEVEL)	SEE PAGE
Y	5N-4125	1	CONNECTION GP-GENERATOR LEADS	1365
	9Y-4335	2	FILM (CSA CONTROL PANEL APPROVAL) (CONTROL PANEL) INSTALL INSIDE OF CONTROL PANEL	
	4W-5138	1	FILM-INSTRUCTION (GROUND) INSTALL NEAR GENERATOR GROUND BOLT OR CUSTOMER CONNECTION POINT	
	7W-4445	2	FILM-WARNING (DANGER VOLTAGE) INSTALL ON RH & LH SIDE PANELS, LOCATED 4 TO 5 INCHES FROM REAR & TOP OF GENERATOR	
Y	109-3772	1	GENERATOR GP	1405
	7W-0096	1	PLATE-INFORMATION (GENERATOR INFORMATION) (GENERATOR NAMEPLATE) INSTALL ON LH SIDE GENERATOR FRONT PANEL ASSEMBLY	
	1W-7848	1	PLATE-SERIAL NUMBER (ENGLISH) INSTALL ON THE FRONT OF RH GENERATOR FOOT	
	2K-3219	2	SCREW-DRIVE (NO 6X0.25-IN) USE TO INSTALL SERIAL NUMBER PLATE	
Y - SEPARATE ILLUSTRATION				
<END>				

# GENERATORS

## 109-3775 GENERATOR AR

S/N: 6EG1-UP

240-480 VOLT, 60 HERTZ

SMCS-4450

i01351189

NOTE	PART NUMBER	QTY	PART NAME 1 2 3 4 5 6 (PRODUCT LEVEL)	SEE PAGE
Y	7W-0571	1	CONNECTION GP-GENERATOR LEADS	1370
	9Y-4335	1	FILM (CSA CONTROL PANEL APPROVAL) (CONTROL PANEL)	
	4W-5138	1	INSTALL INSIDE OF CONTROL PANEL FILM-INSTRUCTION (GROUND)	
	7W-4445	2	INSTALL NEAR GENERATOR GROUND BOLT OR CUSTOMER CONNECTION POINT FILM-WARNING (DANGER VOLTAGE)	
			INSTALL LH & RH GENERATOR SIDE PANELS, LOCATED 4 TO 5 INCHES FROM REAR & TOP OF GENERATOR	
Y	109-3774	1	GENERATOR GP	1411
	7W-0096	1	PLATE-INFORMATION (GENERATOR INFORMATION) (GENERATOR NAMEPLATE)	
	1W-7848	1	INSTALL ON LH SIDE OF GENERATOR FRONT PANEL ASSEMBLY PLATE-SERIAL NUMBER (ENGLISH)	
	2K-3219	2	INSTALL ON THE FRONT OF RH GENERATOR FOOT SCREW-DRIVE (NO 6X0.25-IN)	
			USE TO INSTALL SERIAL NUMBER PLATE	
Y - SEPARATE ILLUSTRATION				
<END>				

# GENERATORS

## 109-3777 GENERATOR AR

S/N: 8JF1-UP

240-480 VOLT, 60 HERTZ

SMCS-4450

i01960263

NOTE	PART NUMBER	QTY	PART NAME 1 2 3 4 5 6 (PRODUCT LEVEL)	SEE PAGE
Y	7W-0571	1	CONNECTION GP-GENERATOR LEADS	1370
Y	109-3776	1	GENERATOR GP	1423
	<b>9Y-4335</b>	1	FILM (CSA CONTROL PANEL APPROVAL) (CONTROL PANEL)	
			INSTALL INSIDE OF CONTROL PANEL	
	<b>4W-9449</b>	1	FILM-INFORMATION (GENERATOR WIRING DIAGRAM)	
			INSTALL ON INSIDE OF GENERATOR ENCLOSURE ON INSIDE OF CONTROL PANEL DOOR DIRECTLY BELOW "SR" WIRING DIAGRAM.	
	<b>6L-6523</b>	1	FILM-INSTRUCTION (GENERATOR-VOLTAGE CONTROL)	
			INSTALL ON INSIDE OF GENERATOR SIDE PANEL. IF FOREIGN LANGUAGE IS REQUIRED INSTALL ON LH SIDE OF GENERATOR ON SIDE PANEL IN UPPER CORNER TOWARD THE FRONT OF ENGINE.	
	<b>7C-5711</b>	1	FILM-INSTRUCTION (VOLTAGE CONTROL ADJUSTMENT)	
			INSTALL INSIDE OF GENERATOR SIDE PANEL IF FOREIGN LANGUAGE IS REQUIRED INSTALL ON LH SIDE OF GENERATOR ON SIDE OF PANEL IN UPPER CORNER TOWARD THE FRONT OF ENGINE	
	<b>4W-5138</b>	1	FILM-INSTRUCTION (GROUND)	
			INSTALL NEAR GENERATOR GROUND BOLT OR GENERATOR CONNECTION POINT	
	<b>7W-4445</b>	2	FILM-WARNING (DANGER VOLTAGE)	
			INSTALL ONE ON RH & LH GENERATOR SIDE PANELS	
	<b>1W-7848</b>	1	PLATE-SERIAL NUMBER (ENGLISH)	
			INSTALL ON RH SIDE OF GENERATOR	
	<b>2K-3219</b>	2	SCREW-DRIVE (NO 6X0.25-IN)	
Y - SEPARATE ILLUSTRATION				
<END>				

# GENERATORS

## 109-3785 GENERATOR AR

S/N: 6DG1-UP  
240-480 VOLT, 60 HERTZ

SMCS-4450

i01351275

NOTE	PART NUMBER	QTY	PART NAME 1 2 3 4 5 6 (PRODUCT LEVEL)	SEE PAGE
Y	7W-0571	1	CONNECTION GP-GENERATOR LEADS	1370
	9Y-4335	1	FILM (CSA CONTROL PANEL APPROVAL) (CONTROL PANEL)	
	4W-5138	1	INSTALL INSIDE OF CONTROL PANEL FILM-INSTRUCTION (GROUND)	
			INSTALL NEAR GENERATOR GROUND BOLT OR CUSTOMER CONNECTION POINT	
	7W-4445	2	FILM-WARNING (DANGER VOLTAGE)	
			INSTALL ONE ON RH & LH GENERATOR SIDE PANELS, LOCATE 4 TO 5 INCHES FROM REAR & TOP OF GENERATOR	
Y	109-3784	1	GENERATOR GP	1429
	7W-0096	1	PLATE-INFORMATION (GENERATOR INFORMATION) (GENERATOR NAMEPLATE)	
			INSTALL ON LH SIDE OF GENERATOR FRONT PANEL ASSEMBLY	
	1W-7848	1	PLATE-SERIAL NUMBER (ENGLISH)	
	2K-3219	2	INSTALL ON THE FRONT OF RH GENERATOR FOOT SCREW-DRIVE (NO 6X0.25-IN)	
			USE TO INSTALL SERIAL NUMBER PLATE	
Y - SEPARATE ILLUSTRATION				
<END>				

## 109-3787 GENERATOR AR

S/N: 6EG1-UP  
240-480 VOLT, 60 HERTZ

SMCS-4450

i01351300

NOTE	PART NUMBER	QTY	PART NAME 1 2 3 4 5 6 (PRODUCT LEVEL)	SEE PAGE
Y	7W-0571	1	CONNECTION GP-GENERATOR LEADS	1370
	9Y-4335	1	FILM (CSA CONTROL PANEL APPROVAL) (CONTROL PANEL)	
	4W-5138	1	INSTALL INSIDE OF CONTROL PANEL FILM-INSTRUCTION (GROUND)	
			INSTALL NEAR GENERATOR GROUND BOLT OR CUSTOMER CONNECTION POINT	
	7W-4445	2	FILM-WARNING (DANGER VOLTAGE)	
			INSTALL LH & RH GENERATOR SIDE PANELS, LOCATED 4 TO 5 INCHES FROM REAR & TOP OF GENERATOR	
Y	109-3786	1	GENERATOR GP	1435
	7W-0096	1	PLATE-INFORMATION (GENERATOR INFORMATION) (GENERATOR NAMEPLATE)	
			INSTALL ON LH SIDE OF GENERATOR FRONT PANEL ASSEMBLY	
	1W-7848	1	PLATE-SERIAL NUMBER (ENGLISH)	
	2K-3219	2	INSTALL ON THE FRONT OF RH GENERATOR FOOT SCREW-DRIVE (NO 6X0.25-IN)	
			USE TO INSTALL SERIAL NUMBER PLATE	
Y - SEPARATE ILLUSTRATION				
<END>				

# GENERATORS

## 109-3797 GENERATOR AR

S/N: 6DG1-UP  
600 VOLT, 60 HERTZ

SMCS-4450

i01351304

NOTE	PART NUMBER	QTY	PART NAME 1 2 3 4 5 6 (PRODUCT LEVEL)	SEE PAGE
	<b>9Y-4335</b>	1	FILM (CSA CONTROL PANEL APPROVAL) (CONTROL PANEL)	
			INSTALL INSIDE OF CONTROL PANEL	
	<b>4W-5138</b>	1	FILM-INSTRUCTION (GROUND)	
			INSTALL NEAR GENERATOR GROUND BOLT OR CUSTOMER CONNECTION POINT	
	<b>7W-4445</b>	2	FILM-WARNING (DANGER VOLTAGE)	
			INSTALL LH & RH GENERATOR SIDE PANELS, LOCATED 4 TO 5 INCHES FROM REAR & TOP OF GENERATOR	
Y	109-3796	1	GENERATOR GP	1441
	<b>7W-0096</b>	1	PLATE-INFORMATION (GENERATOR INFORMATION) (GENERATOR NAMEPLATE)	
			INSTALL ON LH SIDE OF GENERATOR FRONT PANEL ASSEMBLY	
	<b>1W-7848</b>	1	PLATE-SERIAL NUMBER (ENGLISH)	
			INSTALL ON THE FRONT OF RH GENERATOR FOOT	
	<b>2K-3219</b>	2	SCREW-DRIVE (NO 6X0.25-IN)	
			USE TO INSTALL SERIAL NUMBER PLATE	
Y - SEPARATE ILLUSTRATION				
<END>				

## 109-3799 GENERATOR AR

S/N: 6EG1-UP  
600 VOLT, 60 HERTZ

SMCS-4450

i01351305

NOTE	PART NUMBER	QTY	PART NAME 1 2 3 4 5 6 (PRODUCT LEVEL)	SEE PAGE
	<b>9Y-4335</b>	1	FILM (CSA CONTROL PANEL APPROVAL) (CONTROL PANEL)	
			INSTALL INSIDE OF CONTROL PANEL	
	<b>4W-5138</b>	1	FILM-INSTRUCTION (GROUND)	
			INSTALL NEAR GENERATOR GROUND BOLT OR CUSTOMER CONNECTION POINT	
	<b>7W-4445</b>	2	FILM-WARNING (DANGER VOLTAGE)	
			INSTALL LH & RH GENERATOR SIDE PANELS, LOCATED 4 TO 5 INCHES FROM REAR & TOP OF GENERATOR	
Y	109-3798	1	GENERATOR GP	1444
	<b>7W-0096</b>	1	PLATE-INFORMATION (GENERATOR INFORMATION) (GENERATOR NAMEPLATE)	
			INSTALL ON LH SIDE OF GENERATOR FRONT PANEL ASSEMBLY	
	<b>1W-7848</b>	1	PLATE-SERIAL NUMBER (ENGLISH)	
			INSTALL ON THE FRONT OF RH GENERATOR FOOT	
	<b>2K-3219</b>	2	SCREW-DRIVE (NO 6X0.25-IN)	
			USE TO INSTALL SERIAL NUMBER PLATE	
Y - SEPARATE ILLUSTRATION				
<END>				

# GENERATORS

## 121-2720 GENERATOR AR

S/N: 8JF1-UP  
480 VOLT, 60 HERTZ

SMCS-4450

i01584020

NOTE	PART NUMBER	QTY	PART NAME 1 2 3 4 5 6 (PRODUCT LEVEL)	SEE PAGE
Y	121-2719	1	GENERATOR GP	1450
	<b>9Y-4335</b>	1	FILM (CSA CONTROL PANEL APPROVAL) (CSA CONTROL PANEL APPROVAL) (INSTALL INSIDE OF CONTROL PANEL.)	
	<b>9Y-4336</b>	1	FILM (CSA CONTROL PANEL APPROVAL) (CSA CONTROL PANEL APPROVAL) (INSTALL INSIDE OF CONTROL PANEL.)	
	<b>4W-5138</b>	1	FILM-INSTRUCTION (GROUND) (INSTALL NEAR GENERATOR GROUND BOLT OR GENERATOR GROUND CUSTOMER CONNECTION POINT.)	
	<b>4W-9449</b>	1	FILM-INFORMATION (GENERATOR WIRING DIAGRAM) (INSTALL ON INSIDE OF GENERATOR ENCLOSURE ON INSIDE OF CONTROL PANEL DOOR DIRECTLY BELOW "SR" WIRING DIAGRAM.)	
	<b>6L-6523</b>	1	FILM-INSTRUCTION (GENERATOR-VOLTAGE CONTROL) (**INSTALLED BY SUPPLIER ON INSIDE OF GENERATOR SIDE PANEL.**IF FOREIGN LANGUAGE IS REQUIRED-INSTALL ON LH SIDE OF GENERATOR ON SIDE PANEL IN UPPER CORNER TOWARD THE FRONT OF ENGINE.)	
	<b>7C-5711</b>	1	FILM-INSTRUCTION (VOLTAGE CONTROL ADJUSTMENT) (INSTALLED ON INDIDE OF GENERATOR SIDE PANEL. **IF FOREIGN LANGUAGE IS REQUIRED-INSTALL ON LH SIDE OF GENERATOR ON SIDE PANEL IN UPPER CORNER TOWARD THE FRONT OF ENGINE.)	
	<b>7W-4445</b>	2	FILM-WARNING (DANGER VOLTAGE) (*PRIME POWER GENERATOR*INSTALL ONE ON RH AND LH GENERATOR SIDE PANELS.LOCATED 4-5 INCHES FROM REAR & TOP OF GENERATOR.)	
	<b>1W-7848</b>	1	PLATE-SERIAL NUMBER (ENGLISH) (INSTALL ON THE FRONT OF RH GENERATOR FOOT USING 2K3219 DRIVE SCREWS TO INSTALL.)	
	<b>2K-3219</b>	2	SCREW-DRIVE (NO 6X0.25-IN) (INSTALL GENERATOR SERIAL NUMBER PLATE.)	
	<b>153-5927</b>	1	TAG-INSTRUCTION (GENSET ALIGNMENT) (INSTALL LH SIDE OF GENERATOR FOOT NEAR DRIVE END.)	

Y - SEPARATE ILLUSTRATION

<END>



# GENERATORS

## 121-3193 GENERATOR AR

S/N: 8JF1-UP

480 VOLT, 60 HERTZ, HIGH EFFICIENCY

SMCS-4450

i01858231

NOTE	PART NUMBER	QTY	PART NAME 1 2 3 4 5 6 (PRODUCT LEVEL)	SEE PAGE
Y	121-3192	1	GENERATOR GP	1462
	<b>9Y-4335</b>	1	FILM (CSA CONTROL PANEL APPROVAL) (CSA CONTROL PANEL APPROVAL) (INSTALL INSIDE OF CONTROL PANEL.)	
	<b>9Y-4336</b>	1	FILM (CSA CONTROL PANEL APPROVAL) (INSTALL INSIDE OF CONTROL PANEL.)	
	<b>4W-5138</b>	1	FILM-INSTRUCTION (GROUND) (INSTALL NEAR GENERATOR GROUND BOLT OR GENERATOR GROUND CUSTOMER CONNECTION POINT.)	
	<b>9Y-4296</b>	2	FILM-IDENTIFICATION (MAGNET EXCITER) (MAGNET EXCITER REMOVAL NOTICE) (INSTALL ONE ON UPPER LH & ONE ON UPPER RH SIDE OF GENERATOR BARREL NEAR FLYWHEEL HOUSING.)	
	<b>1W-7848</b>	1	PLATE-SERIAL NUMBER (ENGLISH) (INSTALL ON THE FRONT OF RH GENERATOR FOOT USING 2K3219 DRIVE SCREWS TO INSTALL.)	
	<b>7W-4445</b>	2	FILM-WARNING (DANGER VOLTAGE) (*PRIME POWER GENERATOR*INSTALL ONE ON RH AND LH GENERATOR SIDE PANELS. LOCATED 4-5 INCHES FROM REAR & TOP OF GENERATOR)	
	<b>2K-3219</b>	2	SCREW-DRIVE (NO 6X0.25-IN) (INSTALL GENERATOR SERIAL NUMBER PLATE.)	
	<b>153-5927</b>	1	TAG-INSTRUCTION (GENSET ALIGNMENT) (INSTALL LH SIDE OF GENERATOR FOOT NEAR DRIVE END.)	
Y - SEPARATE ILLUSTRATION				
<END>				

# GENERATORS

## 423-9593 GENERATOR AR

S/N: 6DG1-UP  
480-VOLT. 60-HERTZ  
AN ATTACHMENT

SMCS-4450

i06188479

NOTE	PART NUMBER	QTY	PART NAME 1 2 3 4 5 6 (PRODUCT LEVEL)	SEE PAGE
Y	423-9592	1	GENERATOR GP	1474
	<b>115-5852</b>	1	PLATE & FILM GP (ENGINE INFORMATION)	
	<b>5P-1175</b>	1	FILM-IDENTIFICATION (ENGINE OIL FILL) ON THE TOP OF THE OIL FILL CAP CENTERED BETWEEN THE HANDLE & THE TOP EDGE OF THE OIL FILL CAP.	
	<b>460-0815</b>	1	FILM GP (BAR CODE)	
			ON THE TOP OF THE VALVE COVER NEAR THE 115- 5852 GLPS FILM, VISIBLE FROM THE SERVICE SIDE OF THE ENGINE.	
	<b>249-2514</b>	1	FILM-INFORMATION (EMISSION CONTROL)	
			BELOW THE ENGINE SERIAL INFO PLATE 3N-3790 ON FLAT SURFACE OF THE ENGINE BLOCK.	
	<b>298-5631</b>	1	PLATE-IDENTIFICATION (CAT)	
			ON THE TOP OF THE REAR VALVE COVER, VISIBLE FROM THE SERVICE SIDE OF THE ENGINE.	
	<b>3N-3790</b>	1	PLATE-SERIAL NUMBER (ENGINE)	
			ON LH SIDE OF BLOCK NEAR REAR FACE ON CAMSHAFT COMPARTMENT.	
Y - SEPARATE ILLUSTRATION				
<END>				

# GENERATORS

## 435-5020 GENERATOR AR

S/N: 6DG1-UP  
480-VOLT. 60-HERTZ  
AN ATTACHMENT

SMCS-4450

i06186941

NOTE	PART NUMBER	QTY	PART NAME 1 2 3 4 5 6 (PRODUCT LEVEL)	SEE PAGE
Y	435-5021	1	GENERATOR GP	1474
	<b>1W-7848</b>	1	PLATE-SERIAL NUMBER (ENGLISH) INSTALL ON THE FRONT OF RH GENERATOR FOOT USING 2K-3219 DRIVE SCREWS TO INSTALL.	
	<b>2K-3219</b>	2	SCREW-DRIVE (NO 6X0.25-IN)	
	<b>4W-5138</b>	1	USE TO INSTALL GENERATOR SERIAL NUMBER PLATE. FILM-INSTRUCTION (GROUND)	
	<b>7W-0096</b>	1	INSTALL NEAR GENERATOR GROUND BOLT OR GENERATOR GROUND CUSTOMER CONNECTION POINT. PLATE-INFORMATION (GENERATOR INFORMATION)	
	<b>7W-4445</b>	2	INSTALL ON GENERATOR FRONT PANEL ASSEMBLY ON LH SIDE OF PACKAGE. FILM-WARNING (DANGER VOLTAGE)	
	<b>9Y-4335</b>	1	INSTALL ONE ON RH & LH GENERATOR SIDE PANELS. LOCATED 4-5 INCHES FROM REAR & TOP OF GENERATOR. FILM (CSA CONTROL PANEL APPROVAL)	
	<b>9Y-4336</b>	1	INSTALL INSIDE OF CONTROL PANEL. FILM (CSA CONTROL PANEL APPROVAL)	
	<b>118-8452</b>	1	INSTALL INSIDE OF CONTROL PANEL. FILM-INFORMATION (GENERATOR)	
			INSTALL ON LH SIDE OF GENERATOR BARREL OR ON FRONT PANEL TOWARDS LH SIDE OF PACKAGE. APPLY CLEAR LAMINATE 122-9525 OVER INSTALLED GENERATOR FILM.	
Y - SEPARATE ILLUSTRATION				
<END>				

# GENERATORS

## 453-3152 GENERATOR AR

S/N: 6DG1-UP  
AN ATTACHMENT

SMCS-4450

i06186945

NOTE	PART NUMBER	QTY	PART NAME 1 2 3 4 5 6 (PRODUCT LEVEL)	SEE PAGE
Y	453-3151	1	GENERATOR GP	1474
	<b>1W-7848</b>	1	PLATE-SERIAL NUMBER (ENGLISH) INSTALL ON THE FRONT OF RH GENERATOR FOOT USING 2K-3219 DRIVE SCREWS TO INSTALL.	
	<b>2K-3219</b>	2	SCREW-DRIVE (NO 6X0.25-IN)	
	<b>4W-5138</b>	1	USE TO INSTALL GENERATOR SERIAL NUMBER PLATE. FILM-INSTRUCTION (GROUND)	
	<b>7W-0096</b>	1	INSTALL NEAR GENERATOR GROUND BOLT OR GENERATOR GROUND CUSTOMER CONNECTION POINT. PLATE-INFORMATION (GENERATOR INFORMATION)	
	<b>7W-4445</b>	2	INSTALL ON GENERATOR FRONT PANEL ASSEMBLY ON LH SIDE OF PACKAGE. FILM-WARNING (DANGER VOLTAGE)	
	<b>9Y-4335</b>	1	INSTALL ONE ON RH & LH GENERATOR SIDE PANELS. LOCATED 4-5 INCHES FROM REAR & TOP OF GENERATOR. FILM (CSA CONTROL PANEL APPROVAL)	
	<b>9Y-4336</b>	1	INSTALL INSIDE OF CONTROL PANEL. FILM (CSA CONTROL PANEL APPROVAL)	
	<b>118-8452</b>	1	INSTALL INSIDE OF CONTROL PANEL. FILM-INFORMATION (GENERATOR)	
			INSTALL ON LH SIDE OF GENERATOR BARREL OR ON FRONT PANEL TOWARDS LH SIDE OF PACKAGE. APPLY CLEAR LAMINATE 122-9525 OVER INSTALLED GENERATOR FILM.	
Y - SEPARATE ILLUSTRATION				
<END>				

# GENERATORS

## 4P-3386 GENERATOR AR

S/N: 8JF1-UP  
240-480 VOLT, 60 HERTZ

SMCS-4450

i01857986

NOTE	PART NUMBER	QTY	PART NAME 1 2 3 4 5 6 (PRODUCT LEVEL)	SEE PAGE
Y	7W-0571	1	CONNECTION GP-GENERATOR LEADS	1370
			-OR-	
Y	5N-4123	1	CONNECTION GP-GENERATOR LEADS	1363
Y	7E-1243	1	GENERATOR GP	1564
	9Y-4335	1	FILM (CSA CONTROL PANEL APPROVAL) (CSA CONTROL PANEL APPROVAL) (INSTALL INSIDE OF CONTROL PANEL)	
	9Y-4336	1	FILM (CSA CONTROL PANEL APPROVAL) (INSTALL INSIDE OF CONTROL PANEL)	
	4W-5138	1	FILM-INSTRUCTION (GROUND) (INSTALL NEAR GENERATOR GROUND BOLT OR GENERATOR GROUND CUSTOMER CONNECTION POINT)	
	7W-4445	2	FILM-WARNING (DANGER VOLTAGE)  (*PRIME POWER GENERATOR*INSTALL ONE ON RH AND LH GENERATOR SIDE PANELS.LOCATED 4-5 INCHES FROM REAR & TOP OF GENERATOR)	
	7W-0096	1	PLATE-INFORMATION (GENERATOR INFORMATION) (GENERATOR NAMEPLATE) (INSTALL ON GENERATOR FRONT PANEL ASSEMBLY ON LH SIDE OF PACKAGE)	
	1W-7848	1	PLATE-SERIAL NUMBER (ENGLISH) (INSTALL ON THE FRONT OF RH GENERATOR FOOT USING 2K3219 DRIVE SCREWS TO INSTALL)	
	2K-3219	2	SCREW-DRIVE (NO 6X0.25-IN) (INSTALL GENERATOR SERIAL NUMBER PLATE)	
	153-5927		TAG-INSTRUCTION (GENSET ALIGNMENT) (INSTALL LH SIDE OF GENERATOR FOOT NEAR DRIVE END)	

Y - SEPARATE ILLUSTRATION

<END>

## 4P-7699 GENERATOR AR

S/N: 6DG1-UP  
600 VOLT, 60 HERTZ

SMCS-4450

i01857998

NOTE	PART NUMBER	QTY	PART NAME 1 2 3 4 5 6 (PRODUCT LEVEL)	SEE PAGE
Y	4P-7698	1	GENERATOR GP	1475
	7W-4445	1	FILM-WARNING (DANGER VOLTAGE)  (INSTALL ONE ON RH & LH GENERATOR SIDE PANELS, LOCATED 4-5 INCHES FROM REAR)	
	4W-5138	1	FILM-INSTRUCTION (GROUND) (INSTALL NEAR GENERATOR GROUND BOLT OR GENERATOR GROUND CUSTOMER CONNECTION POINT)	
	7W-0096	1	PLATE-INFORMATION (GENERATOR INFORMATION) (GENERATOR NAMEPLATE) (INSTALL ON GENERATOR FRONT PANEL ON LH SIDE)	
	1W-7848	1	PLATE-SERIAL NUMBER (ENGLISH) (INSTALL ON FRONT OF RH GENERATOR FOOT USING 2K3219 DRIVE SCREW (2))	

Y - SEPARATE ILLUSTRATION

<END>

# GENERATORS

## 4W-8964 GENERATOR AR

S/N: 5CA5985-UP

240-480 VOLT, 60 HERTZ. POWER

SMCS-4450

i01351232

NOTE	PART NUMBER	QTY	PART NAME 1 2 3 4 5 6 (PRODUCT LEVEL)	SEE PAGE
Y	7W-0572	1	CONNECTION GP-GENERATOR LEADS	1371
	7C-7319	2	FILM-NOTICE (GENERATOR FAN) (GENERATOR FAN)	
			INSTALL ON EACH SIDE OF GENERATOR ABOVE HORIZONTAL CENTERLINE AS FAR FORWARD AS POSSIBLE	
	4W-5138	1	FILM-INSTRUCTION (GROUND)	
			INSTALL NEAR GENERATOR GROUND BOLT OR CUSTOMER CONNECTION POINT	
	7W-4445	2	FILM-WARNING (DANGER VOLTAGE)	
			INSTALL ONE ON RH & LH GENERATOR SIDE PANELS, LOCATED 4 TO 5 INCHES FROM REAR & TOP OF GENERATOR	
Y	4W-7424	1	GENERATOR GP	1487
	7W-0096	1	PLATE-INFORMATION (GENERATOR INFORMATION) (GENERATOR NAMEPLATE)	
			INSTALL ON LH SIDE OF GENERATOR FRONT PANEL ASSEMBLY	
	1W-7848	1	PLATE-SERIAL NUMBER (ENGLISH)	
			INSTALL ON THE FRONT OF RH GENERATOR FOOT	
	2K-3219	2	SCREW-DRIVE (NO 6X0.25-IN)	
			USE TO INSTALL SERIAL NUMBER PLATE	
Y - SEPARATE ILLUSTRATION				
<END>				

## 4W-8966 GENERATOR AR

S/N: 5DA5682-UP

240-480 VOLT, 60 HERTZ. POWER

SMCS-4450

i01858000

NOTE	PART NUMBER	QTY	PART NAME 1 2 3 4 5 6 (PRODUCT LEVEL)	SEE PAGE
Y	7W-0572	1	CONNECTION GP-GENERATOR LEADS	1371
			S/N: 5DA5682-UP	
Y	4W-7427	1	GENERATOR GP	1499
	7W-4445	2	FILM-WARNING (DANGER VOLTAGE)	
			(INSTALL ONE ON RH & LH GENERATOR SIDE PANELS. LOCATED 4-5 INCHES FROM REAR & TOP OF GENERATOR)	
	6L-6523	1	FILM-INSTRUCTION (GENERATOR-VOLTAGE CONTROL)	
			(INSTALLED ON INSIDE OF GENERATOR SIDE PANEL)	
	4W-5138	1	FILM-INSTRUCTION (GROUND)	
			(INSTALL ON RH FOOT OF GENERATOR)	
	7W-0108	1	PLATE & FILM GP	
			S/N: 5DA4190-5011	
	7W-0096	1	PLATE-INFORMATION (GENERATOR INFORMATION) (GENERATOR NAMEPLATE)	
			(INSTALL ON GENERATOR FRONT PANEL ASSEMBLY ON LH SIDE OF PACKAGE)	
	1W-7848	1	PLATE-SERIAL NUMBER (ENGLISH)	
			(INSTALL ON RH SIDE OF GENERATOR. BARREL AT FRONT USING 2K3219 DRIVE SCREWS)	
Y - SEPARATE ILLUSTRATION				
<END>				

# GENERATORS

## 4W-8967 GENERATOR AR

S/N: 5DA5682-UP

240-480 VOLT, 60 HERTZ. POWER

**SMCS-4450**

**i01858105**

NOTE	PART NUMBER	QTY	PART NAME 1 2 3 4 5 6 (PRODUCT LEVEL)	SEE PAGE
Y	7W-0572	1	CONNECTION GP-GENERATOR LEADS	1371
			S/N: 5DA5682-UP	
Y	4W-7429	1	GENERATOR GP	1511
	7W-4445	2	FILM-WARNING (DANGER VOLTAGE)	
			(INSTALL ONE ON RH & LH GENERATOR SIDE PANELS. LOCATED 4-5 INCHES FROM REAR & TOP OF GENERATOR)	
	6L-6523	1	FILM-INSTRUCTION (GENERATOR-VOLTAGE CONTROL)	
			(INSTALLED ON INSIDE OF GENERATOR SIDE PANEL)	
	4W-5138	1	FILM-INSTRUCTION (GROUND)	
			(INSTALL ON RH FOOT OF GENERATOR)	
	7W-0108	1	PLATE & FILM GP	
			S/N: 5DA4181-5011	
	7W-0096	1	PLATE-INFORMATION (GENERATOR INFORMATION) (GENERATOR NAMEPLATE)	
			(INSTALL ON GENERATOR FRONT PANEL ASSEMBLY ON LH SIDE OF PACKAGE)	
	1W-7848	1	PLATE-SERIAL NUMBER (ENGLISH)	
			(INSTALL ON RH SIDE OF GENERATOR.BARREL AT FRONT USING 2K3219 DRIVE SCREWS)	
Y - SEPARATE ILLUSTRATION				
<END>				

# GENERATORS

## 4W-8968 GENERATOR AR

S/N: 5EA5375-UP

240-480 VOLTS, 60 HERTZ. POWER

SMCS-4450

i01858117

NOTE	PART NUMBER	QTY	PART NAME 1 2 3 4 5 6 (PRODUCT LEVEL)	SEE PAGE
Y	7W-0572	1	CONNECTION GP-GENERATOR LEADS	1371
			S/N: 5EA5375-UP	
Y	4W-7430	1	GENERATOR GP	1518
	7W-4445	2	FILM-WARNING (DANGER VOLTAGE)	
			(INSTALL ONE ON RH & LH GENERATOR SIDE PANELS. LOCATED 4-5 INCHES FROM REAR & TOP OF GENERATOR)	
	6L-6523	1	FILM-INSTRUCTION (GENERATOR-VOLTAGE CONTROL)	
			(INSTALLED ON INSIDE OF GENERATOR SIDE PANEL)	
	4W-5138	1	FILM-INSTRUCTION (GROUND)	
			(INSTALL ON RH FOOT OF GENERATOR)	
	7W-0108	1	PLATE & FILM GP	
			S/N: 5EA3660-4258	
	7W-0096	1	PLATE-INFORMATION (GENERATOR INFORMATION) (GENERATOR NAMEPLATE)	
			(INSTALL ON GENERATOR FRONT PANEL ASSEMBLY ON LH SIDE OF PACKAGE)	
	1W-7848	1	PLATE-SERIAL NUMBER (ENGLISH)	
			(INSTALL ON RH SIDE OF GENERATOR. BARREL AT FRONT USING 2K3219 DRIVE SCREWS)	

Y - SEPARATE ILLUSTRATION

<END>

## 4W-9657 GENERATOR AR

S/N: 5CA5985-UP

300-600 VOLT, 60 HERTZ. POWER

SMCS-4450

i01351235

NOTE	PART NUMBER	QTY	PART NAME 1 2 3 4 5 6 (PRODUCT LEVEL)	SEE PAGE
Y	5N-4123	1	CONNECTION GP-GENERATOR LEADS	1363
	7C-7319	2	FILM-NOTICE (GENERATOR FAN) (GENERATOR FAN)	
			INSTALL ON EACH SIDE OF GENERATOR ABOVE HORIZONTAL CENTERLINE AS FAR FORWARD AS POSSIBLE	
	4W-5138	1	FILM-INSTRUCTION (GROUND)	
			INSTALL NEAR GENERATOR GROUND BOLT OR CUSTOMER CONNECTION POINT	
	7W-4445	2	FILM-WARNING (DANGER VOLTAGE)	
			INSTALL ONE ON RH & LH GENERATOR SIDE PANELS, LOCATED 4 TO 5 INCHES FROM REAR & TOP OF GENERATOR	
Y	4W-7425	1	GENERATOR GP	1493
	7W-0096	1	PLATE-INFORMATION (GENERATOR INFORMATION) (GENERATOR NAMEPLATE)	
			INSTALL ON LH SIDE OF GENERATOR FRONT PANEL ASSEMBLY	
	1W-7848	1	PLATE-SERIAL NUMBER (ENGLISH)	
			INSTALL ON THE FRONT OF RH GENERATOR FOOT	
	2K-3219	2	SCREW-DRIVE (NO 6X0.25-IN)	
			USE TO INSTALL SERIAL NUMBER PLATE	

Y - SEPARATE ILLUSTRATION

<END>



# GENERATORS

## 4W-9658 GENERATOR AR

S/N: 5DA5682-UP

300-600 VOLT, 60 HERTZ. POWER

SMCS-4450

i01858125

NOTE	PART NUMBER	QTY	PART NAME						SEE PAGE
			1	2	3	4	5	6 (PRODUCT LEVEL)	
Y	5N-4123	1	CONNECTION GP-GENERATOR LEADS						1363
Y	4W-7428	1	GENERATOR GP						1505
	7W-4445	2	FILM-WARNING (DANGER VOLTAGE)						
			(INSTALL ONE ON RH & LH GENERATOR SIDE PANELS. LOCATED 4-5 INCHES FROM REAR & TOP OF GENERATOR)						
	6L-6523	1	FILM-INSTRUCTION (GENERATOR-VOLTAGE CONTROL)						
			(INSTALLED ON INSIDE OF GENERATOR SIDE PANEL)						
	4W-5138	1	FILM-INSTRUCTION (GROUND)						
			(INSTALL ON RH FOOT OF GENERATOR)						
	7W-0096	1	PLATE-INFORMATION (GENERATOR INFORMATION) (GENERATOR NAMEPLATE)						
			(INSTALL ON GENERATOR FRONT PANEL ON LH SIDE OF PACKAGE)						
	1W-7848	1	PLATE-SERIAL NUMBER (ENGLISH)						
			(INSTALL ON RH SIDE OF GENERATOR BARREL AT FRONT USING 2K3219 DRIVE SCREWS)						
Y - SEPARATE ILLUSTRATION									
<END>									

## 4W-9659 GENERATOR AR

S/N: 5EA5375-UP

300-600 VOLT, 60 HERTZ. POWER

SMCS-4450

i01858158

NOTE	PART NUMBER	QTY	PART NAME						SEE PAGE
			1	2	3	4	5	6 (PRODUCT LEVEL)	
Y	5N-4123	1	CONNECTION GP-GENERATOR LEADS						1363
Y	4W-7431	1	GENERATOR GP						1524
	7W-4445	1	FILM-WARNING (DANGER VOLTAGE)						
			(INSTALL ONE ON RH & LH GENERATOR SIDE PANELS LOCATED 4-5 INCHES FROM REAR & TOP OF GENERATOR)						
	6L-6523	1	FILM-INSTRUCTION (GENERATOR-VOLTAGE CONTROL)						
			(INSTALLED ON INSIDE OF GENERATOR SIDE PANEL)						
	4W-5138	1	FILM-INSTRUCTION (GROUND)						
			(INSTALL ON RH FOOT OF GENERATOR)						
	7W-0108	1	PLATE & FILM GP						
			S/N: 5EA3660-4146						
	7W-0096	1	PLATE-INFORMATION (GENERATOR INFORMATION) (GENERATOR NAMEPLATE)						
			(INSTALL ON GENERATOR FRONT PANEL ASSEMBLY ON LH SIDE OF PACKAGE)						
	1W-7848	1	PLATE-SERIAL NUMBER (ENGLISH)						
			(INSTALL ON RH SIDE OF GENERATOR BARREL AT FRONT USING 2K3219 DRIVE SCREWS)						
Y - SEPARATE ILLUSTRATION									
<END>									

# GENERATORS

## 5N-5095 GENERATOR AR

S/N: 5EA5375-UP

240-480 VOLT, 60 HERTZ AT 1800 RPM OR 200-400 VOLT. 50 HERTZ AT 1500 RPM. FOR MARINE  
AUXILIARY ENGINE

SMCS-4450

i01858169

NOTE	PART NUMBER	QTY	PART NAME 1 2 3 4 5 6 (PRODUCT LEVEL)	SEE PAGE
Y	5N-4123	1	CONNECTION GP-GENERATOR LEADS	1363
Y	5N-0063	1	GENERATOR GP	1530
	7W-4445	2	FILM-WARNING (DANGER VOLTAGE)	
			(INSTALL ONE ON RH & LH GENERATOR SIDE PANELS. LOCATED 4-5 INCHES FROM REAR & TOP OF GENERATOR)	
	6L-6523	1	FILM-INSTRUCTION (GENERATOR-VOLTAGE CONTROL)	
			(INSTALLED ON INSIDE OF GENERATOR SIDE PANEL)	
	4W-5138	1	FILM-INSTRUCTION (GROUND)	
			(INSTALL ON RH FOOT OF GENERATOR)	
	7W-0096	1	PLATE-INFORMATION (GENERATOR INFORMATION) (GENERATOR NAMEPLATE)	
			(INSTALL ON GENERATOR FRONT PANEL ASSEMBLY ON LH SIDE OF PACKAGE)	
	1W-7848	1	PLATE-SERIAL NUMBER (ENGLISH)	
			(INSTALL ON RH SIDE OF GENERATOR-BARREL AT FRONT USING 2K3219 DRIVE SCREWS)	
Y - SEPARATE ILLUSTRATION				
<END>				

## 6I-0060 GENERATOR AR

S/N: 6EG1-UP

600 VOLT, 60 HERTZ

SMCS-4450

i01858184

NOTE	PART NUMBER	QTY	PART NAME 1 2 3 4 5 6 (PRODUCT LEVEL)	SEE PAGE
Y	6I-0061	1	GENERATOR GP	1537
	7W-4445	2	FILM-WARNING (DANGER VOLTAGE)	
			(INSTALL ONE ON RH & LH GENERATOR SIDE PANELS, LOCATED 4-5 INCHES FROM REAR & TOP OF GENERATOR.)	
	4W-5138	1	FILM-INSTRUCTION (GROUND)	
			(INSTALL NEAR GENERATOR GROUND BOLT OR GENERATOR GROUND CUSTOMER CONNECTION POINT.)	
	7W-0096	1	PLATE-INFORMATION (GENERATOR INFORMATION) (GENERATOR NAMEPLATE)	
			(INSTALL ON GENERATOR FRONT PANEL ASSEMBLY ON LH SIDE OF PACKAGE.)	
	1W-7848	1	PLATE-SERIAL NUMBER (ENGLISH)	
			(INSTALL ON THE FRONT OF RH GENERATOR FOOT USING 2K3219 DRIVE SCREWS - 2)	
Y - SEPARATE ILLUSTRATION				
<END>				

# GENERATORS

## 7W-8746 GENERATOR AR

S/N: 5FA4499-UP  
240-480 VOLT, 60 HERTZ

SMCS-4450

i01858200

NOTE	PART NUMBER	QTY	PART NAME 1 2 3 4 5 6 (PRODUCT LEVEL)	SEE PAGE
Y	5N-4125	1	CONNECTION GP-GENERATOR LEADS	1365
			-OR-	
Y	5N-4123	1	CONNECTION GP-GENERATOR LEADS	1363
Y	7W-8744	1	GENERATOR GP	1573
	7W-4445	2	FILM-WARNING (DANGER VOLTAGE)	
			(INSTALL ONE ON RH & LH GENERATOR SIDE PANELS LOCATED 4-5 INCHES FROM REAR & TOP OF GENERATOR)	
	6L-6523	1	FILM-INSTRUCTION (GENERATOR-VOLTAGE CONTROL)	
			(INSTALLED ON INSIDE OF GENERATOR SIDE PANEL)	
	4W-5138	1	FILM-INSTRUCTION (GROUND)	
			(INSTALL ON RH FOOT OF GENERATOR)	
	7W-0096	1	PLATE-INFORMATION (GENERATOR INFORMATION) (GENERATOR NAMEPLATE)	
			(INSTALL ON GENERATOR FRONT PANEL ASSEMBLY LH SIDE OF PACKAGE)	
	1W-7848	1	PLATE-SERIAL NUMBER (ENGLISH)	
			(INSTALLED ON RH SIDE OF GENERATOR BARREL AT FRONT)	
	2K-3219	6	SCREW-DRIVE (NO 6X0.25-IN)	
			(TO INSTALL GENERATOR SERIAL NUMBER PLATE)	
Y - SEPARATE ILLUSTRATION				
<END>				

## 9Y-0426 GENERATOR AR

S/N: 6CG1-UP  
240-480 VOLT, 60 HERTZ

SMCS-4450

i01858210

NOTE	PART NUMBER	QTY	PART NAME 1 2 3 4 5 6 (PRODUCT LEVEL)	SEE PAGE
Y	7W-0571	1	CONNECTION GP-GENERATOR LEADS	1370
Y	9Y-0368	1	GENERATOR GP	1579
	1W-7848	1	PLATE-SERIAL NUMBER (ENGLISH)	
			(INSTALL ON THE FRONT OF RH GENERATOR FOOT USING TWO 2K3219 DRIVE SCREWS)	
	7W-0096	1	PLATE-INFORMATION (GENERATOR INFORMATION) (GENERATOR NAMEPLATE)	
			(INSTALL ON GENERATOR FRONT PANEL ASSEMBLY ON LH SIDE OF PACKAGE)	
	4W-5138	1	FILM-INSTRUCTION (GROUND)	
			(INSTALL NEAR GENERATOR GROUND BOLT OR GENERATOR GROUND CUSTOMER CONNECTION POINT)	
	7W-4445	1	FILM-WARNING (DANGER VOLTAGE)	
			(INSTALL ONE ON RH & LH GENERATOR SIDE PANELS, LOCATED 4-5 INCHES FROM REAR & TOP OF GENERATOR)	
Y - SEPARATE ILLUSTRATION				
<END>				

# GENERATORS

## 9Y-0427 GENERATOR AR

S/N: 6DG1-UP  
240-480 VOLT, 60 HERTZ

SMCS-4450

i01858214

NOTE	PART NUMBER	QTY	PART NAME 1 2 3 4 5 6 (PRODUCT LEVEL)	SEE PAGE
Y	7W-0571	1	CONNECTION GP-GENERATOR LEADS	1370
	9Y-4335	1	FILM (CSA CONTROL PANEL APPROVAL) (CONTROL PANEL)	
			(INSTALL INSIDE OF CONTROL PANEL)	
	4W-5138	1	FILM-INSTRUCTION (GROUND)	
			(INSTALL NEAR GENERATOR GROUND BOLT OR CUSTOMER CONNECTION POINT)	
	7W-4445	2	FILM-WARNING (DANGER VOLTAGE)	
			(INSTALL ONE ON RH & LH GENERATOR SIDE PANELS, LOCATED 4 TO 5 INCHES FROM REAR & TOP OF GENERATOR)	
Y	7E-0097	1	GENERATOR GP	1546
	7W-0096	1	PLATE-INFORMATION (GENERATOR INFORMATION) (GENERATOR NAMEPLATE)	
			(INSTALL ON LH SIDE OF GENERATOR FRONT PANEL ASSEMBLY)	
	1W-7848	1	PLATE-SERIAL NUMBER (ENGLISH)	
			(INSTALL ON FRONT OF RH GENERATOR FOOT)	
	2K-3219	2	SCREW-DRIVE (NO 6X0.25-IN)	
			(USE TO INSTALL SERIAL NUMBER PLATE)	
Y - SEPARATE ILLUSTRATION				
<END>				

## 9Y-0428 GENERATOR AR

S/N: 6EG1-UP  
240-480 VOLT, 60 HERTZ

SMCS-4450

i01351098

NOTE	PART NUMBER	QTY	PART NAME 1 2 3 4 5 6 (PRODUCT LEVEL)	SEE PAGE
Y	7W-0571	1	CONNECTION GP-GENERATOR LEADS	1370
	9Y-4335	1	FILM (CSA CONTROL PANEL APPROVAL) (CONTROL PANEL)	
			INSTALL INSIDE OF CONTROL PANEL	
	4W-5138	1	FILM-INSTRUCTION (GROUND)	
			INSTALL NEAR GENERATOR GROUND BOLT OR CUSTOMER CONNECTION POINT	
	7W-4445	2	FILM-WARNING (DANGER VOLTAGE)	
			INSTALL ONE ON RH & LH GENERATOR SIDE PANELS, LOCATED 4 TO 5 INCHES FROM REAR & TOP OF GENERATOR	
Y	7E-0098	1	GENERATOR GP	1555
	7W-0096	1	PLATE-INFORMATION (GENERATOR INFORMATION) (GENERATOR NAMEPLATE)	
			INSTALL ON LH SIDE OF GENERATOR FRONT PANEL ASSEMBLY	
	1W-7848	1	PLATE-SERIAL NUMBER (ENGLISH)	
			INSTALL ON THE FRONT OF RH GENERATOR FOOT	
	2K-3219	2	SCREW-DRIVE (NO 6X0.25-IN)	
			USE TO INSTALL SERIAL NUMBER PLATE	
Y - SEPARATE ILLUSTRATION				
<END>				

# GENERATORS

## 109-3770 GENERATOR GP

S/N: 6CG1-UP

60-HERTZ, 240-480 VOLTS. 444-FRAME, 12-LEAD

PART OF 109-3771 GENERATOR AR

TYPE 1

SMCS-4450

i01858419

NOTE	REF NO	GRAPHIC REF	PART NUMBER	QTY	PART NAME						SEE PAGE
					1	2	3	4	5	6 (PRODUCT LEVEL)	
	1	1	<b>4P-3154</b>	1	HEAT SINK						
	2	1	<b>4P-3153</b>	1	SPACER (20.6X77X27.8-MM THK)						
	3	1	<b>1A-9579</b>	4	BOLT (5/16-18X1.5-IN)						
	4	1	<b>4P-3468</b>	1	ROTOR-EXCITER						
	5	1	<b>9Y-0916</b>	1	RECTIFIER AS						
	6	1	<b>9Y-5817</b>	1	STATOR-EXCITER						
	7	1	<b>4B-3903</b>	4	BOLT (5/16-18X4-IN)						
	8	1	<b>9M-1974</b>	8	WASHER-HARD (8.8X16X2-MM THK)						
	9	1	<b>110-6174</b>	1	PANEL-REAR						
	10	1	<b>6I-0088</b>	1	COVER AS-EXCITER						
	11	1	<b>5P-0537</b>	19	WASHER-HARD (7.2X14.5X2-MM THK)						
	12	1	<b>110-6175</b>	1	COVER AS-AIR (INLET)						
	13	1	<b>110-4325</b>	1	BRACKET-BEARING						
	14	1	<b>9S-8750</b>	3	NUT-FULL (1/4-20-THD)						
	15	1	<b>7E-6574</b>	1	COVER-DRIP						
	16	1	<b>8T-6764</b>	2	PLUG-PIPE (1/8-27-THD)						
Y	17	1	<b>110-3407</b>	1	ROTOR AS						1619
	18	1	<b>7E-6577</b>	1	COVER-RECTIFIER						
	19	1	<b>7C-5709</b>	3	SLEEVE						
	20	1	<b>7C-5708</b>	3	GROMMET						
	21	1	<b>033-2075</b>	6	WASHER (0.266X1.25X0.06-IN THK)						
	22	1	<b>1N-7219</b>	1	CHANNEL-RUBBER						
	23	1	<b>7E-6578</b>	2	PANEL						
	24	1	<b>7C-5711</b>	1	FILM-INSTRUCTION (VOLTAGE CONTROL ADJUSTMENT)						
	25	1	<b>7E-6575</b>	1	PANEL AS						
		1	<b>4F-8711</b>	2	PLUG-BUTTON						
		1	<b>5N-3174</b>	8	PLUG-BUTTON						
		1	<b>5N-3175</b>	1	PLUG-BUTTON						
		1	<b>6K-9593</b>	1	PLUG-BUTTON						
	26	1	<b>9F-7022</b>	1	BOLT (1/4-20X1.5-IN)						
	27	1	<b>4P-3420</b>	1	BRACKET (RH)						
	28	1	<b>7E-6568</b>	1	FRAME AS (RH)						
	29	1	<b>4P-3419</b>	1	BRACKET (LH)						
	30	1	<b>112-2563</b>	1	SCREEN AS						
	31	1	<b>7E-6567</b>	1	FRAME AS (LH)						
	32	1	<b>3V-5035</b>	1	SPACER (0.302X0.54X1.03-IN THK)						
	33	1	<b>0S-1615</b>	8	BOLT (1/4-20X0.75-IN)						
	34	1	<b>111-3187</b>	4	SPACER (8.3X11.9X38.1-MM THK)						
	35	1	<b>4P-3150</b>	1	COVER AS						
		1	<b>5N-3167</b>	3	SEAL-RING						
		1	<b>5N-3176</b>	3	PLUG-BUTTON						
		1	<b>6D-7128</b>	4	SEAL-O-RING						
		1	<b>8P-7065</b>	2	PLUG-BUTTON						
		1	<b>8T-9587</b>	2	SEAL-O-RING						
		1	<b>030-2284</b>	4	PLUG-BUTTON						
	36	1	<b>6I-2737</b>	2	RETAINER-BEARING						

# GENERATORS

109-3770 GENERATOR GP (contd.)

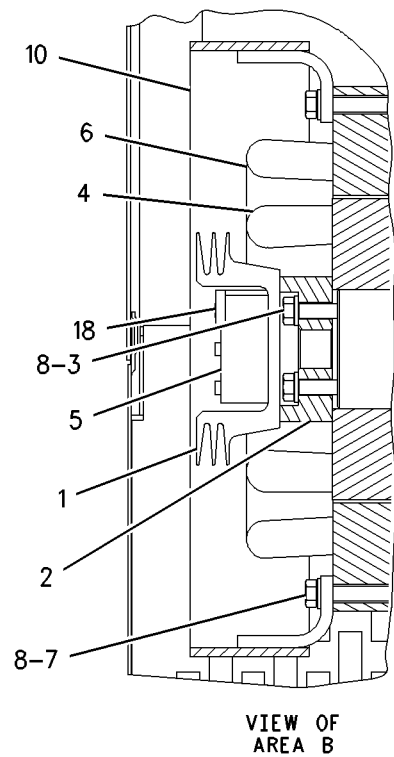
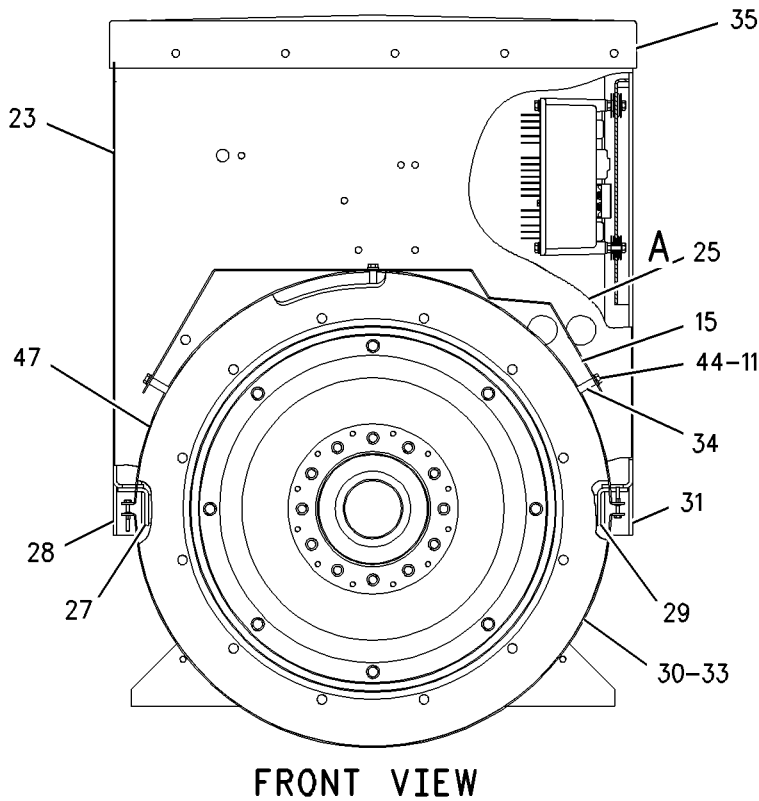
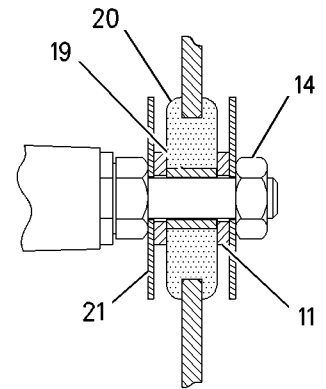
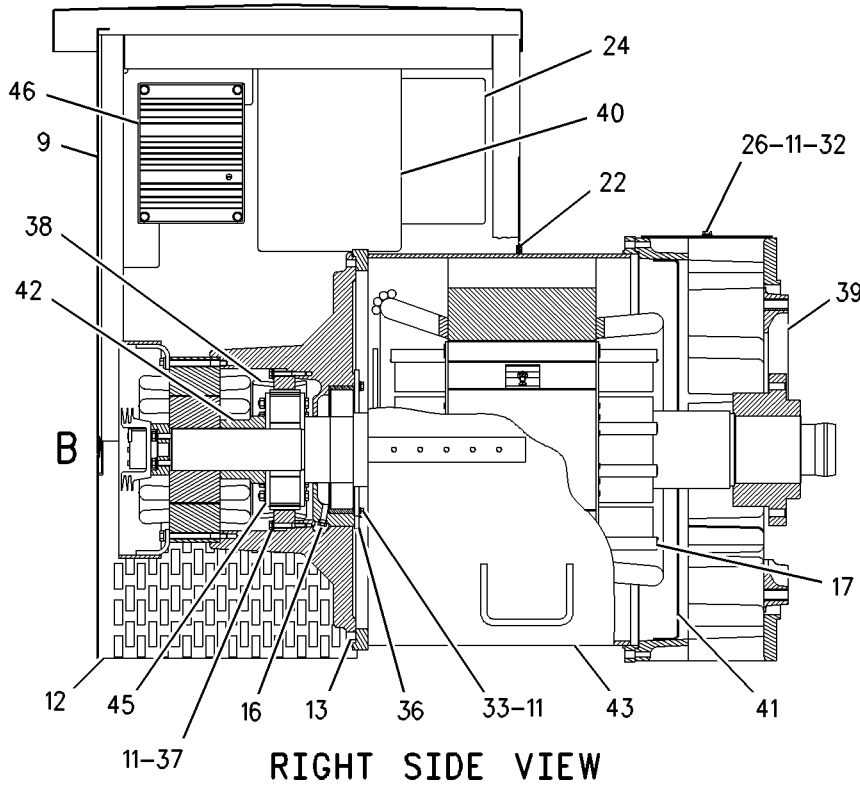
i01858419

NOTE	REF NO	GRAPHIC REF	PART NUMBER	QTY	PART NAME						SEE PAGE
					1	2	3	4	5	6 (PRODUCT LEVEL)	
	37	1	<b>8B-2377</b>	4	BOLT (1/4-20X2-IN)						
	38	1	<b>110-4875</b>	1	STATOR AS (PERMANENT MAGNET)						
		1	<b>7E-8266</b>	2	HOLDER AS-FUSE						
		1	<b>9Y-6027</b>	2	FUSE-CERAMIC (10-AMPERE)						
	39	1	<b>111-2413</b>	1	FAN-GENERATOR						
	40	1	<b>4W-9449</b>	1	FILM-INFORMATION (GENERATOR WIRING DIAGRAM)						
	41	1	<b>6I-0748</b>	3	DEFLECTOR						
	42	1	<b>112-9430</b>	1	SPACER (63.6X101.6X69.2-MM THK)						
	43	1	<b>4P-3402</b>	1	STATOR AS						
	44	1	<b>1B-2714</b>	4	BOLT (1/4-20X2.5-IN)						
	45	1	<b>110-4874</b>	1	ROTOR AS (PERMANENT MAGNET)						
Y	46	1	<b>114-5510</b>	1	REGULATOR AS-VOLTAGE (VR3 PERMANENT MAGNET)						1604
	47	1	<b>126-4421</b>	1	SCREEN AS						
					AVAILABLE REPAIR KIT(S):						
			<b>4W-3901</b>	1	KIT-ROTOR BALANCE WEIGHT (GENERATOR) (INCLUDES SCREWS, NUTS & WASHERS)						
			<b>9Y-5081</b>	1	KIT-STATOR REWIND (INCLUDES TOPSTICKS, SLOT LINERS, LEADS, LUGS, SEPARATORS, SLEEVES, CONNECTORS, CORD, TAPE, VARNISH & EPOXY RESIN)						
			<b>7E-7233</b>	1	KIT-GENERATOR HARDWARE (INCLUDES SCREWS, WASHERS, LOCKWASHERS, PLUGS, LUGS & NUTS)						
			<b>4C-6715</b>	1	KIT-RECTIFIER SILICONE (INCLUDES A TUBE OF SILICONE & A BOTTLE OF PRIMER)						
Y - SEPARATE ILLUSTRATION											

# GENERATORS

109-3770 GENERATOR GP (contd.)

101858419



GRAPHIC #1

<END>

g00710063

# GENERATORS

## 109-3770 GENERATOR GP

S/N: 6CG1-UP

60-HERTZ, 240-480 VOLTS. 444-FRAME, 12-LEAD

PART OF 109-3771 GENERATOR AR

TYPE 2

SMCS-4450

i02586609

NOTE	REF NO	GRAPHIC REF	PART NUMBER	QTY	PART NAME						SEE PAGE
					1	2	3	4	5	6 (PRODUCT LEVEL)	
Y	1	1	<b>290-5567</b>	1	HEAT SINK AS						1588
	2	1	<b>4P-3153</b>	1	SPACER (20.6X77X27.8-MM THK)						
	3	1	<b>1A-9579</b>	4	BOLT (5/16-18X1.5-IN)						
	4	1	<b>4P-3468</b>	1	ROTOR-EXCITER						
	6	1	<b>9Y-5817</b>	1	STATOR-EXCITER						
	7	1	<b>4B-3903</b>	4	BOLT (5/16-18X4-IN)						
	8	1	<b>9M-1974</b>	8	WASHER-HARD (8.8X16X2-MM THK)						
	9	1	<b>110-6174</b>	1	PANEL-REAR						
	10	1	<b>6I-0088</b>	1	COVER AS-EXCITER						
	11	1	<b>5P-0537</b>	13	WASHER-HARD (7.2X14.5X2-MM THK)						
	12	1	<b>110-6175</b>	1	COVER AS-AIR (INLET)						
	13	1	<b>110-4325</b>	1	BRACKET-BEARING						
	15	1	<b>7E-6574</b>	1	COVER-DRIP						
	16	1	<b>8T-6764</b>	2	PLUG-PIPE (1/8-27-THD)						
Y	17	1	<b>110-3407</b>	1	ROTOR AS						1619
	18	1	<b>7E-6577</b>	1	COVER-RECTIFIER						
	22	1	<b>1N-7219</b>	1	CHANNEL-RUBBER						
	23	1	<b>7E-6578</b>	2	PANEL						
	25	1	<b>7E-6575</b>	1	PANEL AS						
		1	<b>4F-8711</b>	2	PLUG-BUTTON						
		1	<b>5N-3174</b>	8	PLUG-BUTTON						
		1	<b>5N-3175</b>	1	PLUG-BUTTON						
		1	<b>6K-9593</b>	1	PLUG-BUTTON						
	26	1	<b>9F-7022</b>	1	BOLT (1/4-20X1.5-IN)						
	27	1	<b>4P-3420</b>	1	BRACKET (RH)						
	28	1	<b>7E-6568</b>	1	FRAME AS (RH)						
	29	1	<b>4P-3419</b>	1	BRACKET (LH)						
	30	1	<b>112-2563</b>	1	SCREEN AS						
	31	1	<b>7E-6567</b>	1	FRAME AS (LH)						
	32	1	<b>3V-5035</b>	1	SPACER (0.302X0.54X1.03-IN THK)						
	33	1	<b>0S-1615</b>	8	BOLT (1/4-20X0.75-IN)						
	34	1	<b>111-3187</b>	4	SPACER (8.3X11.9X38.1-MM THK)						
	35	1	<b>4P-3150</b>	1	COVER AS						
		1	<b>5N-3167</b>	3	SEAL-RING						
		1	<b>5N-3176</b>	3	PLUG-BUTTON						
		1	<b>6D-7128</b>	4	SEAL-O-RING						
		1	<b>8P-7065</b>	2	PLUG-BUTTON						
		1	<b>8T-9587</b>	2	SEAL-O-RING						
		1	<b>030-2284</b>	4	PLUG-BUTTON						
	36	1	<b>6I-2737</b>	2	RETAINER-BEARING						
	37	1	<b>8B-2377</b>	4	BOLT (1/4-20X2-IN)						
	38	1	<b>110-4875</b>	1	STATOR AS (PERMANENT MAGNET)						
		1	<b>7E-8266</b>	2	HOLDER AS-FUSE						
		1	<b>9Y-6027</b>	2	FUSE-CERAMIC (10-AMPERE)						
	39	1	<b>111-2413</b>	1	FAN-GENERATOR						
	40	1	<b>4W-9449</b>	1	FILM-INFORMATION (GENERATOR WIRING DIAGRAM)						



# GENERATORS

109-3770 GENERATOR GP (contd.)

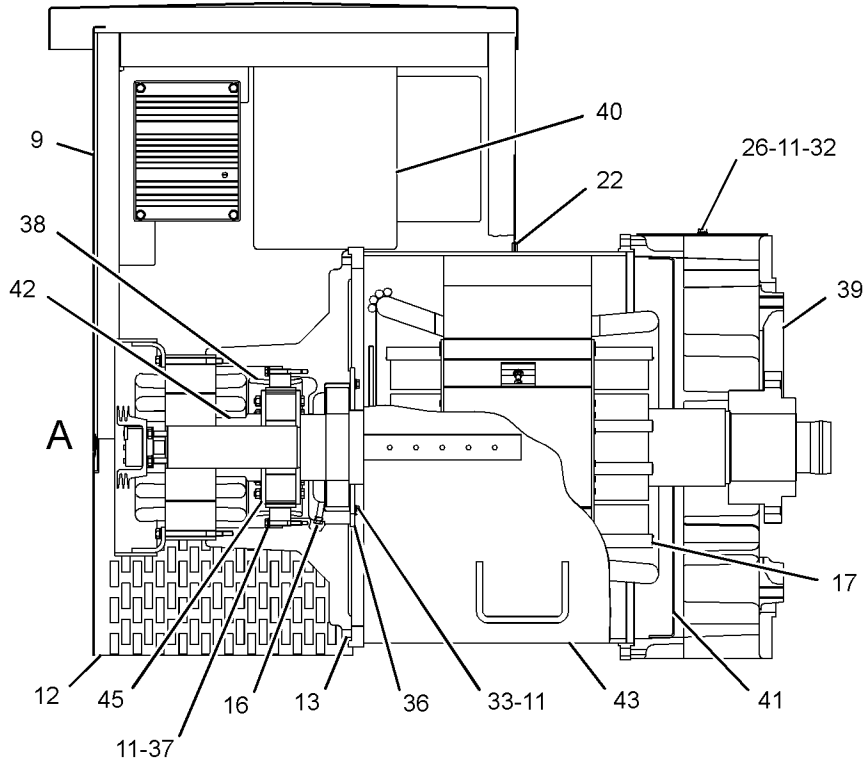
i02586609

NOTE	REF NO	GRAPHIC REF	PART NUMBER	QTY	PART NAME						SEE PAGE
					1	2	3	4	5	6 (PRODUCT LEVEL)	
	41	1	<b>6I-0748</b>	3	DEFLECTOR						
	42	1	<b>112-9430</b>	1	SPACER (63.6X101.6X69.2-MM THK)						
	43	1	<b>4P-3402</b>	1	STATOR AS						
	44	1	<b>1B-2714</b>	4	BOLT (1/4-20X2.5-IN)						
	45	1	<b>110-4874</b>	1	ROTOR AS (PERMANENT MAGNET)						
	47	1	<b>126-4421</b>	1	SCREEN AS						
					AVAILABLE REPAIR KIT(S):						
			<b>4W-3901</b>	1	KIT-ROTOR BALANCE WEIGHT (GENERATOR)						
					(INCLUDES SCREWS, NUTS & WASHERS)						
			<b>9Y-5081</b>	1	KIT-STATOR REWIND						
					(INCLUDES TOPSTICKS, SLOT LINERS, LEADS, LUGS, SEPARATORS, SLEEVES, CONNECTORS, CORD, TAPE, VARNISH & EPOXY RESIN)						
			<b>7E-7233</b>	1	KIT-GENERATOR HARDWARE						
					(INCLUDES SCREWS, WASHERS, LOCKWASHERS, PLUGS, LUGS & NUTS)						
			<b>4C-6715</b>	1	KIT-RECTIFIER SILICONE						
					(INCLUDES A TUBE OF SILICONE & A BOTTLE OF PRIMER)						
Y - SEPARATE ILLUSTRATION											

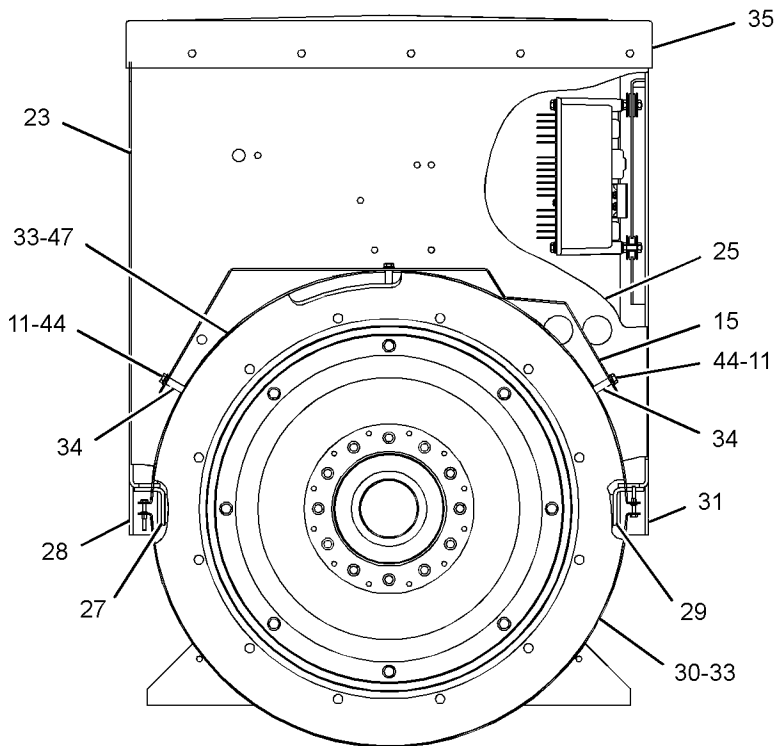
# GENERATORS

109-3770 GENERATOR GP (contd.)

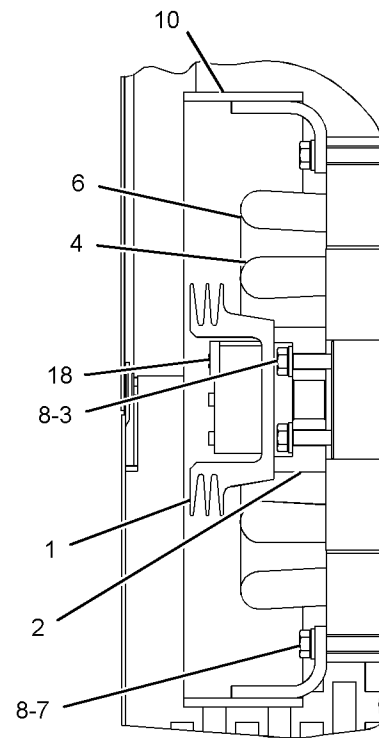
i02586609



RIGHT SIDE VIEW



FRONT VIEW



VIEW OF AREA A

GRAPHIC #1

<END>

g01298690

# GENERATORS

## 109-3772 GENERATOR GP

S/N: 6DG1-UP

60-HERTZ, 240-480 VOLTS. 445-FRAME, 12-LEAD

PART OF 109-3773 GENERATOR AR

TYPE 1

SMCS-4450

i01858425

NOTE	REF NO	GRAPHIC REF	PART NUMBER	QTY	PART NAME						SEE PAGE
					1	2	3	4	5	6 (PRODUCT LEVEL)	
	1	1	<b>4P-3154</b>	1	HEAT SINK						
	2	1	<b>4P-3153</b>	1	SPACER (20.6X77X27.8-MM THK)						
	3	1	<b>1A-9579</b>	4	BOLT (5/16-18X1.5-IN)						
	4	1	<b>4P-3468</b>	1	ROTOR-EXCITER						
	5	1	<b>9Y-0916</b>	1	RECTIFIER AS						
	6	1	<b>9Y-5817</b>	1	STATOR-EXCITER						
	7	1	<b>4B-3903</b>	4	BOLT (5/16-18X4-IN)						
	8	1	<b>9M-1974</b>	8	WASHER-HARD (8.8X16X2-MM THK)						
	9	1	<b>110-6174</b>	1	PANEL-REAR						
	10	1	<b>6I-0748</b>	3	DEFLECTOR						
	11	1	<b>6I-0088</b>	1	COVER AS-EXCITER						
	12	1	<b>5P-0537</b>	19	WASHER-HARD (7.2X14.5X2-MM THK)						
	13	1	<b>110-6175</b>	1	COVER AS-AIR (INLET)						
	14	1	<b>110-4325</b>	1	BRACKET-BEARING						
	15	1	<b>9S-8750</b>	3	NUT-FULL (1/4-20-THD)						
	16	1	<b>7E-6574</b>	1	COVER-DRIP						
	17	1	<b>8T-6764</b>	2	PLUG-PIPE (1/8-27-THD)						
Y	18	1	<b>110-3408</b>	1	ROTOR AS						1620
	19	1	<b>7E-6577</b>	1	COVER-RECTIFIER						
	20	1	<b>7C-5709</b>	3	SLEEVE						
	21	1	<b>7C-5708</b>	3	GROMMET						
	22	1	<b>033-2075</b>	6	WASHER (0.266X1.25X0.06-IN THK)						
	23	1	<b>1N-7219</b>	1	CHANNEL-RUBBER						
	24	1	<b>7E-6578</b>	2	PANEL						
	25	1	<b>4W-9449</b>	1	FILM-INFORMATION (GENERATOR WIRING DIAGRAM)						
	26	1	<b>7C-5711</b>	1	FILM-INSTRUCTION (VOLTAGE CONTROL ADJUSTMENT)						
	27	1	<b>7E-6575</b>	1	PANEL AS						
		1	<b>4F-8711</b>	2	PLUG-BUTTON						
		1	<b>5N-3174</b>	8	PLUG-BUTTON						
		1	<b>5N-3175</b>	1	PLUG-BUTTON						
		1	<b>6K-9593</b>	1	PLUG-BUTTON						
	28	1	<b>9F-7022</b>	1	BOLT (1/4-20X1.5-IN)						
	29	1	<b>110-4875</b>	1	STATOR AS (PERMANENT MAGNET)						
		1	<b>7E-8266</b>	2	HOLDER AS-FUSE						
		1	<b>9Y-6027</b>	2	FUSE-CERAMIC (10-AMPERE)						
	30	1	<b>7E-6568</b>	1	FRAME AS (RH)						
	31	1	<b>110-4874</b>	1	ROTOR AS (PERMANENT MAGNET)						
	32	1	<b>8B-2377</b>	4	BOLT (1/4-20X2-IN)						
	33	1	<b>7E-6567</b>	1	FRAME AS (LH)						
	34	1	<b>3V-5035</b>	1	SPACER (0.302X0.54X1.03-IN THK)						
	35	1	<b>4P-3420</b>	1	BRACKET (RH)						
	36	1	<b>5L-2087</b>	4	SPACER (9.25X13.72X50.8-MM THK)						
	37	1	<b>4P-3150</b>	1	COVER AS						
		1	<b>5N-3167</b>	3	SEAL-RING						
		1	<b>5N-3176</b>	3	PLUG-BUTTON						
		1	<b>6D-7128</b>	4	SEAL-O-RING						

# GENERATORS

109-3772 GENERATOR GP (contd.)

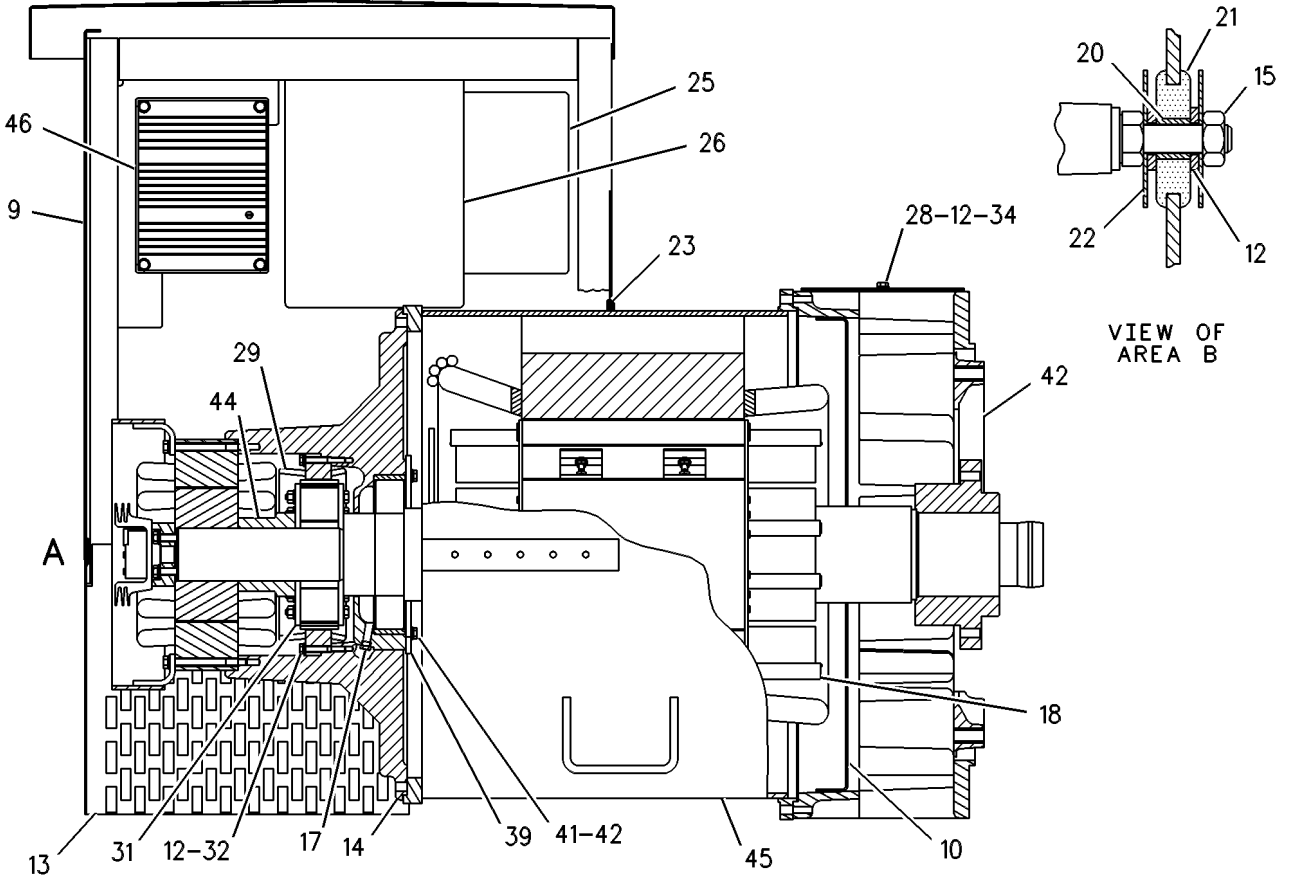
i01858425

NOTE	REF NO	GRAPHIC REF	PART NUMBER	QTY	PART NAME						SEE PAGE
					1	2	3	4	5	6 (PRODUCT LEVEL)	
		1	<b>8P-7065</b>	2	PLUG-BUTTON						
		1	<b>8T-9587</b>	2	SEAL-O-RING						
		1	<b>030-2284</b>	4	PLUG-BUTTON						
	38	1	<b>4P-3419</b>	1	BRACKET (LH)						
	39	1	<b>6I-2737</b>	2	RETAINER-BEARING						
	40	1	<b>112-2563</b>	1	SCREEN AS						
	41	1	<b>0S-1615</b>	8	BOLT (1/4-20X0.75-IN)						
	42	1	<b>111-2413</b>	1	FAN-GENERATOR						
	43	1	<b>1B-2714</b>	4	BOLT (1/4-20X2.5-IN)						
	44	1	<b>112-9430</b>	1	SPACER (63.6X101.6X69.2-MM THK)						
	45	1	<b>4P-3404</b>	1	STATOR AS						
Y	46	1	<b>114-5510</b>	1	REGULATOR AS-VOLTAGE (VR3 PERMANENT MAGNET)						1604
	47	1	<b>126-4421</b>	1	SCREEN AS						
					AVAILABLE REPAIR KIT(S):						
			<b>9Y-5084</b>	1	KIT-STATOR REWIND						
					(INCLUDES LINER, LEADS, TERMINAL LUG, SLOT SEPARATOR, PHASE SEPARATOR, CONNECT COVER, CONNECTOR, CORD, FILM, VARNISH MOD, EPOXY RESIN & COIL LEAD)						
			<b>7E-7233</b>	1	KIT-GENERATOR HARDWARE						
					(INCLUDES WASHERS, NUTS, SCREWS & LUGS)						
			<b>4W-3901</b>	1	KIT-ROTOR BALANCE WEIGHT (GENERATOR)						
					(INCLUDES SCREWS, NUTS & WASHERS)						
			<b>4C-6715</b>	1	KIT-RECTIFIER SILICONE						
					(INCLUDES SILICONE & PRIMER)						
Y - SEPARATE ILLUSTRATION											

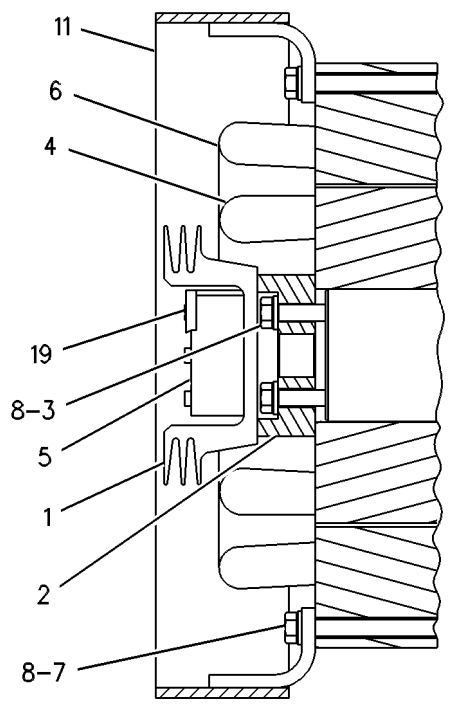
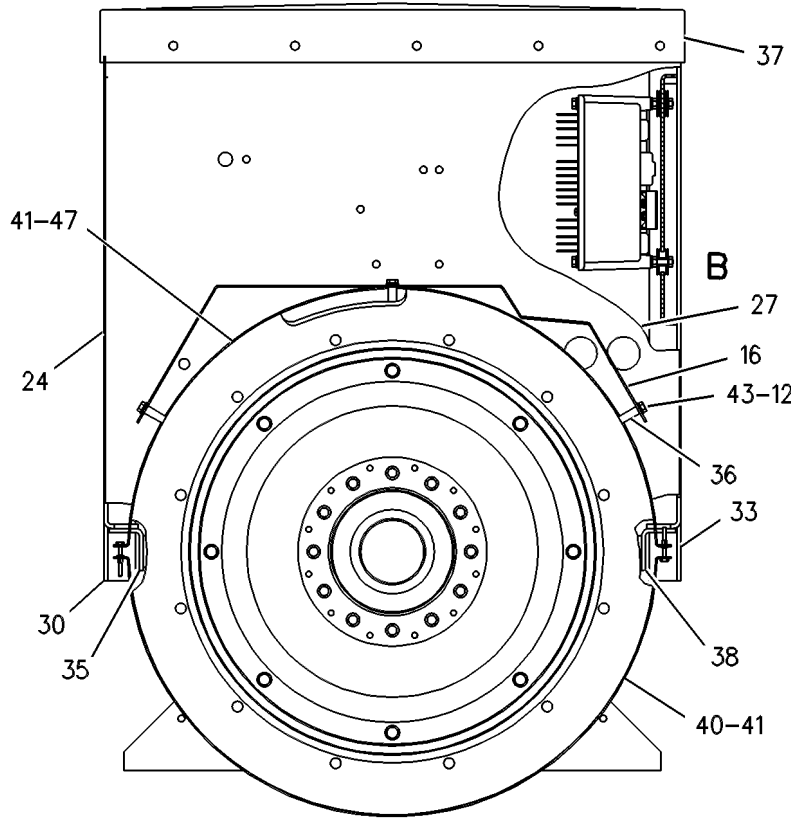
# GENERATORS

109-3772 GENERATOR GP (contd.)

i01858425



VIEW OF AREA B



VIEW OF AREA A

GRAPHIC #1

<END>

g00255405

# GENERATORS

## 109-3772 GENERATOR GP

S/N: 6DG1-UP

60-HERTZ, 240-480 VOLTS. 445-FRAME, 12-LEAD

PART OF 109-3773 GENERATOR AR

TYPE 2

SMCS-4450

i02643837

NOTE	REF NO	GRAPHIC REF	PART NUMBER	QTY	PART NAME						SEE PAGE
					1	2	3	4	5	6 (PRODUCT LEVEL)	
C	1	1	<b>290-5567</b>	1	HEAT SINK AS						
	2	1	<b>4P-3153</b>	1	SPACER (20.6X77X27.8-MM THK)						
	3	1	<b>1A-9579</b>	4	BOLT (5/16-18X1.5-IN)						
	4	1	<b>4P-3468</b>	1	ROTOR-EXCITER						
	6	1	<b>9Y-5817</b>	1	STATOR-EXCITER						
	7	1	<b>4B-3903</b>	4	BOLT (5/16-18X4-IN)						
	8	1	<b>9M-1974</b>	8	WASHER-HARD (8.8X16X2-MM THK)						
	9	1	<b>110-6174</b>	1	PANEL-REAR						
	10	1	<b>6I-0748</b>	3	DEFLECTOR						
	11	1	<b>6I-0088</b>	1	COVER AS-EXCITER						
C	12	1	<b>5P-0537</b>	13	WASHER-HARD (7.2X14.5X2-MM THK)						
	13	1	<b>110-6175</b>	1	COVER AS-AIR (INLET)						
	14	1	<b>110-4325</b>	1	BRACKET-BEARING						
	16	1	<b>7E-6574</b>	1	COVER-DRIP						
	17	1	<b>8T-6764</b>	2	PLUG-PIPE (1/8-27-THD)						
Y	18	1	<b>110-3408</b>	1	ROTOR AS						1620
	23	1	<b>1N-7219</b>	1	CHANNEL-RUBBER						
	24	1	<b>7E-6578</b>	2	PANEL						
	25	1	<b>4W-9449</b>	1	FILM-INFORMATION (GENERATOR WIRING DIAGRAM)						
	27	1	<b>7E-6575</b>	1	PANEL AS						
		1	<b>4F-8711</b>	2	PLUG-BUTTON						
		1	<b>5N-3174</b>	8	PLUG-BUTTON						
		1	<b>5N-3175</b>	1	PLUG-BUTTON						
		1	<b>6K-9593</b>	1	PLUG-BUTTON						
	28	1	<b>9F-7022</b>	1	BOLT (1/4-20X1.5-IN)						
	29	1	<b>110-4875</b>	1	STATOR AS (PERMANENT MAGNET)						
		1	<b>7E-8266</b>	2	HOLDER AS-FUSE						
		1	<b>9Y-6027</b>	2	FUSE-CERAMIC (10-AMPERE)						
	30	1	<b>7E-6568</b>	1	FRAME AS (RH)						
	31	1	<b>110-4874</b>	1	ROTOR AS (PERMANENT MAGNET)						
	32	1	<b>8B-2377</b>	4	BOLT (1/4-20X2-IN)						
	33	1	<b>7E-6567</b>	1	FRAME AS (LH)						
	34	1	<b>3V-5035</b>	1	SPACER (0.302X0.54X1.03-IN THK)						
	35	1	<b>4P-3420</b>	1	BRACKET (RH)						
	36	1	<b>5L-2087</b>	4	SPACER (9.25X13.72X50.8-MM THK)						
	37	1	<b>4P-3150</b>	1	COVER AS						
		1	<b>5N-3167</b>	3	SEAL-RING						
		1	<b>5N-3176</b>	3	PLUG-BUTTON						
		1	<b>6D-7128</b>	4	SEAL-O-RING						
		1	<b>8P-7065</b>	2	PLUG-BUTTON						
		1	<b>8T-9587</b>	2	SEAL-O-RING						
		1	<b>030-2284</b>	4	PLUG-BUTTON						
	38	1	<b>4P-3419</b>	1	BRACKET (LH)						
	39	1	<b>6I-2737</b>	2	RETAINER-BEARING						
	40	1	<b>112-2563</b>	1	SCREEN AS						
	41	1	<b>0S-1615</b>	8	BOLT (1/4-20X0.75-IN)						

# GENERATORS

109-3772 **GENERATOR GP (contd.)**

**i02643837**

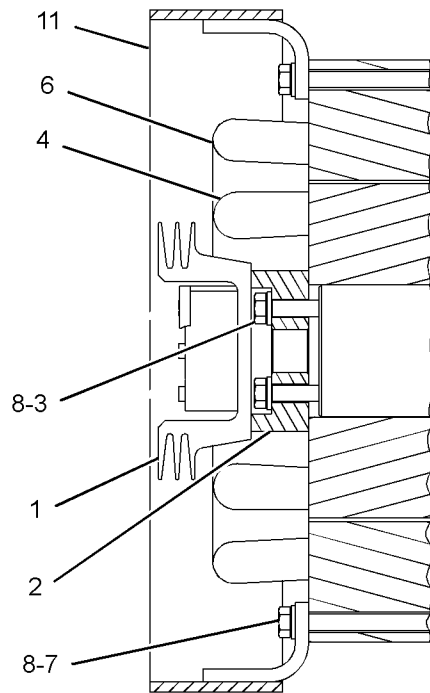
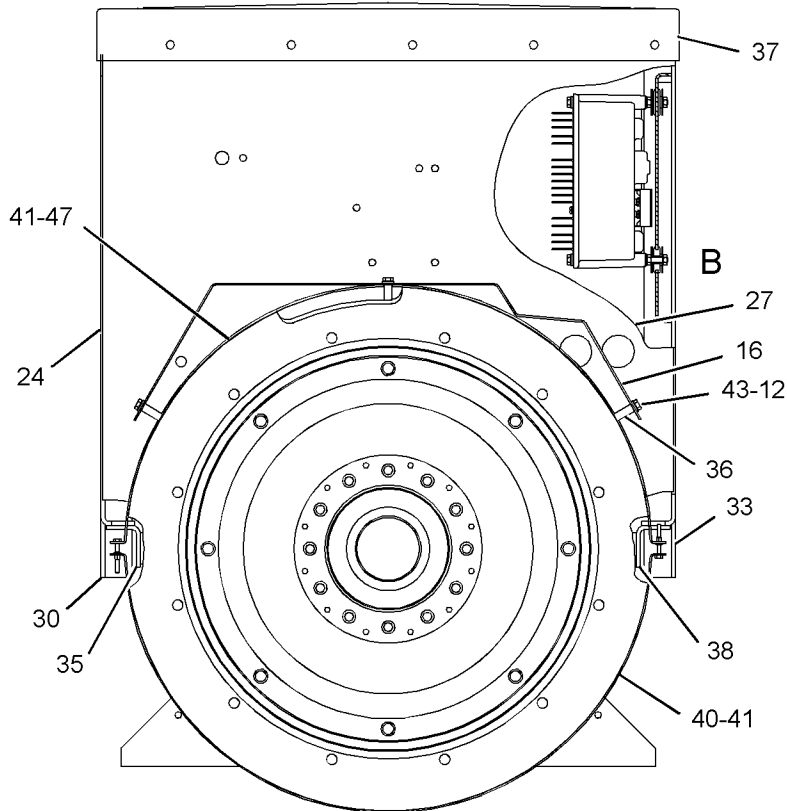
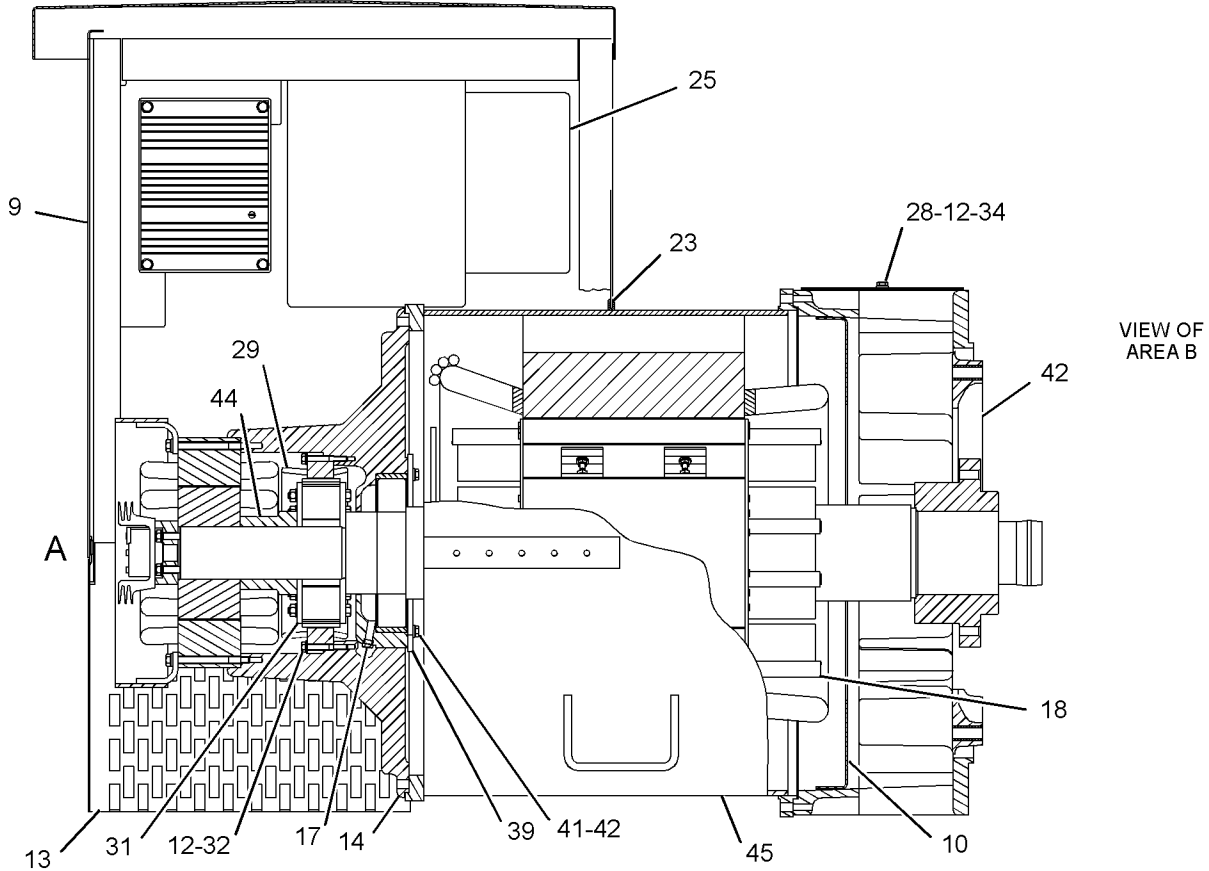
NOTE	REF NO	GRAPHIC REF	PART NUMBER	QTY	PART NAME						SEE PAGE
					1	2	3	4	5	6 (PRODUCT LEVEL)	
	42	1	<b>111-2413</b>	1	FAN-GENERATOR						
	43	1	<b>1B-2714</b>	4	BOLT (1/4-20X2.5-IN)						
	44	1	<b>112-9430</b>	1	SPACER (63.6X101.6X69.2-MM THK)						
	45	1	<b>4P-3404</b>	1	STATOR AS						
	47	1	<b>126-4421</b>	1	SCREEN AS						
					AVAILABLE REPAIR KIT(S) :						
			<b>9Y-5084</b>	1	KIT-STATOR REWIND						
					(INCLUDES LINER, LEADS, TERMINAL LUG, SLOT SEPARATOR, PHASE SEPARATOR, CONNECT COVER, CONNECTOR, CORD, FILM, VARNISH MOD, EPOXY RESIN & COIL LEAD)						
			<b>7E-7233</b>	1	KIT-GENERATOR HARDWARE						
					(INCLUDES WASHERS, NUTS, SCREWS & LUGS)						
			<b>4W-3901</b>	1	KIT-ROTOR BALANCE WEIGHT (GENERATOR)						
					(INCLUDES SCREWS, NUTS & WASHERS)						

C - CHANGE FROM PREVIOUS TYPE  
 Y - SEPARATE ILLUSTRATION

# GENERATORS

109-3772 GENERATOR GP (contd.)

i02643837



GRAPHIC #1

<END>

g01327031



# GENERATORS

## 109-3774 GENERATOR GP

S/N: 6EG1-UP

60 HERTZ, 240/480 VOLTS

PART OF 109-3775 GENERATOR AR

TYPE 1

SMCS-4450

i01858432

NOTE	REF NO	GRAPHIC REF	PART NUMBER	QTY	PART NAME						SEE PAGE
					1	2	3	4	5	6 (PRODUCT LEVEL)	
	1	1	<b>4P-3154</b>	1	HEAT SINK						
	2	1	<b>4P-3153</b>	1	SPACER (20.6X77X27.8-MM THK)						
	3	1	<b>1A-9579</b>	4	BOLT (5/16-18X1.5-IN)						
	4	1	<b>4P-3152</b>	1	ROTOR-EXCITER						
	5	1	<b>9Y-0916</b>	1	RECTIFIER AS						
	6	1	<b>9Y-5816</b>	1	STATOR-EXCITER						
	7	1	<b>3H-5932</b>	4	BOLT (5/16-18X4.5-IN)						
	8	1	<b>9M-1974</b>	8	WASHER-HARD (8.8X16X2-MM THK)						
	9	1	<b>6I-0748</b>	3	DEFLECTOR						
	10	1	<b>6I-0088</b>	1	COVER AS-EXCITER						
	11	1	<b>1B-2714</b>	4	BOLT (1/4-20X2.5-IN)						
	12	1	<b>5P-0537</b>	19	WASHER-HARD (7.2X14.5X2-MM THK)						
	13	1	<b>111-2413</b>	1	FAN-GENERATOR						
	14	1	<b>9S-8750</b>	3	NUT-FULL (1/4-20-THD)						
	15	1	<b>7E-6574</b>	1	COVER-DRIP						
	16	1	<b>0S-1615</b>	8	BOLT (1/4-20X0.75-IN)						
	17	1	<b>7E-6577</b>	1	COVER-RECTIFIER						
	18	1	<b>7C-5709</b>	3	SLEEVE						
	19	1	<b>7C-5708</b>	3	GROMMET						
	20	1	<b>033-2075</b>	6	WASHER (0.266X1.25X0.06-IN THK)						
	21	1	<b>1N-7219</b>	1	CHANNEL-RUBBER						
	22	1	<b>7E-6578</b>	2	PANEL						
	23	1	<b>4W-9449</b>	1	FILM-INFORMATION (GENERATOR WIRING DIAGRAM)						
	24	1	<b>7C-5711</b>	1	FILM-INSTRUCTION (VOLTAGE CONTROL ADJUSTMENT)						
	25	1	<b>7E-6575</b>	1	PANEL AS						
		1	<b>4F-8711</b>	2	PLUG-BUTTON						
		1	<b>5N-3174</b>	8	PLUG-BUTTON						
		1	<b>5N-3175</b>	1	PLUG-BUTTON						
		1	<b>6K-9593</b>	1	PLUG-BUTTON						
	26	1	<b>9F-7022</b>	1	BOLT (1/4-20X1.5-IN)						
	27	1	<b>7E-6568</b>	1	FRAME AS (RH)						
	28	1	<b>7E-6567</b>	1	FRAME AS (LH)						
	29	1	<b>3V-5035</b>	1	SPACER (0.302X0.54X1.03-IN THK)						
	30	1	<b>5L-2087</b>	4	SPACER (9.25X13.72X50.8-MM THK)						
	31	1	<b>4P-3150</b>	1	COVER AS						
		1	<b>5N-3167</b>	3	SEAL-RING						
		1	<b>5N-3176</b>	3	PLUG-BUTTON						
		1	<b>6D-7128</b>	4	SEAL-O-RING						
		1	<b>8P-7065</b>	2	PLUG-BUTTON						
		1	<b>8T-9587</b>	2	SEAL-O-RING						
		1	<b>030-2284</b>	4	PLUG-BUTTON						
	32	1	<b>6I-2737</b>	2	RETAINER-BEARING						
	33	1	<b>110-6174</b>	1	PANEL-REAR						
	34	1	<b>110-6175</b>	1	COVER AS-AIR (INLET)						
	35	1	<b>8T-6764</b>	2	PLUG-PIPE (1/8-27-THD)						
	36	1	<b>110-4325</b>	1	BRACKET-BEARING						

# GENERATORS

109-3774 GENERATOR GP (contd.)

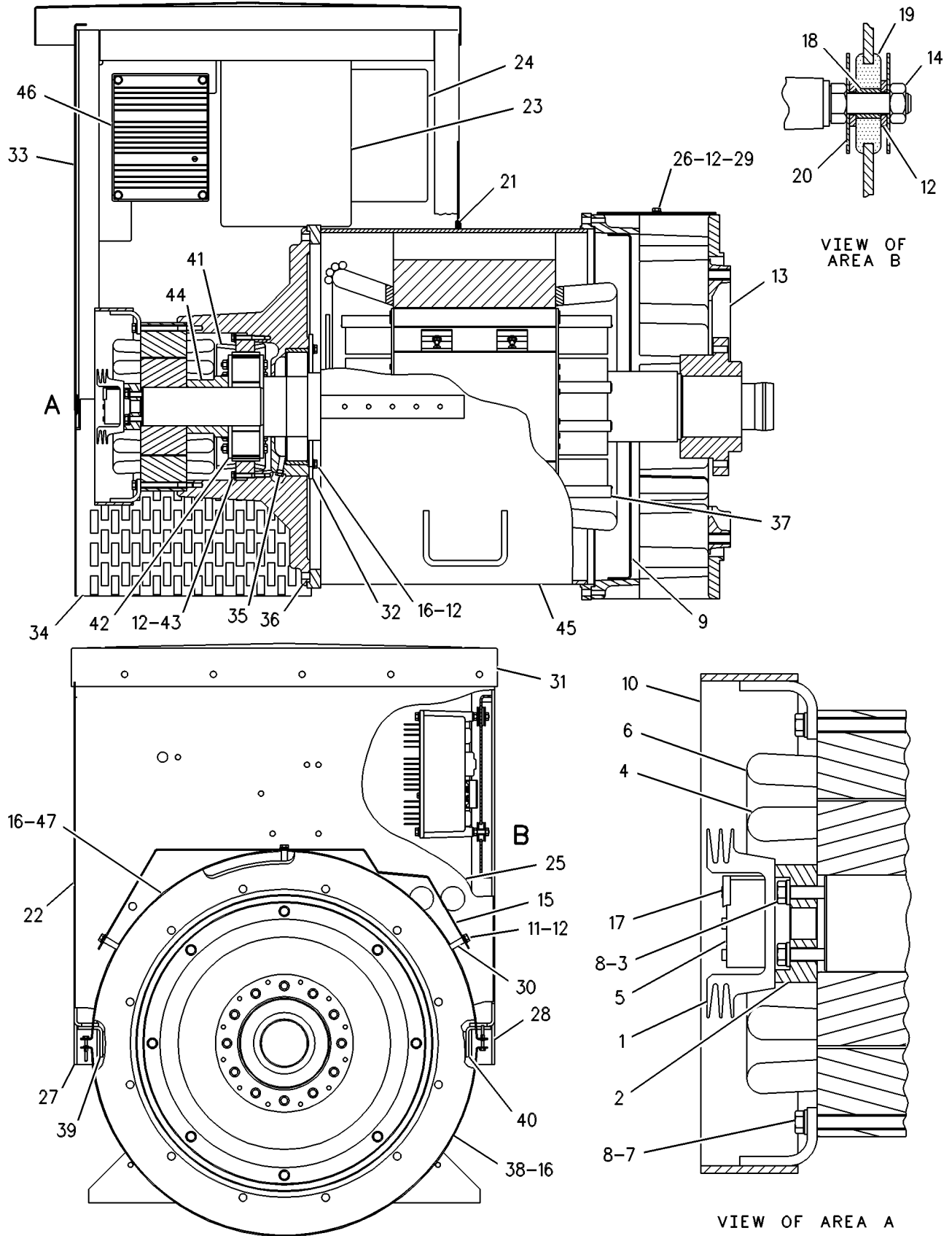
i01858432

NOTE	REF NO	GRAPHIC REF	PART NUMBER	QTY	PART NAME						SEE PAGE
					1	2	3	4	5	6 (PRODUCT LEVEL)	
Y	37	1	<b>110-3409</b>	1	ROTOR AS						1621
	38	1	<b>112-2563</b>	1	SCREEN AS						
	39	1	<b>4P-3420</b>	1	BRACKET (RH)						
	40	1	<b>4P-3419</b>	1	BRACKET (LH)						
	41	1	<b>110-4875</b>	1	STATOR AS (PERMANENT MAGNET)						
		1	<b>7E-8266</b>	2	HOLDER AS-FUSE						
		1	<b>9Y-6027</b>	2	FUSE-CERAMIC (10-AMPERE)						
	42	1	<b>110-4874</b>	1	ROTOR AS (PERMANENT MAGNET)						
	43	1	<b>8B-2377</b>	4	BOLT (1/4-20X2-IN)						
	44	1	<b>112-9430</b>	1	SPACER (63.6X101.6X69.2-MM THK)						
	45	1	<b>4P-3406</b>	1	STATOR AS						
Y	46	1	<b>114-5510</b>	1	REGULATOR AS-VOLTAGE (VR3 PERMANENT MAGNET)						1604
	47	1	<b>126-4421</b>	1	SCREEN AS						
					AVAILABLE REPAIR KIT(S):						
			<b>4W-3901</b>	1	KIT-ROTOR BALANCE WEIGHT (GENERATOR) (INCLUDES SCREWS, NUTS & WASHERS)						
			<b>7E-7233</b>	1	KIT-GENERATOR HARDWARE (INCLUDES WASHERS, NUTS, SCREWS & LUGS)						
			<b>9Y-5087</b>	1	KIT-STATOR REWIND (INCLUDES LINER, LEADS TERMINAL LUG, SLOT SEPARATOR, PHASE SEPARATOR, CONNECT COVERS, CORD, CONNECTOR, FILM, VARNISH MOD, EPOXY RESIN & COIL LEAD)						
			<b>4C-6715</b>	1	KIT-RECTIFIER SILICONE (INCLUDES SILICONE & PRIMER)						
Y - SEPARATE ILLUSTRATION											

# GENERATORS

109-3774 GENERATOR GP (contd.)

i01858432



GRAPHIC #1

<END>

g00255426

# GENERATORS

## 109-3774 GENERATOR GP

S/N: 6EG1-UP

60 HERTZ, 240/480 VOLTS

PART OF 109-3775 GENERATOR AR

TYPE 2

SMCS-4450

i01989764

NOTE	REF NO	GRAPHIC REF	PART NUMBER	QTY	PART NAME						SEE PAGE
					1	2	3	4	5	6 (PRODUCT LEVEL)	
	1	1	<b>4P-3154</b>	1	HEAT SINK						
	2	1	<b>4P-3153</b>	1	SPACER (20.6X77X27.8-MM THK)						
	3	1	<b>1A-9579</b>	4	BOLT (5/16-18X1.5-IN)						
	4	1	<b>4P-3152</b>	1	ROTOR-EXCITER						
	5	1	<b>9Y-0916</b>	1	RECTIFIER AS						
	6	1	<b>9Y-5816</b>	1	STATOR-EXCITER						
	7	1	<b>3H-5932</b>	4	BOLT (5/16-18X4.5-IN)						
	8	1	<b>9M-1974</b>	8	WASHER-HARD (8.8X16X2-MM THK)						
	9	1	<b>6I-0748</b>	3	DEFLECTOR						
	10	1	<b>6I-0088</b>	1	COVER AS-EXCITER						
	11	1	<b>1B-2714</b>	4	BOLT (1/4-20X2.5-IN)						
C	12	1	<b>5P-0537</b>	13	WASHER-HARD (7.2X14.5X2-MM THK)						
	13	1	<b>111-2413</b>	1	FAN-GENERATOR						
	15	1	<b>7E-6574</b>	1	COVER-DRIP						
	16	1	<b>0S-1615</b>	8	BOLT (1/4-20X0.75-IN)						
	17	1	<b>7E-6577</b>	1	COVER-RECTIFIER						
	21	1	<b>1N-7219</b>	1	CHANNEL-RUBBER						
	22	1	<b>7E-6578</b>	2	PANEL						
	23	1	<b>4W-9449</b>	1	FILM-INFORMATION (GENERATOR WIRING DIAGRAM)						
	25	1	<b>7E-6575</b>	1	PANEL AS						
		1	<b>4F-8711</b>	2	PLUG-BUTTON						
		1	<b>5N-3174</b>	8	PLUG-BUTTON						
		1	<b>5N-3175</b>	1	PLUG-BUTTON						
		1	<b>6K-9593</b>	1	PLUG-BUTTON						
	26	1	<b>9F-7022</b>	1	BOLT (1/4-20X1.5-IN)						
	27	1	<b>7E-6568</b>	1	FRAME AS (RH)						
	28	1	<b>7E-6567</b>	1	FRAME AS (LH)						
	29	1	<b>3V-5035</b>	1	SPACER (0.302X0.54X1.03-IN THK)						
	30	1	<b>5L-2087</b>	4	SPACER (9.25X13.72X50.8-MM THK)						
	31	1	<b>4P-3150</b>	1	COVER AS						
		1	<b>5N-3167</b>	3	SEAL-RING						
		1	<b>5N-3176</b>	3	PLUG-BUTTON						
		1	<b>6D-7128</b>	4	SEAL-O-RING						
		1	<b>8P-7065</b>	2	PLUG-BUTTON						
		1	<b>8T-9587</b>	2	SEAL-O-RING						
		1	<b>030-2284</b>	4	PLUG-BUTTON						
	32	1	<b>6I-2737</b>	2	RETAINER-BEARING						
	33	1	<b>110-6174</b>	1	PANEL-REAR						
	34	1	<b>110-6175</b>	1	COVER AS-AIR (INLET)						
	35	1	<b>8T-6764</b>	2	PLUG-PIPE (1/8-27-THD)						
	36	1	<b>110-4325</b>	1	BRACKET-BEARING						
Y	37	1	<b>110-3409</b>	1	ROTOR AS						1621
	38	1	<b>112-2563</b>	1	SCREEN AS						
	39	1	<b>4P-3420</b>	1	BRACKET (RH)						
	40	1	<b>4P-3419</b>	1	BRACKET (LH)						
	41	1	<b>110-4875</b>	1	STATOR AS (PERMANENT MAGNET)						

# GENERATORS

109-3774 GENERATOR GP (contd.)

i01989764

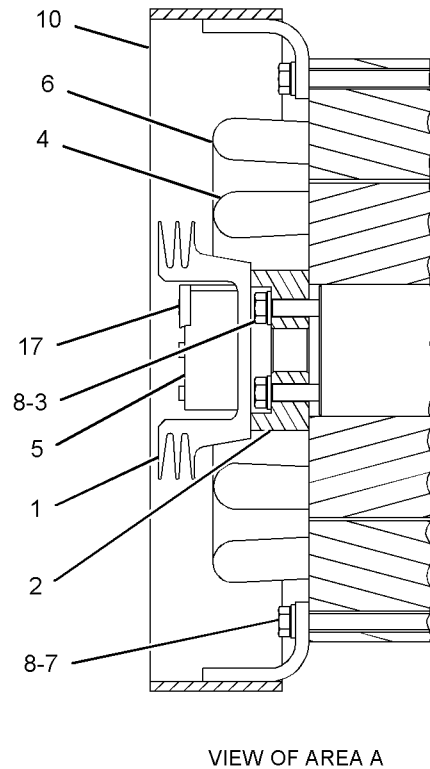
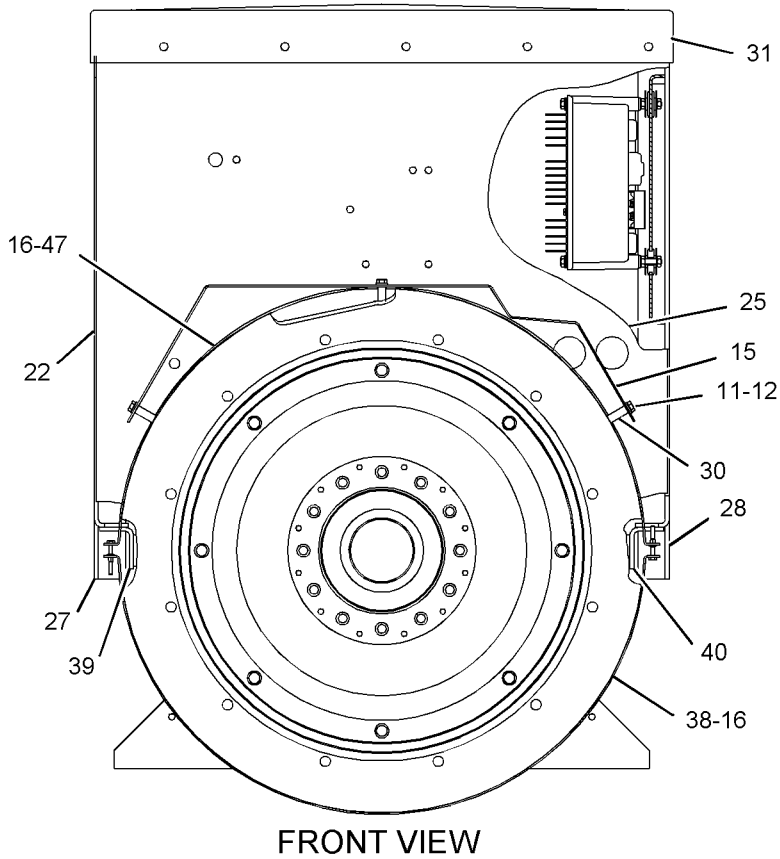
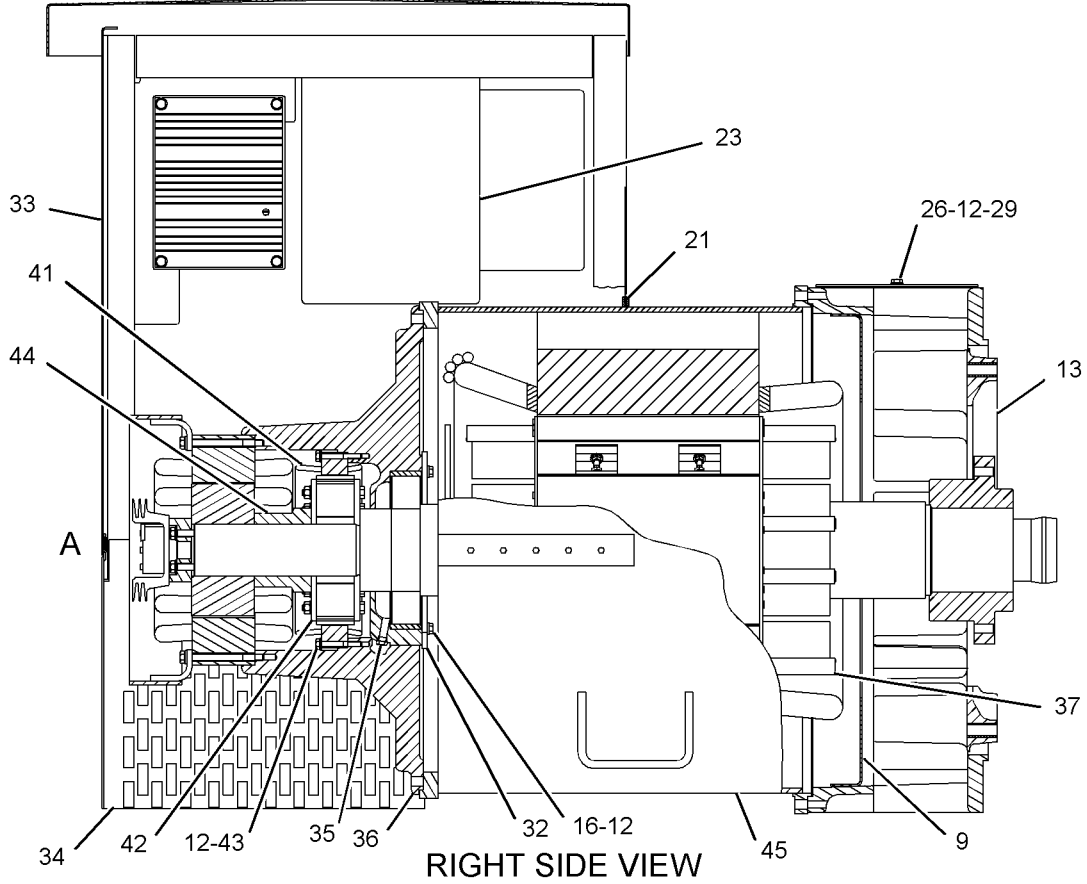
NOTE	REF NO	GRAPHIC REF	PART NUMBER	QTY	PART NAME						SEE PAGE
					1	2	3	4	5	6 (PRODUCT LEVEL)	
		1	<b>7E-8266</b>	2	HOLDER AS-FUSE						
		1	<b>9Y-6027</b>	2	FUSE-CERAMIC (10-AMPERE)						
	42	1	<b>110-4874</b>	1	ROTOR AS (PERMANENT MAGNET)						
	43	1	<b>8B-2377</b>	4	BOLT (1/4-20X2-IN)						
	44	1	<b>112-9430</b>	1	SPACER (63.6X101.6X69.2-MM THK)						
	45	1	<b>4P-3406</b>	1	STATOR AS						
	47	1	<b>126-4421</b>	1	SCREEN AS						
					AVAILABLE REPAIR KIT(S) :						
			<b>4W-3901</b>	1	KIT-ROTOR BALANCE WEIGHT (GENERATOR)						
					(INCLUDES SCREWS, NUTS, WEIGHTS & WASHERS)						
			<b>7E-7233</b>	1	KIT-GENERATOR HARDWARE						
					(INCLUDES WASHERS, NUTS, PLUGS, SCREWS & LUGS)						
			<b>9Y-5087</b>	1	KIT-STATOR REWIND						
					(INCLUDES TOPSTICKS, LINERS, LEADS, TERMINAL LUGS, SLOT SEPARATORS, PHASE SEPARATORS, SLEEVE CONNECT COVERS, CORD, CONNECTORS, TAPE, VARNISH, EPOXY & SLEEVE COIL LEADS)						

C - CHANGE FROM PREVIOUS TYPE  
Y - SEPARATE ILLUSTRATION

# GENERATORS

109-3774 GENERATOR GP (contd.)

i01989764



GRAPHIC #1

<END>

g01030873

# GENERATORS

## 109-3774 GENERATOR GP

S/N: 6EG1-UP

60 HERTZ, 240/480 VOLTS

PART OF 109-3775 GENERATOR AR

TYPE 3

SMCS-4450

i02545539

NOTE	REF NO	GRAPHIC REF	PART NUMBER	QTY	PART NAME						SEE PAGE
					1	2	3	4	5	6 (PRODUCT LEVEL)	
C	1	1	<b>290-5567</b>	1	HEAT SINK AS						
	2	1	<b>4P-3153</b>	1	SPACER (20.6X77X27.8-MM THK)						
	3	1	<b>1A-9579</b>	4	BOLT (5/16-18X1.5-IN)						
	4	1	<b>4P-3152</b>	1	ROTOR-EXCITER						
	6	1	<b>9Y-5816</b>	1	STATOR-EXCITER						
	7	1	<b>3H-5932</b>	4	BOLT (5/16-18X4.5-IN)						
	8	1	<b>9M-1974</b>	8	WASHER-HARD (8.8X16X2-MM THK)						
	9	1	<b>6I-0748</b>	3	DEFLECTOR						
	10	1	<b>6I-0088</b>	1	COVER AS-EXCITER						
	11	1	<b>1B-2714</b>	4	BOLT (1/4-20X2.5-IN)						
	12	1	<b>5P-0537</b>	13	WASHER-HARD (7.2X14.5X2-MM THK)						
	13	1	<b>111-2413</b>	1	FAN-GENERATOR						
	15	1	<b>7E-6574</b>	1	COVER-DRIP						
	16	1	<b>0S-1615</b>	8	BOLT (1/4-20X0.75-IN)						
	17	1	<b>7E-6577</b>	1	COVER-RECTIFIER						
	21	1	<b>1N-7219</b>	1	CHANNEL-RUBBER						
	22	1	<b>7E-6578</b>	2	PANEL						
	23	1	<b>4W-9449</b>	1	FILM-INFORMATION (GENERATOR WIRING DIAGRAM)						
	25	1	<b>7E-6575</b>	1	PANEL AS						
		1	<b>4F-8711</b>	2	PLUG-BUTTON						
		1	<b>5N-3174</b>	8	PLUG-BUTTON						
		1	<b>5N-3175</b>	1	PLUG-BUTTON						
		1	<b>6K-9593</b>	1	PLUG-BUTTON						
	26	1	<b>9F-7022</b>	1	BOLT (1/4-20X1.5-IN)						
	27	1	<b>7E-6568</b>	1	FRAME AS (RH)						
	28	1	<b>7E-6567</b>	1	FRAME AS (LH)						
	29	1	<b>3V-5035</b>	1	SPACER (0.302X0.54X1.03-IN THK)						
	30	1	<b>5L-2087</b>	4	SPACER (9.25X13.72X50.8-MM THK)						
	31	1	<b>4P-3150</b>	1	COVER AS						
		1	<b>5N-3167</b>	3	SEAL-RING						
		1	<b>5N-3176</b>	3	PLUG-BUTTON						
		1	<b>6D-7128</b>	4	SEAL-O-RING						
		1	<b>8P-7065</b>	2	PLUG-BUTTON						
		1	<b>8T-9587</b>	2	SEAL-O-RING						
		1	<b>030-2284</b>	4	PLUG-BUTTON						
	32	1	<b>6I-2737</b>	2	RETAINER-BEARING						
	33	1	<b>110-6174</b>	1	PANEL-REAR						
	34	1	<b>110-6175</b>	1	COVER AS-AIR (INLET)						
	35	1	<b>8T-6764</b>	2	PLUG-PIPE (1/8-27-THD)						
	36	1	<b>110-4325</b>	1	BRACKET-BEARING						
Y	37	1	<b>110-3409</b>	1	ROTOR AS						1621
	38	1	<b>112-2563</b>	1	SCREEN AS						
	39	1	<b>4P-3420</b>	1	BRACKET (RH)						
	40	1	<b>4P-3419</b>	1	BRACKET (LH)						
	41	1	<b>110-4875</b>	1	STATOR AS (PERMANENT MAGNET)						
		1	<b>7E-8266</b>	2	HOLDER AS-FUSE						

# GENERATORS

109-3774 GENERATOR GP (contd.)

i02545539

NOTE	REF NO	GRAPHIC REF	PART NUMBER	QTY	PART NAME						SEE PAGE
					1	2	3	4	5	6 (PRODUCT LEVEL)	
		1	<b>9Y-6027</b>	2	FUSE-CERAMIC (10-AMPERE)						
42		1	<b>110-4874</b>	1	ROTOR AS (PERMANENT MAGNET)						
43		1	<b>8B-2377</b>	4	BOLT (1/4-20X2-IN)						
44		1	<b>112-9430</b>	1	SPACER (63.6X101.6X69.2-MM THK)						
45		1	<b>4P-3406</b>	1	STATOR AS						
47		1	<b>126-4421</b>	1	SCREEN AS						
					AVAILABLE REPAIR KIT(S):						
			<b>4W-3901</b>	1	KIT-ROTOR BALANCE WEIGHT (GENERATOR)						
					(INCLUDES SCREWS, NUTS, WEIGHTS & WASHERS)						
			<b>7E-7233</b>	1	KIT-GENERATOR HARDWARE						
					(INCLUDES WASHERS, NUTS, PLUGS, SCREWS & LUGS)						
			<b>9Y-5087</b>	1	KIT-STATOR REWIND						
					(INCLUDES TOPSTICKS, LINERS, LEADS, TERMINAL LUGS, SLOT SEPARATORS, PHASE SEPARATORS, SLEEVE CONNECT COVERS, CORD, CONNECTORS, TAPE, VARNISH, EPOXY & SLEEVE COIL LEADS)						

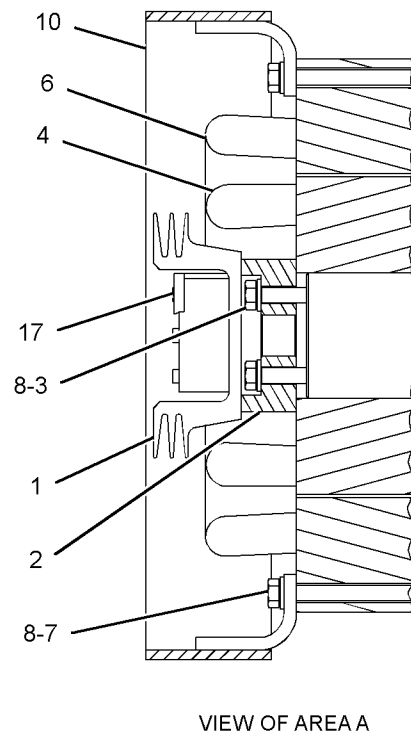
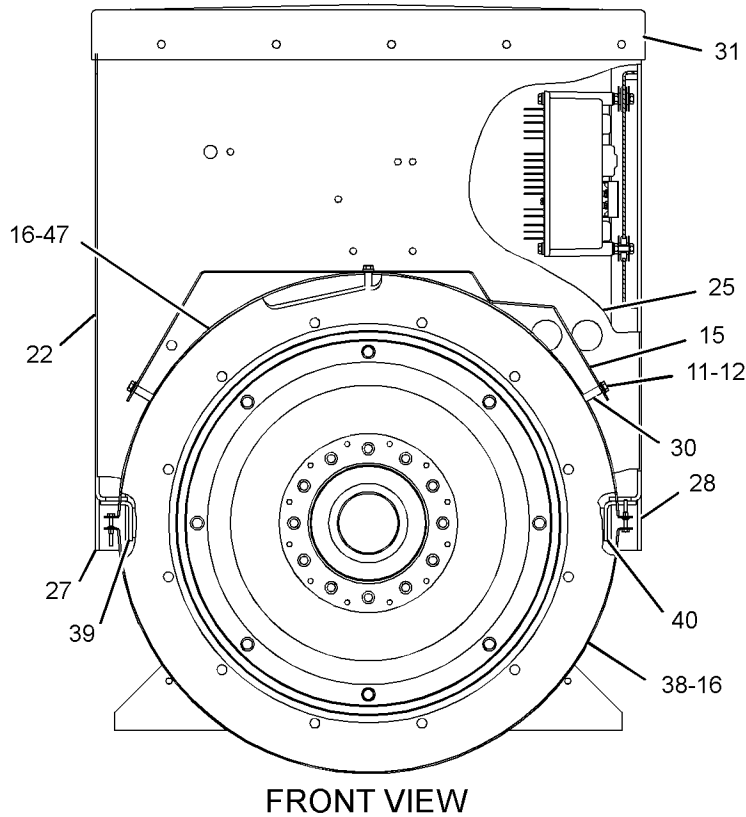
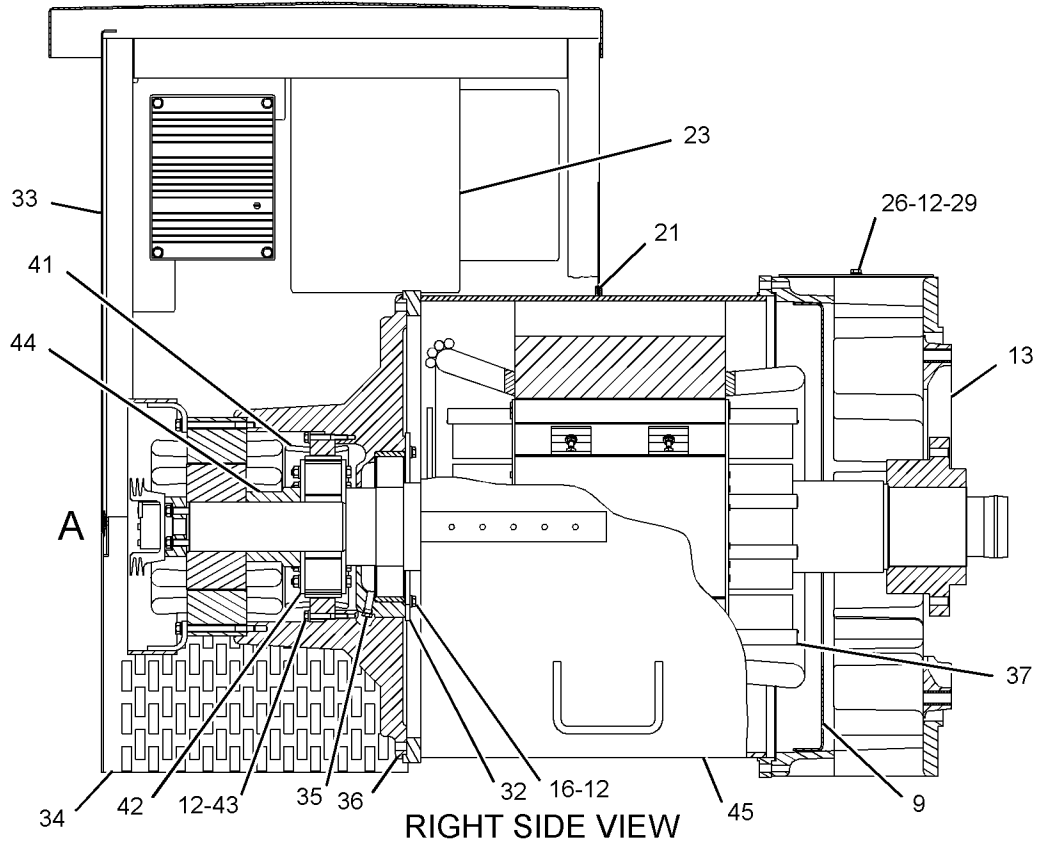
C - CHANGE FROM PREVIOUS TYPE  
Y - SEPARATE ILLUSTRATION



# GENERATORS

109-3774 GENERATOR GP (contd.)

i02545539



GRAPHIC #1

<END>

g01328504

# GENERATORS

## 109-3774 GENERATOR GP

S/N: 6EG1-UP

60 HERTZ, 240/480 VOLTS

PART OF 109-3775 GENERATOR AR

TYPE 4

SMCS-4450

i02797964

NOTE	REF NO	GRAPHIC REF	PART NUMBER	QTY	PART NAME						SEE PAGE
					1	2	3	4	5	6 (PRODUCT LEVEL)	
	1	1	290-5567	1	HEAT SINK AS						
	2	1	4P-3153	1	SPACER (20.6X77X27.8-MM THK)						
	3	1	1A-9579	4	BOLT (5/16-18X1.5-IN)						
	4	1	4P-3152	1	ROTOR-EXCITER						
	6	1	9Y-5816	1	STATOR-EXCITER						
	7	1	3H-5932	4	BOLT (5/16-18X4.5-IN)						
	8	1	9M-1974	8	WASHER-HARD (8.8X16X2-MM THK)						
	9	1	6I-0748	3	DEFLECTOR						
	10	1	6I-0088	1	COVER AS-EXCITER						
	11	1	1B-2714	4	BOLT (1/4-20X2.5-IN)						
C	12	1	5P-0537	13	WASHER-HARD (7.2X14.5X2-MM THK)						
	13	1	111-2413	1	FAN-GENERATOR						
	15	1	7E-6574	1	COVER-DRIP						
	16	1	0S-1615	8	BOLT (1/4-20X0.75-IN)						
	21	1	1N-7219	1	CHANNEL-RUBBER						
	22	1	7E-6578	2	PANEL						
	23	1	4W-9449	1	FILM-INFORMATION (GENERATOR WIRING DIAGRAM)						
	25	1	7E-6575	1	PANEL AS						
		1	4F-8711	2	PLUG-BUTTON						
		1	5N-3174	8	PLUG-BUTTON						
		1	5N-3175	1	PLUG-BUTTON						
		1	6K-9593	1	PLUG-BUTTON						
	26	1	9F-7022	1	BOLT (1/4-20X1.5-IN)						
	27	1	7E-6568	1	FRAME AS (RH)						
	28	1	7E-6567	1	FRAME AS (LH)						
	29	1	3V-5035	1	SPACER (0.302X0.54X1.03-IN THK)						
	30	1	5L-2087	4	SPACER (9.25X13.72X50.8-MM THK)						
	31	1	4P-3150	1	COVER AS						
		1	5N-3167	3	SEAL-RING						
		1	5N-3176	3	PLUG-BUTTON						
		1	6D-7128	4	SEAL-O-RING						
		1	8P-7065	2	PLUG-BUTTON						
		1	8T-9587	2	SEAL-O-RING						
		1	030-2284	4	PLUG-BUTTON						
	32	1	6I-2737	2	RETAINER-BEARING						
	33	1	110-6174	1	PANEL-REAR						
	34	1	110-6175	1	COVER AS-AIR (INLET)						
	35	1	8T-6764	2	PLUG-PIPE (1/8-27-THD)						
	36	1	110-4325	1	BRACKET-BEARING						
Y	37	1	110-3409	1	ROTOR AS						1621
	38	1	112-2563	1	SCREEN AS						
	39	1	4P-3420	1	BRACKET (RH)						
	40	1	4P-3419	1	BRACKET (LH)						
	41	1	110-4875	1	STATOR AS (PERMANENT MAGNET)						
		1	7E-8266	2	HOLDER AS-FUSE						
		1	9Y-6027	2	FUSE-CERAMIC (10-AMPERE)						

# GENERATORS

109-3774 GENERATOR GP (contd.)

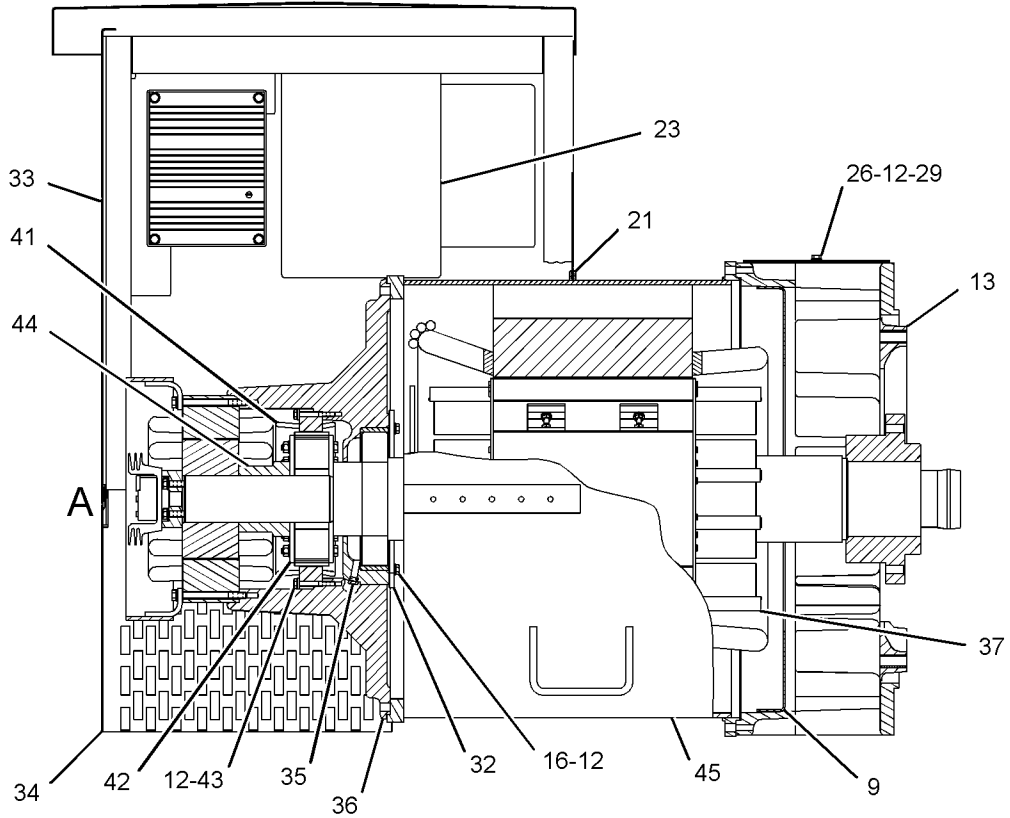
i02797964

NOTE	REF NO	GRAPHIC REF	PART NUMBER	QTY	PART NAME						SEE PAGE
					1	2	3	4	5	6 (PRODUCT LEVEL)	
	42	1	<b>110-4874</b>	1	ROTOR AS (PERMANENT MAGNET)						
	43	1	<b>8B-2377</b>	4	BOLT (1/4-20X2-IN)						
	44	1	<b>112-9430</b>	1	SPACER (63.6X101.6X69.2-MM THK)						
	45	1	<b>4P-3406</b>	1	STATOR AS						
	47	1	<b>126-4421</b>	1	SCREEN AS						
					AVAILABLE REPAIR KIT(S):						
			<b>4W-3901</b>	1	KIT-ROTOR BALANCE WEIGHT (GENERATOR)						
					(INCLUDES SCREWS, NUTS, WEIGHTS & WASHERS)						
			<b>7E-7233</b>	1	KIT-GENERATOR HARDWARE						
					(INCLUDES WASHERS, NUTS, PLUGS, SCREWS & LUGS)						
			<b>9Y-5087</b>	1	KIT-STATOR REWIND						
					(INCLUDES TOPSTICKS, LINERS, LEADS, TERMINAL LUGS, SLOT SEPARATORS, PHASE SEPARATORS, SLEEVE CONNECT COVERS, CORD, CONNECTORS, TAPÉ, VARNISH, EPOXY & SLEEVE COIL LEADS)						
C - CHANGE FROM PREVIOUS TYPE											
Y - SEPARATE ILLUSTRATION											

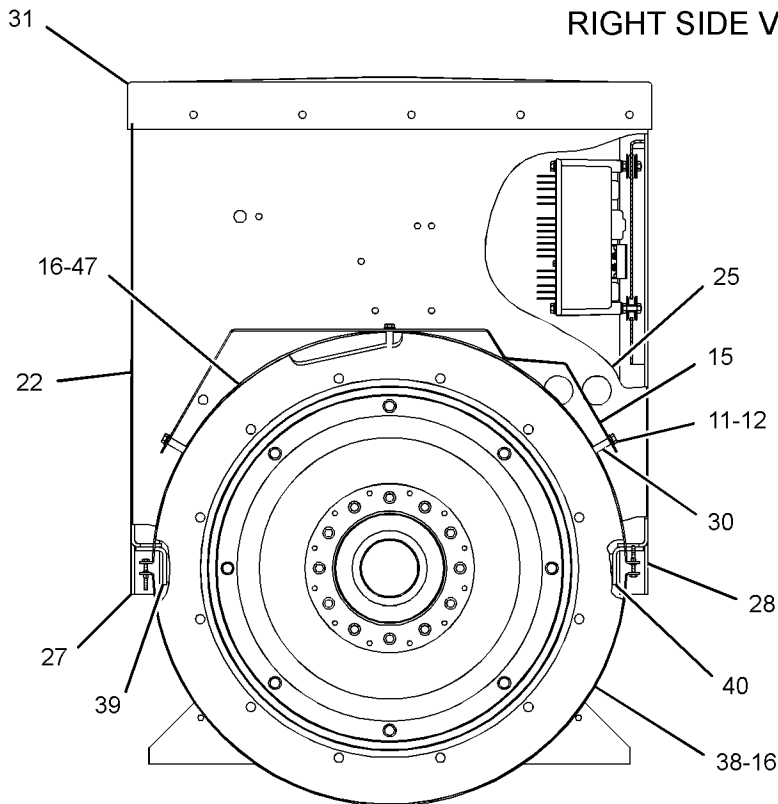
# GENERATORS

109-3774 GENERATOR GP (contd.)

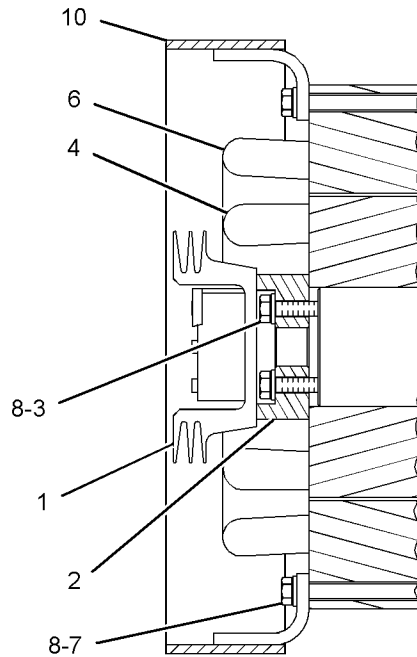
i02797964



RIGHT SIDE VIEW



FRONT VIEW



VIEW OF AREA A

GRAPHIC #1

<END>

g01328110

# GENERATORS

## 109-3776 GENERATOR GP

S/N: 8JF1-UP

60 HERTZ, 240/480 VOLTS

PART OF 109-3777 GENERATOR AR

TYPE 1

SMCS-4450

i01955472

NOTE	REF NO	GRAPHIC REF	PART NUMBER	QTY	PART NAME						SEE PAGE
					1	2	3	4	5	6 (PRODUCT LEVEL)	
	1	1	<b>4P-3154</b>	1	HEAT SINK						
	2	1	<b>110-6174</b>	1	PANEL-REAR						
	3	1	<b>4P-3153</b>	1	SPACER (20.6X77X27.8-MM THK)						
	4	1	<b>1A-9579</b>	4	BOLT (5/16-18X1.5-IN)						
	5	1	<b>4P-3152</b>	1	ROTOR-EXCITER						
	6	1	<b>9Y-0916</b>	1	RECTIFIER AS						
	7	1	<b>9Y-5816</b>	1	STATOR-EXCITER						
	8	1	<b>3H-5932</b>	4	BOLT (5/16-18X4.5-IN)						
	9	1	<b>9M-1974</b>	8	WASHER-HARD (8.8X16X2-MM THK)						
	10	1	<b>6I-0088</b>	1	COVER AS-EXCITER						
	11	1	<b>1B-2714</b>	4	BOLT (1/4-20X2.5-IN)						
	12	1	<b>5P-0537</b>	19	WASHER-HARD (7.2X14.5X2-MM THK)						
	13	1	<b>111-2413</b>	1	FAN-GENERATOR						
	14	1	<b>110-6175</b>	1	COVER AS-AIR (INLET)						
	15	1	<b>110-4325</b>	1	BRACKET-BEARING						
	16	1	<b>9S-8750</b>	3	NUT-FULL (1/4-20-THD)						
	17	1	<b>0S-1615</b>	8	BOLT (1/4-20X0.75-IN)						
	18	1	<b>8T-6764</b>	2	PLUG-PIPE (1/8-27-THD)						
Y	19	1	<b>110-3410</b>	1	ROTOR AS						1622
	20	1	<b>7E-6577</b>	1	COVER-RECTIFIER						
	21	1	<b>7C-5709</b>	3	SLEEVE						
	22	1	<b>7C-5708</b>	3	GROMMET						
	23	1	<b>033-2075</b>	6	WASHER (0.266X1.25X0.06-IN THK)						
	24	1	<b>1N-7219</b>	1	CHANNEL-RUBBER						
	25	1	<b>7E-6578</b>	2	PANEL						
	26	1	<b>4W-9449</b>	1	FILM-INFORMATION (GENERATOR WIRING DIAGRAM)						
	27	1	<b>7C-5711</b>	1	FILM-INSTRUCTION (VOLTAGE CONTROL ADJUSTMENT)						
	28	1	<b>7E-6575</b>	1	PANEL AS						
		1	<b>4F-8711</b>	2	PLUG-BUTTON						
		1	<b>5N-3174</b>	8	PLUG-BUTTON						
		1	<b>5N-3175</b>	1	PLUG-BUTTON						
		1	<b>6K-9593</b>	1	PLUG-BUTTON						
	29	1	<b>3V-5035</b>	1	SPACER (0.302X0.54X1.03-IN THK)						
	30	1	<b>4P-3420</b>	1	BRACKET (RH)						
	31	1	<b>7E-6568</b>	1	FRAME AS (RH)						
	32	1	<b>4P-3419</b>	1	BRACKET (LH)						
	33	1	<b>126-4421</b>	2	SCREEN AS						
	34	1	<b>7E-6567</b>	1	FRAME AS (LH)						
	35	1	<b>9F-7022</b>	1	BOLT (1/4-20X1.5-IN)						
	36	1	<b>110-4875</b>	1	STATOR AS (PERMANENT MAGNET)						
		1	<b>7E-8266</b>	2	HOLDER AS-FUSE						
		1	<b>9Y-6027</b>	2	FUSE-CERAMIC (10-AMPERE)						
	37	1	<b>5L-2087</b>	4	SPACER (9.25X13.72X50.8-MM THK)						
	38	1	<b>4P-3150</b>	1	COVER AS						
		1	<b>5N-3167</b>	2	SEAL-RING						
		1	<b>5N-3176</b>	2	PLUG-BUTTON						

# GENERATORS

109-3776 GENERATOR GP (contd.)

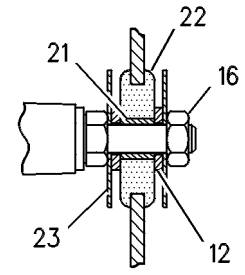
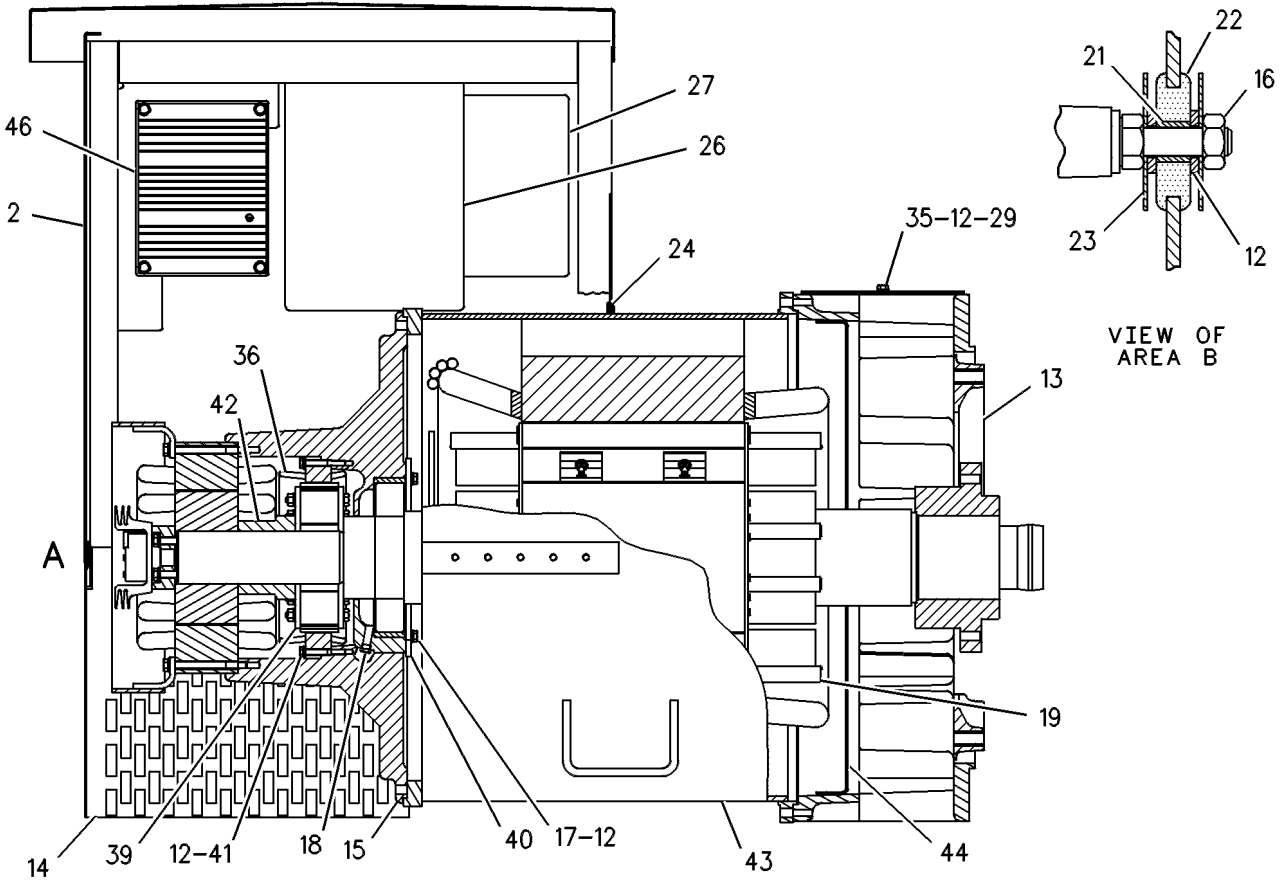
i01955472

NOTE	REF NO	GRAPHIC REF	PART NUMBER	QTY	PART NAME						SEE PAGE
					1	2	3	4	5	6 (PRODUCT LEVEL)	
		1	<b>6D-7128</b>	4	SEAL-O-RING						
		1	<b>8P-7065</b>	2	PLUG-BUTTON						
		1	<b>8T-9587</b>	2	SEAL-O-RING						
		1	<b>030-2284</b>	4	PLUG-BUTTON						
	39	1	<b>110-4874</b>	1	ROTOR AS (PERMANENT MAGNET)						
	40	1	<b>6I-2737</b>	2	RETAINER-BEARING						
	41	1	<b>8B-2377</b>	4	BOLT (1/4-20X2-IN)						
	42	1	<b>112-9430</b>	1	SPACER (63.6X101.6X69.2-MM THK)						
	43	1	<b>7E-6569</b>	1	STATOR AS						
	44	1	<b>6I-0748</b>	3	DEFLECTOR						
	45	1	<b>7E-6574</b>	1	COVER-DRIP						
Y	46	1	<b>114-5510</b>	1	REGULATOR AS-VOLTAGE (VR3 PERMANENT MAGNET)						1604
					AVAILABLE REPAIR KIT(S):						
			<b>4W-3901</b>	1	KIT-ROTOR BALANCE WEIGHT (GENERATOR) (GENERATOR)						
					(INCLUDES SCREWS, NUTS & WASHERS)						
			<b>9Y-5090</b>	1	KIT-STATOR REWIND (GENERATOR)						
					(INCLUDES TOPSTICKS, LINERS, LEADS, LUGS, SEPARATORS, SLEEVES, CONNECTORS, CORD, TAPE, VARISH, EPOXY RESIN & REGULATOR TERMINALS)						
			<b>7E-7233</b>	1	KIT-GENERATOR HARDWARE						
					(INCLUDES SCREWS, WASHERS, LOCKWASHERS, PLUGS, LUGS & NUTS)						
Y - SEPARATE ILLUSTRATION											

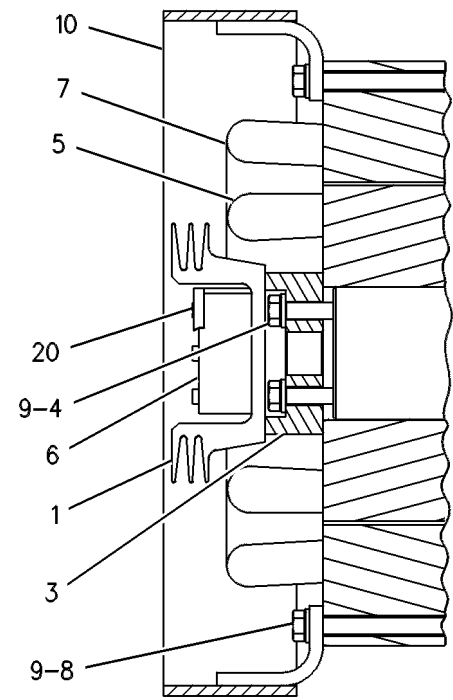
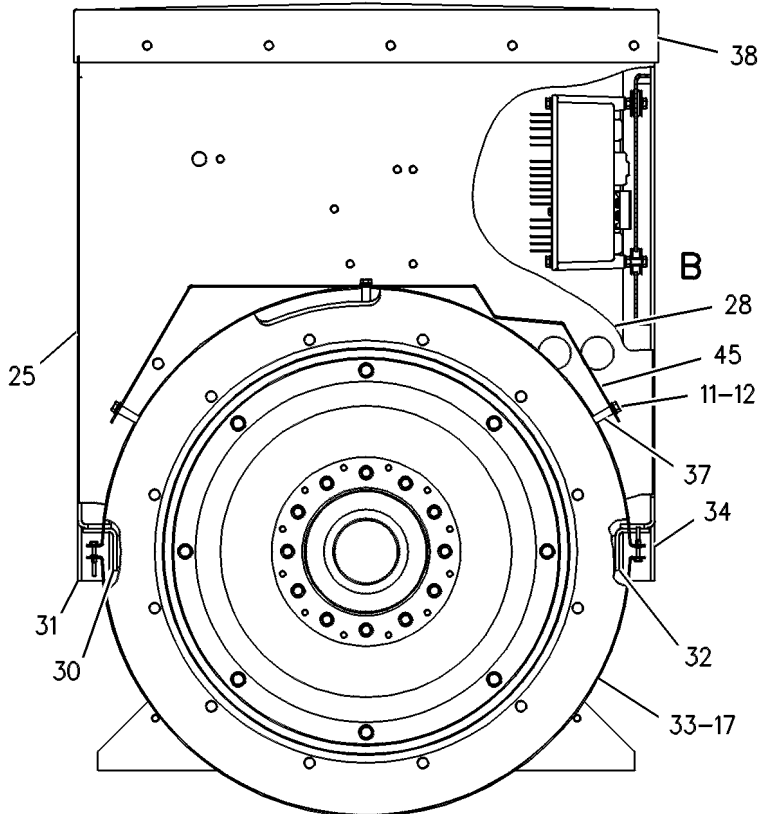
# GENERATORS

109-3776 GENERATOR GP (contd.)

i01955472



VIEW OF AREA B



VIEW OF AREA A

GRAPHIC #1

<END>

g00239249

# GENERATORS

## 109-3776 GENERATOR GP

S/N: 8JF1-UP

60 HERTZ, 240/480 VOLTS

PART OF 109-3777 GENERATOR AR

TYPE 2

SMCS-4450

i02699424

NOTE	REF NO	GRAPHIC REF	PART NUMBER	QTY	PART NAME						SEE PAGE
					1	2	3	4	5	6 (PRODUCT LEVEL)	
Y	1	1	290-5567	1	HEAT SINK AS						1588
	2	1	110-6174	1	PANEL-REAR						
	3	1	4P-3153	1	SPACER (20.6X77X27.8-MM THK)						
	4	1	1A-9579	4	BOLT (5/16-18X1.5-IN)						
	5	1	4P-3152	1	ROTOR-EXCITER						
	7	1	9Y-5816	1	STATOR-EXCITER						
	8	1	3H-5932	4	BOLT (5/16-18X4.5-IN)						
	9	1	9M-1974	8	WASHER-HARD (8.8X16X2-MM THK)						
	10	1	6I-0088	1	COVER AS-EXCITER						
	11	1	1B-2714	4	BOLT (1/4-20X2.5-IN)						
C	12	1	5P-0537	13	WASHER-HARD (7.2X14.5X2-MM THK)						
	13	1	111-2413	1	FAN-GENERATOR						
	14	1	110-6175	1	COVER AS-AIR (INLET)						
	15	1	110-4325	1	BRACKET-BEARING						
	17	1	0S-1615	8	BOLT (1/4-20X0.75-IN)						
	18	1	8T-6764	2	PLUG-PIPE (1/8-27-THD)						
Y	19	1	110-3410	1	ROTOR AS						1622
	24	1	1N-7219	1	CHANNEL-RUBBER						
	25	1	7E-6578	2	PANEL						
	26	1	4W-9449	1	FILM-INFORMATION (GENERATOR WIRING DIAGRAM)						
	28	1	7E-6575	1	PANEL AS						
		1	4F-8711	2	PLUG-BUTTON						
		1	5N-3174	8	PLUG-BUTTON						
		1	5N-3175	1	PLUG-BUTTON						
		1	6K-9593	1	PLUG-BUTTON						
	29	1	3V-5035	1	SPACER (0.302X0.54X1.03-IN THK)						
	30	1	4P-3420	1	BRACKET (RH)						
	31	1	7E-6568	1	FRAME AS (RH)						
	32	1	4P-3419	1	BRACKET (LH)						
	33	1	112-2563	1	SCREEN AS						
	34	1	7E-6567	1	FRAME AS (LH)						
	35	1	9F-7022	1	BOLT (1/4-20X1.5-IN)						
	36	1	110-4875	1	STATOR AS (PERMANENT MAGNET)						
		1	7E-8266	2	HOLDER AS-FUSE						
		1	9Y-6027	2	FUSE-CERAMIC (10-AMPERE)						
	37	1	5L-2087	4	SPACER (9.25X13.72X50.8-MM THK)						
	38	1	4P-3150	1	COVER AS						
		1	5N-3167	2	SEAL-RING						
		1	5N-3176	2	PLUG-BUTTON						
		1	6D-7128	4	SEAL-O-RING						
		1	8P-7065	2	PLUG-BUTTON						
		1	8T-9587	2	SEAL-O-RING						
		1	030-2284	4	PLUG-BUTTON						
	39	1	110-4874	1	ROTOR AS (PERMANENT MAGNET)						
	40	1	6I-2737	2	RETAINER-BEARING						
	41	1	8B-2377	4	BOLT (1/4-20X2-IN)						



# GENERATORS

109-3776 GENERATOR GP (contd.)

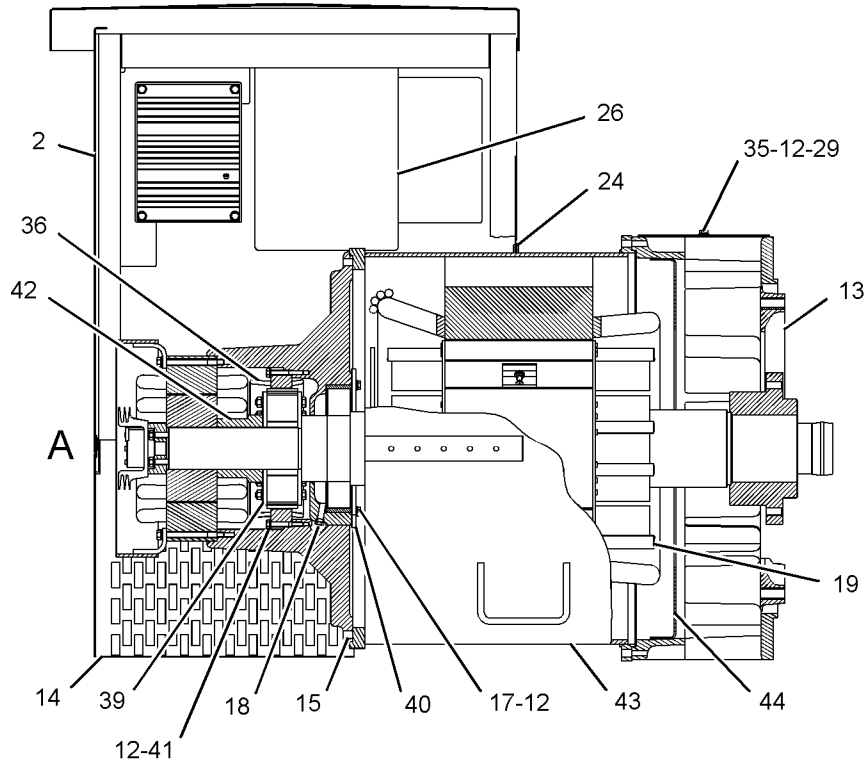
i02699424

NOTE	REF NO	GRAPHIC REF	PART NUMBER	QTY	PART NAME						SEE PAGE
					1	2	3	4	5	6 (PRODUCT LEVEL)	
	42	1	<b>112-9430</b>	1	SPACER (63.6X101.6X69.2-MM THK)						
	43	1	<b>7E-6569</b>	1	STATOR AS						
	44	1	<b>6I-0748</b>	3	DEFLECTOR						
	45	1	<b>7E-6574</b>	1	COVER-DRIP						
	47	1	<b>126-4421</b>	1	SCREEN AS						
					AVAILABLE REPAIR KIT(S) :						
			<b>4W-3901</b>	1	KIT-ROTOR BALANCE WEIGHT (GENERATOR) (GENERATOR) (INCLUDES SCREWS, NUTS & WASHERS)						
			<b>9Y-5090</b>	1	KIT-STATOR REWIND (GENERATOR) (INCLUDES TOPSTICKS, LINERS, LEADS, LUGS, SEPARATORS, SLEEVES, CONNECTORS, CORD, TAPE, VARISH, EPOXY RESIN & REGULATOR TERMINALS)						
			<b>7E-7233</b>	1	KIT-GENERATOR HARDWARE (INCLUDES SCREWS, WASHERS, LOCKWASHERS, PLUGS, LUGS & NUTS)						
C - CHANGE FROM PREVIOUS TYPE											
Y - SEPARATE ILLUSTRATION											

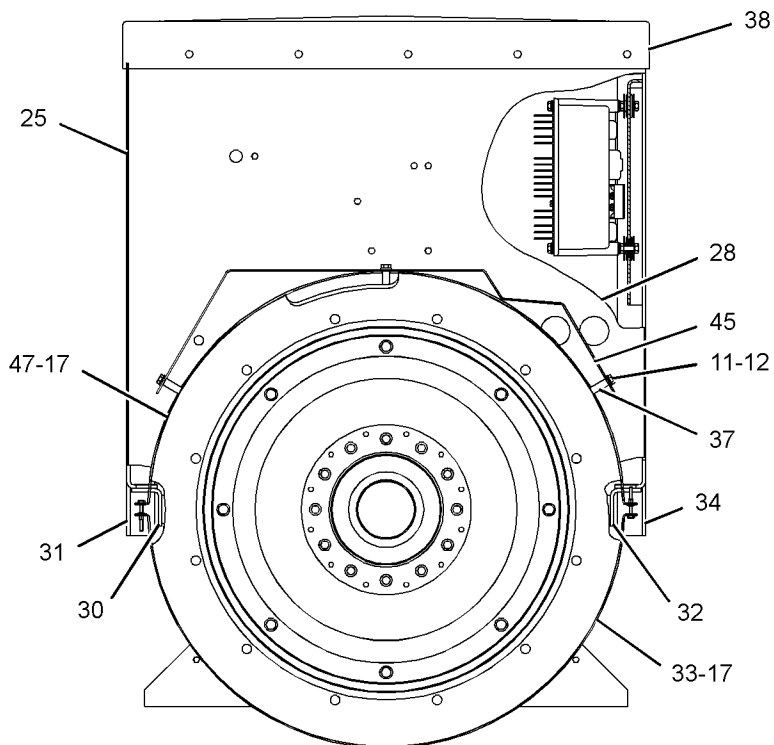
# GENERATORS

109-3776 GENERATOR GP (contd.)

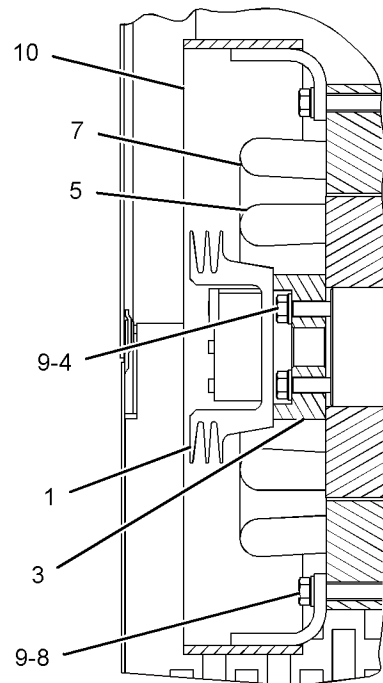
i02699424



RIGHT SIDE VIEW



FRONT VIEW



VIEW OF AREA A

GRAPHIC #1

<END>

g01354432

# GENERATORS

## 109-3784 GENERATOR GP

S/N: 6DG1-UP

60-HERTZ. 240-VOLT. 480-VOLT. 445-FRAME. 12-LEAD

PART OF 109-3785 GENERATOR AR

TYPE 1

SMCS-4450

i05888894

NOTE	REF NO	GRAPHIC REF	PART NUMBER	QTY	PART NAME						SEE PAGE
					1	2	3	4	5	6 (PRODUCT LEVEL)	
	1	1	<b>4P-3154</b>	1	HEAT SINK						
	2	1	<b>4P-3153</b>	1	SPACER (20.6X77X27.8-MM THK)						
	3	1	<b>1A-9579</b>	4	BOLT (5/16-18X1.5-IN)						
	4	1	<b>4P-3468</b>	1	ROTOR-EXCITER						
	5	1	<b>9Y-0916</b>	1	RECTIFIER AS						
	6	1	<b>9Y-5817</b>	1	STATOR-EXCITER						
	7	1	<b>4B-3903</b>	4	BOLT (5/16-18X4-IN)						
	8	1	<b>9M-1974</b>	8	WASHER-HARD (8.8X16X2-MM THK)						
	9	1	<b>6I-0748</b>	3	DEFLECTOR						
	10	1	<b>6I-0088</b>	1	COVER AS-EXCITER						
	11	1	<b>1B-2714</b>	4	BOLT (1/4-20X2.5-IN)						
	12	1	<b>5P-0537</b>	19	WASHER-HARD (7.2X14.5X2-MM THK)						
	13	1	<b>111-2413</b>	1	FAN-GENERATOR						
	14	1	<b>9S-8750</b>	3	NUT-FULL (1/4-20-THD)						
	15	1	<b>7E-6574</b>	1	COVER-DRIP						
	16	1	<b>0S-1615</b>	8	BOLT (1/4-20X0.75-IN)						
	17	1	<b>7E-6577</b>	1	COVER-RECTIFIER						
	18	1	<b>7C-5709</b>	3	SLEEVE						
	19	1	<b>7C-5708</b>	3	GROMMET						
	20	1	<b>033-2075</b>	6	WASHER (0.266X1.25X0.06-IN THK)						
	21	1	<b>1N-7219</b>	1	CHANNEL-RUBBER						
	22	1	<b>7E-6578</b>	2	PANEL						
	23	1	<b>4W-9449</b>	1	FILM-INFORMATION (GENERATOR WIRING DIAGRAM)						
	24	1	<b>7C-5711</b>	1	FILM-INSTRUCTION (VOLTAGE CONTROL ADJUSTMENT)						
	25	1	<b>7E-6575</b>	1	PANEL AS						
		1	<b>4F-8711</b>	2	PLUG-BUTTON						
		1	<b>5N-3174</b>	8	PLUG-BUTTON						
		1	<b>5N-3175</b>	1	PLUG-BUTTON						
		1	<b>6K-9593</b>	1	PLUG-BUTTON						
	26	1	<b>9F-7022</b>	1	BOLT (1/4-20X1.5-IN)						
	27	1	<b>7E-6568</b>	1	FRAME AS (RH)						
	28	1	<b>7E-6567</b>	1	FRAME AS (LH)						
	29	1	<b>3V-5035</b>	1	SPACER (0.302X0.54X1.03-IN THK)						
	30	1	<b>5L-2087</b>	4	SPACER (9.25X13.72X50.8-MM THK)						
	31	1	<b>4P-3150</b>	1	COVER AS						
		1	<b>5N-3167</b>	3	SEAL-RING						
		1	<b>5N-3176</b>	3	PLUG-BUTTON						
		1	<b>6D-7128</b>	4	SEAL-O-RING						
		1	<b>8P-7065</b>	2	PLUG-BUTTON						
		1	<b>8T-9587</b>	2	SEAL-O-RING						
		1	<b>030-2284</b>	4	PLUG-BUTTON						
	32	1	<b>6I-2737</b>	2	RETAINER-BEARING						
	33	1	<b>110-6174</b>	1	PANEL-REAR						
	34	1	<b>110-6175</b>	1	COVER AS-AIR (INLET)						
	35	1	<b>8T-6764</b>	2	PLUG-PIPE (1/8-27-THD)						
	36	1	<b>110-4325</b>	1	BRACKET-BEARING						

# GENERATORS

109-3784 GENERATOR GP (contd.)

i05888894

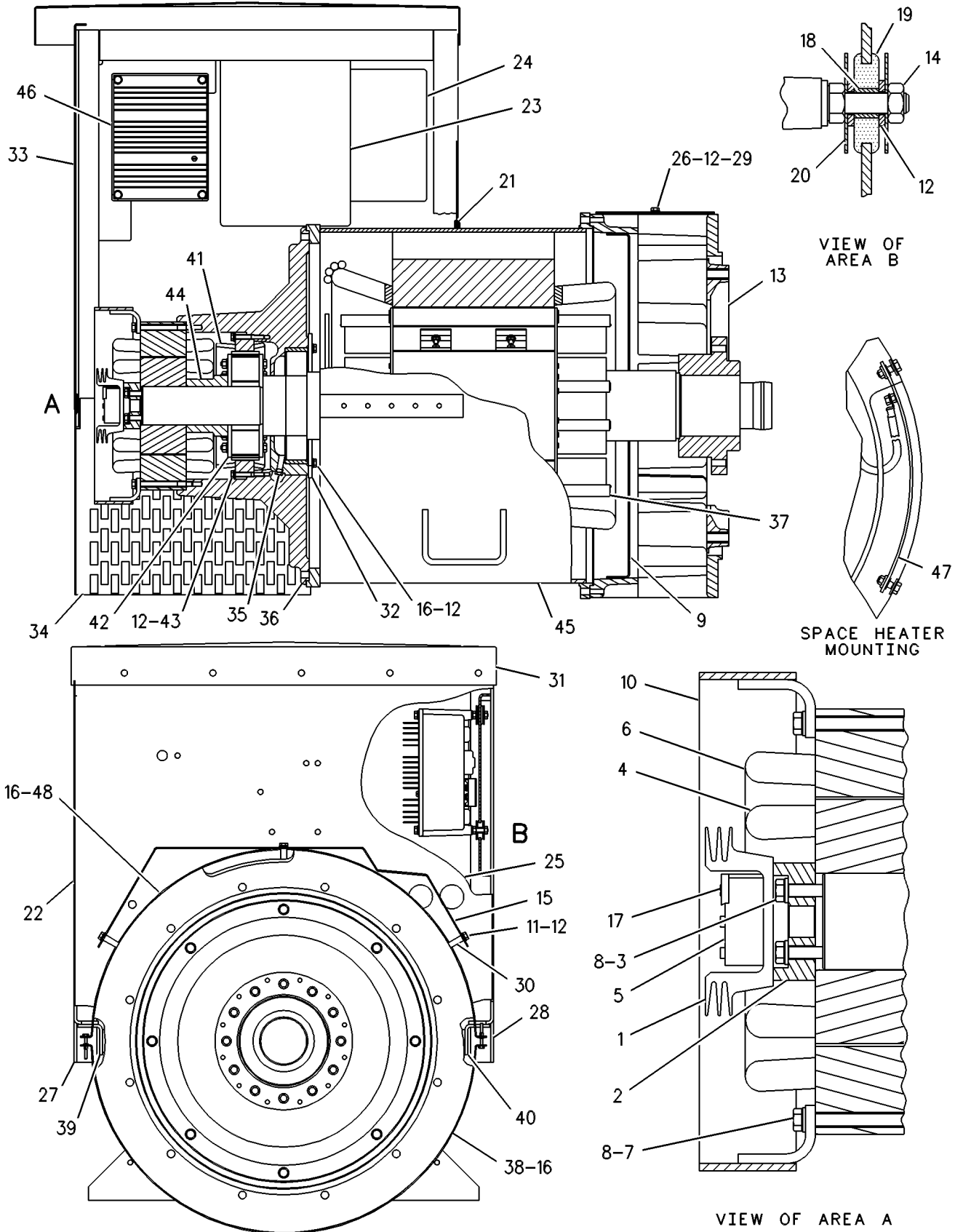
NOTE	REF NO	GRAPHIC REF	PART NUMBER	QTY	PART NAME						SEE PAGE
					1	2	3	4	5	6 (PRODUCT LEVEL)	
Y	37	1	<b>110-3408</b>	1	ROTOR AS						1620
	38	1	<b>112-2563</b>	1	SCREEN AS						
	39	1	<b>4P-3420</b>	1	BRACKET (RH)						
	40	1	<b>4P-3419</b>	1	BRACKET (LH)						
	41	1	<b>110-4875</b>	1	STATOR AS (PERMANENT MAGNET)						
		1	<b>7E-8266</b>	2	HOLDER AS-FUSE						
		1	<b>9Y-6027</b>	2	FUSE-CERAMIC (10-AMPERE)						
	42	1	<b>110-4874</b>	1	ROTOR AS (PERMANENT MAGNET)						
	43	1	<b>8B-2377</b>	4	BOLT (1/4-20X2-IN)						
	44	1	<b>112-9430</b>	1	SPACER (63.6X101.6X69.2-MM THK)						
	45	1	<b>4P-3404</b>	1	STATOR AS						
Y	46	1	<b>114-5510</b>	1	REGULATOR AS-VOLTAGE (VR3 PERMANENT MAGNET)						1604
Y	47	1	<b>4P-5639</b>	1	KIT-SPACE HEATER						1595
	48	1	<b>126-4421</b>	1	SCREEN AS						
					AVAILABLE REPAIR KIT(S):						
			<b>4W-3901</b>	1	KIT-ROTOR BALANCE WEIGHT (GENERATOR)						
					(INCLUDES SCREWS, NUTS & WASHERS)						
			<b>7E-7233</b>	1	KIT-GENERATOR HARDWARE						
					(INCLUDES WASHERS, NUTS, SCREWS & LUGS)						
			<b>9Y-5084</b>	1	KIT-STATOR REWIND						
					(INCLUDES LINER, LEADS, TERMINAL LUG, SLOT SEPARATOR, PHASE SEPARATOR, CONNECT COVERS, CONNECTOR, CORD, FILM, VARNISH MOD, EPOXY RESIN & COIL LEAD)						
			<b>4C-6715</b>	1	KIT-RECTIFIER SILICONE						
					(INCLUDES SILICONE & PRIMER)						

Y - SEPARATE ILLUSTRATION

# GENERATORS

109-3784 GENERATOR GP (contd.)

i05888894



GRAPHIC #1

<END>

g00255424

# GENERATORS

## 109-3784 GENERATOR GP

S/N: 6DG1-UP

60-HERTZ. 240-VOLT. 480-VOLT. 445-FRAME. 12-LEAD

PART OF 109-3785 GENERATOR AR

TYPE 2

SMCS-4450

i05888892

NOTE	REF NO	GRAPHIC REF	PART NUMBER	QTY	PART NAME						SEE PAGE
					1	2	3	4	5	6 (PRODUCT LEVEL)	
	1	1	290-5567	1	HEAT SINK AS						
	2	1	4P-3153	1	SPACER (20.6X77X27.8-MM THK)						
	3	1	1A-9579	4	BOLT (5/16-18X1.5-IN)						
	4	1	4P-3468	1	ROTOR-EXCITER						
	6	1	9Y-5817	1	STATOR-EXCITER						
	7	1	4B-3903	4	BOLT (5/16-18X4-IN)						
	8	1	9M-1974	8	WASHER-HARD (8.8X16X2-MM THK)						
	9	1	6I-0748	3	DEFLECTOR						
	10	1	6I-0088	1	COVER AS-EXCITER						
	11	1	1B-2714	4	BOLT (1/4-20X2.5-IN)						
C	12	1	5P-0537	13	WASHER-HARD (7.2X14.5X2-MM THK)						
	13	1	111-2413	1	FAN-GENERATOR						
	15	1	7E-6574	1	COVER-DRIP						
	16	1	0S-1615	8	BOLT (1/4-20X0.75-IN)						
	21	1	1N-7219	1	CHANNEL-RUBBER						
	22	1	7E-6578	2	PANEL						
	23	1	4W-9449	1	FILM-INFORMATION (GENERATOR WIRING DIAGRAM)						
	25	1	7E-6575	1	PANEL AS						
		1	4F-8711	2	PLUG-BUTTON						
		1	5N-3174	8	PLUG-BUTTON						
		1	5N-3175	1	PLUG-BUTTON						
		1	6K-9593	1	PLUG-BUTTON						
	26	1	9F-7022	1	BOLT (1/4-20X1.5-IN)						
	27	1	7E-6568	1	FRAME AS (RH)						
	28	1	7E-6567	1	FRAME AS (LH)						
	29	1	3V-5035	1	SPACER (0.302X0.54X1.03-IN THK)						
	30	1	5L-2087	4	SPACER (9.25X13.72X50.8-MM THK)						
	31	1	4P-3150	1	COVER AS						
		1	5N-3167	3	SEAL-RING						
		1	5N-3176	3	PLUG-BUTTON						
		1	6D-7128	4	SEAL-O-RING						
		1	8P-7065	2	PLUG-BUTTON						
		1	8T-9587	2	SEAL-O-RING						
		1	030-2284	4	PLUG-BUTTON						
	32	1	6I-2737	2	RETAINER-BEARING						
	33	1	110-6174	1	PANEL-REAR						
	34	1	110-6175	1	COVER AS-AIR (INLET)						
	35	1	8T-6764	2	PLUG-PIPE (1/8-27-THD)						
	36	1	110-4325	1	BRACKET-BEARING						
Y	37	1	110-3408	1	ROTOR AS						1620
	38	1	112-2563	1	SCREEN AS						
	39	1	4P-3420	1	BRACKET (RH)						
	40	1	4P-3419	1	BRACKET (LH)						
	41	1	110-4875	1	STATOR AS (PERMANENT MAGNET)						
		1	7E-8266	2	HOLDER AS-FUSE						
		1	9Y-6027	2	FUSE-CERAMIC (10-AMPERE)						

# GENERATORS

109-3784 GENERATOR GP (contd.)

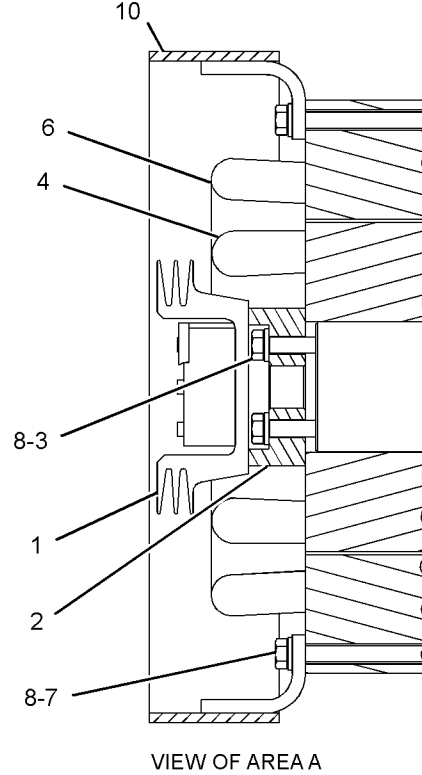
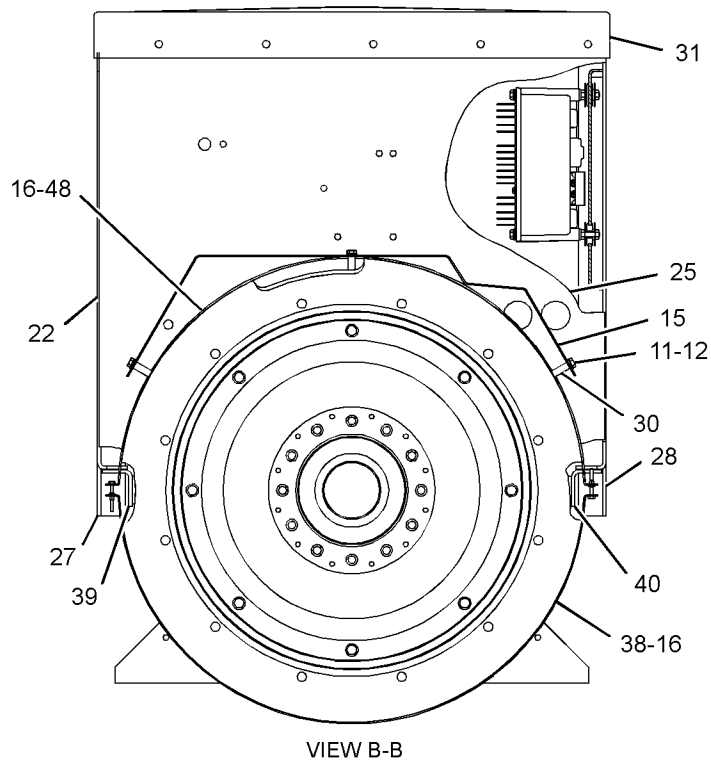
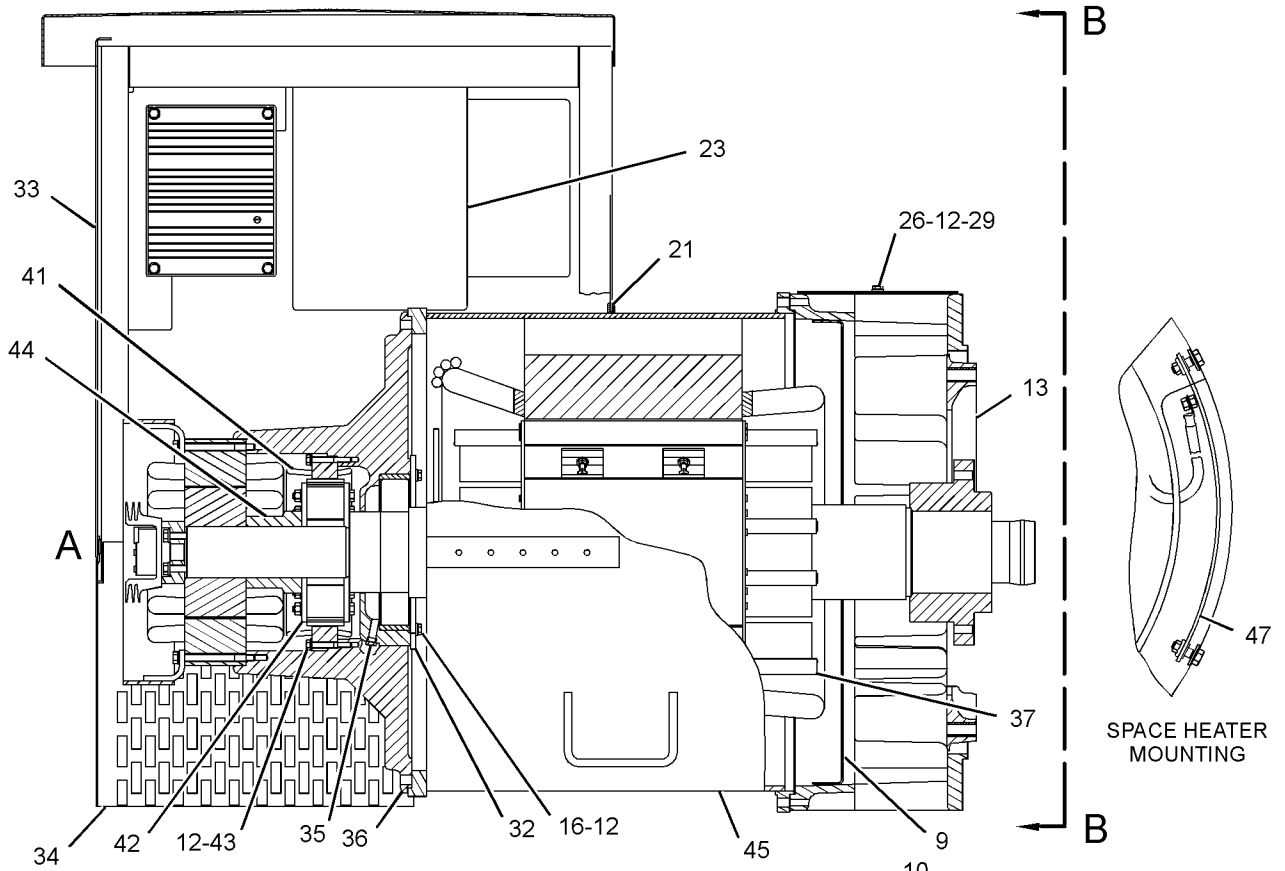
i05888892

NOTE	REF NO	GRAPHIC REF	PART NUMBER	QTY	PART NAME						SEE PAGE
					1	2	3	4	5	6 (PRODUCT LEVEL)	
	42	1	<b>110-4874</b>	1	ROTOR AS (PERMANENT MAGNET)						
	43	1	<b>8B-2377</b>	4	BOLT (1/4-20X2-IN)						
	44	1	<b>112-9430</b>	1	SPACER (63.6X101.6X69.2-MM THK)						
	45	1	<b>4P-3404</b>	1	STATOR AS						
Y	47	1	<b>4P-5639</b>	1	KIT-SPACE HEATER						1595
	48	1	<b>126-4421</b>	1	SCREEN AS						
					AVAILABLE REPAIR KIT(S):						
			<b>4W-3901</b>	1	KIT-ROTOR BALANCE WEIGHT (GENERATOR) (INCLUDES SCREWS, NUTS & WASHERS)						
			<b>7E-7233</b>	1	KIT-GENERATOR HARDWARE (INCLUDES WASHERS, NUTS, SCREWS & LUGS)						
			<b>9Y-5084</b>	1	KIT-STATOR REWIND (INCLUDES LINER, LEADS, TERMINAL LUG, SLOT SEPARATOR, PHASE SEPARATOR, CONNECT COVERS, CONNECTOR, CORD, FILM, VARNISH MOD, EPOXY RESIN & COIL LEAD)						
			<b>4C-6715</b>	1	KIT-RECTIFIER SILICONE (INCLUDES SILICONE & PRIMER)						
C - CHANGE FROM PREVIOUS TYPE											
Y - SEPARATE ILLUSTRATION											

# GENERATORS

109-3784 GENERATOR GP (contd.)

i05888892



GRAPHIC #1

<END>

g01326995



# GENERATORS

## 109-3786 GENERATOR GP

S/N: 6EG1-UP

PART OF 109-3787 GENERATOR AR

TYPE 1

SMCS-4450

i01858455

NOTE	REF NO	GRAPHIC REF	PART NUMBER	QTY	PART NAME						SEE PAGE
					1	2	3	4	5	6 (PRODUCT LEVEL)	
	1	1	<b>4P-3154</b>	1	HEAT SINK						
	2	1	<b>4P-3153</b>	1	SPACER (20.6X77X27.8-MM THK)						
	3	1	<b>1A-9579</b>	4	BOLT (5/16-18X1.5-IN)						
	4	1	<b>4P-3152</b>	1	ROTOR-EXCITER						
	5	1	<b>9Y-0916</b>	1	RECTIFIER AS						
	6	1	<b>9Y-5816</b>	1	STATOR-EXCITER						
	7	1	<b>3H-5932</b>	4	BOLT (5/16-18X4.5-IN)						
	8	1	<b>9M-1974</b>	8	WASHER-HARD (8.8X16X2-MM THK)						
	9	1	<b>6I-0748</b>	3	DEFLECTOR						
	10	1	<b>6I-0088</b>	1	COVER AS-EXCITER						
	11	1	<b>1B-2714</b>	4	BOLT (1/4-20X2.5-IN)						
	12	1	<b>5P-0537</b>	19	WASHER-HARD (7.2X14.5X2-MM THK)						
	13	1	<b>111-2413</b>	1	FAN-GENERATOR						
	14	1	<b>9S-8750</b>	3	NUT-FULL (1/4-20-THD)						
	15	1	<b>7E-6574</b>	1	COVER-DRIP						
	16	1	<b>0S-1615</b>	8	BOLT (1/4-20X0.75-IN)						
	17	1	<b>7E-6577</b>	1	COVER-RECTIFIER						
	18	1	<b>7C-5709</b>	3	SLEEVE						
	19	1	<b>7C-5708</b>	3	GROMMET						
	20	1	<b>033-2075</b>	6	WASHER (0.266X1.25X0.06-IN THK)						
	21	1	<b>1N-7219</b>	1	CHANNEL-RUBBER						
	22	1	<b>7E-6578</b>	2	PANEL						
	23	1	<b>4W-9449</b>	1	FILM-INFORMATION (GENERATOR WIRING DIAGRAM)						
	24	1	<b>7C-5711</b>	1	FILM-INSTRUCTION (VOLTAGE CONTROL ADJUSTMENT)						
	25	1	<b>7E-6575</b>	1	PANEL AS						
		1	<b>4F-8711</b>	2	PLUG-BUTTON						
		1	<b>5N-3174</b>	8	PLUG-BUTTON						
		1	<b>5N-3175</b>	1	PLUG-BUTTON						
		1	<b>6K-9593</b>	1	PLUG-BUTTON						
	26	1	<b>9F-7022</b>	1	BOLT (1/4-20X1.5-IN)						
	27	1	<b>7E-6568</b>	1	FRAME AS (RH)						
	28	1	<b>7E-6567</b>	1	FRAME AS (LH)						
	29	1	<b>3V-5035</b>	1	SPACER (0.302X0.54X1.03-IN THK)						
	30	1	<b>5L-2087</b>	4	SPACER (9.25X13.72X50.8-MM THK)						
	31	1	<b>4P-3150</b>	1	COVER AS						
		1	<b>5N-3167</b>	3	SEAL-RING						
		1	<b>5N-3176</b>	3	PLUG-BUTTON						
		1	<b>6D-7128</b>	4	SEAL-O-RING						
		1	<b>8P-7065</b>	2	PLUG-BUTTON						
		1	<b>8T-9587</b>	2	SEAL-O-RING						
		1	<b>030-2284</b>	4	PLUG-BUTTON						
	32	1	<b>6I-2737</b>	2	RETAINER-BEARING						
	33	1	<b>110-6174</b>	1	PANEL-REAR						
	34	1	<b>110-6175</b>	1	COVER AS-AIR (INLET)						
	35	1	<b>8T-6764</b>	2	PLUG-PIPE (1/8-27-THD)						
	36	1	<b>110-4325</b>	1	BRACKET-BEARING						
Y	37	1	<b>110-3409</b>	1	ROTOR AS						1621

# GENERATORS

109-3786 GENERATOR GP (contd.)

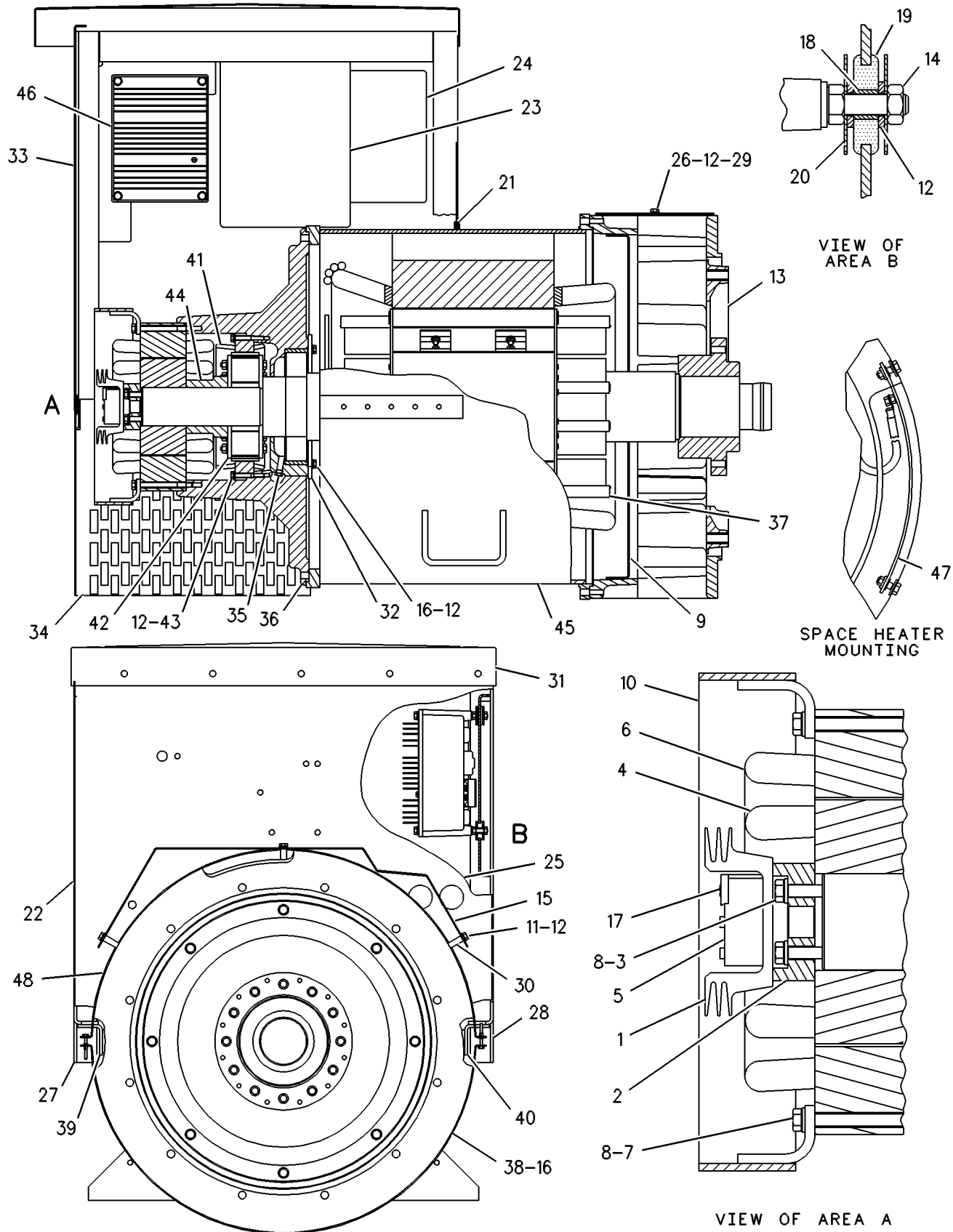
i01858455

NOTE	REF NO	GRAPHIC REF	PART NUMBER	QTY	PART NAME						SEE PAGE
					1	2	3	4	5	6 (PRODUCT LEVEL)	
	38	1	<b>112-2563</b>	1	SCREEN AS						
	39	1	<b>4P-3420</b>	1	BRACKET (RH)						
	40	1	<b>4P-3419</b>	1	BRACKET (LH)						
	41	1	<b>110-4875</b>	1	STATOR AS (PERMANENT MAGNET)						
		1	<b>7E-8266</b>	2	HOLDER AS-FUSE						
		1	<b>9Y-6027</b>	2	FUSE-CERAMIC (10-AMPERE)						
	42	1	<b>110-4874</b>	1	ROTOR AS (PERMANENT MAGNET)						
	43	1	<b>8B-2377</b>	4	BOLT (1/4-20X2-IN)						
	44	1	<b>112-9430</b>	1	SPACER (63.6X101.6X69.2-MM THK)						
	45	1	<b>4P-3406</b>	1	STATOR AS						
Y	46	1	<b>114-5510</b>	1	REGULATOR AS-VOLTAGE (VR3 PERMANENT MAGNET)						1604
Y	47	1	<b>4P-5639</b>	1	KIT-SPACE HEATER						1595
	48	1	<b>126-4421</b>	1	SCREEN AS						
					AVAILABLE REPAIR KIT(S):						
			<b>4W-3901</b>	1	KIT-ROTOR BALANCE WEIGHT (GENERATOR) (INCLUDES SCREWS, NUTS & WASHERS)						
			<b>7E-7233</b>	1	KIT-GENERATOR HARDWARE (INCLUDES WASHERS, NUTS, SCREWS & LUGS)						
			<b>9Y-5087</b>	1	KIT-STATOR REWIND (INCLUDES LINER, LEADS, TERMINAL LUG, SLOT SEPARATOR, PHASE SEPARATOR, CONNECT COVERS, CONNECTOR, CORD, FILM, VARNISH MOD, EPOXY RESIN & COIL LEAD)						
			<b>4C-6715</b>	1	KIT-RECTIFIER SILICONE (INCLUDES SILICONE & PRIMER)						
Y - SEPARATE ILLUSTRATION											

# GENERATORS

109-3786 GENERATOR GP (contd.)

i01858455



GRAPHIC #1

<END>

g00255536

# GENERATORS

## 109-3786 GENERATOR GP

S/N: 6EG1-UP

PART OF 109-3787 GENERATOR AR

TYPE 2

SMCS-4450

i02771663

NOTE	REF NO	GRAPHIC REF	PART NUMBER	QTY	PART NAME						SEE PAGE
					1	2	3	4	5	6 (PRODUCT LEVEL)	
	1	1	<b>290-5567</b>	1	HEAT SINK AS						
	2	1	<b>4P-3153</b>	1	SPACER (20.6X77X27.8-MM THK)						
	3	1	<b>1A-9579</b>	4	BOLT (5/16-18X1.5-IN)						
	4	1	<b>4P-3152</b>	1	ROTOR-EXCITER						
	6	1	<b>9Y-5816</b>	1	STATOR-EXCITER						
	7	1	<b>3H-5932</b>	4	BOLT (5/16-18X4.5-IN)						
	8	1	<b>9M-1974</b>	8	WASHER-HARD (8.8X16X2-MM THK)						
	9	1	<b>6I-0748</b>	3	DEFLECTOR						
	10	1	<b>6I-0088</b>	1	COVER AS-EXCITER						
	11	1	<b>1B-2714</b>	4	BOLT (1/4-20X2.5-IN)						
C	12	1	<b>5P-0537</b>	13	WASHER-HARD (7.2X14.5X2-MM THK)						
	13	1	<b>111-2413</b>	1	FAN-GENERATOR						
	15	1	<b>7E-6574</b>	1	COVER-DRIP						
	16	1	<b>0S-1615</b>	8	BOLT (1/4-20X0.75-IN)						
	21	1	<b>1N-7219</b>	1	CHANNEL-RUBBER						
	22	1	<b>7E-6578</b>	2	PANEL						
	23	1	<b>4W-9449</b>	1	FILM-INFORMATION (GENERATOR WIRING DIAGRAM)						
	25	1	<b>7E-6575</b>	1	PANEL AS						
		1	<b>4F-8711</b>	2	PLUG-BUTTON						
		1	<b>5N-3174</b>	8	PLUG-BUTTON						
		1	<b>5N-3175</b>	1	PLUG-BUTTON						
		1	<b>6K-9593</b>	1	PLUG-BUTTON						
	26	1	<b>9F-7022</b>	1	BOLT (1/4-20X1.5-IN)						
	27	1	<b>7E-6568</b>	1	FRAME AS (RH)						
	28	1	<b>7E-6567</b>	1	FRAME AS (LH)						
	29	1	<b>3V-5035</b>	1	SPACER (0.302X0.54X1.03-IN THK)						
	30	1	<b>5L-2087</b>	4	SPACER (9.25X13.72X50.8-MM THK)						
	31	1	<b>4P-3150</b>	1	COVER AS						
		1	<b>5N-3167</b>	3	SEAL-RING						
		1	<b>5N-3176</b>	3	PLUG-BUTTON						
		1	<b>6D-7128</b>	4	SEAL-O-RING						
		1	<b>8P-7065</b>	2	PLUG-BUTTON						
		1	<b>8T-9587</b>	2	SEAL-O-RING						
		1	<b>030-2284</b>	4	PLUG-BUTTON						
	32	1	<b>6I-2737</b>	2	RETAINER-BEARING						
	33	1	<b>110-6174</b>	1	PANEL-REAR						
	34	1	<b>110-6175</b>	1	COVER AS-AIR (INLET)						
	35	1	<b>8T-6764</b>	2	PLUG-PIPE (1/8-27-THD)						
	36	1	<b>110-4325</b>	1	BRACKET-BEARING						
Y	37	1	<b>110-3409</b>	1	ROTOR AS						1621
	38	1	<b>112-2563</b>	1	SCREEN AS						
	39	1	<b>4P-3420</b>	1	BRACKET (RH)						
	40	1	<b>4P-3419</b>	1	BRACKET (LH)						
	41	1	<b>110-4875</b>	1	STATOR AS (PERMANENT MAGNET)						
		1	<b>7E-8266</b>	2	HOLDER AS-FUSE						
		1	<b>9Y-6027</b>	2	FUSE-CERAMIC (10-AMPERE)						

# GENERATORS

109-3786 GENERATOR GP (contd.)

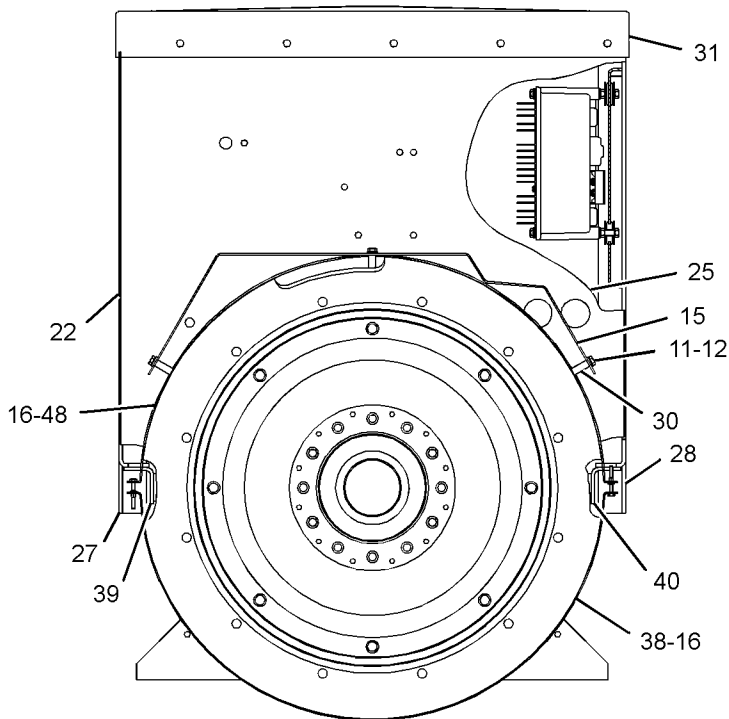
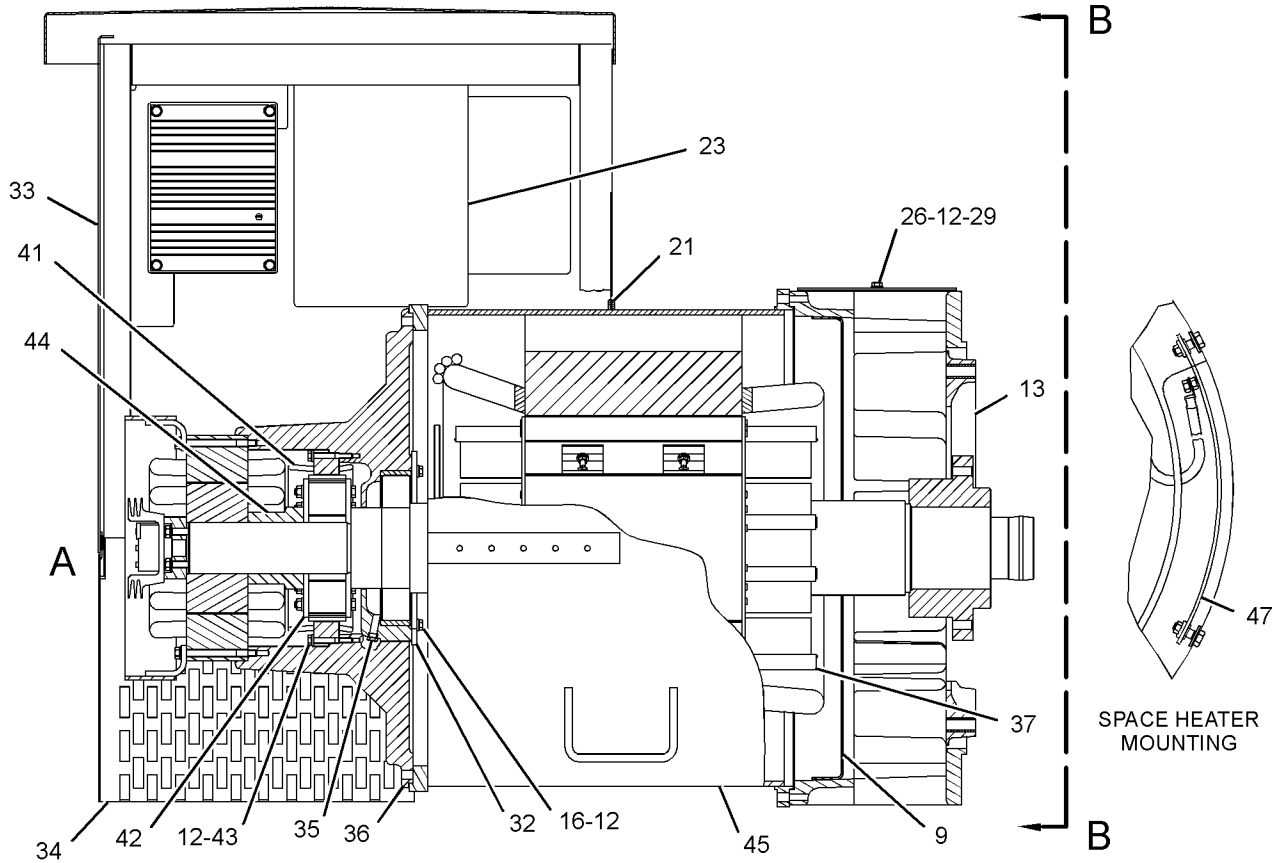
i02771663

NOTE	REF NO	GRAPHIC REF	PART NUMBER	QTY	PART NAME						SEE PAGE
					1	2	3	4	5	6 (PRODUCT LEVEL)	
	42	1	<b>110-4874</b>	1	ROTOR AS (PERMANENT MAGNET)						
	43	1	<b>8B-2377</b>	4	BOLT (1/4-20X2-IN)						
	44	1	<b>112-9430</b>	1	SPACER (63.6X101.6X69.2-MM THK)						
	45	1	<b>4P-3406</b>	1	STATOR AS						
Y	47	1	<b>4P-5639</b>	1	KIT-SPACE HEATER						1595
	48	1	<b>126-4421</b>	1	SCREEN AS						
					AVAILABLE REPAIR KIT(S):						
			<b>4W-3901</b>	1	KIT-ROTOR BALANCE WEIGHT (GENERATOR) (INCLUDES SCREWS, NUTS & WASHERS)						
			<b>7E-7233</b>	1	KIT-GENERATOR HARDWARE (INCLUDES WASHERS, NUTS, SCREWS & LUGS)						
			<b>9Y-5087</b>	1	KIT-STATOR REWIND (INCLUDES LINER, LEADS, TERMINAL LUG, SLOT SEPARATOR, PHASE SEPARATOR, CONNECT COVERS, CONNECTOR, CORD, FILM, VARNISH MOD, EPOXY RESIN & COIL LEAD)						
			<b>4C-6715</b>	1	KIT-RECTIFIER SILICONE (INCLUDES SILICONE & PRIMER)						
C - CHANGE FROM PREVIOUS TYPE											
Y - SEPARATE ILLUSTRATION											

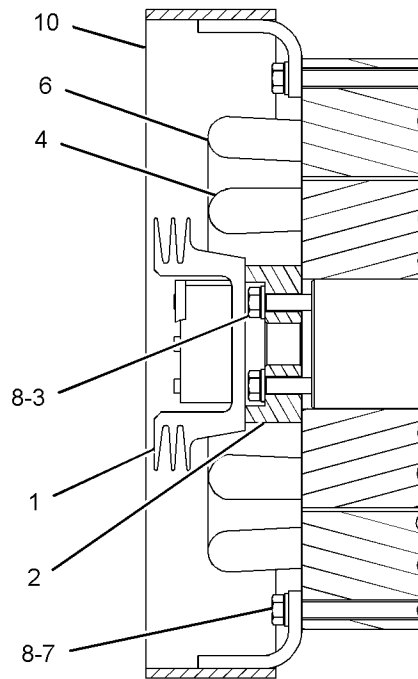
# GENERATORS

109-3786 GENERATOR GP (contd.)

i02771663



VIEW B-B



VIEW OF AREA A

GRAPHIC #1

<END>

g01326997

# GENERATORS

## 109-3796 GENERATOR GP

S/N: 6DG1-UP

60-HERTZ, 600-VOLTS. 445-FRAME, 4-LEAD

PART OF 109-3797 GENERATOR AR

SMCS-4450

i02643993

NOTE	REF NO	GRAPHIC REF	PART NUMBER	QTY	PART NAME						SEE PAGE
					1	2	3	4	5	6 (PRODUCT LEVEL)	
C	1	1	<b>290-5567</b>	1	HEAT SINK AS						
	2	1	<b>4P-3153</b>	1	SPACER (20.6X77X27.8-MM THK)						
	3	1	<b>1A-9579</b>	4	BOLT (5/16-18X1.5-IN)						
	4	1	<b>4P-3468</b>	1	ROTOR-EXCITER						
	6	1	<b>9Y-5817</b>	1	STATOR-EXCITER						
	7	1	<b>4B-3903</b>	4	BOLT (5/16-18X4-IN)						
	8	1	<b>9M-1974</b>	8	WASHER-HARD (8.8X16X2-MM THK)						
	9	1	<b>6I-0748</b>	3	DEFLECTOR						
	10	1	<b>6I-0088</b>	1	COVER AS-EXCITER						
	11	1	<b>1B-2714</b>	4	BOLT (1/4-20X2.5-IN)						
	12	1	<b>5P-0537</b>	13	WASHER-HARD (7.2X14.5X2-MM THK)						
	13	1	<b>111-2413</b>	1	FAN-GENERATOR						
	15	1	<b>7E-6574</b>	1	COVER-DRIP						
	16	1	<b>0S-1615</b>	8	BOLT (1/4-20X0.75-IN)						
	21	1	<b>1N-7219</b>	1	CHANNEL-RUBBER						
	22	1	<b>7E-6578</b>	2	PANEL						
	24	1	<b>7E-5940</b>	1	FILM-INFORMATION (GENERATOR WIRING DIAGRAM)						
	25	1	<b>7E-6575</b>	1	PANEL AS						
		1	<b>4F-8711</b>	2	PLUG-BUTTON						
		1	<b>5N-3174</b>	8	PLUG-BUTTON						
		1	<b>5N-3175</b>	1	PLUG-BUTTON						
		1	<b>6K-9593</b>	1	PLUG-BUTTON						
	26	1	<b>9F-7022</b>	1	BOLT (1/4-20X1.5-IN)						
	27	1	<b>7E-6568</b>	1	FRAME AS (RH)						
	28	1	<b>7E-6567</b>	1	FRAME AS (LH)						
	29	1	<b>3V-5035</b>	1	SPACER (0.302X0.54X1.03-IN THK)						
	30	1	<b>5L-2087</b>	4	SPACER (9.25X13.72X50.8-MM THK)						
	31	1	<b>4P-3150</b>	1	COVER AS						
		1	<b>5N-3167</b>	3	SEAL-RING						
		1	<b>5N-3176</b>	3	PLUG-BUTTON						
		1	<b>6D-7128</b>	4	SEAL-O-RING						
		1	<b>8P-7065</b>	2	PLUG-BUTTON						
		1	<b>8T-9587</b>	2	SEAL-O-RING						
		1	<b>030-2284</b>	4	PLUG-BUTTON						
	32	1	<b>6I-2737</b>	2	RETAINER-BEARING						
	33	1	<b>110-6174</b>	1	PANEL-REAR						
	34	1	<b>110-6175</b>	1	COVER AS-AIR (INLET)						
	35	1	<b>8T-6764</b>	2	PLUG-PIPE (1/8-27-THD)						
	36	1	<b>110-4325</b>	1	BRACKET-BEARING						
Y	37	1	<b>110-3408</b>	1	ROTOR AS						1620
	38	1	<b>112-2563</b>	1	SCREEN AS						
	39	1	<b>4P-3420</b>	1	BRACKET (RH)						
	40	1	<b>4P-3419</b>	1	BRACKET (LH)						
	41	1	<b>110-4875</b>	1	STATOR AS (PERMANENT MAGNET)						
		1	<b>7E-8266</b>	2	HOLDER AS-FUSE						
		1	<b>9Y-6027</b>	2	FUSE-CERAMIC (10-AMPERE)						

# GENERATORS

109-3796 GENERATOR GP (contd.)

i02643993

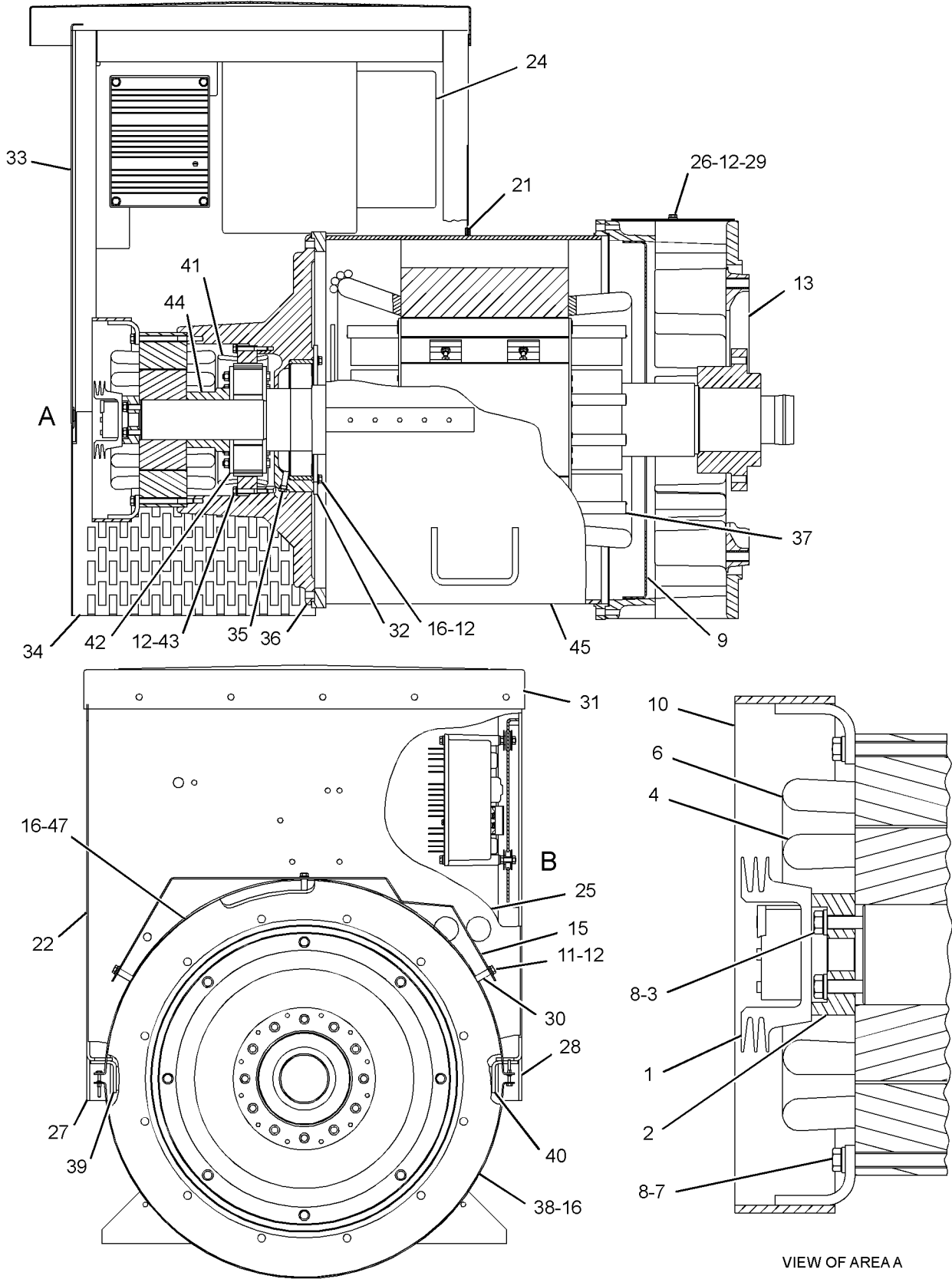
NOTE	REF NO	GRAPHIC REF	PART NUMBER	QTY	PART NAME						SEE PAGE
					1	2	3	4	5	6 (PRODUCT LEVEL)	
	42	1	<b>110-4874</b>	1	ROTOR AS (PERMANENT MAGNET)						
	43	1	<b>8B-2377</b>	4	BOLT (1/4-20X2-IN)						
	44	1	<b>112-9430</b>	1	SPACER (63.6X101.6X69.2-MM THK)						
	45	1	<b>100-4481</b>	1	STATOR AS						
	47	1	<b>126-4421</b>	1	SCREEN AS						
					AVAILABLE REPAIR KIT(S):						
			<b>4W-3901</b>	1	KIT-ROTOR BALANCE WEIGHT (GENERATOR)						
					(INCLUDES SCREWS, WASHERS, WEIGHT BALANCE & NUT)						
			<b>7E-7233</b>	1	KIT-GENERATOR HARDWARE						
					(INCLUDES SCREWS, WASHERS, LUGS & PLUGS)						
			<b>100-4482</b>	1	KIT-STATOR REWIND						
					(INCLUDES TOPSTICKS, SLOT LINER, SLOT SEPARATOR, PHASE SEPARATOR, WIRES, INSULATION, CORD, TAPE & CONNECTORS)						
C - CHANGE FROM PREVIOUS TYPE											
Y - SEPARATE ILLUSTRATION											



# GENERATORS

109-3796 GENERATOR GP (contd.)

102643993



GRAPHIC #1

<END>

g01329331

# GENERATORS

## 109-3798 GENERATOR GP

S/N: 6EG1-UP

60-HERTZ, 600-VOLTS. 446-FRAME, 4-LEAD

PART OF 109-3799 GENERATOR AR

TYPE 1

SMCS-4450

i01858461

NOTE	REF NO	GRAPHIC REF	PART NUMBER	QTY	PART NAME						SEE PAGE
					1	2	3	4	5	6 (PRODUCT LEVEL)	
	1	1	<b>4P-3154</b>	1	HEAT SINK						
	2	1	<b>4P-3153</b>	1	SPACER (20.6X77X27.8-MM THK)						
	3	1	<b>1A-9579</b>	4	BOLT (5/16-18X1.5-IN)						
	4	1	<b>4P-3152</b>	1	ROTOR-EXCITER						
	5	1	<b>9Y-0916</b>	1	RECTIFIER AS						
	6	1	<b>9Y-5816</b>	1	STATOR-EXCITER						
	7	1	<b>3H-5932</b>	4	BOLT (5/16-18X4.5-IN)						
	8	1	<b>9M-1974</b>	8	WASHER-HARD (8.8X16X2-MM THK)						
	9	1	<b>6I-0748</b>	3	DEFLECTOR						
	10	1	<b>6I-0088</b>	1	COVER AS-EXCITER						
	11	1	<b>1B-2714</b>	4	BOLT (1/4-20X2.5-IN)						
	12	1	<b>5P-0537</b>	19	WASHER-HARD (7.2X14.5X2-MM THK)						
	13	1	<b>111-2413</b>	1	FAN-GENERATOR						
	14	1	<b>9S-8750</b>	3	NUT-FULL (1/4-20-THD)						
	15	1	<b>7E-6574</b>	1	COVER-DRIP						
	16	1	<b>0S-1615</b>	8	BOLT (1/4-20X0.75-IN)						
	17	1	<b>7E-6577</b>	1	COVER-RECTIFIER						
	18	1	<b>7C-5709</b>	3	SLEEVE						
	19	1	<b>7C-5708</b>	3	GROMMET						
	20	1	<b>033-2075</b>	6	WASHER (0.266X1.25X0.06-IN THK)						
	21	1	<b>1N-7219</b>	1	CHANNEL-RUBBER						
	22	1	<b>7E-6578</b>	2	PANEL						
	23	1	<b>7C-5711</b>	1	FILM-INSTRUCTION (VOLTAGE CONTROL ADJUSTMENT)						
	24	1	<b>7E-5940</b>	1	FILM-INFORMATION (GENERATOR WIRING DIAGRAM)						
	25	1	<b>7E-6575</b>	1	PANEL AS						
		1	<b>4F-8711</b>	2	PLUG-BUTTON						
		1	<b>5N-3174</b>	8	PLUG-BUTTON						
		1	<b>5N-3175</b>	1	PLUG-BUTTON						
		1	<b>6K-9593</b>	1	PLUG-BUTTON						
	26	1	<b>9F-7022</b>	1	BOLT (1/4-20X1.5-IN)						
	27	1	<b>7E-6568</b>	1	FRAME AS (RH)						
	28	1	<b>7E-6567</b>	1	FRAME AS (LH)						
	29	1	<b>3V-5035</b>	1	SPACER (0.302X0.54X1.03-IN THK)						
	30	1	<b>5L-2087</b>	4	SPACER (9.25X13.72X50.8-MM THK)						
	31	1	<b>4P-3150</b>	1	COVER AS						
		1	<b>5N-3167</b>	3	SEAL-RING						
		1	<b>5N-3176</b>	3	PLUG-BUTTON						
		1	<b>6D-7128</b>	4	SEAL-O-RING						
		1	<b>8P-7065</b>	2	PLUG-BUTTON						
		1	<b>8T-9587</b>	2	SEAL-O-RING						
		1	<b>030-2284</b>	4	PLUG-BUTTON						
	32	1	<b>6I-2737</b>	2	RETAINER-BEARING						
	33	1	<b>110-6174</b>	1	PANEL-REAR						
	34	1	<b>110-6175</b>	1	COVER AS-AIR (INLET)						
	35	1	<b>8T-6764</b>	2	PLUG-PIPE (1/8-27-THD)						
	36	1	<b>110-4325</b>	1	BRACKET-BEARING						

# GENERATORS

109-3798 GENERATOR GP (contd.)

i01858461

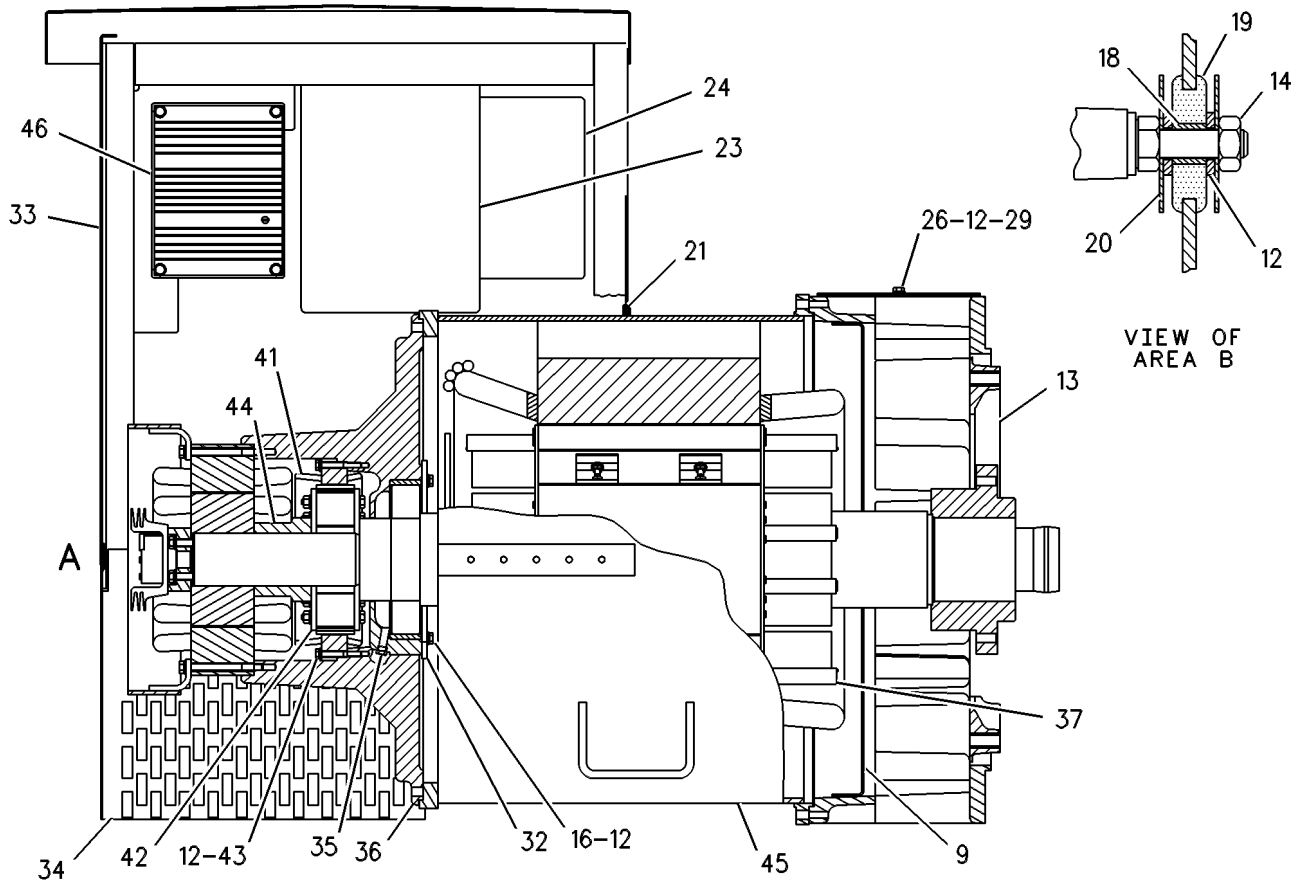
NOTE	REF NO	GRAPHIC REF	PART NUMBER	QTY	PART NAME						SEE PAGE
					1	2	3	4	5	6 (PRODUCT LEVEL)	
Y	37	1	<b>110-3409</b>	1	ROTOR AS						1621
	38	1	<b>112-2563</b>	1	SCREEN AS						
	39	1	<b>4P-3420</b>	1	BRACKET (RH)						
	40	1	<b>4P-3419</b>	1	BRACKET (LH)						
	41	1	<b>110-4875</b>	1	STATOR AS (PERMANENT MAGNET)						
		1	<b>7E-8266</b>	2	HOLDER AS-FUSE						
		1	<b>9Y-6027</b>	2	FUSE-CERAMIC (10-AMPERE)						
	42	1	<b>110-4874</b>	1	ROTOR AS (PERMANENT MAGNET)						
	43	1	<b>8B-2377</b>	4	BOLT (1/4-20X2-IN)						
	44	1	<b>112-9430</b>	1	SPACER (63.6X101.6X69.2-MM THK)						
	45	1	<b>101-0375</b>	1	STATOR AS						
Y	46	1	<b>114-5510</b>	1	REGULATOR AS-VOLTAGE (VR3 PERMANENT MAGNET)						1604
	47	1	<b>126-4421</b>	1	SCREEN AS						
					AVAILABLE REPAIR KIT(S):						
			<b>4W-3901</b>	1	KIT-ROTOR BALANCE WEIGHT (GENERATOR)						
					(INCLUDES SCREWS, WASHERS, WEIGHT BALANCE & NUT)						
			<b>7E-7233</b>	1	KIT-GENERATOR HARDWARE						
					(INCLUDES SCREWS, WASHERS, LUGS & PLUGS)						
			<b>101-0373</b>	1	KIT-STATOR REWIND						
					(INCLUDES TOPSTICKS, SLOT LINER, SLOT SEPARATOR, PHASE SEPARATOR, WIRES, INSULATION, CORD, TAPE & CONNECTORS)						
			<b>4C-6715</b>	1	KIT-RECTIFIER SILICONE						
					(INCLUDES SILICONE & PRIMER)						

Y - SEPARATE ILLUSTRATION

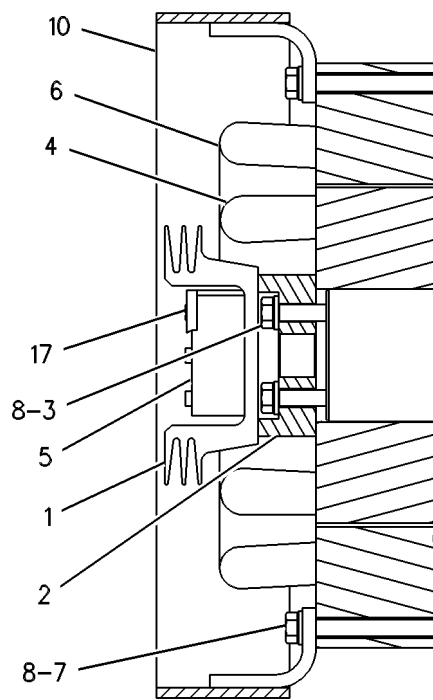
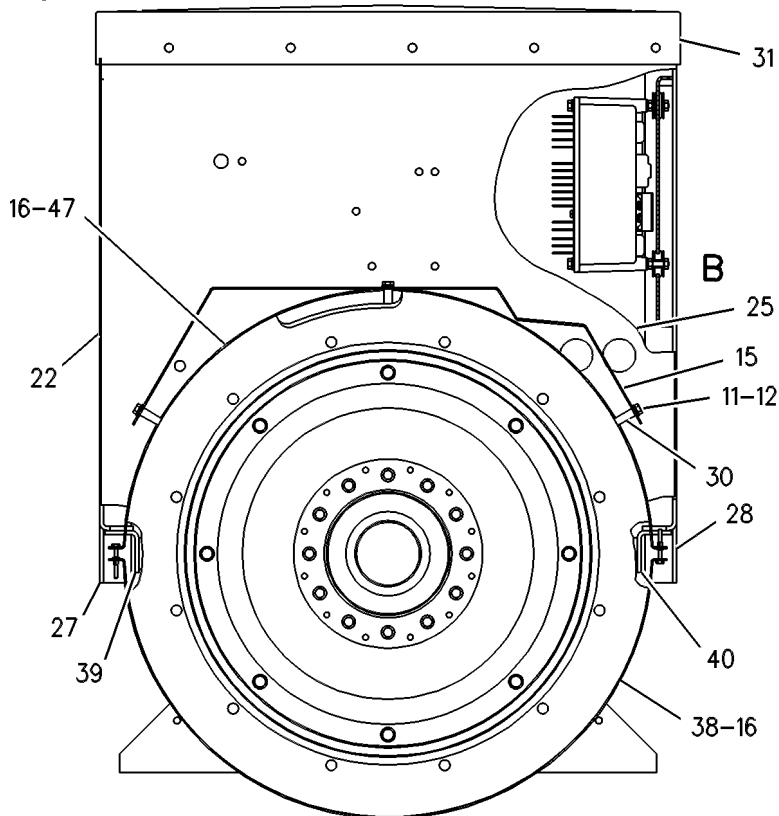
# GENERATORS

109-3798 GENERATOR GP (contd.)

i01858461



VIEW OF AREA B



VIEW OF AREA A

GRAPHIC #1

<END>

g00255422

# GENERATORS

## 109-3798 GENERATOR GP

S/N: 6EG1-UP

60-HERTZ, 600-VOLTS. 446-FRAME, 4-LEAD

PART OF 109-3799 GENERATOR AR

TYPE 2

SMCS-4450

i02651942

NOTE	REF NO	GRAPHIC REF	PART NUMBER	QTY	PART NAME						SEE PAGE
					1	2	3	4	5	6 (PRODUCT LEVEL)	
	1	1	<b>290-5567</b>	1	HEAT SINK AS						
	2	1	<b>4P-3153</b>	1	SPACER (20.6X77X27.8-MM THK)						
	3	1	<b>1A-9579</b>	4	BOLT (5/16-18X1.5-IN)						
	4	1	<b>4P-3152</b>	1	ROTOR-EXCITER						
	6	1	<b>9Y-5816</b>	1	STATOR-EXCITER						
	7	1	<b>3H-5932</b>	4	BOLT (5/16-18X4.5-IN)						
	8	1	<b>9M-1974</b>	8	WASHER-HARD (8.8X16X2-MM THK)						
	9	1	<b>6I-0748</b>	3	DEFLECTOR						
	10	1	<b>6I-0088</b>	1	COVER AS-EXCITER						
	11	1	<b>1B-2714</b>	4	BOLT (1/4-20X2.5-IN)						
C	12	1	<b>5P-0537</b>	13	WASHER-HARD (7.2X14.5X2-MM THK)						
	13	1	<b>111-2413</b>	1	FAN-GENERATOR						
	15	1	<b>7E-6574</b>	1	COVER-DRIP						
	16	1	<b>0S-1615</b>	8	BOLT (1/4-20X0.75-IN)						
	21	1	<b>1N-7219</b>	1	CHANNEL-RUBBER						
	22	1	<b>7E-6578</b>	2	PANEL						
	24	1	<b>7E-5940</b>	1	FILM-INFORMATION (GENERATOR WIRING DIAGRAM)						
	25	1	<b>7E-6575</b>	1	PANEL AS						
		1	<b>4F-8711</b>	2	PLUG-BUTTON						
		1	<b>5N-3174</b>	8	PLUG-BUTTON						
		1	<b>5N-3175</b>	1	PLUG-BUTTON						
		1	<b>6K-9593</b>	1	PLUG-BUTTON						
	26	1	<b>9F-7022</b>	1	BOLT (1/4-20X1.5-IN)						
	27	1	<b>7E-6568</b>	1	FRAME AS (RH)						
	28	1	<b>7E-6567</b>	1	FRAME AS (LH)						
	29	1	<b>3V-5035</b>	1	SPACER (0.302X0.54X1.03-IN THK)						
	30	1	<b>5L-2087</b>	4	SPACER (9.25X13.72X50.8-MM THK)						
	31	1	<b>4P-3150</b>	1	COVER AS						
		1	<b>5N-3167</b>	3	SEAL-RING						
		1	<b>5N-3176</b>	3	PLUG-BUTTON						
		1	<b>6D-7128</b>	4	SEAL-O-RING						
		1	<b>8P-7065</b>	2	PLUG-BUTTON						
		1	<b>8T-9587</b>	2	SEAL-O-RING						
		1	<b>030-2284</b>	4	PLUG-BUTTON						
	32	1	<b>6I-2737</b>	2	RETAINER-BEARING						
	33	1	<b>110-6174</b>	1	PANEL-REAR						
	34	1	<b>110-6175</b>	1	COVER AS-AIR (INLET)						
	35	1	<b>8T-6764</b>	2	PLUG-PIPE (1/8-27-THD)						
	36	1	<b>110-4325</b>	1	BRACKET-BEARING						
Y	37	1	<b>110-3409</b>	1	ROTOR AS						1621
	38	1	<b>112-2563</b>	1	SCREEN AS						
	39	1	<b>4P-3420</b>	1	BRACKET (RH)						
	40	1	<b>4P-3419</b>	1	BRACKET (LH)						
	41	1	<b>110-4875</b>	1	STATOR AS (PERMANENT MAGNET)						
		1	<b>7E-8266</b>	2	HOLDER AS-FUSE						
		1	<b>9Y-6027</b>	2	FUSE-CERAMIC (10-AMPERE)						

# GENERATORS

109-3798 GENERATOR GP (contd.)

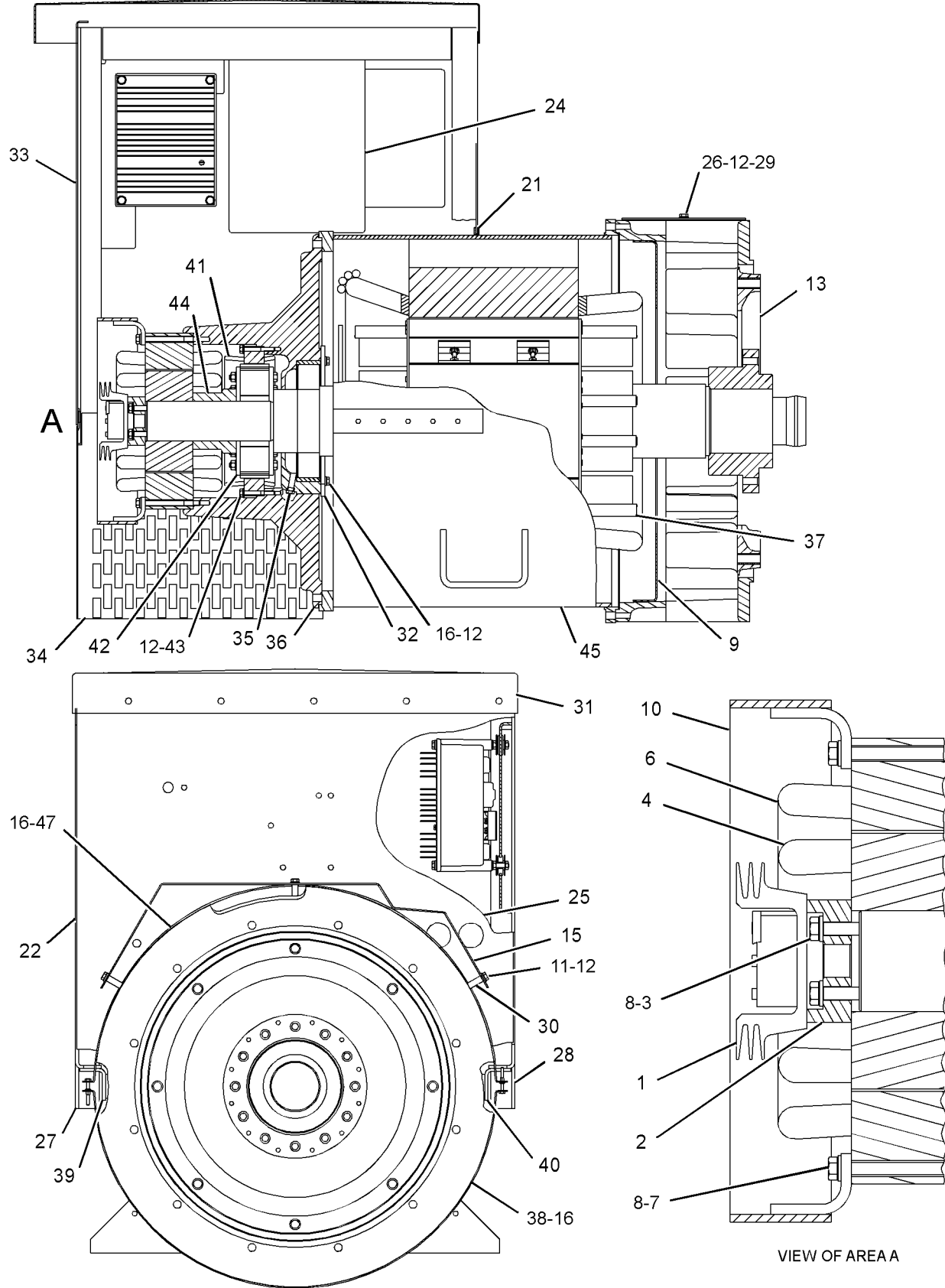
i02651942

NOTE	REF NO	GRAPHIC REF	PART NUMBER	QTY	PART NAME						SEE PAGE
					1	2	3	4	5	6 (PRODUCT LEVEL)	
	42	1	<b>110-4874</b>	1	ROTOR AS (PERMANENT MAGNET)						
	43	1	<b>8B-2377</b>	4	BOLT (1/4-20X2-IN)						
	44	1	<b>112-9430</b>	1	SPACER (63.6X101.6X69.2-MM THK)						
	45	1	<b>101-0375</b>	1	STATOR AS						
	47	1	<b>126-4421</b>	1	SCREEN AS						
					AVAILABLE REPAIR KIT(S):						
			<b>4W-3901</b>	1	KIT-ROTOR BALANCE WEIGHT (GENERATOR)						
					(INCLUDES SCREWS, WASHERS, WEIGHT BALANCES & NUTS)						
			<b>7E-7233</b>	1	KIT-GENERATOR HARDWARE						
					(INCLUDES SCREWS, WASHERS, LUGS, NUTS, PLUGS & LOCKNUTS)						
			<b>101-0373</b>	1	KIT-STATOR REWIND						
					(INCLUDES TOPSTICKS, SLOT LINER, SLOT SEPARATOR, PHASE SEPARATOR, TERMINALS, WIRES, INSULATION, CORD, TAPE & CONNECTORS)						
C - CHANGE FROM PREVIOUS TYPE											
Y - SEPARATE ILLUSTRATION											

# GENERATORS

109-3798 GENERATOR GP (contd.)

102651942



GRAPHIC #1

<END>

g01334396

# GENERATORS

## 121-2719 GENERATOR GP

S/N: 8JF1-UP

PART OF 121-2720 GENERATOR AR

TYPE 1

SMCS-4450

i01955492

NOTE	REF NO	GRAPHIC REF	PART NUMBER	QTY	PART NAME						SEE PAGE
					1	2	3	4	5	6 (PRODUCT LEVEL)	
	1	1	<b>120-6973</b>	1	STATOR AS-MAIN						
	2	1	<b>4P-3154</b>	1	HEAT SINK						
	3	1	<b>118-1324</b>	1	BRACKET-BEARING						
	4	1	<b>4P-3153</b>	1	SPACER (20.6X77X27.8-MM THK)						
	5	1	<b>1A-9579</b>	4	BOLT (5/16-18X1.5-IN)						
	6	1	<b>4P-3152</b>	1	ROTOR-EXCITER						
	7	1	<b>9Y-0916</b>	1	RECTIFIER AS						
	8	1	<b>9Y-5816</b>	1	STATOR-EXCITER						
	9	1	<b>3H-5932</b>	4	BOLT (5/16-18X4.5-IN)						
	10	1	<b>9M-1974</b>	8	WASHER-HARD (8.8X16X2-MM THK)						
	11	1	<b>7E-6573</b>	1	COVER-DUST						
	12	1	<b>6I-0748</b>	3	DEFLECTOR						
	13	1	<b>6I-0088</b>	1	COVER AS-EXCITER						
	14	1	<b>1B-2714</b>	4	BOLT (1/4-20X2.5-IN)						
	15	1	<b>5P-0537</b>	15	WASHER-HARD (7.2X14.5X2-MM THK)						
	16	1	<b>111-2413</b>	1	FAN-GENERATOR						
	17	1	<b>7E-6570</b>	1	SCREEN AS						
		1	<b>9Y-2970</b>	2	RETAINER						
	18	1	<b>5N-3886</b>	2	SCREW (10-32X1.5-IN)						
	19	1	<b>9S-8750</b>	3	NUT-FULL (1/4-20-THD)						
	20	1	<b>7E-6574</b>	1	COVER-DRIP						
	21	1	<b>0S-1615</b>	4	BOLT (1/4-20X0.75-IN)						
	22	1	<b>4P-3149</b>	1	PANEL-REAR						
Y	23	1	<i>149-6130</i>	1	REGULATOR AS-VOLTAGE						1605
	24	1	<b>7E-6577</b>	1	COVER-RECTIFIER						
	25	1	<b>7C-5709</b>	3	SLEEVE						
	26	1	<b>7C-5708</b>	3	GROMMET						
	27	1	<b>033-2075</b>	6	WASHER (0.266X1.25X0.06-IN THK)						
	28	1	<b>1N-7219</b>	1	CHANNEL-RUBBER						
	29	1	<b>7E-6578</b>	2	PANEL						
	30	1	<b>4W-9449</b>	1	FILM-INFORMATION (GENERATOR WIRING DIAGRAM)						
	31	1	<b>7C-5711</b>	1	FILM-INSTRUCTION (VOLTAGE CONTROL ADJUSTMENT)						
	32	1	<b>128-5313</b>	1	PANEL AS						
		1	<b>4F-8711</b>	2	PLUG-BUTTON						
		1	<b>5N-3174</b>	8	PLUG-BUTTON						
		1	<b>5N-3175</b>	1	PLUG-BUTTON						
		1	<b>6K-9593</b>	5	PLUG-BUTTON						
	33	1	<b>3V-5035</b>	1	SPACER (0.302X0.54X1.03-IN THK)						
	34	1	<b>5M-6214</b>	2	PLUG (1/8-27 PTF)						
	35	1	<b>7E-6568</b>	1	FRAME AS (RH)						
	36	1	<b>7E-6572</b>	1	BRACKET (RH)						
	37	1	<b>7E-6571</b>	1	BRACKET (LH)						
	38	1	<b>7E-6567</b>	1	FRAME AS (LH)						
	39	1	<b>9F-7022</b>	1	BOLT (1/4-20X1.5-IN)						
Y	40	1	<b>121-0286</b>	1	ROTOR GP-GENERATOR						1635
	41	1	<b>111-3187</b>	4	SPACER (8.3X11.9X38.1-MM THK)						



# GENERATORS

121-2719 GENERATOR GP (contd.)

i01955492

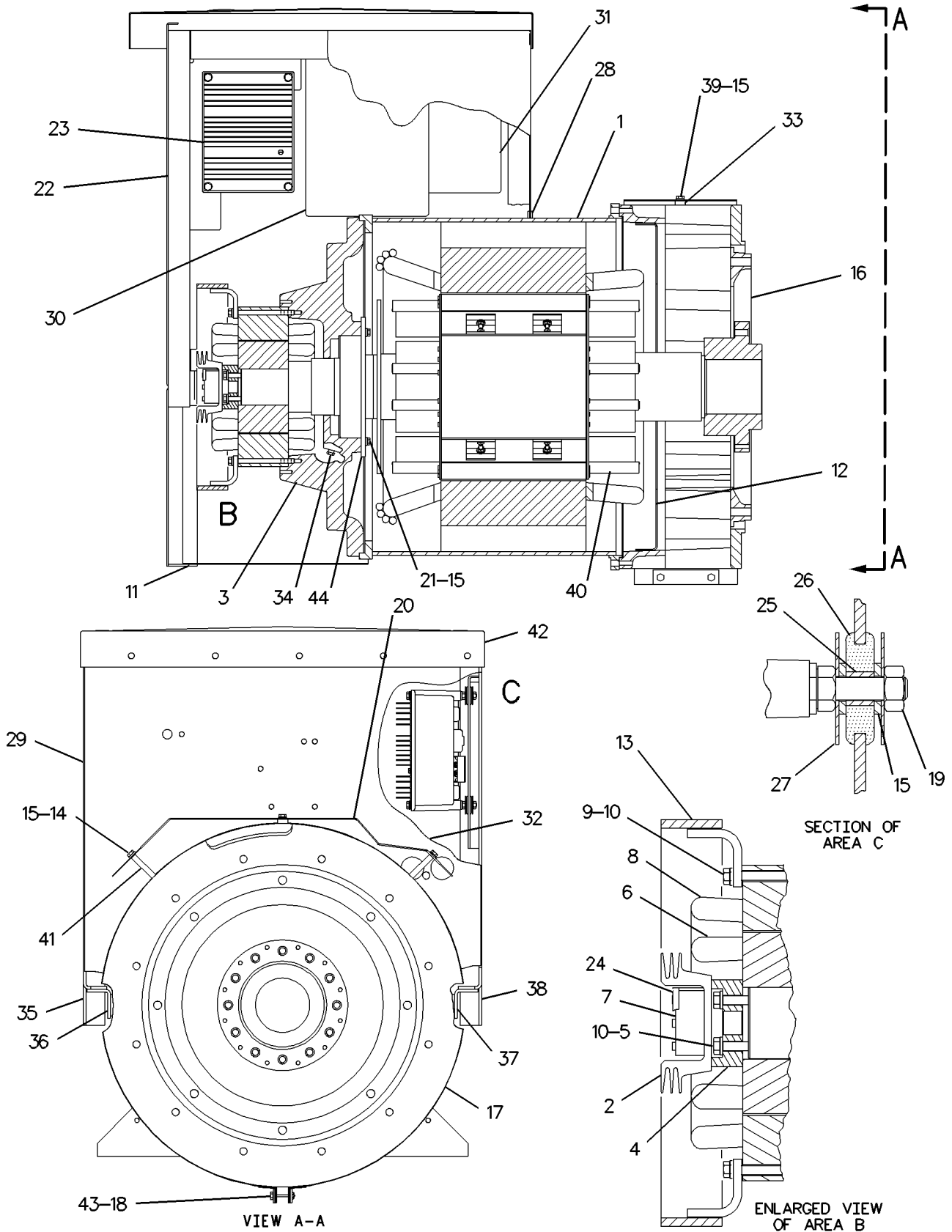
NOTE	REF NO	GRAPHIC REF	PART NUMBER	QTY	PART NAME						SEE PAGE
					1	2	3	4	5	6 (PRODUCT LEVEL)	
	42	1	<b>4P-3150</b>	1	COVER AS						
		1	<b>5N-3167</b>	3	SEAL-RING						
		1	<b>5N-3176</b>	3	PLUG-BUTTON						
		1	<b>6D-7128</b>	4	SEAL-O-RING						
		1	<b>8P-7065</b>	2	PLUG-BUTTON						
		1	<b>8T-9587</b>	2	SEAL-O-RING						
		1	<b>030-2284</b>	4	PLUG-BUTTON						
	43	1	<b>4B-2049</b>	2	NUT (10-32-THD)						
	44	1	<b>6I-2737</b>	2	RETAINER-BEARING						
					AVAILABLE REPAIR KIT(S):						
			<b>4W-3901</b>	1	KIT-ROTOR BALANCE WEIGHT (GENERATOR) (GENERATOR)						
					(INCLUDES SCREWS, NUTS, WEIGHT BALANCES & WASHERS)						
			<b>7E-7233</b>	1	KIT-GENERATOR HARDWARE						
					(INCLUDES SCREWS, LUGS, WASHERS & PLUGS)						

Y - SEPARATE ILLUSTRATION

# GENERATORS

121-2719 GENERATOR GP (contd.)

i01955492



GRAPHIC #1

<END>

g00871340

# GENERATORS

## 121-2719 GENERATOR GP

S/N: 8JF1-UP

PART OF 121-2720 GENERATOR AR

TYPE 2

SMCS-4450

i01985970

NOTE	REF NO	GRAPHIC REF	PART NUMBER	QTY	PART NAME						SEE PAGE
					1	2	3	4	5	6 (PRODUCT LEVEL)	
	1	1	120-6973	1	STATOR AS-MAIN						
	2	1	4P-3154	1	HEAT SINK						
	3	1	118-1324	1	BRACKET-BEARING						
	4	1	4P-3153	1	SPACER (20.6X77X27.8-MM THK)						
	5	1	1A-9579	4	BOLT (5/16-18X1.5-IN)						
	6	1	4P-3152	1	ROTOR-EXCITER						
	7	1	9Y-0916	1	RECTIFIER AS						
	8	1	9Y-5816	1	STATOR-EXCITER						
	9	1	3H-5932	4	BOLT (5/16-18X4.5-IN)						
	10	1	9M-1974	8	WASHER-HARD (8.8X16X2-MM THK)						
	11	1	7E-6573	1	COVER-DUST						
	12	1	6I-0748	3	DEFLECTOR						
	13	1	6I-0088	1	COVER AS-EXCITER						
	14	1	1B-2714	4	BOLT (1/4-20X2.5-IN)						
C	15	1	5P-0537	9	WASHER-HARD (7.2X14.5X2-MM THK)						
	16	1	111-2413	1	FAN-GENERATOR						
C	17	1	112-2563	1	SCREEN AS						
	18	1	5N-3886	2	SCREW (10-32X1.5-IN)						
	20	1	7E-6574	1	COVER-DRIP						
	21	1	0S-1615	4	BOLT (1/4-20X0.75-IN)						
	22	1	4P-3149	1	PANEL-REAR						
	24	1	7E-6577	1	COVER-RECTIFIER						
	28	1	1N-7219	1	CHANNEL-RUBBER						
	29	1	7E-6578	2	PANEL						
	30	1	4W-9449	1	FILM-INFORMATION (GENERATOR WIRING DIAGRAM)						
	32	1	128-5313	1	PANEL AS						
		1	4F-8711	2	PLUG-BUTTON						
		1	5N-3174	8	PLUG-BUTTON						
		1	5N-3175	1	PLUG-BUTTON						
		1	6K-9593	5	PLUG-BUTTON						
	33	1	3V-5035	1	SPACER (0.302X0.54X1.03-IN THK)						
	34	1	5M-6214	2	PLUG (1/8-27 PTF)						
	35	1	7E-6568	1	FRAME AS (RH)						
	36	1	7E-6572	1	BRACKET (RH)						
	37	1	7E-6571	1	BRACKET (LH)						
	38	1	7E-6567	1	FRAME AS (LH)						
	39	1	9F-7022	1	BOLT (1/4-20X1.5-IN)						
Y	40	1	121-0286	1	ROTOR GP-GENERATOR						1635
	41	1	111-3187	4	SPACER (8.3X11.9X38.1-MM THK)						
	42	1	4P-3150	1	COVER AS						
		1	5N-3167	3	SEAL-RING						
		1	5N-3176	3	PLUG-BUTTON						
		1	6D-7128	4	SEAL-O-RING						
		1	8P-7065	2	PLUG-BUTTON						
		1	8T-9587	2	SEAL-O-RING						
		1	030-2284	4	PLUG-BUTTON						

# GENERATORS

121-2719 **GENERATOR GP** (contd.)

**i01985970**

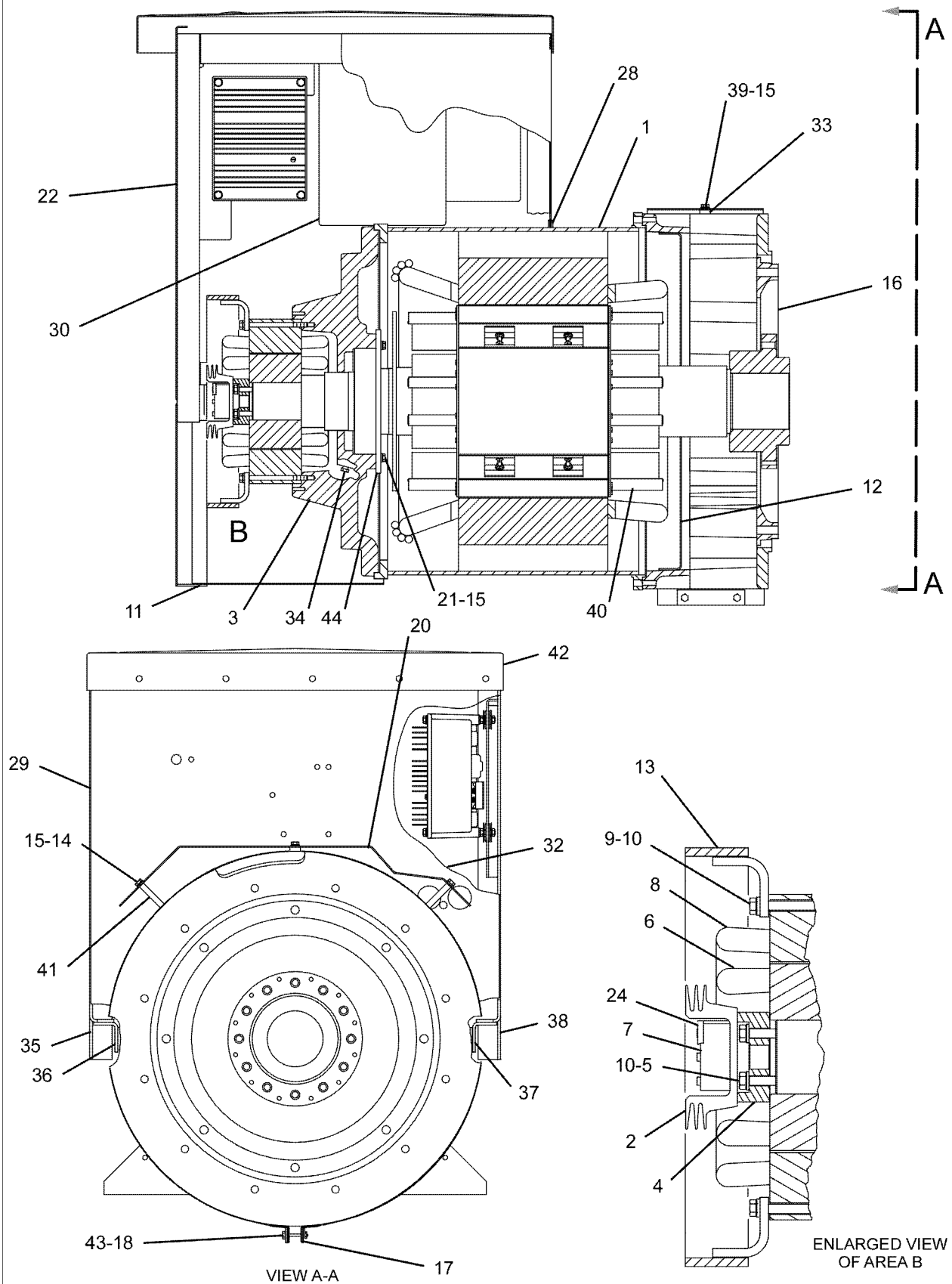
NOTE	REF NO	GRAPHIC REF	PART NUMBER	QTY	PART NAME						SEE PAGE
					1	2	3	4	5	6 (PRODUCT LEVEL)	
	43	1	<b>4B-2049</b>	2	NUT (10-32-THD)						
	44	1	<b>6I-2737</b>	2	RETAINER-BEARING						
					AVAILABLE REPAIR KIT(S):						
			<b>4W-3901</b>	1	KIT-ROTOR BALANCE WEIGHT (GENERATOR) (GENERATOR)						
					(INCLUDES SCREWS, NUTS, WEIGHT BALANCES & WASHERS)						
			<b>7E-7233</b>	1	KIT-GENERATOR HARDWARE						
					(INCLUDES SCREWS, LUGS, WASHERS & PLUGS)						

C - CHANGE FROM PREVIOUS TYPE  
 Y - SEPARATE ILLUSTRATION

# GENERATORS

121-2719 GENERATOR GP (contd.)

101985970



GRAPHIC #1

<END>

g01041326

# GENERATORS

## 121-2719 GENERATOR GP

S/N: 8JF1-UP

PART OF 121-2720 GENERATOR AR

TYPE 3

SMCS-4450

i02568268

NOTE	REF NO	GRAPHIC REF	PART NUMBER	QTY	PART NAME						SEE PAGE
					1	2	3	4	5	6 (PRODUCT LEVEL)	
	1	1	<b>120-6973</b>	1	STATOR AS-MAIN						
C	2	1	<b>290-5567</b>	1	HEAT SINK AS						
	3	1	<b>118-1324</b>	1	BRACKET-BEARING						
	4	1	<b>4P-3153</b>	1	SPACER (20.6X77X27.8-MM THK)						
	5	1	<b>1A-9579</b>	4	BOLT (5/16-18X1.5-IN)						
	6	1	<b>4P-3152</b>	1	ROTOR-EXCITER						
	8	1	<b>9Y-5816</b>	1	STATOR-EXCITER						
	9	1	<b>3H-5932</b>	4	BOLT (5/16-18X4.5-IN)						
	10	1	<b>9M-1974</b>	8	WASHER-HARD (8.8X16X2-MM THK)						
	11	1	<b>7E-6573</b>	1	COVER-DUST						
	12	1	<b>6I-0748</b>	3	DEFLECTOR						
	13	1	<b>6I-0088</b>	1	COVER AS-EXCITER						
	14	1	<b>1B-2714</b>	4	BOLT (1/4-20X2.5-IN)						
	15	1	<b>5P-0537</b>	9	WASHER-HARD (7.2X14.5X2-MM THK)						
	16	1	<b>111-2413</b>	1	FAN-GENERATOR						
	17	1	<b>112-2563</b>	1	SCREEN AS						
	18	1	<b>5N-3886</b>	2	SCREW (10-32X1.5-IN)						
	20	1	<b>7E-6574</b>	1	COVER-DRIP						
	21	1	<b>0S-1615</b>	4	BOLT (1/4-20X0.75-IN)						
	22	1	<b>4P-3149</b>	1	PANEL-REAR						
	24	1	<b>7E-6577</b>	1	COVER-RECTIFIER						
	28	1	<b>1N-7219</b>	1	CHANNEL-RUBBER						
	29	1	<b>7E-6578</b>	2	PANEL						
	30	1	<b>4W-9449</b>	1	FILM-INFORMATION (GENERATOR WIRING DIAGRAM)						
	32	1	<b>128-5313</b>	1	PANEL AS						
		1	<b>4F-8711</b>	2	PLUG-BUTTON						
		1	<b>5N-3174</b>	8	PLUG-BUTTON						
		1	<b>5N-3175</b>	1	PLUG-BUTTON						
		1	<b>6K-9593</b>	5	PLUG-BUTTON						
	33	1	<b>3V-5035</b>	1	SPACER (0.302X0.54X1.03-IN THK)						
	34	1	<b>5M-6214</b>	2	PLUG (1/8-27 PTF)						
	35	1	<b>7E-6568</b>	1	FRAME AS (RH)						
	36	1	<b>7E-6572</b>	1	BRACKET (RH)						
	37	1	<b>7E-6571</b>	1	BRACKET (LH)						
	38	1	<b>7E-6567</b>	1	FRAME AS (LH)						
	39	1	<b>9F-7022</b>	1	BOLT (1/4-20X1.5-IN)						
Y	40	1	<b>121-0286</b>	1	ROTOR GP-GENERATOR						1635
	41	1	<b>111-3187</b>	4	SPACER (8.3X11.9X38.1-MM THK)						
	42	1	<b>4P-3150</b>	1	COVER AS						
		1	<b>5N-3167</b>	3	SEAL-RING						
		1	<b>5N-3176</b>	3	PLUG-BUTTON						
		1	<b>6D-7128</b>	4	SEAL-O-RING						
		1	<b>8P-7065</b>	2	PLUG-BUTTON						
		1	<b>8T-9587</b>	2	SEAL-O-RING						
		1	<b>030-2284</b>	4	PLUG-BUTTON						
	43	1	<b>4B-2049</b>	2	NUT (10-32-THD)						

# GENERATORS

121-2719 **GENERATOR GP** (contd.)

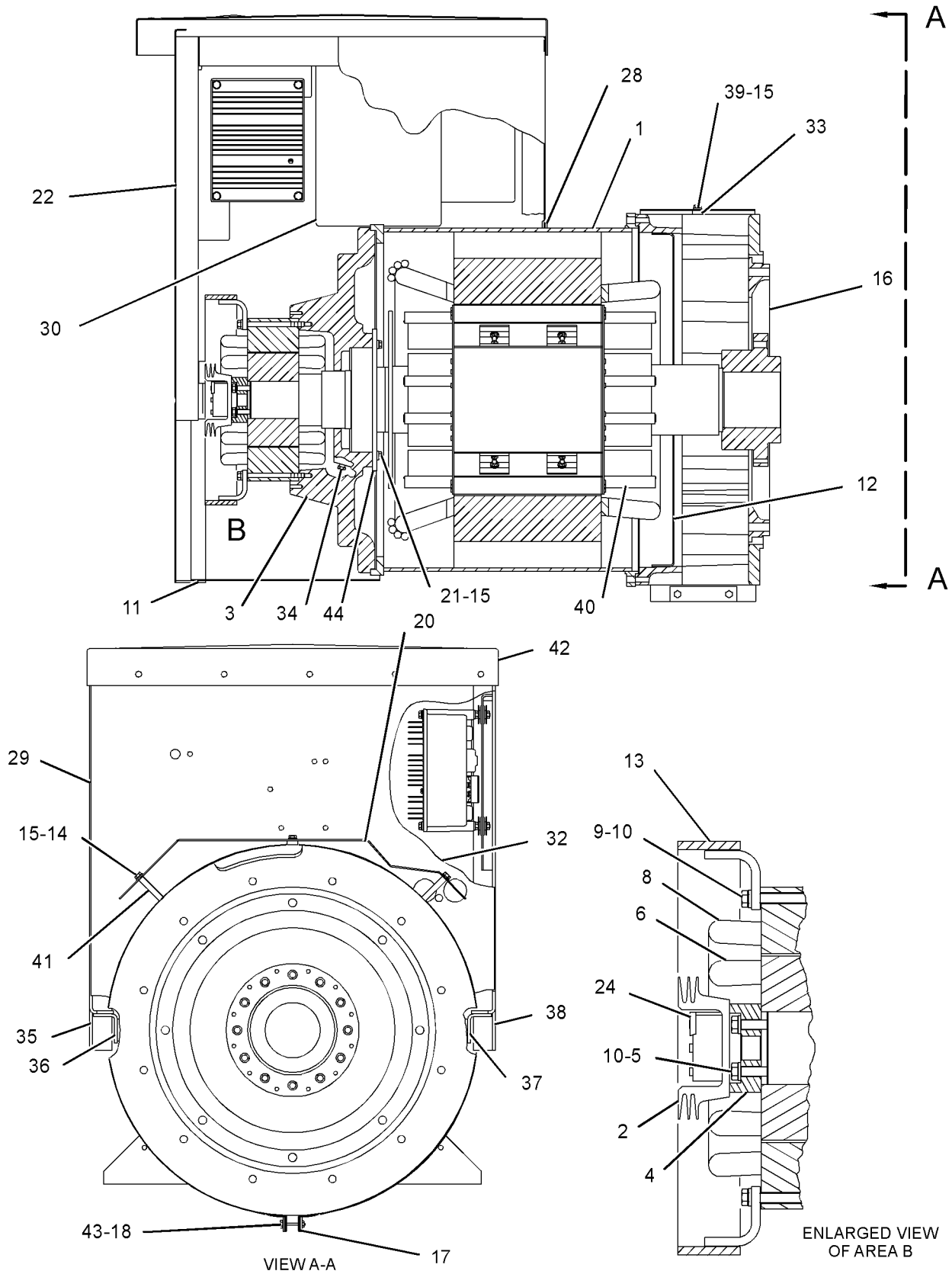
**i02568268**

NOTE	REF NO	GRAPHIC REF	PART NUMBER	QTY	PART NAME						SEE PAGE
					1	2	3	4	5	6 (PRODUCT LEVEL)	
	44	1	<b>6I-2737</b>	2	RETAINER-BEARING						
					AVAILABLE REPAIR KIT(S) :						
			<b>4W-3901</b>	1	KIT-ROTOR BALANCE WEIGHT (GENERATOR)						
					(INCLUDES SCREWS, NUTS, WEIGHT BALANCES & WASHERS)						
			<b>7E-7233</b>	1	KIT-GENERATOR HARDWARE						
					(INCLUDES SCREWS, LUGS, WASHERS & PLUGS)						
C - CHANGE FROM PREVIOUS TYPE											
Y - SEPARATE ILLUSTRATION											

# GENERATORS

121-2719 GENERATOR GP (contd.)

i02568268



GRAPHIC #1

<END>

g01328979



# GENERATORS

## 121-2719 GENERATOR GP

S/N: 8JF1-UP

PART OF 121-2720 GENERATOR AR

TYPE 4

SMCS-4450

i02622876

NOTE	REF NO	GRAPHIC REF	PART NUMBER	QTY	PART NAME						SEE PAGE
					1	2	3	4	5	6 (PRODUCT LEVEL)	
	1	1	<b>120-6973</b>	1	STATOR AS-MAIN						
Y	2	1	<b>290-5567</b>	1	HEAT SINK AS						1588
	3	1	<b>118-1324</b>	1	BRACKET-BEARING						
	4	1	<b>4P-3153</b>	1	SPACER (20.6X77X27.8-MM THK)						
	5	1	<b>1A-9579</b>	4	BOLT (5/16-18X1.5-IN)						
	6	1	<b>4P-3152</b>	1	ROTOR-EXCITER						
	8	1	<b>9Y-5816</b>	1	STATOR-EXCITER						
	9	1	<b>3H-5932</b>	4	BOLT (5/16-18X4.5-IN)						
	10	1	<b>9M-1974</b>	8	WASHER-HARD (8.8X16X2-MM THK)						
	11	1	<b>7E-6573</b>	1	COVER-DUST						
	12	1	<b>6I-0748</b>	3	DEFLECTOR						
	13	1	<b>6I-0088</b>	1	COVER AS-EXCITER						
	14	1	<b>1B-2714</b>	4	BOLT (1/4-20X2.5-IN)						
	15	1	<b>5P-0537</b>	9	WASHER-HARD (7.2X14.5X2-MM THK)						
	16	1	<b>111-2413</b>	1	FAN-GENERATOR						
	17	1	<b>112-2563</b>	2	SCREEN AS						
	18	1	<b>5N-3886</b>	2	SCREW (10-32X1.5-IN)						
	20	1	<b>7E-6574</b>	1	COVER-DRIP						
	21	1	<b>0S-1615</b>	4	BOLT (1/4-20X0.75-IN)						
	22	1	<b>4P-3149</b>	1	PANEL-REAR						
	28	1	<b>1N-7219</b>	1	CHANNEL-RUBBER						
	29	1	<b>7E-6578</b>	2	PANEL						
	30	1	<b>4W-9449</b>	1	FILM-INFORMATION (GENERATOR WIRING DIAGRAM)						
	32	1	<b>128-5313</b>	1	PANEL AS						
		1	<b>4F-8711</b>	2	PLUG-BUTTON						
		1	<b>5N-3174</b>	8	PLUG-BUTTON						
		1	<b>5N-3175</b>	1	PLUG-BUTTON						
		1	<b>6K-9593</b>	5	PLUG-BUTTON						
	33	1	<b>3V-5035</b>	1	SPACER (0.302X0.54X1.03-IN THK)						
	34	1	<b>5M-6214</b>	2	PLUG (1/8-27 PTF)						
	35	1	<b>7E-6568</b>	1	FRAME AS (RH)						
	36	1	<b>7E-6572</b>	1	BRACKET (RH)						
	37	1	<b>7E-6571</b>	1	BRACKET (LH)						
	38	1	<b>7E-6567</b>	1	FRAME AS (LH)						
	39	1	<b>9F-7022</b>	1	BOLT (1/4-20X1.5-IN)						
Y	40	1	<b>121-0286</b>	1	ROTOR GP-GENERATOR						1635
	41	1	<b>111-3187</b>	4	SPACER (8.3X11.9X38.1-MM THK)						
	42	1	<b>4P-3150</b>	1	COVER AS						
		1	<b>5N-3167</b>	3	SEAL-RING						
		1	<b>5N-3176</b>	3	PLUG-BUTTON						
		1	<b>6D-7128</b>	4	SEAL-O-RING						
		1	<b>8P-7065</b>	2	PLUG-BUTTON						
		1	<b>8T-9587</b>	2	SEAL-O-RING						
		1	<b>030-2284</b>	4	PLUG-BUTTON						
	43	1	<b>4B-2049</b>	2	NUT (10-32-THD)						
	44	1	<b>6I-2737</b>	2	RETAINER-BEARING						

# GENERATORS

121-2719 **GENERATOR GP** (contd.)

**i02622876**

NOTE	REF NO	GRAPHIC REF	PART NUMBER	QTY	PART NAME 1 2 3 4 5 6 (PRODUCT LEVEL)	SEE PAGE
<b>AVAILABLE REPAIR KIT(S):</b>						
			<b>4W-3901</b>	1	KIT-ROTOR BALANCE WEIGHT (GENERATOR)	
					(INCLUDES SCREWS, NUTS, WEIGHT BALANCES & WASHERS)	
			<b>7E-7233</b>	1	KIT-GENERATOR HARDWARE	
					(INCLUDES SCREWS, LUGS, WASHERS & PLUGS)	
Y - SEPARATE ILLUSTRATION						





# GENERATORS

## 121-3192 GENERATOR GP

S/N: 8JF1-UP

60 HERTZ, 240/480 VOLTS. HIGH EFFICIENCY

PART OF 121-3193 GENERATOR AR

TYPE 1

SMCS-4450

i01955493

NOTE	REF NO	GRAPHIC REF	PART NUMBER	QTY	PART NAME						SEE PAGE
					1	2	3	4	5	6 (PRODUCT LEVEL)	
	1	1	<b>4P-3154</b>	1	HEAT SINK						
	2	1	<b>110-6174</b>	1	PANEL-REAR						
	3	1	<b>4P-3153</b>	1	SPACER (20.6X77X27.8-MM THK)						
	4	1	<b>1A-9579</b>	4	BOLT (5/16-18X1.5-IN)						
	5	1	<b>4P-3152</b>	1	ROTOR-EXCITER						
	6	1	<b>9Y-0916</b>	1	RECTIFIER AS						
	7	1	<b>9Y-5816</b>	1	STATOR-EXCITER						
	8	1	<b>3H-5932</b>	4	BOLT (5/16-18X4.5-IN)						
	9	1	<b>9M-1974</b>	8	WASHER-HARD (8.8X16X2-MM THK)						
	10	1	<b>6I-0088</b>	1	COVER AS-EXCITER						
	11	1	<b>1B-2714</b>	4	BOLT (1/4-20X2.5-IN)						
	12	1	<b>5P-0537</b>	19	WASHER-HARD (7.2X14.5X2-MM THK)						
	13	1	<b>111-2413</b>	1	FAN-GENERATOR						
	14	1	<b>110-6175</b>	1	COVER AS-AIR (INLET)						
	15	1	<b>110-4325</b>	1	BRACKET-BEARING						
	16	1	<b>9S-8750</b>	3	NUT-FULL (1/4-20-THD)						
	17	1	<b>0S-1615</b>	8	BOLT (1/4-20X0.75-IN)						
	18	1	<b>8T-6764</b>	2	PLUG-PIPE (1/8-27-THD)						
Y	19	1	<b>110-3410</b>	1	ROTOR AS						1622
	20	1	<b>7E-6577</b>	1	COVER-RECTIFIER						
	21	1	<b>7C-5709</b>	3	SLEEVE						
	22	1	<b>7C-5708</b>	3	GROMMET						
	23	1	<b>033-2075</b>	6	WASHER (0.266X1.25X0.06-IN THK)						
	24	1	<b>1N-7219</b>	1	CHANNEL-RUBBER						
	25	1	<b>7E-6578</b>	2	PANEL						
	26	1	<b>4W-9449</b>	1	FILM-INFORMATION (GENERATOR WIRING DIAGRAM)						
	27	1	<b>7C-5711</b>	1	FILM-INSTRUCTION (VOLTAGE CONTROL ADJUSTMENT)						
	28	1	<b>128-5313</b>	1	PANEL AS						
		1	<b>4F-8711</b>	2	PLUG-BUTTON						
		1	<b>5N-3174</b>	8	PLUG-BUTTON						
		1	<b>5N-3175</b>	1	PLUG-BUTTON						
		1	<b>6K-9593</b>	5	PLUG-BUTTON						
	29	1	<b>3V-5035</b>	1	SPACER (0.302X0.54X1.03-IN THK)						
	30	1	<b>4P-3420</b>	1	BRACKET (RH)						
	31	1	<b>7E-6568</b>	1	FRAME AS (RH)						
	32	1	<b>4P-3419</b>	1	BRACKET (LH)						
	33	1	<b>112-2563</b>	2	SCREEN AS						
	34	1	<b>7E-6567</b>	1	FRAME AS (LH)						
	35	1	<b>9F-7022</b>	1	BOLT (1/4-20X1.5-IN)						
	36	1	<b>110-4875</b>	1	STATOR AS (PERMANENT MAGNET)						
		1	<b>7E-8266</b>	2	HOLDER AS-FUSE						
		1	<b>9Y-6027</b>	2	FUSE-CERAMIC (10-AMPERE)						
	37	1	<b>5L-2087</b>	4	SPACER (9.25X13.72X50.8-MM THK)						
	38	1	<b>4P-3150</b>	1	COVER AS						
		1	<b>5N-3167</b>	3	SEAL-RING						
		1	<b>5N-3176</b>	3	PLUG-BUTTON						

# GENERATORS

121-3192 **GENERATOR GP (contd.)**

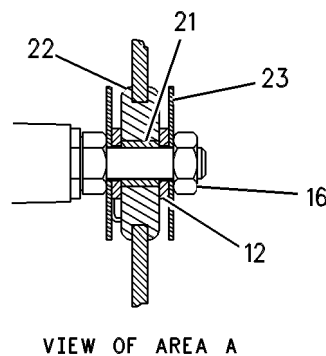
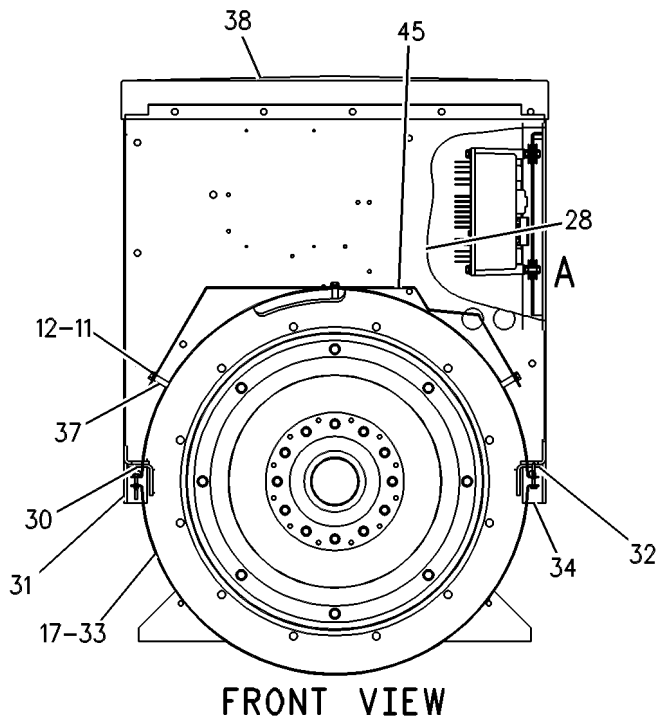
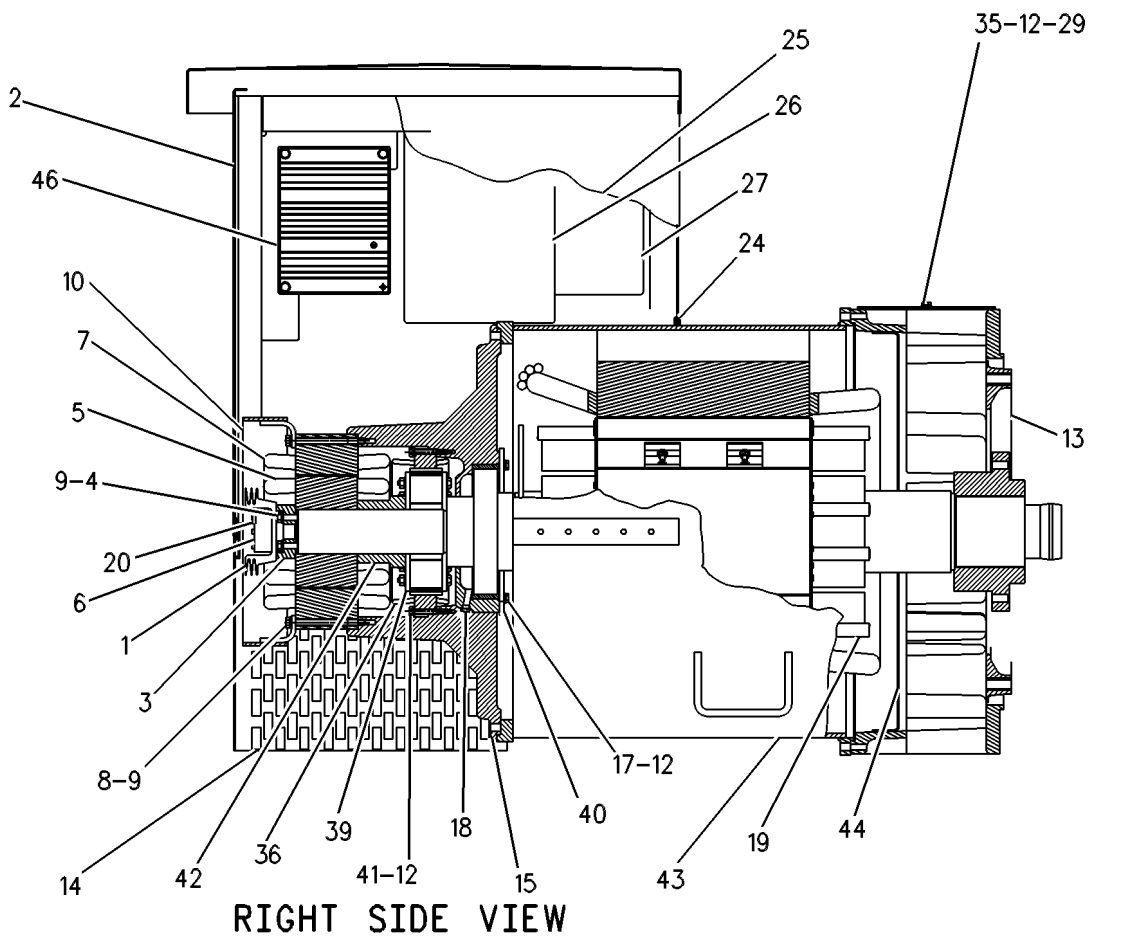
**i01955493**

NOTE	REF NO	GRAPHIC REF	PART NUMBER	QTY	PART NAME						SEE PAGE
					1	2	3	4	5	6 (PRODUCT LEVEL)	
		1	<b>6D-7128</b>	4	SEAL-O-RING						
		1	<b>8P-7065</b>	2	PLUG-BUTTON						
		1	<b>8T-9587</b>	2	SEAL-O-RING						
		1	<b>030-2284</b>	4	PLUG-BUTTON						
	39	1	<b>110-4874</b>	1	ROTOR AS (PERMANENT MAGNET)						
	40	1	<b>6I-2737</b>	2	RETAINER-BEARING						
	41	1	<b>8B-2377</b>	4	BOLT (1/4-20X2-IN)						
	42	1	<b>112-9430</b>	1	SPACER (63.6X101.6X69.2-MM THK)						
	43	1	<b>120-6973</b>	1	STATOR AS-MAIN						
	44	1	<b>6I-0748</b>	3	DEFLECTOR						
	45	1	<b>7E-6574</b>	1	COVER-DRIP						
Y	46	1	<b>114-5510</b>	1	REGULATOR AS-VOLTAGE (VR3 PERMANENT MAGNET)						1604
					AVAILABLE REPAIR KIT(S):						
			<b>4W-3901</b>	1	KIT-ROTOR BALANCE WEIGHT (GENERATOR) (GENERATOR) (INCLUDES WASHERS, SCREWS, NUT & WEIGHT BALANCE)						
			<b>7E-7233</b>	1	KIT-GENERATOR HARDWARE (INCLUDES WASHERS, LUGS & HEX SCREWS)						
Y - SEPARATE ILLUSTRATION											

# GENERATORS

121-3192 GENERATOR GP (contd.)

i01955493



GRAPHIC #1

<END>

g00269668

# GENERATORS

## 121-3192 GENERATOR GP

S/N: 8JF1-UP

60 HERTZ, 240/480 VOLTS. HIGH EFFICIENCY

PART OF 121-3193 GENERATOR AR

TYPE 2

SMCS-4450

i02096349

NOTE	REF NO	GRAPHIC REF	PART NUMBER	QTY	PART NAME						SEE PAGE
					1	2	3	4	5	6 (PRODUCT LEVEL)	
	1	1	4P-3154	1	HEAT SINK						
	2	1	110-6174	1	PANEL-REAR						
	3	1	4P-3153	1	SPACER (20.6X77X27.8-MM THK)						
	4	1	1A-9579	4	BOLT (5/16-18X1.5-IN)						
	5	1	4P-3152	1	ROTOR-EXCITER						
	6	1	9Y-0916	1	RECTIFIER AS						
	7	1	9Y-5816	1	STATOR-EXCITER						
	8	1	3H-5932	4	BOLT (5/16-18X4.5-IN)						
	9	1	9M-1974	8	WASHER-HARD (8.8X16X2-MM THK)						
	10	1	6I-0088	1	COVER AS-EXCITER						
	11	1	1B-2714	4	BOLT (1/4-20X2.5-IN)						
C	12	1	5P-0537	13	WASHER-HARD (7.2X14.5X2-MM THK)						
	13	1	111-2413	1	FAN-GENERATOR						
	14	1	110-6175	1	COVER AS-AIR (INLET)						
	15	1	110-4325	1	BRACKET-BEARING						
	17	1	0S-1615	8	BOLT (1/4-20X0.75-IN)						
	18	1	8T-6764	2	PLUG-PIPE (1/8-27-THD)						
Y	19	1	110-3410	1	ROTOR AS						1622
	20	1	7E-6577	1	COVER-RECTIFIER						
	24	1	1N-7219	1	CHANNEL-RUBBER						
	25	1	7E-6578	2	PANEL						
	26	1	4W-9449	1	FILM-INFORMATION (GENERATOR WIRING DIAGRAM)						
	28	1	128-5313	1	PANEL AS						
	28A	1	4F-8711	2	PLUG-BUTTON						
	28B	1	5N-3175	1	PLUG-BUTTON						
	28C	1	5N-3174	8	PLUG-BUTTON						
	28D	1	6K-9593	5	PLUG-BUTTON						
	29	1	3V-5035	1	SPACER (0.302X0.54X1.03-IN THK)						
	30	1	4P-3420	1	BRACKET (RH)						
	31	1	7E-6568	1	FRAME AS (RH)						
	32	1	4P-3419	1	BRACKET (LH)						
	33	1	112-2563	2	SCREEN AS						
	34	1	7E-6567	1	FRAME AS (LH)						
	35	1	9F-7022	1	BOLT (1/4-20X1.5-IN)						
	36	1	110-4875	1	STATOR AS (PERMANENT MAGNET)						
		1	7E-8266	2	HOLDER AS-FUSE						
		1	9Y-6027	2	FUSE-CERAMIC (10-AMPERE)						
	37	1	5L-2087	4	SPACER (9.25X13.72X50.8-MM THK)						
	38	1	4P-3150	1	COVER AS						
		1	5N-3167	3	SEAL-RING						
		1	5N-3176	3	PLUG-BUTTON						
		1	6D-7128	4	SEAL-O-RING						
		1	8P-7065	2	PLUG-BUTTON						
		1	8T-9587	2	SEAL-O-RING						
		1	030-2284	4	PLUG-BUTTON						
	39	1	110-4874	1	ROTOR AS (PERMANENT MAGNET)						

# GENERATORS

121-3192 **GENERATOR GP** (contd.)

**i02096349**

NOTE	REF NO	GRAPHIC REF	PART NUMBER	QTY	PART NAME						SEE PAGE
					1	2	3	4	5	6 (PRODUCT LEVEL)	
	40	1	<b>6I-2737</b>	2	RETAINER-BEARING						
	41	1	<b>8B-2377</b>	4	BOLT (1/4-20X2-IN)						
	42	1	<b>112-9430</b>	1	SPACER (63.6X101.6X69.2-MM THK)						
	43	1	<b>120-6973</b>	1	STATOR AS-MAIN						
	44	1	<b>6I-0748</b>	3	DEFLECTOR						
	45	1	<b>7E-6574</b>	1	COVER-DRIP						
					AVAILABLE REPAIR KIT(S) :						
			<b>4W-3901</b>	1	KIT-ROTOR BALANCE WEIGHT (GENERATOR) (GENERATOR)						
					(INCLUDES WASHERS, SCREWS, NUT & WEIGHT BALANCE)						
			<b>7E-7233</b>	1	KIT-GENERATOR HARDWARE						
					(INCLUDES WASHERS, LUGS & HEX SCREWS)						

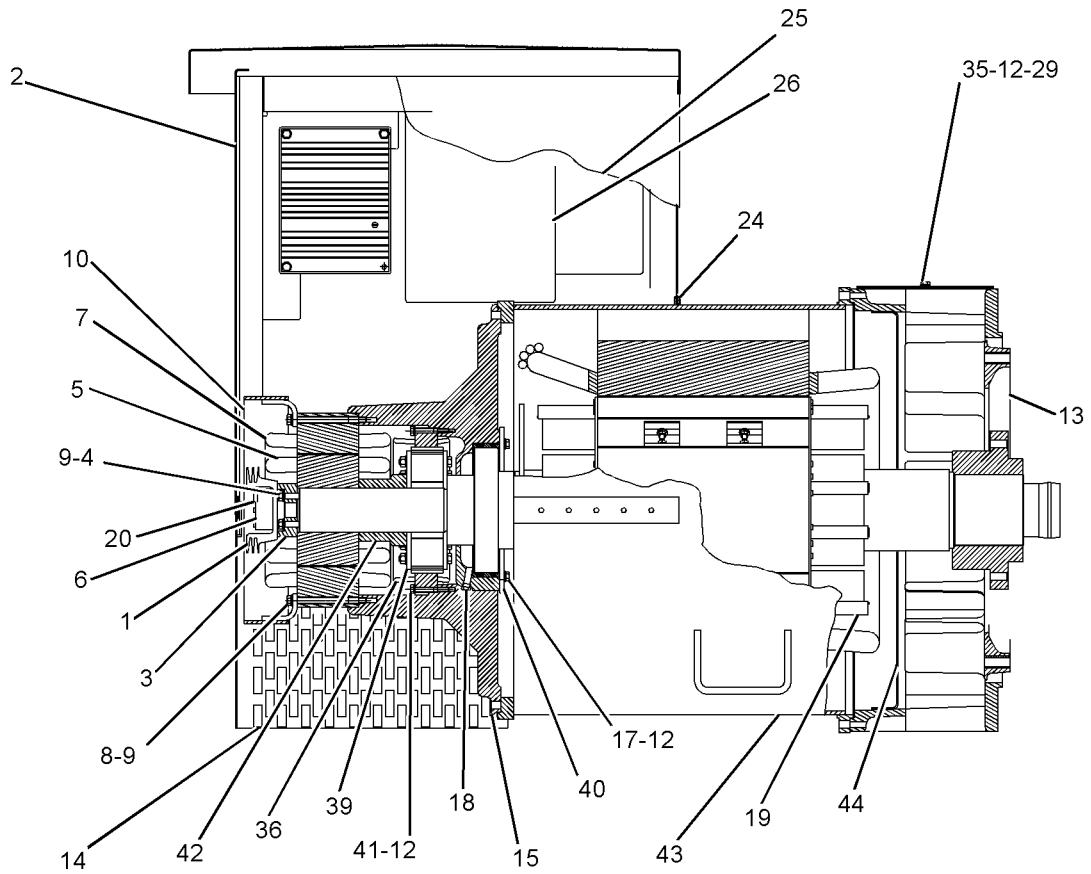
C - CHANGE FROM PREVIOUS TYPE  
 Y - SEPARATE ILLUSTRATION



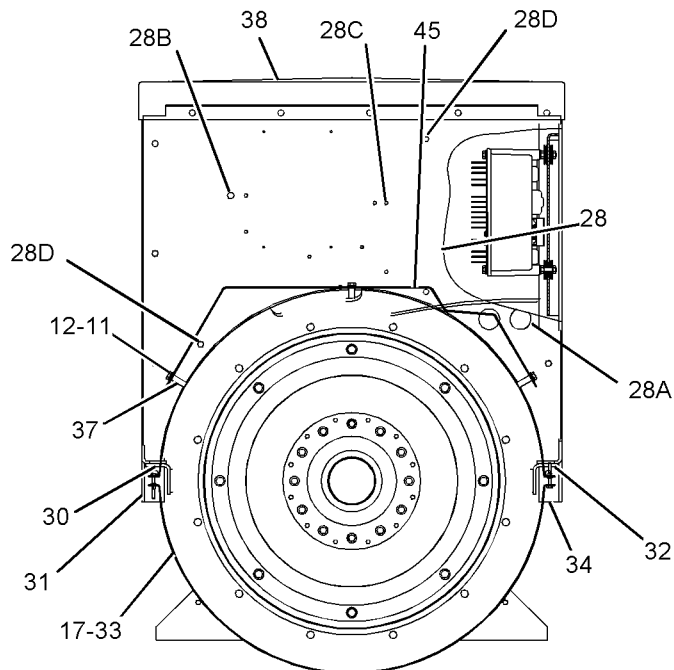
# GENERATORS

121-3192 GENERATOR GP (contd.)

i02096349



RIGHT SIDE VIEW



FRONT VIEW

GRAPHIC #1

<END>

g01069817

# GENERATORS

## 121-3192 GENERATOR GP

S/N: 8JF1-UP

60 HERTZ, 240/480 VOLTS. HIGH EFFICIENCY

PART OF 121-3193 GENERATOR AR

TYPE 3

SMCS-4450

i02545719

NOTE	REF NO	GRAPHIC REF	PART NUMBER	QTY	PART NAME						SEE PAGE
					1	2	3	4	5	6 (PRODUCT LEVEL)	
	2	1	110-6174	1	PANEL-REAR						
	3	1	4P-3153	1	SPACER (20.6X77X27.8-MM THK)						
	4	1	1A-9579	4	BOLT (5/16-18X1.5-IN)						
	5	1	4P-3152	1	ROTOR-EXCITER						
	7	1	9Y-5816	1	STATOR-EXCITER						
	8	1	3H-5932	4	BOLT (5/16-18X4.5-IN)						
	9	1	9M-1974	8	WASHER-HARD (8.8X16X2-MM THK)						
	10	1	6I-0088	1	COVER AS-EXCITER						
	11	1	1B-2714	4	BOLT (1/4-20X2.5-IN)						
	12	1	5P-0537	13	WASHER-HARD (7.2X14.5X2-MM THK)						
	13	1	111-2413	1	FAN-GENERATOR						
	14	1	110-6175	1	COVER AS-AIR (INLET)						
	15	1	110-4325	1	BRACKET-BEARING						
	17	1	0S-1615	8	BOLT (1/4-20X0.75-IN)						
	18	1	8T-6764	2	PLUG-PIPE (1/8-27-THD)						
Y	19	1	110-3410	1	ROTOR AS						1622
	20	1	7E-6577	1	COVER-RECTIFIER						
	24	1	1N-7219	1	CHANNEL-RUBBER						
	25	1	7E-6578	2	PANEL						
	26	1	4W-9449	1	FILM-INFORMATION (GENERATOR WIRING DIAGRAM)						
	28	1	128-5313	1	PANEL AS						
	28A	1	4F-8711	2	PLUG-BUTTON						
	28B	1	5N-3175	1	PLUG-BUTTON						
	28C	1	5N-3174	8	PLUG-BUTTON						
	28D	1	6K-9593	5	PLUG-BUTTON						
	29	1	3V-5035	1	SPACER (0.302X0.54X1.03-IN THK)						
	30	1	4P-3420	1	BRACKET (RH)						
	31	1	7E-6568	1	FRAME AS (RH)						
	32	1	4P-3419	1	BRACKET (LH)						
	33	1	112-2563	2	SCREEN AS						
	34	1	7E-6567	1	FRAME AS (LH)						
	35	1	9F-7022	1	BOLT (1/4-20X1.5-IN)						
	36	1	110-4875	1	STATOR AS (PERMANENT MAGNET)						
		1	7E-8266	2	HOLDER AS-FUSE						
		1	9Y-6027	2	FUSE-CERAMIC (10-AMPERE)						
	37	1	5L-2087	4	SPACER (9.25X13.72X50.8-MM THK)						
	38	1	4P-3150	1	COVER AS						
		1	5N-3167	3	SEAL-RING						
		1	5N-3176	3	PLUG-BUTTON						
		1	6D-7128	4	SEAL-O-RING						
		1	8P-7065	2	PLUG-BUTTON						
		1	8T-9587	2	SEAL-O-RING						
		1	030-2284	4	PLUG-BUTTON						
	39	1	110-4874	1	ROTOR AS (PERMANENT MAGNET)						
	40	1	6I-2737	2	RETAINER-BEARING						
	41	1	8B-2377	4	BOLT (1/4-20X2-IN)						

# GENERATORS

121-3192 **GENERATOR GP (contd.)**

**i02545719**

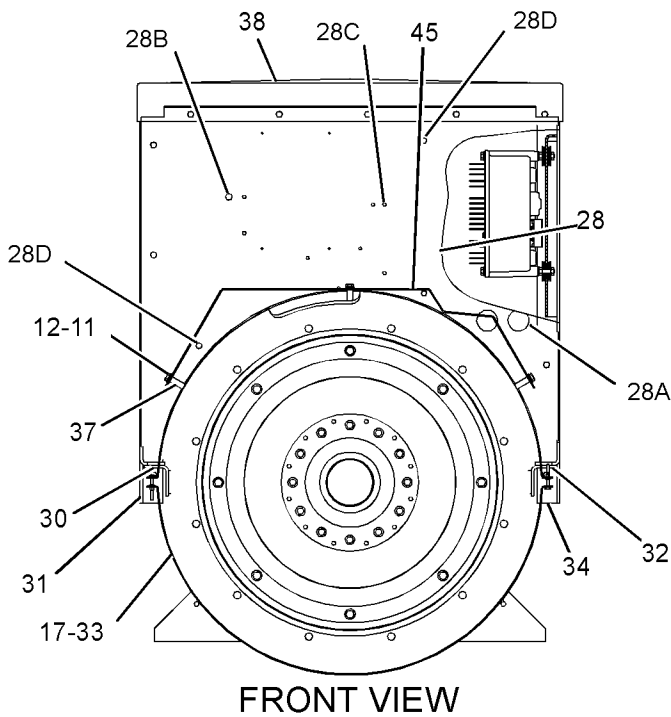
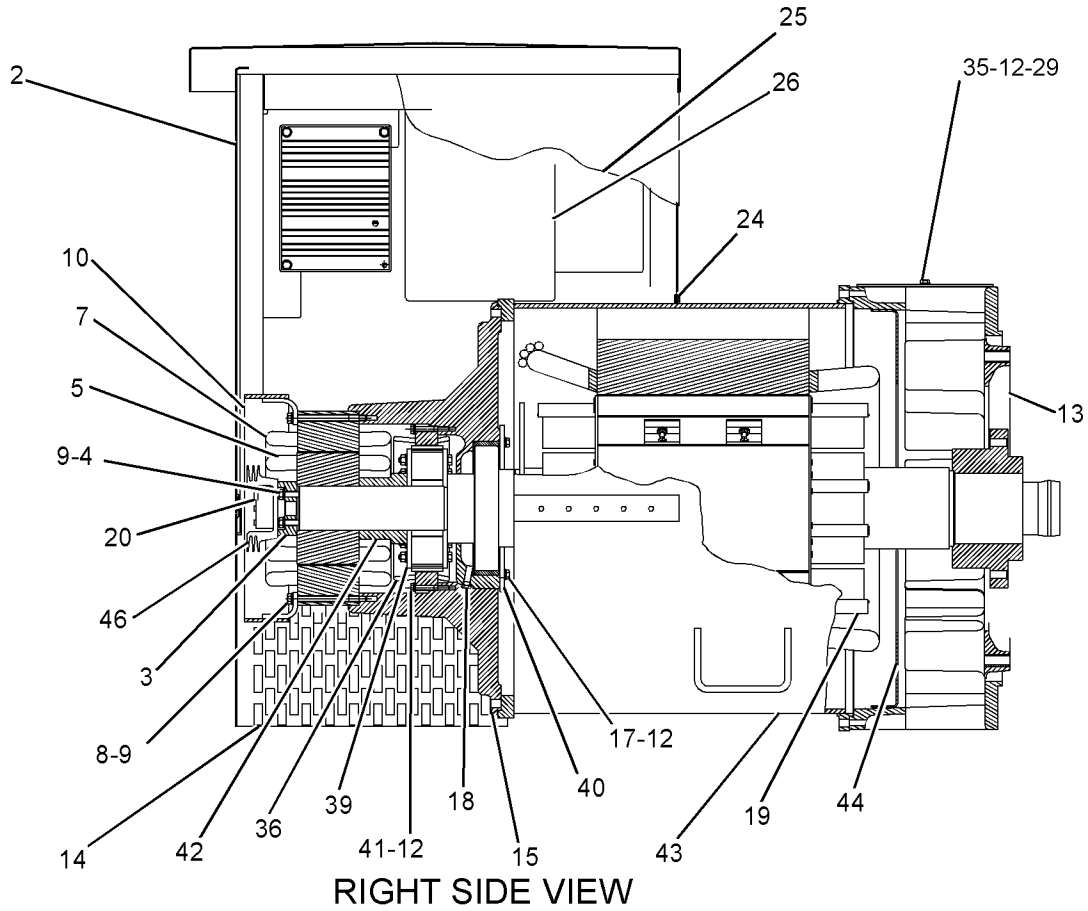
NOTE	REF NO	GRAPHIC REF	PART NUMBER	QTY	PART NAME						SEE PAGE
					1	2	3	4	5	6 (PRODUCT LEVEL)	
	42	1	<b>112-9430</b>	1	SPACER (63.6X101.6X69.2-MM THK)						
	43	1	<b>120-6973</b>	1	STATOR AS-MAIN						
	44	1	<b>6I-0748</b>	3	DEFLECTOR						
	45	1	<b>7E-6574</b>	1	COVER-DRIP						
C	46	1	<b>290-5567</b>	1	HEAT SINK AS						
					AVAILABLE REPAIR KIT(S):						
			<b>4W-3901</b>	1	KIT-ROTOR BALANCE WEIGHT (GENERATOR)						
					(INCLUDES WASHERS, SCREWS, NUT & WEIGHT BALANCE)						
			<b>7E-7233</b>	1	KIT-GENERATOR HARDWARE						
					(INCLUDES WASHERS, LUGS & HEX SCREWS)						

C - CHANGE FROM PREVIOUS TYPE  
 Y - SEPARATE ILLUSTRATION

# GENERATORS

121-3192 GENERATOR GP (contd.)

i02545719



GRAPHIC #1

<END>

g01328121

# GENERATORS

## 121-3192 GENERATOR GP

S/N: 8JF1-UP

60 HERTZ, 240/480 VOLTS. HIGH EFFICIENCY

PART OF 121-3193 GENERATOR AR

TYPE 4

SMCS-4450

i02587091

NOTE	REF NO	GRAPHIC REF	PART NUMBER	QTY	PART NAME						SEE PAGE
					1	2	3	4	5	6 (PRODUCT LEVEL)	
	2	1	110-6174	1	PANEL-REAR						
	3	1	4P-3153	1	SPACER (20.6X77X27.8-MM THK)						
	4	1	1A-9579	4	BOLT (5/16-18X1.5-IN)						
	5	1	4P-3152	1	ROTOR-EXCITER						
	7	1	9Y-5816	1	STATOR-EXCITER						
	8	1	3H-5932	4	BOLT (5/16-18X4.5-IN)						
	9	1	9M-1974	8	WASHER-HARD (8.8X16X2-MM THK)						
	10	1	6I-0088	1	COVER AS-EXCITER						
	11	1	1B-2714	4	BOLT (1/4-20X2.5-IN)						
	12	1	5P-0537	13	WASHER-HARD (7.2X14.5X2-MM THK)						
	13	1	111-2413	1	FAN-GENERATOR						
	14	1	110-6175	1	COVER AS-AIR (INLET)						
	15	1	110-4325	1	BRACKET-BEARING						
	17	1	0S-1615	8	BOLT (1/4-20X0.75-IN)						
	18	1	8T-6764	2	PLUG-PIPE (1/8-27-THD)						
Y	19	1	110-3410	1	ROTOR AS						1622
	24	1	1N-7219	1	CHANNEL-RUBBER						
	25	1	7E-6578	2	PANEL						
	26	1	4W-9449	1	FILM-INFORMATION (GENERATOR WIRING DIAGRAM)						
	28	1	128-5313	1	PANEL AS						
	28A	1	4F-8711	2	PLUG-BUTTON						
	28B	1	5N-3175	1	PLUG-BUTTON						
	28C	1	5N-3174	8	PLUG-BUTTON						
	28D	1	6K-9593	5	PLUG-BUTTON						
	29	1	3V-5035	1	SPACER (0.302X0.54X1.03-IN THK)						
	30	1	4P-3420	1	BRACKET (RH)						
	31	1	7E-6568	1	FRAME AS (RH)						
	32	1	4P-3419	1	BRACKET (LH)						
	33	1	112-2563	2	SCREEN AS						
	34	1	7E-6567	1	FRAME AS (LH)						
	35	1	9F-7022	1	BOLT (1/4-20X1.5-IN)						
	36	1	110-4875	1	STATOR AS (PERMANENT MAGNET)						
		1	7E-8266	2	HOLDER AS-FUSE						
		1	9Y-6027	2	FUSE-CERAMIC (10-AMPERE)						
	37	1	5L-2087	4	SPACER (9.25X13.72X50.8-MM THK)						
	38	1	4P-3150	1	COVER AS						
		1	5N-3167	3	SEAL-RING						
		1	5N-3176	3	PLUG-BUTTON						
		1	6D-7128	4	SEAL-O-RING						
		1	8P-7065	2	PLUG-BUTTON						
		1	8T-9587	2	SEAL-O-RING						
		1	030-2284	4	PLUG-BUTTON						
	39	1	110-4874	1	ROTOR AS (PERMANENT MAGNET)						
	40	1	6I-2737	2	RETAINER-BEARING						
	41	1	8B-2377	4	BOLT (1/4-20X2-IN)						
	42	1	112-9430	1	SPACER (63.6X101.6X69.2-MM THK)						

# GENERATORS

121-3192 **GENERATOR GP** (contd.)

**i02587091**

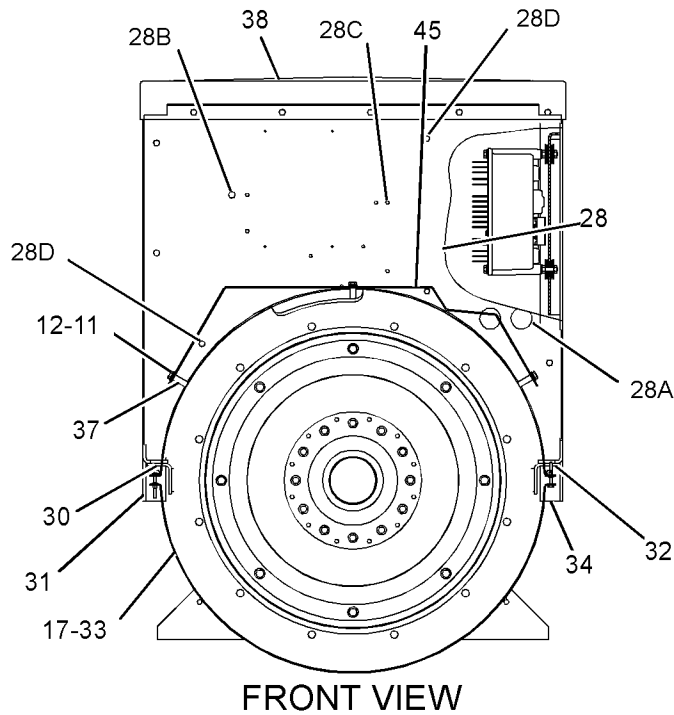
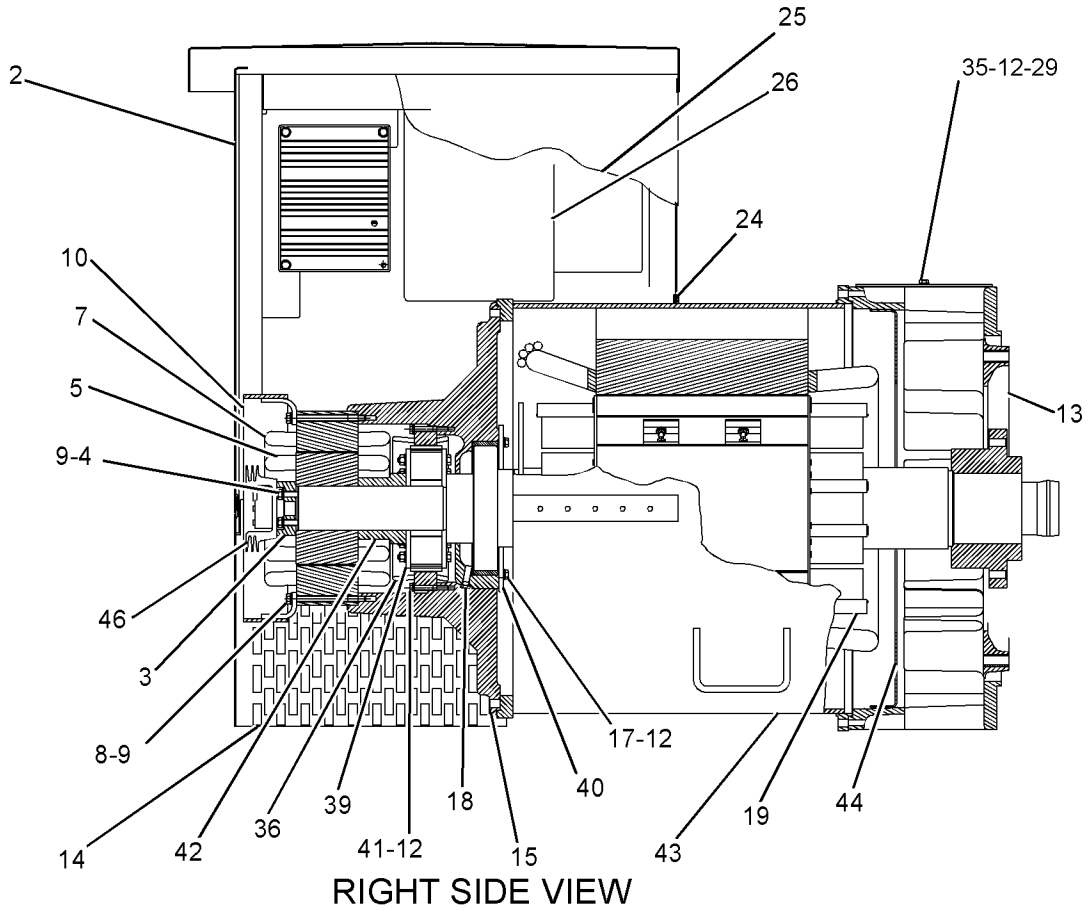
NOTE	REF NO	GRAPHIC REF	PART NUMBER	QTY	PART NAME						SEE PAGE
					1	2	3	4	5	6 (PRODUCT LEVEL)	
	43	1	<b>120-6973</b>	1	STATOR AS-MAIN						
	44	1	<b>6I-0748</b>	3	DEFLECTOR						
	45	1	<b>7E-6574</b>	1	COVER-DRIP						
	46	1	<b>290-5567</b>		HEAT SINK AS						
					AVAILABLE REPAIR KIT(S):						
			<b>4W-3901</b>	1	KIT-ROTOR BALANCE WEIGHT (GENERATOR)						
					(INCLUDES WASHERS, SCREWS, NUT & WEIGHT BALANCE)						
			<b>7E-7233</b>	1	KIT-GENERATOR HARDWARE						
					(INCLUDES WASHERS, LUGS & HEX SCREWS)						

Y - SEPARATE ILLUSTRATION

# GENERATORS

121-3192 GENERATOR GP (contd.)

i02587091



GRAPHIC #1

<END>

g01342759

# GENERATORS

## 423-9592 GENERATOR GP

S/N: 6DG1-UP

1800-RPM. 60-HERTZ. 4-POLE. 6-LEAD. 480-VOLT. 480-FRAME

PART OF 423-9593 GENERATOR AR

AN ATTACHMENT

SMCS-4450

i06145124

NOTE	PART NUMBER	QTY	PART NAME 1 2 3 4 5 6 (PRODUCT LEVEL)	SEE PAGE
(NO BREAKDOWN OF SERVICEABLE PARTS AVAILABLE AT TIME OF PUBLICATION)				
<END>				

## 435-5021 GENERATOR GP

S/N: 6DG1-UP

60-HERTZ. 480-VOLT. 445-FRAME. 4-POLE. 6-LEAD

PART OF 435-5020 GENERATOR AR

AN ATTACHMENT

SMCS-4450

i06143534

NOTE	PART NUMBER	QTY	PART NAME 1 2 3 4 5 6 (PRODUCT LEVEL)	SEE PAGE
	450-5567	1	COVER-DRIP	
<END>				

## 453-3151 GENERATOR GP

S/N: 6DG1-UP

60-HERTZ. 480-VOLT. 445-FRAME. 4-POLE. 12-LEAD

PART OF 453-3152 GENERATOR AR

AN ATTACHMENT

SMCS-4450

i06143529

NOTE	PART NUMBER	QTY	PART NAME 1 2 3 4 5 6 (PRODUCT LEVEL)	SEE PAGE
	450-5567	1	COVER-DRIP	
<END>				



# GENERATORS

## 4P-7698 GENERATOR GP

S/N: 6DG1-UP

60-HERTZ, 600-VOLTS. 445-FRAME, 4-LEAD

PART OF 4P-7699 GENERATOR AR

TYPE 1

SMCS-4450

i02010063

NOTE	REF NO	GRAPHIC REF	PART NUMBER	QTY	PART NAME						SEE PAGE
					1	2	3	4	5	6 (PRODUCT LEVEL)	
	1	1	4P-3154	1	HEAT SINK						
	2	1	118-1324	1	BRACKET-BEARING						
	3	1	4P-3153	1	SPACER (20.6X77X27.8-MM THK)						
	4	1	1A-9579	4	BOLT (5/16-18X1.5-IN)						
	5	1	4P-3468	1	ROTOR-EXCITER						
	6	1	9Y-0916	1	RECTIFIER AS						
	7	1	9Y-5817	1	STATOR-EXCITER						
	8	1	4B-3903	4	BOLT (5/16-18X4-IN)						
	9	1	9M-1974	8	WASHER-HARD (8.8X16X2-MM THK)						
	10	1	7E-6573	1	COVER-DUST						
	11	1	6I-0748	3	DEFLECTOR						
	12	1	6I-0088	1	COVER AS-EXCITER						
	13	1	1B-2714	4	BOLT (1/4-20X2.5-IN)						
	14	1	5P-0537	15	WASHER-HARD (7.2X14.5X2-MM THK)						
	15	1	111-2413	1	FAN-GENERATOR						
	16	1	112-2563	2	SCREEN AS						
	18	1	9S-8750	3	NUT-FULL (1/4-20-THD)						
	19	1	7E-6574	1	COVER-DRIP						
	20	1	0S-1615	8	BOLT (1/4-20X0.75-IN)						
	21	1	4P-3149	1	PANEL-REAR						
Y	22	1	149-6130	1	REGULATOR AS-VOLTAGE						1605
	23	1	100-4481	1	STATOR AS						
	24	1	7C-5709	3	SLEEVE						
	25	1	7C-5708	3	GROMMET						
	26	1	033-2075	6	WASHER (0.266X1.25X0.06-IN THK)						
	27	1	1N-7219	1	CHANNEL-RUBBER						
	28	1	7E-6578	2	PANEL						
	29	1	7E-5940	1	FILM-INFORMATION (GENERATOR WIRING DIAGRAM)						
	30	1	7C-5711	1	FILM-INSTRUCTION (VOLTAGE CONTROL ADJUSTMENT)						
	31	1	7E-6575	1	PANEL AS						
		1	4F-8711	2	PLUG-BUTTON						
		1	5N-3174	8	PLUG-BUTTON						
		1	5N-3175	1	PLUG-BUTTON						
		1	6K-9593	1	PLUG-BUTTON						
	32	1	9F-7022	1	BOLT (1/4-20X1.5-IN)						
	33	1	5M-6214	2	PLUG (1/8-27 PTF)						
	34	1	7E-6568	1	FRAME AS (RH)						
	35	1	7E-6572	1	BRACKET (RH)						
	36	1	7E-6571	1	BRACKET (LH)						
	37	1	7E-6567	1	FRAME AS (LH)						
	38	1	3V-5035	1	SPACER (0.302X0.54X1.03-IN THK)						
Y	39	1	4P-3405	1	ROTOR AS						1625
	40	1	111-3187	4	SPACER (8.3X11.9X38.1-MM THK)						
	41	1	4P-3150	1	COVER AS						
		1	5N-3167	2	SEAL-RING						
		1	5N-3176	2	PLUG-BUTTON						

# GENERATORS

4P-7698 GENERATOR GP (contd.)

i02010063

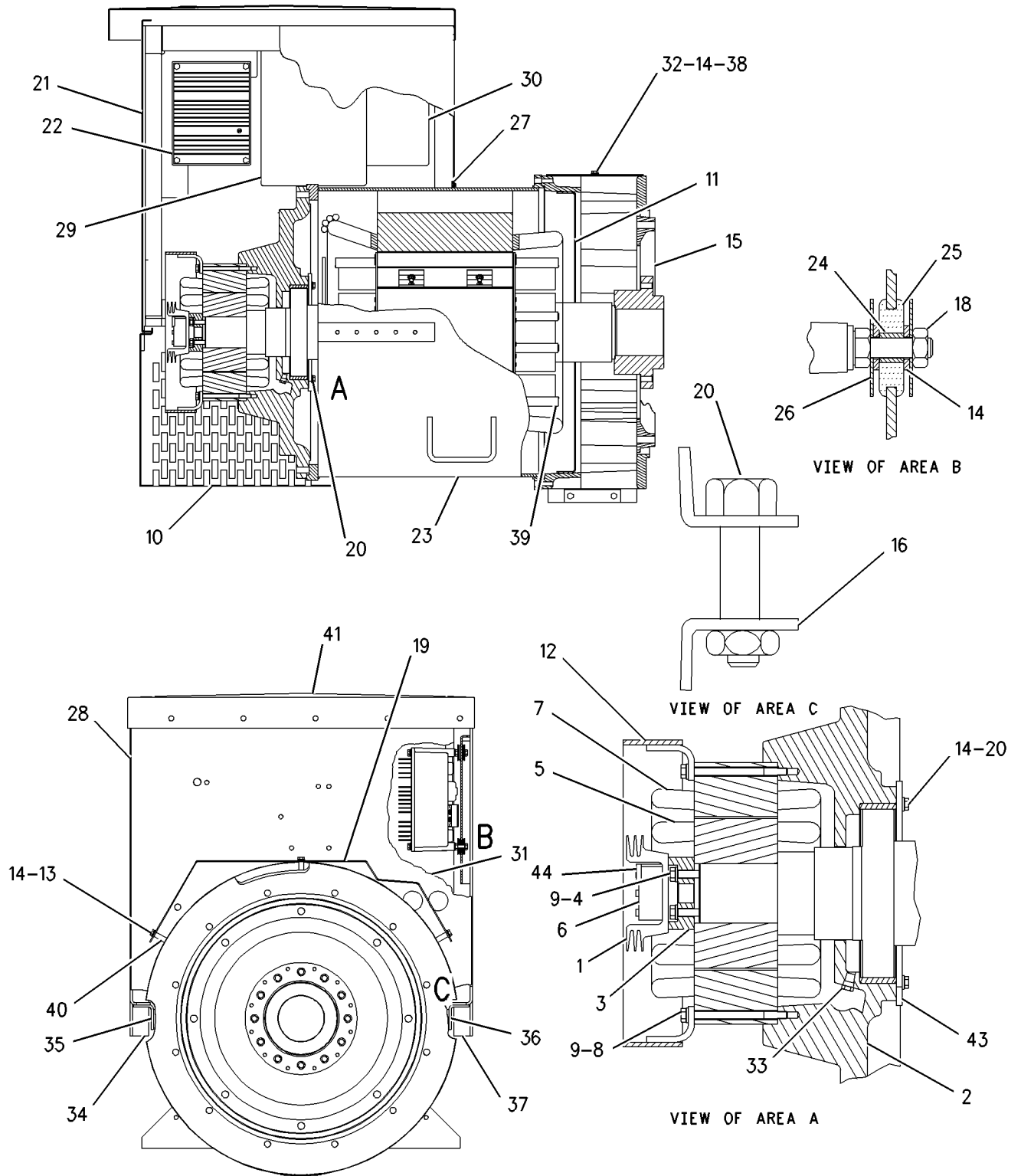
NOTE	REF NO	GRAPHIC REF	PART NUMBER	QTY	PART NAME						SEE PAGE
					1	2	3	4	5	6 (PRODUCT LEVEL)	
		1	<b>6D-7128</b>	4	SEAL-O-RING						
		1	<b>8P-7065</b>	2	PLUG-BUTTON						
		1	<b>8T-9587</b>	2	SEAL-O-RING						
		1	<b>030-2284</b>	4	PLUG-BUTTON						
43		1	<b>6I-2737</b>	2	RETAINER-BEARING						
44		1	<b>7E-6577</b>	1	COVER-RECTIFIER						
					AVAILABLE REPAIR KIT(S):						
			<b>4W-3901</b>	1	KIT-ROTOR BALANCE WEIGHT (GENERATOR)						
					(INCLUDES SCREWS, NUTS, WASHERS & WEIGHTS)						
			<b>100-4482</b>	1	KIT-STATOR REWIND						
					(INCLUDES TAPE, SLOT LINERS, TOPSTICKS, SLOT SEPARATORS, PHASE SEPARATORS, TERMINALS, SLEEVES, WIRE & CORD)						
			<b>7E-7233</b>	1	KIT-GENERATOR HARDWARE						
					(INCLUDES SCREWS, WASHERS, NUTS, LUGS, PLUGS & LOCK NUTS)						
			<b>4C-6715</b>	1	KIT-RECTIFIER SILICONE						

Y - SEPARATE ILLUSTRATION

# GENERATORS

4P-7698 GENERATOR GP (contd.)

i02010063



GRAPHIC #1

<END>

g00892639

# GENERATORS

## 4P-7698 GENERATOR GP

S/N: 6DG1-UP

60-HERTZ, 600-VOLTS. 445-FRAME, 4-LEAD

PART OF 4P-7699 GENERATOR AR

TYPE 2

SMCS-4450

i02075014

NOTE	REF NO	GRAPHIC REF	PART NUMBER	QTY	PART NAME						SEE PAGE
					1	2	3	4	5	6 (PRODUCT LEVEL)	
	1	1	4P-3154	1	HEAT SINK						
	2	1	118-1324	1	BRACKET-BEARING						
	3	1	4P-3153	1	SPACER (20.6X77X27.8-MM THK)						
	4	1	1A-9579	4	BOLT (5/16-18X1.5-IN)						
	5	1	4P-3468	1	ROTOR-EXCITER						
	6	1	9Y-0916	1	RECTIFIER AS						
	7	1	9Y-5817	1	STATOR-EXCITER						
	8	1	4B-3903	4	BOLT (5/16-18X4-IN)						
	9	1	9M-1974	8	WASHER-HARD (8.8X16X2-MM THK)						
	10	1	7E-6573	1	COVER-DUST						
	11	1	6I-0748	3	DEFLECTOR						
	12	1	6I-0088	1	COVER AS-EXCITER						
	13	1	1B-2714	4	BOLT (1/4-20X2.5-IN)						
C	14	1	5P-0537	9	WASHER-HARD (7.2X14.5X2-MM THK)						
	15	1	111-2413	1	FAN-GENERATOR						
	16	1	112-2563	2	SCREEN AS						
	19	1	7E-6574	1	COVER-DRIP						
	20	1	0S-1615	8	BOLT (1/4-20X0.75-IN)						
	21	1	4P-3149	1	PANEL-REAR						
	23	1	100-4481	1	STATOR AS						
	27	1	1N-7219	1	CHANNEL-RUBBER						
	28	1	7E-6578	2	PANEL						
	29	1	7E-5940	1	FILM-INFORMATION (GENERATOR WIRING DIAGRAM)						
	31	1	7E-6575	1	PANEL AS						
		1	4F-8711	2	PLUG-BUTTON						
		1	5N-3174	8	PLUG-BUTTON						
		1	5N-3175	1	PLUG-BUTTON						
		1	6K-9593	1	PLUG-BUTTON						
	32	1	9F-7022	1	BOLT (1/4-20X1.5-IN)						
	33	1	5M-6214	2	PLUG (1/8-27 PTF)						
	34	1	7E-6568	1	FRAME AS (RH)						
	35	1	7E-6572	1	BRACKET (RH)						
	36	1	7E-6571	1	BRACKET (LH)						
	37	1	7E-6567	1	FRAME AS (LH)						
	38	1	3V-5035	1	SPACER (0.302X0.54X1.03-IN THK)						
Y	39	1	4P-3405	1	ROTOR AS						1625
	40	1	111-3187	4	SPACER (8.3X11.9X38.1-MM THK)						
	41	1	4P-3150	1	COVER AS						
		1	5N-3167	2	SEAL-RING						
		1	5N-3176	2	PLUG-BUTTON						
		1	6D-7128	4	SEAL-O-RING						
		1	8P-7065	2	PLUG-BUTTON						
		1	8T-9587	2	SEAL-O-RING						
		1	030-2284	4	PLUG-BUTTON						
	43	1	6I-2737	2	RETAINER-BEARING						
	44	1	7E-6577	1	COVER-RECTIFIER						

# GENERATORS

4P-7698 GENERATOR GP (contd.)

i02075014

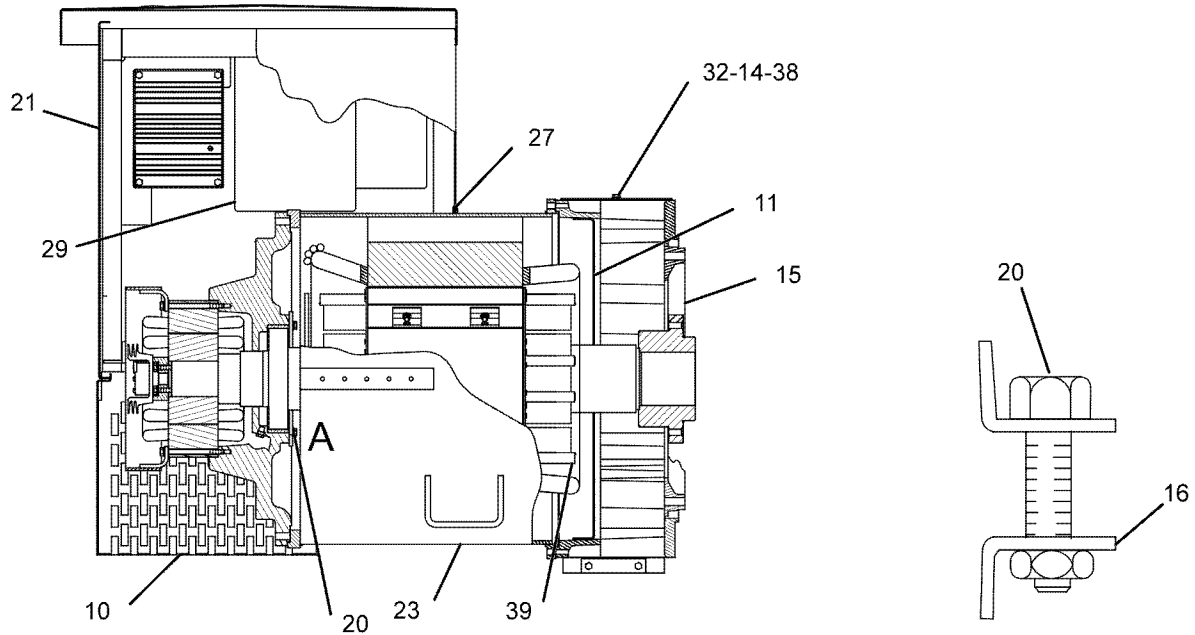
NOTE	REF NO	GRAPHIC REF	PART NUMBER	QTY	PART NAME						SEE PAGE
					1	2	3	4	5	6 (PRODUCT LEVEL)	
					AVAILABLE REPAIR KIT(S):						
			<b>4W-3901</b>	1	KIT-ROTOR BALANCE WEIGHT (GENERATOR)						
					(INCLUDES SCREWS, NUTS, WASHERS & WEIGHTS)						
			<b>100-4482</b>	1	KIT-STATOR REWIND						
					(INCLUDES TAPE, SLOT LINERS, TOPSTICKS, SLOT SEPARATORS, PHASE SEPARATORS, TERMINALS, SLEEVES, WIRE & CORD)						
			<b>7E-7233</b>	1	KIT-GENERATOR HARDWARE						
					(INCLUDES SCREWS, WASHERS, NUTS, LUGS, PLUGS & LOCK NUTS)						
			<b>4C-6715</b>	1	KIT-RECTIFIER SILICONE						

C - CHANGE FROM PREVIOUS TYPE  
Y - SEPARATE ILLUSTRATION

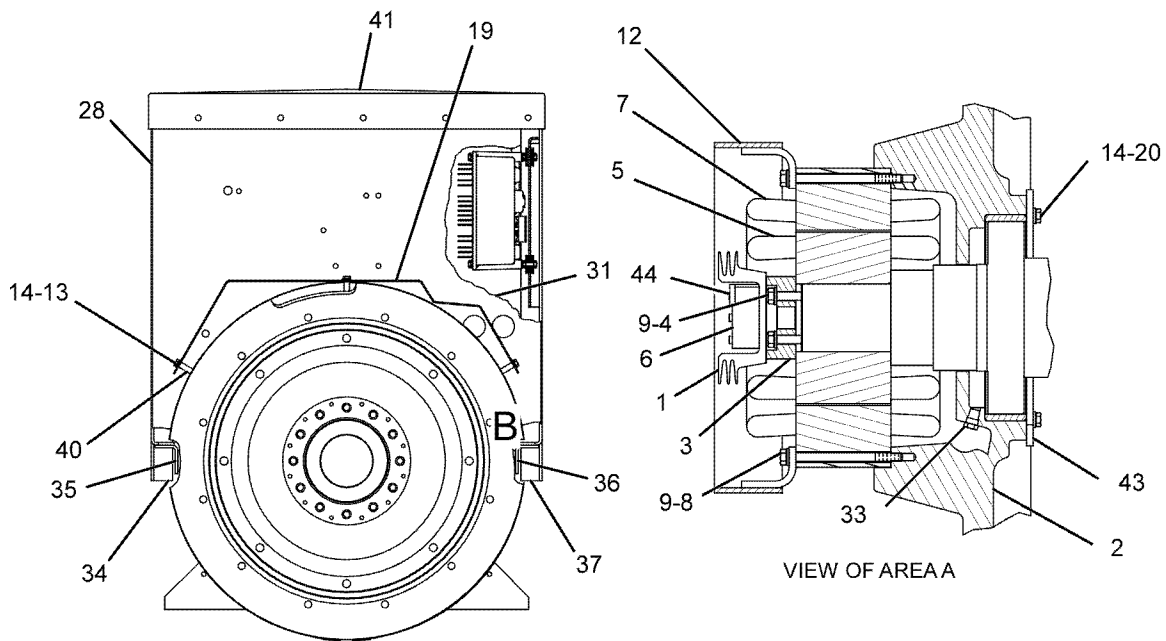
# GENERATORS

4P-7698 GENERATOR GP (contd.)

i02075014



VIEW OF AREA B



VIEW OF AREA A

GRAPHIC #1

<END>

g01063435

# GENERATORS

## 4P-7698 GENERATOR GP

S/N: 6DG1-UP

60-HERTZ, 600-VOLTS. 445-FRAME, 4-LEAD

PART OF 4P-7699 GENERATOR AR

TYPE 3

SMCS-4450

i02566296

NOTE	REF NO	GRAPHIC REF	PART NUMBER	QTY	PART NAME						SEE PAGE
					1	2	3	4	5	6 (PRODUCT LEVEL)	
C	1	1	290-5567	1	HEAT SINK AS						
	2	1	118-1324	1	BRACKET-BEARING						
	3	1	4P-3153	1	SPACER (20.6X77X27.8-MM THK)						
	4	1	1A-9579	4	BOLT (5/16-18X1.5-IN)						
	5	1	4P-3468	1	ROTOR-EXCITER						
	7	1	9Y-5817	1	STATOR-EXCITER						
	8	1	4B-3903	4	BOLT (5/16-18X4-IN)						
	9	1	9M-1974	8	WASHER-HARD (8.8X16X2-MM THK)						
	10	1	7E-6573	1	COVER-DUST						
	11	1	6I-0748	3	DEFLECTOR						
	12	1	6I-0088	1	COVER AS-EXCITER						
	13	1	1B-2714	4	BOLT (1/4-20X2.5-IN)						
	14	1	5P-0537	9	WASHER-HARD (7.2X14.5X2-MM THK)						
	15	1	111-2413	1	FAN-GENERATOR						
	16	1	112-2563	2	SCREEN AS						
	19	1	7E-6574	1	COVER-DRIP						
	20	1	0S-1615	8	BOLT (1/4-20X0.75-IN)						
	21	1	4P-3149	1	PANEL-REAR						
	23	1	100-4481	1	STATOR AS						
	27	1	1N-7219	1	CHANNEL-RUBBER						
	28	1	7E-6578	2	PANEL						
	29	1	7E-5940	1	FILM-INFORMATION (GENERATOR WIRING DIAGRAM)						
	31	1	7E-6575	1	PANEL AS						
		1	4F-8711	2	PLUG-BUTTON						
		1	5N-3174	8	PLUG-BUTTON						
		1	5N-3175	1	PLUG-BUTTON						
	32	1	6K-9593	1	PLUG-BUTTON						
		1	9F-7022	1	BOLT (1/4-20X1.5-IN)						
		1	5M-6214	2	PLUG (1/8-27 PTF)						
		1	7E-6568	1	FRAME AS (RH)						
	35	1	7E-6572	1	BRACKET (RH)						
36	1	7E-6571	1	BRACKET (LH)							
37	1	7E-6567	1	FRAME AS (LH)							
38	1	3V-5035	1	SPACER (0.302X0.54X1.03-IN THK)							
Y	39	1	4P-3405	1	ROTOR AS						1625
	40	1	111-3187	4	SPACER (8.3X11.9X38.1-MM THK)						
	41	1	4P-3150	1	COVER AS						
		1	5N-3167	2	SEAL-RING						
		1	5N-3176	2	PLUG-BUTTON						
		1	6D-7128	4	SEAL-O-RING						
		1	8P-7065	2	PLUG-BUTTON						
	42	1	8T-9587	2	SEAL-O-RING						
		1	030-2284	4	PLUG-BUTTON						
	43	1	6I-2737	2	RETAINER-BEARING						
	44	1	7E-6577	1	COVER-RECTIFIER						

# GENERATORS

4P-7698 GENERATOR GP (contd.)

i02566296

NOTE	REF NO	GRAPHIC REF	PART NUMBER	QTY	PART NAME						SEE PAGE
					1	2	3	4	5	6 (PRODUCT LEVEL)	
					AVAILABLE REPAIR KIT(S):						
			<b>4W-3901</b>	1	KIT-ROTOR BALANCE WEIGHT (GENERATOR)						
					(INCLUDES SCREWS, NUTS, WASHERS & WEIGHTS)						
			<b>100-4482</b>	1	KIT-STATOR REWIND						
					(INCLUDES TAPE, SLOT LINERS, TOPSTICKS, SLOT SEPARATORS, PHASE SEPARATORS, TERMINALS, SLEEVES, WIRE & CORD)						
			<b>7E-7233</b>	1	KIT-GENERATOR HARDWARE						
					(INCLUDES SCREWS, WASHERS, NUTS, LUGS, PLUGS & LOCK NUTS)						

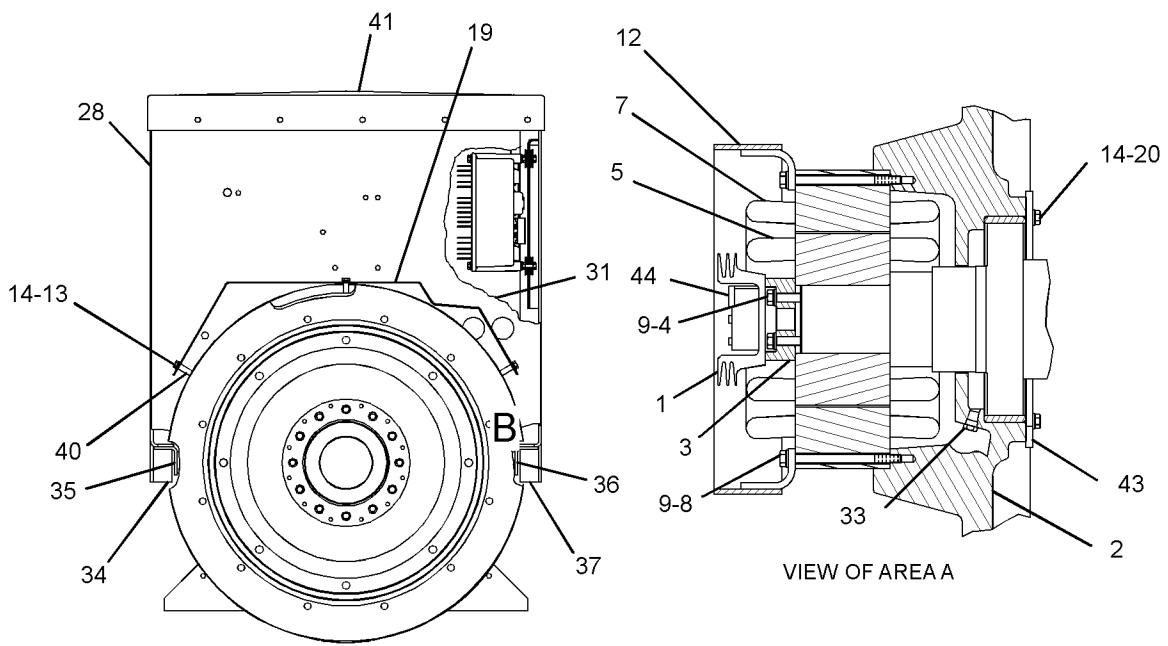
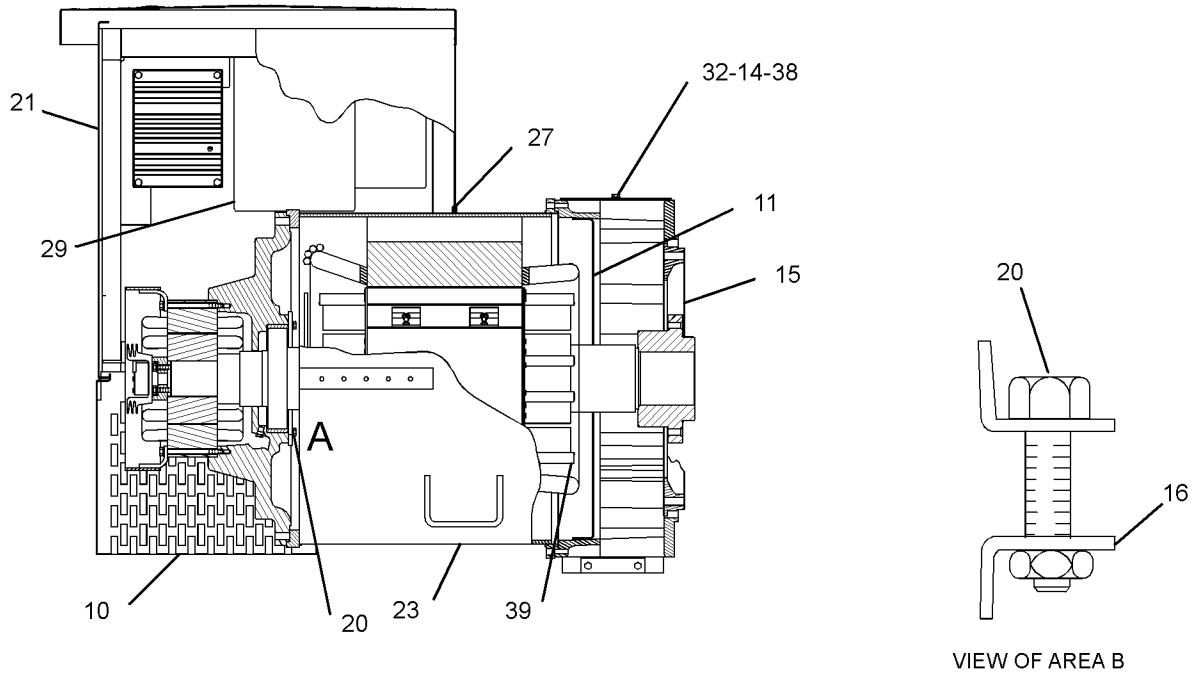
C - CHANGE FROM PREVIOUS TYPE  
Y - SEPARATE ILLUSTRATION



# GENERATORS

4P-7698 GENERATOR GP (contd.)

102566296



GRAPHIC #1

<END>

g01330165

# GENERATORS

## 4P-7698 GENERATOR GP

S/N: 6DG1-UP

60-HERTZ, 600-VOLTS. 445-FRAME, 4-LEAD

PART OF 4P-7699 GENERATOR AR

TYPE 4

SMCS-4450

i02614190

NOTE	REF NO	GRAPHIC REF	PART NUMBER	QTY	PART NAME						SEE PAGE
					1	2	3	4	5	6 (PRODUCT LEVEL)	
C	1	1	<b>290-5567</b>	1	HEAT SINK AS						
	2	1	<b>118-1324</b>	1	BRACKET-BEARING						
	3	1	<b>4P-3153</b>	1	SPACER (20.6X77X27.8-MM THK)						
	4	1	<b>1A-9579</b>	4	BOLT (5/16-18X1.5-IN)						
	5	1	<b>4P-3468</b>	1	ROTOR-EXCITER						
	7	1	<b>9Y-5817</b>	1	STATOR-EXCITER						
	8	1	<b>4B-3903</b>	4	BOLT (5/16-18X4-IN)						
	9	1	<b>9M-1974</b>	8	WASHER-HARD (8.8X16X2-MM THK)						
	10	1	<b>7E-6573</b>	1	COVER-DUST						
	11	1	<b>6I-0748</b>	3	DEFLECTOR						
	12	1	<b>6I-0088</b>	1	COVER AS-EXCITER						
	13	1	<b>1B-2714</b>	4	BOLT (1/4-20X2.5-IN)						
	14	1	<b>5P-0537</b>	9	WASHER-HARD (7.2X14.5X2-MM THK)						
	15	1	<b>111-2413</b>	1	FAN-GENERATOR						
	16	1	<b>112-2563</b>	2	SCREEN AS						
	19	1	<b>7E-6574</b>	1	COVER-DRIP						
	20	1	<b>0S-1615</b>	8	BOLT (1/4-20X0.75-IN)						
	21	1	<b>4P-3149</b>	1	PANEL-REAR						
	23	1	<b>100-4481</b>	1	STATOR AS						
	27	1	<b>1N-7219</b>	1	CHANNEL-RUBBER						
	28	1	<b>7E-6578</b>	2	PANEL						
	29	1	<b>7E-5940</b>	1	FILM-INFORMATION (GENERATOR WIRING DIAGRAM)						
	31	1	<b>7E-6575</b>	1	PANEL AS						
		1	<b>4F-8711</b>	2	PLUG-BUTTON						
		1	<b>5N-3174</b>	8	PLUG-BUTTON						
		1	<b>5N-3175</b>	1	PLUG-BUTTON						
	32	1	<b>6K-9593</b>	1	PLUG-BUTTON						
		1	<b>9F-7022</b>	1	BOLT (1/4-20X1.5-IN)						
		1	<b>5M-6214</b>	2	PLUG (1/8-27 PTF)						
		1	<b>7E-6568</b>	1	FRAME AS (RH)						
	35	1	<b>7E-6572</b>	1	BRACKET (RH)						
36	1	<b>7E-6571</b>	1	BRACKET (LH)							
37	1	<b>7E-6567</b>	1	FRAME AS (LH)							
38	1	<b>3V-5035</b>	1	SPACER (0.302X0.54X1.03-IN THK)							
Y	39	1	<b>4P-3405</b>	1	ROTOR AS						1625
	40	1	<b>111-3187</b>	4	SPACER (8.3X11.9X38.1-MM THK)						
	41	1	<b>4P-3150</b>	1	COVER AS						
		1	<b>5N-3167</b>	2	SEAL-RING						
	1	<b>5N-3176</b>	2	PLUG-BUTTON							
	1	<b>6D-7128</b>	4	SEAL-O-RING							
	1	<b>8P-7065</b>	2	PLUG-BUTTON							
	1	<b>8T-9587</b>	2	SEAL-O-RING							
	1	<b>030-2284</b>	4	PLUG-BUTTON							
	43	1	<b>6I-2737</b>	2	RETAINER-BEARING						

AVAILABLE REPAIR KIT(S) :

# GENERATORS

4P-7698 GENERATOR GP (contd.)

i02614190

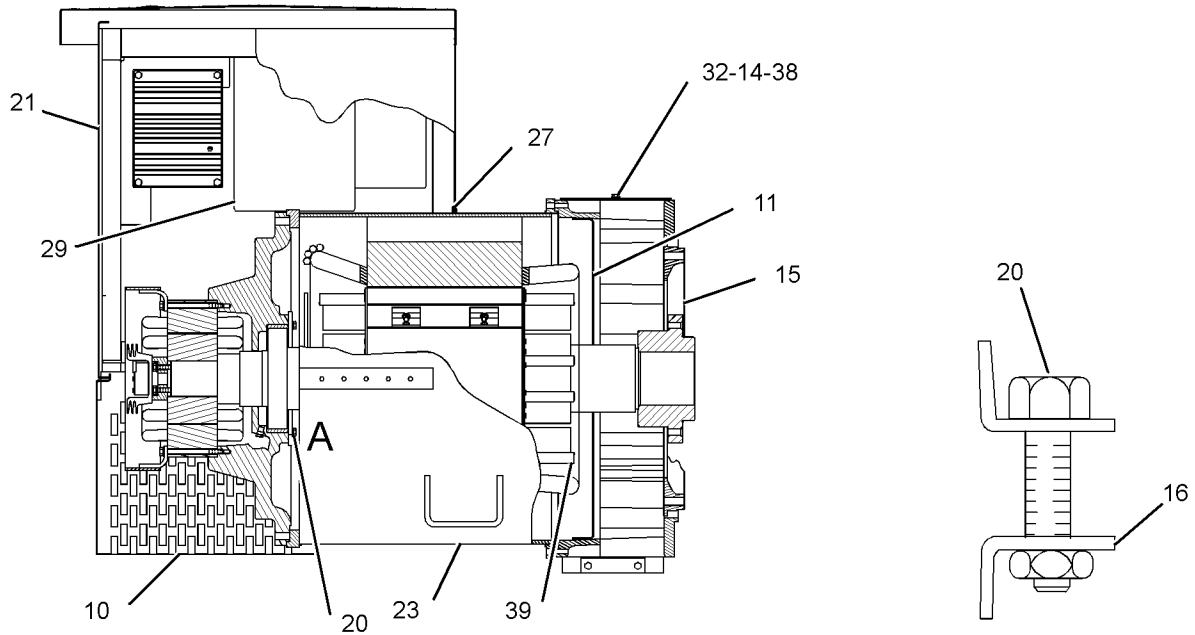
NOTE	REF NO	GRAPHIC REF	PART NUMBER	QTY	PART NAME						SEE PAGE
					1	2	3	4	5	6 (PRODUCT LEVEL)	
			<b>4W-3901</b>	1	KIT-ROTOR BALANCE WEIGHT (GENERATOR)						
					(INCLUDES SCREWS, NUTS, WASHERS & WEIGHTS)						
			<b>100-4482</b>	1	KIT-STATOR REWIND						
					(INCLUDES TAPE, SLOT LINERS, TOPSTICKS, SLOT SEPARATORS, PHASE SEPARATORS, TERMINALS, SLEEVES, WIRE & CORD)						
			<b>7E-7233</b>	1	KIT-GENERATOR HARDWARE						
					(INCLUDES SCREWS, WASHERS, NUTS, LUGS, PLUGS & LOCK NUTS)						

C - CHANGE FROM PREVIOUS TYPE  
Y - SEPARATE ILLUSTRATION

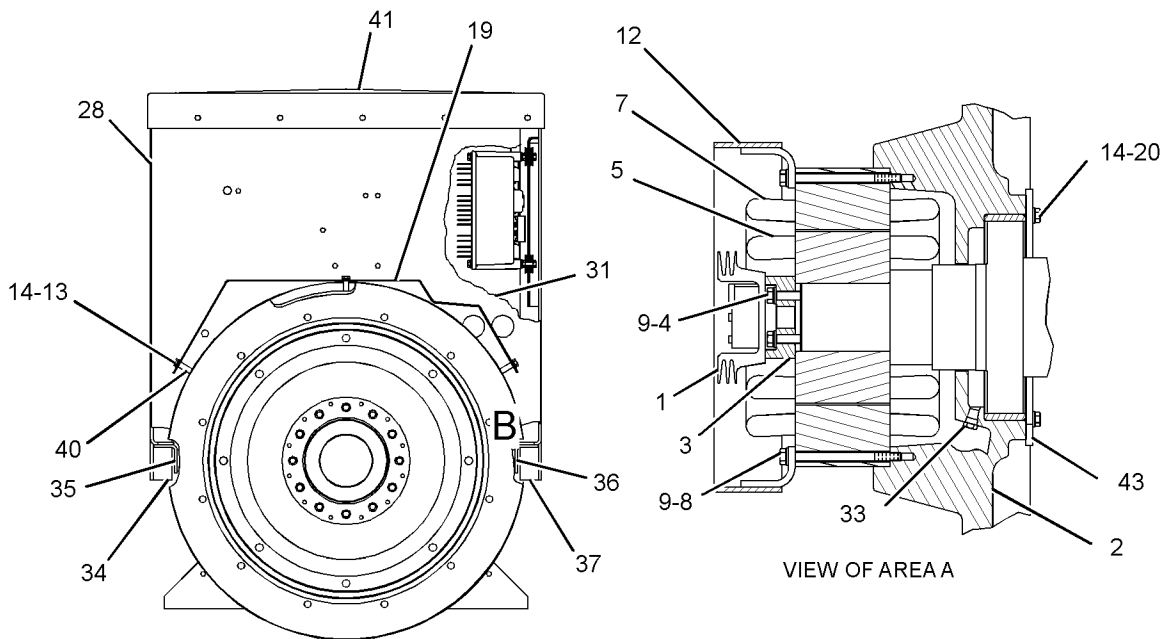
# GENERATORS

4P-7698 GENERATOR GP (contd.)

i02614190



VIEW OF AREA B



VIEW OF AREA A

GRAPHIC #1

<END>

g01363477

# GENERATORS

## 4W-7424 GENERATOR GP

S/N: 5CA5985-UP

PART OF 4W-8964 GENERATOR AR

TYPE 1

SMCS-4450

i01959707

NOTE	REF NO	GRAPHIC REF	PART NUMBER	QTY	PART NAME						SEE PAGE
					1	2	3	4	5	6 (PRODUCT LEVEL)	
	1	1	<b>4B-2049</b>	2	NUT (10-32-THD)						
	2	1	<b>5N-3886</b>	2	SCREW (10-32X1.5-IN)						
	3	1	<b>7C-6107</b>	1	FRAME AS						
	4	1	<b>3N-4403</b>	1	FRAME AS (RH)						
	5	1	<b>3N-4408</b>	1	BRACKET-BOX (LH)						
	6	1	<b>3N-4409</b>	1	BRACKET-BOX (RH)						
	7	1	<b>3N-7753</b>	1	COVER						
	8	1	<b>8J-1256</b>	1	CLIP (LOOP)						
	9	1	<b>7C-5711</b>	1	FILM-INSTRUCTION (VOLTAGE CONTROL ADJUSTMENT)						
	10	1	<b>3N-4406</b>	2	PANEL-BOX						
	11	1	<b>5N-3163</b>	1	COVER AS-TOP						
		1	<b>8P-7065</b>	2	PLUG-BUTTON						
		1	<b>2D-6392</b>	2	SEAL-O-RING						
		1	<b>030-2284</b>	4	PLUG-BUTTON						
		1	<b>6D-7128</b>	4	SEAL-O-RING						
		1	<b>5N-3176</b>	3	PLUG-BUTTON						
		1	<b>5N-3167</b>	3	SEAL-RING						
	12	1	<b>5P-0537</b>	12	WASHER-HARD (7.2X14.5X2-MM THK)						
	13	1	<b>9S-8750</b>	4	NUT-FULL (1/4-20-THD)						
	14	1	<b>7W-6418</b>	1	PANEL AS-BOX						
		1	<b>4F-8711</b>	2	PLUG-BUTTON						
		1	<b>5N-3174</b>	8	PLUG-BUTTON						
		1	<b>5N-3175</b>	1	PLUG-BUTTON						
	15	1	<b>1N-7219</b>	1	CHANNEL-RUBBER						
	16	1	<b>4W-7457</b>	1	COVER						
	17	1	<b>111-2413</b>	1	FAN-GENERATOR (VENT)						
	18	1	<b>8L-8419</b>	1	DEFLECTOR						
	19	1	<b>7W-0455</b>	1	STATOR AS						
		1	<b>5P-0537</b>	6	WASHER-HARD (7.2X14.5X2-MM THK)						
		1	<b>031-0243</b>	6	SCREW (1/4-20X0.625-IN)						
		1	<b>8L-8419</b>	1	DEFLECTOR (RUBBER)						
Y	20	1	<b>7W-0141</b>	1	ROTOR AS						1631
	21	1	<b>9M-1974</b>	4	WASHER-HARD (8.8X16X2-MM THK)						
	22	1	<b>1F-4111</b>	4	BOLT (5/16-18X3.5-IN)						
	23	1	<b>7W-0142</b>	1	STATOR AS-EXCITER						
	24	1	<b>1N-7222</b>	1	COVER AS-BOX						
	25	1	<b>5N-0541</b>	1	BRACKET-FIELD						
	26	1	<b>3N-1963</b>	2	RETAINER-BEARING						
	27	1	<b>6L-7008</b>	2	STRAP-CABLE						
	28	1	<b>1N-7224</b>	4	LOUVER						
	29	1	<b>1N-7225</b>	1	PANEL-METER						
	30	1	<b>8B-2377</b>	4	BOLT (1/4-20X2-IN)						
	31	1	<b>7W-6768</b>	4	TUBE						
	32	1	<b>7C-5709</b>	3	SLEEVE						
	33	1	<b>7C-5708</b>	3	GROMMET						
	34	1	<b>033-2075</b>	6	WASHER (0.266X1.25X0.06-IN THK)						

# GENERATORS

**4W-7424 GENERATOR GP (contd.)**

**i01959707**

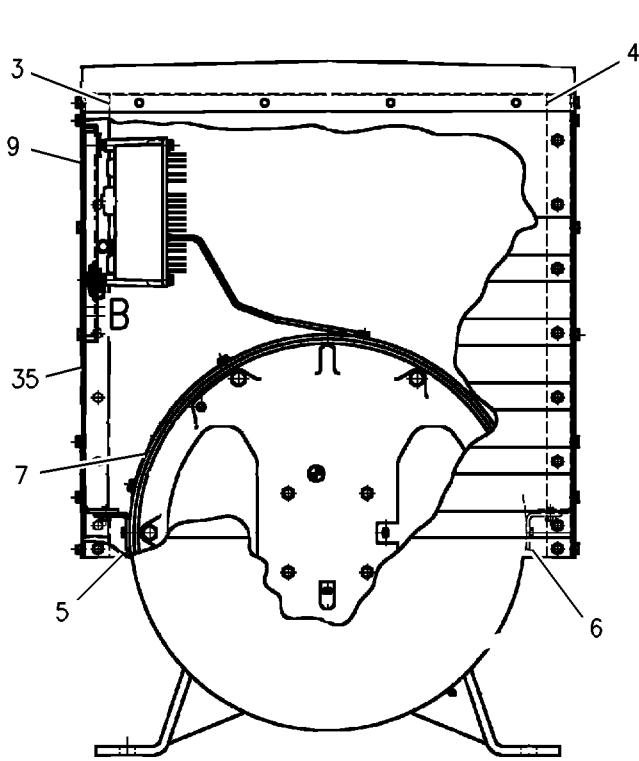
NOTE	REF NO	GRAPHIC REF	PART NUMBER	QTY	PART NAME						SEE PAGE
					1	2	3	4	5	6 (PRODUCT LEVEL)	
	35	1	<b>4W-9449</b>	1	FILM-INFORMATION (GENERATOR WIRING DIAGRAM)						
	36	1	<b>9Y-2938</b>	1	SCREEN AS						
		1	<b>9Y-2970</b>	2	RETAINER						
Y	37	1	<b>149-6130</b>	1	REGULATOR AS-VOLTAGE						1605
	38	1	<b>2B-4602</b>	1	PLUG-PIPE						
					AVAILABLE REPAIR KIT(S):						
			<b>7W-0738</b>	1	KIT-STATOR REWIND (GENERATOR)						
					(INCLUDES TOPSTICKS, PHASE SEPARATORS, LEADS, SLOT SEPARATORS, SLEEVES, LINERS & PACKING)						
			<b>3N-8631</b>	1	KIT-ROTOR BALANCE WEIGHT (GENERATOR)						
					(INCLUDES SCREWS & WASHERS)						
			<b>3N-8101</b>	1	KIT-HARDWARE (GENERATOR)						
					(INCLUDES SCREWS, BOLTS, PLUGS, NUTS, WASHERS & LOCKWASHERS)						

Y - SEPARATE ILLUSTRATION

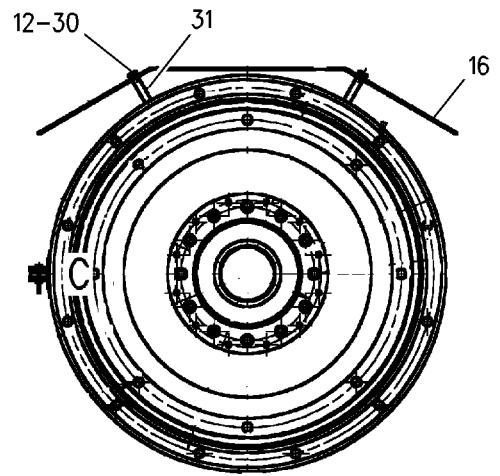
# GENERATORS

4W-7424 GENERATOR GP (contd.)

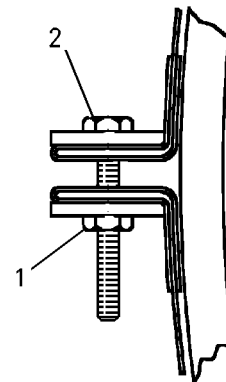
101959707



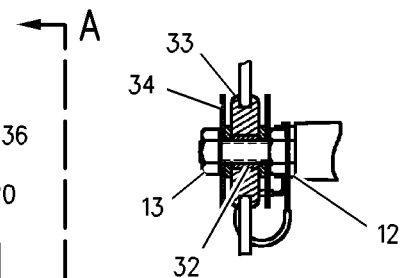
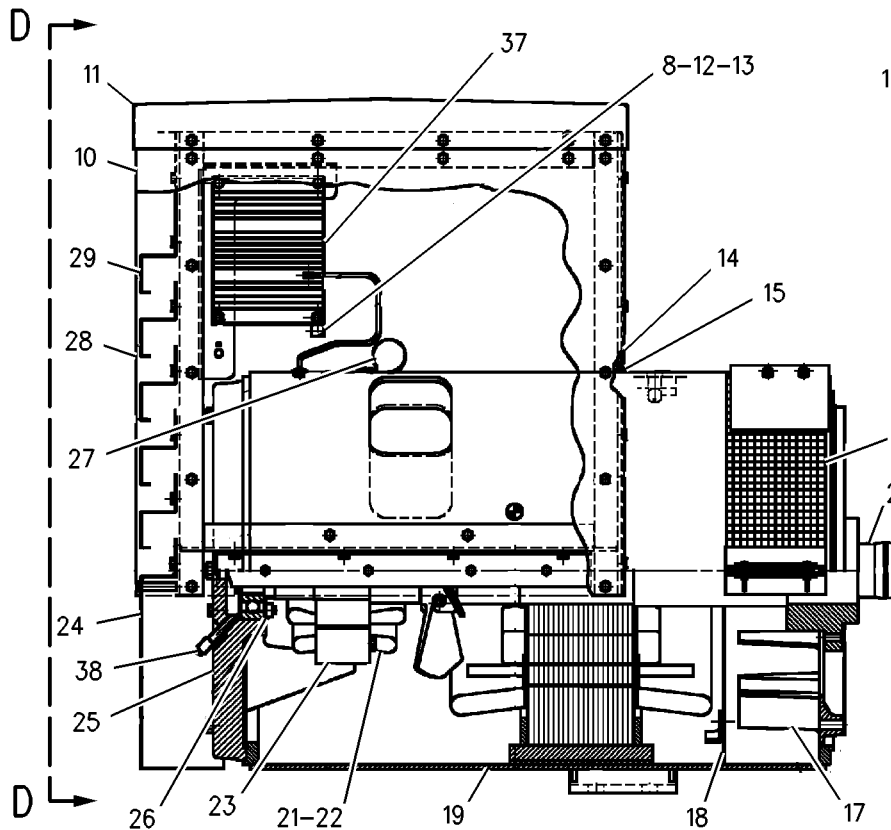
VIEW D-D



VIEW A-A



VIEW OF AREA C



VIEW OF AREA B

GRAPHIC #1

<END>

g00822716

# GENERATORS

## 4W-7424 GENERATOR GP

S/N: 5CA5985-UP

PART OF 4W-8964 GENERATOR AR

TYPE 2

SMCS-4450

i02075149

NOTE	REF NO	GRAPHIC REF	PART NUMBER	QTY	PART NAME	SEE PAGE
					1 2 3 4 5 6 (PRODUCT LEVEL)	
	1	1	<b>4B-2049</b>	2	NUT (10-32-THD)	
	2	1	<b>5N-3886</b>	2	SCREW (10-32X1.5-IN)	
	3	1	<b>7C-6107</b>	1	FRAME AS	
	4	1	<b>3N-4403</b>	1	FRAME AS (RH)	
	5	1	<b>3N-4408</b>	1	BRACKET-BOX (LH)	
	6	1	<b>3N-4409</b>	1	BRACKET-BOX (RH)	
	7	1	<b>3N-7753</b>	1	COVER	
	10	1	<b>3N-4406</b>	2	PANEL-BOX	
	11	1	<b>5N-3163</b>	1	COVER AS-TOP	
		1	<b>8P-7065</b>	2	PLUG-BUTTON	
		1	<b>2D-6392</b>	2	SEAL-O-RING	
		1	<b>030-2284</b>	4	PLUG-BUTTON	
		1	<b>6D-7128</b>	4	SEAL-O-RING	
		1	<b>5N-3176</b>	3	PLUG-BUTTON	
		1	<b>5N-3167</b>	3	SEAL-RING	
C	12	1	<b>5P-0537</b>	4	WASHER-HARD (7.2X14.5X2-MM THK)	
	14	1	<b>7W-6418</b>	1	PANEL AS-BOX	
		1	<b>4F-8711</b>	2	PLUG-BUTTON	
		1	<b>5N-3174</b>	8	PLUG-BUTTON	
		1	<b>5N-3175</b>	1	PLUG-BUTTON	
	15	1	<b>1N-7219</b>	1	CHANNEL-RUBBER	
	16	1	<b>4W-7457</b>	1	COVER	
	17	1	<b>111-2413</b>	1	FAN-GENERATOR (VENT)	
	18	1	<b>8L-8419</b>	1	DEFLECTOR	
	19	1	<b>7W-0455</b>	1	STATOR AS	
		1	<b>5P-0537</b>	6	WASHER-HARD (7.2X14.5X2-MM THK)	
		1	<b>031-0243</b>	6	SCREW (1/4-20X0.625-IN)	
		1	<b>8L-8419</b>	1	DEFLECTOR (RUBBER)	
Y	20	1	<b>7W-0141</b>	1	ROTOR AS	1631
	21	1	<b>9M-1974</b>	4	WASHER-HARD (8.8X16X2-MM THK)	
	22	1	<b>1F-4111</b>	4	BOLT (5/16-18X3.5-IN)	
	23	1	<b>7W-0142</b>	1	STATOR AS-EXCITER	
	24	1	<b>1N-7222</b>	1	COVER AS-BOX	
	25	1	<b>5N-0541</b>	1	BRACKET-FIELD	
	26	1	<b>3N-1963</b>	2	RETAINER-BEARING	
	27	1	<b>6L-7008</b>	2	STRAP-CABLE	
	28	1	<b>1N-7224</b>	4	LOUVER	
	29	1	<b>1N-7225</b>	1	PANEL-METER	
	30	1	<b>8B-2377</b>	4	BOLT (1/4-20X2-IN)	
	31	1	<b>7W-6768</b>	4	TUBE	
	35	1	<b>4W-9449</b>	1	FILM-INFORMATION (GENERATOR WIRING DIAGRAM)	
	36	1	<b>9Y-2938</b>	1	SCREEN AS	
		1	<b>9Y-2970</b>	2	RETAINER	
	38	1	<b>2B-4602</b>	1	PLUG-PIPE	
					AVAILABLE REPAIR KIT(S):	
			<b>7W-0738</b>	1	KIT-STATOR REWIND (GENERATOR)	



# GENERATORS

4W-7424 GENERATOR GP (contd.)

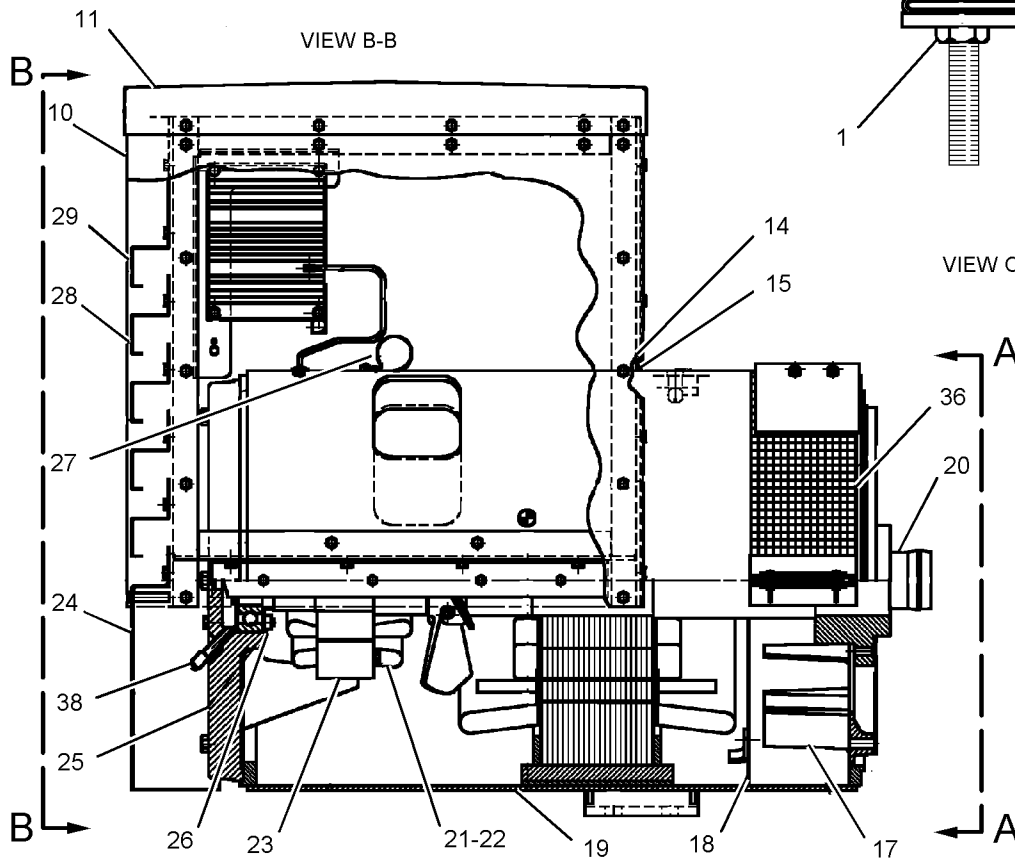
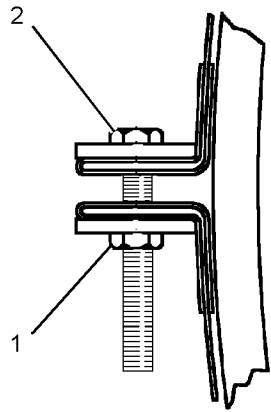
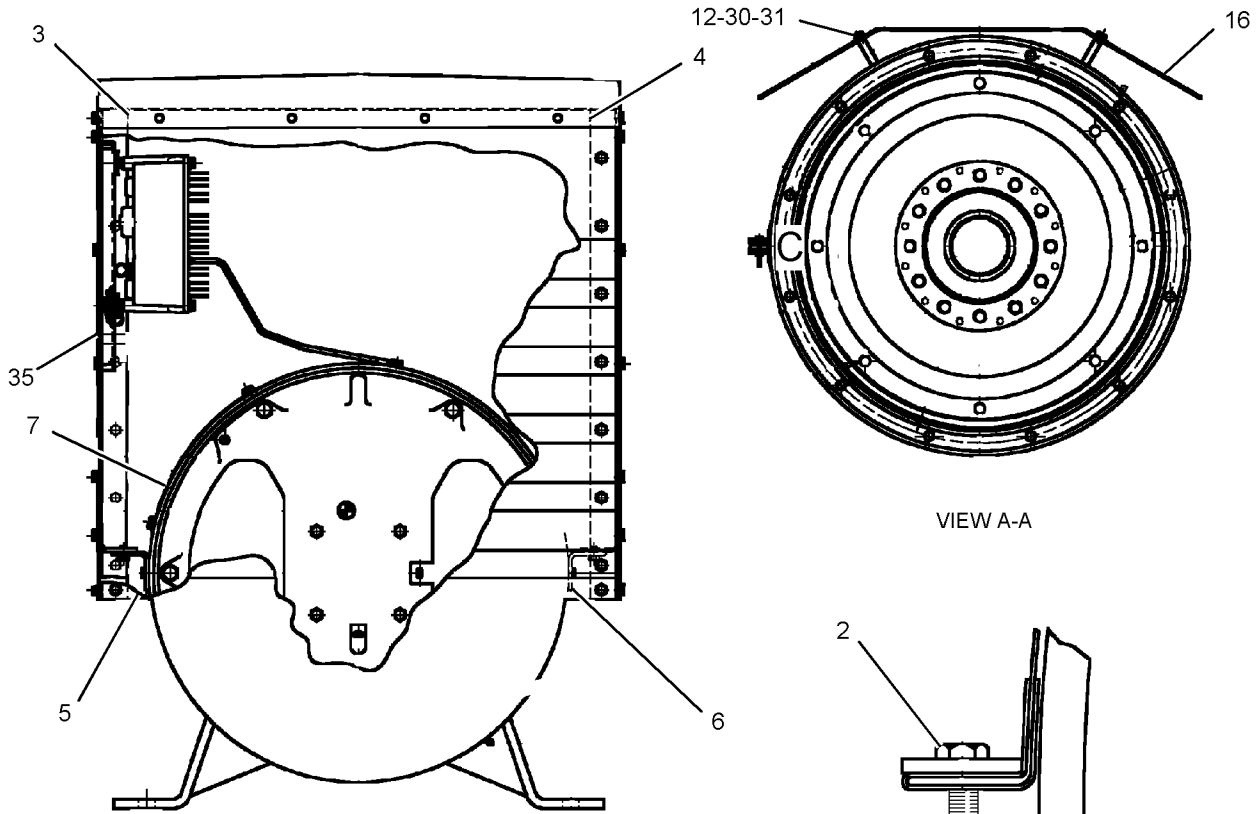
i02075149

NOTE	REF NO	GRAPHIC REF	PART NUMBER	QTY	PART NAME 1 2 3 4 5 6 (PRODUCT LEVEL)	SEE PAGE
					(INCLUDES TOPSTICKS, PHASE SEPARATORS, LEADS, SLOT SEPARATORS, SLEEVES, LINERS & PACKING)	
			<b>3N-8631</b>	1	KIT-ROTOR BALANCE WEIGHT (GENERATOR)	
					(INCLUDES SCREWS & WASHERS)	
			<b>3N-8101</b>	1	KIT-HARDWARE (GENERATOR)	
					(INCLUDES SCREWS, BOLTS, PLUGS, NUTS, WASHERS & LOCKWASHERS)	
C - CHANGE FROM PREVIOUS TYPE						
Y - SEPARATE ILLUSTRATION						

# GENERATORS

4W-7424 GENERATOR GP (contd.)

i02075149



GRAPHIC #1

<END>

g01066355

# GENERATORS

## 4W-7425 GENERATOR GP

S/N: 5CA5985-UP

PART OF 4W-9657 GENERATOR AR

TYPE 1

SMCS-4450

i01959714

NOTE	REF NO	GRAPHIC REF	PART NUMBER	QTY	PART NAME	SEE PAGE
					1 2 3 4 5 6 (PRODUCT LEVEL)	
	1	1	<b>3N-4406</b>	2	PANEL-BOX	
	2	1	<b>1F-4111</b>	4	BOLT (5/16-18X3.5-IN)	
		1	<b>9M-1974</b>	4	WASHER-HARD (8.8X16X2-MM THK)	
	3	1	<b>6L-7008</b>	2	STRAP-CABLE	
	4	1	<b>5P-0537</b>	6	WASHER-HARD (7.2X14.5X2-MM THK)	
	5	1	<b>1N-7219</b>	1	CHANNEL-RUBBER	
	6	1	<b>7W-0142</b>	1	STATOR AS-EXCITER	
	7	1	<b>5N-0541</b>	1	BRACKET-FIELD	
	8	1	<b>3N-4403</b>	1	FRAME AS (RH)	
	9	1	<b>7W-6418</b>	1	PANEL AS-BOX	
		1	<b>4F-8711</b>	2	PLUG-BUTTON	
		1	<b>5N-3174</b>	8	PLUG-BUTTON	
		1	<b>5N-3175</b>	1	PLUG-BUTTON	
Y	10	1	<b>7W-0141</b>	1	ROTOR AS	1631
	11	1	<b>111-2413</b>	1	FAN-GENERATOR (VENT)	
	12	1	<b>9Y-2938</b>	1	SCREEN AS	
		1	<b>9Y-2970</b>	2	RETAINER	
	13	1	<b>3N-1963</b>	2	RETAINER-BEARING	
	14	1	<b>8L-8419</b>	1	DEFLECTOR	
	15	1	<b>7W-0456</b>	1	STATOR AS	
		1	<b>6L-6648</b>	1	CHANNEL (RUBBER)	
	16	1	<b>4W-7457</b>	1	COVER	
	17	1	<b>8B-2377</b>	4	BOLT (1/4-20X2-IN)	
	18	1	<b>7W-6768</b>	4	TUBE	
	19	1	<b>8J-1256</b>	1	CLIP (LOOP)	
		1	<b>9S-8750</b>	1	NUT-FULL (1/4-20-THD)	
	20	1	<b>4B-2049</b>	2	NUT (10-32-THD)	
	21	1	<b>5N-3886</b>	2	SCREW (10-32X1.5-IN)	
	22	1	<b>2B-4602</b>	1	PLUG-PIPE	
	23	2	<b>7C-6107</b>	1	FRAME AS	
	24	2	<b>9S-8750</b>	3	NUT-FULL (1/4-20-THD)	
		2	<b>5P-0537</b>	6	WASHER-HARD (7.2X14.5X2-MM THK)	
	25	2	<b>1N-7225</b>	1	PANEL-METER	
	26	2	<b>5N-3163</b>	1	COVER AS-TOP	
		2	<b>030-2284</b>	4	PLUG-BUTTON	
		2	<b>6D-7128</b>	4	SEAL-O-RING	
	27	2	<b>5N-3176</b>	2	PLUG-BUTTON	
		2	<b>5N-3167</b>	2	SEAL-RING	
	28	2	<b>1N-7224</b>	4	LOUVER	
	29	2	<b>3N-4408</b>	1	BRACKET-BOX (LH)	
	30	2	<b>1N-7222</b>	1	COVER AS-BOX	
	31	2	<b>3N-4409</b>	1	BRACKET-BOX (RH)	
	32	2	<b>033-2075</b>	6	WASHER (0.266X1.25X0.06-IN THK)	
	33	2	<b>7C-5708</b>	3	GROMMET	
		2	<b>7C-5709</b>	3	SLEEVE	
Y	34	2	<b>149-6130</b>	1	REGULATOR AS-VOLTAGE	1605

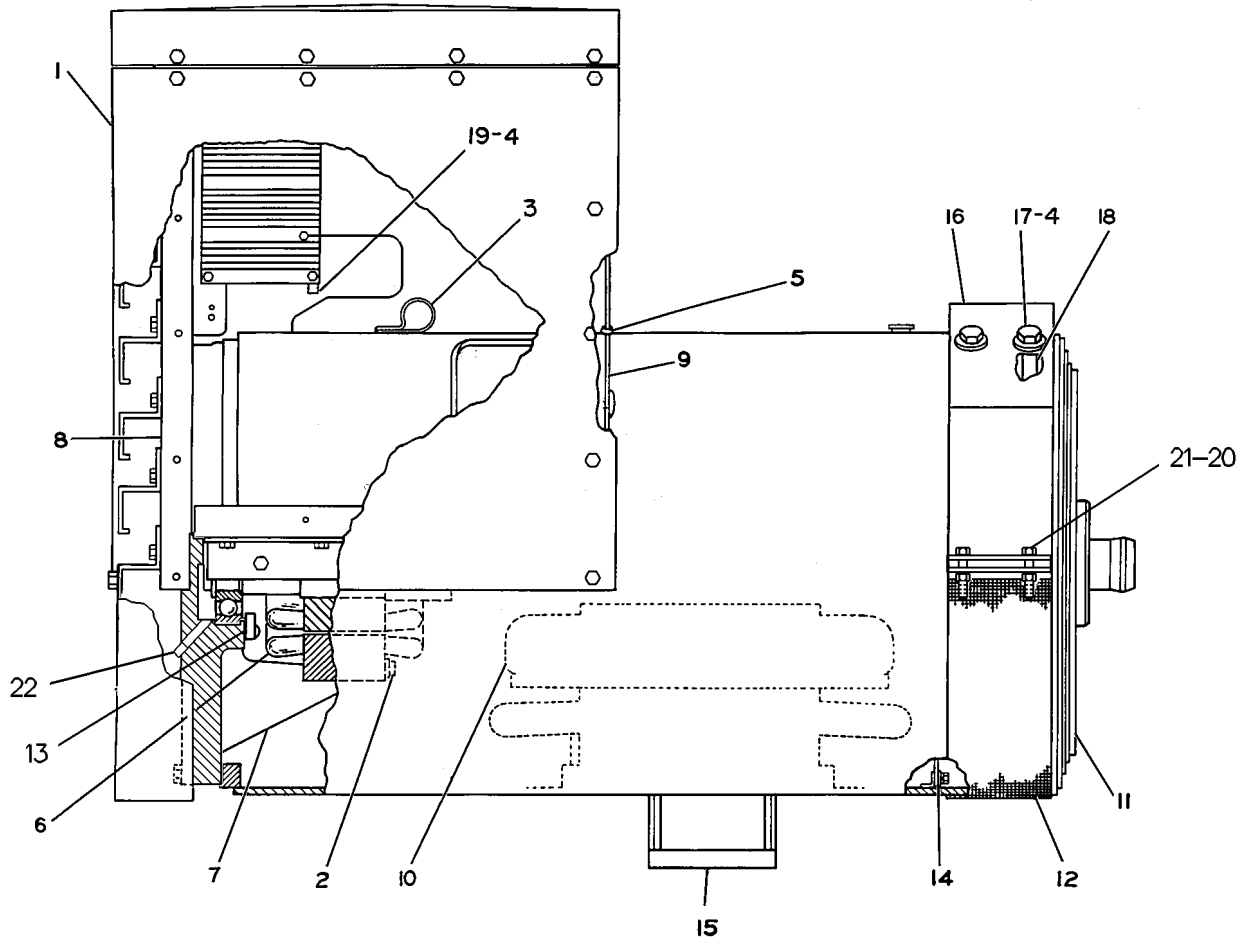
# GENERATORS

4W-7425 GENERATOR GP (contd.)

i01959714

NOTE	REF NO	GRAPHIC REF	PART NUMBER	QTY	PART NAME						SEE PAGE
					1	2	3	4	5	6 (PRODUCT LEVEL)	
	35	2	<b>3N-7753</b>	1	COVER						
	36	2	<b>7C-5711</b>	1	FILM-INSTRUCTION (VOLTAGE CONTROL ADJUSTMENT)						
	37	2	<b>4W-9449</b>	1	FILM-INFORMATION (GENERATOR WIRING DIAGRAM)						
					AVAILABLE REPAIR KIT(S):						
			<b>7W-0739</b>	1	KIT-STATOR REWIND (GENERATOR) (INCLUDES TOPSTICKS, PHASE SEPARATORS, LEADS, SLOT SEPARATORS, SLEEVES & LINERS)						
C			<b>3N-8631</b>	1	KIT-ROTOR BALANCE WEIGHT (GENERATOR) (INCLUDES SCREWS & WASHERS)						
			<b>3N-8101</b>	1	KIT-HARDWARE (GENERATOR) (INCLUDES SCREWS, BOLTS, PLUGS, NUTS, WASHERS & LOCKWASHERS)						

C - CHANGE FROM PREVIOUS TYPE  
Y - SEPARATE ILLUSTRATION



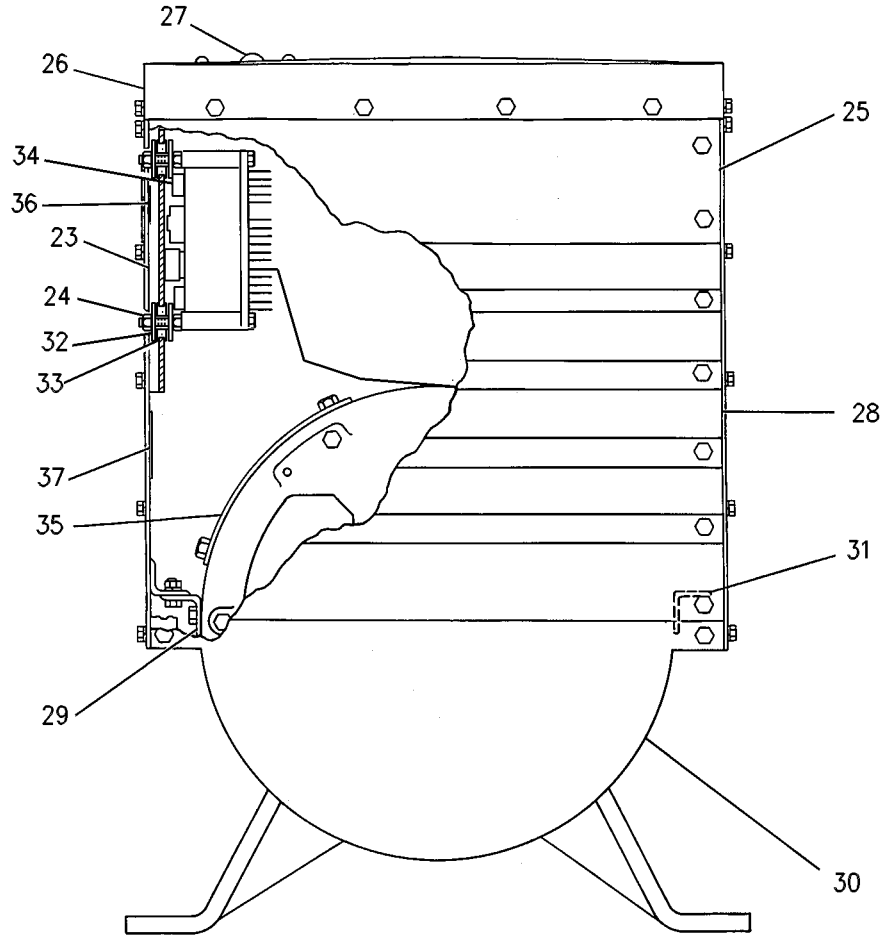
GRAPHIC #1

g00210175

# GENERATORS

4W-7425 GENERATOR GP (contd.)

i01959714



GRAPHIC #2

<END>

g00529532

# GENERATORS

## 4W-7425 GENERATOR GP

S/N: 5CA5985-UP

PART OF 4W-9657 GENERATOR AR

TYPE 2

SMCS-4450

i02075150

NOTE	REF NO	GRAPHIC REF	PART NUMBER	QTY	PART NAME						SEE PAGE
					1	2	3	4	5	6 (PRODUCT LEVEL)	
	1	1	<b>4B-2049</b>	2	NUT (10-32-THD)						
	2	1	<b>5N-3886</b>	2	SCREW (10-32X1.5-IN)						
	3	1	<b>7C-6107</b>	1	FRAME AS						
	4	1	<b>3N-4403</b>	1	FRAME AS (RH)						
	5	1	<b>3N-4409</b>	1	BRACKET-BOX (RH)						
	6	1	<b>3N-4408</b>	1	BRACKET-BOX (LH)						
	7	1	<b>3N-7753</b>	1	COVER						
	10	1	<b>3N-4406</b>	2	PANEL-BOX						
	11	1	<b>5N-3163</b>	1	COVER AS-TOP						
		1	<b>030-2284</b>	4	PLUG-BUTTON						
		1	<b>6D-7128</b>	4	SEAL-O-RING						
		1	<b>5N-3176</b>	2	PLUG-BUTTON						
		1	<b>5N-3167</b>	2	SEAL-RING						
C	12	1	<b>5P-0537</b>	4	WASHER-HARD (7.2X14.5X2-MM THK)						
	14	1	<b>7W-6418</b>	1	PANEL AS-BOX						
		1	<b>4F-8711</b>	2	PLUG-BUTTON						
		1	<b>5N-3174</b>	8	PLUG-BUTTON						
		1	<b>5N-3175</b>	1	PLUG-BUTTON						
	15	1	<b>1N-7219</b>	1	CHANNEL-RUBBER						
	16	1	<b>9Y-2938</b>	1	SCREEN AS						
		1	<b>9Y-2970</b>	2	RETAINER						
Y	17	1	<b>7W-0141</b>	1	ROTOR AS						1631
	18	1	<b>111-2413</b>	1	FAN-GENERATOR (VENT)						
	19	1	<b>8L-8419</b>	1	DEFLECTOR						
	20	1	<b>7W-0456</b>	1	STATOR AS						
		1	<b>6L-6648</b>	1	CHANNEL (RUBBER)						
	21	1	<b>4W-7457</b>	1	COVER						
	22	1	<b>1F-4111</b>	4	BOLT (5/16-18X3.5-IN)						
	25	1	<b>8B-2377</b>	4	BOLT (1/4-20X2-IN)						
	26	1	<b>1N-7222</b>	1	COVER AS-BOX						
	27	1	<b>5N-0541</b>	1	BRACKET-FIELD						
	28	1	<b>3N-1963</b>	2	RETAINER-BEARING						
	29	1	<b>9M-1974</b>	4	WASHER-HARD (8.8X16X2-MM THK)						
	30	1	<b>1N-7224</b>	4	LOUVER						
	32	1	<b>7W-6768</b>	4	TUBE						
	34	1	<b>1N-7225</b>	1	PANEL-METER						
	35	1	<b>7W-0142</b>	1	STATOR AS-EXCITER						
	36	1	<b>2B-4602</b>	1	PLUG-PIPE						
	37	1	<b>6L-7008</b>	2	STRAP-CABLE						
	38	1	<b>4W-9449</b>	1	FILM-INFORMATION (GENERATOR WIRING DIAGRAM)						
					AVAILABLE REPAIR KIT(S):						
			<b>7W-0739</b>	1	KIT-STATOR REWIND (GENERATOR)						
					(INCLUDES TOPSTICKS, PHASE SEPARATORS, LEADS, SLOT SEPARATORS, SLEEVES & LINERS)						
C			<b>3N-8631</b>	1	KIT-ROTOR BALANCE WEIGHT (GENERATOR)						
					(INCLUDES SCREWS & WASHERS)						

# GENERATORS

4W-7425 **GENERATOR GP (contd.)**

**i02075150**

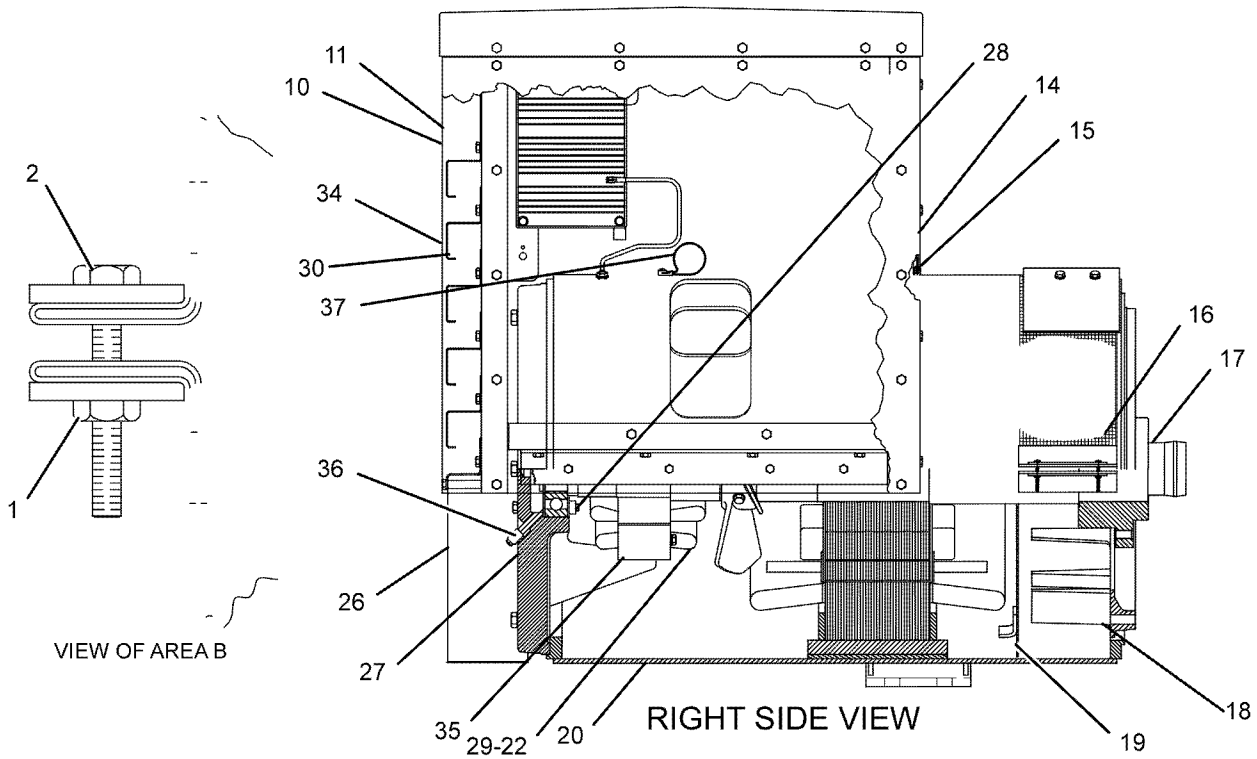
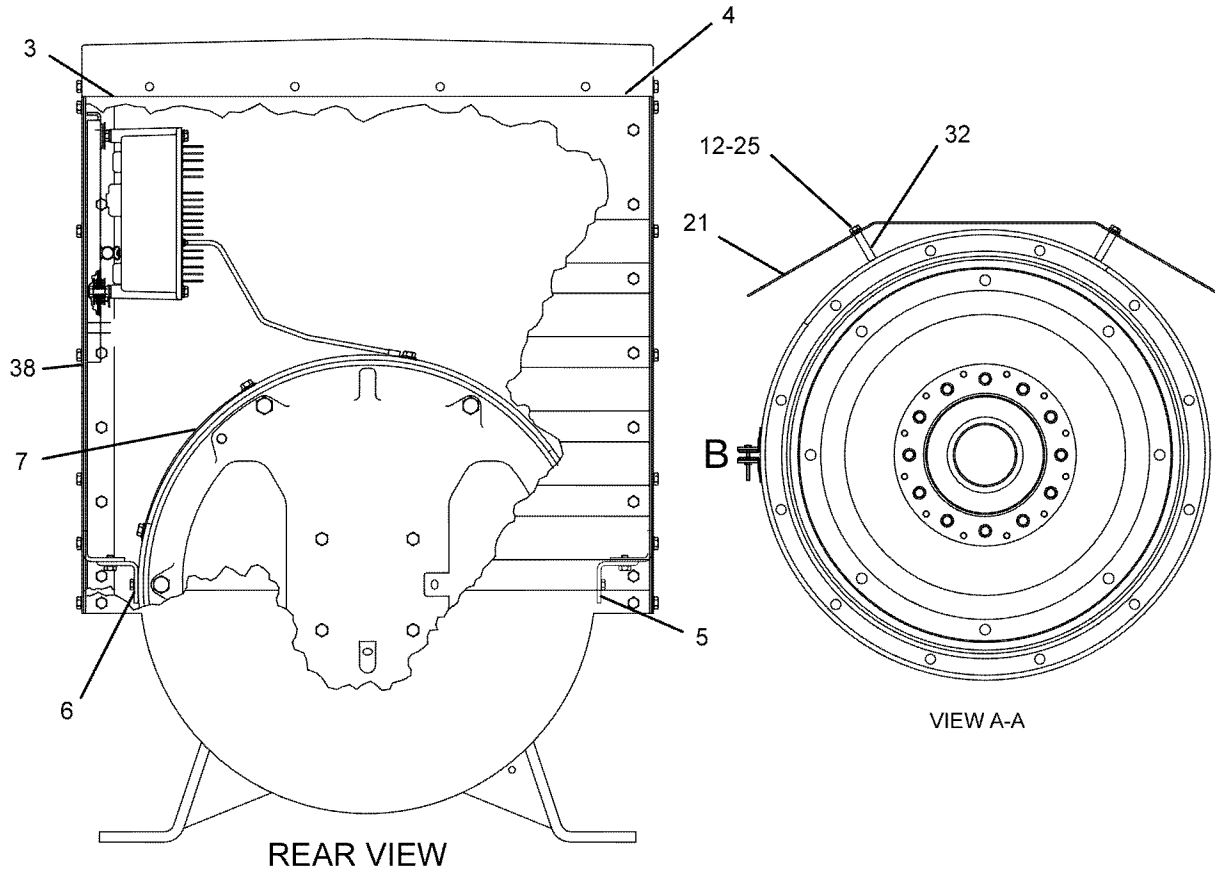
NOTE	REF	GRAPHIC	PART NUMBER	QTY	PART NAME						SEE
	NO	REF			1	2	3	4	5	6	PAGE
			<b>3N-8101</b>	1	KIT-HARDWARE (GENERATOR)						
					(INCLUDES SCREWS, BOLTS, PLUGS, NUTS, WASHERS & LOCKWASHERS)						

C - CHANGE FROM PREVIOUS TYPE  
 Y - SEPARATE ILLUSTRATION

# GENERATORS

4W-7425 GENERATOR GP (contd.)

i02075150



GRAPHIC #1

<END>

g01063906



# GENERATORS

## 4W-7427 GENERATOR GP

S/N: 5DA5682-UP

PART OF 4W-8966 GENERATOR AR

TYPE 1

SMCS-4450

i01998206

NOTE	REF NO	GRAPHIC REF	PART NUMBER	QTY	PART NAME						SEE PAGE
					1	2	3	4	5	6 (PRODUCT LEVEL)	
	1	1	1N-7225	1	PANEL-METER						
	2	1	7W-6418	1	PANEL AS-BOX						
		1	5N-3175	1	PLUG-BUTTON						
		1	5N-3174		PLUG-BUTTON						
		1	4F-8711	1	PLUG-BUTTON						
	3	1	1N-7219	1	CHANNEL-RUBBER						
	4	1	111-2413	1	FAN-GENERATOR (VENT)						
C	5	1	9Y-2938	1	SCREEN AS						
		1	9Y-2970	2	RETAINER						
	6	1	7W-0457	1	STATOR AS						
		1	6L-6648	1	CHANNEL						
		1	031-0243	6	SCREW (1/4-20X0.625-IN)						
		1	5P-0537	6	WASHER-HARD (7.2X14.5X2-MM THK)						
	7	1	8L-8419	1	DEFLECTOR						
Y	8	1	4W-7451	1	ROTOR AS						1627
	9	1	5N-0541	1	BRACKET-FIELD						
	10	1	7W-0142	1	STATOR AS-EXCITER						
	11	1	6L-7008	2	STRAP-CABLE						
	12	1	3N-4403	1	FRAME AS (R.H.)						
	13	1	1F-4111	4	BOLT (5/16-18X3.5-IN)						
	14	1	3N-1963	2	RETAINER-BEARING						
	15	1	4W-7457	1	COVER						
	16	1	9M-1974	4	WASHER-HARD (8.8X16X2-MM THK)						
	17	1	8J-1256	1	CLIP (LOOP)						
	18	1	5P-0537	2	WASHER-HARD (7.2X14.5X2-MM THK)						
	19	1	9S-8750	1	NUT-FULL (1/4-20-THD)						
	20	1	8B-2377	4	BOLT (1/4-20X2-IN)						
	21	1	7W-6768	4	TUBE						
C	22	1	2B-4602	1	PLUG-PIPE						
C	23	1	5N-3886	2	SCREW (10-32X1.5-IN)						
C		1	4B-2049	2	NUT (10-32-THD)						
	24	2	7C-6107	1	FRAME AS						
	25	2	3N-4406	2	PANEL-BOX						
	26	2	1N-7224	4	LOUVER						
	27	2	3N-4409	1	BRACKET-BOX (R.H.)						
	28	2	1N-7222	1	COVER AS-BOX						
	29	2	3N-4408	1	BRACKET-BOX (L.H.)						
	30	2	7C-5709	3	SLEEVE						
	31	2	5P-0537	10	WASHER-HARD (7.2X14.5X2-MM THK)						
	32	2	9S-8750	3	NUT-FULL (1/4-20-THD)						
	33	2	7C-5708	3	GROMMET						
CY	34	2	149-6130	1	REGULATOR AS-VOLTAGE						1605
	35	2	5N-3163	1	COVER AS-TOP						
		2	030-2284	4	PLUG-BUTTON						
		2	6D-7128	4	SEAL-O-RING						
		2	5N-3176	2	PLUG-BUTTON						

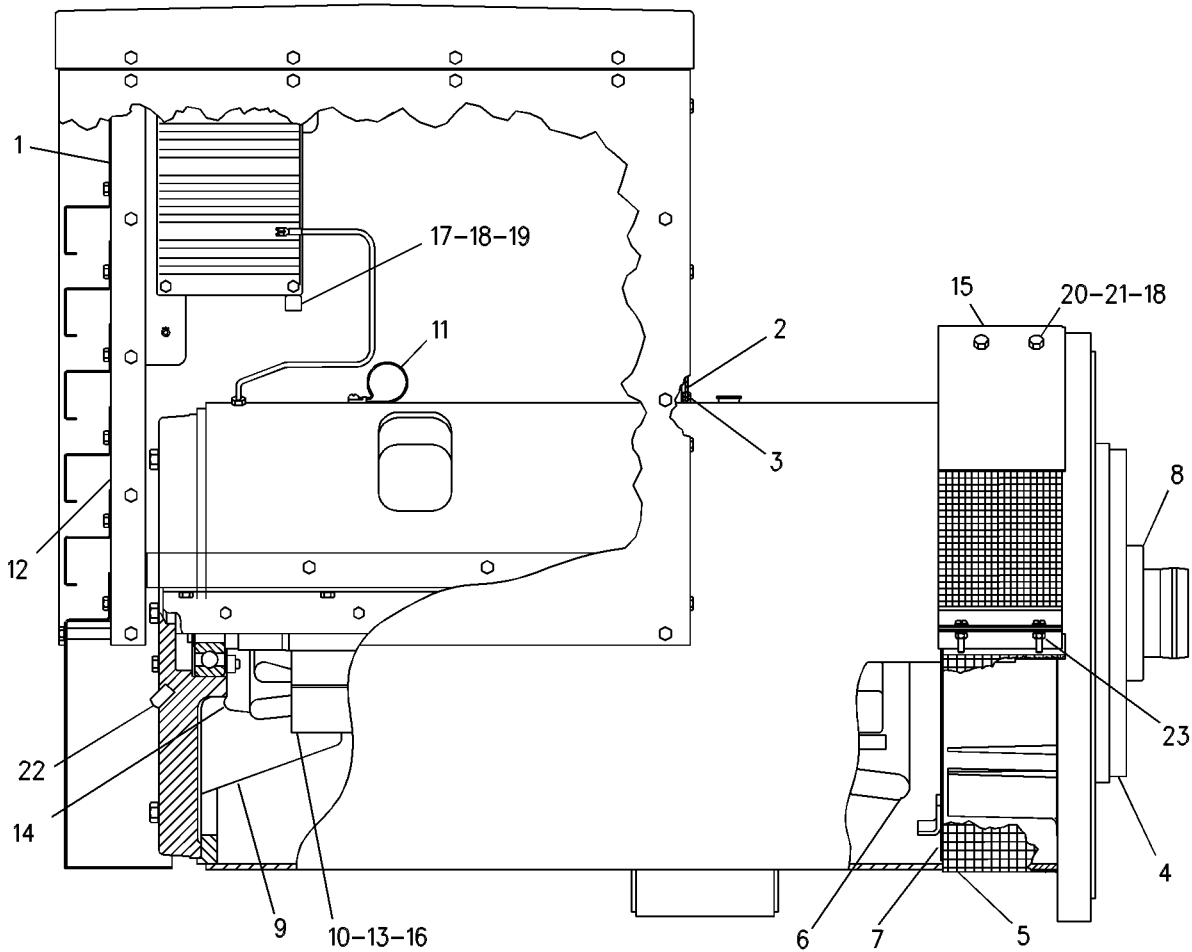
# GENERATORS

4W-7427 GENERATOR GP (contd.)

i01998206

NOTE	REF NO	GRAPHIC REF	PART NUMBER	QTY	PART NAME						SEE PAGE
					1	2	3	4	5	6 (PRODUCT LEVEL)	
		2	<b>5N-3167</b>	2	SEAL-RING						
		2	<b>2D-6392</b>	2	SEAL-O-RING						
		2	<b>8P-7065</b>		PLUG-BUTTON						
36		2	<b>3N-7753</b>	1	COVER						
37		2	<b>7C-5711</b>	1	FILM-INSTRUCTION (VOLTAGE CONTROL ADJUSTMENT)						
38		2	<b>033-2075</b>	6	WASHER (0.266X1.25X0.06-IN THK)						
39		2	<b>4W-9449</b>	1	FILM-INFORMATION (GENERATOR WIRING DIAGRAM)						
					AVAILABLE REPAIR KIT(S):						
			<b>7W-0742</b>	1	KIT-STATOR REWIND (GENERATOR)						
					(INCLUDES TOPSTICKS, SEPARATORS, SLOT LINERS, LEADS, CONNECTORS, SLEEVES, CORD, TAPE, PACKING, MAGWIRE & LUGS)						
			<b>3N-8631</b>	1	KIT-ROTOR BALANCE WEIGHT (GENERATOR)						
					(INCLUDES SCREWS & WASHERS)						
			<b>3N-8101</b>	1	KIT-HARDWARE (GENERATOR)						
					(INCLUDES SCREWS, BOLTS, PLUGS, NUTS, WASHERS & LOCKWASHERS)						

C - CHANGE FROM PREVIOUS TYPE  
Y - SEPARATE ILLUSTRATION



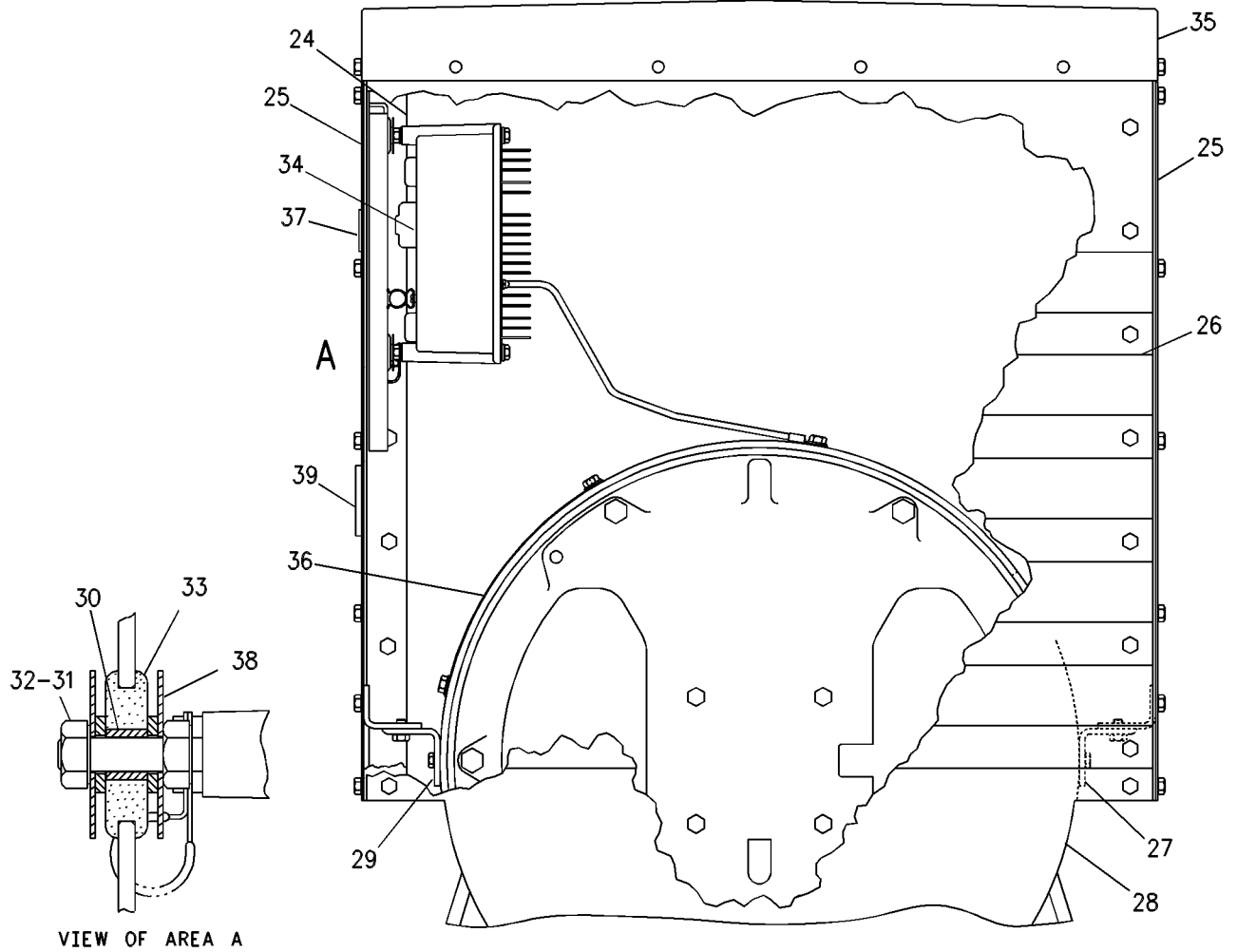
GRAPHIC #1

g00393588

# GENERATORS

4W-7427 GENERATOR GP (contd.)

i01998206



GRAPHIC #2

<END>

g00393589

# GENERATORS

## 4W-7427 GENERATOR GP

S/N: 5DA5682-UP

PART OF 4W-8966 GENERATOR AR

TYPE 2

SMCS-4450

i02075161

NOTE	REF NO	GRAPHIC REF	PART NUMBER	QTY	PART NAME	SEE PAGE
					1 2 3 4 5 6 (PRODUCT LEVEL)	
	1	1	1N-7225	1	PANEL-METER	
	2	1	7W-6418	1	PANEL AS-BOX	
		1	5N-3175	1	PLUG-BUTTON	
		1	5N-3174		PLUG-BUTTON	
		1	4F-8711	1	PLUG-BUTTON	
	3	1	1N-7219	1	CHANNEL-RUBBER	
	4	1	111-2413	1	FAN-GENERATOR (VENT)	
	5	1	9Y-2938	1	SCREEN AS	
		1	9Y-2970	2	RETAINER	
	6	1	7W-0457	1	STATOR AS	
		1	6L-6648	1	CHANNEL	
		1	031-0243	6	SCREW (1/4-20X0.625-IN)	
		1	5P-0537	6	WASHER-HARD (7.2X14.5X2-MM THK)	
	7	1	8L-8419	1	DEFLECTOR	
Y	8	1	4W-7451	1	ROTOR AS	1627
	9	1	5N-0541	1	BRACKET-FIELD	
	10	1	7W-0142	1	STATOR AS-EXCITER	
	11	1	6L-7008	2	STRAP-CABLE	
	12	1	3N-4403	1	FRAME AS (RH)	
	13	1	1F-4111	4	BOLT (5/16-18X3.5-IN)	
	14	1	3N-1963	2	RETAINER-BEARING	
	15	1	4W-7457	1	COVER	
	16	1	9M-1974	4	WASHER-HARD (8.8X16X2-MM THK)	
C	18	1	5P-0537	4	WASHER-HARD (7.2X14.5X2-MM THK)	
	20	1	8B-2377	4	BOLT (1/4-20X2-IN)	
	21	1	7W-6768	4	TUBE	
	22	1	2B-4602	1	PLUG-PIPE	
	23	1	5N-3886	2	SCREW (10-32X1.5-IN)	
	24	2	7C-6107	1	FRAME AS	
	25	2	3N-4406	2	PANEL-BOX	
	26	2	1N-7224	4	LOUVER	
	27	2	3N-4409	1	BRACKET-BOX (RH)	
	28	2	1N-7222	1	COVER AS-BOX	
	29	2	3N-4408	1	BRACKET-BOX (LH)	
	35	2	5N-3163	1	COVER AS-TOP	
		2	030-2284	4	PLUG-BUTTON	
		2	6D-7128	4	SEAL-O-RING	
		2	5N-3176	2	PLUG-BUTTON	
		2	5N-3167	2	SEAL-RING	
		2	2D-6392	2	SEAL-O-RING	
		2	8P-7065		PLUG-BUTTON	
	36	2	3N-7753	1	COVER	
	39	2	4W-9449	1	FILM-INFORMATION (GENERATOR WIRING DIAGRAM)	
	40	1	4B-2049	2	NUT (10-32-THD)	
					AVAILABLE REPAIR KIT(S):	
			7W-0742	1	KIT-STATOR REWIND (GENERATOR)	

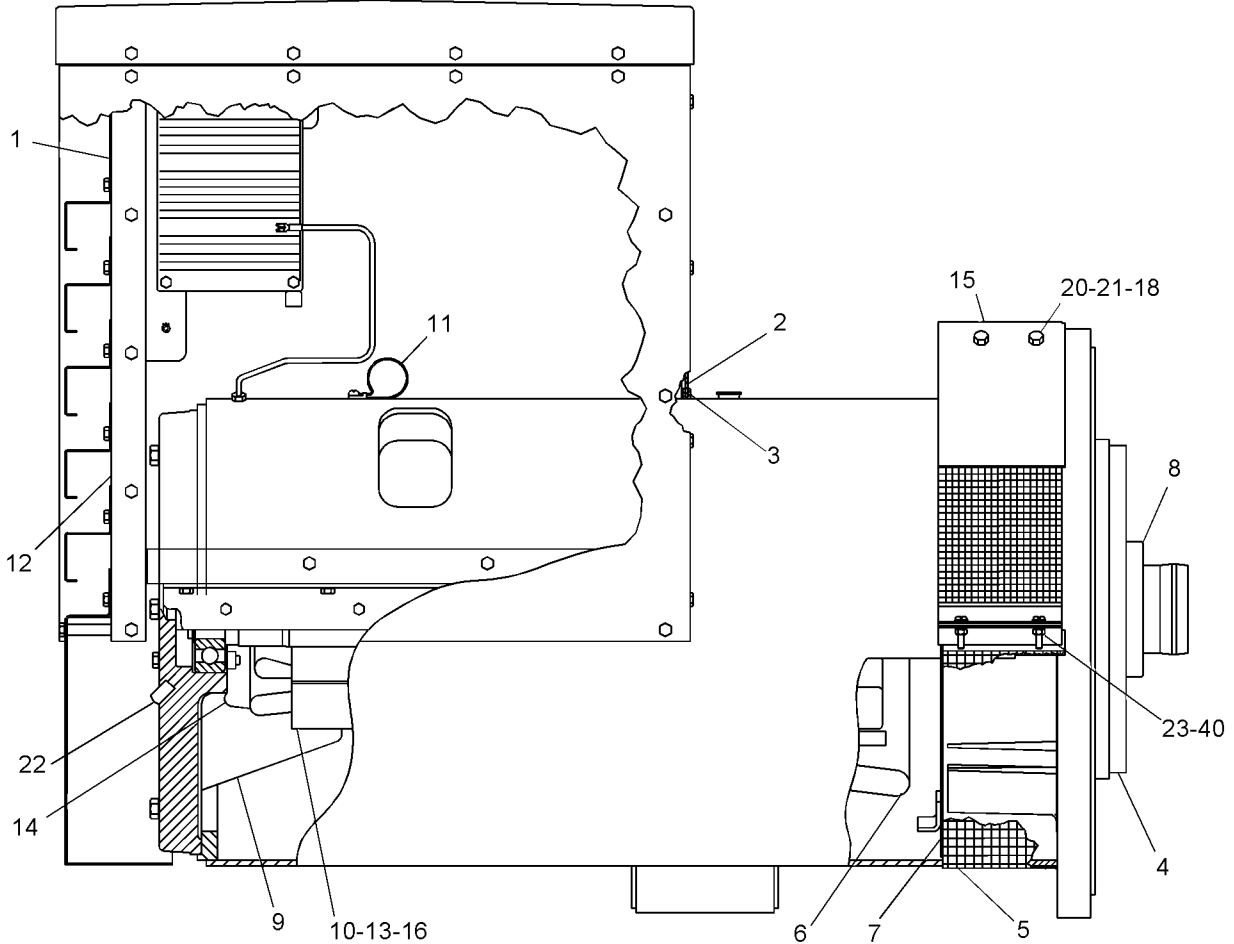
# GENERATORS

4W-7427 GENERATOR GP (contd.)

i02075161

NOTE	REF NO	GRAPHIC REF	PART NUMBER	QTY	PART NAME						SEE PAGE
					1	2	3	4	5	6 (PRODUCT LEVEL)	
					(INCLUDES TOPSTICKS, SEPARATORS, SLOT LINERS, LEADS, CONNECTORS, SLEEVES, CORD, TAPE, PACKING, MAGWIRE & LUGS)						
			<b>3N-8631</b>	1	KIT-ROTOR BALANCE WEIGHT (GENERATOR)						
					(INCLUDES SCREWS & WASHERS)						
			<b>3N-8101</b>	1	KIT-HARDWARE (GENERATOR)						
					(INCLUDES SCREWS, BOLTS, PLUGS, NUTS, WASHERS & LOCKWASHERS)						

C - CHANGE FROM PREVIOUS TYPE  
 Y - SEPARATE ILLUSTRATION



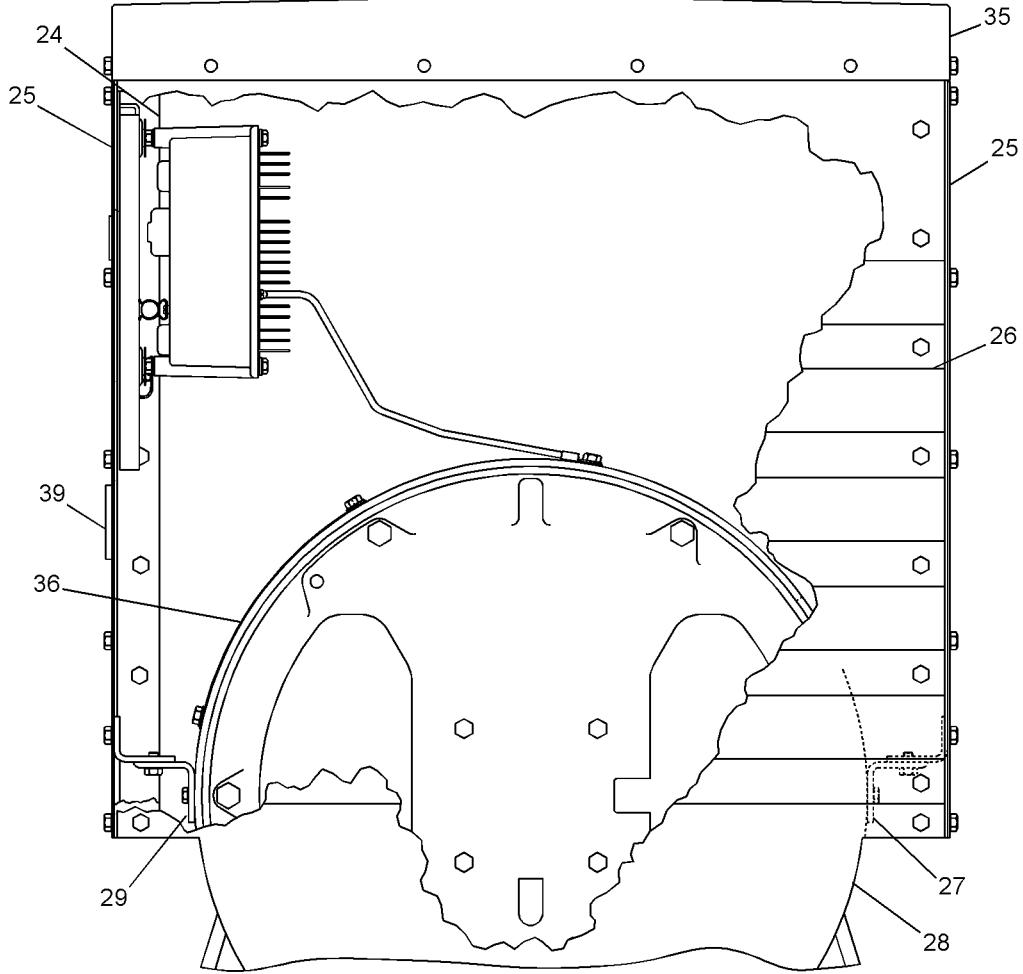
GRAPHIC #1

g01070463

# GENERATORS

4W-7427 GENERATOR GP (contd.)

i02075161



GRAPHIC #2

<END>

g01070464

# GENERATORS

## 4W-7428 GENERATOR GP

S/N: 5DA5682-UP

PART OF 4W-9658 GENERATOR AR

TYPE 1

SMCS-4450

i01998274

NOTE	REF NO	GRAPHIC REF	PART NUMBER	QTY	PART NAME						SEE PAGE
					1	2	3	4	5	6 (PRODUCT LEVEL)	
	1	1	1N-7225	1	PANEL-METER						
	2	1	7W-6418	1	PANEL AS-BOX						
		1	5N-3175	1	PLUG-BUTTON						
		1	5N-3174		PLUG-BUTTON						
		1	4F-8711	1	PLUG-BUTTON						
	3	1	1N-7219	1	CHANNEL-RUBBER						
	4	1	111-2413	1	FAN-GENERATOR (VENT)						
C	5	1	9Y-2938	1	SCREEN AS						
C		1	9Y-2970	2	RETAINER						
	6	1	7W-0458	1	STATOR AS						
		1	6L-6648	1	CHANNEL						
		1	031-0243	6	SCREW (1/4-20X0.625-IN)						
		1	5P-0537	6	WASHER-HARD (7.2X14.5X2-MM THK)						
	7	1	8L-8419	1	DEFLECTOR						
Y	8	1	4W-7451	1	ROTOR AS						1627
	9	1	5N-0541	1	BRACKET-FIELD						
	10	1	7W-0142	1	STATOR AS-EXCITER						
	11	1	6L-7008	2	STRAP-CABLE						
	12	1	3N-4403	1	FRAME AS (RH)						
	13	1	1F-4111	4	BOLT (5/16-18X3.5-IN)						
	14	1	3N-1963	2	RETAINER-BEARING						
	15	1	4W-7457	1	COVER						
	16	1	9M-1974	4	WASHER-HARD (8.8X16X2-MM THK)						
	17	1	8J-1256	1	CLIP (LOOP)						
	18	1	5P-0537	2	WASHER-HARD (7.2X14.5X2-MM THK)						
	19	1	9S-8750	1	NUT-FULL (1/4-20-THD)						
	20	1	8B-2377	4	BOLT (1/4-20X2-IN)						
	21	1	7W-6768	4	TUBE						
C	22	1	2B-4602	1	PLUG-PIPE						
C	23	1	5N-3886	2	SCREW (10-32X1.5-IN)						
C	24	1	4B-2049	2	NUT (10-32-THD)						
	25	2	7C-6107	1	FRAME AS						
	26	2	3N-4406	2	PANEL-BOX (RH)						
	27	2	1N-7224	4	LOUVER						
	28	2	3N-4409	1	BRACKET-BOX (RH)						
	29	2	1N-7222	1	COVER AS-BOX						
	30	2	3N-4408	1	BRACKET-BOX (LH)						
	31	2	7C-5709	3	SLEEVE						
	32	2	5P-0537	10	WASHER-HARD (7.2X14.5X2-MM THK)						
	33	2	9S-8750	3	NUT-FULL (1/4-20-THD)						
	34	2	7C-5708	3	GROMMET						
CY	35	2	149-6130	1	REGULATOR AS-VOLTAGE						1605
	36	2	5N-3163	1	COVER AS-TOP						
		2	030-2284	4	PLUG-BUTTON						
		2	6D-7128	4	SEAL-O-RING						
		2	5N-3176	2	PLUG-BUTTON						

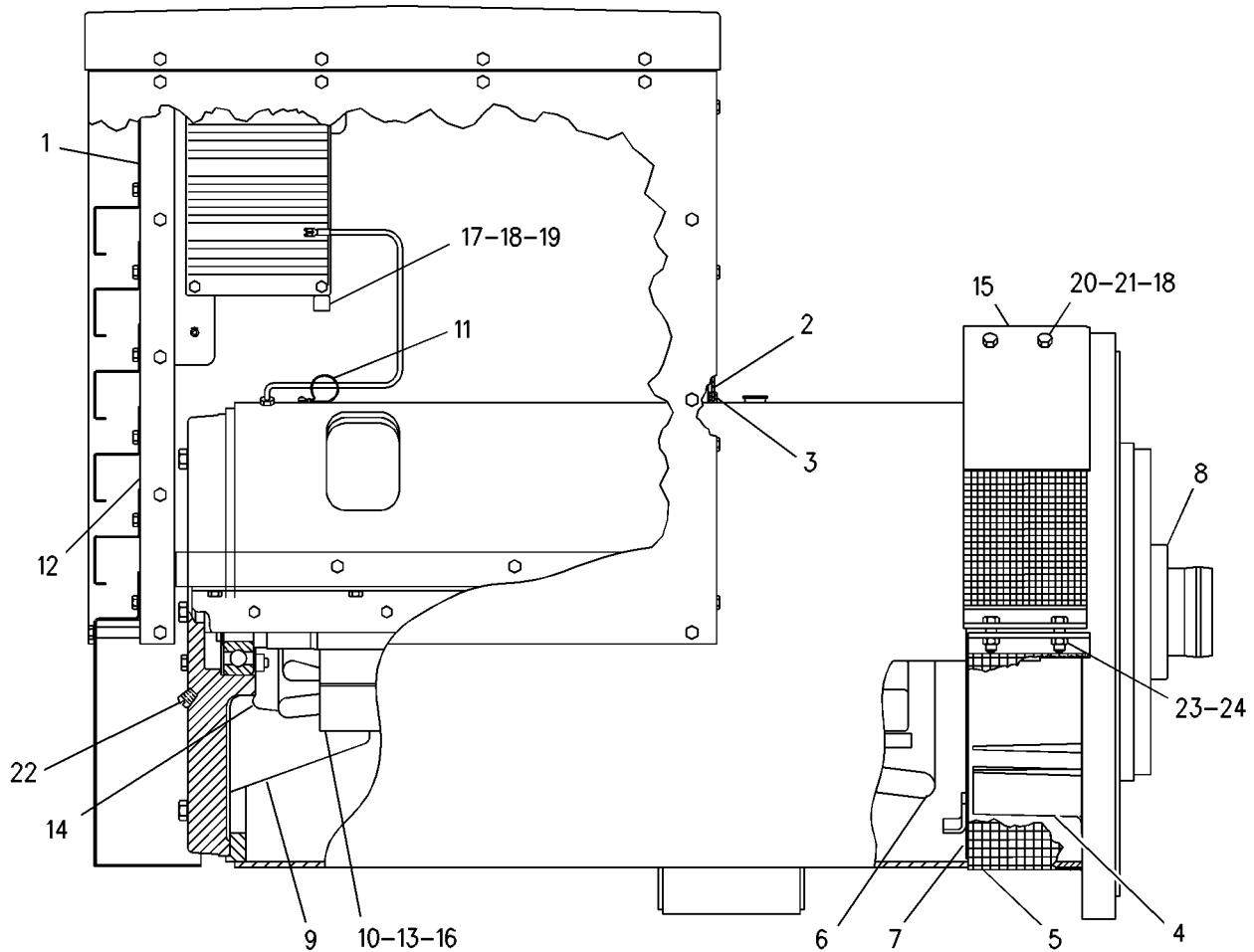
# GENERATORS

**4W-7428 GENERATOR GP (contd.)**

**i01998274**

NOTE	REF NO	GRAPHIC REF	PART NUMBER	QTY	PART NAME						SEE PAGE
					1	2	3	4	5	6 (PRODUCT LEVEL)	
		2	<b>5N-3167</b>	2	SEAL-RING						
		2	<b>2D-6392</b>	2	SEAL-O-RING						
		2	<b>8P-7065</b>		PLUG-BUTTON						
	37	2	<b>3N-7753</b>	1	COVER						
	38	2	<b>7C-5711</b>	1	FILM-INSTRUCTION (VOLTAGE CONTROL ADJUSTMENT)						
	39	2	<b>033-2075</b>	6	WASHER (0.266X1.25X0.06-IN THK)						
	40	2	<b>4W-9449</b>	1	FILM-INFORMATION (GENERATOR WIRING DIAGRAM)						
					AVAILABLE REPAIR KIT(S):						
			<b>7W-0740</b>	1	KIT-STATOR REWIND (GENERATOR)						
					(INCLUDES TOPSTICKS, LEADS, SEPARATORS, CONNECTORS, SLEEVES, LINERS, TAPE, COIL BUNDLES & CORD)						
			<b>3N-8631</b>	1	KIT-ROTOR BALANCE WEIGHT (GENERATOR)						
					(INCLUDES SCREWS & WASHERS)						
			<b>3N-8101</b>	1	KIT-HARDWARE (GENERATOR)						
					(INCLUDES BOLTS, SCREWS, WASHERS, LOCKWASHERS, NUTS & PLUGS)						

C - CHANGE FROM PREVIOUS TYPE  
Y - SEPARATE ILLUSTRATION



GRAPHIC #1

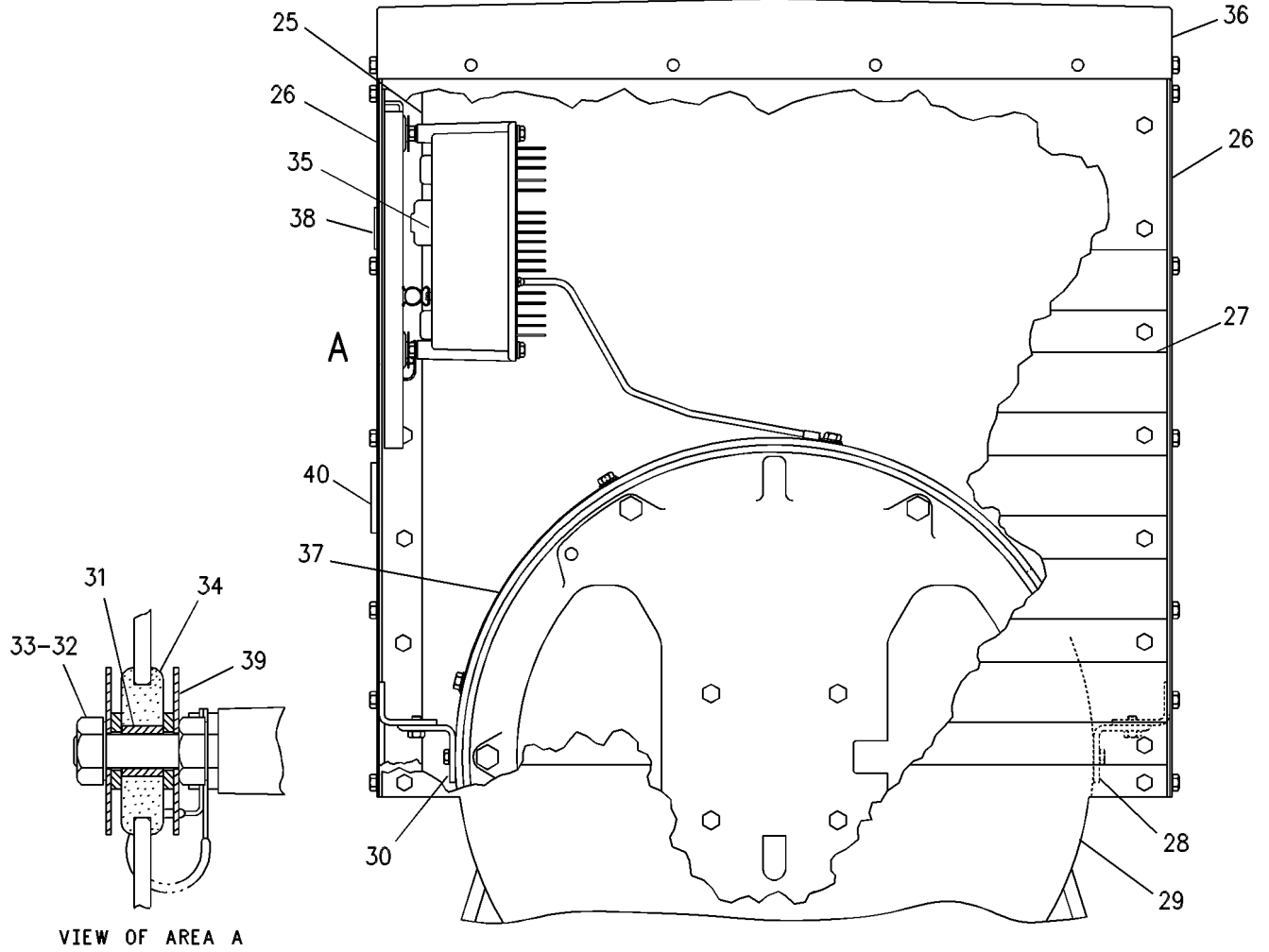
g00817637



# GENERATORS

4W-7428 GENERATOR GP (contd.)

i01998274



VIEW OF AREA A

GRAPHIC #2

<END>

g00416198

# GENERATORS

## 4W-7428 GENERATOR GP

S/N: 5DA5682-UP

PART OF 4W-9658 GENERATOR AR

TYPE 2

SMCS-4450

i02075170

NOTE	REF NO	GRAPHIC REF	PART NUMBER	QTY	PART NAME						SEE PAGE
					1	2	3	4	5	6 (PRODUCT LEVEL)	
	1	1	1N-7225	1	PANEL-METER						
	2	1	7W-6418	1	PANEL AS-BOX						
		1	5N-3175	1	PLUG-BUTTON						
		1	5N-3174		PLUG-BUTTON						
		1	4F-8711	1	PLUG-BUTTON						
	3	1	1N-7219	1	CHANNEL-RUBBER						
	4	1	111-2413	1	FAN-GENERATOR (VENT)						
	5	1	9Y-2938	1	SCREEN AS						
		1	9Y-2970	2	RETAINER						
	6	1	7W-0458	1	STATOR AS						
		1	6L-6648	1	CHANNEL						
		1	031-0243	6	SCREW (1/4-20X0.625-IN)						
		1	5P-0537	6	WASHER-HARD (7.2X14.5X2-MM THK)						
	7	1	8L-8419	1	DEFLECTOR						
Y	8	1	4W-7451	1	ROTOR AS						1627
	9	1	5N-0541	1	BRACKET-FIELD						
	10	1	7W-0142	1	STATOR AS-EXCITER						
	11	1	6L-7008	2	STRAP-CABLE						
	12	1	3N-4403	1	FRAME AS (RH)						
	13	1	1F-4111	4	BOLT (5/16-18X3.5-IN)						
	14	1	3N-1963	2	RETAINER-BEARING						
	15	1	4W-7457	1	COVER						
	16	1	9M-1974	4	WASHER-HARD (8.8X16X2-MM THK)						
C	18	1	5P-0537	4	WASHER-HARD (7.2X14.5X2-MM THK)						
	20	1	8B-2377	4	BOLT (1/4-20X2-IN)						
	21	1	7W-6768	4	TUBE						
	22	1	2B-4602	1	PLUG-PIPE						
	23	1	5N-3886	2	SCREW (10-32X1.5-IN)						
	24	1	4B-2049	2	NUT (10-32-THD)						
	25	2	7C-6107	1	FRAME AS						
	26	2	3N-4406	2	PANEL-BOX (RH)						
	27	2	1N-7224	4	LOUVER						
	28	2	3N-4409	1	BRACKET-BOX (RH)						
	29	2	1N-7222	1	COVER AS-BOX						
	30	2	3N-4408	1	BRACKET-BOX (LH)						
	36	2	5N-3163	1	COVER AS-TOP						
		2	030-2284	4	PLUG-BUTTON						
		2	6D-7128	4	SEAL-O-RING						
		2	5N-3176	2	PLUG-BUTTON						
		2	5N-3167	2	SEAL-RING						
		2	2D-6392	2	SEAL-O-RING						
		2	8P-7065		PLUG-BUTTON						
	37	2	3N-7753	1	COVER						
	40	2	4W-9449	1	FILM-INFORMATION (GENERATOR WIRING DIAGRAM)						
					AVAILABLE REPAIR KIT(S):						
			7W-0740	1	KIT-STATOR REWIND (GENERATOR)						

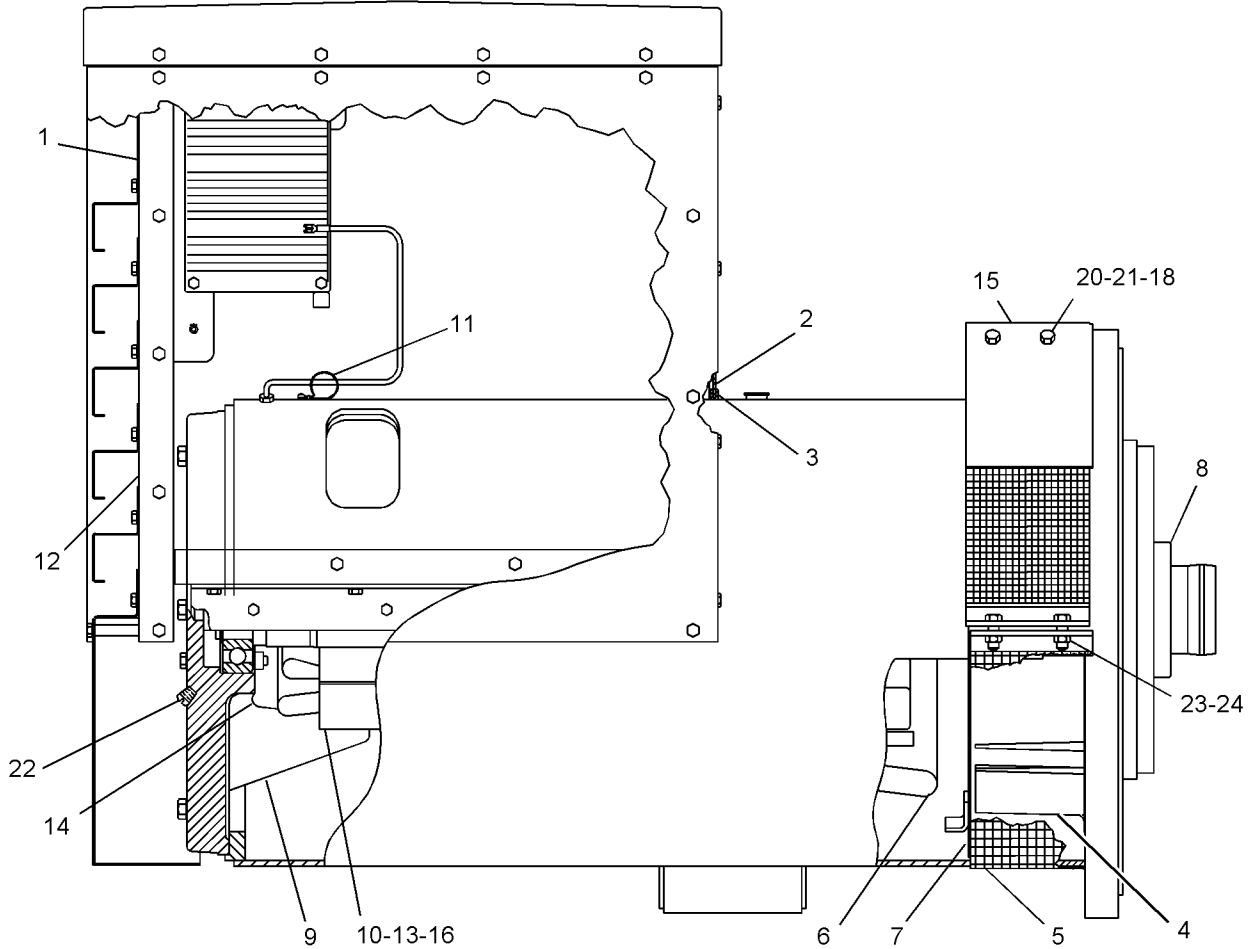
# GENERATORS

4W-7428 **GENERATOR GP (contd.)**

**i02075170**

NOTE	REF NO	GRAPHIC REF	PART NUMBER	QTY	PART NAME						SEE PAGE
					1	2	3	4	5	6 (PRODUCT LEVEL)	
					(INCLUDES TOPSTICKS, LEADS, SEPARATORS, CONNECTORS, SLEEVES, LINERS, TAPE, COIL BUNDLES & CORD)						
			<b>3N-8631</b>	1	KIT-ROTOR BALANCE WEIGHT (GENERATOR)						
					(INCLUDES SCREWS & WASHERS)						
			<b>3N-8101</b>	1	KIT-HARDWARE (GENERATOR)						
					(INCLUDES BOLTS, SCREWS, WASHERS, LOCKWASHERS, NUTS & PLUGS)						

C - CHANGE FROM PREVIOUS TYPE  
 Y - SEPARATE ILLUSTRATION



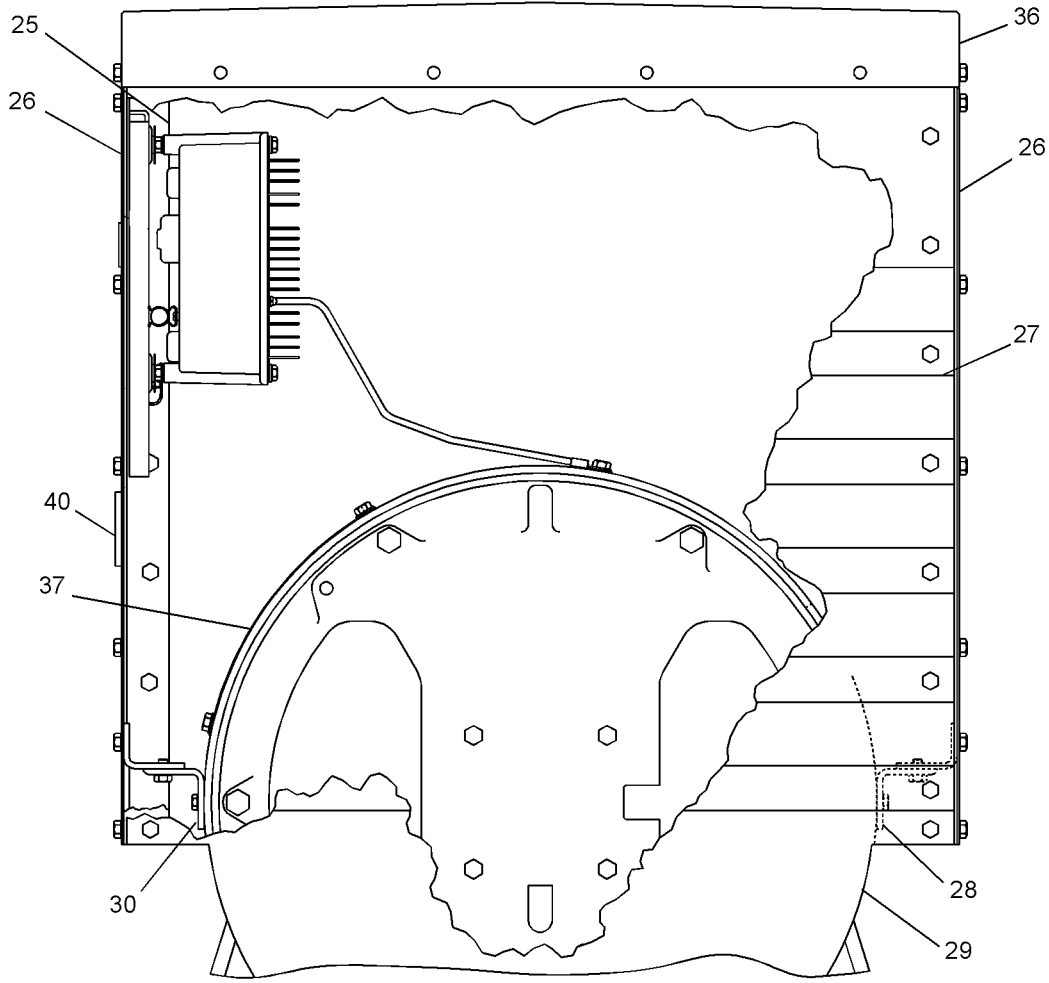
GRAPHIC #1

g01070471

# GENERATORS

4W-7428 GENERATOR GP (contd.)

i02075170



GRAPHIC #2

<END>

g01070472

# GENERATORS

## 4W-7429 GENERATOR GP

S/N: 5DA5682-UP

PART OF 4W-8967 GENERATOR AR

TYPE 1

SMCS-4450

i02012739

NOTE	REF NO	GRAPHIC REF	PART NUMBER	QTY	PART NAME						SEE PAGE
					1	2	3	4	5	6 (PRODUCT LEVEL)	
	1	1	1N-7225	1	PANEL-METER						
	2	1	7W-6418	1	PANEL AS-BOX						
		1	5N-3175	1	PLUG-BUTTON						
		1	5N-3174	8	PLUG-BUTTON						
		1	4F-8711	1	PLUG-BUTTON						
	3	1	1N-7219	1	CHANNEL-RUBBER						
	4	1	111-2413	1	FAN-GENERATOR (VENT)						
C	5	1	9Y-2938	1	SCREEN AS						
		1	9Y-2970	2	RETAINER						
	6	1	7W-0457	1	STATOR AS						
		1	6L-6648	1	CHANNEL						
		1	031-0243	6	SCREW (1/4-20X0.625-IN)						
		1	5P-0537	6	WASHER-HARD (7.2X14.5X2-MM THK)						
	7	1	8L-8419	1	DEFLECTOR						
Y	8	1	4W-7451	1	ROTOR AS						1627
	9	1	5N-0541	1	BRACKET-FIELD						
	10	1	7W-0142	1	STATOR AS-EXCITER						
	11	1	6L-7008	2	STRAP-CABLE						
	12	1	3N-4403	1	FRAME AS (RH)						
	13	1	1F-4111	4	BOLT (5/16-18X3.5-IN)						
	14	1	3N-1963	2	RETAINER-BEARING						
	15	1	4W-7457	1	COVER						
	16	1	9M-1974	4	WASHER-HARD (8.8X16X2-MM THK)						
	17	1	8J-1256	1	CLIP (LOOP)						
	18	1	5P-0537	2	WASHER-HARD (7.2X14.5X2-MM THK)						
	19	1	9S-8750	1	NUT-FULL (1/4-20-THD)						
	20	1	8B-2377	4	BOLT (1/4-20X2-IN)						
	21	1	7W-6768	4	TUBE						
	22	1	8L-8413	2	STRAP-CABLE (WHITE)						
	23	1	6L-7575	1	STRIP-TERMINAL						
	24	1	3N-8763	1	STRIP-TERMINAL						
	25	1	3N-8764	1	FILM-CONNECTION (SPACE HEATER)						
C	26	1	2B-4602	1	PLUG-PIPE						
C	27	1	5N-3886	2	SCREW (10-32X1.5-IN)						
C		1	4B-2049	2	NUT (10-32-THD)						
	28	2	7C-6107	1	FRAME AS						
	29	2	3N-4406	2	PANEL-BOX (RH)						
	30	2	1N-7224	4	LOUVER						
	31	2	3N-4409	1	BRACKET-BOX (RH)						
	32	2	1N-7222	1	COVER AS-BOX						
	33	2	3N-4408	1	BRACKET-BOX (LH)						
	34	2	7C-5709	3	SLEEVE						
	35	2	5P-0537	10	WASHER-HARD (7.2X14.5X2-MM THK)						
	36	2	9S-8750	3	NUT-FULL (1/4-20-THD)						
	37	2	7C-5708	3	GROMMET						
CY	38	2	149-6130	1	REGULATOR AS-VOLTAGE						1605

# GENERATORS

4W-7429 GENERATOR GP (contd.)

i02012739

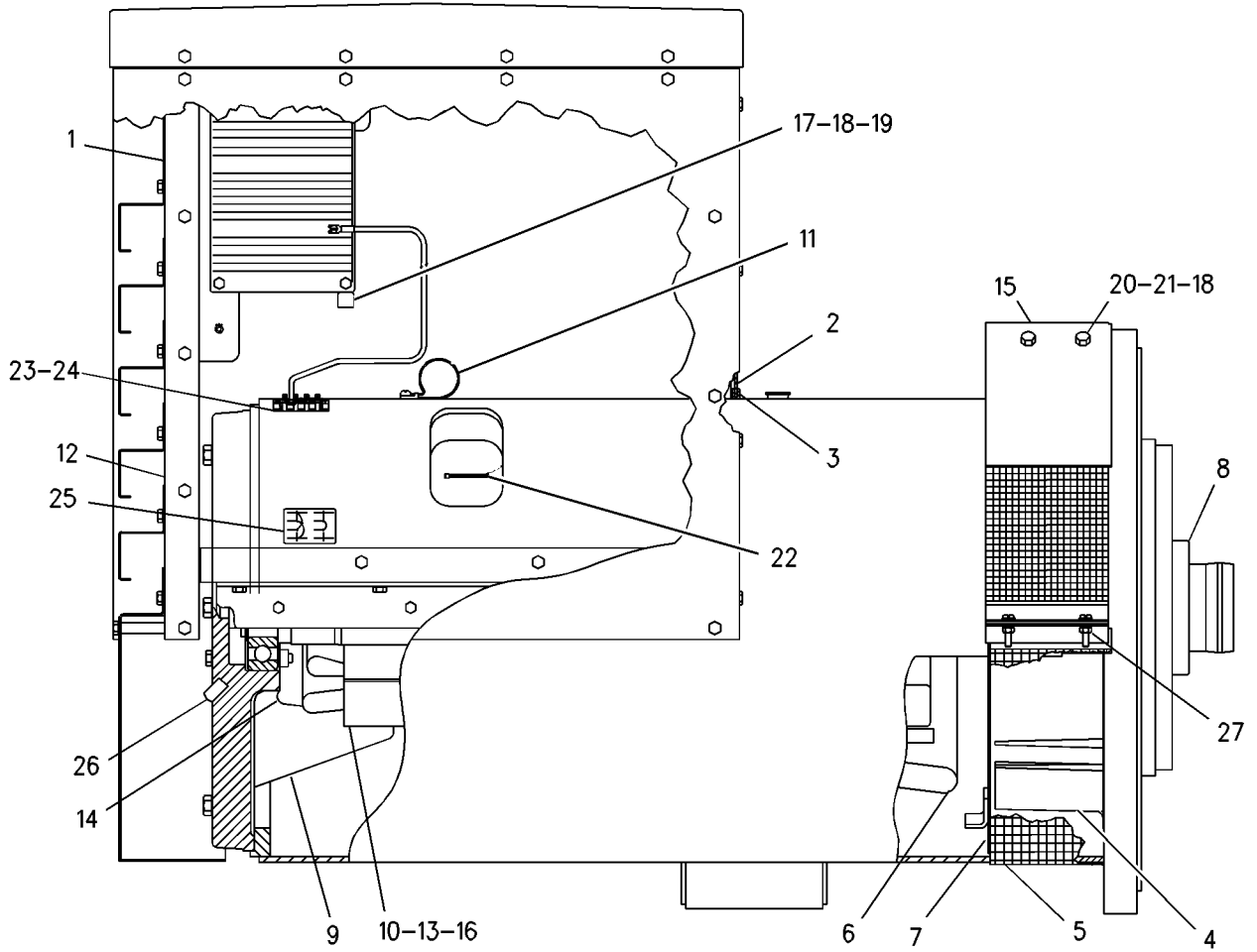
NOTE	REF NO	GRAPHIC REF	PART NUMBER	QTY	PART NAME						SEE PAGE
					1	2	3	4	5	6 (PRODUCT LEVEL)	
	39	2	<b>5N-3163</b>	1	COVER AS-TOP						
		2	<b>030-2284</b>	4	PLUG-BUTTON						
		2	<b>6D-7128</b>	4	SEAL-O-RING						
		2	<b>5N-3176</b>	2	PLUG-BUTTON						
		2	<b>5N-3167</b>	2	SEAL-RING						
		2	<b>2D-6392</b>	2	SEAL-O-RING						
		2	<b>8P-7065</b>	2	PLUG-BUTTON						
	40	2	<b>3N-7753</b>	1	COVER						
	41	2	<b>7C-5711</b>	1	FILM-INSTRUCTION (VOLTAGE CONTROL ADJUSTMENT)						
	42	2	<b>033-2075</b>	6	WASHER (0.266X1.25X0.06-IN THK)						
	43	2	<b>4W-9449</b>	1	FILM-INFORMATION (GENERATOR WIRING DIAGRAM)						
					AVAILABLE REPAIR KIT(S):						
			<b>7W-0742</b>	1	KIT-STATOR REWIND (GENERATOR)						
					(INCLUDES TOPSTICKS, SEPARATORS, SLOT LINERS, LEADS, CONNECTORS, SLEEVES, CORD, TAPE, PACKING, MAGWIRE & LUGS)						
			<b>3N-8631</b>	1	KIT-ROTOR BALANCE WEIGHT (GENERATOR)						
					(INCLUDES SCREWS & WASHERS)						
			<b>3N-8101</b>	1	KIT-HARDWARE (GENERATOR)						
					(INCLUDES SCREWS, BOLTS, PLUGS, NUTS, WASHERS & LOCKWASHERS)						

C - CHANGE FROM PREVIOUS TYPE  
 Y - SEPARATE ILLUSTRATION

# GENERATORS

4W-7429 GENERATOR GP (contd.)

i02012739



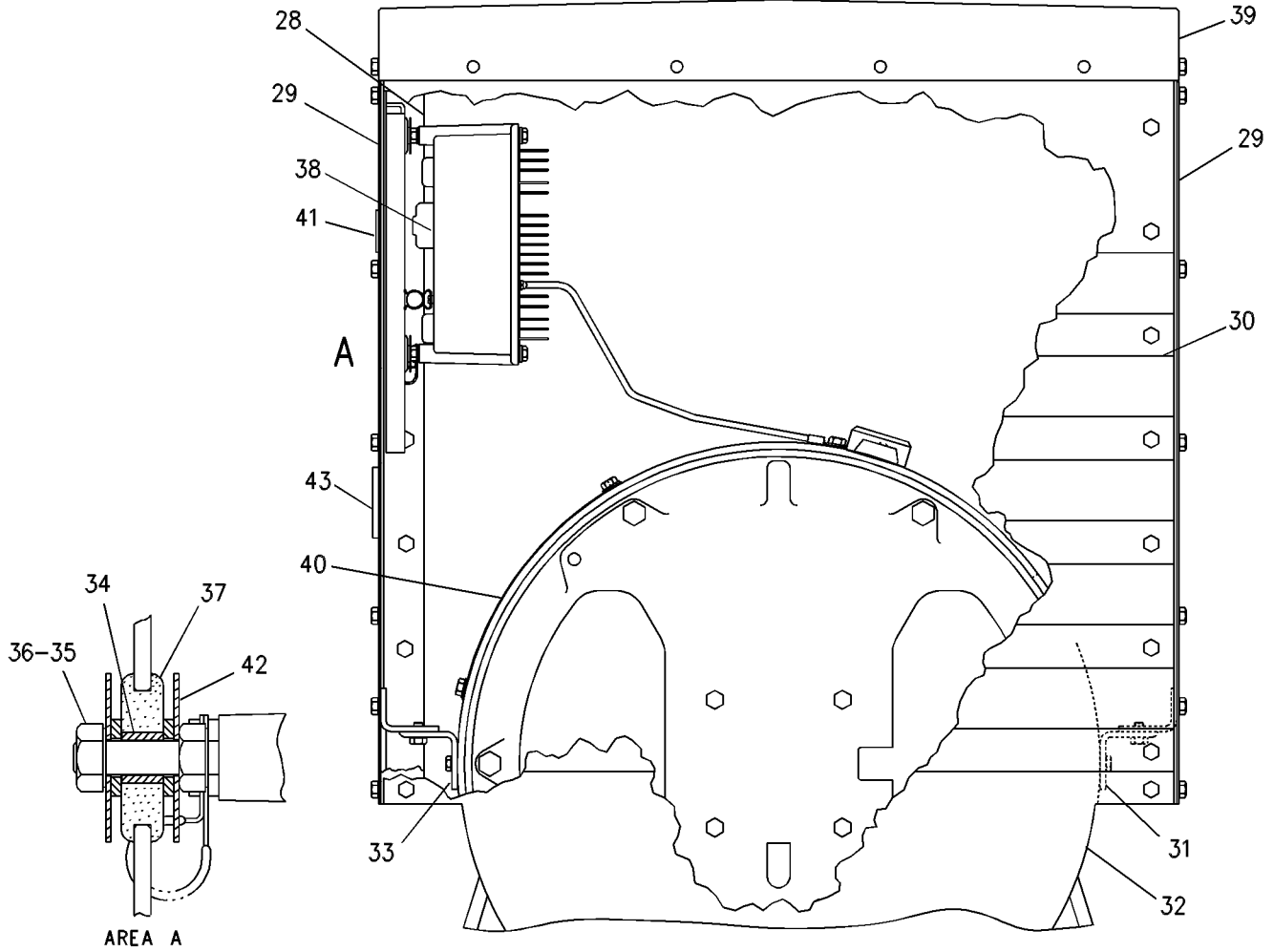
GRAPHIC #1

g00817614

# GENERATORS

4W-7429 GENERATOR GP (contd.)

i02012739



GRAPHIC #2

<END>

g00532603



# GENERATORS

## 4W-7429 GENERATOR GP

S/N: 5DA5682-UP

PART OF 4W-8967 GENERATOR AR

TYPE 2

SMCS-4450

i03618371

NOTE	REF NO	GRAPHIC REF	PART NUMBER	QTY	PART NAME						SEE PAGE
					1	2	3	4	5	6 (PRODUCT LEVEL)	
	1	1	1N-7225	1	PANEL-METER						
	2	1	7W-6418	1	PANEL AS-BOX						
		1	5N-3175	1	PLUG-BUTTON						
		1	5N-3174	8	PLUG-BUTTON						
		1	4F-8711	2	PLUG-BUTTON						
	3	1	1N-7219	1	CHANNEL-RUBBER						
	4	1	111-2413	1	FAN-GENERATOR (VENT)						
	5	1	9Y-2938	1	SCREEN AS						
		1	9Y-2970	2	RETAINER						
	6	1	7W-0457	1	STATOR AS						
		1	8L-8419	1	DEFLECTOR						
		1	031-0243	6	SCREW (1/4-20X0.625-IN)						
		1	5P-0537	6	WASHER-HARD (7.2X14.5X2-MM THK)						
	7	1	8L-8419	1	DEFLECTOR						
Y	8	1	4W-7451	1	ROTOR AS						1627
	9	1	5N-0541	1	BRACKET-FIELD						
	10	1	7W-0142	1	STATOR AS-EXCITER						
	11	1	6L-7008	2	STRAP-CABLE						
	12	1	3N-4403	1	FRAME AS (RH)						
	13	1	1F-4111	4	BOLT (5/16-18X3.5-IN)						
	14	1	3N-1963	2	RETAINER-BEARING						
	15	1	4W-7457	1	COVER						
	16	1	9M-1974	4	WASHER-HARD (8.8X16X2-MM THK)						
C	18	1	5P-0537	4	WASHER-HARD (7.2X14.5X2-MM THK)						
	20	1	8B-2377	4	BOLT (1/4-20X2-IN)						
	21	1	7W-6768	4	TUBE						
	22	1	8L-8413	2	STRAP-CABLE (WHITE)						
	23	1	4D-6066	1	STRIP-TERMINAL						
	24	1	3N-8763	1	STRIP-TERMINAL						
	25	1	3N-8764	1	FILM-CONNECTION (SPACE HEATER)						
	26	1	2B-4602	1	PLUG-PIPE						
	27	1	5N-3886	2	SCREW (10-32X1.5-IN)						
	28	2	7C-6107	1	FRAME AS						
	29	2	3N-4406	2	PANEL-BOX (RH)						
	30	2	1N-7224	4	LOUVER						
	31	2	3N-4409	1	BRACKET-BOX (RH)						
	32	2	1N-7222	1	COVER AS-BOX						
	33	2	3N-4408	1	BRACKET-BOX (LH)						
	39	2	5N-3163	1	COVER AS-TOP						
		2	030-2284	4	PLUG-BUTTON						
		2	6D-7128	4	SEAL-O-RING						
		2	5N-3176	3	PLUG-BUTTON						
		2	5N-3167	3	SEAL-RING						
		2	2D-6392	2	SEAL-O-RING						
		2	8P-7065	2	PLUG-BUTTON						
	40	2	3N-7753	1	COVER						

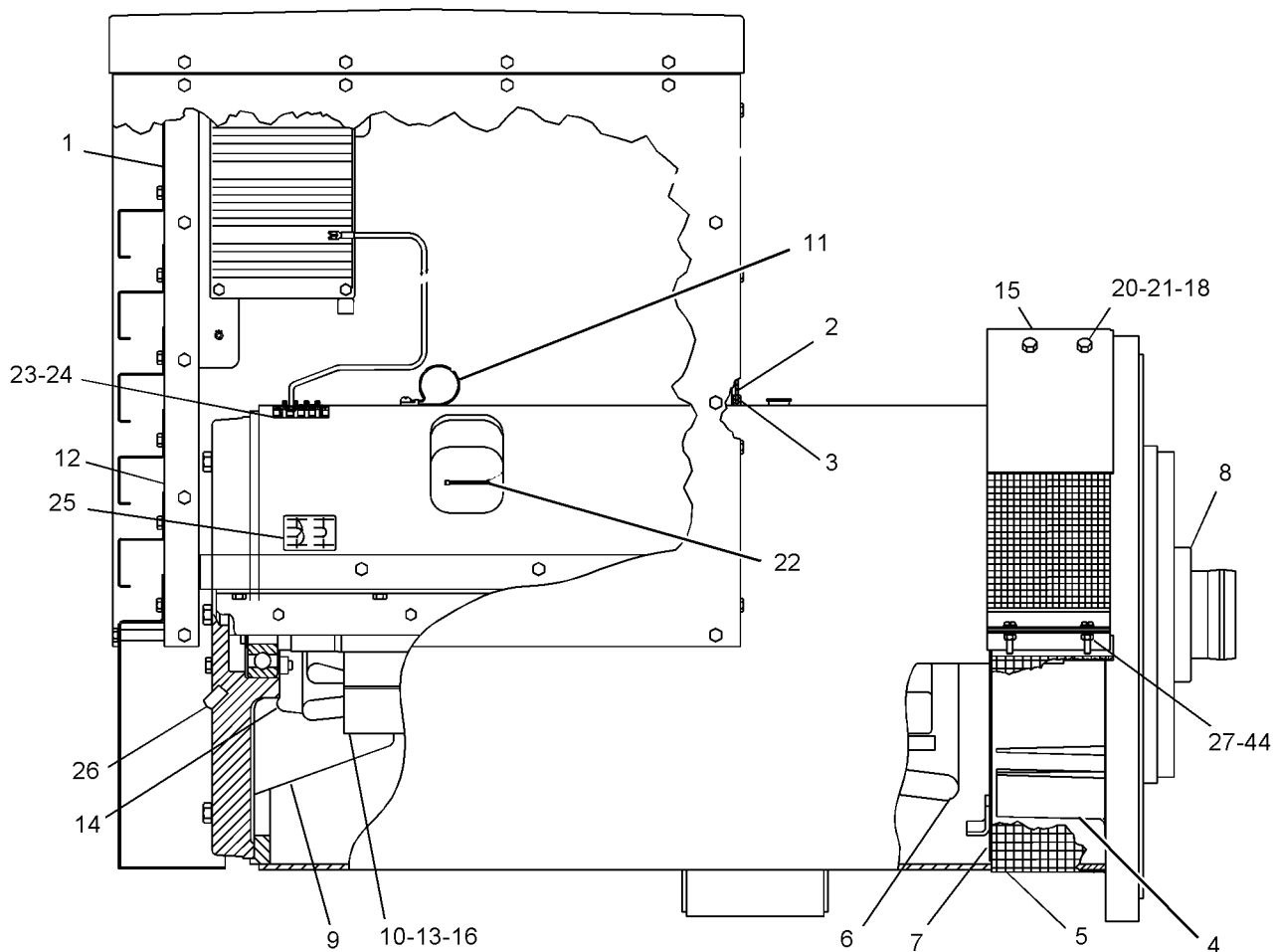
# GENERATORS

4W-7429 GENERATOR GP (contd.)

i03618371

NOTE	REF NO	GRAPHIC REF	PART NUMBER	QTY	PART NAME						SEE PAGE
					1	2	3	4	5	6 (PRODUCT LEVEL)	
	43	2	<b>4W-9449</b>	1	FILM-INFORMATION (GENERATOR WIRING DIAGRAM)						
	44	1	<b>4B-2049</b>	2	NUT (10-32-THD)						
					AVAILABLE REPAIR KIT(S):						
					<b>7W-0742</b>	1	KIT-STATOR REWIND (GENERATOR)				
					(INCLUDES TOPSTICKS, SEPARATORS, SLOT LINERS, LEADS, CONNECTORS, SLEEVES, CORD, TAPE, PACKING, MAGWIRE & LUGS)						
					<b>3N-8631</b>	1	KIT-ROTOR BALANCE WEIGHT (GENERATOR)				
					(INCLUDES SCREWS & WASHERS)						
					<b>3N-8101</b>	1	KIT-HARDWARE (GENERATOR)				
					(INCLUDES SCREWS, BOLTS, PLUGS, NUTS, WASHERS & LOCKWASHERS)						

C - CHANGE FROM PREVIOUS TYPE  
Y - SEPARATE ILLUSTRATION



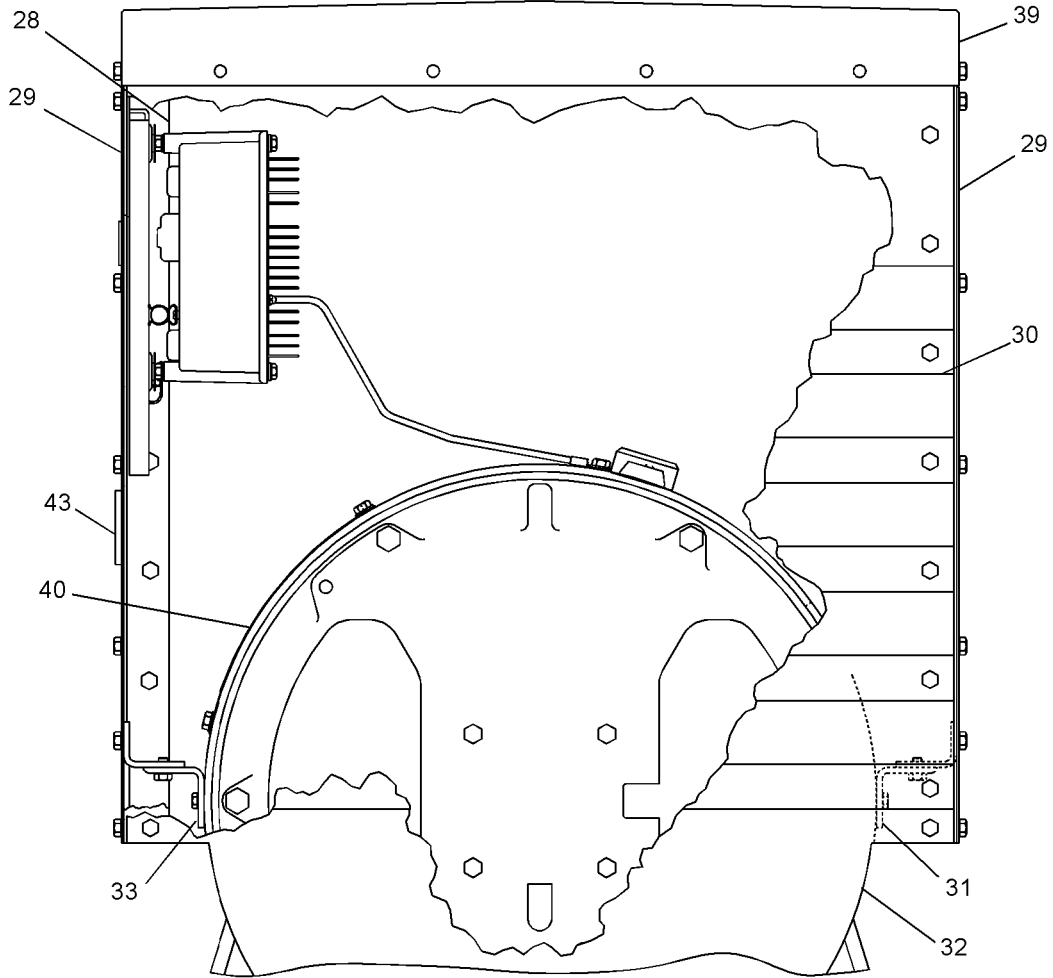
GRAPHIC #1

g01063196

# GENERATORS

4W-7429 GENERATOR GP (contd.)

103618371



GRAPHIC #2

<END>

g01063197

# GENERATORS

## 4W-7430 GENERATOR GP

S/N: 5EA5375-UP

PART OF 4W-8968 GENERATOR AR

TYPE 1

SMCS-4450

i01998752

NOTE	REF NO	GRAPHIC REF	PART NUMBER	QTY	PART NAME						SEE PAGE
					1	2	3	4	5	6 (PRODUCT LEVEL)	
	1	1	1N-7225	1	PANEL-METER						
	2	1	7W-6418	1	PANEL AS-BOX						
		1	5N-3175	1	PLUG-BUTTON						
		1	5N-3174	8	PLUG-BUTTON						
		1	4F-8711	2	PLUG-BUTTON						
	3	1	1N-7219	1	CHANNEL-RUBBER						
	4	1	111-2413	1	FAN-GENERATOR (VENT)						
C	5	1	9Y-2938	1	SCREEN AS						
		1	9Y-2970	2	RETAINER						
	6	1	7W-0459	1	STATOR AS						
		1	031-0243	6	SCREW (1/4-20X0.625-IN)						
		1	5P-0537	6	WASHER-HARD (7.2X14.5X2-MM THK)						
	7	1	8L-8419	1	DEFLECTOR						
Y	8	1	7W-0744	1	ROTOR AS						1633
	9	1	5N-0541	1	BRACKET-FIELD						
	10	1	7W-0142	1	STATOR AS-EXCITER						
	11	1	6L-7008	2	STRAP-CABLE						
	12	1	3N-4403	1	FRAME AS (R.H.)						
	13	1	1F-4111	4	BOLT (5/16-18X3.5-IN)						
	14	1	3N-1963	2	RETAINER-BEARING						
	15	1	4W-7457	1	COVER						
	16	1	9M-1974	4	WASHER-HARD (8.8X16X2-MM THK)						
	17	1	8J-1256	1	CLIP (LOOP)						
	18	1	5P-0537	2	WASHER-HARD (7.2X14.5X2-MM THK)						
	19	1	9S-8750	1	NUT-FULL (1/4-20-THD)						
	20	1	8B-2377	4	BOLT (1/4-20X2-IN)						
	21	1	7W-6768	4	TUBE						
C	22	1	2B-4602	2	PLUG-PIPE						
C	23	1	5N-3886	2	SCREW (10-32X1.5-IN)						
C		1	4B-2049	2	NUT (10-32-THD)						
	24	2	7C-6107	1	FRAME AS						
	25	2	3N-4406	2	PANEL-BOX (R.H.)						
	26	2	1N-7224	4	LOUVER						
	27	2	3N-4409	1	BRACKET-BOX (R.H.)						
	28	2	1N-7222	1	COVER AS-BOX						
	29	2	3N-4408	1	BRACKET-BOX (L.H.)						
	30	2	7C-5709	3	SLEEVE						
	31	2	5P-0537	10	WASHER-HARD (7.2X14.5X2-MM THK)						
	32	2	9S-8750	3	NUT-FULL (1/4-20-THD)						
	33	2	7C-5708	3	GROMMET						
Y	34	2	149-6130	1	REGULATOR AS-VOLTAGE						1605
	35	2	5N-3163	1	COVER AS-TOP						
		2	030-2284	4	PLUG-BUTTON						
		2	6D-7128	4	SEAL-O-RING						
		2	5N-3176	3	PLUG-BUTTON						
		2	5N-3167	3	SEAL-RING						

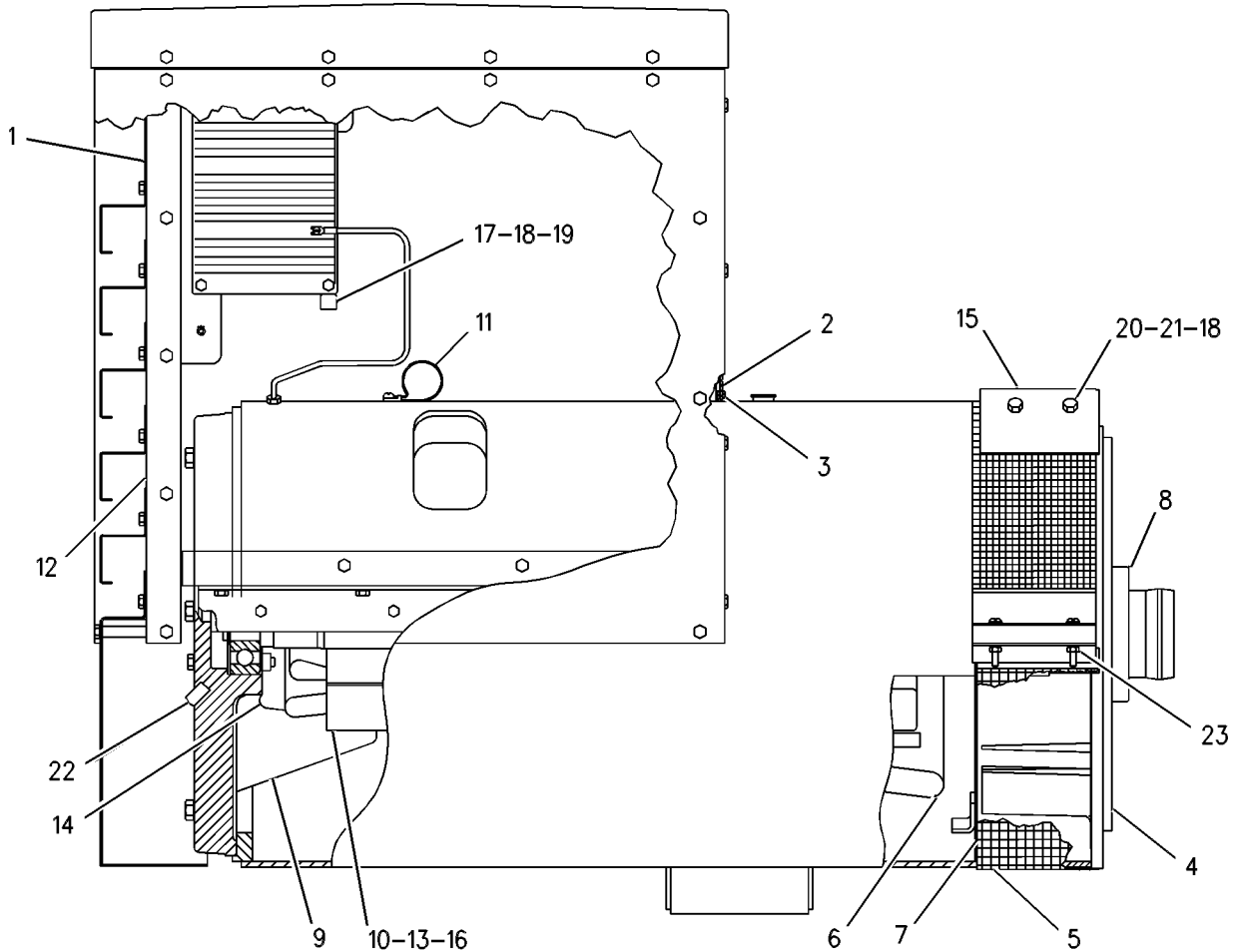
# GENERATORS

**4W-7430 GENERATOR GP (contd.)**

**i01998752**

NOTE	REF NO	GRAPHIC REF	PART NUMBER	QTY	PART NAME						SEE PAGE
					1	2	3	4	5	6 (PRODUCT LEVEL)	
		2	<b>2D-6392</b>	2	SEAL-O-RING						
		2	<b>8P-7065</b>	2	PLUG-BUTTON						
36		2	<b>3N-7753</b>	1	COVER						
37		2	<b>7C-5711</b>	1	FILM-INSTRUCTION (VOLTAGE CONTROL ADJUSTMENT)						
38		2	<b>033-2075</b>	6	WASHER (0.266X1.25X0.06-IN THK)						
39		2	<b>4W-9449</b>	1	FILM-INFORMATION (GENERATOR WIRING DIAGRAM)						
					AVAILABLE REPAIR KIT(S):						
			<b>7W-0741</b>	1	KIT-STATOR REWIND (GENERATOR)						
					(INCLUDES TOPSTICKS, SEPARATORS, SLOT LINERS, LEADS, CONNECTORS, SLEEVES, CORD, TAPE, PACKING, MAGWIRE & LUGS)						
			<b>3N-8631</b>	1	KIT-ROTOR BALANCE WEIGHT (GENERATOR)						
					(INCLUDES SCREWS & WASHERS)						
			<b>3N-8101</b>	1	KIT-HARDWARE (GENERATOR)						
					(INCLUDES SCREWS, BOLTS, PLUGS, NUTS, WASHERS & LOCKWASHERS)						

C - CHANGE FROM PREVIOUS TYPE  
 Y - SEPARATE ILLUSTRATION



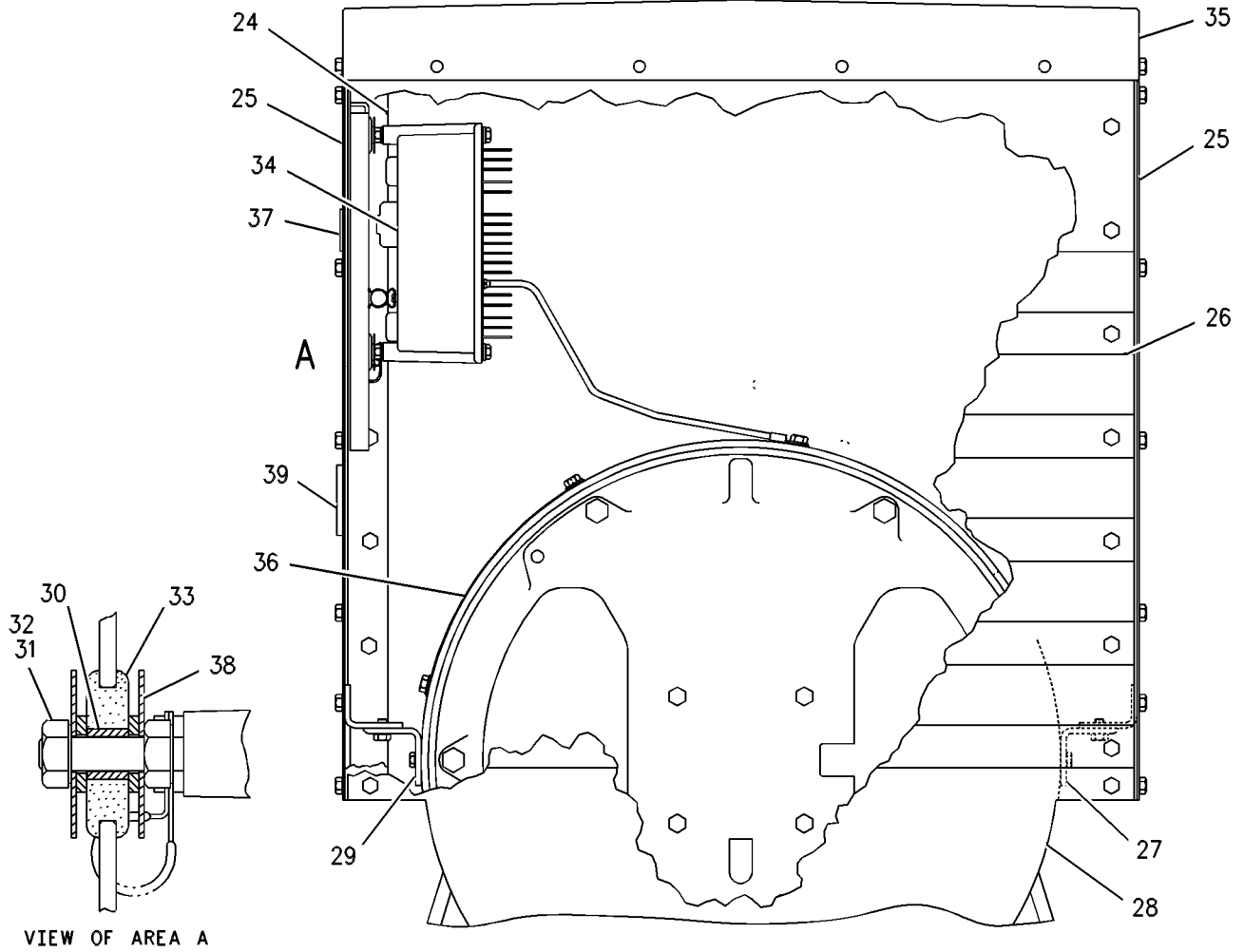
GRAPHIC #1

g00417907

# GENERATORS

4W-7430 GENERATOR GP (contd.)

i01998752



GRAPHIC #2

<END>

g00417908

# GENERATORS

## 4W-7430 GENERATOR GP

S/N: 5EA5375-UP

PART OF 4W-8968 GENERATOR AR

TYPE 2

SMCS-4450

i02075182

NOTE	REF NO	GRAPHIC REF	PART NUMBER	QTY	PART NAME						SEE PAGE
					1	2	3	4	5	6 (PRODUCT LEVEL)	
	1	1	1N-7225	1	PANEL-METER						
	2	1	7W-6418	1	PANEL AS-BOX						
		1	5N-3175	1	PLUG-BUTTON						
		1	5N-3174	8	PLUG-BUTTON						
		1	4F-8711	2	PLUG-BUTTON						
	3	1	1N-7219	1	CHANNEL-RUBBER						
	4	1	111-2413	1	FAN-GENERATOR (VENT)						
	5	1	9Y-2938	1	SCREEN AS						
		1	9Y-2970	2	RETAINER						
	6	1	7W-0459	1	STATOR AS						
		1	031-0243	6	SCREW (1/4-20X0.625-IN)						
		1	5P-0537	6	WASHER-HARD (7.2X14.5X2-MM THK)						
	7	1	8L-8419	1	DEFLECTOR						
Y	8	1	7W-0744	1	ROTOR AS						1633
	9	1	5N-0541	1	BRACKET-FIELD						
	10	1	7W-0142	1	STATOR AS-EXCITER						
	11	1	6L-7008	2	STRAP-CABLE						
	12	1	3N-4403	1	FRAME AS (RH)						
	13	1	1F-4111	4	BOLT (5/16-18X3.5-IN)						
	14	1	3N-1963	2	RETAINER-BEARING						
	15	1	4W-7457	1	COVER						
	16	1	9M-1974	4	WASHER-HARD (8.8X16X2-MM THK)						
	20	1	8B-2377	4	BOLT (1/4-20X2-IN)						
	21	1	7W-6768	4	TUBE						
	22	1	2B-4602	2	PLUG-PIPE						
	23	1	5N-3886	2	SCREW (10-32X1.5-IN)						
	24	2	7C-6107	1	FRAME AS						
	25	2	3N-4406	2	PANEL-BOX (RH)						
	26	2	1N-7224	4	LOUVER						
	27	2	3N-4409	1	BRACKET-BOX (RH)						
	28	2	1N-7222	1	COVER AS-BOX						
	29	2	3N-4408	1	BRACKET-BOX (LH)						
C	31	1	5P-0537	4	WASHER-HARD (7.2X14.5X2-MM THK)						
	35	2	5N-3163	1	COVER AS-TOP						
		2	030-2284	4	PLUG-BUTTON						
		2	6D-7128	4	SEAL-O-RING						
		2	5N-3176	3	PLUG-BUTTON						
		2	5N-3167	3	SEAL-RING						
		2	2D-6392	2	SEAL-O-RING						
		2	8P-7065	2	PLUG-BUTTON						
	36	2	3N-7753	1	COVER						
	39	2	4W-9449	1	FILM-INFORMATION (GENERATOR WIRING DIAGRAM)						
	40	1	4B-2049	2	NUT (10-32-THD)						
					AVAILABLE REPAIR KIT(S):						
			7W-0741	1	KIT-STATOR REWIND (GENERATOR)						

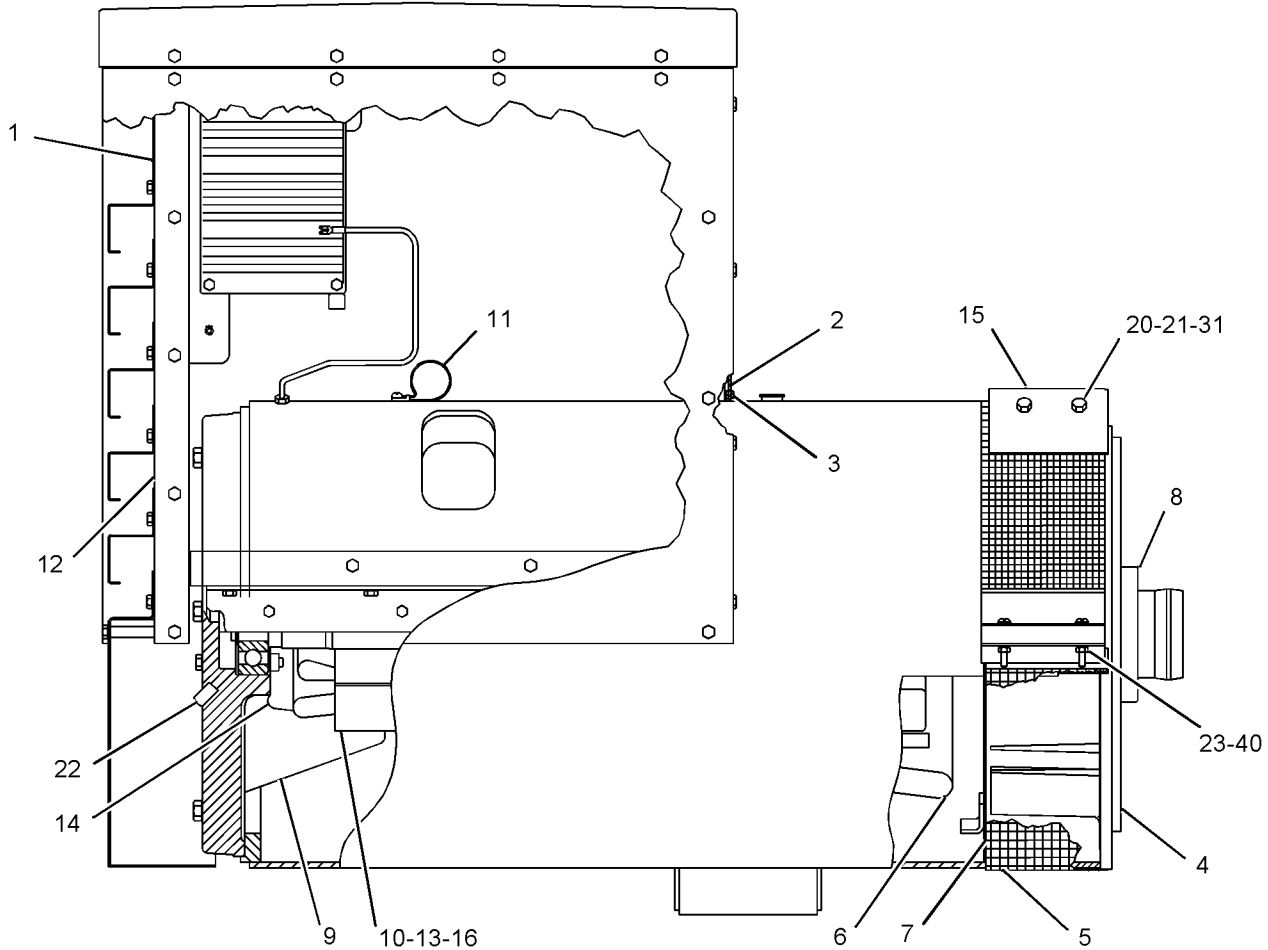
# GENERATORS

4W-7430 GENERATOR GP (contd.)

i02075182

NOTE	REF NO	GRAPHIC REF	PART NUMBER	QTY	PART NAME						SEE PAGE
					1	2	3	4	5	6 (PRODUCT LEVEL)	
					(INCLUDES TOPSTICKS, SEPARATORS, SLOT LINERS, LEADS, CONNECTORS, SLEEVES, CORD, TAPE, PACKING, MAGWIRE & LUGS)						
			<b>3N-8631</b>	1	KIT-ROTOR BALANCE WEIGHT (GENERATOR)						
					(INCLUDES SCREWS & WASHERS)						
			<b>3N-8101</b>	1	KIT-HARDWARE (GENERATOR)						
					(INCLUDES SCREWS, BOLTS, PLUGS, NUTS, WASHERS & LOCKWASHERS)						

C - CHANGE FROM PREVIOUS TYPE  
 Y - SEPARATE ILLUSTRATION



GRAPHIC #1

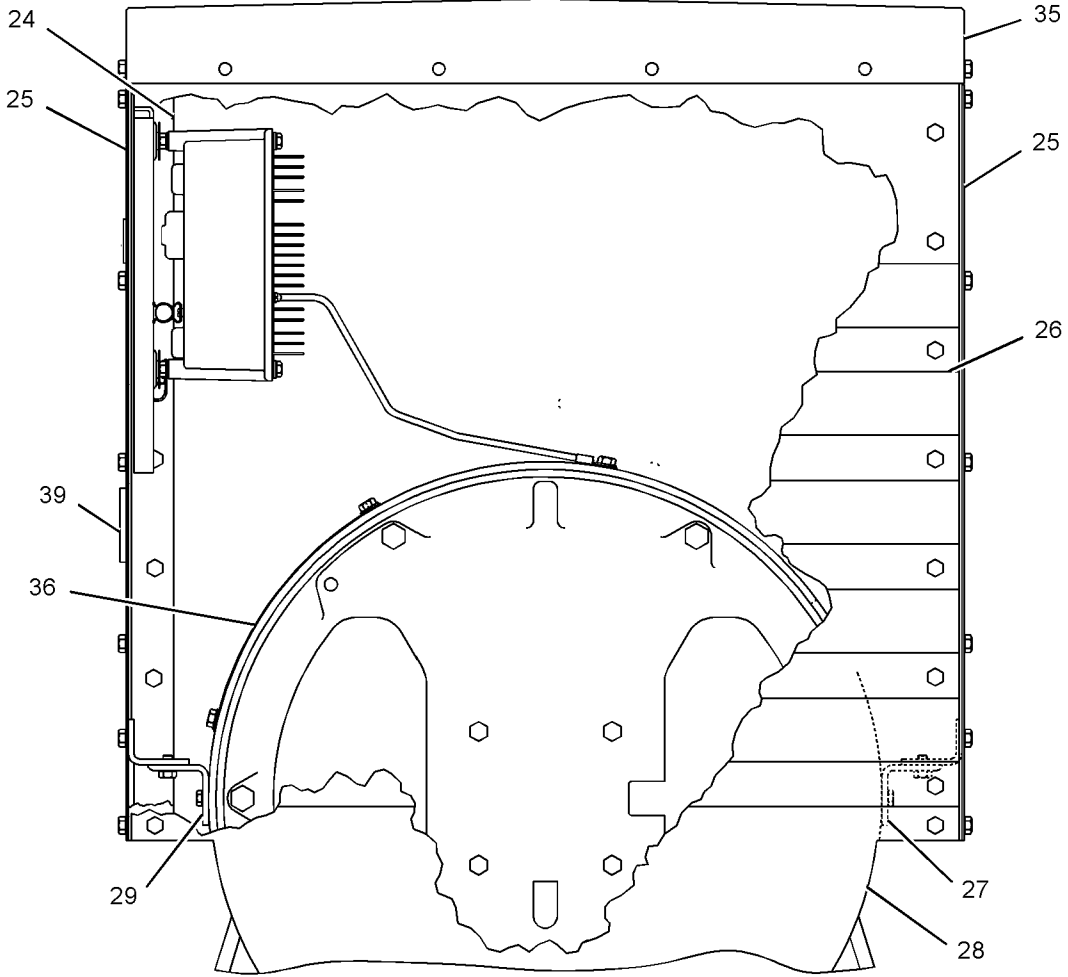
g01070918



# GENERATORS

4W-7430 GENERATOR GP (contd.)

102075182



GRAPHIC #2

<END>

g01070919

# GENERATORS

## 4W-7431 GENERATOR GP

S/N: 5EA5375-UP

PART OF 4W-9659 GENERATOR AR

TYPE 1

SMCS-4450

i01998765

NOTE	REF NO	GRAPHIC REF	PART NUMBER	QTY	PART NAME						SEE PAGE
					1	2	3	4	5	6 (PRODUCT LEVEL)	
	1	1	1N-7225	1	PANEL-METER						
	2	1	7W-6418	1	PANEL AS-BOX						
		1	5N-3175	1	PLUG-BUTTON						
		1	5N-3174		PLUG-BUTTON						
		1	4F-8711	1	PLUG-BUTTON						
	3	1	1N-7219	1	CHANNEL-RUBBER						
	4	1	111-2413	1	FAN-GENERATOR (VENT)						
C	5	1	9Y-2938	2	SCREEN AS						
					(EACH INCLUDES)						
C		1	9Y-2970	2	RETAINER						
	6	1	7W-0460	1	STATOR AS						
		1	6L-6648	1	CHANNEL						
		1	031-0243	6	SCREW (1/4-20X0.625-IN)						
		1	5P-0537	6	WASHER-HARD (7.2X14.5X2-MM THK)						
	7	1	8L-8419	1	DEFLECTOR						
Y	8	1	7W-0744	1	ROTOR AS						1633
	9	1	5N-0541	1	BRACKET-FIELD						
	10	1	7W-0142	1	STATOR AS-EXCITER						
	11	1	6L-7008	2	STRAP-CABLE						
	12	1	3N-4403	1	FRAME AS (R.H.)						
	13	1	1F-4111	4	BOLT (5/16-18X3.5-IN)						
	14	1	3N-1963	2	RETAINER-BEARING						
	15	1	4W-7457	1	COVER						
	16	1	9M-1974	4	WASHER-HARD (8.8X16X2-MM THK)						
	17	1	8J-1256	1	CLIP (LOOP)						
	18	1	5P-0537	2	WASHER-HARD (7.2X14.5X2-MM THK)						
	19	1	9S-8750	1	NUT-FULL (1/4-20-THD)						
	20	1	8B-2377	4	BOLT (1/4-20X2-IN)						
	21	1	7W-6768	4	TUBE						
C	22	1	2B-4602	2	PLUG-PIPE						
C	23	1	5N-3886	2	SCREW (10-32X1.5-IN)						
C		1	4B-2049	2	NUT (10-32-THD)						
	24	2	7C-6107	1	FRAME AS						
	25	2	3N-4406	2	PANEL-BOX (R.H.)						
	26	2	1N-7224	4	LOUVER						
	27	2	3N-4409	1	BRACKET-BOX (R.H.)						
	28	2	1N-7222	1	COVER AS-BOX						
	29	2	3N-4408	1	BRACKET-BOX (L.H.)						
	30	2	7C-5709	3	SLEEVE						
	31	2	5P-0537	10	WASHER-HARD (7.2X14.5X2-MM THK)						
	32	2	9S-8750	3	NUT-FULL (1/4-20-THD)						
	33	2	7C-5708	3	GROMMET						
CY	34	2	149-6130	1	REGULATOR AS-VOLTAGE						1605
	35	2	5N-3163	1	COVER AS-TOP						
		2	030-2284	4	PLUG-BUTTON						
		2	6D-7128	4	SEAL-O-RING						
		2	5N-3176	2	PLUG-BUTTON						

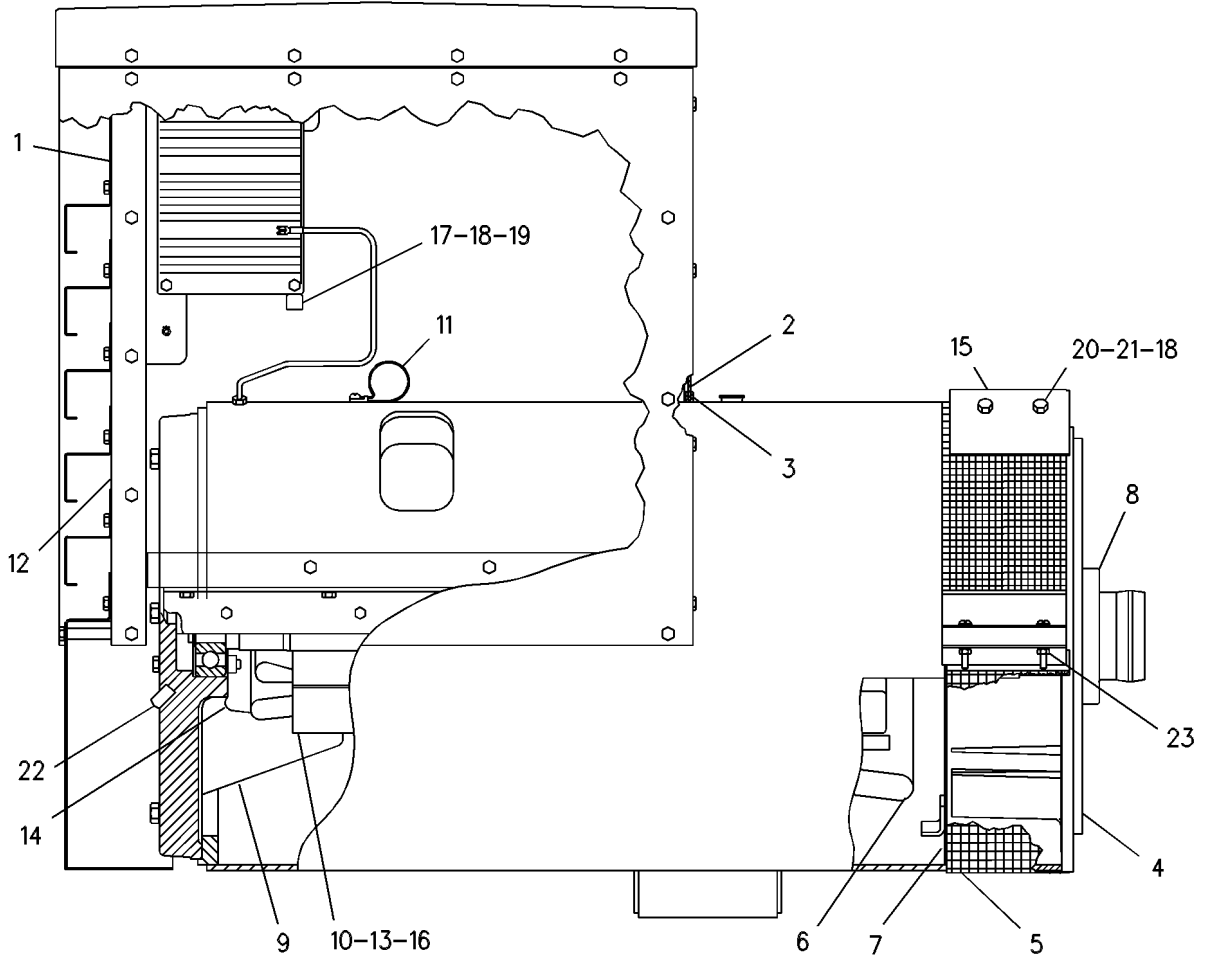
# GENERATORS

4W-7431 GENERATOR GP (contd.)

i01998765

NOTE	REF NO	GRAPHIC REF	PART NUMBER	QTY	PART NAME						SEE PAGE
					1	2	3	4	5	6 (PRODUCT LEVEL)	
		2	<b>5N-3167</b>	2	SEAL-RING						
		2	<b>2D-6392</b>	2	SEAL-O-RING						
		2	<b>8P-7065</b>	2	PLUG-BUTTON						
	36	2	<b>3N-7753</b>	1	COVER						
	37	2	<b>7C-5711</b>	1	FILM-INSTRUCTION (VOLTAGE CONTROL ADJUSTMENT)						
	38	2	<b>033-2075</b>	6	WASHER (0.266X1.25X0.06-IN THK)						
C	39	2	<b>4W-9449</b>	1	FILM-INFORMATION (GENERATOR WIRING DIAGRAM)						
					AVAILABLE REPAIR KIT(S):						
			<b>7W-0743</b>	1	KIT-STATOR REWIND (GENERATOR)						
					(INCLUDES TOPSTICKS, PHASE SEPARATORS, LEADS, SLOT SEPARATORS, SLEEVES, LINERS & CONNECTORS)						
			<b>3N-8631</b>	1	KIT-ROTOR BALANCE WEIGHT (GENERATOR)						
					(INCLUDES SCREWS & WASHERS)						
			<b>3N-8101</b>	1	KIT-HARDWARE (GENERATOR)						
					(INCLUDES SCREWS, BOLTS, PLUGS, NUTS, WASHERS & LOCKWASHERS)						

C - CHANGE FROM PREVIOUS TYPE  
 Y - SEPARATE ILLUSTRATION



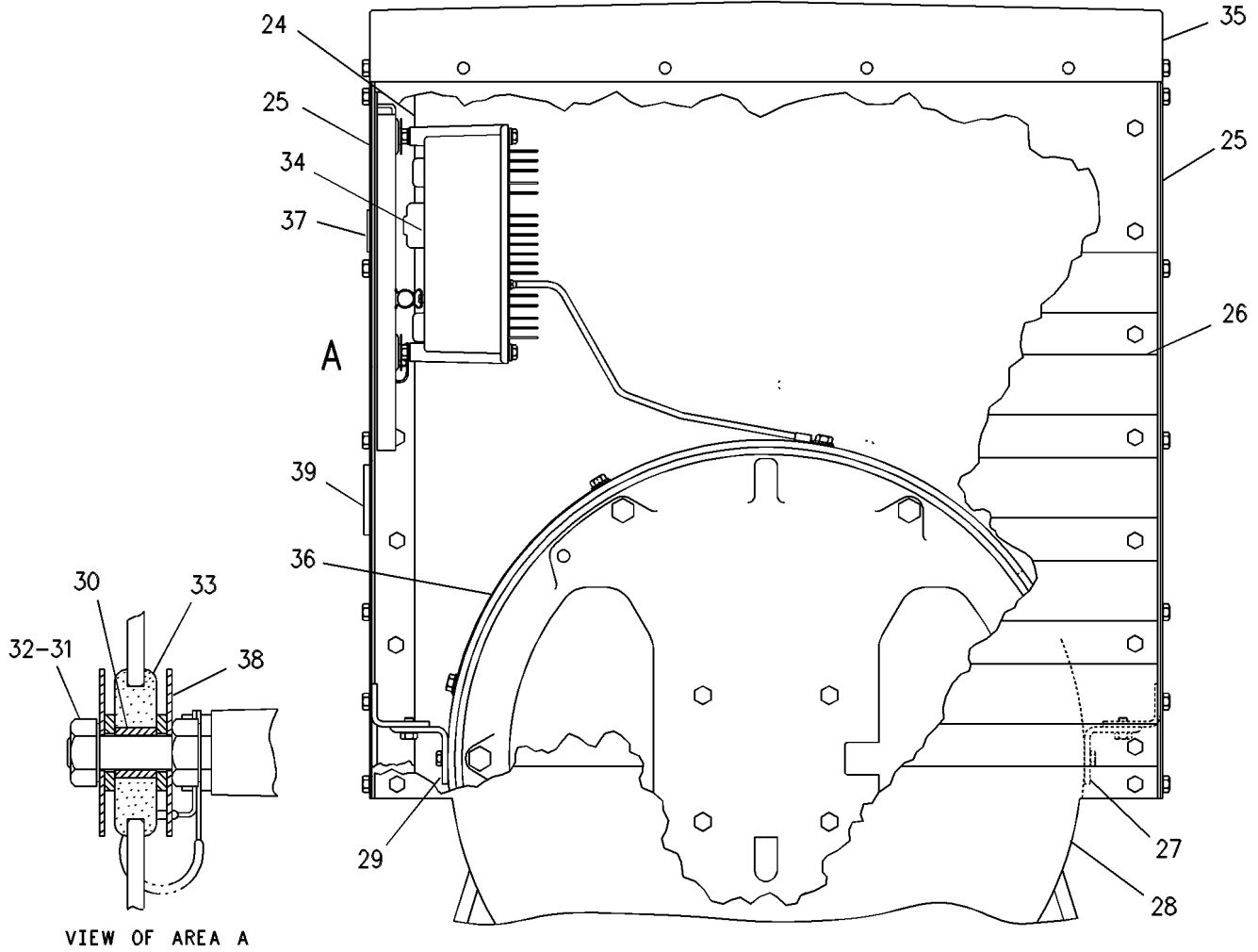
GRAPHIC #1

g00402879

# GENERATORS

4W-7431 GENERATOR GP (contd.)

i01998765



VIEW OF AREA A

GRAPHIC #2

<END>

g00402880

# GENERATORS

## 4W-7431 GENERATOR GP

S/N: 5EA5375-UP

PART OF 4W-9659 GENERATOR AR

TYPE 2

SMCS-4450

i02075185

NOTE	REF NO	GRAPHIC REF	PART NUMBER	QTY	PART NAME	SEE PAGE
					1 2 3 4 5 6 (PRODUCT LEVEL)	
	1	1	<b>1N-7225</b>	1	PANEL-METER	
	2	1	<b>7W-6418</b>	1	PANEL AS-BOX	
		1	<b>5N-3175</b>	1	PLUG-BUTTON	
		1	<b>5N-3174</b>		PLUG-BUTTON	
		1	<b>4F-8711</b>	1	PLUG-BUTTON	
	3	1	<b>1N-7219</b>	1	CHANNEL-RUBBER	
	4	1	<b>111-2413</b>	1	FAN-GENERATOR (VENT)	
	5	1	<b>9Y-2938</b>	2	SCREEN AS	
					(EACH INCLUDES)	
		1	<b>9Y-2970</b>	2	RETAINER	
	6	1	<b>7W-0460</b>	1	STATOR AS	
		1	<b>6L-6648</b>	1	CHANNEL	
		1	<b>031-0243</b>	6	SCREW (1/4-20X0.625-IN)	
		1	<b>5P-0537</b>	6	WASHER-HARD (7.2X14.5X2-MM THK)	
	7	1	<b>8L-8419</b>	1	DEFLECTOR	
Y	8	1	<b>7W-0744</b>	1	ROTOR AS	1633
	9	1	<b>5N-0541</b>	1	BRACKET-FIELD	
	10	1	<b>7W-0142</b>	1	STATOR AS-EXCITER	
	11	1	<b>6L-7008</b>	2	STRAP-CABLE	
	12	1	<b>3N-4403</b>	1	FRAME AS (RH)	
	13	1	<b>1F-4111</b>	4	BOLT (5/16-18X3.5-IN)	
	14	1	<b>3N-1963</b>	2	RETAINER-BEARING	
	15	1	<b>4W-7457</b>	1	COVER	
	16	1	<b>9M-1974</b>	4	WASHER-HARD (8.8X16X2-MM THK)	
	20	1	<b>8B-2377</b>	4	BOLT (1/4-20X2-IN)	
	21	1	<b>7W-6768</b>	4	TUBE	
	22	1	<b>2B-4602</b>	2	PLUG-PIPE	
	23	1	<b>5N-3886</b>	2	SCREW (10-32X1.5-IN)	
	24	2	<b>7C-6107</b>	1	FRAME AS	
	25	2	<b>3N-4406</b>	2	PANEL-BOX (RH)	
	26	2	<b>1N-7224</b>	4	LOUVER	
	27	2	<b>3N-4409</b>	1	BRACKET-BOX (RH)	
	28	2	<b>1N-7222</b>	1	COVER AS-BOX	
	29	2	<b>3N-4408</b>	1	BRACKET-BOX (LH)	
C	31	1	<b>5P-0537</b>	4	WASHER-HARD (7.2X14.5X2-MM THK)	
	35	2	<b>5N-3163</b>	1	COVER AS-TOP	
		2	<b>030-2284</b>	4	PLUG-BUTTON	
		2	<b>6D-7128</b>	4	SEAL-O-RING	
		2	<b>5N-3176</b>	2	PLUG-BUTTON	
		2	<b>5N-3167</b>	2	SEAL-RING	
		2	<b>2D-6392</b>	2	SEAL-O-RING	
		2	<b>8P-7065</b>	2	PLUG-BUTTON	
	36	2	<b>3N-7753</b>	1	COVER	
	39	2	<b>4W-9449</b>	1	FILM-INFORMATION (GENERATOR WIRING DIAGRAM)	
	40	1	<b>4B-2049</b>	2	NUT (10-32-THD)	

AVAILABLE REPAIR KIT(S) :

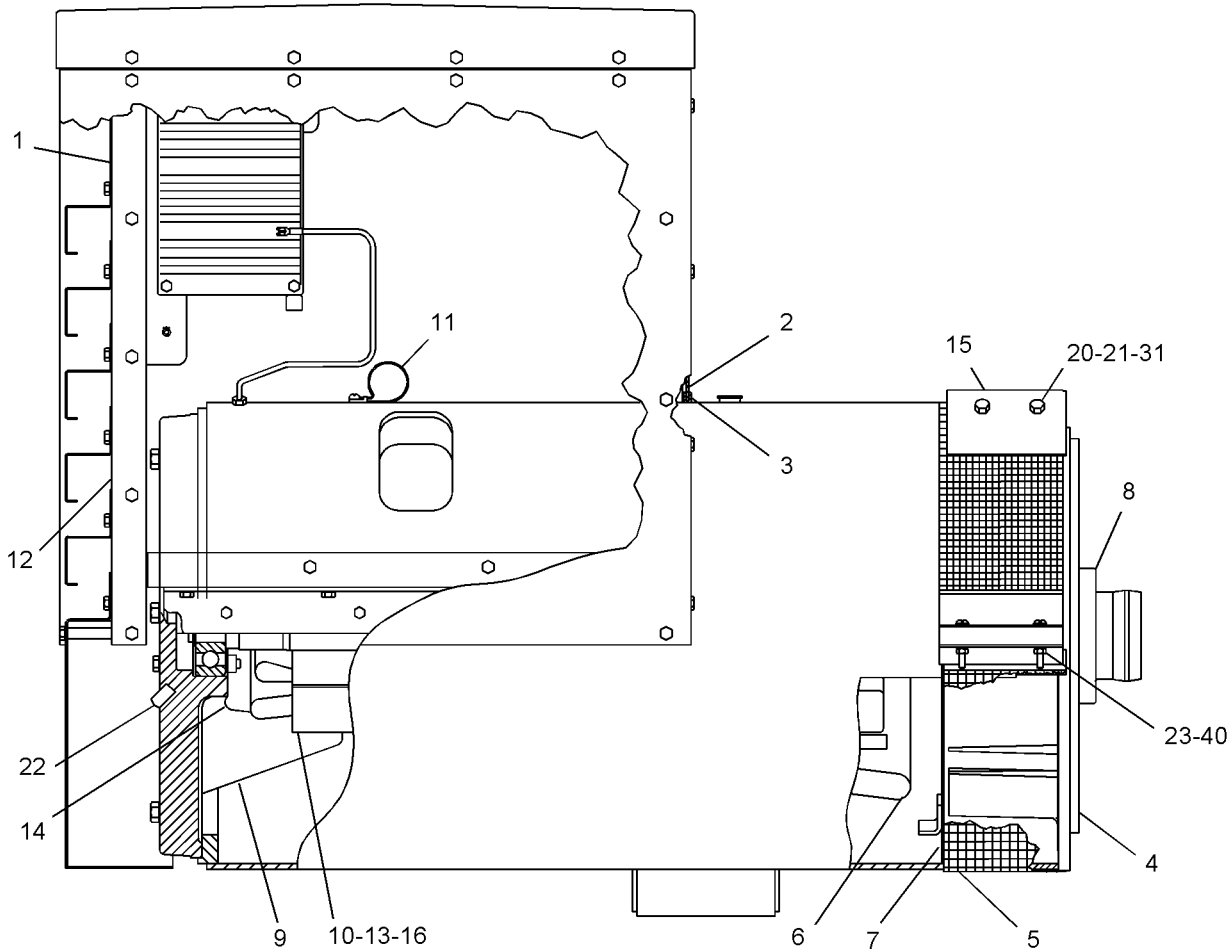
# GENERATORS

4W-7431 GENERATOR GP (contd.)

i02075185

NOTE	REF NO	GRAPHIC REF	PART NUMBER	QTY	PART NAME						SEE PAGE
					1	2	3	4	5	6 (PRODUCT LEVEL)	
			<b>7W-0743</b>	1	KIT-STATOR REWIND (GENERATOR)						
					(INCLUDES TOPSTICKS, PHASE SEPARATORS, LEADS, SLOT SEPARATORS, SLEEVES, LINERS & CONNECTORS)						
			<b>3N-8631</b>	1	KIT-ROTOR BALANCE WEIGHT (GENERATOR)						
					(INCLUDES SCREWS & WASHERS)						
			<b>3N-8101</b>	1	KIT-HARDWARE (GENERATOR)						
					(INCLUDES SCREWS, BOLTS, PLUGS, NUTS, WASHERS & LOCKWASHERS)						

C - CHANGE FROM PREVIOUS TYPE  
Y - SEPARATE ILLUSTRATION



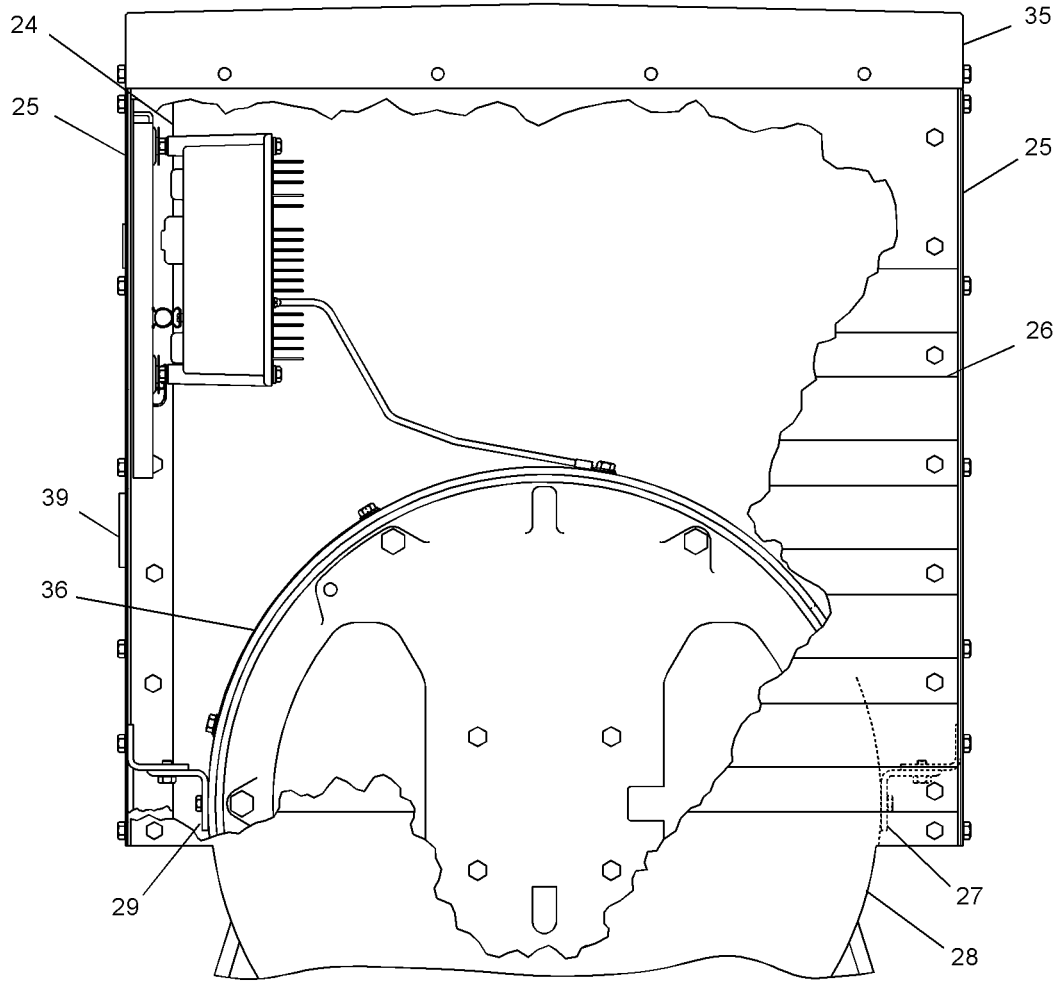
GRAPHIC #1

g01062328

# GENERATORS

4W-7431 GENERATOR GP (contd.)

102075185



GRAPHIC #2

<END>

g01062327

# GENERATORS

## 5N-0063 GENERATOR GP

S/N: 5EA5375-UP

PART OF 5N-5095 GENERATOR AR

TYPE 1

SMCS-4450

i01998928

NOTE	REF NO	GRAPHIC REF	PART NUMBER	QTY	PART NAME 1 2 3 4 5 6 (PRODUCT LEVEL)	SEE PAGE
	1	1	<b>1N-7225</b>	1	PANEL-METER	
C	2	1	<b>7W-6418</b>	1	PANEL AS-BOX	
		1	<b>4F-8711</b>	2	PLUG-BUTTON	
		1	<b>5N-3175</b>	1	PLUG-BUTTON	
		1	<b>5N-3174</b>	8	PLUG-BUTTON	
	3	1	<b>1N-7219</b>	1	CHANNEL-RUBBER	
	4	1	<b>111-2413</b>	1	FAN-GENERATOR (VENT)	
C	5	1	<b>9Y-2938</b>	1	SCREEN AS	
		1	<b>9Y-2970</b>	2	RETAINER	
C	6	1	<b>3N-6736</b>	1	STATOR AS	
C		1	<b>2A-0762</b>	6	BOLT (1/4-20X0.625-IN)	
C		1	<b>4B-4276</b>	6	WASHER (7X16X1.6-MM THK)	
C		1	<b>7F-9223</b>	6	LOCKWASHER	
	7	1	<b>8L-8419</b>	1	DEFLECTOR	
CY	8	1	<b>7W-0744</b>	1	ROTOR AS	1633
	9	1	<b>5N-0541</b>	1	BRACKET-FIELD	
C	10	1	<b>7W-0142</b>	1	STATOR AS-EXCITER	
	11	1	<b>6L-7008</b>	2	STRAP-CABLE	
	12	1	<b>3N-4403</b>	1	FRAME AS (R.H.)	
	13	1	<b>1F-4111</b>	4	BOLT (5/16-18X3.5-IN)	
	14	1	<b>3N-1963</b>	2	RETAINER-BEARING	
C	15	1	<b>4W-7457</b>	1	COVER	
	16	1	<b>9M-1974</b>	4	WASHER-HARD (8.8X16X2-MM THK)	
C	17	1	<b>8J-1256</b>	1	CLIP (LOOP)	
C	18	1	<b>5P-0537</b>	2	WASHER-HARD (7.2X14.5X2-MM THK)	
C	19	1	<b>9S-8750</b>	1	NUT-FULL (1/4-20-THD)	
C	20	1	<b>8B-2377</b>	4	BOLT (1/4-20X2-IN)	
C	21	1	<b>7W-6768</b>	4	TUBE	
	22	1	<b>2B-4602</b>	2	PLUG-PIPE	
	23	1	<b>5N-3886</b>	2	SCREW (10-32X1.5-IN)	
	24	1	<b>4B-2049</b>	2	NUT (10-32-THD)	
C	25	2	<b>7C-6107</b>	1	FRAME AS	
C	26	2	<b>3N-4406</b>	2	PANEL-BOX (R.H.)	
	27	2	<b>1N-7224</b>	4	LOUVER	
	28	2	<b>3N-4409</b>	1	BRACKET-BOX (R.H.)	
	29	2	<b>1N-7222</b>	1	COVER AS-BOX	
	30	2	<b>3N-4408</b>	1	BRACKET-BOX (L.H.)	
C	31	2	<b>7C-5709</b>	3	SLEEVE	
C	32	2	<b>5P-0537</b>	10	WASHER-HARD (7.2X14.5X2-MM THK)	
C	33	2	<b>9S-8750</b>	3	NUT-FULL (1/4-20-THD)	
C	34	2	<b>7C-5708</b>	3	GROMMET	
Y	35	2	<b>149-6130</b>	1	REGULATOR AS-VOLTAGE	1605
	36	2	<b>5N-3163</b>	1	COVER AS-TOP	
		2	<b>030-2284</b>	4	PLUG-BUTTON	
		2	<b>6D-7128</b>	4	SEAL-O-RING	
		2	<b>5N-3176</b>	3	PLUG-BUTTON	



# GENERATORS

5N-0063 GENERATOR GP (contd.)

i01998928

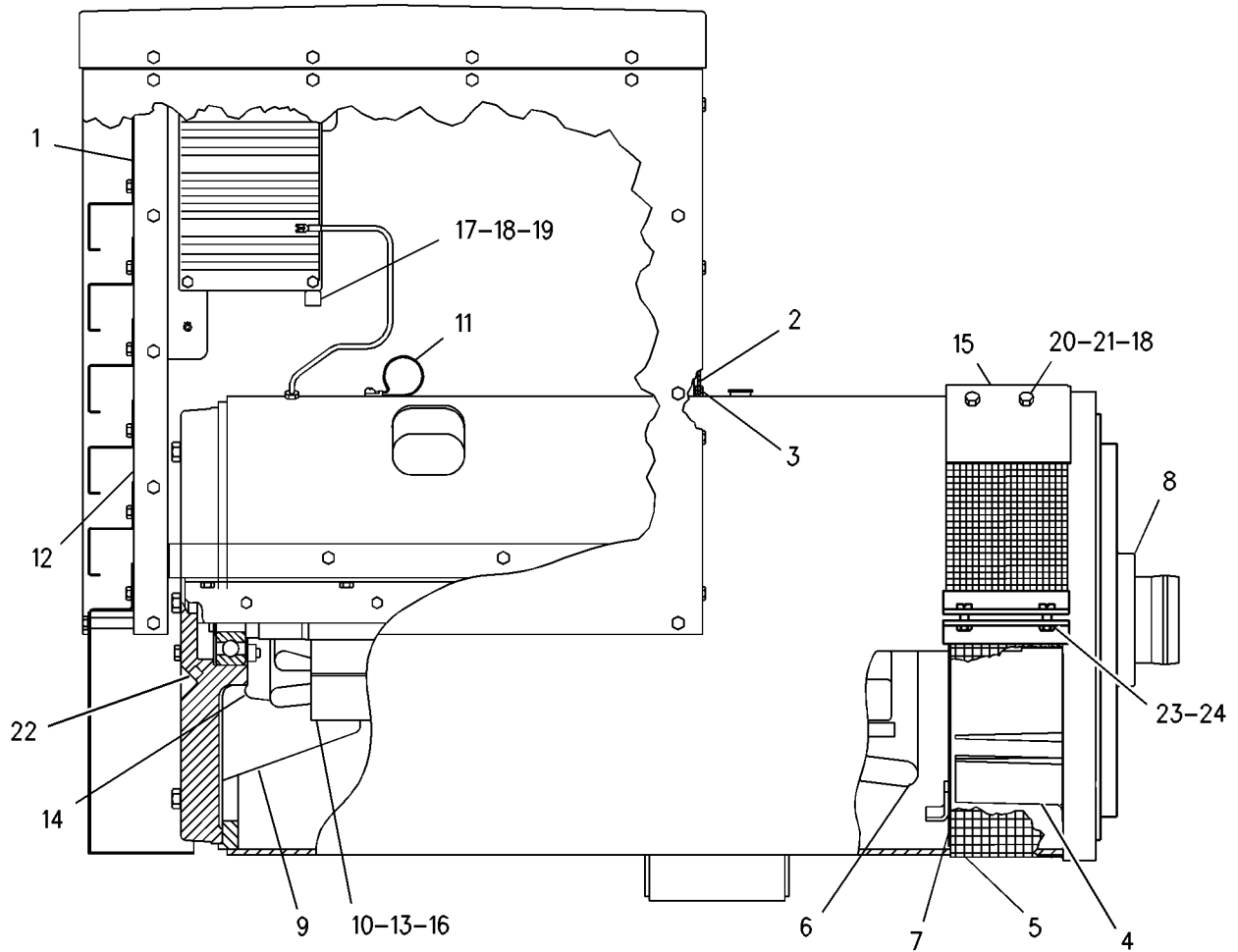
NOTE	REF NO	GRAPHIC REF	PART NUMBER	QTY	PART NAME						SEE PAGE
					1	2	3	4	5	6 (PRODUCT LEVEL)	
		2	<b>5N-3167</b>	3	SEAL-RING						
		2	<b>2D-6392</b>	2	SEAL-O-RING						
		2	<b>8P-7065</b>	2	PLUG-BUTTON						
	37	2	<b>3N-7753</b>	1	COVER						
C	38	2	<b>7C-5711</b>	1	FILM-INSTRUCTION (VOLTAGE CONTROL ADJUSTMENT)						
C	39	2	<b>033-2075</b>	6	WASHER (0.266X1.25X0.06-IN THK)						
C	40	2	<b>4W-9449</b>	1	FILM-INFORMATION (GENERATOR WIRING DIAGRAM)						
AVAILABLE REPAIR KIT(S) :											
C			<b>3N-6653</b>	1	KIT-STATOR REWIND (GENERATOR)						
(INCLUDES TOPSTICKS, SEPARATORS, SLOT LINERS, LEADS, CONNECTORS, SLEEVES, CORD, TAPE & MAGWIRE)											
C			<b>3N-8631</b>	1	KIT-ROTOR BALANCE WEIGHT (GENERATOR)						
(INCLUDES SCREWS & WASHERS)											
CY			<b>7C-0555</b>	1	KIT-SPACE HEATER (GENERATOR)						1596
(INCLUDES HEATERS, BRACKETS, TERMINAL-STRIP, LABEL, LEAD, BOLTS, WASHERS, LOCKNUTS, SCREWS & STRAPS)											
			<b>3N-8101</b>	1	KIT-HARDWARE (GENERATOR)						
(INCLUDES SCREWS, BOLTS, PLUGS, NUTS, WASHERS & LOCKWASHERS)											

C - CHANGE FROM PREVIOUS TYPE  
Y - SEPARATE ILLUSTRATION

# GENERATORS

5N-0063 GENERATOR GP (contd.)

i01998928



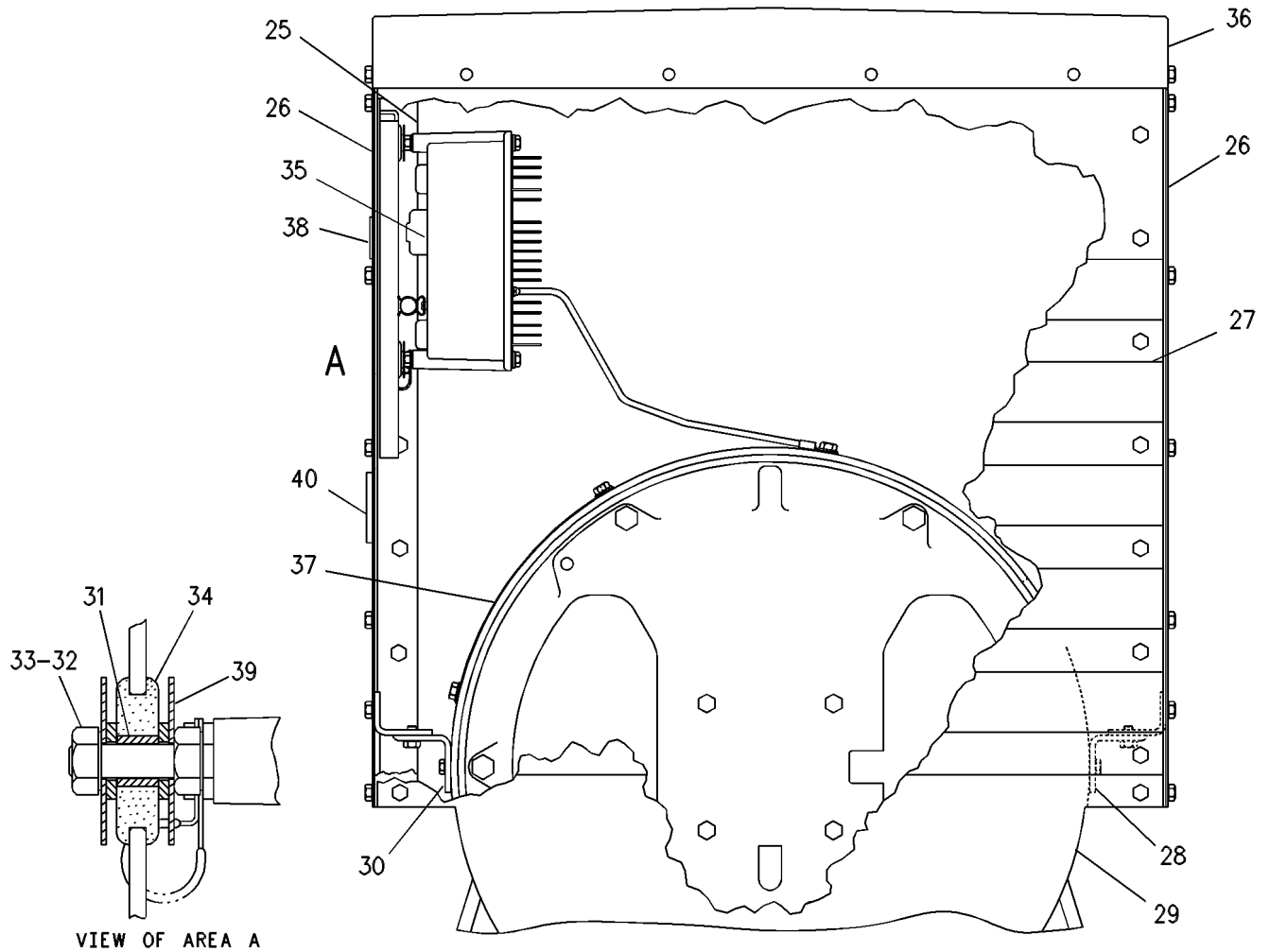
GRAPHIC #1

g00822041

# GENERATORS

5N-0063 GENERATOR GP (contd.)

i01998928



VIEW OF AREA A

GRAPHIC #2

<END>

g00402882

# GENERATORS

## 5N-0063 GENERATOR GP

S/N: 5EA5375-UP

PART OF 5N-5095 GENERATOR AR

TYPE 2

SMCS-4450

i02075231

NOTE	REF NO	GRAPHIC REF	PART NUMBER	QTY	PART NAME						SEE PAGE
					1	2	3	4	5	6 (PRODUCT LEVEL)	
	1	1	1N-7225	1	PANEL-METER						
	2	1	7W-6418	1	PANEL AS-BOX						
		1	4F-8711	2	PLUG-BUTTON						
		1	5N-3175	1	PLUG-BUTTON						
		1	5N-3174	8	PLUG-BUTTON						
	3	1	1N-7219	1	CHANNEL-RUBBER						
	4	1	111-2413	1	FAN-GENERATOR (VENT)						
	5	1	9Y-2938	1	SCREEN AS						
		1	9Y-2970	2	RETAINER						
	6	1	3N-6736	1	STATOR AS						
		1	2A-0762	6	BOLT (1/4-20X0.625-IN)						
		1	4B-4276	6	WASHER (7X16X1.6-MM THK)						
		1	7F-9223	6	LOCKWASHER						
	7	1	8L-8419	1	DEFLECTOR						
Y	8	1	7W-0744	1	ROTOR AS						1633
	9	1	5N-0541	1	BRACKET-FIELD						
	10	1	7W-0142	1	STATOR AS-EXCITER						
	11	1	6L-7008	2	STRAP-CABLE						
	12	1	3N-4403	1	FRAME AS (R.H.)						
	13	1	1F-4111	4	BOLT (5/16-18X3.5-IN)						
	14	1	3N-1963	2	RETAINER-BEARING						
	15	1	4W-7457	1	COVER						
	16	1	9M-1974	4	WASHER-HARD (8.8X16X2-MM THK)						
C	18	1	5P-0537	4	WASHER-HARD (7.2X14.5X2-MM THK)						
	20	1	8B-2377	4	BOLT (1/4-20X2-IN)						
	21	1	7W-6768	4	TUBE						
	22	1	2B-4602	2	PLUG-PIPE						
	23	1	5N-3886	2	SCREW (10-32X1.5-IN)						
	24	1	4B-2049	2	NUT (10-32-THD)						
	25	2	7C-6107	1	FRAME AS						
	26	2	3N-4406	2	PANEL-BOX (R.H.)						
	27	2	1N-7224	4	LOUVER						
	28	2	3N-4409	1	BRACKET-BOX (R.H.)						
	29	2	1N-7222	1	COVER AS-BOX						
	30	2	3N-4408	1	BRACKET-BOX (L.H.)						
	36	2	5N-3163	1	COVER AS-TOP						
		2	030-2284	4	PLUG-BUTTON						
		2	6D-7128	4	SEAL-O-RING						
		2	5N-3176	3	PLUG-BUTTON						
		2	5N-3167	3	SEAL-RING						
		2	2D-6392	2	SEAL-O-RING						
		2	8P-7065	2	PLUG-BUTTON						
	37	2	3N-7753	1	COVER						
	40	2	4W-9449	1	FILM-INFORMATION (GENERATOR WIRING DIAGRAM)						
					AVAILABLE REPAIR KIT(S):						
			3N-6653	1	KIT-STATOR REWIND (GENERATOR)						

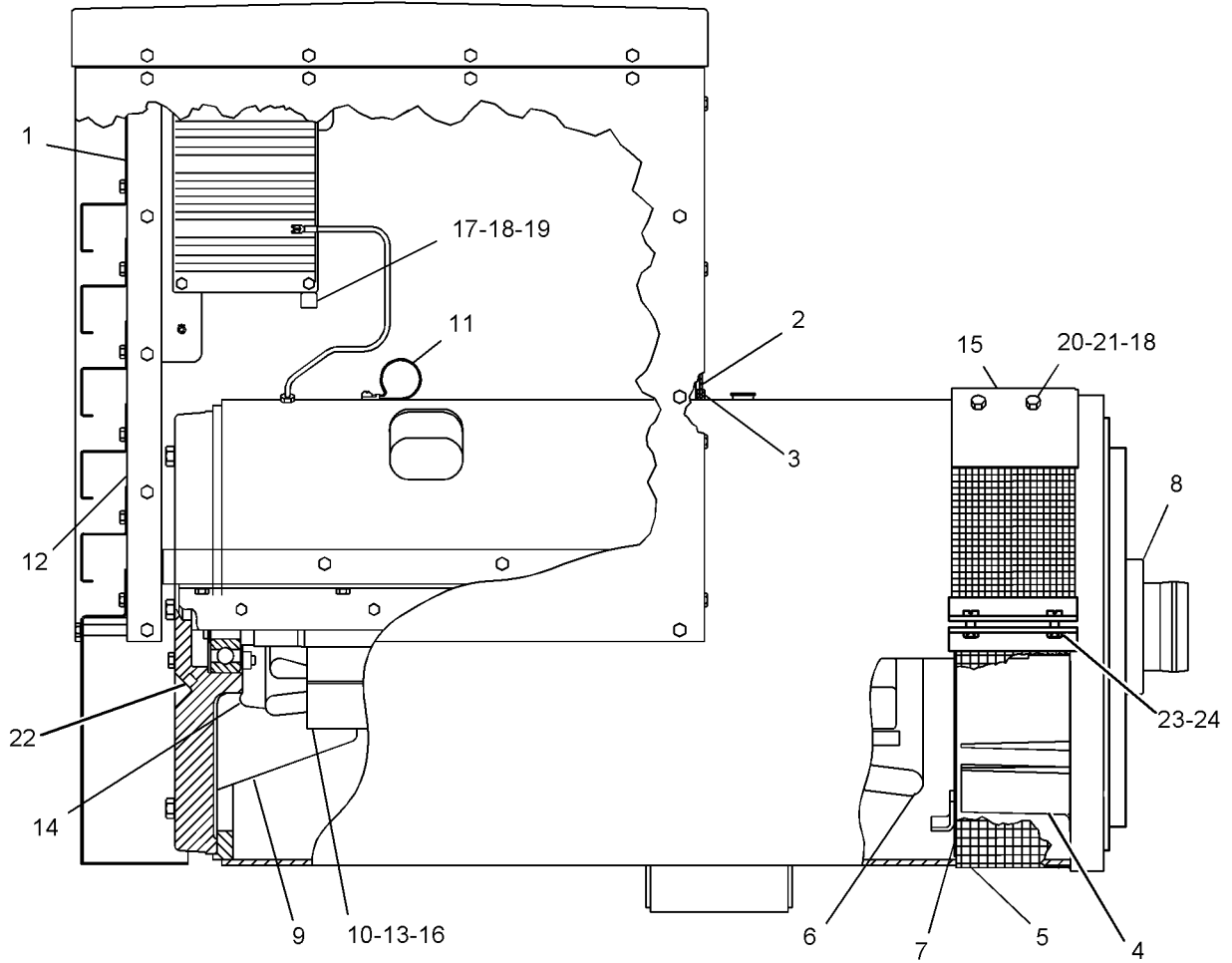
# GENERATORS

5N-0063 GENERATOR GP (contd.)

i02075231

NOTE	REF NO	GRAPHIC REF	PART NUMBER	QTY	PART NAME						SEE PAGE
					1	2	3	4	5	6 (PRODUCT LEVEL)	
					(INCLUDES TOPSTICKS, SEPARATORS, SLOT LINERS, LEADS, CONNECTORS, SLEEVES, CORD, TAPE & MAGWIRE)						
C			<b>3N-8631</b>	1	KIT-ROTOR BALANCE WEIGHT (GENERATOR)						
					(INCLUDES SCREWS & WASHERS)						
CY			<b>7C-0555</b>	1	KIT-SPACE HEATER (GENERATOR)						1596
					(INCLUDES HEATERS, BRACKETS, TERMINAL-STRIP, LABEL, LEAD, BOLTS, WASHERS, LOCKNUTS, SCREWS & STRAPS)						
			<b>3N-8101</b>	1	KIT-HARDWARE (GENERATOR)						
					(INCLUDES SCREWS, BOLTS, PLUGS, NUTS, WASHERS & LOCKWASHERS)						

C - CHANGE FROM PREVIOUS TYPE  
Y - SEPARATE ILLUSTRATION



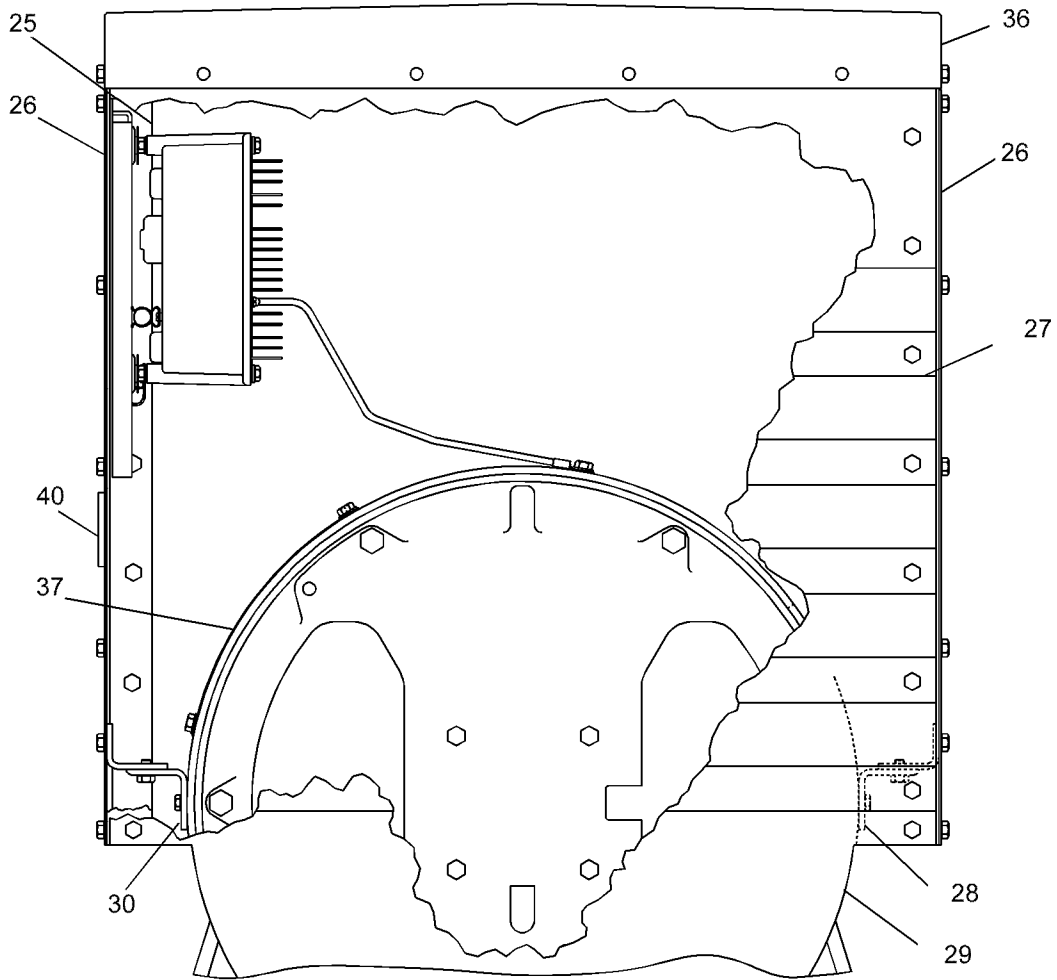
GRAPHIC #1

g01064061

# GENERATORS

5N-0063 GENERATOR GP (contd.)

i02075231



GRAPHIC #2

<END>

g01064062

# GENERATORS

## 6I-0061 GENERATOR GP

S/N: 6EG1-UP

60-HERTZ, 600-VOLTS. 446-FRAME, 4-LEAD

PART OF 6I-0060 GENERATOR AR

TYPE 1

SMCS-4450

i02010072

NOTE	REF NO	GRAPHIC REF	PART NUMBER	QTY	PART NAME						SEE PAGE
					1	2	3	4	5	6 (PRODUCT LEVEL)	
	1	1	4P-3154	1	HEAT SINK						
	2	1	118-1324	1	BRACKET-BEARING						
	3	1	4P-3153	1	SPACER (20.6X77X27.8-MM THK)						
	4	1	1A-9579	4	BOLT (5/16-18X1.5-IN)						
	5	1	4P-3152	1	ROTOR-EXCITER						
	6	1	9Y-0916	1	RECTIFIER AS						
	7	1	9Y-5816	1	STATOR-EXCITER						
	8	1	3H-5932	4	BOLT (5/16-18X4.5-IN)						
	9	1	9M-1974	8	WASHER-HARD (8.8X16X2-MM THK)						
	10	1	7E-6573	1	COVER-DUST						
	11	1	6I-0748	3	DEFLECTOR						
	12	1	6I-0088	1	COVER AS-EXCITER						
	13	1	1B-2714	4	BOLT (1/4-20X2.5-IN)						
	14	1	5P-0537	15	WASHER-HARD (7.2X14.5X2-MM THK)						
	15	1	111-2413	1	FAN-GENERATOR						
	16	1	112-2563	2	SCREEN AS						
	17	1	9S-8750	3	NUT-FULL (1/4-20-THD)						
	18	1	7E-6574	1	COVER-DRIP						
	19	1	0S-1615	8	BOLT (1/4-20X0.75-IN)						
	20	1	4P-3149	1	PANEL-REAR						
Y	21	1	149-6130	1	REGULATOR AS-VOLTAGE						1605
	22	1	101-0375	1	STATOR AS						
	23	1	7C-5709	3	SLEEVE						
	24	1	7C-5708	3	GROMMET						
	25	1	033-2075	6	WASHER (0.266X1.25X0.06-IN THK)						
	26	1	1N-7219	1	CHANNEL-RUBBER						
	27	1	7E-6578	2	PANEL						
	28	1	7E-5940	1	FILM-INFORMATION (GENERATOR WIRING DIAGRAM)						
	29	1	7C-5711	1	FILM-INSTRUCTION (VOLTAGE CONTROL ADJUSTMENT)						
	30	1	7E-6575	1	PANEL AS						
		1	4F-8711	2	PLUG-BUTTON						
		1	5N-3174	8	PLUG-BUTTON						
		1	5N-3175	1	PLUG-BUTTON						
		1	6K-9593	1	PLUG-BUTTON						
	31	1	9F-7022	1	BOLT (1/4-20X1.5-IN)						
	32	1	5M-6214	2	PLUG (1/8-27 PTF)						
	33	1	7E-6568	1	FRAME AS (RH)						
	34	1	7E-6572	1	BRACKET (RH) (-RH)						
	35	1	7E-6571	1	BRACKET (LH) (-LH)						
	36	1	7E-6567	1	FRAME AS (LH)						
	37	1	3V-5035	1	SPACER (0.302X0.54X1.03-IN THK)						
Y	38	1	4P-3407	1	ROTOR AS						1626
	39	1	111-3187	4	SPACER (8.3X11.9X38.1-MM THK)						
	40	1	4P-3150	1	COVER AS						
		1	5N-3167	2	SEAL-RING						
		1	5N-3176	2	PLUG-BUTTON						

# GENERATORS

**6I-0061 GENERATOR GP (contd.)**

**i02010072**

NOTE	REF NO	GRAPHIC REF	PART NUMBER	QTY	PART NAME						SEE PAGE
					1	2	3	4	5	6 (PRODUCT LEVEL)	
		1	<b>6D-7128</b>	4	SEAL-O-RING						
		1	<b>8P-7065</b>	2	PLUG-BUTTON						
		1	<b>8T-9587</b>	2	SEAL-O-RING						
		1	<b>030-2284</b>	4	PLUG-BUTTON						
41	1		<b>6I-2737</b>	2	RETAINER-BEARING						
42	1		<b>7E-6577</b>	1	COVER-RECTIFIER						
					AVAILABLE REPAIR KIT(S):						
			<b>4W-3901</b>	1	KIT-ROTOR BALANCE WEIGHT (GENERATOR)						
					(INCLUDES SCREWS, NUTS, WASHERS & WEIGHTS)						
			<b>101-0373</b>	1	KIT-STATOR REWIND						
					(INCLUDES TAPE, SLOT LINERS, TOPSTICKS, SLOT SEPARATORS, PHASE SEPARATORS, TERMINALS, SLEEVES, WIRE & CORD)						
			<b>7E-7233</b>	1	KIT-GENERATOR HARDWARE						
					(INCLUDES SCREWS, WASHERS, NUTS, LUGS, PLUGS & LOCK NUTS)						

Y - SEPARATE ILLUSTRATION

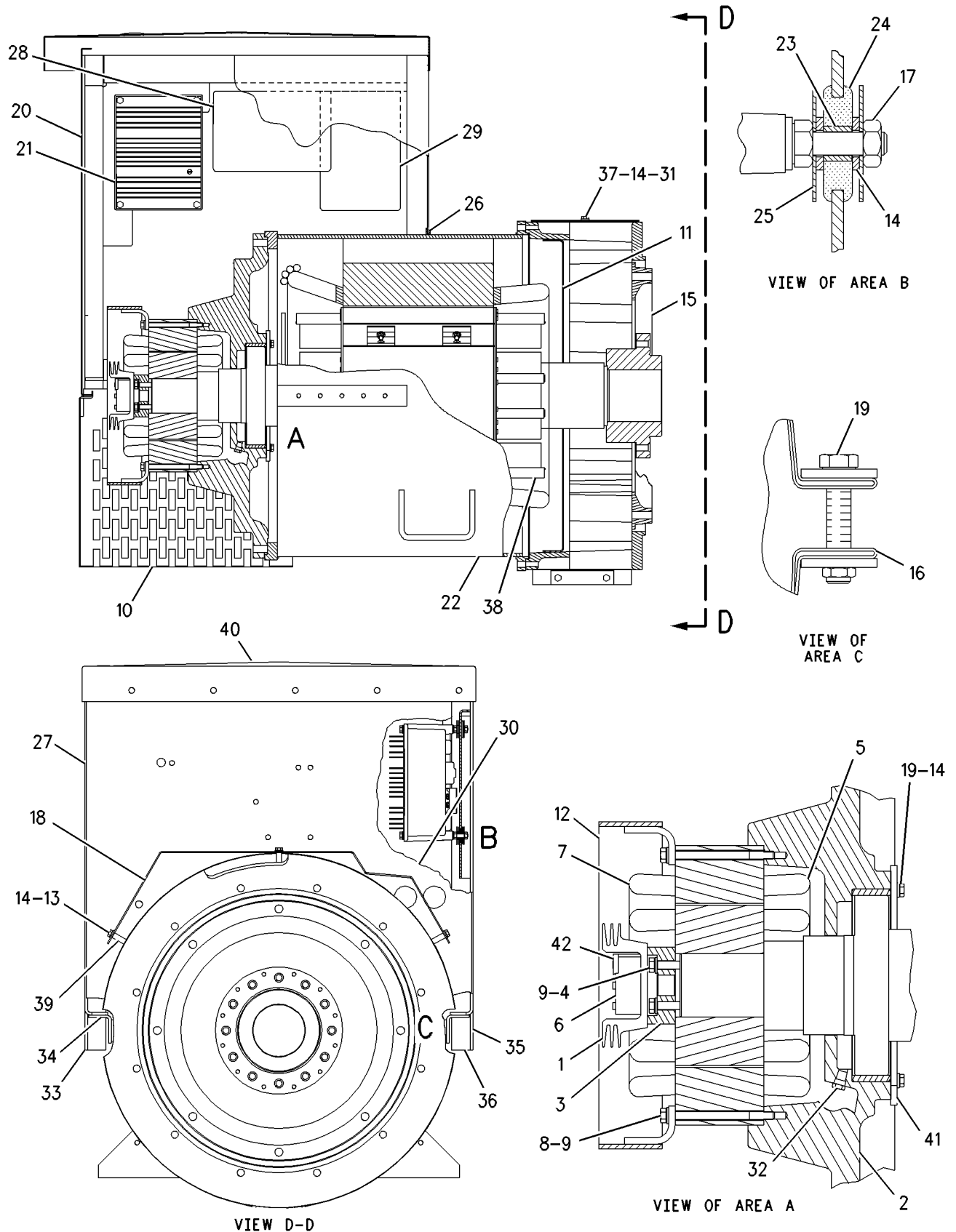




# GENERATORS

6I-0061 GENERATOR GP (contd.)

i02010072



GRAPHIC #1

<END>

g00824674

# GENERATORS

## 6I-0061 GENERATOR GP

S/N: 6EG1-UP

60-HERTZ, 600-VOLTS. 446-FRAME, 4-LEAD

PART OF 6I-0060 GENERATOR AR

TYPE 2

SMCS-4450

i02674275

NOTE	REF NO	GRAPHIC REF	PART NUMBER	QTY	PART NAME						SEE PAGE
					1	2	3	4	5	6 (PRODUCT LEVEL)	
	1	1	290-5567	1	HEAT SINK AS						
	2	1	118-1324	1	BRACKET-BEARING						
	3	1	4P-3153	1	SPACER (20.6X77X27.8-MM THK)						
	4	1	1A-9579	4	BOLT (5/16-18X1.5-IN)						
	5	1	4P-3152	1	ROTOR-EXCITER						
	7	1	9Y-5816	1	STATOR-EXCITER						
	8	1	3H-5932	4	BOLT (5/16-18X4.5-IN)						
	9	1	9M-1974	8	WASHER-HARD (8.8X16X2-MM THK)						
	10	1	7E-6573	1	COVER-DUST						
	11	1	6I-0748	3	DEFLECTOR						
	12	1	6I-0088	1	COVER AS-EXCITER						
	13	1	1B-2714	4	BOLT (1/4-20X2.5-IN)						
	14	1	5P-0537	9	WASHER-HARD (7.2X14.5X2-MM THK)						
	15	1	111-2413	1	FAN-GENERATOR						
	16	1	112-2563	2	SCREEN AS						
	18	1	7E-6574	1	COVER-DRIP						
	19	1	0S-1615	8	BOLT (1/4-20X0.75-IN)						
	20	1	4P-3149	1	PANEL-REAR						
	22	1	101-0375	1	STATOR AS						
	26	1	1N-7219	1	CHANNEL-RUBBER						
	27	1	7E-6578	2	PANEL						
	28	1	7E-5940	1	FILM-INFORMATION (GENERATOR WIRING DIAGRAM)						
	30	1	7E-6575	1	PANEL AS						
		1	4F-8711	2	PLUG-BUTTON						
		1	5N-3174	8	PLUG-BUTTON						
		1	5N-3175	1	PLUG-BUTTON						
		1	6K-9593	1	PLUG-BUTTON						
	31	1	9F-7022	1	BOLT (1/4-20X1.5-IN)						
	32	1	5M-6214	2	PLUG (1/8-27 PTF)						
	33	1	7E-6568	1	FRAME AS (RH)						
	34	1	7E-6572	1	BRACKET (RH) (-RH)						
	35	1	7E-6571	1	BRACKET (LH) (-LH)						
	36	1	7E-6567	1	FRAME AS (LH)						
	37	1	3V-5035	1	SPACER (0.302X0.54X1.03-IN THK)						
Y	38	1	4P-3407	1	ROTOR AS						1626
	39	1	111-3187	4	SPACER (8.3X11.9X38.1-MM THK)						
	40	1	4P-3150	1	COVER AS						
		1	5N-3167	2	SEAL-RING						
		1	5N-3176	2	PLUG-BUTTON						
		1	6D-7128	4	SEAL-O-RING						
		1	8P-7065	2	PLUG-BUTTON						
		1	8T-9587	2	SEAL-O-RING						
		1	030-2284	4	PLUG-BUTTON						
	41	1	6I-2737	2	RETAINER-BEARING						
	42	1	7E-6577	1	COVER-RECTIFIER						

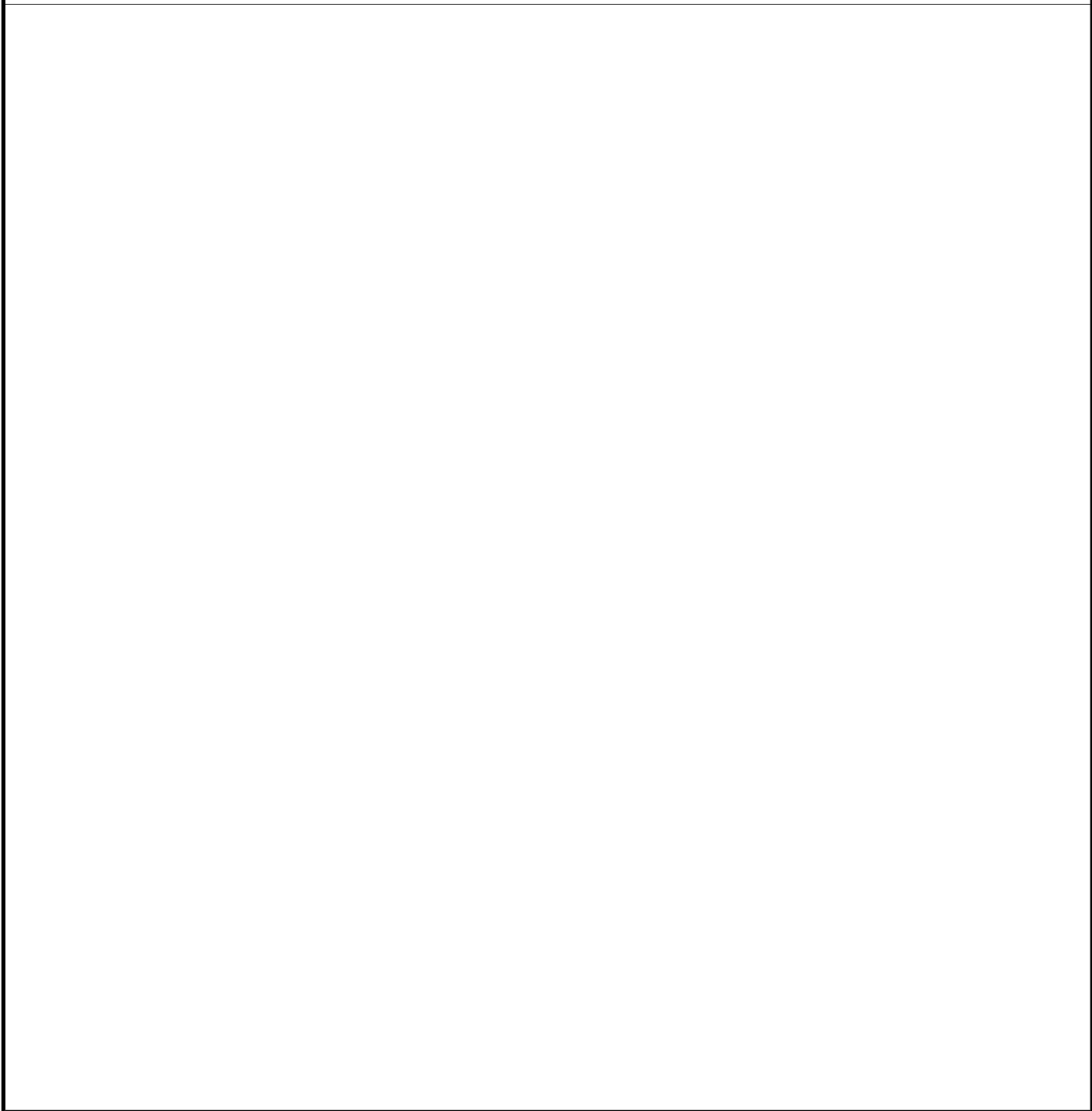
# GENERATORS

**6I-0061 GENERATOR GP (contd.)**

**i02674275**

NOTE	REF NO	GRAPHIC REF	PART NUMBER	QTY	PART NAME						SEE PAGE
					1	2	3	4	5	6 (PRODUCT LEVEL)	
					<b>AVAILABLE REPAIR KIT(S):</b>						
			<b>4W-3901</b>	1	KIT-ROTOR BALANCE WEIGHT (GENERATOR)						
					(INCLUDES SCREWS, NUTS, WASHERS & WEIGHTS)						
			<b>101-0373</b>	1	KIT-STATOR REWIND						
					(INCLUDES TAPE, SLOT LINERS, TOPSTICKS, SLOT SEPARATORS, PHASE SEPARATORS, TERMINALS, SLEEVES, WIRE & CORD)						
			<b>7E-7233</b>	1	KIT-GENERATOR HARDWARE						
					(INCLUDES SCREWS, WASHERS, NUTS, LUGS, PLUGS & LOCK NUTS)						

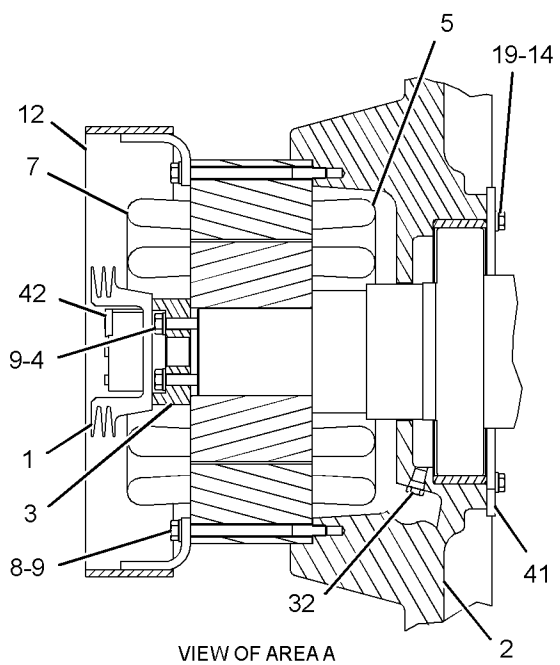
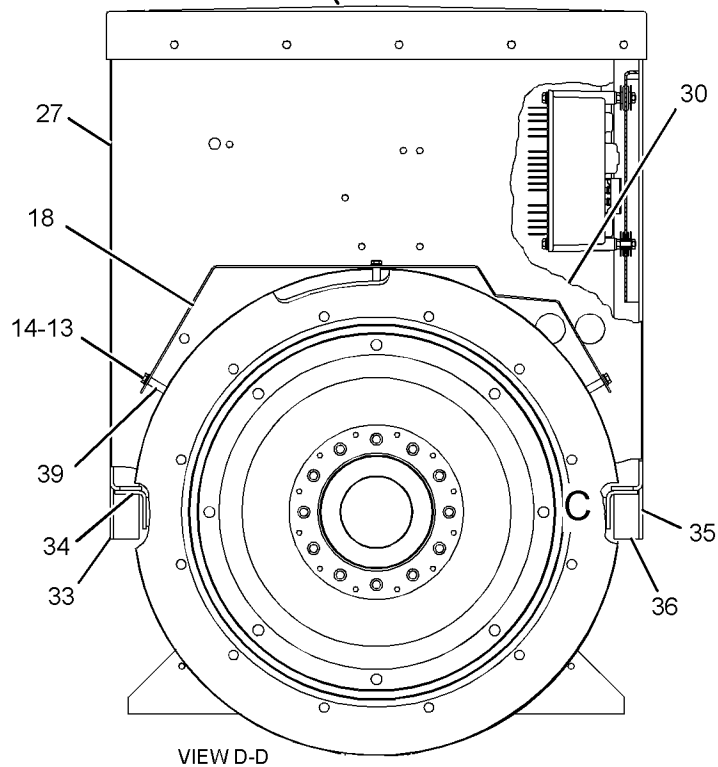
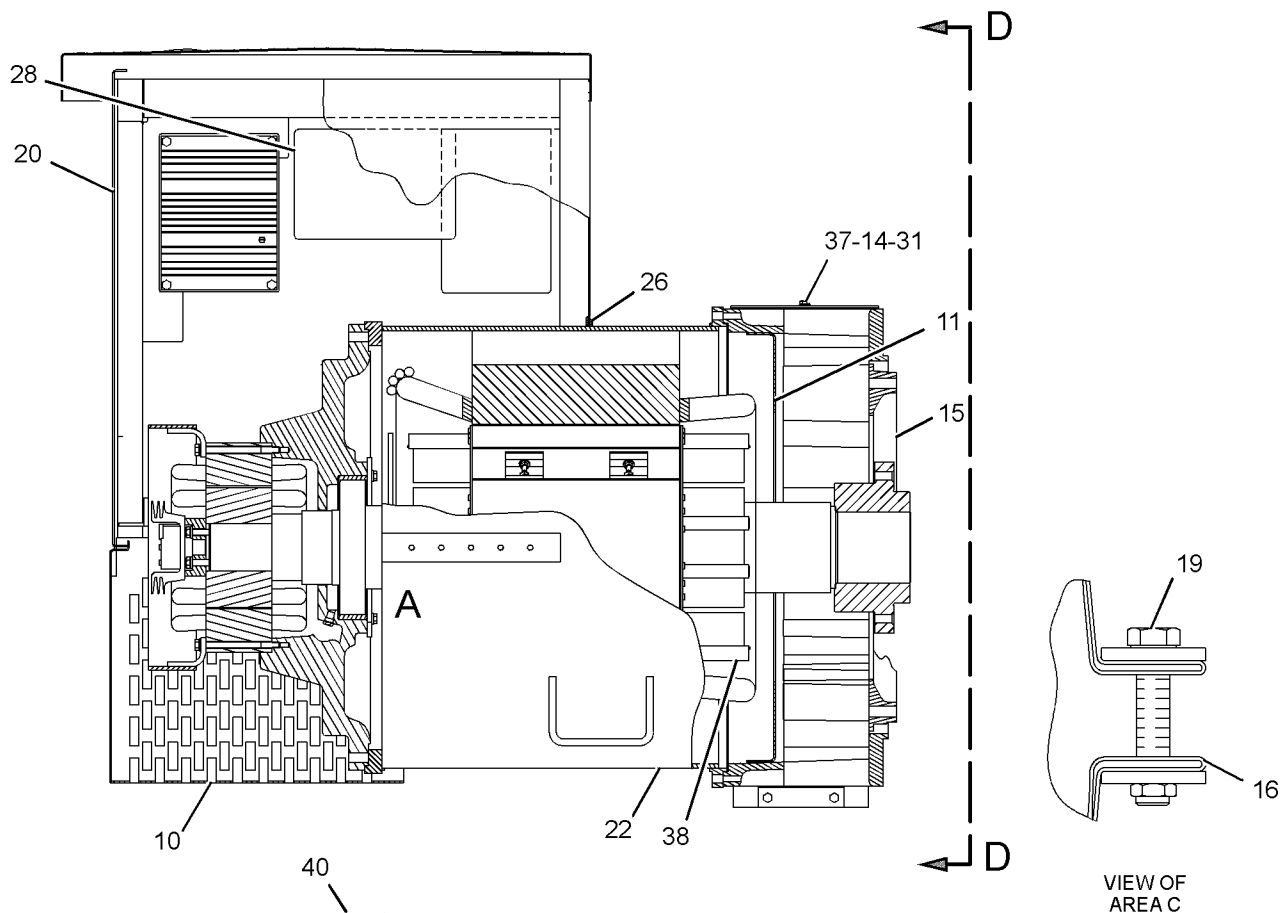
Y - SEPARATE ILLUSTRATION



# GENERATORS

6I-0061 GENERATOR GP (contd.)

i02674275



GRAPHIC #1

<END>

g01343383

# GENERATORS

## 6I-0061 GENERATOR GP

S/N: 6EG1-UP

60-HERTZ, 600-VOLTS. 446-FRAME, 4-LEAD

PART OF 6I-0060 GENERATOR AR

TYPE 3

SMCS-4450

i02614231

NOTE	REF NO	GRAPHIC REF	PART NUMBER	QTY	PART NAME						SEE PAGE
					1	2	3	4	5	6 (PRODUCT LEVEL)	
	1	1	4P-3154	1	HEAT SINK						
	2	1	118-1324	1	BRACKET-BEARING						
	3	1	4P-3153	1	SPACER (20.6X77X27.8-MM THK)						
	4	1	1A-9579	4	BOLT (5/16-18X1.5-IN)						
	5	1	4P-3152	1	ROTOR-EXCITER						
	7	1	9Y-5816	1	STATOR-EXCITER						
	8	1	3H-5932	4	BOLT (5/16-18X4.5-IN)						
	9	1	9M-1974	8	WASHER-HARD (8.8X16X2-MM THK)						
	10	1	7E-6573	1	COVER-DUST						
	11	1	6I-0748	3	DEFLECTOR						
	12	1	6I-0088	1	COVER AS-EXCITER						
	13	1	1B-2714	4	BOLT (1/4-20X2.5-IN)						
	14	1	5P-0537	9	WASHER-HARD (7.2X14.5X2-MM THK)						
	15	1	111-2413	1	FAN-GENERATOR						
	16	1	112-2563	2	SCREEN AS						
	18	1	7E-6574	1	COVER-DRIP						
	19	1	0S-1615	8	BOLT (1/4-20X0.75-IN)						
	20	1	4P-3149	1	PANEL-REAR						
	22	1	101-0375	1	STATOR AS						
	26	1	1N-7219	1	CHANNEL-RUBBER						
	27	1	7E-6578	2	PANEL						
	28	1	7E-5940	1	FILM-INFORMATION (GENERATOR WIRING DIAGRAM)						
	30	1	7E-6575	1	PANEL AS						
		1	4F-8711	2	PLUG-BUTTON						
		1	5N-3174	8	PLUG-BUTTON						
		1	5N-3175	1	PLUG-BUTTON						
		1	6K-9593	1	PLUG-BUTTON						
	31	1	9F-7022	1	BOLT (1/4-20X1.5-IN)						
	32	1	5M-6214	2	PLUG (1/8-27 PTF)						
	33	1	7E-6568	1	FRAME AS (RH)						
	34	1	7E-6572	1	BRACKET (RH) (-RH)						
	35	1	7E-6571	1	BRACKET (LH) (-LH)						
	36	1	7E-6567	1	FRAME AS (LH)						
	37	1	3V-5035	1	SPACER (0.302X0.54X1.03-IN THK)						
Y	38	1	4P-3407	1	ROTOR AS						1626
	39	1	111-3187	4	SPACER (8.3X11.9X38.1-MM THK)						
	40	1	4P-3150	1	COVER AS						
		1	5N-3167	3	SEAL-RING						
		1	5N-3176	3	PLUG-BUTTON						
		1	6D-7128	4	SEAL-O-RING						
		1	8P-7065	2	PLUG-BUTTON						
		1	8T-9587	2	SEAL-O-RING						
		1	030-2284	4	PLUG-BUTTON						
	41	1	6I-2737	2	RETAINER-BEARING						
C	42	1	290-5567	1	HEAT SINK AS						

# GENERATORS

**6I-0061 GENERATOR GP (contd.)**

**i02614231**

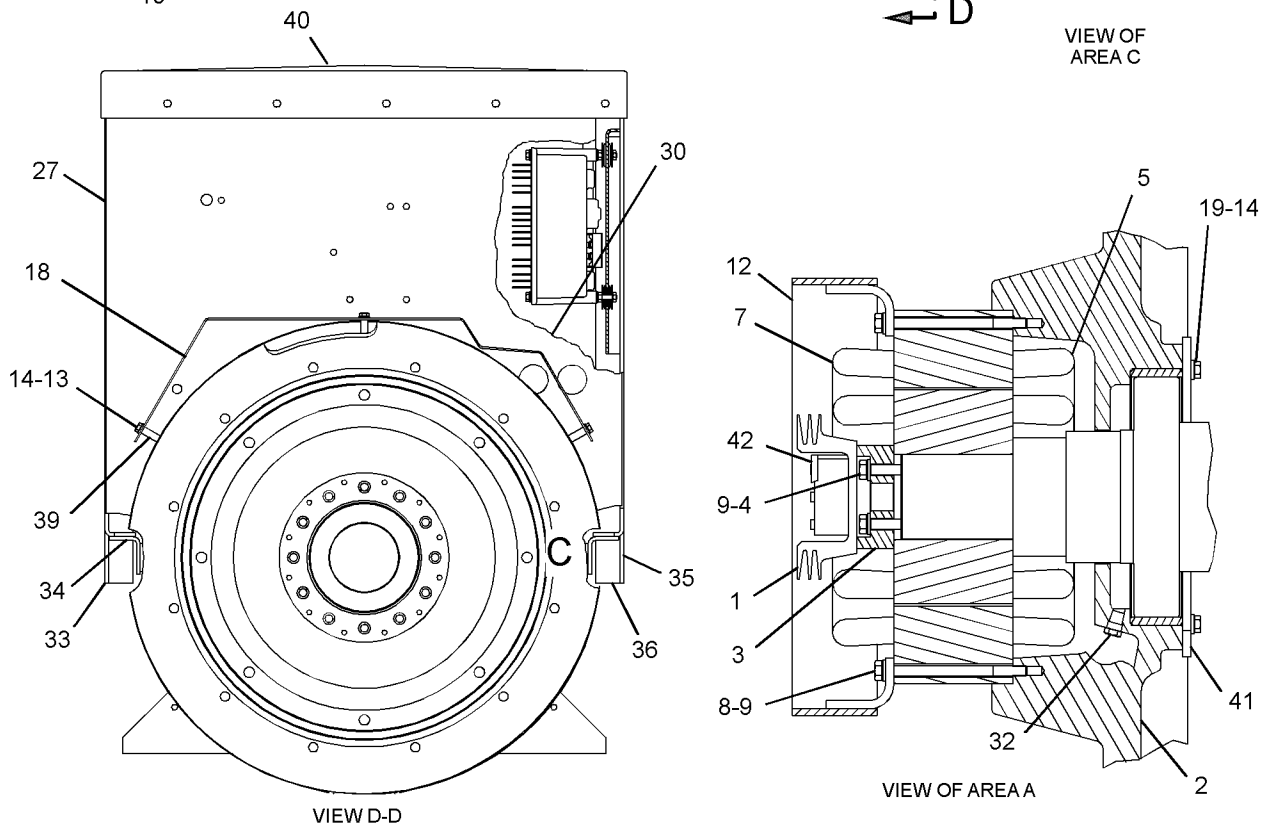
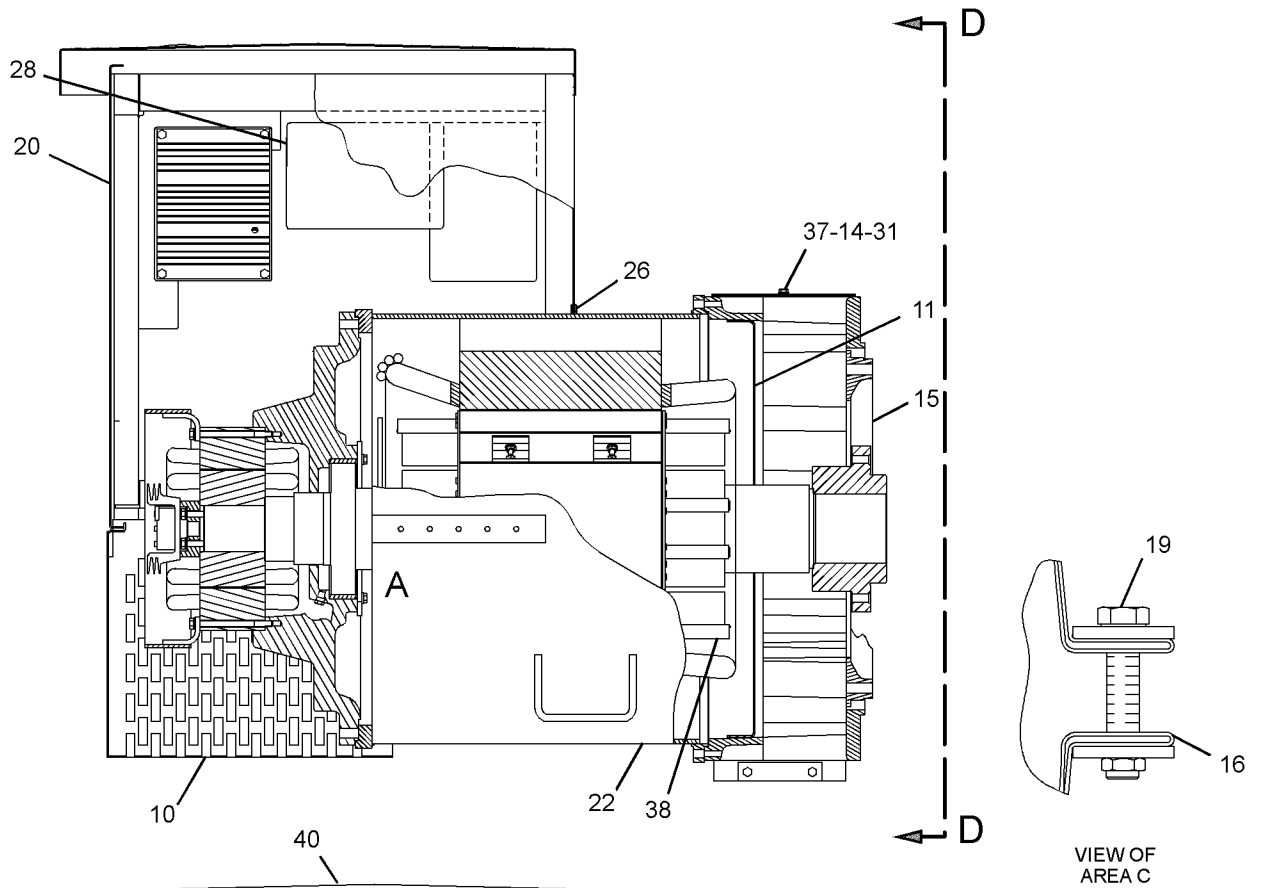
NOTE	REF NO	GRAPHIC REF	PART NUMBER	QTY	PART NAME						SEE PAGE
					1	2	3	4	5	6 (PRODUCT LEVEL)	
					<b>AVAILABLE REPAIR KIT(S):</b>						
			<b>4W-3901</b>	1	KIT-ROTOR BALANCE WEIGHT (GENERATOR)						
					(INCLUDES SCREWS, NUTS, WASHERS & WEIGHTS)						
			<b>101-0373</b>	1	KIT-STATOR REWIND						
					(INCLUDES TAPE, SLOT LINERS, TOPSTICKS, SLOT SEPARATORS, PHASE SEPARATORS, TERMINALS, SLEEVES, WIRE & CORD)						
			<b>7E-7233</b>	1	KIT-GENERATOR HARDWARE						
					(INCLUDES SCREWS, WASHERS, NUTS, LUGS, PLUGS & LOCK NUTS)						

C - CHANGE FROM PREVIOUS TYPE  
 Y - SEPARATE ILLUSTRATION

# GENERATORS

6I-0061 GENERATOR GP (contd.)

102614231



GRAPHIC #1

<END>

g01338955

# GENERATORS

## 7E-0097 GENERATOR GP

S/N: 6DG1-UP

60-HERTZ. 240-VOLT. 480-VOLT. 445-FRAME. 12-LEAD

PART OF 9Y-0427 GENERATOR AR

TYPE 1

SMCS-4450

i05888884

NOTE	REF NO	GRAPHIC REF	PART NUMBER	QTY	PART NAME						SEE PAGE
					1	2	3	4	5	6 (PRODUCT LEVEL)	
	1	1	4P-3404	1	STATOR AS						
	2	1	4P-3154	1	HEAT SINK						
	3	1	118-1324	1	BRACKET-BEARING						
	4	1	4P-3153	1	SPACER (20.6X77X27.8-MM THK)						
	5	1	1A-9579	4	BOLT (5/16-18X1.5-IN)						
	6	1	4P-3468	1	ROTOR-EXCITER						
	7	1	9Y-0916	1	RECTIFIER AS						
	8	1	9Y-5817	1	STATOR-EXCITER						
	9	1	4B-3903	4	BOLT (5/16-18X4-IN)						
	10	1	9M-1974	8	WASHER-HARD (8.8X16X2-MM THK)						
	11	1	7E-6573	1	COVER-DUST						
	12	1	7E-6576	2	DEFLECTOR						
	13	1	6I-0088	1	COVER AS-EXCITER						
	14	1	1B-2714	4	BOLT (1/4-20X2.5-IN)						
	15	1	5P-0537	15	WASHER-HARD (7.2X14.5X2-MM THK)						
	16	1	111-2413	1	FAN-GENERATOR						
	17	1	112-2563	2	SCREEN AS						
	18	1	0S-1615	4	BOLT (1/4-20X0.75-IN)						
	19	1	9S-8750	3	NUT-FULL (1/4-20-THD)						
	20	1	7E-6574	1	COVER-DRIP						
	21	1	9F-7022	1	BOLT (1/4-20X1.5-IN)						
	22	1	4P-3149	1	PANEL-REAR						
Y	23	1	149-6130	1	REGULATOR AS-VOLTAGE						1605
	24	1	7E-6577	1	COVER-RECTIFIER						
	25	1	7C-5709	3	SLEEVE						
	26	1	7C-5708	3	GROMMET						
	27	1	033-2075	6	WASHER (0.266X1.25X0.06-IN THK)						
	28	1	1N-7219	1	CHANNEL-RUBBER						
	29	1	7E-6578	2	PANEL						
	31	1	4P-3150	1	COVER AS						
		1	5N-3167	2	SEAL-RING						
		1	5N-3176	2	PLUG-BUTTON						
		1	6D-7128	4	SEAL-O-RING						
		1	8P-7065	2	PLUG-BUTTON						
		1	8T-9587	2	SEAL-O-RING						
		1	030-2284	4	PLUG-BUTTON						
	32	1	7E-6575	1	PANEL AS						
		1	4F-8711	2	PLUG-BUTTON						
		1	5N-3174	8	PLUG-BUTTON						
		1	5N-3175	1	PLUG-BUTTON						
		1	6K-9593	1	PLUG-BUTTON						
	33	1	0S-1614	4	BOLT (1/4-20X0.5-IN)						
	34	1	5M-6214	2	PLUG (1/8-27 PTF)						
	35	1	7E-6568	1	FRAME AS (RH)						
	36	1	7E-6572	1	BRACKET (RH) (RH)						
	37	1	7E-6571	1	BRACKET (LH) (LH)						



# GENERATORS

7E-0097 GENERATOR GP (contd.)

i05888884

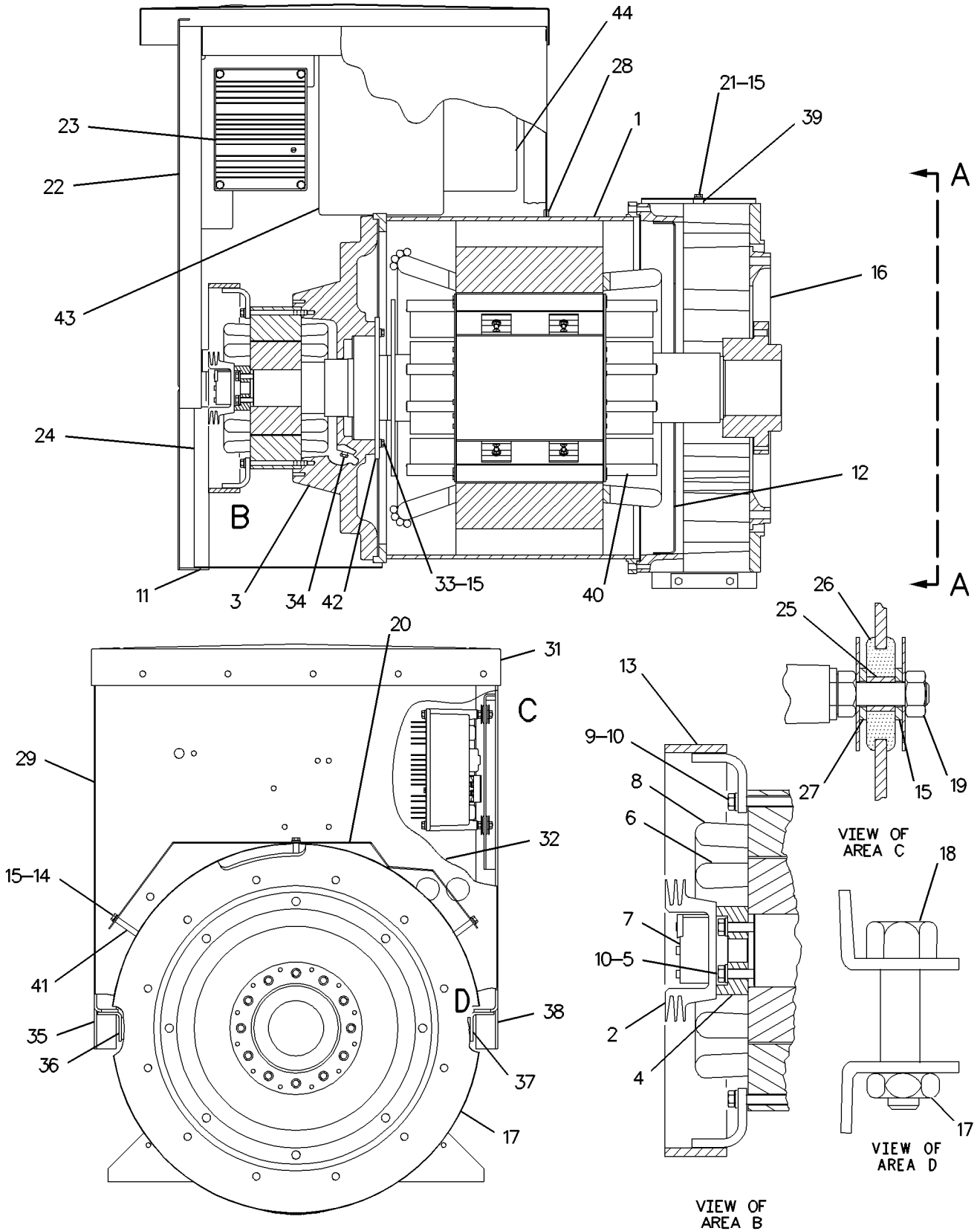
NOTE	REF NO	GRAPHIC REF	PART NUMBER	QTY	PART NAME						SEE PAGE
					1	2	3	4	5	6 (PRODUCT LEVEL)	
	38	1	<b>7E-6567</b>	1	FRAME AS (LH)						
	39	1	<b>3V-5035</b>	1	SPACER (0.302X0.54X1.03-IN THK)						
Y	40	1	<b>4P-3405</b>	1	ROTOR AS						1625
	41	1	<b>111-3187</b>	4	SPACER (8.3X11.9X38.1-MM THK)						
	42	1	<b>6I-2737</b>	2	RETAINER-BEARING						
	43	1	<b>4W-9449</b>	1	FILM-INFORMATION (GENERATOR WIRING DIAGRAM)						
	44	1	<b>7C-5711</b>	1	FILM-INSTRUCTION (VOLTAGE CONTROL ADJUSTMENT)						
					AVAILABLE REPAIR KIT(S) :						
			<b>4W-3901</b>	1	KIT-ROTOR BALANCE WEIGHT (GENERATOR) (INCLUDES SCREWS, NUTS & WASHERS)						
			<b>9Y-5084</b>	1	KIT-STATOR REWIND (GENERATOR) (INCLUDES TOPSTICKS, SLOT LINERS, LEADS, LUGS, SEPARATORS, SLEEVES, CONNECTORS, CORD, TAPE, VARNISH & EPOXY RESIN)						
			<b>7E-7233</b>	1	KIT-GENERATOR HARDWARE (INCLUDES SCREWS, WASHERS, LOCKWASHERS, PLUGS, LUGS & NUTS)						
			<b>4C-6715</b>	1	KIT-RECTIFIER SILICONE (GENERATOR) (INCLUDES A TUBE OF SILICONE & A BOTTLE OF PRIMER)						

Y - SEPARATE ILLUSTRATION

# GENERATORS

7E-0097 GENERATOR GP (contd.)

i05888884



GRAPHIC #1

<END>

g00819191

# GENERATORS

## 7E-0097 GENERATOR GP

S/N: 6DG1-UP

60-HERTZ. 240-VOLT. 480-VOLT. 445-FRAME. 12-LEAD

PART OF 9Y-0427 GENERATOR AR

TYPE 2

SMCS-4450

i05888881

NOTE	REF NO	GRAPHIC REF	PART NUMBER	QTY	PART NAME						SEE PAGE
					1	2	3	4	5	6 (PRODUCT LEVEL)	
	1	1	<b>4P-3404</b>	1	STATOR AS						
	2	1	<b>4P-3154</b>	1	HEAT SINK						
	3	1	<b>118-1324</b>	1	BRACKET-BEARING						
	4	1	<b>4P-3153</b>	1	SPACER (20.6X77X27.8-MM THK)						
	5	1	<b>1A-9579</b>	4	BOLT (5/16-18X1.5-IN)						
	6	1	<b>4P-3468</b>	1	ROTOR-EXCITER						
	7	1	<b>9Y-0916</b>	1	RECTIFIER AS						
	8	1	<b>9Y-5817</b>	1	STATOR-EXCITER						
	9	1	<b>4B-3903</b>	4	BOLT (5/16-18X4-IN)						
	10	1	<b>9M-1974</b>	8	WASHER-HARD (8.8X16X2-MM THK)						
	11	1	<b>7E-6573</b>	1	COVER-DUST						
	12	1	<b>7E-6576</b>	2	DEFLECTOR						
	13	1	<b>6I-0088</b>	1	COVER AS-EXCITER						
	14	1	<b>1B-2714</b>	4	BOLT (1/4-20X2.5-IN)						
	15	1	<b>5P-0537</b>	9	WASHER-HARD (7.2X14.5X2-MM THK)						
	16	1	<b>111-2413</b>	1	FAN-GENERATOR						
	17	1	<b>112-2563</b>	2	SCREEN AS						
	18	1	<b>0S-1615</b>	4	BOLT (1/4-20X0.75-IN)						
	20	1	<b>7E-6574</b>	1	COVER-DRIP						
	21	1	<b>9F-7022</b>	1	BOLT (1/4-20X1.5-IN)						
	22	1	<b>4P-3149</b>	1	PANEL-REAR						
	24	1	<b>7E-6577</b>	1	COVER-RECTIFIER						
	28	1	<b>1N-7219</b>	1	CHANNEL-RUBBER						
	29	1	<b>7E-6578</b>	2	PANEL						
	31	1	<b>4P-3150</b>	1	COVER AS						
		1	<b>5N-3167</b>	2	SEAL-RING						
		1	<b>5N-3176</b>	2	PLUG-BUTTON						
		1	<b>6D-7128</b>	4	SEAL-O-RING						
		1	<b>8P-7065</b>	2	PLUG-BUTTON						
		1	<b>8T-9587</b>	2	SEAL-O-RING						
		1	<b>030-2284</b>	4	PLUG-BUTTON						
	32	1	<b>7E-6575</b>	1	PANEL AS						
		1	<b>4F-8711</b>	2	PLUG-BUTTON						
		1	<b>5N-3174</b>	8	PLUG-BUTTON						
		1	<b>5N-3175</b>	1	PLUG-BUTTON						
		1	<b>6K-9593</b>	1	PLUG-BUTTON						
	33	1	<b>0S-1614</b>	4	BOLT (1/4-20X0.5-IN)						
	34	1	<b>5M-6214</b>	2	PLUG (1/8-27 PTF)						
	35	1	<b>7E-6568</b>	1	FRAME AS (RH)						
	36	1	<b>7E-6572</b>	1	BRACKET (RH) (RH)						
	37	1	<b>7E-6571</b>	1	BRACKET (LH) (LH)						
	38	1	<b>7E-6567</b>	1	FRAME AS (LH)						
	39	1	<b>3V-5035</b>	1	SPACER (0.302X0.54X1.03-IN THK)						
Y	40	1	<b>4P-3405</b>	1	ROTOR AS						1625
	41	1	<b>111-3187</b>	4	SPACER (8.3X11.9X38.1-MM THK)						
	42	1	<b>6I-2737</b>	2	RETAINER-BEARING						

# GENERATORS

7E-0097 GENERATOR GP (contd.)

i05888881

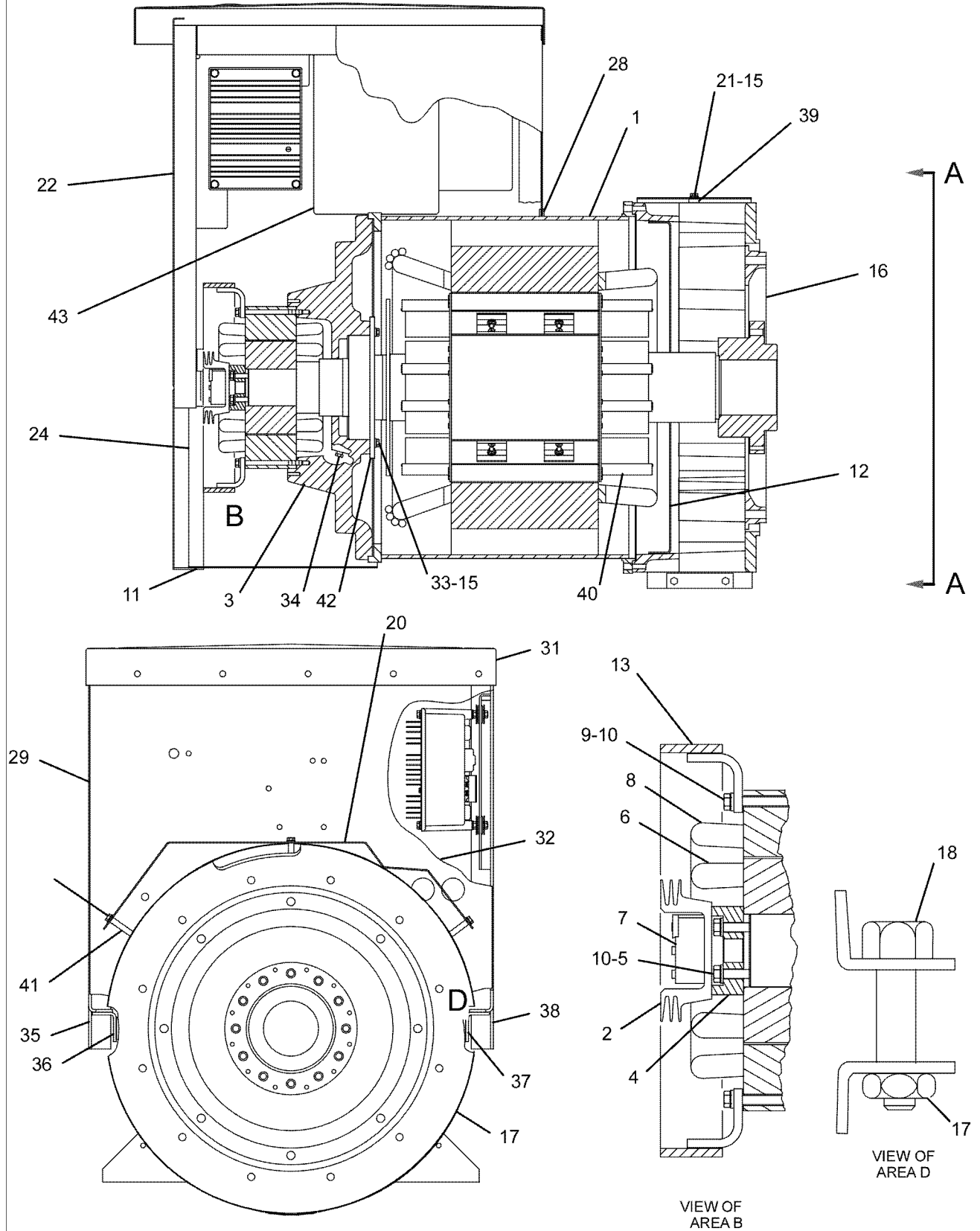
NOTE	REF	GRAPHIC	PART NUMBER	QTY	PART NAME						SEE PAGE
	NO	REF			1	2	3	4	5	6 (PRODUCT LEVEL)	
	43	1	<b>4W-9449</b>	1	FILM-INFORMATION (GENERATOR WIRING DIAGRAM)						
					AVAILABLE REPAIR KIT(S) :						
			<b>4W-3901</b>	1	KIT-ROTOR BALANCE WEIGHT (GENERATOR) (INCLUDES SCREWS, NUTS & WASHERS)						
			<b>9Y-5084</b>	1	KIT-STATOR REWIND (GENERATOR) (INCLUDES TOPSTICKS, SLOT LINERS, LEADS, LUGS, SEPARATORS, SLEEVES, CONNECTORS, CORD, TAPE, VARNISH & EPOXY RESIN)						
			<b>7E-7233</b>	1	KIT-GENERATOR HARDWARE (GENERATOR) (INCLUDES SCREWS, WASHERS, LOCKWASHERS, PLUGS, LUGS & NUTS)						
			<b>4C-6715</b>	1	KIT-RECTIFIER SILICONE (GENERATOR) (INCLUDES A TUBE OF SILICONE & A BOTTLE OF PRIMER)						

Y - SEPARATE ILLUSTRATION

# GENERATORS

7E-0097 GENERATOR GP (contd.)

i05888881



GRAPHIC #1

<END>

g01042038

# GENERATORS

## 7E-0097 GENERATOR GP

S/N: 6DG1-UP

60-HERTZ. 240-VOLT. 480-VOLT. 445-FRAME. 12-LEAD

PART OF 9Y-0427 GENERATOR AR

TYPE 3

SMCS-4450

i05888885

NOTE	REF NO	GRAPHIC REF	PART NUMBER	QTY	PART NAME						SEE PAGE
					1	2	3	4	5	6 (PRODUCT LEVEL)	
	1	1	<b>4P-3404</b>	1	STATOR AS						
C	2	1	<b>290-5567</b>	1	HEAT SINK AS						
	3	1	<b>118-1324</b>	1	BRACKET-BEARING						
	4	1	<b>4P-3153</b>	1	SPACER (20.6X77X27.8-MM THK)						
	5	1	<b>1A-9579</b>	4	BOLT (5/16-18X1.5-IN)						
	6	1	<b>4P-3468</b>	1	ROTOR-EXCITER						
	8	1	<b>9Y-5817</b>	1	STATOR-EXCITER						
	9	1	<b>4B-3903</b>	4	BOLT (5/16-18X4-IN)						
	10	1	<b>9M-1974</b>	8	WASHER-HARD (8.8X16X2-MM THK)						
	11	1	<b>7E-6573</b>	1	COVER-DUST						
	12	1	<b>7E-6576</b>	2	DEFLECTOR						
	13	1	<b>6I-0088</b>	1	COVER AS-EXCITER						
	14	1	<b>1B-2714</b>	4	BOLT (1/4-20X2.5-IN)						
	15	1	<b>5P-0537</b>	9	WASHER-HARD (7.2X14.5X2-MM THK)						
	16	1	<b>111-2413</b>	1	FAN-GENERATOR						
	17	1	<b>112-2563</b>	2	SCREEN AS						
	18	1	<b>0S-1615</b>	4	BOLT (1/4-20X0.75-IN)						
	20	1	<b>7E-6574</b>	1	COVER-DRIP						
	21	1	<b>9F-7022</b>	1	BOLT (1/4-20X1.5-IN)						
	22	1	<b>4P-3149</b>	1	PANEL-REAR						
	28	1	<b>1N-7219</b>	1	CHANNEL-RUBBER						
	29	1	<b>7E-6578</b>	2	PANEL						
	31	1	<b>4P-3150</b>	1	COVER AS						
		1	<b>5N-3167</b>	2	SEAL-RING						
		1	<b>5N-3176</b>	2	PLUG-BUTTON						
		1	<b>6D-7128</b>	4	SEAL-O-RING						
		1	<b>8P-7065</b>	2	PLUG-BUTTON						
		1	<b>8T-9587</b>	2	SEAL-O-RING						
		1	<b>030-2284</b>	4	PLUG-BUTTON						
	32	1	<b>7E-6575</b>	1	PANEL AS						
		1	<b>4F-8711</b>	2	PLUG-BUTTON						
		1	<b>5N-3174</b>	8	PLUG-BUTTON						
		1	<b>5N-3175</b>	1	PLUG-BUTTON						
		1	<b>6K-9593</b>	1	PLUG-BUTTON						
	33	1	<b>0S-1614</b>	4	BOLT (1/4-20X0.5-IN)						
	34	1	<b>5M-6214</b>	2	PLUG (1/8-27 PTF)						
	35	1	<b>7E-6568</b>	1	FRAME AS (RH)						
	36	1	<b>7E-6572</b>	1	BRACKET (RH)						
	37	1	<b>7E-6571</b>	1	BRACKET (LH)						
	38	1	<b>7E-6567</b>	1	FRAME AS (LH)						
	39	1	<b>3V-5035</b>	1	SPACER (0.302X0.54X1.03-IN THK)						
Y	40	1	<b>4P-3405</b>	1	ROTOR AS						1625
	41	1	<b>111-3187</b>	4	SPACER (8.3X11.9X38.1-MM THK)						
	42	1	<b>6I-2737</b>	2	RETAINER-BEARING						
	43	1	<b>4W-9449</b>	1	FILM-INFORMATION (GENERATOR WIRING DIAGRAM)						

# GENERATORS

7E-0097 GENERATOR GP (contd.)

i05888885

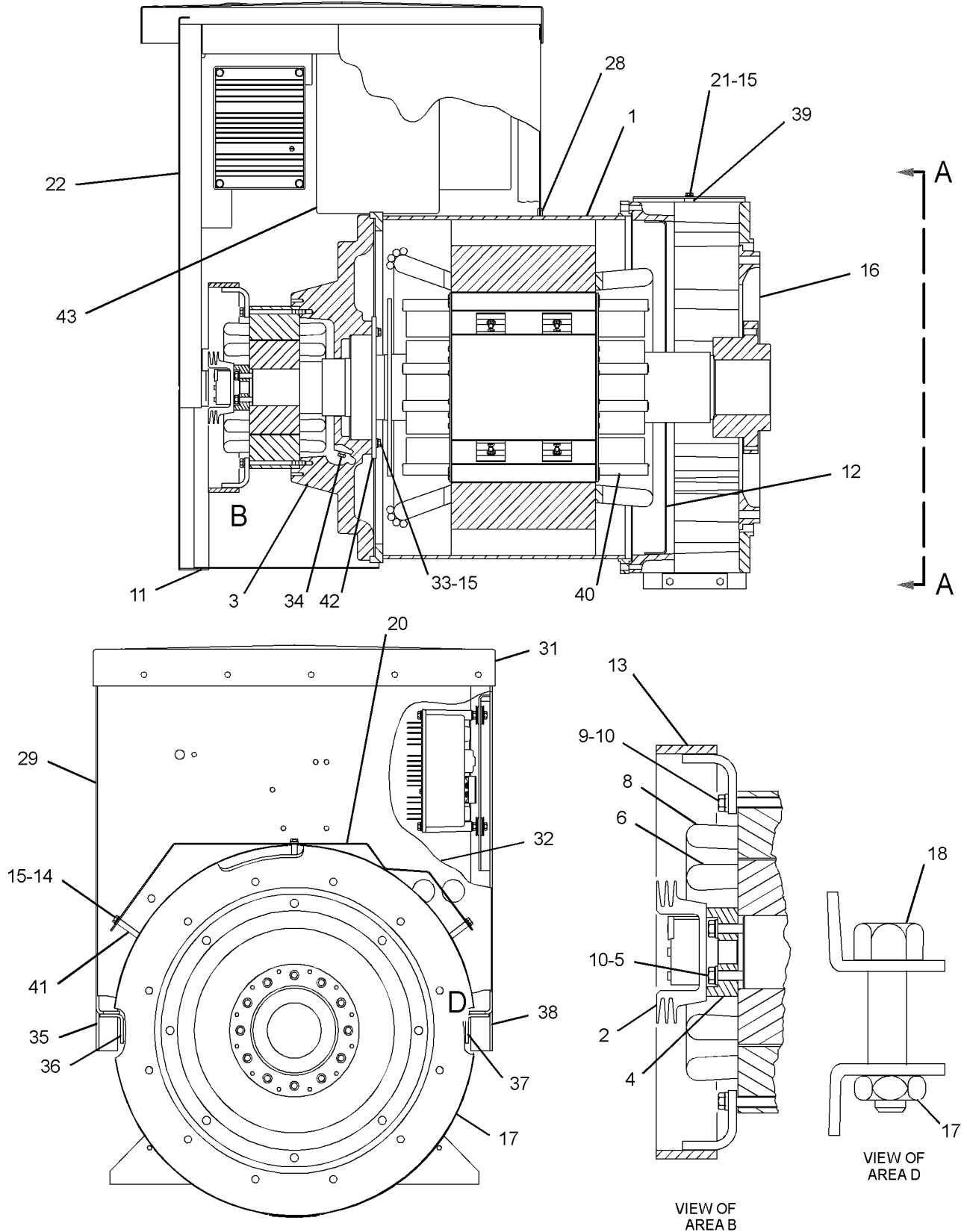
NOTE	REF NO	GRAPHIC REF	PART NUMBER	QTY	PART NAME						SEE PAGE
					1	2	3	4	5	6 (PRODUCT LEVEL)	
					AVAILABLE REPAIR KIT(S):						
			<b>4W-3901</b>	1	KIT-ROTOR BALANCE WEIGHT (GENERATOR)						
					(INCLUDES SCREWS, NUTS & WASHERS)						
			<b>9Y-5084</b>	1	KIT-STATOR REWIND (GENERATOR)						
					(INCLUDES TOPSTICKS, SLOT LINERS, LEADS, LUGS, SEPARATORS, SLEEVES, CONNECTORS, CORD, TAPE, VARNISH & EPOXY RESIN)						
			<b>7E-7233</b>	1	KIT-GENERATOR HARDWARE (GENERATOR)						
					(INCLUDES SCREWS, WASHERS, LOCKWASHERS, PLUGS, LUGS & NUTS)						

C - CHANGE FROM PREVIOUS TYPE  
 Y - SEPARATE ILLUSTRATION

# GENERATORS

7E-0097 GENERATOR GP (contd.)

i05888885



GRAPHIC #1

<END>

g01359918



# GENERATORS

## 7E-0098 GENERATOR GP

S/N: 6EG1-UP

60-HERTZ. 240-VOLT. 480-VOLT. 446-FRAME. 12-LEAD

PART OF 9Y-0428 GENERATOR AR

TYPE 1

SMCS-4450

i02012769

NOTE	REF NO	GRAPHIC REF	PART NUMBER	QTY	PART NAME						SEE PAGE
					1	2	3	4	5	6 (PRODUCT LEVEL)	
	1	1	<b>4P-3406</b>	1	STATOR AS						
	2	1	<b>4P-3154</b>	1	HEAT SINK						
	3	1	<b>118-1324</b>	1	BRACKET-BEARING						
	4	1	<b>4P-3153</b>	1	SPACER (20.6X77X27.8-MM THK)						
	5	1	<b>1A-9579</b>	4	BOLT (5/16-18X1.5-IN)						
	6	1	<b>4P-3152</b>	1	ROTOR-EXCITER						
	7	1	<b>9Y-0916</b>	1	RECTIFIER AS						
	8	1	<b>9Y-5816</b>	1	STATOR-EXCITER						
	9	1	<b>3H-5932</b>	4	BOLT (5/16-18X4.5-IN)						
	10	1	<b>9M-1974</b>	8	WASHER-HARD (8.8X16X2-MM THK)						
	11	1	<b>7E-6573</b>	1	COVER-DUST						
	12	1	<b>7E-6576</b>	2	DEFLECTOR						
	13	1	<b>6I-0088</b>	1	COVER AS-EXCITER						
	14	1	<b>1B-2714</b>	4	BOLT (1/4-20X2.5-IN)						
	15	1	<b>5P-0537</b>	15	WASHER-HARD (7.2X14.5X2-MM THK)						
	16	1	<b>111-2413</b>	1	FAN-GENERATOR						
	17	1	<b>112-2563</b>	2	SCREEN AS						
	19	1	<b>9S-8750</b>	3	NUT-FULL (1/4-20-THD)						
	20	1	<b>7E-6574</b>	1	COVER-DRIP						
	21	1	<b>9F-7022</b>	1	BOLT (1/4-20X1.5-IN)						
	22	1	<b>4P-3149</b>	1	PANEL-REAR						
CY	23	1	<b>149-6130</b>	1	REGULATOR AS-VOLTAGE						1605
	24	1	<b>7E-6577</b>	1	COVER-RECTIFIER						
	25	1	<b>7C-5709</b>	3	SLEEVE						
	26	1	<b>7C-5708</b>	3	GROMMET						
	27	1	<b>033-2075</b>	6	WASHER (0.266X1.25X0.06-IN THK)						
	28	1	<b>1N-7219</b>	1	CHANNEL-RUBBER						
	29	1	<b>7E-6578</b>	2	PANEL						
	31	1	<b>4P-3150</b>	1	COVER AS						
		1	<b>5N-3167</b>	2	SEAL-RING						
		1	<b>5N-3176</b>	2	PLUG-BUTTON						
		1	<b>6D-7128</b>	4	SEAL-O-RING						
		1	<b>8P-7065</b>	2	PLUG-BUTTON						
		1	<b>8T-9587</b>	2	SEAL-O-RING						
		1	<b>030-2284</b>	4	PLUG-BUTTON						
	32	1	<b>7E-6575</b>	1	PANEL AS						
		1	<b>4F-8711</b>	2	PLUG-BUTTON						
		1	<b>5N-3174</b>	8	PLUG-BUTTON						
		1	<b>5N-3175</b>	1	PLUG-BUTTON						
		1	<b>6K-9593</b>	1	PLUG-BUTTON						
	33	1	<b>0S-1615</b>	8	BOLT (1/4-20X0.75-IN)						
	34	1	<b>5M-6214</b>	2	PLUG (1/8-27 PTF)						
	35	1	<b>7E-6568</b>	1	FRAME AS (RH)						
	36	1	<b>7E-6572</b>	1	BRACKET (RH) (RH)						
	37	1	<b>7E-6571</b>	1	BRACKET (LH) (LH)						
	38	1	<b>7E-6567</b>	1	FRAME AS (LH)						

# GENERATORS

**7E-0098 GENERATOR GP (contd.)**

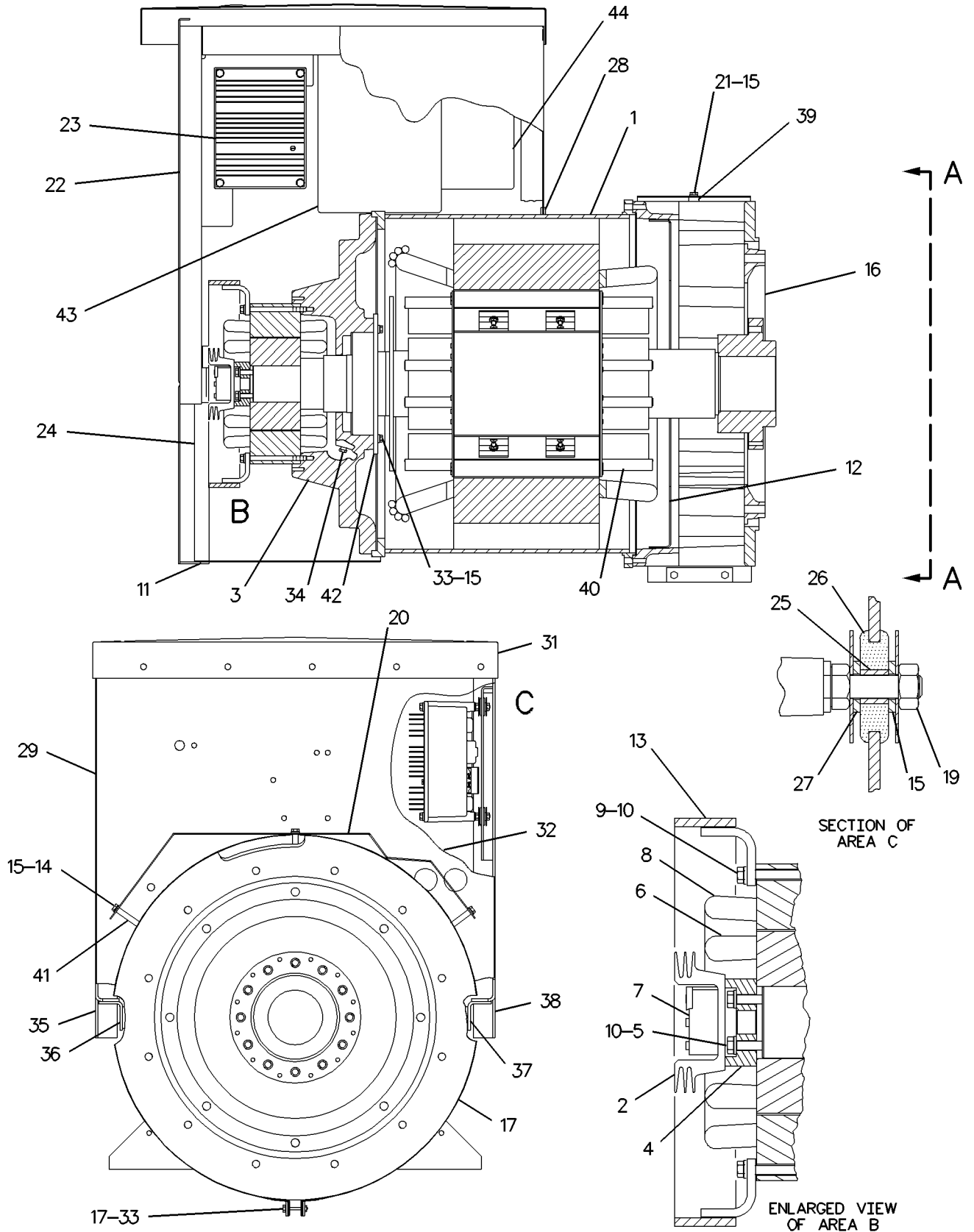
**i02012769**

NOTE	REF NO	GRAPHIC REF	PART NUMBER	QTY	PART NAME						SEE PAGE
					1	2	3	4	5	6 (PRODUCT LEVEL)	
	39	1	<b>3V-5035</b>	1	SPACER (0.302X0.54X1.03-IN THK)						
Y	40	1	<b>4P-3407</b>	1	ROTOR AS						1626
	41	1	<b>111-3187</b>	4	SPACER (8.3X11.9X38.1-MM THK)						
	42	1	<b>6I-2737</b>	2	RETAINER-BEARING						
	43	1	<b>4W-9449</b>	1	FILM-INFORMATION (GENERATOR WIRING DIAGRAM)						
	44	1	<b>7C-5711</b>	1	FILM-INSTRUCTION (VOLTAGE CONTROL ADJUSTMENT)						
					AVAILABLE REPAIR KIT(S):						
			<b>4W-3901</b>	1	KIT-ROTOR BALANCE WEIGHT (GENERATOR) (INCLUDES SCREWS, NUTS & WASHERS)						
			<b>9Y-5087</b>	1	KIT-STATOR REWIND (GENERATOR) (INCLUDES TOPSTICKS, SLOT LINERS, LEADS, LUGS, SEPARATORS, SLEEVES, CONNECTORS, CORD, TAPE, VARNISH & EPOXY RESIN)						
			<b>7E-7233</b>	1	KIT-GENERATOR HARDWARE (GENERATOR) (INCLUDES SCREWS, WASHERS, LOCKWASHERS, PLUGS, LUGS & NUTS)						
			<b>4C-6715</b>	1	KIT-RECTIFIER SILICONE (GENERATOR) (INCLUDES A TUBE OF SILICONE & A BOTTLE OF PRIMER)						
C - CHANGE FROM PREVIOUS TYPE											
Y - SEPARATE ILLUSTRATION											

# GENERATORS

7E-0098 GENERATOR GP (contd.)

102012769



GRAPHIC #1

<END>

g00822881

# GENERATORS

## 7E-0098 GENERATOR GP

S/N: 6EG1-UP

60-HERTZ. 240-VOLT. 480-VOLT. 446-FRAME. 12-LEAD

PART OF 9Y-0428 GENERATOR AR

TYPE 2

SMCS-4450

i02014828

NOTE	REF NO	GRAPHIC REF	PART NUMBER	QTY	PART NAME						SEE PAGE
					1	2	3	4	5	6 (PRODUCT LEVEL)	
	1	1	<b>4P-3406</b>	1	STATOR AS						
	2	1	<b>4P-3154</b>	1	HEAT SINK						
	3	1	<b>118-1324</b>	1	BRACKET-BEARING						
	4	1	<b>4P-3153</b>	1	SPACER (20.6X77X27.8-MM THK)						
	5	1	<b>1A-9579</b>	4	BOLT (5/16-18X1.5-IN)						
	6	1	<b>4P-3152</b>	1	ROTOR-EXCITER						
	7	1	<b>9Y-0916</b>	1	RECTIFIER AS						
	8	1	<b>9Y-5816</b>	1	STATOR-EXCITER						
	9	1	<b>3H-5932</b>	4	BOLT (5/16-18X4.5-IN)						
	10	1	<b>9M-1974</b>	8	WASHER-HARD (8.8X16X2-MM THK)						
	11	1	<b>7E-6573</b>	1	COVER-DUST						
	12	1	<b>7E-6576</b>	2	DEFLECTOR						
	13	1	<b>6I-0088</b>	1	COVER AS-EXCITER						
	14	1	<b>1B-2714</b>	4	BOLT (1/4-20X2.5-IN)						
	15	1	<b>5P-0537</b>	9	WASHER-HARD (7.2X14.5X2-MM THK)						
	16	1	<b>111-2413</b>	1	FAN-GENERATOR						
	17	1	<b>112-2563</b>	2	SCREEN AS						
	20	1	<b>7E-6574</b>	1	COVER-DRIP						
	21	1	<b>9F-7022</b>	1	BOLT (1/4-20X1.5-IN)						
	22	1	<b>4P-3149</b>	1	PANEL-REAR						
	24	1	<b>7E-6577</b>	1	COVER-RECTIFIER						
	28	1	<b>1N-7219</b>	1	CHANNEL-RUBBER						
	29	1	<b>7E-6578</b>	2	PANEL						
	31	1	<b>4P-3150</b>	1	COVER AS						
		1	<b>5N-3167</b>	2	SEAL-RING						
		1	<b>5N-3176</b>	2	PLUG-BUTTON						
		1	<b>6D-7128</b>	4	SEAL-O-RING						
		1	<b>8P-7065</b>	2	PLUG-BUTTON						
		1	<b>8T-9587</b>	2	SEAL-O-RING						
		1	<b>030-2284</b>	4	PLUG-BUTTON						
	32	1	<b>7E-6575</b>	1	PANEL AS						
		1	<b>4F-8711</b>	2	PLUG-BUTTON						
		1	<b>5N-3174</b>	8	PLUG-BUTTON						
		1	<b>5N-3175</b>	1	PLUG-BUTTON						
		1	<b>6K-9593</b>	1	PLUG-BUTTON						
	33	1	<b>0S-1615</b>	8	BOLT (1/4-20X0.75-IN)						
	34	1	<b>5M-6214</b>	2	PLUG (1/8-27 PTF)						
	35	1	<b>7E-6568</b>	1	FRAME AS (RH)						
	36	1	<b>7E-6572</b>	1	BRACKET (RH) (RH)						
	37	1	<b>7E-6571</b>	1	BRACKET (LH) (LH)						
	38	1	<b>7E-6567</b>	1	FRAME AS (LH)						
	39	1	<b>3V-5035</b>	1	SPACER (0.302X0.54X1.03-IN THK)						
Y	40	1	<b>4P-3407</b>	1	ROTOR AS						1626
	41	1	<b>111-3187</b>	4	SPACER (8.3X11.9X38.1-MM THK)						
	42	1	<b>6I-2737</b>	2	RETAINER-BEARING						
	43	1	<b>4W-9449</b>	1	FILM-INFORMATION (GENERATOR WIRING DIAGRAM)						

# GENERATORS

7E-0098 GENERATOR GP (contd.)

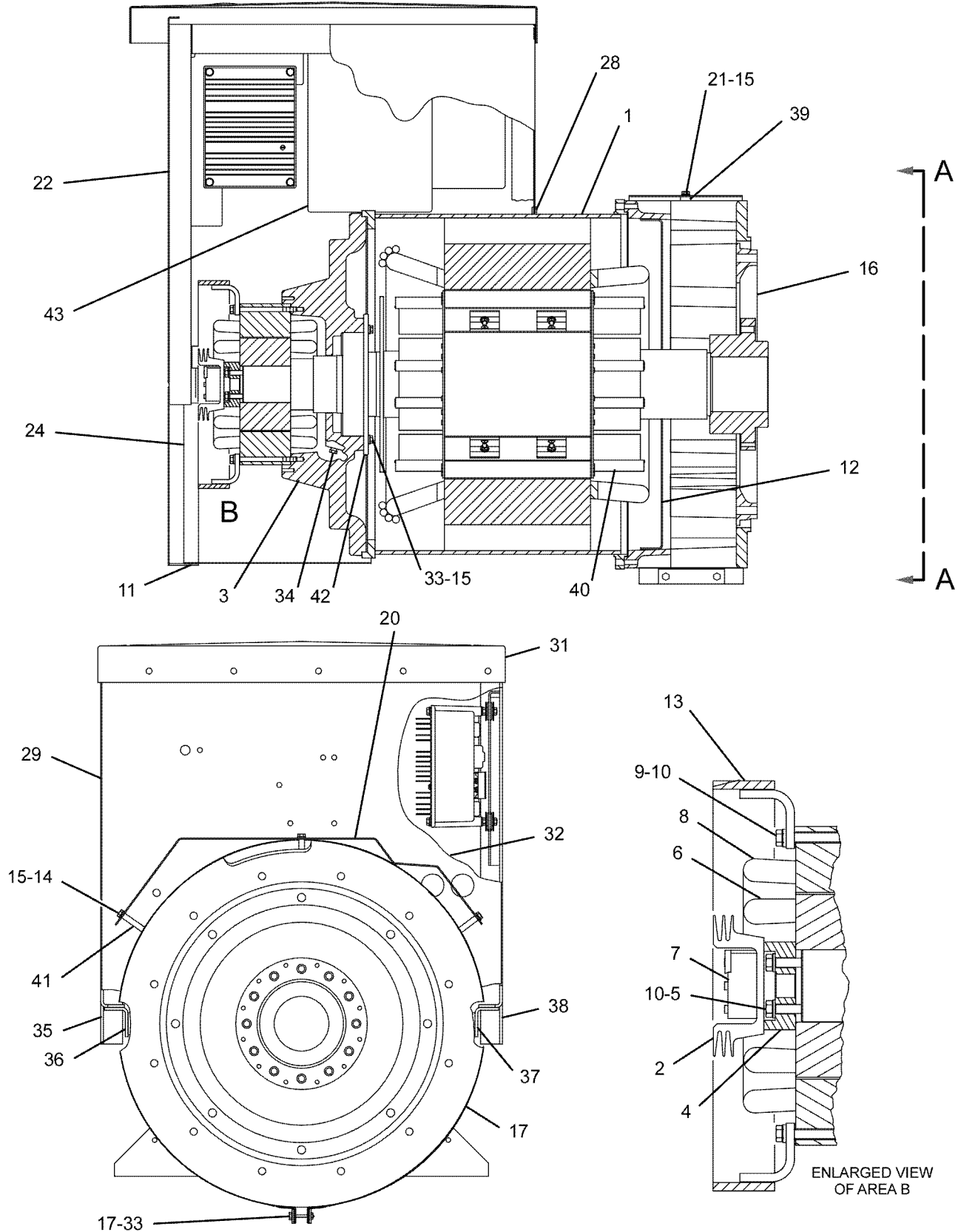
102014828

NOTE	REF NO	GRAPHIC REF	PART NUMBER	QTY	PART NAME						SEE PAGE
					1	2	3	4	5	6 (PRODUCT LEVEL)	
					AVAILABLE REPAIR KIT(S) :						
			<b>4W-3901</b>	1	KIT-ROTOR BALANCE WEIGHT (GENERATOR)						
					(INCLUDES SCREWS, NUTS & WASHERS)						
			<b>9Y-5087</b>	1	KIT-STATOR REWIND (GENERATOR)						
					(INCLUDES TOPSTICKS, SLOT LINERS, LEADS, LUGS, SEPARATORS, SLEEVES, CONNECTORS, CORD, TAPE, VARNISH & EPOXY RESIN)						
			<b>7E-7233</b>	1	KIT-GENERATOR HARDWARE (GENERATOR)						
					(INCLUDES SCREWS, WASHERS, LOCKWASHERS, PLUGS, LUGS & NUTS)						
			<b>4C-6715</b>	1	KIT-RECTIFIER SILICONE (GENERATOR)						
					(INCLUDES A TUBE OF SILICONE & A BOTTLE OF PRIMER)						
Y - SEPARATE ILLUSTRATION											

# GENERATORS

7E-0098 GENERATOR GP (contd.)

i02014828



GRAPHIC #1

<END>

g01042019

# GENERATORS

## 7E-0098 GENERATOR GP

S/N: 6EG1-UP

60-HERTZ. 240-VOLT. 480-VOLT. 446-FRAME. 12-LEAD

PART OF 9Y-0428 GENERATOR AR

TYPE 3

SMCS-4450

i02707452

NOTE	REF NO	GRAPHIC REF	PART NUMBER	QTY	PART NAME						SEE PAGE
					1	2	3	4	5	6 (PRODUCT LEVEL)	
	1	1	<b>4P-3406</b>	1	STATOR AS						
C	2	1	<b>290-5567</b>	1	HEAT SINK AS						
	3	1	<b>118-1324</b>	1	BRACKET-BEARING						
	4	1	<b>4P-3153</b>	1	SPACER (20.6X77X27.8-MM THK)						
	5	1	<b>1A-9579</b>	4	BOLT (5/16-18X1.5-IN)						
	6	1	<b>4P-3152</b>	1	ROTOR-EXCITER						
	8	1	<b>9Y-5816</b>	1	STATOR-EXCITER						
	9	1	<b>3H-5932</b>	4	BOLT (5/16-18X4.5-IN)						
	10	1	<b>9M-1974</b>	8	WASHER-HARD (8.8X16X2-MM THK)						
	11	1	<b>7E-6573</b>	1	COVER-DUST						
	12	1	<b>7E-6576</b>	2	DEFLECTOR						
	13	1	<b>6I-0088</b>	1	COVER AS-EXCITER						
	14	1	<b>1B-2714</b>	4	BOLT (1/4-20X2.5-IN)						
	15	1	<b>5P-0537</b>	9	WASHER-HARD (7.2X14.5X2-MM THK)						
	16	1	<b>111-2413</b>	1	FAN-GENERATOR						
	17	1	<b>112-2563</b>	2	SCREEN AS						
	20	1	<b>7E-6574</b>	1	COVER-DRIP						
	21	1	<b>9F-7022</b>	1	BOLT (1/4-20X1.5-IN)						
	22	1	<b>4P-3149</b>	1	PANEL-REAR						
	28	1	<b>1N-7219</b>	1	CHANNEL-RUBBER						
	29	1	<b>7E-6578</b>	2	PANEL						
	31	1	<b>4P-3150</b>	1	COVER AS						
		1	<b>5N-3167</b>	3	SEAL-RING						
		1	<b>5N-3176</b>	3	PLUG-BUTTON						
		1	<b>6D-7128</b>	4	SEAL-O-RING						
		1	<b>8P-7065</b>	2	PLUG-BUTTON						
		1	<b>8T-9587</b>	2	SEAL-O-RING						
		1	<b>030-2284</b>	4	PLUG-BUTTON						
	32	1	<b>7E-6575</b>	1	PANEL AS						
		1	<b>4F-8711</b>	2	PLUG-BUTTON						
		1	<b>5N-3174</b>	8	PLUG-BUTTON						
		1	<b>5N-3175</b>	1	PLUG-BUTTON						
		1	<b>6K-9593</b>	1	PLUG-BUTTON						
	33	1	<b>0S-1615</b>	8	BOLT (1/4-20X0.75-IN)						
	34	1	<b>5M-6214</b>	2	PLUG (1/8-27 PTF)						
	35	1	<b>7E-6568</b>	1	FRAME AS (RH)						
	36	1	<b>7E-6572</b>	1	BRACKET (RH) (RH)						
	37	1	<b>7E-6571</b>	1	BRACKET (LH) (LH)						
	38	1	<b>7E-6567</b>	1	FRAME AS (LH)						
	39	1	<b>3V-5035</b>	1	SPACER (0.302X0.54X1.03-IN THK)						
Y	40	1	<b>4P-3407</b>	1	ROTOR AS						1626
	41	1	<b>111-3187</b>	4	SPACER (8.3X11.9X38.1-MM THK)						
	42	1	<b>6I-2737</b>	2	RETAINER-BEARING						
	43	1	<b>4W-9449</b>	1	FILM-INFORMATION (GENERATOR WIRING DIAGRAM)						

AVAILABLE REPAIR KIT(S) :

# GENERATORS

7E-0098 GENERATOR GP (contd.)

i02707452

NOTE	REF NO	GRAPHIC REF	PART NUMBER	QTY	PART NAME						SEE PAGE
					1	2	3	4	5	6 (PRODUCT LEVEL)	
			<b>4W-3901</b>	1	KIT-ROTOR BALANCE WEIGHT (GENERATOR)						
					(INCLUDES SCREWS, NUTS & WASHERS)						
			<b>9Y-5087</b>	1	KIT-STATOR REWIND (GENERATOR)						
					(INCLUDES TOPSTICKS, SLOT LINERS, LEADS, LUGS, SEPARATORS, SLEEVES, CONNECTORS, CORD, TAPE, VARNISH & EPOXY RESIN)						
			<b>7E-7233</b>	1	KIT-GENERATOR HARDWARE (GENERATOR)						
					(INCLUDES SCREWS, WASHERS, LOCKWASHERS, PLUGS, LUGS & NUTS)						

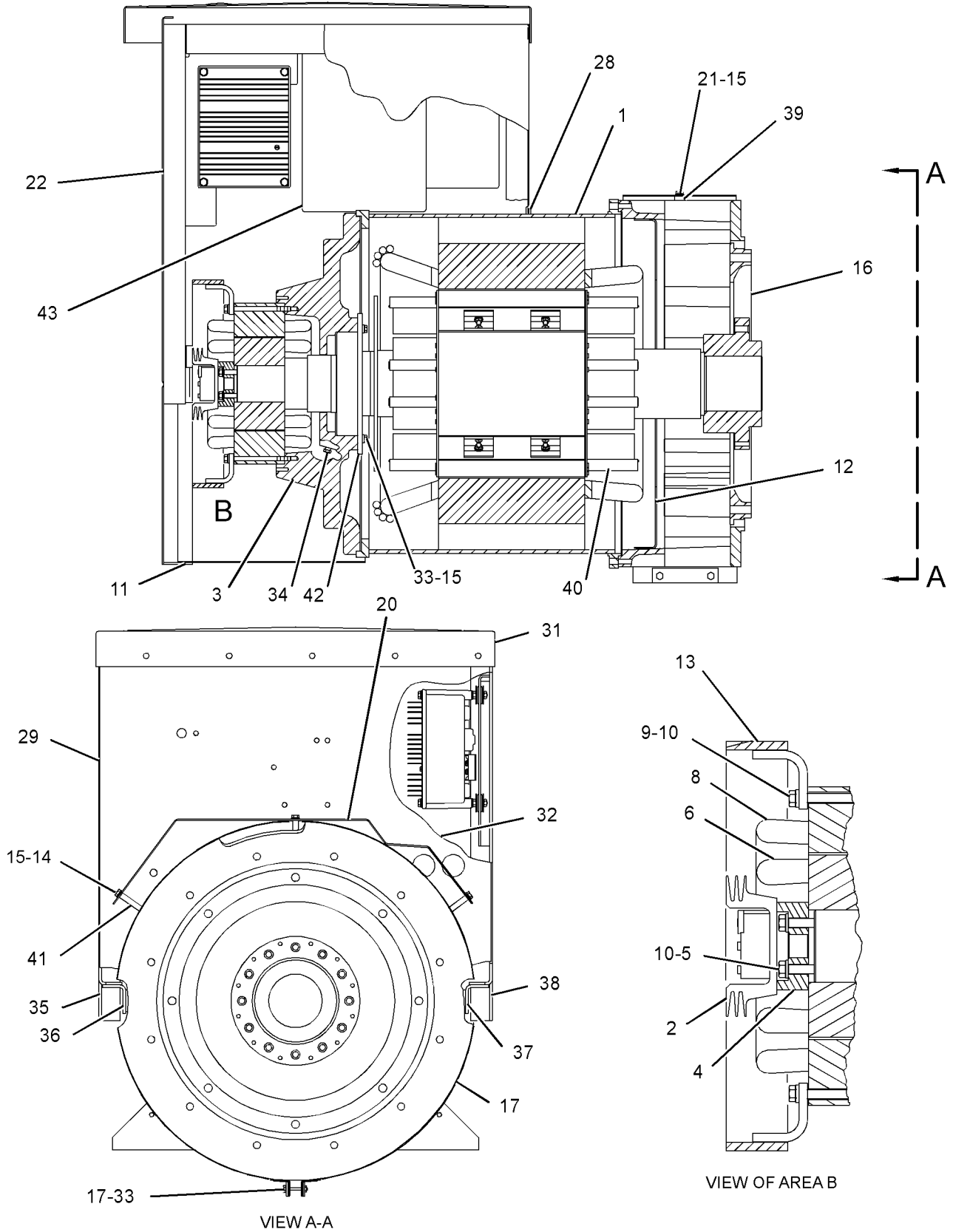
C - CHANGE FROM PREVIOUS TYPE  
Y - SEPARATE ILLUSTRATION



# GENERATORS

7E-0098 GENERATOR GP (contd.)

102707452



GRAPHIC #1

<END>

g01358937

# GENERATORS

## 7E-1243 GENERATOR GP

S/N: 8JF1-1449

60-HERTZ, 240-480 VOLTS. 447-FRAME, 10-LEAD

PART OF 4P-3386 GENERATOR AR

SMCS-4450

i01955448

NOTE	REF NO	GRAPHIC REF	PART NUMBER	QTY	PART NAME						SEE PAGE
					1	2	3	4	5	6 (PRODUCT LEVEL)	
	1	1	<b>7E-6569</b>	1	STATOR AS						
	2	1	<b>4P-3154</b>	1	HEAT SINK						
	3	1	<b>118-1324</b>	1	BRACKET-BEARING						
	4	1	<b>4P-3153</b>	1	SPACER (20.6X77X27.8-MM THK)						
	5	1	<b>1A-9579</b>	4	BOLT (5/16-18X1.5-IN)						
	6	1	<b>4P-3152</b>	1	ROTOR-EXCITER						
	7	1	<b>9Y-0916</b>	1	RECTIFIER AS						
	8	1	<b>9Y-5816</b>	1	STATOR-EXCITER						
	9	1	<b>3H-5932</b>	4	BOLT (5/16-18X4.5-IN)						
	10	1	<b>9M-1974</b>	8	WASHER-HARD (8.8X16X2-MM THK)						
	11	1	<b>7E-6573</b>	1	COVER-DUST						
	12	1	<b>7E-6576</b>	2	DEFLECTOR						
	13	1	<b>6I-0088</b>	1	COVER AS-EXCITER						
	14	1	<b>1B-2714</b>	4	BOLT (1/4-20X2.5-IN)						
	15	1	<b>5P-0537</b>	15	WASHER-HARD (7.2X14.5X2-MM THK)						
	16	1	<b>6L-3498</b>	1	FAN-GENERATOR						
	17	1	<b>7E-6570</b>	1	SCREEN AS						
		1	<b>9Y-2970</b>	2	RETAINER						
	18	1	<b>5N-3886</b>	2	SCREW (10-32X1.5-IN)						
	19	1	<b>9S-8750</b>	3	NUT-FULL (1/4-20-THD)						
	20	1	<b>7E-6574</b>	1	COVER-DRIP						
	21	1	<b>9F-7022</b>	1	BOLT (1/4-20X1.5-IN)						
	22	1	<b>4P-3149</b>	1	PANEL-REAR						
Y	23	1	<b>149-6130</b>	1	REGULATOR AS-VOLTAGE						1605
	24	1	<b>7E-6577</b>	1	COVER-RECTIFIER						
	25	1	<b>7C-5709</b>	3	SLEEVE						
	26	1	<b>7C-5708</b>	3	GROMMET						
	27	1	<b>033-2075</b>	6	WASHER (0.266X1.25X0.06-IN THK)						
	28	1	<b>1N-7219</b>	1	CHANNEL-RUBBER						
	29	1	<b>7E-6578</b>	2	PANEL						
	30	1	<b>4B-2049</b>	2	NUT (10-32-THD)						
	31	1	<b>4P-3150</b>	1	COVER AS						
		1	<b>5N-3167</b>	2	SEAL-RING						
		1	<b>5N-3176</b>	2	PLUG-BUTTON						
		1	<b>6D-7128</b>	4	SEAL-O-RING						
		1	<b>8P-7065</b>	2	PLUG-BUTTON						
		1	<b>8T-9587</b>	2	SEAL-O-RING						
		1	<b>030-2284</b>	4	PLUG-BUTTON						
	32	1	<b>7E-6575</b>	1	PANEL AS						
		1	<b>4F-8711</b>	2	PLUG-BUTTON						
		1	<b>5N-3174</b>	8	PLUG-BUTTON						
		1	<b>5N-3175</b>	1	PLUG-BUTTON						
		1	<b>6K-9593</b>	1	PLUG-BUTTON						
	33	1	<b>0S-1615</b>	4	BOLT (1/4-20X0.75-IN)						
	34	1	<b>5M-6214</b>	2	PLUG (1/8-27 PTF)						
	35	1	<b>7E-6568</b>	1	FRAME AS (RH)						

# GENERATORS

7E-1243 GENERATOR GP (contd.)

i01955448

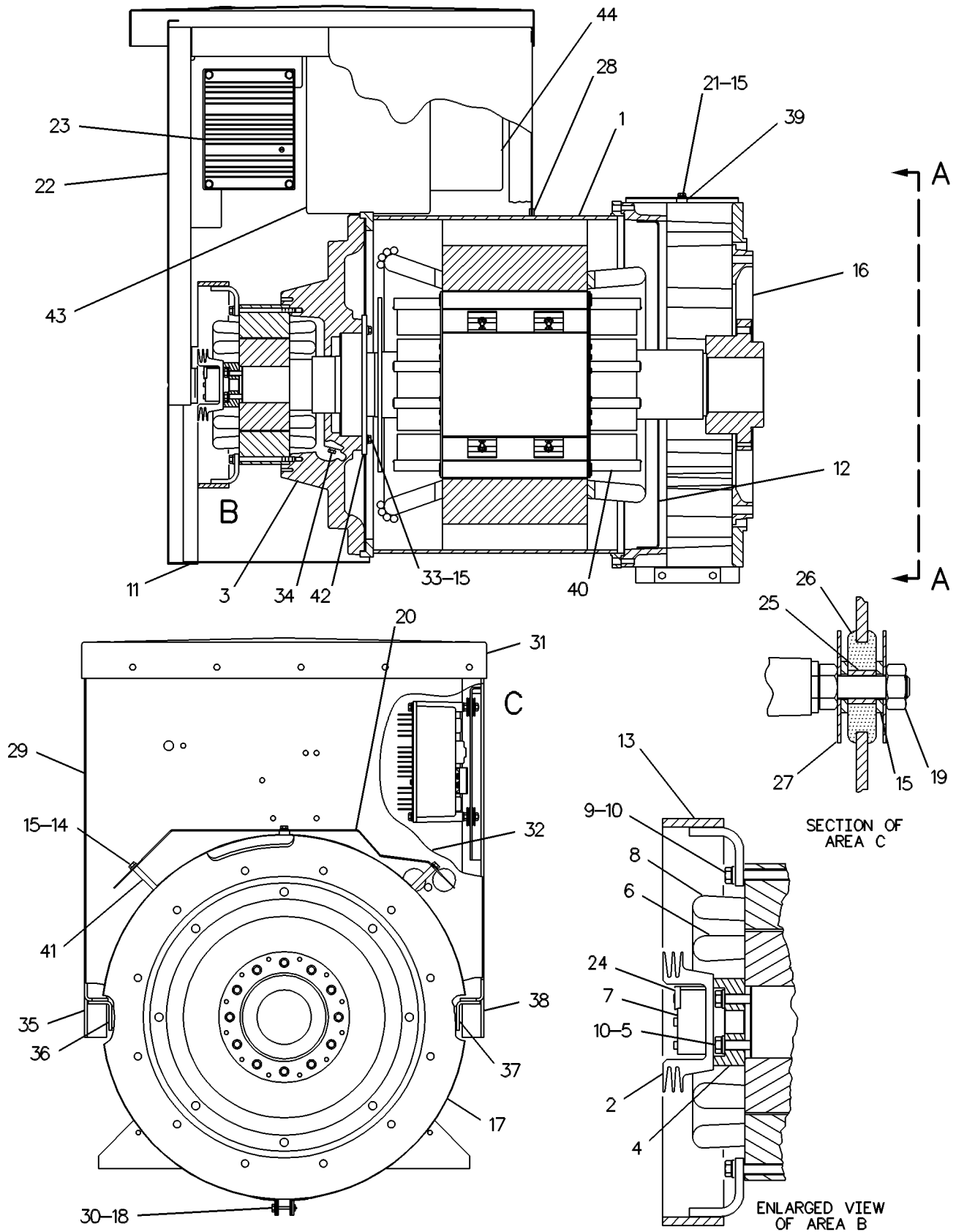
NOTE	REF NO	GRAPHIC REF	PART NUMBER	QTY	PART NAME						SEE PAGE
					1	2	3	4	5	6 (PRODUCT LEVEL)	
	36	1	<b>7E-6572</b>	1	BRACKET (RH)						
	37	1	<b>7E-6571</b>	1	BRACKET (LH)						
	38	1	<b>7E-6567</b>	1	FRAME AS (LH)						
	39	1	<b>3V-5035</b>	1	SPACER (0.302X0.54X1.03-IN THK)						
Y	40	1	<b>4P-3151</b>	1	ROTOR AS						1623
	41	1	<b>111-3187</b>	4	SPACER (8.3X11.9X38.1-MM THK)						
	42	1	<b>6I-2737</b>	2	RETAINER-BEARING						
	43	1	<b>4W-9449</b>	1	FILM-INFORMATION (GENERATOR WIRING DIAGRAM)						
	44	1	<b>7C-5711</b>	1	FILM-INSTRUCTION (VOLTAGE CONTROL ADJUSTMENT)						
					AVAILABLE REPAIR KIT(S):						
			<b>4W-3901</b>	1	KIT-ROTOR BALANCE WEIGHT (GENERATOR) (GENERATOR) (INCLUDES SCREWS, NUTS & WASHERS)						
			<b>9Y-5090</b>	1	KIT-STATOR REWIND (GENERATOR) (INCLUDES TOPSTICKS, LINERS, LEADS, LUGS, SEPARATORS, SLEEVES, CONNECTORS, CORD, TAPE, VARISH, EPOXY RESIN, & REGULATOR TERMINALS)						
			<b>7E-7233</b>	1	KIT-GENERATOR HARDWARE (INCLUDES SCREWS, WASHERS, LOCKWASHERS, PLUGS, LUGS & NUTS)						
			<b>4C-6715</b>	1	KIT-RECTIFIER SILICONE (GENERATOR) (INCLUDES A TUBE OF SILICONE & A BOTTLE OF PRIMER)						

Y - SEPARATE ILLUSTRATION

# GENERATORS

7E-1243 GENERATOR GP (contd.)

i01955448



GRAPHIC #1

<END>

g00249748

# GENERATORS

## 7E-1243 GENERATOR GP

S/N: 8JF1450-UP

60-HERTZ, 240-480 VOLTS. 447-FRAME, 10-LEAD

PART OF 4P-3386 GENERATOR AR

TYPE 1

SMCS-4450

i01955453

NOTE	REF NO	GRAPHIC REF	PART NUMBER	QTY	PART NAME						SEE PAGE
					1	2	3	4	5	6 (PRODUCT LEVEL)	
	1	1	<b>7E-6569</b>	1	STATOR AS						
	2	1	<b>4P-3154</b>	1	HEAT SINK						
	3	1	<b>118-1324</b>	1	BRACKET-BEARING						
	4	1	<b>4P-3153</b>	1	SPACER (20.6X77X27.8-MM THK)						
	5	1	<b>1A-9579</b>	4	BOLT (5/16-18X1.5-IN)						
	6	1	<b>4P-3152</b>	1	ROTOR-EXCITER						
	7	1	<b>9Y-0916</b>	1	RECTIFIER AS						
B		1	<b>117-8556</b>	2	WASHER (5.6X7.8X0.5-MM THK)						
		1	<b>2R-8159</b>	2	BOLT-SOCKET HEAD (10-32X1.5-IN)						
	8	1	<b>9Y-5816</b>	1	STATOR-EXCITER						
	9	1	<b>3H-5932</b>	4	BOLT (5/16-18X4.5-IN)						
	10	1	<b>9M-1974</b>	8	WASHER-HARD (8.8X16X2-MM THK)						
	11	1	<b>7E-6573</b>	1	COVER-DUST						
	12	1	<b>7E-6576</b>	2	DEFLECTOR						
	13	1	<b>6I-0088</b>	1	COVER AS-EXCITER						
	14	1	<b>1B-2714</b>	4	BOLT (1/4-20X2.5-IN)						
	15	1	<b>5P-0537</b>	15	WASHER-HARD (7.2X14.5X2-MM THK)						
C	16	1	<b>111-2413</b>	1	FAN-GENERATOR						
		1	<b>7C-7319</b>	2	FILM-NOTICE (GENERATOR FAN)						
C	17	1	<b>112-2563</b>	2	SCREEN AS						
	18	1	<b>9S-8750</b>	3	NUT-FULL (1/4-20-THD)						
	19	1	<b>7E-6574</b>	1	COVER-DRIP						
C	20	1	<b>0S-1615</b>	8	BOLT (1/4-20X0.75-IN)						
	21	1	<b>4P-3149</b>	1	PANEL-REAR						
Y	22	1	<b>149-6130</b>	1	REGULATOR AS-VOLTAGE						1605
	23	1	<b>7E-6577</b>	1	COVER-RECTIFIER						
	24	1	<b>7C-5709</b>	3	SLEEVE						
	25	1	<b>7C-5708</b>	3	GROMMET						
	26	1	<b>033-2075</b>	6	WASHER (0.266X1.25X0.06-IN THK)						
	27	1	<b>1N-7219</b>	1	CHANNEL-RUBBER						
	28	1	<b>7E-6578</b>	2	PANEL (SIDE)						
	29	1	<b>4W-9449</b>	1	FILM-INFORMATION (GENERATOR WIRING DIAGRAM)						
	30	1	<b>7C-5711</b>	1	FILM-INSTRUCTION (VOLTAGE CONTROL ADJUSTMENT)						
	31	1	<b>7E-6575</b>	1	PANEL AS (FRONT)						
		1	<b>4F-8711</b>	2	PLUG-BUTTON						
		1	<b>5N-3174</b>	8	PLUG-BUTTON						
		1	<b>5N-3175</b>	1	PLUG-BUTTON						
		1	<b>6K-9593</b>	1	PLUG-BUTTON						
	32	1	<b>3V-5035</b>	1	SPACER (0.302X0.54X1.03-IN THK)						
	33	1	<b>5M-6214</b>	2	PLUG (1/8-27 PTF)						
	34	1	<b>7E-6568</b>	1	FRAME AS (RH)						
	35	1	<b>7E-6572</b>	1	BRACKET (RH)						
	36	1	<b>7E-6571</b>	1	BRACKET (LH)						
	37	1	<b>7E-6567</b>	1	FRAME AS (LH)						
	38	1	<b>9F-7022</b>	1	BOLT (1/4-20X1.5-IN)						
Y	39	1	<b>4P-3151</b>	1	ROTOR AS						1623

# GENERATORS

**7E-1243 GENERATOR GP (contd.)**

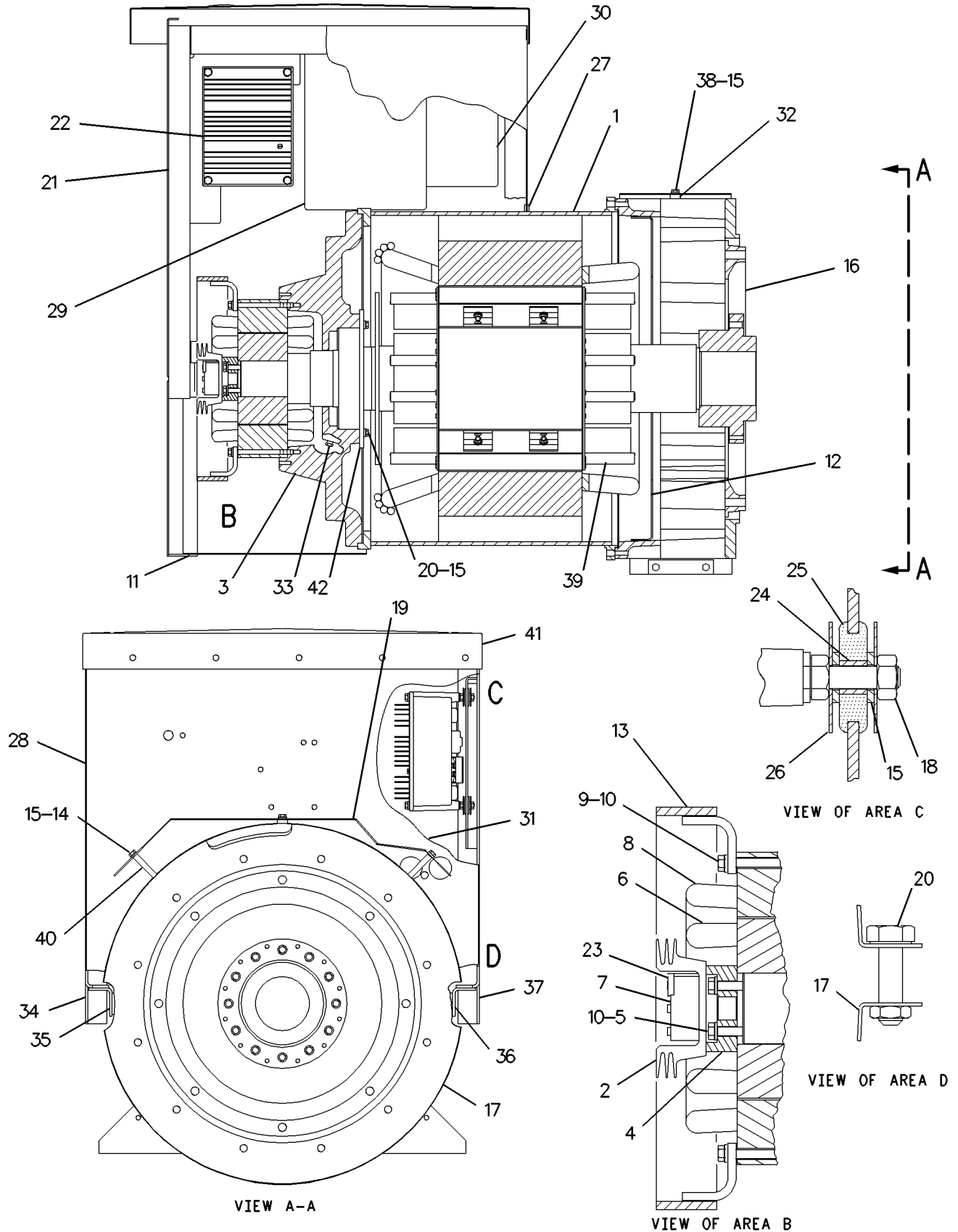
**i01955453**

NOTE	REF NO	GRAPHIC REF	PART NUMBER	QTY	PART NAME						SEE PAGE
					1	2	3	4	5	6 (PRODUCT LEVEL)	
	40	1	<b>111-3187</b>	4	SPACER (8.3X11.9X38.1-MM THK)						
	41	1	<b>4P-3150</b>	1	COVER AS (TOP)						
		1	<b>5N-3167</b>	3	SEAL-RING						
		1	<b>5N-3176</b>	3	PLUG-BUTTON						
		1	<b>6D-7128</b>	4	SEAL-O-RING						
		1	<b>8P-7065</b>	2	PLUG-BUTTON						
		1	<b>8T-9587</b>	2	SEAL-O-RING						
		1	<b>030-2284</b>	4	PLUG-BUTTON						
	42	1	<b>6I-2737</b>	2	RETAINER-BEARING						
					AVAILABLE REPAIR KIT(S):						
			<b>4W-3901</b>	1	KIT-ROTOR BALANCE WEIGHT (GENERATOR) (GENERATOR)						
					(INCLUDES SCREWS, NUTS, WASHERS & WEIGHTS)						
			<b>9Y-5090</b>	1	KIT-STATOR REWIND (GENERATOR)						
					(INCLUDES TOPSTICKS, LINERS, LEADS, LUGS, TERMINALS, SEPARATORS, SLEEVES, CONNECTORS, CORD, TAPE, RESIN, & VARNISH)						
			<b>7E-7233</b>	1	KIT-GENERATOR HARDWARE						
					(INCLUDES SCREWS, NUTS, WASHERS, LUGS, & PLUGS)						
<p>B - USE AS REQUIRED            C - CHANGE FROM PREVIOUS TYPE            Y - SEPARATE ILLUSTRATION</p>											

# GENERATORS

7E-1243 GENERATOR GP (contd.)

101955453



GRAPHIC #1

<END>

g00828201

# GENERATORS

## 7E-1243 GENERATOR GP

S/N: 8JF1450-UP

60-HERTZ, 240-480 VOLTS. 447-FRAME, 10-LEAD

PART OF 4P-3386 GENERATOR AR

TYPE 2

SMCS-4450

i02652639

NOTE	REF NO	GRAPHIC REF	PART NUMBER	QTY	PART NAME						SEE PAGE
					1	2	3	4	5	6 (PRODUCT LEVEL)	
	1	1	<b>7E-6569</b>	1	STATOR AS						
	2	1	<b>290-5567</b>	1	HEAT SINK AS						
	3	1	<b>118-1324</b>	1	BRACKET-BEARING						
	4	1	<b>4P-3153</b>	1	SPACER (20.6X77X27.8-MM THK)						
	5	1	<b>1A-9579</b>	4	BOLT (5/16-18X1.5-IN)						
	6	1	<b>4P-3152</b>	1	ROTOR-EXCITER						
	8	1	<b>9Y-5816</b>	1	STATOR-EXCITER						
	9	1	<b>3H-5932</b>	4	BOLT (5/16-18X4.5-IN)						
	10	1	<b>9M-1974</b>	8	WASHER-HARD (8.8X16X2-MM THK)						
	11	1	<b>7E-6573</b>	1	COVER-DUST						
	12	1	<b>7E-6576</b>	2	DEFLECTOR						
	13	1	<b>6I-0088</b>	1	COVER AS-EXCITER						
	14	1	<b>1B-2714</b>	4	BOLT (1/4-20X2.5-IN)						
	15	1	<b>5P-0537</b>	9	WASHER-HARD (7.2X14.5X2-MM THK)						
C	16	1	<b>111-2413</b>	1	FAN-GENERATOR						
C	17	1	<b>112-2563</b>	2	SCREEN AS						
	19	1	<b>7E-6574</b>	1	COVER-DRIP						
C	20	1	<b>0S-1615</b>	8	BOLT (1/4-20X0.75-IN)						
	21	1	<b>4P-3149</b>	1	PANEL-REAR						
	27	1	<b>1N-7219</b>	1	CHANNEL-RUBBER						
	28	1	<b>7E-6578</b>	2	PANEL (SIDE)						
	29	1	<b>4W-9449</b>	1	FILM-INFORMATION (GENERATOR WIRING DIAGRAM)						
	31	1	<b>7E-6575</b>	1	PANEL AS (FRONT)						
		1	<b>4F-8711</b>	2	PLUG-BUTTON						
		1	<b>5N-3174</b>	8	PLUG-BUTTON						
		1	<b>5N-3175</b>	1	PLUG-BUTTON						
		1	<b>6K-9593</b>	1	PLUG-BUTTON						
	32	1	<b>3V-5035</b>	1	SPACER (0.302X0.54X1.03-IN THK)						
	33	1	<b>5M-6214</b>	2	PLUG (1/8-27 PTF)						
	34	1	<b>7E-6568</b>	1	FRAME AS (RH)						
	35	1	<b>7E-6572</b>	1	BRACKET (RH)						
	36	1	<b>7E-6571</b>	1	BRACKET (LH)						
	37	1	<b>7E-6567</b>	1	FRAME AS (LH)						
	38	1	<b>9F-7022</b>	1	BOLT (1/4-20X1.5-IN)						
Y	39	1	<b>4P-3151</b>	1	ROTOR AS						1623
	40	1	<b>111-3187</b>	4	SPACER (8.3X11.9X38.1-MM THK)						
	41	1	<b>4P-3150</b>	1	COVER AS (TOP)						
		1	<b>5N-3167</b>	3	SEAL-RING						
		1	<b>5N-3176</b>	3	PLUG-BUTTON						
		1	<b>6D-7128</b>	4	SEAL-O-RING						
		1	<b>8P-7065</b>	2	PLUG-BUTTON						
		1	<b>8T-9587</b>	2	SEAL-O-RING						
		1	<b>030-2284</b>	4	PLUG-BUTTON						
	42	1	<b>6I-2737</b>	2	RETAINER-BEARING						

AVAILABLE REPAIR KIT(S) :



# GENERATORS

7E-1243 **GENERATOR GP** (contd.)

**i02652639**

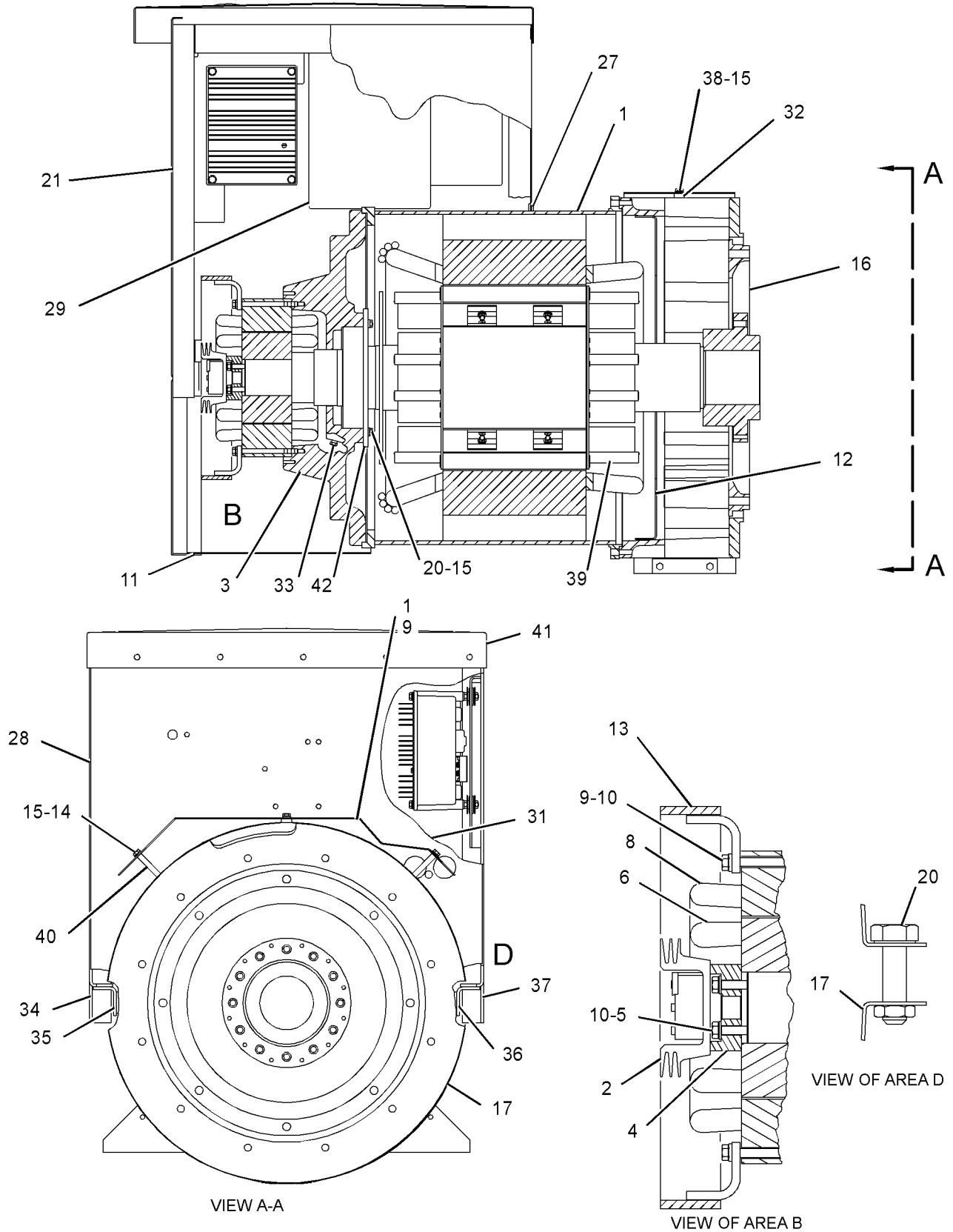
NOTE	REF NO	GRAPHIC REF	PART NUMBER	QTY	PART NAME						SEE PAGE
					1	2	3	4	5	6 (PRODUCT LEVEL)	
			<b>4W-3901</b>	1	KIT-ROTOR BALANCE WEIGHT (GENERATOR) (GENERATOR) (INCLUDES SCREWS, NUTS, WASHERS & WEIGHTS)						
			<b>9Y-5090</b>	1	KIT-STATOR REWIND (GENERATOR) (INCLUDES TOPSTICKS, LINERS, LEADS, LUGS, TERMINALS, SEPARATORS, SLEEVES, CONNECTORS, CORD, TAPE, RESIN, & VARNISH)						
			<b>7E-7233</b>	1	KIT-GENERATOR HARDWARE (INCLUDES SCREWS, NUTS, WASHERS, LUGS, & PLUGS)						

C - CHANGE FROM PREVIOUS TYPE  
Y - SEPARATE ILLUSTRATION

# GENERATORS

7E-1243 GENERATOR GP (contd.)

i02652639



GRAPHIC #1

<END>

g01332575

# GENERATORS

## 7W-8744 GENERATOR GP

S/N: 5FA4499-UP

PART OF 7W-8746 GENERATOR AR

TYPE 1

SMCS-4450

i01999028

NOTE	REF NO	GRAPHIC REF	PART NUMBER	QTY	PART NAME						SEE PAGE
					1	2	3	4	5	6 (PRODUCT LEVEL)	
	1	1	<b>3N-4406</b>	2	PANEL - BOX						
	2	1	<b>7C-8761</b>	1	TRANSFORMER AS						
	3	1	<b>5N-0590</b>	1	STATOR AS-EXCITER						
	4	1	<b>1N-7219</b>	1	CHANNEL - RUBBER						
	5	1	<b>3H-5932</b>	4	BOLT (5/16-18X4.5-IN)						
		1	<b>9M-1974</b>	4	WASHER-HARD (8.8X16X2-MM THK)						
	7	1	<b>111-2413</b>	1	FAN-GENERATOR						
	8	1	<b>2L-5815</b>	1	SCREEN-ADAPTER						
	9	1	<b>8L-8419</b>	1	DEFLECTOR						
	10	1	<b>5N-2363</b>	1	STATOR AS						
		1	<b>6L-6648</b>	1	CHANNEL						
Y	11	1	<b>5N-9136</b>	1	ROTOR AS						1629
	12	1	<b>5N-0541</b>	1	BRACKET-FIELD						
	13	1	<b>3N-1963</b>	2	RETAINER-BEARING						
	14	1	<b>3N-4403</b>	1	FRAME AS (RH)						
	15	1	<b>6L-7008</b>	2	STRAP-CABLE						
	16	1	<b>7W-6418</b>	1	PANEL AS-BOX						
		1	<b>4F-8711</b>	2	PLUG-BUTTON						
	17	1	<b>5N-3175</b>	1	PLUG-BUTTON						
	18	1	<b>5N-3174</b>	8	PLUG-BUTTON						
	19	2	<b>7C-6107</b>	1	FRAME AS (LH)						
	20	2	<b>5N-3163</b>	1	COVER AS-TOP						
		2	<b>8P-7065</b>	2	PLUG-BUTTON						
		2	<b>2D-6392</b>	2	SEAL-O-RING						
		2	<b>030-2284</b>	4	PLUG-BUTTON						
		2	<b>6D-7128</b>	4	SEAL-O-RING						
		2	<b>5N-3176</b>	2	PLUG-BUTTON						
		2	<b>5N-3167</b>	2	SEAL-RING						
	21	2	<b>8J-1256</b>	1	CLIP (LOOP)						
	22	2	<b>1N-7224</b>	4	LOUVER						
	23	2	<b>1N-7222</b>	1	COVER AS-BOX						
	24	2	<b>3N-4409</b>	1	BRACKET-BOX (RH)						
	25	2	<b>5P-0537</b>	8	WASHER-HARD (7.2X14.5X2-MM THK)						
	26	2	<b>9S-8750</b>	4	NUT-FULL (1/4-20-THD)						
	27	2	<b>1N-7225</b>	1	PANEL-METER						
CY	28	2	<b>149-6130</b>	1	REGULATOR AS-VOLTAGE						1605
	29	2	<b>3N-4408</b>	1	BRACKET-BOX (LH)						
	30	2	<b>3N-7753</b>	1	COVER						
	31	2	<b>7C-5709</b>	3	SLEEVE						
	32	2	<b>7C-5708</b>	3	GROMMET						
	33	2	<b>033-2075</b>	6	WASHER (0.266X1.25X0.06-IN THK)						
	34	2	<b>7C-8760</b>	1	RHEOSTAT AS						
F		2	<b>7C-5711</b>	1	FILM-INSTRUCTION (VOLTAGE CONTROL ADJUSTMENT)						
F		2	<b>4W-9449</b>	1	FILM-INFORMATION (GENERATOR WIRING DIAGRAM)						

AVAILABLE REPAIR KIT(S) :

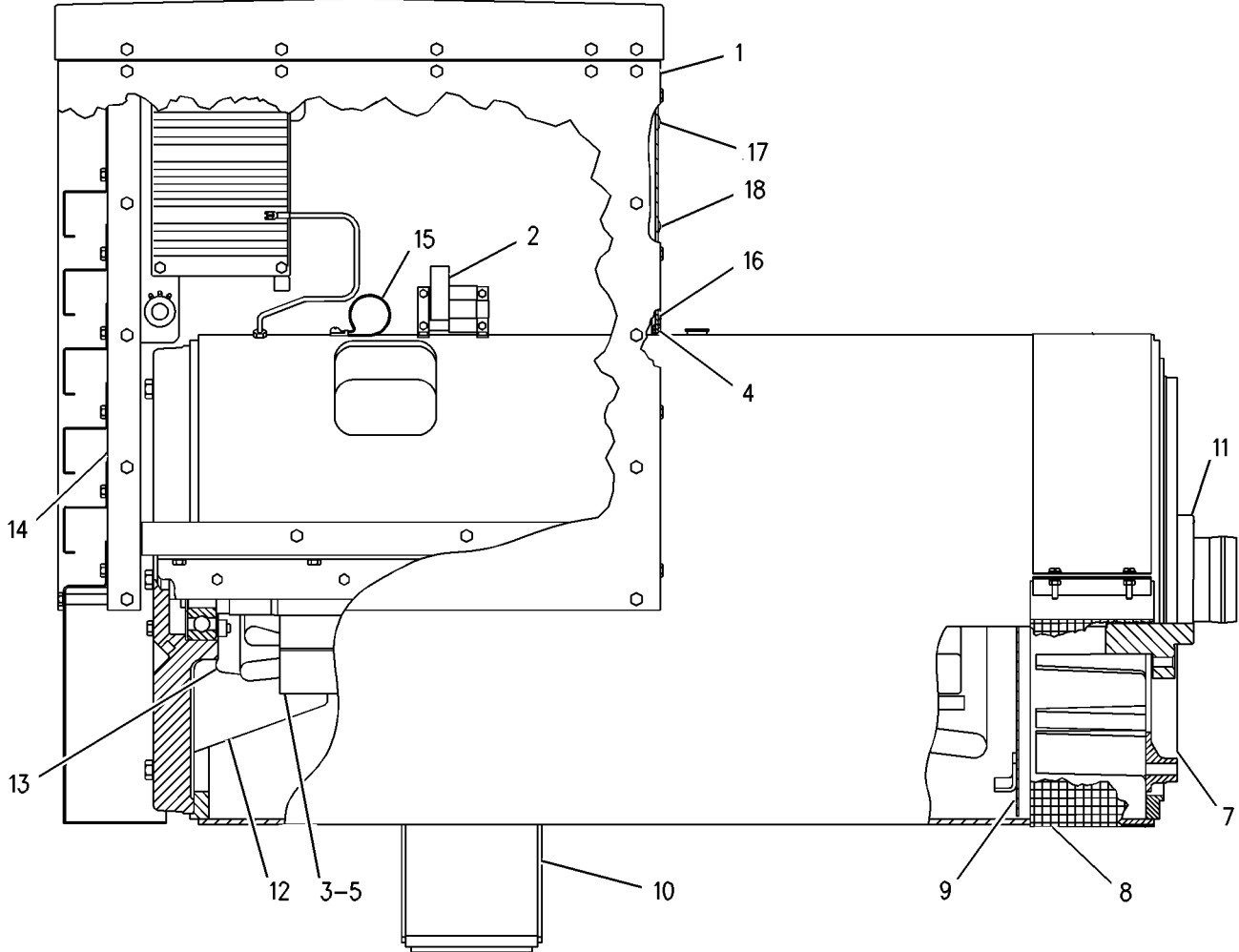
# GENERATORS

7W-8744 **GENERATOR GP** (contd.)

**i01999028**

NOTE	REF NO	GRAPHIC REF	PART NUMBER	QTY	PART NAME						SEE PAGE
					1	2	3	4	5	6 (PRODUCT LEVEL)	
			<b>3N-8631</b>	1	<b>KIT-ROTOR BALANCE WEIGHT (GENERATOR)</b>						
					(INCLUDES SCREWS, NUTS, WASHER & LOCKWASHERS)						
			<b>3N-8101</b>	1	<b>KIT-HARDWARE (GENERATOR)</b>						
					(INCLUDES SCREWS, BOLTS, WASHERS, NUTS, LOCKWASHERS & PLUGS)						

C - CHANGE FROM PREVIOUS TYPE  
 F - NOT SHOWN  
 Y - SEPARATE ILLUSTRATION



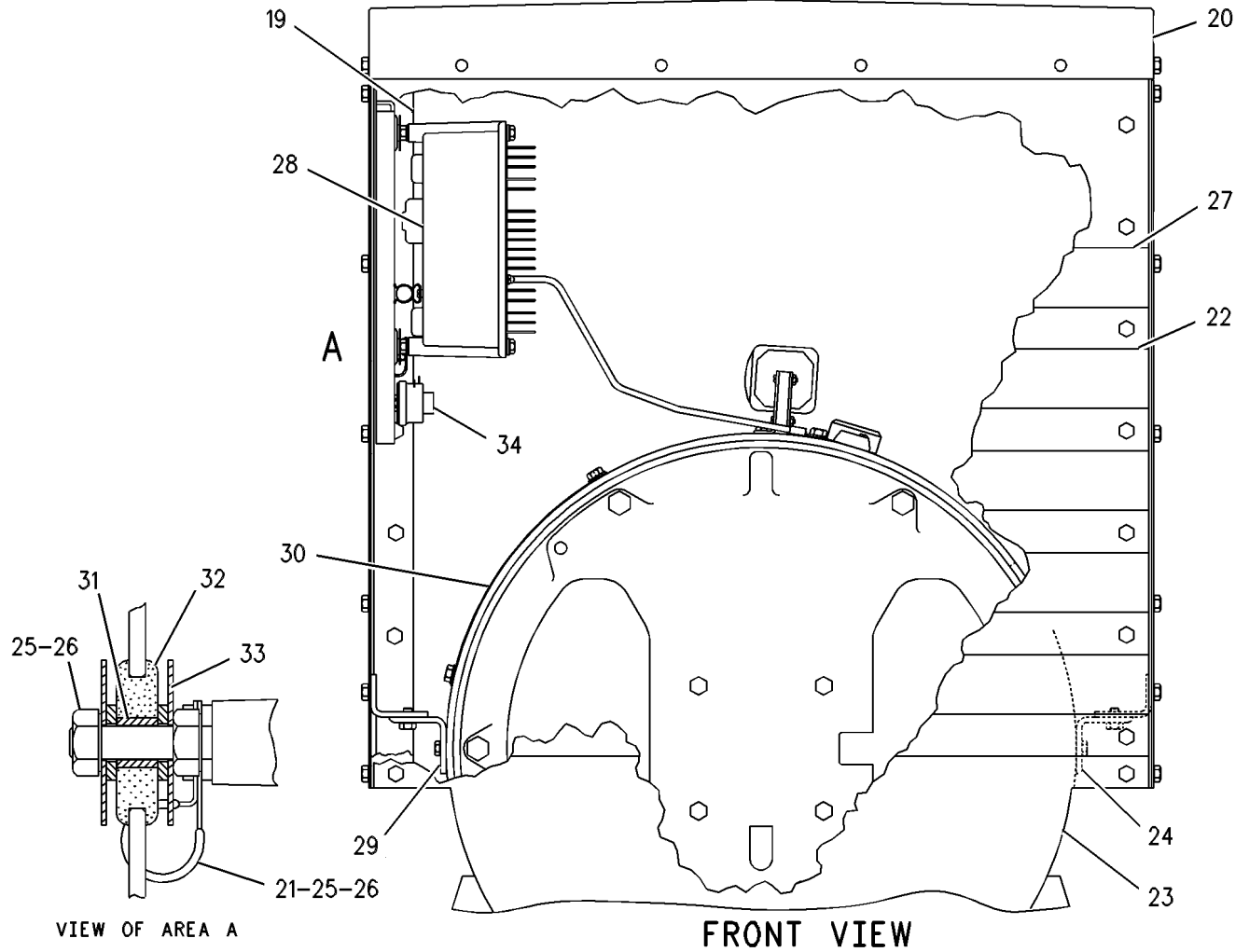
GRAPHIC #1

g00795677

# GENERATORS

7W-8744 GENERATOR GP (contd.)

i01999028



GRAPHIC #2

<END>

g00408300

# GENERATORS

## 7W-8744 GENERATOR GP

S/N: 5FA4499-UP

PART OF 7W-8746 GENERATOR AR

TYPE 2

SMCS-4450

i02038292

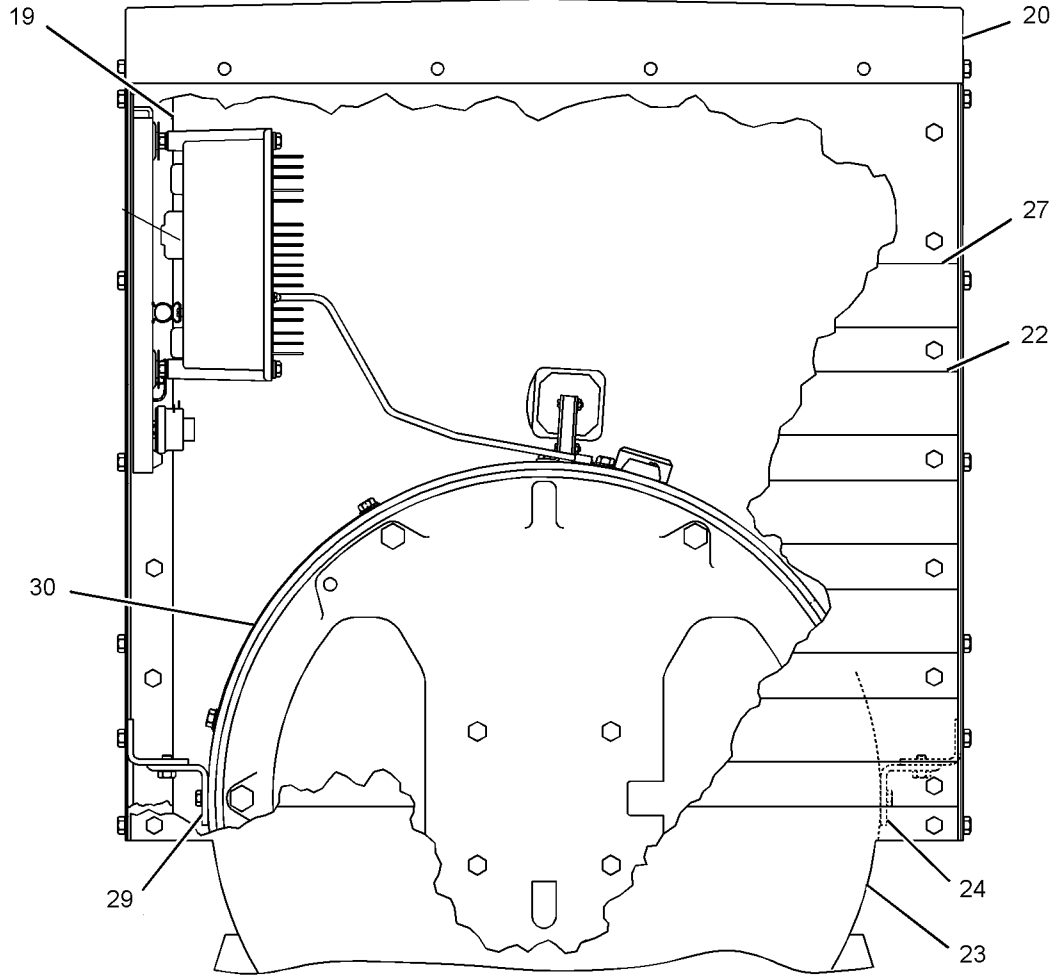
NOTE	REF NO	GRAPHIC REF	PART NUMBER	QTY	PART NAME						SEE PAGE
					1	2	3	4	5	6 (PRODUCT LEVEL)	
	1	1	<b>3N-4406</b>	2	PANEL-BOX						
CY	2	1	<b>244-4461</b>	1	TRANSFORMER AS						1307
	3	1	<b>5N-0590</b>	1	STATOR AS-EXCITER						
	4	1	<b>1N-7219</b>	1	CHANNEL-RUBBER						
	5	1	<b>3H-5932</b>	4	BOLT (5/16-18X4.5-IN)						
		1	<b>9M-1974</b>	4	WASHER-HARD (8.8X16X2-MM THK)						
	7	1	<b>111-2413</b>	1	FAN-GENERATOR						
	8	1	<b>2L-5815</b>	1	SCREEN-ADAPTER						
	9	1	<b>8L-8419</b>	1	DEFLECTOR						
	10	1	<b>5N-2363</b>	1	STATOR AS						
		1	<b>6L-6648</b>	1	CHANNEL						
Y	11	1	<b>5N-9136</b>	1	ROTOR AS						1629
	12	1	<b>5N-0541</b>	1	BRACKET-FIELD						
	13	1	<b>3N-1963</b>	2	RETAINER-BEARING						
	14	1	<b>3N-4403</b>	1	FRAME AS (RH)						
	15	1	<b>6L-7008</b>	2	STRAP-CABLE						
	16	1	<b>7W-6418</b>	1	PANEL AS-BOX						
		1	<b>4F-8711</b>	2	PLUG-BUTTON						
		1	<b>5N-3175</b>	1	PLUG-BUTTON						
		1	<b>5N-3174</b>	8	PLUG-BUTTON						
	19	2	<b>7C-6107</b>	1	FRAME AS (LH)						
	20	2	<b>5N-3163</b>	1	COVER AS-TOP						
		2	<b>8P-7065</b>	2	PLUG-BUTTON						
		2	<b>2D-6392</b>	2	SEAL-O-RING						
		2	<b>030-2284</b>	4	PLUG-BUTTON						
		2	<b>6D-7128</b>	4	SEAL-O-RING						
		2	<b>5N-3176</b>	2	PLUG-BUTTON						
		2	<b>5N-3167</b>	2	SEAL-RING						
	22	2	<b>1N-7224</b>	4	LOUVER						
	23	2	<b>1N-7222</b>	1	COVER AS-BOX						
	24	2	<b>3N-4409</b>	1	BRACKET-BOX (RH)						
	27	2	<b>1N-7225</b>	1	PANEL-METER						
	29	2	<b>3N-4408</b>	1	BRACKET-BOX (LH)						
	30	2	<b>3N-7753</b>	1	COVER						
F		2	<b>4W-9449</b>	1	FILM-INFORMATION (GENERATOR WIRING DIAGRAM)						
					AVAILABLE REPAIR KIT(S):						
			<b>3N-8631</b>	1	KIT-ROTOR BALANCE WEIGHT (GENERATOR)						
					(INCLUDES SCREWS, NUTS, WASHER & LOCKWASHERS)						
			<b>3N-8101</b>	1	KIT-HARDWARE (GENERATOR)						
					(INCLUDES SCREWS, BOLTS, WASHERS, NUTS, LOCKWASHERS & PLUGS)						

C - CHANGE FROM PREVIOUS TYPE  
 F - NOT SHOWN  
 Y - SEPARATE ILLUSTRATION

# GENERATORS

7W-8744 GENERATOR GP (contd.)

102038292



FRONT VIEW

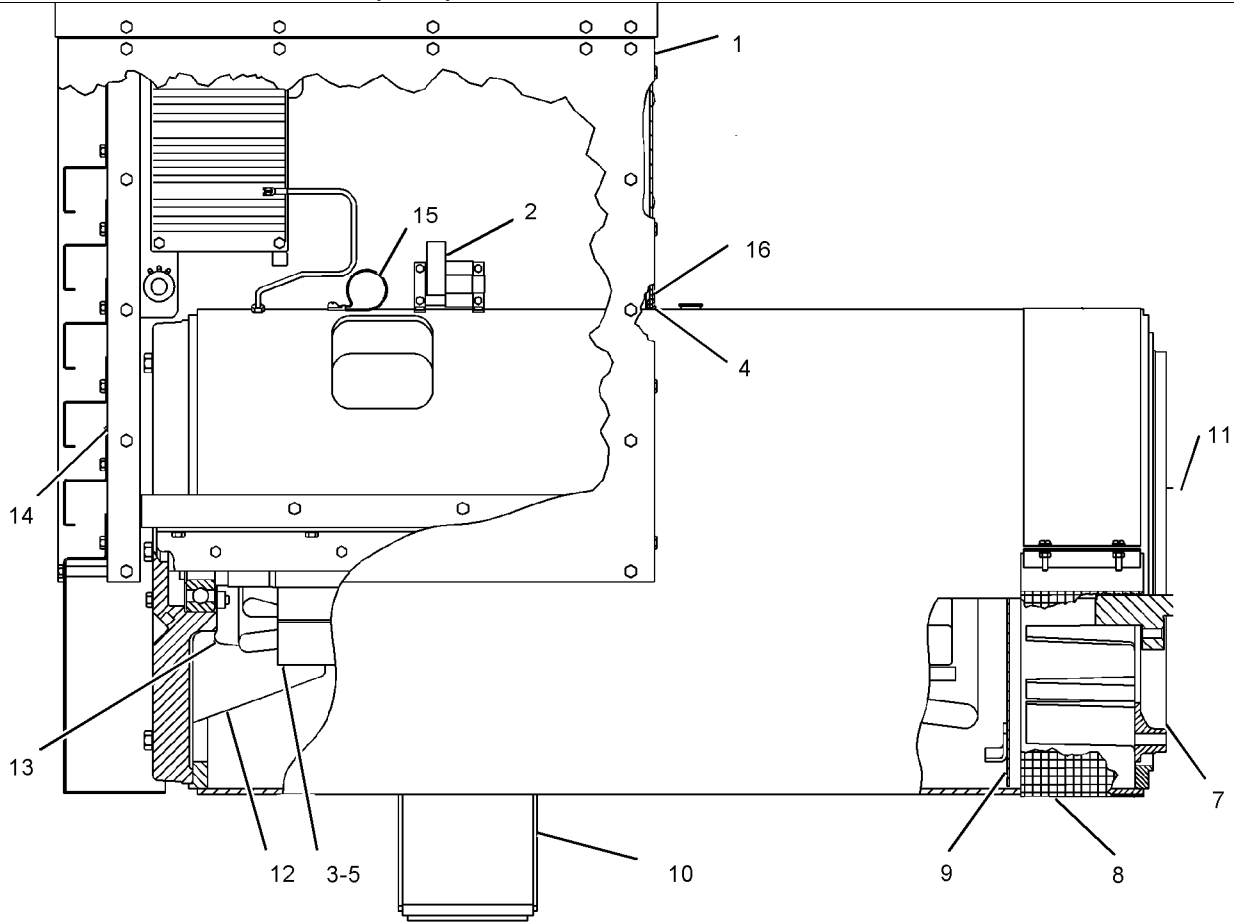
GRAPHIC #1

g01055762

# GENERATORS

7W-8744 GENERATOR GP (contd.)

i02038292



GRAPHIC #2

<END>

g01061750



# GENERATORS

## 9Y-0368 GENERATOR GP

S/N: 6CG1-UP

PART OF 9Y-0426 GENERATOR AR

TYPE 1

SMCS-4450

i02012774

NOTE	REF NO	GRAPHIC REF	PART NUMBER	QTY	PART NAME						SEE PAGE
					1	2	3	4	5	6 (PRODUCT LEVEL)	
	1	1	<b>4P-3402</b>	1	STATOR AS						
	2	1	<b>4P-3154</b>	1	HEAT SINK						
	3	1	<b>118-1324</b>	1	BRACKET-BEARING						
	4	1	<b>4P-3153</b>	1	SPACER (20.6X77X27.8-MM THK)						
	5	1	<b>1A-9579</b>	4	BOLT (5/16-18X1.5-IN)						
	6	1	<b>4P-3468</b>	1	ROTOR-EXCITER						
	7	1	<b>9Y-0916</b>	1	RECTIFIER AS						
	8	1	<b>9Y-5817</b>	1	STATOR-EXCITER						
	9	1	<b>4B-3903</b>	4	BOLT (5/16-18X4-IN)						
	10	1	<b>9M-1974</b>	8	WASHER-HARD (8.8X16X2-MM THK)						
	11	1	<b>7E-6573</b>	1	COVER-DUST						
	12	1	<b>7E-6576</b>	2	DEFLECTOR						
	13	1	<b>6I-0088</b>	1	COVER AS-EXCITER						
	14	1	<b>1D-4533</b>	4	BOLT (1/4-20X2.25-IN)						
	15	1	<b>5P-0537</b>	15	WASHER-HARD (7.2X14.5X2-MM THK)						
	16	1	<b>111-2413</b>	1	FAN-GENERATOR						
	17	1	<b>112-2563</b>	2	SCREEN AS						
	18	1	<b>0S-1615</b>	4	BOLT (1/4-20X0.75-IN)						
	19	1	<b>9S-8750</b>	3	NUT-FULL (1/4-20-THD)						
	20	1	<b>7E-6574</b>	1	COVER-DRIP						
	21	1	<b>9F-7022</b>	1	BOLT (1/4-20X1.5-IN)						
	22	1	<b>4P-3149</b>	1	PANEL-REAR						
Y	23	1	<i>149-6130</i>	1	REGULATOR AS-VOLTAGE						1605
	24	1	<b>7E-6577</b>	1	COVER-RECTIFIER						
	25	1	<b>7C-5709</b>	3	SLEEVE						
	26	1	<b>7C-5708</b>	3	GROMMET						
	27	1	<b>033-2075</b>	6	WASHER (0.266X1.25X0.06-IN THK)						
	28	1	<b>1N-7219</b>	1	CHANNEL-RUBBER						
	29	1	<b>7E-6578</b>	2	PANEL						
	31	1	<b>4P-3150</b>	1	COVER AS						
		1	<b>5N-3167</b>	2	SEAL-RING						
		1	<b>5N-3176</b>	2	PLUG-BUTTON						
		1	<b>6D-7128</b>	4	SEAL-O-RING						
		1	<b>8P-7065</b>	2	PLUG-BUTTON						
		1	<b>8T-9587</b>	2	SEAL-O-RING						
		1	<b>030-2284</b>	4	PLUG-BUTTON						
	32	1	<b>7E-6575</b>	1	PANEL AS						
		1	<b>4F-8711</b>	2	PLUG-BUTTON						
		1	<b>5N-3174</b>	8	PLUG-BUTTON						
		1	<b>5N-3175</b>	1	PLUG-BUTTON						
		1	<b>6K-9593</b>	1	PLUG-BUTTON						
	33	1	<b>0S-1614</b>	4	BOLT (1/4-20X0.5-IN)						
	34	1	<b>5M-6214</b>	2	PLUG (1/8-27 PTF)						
	35	1	<b>7E-6568</b>	1	FRAME AS (RH)						
	36	1	<b>7E-6572</b>	1	BRACKET (RH) (RH)						
	37	1	<b>7E-6571</b>	1	BRACKET (LH) (LH)						

# GENERATORS

9Y-0368 **GENERATOR GP (contd.)**

**i02012774**

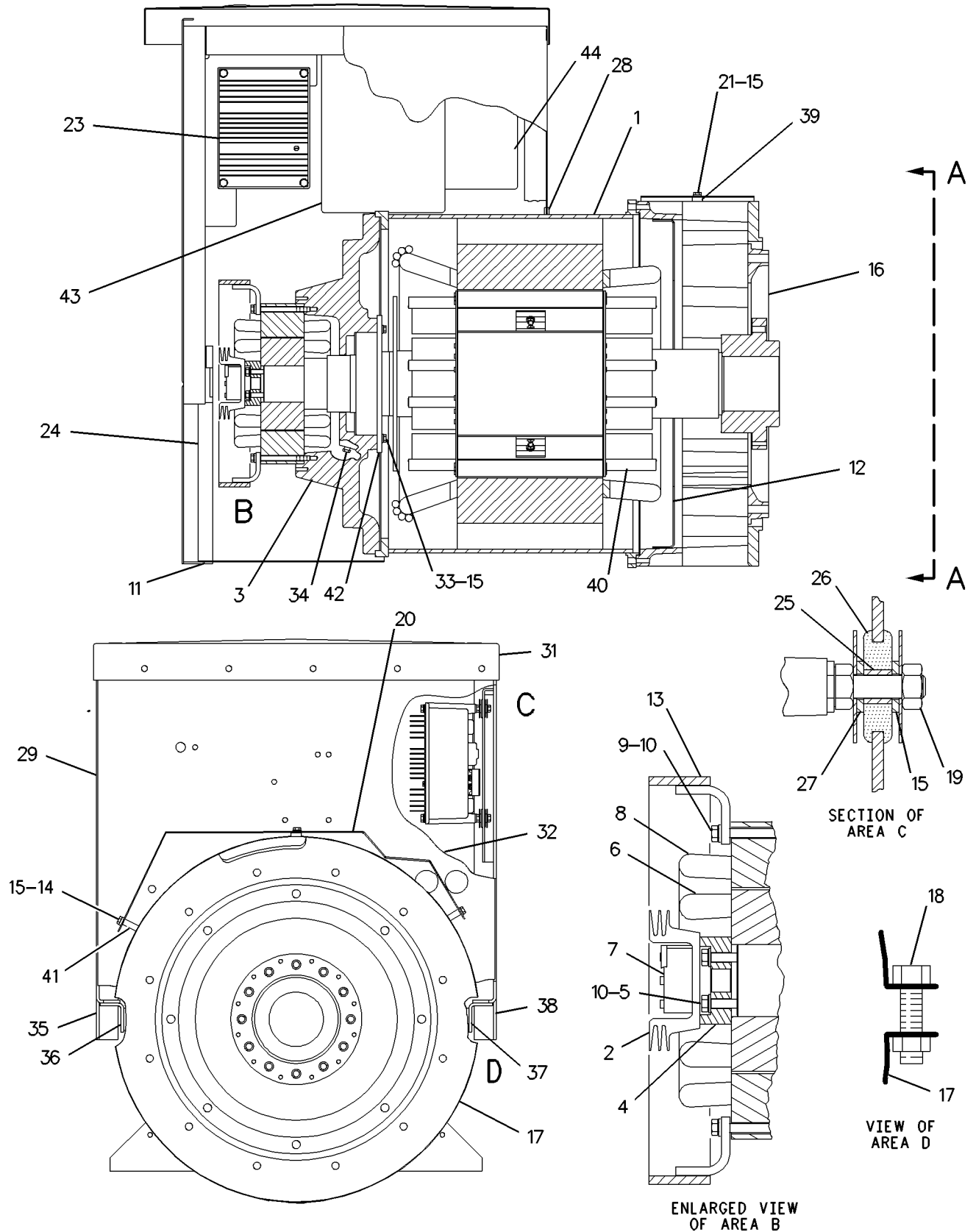
NOTE	REF NO	GRAPHIC REF	PART NUMBER	QTY	PART NAME						SEE PAGE
					1	2	3	4	5	6 (PRODUCT LEVEL)	
	38	1	<b>7E-6567</b>	1	FRAME AS (LH)						
	39	1	<b>3V-5035</b>	1	SPACER (0.302X0.54X1.03-IN THK)						
Y	40	1	<b>4P-3403</b>	1	ROTOR AS						1624
	41	1	<b>111-3187</b>	4	SPACER (8.3X11.9X38.1-MM THK)						
	42	1	<b>6I-2737</b>	2	RETAINER-BEARING						
	43	1	<b>4W-9449</b>	1	FILM-INFORMATION (GENERATOR WIRING DIAGRAM)						
	44	1	<b>7C-5711</b>	1	FILM-INSTRUCTION (VOLTAGE CONTROL ADJUSTMENT)						
					AVAILABLE REPAIR KIT(S) :						
			<b>4W-3901</b>	1	KIT-ROTOR BALANCE WEIGHT (GENERATOR) (INCLUDES SCREWS, NUTS & WASHERS)						
			<b>9Y-5081</b>	1	KIT-STATOR REWIND (GENERATOR) (INCLUDES TOPSTICKS, SLOT LINERS, LEADS, LUGS, SEPARATORS, SLEEVES, CONNECTORS, CORD, TAPE, VARNISH & EPOXY RESIN)						
			<b>7E-7233</b>	1	KIT-GENERATOR HARDWARE (GENERATOR) (INCLUDES SCREWS, WASHERS, LOCKWASHERS, PLUGS, LUGS & NUTS)						
			<b>4C-6715</b>	1	KIT-RECTIFIER SILICONE (GENERATOR) (INCLUDES A TUBE OF SILICONE & A BOTTLE OF PRIMER)						

Y - SEPARATE ILLUSTRATION

# GENERATORS

9Y-0368 GENERATOR GP (contd.)

i02012774



GRAPHIC #1

<END>

g00873432

# GENERATORS

## 9Y-0368 GENERATOR GP

S/N: 6CG1-UP

PART OF 9Y-0426 GENERATOR AR

TYPE 2

SMCS-4450

i02052182

NOTE	REF NO	GRAPHIC REF	PART NUMBER	QTY	PART NAME						SEE PAGE
					1	2	3	4	5	6 (PRODUCT LEVEL)	
	1	1	<b>4P-3402</b>	1	STATOR AS						
	2	1	<b>4P-3154</b>	1	HEAT SINK						
	3	1	<b>118-1324</b>	1	BRACKET-BEARING						
	4	1	<b>4P-3153</b>	1	SPACER (20.6X77X27.8-MM THK)						
	5	1	<b>1A-9579</b>	4	BOLT (5/16-18X1.5-IN)						
	6	1	<b>4P-3468</b>	1	ROTOR-EXCITER						
	7	1	<b>9Y-0916</b>	1	RECTIFIER AS						
	8	1	<b>9Y-5817</b>	1	STATOR-EXCITER						
	9	1	<b>4B-3903</b>	4	BOLT (5/16-18X4-IN)						
	10	1	<b>9M-1974</b>	8	WASHER-HARD (8.8X16X2-MM THK)						
	11	1	<b>7E-6573</b>	1	COVER-DUST						
	12	1	<b>7E-6576</b>	2	DEFLECTOR						
	13	1	<b>6I-0088</b>	1	COVER AS-EXCITER						
	14	1	<b>1D-4533</b>	4	BOLT (1/4-20X2.25-IN)						
	15	1	<b>5P-0537</b>	9	WASHER-HARD (7.2X14.5X2-MM THK)						
	16	1	<b>111-2413</b>	1	FAN-GENERATOR						
	17	1	<b>112-2563</b>	2	SCREEN AS						
	18	1	<b>0S-1615</b>	4	BOLT (1/4-20X0.75-IN)						
	20	1	<b>7E-6574</b>	1	COVER-DRIP						
	21	1	<b>9F-7022</b>	1	BOLT (1/4-20X1.5-IN)						
	22	1	<b>4P-3149</b>	1	PANEL-REAR						
	24	1	<b>7E-6577</b>	1	COVER-RECTIFIER						
	28	1	<b>1N-7219</b>	1	CHANNEL-RUBBER						
	29	1	<b>7E-6578</b>	2	PANEL						
	31	1	<b>4P-3150</b>	1	COVER AS						
		1	<b>5N-3167</b>	2	SEAL-RING						
		1	<b>5N-3176</b>	2	PLUG-BUTTON						
		1	<b>6D-7128</b>	4	SEAL-O-RING						
		1	<b>8P-7065</b>	2	PLUG-BUTTON						
		1	<b>8T-9587</b>	2	SEAL-O-RING						
		1	<b>030-2284</b>	4	PLUG-BUTTON						
	32	1	<b>7E-6575</b>	1	PANEL AS						
		1	<b>4F-8711</b>	2	PLUG-BUTTON						
		1	<b>5N-3174</b>	8	PLUG-BUTTON						
		1	<b>5N-3175</b>	1	PLUG-BUTTON						
		1	<b>6K-9593</b>	1	PLUG-BUTTON						
	33	1	<b>0S-1614</b>	4	BOLT (1/4-20X0.5-IN)						
	34	1	<b>5M-6214</b>	2	PLUG (1/8-27 PTF)						
	35	1	<b>7E-6568</b>	1	FRAME AS (RH)						
	36	1	<b>7E-6572</b>	1	BRACKET (RH) (RH)						
	37	1	<b>7E-6571</b>	1	BRACKET (LH) (LH)						
	38	1	<b>7E-6567</b>	1	FRAME AS (LH)						
	39	1	<b>3V-5035</b>	1	SPACER (0.302X0.54X1.03-IN THK)						
Y	40	1	<b>4P-3403</b>	1	ROTOR AS						1624
	41	1	<b>111-3187</b>	4	SPACER (8.3X11.9X38.1-MM THK)						
	42	1	<b>6I-2737</b>	2	RETAINER-BEARING						

# GENERATORS

9Y-0368 **GENERATOR GP (contd.)**

**i02052182**

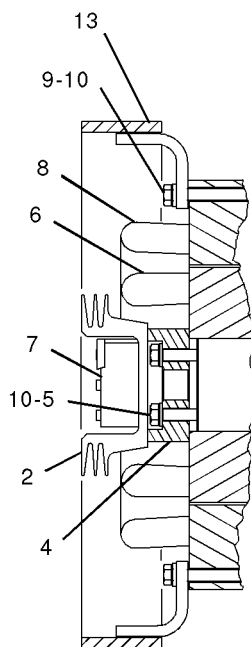
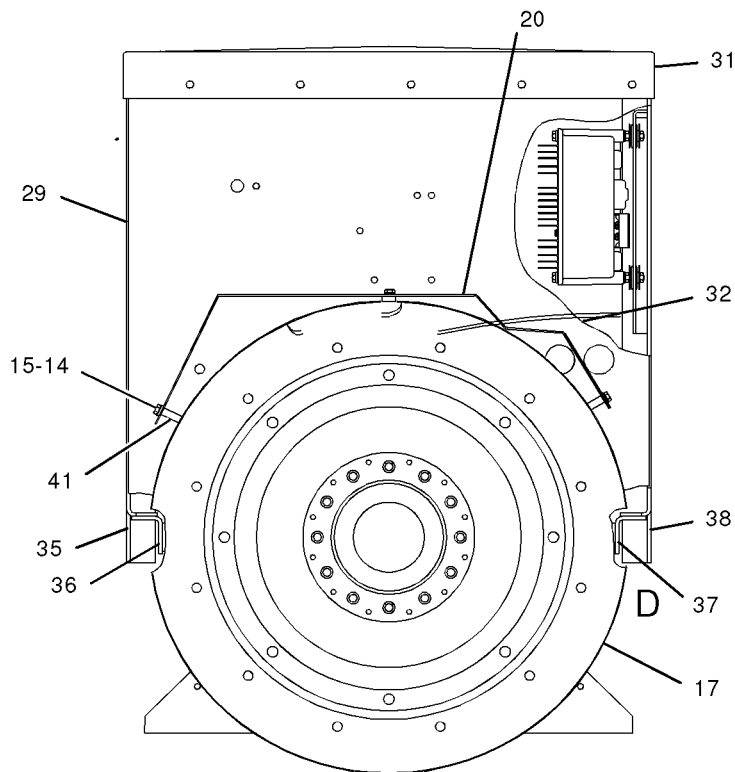
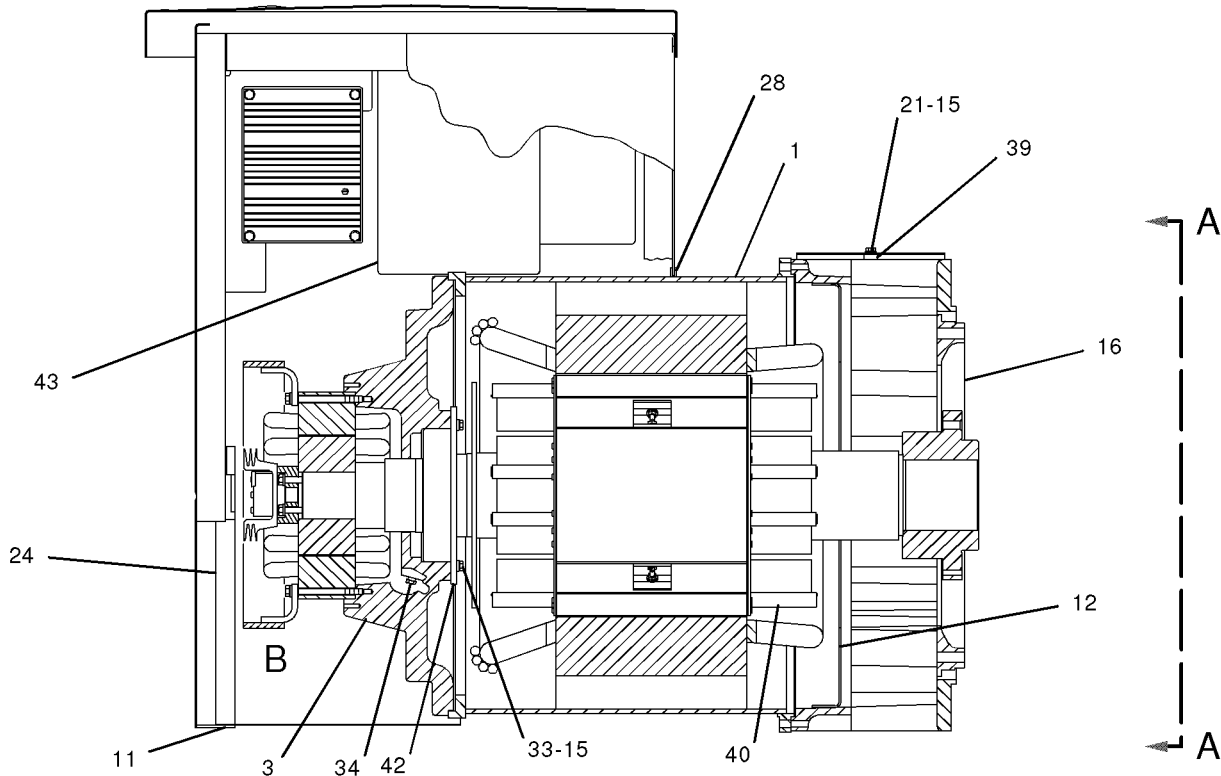
NOTE	REF NO	GRAPHIC REF	PART NUMBER	QTY	PART NAME						SEE PAGE
					1	2	3	4	5	6 (PRODUCT LEVEL)	
	43	1	<b>4W-9449</b>	1	FILM-INFORMATION (GENERATOR WIRING DIAGRAM)						
					AVAILABLE REPAIR KIT(S) :						
			<b>4W-3901</b>	1	KIT-ROTOR BALANCE WEIGHT (GENERATOR) (INCLUDES SCREWS, NUTS & WASHERS)						
			<b>9Y-5081</b>	1	KIT-STATOR REWIND (GENERATOR) (INCLUDES TOPSTICKS, SLOT LINERS, LEADS, LUGS, SEPARATORS, SLEEVES, CONNECTORS, CORD, TAPE, VARNISH & EPOXY RESIN)						
			<b>7E-7233</b>	1	KIT-GENERATOR HARDWARE (GENERATOR) (INCLUDES SCREWS, WASHERS, LOCKWASHERS, PLUGS, LUGS & NUTS)						
			<b>4C-6715</b>	1	KIT-RECTIFIER SILICONE (GENERATOR) (INCLUDES A TUBE OF SILICONE & A BOTTLE OF PRIMER)						

Y - SEPARATE ILLUSTRATION

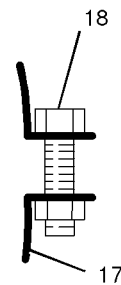
# GENERATORS

9Y-0368 GENERATOR GP (contd.)

i02052182



ENLARGED VIEW OF AREA B



VIEW OF AREA D

GRAPHIC #1

<END>

g01053793

# GENERATORS

## 9Y-0368 GENERATOR GP

S/N: 6CG1-UP

PART OF 9Y-0426 GENERATOR AR

TYPE 3

SMCS-4450

i02566295

NOTE	REF NO	GRAPHIC REF	PART NUMBER	QTY	PART NAME						SEE PAGE
					1	2	3	4	5	6 (PRODUCT LEVEL)	
	1	1	<b>4P-3402</b>	1	STATOR AS						
C	2	1	<b>290-5567</b>	1	HEAT SINK AS						
	3	1	<b>118-1324</b>	1	BRACKET-BEARING						
	4	1	<b>4P-3153</b>	1	SPACER (20.6X77X27.8-MM THK)						
	5	1	<b>1A-9579</b>	4	BOLT (5/16-18X1.5-IN)						
	6	1	<b>4P-3468</b>	1	ROTOR-EXCITER						
	8	1	<b>9Y-5817</b>	1	STATOR-EXCITER						
	9	1	<b>4B-3903</b>	4	BOLT (5/16-18X4-IN)						
	10	1	<b>9M-1974</b>	8	WASHER-HARD (8.8X16X2-MM THK)						
	11	1	<b>7E-6573</b>	1	COVER-DUST						
	12	1	<b>7E-6576</b>	2	DEFLECTOR						
	13	1	<b>6I-0088</b>	1	COVER AS-EXCITER						
	14	1	<b>1D-4533</b>	4	BOLT (1/4-20X2.25-IN)						
	15	1	<b>5P-0537</b>	9	WASHER-HARD (7.2X14.5X2-MM THK)						
	16	1	<b>111-2413</b>	1	FAN-GENERATOR						
	17	1	<b>112-2563</b>	2	SCREEN AS						
	18	1	<b>0S-1615</b>	4	BOLT (1/4-20X0.75-IN)						
	20	1	<b>7E-6574</b>	1	COVER-DRIP						
	21	1	<b>9F-7022</b>	1	BOLT (1/4-20X1.5-IN)						
	22	1	<b>4P-3149</b>	1	PANEL-REAR						
	28	1	<b>1N-7219</b>	1	CHANNEL-RUBBER						
	29	1	<b>7E-6578</b>	2	PANEL						
	31	1	<b>4P-3150</b>	1	COVER AS						
		1	<b>5N-3167</b>	3	SEAL-RING						
		1	<b>5N-3176</b>	3	PLUG-BUTTON						
		1	<b>6D-7128</b>	4	SEAL-O-RING						
		1	<b>8P-7065</b>	2	PLUG-BUTTON						
		1	<b>8T-9587</b>	2	SEAL-O-RING						
		1	<b>030-2284</b>	4	PLUG-BUTTON						
	32	1	<b>7E-6575</b>	1	PANEL AS						
		1	<b>4F-8711</b>	2	PLUG-BUTTON						
		1	<b>5N-3174</b>	8	PLUG-BUTTON						
		1	<b>5N-3175</b>	1	PLUG-BUTTON						
		1	<b>6K-9593</b>	1	PLUG-BUTTON						
	33	1	<b>0S-1614</b>	4	BOLT (1/4-20X0.5-IN)						
	34	1	<b>5M-6214</b>	2	PLUG (1/8-27 PTF)						
	35	1	<b>7E-6568</b>	1	FRAME AS (RH)						
	36	1	<b>7E-6572</b>	1	BRACKET (RH)						
	37	1	<b>7E-6571</b>	1	BRACKET (LH)						
	38	1	<b>7E-6567</b>	1	FRAME AS (LH)						
	39	1	<b>3V-5035</b>	1	SPACER (0.302X0.54X1.03-IN THK)						
Y	40	1	<b>4P-3403</b>	1	ROTOR AS						1624
	41	1	<b>111-3187</b>	4	SPACER (8.3X11.9X38.1-MM THK)						
	42	1	<b>6I-2737</b>	2	RETAINER-BEARING						
	43	1	<b>4W-9449</b>	1	FILM-INFORMATION (GENERATOR WIRING DIAGRAM)						

AVAILABLE REPAIR KIT(S):

# GENERATORS

9Y-0368 **GENERATOR GP (contd.)**

**i02566295**

NOTE	REF NO	GRAPHIC REF	PART NUMBER	QTY	PART NAME						SEE PAGE
					1	2	3	4	5	6 (PRODUCT LEVEL)	
			<b>4W-3901</b>	1	KIT-ROTOR BALANCE WEIGHT (GENERATOR)						
					(INCLUDES SCREWS, NUTS & WASHERS)						
			<b>9Y-5081</b>	1	KIT-STATOR REWIND (GENERATOR)						
					(INCLUDES TOPSTICKS, SLOT LINERS, LEADS, LUGS, SEPARATORS, SLEEVES, CONNECTORS, CORD, TAPE, VARNISH & EPOXY RESIN)						
			<b>7E-7233</b>	1	KIT-GENERATOR HARDWARE (GENERATOR)						
					(INCLUDES SCREWS, WASHERS, LOCKWASHERS, PLUGS, LUGS & NUTS)						
			<b>4C-6715</b>	1	KIT-RECTIFIER SILICONE (GENERATOR)						
					(INCLUDES A TUBE OF SILICONE & A BOTTLE OF PRIMER)						

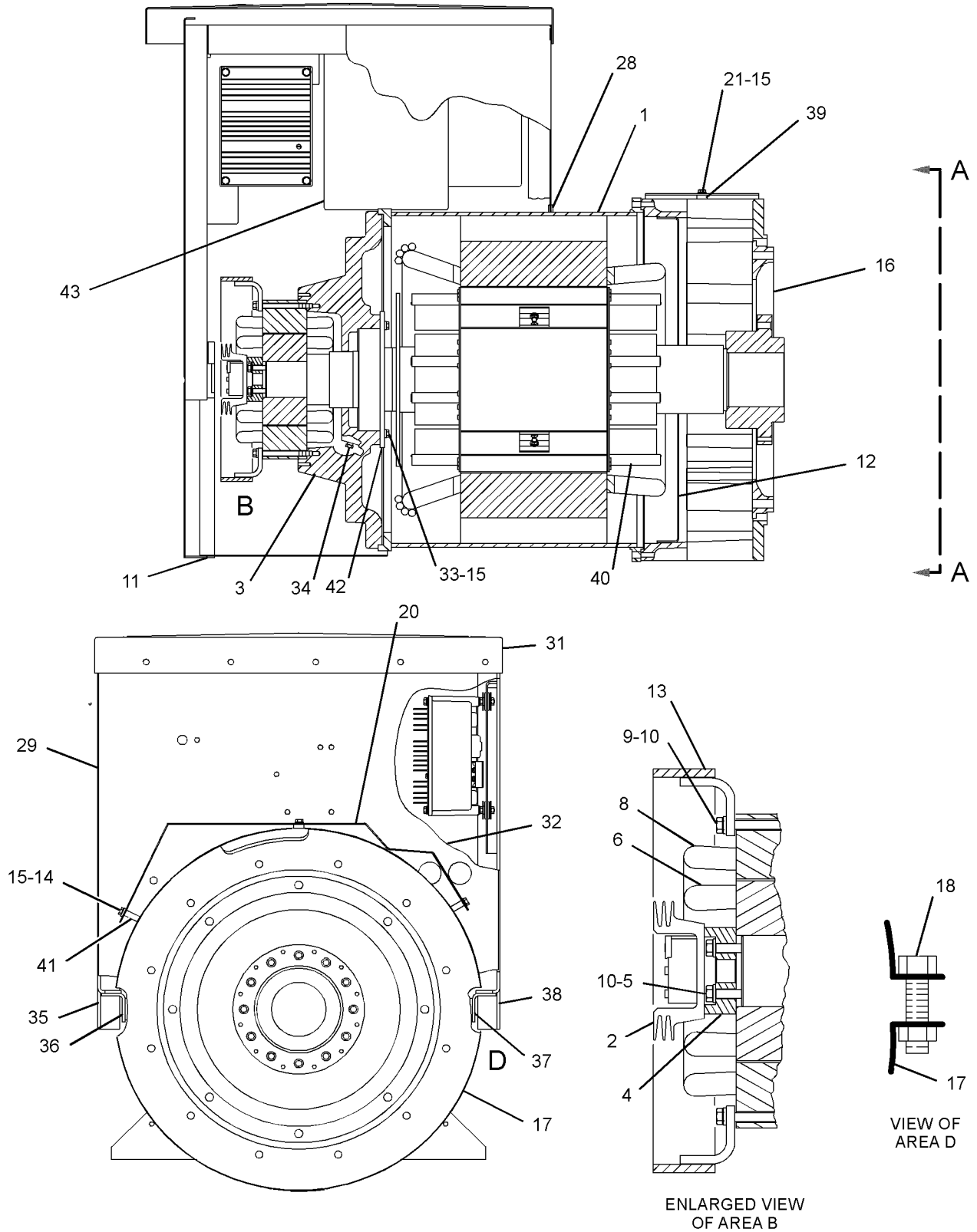
C - CHANGE FROM PREVIOUS TYPE  
 Y - SEPARATE ILLUSTRATION



# GENERATORS

9Y-0368 GENERATOR GP (contd.)

i02566295



GRAPHIC #1

<END>

g01309547

# GENERATORS

## 290-5567 HEAT SINK AS

S/N: 8JF1-UP; 6CG1-UP; 6DG1-UP; 6EG1-UP

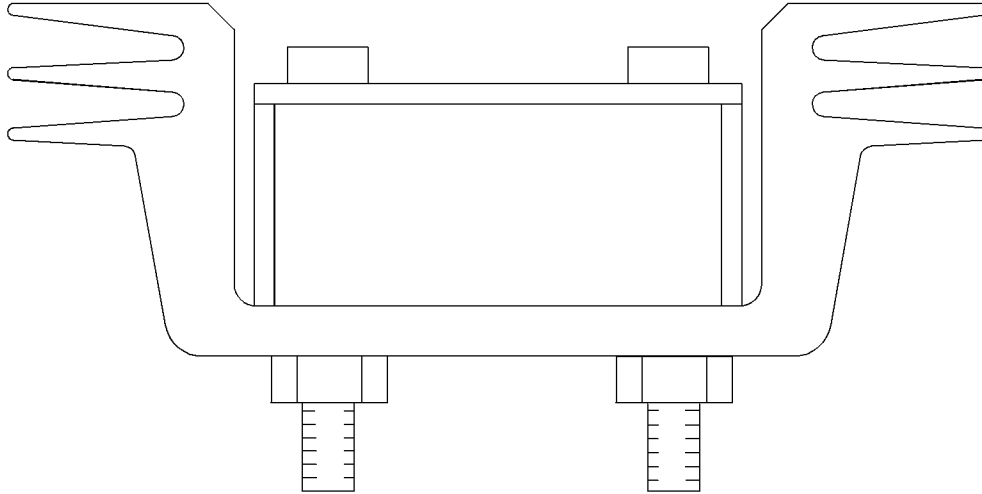
PART OF 109-3770, 109-3776, 121-2719 GENERATOR GP, 122-4249 KIT-PARTS

ALSO AN ATTACHMENT AND FIELD INSTALLATION

SMCS-4472

i03112064

NOTE	REF NO	GRAPHIC REF	PART NUMBER	QTY	PART NAME						SEE PAGE
					1	2	3	4	5	6 (PRODUCT LEVEL)	
(NO SERVICED PARTS)											



GRAPHIC #1

<END>

g01593364

# GENERATORS

## 4P-3829 HEATER GP-SPACE

S/N: 8JF1-UP; 6CG1-UP; 6DG1-UP; 6EG1-UP

120-VOLT AC, 250-WATT. GENERATOR

PART OF 4P-5639 KIT-SPACE HEATER

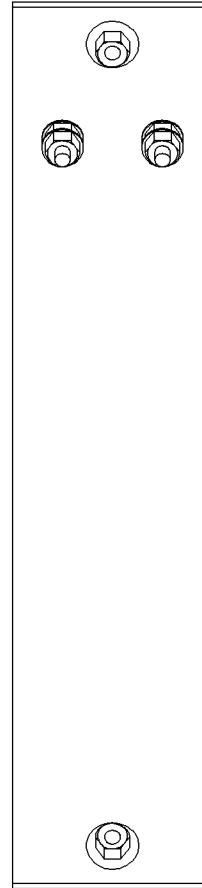
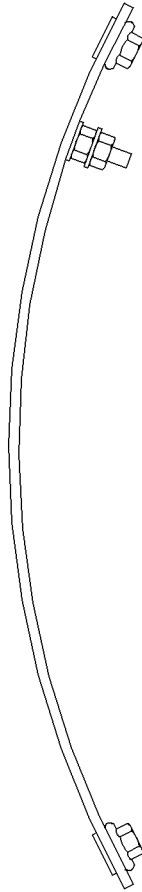
ALSO AN ATTACHMENT

SMCS-7274

i02356289

NOTE	REF NO	GRAPHIC REF	PART NUMBER	QTY	PART NAME	SEE PAGE
					1 2 3 4 5 6 (PRODUCT LEVEL)	

(NO SERVICED PARTS)



GRAPHIC #1

<END>

g00728365

# GENERATORS

## 3N-3143 INSTALLATION AR-GENERATOR

S/N: 5CA5985-UP  
FOR USE WITH 444 FRAME GENERATOR  
AN ATTACHMENT

SMCS-4450

i01790214

NOTE	PART NUMBER	QTY	PART NAME 1 2 3 4 5 6 (PRODUCT LEVEL)	SEE PAGE
	<b>3H-5368</b>	12	BOLT (7/16-14X1.375-IN) (GENERATOR TO ENGINE)	
Y	<b>6L-3916</b>	1	COUPLING GP-GENERATOR DRIVE	1380
	<b>3L-2198</b>	2	SHIM (0.8-MM THK)	
	<b>5P-8244</b>	12	WASHER-HARD (12X22.5X2.5-MM THK) (GENERATOR TO ENGINE)	
Y - SEPARATE ILLUSTRATION				
<END>				

## 5N-3379 INSTALLATION AR-GENERATOR

S/N: 5CA5985-UP; 5DA5682-UP; 5EA5375-UP; 5FA4499-UP  
FOR USE WITH ROUND LAM GENERATORS, 444,445,446,447 FRAME GENERATORS  
AN ATTACHMENT

SMCS-4450

i01790292

NOTE	PART NUMBER	QTY	PART NAME 1 2 3 4 5 6 (PRODUCT LEVEL)	SEE PAGE
	<b>3H-5368</b>	12	BOLT (7/16-14X1.375-IN) (GENERATOR TO ENGINE)	
	<b>6K-5718</b>	1	BOLT-LOCKING (FLYWHEEL COUNTERBALANCE WEIGHT; FOR USE WITH CAT GEN. ON 3306 ENGINE)	
Y	<b>6L-3916</b>	1	COUPLING GP-GENERATOR DRIVE	1380
	<b>3L-2198</b>	2	SHIM (0.8-MM THK)	
	<b>5P-8244</b>	12	WASHER-HARD (12X22.5X2.5-MM THK) (GENERATOR TO ENGINE)	
	<b>7D-1649</b>	1	WASHER-HARD (13.5X32X5-MM THK) (FLYWHEEL COUNTERBALANCE WEIGHT; FOR USE WITH CAT GEN. ON 3306 ENGINE. 6K5718 BOLT AND 7D1649 WASHER TO BE INSTALLED IN TAPPED HOLE 133.05MM (5.238IN) FROM CENTERLINE OF FLYWHEEL)	
Y - SEPARATE ILLUSTRATION				
<END>				

# GENERATORS

## 4W-8211 INSULATOR-CIRCUIT BREAKER MOUNT

S/N: 5CA5985-UP; 5DA5682-UP; 5EA5375-UP; 5FA4499-UP; 8JF1-UP; 6CG1-UP; 6DG1-UP;  
6EG1-UP

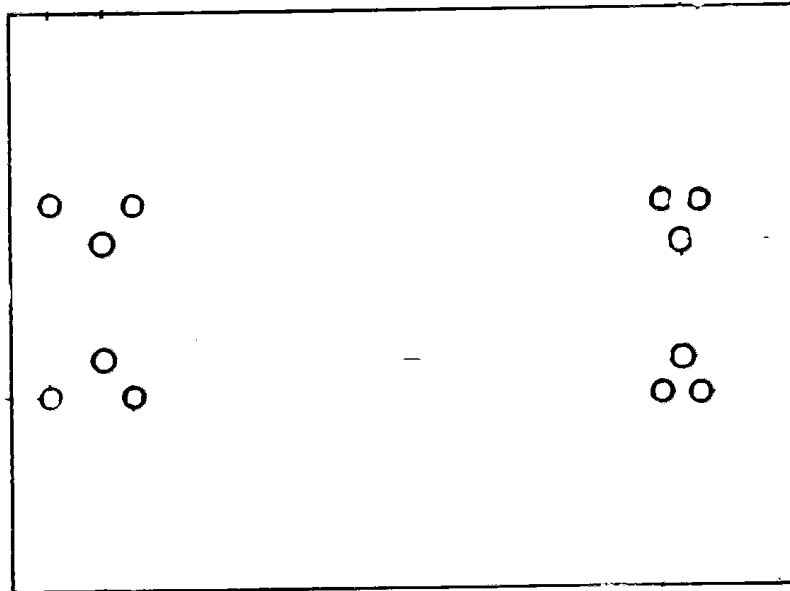
FOR USAGE REFER TO CHART 4W-8145-PAGE: 1768  
AN ATTACHMENT

SMCS-4450

i01961567

NOTE	REF NO	GRAPHIC REF	PART NUMBER	QTY	PART NAME						SEE PAGE
					1	2	3	4	5	6 (PRODUCT LEVEL)	

(NO SERVICED PARTS)



GRAPHIC #1

<END>

g01019875

# GENERATORS

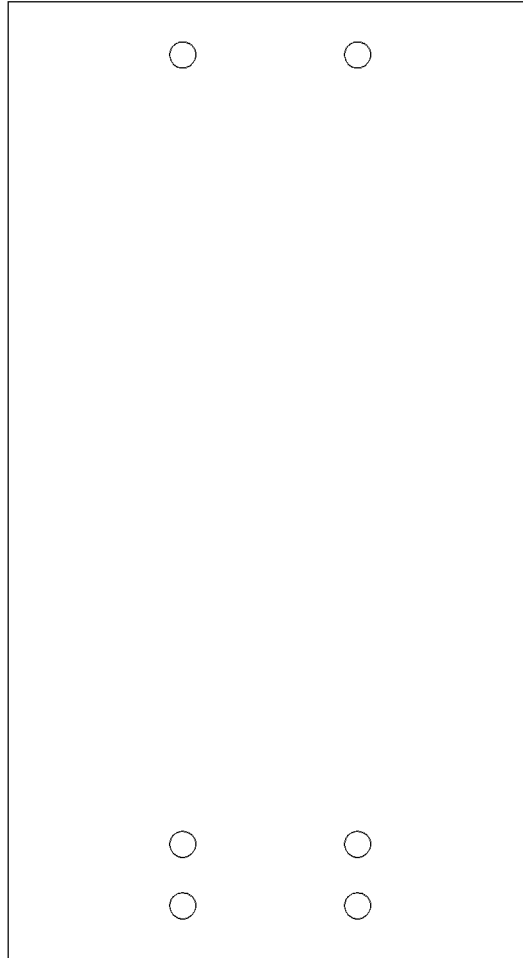
## 4W-8212 INSULATOR-CIRCUIT BREAKER MOUNT

S/N: 5CA5985-UP; 5DA5682-UP; 8JF1-UP; 6CG1-UP; 6DG1-UP; 6EG1-UP  
FOR USAGE REFER TO CHART 4W-8145-PAGE: 1768  
AN ATTACHMENT

SMCS-4450

i01378857

NOTE	REF NO	GRAPHIC REF	PART NUMBER	QTY	PART NAME						SEE PAGE
					1	2	3	4	5	6 (PRODUCT LEVEL)	
(NO SERVICED PARTS)											



GRAPHIC #1

<END>

g00526429

# GENERATORS

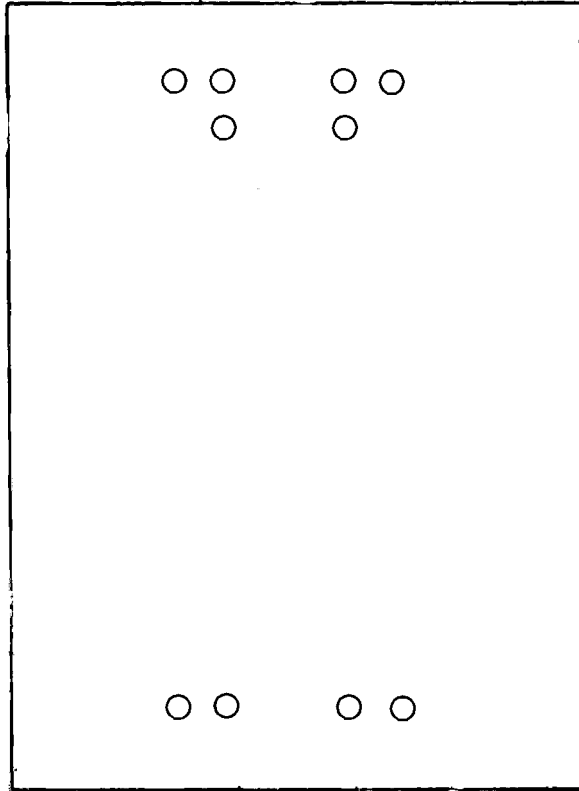
## 7W-4097 INSULATOR-BREAKER MOUNT

S/N: 5CA5985-UP; 8JF1-UP; 6DG1-UP  
FOR USAGE REFER TO CHART 4W-8145-PAGE: 1768  
AN ATTACHMENT

SMCS-4450

i01961585

NOTE	REF NO	GRAPHIC REF	PART NUMBER	QTY	PART NAME						SEE PAGE
					1	2	3	4	5	6 (PRODUCT LEVEL)	
(NO SERVICED PARTS)											



GRAPHIC #1

<END>

g01019957

# GENERATORS

## 100-3979 KIT-GENERATOR REPAIR

S/N: 6DG1-UP; 6EG1-UP  
AN ATTACHMENT

SMCS-4450

i02821972

NOTE	PART NUMBER	QTY	PART NAME						SEE PAGE
			1	2	3	4	5	6 (PRODUCT LEVEL)	
Y	309-1019	1	REGULATOR GP-VOLTAGE (VR6 PERMANENT MAGNET)						1616
	6Y-3955	1	BALL BEARING						
	4P-9826	1	BLOCK-FUSE						
	9Y-8419	12	FUSE (12-AMPERE)						
	290-5567	1	HEAT SINK AS						

Y - SEPARATE ILLUSTRATION

<END>

## 112-5338 KIT-MARINE GENERATOR PARTS

S/N: 6DG1-UP; 6EG1-UP  
AN ATTACHMENT

SMCS-1404

i02814597

NOTE	PART NUMBER	QTY	PART NAME						SEE PAGE
			1	2	3	4	5	6 (PRODUCT LEVEL)	
Y	309-1019	1	REGULATOR GP-VOLTAGE (VR6 PERMANENT MAGNET)						1616
	6Y-3955	1	BALL BEARING						
	9Y-8419	12	FUSE (12-AMPERE)						
	9Y-6027	12	FUSE-CERAMIC (10-AMPERE)						
	290-5567	1	HEAT SINK AS						
	7E-8266	1	HOLDER AS-FUSE						

Y - SEPARATE ILLUSTRATION

<END>



# GENERATORS

## 4P-5639 KIT-SPACE HEATER-GENERATOR

S/N: 8JF1-UP; 6CG1-UP; 6DG1-UP; 6EG1-UP

2-250 WATT, 120 VOLT. 440 FRAME

PART OF 109-3784, 109-3786 GENERATOR GP

ALSO AN ATTACHMENT

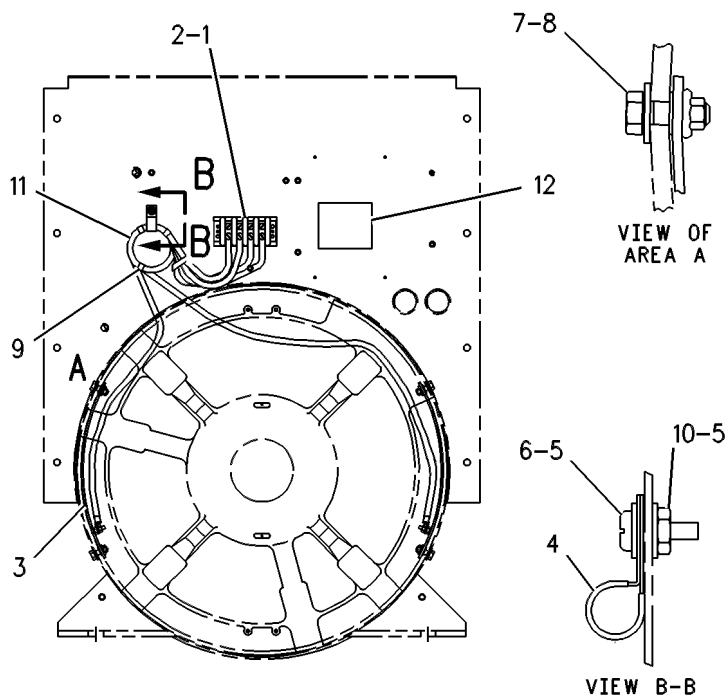
SMCS-7274

i03771216

NOTE	REF NO	GRAPHIC REF	PART NUMBER	QTY	PART NAME						SEE PAGE
					1	2	3	4	5	6 (PRODUCT LEVEL)	
	1	1	<b>4D-6066</b>	1	STRIP-TERMINAL						
	2	1	<b>3N-8763</b>	1	STRIP-TERMINAL						
		1	<b>8C-4642</b>	2	SCREW-MACHINE (8-32X1.25-IN)						
		1	<b>4B-2043</b>	2	NUT (8-32-THD)						
		1	<b>4B-4863</b>	2	WASHER (4.7X11X1.2-MM THK)						
Y	3	1	<b>4P-3829</b>	2	HEATER GP-SPACE (GENERATOR)						1589
	4	1	<b>8J-1256</b>	1	CLIP (LOOP)						
	5	1	<b>4B-4274</b>	2	WASHER (5.5X13X1.2-MM THK)						
	6	1	<b>5M-5845</b>	1	SCREW (10-32X0.625-IN)						
	7	1	<b>8T-9043</b>	4	BOLT (5/16-18X0.875-IN)						
	8	1	<b>5P-4116</b>	4	WASHER-HARD (8.8X20.5X2-MM THK)						
B	9	1	<b>8L-8413</b>	4	STRAP-CABLE (WHITE)						
	10	1	<b>4B-2049</b>	1	NUT (10-32-THD)						
	11	1	<b>105-6624</b>	1	LEAD AS						
	12	1	<b>3N-8764</b>	1	FILM-CONNECTION (SPACE HEATER)						

B - USE AS REQUIRED

Y - SEPARATE ILLUSTRATION



GRAPHIC #1

<END>

g00256794

# GENERATORS

## 7C-0555 KIT-SPACE HEATER

S/N: 5CA5985-UP; 5DA5682-UP; 5EA5375-UP; 5FA4499-UP

440 FRAME GENERATOR

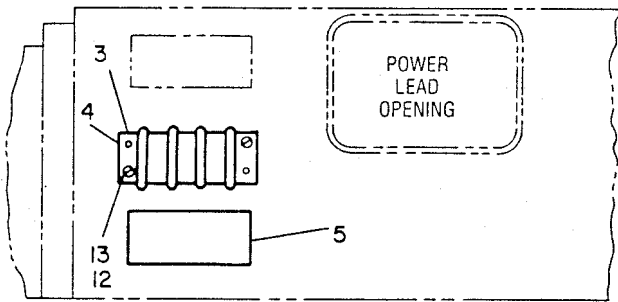
PART OF 5N-0063 GENERATOR GP

ALSO AN ATTACHMENT

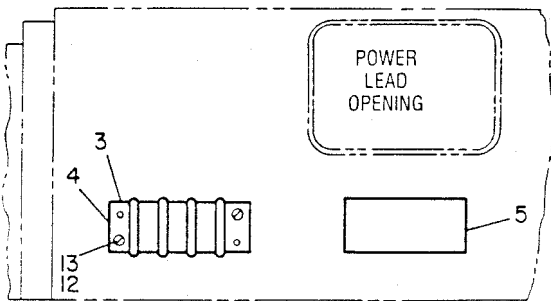
SMCS-7274

i03618365

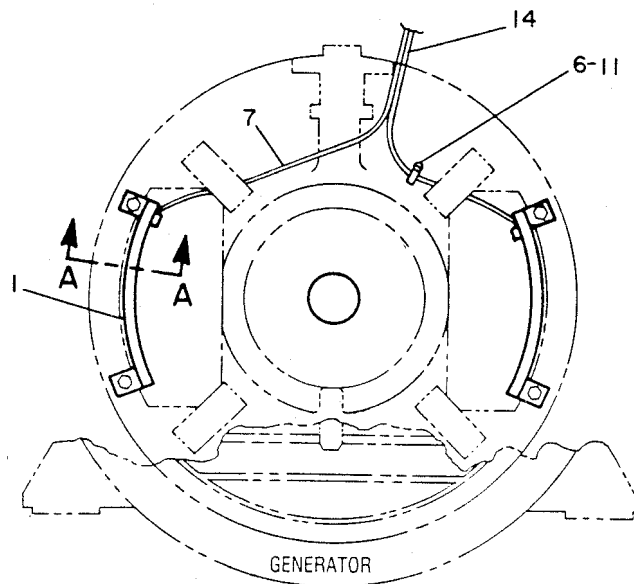
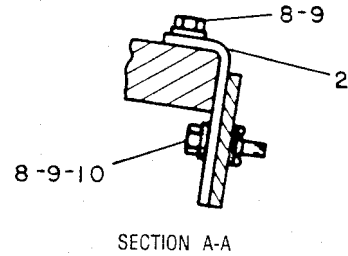
NOTE	REF NO	GRAPHIC REF	PART NUMBER	QTY	PART NAME						SEE PAGE
					1	2	3	4	5	6 (PRODUCT LEVEL)	
	1	1	<b>7C-0552</b>	2	HEATER						
	2	1	<b>7W-9095</b>	4	BRACKET						
	3	1	<b>4D-6066</b>	1	STRIP-TERMINAL						
	4	1	<b>3N-8763</b>	1	STRIP-TERMINAL						
	5	1	<b>3N-8764</b>	1	FILM-CONNECTION (SPACE HEATER)						
	6	1	<b>6L-7008</b>	2	STRAP-CABLE						
	7	1	<b>7C-0558</b>	1	LEAD AS						
	8	1	<b>4M-5281</b>	8	BOLT (1/4-20X0.75-IN)						
	9	1	<b>8T-4205</b>	8	WASHER-HARD (7.2X14.5X2-MM THK)						
	10	1	<b>2D-6235</b>	4	LOCKNUT (1/4-20-THD)						
	11	1	<b>4B-1237</b>	2	SCREW-MACHINE (10-32X12.7-MM)						
	12	1	<b>7K-3434</b>	2	SCREW-TAPPING (6-20X0.75-IN)						
	13	1	<b>3L-8187</b>	2	LOCKWASHER						
	14	1	<b>3S-2093</b>	4	STRAP-CABLE						



FOR MODELS:  
 3340 IND., GEN SET,  
 3306 IND., NATURAL GAS, GEN. SET  
 3406 IND., GEN. SET



FOR MODEL 3306 IND., NATURAL GAS,  
 GEN. SET ONLY



GRAPHIC #1

<END>

g00184557

# GENERATORS

## 5N-2168 LIFTING GP-GENERATOR

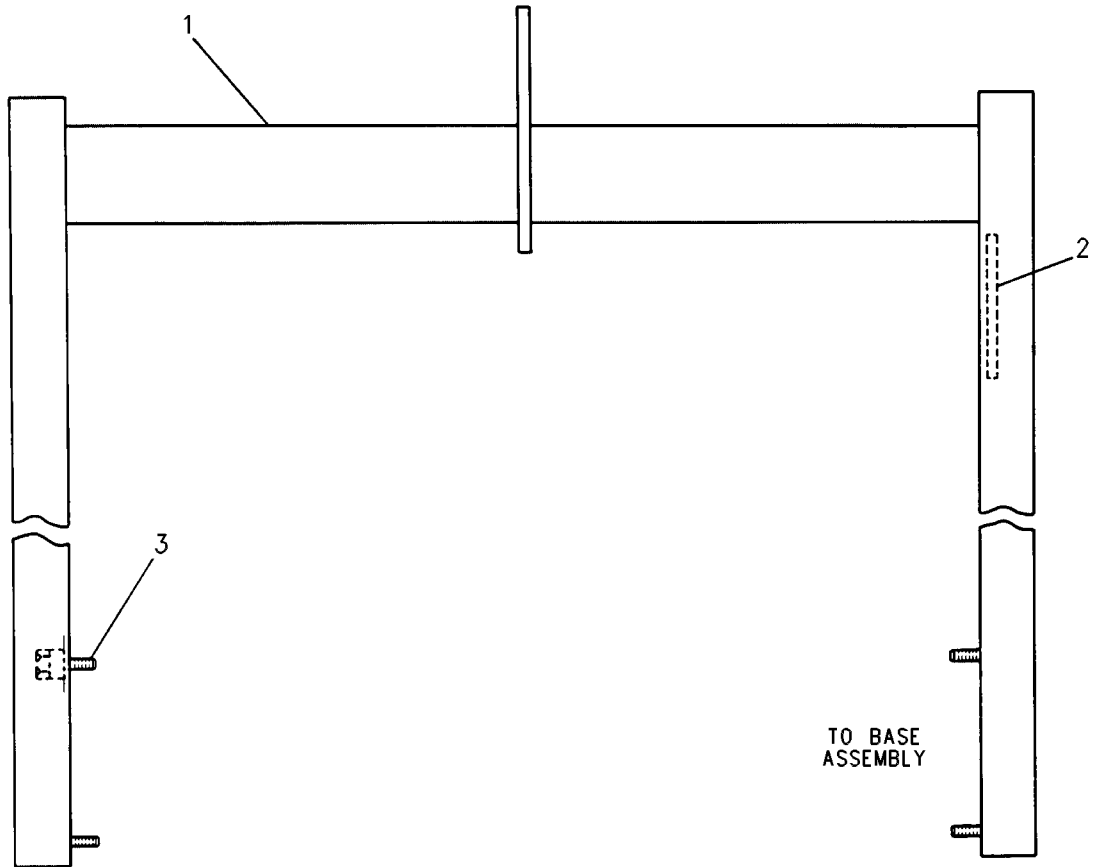
S/N: 85Z3764-UP

FOR USE WITH PACKAGED GENERATOR SET  
AN ATTACHMENT

SMCS-1122, 4450

i01858475

NOTE	REF NO	GRAPHIC REF	PART NUMBER	QTY	PART NAME						SEE PAGE
					1	2	3	4	5	6 (PRODUCT LEVEL)	
	1	1	<b>5N-2167</b>	1	LIFTING AS						
	2	1	<b>5N-2171</b>	2	FILM-LIFT (CENTER ARCH)						
	3	1	<b>1A-8063</b>	8	BOLT (3/4-10X2.5-IN)						
		1	<b>9K-7184</b>	8	SPACER						



GRAPHIC #1

<END>

g00546627

# GENERATORS

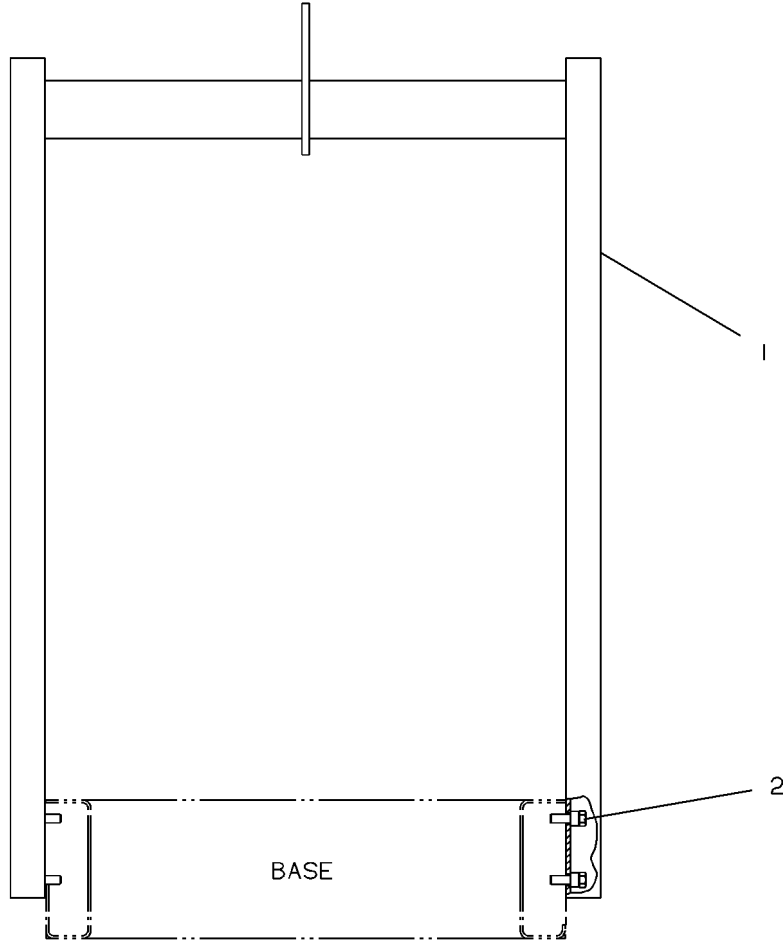
## 9Y-5932 LIFTING GP-GENERATOR

S/N: 85Z3764-UP  
 FOR USE WITH GENERATOR ENCLOSURE  
 AN ATTACHMENT

SMCS-1122, 4450

i00957710

NOTE	REF NO	GRAPHIC REF	PART NUMBER	QTY	PART NAME						SEE PAGE
					1	2	3	4	5	6 (PRODUCT LEVEL)	
	1	1	<b>9Y-5933</b>	1	LIFTING AS						
	2	1	<b>1A-8063</b>	8	BOLT (3/4-10X2.5-IN)						



FRONT VIEW

<END>

GRAPHIC #1

g00208230

# GENERATORS

## 123-6830 MOUNTING GP-VOLTAGE REGULATOR

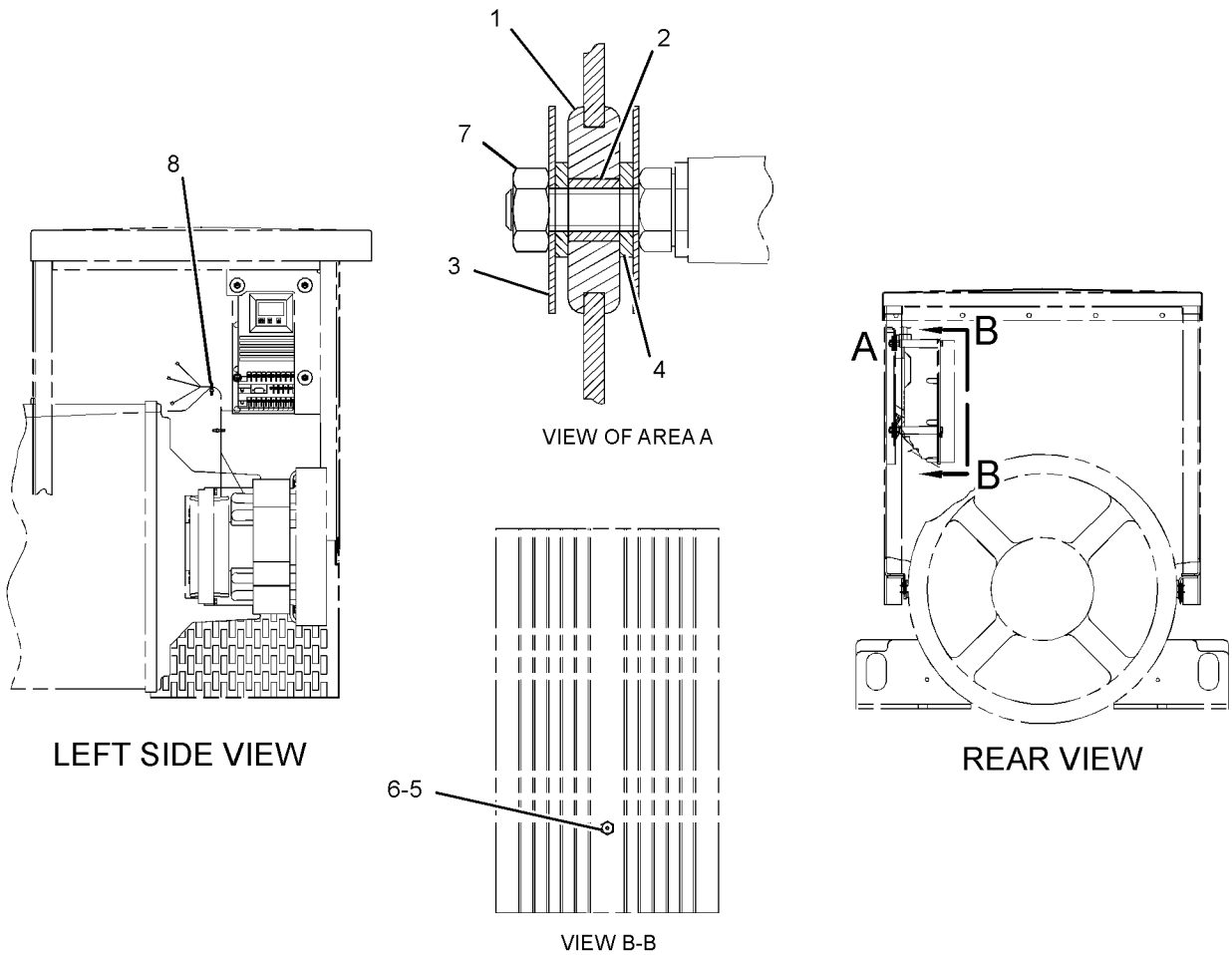
S/N: 6CG1-UP; 6DG1-UP; 6EG1-UP  
AN ATTACHMENT

SMCS-4467

i02312565

NOTE	REF NO	GRAPHIC REF	PART NUMBER	QTY	PART NAME						SEE PAGE
					1	2	3	4	5	6 (PRODUCT LEVEL)	
	1	1	<b>7C-5708</b>	3	GROMMET						
	2	1	<b>7C-5709</b>	3	SLEEVE						
	3	1	<b>033-2075</b>	6	WASHER (0.266X1.25X0.06-IN THK)						
	4	1	<b>5P-0537</b>	6	WASHER-HARD (7.2X14.5X2-MM THK)						
	5	1	<b>9B-7233</b>	1	LOCKWASHER						
	6	1	<b>4B-2043</b>	1	NUT (8-32-THD)						
	7	1	<b>9S-8750</b>	3	NUT-FULL (1/4-20-THD)						
B	8	1	<b>6K-0806</b>	6	STRAP-CABLE						

B - USE AS REQUIRED



GRAPHIC #1

<END>

g01158595

# GENERATORS

## 124-1563 MOUNTING GP-VOLTAGE REGULATOR

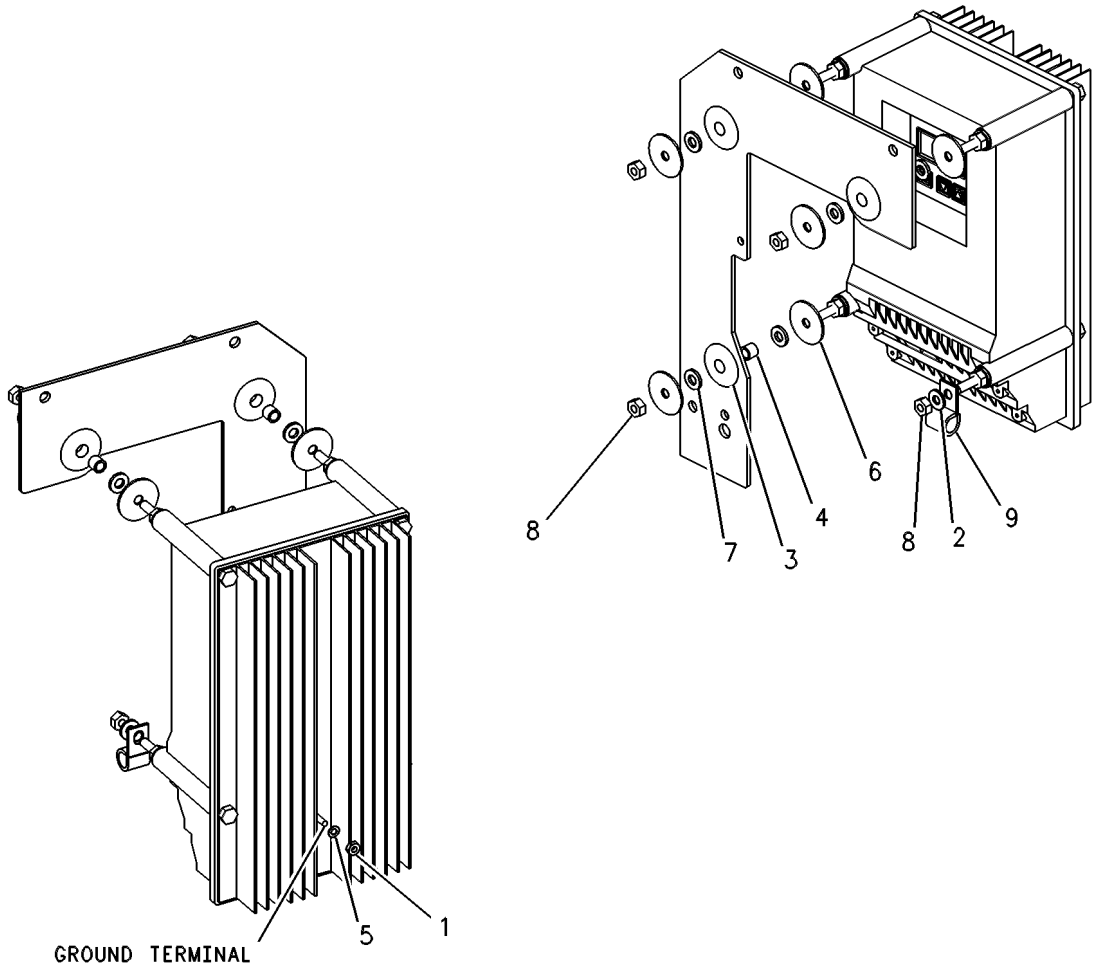
S/N: 8JF1-UP; 6CG1-UP; 6DG1-UP; 6EG1-UP

PART OF 121-6202 REGULATOR GP-VOLTAGE  
AN ATTACHMENT

SMCS-4467

i01728885

NOTE	REF NO	GRAPHIC REF	PART NUMBER	QTY	PART NAME						SEE PAGE
					1	2	3	4	5	6 (PRODUCT LEVEL)	
	1	1	<b>4B-2043</b>	1	NUT (8-32-THD)						
	2	1	<b>4B-4674</b>	1	WASHER (6.4X14.5X1.6-MM THK)						
	3	1	<b>7C-5708</b>	3	GROMMET						
	4	1	<b>7C-5709</b>	3	SLEEVE						
	5	1	<b>9B-7233</b>	1	LOCKWASHER						
	6	1	<b>033-2075</b>	6	WASHER (0.266X1.25X0.06-IN THK)						
	7	1	<b>5P-0537</b>	6	WASHER-HARD (7.2X14.5X2-MM THK)						
	8	1	<b>6V-8185</b>	4	NUT (1/4-20-THD)						
	9	1	<b>8J-1256</b>	1	CLIP (LOOP)						



GRAPHIC #1

<END>

g00261985

# GENERATORS

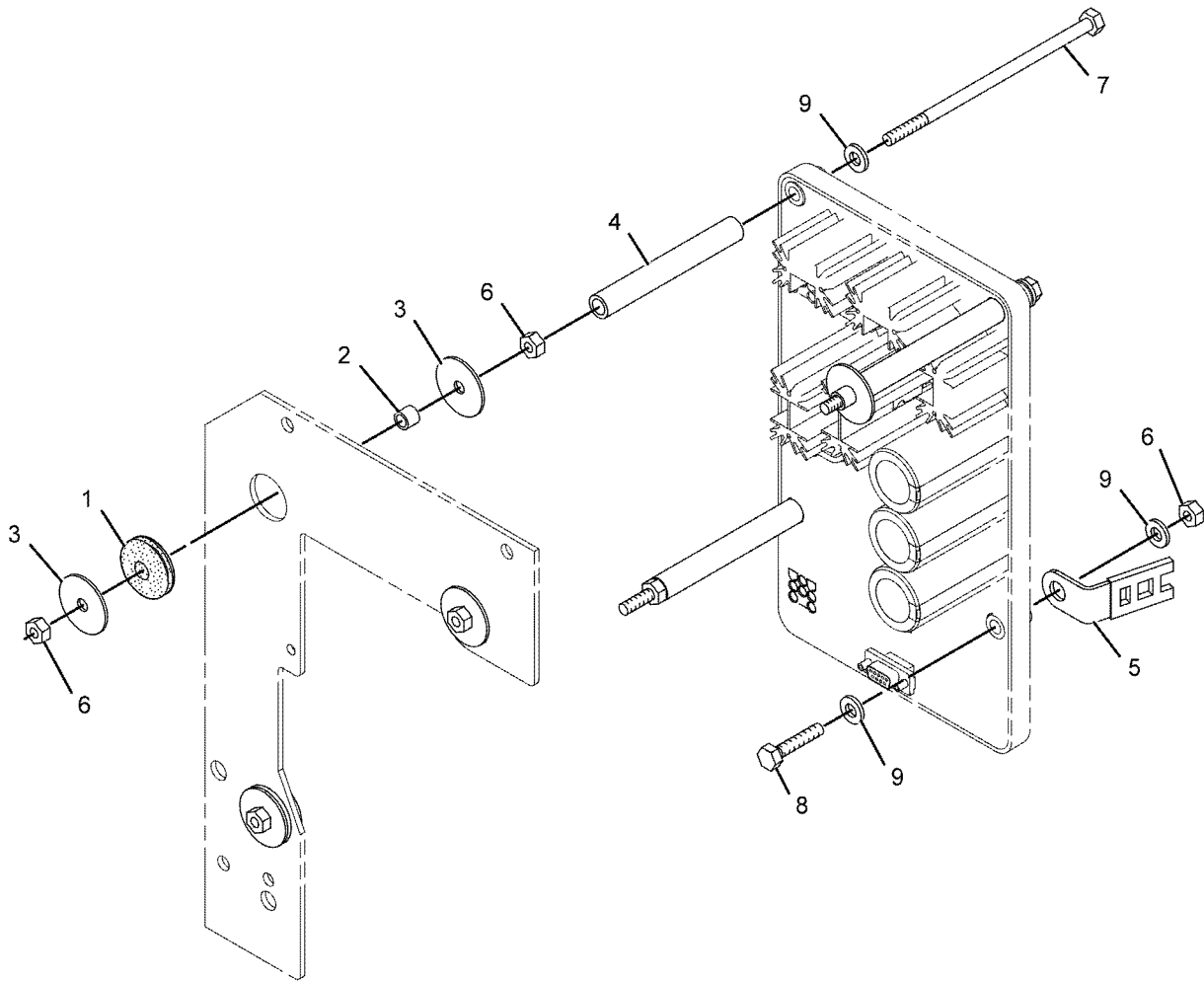
## 242-3487 MOUNTING GP-VOLTAGE REGULATOR

S/N: 8JF1-UP; 6CG1-UP; 6DG1-UP; 6EG1-UP  
PART OF 121-6202 REGULATOR GP-VOLTAGE  
AN ATTACHMENT

SMCS-4467

i06680475

NOTE	REF NO	GRAPHIC REF	PART NUMBER	QTY	PART NAME						SEE PAGE
					1	2	3	4	5	6	
	1	1	<b>7C-5708</b>	3	GROMMET						
	2	1	<b>7C-5709</b>	3	SLEEVE						
	3	1	<b>033-2075</b>	6	WASHER (0.266X1.25X0.06-IN THK)						
	4	1	<b>246-5764</b>	3	SPACER (8.5X12.7X94.3-MM THK)						
	5	1	<b>4P-8134</b>	1	CLIP (LADDER)						
	6	1	<b>6V-8185</b>	7	NUT (1/4-20-THD)						
	7	1	<b>7X-0271</b>	3	BOLT (1/4-20X5.5-IN)						
	8	1	<b>7X-2501</b>	1	BOLT (1/4-20X1.25-IN)						
	9	1	<b>8T-4205</b>	5	WASHER-HARD (7.2X14.5X2-MM THK)						



GRAPHIC #1

<END>

g01032377

# GENERATORS

## 243-4270 MOUNTING GP-VOLTAGE REGULATOR

S/N: 8JF1-UP; 6CG1-UP; 6DG1-UP; 6EG1-UP  
FOR USE WITH DIGITAL VOLTAGE REGULATOR, HIGH VOLTAGE  
AN ATTACHMENT

SMCS-4467

i02119109

NOTE	PART NUMBER	QTY	PART NAME						SEE PAGE
			1	2	3	4	5	6 (PRODUCT LEVEL)	
	7X-2501	4	BOLT (1/4-20X1.25-IN)						
	4L-7125	4	LOCKWASHER						
<END>									



# GENERATORS

## 105-4401 REGULATOR AS-VOLTAGE

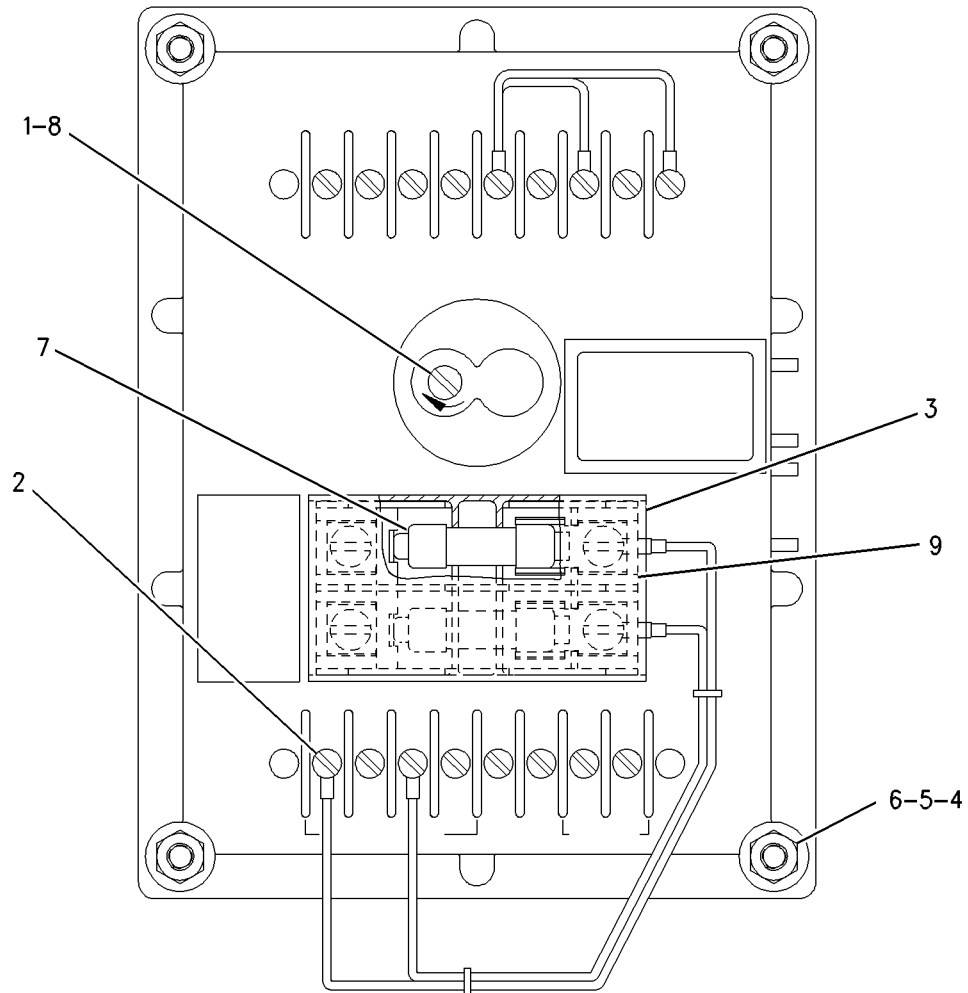
S/N: 8JF1-UP; 6CG1-UP; 6DG1-UP; 6EG1-UP; 85Z3764-UP

240-VOLT, VR3F, PERMANENT MAGNET  
PART OF 108-1870 REGULATOR GP-VOLTAGE  
AN ATTACHMENT

SMCS-4467

i02558146

NOTE	REF NO	GRAPHIC REF	PART NUMBER	QTY	PART NAME						SEE PAGE
					1	2	3	4	5	6 (PRODUCT LEVEL)	
	1	1	<b>8M-8468</b>	1	SEAL-O-RING						
	2	1	<b>6V-8374</b>	17	SCREW-MACHINE (6-32X0.25-IN)						
	3	1	<b>9Y-8420</b>	1	COVER (FUSE)						
	4	1	<b>6V-8185</b>	4	NUT (1/4-20-THD)						
	5	1	<b>4B-4674</b>	4	WASHER (6.4X14.5X1.6-MM THK)						
	6	1	<b>7C-3887</b>	4	BOLT (1/4-20X4.5-IN)						
	7	1	<b>9Y-8419</b>	2	FUSE (12-AMPERE)						
	8	1	<b>4B-1242</b>	1	SCREW-MACHINE (12-24X0.375-IN)						
	9	1	<b>4P-9826</b>	1	BLOCK-FUSE						



GRAPHIC #1

<END>

g00735573

# GENERATORS

## 114-5510 REGULATOR AS-VOLTAGE

S/N: 8JF1-UP; 6CG1-UP; 6DG1-UP; 6EG1-UP

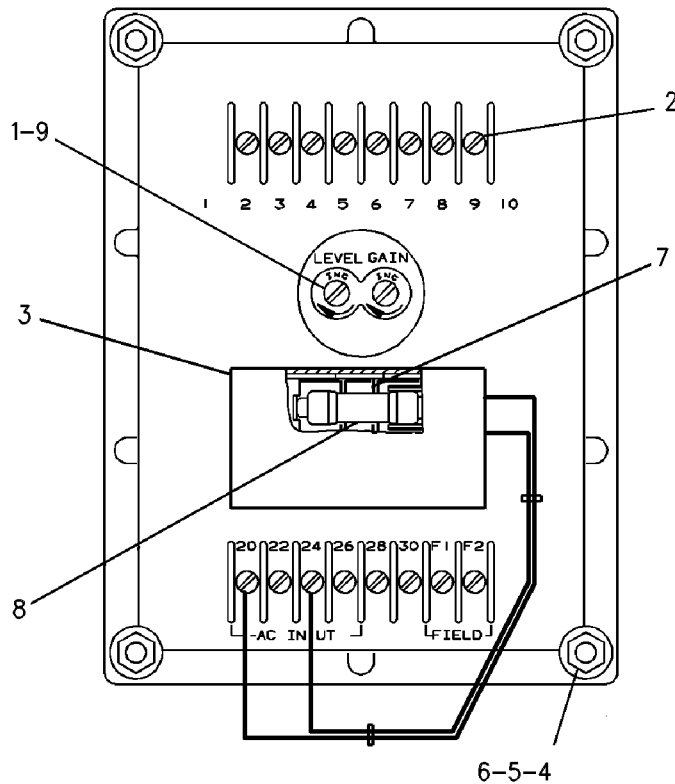
240-VOLT. VR3. PERMANENT MAGNET

PART OF 109-3770, 109-3772, 109-3774, 109-3776, 109-3784, 109-3786, 109-3798, 121-3192 GENERATOR GP

SMCS-4467

i01977993

NOTE	REF NO	GRAPHIC REF	PART NUMBER	QTY	PART NAME						SEE PAGE
					1	2	3	4	5	6 (PRODUCT LEVEL)	
	1	1	<b>8M-8468</b>	2	SEAL-O-RING						
	2	1	<b>6V-8374</b>	16	SCREW-MACHINE (6-32X0.25-IN)						
	3	1	<b>9Y-8420</b>	1	COVER (FUSE)						
	4	1	<b>9S-8750</b>	4	NUT-FULL (1/4-20-THD)						
	5	1	<b>4B-4674</b>	4	WASHER (6.4X14.5X1.6-MM THK)						
	6	1	<b>7C-3887</b>	4	BOLT (1/4-20X4.5-IN)						
	7	1	<b>4P-9826</b>	1	BLOCK-FUSE						
	8	1	<b>9Y-8419</b>	2	FUSE (12-AMPERE)						
	9	1	<b>4B-1242</b>	2	SCREW-MACHINE (12-24X0.375-IN)						



GRAPHIC #1

<END>

g00607637

# GENERATORS

## 149-6130 REGULATOR AS-VOLTAGE

S/N: 5CA5985-UP; 5DA5682-UP; 5EA5375-UP; 5FA4499-UP; 8JF1-UP; 6CG1-UP; 6DG1-UP;  
6EG1-UP

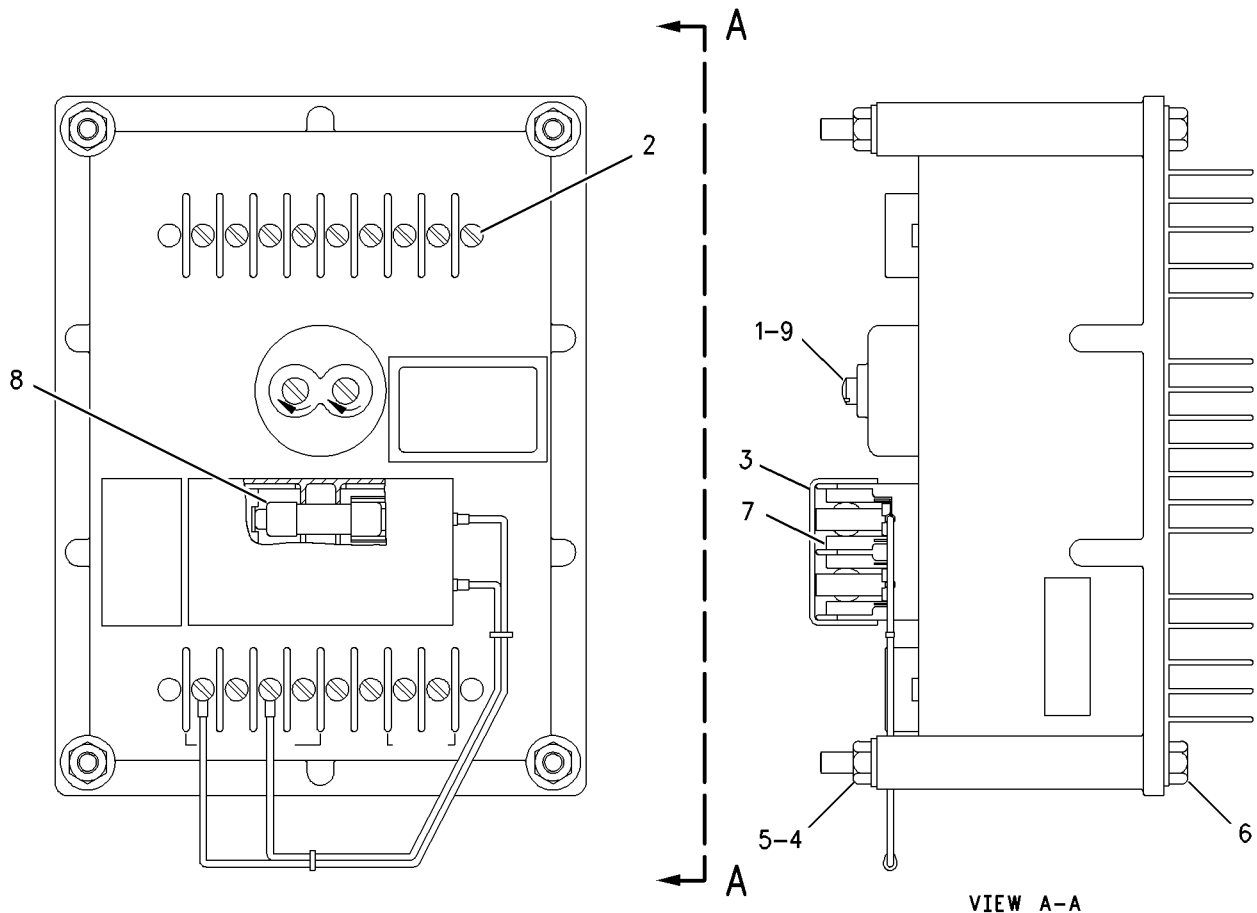
240-VOLT. VR3, SELF EXCITED, SENSING

PART OF 121-2719, 4P-7698, 4W-7424, 4W-7425, 4W-7427, 4W-7428, 4W-7429, 4W-7430, 4W-7431, 5N-0063, 6I-0061, 7E-0097, 7E-0098, 7E-1243, 7W-8744, 9Y-0368 GENERATOR GP

SMCS-4467

i02157460

NOTE	REF NO	GRAPHIC REF	PART NUMBER	QTY	PART NAME						SEE PAGE
					1	2	3	4	5	6 (PRODUCT LEVEL)	
	1	1	<b>8M-8468</b>	2	SEAL-O-RING						
	2	1	<b>6V-8374</b>	16	SCREW-MACHINE (6-32X0.25-IN)						
	3	1	<b>9Y-8420</b>	1	COVER (FUZE)						
	4	1	<b>9S-8750</b>	4	NUT-FULL (1/4-20-THD)						
	5	1	<b>4B-4674</b>	4	WASHER (6.4X14.5X1.6-MM THK)						
	6	1	<b>7C-3887</b>	4	BOLT (1/4-20X4.5-IN)						
	7	1	<b>4P-9826</b>	1	BLOCK-FUZE						
	8	1	<b>9Y-8419</b>	2	FUZE (12-AMPERE)						
	9	1	<b>4B-1242</b>	2	SCREW-MACHINE (12-24X0.375-IN)						



GRAPHIC #1

<END>

g00766623

# GENERATORS

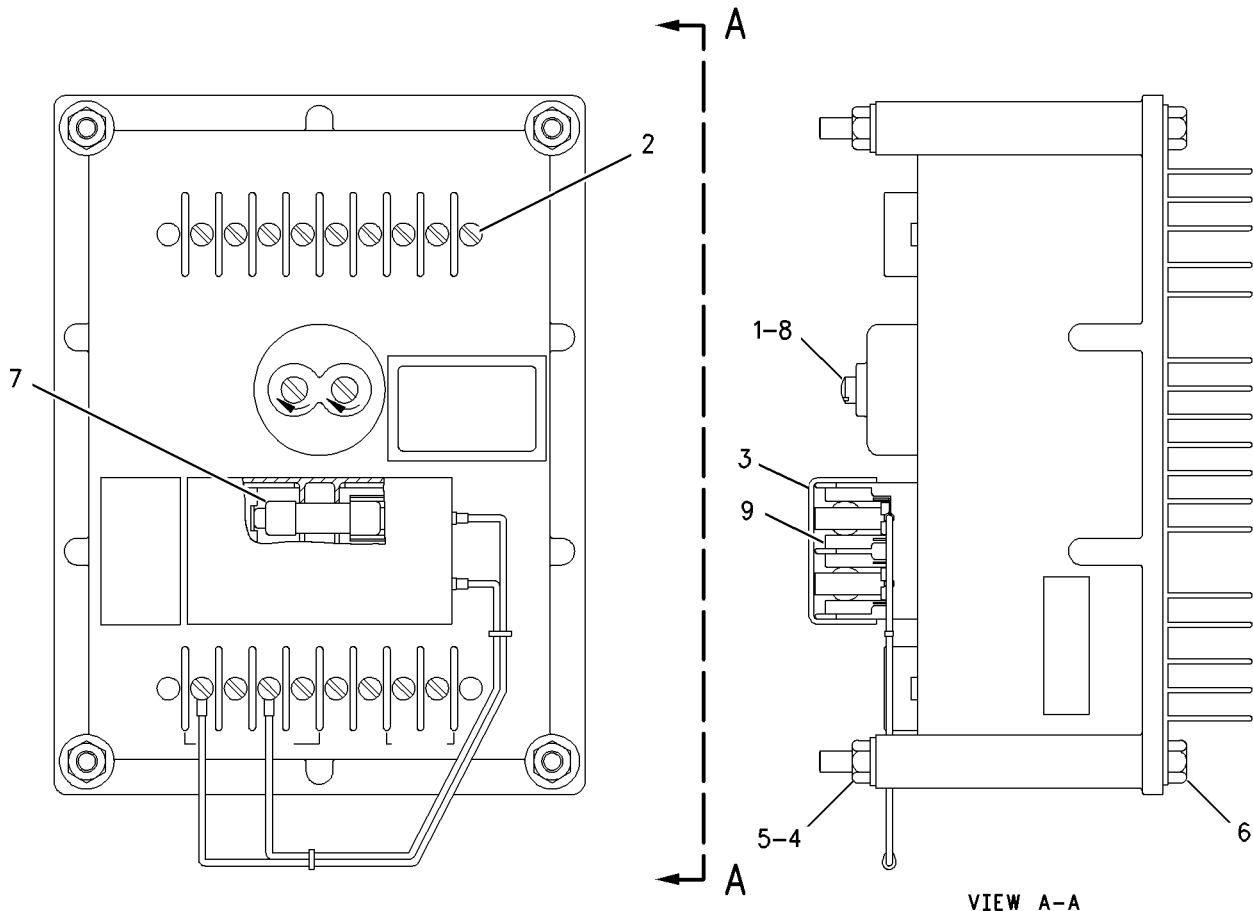
## 155-3820 REGULATOR AS-VOLTAGE

S/N: 5CA5985-UP; 5DA5682-UP; 5EA5375-UP; 8JF1-UP; 6CG1-UP; 6DG1-UP; 6EG1-UP  
 240-VOLT. VR3. PERMANENT MAGNET  
 PART OF 4P-7040 KIT-PARTS  
 AN ATTACHMENT

SMCS-4467

i02558145

NOTE	REF NO	GRAPHIC REF	PART NUMBER	QTY	PART NAME						SEE PAGE
					1	2	3	4	5	6 (PRODUCT LEVEL)	
	1	1	<b>8M-8468</b>	2	SEAL-O-RING						
	2	1	<b>6V-8374</b>	16	SCREW-MACHINE (6-32X0.25-IN)						
	3	1	<b>9Y-8420</b>	1	COVER (FUSE)						
	4	1	<b>9S-8750</b>	4	NUT-FULL (1/4-20-THD)						
	5	1	<b>4B-4674</b>	4	WASHER (6.4X14.5X1.6-MM THK)						
	6	1	<b>7C-3887</b>	4	BOLT (1/4-20X4.5-IN)						
	7	1	<b>9Y-8419</b>	2	FUSE (12-AMPERE)						
	8	1	<b>4B-1242</b>	2	SCREW-MACHINE (12-24X0.375-IN)						
	9	1	<b>4P-9826</b>	1	BLOCK-FUSE						



GRAPHIC #1

<END>

g00766784

# GENERATORS

## 155-3822 REGULATOR AS-VOLTAGE

S/N: 8JF1-UP; 6CG1-UP; 6DG1-UP; 6EG1-UP

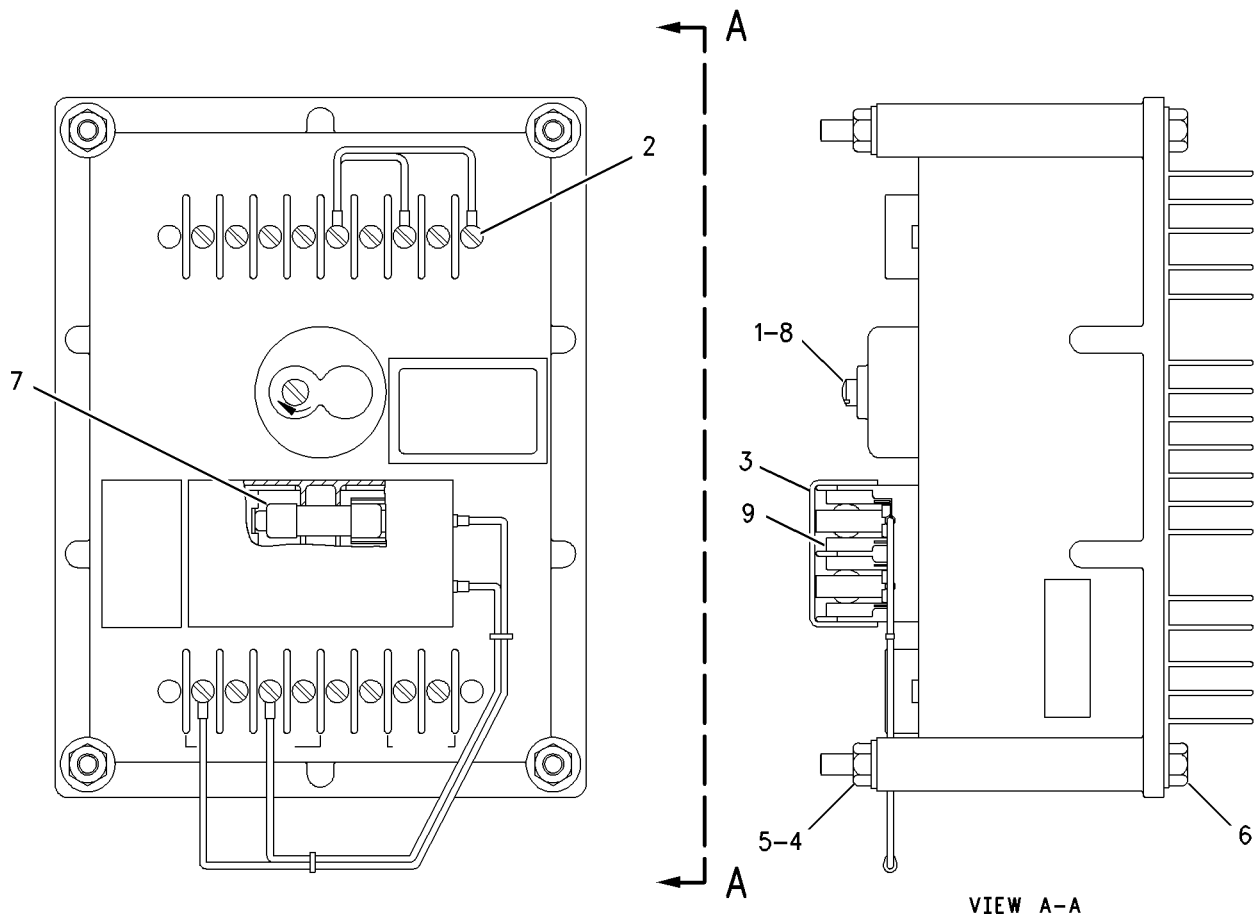
240-VOLT. VR3F. SELF EXCITED

FIELD REPLACEMENT FOR 4P-6845-PAGE: 1617

SMCS-4467

i02207278

NOTE	REF NO	GRAPHIC REF	PART NUMBER	QTY	PART NAME						SEE PAGE
					1	2	3	4	5	6 (PRODUCT LEVEL)	
	1	1	<b>8M-8468</b>	1	SEAL-O-RING						
	2	1	<b>6V-8374</b>	17	SCREW-MACHINE (6-32X0.25-IN)						
	3	1	<b>9Y-8420</b>	1	COVER (FUSE)						
	4	1	<b>9S-8750</b>	4	NUT-FULL (1/4-20-THD)						
	5	1	<b>4B-4674</b>	4	WASHER (6.4X14.5X1.6-MM THK)						
	6	1	<b>7C-3887</b>	4	BOLT (1/4-20X4.5-IN)						
	7	1	<b>9Y-8419</b>	2	FUSE (12-AMPERE)						
	8	1	<b>4B-1242</b>	1	SCREW-MACHINE (12-24X0.375-IN)						
	9	1	<b>4P-9826</b>	1	BLOCK-FUSE						



GRAPHIC #1

<END>

g00766779

# GENERATORS

## 155-3832 REGULATOR AS-VOLTAGE-DIGITAL

S/N: 8JF1-UP; 6CG1-UP; 6DG1-UP; 6EG1-UP

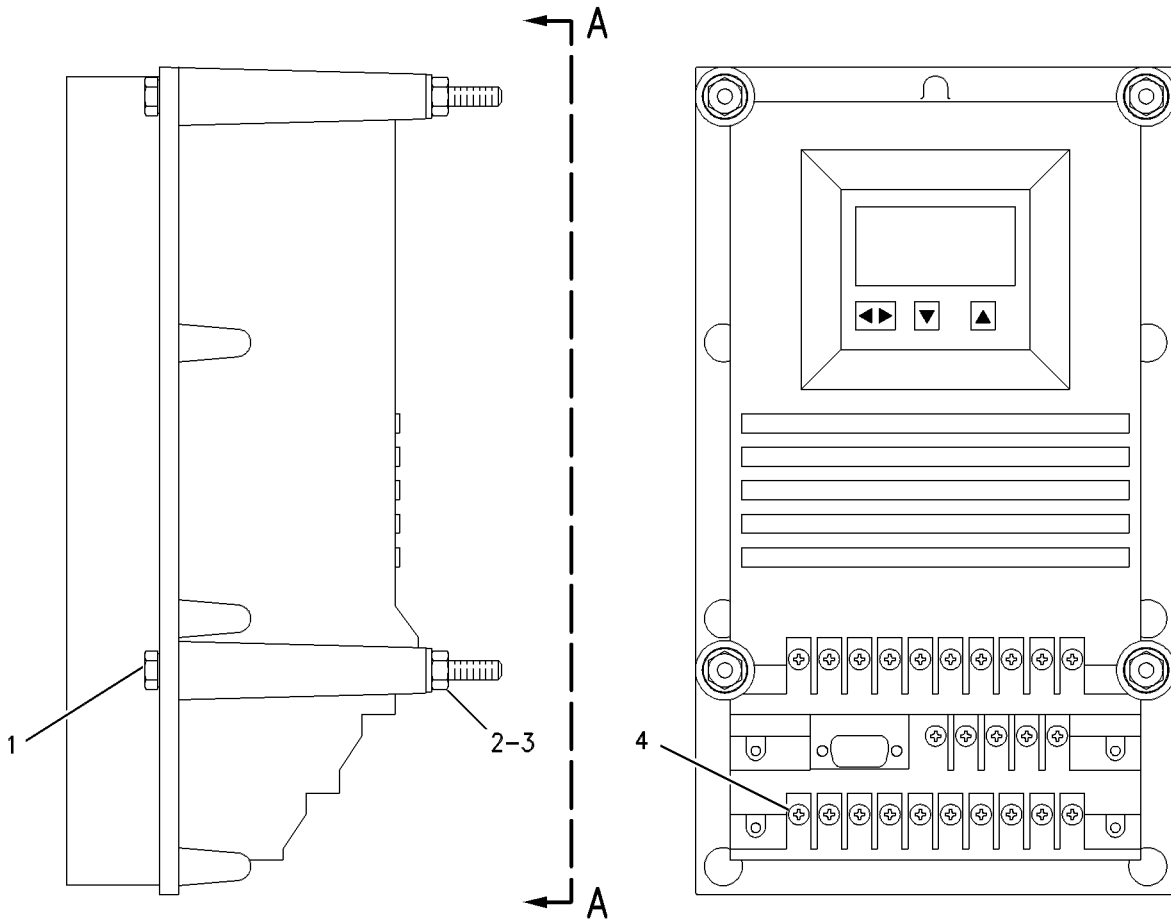
125-VOLT TO 249-VOLT

PART OF 116-7846, 121-6202 REGULATOR GP-VOLTAGE  
AN ATTACHMENT

SMCS-4467

i02558066

NOTE	REF NO	GRAPHIC REF	PART NUMBER	QTY	PART NAME						SEE PAGE
					1	2	3	4	5	6 (PRODUCT LEVEL)	
	1	1	<b>8S-4711</b>	4	BOLT (1/4-20X4.5-IN)						
	2	1	<b>9S-8750</b>	4	NUT-FULL (1/4-20-THD)						
	3	1	<b>5P-0537</b>	4	WASHER-HARD (7.2X14.5X2-MM THK)						
	4	1	<b>2F-7306</b>	25	SCREW-MACHINE (6-32X0.25-IN)						



VIEW A-A

GRAPHIC #1

<END>

g00568899

# GENERATORS

## 155-3835 REGULATOR AS-VOLTAGE-DIGITAL

S/N: 8JF1-UP; 6CG1-UP; 6DG1-UP; 6EG1-UP

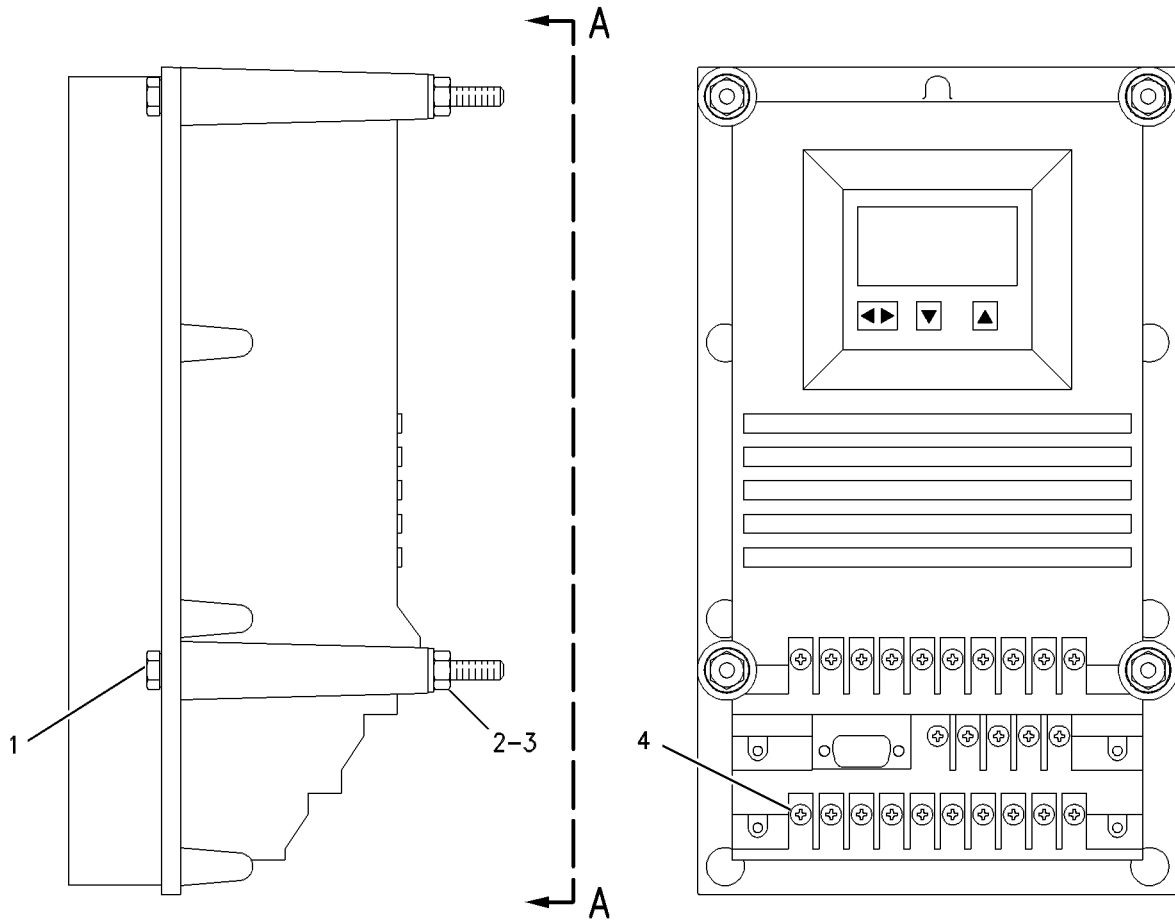
125-VOLT TO 249-VOLT

PART OF 116-7849 REGULATOR GP-VOLTAGE  
AN ATTACHMENT

SMCS-4467

i02329850

NOTE	REF NO	GRAPHIC REF	PART NUMBER	QTY	PART NAME						SEE PAGE
					1	2	3	4	5	6 (PRODUCT LEVEL)	
	1	1	<b>8S-4711</b>	4	BOLT (1/4-20X4.5-IN)						
	2	1	<b>9S-8750</b>	4	NUT-FULL (1/4-20-THD)						
	3	1	<b>5P-0537</b>	4	WASHER-HARD (7.2X14.5X2-MM THK)						
	4	1	<b>2F-7306</b>	25	SCREW-MACHINE (6-32X0.25-IN)						



VIEW A-A

GRAPHIC #1

<END>

g00569175

# GENERATORS

## 202-8634 REGULATOR AS-VOLTAGE-DIGITAL

S/N: 8JF1-UP; 6CG1-UP; 6DG1-UP; 6EG1-UP; 85Z3764-UP

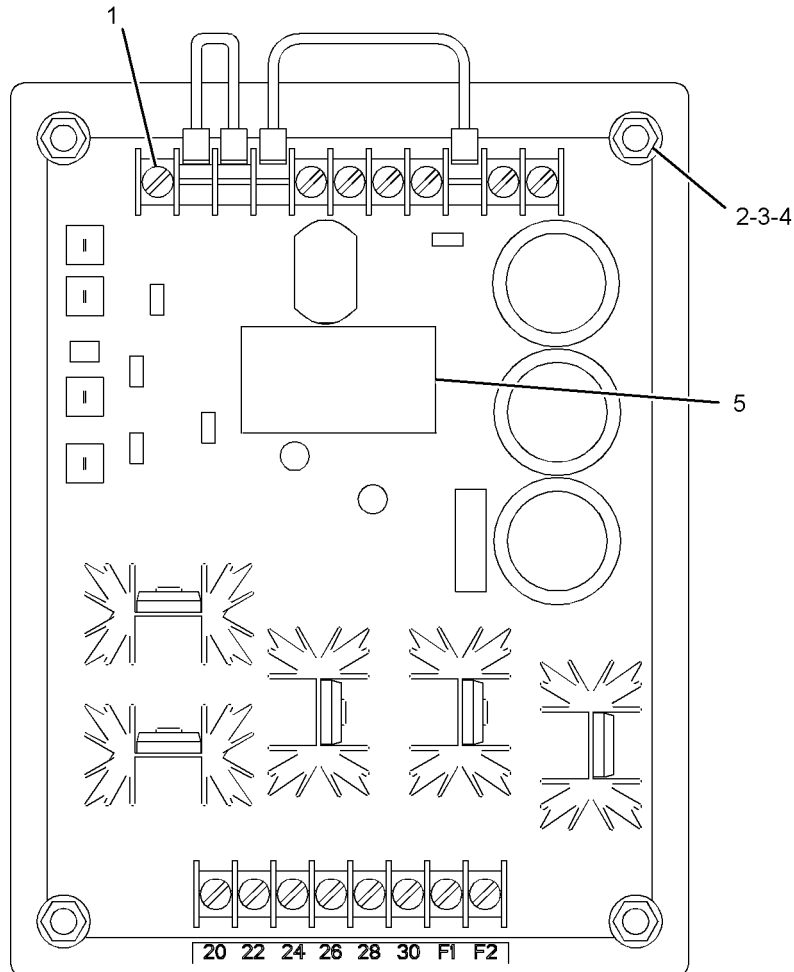
240-VOLT. VR6

PART OF 100-3979 KIT-GENERATOR REPAIR  
AN ATTACHMENT

SMCS-4467

i06286374

NOTE	REF NO	GRAPHIC REF	PART NUMBER	QTY	PART NAME						SEE PAGE
					1	2	3	4	5	6 (PRODUCT LEVEL)	
	1	1	<b>6V-8374</b>	19	SCREW-MACHINE (6-32X0.25-IN)						
	2	1	<b>6V-8185</b>	4	NUT (1/4-20-THD)						
	3	1	<b>4B-4674</b>	8	WASHER (6.4X14.5X1.6-MM THK)						
	4	1	<b>7C-3887</b>	4	BOLT (1/4-20X4.5-IN)						
	5	1	<b>219-3484</b>	1	FILM-WARNING (ELECTROCUTION HAZARD, READ OMM)						



GRAPHIC #1

<END>

g01031849



# GENERATORS

## 235-5725 REGULATOR AS-VOLTAGE-DIGITAL

S/N: 8JF1-UP; 6CG1-UP; 6DG1-UP; 6EG1-UP

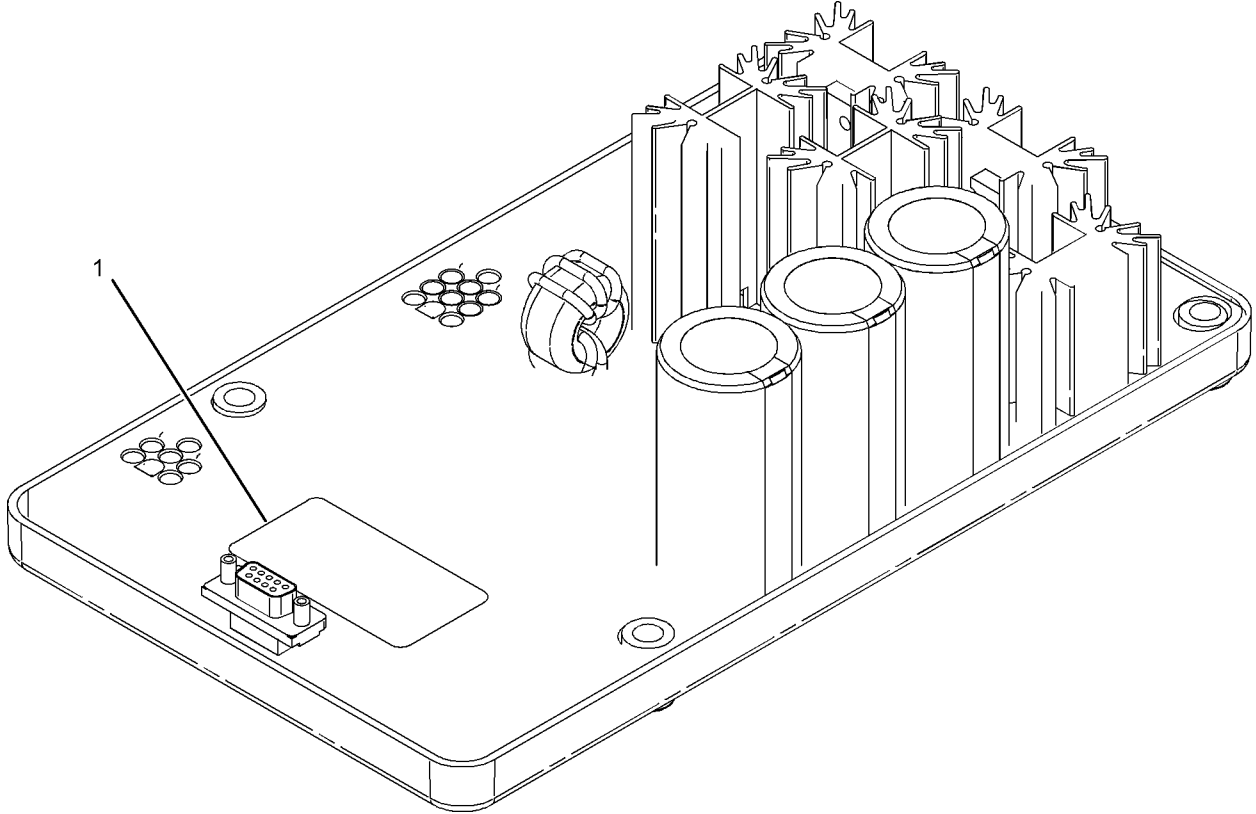
120-VOLT TO 600-VOLT

PART OF 121-6202 REGULATOR GP-VOLTAGE  
AN ATTACHMENT

SMCS-4467

i03338308

NOTE	REF NO	GRAPHIC REF	PART NUMBER	QTY	PART NAME 1 2 3 4 5 6 (PRODUCT LEVEL)	SEE PAGE
	1	1	219-3484	1	FILM-WARNING (ELECTROCUTION HAZARD, READ OMM)	



GRAPHIC #1

<END>

g01035161

# GENERATORS

## 314-7755 REGULATOR AS-VOLTAGE-GENERATOR

S/N: 8JF1-UP; 6CG1-UP; 6DG1-UP; 6EG1-UP

120-VOLT TO 600-VOLT

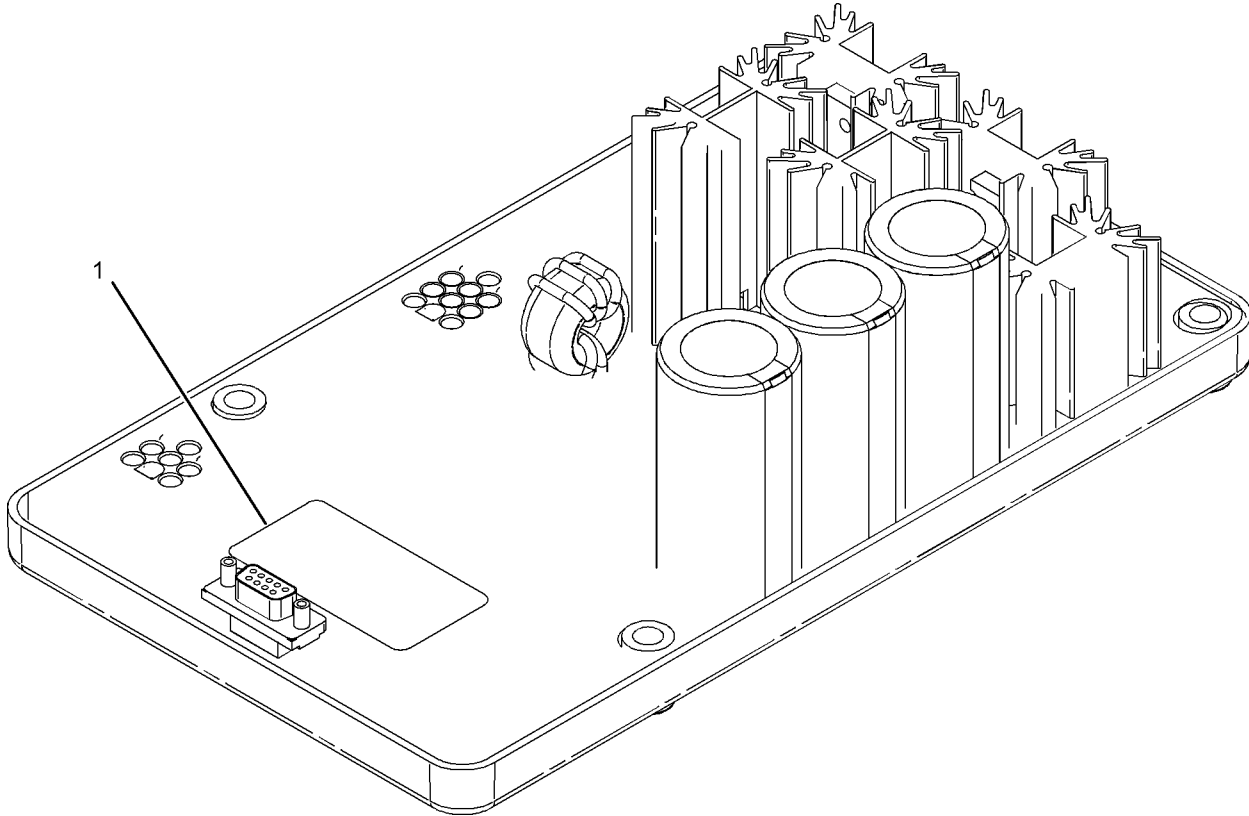
PART OF 121-6202 REGULATOR GP-VOLTAGE

AN ATTACHMENT

SMCS-4467

i06758563

NOTE	REF NO	GRAPHIC REF	PART NUMBER	QTY	PART NAME	SEE PAGE
	1	1	241-0158	1	1 2 3 4 5 6 (PRODUCT LEVEL) FILM-WARNING (SHOCK, ELECTROCUTION HAZARD)	PAGE



GRAPHIC #1

<END>

g01035161

# GENERATORS

## 108-1870 REGULATOR GP-VOLTAGE

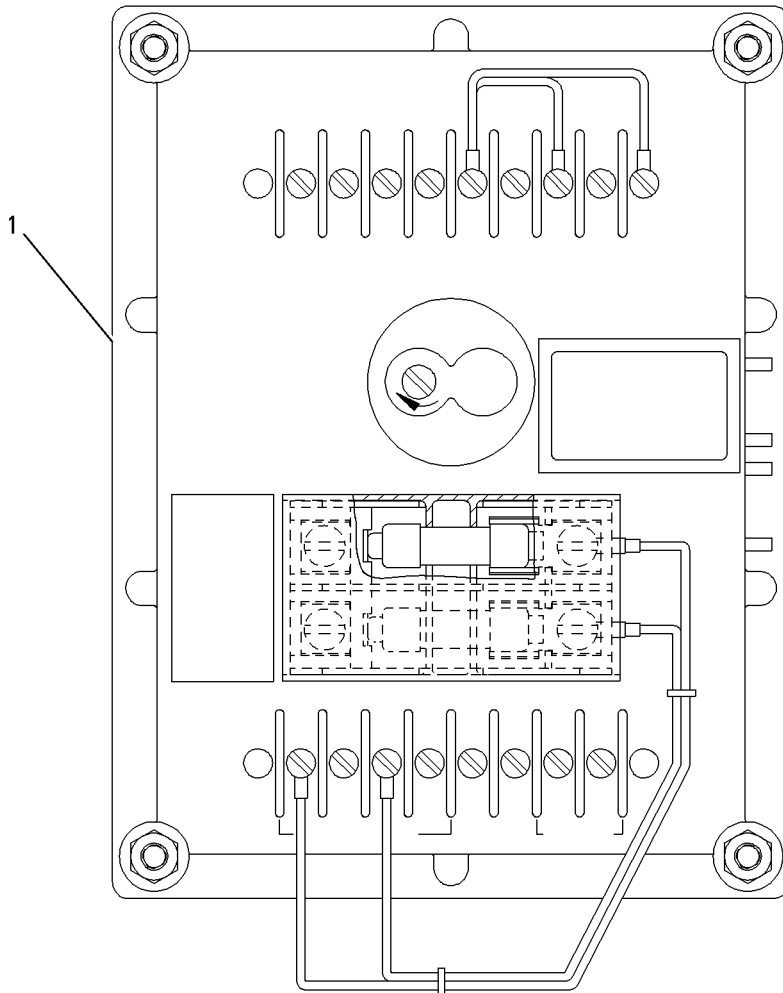
S/N: 8JF1-UP; 6CG1-UP; 6DG1-UP; 6EG1-UP; 85Z3764-UP  
240-VOLT  
AN ATTACHMENT  
TYPE 1

SMCS-4467

i02553581

NOTE	REF NO	GRAPHIC REF	PART NUMBER	QTY	PART NAME						SEE PAGE
					1	2	3	4	5	6 (PRODUCT LEVEL)	
Y	1	1	105-4401	1	REGULATOR AS-VOLTAGE (VR3F PERMANENT MAGNET)						1603
F		1	7E-8074	1	FILM-INSTRUCTION (VOLTAGE CONTROL ADJUSTMENT)						

F - NOT SHOWN  
Y - SEPARATE ILLUSTRATION



GRAPHIC #1

<END>

g00763322

# GENERATORS

## 108-1870 REGULATOR GP-VOLTAGE

S/N: 8JF1-UP; 6CG1-UP; 6DG1-UP; 6EG1-UP; 85Z3764-UP  
240-VOLT  
AN ATTACHMENT  
TYPE 2

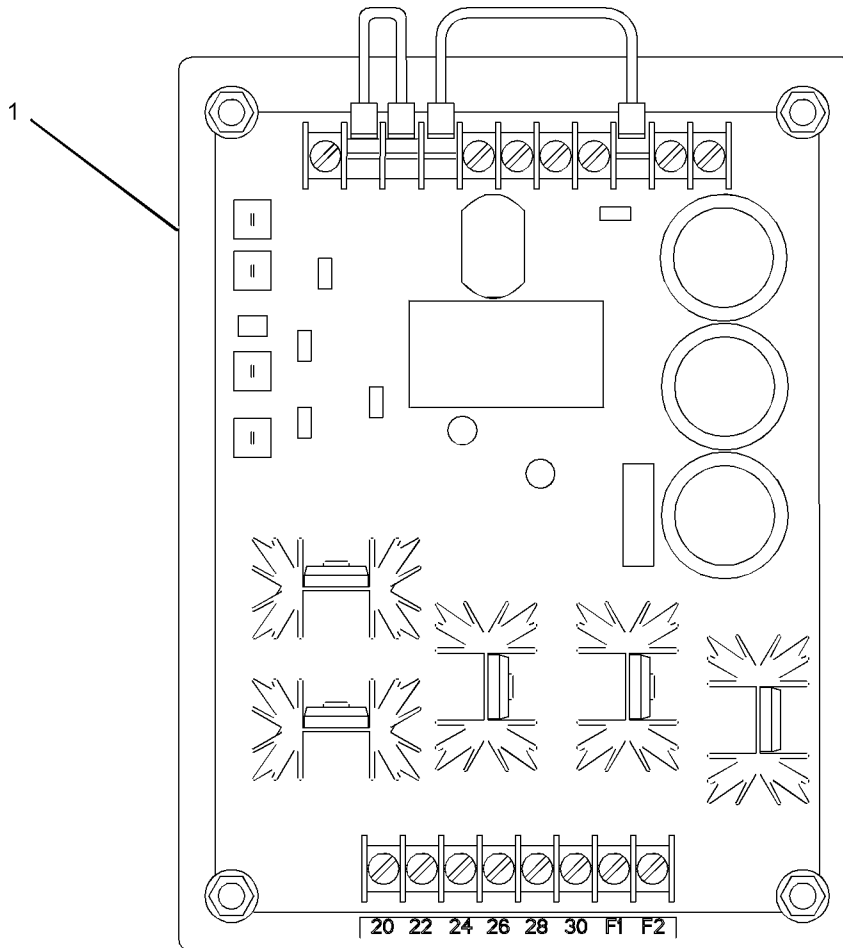
SMCS-4467

i02809037

NOTE	REF NO	GRAPHIC REF	PART NUMBER	QTY	PART NAME						SEE PAGE
					1	2	3	4	5	6 (PRODUCT LEVEL)	
CY	1	1	309-1019	1	REGULATOR GP-VOLTAGE (VR6 PERMANENT MAGNET)						1616
CF		1	216-8748	1	FILM-INSTRUCTION (VOLTAGE CONTROL ADJUSTMENT)						

TO INSTALL THE FILM, PLACE FILM ON THE INNER SURFACE OF THE LEFT PANEL OF THE GENERATOR TERMINAL BOX

C - CHANGE FROM PREVIOUS TYPE  
F - NOT SHOWN  
Y - SEPARATE ILLUSTRATION



GRAPHIC #1

<END>

g01042522

# GENERATORS

## 116-7846 REGULATOR GP-VOLTAGE-DIGITAL

S/N: 8JF1-UP; 6CG1-UP; 6DG1-UP; 6EG1-UP

125-VOLT TO 249-VOLT

AN ATTACHMENT

SMCS-4467

i02558068

NOTE	PART NUMBER	QTY	PART NAME 1 2 3 4 5 6 (PRODUCT LEVEL)	SEE PAGE
Y	155-3832	1	REGULATOR AS-VOLTAGE (DIGITAL)	1608
	124-3487	1	FILM-INSTRUCTION (VOLTAGE ADJUSTMENT)	
Y - SEPARATE ILLUSTRATION				
<END>				

## 116-7849 REGULATOR GP-VOLTAGE-DIGITAL

S/N: 8JF1-UP; 6CG1-UP; 6DG1-UP; 6EG1-UP

125-VOLT TO 249-VOLT. KVAR/PF CONTROLLER

AN ATTACHMENT

SMCS-4467

i02558057

NOTE	PART NUMBER	QTY	PART NAME 1 2 3 4 5 6 (PRODUCT LEVEL)	SEE PAGE
Y	155-3835	1	REGULATOR AS-VOLTAGE (DIGITAL)	1609
	124-3486	1	FILM-INSTRUCTION (VOLTAGE ADJUSTMENT)	
Y - SEPARATE ILLUSTRATION				
<END>				

## 121-6202 REGULATOR GP-VOLTAGE

S/N: 8JF1-UP; 6CG1-UP; 6DG1-UP; 6EG1-UP

120-VOLT TO 600-VOLT

AN ATTACHMENT

SMCS-4467

i06801407

NOTE	PART NUMBER	QTY	PART NAME 1 2 3 4 5 6 (PRODUCT LEVEL)	SEE PAGE
Y	124-1563	1	MOUNTING GP-VOLTAGE REGULATOR	1600
			-OR-	
Y	242-3487	1	MOUNTING GP-VOLTAGE REGULATOR	1601
Y	155-3832	1	REGULATOR AS-VOLTAGE (DIGITAL)	1608
			-OR-	
Y	235-5725	1	REGULATOR AS-VOLTAGE (DIGITAL)	1611
			-OR-	
Y	314-7755	1	REGULATOR AS-VOLTAGE (DIGITAL)	1612
Y - SEPARATE ILLUSTRATION				
<END>				

# GENERATORS

## 309-1019 REGULATOR GP-VOLTAGE

S/N: 5CA5985-UP; 5DA5682-UP; 5EA5375-UP; 8JF1-UP; 6CG1-UP; 6DG1-UP; 6EG1-UP;  
85Z3764-UP

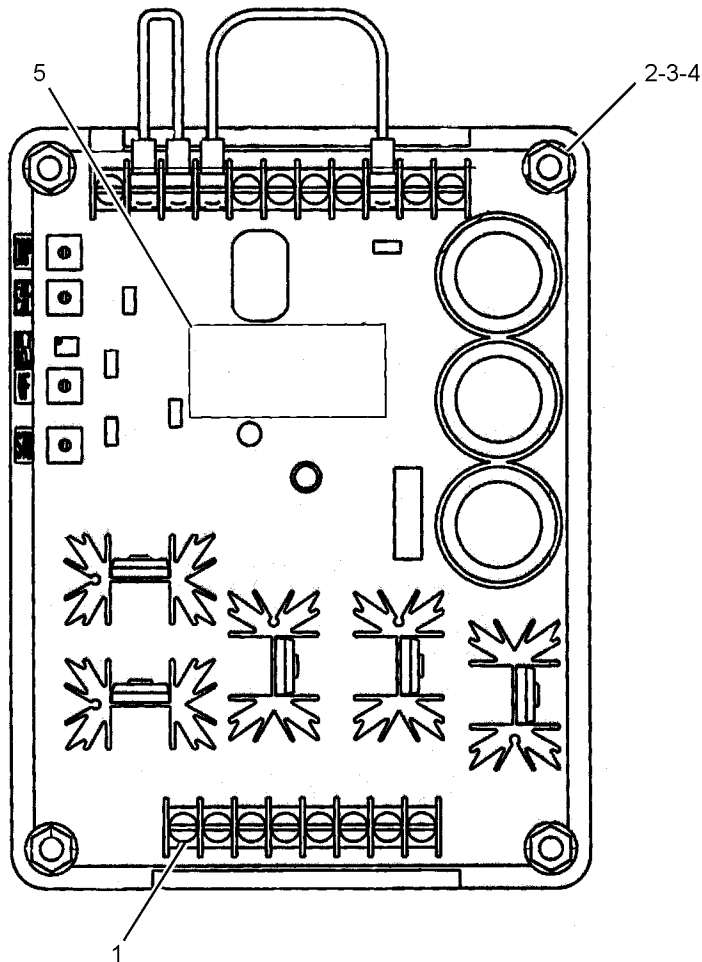
240-VOLT. VR6-SENSING

PART OF 100-3979 KIT-GENERATOR REPAIR, 112-5338 KIT-MARINE GENERATOR PARTS, 122-4249, 4P-7040 KIT-PARTS, 108-1870, 6I-2963 REGULATOR GP-VOLTAGE  
AN ATTACHMENT

SMCS-4467

i02800827

NOTE	REF NO	GRAPHIC REF	PART NUMBER	QTY	PART NAME						SEE PAGE
					1	2	3	4	5	6 (PRODUCT LEVEL)	
	1	1	<b>6V-8374</b>	19	SCREW-MACHINE (6-32X0.25-IN)						
	2	1	<b>6V-8185</b>	4	NUT (1/4-20-THD)						
	3	1	<b>4B-4674</b>	8	WASHER (6.4X14.5X1.6-MM THK)						
	4	1	<b>7C-3887</b>	4	BOLT (1/4-20X4.5-IN)						
	5	1	<b>219-3484</b>	1	FILM-WARNING (ELECTROCUTION HAZARD, READ OMM)						



GRAPHIC #1

<END>

g01401269

# GENERATORS

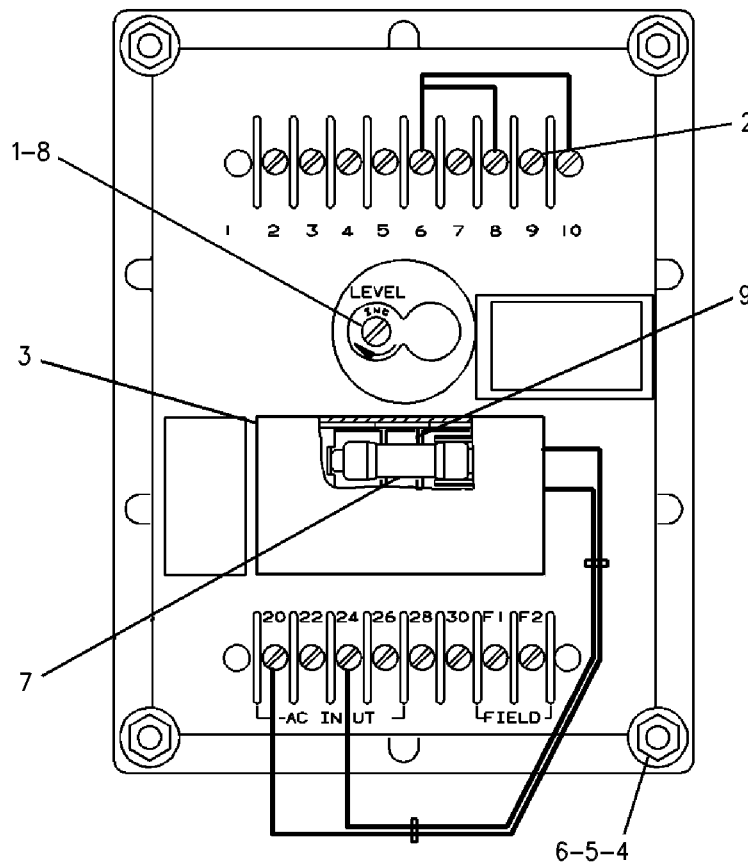
## 4P-6845 REGULATOR GP-VOLTAGE

S/N: 8JF1-UP; 6CG1-UP; 6DG1-UP; 6EG1-UP  
 FIELD REPLACEMENT ORDER 155-3822-PAGE: 1607  
 PART OF 6I-2963 REGULATOR GP-VOLTAGE  
 AN ATTACHMENT

SMCS-4467

i01381888

NOTE	REF NO	GRAPHIC REF	PART NUMBER	QTY	PART NAME						SEE PAGE
					1	2	3	4	5	6 (PRODUCT LEVEL)	
	1	1	<b>8M-8468</b>	1	SEAL-O-RING						
	2	1	<b>6V-8374</b>	17	SCREW-MACHINE (6-32X0.25-IN)						
	3	1	<b>9Y-8420</b>	1	COVER (FUSE)						
	4	1	<b>9S-8750</b>	4	NUT-FULL (1/4-20-THD)						
	5	1	<b>4B-4674</b>	4	WASHER (6.4X14.5X1.6-MM THK)						
	6	1	<b>7C-3887</b>	4	BOLT (1/4-20X4.5-IN)						
	7	1	<b>9Y-8419</b>	2	FUSE (12-AMPERE)						
	8	1	<b>4B-1242</b>	1	SCREW-MACHINE (12-24X0.375-IN)						
	9	1	<b>4P-9826</b>	1	BLOCK-FUSE						



GRAPHIC #1

<END>

g00610672

# GENERATORS

## **6I-2963 REGULATOR GP-VOLTAGE**

S/N: 8JF1-UP; 6CG1-UP; 6DG1-UP; 6EG1-UP

240-VOLT

AN ATTACHMENT

SMCS-4467

i02888842

NOTE	PART NUMBER	QTY	PART NAME						SEE PAGE
			1	2	3	4	5	6 (PRODUCT LEVEL)	
Y	<b>4P-6845</b>	1	REGULATOR GP-VOLTAGE (VR3F PERMANENT MAGNET)						1617
			-OR-						
Y	<b>309-1019</b>	1	REGULATOR GP-VOLTAGE (VR6 PERMANENT MAGNET)						1616
	<b>7E-8074</b>	1	FILM-INSTRUCTION (VOLTAGE CONTROL ADJUSTMENT)						
Y - SEPARATE ILLUSTRATION									
<END>									



# GENERATORS

## 110-3407 ROTOR AS

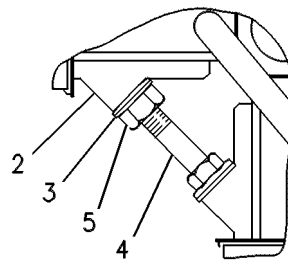
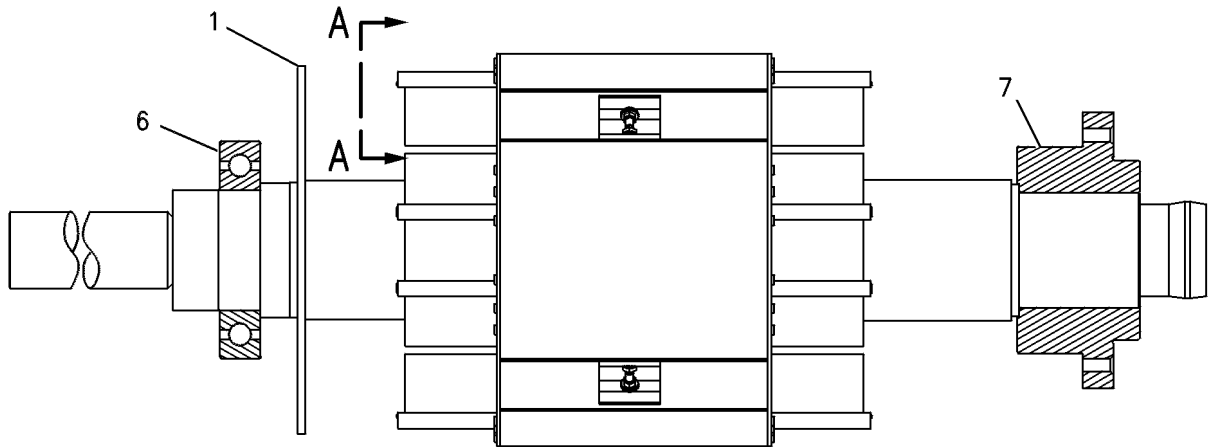
S/N: 6CG1-UP

PART OF 109-3770 GENERATOR GP

SMCS-4457

i00970606

NOTE	REF NO	GRAPHIC REF	PART NUMBER	QTY	PART NAME						SEE PAGE
					1	2	3	4	5	6	
	1	1	<b>9Y-5845</b>	1	DISC						
	2	1	<b>5N-0627</b>	8	WEDGE - POLE						
	3	1	<b>5N-0618</b>	8	WASHER - SPRING						
	4	1	<b>5N-0626</b>	4	BOLT - SPECIAL						
	5	1	<b>9S-8750</b>	4	NUT - FULL (1/4-20-THD)						
	6	1	<b>6Y-3955</b>	1	BALL BEARING						
	7	1	<i>110-3763</i>	1	HUB - DRIVE						



VIEW A-A

GRAPHIC #1

<END>

g00239258

# GENERATORS

## 110-3408 ROTOR AS

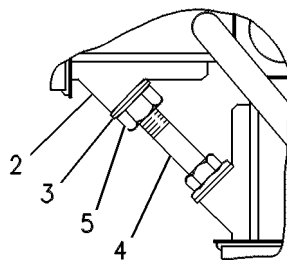
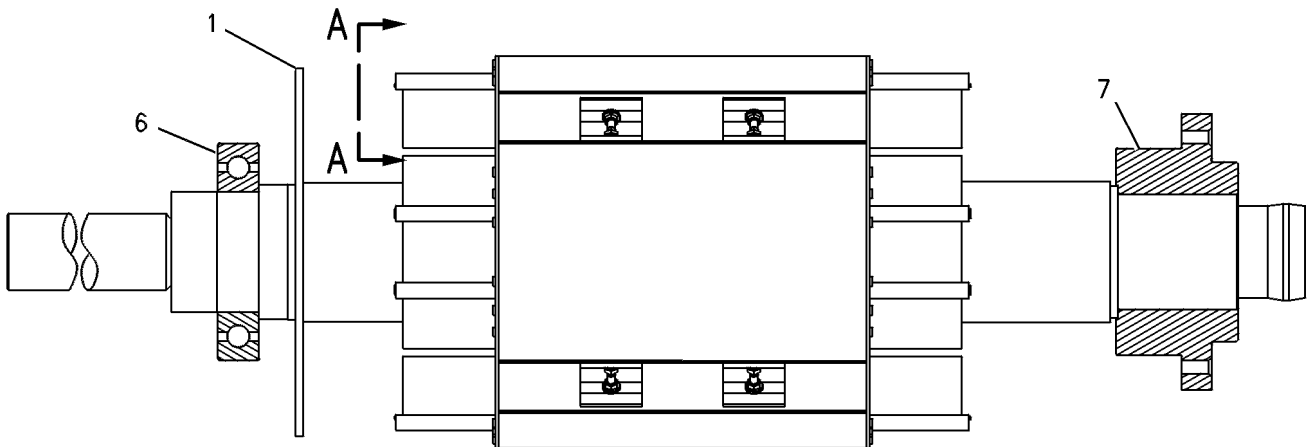
S/N: 6DG1-UP

PART OF 109-3772, 109-3784, 109-3796 GENERATOR GP

SMCS-4457

i00671524

NOTE	REF NO	GRAPHIC REF	PART NUMBER	QTY	PART NAME						SEE PAGE
					1	2	3	4	5	6	
	1	1	<b>9Y-5845</b>	1	DISC						
	2	1	<b>5N-0627</b>	16	WEDGE - POLE						
	3	1	<b>5N-0618</b>	16	WASHER - SPRING						
	4	1	<b>5N-0626</b>	8	BOLT - SPECIAL						
	5	1	<b>9S-8750</b>	8	NUT - FULL (1/4-20-THD)						
	6	1	<b>6Y-3955</b>	1	BALL BEARING						
	7	1	<b>110-3763</b>	1	HUB - DRIVE						



VIEW A-A

GRAPHIC #1

<END>

g00239349

# GENERATORS

## 110-3409 ROTOR AS

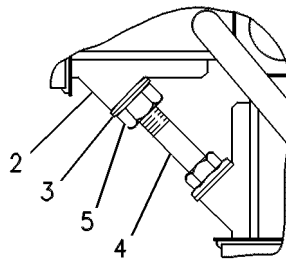
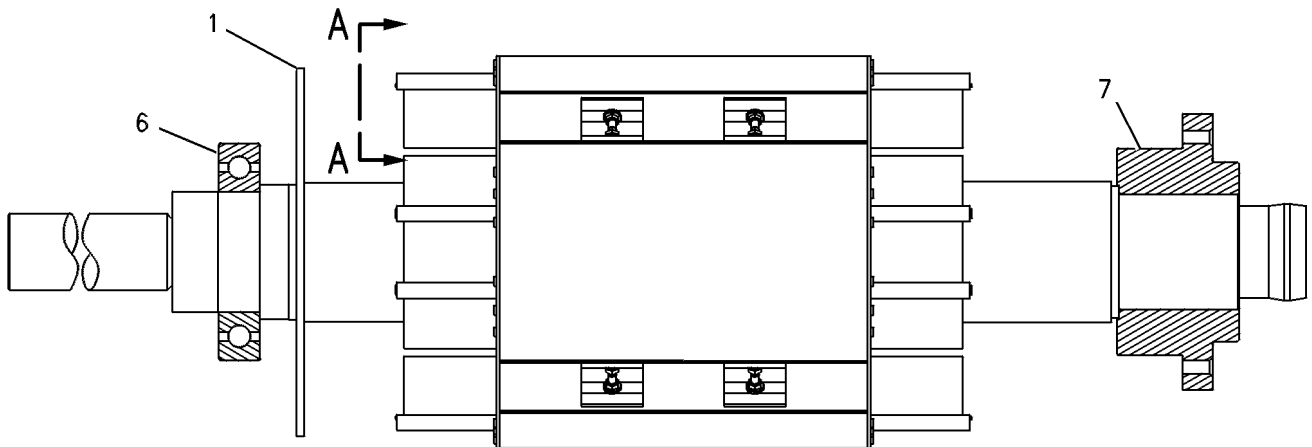
S/N: 6EG1-UP

PART OF 109-3774, 109-3786, 109-3798 GENERATOR GP

SMCS-4457

i00671530

NOTE	REF NO	GRAPHIC REF	PART NUMBER	QTY	PART NAME						SEE PAGE
					1	2	3	4	5	6	
	1	1	<b>9Y-5845</b>	1	DISC						
	2	1	<b>5N-0627</b>	16	WEDGE - POLE						
	3	1	<b>5N-0618</b>	16	WASHER - SPRING						
	4	1	<b>5N-0626</b>	8	BOLT - SPECIAL						
	5	1	<b>9S-8750</b>	8	NUT - FULL (1/4-20-THD)						
	6	1	<b>6Y-3955</b>	1	BALL BEARING						
	7	1	<b>110-3763</b>	1	HUB - DRIVE						



VIEW A-A

GRAPHIC #1

<END>

g00239349

# GENERATORS

## 110-3410 ROTOR AS

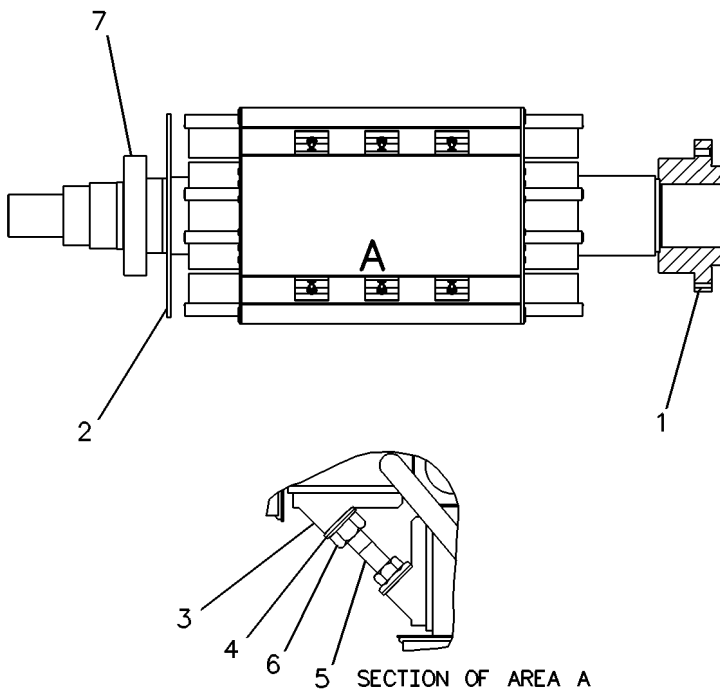
S/N: 8JF1-UP

PART OF 109-3776, 121-3192 GENERATOR GP

SMCS-4457

i00973661

NOTE	REF NO	GRAPHIC REF	PART NUMBER	QTY	PART NAME						SEE PAGE
					1	2	3	4	5	6 (PRODUCT LEVEL)	
	1	1	<b>110-3763</b>	1	HUB-DRIVE						
	2	1	<b>9Y-5845</b>	1	DISC						
	3	1	<b>5N-0627</b>	16	WEDGE-POLE						
	4	1	<b>5N-0618</b>	16	WASHER-SPRING						
	5	1	<b>5N-0626</b>	8	BOLT-SPECIAL						
	6	1	<b>9S-8750</b>	8	NUT-FULL (1/4-20-THD)						
	7	1	<b>6Y-3955</b>	1	BALL BEARING						



GRAPHIC #1

<END>

g00213921

# GENERATORS

## 4P-3151 ROTOR AS

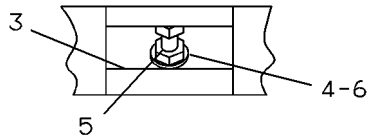
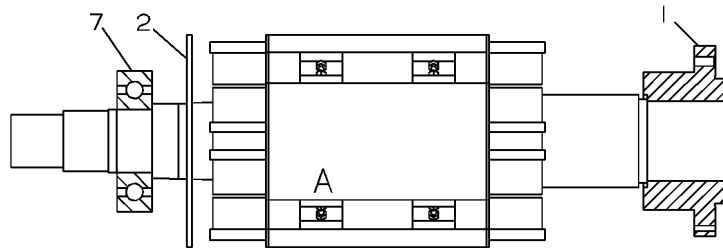
S/N: 8JF1-UP

PART OF 7E-1243 GENERATOR GP

SMCS-4457

i00974201

NOTE	REF NO	GRAPHIC REF	PART NUMBER	QTY	PART NAME						SEE PAGE
					1	2	3	4	5	6 (PRODUCT LEVEL)	
	1	1	<b>7C-5685</b>	1	HUB-GENERATOR COUPLING						
	2	1	<b>9Y-5845</b>	1	DISC						
	3	1	<b>5N-0627</b>	16	WEDGE - POLE						
	4	1	<b>5N-0618</b>	16	WASHER - SPRING						
	5	1	<b>5N-0626</b>	8	BOLT - SPECIAL						
	6	1	<b>9S-8750</b>	8	NUT - FULL (1/4-20-THD)						
	7	1	<b>6Y-3955</b>	1	BALL BEARING						



VIEW OF AREA A

GRAPHIC #1

<END>

g00197657

# GENERATORS

## 4P-3403 ROTOR AS

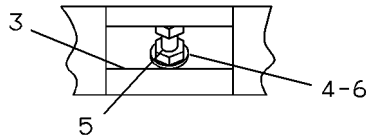
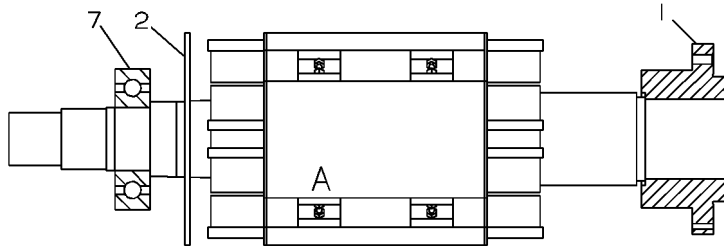
S/N: 6CG1-UP

PART OF 9Y-0368 GENERATOR GP

SMCS-4457

i00970527

NOTE	REF NO	GRAPHIC REF	PART NUMBER	QTY	PART NAME						SEE PAGE
					1	2	3	4	5	6 (PRODUCT LEVEL)	
	1	1	<b>7C-5685</b>	1	HUB-GENERATOR COUPLING						
	2	1	<b>9Y-5845</b>	1	DISC						
	3	1	<b>5N-0627</b>	8	WEDGE - POLE						
	4	1	<b>5N-0618</b>	8	WASHER - SPRING						
	5	1	<b>5N-0626</b>	4	BOLT - SPECIAL						
	6	1	<b>9S-8750</b>	4	NUT - FULL (1/4-20-THD)						
	7	1	<b>6Y-3955</b>	1	BALL BEARING						



VIEW OF AREA A

GRAPHIC #1

<END>

g00197657

# GENERATORS

## 4P-3405 ROTOR AS

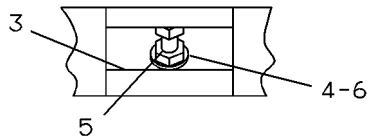
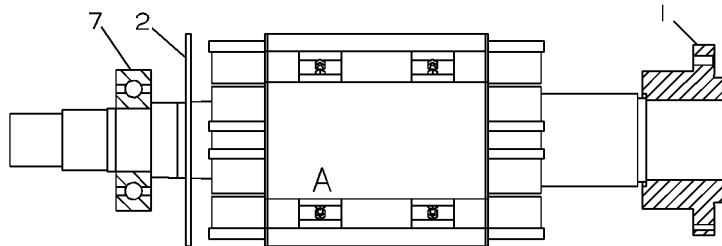
S/N: 6DG1-UP

PART OF 4P-7698, 7E-0097 GENERATOR GP

SMCS-4457

i00671531

NOTE	REF NO	GRAPHIC REF	PART NUMBER	QTY	PART NAME						SEE PAGE
					1	2	3	4	5	6 (PRODUCT LEVEL)	
	1	1	<b>7C-5685</b>	1	HUB-GENERATOR COUPLING						
	2	1	<b>9Y-5845</b>	1	DISC						
	3	1	<b>5N-0627</b>	16	WEDGE-POLE						
	4	1	<b>5N-0618</b>	16	WASHER-SPRING						
	5	1	<b>5N-0626</b>	8	BOLT-SPECIAL						
	6	1	<b>9S-8750</b>	8	NUT-FULL (1/4-20-THD)						
	7	1	<b>6Y-3955</b>	1	BALL BEARING						



VIEW OF AREA A

GRAPHIC #1

<END>

g00197657

# GENERATORS

## 4P-3407 ROTOR AS

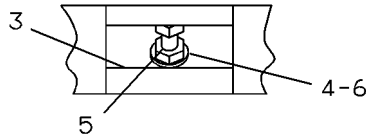
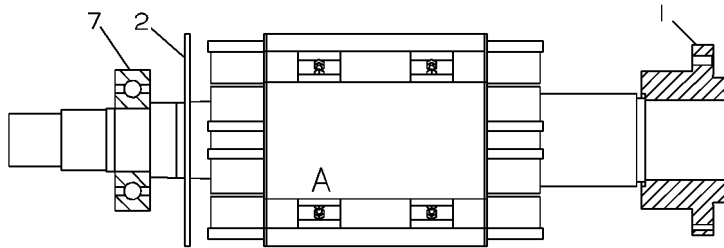
S/N: 6EG1-UP

PART OF 6I-0061, 7E-0098 GENERATOR GP

SMCS-4457

i00671533

NOTE	REF NO	GRAPHIC REF	PART NUMBER	QTY	PART NAME						SEE PAGE
					1	2	3	4	5	6 (PRODUCT LEVEL)	
	1	1	<b>7C-5685</b>	1	HUB-GENERATOR COUPLING						
	2	1	<b>9Y-5845</b>	1	DISC						
	3	1	<b>5N-0627</b>	16	WEDGE-POLE						
	4	1	<b>5N-0618</b>	16	WASHER-SPRING						
	5	1	<b>5N-0626</b>	8	BOLT-SPECIAL						
	6	1	<b>9S-8750</b>	8	NUT-FULL (1/4-20-THD)						
	7	1	<b>6Y-3955</b>	1	BALL BEARING						



VIEW OF AREA A

GRAPHIC #1

<END>

g00197657



# GENERATORS

## 4W-7451 ROTOR AS

S/N: 5DA5682-UP

PART OF 4W-7427, 4W-7428, 4W-7429 GENERATOR GP

SMCS-4457

i02012775

NOTE	REF NO	GRAPHIC REF	PART NUMBER	QTY	PART NAME						SEE PAGE
					1	2	3	4	5	6 (PRODUCT LEVEL)	
	1	1	<b>6S-1753</b>	1	RING-RETAINING						
	2	1	<b>3N-1965</b>	1	BALL BEARING						
	3	1	<b>3N-1645</b>	4	SCREW-FORMING (5/16-18X1-IN)						
		1	<b>4L-6499</b>	4	WASHER (0.38X0.88X0.06-IN THK)						
C	4	1	<b>7C-5685</b>	1	HUB-GENERATOR COUPLING						
	5	1	<b>3N-8972</b>	1	HEAT SINK AS-POSITIVE						
	6	1	<b>3N-1961</b>	1	SUPPRESSOR-VOLTAGE						
	7	1	<b>3N-1958</b>	2	TUBE-INSULATING						
	8	1	<b>3N-1960</b>	1	CLAMP-RESISTOR						
	9	1	<b>3N-1959</b>	1	RESISTOR AS						
	10	1	<b>7S-1197</b>	1	SCREW-MACHINE (8-32X0.5-IN)						
	11	1	<b>4B-2043</b>	1	NUT (8-32-THD)						
	12	1	<b>9B-7233</b>	2	LOCKWASHER						
	13	1	<b>3N-8968</b>	3	RECTIFIER AS						
	14	1	<b>3D-9799</b>	4	SCREW-MACHINE (8-32X0.875-IN)						
		1	<b>9B-7233</b>	4	LOCKWASHER						
C	15	1	<b>7W-4470</b>	1	HEAT SINK AS-NEGATIVE						
	16	1	<b>3N-1958</b>	2	TUBE-INSULATING						
	17	1	<b>3N-5312</b>	3	RECTIFIER AS						
	18	1	<b>5N-0626</b>	4	BOLT-SPECIAL						
		1	<b>1B-4330</b>	4	NUT (1/4-20-THD)						
		1	<b>5N-0618</b>	8	WASHER-SPRING						
	19	1	<b>5N-0627</b>	8	WEDGE-POLE						
	20	1	<b>1H-4336</b>	2	SCREW-MACHINE (10-32X0.563-IN)						
		1	<b>8L-5832</b>	2	NUT-HEX (10-32-THD)						
		1	<b>8F-1434</b>	2	LOCKWASHER						
	21	1	<b>3N-9115</b>	2	STRIP-TERMINAL						
	22	1	<b>5N-6498</b>	1	CORE AS-ROTOR						

AVAILABLE REPAIR KIT(S) :

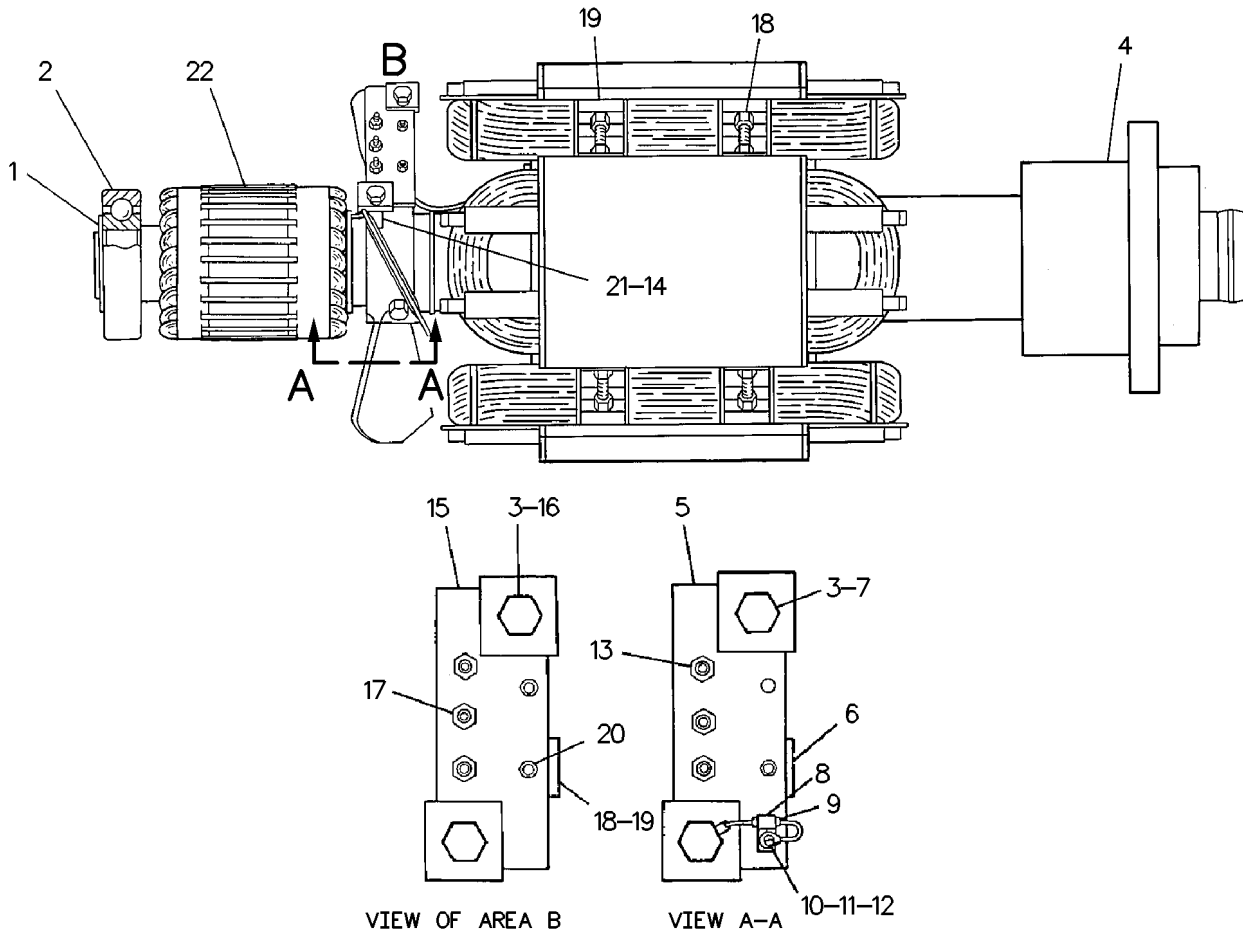
**4C-6715**      1      KIT-RECTIFIER SILICONE (GENERATOR ROTOR)

C - CHANGE FROM PREVIOUS TYPE

# GENERATORS

4W-7451 ROTOR AS (contd.)

i02012775



GRAPHIC #1

<END>

g00226303

# GENERATORS

## 5N-9136 ROTOR AS

S/N: 5FA4499-UP

PART OF 7W-8744 GENERATOR GP

SMCS-4457

i01999051

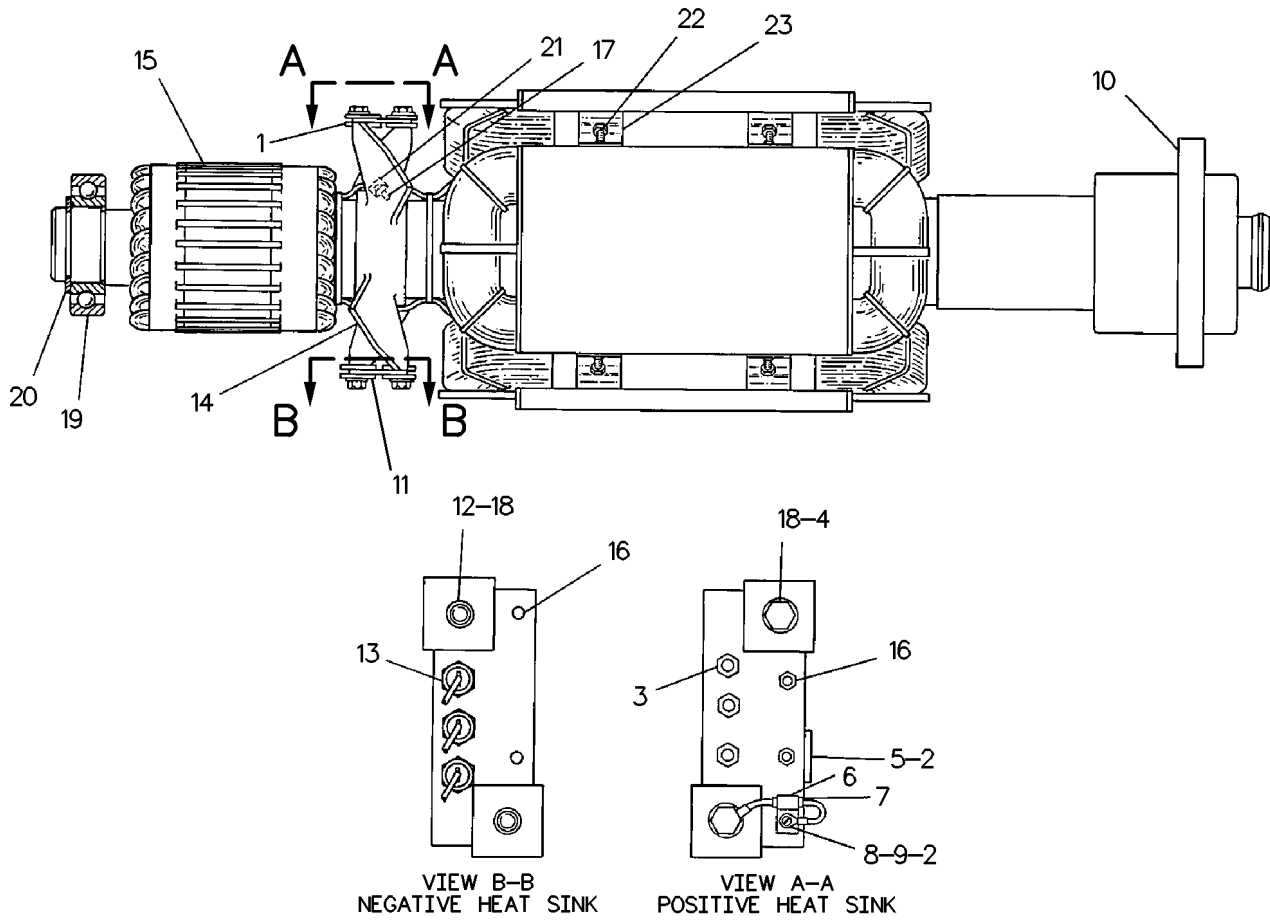
NOTE	REF NO	GRAPHIC REF	PART NUMBER	QTY	PART NAME						SEE PAGE
					1	2	3	4	5	6 (PRODUCT LEVEL)	
	1	1	<b>3N-8972</b>	1	HEAT SINK AS-POSITIVE						
	2	1	<b>9B-7233</b>	2	LOCKWASHER						
	3	1	<b>3N-8968</b>	3	RECTIFIER AS						
	4	1	<b>3N-1958</b>	2	TUBE-INSULATING						
	5	1	<b>3N-1961</b>	1	SUPPRESSOR-VOLTAGE						
	6	1	<b>3N-1960</b>	1	CLAMP-RESISTOR						
	7	1	<b>3N-1959</b>	1	RESISTOR AS						
	8	1	<b>7S-1197</b>	1	SCREW-MACHINE (8-32X0.5-IN)						
	9	1	<b>4B-2043</b>	1	NUT (8-32-THD)						
C	10	1	<b>7C-5685</b>	1	HUB-GENERATOR COUPLING						
C	11	1	<b>7W-4470</b>	1	HEAT SINK AS-NEGATIVE						
	12	1	<b>3N-1958</b>	2	TUBE-INSULATING						
	13	1	<b>3N-5312</b>	3	RECTIFIER AS						
C	14	1	<b>5N-0660</b>	1	KIT-FAN (ROTOR)						
	15	1	<b>5N-6496</b>	1	CORE AS-ROTOR						
	16	1	<b>1H-4336</b>	2	SCREW-MACHINE (10-32X0.563-IN)						
		1	<b>8L-5832</b>	2	NUT-HEX (10-32-THD)						
		1	<b>8F-1434</b>	2	LOCKWASHER						
	17	1	<b>3D-9799</b>	4	SCREW-MACHINE (8-32X0.875-IN)						
		1	<b>9B-7233</b>	4	LOCKWASHER						
	18	1	<b>3N-1645</b>	4	SCREW-FORMING (5/16-18X1-IN)						
		1	<b>4L-6499</b>	4	WASHER (0.38X0.88X0.06-IN THK)						
	19	1	<b>3N-1965</b>	1	BALL BEARING						
	20	1	<b>6S-1753</b>	1	RING-RETAINING						
	21	1	<b>3N-9115</b>	2	STRIP-TERMINAL						
	22	1	<b>5N-0626</b>	8	BOLT-SPECIAL						
		1	<b>9S-8750</b>	8	NUT-FULL (1/4-20-THD)						
		1	<b>5N-0618</b>	16	WASHER-SPRING						
	23	1	<b>5N-0627</b>	16	WEDGE-POLE						
					AVAILABLE REPAIR KIT(S):						
			<b>4C-6715</b>	1	KIT-RECTIFIER SILICONE (GENERATOR) (ROTOR)						

C - CHANGE FROM PREVIOUS TYPE

# GENERATORS

5N-9136 ROTOR AS (contd.)

i01999051



GRAPHIC #1

<END>

g00226299

# GENERATORS

## 7W-0141 ROTOR AS

S/N: 5CA5985-UP

PART OF 4W-7424, 4W-7425 GENERATOR GP

SMCS-4457

i02012777

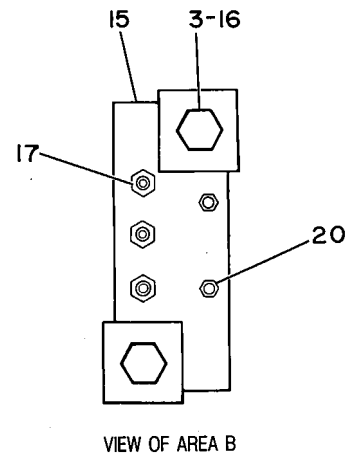
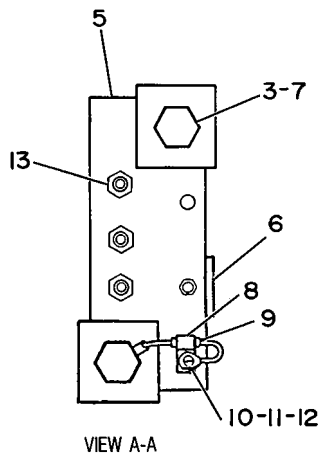
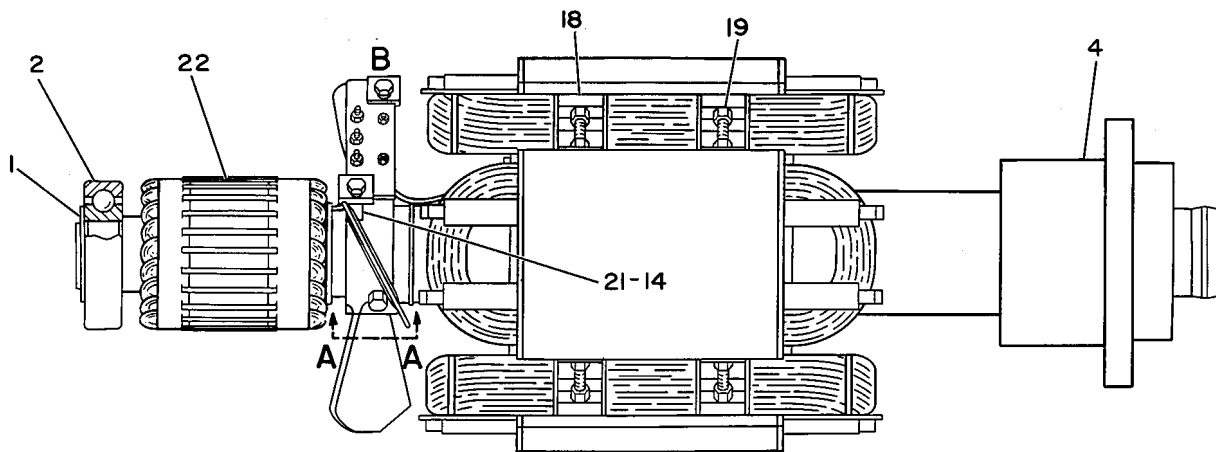
NOTE	REF NO	GRAPHIC REF	PART NUMBER	QTY	PART NAME						SEE PAGE	
					1	2	3	4	5	6 (PRODUCT LEVEL)		
	1	1	<b>6S-1753</b>	1	RING-RETAINING							
	2	1	<b>3N-1965</b>	1	BALL BEARING							
	3	1	<b>3N-1645</b>	4	SCREW-FORMING (5/16-18X1-IN)							
		1	<b>4L-6499</b>	4	WASHER (0.38X0.88X0.06-IN THK)							
C	4	1	<b>7C-5685</b>	1	HUB-GENERATOR COUPLING							
	5	1	<b>3N-8972</b>	1	HEAT SINK AS-POSITIVE							
	6	1	<b>3N-1961</b>	1	SUPPRESSOR-VOLTAGE							
	7	1	<b>3N-1958</b>	2	TUBE-INSULATING							
	8	1	<b>3N-1960</b>	1	CLAMP-RESISTOR							
	9	1	<b>3N-1959</b>	1	RESISTOR AS							
	10	1	<b>7S-1197</b>	1	SCREW-MACHINE (8-32X0.5-IN)							
	11	1	<b>4B-2043</b>	1	NUT (8-32-THD)							
	12	1	<b>9B-7233</b>	2	LOCKWASHER							
	13	1	<b>3N-8968</b>	3	RECTIFIER AS							
	14	1	<b>3D-9799</b>	4	SCREW-MACHINE (8-32X0.875-IN)							
		1	<b>9B-7233</b>	4	LOCKWASHER							
C	15	1	<b>7W-4470</b>	1	HEAT SINK AS-NEGATIVE							
	16	1	<b>3N-1958</b>	2	TUBE-INSULATING							
	17	1	<b>3N-5312</b>	3	RECTIFIER AS							
	18	1	<b>5N-0627</b>	8	WEDGE-POLE							
	19	1	<b>5N-0626</b>	4	BOLT-SPECIAL							
		1	<b>1B-4330</b>	4	NUT (1/4-20-THD)							
		1	<b>5N-0618</b>	8	WASHER-SPRING							
	20	1	<b>1H-4336</b>	2	SCREW-MACHINE (10-32X0.563-IN)							
		1	<b>8L-5832</b>	2	NUT-HEX (10-32-THD)							
		1	<b>8F-1434</b>	2	LOCKWASHER							
	21	1	<b>3N-9115</b>	2	STRIP-TERMINAL							
	22	1	<b>5N-6498</b>	1	CORE AS-ROTOR							
					AVAILABLE REPAIR KIT(S):							
				<b>4C-6715</b>	1	KIT-RECTIFIER SILICONE (GENERATOR ROTOR)						
				(INCLUDES TUBE OF SILICONE & BOTTLE OF PRIMER)								

C - CHANGE FROM PREVIOUS TYPE

# GENERATORS

7W-0141 ROTOR AS (contd.)

i02012777



GRAPHIC #1

<END>

g00184992

# GENERATORS

## 7W-0744 ROTOR AS

S/N: 5EA5375-UP

PART OF 4W-7430, 4W-7431, 5N-0063 GENERATOR GP

SMCS-4457

i02012782

NOTE	REF NO	GRAPHIC REF	PART NUMBER	QTY	PART NAME						SEE PAGE
					1	2	3	4	5	6 (PRODUCT LEVEL)	
	1	1	<b>6S-1753</b>	1	RING-RETAINING						
	2	1	<b>3N-1965</b>	1	BALL BEARING						
	3	1	<b>3N-1645</b>	4	SCREW-FORMING (5/16-18X1-IN)						
		1	<b>4L-6499</b>	4	WASHER (0.38X0.88X0.06-IN THK)						
C	4	1	<b>7C-5685</b>	1	HUB-GENERATOR COUPLING						
	5	1	<b>3N-8972</b>	1	HEAT SINK AS-POSITIVE						
	6	1	<b>3N-1961</b>	1	SUPPRESSOR-VOLTAGE						
	7	1	<b>3N-1958</b>	2	TUBE-INSULATING						
	8	1	<b>3N-1960</b>	1	CLAMP-RESISTOR						
	9	1	<b>3N-1959</b>	1	RESISTOR AS						
	10	1	<b>7S-1197</b>	1	SCREW-MACHINE (8-32X0.5-IN)						
	11	1	<b>4B-2043</b>	1	NUT (8-32-THD)						
	12	1	<b>9B-7233</b>	2	LOCKWASHER						
	13	1	<b>3N-8968</b>	3	RECTIFIER AS						
	14	1	<b>3D-9799</b>	4	SCREW-MACHINE (8-32X0.875-IN)						
		1	<b>9B-7233</b>	4	LOCKWASHER						
C	15	1	<b>7W-4470</b>	1	HEAT SINK AS-NEGATIVE						
	16	1	<b>3N-1958</b>	2	TUBE-INSULATING						
	17	1	<b>3N-5312</b>	3	RECTIFIER AS						
	18	1	<b>5N-0627</b>	16	WEDGE-POLE						
	19	1	<b>5N-0626</b>	8	BOLT-SPECIAL						
		1	<b>9S-8750</b>	8	NUT-FULL (1/4-20-THD)						
		1	<b>5N-0618</b>	16	WASHER-SPRING						
	20	1	<b>1H-4336</b>	2	SCREW-MACHINE (10-32X0.563-IN)						
		1	<b>8L-5832</b>	2	NUT-HEX (10-32-THD)						
		1	<b>8F-1434</b>	2	LOCKWASHER						
	21	1	<b>3N-9115</b>	2	STRIP-TERMINAL						
	22	1	<b>5N-6498</b>	1	CORE AS-ROTOR						

AVAILABLE REPAIR KIT(S) :

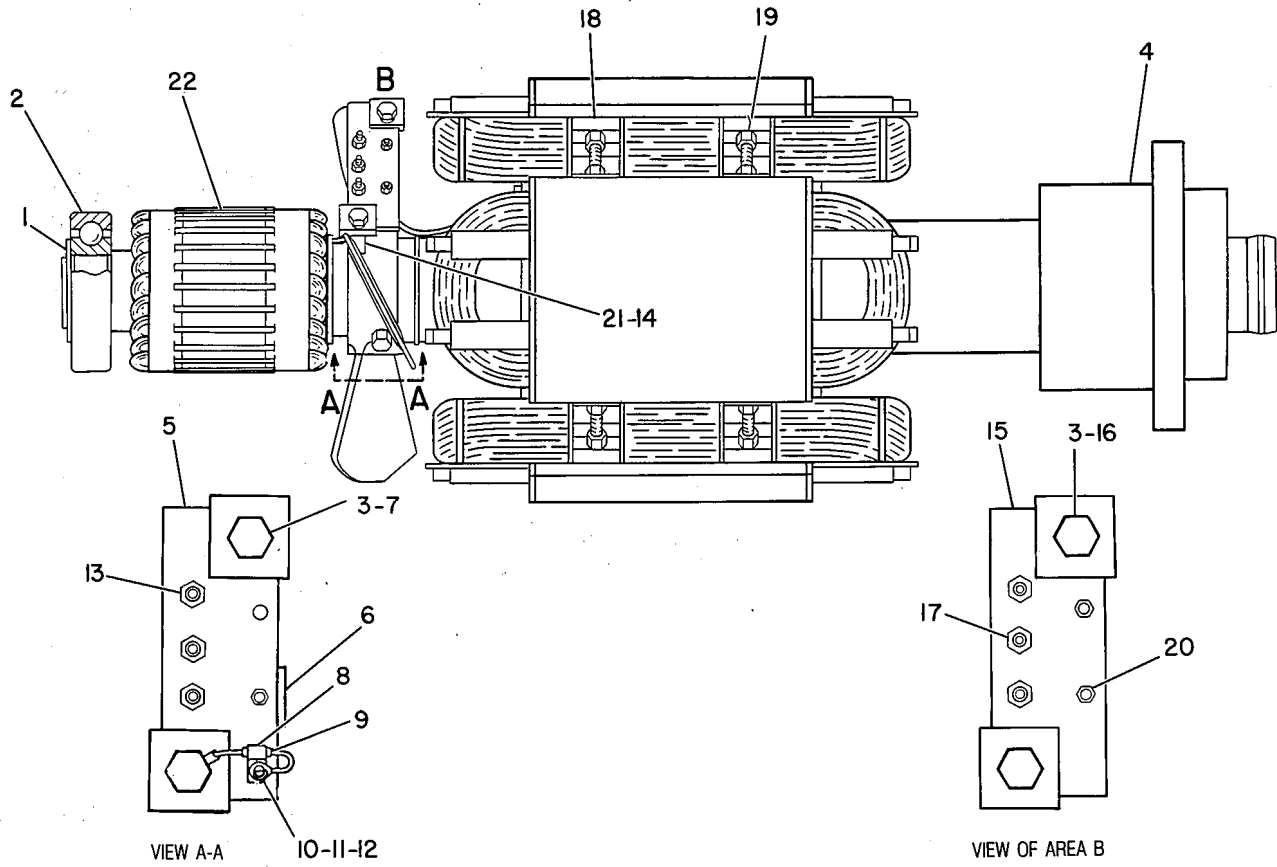
**4C-6715**      1      KIT-RECTIFIER SILICONE (GENERATOR ROTOR)

C - CHANGE FROM PREVIOUS TYPE

# GENERATORS

7W-0744 ROTOR AS (contd.)

i02012782



GRAPHIC #1

<END>

g00184987



# GENERATORS

## 121-0286 ROTOR GP-GENERATOR

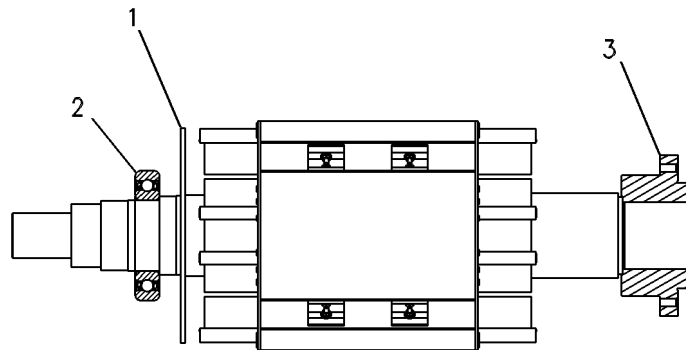
S/N: 8JF1-UP

PART OF 121-2719 GENERATOR GP

SMCS-4457

i00973666

NOTE	REF NO	GRAPHIC REF	PART NUMBER	QTY	PART NAME						SEE PAGE
					1	2	3	4	5	6 (PRODUCT LEVEL)	
	1	1	<b>9Y-5845</b>	1	DISC						
	2	1	<b>6Y-3955</b>	1	BALL BEARING						
	3	1	<b>7C-5685</b>	1	HUB-GENERATOR COUPLING						



GRAPHIC #1

<END>

g00261803

# TRANSMISSION

## 1W-9653 MOUNTING GP-TRANSMISSION

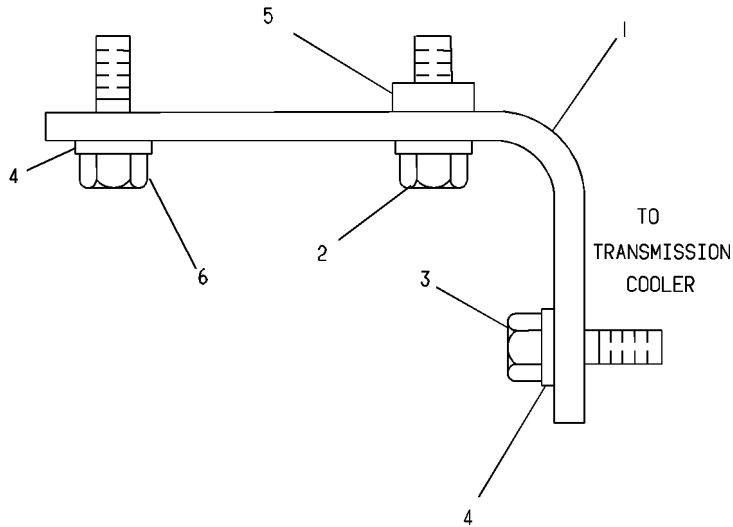
S/N: 85Z3764-UP  
FOR USE WITH 4W-8268 RING-PISTON  
AN ATTACHMENT

SMCS-3082

i07212890

NOTE	REF NO	GRAPHIC REF	PART NUMBER	QTY	PART NAME						SEE PAGE
					1	2	3	4	5	6 (PRODUCT LEVEL)	
	1	1	<b>2P-3945</b>	1	BRACKET-COOLER SUPPORT						
	2	1	<b>0S-1591</b>	2	BOLT (3/8-16X1.5-IN)						
	3	1	<b>5S-7379</b>	1	BOLT (3/8-16X0.875-IN)						
	4	1	<b>8T-4896</b>	3	WASHER-HARD (10.2X18.5X2.5-MM THK)						
B	5	1	<b>3K-1470</b>	1	SPACER (0.4X1X0.38-IN THK)						
	6	1	<b>5S-7383</b>	2	BOLT (3/8-16X1.75-IN)						

B - USE AS REQUIRED



GRAPHIC #1

<END>

g00115796

# OPERATOR STATION

## 5N-5451 ALARM GP

S/N: 85Z3764-UP

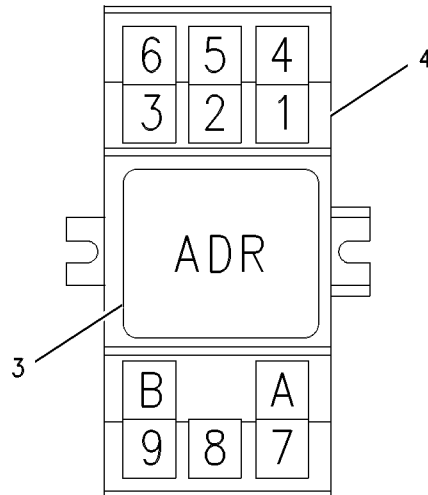
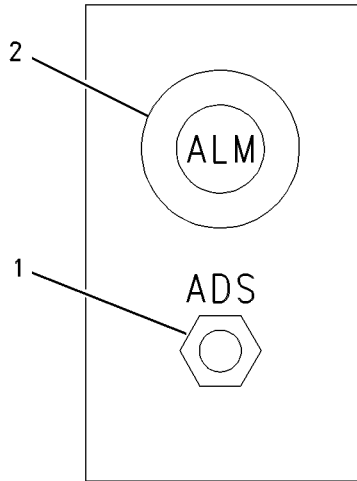
24 VOLT DC

AN ATTACHMENT

SMCS-7400, 7407

i01160265

NOTE	REF NO	GRAPHIC REF	PART NUMBER	QTY	PART NAME						SEE PAGE
					1	2	3	4	5	6 (PRODUCT LEVEL)	
	1	1	<b>3N-5716</b>	1	SWITCH (PUSH BUTTON) (ALARM DELAY)						
	2	1	<b>3N-5762</b>	1	HORN						
	3	1	<b>3N-5714</b>	1	RELAY AS (24-VOLT)						
	4	1	<b>4W-8787</b>	1	SOCKET-RELAY						



GRAPHIC #1

<END>

g00580285

# OPERATOR STATION

## 5N-5452 ALARM GP

S/N: 85Z3764-UP

30-32 VOLT DC

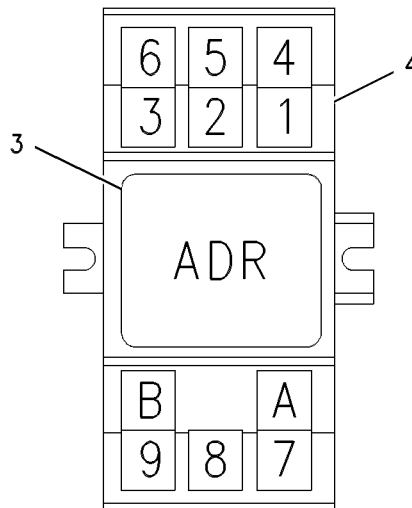
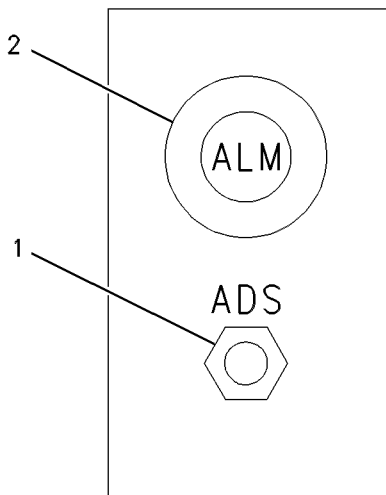
AN ATTACHMENT

SMCS-7400, 7407

i01160269

NOTE	REF NO	GRAPHIC REF	PART NUMBER	QTY	PART NAME						SEE PAGE
					1	2	3	4	5	6 (PRODUCT LEVEL)	
	1	1	<b>3N-5716</b>	1	SWITCH (PUSH BUTTON) (ALARM DELAY)						
	2	1	<b>3N-5762</b>	1	HORN						
	3	1	<b>5N-5498</b>	1	RELAY (32-VOLT DC)						
C	4	1	<b>4W-8787</b>	1	SOCKET-RELAY						

C - CHANGE FROM PREVIOUS TYPE



GRAPHIC #1

<END>

g00580219

# OPERATOR STATION

## 8M-7892 AMMETER GP

S/N: 85Z3764-UP

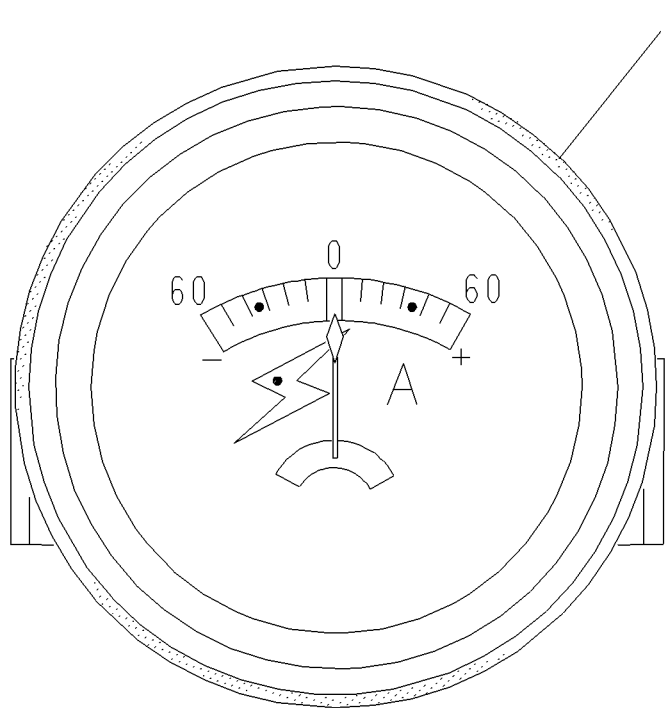
60-AMPERE

FOR USE WITH ALTERNATOR  
AN ATTACHMENT

SMCS-7467

i04020912

NOTE	REF NO	GRAPHIC REF	PART NUMBER	QTY	PART NAME						SEE PAGE
					1	2	3	4	5	6 (PRODUCT LEVEL)	
	1	1	1W-8914	1	AMMETER AS (60-AMPERE)						
F			6V-3507	1	SEAL - RECTANGULAR						
F - NOT SHOWN											



GRAPHIC #1

<END>

g00917507

# OPERATOR STATION

## 101-0225 CONTROL GP-EMCP ELECTRONIC\*R

S/N: 85Z3764-UP

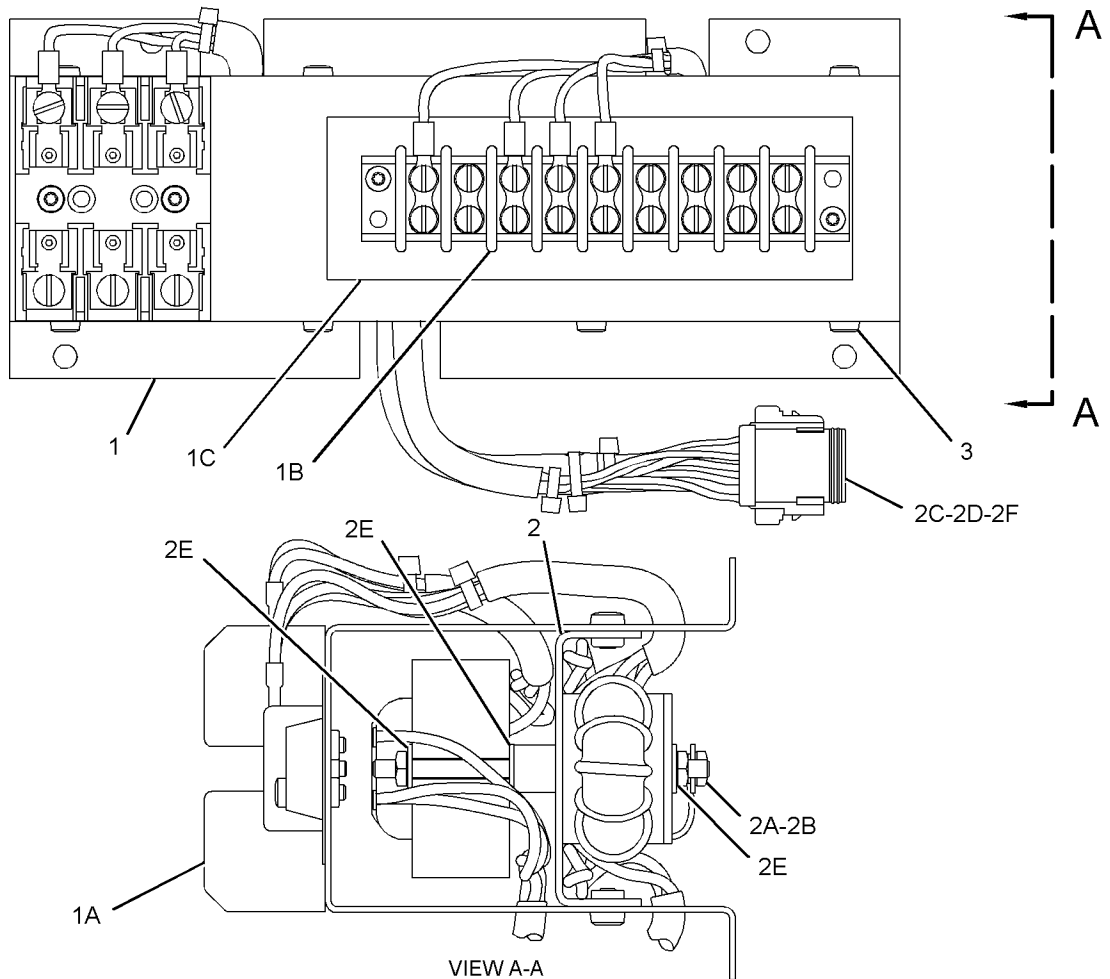
AC TRANSFORMER BOX

PART OF 103-4773 PANEL AR-CONTROL  
AN ATTACHMENT

SMCS-4490

i03715461

NOTE	REF NO	GRAPHIC REF	PART NUMBER	QTY	PART NAME						SEE PAGE
					1	2	3	4	5	6 (PRODUCT LEVEL)	
	1	1	101-0222	1	HOUSING AS (TRANSFORMER BOX-EMCP II)						
	1A	1	3N-5977	1	BLOCK-FUSE (30-AMPERE)						
	1B	1	107-5696	1	STRIP-TERMINAL						
	1C	1	107-5907	1	FILM-IDENTIFICATION (TERMINAL MARKER)						
	2	1	101-5003	1	CHANNEL AS (TRANSFORMER-EMCP II)						
	2A	1	4B-2049	1	NUT (10-32-THD)						
	2B	1	8F-1434	1	LOCKWASHER						
	2C	1	186-3736	5	SOCKET-CONNECTOR (16-GA TO 18-GA)						
	2D	1	102-8816	1	SEAL						
	2E	1	4B-4274	11	WASHER (5.5X13X1.2-MM THK)						
	2F	1	155-2265	1	KIT-CONNECTING PLUG (8-PIN)						
					(INCLUDES PLUG AS, WEDGE & INTERFACE SEAL)						
	3	1	108-8127	8	SCREW-PAN HEAD (10-24X0.25-IN)						



GRAPHIC #1

<END>

g02014097

# OPERATOR STATION

## 102-8619 CONTROL GP-EMCP ELECTRONIC

S/N: 85Z3764-UP

FUEL CONTROL TIMER

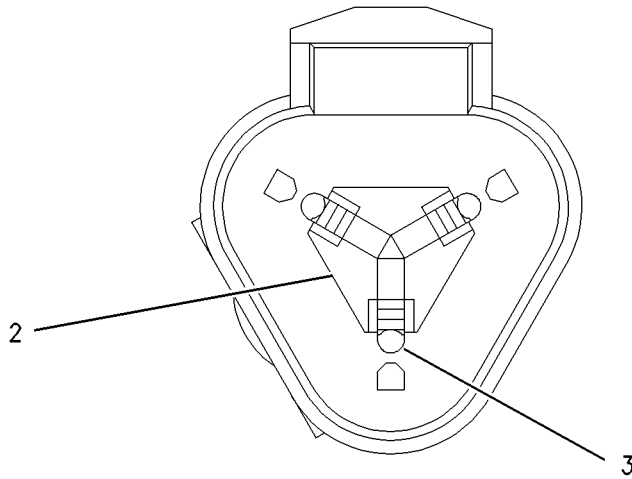
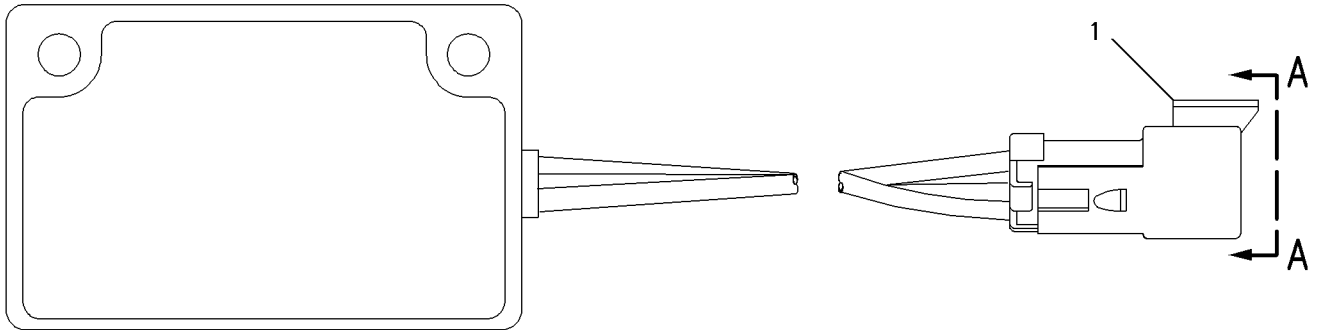
PART OF 111-7761 SHUTOFF GP-ELECTRICAL

AN ATTACHMENT

SMCS-4490

i05197337

NOTE	REF NO	GRAPHIC REF	PART NUMBER	QTY	PART NAME						SEE PAGE
					1	2	3	4	5	6 (PRODUCT LEVEL)	
	1	1	<b>102-8803</b>	1	KIT-RECEPTACLE (3-PIN)						
					(INCLUDES RECEPTACLE AS & WEDGE)						
	2	1	<b>3E-3371</b>	1	WEDGE-RECEPTACLE LOCK (3-PIN)						
	3	1	<b>8T-8729</b>	3	PIN-CONNECTOR (16-GA TO 20-GA)						



VIEW A-A

GRAPHIC #1

<END>

g00798609

# OPERATOR STATION

## 118-0175 CONTROL GP-EMCP ELECTRONIC\*R

S/N: 85Z3764-UP

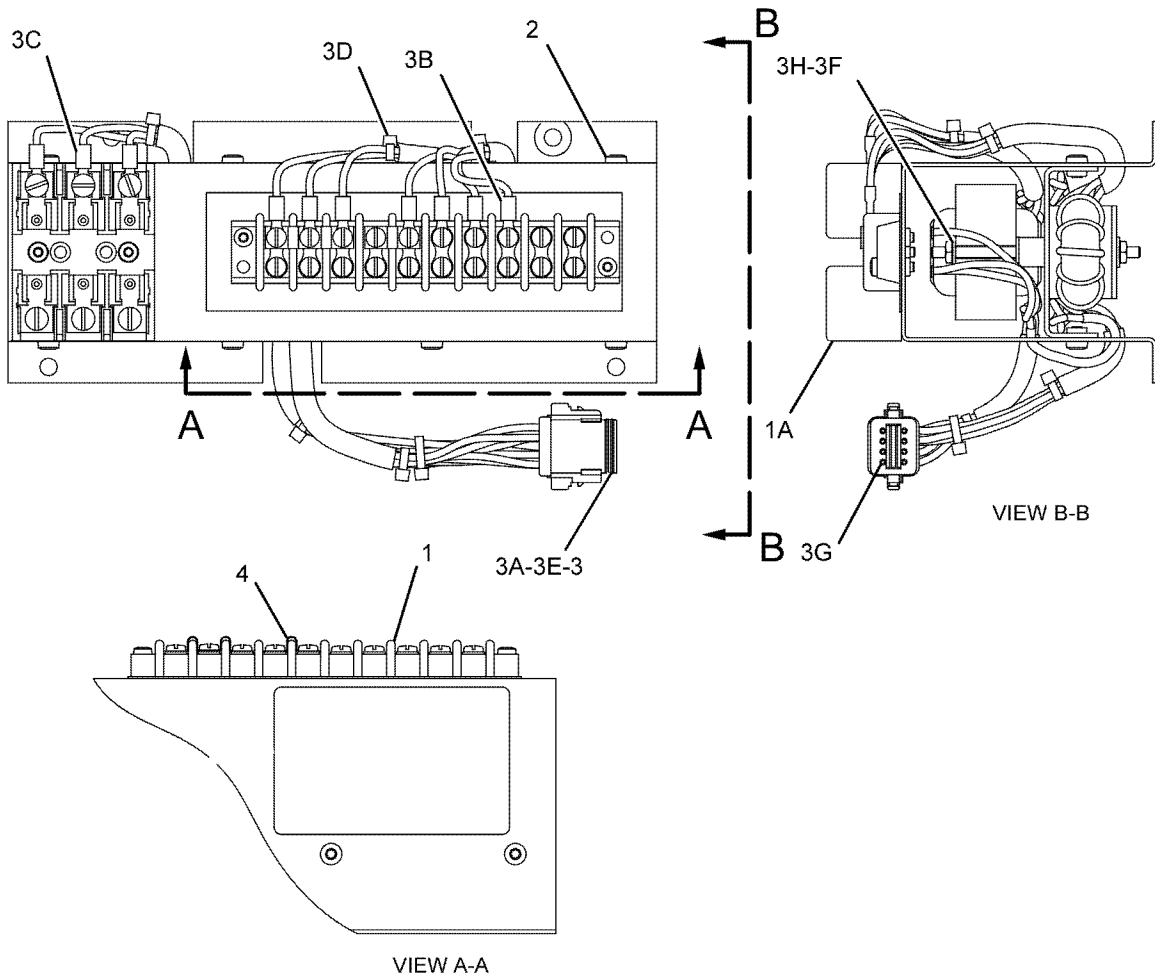
AC TRANSFORMER BOX +

PART OF 332-8866 KIT-ELECTRONIC CONVERSION

SMCS-4490

i05197340

NOTE	REF NO	GRAPHIC REF	PART NUMBER	QTY	PART NAME						SEE PAGE
					1	2	3	4	5	6 (PRODUCT LEVEL)	
	1	1	<b>4W-5276</b>	1	STRIP-TERMINAL						
	1A	1	<b>3N-5977</b>	1	BLOCK-FUSE (30-AMPERE)						
	2	1	<b>108-8127</b>	8	SCREW-PAN HEAD (10-24X0.25-IN)						
	3	1	<b>3E-3386</b>	1	WEDGE-PLUG LOCK						
	3A	1	<b>155-2265</b>	1	KIT-CONNECTING PLUG (8-PIN)						
					(INCLUDES PLUG AS, WEDGE & INTERFACE SEAL)						
	3B	1	<b>5P-1475</b>	7	TERMINAL-FORK (14-GA TO 16-GA, NO. 8 SCREW)						
	3C	1	<b>5P-1476</b>	3	TERMINAL-FORK (14-GA TO 16-GA, NO. 10 SCREW)						
	3D	1	<b>8L-8413</b>	16	STRAP-CABLE (WHITE)						
	3E	1	<b>186-3736</b>	5	SOCKET-CONNECTOR (16-GA TO 18-GA)						
	3F	1	<b>4B-2049</b>	9	NUT (10-32-THD)						
	3G	1	<b>186-3736</b>	3	SOCKET-CONNECTOR (16-GA TO 18-GA)						
	3H	1	<b>4B-4274</b>	15	WASHER (5.5X13X1.2-MM THK)						
	4	1	<b>5N-5159</b>	3	JUMPER-STRIP						



GRAPHIC #1

<END>

g01060785



# OPERATOR STATION

## 118-2070 CONTROL GP-EMCP ELECTRONIC\*R

S/N: 85Z3764-UP

GENERATOR SET CONTROL +

PART OF 332-8866 KIT-ELECTRONIC CONVERSION

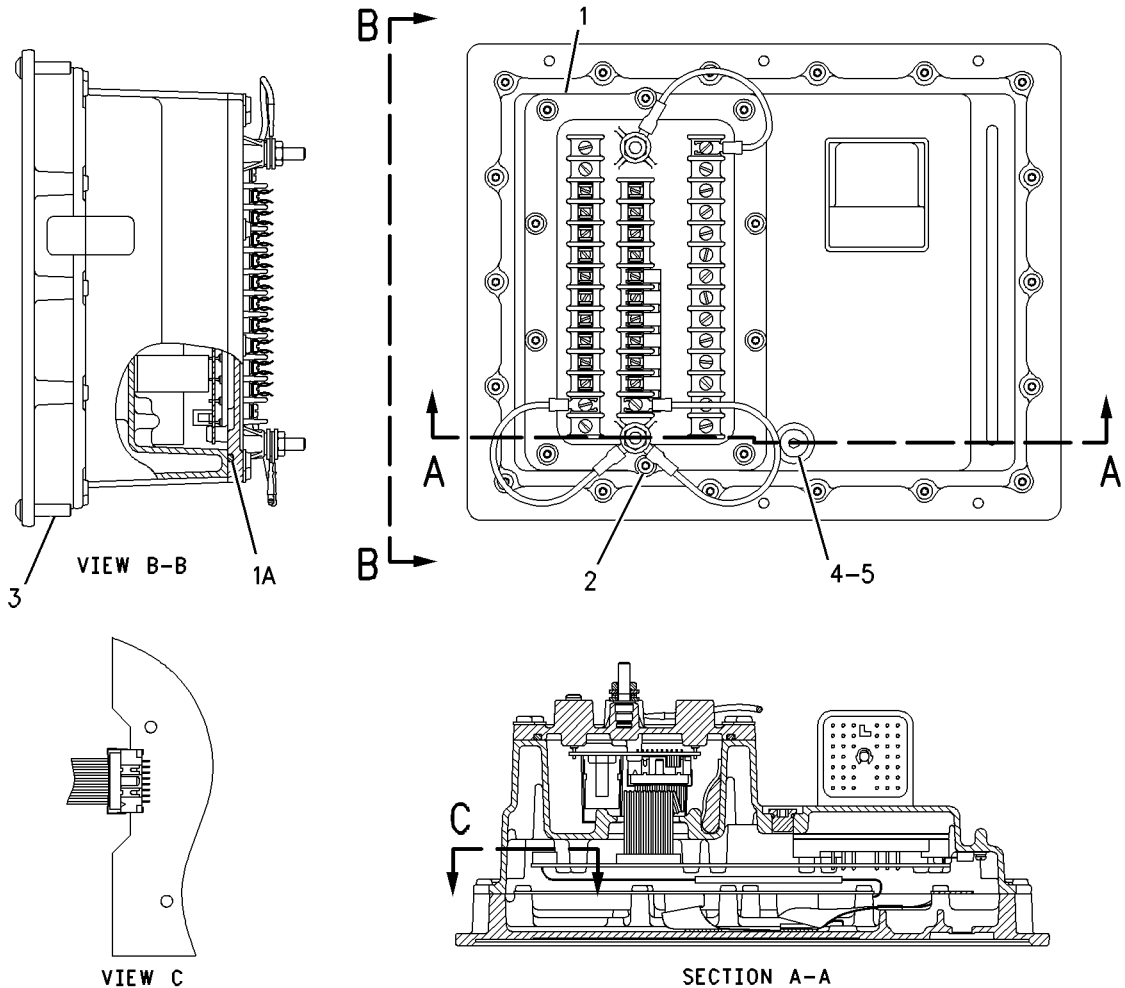
SMCS-4490

i04456754

NOTE	REF NO	GRAPHIC REF	PART NUMBER	QTY	PART NAME						SEE PAGE
					1	2	3	4	5	6 (PRODUCT LEVEL)	
R	1	1	<b>133-9850</b>	1	CONTROL GP-ELECTRONIC (RELAY MODULE)						
	1A	1	<b>1S-4974</b>	1	SEAL-O-RING						
	2	1	<b>4B-4863</b>	10	WASHER (4.7X11X1.2-MM THK)						
	3	1	<b>9W-1464</b>	6	SCREW (1/4-20X1-IN)						
	4	1	<b>3J-7354</b>	1	SEAL-O-RING						
	5	1	<b>9S-8002</b>	1	PLUG (7/16-20-THD)						
F			<b>130-9715</b>	1	FILM-INFORMATION (GENERATOR SET CONTROL +)						
F			<b>159-1798</b>	1	FILM-CONTROL PANEL (GENERATOR SET CONTROL +)						

F - NOT SHOWN

R - REMANUFACTURED PART MAY BE AVAILABLE



GRAPHIC #1

<END>

g00712159

# OPERATOR STATION

## 133-6350 CONTROL GP-EMCP ELECTRONIC\*R

S/N: 85Z3764-UP

GENERATOR SET CONTROL

FIELD REPLACEMENT ORDER 332-8866-PAGE: 1662

PART OF 103-4773 PANEL AR-CONTROL

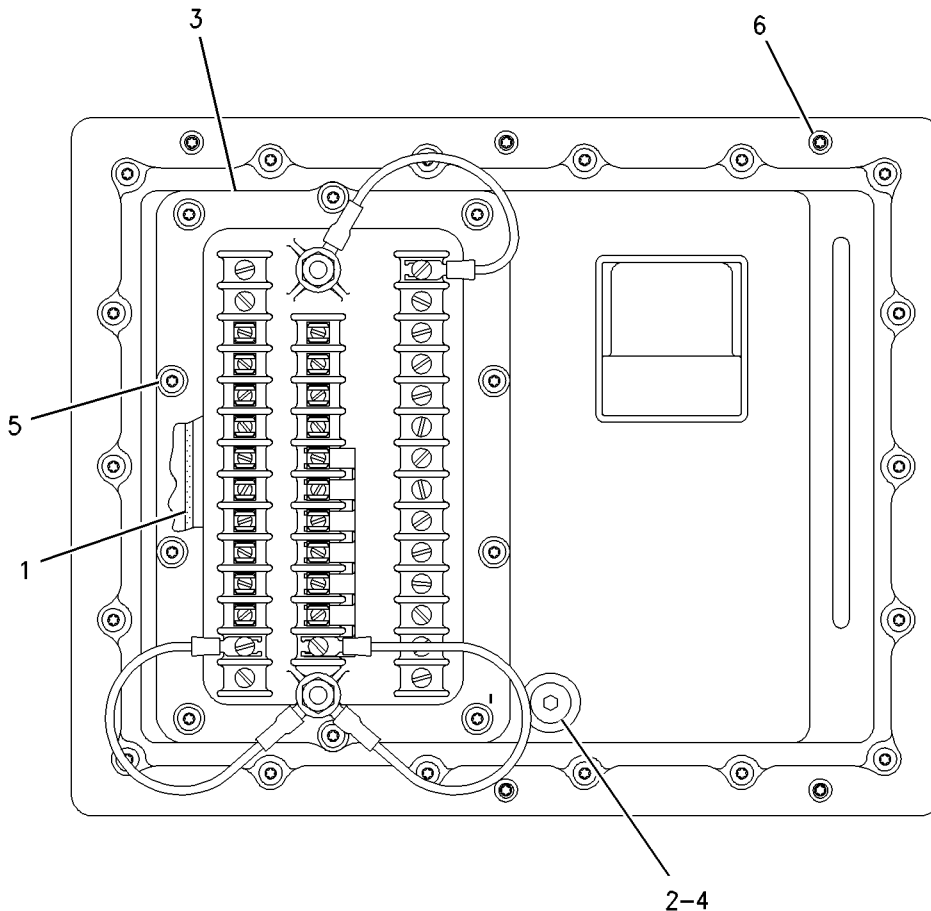
AN ATTACHMENT

SMCS-4490

i04456773

NOTE	REF NO	GRAPHIC REF	PART NUMBER	QTY	PART NAME						SEE PAGE
					1	2	3	4	5	6 (PRODUCT LEVEL)	
	1	1	<b>1S-4974</b>	1	SEAL-O-RING						
	2	1	<b>3J-7354</b>	1	SEAL-O-RING						
	3	1	<b>108-8500</b>	1	CONTROL GP-ELECTRONIC (RELAY MODULE)						
	4	1	<b>9S-8002</b>	1	PLUG (7/16-20-THD)						
	5	1	<b>4B-4863</b>	10	WASHER (4.7X11X1.2-MM THK)						
	6	1	<b>9W-1464</b>	6	SCREW (1/4-20X1-IN)						
F		1	<b>4P-6407</b>	1	FILM-EMCP II						
F		1	<b>130-9716</b>	1	FILM-INFORMATION (CONTROL PANEL)						

F - NOT SHOWN



GRAPHIC #1

<END>

g00711045

# OPERATOR STATION

## 6V-6153 CONTROL GP-EMCP ELECTRONIC\*R

S/N: 85Z3764-UP

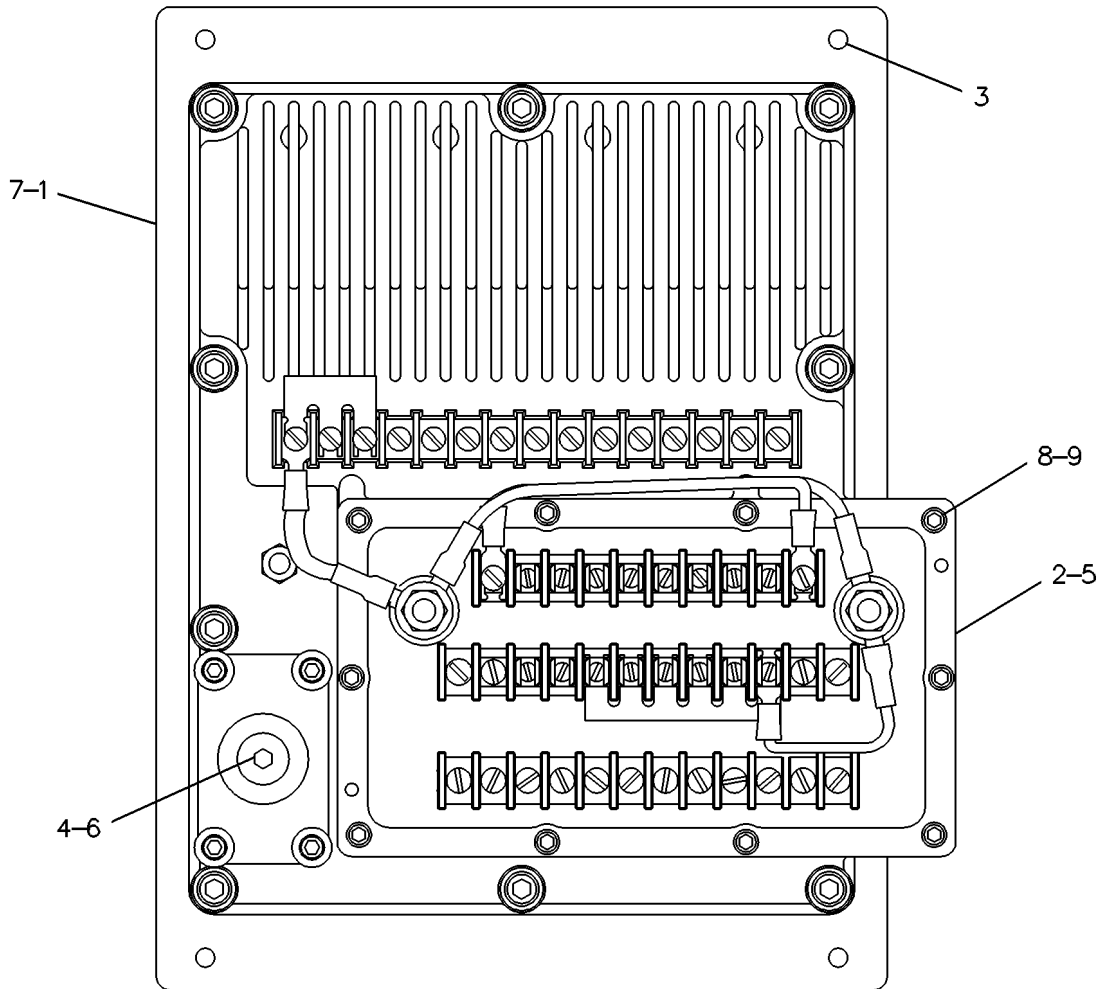
PART OF 6V-6155, 9Y-2905 CONTROL GP-EMCP ELECTRONIC  
AN ATTACHMENT

SMCS-4490

i01838203

NOTE	REF NO	GRAPHIC REF	PART NUMBER	QTY	PART NAME						SEE PAGE
					1	2	3	4	5	6 (PRODUCT LEVEL)	
R	1	1	<b>8T-9881</b>	1	CONTROL GP-ELECTRONIC (EMCP)						
	2	1	<b>9W-2126</b>	1	CONTROL GP (RELAY)						
	3	1	<b>9W-1464</b>	4	SCREW (1/4-20X1-IN)						
	4	1	<b>3J-7354</b>	1	SEAL-O-RING						
	5	1	<b>6V-1541</b>	1	PRIMER-QUICK CURE (PUMP BOTTLE)						
	6	1	<b>9S-8002</b>	1	PLUG (7/16-20-THD)						
	7	1	<b>7C-9129</b>	1	FILM-ECM						
	8	1	<b>6D-3897</b>	10	BOLT (8-32X0.5-IN)						
	9	1	<b>6V-9499</b>	10	WASHER-HARD (4.3X7X0.8-MM THK)						

R - REMANUFACTURED PART MAY BE AVAILABLE



GRAPHIC #1

<END>

g00226264

# OPERATOR STATION

## 6V-6155 CONTROL GP-EMCP ELECTRONIC

S/N: 85Z3764-UP

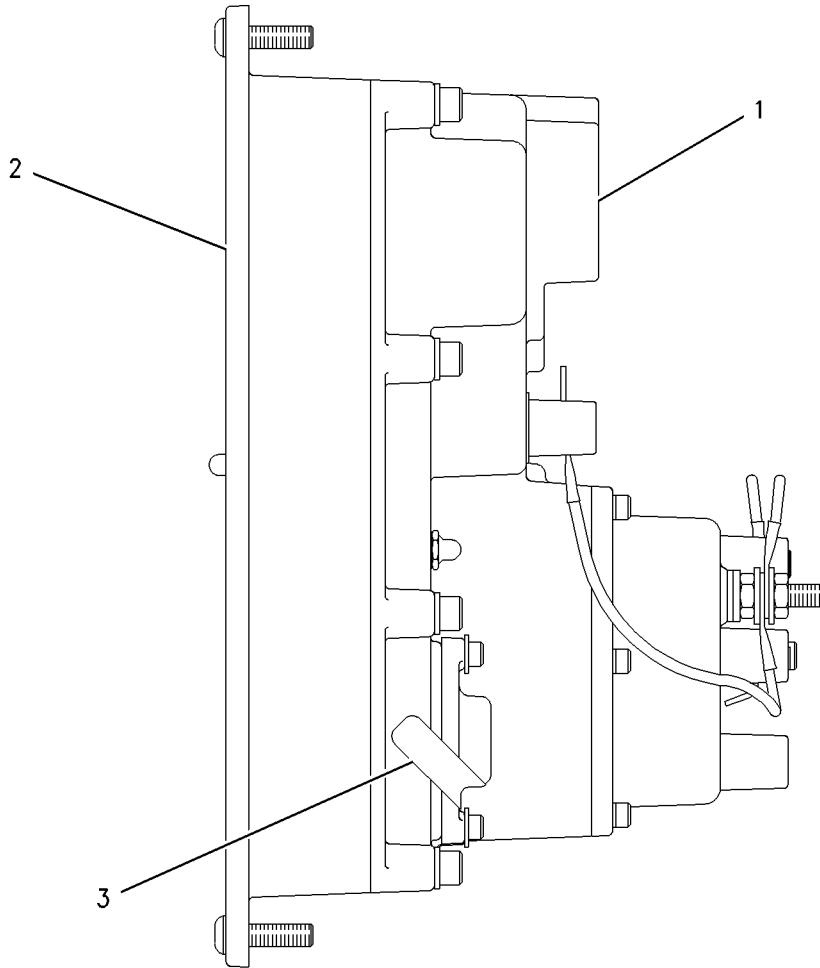
FOR USAGE REFER TO CHART 7C-1000-PAGE: 1808  
AN ATTACHMENT

SMCS-4490

i01838205

NOTE	REF NO	GRAPHIC REF	PART NUMBER	QTY	PART NAME						SEE PAGE
					1	2	3	4	5	6 (PRODUCT LEVEL)	
YR	1	1	<b>6V-6153</b>	1	CONTROL GP-EMCP ELECTRONIC						1645
	2	1	<b>7C-9129</b>	1	FILM-ECM						
	3	1	<b>8C-6188</b>	1	SEAL-SECURITY						

R - REMANUFACTURED PART MAY BE AVAILABLE  
Y - SEPARATE ILLUSTRATION



GRAPHIC #1

<END>

g00929904

# OPERATOR STATION

## 7C-6513 CONTROL GP-EMCP ELECTRONIC

S/N: 85Z3764-UP

WATER TEMPERATURE/OIL PRESSURE  
AN ATTACHMENT

SMCS-4490

i03637314

NOTE	PART NUMBER	QTY	PART NAME						SEE PAGE
			1	2	3	4	5	6 (PRODUCT LEVEL)	
Y	<b>3E-8542</b>	1	CONTROL GP-ENGINE MONITORING						1651
	<b>7X-1602</b>	1	SENSOR AS-PRESSURE (ENGINE OIL)						
			-OR-						
Y	<b>163-8516</b>	1	SENSOR GP-PRESSURE (ENGINE OIL)						1144
Y	<b>9W-5565</b>	1	SENSOR GP-TEMP & PRESS (ENGINE COOLANT)						1153
	<b>5B-4855</b>	1	BUSHING-REDUCER						
	<b>3S-2093</b>	2	STRAP-CABLE						
Y - SEPARATE ILLUSTRATION									

<END>

# OPERATOR STATION

## 77-9868 CONTROL GP-EMCP ELECTRONIC

S/N: 85Z3764-UP

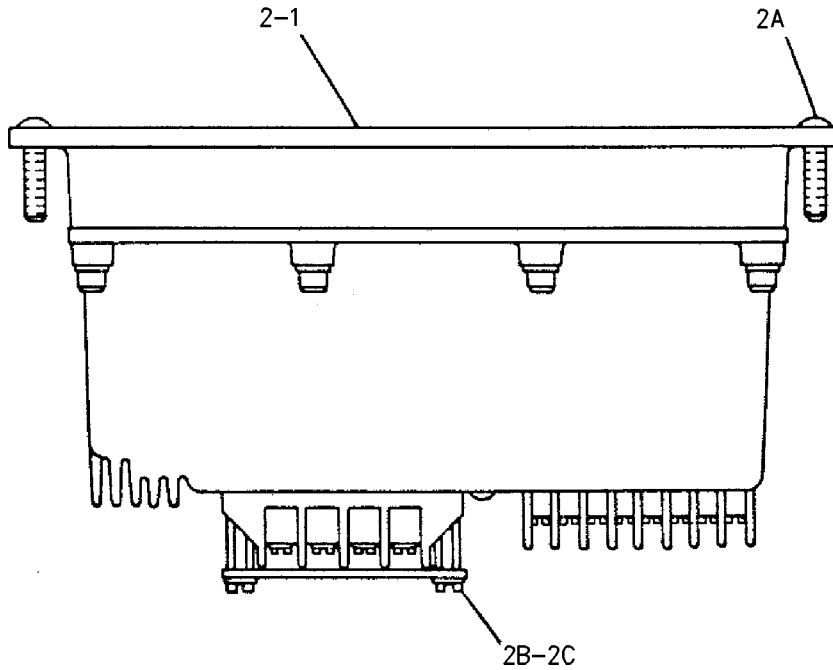
EMCP-AC METER

AN ATTACHMENT

SMCS-4490

i01857863

NOTE	REF NO	GRAPHIC REF	PART NUMBER	QTY	PART NAME						SEE PAGE
					1	2	3	4	5	6 (PRODUCT LEVEL)	
	1	1	<b>9W-2183</b>	1	FILM-INFORMATION (AC METERING) (VOLTS, HERTZ & AMPERES LABEL)						
	2	1	<b>8T-9882</b>	1	CONTROL GP-EMCP ELECTRONIC						
	2A	1	<b>9W-1464</b>	4	SCREW (1/4-20X1-IN) (HEX HD)						
	2B	1	<b>5P-7162</b>	2	SCREW-MACHINE (10-32X0.5-IN) (CROSS HD)						
	2C	1	<b>4B-4863</b>	2	WASHER (4.7X11X1.2-MM THK)						



GRAPHIC #1

<END>

g00798710

# OPERATOR STATION

## 9Y-2905 CONTROL GP-EMCP ELECTRONIC

S/N: 85Z3764-UP

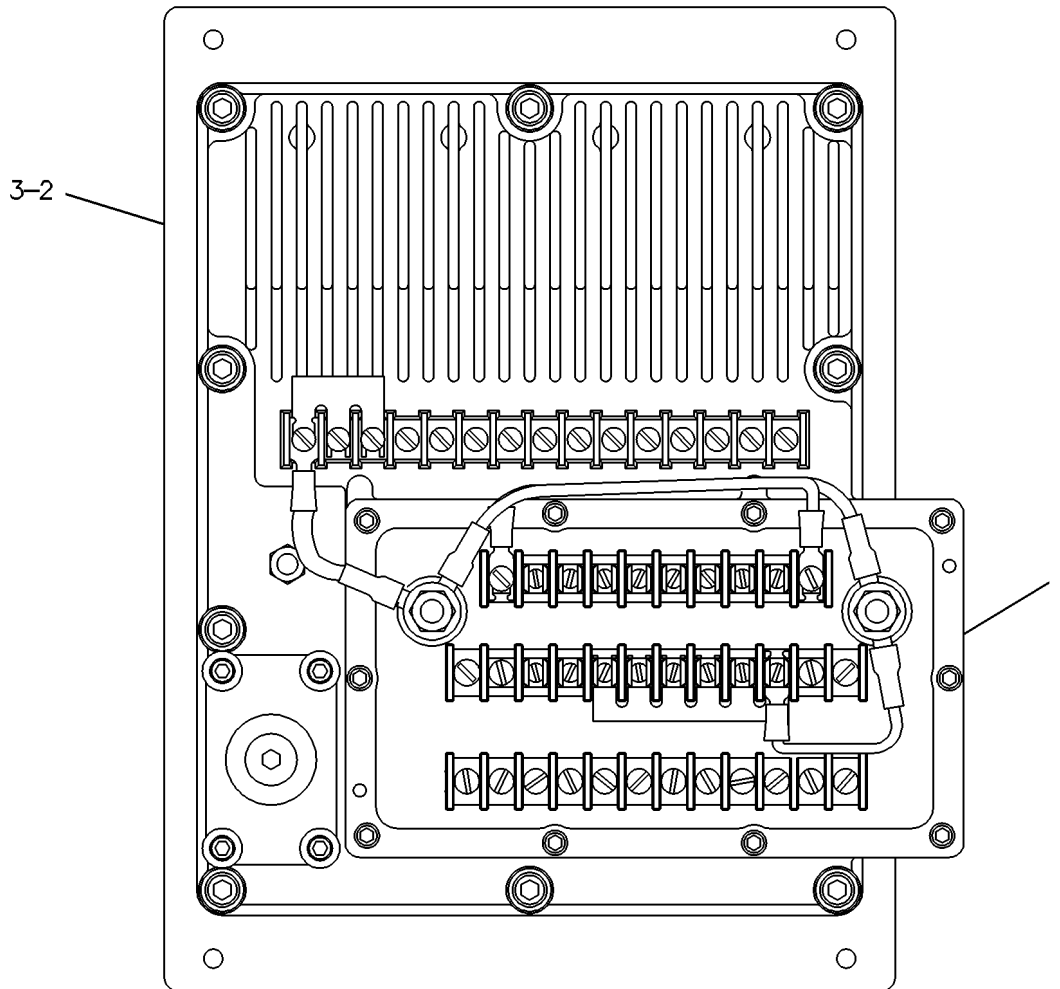
FOR USAGE REFER TO CHART 7C-1000-PAGE: 1808  
AN ATTACHMENT

**SMCS-4490**

**i01857887**

NOTE	REF NO	GRAPHIC REF	PART NUMBER	QTY	PART NAME						SEE PAGE
					1	2	3	4	5	6 (PRODUCT LEVEL)	
	1	1	<b>8C-6188</b>	1	SEAL-SECURITY						
	2	1	<b>7C-9129</b>	1	FILM-ECM						
CYR	3	1	<b>6V-6153</b>	1	CONTROL GP-EMCP ELECTRONIC						1645

C - CHANGE FROM PREVIOUS TYPE  
R - REMANUFACTURED PART MAY BE AVAILABLE  
Y - SEPARATE ILLUSTRATION



GRAPHIC #1

<END>

g00229494

# OPERATOR STATION

## 103-6101 CONTROL GP-ENGINE MONITORING

S/N: 85Z3764-UP

WATER TEMPERATURE / OIL PRESSURE MODULE  
AN ATTACHMENT

SMCS-1901, 7490

i03633416

NOTE	PART NUMBER	QTY	PART NAME						SEE PAGE
			1	2	3	4	5	6 (PRODUCT LEVEL)	
Y	3E-6489	1	SENSOR GP-PRESSURE (ENGINE OIL)						1146
			-OR-						
Y	133-3917	1	SENSOR GP-PRESSURE (ENGINE OIL)						1142
			-OR-						
Y	145-2362	1	SENSOR GP-PRESSURE (ENGINE OIL)						1143
			-OR-						
Y	216-8684	1	SENSOR GP-PRESSURE (ENGINE OIL)						1145
Y	102-0050	1	SENSOR GP-TEMPERATURE (ENGINE COOLANT)						1154
			-OR-						
	3S-2093	2	STRAP-CABLE						
Y - SEPARATE ILLUSTRATION									
<END>									



# OPERATOR STATION

## 3E-8542 CONTROL GP-ENGINE MONITORING

S/N: 85Z3764-UP

TEMPERATURE/PRESSURE MODULE

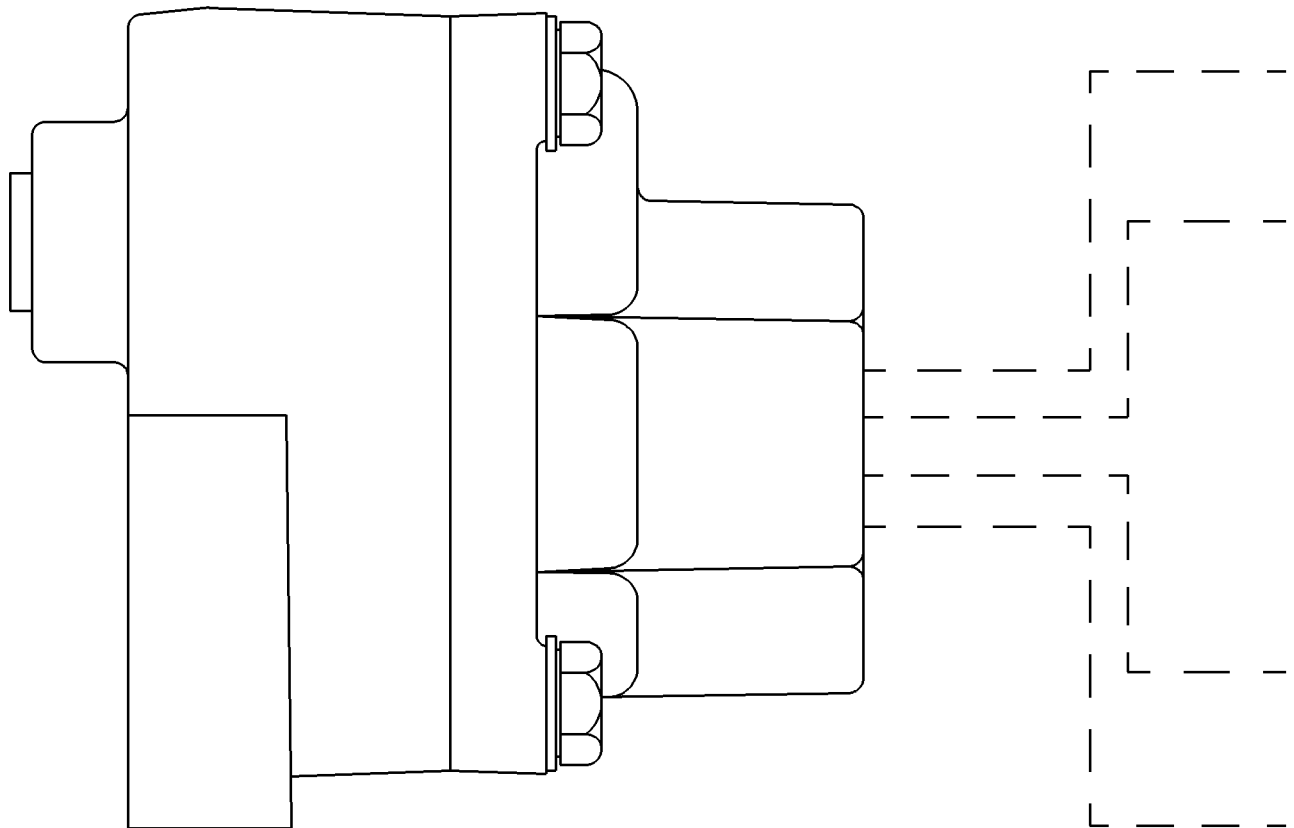
PART OF 7C-6513 CONTROL GP-EMCP ELECTRONIC

AN ATTACHMENT

SMCS-1901, 7490

i01380934

NOTE	REF NO	GRAPHIC REF	PART NUMBER	QTY	PART NAME						SEE PAGE
					1	2	3	4	5	6 (PRODUCT LEVEL)	
(NO SERVICED PARTS)											



GRAPHIC #1

<END>

g00729950

# OPERATOR STATION

## 192-0374 COVER GP-CONTROL PANEL

S/N: 5CA5985-UP; 5DA5682-UP; 5EA5375-UP; 5FA4499-UP

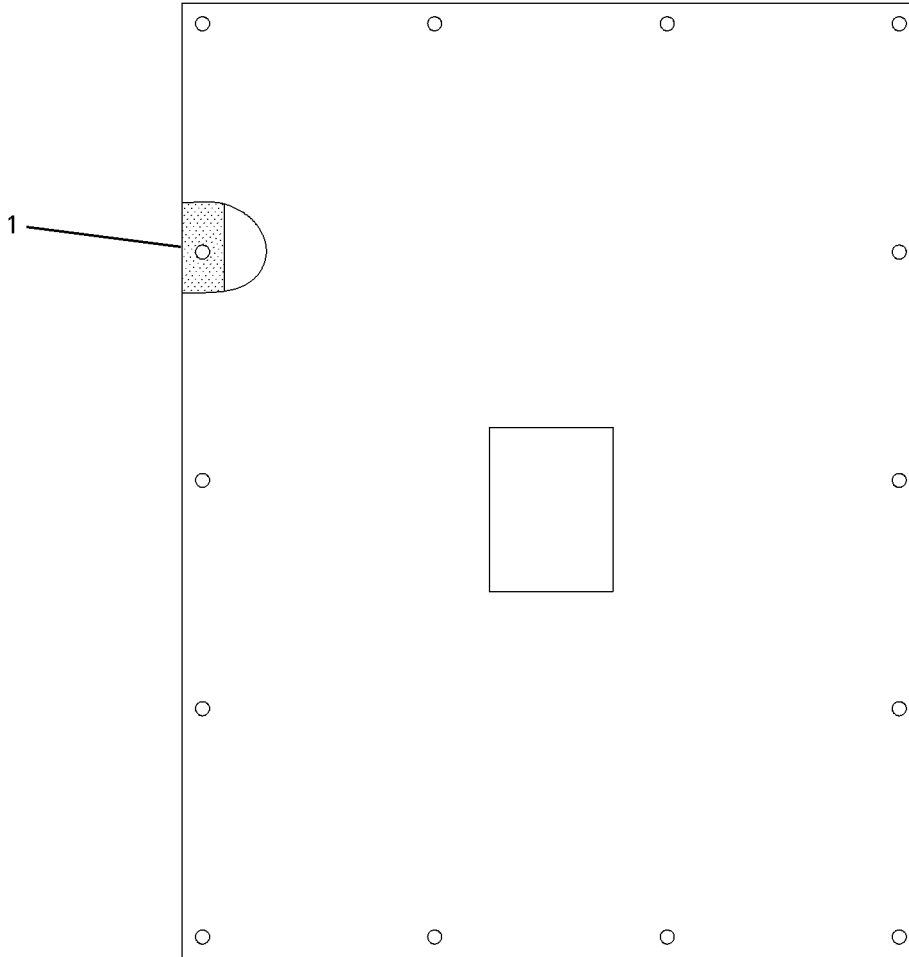
FOR USE WITH 107-3057-PAGE: 941, 169-1875-PAGE: 1094, 169-1828-PAGE: 995, 169-1831-PAGE: 997, 169-1833-PAGE: 999, 169-1834-PAGE: 1001, 175-1335-PAGE: 1010  
AN ATTACHMENT

SMCS-7451

i01394778

NOTE	REF NO	GRAPHIC REF	PART NUMBER	QTY	PART NAME						SEE PAGE
					1	2	3	4	5	6 (PRODUCT LEVEL)	
E	1	1	101-2863		SEAL (242CM)						

E - ORDER BY THE CENTIMETER



GRAPHIC #1

<END>

g00728155

# OPERATOR STATION

## 4W-9904 DOOR GP-ACCESS

S/N: 5CA5985-UP; 5DA5682-UP; 5EA5375-UP

360-FRAME

FOR USAGE REFER TO CHART 4W-8000-PAGE: 1798

PART OF 7W-0700 PANEL AR-CONTROL

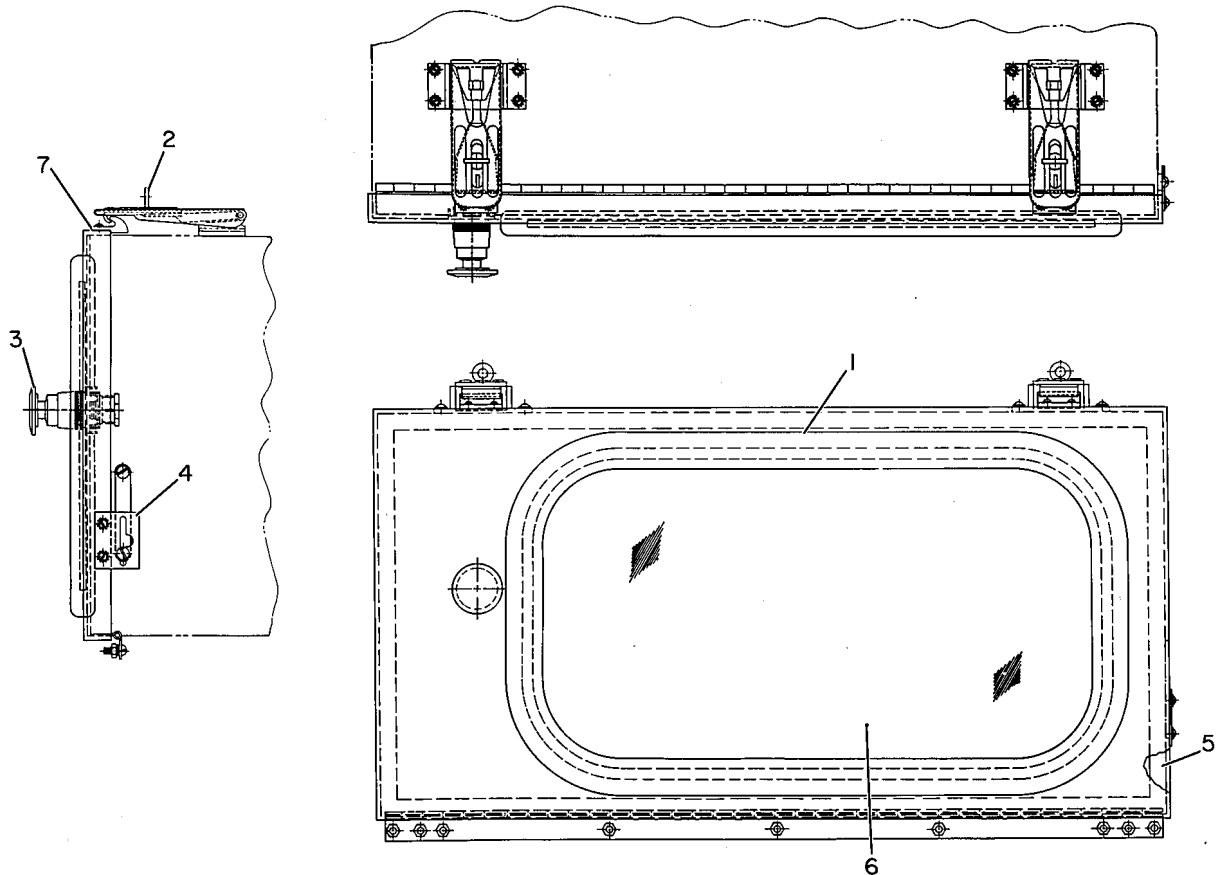
AN ATTACHMENT

SMCS-7251, 7273

i00716355

NOTE	REF NO	GRAPHIC REF	PART NUMBER	QTY	PART NAME						SEE PAGE
					1	2	3	4	5	6 (PRODUCT LEVEL)	
BD	1	1	<b>5P-5906</b>		SEAL						
	2	1	<b>9D-3019</b>	2	CATCH						
	3	1	<b>4W-9908</b>	1	BUTTON AS-PUSH						
	4	1	<b>4W-9907</b>	1	HINGE AS						
BD	5	1	<b>5P-5637</b>		SEAL						
	6	1	<b>4W-9905</b>	1	WINDOW						
	7	1	<b>9D-3017</b>	2	STRIKER						

B - USE AS REQUIRED  
D - ORDER BY THE METER



GRAPHIC #1

<END>

g00167733

# OPERATOR STATION

## 7W-0202 DOOR GP-ACCESS

S/N: 5CA5985-UP; 5DA5682-UP; 5EA5375-UP

440-FRAME AND 580-FRAME

FOR USAGE REFER TO CHART 4W-8000-PAGE: 1798

PART OF 7W-0700 PANEL AR-CONTROL

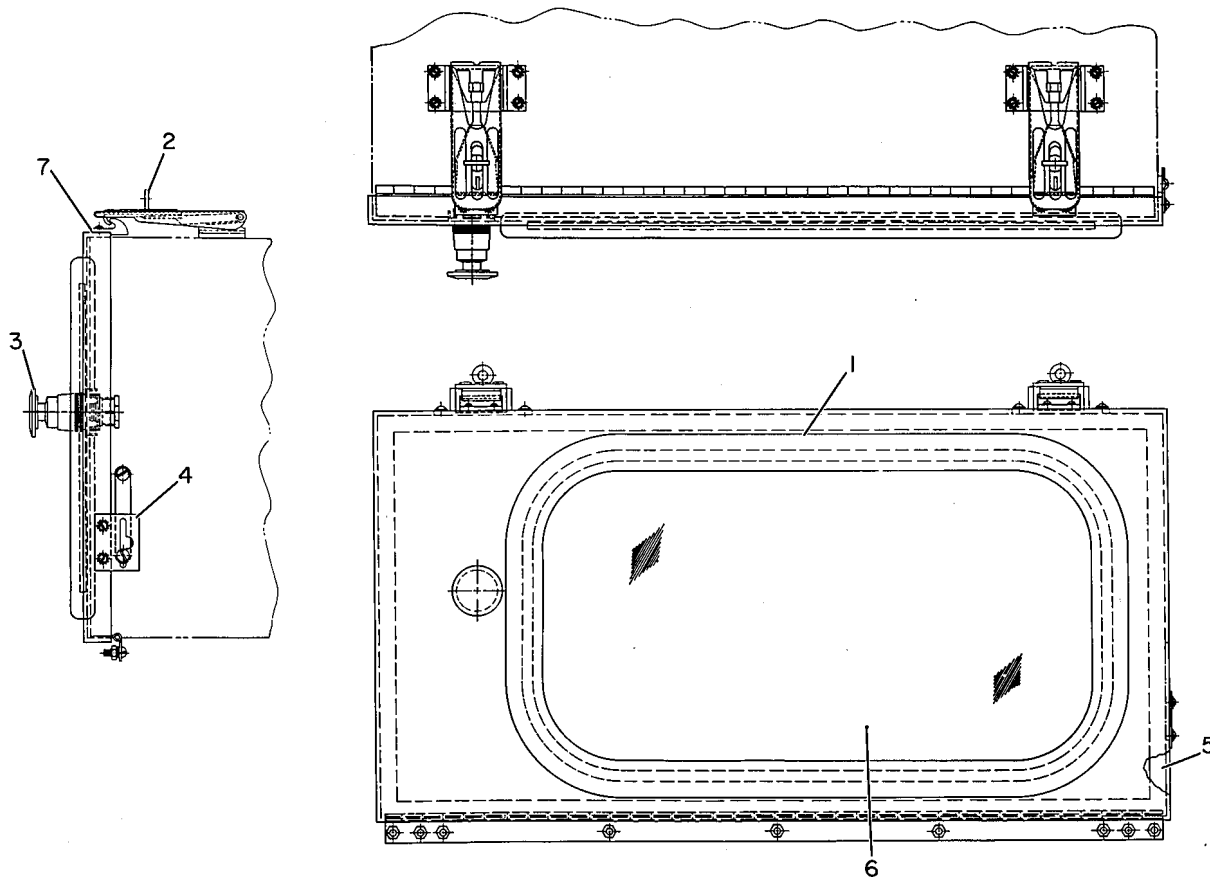
AN ATTACHMENT

SMCS-7251, 7273

i02183285

NOTE	REF NO	GRAPHIC REF	PART NUMBER	QTY	PART NAME						SEE PAGE
					1	2	3	4	5	6 (PRODUCT LEVEL)	
BD	1	1	<b>5P-5906</b>	2	SEAL						
	2	1	<b>9D-3019</b>	2	CATCH						
	3	1	<b>4W-9908</b>	1	BUTTON AS-PUSH						
	4	1	<b>4W-9907</b>	1	HINGE AS						
BD	5	1	<b>5P-5637</b>		SEAL						
	6	1	<b>4W-9905</b>	1	WINDOW						
	7	1	<b>9D-3017</b>	2	STRIKER						

B - USE AS REQUIRED  
D - ORDER BY THE METER



GRAPHIC #1

<END>

g00167733

# OPERATOR STATION

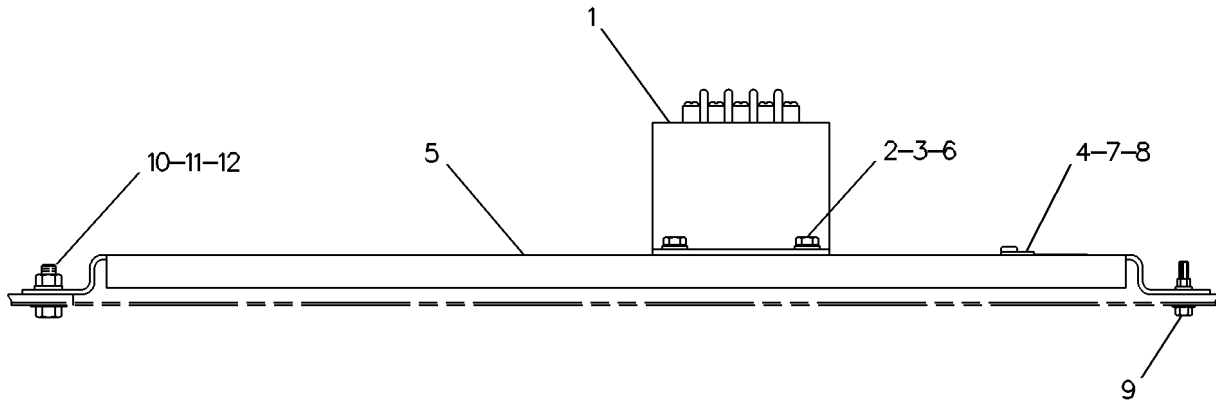
## 6I-3837 FILTER AS-ELECTRONIC

S/N: 8JF1-UP; 6CG1-UP; 6DG1-UP; 6EG1-UP  
 240 VOLT. 440 FRAME  
 AN ATTACHMENT

SMCS-4479

i01578377

NOTE	REF NO	GRAPHIC REF	PART NUMBER	QTY	PART NAME						SEE PAGE
					1	2	3	4	5	6 (PRODUCT LEVEL)	
	1	1	<b>9Y-0968</b>	1	KIT-RFI FILTER						
	2	1	<b>4M-5281</b>	4	BOLT (1/4-20X0.75-IN)						
	3	1	<b>8T-4205</b>	4	WASHER-HARD (7.2X14.5X2-MM THK)						
	4	1	<b>6L-7008</b>	1	STRAP-CABLE						
	5	1	<b>6I-3838</b>	1	BRACKET-MOUNTING						
	6	1	<b>2D-6235</b>	4	LOCKNUT (1/4-20-THD)						
	7	1	<b>030-1193</b>	1	SCREW-MACHINE (10-32X19.05-MM)						
	8	1	<b>9S-5937</b>	1	LOCKNUT (10-32-THD)						
	9	1	<b>3E-4323</b>	2	BOLT-FLANGE HEAD (1/4-20X1-IN)						
	10	1	<b>8T-0023</b>	2	BOLT-HEAD LOCKING (5/16-18X1-IN)						
	11	1	<b>5S-0003</b>	2	NUT (5/16-18-THD)						
	12	1	<b>9M-1974</b>	2	WASHER-HARD (8.8X16X2-MM THK)						



GRAPHIC #1

<END>

g00222174

# OPERATOR STATION

## 9Y-5037 FILTER AS-ELECTRONIC

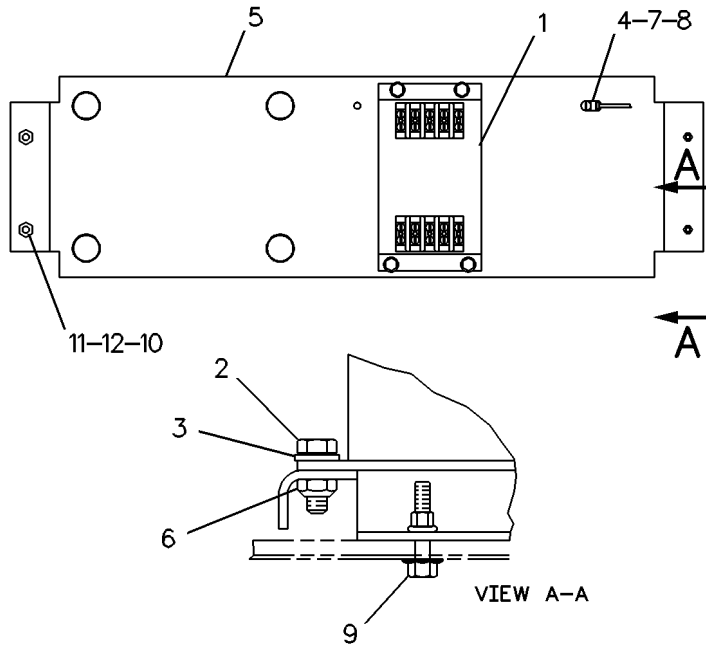
S/N: 5CA5985-UP; 5DA5682-UP; 5EA5375-UP; 5FA4499-UP  
FOR USE WITH VR3 VOLTAGE REGULATOR  
AN ATTACHMENT

SMCS-4479

i01551611

NOTE	REF NO	GRAPHIC REF	PART NUMBER	QTY	PART NAME						SEE PAGE
					1	2	3	4	5	6	
Y	1	1	<b>9Y-0968</b>	1	KIT-RFI FILTER						1663
	2	1	<b>4M-5281</b>	4	BOLT (1/4-20X0.75-IN)						
	3	1	<b>8T-4205</b>	4	WASHER-HARD (7.2X14.5X2-MM THK)						
	4	1	<b>6L-7008</b>	1	STRAP-CABLE						
	5	1	<b>4P-9039</b>	1	BRACKET-MOUNTING						
	6	1	<b>2D-6235</b>	4	LOCKNUT (1/4-20-THD)						
	7	1	<b>030-1193</b>	1	SCREW-MACHINE (10-32X19.05-MM)						
	8	1	<b>9S-5937</b>	1	LOCKNUT (10-32-THD)						
	9	1	<b>3E-4323</b>	2	BOLT-FLANGE HEAD (1/4-20X1-IN)						
	10	1	<b>8T-0023</b>	2	BOLT-HEAD LOCKING (5/16-18X1-IN)						
	11	1	<b>6V-8189</b>	2	NUT (5/16-18-THD)						
	12	1	<b>8T-4224</b>	2	WASHER-HARD (8.8X16X2-MM THK)						

Y - SEPARATE ILLUSTRATION



GRAPHIC #1

<END>

g00222180

# OPERATOR STATION

## 5L-9894 GAUGE GP-OIL PRESSURE, WATER TEMPERATURE

S/N: 85Z3764-UP

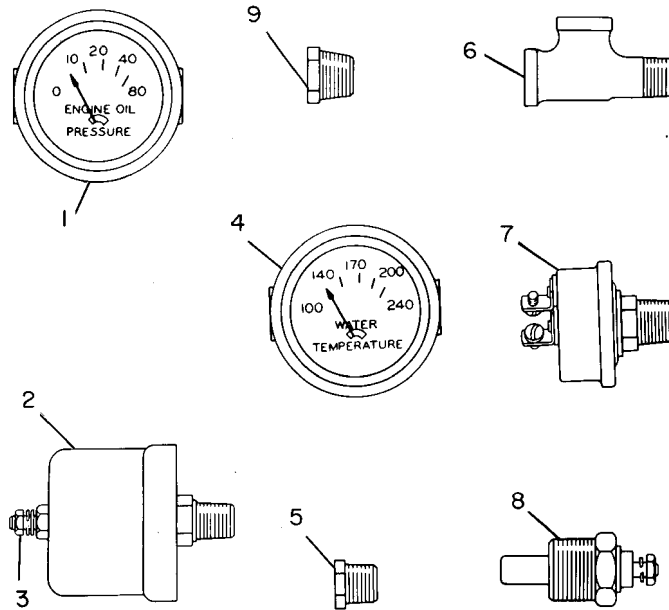
12-VOLT

AN ATTACHMENT

SMCS-7450, 7451

i02707365

NOTE	REF NO	GRAPHIC REF	PART NUMBER	QTY	PART NAME						SEE PAGE
					1	2	3	4	5	6 (PRODUCT LEVEL)	
	1	1	<b>7W-2936</b>	1	INDICATOR (ENGINE OIL PRESSURE)						
	2	1	<b>9X-1124</b>	1	SENDER AS-PRESSURE (ENGINE OIL)						
	3	1	<b>6V-8378</b>	1	NUT (10-32-THD)						
		1	<b>4B-4274</b>	1	WASHER (5.5X13X1.2-MM THK)						
		1	<b>8F-1434</b>	1	LOCKWASHER						
	4	1	<b>7W-2061</b>	1	INDICATOR (WATER TEMPERATURE)						
	5	1	<b>4M-5317</b>	1	BUSHING-REDUCER						
	6	1	<b>3L-6521</b>	1	TEE-SERVICE						
	7	1	<b>2L-3402</b>	1	SWITCH AS (PRESSURE) (ENGINE OIL)						
		1	<b>6V-8376</b>	2	SCREW-MACHINE (8-32X0.25-IN)						
	8	1	<b>5L-7443</b>	1	SENDER (WATER TEMPERATURE)						
	9	1	<b>6B-5072</b>	1	ADAPTER						



GRAPHIC #1

<END>

g00199521

# OPERATOR STATION

## 5L-9895 GAUGE GP-ENGINE OIL PRESSURE, WATER TEMPERATURE

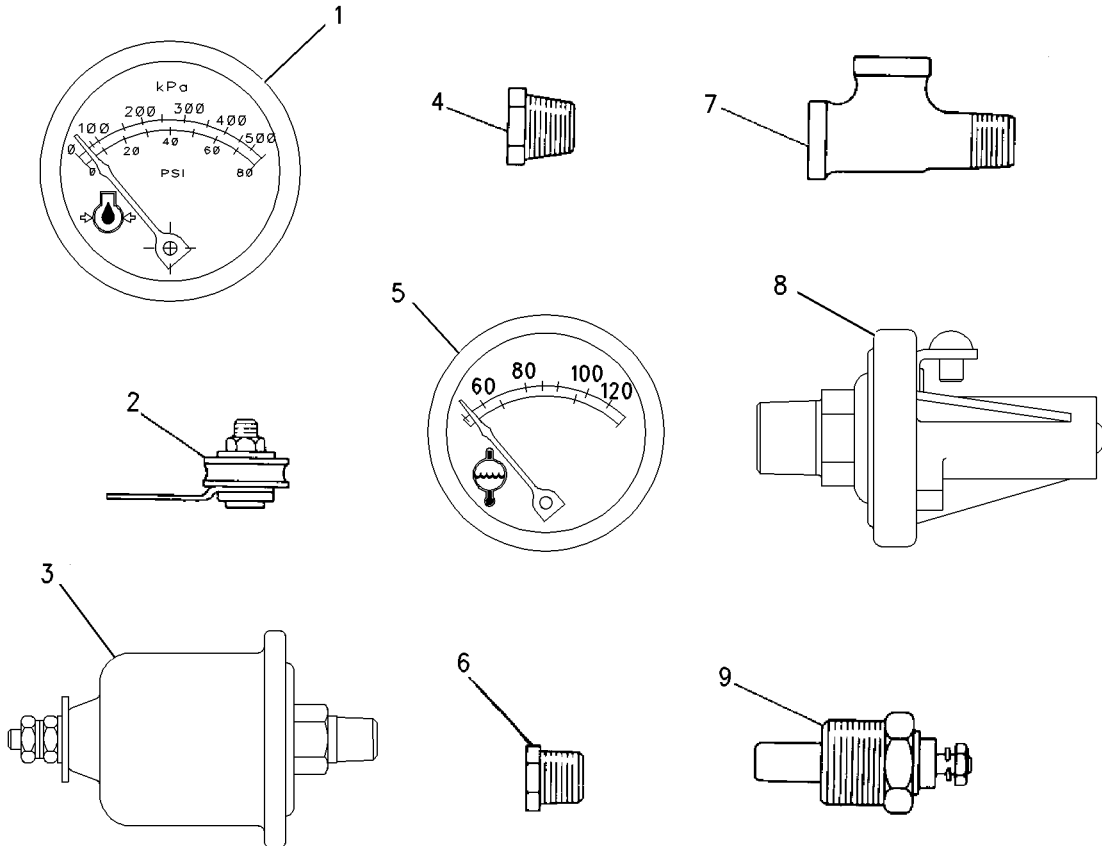
S/N: 85Z3764-UP  
24-VOLT TO 32-VOLT  
AN ATTACHMENT

SMCS-7450, 7451

i03630700

NOTE	REF NO	GRAPHIC REF	PART NUMBER	QTY	PART NAME						SEE PAGE
					1	2	3	4	5	6 (PRODUCT LEVEL)	
CY	1	1	<b>7W-2937</b>	1	GAUGE GP-ENGINE OIL PRESSURE						1660
	2	1	<b>5L-7441</b>	2	RESISTOR UNIT (65-OHM, 32-VOLT)						
C	3	1	<b>9X-1124</b>	1	SENDER AS-PRESSURE (ENGINE OIL)						
		1	<b>8T-0328</b>	1	WASHER-HARD (5.5X10X1-MM THK)						
		1	<b>4B-2049</b>	1	NUT (10-32-THD)						
		1	<b>8F-1434</b>	1	LOCKWASHER						
		1	<b>6B-5072</b>	1	ADAPTER						
C	5	1	<b>7W-2060</b>	1	GAUGE (WATER TEMPERATURE)						
B	6	1	<b>4M-5317</b>	1	BUSHING-REDUCER						
B	7	1	<b>3L-6521</b>	1	TEE-SERVICE						
		1	<b>2L-3402</b>	1	SWITCH AS (PRESSURE) (ENGINE OIL)						
		1	<b>6V-8376</b>	2	SCREW-MACHINE (8-32X0.25-IN)						
9	1	<b>5L-7442</b>	1	SENDING UNIT (24-VOLT)							

B - USE AS REQUIRED  
C - CHANGE FROM PREVIOUS TYPE  
Y - SEPARATE ILLUSTRATION



GRAPHIC #1

<END>

g00708316



# OPERATOR STATION

## 4W-0483 GAUGE GP-COOLANT TEMPERATURE

S/N: 5CA5985-UP; 5DA5682-UP; 5EA5375-UP

24-VOLT

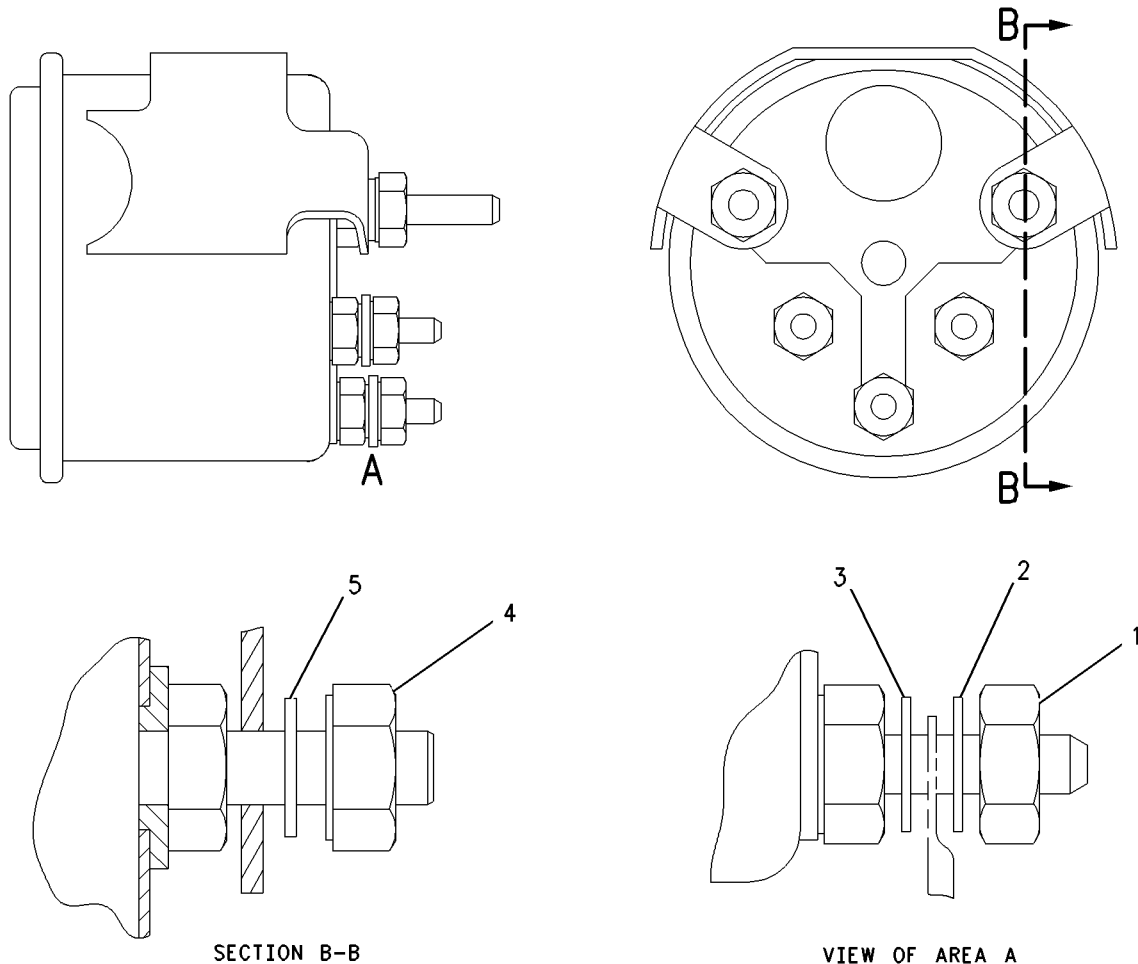
PART OF 7W-0700 PANEL AR-CONTROL  
AN ATTACHMENT

SMCS-7450, 7453

i01728836

NOTE	REF NO	GRAPHIC REF	PART NUMBER	QTY	PART NAME						SEE PAGE
					1	2	3	4	5	6 (PRODUCT LEVEL)	
	1	1	<b>6V-8368</b>	3	NUT (6-32-THD)						
	2	1	<b>4B-5324</b>	3	WASHER (3.9X9.6X1.2-MM THK)						
	3	1	<b>3L-8187</b>	3	LOCKWASHER						
	4	1	<b>6V-8377</b>	2	NUT (8-32-THD)						
	5	1	<b>9B-7233</b>	2	LOCKWASHER						
	F	1	<b>6V-3507</b>	1	SEAL - RECTANGULAR						

F - NOT SHOWN



GRAPHIC #1

<END>

g00905559

# OPERATOR STATION

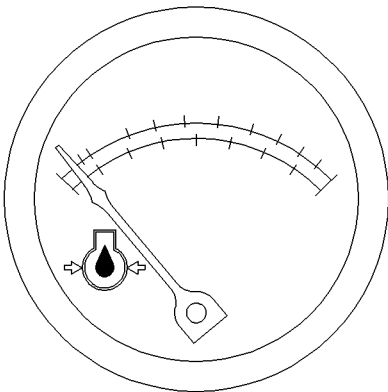
## 7W-2937 GAUGE GP-ENGINE OIL PRESSURE

S/N: 5CA5985-UP; 5DA5682-UP; 5EA5375-UP; 5FA4499-UP; 85Z3764-UP  
24-VOLT  
PART OF 5L-9895 GAUGE GP  
AN ATTACHMENT

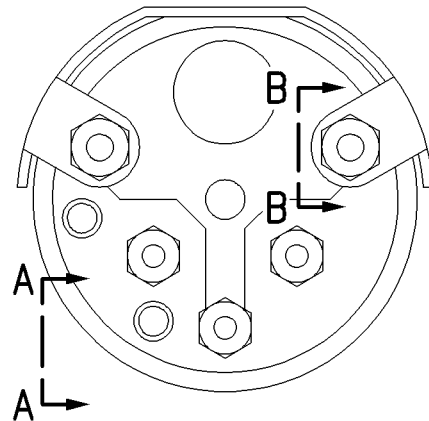
SMCS-7455

i02874974

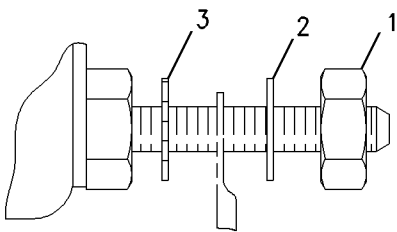
NOTE	REF NO	GRAPHIC REF	PART NUMBER	QTY	PART NAME						SEE PAGE
					1	2	3	4	5	6 (PRODUCT LEVEL)	
	1	1	<b>6V-8368</b>	3	NUT (6-32-THD)						
	2	1	<b>4B-5324</b>	3	WASHER (3.9X9.6X1.2-MM THK)						
	3	1	<b>3L-8187</b>	3	LOCKWASHER						
	4	1	<b>6V-8377</b>	2	NUT (8-32-THD)						
	5	1	<b>9B-7233</b>	2	LOCKWASHER						
F			<b>6V-3507</b>	1	SEAL-RECTANGULAR						
F - NOT SHOWN											



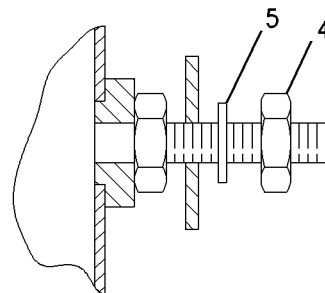
FRONT VIEW



REAR VIEW



VIEW A-A



SECTION B-B

GRAPHIC #1

<END>

g00730383

# OPERATOR STATION

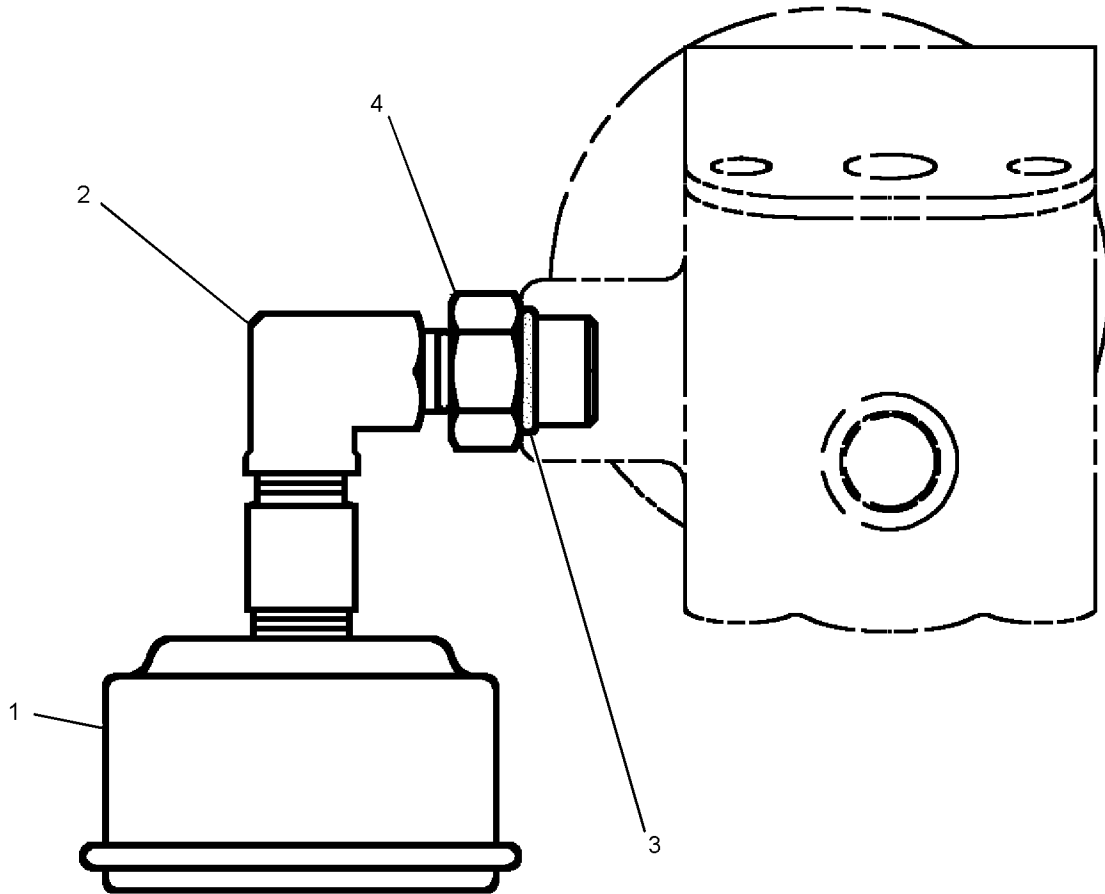
## 1W-6401 GAUGE GP-FUEL PRESSURE

S/N: 85Z3764-UP  
ALSO AN ATTACHMENT

SMCS-7456

i04249153

NOTE	REF NO	GRAPHIC REF	PART NUMBER	QTY	PART NAME						SEE PAGE
					1	2	3	4	5	6 (PRODUCT LEVEL)	
	1	1	<b>266-0889</b>	1	INDICATOR AS (FUEL PRESSURE)						
	2	1	<b>3B-6552</b>	1	ELBOW-PIPE						
	3	1	<b>3J-1907</b>	1	SEAL-O-RING						
	4	1	<b>3Y-2888</b>	1	CONNECTOR						



TOP VIEW OF ENGINE

GRAPHIC #1

<END>

g02477737

# OPERATOR STATION

## 332-8866 KIT-ELECTRONIC CONVERSION-GENERATOR SET CONTROL

+\*R

S/N: 85Z3764-UP

PROVIDES A SERVICE REPLACEMENT KIT FOR THE EMCP II GSC

FIELD REPLACEMENT FOR 133-6350-PAGE: 1644

FOR USE WITH NON-3508 BASED ENGINE APPLICATIONS

SMCS-4490

i07203349

NOTE	PART NUMBER	QTY	PART NAME						SEE PAGE
			1	2	3	4	5	6 (PRODUCT LEVEL)	
YR	<b>118-0175</b>	1	CONTROL GP-EMCP ELECTRONIC (AC TRANSFORMER BOX)						1642
YR	<b>118-2070</b>	1	CONTROL GP-EMCP ELECTRONIC (GENERATOR SET CONTROL +)						1643
	<b>335-8638</b>	1	FILM-CONTROL PANEL (GENERATOR SET CONTROL +)						
	<b>335-8640</b>	1	FILM-CONTROL PANEL (GENERATOR SET CONTROL +)						
	<b>335-8639</b>	1	FILM-CONTROL PANEL (GENERATOR SET CONTROL +)						

R - REMANUFACTURED PART MAY BE AVAILABLE

Y - SEPARATE ILLUSTRATION

<END>

# OPERATOR STATION

## 9Y-0968 KIT-RFI FILTER

S/N: 5CA5985-UP; 5DA5682-UP; 5EA5375-UP; 5FA4499-UP; 85Z3764-UP

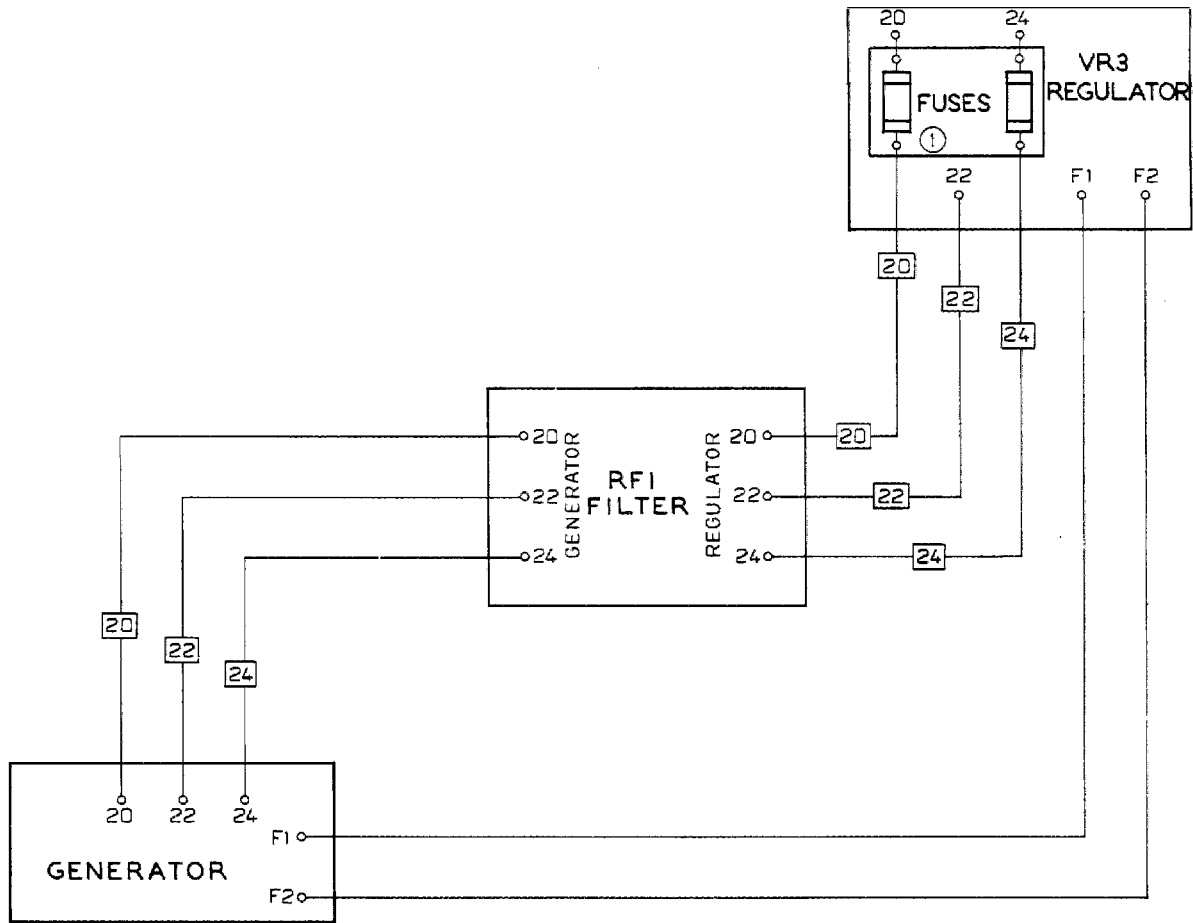
**RADIO FREQUENCY INTERFERENCE  
FOR USE WITH VR3 VOLTAGE REGULATOR  
PART OF 9Y-5037 FILTER AS-ELECTRONIC  
AN ATTACHMENT**

SMCS-4479

i01793923

NOTE	REF NO	GRAPHIC REF	PART NUMBER	QTY	PART NAME 1 2 3 4 5 6 (PRODUCT LEVEL)	SEE PAGE
------	--------	-------------	-------------	-----	--	----------

(NO SERVICED PARTS)



GRAPHIC #1

<END>

g00820791

# OPERATOR STATION

## 3N-5588 LAMP

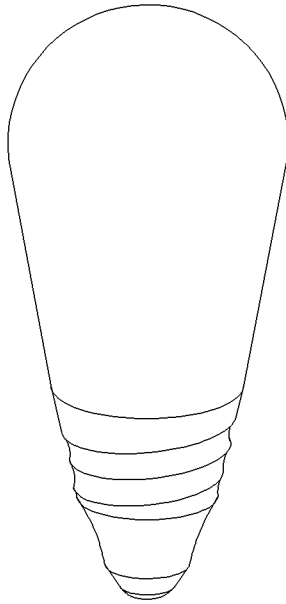
S/N: 5CA5985-UP; 5DA5682-UP; 5EA5375-UP; 5FA4499-UP  
6S6, 6 WATT, 30 VOLT. CANDELABRA BASE  
FIELD INSTALLATION

SMCS-4490, 7451

i01757325

NOTE	REF NO	GRAPHIC REF	PART NUMBER	QTY	PART NAME	SEE PAGE
------	--------	-------------	-------------	-----	-----------	----------

1 2 3 4 5 6 (PRODUCT LEVEL)  
(NO SERVICED PARTS)



GRAPHIC #1

<END>

g00900895

# OPERATOR STATION

## 5N-3666 LAMP GP

S/N: 5CA5985-UP; 5DA5682-UP; 5EA5375-UP; 5FA4499-UP

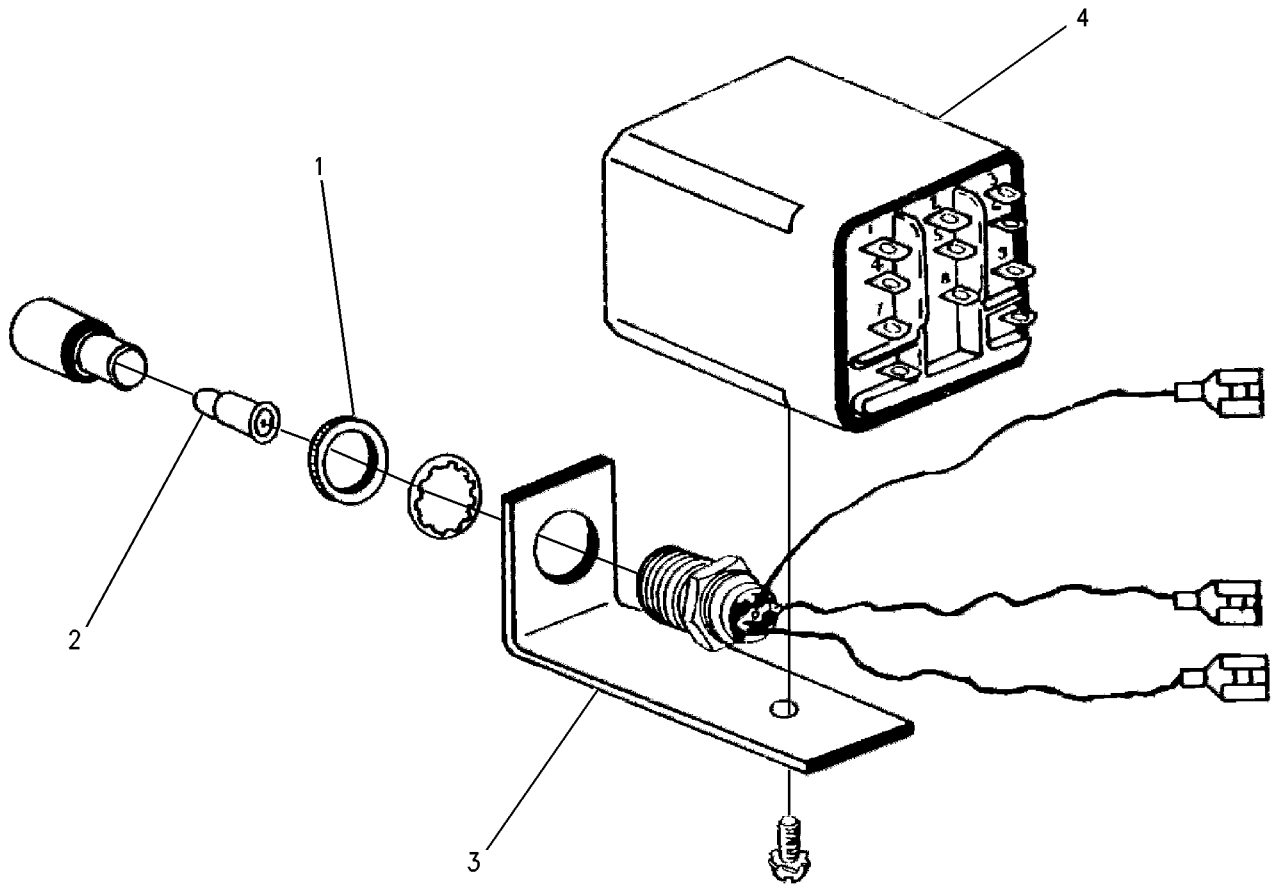
RELAY

FIELD INSTALLATION

SMCS-4490, 7451

i02420126

NOTE	REF NO	GRAPHIC REF	PART NUMBER	QTY	PART NAME						SEE PAGE
					1	2	3	4	5	6 (PRODUCT LEVEL)	
	1	1	<b>5N-3667</b>	1	SOCKET AS-LIGHT						
	2	1	<b>3N-5719</b>	1	LAMP (24-VOLT) (CLEAR)						
	3	1	<b>5N-3668</b>	1	BRACKET						
	4	1	<b>3N-5714</b>	1	RELAY AS (24-VOLT)						



GRAPHIC #1

<END>

g00736247

# OPERATOR STATION

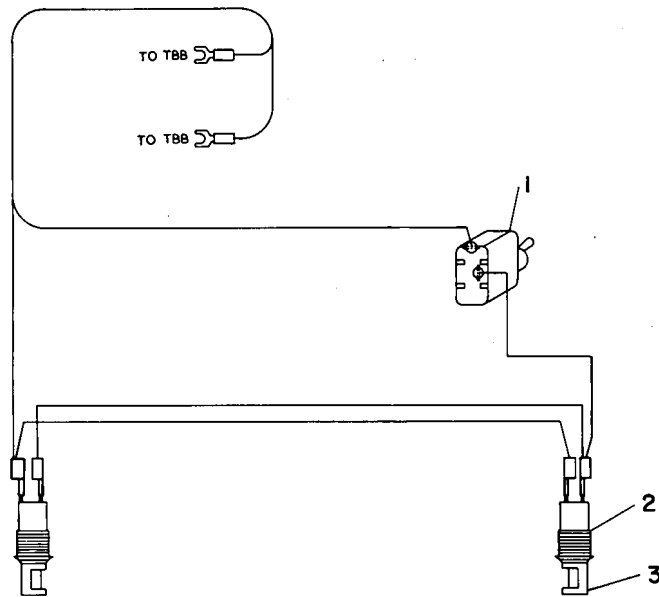
## 4W-8183 LAMP GP-PANEL ILLUMINATION

S/N: 5CA5985-UP; 5DA5682-UP; 5EA5375-UP  
 FOR USAGE REFER TO CHART 4W-8000-PAGE: 1798  
 PART OF 7W-0700 PANEL AR-CONTROL  
 AN ATTACHMENT

SMCS-4490, 7451

i02240186

NOTE	REF NO	GRAPHIC REF	PART NUMBER	QTY	PART NAME						SEE PAGE
					1	2	3	4	5	6 (PRODUCT LEVEL)	
	1	1	<b>6L-5079</b>	1	SWITCH-TOGGLE (LAMP)						
	2	1	<b>7G-9730</b>	2	LAMP AS (120-VOLT, 3-WATT) (CLEAR)						
					(EACH INCLUDES)						
		1	<b>6V-8367</b>	1	LOCKWASHER						
		1	<b>6V-8382</b>	1	NUT-HEX (11/16-27-THD)						
	3	1	<b>7N-5876</b>	2	LAMP (24-VOLT, 0.2-AMPERE) (CLEAR)						



GRAPHIC #1

<END>

g00209993



# OPERATOR STATION

## 2W-0693 METER GP-SERVICE

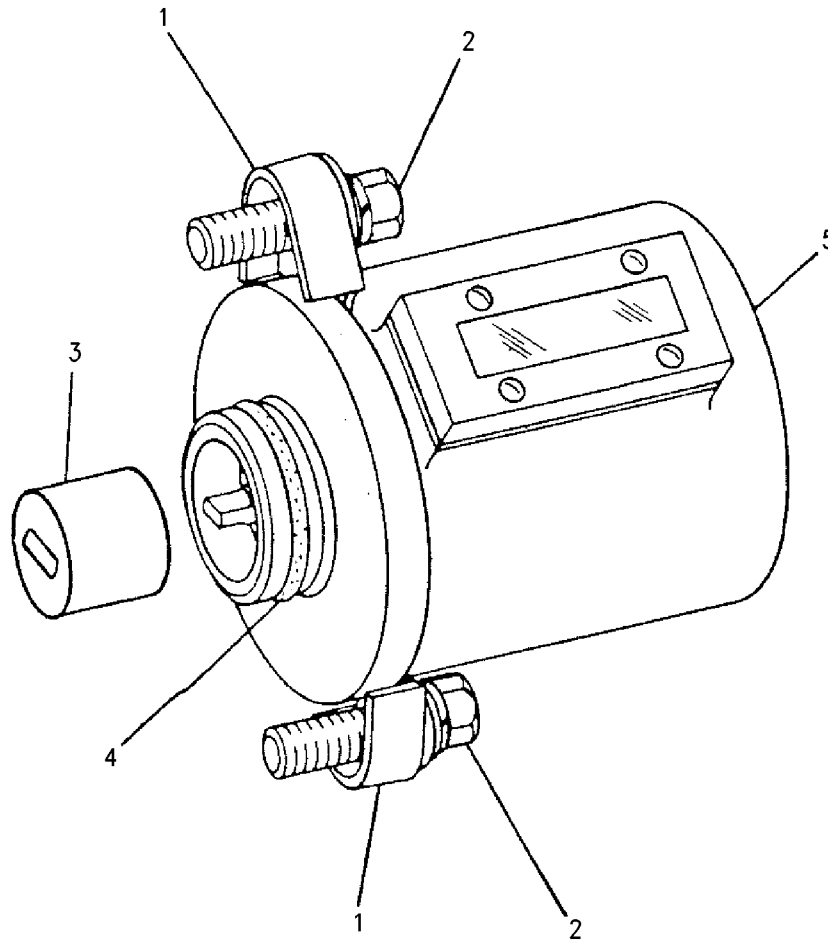
S/N: 85Z3764-UP

**CANNOT BE USED WITH PSG GOVERNOR  
AN ATTACHMENT**

**SMCS-7478**

**i01471386**

NOTE	REF NO	GRAPHIC REF	PART NUMBER	QTY	PART NAME						SEE PAGE
					1	2	3	4	5	6 (PRODUCT LEVEL)	
	1	1	<b>9S-0211</b>	2	CLAMP-METER						
	2	1	<b>8H-3127</b>	2	BOLT (1/4-20X0.75-IN)						
	3	1	<b>4N-0538</b>	1	COUPLING						
	4	1	<b>4M-8303</b>	1	SEAL-O-RING						
	5	1	<b>4N-6657</b>	1	METER GP-SERVICE						
					AVAILABLE REPAIR KIT(S):						
			<b>1P-4923</b>	1	KIT-SERVICE METER						
					(INCLUDES WINDOW, COVER, GASKET & SCREW)						



GRAPHIC #1

<END>

g00767813

# OPERATOR STATION

## 4W-4766 METER GP-SERVICE

S/N: 85Z3764-UP

ELECTRIC

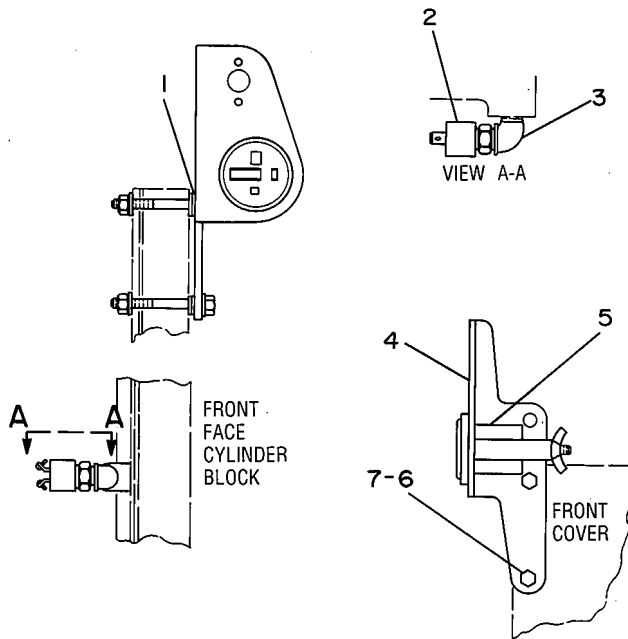
FOR USE WITH PSG GOVERNOR  
AN ATTACHMENT

SMCS-7478

i01172037

NOTE	REF NO	GRAPHIC REF	PART NUMBER	QTY	PART NAME						SEE PAGE
					1	2	3	4	5	6 (PRODUCT LEVEL)	
B	1	1	<b>3V-2431</b>	4	WASHER (10.2X16X2-MM THK) (HARD)						
	2	1	<b>9G-8010</b>	1	SWITCH AS-PRESSURE (ENGINE OIL PRESSURE)						
		1	<b>6V-8376</b>	2	SCREW-MACHINE (8-32X0.25-IN)						
		1	<b>9B-7233</b>	2	LOCKWASHER						
B	3	1	<b>3B-8822</b>	1	ELBOW						
	4	1	<b>4W-4765</b>	1	BRACKET						
	5	1	<b>3T-8323</b>	1	METER GP-SERVICE						
	6	1	<b>0T-0573</b>	2	BOLT (3/8-16X2.75-IN)						
		1	<b>1D-4717</b>	2	NUT (3/8-16-THD) (FULL)						
	7	1	<b>5M-2894</b>	4	WASHER-HARD (10.2X18.5X2.5-MM THK)						

B - USE AS REQUIRED



GRAPHIC #1

<END>

g00185718

# OPERATOR STATION

## 7W-8631 METER GP-SERVICE

S/N: 85Z3764-UP

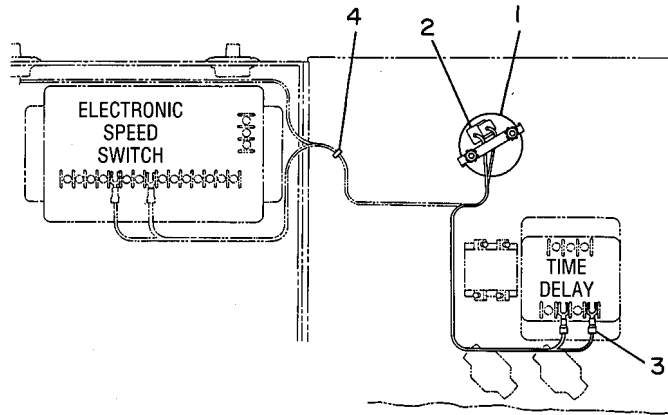
FOR USE WITH JUNCTION BOX, 5N-8487-PAGE: 1747  
AN ATTACHMENT

**SMCS-7478**

**i00637704**

NOTE	REF NO	GRAPHIC REF	PART NUMBER	QTY	PART NAME						SEE PAGE
					1	2	3	4	5	6 (PRODUCT LEVEL)	
	1	1	<b>6T-7337</b>	1	METER GP-SERVICE						
	2	1	<b>2W-8946</b>	1	TERMINAL AS						
	3	1	<b>5P-1475</b>	2	TERMINAL-FORK (14-GA TO 16-GA, NO. 8 SCREW)						
B	4	1	<b>1S-9593</b>	25	STRAP-CABLE						

B - USE AS REQUIRED



GRAPHIC #1

<END>

g00175790

# OPERATOR STATION

## 4W-8184 METER GP-VOLT

S/N: 5CA5985-UP; 5DA5682-UP; 5EA5375-UP

DC

FOR USAGE REFER TO CHART 4W-8000-PAGE: 1798

PART OF 7W-0700 PANEL AR-CONTROL

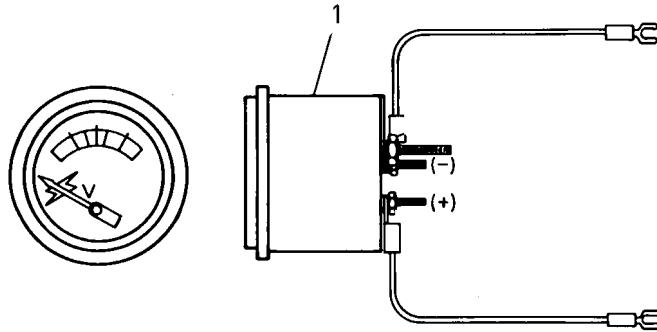
AN ATTACHMENT

SMCS-7468

i01123158

NOTE	REF NO	GRAPHIC REF	PART NUMBER	QTY	PART NAME						SEE PAGE
					1	2	3	4	5	6 (PRODUCT LEVEL)	
Y	1	1	105-1457	1	VOLTMETER GP (24-VOLT)						1746

Y - SEPARATE ILLUSTRATION



GRAPHIC #1

<END>

g00239227

# OPERATOR STATION

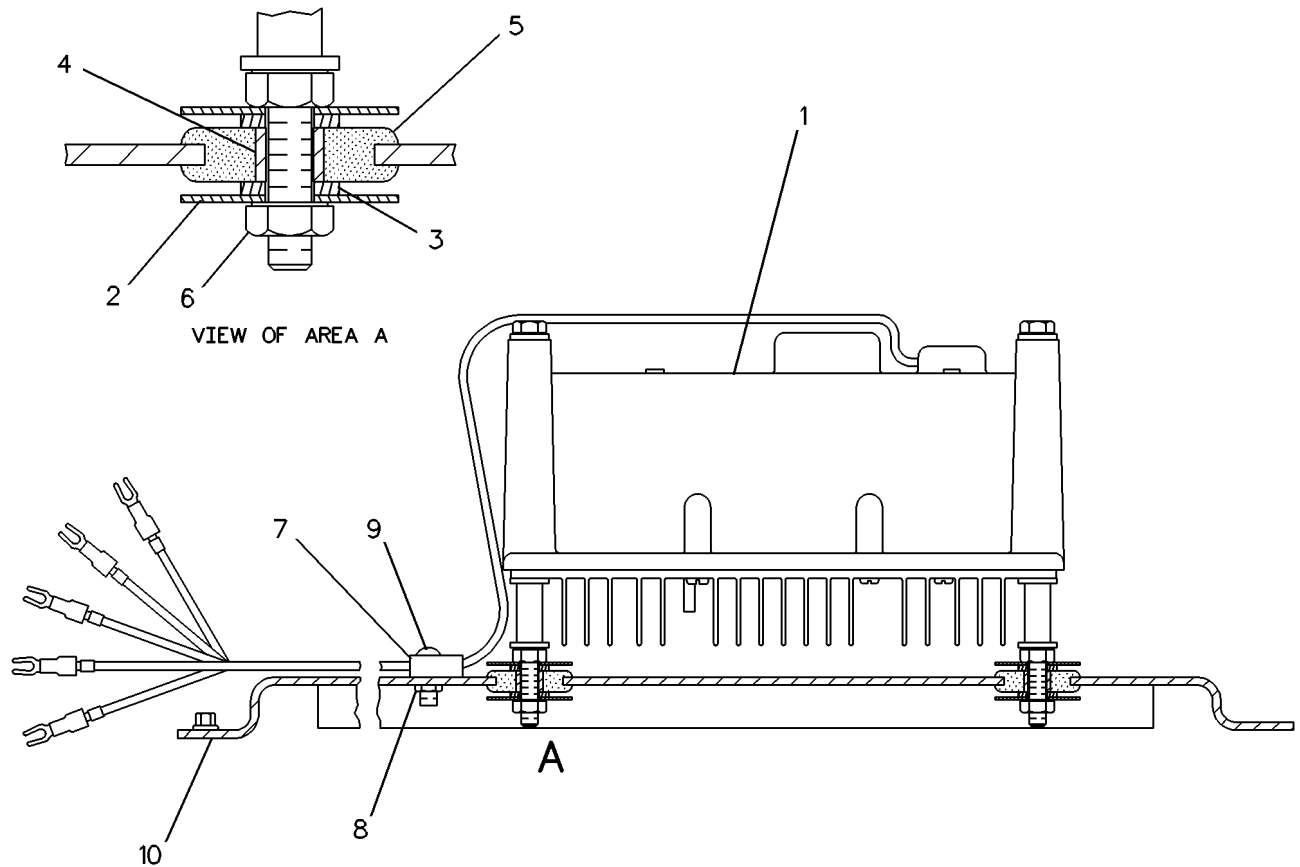
## 6I-3836 MODULE AS

S/N: 8JF1-UP; 6CG1-UP; 6DG1-UP; 6EG1-UP  
 PART OF 4P-3844, 4P-3846 TRANSFORMER GP-CURRENT  
 AN ATTACHMENT

SMCS-4480

i00671781

NOTE	REF NO	GRAPHIC REF	PART NUMBER	QTY	PART NAME						SEE PAGE
					1	2	3	4	5	6 (PRODUCT LEVEL)	
	1	1	<b>7C-2701</b>	1	MODULE-BOOST						
	2	1	<b>033-2075</b>	8	WASHER (0.266X1.25X0.06-IN THK)						
	3	1	<b>5P-0537</b>	8	WASHER-HARD (7.2X14.5X2-MM THK)						
	4	1	<b>7C-5709</b>	4	SLEEVE						
	5	1	<b>7C-5708</b>	4	GROMMET						
	6	1	<b>9S-8750</b>	4	NUT-FULL (1/4-20-THD)						
	7	1	<b>6L-7008</b>	2	STRAP-CABLE						
	8	1	<b>9S-5937</b>	2	LOCKNUT (10-32-THD)						
	9	1	<b>030-1193</b>	2	SCREW-MACHINE (10-32X19.05-MM)						
	10	1	<b>6I-3838</b>	1	BRACKET-MOUNTING						



GRAPHIC #1

<END>

g00222186

# OPERATOR STATION

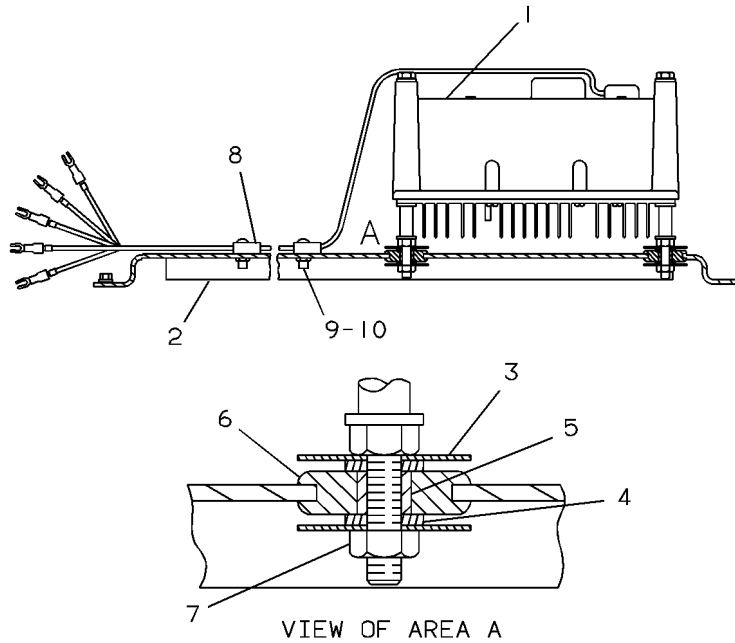
## 9Y-3845 MODULE AS-B00ST

S/N: 5CA5985-UP; 5DA5682-UP; 5EA5375-UP; 5FA4499-UP  
 PART OF 7C-6850, 9Y-3885 TRANSFORMER GP-CURRENT  
 AN ATTACHMENT

SMCS-4480

i01793920

NOTE	REF NO	GRAPHIC REF	PART NUMBER	QTY	PART NAME						SEE PAGE
					1	2	3	4	5	6	
	1	1	<b>7C-2701</b>	1	MODULE-BOOST						
	2	1	<b>4P-9039</b>	1	BRACKET-MOUNTING						
	3	1	<b>033-2075</b>	8	WASHER (0.266X1.25X0.06-IN THK)						
	4	1	<b>5P-0537</b>	8	WASHER-HARD (7.2X14.5X2-MM THK)						
	5	1	<b>7C-5709</b>	4	SLEEVE						
	6	1	<b>7C-5708</b>	4	GROMMET						
	7	1	<b>9S-8750</b>	4	NUT-FULL (1/4-20-THD)						
	8	1	<b>6L-7008</b>	2	STRAP-CABLE						
	9	1	<b>9S-5937</b>	2	LOCKNUT (10-32-THD)						
	10	1	<b>030-1193</b>	2	SCREW-MACHINE (10-32X19.05-MM)						



GRAPHIC #1

<END>

g00223217

# OPERATOR STATION

## 130-3349 MODULE GP-ALARM\*R

S/N: 85Z3764-UP

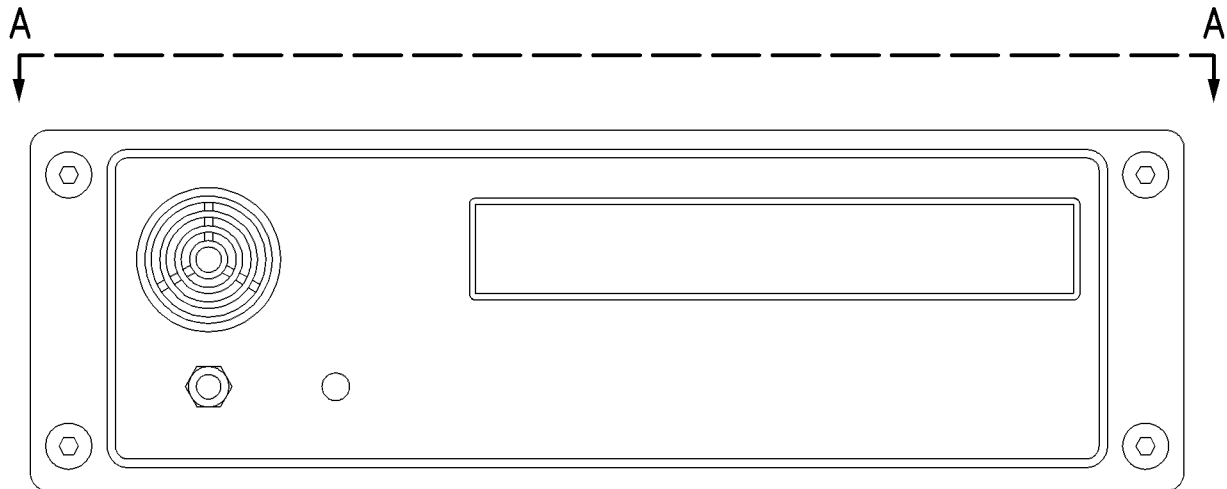
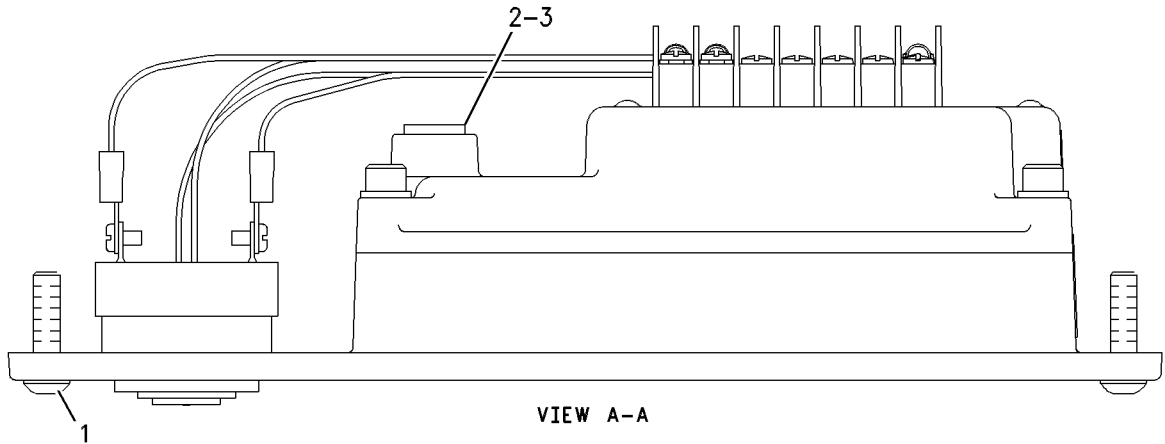
REMOTE

PART OF 7E-1234, 9W-3577, 9Y-2906, 9Y-2907 MODULE GP-ALARM  
AN ATTACHMENT

SMCS-7400

i05627476

NOTE	REF NO	GRAPHIC REF	PART NUMBER	QTY	PART NAME						SEE PAGE
					1	2	3	4	5	6 (PRODUCT LEVEL)	
	1	1	<b>9W-1464</b>	4	SCREW (1/4-20X1-IN)						
	2	1	<b>9S-8002</b>	1	PLUG (7/16-20-THD)						
	3	1	<b>3J-7354</b>	1	SEAL-O-RING						



GRAPHIC #1

<END>

g00664012

# OPERATOR STATION

## 4W-8006 MODULE GP-ALARM

S/N: 5CA5985-UP; 5DA5682-UP; 5EA5375-UP

NFPA, 99-AMPERES

FOR USAGE REFER TO CHART 4W-8000-PAGE: 1798

PART OF 7W-0700 PANEL AR-CONTROL

AN ATTACHMENT

**SMCS-7400**

**i02232988**

NOTE	REF NO	GRAPHIC REF	PART NUMBER	QTY	PART NAME						SEE PAGE
					1	2	3	4	5	6 (PRODUCT LEVEL)	
	1	1	<b>3N-5762</b>	1	HORN						
	2	1	<b>3N-5716</b>	1	SWITCH (PUSH BUTTON) (LAMP)						
	2A	1	<b>3N-5716</b>	1	SWITCH (PUSH BUTTON) (HORN SILENCE)						
	3	1	<b>7C-3512</b>	4	HOUSING AS-LAMP						
	4	1	<b>3N-5719</b>	4	LAMP (24-VOLT) (CLEAR)						
	5	1	<b>7C-3513</b>	4	LENS-LAMP (AMBER)						
	6	1	<b>7C-3517</b>	1	BRACKET						
	7	1	<b>7C-3518</b>	1	PLATE-RELAY						
	8	1	<b>3N-5978</b>	1	TIMER AS-ON DELAY						
	9	1	<b>4W-8743</b>	2	SOCKET-RELAY						
	10	1	<b>3N-5714</b>	2	RELAY AS (24-VOLT) (ALARM DISCONNECT/TIME DELAY)						
	11	1	<b>7C-3515</b>	4	DIODE AS						
E	12	1	<b>6V-1075</b>		TRACK-MOUNTING (18-CM)						
	13	1	<b>5N-5502</b>	1	DIODE AS (1-AMPERE, 800-PIV)						
	14	1	<b>7C-0957</b>	1	FILM-MODULE (ALARM) (NFPA-99)						

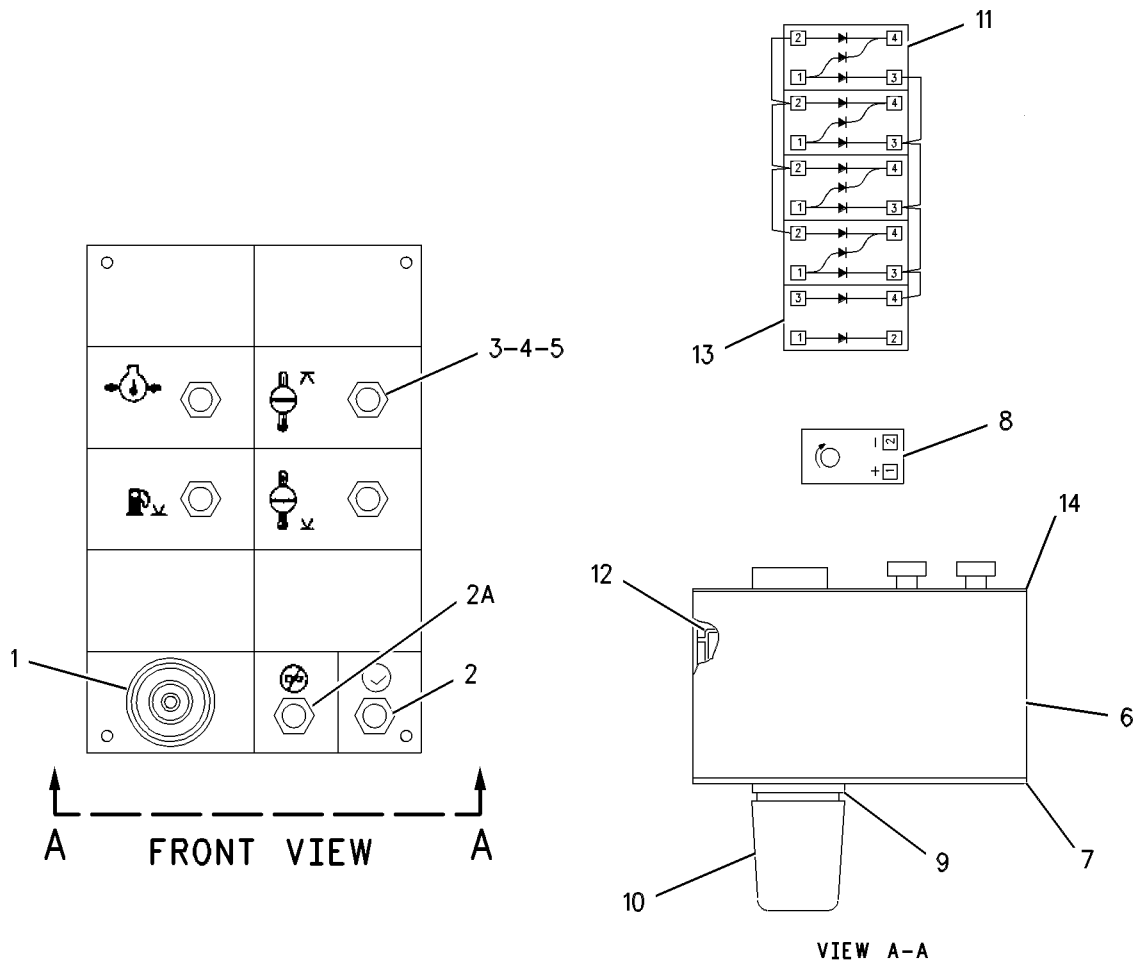
E - ORDER BY THE CENTIMETER



# OPERATOR STATION

4W-8006 MODULE GP-ALARM (contd.)

i02232988



GRAPHIC #1

<END>

g00617442

# OPERATOR STATION

## 7C-3084 MODULE GP-ALARM

S/N: 5CA5985-UP; 5DA5682-UP; 5EA5375-UP

NFPA - 110 AMPERES

FOR USAGE REFER TO CHART 4W-8000-PAGE: 1798

PART OF 7W-0700 PANEL AR-CONTROL

AN ATTACHMENT

**SMCS-7400**

**i04459257**

NOTE	REF NO	GRAPHIC REF	PART NUMBER	QTY	PART NAME						SEE PAGE
					1	2	3	4	5	6 (PRODUCT LEVEL)	
	1	1	<b>3N-5762</b>	1	HORN						
	2	1	<b>3N-5716</b>	1	SWITCH (PUSH BUTTON) (LAMP)						
	2A	1	<b>3N-5716</b>	1	SWITCH (PUSH BUTTON) (HORN SILENCE)						
	3	1	<b>7C-3512</b>	8	HOUSING AS-LAMP						
	4	1	<b>3N-5719</b>	8	LAMP (24-VOLT) (CLEAR)						
	5	1	<b>7C-3513</b>	4	LENS-LAMP (AMBER)						
	8	1	<b>7C-3514</b>	4	LENS-LAMP (RED)						
	9	1	<b>4W-8743</b>	1	SOCKET-RELAY						
	10	1	<b>3N-5714</b>	1	RELAY AS (24-VOLT)						
	11	1	<b>7C-3515</b>	8	DIODE AS						
E	12	1	<b>6V-1075</b>		TRACK-MOUNTING (26-CM)						
	13	1	<b>5N-5502</b>	1	DIODE AS						
	14	1	<b>7C-3508</b>	1	RELAY-LOW BATTERY						
	15	1	<b>7C-0958</b>	1	FILM-MODULE (ALARM, NFPA 110)						
	16	1	<b>7C-3516</b>	1	MARKER						
	17	1	<b>4D-6066</b>	1	STRIP-TERMINAL						

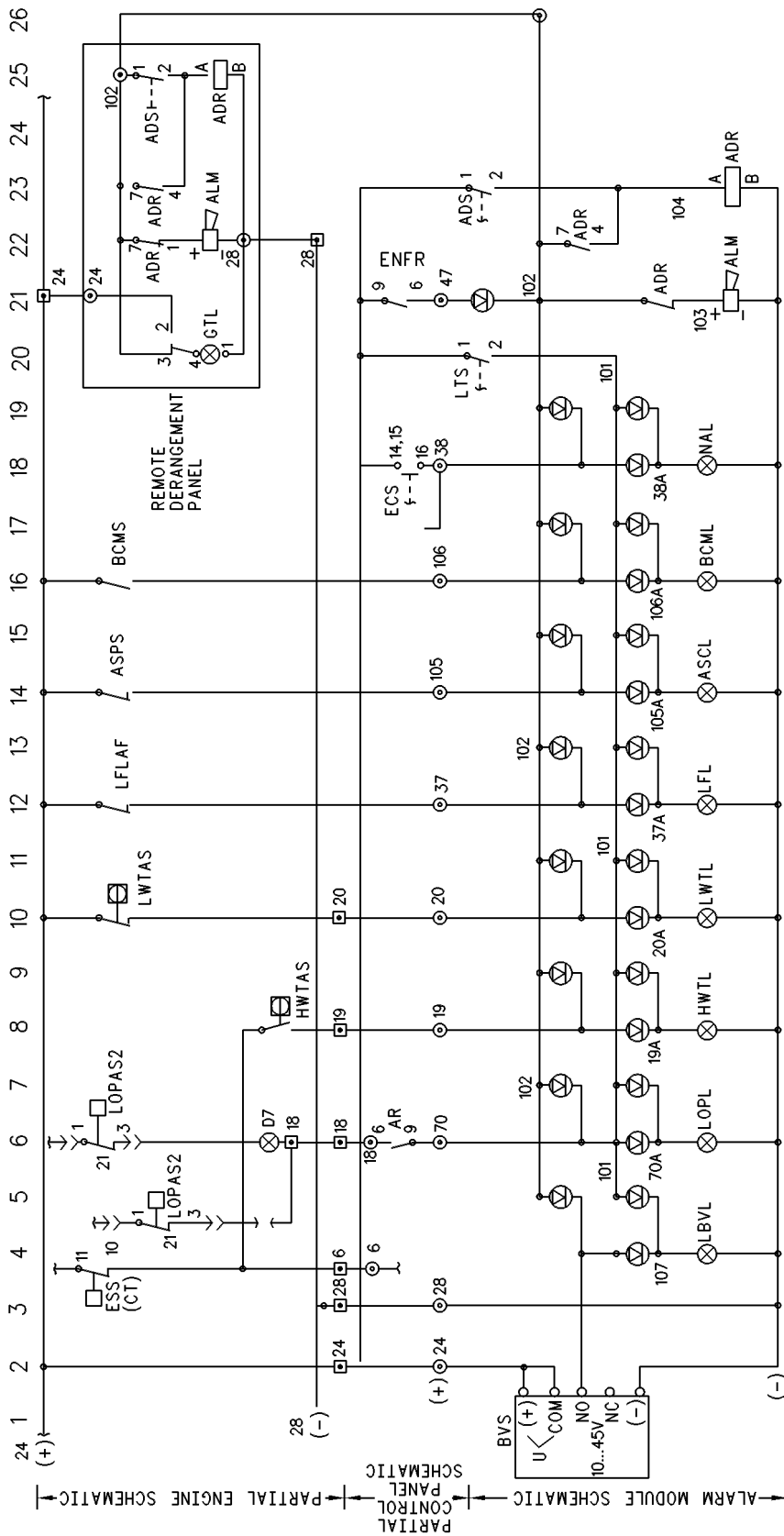
E - ORDER BY THE CENTIMETER



# OPERATOR STATION

7C-3084 MODULE GP-ALARM (contd.)

i04459257



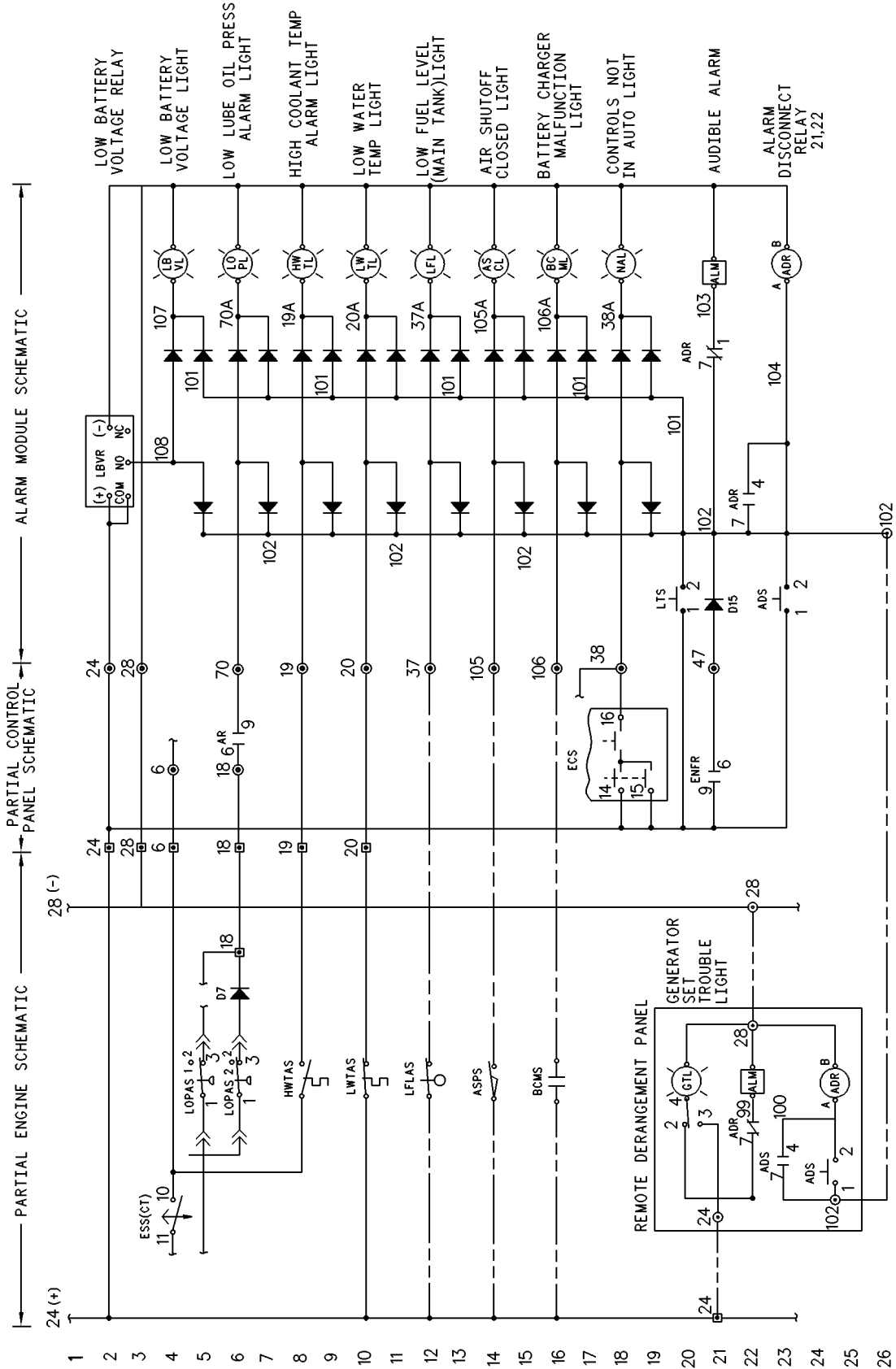
GRAPHIC #2

g00255578

# OPERATOR STATION

7C-3084 MODULE GP-ALARM (contd.)

i04459257



GRAPHIC #3

∧END∧

g00256363

# OPERATOR STATION

## 7E-1234 MODULE GP-ALARM

S/N: 85Z3764-UP

FOR USAGE REFER TO CHART 7C-1000-PAGE: 1808

PART OF 103-4773 PANEL AR-CONTROL

AN ATTACHMENT

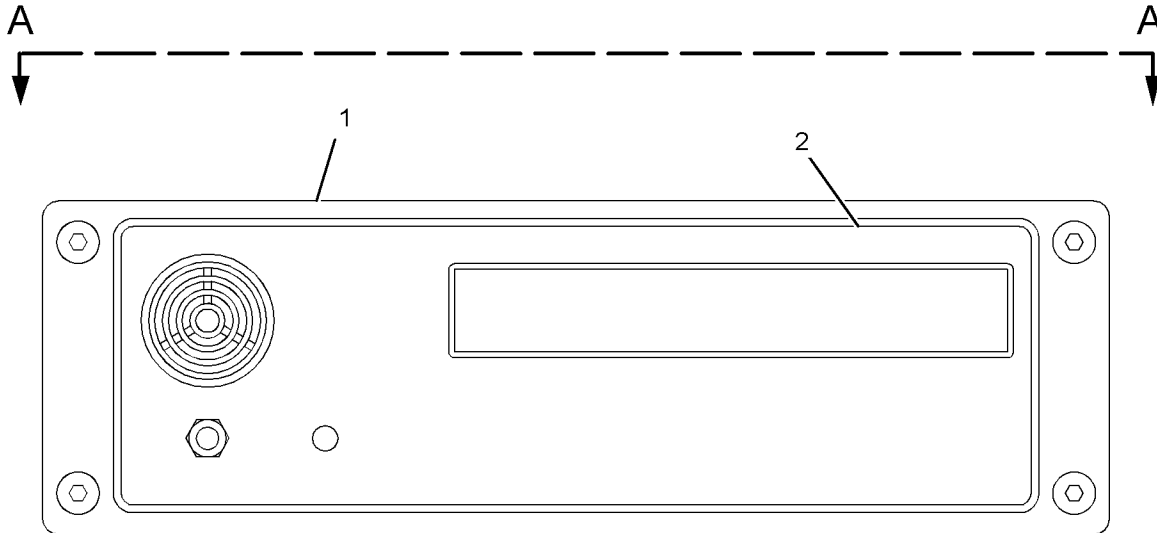
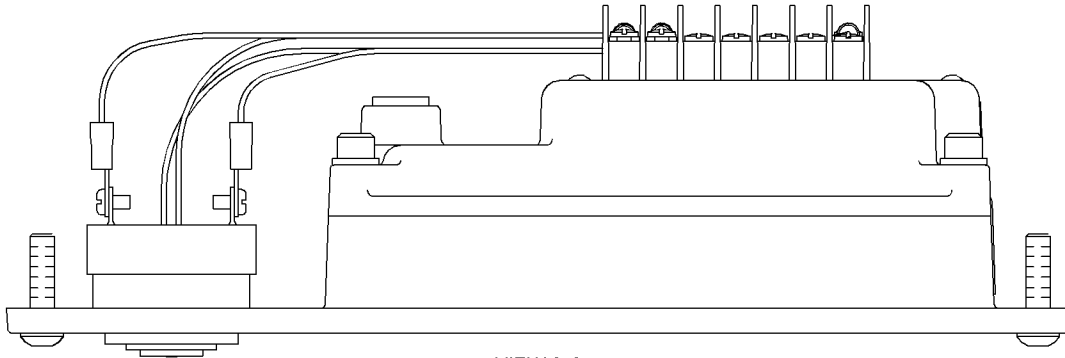
SMCS-7400

i04459258

NOTE	REF NO	GRAPHIC REF	PART NUMBER	QTY	PART NAME						SEE PAGE
					1	2	3	4	5	6 (PRODUCT LEVEL)	
YR	1	1	130-3349	1	MODULE GP-ALARM						1673
	2	1	9Y-9776	1	FILM-IDENTIFICATION (CONTROL PANEL)						

R - REMANUFACTURED PART MAY BE AVAILABLE

Y - SEPARATE ILLUSTRATION



GRAPHIC #1

<END>

g0136671

# OPERATOR STATION

## 7W-9023 MODULE GP-ALARM

S/N: 85Z3764-UP

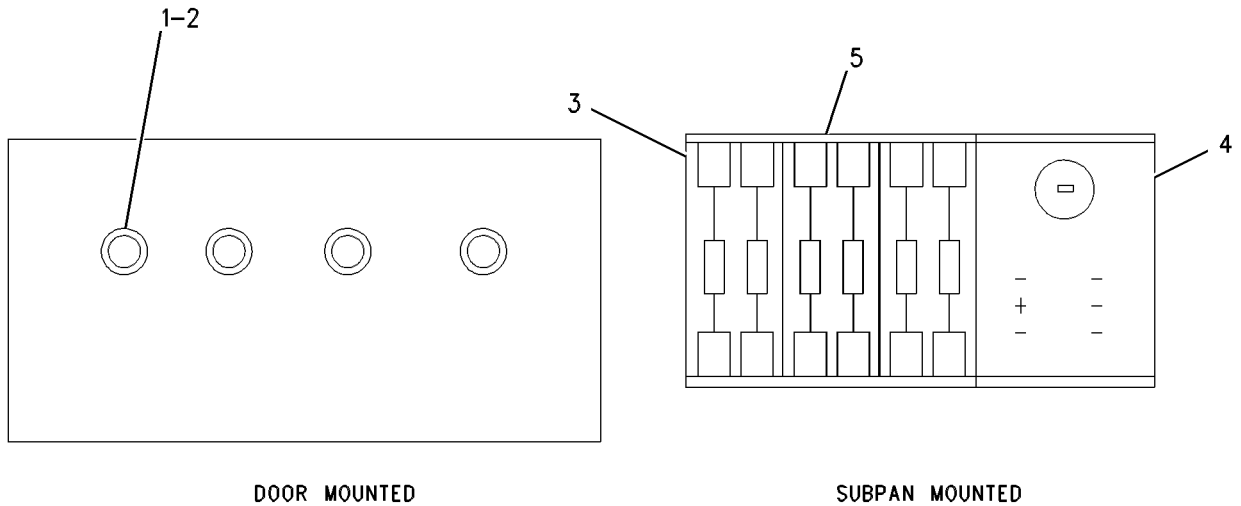
STANDBY  
AN ATTACHMENT

SMCS-7400

i04459261

NOTE	REF NO	GRAPHIC REF	PART NUMBER	QTY	PART NAME						SEE PAGE
					1	2	3	4	5	6 (PRODUCT LEVEL)	
	1	1	<b>3N-5719</b>	4	LAMP (24-VOLT) (CLEAR)						
	2	1	<b>5N-5500</b>	4	LAMP AS (AMBER)						
	3	1	<b>5N-5502</b>	2	DIODE AS						
	4	1	<b>3N-5978</b>	1	TIMER AS-ON DELAY (OIL PRESSURE)						
E	5	1	<b>6V-1075</b>		TRACK-MOUNTING (11-CM)						

E - ORDER BY THE CENTIMETER



GRAPHIC #1

<END>

g00579071

# OPERATOR STATION

## 7W-9024 MODULE GP-ALARM

S/N: 85Z3764-UP

PRIME

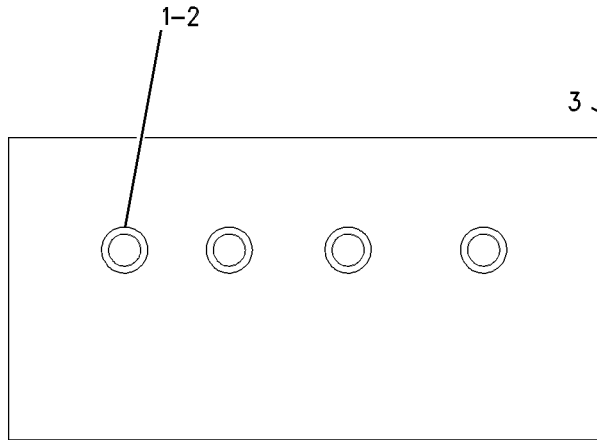
AN ATTACHMENT

SMCS-7400

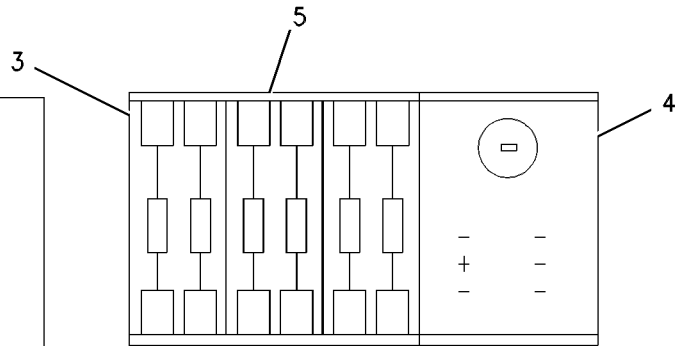
i04459264

NOTE	REF NO	GRAPHIC REF	PART NUMBER	QTY	PART NAME						SEE PAGE
					1	2	3	4	5	6 (PRODUCT LEVEL)	
	1	1	<b>3N-5719</b>	4	LAMP (24-VOLT) (CLEAR)						
	2	1	<b>5N-5500</b>	4	LAMP AS (AMBER)						
	3	1	<b>5N-5502</b>	2	DIODE AS						
	4	1	<b>3N-5978</b>	1	TIMER AS-ON DELAY (OIL PRESSURE)						
E	5	1	<b>6V-1075</b>		TRACK-MOUNTING (11-CM)						
	6	1	<b>4W-8787</b>	1	SOCKET-RELAY						
B	7	1	<b>3N-5714</b>	1	RELAY AS (24-VOLT) (LOW OIL LEVEL)						
B	8	1	<b>5N-5498</b>	1	RELAY (32-VOLT DC) (LOW OIL LEVEL)						

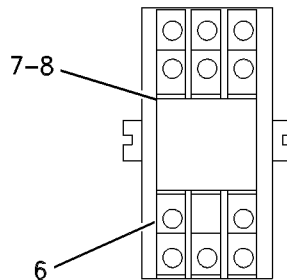
B - USE AS REQUIRED  
E - ORDER BY THE CENTIMETER



DOOR MOUNTED



SUBPAN MOUNTED



GRAPHIC #1

<END>

g00579075



# OPERATOR STATION

## 9W-3577 MODULE GP-ALARM

S/N: 85Z3764-UP

NATIONAL FIRE PROTECTION ASSOCIATION 99

PART OF 7C-5296 PANEL GP-INSTRUMENT

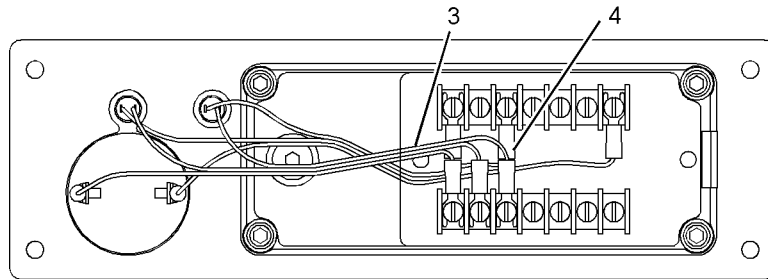
AN ATTACHMENT

SMCS-7400

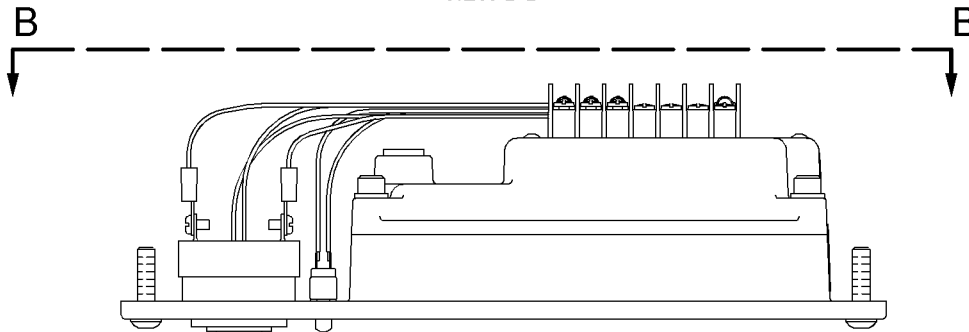
i04459268

NOTE	REF NO	GRAPHIC REF	PART NUMBER	QTY	PART NAME						SEE PAGE
					1	2	3	4	5	6 (PRODUCT LEVEL)	
YR	1	1	<b>130-3349</b>	1	MODULE GP-ALARM (REMOTE)						1673
	2	1	<b>7E-7848</b>	1	FILM-IDENTIFICATION (CONTROL PANEL-ANNUNCIATOR)						
E	3	1	<b>174-4290</b>		WIRE (18-GA, WHITE) (93-CM)						
	4	1	<b>5P-3059</b>	4	TERMINAL-FORK (18-GA TO 22-GA, NO. 6 SCREW)						
	5	1	<b>9W-0073</b>	1	SWITCH AS-PUSH BUTTON (LAMP TEST)						
	6	1	<b>8C-6123</b>	1	NUT (1/4-40-THD)						
	7	1	<b>2W-4480</b>	1	BOOT-SWITCH						

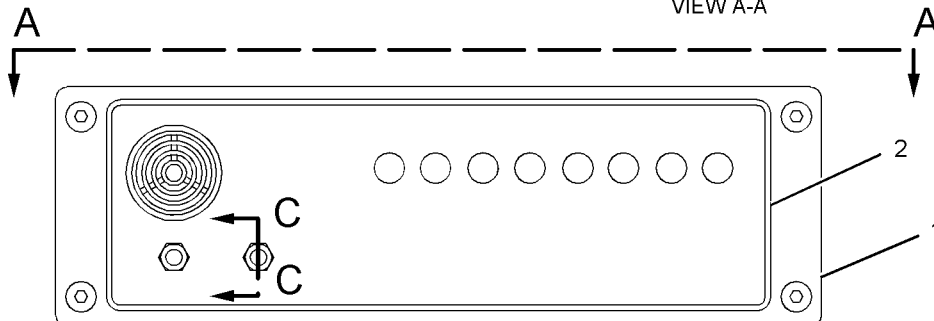
E - ORDER BY THE CENTIMETER  
 R - REMANUFACTURED PART MAY BE AVAILABLE  
 Y - SEPARATE ILLUSTRATION



VIEW B-B

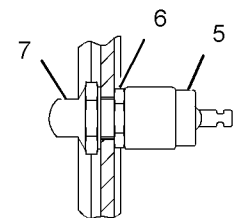


VIEW A-A



GRAPHIC #1

<END>



SECTION C-C

g01092088

# OPERATOR STATION

## 9Y-2906 MODULE GP-ALARM

S/N: 85Z3764-UP

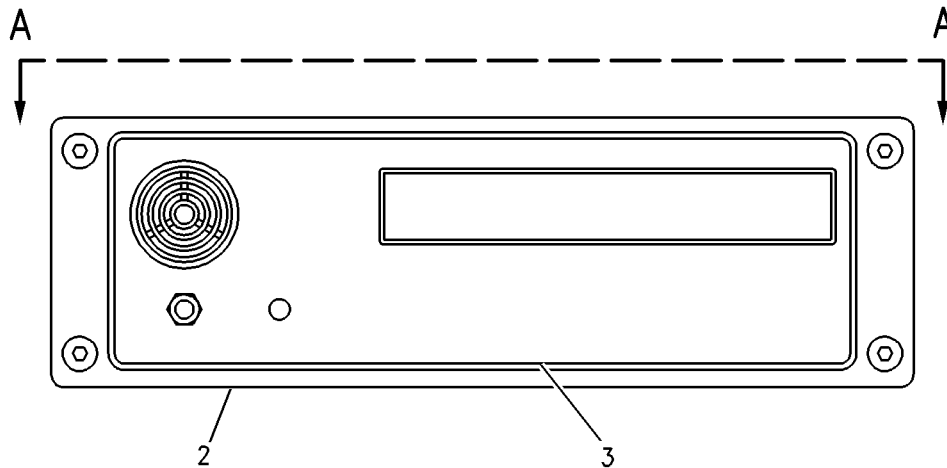
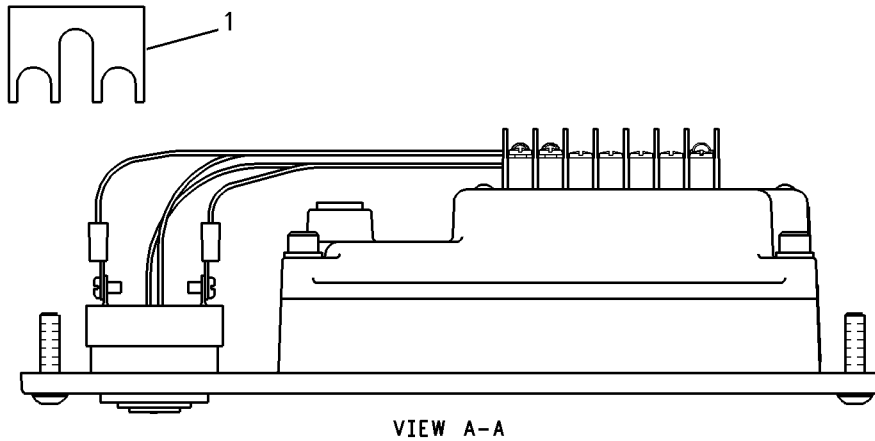
NATIONAL FIRE PROTECTION ASSOCIATION 110  
 FOR USAGE REFER TO CHART 7C-1000-PAGE: 1808  
 PART OF 103-4773 PANEL AR-CONTROL  
 AN ATTACHMENT

SMCS-7400

i04459277

NOTE	REF NO	GRAPHIC REF	PART NUMBER	QTY	PART NAME						SEE PAGE
					1	2	3	4	5	6 (PRODUCT LEVEL)	
B	1	1	<b>8C-4646</b>	1	STRAP-JUMPER						
YR	2	1	<b>130-3349</b>	1	MODULE GP-ALARM (REMOTE)						1673
	3	1	<b>7C-9130</b>	1	FILM-IDENTIFICATION (ALARM MODULE)						

B - USE AS REQUIRED  
 R - REMANUFACTURED PART MAY BE AVAILABLE  
 Y - SEPARATE ILLUSTRATION



GRAPHIC #1

<END>

g00658782

# OPERATOR STATION

## 9Y-2907 MODULE GP-ALARM

S/N: 85Z3764-UP

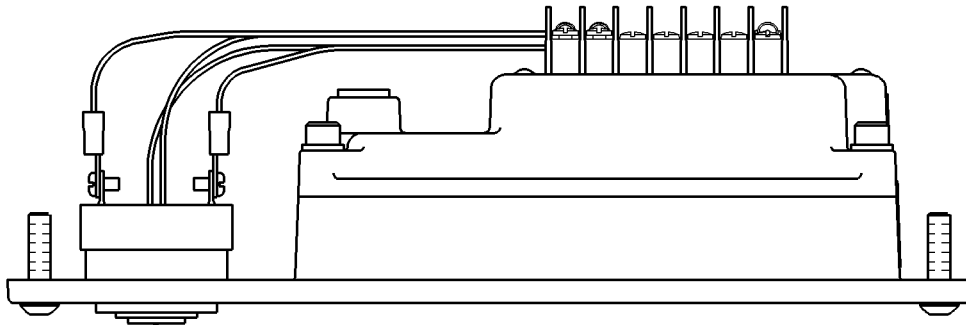
NATIONAL FIRE PROTECTION ASSOCIATION 99  
 FOR USAGE REFER TO CHART 7C-1000-PAGE: 1808  
 PART OF 103-4773 PANEL AR-CONTROL  
 AN ATTACHMENT

SMCS-7400

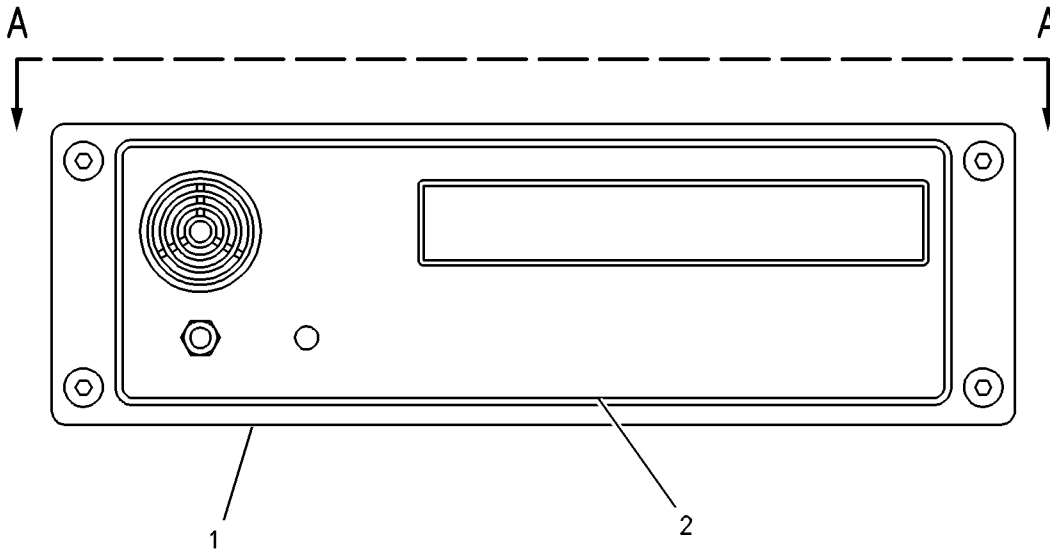
i04459279

NOTE	REF NO	GRAPHIC REF	PART NUMBER	QTY	PART NAME						SEE PAGE
					1	2	3	4	5	6 (PRODUCT LEVEL)	
YR	1	1	<b>130-3349</b>	1	MODULE GP-ALARM (REMOTE)						1673
	2	1	<b>9Y-0947</b>	1	FILM-IDENTIFICATION (ALARM MODULE)						

R - REMANUFACTURED PART MAY BE AVAILABLE  
 Y - SEPARATE ILLUSTRATION



VIEW A-A



GRAPHIC #1

<END>

g00658790

# OPERATOR STATION

## 3N-7818 MODULE GP-AUXILIARY RELAY

S/N: 5CA5985-UP; 5DA5682-UP; 5EA5375-UP; 5FA4499-UP

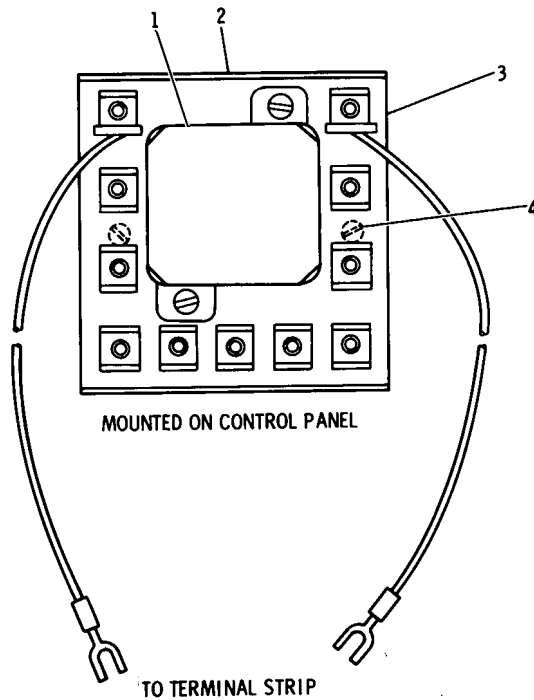
### FIELD INSTALLATION

SMCS-4493

i07258904

NOTE	REF NO	GRAPHIC REF	PART NUMBER	QTY	PART NAME						SEE PAGE
					1	2	3	4	5	6 (PRODUCT LEVEL)	
	1	1	<b>3N-5714</b>	1	RELAY AS (24-VOLT) (AUXILIARY)						
	2	1	<b>3N-7817</b>	1	TRACK-MOUNTING						
	3	1	<b>3N-5784</b>	1	SOCKET-RELAY						
C	4	1	<b>5S-7348</b>	2	SCREW-MACHINE (6-32X0.375-IN)						
B		1	<b>4L-3916</b>	10	TERMINAL (14-GA TO 16-GA)						

B - USE AS REQUIRED  
C - CHANGE FROM PREVIOUS TYPE



GRAPHIC #1

<END>

g00135254

# OPERATOR STATION

## 4W-8009 MODULE GP-AUXILIARY RELAY

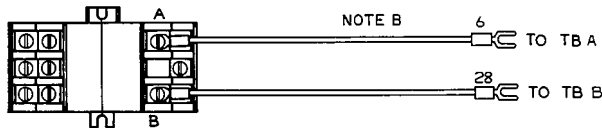
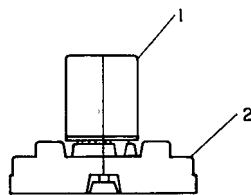
S/N: 5CA5985-UP; 5DA5682-UP; 5EA5375-UP  
 FOR USAGE REFER TO CHART 4W-8000-PAGE: 1798  
 PART OF 7W-0700 PANEL AR-CONTROL  
 AN ATTACHMENT

SMCS-4493

i02157498

NOTE	REF NO	GRAPHIC REF	PART NUMBER	QTY	PART NAME						SEE PAGE
					1	2	3	4	5	6 (PRODUCT LEVEL)	
1	1	1	<b>3N-5714</b>	1	RELAY AS (24-VOLT) (AUXILIARY)						
2	1	1	<b>4W-8787</b>	1	SOCKET-RELAY						

WIRE TO BE NO. 20 AWG EXCEPT WHERE MARKED.  
 NOTE B: GREEN WITH YELLOW STRIPE 18GA AWG (GROUND)  
 NO. 8 SPADE ON TB END.



### WIRE CHART

WIRE NO.	TYPE AND SIZE	LENGTH OF WIRES IN MM
6	WHITE *20 AWG	559
28	GREEN WITH YELLOW STRIPE *18AWG	470

GRAPHIC #1

<END>

g00205828

# OPERATOR STATION

## 3N-5568 MODULE GP-CYCLE CRANKING

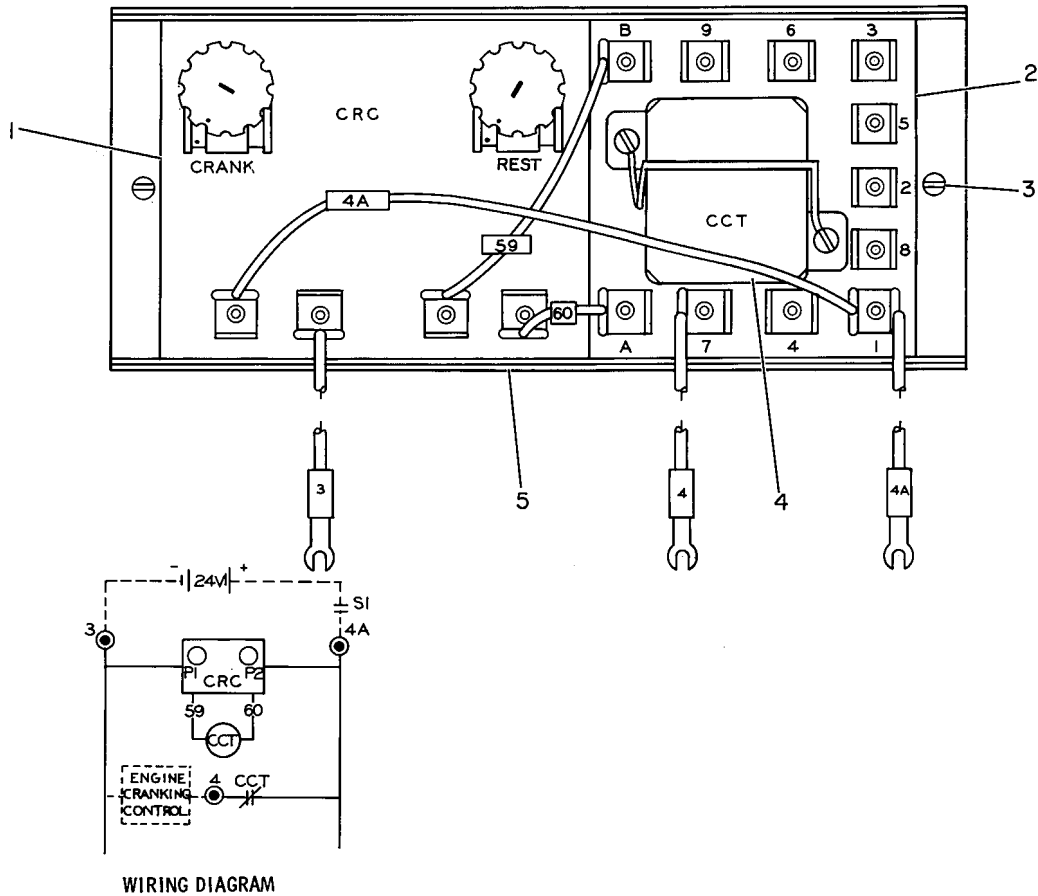
S/N: 5CA5985-UP; 5DA5682-UP; 5EA5375-UP; 5FA4499-UP

### FIELD INSTALLATION

SMCS-4462

i07258900

NOTE	REF NO	GRAPHIC REF	PART NUMBER	QTY	PART NAME						SEE PAGE
					1	2	3	4	5	6	
	1	1	<b>4W-8791</b>	1	TIMER-CYCLE						
	2	1	<b>3N-5784</b>	1	SOCKET-RELAY						
	3	1	<b>5S-7348</b>	2	SCREW-MACHINE (6-32X0.375-IN)						
	4	1	<b>3N-5714</b>	1	RELAY AS (24-VOLT)						
	5	1	<b>3N-5786</b>	1	TRACK-MOUNTING						



GRAPHIC #1

<END>

g00141912

# OPERATOR STATION

## 4W-8007 MODULE GP-CYCLE CRANKING

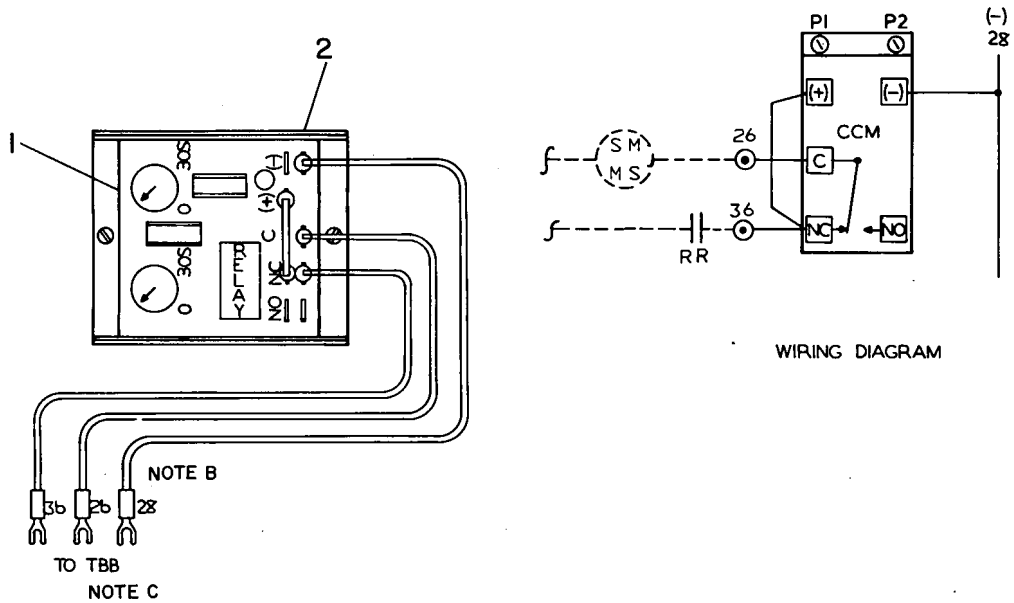
S/N: 5CA5985-UP; 5DA5682-UP; 5EA5375-UP  
 FOR USAGE REFER TO CHART 4W-8000-PAGE: 1798  
 PART OF 7W-0700 PANEL AR-CONTROL  
 AN ATTACHMENT

SMCS-4462

i00716293

NOTE	REF NO	GRAPHIC REF	PART NUMBER	QTY	PART NAME						SEE PAGE
					1	2	3	4	5	6 (PRODUCT LEVEL)	
1	1	1	<b>4W-8791</b>	1	TIMER-CYCLE						
2	1	1	<b>3N-7817</b>	1	TRACK-MOUNTING						

WIRE TO BE NO.20 AWG EXCEPT WHERE MARKED.  
 NOTE B: GREEN WITH STRIPE 18GA AWG (GROUND)  
 NO.8 SPADE ON TB END.  
 NOTE C: ON TBB JUMPER  
 26 TO 36 MUST BE REMOVED WHEN TIMER IS INSTALLED.



### WIRE CHART

WIRE NO.	TYPE AND SIZE	LENGTH OF WIRE IN MILLIMETERS
2b	WHITE 20 AWG	222
28	GREEN WITH YELLOW STRIPE 18 AWG	489
3b	WHITE 20 AWG	235

GRAPHIC #1

<END>

g00205826

# OPERATOR STATION

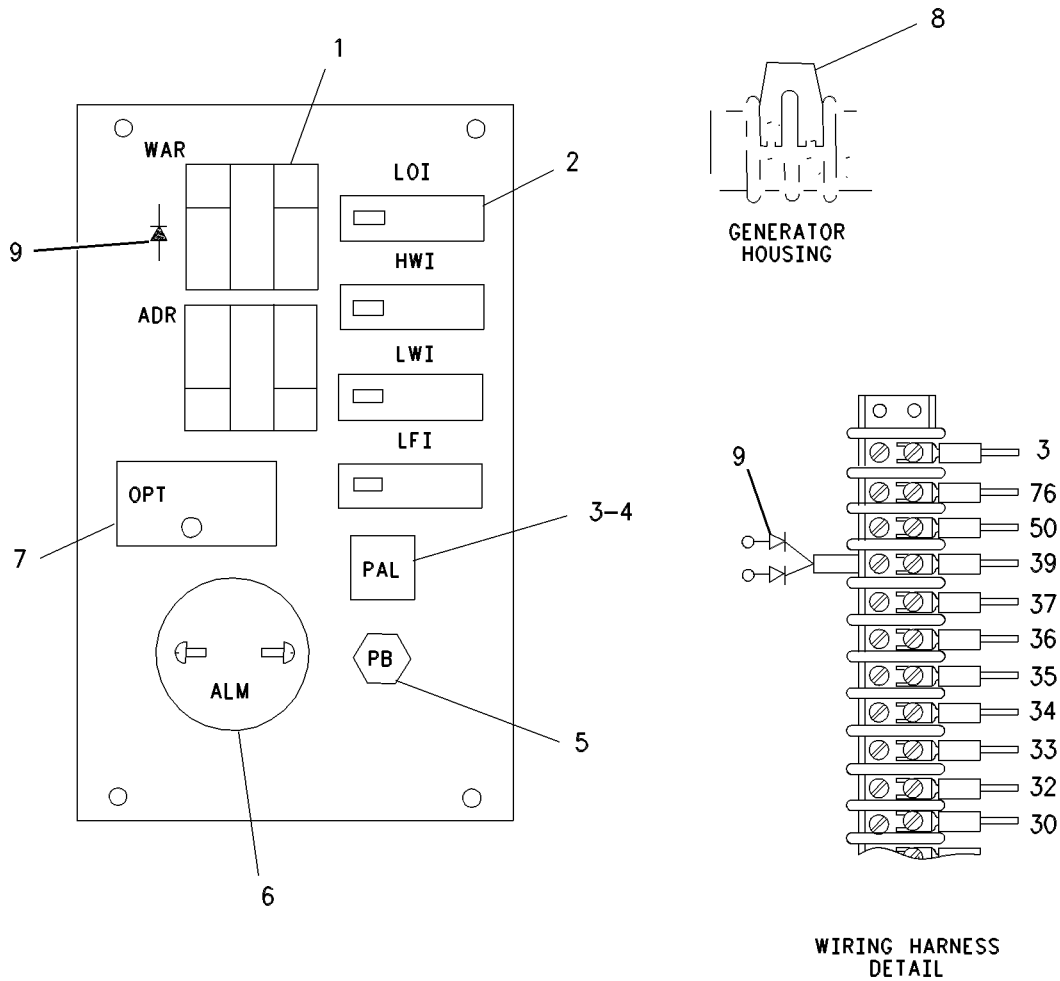
## 2W-1791 MODULE GP-PREALARM

S/N: 5DA5682-UP; 5EA5375-UP; 5FA4499-UP  
 FOR USE WITH ELECTRONIC TIME DELAY RELAY  
 AN ATTACHMENT

SMCS-4490, 7407

i02310288

NOTE	REF NO	GRAPHIC REF	PART NUMBER	QTY	PART NAME						SEE PAGE
					1	2	3	4	5	6 (PRODUCT LEVEL)	
	1	1	<b>3N-5714</b>	2	RELAY AS (24-VOLT)						
	2	1	<b>3N-5582</b>	4	CIRCUIT BREAKER AS (2-AMPERE)						
	3	1	<b>3N-5736</b>	1	HOLDER						
	4	1	<b>3N-5719</b>	1	LAMP (24-VOLT) (CLEAR)						
	5	1	<b>3N-5716</b>	1	SWITCH (PUSH BUTTON) (ALARM SILENCER)						
	6	1	<b>3N-5762</b>	1	HORN						
	7	1	<b>154-3293</b>	1	TIMER (90 SEC)						
	8	1	<b>6L-8150</b>	1	JUMPER-STRIP (TERMINAL)						
	9	1	<b>3T-6392</b>	3	DIODE-RECTIFIER						



GRAPHIC #1

<END>

g00587694



# OPERATOR STATION

## 123-7450 MODULE GP-RELAY DRIVER

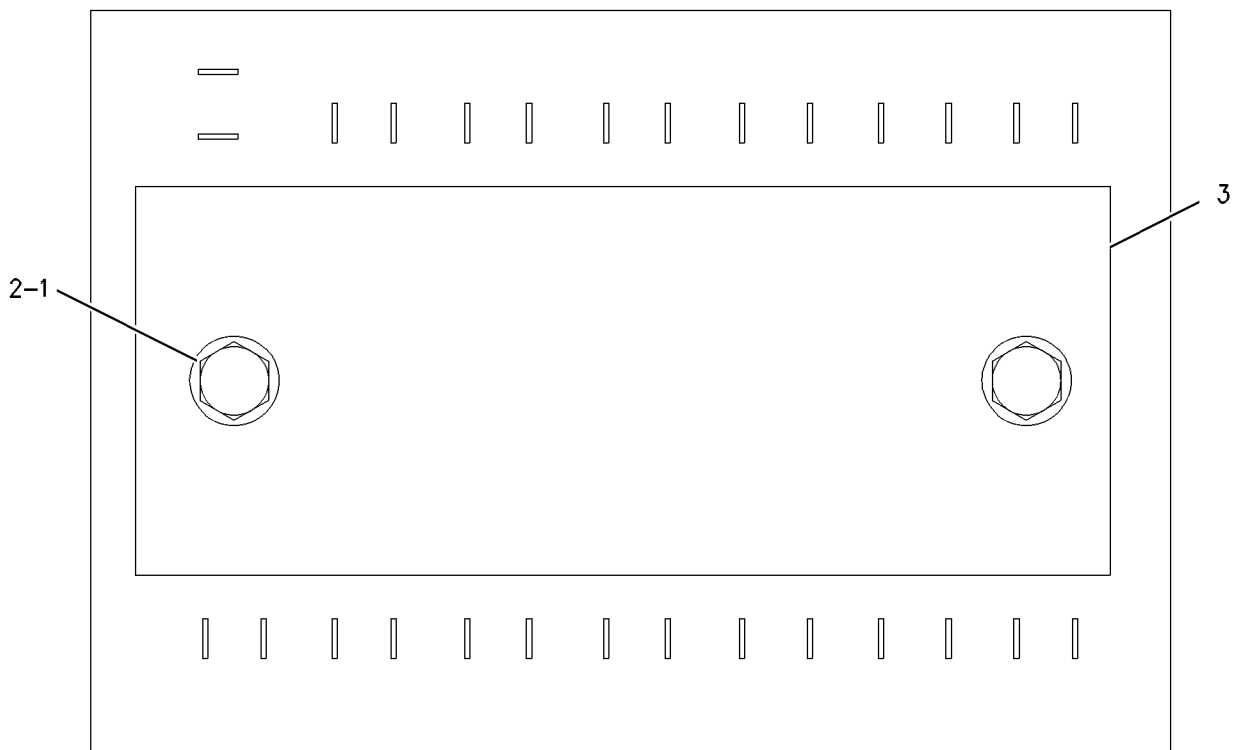
S/N: 85Z3764-UP

PART OF 163-4192 MODULE GP-RELAY DRIVER  
AN ATTACHMENT

SMCS-1927

i04907933

NOTE	REF NO	GRAPHIC REF	PART NUMBER	QTY	PART NAME						SEE PAGE
					1	2	3	4	5	6 (PRODUCT LEVEL)	
	1	1	<b>2D-7563</b>	2	BOLT (1/4-28X1.75-IN)						
	2	1	<b>5P-0537</b>	2	WASHER-HARD (7.2X14.5X2-MM THK)						
	3	1	<b>127-3330</b>	1	FILM-IDENTIFICATION (CATERPILLAR)						



GRAPHIC #1

<END>

g00626753

# OPERATOR STATION

## 163-4192 MODULE GP-RELAY DRIVER

S/N: 85Z3764-UP  
FOR USE WITH EMCP II PANELS  
AN ATTACHMENT

SMCS-1927

i02822466

NOTE	PART NUMBER	QTY	PART NAME						SEE PAGE
			1	2	3	4	5	6 (PRODUCT LEVEL)	
Y	123-7450	1	MODULE GP-RELAY DRIVER						1691
	9Y-6497	1	BOARD AS-RELAY						
	6V-1075		TRACK-MOUNTING (34-CM)						
	8K-4644	10	FUSE (1-AMPERE)						
	127-3330	1	FILM-IDENTIFICATION (CATERPILLAR)						
	6V-2687	2	SCREW-PAN HEAD (10-24X1-IN)						

Y - SEPARATE ILLUSTRATION

<END>

# OPERATOR STATION

## 9X-0203 MODULE GP-RELAY DRIVER

S/N: 85Z3764-UP

FOR USE WITH EMCP CONTROL PANELS  
PART OF 9Y-6496 MODULE GP-INTERFACE  
AN ATTACHMENT

SMCS-1927

i05966226

NOTE	REF NO	GRAPHIC REF	PART NUMBER	QTY	PART NAME						SEE PAGE
					1	2	3	4	5	6 (PRODUCT LEVEL)	
	1	1	<b>2D-7563</b>	2	BOLT (1/4-28X1.75-IN)						
	2	1	<b>5P-0537</b>	2	WASHER-HARD (7.2X14.5X2-MM THK)						
	3	1	<b>9X-1391</b>	1	FILM-IDENTIFICATION (CUSTOMER INTERFACE MODULE)						



GRAPHIC #1

<END>

g01315171

# OPERATOR STATION

## 106-5169 MODULE GP-SYNCHRONIZING LIGHTS

S/N: 85Z3764-UP

600-VOLT. PROVIDES SYNCHRONIZING MODULE OPTION FOR THE ELECTRONIC MODULAR CONTROL  
PANEL (EMCP II)

FOR USAGE REFER TO CHART 103-1582-PAGE: 1788

PART OF 103-4773 PANEL AR-CONTROL  
AN ATTACHMENT

SMCS-1429

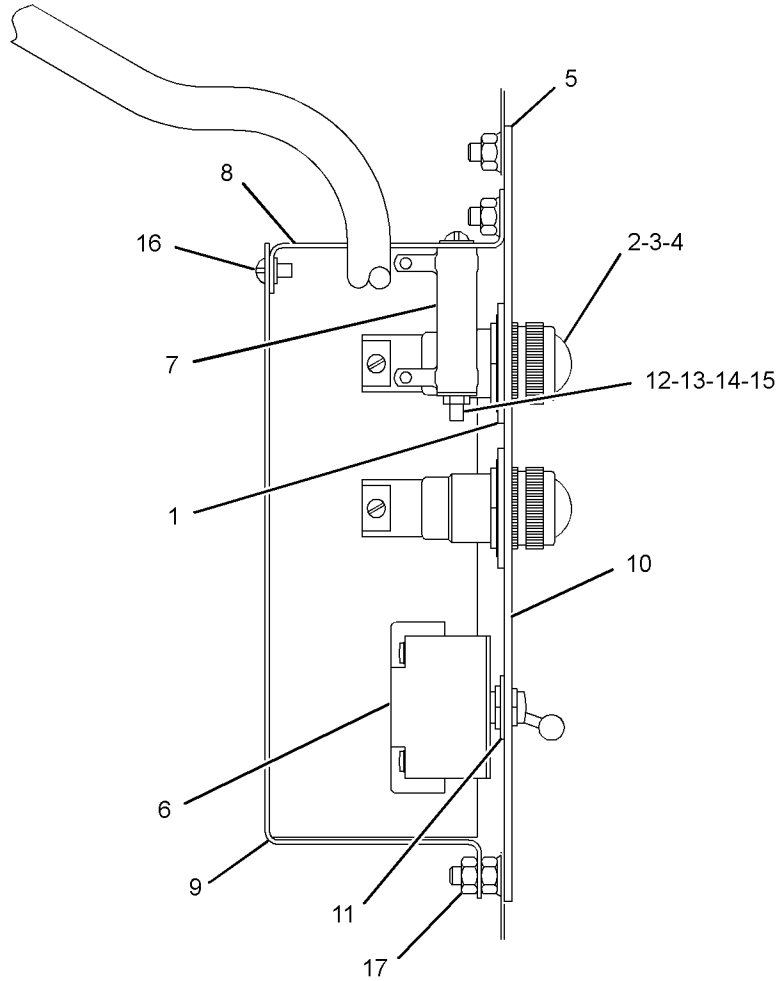
i07718772

NOTE	REF NO	GRAPHIC REF	PART NUMBER	QTY	PART NAME						SEE PAGE
					1	2	3	4	5	6	
	1	1	<b>6V-0408</b>	2	SEAL-BONDED						
	2	1	<b>4W-8754</b>	2	LENS-LAMP (CLEAR)						
	3	1	<b>5N-3615</b>	2	LAMP (120-VOLT, 6-WATT) (CLEAR)						
	4	1	<b>4W-8755</b>	2	HOUSING AS-LAMP						
	5	1	<b>7C-0549</b>	1	PLATE AS-MODULE						
	6	1	<b>4W-8757</b>	1	SWITCH-TOGGLE (ON/OFF CONTROL)						
	7	1	<b>7C-2945</b>	2	RESISTOR (SYNCHRONIZING)						
	8	1	<b>7C-4370</b>	1	BRACKET (SYNCHRONIZING LIGHTS MODULE)						
	9	1	<b>106-5164</b>	1	COVER (SYNCHRONIZING LIGHTS MODULE)						
	10	1	<b>7C-0972</b>	1	FILM-SYCHRONIZING PANEL						
	11	1	<b>6V-0405</b>	1	SEAL-BONDED						
	12	1	<b>104-2183</b>	2	SCREW-MACHINE (10-24X2.5-IN)						
	13	1	<b>4B-2047</b>	2	NUT (10-24-THD)						
	14	1	<b>096-0192</b>	2	LOCKWASHER						
	15	1	<b>9X-8256</b>	4	WASHER (6.6X12X2-MM THK)						
	16	1	<b>2N-3478</b>	2	SCREW-MACHINE (10-24X0.375-IN)						
	17	1	<b>211-0089</b>	2	NUT (1/4-20-THD)						

# OPERATOR STATION

106-5169 MODULE GP-SYNCHRONIZING LIGHTS (contd.)

i07718772



GRAPHIC #1

<END>

g01727114

# OPERATOR STATION

## 106-5171 MODULE GP-SYNCHRONIZING LIGHTS

S/N: 85Z3764-UP

480-VOLT

FOR USAGE REFER TO CHART 103-1582-PAGE: 1788

PART OF 103-4773 PANEL AR-CONTROL

AN ATTACHMENT

SMCS-1429

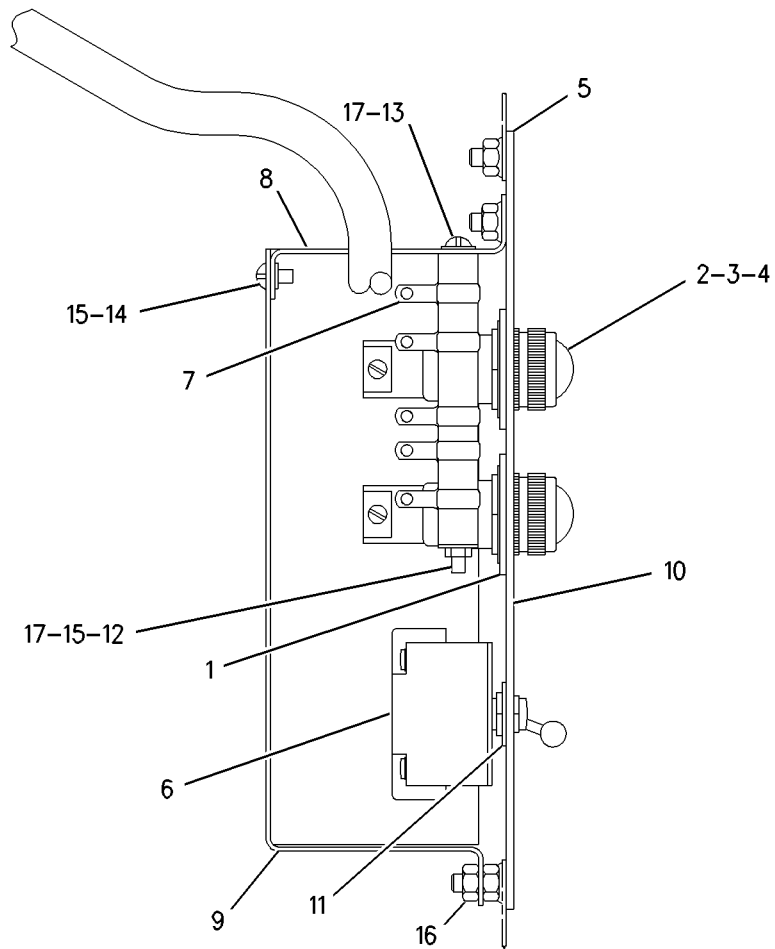
i04863309

NOTE	REF NO	GRAPHIC REF	PART NUMBER	QTY	PART NAME						SEE PAGE
					1	2	3	4	5	6	
	1	1	<b>6L-9872</b>	2	WASHER (SEALING)						
	2	1	<b>4W-8754</b>	2	LENS-LAMP (CLEAR)						
	3	1	<b>5N-3615</b>	2	LAMP (120-VOLT, 6-WATT) (CLEAR)						
	4	1	<b>4W-8755</b>	2	HOUSING AS-LAMP						
	5	1	<b>7C-0549</b>	1	PLATE AS-MODULE						
	6	1	<b>4W-8757</b>	1	SWITCH-TOGGLE (ON/OFF CONTROL)						
	7	1	<b>5N-5507</b>	2	RESISTOR						
	8	1	<b>7C-4370</b>	1	BRACKET						
	9	1	<b>106-5164</b>	1	COVER						
	10	1	<b>7C-0972</b>	1	FILM-SYCHRONIZING PANEL						
	11	1	<b>5L-5180</b>	1	WASHER (0.49X0.875X0.05-IN THK)						
	12	1	<b>4B-2047</b>	2	NUT (10-24-THD)						
	13	1	<b>227-8133</b>	2	SCREW-MACHINE (10-24X4.5-IN)						
	14	1	<b>2N-3478</b>	2	SCREW-MACHINE (10-24X0.375-IN)						
	15	1	<b>9F-8125</b>	4	LOCKWASHER						
	16	1	<b>173-7181</b>	2	NUT (1/4-20-THD)						
	17	1	<b>4D-2303</b>	4	WASHER (0.27X0.81X0.062-IN THK)						

# OPERATOR STATION

106-5171 MODULE GP-SYNCHRONIZING LIGHTS (contd.)

i04863309



GRAPHIC #1

<END>

g00918012

# OPERATOR STATION

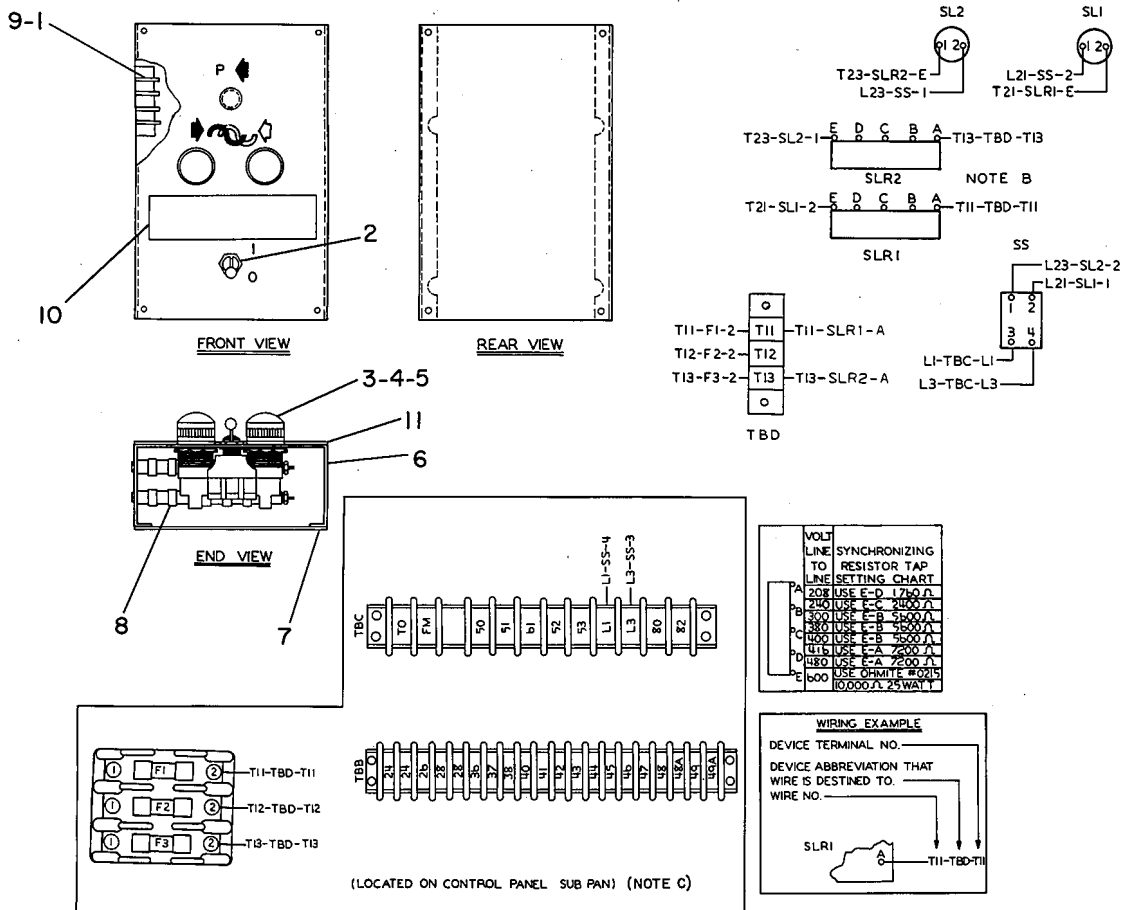
## 4W-8002 MODULE GP-SYNCHRONIZING LIGHTS

S/N: 5CA5985-UP; 5DA5682-UP; 5EA5375-UP  
 FOR USAGE REFER TO CHART 4W-8000-PAGE: 1798  
 PART OF 7W-0700 PANEL AR-CONTROL  
 AN ATTACHMENT

SMCS-1429

i02790202

NOTE	REF NO	GRAPHIC REF	PART NUMBER	QTY	PART NAME						SEE PAGE
					1	2	3	4	5	6	
1		1	<b>3N-9115</b>	1	STRIP-TERMINAL						
2		1	<b>4W-8757</b>	1	SWITCH-TOGGLE (SYNCHRONIZING LIGHTS MODULE)						
3		1	<b>4W-8754</b>	2	LENS-LAMP (CLEAR)						
4		1	<b>5N-3615</b>	2	LAMP (120-VOLT, 6-WATT) (CLEAR)						
5		1	<b>4W-8755</b>	2	HOUSING AS-LAMP						
6		1	<b>4W-8760</b>	1	BRACKET-MODULE						
7		1	<b>4W-8758</b>	1	PLATE-MODULE						
8		1	<b>5N-5507</b>	2	RESISTOR						
9		1	<b>7W-0484</b>	1	MARKER						
10		1	<b>7W-9804</b>	1	FILM-IDENTIFICATION (SYNCHRONIZING PANEL)						
11		1	<b>7W-9805</b>	1	FILM-WARNING (SYNCHRONIZING)						



GRAPHIC #1

<END>

g00205824



# OPERATOR STATION

## 4W-8003 MODULE GP-SYNCHRONIZING LIGHTS

S/N: 5CA5985-UP; 5DA5682-UP; 5EA5375-UP

REVERSE POWER RELAY SYSTEM

FOR USAGE REFER TO CHART 4W-8000-PAGE: 1798

PART OF 7W-0700 PANEL AR-CONTROL

AN ATTACHMENT

SMCS-1429

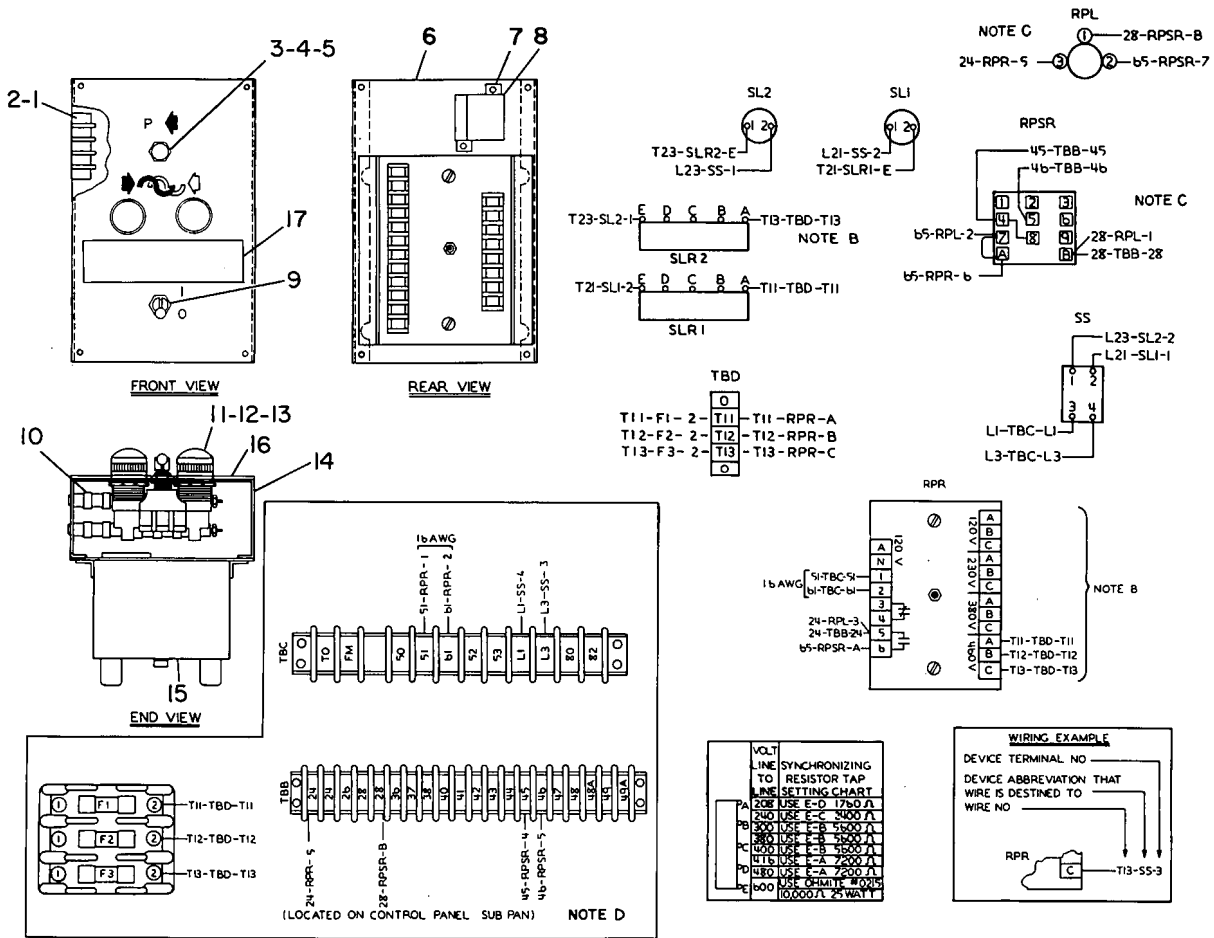
i03025004

NOTE	REF NO	GRAPHIC REF	PART NUMBER	QTY	PART NAME						SEE PAGE
					1	2	3	4	5	6 (PRODUCT LEVEL)	
	1	1	<b>3N-9115</b>	1	STRIP-TERMINAL						
	2	1	<b>7W-0484</b>	1	MARKER						
	3	1	<b>4W-8746</b>	1	LENS-LAMP (RED)						
	4	1	<b>3N-5719</b>	1	LAMP (24-VOLT) (CLEAR)						
	5	1	<b>4W-8745</b>	1	HOUSING AS-LAMP						
	6	1	<b>4W-8759</b>	1	PLATE-MODULE						
	7	1	<b>4W-8743</b>	1	SOCKET-RELAY						
	8	1	<b>3N-5714</b>	1	RELAY AS (24-VOLT) (SYNCHRONIZING PANEL)						
	9	1	<b>4W-8757</b>	1	SWITCH-TOGGLE (SYNCHRONIZING LIGHTS MODULE)						
	10	1	<b>5N-5507</b>	2	RESISTOR						
	11	1	<b>4W-8754</b>	2	LENS-LAMP (CLEAR)						
	12	1	<b>5N-3615</b>	2	LAMP (120-VOLT, 6-WATT) (CLEAR)						
	13	1	<b>4W-8755</b>	2	HOUSING AS-LAMP						
	14	1	<b>4W-8760</b>	1	BRACKET-MODULE						
	15	1	<b>5N-5510</b>	1	RELAY-REVERSE POWER (SYNCHRONIZING PANEL)						
	16	1	<b>7W-9804</b>	1	FILM-IDENTIFICATION (SYNCHRONIZING PANEL)						
	17	1	<b>7W-9805</b>	1	FILM-WARNING (SYNCHRONIZING)						

# OPERATOR STATION

4W-8003 MODULE GP-SYNCHRONIZING LIGHTS (contd.)

i03025004



GRAPHIC #1

<END>

g00205825

# OPERATOR STATION

## 4W-9312 MODULE GP-SYNCHRONIZING LIGHTS

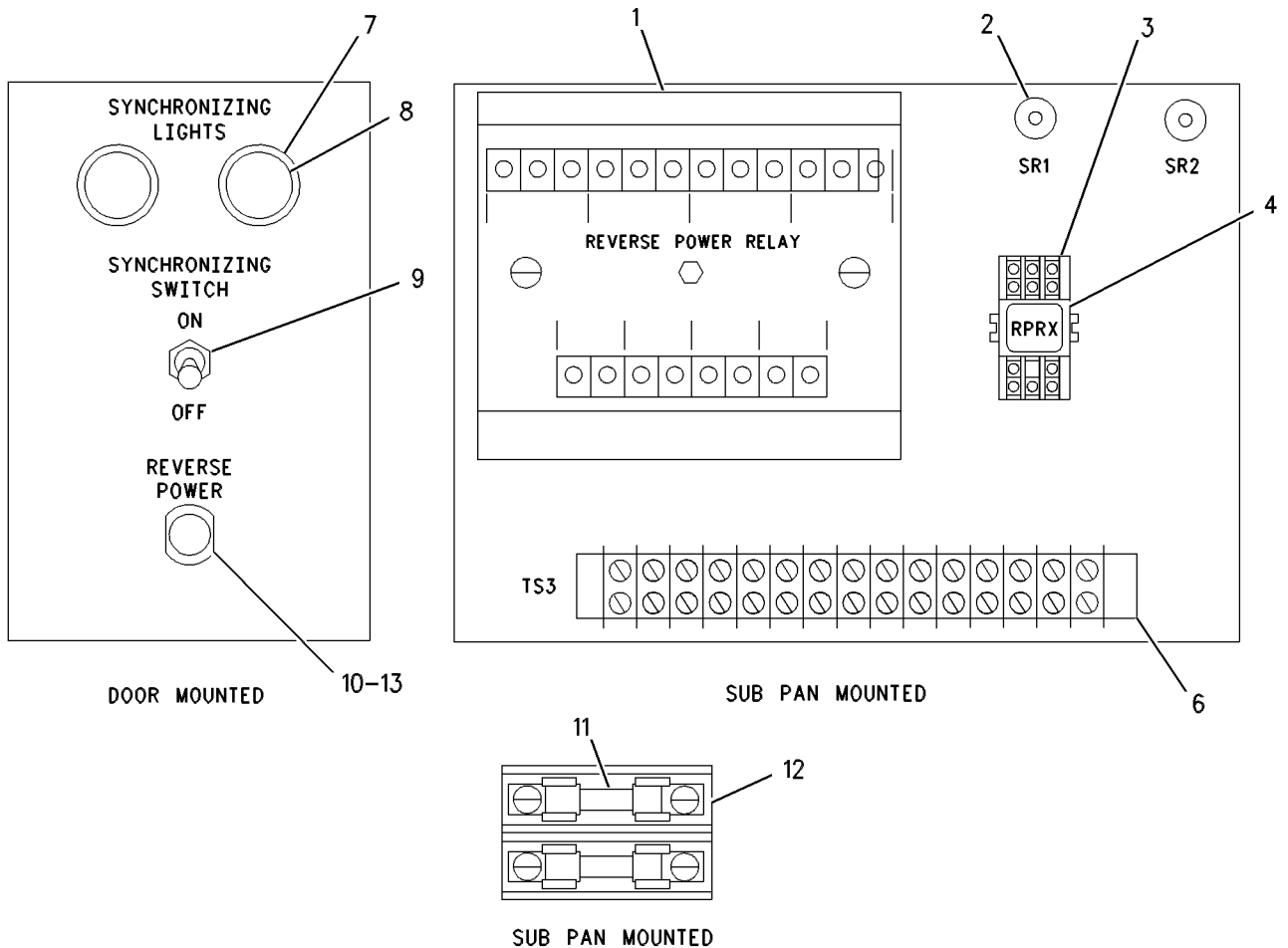
S/N: 85Z3764-UP

24VDC WITH REVERSE POWER  
AN ATTACHMENT

SMCS-1429

i03025005

NOTE	REF NO	GRAPHIC REF	PART NUMBER	QTY	PART NAME						SEE PAGE
					1	2	3	4	5	6 (PRODUCT LEVEL)	
	1	1	<b>5N-5510</b>	1	RELAY-REVERSE POWER (SYNCHRONIZING PANEL)						
	2	1	<b>5N-5507</b>	2	RESISTOR						
	3	1	<b>4W-8787</b>	1	SOCKET-RELAY						
	4	1	<b>3N-5714</b>	1	RELAY AS (24-VOLT)						
	6	1	<b>5N-5540</b>	1	STRIP-TERMINAL						
	7	1	<b>5N-5531</b>	2	HOLDER AS						
	8	1	<b>5N-3615</b>	2	LAMP (120-VOLT, 6-WATT) (CLEAR)						
	9	1	<b>3L-4833</b>	1	SWITCH-TOGGLE (SYNCHRONIZING LIGHTS CONTROL)						
	10	1	<b>5N-5499</b>	1	LAMP AS (RED)						
	11	1	<b>7W-0482</b>	2	FUSE (2-AMPERE)						
	12	1	<b>5N-5537</b>	2	BLOCK-FUSE						
	13	1	<b>3N-5719</b>	1	LAMP (24-VOLT) (CLEAR)						



GRAPHIC #1

<END>

g00575691

# OPERATOR STATION

## 5N-3388 MODULE GP-SYNCHRONIZING LIGHTS

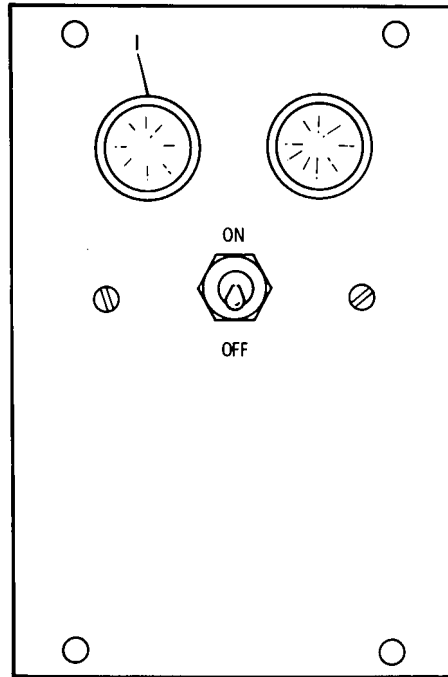
S/N: 5CA5985-UP; 5DA5682-UP; 5EA5375-UP; 5FA4499-UP

FIELD INSTALLATION

SMCS-1429

i02310306

NOTE	REF NO	GRAPHIC REF	PART NUMBER	QTY	PART NAME						SEE PAGE
					1	2	3	4	5	6 (PRODUCT LEVEL)	
	1	1	5N-3615	3	LAMP (120-VOLT, 6-WATT) (CLEAR)						
(ONE LAMP AFFIXED TO MODULE FOR SPARE)											



GRAPHIC #1

<END>

g00143942

# OPERATOR STATION

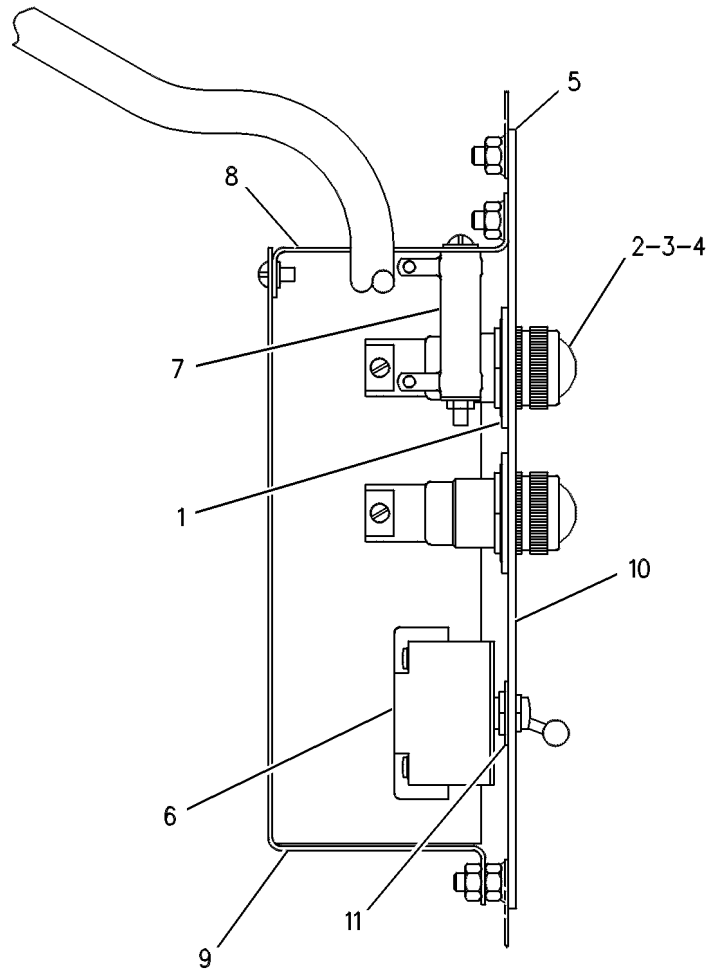
## 7C-1002 MODULE GP-SYNCHRONIZING LIGHTS

S/N: 85Z3764-UP  
480 VOLT. EMCP  
AN ATTACHMENT

SMCS-1429

i02345613

NOTE	REF NO	GRAPHIC REF	PART NUMBER	QTY	PART NAME						SEE PAGE
					1	2	3	4	5	6 (PRODUCT LEVEL)	
	1	1	<b>6L-9872</b>	2	WASHER (SEALING)						
	2	1	<b>4W-8754</b>	2	LENS-LAMP (CLEAR)						
	3	1	<b>5N-3615</b>	2	LAMP (120-VOLT, 6-WATT) (CLEAR)						
	4	1	<b>4W-8755</b>	2	HOUSING AS-LAMP						
	5	1	<b>7C-0549</b>	1	PLATE AS-MODULE						
	6	1	<b>4W-8757</b>	1	SWITCH-TOGGLE (SYNCHRONIZING LIGHTS CONTROL)						
	7	1	<b>5N-5507</b>	2	RESISTOR (SYNCHRONIZING)						
	8	1	<b>7C-4370</b>	1	BRACKET						
	9	1	<b>7C-4369</b>	1	COVER						
	10	1	<b>7C-0972</b>	1	FILM-SYCHRONIZING PANEL						
	11	1	<b>5L-5180</b>	1	WASHER (0.49X0.875X0.05-IN THK)						



GRAPHIC #1

<END>

g00235811

# OPERATOR STATION

## 7C-3262 MODULE GP-SYNCHRONIZING LIGHTS

S/N: 5CA5985-UP; 5DA5682-UP; 5EA5375-UP

600 VOLT, AC

PART OF 7W-0700 PANEL AR-CONTROL  
AN ATTACHMENT

SMCS-1429

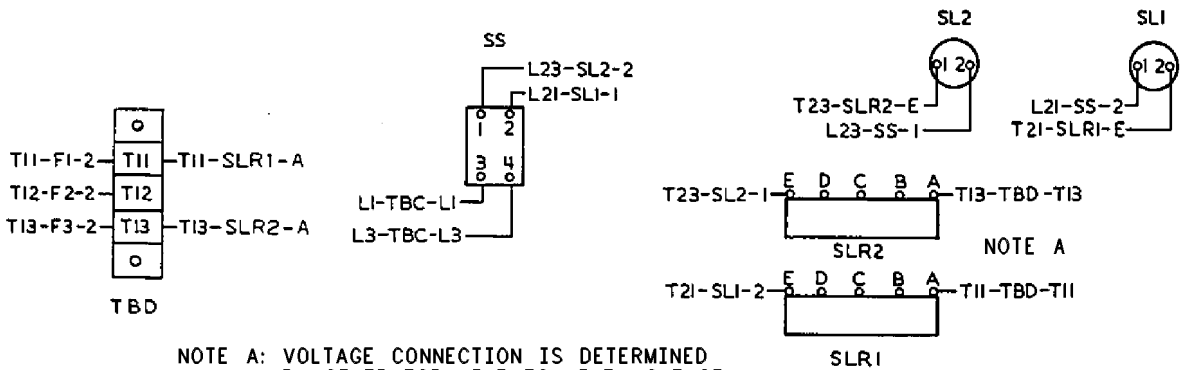
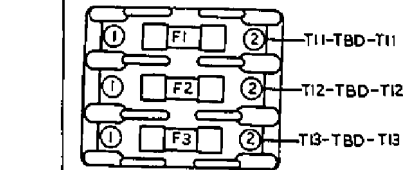
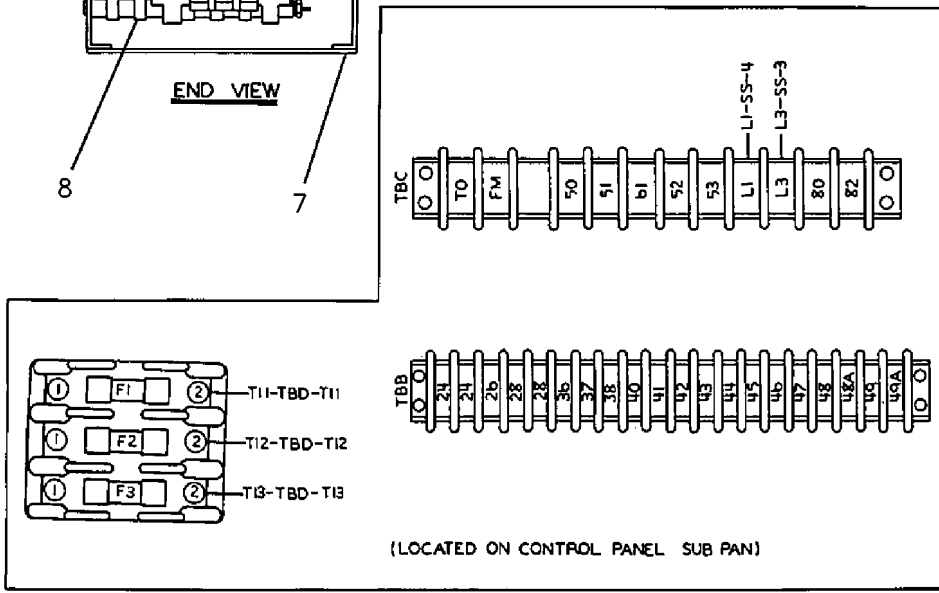
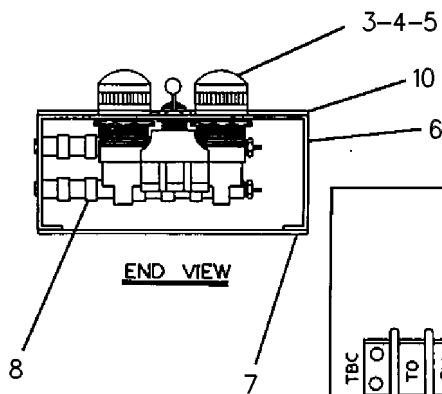
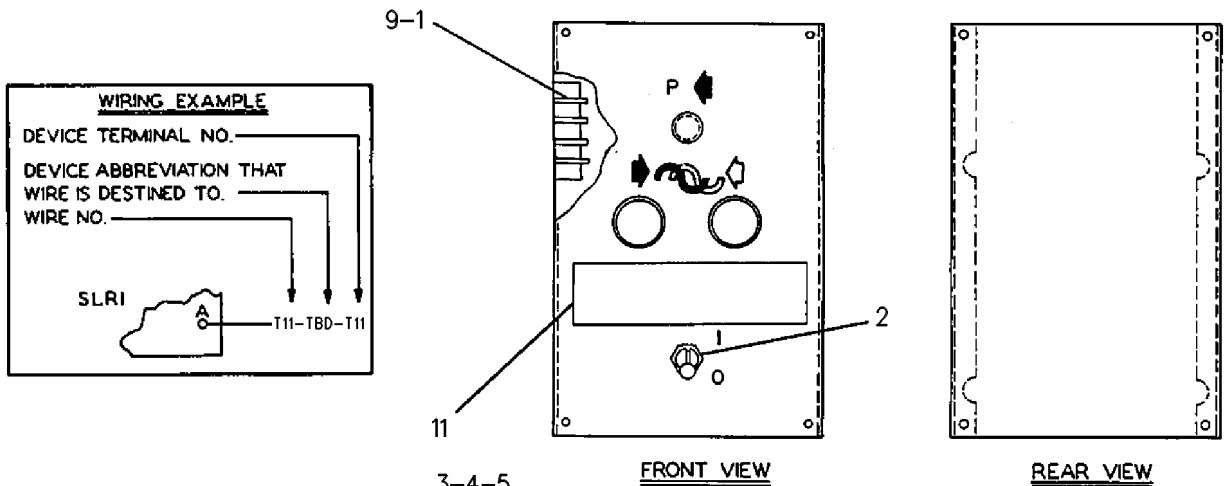
i02420784

NOTE	REF NO	GRAPHIC REF	PART NUMBER	QTY	PART NAME	SEE PAGE
					1 2 3 4 5 6 (PRODUCT LEVEL)	
	1	1	<b>3N-9115</b>	1	STRIP-TERMINAL	
	2	1	<b>4W-8757</b>	1	SWITCH-TOGGLE (SYNCHRONIZING LIGHTS ON/OFF)	
	3	1	<b>4W-8754</b>	2	LENS-LAMP (CLEAR)	
	4	1	<b>5N-3615</b>	2	LAMP (120-VOLT, 6-WATT)	
	5	1	<b>4W-8755</b>	2	HOUSING AS-LAMP	
	6	1	<b>4W-8760</b>	1	BRACKET-MODULE	
	7	1	<b>4W-8758</b>	1	PLATE-MODULE	
	8	1	<b>7C-2945</b>	2	RESISTOR	
	9	1	<b>7W-0484</b>	1	MARKER	
	10	1	<b>7W-9804</b>	1	FILM-IDENTIFICATION (SYNCHRONIZING PANEL)	
	11	1	<b>7W-9805</b>	1	FILM-WARNING (SYNCHRONIZING)	

# OPERATOR STATION

7C-3262 MODULE GP-SYNCHRONIZING LIGHTS (contd.)

102420784



GRAPHIC #1

<END>

g00255579

# OPERATOR STATION

## 7C-3263 MODULE GP-SYNCHRONIZING LIGHTS

S/N: 5CA5985-UP; 5DA5682-UP; 5EA5375-UP

600 VOLT, AC

PART OF 7W-0700 PANEL AR-CONTROL  
AN ATTACHMENT

SMCS-1429

i02015322

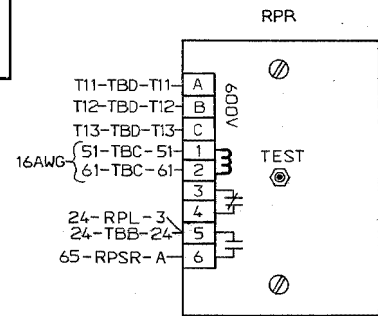
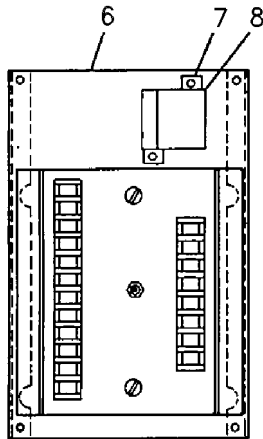
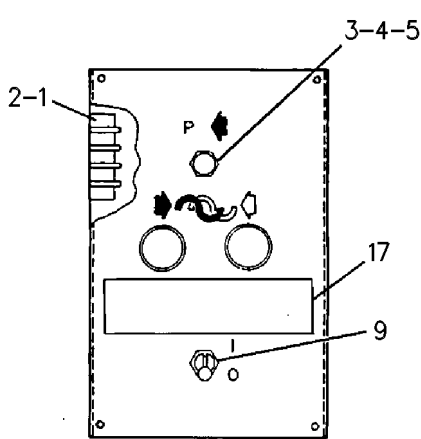
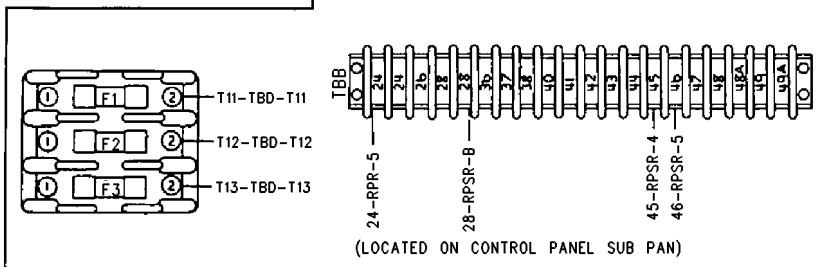
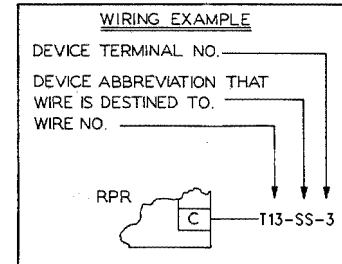
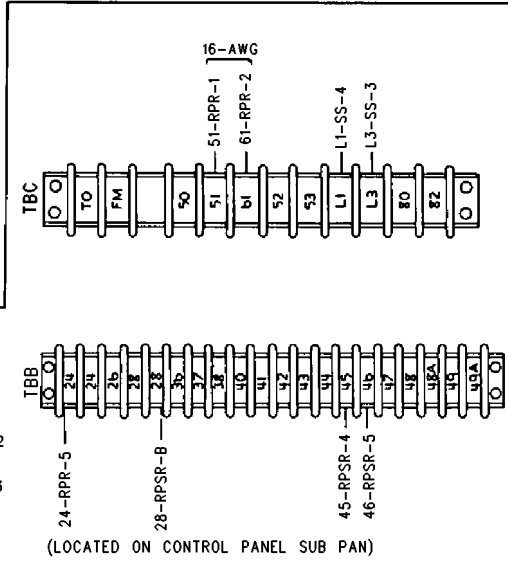
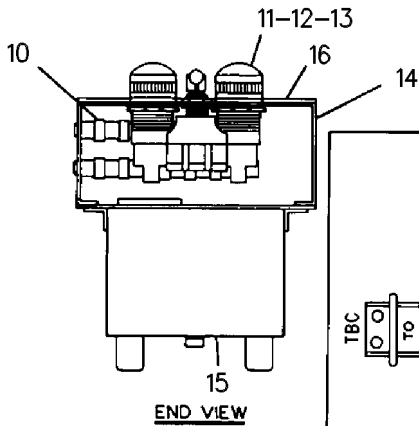
NOTE	REF NO	GRAPHIC REF	PART NUMBER	QTY	PART NAME						SEE PAGE
					1	2	3	4	5	6 (PRODUCT LEVEL)	
	1	1	<b>3N-9115</b>	1	STRIP-TERMINAL						
	2	1	<b>7W-0484</b>	1	MARKER						
	3	1	<b>4W-8746</b>	1	LENS-LAMP (RED)						
	4	1	<b>3N-5719</b>	1	LAMP (24-VOLT)						
	5	1	<b>4W-8745</b>	1	HOUSING AS-LAMP						
	6	1	<b>4W-8759</b>	1	PLATE-MODULE						
	7	1	<b>4W-8743</b>	1	SOCKET-RELAY						
	8	1	<b>3N-5714</b>	1	RELAY AS (24-VOLT)						
	9	1	<b>4W-8757</b>	1	SWITCH-TOGGLE (SYNCHRONIZING LIGHTS ON/OFF)						
	10	1	<b>7C-2945</b>	2	RESISTOR						
	11	1	<b>4W-8754</b>	2	LENS-LAMP (CLEAR)						
	12	1	<b>5N-3615</b>	2	LAMP (120-VOLT, 6-WATT)						
	13	1	<b>4W-8755</b>	2	HOUSING AS-LAMP						
	14	1	<b>4W-8760</b>	1	BRACKET-MODULE						
	15	1	<b>7C-4378</b>	1	RELAY-REVERSE POWER						
	16	1	<b>7W-9804</b>	1	FILM-IDENTIFICATION (SYNCHRONIZING PANEL)						
	17	1	<b>7W-9805</b>	1	FILM-WARNING (SYNCHRONIZING) (SYNCHRONIZING)						



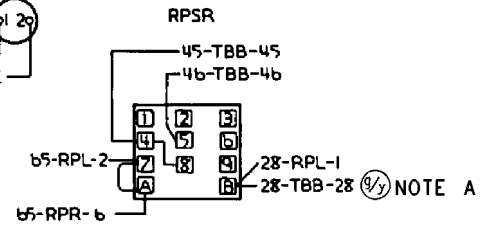
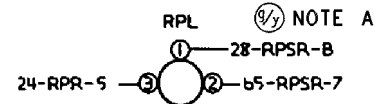
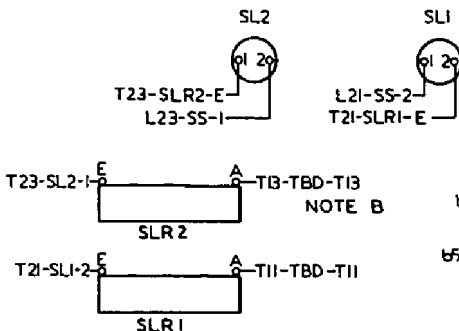
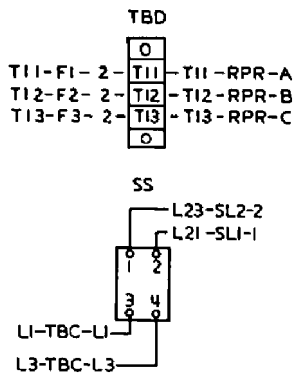
# OPERATOR STATION

7C-3263 MODULE GP-SYNCHRONIZING LIGHTS (contd.)

102015322



**NOTE A :** WIRE TO BE NO. 20 AWG EXCEPT WHERE MARKED:  
 (y) - GREEN WITH YELLOW STRIPE  
 18 GA. AWG. (GROUND)  
 ALL AC WIRING WILL BE ISOLATED FROM DC WIRING



GRAPHIC #1

<END>

g00255581

# OPERATOR STATION

## 7C-4725 MODULE GP-SYNCHRONIZING LIGHTS

S/N: 85Z3764-UP

EMCP-600 VOLT

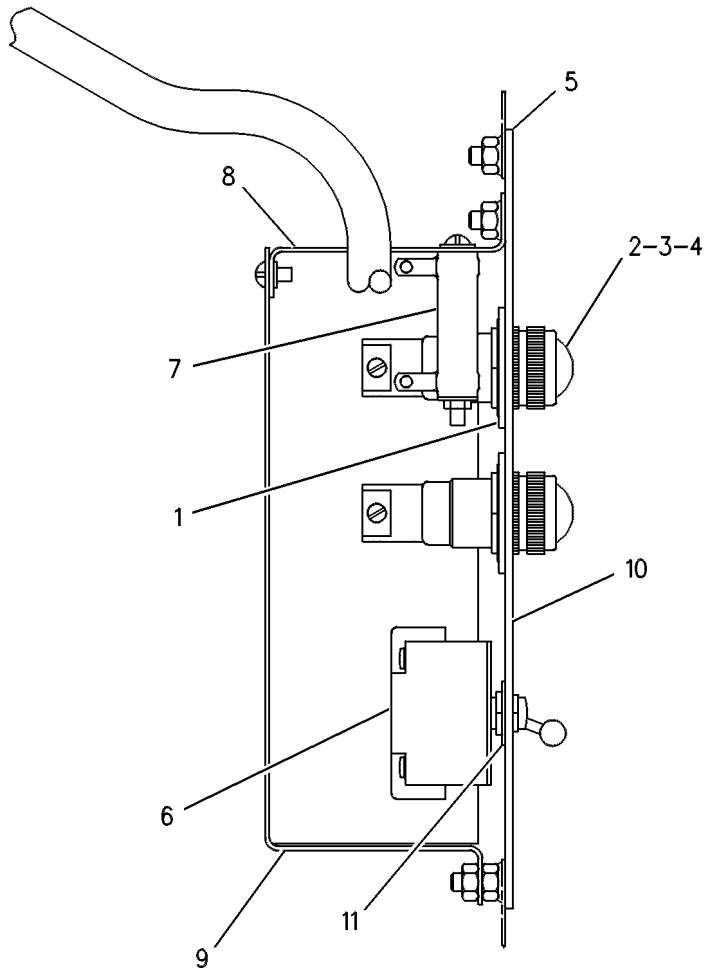
FOR USAGE REFER TO CHART 7C-1000-PAGE: 1808

AN ATTACHMENT

SMCS-1429

i02345614

NOTE	REF NO	GRAPHIC REF	PART NUMBER	QTY	PART NAME						SEE PAGE
					1	2	3	4	5	6	
	1	1	<b>6L-9872</b>	2	WASHER (SEALING)						
	2	1	<b>4W-8754</b>	2	LENS-LAMP (CLEAR)						
	3	1	<b>5N-3615</b>	2	LAMP (120-VOLT, 6-WATT) (CLEAR)						
	4	1	<b>4W-8755</b>	2	HOUSING AS-LAMP						
	5	1	<b>7C-0549</b>	1	PLATE AS-MODULE						
	6	1	<b>4W-8757</b>	1	SWITCH-TOGGLE (SYNCHRONIZING LIGHTS CONTROL)						
	7	1	<b>7C-2945</b>	2	RESISTOR (SYNCHRONIZING)						
	8	1	<b>7C-4370</b>	1	BRACKET						
	9	1	<b>7C-4369</b>	1	COVER						
	10	1	<b>7C-0972</b>	1	FILM-SYCHRONIZING PANEL						
	11	1	<b>5L-5180</b>	1	WASHER (0.49X0.875X0.05-IN THK)						



GRAPHIC #1

<END>

g00235811

# OPERATOR STATION

## 7W-3372 MODULE GP-SYNCHRONIZING LIGHTS

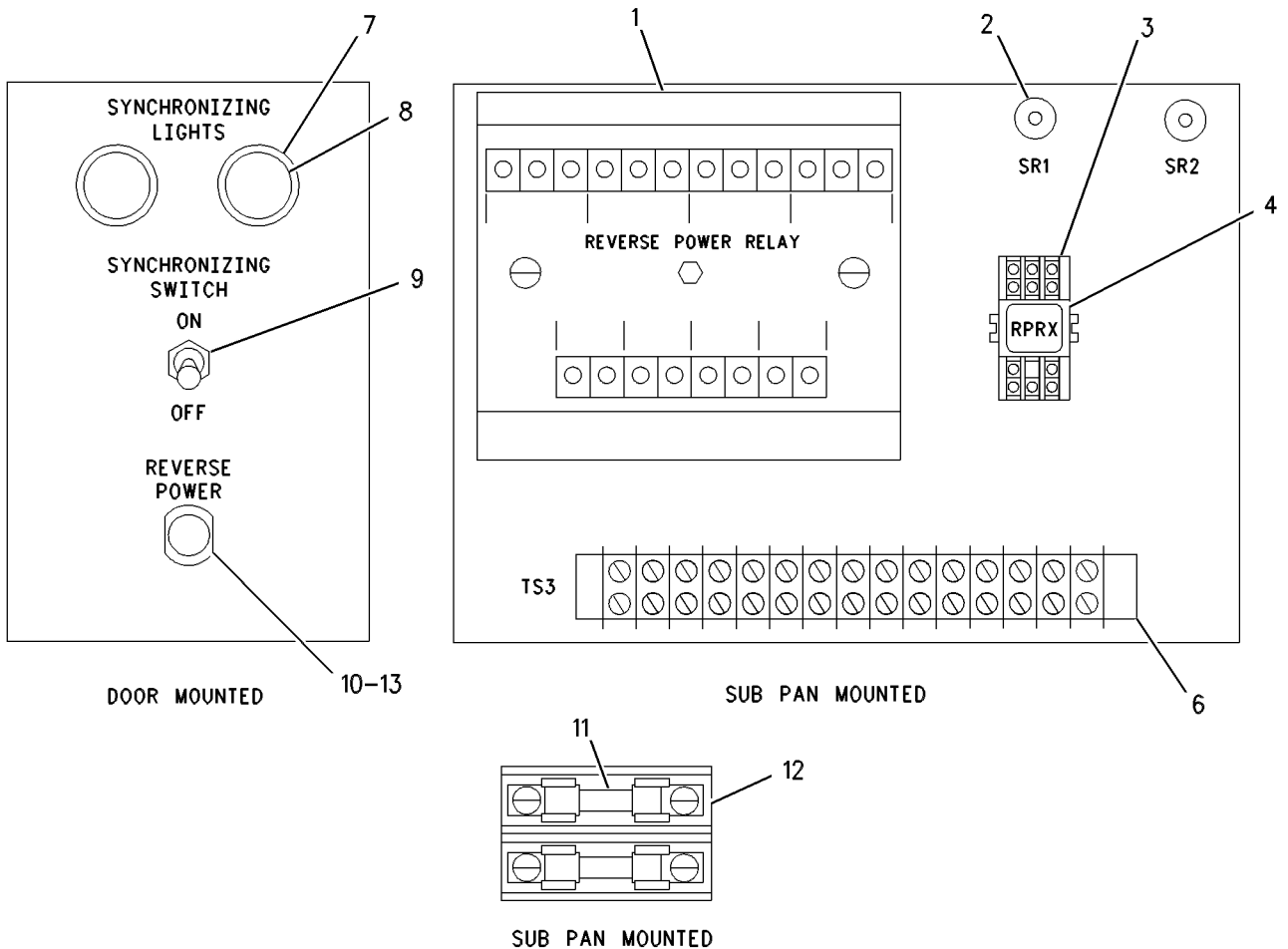
S/N: 85Z3764-UP

**32 VOLT DC WITH REVERSE POWER  
AN ATTACHMENT**

SMCS-1429

i03025010

NOTE	REF NO	GRAPHIC REF	PART NUMBER	QTY	PART NAME						SEE PAGE
					1	2	3	4	5	6 (PRODUCT LEVEL)	
	1	1	<b>5N-5510</b>	1	RELAY-REVERSE POWER (SYNCHRONIZING PANEL)						
	2	1	<b>5N-5507</b>	2	RESISTOR (SYNCHRONIZING)						
	3	1	<b>4W-8787</b>	1	SOCKET-RELAY						
	4	1	<b>5N-5498</b>	1	RELAY (32-VOLT DC)						
	6	1	<b>5N-5540</b>	1	STRIP-TERMINAL						
	7	1	<b>5N-5531</b>	2	HOLDER AS						
	8	1	<b>5N-3615</b>	2	LAMP (120-VOLT, 6-WATT) (CLEAR)						
	9	1	<b>3L-4833</b>	1	SWITCH-TOGGLE (SYNCHRONIZING LIGHTS CONTROL)						
	10	1	<b>5N-5499</b>	1	LAMP AS (RED)						
	11	1	<b>7W-0482</b>	2	FUSE (2-AMPERE)						
	12	1	<b>5N-5537</b>	2	BLOCK-FUSE						
	13	1	<b>3N-5719</b>	1	LAMP (24-VOLT) (CLEAR)						



GRAPHIC #1

<END>

g00576520

# OPERATOR STATION

## 102-8627 MODULE GP-SYSTEM COMMUNICATION

S/N: 85Z3764-UP

AN ATTACHMENT

SMCS-1926

i02357677

NOTE	REF NO	GRAPHIC REF	PART NUMBER	QTY	PART NAME						SEE PAGE
					1	2	3	4	5	6 (PRODUCT LEVEL)	
YR	1	1	164-8940	1	MODULE GP-SYSTEM COMMUNICATION						1711

R - REMANUFACTURED PART MAY BE AVAILABLE

Y - SEPARATE ILLUSTRATION



GRAPHIC #1

<END>

g00535441

# OPERATOR STATION

## 164-8940 MODULE GP-SYSTEM COMMUNICATION\*R

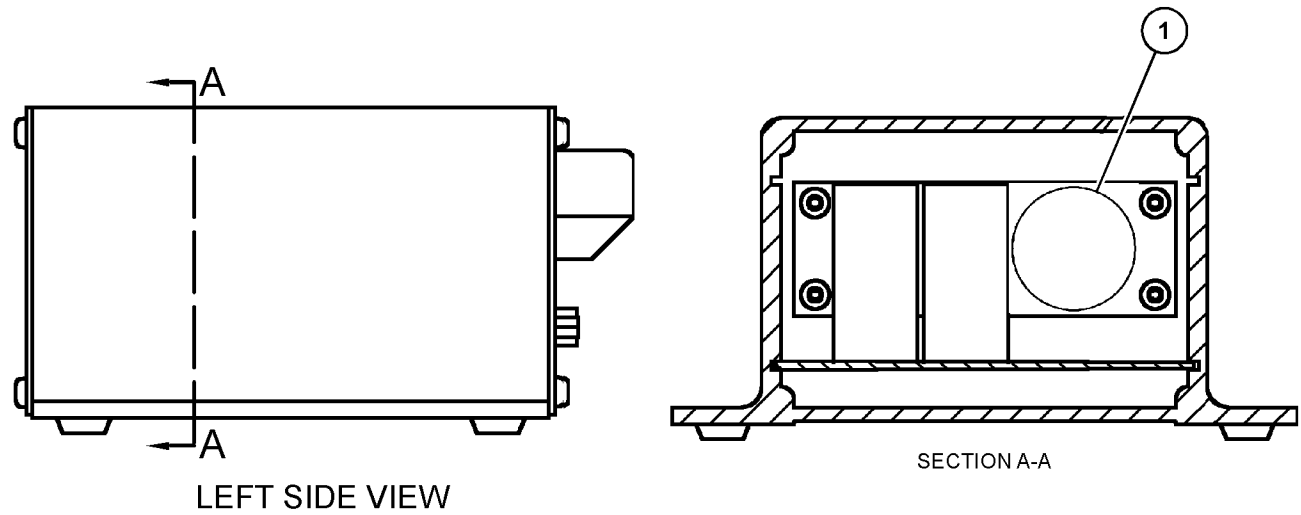
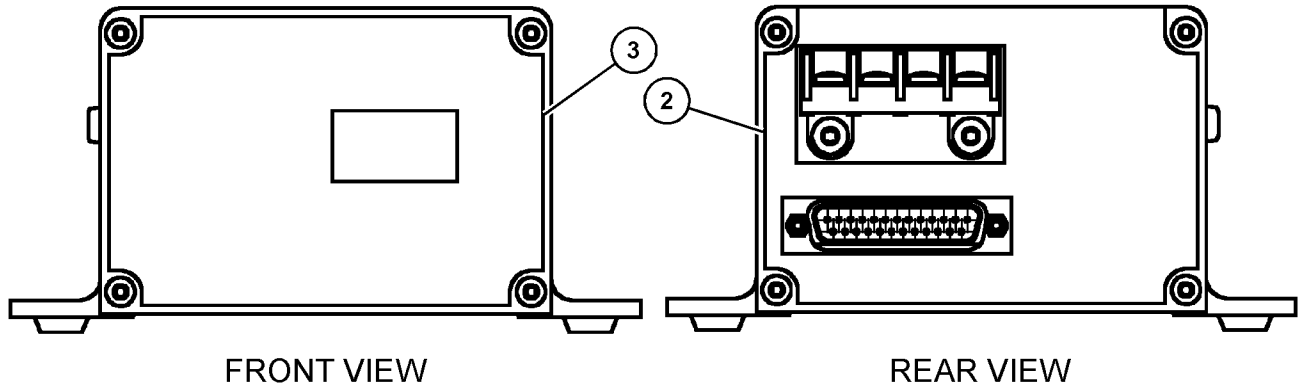
S/N: 85Z3764-UP

PART OF 102-8627 MODULE GP-SYSTEM COMMUNICATION  
AN ATTACHMENT

SMCS-1926

i05762023

NOTE	REF NO	GRAPHIC REF	PART NUMBER	QTY	PART NAME						SEE PAGE
					1	2	3	4	5	6 (PRODUCT LEVEL)	
	1	1	<b>193-5488</b>	1	BATTERY (LITHIUM) (3-VOLT)						
	2	1	<b>109-5738</b>	1	FILM-IDENTIFICATION (COMMUNICATION MODULE)						
	3	1	<b>109-5737</b>	1	FILM-IDENTIFICATION (COMMUNICATION MODULE)						



GRAPHIC #1

<END>

g03677976

# OPERATOR STATION

## 4W-8008 MODULE GP-TIMER

S/N: 5CA5985-UP; 5DA5682-UP; 5EA5375-UP

COOL DOWN

FOR USAGE REFER TO CHART 4W-8000-PAGE: 1798

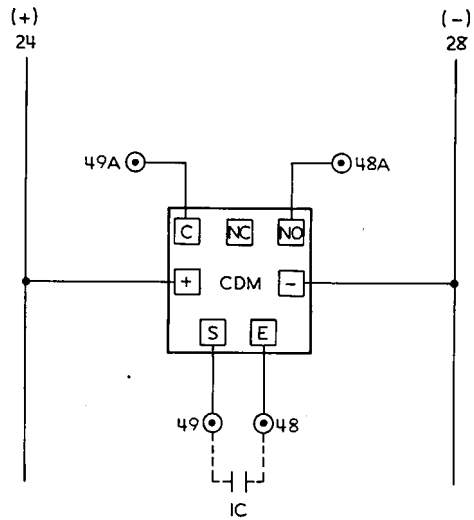
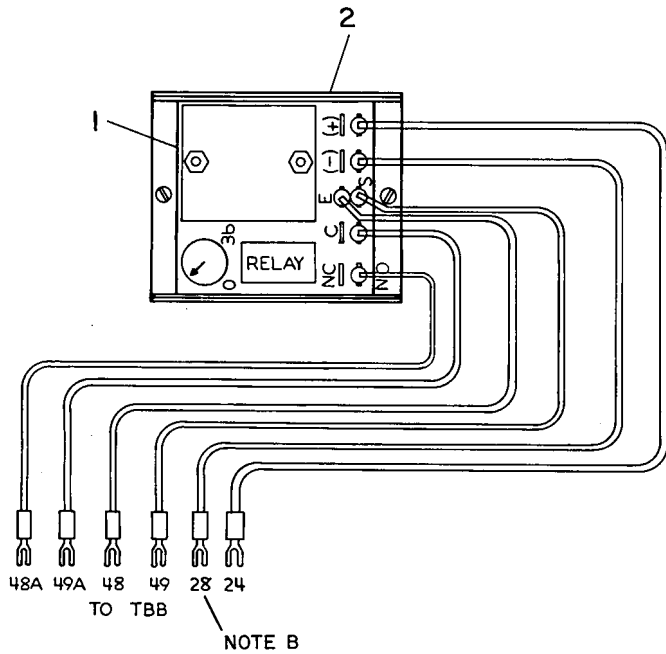
PART OF 7W-0700 PANEL AR-CONTROL

AN ATTACHMENT

SMCS-4490

i02787461

NOTE	REF NO	GRAPHIC REF	PART NUMBER	QTY	PART NAME						SEE PAGE
					1	2	3	4	5	6 (PRODUCT LEVEL)	
1	1	1	4W-8792	1	TIMER-COOL DOWN						
2	1	1	3N-7817	1	TRACK-MOUNTING						



WIRING DIAGRAM  
SEE NOTE C

### WIRE CHART

WIRE NO	TYPE AND SIZE	LENGTH OF WIRE IN MILLIMETERS
24	WHITE #20AWG	178
28	GREEN WITH YELLOW STRIPE #18AWG	159
48	WHITE #20 AWG	254
48A	WHITE #20AWG	254
49	WHITE #20 AWG	279
49A	WHITE #20AWG	279

GRAPHIC #1

<END>

g00205827

# OPERATOR STATION

## 104-4704 MOUNTING GP-CONTROL PANEL-EMCP II

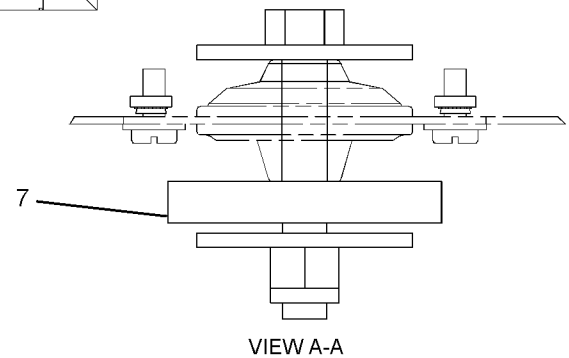
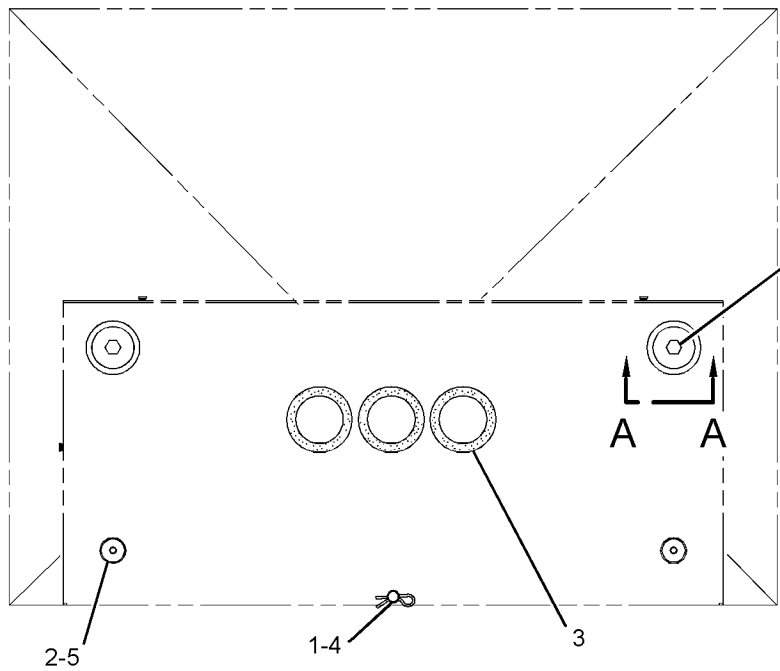
S/N: 5CA5985-UP; 5DA5682-UP; 5EA5375-UP; 5FA4499-UP; 6CG1-UP; 6DG1-UP; 6EG1-UP  
 FOR USAGE REFER TO CHART 103-1582-PAGE: 1788  
 AN ATTACHMENT

SMCS-7451

i03345443

NOTE	REF NO	GRAPHIC REF	PART NUMBER	QTY	PART NAME						SEE PAGE
					1	2	3	4	5	6 (PRODUCT LEVEL)	
B	1	1	<b>5P-0372</b>	1	LOCK PIN						
	2	1	<b>6V-7646</b>	2	WASHER-HARD (7.2X25X2-MM THK)						
	3	1	<b>7C-2675</b>	3	SEAL-BELLOWS						
B	4	1	<b>1B-0676</b>	1	PIN						
	5	1	<b>3E-9865</b>	2	LOCKNUT (1/4-20-THD)						
	6	1	<b>3K-6060</b>	2	LOCKNUT (3/8-16-THD)						
	7	1	<b>5S-3552</b>	2	PLATE						
	8	1	<b>8T-4226</b>	4	WASHER-PLATED (10.5X45X3-MM THK)						
	9	1	<b>8T-9377</b>	2	BOLT (3/8-16X2.25-IN)						

B - USE AS REQUIRED



GRAPHIC #1

<END>

g01726714

# OPERATOR STATION

## 7W-0919 MOUNTING GP-CONTROL PANEL

S/N: 5CA5985-UP; 5DA5682-UP; 5EA5375-UP; 5FA4499-UP; 8JF1-UP; 6CG1-UP; 6DG1-UP;  
6EG1-UP

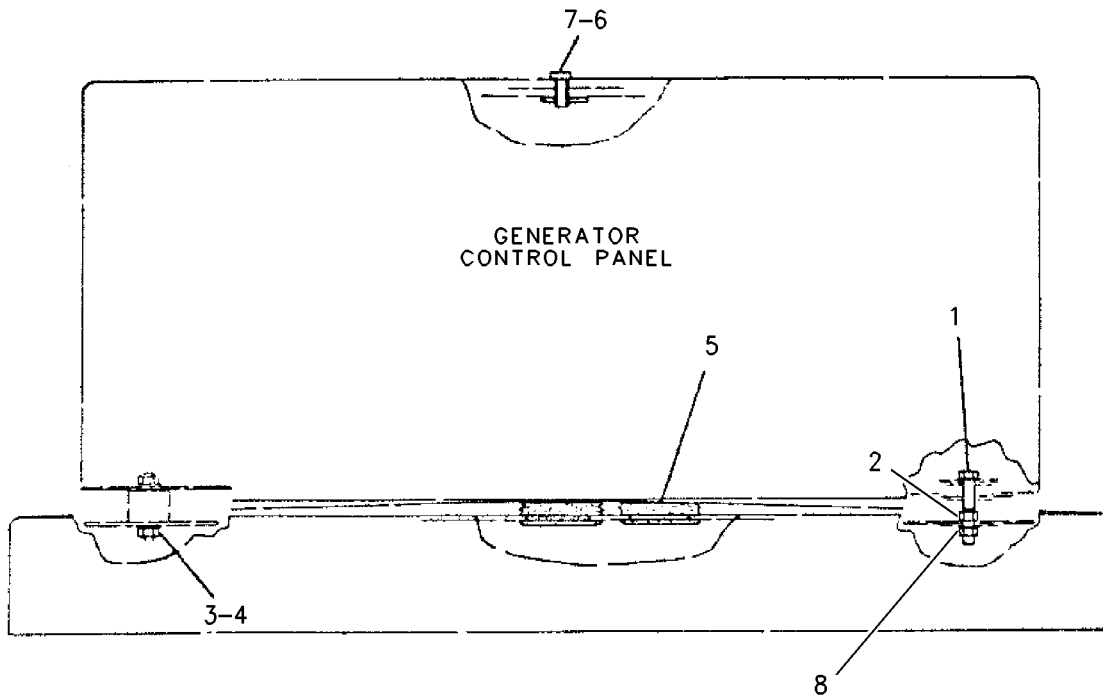
PROVIDES VIBRATION ISOLATION DURING NORMAL OPERATION  
AN ATTACHMENT

SMCS-7451

i02183234

NOTE	REF NO	GRAPHIC REF	PART NUMBER	QTY	PART NAME						SEE PAGE
					1	2	3	4	5	6 (PRODUCT LEVEL)	
	1	1	<b>7X-3186</b>	2	BOLT (3/8-16X2.125-IN)						
	2	1	<b>6V-8801</b>	2	NUT (3/8-16-THD)						
	3	1	<b>8T-4205</b>	2	WASHER-HARD (7.2X14.5X2-MM THK)						
	4	1	<b>3E-9865</b>	2	LOCKNUT (1/4-20-THD)						
	5	1	<b>7C-2675</b>	2	SEAL-BELLOWS						
B	6	1	<b>1B-0676</b>	1	PIN						
B	7	1	<b>5P-0372</b>	1	LOCK PIN						
	8	1	<b>3K-6060</b>	2	LOCKNUT (3/8-16-THD)						

B - USE AS REQUIRED



GRAPHIC #1

<END>

g00772037



# OPERATOR STATION

## 7E-7078 MOUNTING GP-INSTRUMENT PANEL

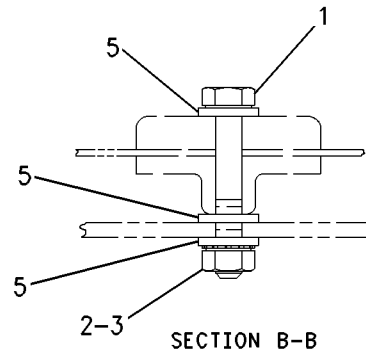
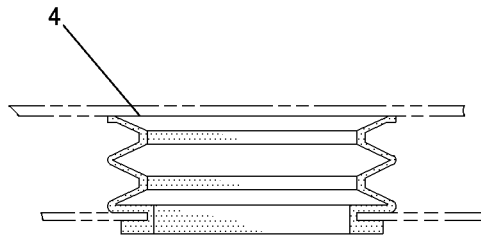
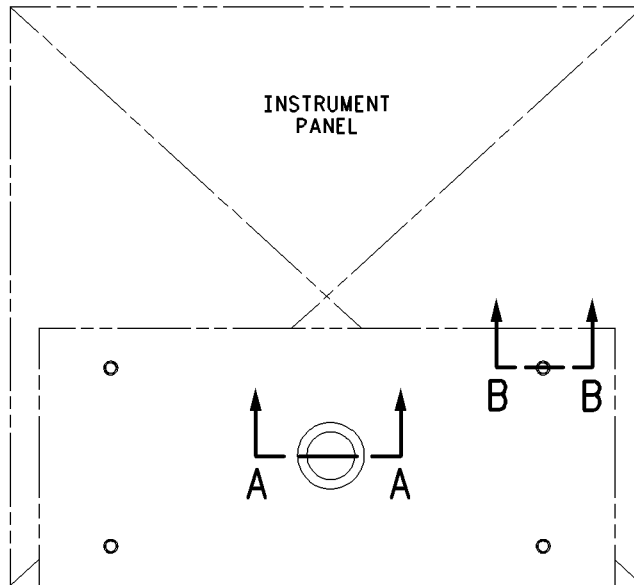
S/N: 5CA5985-UP; 5DA5682-UP; 5EA5375-UP; 5FA4499-UP; 8JF1-UP; 6CG1-UP; 6DG1-UP;  
6EG1-UP

FOR USAGE REFER TO CHART 7E-4300-PAGE: 1818  
AN ATTACHMENT

SMCS-7451

i02183662

NOTE	REF NO	GRAPHIC REF	PART NUMBER	QTY	PART NAME						SEE PAGE
					1	2	3	4	5	6 (PRODUCT LEVEL)	
	1	1	<b>7X-3178</b>	4	BOLT (1/4-20X1.625-IN)						
	2	1	<b>1H-3338</b>	4	LOCKWASHER						
	3	1	<b>6V-8185</b>	4	NUT (1/4-20-THD)						
	4	1	<b>7C-2675</b>	1	SEAL - BELLOWS						
	5	1	<b>8T-4205</b>	12	WASHER-HARD (7.2X14.5X2-MM THK)						



GRAPHIC #1

<END>

g00698215

# OPERATOR STATION

## 7W-6685 MOUNTING GP-INSTRUMENT PANEL-RH

S/N: 85Z3764-UP

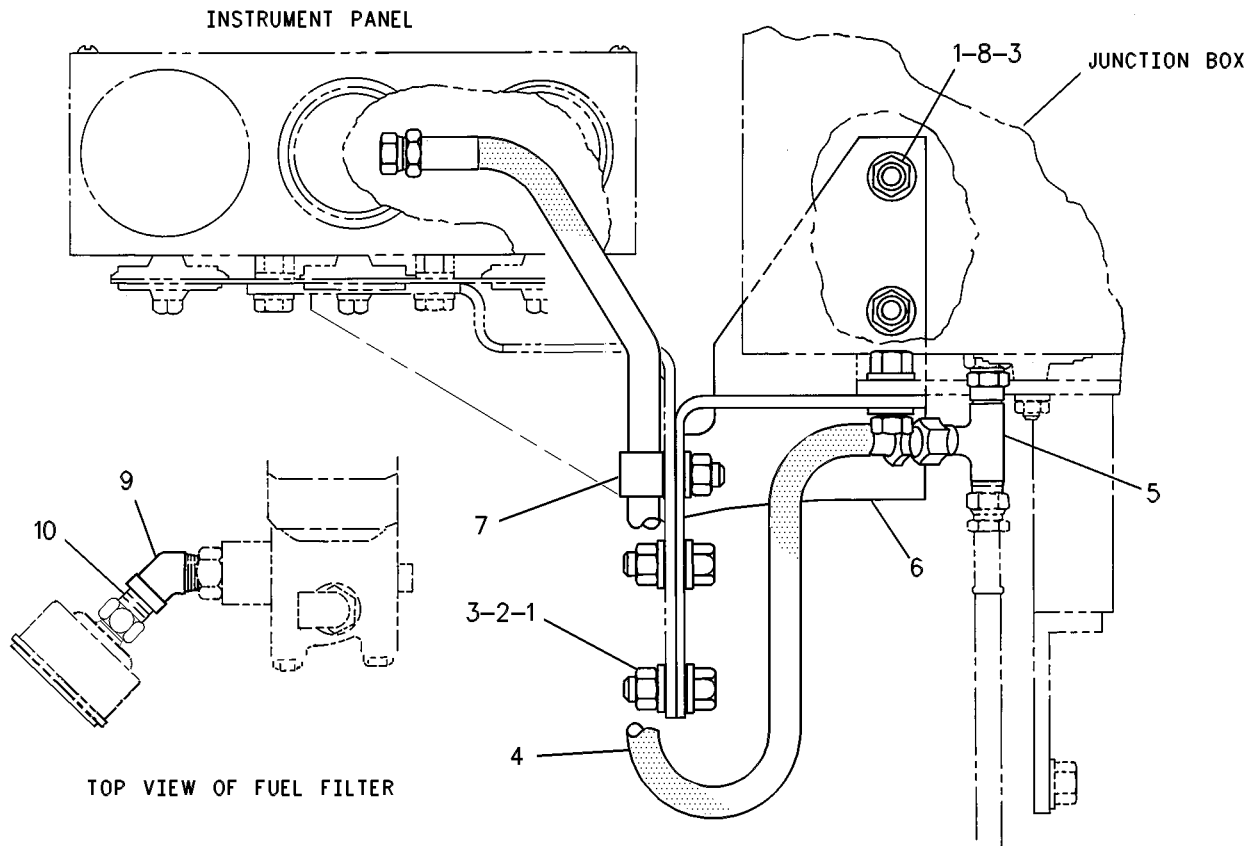
FOR USE WITH 7W-4972-PAGE: 1125, 8N-2586-PAGE: 1733  
AN ATTACHMENT

SMCS-7451

i00721842

NOTE	REF NO	GRAPHIC REF	PART NUMBER	QTY	PART NAME						SEE PAGE
					1	2	3	4	5	6	
	1	1	<b>0S-1594</b>	6	BOLT (3/8-16X1-IN)						
	2	1	<b>5M-2894</b>	6	WASHER-HARD (10.2X18.5X2.5-MM THK)						
	3	1	<b>9S-8752</b>	6	NUT-FULL (3/8-16-THD)						
I	4	1	<b>3V-6153</b>	1	HOSE AS						
	5	1	<b>052-0572</b>	1	TEE-SWIVEL (SWIVEL)						
	6	1	<b>7W-6628</b>	1	BRACKET						
	7	1	<b>4K-8864</b>	1	CLIP (LOOP)						
	8	1	<b>9L-9132</b>	6	WASHER-HARD (10.2X25.5X2.5-MM THK)						
	9	1	<b>8L-5008</b>	1	ELBOW-PIPE						
	10	1	<b>6K-6967</b>	1	ADAPTER-PIPE						

I - REFER TO HYDRAULIC INFORMATION SYSTEM



GRAPHIC #1

<END>

g00297372

# OPERATOR STATION

## 7L-4535 MOUNTING GP-TACHOMETER

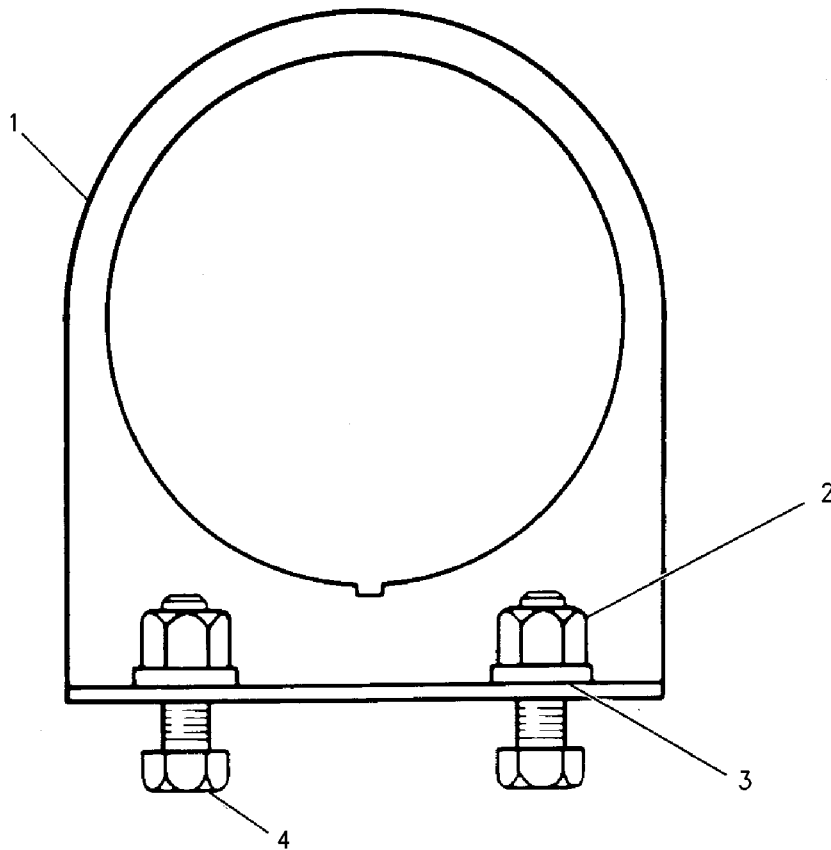
S/N: 85Z3764-UP

FOR USE WITH ENGINE MOUNTED MECHANICAL TACHOMETERS  
AN ATTACHMENT

SMCS-7462

i01791177

NOTE	REF NO	GRAPHIC REF	PART NUMBER	QTY	PART NAME						SEE PAGE
					1	2	3	4	5	6 (PRODUCT LEVEL)	
	1	1	<b>7L-4536</b>	1	BRACKET - TACHOMETER						
	2	1	<b>6V-8189</b>	2	NUT (5/16-18-THD)						
	3	1	<b>8T-4224</b>	2	WASHER-HARD (8.8X16X2-MM THK)						
	4	1	<b>5K-0906</b>	2	BOLT (5/16-18X0.625-IN)						



GRAPHIC #1

<END>

g00917518

# OPERATOR STATION

## 103-4773 PANEL AR-CONTROL

S/N: 85Z3764-UP

FOR USAGE REFER TO CHART 103-1582-PAGE: 1788

AN ATTACHMENT

SMCS-7451

i03314140

NOTE	PART NUMBER	QTY	PART NAME						SEE PAGE
			1	2	3	4	5	6 (PRODUCT LEVEL)	
Y	7E-1234	1	MODULE GP-ALARM						1680
Y	9Y-2906	1	MODULE GP-ALARM						1684
Y	9Y-2907	1	MODULE GP-ALARM						1685
YR	101-0225	1	CONTROL GP-EMCP ELECTRONIC						1640
YR	133-6350	1	CONTROL GP-EMCP ELECTRONIC (GENERATOR SET CONTROL)						1644
Y	7E-8396	1	CONTROL GP-FUEL (AUXILIARY)						583
Y	4P-2788	1	GOVERNOR AS-ELECTRONIC (SPEED SENSING)						621
Y	4W-9313	1	GOVERNOR AS-ELECTRONIC (STANDBY)						622
Y	4W-9314	1	GOVERNOR AS-ELECTRONIC (STANDBY- PREREGULATOR)						623
Y	7E-1232	1	GOVERNOR AS-ELECTRONIC (SPEED SENSING)						624
Y	106-5169	1	MODULE GP-SYNCHRONIZING LIGHTS						1694
Y	106-5171	1	MODULE GP-SYNCHRONIZING LIGHTS						1696
Y	103-8975	1	SEAL GP-ENCLOSURE						1735
Y	111-7760	1	SHUTOFF GP-ELECTRICAL (RUN)						1156
Y	111-7761	1	SHUTOFF GP-ELECTRICAL (SHUTOFF)						1156
	1N-9770	1	CIRCUIT BREAKER AS (12.5-AMPERE)						
	6V-8376	2	SCREW-MACHINE (8-32X0.25-IN)						
	9B-7233	2	LOCKWASHER						
	200-8577	1	CIRCUIT BREAKER AS (20-AMPERE)						
	6V-8376	2	SCREW-MACHINE (8-32X0.25-IN)						
	9B-7233	2	LOCKWASHER						
	2W-4899	1	DIODE AS (5-AMPERE/BLADE CONNECTORS)						
	5N-4988	1	DIODE AS (5-AMPERE/SPADE LUG)						
	9Y-8412	1	DIODE AS (SUPRESSOR)						
	3N-5611	2	MOUNT AS						
	7C-1009	1	PLATE AS-COVER						
	110-6845	1	PLUG AS-CONNECTOR (40-PIN)						
	1U-9053	1	CAPSULE-LUBRICANT						
	110-6844	1	SEAL						
	3E-3388	1	RECEPTACLE AS-CONNECTOR (8-PIN)						
	102-8806	1	KIT-RECEPTACLE (8-PIN)						
	3N-5714	1	RELAY AS (24-VOLT) (PANEL LIGHT)						
	7G-9730	2	LAMP AS (120-VOLT, 3-WATT) (PANEL)						
	9X-8124	2	SWITCH AS-MAGNETIC (24-VOLT) (STARTING MOTOR)						
	7N-8008	1	SWITCH AS-TOGGLE (GOVERNOR)						
	3L-8187	6	LOCKWASHER						
	6T-3631	2	NUT-HEX (15/32-32-THD)						
	6T-3632	1	LOCKWASHER						
	6T-3633	1	RING-LOCKING						
	6V-8374	6	SCREW-MACHINE (6-32X0.25-IN)						
	8C-9812	1	SWITCH AS-TOGGLE (STARTING AID)						
	3L-8187	3	LOCKWASHER						
	6T-3631	2	NUT-HEX (15/32-32-THD)						
	6T-3632	1	LOCKWASHER						
	6T-3633	1	RING-LOCKING						
	6V-8374	3	SCREW-MACHINE (6-32X0.25-IN)						

# OPERATOR STATION

103-4773 **PANEL AR-CONTROL** (contd.)

**i03314140**

NOTE	PART NUMBER	QTY	PART NAME						SEE PAGE
			1	2	3	4	5	6 (PRODUCT LEVEL)	
	<b>8D-2676</b>	1	SWITCH AS-TOGGLE (SINGLE POLE) (PANEL LIGHT)						
	<b>3L-8187</b>	2	LOCKWASHER						
	<b>6T-3631</b>	2	NUT-HEX (15/32-32-THD)						
	<b>6T-3632</b>	1	LOCKWASHER						
	<b>6T-3633</b>	1	RING-LOCKING						
	<b>6V-8374</b>	2	SCREW-MACHINE (6-32X0.25-IN)						
	<b>5N-5430</b>	3	TRANSFORMER-CURRENT (RATIO 200:5)						
	<b>7W-8836</b>	3	TRANSFORMER AS-CURRENT (RATIO 2000:5)						
	<b>5N-9117</b>	3	ADAPTER						
	<b>103-6197</b>	1	BLOCK-TERMINAL (4-POINT)						
	<b>104-2994</b>	1	BLOCK-TERMINAL (1-POINT)						
	<b>8T-2501</b>	2	BOLT (3/8-16X2-IN)						
	<b>4P-2162</b>	3	CLIP						
	<b>5N-9072</b>	3	CLIP						
	<b>5N-9067</b>	3	COLLAR						
D	<b>6V-5817</b>		CONDUIT-FLEXIBLE (26.1-MM ID, SPLIT) (20-DM)						
	<b>103-1837</b>	1	FILM-CONTROL PANEL (MANUAL STARTING AID)						
	<b>103-1838</b>	1	FILM-CONTROL PANEL (AUTO STARTING AID)						
	<b>7C-4062</b>	1	FILM-IDENTIFICATION (REVERSE POWER)						
	<b>9Y-9771</b>	1	FILM-IDENTIFICATION (CONTROL PANEL)						
	<b>9Y-9782</b>	1	FILM-IDENTIFICATION (10-AMPERE FUSE)						
	<b>9Y-9783</b>	1	FILM-IDENTIFICATION (2-AMPERE FUSE)						
	<b>106-9926</b>	1	FILM-IDENTIFICATION (TERMINAL)						
	<b>103-6332</b>	1	FILM-INFORMATION (CSA CONTROL PANEL APPROVAL)						
	<b>103-1836</b>	1	FILM-TERMINAL STRIP						
	<b>7C-0974</b>	1	FILM-WARNING (ELECTRICAL SHOCK HAZARD)						
	<b>3K-8782</b>	16	FUSE (10-AMPERE)						
	<b>7W-0482</b>	3	FUSE (2-AMPERE)						
	<b>8T-2882</b>	1	HANDLE-PULL (INSTRUMENT PANEL)						
	<b>4W-5972</b>	1	KNOB						
	<b>7N-5876</b>	2	LAMP (24-VOLT, 0.2-AMPERE) (CLEAR)						
	<b>062-5388</b>	3	LOCKNUT (1-11-1/2-THD)						
	<b>4D-1326</b>	2	LOCKWASHER						
	<b>8C-7507</b>	4	LOCKWASHER						
	<b>7C-6121</b>	2	MOUNT-FLEXIBLE						
	<b>4B-2049</b>	4	NUT (10-32-THD)						
	<b>5P-4935</b>	2	PLUG-BUTTON						
	<b>129-0308</b>	1	POTENTIOMETER (2-WATT) (VOLTAGE ADJUST)						
	<b>127-9070</b>	1	POTENTIOMETER (10,000-OHM) (VOLTAGE ADJUST)						
	<b>5N-5510</b>	1	RELAY-REVERSE POWER (SYNCHRONIZING PANEL)						
	<b>7C-4378</b>	1	RELAY-REVERSE POWER						
	<b>112-7959</b>	1	RELAY-TIME DELAY (OVERCURRENT)						
	<b>123-4944</b>	1	RELAY-TIME DELAY (240-VOLT, OVER VOLTAGE)						
	<b>123-4945</b>	1	RELAY-TIME DELAY (240-VOLT, OVER VOLTAGE)						
	<b>123-4946</b>	1	RELAY-TIME DELAY (416-VOLT, OVER VOLTAGE)						
	<b>123-4947</b>	1	RELAY-TIME DELAY (480-VOLT, OVER VOLTAGE)						
	<b>126-0558</b>	1	RELAY-TIME DELAY (600-VOLT, OVER VOLTAGE)						
	<b>3N-5981</b>	1	RHEOSTAT						
	<b>134-3846</b>	1	RHEOSTAT						
	<b>2N-3479</b>	4	SCREW (10-24X0.5-IN)						
	<b>4P-2161</b>	3	SCREW						

# OPERATOR STATION

103-4773 **PANEL AR-CONTROL** (contd.)

**i03314140**

NOTE	PART NUMBER	QTY	PART NAME						SEE PAGE
			1	2	3	4	5	6 (PRODUCT LEVEL)	
	<b>6V-6640</b>	1	SEALANT (ACCESS COVER)						
	<b>4W-8787</b>	1	SOCKET-RELAY (PANEL LIGHT)						
	<b>7C-9179</b>	1	STRIP-TERMINAL						
	<b>3N-5979</b>	1	SWITCH-ROTARY (4-POSITION) (ENGINE CONTROL)						
	<b>9D-3721</b>	1	SWITCH-TOGGLE (SINGLE POLE) (STARTING AID)						
	<b>4W-8102</b>	3	TRANSFORMER-CURRENT (RATIO 150:5)						
	<b>5N-5429</b>	3	TRANSFORMER-CURRENT (RATIO 100:5)						
	<b>5N-5431</b>	3	TRANSFORMER-CURRENT (RATIO 300:5)						
	<b>5N-5432</b>	3	TRANSFORMER-CURRENT (RATIO 400:5)						
	<b>5N-5433</b>	3	TRANSFORMER-CURRENT (RATIO 600:5)						
	<b>5N-5434</b>	3	TRANSFORMER-CURRENT (RATIO 800:5)						
	<b>6I-1952</b>	3	TRANSFORMER (RATIO 600:5)						
	<b>7E-1112</b>	3	TRANSFORMER (RATIO 800:5)						
	<b>7E-1113</b>	3	TRANSFORMER (RATIO 1000:5)						
	<b>7E-1114</b>	3	TRANSFORMER (RATIO 1200:5)						
	<b>7E-1115</b>	3	TRANSFORMER (RATIO 1500:5)						
	<b>7E-1116</b>	3	TRANSFORMER (RATIO 2000:5)						
	<b>7E-1117</b>	3	TRANSFORMER (RATIO 2500:5)						
	<b>7E-1118</b>	3	TRANSFORMER (RATIO 3000:5)						
	<b>7E-1119</b>	3	TRANSFORMER (RATIO 4000:5)						
	<b>7W-6598</b>	3	TRANSFORMER (RATIO 3000:5)						
	<b>7W-7805</b>	3	TRANSFORMER (RATIO 4000:5)						
	<b>7W-8835</b>	3	TRANSFORMER (RATIO 2500:5)						
	<b>7W-8837</b>	3	TRANSFORMER-CURRENT (RATIO 1500:5)						
	<b>7W-8838</b>	3	TRANSFORMER-CURRENT (RATIO 1200:5)						
	<b>7W-8839</b>	3	TRANSFORMER-CURRENT (RATIO 1000:5)						
	<b>4B-4274</b>	4	WASHER (5.5X13X1.2-MM THK)						
	<b>4P-2160</b>	3	RING-RETAINING (RETAINING RING)						
	<b>155-2260</b>	1	KIT-CONNECTING PLUG (3-PIN)						
	<b>155-2274</b>	1	KIT-CONNECTING PLUG (6-PIN)						
			(EACH CONNECTING KIT INCLUDES PLUG ASSEMBLY, WEDGE & SEAL)						
D - ORDER BY THE METER R - REMANUFACTURED PART MAY BE AVAILABLE Y - SEPARATE ILLUSTRATION									
<END>									

# OPERATOR STATION

## 7W-0700 PANEL AR-CONTROL

S/N: 5CA5985-UP; 5DA5682-UP; 5EA5375-UP

GENERATOR MOUNTED

FOR USAGE REFER TO CHART 4W-8000-PAGE: 1798

AN ATTACHMENT

SMCS-7451

i00431323

NOTE	PART NUMBER	QTY	PART NAME						SEE PAGE
			1	2	3	4	5	6 (PRODUCT LEVEL)	
Y	4W-8005	1	CONTROL GP-AUTO START/STOP						1032
Y	4W-8004	1	CONTROL GP-MANUAL START/STOP						1039
Y	4W-9904	1	DOOR GP-ACCESS (DUSTPROOF)						1653
Y	7W-0202	1	DOOR GP-ACCESS (DUSTPROOF)						1654
Y	4W-0483	1	GAUGE GP-COOLANT TEMPERATURE (24-VOLT)						1659
Y	4P-2788	1	GOVERNOR AS-ELECTRONIC						621
Y	7E-1232	1	GOVERNOR AS-ELECTRONIC						624
Y	7E-1233	1	GOVERNOR AS-ELECTRONIC						625
Y	4W-8180	1	GOVERNOR GP-ELECTRONIC						653
Y	4W-8185	1	GOVERNOR GP-ELECTRONIC						654
Y	4W-8183	1	LAMP GP-PANEL ILLUMINATION						1666
Y	4W-8184	1	METER GP-VOLT						1670
Y	4W-8006	1	MODULE GP-ALARM						1674
Y	7C-3084	1	MODULE GP-ALARM						1676
Y	4W-8009	1	MODULE GP-AUXILIARY RELAY						1687
Y	4W-8007	1	MODULE GP-CYCLE CRANKING						1689
Y	4W-8002	1	MODULE GP-SYNCHRONIZING LIGHTS						1698
Y	4W-8003	1	MODULE GP-SYNCHRONIZING LIGHTS						1699
Y	7C-3262	1	MODULE GP-SYNCHRONIZING LIGHTS						1704
Y	7C-3263	1	MODULE GP-SYNCHRONIZING LIGHTS						1706
Y	4W-8008	1	MODULE GP-TIMER						1712
Y	4W-8181	1	SWITCH GP-GOVERNOR						1294
Y	4W-8182	1	SWITCH GP-GOVERNOR						1295
Y	4W-8102	3	TRANSFORMER-CURRENT (RATIO 150:5)						1321
Y	5N-5429	3	TRANSFORMER-CURRENT (RATIO 100:5)						1322
Y	5N-5430	3	TRANSFORMER-CURRENT (RATIO 200:5)						1323
Y	5N-5431	3	TRANSFORMER-CURRENT (RATIO 300:5)						1324
Y	5N-5432	3	TRANSFORMER-CURRENT (RATIO 400:5)						1325
Y	5N-5433	3	TRANSFORMER-CURRENT (RATIO 600:5)						1326

Y - SEPARATE ILLUSTRATION

<END>

# OPERATOR STATION

## 7W-3401 PANEL AR-CONTROL

S/N: 85Z3764-UP

FOR USAGE REFER TO CHART 7W-3400-PAGE: 1750  
AN ATTACHMENT

SMCS-7451

i03025011

NOTE	PART NUMBER	QTY	PART NAME						SEE PAGE
			1	2	3	4	5	6 (PRODUCT LEVEL)	
Y	4W-5391	1	BOX AS-GOVERNOR PREREGULATOR						576
	2W-8683	1	BLOCK-CONTACT						
	4W-8790	1	BLOCK-FUSE						
	4W-8734	1	BOARD AS-FAULT (24 VOLT)						
	3N-5719	4	LAMP (24-VOLT)						
	4W-8745	4	HOUSING AS-LAMP						
	4W-8746	4	LENS-LAMP (RED)						
	7W-3403	1	BOARD AS-FAULT (32 VOLT)						
	3N-5719	4	LAMP (24-VOLT)						
	4W-8745	4	HOUSING AS-LAMP						
	4W-8746	4	LENS-LAMP (RED)						
	131-5453	1	CONTROL AS-ELECTRONIC GOVERNOR						
	2W-4899	1	DIODE AS						
	7W-3069	1	FILM-CONTROL PANEL (ENGLISH)						
	7W-3070	1	FILM-CONTROL PANEL (FRENCH)						
	7W-3071	1	FILM-CONTROL PANEL (SPANISH)						
	7W-3072	1	FILM-CONTROL PANEL (PORTUGUESE)						
	7W-3073	1	FILM-CONTROL PANEL (GERMAN)						
	7W-3074	1	FILM-CONTROL PANEL (ARABIC)						
	7T-0037	2	FUSE (0.75-AMPERE)						
	4W-8226	1	MARKER (TERMINAL)						
	4W-8227	1	MARKER (TERMINAL)						
	5N-5498	4	RELAY (32-VOLT DC)						
	3N-5714	4	RELAY AS (24-VOLT)						
	4W-8787	4	SOCKET-RELAY						
	4W-8229	2	STRIP-TERMINAL (20 POINT)						
	3N-5976	1	SWITCH (PHASE SELECT) (ENGINE CONTROL)						
	4W-8735	1	SWITCH-STOP (EMERGENCY)						
	3N-5978	1	TIMER AS-ON DELAY (ARMING)						
	3N-5978	1	TIMER AS-ON DELAY (OVERCRANK)						
	4W-8792	1	TIMER-COOL DOWN						
	4W-8791	1	TIMER-CYCLE (CRANK)						
	7W-3645	1	TRACK-MOUNTING (TIMER)						
	3N-7817	2	TRACK-MOUNTING (TIMER MTG)						

Y - SEPARATE ILLUSTRATION

<END>



# OPERATOR STATION

## 9Y-7902 PANEL AR-TRANSFER SWITCH

S/N: 85Z3764-UP

FOR USAGE REFER TO CHART 9Y-7900-PAGE: 1825  
AN ATTACHMENT

SMCS-4469

i03751442

NOTE	PART NUMBER	QTY	PART NAME						SEE PAGE
			1	2	3	4	5	6 (PRODUCT LEVEL)	
Y	9Y-7903	1	SWITCH AS-TRANSFER						1735
Y	9Y-7904	1	SWITCH AS-TRANSFER						1736
Y	9Y-7905	1	SWITCH AS-TRANSFER						1736
Y	9Y-7906	1	SWITCH AS-TRANSFER						1736
Y	9Y-7907	1	SWITCH AS-TRANSFER						1737
Y	9Y-7908	1	SWITCH AS-TRANSFER						1737
Y	9Y-7909	1	SWITCH AS-TRANSFER						1737
Y	9Y-7910	1	SWITCH AS-TRANSFER						1738
Y	9Y-7911	1	SWITCH AS-TRANSFER						1738
Y	9Y-7912	1	SWITCH AS-TRANSFER						1738
Y	9Y-7913	1	SWITCH AS-TRANSFER						1739
Y	9Y-7918	1	SWITCH AS-TRANSFER						1739
Y	9Y-8025	1	SWITCH AS-TRANSFER						1739
Y	9Y-8026	1	SWITCH AS-TRANSFER						1740
Y	9Y-8027	1	SWITCH AS-TRANSFER						1740
Y	9Y-8028	1	SWITCH AS-TRANSFER						1740
Y	9Y-8029	1	SWITCH AS-TRANSFER						1741
Y	9Y-8030	1	SWITCH AS-TRANSFER						1741
Y	9Y-8031	1	SWITCH AS-TRANSFER						1741
Y	9Y-8032	1	SWITCH AS-TRANSFER						1742
Y	9Y-8033	1	SWITCH AS-TRANSFER						1742
Y	9Y-8034	1	SWITCH AS-TRANSFER						1742
	9Y-7998	1	BOARD						
	9Y-7999	1	BOARD						
	9Y-8011	1	BOARD						
	9Y-8012	1	BOARD						
	130-5692	1	BOARD						
	9Y-7914	1	CONNECTOR						
	9Y-7989	1	CONNECTOR						
	9Y-7990	1	CONNECTOR						
	9Y-7991	1	CONNECTOR						
	9Y-7992	1	CONNECTOR						
	9Y-7994	1	CONNECTOR						
	9Y-8002	2	CONTACT						
	9Y-8039	1	CONTACT						
	9Y-8000	1	DOOR						
	9Y-4293	1	FILM-TRANSFER SWITCH						
	7C-0974	2	FILM-WARNING (ELECTRICAL SHOCK HAZARD)						
	9Y-7996	1	HANDLE						
	9Y-7997	1	HANDLE						
	7N-5876	3	LAMP (24-VOLT, 0.2-AMPERE) (CLEAR)						
	9Y-8022	1	LENS-LAMP (RED)						
	9Y-8023	1	LENS-LAMP (AMBER)						
	9Y-8024	1	LENS-LAMP (CLEAR)						
	9Y-8009	1	MODULE						
	9Y-8010	1	MODULE						

# OPERATOR STATION

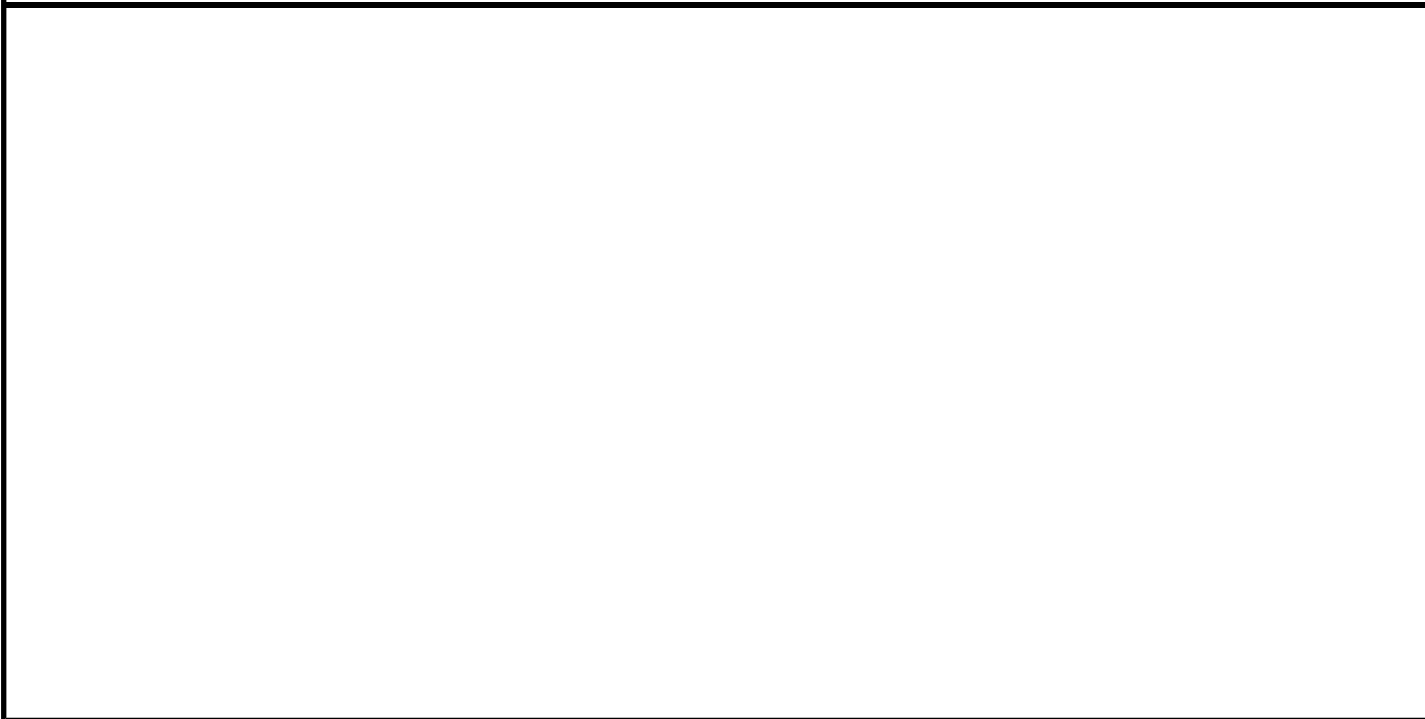
9Y-7902 PANEL AR-TRANSFER SWITCH (contd.)

i03751442

NOTE	PART NUMBER	QTY	PART NAME						SEE PAGE
			1	2	3	4	5	6 (PRODUCT LEVEL)	
	9Y-8014	1	MODULE						
	9Y-8016	1	MODULE						
	9Y-8004	2	RELAY						
	9Y-8021	1	RELAY						
	2G-0151	3	SOCKET AS						
	6V-8367	1	LOCKWASHER						
	6V-8382	1	NUT-HEX (11/16-27-THD)						
	3L-8203	1	STRIP-TERMINAL						
	9Y-7207	1	STRIP-TERMINAL						
	9Y-7995	1	SWITCH (MAINTENANCE DISCONNECT)						
	9Y-8001	1	SWITCH (BYPASS)						
	9Y-8003	1	SWITCH (MODE)						
	9Y-8017	1	SWITCH (PUSHBUTTON)						
	9Y-8018	1	SWITCH (2 POSITION)						
	9Y-8019	1	SWITCH (3 POSITION)						
	133-0126	1	SWITCH (CONTACT)						
	9Y-8020	1	TIMER						
	9Y-7993	2	TRANSFORMER						
	9Y-8005	2	TRANSFORMER						
	9Y-8006	2	TRANSFORMER						
	9Y-8007	2	TRANSFORMER						
	9Y-8008	2	TRANSFORMER						
	9Y-8015	2	TRANSFORMER						
	9Y-8035	2	TRANSFORMER						
	9Y-8036	2	TRANSFORMER						
	9Y-8037	2	TRANSFORMER						
	9Y-8038	2	TRANSFORMER						
	131-7926	3	TRANSFORMER						

Y - SEPARATE ILLUSTRATION

<END>



# OPERATOR STATION

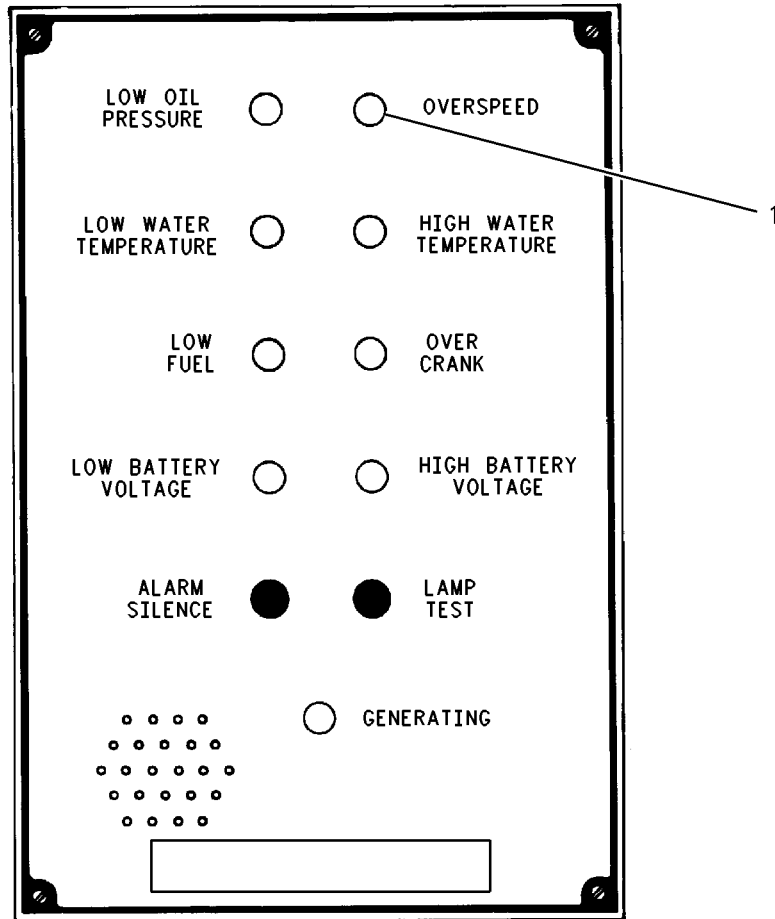
## 3N-7325 PANEL GP-ANNUNCIATOR

S/N: 85Z3764-UP  
24 VOLT 76 AMPERE  
AN ATTACHMENT

SMCS-4490

i01828802

NOTE	REF NO	GRAPHIC REF	PART NUMBER	QTY	PART NAME						SEE PAGE
					1	2	3	4	5	6 (PRODUCT LEVEL)	
	1	1	3N-7782	13	LAMP (6-28 VOLTS) (RED)						
(FOUR LAMPS AFFIXED TO PANEL FOR SPARE)											



GRAPHIC #1

<END>

g00882176

# OPERATOR STATION

## 5N-4261 PANEL GP-ELECTRONIC

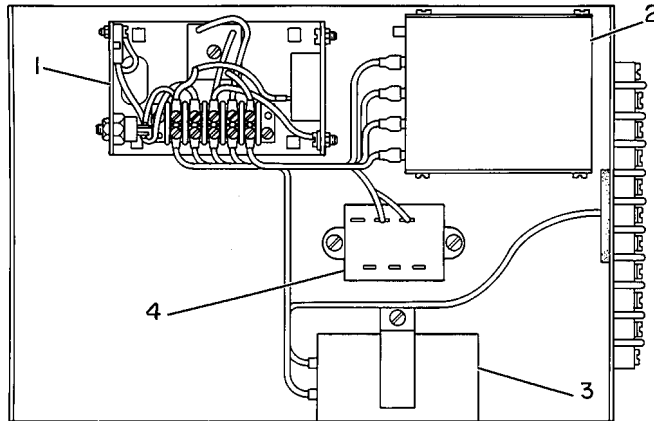
S/N: 5CA5985-UP; 5DA5682-UP; 5EA5375-UP; 5FA4499-UP

**BOOST SERIES  
AN ATTACHMENT**

SMCS-4490, 7490

i00637427

NOTE	REF NO	GRAPHIC REF	PART NUMBER	QTY	PART NAME						SEE PAGE
					1	2	3	4	5	6 (PRODUCT LEVEL)	
	1	1	<b>5N-2213</b>	1	HEAT SINK AS						
	2	1	<b>5N-2214</b>	1	MODULE AS-CONTROL						
	3	1	<b>5N-2249</b>	1	CAPACITOR AS						
	4	1	<b>5N-2215</b>	1	TRANSFORMER AS						



GRAPHIC #1

<END>

g00143078

# OPERATOR STATION

## 2N-2259 PANEL GP-INSTRUMENT

S/N: 85Z3764-UP

CANNOT BE USED WITH 2W-8901-PAGE: 950  
AN ATTACHMENT

SMCS-7451

i05083532

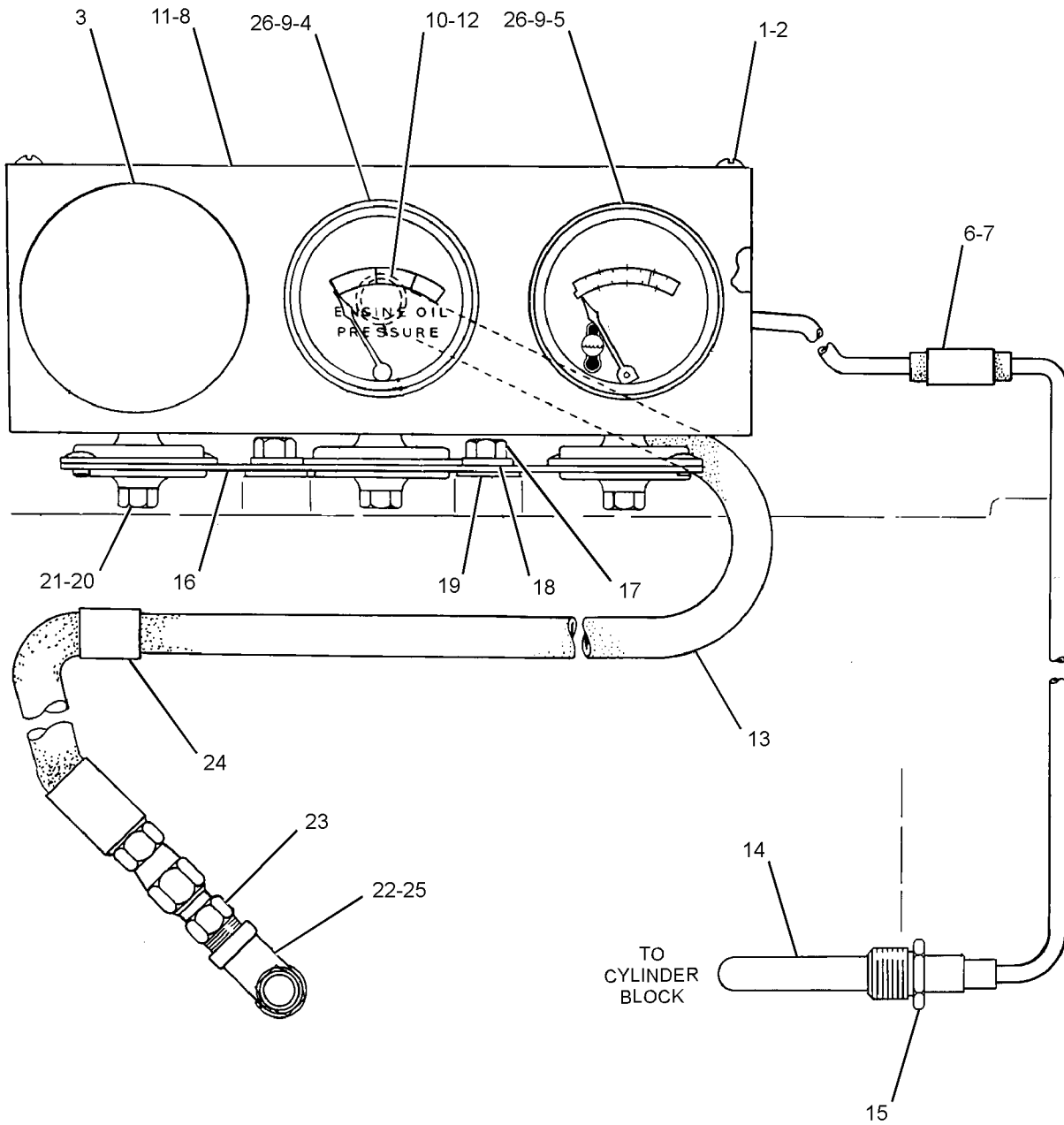
NOTE	REF NO	GRAPHIC REF	PART NUMBER	QTY	PART NAME						SEE PAGE
					1	2	3	4	5	6 (PRODUCT LEVEL)	
	1	1	<b>5S-7348</b>	2	SCREW-MACHINE (6-32X0.375-IN)						
	2	1	<b>4B-2041</b>	2	NUT (6-32-THD)						
	3	1	<b>1L-6561</b>	1	PLUG						
C	4	1	<b>2W-3681</b>	1	INDICATOR AS (ENGINE OIL PRESSURE)						
C	5	1	<b>200-5220</b>	1	GAUGE GP-COOLANT TEMPERATURE (WATER)						
	6	1	<b>3L-2875</b>	1	CLIP						
	7	1	<b>8F-0244</b>	1	GROMMET						
	8	1	<b>2N-0178</b>	1	PANEL						
	9	1	<b>7W-2731</b>	2	RETAINER						
	10	1	<b>3B-6487</b>	1	COUPLING (PIPE)						
	11	1	<b>2N-0179</b>	1	COVER-PANEL						
	12	1	<b>2N-1287</b>	1	ELBOW-FLARED						
I	13	1	<b>3P-6048</b>	1	HOSE AS						
	14	1	<b>214-3613</b>	1	ADAPTER						
B	15	1	<b>8B-2664</b>	1	BUSHING-REDUCER						
	16	1	<b>2N-5848</b>	1	BASE AS						
	17	1	<b>2H-3755</b>	2	BOLT (5/16-18X0.43-IN)						
	18	1	<b>9M-1974</b>	2	WASHER-HARD (8.8X16X2-MM THK)						
	19	1	<b>4B-4277</b>	2	WASHER (8.8X17.5X1.6-MM THK)						
	20	1	<b>9F-6580</b>	3	BOLT (1/4-20X1.125-IN)						
	21	1	<b>9S-8750</b>	3	NUT-FULL (1/4-20-THD)						
B	22	1	<b>2D-7325</b>	1	TEE-PIPE						
	23	1	<b>4S-6399</b>	1	CONNECTOR						
	24	1	<b>4K-8864</b>	1	CLIP (LOOP)						
B	25	1	<b>5M-6213</b>	1	PLUG-PIPE (1/4-18-THD)						
	26	1	<b>6V-3507</b>	2	SEAL-RECTANGULAR						

B - USE AS REQUIRED  
 C - CHANGE FROM PREVIOUS TYPE  
 I - REFER TO HYDRAULIC INFORMATION SYSTEM

# OPERATOR STATION

2N-2259 PANEL GP-INSTRUMENT (contd.)

i05083532



GRAPHIC #1

<END>

g03349592

# OPERATOR STATION

## 7C-3085 PANEL GP-INSTRUMENT

S/N: 85Z3764-UP

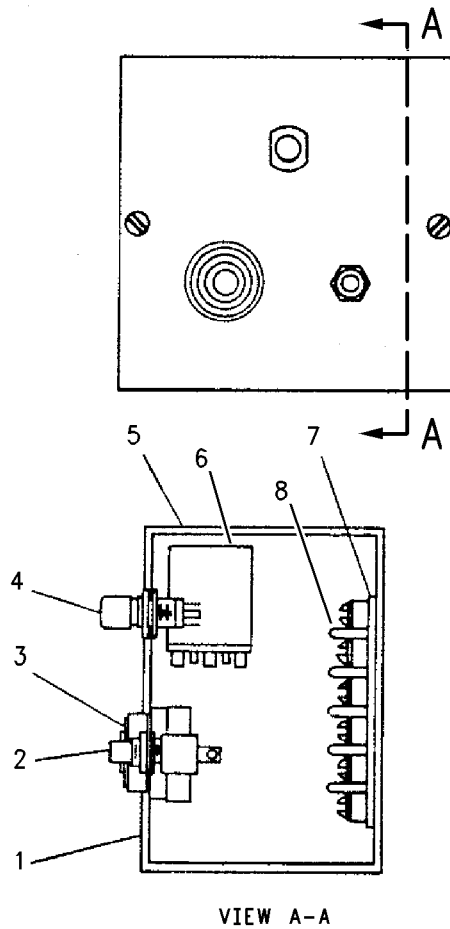
REMOTE

AN ATTACHMENT

SMCS-7451

i06970445

NOTE	REF NO	GRAPHIC REF	PART NUMBER	QTY	PART NAME						SEE PAGE
					1	2	3	4	5	6	
	1	1	<b>7C-3522</b>	1	COVER-JUNCTION BOX						
		1	<b>7C-0956</b>	1	FILM-PANEL (ANNUNCIATOR)						
2		1	<b>3N-5716</b>	1	SWITCH (PUSH BUTTON) (ALARM SILENCER)						
3		1	<b>3N-5762</b>	1	HORN						
4		1	<b>7C-3520</b>	1	HOUSING AS-LAMP						
		1	<b>4W-8746</b>	1	LENS-LAMP (RED)						
		1	<b>3N-5719</b>	1	LAMP (24-VOLT) (CLEAR)						
5		1	<b>7C-3521</b>	1	JUNCTION BOX						
6		1	<b>3N-5714</b>	1	RELAY AS (24-VOLT)						
7		1	<b>7C-3519</b>	1	MARKER (TERMINAL)						
8		1	<b>4D-6066</b>	1	STRIP-TERMINAL						



VIEW A-A

GRAPHIC #1

<END>

g00798694

# OPERATOR STATION

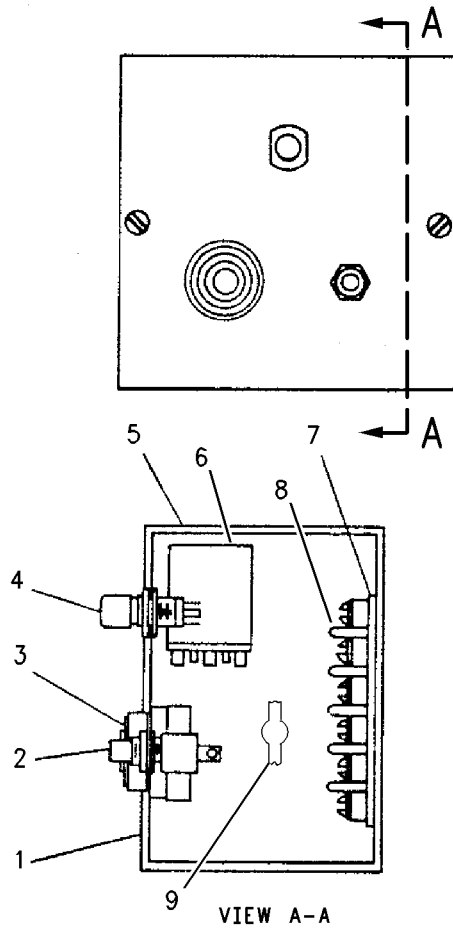
## 7C-5130 PANEL GP-INSTRUMENT

S/N: 85Z3764-UP  
 REMOTE NFPA-110 EMCP  
 AN ATTACHMENT

SMCS-7451

i03638443

NOTE	REF NO	GRAPHIC REF	PART NUMBER	QTY	PART NAME						SEE PAGE
					1	2	3	4	5	6 (PRODUCT LEVEL)	
	1	1	<b>7C-3522</b>	1	COVER-JUNCTION BOX						
		1	<b>7C-0956</b>	1	FILM-PANEL (ANNUNCIATOR)						
	2	1	<b>3N-5716</b>	1	SWITCH (PUSH BUTTON) (START RELAY)						
	3	1	<b>3N-5762</b>	1	HORN						
	4	1	<b>7C-3520</b>	1	HOUSING AS-LAMP						
		1	<b>4W-8746</b>	1	LENS-LAMP (RED)						
		1	<b>3N-5719</b>	1	LAMP (24-VOLT) (CLEAR)						
	5	1	<b>7C-3521</b>	1	JUNCTION BOX						
	6	1	<b>3N-5714</b>	1	RELAY AS (24-VOLT)						
	7	1	<b>7C-4925</b>	1	FILM-IDENTIFICATION (TERMINAL MARKER)						
	8	1	<b>4D-6066</b>	1	STRIP-TERMINAL						
	9	1	<b>2W-4899</b>	1	DIODE AS						



GRAPHIC #1

<END>

g00798700



# OPERATOR STATION

## 7C-5296 PANEL GP-INSTRUMENT

S/N: 85Z3764-UP

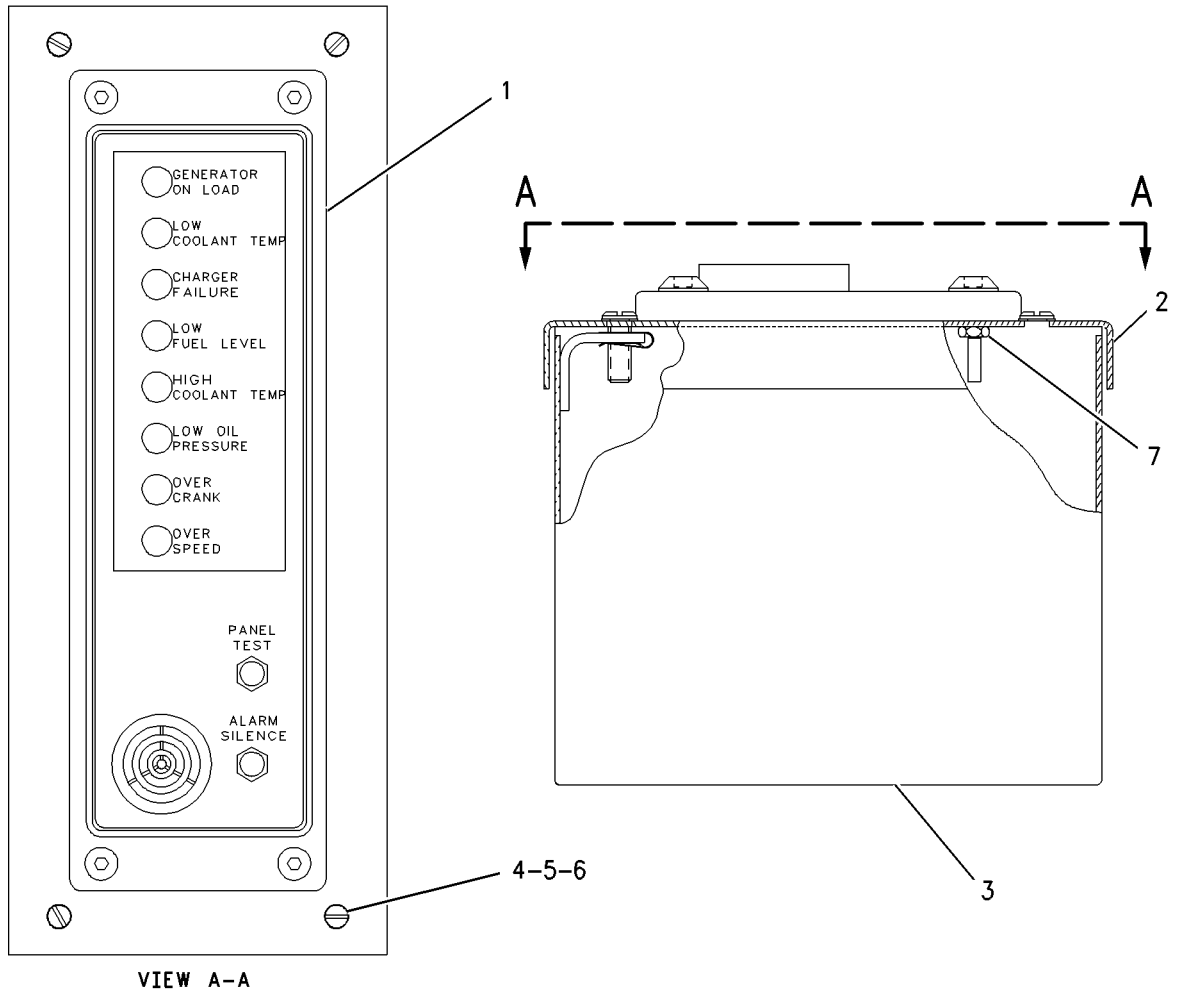
**REMOTE ANNUNCIATOR, NATIONAL FIRE PROTECTION ASSOCIATION 99  
FOR USE WITH EMCP CONTROL PANEL  
AN ATTACHMENT**

**SMCS-7451**

**i02118962**

NOTE	REF NO	GRAPHIC REF	PART NUMBER	QTY	PART NAME						SEE PAGE
					1	2	3	4	5	6 (PRODUCT LEVEL)	
Y	1	1	<b>9W-3577</b>	1	MODULE GP-ALARM						1683
	2	1	<b>9W-3274</b>	1	COVER						
	3	1	<b>9W-3277</b>	1	BOX AS						
	4	1	<b>4P-2161</b>	4	SCREW						
	5	1	<b>4P-2162</b>	4	CLIP						
	6	1	<b>4P-2160</b>	4	RING-RETAINING (RETAINING RING)						
	7	1	<b>211-0089</b>	4	NUT (1/4-20-THD)						

Y - SEPARATE ILLUSTRATION



GRAPHIC #1

<END>

g00813863

# OPERATOR STATION

## 7E-8270 PANEL GP-INSTRUMENT

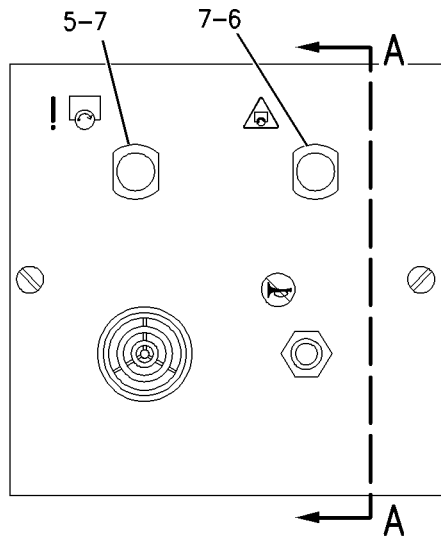
S/N: 85Z3764-UP

REMOTE, NATIONAL FIRE PROTECTION ASSOCIATION 110  
FOR USE WITH EMCP CONTROL PANEL  
CANNOT BE USED WITH ANALOG CONTROL PANEL  
AN ATTACHMENT

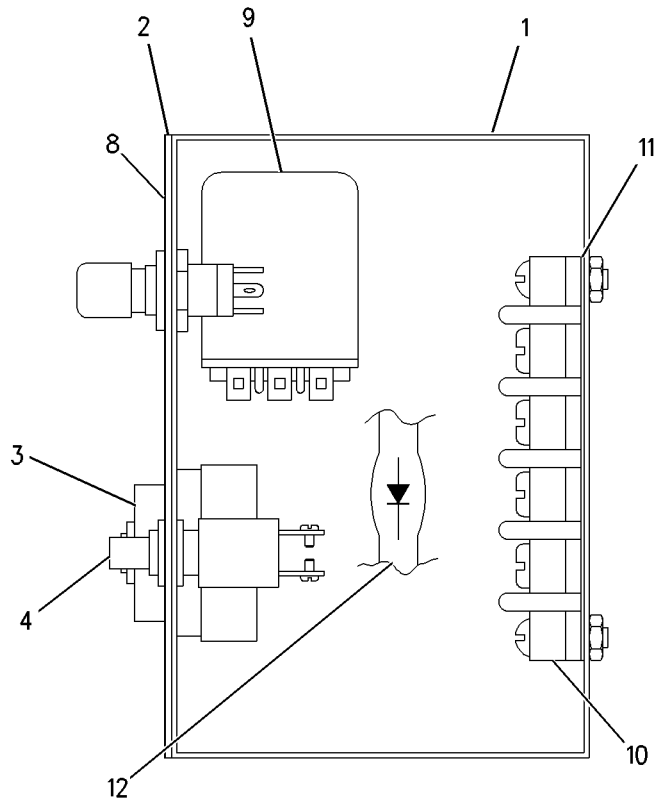
SMCS-7451

i03894762

NOTE	REF NO	GRAPHIC REF	PART NUMBER	QTY	PART NAME						SEE PAGE
					1	2	3	4	5	6 (PRODUCT LEVEL)	
	1	1	<b>7C-3521</b>	1	JUNCTION BOX						
	2	1	<b>7E-8255</b>	1	COVER-JUNCTION BOX						
	3	1	<b>3N-5762</b>	1	HORN						
	4	1	<b>3N-5716</b>	1	SWITCH (PUSH BUTTON) (ALARM SILENCE)						
	5	1	<b>5N-5499</b>	1	LAMP AS (RED)						
	6	1	<b>5N-5501</b>	1	LAMP AS (GREEN)						
	7	1	<b>3N-5719</b>	2	LAMP (24-VOLT) (CLEAR)						
	8	1	<b>118-1265</b>	1	FILM-PANEL (INSTRUMENT)						
	9	1	<b>3N-5714</b>	1	RELAY AS (24-VOLT) (ALARM DISCONNECT)						
	10	1	<b>4D-6066</b>	1	STRIP-TERMINAL						
	11	1	<b>7C-4925</b>	1	FILM-IDENTIFICATION (TERMINAL MARKER)						
	12	1	<b>2W-4899</b>	1	DIODE AS						



FRONT VIEW



SECTION A-A

GRAPHIC #1

<END>

g00770438

# OPERATOR STATION

## 8N-2586 PANEL GP-INSTRUMENT-RH

S/N: 85Z3764-UP

FOR USE WITH ENGINES BUILT WITH TOP MOUNTED TURBOCHARGER  
AN ATTACHMENT

SMCS-7451

i02253833

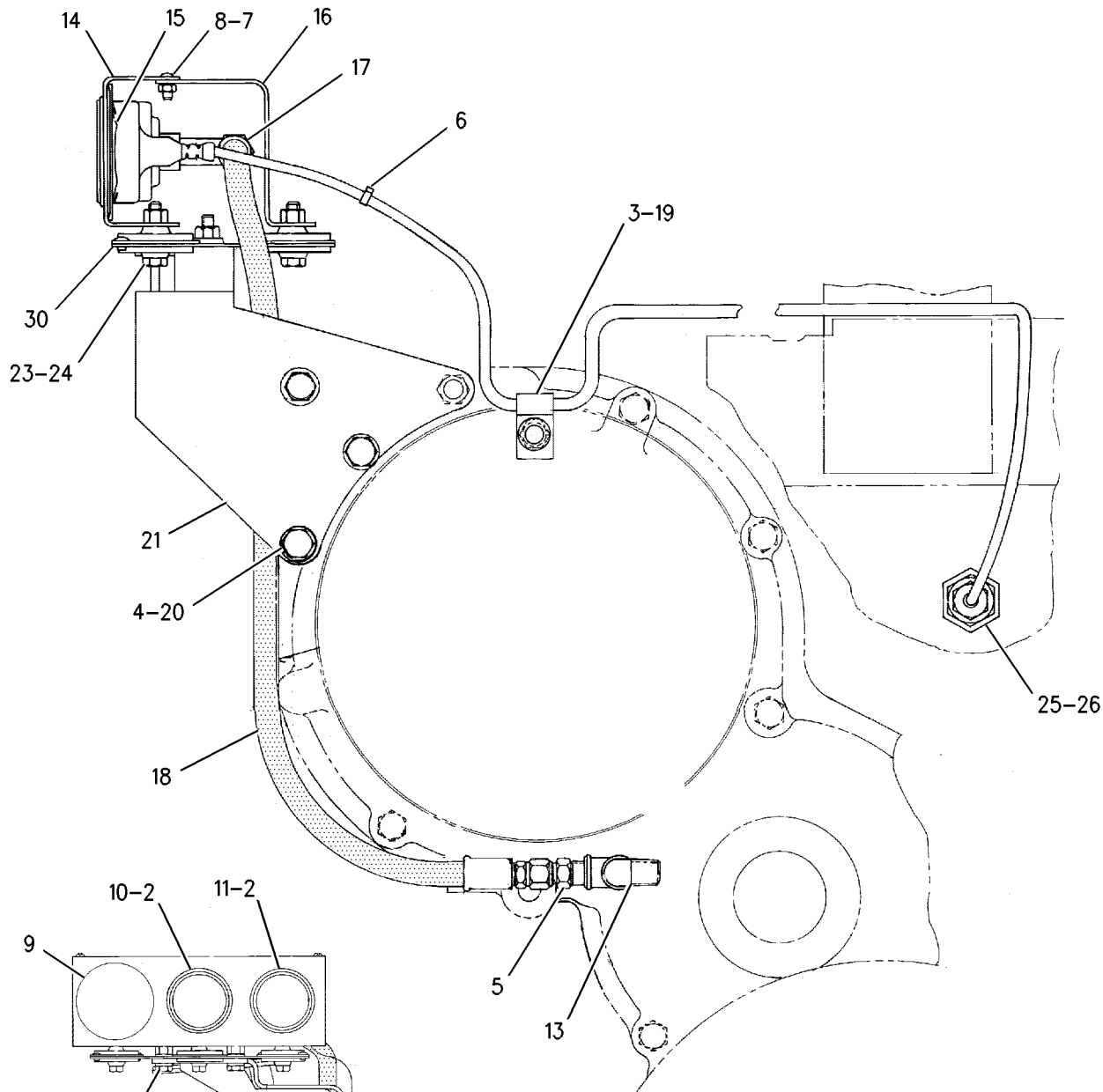
NOTE	REF NO	GRAPHIC REF	PART NUMBER	QTY	PART NAME						SEE PAGE
					1	2	3	4	5	6 (PRODUCT LEVEL)	
	1	1	<b>5P-3422</b>	1	TEE-PIPE						
	2	1	<b>6V-3507</b>	2	SEAL-RECTANGULAR						
B	3	1	<b>6K-8179</b>	1	CLIP						
CB	4	1	<b>4L-6459</b>	3	BOLT (3/8-16X2.5-IN)						
	5	1	<b>8L-6557</b>	1	CONNECTOR						
B	6	1	<b>3S-2093</b>	5	STRAP-CABLE						
	7	1	<b>5S-7348</b>	2	SCREW-MACHINE (6-32X0.375-IN)						
	8	1	<b>4B-2041</b>	2	NUT (6-32-THD)						
	9	1	<b>1L-6561</b>	1	PLUG						
C	10	1	<b>2W-3681</b>	1	INDICATOR AS (ENGINE OIL PRESSURE)						
C	11	1	<b>200-5222</b>	1	GAUGE GP-COOLANT TEMPERATURE (WATER)						
		1	<b>4B-2049</b>	2	NUT (10-32-THD)						
		1	<b>8F-1434</b>	2	LOCKWASHER						
	13	1	<b>3B-8822</b>	1	ELBOW						
	14	1	<b>2N-0178</b>	1	PANEL						
	15	1	<b>7W-2731</b>	2	RETAINER						
	16	1	<b>2N-0179</b>	1	COVER-PANEL						
C	17	1	<b>2L-6094</b>	1	ELBOW						
I	18	1	<b>5C-5881</b>	1	HOSE AS						
B	19	1	<b>8T-4896</b>	1	WASHER-HARD (10.2X18.5X2.5-MM THK)						
B	20	1	<b>8T-4896</b>	3	WASHER-HARD (10.2X18.5X2.5-MM THK)						
	21	1	<b>8N-2584</b>	1	BRACKET AS						
	22	1	<b>8T-6764</b>	1	PLUG-PIPE (1/8-27-THD)						
	23	1	<b>6D-2928</b>	3	BOLT (1/4-20X1.125-IN)						
	24	1	<b>6V-8185</b>	3	NUT (1/4-20-THD)						
	25	1	<b>6H-6699</b>	1	ADAPTER (HEAT INDICATOR)						
	26	1	<b>8B-2664</b>	1	BUSHING-REDUCER						
	27	1	<b>4L-6454</b>	2	BOLT (3/8-16X1-IN)						
B	28	1	<b>8T-4896</b>	4	WASHER-HARD (10.2X18.5X2.5-MM THK)						
	29	1	<b>6V-8001</b>	2	SEAL-O-RING						
	30	1	<b>2N-5848</b>	1	BASE AS						

B - USE AS REQUIRED  
 C - CHANGE FROM PREVIOUS TYPE  
 I - REFER TO HYDRAULIC INFORMATION SYSTEM

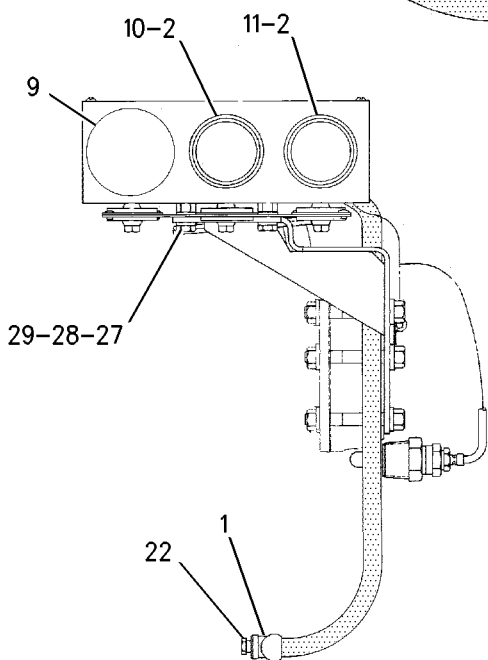
# OPERATOR STATION

8N-2586 PANEL GP-INSTRUMENT (contd.)

102253833



FRONT VIEW



RIGHT SIDE VIEW

GRAPHIC #1

<END>

g00937375

# OPERATOR STATION

## 103-8975 SEAL GP-ENCLOSURE

S/N: 85Z3764-UP

CONTROL PANEL EMCPII

PART OF 103-4773 PANEL AR-CONTROL  
AN ATTACHMENT

SMCS-7451

i02464493

NOTE	PART NUMBER	QTY	PART NAME						SEE PAGE
			1	2	3	4	5	6 (PRODUCT LEVEL)	
	7C-2954	2	GASKET-MODULE (ALARM, SYNCHRONIZING)						
	103-6272	1	SEAL (CONTROL)						
	7C-4550	2	SEAL (ROTATING SHAFT) (ROTATING SHAFT)						
	7C-4910	1	SEAL (WASHER)						
	7C-5075	2	STRIP-DUST SEAL (HORIZONTAL)						
	7C-5076	2	STRIP-DUST SEAL (VERTICAL)						
	5L-5180	3	WASHER (0.49X0.875X0.05-IN THK)						
	5L-5840	2	WASHER (9.25X16.92X1.83-MM THK)						

<END>

## 7C-3527 SEAL GP-ENCLOSURE

S/N: 85Z3764-UP

CONTROL PANEL EMCP

AN ATTACHMENT

SMCS-7451

i03615260

NOTE	PART NUMBER	QTY	PART NAME						SEE PAGE
			1	2	3	4	5	6 (PRODUCT LEVEL)	
	7C-2952	1	GASKET-MODULE (ENGINE CONTROL)						
	7C-2953	1	GASKET-MODULE (METERING)						
	7C-2954	1	GASKET-MODULE (ALARM, SYNCHRONIZING)						
	7C-4550	2	SEAL (ROTATING SHAFT)						
	7C-4910	2	SEAL						
	7C-5075	2	STRIP-DUST SEAL (HORIZONTAL)						
	7C-5076	2	STRIP-DUST SEAL (VERTICAL)						
	5L-5180	4	WASHER (0.49X0.875X0.05-IN THK)						
	5L-5840	2	WASHER (9.25X16.92X1.83-MM THK)						

<END>

## 9Y-7903 SWITCH AS-TRANSFER

S/N: 85Z3764-UP

100 AMPERE, 3 POLE, 600 VOLT AC

PART OF 9Y-7902 PANEL AR-TRANSFER SWITCH

AN ATTACHMENT

SMCS-4469

i01959639

NOTE	PART NUMBER	QTY	PART NAME						SEE PAGE
			1	2	3	4	5	6 (PRODUCT LEVEL)	
	9Y-7981	1	ACTUATOR						
	9Y-7914	1	CONNECTOR						
	9Y-7921	2	COVER						
	9Y-7973	3	EXTINGUISHER						
	9Y-7937	1	KIT-MAIN CONTACT (TRANSFER SWITCH)						
			(INCLUDES POLES-EACH WITH NORMAL & STANDBY CONTACTS)						

<END>

# OPERATOR STATION

## 9Y-7904 SWITCH AS-TRANSFER

S/N: 85Z3764-UP

150/200 AMPERE, 3 POLE, 600 VOLT AC  
PART OF 9Y-7902 PANEL AR-TRANSFER SWITCH  
AN ATTACHMENT

SMCS-4469

i01959640

NOTE	PART NUMBER	QTY	PART NAME						SEE PAGE
			1	2	3	4	5	6 (PRODUCT LEVEL)	
	9Y-7982	1	ACTUATOR						
	9Y-7915	9	CONNECTOR						
	9Y-7923	2	COVER						
	9Y-7974	3	EXTINGUISHER						
	9Y-7938	1	KIT-MAIN CONTACT (TRANSFER SWITCH)						
			(INCLUDES POLES-EACH WITH NORMAL & STANDBY CONTACTS)						
			<END>						

## 9Y-7905 SWITCH AS-TRANSFER

S/N: 85Z3764-UP

300 AMPERE, 3 POLE, 600 VOLT AC  
PART OF 9Y-7902 PANEL AR-TRANSFER SWITCH  
AN ATTACHMENT

SMCS-4469

i01959642

NOTE	PART NUMBER	QTY	PART NAME						SEE PAGE
			1	2	3	4	5	6 (PRODUCT LEVEL)	
	9Y-7983	1	ACTUATOR						
	9Y-7915	9	CONNECTOR						
	9Y-7925	2	COVER						
	9Y-7975	3	EXTINGUISHER						
	9Y-7939	1	KIT-MAIN CONTACT (TRANSFER SWITCH)						
			(INCLUDES POLES-EACH WITH NORMAL & STANDBY CONTACTS)						
			<END>						

## 9Y-7906 SWITCH AS-TRANSFER

S/N: 85Z3764-UP

400 AMPERE, 3 POLE 600 VOLT AC  
PART OF 9Y-7902 PANEL AR-TRANSFER SWITCH  
AN ATTACHMENT

SMCS-4469

i02770621

NOTE	PART NUMBER	QTY	PART NAME						SEE PAGE
			1	2	3	4	5	6 (PRODUCT LEVEL)	
	9Y-7983	1	ACTUATOR						
	9Y-7925	2	COVER						
	9Y-7975	3	EXTINGUISHER						
	9Y-7940	1	KIT-MAIN CONTACT						
			(INCLUDES POLES-EACH WITH NORMAL & STANDBY CONTACTS)						
			<END>						

# OPERATOR STATION

## 9Y-7907 SWITCH AS-TRANSFER

S/N: 85Z3764-UP

600 AMPERE, 3 POLE, 600 VOLT AC

PART OF 9Y-7902 PANEL AR-TRANSFER SWITCH  
AN ATTACHMENT

SMCS-4469

i02770618

NOTE	PART NUMBER	QTY	PART NAME						SEE PAGE
			1	2	3	4	5	6 (PRODUCT LEVEL)	
	9Y-7984	1	ACTUATOR						
	9Y-7927	2	COVER						
	9Y-7976	6	EXTINGUISHER						
	9Y-7948	1	KIT-MAIN CONTACT (TRANSFER SWITCH)						
			(INCLUDES CONTACTS FOR THE STANDBY SOURCE)						
			<END>						

## 9Y-7908 SWITCH AS-TRANSFER

S/N: 85Z3764-UP

800 AMPERE, 3 POLE, 600 VOLT AC

PART OF 9Y-7902 PANEL AR-TRANSFER SWITCH  
AN ATTACHMENT

SMCS-4469

i02770645

NOTE	PART NUMBER	QTY	PART NAME						SEE PAGE
			1	2	3	4	5	6 (PRODUCT LEVEL)	
	9Y-7985	1	ACTUATOR						
	9Y-7919	9	CONNECTOR						
	9Y-7977	6	EXTINGUISHER						
	9Y-7949	1	KIT-MAIN CONTACT (TRANSFER SWITCH)						
			(INCLUDES CONTACTS FOR THE STANDBY SOURCE)						
	9Y-7942	1	KIT-MAIN CONTACT (TRANSFER SWITCH)						
			(INCLUDES CONTACTS FOR THE NORMAL SOURCE)						
			<END>						

## 9Y-7909 SWITCH AS-TRANSFER

S/N: 85Z3764-UP

1000 AMPERE, 3 POLE, 600 VOLT AC

PART OF 9Y-7902 PANEL AR-TRANSFER SWITCH  
AN ATTACHMENT

SMCS-4469

i02770652

NOTE	PART NUMBER	QTY	PART NAME						SEE PAGE
			1	2	3	4	5	6 (PRODUCT LEVEL)	
	9Y-7985	1	ACTUATOR						
	9Y-7919	9	CONNECTOR						
	9Y-7977	6	EXTINGUISHER						
	9Y-7943	1	KIT-MAIN CONTACT (TRANSFER SWITCH)						
			(INCLUDES CONTACTS FOR THE NORMAL SOURCE)						
			<END>						

# OPERATOR STATION

## 9Y-7910 SWITCH AS-TRANSFER

S/N: 85Z3764-UP

1200 AMPERE, 3 POLE, 600 VOLT AC  
PART OF 9Y-7902 PANEL AR-TRANSFER SWITCH  
AN ATTACHMENT

SMCS-4469

i01959654

NOTE	PART NUMBER	QTY	PART NAME						SEE PAGE
			1	2	3	4	5	6 (PRODUCT LEVEL)	
	9Y-7986	1	ACTUATOR						
	9Y-7920	9	CONNECTOR						
	9Y-7931	2	COVER						
	9Y-7978	6	EXTINGUISHER						
	9Y-7951	1	KIT-MAIN CONTACT (TRANSFER SWITCH)						
			(INCLUDES CONTACTS FOR THE STANDBY SOURCE)						
	9Y-7944	1	KIT-MAIN CONTACT (TRANSFER SWITCH)						
			(INCLUDES CONTACTS FOR THE NORMAL SOURCE)						
			<END>						

## 9Y-7911 SWITCH AS-TRANSFER

S/N: 85Z3764-UP

1600 AMPERE, 3 POLE, 600 VOLT AC  
PART OF 9Y-7902 PANEL AR-TRANSFER SWITCH  
AN ATTACHMENT

SMCS-4469

i01959655

NOTE	PART NUMBER	QTY	PART NAME						SEE PAGE
			1	2	3	4	5	6 (PRODUCT LEVEL)	
	9Y-7986	1	ACTUATOR						
	9Y-7920	9	CONNECTOR						
	9Y-7931	2	COVER						
	9Y-7978	6	EXTINGUISHER						
	9Y-7952	1	KIT-MAIN CONTACT (TRANSFER SWITCH)						
			(INCLUDES CONTACTS FOR THE STANDBY SOURCE)						
	9Y-7945	1	KIT-MAIN CONTACT (TRANSFER SWITCH)						
			(INCLUDES CONTACTS FOR THE NORMAL SOURCE)						
			<END>						

## 9Y-7912 SWITCH AS-TRANSFER

S/N: 85Z3764-UP

2000 AMPERE, 3 POLE, 600 VOLT AC  
PART OF 9Y-7902 PANEL AR-TRANSFER SWITCH  
AN ATTACHMENT

SMCS-4469

i01959657

NOTE	PART NUMBER	QTY	PART NAME						SEE PAGE
			1	2	3	4	5	6 (PRODUCT LEVEL)	
	9Y-7987	1	ACTUATOR						
	9Y-7933	2	COVER						
	9Y-7979	6	EXTINGUISHER						
	9Y-7953	1	KIT-MAIN CONTACT (TRANSFER SWITCH)						
			(INCLUDES CONTACTS FOR THE STANDBY SOURCE)						
	9Y-7946	1	KIT-MAIN CONTACT (TRANSFER SWITCH)						
			(INCLUDES CONTACTS FOR THE NORMAL SOURCE)						
			<END>						



# OPERATOR STATION

## 9Y-7913 SWITCH AS-TRANSFER

S/N: 85Z3764-UP

2600 AMPERE, 3 POLE, 600 VOLT AC  
PART OF 9Y-7902 PANEL AR-TRANSFER SWITCH  
AN ATTACHMENT

SMCS-4469

i01959664

NOTE	PART NUMBER	QTY	PART NAME 1 2 3 4 5 6 (PRODUCT LEVEL)	SEE PAGE
	9Y-7988	1	ACTUATOR	
	9Y-7935	2	COVER	
	9Y-7980	6	EXTINGUISHER	
	9Y-7954	1	KIT-MAIN CONTACT (TRANSFER SWITCH) (INCLUDES CONTACTS FOR THE STANDBY SOURCE)	
	9Y-7947	1	KIT-MAIN CONTACT (TRANSFER SWITCH) (INCLUDES CONTACTS FOR THE NORMAL SOURCE)	
			<END>	

## 9Y-7918 SWITCH AS-TRANSFER

S/N: 85Z3764-UP

2600 AMPERE, 4 POLE, 600 VOLT AC  
PART OF 9Y-7902 PANEL AR-TRANSFER SWITCH  
AN ATTACHMENT

SMCS-4469

i01959665

NOTE	PART NUMBER	QTY	PART NAME 1 2 3 4 5 6 (PRODUCT LEVEL)	SEE PAGE
	9Y-7988	1	ACTUATOR	
	9Y-7936	2	COVER	
	9Y-7980	8	EXTINGUISHER	
	9Y-7972	1	KIT-MAIN CONTACT (TRANSFER SWITCH) (INCLUDES CONTACTS FOR THE STANDBY SOURCE)	
	9Y-7965	1	KIT-MAIN CONTACT (TRANSFER SWITCH) (INCLUDES CONTACTS FOR THE NORMAL SOURCE)	
			<END>	

## 9Y-8025 SWITCH AS-TRANSFER

S/N: 85Z3764-UP

100 AMPERE, 4 POLE, 600 VOLT AC  
PART OF 9Y-7902 PANEL AR-TRANSFER SWITCH  
AN ATTACHMENT

SMCS-4469

i01959666

NOTE	PART NUMBER	QTY	PART NAME 1 2 3 4 5 6 (PRODUCT LEVEL)	SEE PAGE
	9Y-7981	1	ACTUATOR	
	9Y-7914	12	CONNECTOR	
	9Y-7922	2	COVER	
	9Y-7973	4	EXTINGUISHER	
	9Y-7955	1	KIT-MAIN CONTACT (TRANSFER SWITCH) (INCLUDES POLES-EACH WITH NORMAL & STANDBY CONTACTS)	
			<END>	

# OPERATOR STATION

## 9Y-8026 SWITCH AS-TRANSFER

S/N: 85Z3764-UP

150/200 AMPERE, 4 POLE, 600 VOLT AC  
PART OF 9Y-7902 PANEL AR-TRANSFER SWITCH  
AN ATTACHMENT

SMCS-4469

i02746361

NOTE	PART NUMBER	QTY	PART NAME						SEE PAGE
			1	2	3	4	5	6 (PRODUCT LEVEL)	
	9Y-7982	1	ACTUATOR						
	9Y-7915	12	CONNECTOR						
	9Y-7974	4	EXTINGUISHER						
	9Y-7956	1	KIT-MAIN CONTACT (TRANSFER SWITCH)						
			(INCLUDES POLES-EACH WITH NORMAL & STANDBY CONTACTS)						
			<END>						

## 9Y-8027 SWITCH AS-TRANSFER

S/N: 85Z3764-UP

300 AMPERE, 4 POLE, 600 VOLT AC  
PART OF 9Y-7902 PANEL AR-TRANSFER SWITCH  
AN ATTACHMENT

SMCS-4469

i01959669

NOTE	PART NUMBER	QTY	PART NAME						SEE PAGE
			1	2	3	4	5	6 (PRODUCT LEVEL)	
	9Y-7983	1	ACTUATOR						
	9Y-7915	12	CONNECTOR						
	9Y-7926	2	COVER						
	9Y-7975	4	EXTINGUISHER						
	9Y-7957	1	KIT-MAIN CONTACT (TRANSFER SWITCH)						
			(INCLUDES POLES-EACH WITH NORMAL & STANDBY CONTACTS)						
			<END>						

## 9Y-8028 SWITCH AS-TRANSFER

S/N: 85Z3764-UP

400 AMPERE, 4 POLE, 600 VOLT AC  
PART OF 9Y-7902 PANEL AR-TRANSFER SWITCH  
AN ATTACHMENT

SMCS-4469

i02770653

NOTE	PART NUMBER	QTY	PART NAME						SEE PAGE
			1	2	3	4	5	6 (PRODUCT LEVEL)	
	9Y-7983	1	ACTUATOR						
	9Y-7926	2	COVER						
	9Y-7975	4	EXTINGUISHER						
	9Y-7958	1	KIT-MAIN CONTACT (TRANSFER SWITCH)						
			(INCLUDES POLES-EACH WITH NORMAL & STANDBY CONTACTS)						
			<END>						

# OPERATOR STATION

## 9Y-8029 SWITCH AS-TRANSFER

S/N: 85Z3764-UP

600 AMPERE, 4 POLE, 600 VOLT AC

PART OF 9Y-7902 PANEL AR-TRANSFER SWITCH  
AN ATTACHMENT

SMCS-4469

i02770654

NOTE	PART NUMBER	QTY	PART NAME						SEE PAGE
			1	2	3	4	5	6 (PRODUCT LEVEL)	
	9Y-7984	1	ACTUATOR						
	9Y-7928	2	COVER						
	9Y-7976	8	EXTINGUISHER						
	9Y-7966	1	KIT-MAIN CONTACT (TRANSFER SWITCH) (INCLUDES CONTACTS FOR THE STANDBY SOURCE)						
	9Y-7959	1	KIT-MAIN CONTACT (TRANSFER SWITCH) (INCLUDES CONTACTS FOR THE NORMAL SOURCE)						
			<END>						

## 9Y-8030 SWITCH AS-TRANSFER

S/N: 85Z3764-UP

800 AMPERE, 4 POLE, 600 VOLT AC

PART OF 9Y-7902 PANEL AR-TRANSFER SWITCH  
AN ATTACHMENT

SMCS-4469

i01959672

NOTE	PART NUMBER	QTY	PART NAME						SEE PAGE
			1	2	3	4	5	6 (PRODUCT LEVEL)	
	9Y-7985	1	ACTUATOR						
	9Y-7919	12	CONNECTOR						
	9Y-7930	2	COVER						
	9Y-7977	8	EXTINGUISHER						
	9Y-7967	1	KIT-MAIN CONTACT (TRANSFER SWITCH) (INCLUDES CONTACTS FOR THE STANDBY SOURCE)						
	9Y-7960	1	KIT-MAIN CONTACT (TRANSFER SWITCH) (INCLUDES CONTACTS FOR THE NORMAL SOURCE)						
			<END>						

## 9Y-8031 SWITCH AS-TRANSFER

S/N: 85Z3764-UP

1000 AMPERE, 4 POLE, 600 VOLT AC

PART OF 9Y-7902 PANEL AR-TRANSFER SWITCH  
AN ATTACHMENT

SMCS-4469

i01959673

NOTE	PART NUMBER	QTY	PART NAME						SEE PAGE
			1	2	3	4	5	6 (PRODUCT LEVEL)	
	9Y-7985	1	ACTUATOR						
	9Y-7919	12	CONNECTOR						
	9Y-7930	2	COVER						
	9Y-7977	8	EXTINGUISHER						
	9Y-7968	1	KIT-MAIN CONTACT (TRANSFER SWITCH) (INCLUDES CONTACTS FOR THE STANDBY SOURCE)						
	9Y-7961	1	KIT-MAIN CONTACT (TRANSFER SWITCH) (INCLUDES CONTACTS FOR THE NORMAL SOURCE)						
			<END>						

# OPERATOR STATION

## 9Y-8032 SWITCH AS-TRANSFER

S/N: 85Z3764-UP

1200 AMPERE, 4 POLE, 600 VOLT AC  
PART OF 9Y-7902 PANEL AR-TRANSFER SWITCH  
AN ATTACHMENT

SMCS-4469

i01959674

NOTE	PART NUMBER	QTY	PART NAME						SEE PAGE
			1	2	3	4	5	6 (PRODUCT LEVEL)	
	9Y-7986	1	ACTUATOR						
	9Y-7920	12	CONNECTOR						
	9Y-7932	2	COVER						
	9Y-7978	8	EXTINGUISHER						
	9Y-7969	1	KIT-MAIN CONTACT (TRANSFER SWITCH) (INCLUDES CONTACTS FOR THE STANDBY SOURCE)						
	9Y-7962	1	KIT-MAIN CONTACT (TRANSFER SWITCH) (INCLUDES CONTACTS FOR THE NORMAL SOURCE)						
			<END>						

## 9Y-8033 SWITCH AS-TRANSFER

S/N: 85Z3764-UP

1600 AMPERE, 4 POLE, 600 VOLT AC  
PART OF 9Y-7902 PANEL AR-TRANSFER SWITCH  
AN ATTACHMENT

SMCS-4469

i01959675

NOTE	PART NUMBER	QTY	PART NAME						SEE PAGE
			1	2	3	4	5	6 (PRODUCT LEVEL)	
	9Y-7986	1	ACTUATOR						
	9Y-7920	12	CONNECTOR						
	9Y-7932	2	COVER						
	9Y-7978	8	EXTINGUISHER						
	9Y-7970	1	KIT-MAIN CONTACT (TRANSFER SWITCH) (INCLUDES CONTACTS FOR THE STANDBY SOURCE)						
	9Y-7963	1	KIT-MAIN CONTACT (TRANSFER SWITCH) (INCLUDES CONTACTS FOR THE NORMAL SOURCE)						
			<END>						

## 9Y-8034 SWITCH AS-TRANSFER

S/N: 85Z3764-UP

2000 AMPERE, 4 POLE, 600 VOLT AC  
PART OF 9Y-7902 PANEL AR-TRANSFER SWITCH  
AN ATTACHMENT

SMCS-4469

i01959676

NOTE	PART NUMBER	QTY	PART NAME						SEE PAGE
			1	2	3	4	5	6 (PRODUCT LEVEL)	
	9Y-7987	1	ACTUATOR						
	9Y-7934	2	COVER						
	9Y-7979	8	EXTINGUISHER						
	9Y-7971	1	KIT-MAIN CONTACT (TRANSFER SWITCH) (INCLUDES CONTACTS FOR THE STANDBY SOURCE)						
	9Y-7964	1	KIT-MAIN CONTACT (TRANSFER SWITCH) (INCLUDES CONTACTS FOR THE NORMAL SOURCE)						
			<END>						

# OPERATOR STATION

## 7C-1075 TACHOMETER GP-ELECTRIC

S/N: 85Z3764-UP  
156 TOOTH PICKUP  
AN ATTACHMENT

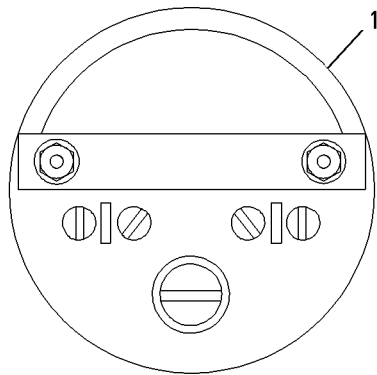
**SMCS-7462**

**i01896395**

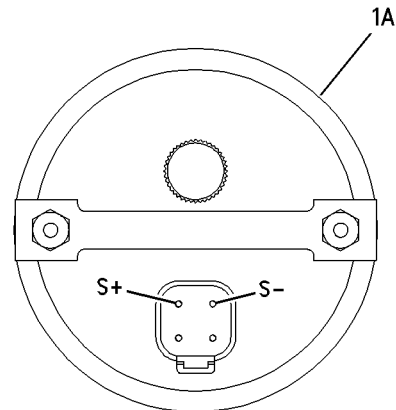
NOTE	REF NO	GRAPHIC REF	PART NUMBER	QTY	PART NAME						SEE PAGE
					1	2	3	4	5	6 (PRODUCT LEVEL)	
	1	1	<b>9X-1117</b>	1	TACHOMETER						
					-OR-						
J	1A	1	<b>197-7348</b>	1	TACHOMETER GP						
FJ			<b>155-2274</b>	1	KIT-CONNECTING PLUG (6-PIN) (ELECTRIC TACHOMETER)						
					(INCLUDES PLUG AS & WEDGE)						
FJ			<b>186-3736</b>	4	SOCKET-CONNECTOR (16-GA TO 18-GA)						

F - NOT SHOWN

J - USE ALL PARTS MARKED J TO REPLACE 9X-1117 TACHOMETER



**REAR VIEW**



**REAR VIEW**

GRAPHIC #1

<END>

g00785154

# OPERATOR STATION

## 7E-3157 TACHOMETER GP-ELECTRIC

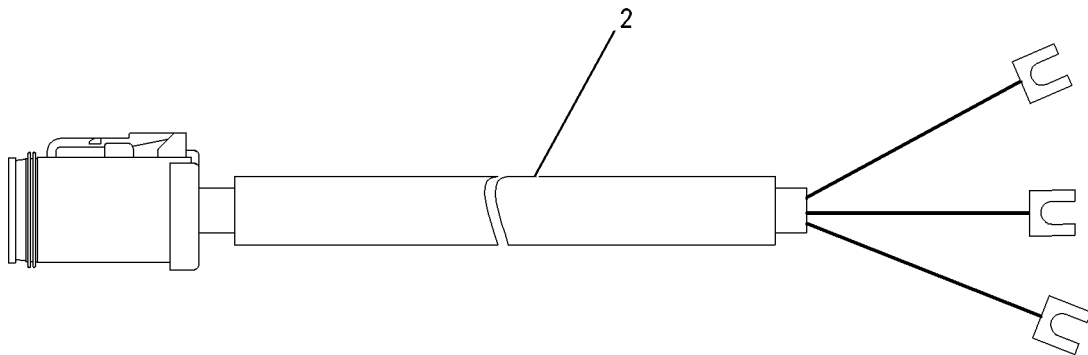
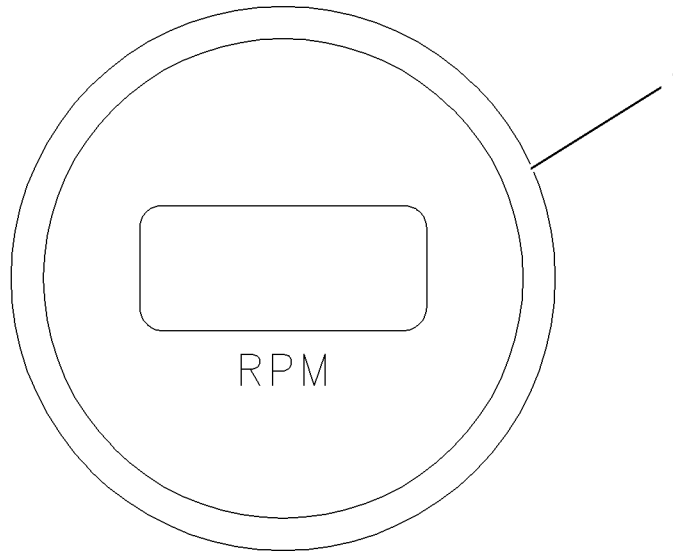
S/N: 85Z3764-UP  
156 TOOTH PICKUP, ADJUSTABLE  
AN ATTACHMENT

SMCS-7462

i02772865

NOTE	REF NO	GRAPHIC REF	PART NUMBER	QTY	PART NAME						SEE PAGE
					1	2	3	4	5	6 (PRODUCT LEVEL)	
	1	1	<b>197-7348</b>	1	TACHOMETER GP						
		1	<b>6V-8377</b>	2	NUT (8-32-THD)						
		1	<b>9B-7233</b>	2	LOCKWASHER						
B	2	1	<b>206-2568</b>	1	HARNESS AS-SENSOR (TACHOMETER)						
		1	<b>155-2274</b>	1	KIT-CONNECTING PLUG (6-PIN) (TACHOMETER HARNESS)						
(INCLUDES PLUG ASSEMBLY & WEDGE)											

B - USE AS REQUIRED



GRAPHIC #1

<END>

g00810560

# OPERATOR STATION

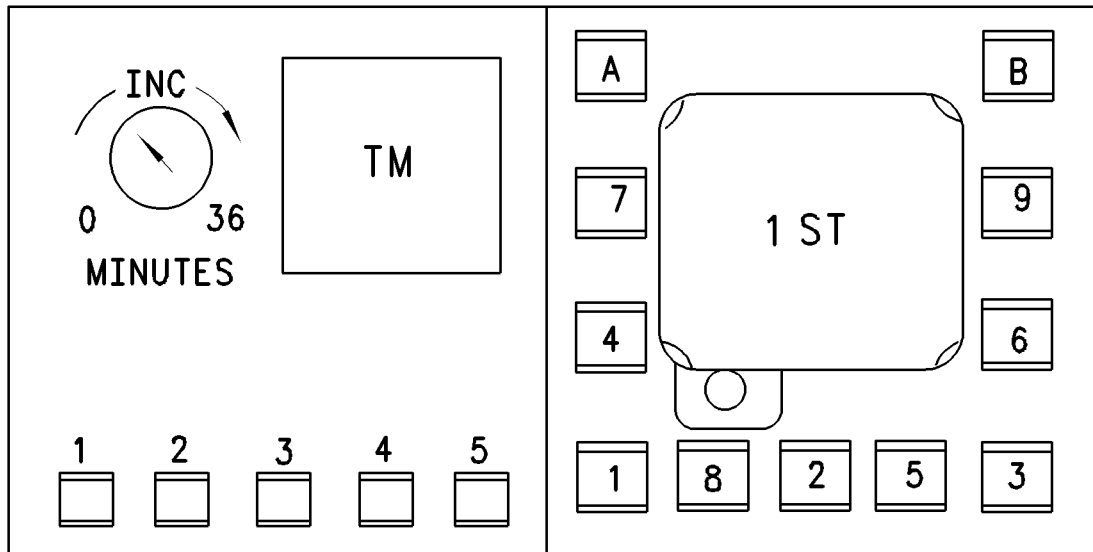
## 5N-3387 TIMER GP-COOL DOWN

S/N: 5CA5985-UP; 5DA5682-UP; 5EA5375-UP; 5FA4499-UP  
FIELD INSTALLATION

SMCS-7418

i01757616

NOTE	REF NO	GRAPHIC REF	PART NUMBER	QTY	PART NAME	SEE PAGE
					1 2 3 4 5 6 (PRODUCT LEVEL)	
(NO SERVICED PARTS)						



GRAPHIC #1

<END>

g00901106

# OPERATOR STATION

## 105-1457 VOLTMETER GP

S/N: 5CA5985-UP; 5DA5682-UP; 5EA5375-UP

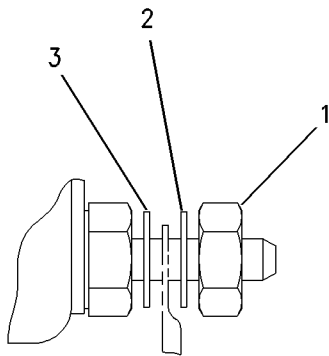
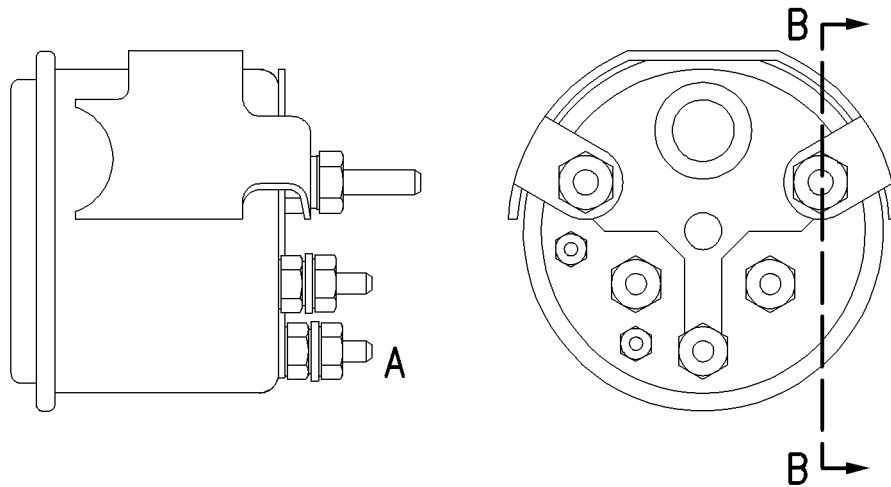
24-VOLT

PART OF 4W-8184 METER GP-VOLT  
AN ATTACHMENT

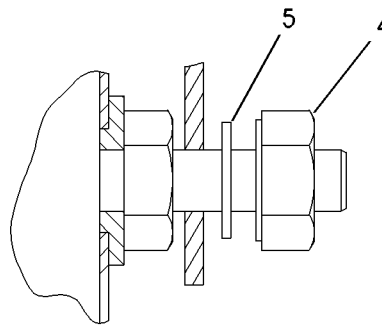
SMCS-7468, 7469

i01393797

NOTE	REF NO	GRAPHIC REF	PART NUMBER	QTY	PART NAME						SEE PAGE
					1	2	3	4	5	6 (PRODUCT LEVEL)	
1	1	1	<b>6V-8368</b>	2	NUT (6-32-THD)						
2	1	1	<b>4B-5324</b>	2	WASHER (3.9X9.6X1.2-MM THK)						
3	1	1	<b>3L-8187</b>	2	LOCKWASHER						
4	1	1	<b>4B-2043</b>	2	NUT (8-32-THD)						
5	1	1	<b>9B-7233</b>	2	LOCKWASHER						



VIEW OF AREA A



SECTION B-B

GRAPHIC #1

<END>

g00734608



SERVICE EQUIPMENT AND SUPPLIES

**5N-8487 CHART-AUTOMATIC START/STOP**

S/N: 85Z3764-UP  
SHUT-OFF & ALARM  
AN ATTACHMENT

SMCS-4462

i01147897

NOTE	REF NO	GRAPHIC REF	PART NUMBER	QTY	PART NAME						SEE PAGE
					1	2	3	4	5	6 (PRODUCT LEVEL)	

(REFER TO ILLUSTRATION)

# SERVICE EQUIPMENT AND SUPPLIES

5N-8487 CHART-AUTOMATIC START/STOP (contd.)

i01147897

MODEL & MODE		APPL.	3208 24 VOLT AUTO ST. ST.				3208 24 VOLT SHUT-OFF				3208 12 VOLT SHUT-OFF				3208 MISC		
			P (ETS)	P (ETR)	E (ETS)	E (ETR)	E (ETS)	E (ETR)	E (ETS)	E (ETR)	E (ETS)	E (ETR)	E (ETS)	E (ETR)	N/F/U/W JCT BOX	N/F/U/W JCT BOX	N/F/W JCT BOX
PART NO.	NAME	GOV	CONSIST		CONSIST		CONSIST		CONSIST		CONSIST		OP WT UNWIRED SHUTOFF	OP WT UNWIRED ALARM	OP WT ALARM		
			OP	WT	OS	OS	OP	WT	OS	OS	OP	WT				OS	OS
	CONTACTOR & MTG																
5N9176	OP WT-SHUTOFF		1	1	1	1	1	1	1	1	1	1					
7W3356	PICKUP-MAGNETIC		1	1	1	1	1	1		1	1						
4W8994	MTG-JUNCTION BOX		1	1	1	1	1	1	1	1	1	1					
7W0034	MTG-POWER BOX		1	1		1											
5N9174	CONVERSION (12V)									1	1	1	1				
5N8518	OP WT SHUTOFF												1				
2W1800	OP WT ALARM													1			
7W5342	OP WT ALARM															1	
	SOLENOID GPS																
4W1689	SOL (12V) ETS									1		1					
4W1688	SOL (12V) ETR										1		1				
4W0888	SOL (24V) ETR			1		1		1		1							
	JUNCTION BOX GPS																
2W8901	ETS W/OS						1			1							
2W8903	ETS							1				1					
2W8905	ETR W/OS							1			1						
2W8907	ETR								1				1				
2W8685	POWER BOX		1	1	1	1											
4W9601	ETS W/OS		1		1												
4W9602	ETR W/OS			1		1											
	WIRING & HARNESS																
2W8919	HARNESS-ENGINE		1	1	1	1											
2W8925	HARNESS		1	1													
4L1192	WIRING GP						1	1	1	1	1	1	1				
7W0920	CONNECTION GP		1	1													
7W5084	FASTENER GP		1	1	1	1											
	WIRING DIAGRAM																
2W8931	SHUTOFF						1	1	1	1	1	1	1				
2W8932	AUTO START STOP				1	1											
2W8933	PACKAGE		1	1													
	INSTALLATION GPS																
2W0973	INST. DWG.		1	1	1	1	1	1	1	1	1	1	1	1	1	1	

SYMB	DEFINITION
P	PACKAGE ELECTRIC SET
E	GEN SET ENGINE
M	MARINE ENGINE
A	MARINE AUXILIARY ENGINE
I	INDUSTRIAL ENGINE
O	MOBILE EQUIPMENT ENGINE
OP	OIL PRESSURE
WT	WATER TEMPERATURE
OS	OVERSPEED
TD	TIME DELAY
WC	WATERCOOLED MANIFOLD

SYMB	DEFINITION
TA	TURBO-AFTERCOOLED
DIT	DIRECT INJECTION-TURBO
AI	AIR INLET
EL	WOODWARD ELECTRONIC GOVERNOR
PG	WOODWARD PSG GOVERNOR
HM	HYDRAMECHANICAL GOVERNOR
ETS	ENERGIZED TO SHUTDOWN
ETR	ENERGIZED TO RUN

# SERVICE EQUIPMENT AND SUPPLIES

5N-8487 CHART-AUTOMATIC START/STOP (contd.)

i01147897

SYMB	DEFINITION
P	PACKAGE ELECTRIC SET
E	GEN SET ENGINE
M	MARINE ENGINE
A	MARINE AUXILIARY ENGINE
I	INDUSTRIAL ENGINE
O	MOBILE EQUIPMENT ENGINE
OP	OIL PRESSURE
WT	WATER TEMPERATURE
OS	OVERSPEED
TD	TIME DELAY
WC	WATERCOOLED MANIFOLD
TA	TURBO-AFTERCOOLED
DIT	DIRECT INJECTION-TURBO
AI	AIR INLET
EL	WOODWARD ELECTRONIC GOVERNOR
PG	WOODWARD PSG GOVERNOR
HM	HYDRA-MECHANICAL GOVERNOR
TA	TURBO-AFTERCOOLED
ETS	ENERGIZED TO SHUT DOWN
ETR	ENERGIZED TO RUN

PART NO.	NAME	GOV	CONSIST		APPL.		MODEL & MODE
3N859	JUNCTION BOX GP						3304 AUTO START-STOP
3N519	BOX GP	HM	OP	WT	OS	P (24V)	
4L1192	STARTING MOTOR GP	HM	OP	WT	OS	EIA (24V)	
8L4849	MOTOR (24V)	HM	OP	WT	OS	EIA (32V)	
2M628	WIRING & HARNESS	PG	OP	WT	OS	P (24V)	3304 SHUT-OFF 32 VOLT
5N576	WIRING GP	PG	OP	WT	OS	EIA (24V)	
3N6403	WIRING & HARNESS	PG	OP	WT	OS	EIA (32V)	
2W3052	CONNECTIONS	HM	OP	WT		EIAO	
4W3839	WIRING DIAGRAMS	HM	OP	WT	OS (ELEC)	EIAO	3304 SHUT-OFF 24 VOLT
4W1399	STANDBY PACKAGE	HM	OP	WT	OS (MECH)	EIAO	
3N8121	AUTO START-STOP	HM	OS (ELEC)			M	
5N8514	SHUT-OFF ETS	HM	OS (MECH)			M	
	SHUT-OFF ETR	PG	OP	WT		EIA	3304 SHUT-OFF 12 VOLT
	ALARM	PG	OP	WT	OS (ELEC)	EIA	
	INSTALLATION DWG.	PG	OP	WT	OS (MECH)	EIA	
		HM	ETR CONV.			M (NOTE B)	
		HM	ETR CONV.			EIAO (NOTE A)	3304 SHUT-OFF UNWIRED
		HM	OP	WT		EIAO	
		HM	OP	WT	OS (ELEC)	EIAO	
		HM	OP	WT	OS (MECH)	EIAO	
		HM	OS (ELEC)			M	3304 SHUT-OFF 12 VOLT
		HM	OS (MECH)			M	
		PG	OP	WT		EIA	
		PG	OP	WT	OS (ELEC)	EIA	
		PG	OP	WT	OS (MECH)	EIA	3304 SHUT-OFF 12 VOLT
		HM	ETR CONV.			M (NOTE B)	
		HM	ETR CONV.			EIA (NOTE A)	
		HM	OP	WT		EIAO	
		HM	OP	WT	OS (ELEC)	EIAO	3304 SHUT-OFF 12 VOLT
		HM	OP	WT	OS (MECH)	EIAO	
		HM	OS (ELEC)			M	
		HM	OS (MECH)			M	
		PG	OP	WT		EIA	3304 SHUT-OFF 12 VOLT
		PG	OP	WT	OS (ELEC)	EIA	
		PG	OP	WT	OS (MECH)	EIA	
		HM	ETR CONV.			M (NOTE B)	
		HM	ETR CONV.			EIA (NOTE A)	3304 SHUT-OFF UNWIRED
		HM	OP	WT		EIAO	
		HM	OP	WT	OS (ELEC)	EIAO	
		HM	OP	WT	OS (MECH)	EIAO	
		HM	OS (ELEC)			M	3304 SHUT-OFF 12 VOLT
		HM	OS (MECH)			M	
		PG	OP	WT		EIA	
		PG	OP	WT	OS (ELEC)	EIA	
		PG	OP	WT	OS (MECH)	EIA	3304 SHUT-OFF UNWIRED
		HM	ETR CONV.			M (NOTE B)	
		HM	ETR CONV.			EIA (NOTE A)	
		HM	OP	WT		EIAO	
		HM	OP	WT	OS (ELEC)	EIAO	3304 SHUT-OFF UNWIRED
		HM	OP	WT	OS (MECH)	EIAO	
		HM	OS (ELEC)			M	
		HM	OS (MECH)			M	
		PG	OP	WT		EIA	3304 SHUT-OFF UNWIRED
		PG	OP	WT	OS (ELEC)	EIA	
		PG	OP	WT	OS (MECH)	EIA	
		HM	ETR CONV.			M (NOTE B)	
		HM	ETR CONV.			EIA (NOTE A)	3304 SHUT-OFF UNWIRED
		HM	OP	WT		EIAO	
		HM	OP	WT	OS (ELEC)	EIAO	
		HM	OP	WT	OS (MECH)	EIAO	
		HM	OS (ELEC)			M	3304 SHUT-OFF UNWIRED
		HM	OS (MECH)			M	
		PG	OP	WT		EIA	
		PG	OP	WT	OS (ELEC)	EIA	
		PG	OP	WT	OS (MECH)	EIA	3304 SHUT-OFF UNWIRED
		HM	ETR CONV.			M (NOTE B)	
		HM	ETR CONV.			EIA (NOTE A)	
		HM	OP	WT		EIAO	
		HM	OP	WT	OS (ELEC)	EIAO	3304 SHUT-OFF UNWIRED
		HM	OP	WT	OS (MECH)	EIAO	
		HM	OS (ELEC)			M	
		HM	OS (MECH)			M	
		PG	OP	WT		EIA	3304 SHUT-OFF UNWIRED
		PG	OP	WT	OS (ELEC)	EIA	
		PG	OP	WT	OS (MECH)	EIA	
		HM	ETR CONV.			M (NOTE B)	
		HM	ETR CONV.			EIA (NOTE A)	3304 SHUT-OFF UNWIRED
		HM	OP	WT		EIAO	
		HM	OP	WT	OS (ELEC)	EIAO	
		HM	OP	WT	OS (MECH)	EIAO	
		HM	OS (ELEC)			M	3304 SHUT-OFF UNWIRED
		HM	OS (MECH)			M	
		PG	OP	WT		EIA	
		PG	OP	WT	OS (ELEC)	EIA	
		PG	OP	WT	OS (MECH)	EIA	3304 SHUT-OFF UNWIRED
		HM	ETR CONV.			M (NOTE B)	
		HM	ETR CONV.			EIA (NOTE A)	
		HM	OP	WT		EIAO	
		HM	OP	WT	OS (ELEC)	EIAO	3304 SHUT-OFF UNWIRED
		HM	OP	WT	OS (MECH)	EIAO	
		HM	OS (ELEC)			M	
		HM	OS (MECH)			M	
		PG	OP	WT		EIA	3304 SHUT-OFF UNWIRED
		PG	OP	WT	OS (ELEC)	EIA	
		PG	OP	WT	OS (MECH)	EIA	
		HM	ETR CONV.			M (NOTE B)	
		HM	ETR CONV.			EIA (NOTE A)	3304 SHUT-OFF UNWIRED
		HM	OP	WT		EIAO	
		HM	OP	WT	OS (ELEC)	EIAO	
		HM	OP	WT	OS (MECH)	EIAO	
		HM	OS (ELEC)			M	3304 SHUT-OFF UNWIRED
		HM	OS (MECH)			M	
		PG	OP	WT		EIA	
		PG	OP	WT	OS (ELEC)	EIA	
		PG	OP	WT	OS (MECH)	EIA	3304 SHUT-OFF UNWIRED
		HM	ETR CONV.			M (NOTE B)	
		HM	ETR CONV.			EIA (NOTE A)	
		HM	OP	WT		EIAO	
		HM	OP	WT	OS (ELEC)	EIAO	3304 SHUT-OFF UNWIRED
		HM	OP	WT	OS (MECH)	EIAO	
		HM	OS (ELEC)			M	
		HM	OS (MECH)			M	
		PG	OP	WT		EIA	3304 SHUT-OFF UNWIRED
		PG	OP	WT	OS (ELEC)	EIA	
		PG	OP	WT	OS (MECH)	EIA	
		HM	ETR CONV.			M (NOTE B)	
		HM	ETR CONV.			EIA (NOTE A)	3304 SHUT-OFF UNWIRED
		HM	OP	WT		EIAO	
		HM	OP	WT	OS (ELEC)	EIAO	
		HM	OP	WT	OS (MECH)	EIAO	
		HM	OS (ELEC)			M	3304 SHUT-OFF UNWIRED
		HM	OS (MECH)			M	
		PG	OP	WT		EIA	
		PG	OP	WT	OS (ELEC)	EIA	
		PG	OP	WT	OS (MECH)	EIA	3304 SHUT-OFF UNWIRED
		HM	ETR CONV.			M (NOTE B)	
		HM	ETR CONV.			EIA (NOTE A)	
		HM	OP	WT		EIAO	
		HM	OP	WT	OS (ELEC)	EIAO	3304 SHUT-OFF UNWIRED
		HM	OP	WT	OS (MECH)	EIAO	
		HM	OS (ELEC)			M	
		HM	OS (MECH)			M	
		PG	OP	WT		EIA	3304 SHUT-OFF UNWIRED
		PG	OP	WT	OS (ELEC)	EIA	
		PG	OP	WT	OS (MECH)	EIA	
		HM	ETR CONV.			M (NOTE B)	
		HM	ETR CONV.			EIA (NOTE A)	3304 SHUT-OFF UNWIRED
		HM	OP	WT		EIAO	
		HM	OP	WT	OS (ELEC)	EIAO	
		HM	OP	WT	OS (MECH)	EIAO	
		HM	OS (ELEC)			M	3304 SHUT-OFF UNWIRED
		HM	OS (MECH)			M	
		PG	OP	WT		EIA	
		PG	OP	WT	OS (ELEC)	EIA	
		PG	OP	WT	OS (MECH)	EIA	3304 SHUT-OFF UNWIRED
		HM	ETR CONV.			M (NOTE B)	
		HM	ETR CONV.			EIA (NOTE A)	
		HM	OP	WT		EIAO	
		HM	OP	WT	OS (ELEC)	EIAO	3304 SHUT-OFF UNWIRED
		HM	OP	WT	OS (MECH)	EIAO	
		HM	OS (ELEC)			M	
		HM	OS (MECH)			M	
		PG	OP	WT		EIA	3304 SHUT-OFF UNWIRED
		PG	OP	WT	OS (ELEC)	EIA	
		PG	OP	WT	OS (MECH)	EIA	
		HM	ETR CONV.			M (NOTE B)	
		HM	ETR CONV.			EIA (NOTE A)	3304 SHUT-OFF UNWIRED
		HM	OP	WT		EIAO	
		HM	OP	WT	OS (ELEC)	EIAO	
		HM	OP	WT	OS (MECH)	EIAO	
		HM	OS (ELEC)			M	3304 SHUT-OFF UNWIRED
		HM	OS (MECH)			M	
		PG	OP	WT		EIA	
		PG	OP	WT	OS (ELEC)	EIA	
		PG	OP	WT	OS (MECH)	EIA	3304 SHUT-OFF UNWIRED
		HM	ETR CONV.			M (NOTE B)	
		HM	ETR CONV.			EIA (NOTE A)	
		HM	OP	WT		EIAO	
		HM	OP	WT	OS (ELEC)	EIAO	3304 SHUT-OFF UNWIRED
		HM	OP	WT	OS (MECH)	EIAO	
		HM	OS (ELEC)			M	
		HM	OS (MECH)			M	
		PG	OP	WT		EIA	3304 SHUT-OFF UNWIRED
		PG	OP	WT	OS (ELEC)	EIA	
		PG	OP	WT	OS (MECH)	EIA	
		HM	ETR CONV.			M (NOTE B)	
		HM	ETR CONV.			EIA (NOTE A)	3304 SHUT-OFF UNWIRED
		HM	OP	WT		EIAO	
		HM	OP	WT	OS (ELEC)	EIAO	
		HM	OP	WT	OS (MECH)	EIAO	
		HM	OS (ELEC)			M	3304 SHUT-OFF UNWIRED
		HM	OS (MECH)			M	
		PG	OP	WT		EIA	
		PG	OP	WT	OS (ELEC)	EIA	
		PG	OP	WT	OS (MECH)	EIA	3304 SHUT-OFF UNWIRED
		HM	ETR CONV.			M (NOTE B)	
		HM	ETR CONV.			EIA (NOTE A)	
		HM	OP	WT		EIAO	
		HM	OP	WT	OS (ELEC)	EIAO	3304 SHUT-OFF UNWIRED
		HM	OP	WT	OS (MECH)	EIAO	
		HM	OS (ELEC)			M	
		HM	OS (MECH)			M	
		PG	OP	WT		EIA	3304 SHUT-OFF UNWIRED
		PG	OP	WT	OS (ELEC)	EIA	
		PG	OP	WT	OS (MECH)	EIA	
		HM	ETR CONV.			M (NOTE B)	
		HM</					

SERVICE EQUIPMENT AND SUPPLIES

**7W-3400 CHART-AUTOMATIC START/STOP**

S/N: 85Z3764-UP

AN ATTACHMENT

SMCS-4462

i01234350

NOTE	REF NO	GRAPHIC REF	PART NUMBER	QTY	PART NAME	SEE PAGE
					1 2 3 4 5 6 (PRODUCT LEVEL)	
REFER TO ILLUSTRATION						

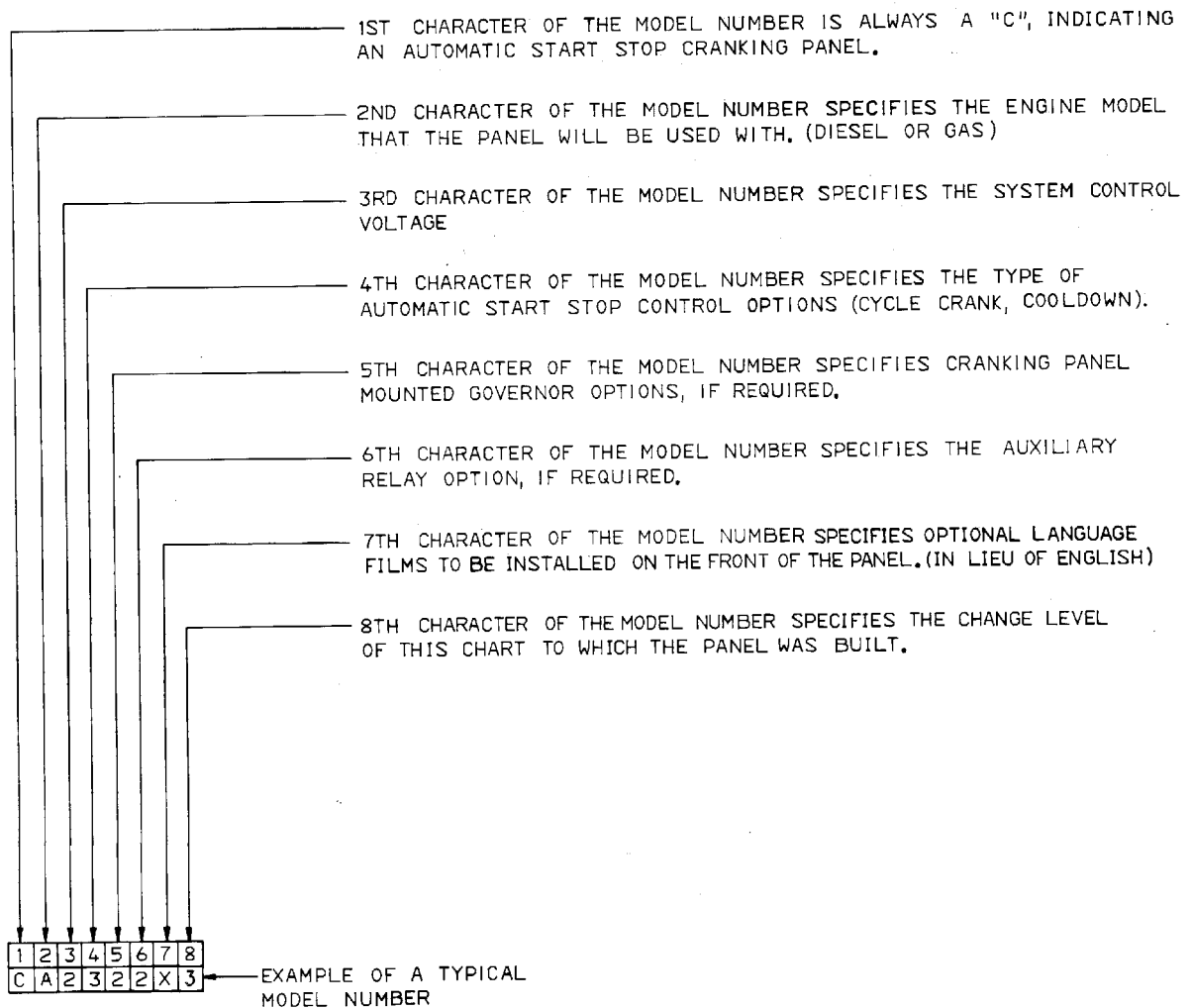
# SERVICE EQUIPMENT AND SUPPLIES

7W-3400 CHART-AUTOMATIC START/STOP (contd.)

101234350

## I. MODEL NUMBER SELECTION

THE MODEL NUMBER OF THE CRANKING PANEL IS ESTABLISHED BASED ON PANEL OPTIONS (EXAMPLE: CA2322X3). THE MODEL NUMBER IS DEVELOPED ONE CHARACTER AT A TIME BY FOLLOWING THE INSTRUCTIONS ON SHEETS 1-3. A GENERAL DEFINITION OF MODEL NUMBER CHARACTERS APPEARS BELOW:



GRAPHIC #1

g00662029

# SERVICE EQUIPMENT AND SUPPLIES

7W-3400 CHART-AUTOMATIC START/STOP (contd.)

i01234350

## II. DESCRIPTION OF EQUIPMENT SPECIFIED BY MODEL NUMBER

- 1 — THE FIRST CHARACTER OF THE MODEL NUMBER IS ALWAYS A "C", SPECIFYING THAT THE PANEL IS A WALL MOUNTED AUTOMATIC START STOP CRANKING PANEL FOR USE WITH CATERPILLAR ENGINES.
- 2 — THE SECOND CHARACTER OF THE MODEL NUMBER SPECIFIES THE ENGINE MODEL (DIESEL OR GAS) WITH WHICH THE PANEL WILL BE USED.

MODEL CA2322X3

DIESEL	GAS	ENGINE MODEL
A	—	3208
C	—	3304
E	F	3306
G	H	3406
J	K	3408
L	M	3412

DIESEL	GAS	ENGINE MODEL
N	P	3508
R	S	3512
T	V	3516
-	W	399
-	Y	398
-	Z	379

- 3 — THE THIRD CHARACTER OF THE MODEL NUMBER SPECIFIES THE SYSTEM CONTROL/CRANKING VOLTAGE, AND THE AFFECTED COMPONENTS.

MODEL CA2322X3

	SYSTEM VOLTAGE	FAULT LAMP BOARD AS.		CONTROL RELAY	
		PART NO.	QTY	PART NO.	QTY
1	24 VOLTS DC	4W8734	1	3N5714	3
2	32 VOLTS DC	7W3403	1	5N5498	3

GRAPHIC #2

g00662032

# SERVICE EQUIPMENT AND SUPPLIES

7W-3400 CHART-AUTOMATIC START/STOP (contd.)

101234350

**4**— THE FOURTH CHARACTER OF THE MODEL NUMBER SPECIFIES THE TYPE OF THE ENGINE CONTROL, AND CYCLE CRANK AND COOLDOWN TIMER OPTIONS, IF REQUIRED.

MODEL CA2322X3

	ENGINE START STOP CONTROL TYPE	QTY	ENGINE CONTROL OPTIONS		
			CYCLE CRANK TIMER	COOLDOWN TIMER	TIMER MTG TRACK QTY PART NO.
1	AUTOMATIC (SINGLE CRANK)	-	NOT REQUIRED	NOT REQUIRED	
2	AUTOMATIC (W/CYCLE CRANK)	1	4W8791	NOT REQUIRED	1 3N7817
3	AUTOMATIC (W/COOLDOWN)	1	NOT REQUIRED	4W8792	1 3N7817
4	AUTOMATIC (W/CYCLE CRANK & COOLDOWN)	1	4W8791	4W8792	2 3N7817

**5**— THE FIFTH CHARACTER OF THE MODEL NUMBER SPECIFIES PANEL MOUNTED GOVERNOR OPTIONS, IF REQUIRED.

MODEL CA2322X3

	GOVERNOR OPTION	GOVERNOR TYPE	QTY	COMPONENTS
X	NONE	CAT HYDRA-MECH PSG	—	NOT REQUIRED
1	2301 GOVERNOR (W/PRE-REGULATOR)	2301 SPEED SENSING	1	131-5453 - CONTROL AS.
			1	4W5391 - BOX AS.
2	2301 GOVERNOR	2301 SPEED SENSING	1	131-5453 - CONTROL AS.
			1	7T0037 - FUSE
			1	4W8790 - BLOCK-FUSE

GRAPHIC #3

g00662028

# SERVICE EQUIPMENT AND SUPPLIES

7W-3400 CHART-AUTOMATIC START/STOP (contd.)

i01234350

- 6 — THE SIXTH CHARACTER OF THE MODEL NUMBER SPECIFIES THE AUXILIARY RELAY OPTION, IF REQUIRED.

MODEL CA2322X3

	RELAY MODULE	RELAY	SOCKET	QTY
X	NOT REQUIRED	-	-	-
1	24 VOLT DC SYSTEM	3N5714	4W8787	1
2	32 VOLT DC SYSTEM	5N5498	4W8787	1

NOTE: IF AUXILIARY RELAY OPTION IS REQUIRED THE 6TH CHARACTER MUST BE THE SAME AS THE 3RD CHARACTER OF THE MODEL NUMBER.

- 7 — THE SEVENTH CHARACTER OF THE MODEL NUMBER SPECIFIES OPTIONAL LANGUAGE FILMS TO BE INSTALLED ON THE FRONT OF THE PANEL. (IN LIEU OF ENGLISH)

MODEL CA2322X3

	LANGUAGE	FILM PART NO.
X		NOT REQUIRED
F	FRENCH	7W 3070
S	SPANISH	7W 3071
P	PORTUGUESE	7W 3072
G	GERMAN	7W 3073
A	ARABIC	7W 3074

- 8 — THE EIGHTH CHARACTER OF THE MODEL NUMBER SPECIFIES THE CHANGE LEVEL OF THIS CHART TO WHICH THE PANEL WAS BUILT.

MODEL CA2322X3

→ FOR EXAMPLE, THIS MEANS CHANGE LEVEL 3. REFER TO DRAWING TITLE BLOCK AND/OR CONTROL PANEL IDENTIFICATION TAG FOR ACTUAL CHANGE LEVEL.



# SERVICE EQUIPMENT AND SUPPLIES

7W-3400 CHART-AUTOMATIC START/STOP (contd.)

101234350

III. IN ADDITION TO THE COMPONENTS SPECIFIED BY THE MODEL NUMBER, THE FOLLOWING COMPONENTS ARE REQUIRED TO COMPLETE THE CRANKING PANEL:

QTY	PART NO.	COMPONENT	DESCRIPTION
1 LOT	—	PANDUIT (PLASTIC WIREWAY)	USE AS REQUIRED
2	4W8229	TERMINAL STRIP 20 POINT	TB A AND TB B
1	4W8226	STRIP-TERMINAL MARKER	TB A TERMINAL STRIP MARKER
1	4W8227	STRIP-TERMINAL MARKER	TB B TERMINAL STRIP MARKER
3	4W8787	SOCKET RELAY	RR, AR, ENFR RELAY SOCKETS
1 LOT	—	INTERNAL WIRING	APPROVED BY CAT
1 LOT	—	LABELS-COMPONENT	APPROVED BY CAT
1	4W8735	EMERGENCY STOP SWITCH	
1	3N5976	ENGINE CONTROL SWITCH	
1 LOT	—	SPIRAL WRAP	USE AS REQUIRED
1 LOT	—	SHEET METAL COMPONENTS	CONTROL PANEL ENCLOSURE COMPONENTS
1	3N5978	ARMING DELAY TIMER	
1	3N5978	OVERCRANK TIMER	
1	7W3645	TRACK	TIMER MTG
1	2W4899	DIODE AS.	
1	2W8683	BLOCK	
1	7W3069	POLYCARBONATE FILM-ENGLISH	HARCO SCREEN GRAFICS -COLOR NO. PMS - 425U

#### IV. GENERAL REQUIREMENTS:

1. ALL CRANKING PANELS SHALL CONTAIN THE APPROPRIATE SPACE, WIRING, HOLES ETC., TO SUPPORT THE FIELD INSTALLATION OF ANY OPTION LISTED ON THIS CHART.
2. THE COMPLETED CRANKING PANEL SHALL BE FINISHED PAINTED ASA 61 GRAY.
3. A SUPPLIER NAMEPLATE WILL BE ATTACHED INSIDE THE PANEL ENCLOSURE, THE CRANKING PANEL MODEL NUMBER SHALL BE STAMPED ON THIS NAMEPLATE, ALONG WITH THE DATE CODE.
4. A COMPLETE SET OF CAT DRAWINGS INCLUDING OUTLINE DRAWING, WIRING DIAGRAMS, SCHEMATIC DIAGRAMS, INTERCONNECT DIAGRAM SHALL BE PACKED WITH EACH CRANKING PANEL.
5. ALL PANDUIT, TIMER TRACK, ETC., SHALL BE SECURED TO THE ENCLOSURE VIA THREADED FASTENERS.

GRAPHIC #5

g00662030

# SERVICE EQUIPMENT AND SUPPLIES

7W-3400 CHART-AUTOMATIC START/STOP (contd.)

i01234350

6. STANDARD HARDWARE FASTENERS USED FOR SHEETMETAL TO SHEETMETAL SECUREMENT SHALL BE TORQUED TO THE VALUES GIVEN BELOW. IN ADDITION TYPE B LOCTITE SEALANT AS SPECIFIED BY IE2200 SHALL BE USED.

SCREW SIZE (INCH)	STANDARD HARDWARE			
	NEWTON-METERS		FOOT-LBS	
	MIN	MAX	MIN	MAX
4-40	0.37	0.53	0.3	0.4
6-32	0.69	0.98	0.5	0.7
8-32	1.41	2.01	1.0	1.5
10-32	2.35	3.36	1.7	2.5
1/4-20	5.70	8.14	4.2	6.0
5/16-18	10.44	14.91	7.7	11.0
3/8-16	18.03	25.76	13.3	19.0
7/16-14	28.48	40.68	21.3	30.0
1/2-13	42.71	61.02	31.5	45.0
9/16-12	62.65	89.50	46.2	66.0
5/8-11	88.28	126.11	65.1	93.0
3/4-10	142.38	203.40	105.0	150.0
7/8-9	191.74	273.91	141.4	202.0

## V. CATERPILLAR REFERENCE DRAWINGS:

7W3402 - INSTRUCTIONS

GRAPHIC #6

<END>

g00662031

# SERVICE EQUIPMENT AND SUPPLIES

## 3N-7052 CHART-CIRCUIT BREAKER

S/N: 5CA5985-UP; 5DA5682-UP; 5EA5375-UP

STANDBY POWER

AN ATTACHMENT

SMCS-1420, 4461

i00719641

NOTE	REF NO	GRAPHIC REF	PART NUMBER	QTY	PART NAME 1 2 3 4 5 6 (PRODUCT LEVEL)	SEE PAGE
------	--------	-------------	-------------	-----	--	----------

REFER TO ILLUSTRATION

	RATED KW	WITH SHUNT COIL												WITHOUT SHUNT COIL				
		50 HZ	MAX				56 53 63 60				56 53 63 60							
			MIN				49	45	50	49	49	45	50	49				
		60 HZ	MAX															
MIN				59	53	49	60	59	53	49	60							
VOLTAGE		208	240	480	600	200	240	400	480	208	240	480	600	200	240	400	480	
CIRCUIT BREAKER PART NUMBER AND TRIP RATING	5N3350 (250A)																	
	3N7556 (250A)																	
	5N3351 (225A)																	
	3N7555 (225A)																	
	5N3352 (200A)																	
	3N7554 (200A)																	
	5N3353 (175A)																	
	3N7553 (175A)																	
	5N3355 (125A)																	
	3N7551 (125A)																	
5N3356 (100A)																		
3N7550 (100A)																		
MOUNTING GROUP CIRCUIT BREAKER	3N5735 (360 FR)																	
COVER EXTENSION TERMINAL BOX	5N4838 ▲																	
CABLE ASSEM. LINE EXTENSION	3N7724 (0 GAUGE)		3			3	3		3				3	3	3		3	
CABLE ASSEM. NEUTRAL EXTENSION	3N7723 (0 GAUGE)																	

▲ REQUIRES 3N5545 EXTENSION TERMINAL BOX (FOR 360 FRAME GENERATOR)

GRAPHIC #1

g00154218





# SERVICE EQUIPMENT AND SUPPLIES

3N-7052 CHART-CIRCUIT BREAKER (contd.)

i00719641

	RATED KW	50 HZ		WITHOUT SHUNT TRIP												WITH A 24V DC SHUNT TRIP COIL															
		MAX	MIN	126	150	136	150	126	150	136	151	113	127	120	137	113	127	120	137	126	150	136	150	126	150	136	151				
		MIN	MAX	157	181	181	170	187	157	181	181	170	187	131	158	150	150	171	157	181	181	170	187	131	158	150	150	171			
		VOLTAGE		208	208	240	480	600	600	200	200	240	240	400	400	480	480	208	208	240	480	600	600	200	200	240	240	400	400	480	480
	3N6682 (700A)			1																											
	5N3360 (700A)																														
CIRCUIT BREAKER	3N6681 (600A)			1	1	1																									
PART NUMBER	5N3361 (600A)																														
	3N6680 (500A)																														
	5N3362 (500A)																														
AND TRIP	3N7558 (450A)																														
	5N3348 (450A)																														
RATING	3N6678 (300A)																														
	5N3364 (300A)																														
	3N7556 (250A)																														
	5N3350 (250A)																														
	3N7555 (225A)																														
	5N3351 (225A)																														
	3N7552 (150A)																														
	5N3354 (150A)																														
MOUNTING GP.																															
CIRCUIT BREAKER	3N7051 (440 & 580 FR)			1	1	1	1	1	1	1	1	1	1	1	1	1															
COVER EXTENSION																															
TERMINAL BOX	5N4639 ▲			1	1	1	1	1	1	1	1	1	1	1	1	1															
CABLE ASSEM.	3N7724 (0 GAUGE)																														
LINE EXTENSION	3N9326 (250 MCM)			3	6	3	3	3	3	3	3	3	3	3	3	3															
CABLE ASSEM.	3N7723 (0 GAUGE)																														
NEUTRAL EXTENSION	3N9325 (250 MCM)			1	1	1	1	1	1	1	1	1	1	1	1	1															

▲ REQUIRES 3N6710 EXTENSION TERMINAL BOX (FOR 440 FRAME GENERATOR)

GRAPHIC #4

g00150467



# SERVICE EQUIPMENT AND SUPPLIES

3N-7052 CHART-CIRCUIT BREAKER (contd.)

i00719641

	RATED KW	50 HZ	WITHOUT SHUNT TRIP								WITH A 24V DC SHUNT TRIP COIL								
			MAX								MAX								
			MIN	250	211	228	212					250	211	228	212				
60 HZ	MAX	262	302	271	264					262	302	271	264						
		MIN	209	242	243	228				209	242	243	228						
VOLTAGE			208	240	480	600	200	240	400	480	208	240	480	600	200	240	400	480	
CIRCUIT BREAKER PART NUMBER AND TRIP RATING	3N6684	(1000A)																	
	3N6682	(700A)																	
	3N7558	(450A)																	
	3N7557	(350A)																	
	5N3358	(1000A)																	
	5N3360	(700A)																	
	5N3348	(450A)																	
	5N3349	(350A)																	
MOUNTING GROUP	3N7051	(440 & 580 FR)																	
	3N6737	(440 & 580 FR)																	
CIRCUIT BREAKER COVER EXTENSION TERMINAL BOX																			
	▲ 5N4839	(FOR 440 FRAME GEN.)																	
CABLE ASSEM. LINE EXTENSION																			
	3N9326	(250 MCM)	6	6	3	3	6	6	3	3	6	6	3	3					
CABLE ASSEM. NEUTRAL EXTENSION																			
	3N9325	(250 MCM)																	

▲ REQUIRES 3N6710 EXTENSION TERMINAL BOX

GRAPHIC #6

g00150544





# SERVICE EQUIPMENT AND SUPPLIES

3N-7052 CHART-CIRCUIT BREAKER (contd.)

i00719641

	RATED KW	50 HZ	WITHOUT SHUNT TRIP								WITH A 24V DC SHUNT TRIP CDTL							
			MAX		300		302		272		300		302		272			
			MIN		240		240		240		240		240		240			
		60 HZ	MAX		314		362		362		340		314		362		340	
			MIN		262		300		300		300		262		300		300	
		VOLTAGE	208		240		480		s		200		240		400		480	
							600											
CIRCUIT BREAKER PART NUMBER AND TRIP RATING	3N6685	(1200A)																
	3N6684	(1000A)																
	3N6681	(600A)																
	3N7558	(450A)																
	5N3357	(1200A)																
	5N3358	(1000A)																
MOUNTING GROUP CIRCUIT BREAKER	3N7051	(440 & 580 FR)																
	3N6737	(440 & 580 FR)																
COVER EXTENSION TERMINAL BOX	▲ 5N4839	(FOR 440 FRAME GEN.)																
CABLE ASSEM. - LINE EXTENSION	3N9326	(250 MCM)	6	6	3	3	6	6	3	3								
CABLE ASSEM. - NEUTRAL EXTENSION	3N9325	(250 MCM)																

▲ REQUIRES 3N6710 EXTENSION TERMINAL BOX

GRAPHIC #8

g00150545

# SERVICE EQUIPMENT AND SUPPLIES

3N-7052 CHART-CIRCUIT BREAKER (contd.)

i00719641

	RATED KW	50 HZ	WITHOUT SHUNT TRIP						
			MAX			362	353	363	
			MTN			302	302	302	
			60 HZ	MAX	424	453			
		MTN	363	379					
VOLTAGE			480	600	240	400	480		
	3N6685	(1200A)			1				
	3N6684	(1000A)							
CIRCUIT	3N6683	(800A)							
BREAKER	3N6682	(700A)	1			1			
PART	3N6681	(600A)		1			1		
NUMBER	3N6680	(500A)							
AND	3N7558	(450A)							
TRIP	3N6679	(400A)							
RATING	3N7557	(350A)							
	3N6678	(300A)							
	3N7556	(250A)							
	3N7555	(225A)							
	3N7554	(200A)							
	3N7553	(175A)							
	3N7552	(150A)							
	3N7551	(125A)							
	3N7550	(100A)							
MOUNTING GROUP	3N5735	(360 FR)							
CIRCUIT	3N7051	(440 & 580 FR)		1			1		
BREAKER	3N6737	(440 & 580 FR)	1		1	1			
COVER EXTENSION	5N4838	(NOTE A)							
TERMINAL BOX	5N4839	(NOTE B)							
	5N4839	(NOTE C)	1	1	1	1	1		
CABLE ASSEM.	3N7724	(0 GAUGE)							
LINE EXTENSION	3N9326	(250 MCM)	6	3	6	6	3		
CABLE ASSEM.	3N7723	(0 GAUGE)							
NEUTRAL EXTENSION	3N9325	(250 MCM)	1	1	1	1	1		

(NOTE A) REQUIRES 3N5545 EXTENSION TERMINAL BOX (FOR 360 FRAME GEN.)  
 (NOTE B) REQUIRES 3N6710 EXTENSION TERMINAL BOX (FOR 440 FRAME GEN.)  
 (NOTE C) REQUIRES 3N8360 EXTENSION TERMINAL BOX (FOR 580 FRAME GEN.)

# SERVICE EQUIPMENT AND SUPPLIES

3N-7052 CHART-CIRCUIT BREAKER (contd.)

i00719641

			WITH A 24V DC SHUNT TRIP COIL					
	RATED KW	50 HZ	MAX		362	353	363	
			MIN		302	302	302	
		60 HZ	MAX	424	453			
			MIN	363	379			
VOLTAGE			480	600	240	400	480	
	5N3357	(1200A)			1			
	5N3358	(1000A)						
CIRCUIT	5N3359	(800A)						
BREAKER	5N3360	(700A)	1			1		
PART	5N3361	(600A)		1				
NUMBER	5N3362	(500A)						
AND	5N3348	(450A)						
TRIP	5N3363	(400A)						
RATING	5N3349	(350A)						
	5N3364	(300A)						
	5N3350	(250A)						
	5N3351	(225A)						
	5N3352	(200A)						
	5N3353	(175A)						
	5N3354	(150A)						
	5N3355	(125A)						
	5N3356	(100A)						
MOUNTING GROUP	3N5735	(360 FR)						
CIRCUIT	3N7051	(440 & 580 FR)		1			1	
BREAKER	3N6737	(440 & 580 FR)	1		1	1		
COVER EXTENSION	5N4838	(NOTE A)						
TERMINAL BOX	5N4839	(NOTE B)						
	5N4839	(NOTE C)	1	1	1	1	1	
CABLE ASSEM.	3N7724	(0 GAUGE)						
LINE EXTENSION	3N9326	(250 MCM)	6	3	6	6	3	
CABLE ASSEM.	3N7723	(0 GAUGE)						
NEUTRAL EXTENSION	3N9325	(250 MCM)	1	1	1	1	1	

(NOTE A) REQUIRES 3N5545 EXTENSION TERMINAL BOX (FOR 360 FRAME GEN.)  
 (NOTE B) REQUIRES 3N6710 EXTENSION TERMINAL BOX (FOR 440 FRAME GEN.)  
 (NOTE C) REQUIRES 3N8360 EXTENSION TERMINAL BOX (FOR 580 FRAME GEN.)



SERVICE EQUIPMENT AND SUPPLIES

**4W-8145 CHART-CIRCUIT BREAKER**

S/N: 5CA5985-UP; 5DA5682-UP; 5EA5375-UP; 5FA4499-UP; 8JF1-UP; 6CG1-UP; 6EG1-UP;  
85Z3764-UP  
AN ATTACHMENT

SMCS-1420, 4461

i01147909

NOTE	REF NO	GRAPHIC REF	PART NUMBER	QTY	PART NAME						SEE PAGE
					1	2	3	4	5	6 (PRODUCT LEVEL)	

(REFER TO ILLUSTRATION)







# SERVICE EQUIPMENT AND SUPPLIES

4W-8145 CHART-CIRCUIT BREAKER (contd.)

i01147909

CIRCUIT BREAKER GROUP		KW OUTPUT RANGE OF GENERATOR SET						360 FR NOTE A				440 FR NOTE B (ROUND)									
								MTG GP	FASTENER GP (WYE)	NEUTRAL BAR AS.	EXTENSION BOX	EXTENSION BOX COVER	FASTENER GP (EXT BOX)	MTG GP	FASTENER GP (WYE)	NEUTRAL BAR AS.	EXTENSION BOX	EXTENSION BOX COVER	FASTENER GP (WYE)	FASTENER GP (EXT BOX)	
W/SHUNT TRIP	TRIP RATING	WYE - SERIES CONNECTED						4W-8213	4W-8378	4W-8290	107-3055	4W-8305	106-1771	7E-1161	4W-8378	4W-8216	4W-8057	4W-8306	7E-1160	4W-8379	106-1771
		600 V	480 V	440 V	416 V	400 V	380 V														
104-4378	100 A	69-75	55-60	50-55	48-52	46-50	44-47	X	X	X	X	X	X	X	X	X	X	X	X	X	X
104-4379	125 A	76-94	61-75	56-69	53-65	51-63	48-59	X	X	X	X	X	X	X	X	X	X	X	X	X	X
104-4380	150 A	95-113	76-90	70-83	66-78	64-75	60-71	X	X	X	X	X	X	X	X	X	X	X	X	X	X
104-4381	175 A	114-132	91-105	84-97	79-91	76-88	72-83	X	X	X	X	X	X	X	X	X	X	X	X	X	X
104-4382	200 A	133-151	106-121	98-112	92-105	89-101	84-96	X	X	X	X	X	X	X	X	X	X	X	X	X	X
104-4383	225 A	152-170	122-136	113-124	106-118	102-113	97-107	X	X	X	X	X	X	X	X	X	X	X	X	X	X
104-4384	250 A	171-188	137-150	125-138	119-131	114-126	108-119	X	X	X	X	X	X	X	X	X	X	X	X	X	X
104-4385	300 A	189-226	151-180	139-166	132-157	127-151	120-143	X	X	X	X	X	X	X	X	X	X	X	X	X	X
104-4386	350 A	227-264	181-211	167-194	158-183	152-176	144-167	X	X	X	X	X	X	X	X	X	X	X	X	X	X
104-4387	400 A	265-302	212-242	195-222	184-210	177-202	168-191	X	X	X	X	X	X	X	X	X	X	X	X	X	X
104-4388	450 A	303-340	243-272	223-249	211-236	203-226	192-215	X	X	X	X	X	X	X	X	X	X	X	X	X	X
104-4389	500 A	341-377	273-302	250-277	237-262	227-252	216-239	X	X	X	X	X	X	X	X	X	X	X	X	X	X
104-4390	600 A	378-453	303-362	278-332	263-314	253-302	240-287	X	X	X	X	X	X	X	X	X	X	X	X	X	X
104-4391	700 A	454-528	363-423	333-388	315-366	303-352	288-335	X	X	X	X	X	X	X	X	X	X	X	X	X	X
104-4392	800 A	529-604	424-483	389-443	367-419	353-403	336-383	X	X	X	X	X	X	X	X	X	X	X	X	X	X
104-4393	1000 A	605-759	484-604	444-554	420-524	404-504	384-478	X	X	X	X	X	X	X	X	X	X	X	X	X	X
104-4394	1200 A	756-906	605-725	555-664	525-628	505-604	479-574	X	X	X	X	X	X	X	X	X	X	X	X	X	X
		WYE - PARALLEL CONNECTED																			
		300 V	240 V	220 V	208 V	200 V	190 V														
104-4378	100 A	T0 37	T0 30	T0 27	T0 26	T0 25	T0 23														
104-4379	125 A	38-47	31-37	28-34	27-32	26-31	24-29														
104-4380	150 A	48-56	38-45	35-41	33-39	32-37	30-35	X	X	X	X	X	X	X	X	X	X	X	X	X	X
104-4381	175 A	57-66	46-53	42-48	40-45	38-44	36-41	X	X	X	X	X	X	X	X	X	X	X	X	X	X
104-4382	200 A	67-75	54-60	49-55	46-52	45-50	42-47	X	X	X	X	X	X	X	X	X	X	X	X	X	X
104-4383	225 A	76-85	61-68	56-62	53-59	51-56	48-53	X	X	X	X	X	X	X	X	X	X	X	X	X	X
104-4384	250 A	86-94	69-75	63-69	60-65	57-63	54-59	X	X	X	X	X	X	X	X	X	X	X	X	X	X
104-4385	300 A	95-113	76-90	70-83	66-78	64-75	60-71	X	X	X	X	X	X	X	X	X	X	X	X	X	X
104-4386	350 A	114-132	91-105	84-97	79-91	76-88	72-83	X	X	X	X	X	X	X	X	X	X	X	X	X	X
104-4387	400 A	133-151	106-121	98-111	92-105	89-101	84-95	X	X	X	X	X	X	X	X	X	X	X	X	X	X
104-4388	450 A	152-170	122-136	112-124	106-118	102-113	96-107	X	X	X	X	X	X	X	X	X	X	X	X	X	X
104-4389	500 A	171-189	137-151	125-138	119-131	114-126	108-119	X	X	X	X	X	X	X	X	X	X	X	X	X	X
104-4390	600 A	190-226	152-181	139-166	132-157	127-151	120-143	X	X	X	X	X	X	X	X	X	X	X	X	X	X
104-4391	700 A	227-264	182-211	167-194	158-183	152-176	144-167	X	X	X	X	X	X	X	X	X	X	X	X	X	X
104-4392	800 A	265-302	212-242	195-222	184-209	177-202	168-191	X	X	X	X	X	X	X	X	X	X	X	X	X	X
104-4393	1000 A	303-378	242-302	222-272	210-262	202-252	192-239	X	X	X	X	X	X	X	X	X	X	X	X	X	X
104-4394	1200 A	379-453	303-362	278-332	263-314	253-302	240-286	X	X	X	X	X	X	X	X	X	X	X	X	X	X

NOTE A: MODELS A484, A521, A576, A577, A578, A579, A596

NOTE B: MODELS A486, A487, A488, A489, A490, A491, A509, A522, A523, A647

NOTE C: MODELS A494, A496, A510, A511, A512, A513, A598

NOTE D: MODELS A484, A521, A576, A577, A578, A579

NOTE E: MODELS A486, A487, A488, A523, A522

NOTE F: OPTIONAL: TO BE USED ONLY WITH PACKAGE GENERATOR SETS WHEN PROVIDED WITH A CONTROL PANEL OR SWITCH GEAR CONVERSION.

NOTE G: MODELS A495, A533, A592, A593

NOTE H: MODELS A501, A534, A535, A601, A500, A498, A652, A653, A654, A655, A660, A661, A662

NOTE J: THIS CONNECTION GP IS NOT REQUIRED FOR MODEL A535

NOTE K: F/U/W E342 AND E343 BSSB GEN SETS

NOTE L: F/U/W E354 AND E358(TA) BSSB GEN SETS

NOTE M: F/U/W E358(ATAAC) AND E355 BSSB GEN SETS

NOTE N: F/U/W E354 AND E358(TA) BSSB GEN SETS

NOTE P: F/U/W E358(ATAAC) AND E355 BSSB GEN SETS

NOTE Q: F/U/W E356 AND E357 PRIME POWER GEN SETS

NOTE R: F/U/W E310, E311 AND E285 PRIME POWER GEN SETS

NOTE T: MODEL A505

NOTE U: MODELS A638, A639, A640, A641, A642, A643, A644, A645, A646

NOTE V: OPTIONAL: MAY BE FACTORY MOUNTED OR FIELD INSTALLED.

NOTE W : MODELS A669 , A670 , A676 A665, A666, A668

THE GROUPS SHOWN ON THIS SHEET ARE FOR USE WITH EITHER 10 OR 12 WIRE GENERATORS, WYE CONNECTED.

GRAPHIC #3

g00250689

# SERVICE EQUIPMENT AND SUPPLIES

4W-8145 CHART-CIRCUIT BREAKER (contd.)

i01147909

CIRCUIT BREAKER AS./GP			KW OUTPUT RANGE OF GENERATOR SET						4W-8212 INSULATOR (NOTE G,H)	580 FR NOTE C		680 FR NOTE H											
WO/SHUNT TRIP	W/SHUNT TRIP	TRIP RATING	WYE - SERIES CONNECTED							7C-2206 MTG GP-CIRCUIT BREAKER	7C-0266 MTG GP-CIRCUIT BREAKER	9Y-8441 PANEL AS. BOX (COVER)	9Y-8443 PANEL AS. BOX (COVER)	7C-2561 CONNECTION GP	5N-4125 CONNECTION GP(2Ø WIRE)	7C-2206 MTG GP-CIRCUIT BREAKER	7C-0266 MTG GP-CIRCUIT BREAKER	9Y-8441 PANEL AS. BOX (COVER)	9Y-8443 PANEL AS. BOX (COVER)	7C-2561 CONNECTION GP	7C-2481 CONNECTION GP(4Ø WIRE)	NOTE J	
			600 V	480 V	440 V	416 V	400 V	380 V															
	108-1063	800 A	529-604	424-483	389-443	367-419	353-403	336-383															
	108-1062	1000 A	605-755	484-604	444-554	420-524	404-504	384-478															
	108-1061	1200 A	756-906	605-725	555-664	525-628	505-604	479-574															
	7C-0227	7C-0228	1000 A	605-755	484-604	444-554	420-524	404-504	384-478	X													
	7C-0229	7C-0230	1200 A	756-906	605-725	555-664	525-628	505-604	479-574	X													
	—	4P-3840	1600 A,(60Hz)	907-1330	726-1064	665-975	629-922	605-886	575-842	X													
	—	4P-3841	1600 A,(50Hz)	907-1330	726-1064	665-975	629-922	605-886	575-842	X													

# SERVICE EQUIPMENT AND SUPPLIES

4W-8145 CHART-CIRCUIT BREAKER (contd.)

101147909

CIRCUIT BREAKER AS./GP			KW OUTPUT RANGE OF GENERATOR SET						800 FR		NOTE T		590 NOTE W							
									7C-2286	7C-0266	9Y-8441	9Y-8443	7C-2561	7C-2481						
WO/SHUNT TRIP	W/SHUNT TRIP	TRIP RATING	WYE - SERIES CONNECTED						MTG GP-CIRCUIT BREAKER	MTG GP-CIRCUIT BREAKER	MTG GP-CIRCUIT BREAKER	MTG GP-CIRCUIT BREAKER	MTG GP-CIRCUIT BREAKER	MTG GP-CIRCUIT BREAKER						
			600 V	480 V	440 V	416 V	400 V	380 V	7C-0266	9Y-8441	9Y-8443	7C-2561	7C-2481	4P-4968	108-1056	108-1055	108-1054	108-1053	108-1052	108-1051
	108-1063	800 A	529-604	424-483	389-443	367-419	353-403	336-383					X	X	X	X	X	X	X	X
	108-1062	1000 A	605-755	484-604	444-554	420-524	404-504	384-478					X	X	X	X	X	X	X	X
	108-1061	1200 A	756-906	605-725	555-664	525-628	505-604	479-574					X	X	X	X	X	X	X	X
7C-0227	7C-0228	1000 A	605-755	484-604	444-554	420-524	404-504	384-478												
7C-0229	7C-0230	1200 A	756-906	605-725	555-664	525-628	505-604	479-574												
—	4P-3840	1600 A,(60Hz)	907-1330	726-1064	665-975	629-922	605-886	575-842	X		X	X								
—	4P-3841	1600 A,(50Hz)	907-1330	726-1064	665-975	629-922	605-886	575-842	X		X	X								

GRAPHIC #5

g00250693

# SERVICE EQUIPMENT AND SUPPLIES

4W-8145 CHART-CIRCUIT BREAKER (contd.)

i01147909

CIRCUIT BREAKER ASSEMBLY			KW OUTPUT RANGE OF GENERATOR SET							BSSB AND PRIME POWER							
			WYE - SERIES CONNECTED							7W-4097 INSULATOR	4W-8211 INSULATOR	4W-8212 INSULATOR	4W-8378 FASTENER GP (WYE)	4W-8379 FASTENER GP (WYE)	7W-1688 FASTENER GP (DELTA)	7W-1689 FASTENER GP (DELTA)	7W-0921 WIRING GP
			600 V	480 V	440 V	416 V	400 V	380 V									
WO/SHUNT TRIP	W/SHUNT TRIP	TRIP RATING															
	9Y-0953	125 A	76-94	61-75	56-69	53-65	51-63	48-59									
	9Y-0954	150 A	95-113	76-90	70-83	66-78	64-75	60-71									
9Y-0979	9Y-0955	175 A	114-132	91-105	84-97	79-91	76-88	72-83									
9Y-0980	9Y-0956	200 A	133-151	106-121	98-112	92-105	89-101	84-96									
9Y-0981	9Y-0957	225 A	152-170	122-136	113-124	106-118	102-113	97-107									
9Y-2833	9Y-0958	250 A	171-188	137-150	125-138	119-131	114-126	108-119									
9Y-2834	9Y-0959	300-400 A	189-302	151-242	139-222	132-210	127-202	120-191									
9Y-2835	9Y-0960	450-600 A	303-453	243-362	223-332	211-314	203-302	192-287									
9Y-2836	9Y-0961	700-800 A	454-604	363-483	333-443	315-419	303-403	288-383									
9Y-2837	9Y-0962	1000-1200 A	605-906	484-725	444-664	420-628	404-604	384-574									
			WYE & DELTA - PARALLEL CONNECTED														
			300 V	240 V	220 V	208 V	200 V	190 V									
	9Y-0953	125 A	38-47	31-37	28-34	27-32	26-31	24-29									
	9Y-0954	150 A	48-56	38-45	35-41	33-39	32-37	30-35									
9Y-0979	9Y-0955	175 A	57-66	46-53	42-48	40-45	38-44	36-41									
9Y-0980	9Y-0956	200 A	67-75	54-60	49-55	46-52	45-50	42-47									
9Y-0981	9Y-0957	225 A	76-85	61-68	56-62	53-59	51-56	48-53									
9Y-2833	9Y-0958	250 A	86-94	69-75	63-69	60-65	57-63	54-59									
9Y-2834	9Y-0959	300-400 A	95-151	76-121	70-111	66-105	64-101	60-95									
9Y-2835	9Y-0960	450-600 A	152-226	122-181	112-166	106-157	102-151	96-143									
9Y-2836	9Y-0961	700-800 A	227-302	182-241	167-221	158-209	152-201	144-191									
9Y-2837	9Y-0962	1000-1200 A	303-453	242-362	222-332	210-314	202-302	192-286									

# SERVICE EQUIPMENT AND SUPPLIES

4W-8145 CHART-CIRCUIT BREAKER (contd.)

i01147909

CIRCUIT BREAKER ASSEMBLY			KW OUTPUT RANGE OF GENERATOR SET																				
			WYE - SERIES CONNECTED																				
			WO/SHUNT TRIP	W/SHUNT TRIP	TRIP RATING	600 V	480 V	440 V	416 V	400 V	380 V	9Y-2922	9Y-2923	9Y-2924	9Y-7177	9Y-7178	9Y-0973	9Y-0974	7E-1188	9Y-7020	9Y-8051	9Y-7644	9Y-8448
	9Y-0953	125 A	76-94	61-75	56-69	53-65	51-63	48-59	X						X						X		
	9Y-0954	150 A	95-113	76-90	70-83	66-78	64-75	60-71	X						X						X		
9Y-0979	9Y-0955	175 A	114-132	91-105	84-97	79-91	76-88	72-83	X	X					X						X	X	
9Y-0980	9Y-0956	200 A	133-151	106-121	98-112	92-105	89-101	84-96	X	X					X						X	X	
9Y-0981	9Y-0957	225 A	152-170	122-136	113-124	106-118	102-113	97-107	X	X					X						X	X	
9Y-2833	9Y-0958	250 A	171-188	137-150	125-138	119-131	114-126	108-119	X	X	X				X						X	X	
9Y-2834	9Y-0959	300-400 A	189-302	151-242	139-222	132-210	127-202	120-191	X	X	X				X						X	X	
9Y-2835	9Y-0960	450-600 A	303-453	243-362	223-332	211-314	203-302	192-287	X	X	X				X						X	X	
9Y-2836	9Y-0961	700-800 A	454-604	363-483	333-443	315-419	303-403	288-383				X	X		X	X	X					X	
9Y-2837	9Y-0962	1000-1200 A	605-906	484-725	444-664	420-628	404-604	384-574				X	X		X	X	X					X	
			WYE & DELTA - PARALLEL CONNECTED																				
			300 V	240 V	220 V	208 V	200 V	190 V															
	9Y-0953	125 A	38-47	31-37	28-34	27-32	26-31	24-29	X						X						X		
	9Y-0954	150 A	48-56	38-45	35-41	33-39	32-37	30-35	X						X						X		
9Y-0979	9Y-0955	175 A	57-66	46-53	42-48	40-45	38-44	36-41	X	X					X						X	X	
9Y-0980	9Y-0956	200 A	67-75	54-60	49-55	46-52	45-50	42-47	X	X					X						X	X	
9Y-0981	9Y-0957	225 A	76-85	61-68	56-62	53-59	51-56	48-53	X	X					X						X	X	
9Y-2833	9Y-0958	250 A	86-94	69-75	63-69	60-65	57-63	54-59	X	X	X				X	X					X	X	
9Y-2834	9Y-0959	300-400 A	95-151	76-121	70-111	66-105	64-101	60-95	X	X	X				X						X	X	
9Y-2835	9Y-0960	450-600 A	152-226	122-181	112-166	106-157	102-151	96-143	X	X	X				X						X	X	
9Y-2836	9Y-0961	700-800 A	227-302	182-241	167-221	158-209	152-201	144-191				X	X		X	X	X					X	
9Y-2837	9Y-0962	1000-1200 A	303-453	242-362	222-332	210-314	202-302	192-286				X	X		X	X	X					X	

GRAPHIC #7

g00250771

# SERVICE EQUIPMENT AND SUPPLIES

4W-8145 CHART-CIRCUIT BREAKER (contd.)

101147909

CIRCUIT BREAKER GROUP		KW OUTPUT RANGE OF GENERATOR SET						360 FR NOTE A				440 FR NOTE U (SQUARE)				580 FR NOTE C				590 FR NOTE W														
								WYE - SERIES CONNECTED				WYE - PARALLEL CONNECTED																						
								W/SHUNT TRIP	TRIP RATING	600 V	480 V	440 V	416 V	400 V	380 V	113-0849 MTG GP	4W-8378 FASTENER GP (LV WYE)	107-3055 EXTENSION BOX	4W-8305 EXTENSION BOX COVER	106-1771 FASTENER GP (EXT BOX)	113-0850 MTG GP	4W-8378 FASTENER GP (LV WYE)	107-3056 EXTENSION BOX	106-1771 FASTENER GP (EXT BOX)	4P-5719 COVER GP-CIRCUIT BRKR	106-1771 FASTENER GP (EXT BOX)	4W-8379 FASTENER GP (LV WYE)	107-3058 EXTENSION BOX	7W-1091 EXTENSION BOX COVER	113-0851 MTG GP	108-1055 CABLE GP (POWER)	108-1060 CABLE GP (POWER)	108-1056 COVER GP	4P-4969 BOX GP - EXTENSION
113-0833	200 A	TO-15	TO-12	TO-11	TO-105	TO-101	TO-96	X	X	X	X	X	X	X	X	X	X	X	X	X	X	X	X	X	X	X	X	X	X	X	X	X	X	
113-0834	250 A	152-189	122-151	112-139	106-131	102-126	97-120	X	X	X	X	X	X	X	X	X	X	X	X	X	X	X	X	X	X	X	X	X	X	X	X	X	X	
113-0836	320-400 A	190-302	152-242	140-222	132-210	127-202	121-191	X	X	X	X	X	X	X	X	X	X	X	X	X	X	X	X	X	X	X	X	X	X	X	X	X	X	
113-0838	500-630 A	303-476	243-381	223-349	211-330	203-317	192-302	X	X	X	X	X	X	X	X	X	X	X	X	X	X	X	X	X	X	X	X	X	X	X	X	X	X	
113-0839	700-800 A	477-605	382-484	350-443	331-419	318-403	303-383	X	X	X	X	X	X	X	X	X	X	X	X	X	X	X	X	X	X	X	X	X	X	X	X	X	X	
113-0840	900-1000 A	606-756	485-605	444-554	420-524	404-504	384-479	X	X	X	X	X	X	X	X	X	X	X	X	X	X	X	X	X	X	X	X	X	X	X	X	X	X	
113-0841	1100-1250 A	757-945	606-756	555-693	525-655	505-630	480-598	X	X	X	X	X	X	X	X	X	X	X	X	X	X	X	X	X	X	X	X	X	X	X	X	X	X	
113-0842	700-800 A	477-605	382-484	350-443	331-419	318-403	303-383	X	X	X	X	X	X	X	X	X	X	X	X	X	X	X	X	X	X	X	X	X	X	X	X	X	X	X
113-0843	900-1000 A	606-756	485-605	444-554	420-524	404-504	384-479	X	X	X	X	X	X	X	X	X	X	X	X	X	X	X	X	X	X	X	X	X	X	X	X	X	X	X
113-0844	1100-1250 A	757-945	606-756	555-693	525-655	505-630	480-598	X	X	X	X	X	X	X	X	X	X	X	X	X	X	X	X	X	X	X	X	X	X	X	X	X	X	X
		WYE - PARALLEL CONNECTED																																
		300 V	240 V	220 V	208 V	200 V	190 V																											
113-0833	200 A	TO-76	TO-60	TO-55	TO-52	41-50	39-48	X	X	X	X	X	X	X	X	X	X	X	X	X	X	X	X	X	X	X	X	X	X	X	X	X	X	
113-0834	250 A	77-94	61-76	56-69	53-66	51-63	49-60	X	X	X	X	X	X	X	X	X	X	X	X	X	X	X	X	X	X	X	X	X	X	X	X	X	X	X
113-0836	320-400 A	95-151	77-121	70-111	67-105	64-101	61-96	X	X	X	X	X	X	X	X	X	X	X	X	X	X	X	X	X	X	X	X	X	X	X	X	X	X	X
113-0838	500-630 A	152-238	122-190	112-175	106-165	102-159	97-151	X	X	X	X	X	X	X	X	X	X	X	X	X	X	X	X	X	X	X	X	X	X	X	X	X	X	X
113-0839	700-800 A	239-302	191-242	176-222	166-210	160-202	152-191	X	X	X	X	X	X	X	X	X	X	X	X	X	X	X	X	X	X	X	X	X	X	X	X	X	X	X
113-0840	900-1000 A	303-378	243-302	223-277	211-262	203-252	192-239	X	X	X	X	X	X	X	X	X	X	X	X	X	X	X	X	X	X	X	X	X	X	X	X	X	X	X
113-0841	1100-1250 A	379-472	303-378	278-340	263-328	253-315	240-299	X	X	X	X	X	X	X	X	X	X	X	X	X	X	X	X	X	X	X	X	X	X	X	X	X	X	X

GRAPHIC #8

<END>

g00254431

# SERVICE EQUIPMENT AND SUPPLIES

## 5N-2703 CHART-CIRCUIT BREAKER

S/N: 5CA5985-UP; 5DA5682-UP; 5EA5375-UP; 5FA4499-UP  
PRIME POWER  
AN ATTACHMENT

SMCS-1420, 4461

i00739179

NOTE	REF NO	GRAPHIC REF	PART NUMBER	QTY	PART NAME	SEE PAGE
					1 2 3 4 5 6 (PRODUCT LEVEL)	

(REFER TO ILLUSTRATION)

	RATED KW	WITH SHUNT COIL								WITHOUT SHUNT COIL							
		50 HZ	MAX				181	176	181				181	176	181		
			MIN				151	151	151				151	151	151		
		60 HZ	MAX	209	211	212				189	209	211	212				189
		MIN	183	181	181				170	183	181	181				170	
VOLTAGE			208	240	480	240	400	480	600	208	240	480	240	400	480	600	
CIRCUIT BREAKER PART NUMBER AND TRIP RATING	5N3359 (800A)																
	5N3360 (700A)																
	5N3361 (600A)																
	5N3349 (350A)																
	5N3364 (300A)																
	5N3350 (250A)																
	3N6683 (800A)																
	3N6682 (700A)																
	3N6681 (600A)																
	3N7557 (350A)																
	3N6678 (300A)																
	3N7556 (250A)																
MOUNTING GROUP-CIRCUIT BREAKER	3N7051 (440 & 580 FR)																
	3N6737 (440 & 580 FR)																
COVER-EXTENSION TERMINAL BOX	5N4839 ▲																
CABLE ASSEM. - LINE EXTENSION	3N7724 (0 GAUGE)							3	3						3	3	
	3N9326 (250 MCM)		6	6	3	3	3			6	6	3	3	3			
CABLE ASSEM. NEUTRAL EXTENSION	3N7723 (0 GAUGE)																
	3N9325 (250 MCM)																

▲ REQUIRES 3N6710 EXTENSION TERMINAL BOX (FOR 440 FRAME GENERATOR)

GRAPHIC #1

g00150541

# SERVICE EQUIPMENT AND SUPPLIES

5N-2703 CHART-CIRCUIT BREAKER (contd.)

i00739179

	RATED KW	50 HZ MAX MIN	WITH SHUNT COIL						WITHOUT SHUNT COIL							
			210	211	212	226	210	211	212	226	181	202	181	181	202	181
			183	181	181	189	183	181	181	189	151	177	151	151	177	151
VOLTAGE		208	240	480	240	400	480	600	208	240	480	240	400	480	600	
	3N6683 (800A)								1							
	5N3359 (800A)	1														
CIRCUIT BREAKER	3N6682 (700A)								1							
PART NUMBER	5N3360 (700A)		1													
	3N6681 (600A)											1				
AND	5N3361 (600A)				1											
TRIP RATING	3N6679 (400A)							1						1		
	5N3363 (400A)															
	3N7557 (350A)										1					
	5N3349 (350A)			1												
	3N6678 (300A)													1	1	
	5N3364 (300A)						1	1								
MOUNTING GROUP-	3N7051 (440 & 580 FR)			1	1	1	1	1			1	1	1	1	1	
CIRCUIT BREAKER COVER-	3N6737 (440 & 580 FR)	1	1						1	1						
EXTENSION TERMINAL BOX	5N4839 ▲	1	1	1	1	1	1	1	1	1	1	1	1	1	1	
CABLE ASSEM. LINE	3N7724 (0 GAUGE)							3	3					3	3	
EXTENSION CABLE ASSEM. NEUTRAL	3N9326 (250 MCM)	6	6	3	3	3			6	6	3	3	3			
EXTENSION	3N7723 (0 GAUGE)							1	1					1	1	
EXTENSION	3N9325 (250 MCM)	1	1	1	1	1			1	1	1	1	1			

▲ REQUIRES 3N6710 EXTENSION TERMINAL BOX (FOR 440 FRAME GENERATOR)

237493

GRAPHIC #2

g00150542



# SERVICE EQUIPMENT AND SUPPLIES

5N-2703 CHART-CIRCUIT BREAKER (contd.)

i00739179

	RATED KW	WITH SHUNT COIL								WITHOUT SHUNT COIL								
		50 HZ	MAX				53	63	60				53	63	60			
			MIN				45	50	49				45	50	49			
		60 HZ	MAX	59	60	60				75	59	60	60				75	
		MIN	52	53	49				60	52	53	49				60		
VOLTAGE				208	240	480	240	400	480	600	208	240	480	240	400	480	600	
CIRCUIT BREAKER PART NUMBER AND TRIP RATING	5N3351 (225A)																	
	3N7555 (225A)																	
	5N3352 (200A)																	
	3N7554 (200A)																	
	5N3353 (175A)																	
	3N7553 (175A)																	
	5N3355 (125A)																	
	3N7551 (125A)																	
	5N3356 (100A)																	
3N7550 (100A)																		
MOUNTING GROUP CIRCUIT BREAKER																		
	3N5735 (360 FR)																	
COVER EXTENSION TERMINAL BOX																		
	5N4838 ▲																	
COVER ASSEM. LINE EXTENSION																		
	3N7724 (0 GAUGE)			3	3	3	3	3	3	3	3	3	3	3	3	3	3	
CABLE ASSEM. NEUTRAL EXTENSION																		
	3N7723 (0 GAUGE)																	

▲ REQUIRES 3N5545 EXTENSION TERMINAL BOX (FOR 360 FRAME GENERATOR)

GRAPHIC #3

g00154214

# SERVICE EQUIPMENT AND SUPPLIES

5N-2703 CHART-CIRCUIT BREAKER (contd.)

i00739179

	RATED KW		50 HZ		WITH SHUNT COIL						WITHOUT SHUNT COIL					
			MAX	MIN	208	240	480	240	400	480	208	240	480	240	400	480
			60 HZ		208	240	480	240	400	480	600	208	240	480	600	
			59	60												60
			VOLTAGE													
	5N3350	(250A)			1											
CIRCUIT	3N7556	(250A)								1						
BREAKER	5N3351	(225A)			1											
PART	3N7555	(225A)										1				
NUMBER	5N3355	(125A)						1	1	1						
AND	3N7551	(125A)											1		1	
TRIP	5N3356	(100A)								1						
RATING	3N7550	(100A)													1	
MOUNTING GROUP																
CIRCUIT	3N5735	(360 FR)			1	1	1	1	1	1	1	1	1	1	1	
BREAKER																
COVER																
EXTENSION	5N4838 ▲				1	1	1	1	1	1	1	1	1	1	1	
TERMINAL BOX																
COVER ASSEM.																
LINE EXTENSION	3N7724	(0 GAUGE)			3	3	3	3	3	3	3	3	3	3	3	
CABLE ASSEM.	3N7723	(0 GAUGE)			1	1	1	1	1	1	1	1	1	1	1	
NEUTRAL EXTENSION																

▲ REQUIRES 3N5545 EXTENSION TERMINAL BOX (FOR 360 FRAME GENERATOR)

# SERVICE EQUIPMENT AND SUPPLIES

5N-2703 CHART-CIRCUIT BREAKER (contd.)

i00739179

	RATED KW				VOLTAGE								WITH SHUNT COIL				WITHOUT SHUNT COIL					
	50 HZ		60 HZ		208		240		480		400		480		600		240		480		600	
	MAX	MIN	MAX	MIN	208	240	480	400	480	600	240	480	400	480	600	208	240	480	400	480	600	
	5N3349				1																	
	3N7557									1												
CIRCUIT BREAKER	5N3364					1																
PART NUMBER	3N6678																					
AND	5N3353									1												
TRIP	3N7552																					
RATING	5N3355																					
	3N7551																					
MOUNTING GROUP-	3N7051					1	1	1	1	1	1	1	1	1	1	1	1	1	1	1	1	1
CIRCUIT BREAKER	3N6737					1																
COVER-	5N4839					1	1	1	1	1	1	1	1	1	1	1	1	1	1	1	1	1
EXTENSION TERMINAL BOX																						
CABLE ASSEM.-	3N7724						3	3	3	3	3	3	3	3	3	3	3	3	3	3	3	3
LINE EXTENSION	3N9326					3									3							
CABLE ASSEM. NEUTRAL EXTENSION	3N7723						1	1	1	1	1	1	1	1	1	1	1	1	1	1	1	1
	3N9325					1																

▲ REQUIRES 3N6720 EXTENSION TERMINAL BOX (FOR 440 FRAME GENERATOR)

GRAPHIC #5

g00154028



# SERVICE EQUIPMENT AND SUPPLIES

5N-2703 CHART-CIRCUIT BREAKER (contd.)

i00739179

	RATED KW				WITH SHUNT COIL						WITHOUT SHUNT COIL					
	60 HZ	MAX	181	170	157	181	181	170	157	181	181	170	157	181	181	170
VOLTAGE																
CIRCUIT BREAKER																
5N3361 (600A)	1 1															
3N6681 (600A)	1 1															
5N3364 (300A)	1															
3N6678 (300A)	1															
TRIP RATING																
5N3351 (225A)	1															
3N7555 (225A)	1															
MOUNTING GROUP-																
3N7051 (440 & 580 FR)	1 1 1 1															
3N6737 (440 & 580 FR)	1 1															
CIRCUIT BREAKER																
COVER- EXTENSION TERMINAL BOX																
5N4839 ▲	1 1 1 1 1 1 1 1 1 1 1 1 1 1 1 1															
CABLE ASSEM.- LINE EXTENSION																
3N7724 (0 GAUGE)	3 3															
3N9326 (250 MCM)	3 3															
CABLE ASSEM. NEUTRAL EXTENSION																
3N7723 (0 GAUGE)	1 1															
3N9325 (250 MCM)	1 1															

▲ REQUIRES 3N6710 EXTENSION TERMINAL BOX (FOR 440 FRAME GENERATOR)

# SERVICE EQUIPMENT AND SUPPLIES

5N-2703 CHART-CIRCUIT BREAKER (contd.)

i00739179

	RATED KW	50 HZ	WITH SHUNT COIL								WITHOUT SHUNT COIL							
			MAX				211	227	212					211	227	212		
			MIN				181	201	181					181	201	181		
		60 HZ	MAX	262	241	242				265	262	241	242				265	
			MIN	208	211	212				226	208	211	212				226	
	VOLTAGE			208	240	480	240	400	480	600	208	240	480	240	400	480	600	
CIRCUIT BREAKER PART NUMBER AND TRIP RATING	3N6684 (1000A)																	
	5N3358 (1000A)																	
	3N6683 (800A)																	
	5N3359 (800A)																	
	3N6682 (700A)																	
	5N3360 (700A)																	
	3N7558 (450A)																	
	5N3348 (450A)																	
	3N6679 (400A)																	
	5N3363 (400A)																	
	3N7557 (350A)																	
	5N3349 (350A)																	
MOUNTING GROUP CIRCUIT BREAKER	3N7051 (440&580 FR)																	
	3N6737 (440&580 FR)																	
COVER - EXTENSION TERMINAL BOX	5N4839 ▲																	
CABLE ASSEM - LINE EXTENSION	3N9326 (250 MCM)	6	6	3	6	3	3	3	6	6	3	6	3	3	3	3		
CABLE ASSEM - NEUTRAL EXTENSION	3N9325 (250 MCM)																	

▲ REQUIRES 3N6710 EXTENSION TERMINAL BOX (FOR 440 FRAME GENERATOR)

GRAPHIC #8

g00150647

# SERVICE EQUIPMENT AND SUPPLIES

5N-2703 CHART-CIRCUIT BREAKER (contd.)

i00739179

	RATED KW	50 HZ MAX. MIN.	WITH SHUNT COIL						WITHOUT SHUNT COIL						
			241		252		242		241		252		242		
			211	227	212				211	227	212				
	60 HZ MAX. MIN.	314	302	302			302	314	302	302			302		
	VOLTAGE	262	241	272			265	262	241	272			265		
		208	240	480	240	400	480	600	208	240	480	240	400	480	600
CIRCUIT BREAKER PART NUMBER AND TRIP RATING	3N6585 (1200A)														
	5N3357 (1200A)														
	3N6684 (1000A)														
	5N3358 (1000A)														
	3N6683 (800A)														
	5N3359 (800A)														
	3N6680 (500A)														
	5N3362 (500A)														
	3N6679 (400A)														
	5N3363 (400A)														
MOUNTING GROUP- CIRCUIT BREAKER	3N7051 (440&580 FR)														
	3N6737 (440&580 FR)														
COVER- EXTENSION TERMINAL BOX	5N4839 ▲														
CABLE ASSEM. - LINE EXTENSION	3N9326 (250 MCM)	6	6	3	6	3	3	3	6	6	3	6	3	3	3
CABLE ASSEM. - NEUTRAL EXTENSION	3N9325 (250 MCM)														

▲ REQUIRES 3N6710 EXTENSION TERMINAL BOX (FOR 440 FRAME GENERATOR)

GRAPHIC #9

g00150648

# SERVICE EQUIPMENT AND SUPPLIES

5N-2703 CHART-CIRCUIT BREAKER (contd.)

i00739179

	RATED KW	50 HZ	MAX MIN	WITH SHUNT COIL								WITHOUT SHUNT COIL							
								63	63	63	75					63	63	63	75
								50	50	50	60					50	50	50	60
								60 HZ	MAX	90	90	94	MAX	90	90	94	MIN	65	75
VOLTAGE				208	240	480	600	200	240	400	480	208	240	480	600	200	240	400	480
CIRCUIT BREAKER PART NUMBER AND TRIP RATING	5N3364 (300A)																		
	3N6678 (300A)																		
	5N3350 (250A)																		
	3N7556 (250A)																		
	5N3351 (225A)																		
	3N7555 (225A)																		
	5N3354 (150A)																		
	5N3355 (125A)																		
	3N7551 (125A)																		
MOUNTING GROUP CIRCUIT BREAKER	3N7051 (440 & 580 FR)																		
COVER EXTENSION TERMINAL BOX	5N4839 ▲																		
COVER ASSEM. LINE EXTENSION	3N7724 (0 GAUGE)		3	3	3	3	3	3	3	3	3	3	3	3	3	3	3	3	
CABLE ASSEM. NEUTRAL EXTENSION	3N7723 (0 GAUGE)																		

▲ REQUIRES 3N6710 EXTENSION TERMINAL BOX (FOR 440 FRAME GENERATOR)

GRAPHIC #10

g00150461



# SERVICE EQUIPMENT AND SUPPLIES

5N-2703 CHART-CIRCUIT BREAKER (contd.)

i00739179

	RATED KW		50 HZ		60 HZ		WITH SHUNT COIL										WITHOUT SHUNT COIL									
			MAX	MIN	MAX	MIN	105	113	106	101	90	100	90	89	105	113	106	101	90	100	90	89				
	VOLTAGE		50 HZ		60 HZ		118	120	120		132	118	120	120	104	105	106		132	118	120	120	114	104	105	106
			208	240	480	240	400	480	200	600	208	240	480	240	400	480	200	600	208	240	480	240	400	480	200	600
	5N3348	(450A)					1																			
	3N7558	(450A)											1													
CIRCUIT BREAKER	5N3363	(400A)					1																			
PART	3N6679	(400A)																								
	5N3349	(350A)							1																	
NUMBER	3N7557	(350A)																								
AND	5N3351	(225A)								1																
TRIP	3N7555	(225A)																								1
RATING	5N3352	(200A)							1																	
	3N7554	(200A)																								
	5N3353	(175A)											1													
	3N7553	(175A)																								1
MOUNTING GROUP																										
CIRCUIT BREAKER	3N7051	(440 & 580 FR)						1	1	1	1	1	1	1	1	1	1	1	1	1	1	1	1	1	1	1
COVER																										
EXTENSION TERMINAL BOX	5N4839	▲						1	1	1	1	1	1	1	1	1	1	1	1	1	1	1	1	1	1	1
COVER ASSEM.	3N7724	(0 GAUGE)																								
LINE EXTENSION	3N9326	(250 MCM)						3	3	3	3	3	3	3	3	3	3	3	3	3	3	3	3	3	3	3
CABLE ASSEM.	3N7723	(0 GAUGE)																								
NEUTRAL EXTENSION	3N9325	(250 MCM)						1	1	1	1	1	1	1	1	1	1	1	1	1	1	1	1	1	1	1

▲ REQUIRES 3N6710 EXTENSION TERMINAL BOX (FOR 440 FRAME GENERATOR)

GRAPHIC #11

<END>

g00150462

SERVICE EQUIPMENT AND SUPPLIES

**103-1582 CHART-CONTROL PANEL**

S/N: 85Z3764-UP

EMCP II, GENERATOR MOUNTED  
AN ATTACHMENT

SMCS-4490, 7451

i01122394

NOTE	REF NO	GRAPHIC REF	PART NUMBER	QTY	PART NAME 1 2 3 4 5 6 (PRODUCT LEVEL)	SEE PAGE
------	--------	-------------	-------------	-----	--	----------

REFER TO ILLUSTRATION

# SERVICE EQUIPMENT AND SUPPLIES

103-1582 CHART-CONTROL PANEL (contd.)

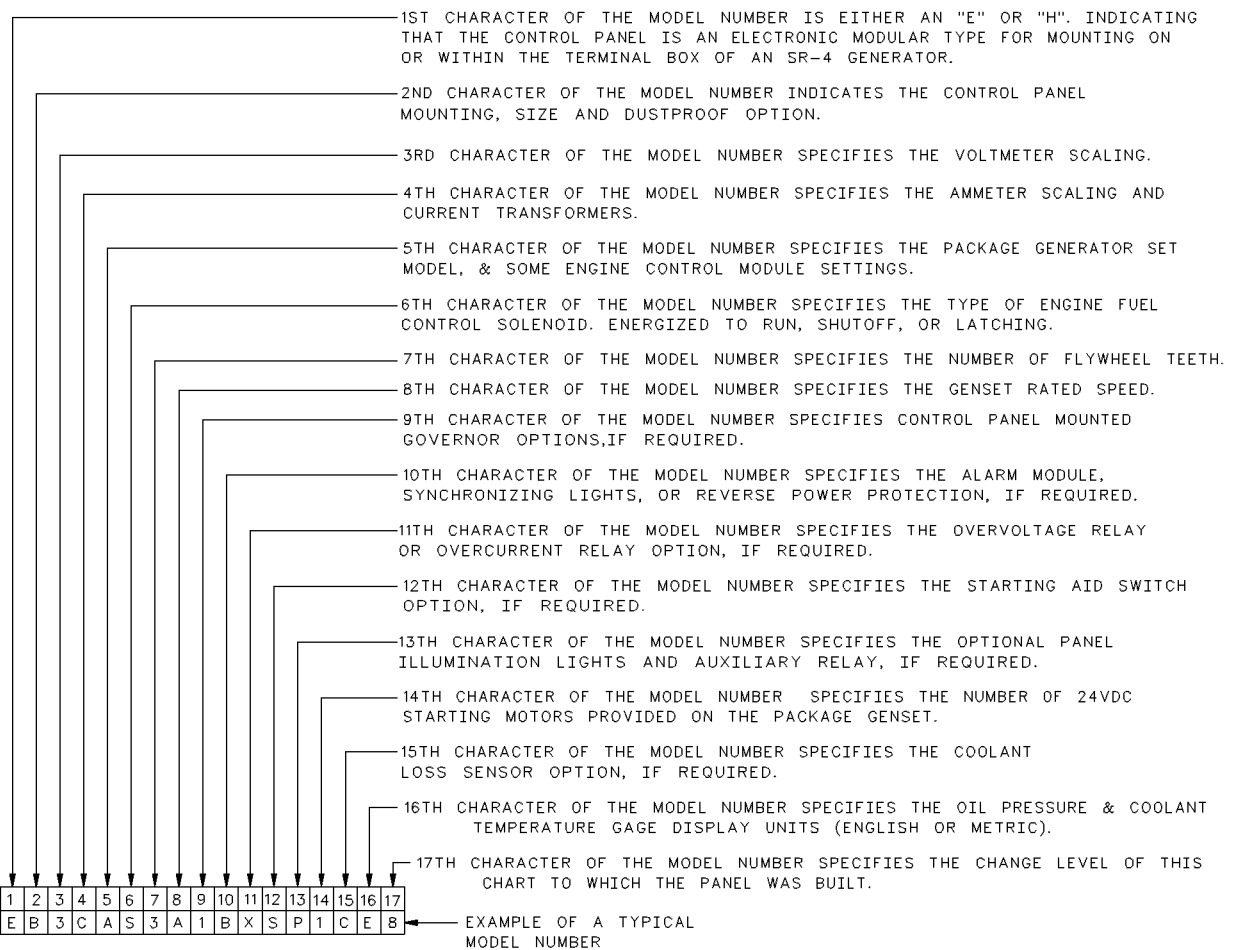
i01122394

## I. SCOPE

THIS CHART IS REQUIRED TO ENABLE THE PROPER SELECTION AND ORDERING OF A GENERATOR MOUNTED ELECTRONIC MODULAR CONTROL PANEL, FOR USE WITH A CATERPILLAR AUTOMATIC STANDBY OR MANUAL PRIME POWER PACKAGE GENERATOR SET. THE CHART DEFINES THE CONTROL PANEL DESIGN AND BILL OF MATERIAL BY ESTABLISHING A MULTI-CHARACTER MODEL NUMBER.

## II. MODEL NUMBER SELECTION

THE MODEL NUMBER OF THE CONTROL PANEL IS ESTABLISHED BASED ON PANEL OPTIONS AND GENERATOR RATINGS (EXAMPLE: EB3CAS3A1BXSPICE8). THE MODEL IS DEVELOPED ONE CHARACTER AT A TIME BY FOLLOWING THE INSTRUCTIONS ON SHEETS 1-5. A GENERAL DEFINITION OF MODEL NUMBER CHARACTERS APPEARS BELOW:



GRAPHIC #1

g00593818

# SERVICE EQUIPMENT AND SUPPLIES

103-1582 **CHART-CONTROL PANEL (contd.)**

i01122394

III. DESCRIPTION OF EQUIPMENT SPECIFIED BY MODEL NUMBER

1 — AN "E" AS THE FIRST CHARACTER OF THE MODEL NUMBER SPECIFIES THAT THE CONTROL PANEL IS AN ELECTRONIC MODULAR TYPE. AN "H" INDICATES THAT IT IS BUILT & TESTED TO MEET CANADIAN STANDARD ASSOC. (CSA) APPROVAL.

	PANEL TYPE	VOLTAGE ADJUST RHEOSTAT
E	STANDARD PANEL	129-0308
H	CSA APPROVED PANEL TESTED PER 3L-0369 INCLUDES 103-6332 FILM	7C-4471

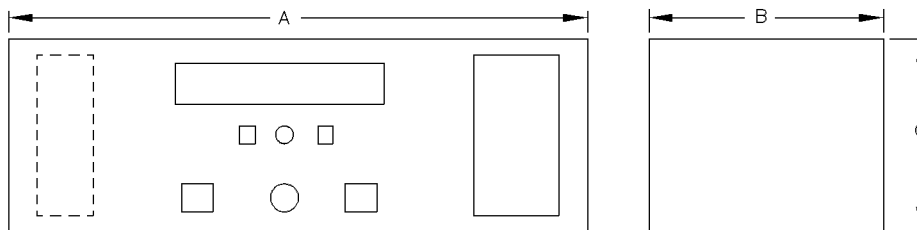
2 — THE SECOND CHARACTER OF THE MODEL NUMBER SPECIFIES THE CONTROL PANEL MOUNTING, SIZE AND DUSTPROOF OPTION. THE CONTROL PANEL SIZE IS DETERMINED BY THE GENERATOR FRAME SIZE. SEE TABLE 1 AND FIGURE 1. DUSTPROOF OPTION SATISFIES NEMA 12 AND IP44.

EB3CAS3A1BXSP1CE8

TABLE 1

	PANEL MTG AND TYPE	GENERATOR FRAME SIZE	PANEL DIMENSIONS			VANDAL DOOR AS.	DUSTPROOF KIT
			A	B	C		
A	STANDARD TOP MTD	360	603.2	323.8	323.8	REQUIRED	————
B	STANDARD TOP MTD	440/580 680/800	698.5	323.8	323.8	REQUIRED	————
C	TOP MTD DUSTPROOF	360	603.2	323.8	323.8	REQUIRED	103-8975
D	TOP MTD DUSTPROOF	440/580 680/800	698.5	323.8	323.8	REQUIRED	103-8975

FIGURE 1



3 — THE THIRD CHARACTER OF THE MODEL NUMBER SPECIFIES THE GENERATOR AC OPERATING VOLTAGE & THE RESULTING AC METERING MODULE VOLTMETER SCALING SELECTION.

MODEL EB3CAS3A1BXSP1CE8

	GENERATOR VOLTAGE(S) (LINE TO LINE)	VOLTMETER SCALING SELECTION	
		PROGRAMMING	JUMPER
2	0 -150 VAC L-L	150	NO
3	151-600 VAC L-L	600	YES

REF: REPUBLIC ELECTRIC AND DEVELOPMENT CO

GRAPHIC #2

g00593820

# SERVICE EQUIPMENT AND SUPPLIES

103-1582 **CHART-CONTROL PANEL (contd.)**

**i01122394**

4 — THE FOURTH CHARACTER OF THE MODEL NUMBER SPECIFIES THE AMMETER SCALING SELECTION AND CURRENT TRANSFORMER. (GENERATOR POWER RATING MUST BE LESS THAN OR EQUAL TO VALUES GIVEN IN TABLE BELOW.)

MODEL EB3CAS3A1BXSP1CE8

GENERATOR EKW OUTPUT TABLE CALCULATED FROM RATED OUTPUT VOLTAGE AT 0.80 POWER FACTOR WITH 15% MARGIN. (GENERATOR POWER RATING MUST BE LESS THAN OR EQUAL TO VALUES GIVEN IN TABLE BELOW.)

GENERATOR EKW RATING AT-VOLTAGES (L-L, RMS):											
	200 VAC	208 VAC	220 VAC	240 VAC	300 VAC	380 VAC	400 VAC	416 VAC	440 VAC	480 VAC	600 VAC
C	20EKW	25EKW	25EKW	25EKW	35EKW	45EKW	45EKW	50EKW	50EKW	55EKW	70EKW
D	35	35	35	40	50	65	70	75	75	85	105
E	45	50	50	55	70	90	95	100	105	115	140
F	70	75	75	85	105	135	140	150	155	170	215
G	95	100	105	115	140	180	190	200	210	230	285
H	140	150	155	170	215	270	285	300	315	345	430
J	190	200	210	230	285	365	385	400	420	460	575
K	240	250	265	285	360	455	480	500	530	575	720
L	285	300	315	345	430	545	575	600	635	690	865
M	360	375	395	430	540	685	720	750	795	865	1080
N	480	500	530	575	720	915	960	1000	1060	1155	1445
P	600	625	660	720	900	1145	1205	1250	1325	1445	1805
R	720	750	795	865	1080	1370	1445	1500	1590	1735	2165
S	960	1000	1060	1155	1445	1830	1925	2005	2120	2310	2890

AMMETER (TRANSFORMER RATED)				CURRENT TRANSFORMERS				
				ROUND		SQUARE		
QTY	SCALE	PROGRAM SETTING	QTY	RATIO	PART NO	RATIO	PART NO	
C	1	0- 100 AMPS	100	3	100:5	5N-5429	—	—
D	1	0- 150 AMPS	150	3	150:5	4W-8102	—	—
E	1	0- 200 AMPS	200	3	200:5	5N-5430	—	—
F	1	0- 300 AMPS	300	3	300:5	5N-5431	—	—
G	1	0- 400 AMPS	400	3	400:5	5N-5432	—	—
H	1	0- 600 AMPS	600	3	600:5	5N-5433	600:5	6I-1952
J	1	0- 800 AMPS	800	3	800:5	5N-5434	800:5	7E-1112
K	1	0-1000 AMPS	1000	3	1000:5	7W-8839	1000:5	7E-1113
L	1	0-1200 AMPS	1200	3	1200:5	7W-8838	1200:5	7E-1114
M	1	0-1500 AMPS	1500	3	1500:5	7W-8837	1500:5	7E-1115
N	1	0-2000 AMPS	2000	3	2000:5	7W-8836	2000:5	7E-1116
P	1	0-2500 AMPS	2500	3	2500:5	7W-8835	2500:5	7E-1117
R	1	0-3000 AMPS	3000	3	3000:5	7W-6598	3000:5	7E-1118
S	1	0-4000 AMPS	4000	3	4000:5	7W-7805	4000:5	7E-1119

NOTE: SQUARE CURRENT TRANSFORMERS TO BE SUPPLIED IF 5TH CHARACTER OF CONTROL PANEL MODEL NUMBER IS M THROUGH W (3408, 3412 AND 3500 PACKAGE GENERATOR SETS). ROUND CURRENT TRANSFORMERS TO BE SUPPLIED WITH ALL OTHER ENGINE SALES MODELS.

GRAPHIC #3

g00593821

# SERVICE EQUIPMENT AND SUPPLIES

103-1582 CHART-CONTROL PANEL (contd.)

i01122394

5 — THE FIFTH CHARACTER OF THE MODEL NUMBER SPECIFIES THE PACKAGE GENERATOR SET ON WHICH THE PANEL WILL BE INSTALLED & SOME ENGINE CONTROL MODULE SETTINGS.

MODEL EB3CAS3A1BXSP1CE8

PACKAGE GENERATOR SET	CHARACTER	ENGINE CONTROL MODULE SETTINGS					
		FAULT SHUTDOWN SETTINGS			OIL STEP SPEED	CRANK TERMINATION SPEED	
		OIL PRESSURE		COOLANT TEMP			
HI RPM KPA(P.SI)	LOW RPM KPA(P.SI)	°C(°F)	OVER-SPEED				
3114 PRIME	A	206(30)	68(10)	107(225)	SAME AS 3208	SAME AS 3208	400 RPM
3116 PRIME	B						
3208 STANDBY	C	206(30)	68(10)	113(235)	REF 3L-0332	REF 3L-0332	
3208 PRIME	D			107(225)			
3304 STANDBY	E			113(235)			
3304 PRIME	F	82(12)	68(10)	107(225)			
3306 STANDBY	G			113(235)			
3306 PRIME	H			107(225)			
3406 STANDBY	J						
3406 PRIME	K						
3408 STANDBY	M						
3408 PRIME	N	206(30)	68(10)	107(225)			
3412 STANDBY	O						
3412 PRIME	P						
3508 STANDBY	R						
3508 PRIME	S						
3512 STANDBY	T	206(30)	68(10)	107(225)			
3512 PRIME	U						
3516 STANDBY	V						
3516 PRIME	W						

6 — THE SIXTH CHARACTER OF THE MODEL NUMBER SPECIFIES THE TYPE OF THE ENGINE FUEL CONTROL SOLENOID.

MODEL EB3CAS3A1BXSP1CE8

	FUEL CONTROL SOLENOID TYPE	PROGRAM ENGINE CONTROL MODULE FOR:	SHUT-OFF GP
R	ENERGIZED TO RUN	ENERGIZED TO RUN	111-7760
S	ENERGIZED TO SHUTOFF	ENERGIZED TO SHUTOFF	111-7761

NOTE: IF CONTROL PANEL MODEL NUMBER 5TH CHARACTER IS "M" THROUGH "P", 7E-8396 AUXILIARY FUEL CONTROL RELAY GROUP IS INCLUDED.

# SERVICE EQUIPMENT AND SUPPLIES

103-1582 **CHART-CONTROL PANEL (contd.)**

**i01122394**

7 — THE SEVENTH CHARACTER OF THE MODEL NUMBER SPECIFIES THE NUMBER OF TEETH ON THE FLYWHEEL OF THE GENSET THAT THE CONTROL PANEL WILL BE INSTALLED ON. IT IS IMPORTANT THAT THE CORRECT NUMBER OF TEETH BE PROGRAMED INTO THE ENGINE CONTROL MODULE TO ASSURE PROPER OPERATION.

MODEL EB3CAS3A1BXSP1CE8

	NUMBER OF FLYWHEEL TEETH	PACKAGE GENERATOR SET	GENERATOR FRAME SIZE
1	183	3516,3512,3508	ALL
2	136	3412,3408	ALL
3	136	3406(# 0 FLYWHEEL HOUSING)	582
4	113	3406(# 1 FLYWHEEL HOUSING)	ALL
5	156	3306,3304	ALL
6	134	3208 ,3114,3116	ALL

REFER TO CHART 3L-0332 TO ASSIST IN DETERMINING NUMBER OF FLYWHEEL TEETH.

8 — THE EIGHTH CHARACTER OF THE MODEL NUMBER SPECIFIES THE RATED SPEED AT WHICH THE GENERATOR SET WILL OPERATE.

MODEL EB3CAS3A1BXSP1CE8

	RATED SPEED (RPM)
A	1000
B	1200
C	1500
D	1800

9 — THE NINTH CHARACTER OF THE MODEL NUMBER SPECIFIES CONTROL PANEL MOUNTED GOVERNOR OPTIONS, IF REQUIRED.

MODEL EB3CAS3A1BXSP1CE8

	GOVERNOR OPTION	GOVERNOR TYPE	GOV SW	GOVERNOR GP-ELECTRONIC	GOVERNOR FUSE PART #	QTY
X	NONE, OR SHIPPED LOOSE CUSTOMER INSTALLED 2301A GOVERNOR	CAT HYDRA-MECH, 2301A LOAD SHARING	—	—	NOT REQUIRED	—
1	GOVERNOR SWITCH GP	CAT HYDRA-MECH PSG,3161	7N-8008	—	NOT REQUIRED	—
4	1724/8290 GOVERNOR (F/U/W 3114 AND 3116 ENGINES)	ELECTRONIC SPEED SENSING	—	7E-1233	3K-8782	1
5	1724/8290 GOVERNOR	ELECTRONIC SPEED SENSING	—	7E-1232	3K-8782	1
6	2301A GOVERNOR	2301A SPEED SENSING	—	4P-2788	7T-0037	1

NOTE : ABOVE CHARACTERS 2, 3, & 6 ARE NOT COMPATIBLE WITH THE CONTROL PANEL MODEL NUMBER 10TH CHARACTER D, E, F OR G (SYNC. LIGHT). ABOVE CHARACTERS 4 AND 5 ARE NOT COMPATIBLE WITH THE CONTROL PANEL MODEL NUMBER 10TH CHARACTER D, E, F, OR G (SYNC. LIGHT) UNLESS PROVIDED WITH OPTIONAL 131-5567 LOAD SHARE MODULE (NOT INSTALLED).

GRAPHIC #5

g00593824

# SERVICE EQUIPMENT AND SUPPLIES

103-1582 CHART-CONTROL PANEL (contd.)

i01122394

10 —THE TENTH CHARACTER OF THE MODEL NUMBER SPECIFIES EITHER THE ALARM MODULES, SYNCHRONIZING LIGHT MODULE,SYNCHRONIZING LIGHT MODULE WITH GENERATOR REVERSE POWER PROTECTION OPTION, IF REQUIRED.

MODEL EB3CAS3A1BXSP1CE8

	MODULE TYPE	PART NO.			
		MODULE OR CONTROL GP	REVERSE POWER RELAY	FILMS	COVER PLATE
X	NOT REQUIRED	NOT REQUIRED	NOT REQUIRED	NOT REQ'D	7C-1009
A	ALARM (NFPA99)	9Y-2907	NOT REQUIRED	NOT REQ'D	NOT REQUIRED
B	ALARM (NFPA 110)	9Y-2906	NOT REQUIRED	NOT REQ'D	NOT REQUIRED
C	ALARM (SINGLE UNIT PRIME POWER)	7E-1234	NOT REQUIRED	NOT REQ'D	NOT REQUIRED
D	SYNC. LIGHTS (0-480V L-L)	106-5171	NOT REQUIRED	NOT REQ'D	NOT REQUIRED
E	SYNC. LIGHTS (600V L-L)	106-5169	NOT REQUIRED	NOT REQ'D	NOT REQUIRED
F	SYNC. LIGHTS (0-480V L-L) WITH REVERSE POWER	106-5171	5N-5510	7C-4062	NOT REQUIRED
G	SYNC. LIGHTS (600V L-L) WITH REVERSE POWER	106-5169	7C-4378	7C-4062	NOT REQUIRED

NOTE :ABOVE CHARACTERS D, E, F, & G ARE INCOMPATIBLE WITH THE CONTROL PANEL MODEL NUMBER 9TH CHARACTERS 2, 3, AND 6 (2301 GOVERNORS). REVERSE POWER RELAY SHALL BE SET AT APPROX. 15% OF GENERATOR RATING.  
 ABOVE CHARACTERS D, E, F, AND G ARE INCOMPATIBLE WITH THE CONTROL PANEL MODEL NUMBER 9TH CHARACTERS 4 AND 5 UNLESS PROVIDED WITH OPTIONAL 131-5567 LOAD SHARE MODULE (NOT INSTALLED).

11 —THE ELEVENTH CHARACTER OF THE MODEL NUMBER SPECIFIES THE PANEL MOUNTED GENERATOR OVERVOLTAGE OR OVERCURRENT RELAY, IF REQUIRED.

MODEL EB3CAS3A1BXSP1CE8

	RELAY TYPE	RELAY P/N
X	NOT REQUIRED	---
1	208 V OVERVOLTAGE THREE PHASE	123-4944
2	240 V OVERVOLTAGE THREE PHASE	123-4945
3	416 V OVERVOLTAGE THREE PHASE	123-4946
4	480 V OVERVOLTAGE THREE PHASE	123-4947
5	600 V OVERVOLTAGE THREE PHASE	126-0558
6	3 PHASE OVERCURRENT RELAY	112-7959

NOTE: ABOVE CHARACTERS #1, #2, #3, #4, #5 AND #6 ARE NOT COMPATIBLE WITH F AND G OF THE TENTH CHARACTER. OVERVOLTAGE AND OVERCURRENT RELAY PICK-UP SETTINGS SHALL BE SET AT ITS MAXIMUM VALUE.

GRAPHIC #6

g00593825



# SERVICE EQUIPMENT AND SUPPLIES

103-1582 **CHART-CONTROL PANEL (contd.)**

**i01122394**

12 — THE TWELFTH CHARACTER OF THE MODEL NUMBER SPECIFIES THE STARTING AID SWITCH OPTION, IF REQUIRED.

MODEL EB3CAS3A1BXSP1CE8

	QTY	STARTING AID SWITCH	METER PANEL FILM
X	0	NOT REQUIRED	103-1837
S	1	9D-3721 MANUAL	103-1837
A	1	8C-9812 AUTOMATIC	103-1838

NOTE: ABOVE CHARACTER "A" PERMITS INJECTION OF ETHER INTO ENGINE AFTER CRANK TERMINATION IF JACKET WATER TEMPERATURE IS LESS THAN 70°F (52°C)

13 — THE THIRTEENTH CHARACTER OF THE MODEL NUMBER SPECIFIES THE PANEL ILLUMINATION LIGHT GROUP AND AUXILIARY RELAY OPTIONS, IF REQUIRED.

MODEL EB3CAS3A1BXSP1CE8

	QTY	LAMP HOUSING AS.	LAMP	SWITCH	PLUG BUTTON	RELAY	SOCKET
X	0	NOT REQUIRED	NOT REQUIRED	NOT REQUIRED	NOT REQUIRED	—	—
	2	NOT REQUIRED	NOT REQUIRED	NOT REQUIRED	5P-4935	—	—
P	2	7G-9730	7N-5876	—	NOT REQUIRED	—	—
	1	—	—	8D-2676	NOT REQUIRED	3N-5714	4W-8787

14 — THE FOURTEENTH CHARACTER OF THE MODEL NUMBER SPECIFIES THE NUMBER OF 24VDC STARTING MOTORS PROVIDED ON THE PACKAGE GENERATOR SET, TO BE CONTROLLED BY THE PANEL.

MODEL EB3CAS3A1BXSP1CE8

	QTY	STARTER MOTOR MAGNETIC SWITCH(S)	CIRCUIT BREAKER PART #		
			3114 & 3116 PRIME GENSETS (REF:MODEL # CHARACTER 5)	ALL OTHER GENSETS	
1	SINGLE STARTING MOTOR	1	9X-8124	9H-1958	1N-9770
2	DUAL STARTING MOTORS	2	9X-8124	—	—
		1	—	—	9H-1958

15 — THE FIFTEENTH CHARACTER OF THE MODEL NUMBER SPECIFIES THE COOLANT LOSS SENSOR OPTION, IF REQUIRED.

MODEL EB3CAS3A1BXSP1CE8

	HARNESS CONNECTOR
X	NOT REQUIRED
C	3E-3367

GRAPHIC #7

g00593827

# SERVICE EQUIPMENT AND SUPPLIES

103-1582 CHART-CONTROL PANEL (contd.)

i01122394

16 — THE SIXTEENTH CHARACTER OF THE MODEL NUMBER SPECIFIES THE UNITS USED IN DISPLAYING OIL PRESSURE & COOLANT TEMPERATURE ON THE ENGINE CONTROL MODULE.

MODEL EB3CAS3A1BXSP1CE8

E	ENGLISH UNITS (PSI, °F)
M	METRIC UNITS (kPa, °C)

17 — THE SEVENTEENTH CHARACTER OF THE MODEL NUMBER SPECIFIES THE CHANGE LEVEL OF THIS CHART TO WHICH THE PANEL WAS BUILT.

MODEL EB3CAS3A1BXSP1CE8

↙ FOR EXAMPLE THIS MEANS CHANGE LEVEL 8.  
REFER TO DRAWING TITLE BLOCK AND/OR  
CONTROL PANEL IDENTIFICATION TAG FOR  
ACTUAL CHANGE LEVEL.

I √ . IN ADDITION TO THE COMPONENTS SPECIFIED BY THE MODEL NUMBER, THE FOLLOWING COMPONENTS ARE REQUIRED TO COMPLETE THE CONTROL PANEL.

	PART NO.		
1	120-6881	CONTROL GP.	GEN SET STATUS CONTROL
1	101-0225	CONTROL GP	AC TRANSFORMER BOX
1	3N-5979	SWITCH	ENGINE CONTROL SWITCH & KNOB
3	-	TERMINALS FOR WIRE T1,T2,T3	ETC MOLEX INC, PART NO. B-201-38HDX
1	7C-0974	FILM	WARNING ELECTRICAL SHOCK HAZARD
2	3N-5611	SHOCK MOUNT AS.	REAR, MULTIPLANE MOUNTS
2	7C-6121	SHOCK MOUNT	FRONT, SANDWICH MOUNTS
2	5N-5159	JUMPER	
1 LOT	-	INTERNAL WIRING	APPROVED BY CAT
1 LOT	-	LABELS-COMPONENT	APPROVED BY CAT
1	-	WIRING HARNESS	PANEL INTERCONNECT TO GENERATOR WITH SPRING SPADE TERMINALS
3	7W-0482	FUSE	2 AMP, 600 VOLT AC
16	3K-8782	FUSE	10 AMP, 32 VAC (8 INSTALLED & 8 SPARES)
1 LOT	-	SHEET METAL COMPONENTS	CONTROL PANEL ENCLOSURE COMPONENTS
1	8T-2882	HANDLE	INSTRUMENT PANEL DOOR HANDLE
1 LOT	-	TETHER(S) & ASSOC. HARDWARE	INSTRUMENT DOOR TETHER(S)
1	6V-6640	SEALANT	ACCESS COVER SEALANT (USE AS REQUIRED)
1	9Y-9771	FILM	PANEL IDENTIFICATION NAMEPLATE
1	9Y-9782	FILM	10A DC FUSE REPLACEMENT INFORMATION LABEL
1	9Y-9783	FILM	2A AC FUSE REPLACEMENT INFORMATION LABEL
1	2W-4899	DIODE	5A 600PIV FLYBACK DIODE WITH BLADE CONNECTORS
1	5N-4988	DIODE	5A 600PIV FLYBACK DIODE WITH SPADE LUGS
1	101-9798	PANEL AS.	SUB PANEL ASSEMBLY
3	4P-2160	WASHER	
3	4P-2161	SCREW	METER PLATE HARDWARE
3	4P-2162	CLIP	
20dm	5N-8359	CONDUIT	1" PLASTIC CONDUIT AND HARDWARE
2	5N-9072	CLIP	
2	5N-9067	COLLAR	
2	062-5388	LOCKNUT	
2	5N-9117	ADAPTER	
1	141-2064	FILM	
1	4D-1260	STRIP-TERMINAL	AUXILIARY TERMINAL STRIP
1	103-1838	FILM	AUXILIARY TERMINAL STRIP FILM
1	3E-3388	RECEPTACLE AS.	8 PIN RECEPTACLE TO MATCH ATB
1	3E-6286	PLUG AS.	40 PIN PLUG TO MATCH GSC
1	3E-3379	PLUG AS.	6 PIN PLUG FOR SENSOR HARNESS
4	2N-3479	SCREW	SHOCK MOUNT HARDWARE
4	4B-4274	WASHER	
4	8C-7507	LOCKWASHER	
4	4B-2049	NUT	
2	0L-2070	BOLT	MOUNTING HARDWARE
2	4D-1326	LOCKWASHER	
2	6V-8801	NUT	
1	4W-5972	KNOB	KNOB FOR VOLTAGE LEVEL ADJUST POT.
1	106-9926	FILM	COMPONENT I.D.FILM
1	103-6197	BLOCK-TERMINAL	4 POINT GROUNDING BLOCK-SUBPAN

GRAPHIC #8

g00593828

# SERVICE EQUIPMENT AND SUPPLIES

103-1582 CHART-CONTROL PANEL (contd.)

i01122394

V. ——— GENERAL REQUIREMENTS

1. ALL CONTROL PANELS SHALL CONTAIN THE APPROPRIATE SPACE, WIRING, HOLES, ETC. TO SUPPORT THE FIELD INSTALLATION OF ANY OPTION LISTED ON THIS CHART. REFER TO DIMENSIONAL DRAWINGS 102-8774 OR 102-6300 FOR GENERAL ENCLOSURE DIMENSIONS.
2. THE COMPLETED CONTROL PANEL SHALL BE FINISHED PAINTED CATERPILLAR YELLOW, 1E2139, WITH THE INSTRUMENT DOOR PAINTED FLAT BLACK.
3. A SUPPLIER NAMEPLATE WILL BE ATTACHED INSIDE THE PANEL. 103-1582 AND THE CONTROL PANEL MODEL NUMBER SHALL BE STAMPED ON THIS NAMEPLATE, ALONG WITH THE DATE CODE.
4. A COMPLETE SET OF CAT DRAWINGS INCLUDING OUTLINE DRAWING, WIRING DIAGRAMS, SCHEMATIC DIAGRAMS, INTERCONNECT DIAGRAM SHALL BE PACKED WITH EACH CONTROL PANEL.
5. STANDARD HARDWARE FASTENERS USED FOR SHEETMETAL TO SHEETMETAL SECUREMENT SHALL BE TORQUED TO THE VALUES GIVEN BELOW. IN ADDITION TYPE B LOCTITE SEALANT, AS SPECIFIED BY 1E2200, SHALL BE USED EXCEPT ON INSTRUMENT PANEL DOOR FASTENERS.

SCREW SIZE (INCH)	STANDARD HARDWARE			
	NEWTON-METERS		FOOT-LBS	
	MIN	MAX	MIN	MAX
4-40	0.37	0.53	0.3	0.4
6-32	0.69	0.98	0.5	0.7
8-32	1.41	2.01	1.0	1.5
10-32	2.35	3.36	1.7	2.5
1/4-20	5.70	8.14	4.2	6.0
5/16-18	10.44	14.91	7.7	11.0
3/8-16	18.03	25.76	13.3	19.0
7/16-14	28.48	40.68	21.3	30.0
1/2-13	42.71	61.02	31.5	45.0
9/16-12	62.65	89.50	46.2	66.0
5/8-11	88.28	126.11	65.1	93.0
3/4-10	142.38	203.40	105.0	150.0
7/8-9	191.74	273.91	141.4	202.0

VI. ——— CATERPILLAR REFERENCE DRAWINGS  
103-1584 CHANGE 08 INSTRUCTIONS

GRAPHIC #9

<END>

g00593829

SERVICE EQUIPMENT AND SUPPLIES

**4W-8000 CHART-CONTROL PANEL**

S/N: 5CA5985-UP; 5DA5682-UP; 5EA5375-UP

TOP MOUNTED

FOR USE WITH STANDBY OR PRIME POWER PACKAGE  
AN ATTACHMENT

SMCS-4490, 7451

i01122411

NOTE	REF NO	GRAPHIC REF	PART NUMBER	QTY	PART NAME						SEE PAGE
					1	2	3	4	5	6 (PRODUCT LEVEL)	
REFER TO ILLUSTRATION											

# SERVICE EQUIPMENT AND SUPPLIES

4W-8000 CHART-CONTROL PANEL (contd.)

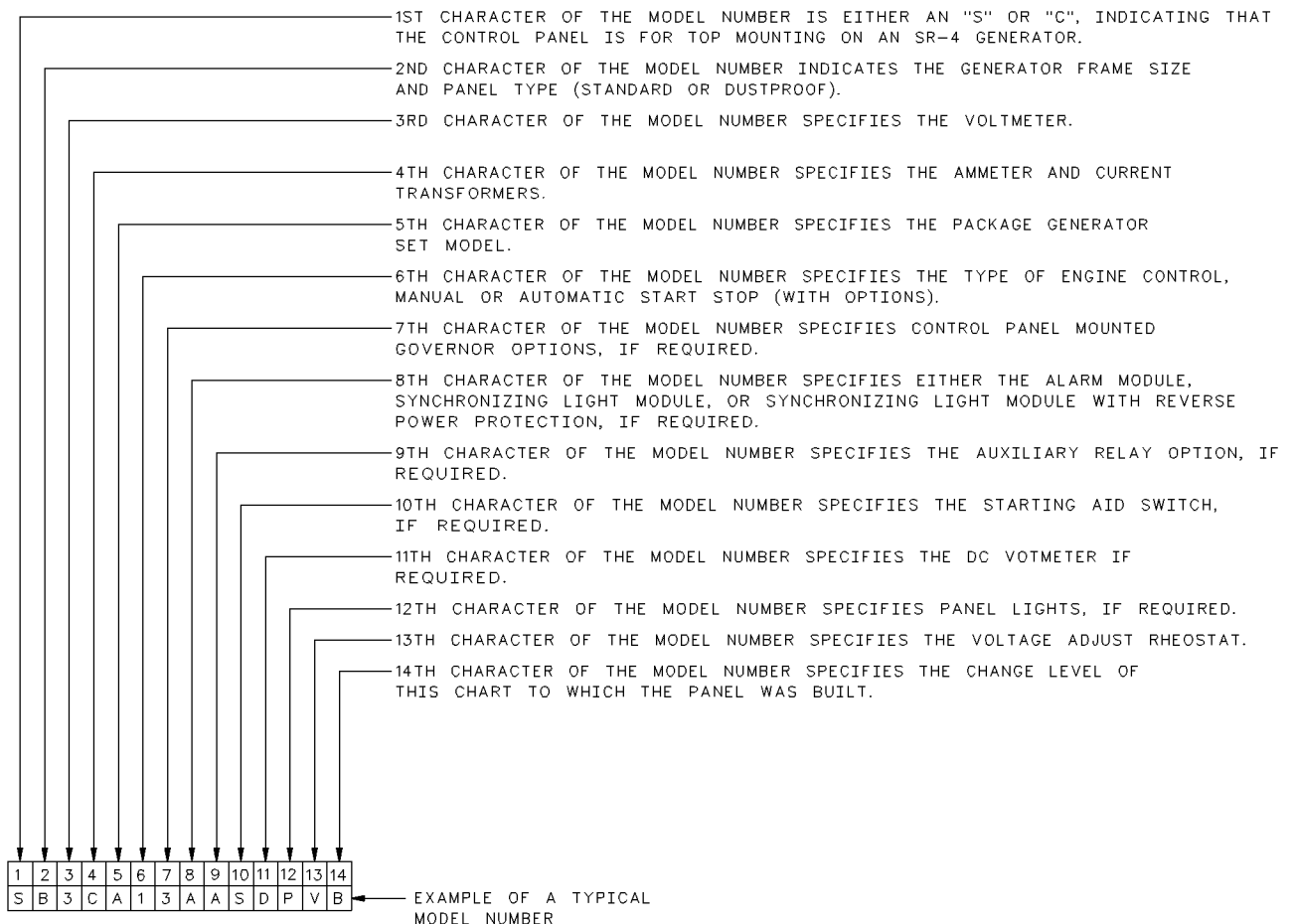
i01122411

## I. SCOPE

THIS CHART IS REQUIRED TO ENABLE THE PROPER SELECTION AND ORDERING OF A TOP MOUNTED CONTROL PANEL, FOR USE WITH A CATERPILLAR AUTOMATIC STANDBY OR MANUAL PRIME POWER PACKAGE GENERATOR SET. THE CHART DEFINES THE CONTROL PANEL DESIGN AND BILL OF MATERIAL BY ESTABLISHING A MULTI-CHARACTER MODEL NUMBER.

## II. MODEL NUMBER SELECTION

THE MODEL NUMBER OF THE CONTROL PANEL IS ESTABLISHED BASED ON PANEL OPTIONS AND GENERATOR RATINGS (EXAMPLE: SB3CA13AASDPVB). THE MODEL NUMBER IS BUILT ONE CHARACTER AT A TIME BY FOLLOWING THE INSTRUCTIONS ON SHEETS 1-4. A GENERAL DEFINITION OF MODEL NUMBER CHARACTERS APPEARS BELOW:



GRAPHIC #1

g00595255

# SERVICE EQUIPMENT AND SUPPLIES

4W-8000 CHART-CONTROL PANEL (contd.)

i01122411

### III. DESCRIPTION OF EQUIPMENT SPECIFIED BY MODEL NUMBER

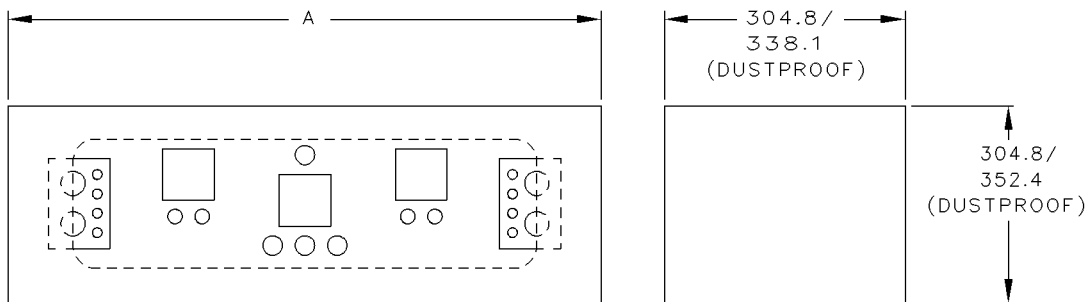
- 1—THE FIRST CHARACTER OF THE MODEL NUMBER INDICATES THAT THE CONTROL PANEL IS A STANDARD PANEL, OR A CANADIAN STANDARD ASSOC. APPROVED PANEL, FOR TOP MOUNTING ON A SR-4 GENERATOR.  
 S=STANDARD  
 C=CSA APPROVED PANEL (INCLUDES 9Y4335 FILM AND 3L0369 CSA DIELECTRIC TEST)
- 2—THE SECOND CHARACTER OF THE MODEL NUMBER INDICATES THE GENERATOR FRAME SIZE & PANEL TYPE. THE FRAME SIZE DETERMINES THE PHYSICAL DIMENSIONS OF THE CONTROL PANEL. SEE TABLE 1 AND FIGURE 1.

SB3CA13AASDPVB

TABLE 1

	PANEL TYPE	GENERATOR FRAME SIZE	PANEL WIDTH "A"	PANEL AS.			HARNESS AS.	
				DOOR	BOX	FACADE	AC	DC
A	STANDARD	360	608.2	—	4P3466	—	7E6486	7E6487
B	STANDARD	440/580	698.5	—	7E6485	4P5813	7E6488	7E6489
		680/800						
C	DUSTPROOF	360	619.1	4W9904	4P3465	—	7E6486	7E6487
D	DUSTPROOF	440/580	714.4	7W0202	7E6484	—	7E6488	7E6489
		680/800						

FIGURE 1



- 3 — THE THIRD CHARACTER OF THE MODEL NUMBER SPECIFIES THE VOLTMETER.

MODEL SB3CA13AASDPVB

	GENERATOR OPERATING VOLTAGE	AC VOLTMETER		FREQUENCY METER RESISTOR
		SCALE	PART NO.	PART NO.
2	0-240 VAC	0-300 VAC	4W8644	NOT REQUIRED
3	241-480 VAC	0-600 VAC	4W8645	7E6496
4	481-600 VAC	0-750 VAC	7W6969	7C4561

GRAPHIC #2

g00595257

# SERVICE EQUIPMENT AND SUPPLIES

4W-8000 CHART-CONTROL PANEL (contd.)

i01122411

4 — THE FOURTH CHARACTER OF THE MODEL NUMBER SPECIFIES THE AMMETER AND CURRENT TRANSFORMERS, BASED ON GENERATOR OUTPUT VOLTAGE AND KW. RATING SHOWN IN TABLES BELOW.

MODEL SB3CA13AASDPVB

	GENERATOR KW RATING AT - VOLTAGES:								
	200VOLTS	208VOLTS	240VOLTS	300VOLTS	380VOLTS	400VOLTS	416VOLTS	480VOLTS	600VOLTS
C	17-25 KW	18-24 KW	21-31 KW	26-35 KW	33-45 KW	35-47 KW	36-49 KW	43-56 KW	52-71 KW
D	26-34	25-34	32-42	36-53	46-66	48-71	50-73	57-85	72-107
E	35-47	35-48	43-56	54-70	67-89	72-94	74-97	86-113	108-141
F	47-71	49-73	57-85	71-106	90-134	95-141	98-146	114-169	142-212
G	72-94	74-98	86-113	107-141	135-179	142-188	147-195	170-226	213-282
H	95-141	99-147	114-169	142-212	180-268	189-282	196-293	227-339	283-423
J	142-188	148-196	170-226	213-282	269-358	283-376	294-391	340-452	424-565
K	189-235	197-245	227-282	283-353	359-447	377-471	392-489	453-565	566-706
L	236-282	246-294	283-339	354-424	448-537	472-565	490-588	566-678	707-848
M	283-353	295-367	340-423	425-530	538-671	566-706	589-734	679-848	849-1060
N	354-471	368-489	424-565	531-706	672-895	707-942	735-979	849-1131	1061-1414
P	472-631	490-631	566-706	707-883	896-1119	943-1178	980-1225	1132-1413	1415-1766
R	632-707	632-735	707-848	884-1060	1120-1343	1179-1414	1226-1470	1414-1696	1767-2120
S	708-943	736-980	849-1131	1061-1414	1344-1791	1415-1885	1471-1960	1670-2262	2121-2827

	AMMETER (TRANSFORMER RATED)			CURRENT TRANSFORMERS				
	QTY	SCALE	PART NO.	ROUND		SQUARE		
				QTY	RATIO	PART NO.	RATIO	PART NO.
C	1	0- 100 AMPS	4W8632	3	100:5	5N5429	—	—
D	1	0- 150 AMPS	4W8633	3	150:5	4W8102	—	—
E	1	0- 200 AMPS	4W8634	3	200:5	5N5430	—	—
F	1	0- 300 AMPS	4W8635	3	300:5	5N5431	—	—
G	1	0- 400 AMPS	4W8636	3	400:5	5N5432	—	—
H	1	0- 600 AMPS	4W8637	3	600:5	5N5433	—	—
J	1	0- 800 AMPS	4W8638	3	800:5	5N5434	800:5	7E1112
K	1	0-1000 AMPS	4W8639	3	1000:5	7W8839	1000:5	7E1113
L	1	0-1200 AMPS	4W8640	3	1200:5	7W8838	1200:5	7E1114
M	1	0-1500 AMPS	4W8641	3	1500:5	7W8837	1500:5	7E1115
N	1	0-2000 AMPS	4W8642	3	2000:5	7W8836	2000:5	7E1116
P	1	0-2500 AMPS	4W8643	3	2500:5	7W8835	2500:5	7E1117
R	1	0-3000 AMPS	7W2218	3	3000:5	7W6598	3000:5	7E1118
S	1	0-4000 AMPS	7W5858	3	4000:5	7W7805	4000:5	7E1119

NOTE: SQUARE CURRENT TRANSFORMERS TO BE SUPPLIED IF 5TH CHARACTER OF CONTROL PANEL MODEL NUMBER IS F THROUGH L (3412 AND 3500 PACKAGE GENERATOR SETS). ROUND CURRENT TRANSFORMERS TO BE SUPPLIED WITH ALL OTHER ENGINE SALES MODELS.

GRAPHIC #3

g00595259

# SERVICE EQUIPMENT AND SUPPLIES

4W-8000 CHART-CONTROL PANEL (contd.)

i01122411

5 — THE FIFTH CHARACTER OF THE MODEL NUMBER SPECIFIES THE PACKAGE GENERATOR SET ON WHICH THE PANEL WILL BE INSTALLED.

MODEL SB3CA13AASDPVB

PACKAGE GENERATOR SET	CHARACTER	PANEL FRONT SHOCK MOUNT	
		PART NO.	QTY
3208	A	3N1968	2
3304	B		
3306	C		
3406	D		
3408	E		
3412	F		
3508	G	7E1235	2
3512	J		
3516	L		

6 — THE SIXTH CHARACTER OF THE MODEL NUMBER SPECIFIES THE TYPE OF THE ENGINE CONTROL AND CYCLE CRANK AND COOLDOWN TIMER OPTIONS, IF REQUIRED.

MODEL SB3CA13AASDPVB

	ENGINE CONTROL TYPE	ENGINE CONTROL GROUP	ENGINE CONTROL OPTIONS		HARNESS AS.
			CYCLE CRANK TIMER	COOLDOWN TIMER	
M	MANUAL	4W8004	NOT COMPATIBLE	NOT COMPATIBLE	7E6493
1	AUTOMATIC (SINGLE CRANK)	4W8005	NOT REQUIRED	NOT REQUIRED	7E6492
2	AUTOMATIC (W/CYCLE CRANK)	4W8005	4W8007	NOT REQUIRED	7E6492
3	AUTOMATIC (W/COOLDOWN)	4W8005	NOT REQUIRED	4W8008	7E6492
4	AUTOMATIC (W/CYCLE CRANK & COOLDOWN)	4W8005	4W8007	4W8008	7E6492

GRAPHIC #4

g00595260



# SERVICE EQUIPMENT AND SUPPLIES

4W-8000 CHART-CONTROL PANEL (contd.)

i01122411

7 — THE SEVENTH CHARACTER OF THE MODEL NUMBER SPECIFIES CONTROL PANEL MOUNTED GOVERNOR OPTIONS, IF REQUIRED.

MODEL SB3CA13AASDPVB

	GOVERNOR OPTION	GOVERNOR TYPE	GOV SW	GOVERNOR GP-ELECTRONIC	GOVERNOR FUSE	FILM
X	NONE, OR SHIPPED LOOSE CUSTOMER INSTALLED 2301A GOVERNOR	CAT HYDRA-MECH, 2301A LOAD SHARING	—	—	—	—
1	GOVERNOR SWITCH GP	CAT HYDRA-MECH PSG,3161	4W8181	—	—	—
2	2301 GOVERNOR (W/PRE-REGULATOR)	2301 SPEED SENSING	—	4W8185	7T0037	7E7845
3	2301 GOVERNOR	2301 SPEED SENSING	—	4W8180	7T0037	7E7845
4	1724/8290 GOVERNOR (F/U/W 3114 AND 3116 ENGINES)	ELECTRONIC SPEED SENSING	—	7E1233	3K8782	9Y9782
5	1724/8290 GOVERNOR	ELECTRONIC SPEED SENSING	—	7E1232	3K8782	9Y9782
6	2301A GOVERNOR	2301A SPEED SENSING	—	4P2788	7T0037	7E7845

NOTE : ABOVE CHARACTERS 2, 3, & 6 ARE NOT COMPATIBLE WITH THE CONTROL PANEL MODEL NUMBER 8TH CHARACTERS L OR R (SYNC LIGHT). ABOVE CHARACTERS 4 AND 5 ARE NOT COMPATIBLE WITH THE CONTROL PANEL MODEL NUMBER 8TH CHARACTERS L OR R UNLESS PROVIDED WITH OPTIONAL 131-5567 LOAD SHARE MODULE (NOT INSTALLED).

8 — THE EIGHTH CHARACTER OF THE MODEL NUMBER SPECIFIES EITHER THE ALARM MODULE, SYNCHRONIZING LIGHT MODULE, SYNCHRONIZING LIGHT MODULE WITH GENERATOR REVERSE POWER PROTECTION OPTION, IF REQUIRED.

MODEL SB3CA13AASDPVB

	MODULE TYPE	MODULE PART NO.	CANADIAN STANDARD 600 VAC MODULE PART NO.	COVER PLATE	HARNESS AS.
X	NOT REQUIRED	NOT REQUIRED	NOT REQUIRED	4W8190	—
A	ALARM (NFPA-99)	4W8006	4W8006	NOT REQUIRED	7E6494
B	ALARM (NFPA-110)	7C3084	7C3084	NOT REQUIRED	7E6495
L	SYNC. LIGHTS	4W8002	7C3262	NOT REQUIRED	—
R	SYNC. LIGHTS W/REVERSE POWER	4W8003	7C3263	NOT REQUIRED	—

NOTE : ABOVE CHARACTERS L & R ARE NOT COMPATIBLE WITH THE CONTROL PANEL MODEL NUMBER 7TH CHARACTERS 2, 3, AND 6 (2301 GOVERNORS). REVERSE POWER RELAY SHALL BE SET AT APPROX. 15% OF GENERATOR RATING. IF THIRD CHARACTER OF MODEL NO. IS A "4", USE 600 VAC CANADIAN MODULE PART NUMBER. ABOVE CHARACTERS L AND R ARE NOT COMPATIBLE WITH THE CONTROL PANEL MODEL NUMBER 7TH CHARACTERS 4 AND 5 UNLESS PROVIDED WITH OPTIONAL 131-5567 LOAD SHARE MODULE (NOT INSTALLED).

GRAPHIC #5

g00595261

# SERVICE EQUIPMENT AND SUPPLIES

4W-8000 CHART-CONTROL PANEL (contd.)

i01122411

- 9 — THE NINTH CHARACTER OF THE MODEL NUMBER SPECIFIES THE AUXILIARY RELAY OPTION, IF REQUIRED.

MODEL SB3CA13AASDPVB

MODULE GROUP - RELAY	
X	NOT REQUIRED
A	4W8009

NOTE :THE AUXILIARY RELAY IS NOT AVAILABLE WITH THE CONTROL PANEL MODEL NUMBER 6TH CHARACTER M (MANUAL START STOP CONTROL).

- 10 — THE TENTH CHARACTER OF THE MODEL NUMBER SPECIFIES THE STARTING AID SWITCH OPTION, IF REQUIRED.

MODEL SB3CA13AASDPVB

	QTY	STARTING AID SWITCH GP	PLUG BUTTON	FILM
X	1	NOT REQUIRED	5P7509	NOT REQUIRED
S	1	4W8182 MANUAL	NOT REQUIRED	NOT REQUIRED
A	1	8C9812 AUTOMATIC	NOT REQUIRED	7E7851

NOTE :ABOVE CHARACTER A IS COMPATIBLE ONLY WITH CONTROL PANEL MODEL NUMBER 5TH CHARACTERS G, J, AND L (3500 SERIES ENGINES PROVIDED WITH AUTOMATIC ETHER INJECTION).

- 11 — THE ELEVENTH CHARACTER OF THE MODEL NUMBER SPECIFIES THE DC VOLTMETER OPTION, IF REQUIRED.

MODEL SB3CA13AASDPVB

	QTY	DC VOLTMETER AS.	PLUG BUTTON
X	1	NOT REQUIRED	6V5183
D	1	4W8184	NOT REQUIRED

- 12 — THE TWELFTH CHARACTER OF THE MODEL NUMBER SPECIFIES THE OPTIONAL PANEL ILLUMINATION LIGHT GROUP, IF REQUIRED.

MODEL SB3CA13AASDPVB

	QTY	PANEL LIGHTS GROUP	PLUG BUTTON
X	1	NOT REQUIRED	5P7509
X	2	NOT REQUIRED	5P4935
P	1	4W8183	NOT REQUIRED

GRAPHIC #6

g00595262

# SERVICE EQUIPMENT AND SUPPLIES

4W-8000 CHART-CONTROL PANEL (contd.)

i01122411

13 — THE THIRTEENTH CHARACTER OF THE MODEL NUMBER SPECIFIES THE PROPER VOLTAGE ADJUSTING POTENTIOMETER.

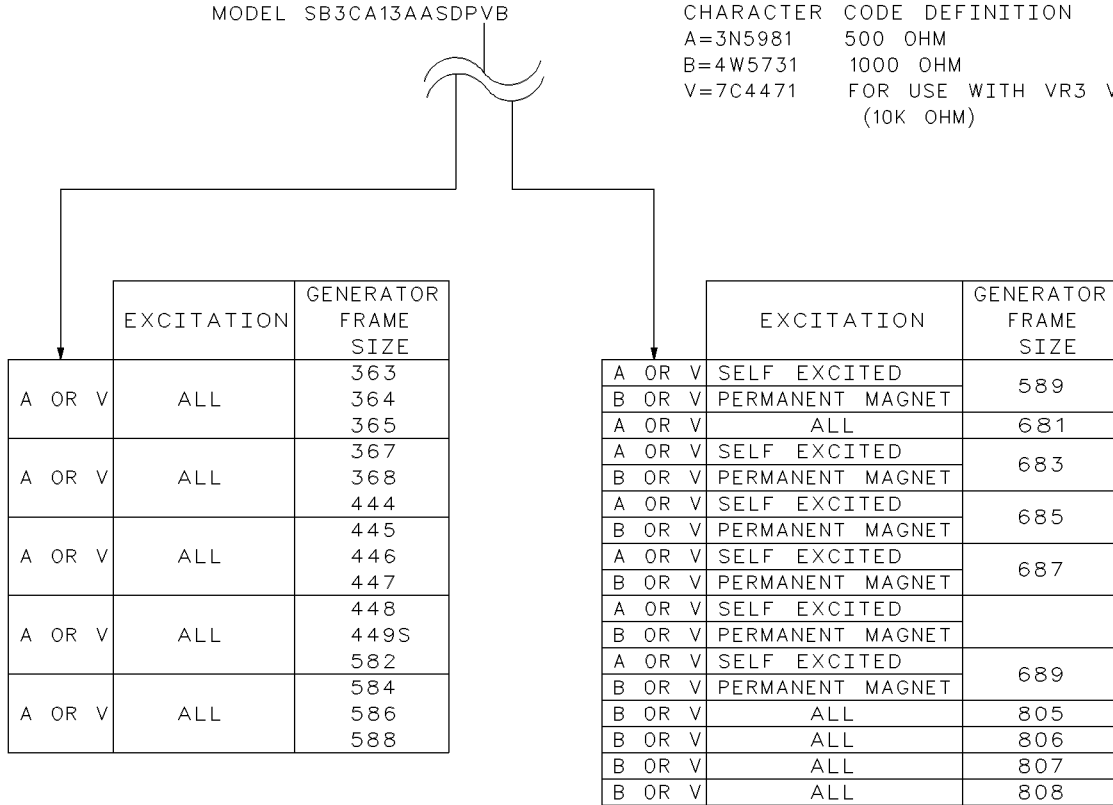
MODEL SB3CA13AASDPVB

CHARACTER CODE DEFINITION

A=3N5981 500 OHM

B=4W5731 1000 OHM

V=7C4471 FOR USE WITH VR3 VOLT REG. (10K OHM)



14 — THE FOURTEENTH CHARACTER OF THE MODEL NUMBER SPECIFIES THE CHANGE LEVEL OF THIS CHART TO WHICH THE PANEL WAS BUILT.

MODEL SB3CA13AASDPVB

↑ FOR EXAMPLE THIS MEANS CHANGE LEVEL 11. REFER TO DRAWING TITLE BLOCK &/OR CONTROL PANEL IDENTIFICATION TAG FOR ACTUAL CHANGE LEVEL.

NOTE: CHANGE LEVEL "B" = CHANGE LEVEL "11"

GRAPHIC #7

g00595263

# SERVICE EQUIPMENT AND SUPPLIES

4W-8000 CHART-CONTROL PANEL (contd.)

i01122411

IV. IN ADDITION TO THE COMPONENTS SPECIFIED BY THE MODEL NUMBER, THE FOLLOWING COMPONENTS ARE REQUIRED TO COMPLETE THE CONTROL PANEL.

	PART NO.		
3	—	TERMINALS FOR WIRE T1,T2,T3	ETC MOLEX INC, PART NO. B-201-38HDX
1	145-7004	FREQUENCY METER	45-65 HZ DIAL TYPE 240 VAC
1	3N5976	SWITCH (ROTARY)	PHASE SELECTOR SWITCH (AMMETER-VOLTMETER)
1	7C0974	FILM	WARNING ELECTRICAL SHOCK HAZARD
2	3N5611	SHOCK MOUNT AS.	REAR, MULTIPLANE MOUNTS
1 LOT	—	PANDUIT (PLASTIC WIREWAY)	USE AS REQUIRED
1	4L6470	TERMINAL STRIP 12 POINT	
2	4W8229	TERMINAL STRIP 20 POINT	
1	4W8226	STRIP - TERMINAL MARKER	TB A TERMINAL STRIP MARKER
1	4W8227	STRIP - TERMINAL MARKER	TB B TERMINAL STRIP MARKER
1	4W8228	STRIP - TERMINAL MARKER	TB C TERMINAL STRIP MARKER
1 LOT	—	LABELS - COMPONENT	APPROVED BY CAT
1 LOT	—	YELLOW BRAIDED HARNESS SLEEVE	USE AS REQUIRED
1	3N5977	FUSE BLOCK	3 POLE, 600 VOLT AC
3	7W0482	FUSE	2 AMP, 600 VOLT AC
1	4W2065	OIL PRESSURE GAGE	
1	4W0483	WATER TEMPERATURE GAGE	
1	—	BARRIER	BACK OF METER PANEL
2	7C1466	BUSHING	TO SEAL HARNESS BETWEEN GENERATOR AND CONTROL PANEL
1	9Y9771	FILM	PANEL IDENTIFICATION NAMEPLATE
1	9Y9783	FILM	FUSE LABEL, 2A AC
1	4W5972	KNOB	KNOB FOR VOLTAGE ADJUST RHEOSTATS
1	7E6490	HARNESS AS. - WIRING	DC INTERNAL WIRING HARNESS
1	7E6491	HARNESS AS. - WIRING	AC INTERNAL WIRING HARNESS
3	4P2160	WASHER	METER PANEL HARDWARE
3	4P2161	SCREW	
3	4P2162	CLIP	

GRAPHIC #8

g00595264

# SERVICE EQUIPMENT AND SUPPLIES

4W-8000 CHART-CONTROL PANEL (contd.)

i01122411

V. ——— GENERAL REQUIREMENTS

1. ALL CONTROL PANELS SHALL CONTAIN THE APPROPRIATE SPACE, WIRING, HOLES, ETC. TO SUPPORT THE FIELD INSTALLATION OF ANY OPTION LISTED ON THIS CHART.
2. THE COMPLETED CONTROL PANEL SHALL BE FINISHED PAINTED CATERPILLAR HI-WAY YELLOW, 1E2139.
3. A SUPPLIER NAMEPLATE WILL BE ATTACHED INSIDE THE PANEL ENCLOSURE. THE CONTROL PANEL MODEL NUMBER SHALL BE STAMPED ON THIS NAMEPLATE, ALONG WITH THE DATE CODE.
4. A COMPLETE SET OF CAT DRAWINGS INCLUDING OUTLINE DRAWING, WIRING DIAGRAMS, SCHEMATIC DIAGRAMS, INTERCONNECT DIAGRAM SHALL BE PACKED WITH EACH CONTROL PANEL.
5. STANDARD HARDWARE FASTENERS USED FOR SHEETMETAL TO SHEETMETAL SECUREMENT SHALL BE TORQUED TO THE VALUES GIVEN BELOW. IN ADDITION TYPE B LOCTITE SEALANT, AS SPECIFIED BY 1E2200, SHALL BE USED EXCEPT ON INSTRUMENT PANEL DOOR FASTENERS.

SCREW SIZE (INCH)	STANDARD HARDWARE			
	NEWTON-METERS		FOOT-LBS	
	MIN	MAX	MIN	MAX
4-40	0.37	0.53	0.3	0.4
6-32	0.69	0.98	0.5	0.7
8-32	1.41	2.01	1.0	1.5
10-32	2.35	3.36	1.7	2.5
1/4-20	5.70	8.14	4.2	6.0
5/16-18	10.44	14.91	7.7	11.0
3/8-16	18.03	25.76	13.3	19.0
7/16-14	28.48	40.68	21.3	30.0
1/2-13	42.71	61.02	31.5	45.0
9/16-12	62.65	89.50	46.2	66.0
5/8-11	88.28	126.11	65.1	93.0
3/4-10	142.38	203.40	105.0	150.0
7/8-9	191.74	273.91	141.4	202.0

6. METER PHASE SELECTOR SWITCH POSITION VS PHASE

POSITION	OFF	1	2	3
AMMETER READING	OFF	PHASE 1	PHASE 2	PHASE 3
VOLTMETER READING	OFF	PH 1 TO 2	PH 2 TO 3	PH 3 TO 1

VI. ——— CATERPILLAR REFERENCE DRAWINGS  
4W8001 - CHANGE 10 INSTRUCTIONS

GRAPHIC #9

<END>

g00595265

SERVICE EQUIPMENT AND SUPPLIES

**7C-1000 CHART-CONTROL PANEL**

S/N: 85Z3764-UP

GENERATOR MOUNTED ELECTRONIC MODULAR  
FOR USE WITH STANDBY OR PRIME POWER PACKAGE  
AN ATTACHMENT

SMCS-4490, 7451

i01122420

NOTE	REF NO	GRAPHIC REF	PART NUMBER	QTY	PART NAME						SEE PAGE
					1	2	3	4	5	6 (PRODUCT LEVEL)	
REFER TO ILLUSTRATION											

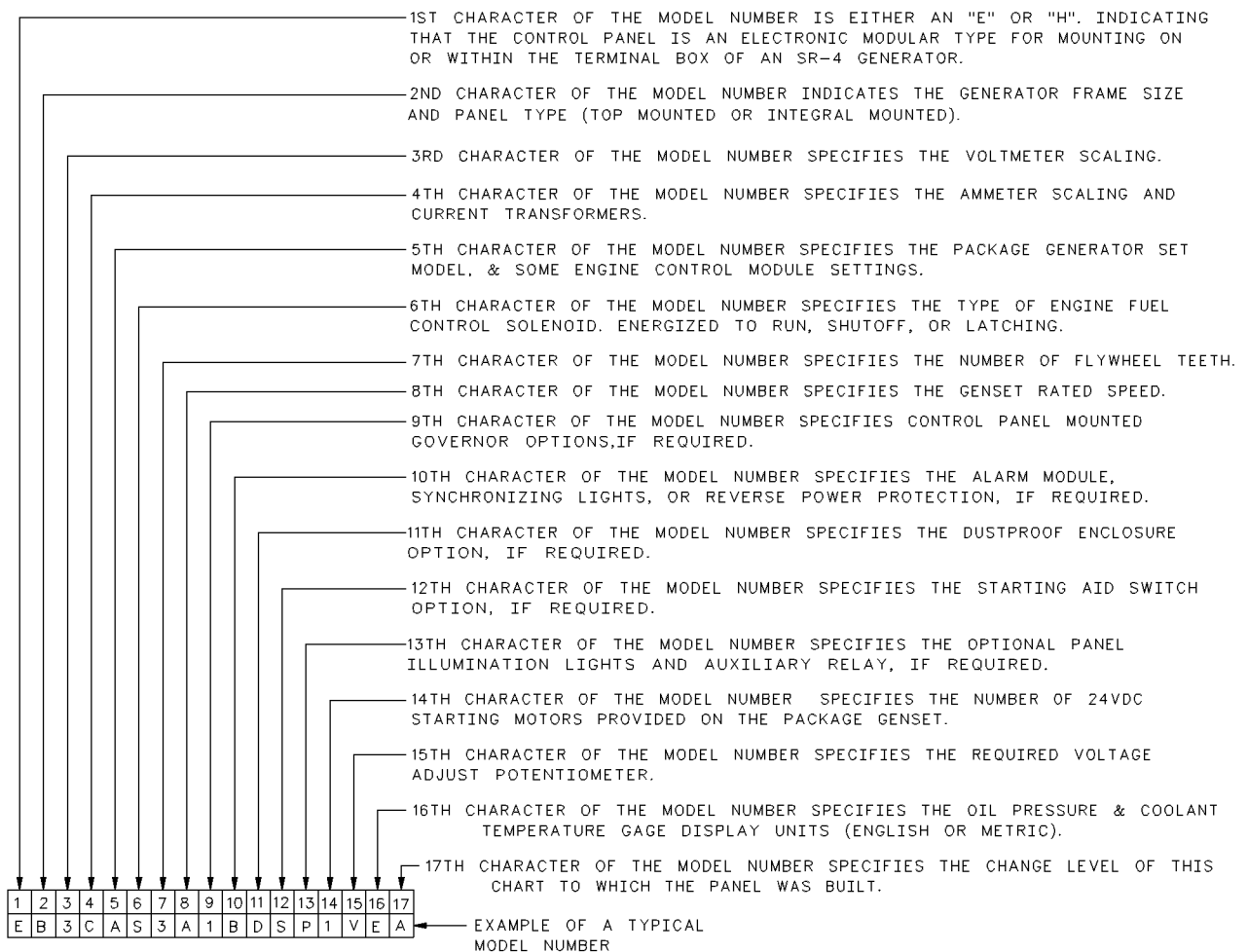
# SERVICE EQUIPMENT AND SUPPLIES

7C-1000 CHART-CONTROL PANEL (contd.)

i01122420

## I. MODEL NUMBER SELECTION

THE MODEL NUMBER OF THE CONTROL PANEL IS ESTABLISHED BASED ON PANEL OPTIONS AND GENERATOR RATINGS(EXAMPLE: EB3CAS3A1BDSP1VEA). THE MODEL IS DEVELOPED ON CHARACTER AT A TIME BY FOLLOWING THE INSTRUCTIONS ON SHEETS 1-5. A GENERAL DEFINITION OF MODEL NUMBER CHARACTERS APPEARS BELOW:



GRAPHIC #1

g00594219

# SERVICE EQUIPMENT AND SUPPLIES

7C-1000 CHART-CONTROL PANEL (contd.)

i01122420

II. DESCRIPTION OF EQUIPMENT SPECIFIED BY MODEL NUMBER

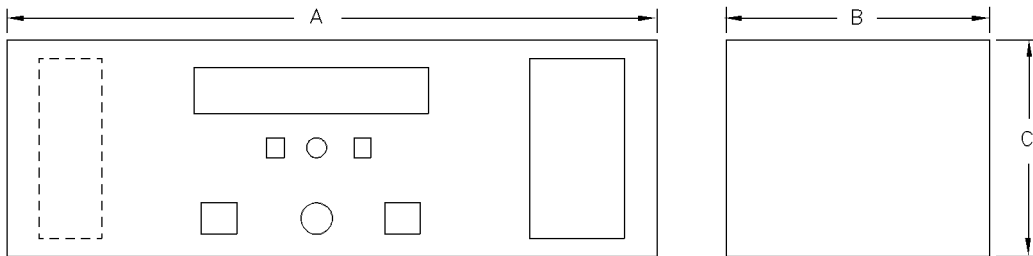
- 1 — AN "E" AS THE FIRST CHARACTER OF THE MODEL NUMBER SPECIFIES THAT THE CONTROL PANEL IS AN ELECTRONIC MODULAR TYPE. AN "H" INDICATES THAT IT IS BUILT & TESTED TO MEET CANADIAN STANDARD ASSOC. (CSA) APPROVAL.  
E=STANDARD PANEL  
H=CSA APPROVED PANEL,INCLUDES 9Y-4336 FILM & 3L-0369 CSA DIELECTRIC TEST.
- 2 — THE SECOND CHARACTER OF THE MODEL NUMBER SPECIFIES THE GENERATOR FRAME SIZE, PANEL TYPE, & MOUNTING LOCATION. THE FRAME SIZE DETERMINES THE PHYSICAL DIMENSIONS OF THE CONTROL PANEL. SEE TABLE 1 AND FIGURE 1.

EB3CAS3A1BDSP1VEA

TABLE 1

	PANEL TYPE	GENERATOR FRAME SIZE	PANEL DIMENSIONS			VANDAL DOOR AS.
			A	B	C	
A	STANDARD GEN TOP MTD	360	603.2	323.8	323.8	REQUIRED
B	STANDARD GEN TOP MTD	440/580 680/800	698.5	323.8	323.8	REQUIRED
E	STANDARD MTD WITHIN GEN TERMINAL BOX	ALL	698.5	323.8	323.8	NOT REQ'D

FIGURE 1



- 3 — THE THIRD CHARACTER OF THE MODEL NUMBER SPECIFIES THE GENERATOR AC OPERATING VOLTAGE & THE RESULTING AC METERING MODULE VOLTMETER SCALING SELECTION.

MODEL EB3CAS3A1BDSP1VEA

	GENERATOR VOLTAGE(S) (LINE TO LINE)	VOLTMETER SCALING SELECTION	
		SET MODULE SWITCH S2	JUMPER MODULE AT TERMINAL
2	0 TO 350 VAC L-L	2	7 TO 5
3	351 TO 599 VAC L-L	0	6 TO 5
4	600 VAC L-L	0	6 TO 5

REF: REPUBLIC ELECTRIC AND DEVELOPMENT CO

GRAPHIC #2

g00594220



# SERVICE EQUIPMENT AND SUPPLIES

7C-1000 CHART-CONTROL PANEL (contd.)

i01122420

4 — THE FOURTH CHARACTER OF THE MODEL NUMBER SPECIFIES THE AMMETER SCALING SELECTION AND CURRENT TRANSFORMER. (GENERATOR POWER RATING MUST BE LESS THAN OR EQUAL TO VALUES GIVEN IN TABLE BELOW.)

MODEL EB3CAS3A1BDSP1VEA

GENERATOR EKW OUTPUT TABLE CALCULATED FROM RATED OUTPUT VOLTAGE AT 0.80 POWER FACTOR WITH 15% MARGIN. (GENERATOR POWER RATING MUST BE LESS THAN OR EQUAL TO VALUES GIVEN IN TABLE BELOW.)

	GENERATOR EKW RATING AT-VOLTAGES (L-L, RMS):										
	200 VAC	208 VAC	220 VAC	240 VAC	300 VAC	380 VAC	400 VAC	416 VAC	440 VAC	480 VAC	600 VAC
C	20EKW	25EKW	25EKW	25EKW	35EKW	45EKW	45EKW	50EKW	50EKW	55EKW	70EKW
D	35	35	35	40	50	65	70	75	75	85	105
E	45	50	50	55	70	90	95	100	105	115	140
F	70	75	75	85	105	135	140	150	155	170	215
G	95	100	105	115	140	180	190	200	210	230	285
H	140	150	155	170	215	270	285	300	315	345	430
J	190	200	210	230	285	365	385	400	420	460	575
K	240	250	265	285	360	455	480	500	530	575	720
L	285	300	315	345	430	545	575	600	635	690	865
M	360	375	395	430	540	685	720	750	795	865	1080
N	480	500	530	575	720	915	960	1000	1060	1155	1445
P	600	625	660	720	900	1145	1205	1250	1325	1445	1805
R	720	750	795	865	1080	1370	1445	1500	1590	1735	2165
S	960	1000	1060	1155	1445	1830	1925	2005	2120	2310	2890

	AMMETER (TRANSFORMER RATED)			CURRENT TRANSFORMERS				
	QTY	SCALE	MODULE SWITCH S1 SETTING	QTY	ROUND		SQUARE	
					RATIO	PART NO	RATIO	PART NO
C	1	0- 100 AMPS	1	3	100:5	5N-5429	—	—
D	1	0- 150 AMPS	2	3	150:5	4W-8102	—	—
E	1	0- 200 AMPS	3	3	200:5	5N-5430	—	—
F	1	0- 300 AMPS	4	3	300:5	5N-5431	—	—
G	1	0- 400 AMPS	5	3	400:5	5N-5432	—	—
H	1	0- 600 AMPS	6	3	600:5	5N-5433	600:5	6I-1952
J	1	0- 800 AMPS	7	3	800:5	5N-5434	800:5	7E-1112
K	1	0-1000 AMPS	8	3	1000:5	7W-8839	1000:5	7E-1113
L	1	0-1200 AMPS	9	3	1200:5	7W-8838	1200:5	7E-1114
M	1	0-1500 AMPS	10	3	1500:5	7W-8837	1500:5	7E-1115
N	1	0-2000 AMPS	11	3	2000:5	7W-8836	2000:5	7E-1116
P	1	0-2500 AMPS	12	3	2500:5	7W-8835	2500:5	7E-1117
R	1	0-3000 AMPS	13	3	3000:5	7W-6598	3000:5	7E-1118
S	1	0-4000 AMPS	14	3	4000:5	7W-7805	4000:5	7E-1119

NOTE: SQUARE CURRENT TRANSFORMERS TO BE SUPPLIED IF 5TH CHARACTER OF CONTROL PANEL MODEL NUMBER IS M THROUGH W (3408, 3412 AND 3500 PACKAGE GENERATOR SETS). ROUND CURRENT TRANSFORMERS TO BE SUPPLIED WITH ALL OTHER ENGINE SALES MODELS.

GRAPHIC #3

g00594221

# SERVICE EQUIPMENT AND SUPPLIES

7C-1000 CHART-CONTROL PANEL (contd.)

i01122420

5 — THE FIFTH CHARACTER OF THE MODEL NUMBER SPECIFIES THE PACKAGE GENERATOR SET ON WHICH THE PANEL WILL BE INSTALLED & SOME ENGINE CONTROL MODULE SETTINGS.

MODEL EB3CAS3A1BDSP1VEA

PACKAGE GENERATOR SET	CHARACTER	ENGINE CONTROL MODULE SETTINGS					
		FAULT SHUTDOWN SETTINGS			OIL STEP SPEED	CRANK TERMINATION SPEED	
		HI RPM KPA(PSI)	LOW RPM KPA(PSI)	COOLANT TEMP °C(°F)			OVER-SPEED
3114 PRIME	A	206(30)	68(10)	107(225)	SAME AS 3208	SAME AS 3208	400 RPM
3116 PRIME	B						
3208 STANDBY	C	206(30)	68(10)	107(225)	REF 3L-0332	REF 3L-0332	
3208 PRIME	D						
3304 STANDBY	E						
3304 PRIME	F	82(12)	68(10)	107(225)			
3306 STANDBY	G						
3306 PRIME	H						
3406 STANDBY	J						
3406 PRIME	K						
3408 STANDBY	M						
3408 PRIME	N	206(30)	68(10)	107(225)			
3412 STANDBY	O						
3412 PRIME	P						
3508 STANDBY	R						
3508 PRIME	S						
3512 STANDBY	T	206(30)	68(10)	107(225)			
3512 PRIME	U						
3516 STANDBY	V						
3516 PRIME	W						

6 — THE SIXTH CHARACTER OF THE MODEL NUMBER SPECIFIES THE TYPE OF THE ENGINE FUEL CONTROL SOLENOID.

MODEL EB3CAS3A1BDSP1VEA

	FUEL CONTROL SOLENOID TYPE	PROGRAM ENGINE CONTROL MODULE FOR:
R	ENERGIZED TO RUN	ENERGIZED TO RUN
S	ENERGIZED TO SHUTOFF	ENERGIZED TO SHUTOFF
L	LATCHING	ENERGIZED TO SHUTOFF

NOTE: IF CONTROL PANEL MODEL NUMBER 5TH CHARACTER IS "M" THROUGH "P", 7E-8396 AUXILIARY FUEL CONTROL RELAY GROUP IS INCLUDED.

GRAPHIC #4

g00594222

# SERVICE EQUIPMENT AND SUPPLIES

7C-1000 CHART-CONTROL PANEL (contd.)

i01122420

7 — THE SEVENTH CHARACTER OF THE MODEL NUMBER SPECIFIES THE NUMBER OF TEETH ON THE FLYWHEEL OF THE GENSET THAT THE CONTROL PANEL WILL BE INSTALLED ON. IT IS IMPORTANT THAT THE CORRECT NUMBER OF TEETH BE PROGRAMED INTO THE ENGINE CONTROL MODULE TO ASSURE PROPER OPERATION.

MODEL EB3CAS3A1BDSP1VEA

	NUMBER OF FLYWHEEL TEETH	PACKAGE GANERATOR SET	GENERATOR FRAME SIZE
1	183	3516,3512,3508	ALL
2	136	3412,3408	ALL
3	136	3406(# 0 FLYWHEEL HOUSING)	582/450
4	113	3406(# 1 FLYWHEEL HOUSING)	ALL
5	156	3306,3304	ALL
6	134	3208 ,3114,3116	ALL

REFER TO CHART 3L-0332 TO ASSIST IN DETERMINING NUMBER OF FLYWHEEL TEETH.

8 — THE EIGHTH CHARACTER OF THE MODEL NUMBER SPECIFIES THE RATED SPEED AT WHICH THE GENERATOR SET WILL OPERATE.

MODEL EB3CAS3A1BDSP1VEA

	RATED SPEED (RPM)
A	1000
B	1200
C	1500
D	1800

9 — THE NINTH CHARACTER OF THE MODEL NUMBER SPECIFIES CONTROL PANEL MOUNTED GOVERNOR OPTIONS, IF REQUIRED.

MODEL EB3CAS3A1BDSP1VEA

	GOVERNOR OPTION	GOVERNOR TYPE	GOV SW	SUPP. DIODE	GOVERNOR GP-ELECTRONIC	GOVERNOR FUSE	
						PART #	QTY
X	NONE, OR SHIPPED LOOSE CUSTOMER INSTALLED 2301A GOVERNOR	CAT HYDRA-MECH, 2301A LOAD SHARING	—	—	—	NOT REQUIRED	—
1	GOVERNOR SWITCH GP	CAT HYDRA-MECH PSG,3161	7N-8008	9Y-8412	—	NOT REQUIRED	—
2	2301 GOVERNOR (W/PRE-REGULATOR)	2301 SPEED SENSING	—	—	4W-9314	7T-0037	1
3	2301 GOVERNOR	2301 SPEED SENSING	—	—	4W-9313	7T-0037	1
4	1724/8290 GOVERNOR (F/U/W 3114 AND 3116 ENGINES)	ELECTRONIC SPEED SENSING	—	—	7E-1233	3K-8782	1
5	1724/8290 GOVERNOR	ELECTRONIC SPEED SENSING	—	—	7E-1232	3K-8782	1
6	2301A GOVERNOR	2301A SPEED SENSING	—	—	4P-2788	7T-0037	1

NOTE : ABOVE CHARACTERS 2, 3, & 6 ARE NOT COMPATIBLE WITH THE CONTROL PANEL MODEL NUMBER 10TH CHARACTER D, E, F OR G (SYNC. LIGHT). ABOVE CHARACTERS 4 AND 5 ARE NOT COMPATIBLE WITH THE CONTROL PANEL MODEL NUMBER 10TH CHARACTER D, E, F, OR G (SYNC. LIGHT) UNLESS PROVIDED WITH OPTIONAL 131-5567 LOAD SHARE MODULE (NOT INSTALLED).

GRAPHIC #5

g00594223

# SERVICE EQUIPMENT AND SUPPLIES

7C-1000 CHART-CONTROL PANEL (contd.)

i01122420

10 —THE TENTH CHARACTER OF THE MODEL NUMBER SPECIFIES EITHER THE ALARM MODULES, SYNCHRONIZING LIGHT MODULE,SYNCHRONIZING LIGHT MODULE WITH GENERATOR REVERSE POWER PROTECTION OPTION, IF REQUIRED.

MODEL EB3CAS3A1BDSP1VEA

	MODULE TYPE	PART NO.			
		MODULE OR CONTROL GP	REVERSE POWER RELAY	FILMS	COVER PLATE
X	NOT REQUIRED	NOT REQUIRED	NOT REQUIRED	NOT REQ'D	7C-1009
A	ALARM (NFPA99)	9Y-2907	NOT REQUIRED	NOT REQ'D	NOT REQUIRED
B	ALARM (NFPA 110)	9Y-2906	NOT REQUIRED	NOT REQ'D	NOT REQUIRED
C	ALARM (SINGLE UNIT PRIME POWER)	7E-1234	NOT REQUIRED	NOT REQ'D	NOT REQUIRED
D	SYNC. LIGHTS (0-480V L-L)	7C-1002	NOT REQUIRED	NOT REQ'D	NOT REQUIRED
E	SYNC. LIGHTS (600V L-L)	7C-4725	NOT REQUIRED	NOT REQ'D	NOT REQUIRED
F	SYNC. LIGHTS (0-480V L-L) WITH REVERSE POWER	7C-1002	5N-5510	7C-4062	NOT REQUIRED
G	SYNC. LIGHTS (600V L-L) WITH REVERSE POWER	7C-4725	7C-4378	7C-4062	NOT REQUIRED

NOTE :ABOVE CHARACTERS D, E, F, & G ARE INCOMPATIBLE WITH THE CONTROL PANEL MODEL NUMBER 9TH CHARACTERS 2, 3, AND 6 (2301 GOVERNORS). REVERSE POWER RELAY SHALL BE SET AT APPROX. 15% OF GENERATOR RATING.  
ABOVE CHARACTERS D, E, F, AND G ARE INCOMPATIBLE WITH THE CONTROL PANEL MODEL NUMBER 9TH CHARACTERS 4 AND 5 UNLESS PROVIDED WITH OPTIONAL 1315567 LOAD SHARE MODULE (NOT INSTALLED).

11 —THE ELEVENTH CHARACTER OF THE MODEL NUMBER SPECIFIES THE DUSTPROOF ENCLOSURE OPTION, IF REQUIRED. SATISFIES NEMA 12 AND IP44.

MODEL EB3CAS3A1BDSP1VEA

	DUSTPROOF AS.
X	NOT REQUIRED
D	7C-3527

12 —THE TWELFTH CHARACTER OF THE MODEL NUMBER SPECIFIES THE STARTING AID SWITCH OPTION, IF REQUIRED.

MODEL EB3CAS3A1BDSP1VEA

	QTY	STARTING AID SWITCH	METER PANEL FILM
X	0	NOT REQUIRED	7W-9800
S	1	9D-3721 MANUAL	7W-9800
A	1	8C-9812 AUTOMATIC	7E-5916

NOTE: ABOVE CHARACTER "A" PERMITS INJECTION OF ETHER INTO ENGINE AFTER CRANK TERMINATION IF JACKET WATER TEMPERATURE IS LESS THAN 70°F ( 52°C ).

# SERVICE EQUIPMENT AND SUPPLIES

7C-1000 CHART-CONTROL PANEL (contd.)

i01122420

- 13 — THE THIRTEENTH CHARACTER OF THE MODEL NUMBER SPECIFIES THE PANEL ILLUMINATION LIGHT GROUP AND AUXILIARY RELAY OPTIONS, IF REQUIRED.

MODEL EB3CAS3A1BDSP1VEA

	QTY	LAMP HOUSING AS	LAMP	SWITCH	PLUG BUTTON	RELAY	SOCKET
X	0	NOT REQUIRED	NOT REQUIRED	NOT REQUIRED	NOT REQUIRED	—	—
	2	NOT REQUIRED	NOT REQUIRED	NOT REQUIRED	5P-4935	—	—
P	2	7G-9730	7N-5876	—	NOT REQUIRED	—	—
	1	—	—	8D-2676	NOT REQUIRED	3N-5714	4W-8787

- 14 — THE FOURTEENTH CHARACTER OF THE MODEL NUMBER SPECIFIES THE NUMBER OF 24VDC STARTING MOTORS PROVIDED ON THE PACKAGE GENERATOR SET, TO BE CONTROLLED BY THE PANEL.

MODEL EB3CAS3A1BDSP1VEA

	QTY	STARTER MOTOR MAGNETIC SWITCH(S)	CIRCUIT BREAKER PART #	
			3114 & 3116 PRIME GENSETS (REF:MODEL # CHARACTER 5)	ALL OTHER GENSETS
1	1	SINGLE STARTING MOTOR 9X-8124	9H-1958	1N-9770
2	2	DUAL STARTING MOTORS 9X-8124	—	—
	1	—	—	9H-1958

- 15 — THE FIFTEENTH CHARACTER OF THE MODEL NUMBER SPECIFIES THE PROPER VOLTAGE ADJUSTING POTENTIOMETER.

MODEL EB3CAS3A1BDSP1VEA

CHARACTER CODE DEFINITION  
A=3N-5981 500 OHM  
B=4W-5731 1000 OHM  
V=7C-4471 FOR USE WITH VR3 VOLT REG.  
(10K OHM)

	EXCITATION	GENERATOR FRAME SIZE
V	ALL	280 THRU 588
A OR V	SELF EXCITED	589
B OR V	PERMANENT MAGNET	
A OR V	SELF EXCITED	681
B OR V	PERMANENT MAGNET	
A OR V	SELF EXCITED	683
B OR V	PERMANENT MAGNET	
A OR V	SELF EXCITED	685
B OR V	PERMANENT MAGNET	
A OR V	SELF EXCITED	687
B OR V	PERMANENT MAGNET	
A OR V	SELF EXCITED	689
B OR V	PERMANENT MAGNET	
B OR V	ALL	805
B OR V	ALL	806
B OR V	ALL	807
B OR V	ALL	808/809

GRAPHIC #7

g00594226

# SERVICE EQUIPMENT AND SUPPLIES

7C-1000 CHART-CONTROL PANEL (contd.)

i01122420

16 — THE SIXTEENTH CHARACTER OF THE MODEL NUMBER SPECIFIES THE UNITS USED IN DISPLAYING OIL PRESSURE & COOLANT TEMPERATURE ON THE ENGINE CONTROL MODULE.

MODEL EB3CAS3A1BDSP1VEA

E	ENGLISH UNITS(P.SI, °F)
M	METRIC UNITS(kPa, °C)

17 — THE SEVENTEENTH CHARACTER OF THE MODEL NUMBER SPECIFIES THE CHANGE LEVEL OF THIS CHART TO WHICH THE PANEL WAS BUILT.

MODEL EB3CAS3A1BDSP1VEA

↑  
FOR EXAMPLE THIS MEANS CHANGE LEVEL 10.  
REFER TO DRAWING TITLE BLOCK AND/OR  
CONTROL PANEL IDENTIFICATION TAG FOR  
ACTUAL CHANGE LEVEL.

III. IN ADDITION TO THE COMPONENTS SPECIFIED BY THE MODEL NUMBER, THE FOLLOWING COMPONENTS ARE REQUIRED TO COMPLETE THE CONTROL PANEL.

	PART NO.	DESCRIPTION	DESCRIPTION
1	6V6155	CONTROL GP.	ENGINE CONTROL MODULE
1	7T-9868	CONTROL GP.	AC METERING MODULE
1	3N-5979	SWITCH	ENGINE CONTROL SWITCH & KNOB
1	2W-8798	SWITCH	EMERGENCY STOP SWITCH OPERATOR
1	2W-8683	BLOCK	EMERGENCY STOP SWITCH CONTACT BLOCK
1	8T-9637	SWITCH AS.	LAMP TEST SWITCH
1	3N-5976	SWITCH(ROTARY)	PHASE SELECTOR SWITCH(AMMETER-VOLTMETER)
3	-	TERMINALS FOR WIRE T1,T2,T3	ETC MOLEX INC, PART NO. B-201-38HDX
1	7C-0974	FILM	WARNING ELECTRICAL SHOCK HAZARD
2	3N-5611	SHOCK MOUNT AS.	REAR,MULTIPLANE MOUNTS
2	7C-6121	SHOCK MOUNT	FRONT,SANDWICH MOUNTS
1 LOT	-	PANDUIT(PLASTIC WIREWAY)	USE AS REQUIRED
1	4L-6470	TERMINAL STRIP 12 POINT	TB C AC TERMINAL STRIP
1	4W-8228	STRIP-TERMINAL MARKER	TB C TERMINAL STRIP MARKER
1 LOT	-	INTERNAL WIRING	APPROVED BY CAT
1 LOT	-	LABELS-COMPONENT	APPROVED BY CAT
1	-	WIRING HARNESS	PANEL INTERCONNECT TO GENERATOR WITH SPRING SPADE TERMINALS
1	3N-5977	FUSE BLOCK	3 POLE, 600 VOLT AC
3	7W-0482	FUSE	2 AMP, 600 VOLT AC
16	3K-8782	FUSE	10 AMP, 32 VAC (8 INSTALLED & 8 SPARES)
1 LOT	-	SHEET METAL COMPONENTS	CONTROL PANEL ENCLOSURE COMPONENTS
1	8T-2882	HANDLE	INSTRUMENT PANEL DOOR HANDLE
1 LOT	-	TETHER(S) & ASSOC. HARDWARE	INSTRUMENT DOOR TETHER(S)
1	6V-6640	SEALANT	ACCESS COVER SEALANT (USE AS REQUIRED)
1	9Y-9771	FILM	PANEL IDENTIFICATION NAMEPLATE
1	9Y-9782	FILM	10A DC FUSE REPLACEMENT INFORMATION LABEL
1	9Y-9783	FILM	2A AC FUSE REPLACEMENT INFORMATION LABEL
1	2W-4899	DIODE	5A 600PIV FLYBACK DIODE WITH BLADE CONNECTORS
1	5N-4988	DIODE	5A 600PIV FLYBACK DIODE WITH SPADE LUGS
3	4P-2160	WASHER	
3	4P-2161	SCREW	
3	4P-2162	CLIP	METER PLATE HARDWARE
12dm	5N-8359	CONDUIT	1" PLASTIC CONDUIT AND HARDWARE
2	5N-9072	CLIP	
2	5N-9067	COLLAR	
2	062-5388	LOCKNUT	
2	5N-9117	ADAPTER	

GRAPHIC #8

g00594227

# SERVICE EQUIPMENT AND SUPPLIES

7C-1000 CHART-CONTROL PANEL (contd.)

i01122420

## IV. — GENERAL REQUIREMENTS

1. ALL CONTROL PANELS SHALL CONTAIN THE APPROPRIATE SPACE, WIRING, HOLES, ETC. TO SUPPORT THE FIELD INSTALLATION OF ANY OPTION LISTED ON THIS CHART.
2. THE COMPLETED CONTROL PANEL SHALL BE FINISHED PAINTED CATERPILLAR YELLOW, 1E2139, WITH THE INSTRUMENT DOOR PAINTED FLAT BLACK.
3. A SUPPLIER NAMEPLATE WILL BE ATTACHED INSIDE THE PANEL. 7C-1000 AND THE CONTROL PANEL MODEL NUMBER SHALL BE STAMPED ON THIS NAMEPLATE, ALONG WITH THE DATE CODE.
4. A COMPLETE SET OF CAT DRAWINGS INCLUDING OUTLINE DRAWING, WIRING DIAGRAMS, SCHEMATIC DIAGRAMS, INTERCONNECT DIAGRAM SHALL BE PACKED WITH EACH CONTROL PANEL.
5. STANDARD HARDWARE FASTENERS USED FOR SHEETMETAL TO SHEETMETAL SECUREMENT SHALL BE TORQUED TO THE VALUES GIVEN BELOW. IN ADDITION TYPE B LOCTITE SEALANT, AS SPECIFIED BY 1E2200, SHALL BE USED EXCEPT ON INSTRUMENT PANEL DOOR FASTENERS.

SCREW SIZE (INCH)	STANDARD HARDWARE			
	NEWTON-METERS		FOOT-LBS	
	MIN	MAX	MIN	MAX
4-40	0.37	0.53	0.3	0.4
6-32	0.69	0.98	0.5	0.7
8-32	1.41	2.01	1.0	1.5
10-32	2.35	3.36	1.7	2.5
1/4-20	5.70	8.14	4.2	6.0
5/16-18	10.44	14.91	7.7	11.0
3/8-16	18.03	25.76	13.3	19.0
7/16-14	28.48	40.68	21.3	30.0
1/2-13	42.71	61.02	31.5	45.0
9/16-12	62.65	89.50	46.2	66.0
5/8-11	88.28	126.11	65.1	93.0
3/4-10	142.38	203.40	105.0	150.0
7/8-9	191.74	273.91	141.4	202.0

## V. — CATERPILLAR REFERENCE DRAWINGS 7C-1001 CHANGE 08 INSTRUCTIONS

GRAPHIC #9

<END>

g00594218

SERVICE EQUIPMENT AND SUPPLIES

**7E-4300 CHART-INSTRUMENT PANEL**

S/N: 5CA5985-UP; 5DA5682-UP; 5EA5375-UP; 5FA4499-UP; 8JF1-UP; 6CG1-UP; 6EG1-UP  
GENERATOR MOUNTED  
AN ATTACHMENT

SMCS-7451

i01125256

NOTE	REF NO	GRAPHIC REF	PART NUMBER	QTY	PART NAME						SEE PAGE
					1	2	3	4	5	6 (PRODUCT LEVEL)	

REFER TO ILLUSTRATION



# SERVICE EQUIPMENT AND SUPPLIES

7E-4300 CHART-INSTRUMENT PANEL (contd.)

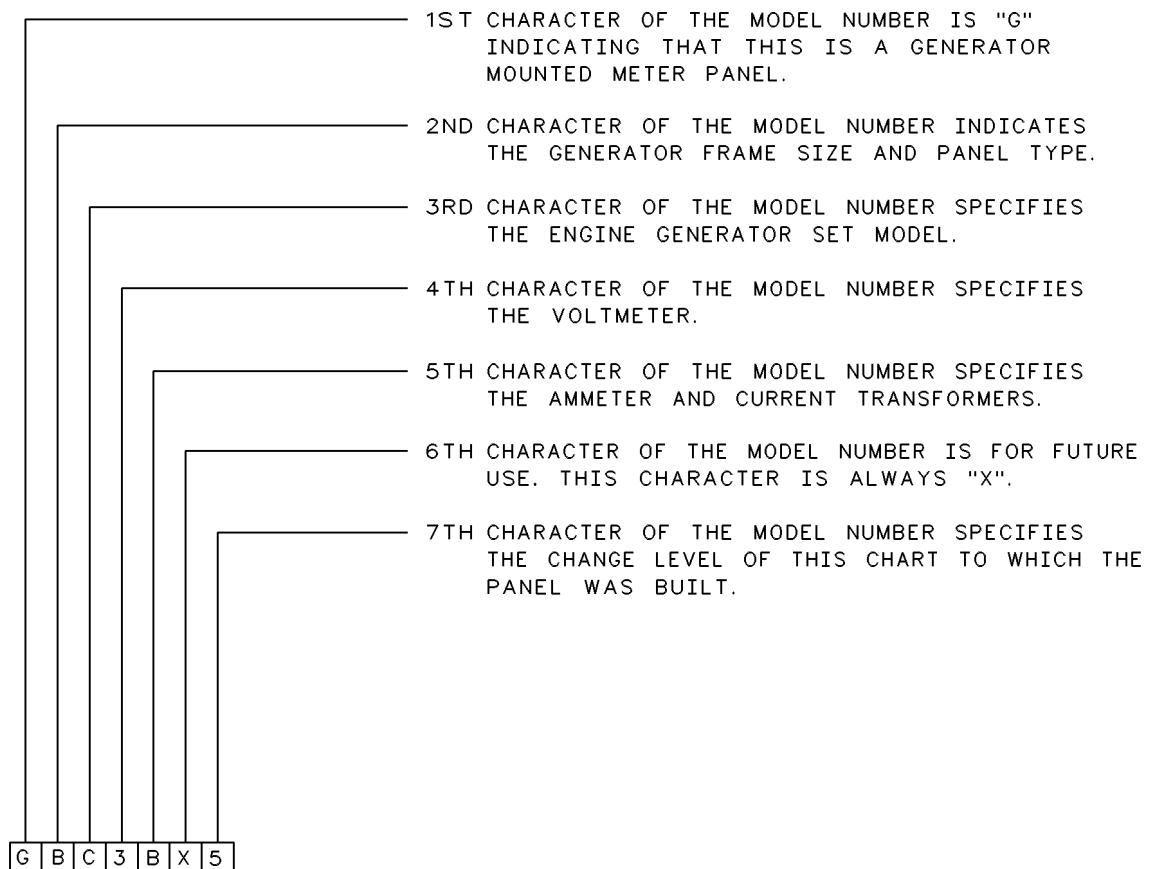
101125256

## I. SCOPE

THIS CHART IS REQUIRED TO ENABLE THE PROPER SELECTION AND ORDERING OF A GENERATOR MOUNTED METER PANEL. THIS CHART DEFINES THE METER PANEL DESIGN AND BILL OF MATERIAL BY ESTABLISHING A MULTI-CHARACTER MODEL NUMBER. ALL SEVEN CHARACTERS OF THE MODEL NUMBER MUST BE SPECIFIED.

## II. MODEL NUMBER SELECTION

THE MODEL NUMBER OF THE METER PANEL IS ESTABLISHED BASED ON PANEL OPTIONS AND GENERATOR RATINGS (EXAMPLE: GBC3BX5). THE MODEL NUMBER IS DEVELOPED ONE CHARACTER AT A TIME BY FOLLOWING THE INSTRUCTIONS ON SHEETS 2 THRU 4. A GENERAL DEFINITION OF THE MODEL NUMBER CHARACTERS APPEARS BELOW:



GRAPHIC #1

g00295432

# SERVICE EQUIPMENT AND SUPPLIES

7E-4300 CHART-INSTRUMENT PANEL (contd.)

i01125256

III. DESCRIPTION OF EQUIPMENT SPECIFIED BY MODEL NUMBER.

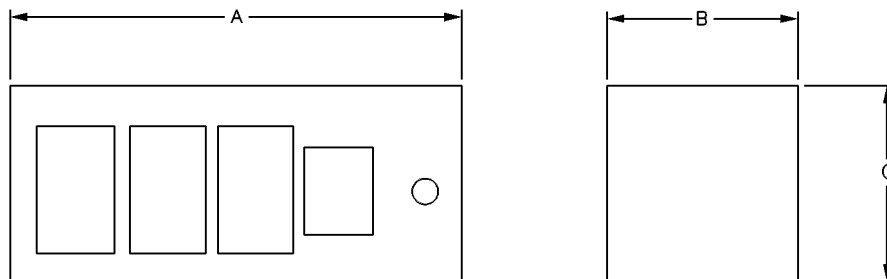
- 1 — THE FIRST CHARACTER OF THE MODEL NUMBER IS A "G" INDICATING THAT THIS IS A GENERATOR MOUNTED METER PANEL.
- 2 — THE SECOND CHARACTER OF THE MODEL NUMBER INDICATES THE GENERATOR FRAME SIZE AND PANEL TYPE. THE FRAME SIZE DETERMINES THE PHYSICAL DIMENSIONS OF THE METER PANEL, SEE TABLE 1 AND FIGURE 1.

GBC3BX5

TABLE 1

	PANEL TYPE	GENERATOR FRAME SIZE	PANEL DIMENSIONS			BASE PART NO.	ENCLOSURE PART NO.	LENGTH OF 7W-9991
			A	B	C			
A	STANDARD	360	603.25	304.8	127	116-9602	116-9601	595 MM
B	STANDARD	440/580 680/800(SR4) 690/820(SR4B)	698.5	304.8	127	113-0848	113-0847	690 MM

FIGURE 1



- 3 — THE THIRD CHARACTER OF THE MODEL NUMBER SPECIFIES THE ENGINE GENERATOR SET MODEL ON WHICH THE PANEL WILL BE INSTALLED.

MODEL GBC3BX5

PACKAGE GENERATOR SET	CHARACTER
3208	A
3304	B
3306	C
3406	D
3408	E
3412	F
3508	G
3512	J
3516	L

GRAPHIC #2

g00295433

# SERVICE EQUIPMENT AND SUPPLIES

7E-4300 CHART-INSTRUMENT PANEL (contd.)

101125256

4 — THE FOURTH CHARACTER OF THE MODEL NUMBER SPECIFIES THE VOLTMETER.

MODEL GBC3BX5

	GEN OPERATING VOLTAGE	AC VOLTMETER			FREQUENCY METER RESISTOR	
		QTY	SCALE	PART NO.	QTY	PART NO.
2	0-240 VAC	1	0-300 VAC	4W-8644	—	NOT REQUIRED
3	241-480 VAC	1	0-600 VAC	4W-8645	1	7E-6496
4	481-600 VAC	1	0-750 VAC	7W-6969	1	7C-4561

5 — THE FIFTH CHARACTER OF THE MODEL NUMBER SPECIFIES THE AMMETER AND CURRENT TRANSFORMERS, BASED ON GENERATOR OUTPUT VOLTAGE AND KILOWATT RATING SHOWN IN TABLES BELOW

MODEL GBC3BX5

	200VOLTS	208VOLTS	240VOLTS	300VOLTS	380VOLTS	400VOLTS	416VOLTS	480VOLTS	600VOLTS
C	17-25 KW	18-24 KW	21-31 KW	26-35 KW	33-45 KW	35-47 KW	36-49 KW	43-56 KW	52-71 KW
D	26-34	25-34	32-42	36-53	46-66	48-71	50-73	57-89	72-107
E	35-47	35-48	43-56	54-70	67-89	72-94	74-97	86-113	108-141
F	47-71	49-73	57-89	71-106	90-134	95-141	98-146	114-169	142-212
G	72-94	74-98	86-113	107-141	135-179	142-188	147-195	170-226	213-282
H	95-141	99-147	114-169	142-212	180-268	189-282	196-293	227-339	283-423
J	142-188	148-196	170-226	213-282	269-358	283-353	359-447	340-452	424-565
K	189-235	197-245	227-282	283-353	359-447	377-471	392-489	453-565	566-706
L	236-282	246-294	283-339	354-424	445-537	472-565	490-588	566-678	707-848
M	283-353	295-367	340-423	425-530	538-671	566-706	589-734	679-848	849-1060
N	354-471	368-489	424-565	531-706	672-895	707-942	735-979	849-1131	1061-1414
P	472-631	490-631	566-706	707-883	896-1119	943-1178	980-1225	1132-1413	1415-1766
R	632-707	632-735	707-848	884-1060	1120-1343	1179-1414	1226-1470	1414-1696	1767-2120
S	708-943	736-980	849-1131	1061-1414	1344-1791	1415-1885	1471-1960	1670-2262	2121-2827

	AMMETER (TRANSFORMER RATED)			CURRENT TRANSFORMERS						
	QTY	SCALE	PART NO.	ROUND		SQUARE		SQUARE (SR4B)		
				RATIO	PART NO.	RATIO	PART NO.	RATIO	PART NO.	
C	1	0- 100 AMPS	4W-8632	3	100:5	5N-5429	—	—	—	—
D	1	0- 150 AMPS	4W-8633	3	150:5	4W-8102	—	—	—	—
E	1	0- 200 AMPS	4W-8634	3	200:5	5N-5430	—	—	—	—
F	1	0- 300 AMPS	4W-8635	3	300:5	5N-5431	—	—	—	—
G	1	0- 400 AMPS	4W-8636	3	400:5	5N-5432	—	—	—	—
H	1	0- 600 AMPS	4W-8637	3	600:5	5N-5433	600:5	6I-1952	—	—
J	1	0- 800 AMPS	4W-8638	3	800:5	5N-5434	800:5	7E-1112	—	—
K	1	0-1000 AMPS	4W-8639	3	1000:5	7W-8839	1000:5	7E-1113	—	—
L	1	0-1200 AMPS	4W-8640	3	1200:5	7W-8838	1200:5	7E-1114	—	—
M	1	0-1500 AMPS	4W-8641	3	1500:5	7W-8837	1500:5	7E-1115	1500:5	122-6587
N	1	0-2000 AMPS	4W-8642	3	2000:5	7W-8836	2000:5	7E-1116	2000:5	122-6588
P	1	0-2500 AMPS	4W-8643	3	2500:5	7W-8835	2500:5	7E-1117	2500:5	122-2589
R	1	0-3000 AMPS	7W-2218	3	3000:5	7W-6598	3000:5	7E-1118	3000:5	122-6590
S	1	0-4000 AMPS	7W-5858	3	4000:5	7W-7805	4000:5	7E-1119	3500:5	128-0115
T				3	—	—	—	—	4000:5	122-6591
U				3	—	—	—	—	5000:5	117-9724

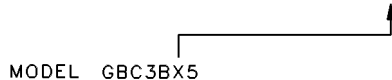
NOTE: SQUARE CURRENT TRANSFORMERS TO BE SUPPLIED IF 3RD CHARACTER OF METER PANEL MODEL NUMBER IS E THROUGH L (3408, 3412 AND 3500 GENSET ENGINES OR PACKAGE GENERATOR SETS). ROUND CURRENT TRANSFORMERS TO BE SUPPLIED WITH ALL OTHER ENGINE SALES MODELS.

# SERVICE EQUIPMENT AND SUPPLIES

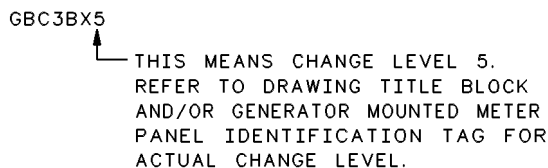
7E-4300 CHART-INSTRUMENT PANEL (contd.)

i01125256

6 — THE SIXTH CHARACTER OF THE MODEL NUMBER IS FOR FUTURE USE. THIS CHARACTER IS ALWAYS "X".



7 — THE SEVENTH CHARACTER OF THE MODEL NUMBER SPECIFIES THE CHANGE LEVEL OF THIS CHART TO WHICH THE PANEL WAS BUILT.



∨ . IN ADDITION TO THE COMPONENTS SPECIFIED BY THE MODEL NUMBER, THE FOLLOWING COMPONENTS ARE REQUIRED TO COMPLETE THE GEN MTD METER PANEL.

QTY	PART NO.	COMPONENT	DESCRIPTION
3	3N-5612	AC FUSE	1 AMP, 600V AC
1	3N-5977	FUSE BLOCK	3 POLE, 600V AC
1	4D-6066	STRIP-TERMINAL	TBC
4	6L-7078	NUT-CLIP	TO SECURE BASE TO ENCLOSURE
1	4W-5972	KNOB	VOLTAGE ADJUST RHEOSTAT KNOB
2	7C-0974	FILM	WARNING ELECTRICAL SHOCK HAZARD
1	7C-4471	POTENTIOMETER	VOLTAGE ADJUST RHEOSTAT (10K)
1	145-7004	FREQUENCY METER	45-65 Hz DIAL TYPE
1	7E-3440	GROMMET	TO SEAL HARNESS BETWEEN GENERATOR AND METER PANEL
1	7E-4603	FILM	FUSE IDENT LABEL
1	7E-4604	FILM	VAR AND PHASE SELECTOR SWITCH LABEL
1	7E-7076	STRIP-MARKER	LABEL FOR TBC
4	2W-8603	MOUNT-SHOCK	PANEL SHOCK MOUNTS
4	7S-1197	SCREW-MACHINE	TO SECURE BASE TO ENCLOSURE
1	9Y-2908	SWITCH (ROTARY)	PHASE SELECTOR SWITCH (AMMETER-VOLTMETER)
1	9Y-9771	FILM	PANEL IDENTIFICATION LABEL
1	092-4320	BONDING STRAP	CHASSIS GROUND STRAP
LOT	_____	INTERNAL WIRING	APPROVED BY CAT
LOT	_____	LABELS-COMPONENT	APPROVED BY CAT
257cm	7W-9991	SEAL	

∨ . — GENERAL REQUIREMENTS

1. THE COMPLETED CONTROL PANEL SHALL BE FINISHED PAINTED CATERPILLAR HI-WAY YELLOW, 1E2139.
2. A SUPPLIER NAMEPLATE WILL BE ATTACHED INSIDE THE PANEL ENCLOSURE. THE ESO, MODEL NUMBER, AND DATE CODE SHALL BE STAMPED ON THIS NAMEPLATE.

GRAPHIC #4

g00295435

# SERVICE EQUIPMENT AND SUPPLIES

7E-4300 CHART-INSTRUMENT PANEL (contd.)

i01125256

3. STANDARD HARDWARE FASTENERS USED FOR SHEETMETAL TO SHEETMETAL SECUREMENT SHALL BE TORQUED TO THE VALUES GIVEN BELOW. IN ADDITION TYPE B LOCTITE SEALANT AS SPECIFIED BY 1E2200 SHALL BE USED.

SCREW SIZE (INCH)	STANDARD HARDWARE			
	NEWTON-METERS		FOOT-LBS	
	MIN	MAX	MIN	MAX
4-40	0.37	0.53	0.3	0.4
6-32	0.69	0.98	0.5	0.7
8-32	1.41	2.01	1.0	1.5
10-32	2.35	3.36	1.7	2.5
1/4-20	5.70	8.14	4.2	6.0
5/16-18	10.44	14.91	7.7	11.0
3/8-16	18.03	25.76	13.3	19.0
7/16-14	28.48	40.68	21.3	30.0
1/2-13	42.71	61.02	31.5	45.0
9/16-12	62.65	89.50	46.2	66.0
5/8-11	88.28	126.11	65.1	93.0
3/4-10	142.38	203.40	105.0	150.0
7/8-9	191.74	273.91	141.4	202.0

4. METER PHASE SELECTOR SWITCH POSITION VS. PHASE

POSITION	OFF	1	2	3
AMMETER READING	OFF	PHASE 1	PHASE 2	PHASE 3
VOLTMETER READING	OFF	PH 1 TO 2	PH 2 TO 3	PH 3 TO 1

5. HARDWARE FASTENERS USED FOR MOUNTING INTERNAL COMPONENTS SHALL BE PLATED AS SPECIFIED BY 1E0397B, 1E1675D, 1E1675E, OR 1E1675F.

- ✓ 1. — CATERPILLAR REFERENCE DRAWINGS  
 7E-4301 CHANGE 04 INSTRUCTIONS  
 7E-4302 PANEL ARRANGEMENT  
 7E-7078 MOUNTING GP

GRAPHIC #5

<END>

g00295436

# SERVICE EQUIPMENT AND SUPPLIES

## 6L-4502 CHART-PLATE & FILM

S/N: 85Z3764-UP

SMCS-7557

i01999055

NOTE	PART NUMBER	QTY	PART NAME 1 2 3 4 5 6 (PRODUCT LEVEL)	SEE PAGE
	<b>101-7664</b>	1	FILM-IDENTIFICATION (FUEL FILTER) (INSTALL ON FUEL FILTER)	
	<b>4W-6413</b>	1	FILM-MAINTENANCE (3300 ENGINE) (SHIP LOOSE)	
	<b>7E-2681</b>	1	PLATE-IDENTIFICATION (CATERPILLAR) (INSTALL ON TOP OF VALVE COVER TOWARDS REAR OF ENGINE, READABLE FROM RH SIDE. IF PLATE HAS 2 FOAM STRIPS, USE GE RTV ADHESIVE TO INSTALL.)	
	<b>115-5852</b>	1	PLATE & FILM GP (ENGINE INFORMATION) (INSTALL ON LH REAR SIDE OF BLOCK)	
	<b>3N-3790</b>	1	PLATE-SERIAL NUMBER (ENGINE) (INSTALL ON CAST PAD ON UPPER LH SIDE OF BLOCK USING 4B4158 DRIVE SCREWS)	
	<b>4B-4158</b>	2	SCREW-DRIVE (NO 4X0.25-IN) (USE TO INSTALL ENGINE SERIAL NUMBER PLATE)	
	<b>8L-8413</b>	1	STRAP-CABLE (WHITE) (USE TO INSTALL PRESTART TAG)	
	<b>3N-3469</b>	2	TAG-INSTRUCTION (ENGINE PRESTART) (INSTALL ON RH OR LH SIDE OF ENGINE IN A VISIBLE LOCATION. DO NOT INSTALL ON FRONT OR REAR OF ENGINE OR COMPONENT.)	
			<END>	

SERVICE EQUIPMENT AND SUPPLIES

**9Y-7900 CHART-TRANSFER SWITCH**

S/N: 85Z3764-UP

50/60-HZ. 100-AMPERE TO 2600-AMPERE. CONTACTOR TYPE  
FOR USE WITH 9Y-7902 PANEL AR-TRANSFER SWITCH  
AN ATTACHMENT

SMCS-4469

i02819612

NOTE	REF NO	GRAPHIC REF	PART NUMBER	QTY	PART NAME						SEE PAGE
					1	2	3	4	5	6 (PRODUCT LEVEL)	
REFER TO ILLUSTRATION											

# SERVICE EQUIPMENT AND SUPPLIES

9Y-7900 CHART-TRANSFER SWITCH (contd.)

i02819612

I. THIS CHART WILL ENABLE THE PROPER SELECTION AND ORDERING OF A CONTACTOR TYPE AUTOMATIC TRANSFER SWITCH PACKAGE RATED 100 THROUGH 2600 AMPERES, 50 OR 60 HERTZ, AND UP TO AND INCLUDING 600 VOLTS AC.

II. SELECTION OF A MODEL NUMBER FOR A TRANSFER SWITCH

TRANSFER SWITCHES SELECTED UNDER THIS CHART ARE TO BE ORDERED BY AN EIGHTEEN CHARACTER MODEL NUMBER. (EXAMPLE TCA1B 6PEX1 B1SER3X5). THE TRANSFER SWITCH AMP RATING IS DETERMINED FROM TABLE 1A FOR THE OPERATING VOLTAGE AND KILOWATT RATING OF THE INSTALLATION. THE FIRST FOUR CHARACTERS OF THE MODEL NUMBER THEN ARE OBTAINED FROM TABLE 1B, AND THE FIFTH AND SIXTH CHARACTERS MUST BE SELECTED TO COMPLETE THE BASIC TRANSFER SWITCH MODEL NUMBER. OPTIONS SELECTED FROM CHARACTERS SEVEN THRU EIGHTEEN WILL DETERMINE THE REMAINING CHARACTERS OF THE MODEL NUMBER.

1. A "T" AS THE FIRST CHARACTER OF THE MODEL NUMBER SPECIFIES A TRANSFER SWITCH.
2. A "C" AS THE SECOND CHARACTER OF THE MODEL NUMBER SPECIFIES A CONTACTOR TYPE TRANSFER SWITCH.
3. THE THIRD CHARACTER OF THE MODEL NUMBER SPECIFIES THE POWER SWITCHING PANEL RATING, NEUTRAL ASSEMBLY BAR, INTELLIGENCE PANEL, TRANSFER SWITCH ASSEMBLY DRAWING ASSOCIATED WITH THE APPLICABLE TRANSFER SWITCH RATING, GROUND CONNECTION, AND MANUAL OPERATING HANDLE.
4. THE FOURTH CHARACTER OF THE MODEL NUMBER SPECIFIES THE TRANSFER SWITCH STANDARD ENCLOSURE SIZE.
5. THE FIFTH CHARACTER OF THE MODEL NUMBER SPECIFIES THE SYSTEM VOLTAGE RATING. (A) 600 VOLTS (B) 480 VOLTS (C) 400 VOLTS (D) 240 VOLTS (E) 208 VOLTS
6. THE SIXTH CHARACTER OF THE MODEL NUMBER SPECIFIES THE SYSTEM FREQUENCY. (5) 50 HERTZ; (6) 60 HERTZ. THE 50 HERTZ FREQUENCY IS ONLY AVAILABLE WITH IN-PHASE MONITOR CONTROL, CHARACTER "7" MUST BE "M" FOR 50 HERTZ OPERATION.
7. THE SEVENTH CHARACTER OF THE MODEL NUMBER SPECIFIES THE INPHASE MONITOR CONTROL BOARD IF REQUIRED. (X) NOT REQUIRED; (M) IN-PHASE MONITOR CONTROL.
8. THE EIGHTH CHARACTER OF THE MODEL NUMBER SPECIFIES A PROGRAMMABLE (DELUXE) EXERCISE TIMER, IF REQUIRED. (X) NOT REQUIRED; (E) PROGRAMMABLE EXERCISE TIMER. THIS OPTION ONLY AVAILABLE WHEN IN-PHASE MONITOR CONTROL CHARACTER "7" HAS BEEN SPECIFIED.
9. THE NINTH CHARACTER OF THE MODEL NUMBER SPECIFIES A FOUR POLE TRANSFER POWER SWITCHING PANEL, IF REQUIRED. (X) NOT REQUIRED, (A) 100 AMP, (B) 150 AMP, (C) 200 AMP, (D) 300 AMP, (E) 400 AMP, (F) 600 AMP, (G) 800 AMP, (H) 1000 AMP, (J) 1200 AMP, (K) 1600 AMP, (L) 2000 AMP, (M) 2600 AMP.

GRAPHIC #1

g01407191



# SERVICE EQUIPMENT AND SUPPLIES

9Y-7900 CHART-TRANSFER SWITCH (contd.)

i02819612

10. THE TENTH CHARACTER OF THE MODEL NUMBER SPECIFIES ADDITIONAL AUXILIARY CONTACTS, IF REQUIRED. (X) NOT REQUIRED, (1) ONE AUXILIARY CONTACT, (2) TWO AUXILIARY CONTACTS.
11. THE ELEVENTH CHARACTER OF THE MODEL NUMBER SPECIFIES A MANUAL BYPASS FOR RETURN TO NORMAL, IF REQUIRED. (X) NOT REQUIRED, (B) MANUAL BYPASS, F/U/W MICROPROCESSOR CONTROL, (C) MANUAL BYPASS, F/U/W IN-PHASE MONITOR.
12. THE TWELFTH CHARACTER OF THE MODEL NUMBER SPECIFIES NEMA 3R RAINTIGHT OR NEMA 12 DUSTTIGHT ENCLOSURES, IF REQUIRED. (X) NOT REQUIRED, (1) 100-1000 AMP NEMA 3R, (2) 1200-2600 AMP NEMA 3R, (3) 100 AMP NEMA 12, (4) 150-400 AMP NEMA 12.
13. THE THIRTEENTH CHARACTER OF THE MODEL NUMBER SPECIFIES A TWO POSITION SOURCE SELECTOR SWITCH, IF REQUIRED. (X) NOT REQUIRED, (S) TWO POSITION SWITCH.
14. THE FOURTEENTH CHARACTER OF THE MODEL NUMBER SPECIFIES A SIGNAL BEFORE TRANSFER (ELEVATOR) CONTACT, IF REQUIRED. (X) NOT REQUIRED, (E) ELEVATOR CONTACT F/U/W MICROPROCESSOR CONTROL, (F) ELEVATOR CONTACT F/U/W IN-PHASE MONITOR.
15. THE FIFTEENTH CHARACTER OF THE MODEL NUMBER SPECIFIES A REMOTE AUTOMATIC TRANSFER SWITCH CONTROL CIRCUIT, IF REQUIRED. (X) NOT REQUIRED, (R) REMOTE CONTROL CIRCUIT.
16. THE SIXTEENTH CHARACTER OF THE MODEL NUMBER SPECIFIES A MANUAL THREE POSITION SWITCH WITH NORMAL / AUTO / STANDBY POSITIONS. IF REQUIRED, (X) NOT REQUIRED (3) 3 POSITION SWITCH.
17. THE SEVENTEENTH CHARACTER OF THE MODEL NUMBER IS FOR FUTURE USE.
18. THE EIGHTEENTH CHARACTER OF THE MODEL NUMBER SPECIFIES THE CHANGE NUMBER OF THE CHART TO WHICH THE TRANSFER SWITCH WAS BUILT.

CHARACTER →	1	2	3	4	5	6	7	8	9	10	11	12	13	14	15	16	17	18
MODEL NUMBER DESIGNATION →	T	C	A	1	B	6	P	E	X	1	B	1	S	E	R	3	X	5

GRAPHIC #2

g01407201

# SERVICE EQUIPMENT AND SUPPLIES

9Y-7900 CHART-TRANSFER SWITCH (contd.)

i02819612

**TABLE 1A**  
**TRANSFER SWITCH RATING**

TRANSFER SWITCH AMP RATING	KW RANGE BY VOLTAGE				
	208 * (200)	240 * (230) (220)	400 * (415) (380)	480 * (460)	600 * (580)
100	-28	-33	-55	-66	-83
150	29-43	34-49	56-83	67-99	84-124
200	44-57	50-66	84-110	100-133	125-166
300	58-86	67-99	111-166	134-199	167-249
400	87-115	100-133	167-221	200-266	250-332
600	116-172	134-199	222-332	267-399	333-498
800	173-230	200-266	333-443	400-532	499-665
1000	231-288	267-332	444-554	533-665	666-831
1200	289-345	333-399	555-665	667-798	832-997
1600	346-461	400-532	666-886	799-1064	998 -1330
2000	462-576	533-665	887-1108	1065-1330	1331-1662
2600	577-749	666-864	1109-1441	1331-1729	1663-2161

\* KW RANGE BY VOLTAGE CALCULATED AT THE VALUE. ALL OTHER LISTED VOLTAGES AND TRANSFER SWITCH AMP RATINGS SHOULD BE CALCULATED BY THE FORMULA.

$$\text{AMP} = \frac{\text{KW} \times 1000}{\text{VOLT} \times 0.8 \times 1.732}$$

GRAPHIC #3

g01407192

# SERVICE EQUIPMENT AND SUPPLIES

9Y-7900 CHART-TRANSFER SWITCH (contd.)

102819612

## TABLE 1B AUTOMATIC TRANSFER SWITCH

CONSISTS OF 3 POLE 600 VAC RATED NORMAL AND STANDBY POWER SOURCE SWITCHING ELEMENTS, AND AUTOMATIC TRANSFER SWITCH MECHANISM THAT PROVIDES MICROPROCESSOR BASED INTELLIGENCE PANEL AND CIRCUITS TO SIGNAL ENGINE INITIATING (NO.) START CONTACTS. THE FOLLOWING FEATURES ARE INCLUDED AS STANDARD:

- AN ADJUSTABLE NORMAL SOURCE 3 PHASE VOLTAGE SENSING PICK-UP AND DROP-OUT (70-95%)
- AN ADJUSTABLE TIME DELAY FOR ENGINE STARTING (0.1 TO 10 SEC.)
- SINGLE PHASE STANDBY VOLTAGE AND FREQUENCY SENSING (FIXED AT 80%)
- ENGINE MINIMUM RUN TIMER (FIXED AT 10 MINUTES)
- RETURN TO NORMAL TIMER (FIXED AT 30 SEC.)
- TIME DELAY NEUTRAL WITH OVERRIDE SWITCH (FIXED AT 0 OR 5 SEC.)
- ENGINE WARMUP TIMER WITH OVERRIDE SWITCH (FIXED AT 0 OR 30 SEC.)
- ENGINE COOLDOWN TIMER (FIXED AT 10 MINUTES)
- 7 DAY EXERCISE TIMER WITH TRANSFER WHEN EXERCISING ON/OFF SWITCH
- NEMA 1 ENCLOSURE
- NEMA 12 ENCLOSURE WITH KEY LOCK AND DOOR HANDLE ON SWITCHES RATED GREATER THEN 400 AMPERES
- AUTO/TEST/FAST TEST OPERATING MODE SELECTOR SWITCH
- NORMAL, STANDBY, AND STANDBY OPERATING INDICATING LIGHTS
- NORMAL, STANDBY, LOAD AND NEUTRAL CONNECTION LUGS
- NO LOAD MANUAL TRANSFER OPERATING HANDLE SINGLE POLE DOUBLE THROW
- AUXILIARY CONTACT (1) C-FORM

SELECTION OF TRANSFER SWITCH RATING TO BE DETERMINED BY LOAD REQUIREMENTS, SERVICE ENTRANCE EQUIPMENT AND/OR CAPACITY, AND LOCAL ELECTRICAL CODE REQUIREMENTS.

TRANSFER SWITCHES IDENTIFIED BY TABLE 1B ARE RATED FOR 100% CONTINUOUS CURRENT AT RATING SPECIFIED AND FOR VOLTAGES UP TO AND INCLUDING 600 VOLTS AC.

MODEL NUMBER	TRANSFER SWITCH RATING
TCA1	100 AMP
TCB1	150 AMP
TCC2	200 AMP
TCD2	300 AMP
TCE2	400 AMP
TCF3	600 AMP
TCG3	800 AMP
TCH3	1000 AMP
TCJ4	1200 AMP
TCK4	1600 AMP
TCL5	2000 AMP
TCM5	2600 AMP

GRAPHIC #4

g01407825

# SERVICE EQUIPMENT AND SUPPLIES

9Y-7900 CHART-TTRANSFER SWITCH (contd.)

i02819612

## III. DESCRIPTION OF EQUIPMENT SPECIFIED BY MODEL NUMBER

1. A "T" AS THE FIRST CHARACTER OF THE MODEL NUMBER SPECIFIES THE EQUIPMENT AS A TRANSFER SWITCH.
2. A "C" AS THE SECOND CHARACTER OF THE MODEL SPECIFIES A CONTACTOR TYPE TRANSFER SWITCH.
3. THE THIRD CHARACTER OF THE MODEL NUMBER SPECIFIES THE POWER SWITCHING ASSEMBLY RATING, NEUTRAL ASSEMBLY BAR, TRANSFER SWITCH ASSEMBLY DRAWING, GROUND CONNECTION, AND MANUAL OPERATING HANDLE.

TCA1B 6PEX1 B1SER3X5

	TRANSFER SWITCH AMPERE RATING	THREE POLE POWER SWITCHING ASSEMBLY		NEUTRAL CONNECTOR ASSEMBLY PART NO.	9Y7901 TRANSFER SWITCH ASSEMBLY DRAWING	GROUND CONNECTION PART NO.	MANUAL OPERATING HANDLE PART NO.
		PART NO.	NORMAL & STANDBY				
X	NONE						
A	100	9Y7903	100 AMP	9Y7989	SHEET 27	9Y7914	9Y7996
B	150	9Y7904	150 AMP	9Y7989	SHEET 28	9Y7914	9Y7996
C	200	9Y7904	200 AMP	9Y7990	SHEET 28	9Y7994	9Y7996
D	300	9Y7905	300 AMP	9Y7990	SHEET 28	9Y7994	9Y7996
E	400	9Y7906	400 AMP	9Y7991	SHEET 28	9Y7994	9Y7996
F	600	9Y7907	600 AMP	9Y7991	SHEET 29	9Y7994	9Y7997
G	800	9Y7908	800 AMP	9Y7992	SHEET 29	9Y7994	9Y7997
H	1000	9Y7909	1000 AMP	9Y7992	SHEET 29	9Y7994	9Y7997
J	1200	9Y7910	1200 AMP	9Y7992	SHEET 29	9Y7994	9Y7997
K	1600	9Y7911	1600 AMP	9Y7992	SHEET 29	9Y7994	9Y7997
L	2000	9Y7912	2000 AMP	9Y7992	SHEET 30	9Y7994	7E1184
M	2600	9Y7913	2600 AMP	9Y7992	SHEET 30	9Y7994	7E1184

TO COMPLETE THE SELECTION OF THE TRANSFER SWITCH MODEL NUMBER THE PARTS CALLED FOR BY THE 4TH, 5TH, AND 6TH CHARACTERS ON THIS CHART MUST BE SPECIFIED.

GRAPHIC #5

g01407195

# SERVICE EQUIPMENT AND SUPPLIES

9Y-7900 CHART-TTRANSFER SWITCH (contd.)

i02819612

4. THE FOURTH CHARACTER OF THE MODEL NUMBER SPECIFIES THE STANDARD ENCLOSURE SIZE. THE ENCLOSURE MUST BE PROVIDED TO COMPLETE THE MODEL NUMBER.

TCA1B 6PEX1 B1SER3X5

	TRANSFER SWITCH ENCLOSURE SIZE	SWITCH AMP RATING	STANDARD ENCLOSURE TYPE	OUTLINE DRAWING 9Y7901
1	620 (24.4)W X 926 (36.5)H X 243 (9.6)D	100 AMPERES	NEMA 1	SHEET 3
2	773 (30.4)W X 1231 (48.5)H X 294 (11.6)D	150-400 AMPERES		SHEET 6
3	914 (36)W X 1676 (66)H X 508 (20)D *	600-1000 AMPERES	NEMA 12	SHEET 8
4	1219 (48)W X 1981 (78)H X 610 (24)D *	1200-1600 AMPERES		SHEET 10
5	1168 (46)W X 2032 (80)H X 1219 (48)D	2000-2600 AMPERES		SHEET 12

\* HEIGHT INCLUDES 152.4 (6) LEGS PROVIDED WITH THE ENCLOSURE. NUMBERS IN PARENTHESIS ARE IN INCHES.

5. THE FIFTH CHARACTER OF THE MODEL NUMBER SPECIFIES THE SYSTEM CONNECTED VOLTAGE. THE VOLTAGE SELECTION MUST BE PROVIDED TO COMPLETE THE MODEL NUMBER.

TCA1B 6PEX1 B1SER3X5

	SYSTEM CONNECTED VOLTAGE	STANDBY & LOAD VOLT. SENSING TRANSFORMER		POWER SWITCHING TRANSFORMER	
		PART NO.	QTY.	PART NO.	QTY.
A	600 (580)VOLTS	9Y8008	2	TABLE 1C	2
B	480 (460)VOLTS	9Y8007	2	TABLE 1C	2
C	400 (380-415)VOLTS	9Y8007	2	NOT REQ'D.	—
D	240 (220-230)VOLTS	9Y8007	2	NOT REQ'D.	—
E	208 (200)VOLTS	9Y8007	2	NOT REQ'D.	—

GRAPHIC #6

g01407189

# SERVICE EQUIPMENT AND SUPPLIES

9Y-7900 CHART-TRANSFER SWITCH (contd.)

i02819612

6. THE SIXTH CHARACTER OF THE MODEL NUMBER SPECIFIES THE SYSTEM FREQUENCY. THE FREQUENCY SELECTION MUST BE PROVIDED TO COMPLETE THE MODEL NUMBER.

	TCA1B 6PEX1 B1SER3X5	NORMAL SOURCE VOLTAGE INTERFACE MODULE PART NO.	SYSTEM VOLTAGE & 5TH CHARACTER	SYSTEM FREQUENCY & 6TH CHARACTER
	SYSTEM FREQUENCY			
5	50 HERTZ	9Y8014	A-600V	6-60HZ
6	60 HERTZ	9Y8010	B-480V	5&6-50/60HZ
		9Y8016	C-400V	5&6-50/60HZ
		9Y8009	D-240V	5&6-50/60HZ
		9Y8009	E-208V	5&6-50/60HZ

**NOTE:** IF THE SIXTH CHARACTER IS A "5" FOR 50 HERTZ FREQUENCY, THEN CHARACTER '7' MUST BE A 'M' FOR INPHASE MONITOR CONTROL.

**NOTE:** TWO (2) POWER SWITCHING TRANSFORMERS ARE REQUIRED FOR 480 VOLT & 600 VOLT OPERATION. ( 5TH CHARACTER "A" OR "B" ) PER TABLE 1C.

TABLE 1C

TRANSFORMER PART NO.	3RD CHARACTER		5TH CHARACTER	
	TRANS. SW. AMP RATING	CHARACTER LETTER	OPERATING VOLTAGE	CHARACTER LETTER
9Y8005	100A-400A	A,B,C,D,E	480V	B
9Y7993	600A-1000A	F,G,H	480V	B
9Y8015	1200A/1600A	J,K	480V	B
9Y8035	2000A/2600A	L,M	480V	B
9Y8006	100A-400A	A,B,C,D,E	600V	A
9Y8036	600A-1000A	F,G,H	600V	A
9Y8037	1200A/1600A	J,K	600V	A
9Y8038	2000A/2600A	L,M	600V	A

GRAPHIC #7

g01407624

# SERVICE EQUIPMENT AND SUPPLIES

9Y-7900 CHART-TRANSFER SWITCH (contd.)

i02819612

7. THE SEVENTH CHARACTER OF THE MODEL NUMBER SPECIFIES AN IN-PHASE MONITOR CONTROL PANEL AND EXERCISER TIMER, THE CONTROL PROVIDES FIELD ADJUSTMENTS FOR TIME DELAY NEUTRAL, COOL DOWN TIMER, MINIMUM RUN TIMER, RETURN TO NORMAL TIMER, STANDBY VOLTAGE AND FREQUENCY, ENGINE WARM-UP TIMER WITH OVERRIDE SWITCH, AND 7 DAY EXERCISER TIMER. THE PROGRAMMABLE LOGIC CONTROL INTELLIGENCE PANEL, IF SELECTED, REPLACES THE MICROPROCESSOR BASED INTELLIGENCE PANEL.

TCA1B 6PEX1 B1SER3X5

		PART NO.	
PROGRAMMABLE LOGIC CONTROL		LOGIC CONTROL BOARD	EXERCISER TIMER
X	NOT REQUIRED	—	—
M	INPHASE MONITOR CONTROL	130-5692	9Y8012

8. THE EIGHTH CHARACTER OF THE MODEL SPECIFIES A PROGRAMMABLE (DELUXE) EXERCISE TIMER, IF REQUIRED. THIS OPTION ONLY AVAILABLE WHEN INPHASE MONITOR CONTROL CHARACTER "7" HAS BEEN SPECIFIED AS A "M" TO PROVIDE ADJUSTABLE TIME OF DAY/WEEK ENGINE EXERCISE TIMER AND DIGITAL CLOCK.

TCA1B 6PEX1 B1SER3X5

		PART NUMBER
PROGRAMMABLE EXERCISE TIMER		
X	NOT REQUIRED	—
E	PROGRAMMABLE EXERCISE TIMER	9Y8011

GRAPHIC #8

g01407186

# SERVICE EQUIPMENT AND SUPPLIES

9Y-7900 CHART-TRANSFER SWITCH (contd.)

i02819612

9. THE NINTH CHARACTER OF THE MODEL NUMBER SPECIFIES A FOUR (4) POLE TRANSFER SWITCH POWER SWITCHING ASSEMBLY, TRANSFER SWITCH ASSEMBLY DRAWING, GROUND CONNECTION, AND MANUAL OPERATING HANDLE, IF REQUIRED. TO PROVIDE SWITCHING THE NEUTRALS OF THE NORMAL AND STANDBY SOURCES.

TCA1B 6PEX1 B1SER3X5

	TRANSFER SWITCH AMPERE RATING	FOUR POLE POWER SWITCHING ASSEMBLY		9Y7901 TRANSFER SWITCH ASSEMBLY DRAWING	GROUND CONNECTION PART NO.	MANUAL OPERATING HANDLE PART NO.
		PART NO.	NORMAL & STANDBY			
X	NOT REQ'D	---	---	---	---	---
A	100	9Y8025	100 AMP	SHEET 27	9Y7914	9Y7996
B	150	9Y8026	150 AMP	SHEET 28	9Y7914	9Y7996
C	200	9Y8026	200 AMP	SHEET 28	9Y7994	9Y7996
D	300	9Y8027	300 AMP	SHEET 28	9Y7994	9Y7996
E	400	9Y8028	400 AMP	SHEET 28	9Y7994	9Y7996
F	600	9Y8029	600 AMP	SHEET 29	9Y7994	9Y7997
G	800	9Y8030	800 AMP	SHEET 29	9Y7994	9Y7997
H	1000	9Y8031	1000 AMP	SHEET 29	9Y7994	9Y7997
J	1200	9Y8032	1200 AMP	SHEET 29	9Y7994	9Y7997
K	1600	9Y8033	1600 AMP	SHEET 29	9Y7994	9Y7997
L	2000	9Y8034	2000 AMP	SHEET 30	9Y7994	7E1184
M	2600	9Y7918	2600 AMP	SHEET 30	9Y7994	7E1184

10. THE TENTH CHARACTER OF THE MODEL NUMBER SPECIFIES ADDITIONAL AUXILIARY CONTACTS FOR EXTERNAL USE ( EACH ARE SINGLE POLE DOUBLE THROW 5A, 250 VAC), IF REQUIRED, TO INDICATE TRANSFER SWITCH POSITION.

TCA1B 6PEX1 B1SER3X5

	AUXILIARY CONTACTS	PART NUMBER	QTY
X	NOT REQUIRED	---	---
1	AUXILIARY CONTACT (ONE)	9Y8039	1
2	AUXILIARY CONTACT (TWO)	9Y8039	2

GRAPHIC #9

g01407650



# SERVICE EQUIPMENT AND SUPPLIES

9Y-7900 CHART-TRANSFER SWITCH (contd.)

i02819612

11. THE ELEVENTH CHARACTER OF THE MODEL NUMBER SPECIFIES A MANUAL BYPASS FOR RETURN TO NORMAL, IF REQUIRED, TO PROVIDE A MANUAL RETURN TO NORMAL. (THIS OPTION IS NOT U.L. APPROVED).

TCA1B 6PEX1 B1SER3X5

		PART NO. & QTY		
	MANUAL BYPASS	AUXILIARY RELAY	PUSHBUTTON	CONTACT SWITCH
X	NOT REQUIRED	—		—
B	F/U/W STANDARD	(2)9Y8021	(1)9Y8017	(1)133-0126
C	F/U/W INPHASE	—	(1)9Y8017	(1)133-0126

12. THE TWELFTH CHARACTER OF THE MODEL NUMBER SPECIFIES OPTIONAL ENCLOSURES, A NEMA 3R RAINTIGHT ENCLOSURE OR NEMA 12 ENCLOSURE.

TCA1B 6PEX1 B1SER3X5

				OUTLINE DRAWING 9Y7901
	ENCLOSURE TYPE	AMPERE RATING	TRANSFER SWITCH ENCLOSURE SIZE	
X	NOT REQUIRED			
1	NEMA 3R	100 AMPERES	610 (24)W X 914 (36)H X 254 (10)D	SHEET 2
1		150-400 AMPERES	762 (30)W X 1219 (48)H X 305 (12)D	SHEET 5
1		600-1000 AMPERES	914 (36)W X 1676 (66)H X 508 (20)D *	SHEET 8
2		1200-1600 AMPERES	1219 (48)W X 1981 (78)H X 610 (24)D *	SHEET 10
2		2000-2600 AMPERES	1168 (46)W X 2032 (80)H X 1219 (48)D	SHEET 12
3	NEMA 12	100 AMPERES	610 (24)W X 914 (36)H X 254 (10)D	SHEET 2
3		150-400 AMPERES	762 (30)W X 1219 (48)H X 305 (12)D	SHEET 5

**NOTED:** NEMA 12 ENCLOSURE IS STANDARD ON TRANSFER SWITCHES RATED OVER 400 AMPERES.

\* HEIGHT INCLUDES 152.4 (6) LEGS PROVIDED WITH THE ENCLOSURE.

\* NUMBERS IN PARENTHESIS ARE IN INCHES.

GRAPHIC #10

g01407190

# SERVICE EQUIPMENT AND SUPPLIES

9Y-7900 CHART-TRANSFER SWITCH (contd.)

i02819612

13. THE THIRTEENTH CHARACTER OF THE MODEL NUMBER SPECIFIES A TWO POSITION SELECTOR SWITCH TO ALLOW SELECTION OF EITHER THE NORMAL OR STANDBY POWER SOURCE AS THE PREFERRED SOURCE, IF REQUIRED.

TCA1B 6PEX1 B1SER3X5

	SOURCE SELECTOR SWITCH	PART NO.
X	NOT REQUIRED	—
S	2 POSITION SWITCH	9Y8018

14. THE FOURTEENTH CHARACTER OF THE MODEL NUMBER SPECIFIES A SIGNAL BEFORE TRANSFER (ELEVATOR) CONTACT, IF REQUIRED, TO PROVIDE A CONTACT SIGNAL PRIOR TO A TRANSFER SWITCH OPERATION.

TCA1B 6PEX1 B1SER3X5

	ELEVATOR CONTACT	PART NO. & QTY.	
		RELAY	TIMER
X	NOT REQUIRED	—	—
E	F/U/W STANDARD	(2)9Y8021	—
F	F/U/W INPHASE	(1)9Y8004	—

15. THE FIFTEENTH CHARACTER OF THE MODEL NUMBER SPECIFIES A REMOTE AUTOMATIC TRANSFER SWITCH CONTROL CIRCUIT, IF REQUIRED TO PROVIDE FOR AUTOMATIC TRANSFER SWITCH OPERATION FROM A REMOTE SIGNAL.

TCA1B 6PEX1 B1SER3X5

	REMOTE CONTROL CIRCUIT	PART NO.
X	NOT REQUIRED	—
R	REMOTE CONTROL CIRCUIT	2L4932

GRAPHIC #11

g01407194

# SERVICE EQUIPMENT AND SUPPLIES

9Y-7900 CHART-TRANSFER SWITCH (contd.)

i02819612

16. THE SIXTEENTH CHARACTER OF THE MODEL NUMBER SPECIFIES A MANUAL THREE POSITION SELECTOR SWITCH, IF REQUIRED, TO PROVIDE A SWITCH TO SELECT EITHER NORMAL, OR AUTOMATIC, OR STANDBY TRANSFER SWITCH POSITION. (THIS OPTION IS NOT U.L. APPROVED).

TCA1B 6PEX1 B1SER3X5

	3 POSITION SWITCH	PART NO.
X	NOT REQUIRED	—
3	3 POSITION SWITCH	9Y8019

17. THE SEVENTEENTH CHARACTER OF THE MODEL NUMBER IS FOR FUTURE USE. USE (X) FOR THE PRESENT.

TCA1B 6PEX1 B1SER3X5

X	NOT REQUIRED
---	--------------

18. THE EIGHTEENTH CHARACTER OF THE MODEL NUMBER SPECIFIES THE CHANGE NUMBER OF THIS CHART TO WHICH THE TRANSFER SWITCH WAS BUILT.

TCA1B 6PEX1 B1SER3X5

└─→ THIS IS CHANGE NUMBER 5

GRAPHIC #12

g01407188

# SERVICE EQUIPMENT AND SUPPLIES

9Y-7900 CHART-TRANSFER SWITCH (contd.)

i02819612

IV. THE FOLLOWING COMPONENTS, AS INDICATED, ARE REQUIRED TO COMPLETE THE TRANSFER SWITCH, IN ADDITION TO THE COMPONENTS SPECIFIED BY THE MODEL NUMBER.

QTY	PART NUMBER	NAME	DESCRIPTION
2	9Y800	RELAY - AUXILIARY	12VDC, 3PDT PLUG-IN (TR-TRANSFER RELAY) (TD-TIME DELAY NEUTRAL RELAY)
1	4	SWITCH - MODE	3-POSITION ("TEST"/"AUTO"/"FAST TEST")
1	3	FILM	DECAL ON ENCLOSURE DOOR (CAT NAMEPLATE)
MISC	3	SOCKETS AND PLUGS	APPROVED BY CAT.
2	7C0974	FILM	WARNING ELECTRIC SHOCK
3	7N5876	BULB-LAMP	28VOLT, T3 1/4 SIZE, MINATURE
3	2G0151	LAMP - HOLDER	ACCEPTS T3 1/4 SIZE LAMPS
1	9Y802	LENS	CLEAR - NORMAL POSITION LIGHT
1	4	LENS	RED - STANDBY OPERATING LIGHT
1	2	LENS	AMBER - STANDBY POSITION LIGHT
2	3	CONTACT - AUXILIARY	SINGLE POLE DOUBLE THROW, 5A, 250VAC
1	2	SWITCH - BYPASS	TIME DELAY NEUTRAL BYPASS
1	1	DOOR - COMPARTMENT	CIRCUIT BOARD ENCLOSURE COVER
1	0	BOARD - CPU MICROPROCES-	INTELLIGENCE SYSTEM CONTROL
1	9	SOR	ADJUSTABLE DROPOUT & PICKUP NORMAL VOLTAGE
1	8	SWITC	MAINTENANCE DISCONNECT
1	5	H AL STRIP	8 POINTS
1	7	TERMINAL STRIP	4 POINTS
1	3L8203	TERMINAL STRIP	6 POINTS
1 LOT	—	INTERNAL WIR-	APPROVED BY CAT.
1 LOT	—	ING IENT	APPROVED BY CAT.

## V. GENERAL REQUIREMENTS.

1. THE OPERATION OF THE TRANSFER SWITCH SHALL MEET THE REQUIREMENTS FOR EMERGENCY SYSTEMS ( AS DEFINED IN ACCORDANCE WITH ARTICLES 517 AND 700 IN NFPA NO. 70 - NATIONAL ELECTRICAL CODE); AND SHALL COMPLY WITH ATS - ULS 1008 APPLICABLE WITH REGARD TO CONSTRUCTION, PERFORMANCE, RATINGS AND MARKINGS.
  
2. UP TO AND INCLUDING 400 AMPERE RATING THE SWITCH SHALL BE CONTAINED IN A NEMA 1 ENCLOSURE WHICH SHALL CLASSED AS A WALL MOUNTED UNIT. ABOVE 400 AMPERES THROUGH 2600 AMPERES THE SWITCH SHALL BE CONTAINED IN A NEMA 12 ENCLOSURE AND WILL BE CLASSED AS FLOORSTANDING AND BE PROVIDED WITH LIFTING EYES.
  
3. PAINT - THE DOOR(S) OF THE ENCLOSURE SHALL BE PAINTED DITZLER, ASA #49, ACRYLIC LACQUER (OR EQUAL) AND THE REMAINING EXTERNAL SURFACES OF THE ENCLOSURE SHALL BE PAINTED ASA NO. 61 GRAY BAKED ENAMEL.

GRAPHIC #13

g01407187

# SERVICE EQUIPMENT AND SUPPLIES

9Y-7900 CHART-TRANSFER SWITCH (contd.)

102819612

4. TWO NAMEPLATES SHALL BE PROVIDED FOR EACH TRANSFER SWITCH. THE FIRST NAMEPLATE SHALL BE ATTACHED TO THE OUTSIDE DOOR, AND SHALL CONSIST OF THE CATERPILLAR LOGO - PART NO. 9Y4293. THE SECOND NAMEPLATE SHALL BE PROVIDED BY GENERAC AND LOCATED ON THE INSIDE OF THE ENCLOSURE. IT SHALL CONSIST OF THE FOLLOWING:

## CATERPILLAR TRANSFER SWITCH

MANUFACTURED EXCLUSIVELY FOR CATERPILLAR BY  
GENERAC CORP., WAUKESHA, WISCONSIN, U.S.A.

CATERPILLAR MODEL NO.   
(AS SELECTED FROM CHART ) 9Y7900

CATERPILLAR NUMERICAL CODE.   S O NUMBER

GENERAC SERIAL NO.

SWITCH RATING  AMPS  VOLT  HZ  
(DATA AS REQUIRED TO MEET UL1008)

5. EACH TRANSFER SWITCH SHALL CONTAIN ONE OPERATION AND MAINTENANCE INSTRUCTION MANUAL SHIPPED INSIDE THE ENCLOSURE.

6. CATERPILLAR REFERENCE DRAWINGS.

### 9Y7901 INSTRUCTIONS TRANSFER SWITCH

- A. SHEETS 2 THRU 13 - OUTLINE AND COMPONENT LAYOUT DRAWINGS
- B. SHEETS 14 THRU 20 - SCHEMATIC DIAGRAMS
- C. SHEETS 21 THRU 26 - WIRING DIAGRAMS
- D. SHEETS 27 THRU 31 - ASSEMBLY DIAGRAMS

### 131-2915 INSTRUCTIONS-TRANSFER SWITCH (INPHASE MONITOR SPECIFIC)

- A. SHEET 2 - ABBREVIATIONS & SYMBOLS
- B. SHEETS 3 THRU 7 - SCHEMATIC DIAGRAMS
- C. SHEETS 8 THRU 11 - WIRING DIAGRAMS

GRAPHIC #14

<END>

g01407783

# SERVICE EQUIPMENT AND SUPPLIES

## 155-1379 KIT-GASKET-SINGLE CYLINDER HEAD

S/N: 85Z11063-UP

CONTAINS THE GASKETS, SEALS, AND BENDABLE LOCKS TO REBUILD AND REINSTALL A SINGLE  
CYLINDER HEAD

FIELD REPLACEMENT ORDER 392-4479-PAGE: 1845

FIELD INSTALLATION

SMCS-7555

i05200045

NOTE	PART NUMBER	QTY	PART NAME 1 2 3 4 5 6 (PRODUCT LEVEL)	SEE PAGE
	1H-7666	1	GASKET	
	1P-0451	1	GASKET	
	1S-4295	1	GASKET (TURBOCHARGER)	
	2W-3679	2	GASKET	
	5S-6735	3	GASKET	
	7N-0200	1	GASKET	
	7N-0944	1	GASKET	
	8H-9788	1	GASKET	
	188-6126	1	GASKET	
	111-8015	1	GASKET AS-CYLINDER HEAD	
	279-4977	1	GASKET AS-CYLINDER HEAD	
	2P-6132	1	GASKET-ELBOW	
	6L-9691	1	GASKET-FLANGE	
	9Y-1979	3	GASKET-MANIFOLD	
	1P-1255	1	GASKET-OIL DRAIN	
	1S-4810	1	GASKET-OIL DRAIN	
	1S-6595	1	GASKET-OIL SUPPLY	
	115-7550	1	GASKET-PLATE	
	9N-3241	1	GASKET-REGULATOR HOUSING	
	7N-8018	6	SEAL	
	418-1964	1	SEAL	
	9Y-1798	18	SEAL	
	379-0165	1	SEAL	
	9L-9098	6	SEAL-CARBON STOP	
	2M-9780	1	SEAL-O-RING	
	3J-7354	1	SEAL-O-RING	
	3K-0360	1	SEAL-O-RING	
	3S-5496	2	SEAL-O-RING	
	4L-8337	4	SEAL-O-RING	
	4L-9564	1	SEAL-O-RING	
	8M-4448	1	SEAL-O-RING	
	9M-4849	1	SEAL-O-RING	
	133-1247	1	SEAL-VALVE COVER	
	7W-4486	6	WASHER (9.76X17.14X1.8-MM THK)	
	8H-9204	6	WASHER-FELT (19/32X7/8X5/16-IN THK)	
	114-3364	6	WASHER-SPECIAL (SEALING)	
			<END>	

# SERVICE EQUIPMENT AND SUPPLIES

## 234-8014 KIT-GASKET-SINGLE CYLINDER HEAD

S/N: 85Z3764-UP  
FIELD INSTALLATION

SMCS-7555

i06111099

NOTE	PART NUMBER	QTY	PART NAME 1 2 3 4 5 6 (PRODUCT LEVEL)	SEE PAGE
	5S-6735	2	GASKET	
	6L-6580	1	GASKET	
	7N-0200	1	GASKET	
	7N-0944	1	GASKET	
	111-8015	1	GASKET AS-CYLINDER HEAD	
	2P-6132	1	GASKET-ELBOW	
	8S-6410	3	GASKET-MANIFOLD	
	1S-4810	1	GASKET-OIL DRAIN	
	1S-6595	1	GASKET-OIL SUPPLY	
	115-7550	1	GASKET-PLATE	
	7N-8018	6	SEAL	
	9Y-1798	18	SEAL	
	3S-5496	2	SEAL-O-RING	
	4L-9564	1	SEAL-O-RING	
	5P-5598	1	SEAL-O-RING	
	7M-8485	1	SEAL-O-RING	
	8M-4448	1	SEAL-O-RING	
	9M-4849	3	SEAL-O-RING	
	133-1247	1	SEAL-VALVE COVER	
	7W-4486	6	WASHER (9.76X17.14X1.8-MM THK)	
	8N-4183	6	WASHER	
<END>				

## 382-5055 KIT-GASKET

S/N: 85Z3764-UP  
CLASSIC. 553.7 X 406.4 X 25.4-MM. CENTRAL LOWER STRUCTURE  
FIELD INSTALLATION

SMCS-7555

i06846510

NOTE	PART NUMBER	QTY	PART NAME 1 2 3 4 5 6 (PRODUCT LEVEL)	SEE PAGE
(NO SERVICED PARTS)				
<END>				

## 382-5073 KIT-GASKET-OIL COOLER & LINES

S/N: 85Z3764-UP  
CLASSIC. 139.7 X 139.7 X 20.3-MM  
FIELD INSTALLATION

SMCS-7555

i06829328

NOTE	PART NUMBER	QTY	PART NAME 1 2 3 4 5 6 (PRODUCT LEVEL)	SEE PAGE
(NO SERVICED PARTS)				
<END>				

# SERVICE EQUIPMENT AND SUPPLIES

## 383-1575 KIT-GASKET-AFTERCOOLER & LINES

S/N: 85Z3764-UP

CLASSIC. 736.6 X 132.1 X 12.7-MM

FIELD INSTALLATION

SMCS-7555

i06829322

NOTE	PART NUMBER	QTY	PART NAME 1 2 3 4 5 6 (PRODUCT LEVEL)	SEE PAGE
------	-------------	-----	--	-------------

(NO SERVICED PARTS)

<END>

## 386-3814 KIT-GASKET

S/N: 85Z3764-UP

CLASSIC KIT IS SERVICED ONLY AS A COMPLETE PACKAG

FIELD INSTALLATION

SMCS-7555

i06796307

NOTE	PART NUMBER	QTY	PART NAME 1 2 3 4 5 6 (PRODUCT LEVEL)	SEE PAGE
------	-------------	-----	--	-------------

(NO SERVICED PARTS)

FOR A LIST OF RELATED PARTS THAT MAY BE  
REQUIRED FOR THE ENGINE REBUILD TO THE KIT  
CONSIST, PLEASE VISIT

[HTTP://DEALER.CAT.COM/RELATED](http://dealer.cat.com/related)

<END>

## 386-3815 KIT-GASKET-SINGLE CYLINDER HEAD

S/N: 85Z3764-UP

CLASSIC. 965.2 X 279.4 X 30.5-MM

FIELD INSTALLATION

SMCS-7555

i06840842

NOTE	PART NUMBER	QTY	PART NAME 1 2 3 4 5 6 (PRODUCT LEVEL)	SEE PAGE
------	-------------	-----	--	-------------

(NO SERVICED PARTS)

<END>

## 388-0661 KIT-GASKET-FRONT STRUCTURE

S/N: 85Z3764-UP

CLASSIC. 666.4 X 318.8 X 23.5-MM

FIELD INSTALLATION

SMCS-7555

i06849804

NOTE	PART NUMBER	QTY	PART NAME 1 2 3 4 5 6 (PRODUCT LEVEL)	SEE PAGE
------	-------------	-----	--	-------------

(NO SERVICED PARTS)

<END>



# SERVICE EQUIPMENT AND SUPPLIES

## 391 - 8604 KIT - GASKET - CENTRAL, LOWER STRUCTURE

S/N: 85Z3764-UP  
FIELD INSTALLATION

SMCS - 7555

i07569497

NOTE	PART NUMBER	QTY	PART NAME 1 2 3 4 5 6 (PRODUCT LEVEL)	SEE PAGE
	<b>8C-3445</b>	1	CAP - DUST	
	<b>2A-3398</b>	2	GASKET	
	<b>2A-3541</b>	1	GASKET	
	<b>6H-8778</b>	1	GASKET	
	<b>2P-8746</b>	1	GASKET	
	<b>2W-4561</b>	1	GASKET	
	<b>4M-6480</b>	1	GASKET	
	<b>5S-8055</b>	2	GASKET	
	<b>7F-7590</b>	1	GASKET	
	<b>4N-0699</b>	1	GASKET	
	<b>8N-6854</b>	1	GASKET	
	<b>9Y-6860</b>	1	GASKET	
	<b>169-4200</b>	1	GASKET	
	<b>169-4199</b>	1	GASKET-OIL PAN	
	<b>061-9458</b>	1	SEAL - O - RING	
	<b>2M-9780</b>	3	SEAL - O - RING	
	<b>3J-1907</b>	1	SEAL - O - RING	
	<b>3J-7354</b>	2	SEAL - O - RING	
	<b>3K-0360</b>	2	SEAL - O - RING	
	<b>4M-8303</b>	1	SEAL - O - RING	
	<b>8L-2786</b>	2	SEAL - O - RING	
	<b>8M-5248</b>	2	SEAL - O - RING	
	<b>8M-5253</b>	1	SEAL - O - RING	
	<b>9M-4849</b>	1	SEAL - O - RING	
	<b>114-2687</b>	1	SEAL - O - RING	
	<b>121-0145</b>	2	SEAL - O - RING	
			<END>	

# SERVICE EQUIPMENT AND SUPPLIES

## 392-0704 KIT-GASKET-TURBOCHARGER

S/N: 85Z3764-UP

**KIT CONTAINS AND SEALS TO REINSTALL THE TURBOS AND ATTACHING LINES  
FIELD INSTALLATION**

**SMCS-7555**

**i06909423**

NOTE	PART NUMBER	QTY	PART NAME 1 2 3 4 5 6 (PRODUCT LEVEL)	SEE PAGE
	<b>7L-6443</b>	2	BOLT-HIGH TEMPERATURE (3/8-16X2.25-IN)	
	<b>9L-2295</b>	2	BOLT-HIGH TEMPERATURE (3/8-16X1.5-IN)	
	<b>1H-7666</b>	1	GASKET	
	<b>1P-0451</b>	1	GASKET	
	<b>4M-6480</b>	1	GASKET	
	<b>5S-6735</b>	2	GASKET	
	<b>7B-5932</b>	1	GASKET	
	<b>8H-9788</b>	1	GASKET	
	<b>188-6126</b>	1	GASKET	
	<b>1P-1255</b>	2	GASKET-OIL DRAIN	
	<b>391-2167</b>	4	LOCKNUT-FLANGE (3/8X16-THD)	
	<b>6N-0009</b>	1	RING-METAL SEAL	
	<b>6N-0992</b>	1	RING-METAL SEAL	
	<b>3K-0360</b>	2	SEAL-O-RING	
	<b>114-2687</b>	1	SEAL-O-RING	
	<b>9M-4849</b>	1	SEAL-O-RING	

FOR A LIST OF RELATED PARTS THAT MAY BE  
REQUIRED FOR THE ENGINE REBUILD TO THE KIT  
CONSIST, PLEASE VISIT

[HTTP://DEALER.CAT.COM/RELATED](http://dealer.cat.com/related)

<END>

# SERVICE EQUIPMENT AND SUPPLIES

## 392-4479 KIT-GASKET-SINGLE CYLINDER HEAD

S/N: 85Z11063-UP

OPTIONAL FIELD REPLACEMENT ORDER 518-3990-PAGE: 1850

FIELD REPLACEMENT FOR 155-1379-PAGE: 1840

SMCS-7555

i07573683

NOTE	PART NUMBER	QTY	PART NAME 1 2 3 4 5 6 (PRODUCT LEVEL)	SEE PAGE
	7L-3195	4	BOLT-HIGH TEMPERATURE (3/8-16X1.75-IN)	
	1H-7666	1	GASKET	
	1S-4295	2	GASKET (TURBOCHARGER)	
	5S-6735	2	GASKET	
	111-8015	1	GASKET AS-CYLINDER HEAD	
	2P-6132	1	GASKET-ELBOW	
	9Y-1979	3	GASKET-MANIFOLD	
	1S-4810	1	GASKET-OIL DRAIN	
	1S-6595	1	GASKET-OIL SUPPLY	
	115-7550	1	GASKET-PLATE	
	391-2167	4	LOCKNUT-FLANGE (3/8X16-THD)	
	7N-8018	6	SEAL	
	9Y-1798	18	SEAL	
	3J-7354	1	SEAL-O-RING	
	3S-5496	2	SEAL-O-RING	
	4L-8337	4	SEAL-O-RING	
	8H-2046	1	SEAL-O-RING	
	8M-4448	1	SEAL-O-RING	
	8M-5253	1	SEAL-O-RING	
	9M-4849	1	SEAL-O-RING	
	133-1247	1	SEAL-VALVE COVER	
	8H-9204	6	WASHER-FELT (19/32X7/8X5/16-IN THK)	

FOR A LIST OF RELATED PARTS THAT MAY BE  
REQUIRED FOR THE ENGINE REBUILD TO THE KIT  
CONSIST, PLEASE VISIT

[HTTP://DEALER.CAT.COM/RELATED](http://dealer.cat.com/related)

<END>

## 393-1024 KIT-GASKET-SINGLE CYLINDER HEAD

S/N: 85Z3764-UP

CLASSIC. 134.6 X 134.6 X 10.2-MM

FIELD INSTALLATION

SMCS-7555

i06828811

NOTE	PART NUMBER	QTY	PART NAME 1 2 3 4 5 6 (PRODUCT LEVEL)	SEE PAGE
(NO SERVICED PARTS)				
<END>				

**SERVICE EQUIPMENT AND SUPPLIES**

**393-3625 KIT-GASKET-FRONT STRUCTURE**

S/N: 85Z3764-UP

CLASSIC. 635 X 317.5 X 15.2-MM  
FIELD INSTALLATION

SMCS-7555

i06828736

NOTE	PART NUMBER	QTY	PART NAME 1 2 3 4 5 6 (PRODUCT LEVEL)	SEE PAGE
(NO SERVICED PARTS)				
<END>				

**437-3213 KIT-GASKET**

S/N: 85Z3764-UP

CLASSIC. 241.3 X 228.6 X 25.4-MM  
FIELD INSTALLATION

SMCS-7555

i06849792

NOTE	PART NUMBER	QTY	PART NAME 1 2 3 4 5 6 (PRODUCT LEVEL)	SEE PAGE
(NO SERVICED PARTS)				
<END>				

**437-8662 KIT-GASKET-SINGLE CYLINDER HEAD**

S/N: 85Z3764-UP

CLASSIC. 990.6 X 292.1 X 38.1-MM  
FIELD INSTALLATION

SMCS-7555

i06849759

NOTE	PART NUMBER	QTY	PART NAME 1 2 3 4 5 6 (PRODUCT LEVEL)	SEE PAGE
(NO SERVICED PARTS)				
<END>				

**437-8664 KIT-GASKET-SINGLE CYLINDER HEAD**

S/N: 85Z3764-UP

CLASSIC. 965.2 X 292.1 X 25.4-MM  
FIELD INSTALLATION

SMCS-7555

i06828731

NOTE	PART NUMBER	QTY	PART NAME 1 2 3 4 5 6 (PRODUCT LEVEL)	SEE PAGE
(NO SERVICED PARTS)				
<END>				

# SERVICE EQUIPMENT AND SUPPLIES

## 461-3282 KIT-GASKET

S/N: 85Z3764-UP

**KIT CONTAINS GASKETS, SEALS, AND BENDABLE LOCKS TO REBUILD AND REINSTALL A CYLINDER HEAD. KIT INCLUDES TURBO GASKETS.. KIT DOES NOT INCLUDE THE FUEL INJECTOR SEALS. ORDER A SINGLE INJECTOR SEAL KIT AS NEEDED.. FOR IN-LINE 4 AND 6 CYLINDER ENGINES WITH ONE CYLINDER HEAD ONLY. KIT INCLUDES TURBO MOUNTING HARDWARE. FIELD INSTALLATION**

**SMCS-7555**

**i07636133**

NOTE	PART NUMBER	QTY	PART NAME 1 2 3 4 5 6 (PRODUCT LEVEL)	SEE PAGE
	<b>7L-3195</b>	4	BOLT-HIGH TEMPERATURE (3/8-16X1.75-IN)	
	<b>1S-4295</b>	1	GASKET (TURBOCHARGER)	
	<b>5S-6735</b>	4	GASKET	
	<b>7N-0200</b>	1	GASKET	
	<b>2F-7761</b>	1	GASKET	
	<b>188-6126</b>	1	GASKET	
	<b>7N-0944</b>	1	GASKET	
	<b>111-8015</b>	1	GASKET AS-CYLINDER HEAD	
	<b>2P-6132</b>	1	GASKET-ELBOW	
	<b>1N-9372</b>	1	GASKET-FLANGE (AIR INLET)	
	<b>9Y-1979</b>	3	GASKET-MANIFOLD	
	<b>1S-4810</b>	1	GASKET-OIL DRAIN	
	<b>1S-6595</b>	1	GASKET-OIL SUPPLY	
	<b>115-7550</b>	1	GASKET-PLATE	
	<b>2N-2766</b>	4	LOCKNUT (3/8-16-THD)	
	<b>7N-8018</b>	6	SEAL	
	<b>9Y-1798</b>	18	SEAL	
	<b>3K-0360</b>	2	SEAL-O-RING	
	<b>8M-5253</b>	1	SEAL-O-RING	
	<b>9M-4849</b>	1	SEAL-O-RING	
	<b>3S-5496</b>	2	SEAL-O-RING	
	<b>4L-8337</b>	2	SEAL-O-RING	
	<b>5H-7704</b>	2	SEAL-O-RING	
	<b>5M-5860</b>	2	SEAL-O-RING	
	<b>6L-1648</b>	2	SEAL-O-RING	
	<b>8H-2046</b>	1	SEAL-O-RING	
	<b>8M-4448</b>	1	SEAL-O-RING	
	<b>133-1247</b>	1	SEAL-VALVE COVER	
	<b>8H-9204</b>	6	WASHER-FELT (19/32X7/8X5/16-IN THK)	

FOR A LIST OF RELATED PARTS THAT MAY BE  
REQUIRED FOR THE ENGINE REBUILD TO THE KIT  
CONSIST, PLEASE VISIT

[HTTP://DEALER.CAT.COM/RELATED](http://dealer.cat.com/related)

<END>

# SERVICE EQUIPMENT AND SUPPLIES

## 487-6218 KIT-GASKET

S/N: 85Z3764-UP  
**TURBOCHARGER GASKET KIT**  
**FIELD INSTALLATION**

**SMCS-7555**

**i07262861**

NOTE	PART NUMBER	QTY	PART NAME						SEE PAGE
			1	2	3	4	5	6 (PRODUCT LEVEL)	
	<b>2N-2765</b>	7	BOLT-HIGH TEMPERATURE (3/8-16X1.75-IN)						
	<b>1S-4295</b>	1	GASKET (TURBOCHARGER)						
	<b>1S-4810</b>	1	GASKET-OIL DRAIN						
	<b>2N-2766</b>	7	LOCKNUT (3/8-16-THD)						
	<b>126-2702</b>	1	SEAL-INTEGRAL						
	<b>198-6068</b>	1	SEAL-INTEGRAL						
	<b>5H-7704</b>	2	SEAL-O-RING						
	<b>6V-3251</b>	1	SEAL-O-RING						
	<b>114-2687</b>	1	SEAL-O-RING						
	<b>313-9550</b>	4	STUD-TAPERLOCK (3/8-16X2.165-IN)						
<END>									

## 491-0327 KIT-GASKET

S/N: 85Z3764-UP  
**FRONT STRUCTURE GASKET KIT**  
**FIELD INSTALLATION**

**SMCS-7555**

**i07262988**

NOTE	PART NUMBER	QTY	PART NAME						SEE PAGE
			1	2	3	4	5	6 (PRODUCT LEVEL)	
	<b>1W-1898</b>	1	GASKET						
	<b>2W-0459</b>	1	GASKET						
	<b>4H-6145</b>	1	GASKET						
	<b>6B-2250</b>	2	GASKET						
	<b>7W-5733</b>	1	GASKET						
	<b>166-9142</b>	1	GASKET						
	<b>166-9146</b>	1	GASKET						
	<b>197-3866</b>	1	GASKET						
	<b>4N-0933</b>	1	GASKET						
	<b>142-5867</b>	1	SEAL-CRANKSHAFT (FRONT)						
	<b>175-7896</b>	1	SEAL-O-RING						
	<b>6V-9769</b>	1	SEAL-O-RING						
	<b>6V-3319</b>	1	SEAL-O-RING						
	<b>109-0076</b>	1	SEAL-O-RING						
	<b>109-0077</b>	2	SEAL-O-RING						
	<b>122-3772</b>	1	SEAL-O-RING						
	<b>147-0182</b>	2	SEAL-O-RING						
	<b>214-7566</b>	1	SEAL-O-RING						
<END>									

# SERVICE EQUIPMENT AND SUPPLIES

## 491-0333 KIT-GASKET

S/N: 85Z3764-UP

**CENTRAL AND LOWER STRUCTURE GASKET KIT  
FIELD INSTALLATION**

**SMCS-7555**

**i06674694**

NOTE	PART NUMBER	QTY	PART NAME 1 2 3 4 5 6 (PRODUCT LEVEL)	SEE PAGE
	<b>8C-3445</b>	1	CAP-DUST	
	<b>4N-0699</b>	5	GASKET	
	<b>4N-0933</b>	1	GASKET	
	<b>7C-0307</b>	1	GASKET	
	<b>7W-6081</b>	1	GASKET	
	<b>188-0210</b>	1	GASKET	
	<b>165-6170</b>	3	PLUG	
	<b>2N-3350</b>	1	SEAL-O-RING	
	<b>5P-5846</b>	2	SEAL-O-RING	
	<b>5P-8068</b>	1	SEAL-O-RING	
	<b>5P-8210</b>	1	SEAL-O-RING	
	<b>6V-3251</b>	2	SEAL-O-RING	
	<b>6V-9027</b>	1	SEAL-O-RING	
	<b>9X-7378</b>	1	SEAL-O-RING	
	<b>114-4427</b>	1	SEAL-O-RING	
	<b>118-5068</b>	1	SEAL-O-RING	
	<b>119-5155</b>	1	SEAL-O-RING	
	<b>214-7568</b>	1	SEAL-O-RING	
	<b>291-8145</b>	1	SEAL-O-RING	
FOR A LIST OF RELATED PARTS THAT MAY BE REQUIRED FOR THE ENGINE REBUILD TO THE KIT CONSIST, PLEASE VISIT				
<a href="http://dealer.cat.com/related">HTTP://DEALER.CAT.COM/RELATED</a>				
<END>				

## 518-3959 KIT-GASKET-REAR STRUCTURE

S/N: 85Z3764-UP

**CLASSIC. 279.4 X 228.6 X 25.4-MM  
FIELD INSTALLATION**

**SMCS-7555**

**i06849782**

NOTE	PART NUMBER	QTY	PART NAME 1 2 3 4 5 6 (PRODUCT LEVEL)	SEE PAGE
(NO SERVICED PARTS)				
<END>				

## 518-3966 KIT-GASKET-FUEL SYSTEM

S/N: 85Z3764-UP

**CLASSIC. 177.8 X 177.8 X 10.2-MM  
FIELD INSTALLATION**

**SMCS-7555**

**i06849645**

NOTE	PART NUMBER	QTY	PART NAME 1 2 3 4 5 6 (PRODUCT LEVEL)	SEE PAGE
(NO SERVICED PARTS)				
<END>				

SERVICE EQUIPMENT AND SUPPLIES

**518-3990 KIT-GASKET**

S/N: 85Z11063-UP

CLASSIC

SMCS-7555

i06976590

NOTE	PART NUMBER	QTY	PART NAME 1 2 3 4 5 6 (PRODUCT LEVEL)	SEE PAGE
(THIS KIT IS SERVICED ONLY AS A COMPLETE PACKAGE)				
<END>				

**5P-8768 KIT-GASKET-SINGLE CYLINDER LINER**

S/N: 85Z3764-UP

FIELD INSTALLATION

SMCS-7555

i06843602

NOTE	PART NUMBER	QTY	PART NAME 1 2 3 4 5 6 (PRODUCT LEVEL)	SEE PAGE
	<b>2W-6134</b>	1	BAND-FILLER	
	<b>393-1024</b>	1	KIT-GASKET (SINGLE CYLINDER LINER)	
	<b>167-0024</b>	1	SEAL-LINER	
	<b>456-5581</b>	3	SEAL-O-RING	
<END>				



# SERVICE EQUIPMENT AND SUPPLIES

## 6V-0713 KIT-GASKET-TURBOCHARGER

S/N: 85Z3764-UP

**KIT CONTAINS GASKETS AND SEALS TO REINSTALL THE TURBOS AND ATTACHING LINES  
FIELD INSTALLATION**

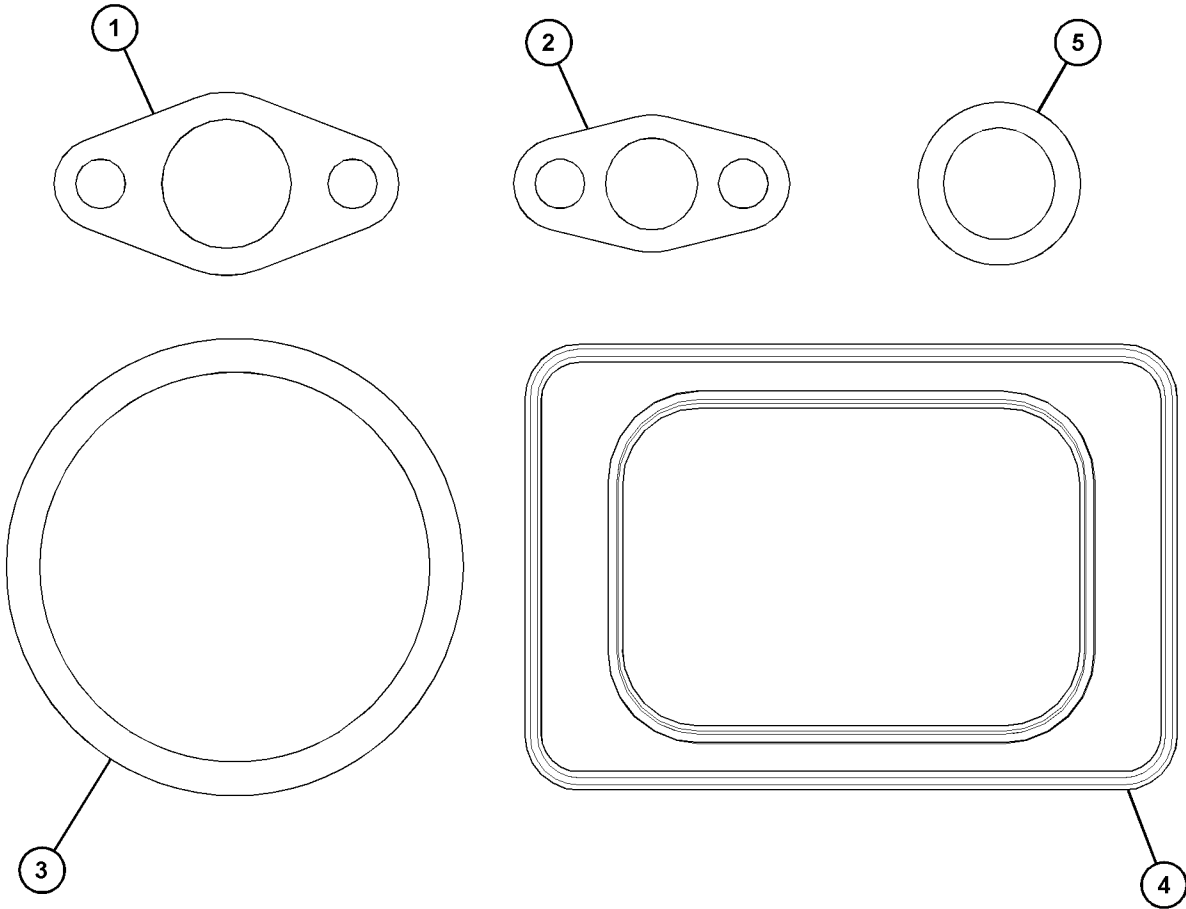
**SMCS-7555**

**i06029721**

NOTE	REF NO	GRAPHIC REF	PART NUMBER	QTY	PART NAME						SEE PAGE
					1	2	3	4	5	6 (PRODUCT LEVEL)	
	1	1	<b>1S-4810</b>	1	GASKET-OIL DRAIN						
	2	1	<b>1S-6595</b>	1	GASKET-OIL SUPPLY						
	3	1	<b>4L-8337</b>	4	SEAL-O-RING						
	4	1	<b>7M-7273</b>	1	GASKET						
	5	1	<b>114-2687</b>	1	SEAL-O-RING						

FOR A LIST OF RELATED PARTS THAT MAY BE REQUIRED FOR THE NGINE REBUILD TO THE KIT CONSIST, PLEASE VISIT

[HTTP://DEALER.CAT.COM/RELATED](http://dealer.cat.com/related)



GRAPHIC #1

<END>

g03813962

# SERVICE EQUIPMENT AND SUPPLIES

## 6V-1345 KIT-GASKET-TURBOCHARGER

S/N: 85Z3764-UP

**KIT CONTAINS GASKETS AND SEALS TO REINSTALL THE TURBOS AND ATTACHING LINES.  
FIELD INSTALLATION**

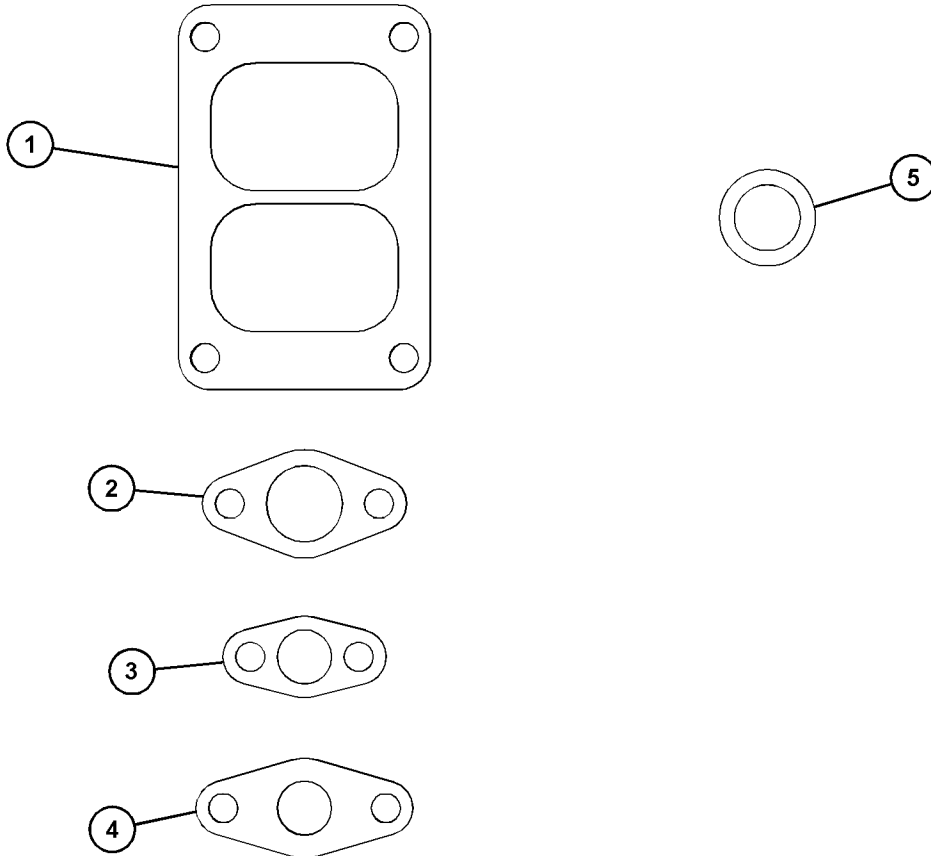
**SMCS-7555**

**i06036274**

NOTE	REF NO	GRAPHIC REF	PART NUMBER	QTY	PART NAME						SEE PAGE
					1	2	3	4	5	6 (PRODUCT LEVEL)	
	1	1	<b>1S-4295</b>	1	GASKET (TURBOCHARGER)						
	2	1	<b>1S-4810</b>	1	GASKET-OIL DRAIN						
	3	1	<b>1S-6595</b>	1	GASKET-OIL SUPPLY						
	4	1	<b>4F-6109</b>	1	GASKET-VALVE						
	5	1	<b>114-2687</b>	1	SEAL-O-RING						

FOR A LIST OF RELATED PARTS THAT MAY BE REQUIRED FOR THE ENGINE REBUILD TO THE KIT CONSIST, PLEASE VISIT

[HTTP://DEALER.CAT.COM/RELATED](http://dealer.cat.com/related)



GRAPHIC #1

<END>

g03820652

# SERVICE EQUIPMENT AND SUPPLIES

## 8T-7539 KIT-GASKET

S/N: 85Z3764-UP

FUEL SYSTEM

FIELD INSTALLATION

SMCS-7555

i07621517

NOTE	PART NUMBER	QTY	PART NAME 1 2 3 4 5 6 (PRODUCT LEVEL)	SEE PAGE
	<b>1P-0436</b>	1	GASKET (FUEL PRIMING PUMP)	
	<b>2W-5447</b>	1	GASKET	
	<b>6I-2003</b>	1	GASKET	
	<b>6I-2004</b>	1	GASKET	
	<b>7N-9520</b>	1	GASKET	
	<b>150-3724</b>	1	GASKET	
	<b>150-3726</b>	1	GASKET	
	<b>150-3728</b>	1	GASKET	
	<b>150-3730</b>	1	GASKET	
	<b>150-3727</b>	1	GASKET-FUEL	
	<b>5S-7611</b>	1	LOCK-SHAFT	
	<b>4N-0260</b>	1	SEAL-LIP TYPE	
	<b>138-9507</b>	2	SEAL-LIP TYPE	
	<b>1J-9671</b>	2	SEAL-O-RING	
	<b>2J-0157</b>	1	SEAL-O-RING	
	<b>2M-9780</b>	1	SEAL-O-RING	
	<b>3D-2824</b>	1	SEAL-O-RING	
	<b>3D-2898</b>	1	SEAL-O-RING	
	<b>3H-0442</b>	6	SEAL-O-RING	
	<b>3J-1907</b>	5	SEAL-O-RING	
	<b>3J-7354</b>	3	SEAL-O-RING	
	<b>3K-0360</b>	3	SEAL-O-RING	
	<b>4J-7533</b>	3	SEAL-O-RING	
	<b>4J-8997</b>	1	SEAL-O-RING	
	<b>4M-8303</b>	1	SEAL-O-RING	
	<b>5F-9144</b>	1	SEAL-O-RING	
	<b>5P-6620</b>	1	SEAL-O-RING	
	<b>5P-6718</b>	1	SEAL-O-RING	
	<b>5P-8215</b>	1	SEAL-O-RING	
	<b>5P-9757</b>	1	SEAL-O-RING	
	<b>6F-6672</b>	1	SEAL-O-RING	
	<b>6H-9691</b>	1	SEAL-O-RING	
	<b>6J-2419</b>	1	SEAL-O-RING	
	<b>7F-8607</b>	1	SEAL-O-RING	
	<b>8M-8515</b>	1	SEAL-O-RING	
	<b>061-9458</b>	1	SEAL-O-RING	
	<b>114-8718</b>	6	SEAL-O-RING	
	<b>175-7900</b>	1	SEAL-O-RING	
	<b>196-1804</b>	1	SEAL-O-RING	
	<b>317-0808</b>	1	SEAL-O-RING	
	<b>6V-6921</b>	1	SEAL-RING	
	<b>8H-2778</b>	1	SEAL-RING	
	<b>8H-9204</b>	6	WASHER-FELT (19/32X7/8X5/16-IN THK)	

FOR A LIST OF RELATED PARTS THAT MAY BE  
REQUIRED FOR THE ENGINE REBUILD TO THE KIT  
CONSIST, PLEASE VISIT

# SERVICE EQUIPMENT AND SUPPLIES

8T-7539 KIT-GASKET (contd.)

107621517

NOTE	PART NUMBER	QTY	PART NAME	SEE PAGE
			1 2 3 4 5 6 (PRODUCT LEVEL)	

[HTTP://DEALER.CAT.COM/RELATED](http://dealer.cat.com/related)

<END>

# SERVICE EQUIPMENT AND SUPPLIES

## 9X-8296 KIT-GASKET

S/N: 85Z3764-UP

FUEL SYSTEM

FIELD INSTALLATION

SMCS-7555

i07638660

NOTE	PART NUMBER	QTY	PART NAME						SEE PAGE
			1	2	3	4	5	6 (PRODUCT LEVEL)	
	1P-0436	2	GASKET (FUEL PRIMING PUMP)						
	2W-5447	2	GASKET						
	4P-9608	1	GASKET						
	6I-2002	1	GASKET						
	6I-2003	1	GASKET						
	6I-2004		GASKET						
	7N-9520	1	GASKET						
	144-0477	1	GASKET						
	150-3724	1	GASKET						
	150-3726	1	GASKET						
	150-3728	1	GASKET						
	150-3730	1	GASKET						
	150-3727	1	GASKET-FUEL						
	5S-7611	1	LOCK-SHAFT						
	8N-5763	1	SEAL						
	4N-0260	1	SEAL-LIP TYPE						
	138-9507	1	SEAL-LIP TYPE						
	1J-9671	2	SEAL-O-RING						
	2D-6392	1	SEAL-O-RING						
	2J-0157	2	SEAL-O-RING						
	2M-9780	1	SEAL-O-RING						
	3D-2824	1	SEAL-O-RING						
	3D-2898	1	SEAL-O-RING						
	3H-0442	6	SEAL-O-RING						
	3J-1907	6	SEAL-O-RING						
	3J-7354	3	SEAL-O-RING						
	3K-0360	3	SEAL-O-RING						
	4J-5477	1	SEAL-O-RING						
	4J-7533	2	SEAL-O-RING						
	4J-8997	1	SEAL-O-RING						
	4M-8303	2	SEAL-O-RING						
	5F-9144	1	SEAL-O-RING						
	5P-6620	1	SEAL-O-RING						
	5P-6718	2	SEAL-O-RING						
	5P-8210	1	SEAL-O-RING						
	5P-8215	1	SEAL-O-RING						
	5P-9757	1	SEAL-O-RING						
	6F-6672	1	SEAL-O-RING						
	6H-9691	1	SEAL-O-RING						
	6J-2419	1	SEAL-O-RING						
	7E-4846	6	SEAL-O-RING						
	7F-8607	2	SEAL-O-RING						
	7J-0204	1	SEAL-O-RING						
	8M-8515	1	SEAL-O-RING						
	061-9458	2	SEAL-O-RING						
	175-7900	1	SEAL-O-RING						
	196-1804	1	SEAL-O-RING						

# SERVICE EQUIPMENT AND SUPPLIES

**9X-8296 KIT-GASKET (contd.)**

**i07638660**

NOTE	PART NUMBER	QTY	PART NAME						SEE PAGE
			1	2	3	4	5	6 (PRODUCT LEVEL)	
	<b>317-0808</b>	1	SEAL-O-RING						
	<b>6V-6921</b>	1	SEAL-RING						
	<b>8H-2778</b>	1	SEAL-RING						
	<b>8H-9204</b>	6	WASHER-FELT (19/32X7/8X5/16-IN THK)						

FOR A LIST OF RELATED PARTS THAT MAY BE  
REQUIRED FOR THE ENGINE REBUILD TO THE KIT  
CONSIST, PLEASE VISIT

[HTTP://DEALER.CAT.COM/RELATED](http://dealer.cat.com/related)

<END>

## 9X-8577 KIT-GASKET

S/N: 85Z3764-UP

**OIL COOLER AND LINES  
FIELD INSTALLATION**

**SMCS-7555**

**i07638591**

NOTE	PART NUMBER	QTY	PART NAME						SEE PAGE
			1	2	3	4	5	6 (PRODUCT LEVEL)	
	<b>2A-3541</b>	1	GASKET						
	<b>2W-4561</b>	1	GASKET						
	<b>4N-3841</b>	1	GASKET						
	<b>5M-4741</b>	2	GASKET						
	<b>6H-8778</b>	1	GASKET						
	<b>7F-7590</b>	1	GASKET						
	<b>8S-5409</b>	2	GASKET						
	<b>9Y-6860</b>	1	GASKET						
	<b>3J-7354</b>	1	SEAL-O-RING						
	<b>8M-4432</b>	2	SEAL-O-RING						
	<b>8M-4988</b>	2	SEAL-O-RING						
	<b>8M-5248</b>	1	SEAL-O-RING						
	<b>8M-5253</b>	1	SEAL-O-RING						
	<b>114-2687</b>	2	SEAL-O-RING						
	<b>6F-7062</b>	1	WASHER (12.7X19.05X1.83-MM THK)						

FOR A LIST OF RELATED PARTS THAT MAY BE  
REQUIRED FOR THE ENGINE REBUILD TO THE KIT  
CONSIST, PLEASE VISIT

[HTTP://DEALER.CAT.COM/RELATED](http://dealer.cat.com/related)

<END>

# SERVICE EQUIPMENT AND SUPPLIES

## 122-4249 KIT-PARTS

S/N: 6DG1-UP  
AN ATTACHMENT

**SMCS-1000**

**i05883257**

NOTE	PART NUMBER	QTY	PART NAME 1 2 3 4 5 6 (PRODUCT LEVEL)	SEE PAGE
Y	<b>290-5567</b>	1	HEAT SINK AS	1588
Y	<b>309-1019</b>	1	REGULATOR GP-VOLTAGE (VR6 PERMANENT MAGNET)	1616
	<b>6Y-3955</b>	1	BALL BEARING	
	<b>9Y-8419</b>	12	FUSE (12-AMPERE)	
	<b>9Y-6027</b>	12	FUSE-CERAMIC (10-AMPERE)	
	<b>7E-8266</b>	1	HOLDER AS-FUSE	

Y - SEPARATE ILLUSTRATION

<END>

## 4P-7040 KIT-PARTS-GENERATOR

S/N: 5CA5985-UP; 5DA5682-UP; 5EA5375-UP  
MARINE CLASSIFICATION SOCIETY  
FOR USE WITH GENERATOR EQUIPPED W/VR3 REGULATOR  
AN ATTACHMENT

**SMCS-1000**

**i02864352**

NOTE	PART NUMBER	QTY	PART NAME 1 2 3 4 5 6 (PRODUCT LEVEL)	SEE PAGE
Y	<b>202-8634</b>	1	REGULATOR AS-VOLTAGE (VR6 PERMANENT MAGNET)	1610
			-OR-	
Y	<b>309-1019</b>	1	REGULATOR GP-VOLTAGE (VR6 PERMANENT MAGNET)	1616
	<b>4L-6677</b>	1	BALL BEARING	
	<b>9Y-8419</b>	12	FUSE (12-AMPERE)	
	<b>9Y-6027</b>	12	FUSE-CERAMIC (10-AMPERE)	
	<b>7E-8266</b>	2	HOLDER AS-FUSE	
	<b>9Y-7169</b>	1	RECTIFIER AS (FORWARD POLARITY)	
	<b>9Y-7170</b>	1	RECTIFIER AS (REVERSE POLARITY)	
	<b>5N-5043</b>	1	VARISTOR AS	

Y - SEPARATE ILLUSTRATION

<END>

## 173-4437 KIT-PREVENTIVE MAINTENANCE

S/N: 85Z3764-UP  
FIELD INSTALLATION

**SMCS-1000, 7519**

**i02230347**

NOTE	PART NUMBER	QTY	PART NAME 1 2 3 4 5 6 (PRODUCT LEVEL)	SEE PAGE
	<b>169-8373</b>	1	BOTTLE GP-FLUID SAMPLING	
	<b>4C-4600</b>	1	CONTAINER AS	
	<b>1R-0739</b>	1	FILTER AS-ENGINE OIL (STANDARD EFFICIENCY)	
	<b>1R-0750</b>	1	FILTER-FUEL (ADVANCED EFFICIENCY)	

<END>

# SERVICE EQUIPMENT AND SUPPLIES

## 5N-6688 PLATE & FILM GP

S/N: 5CA5985-UP; 5DA5682-UP; 5EA5375-UP; 5FA4499-UP

FOR USE WITH CANADIAN STANDARD ASSOCIATION CERTIFIED 440 FRAME SIZE GENERATOR SET  
AN ATTACHMENT

SMCS-7405, 7557

i00953069

NOTE	PART NUMBER	QTY	PART NAME						SEE PAGE
			1	2	3	4	5	6 (PRODUCT LEVEL)	
	<b>3N-7723</b>	2	CABLE AS-EXTENSION						
			(NEUTRAL & GROUND CONNECTIONS)						
	<b>5P-7758</b>	5	LOCKWASHER						
	<b>5P-7751</b>	5	NUT-BRONZE (3/8-16-THD)						
	<b>5N-3641</b>	1	PANEL-FRONT						
	<b>1W-7861</b>	1	PLATE-ENGINE INFORMATION (GENERATOR)						
	<b>5N-8632</b>	1	ROD-THREADED						
	<b>2K-3219</b>	4	SCREW-DRIVE (NO 6X0.25-IN) (FOR MOUNTING PLATE)						
	<b>5P-7752</b>	6	WASHER-BRONZE						

<END>



# PART NUMBER INDEX

Part	Page	Part	Page	Part	Page	Part	Page
<b>0</b>							
			393		893		450
OL-0364 . . . . .	231		395	OS-1588 . . . . .	80		468
OL-0639 . . . . .	90		397		221		522
OL-0765 . . . . .	126		399		237		550
OL-1026 . . . . .	209		409		239		669
OL-1143 . . . . .	170		411		241		670
	187		428		303		671
	189		430		337		673
	413		516		405		751
	428		536		468		1636
	430		944		519	OS-1592 . . . . .	197
	550		945		541		385
	751		946		542		387
	1066		947		747	OS-1594 . . . . .	87
OL-1329 . . . . .	63		1021		862		95
	170		1024		864		112
	195		1167		879		137
	199		1349		881		138
	200		1378		883		170
OL-1351 . . . . .	94	OS-1566 . . . . .	97		885		195
	143		98		887		199
	145		197		889		219
	241		543		1339		223
	351		544	OS-1589 . . . . .	69		231
	353		545		70		235
	355	OS-1571 . . . . .	82		72		237
	357		170		73		243
	359		433		79		271
	361		475		126		272
	363		518		345		308
	365		521		468		311
	367		526	OS-1590 . . . . .	162		312
	369		528		163		314
	381		544		223		334
	385		550		231		351
	387		617		245		353
	407		619		250		355
	527		871		251		365
	528		914		252		367
	1127		1126		253		369
	1128	OS-1576 . . . . .	134		254		381
OL-1352 . . . . .	64	OS-1577 . . . . .	132		324		385
	66	OS-1585 . . . . .	119		335		387
	74		122		337		389
	130		124		432		391
	131		143		446		393
	165		145		447		395
	167		194		448		397
	170		385		450		399
	200		387		522		405
	311		389		540		407
	881		391		541		409
OL-2070 . . . . .	128		393		542		411
	190		395		550		493
	231		397		613		496
	243		399		910		540
	306		409	OS-1591 . . . . .	80		664
	426		411		82		666
	434		468		87		677
	663		862		90		692
	668		879		130		694
	675		885		131		1064
	676		893		165		1066
	683		912		167		1716
	746		1342		200	OS-1595 . . . . .	114
	1066	OS-1587 . . . . .	87		239		124
OS-0509 . . . . .	86		93		262		181
	143		115		264		385
	145		426		266		387
	385		850		268		389
	387		864		269		391
	389		871		446		393
	391		883		447		395
			889		448		397

# PART NUMBER INDEX

Part	Page	Part	Page	Part	Page	Part	Page
	399		850		805		853
	401		1399		806		855
	409		1402		808		1279
	411		1406		810	OS-1748 . . . . .	137
	536		1408		812		138
	547		1411		814	OS-2353 . . . . .	193
	893		1414		816	OT-0055 . . . . .	371
	1380		1417		818		372
OS-1597 . . . . .	1186		1420		820		373
	1188		1423		822		374
	1190		1426		826		375
	1193		1429		828		376
	1195		1432		830		377
	1198		1435		832		378
	1249		1438		834		379
OS-1600 . . . . .	135		1441		836		380
OS-1608 . . . . .	162		1444		838		673
	163		1447		840		747
	239		1450		842	OT-0065 . . . . .	64
	683		1453		844		66
	910		1456		850		74
OS-1614 . . . . .	284		1459	OS-1617 . . . . .	64		82
	606		1462		66		246
	612		1465		74		247
	763		1468		90		248
	780		1471		99		335
	781		1475		116		337
	799		1478		117		428
	800		1481		243		430
	802		1484		262		871
	803		1537		264		912
	805		1540		266		914
	806		1543		405	OT-0102 . . . . .	77
	1546		1546		407		147
	1549		1549		413		231
	1552		1552		850		385
	1579		1555		851		387
	1582		1558		1066		389
	1585		1561	OS-1618 . . . . .	137		391
OS-1615 . . . . .	336		1564		138		393
	428		1567		211		395
	430		1570		212		397
	550		1579		213		399
	613		1582		214		409
	661		1585		401		411
	662	OS-1616 . . . . .	476		405	OT-0318 . . . . .	147
	688		478		413	OT-0319 . . . . .	401
	689		606		591	OT-0320 . . . . .	181
	699		626		747		1327
	703		631		881	OT-0431 . . . . .	494
	706		643		887	OT-0573 . . . . .	130
	708		648		891		131
	710		758		912		199
	712		760		914		1124
	714		764		1311		1668
	716		766		1315	OT-0768 . . . . .	77
	718		768	OS-1619 . . . . .	77	OT-0772 . . . . .	93
	720		770		80	OV-0375 . . . . .	80
	722		772		170		82
	724		774		191		
	726		776		245		
	728		778		271		
	730		783		297		
	732		785		335		
	733		787		428	1A-0458 . . . . .	198
	735		789		862	1A-1135 . . . . .	137
	737		791		864		138
	739		793		879		312
	741		795		883		506
	743		797		885		510
	754		799		887		1341
	756		800		889		1344
	824		802	OS-1625 . . . . .	88	1A-1345 . . . . .	344
	846		803		507	1A-1460 . . . . .	90

# PART NUMBER INDEX

Part	Page	Part	Page	Part	Page	Part	Page
	148		1471		239		561
	149		1475		243		562
	150		1478		516		1162
	468		1481		524	1C-1976 . . . . .	401
	503		1484	1B-4203 . . . . .	209		403
	508		1537		1327		423
	891		1540	1B-4205 . . . . .	344	1C-2251 . . . . .	128
	1342		1543		468	1D-2328 . . . . .	193
1A-2029 . . . . .	94		1546	1B-4330 . . . . .	1085	1D-4533 . . . . .	1579
	147		1549		1627		1582
	216		1552		1631		1585
	227		1555	1B-4367 . . . . .	506	1D-4538 . . . . .	536
	231		1558	1B-4971 . . . . .	501	1D-4539 . . . . .	296
	237		1561	1B-5170 . . . . .	857		315
	239		1564	1B-5174 . . . . .	262	1D-4540 . . . . .	125
	241		1567		385		262
	243		1570		387		264
	262		1579		389		266
	264		1582		391		436
	266		1585		393	1D-4586 . . . . .	125
	270	1B-0676 . . . . .	1713		395	1D-4595 . . . . .	127
	297		1714		397	1D-4614 . . . . .	169
	304	1B-1293 . . . . .	613		399		857
	331	1B-2578 . . . . .	590		407		1338
	332	1B-2713 . . . . .	473		409		1339
	428		763		411		1342
	430		780		417		1345
	468		781		419	1D-4669 . . . . .	1276
	517	1B-2714 . . . . .	1124		552		1376
	604		1126		557		1378
	683		1400		561	1D-4716 . . . . .	243
	746		1403		562		401
	851		1406	1B-5355 . . . . .	341	1D-4717 . . . . .	82
	891		1409		342		170
	1066		1411		433		324
1A-5183 . . . . .	669		1414		475		401
	670		1417		501		432
	671		1420		518		442
1A-5822 . . . . .	93		1423		521		444
	162		1426		526		446
	163		1429		529		447
	165		1432		530		448
	167		1435		534		450
	910		1438		535		463
1A-8063 . . . . .	1597		1441		544		464
	1598		1444		550		468
1A-9579 . . . . .	314		1447	1B-5357 . . . . .	503		522
	315		1450		513		540
	320		1453		543		541
	1126		1456		547		542
	1399		1459	1B-5358 . . . . .	506		751
	1402		1462		507		881
	1405		1465		543		887
	1408		1468		544		1066
	1411		1471	1B-7182 . . . . .	413		1123
	1414		1475		747		1124
	1417		1478		749		1167
	1420		1481		750		1279
	1423		1484		1308		1319
	1426		1537		1309		1368
	1429		1540	1B-7709 . . . . .	127		1375
	1432		1543		204		1668
	1435		1546		207	1D-4718 . . . . .	401
	1438		1549		209	1D-4719 . . . . .	82
	1441		1552	1B-8704 . . . . .	906		165
	1444		1555		908		167
	1447		1558	1B-8705 . . . . .	866		536
	1450		1561		868		881
	1453		1564		919		887
	1456		1567		921	1D-4720 . . . . .	853
	1459		1570	1B-8709 . . . . .	246		855
	1462	1B-2790 . . . . .	211		247		1341
	1465		212		248		1344
	1468		214	1C-0569 . . . . .	552	1F-0748 . . . . .	200

# PART NUMBER INDEX

Part	Page	Part	Page	Part	Page	Part	Page
	1342	1H-3338 . . . . .	90		1169		648
1F-0750 . . . . .	143		1715	1L-3769 . . . . .	752	1N-4406 . . . . .	1
	145	1H-4336 . . . . .	1627		753		3
	323		1629	1L-4775 . . . . .	347		5
	413		1631	1L-4785 . . . . .	347		7
	421		1633	1L-4786 . . . . .	347		9
1F-1006 . . . . .	246	1H-4560 . . . . .	1030	1L-4863 . . . . .	90		11
	247	1H-5166 . . . . .	1330	1L-5011 . . . . .	▶1327		13
	248		1336	1L-5072 . . . . .	204		15
1F-1560 . . . . .	80	1H-5403 . . . . .	119		207		17
	82		122	1L-5316 . . . . .	655		19
1F-2280 . . . . .	604	1H-5514 . . . . .	262	1L-5686 . . . . .	937		21
1F-2417 . . . . .	426		264	1L-5987 . . . . .	1127		23
1F-4111 . . . . .	1487		266	1L-6561 . . . . .	951		25
	1490		434		954		27
	1493		436		960		29
	1496	1H-6525 . . . . .	434		1727		31
	1499	1H-6936 . . . . .	1121		1733		33
	1502		1125	1L-6931 . . . . .	87		35
	1505	1H-7666 . . . . .	153	1L-9048 . . . . .	919		37
	1508		517		1327		39
	1511		1840	1L-9049 . . . . .	1327		41
	1515		1844	1L-9059 . . . . .	1327		43
	1518		1845	1L-9060 . . . . .	1327		45
	1521	1H-8289 . . . . .	599	1L-9062 . . . . .	1327		47
	1524	1H-9569 . . . . .	1327	1L-9063 . . . . .	1327		49
	1527	1H-9572 . . . . .	1327	1L-9064 . . . . .	1327		51
	1530	1H-9580 . . . . .	1327	1L-9066 . . . . .	1327		53
	1534	1H-9779 . . . . .	235	1L-9067 . . . . .	1327		55
1F-4622 . . . . .	655	1J-9671 . . . . .	749	1L-9068 . . . . .	1327		57
	656		847	1L-9069 . . . . .	1327		59
1F-5842 . . . . .	604		1853	1L-9899 . . . . .	1329		61
1F-6320 . . . . .	495		1855		1330		▶86
1F-7958 . . . . .	80	1K-3047 . . . . .	1169	1M-0130 . . . . .	94	1N-4635 . . . . .	887
	162		1173	1M-1254 . . . . .	603	1N-4874 . . . . .	▶223
	163	1K-4649 . . . . .	162	1M-1993 . . . . .	165	1N-5331 . . . . .	▶590
	426		163	1M-4986 . . . . .	1279	1N-5526 . . . . .	196
	508		165		1281	1N-7219 . . . . .	1399
	862		167		1283		1402
	864		862	1M-4991 . . . . .	891		1405
	871		864	1M-6119 . . . . .	933		1408
	879		871		934		1411
	883		879		935		1414
	885		881		936		1417
	889		883		937		1420
	910		885		938		1423
	912		887		939		1426
	914		889		963		1429
1F-7960 . . . . .	162		910		1279		1432
	163		912		1281		1435
	910		914		1283		1438
1F-9369 . . . . .	1028	1K-6539 . . . . .	593	1M-6120 . . . . .	933		1441
1H-0690 . . . . .	1169	1K-6872 . . . . .	891		934		1444
	1173		893		935		1447
1H-1200 . . . . .	300	1K-6985 . . . . .	311		936		1450
1H-2629 . . . . .	1195		312		937		1453
	1246		351		938		1456
	1249		353		939		1459
	1251		355		963		1462
	1257		357		1279		1465
	1260		359		1281		1468
1H-3244 . . . . .	866		361		1283		1471
	873		363	1M-7643 . . . . .	501		1475
	875		365		502		1478
	877		367	1N-3316 . . . . .	636		1481
	894		369	1N-3367 . . . . .	468		1484
	896		381	1N-3576 . . . . .	▶102		1487
	899	1L-0653 . . . . .	278	1N-3800 . . . . .	626		1490
	902	1L-1508 . . . . .	▶498		631		1493
	904	1L-1526 . . . . .	162		643		1496
	906		163		648		1499
	908		165	1N-3802 . . . . .	626		1502
	916		910		631		1505
	921	1L-2279 . . . . .	323		643		1508

# PART NUMBER INDEX

Part	Page	Part	Page	Part	Page	Part	Page
	1511		1527		45	1S-3889 . . . . .	233
	1515		1530		47		234
	1518		1534		49		235
	1521		1573		51		236
	1524		1576		53	1S-4295 . . . . .	153
	1527	1N-8171 . . . . .	279		55		515
	1530	1N-8173 . . . . .	275		57		553
	1534	1N-8509 . . . . .	▶1329		59		554
	1537	1N-8559 . . . . .	1127		61		555
	1540		1128		▶215		560
	1543	1N-9087 . . . . .	906	1P-4923 . . . . .	1667		566
	1546		908	1P-5121 . . . . .	942		571
	1549	1N-9372 . . . . .	434		943		572
	1552		1847		1311		573
	1555	1N-9770 . . . . .	948		1315		1840
	1558		957	1P-6367 . . . . .	95		1845
	1561		1718		112		1847
	1564	1N-9882 . . . . .	606	1P-6450 . . . . .	442		1848
	1567	1N-9954 . . . . .	849		446		1852
	1570	1P-0436 . . . . .	575		448	1S-4557 . . . . .	225
	1573		747		452		228
	1576		749	1P-6452 . . . . .	859	1S-4662 . . . . .	428
	1579		750		860	1S-4757 . . . . .	468
	1582		1853		861	1S-4810 . . . . .	153
	1585		1855	1P-6832 . . . . .	442		237
1N-7222 . . . . .	1487	1P-0451 . . . . .	153		446		241
	1490		568		448		515
	1493		1840		452		1840
	1496		1844	1P-7326 . . . . .	951		1841
	1499	1P-1111 . . . . .	480		954		1845
	1502	1P-1112 . . . . .	552	1P-7346 . . . . .	250		1847
	1505		561		251		1848
	1508		562		252		1851
	1511	1P-1113 . . . . .	552		253		1852
	1515		561		254	1S-4915 . . . . .	1281
	1518		562		426		1283
	1521	1P-1114 . . . . .	480	1P-7360 . . . . .	442	1S-4974 . . . . .	1643
	1524	1P-1120 . . . . .	476		446		1644
	1527		478		448	1S-5440 . . . . .	578
	1530		480		452		579
	1534	1P-1124 . . . . .	480	1P-9945 . . . . .	118		699
	1573	1P-1255 . . . . .	239		121		712
	1576		1840		124		714
1N-7224 . . . . .	1487		1844	1P-9946 . . . . .	121		716
	1490	1P-1367 . . . . .	213	1P-9956 . . . . .	174		718
	1493		214		175		720
	1496	1P-1669 . . . . .	747		177		724
	1499	1P-2497 . . . . .	626		178		824
	1502		631	1P-9989 . . . . .	310	1S-6595 . . . . .	153
	1505		643	1R-0716 . . . . .	221		237
	1508		648	1R-0739 . . . . .	1857		239
	1511	1P-2698 . . . . .	219	1R-0749 . . . . .	617		241
	1515	1P-4244 . . . . .	1		619		515
	1518		3	1R-0750 . . . . .	615		1840
	1521		5		1857		1841
	1524		7	1R-1807 . . . . .	268		1845
	1527		9		269		1847
	1530		11	1S-0833 . . . . .	226		1851
	1534		13	1S-1953 . . . . .	657		1852
	1573		15		699	1S-7056 . . . . .	906
	1576		17		703		908
1N-7225 . . . . .	1487		19		708		1175
	1490		21		714	1S-7251 . . . . .	963
	1493		23		716		1281
	1496		25		718		1283
	1499		27		720	1S-7252 . . . . .	963
	1502		29		722	1S-7443 . . . . .	90
	1505		31		724	1S-9540 . . . . .	102
	1508		33		726		104
	1511		35		728	1S-9543 . . . . .	174
	1515		37		730		175
	1518		39		735		177
	1521		41		739		178
	1524		43		743	1S-9593 . . . . .	951

# PART NUMBER INDEX

Part	Page	Part	Page	Part	Page	Part	Page
	952		708		17		109
	954		714		19		110
	960		716		21	1W-5464 . . . . .	217
	1050		718		23	1W-5634 . . . . .	1
	1072		720		25		3
	1084		722		27		5
	1302		724		29		7
	1330		726		31		9
	1669		728		33		11
1S-9937 . . . . .	▶470		730		35		13
1T-0416 . . . . .	664		735		37		15
	666		739		39		17
	669		743		41		19
	670	1W-3286 . . . . .	699		43		21
	671		703		45		23
	673		706		47		25
	692		708		49		27
	694		710		51		29
1T-0765 . . . . .	262		712		53		31
	264		714		55		33
	266		716		57		35
1T-0822 . . . . .	442		718		59		37
	446		720		61		39
	448		722		▶128		41
	452		724	1W-3818 . . . . .	▶17		43
1U-8846 . . . . .	150		726	1W-3819 . . . . .	▶19		45
1U-9053 . . . . .	1718		728	1W-3833 . . . . .	▶21		47
1V-7753 . . . . .	282		730	1W-3835 . . . . .	▶23		49
	283		732	1W-3851 . . . . .	▶1183		51
	459		733		1184		53
1V-9260 . . . . .	1281		735		1185		55
	1283		737	1W-3900 . . . . .	151		57
1W-0541 . . . . .	27		739	1W-4098 . . . . .	626		59
	29		741		631		61
	46		743		643		▶137
	▶554		824		649		▶138
1W-1010 . . . . .	53		846	1W-4243 . . . . .	626	1W-5912 . . . . .	754
	▶517	1W-3487 . . . . .	▶657		632		756
1W-1310 . . . . .	▶281		706		643	1W-6192 . . . . .	▶125
1W-1597 . . . . .	▶859		710		648	1W-6254 . . . . .	116
1W-1602 . . . . .	558		712	1W-4402 . . . . .	137		117
1W-1603 . . . . .	476		732		138	1W-6298 . . . . .	▶117
1W-1604 . . . . .	▶476		733	1W-4405 . . . . .	100	1W-6332 . . . . .	▶194
	558		737	1W-4486 . . . . .	9	1W-6333 . . . . .	194
1W-1669 . . . . .	754		741		11	1W-6334 . . . . .	194
	756		824		21	1W-6350 . . . . .	749
1W-1695 . . . . .	698		846		23	1W-6401 . . . . .	45
	▶754	1W-3559 . . . . .	558		27		▶1661
	▶756	1W-3609 . . . . .	9		29	1W-6520 . . . . .	848
1W-1698 . . . . .	754		11		35	1W-6522 . . . . .	848
	756		21		37	1W-6523 . . . . .	626
1W-1699 . . . . .	754		23		45		631
	756		27		47		643
1W-1898 . . . . .	1848		29		49		648
1W-2127 . . . . .	585		35		51	1W-6539 . . . . .	▶705
1W-2128 . . . . .	584		37		53		706
1W-2316 . . . . .	610		45		55		708
1W-2555 . . . . .	579		47		57		710
	733		49		59		712
	735		51		61		718
	737		53		▶501		720
	739		55		▶502		722
1W-2636 . . . . .	156		57	1W-4506 . . . . .	63		724
	313		59	1W-4542 . . . . .	97		726
1W-2773 . . . . .	▶132		61	1W-4580 . . . . .	611		733
1W-2803 . . . . .	77		▶675	1W-4581 . . . . .	609		735
1W-3008 . . . . .	▶669	1W-3802 . . . . .	1	1W-4619 . . . . .	365		846
	670		3		367	1W-6541 . . . . .	702
	671		5		381		705
	▶673		7	1W-4795 . . . . .	564	1W-6557 . . . . .	369
	675		9		569	1W-6588 . . . . .	7
1W-3285 . . . . .	657		11		572		31
	699		13	1W-4892 . . . . .	636		▶175
	703		15	1W-5300 . . . . .	107		▶177

# PART NUMBER INDEX

Part	Page	Part	Page	Part	Page	Part	Page
1W-6629 . . . . .	661	1W-9167 . . . . .	671	2A-3798 . . . . .	94	2D-4867 . . . . .	139
	746		673	2A-3852 . . . . .	172		141
	747		678	2A-4429 . . . . .	107		143
1W-6810 . . . . .	425		679		109		145
1W-6870 . . . . .	▶584		680	2A-4639 . . . . .	221		285
1W-6901 . . . . .	▶585		681		241		287
1W-6987 . . . . .	701	1W-9168 . . . . .	664		385		289
	702		666		387		291
	705		678		389		293
	745		679		391		295
1W-7119 . . . . .	77		680		393	2D-6235 . . . . .	599
1W-7145 . . . . .	▶77		681		395		1596
	79		682		397		1655
1W-7461 . . . . .	692		684		399		1656
	694		684		401	2D-6392 . . . . .	586
1W-7546 . . . . .	501		685		409		1487
1W-7816 . . . . .	151		686		411		1490
1W-7848 . . . . .	1381		687		912		1500
	1382	1W-9169 . . . . .	664	2A-4996 . . . . .	606		1502
	1383		666	2A-5546 . . . . .	587		1506
	1384		671	2A-7095 . . . . .	1281		1508
	1385		673		1283		1512
	1386		678	2B-0050 . . . . .	80		1515
	1387		679		82		1519
	1389		680	2B-0858 . . . . .	77		1521
	1390		681		107		1525
	1391		682		213		1527
	1392		684		1127		1531
	1393		685		1128		1534
	1394		686	2B-0941 . . . . .	234		1573
	1395		687		239		1576
	1396		688		241		1855
	1397		685		324	2D-6642 . . . . .	617
	1398		686	2B-0947 . . . . .	121		619
1W-7861 . . . . .	1858		687		428	2D-7325 . . . . .	1727
1W-7910 . . . . .	▶333		690		430	2D-7563 . . . . .	1691
1W-8096 . . . . .	21		691		543		1693
	23		692		891	2D-9872 . . . . .	428
	▶555		694	2B-2404 . . . . .	584		430
1W-8217 . . . . .	▶1157	1W-9171 . . . . .	701		585	2F-2290 . . . . .	627
1W-8225 . . . . .	534		702		604		632
	535		705	2B-2694 . . . . .	246		644
1W-8235 . . . . .	▶609		745		247		649
1W-8356 . . . . .	341	1W-9653 . . . . .	▶1636		248	2F-2293 . . . . .	636
	342	1W-9829 . . . . .	287		575	2F-3659 . . . . .	468
	529		291		589	2F-6156 . . . . .	119
	530	1Y-0263 . . . . .	234		596		122
	534	1Y-0683 . . . . .	161		598	2F-6938 . . . . .	87
	535			2B-2695 . . . . .	64	2F-7306 . . . . .	1608
1W-8413 . . . . .	▶229				66		1609
1W-8420 . . . . .	478				74	2F-7761 . . . . .	1847
1W-8459 . . . . .	229				77	2F-7771 . . . . .	88
1W-8483 . . . . .	17			2B-2955 . . . . .	613		181
	39			2B-4602 . . . . .	1488	2G-0151 . . . . .	1724
	▶529	2A-0762 . . . . .	1530		1490	2G-5836 . . . . .	1279
	▶530		1534		1493	2H-0210 . . . . .	593
1W-8497 . . . . .	▶334	2A-1162 . . . . .	148		1496	2H-2292 . . . . .	613
1W-8588 . . . . .	457		149		1499	2H-3429 . . . . .	606
1W-8589 . . . . .	456		155		1502		752
1W-8616 . . . . .	692	2A-1531 . . . . .	162		1505		753
	694		163		1508		1200
1W-8668 . . . . .	816		165		1511		1213
	818		167		1515		1217
	820		910		1518		1223
	822	2A-2677 . . . . .	1126		1521		1228
	▶860	2A-3211 . . . . .	216		1524		1243
1W-8823 . . . . .	▶508		851		1527		1246
1W-8914 . . . . .	1639	2A-3398 . . . . .	155		1530		1251
1W-9010 . . . . .	▶610		172		1534		1254
1W-9070 . . . . .	1157		1843	2B-7557 . . . . .	221		1257
	1159	2A-3541 . . . . .	314	2D-0091 . . . . .	221		1260
	1160		1843	2D-2460 . . . . .	233		1269
	1162		1856	2D-3165 . . . . .	235	2H-3755 . . . . .	584
1W-9156 . . . . .	▶25						

# PART NUMBER INDEX

Part	Page	Part	Page	Part	Page	Part	Page
	585		896		195	2N-1330 . . . . .	80
	1167		919		199		82
	1727		921		428	2N-1331 . . . . .	80
2H-3776 . . . . .	116	2K-4973 . . . . .	442		430		82
	117		444		508	2N-1334 . . . . .	80
2H-3779 . . . . .	116		446		862		82
	117		447		864	2N-1894 . . . . .	636
2H-3910 . . . . .	116		448		871	2N-1983 . . . . .	80
	117		450		879		82
2H-3920 . . . . .	866		452		881	2N-1999 . . . . .	387
	921		453		883		389
2H-3932 . . . . .	155		465		885		391
	663	2K-8467 . . . . .	617		887		393
	668		619		889		421
	675	2L-2685 . . . . .	324		891	2N-2258 . . . . .	951
	676	2L-3402 . . . . .	1657		893		954
	683		1658		912		960
	762	2L-3980 . . . . .	275		914	2N-2259 . . . . .	▶ 1727
	782	2L-4238 . . . . .	385	2M-1538 . . . . .	221	2N-2765 . . . . .	1848
	801		387	2M-2488 . . . . .	501	2N-2766 . . . . .	153
	804		389	2M-4276 . . . . .	278		502
	807		391	2M-4277 . . . . .	274		553
2H-3934 . . . . .	663		393	2M-4453 . . . . .	617		554
	668		395		619		555
	675		397	2M-4779 . . . . .	341		556
	676		399		342		559
	683		409		529		560
	762		411		530		566
	782		415		534		568
	801		417		535		571
	804		419	2M-5407 . . . . .	231		572
	807		421	2M-6447 . . . . .	468		573
2H-5330 . . . . .	195	2L-5815 . . . . .	1573	2M-6449 . . . . .	468		1847
2H-5549 . . . . .	116		1576	2M-6451 . . . . .	468		1848
	117	2L-6010 . . . . .	87	2M-6471 . . . . .	552	2N-3322 . . . . .	468
2H-5972 . . . . .	853	2L-6094 . . . . .	1733		561		▶ 514
	855	2L-6267 . . . . .	90		562	2N-3350 . . . . .	1849
	1344		606	2M-7819 . . . . .	626	2N-3378 . . . . .	160
	1350	2L-6965 . . . . .	1175		631		161
2H-6488 . . . . .	80	2L-7103 . . . . .	656		643	2N-3478 . . . . .	1694
	82	2L-7985 . . . . .	347		648		1696
	881	2L-8049 . . . . .	1329	2M-9780 . . . . .	153	2N-3479 . . . . .	952
	887	2L-8050 . . . . .	1329		155		955
	912	2L-8052 . . . . .	1329		160		961
	914		1330		173		1719
2J-0157 . . . . .	752	2L-8054 . . . . .	1329		515	2N-3480 . . . . .	948
	753		1330		601		951
	1853	2L-8057 . . . . .	1329		602		954
	1855	2L-8058 . . . . .	1329		617		960
2J-3506 . . . . .	169	2L-8060 . . . . .	1329		619		1021
	857	2L-8061 . . . . .	1329		746	2N-3955 . . . . .	343
	1338	2L-8065 . . . . .	1336		747	2N-3960 . . . . .	343
	1339	2L-8066 . . . . .	1330		751	2N-5291 . . . . .	315
	1342	2L-8068 . . . . .	1330		1840		317
	1345	2L-8071 . . . . .	1330		1843		319
2K-3219 . . . . .	1381	2L-8074 . . . . .	1336		1853		320
	1382	2L-8075 . . . . .	896		1855		322
	1383		1166	2N-0178 . . . . .	1727	2N-5848 . . . . .	1727
	1384		1336		1733		1733
	1385	2L-8076 . . . . .	1073	2N-0179 . . . . .	1727	2N-5920 . . . . .	606
	1386		1330		1733	2N-7025 . . . . .	1380
	1387	2L-8079 . . . . .	1336	2N-0254 . . . . .	387	2N-8204 . . . . .	154
	1389	2L-8081 . . . . .	1072		389	2N-9263 . . . . .	▶ 499
	1390		1073		391	2N-9768 . . . . .	604
	1391		1330		393	2N-9882 . . . . .	456
	1392		1336	2N-0256 . . . . .	385		457
	1394	2L-9724 . . . . .	1329		395	2P-0220 . . . . .	69
	1397		1330		397		70
	1398		1336		399		72
	1858	2M-0849 . . . . .	80	2N-1287 . . . . .	160		73
2K-4821 . . . . .	866		114		161		79
	868		119		345		97
	873		122		585		98
	894		167		1727		345



# PART NUMBER INDEX

Part	Page	Part	Page	Part	Page	Part	Page
2P-1168 . . . . .	137	2P-3207 . . . . .	186		33	2P-6855 . . . . .	1
2P-1170 . . . . .	246	2P-3208 . . . . .	188		35		3
	247	2P-3210 . . . . .	463		37		5
	248	2P-3767 . . . . .	225		39		7
2P-1262 . . . . .	107	2P-3945 . . . . .	1636		41		9
2P-1692 . . . . .	63	2P-4173 . . . . .	303		43		11
	170	2P-4303 . . . . .	221		45		13
2P-1738 . . . . .	172	2P-4304 . . . . .	221		47		15
	173	2P-4305 . . . . .	221		49		17
2P-1739 . . . . .	231	2P-4316 . . . . .	221		51		21
2P-1757 . . . . .	118	2P-5472 . . . . .	518		53		23
	119		521		55		25
	121	2P-5616 . . . . .	896		57		27
	122	2P-6105 . . . . .	1		59		29
	124		3		61		31
2P-1781 . . . . .	246		5		▶192		33
	247		7	2P-6245 . . . . .	246		35
	248		9		247		37
2P-1784 . . . . .	1		11	2P-6528 . . . . .	9		39
	3		13		11		41
	5		15		21		43
	7		17		23		45
	9		19		27		47
	11		21		29		49
	13		23		35		51
	15		25		37		53
	17		27		45		55
	19		29		47		57
	21		31		49		59
	23		33		51		61
	25		35		53		▶216
	27		37		55	2P-7732 . . . . .	262
	29		39		57		264
	31		41		59		266
	33		43		61	2P-7734 . . . . .	262
	35		45		▶97		264
	37		47	2P-6530 . . . . .	1		266
	39		49		3	2P-7831 . . . . .	▶118
	41		51		5	2P-8104 . . . . .	1179
	43		53		7		1181
	45		55		11		1263
	47		57		19	2P-8746 . . . . .	155
	49		59		21		245
	51		61		23		1843
	53		▶231		25	2P-8862 . . . . .	517
	55	2P-6132 . . . . .	153		31	2P-8870 . . . . .	262
	57		335		33		264
	59		337		35		266
	61		1840		37	2P-9607 . . . . .	480
	▶245		1841		41	2P-9635 . . . . .	480
2P-2537 . . . . .	211		1845		43	2R-1922 . . . . .	1028
	212		1847		49	2R-8159 . . . . .	1567
	213	2P-6200 . . . . .	5		53	2S-0736 . . . . .	127
	214		7		55		204
2P-2685 . . . . .	859		39		57		207
	860		41		▶95		209
	861		43	2P-6574 . . . . .	9		1237
2P-2697 . . . . .	230		▶130		11		1238
2P-2719 . . . . .	216	2P-6224 . . . . .	1		21	2S-0987 . . . . .	655
2P-2720 . . . . .	216		3		23		656
	217		5		27	2S-1287 . . . . .	464
	218		7		29	2S-1541 . . . . .	231
	219		9		35	2S-3992 . . . . .	617
	851		11		37		619
2P-2772 . . . . .	272		13		45	2S-4241 . . . . .	98
2P-3200 . . . . .	217		15		47	2S-4706 . . . . .	468
	218		17		49	2S-5301 . . . . .	518
	219		19		51		521
	671		21		55	2S-5648 . . . . .	468
	673		23		57	2S-5649 . . . . .	468
	893		25		59	2S-5652 . . . . .	468
2P-3201 . . . . .	462		27		61	2S-5658 . . . . .	102
2P-3202 . . . . .	280		29		▶531		103
2P-3204 . . . . .	345		31		▶532		134

# PART NUMBER INDEX

Part	Page	Part	Page	Part	Page	Part	Page
	1173		23	2W-1708 . . . . .	174		690
2S-6160 . . . . .	502		25		179	2W-4058 . . . . .	686
2S-7383 . . . . .	612		27		180		690
2V-0936 . . . . .	129		29	2W-1709 . . . . .	179	2W-4059 . . . . .	687
	198		31	2W-1711 . . . . .	178		691
2V-1713 . . . . .	1166		33		▶179	2W-4070 . . . . .	▶537
	1167		35		▶180	2W-4071 . . . . .	▶538
2V-7397 . . . . .	933		37	2W-1738 . . . . .	▶27	2W-4072 . . . . .	▶539
	934		39	2W-1742 . . . . .	▶29	2W-4108 . . . . .	▶626
	935		41	2W-1786 . . . . .	1169		758
	936		43	2W-1791 . . . . .	▶1690		760
	938		45	2W-1816 . . . . .	1173		764
	939		47	2W-1844 . . . . .	636		766
2W-0055 . . . . .	23		49	2W-1972 . . . . .	▶604		770
	25		51	2W-1974 . . . . .	604		772
	27		53	2W-1977 . . . . .	604		774
	43		55	2W-1978 . . . . .	604		778
	▶764		57	2W-2216 . . . . .	626		791
	▶766		59		631		793
	▶768		61		643		797
	▶770		▶615		648		808
2W-0056 . . . . .	17	2W-1086 . . . . .	99	2W-2291 . . . . .	9		810
	21	2W-1177 . . . . .	1		11		814
	29		3		21		816
	39		5		23		818
	45		9		27		822
	▶772		11		29		826
	▶774		17		35		828
	▶776		19		37		832
	▶778		21		45		834
2W-0237 . . . . .	163		23		47		836
	165		25		49		840
2W-0254 . . . . .	578		27		51		842
	710		29		55		844
2W-0255 . . . . .	▶578		33		57	2W-4160 . . . . .	1
	706		35		59		3
	708		37		61		5
2W-0256 . . . . .	▶706		39		▶237		7
	▶708		41	2W-2345 . . . . .	689		9
	764		43	2W-2346 . . . . .	688		11
	772		45	2W-2355 . . . . .	689		13
	791		47	2W-2360 . . . . .	689		15
	808		49	2W-2379 . . . . .	688		17
2W-0390 . . . . .	1123		51	2W-2380 . . . . .	688		19
2W-0394 . . . . .	951		53	2W-2382 . . . . .	▶677		21
	954		55	2W-3367 . . . . .	▶710		23
2W-0459 . . . . .	1848		57		780		25
2W-0619 . . . . .	1064		59	2W-3368 . . . . .	▶780		27
	1068		61		▶781		29
2W-0629 . . . . .	1169		▶178		782		31
	1173	2W-1230 . . . . .	692	2W-3369 . . . . .	▶782		33
2W-0693 . . . . .	▶1667		694	2W-3556 . . . . .	556		35
2W-0715 . . . . .	476	2W-1508 . . . . .	17		▶557		37
	478		19	2W-3557 . . . . .	557		39
2W-0716 . . . . .	480		25	2W-3558 . . . . .	▶478		41
2W-0725 . . . . .	569		33		557		43
2W-0745 . . . . .	679		39	2W-3559 . . . . .	▶518		45
	684		41	2W-3560 . . . . .	▶1163		47
2W-0760 . . . . .	331		43	2W-3679 . . . . .	434		49
	332		▶676		436		51
2W-0761 . . . . .	331	2W-1576 . . . . .	18		1840		53
	332		39	2W-3681 . . . . .	1727		55
2W-0862 . . . . .	▶1299		▶556		1733		57
2W-1011 . . . . .	1	2W-1605 . . . . .	9	2W-3889 . . . . .	409		59
	3		11		411		61
	5		53		417		▶698
	7		55		419	2W-4199 . . . . .	134
	9		57	2W-3891 . . . . .	409	2W-4461 . . . . .	345
	11		59		411	2W-4480 . . . . .	1683
	13		61		417	2W-4546 . . . . .	426
	15		▶661		419	2W-4561 . . . . .	155
	17	2W-1707 . . . . .	174	2W-4056 . . . . .	687		268
	19		179		691		269
	21		180	2W-4057 . . . . .	686		1843

# PART NUMBER INDEX

Part	Page	Part	Page	Part	Page	Part	Page
	1856		844		355	2W-9162 . . . . .	215
2W-4869 . . . . .	642	2W-5643 . . . . .	385		359	2W-9168 . . . . .	341
2W-4899 . . . . .	951		387		363		342
	1032		389		367	2W-9169 . . . . .	1
	1039		391		369		3
	1718		393		381		5
	1722		395	2W-7699 . . . . .	▶848		13
	1730		397	2W-7704 . . . . .	850		15
	1732		399	2W-7845 . . . . .	▶503		19
2W-4904 . . . . .	87		415	2W-7846 . . . . .	▶504		25
2W-4906 . . . . .	▶87		421	2W-7847 . . . . .	▶505		33
	181	2W-6091 . . . . .	175	2W-7850 . . . . .	▶509		41
2W-4907 . . . . .	▶181	2W-6102 . . . . .	627	2W-7851 . . . . .	▶510		43
2W-5161 . . . . .	632		632	2W-7854 . . . . .	▶511		▶341
	648		644	2W-7855 . . . . .	511		▶342
2W-5203 . . . . .	▶1158		648	2W-7856 . . . . .	511	2W-9171 . . . . .	▶440
2W-5374 . . . . .	848	2W-6103 . . . . .	626	2W-7857 . . . . .	▶512	2W-9172 . . . . .	438
2W-5447 . . . . .	764		643	2W-7858 . . . . .	512		440
	766	2W-6104 . . . . .	626	2W-7859 . . . . .	512	2W-9176 . . . . .	1
	768		632	2W-7860 . . . . .	▶513		3
	772		643	2W-7861 . . . . .	513		5
	774		648	2W-7862 . . . . .	513		13
	776	2W-6134 . . . . .	103	2W-8001 . . . . .	▶365		15
	783		1850		375		19
	785	2W-6174 . . . . .	712	2W-8002 . . . . .	▶367		25
	787	2W-6179 . . . . .	▶712		371		33
	791		783	2W-8004 . . . . .	▶369		41
	793	2W-6681 . . . . .	213		378		43
	795	2W-6688 . . . . .	750	2W-8197 . . . . .	46		▶239
	808	2W-6779 . . . . .	1		▶1159	2W-9178 . . . . .	519
	810		3	2W-8198 . . . . .	▶1160	2W-9179 . . . . .	1
	812		5	2W-8602 . . . . .	951		3
	826		7		954		5
	828		11		960		19
	834		19	2W-8603 . . . . .	951		25
	842		21		954		33
	850		23		960		41
	1853		25	2W-8604 . . . . .	1121		43
	1855		31		1125		▶519
2W-5448 . . . . .	758		33	2W-8683 . . . . .	1032	2W-9305 . . . . .	627
	760		35		1034		632
	764		37		1036		644
	766		41		1041		648
	768		43		1042	2W-9315 . . . . .	587
	770		49		1043	2W-9316 . . . . .	587
	772		53		1044	2W-9710 . . . . .	423
	774		55		1722		
	776		57	2W-8684 . . . . .	951		
	778		▶335		954		
	783	2W-6834 . . . . .	136		961		
	785	2W-6838 . . . . .	▶746	2W-8685 . . . . .	▶948	3B-0342 . . . . .	853
	787	2W-6982 . . . . .	▶631	2W-8697 . . . . .	850		855
	789		783	2W-8802 . . . . .	951	3B-0551 . . . . .	262
	791		785		954		1127
	793		789		960		1128
	795	2W-6999 . . . . .	641	2W-8803 . . . . .	952	3B-0623 . . . . .	107
	797	2W-7234 . . . . .	859		955		110
	808		860		960		112
	810		861	2W-8901 . . . . .	▶950	3B-0645 . . . . .	148
	812	2W-7255 . . . . .	365	2W-8903 . . . . .	▶950		149
	814		367	2W-8911 . . . . .	▶1302		150
	816		369	2W-8916 . . . . .	1029		211
	818		381		▶1288		212
	820	2W-7263 . . . . .	689	2W-8935 . . . . .	954		214
	822	2W-7264 . . . . .	689		961		557
	826	2W-7277 . . . . .	555	2W-8936 . . . . .	948	3B-1915 . . . . .	69
	828		▶558	2W-8937 . . . . .	948		70
	830	2W-7278 . . . . .	▶1166	2W-8938 . . . . .	948		72
	832	2W-7400 . . . . .	627		957		73
	834		632	2W-8939 . . . . .	948		79
	836		644	2W-8940 . . . . .	948		97
	838		648	2W-8946 . . . . .	1669		98
	840	2W-7640 . . . . .	▶850	2W-9062 . . . . .	63		131
	842	2W-7678 . . . . .	351	2W-9161 . . . . .	▶849		

3

# PART NUMBER INDEX

Part	Page	Part	Page	Part	Page	Part	Page
	172	3B-8428 . . . . .	312		1226		1263
	237		353		1272	3E-6020 . . . . .	1179
	241		361		1274		1263
	245		365	3E-0136 . . . . .	1220	3E-6021 . . . . .	1263
	271	3B-8485 . . . . .	80		1226	3E-6022 . . . . .	1179
	297		82		1272		1263
	428		118		1274	3E-6237 . . . . .	1179
	430		124	3E-0137 . . . . .	1220		1181
	468	3B-8489 . . . . .	87		1226		1263
	1279		88		1272	3E-6238 . . . . .	1179
3B-4501 . . . . .	948		91		1274		1181
	957		119	3E-0138 . . . . .	1220		1263
	1301		121		1226	3E-6477 . . . . .	952
3B-4502 . . . . .	636		122		1272		955
	686	3B-8822 . . . . .	1124		1274		960
	687		1125	3E-0139 . . . . .	1220	3E-6489 . . . . .	▶1146
	690		1126		1226		1650
	691		1668		1272	3E-6760 . . . . .	587
3B-4504 . . . . .	284		1733		1274	3E-6914 . . . . .	128
3B-4505 . . . . .	77	3B-9400 . . . . .	1028	3E-0140 . . . . .	1220	3E-7428 . . . . .	315
	413	3D-2098 . . . . .	1279		1226		496
	851	3D-2824 . . . . .	754		1272	3E-7471 . . . . .	2
	1024		756		1274		4
3B-4506 . . . . .	77		1853	3E-0141 . . . . .	1220		6
	90		1855		1226		12
	300	3D-2898 . . . . .	754		1272		40
	1131		756		1274		42
	1132		1853	3E-0142 . . . . .	1220		44
	1133		1855		1226		55
	1134	3D-8317 . . . . .	627		1272		57
3B-4507 . . . . .	77		632		1274		60
3B-4510 . . . . .	906		644	3E-0143 . . . . .	1220	3E-7775 . . . . .	1188
	908		649		1226		1190
3B-4604 . . . . .	344	3D-8752 . . . . .	613		1272		1193
	593	3D-8884 . . . . .	1173		1274		1195
3B-4627 . . . . .	90	3D-9799 . . . . .	1627	3E-0144 . . . . .	1220		1198
3B-5301 . . . . .	90		1629		1226		1200
3B-6424 . . . . .	606		1631		1272		1213
3B-6485 . . . . .	233		1633		1274		1217
	235	3E-0125 . . . . .	1220		1220	3E-0145 . . . . .	1223
	236		1226		1226		1228
	325	3E-0127 . . . . .	1220		1272		1251
3B-6487 . . . . .	1727		1226		1274		1257
3B-6488 . . . . .	345		1272	3E-3371 . . . . .	1026	3E-7864 . . . . .	▶1200
3B-6490 . . . . .	236		1274		1072		1233
3B-6491 . . . . .	1127	3E-0128 . . . . .	1220		1139	3E-7886 . . . . .	▶1149
	1128		1226		1140		1152
3B-6496 . . . . .	235		1272		1142	3E-8542 . . . . .	1647
3B-6552 . . . . .	333		1274		1143		▶1651
	428	3E-0129 . . . . .	1220		1146	3E-9362 . . . . .	1045
	430		1226		1641		1049
	514		1272	3E-3386 . . . . .	1642		1084
	1028		1274	3E-3388 . . . . .	1718	3E-9865 . . . . .	96
	1661	3E-0130 . . . . .	1220	3E-3761 . . . . .	▶1141		1713
3B-6555 . . . . .	1127		1226	3E-4323 . . . . .	1312		1714
3B-6768 . . . . .	1126		1272		1313	3F-0379 . . . . .	1200
3B-7255 . . . . .	326		1274		1315		1213
3B-7262 . . . . .	345	3E-0131 . . . . .	1220		1320		1217
3B-7741 . . . . .	234		1226		1655		1223
3B-7745 . . . . .	324		1272		1656		1228
3B-7747 . . . . .	234		1274	3E-5153 . . . . .	1179		1243
	236	3E-0132 . . . . .	1220		1181		1246
	324		1226	3E-5449 . . . . .	1200		1251
	327		1272		1213		1254
3B-7749 . . . . .	1173		1274		1243		1257
3B-7750 . . . . .	1173	3E-0133 . . . . .	1220		1254		1260
3B-7764 . . . . .	125		1226	3E-5451 . . . . .	916		1269
	160		1272	3E-5454 . . . . .	894	3F-1417 . . . . .	385
	161		1274		899		387
	345	3E-0134 . . . . .	1220		902		389
	1166		1226		904		391
	1167		1272		916		393
3B-7866 . . . . .	1128		1274	3E-5463 . . . . .	1179		395
3B-8404 . . . . .	407	3E-0135 . . . . .	1220		1181		397

# PART NUMBER INDEX

Part	Page	Part	Page	Part	Page	Part	Page
	399	3H-9574 . . . . .	90		389		1847
	409	3J-1907 . . . . .	153		391		1853
	411		601		393		1855
3F-1783 . . . . .	1128		602		395	3K-1470 . . . . .	1636
3F-4134 . . . . .	853		615		397	3K-1649 . . . . .	1308
	855		617		399		1309
	857		619		534		1311
3F-4394 . . . . .	▶284		661		535		1315
	349		662	3J-6019 . . . . .	102		1318
	350		746	3J-7352 . . . . .	584	3K-5733 . . . . .	627
3F-6795 . . . . .	209		747		585		632
3F-7586 . . . . .	347		751		659		644
3F-9556 . . . . .	90		758		660		649
	873		760		1121	3K-6060 . . . . .	1713
3G-3835 . . . . .	626		763		1125		1714
	649		764	3J-7354 . . . . .	125	3K-6113 . . . . .	147
3H-0442 . . . . .	1853		766		153	3K-6168 . . . . .	637
	1855		768		155		906
3H-0449 . . . . .	165		770		211		908
	167		772		212	3K-6983 . . . . .	606
	893		774		214	3K-8106 . . . . .	948
3H-0976 . . . . .	438		776		237		957
	440		778		239		1308
	462		780		241		1309
	463		781		243		1311
3H-3243 . . . . .	215		783		584		1315
3H-3338 . . . . .	385		785		585		1318
	395		787		613	3K-8460 . . . . .	204
	397		789		617		207
	399		791		619		847
3H-3680 . . . . .	1269		793		626	3K-8782 . . . . .	624
3H-4656 . . . . .	296		795		631		625
3H-5366 . . . . .	948		797		643		1156
3H-5368 . . . . .	1590		799		648		1719
3H-5841 . . . . .	315		800		659	3K-9089 . . . . .	599
	317		802		660	3K-9879 . . . . .	80
	319		803		661		82
	320		805		662	3L-1425 . . . . .	118
	322		806		683		119
3H-5932 . . . . .	1411		808		782		121
	1414		810		850		122
	1417		812		1120		124
	1420		814		1121	3L-1474 . . . . .	641
	1423		816		1124	3L-1585 . . . . .	409
	1426		818		1125		411
	1435		820		1126		417
	1438		822		1643		419
	1444		826		1644	3L-2198 . . . . .	92
	1447		828		1645		93
	1450		830		1673		1380
	1453		832		1840		1590
	1456		834		1843	3L-2221 . . . . .	475
	1459		836		1845	3L-2875 . . . . .	345
	1462		838		1853		1727
	1465		840		1855	3L-3324 . . . . .	606
	1468		842		1856	3L-4566 . . . . .	948
	1471		844	3K-0360 . . . . .	153		951
	1537		952		155		954
	1540		955		237		960
	1543		960		239	3L-4576 . . . . .	1293
	1555		1029		241		1296
	1558		1154		243	3L-4833 . . . . .	1701
	1561		1661		515		1709
	1564		1843		659	3L-5987 . . . . .	606
	1567		1853		660	3L-6521 . . . . .	1657
	1570		1855		661		1658
	1573	3J-5389 . . . . .	77		683	3L-6655 . . . . .	1235
	1576		229		746		▶1330
3H-6623 . . . . .	494		230		747	3L-6789 . . . . .	948
3H-7654 . . . . .	468		492		751		957
3H-8389 . . . . .	853		493		1121	3L-7314 . . . . .	948
	855	3J-5390 . . . . .	262		1840	3L-8187 . . . . .	1293
3H-9571 . . . . .	90		385		1843		1294
3H-9572 . . . . .	90		387		1844		1296

# PART NUMBER INDEX

Part	Page	Part	Page	Part	Page	Part	Page
	1332		393		39		59
	1334		395		41		61
	1596		397		43		▶230
	1659		399		45	3N-2899 . . . . .	1
	1660		409		47		3
	1718		411		49		9
	1719		417		51		11
	1746		419		53		17
3L-8203 . . . . .	1724	3N-2704 . . . . .	862		55		19
3L-9071 . . . . .	1169		864		57		21
	1173		871		59		23
3M-7045 . . . . .	423		879		61		25
3N-1200 . . . . .	906		881		▶114		27
	908		883	3N-2886 . . . . .	1		29
3N-1202 . . . . .	906		885		3		31
3N-1203 . . . . .	908		887		5		33
3N-1223 . . . . .	906		889		7		35
	908		912		9		37
3N-1295 . . . . .	161		914		11		45
3N-1332 . . . . .	170	3N-2705 . . . . .	80		13		47
3N-1439 . . . . .	428		862		15		49
	430		864		17		51
3N-1461 . . . . .	87		879		19		53
3N-1462 . . . . .	87		881		21		55
3N-1555 . . . . .	302		883		23		57
3N-1645 . . . . .	1627		885		25		59
	1629		887		27		61
	1631		889		29		▶172
	1633	3N-2706 . . . . .	▶879		31	3N-3013 . . . . .	503
3N-1877 . . . . .	195	3N-2707 . . . . .	▶881		33	3N-3015 . . . . .	504
3N-1958 . . . . .	1627		▶883		35	3N-3017 . . . . .	505
	1629	3N-2708 . . . . .	▶885		37		506
	1631	3N-2709 . . . . .	▶887		39	3N-3018 . . . . .	▶506
	1633		▶889		41	3N-3143 . . . . .	▶1590
3N-1959 . . . . .	1627	3N-2755 . . . . .	45		43	3N-3269 . . . . .	▶428
	1629		▶80		45	3N-3270 . . . . .	▶297
	1631	3N-2790 . . . . .	▶385		47		299
	1633	3N-2883 . . . . .	▶195		49	3N-3274 . . . . .	1
3N-1960 . . . . .	1627	3N-2884 . . . . .	9		51		3
	1629		11		53		5
	1631		21		55		7
	1633		23		57		13
3N-1961 . . . . .	1627		27		59		15
	1629		29		61		17
	1631		35		▶63		19
	1633		37	3N-2898 . . . . .	1		25
3N-1963 . . . . .	1487		47		3		31
	1490		49		5		33
	1493		51		7		39
	1496		53		9		41
	1499		55		11		43
	1502		57		13		▶184
	1505		59		15	3N-3277 . . . . .	▶224
	1508		61		17	3N-3279 . . . . .	▶308
	1511		▶183		19	3N-3392 . . . . .	45
	1515	3N-2885 . . . . .	1		21		▶225
	1518		3		23	3N-3469 . . . . .	1824
	1521		5		25	3N-3786 . . . . .	593
	1524		7		27	3N-3787 . . . . .	593
	1527		9		29	3N-3790 . . . . .	1388
	1530		11		31		1824
	1534		13		33	3N-3806 . . . . .	306
	1573		15		35		308
	1576		17		37	3N-4026 . . . . .	1030
3N-1965 . . . . .	1627		19		39	3N-4120 . . . . .	▶170
	1629		21		41	3N-4124 . . . . .	170
	1631		23		43	3N-4125 . . . . .	170
	1633		25		45	3N-4126 . . . . .	170
3N-1966 . . . . .	1311		27		47	3N-4164 . . . . .	229
	1315		29		49		230
3N-2669 . . . . .	385		31		51	3N-4188 . . . . .	428
	387		33		53		430
	389		35		55	3N-4245 . . . . .	229
	391		37		57		230

# PART NUMBER INDEX

Part	Page	Part	Page	Part	Page	Part	Page
3N-4387 . . . . .	147	3N-4445 . . . . .	893		1674		389
3N-4395 . . . . .	851	3N-4579 . . . . .	1173		1676		391
3N-4403 . . . . .	1487	3N-4657 . . . . .	▶387		1690		393
	1490	3N-4658 . . . . .	▶203		1729		421
	1493	3N-4663 . . . . .	▶891		1730	3N-6036 . . . . .	385
	1496	3N-4664 . . . . .	▶893		1732		395
	1499	3N-4792 . . . . .	1121	3N-5718 . . . . .	▶1082		397
	1502	3N-4892 . . . . .	603	3N-5719 . . . . .	1034		399
	1505	3N-4896 . . . . .	90		1036		409
	1508	3N-4920 . . . . .	▶317		1039		411
	1511	3N-4921 . . . . .	▶336		1041		415
	1515	3N-4922 . . . . .	98		1042		417
	1518	3N-4923 . . . . .	1		1043		419
	1521		3		1044	3N-6127 . . . . .	186
	1524		5		1665	3N-6128 . . . . .	▶186
	1527		7		1674	3N-6245 . . . . .	1028
	1530		13		1676	3N-6267 . . . . .	▶1341
	1534		15		1681	3N-6653 . . . . .	1531
	1573		17		1682		1534
	1576		19		1690	3N-6695 . . . . .	▶196
3N-4406 . . . . .	1487		25		1699	3N-6710 . . . . .	▶942
	1490		31		1701		944
	1493		33		1706		946
	1496		39		1709	3N-6712 . . . . .	941
	1499		41		1722		942
	1502		43		1729	3N-6713 . . . . .	942
	1505		▶98		1730		943
	1508	3N-4924 . . . . .	▶271		1732		945
	1511		336	3N-5723 . . . . .	636		947
	1515	3N-4925 . . . . .	▶299	3N-5727 . . . . .	636		▶1052
	1518	3N-5312 . . . . .	1627	3N-5728 . . . . .	636	3N-6734 . . . . .	944
	1521		1629	3N-5729 . . . . .	636		945
	1524		1631	3N-5736 . . . . .	1690		946
	1527		1633	3N-5762 . . . . .	1637		947
	1530	3N-5566 . . . . .	▶944		1638		1089
	1534		▶945		1674		1091
	1573	3N-5567 . . . . .	▶946		1676		1093
	1576		▶947		1690		1094
3N-4408 . . . . .	1487	3N-5568 . . . . .	▶1688		1729		1096
	1490	3N-5582 . . . . .	1690		1730		1097
	1493	3N-5583 . . . . .	▶1081		1732		1099
	1496	3N-5588 . . . . .	▶1664	3N-5784 . . . . .	1686		1101
	1499	3N-5611 . . . . .	1718		1688		1103
	1502	3N-5618 . . . . .	45	3N-5786 . . . . .	1688		1105
	1505		▶185	3N-5869 . . . . .	433		1107
	1508	3N-5626 . . . . .	45		526		1110
	1511		▶187	3N-5976 . . . . .	1032		1112
	1515	3N-5641 . . . . .	▶256		1034		1114
	1518	3N-5658 . . . . .	45		1036		1116
	1521		▶257		1722		1373
	1524	3N-5714 . . . . .	1032	3N-5977 . . . . .	1640		1376
	1527		1034		1642		1378
	1530		1039	3N-5978 . . . . .	1032	3N-6736 . . . . .	1530
	1534		1041		1034		1534
	1573		1043		1036	3N-6987 . . . . .	▶119
	1576		1637		1674	3N-6998 . . . . .	46
3N-4409 . . . . .	1487		1665		1681		▶1136
	1490		1674		1682	3N-7007 . . . . .	119
	1493		1676		1722	3N-7019 . . . . .	▶121
	1496		1682	3N-5979 . . . . .	1720	3N-7020 . . . . .	256
	1499		1686	3N-5981 . . . . .	1719	3N-7052 . . . . .	▶1757
	1502		1687	3N-6033 . . . . .	385	3N-7054 . . . . .	1278
	1505		1688		387	3N-7055 . . . . .	1278
	1508		1690		389	3N-7056 . . . . .	▶1278
	1511		1699		391	3N-7155 . . . . .	659
	1515		1701		393	3N-7207 . . . . .	282
	1518		1706		395	3N-7210 . . . . .	45
	1521		1718		397		▶122
	1524		1722		399	3N-7211 . . . . .	▶188
	1527		1729		409	3N-7229 . . . . .	139
	1530		1730		411		141
	1534		1732		417		143
	1573	3N-5716 . . . . .	1637		419		145
	1576		1638	3N-6034 . . . . .	387		285

# PART NUMBER INDEX

Part	Page	Part	Page	Part	Page	Part	Page
	287	3N-8124 . . . . .	90		266		110
	289	3N-8125 . . . . .	90	3P-1896 . . . . .	107		112
	291	3N-8231 . . . . .	170		110	3S-8664 . . . . .	1023
	293	3N-8427 . . . . .	87		112		1024
	295	3N-8593 . . . . .	96		557	3S-8888 . . . . .	1077
3N-7233 . . . . .	1028	3N-8594 . . . . .	▶96	3P-6048 . . . . .	1727	3T-0306 . . . . .	1166
3N-7243 . . . . .	1028		857	3P-9200 . . . . .	604		1167
3N-7308 . . . . .	944		1345	3R-1317 . . . . .	320	3T-0842 . . . . .	1205
	945	3N-8631 . . . . .	1488		332		1241
3N-7309 . . . . .	946		1491		336		1265
	947		1494		338	3T-0844 . . . . .	1205
3N-7325 . . . . .	▶1725		1496	3R-7117 . . . . .	233		1239
3N-7351 . . . . .	300		1500		234		1265
3N-7397 . . . . .	▶124		1503		236	3T-0847 . . . . .	1205
3N-7401 . . . . .	124		1506	3R-8797 . . . . .	1186		1239
3N-7442 . . . . .	▶1289		1509		1188		1241
3N-7443 . . . . .	1028		1512		1190		1265
3N-7449 . . . . .	1341		1516		1193	3T-0849 . . . . .	1205
3N-7529 . . . . .	1028		1519		1195		1239
3N-7554 . . . . .	966		1522		1198		1241
3N-7555 . . . . .	966		1525		1249		1265
3N-7723 . . . . .	1858		1528	3S-2093 . . . . .	160	3T-0850 . . . . .	1205
3N-7741 . . . . .	▶591		1531		1019		1239
3N-7753 . . . . .	1487		1535		1023		1241
	1490		1574		1024		1265
	1494		1576		1066	3T-0858 . . . . .	1205
	1496	3N-8763 . . . . .	1511		1281		1239
	1500		1515		1283		1241
	1502		1595		1329		1265
	1506		1596		1330	3T-0862 . . . . .	1205
	1508	3N-8764 . . . . .	1511		1351		1239
	1512		1515		1353		1265
	1515		1595		1355	3T-0863 . . . . .	1205
	1519		1596		1357		1239
	1521	3N-8775 . . . . .	▶302		1359		1241
	1525	3N-8782 . . . . .	▶1297		1361		1265
	1527	3N-8790 . . . . .	▶1028		1365	3T-0864 . . . . .	1205
	1531	3N-8968 . . . . .	1627		1366		1239
	1534		1629		1369		1241
	1573		1631		1371		1265
	1576		1633		1596	3T-0865 . . . . .	1205
3N-7782 . . . . .	1725	3N-8972 . . . . .	1627		1647		1239
3N-7817 . . . . .	1686		1629		1650		1265
	1689		1631		1733	3T-0867 . . . . .	1205
	1712		1633	3S-2713 . . . . .	97		1239
	1722	3N-9115 . . . . .	1627		98		1265
3N-7818 . . . . .	▶1686		1629		204	3T-1885 . . . . .	868
3N-7990 . . . . .	▶300		1631		217	3T-1886 . . . . .	868
	302		1633		218	3T-1887 . . . . .	868
3N-8097 . . . . .	658		1698		663		919
	660		1699		668	3T-2170 . . . . .	583
3N-8098 . . . . .	658		1704		675	3T-2652 . . . . .	▶1203
	659		1706		676		1267
	660	3N-9175 . . . . .	87		683	3T-2655 . . . . .	▶1204
3N-8099 . . . . .	▶658	3N-9176 . . . . .	87	3S-4484 . . . . .	476	3T-2768 . . . . .	1205
3N-8101 . . . . .	1488	3N-9178 . . . . .	87		478		1239
	1491	3N-9179 . . . . .	87	3S-5129 . . . . .	557		1241
	1494	3N-9364 . . . . .	1308		558		1265
	1497		1309	3S-5496 . . . . .	104	3T-2769 . . . . .	1205
	1500		1311		106		1239
	1503		1315		107		1241
	1506		1318		110		1265
	1509	3N-9479 . . . . .	302		153	3T-3422 . . . . .	1186
	1512	3N-9599 . . . . .	300		1840		1188
	1516	3N-9607 . . . . .	300		1841		1190
	1519	3N-9612 . . . . .	300		1845		1193
	1522	3N-9636 . . . . .	300		1847		1195
	1525	3P-0009 . . . . .	626	3S-6049 . . . . .	963		1198
	1528		631		1281		1200
	1531		643		1283		1213
	1535		648	3S-6050 . . . . .	963		1217
	1574	3P-0653 . . . . .	1171		1281		1223
	1576	3P-1155 . . . . .	236		1283		1228
3N-8123 . . . . .	90		264	3S-8313 . . . . .	107		1243



# PART NUMBER INDEX

Part	Page	Part	Page	Part	Page	Part	Page
	1246		1411		1627	4B-3823 . . . . .	157
	1249		1414		1629		159
	1251		1417		1631		334
	1254		1420		1633		385
	1257		1423		1746		387
	1260		1426	4B-2047 . . . . .	875		389
	1269		1429		877		391
3T-3434 . . . . .	1186		1432		906		393
	1188		1435		908		395
	1190		1438		948		397
	1193		1441		954		399
	1195		1444		1021		409
	1198		1447		1084		411
	1200		1450		1694	4B-3903 . . . . .	1399
	1213		1453		1696		1402
	1217		1456	4B-2048 . . . . .	284		1405
	1223		1459	4B-2049 . . . . .	783		1408
	1228		1462		785		1429
	1244		1465		787		1432
	1247		1468		848		1441
	1249		1471		1136		1475
	1251		1475		1200		1478
	1254		1478		1213		1481
	1257		1481		1217		1484
	1260		1484		1220		1546
	1269		1537		1223		1549
3T-4586 . . . . .	1183		1540		1226		1552
	▶ 1204		1543		1228		1579
3T-4716 . . . . .	1205		1547		1243		1582
	1239		1549		1246		1585
	1241		1552		1251	4B-3938 . . . . .	94
	1265		1556		1254		102
3T-5760 . . . . .	934		1558		1257		104
3T-5857 . . . . .	933		1561		1260	4B-4043 . . . . .	196
3T-6305 . . . . .	▶ 1205		1565		1272	4B-4158 . . . . .	1824
	1207		1567		1274	4B-4274 . . . . .	671
3T-6352 . . . . .	▶ 894		1570		1451		673
	903		1580		1454		678
3T-6354 . . . . .	875		1582		1456		680
	877		1585		1459		681
	894	3V-6153 . . . . .	1716		1487		1071
	896	3V-6785 . . . . .	963		1490		1130
	899	3Y-2888 . . . . .	1661		1493		1200
	904				1496		1269
3T-6392 . . . . .	1690				1499		1331
3T-7017 . . . . .	1205				1502		1351
	1239				1505		1353
	1241				1508		1355
	1265	4B-1040 . . . . .	401		1511		1357
3T-7020 . . . . .	1205	4B-1224 . . . . .	1308		1516		1359
	1239		1309		1518		1361
	1241	4B-1237 . . . . .	1596		1521		1595
	1265	4B-1242 . . . . .	1603		1524		1640
3T-7021 . . . . .	1205		1604		1527		1642
	1239		1605		1530		1657
	1241		1606		1534		1720
	1265		1607		1564	4B-4276 . . . . .	763
3T-7022 . . . . .	1205		1617		1595		780
	1239	4B-2041 . . . . .	1727		1640		781
	1241		1733		1642		1530
	1265	4B-2042 . . . . .	961		1658		1534
3T-7025 . . . . .	1205	4B-2043 . . . . .	636		1719	4B-4277 . . . . .	1727
	1239		894		1733	4B-4278 . . . . .	282
	1241		896		239		463
	1265		948	4B-3388 . . . . .	239	4B-4280 . . . . .	80
	1263		957		243		82
3T-7534 . . . . .	1263		1308		604		82
3T-8323 . . . . .	1668		1309		862		165
3V-2431 . . . . .	664		1311		864		167
	692		1315		871		1269
	1668		1318		879	4B-4281 . . . . .	1148
3V-5035 . . . . .	1399		1595		883		1150
	1402		1599		885		1151
	1405		1600		889		1152
	1408			4B-3586 . . . . .	201	4B-4310 . . . . .	1167

## 4

# PART NUMBER INDEX

Part	Page	Part	Page	Part	Page	Part	Page
4B-4550 . . . . .	80		1479		1051	4H-6145 . . . . .	1848
	82		1547		1399	4H-7137 . . . . .	299
4B-4674 . . . . .	1600		1550		1402		305
	1603		1556		1405		317
	1604		1559		1408	4H-7869 . . . . .	1169
	1605		1565		1411		1173
	1606		1580		1414		1183
	1607		1583		1417		1184
	1610		1586		1420		1185
	1616		1627		1423		1210
	1617		1629		1426		1232
4B-4716 . . . . .	90		1631		1429		1233
4B-4721 . . . . .	90		1633		1432		1234
4B-4754 . . . . .	90	4D-0514 . . . . .	606		1435		1235
4B-4758 . . . . .	90	4D-1260 . . . . .	1019		1438		1237
4B-4764 . . . . .	87		1021		1441		1238
4B-4773 . . . . .	87		1023		1444	4H-8310 . . . . .	1330
4B-4792 . . . . .	90		1024		1447	4H-9027 . . . . .	407
4B-4810 . . . . .	87	4D-1326 . . . . .	1719		1450	4J-5477 . . . . .	1855
	91	4D-2303 . . . . .	1696		1453	4J-6750 . . . . .	593
4B-4863 . . . . .	948	4D-2886 . . . . .	228		1456	4J-7533 . . . . .	699
	957	4D-3100 . . . . .	1091		1459		703
	1595		1094		1462		706
	1643		1096		1465		708
	1644		1097		1468		710
	1648		1099		1471		712
4B-4910 . . . . .	204		1101		1475		714
	207		1103		1478		716
	209		1105		1481		718
4B-5270 . . . . .	407		1107		1484		720
4B-5324 . . . . .	624		1110		1487		722
	1659		1112		1490		724
	1660		1114		1493		726
	1746		1116		1496		728
4B-5387 . . . . .	102		1373		1499		730
	104		1376		1502		732
4B-5389 . . . . .	853		1378		1505		733
	855	4D-3704 . . . . .	193		1508		735
4B-5423 . . . . .	853		201		1511		737
	855		1235		1515		739
	857		1236		1518		741
4B-5441 . . . . .	853	4D-3967 . . . . .	1169		1521		743
	855		1173		1524		758
4B-5949 . . . . .	853	4D-6066 . . . . .	1515		1527		764
	855		1595		1530		766
	857		1596		1534		768
4B-5984 . . . . .	235		1676		1537		772
	324		1729		1540		774
4B-7270 . . . . .	90		1730		1543		776
4B-7770 . . . . .	1127		1732		1546		783
	1128	4D-7388 . . . . .	223		1549		785
	1169	4F-0186 . . . . .	323		1552		787
	1173		326		1555		789
4B-9365 . . . . .	698	4F-2294 . . . . .	957		1558		791
4B-9782 . . . . .	88	4F-4873 . . . . .	302		1561		793
	102	4F-6024 . . . . .	627		1564		795
	104		631		1567		797
	246		644		1570		808
	247		649		1573		810
	248	4F-6109 . . . . .	1852		1576		812
4B-9880 . . . . .	246	4F-7957 . . . . .	604		1579		814
	247		612		1582		816
	248		642		1585		818
4C-4600 . . . . .	1857		698	4F-8965 . . . . .	132		820
4C-6715 . . . . .	1400		747		221		824
	1403		763		409		826
	1406		780		411		828
	1412		781	4H-0002 . . . . .	90		830
	1430		1300	4H-1641 . . . . .	617		832
	1433	4F-8711 . . . . .	948		619		834
	1436		952	4H-2804 . . . . .	850		836
	1439		955	4H-3001 . . . . .	952		838
	1445		957		955		842
	1476		960		960		844

# PART NUMBER INDEX

Part	Page	Part	Page	Part	Page	Part	Page
	846		1378		1223	4N-0432 . . . . .	627
	1853		1733		1228		632
	1855	4L-6458 . . . . .	1347		1243		644
4J-8997 . . . . .	698	4L-6459 . . . . .	282		1246		649
	1853		283		1251	4N-0538 . . . . .	609
	1855		285		1254		610
4J-9683 . . . . .	80		287		1257		1667
	82		289		1260	4N-0641 . . . . .	156
	862		291		1269	4N-0699 . . . . .	154
	864		1733	4M-1831 . . . . .	1186		155
	871	4L-6499 . . . . .	1627		1188		1843
	879		1629		1190		1849
	881		1631		1193	4N-0932 . . . . .	557
	883		1633		1195	4N-0933 . . . . .	154
	885	4L-6677 . . . . .	1857		1198		272
	887	4L-7125 . . . . .	1602		1200		1848
	889	4L-7547 . . . . .	613		1213		1849
	912	4L-7636 . . . . .	336		1217	4N-1059 . . . . .	1208
	914		428		1223		1209
4K-0367 . . . . .	505		430		1228		1231
	510	4L-7893 . . . . .	196		1243		1236
	545		385		1246		1267
4K-7240 . . . . .	850		387		1249		1268
4K-8864 . . . . .	1716	4L-8337 . . . . .	153		1251	4N-1761 . . . . .	612
	1727		154		1254	4N-2370 . . . . .	260
4K-9097 . . . . .	296		462		1257	4N-2371 . . . . .	258
	413		515		1260		259
	940		516		1269	4N-2569 . . . . .	▶273
	941		524	4M-5281 . . . . .	610	4N-2570 . . . . .	▶277
	1167		525		1596	4N-2571 . . . . .	273
4L-1192 . . . . .	▶1336		527		1655	4N-2572 . . . . .	277
4L-1250 . . . . .	1053		528		1656	4N-2573 . . . . .	407
	1056		1840	4M-5285 . . . . .	347	4N-2953 . . . . .	627
4L-2114 . . . . .	409		1845	4M-5317 . . . . .	604		631
	411		1847		1026		644
	417		1851		1028		649
4L-2115 . . . . .	419	4L-8443 . . . . .	432		1136	4N-2955 . . . . .	606
4L-2138 . . . . .	409	4L-8473 . . . . .	347		1173	4N-3032 . . . . .	407
	411	4L-9022 . . . . .	347		1657	4N-3181 . . . . .	▶1207
	417	4L-9337 . . . . .	1062		1658		1235
	419	4L-9564 . . . . .	1840	4M-6425 . . . . .	403		1236
4L-2791 . . . . .	1329		1841		423	4N-3326 . . . . .	227
4L-2892 . . . . .	336	4L-9851 . . . . .	457	4M-6480 . . . . .	94	4N-3371 . . . . .	162
4L-2921 . . . . .	385	4L-9852 . . . . .	456		155		163
	387	4M-0061 . . . . .	139		243		165
4L-2922 . . . . .	385		141		1843		167
	387		347		1844	4N-3410 . . . . .	1169
4L-3124 . . . . .	1173		1231	4M-6646 . . . . .	476		1173
4L-3527 . . . . .	90		1236		478	4N-3732 . . . . .	246
4L-3641 . . . . .	231		1237	4M-6983 . . . . .	569		247
4L-3862 . . . . .	302		1238	4M-6990 . . . . .	569		248
4L-3864 . . . . .	407		1318	4M-8013 . . . . .	482	4N-3755 . . . . .	569
4L-3916 . . . . .	1686		1373		483	4N-3828 . . . . .	589
4L-4642 . . . . .	407		1376		485		▶592
4L-5757 . . . . .	407		1378		488		596
4L-5801 . . . . .	▶545	4M-0062 . . . . .	347		569		599
4L-6454 . . . . .	293	4M-1149 . . . . .	428	4M-8303 . . . . .	609	4N-3829 . . . . .	▶593
	415		430		610		597
	417		585		611	4N-3830 . . . . .	▶595
	419	4M-1827 . . . . .	1200		613		598
	421		1213		661	4N-3840 . . . . .	262
	1019		1217		662		264
	1023		1223		1667		266
	1068		1228		1843	4N-3841 . . . . .	262
	1089		1243		1853		264
	1097		1246		1855		266
	1099		1251	4N-0205 . . . . .	434		1856
	1105		1254		436	4N-3955 . . . . .	492
	1114		1257	4N-0260 . . . . .	627	4N-3986 . . . . .	893
	1116		1260		632		▶896
	1132		1269		644	4N-4159 . . . . .	154
	1133	4M-1828 . . . . .	1200		649	4N-4371 . . . . .	1171
	1276		1213		1853	4N-4375 . . . . .	1171
	1376		1217		1855	4N-4376 . . . . .	1171

# PART NUMBER INDEX

Part	Page	Part	Page	Part	Page	Part	Page
4N-4377 . . . . .	1171		332		320		1468
4N-4378 . . . . .	1171	4N-6404 . . . . .	627	4P-0396 . . . . .	960		1471
4N-4379 . . . . .	1171		632	4P-1376 . . . . .	679		1475
4N-4380 . . . . .	1171		644	4P-1831 . . . . .	678		1478
4N-4381 . . . . .	1171		649	4P-1832 . . . . .	678		1481
4N-4382 . . . . .	1171	4N-6406 . . . . .	627	4P-1833 . . . . .	678		1484
4N-4383 . . . . .	1171		632	4P-1834 . . . . .	678		1537
4N-4384 . . . . .	1171		644	4P-1892 . . . . .	671		1540
4N-4385 . . . . .	1171		649		▶678		1543
4N-4386 . . . . .	1171	4N-6407 . . . . .	627	4P-1977 . . . . .	1342		1546
4N-4387 . . . . .	1171		631	4P-1978 . . . . .	1342		1549
4N-4388 . . . . .	1171		644	4P-1979 . . . . .	1342		1552
4N-4389 . . . . .	1171		649	4P-1980 . . . . .	▶1342		1555
4N-4390 . . . . .	1171	4N-6408 . . . . .	631	4P-2160 . . . . .	1720		1558
4N-4391 . . . . .	1171		644		1731		1561
4N-4392 . . . . .	1171	4N-6410 . . . . .	631	4P-2161 . . . . .	1719		1564
4N-4393 . . . . .	1171	4N-6657 . . . . .	1667		1731		1568
4N-4397 . . . . .	1171	4N-6797 . . . . .	218	4P-2162 . . . . .	1719		1570
4N-4400 . . . . .	1171	4N-6864 . . . . .	552		1731		1579
4N-4402 . . . . .	1171		561	4P-2578 . . . . .	671		1582
4N-4403 . . . . .	1171		562		673		1585
4N-4409 . . . . .	1171	4N-6865 . . . . .	552	4P-2788 . . . . .	▶621	4P-3151 . . . . .	1565
4N-4421 . . . . .	1171		561		1718		1567
4N-4517 . . . . .	1171		562	4P-3020 . . . . .	87		1570
	1205	4N-6975 . . . . .	▶217	4P-3073 . . . . .	▶90	4P-3152 . . . . .	1411
	1239	4N-7521 . . . . .	1220		182		1414
	1241		1226	4P-3074 . . . . .	▶182		1417
	1265		1272	4P-3149 . . . . .	1450		1420
4N-4519 . . . . .	592		1274		1453		1423
	593	4N-7597 . . . . .	483		1456		1426
4N-4520 . . . . .	592	4N-8183 . . . . .	413		1459		1435
	593	4N-8184 . . . . .	413		1475		1438
	595	4N-8185 . . . . .	413		1478		1444
4N-4523 . . . . .	592	4N-8188 . . . . .	413		1481		1447
	593	4N-8189 . . . . .	413		1484		1450
	595	4N-8190 . . . . .	413		1537		1453
4N-4526 . . . . .	217	4N-8192 . . . . .	413		1540		1456
	218	4N-8193 . . . . .	413		1543		1459
	219	4N-8194 . . . . .	413		1546		1462
4N-4599 . . . . .	▶596	4N-8267 . . . . .	9		1549		1465
4N-4600 . . . . .	▶597		27		1552		1468
4N-4601 . . . . .	▶598		29		1555		1471
4N-4679 . . . . .	187		45		1558		1537
	188		47		1561		1540
4N-4680 . . . . .	188		51		1564		1543
	257		59		1567		1555
4N-4682 . . . . .	122		61		1570		1558
4N-4683 . . . . .	▶278		▶434		1579		1561
4N-4684 . . . . .	▶274	4N-8328 . . . . .	520		1582		1564
4N-4685 . . . . .	▶279	4N-8385 . . . . .	247		1585		1567
4N-4686 . . . . .	▶275	4N-8582 . . . . .	527	4P-3150 . . . . .	1399		1570
4N-4967 . . . . .	492	4N-8752 . . . . .	▶280		1402	4P-3153 . . . . .	1399
	493	4N-9019 . . . . .	578		1405		1402
4N-5353 . . . . .	245		579		1408		1405
4N-5484 . . . . .	626		699		1411		1408
	631		712		1414		1411
	643		714		1417		1414
	648		716		1420		1417
4N-5485 . . . . .	626		720		1423		1420
	631		724		1426		1423
	643		824		1429		1426
	648	4N-9175 . . . . .	▶520		1432		1429
4N-5834 . . . . .	311	4N-9215 . . . . .	516		1435		1432
	312		519		1438		1435
	351	4N-9216 . . . . .	517		1441		1438
	353	4N-9540 . . . . .	569		1444		1441
	355	4N-9556 . . . . .	569		1447		1444
	365	4N-9578 . . . . .	458		1451		1447
	367		459		1453		1450
	369		466		1456		1453
	381	4N-9579 . . . . .	516		1459		1456
4N-5995 . . . . .	413		524		1462		1459
4N-6187 . . . . .	270	4N-9580 . . . . .	436		1465		1462
	331	4N-9862 . . . . .	315				

# PART NUMBER INDEX

Part	Page	Part	Page	Part	Page	Part	Page
	1465		1415	4P-3546 . . . . .	246	4P-7149 . . . . .	▶1357
	1468		1418		248	4P-7150 . . . . .	▶1359
	1471		1421	4P-3829 . . . . .	▶1589	4P-7151 . . . . .	▶1361
	1475		1436		1595	4P-7152 . . . . .	▶1373
	1478		1439	4P-3844 . . . . .	▶1312	4P-7274 . . . . .	587
	1481		1555	4P-3846 . . . . .	▶1313	4P-7275 . . . . .	587
	1484		1558	4P-3847 . . . . .	▶1314	4P-7305 . . . . .	101
	1537		1561	4P-3873 . . . . .	303		152
	1540	4P-3407 . . . . .	1537	4P-3905 . . . . .	▶1308	4P-7306 . . . . .	101
	1543		1540		1312		152
	1546		1543	4P-3906 . . . . .	▶1309	4P-7610 . . . . .	▶1150
	1549		1556		1313	4P-7698 . . . . .	1391
	1552		1558	4P-3908 . . . . .	1308		▶1475
	1555		1561		1309		▶1478
	1558		▶1626	4P-3909 . . . . .	▶943		▶1481
	1561	4P-3419 . . . . .	1399	4P-3910 . . . . .	940		▶1484
	1564		1402		943	4P-7699 . . . . .	▶1391
	1567		1406	4P-3966 . . . . .	64	4P-7831 . . . . .	357
	1570		1408	4P-3977 . . . . .	64	4P-8011 . . . . .	283
	1579		1412		66	4P-8134 . . . . .	1601
	1582		1414		74	4P-8388 . . . . .	639
	1585		1417	4P-4020 . . . . .	▶246	4P-8480 . . . . .	657
4P-3154 . . . . .	1399		1420		251		699
	1405		1423		253		703
	1411		1426	4P-4195 . . . . .	670		708
	1414		1430		671		714
	1423		1432		▶679		716
	1429		1436	4P-4635 . . . . .	▶1021		718
	1435		1438	4P-4883 . . . . .	1308		720
	1444		1441		1309		722
	1450		1445	4P-5524 . . . . .	442		724
	1453		1447		446		726
	1462		1462		448		728
	1465		1465		452		730
	1475		1468		454		735
	1478		1471		455		739
	1537	4P-3420 . . . . .	1399	4P-5533 . . . . .	1351		743
	1543		1402		1353	4P-8697 . . . . .	1309
	1546		1405		1355	4P-8699 . . . . .	1308
	1549		1408		1357	4P-9019 . . . . .	718
	1555		1412		1359	4P-9021 . . . . .	716
	1558		1414		1361		718
	1564		1417	4P-5534 . . . . .	▶1353	4P-9024 . . . . .	724
	1567		1420	4P-5639 . . . . .	1430	4P-9027 . . . . .	714
	1579		1423		1433	4P-9028 . . . . .	720
	1582		1426		1436	4P-9039 . . . . .	1656
4P-3306 . . . . .	502		1430		1439		1672
4P-3359 . . . . .	▶93		1432		▶1595	4P-9330 . . . . .	673
4P-3386 . . . . .	▶1391		1436	4P-5718 . . . . .	1053		▶680
4P-3402 . . . . .	1400		1438		1056		▶681
	1403		1441	4P-5719 . . . . .	▶1056	4P-9331 . . . . .	673
	1579		1445	4P-5721 . . . . .	1053		▶682
	1582		1447		1056	4P-9381 . . . . .	680
	1585		1462	4P-5975 . . . . .	▶1025		681
4P-3403 . . . . .	1580		1465	4P-5979 . . . . .	1056	4P-9382 . . . . .	680
	1582		1468	4P-6407 . . . . .	1644		681
	1585		1471	4P-6522 . . . . .	5	4P-9383 . . . . .	680
	▶1624	4P-3468 . . . . .	1399		7	4P-9384 . . . . .	680
4P-3404 . . . . .	1406		1402		13	4P-9385 . . . . .	682
	1409		1405		15	4P-9386 . . . . .	682
	1430		1408		39	4P-9608 . . . . .	1855
	1433		1429		41	4P-9621 . . . . .	639
	1546		1432		43	4P-9622 . . . . .	639
	1549		1441		▶157	4P-9623 . . . . .	639
	1552		1475	4P-6845 . . . . .	▶1617	4P-9624 . . . . .	639
4P-3405 . . . . .	1475		1478		1618	4P-9625 . . . . .	639
	1478		1481	4P-7040 . . . . .	▶1857	4P-9626 . . . . .	639
	1481		1484	4P-7145 . . . . .	▶1276	4P-9627 . . . . .	639
	1484		1546		1373	4P-9628 . . . . .	639
	1547		1549	4P-7146 . . . . .	▶1097	4P-9629 . . . . .	639
	1549		1552		▶1099	4P-9808 . . . . .	482
	1552		1579	4P-7147 . . . . .	▶1101		485
	▶1625		1582		▶1103	4P-9809 . . . . .	486
4P-3406 . . . . .	1412		1585	4P-7148 . . . . .	▶1355	4P-9826 . . . . .	1594

# PART NUMBER INDEX

Part	Page	Part	Page	Part	Page	Part	Page
	1603	4V-6698 . . . . .	550		43		1412
	1604	4W-0276 . . . . .	▶226		45		1415
	1605	4W-0313 . . . . .	▶611		47		1418
	1606	4W-0430 . . . . .	540		49		1421
	1607	4W-0452 . . . . .	192		51		1424
	1617	4W-0455 . . . . .	542		▶662		1427
4P-9828 . . . . .	699	4W-0456 . . . . .	541	4W-1339 . . . . .	584		1430
	703	4W-0482 . . . . .	172		585		1433
	714	4W-0483 . . . . .	▶1659		▶586		1436
	716		1721	4W-1461 . . . . .	1047		1439
	718	4W-0493 . . . . .	540	4W-1512 . . . . .	237		1442
	720	4W-0505 . . . . .	541		239		1445
	722		542		241		1448
	724	4W-0552 . . . . .	541		243		1451
	726		542		683		1454
	728	4W-0645 . . . . .	540	4W-1876 . . . . .	9		1457
	730	4W-0777 . . . . .	▶540		11		1460
4P-9832 . . . . .	699	4W-0850 . . . . .	▶541		53		1463
	703	4W-0851 . . . . .	▶542		55		1466
	708	4W-0855 . . . . .	▶521		57		1469
	714	4W-0890 . . . . .	▶442		59		1472
	716		▶444		61		1476
	718	4W-0924 . . . . .	587		▶747		1479
	720	4W-0960 . . . . .	▶522	4W-2080 . . . . .	1		1482
	722		▶523		3		1485
	724	4W-0974 . . . . .	▶446		5		1538
	726		▶447		15		1541
	728	4W-0975 . . . . .	▶448		19		1544
	730		▶450		25		1547
	735	4W-1241 . . . . .	1		33		1550
	739		3		41		1553
	743		5		43		1556
4P-9840 . . . . .	699		7		▶559		1559
	703		13		▶560		1562
	714		15	4W-2181 . . . . .	223		1565
	716		17	4W-2276 . . . . .	559		1568
	718		19		▶561		1571
	720		21	4W-2277 . . . . .	▶480		1580
	722		23		552		1583
	724		25		561		1586
	726		27		562	4W-3925 . . . . .	951
	728		29	4W-2278 . . . . .	480		954
	730		31	4W-2279 . . . . .	552		960
4S-1988 . . . . .	1084		33		561	4W-3969 . . . . .	952
	1156		35		562		955
4S-3652 . . . . .	850		37	4W-2280 . . . . .	480		960
4S-4455 . . . . .	599		39	4W-2308 . . . . .	561	4W-4076 . . . . .	529
	1021		41		562		530
	1023		43	4W-2321 . . . . .	246	4W-4536 . . . . .	1169
	1024		45		247	4W-4564 . . . . .	606
	1064		47		248	4W-4756 . . . . .	▶1208
	1066		49	4W-2322 . . . . .	246		▶1209
	1068		51		247	4W-4757 . . . . .	46
4S-6399 . . . . .	1169		▶751		248		▶1210
	1727	4W-1242 . . . . .	751	4W-2339 . . . . .	341	4W-4765 . . . . .	1668
4S-6818 . . . . .	464	4W-1250 . . . . .	1		342	4W-4766 . . . . .	▶1668
4S-7606 . . . . .	328		3	4W-2420 . . . . .	160	4W-4925 . . . . .	125
	329		5	4W-2448 . . . . .	▶247	4W-4941 . . . . .	125
	330		7		250	4W-5123 . . . . .	637
4S-8472 . . . . .	448		13		252		639
	450		15	4W-2541 . . . . .	592	4W-5138 . . . . .	1381
4S-8473 . . . . .	448		17		593		1382
	450		19		595		1383
4S-8784 . . . . .	1330		21	4W-2542 . . . . .	592		1384
4S-8785 . . . . .	1330		23		593		1385
4S-8787 . . . . .	1330		25		595		1386
4S-8825 . . . . .	442		27	4W-3864 . . . . .	365		1387
	444		29		367		1389
4S-8826 . . . . .	442		31		369		1390
	444		33		381		1391
4S-9191 . . . . .	312		35	4W-3901 . . . . .	1400		1392
	353		37		1403		1393
	361		39		1406		1394
	365		41		1409		1395

# PART NUMBER INDEX

Part	Page	Part	Page	Part	Page	Part	Page
	1396	4W-5967 . . . . .	145		728		485
	1397	4W-5968 . . . . .	143		730		486
	1398	4W-5971 . . . . .	621		732		488
4W-5276 . . . . .	1642		622		733	4W-7355 . . . . .	483
4W-5391 . . . . .	▶576		623		735		488
	623		653		737	4W-7356 . . . . .	488
	654		654		739	4W-7357 . . . . .	488
	1722	4W-5972 . . . . .	621		741	4W-7358 . . . . .	488
4W-5734 . . . . .	758		622		743	4W-7359 . . . . .	488
	760		623		824	4W-7360 . . . . .	488
	764		624		846	4W-7361 . . . . .	488
	766		625	4W-6935 . . . . .	1167	4W-7362 . . . . .	488
	768		653	4W-6936 . . . . .	1167	4W-7363 . . . . .	488
	770		654	4W-6937 . . . . .	1167	4W-7386 . . . . .	1130
	772		1332	4W-6938 . . . . .	1167	4W-7387 . . . . .	1130
	774		1719	4W-6939 . . . . .	1167	4W-7388 . . . . .	1130
	776	4W-6142 . . . . .	143	4W-6945 . . . . .	▶1167		1351
	778		145	4W-7071 . . . . .	139		1353
	783	4W-6157 . . . . .	9		141		1355
	785		13		143		1357
	787		15		145		1359
	789		17	4W-7142 . . . . .	1094		1361
	791		27		1105	4W-7405 . . . . .	▶1375
	793		29		1107	4W-7424 . . . . .	1392
	795		39		1110		▶1487
	797		45		1112		▶1490
	808		47		1114	4W-7425 . . . . .	1394
	810		51		1116		▶1493
	812		59		1118		▶1496
	814		61		1131	4W-7427 . . . . .	1392
	816		▶337		1132		▶1499
	826	4W-6392 . . . . .	1276		1133		▶1502
	828		1376		1134	4W-7428 . . . . .	1395
	830		1378		1353		▶1505
	832	4W-6393 . . . . .	1091		1355		▶1508
	834		1094		1361	4W-7429 . . . . .	1393
	836		1096		1373		▶1511
	838		1097		1376		▶1515
	840		1099		1378	4W-7430 . . . . .	1394
	842		1101	4W-7200 . . . . .	1276		▶1518
	844		1103		1376		▶1521
4W-5735 . . . . .	758		1105		1378	4W-7431 . . . . .	1395
	760		1107	4W-7334 . . . . .	1097		▶1524
	764		1110		1101		▶1527
	766		1112		1105	4W-7451 . . . . .	1499
	768		1114		1107		1502
	770		1116		1118		1505
	772		1131		1376		1508
	774		1132	4W-7342 . . . . .	482		1511
	776		1133		483		1515
	778		1134		485		▶1627
	791		1276		488	4W-7457 . . . . .	1487
	793		1376	4W-7343 . . . . .	488		1490
	795		1378	4W-7344 . . . . .	483		1493
	797	4W-6413 . . . . .	1824		485		1496
	808	4W-6814 . . . . .	▶636		488		1499
	810		641	4W-7345 . . . . .	488		1502
	812	4W-6868 . . . . .	627	4W-7346 . . . . .	482		1505
	814		631		483		1508
	816		644		485		1511
	818		649		488		1515
	820	4W-6869 . . . . .	699	4W-7347 . . . . .	488		1518
	822		703	4W-7349 . . . . .	482		1521
	826		706		483		1524
	828		708		485		1527
	830		710		488		1530
	832		712	4W-7350 . . . . .	483		1534
	834		714		488	4W-7505 . . . . .	496
	836		716	4W-7352 . . . . .	483	4W-7525 . . . . .	▶1123
	838		718		488	4W-7544 . . . . .	1121
	840		720	4W-7353 . . . . .	564	4W-7576 . . . . .	850
	842		722		572	4W-7577 . . . . .	850
	844		724	4W-7354 . . . . .	482	4W-7578 . . . . .	850
4W-5739 . . . . .	175		726		483	4W-7579 . . . . .	850

# PART NUMBER INDEX

Part	Page	Part	Page	Part	Page	Part	Page
4W-7580 . . . . .	850		1042		1704		1376
4W-7582 . . . . .	850		1043		1706		1378
4W-7583 . . . . .	850		1044		1708	4W-9057 . . . . .	615
4W-7584 . . . . .	850		1722	4W-8755 . . . . .	1694	4W-9185 . . . . .	599
4W-7599 . . . . .	948	4W-8227 . . . . .	1034		1696	4W-9186 . . . . .	▶599
4W-7609 . . . . .	▶1130		1036		1698	4W-9312 . . . . .	▶1701
4W-7629 . . . . .	. 661		1041		1699	4W-9313 . . . . .	▶622
	662		1042		1703		1718
4W-7660 . . . . .	1024		1043		1704	4W-9314 . . . . .	▶623
4W-7661 . . . . .	1024		1044		1706		1718
4W-7662 . . . . .	1021	4W-8229 . . . . .	1722	4W-8757 . . . . .	1708	4W-9449 . . . . .	1089
	1024		1034		1694		1091
4W-7727 . . . . .	893		1036		1696		1093
4W-7744 . . . . .	. 143		1041		1698		1094
	145		1042		1699		1096
4W-7746 . . . . .	. 143		1043		1703		1097
	145		1044		1704		1099
4W-7773 . . . . .	. 599		1722		1706		1101
4W-7957 . . . . .	. 951	4W-8302 . . . . .	1097		1708		1103
	954		1105	4W-8758 . . . . .	1698		1105
	960		1114		1704		1107
4W-7982 . . . . .	. 662	4W-8303 . . . . .	1101	4W-8759 . . . . .	1699		1110
4W-8000 . . . . .	▶1798		1107		1706		1112
4W-8002 . . . . .	▶1698		1110	4W-8760 . . . . .	1698		1114
	1721	4W-8306 . . . . .	▶1057		1699		1116
4W-8003 . . . . .	▶1699	4W-8378 . . . . .	▶1059		1704		1276
	1721	4W-8379 . . . . .	▶1060		1706		1376
4W-8004 . . . . .	▶1039	4W-8471 . . . . .	. 951	4W-8787 . . . . .	1034		1378
	1721		960		1036		1383
4W-8005 . . . . .	▶1032	4W-8652 . . . . .	. 157		1041		1386
	1721		158		1042		1400
4W-8006 . . . . .	▶1674	4W-8653 . . . . .	. 606		1043		1402
	1721	4W-8734 . . . . .	1032		1044		1405
4W-8007 . . . . .	▶1689		1034		1637		1408
	1721		1722		1638		1411
4W-8008 . . . . .	▶1712	4W-8735 . . . . .	1032		1682		1414
	1721		1034		1687		1417
4W-8009 . . . . .	▶1687		1036		1701		1420
	1721		1039		1709		1423
4W-8102 . . . . .	▶1321		1041		1720		1426
	1720		1042		1722		1429
	1721		1043	4W-8790 . . . . .	583		1432
4W-8145 . . . . .	▶1768		1044		621		1435
4W-8148 . . . . .	▶964		1722		622		1438
4W-8149 . . . . .	▶964	4W-8740 . . . . .	1039		624		1450
4W-8150 . . . . .	▶964	4W-8741 . . . . .	1039		625		1453
4W-8151 . . . . .	▶964	4W-8743 . . . . .	1032		653		1456
4W-8152 . . . . .	▶965		1039		1156		1459
4W-8153 . . . . .	▶966		1674		1722		1462
4W-8154 . . . . .	▶966		1676	4W-8791 . . . . .	1688		1465
4W-8155 . . . . .	▶966		1699		1689		1468
4W-8156 . . . . .	▶966		1706		1722		1471
4W-8157 . . . . .	▶967	4W-8744 . . . . .	1032	4W-8792 . . . . .	1712		1488
4W-8180 . . . . .	▶653	4W-8745 . . . . .	1034		1722		1490
	1721		1036	4W-8795 . . . . .	606		1494
4W-8181 . . . . .	▶1294		1039	4W-8915 . . . . .	. 764		1496
	1721		1699		766		1500
4W-8182 . . . . .	▶1295		1706		816		1502
	1721		1722		818		1506
4W-8183 . . . . .	▶1666	4W-8746 . . . . .	1034		820		1508
	1721		1036		822		1512
4W-8184 . . . . .	▶1670		1039		826		1516
	1721		1699		828		1519
4W-8185 . . . . .	▶654		1706		830		1521
	1721		1722		832		1525
4W-8211 . . . . .	▶1591		1729		834		1527
4W-8212 . . . . .	▶1592		1730		836		1531
4W-8214 . . . . .	▶1105	4W-8747 . . . . .	1032		838		1534
4W-8215 . . . . .	▶1107	4W-8748 . . . . .	1032		840		1547
4W-8216 . . . . .	▶1131	4W-8754 . . . . .	1694	4W-8964 . . . . .	▶1392		1550
4W-8217 . . . . .	▶1132		1696	4W-8966 . . . . .	▶1392		1552
4W-8226 . . . . .	1034		1698	4W-8967 . . . . .	▶1393		1556
	1036		1699	4W-8968 . . . . .	▶1394		1558
	1041		1703	4W-8984 . . . . .	1276		1561



# PART NUMBER INDEX

Part	Page	Part	Page	Part	Page	Part	Page
	1565		1216	5H-2671 . . . . .	100		1717
	1567		1239	5H-4279 . . . . .	237	5K-5068 . . . . .	1028
	1570		1241		241	5K-9243 . . . . .	229
	1573		1265		243		230
	1576	5C-5881 . . . . .	1733		683		428
	1580	5C-6266 . . . . .	696	5H-4778 . . . . .	328		430
	1583		1109	5H-5744 . . . . .	606		604
	1585	5D-1026 . . . . .	235		655	5L-1171 . . . . .	591
4W-9601 . . . . .	▶951		236		656	5L-1313 . . . . .	279
	959		323	5H-6467 . . . . .	1130	5L-1545 . . . . .	87
4W-9602 . . . . .	▶954		326		1331	5L-1594 . . . . .	▶255
4W-9614 . . . . .	967		333	5H-6552 . . . . .	626	5L-2087 . . . . .	1405
4W-9617 . . . . .	964	5D-1753 . . . . .	604		758		1408
4W-9618 . . . . .	964	5D-4204 . . . . .	227		760		1411
4W-9657 . . . . .	▶1394	5D-6523 . . . . .	239		764		1414
4W-9658 . . . . .	▶1395		241		766		1417
4W-9659 . . . . .	▶1395	5D-6642 . . . . .	297		768		1420
4W-9733 . . . . .	951		304		770		1423
4W-9904 . . . . .	▶1653	5D-9372 . . . . .	696		772		1426
	1721	5F-0304 . . . . .	148		774		1429
4W-9905 . . . . .	1653		149		776		1432
	1654		150		778		1435
4W-9907 . . . . .	1653	5F-1051 . . . . .	284		785		1438
	1654	5F-1053 . . . . .	284		787		1441
4W-9908 . . . . .	1653	5F-3065 . . . . .	495		789		1444
	1654	5F-3106 . . . . .	97		791		1447
4W-9993 . . . . .	1276		98		793		1462
	1376		116		795		1465
	1378		117		797		1468
4W-9994 . . . . .	▶1376		125		810		1471
4W-9995 . . . . .	1276		126		812	5L-2264 . . . . .	545
	1376		371		814	5L-2952 . . . . .	217
	1378		372		816		218
			373		818	5L-2994 . . . . .	317
			374		820	5L-3233 . . . . .	514
			375		822	5L-3485 . . . . .	87
			376		828	5L-3487 . . . . .	87
			377		830	5L-3492 . . . . .	87
			378		832	5L-3493 . . . . .	87
			379		836	5L-3495 . . . . .	87
			380		838	5L-3496 . . . . .	87
5A-5257 . . . . .	1121	5F-3999 . . . . .	303		840	5L-3553 . . . . .	87
5B-0841 . . . . .	133	5F-4899 . . . . .	268		844	5L-3556 . . . . .	87
	136		269	5H-6555 . . . . .	624	5L-3557 . . . . .	87
5B-1345 . . . . .	428	5F-5041 . . . . .	344	5H-6618 . . . . .	636	5L-3558 . . . . .	87
	430	5F-5047 . . . . .	344	5H-7704 . . . . .	153	5L-3559 . . . . .	87
5B-2407 . . . . .	90	5F-5049 . . . . .	344		463	5L-3560 . . . . .	87
5B-2410 . . . . .	87	5F-5061 . . . . .	344		515	5L-3602 . . . . .	87
	90	5F-5062 . . . . .	344		522	5L-3603 . . . . .	87
5B-4855 . . . . .	1025	5F-7054 . . . . .	663		523	5L-3613 . . . . .	87
	1026		668		527	5L-3617 . . . . .	88
	1027		676		1847	5L-3785 . . . . .	1169
	1029		683		1848	5L-3934 . . . . .	590
	1647		762	5H-8310 . . . . .	506	5L-3946 . . . . .	590
5B-5812 . . . . .	119		782	5H-8331 . . . . .	505	5L-3979 . . . . .	864
	121		801		506		881
	122		804		510		914
	124		807		543	5L-4035 . . . . .	1171
5B-7652 . . . . .	102		807		545	5L-4398 . . . . .	513
	104	5F-8651 . . . . .	1171		1030	5L-5180 . . . . .	1696
5B-7890 . . . . .	494	5F-9144 . . . . .	626	5H-9942 . . . . .	1030		1703
	497		631	5J-7303 . . . . .	345		1708
5B-9079 . . . . .	137		643		1173		1708
	138		648	5K-0605 . . . . .	592		1735
	1161		1853		593		458
5B-9169 . . . . .	300		1855		595	5L-5344 . . . . .	463
	315		1157	5K-0906 . . . . .	139		1735
	319	5G-2003 . . . . .	1159		141	5L-5840 . . . . .	1735
5B-9603 . . . . .	127		1161		285	5L-6217 . . . . .	891
	307		1161		287	5L-7200 . . . . .	1301
	309	5G-2308 . . . . .	1298		289	5L-7441 . . . . .	1658
	310	5H-0071 . . . . .	1279		291	5L-7442 . . . . .	1658
5C-2874 . . . . .	868		1281		291	5L-7443 . . . . .	1657
	919		1283		1064	5L-7631 . . . . .	490
	1177		155		1068		491
	1205	5H-0244 . . . . .	606		1121		497
	1212	5H-2532 . . . . .					

## 5

# PART NUMBER INDEX

Part	Page	Part	Page	Part	Page	Part	Page
5L-7634 . . . . .	490		172		434		415
5L-7635 . . . . .	491		187		436		417
5L-7661 . . . . .	▶490		195		446		419
5L-7685 . . . . .	297		199		447		421
	304		200		448		1064
	317		216		450		1068
5L-7874 . . . . .	438		219		463		1089
	440		221		468		1091
	458		223		501		1093
	462		227		502		1094
	463		231		519		1096
	466		235		522		1097
5L-7875 . . . . .	438		237		529		1099
	440		239		530		1101
	458		241		534		1103
	459		243		535		1105
	461		245		536		1107
	462		262		540		1110
	463		264		541		1112
	466		266		542		1114
5L-7942 . . . . .	▶549		270		550		1116
5L-8091 . . . . .	468		271		604		1131
	▶474		272		617		1132
	475		297		619		1133
5L-8484 . . . . .	504		304		663		1134
	507		314		664		1317
	509		315		666		1318
	544		317		668		1319
	546		319		669		1363
5L-8605 . . . . .	546		320		670		1371
5L-8632 . . . . .	▶546		322		671		1372
5L-8648 . . . . .	547		324		673		1373
5L-8649 . . . . .	▶547		331		675		1376
5L-8854 . . . . .	433		332		676	5M-4606 . . . . .	204
	526		341		683		207
5L-8855 . . . . .	433		342		692		209
	518		351		694	5M-4741 . . . . .	1856
	521		353		746	5M-5528 . . . . .	686
	526		355		747		687
5L-8856 . . . . .	433		357		751		690
	521		359		851		691
5L-8957 . . . . .	948		361		862	5M-5845 . . . . .	1595
5L-9376 . . . . .	507		363		864	5M-5860 . . . . .	153
5L-9377 . . . . .	▶507		365		871		314
5L-9652 . . . . .	90		367		879		315
5L-9653 . . . . .	90		369		881		320
5L-9654 . . . . .	90		371		883		1847
5L-9655 . . . . .	90		372		885	5M-6213 . . . . .	107
5L-9894 . . . . .	▶1657		373		887		237
5L-9895 . . . . .	▶1658		374		889		243
5M-0537 . . . . .	1279		375		891		345
5M-1822 . . . . .	1030		376		910		367
5M-2894 . . . . .	64		377		912		428
	66		378		914		430
	74		379		1021		519
	80		380		1024		528
	82		381		1066		553
	94		385		1124		556
	95		387		1126		559
	97		389		1127		560
	98		391		1128		617
	112		393		1167		619
	126		395		1312		683
	128		397		1313		1727
	130		399		1378	5M-6214 . . . . .	77
	131		401		1668		151
	137		405		1716		229
	138		407	5M-3062 . . . . .	228		341
	147		409		285		342
	162		411		287		407
	163		413		289		428
	165		426		291		430
	167		428		293		440
	170		430		295		458

# PART NUMBER INDEX

Part	Page	Part	Page	Part	Page	Part	Page
	461		1515	5N-2214 . . . . .	1726		1537
	462		1518	5N-2215 . . . . .	1726		1540
	463		1521	5N-2249 . . . . .	1726		1543
	466		1524	5N-2363 . . . . .	1573		1546
	517		1527		1576		1549
	522		1530	5N-2703 . . . . . ▶	1777		1552
	523		1534	5N-2840 . . . . .	1019		1555
	524		1573		1023		1558
	528		1576		1024		1561
	534	5N-0590 . . . . .	1573		1064		1564
	535		1576		1068		1568
	606	5N-0591 . . . . . ▶	1046	5N-3163 . . . . .	1487		1570
	615	5N-0603 . . . . .	1046		1490		1573
	688	5N-0605 . . . . .	1046		1493		1576
	1124	5N-0606 . . . . .	1046		1496		1579
	1450	5N-0610 . . . . .	1046		1499		1582
	1453	5N-0612 . . . . .	1046		1502		1585
	1456	5N-0613 . . . . .	1046		1505	5N-3174 . . . . .	1399
	1459	5N-0618 . . . . .	1619		1508		1402
	1475		1620		1512		1405
	1478		1621		1515		1408
	1481		1622		1518		1411
	1484		1623		1521		1414
	1537		1624		1524		1417
	1540		1625		1527		1420
	1543		1626		1530		1423
	1546		1627		1534		1426
	1549		1629		1573		1429
	1552		1631		1576		1432
	1555		1633	5N-3167 . . . . .	1399		1435
	1558	5N-0626 . . . . .	1619		1402		1438
	1561		1620		1405		1441
	1564		1621		1408		1444
	1567		1622		1411		1447
	1570		1623		1414		1450
	1579		1624		1417		1453
	1582		1625		1420		1456
	1585		1626		1423		1459
5M-6228 . . . . .	655		1627		1426		1462
5M-6509 . . . . .	77		1629		1429		1465
5M-6668 . . . . .	1109		1631		1432		1468
5M-9204 . . . . .	933		1633		1435		1471
	934	5N-0627 . . . . .	1619		1438		1475
	935		1620		1441		1478
	936		1621		1444		1481
	937		1622		1447		1484
	938		1623		1451		1487
5M-9205 . . . . .	933		1624		1453		1490
	934		1625		1456		1493
	935		1626		1459		1496
	936		1627		1462		1499
	937		1629		1465		1502
	938		1631		1468		1505
5M-9788 . . . . .	80		1633		1471		1508
	82	5N-0660 . . . . .	1629		1475		1511
5N-0063 . . . . .	1396	5N-1613 . . . . . ▶	1047		1478		1515
	▶1530	5N-1677 . . . . .	201		1481		1518
	▶1534	5N-1678 . . . . . ▶	201		1484		1521
5N-0361 . . . . .	1292	5N-1693 . . . . .	201		1487		1524
	1302	5N-1694 . . . . .	201		1490		1527
5N-0363 . . . . . ▶	1051	5N-1768 . . . . .	45		1493		1530
5N-0364 . . . . .	1292		▶433		1496		1534
5N-0367 . . . . .	948	5N-1933 . . . . .	▶202		1500		1537
5N-0379 . . . . . ▶	659	5N-2042 . . . . .	1279		1502		1540
5N-0410 . . . . . ▶	660	5N-2087 . . . . . ▶	258		1506		1543
5N-0541 . . . . .	1487		▶259		1508		1546
	1490	5N-2144 . . . . .	1279		1512		1549
	1493		1281		1515		1552
	1496		1283		1518		1555
	1499	5N-2145 . . . . .	1279		1521		1558
	1502	5N-2167 . . . . .	1597		1525		1561
	1505	5N-2168 . . . . . ▶	1597		1527		1564
	1508	5N-2171 . . . . .	1597		1531		1567
	1511	5N-2213 . . . . .	1726		1534		1570

# PART NUMBER INDEX

Part	Page	Part	Page	Part	Page	Part	Page
	1573		1420		1709		1367
	1576		1423	5N-3641 . . . . .	1858		1369
	1579		1426	5N-3666 . . . . .	▶1665		1370
	1582		1429	5N-3667 . . . . .	1665		1371
	1585		1432	5N-3668 . . . . .	1665		1372
5N-3175 . . . . .	1399		1435	5N-3883 . . . . .	.636	5N-4686 . . . . .	1066
	1402		1438	5N-3884 . . . . .	.636		1118
	1405		1441	5N-3885 . . . . .	.636		1317
	1408		1444	5N-3886 . . . . .	.636		1319
	1411		1447		1450		1353
	1414		1451		1453		1357
	1417		1453		1456		1359
	1420		1456		1459		1363
	1423		1459		1487		1364
	1426		1462		1490		1365
	1429		1465		1493		1366
	1432		1468		1496		1367
	1435		1471		1499		1369
	1438		1475		1502		1370
	1441		1478		1505		1371
	1444		1481		1508		1372
	1447		1484		1511	5N-4737 . . . . .	508
	1450		1487		1515	5N-4739 . . . . .	505
	1453		1490		1518		506
	1456		1493		1521		510
	1459		1496		1524	5N-4741 . . . . .	504
	1462		1499		1527		509
	1465		1502		1530	5N-4742 . . . . .	504
	1468		1505		1534	5N-4851 . . . . .	46
	1471		1508		1564		▶203
	1475		1512	5N-3887 . . . . .	.636	5N-4988 . . . . .	.954
	1478		1515	5N-3889 . . . . .	.636		960
	1481		1518	5N-3890 . . . . .	.636		1058
	1484		1521	5N-3891 . . . . .	.636		1718
	1487		1524	5N-3892 . . . . .	.636	5N-5043 . . . . .	1857
	1490		1527	5N-3904 . . . . .	.468	5N-5095 . . . . .	▶1396
	1493		1530	5N-3908 . . . . .	.636	5N-5159 . . . . .	.951
	1496		1534	5N-3909 . . . . .	.636		954
	1499		1537	5N-3911 . . . . .	.636		960
	1502		1540	5N-3912 . . . . .	.636		1019
	1505		1543	5N-3913 . . . . .	.636		1023
	1508		1546	5N-3915 . . . . .	.636		1058
	1511		1549	5N-3916 . . . . .	.636		1292
	1515		1552	5N-4012 . . . . .	▶233		1642
	1518		1555	5N-4111 . . . . .	.636	5N-5175 . . . . .	.853
	1521		1558	5N-4112 . . . . .	.636		855
	1524		1561	5N-4123 . . . . .	▶1363	5N-5283 . . . . .	▶577
	1527		1564		1391	5N-5287 . . . . .	1279
	1530		1568		1394	5N-5288 . . . . .	.347
	1534		1570		1395	5N-5384 . . . . .	1347
	1537		1573		1396	5N-5385 . . . . .	1347
	1540		1576		1397	5N-5387 . . . . .	1347
	1543		1579	5N-4124 . . . . .	▶1364	5N-5390 . . . . .	1347
	1546		1582	5N-4125 . . . . .	▶1365	5N-5429 . . . . .	▶1322
	1549		1585		1381		1720
	1552	5N-3310 . . . . .	147		1397		1721
	1555	5N-3311 . . . . .	147	5N-4126 . . . . .	▶1366	5N-5430 . . . . .	▶1323
	1558	5N-3312 . . . . .	▶147	5N-4224 . . . . .	1047		1719
	1561	5N-3351 . . . . .	.967	5N-4261 . . . . .	▶1726		1721
	1564	5N-3352 . . . . .	.966	5N-4505 . . . . .	▶84	5N-5431 . . . . .	▶1324
	1567	5N-3353 . . . . .	.966	5N-4506 . . . . .	▶85		1720
	1570	5N-3379 . . . . .	▶1590	5N-4513 . . . . .	▶1367		1721
	1573	5N-3387 . . . . .	▶1745	5N-4661 . . . . .	1279	5N-5432 . . . . .	▶1325
	1576	5N-3388 . . . . .	▶1702	5N-4664 . . . . .	1279		1720
	1579	5N-3615 . . . . .	1694	5N-4685 . . . . .	1118		1721
	1582		1696		1317	5N-5433 . . . . .	▶1326
	1585		1698		1319		1720
5N-3176 . . . . .	1399		1699		1353		1721
	1402		1701		1357	5N-5434 . . . . .	1720
	1405		1702		1359	5N-5451 . . . . .	▶1637
	1408		1703		1363	5N-5452 . . . . .	▶1638
	1411		1704		1364	5N-5498 . . . . .	1036
	1414		1706		1365		1042
	1417		1708		1366		1044

# PART NUMBER INDEX

Part	Page	Part	Page	Part	Page	Part	Page
	1638		1631		575		1518
	1682		1633		586		1521
	1709	5N-6688 . . . . .	▶1858		587		1524
	1722	5N-6753 . . . . .	1151		604		1527
5N-5499 . . . . .	1041	5N-6767 . . . . .	▶1347		606		1530
	1042	5N-6768 . . . . .	1347		613		1534
	1043	5N-6769 . . . . .	1347		615		1537
	1044	5N-7147 . . . . .	▶260		626		1540
	1701	5N-7462 . . . . .	▶218		631		1543
	1709	5N-7498 . . . . .	88		642		1546
	1732	5N-7510 . . . . .	948		643		1549
5N-5500 . . . . .	1681	5N-8343 . . . . .	132		648		1552
	1682	5N-8347 . . . . .	132		661		1555
5N-5501 . . . . .	1732	5N-8348 . . . . .	132		662		1558
5N-5502 . . . . .	1034	5N-8349 . . . . .	1347		688		1561
	1036	5N-8351 . . . . .	▶1161		689		1564
	1041	5N-8487 . . . . .	▶1747		698		1567
	1042	5N-8518 . . . . .	▶1026		747		1570
	1043	5N-8585 . . . . .	315		749		1573
	1044		320		750		1579
	1674	5N-8588 . . . . .	317		850		1582
	1676	5N-8590 . . . . .	315		948		1585
	1681		317		957		1599
	1682		319		1085		1600
5N-5507 . . . . .	1696		320		1124		1608
	1698		322		1125		1609
	1699	5N-8597 . . . . .	1027		1126		1671
	1701	5N-8632 . . . . .	1858		1158		1672
	1703	5N-8757 . . . . .	▶1151		1160		1691
	1709	5N-8857 . . . . .	1026		1162		1693
5N-5510 . . . . .	1699		1027		1171	5P-0597 . . . . .	315
	1701		▶1290		1279		320
	1709	5N-8875 . . . . .	▶319		1298		322
	1719	5N-8998 . . . . .	948		1299		338
5N-5531 . . . . .	1701	5N-9067 . . . . .	1073		1300		517
	1709		1077		1399		541
5N-5537 . . . . .	1701		1719		1402		542
	1709	5N-9072 . . . . .	1073		1405	5P-0598 . . . . .	407
5N-5540 . . . . .	1701		1077		1408	5P-0599 . . . . .	459
	1709		1719		1411		466
5N-5566 . . . . .	234	5N-9095 . . . . .	1046		1414		468
5N-5567 . . . . .	▶234	5N-9107 . . . . .	1046		1417		474
5N-5569 . . . . .	▶324	5N-9114 . . . . .	▶320		1420		520
5N-5570 . . . . .	226	5N-9117 . . . . .	1073		1423	5P-0651 . . . . .	1071
5N-5681 . . . . .	133		1077		1426	5P-0695 . . . . .	1281
5N-5682 . . . . .	▶133		1719		1429		1283
5N-5692 . . . . .	▶899	5N-9136 . . . . .	1573		1432	5P-0746 . . . . .	1279
	▶902		1576		1435		1281
			▶1629		1438	5P-0747 . . . . .	933
5N-5711 . . . . .	1347		▶1049		1441		934
5N-5712 . . . . .	1347	5N-9174 . . . . .	▶1050		1444		935
5N-5713 . . . . .	1347	5N-9175 . . . . .	▶1027		1447		936
5N-5716 . . . . .	1347	5N-9176 . . . . .	952		1450		937
5N-5717 . . . . .	1347	5N-9222 . . . . .	955		1453		938
5N-5718 . . . . .	1347		960		1456		939
5N-5719 . . . . .	1347		90		1459		1283
5N-5720 . . . . .	1347	5N-9317 . . . . .	90		1462	5P-0760 . . . . .	1279
5N-5721 . . . . .	1347	5N-9356 . . . . .	▶345		1465	5P-0761 . . . . .	963
5N-6061 . . . . .	1127	5N-9357 . . . . .	345		1468		1281
	1128		▶347		1471		1283
5N-6062 . . . . .	1127	5N-9358 . . . . .	347		1475	5P-0767 . . . . .	326
	1128	5N-9359 . . . . .	347		1478		333
5N-6063 . . . . .	1127	5N-9360 . . . . .	347		1481	5P-0796 . . . . .	655
	1128	5N-9410 . . . . .	▶221		1484		656
5N-6064 . . . . .	▶1127	5N-9411 . . . . .	221		1487	5P-1075 . . . . .	139
	▶1128	5N-9412 . . . . .	221		1490		141
5N-6147 . . . . .	543	5N-9536 . . . . .	221		1493		143
5N-6148 . . . . .	▶543	5N-9552 . . . . .	850		1496		145
5N-6176 . . . . .	544	5P-0060 . . . . .	77		1499		283
5N-6177 . . . . .	▶544	5P-0076 . . . . .	130		1502		285
5N-6188 . . . . .	1347	5P-0372 . . . . .	1167		1505		287
5N-6189 . . . . .	1347		1713		1508		289
5N-6195 . . . . .	1347		1714		1511		291
5N-6496 . . . . .	1629	5P-0537 . . . . .	428		1515		293
5N-6498 . . . . .	1627		430				

# PART NUMBER INDEX

Part	Page	Part	Page	Part	Page	Part	Page
	295	5P-1257 . . . . .	314		1096		690
	401	5P-1258 . . . . .	299		1097		691
	403		305		1099		692
	1019		317		1101		694
	1059		336		1103	5P-5034 . . . . .	606
	1060	5P-1259 . . . . .	338		1105	5P-5157 . . . . .	413
	1061	5P-1262 . . . . .	319		1107	5P-5391 . . . . .	1166
	1062		320		1110		1167
	1089		331		1112	5P-5528 . . . . .	617
	1091		336		1114		619
	1093		385		1116		1120
	1094		387		1378		1124
	1096		389				1126
	1097		391	5P-2645 . . . . .	613		
	1099		393	5P-2948 . . . . .	1166	5P-5598 . . . . .	209
	1101		395	5P-2955 . . . . .	320		1841
	1103		397		1130	5P-5610 . . . . .	1167
	1105		399		1351	5P-5623 . . . . .	1071
	1107		407		1357		1077
	1110		409	5P-3059 . . . . .	1359		1166
	1112		411		951		1302
	1114		417		954	5P-5624 . . . . .	637
	1116		419		960		1077
	1118		423		1683		1084
	1276		428	5P-3272 . . . . .	626		1336
	1317		430	5P-3413 . . . . .	1373	5P-5637 . . . . .	1653
	1319	5P-1265 . . . . .	407	5P-3418 . . . . .	875		1654
	1349	5P-1270 . . . . .	520		896	5P-5675 . . . . .	1329
	1353	5P-1401 . . . . .	325	5P-3419 . . . . .	875	5P-5677 . . . . .	950
	1355	5P-1404 . . . . .	601		877	5P-5689 . . . . .	1329
	1357		602		896	5P-5757 . . . . .	483
	1359		751	5P-3422 . . . . .	1026		486
	1361	5P-1420 . . . . .	428		1124		569
	1363		430	5P-4115 . . . . .	1733	5P-5846 . . . . .	1849
	1364	5P-1475 . . . . .	951		1276	5P-5906 . . . . .	1653
	1365		954		1347		1654
	1366		960		1376	5P-5991 . . . . .	407
	1367		1073		1378	5P-6009 . . . . .	960
	1368		1077	5P-4116 . . . . .	413		1050
	1369		1302		604	5P-6025 . . . . .	952
	1370		1332		1121		954
	1371		1333		1130	5P-6313 . . . . .	1167
	1372		1642		1351	5P-6314 . . . . .	1167
	1373		1669		1353	5P-6315 . . . . .	1167
	1375	5P-1476 . . . . .	1071		1355	5P-6620 . . . . .	584
	1376		1331		1357		585
	1378		1332		1359		588
5P-1076 . . . . .	912		1334		1378		758
	1091		1642		1595		760
	1094	5P-1506 . . . . .	324	5P-4443 . . . . .	229		764
	1096	5P-1695 . . . . .	235	5P-4448 . . . . .	229		766
	1097		236	5P-4592 . . . . .	850		768
	1099	5P-1717 . . . . .	438	5P-4675 . . . . .	847		770
	1101		440	5P-4868 . . . . .	320		772
	1103	5P-2228 . . . . .	1109		338		774
	1105	5P-2230 . . . . .	315		407		776
	1107		320		430		778
	1110		338		516		783
	1112		540		519		785
	1114	5P-2244 . . . . .	221		519		787
	1116	5P-2321 . . . . .	954	5P-4935 . . . . .	1719		789
	1378		1072	5P-4939 . . . . .	664		791
5P-1175 . . . . .	1388		1330		666		793
5P-1251 . . . . .	315		1331		678		795
	320	5P-2566 . . . . .	118		679		797
	327		139		680		808
5P-1252 . . . . .	228		141		681		810
5P-1253 . . . . .	338		415		682		812
5P-1255 . . . . .	314		417		684		814
5P-1256 . . . . .	315		419		685		816
	317		421		686		818
	319		423		687		820
	320		1091				822
	322		1094				826

# PART NUMBER INDEX

Part	Page	Part	Page	Part	Page	Part	Page
	830		221		8		613
	832		1590		10		1299
	834	5P-8245 . . . . .	63		12		1308
	836		82		14		1309
	838		90		16		1311
	840		93		18		1312
	842		115		20		1313
	844		143		22		1315
	1853		145		24		1320
	1855		157		26		1655
5P-6672 . . . . .	613		159		28	5S-0385 . . . . .	552
5P-6718 . . . . .	675		162		30	5S-0581 . . . . .	312
	1853		163		32	5S-0907 . . . . .	125
	1855		165		34	5S-1188 . . . . .	154
5P-6836 . . . . .	906		167		36	5S-1293 . . . . .	528
	908		170		38	5S-2106 . . . . .	118
5P-6920 . . . . .	894		194		40		119
	899		200		42		121
	904		202		44		122
	916		334		46		124
5P-6923 . . . . .	345		385		48	5S-2392 . . . . .	221
5P-6945 . . . . .	587		387		50	5S-3552 . . . . .	1713
	626		389		54	5S-3919 . . . . .	459
	631		391		56		466
	643		393		58		468
	648		395		60	5S-4517 . . . . .	563
5P-7162 . . . . .	1648		397		62		564
5P-7197 . . . . .	168		399		▶ 1850		565
5P-7204 . . . . .	154		401	5P-8772 . . . . .	9		569
5P-7749 . . . . .	1370		409		18		572
5P-7750 . . . . .	1372		411		28	5S-4546 . . . . .	482
5P-7751 . . . . .	948		426		30		483
	1370		468		36		485
	1372		503		46		486
	1858		513		47		488
5P-7752 . . . . .	1370		850		49		488
	1372		862	5P-8773 . . . . .	61	5S-4547 . . . . .	569
	1858		864		10	5S-4549 . . . . .	482
5P-7758 . . . . .	1370		871		28		483
	1372		879		30		485
	1858		883		46		485
5P-7807 . . . . .	896		885	5P-8934 . . . . .	62		569
5P-8068 . . . . .	1849		889		853	5S-4550 . . . . .	569
5P-8118 . . . . .	221		910		855	5S-4551 . . . . .	569
	264		912		857	5S-4554 . . . . .	569
	266		914	5P-9116 . . . . .	18	5S-4556 . . . . .	482
5P-8167 . . . . .	415		1342		20		483
	417		1380		22		485
	419	5P-8247 . . . . .	97		24		569
	421		98		26	5S-4557 . . . . .	569
	492		125		28	5S-4558 . . . . .	569
	1068		159		30	5S-5199 . . . . .	483
	1094		504		34		486
	1097		505	5P-9117 . . . . .	48		569
	1101		510		50	5S-5879 . . . . .	204
	1105		853	5P-9287 . . . . .	850		207
	1107		855	5P-9298 . . . . .	285		209
	1110		866		289	5S-5917 . . . . .	204
	1112		868	5P-9458 . . . . .	22		209
	1114		873		24	5S-5918 . . . . .	206
	1116		919	5P-9568 . . . . .	7		209
	1118		921	5P-9757 . . . . .	626		210
	1353		1279		631	5S-6348 . . . . .	174
	1355		1341		643		175
	1361		1344		649		177
	1373	5P-8248 . . . . .	169		1853		178
5P-8210 . . . . .	587		857		1855	5S-6735 . . . . .	95
	1849		1338	5P-9898 . . . . .	40		112
	1855		1339		42		153
5P-8215 . . . . .	754		1342		44		434
	756		1345	5R-4713 . . . . .	235		436
	1853	5P-8768 . . . . .	2	5R-5304 . . . . .	850		517
	1855		4	5R-7137 . . . . .	1332		519
5P-8244 . . . . .	93		6		1334		525
				5S-0003 . . . . .	405		528

# PART NUMBER INDEX

Part	Page	Part	Page	Part	Page	Part	Page
	1840		423		1405	6F-7062 . . . . .	104
	1841		1060		1408		1856
	1844		1636		1411	6F-8814 . . . . .	475
	1845	5S-7560 . . . . .	604		1414		540
5S-6750 . . . . .	1847	5S-7611 . . . . .	1853		1417		541
	175		1855		1420		542
	177	5S-7630 . . . . .	137		1424		544
5S-7264 . . . . .	118	5S-8055 . . . . .	94		1426	6H-0192 . . . . .	151
	119		155		1429	6H-0199 . . . . .	910
	121		219		1432	6H-0205 . . . . .	468
	122		1843		1435	6H-3957 . . . . .	311
	124	5S-8462 . . . . .	102		1438		312
5S-7348 . . . . .	1686		104		1441		351
	1688	5S-9062 . . . . .	118		1444		353
	1727		119		1447		355
	1733		121		1451		357
5S-7349 . . . . .	383		122		1453		359
	384		124		1456		361
	409	5S-9948 . . . . .	183		1459		363
	411		184		1463		365
	417		185		1465		367
	419				1468		369
	873				1471		381
	1186				1476	6H-5431 . . . . .	948
	1188				1478	6H-6699 . . . . .	1733
	1190				1481	6H-7127 . . . . .	221
	1193	6A-9611 . . . . .	307		1484	6H-8021 . . . . .	548
	1195	6B-0041 . . . . .	428		1487		549
	1198		430		1490	6H-8778 . . . . .	1843
	1200	6B-0924 . . . . .	80		1493		1856
	1213		82		1496	6H-9691 . . . . .	626
	1217	6B-0933 . . . . .	271		1499		631
	1223		293		1502		643
	1228		297		1505		648
	1243	6B-2250 . . . . .	1848		1508		1853
	1246	6B-2882 . . . . .	223		1512		1855
	1249	6B-3223 . . . . .	90		1515	6I-0060 . . . . .	▶ 1396
	1251	6B-4198 . . . . .	612		1518	6I-0061 . . . . .	▶ 1396
	1254		615		1521		▶ 1537
	1257	6B-5072 . . . . .	1120		1524		▶ 1540
	1260		1657		1527		▶ 1543
	1269		1658		1530	6I-0088 . . . . .	1399
5S-7379 . . . . .	139	6B-5150 . . . . .	593		1534		1402
	141	6B-5310 . . . . .	183		1538		1405
	236		184		1540		1408
	323		185		1543		1411
	326	6B-7440 . . . . .	284		1546		1414
	327		344		1549		1417
	415	6B-7469 . . . . .	231		1552		1420
	417		502		1555		1423
	419	6B-9807 . . . . .	426		1558		1426
	421	6C-1438 . . . . .	▶ 452		1561		1429
	525		▶ 453		1564		1432
	599	6C-3679 . . . . .	1349		1568		1435
	1121	6C-8904 . . . . .	▶ 322		1570		1438
	1125	6C-9275 . . . . .	338		1573		1441
	1373	6C-9277 . . . . .	338		1576		1444
	1376	6C-9278 . . . . .	426		1579		1447
	1378	6C-9279 . . . . .	315		1582		1450
	1636	6C-9480 . . . . .	▶ 303		1585		1453
	425	6C-9481 . . . . .	▶ 338	6D-8498 . . . . .	754		1456
5S-7382 . . . . .	1059	6D-1004 . . . . .	126		756		1459
	1061	6D-2928 . . . . .	696		87	6F-0253 . . . . .	1462
	1089		1159		90		1465
	1096		1733		636	6F-3480 . . . . .	1468
	1101	6D-3787 . . . . .	1171		688	6F-5559 . . . . .	1471
	1103	6D-3897 . . . . .	626		689		1475
	1107		632		523	6F-6405 . . . . .	1478
	1110		643		754	6F-6672 . . . . .	1481
	1112		648		756		1484
	1118		1645		1853		1537
	1375	6D-4636 . . . . .	1066		1855		1540
5S-7383 . . . . .	300	6D-7128 . . . . .	1399		221	6F-6673 . . . . .	1543
	302		1402		606	6F-7027 . . . . .	1546

## 6



# PART NUMBER INDEX

Part	Page	Part	Page	Part	Page	Part	Page
	1549	6I-1178 . . . . .	639		1540	6I-3830 . . . . .	▶515
	1552	6I-1220 . . . . .	77		1543	6I-3832 . . . . .	▶515
	1555	6I-1345 . . . . .	248		1547	6I-3836 . . . . .	1312
	1558	6I-1346 . . . . .	▶248		1549		1313
	1561		254		1552		▶1671
	1564	6I-1537 . . . . .	▶169		1556	6I-3837 . . . . .	▶1655
	1567	6I-1564 . . . . .	587		1558	6I-3838 . . . . .	1655
	1570	6I-1631 . . . . .	708		1561		1671
	1579		735		1565	6I-4464 . . . . .	455
	1582		739		1568	6J-2244 . . . . .	1171
	1585		743		1570	6J-2419 . . . . .	754
6I-0272 . . . . .	444	6I-1647 . . . . .	204		1580		756
	447	6I-1650 . . . . .	204		1582		1853
	450	6I-1841 . . . . .	960		1585		1855
	453	6I-1842 . . . . .	954	6I-2831 . . . . .	▶714	6J-4762 . . . . .	1071
	▶454	6I-1862 . . . . .	951		836		1351
6I-0273 . . . . .	454	6I-1864 . . . . .	▶1084		838		1353
6I-0274 . . . . .	454	6I-1909 . . . . .	1050		840		1355
6I-0275 . . . . .	454	6I-1952 . . . . .	1720	6I-2832 . . . . .	▶716		1357
6I-0497 . . . . .	174	6I-2002 . . . . .	1085		818		1359
	177		1157		820		1361
	180		1158		822	6K-0806 . . . . .	236
6I-0748 . . . . .	1400		1159		844		1118
	1403		1160	6I-2833 . . . . .	▶718		1351
	1405		1162		828		1353
	1408		1855		830		1355
	1411	6I-2003 . . . . .	626		832		1357
	1414		631	6I-2834 . . . . .	▶720		1359
	1417		643		766		1361
	1420		648		768		1363
	1424		848		770		1364
	1427		1853		774		1365
	1429		1855		776		1366
	1432	6I-2004 . . . . .	626		778		1369
	1435		631		793		1371
	1438		643		795		1372
	1441		648		797		1599
	1444		848		810	6K-1019 . . . . .	1120
	1447		1853		812	6K-1330 . . . . .	1342
	1450		1855		814	6K-1972 . . . . .	125
	1453	6I-2503 . . . . .	455	6I-2836 . . . . .	▶722		160
	1456	6I-2504 . . . . .	455		781		161
	1459	6I-2576 . . . . .	▶455	6I-2837 . . . . .	▶724		584
	1463		465		785	6K-2198 . . . . .	341
	1466	6I-2737 . . . . .	1399		787		342
	1469		1402		789		529
	1472		1406	6I-2840 . . . . .	730		530
	1475		1408	6I-2841 . . . . .	716		534
	1478		1411		718		535
	1481		1414		726	6K-3771 . . . . .	311
	1484		1417		728		351
	1537		1420	6I-2842 . . . . .	720		355
	1540		1424		722		357
	1543		1426	6I-2963 . . . . .	▶1618		359
6I-0923 . . . . .	151		1429	6I-2987 . . . . .	708		363
6I-0979 . . . . .	699		1432		735		367
	703		1435		739		369
	708		1438		743		381
	714		1441	6I-2994 . . . . .	▶726	6K-5718 . . . . .	1590
	716		1444		800	6K-6967 . . . . .	1716
	718		1447	6I-2995 . . . . .	▶728	6K-8179 . . . . .	1733
	720		1451		803	6K-9194 . . . . .	850
	722		1454	6I-2996 . . . . .	▶730		851
	724		1457		806	6K-9591 . . . . .	948
	726		1459	6I-3022 . . . . .	1351		951
	728		1463		1353		954
	730		1466		1355		960
	735		1468		1357	6K-9593 . . . . .	1399
	739		1471		1359		1402
	743		1476		1361		1405
6I-0984 . . . . .	639		1478	6I-3339 . . . . .	▶1133		1408
6I-1100 . . . . .	▶639		1481	6I-3340 . . . . .	▶1134		1411
	642		1484	6I-3647 . . . . .	940		1414
6I-1103 . . . . .	639		1538		943		1417

# PART NUMBER INDEX

Part	Page	Part	Page	Part	Page	Part	Page
	1420		914		1576	6N-0164 . . . . .	53
	1423		1151	6L-7008 . . . . .	1487		►533
	1426	6L-3498 . . . . .	1564		1490	6N-0254 . . . . .	589
	1429	6L-3528 . . . . .	613		1493		596
	1432	6L-3616 . . . . .	428		1496		597
	1435		430		1499		598
	1438		604		1502		599
	1441	6L-3684 . . . . .	468		1505	6N-0511 . . . . .	517
	1444	6L-3916 . . . . .	►1380		1508	6N-0561 . . . . .	492
	1447		1590		1511		493
	1450	6L-3961 . . . . .	87		1515		496
	1453	6L-3964 . . . . .	87		1518	6N-0634 . . . . .	77
	1456	6L-3967 . . . . .	90		1521	6N-0768 . . . . .	597
	1459	6L-3969 . . . . .	87		1524		599
	1462	6L-3970 . . . . .	87		1527	6N-0775 . . . . .	592
	1465	6L-3972 . . . . .	90		1530		593
	1468	6L-3983 . . . . .	636		1534		595
	1471	6L-3990 . . . . .	637		1573	6N-0992 . . . . .	1844
	1475	6L-3992 . . . . .	636		1576	6N-1036 . . . . .	246
	1478	6L-3994 . . . . .	636		1596		247
	1481	6L-3995 . . . . .	636		1655		248
	1484	6L-3996 . . . . .	636		1656	6N-1856 . . . . .	896
	1537	6L-3997 . . . . .	636		1671	6N-1870 . . . . .	896
	1540	6L-4003 . . . . .	637		1672	6N-1871 . . . . .	896
	1543	6L-4007 . . . . .	636	6L-7365 . . . . .	344	6N-1872 . . . . .	894
	1546	6L-4016 . . . . .	87	6L-7366 . . . . .	344		896
	1549	6L-4502 . . . . .	►1824	6L-7367 . . . . .	344		899
	1552	6L-4716 . . . . .	503	6L-7368 . . . . .	344		904
	1555		508	6L-7369 . . . . .	344		916
	1558		547	6L-7575 . . . . .	1511	6N-1873 . . . . .	896
	1561	6L-4855 . . . . .	401	6L-7751 . . . . .	599	6N-1875 . . . . .	896
	1564		403	6L-7897 . . . . .	494	6N-1876 . . . . .	896
	1567	6L-5079 . . . . .	1666	6L-8150 . . . . .	948	6N-1925 . . . . .	896
	1570	6L-5151 . . . . .	87		1690	6N-1936 . . . . .	1169
	1579		90	6L-8161 . . . . .	891	6N-1944 . . . . .	896
	1582	6L-5274 . . . . .	116	6L-8562 . . . . .	341	6N-1945 . . . . .	875
	1585		117		342		896
6L-1597 . . . . .	606	6L-5567 . . . . .	428		529	6N-1946 . . . . .	896
6L-1648 . . . . .	434		430		530	6N-1968 . . . . .	896
	436	6L-5652 . . . . .	1029		534	6N-2016 . . . . .	606
	1847	6L-5855 . . . . .	948		535	6N-2097 . . . . .	77
6L-2186 . . . . .	468	6L-5858 . . . . .	►349	6L-8617 . . . . .	383	6N-2098 . . . . .	77
6L-2279 . . . . .	320		►350		384	6N-2100 . . . . .	77
	322	6L-5875 . . . . .	►344		385	6N-2106 . . . . .	77
6L-2280 . . . . .	297		349		387	6N-2109 . . . . .	77
	300	6L-5897 . . . . .	626		389	6N-2430 . . . . .	1169
	304		632		391		1173
	315		643		393	6N-2569 . . . . .	1330
	317		648		395	6N-2642 . . . . .	245
	319		859		397		►250
	320		860		399		251
	322		861		405		252
6L-2282 . . . . .	300	6L-6523 . . . . .	1383		407		253
	303		1386		409		254
6L-2283 . . . . .	303		1392		411	6N-2985 . . . . .	216
6L-2609 . . . . .	217		1393		417		851
	218		1394		419	6N-3170 . . . . .	1125
6L-2692 . . . . .	►193		1395		428		1169
6L-2704 . . . . .	193		1396		430	6N-3504 . . . . .	626
6L-2927 . . . . .	►491		1397	6L-8700 . . . . .	428		632
6L-3052 . . . . .	524	6L-6580 . . . . .	334		430		643
6L-3397 . . . . .	155		428	6L-8790 . . . . .	347		649
6L-3428 . . . . .	619		430	6L-9589 . . . . .	154	6N-3685 . . . . .	438
6L-3483 . . . . .	862		1841	6L-9691 . . . . .	516		440
	864	6L-6648 . . . . .	1493		524		►456
	871		1496		1840		458
	879		1499	6L-9781 . . . . .	850		459
	881		1502	6L-9838 . . . . .	636		461
	883		1505	6L-9872 . . . . .	1696		463
	885		1508		1703		466
	887		1511		1708	6N-3686 . . . . .	►457
	889		1524	6N-0009 . . . . .	1844		462
	891		1527	6N-0123 . . . . .	262	6N-3827 . . . . .	1186
	912		1573		264		1188

# PART NUMBER INDEX

Part	Page	Part	Page	Part	Page	Part	Page
	1190		393		145		908
	1193		395		1279	6V-0387 . . . . .	64
	1195		397	6N-9148 . . . . .	459		66
	1198		399		▶475		74
	1200		409	6N-9294 . . . . .	▶903	6V-0405 . . . . .	1694
	1213		411		▶904	6V-0408 . . . . .	1694
	1217		415	6N-9317 . . . . .	17	6V-0441 . . . . .	850
	1223		417		39	6V-0455 . . . . .	181
	1228		419		▶524		182
	1243		421	6N-9587 . . . . .	1166	6V-0713 . . . . .	18
	1246	6N-7887 . . . . .	97	6N-9906 . . . . .	557		20
	1249		98	6N-9915 . . . . .	107		26
	1251		217	6N-9916 . . . . .	107		34
	1254		218	6N-9995 . . . . .	1166		40
	1257	6N-8003 . . . . .	102		1167		42
	1260		103	6P-4231 . . . . .	1279		44
	1269	6N-8079 . . . . .	1	6S-1753 . . . . .	1627		▶1851
6N-4043 . . . . .	▶458		3		1629	6V-0714 . . . . .	40
6N-4878 . . . . .	430		5		1631	6V-1075 . . . . .	1034
6N-4879 . . . . .	309		7		1633		1036
6N-5004 . . . . .	476		9	6T-1395 . . . . .	864		1041
	478		11		871		1042
6N-5456 . . . . .	536		13		879		1043
6N-5457 . . . . .	536		15		881		1044
6N-5782 . . . . .	▶309		17		883		1088
6N-5899 . . . . .	1166		19		891		1674
	1167		21		▶906		1676
6N-5926 . . . . .	1136		23		912		1681
6N-5960 . . . . .	13		25		914		1682
	15		27	6T-1396 . . . . .	862		1692
	17		29		885	6V-1179 . . . . .	1171
	39		31		887	6V-1322 . . . . .	1028
	▶436		33		889	6V-1345 . . . . .	12
6N-5978 . . . . .	518		35		▶908		56
	526		37	6T-1546 . . . . .	952		58
6N-6033 . . . . .	243		39		955		▶1852
6N-6057 . . . . .	529		41	6T-2031 . . . . .	906	6V-1426 . . . . .	502
	530		43		908	6V-1427 . . . . .	502
6N-6082 . . . . .	▶430		45	6T-3631 . . . . .	1293	6V-1541 . . . . .	1645
6N-6093 . . . . .	▶492		47		1294	6V-1550 . . . . .	32
	▶493		49		1296	6V-1614 . . . . .	1156
6N-6248 . . . . .	617		51		1332	6V-1752 . . . . .	31
	619		53		1334	6V-1760 . . . . .	553
6N-6249 . . . . .	617		55		1718		556
6N-6250 . . . . .	617		57		1719		559
	619		59	6T-3632 . . . . .	1293		560
6N-6251 . . . . .	617		61		1294	6V-1813 . . . . .	1124
	619		▶101		1296		1126
6N-6252 . . . . .	617	6N-8486 . . . . .	478		1332		1169
	619	6N-8492 . . . . .	9		1334		1173
6N-6259 . . . . .	617		13		1718	6V-1999 . . . . .	157
	619		15		1719		158
6N-6282 . . . . .	▶617		17	6T-3633 . . . . .	1293		159
6N-6290 . . . . .	▶619		27		1294	6V-2202 . . . . .	894
6N-6300 . . . . .	619		29		1296		899
6N-6611 . . . . .	476		39		1332		904
6N-6703 . . . . .	▶189		45		1334		916
6N-6949 . . . . .	77		47		1718	6V-2369 . . . . .	1329
6N-6984 . . . . .	426		51		1719	6V-2455 . . . . .	1150
6N-6992 . . . . .	428		59	6T-3642 . . . . .	951	6V-2489 . . . . .	552
	430		61		954		561
6N-7174 . . . . .	107		▶314		960		562
	109	6N-8599 . . . . .	387	6T-3644 . . . . .	951	6V-2611 . . . . .	847
	110		389		954	6V-2673 . . . . .	952
6N-7530 . . . . .	636		391		960		955
6N-7564 . . . . .	77		393	6T-3645 . . . . .	948		961
6N-7674 . . . . .	1166		395		957	6V-2686 . . . . .	1167
	1167		397		▶1018	6V-2687 . . . . .	1088
6N-7845 . . . . .	428		399		1109		1692
	430		415	6T-4949 . . . . .	601	6V-2744 . . . . .	1336
6N-7870 . . . . .	385		417		602	6V-2900 . . . . .	4
	387		419	6T-6652 . . . . .	1029		6
	389		421	6T-7337 . . . . .	1669		8
	391	6N-8863 . . . . .	143	6T-9446 . . . . .	906		35

# PART NUMBER INDEX

Part	Page	Part	Page	Part	Page	Part	Page
	37		22		844		1376
	40		24	6V-6867 . . . . .	686		1378
	42		26		687		1600
	44		28		690		1601
	48		30		691		1603
6V-2982 . . . . .	16		34	6V-6921 . . . . .	663		1610
6V-2983 . . . . .	18	6V-5016 . . . . .	235		668		1616
	20	6V-5023 . . . . .	1178		675		1715
	22		▶1216		676		1733
	24	6V-5029 . . . . .	606		683	6V-8186 . . . . .	613
	26		848		762		696
	28	6V-5193 . . . . .	1175		782		948
	30	6V-5207 . . . . .	1178		801	6V-8187 . . . . .	875
	33		▶1217		804		877
6V-3251 . . . . .	156	6V-5226 . . . . .	1178		807		894
	1848		1192		1853		896
	1849		▶1220		1856		899
6V-3319 . . . . .	1848	6V-5227 . . . . .	▶1222	6V-7183 . . . . .	333		902
6V-3507 . . . . .	1639		1237	6V-7192 . . . . .	951		904
	1659	6V-5504 . . . . .	303		954		916
	1660	6V-5537 . . . . .	1222	6V-7463 . . . . .	49	6V-8188 . . . . .	444
	1727		▶1223	6V-7646 . . . . .	1713		511
	1733	6V-5538 . . . . .	1197	6V-7939 . . . . .	1072		512
6V-3508 . . . . .	207		1222	6V-7978 . . . . .	1019		1091
6V-3866 . . . . .	236		▶1226	6V-8001 . . . . .	1733		1094
6V-3948 . . . . .	▶1211	6V-5764 . . . . .	1310	6V-8021 . . . . .	18		1096
6V-3954 . . . . .	1211	6V-5782 . . . . .	274		20		1097
	▶1212	6V-5795 . . . . .	▶1228		22		1099
6V-3969 . . . . .	1211	6V-5817 . . . . .	1077		24		1101
	▶1213		1719		26		1103
6V-4245 . . . . .	1121	6V-5894 . . . . .	586		28		1105
	1169	6V-6153 . . . . .	▶1645		30		1107
6V-4626 . . . . .	118		1646		32		1110
	119		1649		34		1112
	121	6V-6155 . . . . .	▶1646	6V-8023 . . . . .	18		1114
	122	6V-6446 . . . . .	36		20		1116
	124		38		22		1186
6V-4750 . . . . .	2	6V-6640 . . . . .	1720		24		1188
	4	6V-6790 . . . . .	954		26		1190
	6	6V-6835 . . . . .	758		28		1193
	8		760		30		1195
	18		764		34		1198
	20		766		35		1200
	22		768		37		1213
	24		770		40		1217
	26		772		41		1220
	28		774		43		1223
	30		776		46		1226
	32		778		47		1228
	34		783		49		1243
	36		785	6V-8042 . . . . .	18		1246
	38		787		20		1249
	48		789		22		1251
6V-4763 . . . . .	2		791		24		1254
	3		793		26		1257
	6		795		28		1260
	9		797		30		1272
	11		808		34		1274
	31		810		46		1378
	35		812	6V-8185 . . . . .	438	6V-8189 . . . . .	139
	37		814		440		141
	40		816		458		285
	41		818		459		287
	43		820		461		289
	48		822		462		291
	53		826		463		403
	55		828		466		423
	57		830		696		696
	59		832		866		873
	61		834		906		1019
6V-4785 . . . . .	13		836		908		1023
	16		838		921		1024
	18		840		1121		1130
	20		842		1276		1318

# PART NUMBER INDEX

Part	Page	Part	Page	Part	Page	Part	Page
	1351		403	<b>7</b>		7C-1025 . . . . .	1279
	1353		423			7C-1058 . . . . .	31
	1355		438	7B-2002 . . . . .	853		►534
	1357		440		855		►535
	1359		458		857	7C-1075 . . . . .	►1743
	1361		459	7B-2742 . . . . .	550	7C-1091 . . . . .	►389
	1656		461		747		►391
	1717		462		749		►393
6V-8364 . . . . .	1301		466		750	7C-1092 . . . . .	►395
6V-8367 . . . . .	1666		523		1158		►397
	1724		599		1171		►399
6V-8368 . . . . .	1659		1019	7B-3235 . . . . .	1299	7C-1195 . . . . .	►31
	1660		1023		119	7C-1196 . . . . .	►33
	1746		1064		122	7C-1488 . . . . .	►304
6V-8374 . . . . .	1293		1068		162		305
	1294		1089		163	7C-1489 . . . . .	►305
	1296		1091		165	7C-1548 . . . . .	. 237
	1332		1093		167	7C-1549 . . . . .	. 341
	1334		1094		170		342
	1603		1096		182	7C-1781 . . . . .	►1368
	1604		1097		428	7C-1846 . . . . .	►1368
	1605		1099		430	7C-1899 . . . . .	►933
	1606		1101		881	7C-1900 . . . . .	►934
	1607		1103		887	7C-1976 . . . . .	►935
	1610		1110		910	7C-1977 . . . . .	►936
	1616		1112		914	7C-2169 . . . . .	►282
	1617		1114	7B-4115 . . . . .	235		411
	1718		1116	7B-5932 . . . . .	1844		417
	1719		1118	7B-7908 . . . . .	1169		419
6V-8376 . . . . .	948		1121	7B-8167 . . . . .	1125	7C-2170 . . . . .	►283
	951		1125	7B-9149 . . . . .	850		391
	954		1125	7B-9665 . . . . .	853		397
	957		1276		855		415
	960		1283		857		421
	1019		1353	7C-0100 . . . . .	285	7C-2193 . . . . .	. 760
	1021		1355		287		783
	1024		1357		289		785
	1167		1359		291		787
	1302		1361		1299		789
	1657		1363	7C-0307 . . . . .	313		791
	1658		1364		1849	7C-0368 . . . . .	►1124
	1668		1365		1849	7C-0369 . . . . .	1124
	1718		1366		1849	7C-0376 . . . . .	529
6V-8377 . . . . .	899		1368		530		522
	904		1369		528	7C-2468 . . . . .	. 522
	916		1371		528	7C-2605 . . . . .	►732
	1085		1372		528		816
	1158		1373	7C-0386 . . . . .	528		842
	1161		1376	7C-0396 . . . . .	754	7C-2675 . . . . .	1713
	1162		1376	7C-0535 . . . . .	1331		1714
	1165		1378	7C-0549 . . . . .	1694		1715
	1659	6V-8902 . . . . .	1714		1696		1715
	1660		46		1703	7C-2700 . . . . .	►1048
	1744		48		1708	7C-2701 . . . . .	1671
	1018	6V-9027 . . . . .	50	7C-0552 . . . . .	1596		1672
	1186	6V-9499 . . . . .	1849	7C-0555 . . . . .	1531	7C-2940 . . . . .	. 158
	1188	6V-9673 . . . . .	1645		1535		159
	1190		1205		►1596	7C-2945 . . . . .	1694
	1193		1239	7C-0558 . . . . .	1596		1704
	1195		1241	7C-0640 . . . . .	565		1706
	1198		1263	7C-0791 . . . . .	626		1708
	1249	6V-9769 . . . . .	1265		631		1735
	1269		154		643	7C-2952 . . . . .	1735
	1657	6Y-3955 . . . . .	1848	7C-0956 . . . . .	1729	7C-2953 . . . . .	1735
	1666		1594		1730	7C-2954 . . . . .	1735
6V-8378 . . . . .	1018		1619	7C-0957 . . . . .	1674	7C-3025 . . . . .	. 7
	1186		1620	7C-0958 . . . . .	1676		31
	1188		1621	7C-0972 . . . . .	1694		►783
	1190		1622		1696		►785
	1193		1623		1703		►787
	1195		1624		1708		►789
	1198		1625	7C-0974 . . . . .	1719	7C-3027 . . . . .	. 33
	1249		1626		1723		►791
	1269		1635		►1808		►793
	1657		1857	7C-1000 . . . . .	►1703		►795
6V-8382 . . . . .	1666			7C-1002 . . . . .	►1718		►797
	1724			7C-1009 . . . . .			
6V-8396 . . . . .	1023						
6V-8645 . . . . .	906						
	908						
6V-8801 . . . . .	126						
	128						
	234						
	300						
	302						

# PART NUMBER INDEX

Part	Page	Part	Page	Part	Page	Part	Page
7C-3084 . . . . .	▶1676	7C-5024 . . . . .	▶1109		1518		1493
	1721	7C-5075 . . . . .	1735		1524		1496
7C-3085 . . . . .	▶1729	7C-5076 . . . . .	1735		1530		1499
7C-3262 . . . . .	▶1704	7C-5108 . . . . .	▶235		1537		1502
	1721	7C-5130 . . . . .	▶1730		1546		1505
7C-3263 . . . . .	▶1706	7C-5219 . . . . .	▶733		1555		1508
	1721		▶735		1564		1511
7C-3508 . . . . .	1676		799		1567		1515
7C-3512 . . . . .	1674	7C-5220 . . . . .	▶799		1573		1518
	1676		▶800		1579		1521
7C-3513 . . . . .	1674		801		1599		1524
	1676	7C-5221 . . . . .	▶801		1600		1527
7C-3514 . . . . .	1676	7C-5222 . . . . .	▶802		1601		1530
7C-3515 . . . . .	1674		▶803		1671		1534
	1676		804		1672		1573
7C-3516 . . . . .	1676	7C-5223 . . . . .	▶737	7C-5709 . . . . .	1399	7C-6121 . . . . .	1719
7C-3517 . . . . .	1674		▶739		1405	7C-6178 . . . . .	64
7C-3518 . . . . .	1674		802		1411		66
7C-3519 . . . . .	1729	7C-5224 . . . . .	▶804		1423		74
7C-3520 . . . . .	1729	7C-5225 . . . . .	▶741		1429		▶1647
	1730		▶743		1435	7C-6513 . . . . .	▶1315
7C-3521 . . . . .	1729		805		1444	7C-6850 . . . . .	▶1310
	1730	7C-5226 . . . . .	▶805		1450		1319
	1732		▶806		1462	7C-7011 . . . . .	204
7C-3522 . . . . .	1729		807		1475		207
	1730	7C-5227 . . . . .	▶807		1487	7C-7012 . . . . .	207
7C-3527 . . . . .	▶1735	7C-5278 . . . . .	701		1493		▶207
7C-3795 . . . . .	▶204		702		1499	7C-7013 . . . . .	▶210
	206		705		1505		1392
7C-3796 . . . . .	1		745		1511	7C-7319 . . . . .	1392
	7	7C-5296 . . . . .	▶1731		1518		1394
	31	7C-5299 . . . . .	19		1524		1567
	33		41		1530	7C-7414 . . . . .	▶310
	▶206		▶808		1537	7C-7463 . . . . .	▶276
7C-3874 . . . . .	▶927		▶810		1546	7C-7464 . . . . .	276
7C-3887 . . . . .	1603		▶812		1555	7C-7466 . . . . .	▶1085
	1604		▶814		1564	7C-7475 . . . . .	▶35
	1605	7C-5544 . . . . .	1085		1567	7C-7534 . . . . .	525
	1606	7C-5551 . . . . .	669		1573	7C-7535 . . . . .	401
	1607		▶684		1579		403
	1610	7C-5553 . . . . .	669		1599	7C-7536 . . . . .	401
	1616		670		1600		403
	1617		▶685		1601	7C-7541 . . . . .	525
7C-4062 . . . . .	1719	7C-5555 . . . . .	679		1671	7C-7559 . . . . .	401
7C-4354 . . . . .	1019		684		1672		403
	1064	7C-5556 . . . . .	684	7C-5711 . . . . .	1383	7C-7580 . . . . .	▶563
	1068	7C-5561 . . . . .	685		1386		571
7C-4369 . . . . .	1703	7C-5562 . . . . .	685		1399	7C-7584 . . . . .	▶564
	1708	7C-5563 . . . . .	685		1405		573
7C-4370 . . . . .	1694	7C-5564 . . . . .	685		1411	7C-7598 . . . . .	▶482
	1696	7C-5685 . . . . .	1623		1423		563
	1703		1624		1429	7C-7600 . . . . .	▶483
	1708		1625		1435		564
7C-4378 . . . . .	1706		1626		1444	7C-7601 . . . . .	▶485
	1719		1627		1450		565
7C-4468 . . . . .	7		1629		1462	7C-7611 . . . . .	483
	31		1631		1475	7C-7614 . . . . .	678
	▶683		1633		1487		680
7C-4550 . . . . .	624		1635		1494		681
	1332	7C-5708 . . . . .	1399		1500		685
	1735		1405		1506	7C-7863 . . . . .	525
7C-4551 . . . . .	1019		1411		1512	7C-7991 . . . . .	686
	1023		1423		1519	7C-7992 . . . . .	686
7C-4552 . . . . .	1019		1429		1525	7C-7993 . . . . .	686
	1023		1435		1531	7C-7994 . . . . .	686
7C-4553 . . . . .	1023		1444		1537	7C-7995 . . . . .	687
7C-4725 . . . . .	▶1708		1450		1547	7C-7996 . . . . .	687
7C-4763 . . . . .	553		1462		1556	7C-8298 . . . . .	▶525
	▶562		1475		1565	7C-8299 . . . . .	525
7C-4858 . . . . .	▶1023		1487		1567	7C-8384 . . . . .	▶401
7C-4900 . . . . .	1109		1493		1573		▶403
7C-4910 . . . . .	1735		1499		1580	7C-8385 . . . . .	401
7C-4925 . . . . .	1730		1505	7C-6107 . . . . .	1487		403
	1732		1511		1490		▶405

# PART NUMBER INDEX

Part	Page	Part	Page	Part	Page	Part	Page
	423		842	7E-0143 . . . . .	162		1855
7C-8386 . . . . .	405		844		163	7E-4892 . . . . .	627
7C-8427 . . . . .	565	7C-9128 . . . . .	▶1231		910		631
7C-8428 . . . . .	▶565	7C-9129 . . . . .	1645	7E-0144 . . . . .	139		644
	566		1646	7E-0598 . . . . .	▶574		649
7C-8429 . . . . .	11		1649	7E-1112 . . . . .	1720	7E-4928 . . . . .	5
	35	7C-9130 . . . . .	1684	7E-1113 . . . . .	1720		7
	37	7C-9132 . . . . .	1311	7E-1114 . . . . .	1720		13
	55		1315	7E-1115 . . . . .	1720		15
	57	7C-9141 . . . . .	▶928	7E-1116 . . . . .	1720		39
	▶566	7C-9142 . . . . .	▶929	7E-1117 . . . . .	1720		41
7C-8481 . . . . .	525	7C-9179 . . . . .	1720	7E-1118 . . . . .	1720		43
7C-8482 . . . . .	401	7C-9189 . . . . .	696	7E-1119 . . . . .	1720		▶173
	403	7C-9201 . . . . .	37	7E-1130 . . . . .	423	7E-5070 . . . . .	▶910
7C-8627 . . . . .	405		53	7E-1158 . . . . .	1094	7E-5071 . . . . .	▶162
7C-8629 . . . . .	296		57		1096	7E-5072 . . . . .	▶163
7C-8630 . . . . .	▶296		▶816		1099	7E-5073 . . . . .	▶912
	403		▶818		1103	7E-5074 . . . . .	▶914
	423		▶820		1110	7E-5346 . . . . .	617
7C-8632 . . . . .	▶567		▶822		1112		619
	568	7C-9301 . . . . .	486		1114		627
7C-8637 . . . . .	405	7C-9302 . . . . .	567		1116		632
7C-8638 . . . . .	401	7C-9303 . . . . .	486		1373		644
	403	7C-9304 . . . . .	567		1378		649
7C-8657 . . . . .	53	7C-9305 . . . . .	486	7E-1159 . . . . .	▶1378		749
	▶568	7C-9309 . . . . .	▶486	7E-1160 . . . . .	▶1110		750
7C-8760 . . . . .	1310		567		▶1112	7E-5940 . . . . .	1441
	1314	7C-9312 . . . . .	▶37		▶1114		1444
	1573	7C-9361 . . . . .	677	7E-1161 . . . . .	▶1116		1447
7C-8761 . . . . .	1310		▶688	7E-1216 . . . . .	▶289		1475
	1573	7C-9362 . . . . .	677		▶291		1478
7C-8876 . . . . .	664		▶689	7E-1232 . . . . .	▶624		1481
	666	7C-9531 . . . . .	486		1718		1484
	▶686	7C-9532 . . . . .	567		1721		1537
	694	7C-9533 . . . . .	486	7E-1233 . . . . .	▶625		1540
7C-8877 . . . . .	664	7C-9534 . . . . .	486		1721		1543
	666	7C-9535 . . . . .	486	7E-1234 . . . . .	▶1680	7E-5947 . . . . .	1347
	▶687	7C-9536 . . . . .	486		1718	7E-5948 . . . . .	1347
	694	7C-9538 . . . . .	567	7E-1243 . . . . .	1391	7E-6047 . . . . .	175
7C-8993 . . . . .	▶612	7C-9539 . . . . .	486		▶1564		179
	758	7C-9540 . . . . .	486		▶1567	7E-6063 . . . . .	461
	760	7C-9541 . . . . .	486		▶1570	7E-6064 . . . . .	461
	764	7C-9699 . . . . .	486	7E-1246 . . . . .	624	7E-6065 . . . . .	▶461
	766	7C-9771 . . . . .	688		625	7E-6067 . . . . .	285
	768	7C-9772 . . . . .	688	7E-2464 . . . . .	756		287
	770	7C-9773 . . . . .	688	7E-2583 . . . . .	▶582		289
	772	7C-9774 . . . . .	688	7E-2681 . . . . .	1824		291
	774	7C-9775 . . . . .	689	7E-2845 . . . . .	1281	7E-6068 . . . . .	285
	776	7C-9776 . . . . .	689		1283		287
	778	7D-1649 . . . . .	426	7E-3157 . . . . .	▶1744		289
	783		1590	7E-3170 . . . . .	139		291
	785	7D-7026 . . . . .	333		141	7E-6070 . . . . .	289
	787	7D-9052 . . . . .	850		285		291
	789	7E-0086 . . . . .	285		287	7E-6072 . . . . .	285
	791		287	7E-3667 . . . . .	756		287
	793	7E-0089 . . . . .	▶285	7E-3986 . . . . .	699		289
	795		▶287		714		291
	797	7E-0090 . . . . .	285		716	7E-6086 . . . . .	296
	808		287		718		405
	810		289		720	7E-6247 . . . . .	▶1078
	812		291		724		1079
	814	7E-0097 . . . . .	1398	7E-4237 . . . . .	173		1080
	816		▶1546	7E-4268 . . . . .	▶459	7E-6567 . . . . .	1399
	818		▶1549	7E-4300 . . . . .	▶1818		1402
	820		▶1552	7E-4656 . . . . .	754		1405
	822	7E-0098 . . . . .	1398		756		1408
	826		▶1555	7E-4846 . . . . .	706		1411
	828		▶1558		710		1414
	830		▶1561		732		1417
	832	7E-0138 . . . . .	▶139		733		1420
	834	7E-0139 . . . . .	▶141		737		1423
	836	7E-0141 . . . . .	139		741		1426
	838		141		824		1429
	840	7E-0142 . . . . .	141		846		1432

# PART NUMBER INDEX

Part	Page	Part	Page	Part	Page	Part	Page
	1435		1582		1570		1552
	1438		1585		1579		1555
	1441	7E-6569 . . . . .	1424		1582		1558
	1444		1427		1585		1561
	1447		1564	7E-6574 . . . . .	1399		1564
	1450		1567		1402		1567
	1453		1570		1405		1570
	1456	7E-6570 . . . . .	1450		1408		1579
	1459		1564		1411		1582
	1462	7E-6571 . . . . .	1450		1414		1585
	1465		1453		1417	7E-6576 . . . . .	1546
	1468		1456		1420		1549
	1471		1459		1424		1552
	1475		1475		1427		1555
	1478		1478		1429		1558
	1481		1481		1432		1561
	1484		1484		1435		1564
	1537		1537		1438		1567
	1540		1540		1441		1570
	1543		1543		1444		1579
	1547		1546		1447		1582
	1549		1549		1450		1585
	1552		1552		1453	7E-6577 . . . . .	1399
	1555		1555		1456		1402
	1558		1558		1459		1405
	1561		1561		1463		1411
	1565		1565		1466		1414
	1567		1567		1469		1417
	1570		1570		1472		1423
	1580		1579		1475		1429
	1582		1582		1478		1435
	1585		1585		1481		1444
7E-6568 . . . . .	1399	7E-6572 . . . . .	1450		1484		1450
	1402		1453		1537		1453
	1405		1456		1540		1456
	1408		1459		1543		1462
	1411		1475		1546		1465
	1414		1478		1549		1468
	1417		1481		1552		1476
	1420		1484		1555		1478
	1423		1537		1558		1481
	1426		1540		1561		1538
	1429		1543		1564		1540
	1432		1546		1567		1546
	1435		1549		1570		1549
	1438		1552		1579		1555
	1441		1555		1582		1558
	1444		1558		1585		1564
	1447		1561	7E-6575 . . . . .	1399		1567
	1450		1565		1402		1579
	1453		1567		1405		1582
	1456		1570		1408	7E-6578 . . . . .	1399
	1459		1579		1411		1402
	1462		1582		1414		1405
	1465		1585		1417		1408
	1468	7E-6573 . . . . .	1450		1420		1411
	1471		1453		1423		1414
	1475		1456		1426		1417
	1478		1459		1429		1420
	1481		1475		1432		1423
	1484		1478		1435		1426
	1537		1481		1438		1429
	1540		1484		1441		1432
	1543		1537		1444		1435
	1546		1540		1447		1438
	1549		1543		1475		1441
	1552		1546		1478		1444
	1555		1549		1481		1447
	1558		1552		1484		1450
	1561		1555		1537		1453
	1564		1558		1540		1456
	1567		1561		1543		1459
	1570		1564		1546		1462
	1579		1567		1549		1465



# PART NUMBER INDEX

Part	Page	Part	Page	Part	Page	Part	Page
	1468	7E-8074 . . . . .	1613		1236	7L-0250 . . . . .	▶462
	1471		1618		1237	7L-0257 . . . . .	▶463
	1475	7E-8255 . . . . .	1732		1238	7L-0369 . . . . .	▶494
	1478	7E-8266 . . . . .	1400	7H-8213 . . . . .	1118	7L-0443 . . . . .	▶495
	1481		1402		1353	7L-0603 . . . . .	170
	1484		1405		1355	7L-0688 . . . . .	955
	1537		1408		1357		961
	1540		1412		1361	7L-0874 . . . . .	271
	1543		1415		1363		297
	1546		1417		1364		304
	1549		1420		1365	7L-0875 . . . . .	297
	1552		1423		1366		304
	1555		1426		1369	7L-0877 . . . . .	297
	1558		1430		1371		304
	1561		1432		1372	7L-2031 . . . . .	458
	1564		1436	7H-9678 . . . . .	752		459
	1567		1438		753		461
	1570		1441	7J-0204 . . . . .	1855		466
	1579		1445	7J-8611 . . . . .	345		468
	1582		1447	7J-8902 . . . . .	1173	7L-2130 . . . . .	347
	1585		1462		1183	7L-2894 . . . . .	1186
7E-6785 . . . . .	816		1465		1184		1188
	818		1468		1185		1190
	820		1471	7K-1181 . . . . .	1066		1193
	830		1594		1070		1195
	836		1857		1083		1198
	838	7E-8270 . . . . .	▶1732		1089		1213
	844	7E-8396 . . . . .	▶583		1091		1217
7E-7078 . . . . .	▶1715		1718		1093		1223
7E-7233 . . . . .	1400	7E-8471 . . . . .	▶39		1094		1228
	1403	7E-8472 . . . . .	▶41		1096		1243
	1406	7E-8473 . . . . .	▶43		1097		1246
	1409	7E-8764 . . . . .	▶212		1099		1249
	1412		264		1101		1252
	1415	7E-8923 . . . . .	64		1103		1254
	1418		66		1105		1257
	1421		74		1107		1260
	1424	7E-8924 . . . . .	66		1110	7L-3107 . . . . .	636
	1427		74		1112	7L-3195 . . . . .	554
	1430	7E-8925 . . . . .	64		1114		555
	1433		66		1116		566
	1436	7E-8926 . . . . .	64		1130		571
	1439		66		1314		572
	1442		74		1317		573
	1445	7E-8928 . . . . .	64		1319		1845
	1448		66		1351		1847
	1451		74		1353	7L-3326 . . . . .	578
	1454	7E-9658 . . . . .	1025		1355		579
	1457	7E-9980 . . . . .	86		1357		699
	1460	7F-0192 . . . . .	442		1359		712
	1463		444		1361		714
	1466	7F-0216 . . . . .	221		1363		716
	1469	7F-4920 . . . . .	1269		1364		718
	1472	7F-7590 . . . . .	231		1365		720
	1476		1843		1366		724
	1479		1856		1367		824
	1482	7F-7621 . . . . .	894		1369	7L-4186 . . . . .	696
	1485		896		1370	7L-4535 . . . . .	▶1717
	1538	7F-8607 . . . . .	1853		1371	7L-4536 . . . . .	1717
	1541		1855		1372	7L-4975 . . . . .	655
	1544	7F-8896 . . . . .	182		1373		656
	1547	7F-8897 . . . . .	90		1376	7L-4984 . . . . .	606
	1550	7F-8916 . . . . .	91		1378	7L-5189 . . . . .	1161
	1553	7F-8921 . . . . .	126	7K-3377 . . . . .	1130	7L-5368 . . . . .	462
	1556	7F-9223 . . . . .	1530		1351	7L-5810 . . . . .	202
	1559		1534		1353	7L-5882 . . . . .	170
	1562	7G-4327 . . . . .	1123		1355	7L-6443 . . . . .	568
	1565	7G-7889 . . . . .	▶916		1357		1844
	1568	7G-8802 . . . . .	599		1359	7L-6551 . . . . .	87
	1571	7G-9730 . . . . .	1666		1361	7L-7262 . . . . .	160
	1580		1718	7K-3434 . . . . .	1596		161
	1583	7H-2079 . . . . .	906	7K-4129 . . . . .	850	7L-7367 . . . . .	▶1030
	1586		908	7K-9197 . . . . .	1121	7L-7460 . . . . .	458
7E-7848 . . . . .	1683	7H-3937 . . . . .	1231	7L-0217 . . . . .	317		461

# PART NUMBER INDEX

Part	Page	Part	Page	Part	Page	Part	Page
7L-7504 . . . . .	347		732	7N-1268 . . . . .	▶197		818
7L-7508 . . . . .	347		733	7N-1292 . . . . .	1		820
7L-7867 . . . . .	▶937		737		3		822
7L-7871 . . . . .	▶938		741		5		826
	▶939		824		7		828
7L-8470 . . . . .	456		846		9		830
	457	7N-1047 . . . . .	699		11		832
7L-8705 . . . . .	1327		703		13		834
7M-0327 . . . . .	1301		706		15		836
7M-0336 . . . . .	1269		708		17		838
7M-1674 . . . . .	468		710		19		840
	520		712		21		842
	522		714		23		844
	523		716		25	7N-2275 . . . . .	▶134
7M-4046 . . . . .	102		718		27	7N-2515 . . . . .	554
	104		720		29		▶569
7M-4387 . . . . .	857		722		31	7N-2594 . . . . .	626
7M-6425 . . . . .	850		724		33		627
7M-7219 . . . . .	627		726		35		631
	631		728		37		632
	644		730		39		643
	649		732		41		644
7M-7273 . . . . .	494		733		43		648
	556		735		45	7N-2597 . . . . .	385
	559		737		47		387
	1851		739		49		389
7M-7410 . . . . .	1171		741		51		391
7M-8485 . . . . .	341		743		53		393
	342		824		55		395
	529		846		57		397
	530	7N-1052 . . . . .	758		59		399
	534		760		61		409
	535		764		▶94		411
	1841		766	7N-1425 . . . . .	165		415
7M-9544 . . . . .	1169		768		167		417
	1173		770	7N-1599 . . . . .	606		419
7N-0001 . . . . .	636		772	7N-1796 . . . . .	859		421
	639		774		860		423
7N-0012 . . . . .	480		776		861		850
7N-0060 . . . . .	936		778	7N-1991 . . . . .	271	7N-2856 . . . . .	569
	938		783		297	7N-2994 . . . . .	137
	939		785	7N-2059 . . . . .	1166		138
7N-0110 . . . . .	262		787		1167	7N-3300 . . . . .	221
7N-0140 . . . . .	1166		789	7N-2171 . . . . .	627	7N-3486 . . . . .	533
	1167		791		632	7N-3496 . . . . .	1
7N-0172 . . . . .	339		793		644		3
7N-0200 . . . . .	153		795		648		5
	335		797	7N-2172 . . . . .	627		7
	337		808		632		9
	1840		810		644		11
	1841		812		648		13
	1847		814	7N-2176 . . . . .	758		15
7N-0239 . . . . .	569		816		760		17
7N-0243 . . . . .	77		818		764		19
7N-0296 . . . . .	1166		820		766		21
	1167		822		768		23
	1302		826		770		25
7N-0550 . . . . .	204		828		772		27
	207		830		774		29
7N-0583 . . . . .	320		832		776		31
7N-0749 . . . . .	135		834		778		33
7N-0816 . . . . .	314		836		783		35
7N-0944 . . . . .	153		838		785		37
	306		840		787		39
	307		842		789		41
	308		844		791		43
	309	7N-1066 . . . . .	701		793		45
	425		702		795		47
	1840		745		797		49
	1841	7N-1067 . . . . .	701		808		51
	1847		702		810		53
7N-1046 . . . . .	706		705		812		55
	710	7N-1101 . . . . .	436		814		57
	712	7N-1267 . . . . .	197		816		59

# PART NUMBER INDEX

Part	Page	Part	Page	Part	Page	Part	Page
	61		39		1302	7N-7809 . . . . .	894
	▶135		41		1336		899
7N-3759 . . . . .	476		43	7N-7780 . . . . .	599		904
	478		▶378		601		916
7N-3760 . . . . .	476		379		602	7N-7810 . . . . .	894
7N-4533 . . . . .	636		380		637		899
7N-4722 . . . . .	137	7N-6486 . . . . .	189		639		904
7N-4791 . . . . .	137	7N-6504 . . . . .	▶1232		951		916
7N-4837 . . . . .	77		1233		952	7N-7811 . . . . .	894
7N-5274 . . . . .	963		1234		954		899
	1279	7N-6505 . . . . .	▶1235		955		904
	1281		1236		960		916
	1283		1237		1025	7N-7969 . . . . .	657
7N-5334 . . . . .	764		1238		1027	7N-7970 . . . . .	657
	766	7N-6550 . . . . .	▶103		1029		699
	768		104		1072		703
	770	7N-6609 . . . . .	480		1149		708
	772	7N-6745 . . . . .	307		1153		714
	774		309		1288		716
	776		310		1290		718
	778	7N-6807 . . . . .	637		1302		720
	783	7N-7122 . . . . .	894		1336		722
	791	7N-7166 . . . . .	578	7N-7781 . . . . .	952		724
	793		579		955		726
	795		699		960		728
	808		712		1025		730
	826		714		1027		735
	834		716		1029		739
	842		718		1288		743
	848		720		1290	7N-7998 . . . . .	104
7N-5848 . . . . .	117		724	7N-7782 . . . . .	951	7N-8008 . . . . .	1293
7N-5856 . . . . .	340		824		954		1294
7N-5876 . . . . .	1666	7N-7221 . . . . .	951		960		1296
	1719	7N-7264 . . . . .	578		1336		1718
	1723		579	7N-7795 . . . . .	894	7N-8015 . . . . .	209
7N-5908 . . . . .	▶371		699		899	7N-8018 . . . . .	106
	372		712		904		107
	373		714		916		110
	374		716	7N-7796 . . . . .	894		153
7N-5909 . . . . .	9		718		899		1840
	11		720		904		1841
	21		724		916		1845
	23		824	7N-7798 . . . . .	894		1847
	27	7N-7265 . . . . .	578		899	7N-8026 . . . . .	3
	29		579		904		5
	35		712		916		9
	37		824	7N-7800 . . . . .	894		11
	45	7N-7267 . . . . .	632		899		13
	47		649		904		15
	49	7N-7268 . . . . .	631		916		18
	51	7N-7270 . . . . .	627	7N-7801 . . . . .	894		19
	53		632		899		21
	55		644		904		23
	57		649		916		25
	59	7N-7271 . . . . .	626	7N-7802 . . . . .	894		28
	61		643		899		30
	▶375		649		904		35
	376	7N-7779 . . . . .	599		916		37
	377		601	7N-7804 . . . . .	894		40
7N-5910 . . . . .	367		602		904		41
7N-6052 . . . . .	636		637	7N-7805 . . . . .	894		43
7N-6061 . . . . .	198		639		899		46
7N-6172 . . . . .	77		951		904		47
7N-6208 . . . . .	1		952		916		49
	3		954	7N-7806 . . . . .	894		51
	5		955		899		53
	7		960		904		55
	13		1025	7N-7807 . . . . .	894		57
	15		1027		899		59
	17		1029		904		61
	19		1072	7N-7808 . . . . .	894		▶209
	25		1149		899		▶210
	31		1288		904	7N-8143 . . . . .	▶198
	33		1290		916	7N-8374 . . . . .	97

# PART NUMBER INDEX

Part	Page	Part	Page	Part	Page	Part	Page
	98		▶107		799		830
7N-8421 . . . . .	699	7N-9020 . . . . .	689		802		832
	703	7N-9021 . . . . .	894		805		834
	706		899		808		836
	708		904		810		838
	710		916		812		840
	712	7N-9023 . . . . .	894		816		842
	714		899		818		844
	716		904		820	7S-0687 . . . . .	514
	718		916		826	7S-1197 . . . . .	1627
	720	7N-9024 . . . . .	894		828		1629
	722		899		830		1631
	724		904		834		1633
	726		916		836	7S-1778 . . . . .	464
	728	7N-9035 . . . . .	587		838	7S-1801 . . . . .	219
	730	7N-9036 . . . . .	587		842	7S-1803 . . . . .	219
	732	7N-9062 . . . . .	587		844	7S-2204 . . . . .	86
	733	7N-9146 . . . . .	132	7N-9720 . . . . .	903	7S-3131 . . . . .	442
	735		133		▶919		446
	737		134	7N-9737 . . . . .	1072		448
	739		135		1153		452
	741		136		1302	7S-3161 . . . . .	206
	743	7N-9494 . . . . .	407		1336		209
	824	7N-9495 . . . . .	407	7N-9738 . . . . .	599		210
	846	7N-9517 . . . . .	▶407		601	7S-3224 . . . . .	102
7N-8470 . . . . .	529	7N-9519 . . . . .	615		602		103
	530	7N-9520 . . . . .	615		637	7S-4338 . . . . .	948
7N-8756 . . . . .	▶526		1853		639		951
7N-8768 . . . . .	764		1855		1149		954
	766	7N-9536 . . . . .	1		1153		957
	768		3	7N-9771 . . . . .	227	7S-4411 . . . . .	▶471
	772		5	7N-9801 . . . . .	1166	7S-4994 . . . . .	▶472
	774		7		1167	7S-5003 . . . . .	543
	776		9		1302	7S-5771 . . . . .	536
	783		11	7N-9805 . . . . .	175	7S-5772 . . . . .	536
	785		13		177	7S-6719 . . . . .	501
	787		15	7N-9845 . . . . .	1161	7S-7144 . . . . .	106
	791		17	7N-9907 . . . . .	758		107
	793		19		760		109
	795		21		763		110
	808		23		764	7S-7680 . . . . .	432
	810		25		766		446
	812		27		768		447
	816		29		770		448
	818		31		772		450
	820		33		774	7S-8920 . . . . .	234
	826		35		776	7S-8921 . . . . .	234
	828		37		778	7S-9323 . . . . .	752
	830		39		780		753
	834		41		781	7S-9372 . . . . .	196
	836		43		783	7T-0037 . . . . .	576
	838		45		785		621
	842		47		787		622
	844		49		789		623
7N-8775 . . . . .	626		51		791		653
	631		53		793		654
	643		55		795		1722
	648		57		797	7T-0676 . . . . .	906
7N-8780 . . . . .	626		59		799		908
	631		61		800	7T-0677 . . . . .	906
	643		▶127		802		908
	648	7N-9554 . . . . .	764		803	7T-0798 . . . . .	1203
7N-8785 . . . . .	627		766		805		▶1239
	631		768		806	7T-0895 . . . . .	906
	644		772		808		908
	648		774		810	7T-2009 . . . . .	857
7N-8821 . . . . .	627		776		812	7T-2036 . . . . .	857
	631		780		814	7T-2037 . . . . .	853
	644		783		816		855
	649		785		818		857
	754		787		820	7T-2265 . . . . .	1204
	756		791		822		▶1241
7N-8876 . . . . .	7		793		826	7T-2339 . . . . .	1205
	31		795		828		1239

# PART NUMBER INDEX

Part	Page	Part	Page	Part	Page	Part	Page
	1241		1213		1251		1217
	1265		1217		1257		1223
7T-2790 . . . . .	866		1223		1260		1228
	921		1228	7T-3279 . . . . .	1186		1243
7T-2791 . . . . .	921		1243		1188		1246
7T-2792 . . . . .	866		1246		1190		1249
	921		1251		1193		1251
7T-2793 . . . . .	866		1254		1195		1254
	921		1257		1198		1257
7T-2794 . . . . .	921		1260		1200		1260
7T-2795 . . . . .	866		1269		1213		1269
	921	7T-3270 . . . . .	1200		1217	7T-6087 . . . . .	1179
7T-2796 . . . . .	921		1213		1223		1181
7T-2797 . . . . .	866		1217		1228	7T-6088 . . . . .	1179
	921		1223		1243		1181
7T-2798 . . . . .	866		1228		1246		1263
	921		1243		1249		1263
7T-2799 . . . . .	866		1246		1251	7T-6090 . . . . .	1179
	921		1251		1254		1181
7T-2800 . . . . .	866		1254		1257		1263
	921		1257		1260	7T-6092 . . . . .	1179
7T-2801 . . . . .	866		1260		1269		1181
	921		1269	7T-3451 . . . . .	1186		1263
7T-2802 . . . . .	866	7T-3271 . . . . .	1200		1188	7T-6093 . . . . .	1179
	921		1213		1190		1181
7T-2803 . . . . .	866		1217		1193		1263
	921		1223		1195	7T-6099 . . . . .	1179
7T-2804 . . . . .	866		1228		1198		1181
	921		1243		1200		1263
7T-2805 . . . . .	866		1246		1213	7T-6100 . . . . .	1263
	921		1251		1217	7T-6130 . . . . .	1263
7T-2816 . . . . .	866		1254		1223	7T-6364 . . . . .	951
	921		1257		1228		954
7T-2882 . . . . .	1241		1260		1243		960
7T-2883 . . . . .	1241		1269		1246		1084
7T-3267 . . . . .	1186	7T-3274 . . . . .	1269		1249	7T-6365 . . . . .	952
	1188	7T-3275 . . . . .	1186		1251		954
	1190		1188		1254		961
	1193		1190		1257		1084
	1195		1200		1260	7T-6416 . . . . .	866
	1198		1213		1269	7T-6417 . . . . .	866
	1201		1243	7T-3454 . . . . .	1186	7T-6418 . . . . .	866
	1213		1254		1188	7T-8332 . . . . .	401
	1217		1269		1190		403
	1223	7T-3276 . . . . .	1193		1193		423
	1229		1195		1195	7T-9868 . . . . .	▶ 1648
	1244		1198		1198	7V-7584 . . . . .	289
	1247		1217		1200		291
	1249		1223		1213	7W-0037 . . . . .	▶ 1346
	1252		1228		1217	7W-0096 . . . . .	1381
	1255		1246		1223		1382
	1257		1249		1228		1384
	1261		1251		1243		1385
	1270		1257		1246		1389
7T-3268 . . . . .	1186		1260		1249		1390
	1188	7T-3277 . . . . .	1193		1251		1391
	1190		1195		1254		1392
	1193		1198		1257		1393
	1195		1217		1260		1394
	1198		1223		1269		1395
	1201		1228	7T-3973 . . . . .	1186		1396
	1213		1246		1243		1397
	1217		1249		1246		1398
	1223		1251		1249	7W-0108 . . . . .	1392
	1229		1257		1254		1393
	1244		1260		1260		1394
	1247	7T-3278 . . . . .	1193	7T-3974 . . . . .	1186		1395
	1249		1195		1188	7W-0115 . . . . .	▶ 1369
	1252		1198		1190	7W-0130 . . . . .	476
	1255		1217		1193	7W-0131 . . . . .	476
	1257		1223		1195	7W-0133 . . . . .	1353
	1261		1228		1198		1359
	1270		1246		1200		1366
7T-3269 . . . . .	1200		1249		1213		1369

# PART NUMBER INDEX

Part	Page	Part	Page	Part	Page	Part	Page
	1370	7W-0517 . . . . .	1175		▶264	7W-3349 . . . . .	606
	1371	7W-0518 . . . . .	1175		269	7W-3355 . . . . .	▶1152
7W-0134 . . . . .	754	7W-0519 . . . . .	1175	7W-1323 . . . . .	▶266	7W-3372 . . . . .	▶1709
	756	7W-0520 . . . . .	1175		268	7W-3400 . . . . .	▶1750
7W-0141 . . . . .	1487	7W-0521 . . . . .	1175	7W-1324 . . . . .	9	7W-3401 . . . . .	▶1722
	1490	7W-0523 . . . . .	1175		13	7W-3403 . . . . .	1036
	1493	7W-0525 . . . . .	1175		15		1722
	1496	7W-0528 . . . . .	1175		17	7W-3645 . . . . .	1722
	▶1631	7W-0529 . . . . .	1175		27	7W-4097 . . . . .	▶1593
7W-0142 . . . . .	1487	7W-0530 . . . . .	1175		29	7W-4272 . . . . .	627
	1490	7W-0531 . . . . .	1175		39		632
	1493	7W-0532 . . . . .	1175		45		644
	1496	7W-0533 . . . . .	1175		47		648
	1499	7W-0534 . . . . .	1175		51	7W-4445 . . . . .	1381
	1502	7W-0538 . . . . .	1175		59		1382
	1505	7W-0540 . . . . .	1175		61		1383
	1508	7W-0571 . . . . .	▶1370		▶268		1384
	1511		1381	7W-1339 . . . . .	1		1385
	1515		1382		3		1386
	1518		1383		5		1387
	1521		1384		7		1389
	1524		1391		11		1390
	1527		1397		19		1391
	1530		1398		21		1392
	1534	7W-0572 . . . . .	▶1371		23		1393
7W-0167 . . . . .	964		1392		25		1394
7W-0168 . . . . .	964		1393		31		1395
7W-0173 . . . . .	▶967		1394		33		1396
7W-0202 . . . . .	▶1654	7W-0574 . . . . .	▶1372		35		1397
	1721	7W-0649 . . . . .	▶464		37		1398
7W-0250 . . . . .	626		▶465		41	7W-4470 . . . . .	1627
	631	7W-0687 . . . . .	▶432		43		1629
	643	7W-0688 . . . . .	154		49		1631
	649	7W-0700 . . . . .	▶1721		53		1633
7W-0362 . . . . .	▶109	7W-0726 . . . . .	▶536		55	7W-4482 . . . . .	666
7W-0408 . . . . .	▶930	7W-0738 . . . . .	1488		57	7W-4486 . . . . .	669
7W-0450 . . . . .	353		1490		▶269		670
	361	7W-0739 . . . . .	1494	7W-1615 . . . . .	1317		671
	365		1496		1319		673
7W-0455 . . . . .	1487	7W-0740 . . . . .	1506	7W-1616 . . . . .	▶1317		1840
	1490		1508	7W-1688 . . . . .	▶1061		1841
7W-0456 . . . . .	1493	7W-0741 . . . . .	1519	7W-1689 . . . . .	▶1062	7W-4487 . . . . .	664
	1496		1521	7W-1927 . . . . .	701	7W-4864 . . . . .	334
7W-0457 . . . . .	1499	7W-0742 . . . . .	1500		702	7W-4872 . . . . .	488
	1502		1502		705	7W-4901 . . . . .	▶1350
	1511		1512		745	7W-4902 . . . . .	1344
	1515		1516	7W-1944 . . . . .	525	7W-4903 . . . . .	▶1344
7W-0458 . . . . .	1505	7W-0743 . . . . .	1525		527	7W-4904 . . . . .	853
	1508		1528		528	7W-4905 . . . . .	▶853
7W-0459 . . . . .	1518	7W-0744 . . . . .	1518	7W-1945 . . . . .	527	7W-4906 . . . . .	855
	1521		1521	7W-2015 . . . . .	587	7W-4907 . . . . .	▶855
7W-0460 . . . . .	1524		1524	7W-2060 . . . . .	1658	7W-4913 . . . . .	853
	1527		1527	7W-2061 . . . . .	1657		855
7W-0482 . . . . .	1701		1530	7W-2368 . . . . .	476	7W-4915 . . . . .	389
	1709		1534		478		391
	1719		▶1633	7W-2709 . . . . .	948		393
7W-0484 . . . . .	1698	7W-0825 . . . . .	▶963	7W-2710 . . . . .	948		395
	1699	7W-0919 . . . . .	▶1714	7W-2731 . . . . .	1727		397
	1704	7W-0920 . . . . .	▶1024		1733		399
	1706	7W-0921 . . . . .	▶1331	7W-2808 . . . . .	705		409
7W-0491 . . . . .	434	7W-0922 . . . . .	1019	7W-2826 . . . . .	587		411
7W-0507 . . . . .	250		1021	7W-2827 . . . . .	587	7W-4972 . . . . .	▶1125
	251		1023	7W-2830 . . . . .	586	7W-4981 . . . . .	▶1077
	252		1024		▶587	7W-5038 . . . . .	1317
	253	7W-1170 . . . . .	961	7W-2936 . . . . .	1657	7W-5086 . . . . .	▶1066
	254	7W-1171 . . . . .	961	7W-2937 . . . . .	1658	7W-5316 . . . . .	464
7W-0508 . . . . .	137	7W-1224 . . . . .	758		▶1660	7W-5342 . . . . .	▶1029
	138		772	7W-3069 . . . . .	1722	7W-5495 . . . . .	442
7W-0510 . . . . .	1175		774	7W-3070 . . . . .	1722		446
7W-0511 . . . . .	1175		776	7W-3071 . . . . .	1722		448
7W-0512 . . . . .	1175		778	7W-3072 . . . . .	1722		452
7W-0513 . . . . .	1175		842	7W-3073 . . . . .	1722	7W-5499 . . . . .	64
7W-0514 . . . . .	1175		844	7W-3074 . . . . .	1722		66
7W-0516 . . . . .	1175	7W-1240 . . . . .	▶262	7W-3139 . . . . .	▶1331		74

# PART NUMBER INDEX

Part	Page	Part	Page	Part	Page	Part	Page
7W-5686 . . . . .	185		37		61	7W-9805 . . . . .	1698
7W-5691 . . . . .	184		46		▶571		1699
7W-5692 . . . . .	183		47	7W-8631 . . . . .	▶1669		1704
7W-5700 . . . . .	859		49	7W-8744 . . . . .	1397		1706
	860		51		▶1573	7W-9823 . . . . .	9
	861		▶199		▶1576		11
7W-5733 . . . . .	1848	7W-6542 . . . . .	▶601	7W-8746 . . . . .	▶1397		13
7W-5928 . . . . .	699		▶602	7W-8834 . . . . .	.747		35
	703	7W-6598 . . . . .	1720	7W-8835 . . . . .	1720		51
	714	7W-6603 . . . . .	1300	7W-8836 . . . . .	1719		55
	716	7W-6627 . . . . .	1125	7W-8837 . . . . .	1720		61
	728	7W-6628 . . . . .	1716	7W-8838 . . . . .	1720		▶842
	730	7W-6685 . . . . .	▶1716	7W-8839 . . . . .	1720		▶844
	732	7W-6687 . . . . .	▶1300	7W-8842 . . . . .	.563	7W-9833 . . . . .	▶1086
	737	7W-6768 . . . . .	1487	7W-8844 . . . . .	.483	7X-0271 . . . . .	1161
	739		1490		.488		1601
	741		1493	7W-8942 . . . . .	▶1034	7X-0288 . . . . .	403
	743		1496	7W-8943 . . . . .	▶1036		415
	▶745		1499	7W-8944 . . . . .	▶1041		417
	824		1502	7W-8945 . . . . .	▶1042		419
7W-5929 . . . . .	701		1505	7W-8946 . . . . .	▶1043		421
	745		1508	7W-8947 . . . . .	▶1044		1089
7W-5930 . . . . .	824		1511	7W-9020 . . . . .	.231	7X-0291 . . . . .	.523
7W-5932 . . . . .	▶824		1515	7W-9023 . . . . .	▶1681	7X-0292 . . . . .	1064
	834		1518	7W-9024 . . . . .	▶1682		1068
7W-6002 . . . . .	▶1304		1521	7W-9047 . . . . .	.49	7X-0295 . . . . .	.466
7W-6081 . . . . .	1849		1524		▶572	7X-0301 . . . . .	.459
7W-6143 . . . . .	.550		1527		▶573	7X-0308 . . . . .	.182
7W-6145 . . . . .	.550		1530	7W-9048 . . . . .	.957	7X-0310 . . . . .	.403
7W-6148 . . . . .	.550		1534	7W-9095 . . . . .	1596		423
7W-6150 . . . . .	.550	7W-6788 . . . . .	.952	7W-9159 . . . . .	▶47	7X-0312 . . . . .	.423
7W-6154 . . . . .	.550		.955	7W-9160 . . . . .	▶49	7X-0345 . . . . .	.459
7W-6155 . . . . .	▶550	7W-6919 . . . . .	▶45	7W-9186 . . . . .	.572		466
7W-6418 . . . . .	1487	7W-6967 . . . . .	1039	7W-9187 . . . . .	▶488	7X-0354 . . . . .	1121
	1490		1041		.572	7X-0440 . . . . .	.279
	1493		1042	7W-9188 . . . . .	.564	7X-0447 . . . . .	.403
	1496		1043		.572		423
	1499		1044	7W-9195 . . . . .	.522		866
	1502	7W-7155 . . . . .	.91		.523		868
	1505	7W-7310 . . . . .	.941	7W-9323 . . . . .	.148		921
	1508		.942	7W-9364 . . . . .	.49	7X-0448 . . . . .	.504
	1511	7W-7314 . . . . .	.235		▶826		509
	1515	7W-7316 . . . . .	▶325		▶828		546
	1518	7W-7317 . . . . .	▶409		▶830		1350
	1521		▶411		▶832	7X-0515 . . . . .	.459
	1524	7W-7331 . . . . .	.741	7W-9365 . . . . .	.15		466
	1527		.743		.47	7X-0562 . . . . .	1177
	1530		.824		.59		1179
	1534	7W-7429 . . . . .	1046		▶834		1181
	1573	7W-7430 . . . . .	.143		▶836		1186
	1576		.145		▶838		1188
7W-6466 . . . . .	▶1162	7W-7502 . . . . .	▶143		▶840		1190
7W-6492 . . . . .	.173	7W-7503 . . . . .	▶145	7W-9447 . . . . .	.563		1193
7W-6537 . . . . .	.389	7W-7778 . . . . .	.563	7W-9610 . . . . .	▶1068		1195
	391		.564		1331		1198
	393		.565		1335		1200
	395		.572	7W-9654 . . . . .	▶1173		1205
	397	7W-7803 . . . . .	▶1279	7W-9655 . . . . .	.1173		1212
	399	7W-7805 . . . . .	.1720		▶1175		1213
	409	7W-7881 . . . . .	.961	7W-9690 . . . . .	▶690		1216
	411	7W-7999 . . . . .	▶957		.692		1217
7W-6540 . . . . .	.199	7W-8001 . . . . .	.950	7W-9691 . . . . .	.690		1220
7W-6541 . . . . .	.1		▶959	7W-9692 . . . . .	.690		1223
	.3	7W-8003 . . . . .	.950	7W-9693 . . . . .	.690		1226
	.17		▶960	7W-9694 . . . . .	.690		1228
	.19	7W-8051 . . . . .	.950	7W-9695 . . . . .	.691		1239
	.21		▶1292	7W-9696 . . . . .	.691		1241
	.23	7W-8052 . . . . .	.959	7W-9697 . . . . .	▶691		1243
	.25		▶1058		.692		1246
	.27	7W-8412 . . . . .	.754	7W-9760 . . . . .	▶51		1249
	.29	7W-8581 . . . . .	.9	7W-9804 . . . . .	1698		1251
	.31		.47		1699		1254
	.33		.51		1704		1257
	.35		.59		1706		1260

# PART NUMBER INDEX

Part	Page	Part	Page	Part	Page	Part	Page
	1263	8B-2377 . . . . .	575		6		1181
	1265		612		55		1263
	1272		763		57	8C-9812 . . . . .	1718
	1274		780		59	8D-2676 . . . . .	1719
7X-0575 . . . . .	1064		781	8C-0620 . . . . .	1281	8D-5054 . . . . .	157
	1068		783		1283		158
7X-0578 . . . . .	139		785	8C-3234 . . . . .	669		468
	141		787		670		1183
7X-0579 . . . . .	403		789		671		1184
7X-0620 . . . . .	868		799		673		1185
	919		800	8C-3445 . . . . .	155	8F-0244 . . . . .	1727
7X-0772 . . . . .	234		802		211	8F-0908 . . . . .	948
	423		803		214		957
7X-1169 . . . . .	1281		805		1843	8F-1179 . . . . .	241
	1283		806		1849	8F-1434 . . . . .	636
7X-1357 . . . . .	1308		1300	8C-3446 . . . . .	211		875
	1309		1400		214		877
7X-1602 . . . . .	1647		1402	8C-3596 . . . . .	1208		894
7X-2501 . . . . .	599		1405		▶1243		899
	696		1408	8C-3597 . . . . .	1210		904
	1601		1412		▶1246		906
	1602		1415		▶1249		908
7X-2534 . . . . .	1083		1418	8C-3629 . . . . .	937		916
7X-3178 . . . . .	1121		1421	8C-3647 . . . . .	1203		1018
	1715		1424		▶1251		1136
7X-3186 . . . . .	1714		1426	8C-3648 . . . . .	1204		1177
7X-3353 . . . . .	899		1430		▶1254		1179
	904		1433	8C-3650 . . . . .	1204		1181
	916		1436		▶1257		1186
7X-3364 . . . . .	952		1439	8C-3651 . . . . .	1207		1188
7X-3373 . . . . .	1186		1442		▶1260		1190
	1188		1445	8C-3655 . . . . .	1193		1193
	1190		1448		1195		1195
	1193		1463		1198		1198
	1195		1466		1217		1200
	1198		1468		1223		1205
	1200		1471		1229		1212
	1213		1487		1247		1213
	1217		1490		1249		1216
	1223		1493		1252		1217
	1228		1496		1257		1220
	1243		1499		1261		1223
	1246		1502	8C-4171 . . . . .	1269		1226
	1249		1505	8C-4642 . . . . .	1595		1228
	1251		1508	8C-4646 . . . . .	1684		1239
	1254		1511	8C-5210 . . . . .	365		1241
	1257		1515		367		1243
	1260		1518		369		1246
7X-7730 . . . . .	148		1521		381		1249
	149		1524	8C-5230 . . . . .	156		1251
	150		1527	8C-5457 . . . . .	1179		1254
7X-7731 . . . . .	148		1530		1181		1257
	149		1534		1263		1260
	150	8B-2664 . . . . .	161	8C-5580 . . . . .	1231		1263
	258		236		▶1263		1265
	264		1026	8C-5607 . . . . .	1083		1269
	266		1028	8C-5608 . . . . .	1083		1272
	339		1127	8C-5789 . . . . .	36		1274
	340		1128		38		1301
7X-7732 . . . . .	383		1136	8C-5917 . . . . .	939		1627
			1727	8C-6099 . . . . .	1161		1629
			1733	8C-6123 . . . . .	1683		1631
		8B-6349 . . . . .	102	8C-6188 . . . . .	1646		1633
			104		1649		1640
		8B-7121 . . . . .	88	8C-6354 . . . . .	1074		1657
			90		1075		1658
8B-0544 . . . . .	1351		90	8C-6561 . . . . .	275		1733
	1353	8B-7987 . . . . .	90	8C-6808 . . . . .	1301	8F-3437 . . . . .	1301
	1355	8B-8679 . . . . .	241	8C-6876 . . . . .	696	8F-3469 . . . . .	347
	1357	8B-8817 . . . . .	317	8C-7507 . . . . .	1719	8F-4610 . . . . .	587
	1359		319	8C-9778 . . . . .	1179	8F-6350 . . . . .	309
	1361		320		1181	8F-6575 . . . . .	561
8B-1931 . . . . .	604		322		1263		562
	1126	8C-0614 . . . . .	2		1179	8F-8151 . . . . .	326
	1136		3				

8



# PART NUMBER INDEX

Part	Page	Part	Page	Part	Page	Part	Page
8F-8178 . . . . .	612		361		342		812
8F-8544 . . . . .	1171		365	8L-3873 . . . . .	1161		814
8F-8998 . . . . .	230	8J-1256 . . . . .	1351	8L-3934 . . . . .	428		816
8H-0707 . . . . .	1161		1353		430		818
8H-0708 . . . . .	606		1355	8L-4282 . . . . .	592		820
8H-1141 . . . . .	1186		1357		593		822
	1188		1359		595		826
	1190		1361	8L-4292 . . . . .	468		828
	1193		1487	8L-4478 . . . . .	297		830
	1195		1493		304		832
	1198		1499	8L-4488 . . . . .	421		834
	1200		1505	8L-4492 . . . . .	409		836
	1213		1511		411		838
	1217		1518		417		840
	1223		1524		419		842
	1228		1530	8L-4495 . . . . .	385		844
	1243		1573		395		1627
	1246		1595		397		1629
	1249		1600		399		1631
	1251	8J-4455 . . . . .	1179		415		1633
	1254		1181	8L-4497 . . . . .	300	8L-5855 . . . . .	606
	1257		1263	8L-4498 . . . . .	300	8L-6557 . . . . .	139
	1260	8J-4785 . . . . .	1297	8L-4502 . . . . .	300		141
	1269		1298	8L-4521 . . . . .	300		143
8H-1603 . . . . .	851		1299	8L-4526 . . . . .	188		145
8H-2046 . . . . .	153		1300		203		285
	215	8J-7236 . . . . .	857	8L-4529 . . . . .	879		287
	1845		1345		885		289
	1847	8J-7844 . . . . .	1121		912		291
8H-2778 . . . . .	752	8J-8343 . . . . .	584	8L-4534 . . . . .	385		293
	753		585		387		295
	1853		758	8L-4847 . . . . .	271		1733
	1856		760	8L-4889 . . . . .	116	8L-7395 . . . . .	1059
8H-2807 . . . . .	752		764		117		1060
	753		766	8L-4897 . . . . .	862		1061
8H-2810 . . . . .	752		768		864		1062
	753		770		871		1105
8H-3127 . . . . .	609		772		881		1107
	1667		774		883		1317
8H-3710 . . . . .	564		776		887		1367
	569		778		889		1370
	572		783		914	8L-8413 . . . . .	935
8H-7521 . . . . .	221		785	8L-4949 . . . . .	116		936
8H-8769 . . . . .	850		787		117		938
8H-9186 . . . . .	606		789	8L-5008 . . . . .	1716		939
8H-9204 . . . . .	153		791	8L-5227 . . . . .	891		1021
	664		793	8L-5379 . . . . .	891		1029
	666		795	8L-5380 . . . . .	891		1064
	669		797	8L-5802 . . . . .	462		1068
	670		808		463		1071
	671		810	8L-5832 . . . . .	626		1073
	673		812		632		1074
	692		814		643		1075
	694		816		648		1077
	1840		818		758		1167
	1845		820		760		1279
	1847		822		764		1281
	1853		826		766		1329
	1856		828		768		1330
8H-9788 . . . . .	153		830		770		1331
	243		832		772		1332
	515		834		774		1333
	1840		836		776		1336
	1844		838		778		1511
8H-9789 . . . . .	116		840		783		1515
	117		842		785		1595
	118		844		787		1642
	119	8K-1207 . . . . .	102		789		1824
	121		104		791	8L-8419 . . . . .	1487
	122	8K-4644 . . . . .	1088		793		1490
	124		1692		795		1493
	311	8L-2786 . . . . .	173		797		1496
	312		1843		808		1499
	353	8L-3282 . . . . .	341		810		1502

# PART NUMBER INDEX

Part	Page	Part	Page	Part	Page	Part	Page
	1505		237		830		43
	1508		239		832		45
	1511		241		834		47
	1515		243		836		49
	1518		683		838		51
	1521		1843		840		53
	1524		1856		842		55
	1527	8M-5253 . . . . .	155		844		57
	1530		237		1853		59
	1534		239		1855		61
	1573		241	8M-9024 . . . . .	80		▶151
	1576		243		97	8N-0803 . . . . .	749
8L-8662 . . . . .	94		515		98	8N-0816 . . . . .	599
8L-8867 . . . . .	162		683		217	8N-0819 . . . . .	476
	167		1843		218		478
	910		1845	8M-9062 . . . . .	859	8N-0869 . . . . .	963
8L-9315 . . . . .	599		1847		860		1279
8L-9362 . . . . .	906		1856		861		1281
	908	8M-5312 . . . . .	951	8M-9124 . . . . .	493		1283
8L-9654 . . . . .	906		954		496	8N-0888 . . . . .	45
	908		961	8M-9307 . . . . .	104		▶425
8L-9655 . . . . .	906		1084	8N-0076 . . . . .	599	8N-1149 . . . . .	243
	908	8M-5599 . . . . .	250	8N-0110 . . . . .	151	8N-1204 . . . . .	▶227
8L-9656 . . . . .	906		251	8N-0246 . . . . .	1	8N-1415 . . . . .	701
	908		252		3		702
8L-9657 . . . . .	906		253		5		705
	908	8M-6701 . . . . .	606		9		745
8L-9661 . . . . .	906		896		11	8N-1610 . . . . .	951
	908	8M-7065 . . . . .	64		13	8N-1633 . . . . .	385
8L-9663 . . . . .	906		66		15		387
	908		74		17		389
8L-9767 . . . . .	300		77		19		391
8L-9859 . . . . .	▶500	8M-7145 . . . . .	501		21		393
8M-0456 . . . . .	583		677		23		395
	1156	8M-7892 . . . . .	▶1639		25		397
8M-0505 . . . . .	237	8M-8331 . . . . .	163		27		399
	239		165		29		415
	241		893		33		421
	243	8M-8468 . . . . .	1603		35	8N-1693 . . . . .	1302
8M-0755 . . . . .	160		1604		37	8N-1721 . . . . .	174
	161		1605		39		175
8M-0904 . . . . .	231		1606		41		177
8M-2295 . . . . .	153		1607		43		178
8M-2296 . . . . .	494		1617		45	8N-1725 . . . . .	963
8M-2770 . . . . .	850	8M-8515 . . . . .	584		47		1279
8M-2771 . . . . .	1071		585		49		1281
	1331		758		51		1283
8M-2773 . . . . .	1064		760		53	8N-1849 . . . . .	174
	1066		764		55		175
	1068		766		57		177
	1121		768		59		178
8M-3182 . . . . .	211		770		61	8N-1963 . . . . .	▶129
	212		772		▶110	8N-2110 . . . . .	190
	213		774	8N-0303 . . . . .	1	8N-2111 . . . . .	▶190
	214		776		3	8N-2145 . . . . .	1204
8M-3267 . . . . .	94		778		5		▶1265
8M-3839 . . . . .	952		783		7	8N-2177 . . . . .	▶603
	955		785		9	8N-2252 . . . . .	▶191
	960		787		11	8N-2253 . . . . .	191
8M-4432 . . . . .	233		789		13	8N-2293 . . . . .	17
	234		791		15		39
	235		793		17		▶241
	262		795		19	8N-2314 . . . . .	466
	1856		797		21		468
8M-4448 . . . . .	153		808		23	8N-2320 . . . . .	▶466
	204		810		25	8N-2322 . . . . .	21
	207		812		27		23
	1840		814		29		27
	1841		816		31		29
	1845		818		33		35
	1847		820		35		37
8M-4988 . . . . .	262		822		37		45
	1856		826		39		47
8M-5248 . . . . .	155		828		41		49

# PART NUMBER INDEX

Part	Page	Part	Page	Part	Page	Part	Page
	51		648		834		23
	▶148	8N-2510 . . . . .	578		836		25
8N-2393 . . . . .	241		579		838		27
8N-2395 . . . . .	1		699		840		29
	3		712		842		31
	5		714		844		33
	7		716	8N-3168 . . . . .	627		45
	13		718		632		47
	15		720		644		49
	17		724		648		51
	19	8N-2511 . . . . .	824	8N-3221 . . . . .	▶606		▶158
	25		578		763	8N-3303 . . . . .	632
	31		579		780		648
	33		712		781	8N-3324 . . . . .	209
	39		824		799	8N-3325 . . . . .	207
	41	8N-2513 . . . . .	▶579		800	8N-3326 . . . . .	209
	43		732		802	8N-3327 . . . . .	207
	▶149		846		803	8N-3353 . . . . .	▶641
8N-2487 . . . . .	699	8N-2518 . . . . .	657		805		▶642
	703	8N-2525 . . . . .	826		806		762
	706		▶846	8N-3222 . . . . .	▶613		782
	708	8N-2582 . . . . .	9		762		801
	710		27		782		804
	712		29		801		807
	714		45		804	8N-3365 . . . . .	▶749
	716		47		807		752
	718		51	8N-3224 . . . . .	606	8N-3536 . . . . .	1166
	720		59		▶655	8N-3573 . . . . .	747
	722		61		▶656	8N-3665 . . . . .	77
	724		▶527	8N-3226 . . . . .	606	8N-3666 . . . . .	77
	726	8N-2584 . . . . .	1733	8N-3229 . . . . .	606	8N-3799 . . . . .	758
	728	8N-2586 . . . . .	▶1733	8N-3232 . . . . .	606		760
	730	8N-2590 . . . . .	237	8N-3233 . . . . .	606		764
	732	8N-2591 . . . . .	237	8N-3234 . . . . .	606		766
	733	8N-2637 . . . . .	754	8N-3235 . . . . .	606		768
	735		756	8N-3236 . . . . .	606		770
	737	8N-2640 . . . . .	754	8N-3238 . . . . .	606		772
	739		756	8N-3239 . . . . .	606		774
	741	8N-2641 . . . . .	754	8N-3251 . . . . .	204		776
	743		756		207		778
	824	8N-3087 . . . . .	627	8N-3252 . . . . .	209		783
	846		632	8N-3256 . . . . .	626		785
8N-2488 . . . . .	626		644		632		787
	643		648		643		789
8N-2489 . . . . .	706	8N-3093 . . . . .	758		648		791
	710		760	8N-3258 . . . . .	626		793
	712		764		631		795
	732		766		643		797
	733		768		648		808
	737		770	8N-3259 . . . . .	626		810
	741		772		631		812
	824		774		643		814
	846		776		648		816
8N-2495 . . . . .	627		778	8N-3272 . . . . .	157		818
	631		783		159		820
	644		785		334		822
	649		787		385		826
8N-2499 . . . . .	627		789		387		828
	632		791		389		830
	644		793		391		832
	649		795		393		834
8N-2501 . . . . .	627		797		395		836
	632		808		397		838
8N-2503 . . . . .	627		810		399		840
	631		812		409		842
	643		814		411		844
	649		816		426	8N-3945 . . . . .	644
8N-2505 . . . . .	626		818		428		649
	631		820		430	8N-4110 . . . . .	102
	643		822	8N-3286 . . . . .	1		104
	648		826		3	8N-4112 . . . . .	335
8N-2507 . . . . .	626		828		17		▶339
	631		830		19	8N-4183 . . . . .	1841
	643		832		21	8N-4408 . . . . .	337

# PART NUMBER INDEX

Part	Page	Part	Page	Part	Page	Part	Page
	▶340		739		816		355
8N-4457 . . . . .	▶213		741		818		357
	▶214		743		820		359
	262		824		822		361
	266		846		826		363
8N-4485 . . . . .	112	8N-5132 . . . . .	664		828		365
	307		666		830		367
	309		669		832		369
	310		670		834		381
	333		671		836	8N-6018 . . . . .	▶165
	425		673		838	8N-6019 . . . . .	▶167
8N-4617 . . . . .	454		692		840	8N-6044 . . . . .	▶496
	455		694		842	8N-6046 . . . . .	▶161
8N-4703 . . . . .	21	8N-5251 . . . . .	751		844	8N-6058 . . . . .	▶496
	23		▶752	8N-5492 . . . . .	125	8N-6199 . . . . .	750
	49	8N-5286 . . . . .	1	8N-5496 . . . . .	552	8N-6200 . . . . .	▶750
	▶528		3	8N-5763 . . . . .	587		753
8N-4745 . . . . .	1		5		1855	8N-6201 . . . . .	746
	3		7	8N-5764 . . . . .	587		▶753
	5		9	8N-5765 . . . . .	587	8N-6670 . . . . .	782
	7		11	8N-5784 . . . . .	758		801
	9		13		760		804
	11		15		763		807
	13		17		764		▶1296
	15		19		766	8N-6680 . . . . .	586
	17		21		768	8N-6796 . . . . .	109
	19		23		770		▶112
	21		25		772	8N-6854 . . . . .	155
	23		27		774		1843
	25		29		776	8N-6985 . . . . .	213
	27		31		778	8N-6986 . . . . .	213
	29		33		780	8N-7005 . . . . .	669
	31		35		781		670
	33		37		783		671
	35		39		785		673
	37		41		787		692
	39		43		789		694
	41		45		791	8N-7276 . . . . .	758
	43		47		793		760
	45		49		795		764
	47		51		797		766
	49		53		799		768
	51		55		800		770
	53		57		802		772
	55		59		803		774
	57		61		805		776
	59		▶104		806		778
	61	8N-5305 . . . . .	118		808		783
	▶99		119		810		785
8N-4875 . . . . .	413		121		812		787
8N-4876 . . . . .	413		122		814		789
8N-4959 . . . . .	137		124		816		791
8N-4960 . . . . .	137	8N-5403 . . . . .	758		818		793
	138		760		820		795
8N-4975 . . . . .	543		764		822		797
8N-5117 . . . . .	699		766		826		808
	703		768		828		810
	706		770		830		812
	708		772		832		814
	710		774		834		826
	712		776		836		828
	714		778		838		830
	716		783		840		832
	718		785		842		834
	720		787		844		836
	722		789	8N-5928 . . . . .	351		838
	724		791		353		840
	726		793		355		842
	728		795		365		844
	730		797		367		▶861
	732		808		369	8N-7315 . . . . .	231
	733		810		381	8N-7318 . . . . .	231
	735		812	8N-5929 . . . . .	351	8N-7519 . . . . .	861
	737		814		353	8N-7520 . . . . .	859

# PART NUMBER INDEX

Part	Page	Part	Page	Part	Page	Part	Page
8N-7521 . . . . .	860		1487		167		1655
8N-7653 . . . . .	77		1490		862		1656
8N-8082 . . . . .	613		1500		864	8T-0192 . . . . .	1091
8N-8175 . . . . .	676		1502		871		1093
	683		1506		879		1094
	▶692		1508		881		1096
	▶694		1512		883		1097
8N-8221 . . . . .	175		1515		885		1099
	177		1519		887		1101
	178		1521		889		1103
8N-8222 . . . . .	175		1525		910		1105
	177		1527		912		1107
	178		1531		914		1110
8N-8223 . . . . .	175		1534	8S-4183 . . . . .	80		1112
	177		1538		82		1114
	178		1540	8S-4626 . . . . .	1336		1116
8N-8225 . . . . .	101		1543	8S-4711 . . . . .	606		1368
	152		1546		1608		1373
8N-8226 . . . . .	101		1549		1609		1376
	152		1552	8S-5409 . . . . .	262		1378
8N-8227 . . . . .	101		1555		264	8T-0271 . . . . .	1175
	152		1558		266	8T-0328 . . . . .	626
8N-8228 . . . . .	101		1561		1856		631
	152		1564	8S-6410 . . . . .	341		643
8N-8229 . . . . .	101		1568		529		648
	152		1570		531		868
8N-8724 . . . . .	459		1573		534		875
	466		1576		1841		877
8N-8833 . . . . .	▶468		1579	8S-6511 . . . . .	246		894
8N-8836 . . . . .	407		1582		247		896
	▶413		1585		248		899
8N-8837 . . . . .	413	8S-0493 . . . . .	246	8S-6558 . . . . .	544		904
8N-9559 . . . . .	▶168		247	8S-6814 . . . . .	606		906
8N-9596 . . . . .	808		248		627		908
	810	8S-0527 . . . . .	149		631		916
	812	8S-0780 . . . . .	224		644		919
	814		225		649		1018
8N-9599 . . . . .	768		228		655		1177
	770	8S-1326 . . . . .	229		656		1186
8N-9801 . . . . .	847		230	8S-7115 . . . . .	613		1188
8N-9802 . . . . .	847	8S-1460 . . . . .	444	8S-7716 . . . . .	531		1190
8N-9803 . . . . .	847		543		532		1193
8N-9962 . . . . .	168	8S-1491 . . . . .	86	8S-7717 . . . . .	531		1195
8N-9965 . . . . .	168	8S-1498 . . . . .	204		532		1198
8P-0408 . . . . .	857	8S-1499 . . . . .	207	8S-7718 . . . . .	531		1200
8P-7065 . . . . .	1399		209		532		1205
	1402	8S-2331 . . . . .	1169	8S-7803 . . . . .	848		1212
	1406	8S-2332 . . . . .	1169	8S-8158 . . . . .	613		1213
	1408		1173		952		1216
	1411		1208		955		1217
	1414		1209	8S-8874 . . . . .	231		1220
	1417		1210	8S-9092 . . . . .	505		1223
	1420		1231	8S-9191 . . . . .	430		1226
	1424		1232		536		1228
	1426		1233		746		1239
	1429		1234		1066		1241
	1432		1235		1312		1243
	1435		1236		1313		1246
	1438		1237	8S-9222 . . . . .	569		1249
	1441		1238	8S-9223 . . . . .	569		1251
	1444		1267	8T-0023 . . . . .	1019		1254
	1447		1268		1023		1257
	1451	8S-2383 . . . . .	442		1024		1260
	1453		444		1130		1265
	1456	8S-2384 . . . . .	446		1312		1272
	1459		447		1313		1274
	1463		448		1315		1658
	1465		450		1320	8T-0659 . . . . .	664
	1468	8S-2749 . . . . .	1064		1351		669
	1471		1066		1353		670
	1476		1068		1355		671
	1478	8S-4182 . . . . .	162		1357		673
	1481		163		1359	8T-0726 . . . . .	1175
	1484		165		1361	8T-0727 . . . . .	1175

# PART NUMBER INDEX

Part	Page	Part	Page	Part	Page	Part	Page
8T-0728 . . . . .	1175		1188		1216		423
8T-1133 . . . . .	423		1190		1239		868
8T-1160 . . . . .	1175		1193		1241		919
8T-2182 . . . . .	1175		1195		1263	8T-5409 . . . . .	1094
8T-2190 . . . . .	1175		1198		1265		1105
8T-2191 . . . . .	1175		1200	8T-4835 . . . . .	444		1107
8T-2224 . . . . .	1175		1205	8T-4896 . . . . .	228		1110
8T-2225 . . . . .	1281		1213		236		1112
	1283		1217		273		1114
8T-2501 . . . . .	523		1223		276		1116
	1719		1228		277		1118
8T-2502 . . . . .	273		1239		285		1353
	276		1241		287		1355
	277		1243		289		1361
	525		1246		291		1373
	1064		1249		293		1376
	1068		1251		295		1378
	1123		1254		302	8T-6617 . . . . .	31
8T-2604 . . . . .	631		1257		323		35
	643		1260		326		37
	648		1265		327		46
8T-2659 . . . . .	1054		1281		403		48
8T-2882 . . . . .	1719		1283		415		50
8T-4121 . . . . .	1179		1596		417	8T-6703 . . . . .	314
	1181		1601		419	8T-6726 . . . . .	1127
	1220		1655		421		1128
	1226		1656		423	8T-6757 . . . . .	100
	1263		1714		425		516
	1272		1715		438	8T-6760 . . . . .	148
	1274	8T-4223 . . . . .	92		440		149
8T-4122 . . . . .	459		139		444	8T-6761 . . . . .	264
	466		141		447		266
	509		221		450		413
	696		403		453	8T-6762 . . . . .	104
	1109		415		458		110
	1121		417		459		112
	1350		419		461		211
8T-4133 . . . . .	1179		421		462		212
	1181		423		466		214
	1220		444		523		331
	1226		511		525		332
	1263		512		599		405
	1272		1109		857		434
	1274	8T-4224 . . . . .	139		1023		436
8T-4205 . . . . .	383		141		1064	8T-6763 . . . . .	104
	384		274		1068		110
	409		275		1121		112
	411		278		1123		425
	417		279		1125		1171
	419		285		1131	8T-6764 . . . . .	64
	438		287		1132		66
	440		289		1133		74
	458		291		1134		104
	459		403		1283		307
	461		423		1318		309
	462		696		1338		310
	463		873		1339		314
	466		1019		1342		426
	599		1023		1345		434
	696		1064		1376		436
	873		1068		1636		438
	875		1231		1733		459
	877		1236	8T-4970 . . . . .	1205		516
	894		1237		1239		525
	896		1238		1241		1399
	899		1318		1265		1402
	902		1656	8T-4971 . . . . .	1083		1405
	904		1717	8T-4983 . . . . .	314		1408
	906	8T-4226 . . . . .	1713	8T-4984 . . . . .	335		1411
	908	8T-4244 . . . . .	1177		337		1414
	916		1179	8T-4985 . . . . .	525		1417
	1028		1181		1349		1420
	1121		1205	8T-5360 . . . . .	92		1423
	1186		1212		403		1426

# PART NUMBER INDEX

Part	Page	Part	Page	Part	Page	Part	Page
	1429		461	8T-8730 . . . . .	1070		1476
	1432		462		1074		1478
	1435		466		1075		1481
	1438	8T-7539 . . . . .	31		1076		1484
	1441		35	8T-8731 . . . . .	1144		1538
	1444		37	8T-8736 . . . . .	1074		1540
	1447		48		1075		1543
	1462		50	8T-8737 . . . . .	1070		1546
	1465		▶1853		1076		1549
	1468	8T-8566 . . . . .	1186		1148		1552
	1471		1188		1151		1555
	1733		1190	8T-8818 . . . . .	1269		1558
8T-6765 . . . . .	104		1193	8T-8911 . . . . .	278		1561
	148		1195	8T-8912 . . . . .	696		1564
	149		1198		1353		1568
	150		1200		1355		1570
	237		1213		1361		1579
	239		1217	8T-8916 . . . . .	92		1582
	241		1223	8T-8917 . . . . .	221		1585
	243		1228		403	8T-9757 . . . . .	939
	306		1243		415	8T-9881 . . . . .	1645
	307		1246		417	8T-9882 . . . . .	1648
	308		1249		419	8T-9884 . . . . .	1186
	309		1251		421		1188
	310		1254		423		1190
	311		1257	8T-8919 . . . . .	92		1193
	338		1260	8T-9043 . . . . .	1595		1195
	339		1269	8T-9101 . . . . .	293		1198
	340	8T-8568 . . . . .	1186		295		1201
	351		1188		1125		1214
	353		1190	8T-9364 . . . . .	696		1218
	355		1200	8T-9367 . . . . .	438		1224
	357		1213		440		1229
	359		1243		458		1244
	361		1254		459		1247
	363		1269		461		1249
	365	8T-8569 . . . . .	1186		462		1252
	369		1188		463		1255
	381		1190		466		1258
	383		1193	8T-9368 . . . . .	96		1261
	405		1195	8T-9371 . . . . .	1376		1270
	409		1198		1378	8T-9885 . . . . .	1186
	411		1200	8T-9377 . . . . .	234		1188
	413		1213		1064		1190
	417		1217		1068		1201
	419		1223		1713		1213
	426		1228	8T-9389 . . . . .	92		1244
	434		1243	8T-9393 . . . . .	546		1255
	436		1246	8T-9485 . . . . .	46		1270
	490		1249	8T-9587 . . . . .	1399	8W-3083 . . . . .	963
	491		1251		1402		
	525		1254		1406		
	683		1257		1408		
8T-6767 . . . . .	264		1260		1411		
	266		1269		1414		
	339	8T-8570 . . . . .	1186		1417	9B-0453 . . . . .	1269
	340		1188		1420	9B-0877 . . . . .	297
	383		1190		1424	9B-0887 . . . . .	304
	405		1200		1426		315
	409		1213		1429		494
	411		1243		1432	9B-1117 . . . . .	637
	417		1254		1435	9B-1722 . . . . .	488
	419		1269		1438	9B-2923 . . . . .	1167
	490	8T-8729 . . . . .	1026		1441	9B-4202 . . . . .	324
	491		1070		1444		327
	496		1072		1447	9B-7233 . . . . .	894
8T-6955 . . . . .	8		1074		1451		896
	10		1075		1453		899
8T-6973 . . . . .	417		1076		1456		904
	419		1137		1459		916
8T-7008 . . . . .	438		1138		1463		948
	440		1139		1465		951
	458		1140		1468		954
	459		1641		1471		957

## 9

# PART NUMBER INDEX

Part	Page	Part	Page	Part	Page	Part	Page
	960	9F-2187 . . . . .	202		1298		960
	1085	9F-2188 . . . . .	202		1727	9G-3695 . . . . .	951
	1158	9F-2247 . . . . .	79	9F-6595 . . . . .	1167		954
	1161		87	9F-6596 . . . . .	1167		1153
	1162		468	9F-7022 . . . . .	1399	9G-4232 . . . . .	938
	1165		524		1402	9G-4233 . . . . .	936
	1167	9F-2878 . . . . .	405		1405	9G-4336 . . . . .	1329
	1302	9F-2947 . . . . .	401		1408	9G-4342 . . . . .	1329
	1599		403		1411	9G-4343 . . . . .	1329
	1600	9F-2978 . . . . .	139		1414	9G-4344 . . . . .	1329
	1627		141		1417	9G-4365 . . . . .	1302
	1629		147		1420	9G-4574 . . . . .	903
	1631		236		1423		▶921
	1633		285		1426	9G-5208 . . . . .	906
	1659		287		1429		908
	1660		289		1432	9G-5232 . . . . .	916
	1668		291		1435	9G-5233 . . . . .	916
	1718		326		1438	9G-5234 . . . . .	916
	1744		327		1441	9G-5578 . . . . .	899
	1746		385		1444	9G-7548 . . . . .	868
9B-7237 . . . . .	293		387		1447		919
	300		389		1450	9G-7549 . . . . .	868
	302		391		1453		919
	459		393		1456	9G-7551 . . . . .	868
	466		395		1459		919
	857		397		1462	9G-7552 . . . . .	868
	1089		399		1465		919
	1091		405		1468	9G-7553 . . . . .	868
	1093		409		1471		919
	1094		411		1475	9G-7554 . . . . .	868
	1096		415		1478		919
	1097		417		1481	9G-7555 . . . . .	868
	1099		419		1484		919
	1101		421		1537	9G-7556 . . . . .	868
	1103		1318		1540	9G-7558 . . . . .	919
	1105		1338		1543	9G-7559 . . . . .	868
	1107		1339		1546		919
	1110		1342		1549	9G-7560 . . . . .	868
	1112		1345		1552		919
	1114		1349		1555	9G-7561 . . . . .	919
	1116	9F-3099 . . . . .	948		1558	9G-7562 . . . . .	868
	1276		957		1561		919
	1283	9F-4337 . . . . .	1183		1564	9G-7564 . . . . .	868
	1338		1184		1567	9G-7565 . . . . .	868
	1339		1185		1570		919
	1342		1208		1579	9G-7566 . . . . .	868
	1345		1209		1582		919
	1353		1210		1585	9G-7567 . . . . .	868
	1357		1231	9F-8125 . . . . .	1019		919
	1359		1232		1021	9G-7568 . . . . .	868
	1364		1233		1023		919
	1365		1234		1024	9G-8010 . . . . .	1668
	1366		1236		1696	9G-8909 . . . . .	963
	1367		1237				1281
	1369		1238	9F-8885 . . . . .	121	9G-9151 . . . . .	1064
	1370		1267	9F-9203 . . . . .	1330		1066
	1371		1268	9G-0003 . . . . .	933		1068
	1373	9F-4446 . . . . .	188		934		1302
	1376		256		935		1336
	1378		257		936		1336
9B-9774 . . . . .	1171		258		938	9G-9153 . . . . .	1336
9D-3017 . . . . .	1653		259		939	9H-1024 . . . . .	1169
	1654		260	9G-0004 . . . . .	933		209
9D-3019 . . . . .	1653	9F-5599 . . . . .	1310		934	9H-1110 . . . . .	209
	1654	9F-5644 . . . . .	944		935	9H-1112 . . . . .	209
9D-3721 . . . . .	1295		945		936	9H-1113 . . . . .	204
	1302		946		938		207
	1720		947		939	9H-5921 . . . . .	148
9D-6488 . . . . .	515	9F-5940 . . . . .	155	9G-3186 . . . . .	950		149
9D-6637 . . . . .	1158		237		951	9K-7184 . . . . .	1597
	1162	9F-6445 . . . . .	604		954	9L-1441 . . . . .	696
9D-6943 . . . . .	853	9F-6580 . . . . .	599		960	9L-1658 . . . . .	502
	855		849		1151	9L-1659 . . . . .	462
9D-7303 . . . . .	1167		1157	9G-3662 . . . . .	951	9L-2137 . . . . .	894
					954		899



# PART NUMBER INDEX

Part	Page	Part	Page	Part	Page	Part	Page
	904	9M-0853 . . . . .	211		1435		1840
	916		212		1438		1841
9L-2139 . . . . .	894	9M-1311 . . . . .	599		1441		1843
	899	9M-1974 . . . . .	64		1444		1844
	904		66		1447		1845
	916		74		1450		1847
9L-2140 . . . . .	894		99		1453	9M-4895 . . . . .	464
	899		125		1456	9M-5201 . . . . .	548
	904		211		1459		549
	916		212		1462	9M-5520 . . . . .	948
9L-2295 . . . . .	568		213		1465		957
	1844		214		1468	9M-5732 . . . . .	216
9L-2625 . . . . .	434		243		1471		851
9L-2915 . . . . .	497		246		1475	9M-5733 . . . . .	385
9L-2921 . . . . .	▶497		247		1478		387
9L-4007 . . . . .	221		248		1481		389
	553		262		1484		391
	559		264		1487		393
	560		266		1490		395
9L-4652 . . . . .	1169		296		1493		397
	1173		314		1496		399
9L-4971 . . . . .	280		315		1499		409
9L-5065 . . . . .	▶1267		320		1502		411
	▶1268		401		1505		415
9L-5254 . . . . .	161		407		1508		417
9L-5452 . . . . .	160		413		1511		419
9L-5618 . . . . .	126		434		1515		421
9L-5619 . . . . .	126		436		1518	9M-5775 . . . . .	1279
9L-5621 . . . . .	▶126		516		1521	9M-6378 . . . . .	468
9L-5717 . . . . .	221		524		1524	9M-6382 . . . . .	468
9L-5810 . . . . .	160		536		1527	9M-6522 . . . . .	160
	161		575		1530	9M-6527 . . . . .	311
9L-5903 . . . . .	434		584		1534		312
	436		585		1537		367
9L-5908 . . . . .	434		604		1540		501
	436		613		1543	9M-7609 . . . . .	1200
9L-5910 . . . . .	266		747		1546		1213
9L-6128 . . . . .	893		749		1549		1217
9L-6261 . . . . .	115		750		1552		1223
9L-6378 . . . . .	575		850		1555		1228
9L-6770 . . . . .	866		862		1558		1243
	868		864		1561		1246
	873		871		1564		1251
	875		879		1567		1254
	877		883		1570		1257
	894		885		1573		1260
	899		889		1576		1269
	902		891		1579	9M-7958 . . . . .	234
	904		912		1582		315
	916		914		1585		324
	919		1066		1655		325
	921		1126		1727		327
9L-8492 . . . . .	604		1162	9M-2151 . . . . .	522	9M-7959 . . . . .	319
9L-8493 . . . . .	1169		1167		523		331
9L-8496 . . . . .	604		1299	9M-2341 . . . . .	752		332
9L-9098 . . . . .	664		1308		753		336
	666		1309	9M-2904 . . . . .	223		385
	669		1311		224		387
	670		1312		225		389
	671		1313		226		391
	673		1315		227		393
	692		1320		228		395
	694		1399		1169		397
	1840		1402		1173		399
9L-9132 . . . . .	297		1405	9M-3786 . . . . .	312		401
	1716		1408	9M-4584 . . . . .	160		403
9M-0164 . . . . .	299		1411	9M-4849 . . . . .	153		409
	305		1414		155		411
	317		1417		237		415
	319		1420		239		417
	322		1423		241		419
	336		1426		243		421
9M-0381 . . . . .	77		1429		334		423
9M-0397 . . . . .	77		1432		515		428

# PART NUMBER INDEX

Part	Page	Part	Page	Part	Page	Part	Page
9M-7961 . . . . .	323	9N-5022 . . . . .	910		741		1361
9M-8513 . . . . .	464	9N-5769 . . . . .	97		743		1655
9M-8911 . . . . .	476		98		758		1656
	478	9N-6123 . . . . .	281		760		1671
9M-8915 . . . . .	476	9N-6225 . . . . .	637		764		1672
	478	9N-6519 . . . . .	▶847		766	9S-6147 . . . . .	446
	488	9N-8069 . . . . .	▶79		768		447
9M-8919 . . . . .	476	9N-8075 . . . . .	161		770	9S-6758 . . . . .	446
	478	9S-0211 . . . . .	609		772		447
9M-9886 . . . . .	204		610		774	9S-7083 . . . . .	153
	207		611		776	9S-7148 . . . . .	▶473
	209		1667		778		544
9N-0111 . . . . .	569	9S-1180 . . . . .	569		783	9S-7296 . . . . .	341
9N-0415 . . . . .	234	9S-1274 . . . . .	464		785		342
	324		465		787		529
	325		515		789		530
	327	9S-1302 . . . . .	910		791		534
9N-0685 . . . . .	▶272	9S-1354 . . . . .	87		793		535
9N-0869 . . . . .	215		90		795	9S-8002 . . . . .	237
	401	9S-1366 . . . . .	862		797		239
	405		864		808		241
	891		871		810		243
9N-0937 . . . . .	896		879		812		683
9N-0939 . . . . .	896		881		814		1643
9N-0942 . . . . .	896		883		816		1644
9N-0943 . . . . .	896		885		818		1645
9N-1650 . . . . .	147		887		820		1673
	271		889		822	9S-8003 . . . . .	749
9N-1754 . . . . .	587		912		824	9S-8006 . . . . .	617
9N-1869 . . . . .	3		914		826		619
	17		1380		828	9S-8748 . . . . .	587
	31	9S-2009 . . . . .	896		830	9S-8750 . . . . .	473
	33	9S-2302 . . . . .	875		832		850
	▶219		896		834		948
9N-2035 . . . . .	476	9S-2390 . . . . .	875		836		957
	478		877		838		1124
9N-2036 . . . . .	476		896		840		1125
	478	9S-2396 . . . . .	896		842		1158
9N-2038 . . . . .	557	9S-2437 . . . . .	894		844		1160
	558		899		846		1162
9N-2041 . . . . .	476		904	9S-4182 . . . . .	212		1298
	478		916	9S-4185 . . . . .	173		1300
9N-2046 . . . . .	476	9S-2544 . . . . .	894		237		1399
	478		896		239		1405
	▶115		899		241		1411
9N-2345 . . . . .	569		904		243		1423
9N-2378 . . . . .	133		916		683		1429
9N-2570 . . . . .	▶575	9S-3029 . . . . .	175	9S-4190 . . . . .	173		1435
9N-2722 . . . . .	160		177	9S-4191 . . . . .	612		1444
9N-3040 . . . . .	▶136	9S-3263 . . . . .	79		615		1450
9N-3136 . . . . .	1840		322		763		1462
9N-3241 . . . . .	613	9S-4167 . . . . .	615		780		1475
9N-3370 . . . . .	671		617		781		1487
9N-3388 . . . . .	673		619		799		1493
	678	9S-4180 . . . . .	699		800		1499
	679		703		802		1505
	680		706		803		1511
	681		708		805		1518
	682		710		806		1524
	684		712	9S-4684 . . . . .	952		1530
	685		714		955		1537
	894		716		960		1546
	896		718	9S-5033 . . . . .	611		1555
9N-3645 . . . . .	261		720	9S-5937 . . . . .	1019		1564
	281		722		1023		1567
9N-3659 . . . . .	▶261		724		1024		1573
9N-3666 . . . . .	234		726		1071		1579
	261		728		1130		1599
	281		730		1331		1604
9N-3668 . . . . .	261		732		1351		1605
	281		733		1353		1606
9N-3701 . . . . .	478		735		1355		1607
9N-3717 . . . . .	281		737		1357		1608
9N-3718 . . . . .	281		739		1359		1609

# PART NUMBER INDEX

Part	Page	Part	Page	Part	Page	Part	Page
	1617		1338		365		1444
	1619		1339		369		1450
	1620		1342		381		1453
	1621		1345		516		1462
	1622	9X-0203 . . . . .	1088		1339		1465
	1623		▶1693	9X-6560 . . . . .	2		1475
	1624	9X-0332 . . . . .	1205		4		1478
	1625		1239		6		1537
	1626		1265		53		1546
	1629	9X-1117 . . . . .	1743	9X-6772 . . . . .	1334		1549
	1633	9X-1124 . . . . .	1657	9X-7378 . . . . .	1849		1555
	1671		1658	9X-8124 . . . . .	1718		1558
	1672	9X-1386 . . . . .	1147	9X-8235 . . . . .	1241		1564
	1727		1149	9X-8236 . . . . .	1241		1567
9S-8752 . . . . .	80		1150	9X-8243 . . . . .	1074		1579
	195	9X-1391 . . . . .	1693		1075		1582
	199	9X-1813 . . . . .	1142	9X-8256 . . . . .	1083	9Y-0947 . . . . .	1685
	200		1143		1694	9Y-0968 . . . . .	1655
	221		1144	9X-8296 . . . . .	40		1656
	293		1145		41		▶1663
	426		1146		43	9Y-0969 . . . . .	1118
	746	9X-2036 . . . . .	1179		▶1855	9Y-1134 . . . . .	488
	862	9X-2133 . . . . .	323	9X-8486 . . . . .	961	9Y-1318 . . . . .	9
	864	9X-2319 . . . . .	11	9X-8577 . . . . .	7		11
	871		60		40		35
	879	9X-2485 . . . . .	151		41		37
	883	9X-2500 . . . . .	896		43		53
	885	9X-2517 . . . . .	60		55		55
	889	9X-2639 . . . . .	1351		57		57
	912		1353		62		59
	914		1355		▶1856		61
	1021		1357	9X-8873 . . . . .	93		▶159
	1024		1359	9X-8874 . . . . .	426	9Y-1503 . . . . .	▶293
	1716		1361	9X-8878 . . . . .	862	9Y-1504 . . . . .	293
9S-8993 . . . . .	569		1365		864		295
9S-8996 . . . . .	569		1366		871	9Y-1505 . . . . .	293
9V-2818 . . . . .	1333		1369		879		295
9W-0058 . . . . .	1232		1371		883	9Y-1506 . . . . .	293
	▶1269	9X-2649 . . . . .	1158		885		295
9W-0073 . . . . .	1683		1160		889	9Y-1507 . . . . .	293
9W-1077 . . . . .	1297		1162	9X-8881 . . . . .	504	9Y-1508 . . . . .	293
	1298	9X-2836 . . . . .	664	9X-9511 . . . . .	1217	9Y-1509 . . . . .	▶1349
	1299		666		1223	9Y-1510 . . . . .	1349
	1300	9X-3271 . . . . .	1154		1228	9Y-1511 . . . . .	1349
	▶1301	9X-3401 . . . . .	1143		1246	9Y-1512 . . . . .	1349
9W-1464 . . . . .	1643		1147		1251	9Y-1513 . . . . .	1349
	1644	9X-3402 . . . . .	1151		1257	9Y-1669 . . . . .	488
	1645	9X-4276 . . . . .	960		1260	9Y-1798 . . . . .	106
	1648	9X-4447 . . . . .	1207	9X-9652 . . . . .	1241		107
	1673		▶1272	9X-9720 . . . . .	939		110
9W-1991 . . . . .	296	9X-4453 . . . . .	1204	9Y-0066 . . . . .	5		153
9W-2126 . . . . .	1645		▶1274		7		1840
9W-2183 . . . . .	1648	9X-4824 . . . . .	1188		13		1841
9W-2187 . . . . .	656		1190		15		1845
9W-3274 . . . . .	1731		1193		39		1847
9W-3277 . . . . .	1731		1198		▶131	9Y-1979 . . . . .	153
9W-3577 . . . . .	▶1683		1200	9Y-0368 . . . . .	1397		342
	1731		1213		▶1579		530
9W-5565 . . . . .	▶1153		1217		▶1582		532
	1647		1223		▶1585		533
9W-6582 . . . . .	169		1228	9Y-0426 . . . . .	▶1397		535
	857	9X-6001 . . . . .	868	9Y-0427 . . . . .	▶1398		1840
	1338		919	9Y-0428 . . . . .	▶1398		1845
	1339	9X-6165 . . . . .	1083	9Y-0629 . . . . .	131		1847
	1342	9X-6258 . . . . .	624		172	9Y-2905 . . . . .	▶1649
	1345	9X-6259 . . . . .	624	9Y-0630 . . . . .	131	9Y-2906 . . . . .	▶1684
9W-6584 . . . . .	169	9X-6451 . . . . .	173		172		1718
	857	9X-6458 . . . . .	223	9Y-0916 . . . . .	1399	9Y-2907 . . . . .	▶1685
	1338		303		1405		1718
	1339		311		1411	9Y-2921 . . . . .	583
	1342		312		1414		1156
	1345		351		1423	9Y-2938 . . . . .	1488
9W-9930 . . . . .	169		353		1429		1490
	857		355		1435		1493

# PART NUMBER INDEX

Part	Page	Part	Page	Part	Page	Part	Page
	1496		985		1427	9Y-5845 . . . . .	1619
	1499		986		1565		1620
	1502		987		1568		1621
	1505		988		1571		1622
	1508		995	9Y-5163 . . . . .	303		1623
	1511		996	9Y-5591 . . . . .	▶1126		1624
	1515		997	9Y-5592 . . . . .	1126		1625
	1518		998	9Y-5725 . . . . .	243		1626
	1521		999	9Y-5726 . . . . .	243		1635
	1524		1000	9Y-5727 . . . . .	53	9Y-5900 . . . . .	415
	1527		1001		▶243		417
	1530		1002	9Y-5747 . . . . .	▶295		419
	1534		1003	9Y-5750 . . . . .	▶415		421
9Y-2970 . . . . .	1450		1004	9Y-5751 . . . . .	▶417	9Y-5904 . . . . .	200
	1488		1005	9Y-5752 . . . . .	▶419	9Y-5905 . . . . .	1
	1490		1006	9Y-5757 . . . . .	857		5
	1493		1007	9Y-5758 . . . . .	857		7
	1496		1010	9Y-5759 . . . . .	1345		9
	1499		1118	9Y-5761 . . . . .	▶857		11
	1502	9Y-4293 . . . . .	1723	9Y-5762 . . . . .	857		13
	1505	9Y-4296 . . . . .	1387	9Y-5763 . . . . .	▶228		15
	1508	9Y-4335 . . . . .	1381	9Y-5764 . . . . .	228		39
	1511		1382	9Y-5765 . . . . .	▶236		41
	1515		1383	9Y-5766 . . . . .	▶326		43
	1518		1384	9Y-5767 . . . . .	▶1281		53
	1521		1385	9Y-5768 . . . . .	▶1283		55
	1524		1386	9Y-5769 . . . . .	▶1345		57
	1527		1387	9Y-5781 . . . . .	▶421		59
	1530		1389	9Y-5795 . . . . .	▶423		61
	1534		1390	9Y-5816 . . . . .	1411		▶200
	1564		1391		1414	9Y-5923 . . . . .	1283
9Y-3031 . . . . .	82		1398		1417	9Y-5924 . . . . .	1283
	871	9Y-4336 . . . . .	1386		1420	9Y-5925 . . . . .	1283
	912		1387		1423	9Y-5926 . . . . .	1283
	914		1389		1426	9Y-5930 . . . . .	1281
9Y-3324 . . . . .	236		1390		1435		1283
	327		1391		1438	9Y-5932 . . . . .	▶1598
9Y-3333 . . . . .	303	9Y-4623 . . . . .	150		1444	9Y-5933 . . . . .	1598
9Y-3667 . . . . .	▶82	9Y-4624 . . . . .	9		1447	9Y-6010 . . . . .	▶931
9Y-3681 . . . . .	423		11		1450	9Y-6014 . . . . .	▶932
9Y-3682 . . . . .	423		53		1453	9Y-6027 . . . . .	1400
9Y-3730 . . . . .	323		55		1456		1402
	326		57		1459		1405
9Y-3842 . . . . .	▶1318		59		1462		1408
9Y-3845 . . . . .	1315		61		1465		1412
	1320		▶150		1468		1415
	▶1672	9Y-4701 . . . . .	626		1471		1418
9Y-3846 . . . . .	1308		632		1537		1420
	1309		643		1540		1423
9Y-3854 . . . . .	1315		648		1543		1426
9Y-3855 . . . . .	▶1311	9Y-5037 . . . . .	▶1656		1555		1430
	1320	9Y-5051 . . . . .	295		1558		1432
9Y-3857 . . . . .	▶1319	9Y-5081 . . . . .	1400		1561		1436
9Y-3859 . . . . .	1315		1403		1564		1438
9Y-3860 . . . . .	1311		1580		1567		1441
	1318		1583		1570		1445
9Y-3885 . . . . .	▶1320		1586	9Y-5817 . . . . .	1399		1447
9Y-4275 . . . . .	968	9Y-5084 . . . . .	1406		1402		1462
	969		1409		1405		1465
	970		1430		1408		1468
	971		1433		1429		1471
	972		1547		1432		1594
	973		1550		1441		1857
	974		1553		1475	9Y-6089 . . . . .	155
	975	9Y-5087 . . . . .	1412		1478	9Y-6349 . . . . .	423
	976		1415		1481	9Y-6350 . . . . .	423
	977		1418		1484	9Y-6351 . . . . .	423
	978		1421		1546	9Y-6361 . . . . .	▶327
	979		1436		1549	9Y-6368 . . . . .	459
	980		1439		1552	9Y-6375 . . . . .	▶696
	981		1556		1579	9Y-6376 . . . . .	696
	982		1559		1582	9Y-6398 . . . . .	523
	983		1562		1585	9Y-6435 . . . . .	372
	984	9Y-5090 . . . . .	1424	9Y-5840 . . . . .	1118		▶381

# PART NUMBER INDEX

Part	Page	Part	Page	Part	Page	Part	Page
9Y-6496 . . . . .	▶1088		1739	9Y-7982 . . . . .	1736	9Y-8207 . . . . .	▶53
9Y-6497 . . . . .	1088	9Y-7915 . . . . .	1736		1740	9Y-8208 . . . . .	▶55
	1692		1740	9Y-7983 . . . . .	1736	9Y-8209 . . . . .	▶57
9Y-6859 . . . . .	211	9Y-7918 . . . . .	1723		1740	9Y-8210 . . . . .	▶59
	212		▶1739	9Y-7984 . . . . .	1737	9Y-8211 . . . . .	▶61
	214	9Y-7919 . . . . .	1737		1741	9Y-8412 . . . . .	1718
9Y-6860 . . . . .	211		1741	9Y-7985 . . . . .	1737	9Y-8419 . . . . .	1594
	212	9Y-7920 . . . . .	1738		1741		1603
	214		1742	9Y-7986 . . . . .	1738		1604
	1843	9Y-7921 . . . . .	1735		1742		1605
	1856	9Y-7922 . . . . .	1739	9Y-7987 . . . . .	1738		1606
9Y-7037 . . . . .	578	9Y-7923 . . . . .	1736		1742		1607
	579	9Y-7925 . . . . .	1736	9Y-7988 . . . . .	1739		1617
	699	9Y-7926 . . . . .	1740	9Y-7989 . . . . .	1723		1857
	712	9Y-7927 . . . . .	1737	9Y-7990 . . . . .	1723	9Y-8420 . . . . .	1603
	714	9Y-7928 . . . . .	1741	9Y-7991 . . . . .	1723		1604
	716	9Y-7930 . . . . .	1741	9Y-7992 . . . . .	1723		1605
	718	9Y-7931 . . . . .	1738	9Y-7993 . . . . .	1724		1606
	720	9Y-7932 . . . . .	1742	9Y-7994 . . . . .	1723		1607
	724	9Y-7933 . . . . .	1738	9Y-7995 . . . . .	1724		1617
	824	9Y-7934 . . . . .	1742	9Y-7996 . . . . .	1723	9Y-9437 . . . . .	1314
9Y-7149 . . . . .	212	9Y-7935 . . . . .	1739	9Y-7997 . . . . .	1723	9Y-9771 . . . . .	1719
	214	9Y-7936 . . . . .	1739	9Y-7998 . . . . .	1723	9Y-9776 . . . . .	1680
9Y-7169 . . . . .	1857	9Y-7937 . . . . .	1735	9Y-7999 . . . . .	1723	9Y-9781 . . . . .	583
9Y-7170 . . . . .	1857	9Y-7938 . . . . .	1736	9Y-8000 . . . . .	1723		1156
9Y-7187 . . . . .	1318	9Y-7939 . . . . .	1736	9Y-8001 . . . . .	1724	9Y-9782 . . . . .	624
9Y-7188 . . . . .	1318	9Y-7940 . . . . .	1736	9Y-8002 . . . . .	1723		1156
9Y-7207 . . . . .	1724	9Y-7942 . . . . .	1737	9Y-8003 . . . . .	1724		1719
9Y-7273 . . . . .	▶643	9Y-7943 . . . . .	1737	9Y-8004 . . . . .	1724	9Y-9783 . . . . .	1719
	768	9Y-7944 . . . . .	1738	9Y-8005 . . . . .	1724	9Y-9847 . . . . .	625
	776	9Y-7945 . . . . .	1738	9Y-8006 . . . . .	1724	9Y-9895 . . . . .	170
	795	9Y-7946 . . . . .	1738	9Y-8007 . . . . .	1724		192
	812	9Y-7947 . . . . .	1739	9Y-8008 . . . . .	1724	9Y-9917 . . . . .	643
	820	9Y-7948 . . . . .	1737	9Y-8009 . . . . .	1723		
	830	9Y-7949 . . . . .	1737	9Y-8010 . . . . .	1723		
	838	9Y-7951 . . . . .	1738	9Y-8011 . . . . .	1723		
9Y-7274 . . . . .	▶648	9Y-7952 . . . . .	1738	9Y-8012 . . . . .	1723		
	787	9Y-7953 . . . . .	1738	9Y-8014 . . . . .	1724		
9Y-7275 . . . . .	644	9Y-7954 . . . . .	1739	9Y-8015 . . . . .	1724	001-5262 . . . . .	1127
	649	9Y-7955 . . . . .	1739	9Y-8016 . . . . .	1724		1128
9Y-7524 . . . . .	678	9Y-7956 . . . . .	1740	9Y-8017 . . . . .	1724	001-6498 . . . . .	529
	680	9Y-7957 . . . . .	1740	9Y-8018 . . . . .	1724		530
	681	9Y-7958 . . . . .	1740	9Y-8019 . . . . .	1724	001-7025 . . . . .	689
9Y-7642 . . . . .	1118	9Y-7959 . . . . .	1741	9Y-8020 . . . . .	1724	003-2143 . . . . .	323
9Y-7773 . . . . .	442	9Y-7960 . . . . .	1741	9Y-8021 . . . . .	1724	004-5703 . . . . .	1127
	446	9Y-7961 . . . . .	1741	9Y-8022 . . . . .	1723		1128
	448	9Y-7962 . . . . .	1742	9Y-8023 . . . . .	1723	004-5933 . . . . .	345
	452	9Y-7963 . . . . .	1742	9Y-8024 . . . . .	1723	005-4362 . . . . .	659
9Y-7900 . . . . .	▶1825	9Y-7964 . . . . .	1742	9Y-8025 . . . . .	1723		660
9Y-7902 . . . . .	▶1723	9Y-7965 . . . . .	1739		▶1739		746
9Y-7903 . . . . .	1723	9Y-7966 . . . . .	1741	9Y-8026 . . . . .	1723	007-0950 . . . . .	1127
	▶1735	9Y-7967 . . . . .	1741		▶1740	009-1436 . . . . .	1171
9Y-7904 . . . . .	1723	9Y-7968 . . . . .	1741	9Y-8027 . . . . .	1723	011-5224 . . . . .	234
	▶1736	9Y-7969 . . . . .	1742		▶1740	012-7950 . . . . .	315
9Y-7905 . . . . .	1723	9Y-7970 . . . . .	1742	9Y-8028 . . . . .	1723		320
	▶1736	9Y-7971 . . . . .	1742		▶1740	012-8140 . . . . .	1029
9Y-7906 . . . . .	1723	9Y-7972 . . . . .	1739	9Y-8029 . . . . .	1723	030-1193 . . . . .	1023
	▶1736	9Y-7973 . . . . .	1735		▶1741		1024
9Y-7907 . . . . .	1723		1739	9Y-8030 . . . . .	1723		1655
	▶1737	9Y-7974 . . . . .	1736		▶1741		1656
9Y-7908 . . . . .	1723		1740	9Y-8031 . . . . .	1723		1671
	▶1737	9Y-7975 . . . . .	1736		▶1741		1672
9Y-7909 . . . . .	1723		1740	9Y-8032 . . . . .	1723	030-2010 . . . . .	1136
	▶1737	9Y-7976 . . . . .	1737		▶1742	030-2284 . . . . .	1399
9Y-7910 . . . . .	1723		1741	9Y-8033 . . . . .	1723		1402
	▶1738	9Y-7977 . . . . .	1737		▶1742		1406
9Y-7911 . . . . .	1723		1741	9Y-8034 . . . . .	1723		1408
	▶1738	9Y-7978 . . . . .	1738		▶1742		1411
9Y-7912 . . . . .	1723		1742	9Y-8035 . . . . .	1724		1414
	▶1738	9Y-7979 . . . . .	1738	9Y-8036 . . . . .	1724		1417
9Y-7913 . . . . .	1723		1742	9Y-8037 . . . . .	1724		1420
	▶1739	9Y-7980 . . . . .	1739	9Y-8038 . . . . .	1724		1424
9Y-7914 . . . . .	1723	9Y-7981 . . . . .	1735	9Y-8039 . . . . .	1723		1426
	1735		1739	9Y-8051 . . . . .	▶1118		1429

## 0

# PART NUMBER INDEX

Part	Page	Part	Page	Part	Page	Part	Page
	1432		899		783		1313
	1435		904		785	061-9458 . . . . .	1843
	1438		916		787		1853
	1441	031-0215 . . . . .	80		789		1855
	1444		82		791	062-5388 . . . . .	1073
	1447	031-0216 . . . . .	626		793		1077
	1451		631		795		1719
	1453		643		797	067-3605 . . . . .	1130
	1456		649		808	068-5590 . . . . .	871
	1459	031-0219 . . . . .	434		810		881
	1463		436		812		883
	1465	031-0243 . . . . .	1311		814		887
	1468		1315		816		889
	1471		1487		818	082-2753 . . . . .	480
	1476		1490		820	096-0192 . . . . .	1694
	1478		1499		822	096-3773 . . . . .	1054
	1481		1502		826	096-6166 . . . . .	1054
	1484		1505		828		
	1487		1508		830		
	1490		1511		832		
	1493		1515		834		
	1496		1518		836		
	1499		1521		838	100-3652 . . . . .	101
	1502		1524		840		152
	1505		1527		842	100-3979 . . . . .	▶1594
	1508	031-3414 . . . . .	1118		844	100-4481 . . . . .	1442
	1512	031-4155 . . . . .	413	034-3557 . . . . .	172		1475
	1515	032-1268 . . . . .	341		434		1478
	1518		342		436		1481
	1521		658	034-3665 . . . . .	857		1484
	1524		850		1338	100-4482 . . . . .	1442
	1527	032-1269 . . . . .	161		1339		1476
	1530	033-2075 . . . . .	1399		1342		1479
	1534		1405		1345		1482
	1538		1411	034-8348 . . . . .	125		1485
	1540		1423	035-0499 . . . . .	1279	100-4510 . . . . .	▶862
	1543		1429		1281	100-4511 . . . . .	▶864
	1546		1435		1283	100-5045 . . . . .	▶866
	1549		1444	036-1865 . . . . .	426		870
	1552		1450	036-2176 . . . . .	862	100-5046 . . . . .	▶868
	1555		1462	036-9821 . . . . .	1200		870
	1558		1475		1213	100-5047 . . . . .	▶870
	1561		1487		1217		910
	1564		1493		1223	100-5954 . . . . .	968
	1568		1500		1228		969
	1570		1506		1243		970
	1573		1512		1246		971
	1576		1519		1251		972
	1579		1525		1254		973
	1582		1531		1257	100-5955 . . . . .	968
	1585		1537		1260		969
030-3978 . . . . .	850		1546		1269		970
030-7946 . . . . .	125		1555	036-9823 . . . . .	1200		971
	661		1564		1213		972
	662		1567		1217		973
030-7947 . . . . .	615		1573		1223	100-5956 . . . . .	968
	617		1579		1228		969
	619		1599		1243		970
	661		1600		1246		971
	662		1601		1251		972
	746		1671		1254		973
	747		1672		1257	100-6531 . . . . .	875
	751	033-5879 . . . . .	584		1260		877
030-7948 . . . . .	751		585		1269		896
030-7951 . . . . .	341		758	039-8557 . . . . .	92	100-6532 . . . . .	896
	342		760		93	100-6814 . . . . .	552
	529		764	052-0512 . . . . .	1171	100-6815 . . . . .	552
	530		766	052-0572 . . . . .	1169	100-6816 . . . . .	557
	534		768		1716	100-7560 . . . . .	664
	535		770	053-2171 . . . . .	1336	100-7860 . . . . .	109
030-8194 . . . . .	746		772	060-7519 . . . . .	1175		110
	747		774	061-7540 . . . . .	156	101-0222 . . . . .	1640
030-8535 . . . . .	130		776	061-9325 . . . . .	296	101-0225 . . . . .	▶1640
030-9612 . . . . .	894		778		1312		1718

1

# PART NUMBER INDEX

Part	Page	Part	Page	Part	Page	Part	Page
101-0373	1445		1063		970	108-1870	▶1613
	1448	104-4253	681		971		▶1614
	1538	104-4254	681		972	108-2780	1019
	1541	104-4363	974		973	108-2861	▶1
	1544		975	104-8680	974	108-2862	▶3
101-0375	1445		976		975	108-2864	▶5
	1448		977		976	108-2865	1
	1537		978		977		3
	1540		979		978		5
	1543	104-4364	974		979		▶663
101-2064	241		975		980	108-3560	91
101-2850	454		976		981	108-3561	87
	455		977		982		90
101-2863	1052		978		983	108-4151	239
	1053		979	105-1457	1670	108-4825	3
	1055	104-4365	974		▶1746		▶758
	1056		975	105-2508	749	108-4827	1
	1057		976	105-3762	897		▶760
	1652		977	105-4401	▶1603	108-4828	699
101-5003	1640		978		1613	108-4829	703
101-5720	850		979	105-4827	293	108-4830	▶699
101-5724	850	104-4366	980		295		758
101-7664	1824		981	105-5136	1171		760
102-0050	▶1154	104-4370	980	105-5137	1171	108-7930	312
	1650		981	105-5138	1171	108-8127	1640
102-8619	1156	104-4371	980	105-6624	1595		1642
	▶1641		981	105-7123	1078	108-8210	315
102-8627	▶1710	104-4373	982	105-7185	▶1071	108-8500	1644
102-8801	1076		983	105-7561	515	108-8603	663
102-8802	1072	104-4374	982	105-7931	▶1286		▶664
	1147		983	106-0447	▶1045	109-0076	313
	1150	104-4377	982	106-1706	426		1848
	1335		983	106-1771	945	109-0077	156
102-8803	1026	104-4379	▶968		947		312
	1070	104-4380	▶969		▶1063		313
	1072	104-4381	▶970	106-1793	502		1848
	1137	104-4382	▶971	106-4974	1103	109-0078	154
	1138	104-4383	▶972		1112	109-0475	▶7
	1142	104-4384	▶973	106-4975	1099	109-1317	▶64
	1143	104-4385	▶974		1116		69
	1145	104-4386	▶975	106-5164	1694	109-1318	▶66
	1146	104-4387	▶976		1696		72
	1335	104-4388	▶977	106-5169	▶1694	109-3038	1071
	1641	104-4389	▶978		1718		1072
102-8805	1335	104-4390	▶979	106-5171	▶1696		1073
102-8806	1718	104-4391	▶980		1718		1074
102-8816	1640	104-4392	▶981	106-5520	▶1169		1075
102-9976	▶1120	104-4393	▶982	106-5521	1169		1332
102-9977	1335	104-4394	▶983		▶1171		1333
103-1496	1331	104-4704	▶1713	106-6493	587		1334
103-1497	▶1331	104-4993	58	106-8552	▶1177	109-3319	▶92
103-1582	▶1788		60		1222	109-3770	1381
103-1737	▶1064	104-5512	103	106-8555	▶1178		▶1399
	1331	104-5518	103		1184		▶1402
103-1836	1719	104-5527	103	106-8848	1156	109-3771	1381
103-1837	1719	104-5530	103	106-9926	1719	109-3772	1381
103-1838	1719	104-7614	968	107-0265	107		▶1405
103-1839	▶1351	104-7615	969		110		▶1408
103-1949	▶1335	104-7617	970		112	109-3773	▶1381
103-4773	▶1718	104-7619	971	107-0268	107	109-3774	1382
103-5820	303	104-7621	972		110		▶1411
103-6101	▶1650	104-7623	973		112		▶1414
103-6197	1719	104-7625	974	107-3056	▶940		▶1417
103-6272	1735	104-7627	975	107-3057	▶941		▶1420
103-6332	1719	104-7628	976		945	109-3775	▶1382
103-8974	▶1019	104-7629	977		947	109-3776	1383
103-8975	1718	104-7630	978	107-4437	1338		▶1423
	▶1735	104-7631	979		1339		▶1426
104-2183	1694	104-7632	980	107-5696	1640	109-3777	▶1383
104-2994	1719	104-7633	981	107-5907	1640	109-3784	1384
104-3014	7	104-7634	982	107-6331	▶1338		▶1429
	53	104-7635	983	107-8203	1339		▶1432
104-3045	940	104-8679	968	107-8204	▶1339	109-3785	▶1384
	941		969	107-8517	▶1287	109-3786	1384

# PART NUMBER INDEX

Part	Page	Part	Page	Part	Page	Part	Page
	▶1435		1403		1411		1511
	▶1438		1405		1414		1515
109-3787 . . . . .	▶1384		1408		1417		1518
109-3796 . . . . .	1385		1412		1420		1521
	▶1441		1415		1423		1524
109-3797 . . . . .	▶1385		1418		1426		1527
109-3798 . . . . .	1385		1421		1429		1530
	▶1444		1424		1432		1534
	▶1447		1426		1435		1537
109-3799 . . . . .	▶1385		1430		1438		1540
109-5737 . . . . .	1711		1433		1441		1543
109-5738 . . . . .	1711		1436		1444		1546
109-6507 . . . . .	951		1439		1447		1549
	954		1442		1462		1552
	960		1445		1465		1555
	1156		1448		1468		1558
109-8932 . . . . .	1080		1463		1471		1561
110-0583 . . . . .	▶923		1465	110-6464 . . . . .	1157		1567
110-0585 . . . . .	▶924		1468	110-6465 . . . . .	1159		1570
110-0586 . . . . .	▶925		1471	110-6844 . . . . .	1718		1573
110-0587 . . . . .	▶926	110-4875 . . . . .	1400	110-6845 . . . . .	1718		1576
110-3407 . . . . .	1399		1402	110-7548 . . . . .	▶701		1579
	1402		1405	110-7549 . . . . .	▶702		1582
	▶1619		1408	110-7884 . . . . .	1332		1585
110-3408 . . . . .	1405		1412		1334	111-2721 . . . . .	▶312
	1408		1414	111-1323 . . . . .	951	111-3187 . . . . .	1399
	1430		1417		961		1402
	1432		1420		1156		1450
	1441		1423	111-1324 . . . . .	1156		1453
	▶1620		1426	111-1325 . . . . .	951		1456
110-3409 . . . . .	1412		1430		954		1459
	1414		1432		1156		1475
	1417		1436	111-1810 . . . . .	92		1478
	1420		1438		93		1481
	1435		1441	111-2124 . . . . .	▶762		1484
	1438		1445	111-2126 . . . . .	762		1537
	1445		1447		▶763		1540
	1447		1462	111-2413 . . . . .	1400		1543
	▶1621		1465		1402		1547
110-3410 . . . . .	1423		1468		1406		1549
	1426		1471		1409		1552
	1462	110-5763 . . . . .	▶160		1411		1556
	1465	110-5764 . . . . .	▶68		1414		1558
	1468		70		1417		1561
	1471	110-5765 . . . . .	▶69		1420		1565
	▶1622		▶70		1423		1568
110-3763 . . . . .	1619	110-5766 . . . . .	▶71		1426		1570
	1620	110-5767 . . . . .	▶72		1429		1580
	1621		▶73		1432		1582
	1622	110-6174 . . . . .	1399		1435		1585
110-3866 . . . . .	▶552		1402		1438	111-3794 . . . . .	▶1137
	560		1405		1441		1141
110-4325 . . . . .	1399		1408		1444	111-7760 . . . . .	▶1156
	1402		1411		1447		1718
	1405		1414		1450	111-7761 . . . . .	▶1156
	1408		1417		1453		1718
	1411		1420		1456	111-8010 . . . . .	306
	1414		1423		1459		307
	1417		1426		1462		308
	1420		1429		1465		309
	1423		1432		1468		425
	1426		1435		1471	111-8015 . . . . .	107
	1429		1438		1475		110
	1432		1441		1478		153
	1435		1444		1481		1840
	1438		1447		1484		1841
	1441		1462		1487		1845
	1444		1465		1490		1847
	1447		1468		1493	111-8021 . . . . .	107
	1462		1471		1496		110
	1465	110-6175 . . . . .	1399		1499		112
	1468		1402		1502	111-8022 . . . . .	107
	1471		1405		1505		110
110-4874 . . . . .	1400		1408		1508		112



# PART NUMBER INDEX

Part	Page	Part	Page	Part	Page	Part	Page
111-8023 . . . . .	107		1415		1463	118-2070 . . . . .	▶1643
	110		1418		▶1604		1662
	112		1421	114-8718 . . . . .	699	118-5068 . . . . .	1849
111-8024 . . . . .	107		1424		703	118-5606 . . . . .	▶332
	110		1427		708	118-6242 . . . . .	270
	112		1430		712	118-6243 . . . . .	▶270
111-8025 . . . . .	107		1433		714	118-8452 . . . . .	1389
	110		1436		716		1390
	112		1439		718	119-4155 . . . . .	2
111-8026 . . . . .	107		1442		720		4
	110		1445		722		6
	112		1448		724	119-5155 . . . . .	1849
111-8027 . . . . .	107		1463		726	120-6619 . . . . .	116
	110		1466		728	120-6626 . . . . .	239
	112		1469		730	120-6973 . . . . .	1450
111-8028 . . . . .	107		1471		735		1453
	110	113-0796 . . . . .	984		739		1456
	112		985		743		1459
112-2563 . . . . .	1399	113-0797 . . . . .	984		1853		1463
	1402		985	115-1249 . . . . .	758		1466
	1406	113-0798 . . . . .	984		797		1469
	1408		985		832		1472
	1412	113-0799 . . . . .	986	115-3358 . . . . .	587	120-8997 . . . . .	7
	1414		987	115-5852 . . . . .	1388		9
	1417	113-0800 . . . . .	986		1824		11
	1420		987	115-7550 . . . . .	104		61
	1426	113-0801 . . . . .	986		153	121-0145 . . . . .	173
	1430		987		1840		1843
	1432	113-0802 . . . . .	988		1841	121-0286 . . . . .	1450
	1436	113-0804 . . . . .	988		1845		1453
	1438	113-0809 . . . . .	1089		1847		1456
	1441	113-0821 . . . . .	984	116-4622 . . . . .	10		1459
	1445	113-0822 . . . . .	985		11		▶1635
	1447	113-0824 . . . . .	986		55	121-2719 . . . . .	1386
	1453	113-0826 . . . . .	987		57		▶1450
	1456	113-0827 . . . . .	988		59		▶1453
	1459	113-0833 . . . . .	▶984		62		▶1456
	1462	113-0834 . . . . .	▶985	116-7577 . . . . .	310		▶1459
	1465	113-0836 . . . . .	▶986	116-7730 . . . . .	▶328	121-2720 . . . . .	▶1386
	1468	113-0838 . . . . .	▶987	116-7734 . . . . .	328	121-3192 . . . . .	1387
	1471	113-0839 . . . . .	▶988		329		▶1462
	1475	113-0845 . . . . .	1089		330		▶1465
	1478	113-0850 . . . . .	▶1089	116-7846 . . . . .	▶1615		▶1468
	1481	113-0856 . . . . .	984	116-7849 . . . . .	▶1615		▶1471
	1484		985	117-1698 . . . . .	426	121-3193 . . . . .	▶1387
	1537	113-0857 . . . . .	986	117-8556 . . . . .	624	121-3904 . . . . .	438
	1540		987		1567		440
	1543		988	118-0175 . . . . .	▶1642	121-3905 . . . . .	440
	1546	113-0859 . . . . .	▶1287		1662	121-3906 . . . . .	▶871
	1549	113-0860 . . . . .	▶1287	118-1265 . . . . .	1732	121-6202 . . . . .	▶1615
	1552	113-5253 . . . . .	216	118-1324 . . . . .	1450	122-3772 . . . . .	312
	1555	113-5304 . . . . .	156		1453		313
	1558	114-2687 . . . . .	155		1456		1848
	1561		231		1459	122-4249 . . . . .	▶1857
	1567		1843		1475	122-4275 . . . . .	1298
	1570		1844		1478	122-4549 . . . . .	▶1298
	1579		1848		1481	122-4637 . . . . .	1299
	1582		1851		1484	122-4638 . . . . .	1299
	1585		1852		1537	122-9405 . . . . .	682
			1856		1540	123-1373 . . . . .	934
112-3710 . . . . .	322				1543	123-4944 . . . . .	1719
112-4033 . . . . .	▶426	114-3364 . . . . .	666		1546	123-4945 . . . . .	1719
112-4247 . . . . .	322		1840		1549	123-4946 . . . . .	1719
112-5338 . . . . .	▶1594	114-3540 . . . . .	444		1552	123-4947 . . . . .	1719
112-5740 . . . . .	▶315		447		1555	123-6830 . . . . .	▶1599
112-7959 . . . . .	1719		450		1558	123-7450 . . . . .	▶1691
112-9119 . . . . .	894		453		1561		1692
	899	114-4427 . . . . .	1849		1564	124-0174 . . . . .	139
	904	114-5510 . . . . .	1400		1567		141
	916		1406		1570		143
112-9430 . . . . .	1400		1412		1579		145
	1403		1424		1582		287
	1406		1430		1585		291
	1409		1436		▶331		293
	1412		1445				

# PART NUMBER INDEX

Part	Page	Part	Page	Part	Page	Part	Page
	295	130-6859	▶548		50		1573
124-1563	▶1600	130-8239	▶1305		62		1579
	1615	130-8240	▶1306	138-3809	▶1135		▶1605
124-3486	1615	130-8356	306	138-9507	1853	150-0332	14
124-3487	1615	130-8357	▶306		1855	150-3724	699
124-4433	1175	130-9715	1643	140-3004	906		703
124-5572	64	130-9716	1644		908		708
	66	131-1474	1072	140-3005	906		714
	74	131-1477	1334		908		716
125-4585	▶329	131-2831	988	140-6137	14		718
125-5773	1085	131-5453	621		16		720
	1158		622	142-5867	1848		722
	1162		623	142-5868	155		724
125-5774	1160		653	143-0540	▶1179		726
	▶1165		654		▶1181		728
125-7874	1070		1722		1231		730
	1072	131-5454	601	143-0814	149		735
	1332		602	143-1343	1179		739
	1334		▶1031	143-5853	1008		743
125-7875	1070	131-5455	▶580	143-6856	965		1853
125-9312	983		624		989		1855
125-9775	▶1121	131-5567	▶581		990	150-3726	758
126-0558	1719	131-6645	335		991		760
126-1688	434		337		992		770
	436	131-7926	1724		993		778
126-1689	434	132-2076	▶307		994		789
126-1767	1147	132-4675	▶666		1008		797
126-1774	1070		668		1009		814
126-2412	▶9	132-6790	1091		1011		822
126-2413	▶11	133-0126	1724	143-7610	1009		832
126-2702	1848	133-0969	1070	143-7886	▶1285		840
126-4421	1400	133-0970	1070	143-9759	908		1853
	1403	133-1247	99	143-9760	906		1855
	1406		153	144-0477	758	150-3727	758
	1409		1840		760		760
	1412		1841		770		763
	1415		1845		778		770
	1418		1847		789		778
	1421	133-3917	▶1142		797		781
	1423		1650		814		789
	1427	133-6350	▶1644		822		797
	1430		1718		832		800
	1433	133-6518	415		840		803
	1436	133-9670	▶1293		1855		806
	1439	133-9671	▶383	145-2362	▶1143		814
	1442		421		1650		822
	1445	133-9673	▶384	145-5138	▶1330		832
	1448		415	146-6729	1179		840
127-3330	1691	133-9850	1643		1181		1853
	1692	134-0641	502	147-0182	1848		1855
127-6260	1079	134-1245	421	147-1445	1070	150-3728	626
127-9070	1332	134-2252	1154	148-7425	110		631
	1719		▶1155		112		643
128-0830	▶1072	134-2540	1074	148-7455	109		648
	1330		1075		110		848
128-5313	1450	134-3846	1719	149-0791	312		1853
	1453	134-7422	365		351		1855
	1456		369		353	150-3730	627
	1459		381		355		632
	1462	134-8277	908	149-6130	1450		644
	1465	134-8278	906		1475		649
	1468	135-4928	312		1488		848
	1471	135-5159	▶323		1493		1853
129-0308	1719	135-5369	▶330		1499		1855
129-0338	179	136-1107	312		1505	150-5146	64
129-0359	175	136-3742	312		1511		66
129-1014	1335	137-5541	747		1518		68
129-1090	323		750		1524		71
130-3349	▶1673	138-2544	▶1164		1530		74
	1680	138-2780	▶116		1537		76
	1683	138-3069	2		1546	153-1256	312
	1684		10		1555	153-2707	1075
	1685		11		1564	153-5484	154
130-5692	1723		46		1567	153-5656	935

# PART NUMBER INDEX

Part	Page	Part	Page	Part	Page	Part	Page
153-5927 . . . . .	1386	162-0782 . . . . .	1026	169-1844 . . . . .	1007		359
	1387	163-4192 . . . . .	▶1692		995		361
	1391	163-5713 . . . . .	347		996		363
153-8498 . . . . .	617	163-8516 . . . . .	▶1144		997	172-5189 . . . . .	357
154-3199 . . . . .	▶703		1647		998		359
	763	164-6560 . . . . .	177		999		361
154-3293 . . . . .	1690	164-7560 . . . . .	73		1000		363
154-3870 . . . . .	211		▶74		1001	172-7760 . . . . .	▶357
154-3891 . . . . .	▶211	164-7562 . . . . .	▶76		1002		377
	221	164-7572 . . . . .	74		1010	172-7766 . . . . .	▶359
154-3945 . . . . .	351	164-8940 . . . . .	1710	169-1845 . . . . .	1003		374
	353		▶1711		1004	172-7767 . . . . .	▶361
154-3946 . . . . .	355	165-3929 . . . . .	312		1005		377
	363	165-4262 . . . . .	174		1006	172-7771 . . . . .	▶363
154-4482 . . . . .	311		180		1007		380
	312	165-6170 . . . . .	1849	169-1849 . . . . .	▶1091	172-7827 . . . . .	357
	351	165-6634 . . . . .	▶1138		1091		359
	353	166-9142 . . . . .	1848	169-1853 . . . . .	1093		361
	355	166-9146 . . . . .	1848		1094	173-4437 . . . . .	▶1857
	357	167-0024 . . . . .	1850	169-1855 . . . . .	989	173-7181 . . . . .	1696
	359	167-8123 . . . . .	114	169-1859 . . . . .	▶1093	174-0503 . . . . .	1074
	361		115	169-1862 . . . . .	1010		1075
	363	168-0342 . . . . .	▶989	169-1863 . . . . .	1006	174-4290 . . . . .	1683
154-6997 . . . . .	110		1003		1007	175-1329 . . . . .	▶1006
	112	168-0343 . . . . .	▶990	169-1864 . . . . .	▶1291	175-1330 . . . . .	▶1007
154-6998 . . . . .	110		1005	169-1866 . . . . .	▶1291	175-1331 . . . . .	1006
	112	168-0345 . . . . .	990	169-1875 . . . . .	▶1094		▶1008
155-0067 . . . . .	▶351	168-4532 . . . . .	1	169-3345 . . . . .	▶873	175-1332 . . . . .	1007
	373		5	169-4199 . . . . .	155		▶1009
155-0068 . . . . .	▶353		13		172	175-1333 . . . . .	1008
	376		15		173		1009
155-0072 . . . . .	▶355		39		1843	175-1335 . . . . .	▶1010
	379		▶174	169-4200 . . . . .	155	175-1337 . . . . .	1010
155-1379 . . . . .	10	168-8967 . . . . .	▶991		172		▶1011
	53		995		173	175-3418 . . . . .	314
	62	168-8970 . . . . .	965		1843	175-3419 . . . . .	314
	▶1840		▶992	169-8373 . . . . .	1857	175-7896 . . . . .	1848
155-2255 . . . . .	1076		997	170-0560 . . . . .	▶311	175-7900 . . . . .	1853
155-2256 . . . . .	1070	168-8972 . . . . .	▶993		355		1855
	1076		999		367	179-8213 . . . . .	13
155-2260 . . . . .	1070	168-8973 . . . . .	▶994		369		15
	1335		1001	170-0564 . . . . .	353		▶668
	1720	169-1750 . . . . .	312		365	180-9339 . . . . .	1145
155-2261 . . . . .	1148		351	170-0566 . . . . .	▶311	183-8456 . . . . .	516
155-2263 . . . . .	1148		353	170-0567 . . . . .	351	183-8575 . . . . .	13
	1151		355		359		15
155-2265 . . . . .	1640		357		363		▶516
	1642		359		381	183-8579 . . . . .	516
155-2270 . . . . .	1075		361	170-0570 . . . . .	▶312	184-6536 . . . . .	▶438
	1148		363		357	184-6537 . . . . .	438
	1149	169-1828 . . . . .	▶995		361	184-7209 . . . . .	13
	1331		▶996	170-1834 . . . . .	10		▶553
	1335	169-1831 . . . . .	▶997		12	184-7248 . . . . .	▶13
155-2274 . . . . .	1070		▶998		46	184-7338 . . . . .	▶15
	1148	169-1833 . . . . .	▶999		50	185-2638 . . . . .	873
	1151		▶1000		54	185-2639 . . . . .	873
	1720	169-1834 . . . . .	▶1001		56	185-2640 . . . . .	873
	1743		▶1002		62	185-2644 . . . . .	873
	1744	169-1837 . . . . .	▶1003	170-5181 . . . . .	666	185-2645 . . . . .	873
155-3820 . . . . .	▶1606		▶1004	170-7502 . . . . .	138	185-2647 . . . . .	873
155-3822 . . . . .	▶1607	169-1839 . . . . .	▶1005	171-0596 . . . . .	1139	185-2648 . . . . .	873
155-3832 . . . . .	▶1608	169-1842 . . . . .	995		1140	185-2650 . . . . .	873
	1615		996	171-5349 . . . . .	1147	185-2652 . . . . .	873
155-3835 . . . . .	▶1609		997		1149	185-2653 . . . . .	873
	1615		998		1150	185-2654 . . . . .	873
155-5236 . . . . .	480		999	172-0038 . . . . .	312	185-2655 . . . . .	873
155-5237 . . . . .	480		1000		357	185-2658 . . . . .	873
155-5619 . . . . .	155		1001		359	186-3735 . . . . .	1142
155-8758 . . . . .	351		1002		361		1146
	353		1010		363	186-3736 . . . . .	1150
	355	169-1843 . . . . .	1003	172-0208 . . . . .	▶1087		1640
159-1786 . . . . .	▶589		1004		1169		1642
159-1798 . . . . .	1643		1005	172-5185 . . . . .	311		1743
159-9322 . . . . .	1070		1006		357	186-4180 . . . . .	1087

# PART NUMBER INDEX

Part	Page	Part	Page	Part	Page	Part	Page
187-2034 . . . . .	875	204-4461 . . . . .	16	234-7491 . . . . .	343	275-7787 . . . . .	1002
	877	204-4462 . . . . .	16	234-7492 . . . . .	343		▶1015
	899	204-4463 . . . . .	16	234-7494 . . . . .	343	275-7791 . . . . .	▶1016
	902	204-4464 . . . . .	16	234-7495 . . . . .	343	275-7792 . . . . .	▶1017
	904	204-6608 . . . . .	1131	234-7496 . . . . .	343	275-8389 . . . . .	1012
	916	204-6609 . . . . .	1132	234-7497 . . . . .	343		1013
188-0210 . . . . .	1849	206-2568 . . . . .	1744	234-7498 . . . . .	343		1014
188-6126 . . . . .	153	206-2587 . . . . .	1148	234-7499 . . . . .	343		1015
	243	206-2588 . . . . .	▶1148	234-8014 . . . . .	▶1841		1017
	515	206-2866 . . . . .	▶343	234-8937 . . . . .	155	275-8390 . . . . .	1012
	1840		350	235-5725 . . . . .	▶1611	275-8415 . . . . .	1013
	1844	206-4202 . . . . .	899		1615		1014
	1847		904	239-9957 . . . . .	▶1140		1015
189-5746 . . . . .	▶1147		916	240-6833 . . . . .	▶1073		1016
	1148	207-1522 . . . . .	▶1186	240-6834 . . . . .	▶1073		1017
190-0065 . . . . .	873		1209	241-0158 . . . . .	1612	279-4977 . . . . .	106
190-7614 . . . . .	1076	207-1525 . . . . .	▶1188	241-2967 . . . . .	1332		1840
192-0284 . . . . .	▶1053	207-1531 . . . . .	▶1190	241-2968 . . . . .	1332	279-6644 . . . . .	▶1337
192-0341 . . . . .	1053		1234	241-3378 . . . . .	▶1332		1350
192-0374 . . . . .	▶1652	207-1554 . . . . .	1185	241-3379 . . . . .	▶1332	283-1107 . . . . .	1186
192-4645 . . . . .	1349		▶1192	242-3100 . . . . .	▶1074		1188
193-5488 . . . . .	1711	207-1555 . . . . .	1192		1332		1190
194-5226 . . . . .	1144		▶1193		1333		1193
194-5227 . . . . .	1144	207-1558 . . . . .	▶1195	242-3104 . . . . .	▶1075		1195
195-0302 . . . . .	138		1268		1333		1198
196-0029 . . . . .	138	207-1560 . . . . .	▶1197	242-3487 . . . . .	▶1601		1249
196-0223 . . . . .	138		1238		1615	285-7033 . . . . .	470
196-1804 . . . . .	1853	207-1561 . . . . .	1197	242-7960 . . . . .	▶1333	290-5567 . . . . .	1402
	1855		▶1198	242-7961 . . . . .	▶1333		1408
196-9534 . . . . .	▶152	207-8644 . . . . .	991	242-9752 . . . . .	▶1072		1417
196-9988 . . . . .	138		992		1333		1420
197-3309 . . . . .	1167		993	243-4269 . . . . .	▶1333		1426
197-3866 . . . . .	1848	207-8645 . . . . .	965	243-4270 . . . . .	▶1602		1432
197-7348 . . . . .	1743	207-8656 . . . . .	994	243-4271 . . . . .	▶1075		1438
	1744	208-4836 . . . . .	14		1334		1441
198-1517 . . . . .	313	209-2201 . . . . .	482	243-4285 . . . . .	▶1334		1447
198-6068 . . . . .	1848		485	243-7201 . . . . .	1332		1456
199-7891 . . . . .	873	209-2202 . . . . .	482		1333		1459
199-8436 . . . . .	873		485	244-0452 . . . . .	1074		1469
		210-8950 . . . . .	1070		1075		1472
		211-0089 . . . . .	1694	244-4461 . . . . .	▶1307		1481
			1731		1576		1484
		211-0130 . . . . .	951	244-9825 . . . . .	1291		1540
		211-4321 . . . . .	180	246-5764 . . . . .	1601		1543
		211-4359 . . . . .	▶220	246-7013 . . . . .	1074		1552
200-5220 . . . . .	1727	214-3613 . . . . .	1727		1075		1561
200-5222 . . . . .	1733	214-7566 . . . . .	1848	246-7014 . . . . .	1074		1570
200-8577 . . . . .	1718	214-7568 . . . . .	1849		1075		1585
202-2700 . . . . .	875	216-8684 . . . . .	▶1145	246-7015 . . . . .	1074		▶1588
	877		1650		1075		1594
202-2708 . . . . .	875	216-8748 . . . . .	1614	249-2514 . . . . .	1388		1857
	877	219-1937 . . . . .	486	252-7646 . . . . .	▶1054	291-8145 . . . . .	1849
202-2783 . . . . .	877	219-3484 . . . . .	1610		1055	291-8247 . . . . .	875
202-2784 . . . . .	875		1611	252-7647 . . . . .	1054	291-8253 . . . . .	875
	877		1616	252-7648 . . . . .	1054	291-8263 . . . . .	875
202-2785 . . . . .	875	222-5398 . . . . .	601	255-6863 . . . . .	493	291-8271 . . . . .	875
	877		▶1072	262-4378 . . . . .	311	291-8274 . . . . .	875
202-2786 . . . . .	875	227-8133 . . . . .	1696	266-0889 . . . . .	617	292-3815 . . . . .	875
202-2787 . . . . .	875	228-9657 . . . . .	873		619		877
	877	229-9407 . . . . .	877		1661	293-0004 . . . . .	300
202-8634 . . . . .	▶1610	231-6133 . . . . .	877	266-7227 . . . . .	▶875	293-7466 . . . . .	1175
	1857	232-3233 . . . . .	101	269-5290 . . . . .	106	297-6414 . . . . .	297
202-9008 . . . . .	509		152	270-4360 . . . . .	106	298-5631 . . . . .	1388
	1350	233-8525 . . . . .	297	270-4361 . . . . .	106	299-1761 . . . . .	877
202-9769 . . . . .	511		304	270-4638 . . . . .	1055		
	512		317	270-4639 . . . . .	▶1055		
202-9897 . . . . .	875	234-1856 . . . . .	1074	270-4647 . . . . .	1096		
	877		1075	270-4655 . . . . .	▶1096		
203-5522 . . . . .	14	234-1857 . . . . .	1074	275-7781 . . . . .	996		
	16		1075		▶1012	308-1362 . . . . .	877
204-4458 . . . . .	13	234-1858 . . . . .	1074		998	308-1365 . . . . .	877
	15		1075	275-7784 . . . . .	▶1013	308-1366 . . . . .	877
204-4459 . . . . .	13	234-7489 . . . . .	343		1000	309-1019 . . . . .	1594
	15	234-7490 . . . . .	343	275-7786 . . . . .	▶1014		1614
204-4460 . . . . .	15						

**2**

**3**

# PART NUMBER INDEX

Part	Page	Part	Page	Part	Page	Part	Page
	▶1616		1140				
	1618	433-9722 . . . . .	1083				
	1857	433-9728 . . . . .	1083				
310-3658 . . . . .	304	433-9730 . . . . .	1083				
313-9550 . . . . .	1848	433-9952 . . . . .	▶313				
314-7755 . . . . .	▶1612	435-5020 . . . . .	▶1389				
	1615	435-5021 . . . . .	1389				
317-0808 . . . . .	1853		▶1474				
	1856	435-5142 . . . . .	261				
328-5572 . . . . .	174	437-3213 . . . . .	▶1846				
	177	437-8662 . . . . .	▶1846				
	178	437-8664 . . . . .	▶1846				
328-8410 . . . . .	877	440-2105 . . . . .	▶1038				
331-5717 . . . . .	▶877		1083				
331-8553 . . . . .	310	443-2659 . . . . .	106				
332-8866 . . . . .	▶1662	447-5512 . . . . .	▶1076				
334-2669 . . . . .	178	447-8653 . . . . .	▶154				
334-8389 . . . . .	▶100	450-5567 . . . . .	1474				
	101	453-3151 . . . . .	1390				
335-8638 . . . . .	1662		▶1474				
335-8639 . . . . .	1662	453-3152 . . . . .	▶1390				
335-8640 . . . . .	1662	456-5581 . . . . .	103				
340-7298 . . . . .	1070		1850				
344-5673 . . . . .	1083	460-0815 . . . . .	1388				
349-2654 . . . . .	312	461-3282 . . . . .	▶1847				
350-9226 . . . . .	1334	471-1663 . . . . .	▶154				
360-2740 . . . . .	264	479-8076 . . . . .	▶155				
	266	482-7057 . . . . .	▶155				
360-4226 . . . . .	▶1070	487-6218 . . . . .	▶1848				
	1083	491-0327 . . . . .	▶1848				
362-0105 . . . . .	1087	491-0333 . . . . .	▶1849				
362-8853 . . . . .	192	491-0356 . . . . .	▶156				
371-5941 . . . . .	103						
374-7466 . . . . .	1070						
374-7468 . . . . .	1070						
377-7037 . . . . .	▶312						
379-0165 . . . . .	1840						
379-0174 . . . . .	106	505-0157 . . . . .	▶106				
379-3359 . . . . .	954	506-9032 . . . . .	480				
382-5055 . . . . .	▶1841	511-5792 . . . . .	482				
382-5073 . . . . .	▶1841		485				
383-1575 . . . . .	▶1842	514-5960 . . . . .	482				
386-3814 . . . . .	▶1842		485				
386-3815 . . . . .	▶1842	518-3959 . . . . .	▶1849				
388-0661 . . . . .	▶1842	518-3966 . . . . .	▶1849				
391-2167 . . . . .	515	518-3990 . . . . .	▶1850				
	1844	524-7986 . . . . .	174				
	1845		178				
391-8256 . . . . .	▶153	548-9596 . . . . .	1193				
391-8604 . . . . .	▶1843		1195				
392-0704 . . . . .	▶1844		1198				
392-4479 . . . . .	▶1845		1249				
393-1024 . . . . .	▶1845	555-2607 . . . . .	1186				
	1850		1188				
393-1165 . . . . .	▶515		1190				
393-3625 . . . . .	▶1846	568-5111 . . . . .	1038				
398-2955 . . . . .	▶156						

## 5

## 4

417-4722 . . . . .	1083
418-1964 . . . . .	1840
419-6349 . . . . .	178
421-1810 . . . . .	1004
423-7018 . . . . .	▶1076
	1083
423-9592 . . . . .	1388
	▶1474
423-9593 . . . . .	▶1388
426-5362 . . . . .	▶1083
426-5363 . . . . .	▶1083
430-9449 . . . . .	▶1139

# MEMORANDA





©2019 Caterpillar  
All Rights Reserved

CAT, CATERPILLAR, LET'S DO THE WORK, their respective logos, "Caterpillar Yellow", the "Power Edge" and Cat "Modern Hex" trade dress as well as corporate and product identity used herein, are trademarks of Caterpillar and may not be used without permission.



SEBP2007-48

3306

85Z3764-UP