

Parts Manual



See "General Information"
for New Parts Manual
Features.

G3608 INDUSTRIAL AND GENERATOR

BEN1-Up (Engine)

This Parts Manual is also available in .PDF Format on Compact Disc
(CD-ROM) - Caterpillar Form No. SERP3793.

Product and Dealer Information

Note: For product identification plate locations, see the section "Product Identification Information" in the Operation and Maintenance Manual.

Delivery Date: _____

Product Information

Model: _____

Product Identification Number: _____

Engine Serial Number: _____

Transmission Serial Number: _____

Generator Serial Number: _____

Attachment Serial Numbers: _____

Attachment Information: _____

Customer Equipment Number: _____

Dealer Equipment Number: _____

Dealer Information

Name: _____ Branch: _____

Address: _____

Dealer Contact

Phone Number

Hours

Sales: _____

Parts: _____

Service: _____

MEMORANDA

TABLE OF CONTENTS

Name	Page	Name	Page
GENERAL INFORMATION	A3	LUBRICATION SYSTEM	110
REPAIR ALTERNATIVES	A5	BREATHER GP	110
SUPPLEMENTAL COOLANT ADDITIVES	A6	CAP GP-ENGINE OIL FILLER	111
MAINTENANCE PARTS	A7	COVER GP-SCAVENGE PUMP	112
INDEX	A9	DRAIN GP-OIL	113
BASIC ENGINE	1	FILTER GP-ENGINE OIL	117
ADAPTER GP-AUXILIARY DRIVE	1	GAUGE AS-OIL LEVEL (DIPSTICK)	122
BARRING & MOUNTING GP	2	GUIDE GP-OIL LEVEL GAUGE	123
BRACKET GP-SHIPPING	6	LINES GP-ENGINE OIL	124
CAMSHAFT AS	7	LINES GP-LUBE OIL	136
CAMSHAFT GP	11	LINES GP-TURBOCHARGER OIL	138
CONNECTING ROD GP	13	PUMP & LINES GP-VALVE LUBE	141
COVER GP-CAMSHAFT	14	PUMP GP-ENGINE OIL	144
COVER GP-CYLINDER BLOCK	16	PUMP GP-PRELUBRICATION	147
COVER GP-CYLINDER ENGINE LIFTING EYE	19	REGULATOR GP-OIL LEVEL	150
COVER GP-FRONT HOUSING	20	VALVE GP-PRIORITY	152
COVER GP-GEAR INSPECTION	21	COOLING SYSTEM	153
COVER GP-VALVE MECHANISM	22	BRACKET AS-WATER REGULATOR	153
CRANKSHAFT AS	23	CONNECTION GP-WATER	154
CRANKSHAFT GP	26	COOLER GP-ENGINE OIL	163
CYLINDER BLOCK AS	28	COVER GP	164
CYLINDER BLOCK GP	32	COVER GP-COOLING SYSTEM	165
CYLINDER HEAD AS	38	COVER GP-EXPANSION TANK	168
CYLINDER HEAD GP	47	HOUSING & REGULATOR GP	169
DAMPER GP	62	JOINT AS-TUBE	179
DRAIN GP-ENGINE OIL	64	LINES GP-COOLANT DRAIN	181
DRIVE GP-ACCESSORY	67	LINES GP-OIL COOLER	182
DRIVE GP-TIMING & SPEED	75	LINES GP-WATER	184
FLYWHEEL GP	76	PUMP GP-WATER	197
GEAR GP-FRONT	77	REGULATOR GP-TEMPERATURE	203
GEAR GP-REAR	78	AIR INLET AND EXHAUST SYSTEM	204
GEAR GP-RING	79	ADAPTER AS-EXHAUST	204
GUARD GP-BELT	80	ADAPTER GP-AIR CLEANER	205
GUARD GP-DAMPER	81	AFTERCOOLER GP-TREATED	209
GUARD GP-FLYWHEEL	82	WATER	209
HOUSING GP-FLYWHEEL	84	AIR CLEANER GP	211
HOUSING GP-FRONT	85	BYPASS GP-EXHAUST	215
LIFTER GP-VALVE	87	CARTRIDGE GP-TURBOCHARGER	231
LIFTING GP-ENGINE	88	CONVERTER GP-CATALYTIC	233
MOUNTING GP-ALTERNATOR	89	ELBOW GP-AIR INLET	234
MOUNTING GP-ENGINE	90	FITTING GP-EXHAUST	237
PAN GP-OIL	94	FLANGE GP-AIR INLET	239
PISTON & ROD GP	95	FLANGE GP-EXHAUST	240
PLUG GP-ENGINE	96	LINES GP-AIR	245
PRECHAMBER GP	97	LINES GP-TURBOCHARGER AIR	277
PUMP GP-GEAR	103	MANIFOLD GP-EXHAUST	279
ROCKER ARM GP	105	MOUNTING GP-BELLOWS	282
SEAL GP-CRANKSHAFT	107	MOUNTING GP-TURBOCHARGER	283
SHAFT GP-STUB	108	PRECLEANER GP	285
VALVE MECHANISM GP	109	SHIELD GP-MANIFOLD	286
		SHUTOFF GP-AIR	289
		TURBOCHARGER GP	292

TABLE OF CONTENTS

Name	Page	Name	Page
FUEL SYSTEM	298	SUPPORT GP-COUPLING GUARD	434
ACTUATOR GP-ELECTRONIC	298	GENERATORS	435
CONTROL AS-GOVERNOR	302	ADAPTER	435
CONTROL GP-FUEL	303	MOUNTING GP-GENERATOR	436
FILTER GP-FUEL	309	OPERATOR STATION	440
LINES GP-GAS	311	BOX GP-CONTROL PANEL	440
MOUNTING GP-FUEL FILTER	314	DISPLAY GP-MONITOR	452
MOUNTING GP-GAS PRESS MODULE	315	MODULE GP-DISPLAY	453
ORIFICE	316	MODULE GP-KEYPAD	454
REGULATOR GP-GAS PRESSURE	317	MODULE GP-SYSTEM	
TANK & MTG GP-HYDRAULIC	318	COMMUNICATION	456
TANK GP-HYDRAULIC	319	PANEL GP-CONTROL	458
ELECTRICAL AND STARTING SYSTEM	320	SERVICE EQUIPMENT AND SUPPLIES	461
ALTERNATOR GP-CHARGING	320	CHART-PLATE & FILM	461
BOX & MOUNTING GP	326	COVER GP-SHIPPING	462
BOX AS-CONTROL	328	KIT-TURBOCHARGER REPAIR	463
BOX AS-JUNCTION	330	KIT-TURBOCHARGER SEAL	463
CABLE AS-COMMUNICATION	332	PART NUMBER INDEX	B1
CONTROL GP-COMMUNICATION	332		
CONTROL GP-ELECTRONIC	333		
CONTROL GP-ENG RATINGS ELEK	334		
CONTROL GP-ENGINE ELECTRONIC	335		
CONTROL GP-UNPROGRAMMED	337		
CONVERSION GP-WIRING	339		
HARNESS AS	341		
HARNESS AS-CONTROL	341		
HARNESS AS-MONITOR	343		
HARNESS AS-WIRING	343		
HEATER GP-COOLANT & ENGINE OIL	344		
IGNITION GP-GAS ENGINE	346		
INSTALLATION GP-COMMUNICATION	361		
LINES GP-AIR STARTING	362		
LUBRICATOR GP-AIR MOTOR	375		
MOUNTING GP-STARTING MOTOR	376		
SENSOR GP-COMBUSTION	377		
SENSOR GP-PRESSURE	390		
SENSOR GP-SPEED	391		
SENSOR GP-TEMPERATURE	392		
SILENCER GP-AIR STARTING	396		
MOTOR STARTER	397		
STARTING MOTOR GP-AIR	398		
STRAINER GP-AIR LINES	405		
SWITCH AS-PRESSURE	406		
SWITCH GP-LIQUID LEVEL	407		
TRANSFORMER GP-POTENTIAL	408		
VALVE GP-CONTROL	409		
VALVE GP-SOLENOID	410		
WIRE AS	414		
WIRING GP-ENGINE	415		
ENCLOSURES, GUARDS AND BASES	429		
BASE AS	429		
MODULE AS-ACCESSORY	431		
SUPPORT GP-ACCESSORY MODULE	432		

GENERAL INFORMATION

1. ENGINE IDENTIFICATION

Caterpillar 3600 family of engines are identified with serial numbers and Engine Shipping Order Numbers. The serial number plate is mounted on the engine.

Caterpillar dealers need this information to determine which components were included on the engine when it was assembled at the factory. This permits accurate identification of replacement part numbers.

2. ORDERING PARTS

WARNING

When replacement parts are required for this product Caterpillar recommends using Caterpillar replacement parts or parts with equivalent specifications including, but not limited to, physical dimensions, type, strength and material.

Failure to heed this warning can lead to premature failures, product damage, personal injury or death.

Quality Caterpillar replacement parts are available from Caterpillar dealers throughout the world. Their parts inventories are up to date and include all parts normally required to protect your investment in Caterpillar Engines. Dealers may offer repair kits or remanufactured parts to allow selection of the most effective repair alternative for a particular situation. When ordering parts, your order should specify the quantity, part number, part name, and the serial number/product identification number of the engine for which the parts are needed.

3. PARTS MANUAL ORGANIZATION

Product information in this manual is presented as "information elements" that represent all of the components for the specific model. An Engine Arrangement is an example of an information element. The information elements are organized alphabetically by part name and secondarily by part number within each major section of the manual.

4. TABLE OF CONTENTS

A table of contents (TOC) is found at the beginning of the manual. The TOC lists each section of the manual with a complete list of all information elements organized as they appear in the manual. Page numbers are provided for quick reference to detailed parts identification illustrations and serviceable consist lists.

5. MAINTENANCE PARTS INDEX

The Maintenance Parts Index, located near the beginning of the manual, references most frequently used maintenance part numbers, providing description, quantity, usage and page number. This information is organized alphabetically by part description.

6. INDEX

The index located near the front of the manual is an alphabetical listing of all information elements included in the manual. Page numbers are provided for quick reference to detailed parts identification illustrations and serviceable consist lists.

7. PART NUMBER INDEX

A numerical index listing all part numbers and the corresponding page number(s) appears at the back of the manual.

8. CAPTIONS

Captions located at the beginning of each information element identify the part number and part name along with additional descriptive information. S/N information found in each caption should be used to select correct information for a specific engine. Field replacement options, identification of optional attachment components, and where used ("part of") information is also provided.

The first line of a caption is shown in larger type font to indicate the beginning of an information element. Captions for additional pages that may be required to illustrate an information element will be shown in standard type font and will include the term (*contd.*) .

9. NON-SERVICED PARTS

In some instances it is necessary to display non-serviced parts that are a link to lower level serviceable consist lists. These non-serviced part numbers are shown in *italic* type indicating that they are not available. All consist lists have not been converted to reflect this enhancement.

GENERAL INFORMATION

10. PARTS LIST REFERENCE NUMBERS

Numbers shown in the Ref No column correspond to numbers used in the associated graphic(s). An alphabetic suffix may be added to a reference number to identify lower level consist items. Numbers shown in the Graphic Ref column refer to the graphic number identifier displayed in the lower left corner of each illustration. The Graphic Ref number may be used in combination with the item Ref No to determine the correct part number. There may be intentional omission of a Ref No in a consist list as information is updated to reflect the latest serviceable part numbers.

11. INDENTED PART NAMES

When a part name is indented in a parts list, it is part of (included in) the group or assembly under which it is indented.

12. ILLUSTRATION REFERENCE LETTERS

When necessary, illustrations contain reference letters (A, B, C etc.) that are intended to track lines and harnesses from one point to another. They are also used to show where to reconnect illustrations that have been separated.

13. ABBREVIATIONS AND SYMBOLS

O.D. – Outside Diameter
I.D. – Inside Diameter
A – Not Part Of This Group
B – Use As Required
C – Change From Previous Type
D – Order By The Meter
E – Order By The Centimeter
F – Not Shown
G – Order By The Inch
I – Refer To Hydraulic Information System
M – Metric Part
R – Remfg Part May Be Available
Y – Separate Illustration
Z – Not Serviced Separately



14. DESCRIPTION OF TYPE CHANGES

Type - A type is defined as any configuration change that requires an additional Information Element for an Arrangement, Group, or Assembly. If serial number breaks for types are not available, a type # (Type 1, Type 2, etc.) will be displayed in the caption. These "type" changes are identified with a "C" note (change from previous type) in the Parts List. Only the "types" that apply to this Parts Manual will be included. Additional types may exist causing "C" notes to appear on an Information Element when no other types are shown.

15. <END>

This symbol indicates the end of an information element.

NOTE:

Continuing improvement and advancement of product design may cause changes to your engine which may not be included in this publication. Whenever a question arises regarding your Caterpillar product or this publication, please consult your Caterpillar dealer for the latest available information.

SEE TECHNICAL MANUALS FOR ALL PACKAGING ARRANGEMENTS

This manual is shipped with all 3600 Engines and contains major components not serviced by Caterpillar. Contact Lafayette plant for further information.

Telephone: 765-448-2200

7:30 AM - 4:00 PM EST USA

Internet e-mail:

LECservicesupport@cat.com

Website:

<https://lecservicesupport.cat.com>

REPAIR ALTERNATIVES

REMANUFACTURED COMPONENTS

As an option when making repairs consider Caterpillar Remanufactured Components. Components that are available through the Caterpillar Remanufactured Program are identified three ways in the parts book:

- with the letter R in the note field of the parts list
- with an R* at the beginning of the first line of the caption
- with an *R at the end of the first line of the caption

Typical components included in the Remanufacturing Program for 3600 Series Engines include:

CONNECTING RODS
CYLINDER HEADS
FUEL INJECTORS
OIL COOLERS
OIL PUMPS
WATER PUMPS

Check with your local Caterpillar Dealer for the availability of Remanufactured Components.

SUPPLEMENTAL COOLANT ADDITIVES

CUSTOMER BENEFITS:

Protects against cavitation, foam, erosion, corrosion, and scale buildup in cooling systems.

- Provides measured coolant conditioner.

DESCRIPTION:

Additives deplete from the coolant with normal operation. For this reason, Supplemental Coolant Additives (SCA) must be added to all heavy duty coolants at regular intervals. In addition, when not using a fully formulated, pre-charged antifreeze, like Caterpillar's DEAC, an initial charge of SCA must be added to the cooling system. The amount of SCA added to the system is dependent on the capacity of the system.

The SCA for initial fill is provided as a liquid. SCA's for maintenance intervals are available in liquid form and as a spin-on element. (No Spin-on available for 3600 Family of Engines)

NOTE:

The amount of SCA added at initial fill is not the same as the amount added at maintenance intervals.

The coolant additive elements can be used with any ethylene or propylene glycol type antifreeze which meets ASTM D4985 or ASTM D5345 Specifications.

NOTE:

For use with standard heavy duty coolant only, not for use with Extended Life Coolant.

PARTS NEEDED:

Cooling System Capacity		Liquid SCA at Initial Fill	Liquid SCA at Maintenance*	Spin-on SCA Maintenance Element*
Liters	Gallons			
22-30	(6-8)	3P-2044 (1)	6V-3542 (1)	111-2370 (1)
30-38	(8-10)	3P-2044 (1) 6V-3542 (1)	111-2372 (1)	111-2369 (1)
38-49	(10-13)	3P-2044 (1) 8T-1589 (1)	111-2372 (1)	111-2369 (1)
49-64	(13-17)	3P-2044 (2)	8T-1589 (1)	9N-3368 (1)
64-83	(17-22)	3P-2044 (2) 8T-1589 (1)	111-2372 (1) 6V-3542 (1)	111-2371 (1)
83-114	(22-30)	3P-2044 (3) 8T-1589 (1)	3P-2044 (1)	9N-3718 (1)
114-163	(30-43)	3P-2044 (5)	3P-2044 (1) 6V-3542 (1)	111-2371 (2)
163-242	(43-64)	3P-2044 (8)	3P-2044 (2)	9N-3718 (2)

* Normal maintenance period is 250 hrs. See your Operation and Maintenance Manual for complete coolant maintenance instructions.

() Indicates quantity required.

MAINTENANCE PARTS

DESCRIPTION	PART NUMBER	QTY	WHERE USED	PAGE
AIR INLET AND EXHAUST SYSTEM				
FILTER ELEMENT AS-AIR (PRIMARY)	105-9741	3	AIR CLEANER GP	212
		2	AIR CLEANER GP	214
BASIC ENGINE				
BELT-SERPENTINE	100-3725	1	DRIVE GP-ACCESSORY	67
		1	DRIVE GP-ACCESSORY	69
		1	MOUNTING GP-ALTERNATOR	89
CAP GP-ENGINE OIL FILLER	7E-1659	1	COVER GP-CYLINDER BLOCK	17
COOLING SYSTEM				
REGULATOR-TEMPERATURE (85-DEG C)	120-9453	4	HOUSING & REGULATOR GP	172
		4	LINES GP-OIL COOLER	182
REGULATOR-WATER TEMPERATURE	109-2327	4	HOUSING & REGULATOR GP	173
		4	HOUSING & REGULATOR GP	174
	125-3345	4	HOUSING & REGULATOR GP	170
	174-3504	4	HOUSING & REGULATOR GP	169
	196-0427	4	HOUSING & REGULATOR GP	176
	196-0431	4	HOUSING & REGULATOR GP	175
	204-6707	4	HOUSING & REGULATOR GP	177
	204-6708	4	HOUSING & REGULATOR GP	178
	283-7776	4	REGULATOR GP-TEMPERATURE	203
	6I-4953	4	HOUSING & REGULATOR GP	171
SEAL-LIP TYPE	3S-9643	4	HOUSING & REGULATOR GP	169
		4	HOUSING & REGULATOR GP	170
		4	HOUSING & REGULATOR GP	171
		4	HOUSING & REGULATOR GP	172
		4	HOUSING & REGULATOR GP	173
		4	HOUSING & REGULATOR GP	174
		4	HOUSING & REGULATOR GP	175
		4	HOUSING & REGULATOR GP	176
		4	HOUSING & REGULATOR GP	177
		4	HOUSING & REGULATOR GP	178
		4	LINES GP-OIL COOLER	182
		4	REGULATOR GP-TEMPERATURE	203
ELECTRICAL AND STARTING SYSTEM				
ELEMENT AS-ENGINE OIL HEATER	300-1311	1	HEATER GP-COOLANT & ENGINE OIL	344
ELEMENT AS-JACKET WATER HEATER	300-1312	1	HEATER GP-COOLANT & ENGINE OIL	344
FUSE (2-AMPERE)	4P-5147	1	HEATER GP-COOLANT & ENGINE OIL	344
GASKET-SPARK PLUG	9Y-6792	1	IGNITION GP-GAS ENGINE	346
SCREEN-STRAINER (STARTING MOTOR AIR LINES)	146-5216	1	STRAINER GP-AIR LINES	405
SPARK PLUG	194-8518	1	IGNITION GP-GAS ENGINE	352
	198-6420	8	IGNITION GP-GAS ENGINE	352
SPARK PLUG (IGNITION)	194-8518	8	IGNITION GP-GAS ENGINE	346
		8	IGNITION GP-GAS ENGINE	349
	243-4291	8	IGNITION GP-GAS ENGINE	355
		8	IGNITION GP-GAS ENGINE	358
STRAINER GP-AIR LINES	229-5867	1	LINES GP-AIR STARTING	366

MAINTENANCE PARTS

DESCRIPTION	PART NUMBER	QTY	WHERE USED	PAGE
FUEL SYSTEM				
BREATHER (HYDRAULIC TANK)	143-4880	1	TANK GP-HYDRAULIC	319
CAP-FILLER (HYDRAULIC TANK)	7H-1447	1	TANK GP-HYDRAULIC	319
FILTER ELEMENT-FUEL	4P-2222	1	REGULATOR GP-GAS PRESSURE	317
FILTER ELEMENT-FUEL (GAS)	322-4985	1	FILTER GP-FUEL	310
	4P-4721	1	FILTER GP-FUEL	309
LUBRICATION SYSTEM				
BREATHER AS (CRANKCASE)	4W-3027	2	BREATHER GP	110
CAP-FILLER (ENGINE OIL)	4P-6979	1	CAP GP-ENGINE OIL FILLER	111
FILTER ELEMENT-ENGINE OIL	179-1502	6	FILTER GP-ENGINE OIL	117
		6	FILTER GP-ENGINE OIL	119
FILTER-OIL (ADVANCED EFFICIENCY)	1G-8878	1	FILTER GP-ENGINE OIL	121
SCREEN AS-SUCTION	9Y-3307	1	LINES GP-ENGINE OIL	124
OPERATOR STATION				
BATTERY (LITHIUM) (3-VOLT)	101-1785	1	MODULE GP-SYSTEM COMMUNICATION	456
CIRCUIT BREAKER AS (16-AMPERE)	114-1143	1	BOX GP-CONTROL PANEL	448
		1	BOX GP-CONTROL PANEL	450
CIRCUIT BREAKER AS (6-AMPERE)	125-8019	1	BOX GP-CONTROL PANEL	448
		1	BOX GP-CONTROL PANEL	450
LAMP (24-VOLT)	3E-1814	1	PANEL GP-CONTROL	458
LAMP (24-VOLT) (24-VOLT)	3E-1814	1	BOX GP-CONTROL PANEL	442
		1	BOX GP-CONTROL PANEL	445
LAMP (24-VOLT) (RED)	116-5270	1	BOX GP-CONTROL PANEL	442
		1	BOX GP-CONTROL PANEL	445
		1	PANEL GP-CONTROL	458
LAMP-INDICATOR (24-VOLT)	153-5040	1	BOX GP-CONTROL PANEL	442
		1	BOX GP-CONTROL PANEL	445
		1	PANEL GP-CONTROL	458
	153-5042	1	BOX GP-CONTROL PANEL	442
		1	BOX GP-CONTROL PANEL	445
		1	PANEL GP-CONTROL	458
LENS-AMBER (ALARM)	156-0519	1	BOX GP-CONTROL PANEL	442
		1	BOX GP-CONTROL PANEL	445
		1	PANEL GP-CONTROL	458

INDEX

Name	Page	Name	Page
A			227
ACTUATOR GP-ELECTRONIC	298		
	299		
	300		
	301		
ADAPTER	435		
ADAPTER AS-EXHAUST	204		
ADAPTER GP-AIR CLEANER	205		
	206		
	207		
	208		
ADAPTER GP-AUXILIARY DRIVE	1		
ADAPTER GP-PROBE	34		
AFTERCOOLER GP-TREATED WATER	209		
	210		
AIR CLEANER GP	211		
	212		
	213		
	214		
ALTERNATOR GP-CHARGING	320		
	322		
	324		
B			
BARRING & MOUNTING GP	2		
	4		
BASE AS	429		
	430		
BATTERY (LITHIUM) (3-VOLT)	456		
BEARING-CAMSHAFT	32		
	34		
	36		
BELT-SERPENTINE	67		
	69		
	89		
BOX & MOUNTING GP	326		
BOX AS-CONTROL	328		
BOX AS-JUNCTION	330		
BOX GP-CONTROL PANEL	440		
	442		
	445		
	448		
	450		
BRACKET AS-WATER REGULATOR	153		
BRACKET GP-SHIPPING	6		
BREATHER (HYDRAULIC TANK)	319		
BREATHER AS (CRANKCASE)	110		
BREATHER GP	110		
BUFFER GP-SENSOR	416		
	423		
BYPASS GP-EXHAUST	215		
	219		
	223		
		C	
		CABLE AS-COMMUNICATION	332
		CAMSHAFT AS	7
			9
		CAMSHAFT GP	11
			12
		CAP GP-ENGINE OIL FILLER	17
			111
		CAP-FILLER (ENGINE OIL)	111
		CAP-FILLER (HYDRAULIC TANK)	319
		CARTIDGE GP-TURBOCHARGER	295
		CARTRIDGE GP-TURBOCHARGER	231
		CHART-PLATE & FILM	461
		CIRCUIT BREAKER AS (16-AMPERE)	448
			450
		CIRCUIT BREAKER AS (6-AMPERE)	448
			450
		CONNECTING ROD GP	13
		CONNECTION GP-WATER	154
			155
			156
			157
			158
			159
			160
			161
			162
		CONTROL AS-GOVERNOR-LOAD SHARE	302
		CONTROL GP-COMMUNICATION-PL1000E	332
		CONTROL GP-COMMUNICATION-PL1000T	332
		CONTROL GP-ELECTRONIC	452
		CONTROL GP-ELECTRONIC (INTEGRATED COMBUSTION SENSING)	377
		CONTROL GP-ELECTRONIC- INTEGRATED COMBUSTION SENSING	333
		CONTROL GP-ENG RATINGS ELEK	334
		CONTROL GP-ENGINE ELECTRONIC	335
			336
		CONTROL GP-FUEL	303
			305
			307
		CONTROL GP-UNPROGRAMMED	337
			338
		CONVERSION GP-WIRING-ADVISOR	339
		CONVERTER GP-CATALYTIC	233
		COOLER GP-ENGINE OIL	163
		CORE AS (OIL COOLER)	163
		CORE AS-AFTERCOOLER	209
			210
		COVER GP	164
		COVER GP-CAMSHAFT	14
			15

INDEX

Name	Page	Name	Page
G			
GASKET-SPARK PLUG	346	HOUSING GP-FLYWHEEL	84
GAUGE AS-OIL LEVEL (DIPSTICK)	122	HOUSING GP-FRONT	85
GAUGE GP-ENGINE OIL PRESSURE (ENGINE OIL)	117		86
GAUGE GP-PRESSURE	117	I	
GAUGE-SIGHT (LUBRICANT) (FLUID LEVEL) ...	375	IGNITION GP-GAS ENGINE	346
GEAR GP-FRONT	77		349
GEAR GP-REAR	78		352
GEAR GP-RING	79		355
GUARD GP-BELT	80		358
GUARD GP-DAMPER	81	INSTALLATION GP-COMMUNICATION	361
GUARD GP-FLYWHEEL	82	J	
GUIDE GP-OIL LEVEL GAUGE	123	JOINT AS-TUBE	179
H			
HARNESS AS	341		180
HARNESS AS-INTERCONNECT	341	K	
HARNESS AS-CONTROL	341	KIT-BEARING (TURBOCHARGER)	296
HARNESS AS-CONTROL (PL1000E)	361	KIT-PUMP	104
HARNESS AS-CONTROL (PL1000T)	361	KIT-SEAL	104
HARNESS AS-CONTROL-PL1000E	342	KIT-SEAL (BEARING) (TURBOCHARGER)	296
HARNESS AS-CONTROL-PL1000T	342	KIT-SEAL (PUMP GP)	103
HARNESS AS-ENGINE (IGNITION)	346	KIT-TURBOCHARGER REPAIR	292
	349		463
	352	KIT-TURBOCHARGER SEAL	296
	355		463
	358	KIT-VALVE GASKET	409
HARNESS AS-ENGINE (REAR)	423	KIT-VALVE REPAIR	409
HARNESS AS-ENGINE (RH)	415	KIT-VALVE SEAL	409
	423	L	
HARNESS AS-MONITOR	343	LAMP (24-VOLT)	458
HARNESS AS-MONITOR (ADVISOR)	339	LAMP (24-VOLT) (24-VOLT)	442
	458		445
HARNESS AS-PANEL	448	LAMP (24-VOLT) (RED)	442
	450		445
HARNESS AS-PANEL (CONTROL)	442	LAMP-INDICATOR (24-VOLT)	442
	445		445
HARNESS AS-SENSOR (COMBUSTION)	377		458
	380	LENS-AMBER (ALARM)	442
HARNESS AS-SENSOR (THERMOCOUPLE) ...	377		445
	380	LIFTER GP-VALVE	87
HARNESS AS-WIRING	343	LIFTING GP-ENGINE	88
HEATER GP-COOLANT & ENGINE OIL	344	LINES GP-AIR	245
HOUSING & REGULATOR GP	169		247
	170		249
	171		252
	172		255
	173		
	174		
	175		
	176		
	177		

INDEX

Name	Page	Name	Page
	257		91
	259		92
	262		93
	265	MOUNTING GP-FUEL FILTER	314
	267	MOUNTING GP-GAS PRESS MODULE	315
	269	MOUNTING GP-GENERATOR	436
	271		438
	273	MOUNTING GP-STARTING MOTOR	376
	275	MOUNTING GP-TURBOCHARGER	283
	276		284
LINES GP-AIR STARTING	362		
	364		
	366		
	368	O	
	370	ORIFICE	316
	372		
LINES GP-COOLANT DRAIN	181	P	
LINES GP-ENGINE OIL	124	PAN GP-OIL	94
	125	PANEL GP-CONTROL	458
	127	PISTON & ROD GP	95
	128	PLATE-IDENTIFICATION	
	132	(EMERGENCY STOP)	448
LINES GP-GAS	311	PLUG GP-ENGINE	96
LINES GP-LUBE OIL	136	POTENTIOMETER (ENGINE SPEED)	343
LINES GP-OIL COOLER	182	PRECHAMBER GP	97
LINES GP-TURBOCHARGER AIR	277		98
LINES GP-TURBOCHARGER OIL	138		100
	139		101
LINES GP-WATER	184	PRECLEANER GP	211
	186		285
	188	PUMP & LINES GP-VALVE LUBE	141
	190	PUMP GP-ENGINE OIL	144
	192		145
	195	PUMP GP-GEAR	103
LUBRICATOR GP-AIR MOTOR	362		104
	366	PUMP GP-GEAR (BASIC)	103
	368	PUMP GP-PRELUBRICATION	147
	375		148
		PUMP GP-WATER	197
			199
			200
			201
M			
MANIFOLD GP-EXHAUST	279		
	280		
MODULE AS-ACCESSORY	431		
MODULE GP-DISPLAY-MIDS	453		
MODULE GP-KEYPAD	454		
	455		
MODULE GP-SYSTEM COMMUNICATION- CUSTOMER	456		
MOTOR STARTER	397		
MOUNTING GP-ALTERNATOR	89		
MOUNTING GP-BELLOWS-FLEXIBLE	282		
MOUNTING GP-CONTROL (ENGINE MONITORING SYSTEM)	458		
MOUNTING GP-ENGINE	90		
		R	
		REGULATOR AS-VOLTAGE (24-VOLT)	324
		REGULATOR AS-VOLTAGE (24-VOLT) (ALTERNATOR)	320
			322
		REGULATOR GP-GAS PRESSURE	317
		REGULATOR GP-OIL LEVEL	150
		REGULATOR GP-TEMPERATURE	203
		REGULATOR-TEMPERATURE (85-DEG C)	172
			182
		REGULATOR-WATER TEMPERATURE	169

INDEX

Name	Page	Name	Page
	170	SENSOR GP-TEMPERATURE (FUEL).....	415
	171		422
	173	SENSOR GP-TEMPERATURE	
	174	(MANIFOLD AIR).....	415
	175		422
	176	SENSOR GP-TEMPERATURE (OIL).....	415
	177		422
	178	SENSOR GP-TEMPERATURE	
	203	(THERMOCOUPLE) (CYLINDER HEAD).....	377
ROCKER ARM GP.....	105		380
S			
SCREEN AS-SUCTION.....	124	SENSOR GP-TEMPERATURE	
SCREEN-STRAINER		(THERMOCOUPLE) (EXHAUST).....	377
(STARTING MOTOR AIR LINES).....	405		380
SEAL GP-CRANKSHAFT.....	107	SENSOR GP-TEMPERATURE	
SEAL GP-FACE.....	197	(TURBOCHARGER INLET).....	385
SEAL-LIP TYPE.....	169	SENSOR GP-TEMPERATURE	
	170	(WATER, COOLANT).....	416
	171	SENSOR GP-TEMPERATURE-	
	172	THERMOCOUPLE-CYLINDER HEAD.....	393
	173	SENSOR-COMBUSTION.....	377
	174		380
	175		385
	176	SHAFT GP-STUB.....	108
	177	SHIELD GP-MANIFOLD.....	286
	178		288
	182	SHUTOFF GP-AIR.....	289
	203		290
SENSOR GP-COMBUSTION.....	377	SILENCER GP-AIR STARTING.....	396
	380	SOLENOID AS.....	301
	385	SOLENOID AS (GOVERNOR ACTUATOR).....	298
SENSOR GP-DETONATION.....	415	SPARK PLUG.....	352
	422	SPARK PLUG (IGNITION).....	346
SENSOR GP-PRESSURE.....	416		349
	423		355
SENSOR GP-PRESSURE (CRANKCASE).....	415		358
	422	STARTING MOTOR GP-AIR.....	398
SENSOR GP-PRESSURE (FILTERED OIL).....	415		399
	422		401
SENSOR GP-PRESSURE			402
(JACKET WATER OUTLET).....	423	STARTING MOTOR GP-AIR-	
SENSOR GP-PRESSURE (UNFILTERED OIL)...	415	LOW PRESSURE.....	403
	422		404
SENSOR GP-PRESSURE-CRANKCASE.....	390	STRAINER GP-AIR LINES.....	366
SENSOR GP-SPEED (MAGNETIC).....	86		405
SENSOR GP-SPEED (TIMING).....	415	SUPPORT GP-ACCESSORY MODULE.....	432
	422		433
SENSOR GP-SPEED-ENGINE.....	391	SUPPORT GP-COUPLING GUARD.....	434
SENSOR GP-TEMPERATURE.....	392	SWITCH AS.....	344
	394		407
	395	SWITCH AS (PRESSURE).....	406
SENSOR GP-TEMPERATURE		SWITCH AS-FLOW.....	344
(COOLANT, WATER).....	423	SWITCH AS-PRESSURE (GOVERNOR OIL)....	422

INDEX

Name	Page	Name	Page
SWITCH AS-PRESSURE (HYDRAX)	415		276
SWITCH AS-PRESSURE (INLET AIR)	415		372
	422		412
SWITCH AS-PRESSURE (JACKET WATER INLET)	415	VALVE GP-SOLENOID (GAS SHUTOFF)	410
	422	VALVE GP-SOLENOID-GAS SHUTOFF	410
SWITCH AS-PRESSURE (PRELUBRICATION)	415		411
	422	VALVE MECHANISM GP	109
SWITCH AS-PRESSURE-INLET AIR	406	VALVE-RELIEF	132
SWITCH AS-PUSH BUTTON	448		
	450	W	
SWITCH AS-PUSH BUTTON (EMERGENCY STOP)	442	WIRE AS-PRODUCT LINK, SPLICE	414
	445	WIRING GP-ENGINE	415
	458		422
SWITCH AS-PUSH BUTTON (LIGHTED) (PRELUBRICATION)	442		
	445		
	458		
SWITCH AS-ROTARY (ENGINE CONTROL)	445		
	458		
SWITCH GP-LIQUID LEVEL	407		
SWITCH-LIQUID LEVEL	150		
	407		
SWITCH-MOTOR (PROTECTION)	344		
SWITCH-ROTARY (ENGINE CONTROL)	442		
T			
TANK & MTG GP-HYDRAULIC	318		
TANK GP-HYDRAULIC	319		
TRANSFORMER GP	346		
	355		
TRANSFORMER GP-POTENTIAL	349		
	408		
TURBOCHARGER GP	292		
	295		
	296		
V			
VALVE GP-CONTROL	409		
VALVE GP-EXPLOSION RELIEF	17		
VALVE GP-PRIORITY	152		
VALVE GP-RELAY	265		
	267		
	364		
	366		
VALVE GP-RELAY (AIR STARTING)	362		
	368		
VALVE GP-SOLENOID	252		
	255		
	257		
	271		

BASIC ENGINE

133-6584 ADAPTER GP-AUXILIARY DRIVE

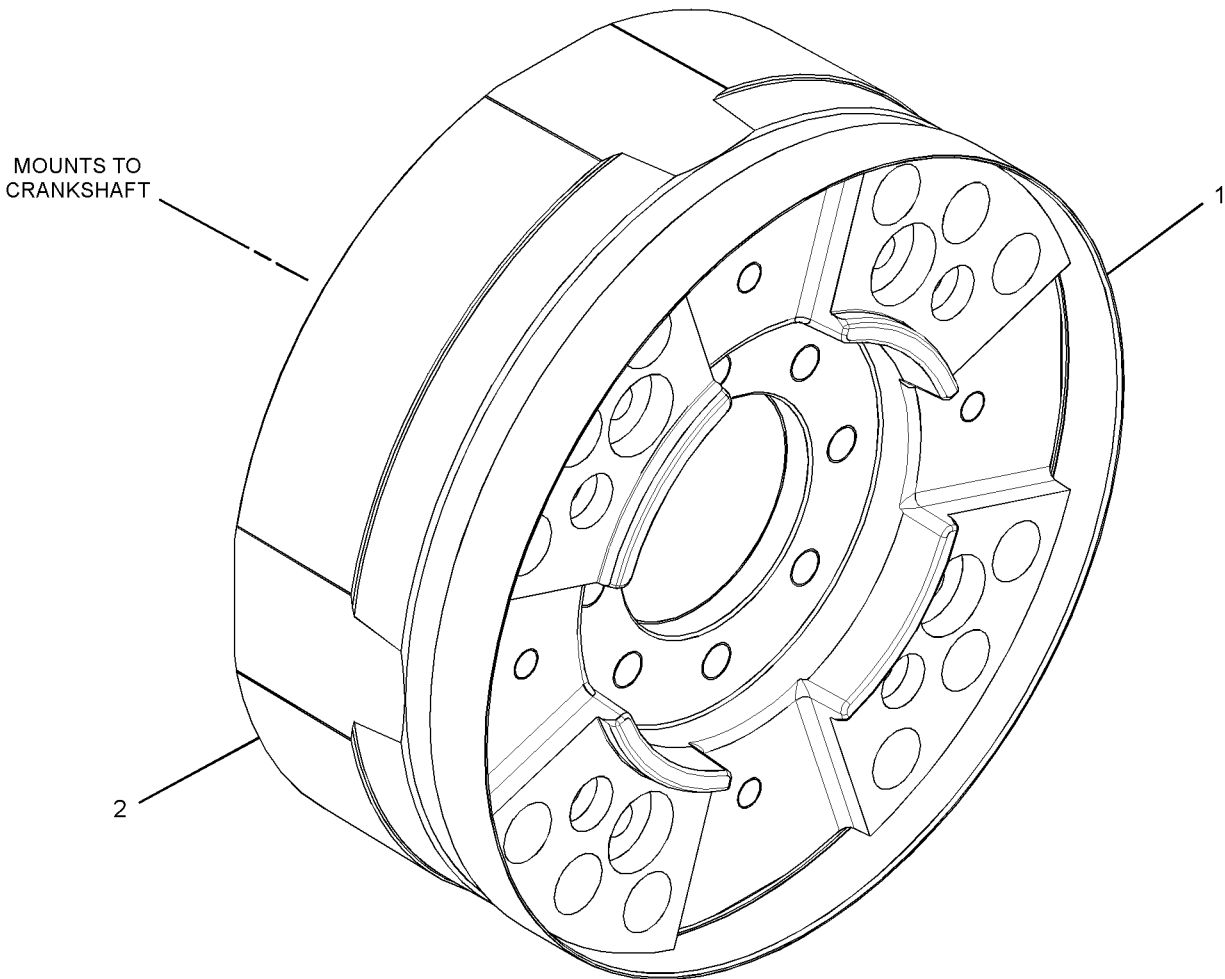
(CHG -01, -02, -02D1, -02D2, -02D3, -03)

SMCS-1165, 1207

i03296409

NOTE	REF NO	GRAPHIC REF	PART NUMBER	QTY	PART NAME						SEE PAGE
					1	2	3	4	5	6 (PRODUCT LEVEL)	
C	1	1	160-8173	1	SLEEVE-WEAR						
C	2	1	121-4506	1	ADAPTER-CRANKSHAFT						

C-CHANGE FROM PREVIOUS TYPE



MOUNTS TO
CRANKSHAFT

GRAPHIC #1

<END>

g01681780

BASIC ENGINE

4P-8034 BARRING & MOUNTING GP

(CHG -00, -00D1 THRU -02, -02D1, -02D2, -02D3)

SMCS - 1235

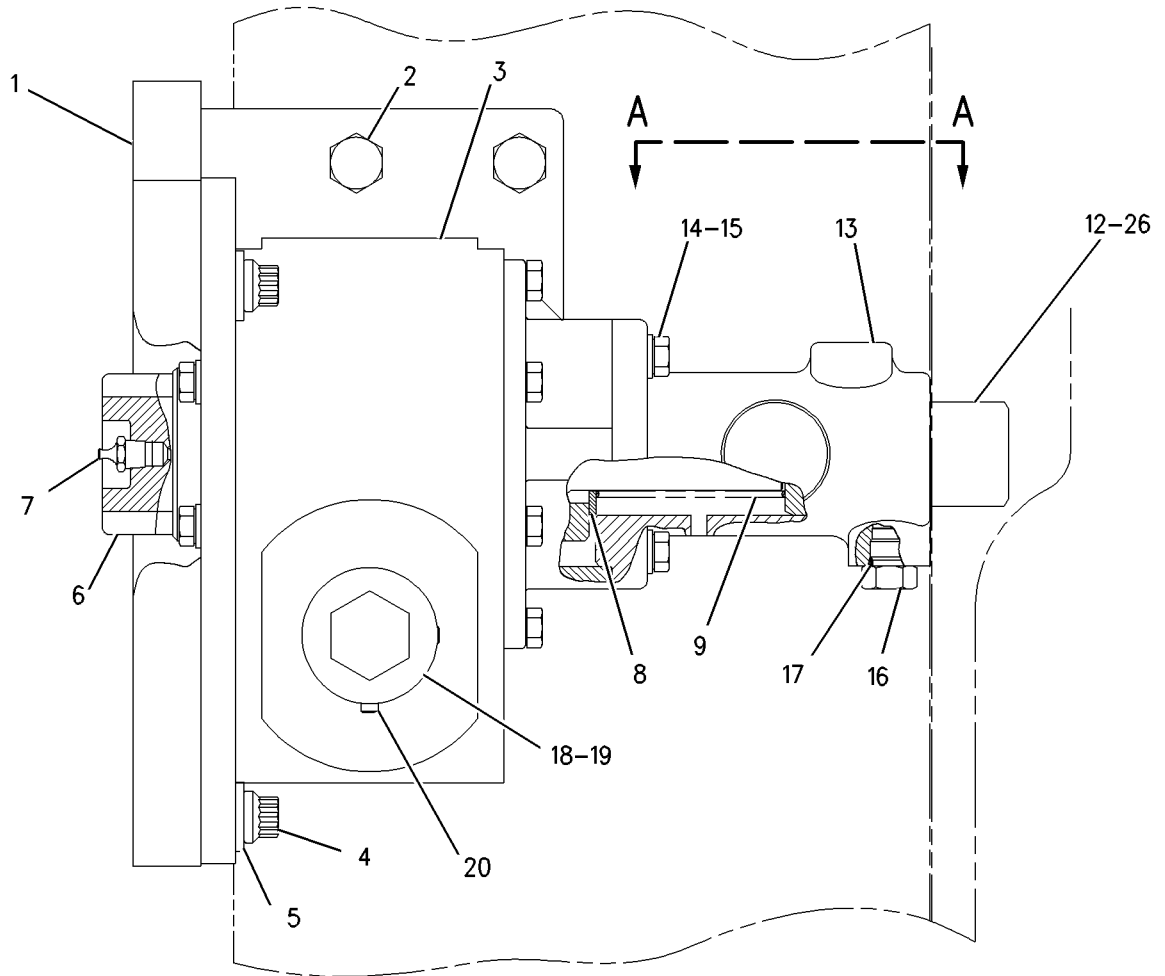
i01981626

NOTE	REF NO	GRAPHIC REF	PART NUMBER	QTY	PART NAME						SEE PAGE
					1	2	3	4	5	6 (PRODUCT LEVEL)	
	1	1	4P-8035	1	BRACKET AS						
		1	6V-3538	4	DOWEL						
	2	1	0S-1585	6	BOLT (1/2-13X1.5-IN)						
	3	1	4P-8036	1	REDUCER GP-SPEED						
	4	1	4K-5175	4	BOLT-12 POINT HEAD (1/2-13X1.5-IN)						
	5	1	5P-8245	4	WASHER-HARD (13.5X25.5X3-MM THK)						
	6	1	180-6982	1	SHAFT-PINION						
	7	1	3B-8489	1	FITTING-GREASE						
	8	1	9S-1302	3	WASHER (27X44.45X2.5-MM THK)						
	9	1	9Y-4709	1	SPRING (HIGH IDLE)						
	10	1	4P-8038	1	COLLAR						
	11	1	5P-8215	2	SEAL-O-RING						
	12	1	180-6981	1	RETAINER						
	13	1	4P-8040	1	HOUSING						
	14	1	4B-3388	4	BOLT (5/16-18X1.125-IN)						
	15	1	9M-1974	4	WASHER-HARD (8.8X16X2-MM THK)						
	16	1	9S-4191	1	PLUG-O-RING						
	17	1	3J-1907	1	SEAL-O-RING						
	18	1	7C-7807	1	ADAPTER						
	19	1	2B-7947	1	KEY (SQUARE)						
	20	1	4B-9808	2	SETSCREW (1/4-20X0.5-IN)						
	21	1	7W-0196	1	GUIDE						
	22	1	9S-8748	1	NUT-FULL (1/4-28-THD)						
	23	1	5H-9573	1	KNOB-CHOKE						
	24	1	7W-0195	1	STEM						
	25	1	5L-1091	1	SPRING						
	26	1	5S-2586	1	BOLT (3/8-16X1.75-IN)						

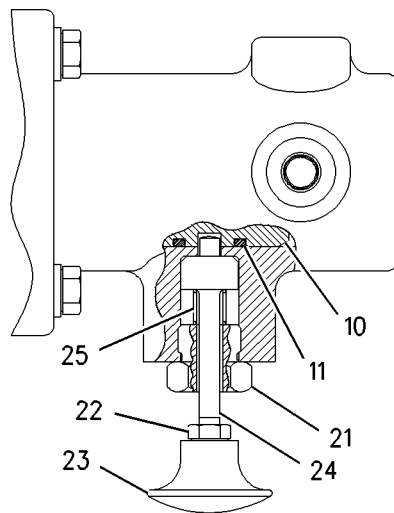
BASIC ENGINE

4P-8034 BARRING & MOUNTING GP (contd.)

i01981626



RIGHT SIDE VIEW



VIEW A-A

GRAPHIC #1

<END>

g00895508

BASIC ENGINE

9Y-4252 BARRING & MOUNTING GP (CHG -00, -01, -01D1, -01D2, -01D3)

SMCS - 1235

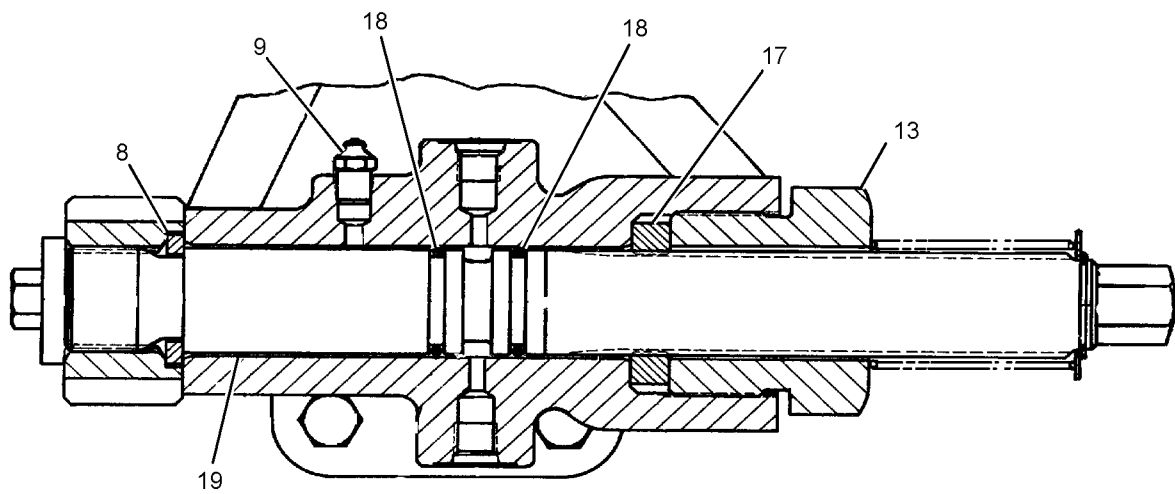
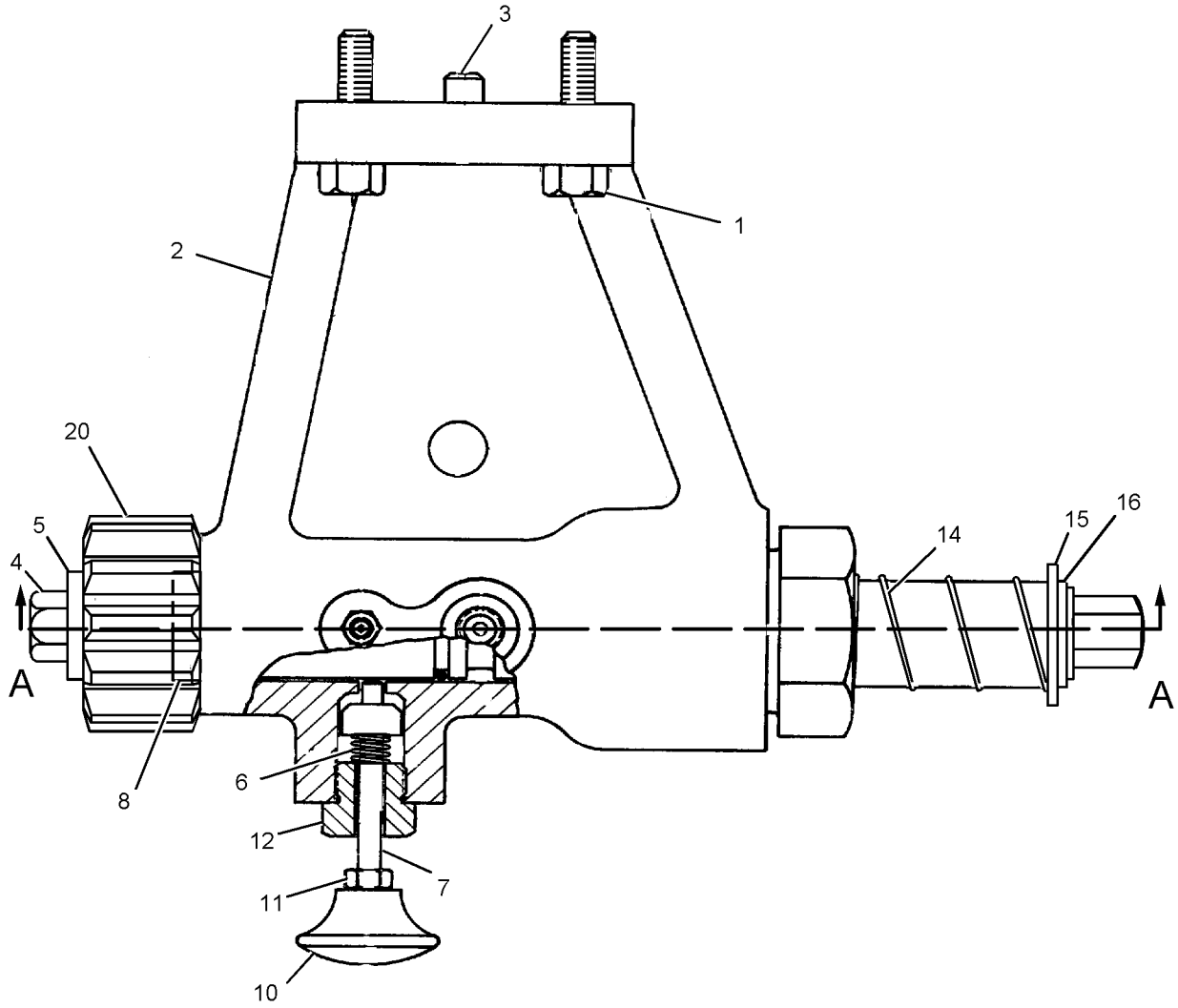
i02030838

NOTE	REF NO	GRAPHIC REF	PART NUMBER	QTY	PART NAME						SEE PAGE
					1	2	3	4	5	6 (PRODUCT LEVEL)	
	1	1	0S-1585	4	BOLT (1/2-13X1.5-IN)						
	2	1	9Y-4254	1	BRACKET AS						
	3	1	6V-3538	2	DOWEL						
	4	1	0S-1594	1	BOLT (3/8-16X1-IN)						
	5	1	1P-7346	1	WASHER-HARD (10.2X35X6-MM THK)						
	6	1	5L-1091	1	SPRING						
	7	1	7W-0195	1	STEM						
	8	1	4W-9551	1	RETAINER						
	9	1	3B-8489	1	FITTING-GREASE						
	10	1	5H-9573	1	KNOB-CHOKE						
	11	1	9S-8748	1	NUT-FULL (1/4-28-THD)						
	12	1	7W-0196	1	GUIDE						
	13	1	7W-0194	1	GUIDE						
	14	1	4T-4027	1	SPRING						
	15	1	9S-1328	1	WASHER (26X41X1.6-MM THK)						
	16	1	6H-6109	1	RING-SNAP						
	17	1	7W-0193	1	SPACER (26.65X44X10-MM THK)						
	18	1	5P-3456	2	SEAL-O-RING						
	19	1	9Y-0539	1	SHAFT-BARRING						
	20	1	4W-9549	1	PINION (11-TEETH)						

BASIC ENGINE

9Y-4252 BARRING & MOUNTING GP (contd.)

i02030838



SECTION A-A
<END>

GRAPHIC #1

g01047403

BASIC ENGINE

256-1270 BRACKET GP-SHIPPING (CHG -00, -01)

SMCS-7505

i02379253

NOTE	PART NUMBER	QTY	PART NAME	SEE PAGE
			1 2 3 4 5 6 (PRODUCT LEVEL)	
	251-9565	4	BRACKET AS	
	258-5631	8	SCREW (1/2-6X4-IN) (LAG)	
	5P-8245	8	WASHER-HARD (13.5X25.5X3-MM THK)	

<END>

BASIC ENGINE

143-4117 CAMSHAFT AS (CHG -00 THRU -05, 150-4882-01) PART OF 7C-0406 CAMSHAFT GP

SMCS-1210

i02377716

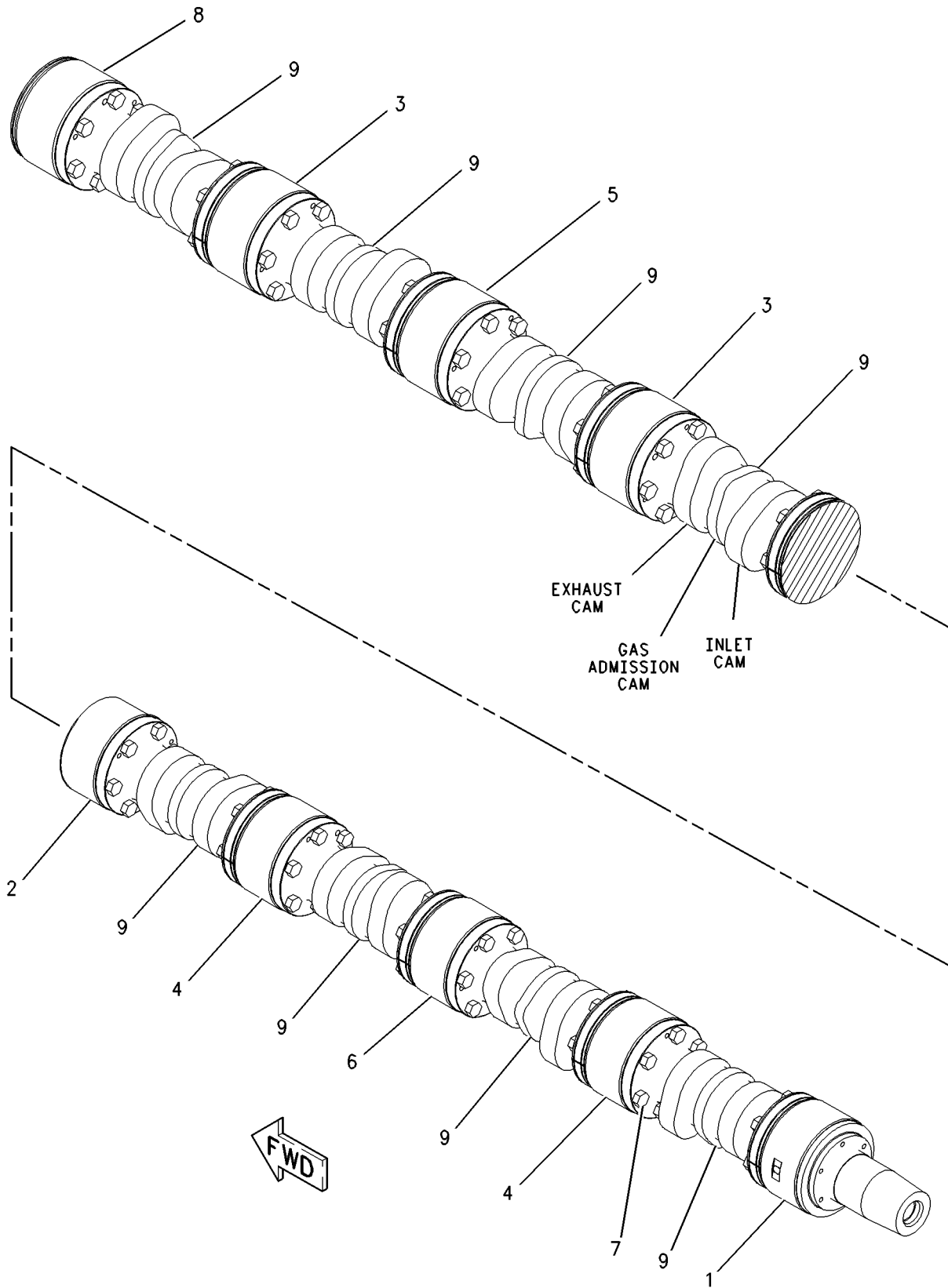
NOTE	REF NO	GRAPHIC REF	PART NUMBER	QTY	PART NAME						SEE PAGE
					1	2	3	4	5	6 (PRODUCT LEVEL)	
R	1	1	7E-7163	1	SHAFT AS-CAM DRIVE						
		1	6V-3538	1	DOWEL						
	2	1	<i>7E-8127</i>	1	JOURNAL AS-CAMSHAFT						
		1	6V-3538	2	DOWEL						
R		1	7E-8124	1	JOURNAL -CAMSHAFT						
	3	1	<i>7E-8130</i>	2	JOURNAL AS-CAMSHAFT						
					(EACH INCLUDES)						
		1	6V-3538	2	DOWEL						
R		1	7E-8124	1	JOURNAL -CAMSHAFT						
	4	1	<i>7E-8131</i>	2	JOURNAL AS-CAMSHAFT						
					(EACH INCLUDES)						
		1	6V-3538	2	DOWEL						
R		1	7E-8124	1	JOURNAL -CAMSHAFT						
	5	1	<i>7E-8132</i>	1	JOURNAL AS-CAMSHAFT						
		1	6V-3538	2	DOWEL						
R		1	7E-8126	1	JOURNAL -CAMSHAFT						
	6	1	<i>7E-8133</i>	1	JOURNAL AS-CAMSHAFT						
		1	6V-3538	2	DOWEL						
R		1	7E-8126	1	JOURNAL -CAMSHAFT						
	7	1	9X-6380	96	BOLT (5/8-11X1.5-IN)						
	8	1	150-4882	1	JOURNAL AS-CAMSHAFT						
		1	150-4881	1	JOURNAL -CAMSHAFT						
	9	1	176-3209	8	CAMSHAFT						

R-REMFG PART MAY BE AVAILABLE

BASIC ENGINE

143-4117 CAMSHAFT AS (contd.)

i02377716



GRAPHIC #1

<END>

g00721592

BASIC ENGINE

143-4126 CAMSHAFT AS (CHG -04, 150-4882-01) PART OF 130-3273 CAMSHAFT GP

SMCS-1210

i02377717

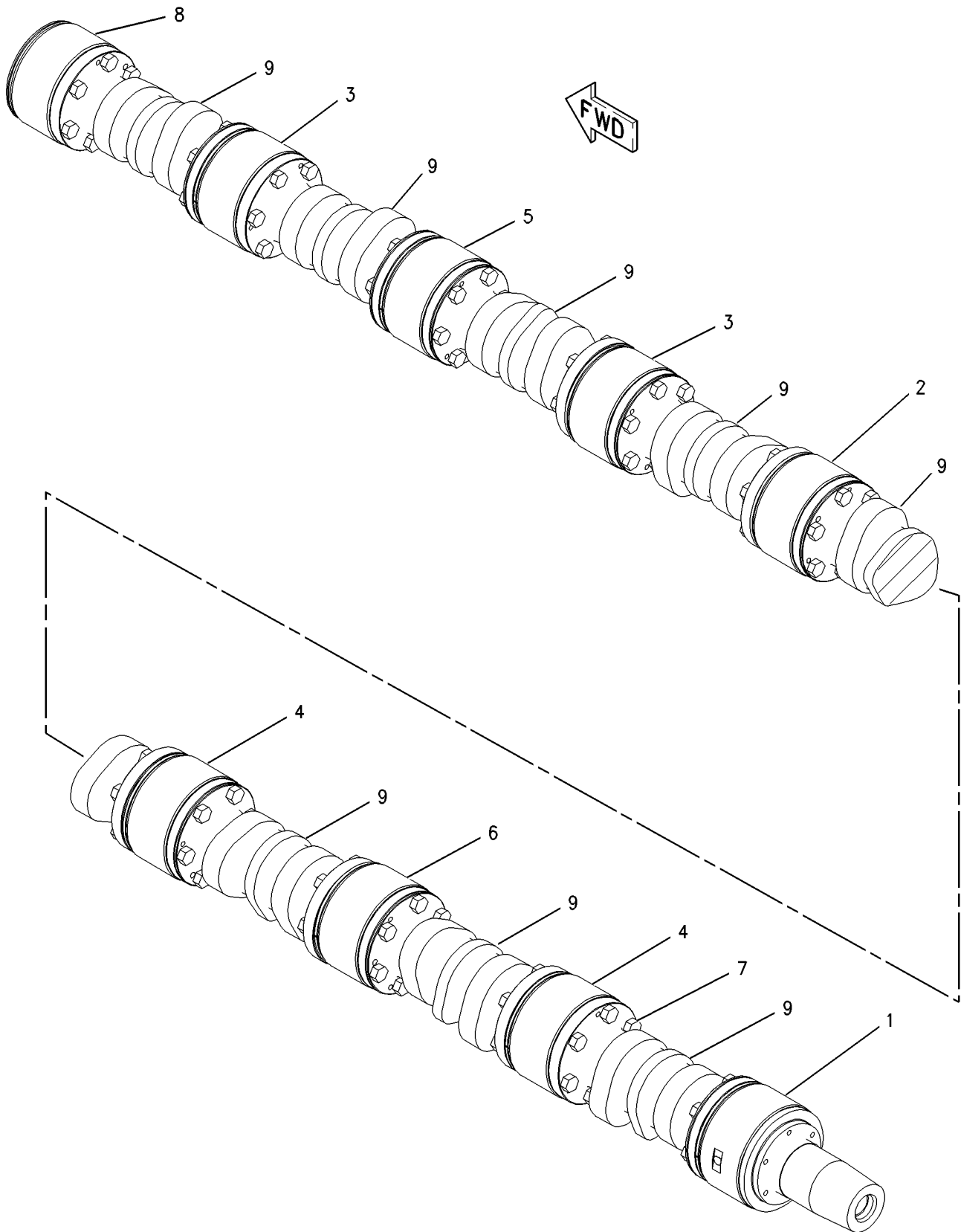
NOTE	REF NO	GRAPHIC REF	PART NUMBER	QTY	PART NAME						SEE PAGE
					1	2	3	4	5	6 (PRODUCT LEVEL)	
R	1	1	7E-7163	1	SHAFT AS-CAM DRIVE						
		1	6V-3538	1	DOWEL						
	2	1	<i>7E-8127</i>	1	JOURNAL AS-CAMSHAFT						
		1	6V-3538	2	DOWEL						
R		1	7E-8124	1	JOURNAL -CAMSHAFT						
	3	1	<i>7E-8130</i>	2	JOURNAL AS-CAMSHAFT						
					(EACH INCLUDES)						
		1	6V-3538	2	DOWEL						
R		1	7E-8124	1	JOURNAL -CAMSHAFT						
	4	1	<i>7E-8131</i>	2	JOURNAL AS-CAMSHAFT						
					(EACH INCLUDES)						
		1	6V-3538	2	DOWEL						
R		1	7E-8124	1	JOURNAL -CAMSHAFT						
	5	1	<i>7E-8132</i>	1	JOURNAL AS-CAMSHAFT						
		1	6V-3538	2	DOWEL						
R		1	7E-8126	1	JOURNAL -CAMSHAFT						
	6	1	<i>7E-8133</i>	1	JOURNAL AS-CAMSHAFT						
		1	6V-3538	2	DOWEL						
R		1	7E-8126	1	JOURNAL -CAMSHAFT						
	7	1	9X-6380	96	BOLT (5/8-11X1.5-IN)						
	8	1	<i>150-4882</i>	1	JOURNAL AS-CAMSHAFT						
		1	150-4881	1	JOURNAL -CAMSHAFT						
	9	1	194-4099	8	CAMSHAFT						

R-REMFG PART MAY BE AVAILABLE

BASIC ENGINE

143-4126 CAMSHAFT AS (contd.)

i02377717



GRAPHIC #1

<END>

g00772039

BASIC ENGINE

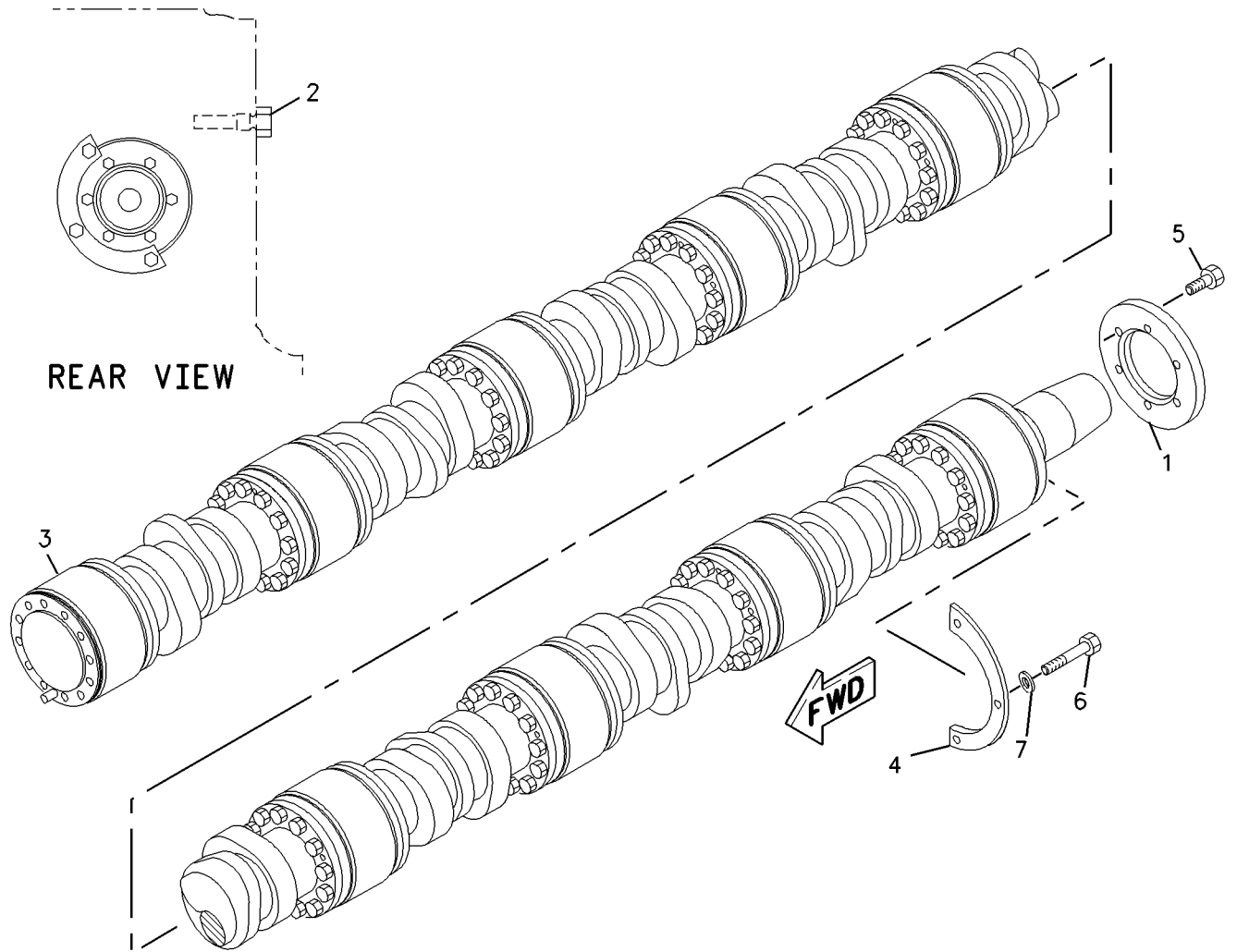
7C-0406 CAMSHAFT GP (CHG -03 THRU -06)

SMCS-1210

i01547613

NOTE	REF NO	GRAPHIC REF	PART NUMBER	QTY	PART NAME						SEE PAGE
					1	2	3	4	5	6 (PRODUCT LEVEL)	
	1	1	7W-0592	1	PLATE - THRUST						
	2	1	7W-0855	1	BOLT (5/8-11X3-IN)						
CY	3	1	143-4117	1	CAMSHAFT AS						7
	4	1	177-7760	1	PLATE - CAM						
	5	1	0S-1588	6	BOLT (3/8-16X1.25-IN)						
	6	1	3B-1915	3	BOLT (3/8-16X1-3/8-IN)						
	7	1	3V-3308	3	WASHER-HARD (10.2X20.5X2.5-MM THK)						

C-CHANGE FROM PREVIOUS TYPE
Y-SEPARATE ILLUSTRATION



GRAPHIC #1

<END>

g00804397

BASIC ENGINE

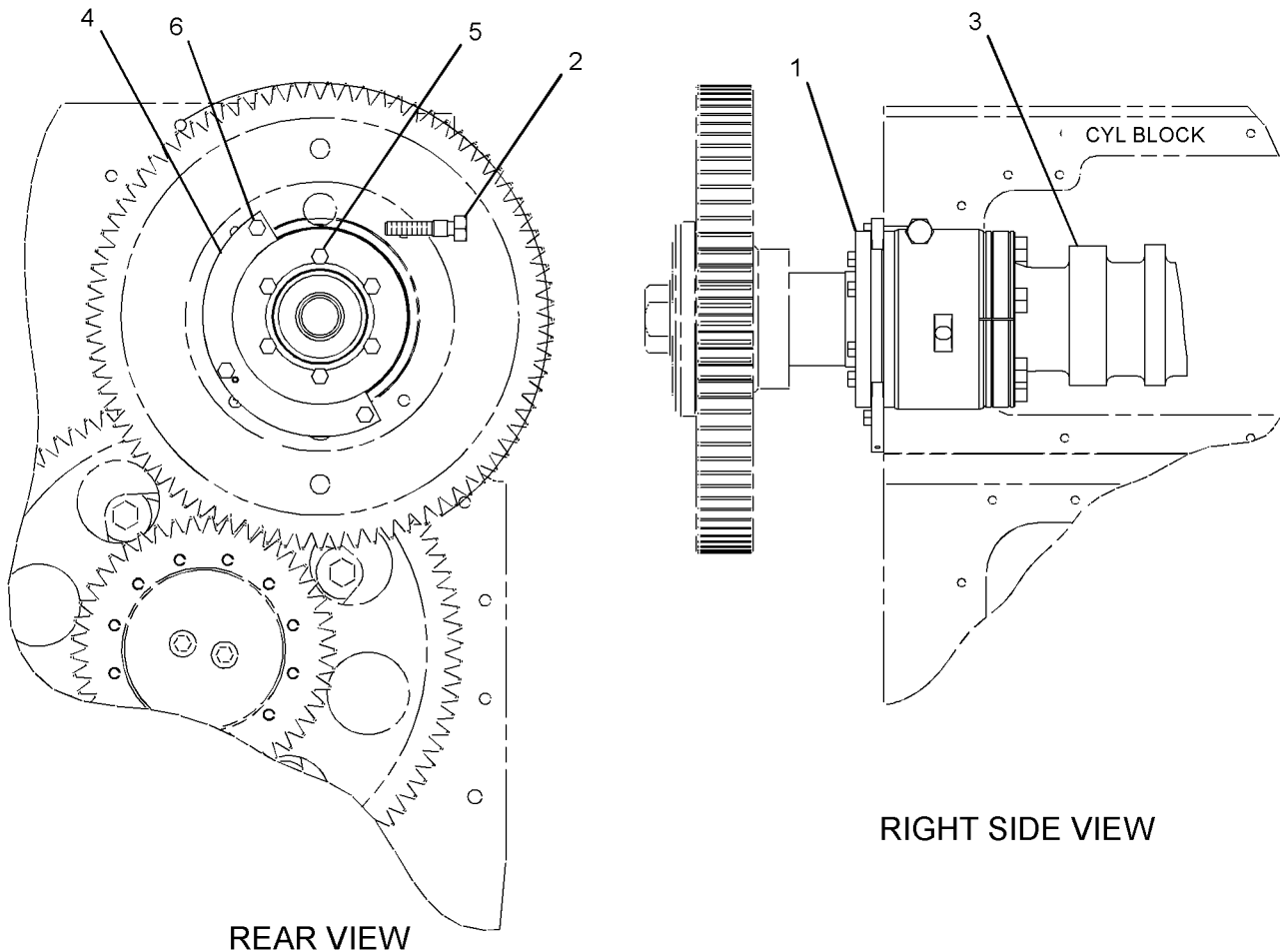
130-3273 CAMSHAFT GP (CHG -02, -03, -03D1)

SMCS-1210

i02325498

NOTE	REF NO	GRAPHIC REF	PART NUMBER	QTY	PART NAME						SEE PAGE
					1	2	3	4	5	6 (PRODUCT LEVEL)	
	1	1	7W-0592	1	PLATE - THRUST						
	2	1	7W-0855	1	BOLT (5/8-11X3-IN)						
Y	3	1	143-4126	1	CAMSHAFT AS						9
	4	1	177-7760	1	PLATE - CAM						
	5	1	0S-1588	6	BOLT (3/8-16X1.25-IN)						
	6	1	3B-1915	3	BOLT (3/8-16X1-3/8-IN)						

Y-SEPARATE ILLUSTRATION



REAR VIEW

RIGHT SIDE VIEW

GRAPHIC #1

<END>

g01161794

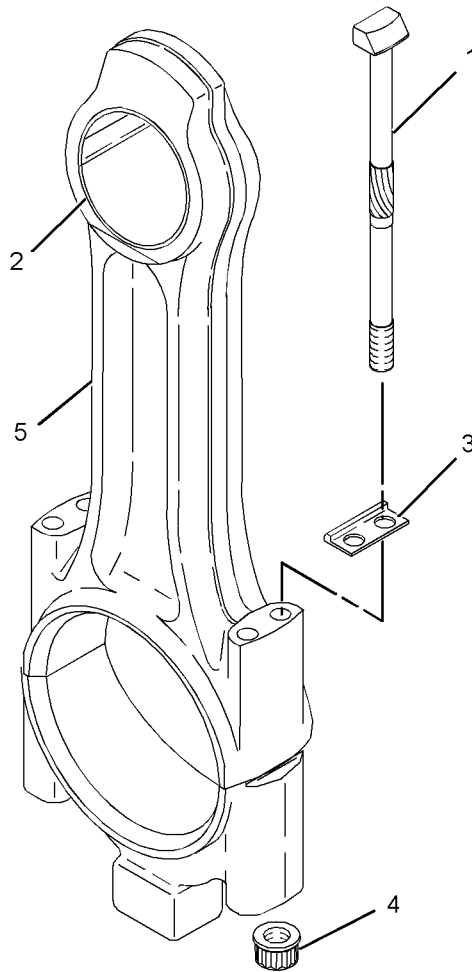
BASIC ENGINE

263-1852 CONNECTING ROD GP (CHG -01, -02, -04) PART OF 7C-0415 PISTON & ROD GP

SMCS-1218

i02519722

NOTE	REF NO	GRAPHIC REF	PART NUMBER	QTY	PART NAME						SEE PAGE
					1	2	3	4	5	6 (PRODUCT LEVEL)	
	1	1	1W-0098	4	BOLT-CONNECTING ROD (3/4-16X12.87-IN)						
	2	1	4P-6125	1	BEARING-SLEEVE						
	3	1	4W-8344	2	RETAINER						
	4	1	205-0640	4	NUT (3/4-16-THD)						



GRAPHIC #1

<END>

g01261172

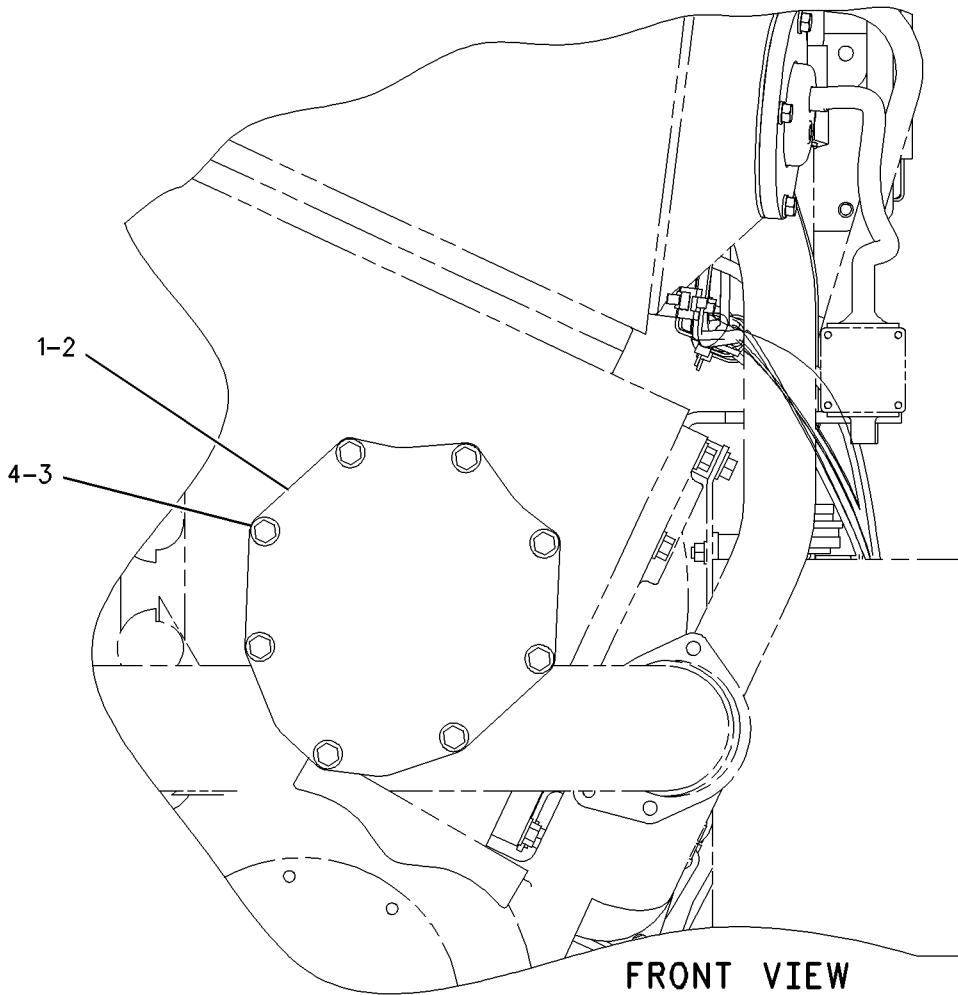
BASIC ENGINE

195-5915 COVER GP-CAMSHAFT (CHG -00, -01) LEFT FRONT CAMSHAFT

SMCS-1210

i02374380

NOTE	REF NO	GRAPHIC REF	PART NUMBER	QTY	PART NAME						SEE PAGE
					1	2	3	4	5	6 (PRODUCT LEVEL)	
	1	1	1W-2334	1	GASKET						
	2	1	206-6583	1	COVER						
	3	1	0S-1594	8	BOLT (3/8-16X1-IN)						
	4	1	3V-3308	8	WASHER-HARD (10.2X20.5X2.5-MM THK)						



FRONT VIEW

GRAPHIC #1

<END>

g00807434

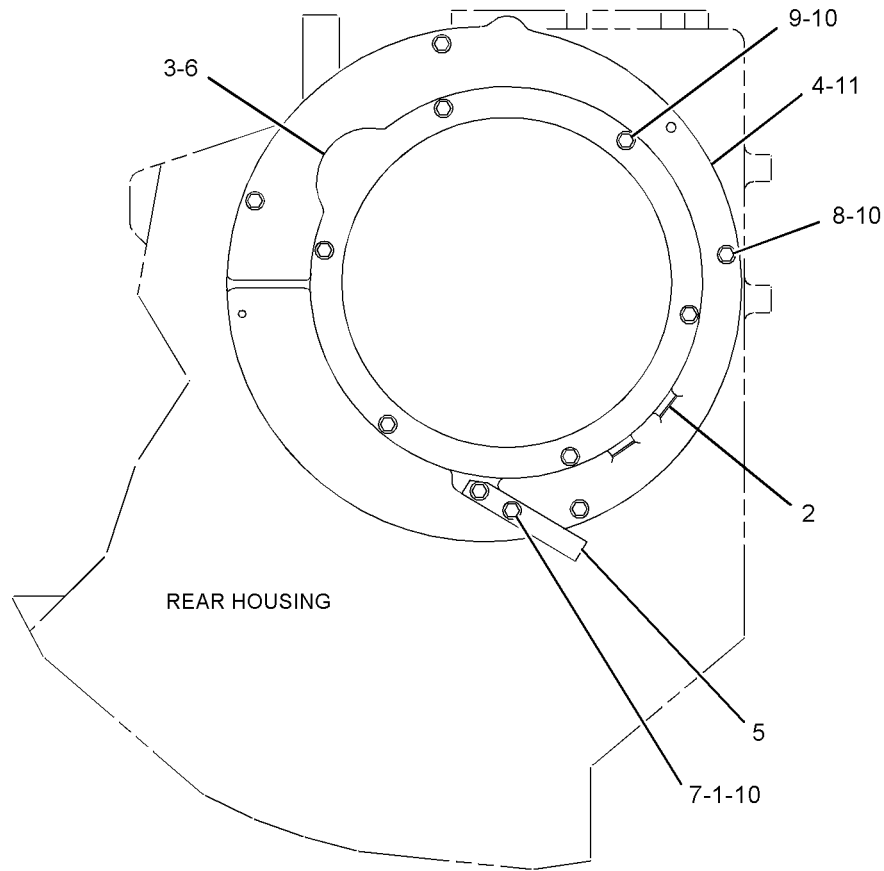
BASIC ENGINE

213-6457 COVER GP - CAMSHAFT (CHG -00, -01)

SMCS-1210

i02151042

NOTE	REF NO	GRAPHIC REF	PART NUMBER	QTY	PART NAME						SEE PAGE
					1	2	3	4	5	6 (PRODUCT LEVEL)	
	1	1	1W-7117	2	DOWEL - HOLLOW						
	2	1	4F-4585	1	PLUG - CORE						
	3	1	5P-9147	1	SEAL - O - RING						
	4	1	253-8893	1	HOUSING						
	5	1	206-7468	1	PLATE						
	6	1	206-7469	1	COVER						
	7	1	0L-1352	2	BOLT (3/8-16X3.25-IN)						
	8	1	0S-1588	4	BOLT (3/8-16X1.25-IN)						
	9	1	3B-1915	6	BOLT (3/8-16X1.375-IN)						
	10	1	3V-3308	12	WASHER - HARD (10.2X20.5X2.5-MM THK)						
	11	1	6V-5060	1	SEAL - O - RING						



REAR VIEW
<END>

GRAPHIC #1

g01091345

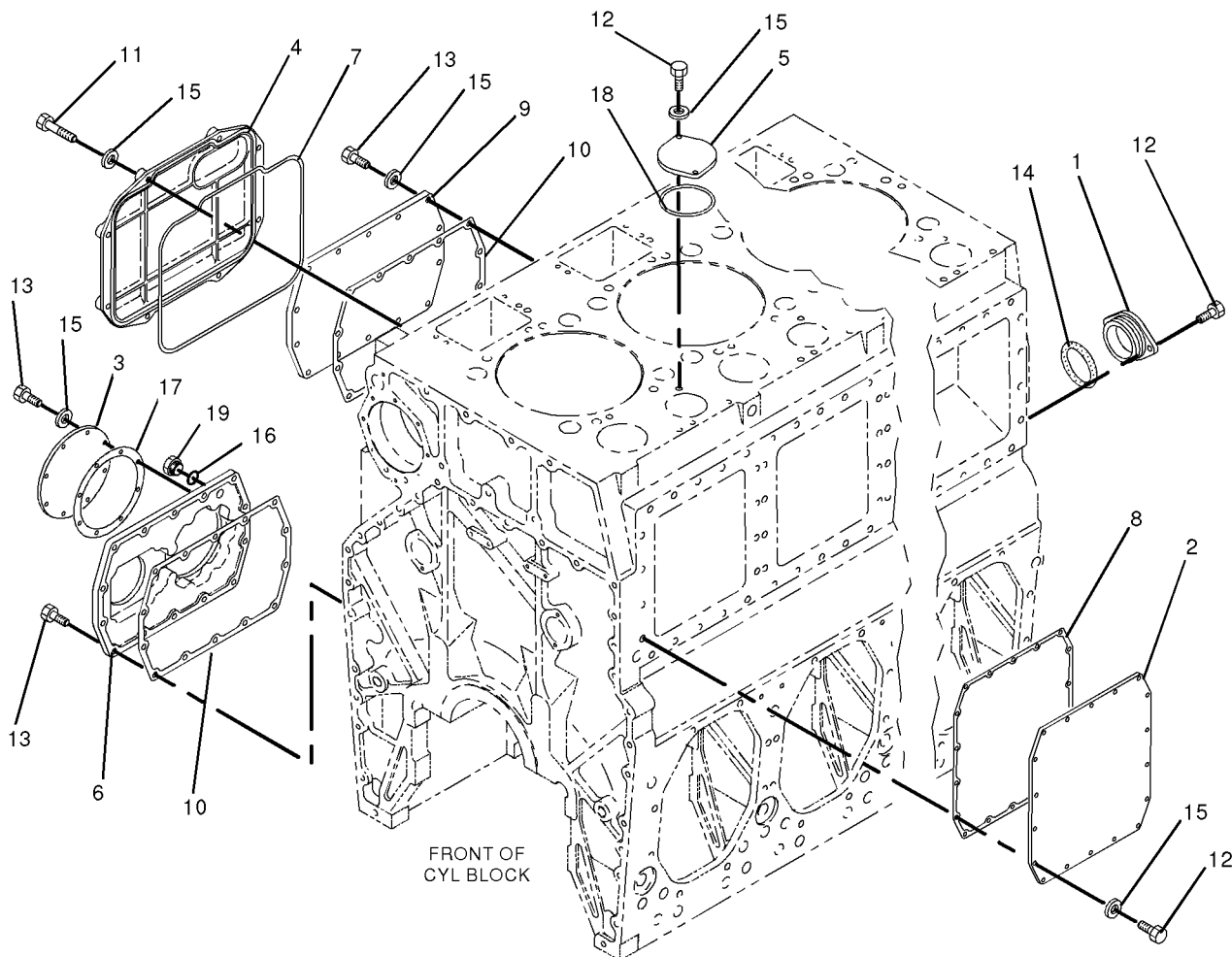
BASIC ENGINE

107-2702 COVER GP-CYLINDER BLOCK-CENTRAL STRUCTURE (CHG -07 THRU -14)

SMCS-1201

i02380438

NOTE	REF NO	GRAPHIC REF	PART NUMBER	QTY	PART NAME						SEE PAGE
					1	2	3	4	5	6 (PRODUCT LEVEL)	
	1	1	1W-1049	1	PLUG						
	2	1	2W-8313	5	COVER (UPPER, LH)						
	3	1	4W-8775	1	COVER (AIR CHAMBER)						
	4	1	7E-0728	8	COVER-CAMSHAFT						
	5	1	7E-0729	7	COVER-TOP FACE						
	6	1	7W-6424	1	COVER (AIR CHAMBER)						
	7	1	8T-0098	8	SEAL-O-RING						
	8	1	9Y-7083	5	GASKET						
	9	1	164-9501	7	COVER (UPPER, RH)						
	10	1	241-3284	8	GASKET						
	11	1	0S-1591	62	BOLT (3/8-16X1.5-IN)						
	12	1	0S-1594	104	BOLT (3/8-16X1-IN)						
	13	1	1A-2029	118	BOLT (3/8-16X1.125-IN)						
	14	1	3P-0656	1	SEAL-O-RING						
	15	1	3V-3308	268	WASHER-HARD (10.2X20.5X2.5-MM THK)						
	16	1	6V-3250	1	SEAL-O-RING						
	17	1	6V-5140	1	SEAL-O-RING						
	18	1	8C-3103	7	SEAL-O-RING						
	19	1	9S-4191	1	PLUG-O-RING						



GRAPHIC #1

<END>

g01034005

BASIC ENGINE

142-2296 COVER GP-CYLINDER BLOCK (CHG -00, -01) RIGHT HAND SERVICE

SMCS-1201

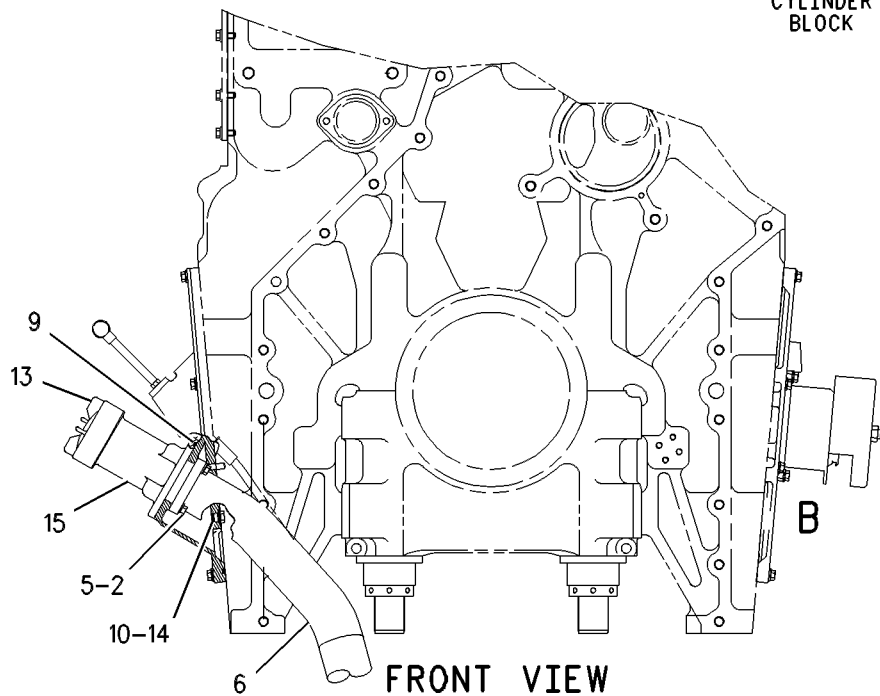
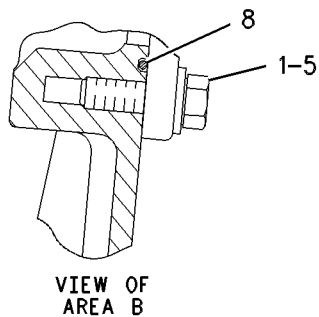
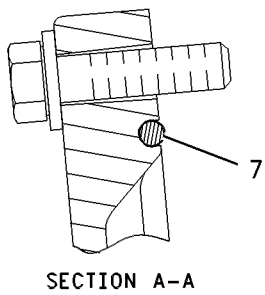
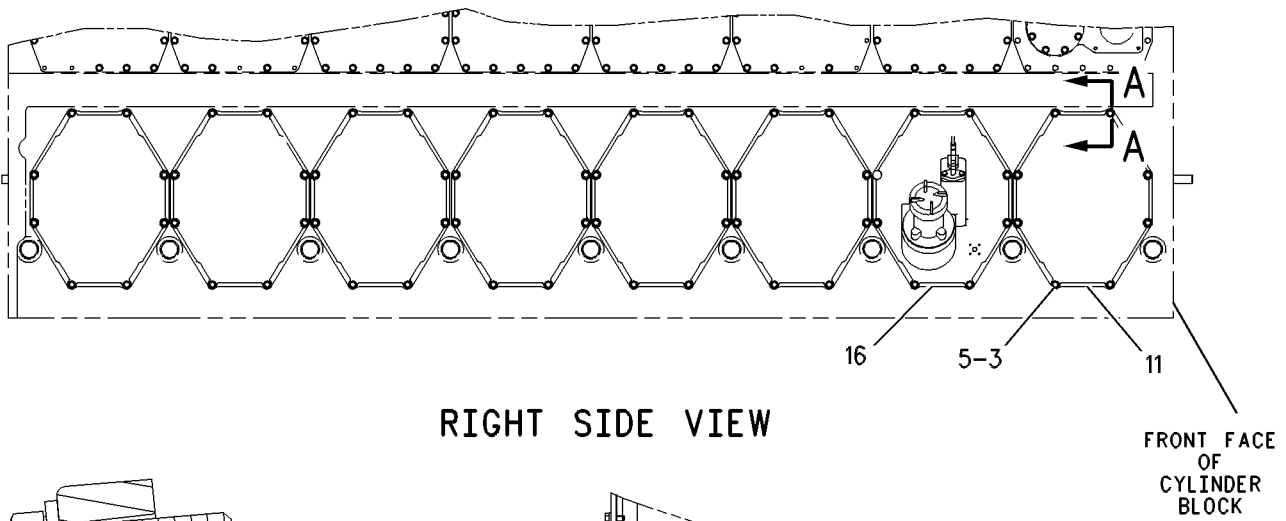
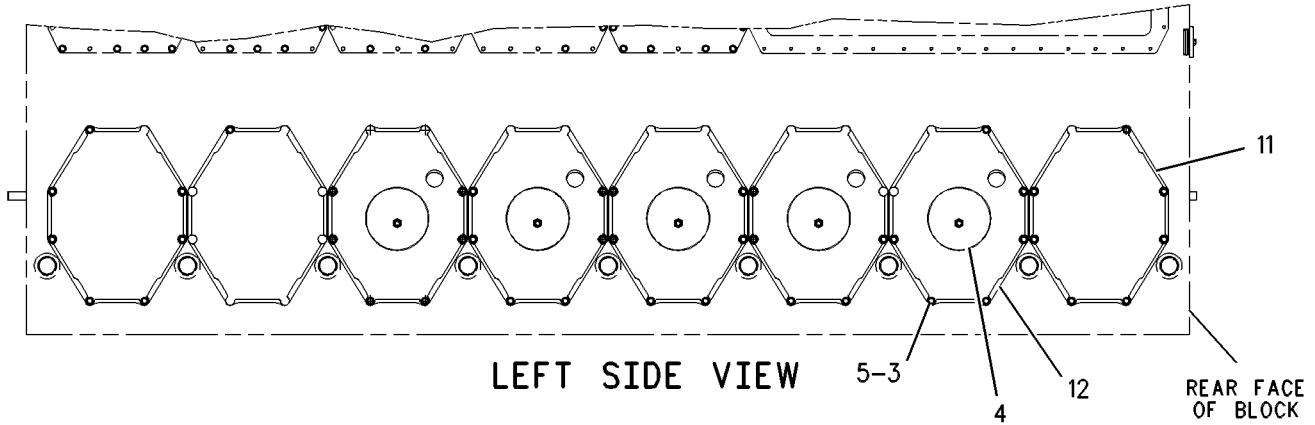
i01553917

NOTE	REF NO	GRAPHIC REF	PART NUMBER	QTY	PART NAME						SEE PAGE
					1	2	3	4	5	6 (PRODUCT LEVEL)	
	1	1	0S-1588	30	BOLT (3/8-16X1.25-IN)						
	2	1	0S-1590	4	BOLT (3/8-16X2-IN)						
	3	1	0S-1591	108	BOLT (3/8-16X1.5-IN)						
J	4	1	1W-2834	5	VALVE GP-EXPLOSION RELIEF						
	5	1	3V-3308	142	WASHER-HARD (10.2X20.5X2.5-MM THK)						
	6	1	4P-5304	1	TUBE AS						
	7	1	6I-4545	16	SEAL-O-RING						
	8	1	6V-1904	5	SEAL-O-RING						
	9	1	6V-4314	1	SEAL-O-RING						
	10	1	6V-5049	1	SEAL-O-RING						
	11	1	7E-0768	10	COVER-CYLINDER BLOCK						
	12	1	7E-0769	5	COVER-CYLINDER BLOCK						
Y	13	1	7E-1659	1	CAP GP-ENGINE OIL FILLER						111
	14	1	9S-4191	1	PLUG-O-RING						
	15	1	9Y-6874	1	ELBOW-OIL FILLER						
	16	1	9Y-9924	1	COVER-CYLINDER BLOCK						
AVAILABLE REPAIR KIT(S):											
J			2W-3584	1	KIT-REPAIR (EXPLOSION RELIEF)						
(INCLUDES VALVE PLATE AND SPINDLE O-RINGS)											
J-REPAIR KIT(S) MARKED J AVAILABLE FOR PART(S) MARKED J											
Y-SEPARATE ILLUSTRATION											

BASIC ENGINE

142-2296 COVER GP-CYLINDER BLOCK (contd.)

i01553917



GRAPHIC #1

<END>

g00279800

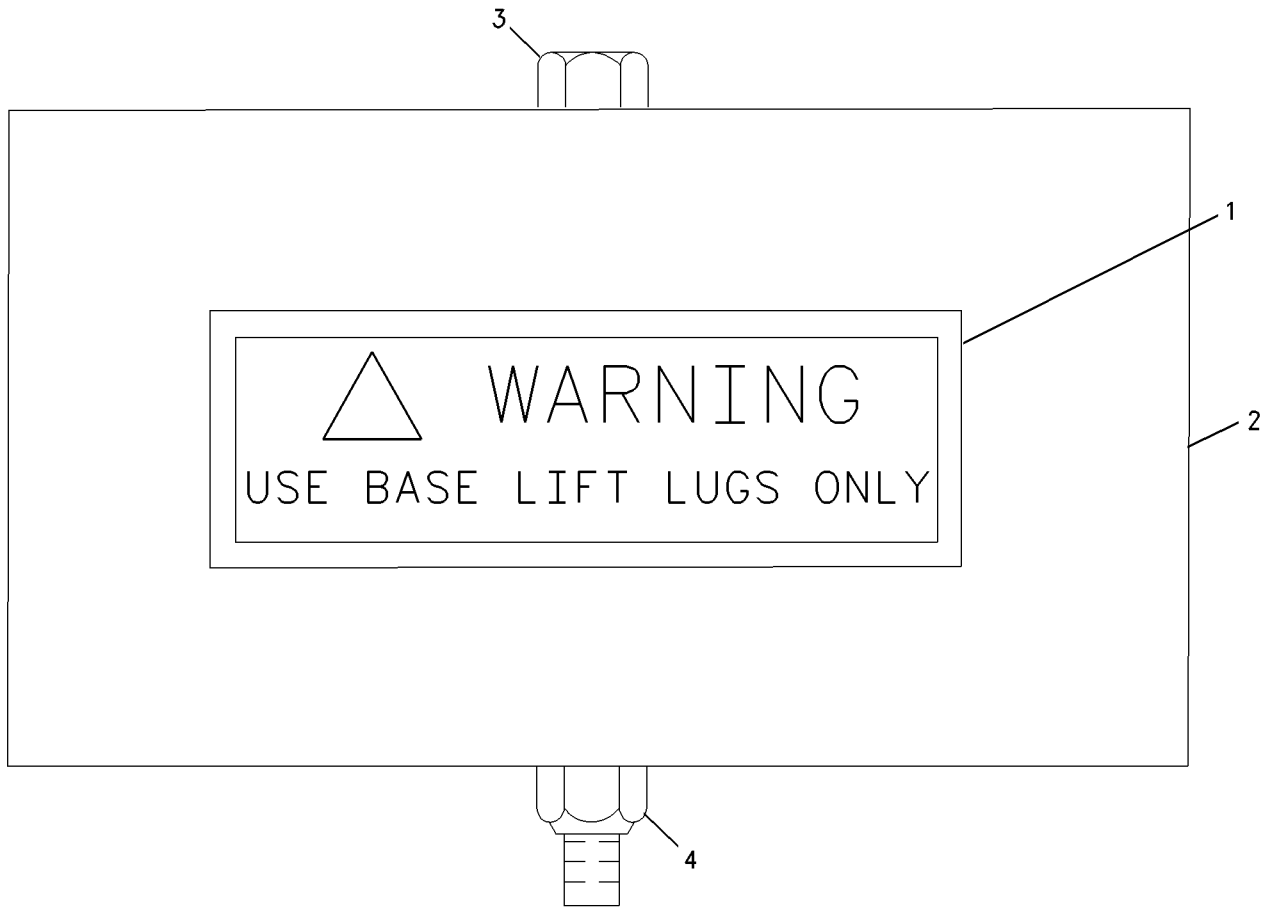
BASIC ENGINE

2W-2742 COVER GP-ENGINE LIFTING EYE (CHG -00)

SMCS-1122

i02346062

NOTE	REF NO	GRAPHIC REF	PART NUMBER	QTY	PART NAME						SEE PAGE
					1	2	3	4	5	6 (PRODUCT LEVEL)	
	1	1	3N-8591	2	FILM-INFORMATION (DO NOT LIFT)						
	2	1	2W-2972	2	COVER-LIFTING						
	3	1	8S-4714	2	BOLT (1/4-28X4-IN)						
	4	1	3F-7674	2	LOCKNUT (1/4-28 THD)						



TOP VIEW

<END>

GRAPHIC #1

g00783275

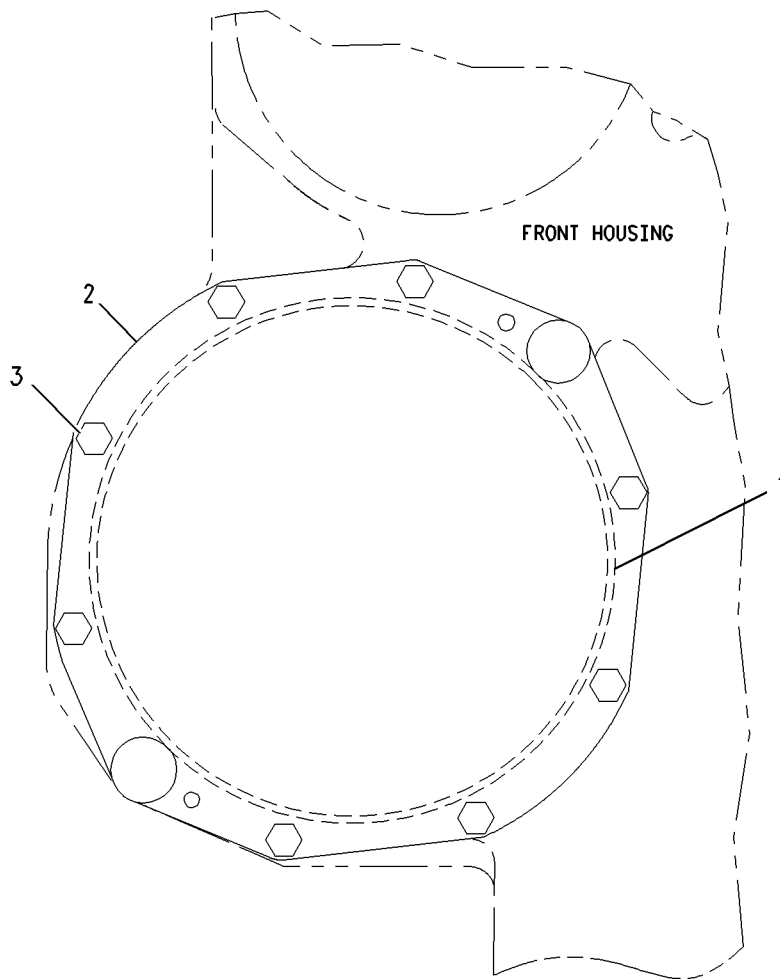
BASIC ENGINE

4W-0365 COVER GP-FRONT HOUSING (CHG -01, -02)

SMCS-1151, 1166

i02345206

NOTE	REF NO	GRAPHIC REF	PART NUMBER	QTY	PART NAME						SEE PAGE
					1	2	3	4	5	6 (PRODUCT LEVEL)	
	1	1	6V-7702	1	SEAL-O-RING						
	2	1	1W-3377	1	COVER						
	3	1	0S-1595	8	BOLT (1/2-13X1.25-IN)						



FRONT VIEW

<END>

GRAPHIC #1

g00799741

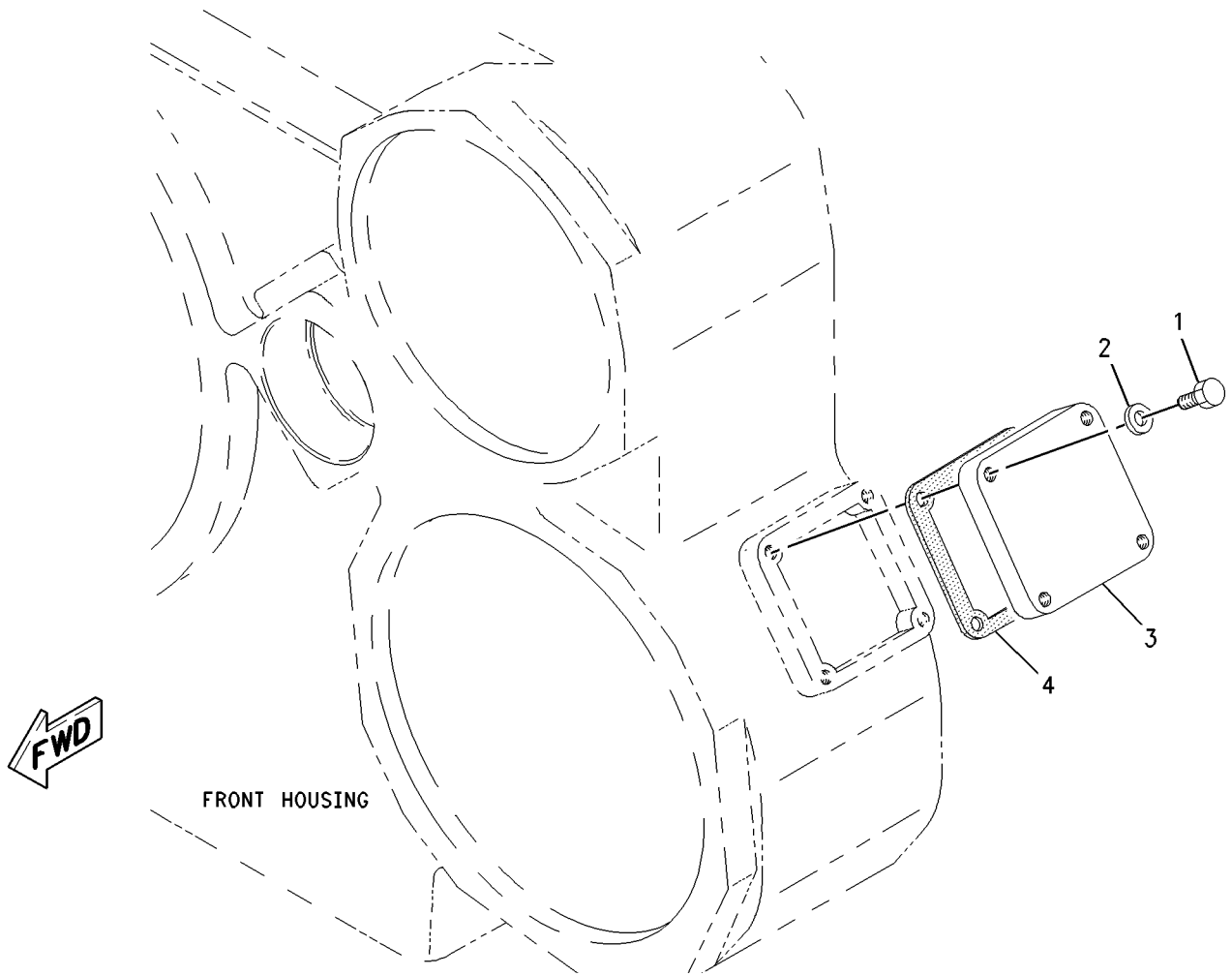
BASIC ENGINE

1W-3382 COVER GP-GEAR INSPECTION (CHG -05, -06)

SMCS-1166

i01458777

NOTE	REF NO	GRAPHIC REF	PART NUMBER	QTY	PART NAME						SEE PAGE
					1	2	3	4	5	6 (PRODUCT LEVEL)	
	1	1	0S-1594	4	BOLT (3/8-16X1-IN)						
	2	1	3V-3308	4	WASHER-HARD (10.2X20.5X2.5-MM THK)						
	3	1	4W-6637	1	COVER						
	4	1	4W-6638	1	GASKET						



GRAPHIC #1

<END>

g00762517

BASIC ENGINE

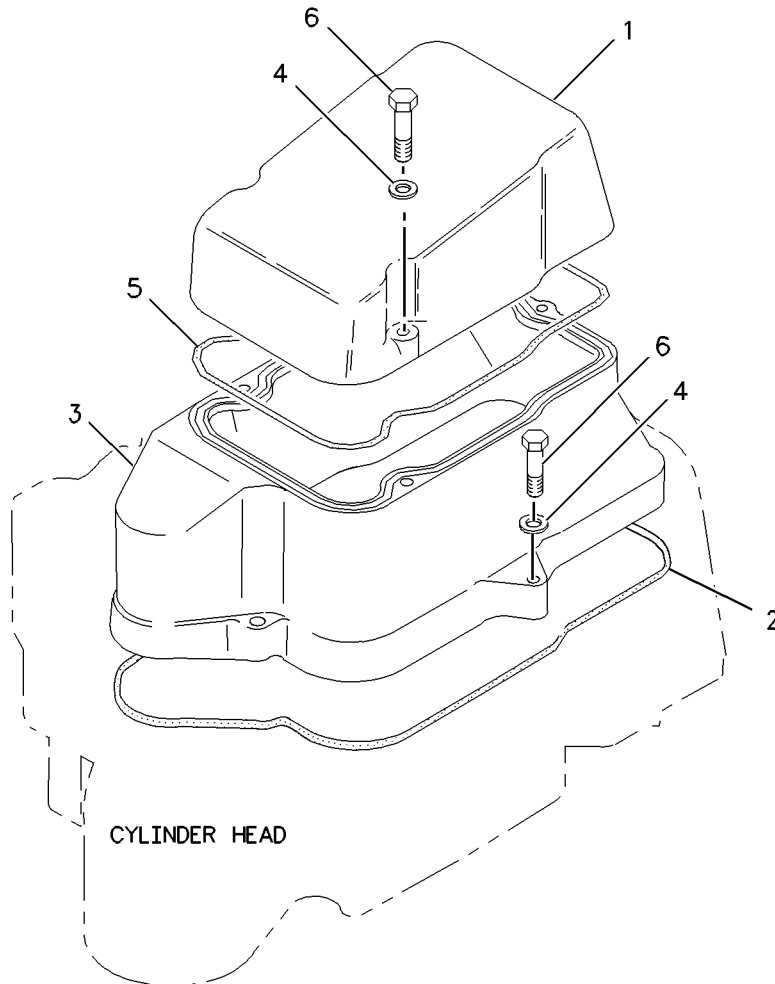
7C-0403 COVER GP-VALVE MECHANISM (CHG -05, -06)

SMCS-1107

i02630351

NOTE	REF NO	GRAPHIC REF	PART NUMBER	QTY	PART NAME						SEE PAGE
					1	2	3	4	5	6	
	1	1	7E-0733	1	COVER-VALVE MECHANISM						
	2	1	8T-8883	1	SEAL-O-RING (VALVE COVER)						
	3	1	7W-8895	1	BASE						
C	4	1	3V-3308	7	WASHER-HARD (10.2X20.5X2.5-MM THK)						
	5	1	6V-3602	1	SEAL-O-RING (VALVE COVER) (VALVE COVER)						
	6	1	0S-1590	7	BOLT (3/8-16X2-IN)						

C-CHANGE FROM PREVIOUS TYPE



GRAPHIC #1

<END>

g00775813

BASIC ENGINE

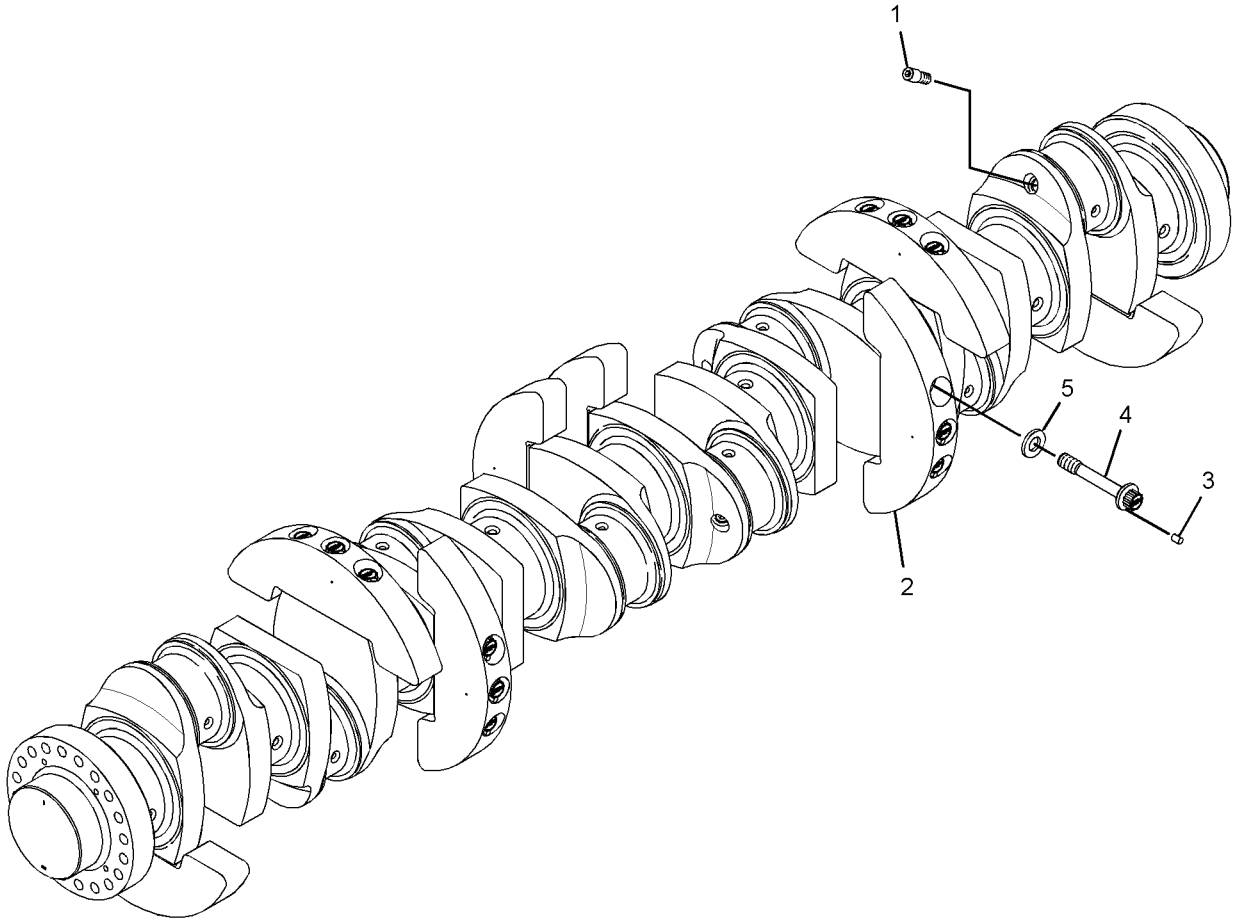
193-5845 CRANKSHAFT AS (CHG -02) PART OF 325-8461, 325-8462 CRANKSHAFT AS

SMCS-1202

i03203380

NOTE	REF NO	GRAPHIC REF	PART NUMBER	QTY	PART NAME						SEE PAGE
					1	2	3	4	5	6 (PRODUCT LEVEL)	
	1	1	7W-1632	8	PLUG						
	2	1	179-3576	8	COUNTERWEIGHT AS						
					(EACH INCLUDES)						
		1	137-0135	2	DOWEL						
	3	1	186-0136	24	PIN-LOCK						
M	4	1	186-0144	24	BOLT (CRANKSHAFT)						
	5	1	186-0145	24	WASHER (39X65.5X6-MM THK)						

M-METRIC PART



GRAPHIC #1

<END>

g01636409

BASIC ENGINE

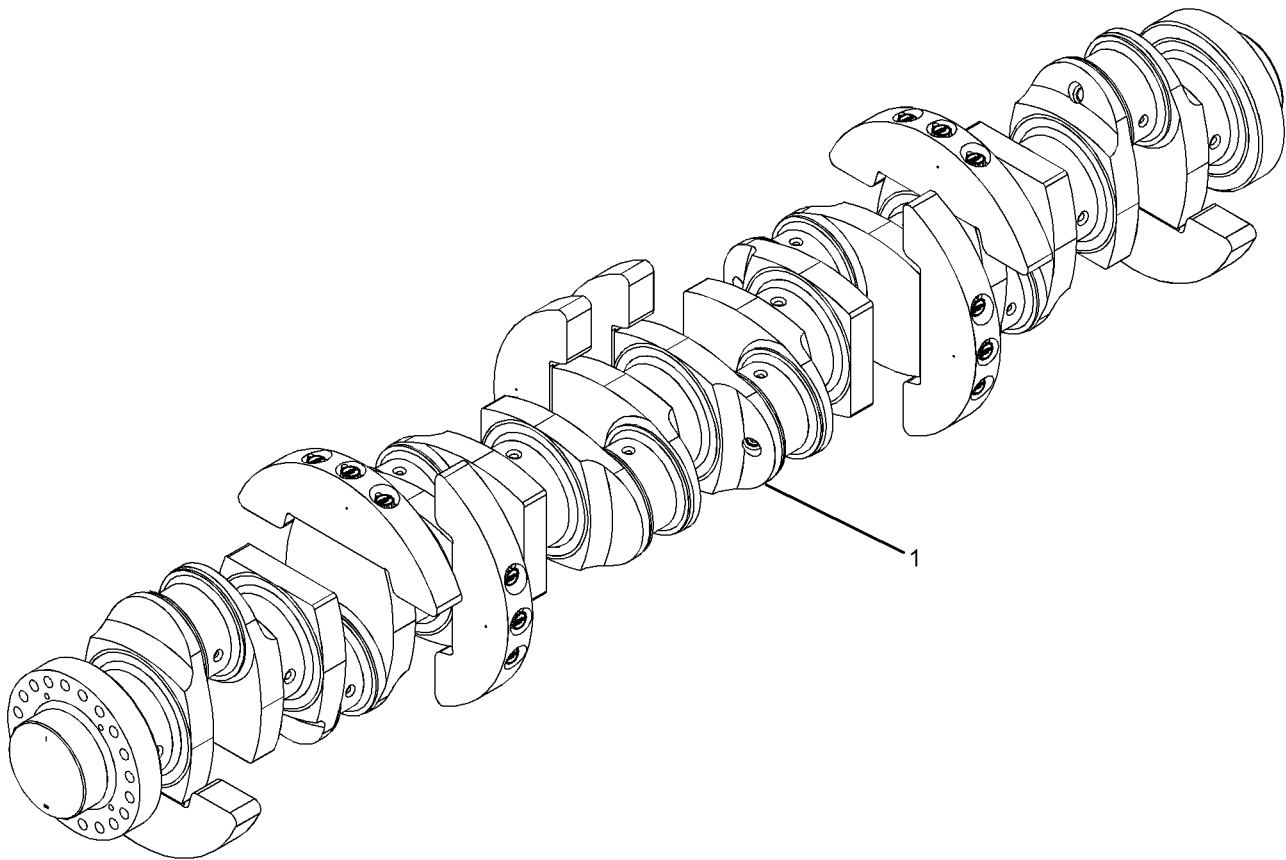
325-8461 CRANKSHAFT AS (CHG -00, -01)

SMCS-1202

i03195166

NOTE	REF NO	GRAPHIC REF	PART NUMBER	QTY	PART NAME						SEE PAGE
					1	2	3	4	5	6 (PRODUCT LEVEL)	
Y	1	1	193-5845	1	CRANKSHAFT AS						23

Y-SEPARATE ILLUSTRATION



GRAPHIC #1

<END>

g01636213

BASIC ENGINE

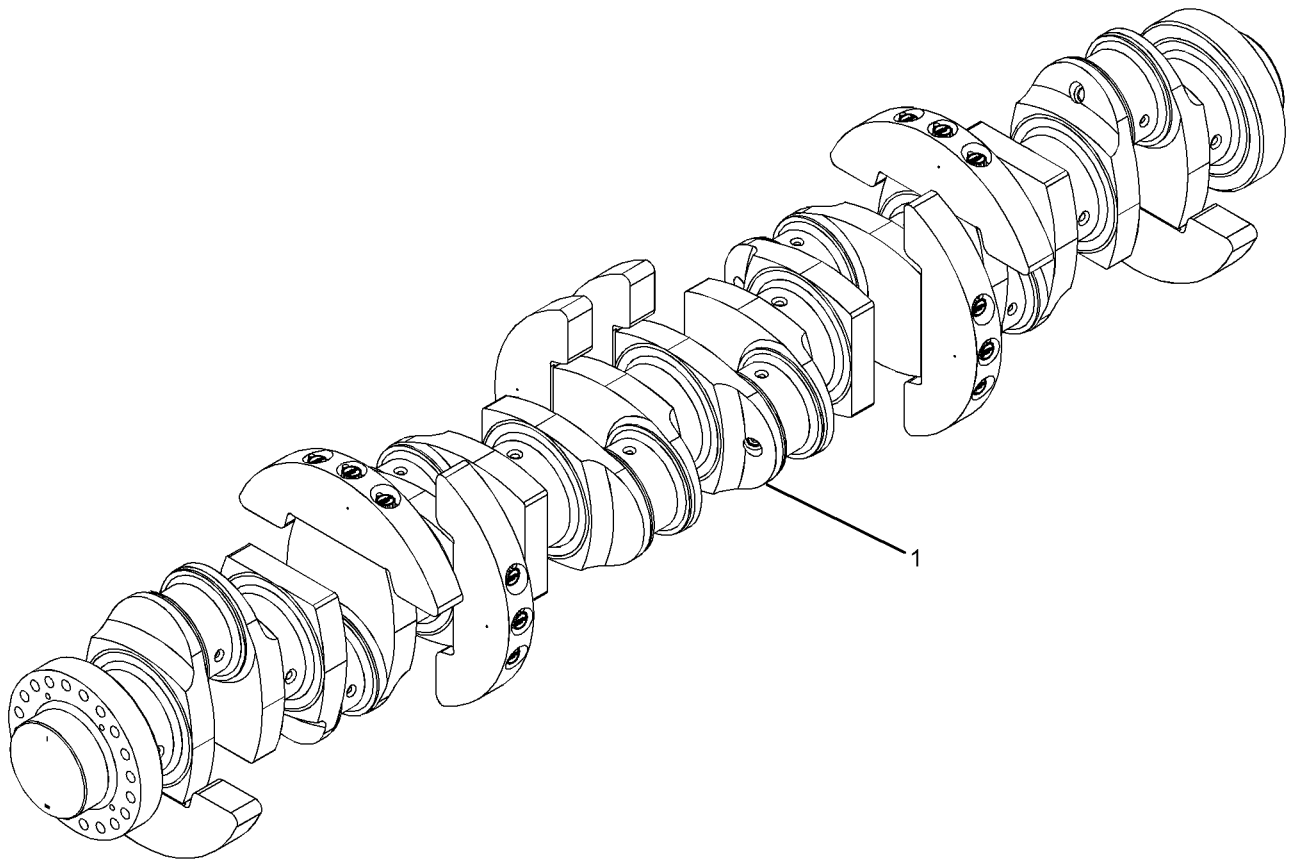
325-8462 CRANKSHAFT AS (CHG -00, -01)

SMCS-1202

i03195220

NOTE	REF NO	GRAPHIC REF	PART NUMBER	QTY	PART NAME						SEE PAGE
					1	2	3	4	5	6 (PRODUCT LEVEL)	
Y	1	1	193-5845	1	CRANKSHAFT AS						23

Y-SEPARATE ILLUSTRATION



GRAPHIC #1

<END>

g01636259

BASIC ENGINE

193-5846 CRANKSHAFT GP (CHG -00, -01)

SMCS - 1202

i02418684

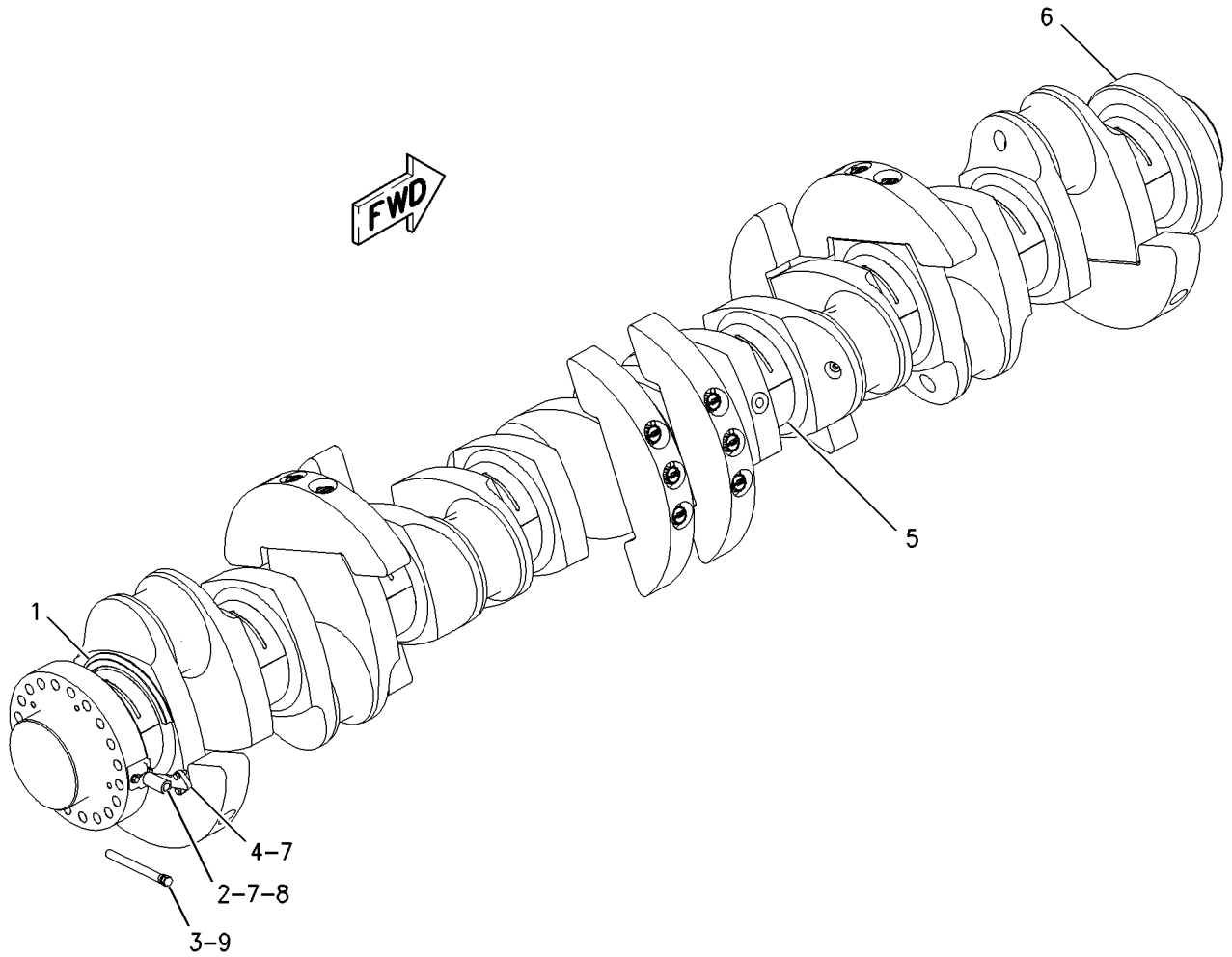
NOTE	REF NO	GRAPHIC REF	PART NUMBER	QTY	PART NAME						SEE PAGE
					1	2	3	4	5	6 (PRODUCT LEVEL)	
	1	1	1W-1174	2	PLATE - THRUST						
	2	1	1W-8260	1	BRACKET AS - CRANKSHAFT						
		1	6V-3537	1	DOWEL						
	3	1	2W-0546	1	PIN - TIMING						
	4	1	4W-8010	1	BRACKET - GUIDE						
	5	1	129-4054	9	BEARING - CRANKSHAFT (MAIN)						
AB		1	127-1916		BEARING - CRANKSHAFT (0.25-MM US)						
AB		1	127-1921		BEARING - CRANKSHAFT (0.5-MM US - 1-MM OS)						
AB		1	143-6219		BEARING - CRANKSHAFT (0.5-MM OS)						
AB		1	143-6221		BEARING - CRANKSHAFT (1.0-MM US)						
AB		1	143-6222		BEARING - CRANKSHAFT						
AB		1	143-6224		BEARING - CRANKSHAFT (2-MM OS)						
	6	1	193-5845	1	CRANKSHAFT AS						
		1	7W-1632	8	PLUG						
		1	179-3576	8	COUNTERWEIGHT AS						
					(EACH INCLUDES)						
		1	137-0135	2	DOWEL						
	7	1	0S-1594	4	BOLT (3/8-16X1-IN)						
	8	1	3V-3308	2	WASHER - HARD (10.2X20.5X2.5-MM THK)						
	9	1	6V-4589	1	SEAL - O-RING						

A - NOT PART OF THIS GROUP
 B - USE AS REQUIRED

BASIC ENGINE

193-5846 CRANKSHAFT GP (contd.)

i02418684



GRAPHIC #1

<END>

g00745928

BASIC ENGINE

7C-0436 CYLINDER BLOCK AS (CHG -10 THRU -15) PART OF 7C-0435 CYLINDER BLOCK GP

SMCS-1201

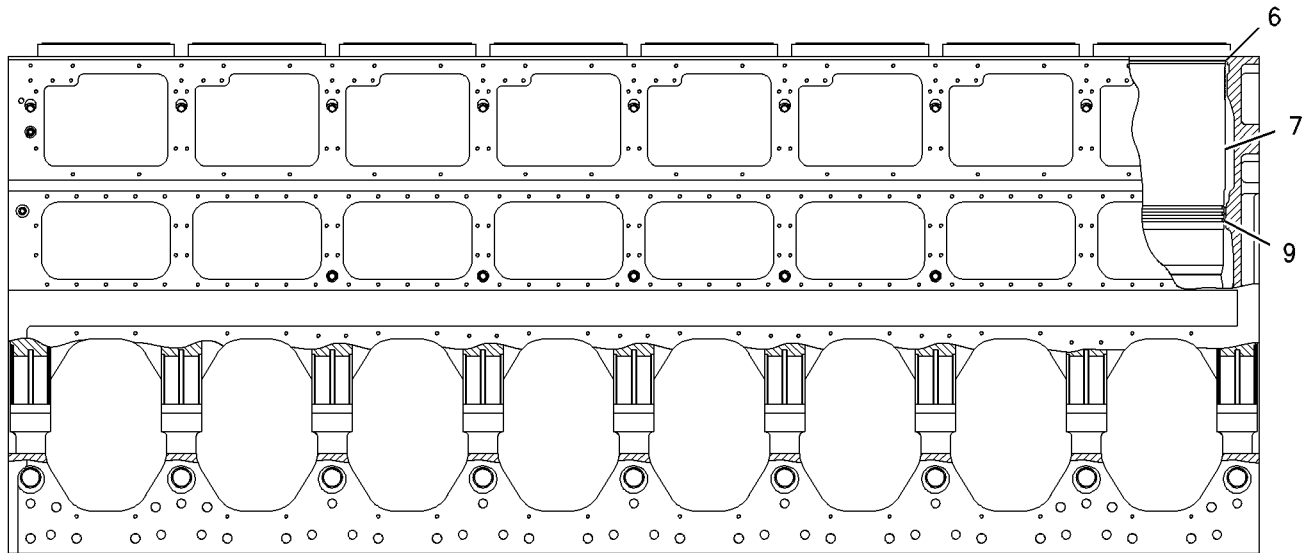
i03005713

NOTE	REF NO	GRAPHIC REF	PART NUMBER	QTY	PART NAME						SEE PAGE
					1	2	3	4	5	6 (PRODUCT LEVEL)	
	1	1	1W-0121	18	STUD-TAPERLOCK						
	2	1	1W-0122	18	WASHER (52X110X12-MM THK)						
	3	1	1W-0123	18	NUT (2-12-THD)						
	4	1	3S-7079	18	BOLT (1-1/4-12X9.5-IN)						
	5	1	4K-0684	18	WASHER-HARD (34X55X6-MM THK)						
	6	1	6V-3602	8	SEAL-O-RING (VALVE COVER)						
	7	1	7C-5044	8	LINER-CYLINDER						
	8	1	299-5671	1	CYLINDER BLOCK						
	9	1	8T-9047	24	SEAL-O-RING						
	10	1	124-1836	9	CAP AS-BEARING (CRANKSHAFT)						
					(EACH INCLUDES)						
		1	6V-3538	1	DOWEL						

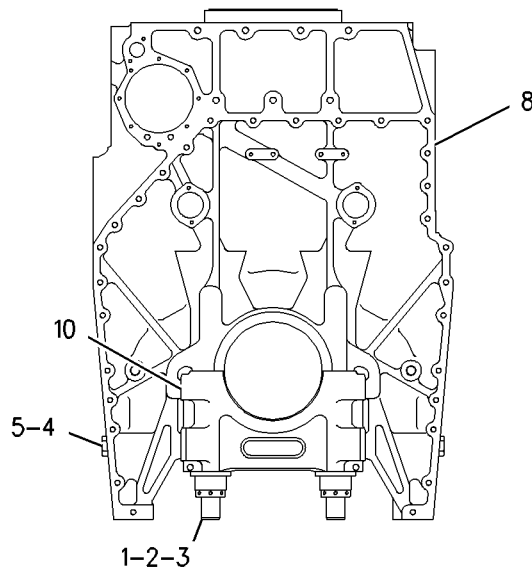
BASIC ENGINE

7C-0436 CYLINDER BLOCK AS (contd.)

i03005713



RIGHT SIDE VIEW



FRONT VIEW

GRAPHIC #1

<END>

g00713656

BASIC ENGINE

214-6055 CYLINDER BLOCK AS (CHG -00 THRU -02) PART OF 214-6056 CYLINDER BLOCK GP

SMCS-1201

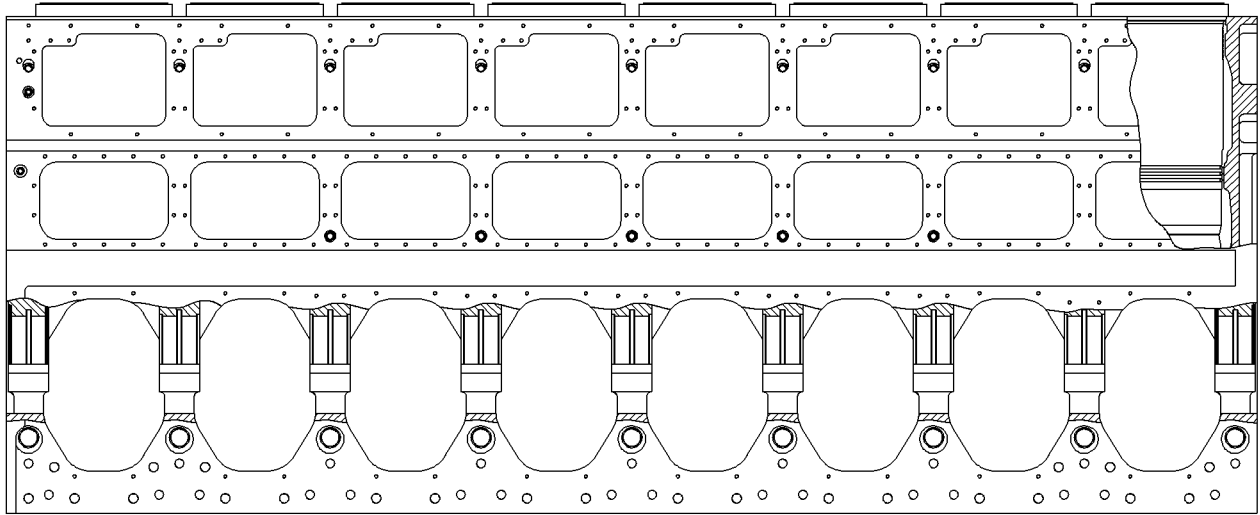
i02380439

NOTE	REF NO	GRAPHIC REF	PART NUMBER	QTY	PART NAME						SEE PAGE
					1	2	3	4	5	6 (PRODUCT LEVEL)	
	1	1	1W-0121	18	STUD-TAPERLOCK						
	2	1	1W-0122	18	WASHER (52X110X12-MM THK)						
	3	1	1W-0123	18	NUT (2-12-THD)						
	4	1	3S-7079	18	BOLT (1-1/4-12X9.5-IN)						
	5	1	4K-0684	18	WASHER-HARD (34X55X6-MM THK)						
Y	6	1	7E-7122	1	CYLINDER BLOCK GP						34
	7	1	124-1836	9	CAP AS-BEARING (CRANKSHAFT) (EACH INCLUDES)						
		1	6V-3538	1	DOWEL						
Y-SEPARATE ILLUSTRATION											

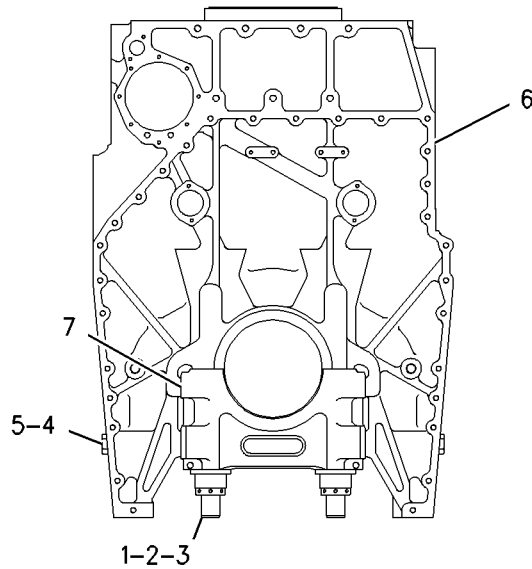
BASIC ENGINE

214-6055 CYLINDER BLOCK AS (contd.)

i02380439



RIGHT SIDE VIEW



FRONT VIEW

GRAPHIC #1

<END>

g00943999

BASIC ENGINE

7C-0435 CYLINDER BLOCK GP (CHG -07 THRU -10) FIELD REPLACEMENT ORDER 214-6056-PAGE 36

SMCS-1201

i01857262

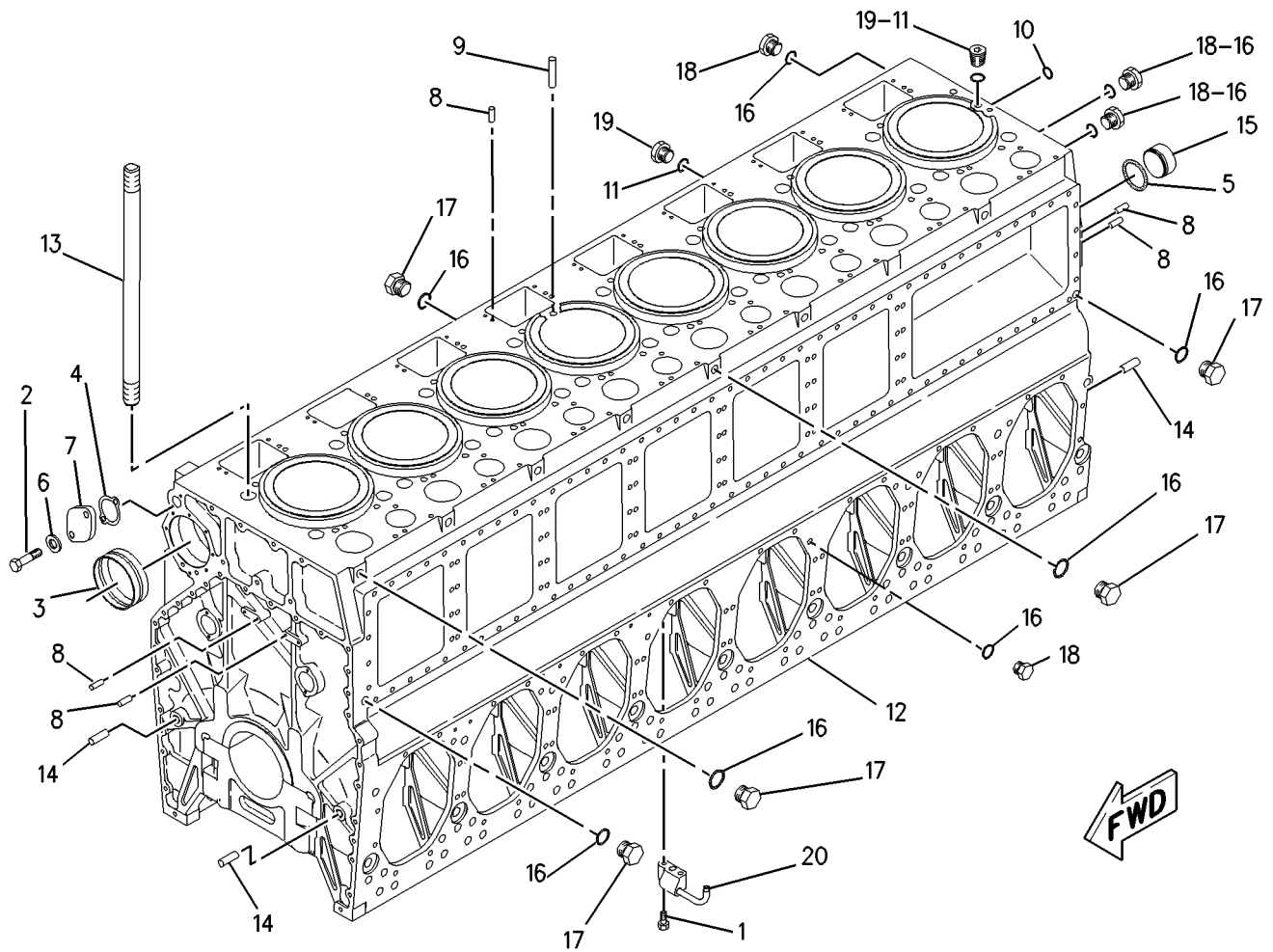
NOTE	REF NO	GRAPHIC REF	PART NUMBER	QTY	PART NAME						SEE PAGE
					1	2	3	4	5	6 (PRODUCT LEVEL)	
	1	1	0L-1143	16	BOLT (3/8-16X2.5-IN)						
	2	1	0S-1594	2	BOLT (3/8-16X1-IN)						
	3	1	1W-0105	9	BEARING-CAMSHAFT						
	4	1	1W-1960	1	GASKET						
	5	1	3P-0656	1	SEAL-O-RING						
	6	1	3V-3308	2	WASHER-HARD (10.2X20.5X2.5-MM THK)						
	7	1	4B-3140	1	COVER						
	8	1	6V-3538	20	DOWEL						
	9	1	6V-3539	16	DOWEL						
	10	1	6V-3955	3	SEAL-O-RING						
	11	1	6V-4589	10	SEAL-O-RING						
Y	12	1	7C-0436	1	CYLINDER BLOCK AS						28
C	13	1	187-0450	32	STUD-TAPERLOCK						
	14	1	7N-2328	4	DOWEL						
	15	1	7W-7469	1	PLUG						
	16	1	8L-2786	28	SEAL-O-RING						
	17	1	9S-4185	9	PLUG-O RING						
	18	1	9S-8005	19	PLUG-O RING						
	19	1	9S-8006	10	PLUG-O RING						
	20	1	120-9330	8	JET AS (PISTON COOLING)						
					(EACH INCLUDES)						
		1	1W-7117	2	DOWEL-HOLLOW						

C-CHANGE FROM PREVIOUS TYPE
Y-SEPARATE ILLUSTRATION

BASIC ENGINE

7C-0435 CYLINDER BLOCK GP (contd.)

i01857262



GRAPHIC #1

<END>

g00798489

BASIC ENGINE

7E-7122 CYLINDER BLOCK GP (CHG -00 THRU -07, 7E-7121-02) PART OF 214-6055 CYLINDER BLOCK AS

SMCS-1201

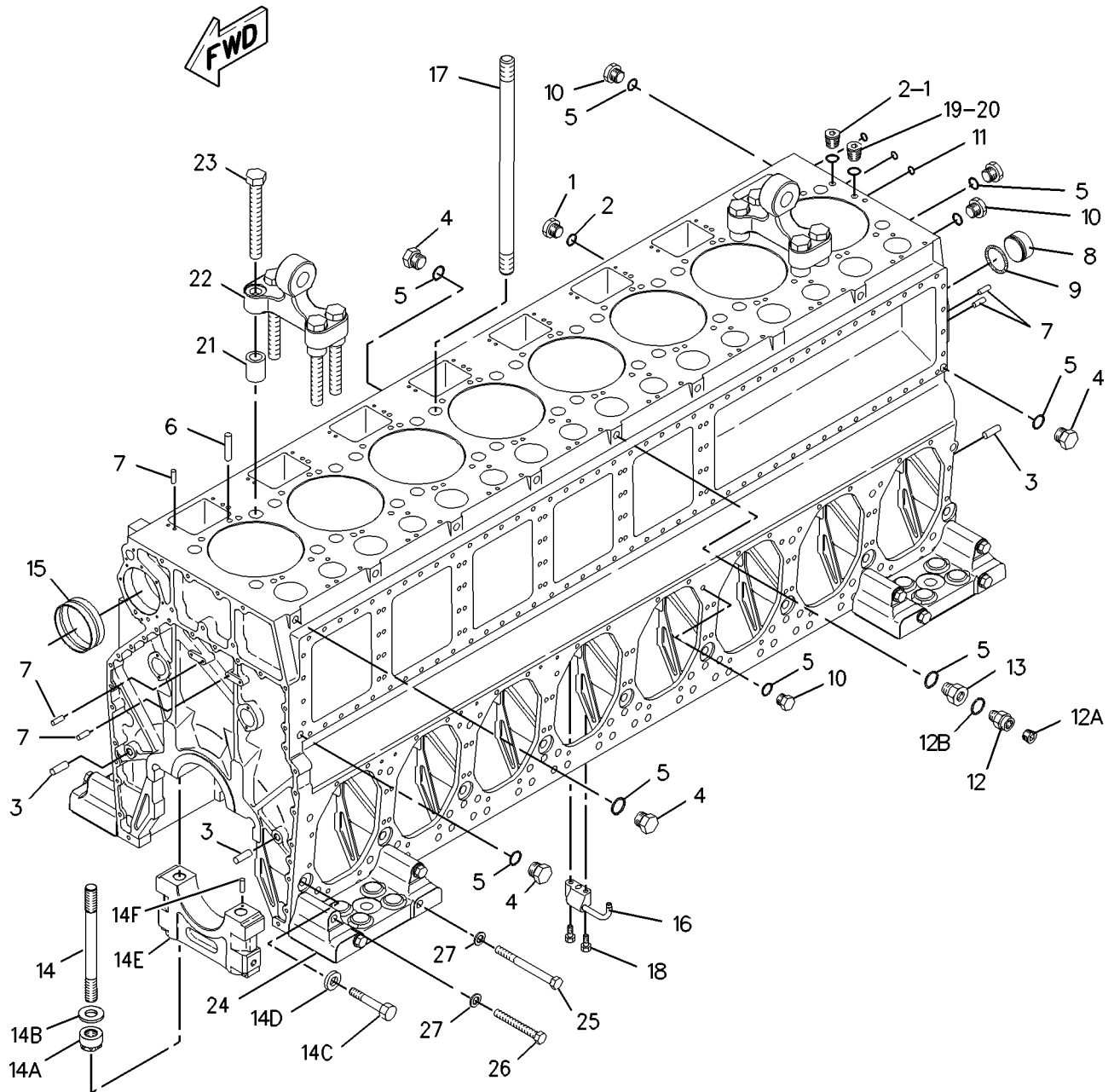
i01930224

NOTE	REF NO	GRAPHIC REF	PART NUMBER	QTY	PART NAME						SEE PAGE
					1	2	3	4	5	6 (PRODUCT LEVEL)	
	1	1	9S-8006	10	PLUG-O-RING						
	2	1	6V-4589	10	SEAL-O-RING						
	3	1	7N-2328	4	DOWEL						
	4	1	9S-4185	5	PLUG-O-RING						
	5	1	8L-2786	25	SEAL-O-RING						
	6	1	6V-3539	16	DOWEL						
	7	1	6V-3538	20	DOWEL						
	8	1	7W-7469	1	PLUG						
	9	1	3P-0656	1	SEAL-O-RING						
	10	1	9S-8005	19	PLUG-O-RING						
	11	1	6V-3955	3	SEAL-O-RING						
	12	1	5P-3591	1	ADAPTER GP-PROBE						
	12A	1	9F-2247	1	PLUG-PIPE						
	12B	1	3J-1907	1	SEAL-O-RING						
	13	1	5P-6944	1	ADAPTER						
	14	1	1W-0121	18	STUD-TAPERLOCK						
	14A	1	1W-0123	18	NUT (2-12-THD)						
	14B	1	1W-0122	18	WASHER (52X110X12-MM THK)						
	14C	1	3S-7079	18	BOLT (1-1/4-12X9.5-IN)						
	14D	1	4K-0684	18	WASHER-HARD (34X55X6-MM THK)						
	14E	1	124-1836	9	CAP AS-BEARING (CRANKSHAFT) (EACH INCLUDES)						
	14F	1	6V-3538	1	DOWEL						
	15	1	1W-0105	9	BEARING-CAMSHAFT						
	16	1	120-9330	8	JET AS (PISTON COOLING) (EACH INCLUDES)						
		1	1W-7117	2	DOWEL-HOLLOW						
	17	1	187-0450	32	STUD-TAPERLOCK						
	18	1	0L-1143	16	BOLT (3/8-16X2.5-IN)						
	19	1	9S-4181	1	PLUG-O-RING						
	20	1	7M-8485	1	SEAL-O-RING						
	21	1	214-6044	8	SPACER (44.5X69.9X88-MM THK)						
	22	1	101-8187	2	BRACKET-LIFTING						
	23	1	218-0660	8	BOLT (1-5/8-12X13.25-IN)						
	24	1	7W-8431	4	SUPPORT AS (EACH INCLUDES)						
		1	7N-2328	2	DOWEL						
	25	1	7B-8363	8	BOLT (1-14X10.75-IN)						
	26	1	8S-4757	8	BOLT (1-14X8-IN)						
	27	1	5P-8250	16	WASHER (28X49X5-MM THK)						

BASIC ENGINE

7E-7122 CYLINDER BLOCK GP (contd.)

i01930224



GRAPHIC #1

<END>

g00947280

BASIC ENGINE

214-6056 CYLINDER BLOCK GP (CHG -00) FIELD REPLACEMENT FOR 7C-0435-PAGE 32

SMCS-1201

i01852428

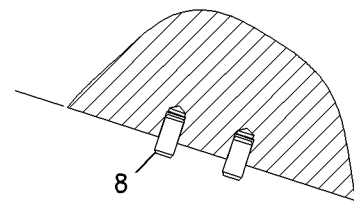
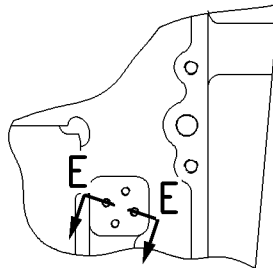
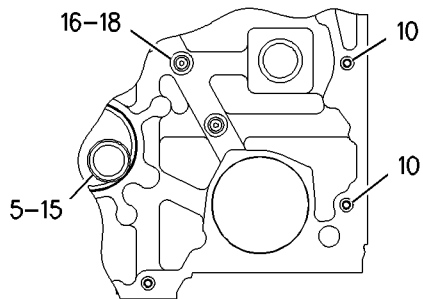
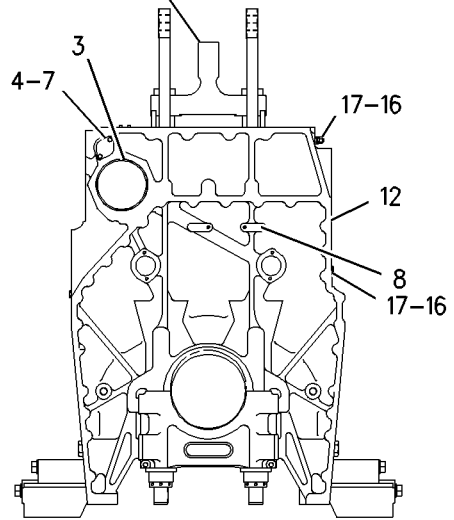
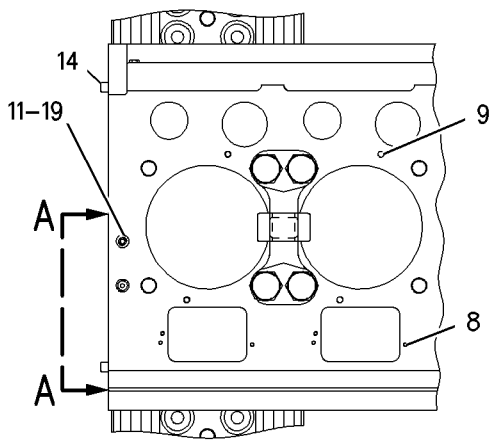
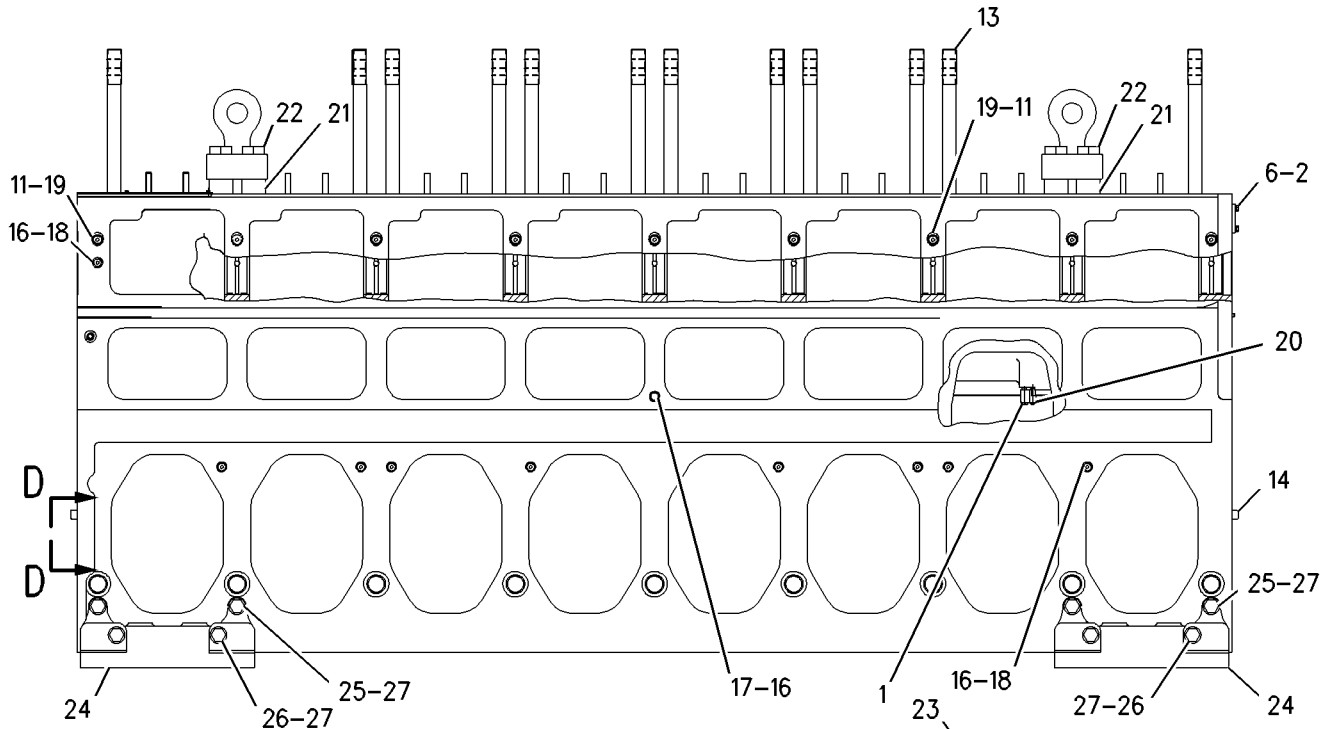
NOTE	REF NO	GRAPHIC REF	PART NUMBER	QTY	PART NAME						SEE PAGE
					1	2	3	4	5	6 (PRODUCT LEVEL)	
	1	1	0L-1143	16	BOLT (3/8-16X2.5-IN)						
	2	1	0S-1594	2	BOLT (3/8-16X1-IN)						
	3	1	1W-0105	9	BEARING-CAMSHAFT						
	4	1	1W-1960	1	GASKET						
	5	1	3P-0656	1	SEAL-O-RING						
	6	1	3V-3308	2	WASHER-HARD (10.2X20.5X2.5-MM THK)						
	7	1	4B-3140	1	COVER						
	8	1	6V-3538	20	DOWEL						
	9	1	6V-3539	16	DOWEL						
	10	1	6V-3955	3	SEAL-O-RING						
	11	1	6V-4589	10	SEAL-O-RING						
Y	12	1	214-6055	1	CYLINDER BLOCK AS						30
	13	1	187-0450	32	STUD-TAPERLOCK						
	14	1	7N-2328	4	DOWEL						
	15	1	7W-7469	1	PLUG						
	16	1	8L-2786	28	SEAL-O-RING						
	17	1	9S-4185	9	PLUG-O RING						
	18	1	9S-8005	19	PLUG-O RING						
	19	1	9S-8006	10	PLUG-O RING						
	20	1	120-9330	8	JET AS (PISTON COOLING)						
					(EACH INCLUDES)						
		1	1W-7117	2	DOWEL-HOLLOW						
	21	1	214-6044	8	SPACER (44.5X69.9X88-MM THK)						
	22	1	218-0660	8	BOLT (1-5/8-12X13.25-IN)						
	23	1	101-8187	2	BRACKET-LIFTING						
	24	1	7W-8431	4	SUPPORT AS						
					(EACH INCLUDES)						
		1	7N-2328	2	DOWEL						
	25	1	8S-4757	8	BOLT (1-14X8-IN)						
	26	1	7B-8363	8	BOLT (1-14X10.75-IN)						
	27	1	5P-8250	16	WASHER (28X49X5-MM THK)						

Y-SEPARATE ILLUSTRATION

BASIC ENGINE

214-6056 CYLINDER BLOCK GP (contd.)

i01852428



GRAPHIC #1

<END>

g00956657

BASIC ENGINE

213-6958 CYLINDER HEAD AS (CHG -00, -01, -01D1, 213-6956-01D1) PART OF 213-6962, 213-6964 CYLINDER HEAD GP

SMCS-1100, 1101

i02416629

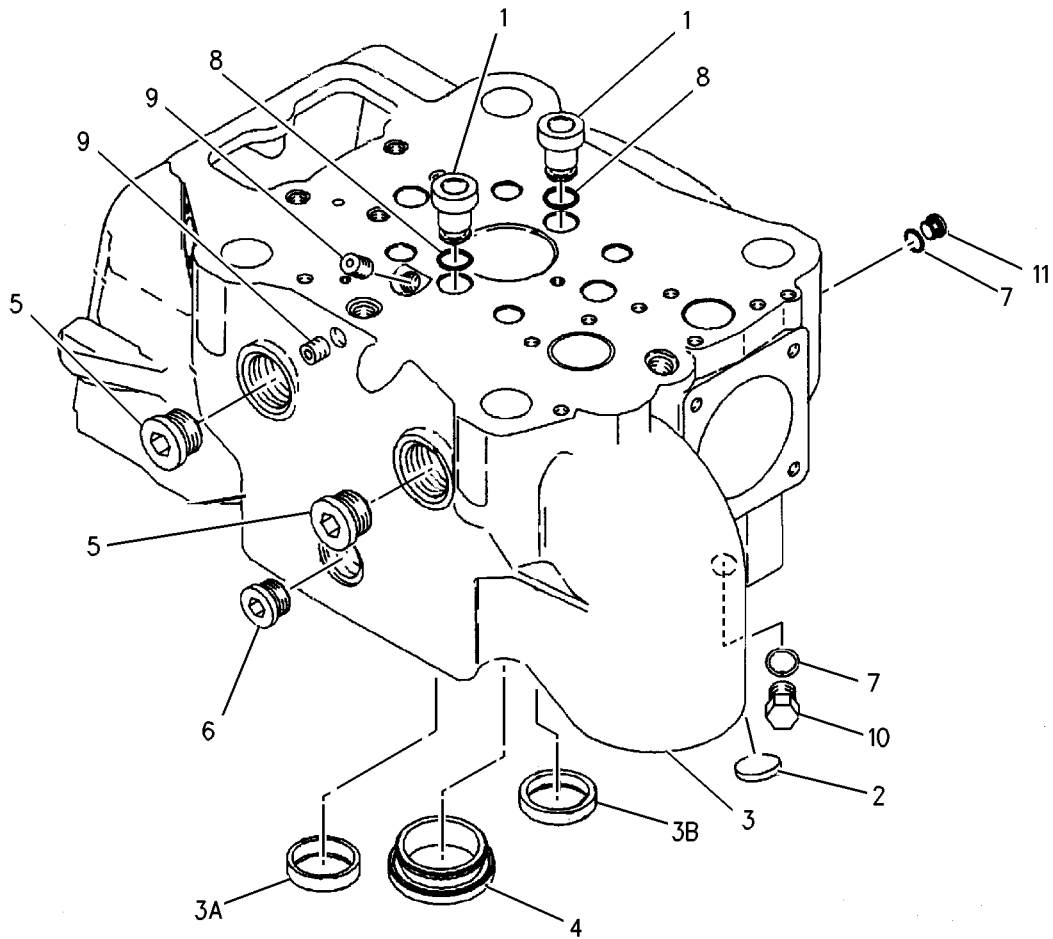
NOTE	REF NO	GRAPHIC REF	PART NUMBER	QTY	PART NAME						SEE PAGE
					1	2	3	4	5	6 (PRODUCT LEVEL)	
	1	1	4W-5442	2	PLUG-DOWEL						
	2	1	7C-4298	4	PLUG-CUP (ORIFICE)						
	3	1	<i>213-6956</i>	1	CYLINDER HEAD AS						
	3A	1	171-3992	2	INSERT-VALVE SEAT (INLET)						
AB			203-9566		INSERT-VALVE SEAT (INLET 0.5-MM OS OD)						
AB			272-5886		INSERT-VALVE SEAT (INLET 1.0-MM OS OD)						
	3B	1	171-3993	2	INSERT-VALVE SEAT (EXHAUST)						
AB			203-9567		INSERT-VALVE SEAT (EXHAUST 0.5-MM OS OD)						
AB			203-9569		INSERT-VALVE SEAT (EXHAUST 1.0-MM OS OD)						
	4	1	229-8567	1	INSERT (PRECHAMBER)						
AB			229-8570		INSERT (PRECHAMBER, 0.25-MM OS OD)						
AB			229-8571		INSERT (PRECHAMBER, 0.5-MM OS OD)						
	5	1	2M-6471	4	PLUG-CUP						
	6	1	3B-0645	7	PLUG-CUP						
	7	1	3J-7354	2	SEAL-O-RING						
	8	1	6V-5061	2	SEAL-O-RING						
	9	1	8T-6759	2	PLUG-PIPE						
	10	1	9S-4182	1	PLUG-O-RING						
	11	1	9S-8002	1	PLUG-O-RING						

A-NOT PART OF THIS GROUP
B-USE AS REQUIRED

BASIC ENGINE

213-6958 CYLINDER HEAD AS (contd.)

i02416629



GRAPHIC #1

<END>

g00985282

BASIC ENGINE

219-2954 CYLINDER HEAD AS (CHG -00, -01, -01D1, 219-2953-01D1)

PART OF 219-2955, 219-2956, 219-2957 CYLINDER HEAD GP

SMCS-1100, 1101

i02434783

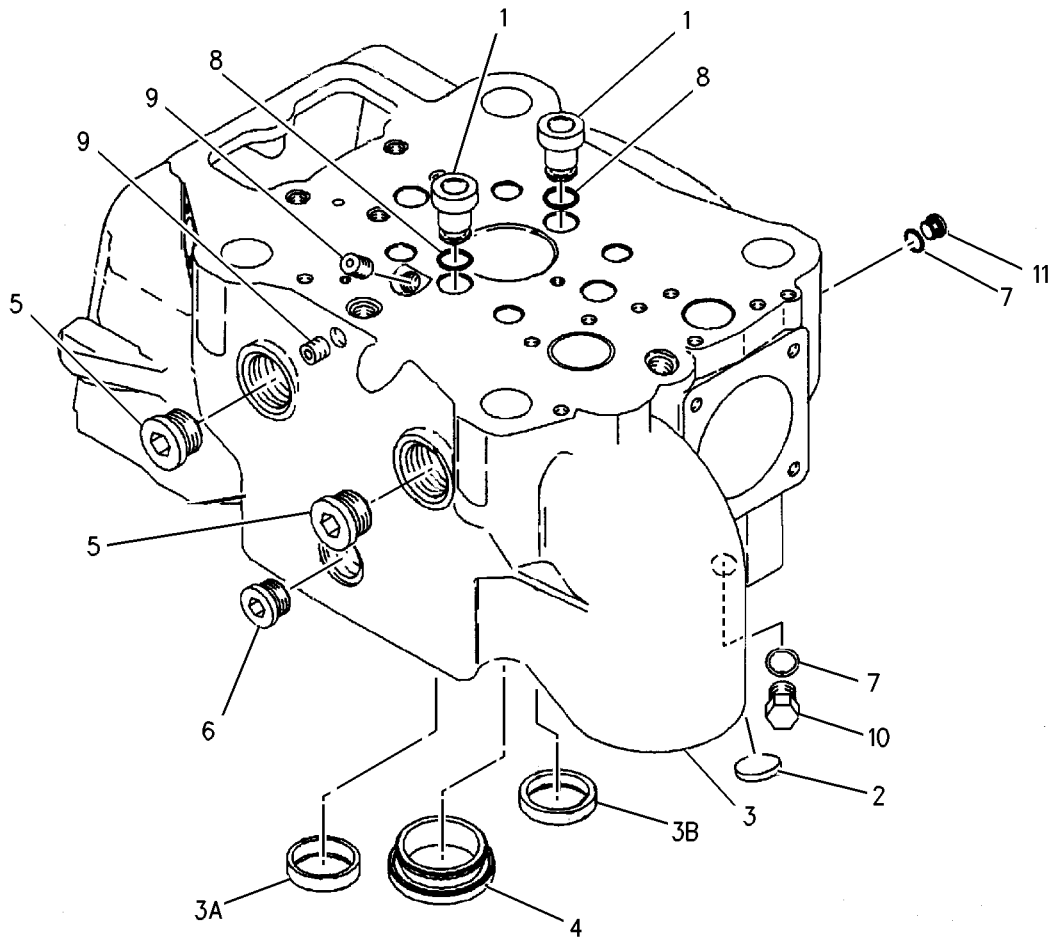
NOTE	REF NO	GRAPHIC REF	PART NUMBER	QTY	PART NAME						SEE PAGE
					1	2	3	4	5	6 (PRODUCT LEVEL)	
	1	1	4W-5442	2	PLUG-DOWEL						
	2	1	7C-4298	4	PLUG-CUP (ORIFICE)						
	3	1	219-2953	1	CYLINDER HEAD AS						
	3A	1	171-3992	2	INSERT-VALVE SEAT (INLET)						
AB			203-9566		INSERT-VALVE SEAT (INLET 0.5-MM OS OD)						
AB			272-5886		INSERT-VALVE SEAT (INLET 1.0-MM OS OD)						
	3B	1	171-3993	2	INSERT-VALVE SEAT (EXHAUST)						
AB			203-9567		INSERT-VALVE SEAT (EXHAUST 0.5-MM OS OD)						
AB			203-9569		INSERT-VALVE SEAT (EXHAUST 1.0-MM OS OD)						
	4	1	229-8567	1	INSERT (PRECHAMBER)						
AB			229-8570		INSERT (PRECHAMBER, 0.25-MM OS OD)						
AB			229-8571		INSERT (PRECHAMBER, 0.5-MM OS OD)						
	5	1	2M-6471	4	PLUG-CUP						
	6	1	3B-0645	7	PLUG-CUP						
	7	1	3J-7354	2	SEAL-O-RING						
	8	1	6V-5061	2	SEAL-O-RING						
	9	1	8T-6759	2	PLUG-PIPE						
	10	1	9S-4182	1	PLUG-O-RING						
	11	1	9S-8002	1	PLUG-O-RING						

A-NOT PART OF THIS GROUP
B-USE AS REQUIRED

BASIC ENGINE

219-2954 CYLINDER HEAD AS (contd.)

i02434783



GRAPHIC #1

<END>

g00985337

BASIC ENGINE

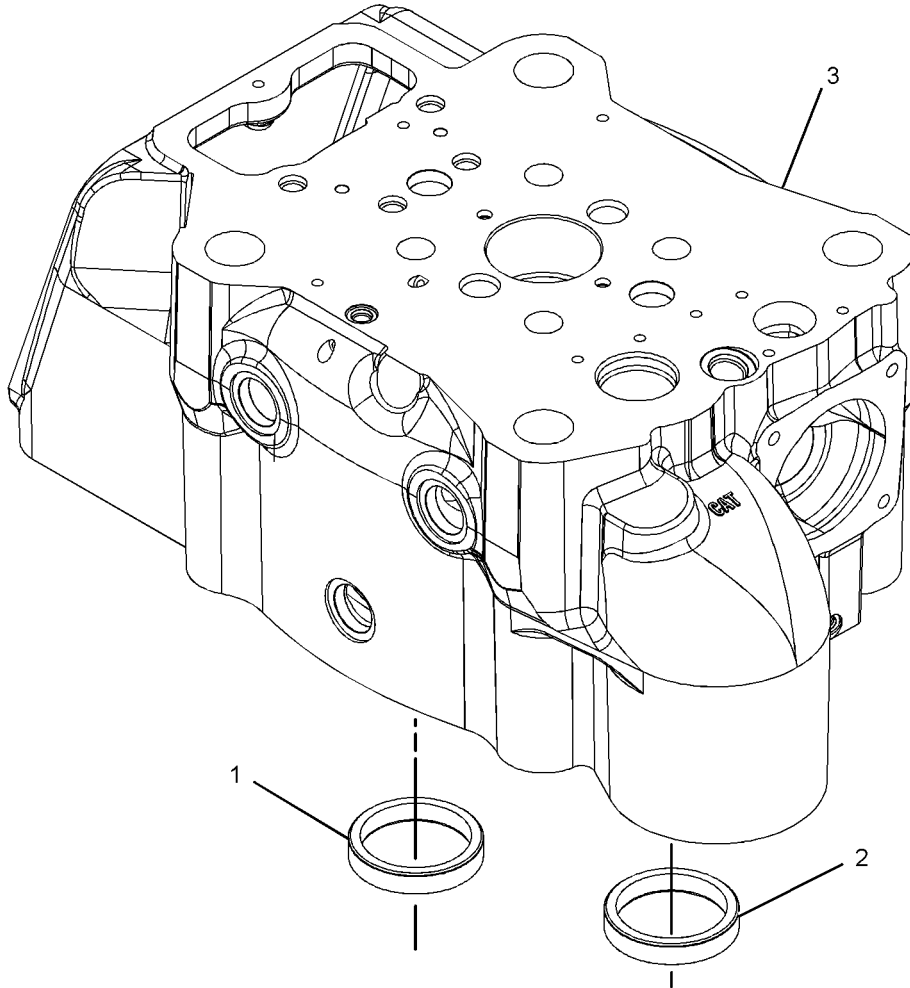
255-0024 CYLINDER HEAD AS (CHG -00) PART OF 255-0025 CYLINDER HEAD AS

SMCS-1100, 1101

i02416707

NOTE	REF NO	GRAPHIC REF	PART NUMBER	QTY	PART NAME						SEE PAGE
					1	2	3	4	5	6 (PRODUCT LEVEL)	
	1	1	171-3992	2	INSERT-VALVE SEAT (INLET)						
AB		1	203-9566		INSERT-VALVE SEAT (INLET 0.5-MM OS OD)						
AB		1	272-5886		INSERT-VALVE SEAT (INLET 1.0-MM OS OD)						
	2	1	171-3993	2	INSERT-VALVE SEAT (EXHAUST)						
AB		1	203-9567		INSERT-VALVE SEAT (EXHAUST 0.5-MM OS OD)						
AB		1	203-9569		INSERT-VALVE SEAT (EXHAUST 1.0-MM OS OD)						
	3	1	242-1930	1	HEAD CYLINDER						

A-NOT PART OF THIS GROUP
B-USE AS REQUIRED



GRAPHIC #1

<END>

g01138575

BASIC ENGINE

255-0025 CYLINDER HEAD AS (CHG -00, -01) PART OF 255-0027 CYLINDER HEAD GP

SMCS-1100, 1101

i02252272

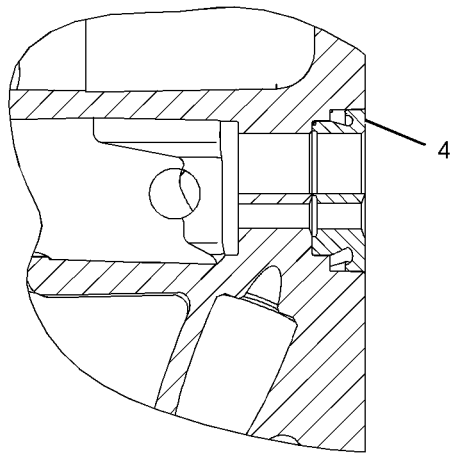
NOTE	REF NO	GRAPHIC REF	PART NUMBER	QTY	PART NAME						SEE PAGE
					1	2	3	4	5	6 (PRODUCT LEVEL)	
	1	1	3B-0645	4	PLUG-CUP						
	2	1	4W-5442	2	PLUG-DOWEL						
	3	1	7C-4298	4	PLUG-CUP (ORIFICE)						
	4	1	229-8567	1	INSERT (PRECHAMBER)						
AB		1	229-8570		INSERT (PRECHAMBER, 0.25-MM OS OD)						
AB		1	229-8571		INSERT (PRECHAMBER, 0.5-MM OS OD)						
Y	5	1	255-0024	1	CYLINDER HEAD AS						42
	6	1	2M-6471	7	PLUG-CUP						
	7	1	3J-7354	2	SEAL-O-RING						
	8	1	6V-5061	2	SEAL-O-RING						
	9	1	8T-6759	2	PLUG-PIPE						
	10	1	9S-4182	1	PLUG-O-RING						
	11	1	9S-8002	1	PLUG-O-RING						

A-NOT PART OF THIS GROUP
 B-USE AS REQUIRED
 Y-SEPARATE ILLUSTRATION

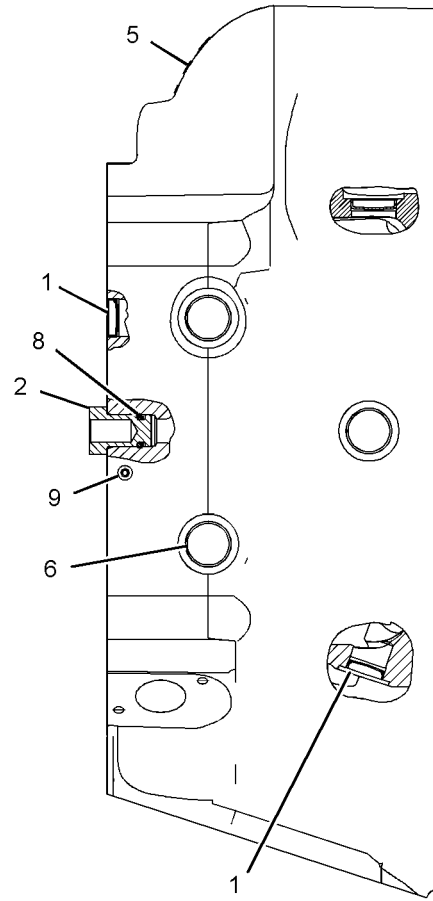
BASIC ENGINE

255-0025 CYLINDER HEAD AS (contd.)

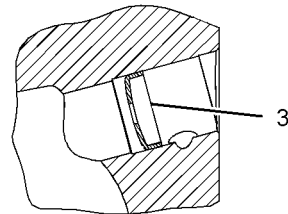
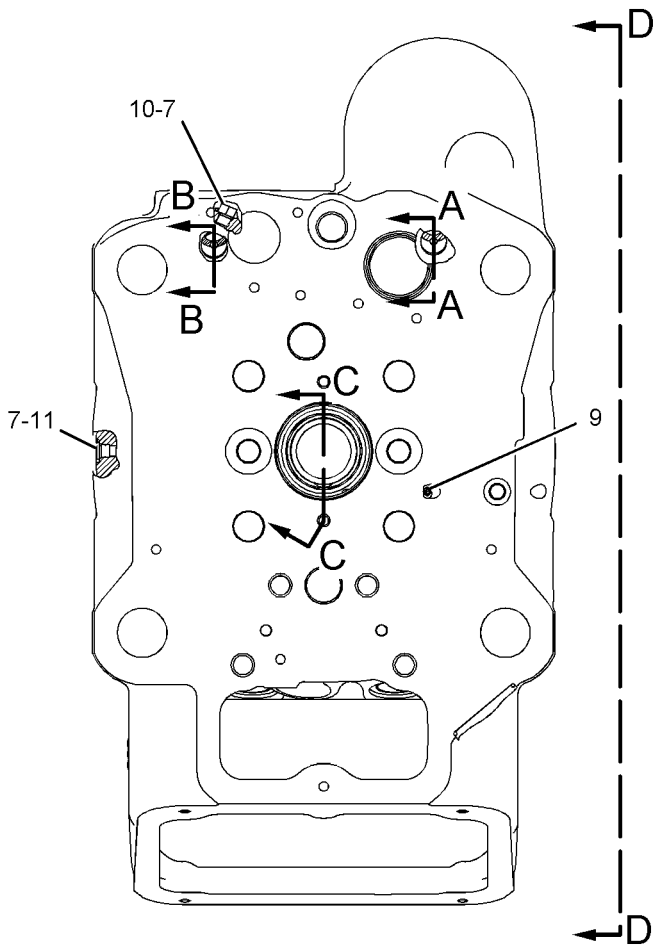
i02252272



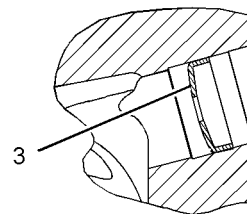
SECTION C-C



VIEW D-D



SECTION B-B



SECTION A-A

GRAPHIC #1

<END>

g01139087

BASIC ENGINE

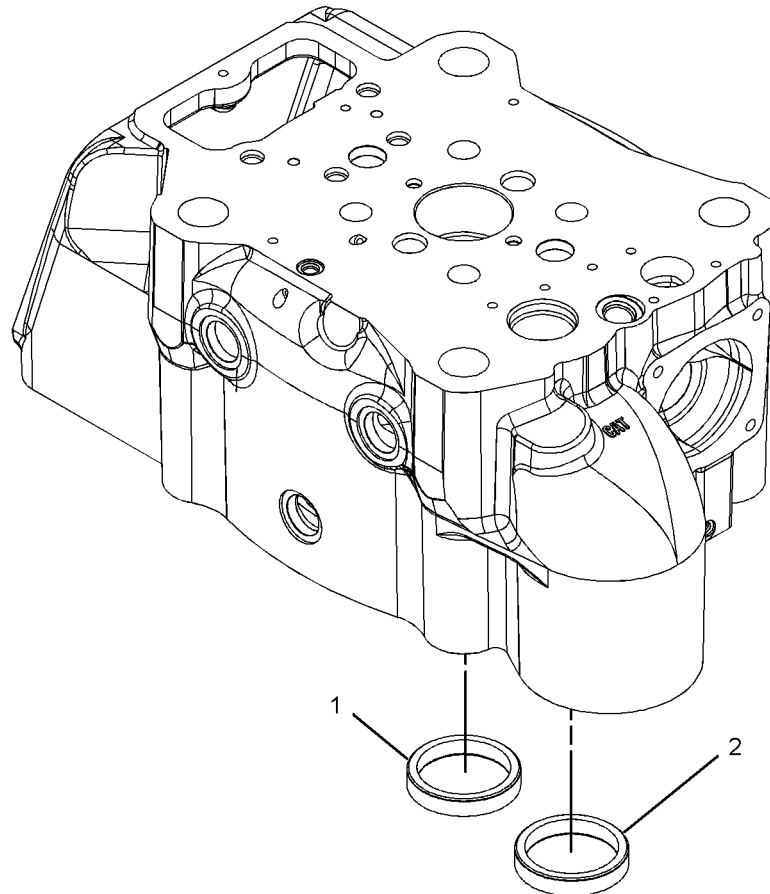
255-0029 CYLINDER HEAD AS (CHG -00, -01) PART OF 255-0030 CYLINDER HEAD AS

SMCS-1100, 1101

i02416638

NOTE	REF NO	GRAPHIC REF	PART NUMBER	QTY	PART NAME						SEE PAGE
					1	2	3	4	5	6 (PRODUCT LEVEL)	
	1	1	171-3992	2	INSERT-VALVE SEAT (INLET)						
AB		1	203-9566		INSERT-VALVE SEAT (INLET 0.5-MM OS OD)						
AB		1	272-5886		INSERT-VALVE SEAT (INLET 1.0-MM OS OD)						
	2	1	171-3993	2	INSERT-VALVE SEAT (EXHAUST)						
AB		1	203-9567		INSERT-VALVE SEAT (EXHAUST 0.5-MM OS OD)						
AB		1	203-9569		INSERT-VALVE SEAT (EXHAUST 1.0-MM OS OD)						

A-NOT PART OF THIS GROUP
B-USE AS REQUIRED



GRAPHIC #1

<END>

g01139188

BASIC ENGINE

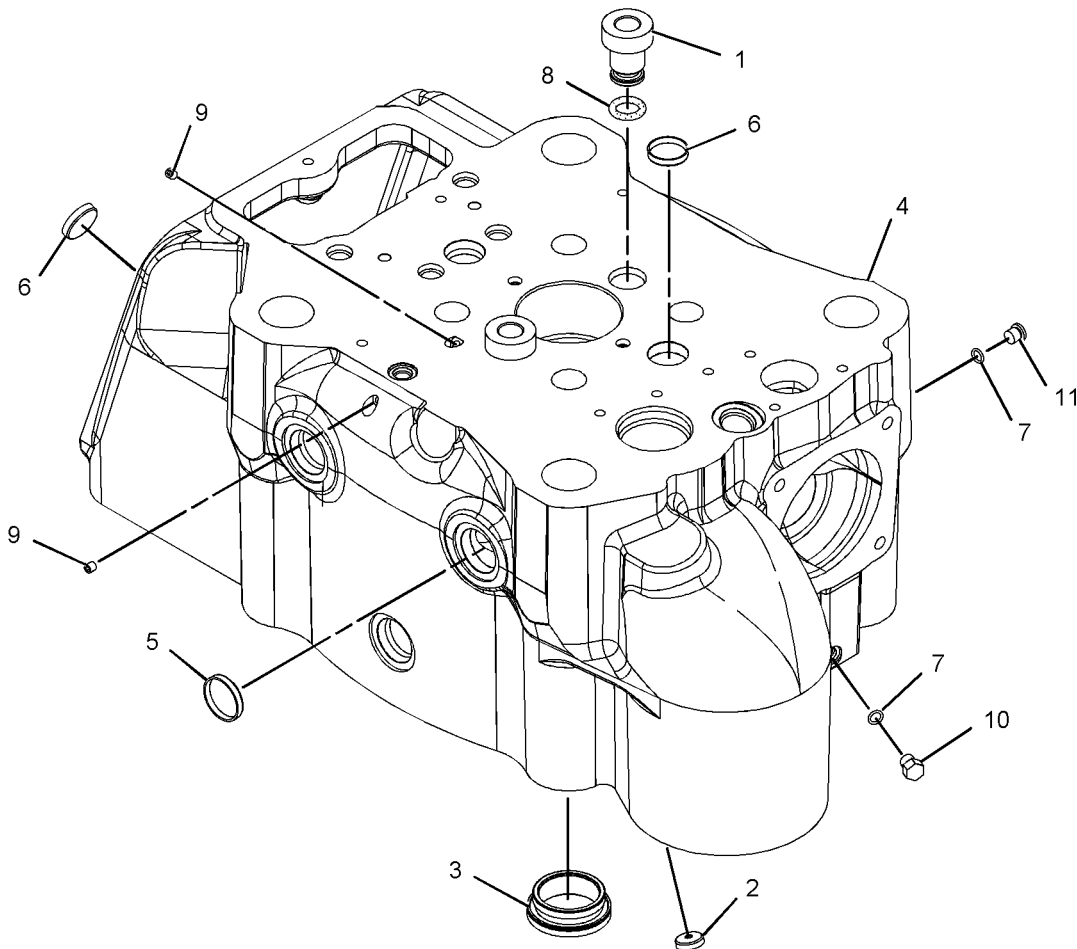
255-0030 CYLINDER HEAD AS (CHG -00) PART OF 255-0031, 255-0032, 255-0033 CYLINDER HEAD GP

SMCS-1100, 1101

i02277956

NOTE	REF NO	GRAPHIC REF	PART NUMBER	QTY	PART NAME						SEE PAGE
					1	2	3	4	5	6 (PRODUCT LEVEL)	
	1	1	4W-5442	2	PLUG-DOWEL						
	2	1	7C-4298	4	PLUG-CUP (ORIFICE)						
	3	1	229-8567	1	INSERT (PRECHAMBER)						
AB		1	229-8570		INSERT (PRECHAMBER, 0.25-MM OS OD)						
AB		1	229-8571		INSERT (PRECHAMBER, 0.5-MM OS OD)						
Y	4	1	255-0029	1	CYLINDER HEAD AS						45
	5	1	2M-6471	7	PLUG-CUP						
	6	1	3B-0645	4	PLUG-CUP						
	7	1	3J-7354	2	SEAL-O-RING						
	8	1	6V-5061	2	SEAL-O-RING						
	9	1	8T-6759	2	PLUG-PIPE						
	10	1	9S-4182	1	PLUG-O-RING						
	11	1	9S-8002	1	PLUG-O-RING						

A-NOT PART OF THIS GROUP
B-USE AS REQUIRED
Y-SEPARATE ILLUSTRATION



GRAPHIC #1

<END>

g01141786

BASIC ENGINE

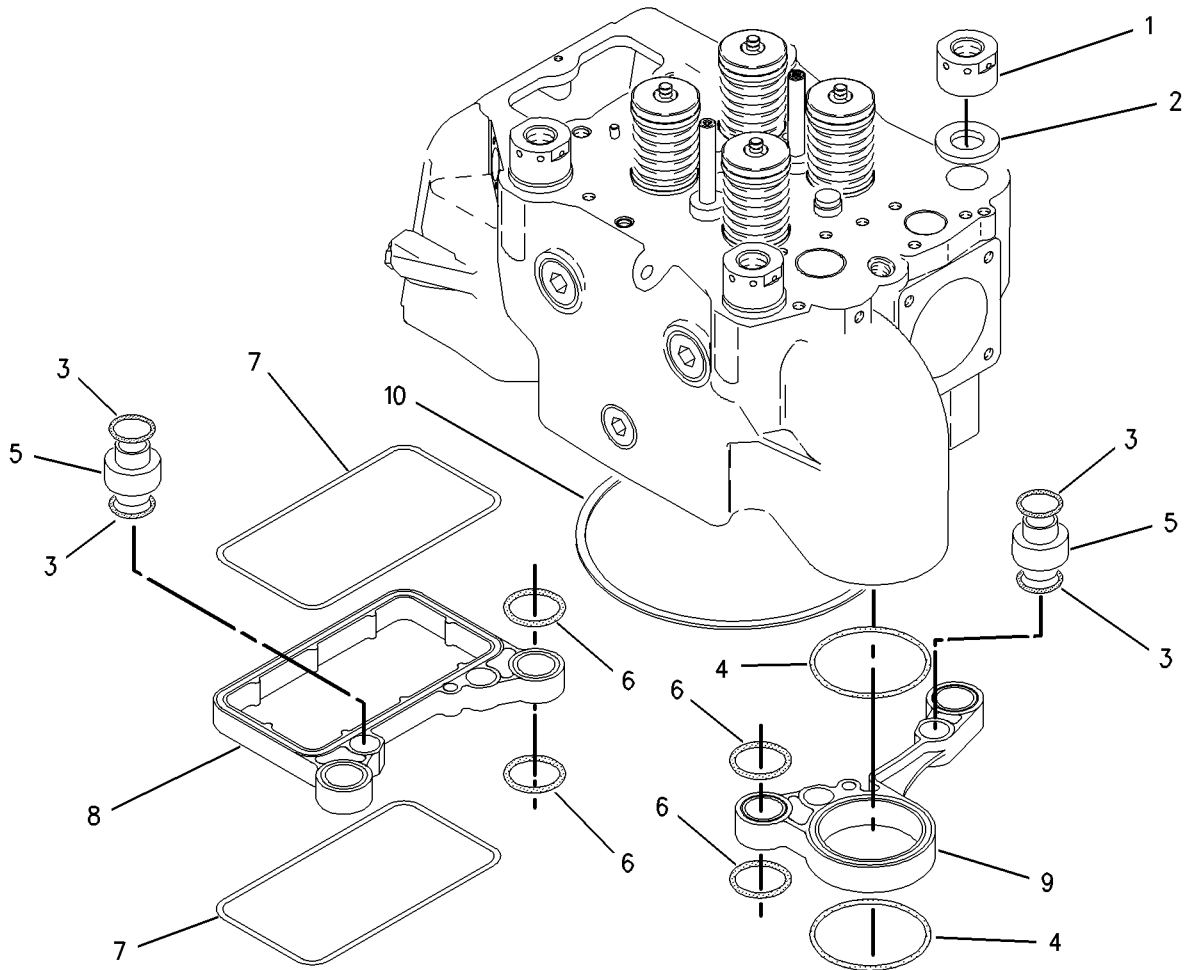
7C-0400 CYLINDER HEAD GP (CHG -17) SPARK IGNITED

SMCS-1100

i01834918

NOTE	REF NO	GRAPHIC REF	PART NUMBER	QTY	PART NAME						SEE PAGE
					1	2	3	4	5	6 (PRODUCT LEVEL)	
	1	1	1W-2361	4	NUT-CYLINDER HEAD (1-5/8-12-THD)						
	2	1	1W-2362	4	WASHER (41.5X85X12-MM THK)						
	3	1	2N-3350	8	SEAL-O-RING						
	4	1	6V-4314	2	SEAL-O-RING						
	5	1	7C-4299	4	ADAPTER						
	6	1	8C-5230	8	SEAL-O-RING						
	7	1	8C-9023	2	SEAL-O-RING						
	8	1	114-4301	1	PLATE-SEAL						
	9	1	114-4302	1	PLATE-SEAL						
	10	1	143-2878	1	GASKET						
FYR		1	213-6962	1	CYLINDER HEAD GP						50
					-OR-						
FYR		1	213-6964	1	CYLINDER HEAD GP						51

F-NOT SHOWN
R-REMG PART MAY BE AVAILABLE
Y-SEPARATE ILLUSTRATION



GRAPHIC #1

<END>

g00937370

BASIC ENGINE

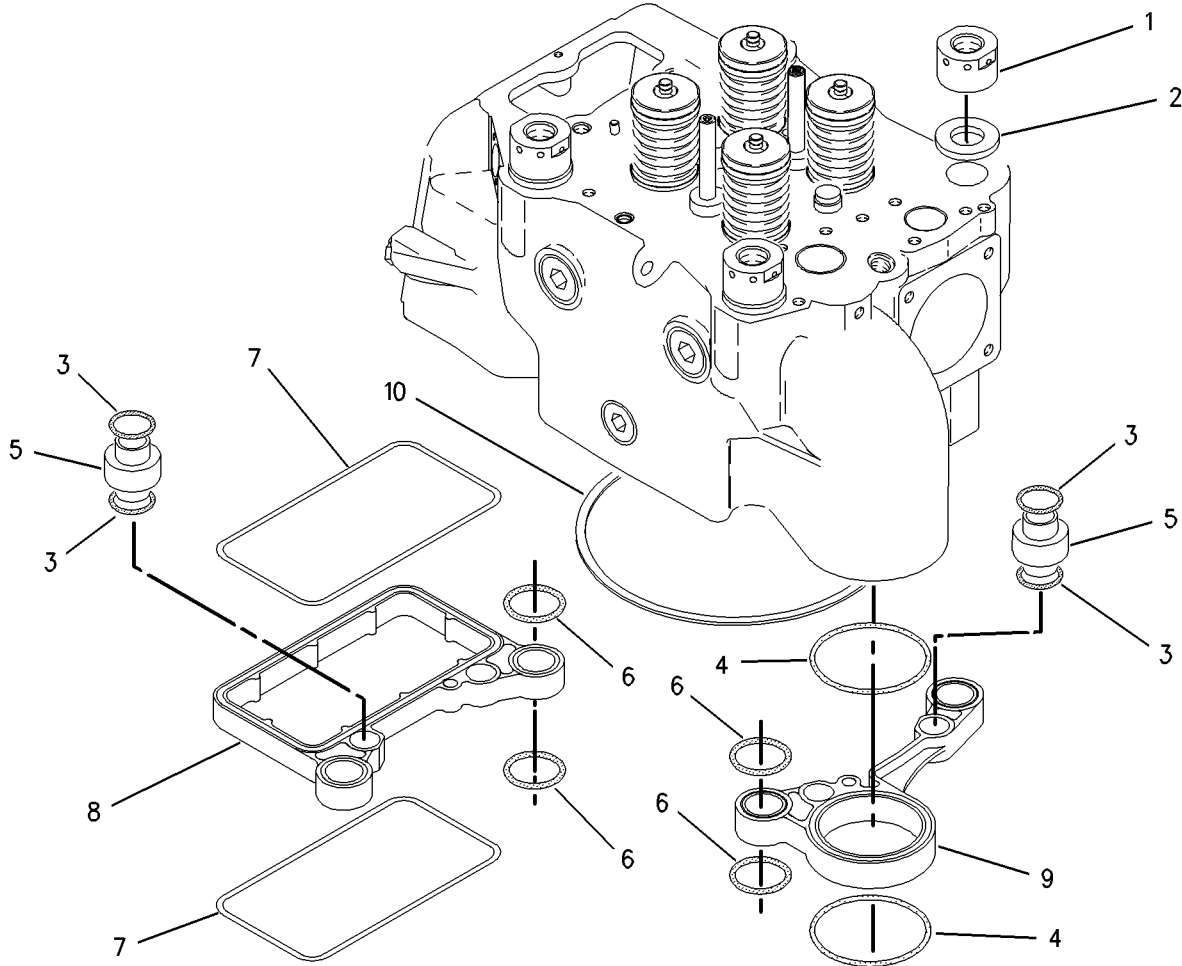
7C-0400 CYLINDER HEAD GP (CHG -18) SPARK IGNITED

SMCS-1100

i02173537

NOTE	REF NO	GRAPHIC REF	PART NUMBER	QTY	PART NAME						SEE PAGE
					1	2	3	4	5	6 (PRODUCT LEVEL)	
	1	1	1W-2361	4	NUT-CYLINDER HEAD (1-5/8-12-THD)						
	2	1	1W-2362	4	WASHER (41.5X85X12-MM THK)						
	3	1	2N-3350	8	SEAL-O-RING						
	4	1	6V-4314	2	SEAL-O-RING						
	5	1	7C-4299	4	ADAPTER						
	6	1	8C-5230	8	SEAL-O-RING						
	7	1	8C-9023	2	SEAL-O-RING						
	8	1	114-4301	1	PLATE-SEAL						
	9	1	114-4302	1	PLATE-SEAL						
	10	1	143-2878	1	GASKET						
CFYR		1	219-2955	1	CYLINDER HEAD GP						52
					-OR-						
CFR		1	219-2956	1	CYLINDER HEAD GP						

C-CHANGE FROM PREVIOUS TYPE
F-NOT SHOWN
R-REMFG PART MAY BE AVAILABLE
Y-SEPARATE ILLUSTRATION



GRAPHIC #1

<END>

g00946793

BASIC ENGINE

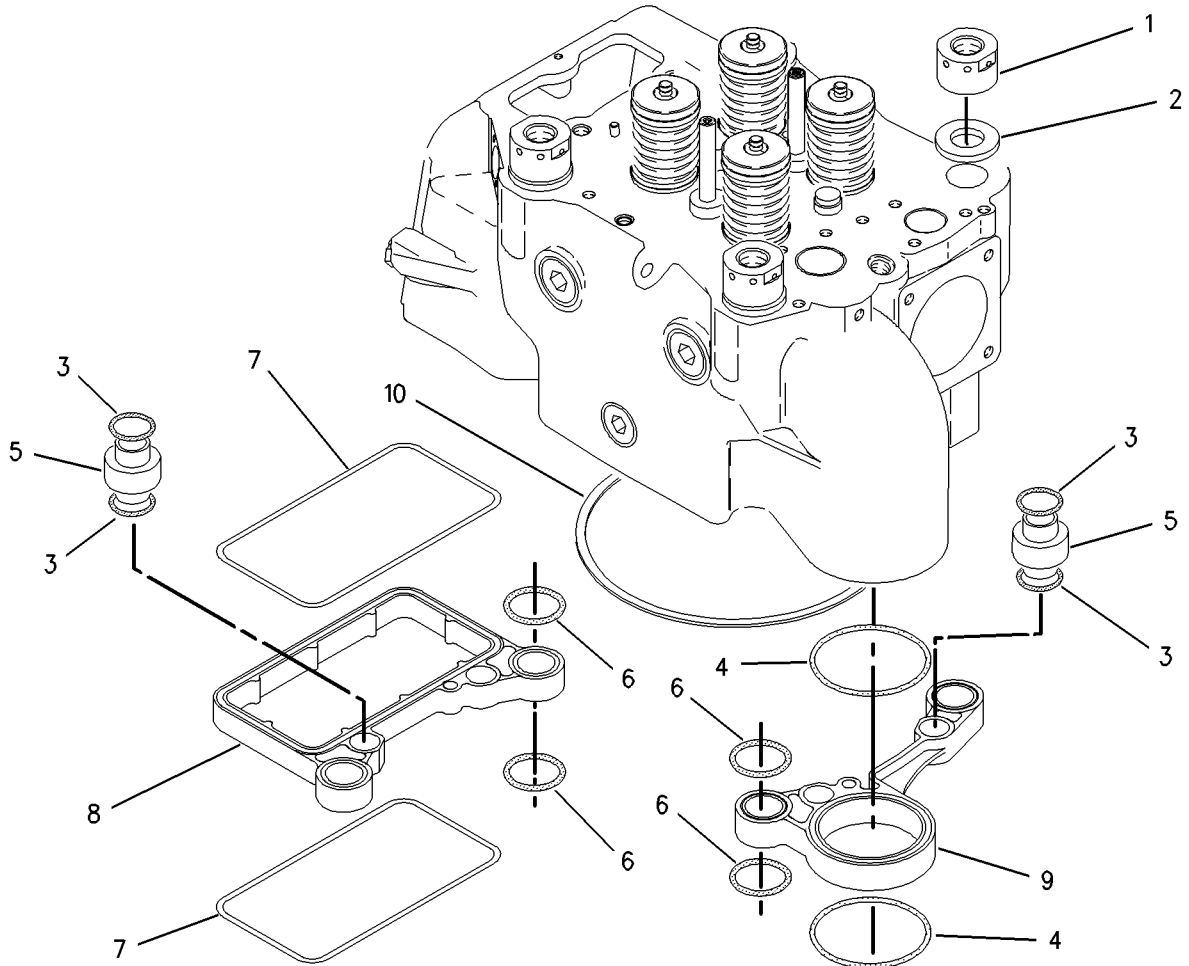
7C-0400 CYLINDER HEAD GP (CHG -19) SPARK IGNITED

SMCS-1100

i02278908

NOTE	REF NO	GRAPHIC REF	PART NUMBER	QTY	PART NAME						SEE PAGE
					1	2	3	4	5	6 (PRODUCT LEVEL)	
	1	1	1W-2361	4	NUT-CYLINDER HEAD (1-5/8-12-THD)						
	2	1	1W-2362	4	WASHER (41.5X85X12-MM THK)						
	3	1	2N-3350	8	SEAL-O-RING						
	4	1	6V-4314	2	SEAL-O-RING						
	5	1	7C-4299	4	ADAPTER						
	6	1	8C-5230	8	SEAL-O-RING						
	7	1	8C-9023	2	SEAL-O-RING						
	8	1	114-4301	1	PLATE-SEAL						
	9	1	114-4302	1	PLATE-SEAL						
	10	1	143-2878	1	GASKET						
CFYR		1	255-0031	1	CYLINDER HEAD GP						58
					-OR-						
CFR		1	219-2956	1	CYLINDER HEAD GP						

C-CHANGE FROM PREVIOUS TYPE
 F-NOT SHOWN
 R-REMFG PART MAY BE AVAILABLE
 Y-SEPARATE ILLUSTRATION



GRAPHIC #1

<END>

g00946793

BASIC ENGINE

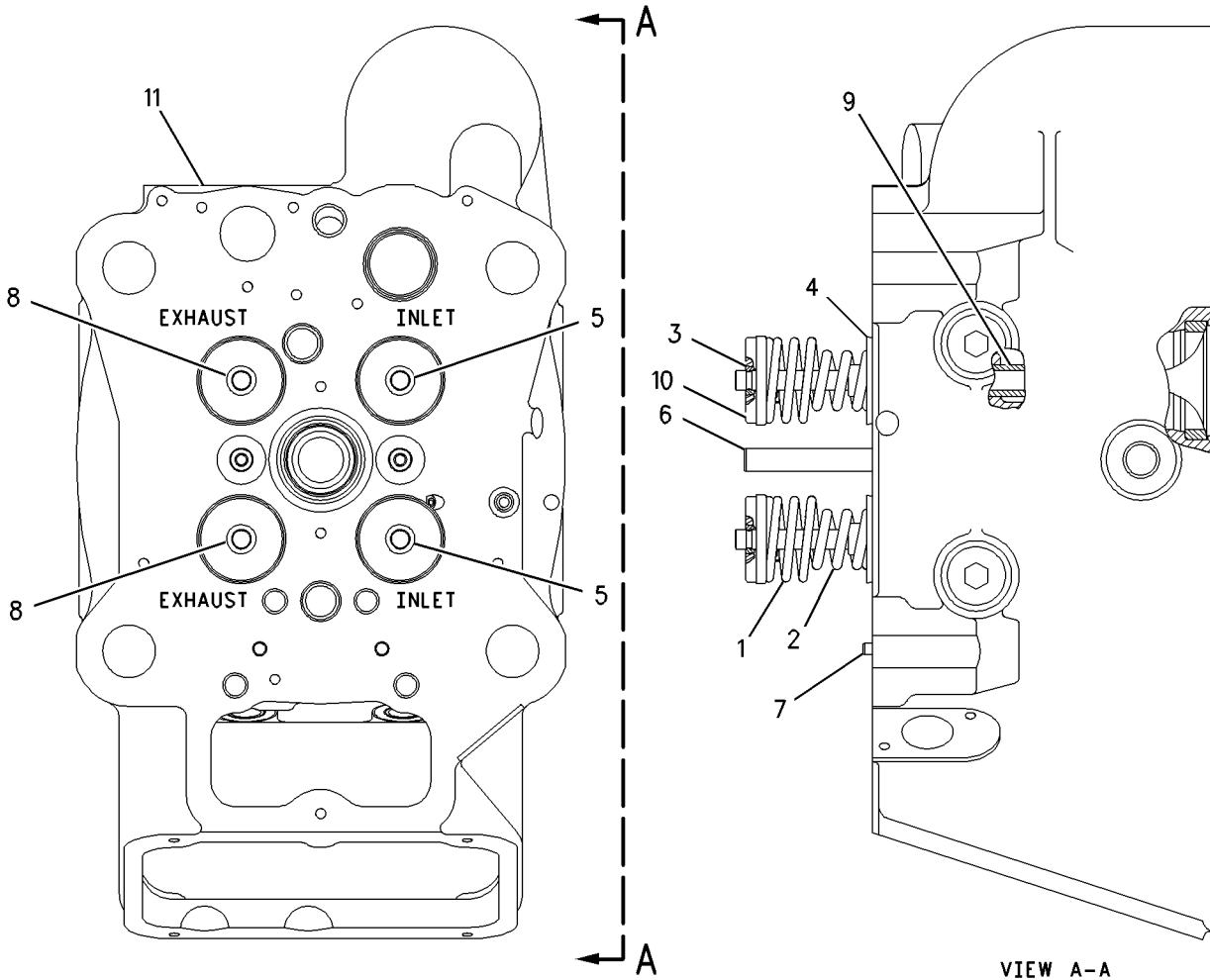
213-6962 CYLINDER HEAD GP (CHG -00 THRU -02) PART OF 7C-0400 CYLINDER HEAD GP

SMCS-1100

i01614700

NOTE	REF NO	GRAPHIC REF	PART NUMBER	QTY	PART NAME						SEE PAGE
					1	2	3	4	5	6 (PRODUCT LEVEL)	
	1	1	1W-1748	4	SPRING-VALVE (OUTER)						
	2	1	1W-1749	4	SPRING-VALVE (INNER)						
	3	1	1W-1752	8	LOCK-VALVE RETAINER						
	4	1	1W-1754	4	GUIDE-VALVE SPRING						
	5	1	4P-2854	2	VALVE-INLET						
	6	1	4W-5441	2	DOWEL-BRIDGE GUIDE						
	7	1	6V-3538	2	DOWEL						
	8	1	154-2417	2	VALVE-EXHAUST						
	9	1	175-6344	4	GUIDE-VALVE						
	10	1	189-4583	4	ROTATOR AS						
Y	11	1	213-6958	1	CYLINDER HEAD AS						38

Y-SEPARATE ILLUSTRATION



GRAPHIC #1

<END>

g00835953

BASIC ENGINE

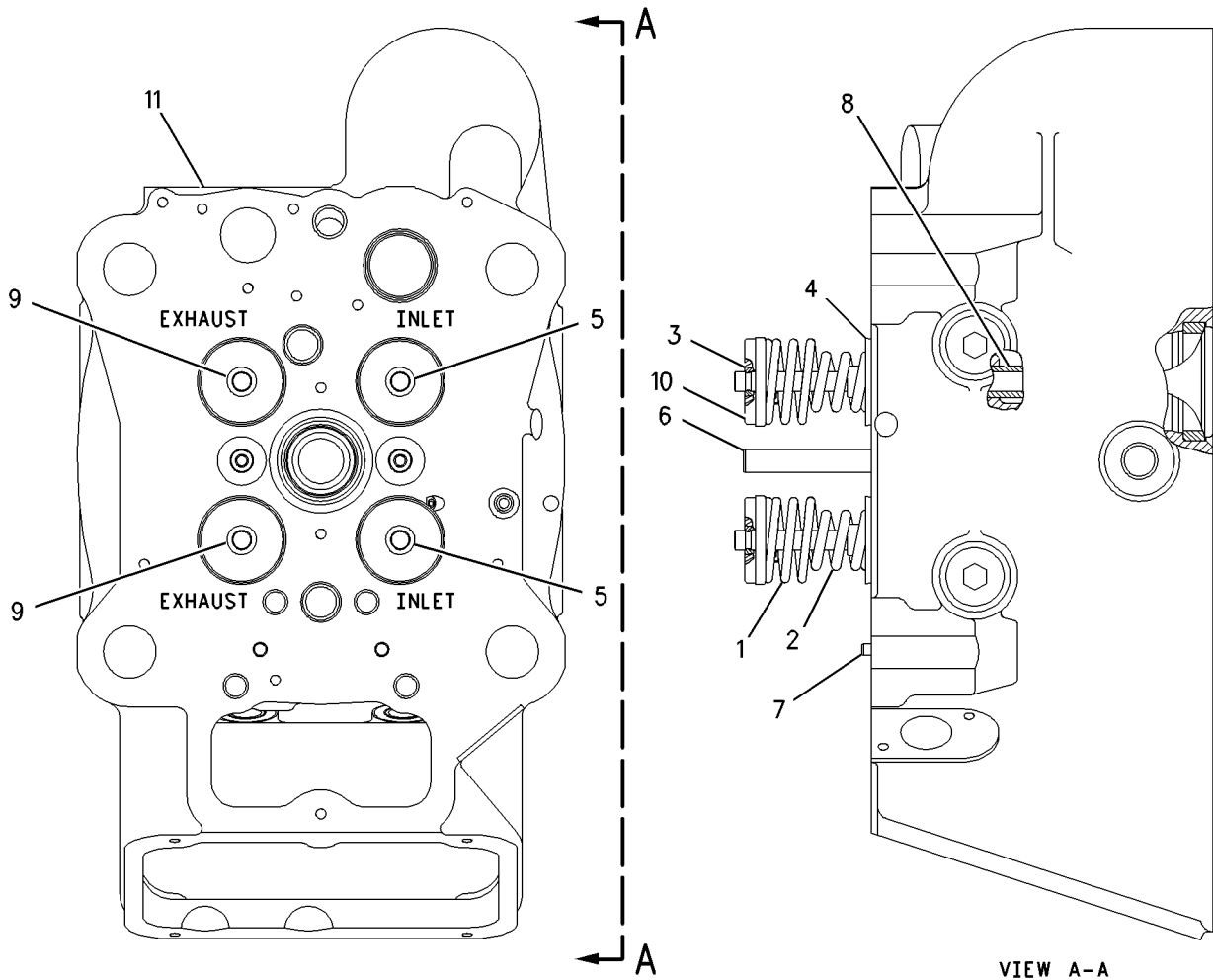
213-6964 CYLINDER HEAD GP (CHG -00, -01, -01D1, -02) PART OF 7C-0400 CYLINDER HEAD GP

SMCS-1100

i01614751

NOTE	REF NO	GRAPHIC REF	PART NUMBER	QTY	PART NAME						SEE PAGE
					1	2	3	4	5	6 (PRODUCT LEVEL)	
	1	1	1W-1748	4	SPRING-VALVE (OUTER)						
	2	1	1W-1749	4	SPRING-VALVE (INNER)						
	3	1	1W-1752	8	LOCK-VALVE RETAINER						
	4	1	1W-1754	4	GUIDE-VALVE SPRING						
	5	1	4P-2854	2	VALVE-INLET						
	6	1	4W-5441	2	DOWEL-BRIDGE GUIDE						
	7	1	6V-3538	2	DOWEL						
	8	1	175-6344	4	GUIDE-VALVE						
	9	1	185-1103	2	VALVE-EXHAUST						
	10	1	189-4583	4	ROTATOR AS						
Y	11	1	213-6958	1	CYLINDER HEAD AS						38

Y-SEPARATE ILLUSTRATION



GRAPHIC #1

<END>

g00835990

BASIC ENGINE

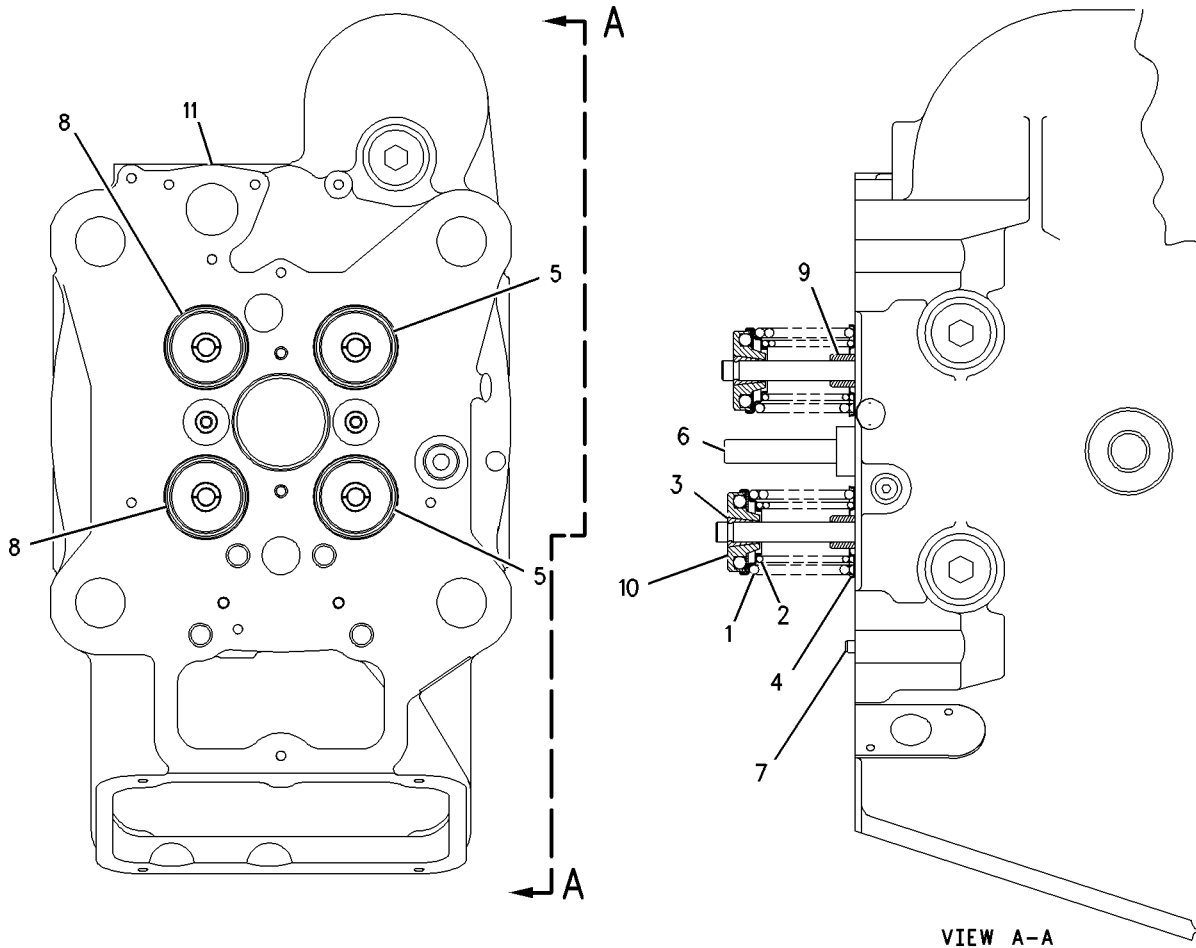
219-2955 CYLINDER HEAD GP (CHG -00, -00A1, -00B1) PART OF 7C-0400 CYLINDER HEAD GP

SMCS-1100

i02019772

NOTE	REF NO	GRAPHIC REF	PART NUMBER	QTY	PART NAME						SEE PAGE
					1	2	3	4	5	6 (PRODUCT LEVEL)	
	1	1	1W-1748	4	SPRING-VALVE (OUTER)						
	2	1	1W-1749	4	SPRING-VALVE (INNER)						
	3	1	1W-1752	8	LOCK-VALVE RETAINER						
	4	1	1W-1754	4	GUIDE-VALVE SPRING						
	5	1	4P-2854	2	VALVE-INLET						
	6	1	4W-5441	2	DOWEL-BRIDGE GUIDE						
	7	1	6V-3538	2	DOWEL						
	8	1	154-2417	2	VALVE-EXHAUST						
	9	1	175-6344	4	GUIDE-VALVE						
	10	1	189-4583	4	ROTATOR AS						
Y	11	1	219-2954	1	CYLINDER HEAD AS						40

Y-SEPARATE ILLUSTRATION



GRAPHIC #1

<END>

g01000341

BASIC ENGINE

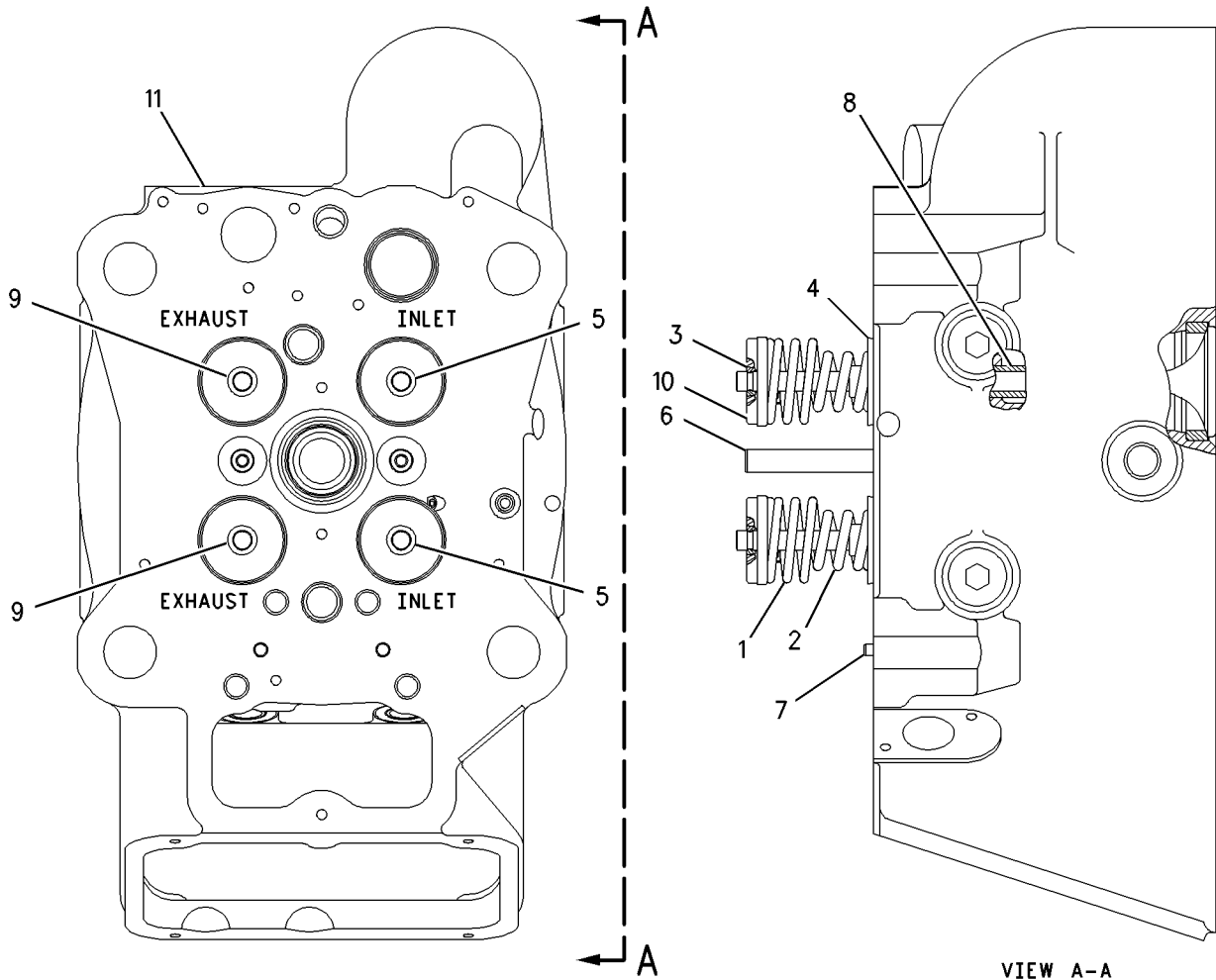
219-2956 CYLINDER HEAD GP (CHG -00, -00D1 THRU -02)

SMCS-1100

i01922297

NOTE	REF NO	GRAPHIC REF	PART NUMBER	QTY	PART NAME						SEE PAGE
					1	2	3	4	5	6 (PRODUCT LEVEL)	
	1	1	1W-1748	4	SPRING-VALVE (OUTER)						
	2	1	1W-1749	4	SPRING-VALVE (INNER)						
	3	1	1W-1752	8	LOCK-VALVE RETAINER						
	4	1	1W-1754	4	GUIDE-VALVE SPRING						
	5	1	4P-2854	2	VALVE-INLET						
	6	1	4W-5441	2	DOWEL-BRIDGE GUIDE						
	7	1	6V-3538	2	DOWEL						
	8	1	175-6344	4	GUIDE-VALVE						
	9	1	185-1103	2	VALVE-EXHAUST						
	10	1	189-4583	4	ROTATOR AS						
Y	11	1	219-2954	1	CYLINDER HEAD AS						40

Y-SEPARATE ILLUSTRATION



GRAPHIC #1

<END>

g01000345

BASIC ENGINE

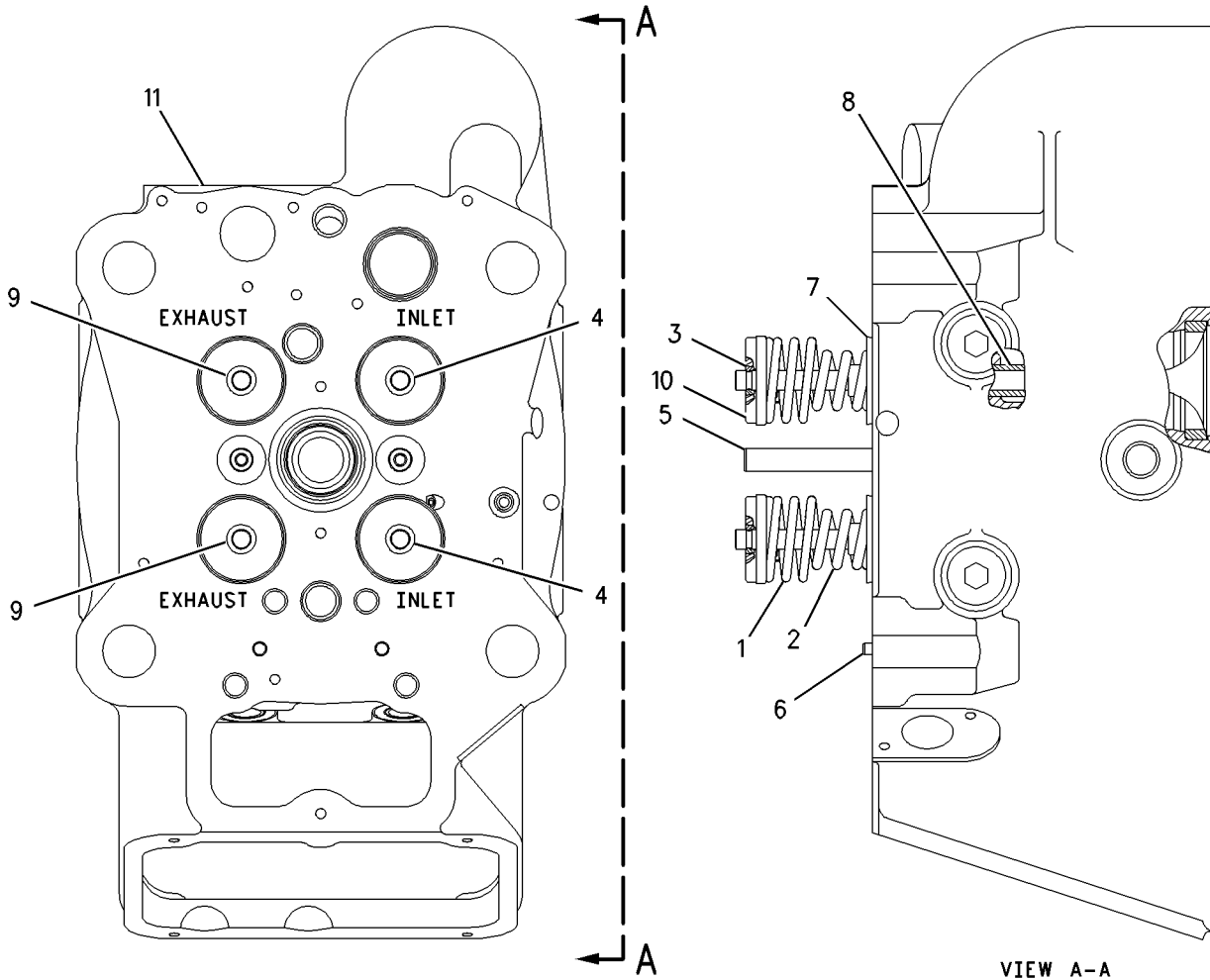
219-2957 CYLINDER HEAD GP (CHG -00) PART OF 219-2960 CYLINDER HEAD GP

SMCS-1100

i01911963

NOTE	REF NO	GRAPHIC REF	PART NUMBER	QTY	PART NAME						SEE PAGE
					1	2	3	4	5	6 (PRODUCT LEVEL)	
	1	1	1W-1748	4	SPRING-VALVE (OUTER)						
	2	1	1W-1749	4	SPRING-VALVE (INNER)						
	3	1	1W-1752	8	LOCK-VALVE RETAINER						
	4	1	4P-2854	2	VALVE-INLET						
	5	1	4W-5441	2	DOWEL-BRIDGE GUIDE						
	6	1	6V-3538	2	DOWEL						
	7	1	153-7002	4	SEAL AS-VALVE STEM						
	8	1	175-6344	4	GUIDE-VALVE						
	9	1	185-1103	2	VALVE-EXHAUST						
	10	1	189-4583	4	ROTATOR AS						
Y	11	1	219-2954	1	CYLINDER HEAD AS						40

Y-SEPARATE ILLUSTRATION



GRAPHIC #1

<END>

g00836020

BASIC ENGINE

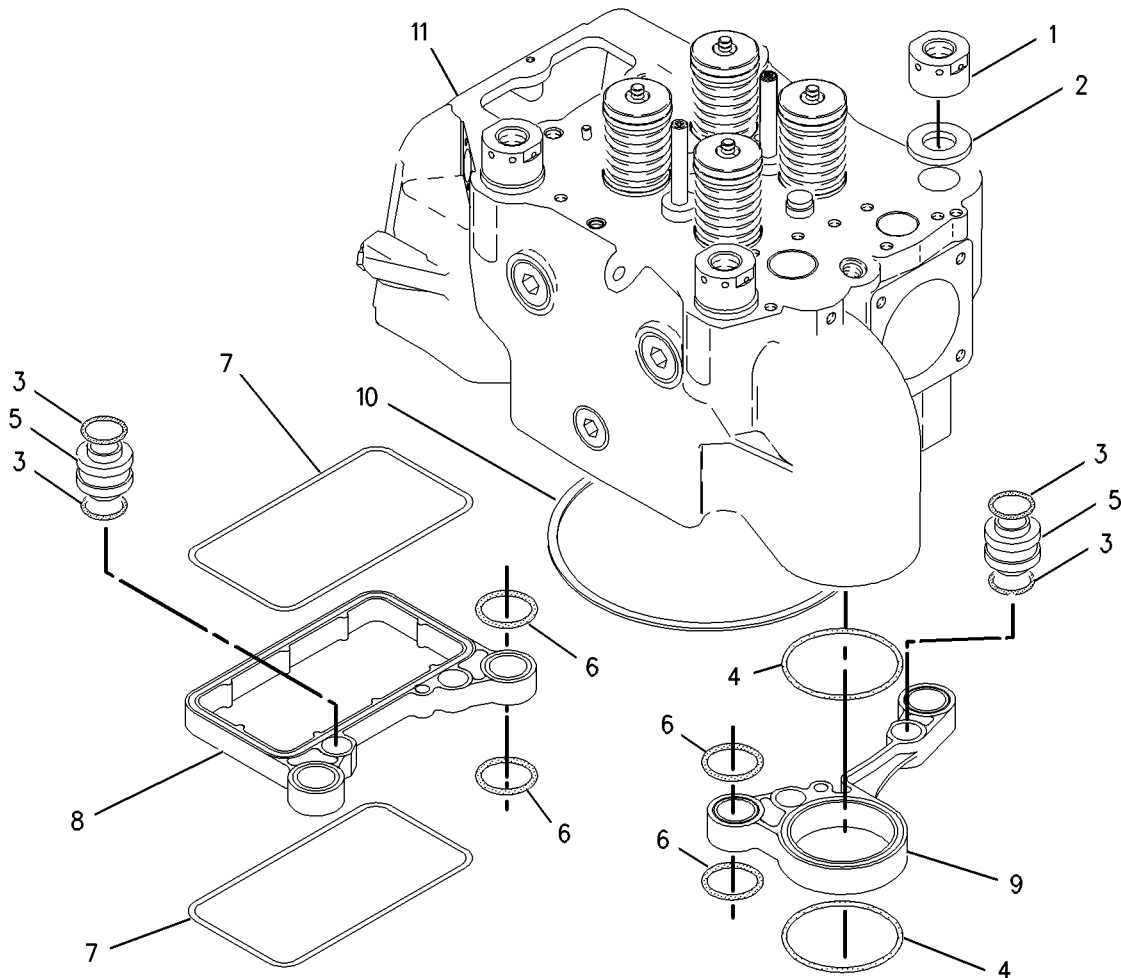
219-2960 CYLINDER HEAD GP (CHG -00, -00D1) FOR USE WITH LANDFILL

SMCS-1100

i02419967

NOTE	REF NO	GRAPHIC REF	PART NUMBER	QTY	PART NAME						SEE PAGE
					1	2	3	4	5	6 (PRODUCT LEVEL)	
	1	1	1W-2361	4	NUT-CYLINDER HEAD (1-5/8-12-THD)						
	2	1	1W-2362	4	WASHER (41.5X85X12-MM THK)						
	3	1	2N-3350	8	SEAL-O-RING						
	4	1	6V-4314	2	SEAL-O-RING						
	5	1	7C-4299	4	ADAPTER						
	6	1	8C-5230	8	SEAL-O-RING						
	7	1	8C-9023	2	SEAL-O-RING						
	8	1	114-4301	1	PLATE-SEAL						
	9	1	114-4302	1	PLATE-SEAL						
	10	1	143-2878	1	GASKET						
Y	11	1	219-2957	1	CYLINDER HEAD GP						54

Y-SEPARATE ILLUSTRATION



GRAPHIC #1

<END>

g00929000

BASIC ENGINE

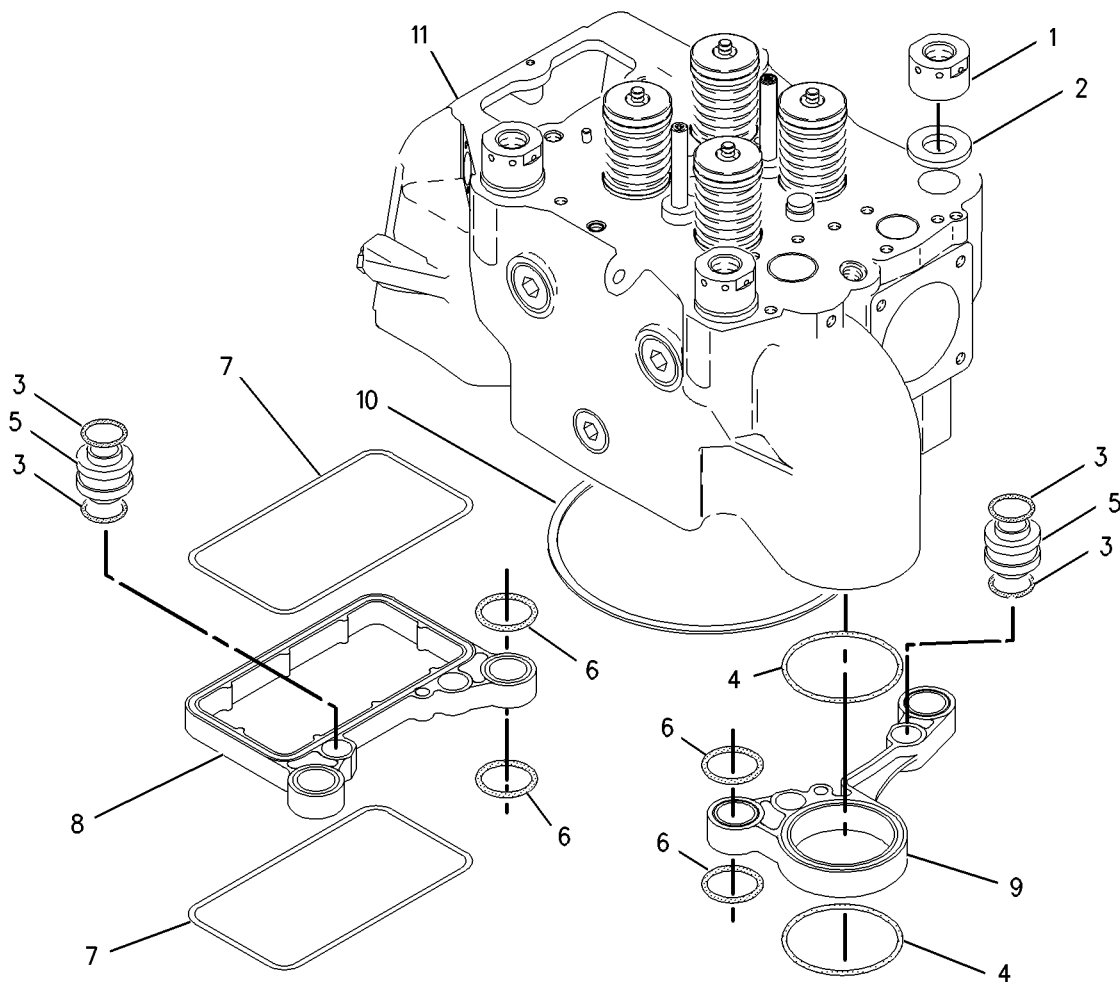
219-2960 CYLINDER HEAD GP (CHG -01, -01D1, -02, 219-2957-01) FOR USE WITH LANDFILL

SMCS-1100

i03395342

NOTE	REF NO	GRAPHIC REF	PART NUMBER	QTY	PART NAME						SEE PAGE
					1	2	3	4	5	6 (PRODUCT LEVEL)	
	1	1	1W-2361	4	NUT-CYLINDER HEAD (1-5/8-12-THD)						
	2	1	1W-2362	4	WASHER (41.5X85X12-MM THK)						
	3	1	2N-3350	8	SEAL-O-RING						
	4	1	6V-4314	2	SEAL-O-RING						
	5	1	7C-4299	4	ADAPTER						
	6	1	8C-5230	8	SEAL-O-RING						
	7	1	305-5302	2	SEAL-CYLINDER HEAD						
	8	1	114-4301	1	PLATE-SEAL						
	9	1	114-4302	1	PLATE-SEAL						
	10	1	143-2878	1	GASKET						
CYR	11	1	255-0033	1	CYLINDER HEAD GP						61

C-CHANGE FROM PREVIOUS TYPE
R-REMFG PART MAY BE AVAILABLE
Y-SEPARATE ILLUSTRATION



GRAPHIC #1

<END>

g00929000

BASIC ENGINE

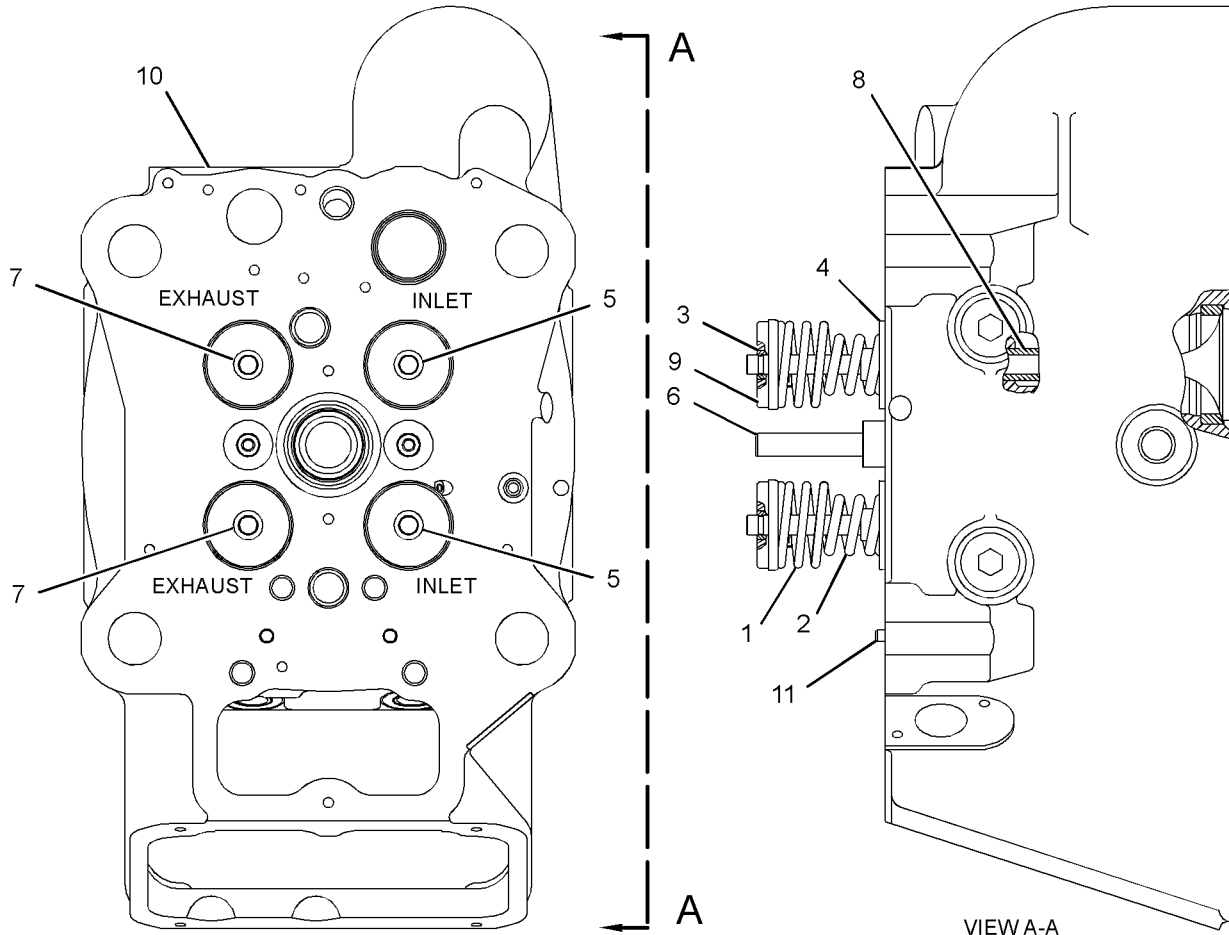
255-0027 CYLINDER HEAD GP (CHG -00 THRU -02)

SMCS-1100

i02416637

NOTE	REF NO	GRAPHIC REF	PART NUMBER	QTY	PART NAME						SEE PAGE
					1	2	3	4	5	6 (PRODUCT LEVEL)	
	1	1	1W-1748	4	SPRING-VALVE (OUTER)						
	2	1	1W-1749	4	SPRING-VALVE (INNER)						
	3	1	1W-1752	8	LOCK-VALVE RETAINER						
	4	1	1W-1754	4	GUIDE-VALVE SPRING						
	5	1	4P-2854	2	VALVE-INLET						
	6	1	4W-5441	2	DOWEL-BRIDGE GUIDE						
	7	1	154-2417	2	VALVE-EXHAUST						
	8	1	175-6344	4	GUIDE-VALVE						
	9	1	189-4583	4	ROTATOR AS						
Y	10	1	255-0025	1	CYLINDER HEAD AS						43
	11	1	6V-3538	2	DOWEL						

Y-SEPARATE ILLUSTRATION



GRAPHIC #1

<END>

g01151089

BASIC ENGINE

255-0031 CYLINDER HEAD GP*R (CHG -00 THRU -02) PART OF 7C-0400 CYLINDER HEAD GP

SMCS-1100

i02977191

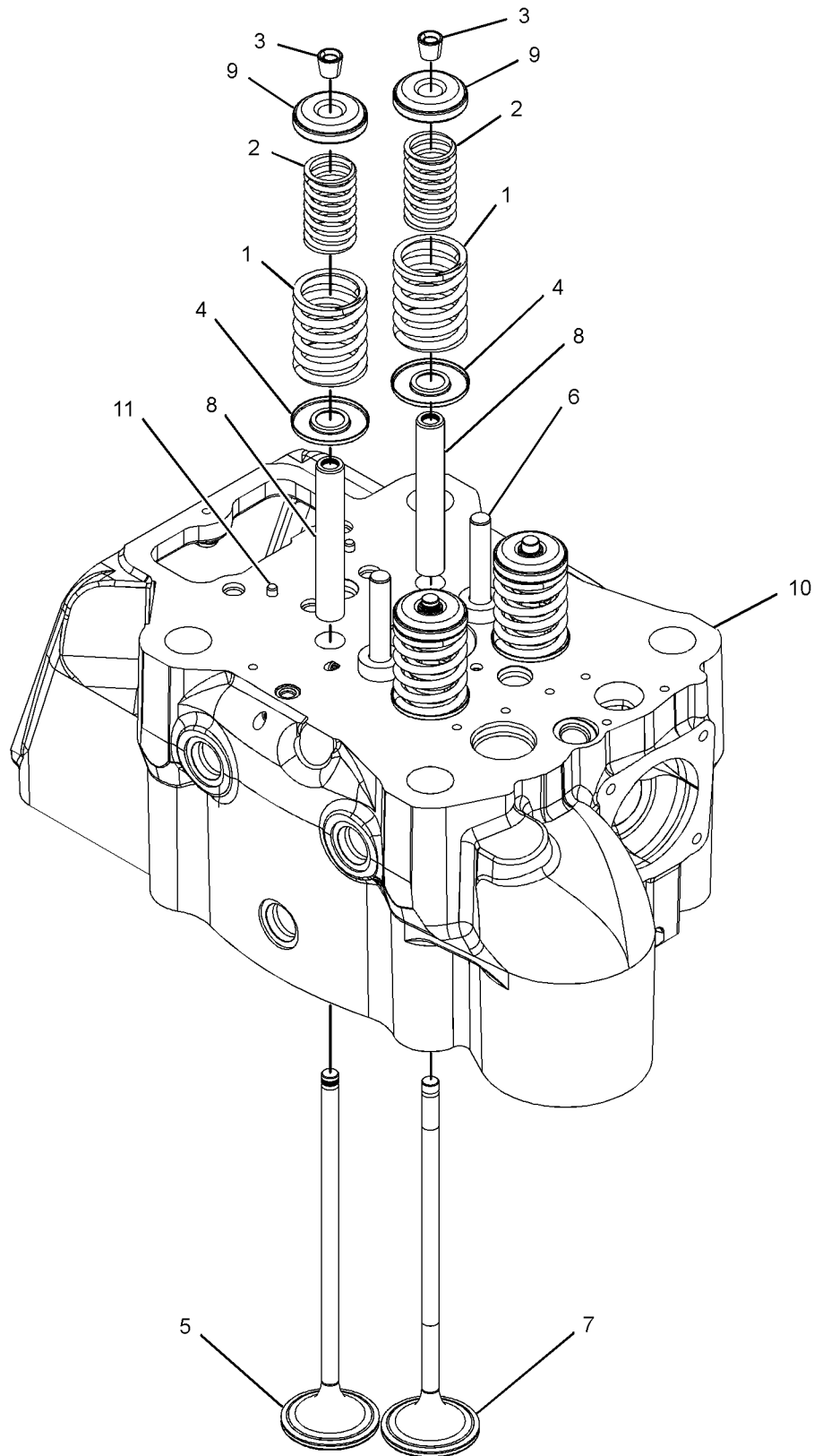
NOTE	REF NO	GRAPHIC REF	PART NUMBER	QTY	PART NAME						SEE PAGE
					1	2	3	4	5	6 (PRODUCT LEVEL)	
	1	1	1W-1748	4	SPRING-VALVE (OUTER)						
	2	1	1W-1749	4	SPRING-VALVE (INNER)						
	3	1	1W-1752	8	LOCK-VALVE RETAINER						
	4	1	1W-1754	4	GUIDE-VALVE SPRING						
	5	1	4P-2854	2	VALVE-INLET						
	6	1	4W-5441	2	DOWEL-BRIDGE GUIDE						
	7	1	319-9074	2	VALVE-EXHAUST						
	8	1	175-6344	4	GUIDE-VALVE						
	9	1	189-4583	4	ROTATOR AS						
Y	10	1	255-0030	1	CYLINDER HEAD AS						46
	11	1	6V-3538	2	DOWEL						

Y-SEPARATE ILLUSTRATION

BASIC ENGINE

255-0031 CYLINDER HEAD GP (contd.)

i02977191



GRAPHIC #1

<END>

g01151165

BASIC ENGINE

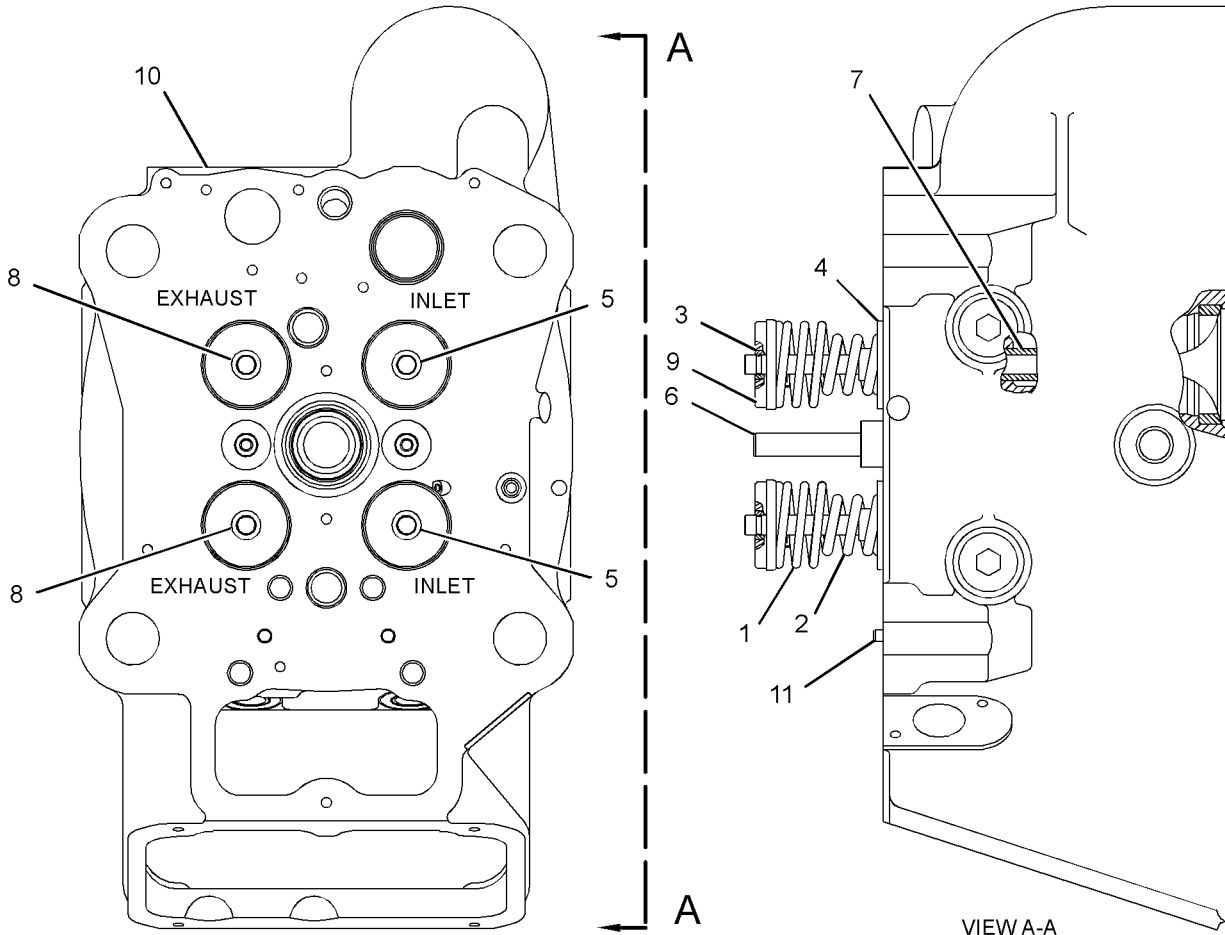
255-0032 CYLINDER HEAD GP (CHG -00, -00D1, -01, -01D1)

SMCS-1100

i02297016

NOTE	REF NO	GRAPHIC REF	PART NUMBER	QTY	PART NAME						SEE PAGE
					1	2	3	4	5	6 (PRODUCT LEVEL)	
	1	1	1W-1748	4	SPRING-VALVE (OUTER)						
	2	1	1W-1749	4	SPRING-VALVE (INNER)						
	3	1	1W-1752	8	LOCK-VALVE RETAINER						
	4	1	1W-1754	4	GUIDE-VALVE SPRING						
	5	1	4P-2854	2	VALVE-INLET						
	6	1	4W-5441	2	DOWEL-BRIDGE GUIDE						
	7	1	175-6344	4	GUIDE-VALVE						
	8	1	185-1103	2	VALVE-EXHAUST						
	9	1	189-4583	4	ROTATOR AS						
Y	10	1	255-0030	1	CYLINDER HEAD AS						46
	11	1	6V-3538	2	DOWEL						

Y-SEPARATE ILLUSTRATION



GRAPHIC #1

<END>

g01151233

BASIC ENGINE

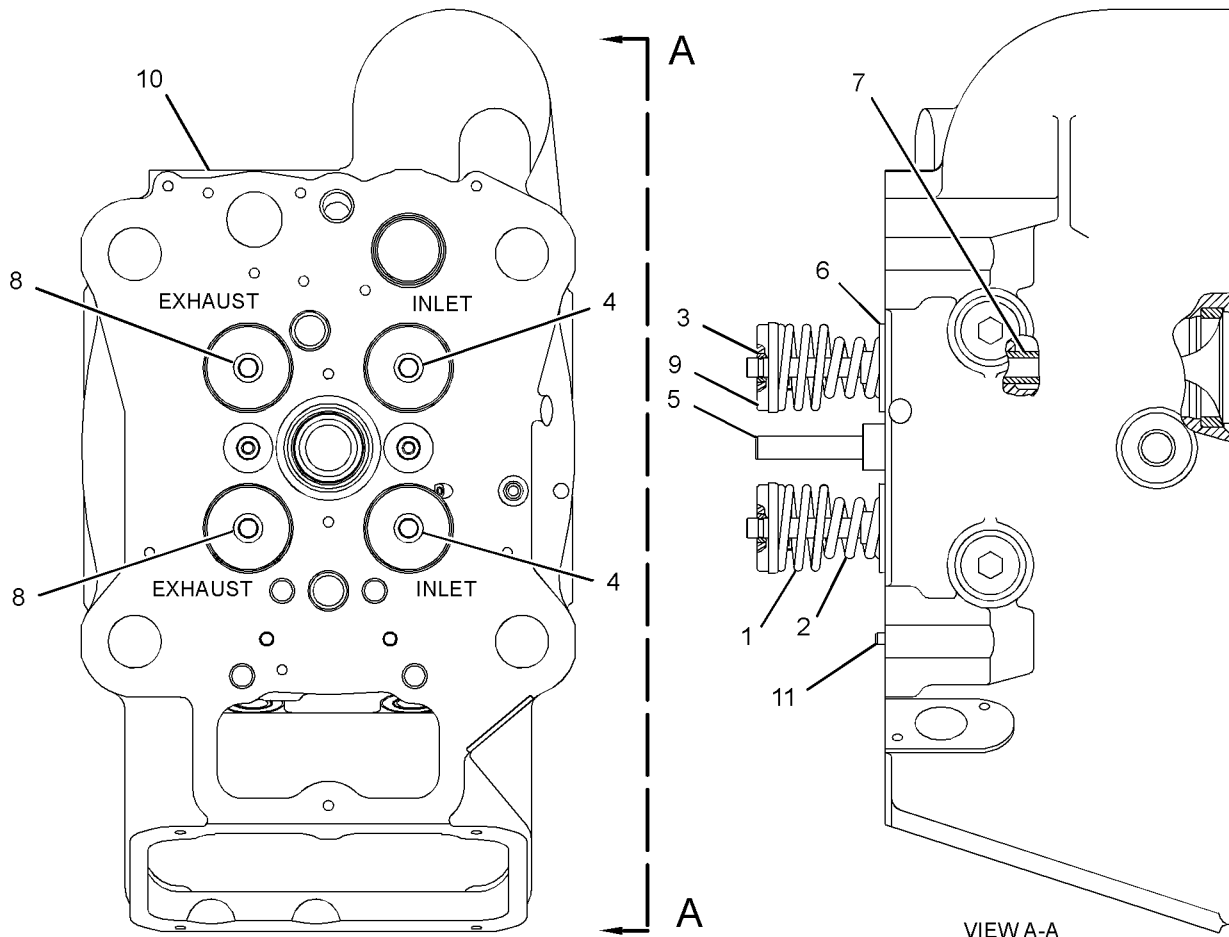
255-0033 CYLINDER HEAD GP (CHG -00, -01) PART OF 219-2960 CYLINDER HEAD GP

SMCS-1100

i02296832

NOTE	REF NO	GRAPHIC REF	PART NUMBER	QTY	PART NAME						SEE PAGE
					1	2	3	4	5	6 (PRODUCT LEVEL)	
	1	1	1W-1748	4	SPRING-VALVE (OUTER)						
	2	1	1W-1749	4	SPRING-VALVE (INNER)						
	3	1	1W-1752	8	LOCK-VALVE RETAINER						
	4	1	4P-2854	2	VALVE-INLET						
	5	1	4W-5441	2	DOWEL-BRIDGE GUIDE						
	6	1	153-7002	4	SEAL AS-VALVE STEM						
	7	1	175-6344	4	GUIDE-VALVE						
	8	1	185-1103	2	VALVE-EXHAUST						
	9	1	189-4583	4	ROTATOR AS						
Y	10	1	255-0030	1	CYLINDER HEAD AS						46
	11	1	6V-3538	2	DOWEL						

Y-SEPARATE ILLUSTRATION



GRAPHIC #1

<END>

g01151234

BASIC ENGINE

7C-2122 DAMPER GP*R (CHG -00 THRU -03) PART OF 7W-0127 DAMPER GP

SMCS-1205

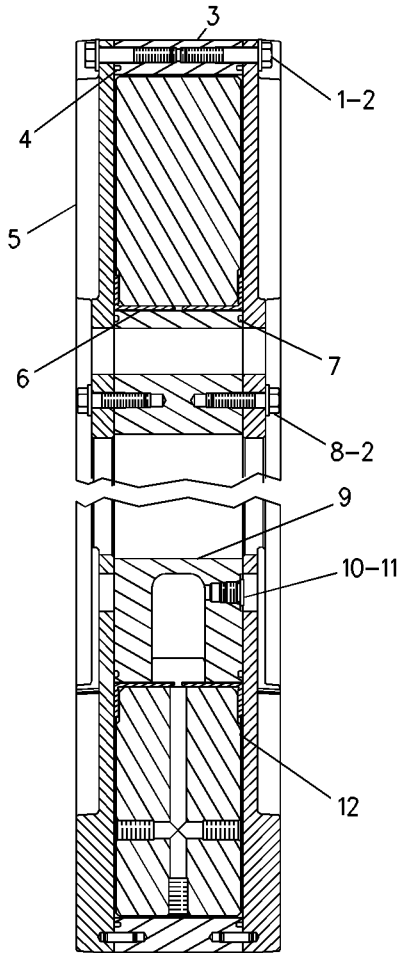
i02016656

NOTE	REF NO	GRAPHIC REF	PART NUMBER	QTY	PART NAME						SEE PAGE
					1	2	3	4	5	6 (PRODUCT LEVEL)	
	1	1	0S-1590	120	BOLT (3/8-16X2-IN)						
	2	1	3V-3308	128	WASHER-HARD (10.2X20.5X2.5-MM THK)						
	3	1	7C-2120	1	RING AS						
		1	6V-3536	4	DOWEL						
J	4	1	1W-9217	2	SEAL						
	5	1	7C-2115	2	COVER						
J	6	1	9Y-2997	12	BEARING-NYLON						
J	7	1	6V-5058	2	SEAL-O-RING						
	8	1	0S-1591	8	BOLT (3/8-16X1.5-IN)						
	9	1	1W-8562	1	HUB AS						
		1	6V-3536	4	DOWEL						
	10	1	9S-8004	2	PLUG-O-RING						
	11	1	6V-5049	2	SEAL-O-RING						
	12	1	1W-8564	1	WEIGHT-INERTIA						

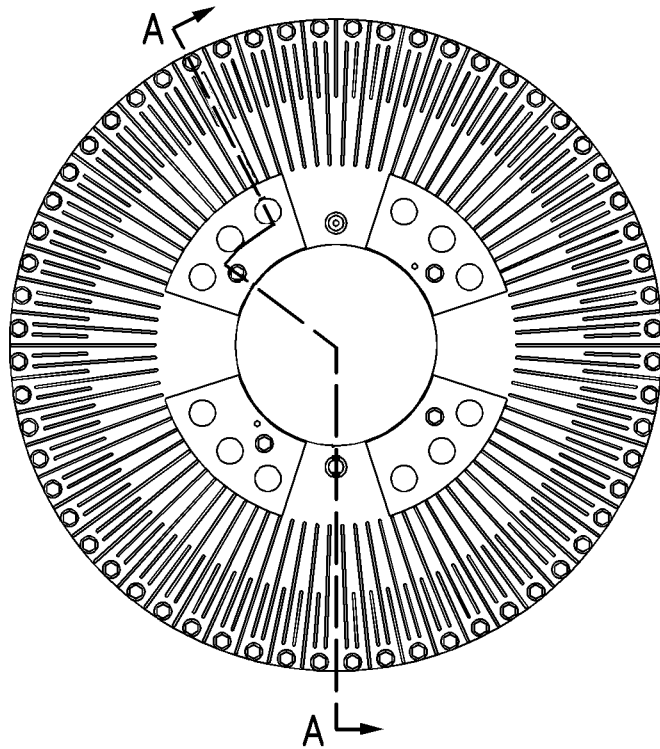
AVAILABLE REPAIR KIT(S):

J		9Y-2749	1	KIT-DAMPER (ALSO INCLUDES FLUID PACKET)	
---	--	---------	---	--------------------------------------------	--

J-KIT MARKED J INCLUDES PARTS MARKED J



SECTION A-A



GRAPHIC #1

<END>

g00762525

BASIC ENGINE

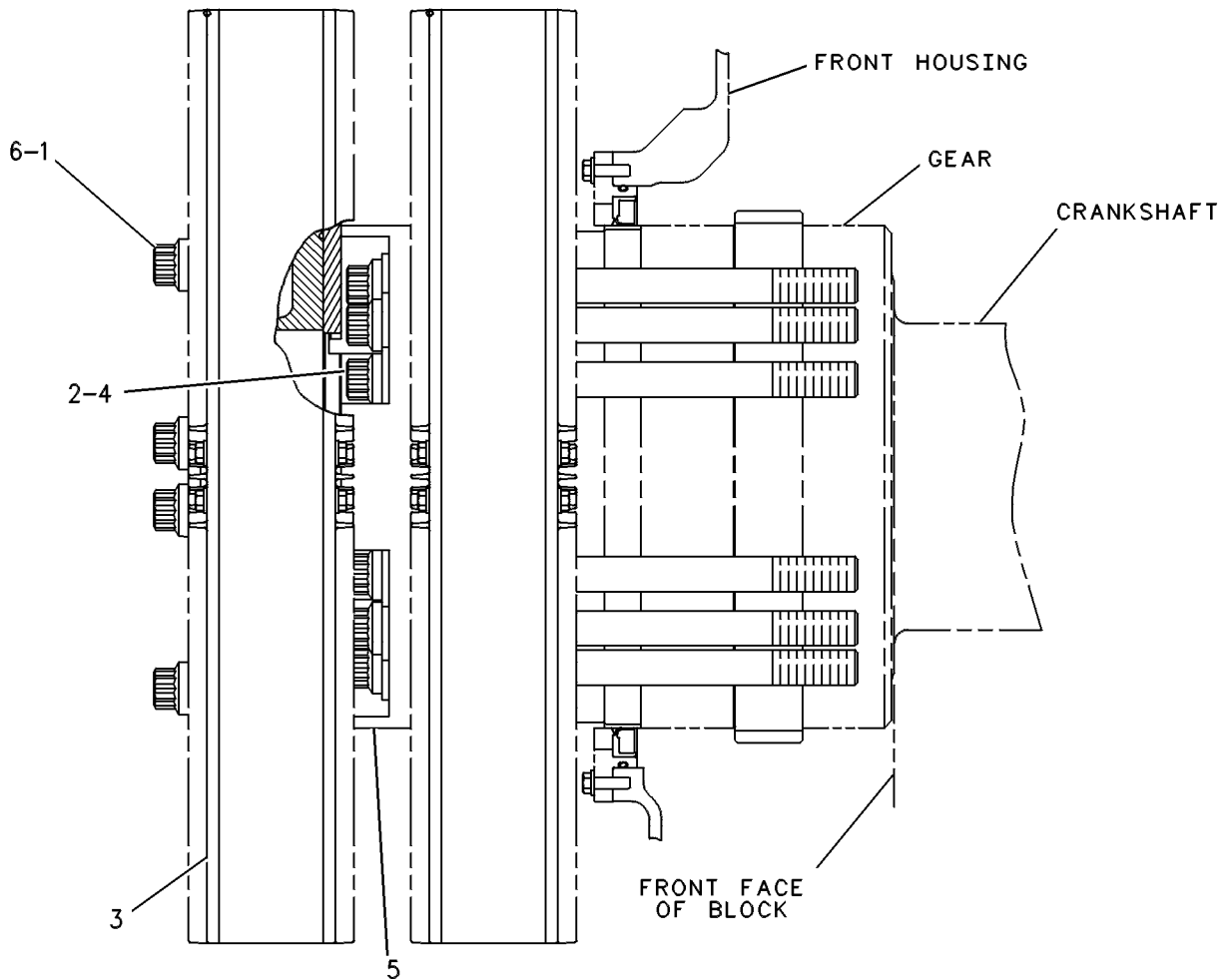
7W-0127 DAMPER GP (CHG -04 THRU -06)

SMCS - 1205

i02016661

NOTE	REF NO	GRAPHIC REF	PART NUMBER	QTY	PART NAME						SEE PAGE
					1	2	3	4	5	6 (PRODUCT LEVEL)	
	1	1	7X-3154	8	BOLT-12 POINT HEAD (1 1/8-7X6.5-IN)						
	2	1	3S-1349	12	WASHER-HARD (31X52.5X6-MM THK)						
YR	3	1	7C-2122	2	DAMPER GP						62
	4	1	7X-3324	12	BOLT-12 POINT HEAD (1-1/8-12X15.5-IN)						
C	5	1	106-2035	1	ADAPTER-CRANKSHAFT						
	6	1	9Y-6181	4	SPACER						

C-CHANGE FROM PREVIOUS TYPE
 R-REMG PART MAY BE AVAILABLE
 Y-SEPARATE ILLUSTRATION



GRAPHIC #1

<END>

g00065740

BASIC ENGINE

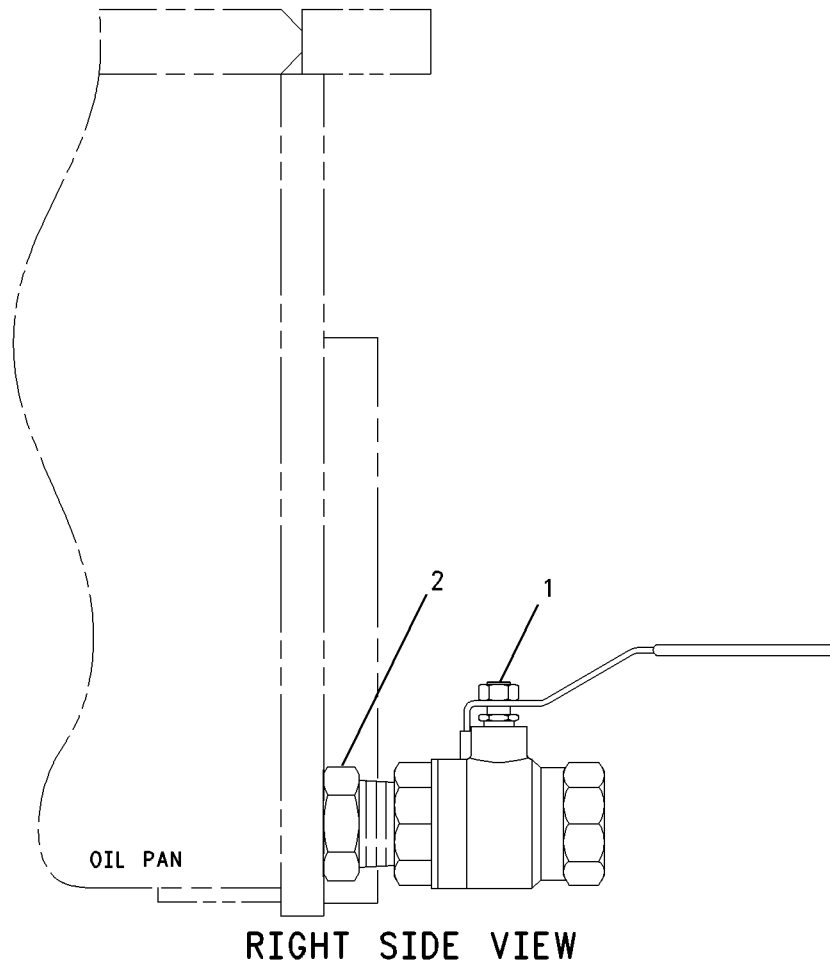
4P-2268 DRAIN GP-ENGINE OIL

(CHG -00, -01, -01D1, -01D2, -01D4, -01D5, -01D6, -01D7, -01D8, -02, -02D1, -02D2, -02D3)

SMCS-1302

i02379250

NOTE	REF NO	GRAPHIC REF	PART NUMBER	QTY	PART NAME						SEE PAGE
					1	2	3	4	5	6 (PRODUCT LEVEL)	
	1	1	7E-4444	1	VALVE (ENGINE OIL DRAIN)						
	2	1	8C-3991	1	ADAPTER						
		1	5P-7816	1	SEAL-O-RING						



GRAPHIC #1

<END>

g00802907

BASIC ENGINE

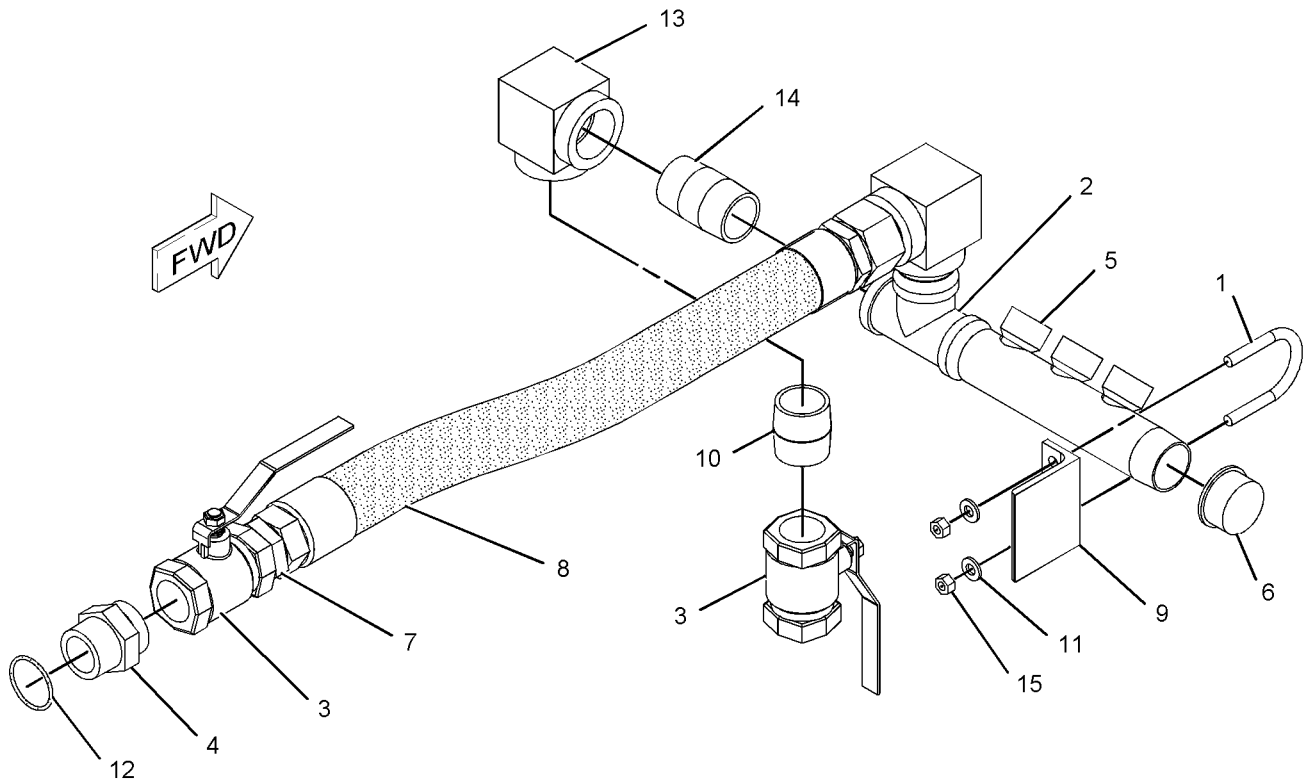
194-8517 DRAIN GP-ENGINE OIL (CHG -01, -01D1)

SMCS-1302

i02437800

NOTE	REF NO	GRAPHIC REF	PART NUMBER	QTY	PART NAME						SEE PAGE
					1	2	3	4	5	6 (PRODUCT LEVEL)	
C	1	1	5L-2534	1	U-BOLT						
	2	1	6V-8251	1	TEE-PIPE						
	3	1	7E-4444	2	VALVE (ENGINE OIL DRAIN)						
	4	1	8C-3991	1	ADAPTER						
	5	1	136-7055	1	PIPE AS						
	6	1	136-8557	1	CAP						
C	7	1	140-5866	1	CONNECTOR						
CI	8	1	250-0826	1	HOSE AS						
	9	1	250-0827	1	BRACKET						
C	10	1	3L-8993	3	FITTING						
C	11	1	3V-3308	2	WASHER-HARD (10.2X20.5X2.5-MM THK)						
	12	1	5P-7816	1	SEAL-O-RING						
	13	1	6B-3685	2	ELBOW						
	14	1	6F-8857	1	NIPPLE-PIPE						
C	15	1	9S-8752	2	NUT-FULL (3/8-16-THD)						

C-CHANGE FROM PREVIOUS TYPE
I-REFER TO HYDRAULIC INFORMATION SYSTEM



GRAPHIC #1

<END>

g01094330

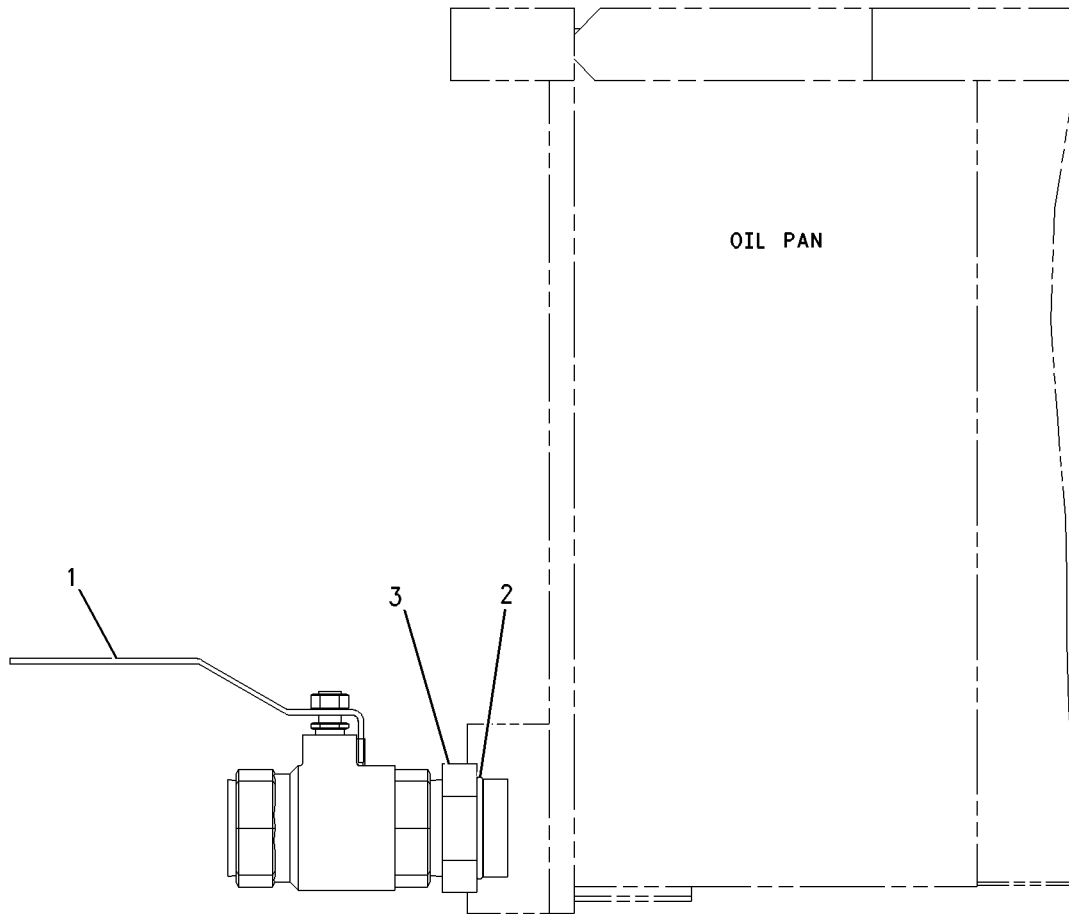
BASIC ENGINE

226-1926 DRAIN GP-ENGINE OIL (CHG -00, -00D1, -00D2, -00D3, -00D4) REAR

SMCS-1302

i02379252

NOTE	REF NO	GRAPHIC REF	PART NUMBER	QTY	PART NAME						SEE PAGE
					1	2	3	4	5	6 (PRODUCT LEVEL)	
	1	1	7E-4444	1	VALVE (ENGINE OIL DRAIN)						
	2	1	5P-7816	1	SEAL-O-RING						
	3	1	8C-3991	1	ADAPTER						



RIGHT SIDE VIEW

GRAPHIC #1

<END>

g00929802

BASIC ENGINE

213-6458 DRIVE GP-ACCESSORY (CHG -00, -01)

SMCS-1207

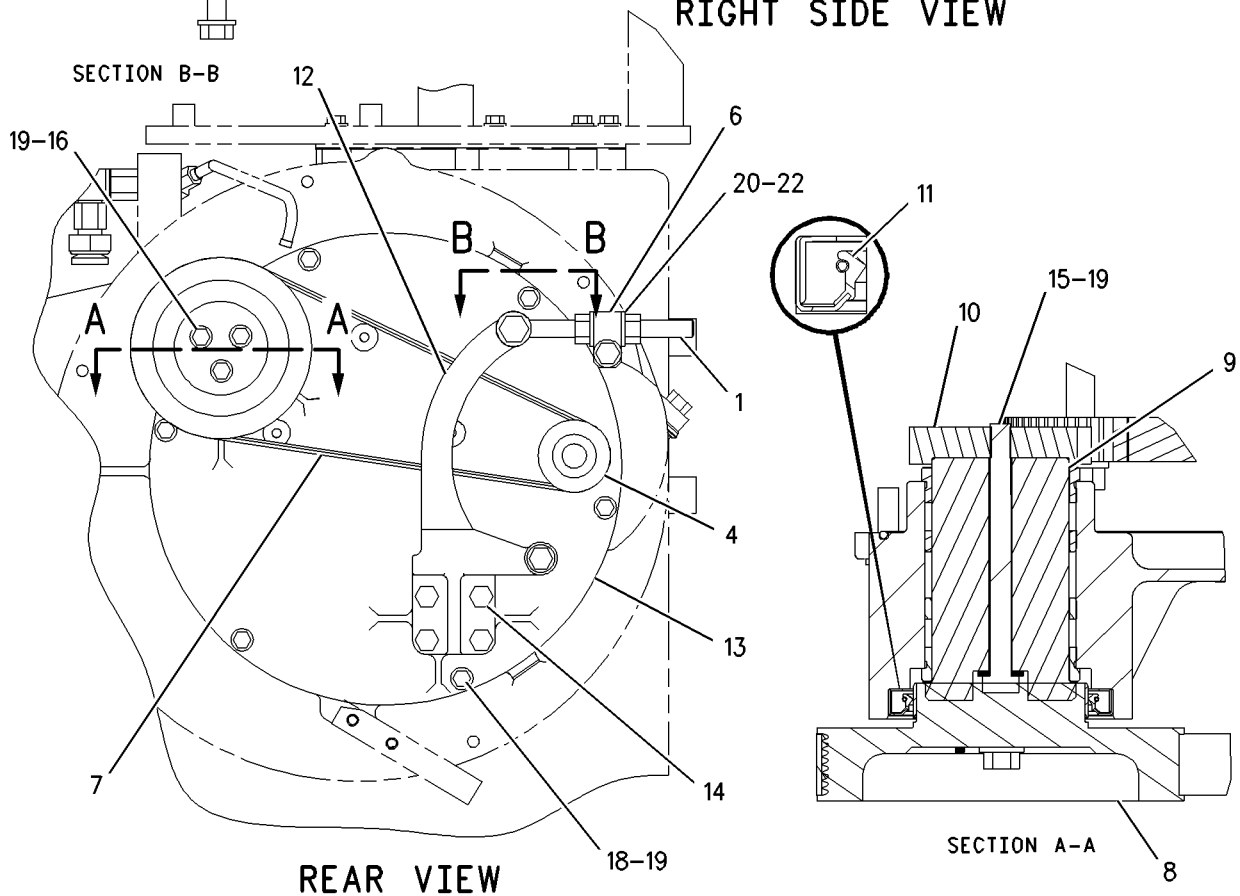
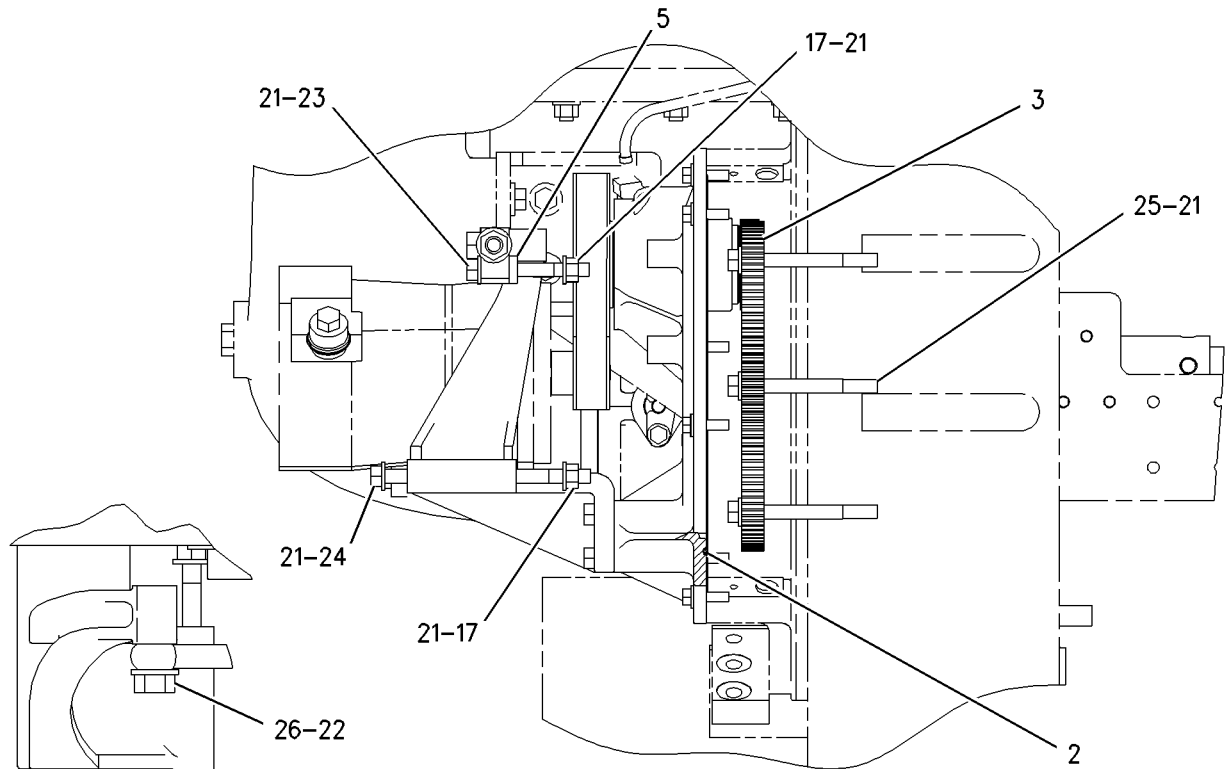
i02375498

NOTE	REF NO	GRAPHIC REF	PART NUMBER	QTY	PART NAME						SEE PAGE
					1	2	3	4	5	6 (PRODUCT LEVEL)	
	1	1	1S-4698	1	ROD						
	2	1	5P-9147	1	SEAL-O-RING						
	3	1	7E-5485	1	GEAR (116-TEETH)						
	4	1	7E-6218	1	PULLEY						
	5	1	7N-2597	1	SPACER (13.5X25.4X8.08-MM THK)						
	6	1	8S-5383	1	BLOCK						
	7	1	100-3725	1	BELT-SERPENTINE						
	8	1	130-5195	1	PULLEY AS						
		1	053-5065	1	SLEEVE						
	9	1	130-5199	1	SHAFT						
	10	1	130-7921	1	GEAR (29-TEETH)						
	11	1	189-5178	1	SEAL-LIP TYPE						
	12	1	196-6041	1	SUPPORT						
	13	1	196-6044	1	COVER AS						
		1	130-5194	2	BEARING-SLEEVE						
	14	1	0S-1587	4	BOLT (1/2-13X1.75-IN)						
	15	1	1A-5964	1	BOLT (3/8-16X4.5-IN)						
	16	1	1D-4706	3	BOLT (3/8-16X6-IN)						
	17	1	1F-7958	2	NUT-FULL (1/2-13-THD)						
	18	1	3B-1915	6	BOLT (3/8-16X1.375-IN)						
	19	1	3V-3308	10	WASHER-HARD (10.2X20.5X2.5-MM THK)						
	20	1	4K-0367	2	NUT-FULL (5/8-11-THD)						
	21	1	5P-8245	8	WASHER-HARD (13.5X25.5X3-MM THK)						
	22	1	5P-8247	3	WASHER-HARD (17X32X3.5-MM THK)						
	23	1	7D-9766	1	BOLT (1/2-13X4.25-IN)						
	24	1	8T-9392	1	BOLT (1/2-13X7.5-IN)						
	25	1	9X-8877	4	BOLT (1/2-13X5-IN)						
	26	1	9X-8880	1	BOLT (5/8-11X2-IN)						

BASIC ENGINE

213-6458 DRIVE GP-ACCESSORY (contd.)

i02375498



GRAPHIC #1

<END>

g00977340

BASIC ENGINE

213-6458 DRIVE GP-ACCESSORY (CHG -02, -03, -03D1, -04)

SMCS-1207

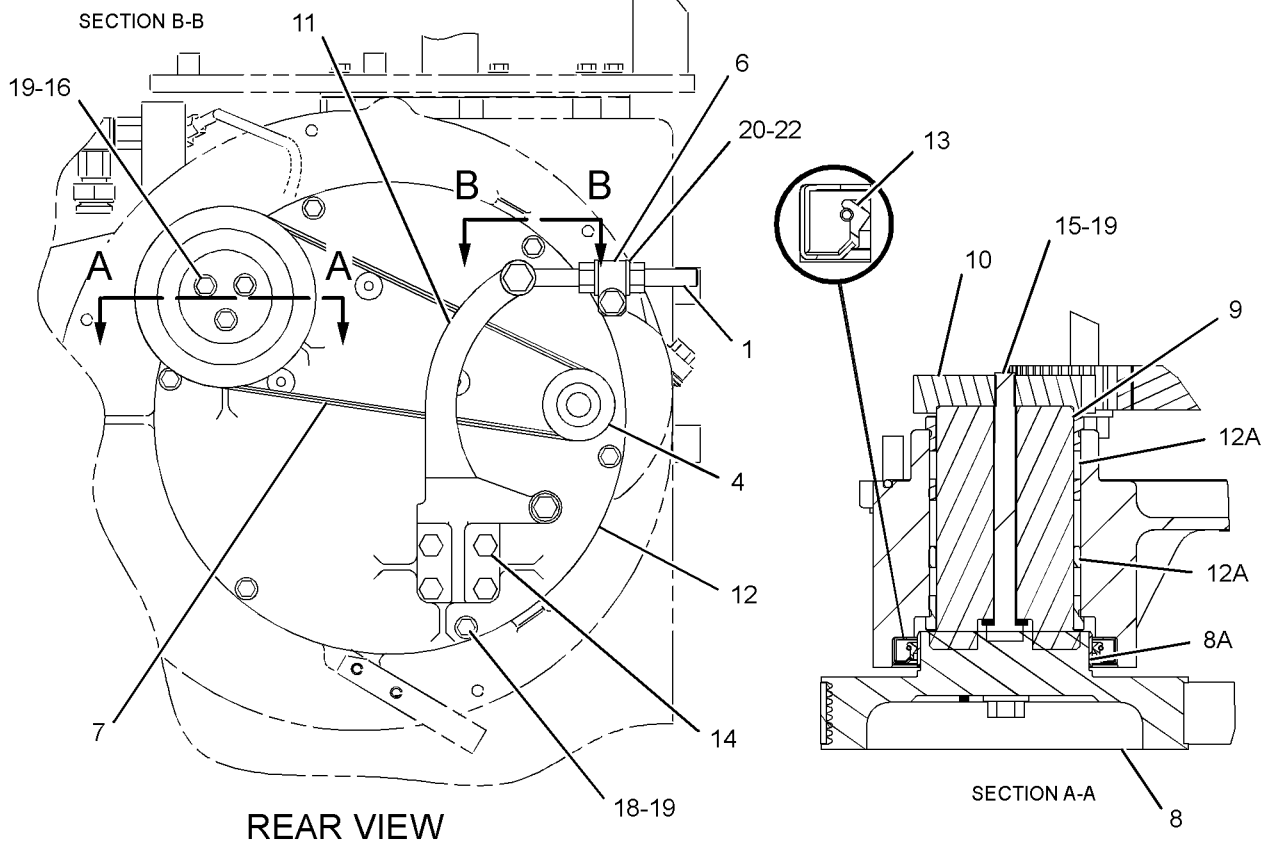
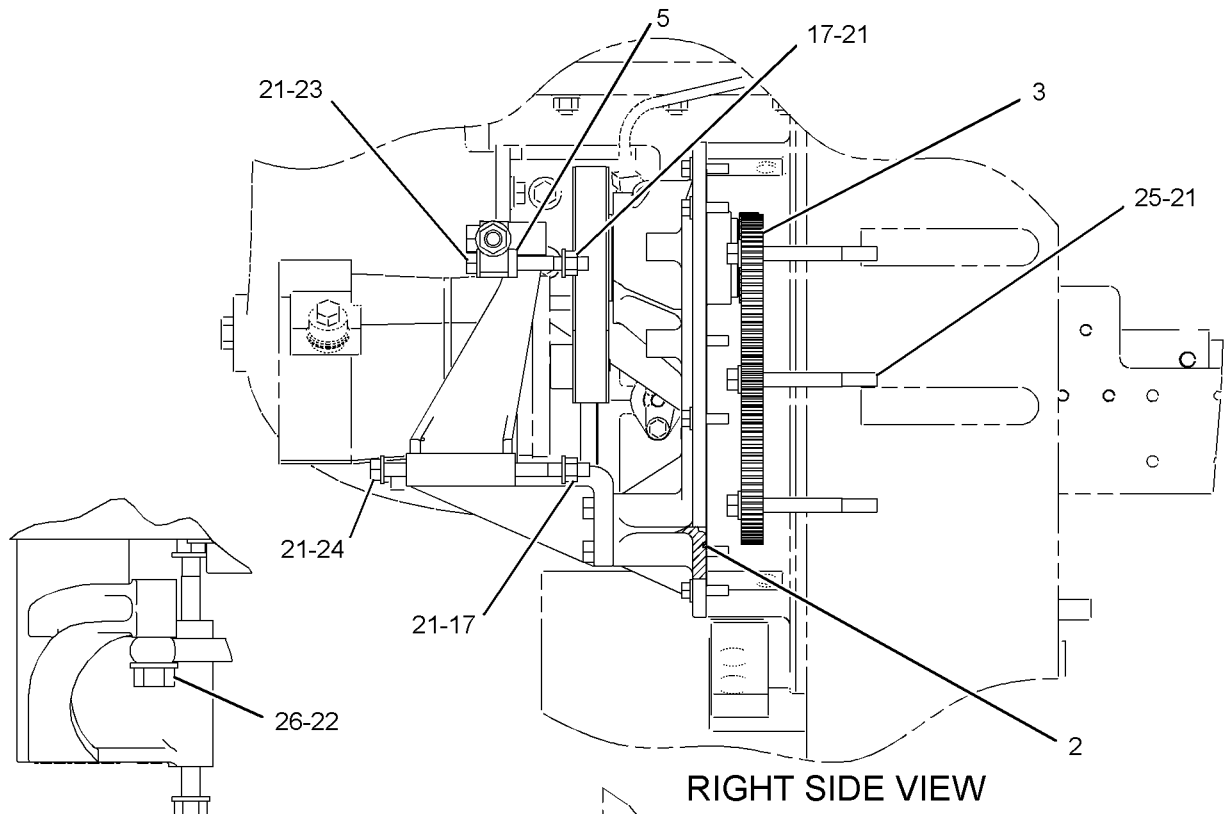
i02491960

NOTE	REF NO	GRAPHIC REF	PART NUMBER	QTY	PART NAME						SEE PAGE
					1	2	3	4	5	6 (PRODUCT LEVEL)	
	1	1	1S-4698	1	ROD						
	2	1	5P-9147	1	SEAL-O-RING						
	3	1	7E-5485	1	GEAR (116-TEETH)						
	4	1	7E-6218	1	PULLEY						
	5	1	7N-2597	1	SPACER (13.5X25.4X8.08-MM THK)						
	6	1	8S-5383	1	BLOCK						
	7	1	100-3725	1	BELT-SERPENTINE						
	8	1	130-5195	1	PULLEY AS						
	8A	1	053-5065	1	SLEEVE						
	9	1	130-5199	1	SHAFT						
	10	1	130-7921	1	GEAR (29-TEETH)						
	11	1	196-6041	1	SUPPORT						
	12	1	196-6044	1	COVER AS						
	12A	1	130-5194	2	BEARING-SLEEVE						
	13	1	235-2484	1	SEAL-LIP TYPE						
	14	1	0S-1587	4	BOLT (1/2-13X1.75-IN)						
	15	1	1A-5964	1	BOLT (3/8-16X4.5-IN)						
	16	1	1D-4706	3	BOLT (3/8-16X6-IN)						
	17	1	1F-7958	2	NUT-FULL (1/2-13-THD)						
	18	1	3B-1915	6	BOLT (3/8-16X1.375-IN)						
	19	1	3V-3308	10	WASHER-HARD (10.2X20.5X2.5-MM THK)						
	20	1	4K-0367	2	NUT-FULL (5/8-11-THD)						
	21	1	5P-8245	8	WASHER-HARD (13.5X25.5X3-MM THK)						
	22	1	5P-8247	3	WASHER-HARD (17X32X3.5-MM THK)						
	23	1	7D-9766	1	BOLT (1/2-13X4.25-IN)						
	24	1	1A-0168	1	BOLT (1/2-13X7.5-IN)						
	25	1	9X-8877	4	BOLT (1/2-13X5-IN)						
	26	1	9X-8880	1	BOLT (5/8-11X2-IN)						

BASIC ENGINE

213-6458 DRIVE GP-ACCESSORY (contd.)

i02491960



GRAPHIC #1

<END>

g01215950

BASIC ENGINE

233-0220 DRIVE GP-ACCESSORY (CHG -00)

FOR USE WITH INLINE ENGINES

TYPE 1

SMCS-1207

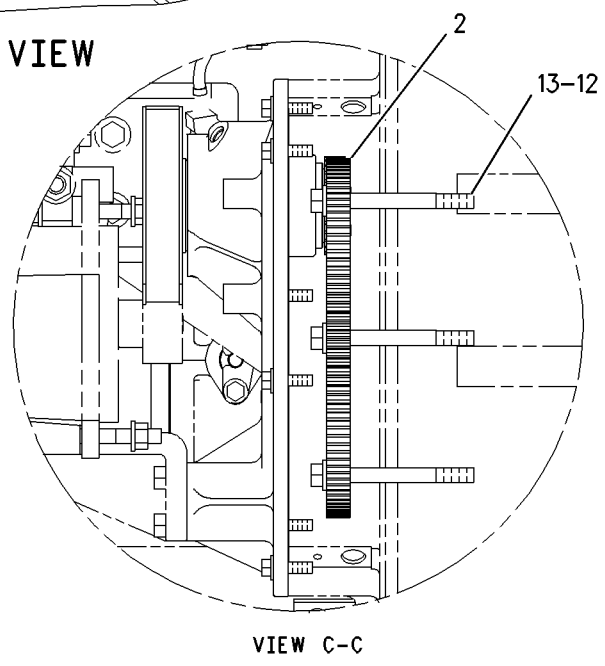
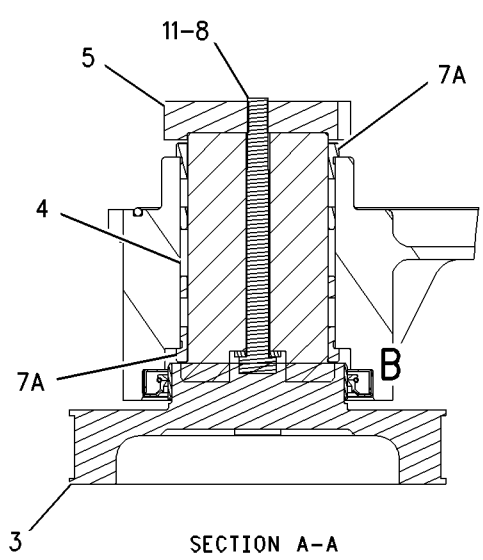
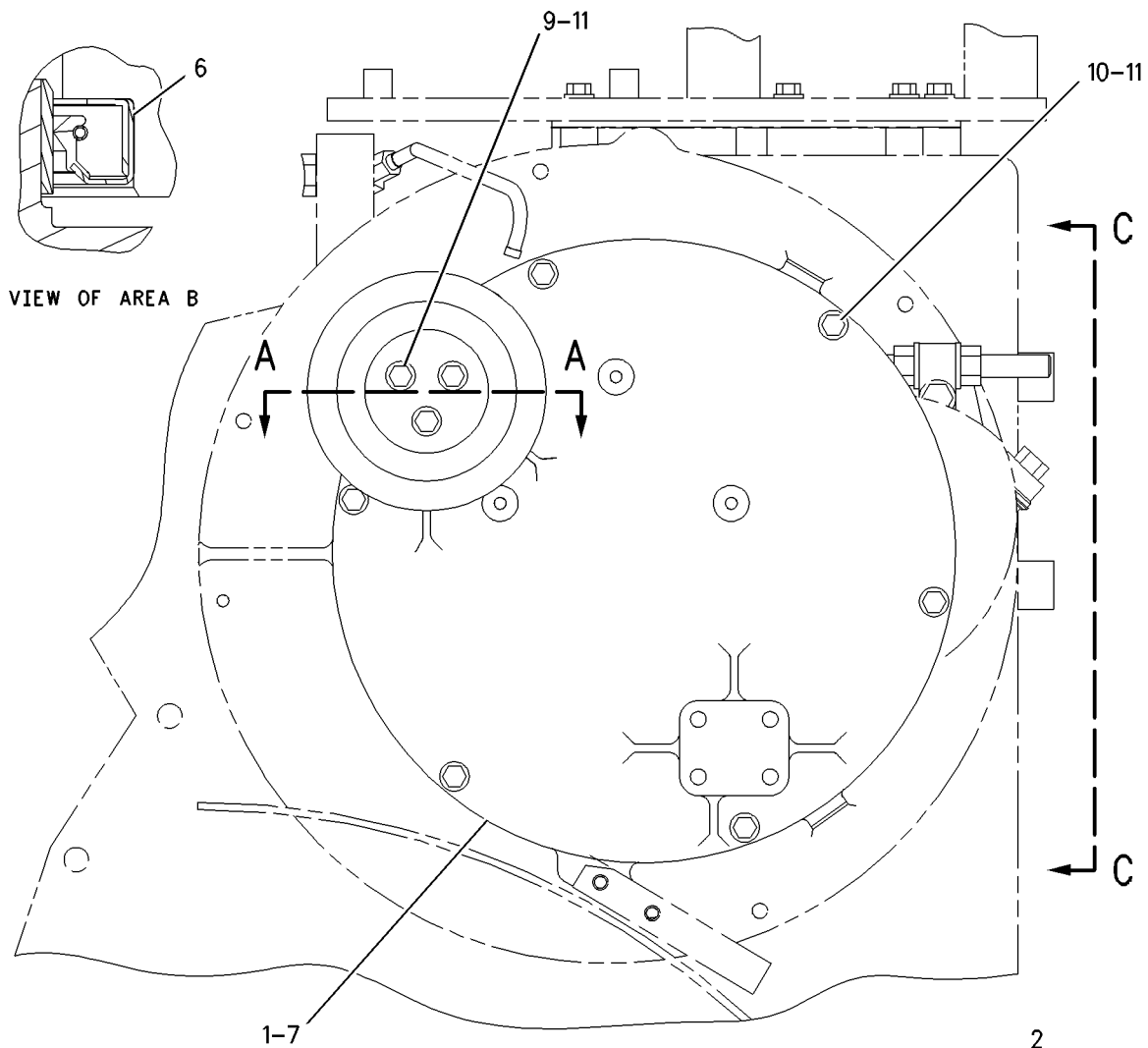
i01872028

NOTE	REF NO	GRAPHIC REF	PART NUMBER	QTY	PART NAME						SEE PAGE
					1	2	3	4	5	6 (PRODUCT LEVEL)	
	1	1	5P-9147	1	SEAL-O-RING						
	2	1	7E-5485	1	GEAR (116-TEETH)						
	3	1	130-5195	1	PULLEY AS						
		1	053-5065	1	SLEEVE						
	4	1	130-5199	1	SHAFT						
	5	1	130-7921	1	GEAR (29-TEETH)						
	6	1	189-5178	1	SEAL-LIP TYPE						
	7	1	196-6044	1	COVER AS						
	7A	1	130-5194	2	BEARING-SLEEVE						
	8	1	1A-5964	1	BOLT (3/8-16X4.5-IN)						
	9	1	1D-4706	3	BOLT (3/8-16X6-IN)						
	10	1	3B-1915	6	BOLT (3/8-16X1.375-IN)						
	11	1	3V-3308	10	WASHER-HARD (10.2X20.5X2.5-MM THK)						
	12	1	5P-8245	4	WASHER-HARD (13.5X25.5X3-MM THK)						
	13	1	9X-8877	4	BOLT (1/2-13X5-IN)						

BASIC ENGINE

233-0220 DRIVE GP-ACCESSORY (contd.)

i01872028



GRAPHIC #1

<END>

g00954024

BASIC ENGINE

233-0220 DRIVE GP-ACCESSORY (CHG -01)

FOR USE WITH INLINE ENGINES

TYPE 2

SMCS-1207

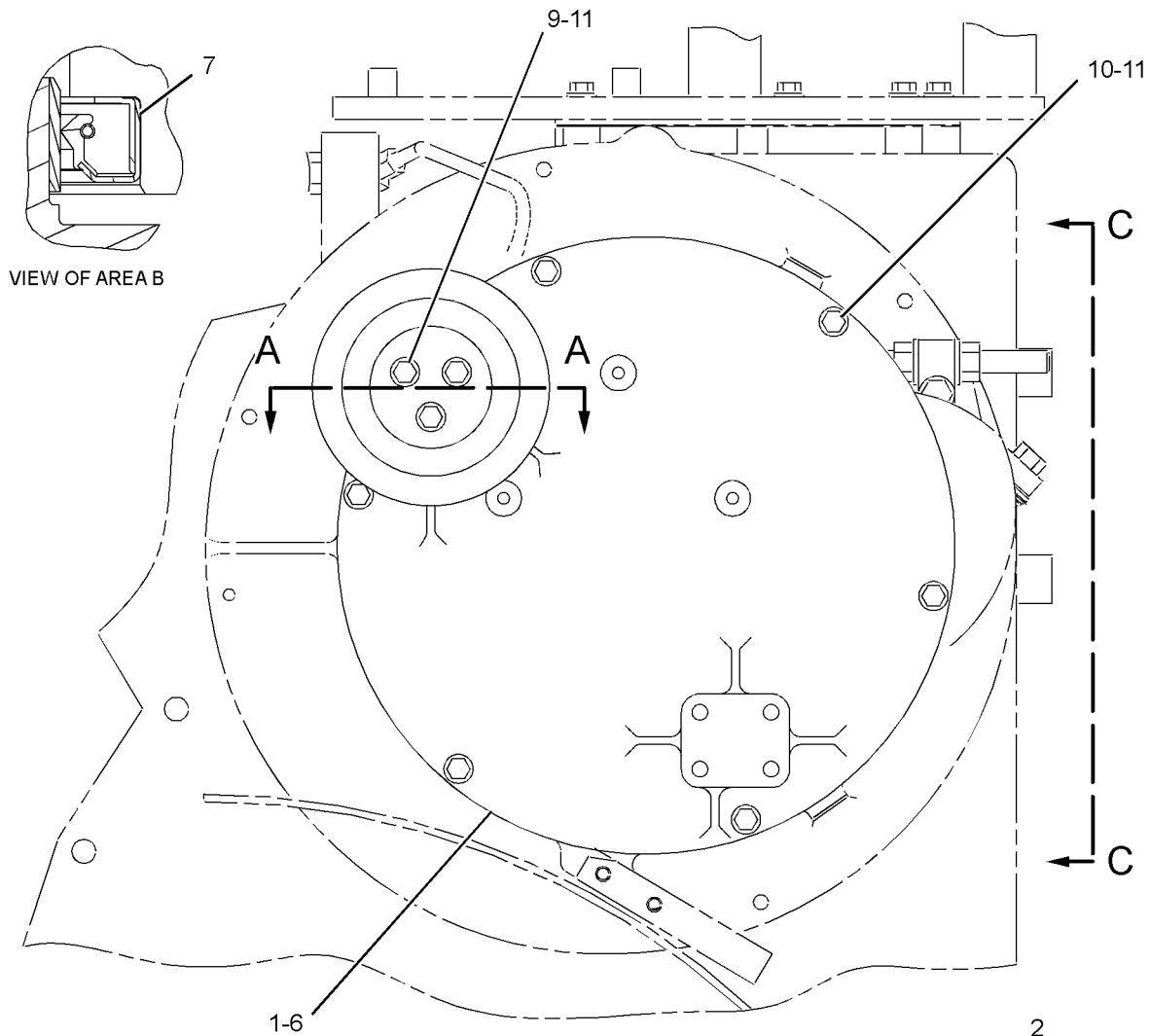
i02434033

NOTE	REF NO	GRAPHIC REF	PART NUMBER	QTY	PART NAME						SEE PAGE
					1	2	3	4	5	6 (PRODUCT LEVEL)	
	1	1	5P-9147	1	SEAL-O-RING						
	2	1	7E-5485	1	GEAR (116-TEETH)						
	3	1	130-5195	1	PULLEY AS						
	3A	1	053-5065	1	SLEEVE						
	4	1	130-5199	1	SHAFT						
	5	1	130-7921	1	GEAR (29-TEETH)						
	6	1	196-6044	1	COVER AS						
	6A	1	130-5194	2	BEARING-SLEEVE						
	7	1	235-2484	1	SEAL-LIP TYPE						
	8	1	1A-5964	1	BOLT (3/8-16X4.5-IN)						
	9	1	1D-4706	3	BOLT (3/8-16X6-IN)						
	10	1	3B-1915	6	BOLT (3/8-16X1.375-IN)						
	11	1	3V-3308	10	WASHER-HARD (10.2X20.5X2.5-MM THK)						
	12	1	5P-8245	4	WASHER-HARD (13.5X25.5X3-MM THK)						
	13	1	9X-8877	4	BOLT (1/2-13X5-IN)						

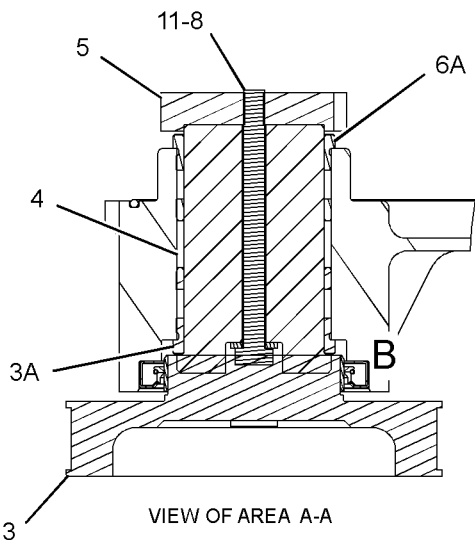
BASIC ENGINE

233-0220 DRIVE GP-ACCESSORY (contd.)

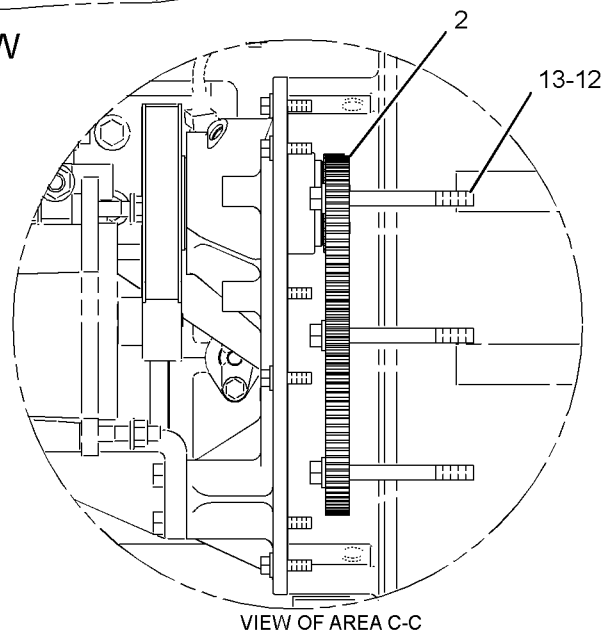
i02434033



REAR VIEW



VIEW OF AREA A-A



VIEW OF AREA C-C

GRAPHIC #1

<END>

g01215954

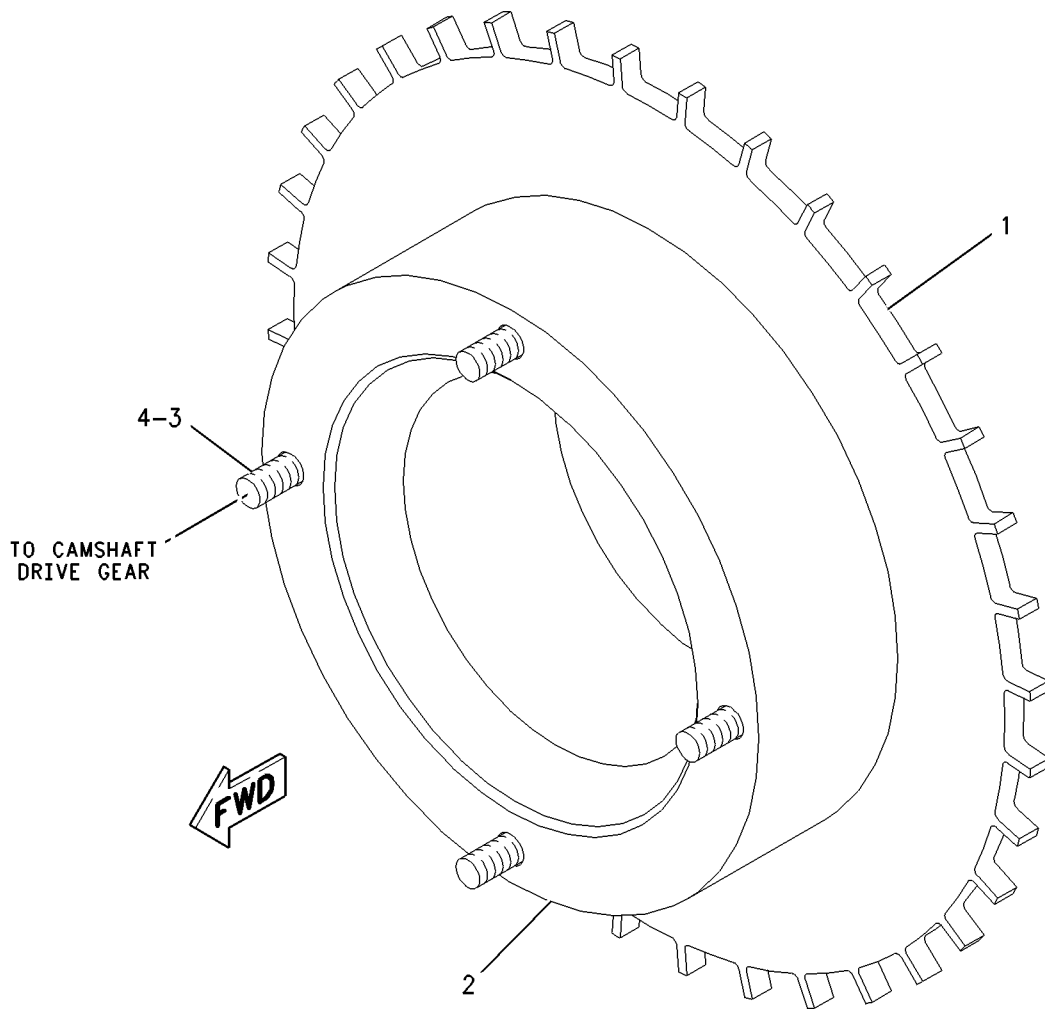
BASIC ENGINE

213-6456 DRIVE GP-TIMING & SPEED (CHG -00 THRU -04)

SMCS-1207, 1272

i02482464

NOTE	REF NO	GRAPHIC REF	PART NUMBER	QTY	PART NAME						SEE PAGE
					1	2	3	4	5	6 (PRODUCT LEVEL)	
	1	1	154-2709	1	WHEEL (ENGINE TIMING)						
	2	1	196-6043	1	SPACER (160X260X102.7-MM THK)						
	3	1	1D-4569	4	BOLT (1/2-13X4.25-IN)						
	4	1	5P-1076	4	WASHER-HARD (13.5X30X4-MM THK)						



GRAPHIC #1

<END>

g00894617

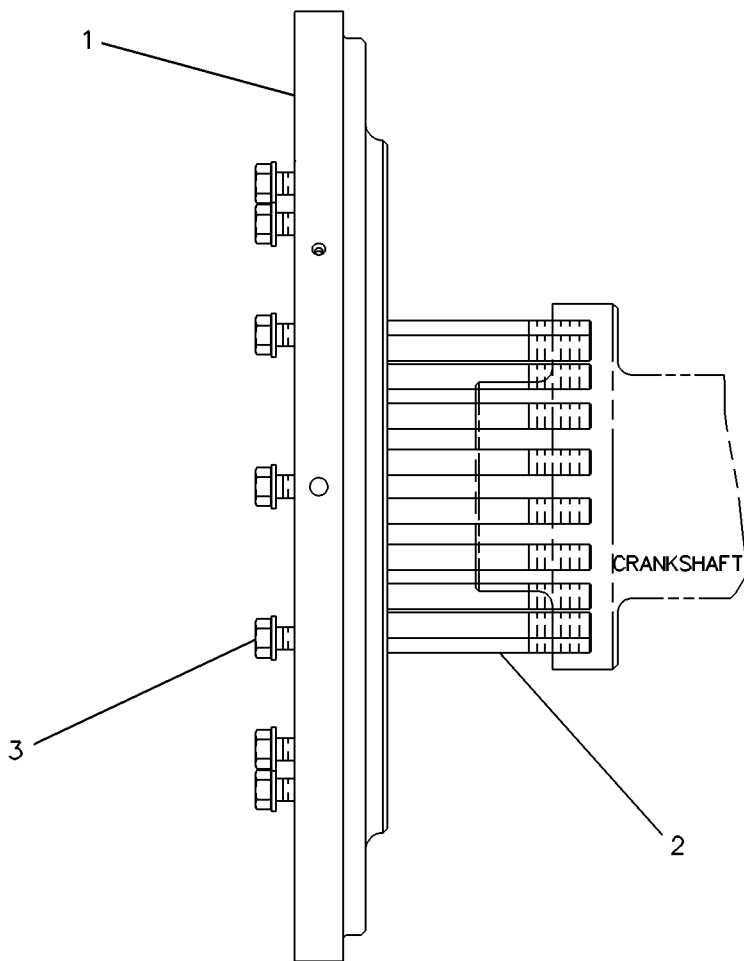
BASIC ENGINE

6I-2074 FLYWHEEL GP (CHG -00 THRU -02)

SMCS-1156

i02375489

NOTE	REF NO	GRAPHIC REF	PART NUMBER	QTY	PART NAME						SEE PAGE
					1	2	3	4	5	6 (PRODUCT LEVEL)	
	1	1	6I-2073	1	FLYWHEEL						
	2	1	6V-5605	20	BOLT-12 POINT HEAD (1-1/8-12X11.5-IN)						
		1	3S-1349	20	WASHER-HARD (31X52.5X6-MM THK)						
	3	1	2H-3745	12	BOLT (1-14X2.75-IN)						
		1	5P-8250	12	WASHER (28X49X5-MM THK)						



GRAPHIC #1

<END>

g00065274

BASIC ENGINE

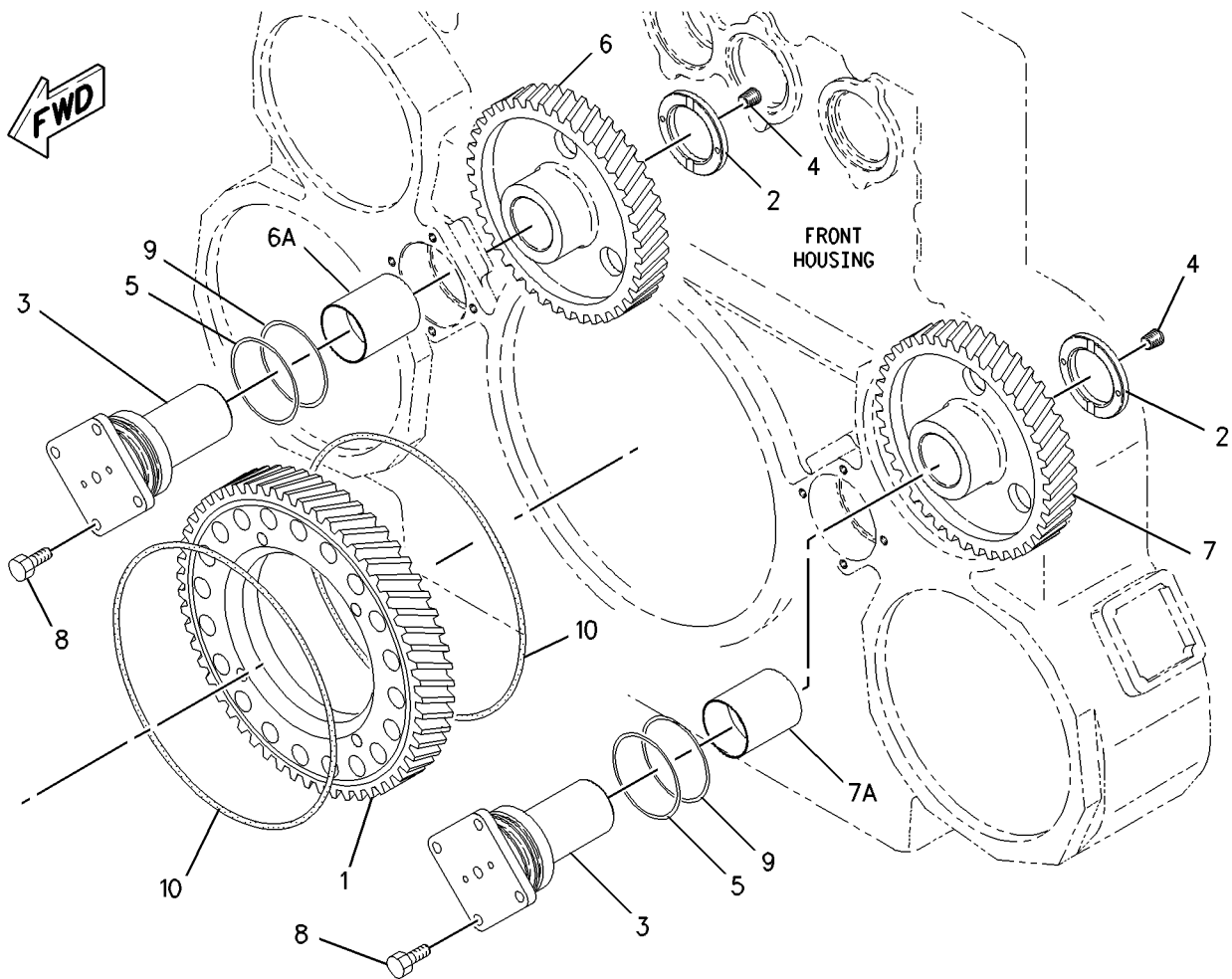
1W-0790 GEAR GP-FRONT (CHG -05 THRU -09)

SMCS-1151, 1162, 1206

i02346055

NOTE	REF NO	GRAPHIC REF	PART NUMBER	QTY	PART NAME						SEE PAGE
					1	2	3	4	5	6 (PRODUCT LEVEL)	
	1	1	1N-3828	1	GEAR-CRANKSHAFT (96-TEETH)						
	2	1	1N-3834	2	WASHER-THRUST						
	3	1	1N-3842	2	SHAFT-IDLER						
	4	1	3G-7382	2	PLUG-ORIFICE						
	5	1	6V-5052	2	SEAL-O-RING						
C	6	1	180-3864	1	GEAR AS (68-TEETH)						
	6A	1	190-6465	1	BEARING						
C	7	1	180-3865	1	GEAR AS (67-TEETH)						
	7A	1	190-6465	1	BEARING						
	8	1	0S-1595	8	BOLT (1/2-13X1.25-IN)						
	9	1	5S-9134	2	SEAL-O-RING						
	10	1	6V-5058	2	SEAL-O-RING						

C-CHANGE FROM PREVIOUS TYPE



GRAPHIC #1

<END>

g01140676

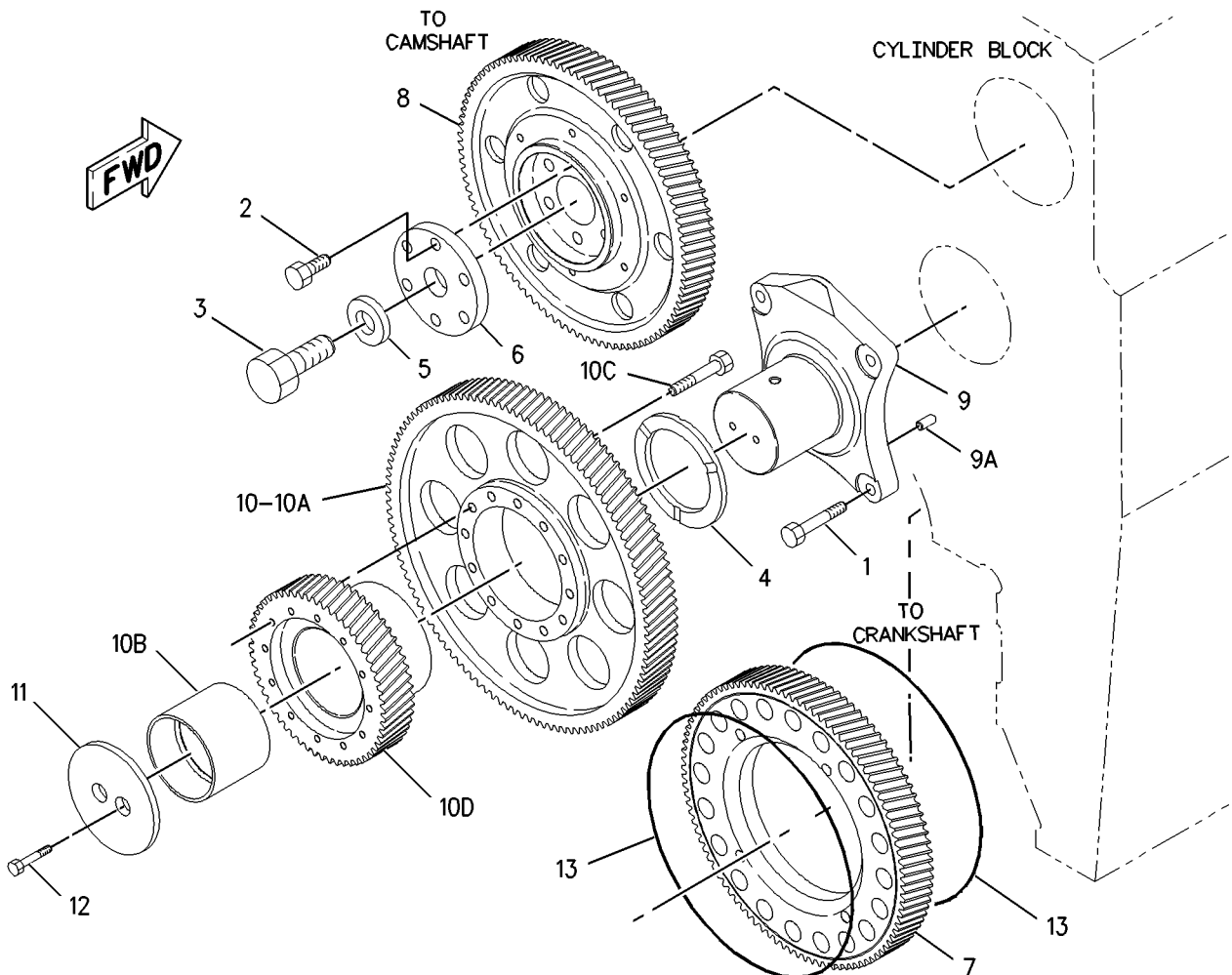
BASIC ENGINE

9Y-9345 GEAR GP-REAR (CHG -01 THRU -04)

SMCS-1204

i02277950

NOTE	REF NO	GRAPHIC REF	PART NUMBER	QTY	PART NAME						SEE PAGE
					1	2	3	4	5	6 (PRODUCT LEVEL)	
	1	1	0S-1625	4	BOLT (5/8-11X2.5-IN)						
	2	1	1A-1135	6	BOLT (5/8-11X2-IN)						
	3	1	1F-6762	1	BOLT (1-1/2-12X4.5-IN)						
	4	1	7E-9638	1	WASHER-THRUST (106.5X146X9.6-MM THK)						
	5	1	7W-5033	1	WASHER (41X75X10-MM THK)						
	6	1	7W-5034	1	PLATE						
	7	1	9Y-8546	1	GEAR-CRANKSHAFT (81-TEETH)						
	8	1	9Y-8549	1	GEAR (81-TEETH)						
	9	1	9Y-9346	1	SHAFT AS						
	9A	1	7E-7139	1	DOWEL						
	10	1	9Y-9348	1	GEAR AS (IDLER)						
	10A	1	9Y-8548	1	GEAR (45-TEETH)						
	10B	1	7E-9639	1	BEARING-SLEEVE						
	10C	1	1D-4566	12	BOLT (1/2-13X3.5-IN)						
	10D	1	9Y-8547	1	GEAR (90-TEETH)						
	11	1	9Y-9349	1	RETAINER						
	12	1	3B-1915	2	BOLT (3/8-16X1-3/8-IN)						
	13	1	6V-5058	2	SEAL-O-RING						



GRAPHIC #1

<END>

g00922050

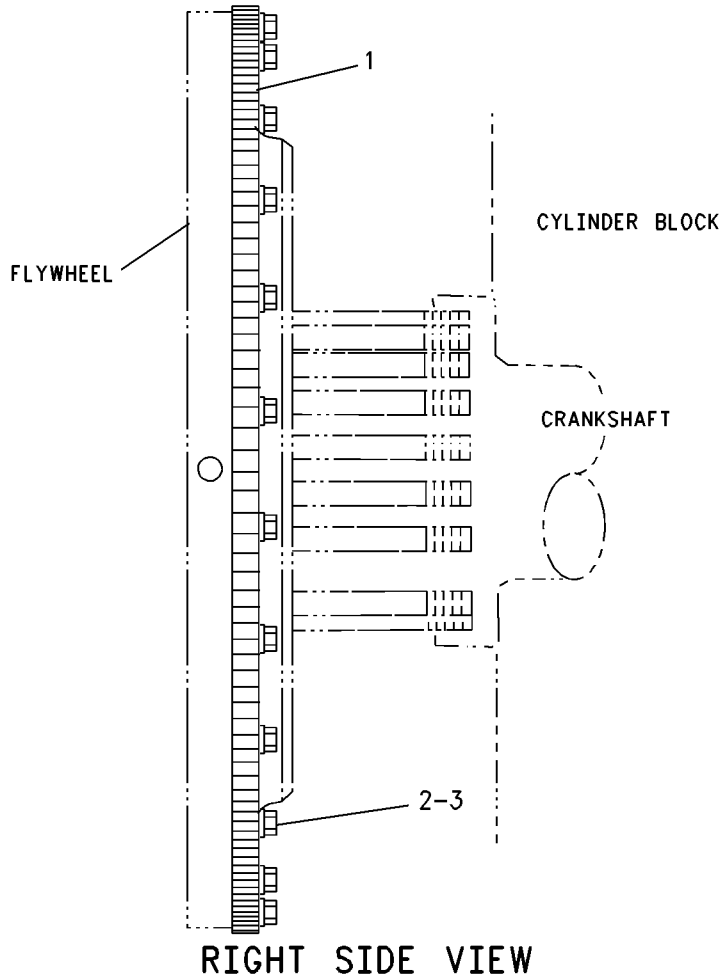
BASIC ENGINE

9Y-1851 GEAR GP-RING (CHG -00, -01) STARTER-STANDARD ROTATION

SMCS-1158

i02337579

NOTE	REF NO	GRAPHIC REF	PART NUMBER	QTY	PART NAME						SEE PAGE
					1	2	3	4	5	6 (PRODUCT LEVEL)	
	1	1	9Y-5535	1	GEAR (255-TEETH)						
	2	1	OS-1590	24	BOLT (3/8-16X2-IN)						
	3	1	3V-3308	24	WASHER-HARD (10.2X20.5X2.5-MM THK)						



GRAPHIC #1

<END>

g00774877

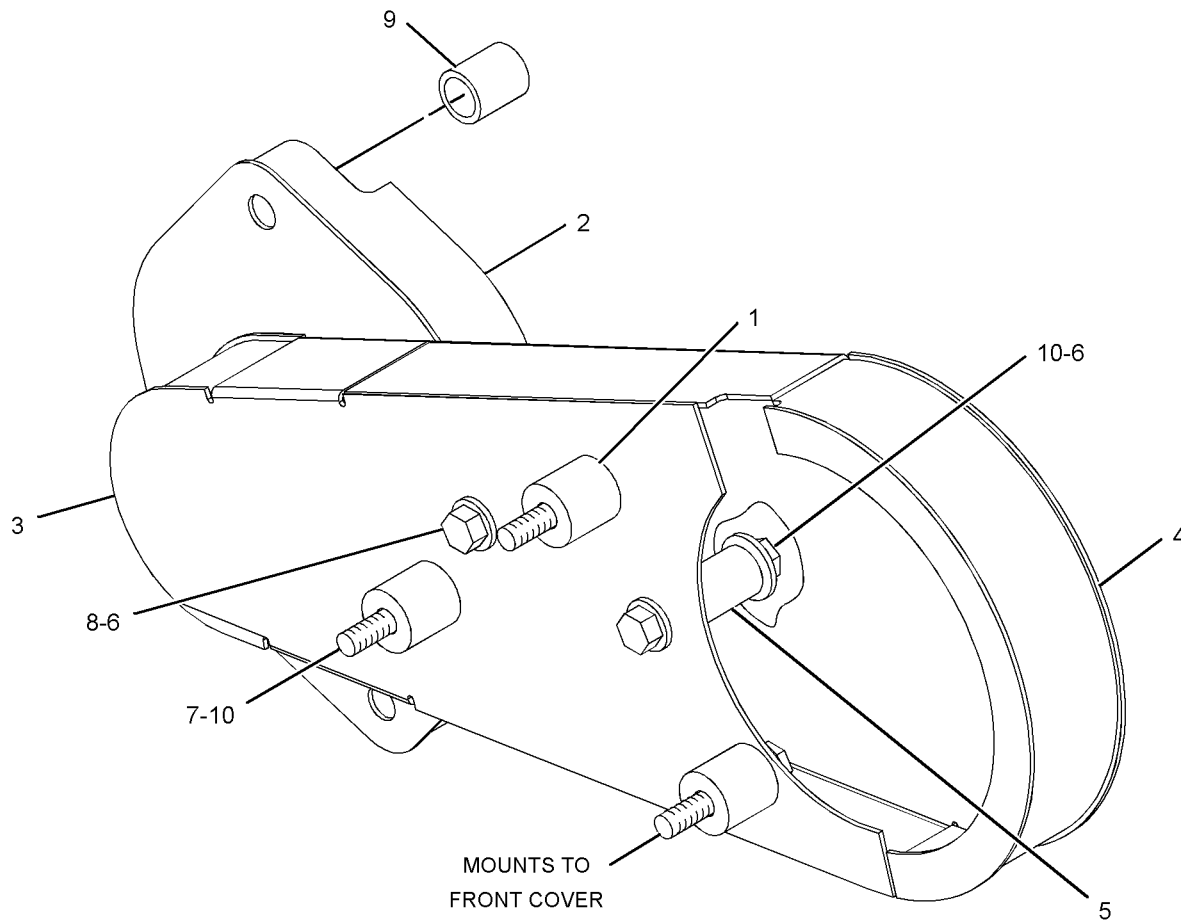
BASIC ENGINE

221-2541 GUARD GP-BELT (CHG -00 THRU -03)

SMCS-7174

i03065464

NOTE	REF NO	GRAPHIC REF	PART NUMBER	QTY	PART NAME						SEE PAGE
					1	2	3	4	5	6 (PRODUCT LEVEL)	
	1	1	1B-4971	3	SPACER (0.406X1X1-IN THK)						
	2	1	138-6804	1	GUARD AS-ALTERNATOR						
	3	1	221-2542	1	GUARD AS						
	4	1	221-2543	1	GUARD AS						
	5	1	232-3759	2	BOSS-WELD						
	6	1	0S-0509	4	BOLT (3/8-16X0.75-IN)						
	7	1	0S-1590	3	BOLT (3/8-16X2-IN)						
	8	1	3V-3308	2	WASHER-HARD (10.2X20.5X2.5-MM THK)						
	9	1	7E-5639	2	SPACER (13.88X21.34X25-MM THK)						
	10	1	9L-9132	5	WASHER (10.2X25.5X2.5-MM THK)						



GRAPHIC #1

<END>

g01560305

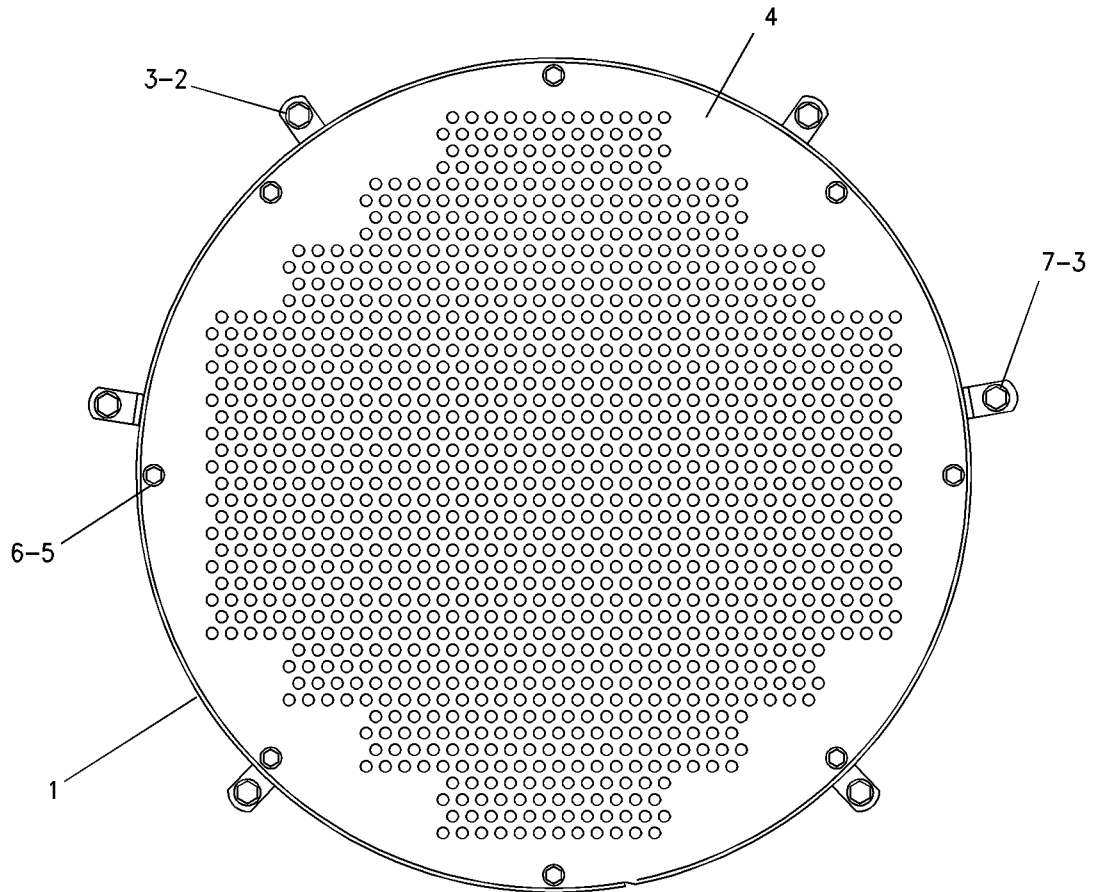
BASIC ENGINE

7W-6583 GUARD GP-DAMPER (CHG -00 THRU -03, -03D1, -03D2) FOR USE WITH DOUBLE 30 IN NARROW DAMPER

SMCS-1205

i02016667

NOTE	REF NO	GRAPHIC REF	PART NUMBER	QTY	PART NAME						SEE PAGE
					1	2	3	4	5	6 (PRODUCT LEVEL)	
	1	1	9Y-1852	1	DAMPER & GUARD AS						
	2	1	0S-1621	4	BOLT (1/2-13X1-IN)						
	3	1	5P-8245	6	WASHER-HARD (13.5X25.5X3-MM THK)						
	4	1	7W-7096	1	COVER						
	5	1	0S-1594	8	BOLT (3/8-16X1-IN)						
	6	1	3V-3308	8	WASHER-HARD (10.2X20.5X2.5-MM THK)						
	7	1	0S-1585	2	BOLT (1/2-13X1.5-IN)						



FRONT VIEW

GRAPHIC #1

<END>

g00803118

BASIC ENGINE

213-6464 GUARD GP-FLYWHEEL (CHG -00, -01)

SMCS-1156, 7187

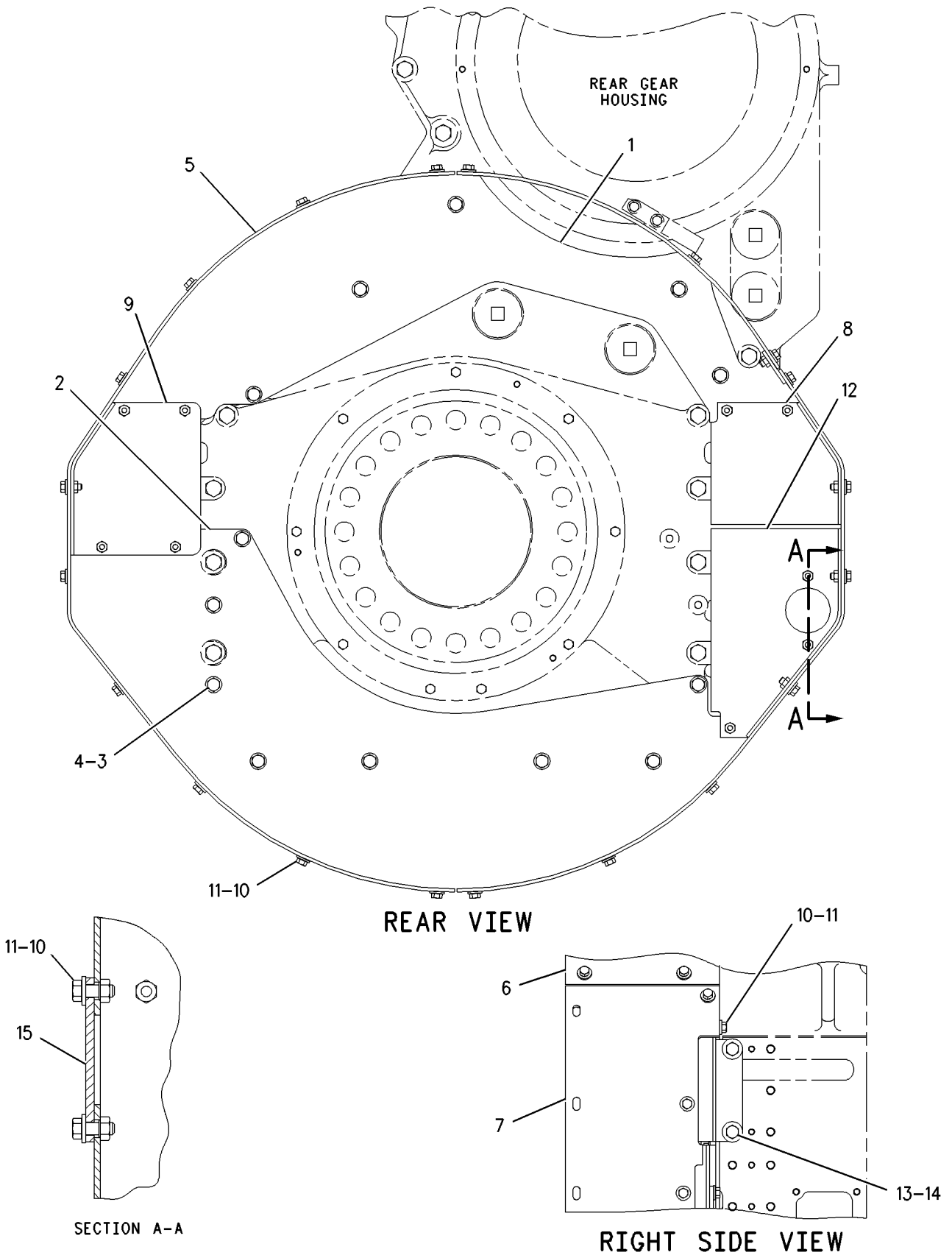
i01797206

NOTE	REF NO	GRAPHIC REF	PART NUMBER	QTY	PART NAME						SEE PAGE
					1	2	3	4	5	6 (PRODUCT LEVEL)	
	1	1	7W-0261	1	PLATE AS-BACKING						
	2	1	7W-9088	1	PLATE AS-BACKING						
	3	1	0S-1621	13	BOLT (1/2-13X1-IN)						
	4	1	5P-8245	13	WASHER-HARD (13.5X25.5X3-MM THK)						
	5	1	7W-0264	1	PLATE						
	6	1	213-6465	1	PLATE						
	7	1	4P-6961	1	PLATE AS						
		1	1F-0750	2	NUT-WELD (3/8-16-THD)						
	8	1	7W-9085	1	COVER AS-STARTING MOTOR						
		1	1F-0750	3	NUT-WELD (3/8-16-THD)						
	9	1	7W-0273	1	COVER AS-STARTING MOTOR						
		1	1F-0750	5	NUT-WELD (3/8-16-THD)						
	10	1	0S-1594	30	BOLT (3/8-16X1-IN)						
	11	1	5P-1075	30	WASHER-HARD (10.2X22.5X3-MM THK)						
	12	1	9Y-9333	1	COVER AS (RH)						
		1	1F-0750	5	NUT-WELD (3/8-16-THD)						
	13	1	6H-1717	2	BOLT (1/2-13X1.125-IN)						
	14	1	7D-1649	2	WASHER-HARD (13.5X32X5-MM THK)						
	15	1	8F-5093	1	COVER-STARTING MOTOR						

BASIC ENGINE

213-6464 GUARD GP-FLYWHEEL (contd.)

i01797206



GRAPHIC #1

<END>

g00920889

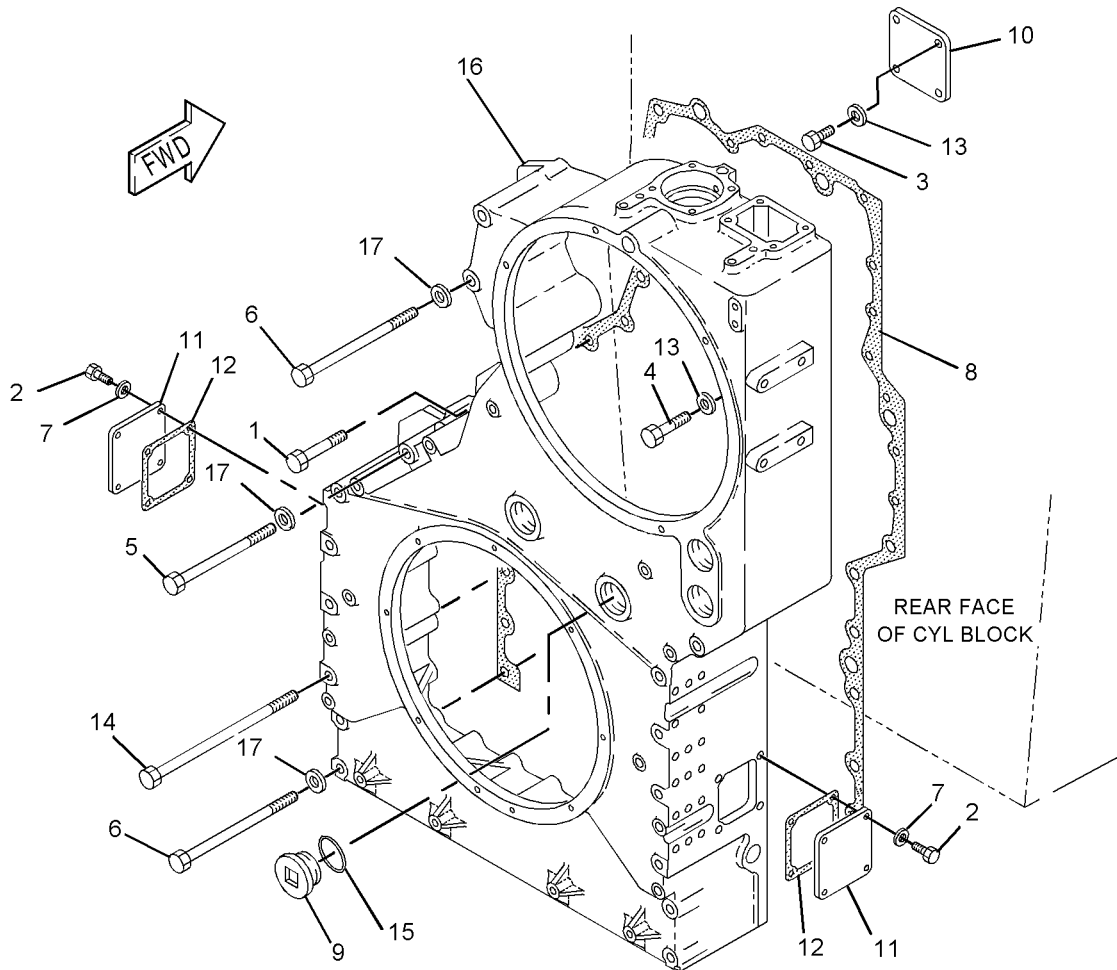
BASIC ENGINE

135-6529 HOUSING GP-FLYWHEEL (CHG -00 THRU -02) GEAR

SMCS-1157

i02158279

NOTE	REF NO	GRAPHIC REF	PART NUMBER	QTY	PART NAME						SEE PAGE
					1	2	3	4	5	6 (PRODUCT LEVEL)	
	1	1	0S-1569	3	BOLT (5/8-11X4-IN)						
	2	1	0S-1594	8	BOLT (3/8-16X1-IN)						
	3	1	0S-1595	4	BOLT (1/2-13X1.25-IN)						
	4	1	1A-1460	10	BOLT (1/2-13X2-IN)						
	5	1	1D-4599	2	BOLT (5/8-11X7-IN)						
	6	1	2H-3756	6	BOLT (5/8-11X9-IN)						
	7	1	3V-3308	8	WASHER-HARD (10.2X20.5X2.5-MM THK)						
	8	1	4W-4101	1	GASKET						
	9	1	4W-4813	4	PLUG						
	10	1	4W-5017	1	COVER						
	11	1	4W-6637	2	COVER						
	12	1	4W-6638	2	GASKET						
	13	1	5P-8245	14	WASHER-HARD (13.5X25.5X3-MM THK)						
	14	1	6V-9608	9	BOLT (5/8-11X10-IN)						
	15	1	009-2062	4	SEAL-O-RING						
	16	1	135-6527	1	HOUSING-REAR						
	17	1	5P-8247	8	WASHER-HARD (17X32X3.5-MM THK)						



GRAPHIC #1

<END>

g01094713

BASIC ENGINE

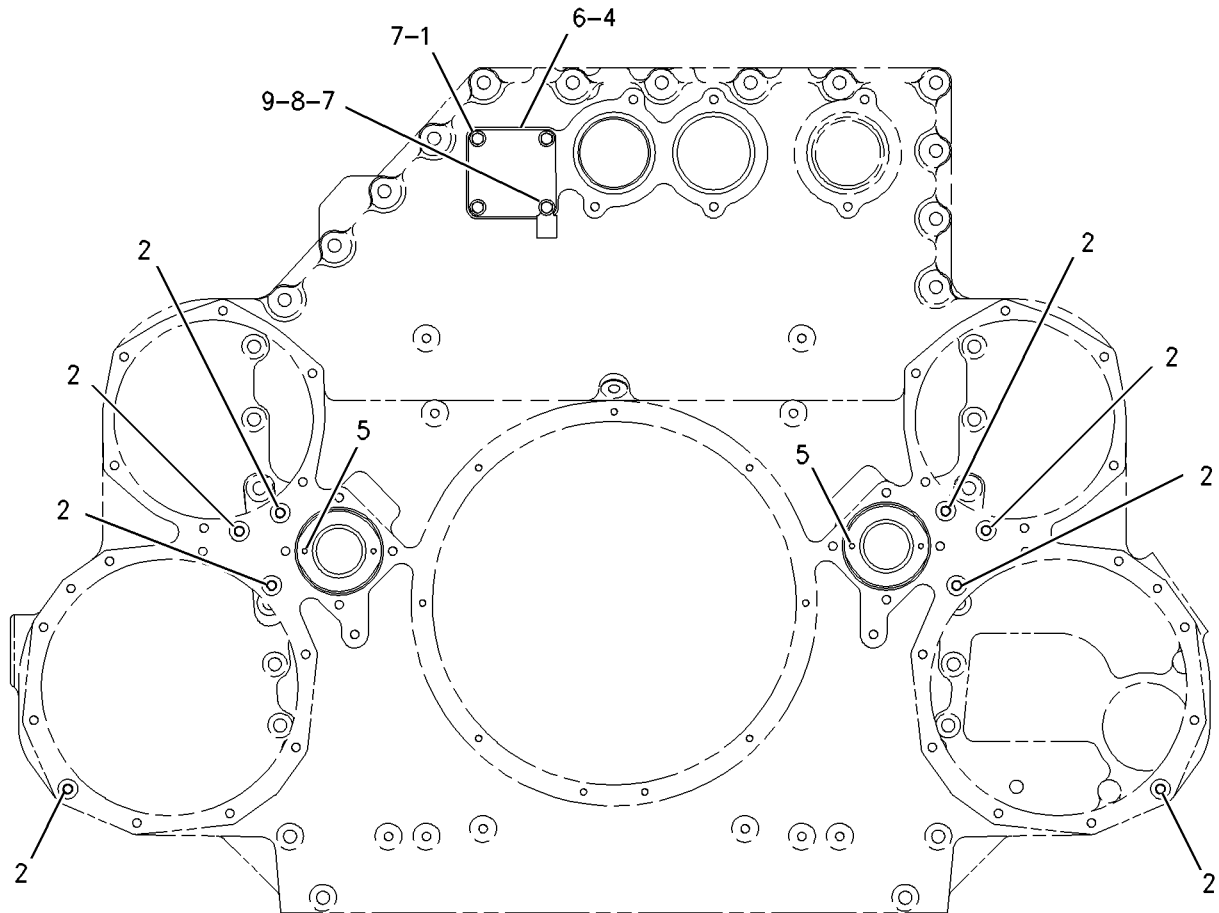
4P-2351 HOUSING GP-FRONT (CHG -00 THRU -07) PART OF 134-8347 HOUSING GP-FRONT

SMCS-1151, 1162, 1206

i02318902

NOTE	REF NO	GRAPHIC REF	PART NUMBER	QTY	PART NAME						SEE PAGE
					1	2	3	4	5	6 (PRODUCT LEVEL)	
	1	1	0S-1594	3	BOLT (3/8-16X1-IN)						
	2	1	1W-0104	8	DOWEL-HOLLOW						
	4	1	6V-0973	1	SEAL-O-RING						
	5	1	7N-2043	4	DOWEL						
	6	1	153-9138	1	COVER (FRONT OIL DRAIN)						
	7	1	3V-3308	4	WASHER-HARD (10.2X20.5X2.5-MM THK)						
B	8	1	1A-2029	1	BOLT (3/8-16X1.125-IN)						
	9	1	9G-9150	1	CLIP						

B-USE AS REQUIRED



FRONT VIEW

GRAPHIC #1

<END>

g00857722

BASIC ENGINE

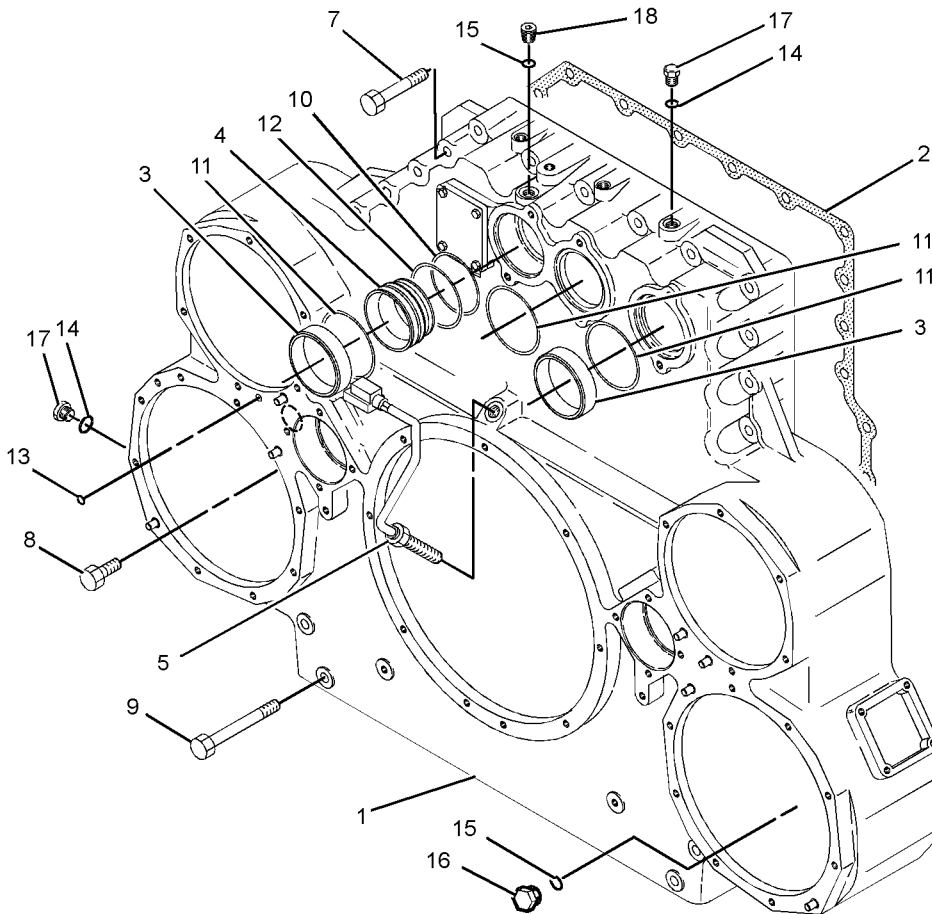
134-8347 HOUSING GP-FRONT (CHG -00 THRU -03)

SMCS-1151, 1162, 1206

i02397291

NOTE	REF NO	GRAPHIC REF	PART NUMBER	QTY	PART NAME						SEE PAGE
					1	2	3	4	5	6 (PRODUCT LEVEL)	
Y	1	1	4P-2351	1	HOUSING GP-FRONT						85
	2	1	4W-4100	1	GASKET						
	3	1	4W-7483	2	SLEEVE						
	4	1	4W-7484	1	CONNECTOR						
Y	5	1	7C-1897	1	SENSOR GP-SPEED (MAGNETIC)						391
	7	1	0S-1569	13	BOLT (5/8-11X4-IN)						
	8	1	0S-1625	12	BOLT (5/8-11X2.5-IN)						
	9	1	2H-3756	4	BOLT (5/8-11X9-IN)						
	10	1	3P-0655	1	SEAL-O-RING						
	11	1	5P-7818	3	SEAL-O-RING						
	12	1	6V-3833	1	SEAL-O-RING						
	13	1	6V-3955	8	SEAL-O-RING						
	14	1	6V-5049	3	SEAL-O-RING						
	15	1	8L-2786	2	SEAL-O-RING						
	16	1	9S-4185	1	PLUG-O-RING						
	17	1	9S-8004	3	PLUG-O-RING						
	18	1	9S-8005	1	PLUG-O-RING						

Y-SEPARATE ILLUSTRATION



GRAPHIC #1

<END>

g01197308

BASIC ENGINE

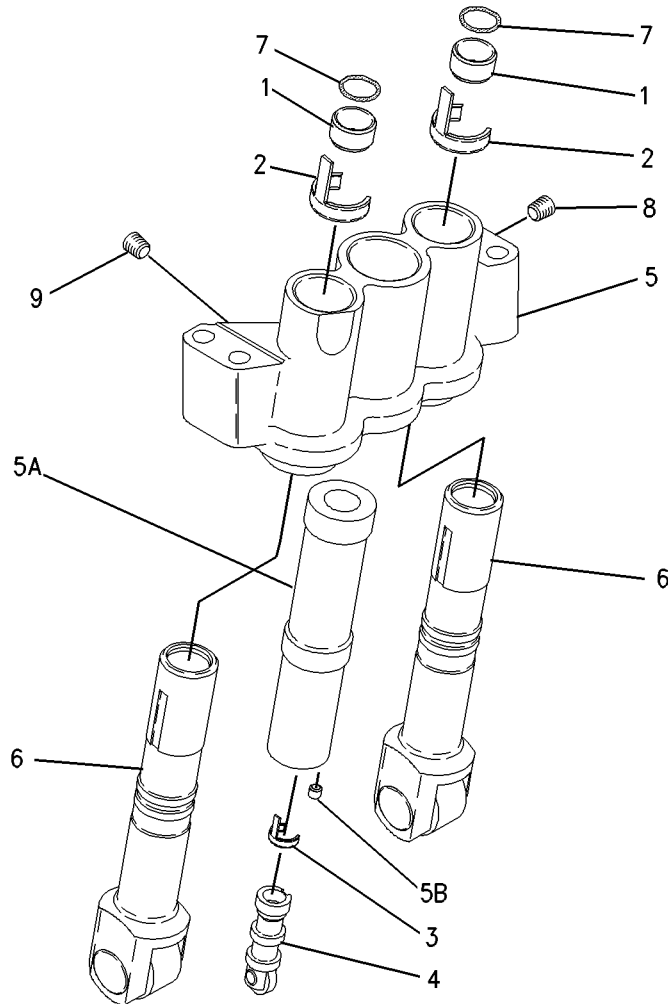
7C-0418 LIFTER GP-VALVE (CHG -01 THRU -07) PART OF 7C-0417 VALVE MECHANISM GP

SMCS-1209

i01494643

NOTE	REF NO	GRAPHIC REF	PART NUMBER	QTY	PART NAME						SEE PAGE
					1	2	3	4	5	6 (PRODUCT LEVEL)	
	1	1	1W-1756	2	INSERT-LIFTER						
	2	1	1W-2473	2	SPRING-GUIDE						
	3	1	7W-8580	1	SPRING-LIFTER GUIDE						
	4	1	108-8235	1	LIFTER AS-VALVE						
	5	1	153-3932	1	GUIDE AS-LIFTER						
	5A	1	153-3931	1	ADAPTER AS						
	5B	1	1W-0605	1	PIN-HOUSING SIDE						
R	6	1	194-0629	2	LIFTER AS-VALVE						
	7	1	5P-7701	2	SEAL-O-RING						
	8	1	8T-6757	1	PLUG-PIPE						
	9	1	8T-6759	3	PLUG-PIPE						

R-REMFG PART MAY BE AVAILABLE



GRAPHIC #1

<END>

g00776146

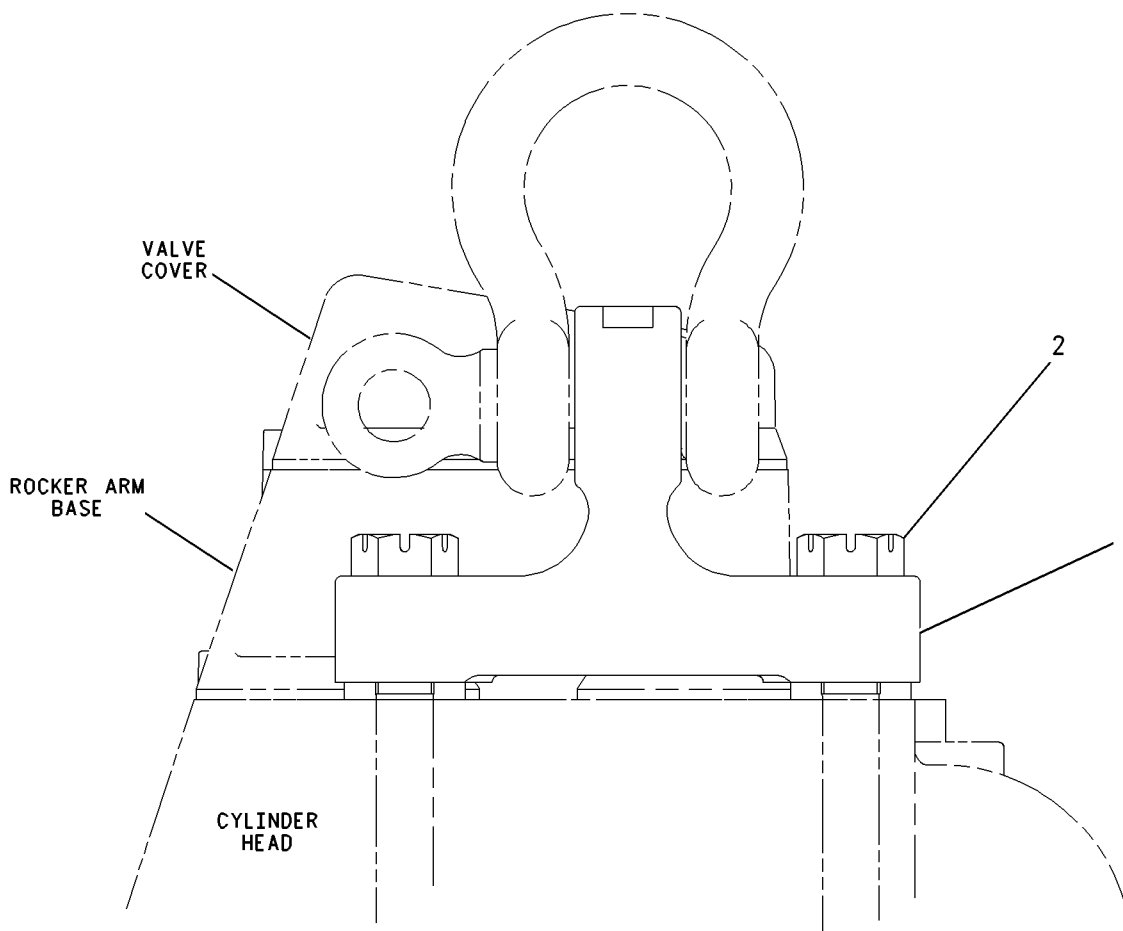
BASIC ENGINE

1W-0826 LIFTING GP-ENGINE (CHG -05 THRU -09, -09A1, -09B1 THRU -11)

SMCS-1122

i02277901

NOTE	REF NO	GRAPHIC REF	PART NUMBER	QTY	PART NAME						SEE PAGE
					1	2	3	4	5	6 (PRODUCT LEVEL)	
	1	1	101-8187	2	BRACKET-LIFTING						
	2	1	9X-6003	8	NUT-SLOTTED (1-5/8-2-THD)						



GRAPHIC #1

<END>

g00726086

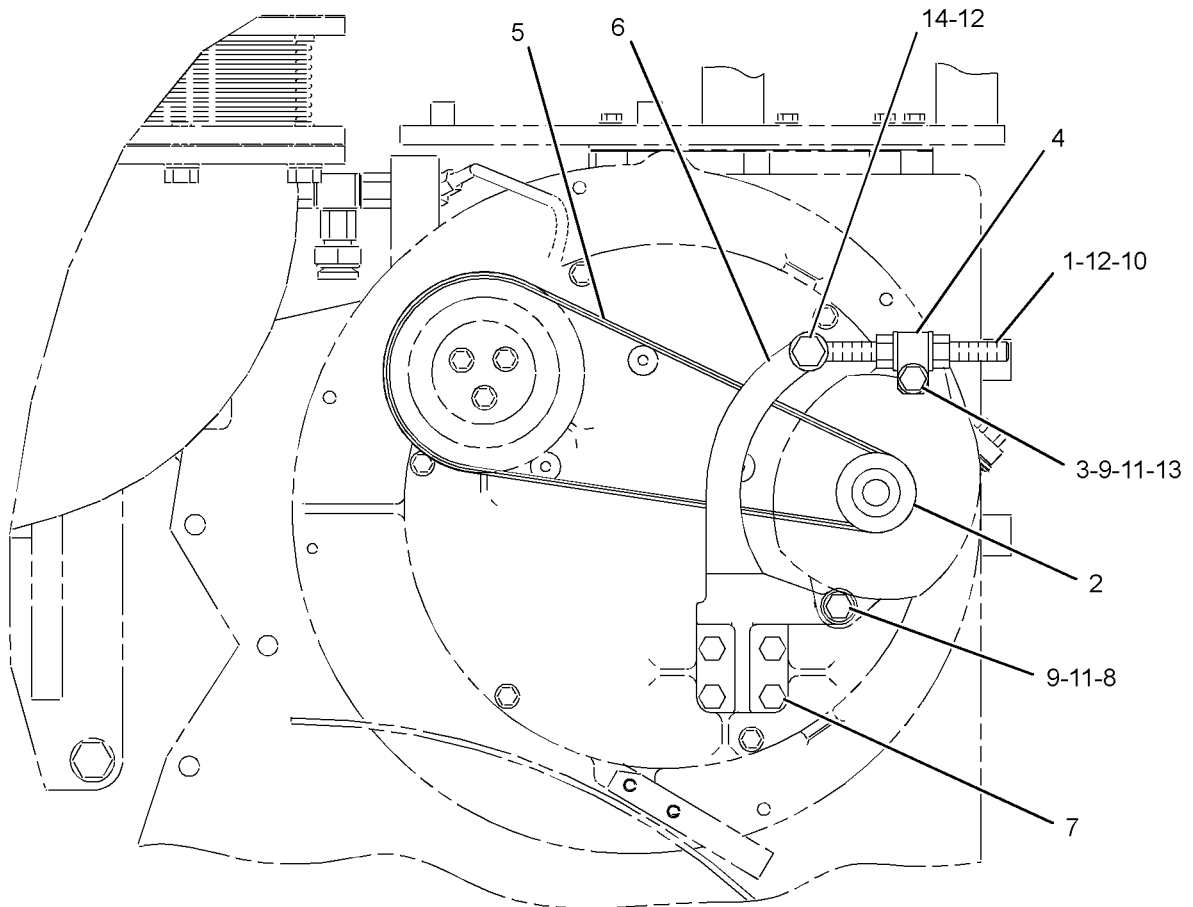
BASIC ENGINE

233-0219 MOUNTING GP-ALTERNATOR (CHG -00, -01) FOR USE WITH INLINE ENGINES WITH AN ACCESSORY DRIVE GP

SMCS-1154, 1405

i02491962

NOTE	REF NO	GRAPHIC REF	PART NUMBER	QTY	PART NAME						SEE PAGE
					1	2	3	4	5	6 (PRODUCT LEVEL)	
	1	1	1S-4698	1	ROD						
	2	1	7E-6218	1	PULLEY						
	3	1	7N-2597	1	SPACER (13.5X25.4X8.08-MM THK)						
	4	1	8S-5383	1	BLOCK						
	5	1	100-3725	1	BELT-SERPENTINE						
	6	1	196-6041	1	SUPPORT						
	7	1	0S-1587	4	BOLT (1/2-13X1.75-IN)						
	8	1	1A-0168	1	BOLT (1/2-13X7.5-IN)						
	9	1	1F-7958	2	NUT-FULL (1/2-13-THD)						
	10	1	4K-0367	2	NUT-FULL (5/8-11-THD)						
	11	1	5P-8245	4	WASHER-HARD (13.5X25.5X3-MM THK)						
	12	1	5P-8247	3	WASHER-HARD (17X32X3.5-MM THK)						
	13	1	7D-9766	1	BOLT (1/2-13X4.25-IN)						
	14	1	9X-8880	1	BOLT (5/8-11X2-IN)						



REAR VIEW

<END>

GRAPHIC #1

g01246271

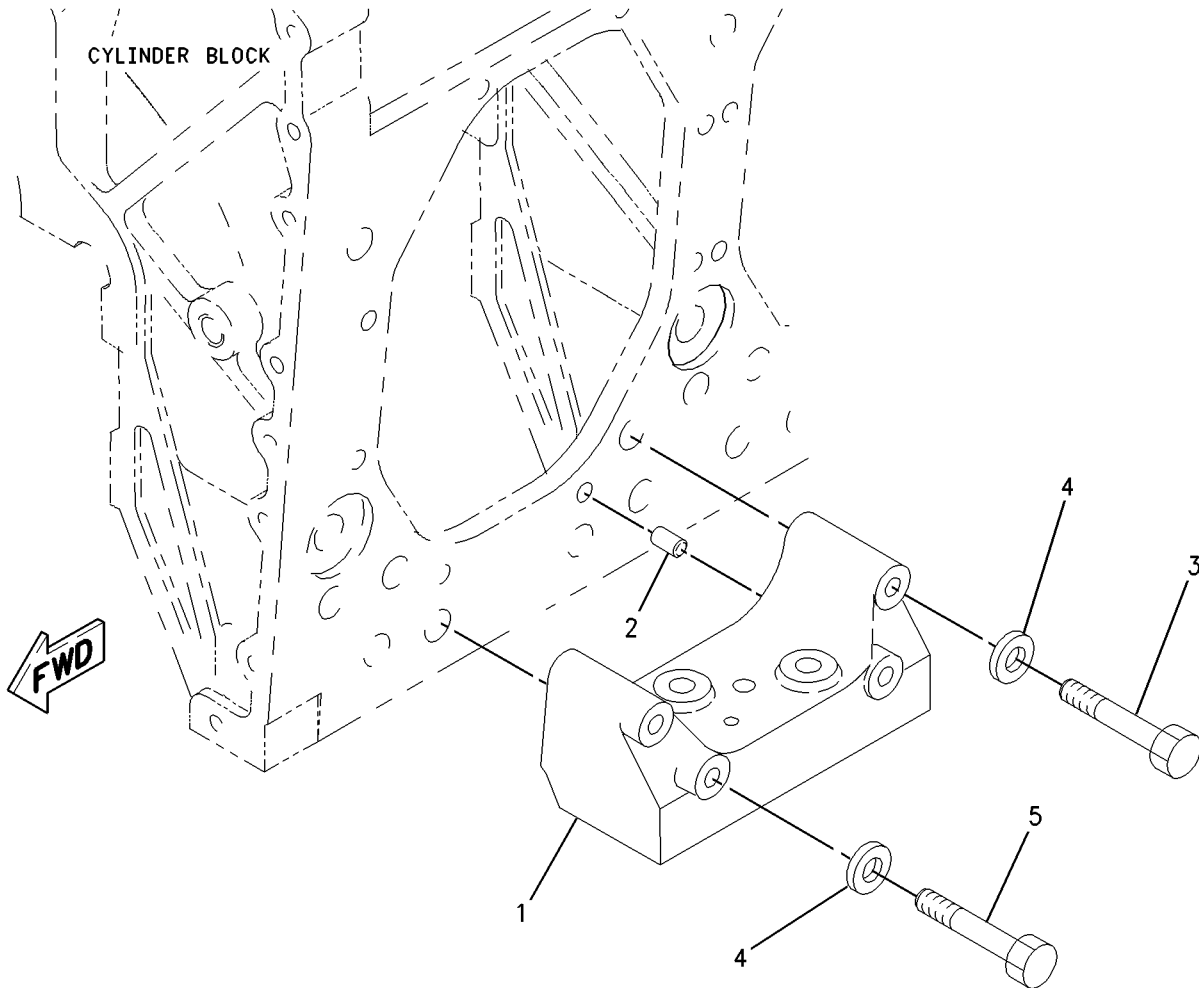
BASIC ENGINE

1W-0796 MOUNTING GP-ENGINE (CHG -04 THRU -07, 7W-8431-01) 450-MM MOUNTING DIMENSION, INLINE

SMCS-1152, 1153, 1154

i02093375

NOTE	REF NO	GRAPHIC REF	PART NUMBER	QTY	PART NAME						SEE PAGE
					1	2	3	4	5	6 (PRODUCT LEVEL)	
	1	1	7W-8431	4	SUPPORT AS						
					(EACH INCLUDES)						
	2	1	7N-2328	2	DOWEL						
	3	1	8S-4757	8	BOLT (1-14X8-IN)						
	4	1	5P-8250	16	WASHER (28X49X5-MM THK)						
	5	1	7B-8363	8	BOLT (1-14X10-3/4-IN)						



GRAPHIC #1

<END>

g00726071

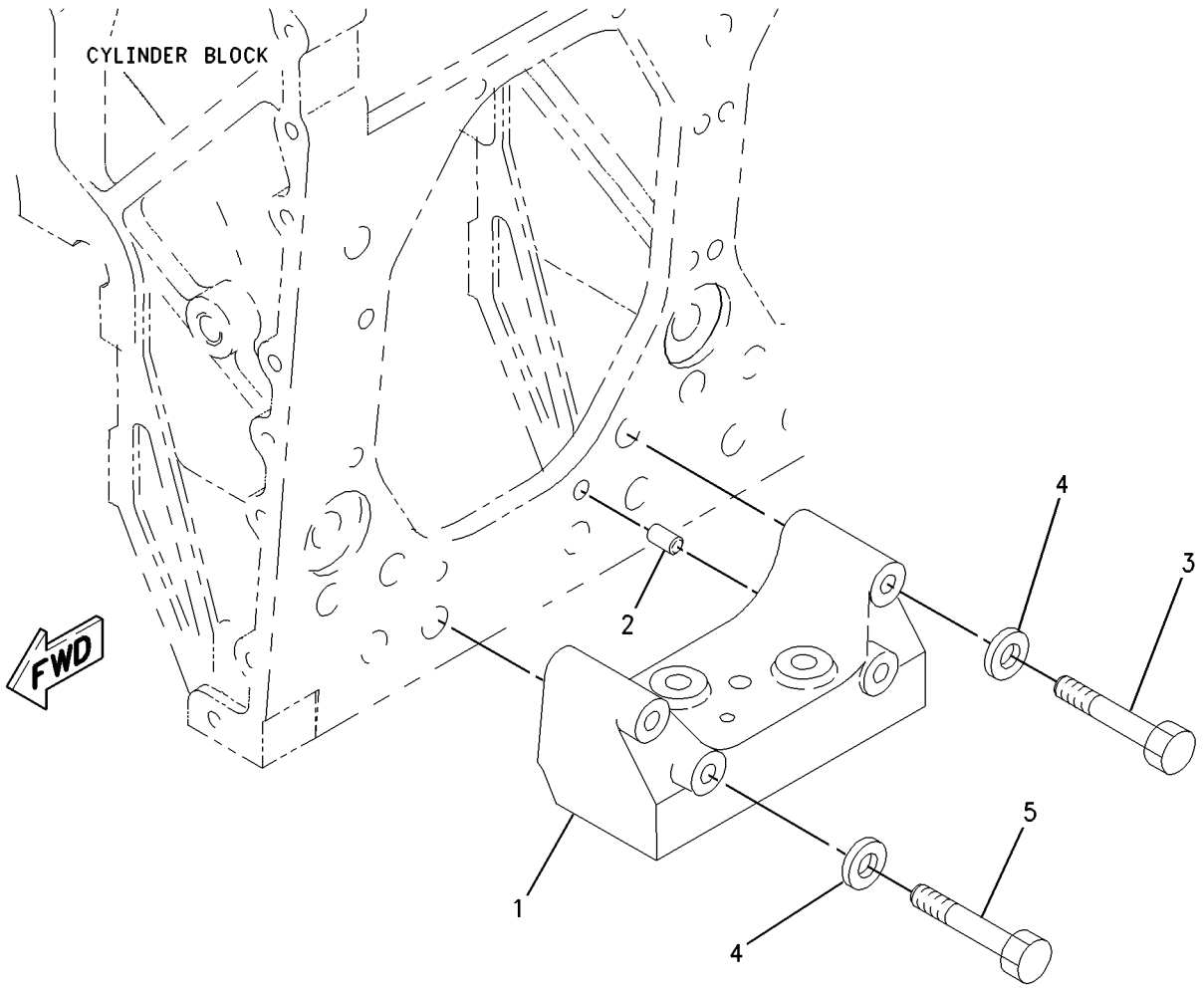
BASIC ENGINE

2W-3335 MOUNTING GP-ENGINE (CHG -04 THRU -07) EXTRA 450 MM

SMCS-1152, 1153, 1154

i02416057

NOTE	REF NO	GRAPHIC REF	PART NUMBER	QTY	PART NAME						SEE PAGE
					1	2	3	4	5	6 (PRODUCT LEVEL)	
	1	1	7W-8431	1	SUPPORT AS						
	2	1	7N-2328	2	DOWEL						
	3	1	8S-4757	2	BOLT (1-14X8-IN)						
	4	1	5P-8250	4	WASHER (28X49X5-MM THK)						
	5	1	7B-8363	2	BOLT (1-14X10.75-IN)						



GRAPHIC #1

<END>

g00726130

BASIC ENGINE

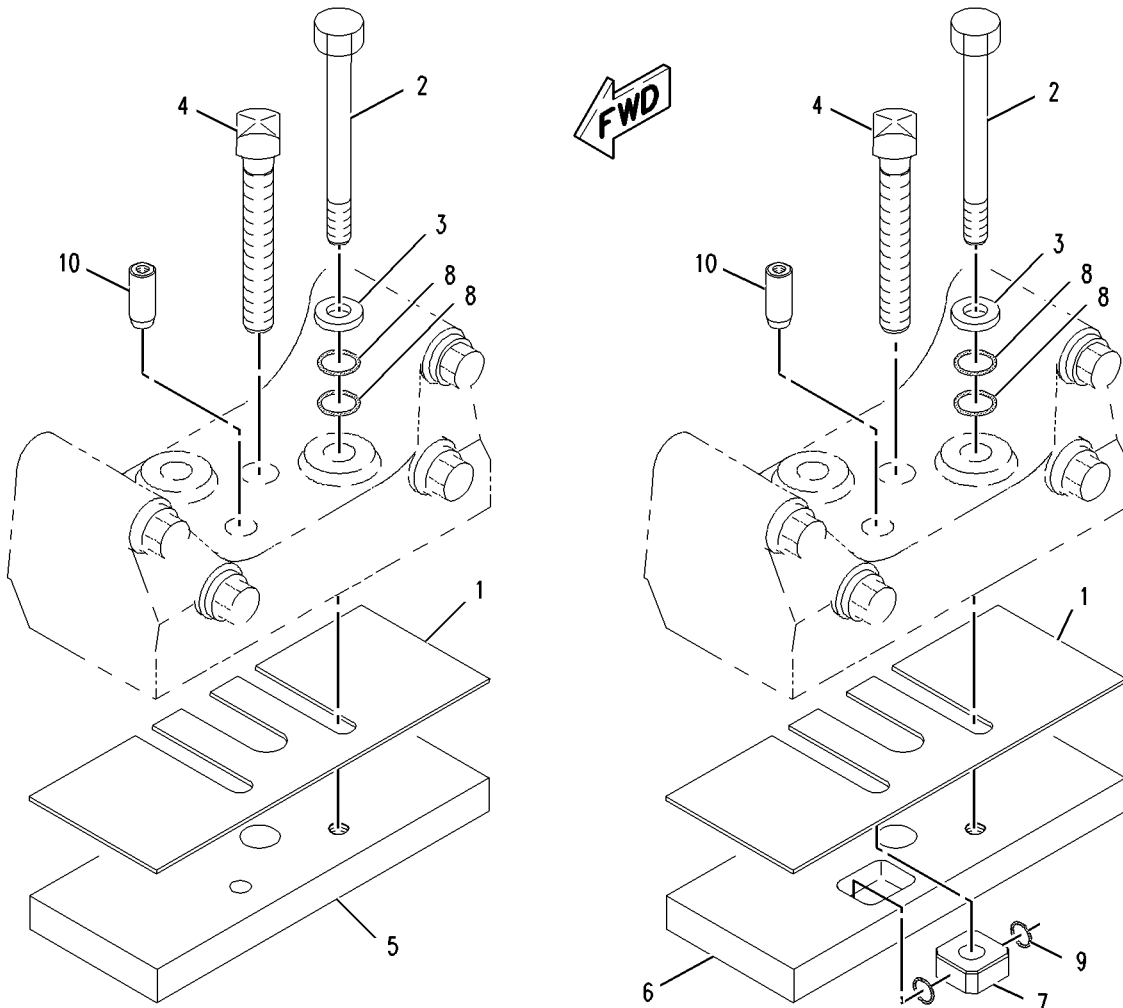
7C-5269 MOUNTING GP-ENGINE (CHG -00 THRU -05) 450-MM MOUNTING DIMENSION, LH

SMCS-1152, 1153, 1154

i02093267

NOTE	REF NO	GRAPHIC REF	PART NUMBER	QTY	PART NAME						SEE PAGE
					1	2	3	4	5	6 (PRODUCT LEVEL)	
B	1	1	7C-5273	3	SHIM (0.08-MM THK)						
	2	1	7F-4283	8	BOLT (1-14X6.5-IN)						
	3	1	5D-4661	8	WASHER-HARD (28X52.5X8-MM THK)						
	4	1	6V-5137	4	SETSCREW-SQUARE HEAD (1-1/2-12X7.5-IN)						
	5	1	7W-8487	3	PLATE-ENGINE MOUNTING						
	6	1	7W-8486	1	PLATE-ENGINE MOUNTING						
	7	1	7W-1771	1	GUIDE						
	8	1	8M-4446	16	SEAL-O-RING						
	9	1	5P-2428	2	SEAL-O-RING						
	10	1	2W-2988	2	DOWEL						

B-USE AS REQUIRED



GRAPHIC #1

<END>

g00801145

BASIC ENGINE

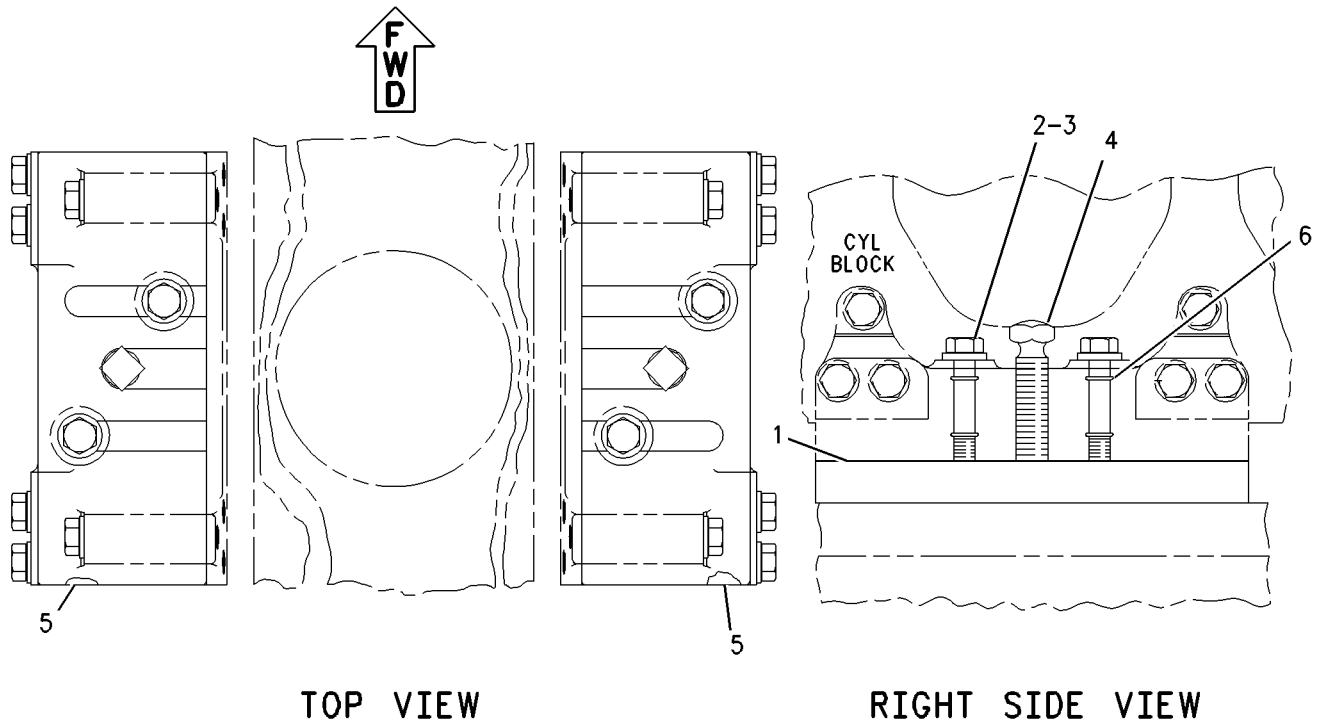
109-9717 MOUNTING GP-ENGINE (CHG -00, -01)

SMCS-1152, 1153, 1154

i02346182

NOTE	REF NO	GRAPHIC REF	PART NUMBER	QTY	PART NAME						SEE PAGE
					1	2	3	4	5	6 (PRODUCT LEVEL)	
B	1	1	7C-5273	2	SHIM (0.08-MM THK)						
	2	1	7F-4283	4	BOLT (1-14X6.5-IN)						
	3	1	5D-4661	4	WASHER-HARD (28X52.5X8-MM THK)						
	4	1	6V-5137	2	SETSCREW-SQUARE HEAD (1-1/2-12X7.5-IN)						
	5	1	7W-8487	2	PLATE-ENGINE MOUNTING						
	6	1	8M-4446	8	SEAL-O-RING						

B-USE AS REQUIRED



GRAPHIC #1

<END>

g00811854

BASIC ENGINE

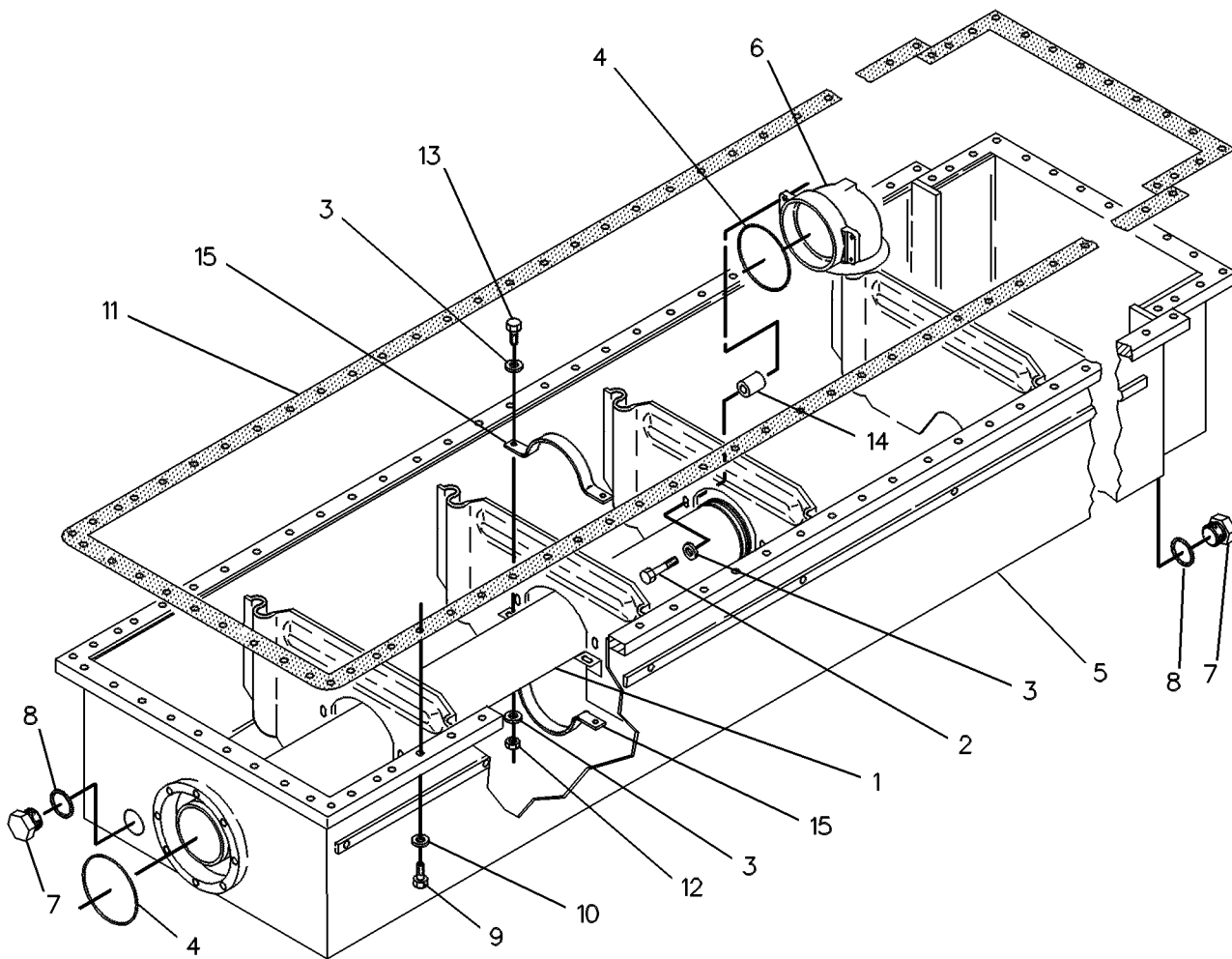
1W-0839 PAN GP-OIL (CHG -10 THRU -12)

SMCS-1302

i01552726

NOTE	REF NO	GRAPHIC REF	PART NUMBER	QTY	PART NAME						SEE PAGE
					1	2	3	4	5	6 (PRODUCT LEVEL)	
	1	1	9Y-3308	1	TUBE AS						
	2	1	0S-1590	4	BOLT (3/8-16X2-IN)						
	3	1	5P-1075	12	WASHER-HARD (10.2X22.5X3-MM THK)						
	4	1	5P-8861	2	SEAL-O-RING						
C	5	1	114-6672	1	PAN AS-OIL						
	6	1	1W-6700	1	BELL-SUCTION						
	7	1	1N-5998	2	PLUG						
	8	1	5P-7816	2	SEAL-O-RING						
	9	1	1A-1460	98	BOLT (1/2-13X2-IN)						
	10	1	5P-8245	98	WASHER-HARD (13.5X25.5X3-MM THK)						
	11	1	4W-4050	1	GASKET-OIL PAN						
	12	1	9S-8752	4	NUT-FULL (3/8-16-THD)						
	13	1	0S-1591	4	BOLT (3/8-16X1.5-IN)						
	14	1	1B-4971	4	SPACER (0.406X1X1-IN THK)						
	15	1	1W-6702	4	CLAMP						

C-CHANGE FROM PREVIOUS TYPE



GRAPHIC #1

<END>

g00065960

BASIC ENGINE

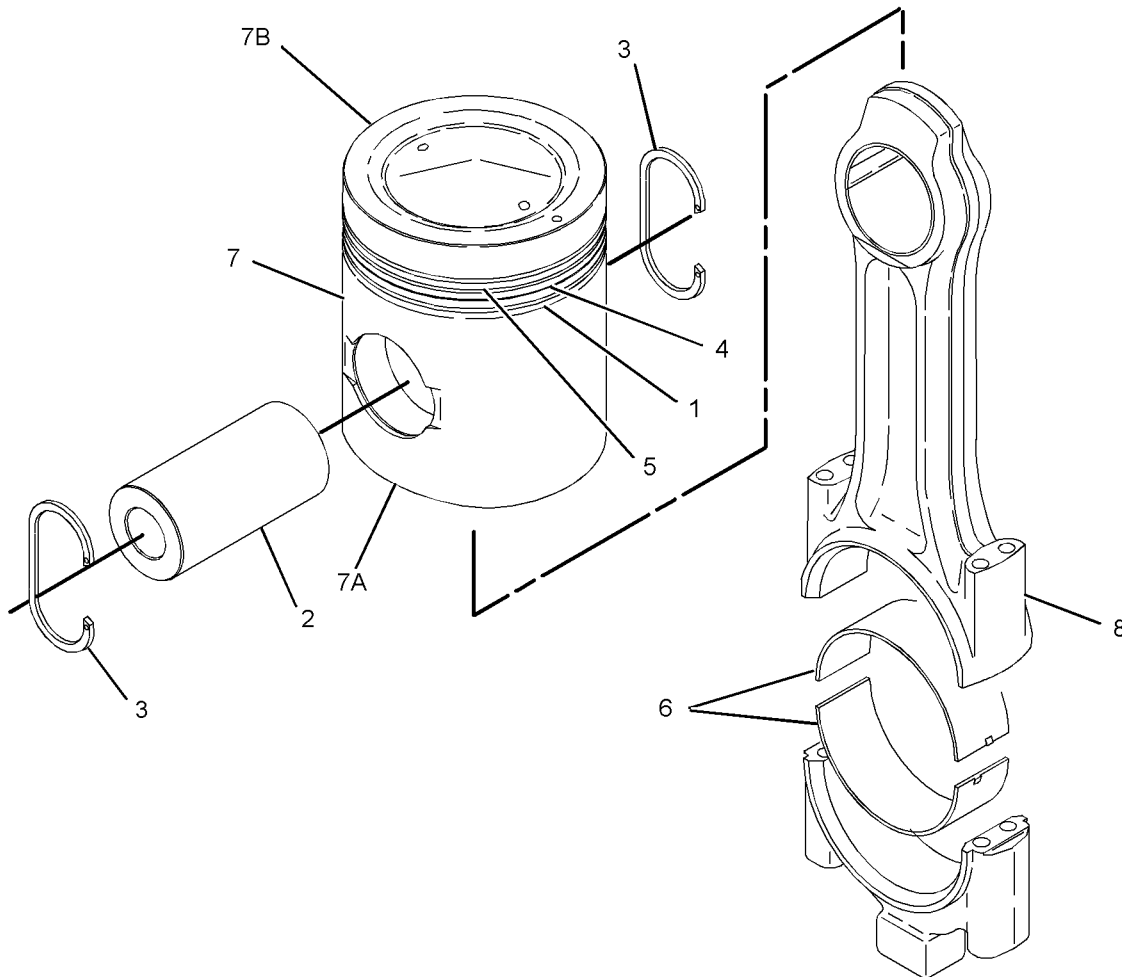
7C-0415 PISTON & ROD GP (CHG -12 THRU -19) 9:1 RATIO

SMCS-1225

i02657782

NOTE	REF NO	GRAPHIC REF	PART NUMBER	QTY	PART NAME						SEE PAGE
					1	2	3	4	5	6 (PRODUCT LEVEL)	
	1	1	4P-8958	1	RING-PISTON (OIL CONTROL)						
	2	1	7C-1412	1	PIN-PISTON						
	3	1	7C-1413	2	RETAINER-PIN						
	4	1	7C-7886	1	RING-PISTON (INTERMEDIATE)						
	5	1	7E-8215	1	RING-PISTON (TOP)						
	6	1	192-7870	1	BEARING-CONNECTING ROD						
AB		1	262-7162		BEARING-CONNECTING ROD (0.5-MM US)						
AB		1	262-7163		BEARING-CONNECTING ROD (1.0-MM US)						
	7	1	290-2041	1	PISTON AS						
	7A	1	290-2038	1	SKIRT AS						
	7B	1	290-2039	1	CROWN AS						
Y	8	1	263-1852	1	CONNECTING ROD GP						13

A-NOT PART OF THIS GROUP
 B-USE AS REQUIRED
 Y-SEPARATE ILLUSTRATION



GRAPHIC #1

<END>

g01336580

BASIC ENGINE

287-7867 PLUG GP-ENGINE (CHG -00)

SMCS-1100

i02492681

NOTE	PART NUMBER	QTY	PART NAME	SEE PAGE
			1 2 3 4 5 6 (PRODUCT LEVEL)	
	9S-9334	1	PLUG-O-RING (STRAIGHT THREAD O-RING)	
	5P-7701	1	SEAL-O-RING	
<END>				

BASIC ENGINE

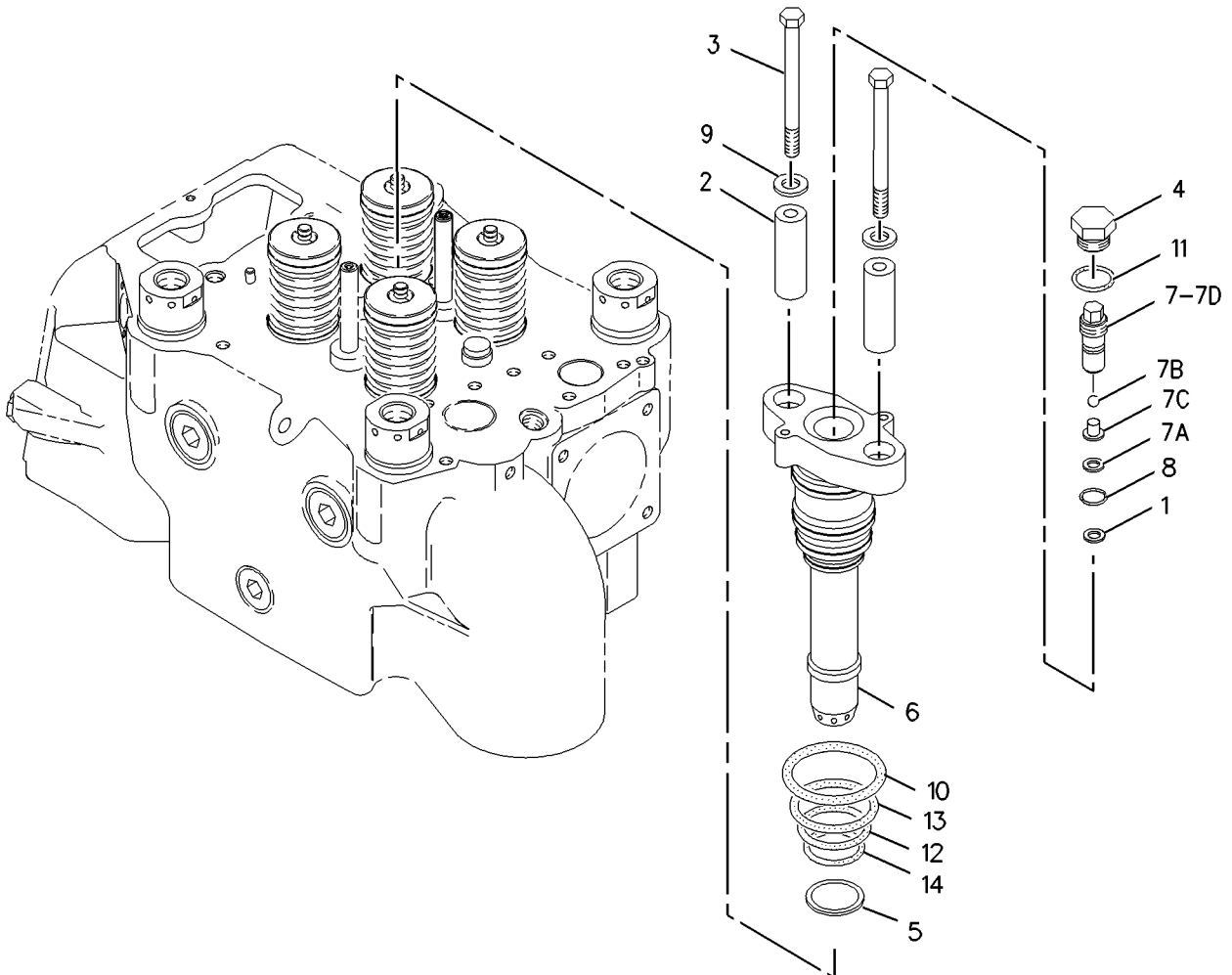
110-5469 PRECHAMBER GP (CHG -13 THRU -15, -15D1, -16)

SMCS-1106

i02420051

NOTE	REF NO	GRAPHIC REF	PART NUMBER	QTY	PART NAME						SEE PAGE
					1	2	3	4	5	6 (PRODUCT LEVEL)	
	1	1	7E-1630	1	GASKET						
	2	1	8K-2090	2	TUBE						
	3	1	9X-6621	2	BOLT-12 POINT HEAD (3/8-16X5-IN)						
	4	1	102-4157	1	PLUG						
	5	1	187-6613	1	GASKET						
C	6	1	197-6980	1	PRECHAMBER AS						
	7	1	208-9649	1	VALVE AS-CHECK						
	7A	1	1S-1638	1	RING-RETAINING						
	7B	1	9M-5590	1	BALL						
	7C	1	218-1915	1	STOP						
	7D	1	221-0058	1	BODY-VALVE						
	8	1	3P-0647	1	SEAL-O-RING						
	9	1	3V-3308	2	WASHER-HARD (10.2X20.5X2.5-MM THK)						
	10	1	5P-4889	1	SEAL-O-RING						
	11	1	5P-7815	1	SEAL-O-RING						
	12	1	6J-2244	1	SEAL-O-RING						
	13	1	6V-1179	1	SEAL-O-RING						
	14	1	6V-4368	1	SEAL-O-RING						

C-CHANGE FROM PREVIOUS TYPE



GRAPHIC #1

<END>

g00916547

BASIC ENGINE

218-3893 PRECHAMBER GP (CHG -00 THRU -06)

SMCS-1106

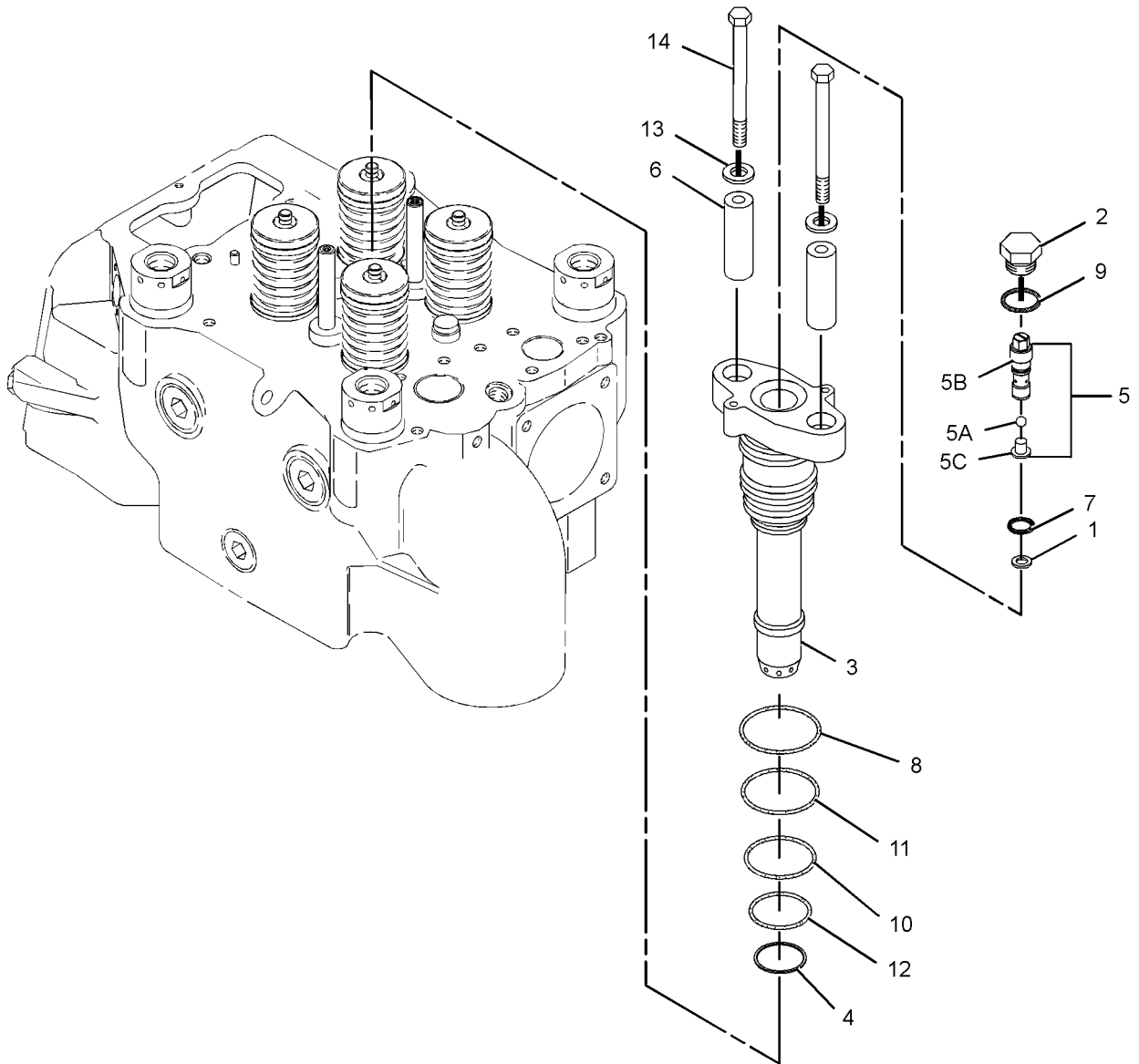
i02341307

NOTE	REF NO	GRAPHIC REF	PART NUMBER	QTY	PART NAME						SEE PAGE
					1	2	3	4	5	6 (PRODUCT LEVEL)	
	1	1	7E-1630	1	GASKET						
	2	1	102-4157	1	PLUG						
	3	1	218-3894	1	PRECHAMBER AS						
	4	1	219-6908	1	GASKET						
	5	1	253-0857	1	VALVE AS-CHECK						
	5A	1	9M-5590	1	BALL						
	5B	1	253-0858	1	BODY-CHECK VALVE						
	5C	1	253-0859	1	STOP-CHECK VALVE						
	6	1	275-4011	2	SPACER						
	7	1	3P-0647	1	SEAL-O-RING						
	8	1	5P-4889	1	SEAL-O-RING						
	9	1	5P-7815	1	SEAL-O-RING						
	10	1	6J-2244	1	SEAL-O-RING						
	11	1	6V-1179	1	SEAL-O-RING						
	12	1	6V-4368	1	SEAL-O-RING						
	13	1	7D-1649	2	WASHER-HARD (13.5X32X5-MM THK)						
	14	1	8D-0648	2	BOLT-12 POINT HEAD (1/2-13X4.5-IN)						

BASIC ENGINE

218-3893 PRECHAMBER GP (contd.)

i02341307



GRAPHIC #1

<END>

g01168648

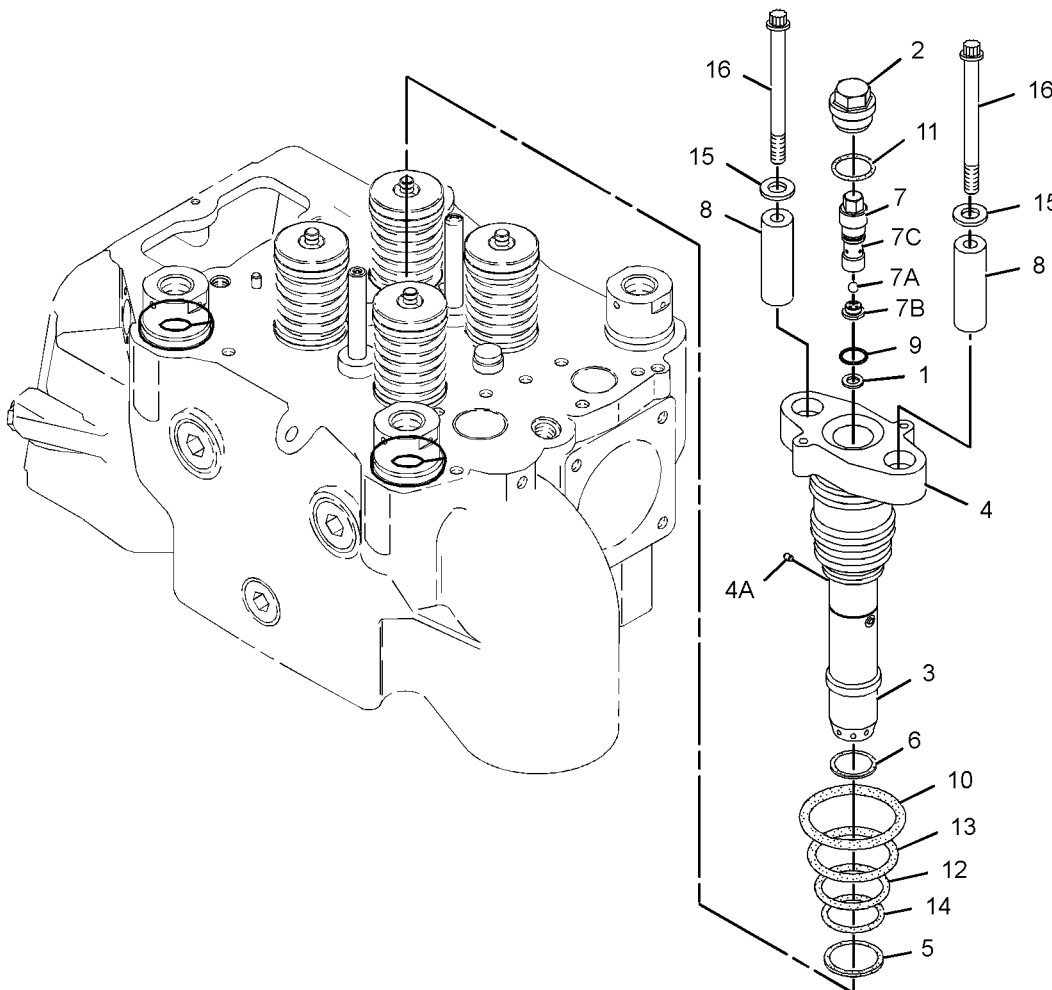
BASIC ENGINE

218-3902 PRECHAMBER GP (CHG -00 THRU -05, -05D1, -06) HIGH EFFICIENCY

SMCS-1106

i02341309

NOTE	REF NO	GRAPHIC REF	PART NUMBER	QTY	PART NAME						SEE PAGE
					1	2	3	4	5	6 (PRODUCT LEVEL)	
	1	1	7E-1630	1	GASKET						
	2	1	102-4157	1	PLUG						
	3	1	125-3848	1	PRECHAMBER AS						
	4	1	218-3905	1	BODY AS						
	4A	1	4F-6024	2	PIN						
	5	1	219-6908	1	GASKET						
	6	1	219-7009	1	GASKET						
	7	1	253-0857	1	VALVE AS-CHECK						
	7A	1	9M-5590	1	BALL						
	7B	1	253-0859	1	STOP-CHECK VALVE						
	7C	1	253-0858	1	BODY-CHECK VALVE						
	8	1	275-4011	2	SPACER						
	9	1	3P-0647	1	SEAL-O-RING						
	10	1	5P-4889	1	SEAL-O-RING						
	11	1	5P-7815	1	SEAL-O-RING						
	12	1	6J-2244	1	SEAL-O-RING						
	13	1	6V-1179	1	SEAL-O-RING						
	14	1	6V-4368	1	SEAL-O-RING						
	15	1	7D-1649	2	WASHER-HARD (13.5X32X5-MM THK)						
	16	1	8D-0648	2	BOLT-12 POINT HEAD (1/2-13X4.5-IN)						



GRAPHIC #1

<END>

g01168768

BASIC ENGINE

218-3907 PRECHAMBER GP (CHG -00 THRU -05, -05D1, -06, 208-9649-01) LANDFILL

SMCS-1106

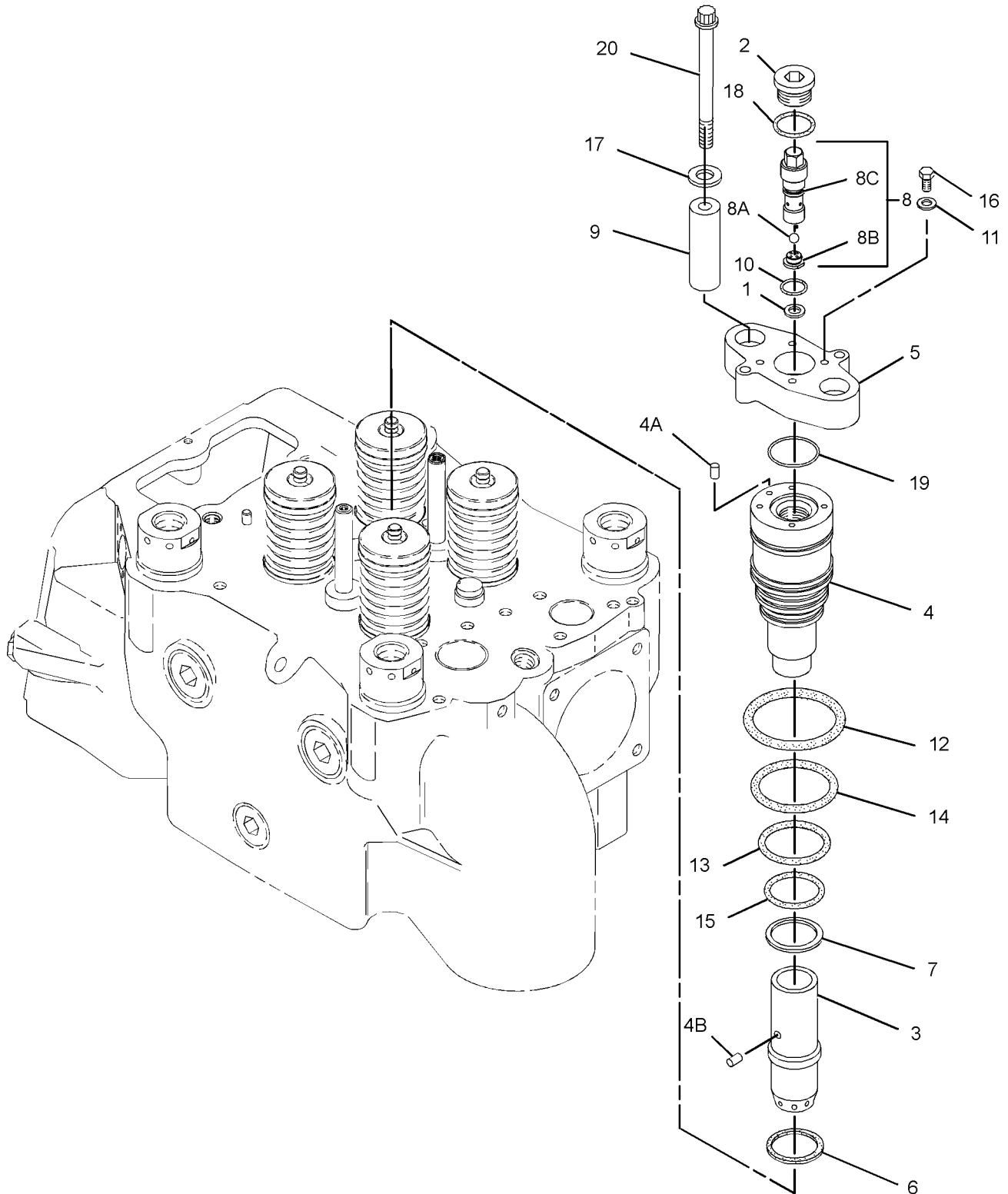
i02341311

NOTE	REF NO	GRAPHIC REF	PART NUMBER	QTY	PART NAME						SEE PAGE
					1	2	3	4	5	6 (PRODUCT LEVEL)	
	1	1	7E-1630	1	GASKET						
	2	1	9S-9334	1	PLUG-O-RING						
	3	1	125-3848	1	PRECHAMBER AS						
	4	1	173-7663	1	BODY GP-PRECHAMBER						
	4A	1	7N-2043	1	DOWEL						
	4B	1	4F-6024	2	PIN						
	5	1	218-3908	1	FLANGE						
	6	1	219-6908	1	GASKET						
	7	1	219-7009	1	GASKET						
	8	1	253-0857	1	VALVE AS-CHECK						
	8A	1	9M-5590	1	BALL						
	8B	1	253-0859	1	STOP-CHECK VALVE						
	8C	1	253-0858	1	BODY-CHECK VALVE						
	9	1	275-4011	2	SPACER						
	10	1	3P-0647	1	SEAL-O-RING						
	11	1	5P-0537	4	WASHER-HARD (7.2X14.5X2-MM THK)						
	12	1	5P-4889	1	SEAL-O-RING						
	13	1	6J-2244	1	SEAL-O-RING						
	14	1	6V-1179	1	SEAL-O-RING						
	15	1	6V-4368	1	SEAL-O-RING						
	16	1	7B-8167	4	BOLT (1/4-20X1.625-IN)						
	17	1	7D-1649	2	WASHER-HARD (13.5X32X5-MM THK)						
	18	1	7M-8485	1	SEAL-O-RING						
	19	1	8C-0624	1	SEAL-O-RING						
	20	1	8D-0648	2	BOLT-12 POINT HEAD (1/2-13X4.5-IN)						

BASIC ENGINE

218-3907 PRECHAMBER GP (contd.)

i02341311



GRAPHIC #1

<END>

g01168824

BASIC ENGINE

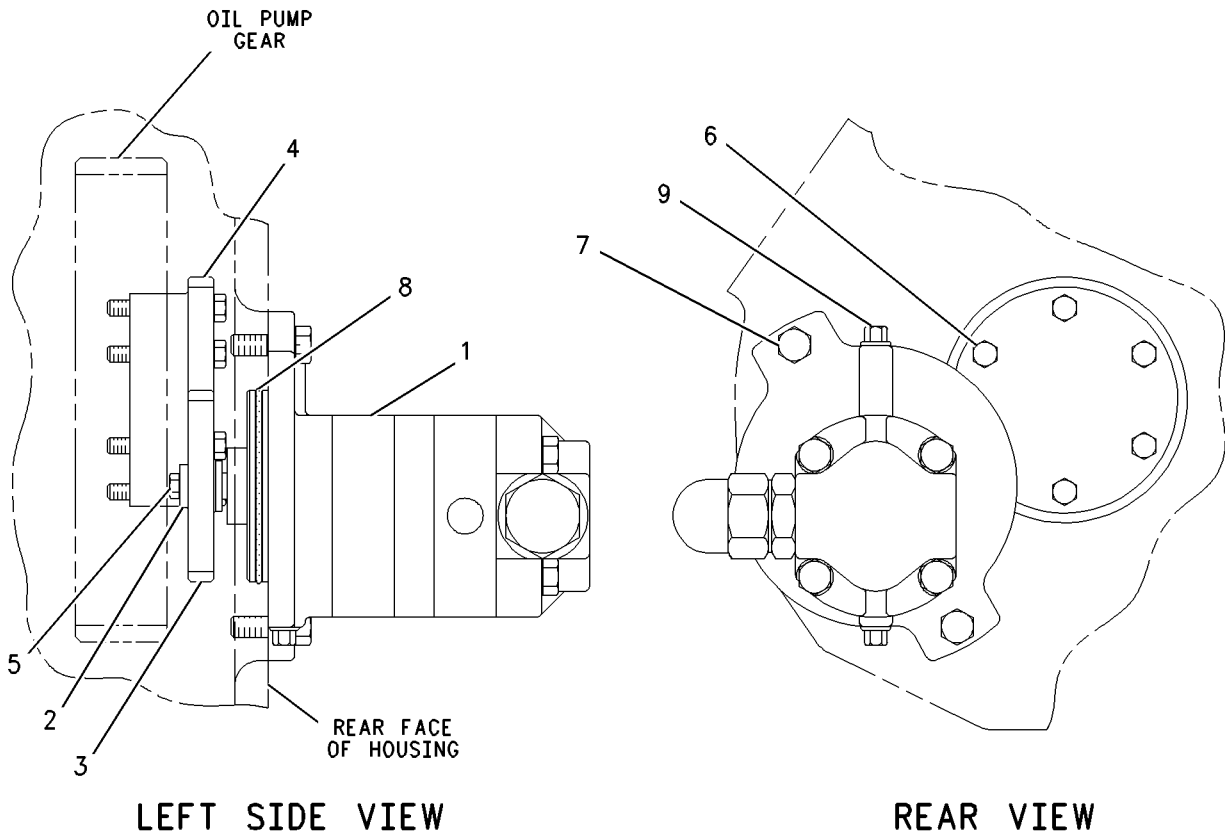
116-6965 PUMP GP-GEAR (CHG -00 THRU -03)

SMCS-5073

i02446442

NOTE	REF NO	GRAPHIC REF	PART NUMBER	QTY	PART NAME						SEE PAGE
					1	2	3	4	5	6 (PRODUCT LEVEL)	
J	1	1	184-6957	1	PUMP GP-GEAR (BASIC)						
	2	1	6V-3964	1	WASHER-HARD (8.8X25.5X5-MM THK)						
	3	1	1W-3390	1	GEAR (42-TEETH)						
	4	1	1W-3389	1	GEAR (55-TEETH)						
	5	1	1B-7182	1	BOLT (5/16-18X1.25-IN)						
	6	1	0L-1143	6	BOLT (3/8-16X2.5-IN)						
	7	1	0S-1585	2	BOLT (1/2-13X1.5-IN)						
	8	1	5D-5957	1	SEAL-O-RING						
	9	1	8T-6764	1	PLUG-PIPE						
					AVAILABLE REPAIR KIT(S):						
J			184-6959	1	KIT-SEAL (PUMP GP)						
					(INCLUDES BOLTS, GEARS, PLUG, PUMP ASSEMBLY, SEAL AND WASHER)						

J-KIT MARKED J SERVICES PART MARKED J



GRAPHIC #1

<END>

g00793141

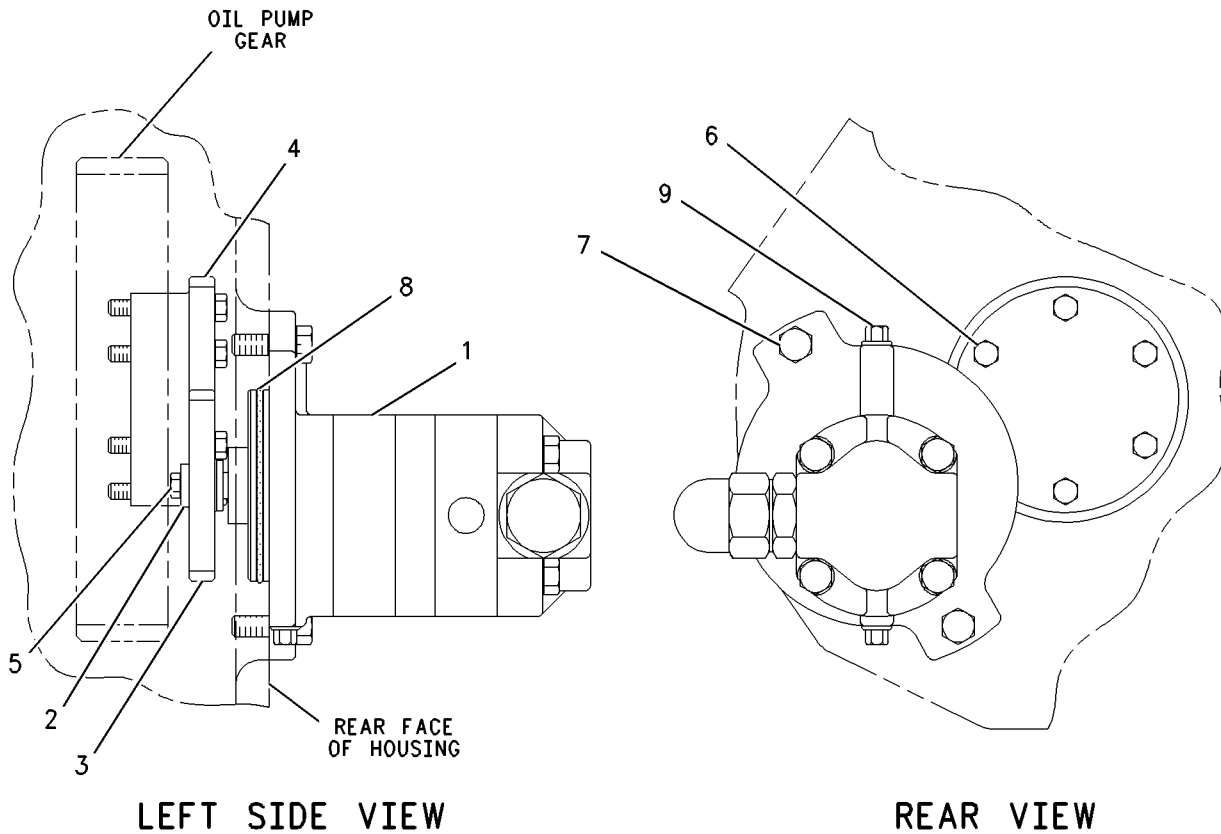
BASIC ENGINE

116-6965 PUMP GP-GEAR (CHG -04)

SMCS-5073

i02574440

NOTE	REF NO	GRAPHIC REF	PART NUMBER	QTY	PART NAME						SEE PAGE
					1	2	3	4	5	6 (PRODUCT LEVEL)	
CJ	1	1	290-9753	1	PUMP GP-GEAR						
	2	1	6V-3964	1	WASHER-HARD (8.8X25.5X5-MM THK)						
	3	1	1W-3390	1	GEAR (42-TEETH)						
	4	1	1W-3389	1	GEAR (55-TEETH)						
	5	1	1B-7182	1	BOLT (5/16-18X1.25-IN)						
	6	1	0L-1143	6	BOLT (3/8-16X2.5-IN)						
	7	1	0S-1585	2	BOLT (1/2-13X1.5-IN)						
	8	1	5D-5957	1	SEAL-O-RING						
	9	1	8T-6764	1	PLUG-PIPE						
AVAILABLE REPAIR KIT(S):											
J			288-6618	1	KIT-PUMP (INCLUDES BRACKET BUSHING, BUSHING SUBASSEMBLY, BUSHINGS, DRIVER SHAFT, GASKETS, GEAR DRIVE KEY, GEAR RETAINING RINGS, SEAL RETAINING RING, AND SEPERATION PLATE)						
J			288-4608	1	KIT-SEAL (INCLUDES LIP SEAL, MECHANICAL SEAL, AND O-RINGS)						
C-CHANGE FROM PREVIOUS TYPE J-KIT MARKED J SERVICES PART MARKED J											



GRAPHIC #1

<END>

g00793141

BASIC ENGINE

7C-0419 ROCKER ARM GP (CHG -14 THRU -22) PART OF 7C-0417 VALVE MECHANISM GP

SMCS-1123

i02674444

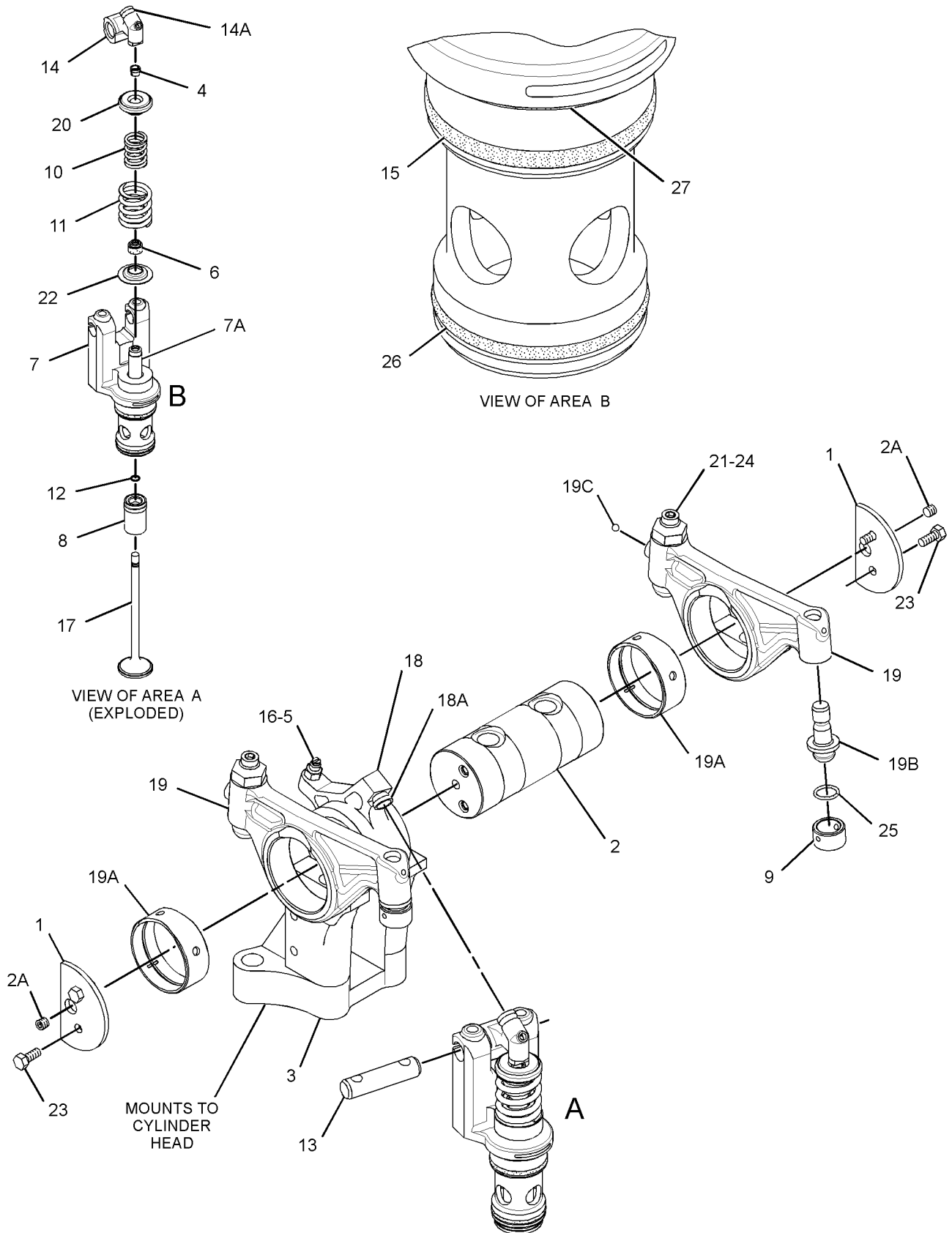
NOTE	REF NO	GRAPHIC REF	PART NUMBER	QTY	PART NAME						SEE PAGE
					1	2	3	4	5	6 (PRODUCT LEVEL)	
	1	1	1W-8409	2	PLATE-THRUST						
	2	1	1W-8410	1	SHAFT AS-ARM						
	2A	1	9F-2247	2	PLUG-PIPE						
	3	1	1W-8444	1	SUPPORT-SHAFT						
	4	1	2A-4429	2	LOCK-RETAINER						
	5	1	3S-2713	1	NUT-FULL (3/8-24-THD)						
	6	1	6I-2313	1	SEAL						
	7	1	7C-2359	1	SUPPORT AS						
	7A	1	100-4996	1	GUIDE-VALVE						
	8	1	7E-7074	1	RETAINER						
	9	1	7E-7202	2	BUTTON						
	10	1	7N-1903	1	SPRING-VALVE INNER						
	11	1	7N-1904	1	SPRING-VALVE OUTER						
	12	1	7W-5718	1	SEAL						
	13	1	7W-5720	1	SHAFT						
	14	1	7W-5725	1	ROCKER ARM AS						
	14A	1	1W-0605	1	PIN-HOUSING SIDE						
	15	1	061-9455	1	SEAL-O-RING						
	16	1	108-5603	1	SCREW (3/8-24X1.67-IN)						
	17	1	115-2367	1	VALVE-EXHAUST						
R	18	1	122-9578	1	ARM AS						
	18A	1	1W-0605	1	PIN-HOUSING SIDE						
R	19	1	129-4859	2	ROCKER ARM AS						
					(EACH INCLUDES)						
	19A	1	6I-0578	1	BEARING-SLEEVE						
	19B	1	151-4918	1	INSERT						
	19C	1	2D-6642	1	BALL						
	20	1	197-6999	1	ROTOCOIL AS						
	21	1	204-4385	2	SCREW-ADJUSTMENT (3/4-16-THD)						
	22	1	209-0962	1	WASHER (17.8X45X7.29-MM THK)						
	23	1	0S-1617	4	BOLT (5/16-18X0.75-IN)						
	24	1	6V-5019	2	NUT-JAM (3/4-16-THD)						
	25	1	7L-9061	2	SEAL-O-RING						
	26	1	8J-4351	1	SEAL-O-RING						
	27	1	9X-3978	1	SEAL-O-RING						

R-REMFG PART MAY BE AVAILABLE

BASIC ENGINE

7C-0419 ROCKER ARM GP (contd.)

i02674444



GRAPHIC #1

<END>

g01345258

BASIC ENGINE

7W-9683 SEAL GP-CRANKSHAFT (CHG -03 THRU -08)

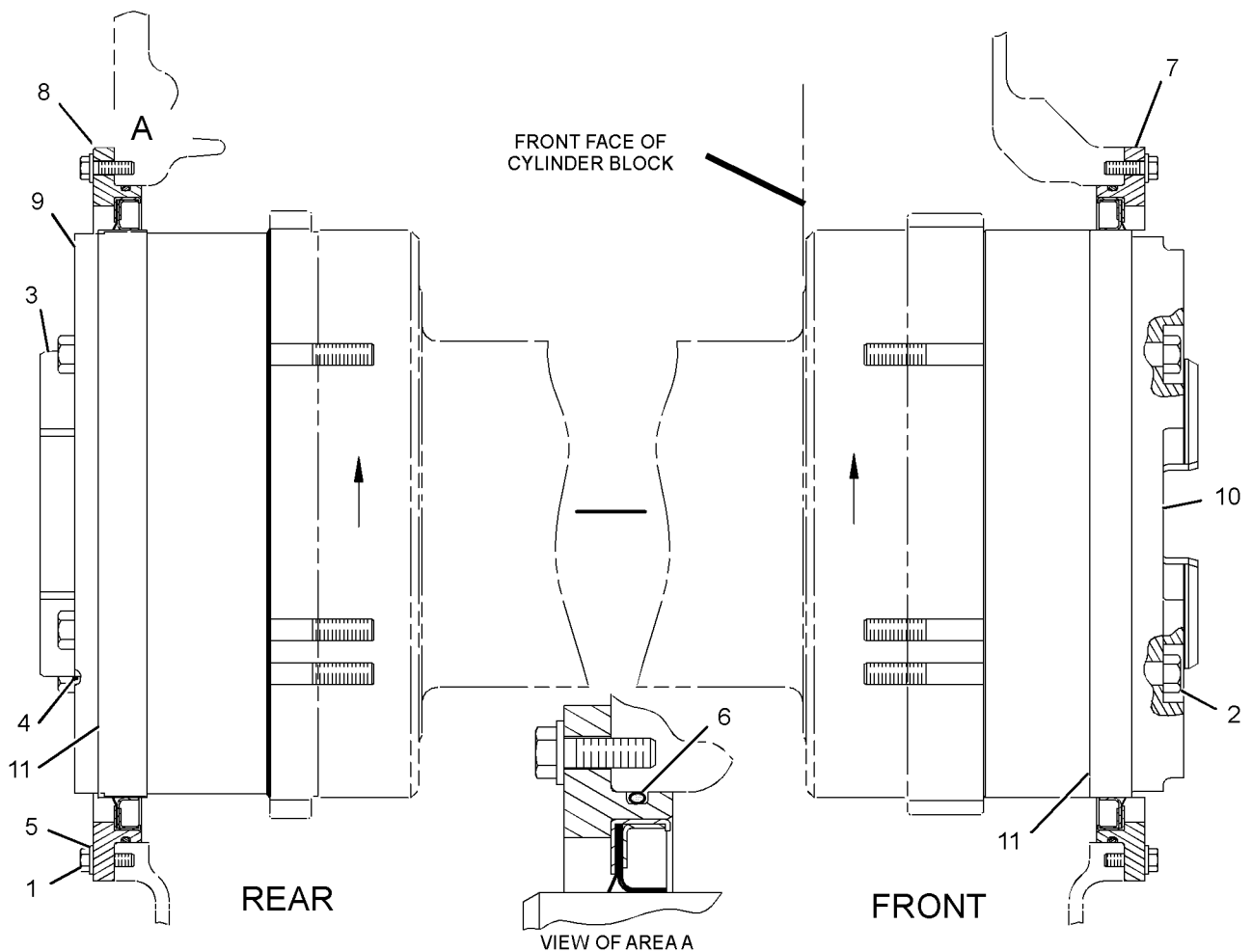
STANDARD ENGINE ROTATION

SMCS-1160, 1161

i02472571

NOTE	REF NO	GRAPHIC REF	PART NUMBER	QTY	PART NAME						SEE PAGE
					1	2	3	4	5	6	
	1	1	0S-1588	18	BOLT (3/8-16X1.25-IN)						
	2	1	1D-4601	8	BOLT (5/8-11X8.5-IN)						
C	3	1	1W-2823	1	SLEEVE						
C	4	1	1W-2824	1	RING-LOCK						
	5	1	3V-3308	18	WASHER-HARD (10.2X20.5X2.5-MM THK)						
	6	1	6V-5059	2	SEAL-O-RING						
	7	1	190-2462	1	SEAL AS						
					(IN FRONT HOUSING ON STANDARD ROTATION ENGINE AND IN REAR HOUSING ON REVERSE ROTATION ENGINE)						
	8	1	190-2463	1	SEAL AS						
					(IN REAR HOUSING ON STANDARD ROTATION ENGINE AND IN FRONT HOUSING ON REVERSE ROTATION ENGINE)						
C	9	1	102-4112	1	ADAPTER-CRANKSHAFT						
	10	1	106-2033	1	ADAPTER-CRANKSHAFT						
	11	1	160-8173	2	SLEEVE-WEAR						

C-CHANGE FROM PREVIOUS TYPE



GRAPHIC #1

g01222380

BASIC ENGINE

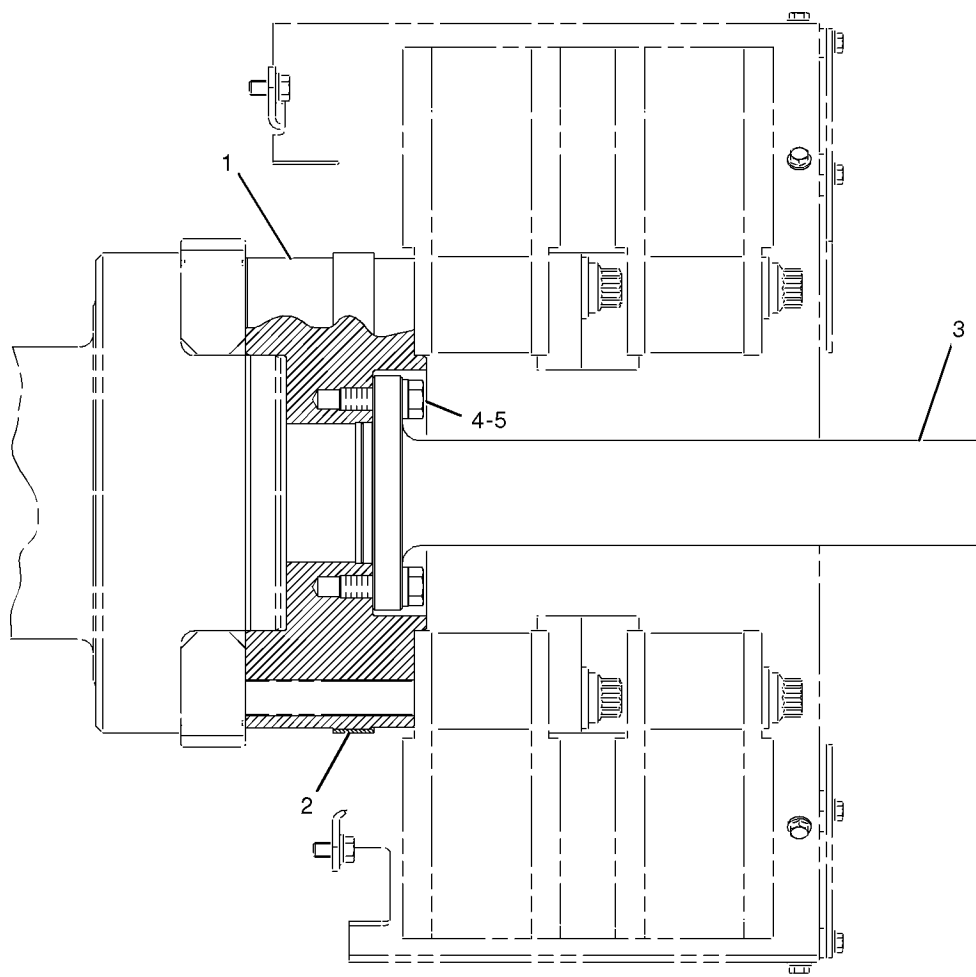
4P-5238 SHAFT GP-STUB (CHG -02, -03, -03D1, -03D2, -04, -04D1)

SMCS-1237

i02397594

NOTE	REF NO	GRAPHIC REF	PART NUMBER	QTY	PART NAME						SEE PAGE
					1	2	3	4	5	6 (PRODUCT LEVEL)	
C	1	1	121-4506	1	ADAPTER - CRANKSHAFT						
C	2	1	160-8173	1	SLEEVE - WEAR						
	3	1	236-8812	1	SHAFT (STUB)						
	4	1	5H-1504	8	WASHER - HARD (20X33.5X5-MM THK)						
C	5	1	9X-8885	8	BOLT (3/4-10X2.25-IN)						

C-CHANGE FROM PREVIOUS TYPE



RIGHT SIDE VIEW

<END>

GRAPHIC #1

g01022087

BASIC ENGINE

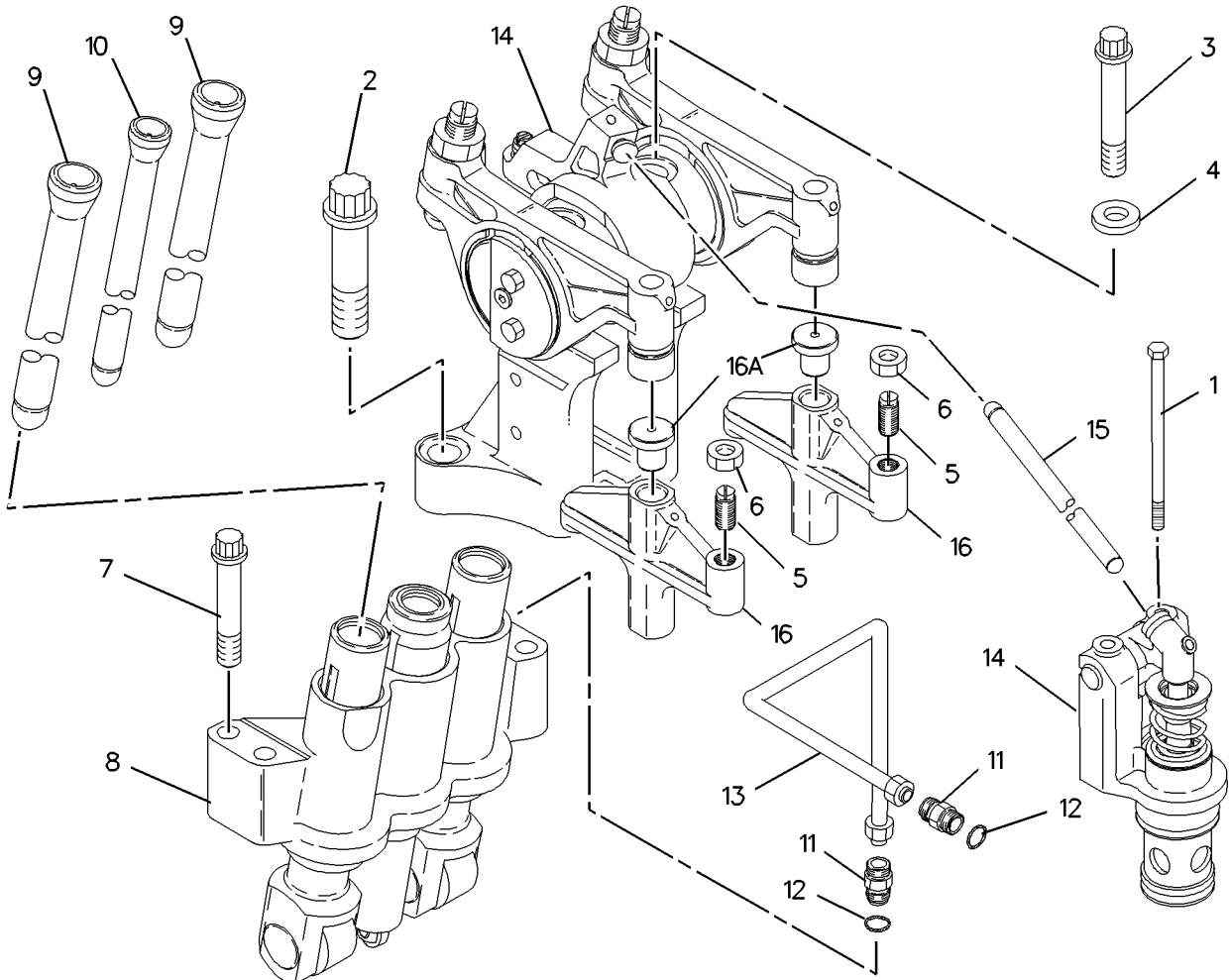
7C-0417 VALVE MECHANISM GP (CHG -01 THRU -17)

SMCS-1102, 1121, 1123, 1209

i02822134

NOTE	REF NO	GRAPHIC REF	PART NUMBER	QTY	PART NAME						SEE PAGE
					1	2	3	4	5	6 (PRODUCT LEVEL)	
	1	1	5B-9603	2	BOLT (3/8-16X5-IN)						
	2	1	6V-6869	2	BOLT-12 POINT HEAD (3/4-10X2 3/4-IN)						
	3	1	6V-5625	2	BOLT-12 POINT HEAD (3/4-10X9.5-IN)						
	4	1	6V-7607	2	WASHER-HARD (20X30X2.5-MM THK)						
	5	1	1W-1760	2	SCREW-ADJUSTMENT (9/16-18-THD)						
	6	1	8L-3441	2	NUT (9/16-18-THD)						
	7	1	8D-7941	4	BOLT-12 POINT HEAD (5/8-11X4-IN)						
Y	8	1	7C-0418	1	LIFTER GP-VALVE						87
	9	1	292-8198	2	PUSHROD						
	10	1	7W-8575	1	PUSHROD AS						
	11	1	2R-6806	2	CONNECTOR-O-RING						
	12	1	6V-5049	2	SEAL-O-RING						
	13	1	7E-1036	1	TUBE AS						
Y	14	1	7C-0419	1	ROCKER ARM GP						105
	15	1	7W-5722	1	PUSHROD AS						
	16	1	6I-2491	2	BRIDGE AS						
					(EACH INCLUDES)						
	16A	1	6I-2489	1	INSERT-BRIDGE						

Y-SEPARATE ILLUSTRATION



GRAPHIC #1

<END>

g00812088

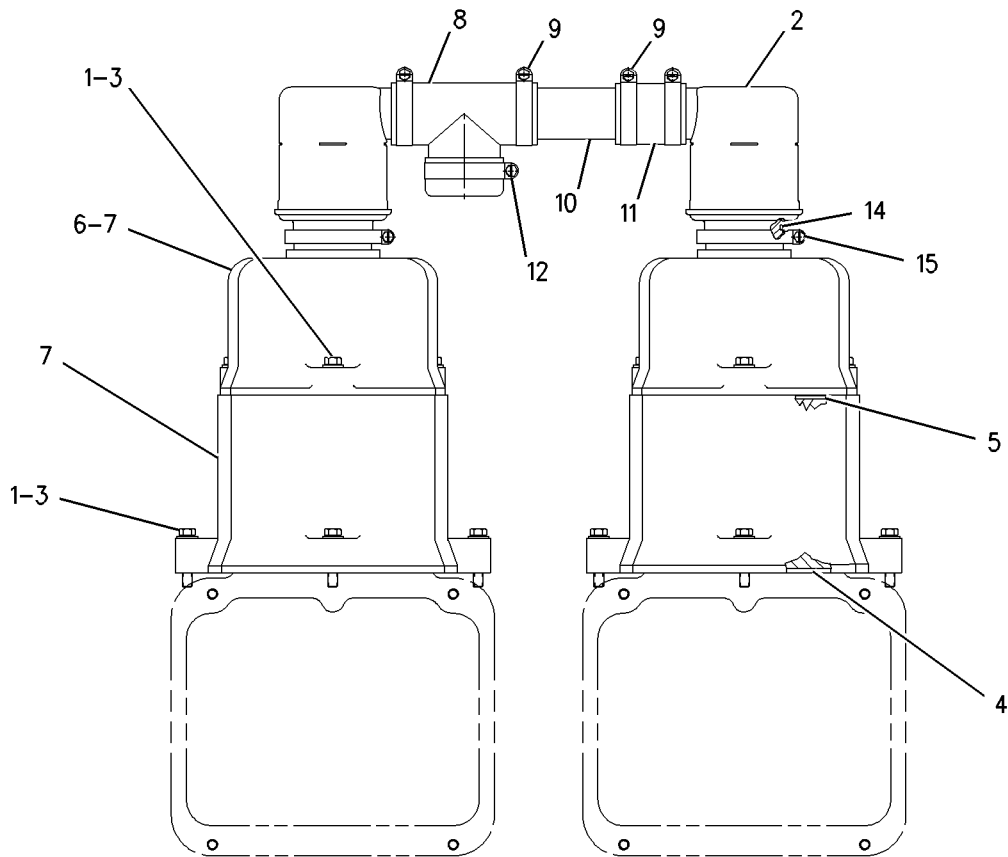
LUBRICATION SYSTEM

7C-8432 BREATHER GP (CHG -04 THRU -09)

SMCS-1317

i02375491

NOTE	REF NO	GRAPHIC REF	PART NUMBER	QTY	PART NAME						SEE PAGE
					1	2	3	4	5	6 (PRODUCT LEVEL)	
	1	1	0S-1590	14	BOLT (3/8-16X2-IN)						
	2	1	4W-3027	2	BREATHER AS (CRANKCASE)						
	3	1	3V-3308	14	WASHER-HARD (10.2X20.5X2.5-MM THK)						
	4	1	8T-8883	2	SEAL-O-RING						
	5	1	6V-3602	2	SEAL-O-RING (VALVE COVER)						
	6	1	7E-0734	2	COVER AS-VALVE MECHANISM						
	7	1	7W-8895	2	BASE						
	8	1	217-6692	1	HOSE-TEE						
	9	1	5P-0597	4	CLAMP-HOSE						
	10	1	7W-5482	1	TUBE						
	11	1	6N-3792	1	HOSE						
	12	1	5P-4868	1	CLAMP-HOSE						
	14	1	5H-8848	2	SEAL-O-RING						
	15	1	4W-3034	2	CLAMP-HOSE						



GRAPHIC #1

<END>

g00928008

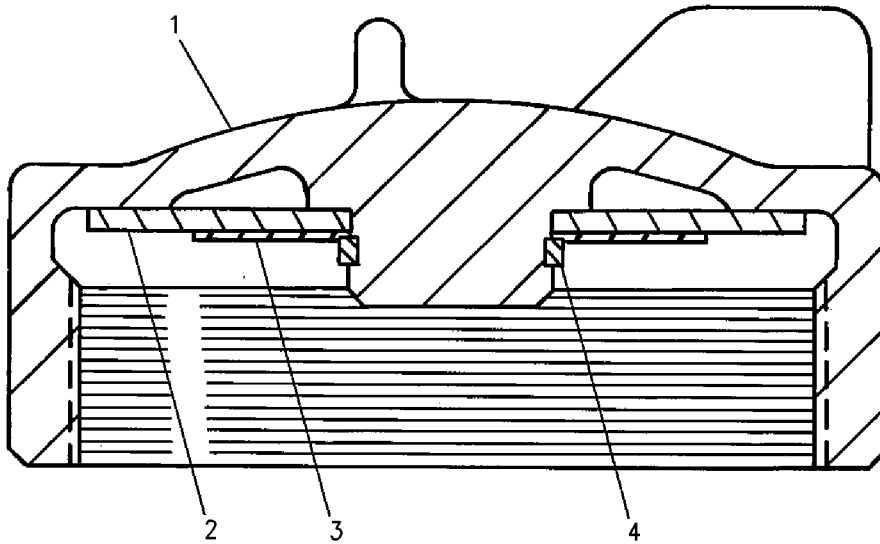
LUBRICATION SYSTEM

7E-1659 CAP GP-ENGINE OIL FILLER (CHG -00 THRU -02) PART OF 142-2296 COVER GP-CYLINDER BLOCK

SMCS-1316

i02030141

NOTE	REF NO	GRAPHIC REF	PART NUMBER	QTY	PART NAME						SEE PAGE
					1	2	3	4	5	6 (PRODUCT LEVEL)	
	1	1	4P-6979	1	CAP-FILLER (ENGINE OIL)						
	2	1	7E-1661	1	GASKET						
	3	1	7E-1660	1	RETAINER						
	4	1	9S-9979	1	RING-RETAINING						



GRAPHIC #1

<END>

g00727016

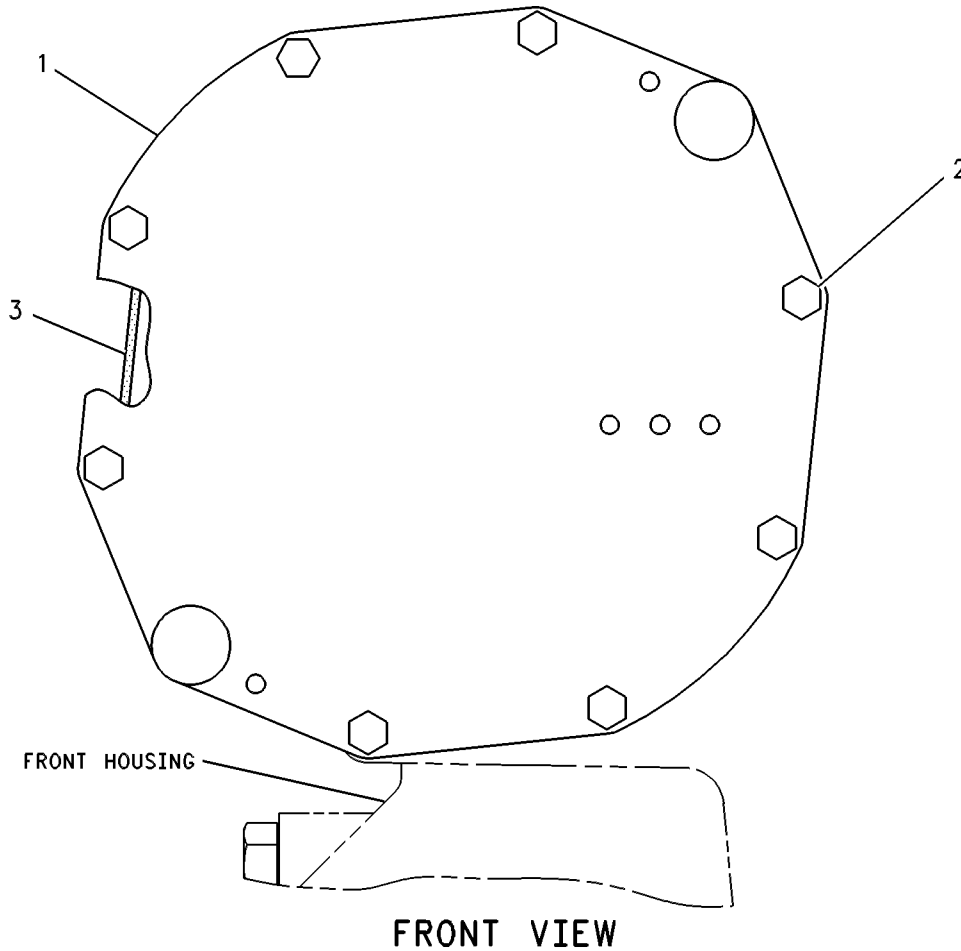
LUBRICATION SYSTEM

123-6266 COVER GP-SCAVENGE PUMP (CHG -00) PART OF 164-5989 REGULATOR GP-OIL LEVEL

SMCS-1312

i02419922

NOTE	REF NO	GRAPHIC REF	PART NUMBER	QTY	PART NAME						SEE PAGE
					1	2	3	4	5	6 (PRODUCT LEVEL)	
	1	1	123-6265	1	COVER						
	2	1	0S-1595	8	BOLT (1/2-13X1.25-IN)						
	3	1	6V-7702	1	SEAL-O-RING						



GRAPHIC #1

<END>

g00066994

LUBRICATION SYSTEM

203-4615 DRAIN GP-OIL (CHG -00, -00D1)

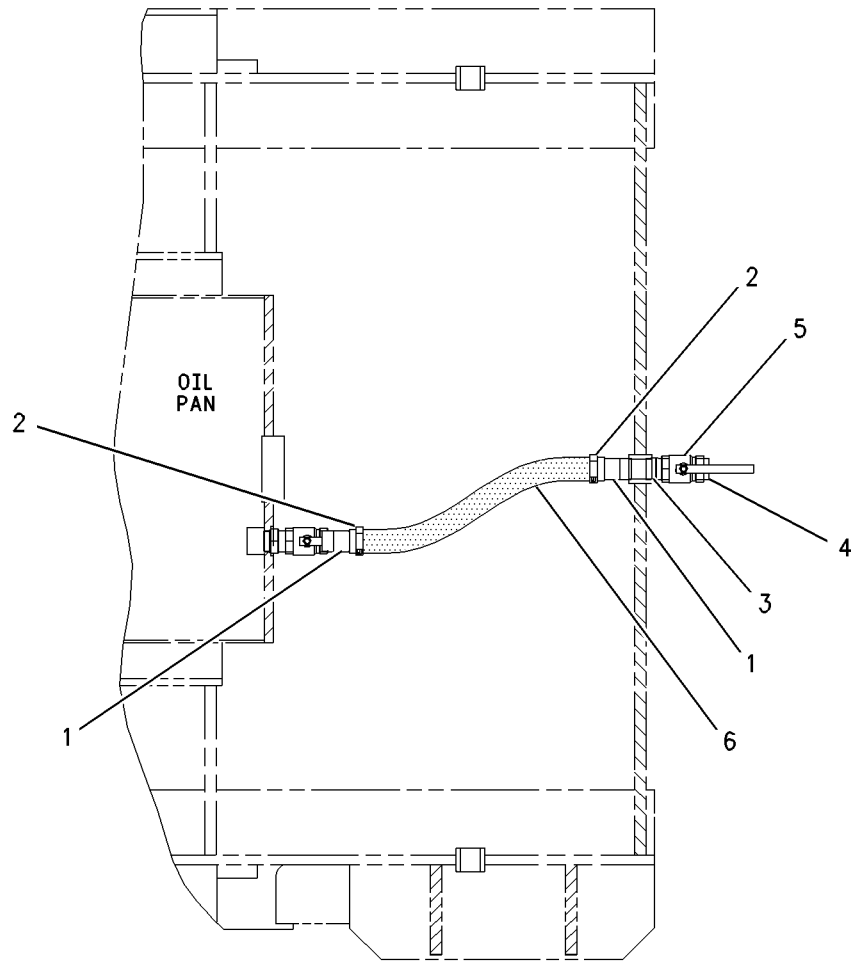
FRONT

SMCS-1372

i02434025

NOTE	REF NO	GRAPHIC REF	PART NUMBER	QTY	PART NAME						SEE PAGE
					1	2	3	4	5	6 (PRODUCT LEVEL)	
	1	1	3E-4084	2	FITTING						
	2	1	5P-0597	2	CLAMP-HOSE						
	3	1	5B-7661	1	FITTING						
	4	1	8T-6760	1	PLUG-PIPE						
	5	1	7E-4444	1	VALVE (ENGINE OIL DRAIN)						
G	6	1	122-6875		HOSE-HYDRAULIC (26-IN)						

E-ORDER BY THE CENTIMETER
G-ORDER BY THE INCH



TOP VIEW

<END>

GRAPHIC #1

g00827917

LUBRICATION SYSTEM

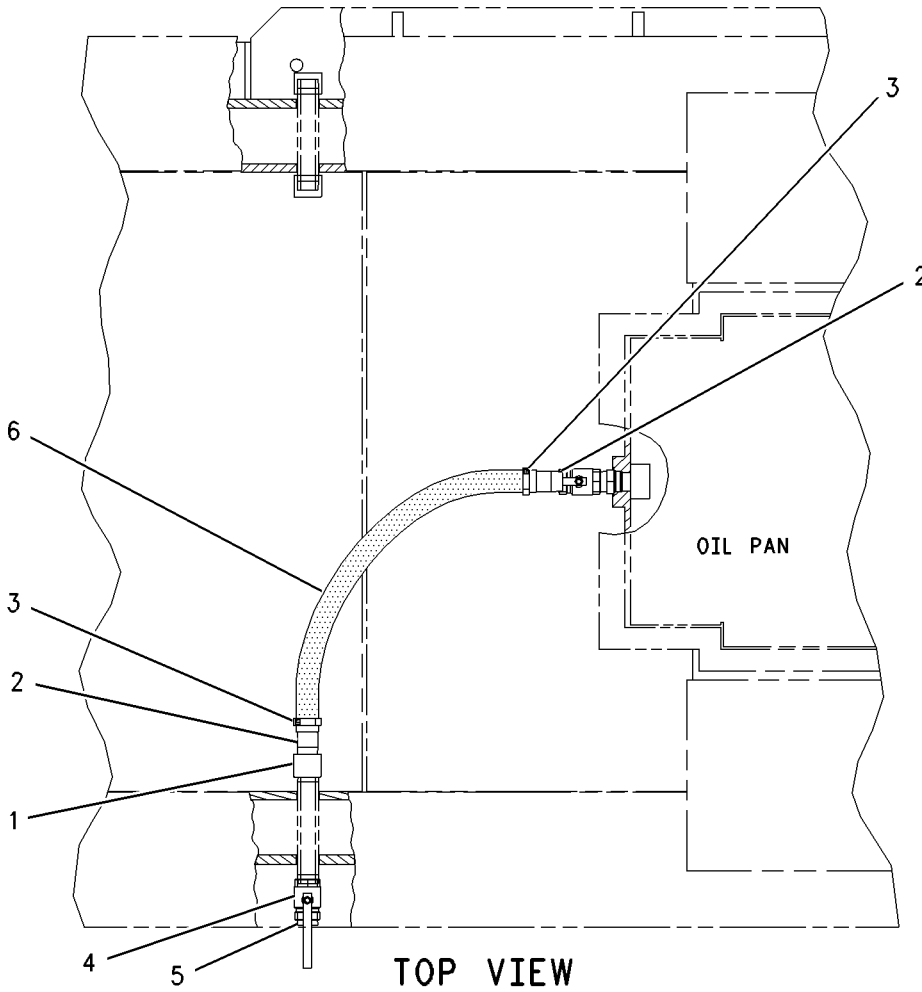
203-4617 DRAIN GP-OIL (CHG -00, -00D1 THRU -02) REAR/SIDE FOR USE WITH 3600 MODULAR BASE ASSEMBLIES

SMCS-1372

i02515584

NOTE	REF NO	GRAPHIC REF	PART NUMBER	QTY	PART NAME						SEE PAGE
					1	2	3	4	5	6 (PRODUCT LEVEL)	
	1	1	3B-6492	1	COUPLING-PIPE						
	2	1	3E-4084	2	FITTING						
	3	1	5P-0597	2	CLAMP-HOSE						
	4	1	7E-4444	1	VALVE (ENGINE OIL DRAIN)						
	5	1	8T-6760	1	PLUG-PIPE						
G	6	1	9X-2360		HOSE (34-INCHES)						

G-ORDER BY THE INCH



GRAPHIC #1

<END>

g00826642

LUBRICATION SYSTEM

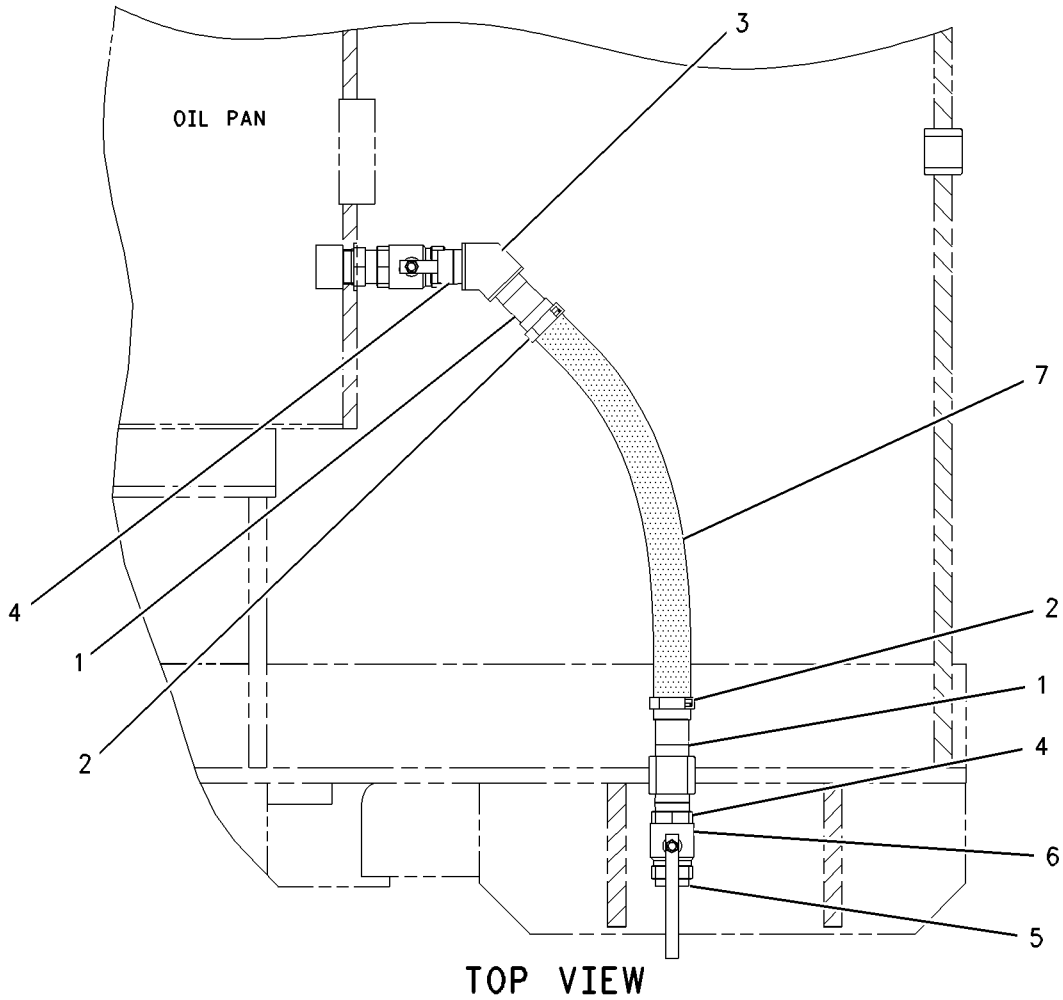
206-2593 DRAIN GP-OIL (CHG -00, -00D1) FRONT/RIGHT

SMCS-1372

i02434027

NOTE	REF NO	GRAPHIC REF	PART NUMBER	QTY	PART NAME						SEE PAGE
					1	2	3	4	5	6 (PRODUCT LEVEL)	
	1	1	3E-4084	2	FITTING						
	2	1	5P-0597	2	CLAMP-HOSE						
	3	1	2L-2813	1	ELBOW						
	4	1	5B-7661	2	FITTING						
	5	1	8T-6760	1	PLUG-PIPE						
	6	1	7E-4444	1	VALVE (ENGINE OIL DRAIN)						
G	7	1	122-6875		HOSE-HYDRAULIC (27-IN)						

E-ORDER BY THE CENTIMETER
G-ORDER BY THE INCH



GRAPHIC #1

<END>

g00826645

LUBRICATION SYSTEM

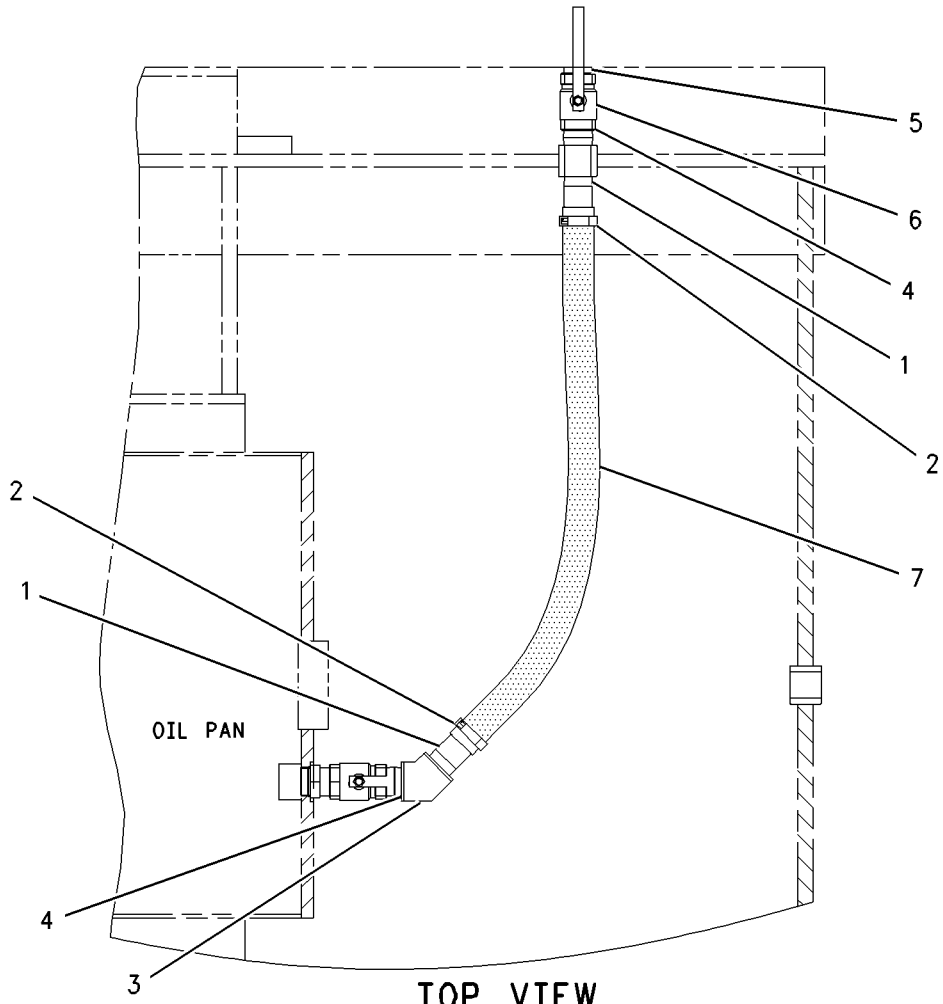
206-2594 DRAIN GP-OIL (CHG -00, -01)

SMCS-1372

i02434028

NOTE	REF NO	GRAPHIC REF	PART NUMBER	QTY	PART NAME						SEE PAGE
					1	2	3	4	5	6	
	1	1	3E-4084	2	FITTING						
	2	1	5P-0597	2	CLAMP-HOSE						
	3	1	2L-2813	1	ELBOW						
	4	1	5B-7661	2	FITTING						
	5	1	8T-6760	1	PLUG-PIPE						
	6	1	7E-4444	1	VALVE (ENGINE OIL DRAIN)						
G	7	1	122-6875		HOSE-HYDRAULIC (39-IN)						

E-ORDER BY THE CENTIMETER
G-ORDER BY THE INCH



TOP VIEW
<END>

GRAPHIC #1

g00826650

LUBRICATION SYSTEM

1W-0798 FILTER GP-ENGINE OIL (CHG -12 THRU -23, -23D1 THRU -25)

SMCS-1306, 1308

i02614430

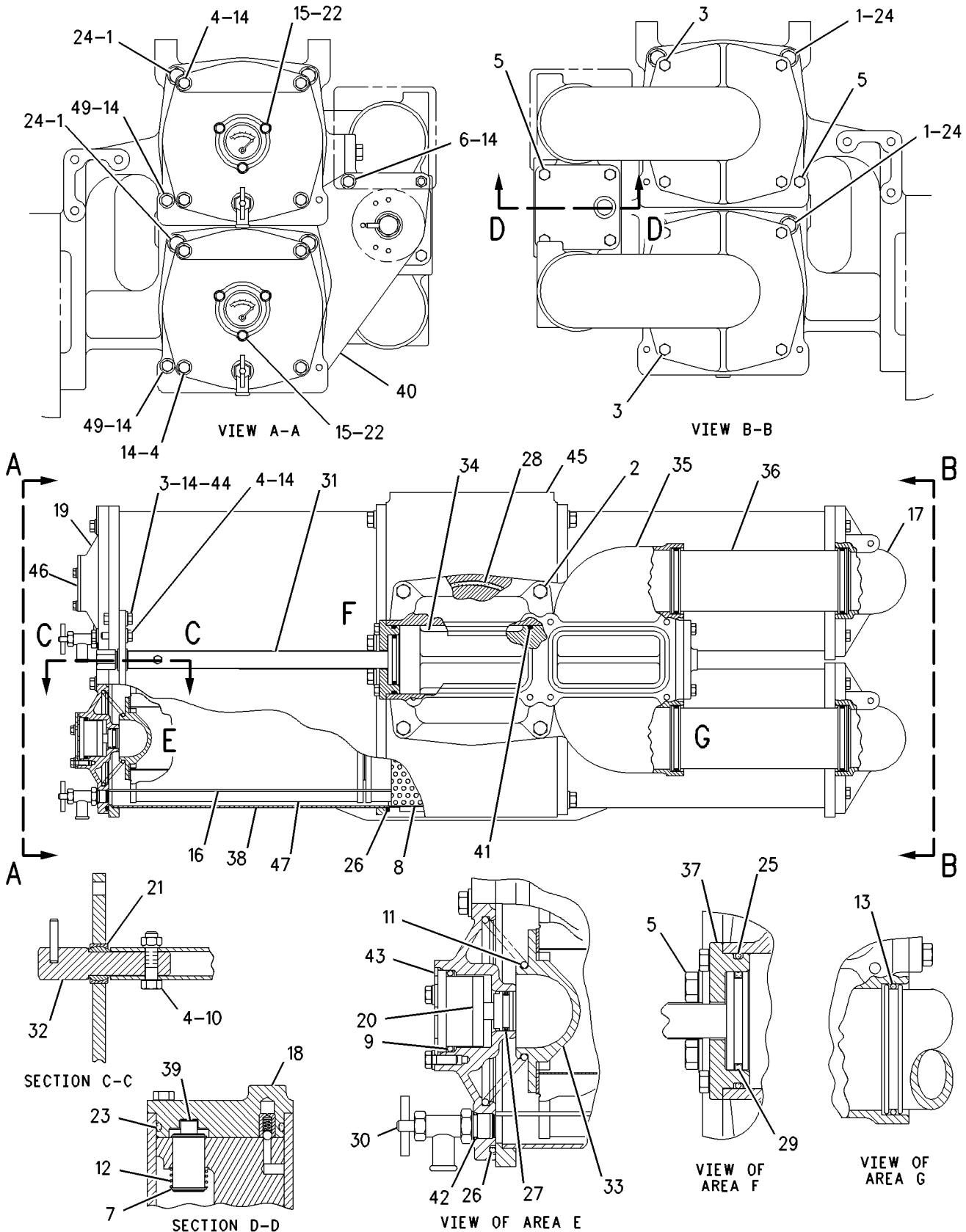
NOTE	REF NO	GRAPHIC REF	PART NUMBER	QTY	PART NAME						SEE PAGE
					1	2	3	4	5	6 (PRODUCT LEVEL)	
	1	1	OS-1585	16	BOLT (1/2-13X1.5-IN)						
	2	1	OS-1587	4	BOLT (1/2-13X1.75-IN)						
	3	1	OS-1588	9	BOLT (3/8-16X1.25-IN)						
	4	1	OS-1591	11	BOLT (3/8-16X1.5-IN)						
	5	1	OS-1594	9	BOLT (3/8-16X1-IN)						
	6	1	OS-0509	1	BOLT (3/8-16X0.75-IN)						
	7	1	1K-9740	2	RING-RETAINING						
	8	1	1W-3958	2	TUBE						
	9	1	2H-3088	2	SEAL-O-RING						
	10	1	2K-4973	1	LOCKNUT (3/8-16-THD)						
	11	1	2W-6862	2	SPRING						
	12	1	3N-1308	1	SPRING						
	13	1	259-4600	4	SEAL-O-RING						
	14	1	3V-3308	15	WASHER-HARD (10.2X20.5X2.5-MM THK)						
	15	1	4F-7957	6	BOLT (1/4-20X0.875-IN)						
	16	1	4P-9168	2	RACK-OIL FILTER						
	17	1	4P-9169	2	HOUSING-OIL FILTER						
	18	1	4P-9185	1	COVER AS						
		1	4P-9174	1	DETENT AS						
	19	1	4P-9218	2	COVER						
	20	1	4W-0379	2	GAUGE GP-ENGINE OIL PRESSURE (ENGINE OIL)						
					(EACH INCLUDES)						
		1	233-0853	1	GAUGE GP-PRESSURE						
	21	1	5K-2294	1	BEARING-SELF-ALIGNING						
	22	1	5P-0537	6	WASHER-HARD (7.2X14.5X2-MM THK)						
C	23	1	5P-7818	1	SEAL-O-RING						
	24	1	5P-8245	16	WASHER-HARD (13.5X25.5X3-MM THK)						
	25	1	6V-0973	1	SEAL-O-RING						
	26	1	6V-3349	8	SEAL-O-RING						
	27	1	6V-3683	2	SEAL-O-RING						
	28	1	6V-5141	1	SEAL-O-RING						
	29	1	6V-6963	1	SEAL-QUAD RING						
	30	1	6V-7238	2	VALVE-SHUTOFF (ENGINE OIL DRAIN)						
	31	1	7C-1124	1	TUBE AS						
	32	1	7C-1128	1	SHAFT AS						
		1	6V-3980	1	DOWEL						
	33	1	7C-3945	2	RETAINER-ELEMENT						
C	34	1	7E-0930	1	VALVE-FILTER CHG						
C	35	1	7E-0932	1	HOUSING-VALVE						
	36	1	7W-2459	2	TUBE						
	37	1	7W-2467	1	PLATE-THRUST						
	38	1	278-1085	4	HOUSING AS-FILTER						
	39	1	7W-2750	1	PISTON						
	40	1	7W-2970	1	SUPPORT AS						
C	41	1	7X-4789	1	SEAL-QUAD RING						
	42	1	8L-2786	2	SEAL-O-RING						
	43	1	8N-0453	2	RING-RETAINING						
	44	1	9S-8752	1	NUT-FULL (3/8-16-THD)						
	45	1	161-0083	1	BASE-OIL FILTER						
	46	1	169-8676	2	COVER						
	47	1	179-1502	6	FILTER ELEMENT-ENGINE OIL						
	49	1	1A-2029	2	BOLT (3/8-16X1.125-IN)						

C-CHANGE FROM PREVIOUS TYPE

LUBRICATION SYSTEM

1W-0798 FILTER GP-ENGINE OIL (contd.)

i02614430



GRAPHIC #1

<END>

g00848247

LUBRICATION SYSTEM

7C-9591 FILTER GP-ENGINE OIL (CHG -00 THRU -03, -03D1 THRU -10)

SMCS-1306, 1308

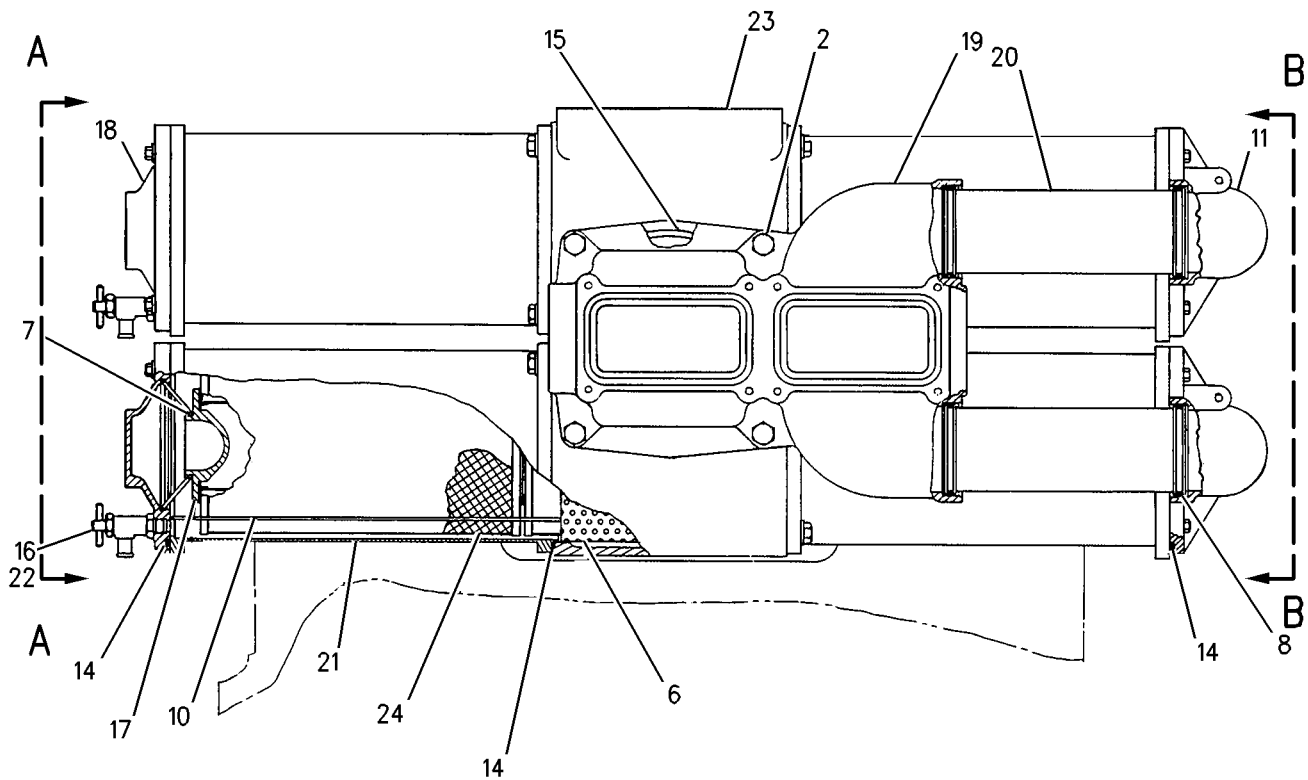
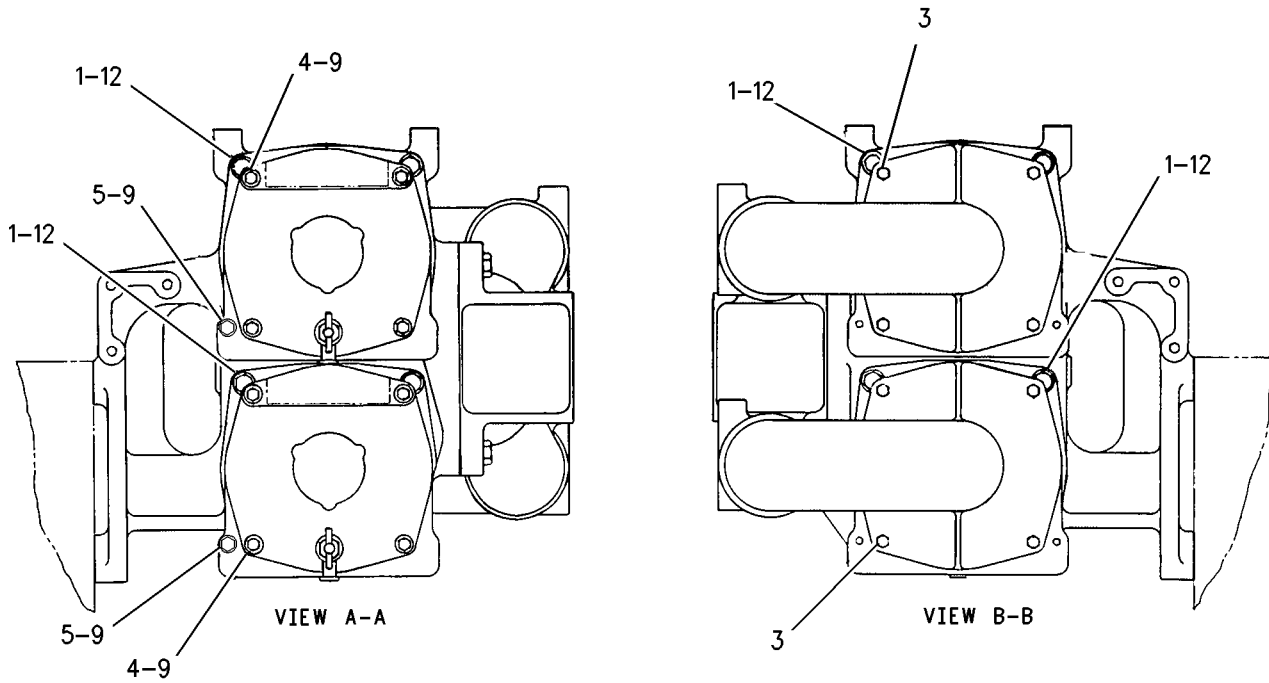
i02906426

NOTE	REF NO	GRAPHIC REF	PART NUMBER	QTY	PART NAME						SEE PAGE
					1	2	3	4	5	6 (PRODUCT LEVEL)	
	1	1	0S-1585	16	BOLT (1/2-13X1.5-IN)						
	2	1	0S-1587	4	BOLT (1/2-13X1.75-IN)						
	3	1	0S-1588	8	BOLT (3/8-16X1.25-IN)						
	4	1	0S-1591	8	BOLT (3/8-16X1.5-IN)						
	5	1	1A-2029	2	BOLT (3/8-16X1.125-IN)						
	6	1	1W-3958	2	TUBE						
	7	1	2W-6862	2	SPRING						
	8	1	259-4600	4	SEAL-O-RING						
	9	1	3V-3308	10	WASHER-HARD (10.2X20.5X2.5-MM THK)						
	10	1	4P-9168	2	RACK-OIL FILTER						
	11	1	4P-9169	2	HOUSING-OIL FILTER						
	12	1	5P-8245	16	WASHER-HARD (13.5X25.5X3-MM THK)						
	14	1	6V-3349	8	SEAL-O-RING						
	15	1	6V-5141	1	SEAL-O-RING						
	16	1	6V-7238	2	VALVE-SHUTOFF (ENGINE OIL DRAIN)						
	17	1	7C-3945	2	RETAINER-ELEMENT						
	18	1	7C-9589	2	COVER						
	19	1	7C-9590	1	HOUSING-FILTER						
	20	1	7W-2459	2	TUBE						
	21	1	278-1085	4	HOUSING AS-FILTER						
	22	1	8L-2786	2	SEAL-O-RING						
	23	1	161-0083	1	BASE-OIL FILTER						
	24	1	179-1502	6	FILTER ELEMENT-ENGINE OIL						

LUBRICATION SYSTEM

7C-9591 FILTER GP-ENGINE OIL (contd.)

i02906426



GRAPHIC #1

<END>

g00851237

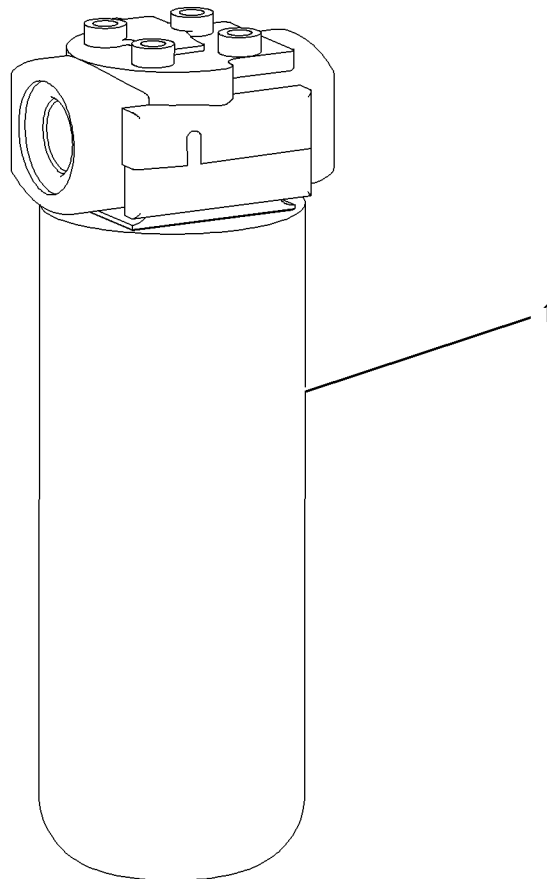
LUBRICATION SYSTEM

138-6144 FILTER GP-ENGINE OIL (CHG -00 THRU -04) PART OF 222-1306, 228-6595 LINES GP-ENGINE OIL

SMCS-1306, 1308

i01693525

NOTE	REF NO	GRAPHIC REF	PART NUMBER	QTY	PART NAME						SEE PAGE
					1	2	3	4	5	6 (PRODUCT LEVEL)	
	1	1	1G-8878	1	FILTER-OIL (ADVANCED EFFICIENCY)						



GRAPHIC #1

<END>

g00854501

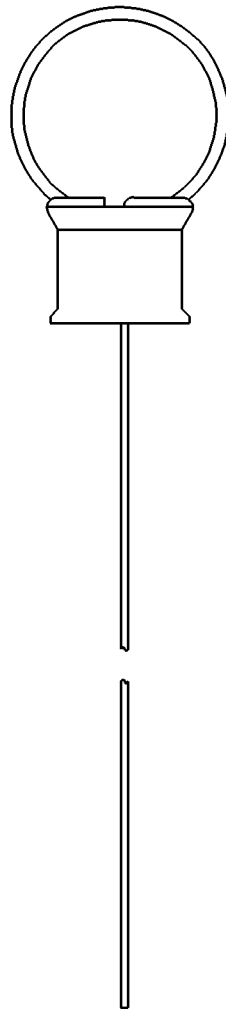
LUBRICATION SYSTEM

109-4842 GAUGE AS-OIL LEVEL (DIPSTICK) (CHG -00, -01)

SMCS-1326

i01424241

NOTE	REF NO	GRAPHIC REF	PART NUMBER	QTY	PART NAME						SEE PAGE
					1	2	3	4	5	6 (PRODUCT LEVEL)	
(NO SERVICED PARTS)											



GRAPHIC #1

<END>

g00746606

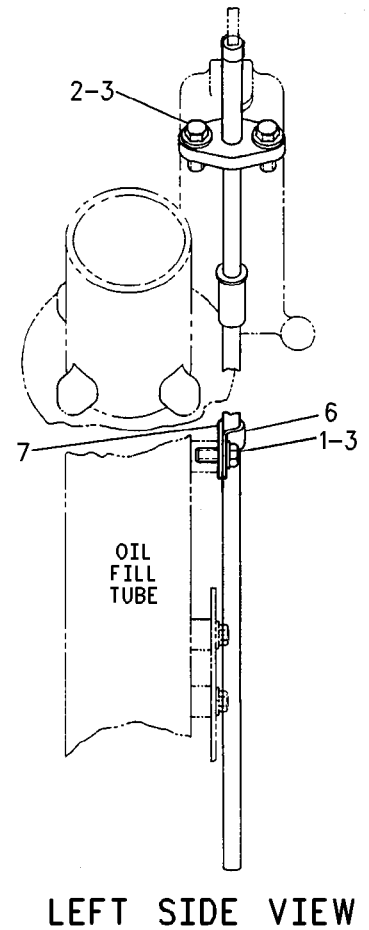
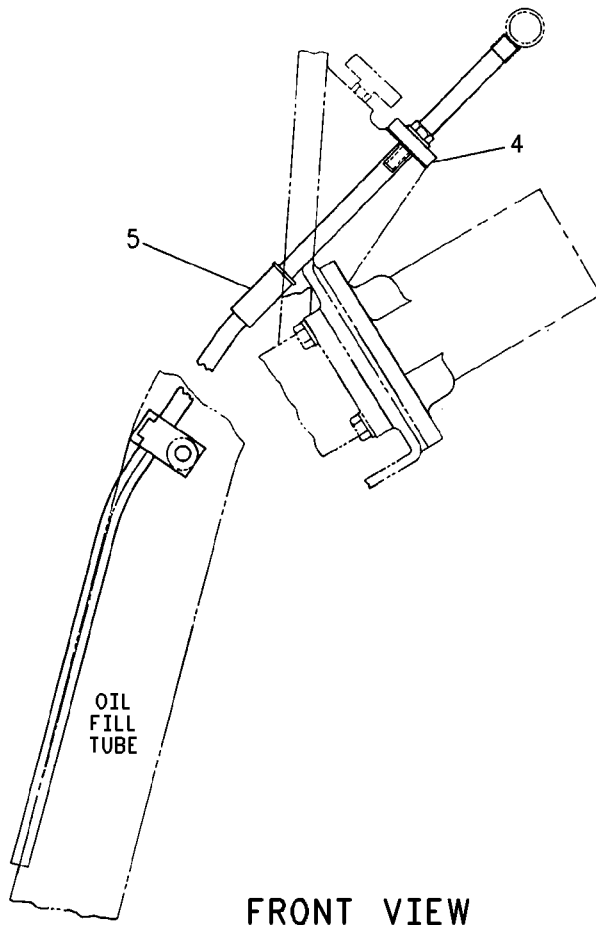
LUBRICATION SYSTEM

9Y-9926 GUIDE GP-OIL LEVEL GAUGE (CHG -00, -01)

SMCS-1326

i02318907

NOTE	REF NO	GRAPHIC REF	PART NUMBER	QTY	PART NAME						SEE PAGE
					1	2	3	4	5	6 (PRODUCT LEVEL)	
	1	1	OS-1594	1	BOLT (3/8-16X1-IN)						
	2	1	OS-1588	2	BOLT (3/8-16X1.25-IN)						
	3	1	3V-3308	3	WASHER-HARD (10.2X20.5X2.5-MM THK)						
	4	1	1W-1415	1	GASKET						
	5	1	9Y-4871	1	TUBE AS						
	6	1	8T-1885	1	CLIP (SLOT)						
	7	1	8T-1886	1	CLIP (TAB)						



GRAPHIC #1

<END>

g0077786

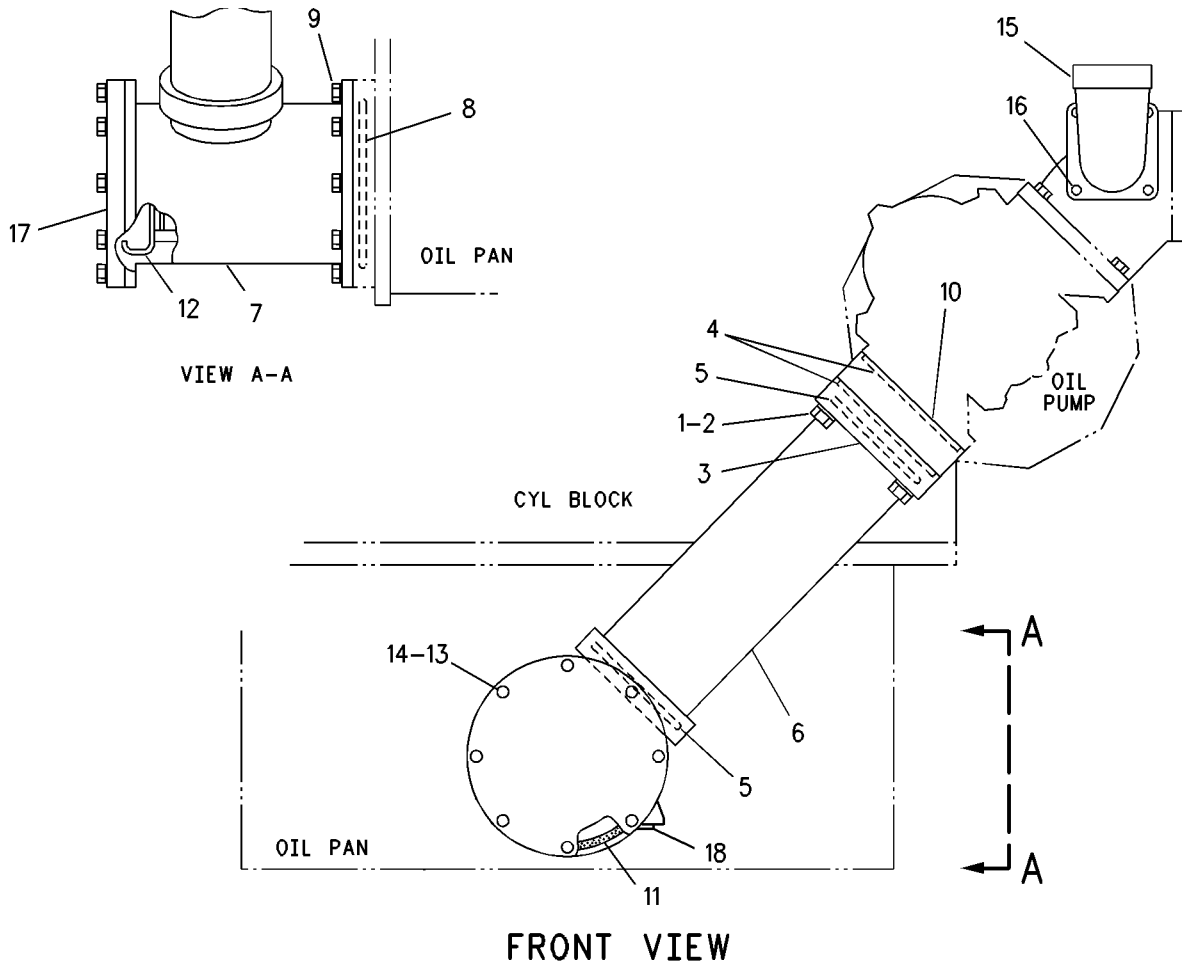
LUBRICATION SYSTEM

9Y-3303 LINES GP-ENGINE OIL (CHG -00)

SMCS-1307

i02030157

NOTE	REF NO	GRAPHIC REF	PART NUMBER	QTY	PART NAME						SEE PAGE
					1	2	3	4	5	6 (PRODUCT LEVEL)	
	1	1	8S-9089	4	BOLT (1/2-13X4.5-IN)						
	2	1	5P-1076	4	WASHER-HARD (13.5X30X4-MM THK)						
	3	1	1W-6492	1	FLANGE						
	4	1	6V-3968	2	SEAL-O-RING						
	5	1	5P-8861	2	SEAL-O-RING						
	6	1	4W-2535	1	TUBE AS						
	7	1	9Y-3306	1	TEE-OUTLET						
	8	1	3P-0658	1	SEAL-O-RING						
	9	1	OS-1588	8	BOLT (3/8-16X1.25-IN)						
	10	1	4W-4555	1	SPACER						
	11	1	5P-8429	1	SEAL-O-RING						
	12	1	9Y-3307	1	SCREEN AS-SUCTION						
	13	1	OS-1591	8	BOLT (3/8-16X1.5-IN)						
	14	1	3V-3308	8	WASHER-HARD (10.2X20.5X2.5-MM THK)						
	15	1	4W-1162	1	ELBOW						
	16	1	OS-1590	4	BOLT (3/8-16X2-IN)						
	17	1	9Y-3305	1	COVER						
	18	1	9S-9334	1	PLUG-O-RING						
		1	5P-7701	1	SEAL-O-RING						



GRAPHIC #1

<END>

g00727009

LUBRICATION SYSTEM

106-5652 LINES GP-ENGINE OIL (CHG -00 THRU -11)

SMCS-1307

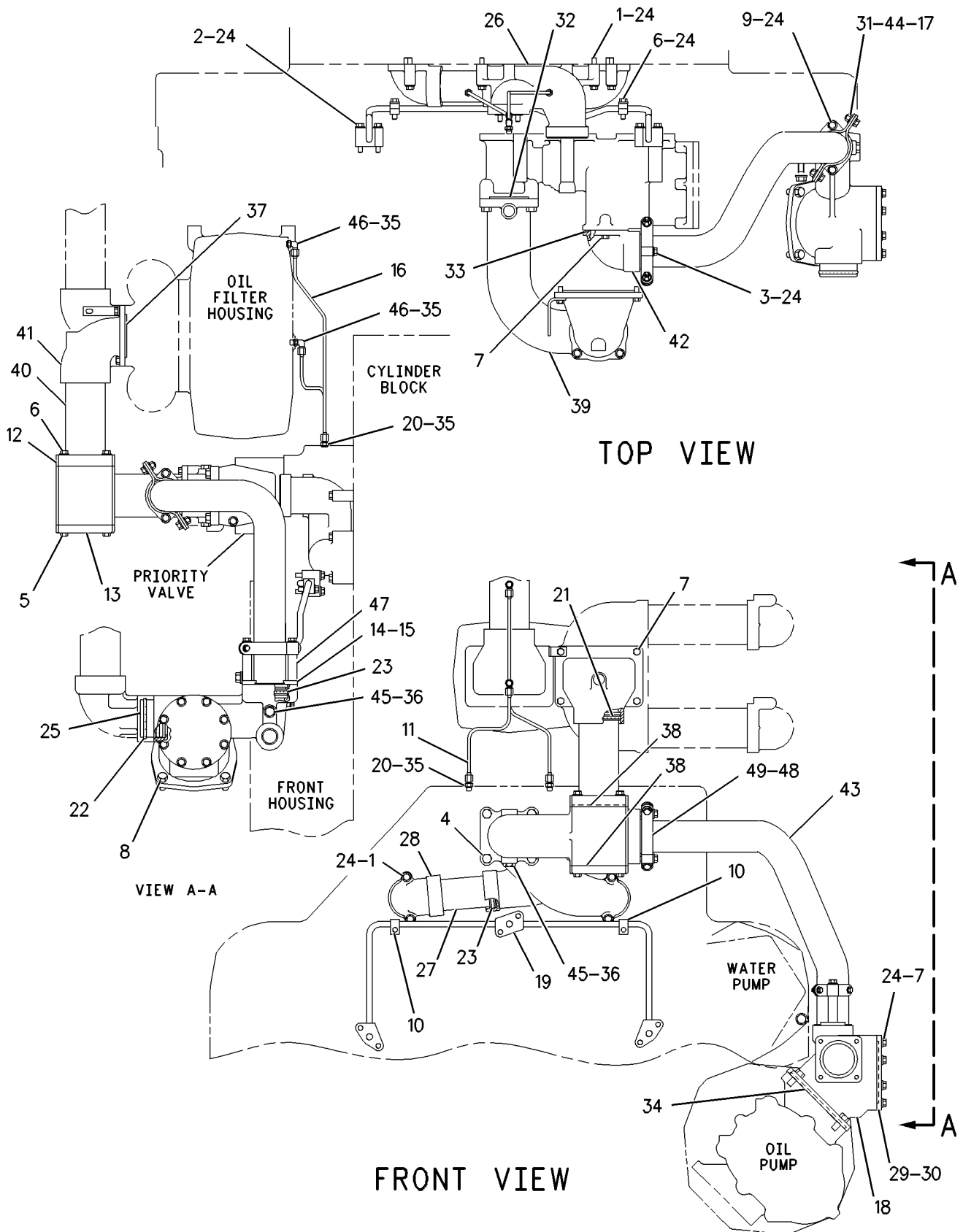
i02657779

NOTE	REF NO	GRAPHIC REF	PART NUMBER	QTY	PART NAME						SEE PAGE
					1	2	3	4	5	6 (PRODUCT LEVEL)	
	1	1	0L-1143	6	BOLT (3/8-16X2.5-IN)						
	2	1	0L-2070	6	BOLT (3/8-16X2.25-IN)						
	3	1	0S-1571	2	BOLT (3/8-16X1.75-IN)						
	4	1	0S-1585	4	BOLT (1/2-13X1.5-IN)						
	5	1	0S-1588	4	BOLT (3/8-16X1.25-IN)						
	6	1	0S-1591	6	BOLT (3/8-16X1.5-IN)						
	7	1	0S-1594	13	BOLT (3/8-16X1-IN)						
	8	1	0S-1595	4	BOLT (1/2-13X1.25-IN)						
	9	1	8S-9191	2	BOLT (3/8-16X4-IN)						
	10	1	1N-4622	4	CLAMP						
	11	1	1W-2244	1	TUBE AS-VENT						
	12	1	1W-3979	1	FLANGE						
	13	1	1W-4059	1	COVER						
	14	1	1W-4152	2	RETAINER						
	15	1	1W-4153	1	RING-RETAINING						
	16	1	1W-4307	1	TUBE AS-VENT						
	17	1	2B-2695	4	BOLT (5/16-18X0.875-IN)						
	18	1	2W-6317	1	TEE						
	19	1	2W-8216	1	TUBE AS						
	20	1	3J-7352	2	CONNECTOR						
	21	1	259-4600	2	SEAL-O-RING						
	22	1	3P-0655	2	SEAL-O-RING						
	23	1	3P-0656	4	SEAL-O-RING						
	24	1	3V-3308	26	WASHER-HARD (10.2X20.5X2.5-MM THK)						
	25	1	4W-1164	1	COUPLING						
	26	1	4W-6799	1	MANIFOLD						
	27	1	4W-7486	1	TUBE						
	28	1	4W-7487	1	ELBOW						
	29	1	4W-8775	1	COVER (AIR CHAMBER)						
	30	1	5P-8872	1	SEAL-O-RING						
	31	1	5S-0003	4	NUT (5/16-18-THD)						
	32	1	5S-9134	1	SEAL-O-RING						
	33	1	6V-3833	1	SEAL-O-RING						
	34	1	6V-3968	1	SEAL-O-RING						
	35	1	6V-5048	4	SEAL-O-RING						
	36	1	6V-5049	2	SEAL-O-RING						
	37	1	6V-5055	1	SEAL-O-RING						
	38	1	6V-5101	2	SEAL-O-RING						
	39	1	7C-2322	1	ELBOW						
	40	1	7N-9044	1	TUBE						
	41	1	7W-3882	1	ELBOW						
	42	1	7W-7833	1	ELBOW						
	43	1	7W-9424	1	TUBE						
	44	1	9M-1974	8	WASHER-HARD (8.8X16X2-MM THK)						
	45	1	9S-4191	2	PLUG-O-RING						
	46	1	030-7946	2	ELBOW						
	47	1	5N-7917	2	SPACER (10.74X17.14X54.4-MM THK)						
	48	1	126-4229	1	RING-RETAINING						
	49	1	137-0257	4	CLAMP AS						

LUBRICATION SYSTEM

106-5652 LINES GP-ENGINE OIL (contd.)

i02657779



GRAPHIC #1

<END>

g00793716

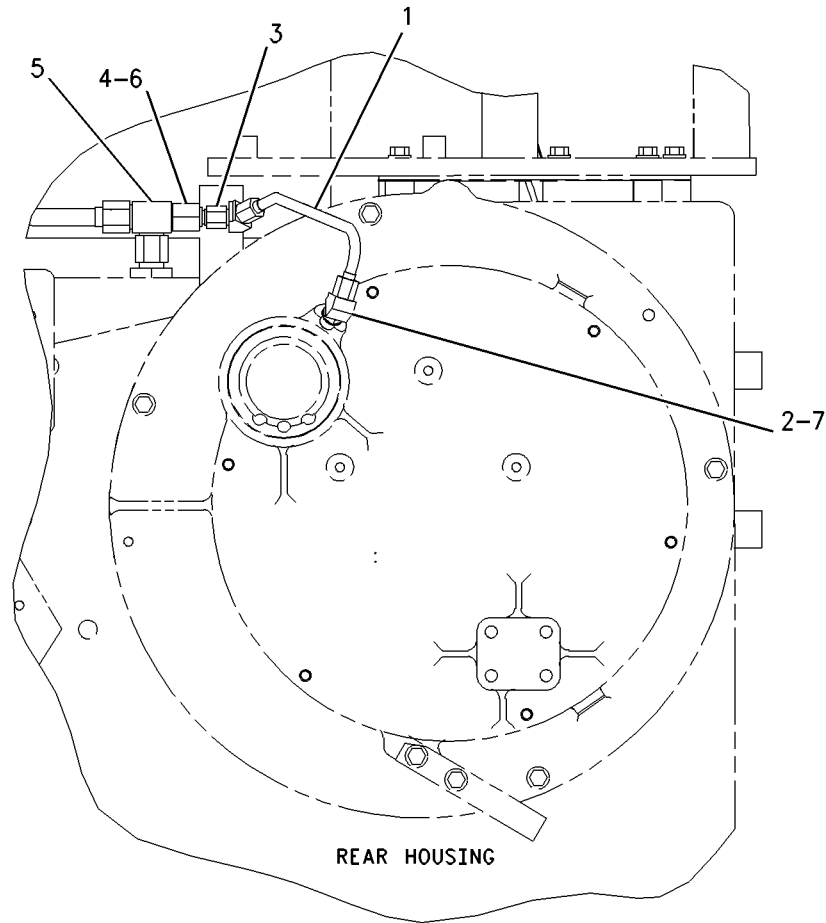
LUBRICATION SYSTEM

213-6459 LINES GP-ENGINE OIL (CHG -00, -00D1, -00D2)

SMCS-1307

i01797144

NOTE	REF NO	GRAPHIC REF	PART NUMBER	QTY	PART NAME						SEE PAGE
					1	2	3	4	5	6 (PRODUCT LEVEL)	
	1	1	196-6042	1	TUBE AS						
	2	1	030-7942	1	ELBOW						
	3	1	030-7962	1	ELBOW						
	4	1	030-8145	1	REDUCER-FLARED						
	5	1	061-8284	1	TEE						
	6	1	5H-0275	1	NUT-FITTING (7/8-14-THD)						
	7	1	6V-5049	1	SEAL-O-RING						



REAR VIEW

GRAPHIC #1

<END>

g00920890

LUBRICATION SYSTEM

222-1306 LINES GP-ENGINE OIL (CHG -00 THRU -02) HYDRAC-DISCHARGE

SMCS-1307

i02434031

NOTE	REF NO	GRAPHIC REF	PART NUMBER	QTY	PART NAME						SEE PAGE
					1	2	3	4	5	6 (PRODUCT LEVEL)	
	1	1	6V-9832	1	CAP AS						
	2	1	7C-8246	2	SPACER (10.5X20X24-MM THK)						
	3	1	8C-0569	2	TEE-O-RING						
	4	2	8C-5053	1	ADAPTER						
	5	1	9C-5344	7	SPACER (10.5X20X18-MM THK)						
	6	2	121-6750	2	MANIFOLD						
	7	1	121-7697	2	TEE-FACE SEAL						
	8	1	125-3902	3	TUBE AS						
	9	1	131-7747	1	BRACKET AS						
	10	1	131-9370	1	TUBE AS						
	11	1	131-9372	1	TUBE AS						
	12	2	131-9373	1	TUBE AS						
	13	1	131-9376	1	TUBE AS						
	14	1	131-9379	1	TUBE AS						
	15	1	131-9381	1	TUBE AS						
Y	16	2	138-6144	1	FILTER GP-ENGINE OIL						121
	17	1	138-6158	1	VALVE-CHECK						
	18	2	138-6261	2	BRACKET						
	19	1	141-9812	1	TUBE AS						
	20	1	141-9904	1	TUBE AS						
	21	1	147-0529	1	TUBE AS						
	22	1	171-5858	1	TUBE AS						
	23	1	176-3586	1	VALVE AS-RELIEF						
		1	2M-9780	2	SEAL-O-RING						
	24	1	176-3591	1	BRACKET AS						
	25	1	184-5287	1	TUBE AS						
	26	1	184-5288	1	TUBE AS						
	27	2	198-7778	1	BRACKET AS						
	28	1	091-0081	1	SPACER (10.5X20X10-MM THK)						
	29	1	0L-1143	7	BOLT (3/8-16X2.5-IN)						
	30	1	0S-0509	2	BOLT (3/8-16X0.75-IN)						
	31	1,2	0S-1588	10	BOLT (3/8-16X1.25-IN)						
	32	1,2	0S-1590	5	BOLT (3/8-16X2-IN)						
	33	1	0S-1591	1	BOLT (3/8-16X1.5-IN)						
	34	1,2	0S-1594	7	BOLT (3/8-16X1-IN)						
	35	2	2M-9780	6	SEAL-O-RING						
	36	2	3B-1915	4	BOLT (3/8-16X1.375-IN)						
	37	1	3D-2824	8	SEAL-O-RING						
	38	1,2	3J-1907	10	SEAL-O-RING						
	39	2	3K-0360	1	SEAL-O-RING						
	40	1,2	3V-3308	45	WASHER-HARD (10.2X20.5X2.5-MM THK)						
	41	1	4B-9365	2	BOLT (1/4-20X3-IN)						
	42	1	5K-9660	6	CLIP						
	43	1	5P-0537	2	WASHER-HARD (7.2X14.5X2-MM THK)						
	44	1	6V-7646	2	WASHER-HARD (7.2X25X2-MM THK)						
	45	1,2	6V-8398	12	SEAL-O-RING						
	46	2	6V-8629	2	ELBOW						
	47	1	6V-8637	4	CONNECTOR						
	48	1,2	6V-8638	2	CONNECTOR						
	49	1	6V-8733	2	UNION						
	50	1	6V-8784	1	TEE-FACE SEAL						
	51	1	6V-9007	1	ELBOW						
	52	2	6V-9182	1	ELBOW						
	53	1,2	6V-9746	19	SEAL-O-RING						
	54	1,2	6V-9873	6	CONNECTOR						
	55	2	7M-8485	1	SEAL-O-RING						
	56	1	8T-1885	2	CLIP (SLOT)						

LUBRICATION SYSTEM

222-1306 LINES GP-ENGINE OIL (contd.)

i02434031

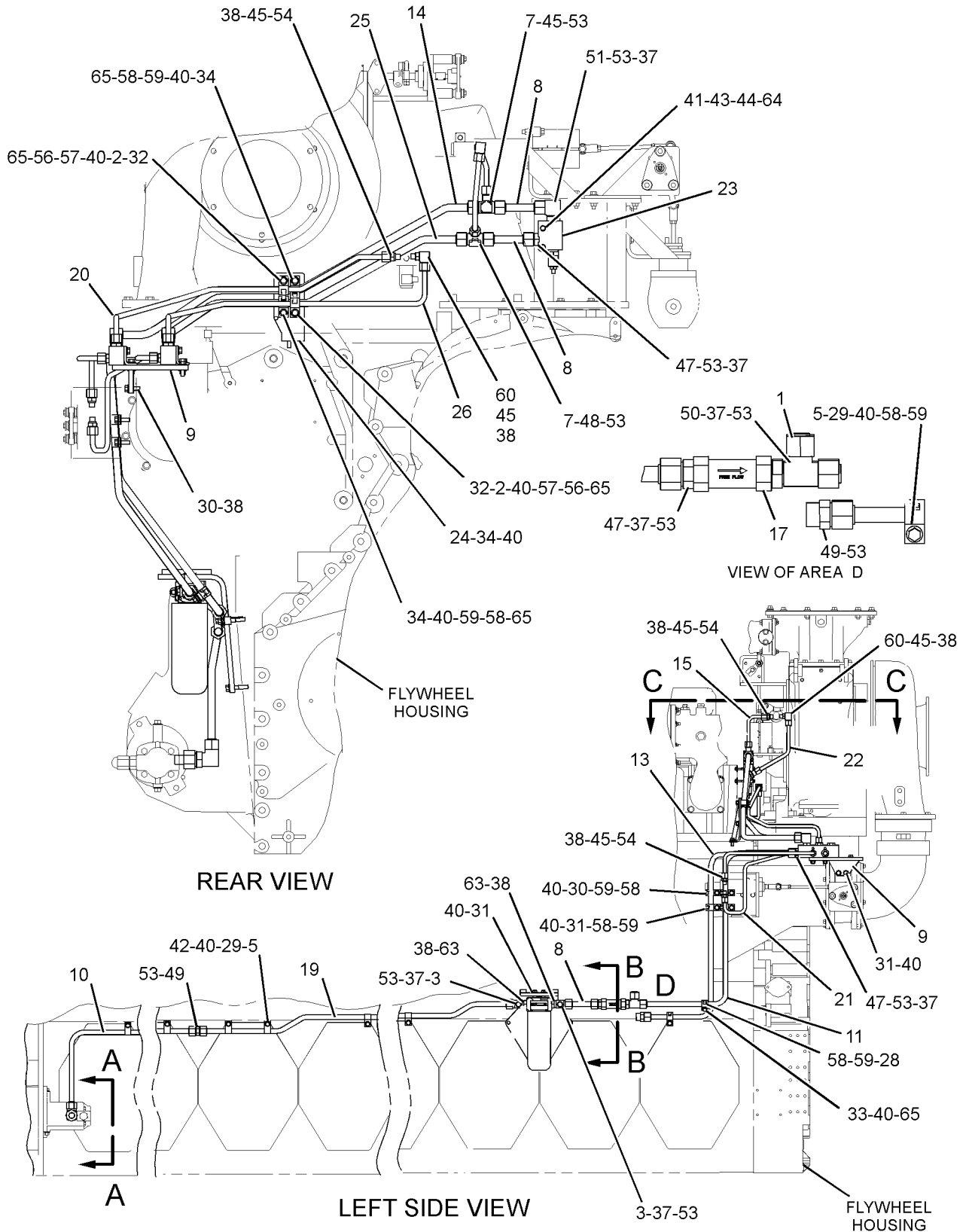
NOTE	REF NO	GRAPHIC REF	PART NUMBER	QTY	PART NAME						SEE PAGE
					1	2	3	4	5	6 (PRODUCT LEVEL)	
	57	1	8T-1886	2	CLIP (TAB)						
	58	1	8T-1887	9	CLIP (SLOT)						
	59	1	8T-1888	9	CLIP (TAB)						
	60	1	8T-6876	2	ELBOW						
	61	2	9S-4185	1	PLUG-O-RING						
	62	2	9S-4190	2	PLUG-O-RING						
	63	1	9S-4191	2	PLUG-O-RING						
	64	1	9S-8750	2	NUT-FULL (1/4-20-THD)						
	65	1,2	9S-8752	9	NUT-FULL (3/8-16-THD)						

Y-SEPARATE ILLUSTRATION

LUBRICATION SYSTEM

222-1306 LINES GP-ENGINE OIL (contd.)

i02434031



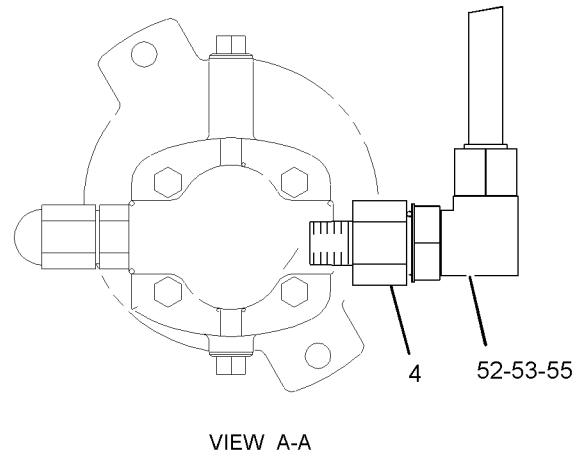
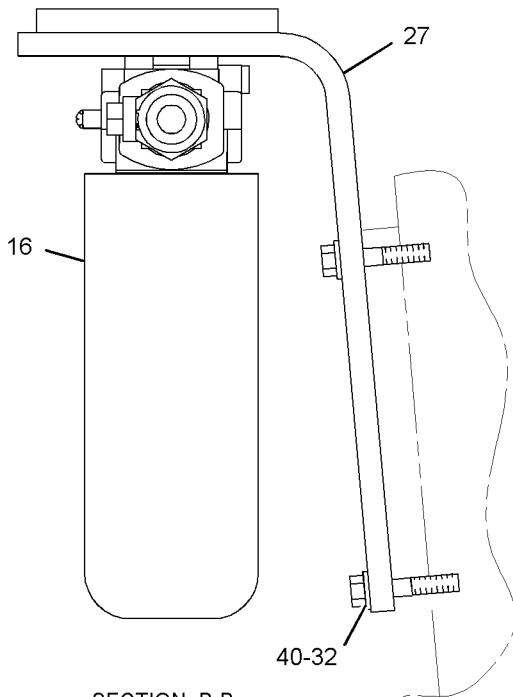
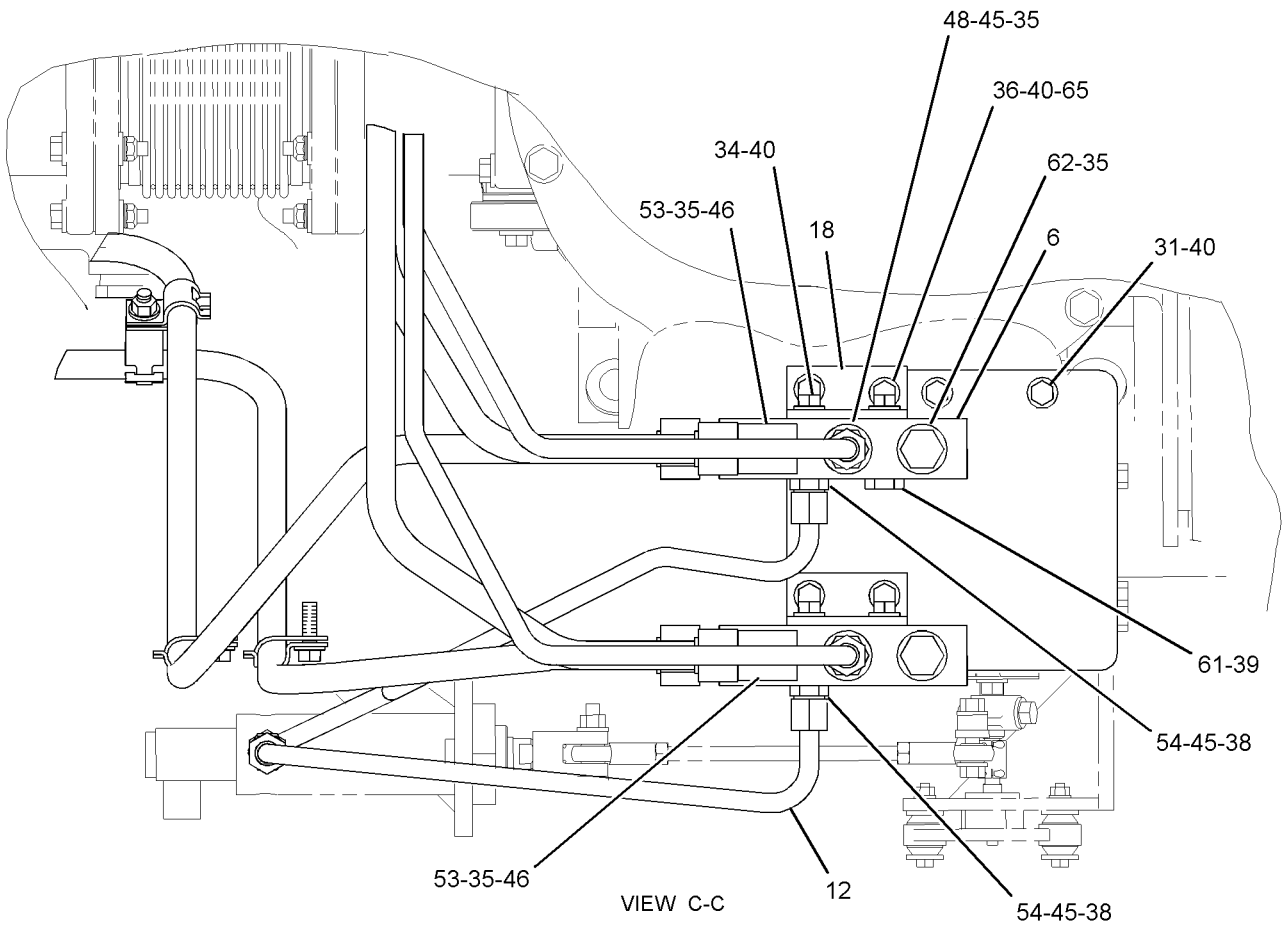
GRAPHIC #1

g01215976

LUBRICATION SYSTEM

222-1306 LINES GP-ENGINE OIL (contd.)

i02434031



REFER TO ALL ILLUSTRATIONS OF THIS GROUP FOR AUXILIARY VIEWS

GRAPHIC #2

<END>

g01029418

LUBRICATION SYSTEM

228-6595 LINES GP-ENGINE OIL (CHG -00, -01) DISCHARGE

SMCS-1307

i02380443

NOTE	REF NO	GRAPHIC REF	PART NUMBER	QTY	PART NAME						SEE PAGE
					1	2	3	4	5	6 (PRODUCT LEVEL)	
	1	1	6V-9832	1	CAP AS						
	2	1	8C-0569	2	TEE-O-RING						
	3	2	8C-5053	1	ADAPTER						
	4	1	9C-5344	7	SPACER (10.5X20X18-MM THK)						
	5	2	121-6750	2	MANIFOLD						
	6	1	121-7697	2	TEE-FACE SEAL						
	7	1	125-3902	3	TUBE AS						
	8	1	131-7747	1	BRACKET AS						
	9	1	131-9370	1	TUBE AS						
	10	1	131-9372	1	TUBE AS						
	11	2	131-9373	1	TUBE AS						
	12	1	131-9376	1	TUBE AS						
	13	1	131-9379	1	TUBE AS						
	14	1	131-9381	1	TUBE AS						
Y	15	2	138-6144	1	FILTER GP-ENGINE OIL						121
	16	1	138-6158	1	VALVE-CHECK						
	17	2	138-6261	2	BRACKET						
	18	1	141-9812	1	TUBE AS						
	19	2	147-0529	1	TUBE AS						
	20	1	149-2862	1	PLATE						
	21	2	149-2942	1	TUBE AS						
	22	2	149-2943	1	TUBE AS						
	23	1	171-5858	1	TUBE AS						
	24	1	176-3586	1	VALVE AS-RELIEF						
		1	2M-9780	2	SEAL-O-RING						
		1	5E-4852	1	VALVE-RELIEF						
	25	1	176-3591	1	BRACKET AS						
	26	1	184-5287	1	TUBE AS						
	27	2	198-7778	1	BRACKET AS						
	28	1	0L-1143	7	BOLT (3/8-16X2.5-IN)						
	29	1	0S-0509	2	BOLT (3/8-16X0.75-IN)						
	30	1,2	0S-1588	10	BOLT (3/8-16X1.25-IN)						
	31	1,2	0S-1590	5	BOLT (3/8-16X2-IN)						
	32	1,2	0S-1594	7	BOLT (3/8-16X1-IN)						
	33	1	1A-1460	2	BOLT (1/2-13X2-IN)						
	34	1	1B-3057	2	CLIP						
	35	1	1F-7958	2	NUT-FULL (1/2-13-THD)						
	36	1	1V-6256	2	SPACER (0.493X0.675X0.85-IN THK)						
	37	2	2M-9780	6	SEAL-O-RING						
	38	2	3B-1915	4	BOLT (3/8-16X1.375-IN)						
	39	1	3D-2824	8	SEAL-O-RING						
	40	1,2	3J-1907	10	SEAL-O-RING						
	41	2	3K-0360	1	SEAL-O-RING						
	42	1,2	3V-3308	45	WASHER-HARD (10.2X20.5X2.5-MM THK)						
	43	1	4B-9365	2	BOLT (1/4-20X3-IN)						
	44	1	5K-9660	6	CLIP						
	45	1	5P-0537	2	WASHER-HARD (7.2X14.5X2-MM THK)						
	46	1	5P-8245	4	WASHER-HARD (13.5X25.5X3-MM THK)						
	47	1	6V-7646	2	WASHER-HARD (7.2X25X2-MM THK)						
	48	1,2	6V-8398	12	SEAL-O-RING						
	49	2	6V-8629	2	ELBOW						
	50	1	6V-8637	4	CONNECTOR						
	51	2	6V-8638	2	CONNECTOR						
	52	1	6V-8733	2	UNION						
	53	1	6V-8784	1	TEE-FACE SEAL						
	54	1	6V-9007	1	ELBOW						
	55	2	6V-9182	1	ELBOW						

LUBRICATION SYSTEM

228-6595 LINES GP-ENGINE OIL (contd.)

i02380443

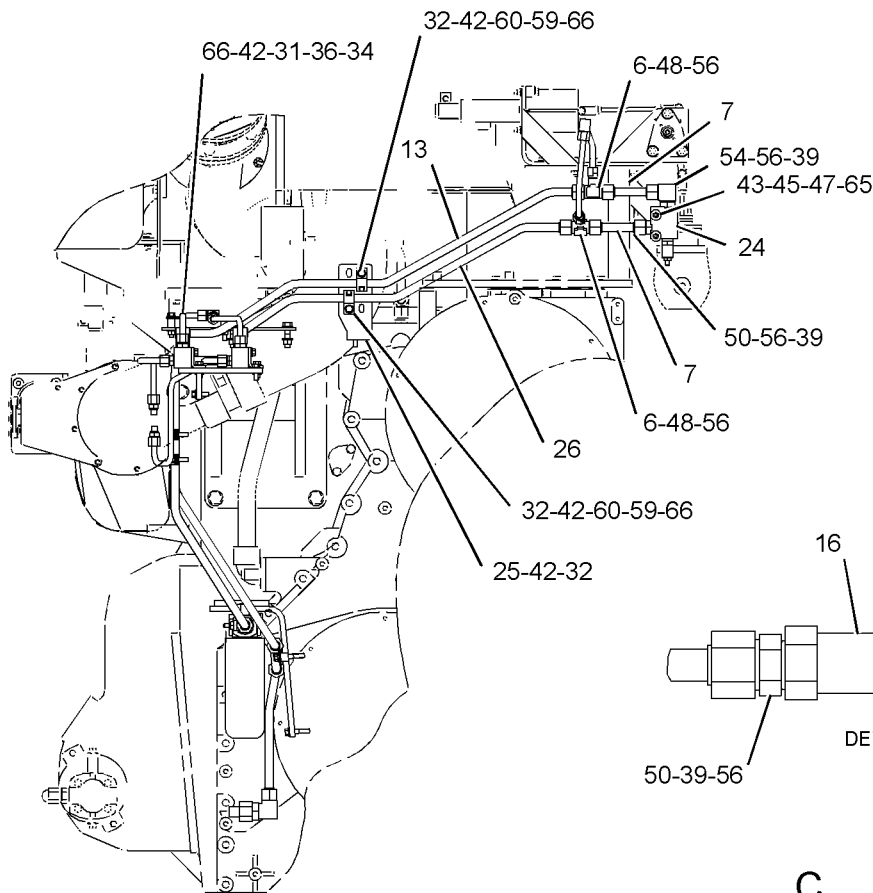
NOTE	REF NO	GRAPHIC REF	PART NUMBER	QTY	PART NAME						SEE PAGE
					1	2	3	4	5	6 (PRODUCT LEVEL)	
	56	1,2	6V-9746	19	SEAL-O-RING						
	57	1,2	6V-9873	6	CONNECTOR						
	58	2	7M-8485	1	SEAL-O-RING						
	59	1	8T-1887	9	CLIP (SLOT)						
	60	1	8T-1888	9	CLIP (TAB)						
	61	1	8T-6876	2	ELBOW						
	62	2	9S-4185	1	PLUG-O-RING						
	63	2	9S-4190	2	PLUG-O-RING						
	64	1	9S-4191	2	PLUG-O-RING						
	65	1	9S-8750	2	NUT-FULL (1/4-20-THD)						
	66	1,2	9S-8752	9	NUT-FULL (3/8-16-THD)						
	67	1	091-0081	1	SPACER (10.5X20X10-MM THK)						
	68	1	0S-1591	1	BOLT (3/8-16X1.5-IN)						

Y-SEPARATE ILLUSTRATION

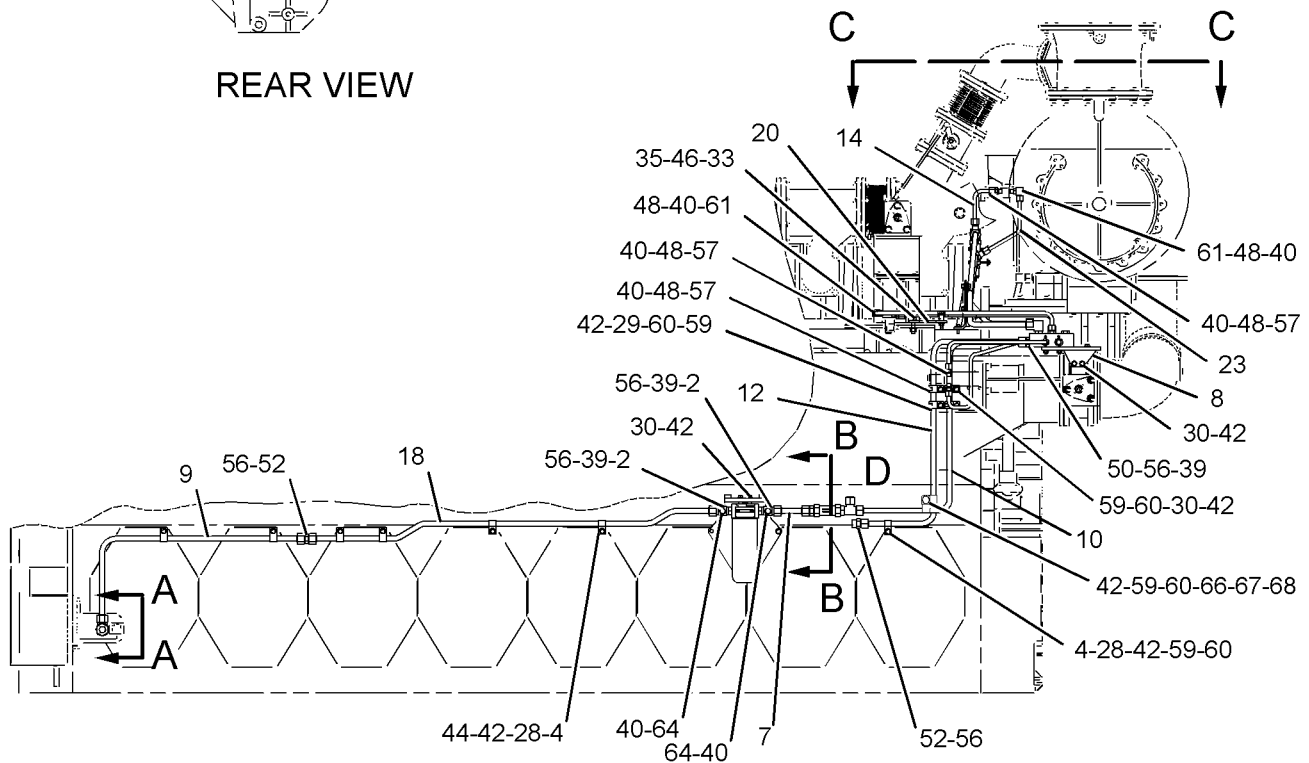
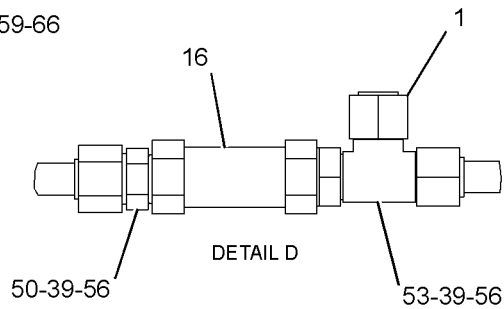
LUBRICATION SYSTEM

228-6595 LINES GP-ENGINE OIL (contd.)

i02380443



REAR VIEW



LEFT SIDE VIEW

REFER TO ALL ILLUSTRATIONS OF THIS GROUP FOR AUXILIARY VIEWS

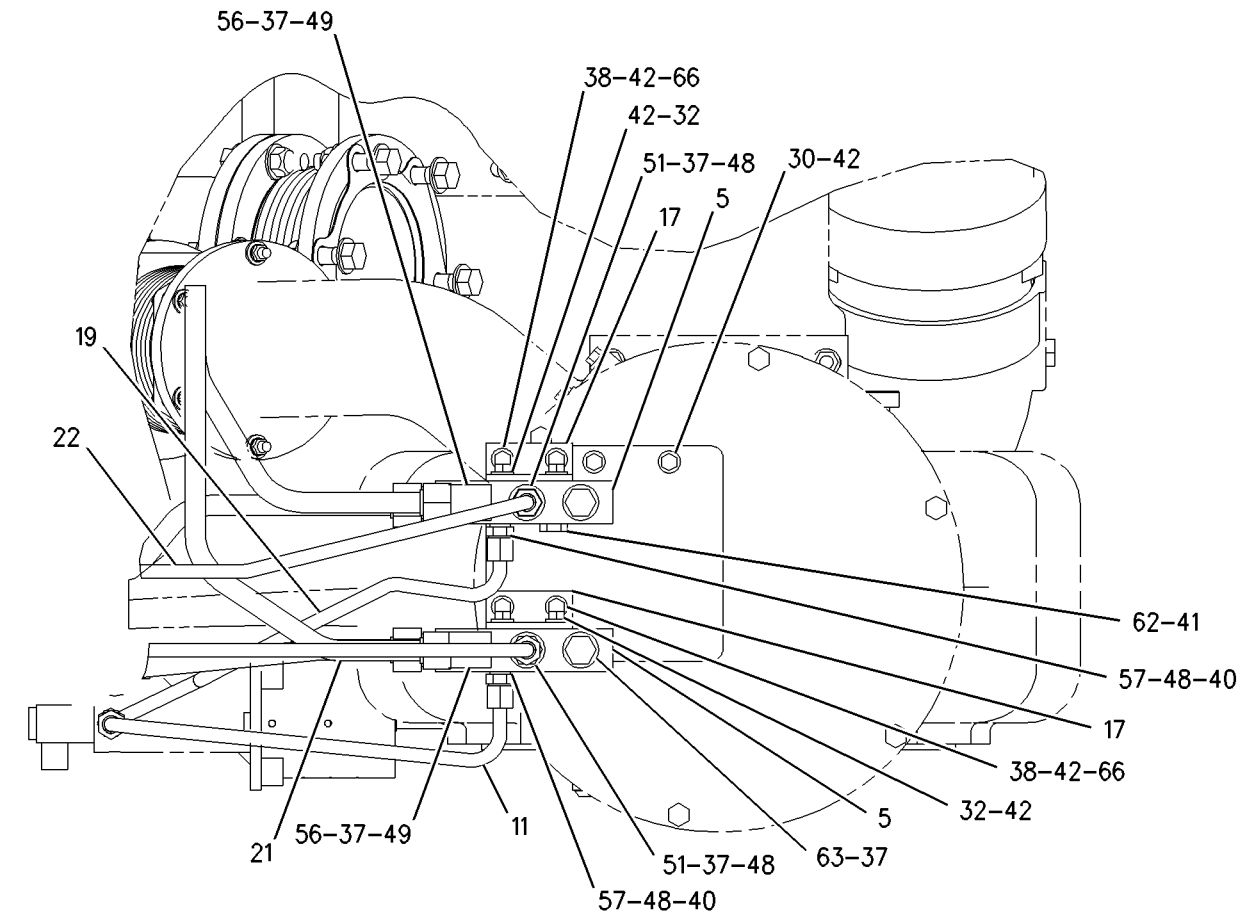
GRAPHIC #1

g01188535

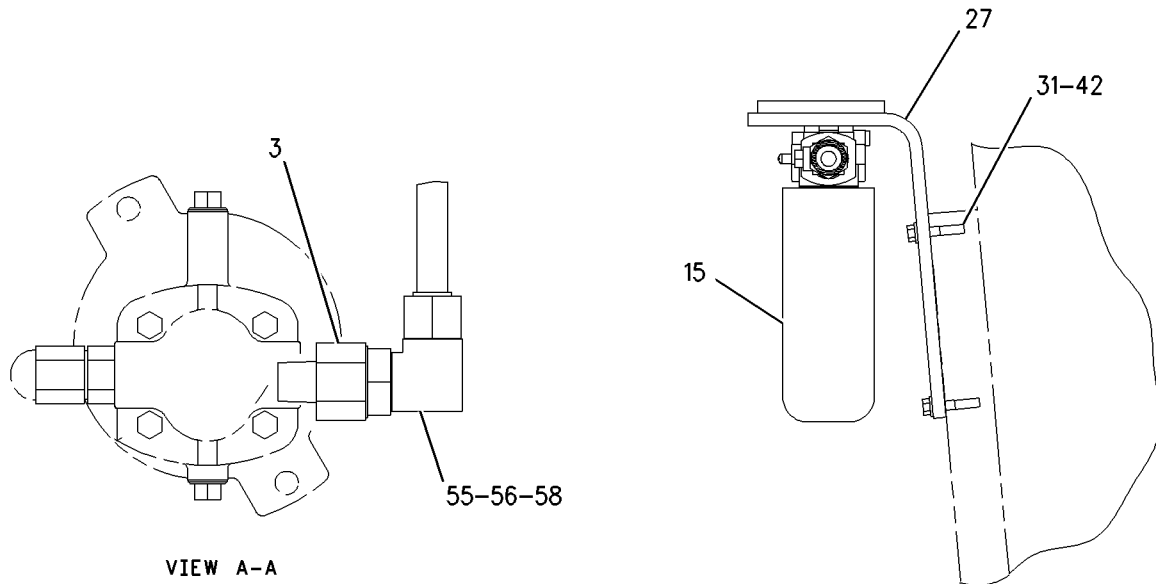
LUBRICATION SYSTEM

228-6595 LINES GP-ENGINE OIL (contd.)

i02380443



VIEW C-C



VIEW A-A

SECTION B-B

GRAPHIC #2

<END>

g00988201

LUBRICATION SYSTEM

9Y-3300 LINES GP-LUBE OIL (CHG -03, -03D2, -03D3, -03D4, -03D5, -03D6, -04, -04D1, -05, -05D1) PRELUBE PUMP

SMCS-1307

i03188380

NOTE	REF NO	GRAPHIC REF	PART NUMBER	QTY	PART NAME						SEE PAGE
					1	2	3	4	5	6 (PRODUCT LEVEL)	
	1	1	0S-1618	6	BOLT (5/16-18X1-IN)						
	2	1	1D-4540	2	BOLT (5/16-18X2.75-IN)						
	3	1	030-7935	1	CONNECTOR						
	4	1	030-7960	1	TEE-FLARED						
	5	1	030-7951	1	ELBOW-FLARED						
	6	1	3R-6789	2	CAP-FLARED						
	7	1	4W-2138	1	VALVE AS						
	7A	1	3H-3433	1	PIN-SPRING						
	7B	1	1P-5274	1	PIN-VALVE SPRING						
	7C	1	9H-2367	1	SPRING-VALVE						
	7D	1	9L-0672	1	VALVE-CHECK						
	8	1	4W-2139	1	HOUSING						
I	9	1	1N-3134	1	HOSE AS						
	10	1	4W-9774	1	ELBOW						
	11	1	5P-7701	4	SEAL-O-RING						
	12	1	6V-5100	2	SEAL-O-RING						
	13	1	9Y-3299	1	TUBE AS						
	14	1	067-9921	1	TEE-FLARED						
	15	1	7D-7233	1	CLIP						
	16	1	031-5744	1	ELBOW						
C	17	1	3V-3308	3	WASHER-HARD (10.2X20.5X2.5-MM THK)						
C	18	1	0S-1588	1	BOLT (3/8-16X1.25-IN)						
C	19	1	0S-1594	1	BOLT (3/8-16X1-IN)						
C	20	1	9S-8752	1	NUT-FULL (3/8-16-THD)						
C	21	1	133-9637	1	BRACKET						

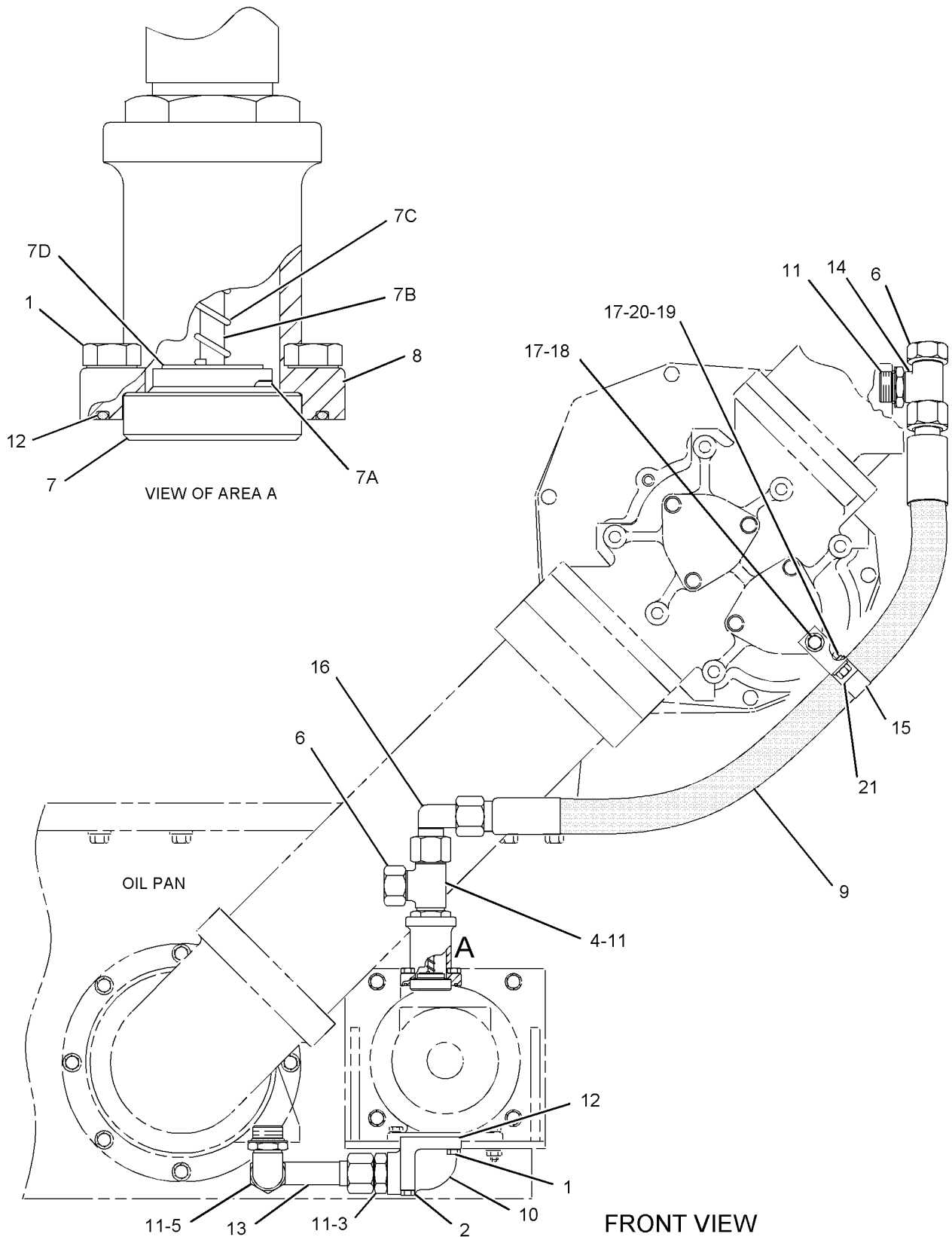
C-CHANGE FROM PREVIOUS TYPE

I-REFER TO HYDRAULIC INFORMATION SYSTEM

LUBRICATION SYSTEM

9Y-3300 LINES GP-LUBE OIL (contd.)

i03188380



GRAPHIC #1

<END>

g01121878

LUBRICATION SYSTEM

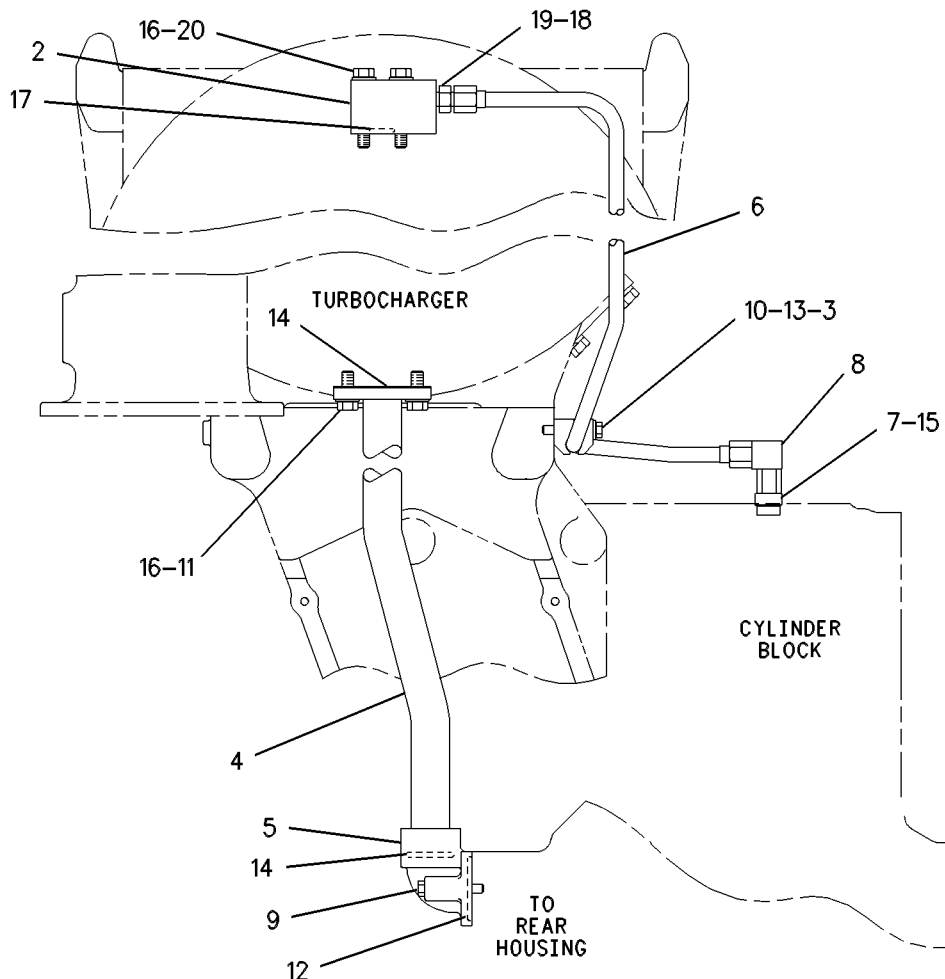
113-4199 LINES GP-TURBOCHARGER OIL (CHG -03)

SMCS-1052, 1307

i01552701

NOTE	REF NO	GRAPHIC REF	PART NUMBER	QTY	PART NAME						SEE PAGE
					1	2	3	4	5	6 (PRODUCT LEVEL)	
	1	1	1W-2577	1	GASKET						
	2	1	2W-3790	1	FLANGE						
	3	1	4P-0692	2	CLAMP AS						
	4	1	4P-8018	1	TUBE AS						
	5	1	4P-8019	1	ELBOW						
	6	1	7C-0457	1	TUBE AS						
C	7	1	068-6074	1	CONNECTOR						
	8	1	030-7972	1	ELBOW						
	9	1	0L-1143	2	BOLT (3/8-16X2.5-IN)						
	10	1	0L-2070	1	BOLT (3/8-16X2.25-IN)						
	11	1	0S-1595	2	BOLT (1/2-13X1.25-IN)						
	12	1	3P-0649	1	SEAL-O-RING						
	13	1	3V-3308	1	WASHER-HARD (10.2X20.5X2.5-MM THK)						
	14	1	5P-5846	1	SEAL-O-RING						
C	15	1	5P-7701	1	SEAL-O-RING						
	16	1	5P-8245	4	WASHER-HARD (13.5X25.5X3-MM THK)						
	17	1	6J-2245	1	SEAL-O-RING						
C	18	1	6V-4589	1	SEAL-O-RING						
C	19	1	9M-4584	1	CONNECTOR						
	20	1	9X-8874	2	BOLT (1/2-13X3-IN)						

C-CHANGE FROM PREVIOUS TYPE



GRAPHIC #1

<END>

g00616449

LUBRICATION SYSTEM

145-5659 LINES GP-TURBOCHARGER OIL (CHG -01 THRU -03)

SMCS-1052, 1307

i01539775

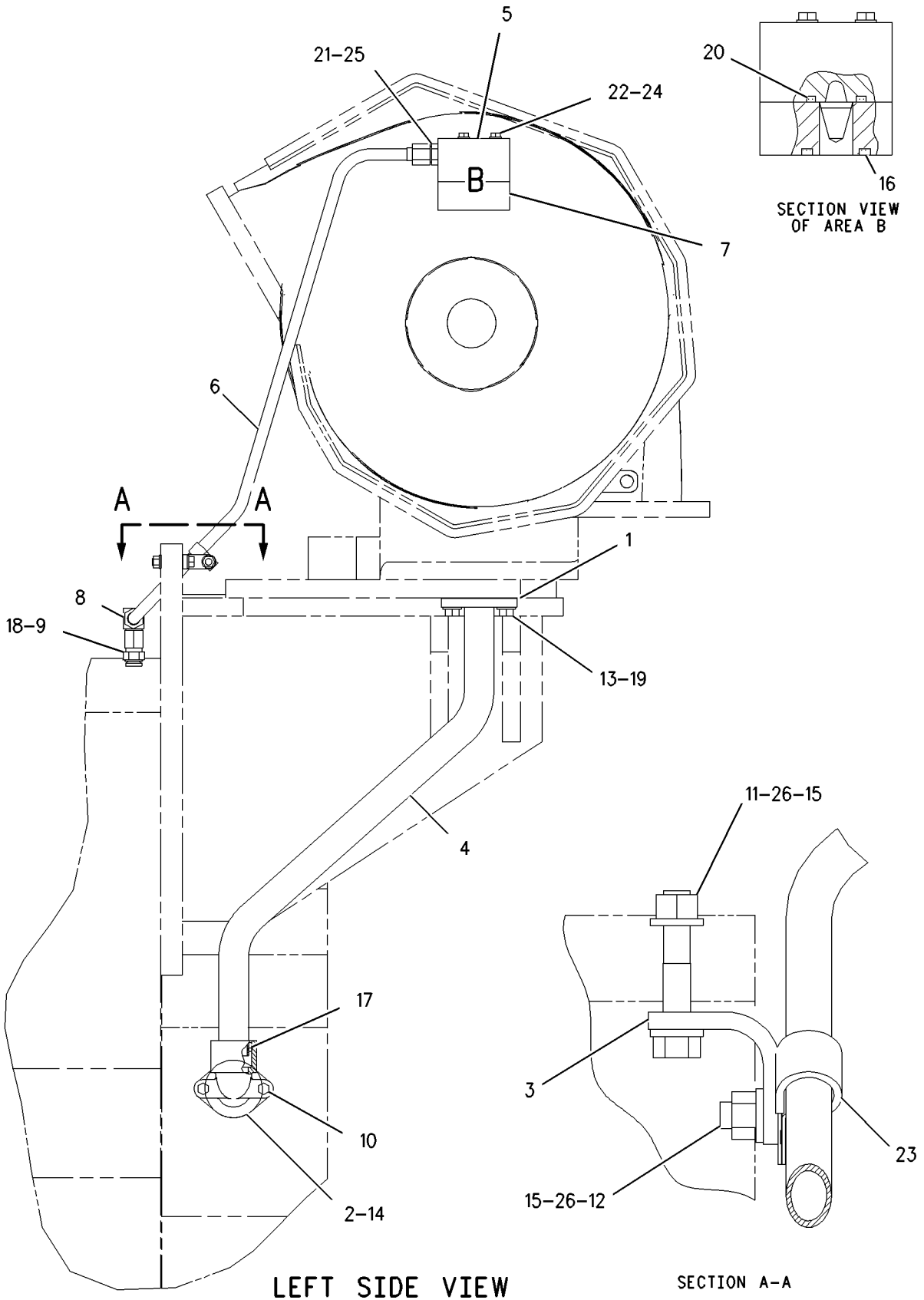
NOTE	REF NO	GRAPHIC REF	PART NUMBER	QTY	PART NAME						SEE PAGE
					1	2	3	4	5	6 (PRODUCT LEVEL)	
	1	1	1W-2577	1	GASKET						
	2	1	4P-8019	1	ELBOW						
	3	1	7N-4896	1	BRACKET						
	4	1	144-0612	1	TUBE AS						
C	5	1	173-3712	1	BLOCK						
C	6	1	173-7077	1	TUBE AS						
C	7	1	174-4479	1	BLOCK						
C	8	1	030-7972	1	ELBOW						
	9	1	068-6074	1	CONNECTOR						
	10	1	0L-1143	2	BOLT (3/8-16X2.5-IN)						
	11	1	0S-1590	1	BOLT (3/8-16X2-IN)						
	12	1	0S-1594	1	BOLT (3/8-16X1-IN)						
	13	1	0S-1595	2	BOLT (1/2-13X1.25-IN)						
	14	1	3P-0649	1	SEAL-O-RING						
C	15	1	5M-2894	4	WASHER-HARD (10.2X18.5X2.5-MM THK)						
C	16	1	5P-3456	1	SEAL-O-RING						
	17	1	5P-5846	1	SEAL-O-RING						
	18	1	5P-7701	1	SEAL-O-RING						
	19	1	5P-8245	2	WASHER-HARD (13.5X25.5X3-MM THK)						
	20	1	5P-9757	1	SEAL-O-RING						
C	21	1	6V-4589	1	SEAL-O-RING						
CM	22	1	6V-9607	2	BOLT (M8X1.25X120-MM)						
C	23	1	8M-2773	1	CLIP						
C	24	1	9M-1974	2	WASHER-HARD (8.8X16X2-MM THK)						
C	25	1	9M-4584	1	CONNECTOR						
C	26	1	9S-8752	2	NUT-FULL (3/8-16-THD)						

C-CHANGE FROM PREVIOUS TYPE
M-METRIC PART

LUBRICATION SYSTEM

145-5659 LINES GP-TURBOCHARGER OIL (contd.)

i01539775



LEFT SIDE VIEW

SECTION A-A

GRAPHIC #1

<END>

g00799752

LUBRICATION SYSTEM

148-9764 PUMP & LINES GP-VALVE LUBE

(CHG -03, -04, -04D1, -05, -05D1, -06, -06D1)

SMCS-1102, 1304, 1307

i02673721

NOTE	REF NO	GRAPHIC REF	PART NUMBER	QTY	PART NAME						SEE PAGE
					1	2	3	4	5	6 (PRODUCT LEVEL)	
	1	2	1W-2332	1	WASHER - THRUST						
	2	2	1W-2334	1	GASKET						
C	3	1	2W-4379	3	PLATE						
	4	1	3J-7355	1	UNION-FLARED						
	5	2	3L-2540	2	BOLT-SOCKET HEAD (10-24X0.75-IN)						
C	6	1,2	5R-9286	8	CONE (CRUSH HAZARD)						
	7	2	6V-7699	2	WASHER-HARD (5.5X13X1.6-MM THK)						
	8	2	7C-1164	1	SHAFT						
	9	2	7C-1165	1	ADAPTER						
	10	2	7C-1167	1	ADAPTER AS						
		2	6V-3677	1	DOWEL						
	11	2	7C-1190	1	PUMP-METERING						
	12	2	7C-1642	1	COUPLING						
	13	2	7C-1643	1	RING-SPRING						
	14	1	7C-1668	6	PLATE						
	15	1	7C-1955	4	CONNECTOR AS						
	16	1,2	7K-1181	4	STRAP-CABLE						
	17	2	9Y-7441	2	CONNECTOR						
	18	2	9Y-7442	2	CONNECTOR						
	19	2	9Y-7443	1	CONNECTOR						
C	20	1	138-8239	1	CLAMP-TUBE						
C	21	1	138-8240	10	CLAMP-TUBE						
	22	1	143-8445	1	TUBE AS						
	23	1	143-8446	1	TUBE AS						
	24	1	143-8447	1	TUBE AS						
I	25	2	143-8448	3	HOSE AS						
I	26	2	143-8449	1	HOSE AS						
	27	2	143-8451	1	TUBE AS						
	28	1	149-2042	1	TUBE AS						
	29	1	149-2326	1	TUBE AS						
B	30	1	030-7961	3	ELBOW						
					(FOR LEFT HAND SERVICE)						
	31	2	0S-1569	1	BOLT (5/8-11X4-IN)						
	32	2	0S-1571	8	BOLT (3/8-16X1.75-IN)						
	33	1	0S-1588	5	BOLT (3/8-16X1.25-IN)						
	34	2	0S-1595	3	BOLT (1/2-13X1.25-IN)						
	35	1	0S-1617	2	BOLT (5/16-18X0.75-IN)						
	36	2	104-6202	2	CLIP						
	37	2	1D-4588	2	BOLT (5/8-11X4.25-IN)						
	38	1	1B-2713	4	BOLT (1/4-20X1.75-IN)						
	39	1	3K-0360	4	SEAL-O-RING						
	40	1	3V-3308	6	WASHER-HARD (10.2X20.5X2.5-MM THK)						
C	41	1	5P-0537	11	WASHER-HARD (7.2X14.5X2-MM THK)						
	42	2	5P-8247	2	WASHER-HARD (17X32X3.5-MM THK)						
	43	2	5P-9658	1	SEAL-O-RING						
C	44	1	6V-0717	1	BOLT-SELF-LOCKING (3/8-16X2.75-IN)						
	45	2	6V-5049	1	SEAL-O-RING						
	46	1	7B-2742	2	BOLT (1/4-20X1.25-IN)						
	47	2	7J-4026	1	ELBOW						
	48	2	9M-1974	2	WASHER-HARD (8.8X16X2-MM THK)						
C	49	1	9S-8750	5	NUT-FULL (1/4-20-THD)						

B-USE AS REQUIRED

C-CHANGE FROM PREVIOUS TYPE

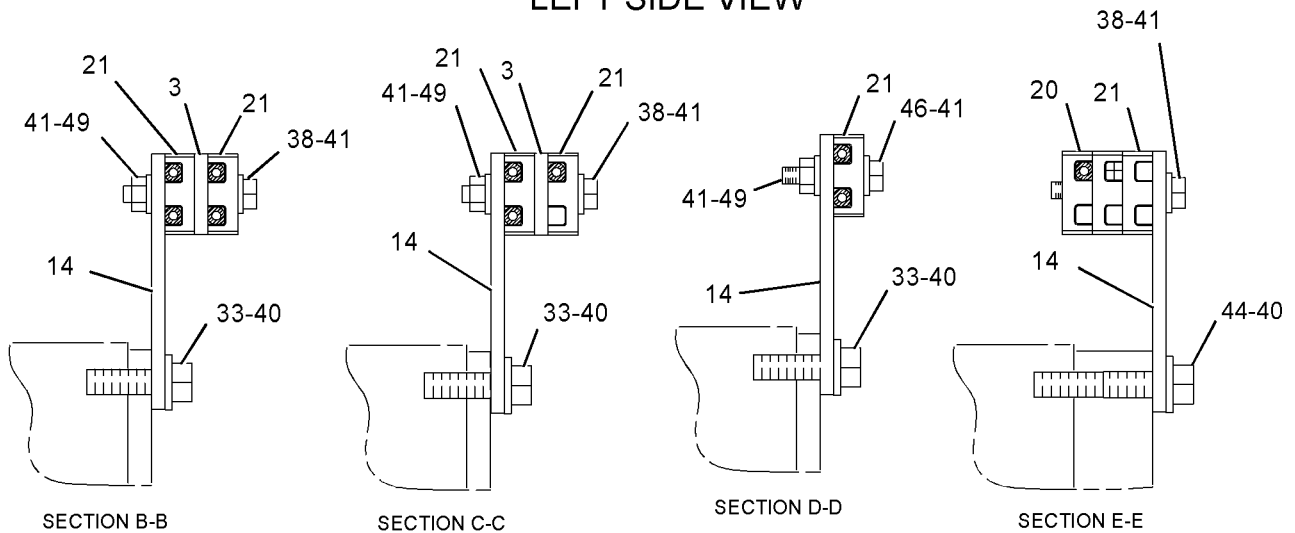
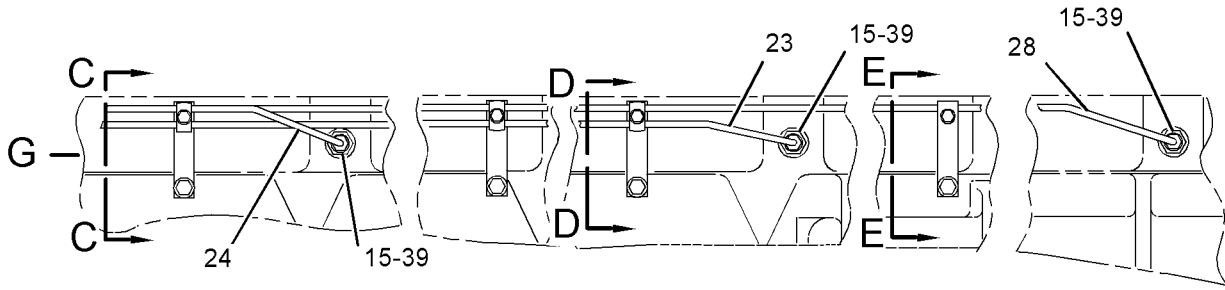
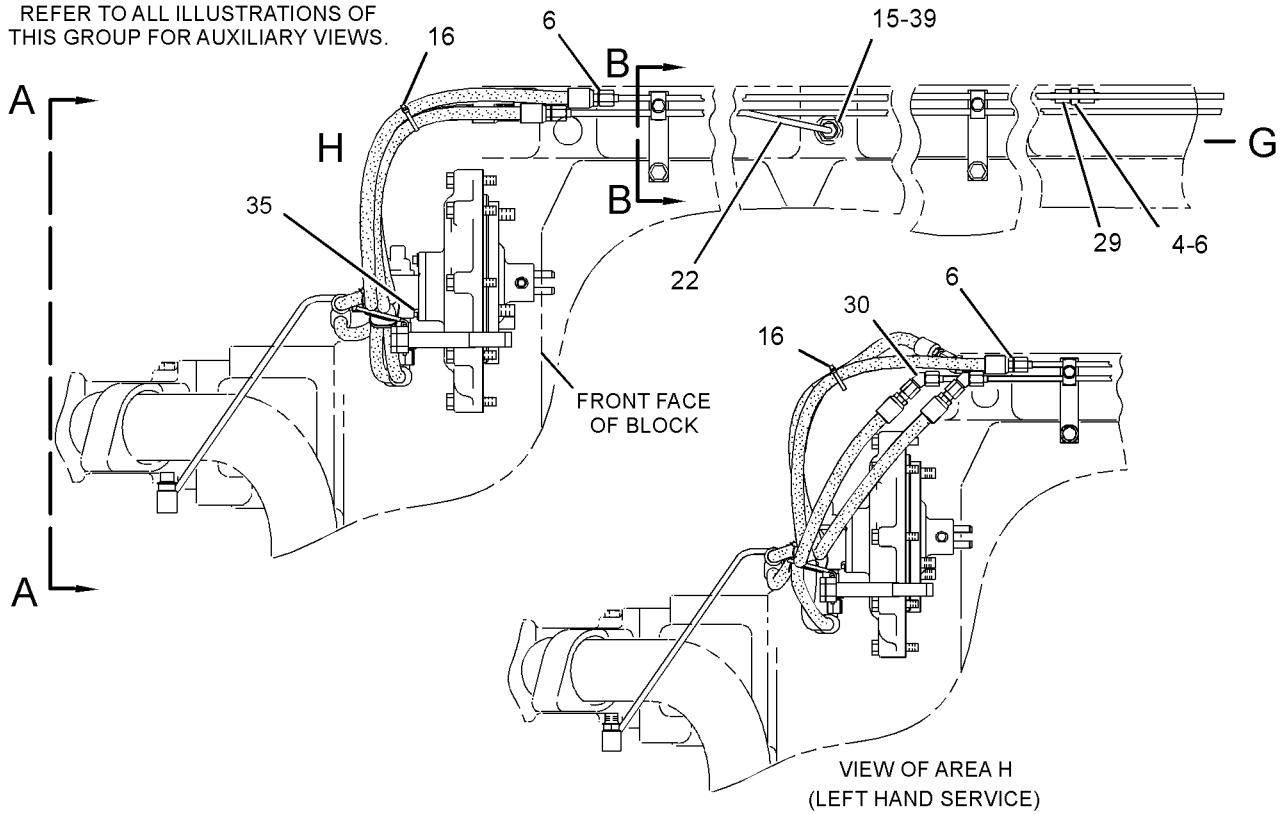
I-REFER TO HYDRAULIC INFORMATION SYSTEM

LUBRICATION SYSTEM

148-9764 PUMP & LINES GP-VALVE LUBE (contd.)

i02673721

REFER TO ALL ILLUSTRATIONS OF THIS GROUP FOR AUXILIARY VIEWS.



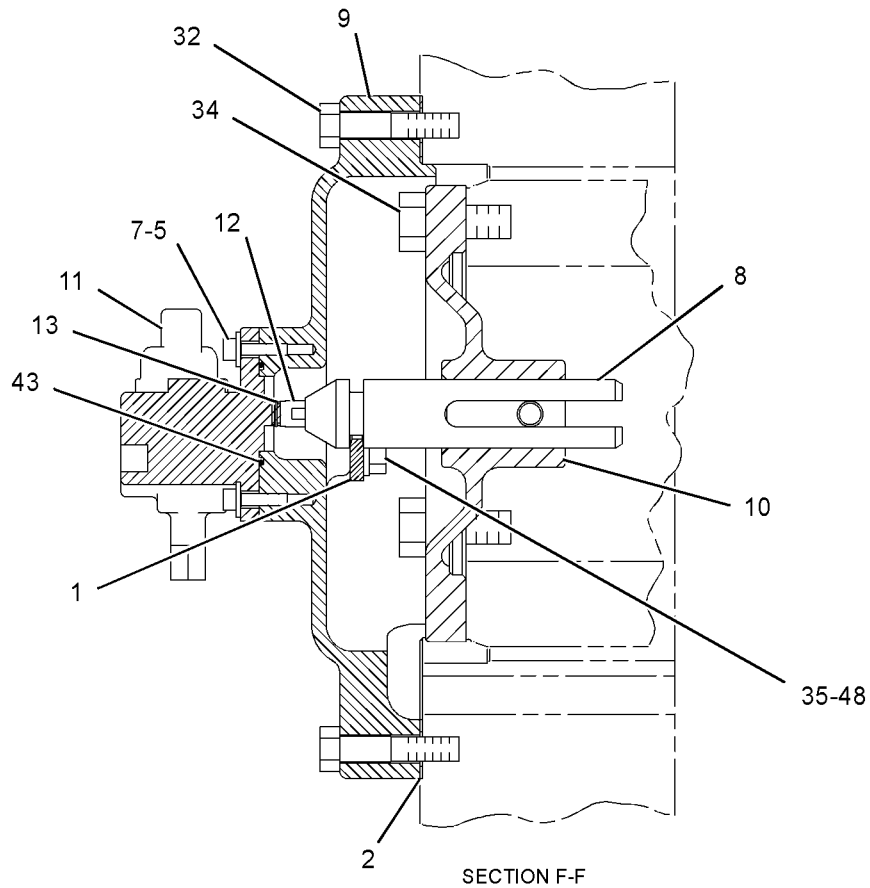
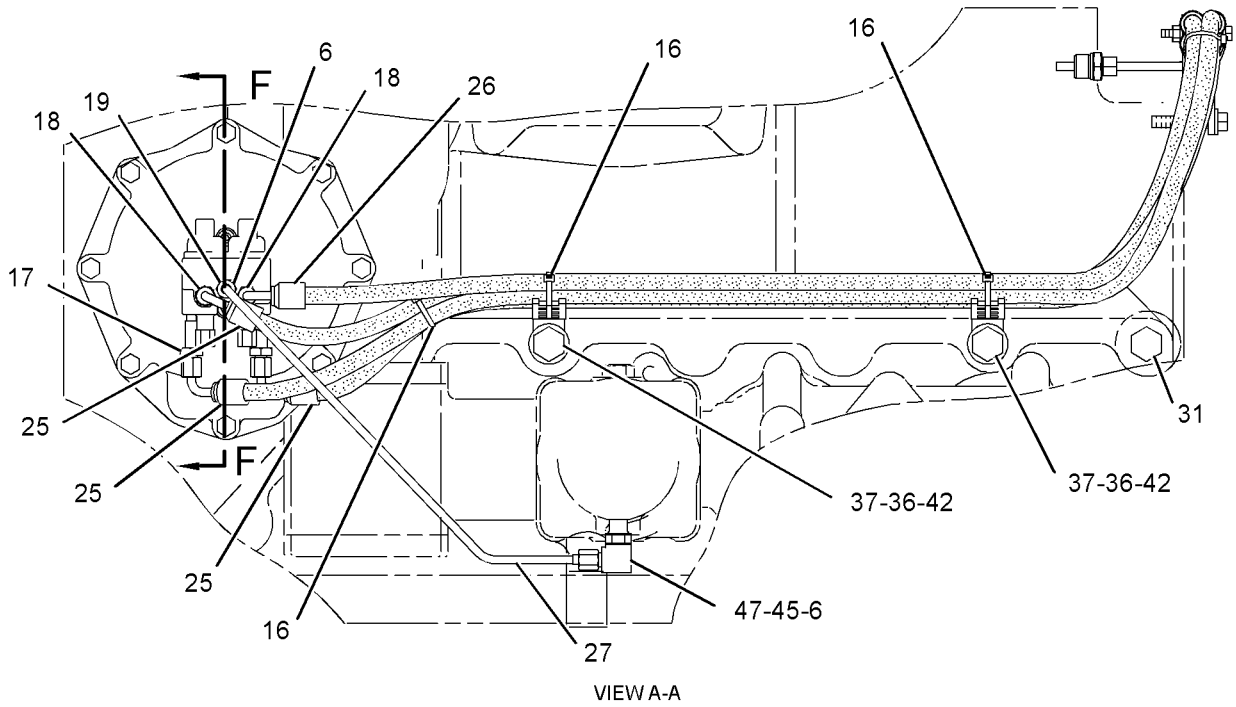
GRAPHIC #1

g01247117

LUBRICATION SYSTEM

148-9764 PUMP & LINES GP-VALVE LUBE (contd.)

i02673721



GRAPHIC #2

<END>

g01247162

LUBRICATION SYSTEM

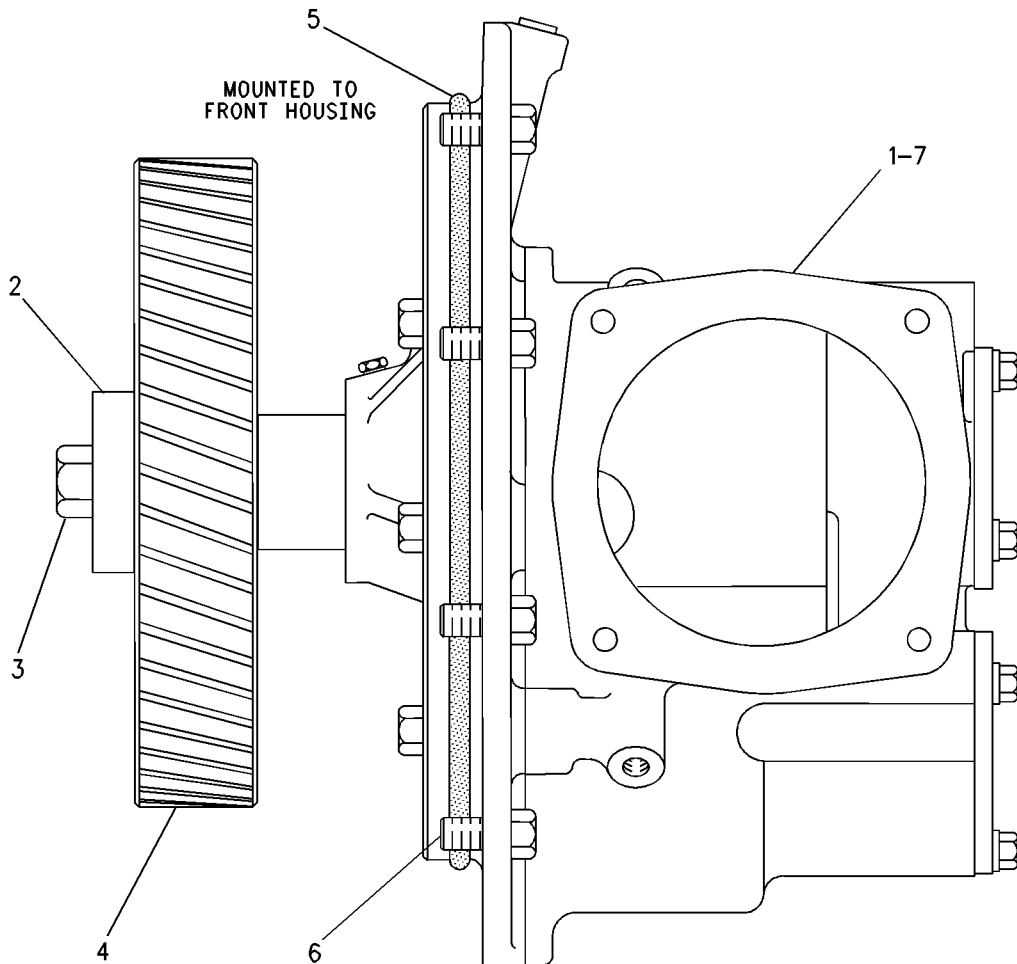
1W-0797 PUMP GP-ENGINE OIL (CHG -03, -03D1, -03D2, -04) ONE SECTION GEAR

SMCS-1304, 1315

i02337566

NOTE	REF NO	GRAPHIC REF	PART NUMBER	QTY	PART NAME						SEE PAGE
					1	2	3	4	5	6 (PRODUCT LEVEL)	
YR	1	1	4W-4544	1	PUMP GP-ENGINE OIL						145
	2	1	1W-2058	1	WASHER (20X80X19-MM THK)						
	3	1	9S-1364	1	BOLT (3/4-16X3.5-IN)						
	4	1	1W-2057	1	GEAR-OIL PUMP DRIVE (63-TEETH)						
	5	1	6V-7702	1	SEAL-O-RING						
	6	1	0S-1595	8	BOLT (1/2-13X1.25-IN)						
	7	1	6V-3538	1	DOWEL						

R-REMFG PART MAY BE AVAILABLE
Y-SEPARATE ILLUSTRATION



GRAPHIC #1

<END>

g00726358

LUBRICATION SYSTEM

4W-4544 PUMP GP-ENGINE OIL*R (CHG -03 THRU -05, 7N-8465-03)

ONE SECTION GEAR

PART OF 1W-0797 PUMP GP-ENGINE OIL

SMCS-1304, 1315

i02248820

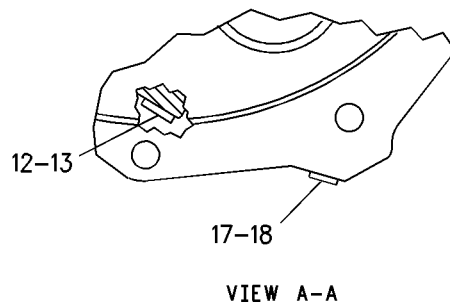
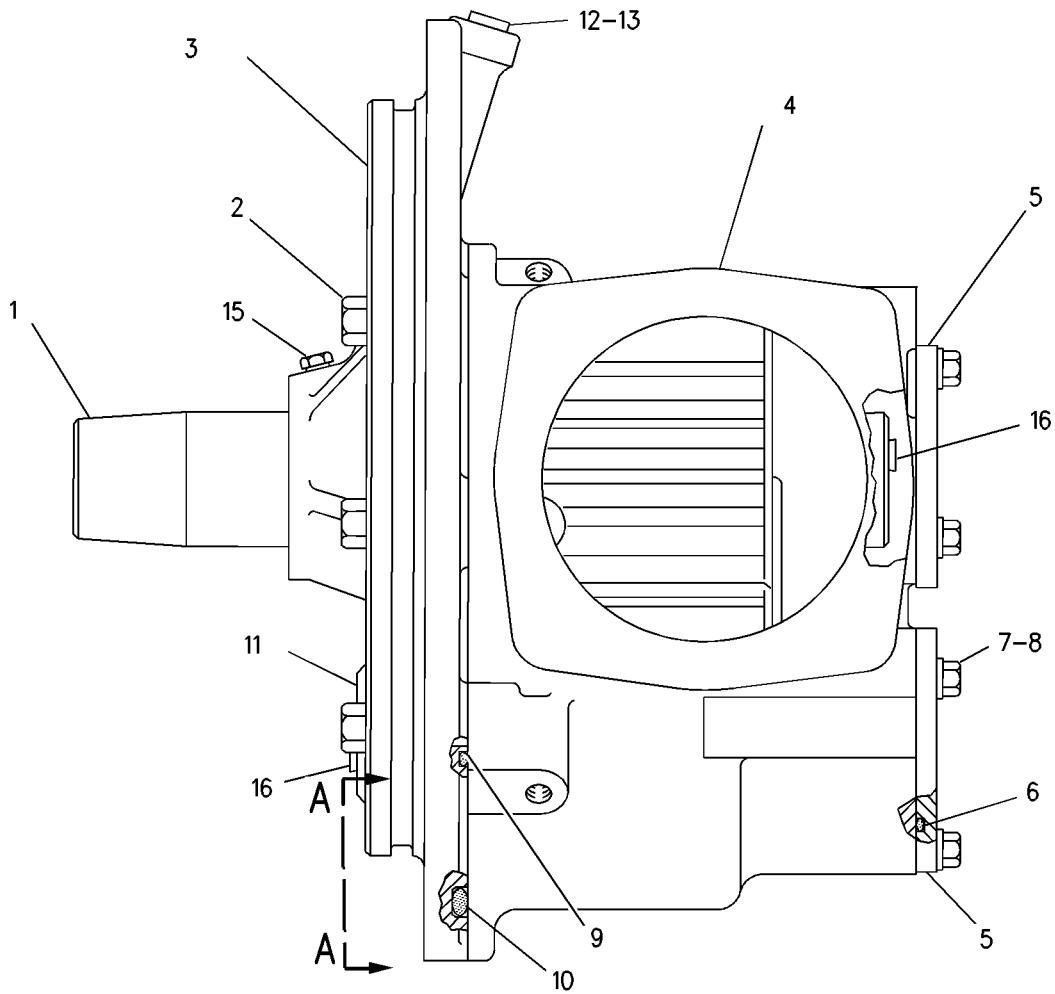
NOTE	REF NO	GRAPHIC REF	PART NUMBER	QTY	PART NAME						SEE PAGE
					1	2	3	4	5	6 (PRODUCT LEVEL)	
	1	1	4W-4460	1	SHAFT AS-DRIVE						
	2	1	1A-5822	6	BOLT (1/2-13X2.75-IN)						
	3	1	4W-3998	1	COVER AS-PUMP						
		1	7N-5683	2	DOWEL						
		1	4W-3997	1	BEARING-SLEEVE (40-MM WIDE) (SMALL)						
		1	4W-3996	1	BEARING-SLEEVE (65-MM WIDE) (LARGE)						
	4	1	7N-8465	1	BODY AS-OIL PUMP						
		1	7E-7066	2	BEARING-SLEEVE						
C	5	1	1W-2059	2	COVER						
	6	1	5P-4889	2	SEAL-O-RING						
	7	1	0S-1594	6	BOLT (3/8-16X1-IN)						
	8	1	3V-3308	6	WASHER-HARD (10.2X20.5X2.5-MM THK)						
	9	1	3P-1156	6	SEAL-O-RING						
	10	1	6V-3603	1	SEAL-O-RING						
	11	1	4W-4484	1	SHAFT AS-IDLER						
	12	1	9S-8004	2	PLUG-O-RING						
	13	1	6V-5049	2	SEAL-O-RING						
	15	1	5M-6214	1	PLUG-PIPE						
	16	1	7H-3171	3	PLUG-PIPE						
	17	1	9S-8007	1	PLUG						
	18	1	5P-7813	1	SEAL-O-RING						

C-CHANGE FROM PREVIOUS TYPE

LUBRICATION SYSTEM

4W-4544 PUMP GP-ENGINE OIL (contd.)

i02248820



GRAPHIC #1

<END>

g01003179

LUBRICATION SYSTEM

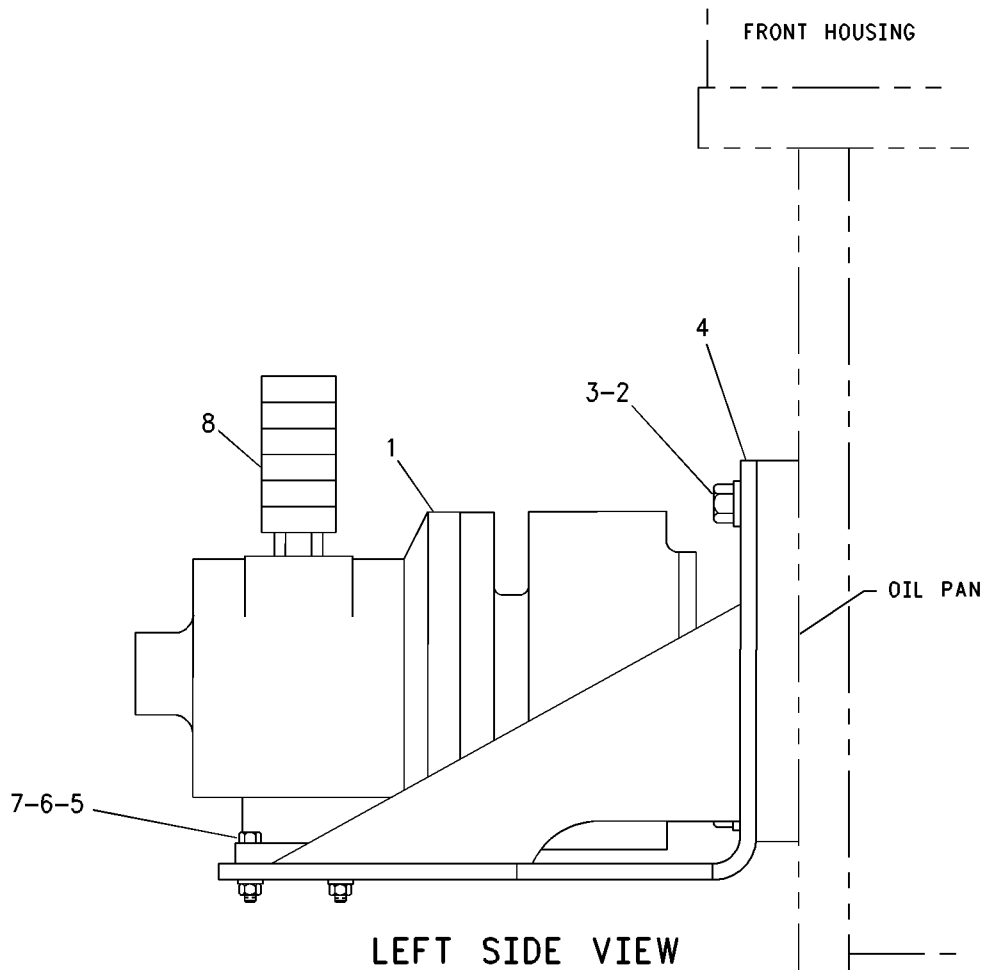
1W-0899 PUMP GP-PRELUBRICATION (CHG -04 THRU -08)

SMCS-1319

i02346057

NOTE	REF NO	GRAPHIC REF	PART NUMBER	QTY	PART NAME						SEE PAGE
					1	2	3	4	5	6 (PRODUCT LEVEL)	
Y	1	1	1W-4776	1	PUMP GP-PRELUBRICATION						148
	2	1	1A-2029	4	BOLT (3/8-16X1.125-IN)						
	3	1	8M-9024	4	WASHER-HARD (10.2X22.5X5-MM THK)						
	4	1	9Y-3297	1	BRACKET AS						
	5	1	1B-7182	4	BOLT (5/16-18X1.25-IN)						
	6	1	1T-0689	4	WASHER (9.93X22.22X2.54-MM THK)						
	7	1	5S-0003	4	NUT (5/16-18-THD)						
	8	1	7C-5616	1	SILENCER-EXHAUST						

Y-SEPARATE ILLUSTRATION



GRAPHIC #1

<END>

g00699673

LUBRICATION SYSTEM

1W-4776 PUMP GP-PRELUBRICATION (CHG -00, -01, 3N-1287-03) PART OF 1W-0899 PUMP GP-PRELUBRICATION FOR USE WITH AIR STARTER

SMCS-1319

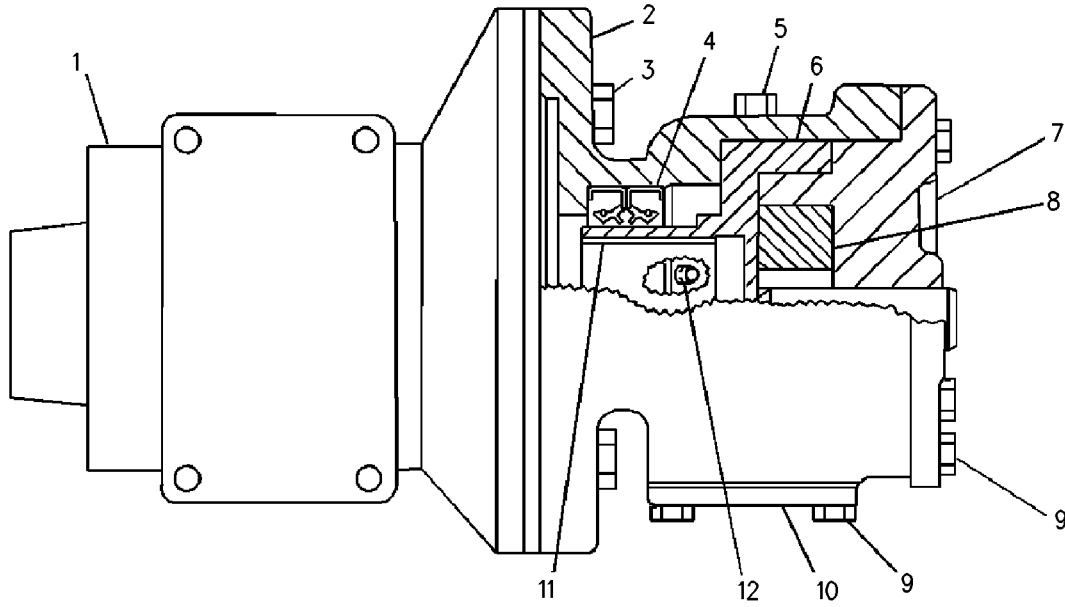
i02667898

NOTE	REF NO	GRAPHIC REF	PART NUMBER	QTY	PART NAME	SEE PAGE
					1 2 3 4 5 6 (PRODUCT LEVEL)	
J	1	1	3N-1287	1	MOTOR GP-PRELUBRICATION	
	2	1	5N-6668	1	HOUSING	
	3	1	0S-1588	4	BOLT (3/8-16X1.25-IN)	
	4	1	1H-5959	2	SEAL-LIP TYPE	
	5	1	5M-6214	2	PLUG-PIPE	
	6	1	3N-1285	1	ROTOR	
	7	1	3N-1283	1	HEAD AS	
	8	1	3N-1284	1	IDLER AS (7-TEETH)	
	9	1	0S-1617	9	BOLT (5/16-18X0.75-IN)	
	10	1	2N-7521	1	COVER	
		1	2N-7520	1	GASKET	
	11	1	6F-2172	1	KEY	
	12	1	6D-3910	1	SCREW-BUTTON HEAD (10-32X0.25-IN)	
					AVAILABLE REPAIR KIT(S):	
			2N-7522	1	KIT-GASKET (PRELUBRICATION PUMP) (INCLUDES GASKETS)	
J			5N-7776	1	KIT-MOTOR REPAIR (STARTING MOTOR) (INCLUDES VANES, PINS, BEARING, SEALS, SPRINGS, END CAP, GASKETS AND O-RING)	
J			2W-6083	1	KIT-GASKET (STARTING MOTOR) (INCLUDES GASKETS, END CAP AND O-RING)	
J-KITS MARKED J AVAILABLE FOR PART MARKED J						

LUBRICATION SYSTEM

1W-4776 PUMP GP-PRELUBRICATION (contd.)

i02667898



GRAPHIC #1

<END>

g00817242

LUBRICATION SYSTEM

164-5989 REGULATOR GP-OIL LEVEL (CHG -00 THRU -03) FOR USE WITH INLINE ENGINES

SMCS-1334

i02444504

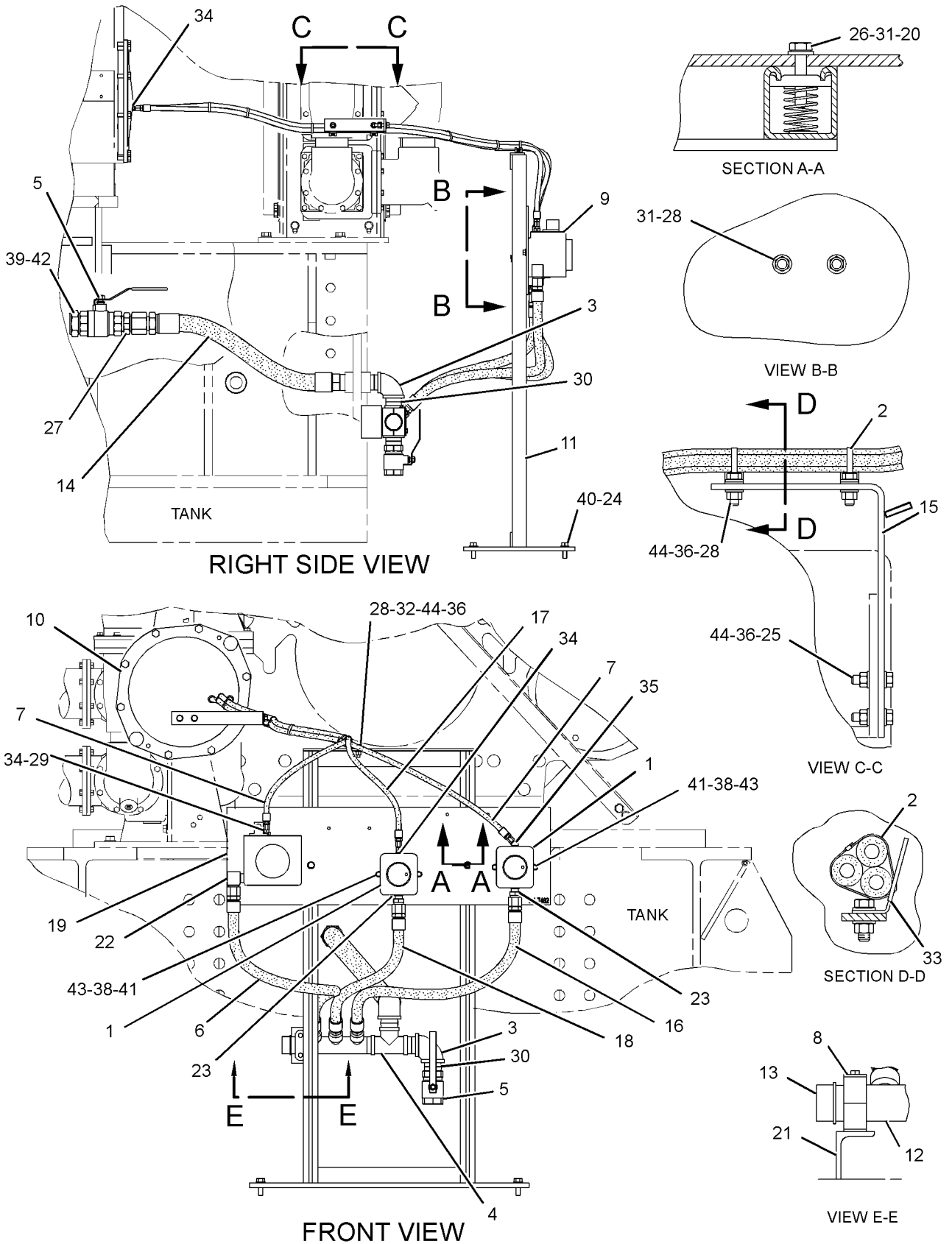
NOTE	REF NO	GRAPHIC REF	PART NUMBER	QTY	PART NAME						SEE PAGE
					1	2	3	4	5	6 (PRODUCT LEVEL)	
	1	1	2N-9768	2	SWITCH-LIQUID LEVEL						
	2	1	3S-2093	9	STRAP-CABLE						
	3	1	6B-3685	2	ELBOW						
	4	1	6V-8251	1	TEE-PIPE						
	5	1	7E-4444	2	VALVE						
I	6	1	8D-3338	1	HOSE AS						
I	7	1	9D-5403	2	HOSE AS						
	8	1	106-5620	1	CLAMP-PIPE						
	9	1	118-9605	1	VALVE-OIL CONTROL						
Y	10	1	123-6266	1	COVER GP-SCAVENGE PUMP						112
	11	1	136-1585	1	SUPPORT AS						
E		1	141-1220		CHANNEL (244-CM)						
	12	1	136-7055	1	PIPE AS						
	13	1	136-8557	1	CAP						
I	14	1	140-2984	1	HOSE AS						
	15	1	140-9865	1	PLATE						
I	16	1	141-5047	1	HOSE AS						
I	17	1	143-7229	1	HOSE AS						
I	18	1	150-6732	1	HOSE AS						
	19	1	164-7482	1	PLATE						
	20	1	176-1321	2	NUT-SPRING						
	21	1	277-6427	1	ANGLE						
	22	1	001-6301	1	ELBOW						
	23	1	030-8310	2	CONNECTOR						
	24	1	0S-1585	4	BOLT (1/2-13X1.5-IN)						
	25	1	0S-1591	2	BOLT (3/8-16X1.5-IN)						
	26	1	0S-1594	2	BOLT (3/8-16X1-IN)						
	27	1	140-5866	1	CONNECTOR						
	28	1	1A-2029	5	BOLT (3/8-16X1.125-IN)						
	29	1	3B-7722	1	BUSHING-PIPE						
	30	1	3L-8993	4	FITTING						
	31	1	3V-3308	4	WASHER-HARD (10.2X20.5X2.5-MM THK)						
	32	1	4P-7581	1	CLIP						
	33	1	4P-8134	2	CLIP						
	34	1	4S-6399	5	CONNECTOR						
	35	1	5J-7303	1	ELBOW						
	36	1	5M-2894	10	WASHER-HARD (10.2X18.5X2.5-MM THK)						
	38	1	5P-0537	8	WASHER-HARD (7.2X14.5X2-MM THK)						
	39	1	5P-7816	1	SEAL-O-RING						
	40	1	5P-8245	4	WASHER-HARD (13.5X25.5X3-MM THK)						
	41	1	6D-2928	4	BOLT (1/4-20X1.125-IN)						
	42	1	8C-3991	1	ADAPTER						
	43	1	9S-8750	4	NUT-FULL (1/4-20-THD)						
	44	1	9S-8752	5	NUT-FULL (3/8-16-THD)						

E-ORDER BY THE CENTIMETER
I-REFER TO HYDRAULIC INFORMATION SYSTEM
Y-SEPARATE ILLUSTRATION

LUBRICATION SYSTEM

164-5989 REGULATOR GP-OIL LEVEL (contd.)

i02444504



GRAPHIC #1

<END>

g0122286

LUBRICATION SYSTEM

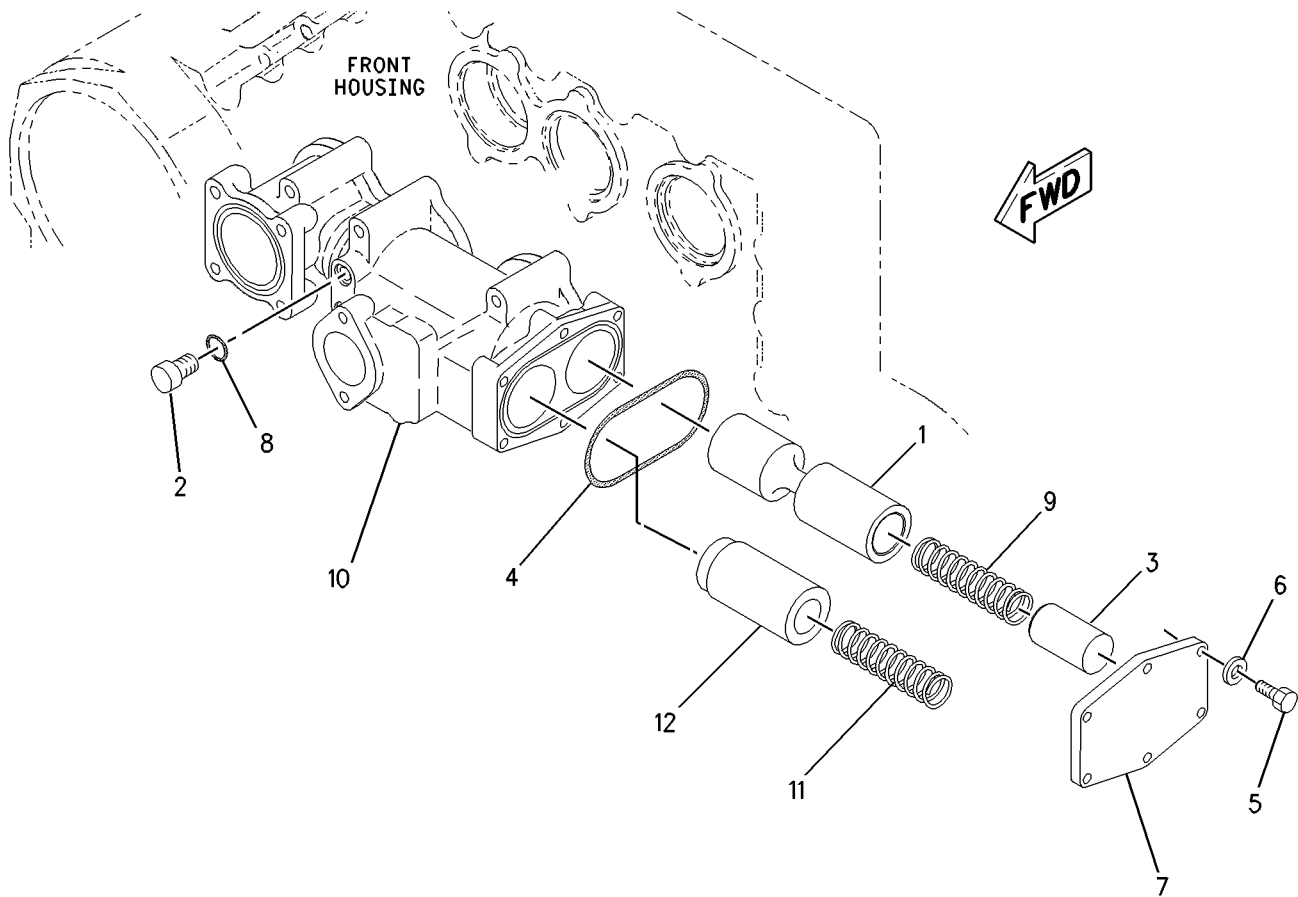
1W-0804 VALVE GP-PRIORITY (CHG -07, -08)

SMCS-1327

i01492321

NOTE	REF NO	GRAPHIC REF	PART NUMBER	QTY	PART NAME						SEE PAGE
					1	2	3	4	5	6 (PRODUCT LEVEL)	
	1	1	1W-2243	1	PISTON-CONTROL VALVE						
	2	1	9S-4191	2	PLUG-O-RING						
	3	1	1W-2242	1	PISTON-INNER						
C	4	1	6V-3835	1	SEAL-O-RING						
C	5	1	1M-0644	6	BOLT (3/8-16X2.25-IN)						
C	6	1	3V-3308	6	WASHER-HARD (10.2X20.5X2.5-MM THK)						
C	7	1	7W-9423	1	COVER						
	8	1	6V-5049	2	SEAL-O-RING						
	9	1	1W-2240	1	SPRING-CONTROL VALVE						
C	10	1	7W-7825	1	BODY-VALVE						
C	11	1	2G-5664	1	SPRING						
C	12	1	7W-9425	1	PISTON						

C-CHANGE FROM PREVIOUS TYPE



GRAPHIC #1

<END>

g00774883

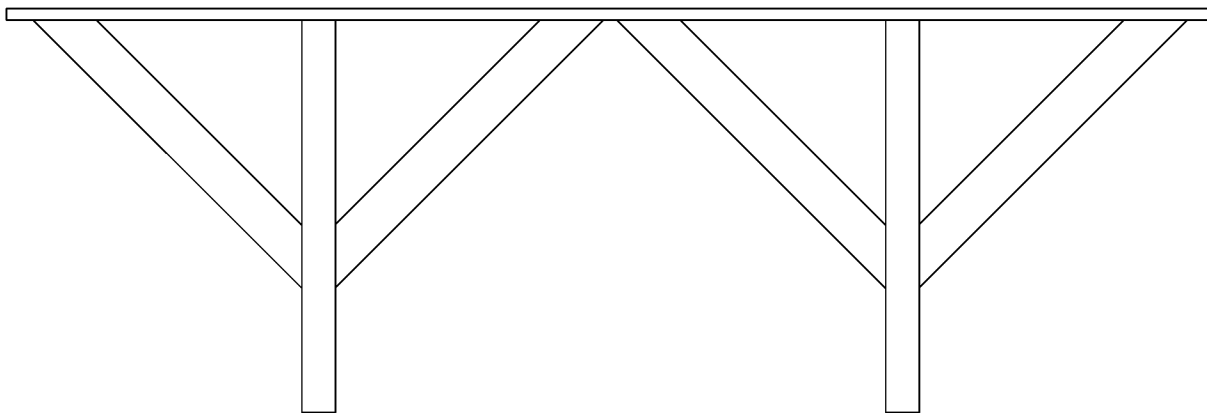
COOLING SYSTEM

7C-3347 BRACKET AS-WATER REGULATOR (CHG -01 THRU -05) FOR USE WITH WATER REGULATORS

SMCS-1355

i02346127

NOTE	REF NO	GRAPHIC REF	PART NUMBER	QTY	PART NAME						SEE PAGE
					1	2	3	4	5	6 (PRODUCT LEVEL)	
(NO SERVICED PARTS)											



GRAPHIC #1

<END>

g00064116

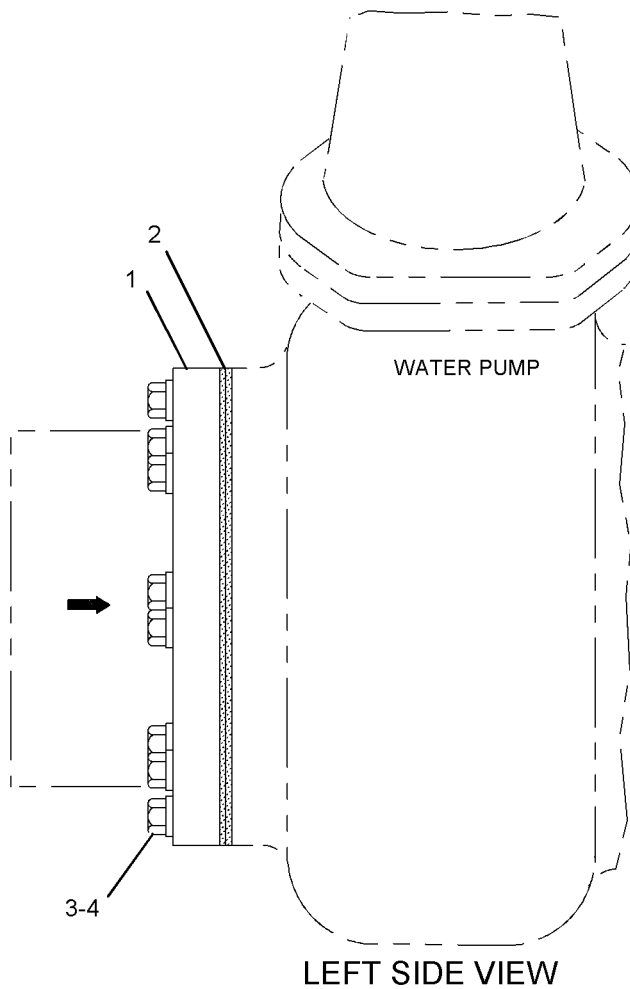
COOLING SYSTEM

2W-2678 CONNECTION GP-WATER (CHG -01, -02, -02D1, -02D2, -02D3, -03, -03D1, -03D2, -03D3)

SMCS-1380

i02297279

NOTE	REF NO	GRAPHIC REF	PART NUMBER	QTY	PART NAME						SEE PAGE
					1	2	3	4	5	6 (PRODUCT LEVEL)	
	1	1	2W-7121	1	FLANGE						
	2	1	4W-7749	3	GASKET						
	3	1	0S-1591	8	BOLT (3/8-16X1.5-IN)						
	4	1	3V-3308	8	WASHER-HARD (10.2X20.5X2.5-MM THK)						



GRAPHIC #1

<END>

g01150581

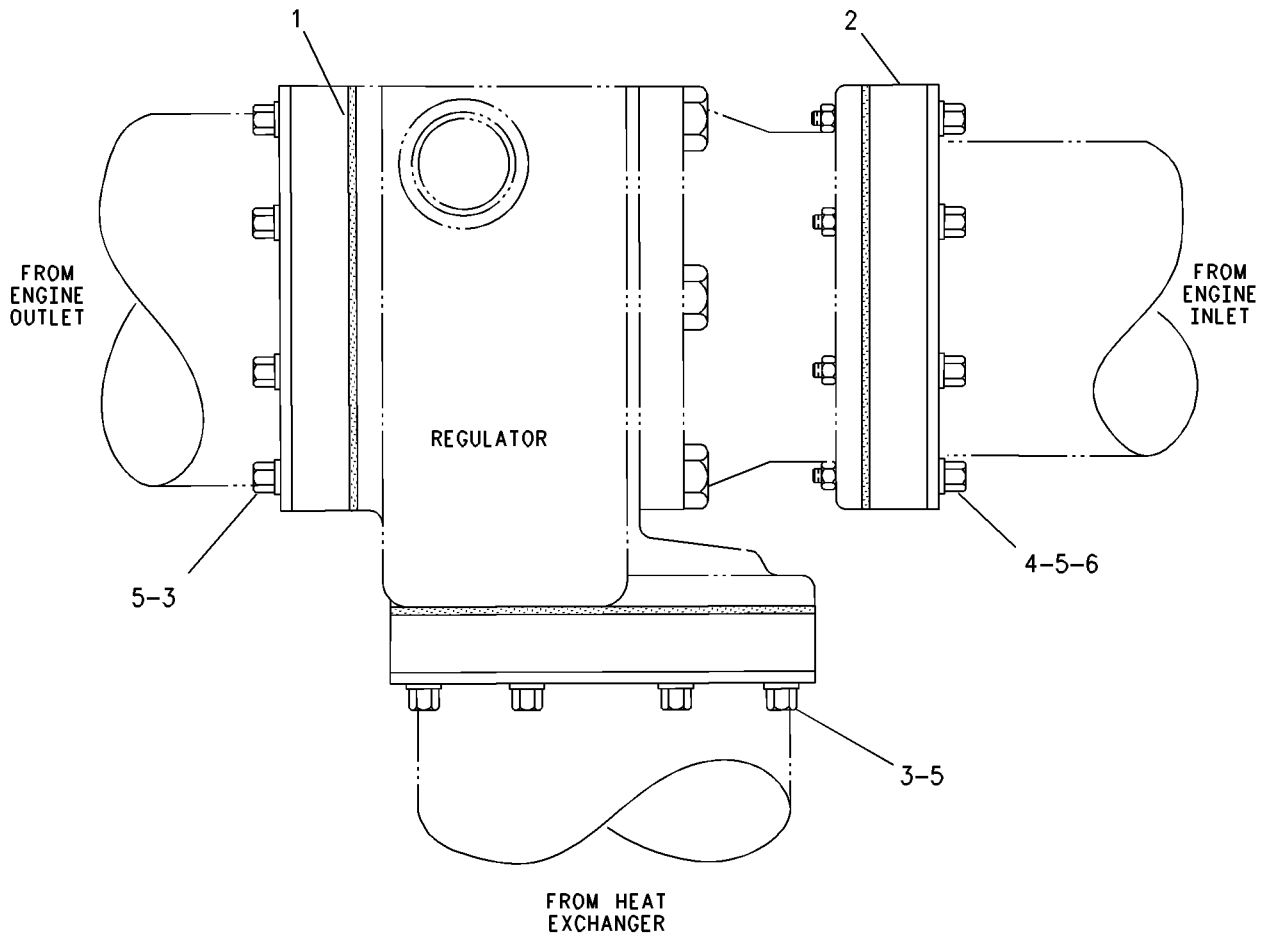
COOLING SYSTEM

7C-9033 CONNECTION GP-WATER (CHG -00, -01, -01D1, -02, -02D1, -03) FLANGE-REGULATOR

SMCS-1380

i01942652

NOTE	REF NO	GRAPHIC REF	PART NUMBER	QTY	PART NAME						SEE PAGE
					1	2	3	4	5	6 (PRODUCT LEVEL)	
	1	1	1S-5772	3	GASKET						
	2	1	7N-7009	3	FLANGE						
	3	1	2A-4639	16	BOLT (3/8-16X1.625-IN)						
	4	1	0S-1590	8	BOLT (3/8-16X2-IN)						
	5	1	3V-3308	24	WASHER-HARD (10.2X20.5X2.5-MM THK)						
	6	1	9S-8752	8	NUT-FULL (3/8-16-THD)						



GRAPHIC #1

<END>

g00727088

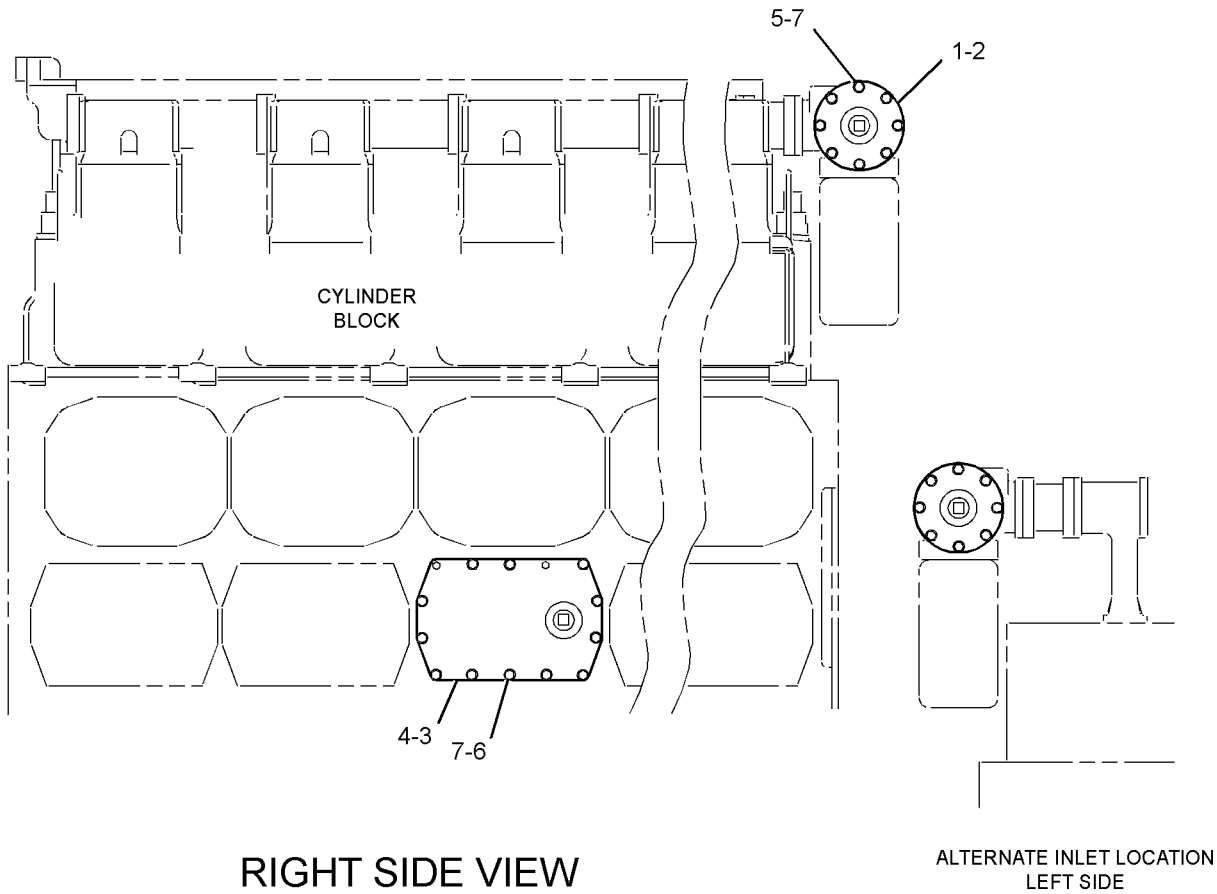
COOLING SYSTEM

7E-8363 CONNECTION GP-WATER (CHG -00 THRU -05, -05D1 THRU -08, -08D1, -08D2)

SMCS-1380

i02444498

NOTE	REF NO	GRAPHIC REF	PART NUMBER	QTY	PART NAME						SEE PAGE
					1	2	3	4	5	6 (PRODUCT LEVEL)	
	1	1	1S-5772	1	GASKET						
	2	1	7E-8365	1	COVER AS						
	3	1	166-2264	1	COVER AS						
	4	1	241-3284	1	GASKET						
	5	1	0S-1594	8	BOLT (3/8-16X1-IN)						
	6	1	1A-2029	12	BOLT (3/8-16X1.125-IN)						
	7	1	3V-3308	20	WASHER-HARD (10.2X20.5X2.5-MM THK)						



GRAPHIC #1

<END>

g01221344

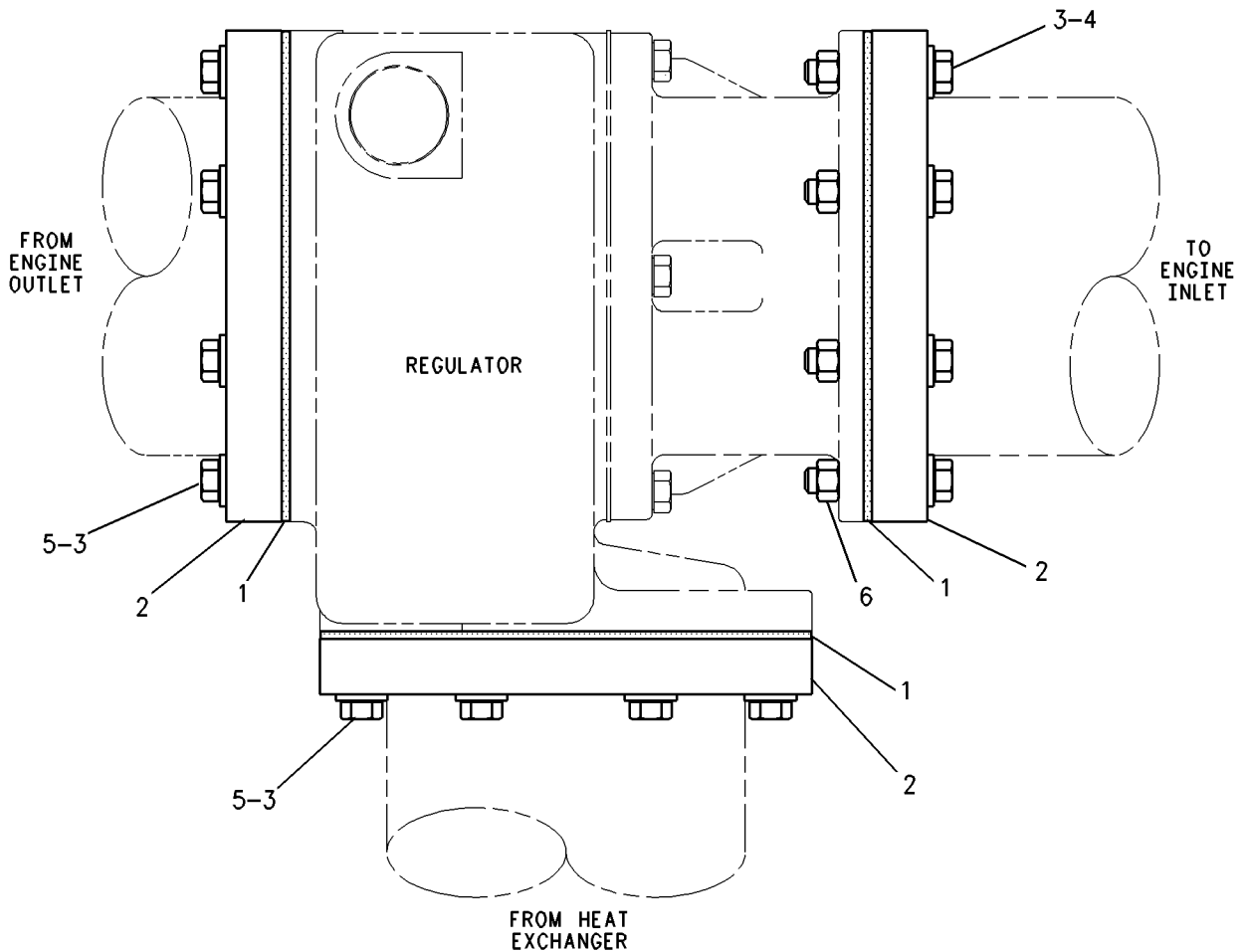
COOLING SYSTEM

106-9203 CONNECTION GP-WATER (CHG -00, -01) 5-IN WELD FLANGES

SMCS-1380

i02093382

NOTE	REF NO	GRAPHIC REF	PART NUMBER	QTY	PART NAME						SEE PAGE
					1	2	3	4	5	6	
	1	1	1S-5772	3	GASKET						
	2	1	7N-7009	3	FLANGE						
	3	1	3V-3308	24	WASHER-HARD (10.2X20.5X2.5-MM THK)						
	4	1	0S-1590	8	BOLT (3/8-16X2-IN)						
	5	1	2A-4639	16	BOLT (3/8-16X1.625-IN)						
	6	1	9S-8752	8	NUT-FULL (3/8-16-THD)						



GRAPHIC #1

<END>

g00726681

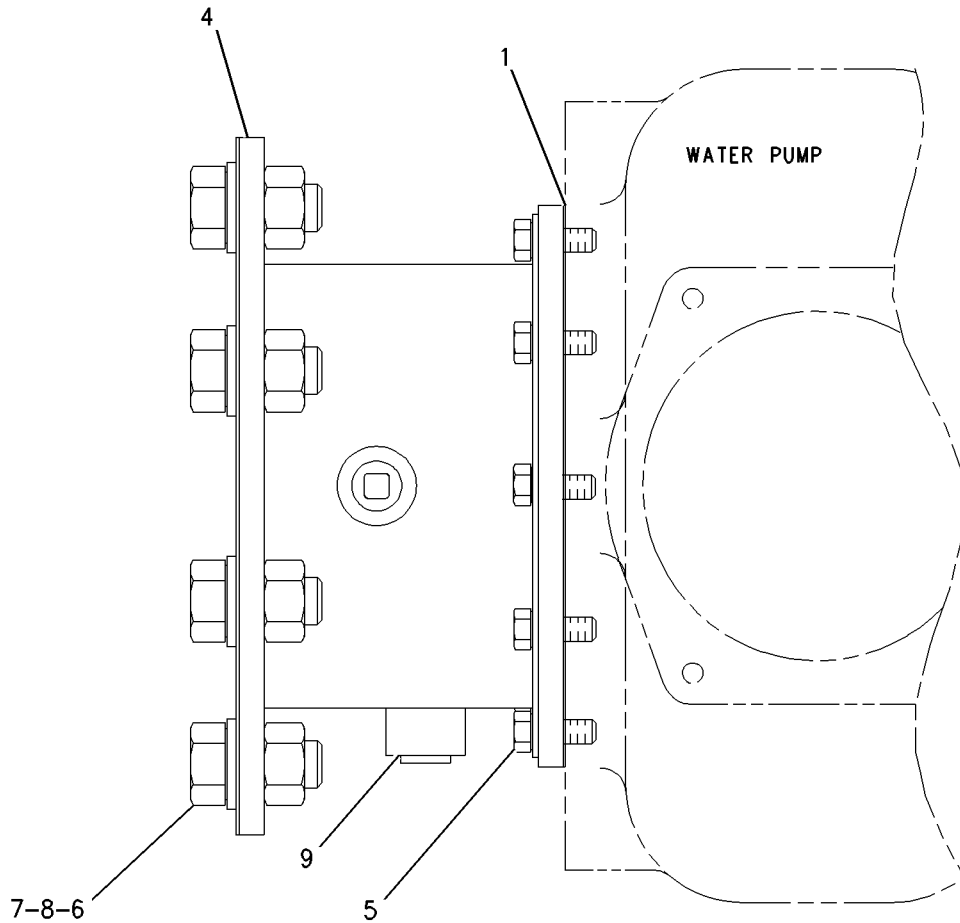
COOLING SYSTEM

110-3753 CONNECTION GP-WATER (CHG -00, -01, -01D1 THRU -03, -03D1)

SMCS-1380

i02338303

NOTE	REF NO	GRAPHIC REF	PART NUMBER	QTY	PART NAME						SEE PAGE
					1	2	3	4	5	6 (PRODUCT LEVEL)	
	1	1	4W-7749	1	GASKET						
	4	1	212-3743	1	ADAPTER						
	5	1	0S-1594	8	BOLT (3/8-16X1-IN)						
	6	1	0S-1626	8	BOLT (3/4-10X1.5-IN)						
	7	1	2J-3506	8	NUT-FULL (3/4-10-THD)						
	8	1	5P-8248	8	WASHER-HARD (20X36.5X3.5-MM THK)						
	9	1	8T-6762	2	PLUG-PIPE						



LEFT SIDE VIEW

GRAPHIC #1

<END>

g00889267

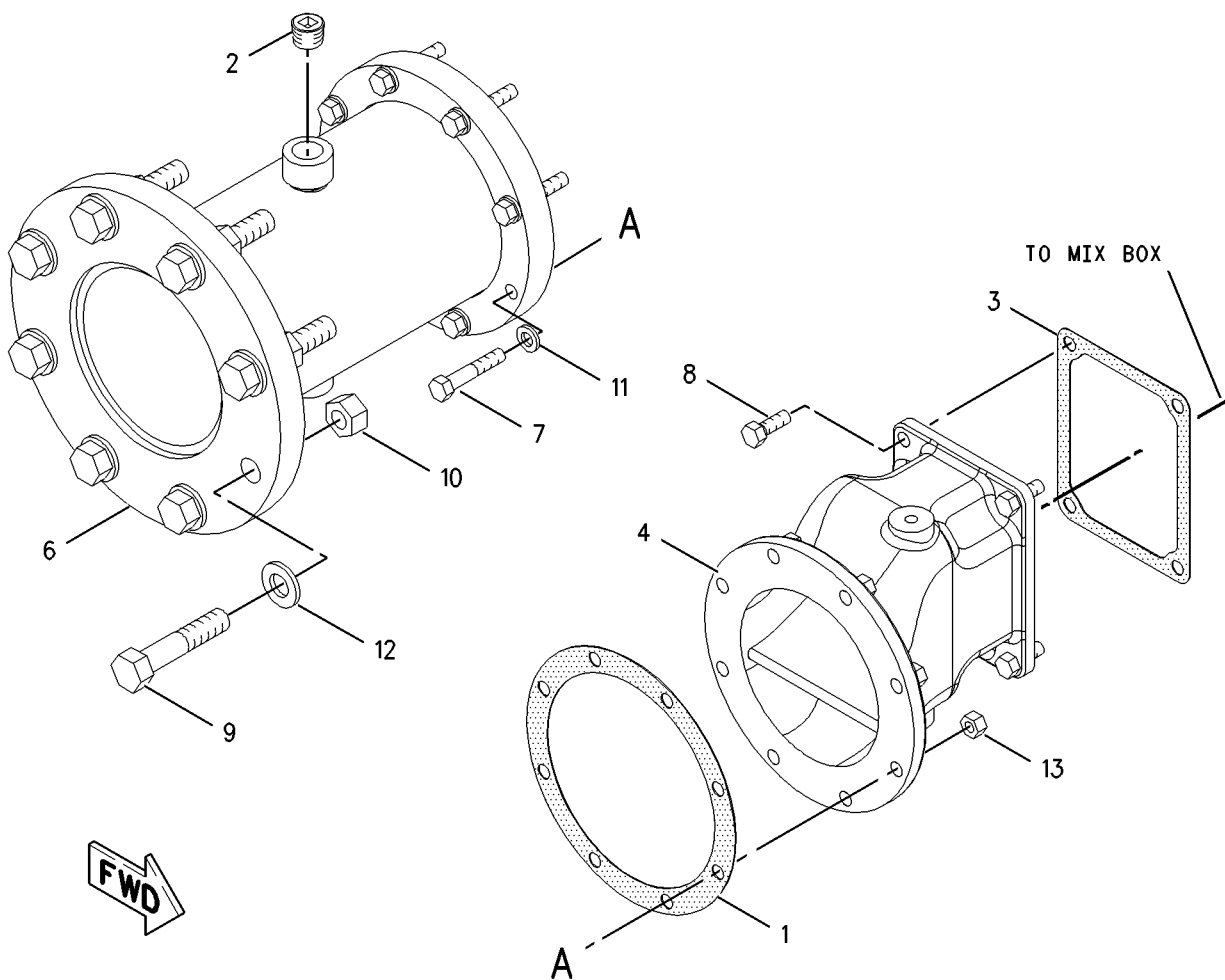
COOLING SYSTEM

197-5899 CONNECTION GP-WATER (CHG -01, -02) JACKET WATER OUTLET

SMCS-1380

i01983246

NOTE	REF NO	GRAPHIC REF	PART NUMBER	QTY	PART NAME						SEE PAGE
					1	2	3	4	5	6 (PRODUCT LEVEL)	
	1	1	1S-5772	1	GASKET						
	2	1	8T-6762	2	PLUG-PIPE						
	3	1	7W-3269	1	GASKET						
	4	1	7W-3709	1	ADAPTER-WATER						
	6	1	143-7090	1	PIPE AS-WATER						
		1	7N-7009	1	FLANGE						
	7	1	OS-1590	8	BOLT (3/8-16X2-IN)						
	8	1	OS-1594	4	BOLT (3/8-16X1-IN)						
	9	1	1B-4367	8	BOLT (5/8-11X3-IN)						
	10	1	4K-0367	8	NUT-FULL (5/8-11-THD)						
	11	1	5M-2894	8	WASHER-HARD (10.2X18.5X2.5-MM THK)						
	12	1	5P-8247	8	WASHER-HARD (17X32X3.5-MM THK)						
	13	1	9S-8752	8	NUT-FULL (3/8-16-THD)						



GRAPHIC #1

<END>

g00897166

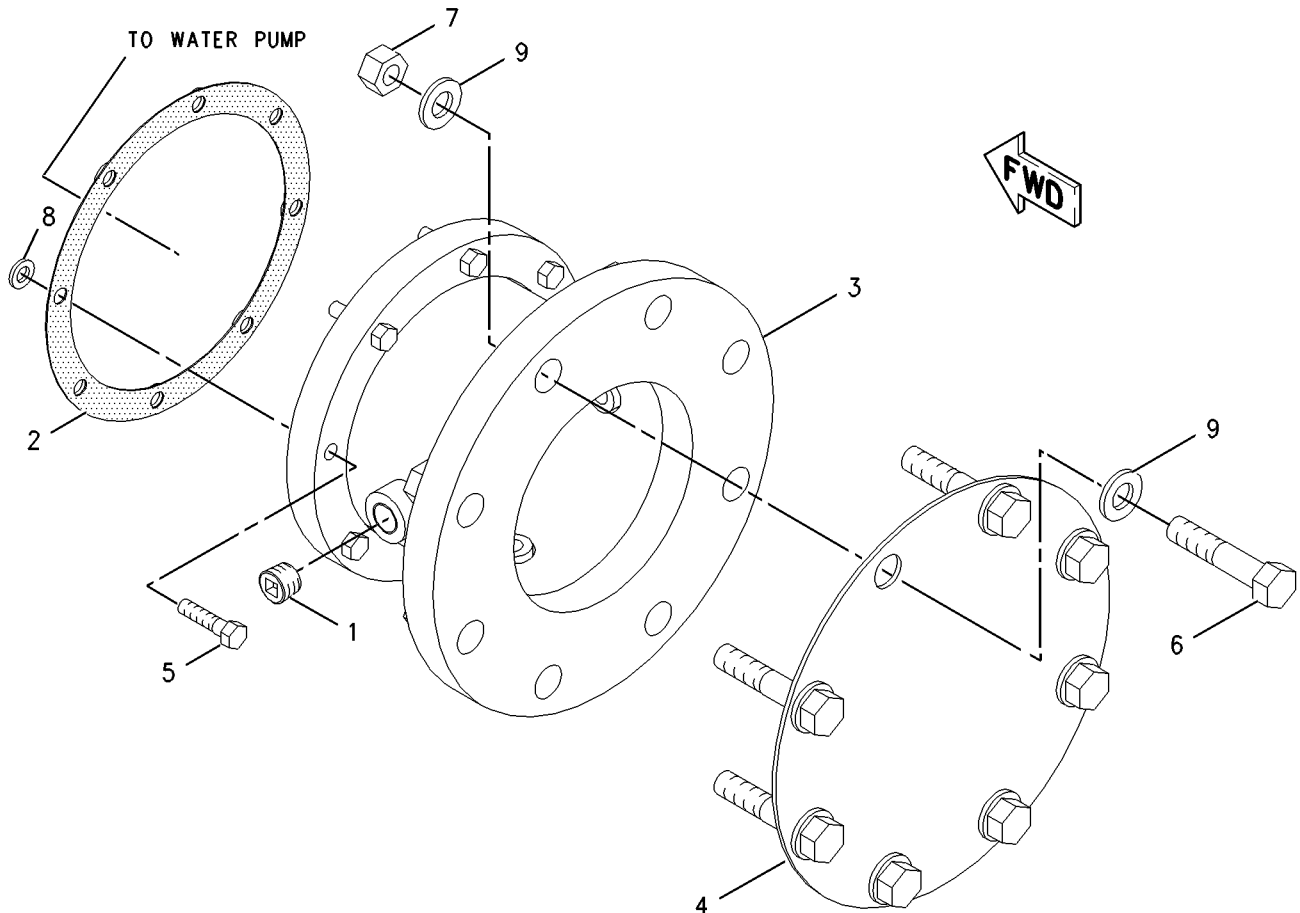
COOLING SYSTEM

197-6202 CONNECTION GP-WATER (CHG -01)

SMCS-1380

i02346321

NOTE	REF NO	GRAPHIC REF	PART NUMBER	QTY	PART NAME						SEE PAGE
					1	2	3	4	5	6	
	1	1	2B-0858	3	PLUG-PIPE						
	2	1	4W-7749	1	GASKET						
	3	1	140-8485	1	PIPE AS-WATER						
		1	2W-7121	1	FLANGE						
	4	1	197-7100	1	COVER						
	5	1	0S-1591	8	BOLT (3/8-16X1.5-IN)						
	6	1	1B-4367	8	BOLT (5/8-11X3-IN)						
	7	1	4K-0367	8	NUT-FULL (5/8-11-THD)						
	8	1	5M-2894	8	WASHER-HARD (10.2X18.5X2.5-MM THK)						
	9	1	5P-8247	16	WASHER-HARD (17X32X3.5-MM THK)						



GRAPHIC #1

<END>

g00897051

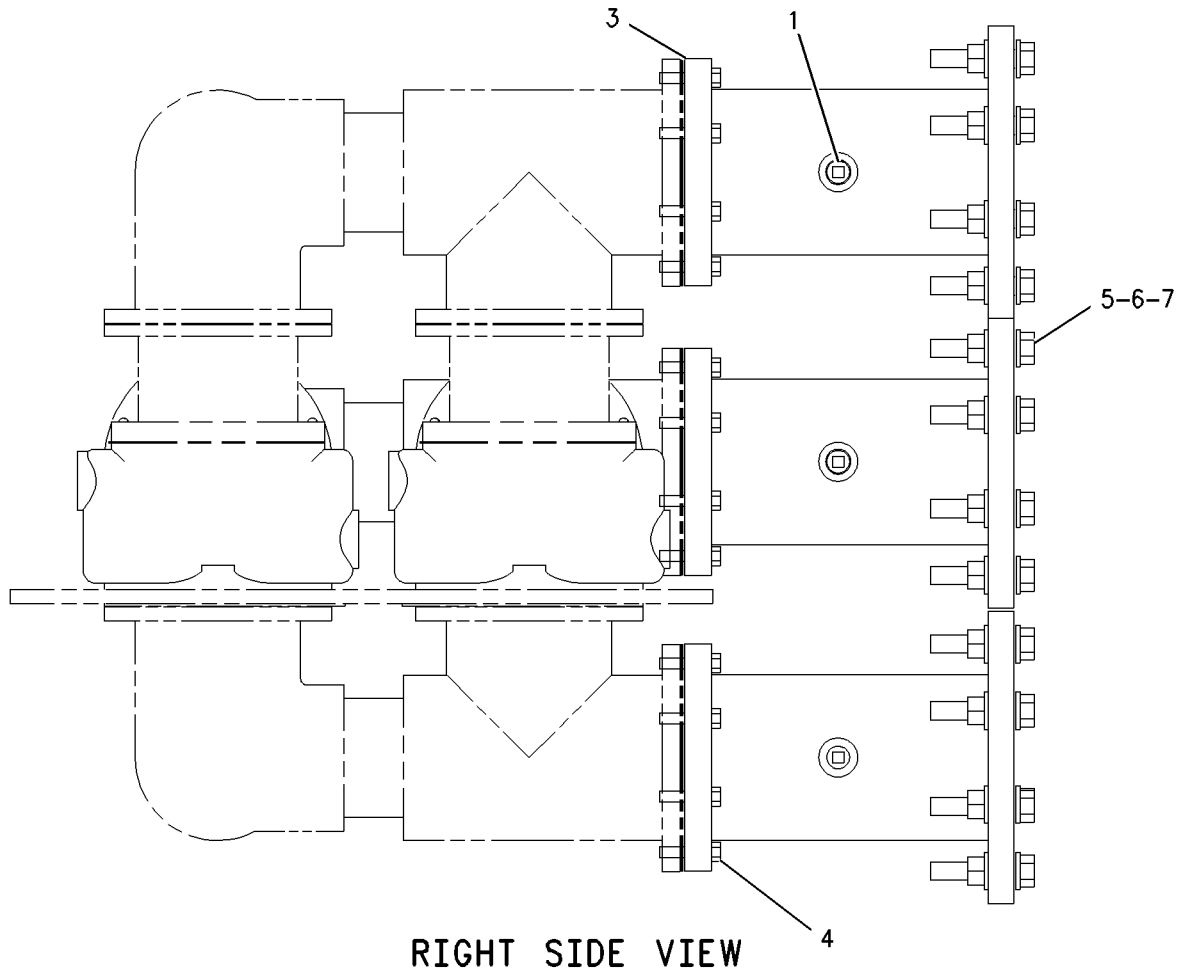
COOLING SYSTEM

207-1402 CONNECTION GP-WATER (CHG -01, -02)

SMCS-1380

i02346328

NOTE	REF NO	GRAPHIC REF	PART NUMBER	QTY	PART NAME						SEE PAGE
					1	2	3	4	5	6 (PRODUCT LEVEL)	
	1	1	8T-6762	6	PLUG-PIPE						
	3	1	143-7090	3	PIPE AS-WATER						
					(EACH INCLUDES)						
		1	7N-7009	1	FLANGE						
	4	1	0S-1571	24	BOLT (3/8-16X1.75-IN)						
	5	1	1B-4367	24	BOLT (5/8-11X3-IN)						
	6	1	4K-0367	24	NUT-FULL (5/8-11-THD)						
	7	1	5P-8247	48	WASHER-HARD (17X32X3.5-MM THK)						



RIGHT SIDE VIEW

<END>

GRAPHIC #1

g00891475

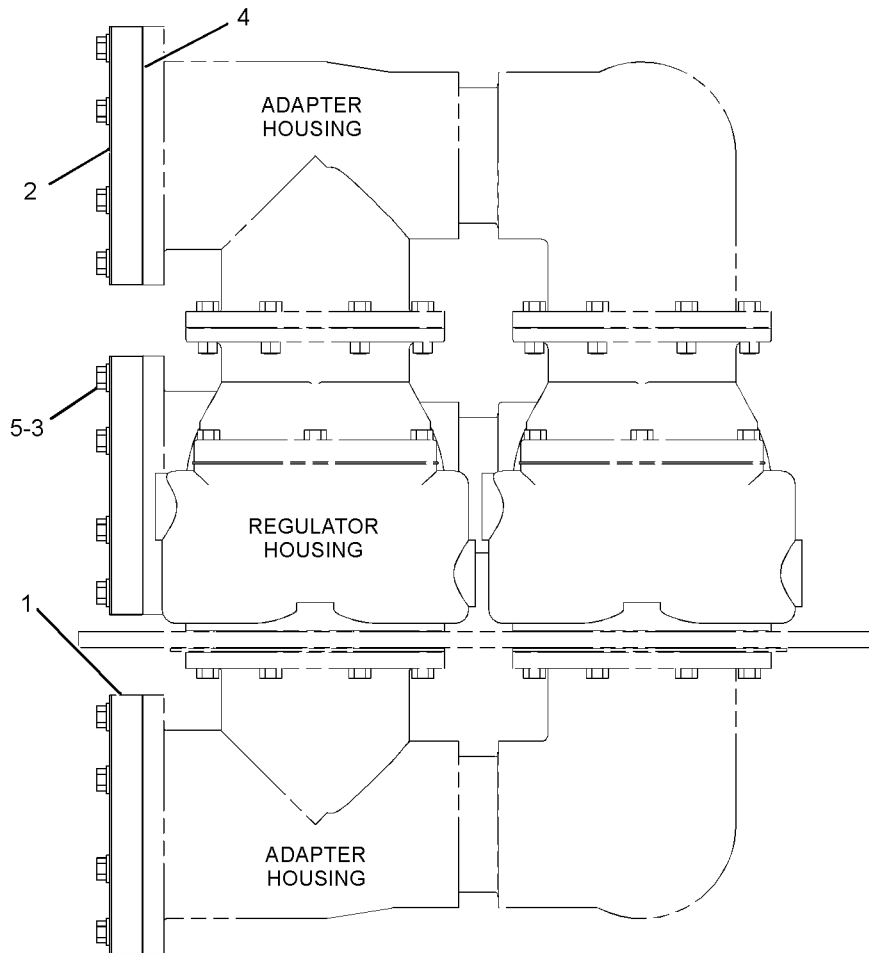
COOLING SYSTEM

291-6177 CONNECTION GP-WATER (CHG -00)

SMCS-1380

i02568312

NOTE	REF NO	GRAPHIC REF	PART NUMBER	QTY	PART NAME						SEE PAGE
					1	2	3	4	5	6 (PRODUCT LEVEL)	
	1	1	7N-7009	3	FLANGE						
	2	1	8N-6984	3	COVER						
	3	1	0S-1591	24	BOLT (3/8-16X1.5-IN)						
	4	1	1S-5772	3	GASKET						
	5	1	3V-3308	24	WASHER-HARD (10.2X20.5X2.5-MM THK)						



LEFT SIDE VIEW

<END>

GRAPHIC #1

g01287188

COOLING SYSTEM

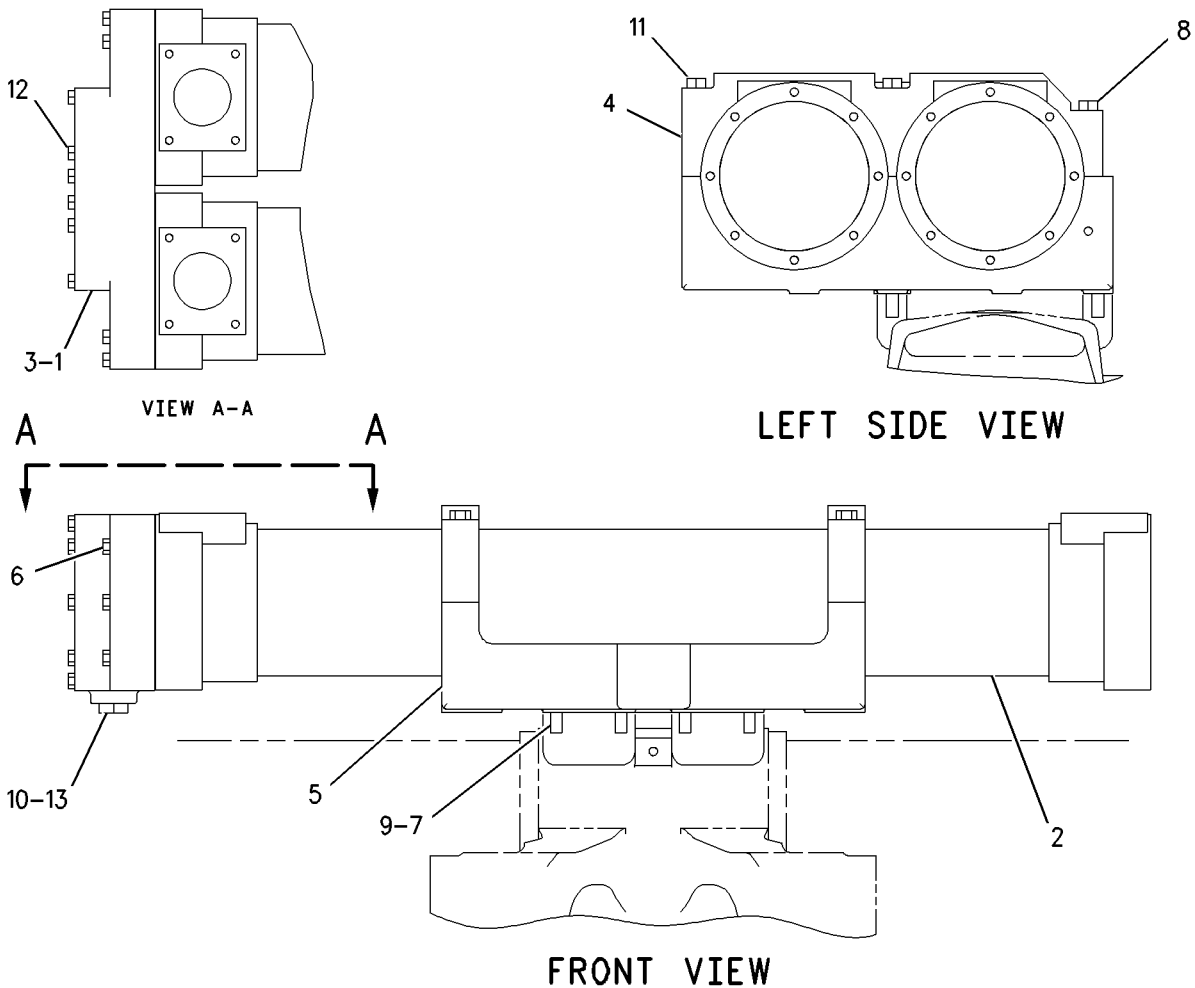
1W-0809 COOLER GP-ENGINE OIL (CHG -09 THRU -12)

SMCS-1378

i03468983

NOTE	REF NO	GRAPHIC REF	PART NUMBER	QTY	PART NAME						SEE PAGE
					1	2	3	4	5	6 (PRODUCT LEVEL)	
	1	1	1W-3891	1	BONNET-OIL COOLER						
R	2	1	1W-5200	2	CORE AS (OIL COOLER)						
	3	1	247-3796	2	GASKET						
	4	1	7W-2029	2	SUPPORT						
C	5	1	201-3610	1	SUPPORT						
	6	1	0L-1143	6	BOLT (3/8-16X2.5-IN)						
	7	1	0V-0375	8	BOLT (1/2-13X3.25-IN)						
	8	1	1D-4566	2	BOLT (1/2-13X3.5-IN)						
	9	1	5P-8245	8	WASHER-HARD (13.5X25.5X3-MM THK)						
	10	1	6V-5063	1	SEAL-O-RING						
	11	1	8S-9089	4	BOLT (1/2-13X4.5-IN)						
	12	1	8S-9191	10	BOLT (3/8-16X4-IN)						
	13	1	9S-4183	1	PLUG-O-RING						

C-CHANGE FROM PREVIOUS TYPE
R-REMG PART MAY BE AVAILABLE



GRAPHIC #1

<END>

g00887118

COOLING SYSTEM

305-6395 COVER GP (CHG -00)

SMCS-1378

i02717630

NOTE	PART NUMBER	QTY	PART NAME						SEE PAGE
			1	2	3	4	5	6 (PRODUCT LEVEL)	
	9X-8888	8	BOLT (3/4-10X3.25-IN)						
	150-8521	1	COVER						
	145-1273	1	GASKET						
	2J-3506	8	NUT-FULL (3/4-10-THD)						
	5P-8248	16	WASHER-HARD (20X36.5X3.5-MM THK)						
<END>									

305-6397 COVER GP (CHG -00)

SMCS-1378

i02717646

NOTE	PART NUMBER	QTY	PART NAME						SEE PAGE
			1	2	3	4	5	6 (PRODUCT LEVEL)	
	9X-8888	8	BOLT (3/4-10X3.25-IN)						
	156-9570	1	COVER						
	145-1271	1	GASKET						
	2J-3506	8	NUT-FULL (3/4-10-THD)						
	5P-8248	16	WASHER-HARD (20X36.5X3.5-MM THK)						
<END>									

323-8937 COVER GP (CHG -00)

SMCS-1378

i03256110

NOTE	PART NUMBER	QTY	PART NAME						SEE PAGE
			1	2	3	4	5	6 (PRODUCT LEVEL)	
	9X-8888	8	BOLT (3/4-10X3.25-IN)						
	8F-2347	1	GASKET						
	2J-3506	8	NUT-FULL (3/4-10-THD)						
	5P-8248	16	WASHER-HARD (20X36.5X3.5-MM THK)						
<END>									

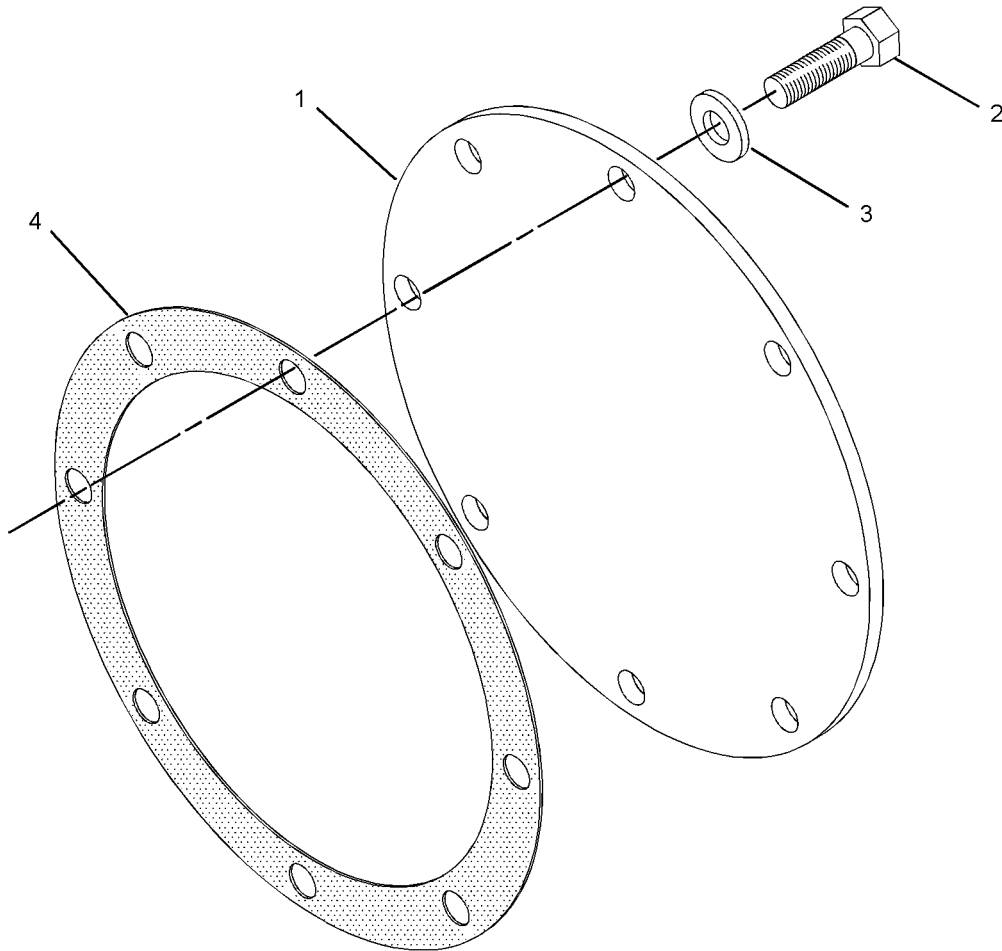
COOLING SYSTEM

259-0489 COVER GP-COOLING SYSTEM (CHG -00) FOR USE WITH JACKET AND AC/OC WATER PUMPS

SMCS-1201, 1350

i02248385

NOTE	REF NO	GRAPHIC REF	PART NUMBER	QTY	PART NAME						SEE PAGE
					1	2	3	4	5	6 (PRODUCT LEVEL)	
	1	1	120-8147	1	COVER						
	2	1	0L-1351	8	BOLT (3/8-16X0.875-IN)						
	3	1	3V-3308	8	WASHER-HARD (10.2X20.5X2.5-MM THK)						
	4	1	4W-7749	1	GASKET						



GRAPHIC #1

<END>

g01140143

COOLING SYSTEM

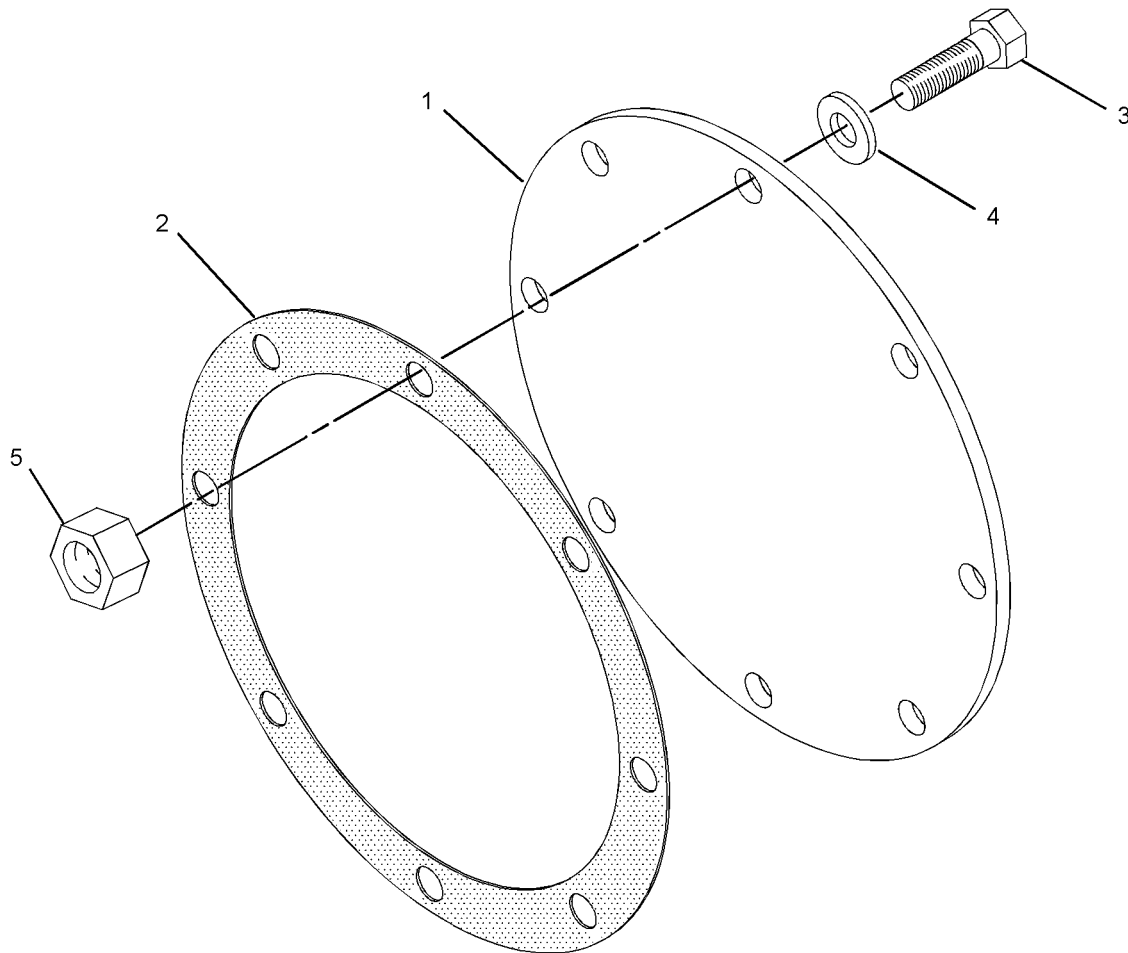
259-0490 COVER GP-COOLING SYSTEM (CHG -00)

FOR USE WITH AUXILIARY WATER PUMPS ON SEPARATE CIRCUIT

SMCS-1201, 1350

i02248382

NOTE	REF NO	GRAPHIC REF	PART NUMBER	QTY	PART NAME						SEE PAGE
					1	2	3	4	5	6 (PRODUCT LEVEL)	
	1	1	120-8146	1	COVER						
	2	1	1S-5772	1	GASKET						
	3	1	3B-1915	8	BOLT (3/8-16X1.375-IN)						
	4	1	3V-3308	16	WASHER-HARD (10.2X20.5X2.5-MM THK)						
	5	1	9S-8752	8	NUT-FULL (3/8-16-THD)						



GRAPHIC #1

<END>

g01140148

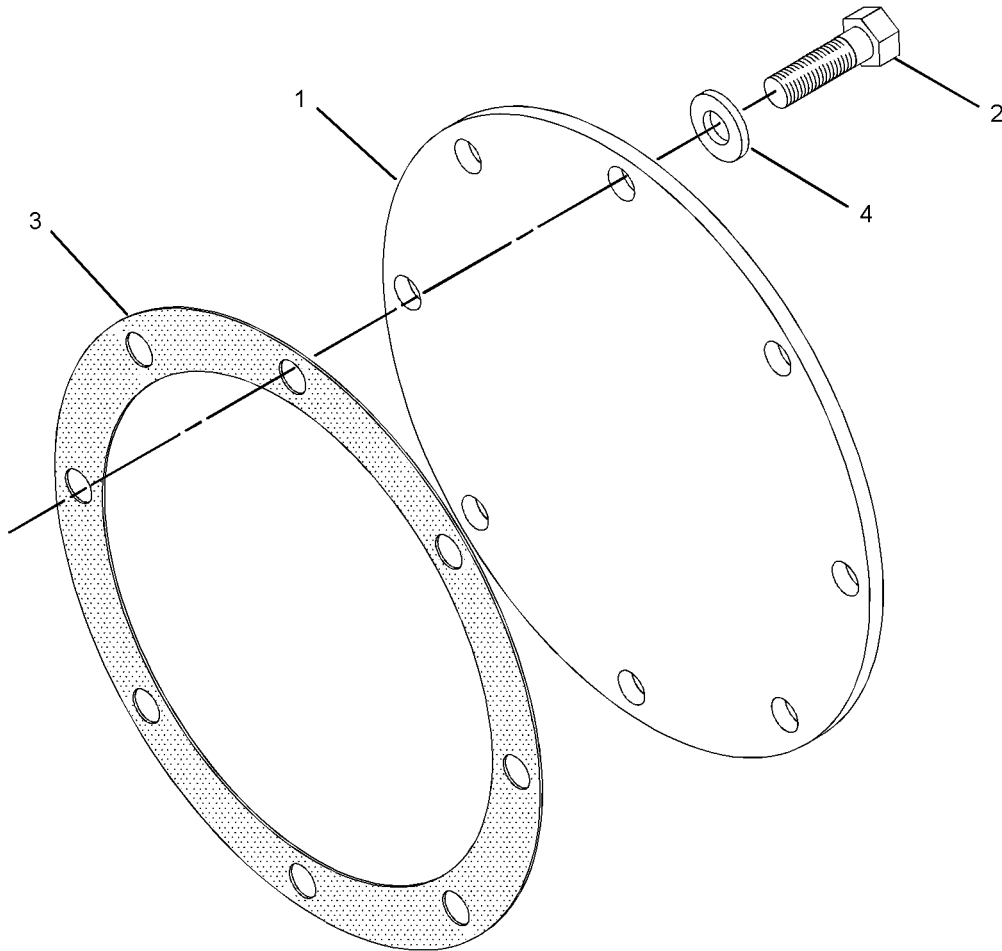
COOLING SYSTEM

259-8295 COVER GP-COOLING SYSTEM (CHG -00) FOR USE WITH AUXILIARY WATER PUMPS ON SEPARATE CIRCUIT

SMCS-1201, 1350

i02248380

NOTE	REF NO	GRAPHIC REF	PART NUMBER	QTY	PART NAME						SEE PAGE
					1	2	3	4	5	6 (PRODUCT LEVEL)	
	1	1	120-8146	1	COVER						
	2	1	0S-1588	8	BOLT (3/8-16X1.25-IN)						
	3	1	1S-5772	1	GASKET						
	4	1	3V-3308	8	WASHER-HARD (10.2X20.5X2.5-MM THK)						



GRAPHIC #1

<END>

g01135976

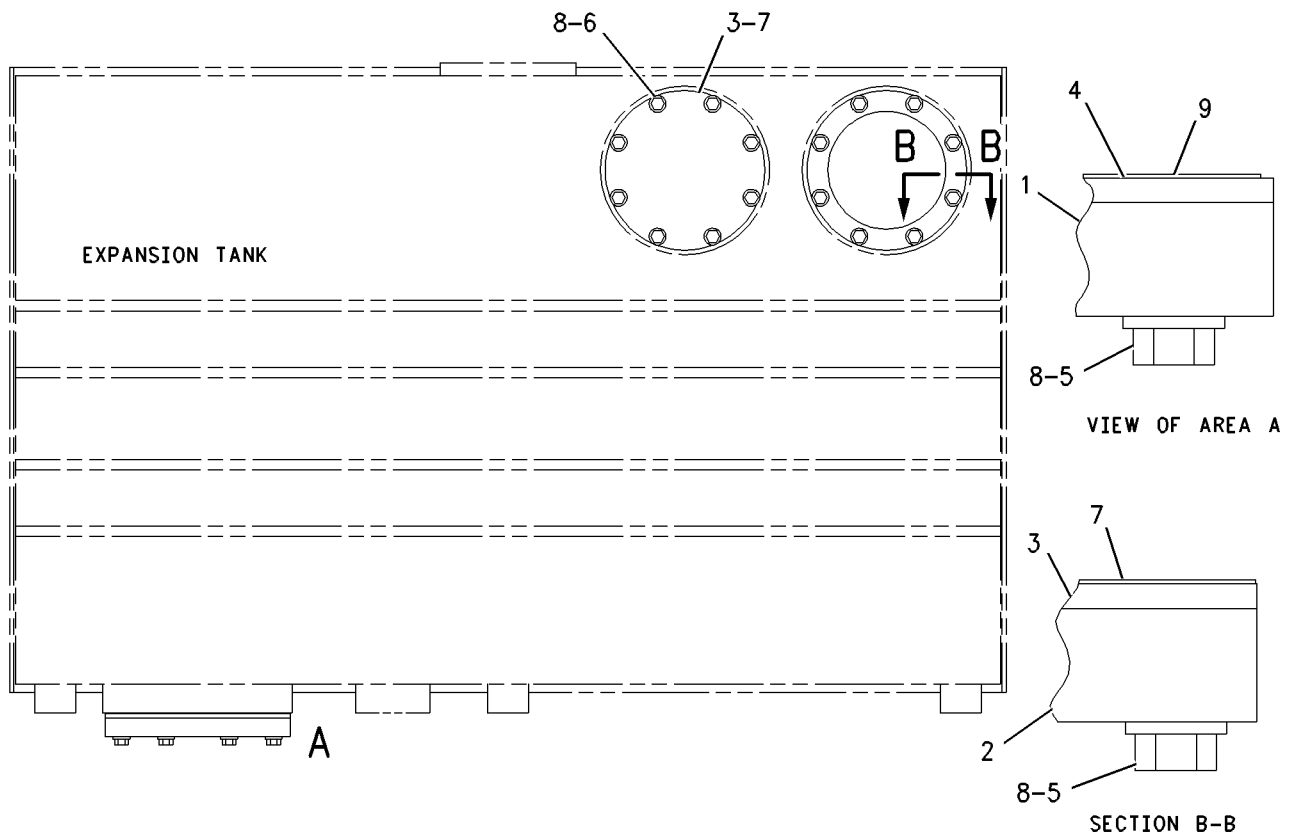
COOLING SYSTEM

204-7168 COVER GP-EXPANSION TANK (CHG -00, -01)

SMCS-1354

i01624379

NOTE	REF NO	GRAPHIC REF	PART NUMBER	QTY	PART NAME						SEE PAGE
					1	2	3	4	5	6 (PRODUCT LEVEL)	
	1	1	2W-7121	1	FLANGE						
	2	1	7N-7009	1	FLANGE						
	3	1	120-8146	2	COVER						
	4	1	120-8147	1	COVER						
	5	1	0S-1590	16	BOLT (3/8-16X2-IN)						
	6	1	0S-1594	8	BOLT (3/8-16X1-IN)						
	7	1	1S-5772	2	GASKET						
	8	1	3V-3308	24	WASHER-HARD (10.2X20.5X2.5-MM THK)						
	9	1	4W-7749	1	GASKET						



GRAPHIC #1

<END>

g00841224

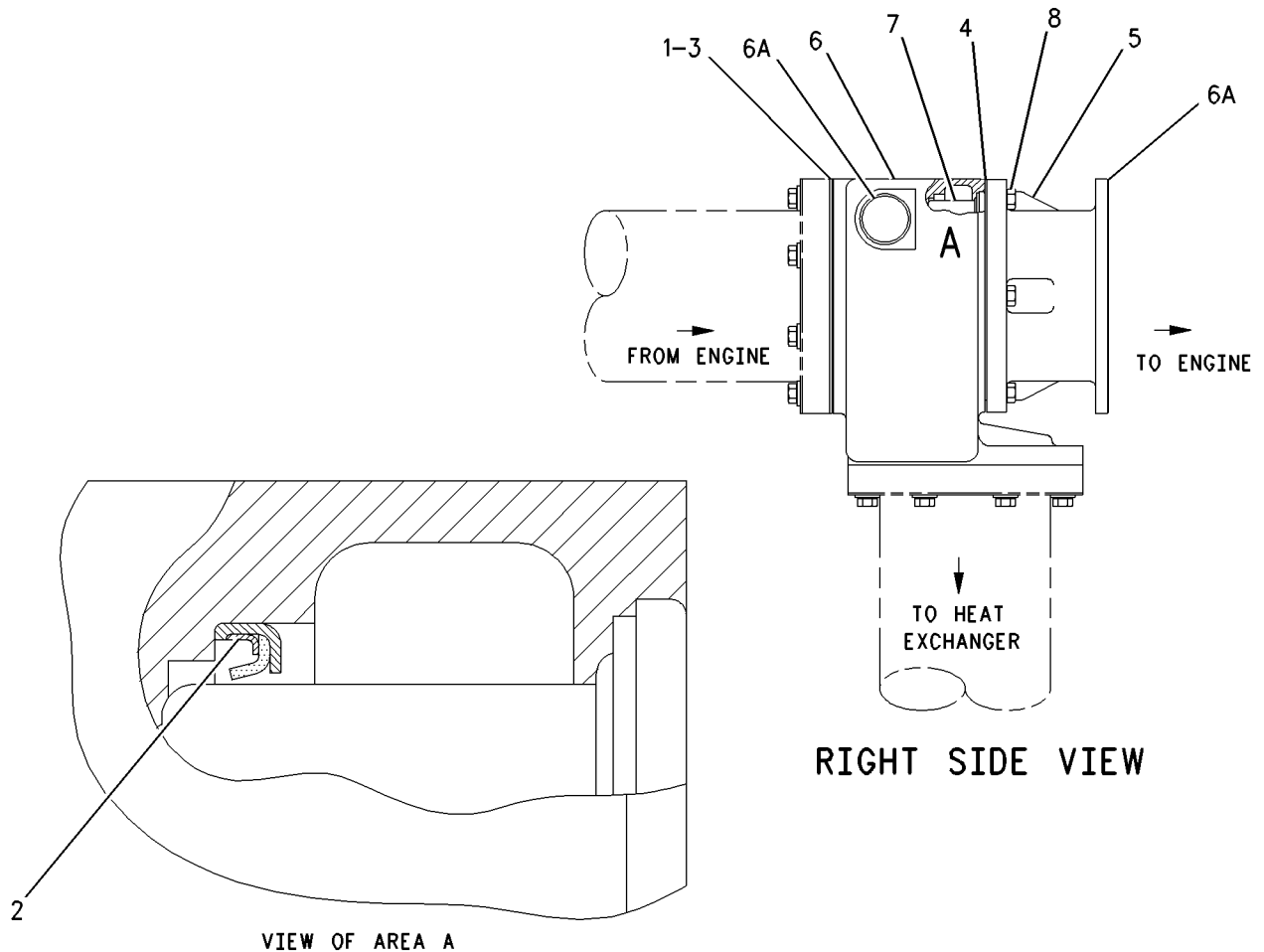
COOLING SYSTEM

117-9984 HOUSING & REGULATOR GP (CHG -00 THRU -02) 87-DEG C, OUTLET CONTROL

SMCS-1355, 1393

i02093454

NOTE	REF NO	GRAPHIC REF	PART NUMBER	QTY	PART NAME						SEE PAGE
					1	2	3	4	5	6 (PRODUCT LEVEL)	
	1	1	1S-5772	2	GASKET						
	2	1	3S-9643	4	SEAL-LIP TYPE						
	3	1	7C-8798	1	PLATE-ORIFICE						
	4	1	7W-3688	1	GASKET						
	5	1	7W-4111	1	ADAPTER-EXPANSION TANK						
	6	1	7W-4116	1	HOUSING AS-REGULATOR						
	6A	1	2M-6471	2	PLUG-CUP						
	7	1	174-3504	4	REGULATOR-WATER TEMPERATURE						
	8	1	0S-1588	8	BOLT (3/8-16X1.25-IN)						



GRAPHIC #1

<END>

g00725942

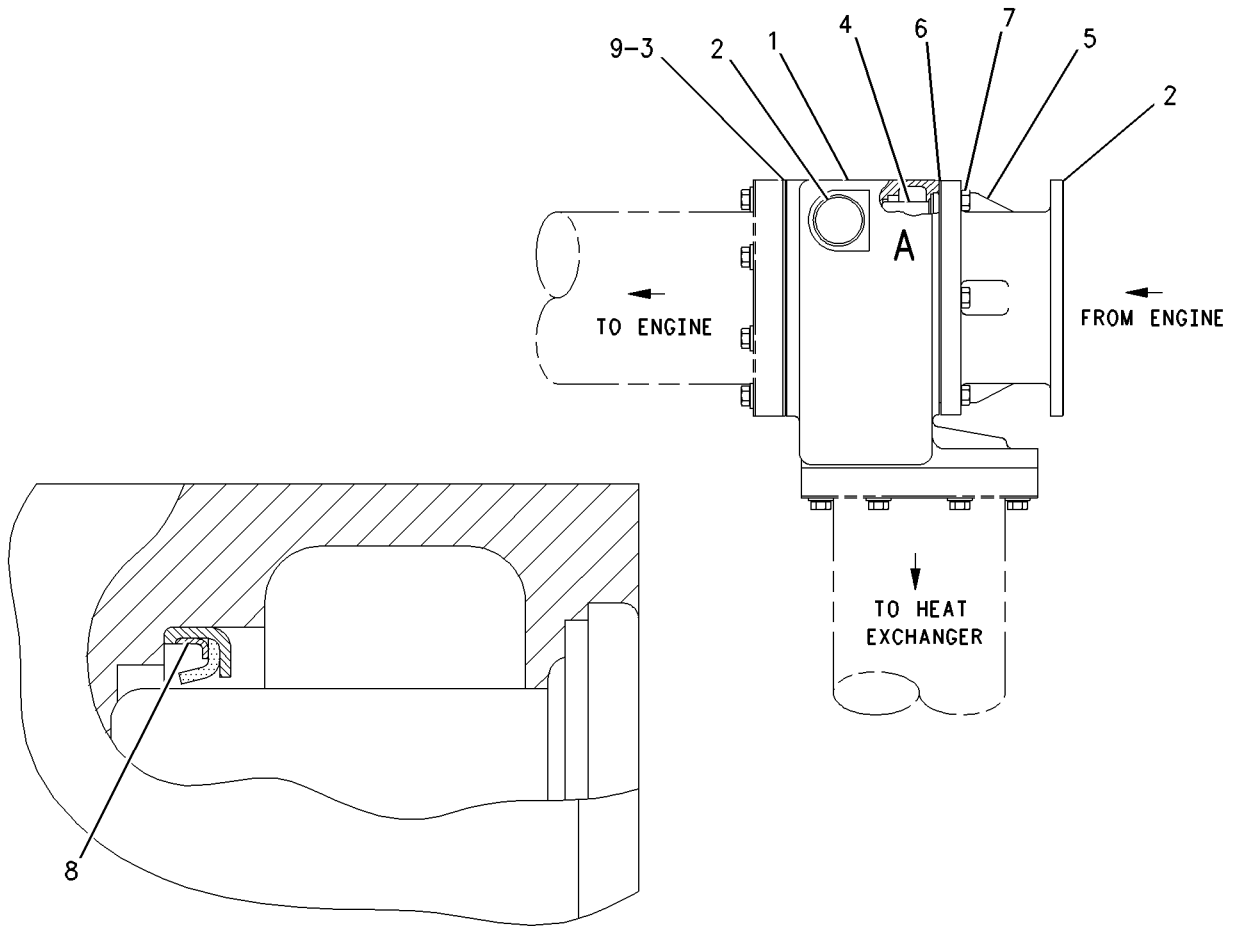
COOLING SYSTEM

133-3201 HOUSING & REGULATOR GP (CHG -00, -01) OUTLET CONTROL - 65 DEGREES C

SMCS-1355, 1393

i01374660

NOTE	REF NO	GRAPHIC REF	PART NUMBER	QTY	PART NAME						SEE PAGE
					1	2	3	4	5	6 (PRODUCT LEVEL)	
	1	1	7W-4116	1	HOUSING AS-REGULATOR						
	2	1	2M-6471	2	PLUG-CUP						
	3	1	7C-8798	1	PLATE-ORIFICE						
	4	1	125-3345	4	REGULATOR-WATER TEMPERATURE						
	5	1	7W-4111	1	ADAPTER-EXPANSION TANK						
	6	1	7W-3688	1	GASKET						
	7	1	0S-1588	8	BOLT (3/8-16X1.25-IN)						
	8	1	3S-9643	4	SEAL-LIP TYPE						
	9	1	1S-5772	2	GASKET						



VIEW OF AREA A

GRAPHIC #1

<END>

g00726022

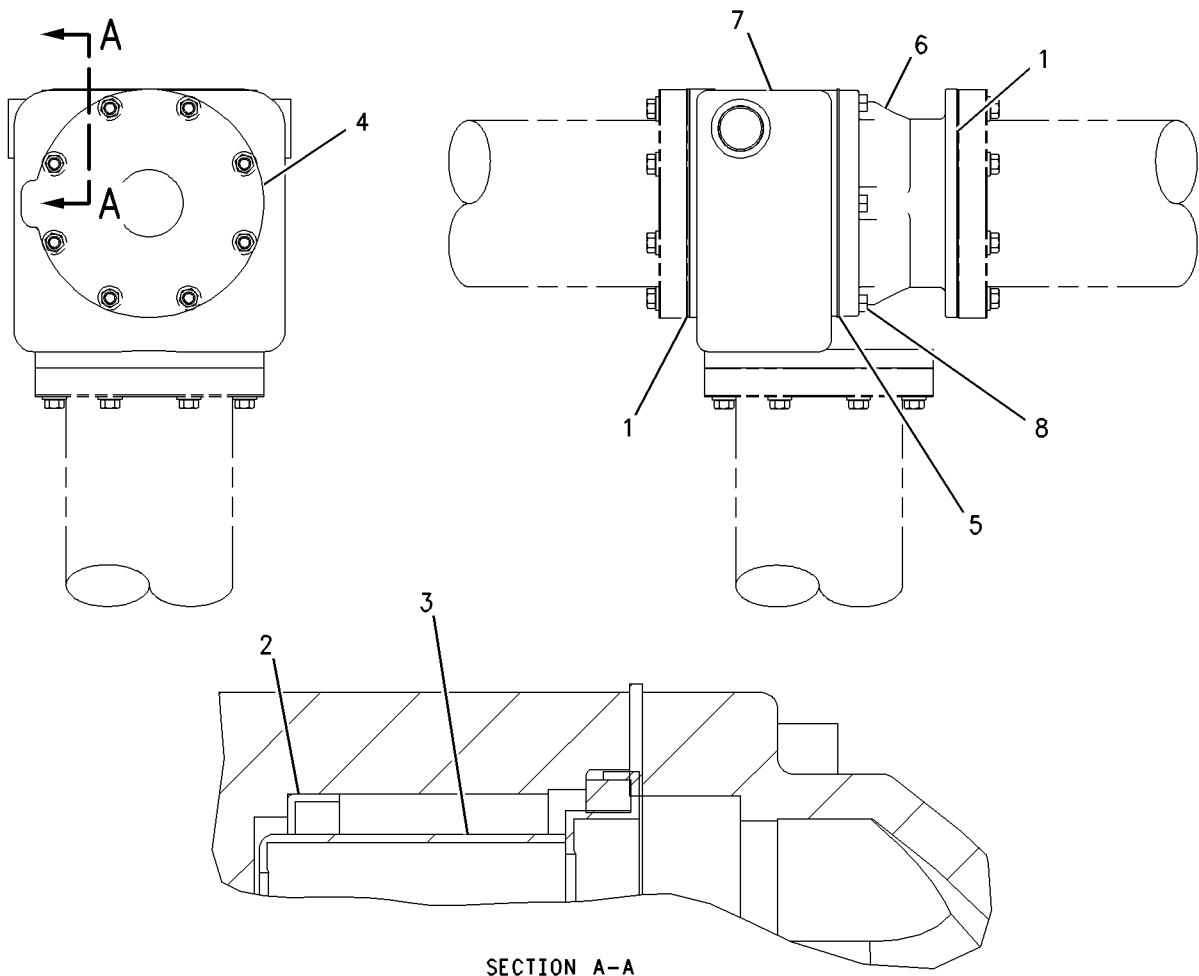
COOLING SYSTEM

196-0428 HOUSING & REGULATOR GP (CHG -00, -00D1, -01)

SMCS-1355, 1393

i01584038

NOTE	REF NO	GRAPHIC REF	PART NUMBER	QTY	PART NAME						SEE PAGE
					1	2	3	4	5	6 (PRODUCT LEVEL)	
	1	1	1S-5772	2	GASKET						
	2	1	3S-9643	4	SEAL-LIP TYPE						
	3	1	6I-4953	4	REGULATOR-WATER TEMPERATURE						
	4	1	7C-8798	1	PLATE-ORIFICE						
	5	1	7W-3688	1	GASKET						
	6	1	7W-4111	1	ADAPTER-EXPANSION TANK						
	7	1	7W-4116	1	HOUSING AS-REGULATOR						
		1	2M-6471	2	PLUG-CUP						
	8	1	0S-1588	8	BOLT (3/8-16X1.25-IN)						



SECTION A-A

GRAPHIC #1

<END>

g00821822

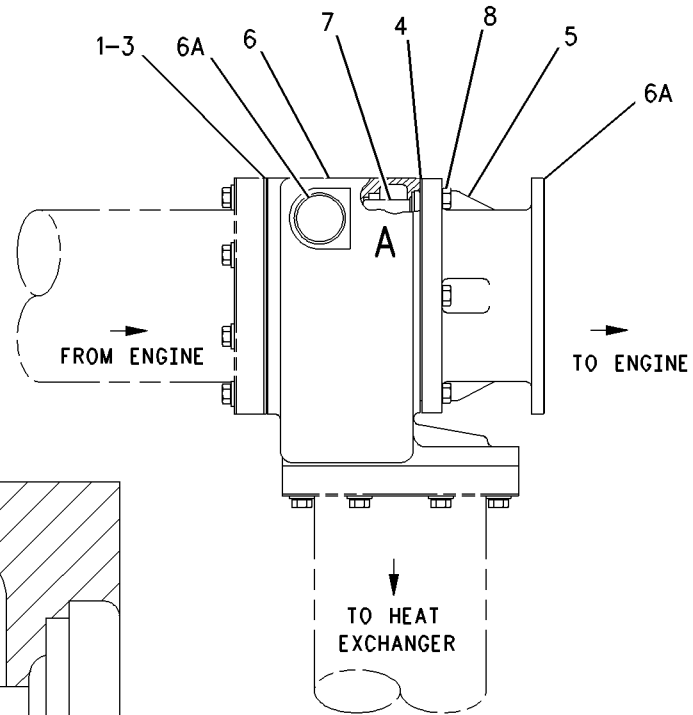
COOLING SYSTEM

196-0429 HOUSING & REGULATOR GP (CHG -00) 83 DEGREE C THERMOSTAT. INLET CONTROLLED

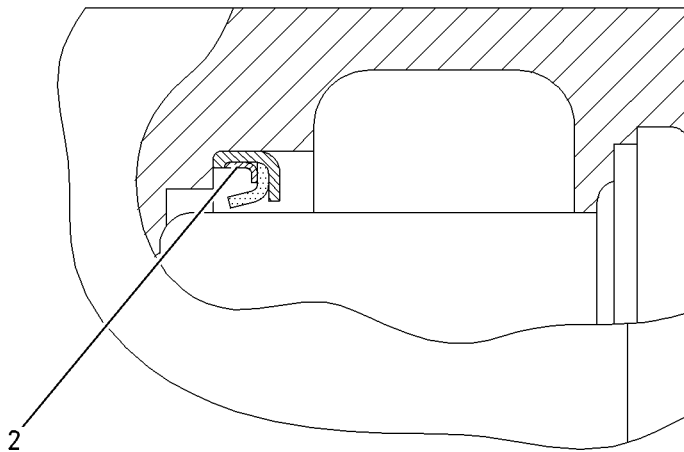
SMCS-1355, 1393

i01757890

NOTE	REF NO	GRAPHIC REF	PART NUMBER	QTY	PART NAME						SEE PAGE
					1	2	3	4	5	6 (PRODUCT LEVEL)	
	1	1	1S-5772	2	GASKET						
	2	1	3S-9643	4	SEAL-LIP TYPE						
	3	1	7C-8798	1	PLATE-ORIFICE						
	4	1	7W-3688	1	GASKET						
	5	1	7W-4111	1	ADAPTER-EXPANSION TANK						
	6	1	7W-4116	1	HOUSING AS-REGULATOR						
	6A	1	2M-6471	2	PLUG-CUP						
	7	1	120-9453	4	REGULATOR-TEMPERATURE (85-DEG C)						
	8	1	0S-1588	8	BOLT (3/8-16X1.25-IN)						



RIGHT SIDE VIEW



VIEW OF AREA A

GRAPHIC #1

<END>

g00725942

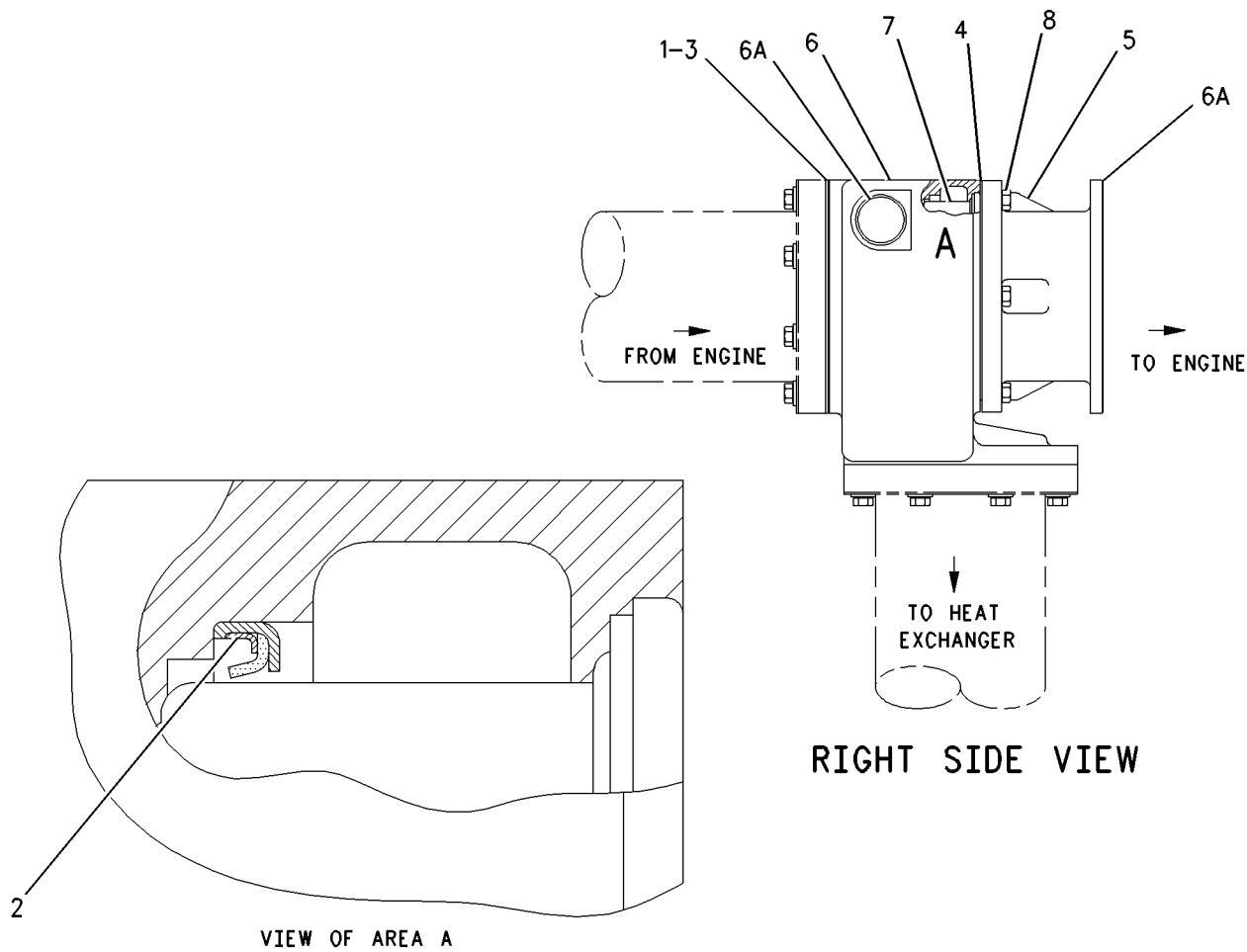
COOLING SYSTEM

196-0432 HOUSING & REGULATOR GP (CHG -00) 104 DEGREE C. INLET CONTROLLED REMOTE MOUNTED

SMCS-1355, 1393

i01757961

NOTE	REF NO	GRAPHIC REF	PART NUMBER	QTY	PART NAME						SEE PAGE
					1	2	3	4	5	6 (PRODUCT LEVEL)	
	1	1	1S-5772	2	GASKET						
	2	1	3S-9643	4	SEAL-LIP TYPE						
	3	1	7C-8798	1	PLATE-ORIFICE						
	4	1	7W-3688	1	GASKET						
	5	1	7W-4111	1	ADAPTER-EXPANSION TANK						
	6	1	7W-4116	1	HOUSING AS-REGULATOR						
	6A	1	2M-6471	2	PLUG-CUP						
	7	1	109-2327	4	REGULATOR-WATER TEMPERATURE						
	8	1	0S-1588	8	BOLT (3/8-16X1.25-IN)						



GRAPHIC #1

<END>

g00725942

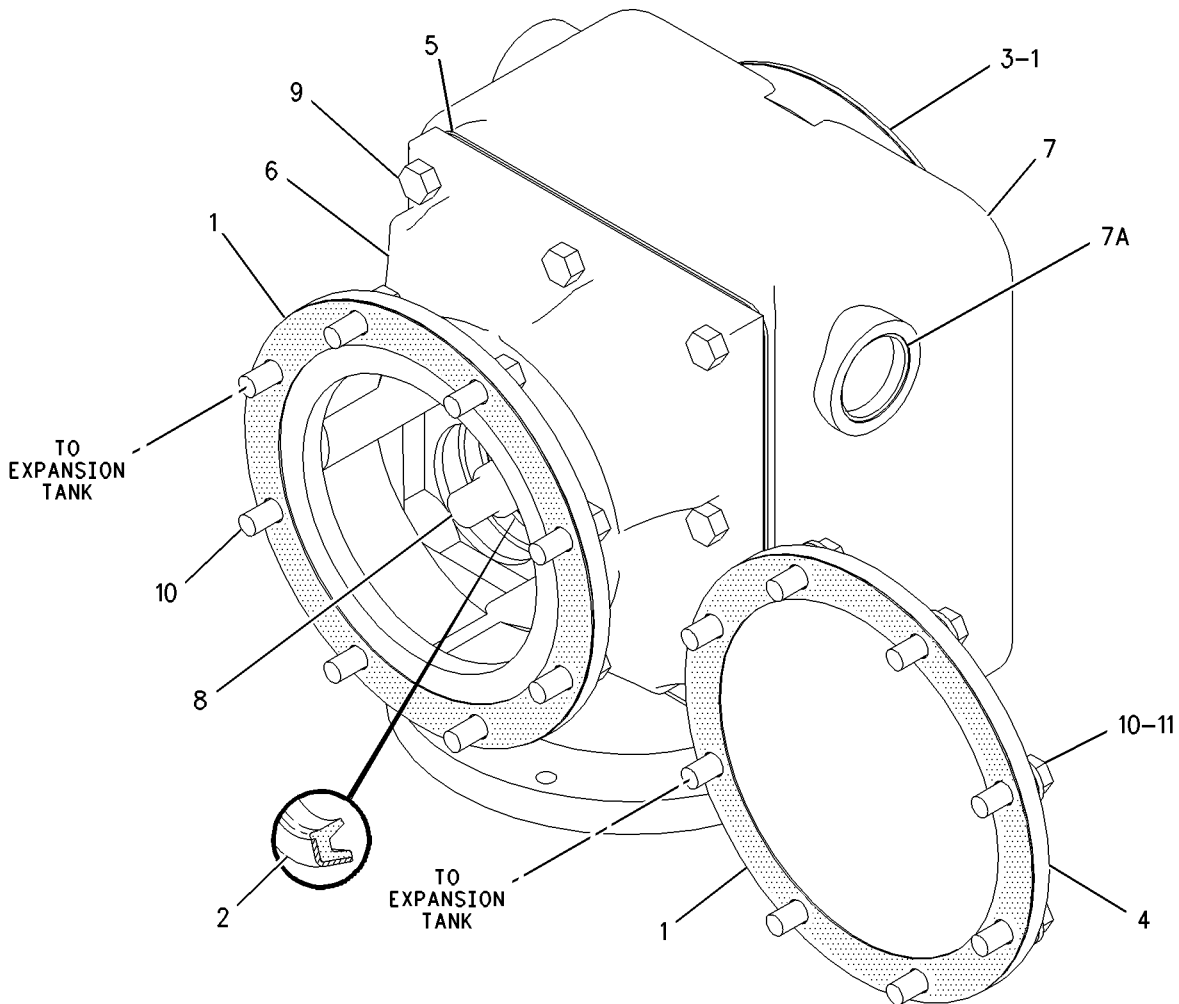
COOLING SYSTEM

196-0433 HOUSING & REGULATOR GP (CHG -00) FOR USE WITH AN INLET CONTROLLED 110 DEGREE C JACKET WATER SYSTEM

SMCS-1355, 1393

i01757950

NOTE	REF NO	GRAPHIC REF	PART NUMBER	QTY	PART NAME						SEE PAGE
					1	2	3	4	5	6 (PRODUCT LEVEL)	
	1	1	1S-5772	3	GASKET						
	2	1	3S-9643	4	SEAL-LIP TYPE						
	3	1	7C-8798	1	PLATE-ORIFICE						
	4	1	7S-8420	1	COVER-HYDRAULIC PUMP						
	5	1	7W-3688	1	GASKET						
	6	1	7W-4111	1	ADAPTER-EXPANSION TANK						
	7	1	7W-4116	1	HOUSING AS-REGULATOR						
	7A	1	2M-6471	2	PLUG-CUP						
	8	1	109-2327	4	REGULATOR-WATER TEMPERATURE						
	9	1	0S-1588	8	BOLT (3/8-16X1.25-IN)						
	10	1	0S-1594	16	BOLT (3/8-16X1-IN)						
	11	1	3V-3308	8	WASHER-HARD (10.2X20.5X2.5-MM THK)						



GRAPHIC #1

<END>

g00900688

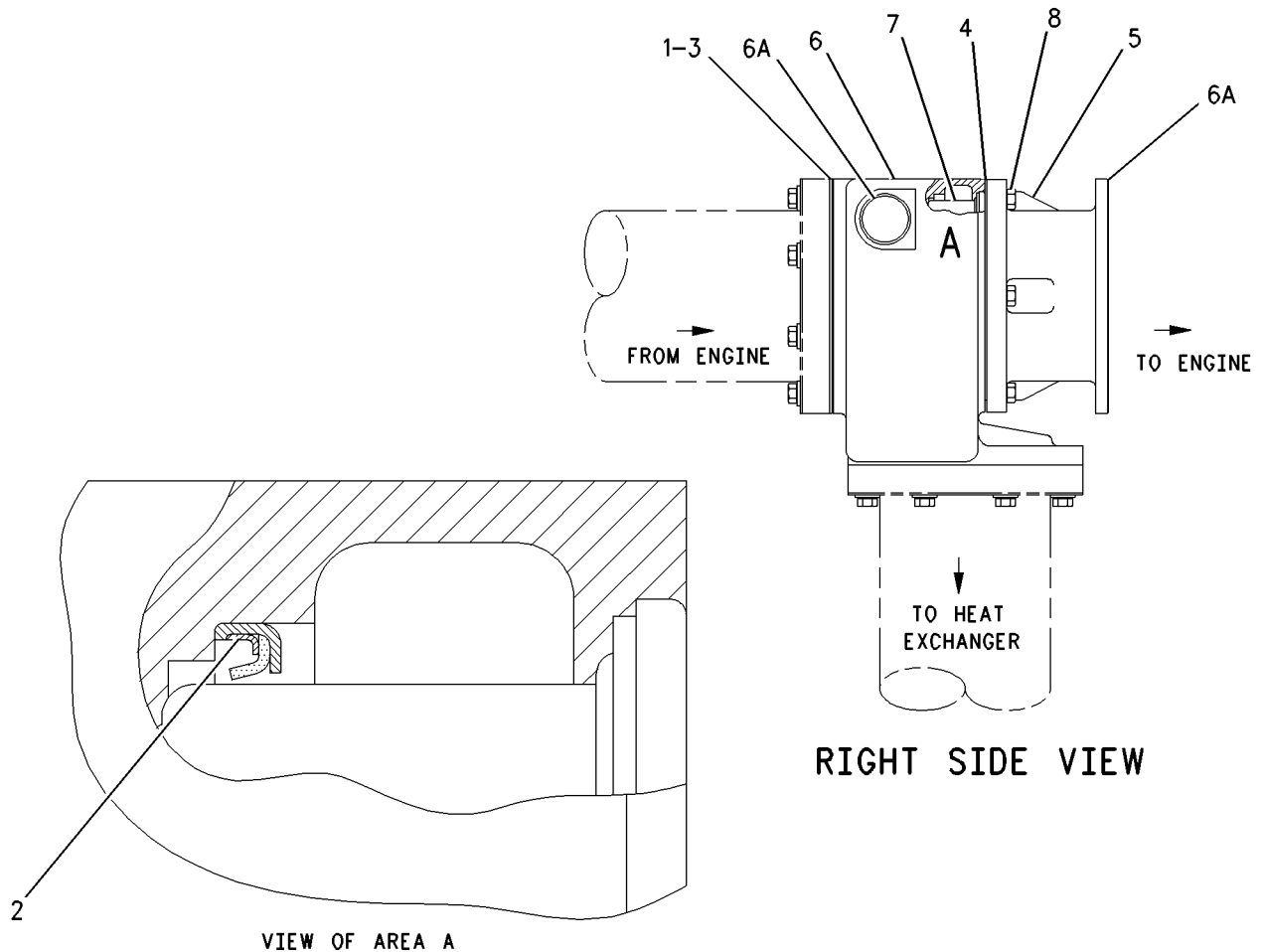
COOLING SYSTEM

196-0435 HOUSING & REGULATOR GP (CHG -00) 110 DEGREE C. JACKET WATER OUTLET CONTROLLED

SMCS-1355, 1393

i01757919

NOTE	REF NO	GRAPHIC REF	PART NUMBER	QTY	PART NAME						SEE PAGE
					1	2	3	4	5	6 (PRODUCT LEVEL)	
	1	1	1S-5772	2	GASKET						
	2	1	3S-9643	4	SEAL-LIP TYPE						
	3	1	7C-8798	1	PLATE-ORIFICE						
	4	1	7W-3688	1	GASKET						
	5	1	7W-4111	1	ADAPTER-EXPANSION TANK						
	6	1	7W-4116	1	HOUSING AS-REGULATOR						
	6A	1	2M-6471	2	PLUG-CUP						
	7	1	196-0431	4	REGULATOR-WATER TEMPERATURE						
	8	1	0S-1588	8	BOLT (3/8-16X1.25-IN)						



GRAPHIC #1

<END>

g00725942

COOLING SYSTEM

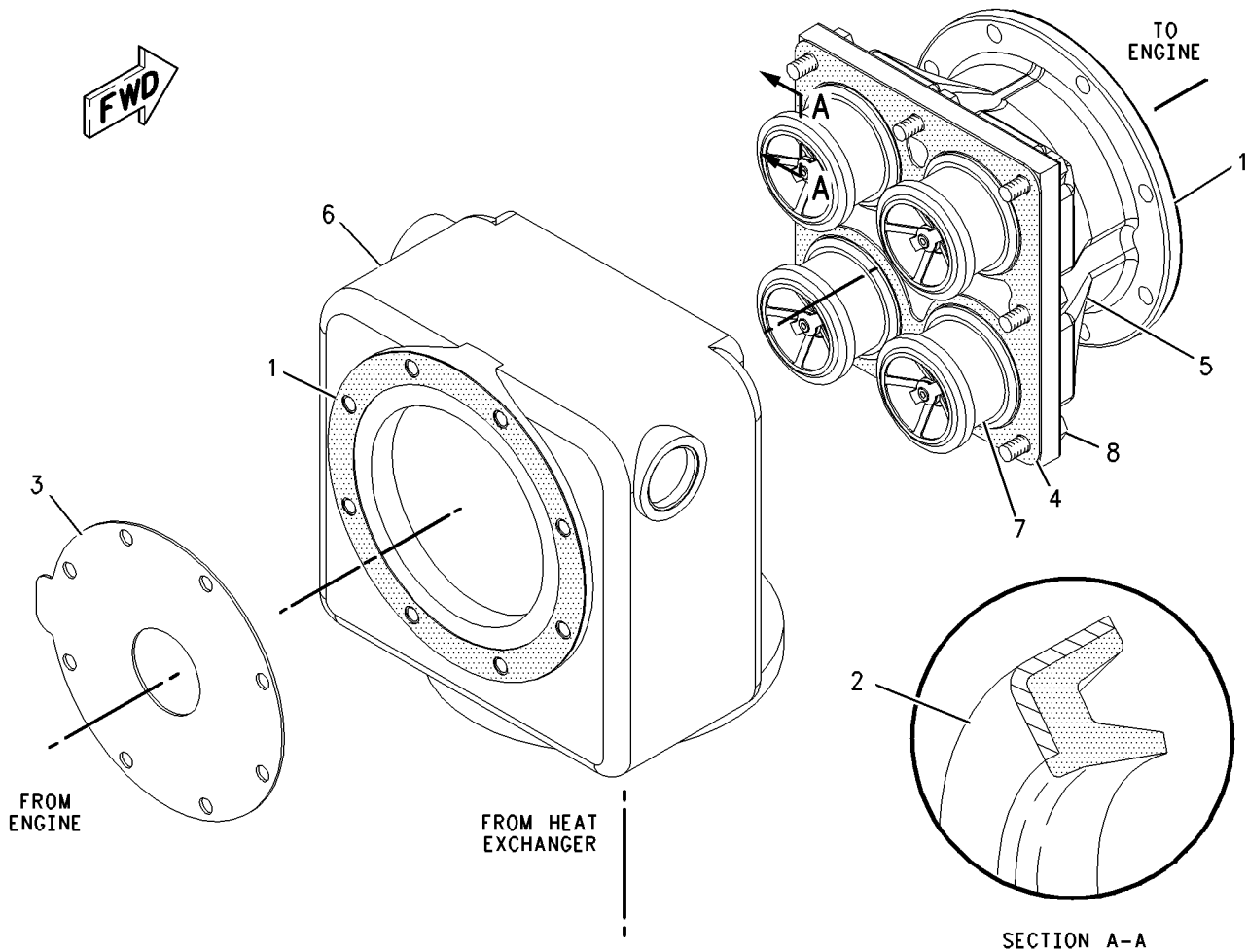
204-6716 HOUSING & REGULATOR GP (CHG -00)

INLET CONTROL 32 DEG C

SMCS-1355, 1393

i01780384

NOTE	REF NO	GRAPHIC REF	PART NUMBER	QTY	PART NAME						SEE PAGE
					1	2	3	4	5	6 (PRODUCT LEVEL)	
	1	1	1S-5772	2	GASKET						
	2	1	3S-9643	4	SEAL-LIP TYPE						
	3	1	7C-8798	1	PLATE-ORIFICE						
	4	1	7W-3688	1	GASKET						
	5	1	7W-4111	1	ADAPTER-EXPANSION TANK						
	6	1	7W-4116	1	HOUSING AS-REGULATOR						
		1	2M-6471	2	PLUG-CUP						
	7	1	196-0427	4	REGULATOR-WATER TEMPERATURE						
	8	1	0S-1588	8	BOLT (3/8-16X1.25-IN)						



GRAPHIC #1

<END>

g00918986

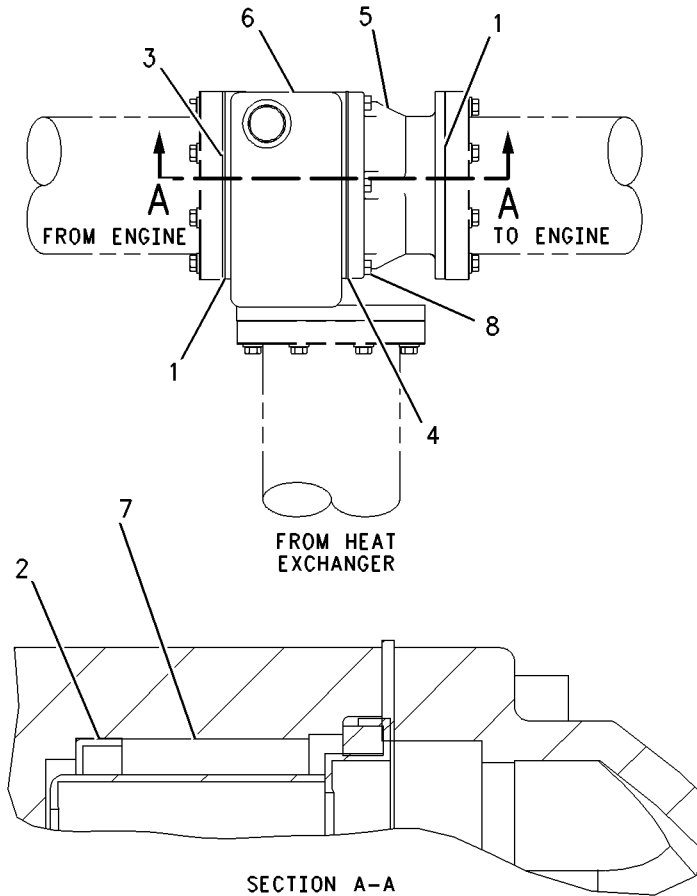
COOLING SYSTEM

204-6724 HOUSING & REGULATOR GP (CHG -00) INLET CONTROLLED 54 DEG C

SMCS-1355, 1393

i01780737

NOTE	REF NO	GRAPHIC REF	PART NUMBER	QTY	PART NAME						SEE PAGE
					1	2	3	4	5	6 (PRODUCT LEVEL)	
	1	1	1S-5772	2	GASKET						
	2	1	3S-9643	4	SEAL-LIP TYPE						
	3	1	7C-8798	1	PLATE-ORIFICE						
	4	1	7W-3688	1	GASKET						
	5	1	7W-4111	1	ADAPTER-EXPANSION TANK						
	6	1	7W-4116	1	HOUSING AS-REGULATOR						
		1	2M-6471	2	PLUG-CUP						
	7	1	204-6707	4	REGULATOR-WATER TEMPERATURE						
	8	1	OS-1588	8	BOLT (3/8-16X1.25-IN)						



GRAPHIC #1

<END>

g00918820

COOLING SYSTEM

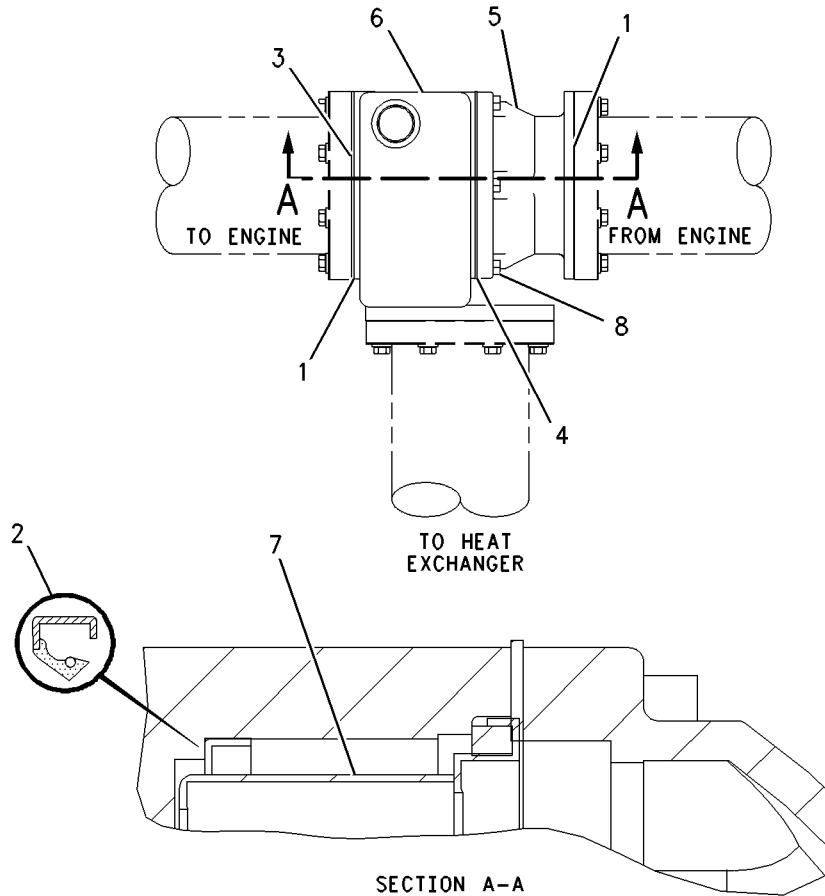
215-3890 HOUSING & REGULATOR GP (CHG -00)

59-DEG C, OUTLET CONTROL

SMCS-1355, 1393

i02093461

NOTE	REF NO	GRAPHIC REF	PART NUMBER	QTY	PART NAME						SEE PAGE
					1	2	3	4	5	6	
	1	1	1S-5772	2	GASKET						
	2	1	3S-9643	4	SEAL-LIP TYPE						
	3	1	7C-8798	1	PLATE-ORIFICE						
	4	1	7W-3688	1	GASKET						
	5	1	7W-4111	1	ADAPTER-EXPANSION TANK						
	6	1	7W-4116	1	HOUSING AS-REGULATOR						
		1	2M-6471	2	PLUG-CUP						
	7	1	204-6708	4	REGULATOR-WATER TEMPERATURE						
	8	1	0S-1588	8	BOLT (3/8-16X1.25-IN)						



GRAPHIC #1

<END>

g00919692

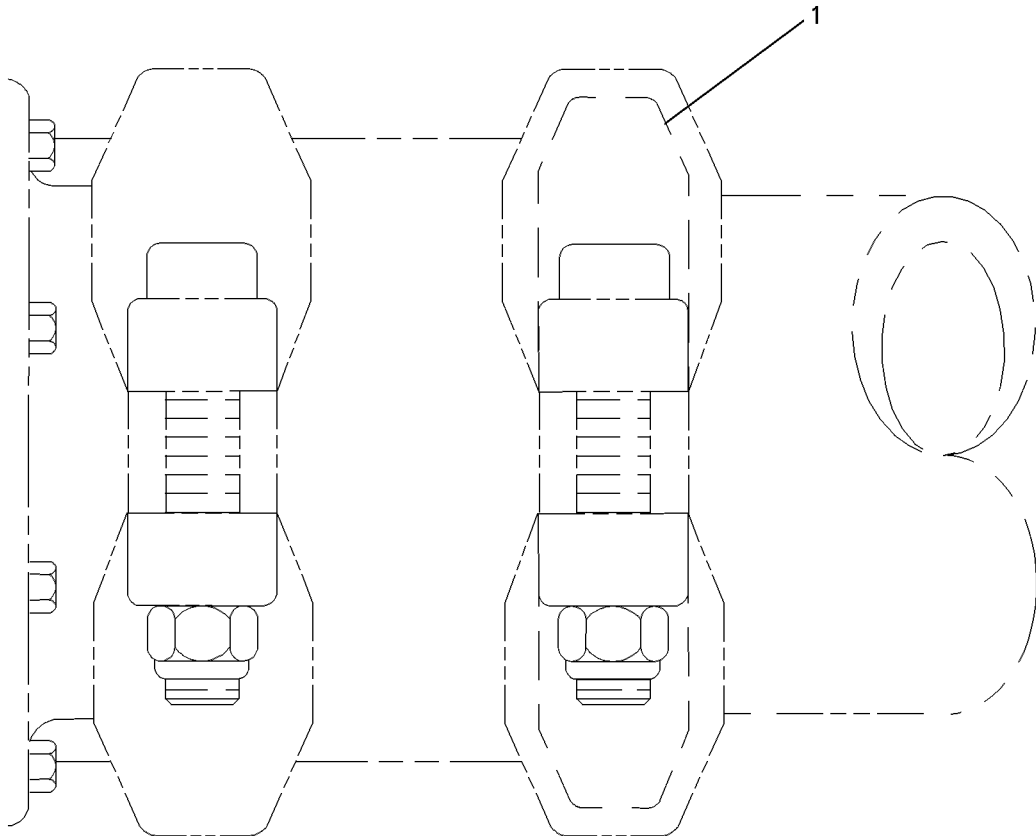
COOLING SYSTEM

5P-9130 JOINT AS-TUBE (CHG -00 THRU -03) 141.3-MM ID (5.56-IN)

SMCS-1380

i02220704

NOTE	REF NO	GRAPHIC REF	PART NUMBER	QTY	PART NAME						SEE PAGE
					1	2	3	4	5	6 (PRODUCT LEVEL)	
	1	1	9X-7540	2	SEAL						



GRAPHIC #1

<END>

g00621096

COOLING SYSTEM

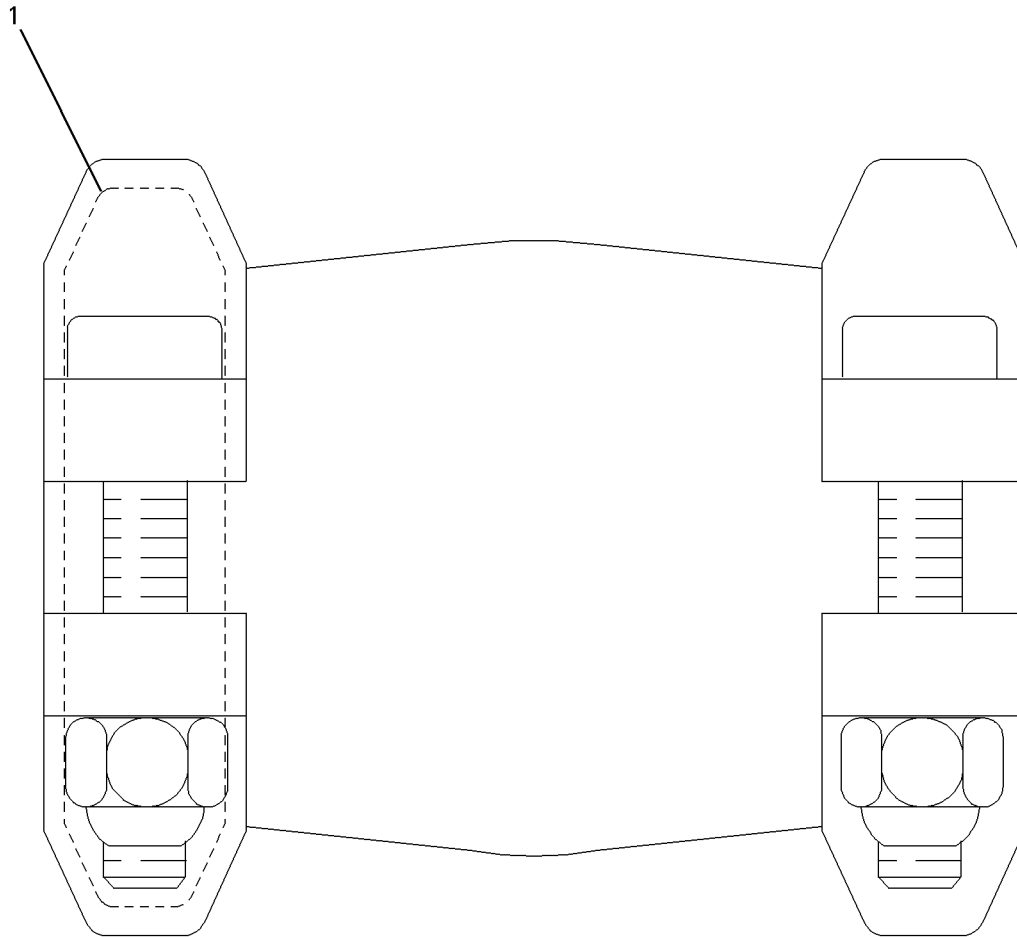
6V-9331 JOINT AS-TUBE (CHG -01)

FOR USE WITH WATER CONNECTIONS ONLY. CANNOT BE USED WITH SUCTION APPLICATIONS

SMCS-1380

i01387539

NOTE	REF NO	GRAPHIC REF	PART NUMBER	QTY	PART NAME						SEE PAGE
					1	2	3	4	5	6 (PRODUCT LEVEL)	
	1	1	6V-9336	2	SEAL						



GRAPHIC #1

<END>

g00732257

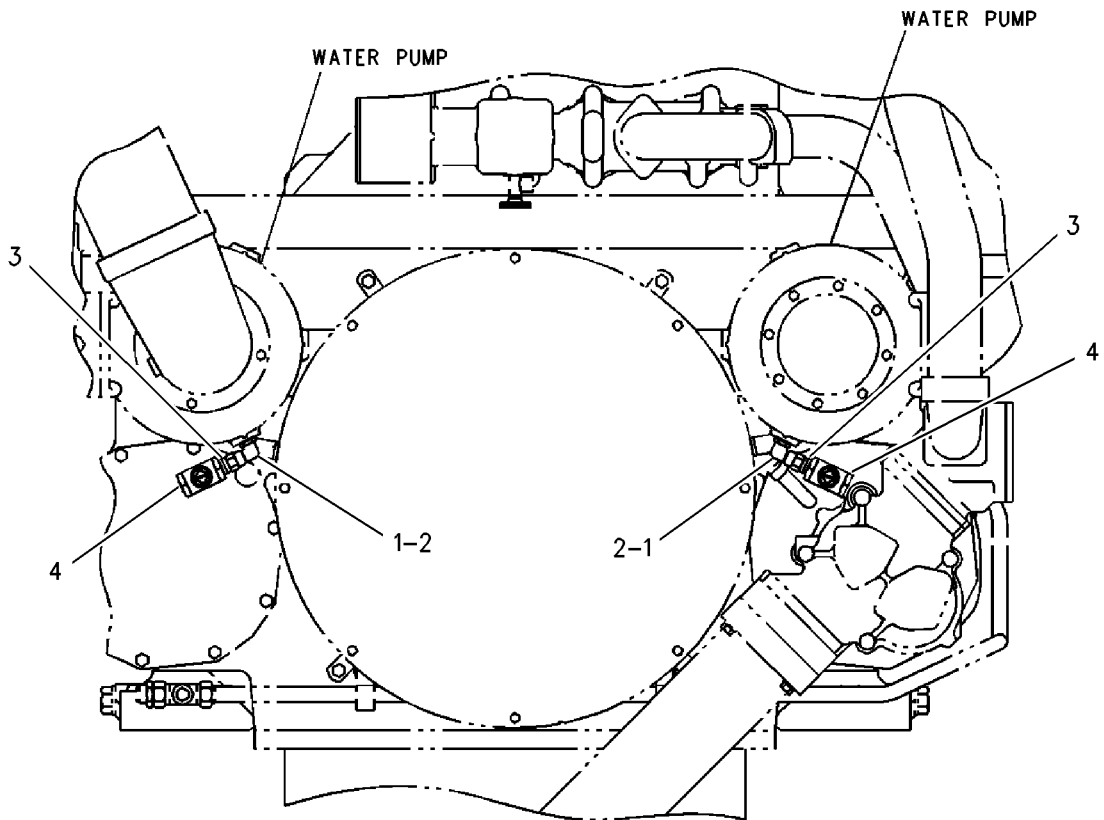
COOLING SYSTEM

7E-3155 LINES GP-COOLANT DRAIN (CHG -00 THRU -02) ENGINE WATER DRAIN CONNECTIONS

SMCS-1380

i01627177

NOTE	REF NO	GRAPHIC REF	PART NUMBER	QTY	PART NAME						SEE PAGE
					1	2	3	4	5	6 (PRODUCT LEVEL)	
	1	1	9X-2604	2	ELBOW						
	2	1	6V-5063	2	SEAL-O-RING						
	3	1	3B-7745	2	NIPPLE-PIPE						
	4	1	9B-4202	2	VALVE-DRAIN						



FRONT VIEW

GRAPHIC #1

<END>

g00699359

COOLING SYSTEM

105-3176 LINES GP-OIL COOLER (CHG -03 THRU -09) 83 DEGREES CELCIUS

SMCS-1307, 1378, 1380

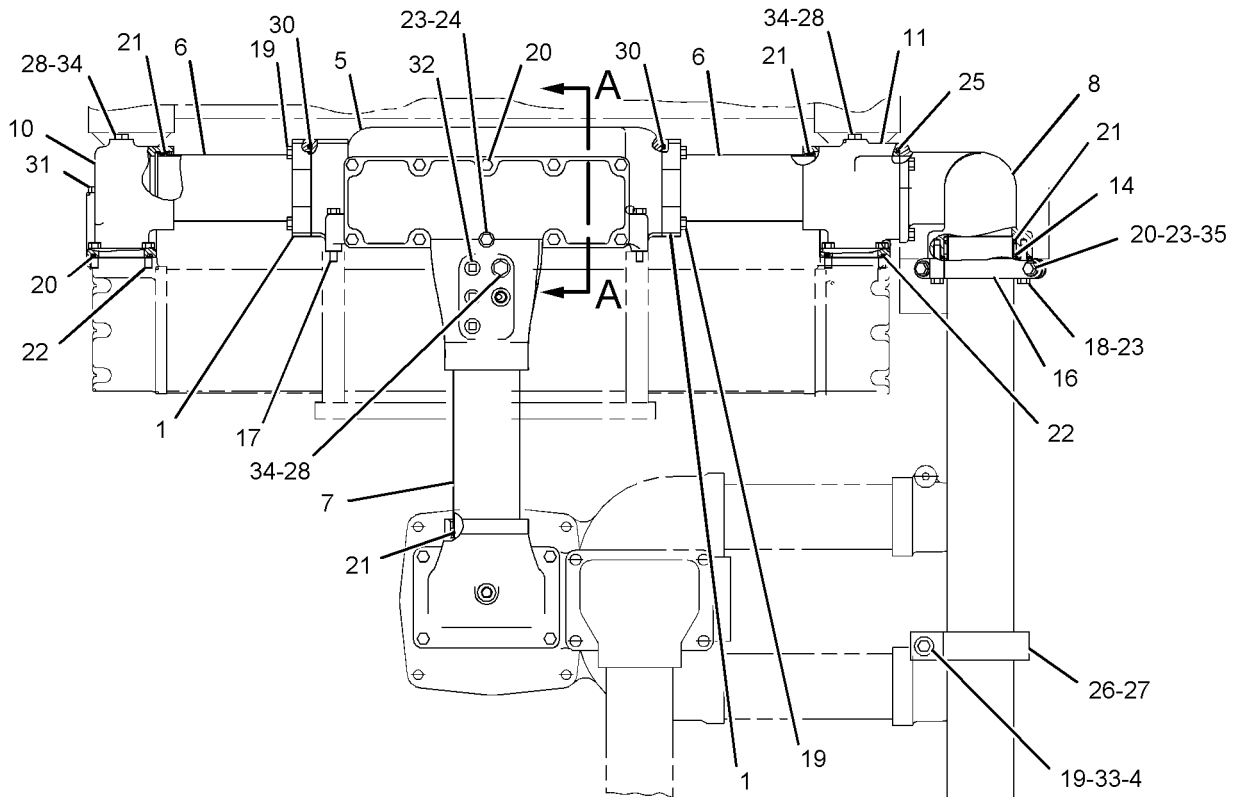
i02286399

NOTE	REF NO	GRAPHIC REF	PART NUMBER	QTY	PART NAME						SEE PAGE
					1	2	3	4	5	6 (PRODUCT LEVEL)	
	1	1	1W-3979	2	FLANGE						
	2	1	2W-6318	1	TUBE						
	3	1	3S-9643	4	SEAL-LIP TYPE						
	4	1	4S-5719	1	SPACER (10.31X25X12.7-MM THK)						
	5	1	7C-6021	1	HOUSING-REGULATOR						
	6	1	7N-9044	2	TUBE						
	7	1	7W-2459	1	TUBE						
	8	1	7W-3881	1	ELBOW						
	9	1	7W-3882	1	ELBOW						
	10	1	7W-3883	1	MANIFOLD-OIL COOLER						
	11	1	7W-3884	1	MANIFOLD-OIL COOLER						
	12	1	9Y-4732	1	COVER						
	13	1	9Y-9842	1	GASKET						
	14	1	110-0096	2	RING						
	15	1	120-9453	4	REGULATOR-TEMPERATURE (85-DEG C)						
	16	1	122-1148	4	CLAMP AS						
	17	1	0L-1143	4	BOLT (3/8-16X2.5-IN)						
	18	1	0S-1571	4	BOLT (3/8-16X1.75-IN)						
	19	1	0S-1591	9	BOLT (3/8-16X1.5-IN)						
	20	1	0S-1594	32	BOLT (3/8-16X1-IN)						
	21	1	3P-0654	8	SEAL-O-RING						
	22	1	3P-0655	4	SEAL-O-RING						
	23	1	3V-3308	13	WASHER-HARD (10.2X20.5X2.5-MM THK)						
	24	1	5B-9603	1	BOLT (3/8-16X5-IN)						
	25	1	5S-9134	1	SEAL-O-RING						
	26	1	6V-4356	1	CLIP						
	27	1	6V-4357	1	CLIP						
	28	1	6V-5049	3	SEAL-O-RING						
	29	1	6V-5055	1	SEAL-O-RING						
	30	1	6V-5101	2	SEAL-O-RING						
	31	1	8S-9191	4	BOLT (3/8-16X4-IN)						
	32	1	8T-6762	3	PLUG-PIPE						
	33	1	9L-9132	1	WASHER (10.2X25.5X2.5-MM THK)						
	34	1	9S-4191	3	PLUG-O-RING						
	35	1	9S-8752	4	NUT-FULL (3/8-16-THD)						

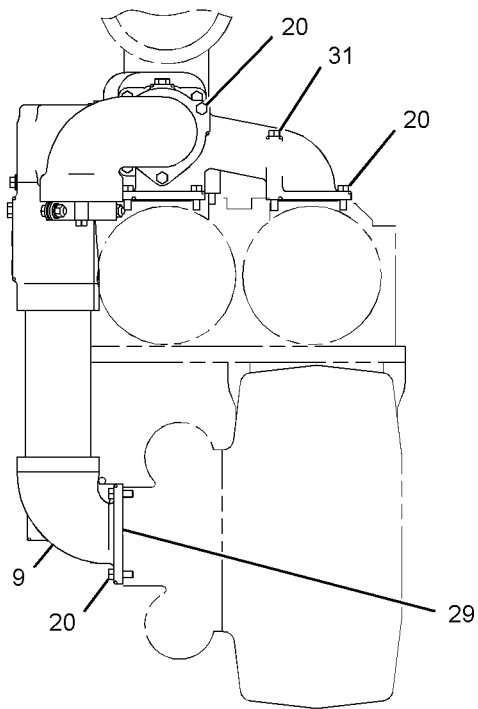
COOLING SYSTEM

105-3176 LINES GP-OIL COOLER (contd.)

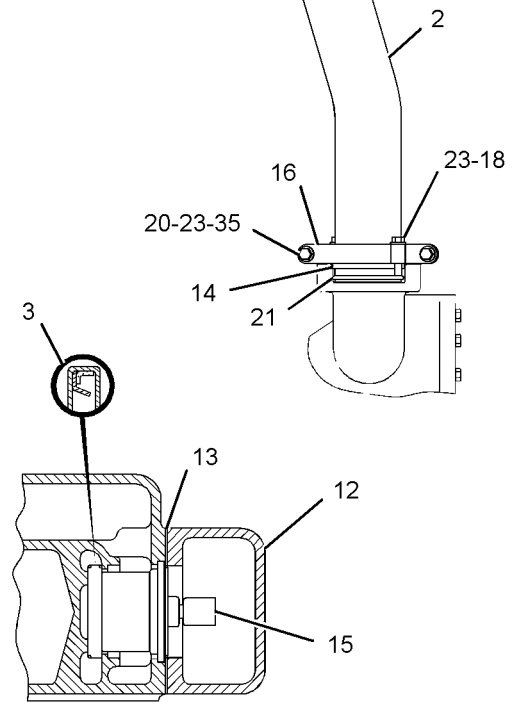
i02286399



FRONT VIEW



LEFT SIDE VIEW



SECTION A-A

GRAPHIC #1

<END>

g01145018

COOLING SYSTEM

4P-9060 LINES GP-WATER (CHG -00 THRU -03) JACKET

SMCS-1355, 1380, 1393

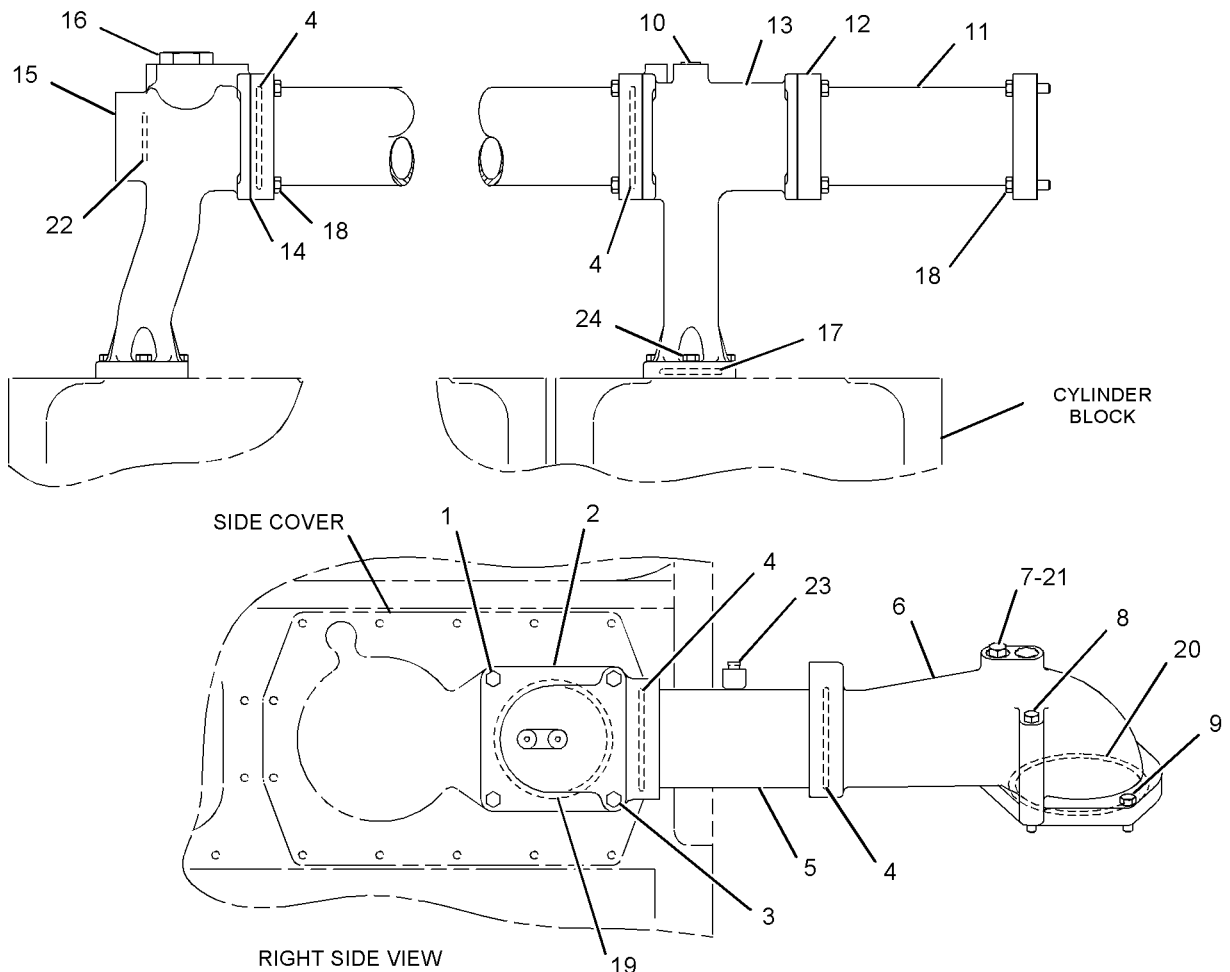
i02069592

NOTE	REF NO	GRAPHIC REF	PART NUMBER	QTY	PART NAME						SEE PAGE
					1	2	3	4	5	6 (PRODUCT LEVEL)	
	1	1	0S-1594	2	BOLT (3/8-16X1-IN)						
	2	1	1W-3591	1	ELBOW						
	3	1	7F-3425	2	BOLT (3/8-16X5.75-IN)						
	4	1	6V-5139	16	SEAL-O-RING						
	5	1	126-1083	1	TUBE AS						
	6	1	2W-8545	1	ELBOW						
	7	1	9S-4191	1	PLUG-O-RING						
	8	1	5B-9603	2	BOLT (3/8-16X5-IN)						
	9	1	0S-1588	2	BOLT (3/8-16X1.25-IN)						
	10	1	8T-6762	7	PLUG-PIPE						
	11	1	2W-5032	7	TUBE						
	12	1	2W-5022	14	FLANGE						
	13	1	2W-4555	6	MANIFOLD-WATER						
	14	1	2W-5023	14	GASKET						
	15	1	7E-0596	1	MANIFOLD-WATER						
	16	1	9S-6130	1	PLUG						
		1	6V-5065	1	SEAL-O-RING						
	17	1	2N-0475	7	SEAL-O-RING						
	18	1	0S-1591	56	BOLT (3/8-16X1.5-IN)						
	19	1	6V-5068	1	SEAL-O-RING						
	20	1	6V-6809	1	SEAL-O-RING						
	21	1	6V-3250	1	SEAL-O-RING						
	22	1	7E-1251	1	ORIFICE						
	23	1	8T-6758	1	PLUG-PIPE						
	24	1	3H-6622	21	BOLT (3/8-16X1.25-IN)						

COOLING SYSTEM

4P-9060 LINES GP-WATER (contd.)

i02069592



GRAPHIC #1

<END>

g01060203

COOLING SYSTEM

7E-4449 LINES GP-WATER

(CHG -00, -01, -01D1 THRU -03, -03D1, -03D2, -03D3 THRU -06, -06D1)

SEPARATE CIRCUIT

SMCS-1355, 1380, 1393

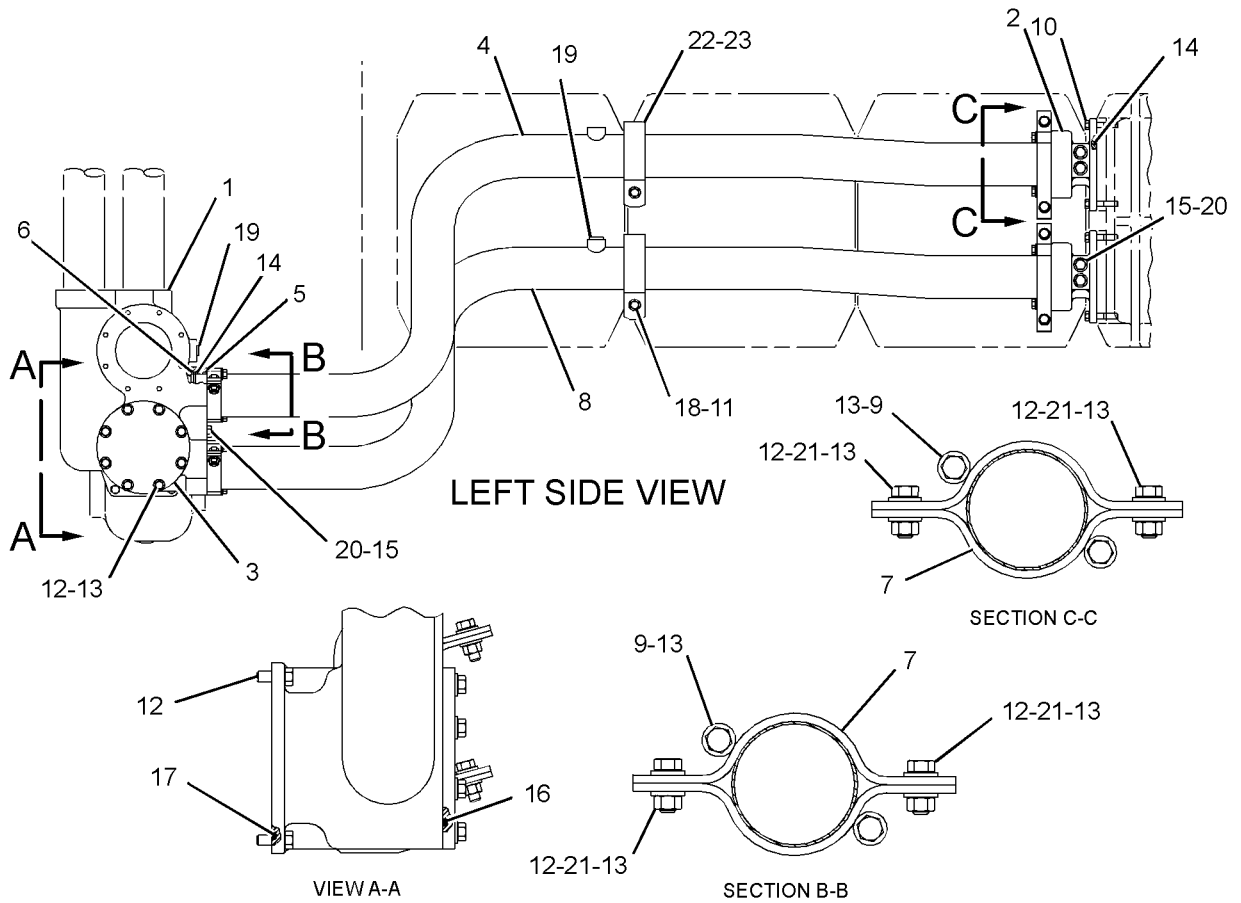
i02510370

NOTE	REF NO	GRAPHIC REF	PART NUMBER	QTY	PART NAME	SEE PAGE
					1 2 3 4 5 6 (PRODUCT LEVEL)	
	1	1	2W-4763	1	MANIFOLD (WATER TERMINAL FRONT)	
	2	1	2W-8546	2	ADAPTER	
	3	1	4W-8775	1	COVER (AIR CHAMBER)	
	4	1	7E-4451	1	TUBE AS	
	5	1	7E-7209	4	RING-RETAINING	
	6	1	7W-9814	1	ORIFICE	
	7	1	124-6333	8	CLAMP AS	
	8	1	148-2185	1	TUBE AS	
	9	1	0S-1571	8	BOLT (3/8-16X1.75-IN)	
	10	1	0S-1590	4	BOLT (3/8-16X2-IN)	
	11	1	0S-1591	2	BOLT (3/8-16X1.5-IN)	
	12	1	0S-1594	20	BOLT (3/8-16X1-IN)	
	13	1	3V-3308	32	WASHER-HARD (10.2X20.5X2.5-MM THK)	
	14	1	6V-1454	6	SEAL-O-RING	
	15	1	6V-3250	5	SEAL-O-RING	
	16	1	6V-5140	1	SEAL-O-RING	
	17	1	6V-6809	1	SEAL-O-RING	
	18	1	8M-9024	2	WASHER-HARD (10.2X22.5X5-MM THK)	
	19	1	8T-6762	2	PLUG-PIPE	
	20	1	9S-4191	5	PLUG-O-RING	
	21	1	9S-8752	8	NUT-FULL (3/8-16-THD)	
	22	1	9X-2646	2	CLIP (SLOT)	
	23	1	9X-2647	2	CLIP (TAB)	

COOLING SYSTEM

7E-4449 LINES GP-WATER (contd.)

i02510370



GRAPHIC #1

<END>

g01256765

COOLING SYSTEM

142-2056 LINES GP-WATER (CHG -00) TURBOCHARGER

SMCS-1355, 1380, 1393

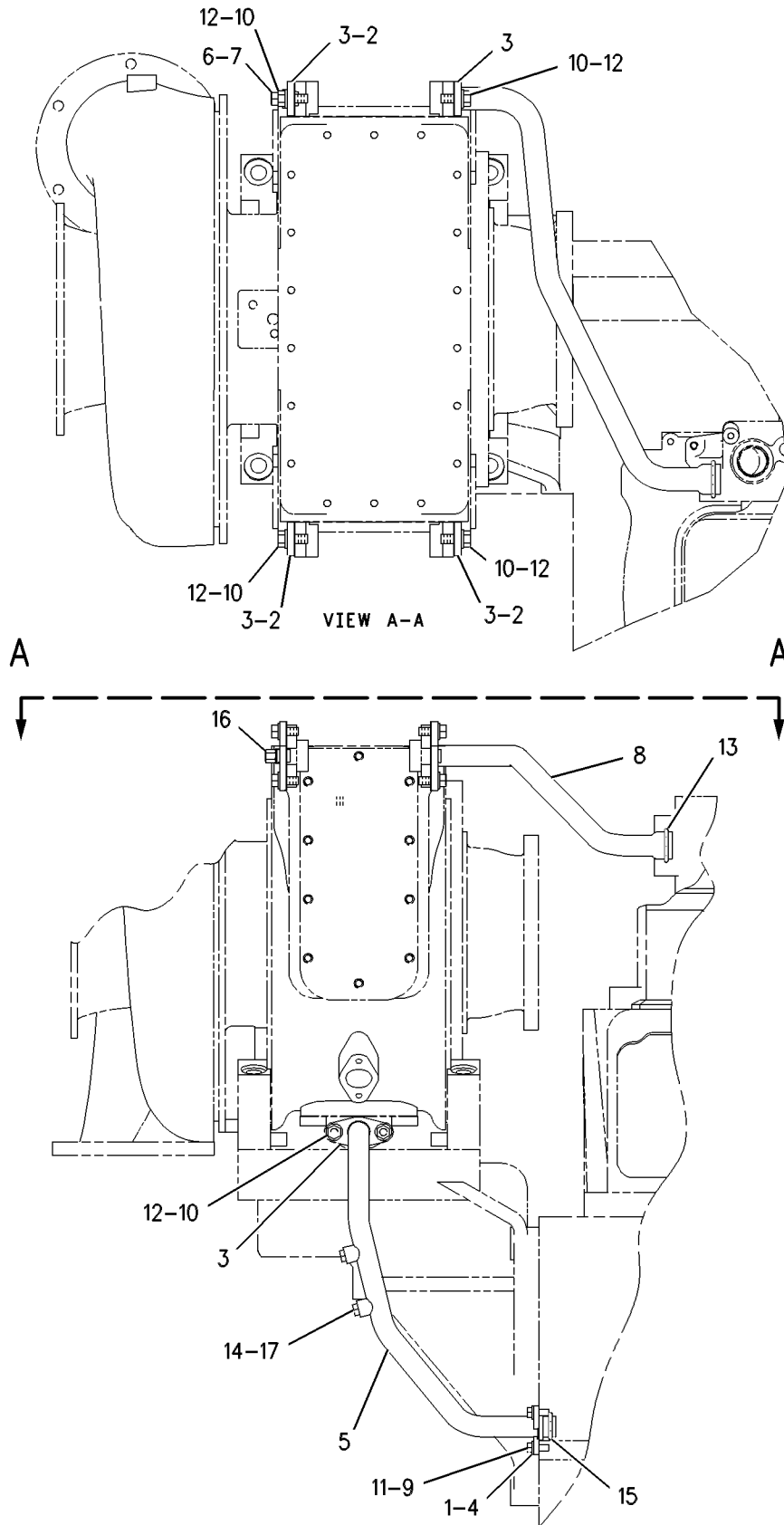
i01552702

NOTE	REF NO	GRAPHIC REF	PART NUMBER	QTY	PART NAME						SEE PAGE
					1	2	3	4	5	6 (PRODUCT LEVEL)	
	1	1	1W-7020	1	RING-RETAINING						
	2	1	2W-4025	3	FLANGE						
	3	1	2W-4026	5	GASKET						
	4	1	2W-4032	2	RETAINER						
	5	1	4W-7322	1	TUBE AS						
	6	1	8N-9071	1	VALVE AS						
		1	7N-7688	1	FERRULE						
		1	8N-9072	1	BODY-VALVE						
		1	9M-5590	1	BALL						
	7	1	8S-4950	1	CAP						
	8	1	142-2055	1	TUBE AS						
	9	1	0S-1594	2	BOLT (3/8-16X1-IN)						
	10	1	0S-1595	10	BOLT (1/2-13X1.25-IN)						
	11	1	3V-3308	2	WASHER-HARD (10.2X20.5X2.5-MM THK)						
	12	1	5P-8245	10	WASHER-HARD (13.5X25.5X3-MM THK)						
	13	1	6L-7817	1	SEAL-O-RING						
	14	1	6V-3250	2	SEAL-O-RING						
	15	1	7L-6580	1	SEAL-O-RING						
	16	1	8T-6762	2	PLUG-PIPE						
	17	1	9S-4191	2	PLUG-O-RING						

COOLING SYSTEM

142-2056 LINES GP-WATER (contd.)

i01552702



GRAPHIC #1

<END>

g00280119

COOLING SYSTEM

159-3545 LINES GP-WATER (CHG -01, -02, -02D1, -02D2) OUTLET CONTROL

SMCS-1355, 1380, 1393

i01598671

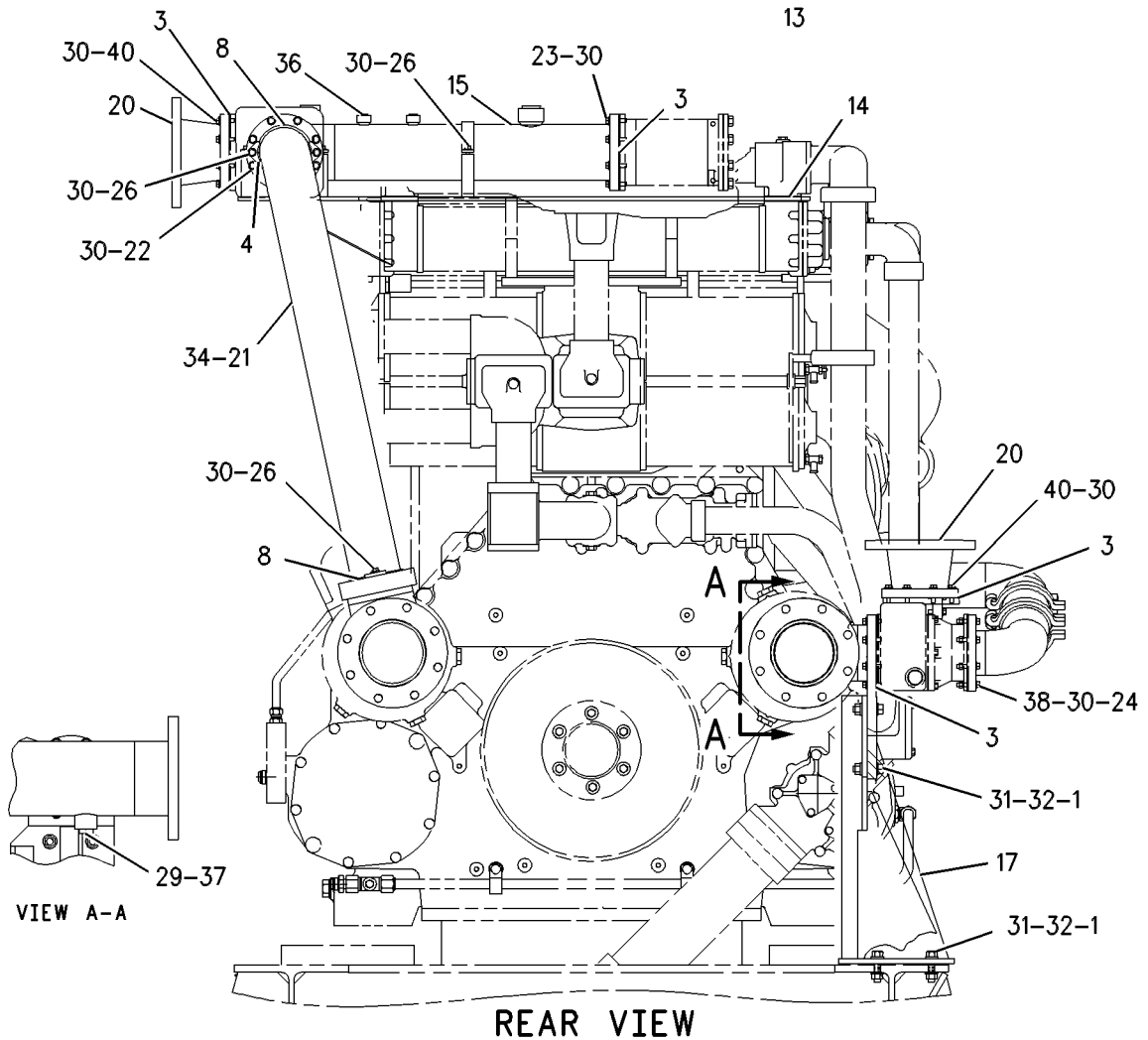
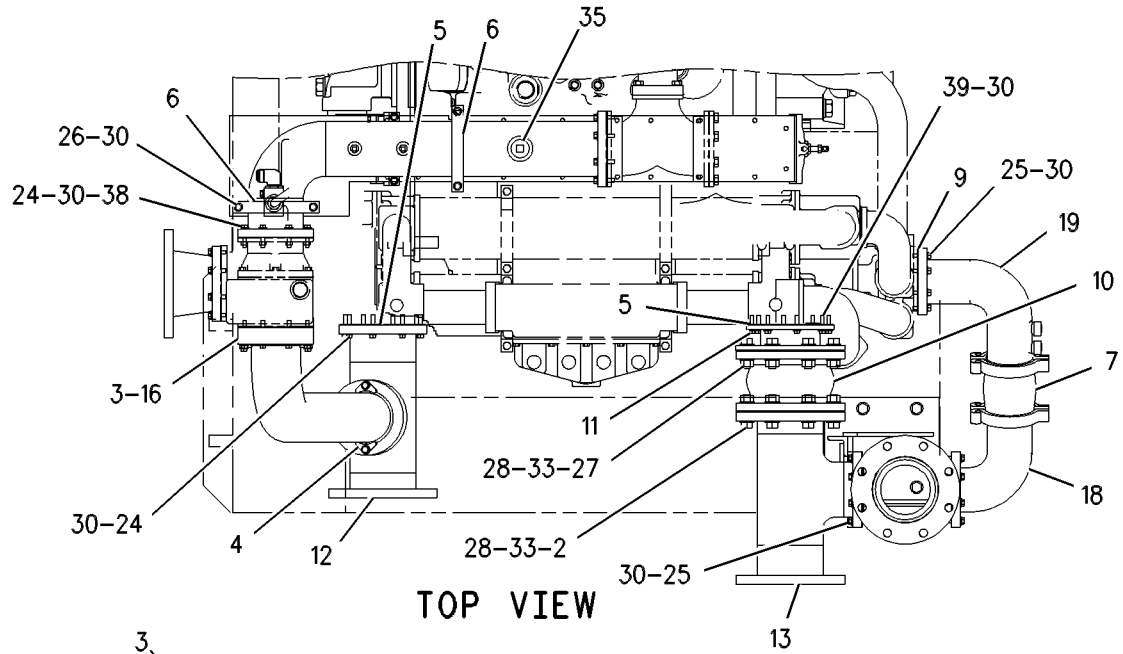
NOTE	REF NO	GRAPHIC REF	PART NUMBER	QTY	PART NAME						SEE PAGE
					1	2	3	4	5	6 (PRODUCT LEVEL)	
	1	1	0S-1625	8	BOLT (5/8-11X2.5-IN)						
	2	1	1D-4608	8	BOLT (3/4-10X2.75-IN)						
	3	1	1S-5772	5	GASKET						
	4	1	1W-4152	4	RETAINER						
	5	1	4W-7749	2	GASKET						
	6	1	6Y-9542	2	CLAMP						
	7	1	8C-6790	1	JOINT AS-PIPE						
		1	9X-7539	2	SEAL						
	8	1	8N-8570	2	RING-RETAINING						
	9	1	9F-8127	1	GASKET						
	10	1	116-8654	1	CONNECTION-FLEXIBLE						
I	11	1	120-7521	1	ADAPTER AS						
	12	1	158-8548	1	TEE AS						
	13	1	158-8551	1	TEE AS						
	14	1	158-8552	1	BRACKET AS						
	15	1	158-8553	1	PIPE AS						
		1	7N-7009	2	FLANGE						
	16	1	158-8554	1	FLANGE						
	17	1	158-8557	1	BRACKET AS						
	18	1	158-8558	1	PIPE AS						
	19	1	158-8559	1	PIPE AS						
	20	1	158-8560	2	ADAPTER AS						
					(EACH INCLUDES)						
		1	7N-7009	1	FLANGE						
	21	1	163-0018	1	TUBE						
	22	1	0L-1143	8	BOLT (3/8-16X2.5-IN)						
	23	1	0S-1571	8	BOLT (3/8-16X1.75-IN)						
	24	1	0S-1590	24	BOLT (3/8-16X2-IN)						
	25	1	0S-1591	16	BOLT (3/8-16X1.5-IN)						
	26	1	0S-1594	8	BOLT (3/8-16X1-IN)						
	27	1	1A-8063	8	BOLT (3/4-10X2.5-IN)						
	28	1	2J-3506	16	NUT-FULL (3/4-10-THD)						
	29	1	3D-2824	1	SEAL-O-RING						
	30	1	3V-3308	88	WASHER-HARD (10.2X20.5X2.5-MM THK)						
	31	1	4K-0367	8	NUT-FULL (5/8-11-THD)						
	32	1	5P-8247	16	WASHER-HARD (17X32X3.5-MM THK)						
	33	1	5P-8248	32	WASHER-HARD (20X36.5X3.5-MM THK)						
	34	1	8T-2903	2	SEAL-O-RING						
	35	1	8T-6760	1	PLUG-PIPE						
	36	1	8T-6762	4	PLUG-PIPE						
	37	1	9S-4183	1	PLUG-O-RING						
	38	1	9S-8752	16	NUT-FULL (3/8-16-THD)						
	39	1	0S-1588	8	BOLT (3/8-16X1.25-IN)						
	40	1	3B-1915	16	BOLT (3/8-16X1.375-IN)						

I-REFER TO HYDRAULIC INFORMATION SYSTEM

COOLING SYSTEM

159-3545 LINES GP-WATER (contd.)

i01598671



VIEW A-A

GRAPHIC #1

<END>

g00575684

COOLING SYSTEM

174-6918 LINES GP-WATER (CHG -02 THRU -05)

SMCS-1355, 1380, 1393

i03538071

NOTE	REF NO	GRAPHIC REF	PART NUMBER	QTY	PART NAME						SEE PAGE
					1	2	3	4	5	6 (PRODUCT LEVEL)	
	1	2	1W-7020	1	RING-RETAINING						
	2	2	2W-4032	2	RETAINER						
C	3	1	9S-8009	2	PLUG-O-RING						
	4	2	133-9637	1	BRACKET						
	5	1	175-7770	1	ADAPTER						
	6	1	176-5880	1	CONNECTOR						
C	7	1	188-1024	1	TUBE AS						
C	8	1	188-1025	1	TUBE AS						
C	9	2	188-1026	1	SPACER						
C	10	2	188-1027	1	ADAPTER						
C	11	1	0S-1588	1	BOLT (3/8-16X1.25-IN)						
	12	2	0S-1590	1	BOLT (3/8-16X2-IN)						
C	13	2	0S-1594	2	BOLT (3/8-16X1-IN)						
C	14	2	0S-1619	2	BOLT (3/8-16X3-IN)						
	15	2	106-9586	1	SEAL-O-RING						
C	16	2	1A-2029	1	BOLT (3/8-16X1.125-IN)						
C	17	1,2	3V-3308	9	WASHER-HARD (10.2X20.5X2.5-MM THK)						
C	18	2	4J-0523	2	SEAL-O-RING						
	19	1	4P-8134	1	CLIP						
	20	2	109-0072	2	SEAL-O-RING						
	21	1	6V-1903	4	SEAL-O-RING						
	22	1	7L-6580	1	SEAL-O-RING						
	23	1	8T-6762	1	PLUG-PIPE						
C	24	2	9S-8752	2	NUT-FULL (3/8-16-THD)						
	25	1,2	9X-6375	2	CLIP (SLOT)						
	26	1,2	9X-6376	2	CLIP (TAB)						

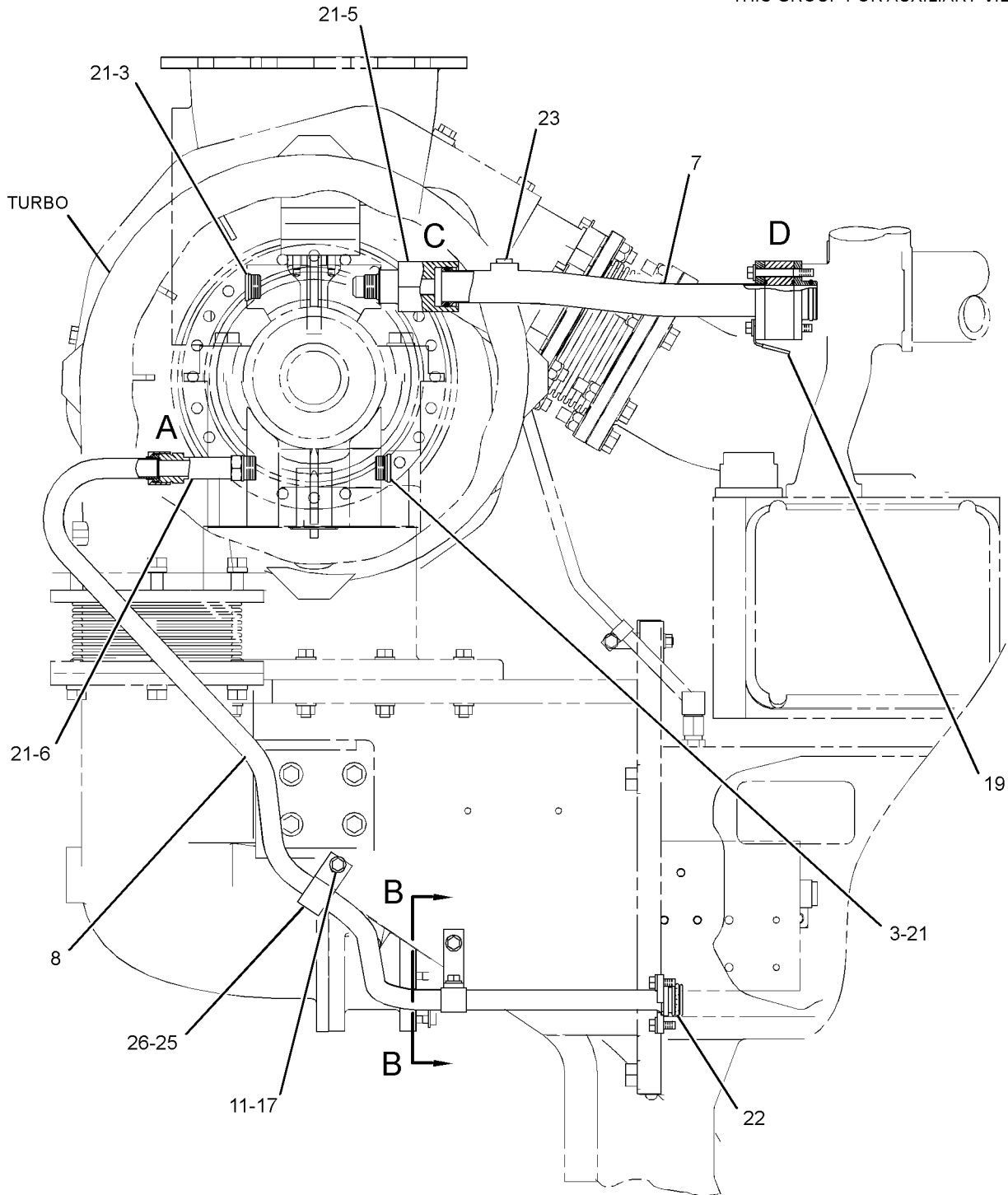
C-CHANGE FROM PREVIOUS TYPE

COOLING SYSTEM

174-6918 LINES GP-WATER (contd.)

i03538071

REFER TO ALL ILLUSTRATIONS OF THIS GROUP FOR AUXILIARY VIEWS.



RIGHT SIDE VIEW OF ENGINE

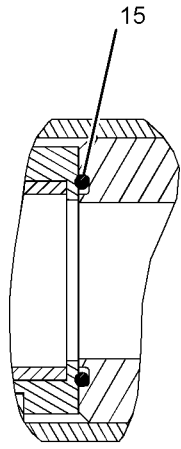
GRAPHIC #1

g01390179

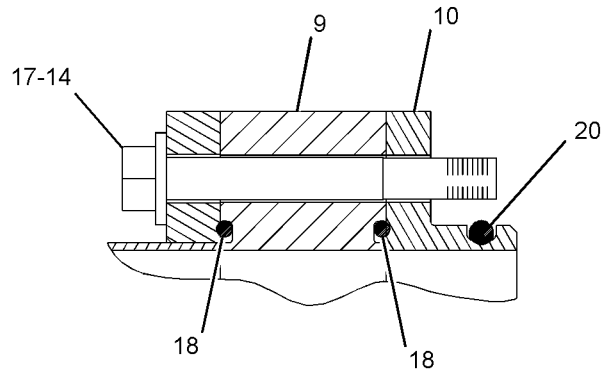
COOLING SYSTEM

174-6918 LINES GP-WATER (contd.)

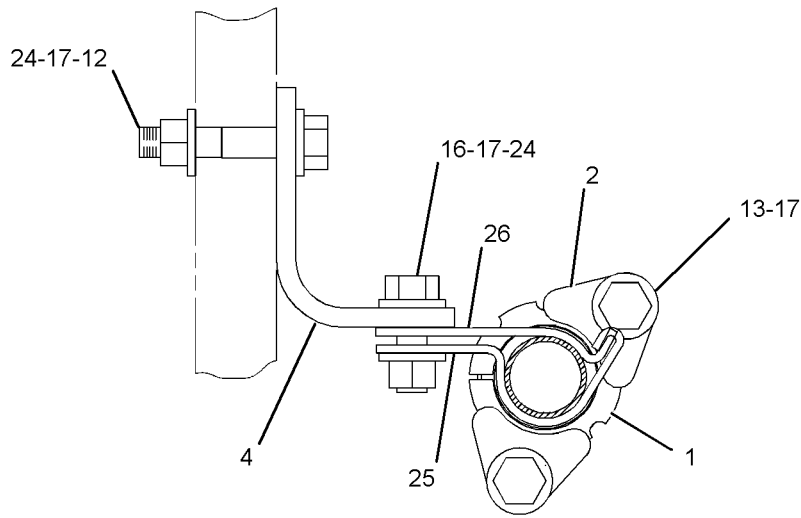
i03538071



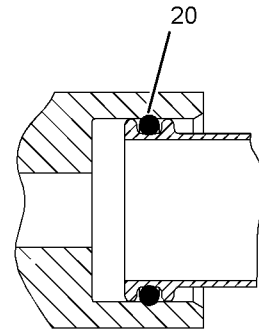
VIEW OF AREA A



VIEW OF AREA D



SECTION B-B



VIEW OF AREA C

COOLING SYSTEM

188-7695 LINES GP-WATER (CHG -00, -01)

SEPERATE CIRCUIT, REMOTE THERMO
FOR USE WITH 175-2277 CORE AS-AFTERCOOLER

SMCS-1355, 1380, 1393

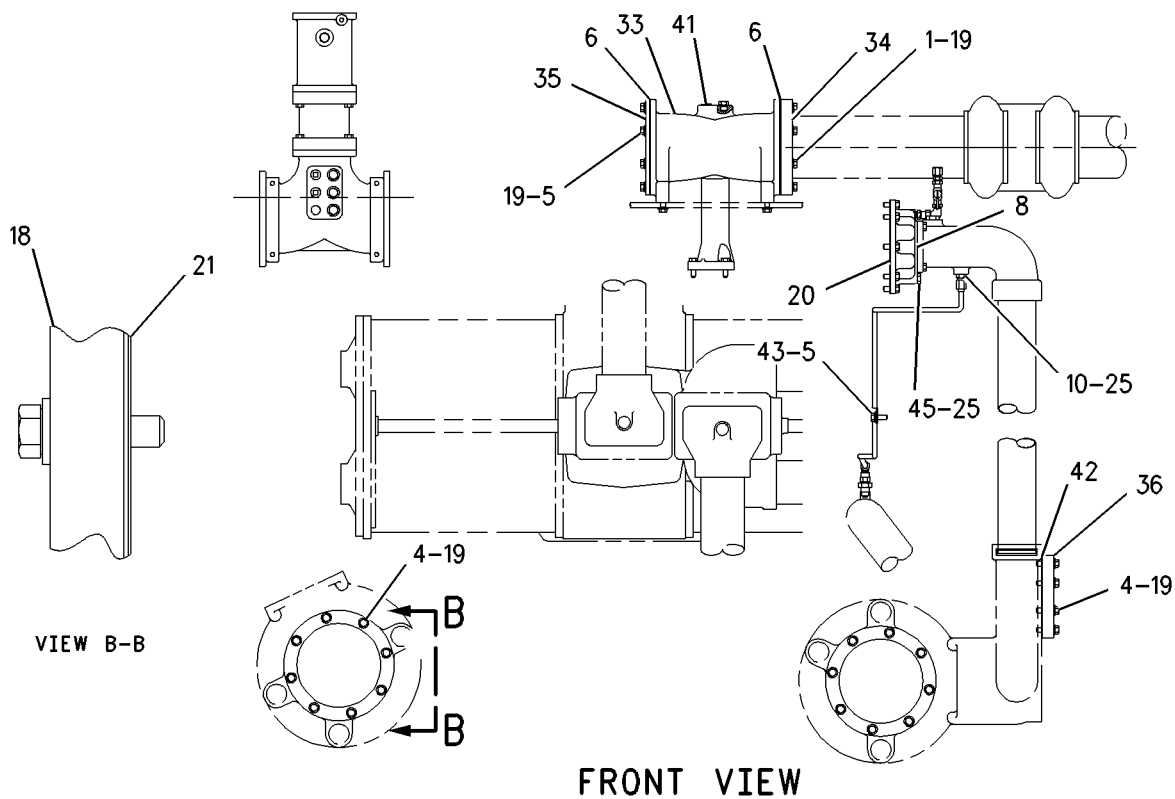
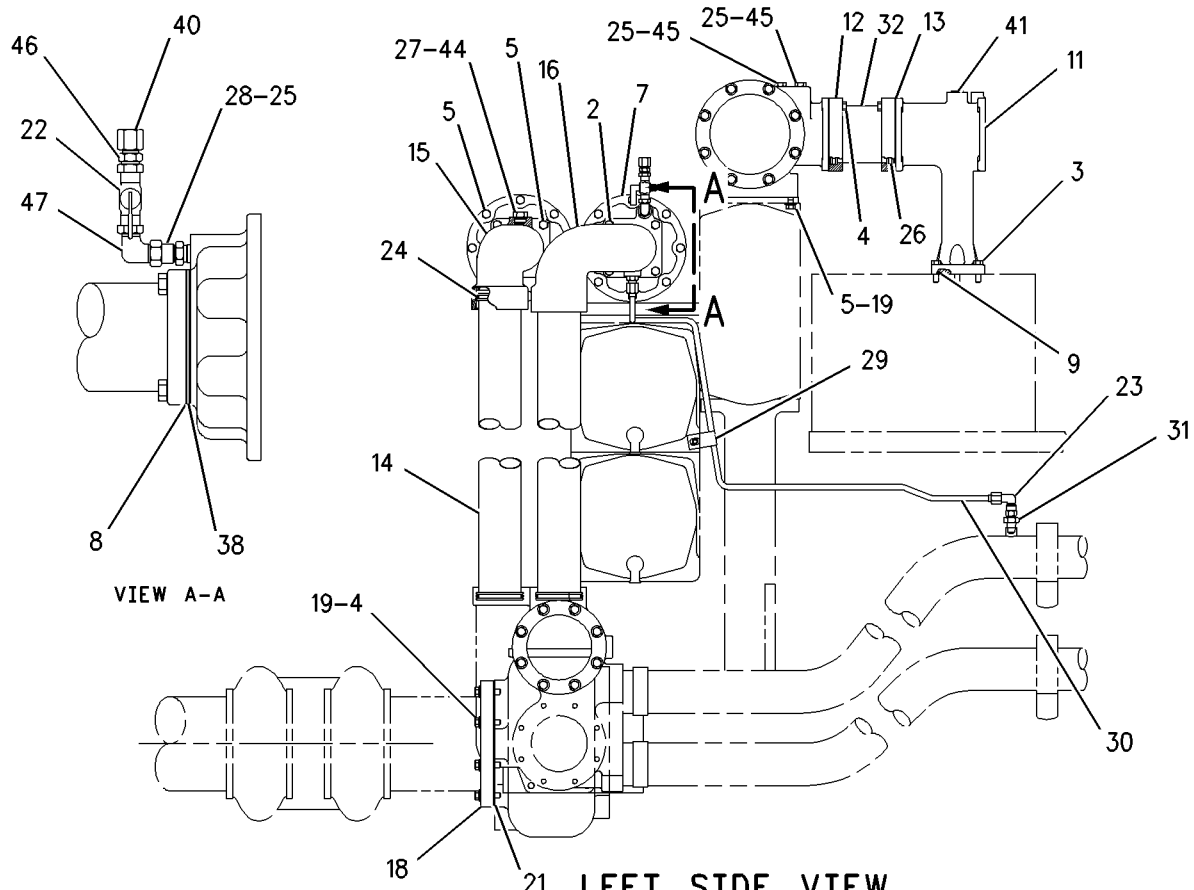
i02060835

NOTE	REF NO	GRAPHIC REF	PART NUMBER	QTY	PART NAME						SEE PAGE
					1	2	3	4	5	6 (PRODUCT LEVEL)	
	1	1	0S-1571	8	BOLT (3/8-16X1.75-IN)						
	2	1	0S-1588	4	BOLT (3/8-16X1.25-IN)						
	3	1	3H-6622	3	BOLT (3/8-16X1.25-IN)						
	4	1	0S-1591	32	BOLT (3/8-16X1.5-IN)						
	5	1	0S-1594	33	BOLT (3/8-16X1-IN)						
	6	1	1S-5772	2	GASKET						
	7	1	1W-3785	2	BONNET-OIL COOLER						
	8	1	1W-4067	3	GASKET						
	9	1	2N-0475	1	SEAL-O-RING						
	10	1	2R-6806	1	CONNECTOR-O-RING						
	11	1	2W-4555	1	MANIFOLD-WATER						
	12	1	2W-5022	2	FLANGE						
	13	1	2W-5023	2	GASKET						
	14	1	2W-5753	2	TUBE						
	15	1	2W-5754	1	ELBOW						
	16	1	2W-5755	1	ELBOW						
	18	1	2W-7121	2	FLANGE						
	19	1	3V-3308	44	WASHER-HARD (10.2X20.5X2.5-MM THK)						
	20	1	247-3796	2	GASKET						
	21	1	4W-7749	2	GASKET						
	22	1	5M-4639	1	VALVE-SHUTOFF						
	23	1	6K-9194	1	ELBOW-FLARED						
	24	1	6V-1454	4	SEAL-O-RING						
	25	1	6V-3250	6	SEAL-O-RING						
	26	1	6V-5139	2	SEAL-O-RING						
	27	1	6V-6609	1	SEAL-O-RING						
	28	1	6V-8104	1	ADAPTER-BOSS						
	29	1	7B-1597	1	CLIP						
	30	1	7C-3302	1	TUBE AS						
	31	1	7D-5363	1	CONNECTOR						
	32	1	7E-2545	1	TUBE						
	33	1	7E-2548	1	TEE-JACKET WATER						
	34	1	7N-7009	1	FLANGE						
	35	1	7S-8420	1	COVER-HYDRAULIC PUMP						
	36	1	7W-0749	1	FLANGE						
	38	1	7W-9817	1	ORIFICE						
	40	1	8S-4950	1	CAP						
	41	1	8T-6762	3	PLUG-PIPE						
	42	1	9F-8127	1	GASKET						
	43	1	9L-9132	1	WASHER (10.2X25.5X2.5-MM THK)						
	44	1	9S-4185	1	PLUG-O-RING						
	45	1	9S-4191	4	PLUG-O-RING						
	46	1	032-1267	1	CONNECTOR						
	47	1	032-1268	1	ELBOW-FLARED						

COOLING SYSTEM

188-7695 LINES GP-WATER (contd.)

i02060835



GRAPHIC #1

<END>

g00685252

COOLING SYSTEM

7E-3172 PUMP GP-WATER*R (CHG -07 THRU -11)

BASIC

PART OF 7E-8180 PUMP GP-WATER

SMCS-1361

i02814716

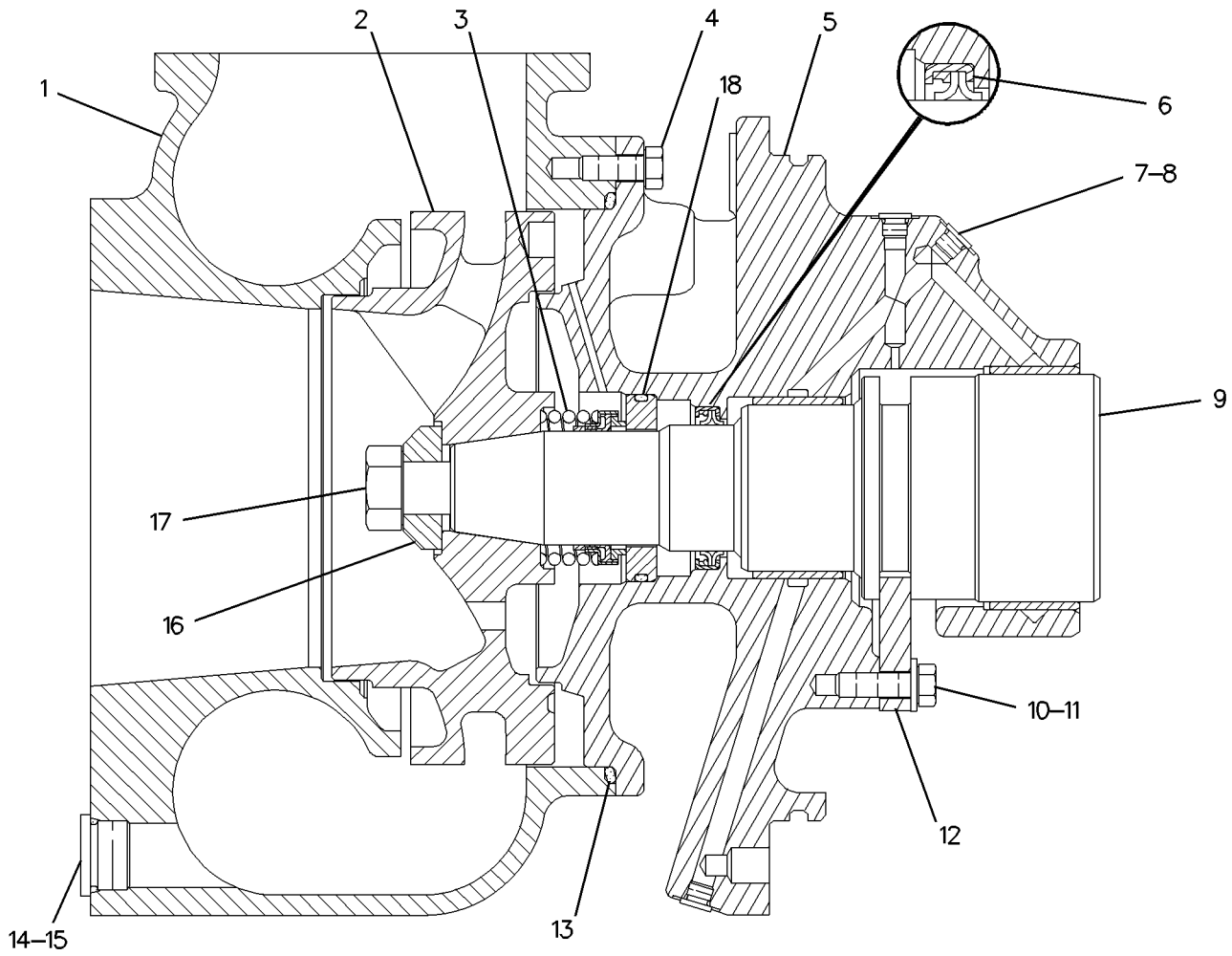
NOTE	REF NO	GRAPHIC REF	PART NUMBER	QTY	PART NAME						SEE PAGE
					1	2	3	4	5	6 (PRODUCT LEVEL)	
	1	1	7E-3173	1	HOUSING-WATER PUMP						
	2	1	7E-3174	1	IMPELLER-PUMP						
	3	1	118-8086	1	SEAL GP-FACE						
	4	1	0S-1594	5	BOLT (3/8-16X1-IN)						
C	5	1	208-1007	1	HOUSING AS						
		1	188-0449	2	BEARING-SLEEVE						
		1	188-0450	2	BEARING-SLEEVE						
	6	1	7E-4356	1	SEAL-LIP TYPE						
	7	1	5P-7813	4	SEAL-O-RING						
	8	1	9S-8007	4	PLUG						
C	9	1	208-0327	1	SHAFT						
	10	1	0S-1588	3	BOLT (3/8-16X1.25-IN)						
	11	1	3V-3308	3	WASHER-HARD (10.2X20.5X2.5-MM THK)						
	12	1	1W-2828	1	WASHER-THRUST						
	13	1	134-5958	1	SEAL-O-RING						
	14	1	6V-5063	2	SEAL-O-RING						
	15	1	9S-8008	2	PLUG-O-RING						
	16	1	4W-0234	1	WASHER (20.5X48X15-MM THK)						
C	17	1	3B-2968	1	BOLT (3/4-10X3.5-IN)						
	18	1	118-8706	1	SEAL-O-RING						

C-CHANGE FROM PREVIOUS TYPE

COOLING SYSTEM

7E-3172 PUMP GP-WATER (contd.)

i02814716



GRAPHIC #1

<END>

g01000104

COOLING SYSTEM

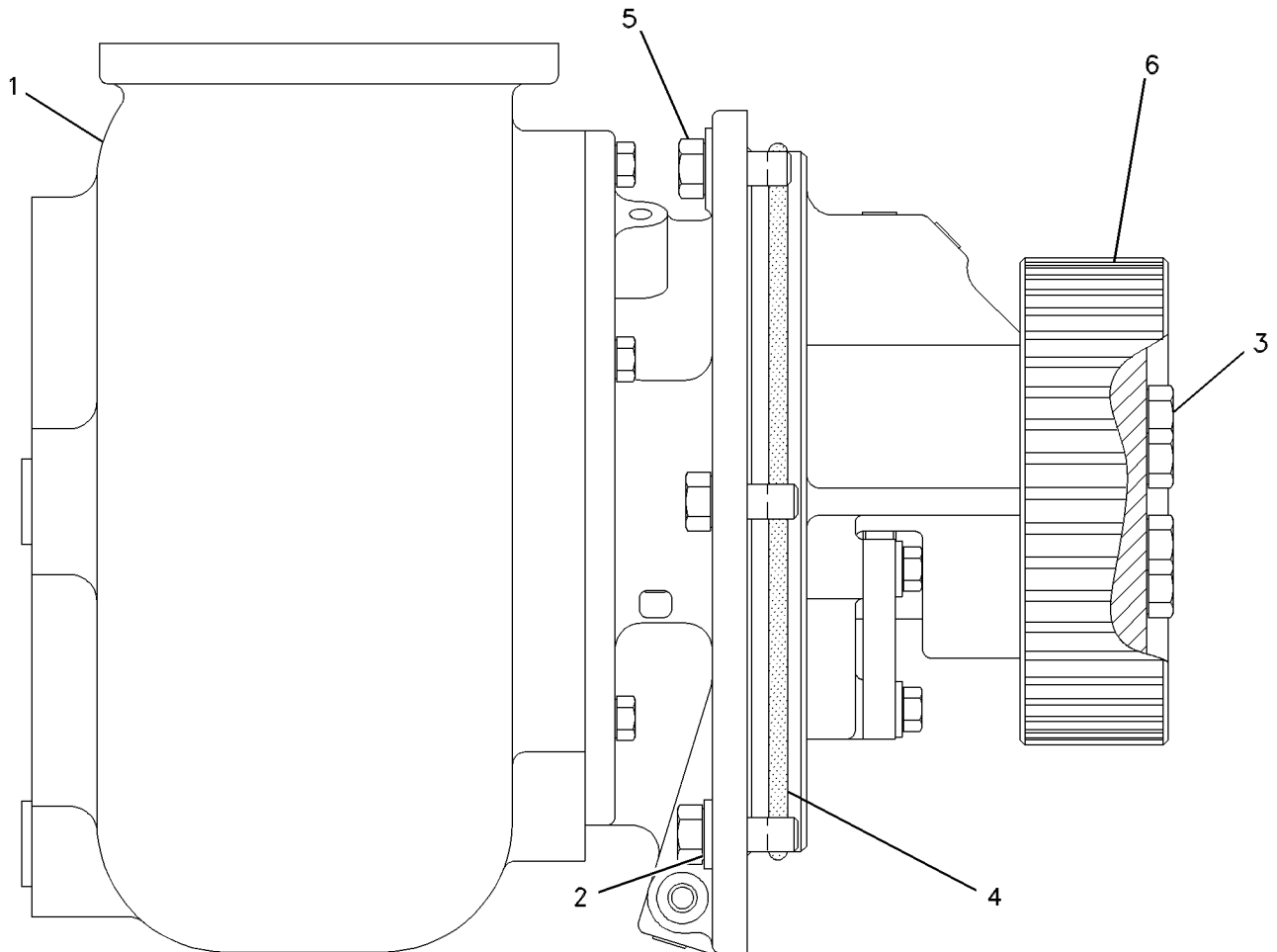
7E-8180 PUMP GP-WATER (CHG -00 THRU -04)

SMCS-1361

i02339163

NOTE	REF NO	GRAPHIC REF	PART NUMBER	QTY	PART NAME						SEE PAGE
					1	2	3	4	5	6 (PRODUCT LEVEL)	
YR	1	1	7E-3172	1	PUMP GP-WATER						197
	2	1	5P-8245	6	WASHER-HARD (13.5X25.5X3-MM THK)						
	3	1	0S-1587	6	BOLT (1/2-13X1.75-IN)						
	4	1	6V-7701	1	SEAL-O-RING						
	5	1	0S-1585	6	BOLT (1/2-13X1.5-IN)						
	6	1	7E-4365	1	GEAR (38-TEETH)						

R-REMFG PART MAY BE AVAILABLE
Y-SEPARATE ILLUSTRATION



GRAPHIC #1

<END>

g00461852

COOLING SYSTEM

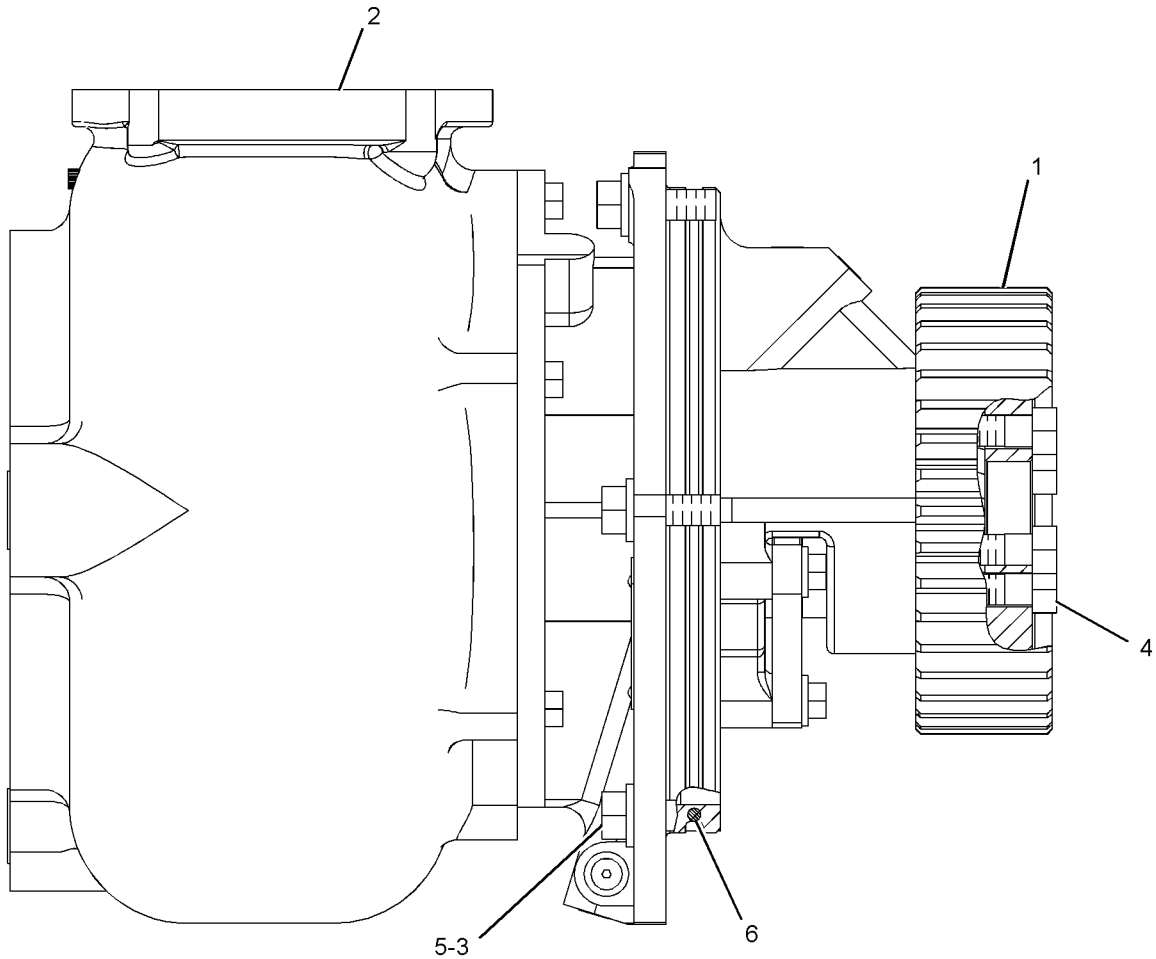
7E-8180 PUMP GP-WATER (CHG -05)

SMCS-1361

i02871926

NOTE	REF NO	GRAPHIC REF	PART NUMBER	QTY	PART NAME						SEE PAGE
					1	2	3	4	5	6 (PRODUCT LEVEL)	
	1	1	7E-4365	1	GEAR (38-TEETH)						
YR	2	1	304-4942	1	PUMP GP-WATER						201
	3	1	0S-1585	6	BOLT (1/2-13X1.5-IN)						
	4	1	0S-1587	6	BOLT (1/2-13X1.75-IN)						
	5	1	5P-8245	6	WASHER-HARD (13.5X25.5X3-MM THK)						
	6	1	6V-7701	1	SEAL-O-RING						

R-REMFG PART MAY BE AVAILABLE
Y-SEPARATE ILLUSTRATION



GRAPHIC #1

<END>

g01433496

COOLING SYSTEM

304-4942 PUMP GP-WATER*R (CHG -00 THRU -04) PART OF 7E-8180 PUMP GP-WATER

SMCS-1361

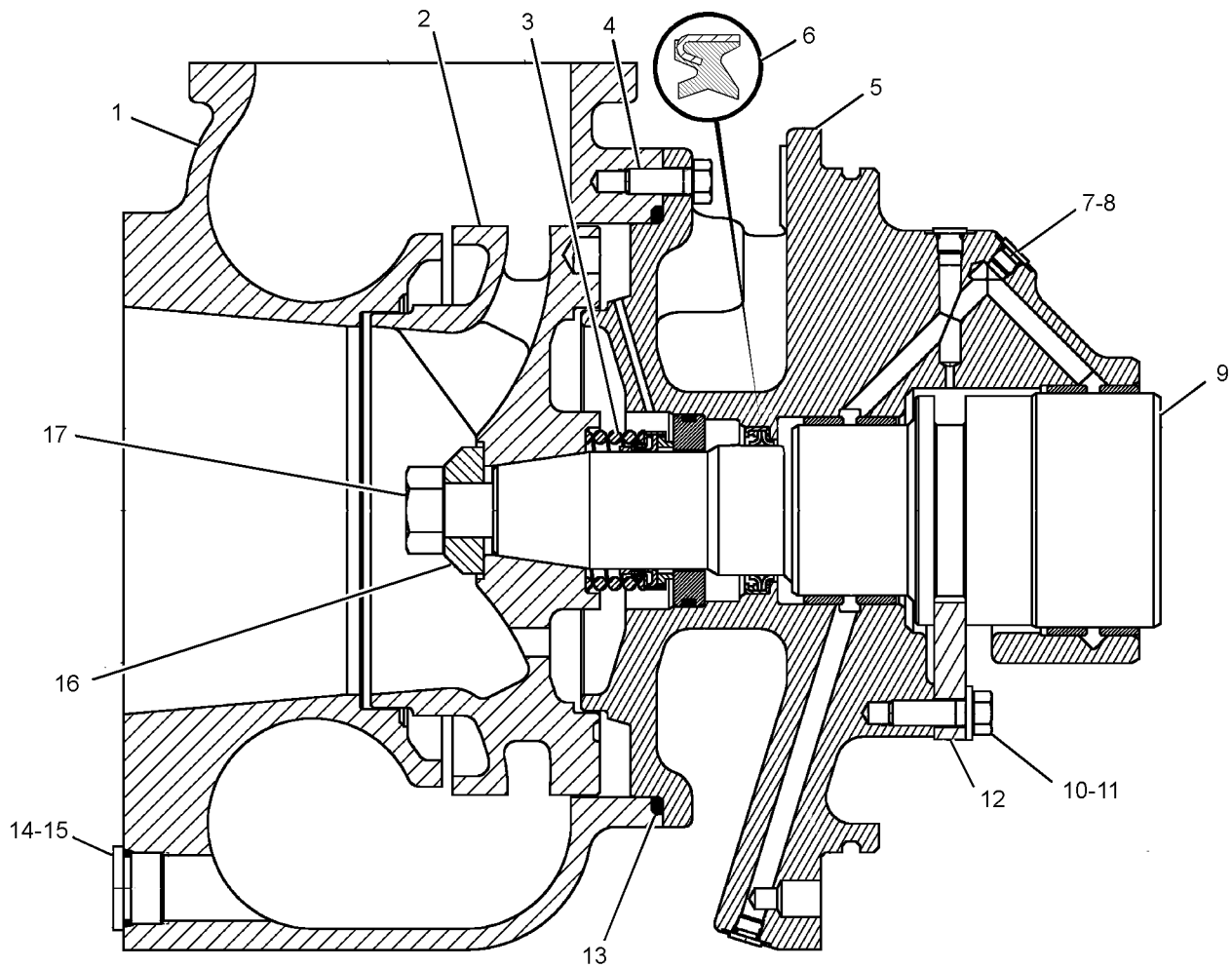
i02869631

NOTE	REF NO	GRAPHIC REF	PART NUMBER	QTY	PART NAME						SEE PAGE
					1	2	3	4	5	6 (PRODUCT LEVEL)	
	1	1	7E-3173	1	HOUSING-WATER PUMP						
	2	1	7E-3174	1	IMPELLER-PUMP						
	3	1	292-5982	1	SEAL GP-FACE						
	4	1	0S-1594	5	BOLT (3/8-16X1-IN)						
	5	1	208-1007	1	HOUSING AS						
		1	188-0449	2	BEARING-SLEEVE						
		1	188-0450	2	BEARING-SLEEVE						
	6	1	7E-4356	1	SEAL-LIP TYPE						
	7	1	5P-7813	4	SEAL-O-RING						
	8	1	9S-8007	4	PLUG						
	9	1	208-0327	1	SHAFT						
	10	1	0S-1588	3	BOLT (3/8-16X1.25-IN)						
	11	1	3V-3308	3	WASHER-HARD (10.2X20.5X2.5-MM THK)						
	12	1	1W-2828	1	WASHER-THRUST						
	13	1	134-5958	1	SEAL-O-RING						
	14	1	6V-5063	2	SEAL-O-RING						
	15	1	9S-8008	2	PLUG-O-RING						
	16	1	4W-0234	1	WASHER (20.5X48X15-MM THK)						
	17	1	3B-2968	1	BOLT (3/4-10X3.5-IN)						

COOLING SYSTEM

304-4942 PUMP GP-WATER (contd.)

i02869631



GRAPHIC #1

<END>

g01429263

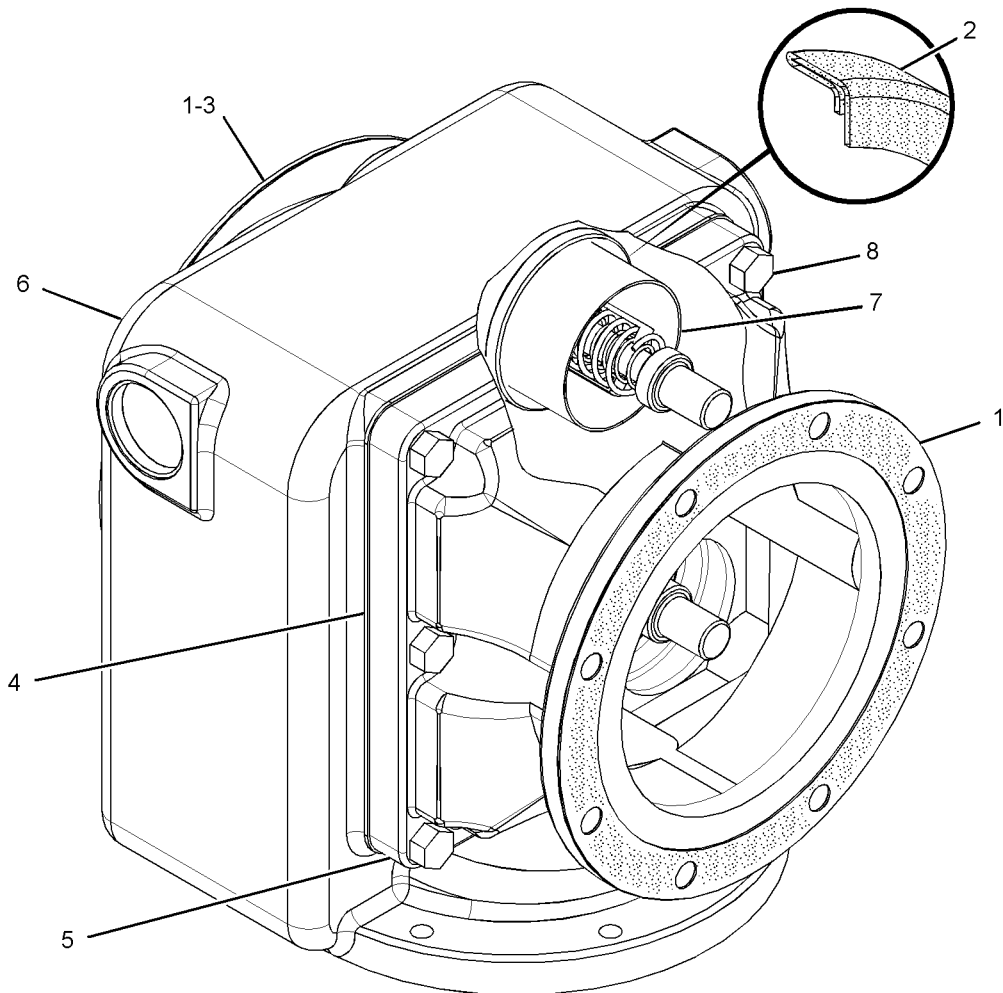
COOLING SYSTEM

313-5546 REGULATOR GP-TEMPERATURE (CHG -00)

SMCS - 1355

i03163168

NOTE	REF NO	GRAPHIC REF	PART NUMBER	QTY	PART NAME						SEE PAGE
					1	2	3	4	5	6 (PRODUCT LEVEL)	
	1	1	1S-5772	2	GASKET						
	2	1	3S-9643	4	SEAL-LIP TYPE						
	3	1	7C-8798	1	PLATE-ORIFICE						
	4	1	7W-3688	1	GASKET						
	5	1	7W-4111	1	ADAPTER-EXPANSION TANK						
	6	1	7W-4116	1	HOUSING AS-REGULATOR						
	7	1	283-7776	4	REGULATOR-WATER TEMPERATURE						
	8	1	0S-1588	8	BOLT (3/8-16X1.25-IN)						



GRAPHIC #1

<END>

g01623328

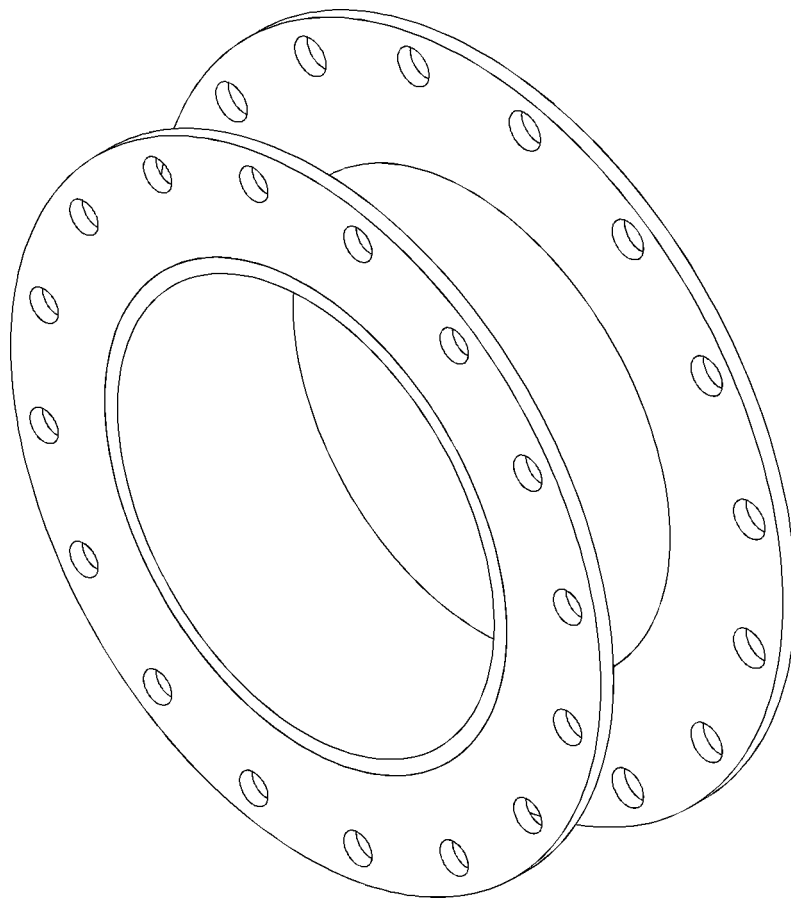
AIR INLET AND EXHAUST SYSTEM

250-8521 ADAPTER AS-EXHAUST (CHG -00, -01)

SMCS-1061

i02096547

NOTE	REF NO	GRAPHIC REF	PART NUMBER	QTY	PART NAME	SEE PAGE
					1 2 3 4 5 6 (PRODUCT LEVEL)	
(NO SERVICED PARTS)						



GRAPHIC #1

<END>

g01069039

AIR INLET AND EXHAUST SYSTEM

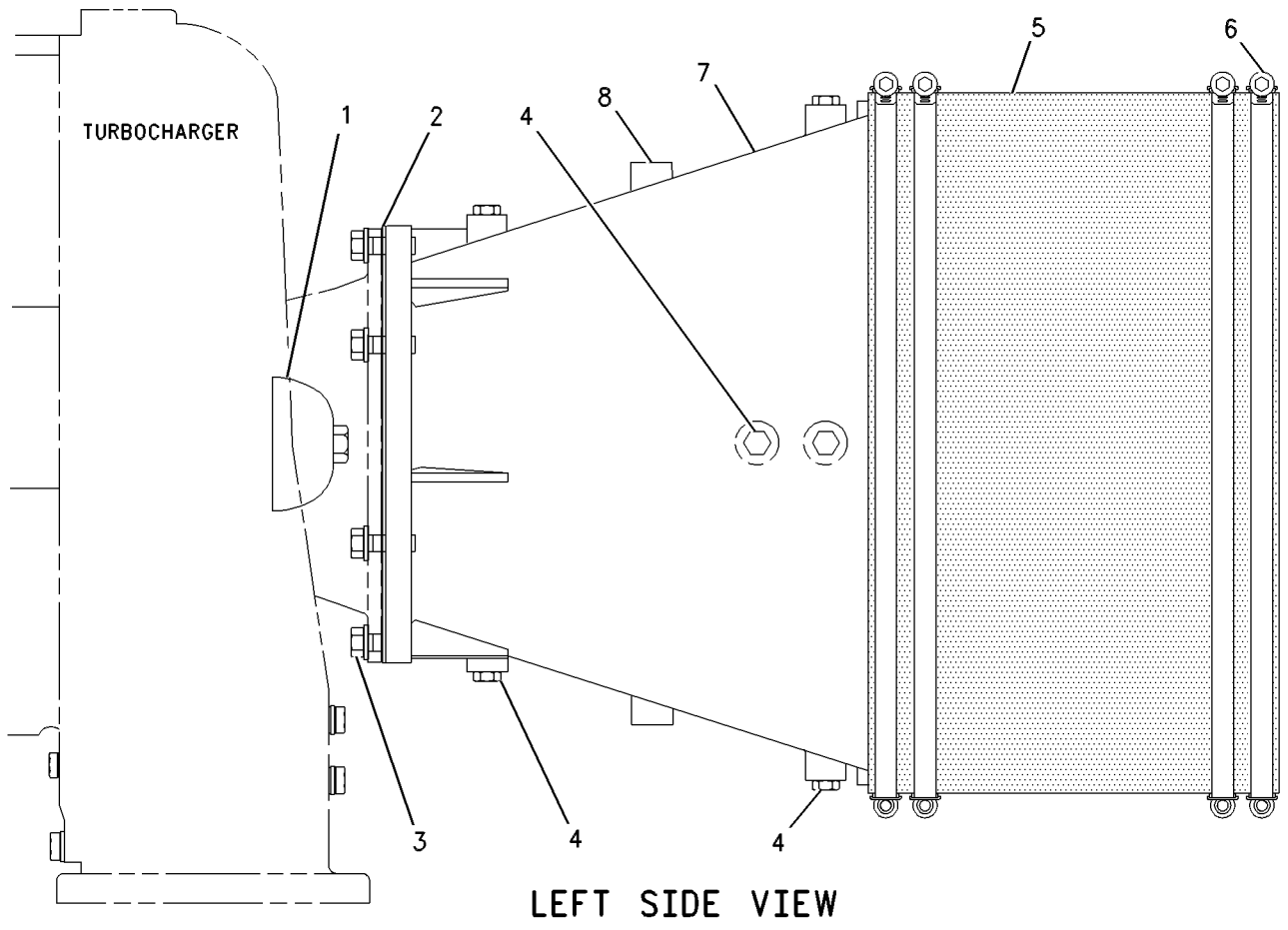
7W-4916 ADAPTER GP-AIR CLEANER

(CHG -00 THRU -11, -11D1, -11D2 THRU -13)

SMCS-1051

i01553929

NOTE	REF NO	GRAPHIC REF	PART NUMBER	QTY	PART NAME						SEE PAGE
					1	2	3	4	5	6 (PRODUCT LEVEL)	
	1	1	129-8228	1	CAP (MAGNETIC INSERT)						
	2	1	1W-9823	1	GASKET						
	3	1	0S-1585	6	BOLT (1/2-13X1.5-IN)						
		1	5P-8245	6	WASHER-HARD (13.5X25.5X3-MM THK)						
	4	1	9S-4191	6	PLUG-O-RING						
		1	6V-5049	6	SEAL-O-RING						
	5	1	4W-3637	1	HOSE						
	6	1	116-8535	8	CLAMP						
	7	1	129-8598	1	ADAPTER						
	8	1	1M-4584	2	BOSS (1/2-13X1.12-IN)						



LEFT SIDE VIEW

GRAPHIC #1

<END>

g00421941

AIR INLET AND EXHAUST SYSTEM

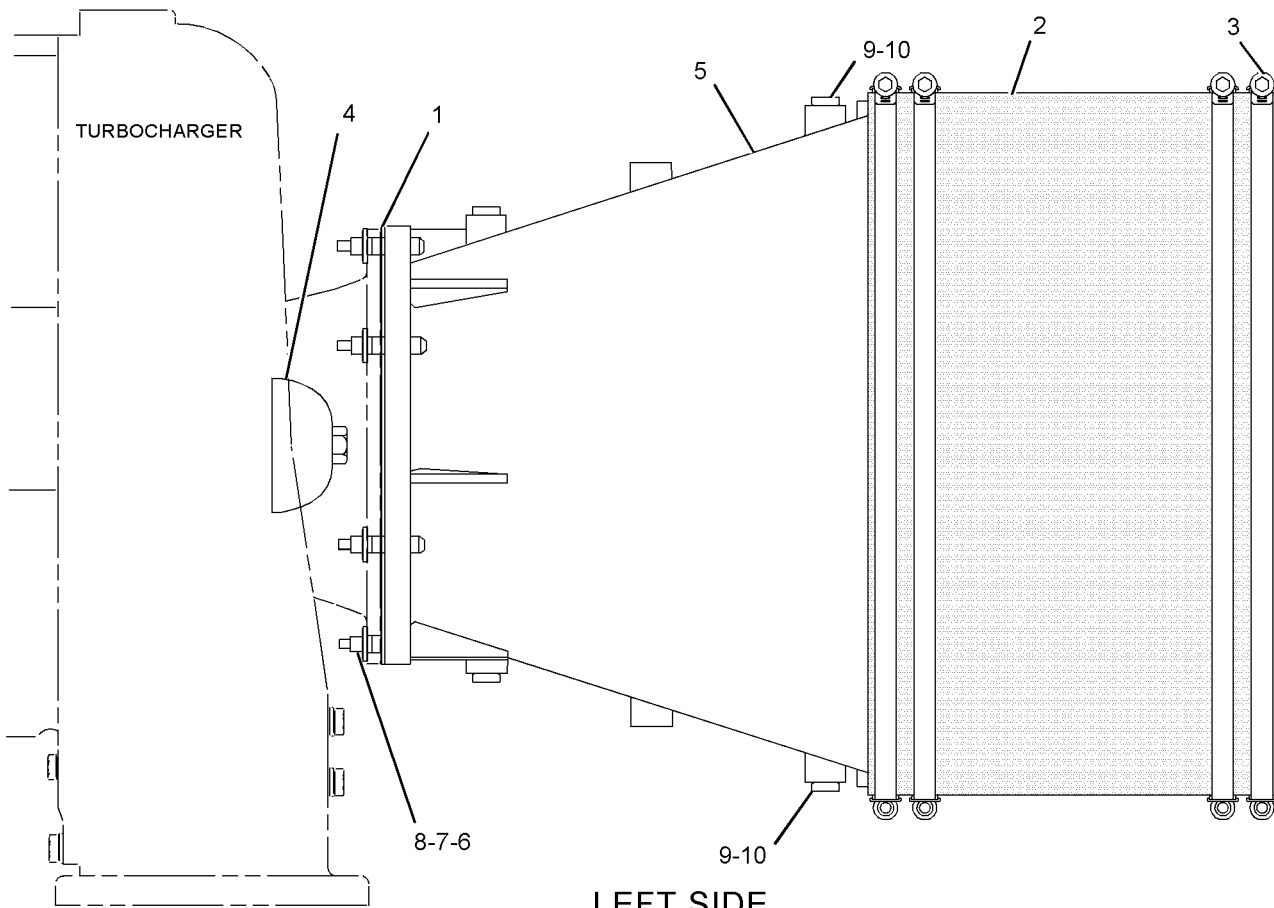
7W-4916 ADAPTER GP-AIR CLEANER (CHG -14, -14D1, -14D2)

SMCS-1051

i02241688

NOTE	REF NO	GRAPHIC REF	PART NUMBER	QTY	PART NAME						SEE PAGE
					1	2	3	4	5	6 (PRODUCT LEVEL)	
	1	1	1W-9823	1	GASKET						
	2	1	4W-3637	1	HOSE						
	3	1	116-8535	8	CLAMP						
	4	1	129-8228	1	CAP (MAGNETIC INSERT)						
	5	1	129-8598	1	ADAPTER						
		1	1M-4584	2	BOSS (1/2-13X1.12-IN)						
C	6	1	1F-7958	6	NUT-FULL (1/2-13-THD)						
C	7	1	3D-0472	6	STUD-TAPERLOCK (1/2-13X2.80-IN)						
	8	1	5P-8245	6	WASHER-HARD (13.5X25.5X3-MM THK)						
	9	1	6V-5049	6	SEAL-O-RING						
	10	1	9S-4191	6	PLUG-O-RING						

C-CHANGE FROM PREVIOUS TYPE



LEFT SIDE
VIEW

<END>

GRAPHIC #1

g01130601

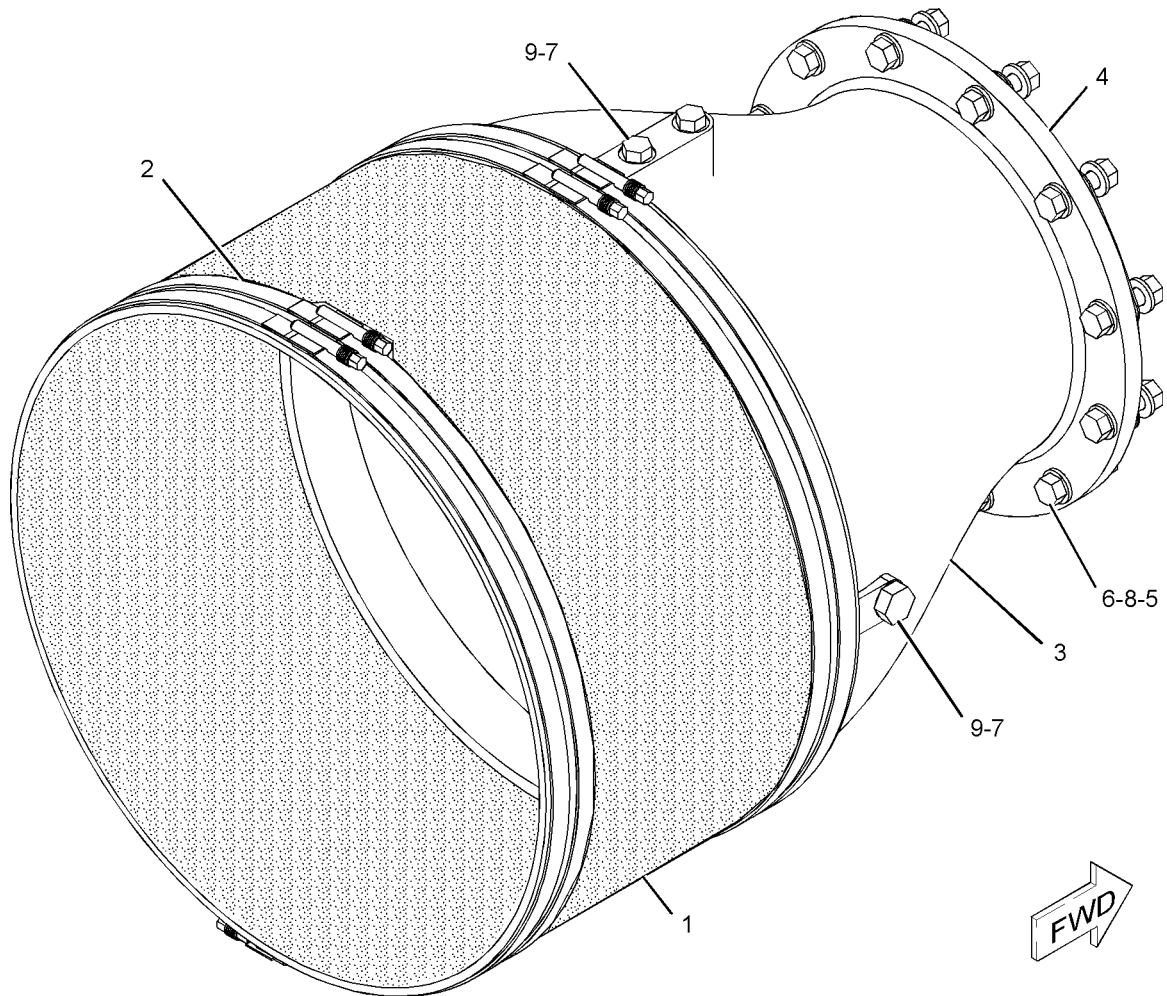
AIR INLET AND EXHAUST SYSTEM

145-5661 ADAPTER GP-AIR CLEANER (CHG -00, -01)

SMCS-1051

i02277904

NOTE	REF NO	GRAPHIC REF	PART NUMBER	QTY	PART NAME						SEE PAGE
					1	2	3	4	5	6 (PRODUCT LEVEL)	
	1	1	4W-3637	1	HOSE						
	2	1	116-8535	8	CLAMP						
	3	1	144-0615	1	ADAPTER-TURBOCHARGER						
	4	1	144-0620	1	GASKET						
	5	1	1A-1460	12	BOLT (1/2-13X2-IN)						
	6	1	1F-7958	12	NUT-FULL (1/2-13-THD)						
	7	1	2M-9780	4	SEAL-O-RING						
	8	1	5P-8245	24	WASHER-HARD (13.5X25.5X3-MM THK)						
	9	1	9S-4190	4	PLUG-O RING						



GRAPHIC #1

<END>

g01140684

AIR INLET AND EXHAUST SYSTEM

206-3581 ADAPTER GP-AIR CLEANER (CHG -00 THRU -03)

AIR INLET

CANNOT BE USED WITH 145-5660—PAGE 235

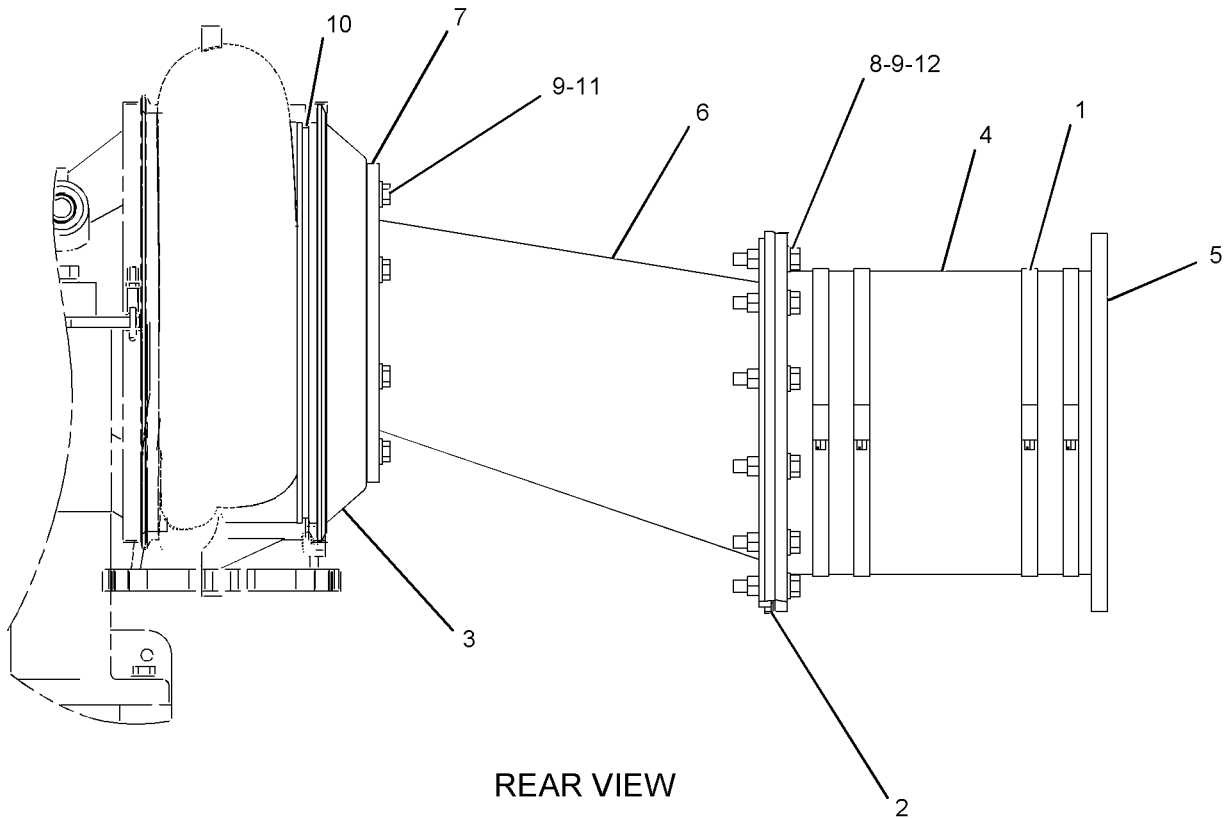
SMCS-1051

i02071057

NOTE	REF NO	GRAPHIC REF	PART NUMBER	QTY	PART NAME						SEE PAGE
					1	2	3	4	5	6 (PRODUCT LEVEL)	
	1	1	8T-4987	8	CLAMP-HOSE						
	2	1	144-0620	1	GASKET						
Y	3	1	176-3605	1	FLANGE GP-AIR INLET						239
	4	1	202-2624	1	HOSE						
	5	1	202-3110	2	ADAPTER						
	6	1	205-5791	1	ADAPTER AS						
	7	1	206-3848	1	GASKET						
	8	1	1F-7958	12	NUT-FULL (1/2-13-THD)						
	9	1	5P-8245	20	WASHER-HARD (13.5X25.5X3-MM THK)						
	10	1	118-7536	1	SEAL-O-RING						
M	11	1	6V-8197	8	BOLT (M12X1.75X40-MM)						
	12	1	9X-8873	12	BOLT (1/2-13X2.25-IN)						

M-METRIC PART

Y-SEPARATE ILLUSTRATION



GRAPHIC #1

<END>

g01061426

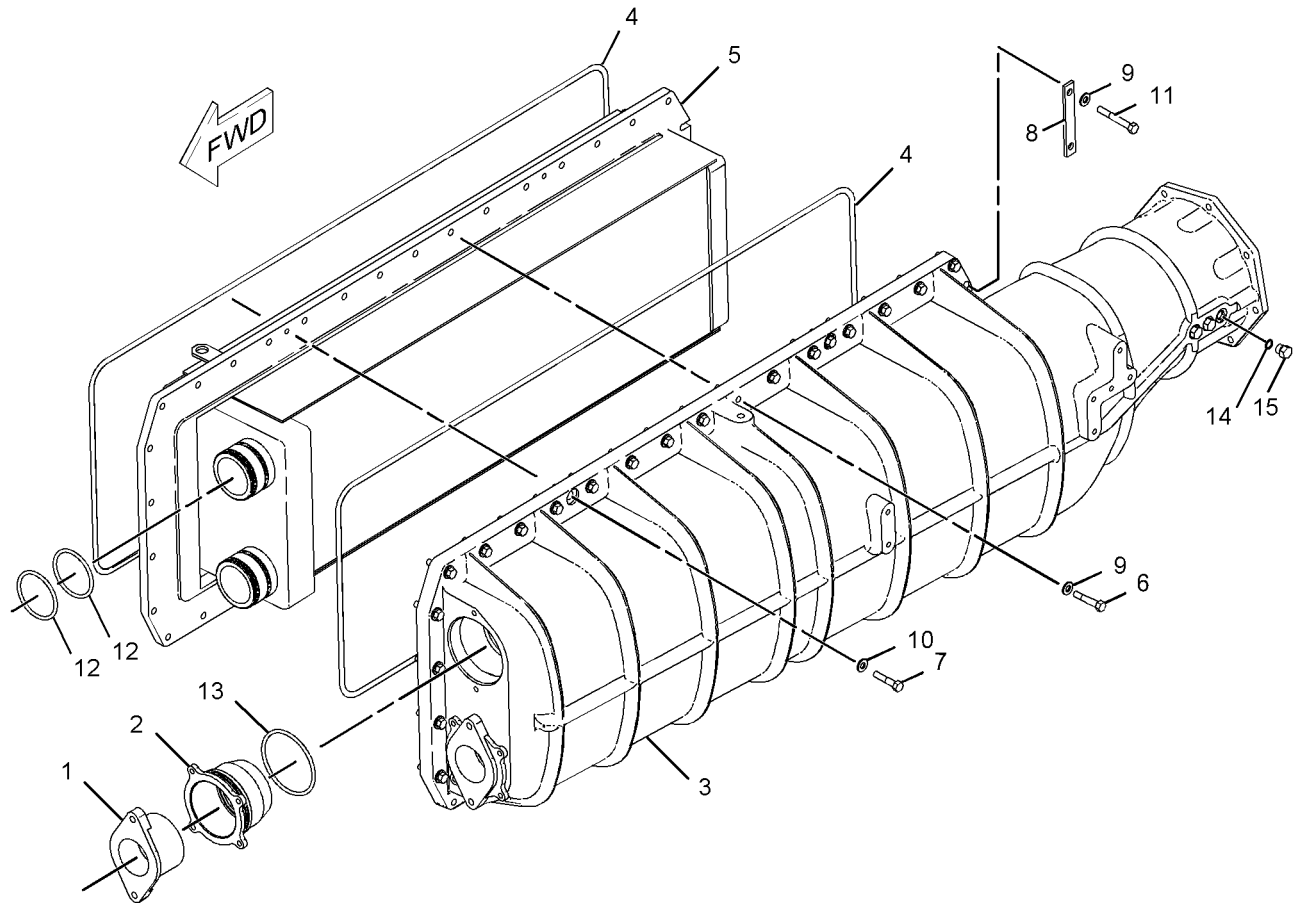
AIR INLET AND EXHAUST SYSTEM

165-4416 AFTERCOOLER GP-TREATED WATER (CHG -01 THRU -04) SEA AIR

SMCS - 1063

i02248334

NOTE	REF NO	GRAPHIC REF	PART NUMBER	QTY	PART NAME						SEE PAGE
					1	2	3	4	5	6 (PRODUCT LEVEL)	
	1	1	1W-6917	2	ADAPTER						
	2	1	123-6256	2	ADAPTER						
	3	1	175-1362	1	HOUSING						
	4	1	180-2923	2	SEAL-O-RING						
	5	1	264-0167	1	CORE AS-AFTERCOOLER						
	6	1	031-0220	34	BOLT-LOCKING (3/8-16X2.5-IN)						
	7	1	0S-1591	4	BOLT (3/8-16X1.5-IN)						
	8	1	139-6857	2	PLATE						
	9	1	3V-3308	38	WASHER-HARD (10.2X20.5X2.5-MM THK)						
	10	1	5M-2894	4	WASHER-HARD (10.2X18.5X2.5-MM THK)						
	11	1	6V-0717	4	BOLT-SELF-LOCKING (3/8-16X2.75-IN)						
	12	1	6V-1454	4	SEAL-O-RING						
	13	1	6V-3908	2	SEAL-O-RING						
	14	1	6V-5049	3	SEAL-O-RING						
	15	1	9S-4191	3	PLUG-O-RING						



GRAPHIC #1

<END>

g01133831

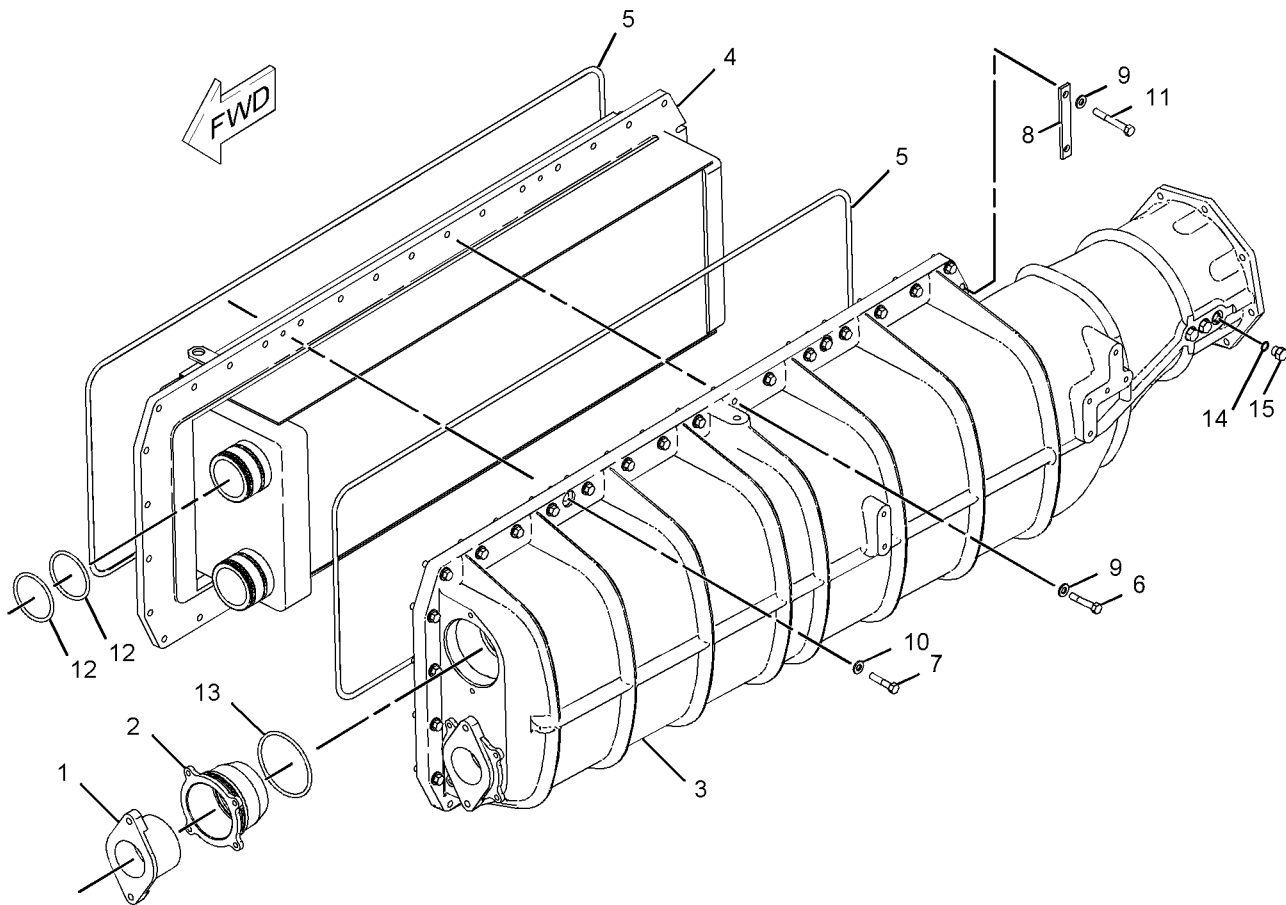
AIR INLET AND EXHAUST SYSTEM

257-7185 AFTERCOOLER GP-TREATED WATER (CHG -00, -01)

SMCS-1063

i02253084

NOTE	REF NO	GRAPHIC REF	PART NUMBER	QTY	PART NAME						SEE PAGE
					1	2	3	4	5	6 (PRODUCT LEVEL)	
	1	1	1W-6917	2	ADAPTER						
	2	1	123-6256	2	ADAPTER						
	3	1	175-1362	1	HOUSING						
	4	1	264-0167	1	CORE AS-AFTERCOOLER						
	5	1	180-2923	2	SEAL-O-RING						
	6	1	031-0220	30	BOLT-LOCKING (3/8-16X2.5-IN)						
	7	1	0S-1591	4	BOLT (3/8-16X1.5-IN)						
	8	1	139-6857	2	PLATE						
	9	1	3V-3308	34	WASHER-HARD (10.2X20.5X2.5-MM THK)						
	10	1	5M-2894	4	WASHER-HARD (10.2X18.5X2.5-MM THK)						
	11	1	6V-0717	4	BOLT-SELF-LOCKING (3/8-16X2.75-IN)						
	12	1	6V-1454	4	SEAL-O-RING						
	13	1	6V-3908	2	SEAL-O-RING						
	14	1	6V-5049	3	SEAL-O-RING						
	15	1	9S-4191	3	PLUG-O-RING						



GRAPHIC #1

<END>

g01138729

AIR INLET AND EXHAUST SYSTEM

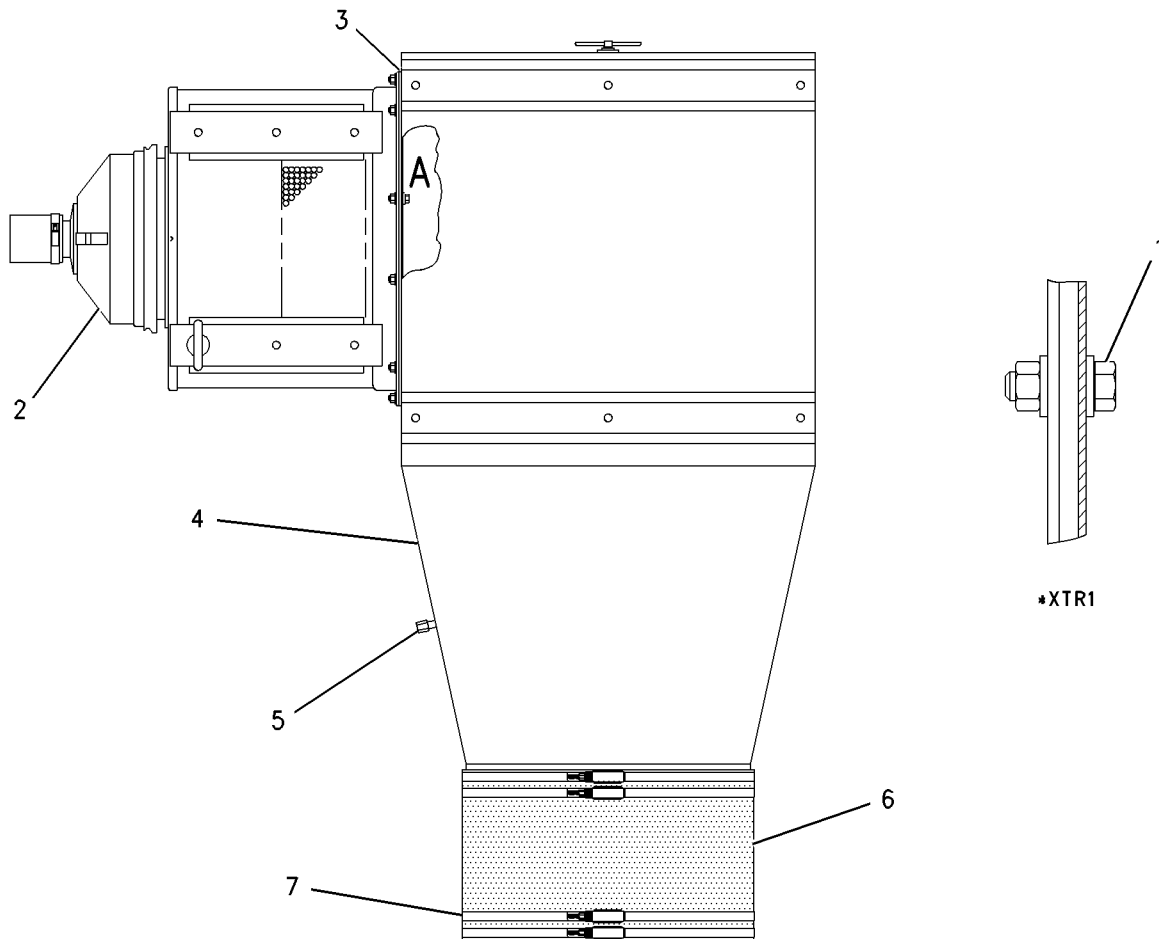
132-9322 AIR CLEANER GP (CHG -00)

SMCS-1051, 1054

i02346230

NOTE	REF NO	GRAPHIC REF	PART NUMBER	QTY	PART NAME						SEE PAGE
					1	2	3	4	5	6 (PRODUCT LEVEL)	
	1	1	0S-1594	56	BOLT (3/8-16X1-IN)						
		1	9S-8752	56	NUT-FULL (3/8-16-THD)						
		1	3V-3308	112	WASHER-HARD (10.2X20.5X2.5-MM THK)						
Y	2	1	132-9324	4	PRECLEANER GP						285
	3	1	5N-8617	4	GASKET						
Y	4	1	132-9323	1	AIR CLEANER GP						212
	5	1	3B-7725	1	CAP-PIPE						
	6	1	4W-3637	1	HOSE						
	7	1	116-8535	8	CLAMP						

Y-SEPARATE ILLUSTRATION



GRAPHIC #1

<END>

g01000588

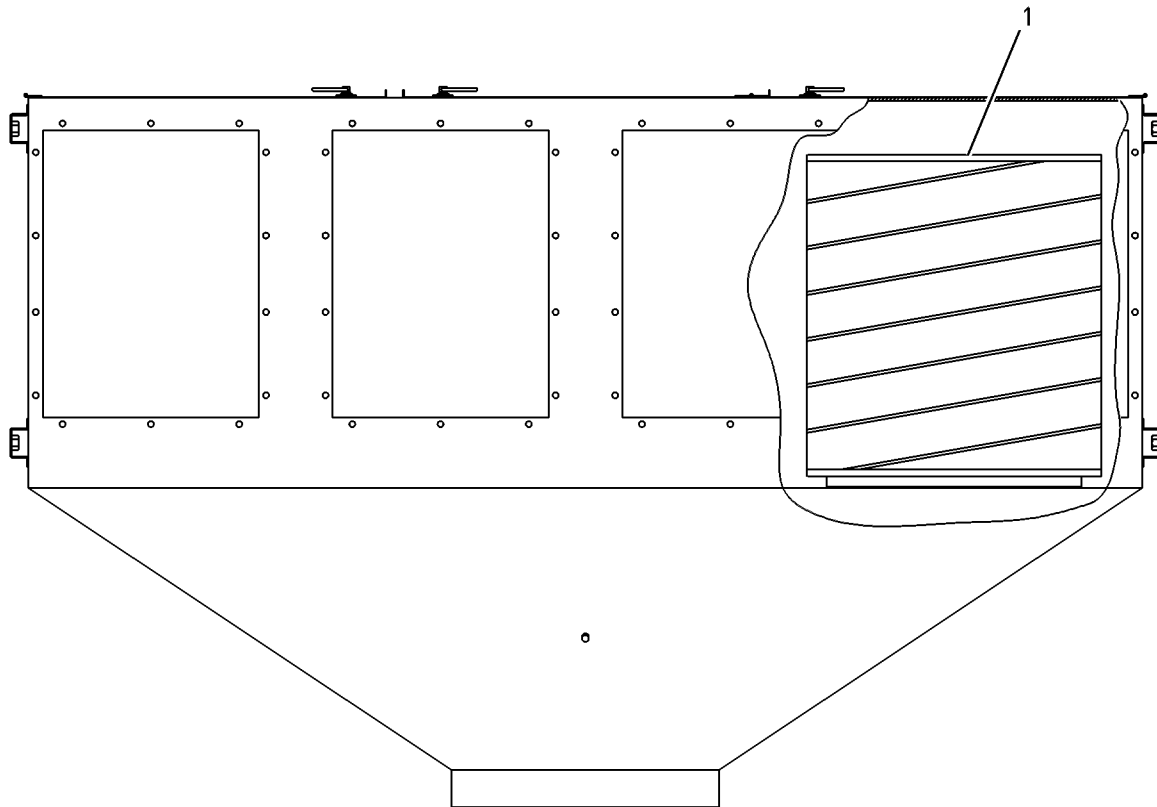
AIR INLET AND EXHAUST SYSTEM

132-9323 AIR CLEANER GP (CHG -00) PART OF 132-9322 AIR CLEANER GP

SMCS-1051, 1054

i00078862

NOTE	REF NO	GRAPHIC REF	PART NUMBER	QTY	PART NAME						SEE PAGE
					1	2	3	4	5	6 (PRODUCT LEVEL)	
	1	1	105-9741	3	FILTER ELEMENT AS-AIR (PRIMARY)						



GRAPHIC #1

<END>

g00067068

AIR INLET AND EXHAUST SYSTEM

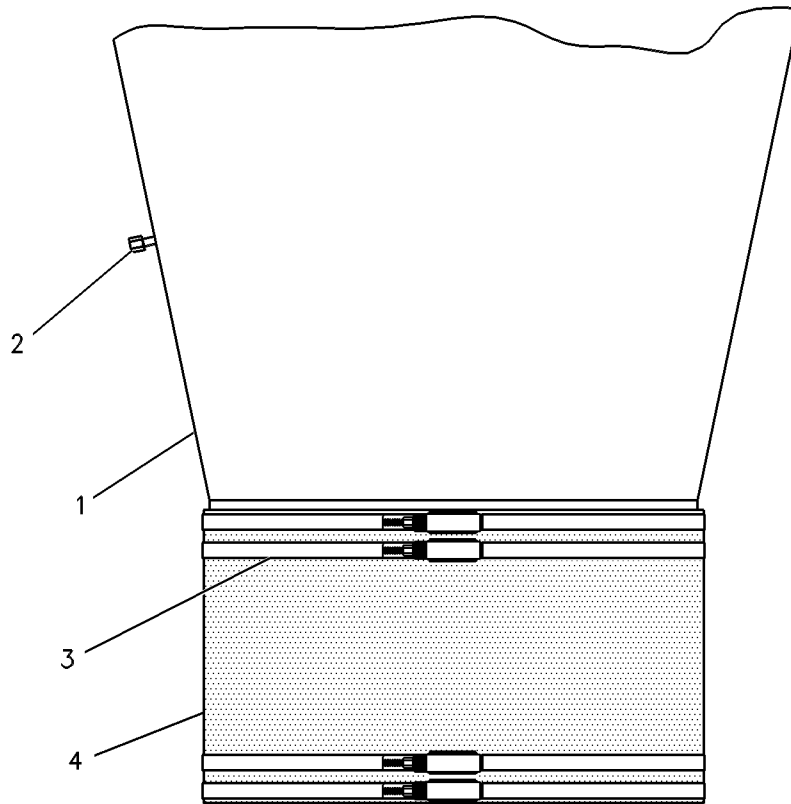
132-9327 AIR CLEANER GP (CHG -00) TWO-ELEMENT HORIZONTAL

SMCS-1051, 1054

i00078873

NOTE	REF NO	GRAPHIC REF	PART NUMBER	QTY	PART NAME						SEE PAGE
					1	2	3	4	5	6 (PRODUCT LEVEL)	
Y	1	1	132-9331	1	AIR CLEANER GP						214
	2	1	3B-7725	1	CAP-PIPE						
	3	1	116-8535	8	CLAMP						
	4	1	4W-3637	1	HOSE						

Y-SEPARATE ILLUSTRATION



GRAPHIC #1

<END>

g00066904

AIR INLET AND EXHAUST SYSTEM

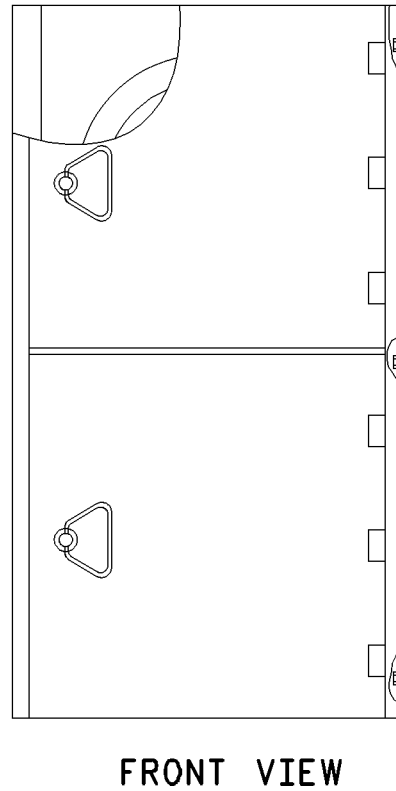
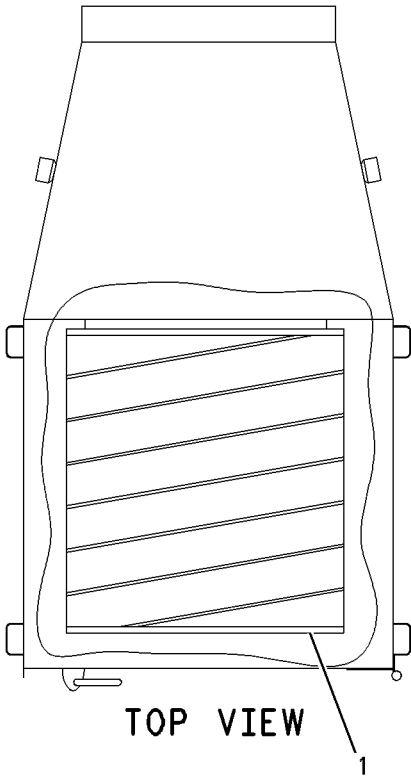
132-9331 AIR CLEANER GP (CHG -00, -01)

TWO-ELEMENT HORIZONTAL
PART OF 132-9327 AIR CLEANER GP

SMCS-1051, 1054

i01963439

NOTE	REF NO	GRAPHIC REF	PART NUMBER	QTY	PART NAME						SEE PAGE
					1	2	3	4	5	6 (PRODUCT LEVEL)	
	1	1	105-9741	2	FILTER ELEMENT AS-AIR (PRIMARY)						



GRAPHIC #1

<END>

g00110347

AIR INLET AND EXHAUST SYSTEM

213-6460 BYPASS GP-EXHAUST (CHG -01 THRU -03) WASTEGATE

SMCS-1057

i02375499

NOTE	REF NO	GRAPHIC REF	PART NUMBER	QTY	PART NAME						SEE PAGE
					1	2	3	4	5	6 (PRODUCT LEVEL)	
	4	2	1S-3584	2	NUT-FULL (3/8-24 LH-THD)						
	5	2	3S-2713	2	NUT-FULL (3/8-24-THD)						
	6	1	3W-2647	1	SPACER (13.5X30X10-MM THK)						
	7	2	4D-8532	2	LEVER						
	8	1	4F-2753	1	LOCKNUT						
	9	2	4P-0394	1	LEVER						
	10	2	5H-2532	3	KEY-WOODRUFF						
	11	2	5L-3291	2	BEARING AS-BALL						
	12	1	5P-9960	2	BOLT (1/4-20X0.75-IN)						
	13	2	6V-1943	2	BOLT-HIGH TEMPERATURE (3/8-16X1.125-IN)						
	14	2	6V-6753	1	BOLT-HIGH TEMPERATURE (3/8X16X1.375-IN)						
	15	1,2	7E-0701	4	GASKET						
	16	1,2	7L-6443	24	BOLT-HIGH TEMPERATURE (3/8-16X2.25-IN)						
	17	2	8C-7315	1	ROD END						
	18	2	8C-7321	1	ROD END						
	19	1	8C-8589	12	BOLT-HIGH TEMPERATURE (1/2-13X2.25-IN)						
	20	1	8H-3390	1	NUT-FULL (1-1/2-12-THD)						
	21	2	8M-2295	2	BOLT (3/8-16X1.625-IN)						
	22	2	038-7444	1	ROD						
	23	2	102-1694	1	PLATE						
	24	2	102-3457	1	COVER						
	25	2	102-6309	1	WASHER-THRUST						
	26	2	102-6311	1	STOP						
	27	2	110-8314	4	WASHER (10.3X18.3X2.66-MM THK)						
	28	2	119-5931	1	SPACER						
	29	2	133-8501	1	COVER AS						
	30	1	144-0605	1	ADAPTER-EXHAUST						
	31	1	144-0606	1	ELBOW-EXHAUST						
	32	1	144-0621	1	GASKET						
	33	1	145-0039	1	BRACKET AS						
	34	1	145-0040	1	BRACKET AS						
	35	2	145-0041	1	ROD						
	36	1	145-0043	1	SHAFT						
	37	1	145-0225	1	BRACKET AS						
	38	1	145-0334	1	SHAFT						
	39	1	146-8381	1	HOUSING AS (WASTEGATE)						
		1	119-5929	2	BUSHING						
	40	1	176-3583	2	GUARD						
	41	2	176-3587	1	CLEVIS						
	42	1	184-1613	1	ELBOW-EXHAUST (GAS OUTLET)						
	43	1	184-5290	1	GASKET						
	44	2	193-7879	1	BOOT						
CYR	45	1	211-8175	1	ACTUATOR GP-ELECTRONIC						300
	46	1	222-4718	1	BELLOWS AS						
	47	1	0L-1143	4	BOLT (3/8-16X2.5-IN)						
	48	1,2	0S-1571	10	BOLT (3/8-16X1.75-IN)						
	49	1	0S-1585	2	BOLT (1/2-13X1.5-IN)						
	50	1,2	0S-1588	12	BOLT (3/8-16X1.25-IN)						
	51	2	0S-1590	1	BOLT (3/8-16X2-IN)						
	52	2	0S-1591	4	BOLT (3/8-16X1.5-IN)						
	53	1	119-0746	4	PLUG-PIPE						
	54	1	1F-7958	14	NUT-FULL (1/2-13-THD)						
C	55	2	225-3769	1	ROD END						
C	56	2	225-3770	1	ROD END						
	57	1,2	2N-2766	24	LOCKNUT (3/8-16-THD)						
	58	1,2	3V-3308	48	WASHER-HARD (10.2X20.5X2.5-MM THK)						
	59	1	3H-7654	27	WASHER-HARD (13.5X22.5X3.0-MM THK)						

AIR INLET AND EXHAUST SYSTEM

213-6460 BYPASS GP-EXHAUST (contd.)

i02375499

NOTE	REF NO	GRAPHIC REF	PART NUMBER	QTY	PART NAME						SEE PAGE
					1	2	3	4	5	6 (PRODUCT LEVEL)	
	60	1,2	8C-8491	48	WASHER-HARD (10.2X22X3-MM THK)						
	61	2	8M-9024	3	WASHER-HARD (10.2X22.5X5-MM THK)						
	62	1,2	9S-8752	21	NUT-FULL (3/8-16-THD)						

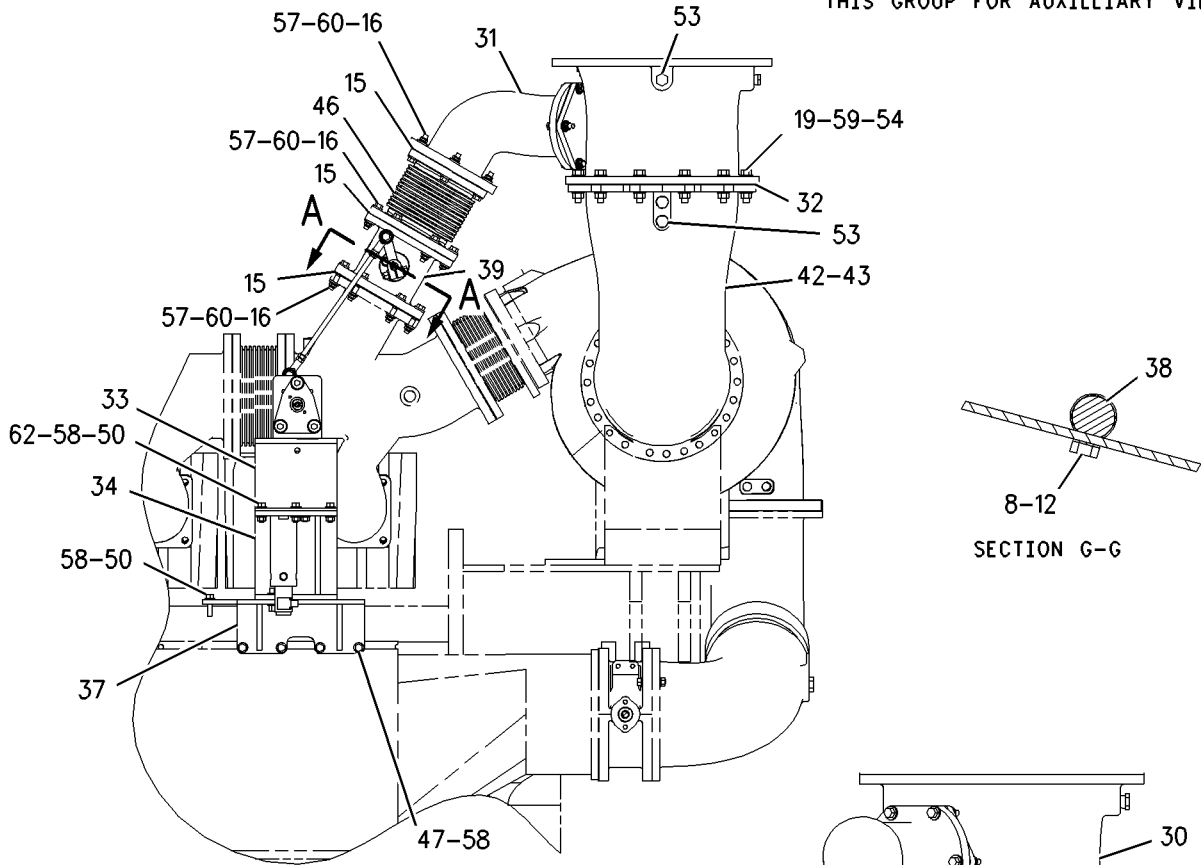
C-CHANGE FROM PREVIOUS TYPE
R-REMG PART MAY BE AVAILABLE
Y-SEPARATE ILLUSTRATION

AIR INLET AND EXHAUST SYSTEM

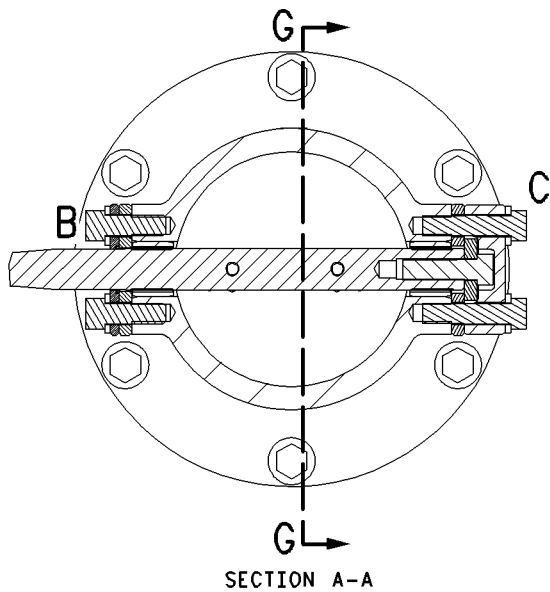
213-6460 BYPASS GP-EXHAUST (contd.)

i02375499

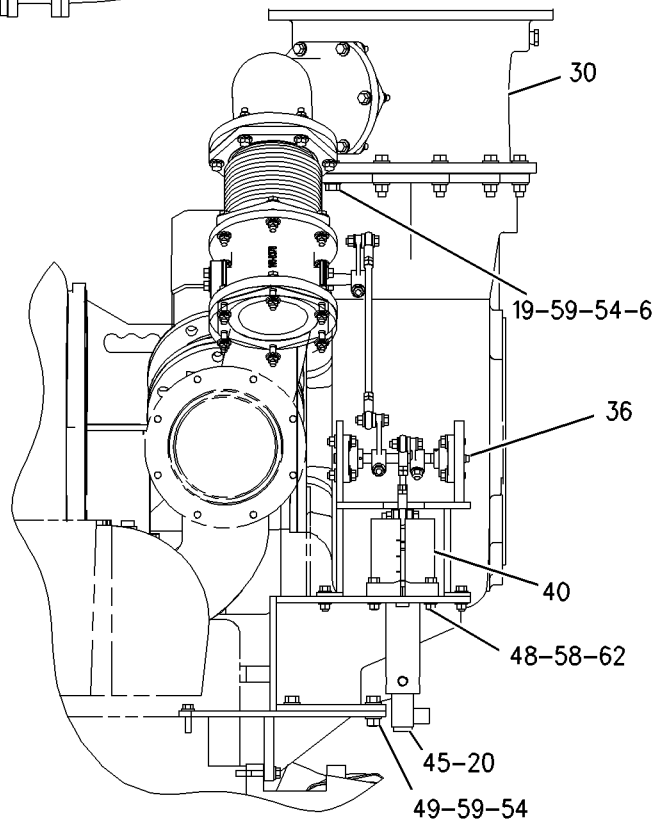
REFER TO ALL ILLUSTRATIONS OF THIS GROUP FOR AUXILLIARY VIEWS



LEFT SIDE VIEW



SECTION A-A



FRONT VIEW

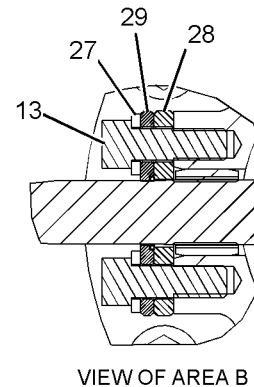
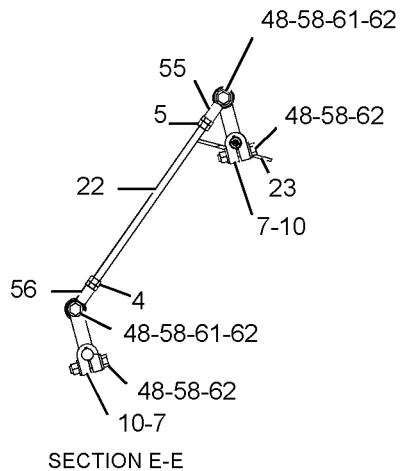
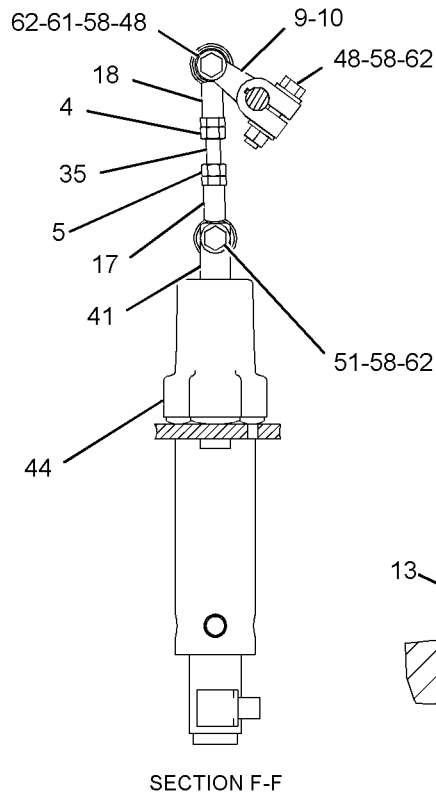
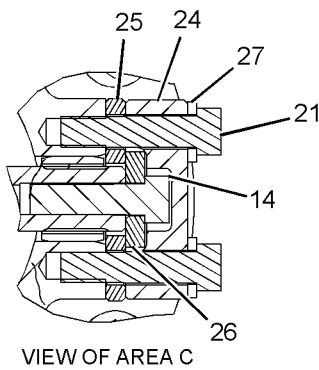
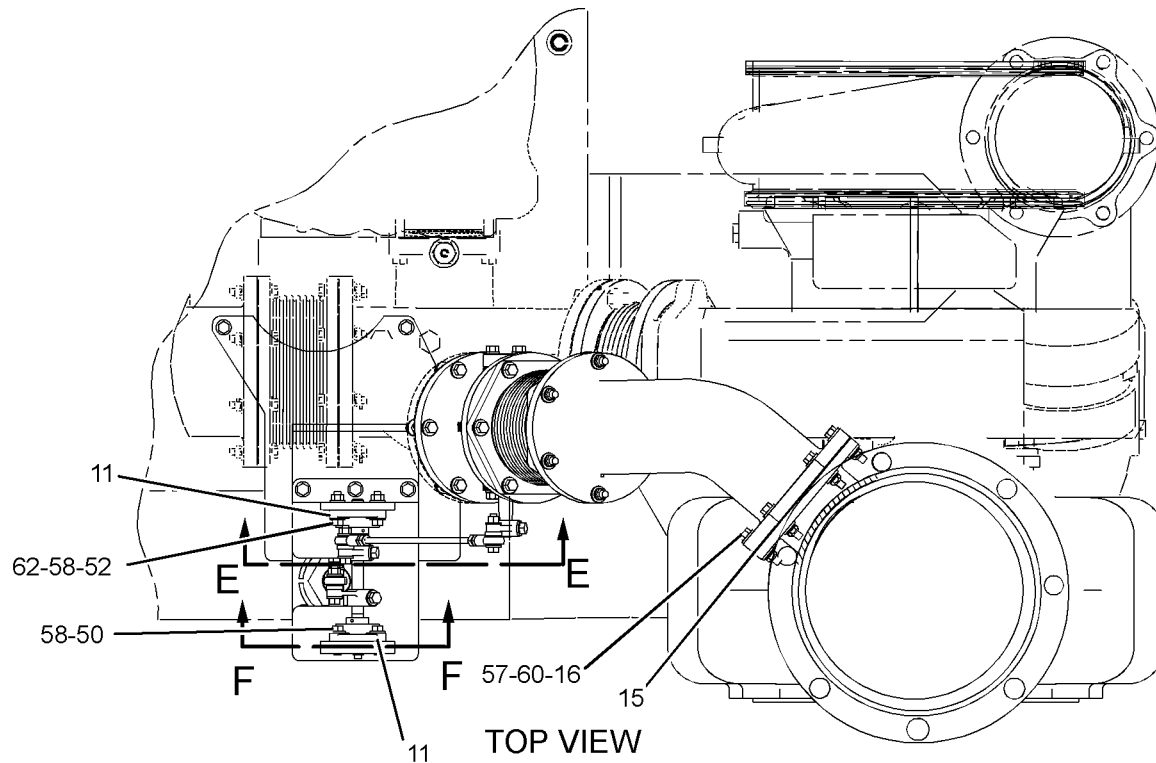
GRAPHIC #1

g00977373

AIR INLET AND EXHAUST SYSTEM

213-6460 BYPASS GP-EXHAUST (contd.)

i02375499



GRAPHIC #2

<END>

g01185630

AIR INLET AND EXHAUST SYSTEM

219-9930 BYPASS GP-EXHAUST (CHG -00)

SMCS-1057

i01816211

NOTE	REF NO	GRAPHIC REF	PART NUMBER	QTY	PART NAME 1 2 3 4 5 6 (PRODUCT LEVEL)	SEE PAGE
	2	1	1S-3584	2	NUT-FULL (3/8-24 LH-THD)	
	3	2	2W-0439	1	GASKET	
	4	2	3H-6630	6	BOLT (3/8-16X3.25-IN)	
	5	1	3S-2713	2	NUT-FULL (3/8-24-THD)	
	6	1	4F-2753	1	LOCKNUT	
	7	1	4P-0391	1	ROD	
	8	1	4P-0394	3	LEVER	
	9	1	5H-2532	3	KEY-WOODRUFF	
	10	1	5L-3291	2	BEARING AS-BALL	
	11	2	5P-2755	4	BOLT-HIGH TEMPERATURE (3/8-16X2.75-IN)	
	12	1	5P-9960	2	BOLT (1/4-20X0.75-IN)	
	13	2	6I-2527	1	ELBOW-EXHAUST	
	14	2	6V-1943	2	BOLT-HIGH TEMPERATURE (3/8-16X1.125-IN)	
	15	2	6V-6753	1	BOLT-HIGH TEMPERATURE (3/8X16X1.375-IN)	
	16	2	7C-8363	1	GASKET	
	17	2	7E-0701	2	GASKET	
	18	2	7E-2946	1	COVER	
	19	2	7L-6443	12	BOLT-HIGH TEMPERATURE (3/8-16X2.25-IN)	
	20	2	7W-9115	1	ADAPTER-EXHAUST	
	21	2	7W-9191	1	GASKET	
	22	1	8C-7315	1	ROD END	
	23	1	8C-7321	1	ROD END	
	24	1	8H-3390	1	NUT-FULL (1-1/2-12-THD)	
	25	2	8M-2295	2	BOLT (3/8-16X1.625-IN)	
	26	1	039-9895	1	ROD	
	27	1	102-1694	1	PLATE	
	28	2	102-3457	1	COVER	
	29	2	102-6309	1	WASHER-THRUST	
	30	2	102-6311	1	STOP	
	31	2	110-8314	4	WASHER (10.3X18.3X2.66-MM THK)	
	32	1	118-4736	1	SHAFT-WASTEGATE	
	33	1	119-5927	1	SHAFT	
	34	2	119-5930	1	HOUSING AS	
		2	119-5929	2	BUSHING	
	35	2	119-5931	1	SPACER	
	36	2	123-5717	1	BELLOWS AS	
	37	2	133-8501	1	COVER AS	
	38	1	141-9885	1	BRACKET AS	
	39	2	176-3583	2	GUARD	
	40	1	176-3587	1	CLEVIS	
	41	1	193-7879	1	BOOT	
YR	42	1	196-9529	1	ACTUATOR GP-ELECTRONIC	299
	43	1	0S-1571	6	BOLT (3/8-16X1.75-IN)	
	45	1,2	0S-1588	5	BOLT (3/8-16X1.25-IN)	
	46	1,2	0S-1590	4	BOLT (3/8-16X2-IN)	
	47	1	0S-1591	4	BOLT (3/8-16X1.5-IN)	
	48	2	0S-1595	18	BOLT (1/2-13X1.25-IN)	
	49	1,2	119-0746	2	PLUG-PIPE	
	51	1	173-7476	1	ROD END	
	52	1	173-7477	1	ROD END	
	53	2	2N-2766	22	LOCKNUT (3/8-16-THD)	
	54	1,2	3V-3308	29	WASHER-HARD (10.2X20.5X2.5-MM THK)	
	55	2	5P-8245	6	WASHER-HARD (13.5X25.5X3-MM THK)	
M	56	2	6V-8675	6	BOLT (M12X1.75X35-MM)	
	57	2	8C-8491	24	WASHER-HARD (10.2X22X3-MM THK)	
	58	1	8M-9024	3	WASHER-HARD (10.2X22.5X5-MM THK)	
	59	1,2	9S-8752	14	NUT-FULL (3/8-16-THD)	

AIR INLET AND EXHAUST SYSTEM

219-9930 BYPASS GP-EXHAUST (contd.)

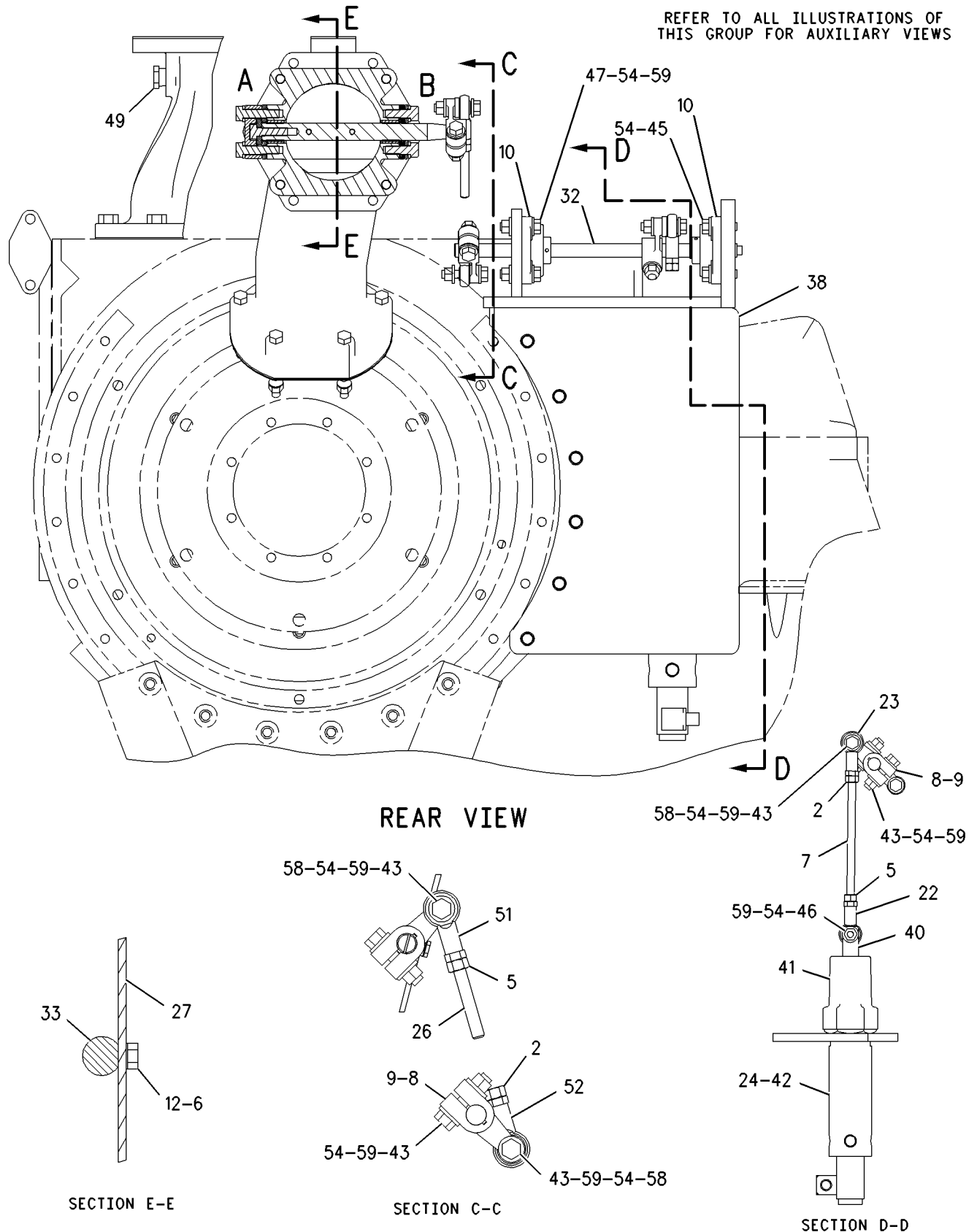
i01816211

M-METRIC PART
R-REMG PART MAY BE AVAILABLE
Y-SEPARATE ILLUSTRATION

AIR INLET AND EXHAUST SYSTEM

219-9930 BYPASS GP-EXHAUST (contd.)

i01816211



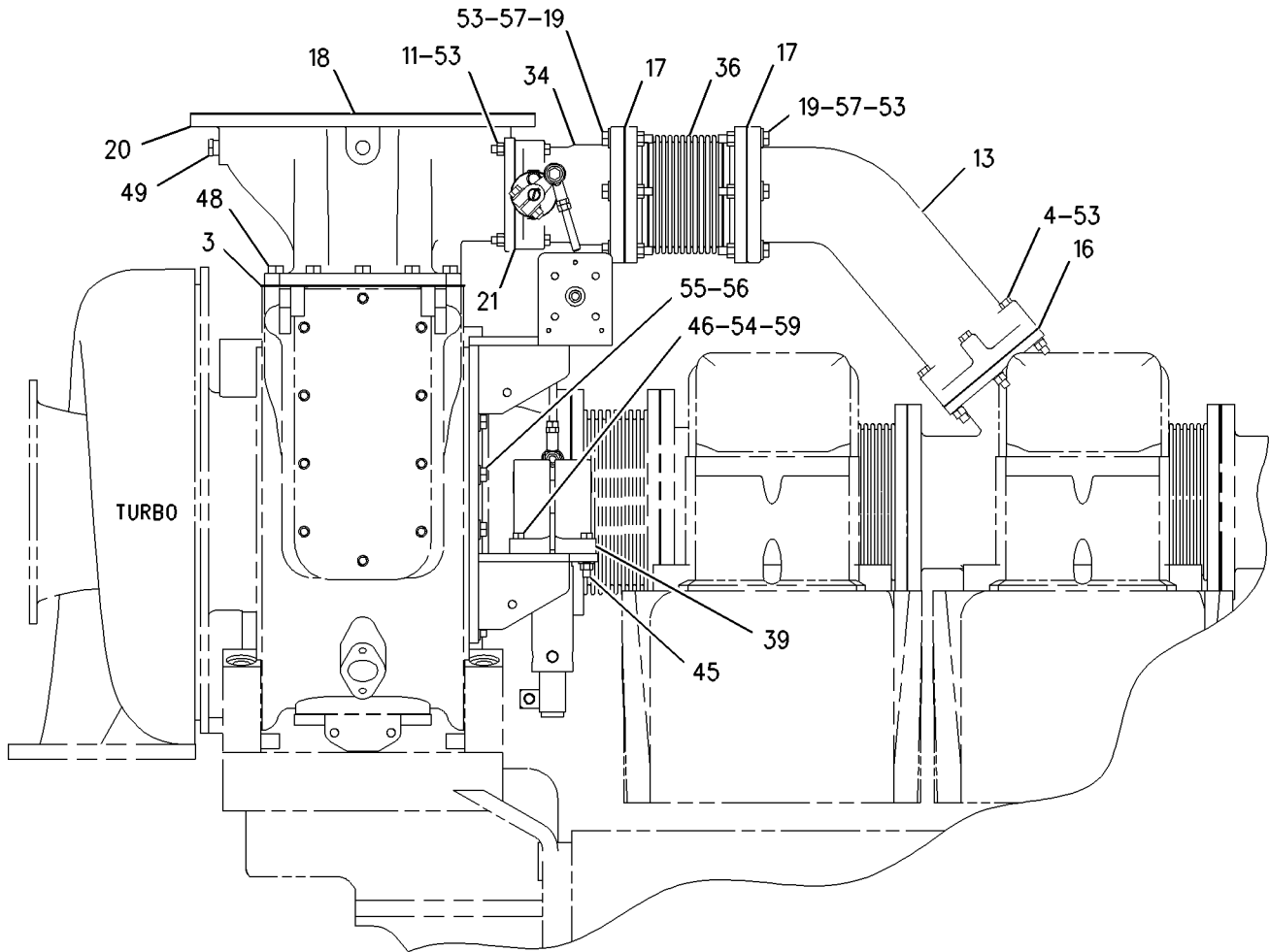
GRAPHIC #1

g00928809

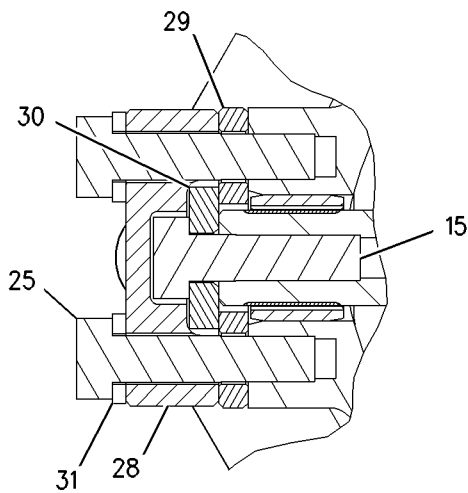
AIR INLET AND EXHAUST SYSTEM

219-9930 BYPASS GP-EXHAUST (contd.)

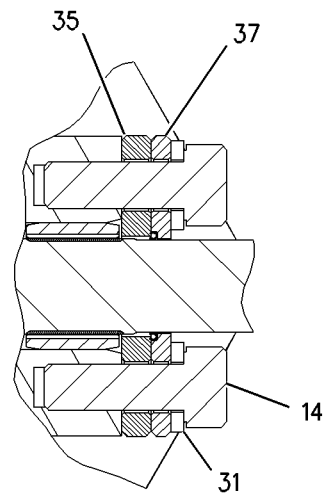
i01816211



RIGHT SIDE VIEW



VIEW OF AREA A



VIEW OF AREA B

GRAPHIC #2

<END>

g00928811

AIR INLET AND EXHAUST SYSTEM

219-9930 BYPASS GP-EXHAUST (CHG -01, -02)

SMCS - 1057

i01885445

NOTE	REF NO	GRAPHIC REF	PART NUMBER	QTY	PART NAME						SEE PAGE
					1	2	3	4	5	6 (PRODUCT LEVEL)	
	2	1	1S-3584	2	NUT-FULL (3/8-24 LH-THD)						
	3	2	2W-0439	1	GASKET						
	4	2	3H-6630	6	BOLT (3/8-16X3.25-IN)						
	5	1	3S-2713	2	NUT-FULL (3/8-24-THD)						
	6	1	4F-2753	1	LOCKNUT						
	7	1	4P-0391	1	ROD						
	8	1	4P-0394	3	LEVER						
	9	1	5H-2532	3	KEY-WOODRUFF						
	10	1	5L-3291	2	BEARING AS-BALL (SELF-ALIGNING)						
	11	2	5P-2755	4	BOLT-HIGH TEMPERATURE (3/8-16X2.75-IN)						
	12	1	5P-9960	2	BOLT (1/4-20X0.75-IN)						
	13	2	6I-2527	1	ELBOW-EXHAUST						
	14	2	6V-1943	2	BOLT-HIGH TEMPERATURE (3/8-16X1.125-IN)						
	15	2	6V-6753	1	BOLT-HIGH TEMPERATURE (3/8X16X1.375-IN)						
	16	2	7C-8363	1	GASKET						
	17	2	7E-0701	2	GASKET						
	18	2	7E-2946	1	COVER						
	19	2	7L-6443	12	BOLT-HIGH TEMPERATURE (3/8-16X2.25-IN)						
	20	2	7W-9115	1	ADAPTER-EXHAUST						
	21	2	7W-9191	1	GASKET						
	22	1	8C-7315	1	ROD END						
	23	1	8C-7321	1	ROD END						
	24	1	8H-3390	1	NUT-FULL (1-1/2-12-THD)						
	25	2	8M-2295	2	BOLT (3/8-16X1.625-IN)						
	26	1	039-9895	1	ROD						
	27	1	102-1694	1	PLATE						
	28	2	102-3457	1	COVER						
	29	2	102-6309	1	WASHER-THRUST						
	30	2	102-6311	1	STOP						
	31	2	110-8314	4	WASHER (10.3X18.3X2.66-MM THK)						
	32	1	118-4736	1	SHAFT-WASTEGATE						
	33	1	119-5927	1	SHAFT						
	34	2	119-5930	1	HOUSING AS						
		2	119-5929	2	BUSHING						
	35	2	119-5931	1	SPACER						
	36	2	133-8501	1	COVER AS						
	37	1	141-9885	1	BRACKET AS						
	38	2	176-3583	2	GUARD						
	39	1	176-3587	1	CLEVIS						
	40	1	193-7879	1	BOOT						
YR	41	1	211-8175	1	ACTUATOR GP-ELECTRONIC						300
	42	2	222-4718	1	BELLOWS AS						
	43	1	0S-1571	6	BOLT (3/8-16X1.75-IN)						
	45	1,2	0S-1588	5	BOLT (3/8-16X1.25-IN)						
	46	1,2	0S-1590	4	BOLT (3/8-16X2-IN)						
	47	1	0S-1591	4	BOLT (3/8-16X1.5-IN)						
	48	2	0S-1595	18	BOLT (1/2-13X1.25-IN)						
	49	1,2	119-0746	2	PLUG-PIPE						
	51	1	225-3769	1	ROD END						
	52	1	225-3770	1	ROD END						
	53	2	2N-2766	22	LOCKNUT (3/8-16-THD)						
	54	1,2	3V-3308	29	WASHER-HARD (10.2X20.5X2.5-MM THK)						
	55	2	5P-8245	6	WASHER-HARD (13.5X25.5X3-MM THK)						
M	56	2	6V-8675	6	BOLT (M12X1.75X35-MM)						
	57	2	8C-8491	24	WASHER-HARD (10.2X22X3-MM THK)						
	58	1	8M-9024	3	WASHER-HARD (10.2X22.5X5-MM THK)						
	59	1,2	9S-8752	14	NUT-FULL (3/8-16-THD)						

AIR INLET AND EXHAUST SYSTEM

219-9930 BYPASS GP-EXHAUST (contd.)

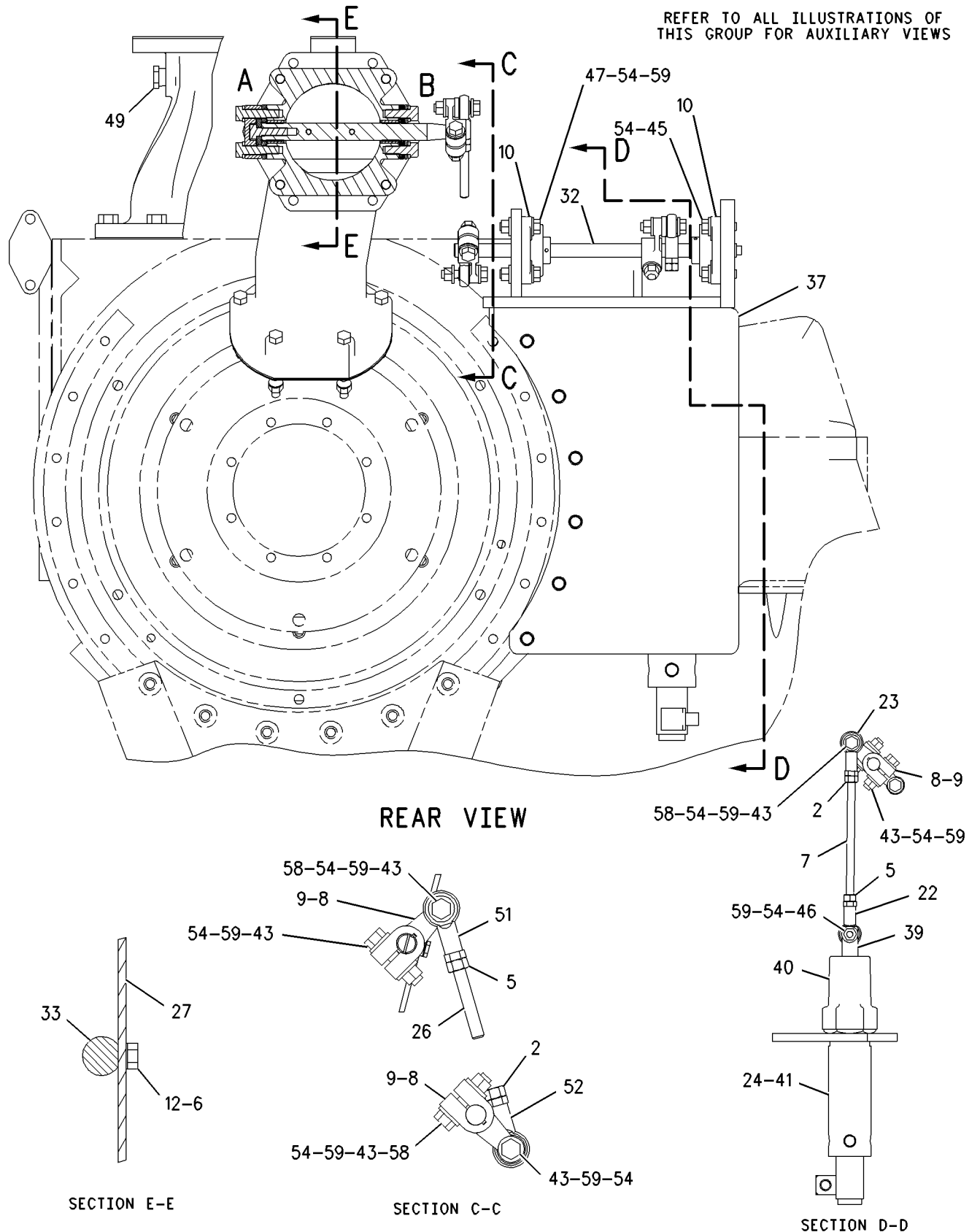
i01885445

M-METRIC PART
R-REMG PART MAY BE AVAILABLE
Y-SEPARATE ILLUSTRATION

AIR INLET AND EXHAUST SYSTEM

219-9930 BYPASS GP-EXHAUST (contd.)

i01885445



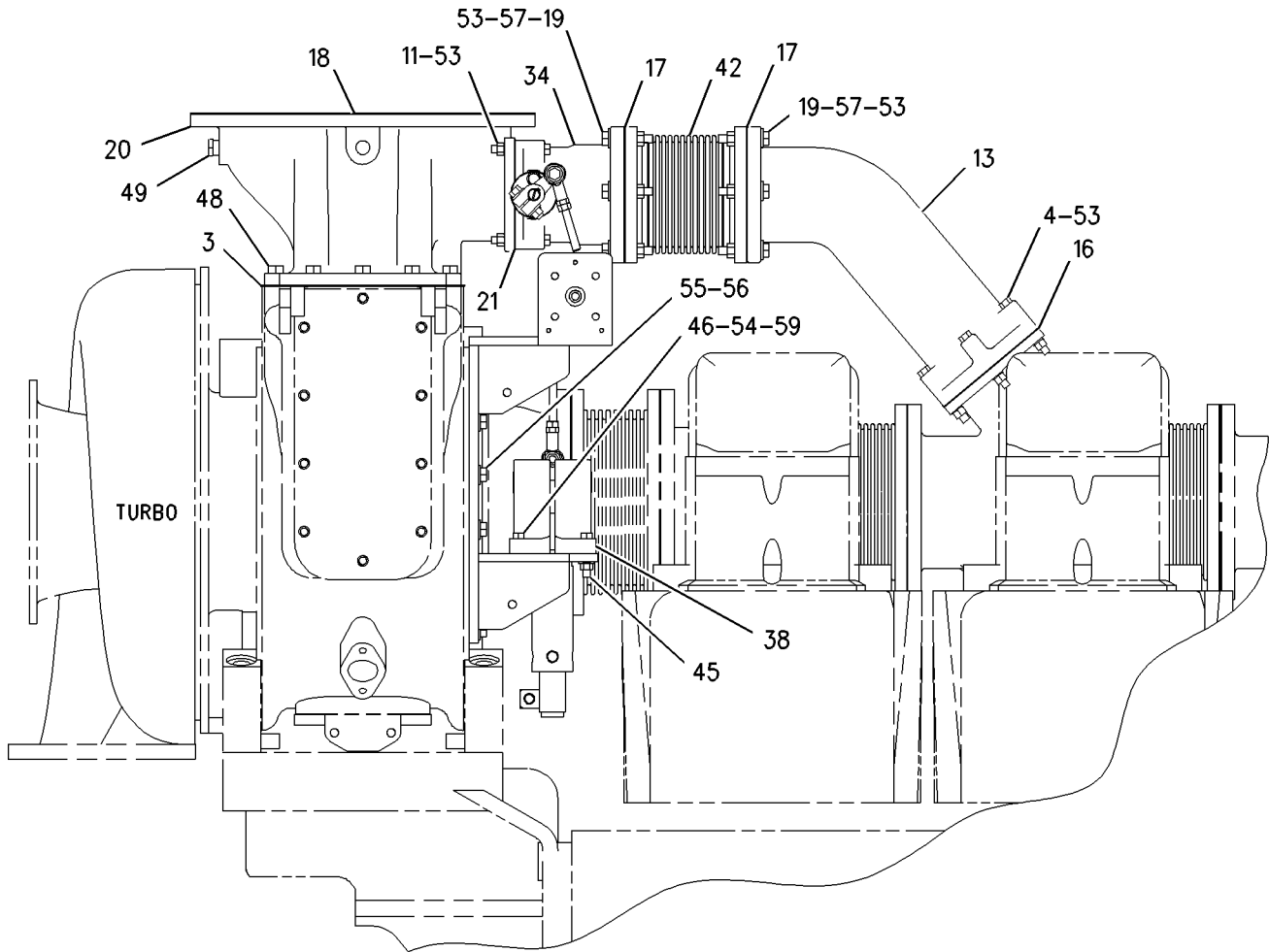
GRAPHIC #1

g00977624

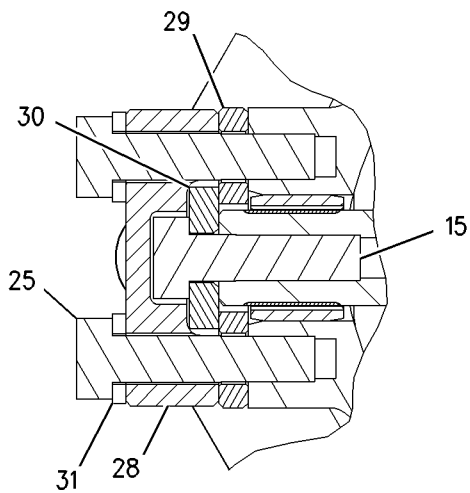
AIR INLET AND EXHAUST SYSTEM

219-9930 BYPASS GP-EXHAUST (contd.)

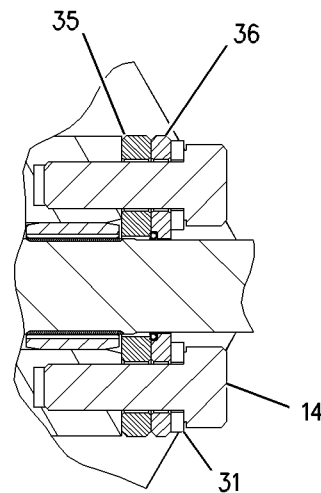
i01885445



RIGHT SIDE VIEW



VIEW OF AREA A



VIEW OF AREA B

GRAPHIC #2

<END>

g00977625

AIR INLET AND EXHAUST SYSTEM

240-0664 BYPASS GP-EXHAUST (CHG -00 THRU -02)

SMCS-1057

i02380444

NOTE	REF NO	GRAPHIC REF	PART NUMBER	QTY	PART NAME						SEE PAGE
					1	2	3	4	5	6 (PRODUCT LEVEL)	
	2	2	9M-4594	1	SPACER (0.406X0.875X0.75-IN THK)						
	3	2	0L-2070	1	BOLT (3/8-16X2.25-IN)						
	4	2	1S-3584	2	NUT-FULL (3/8-24 LH-THD)						
	5	2	3S-2713	2	NUT-FULL (3/8-24-THD)						
	6	1	3W-2647	1	SPACER (13.5X30X10-MM THK)						
	7	2	4D-8532	2	LEVER						
	8	1	4F-2753	1	LOCKNUT						
	9	2	4P-0394	1	LEVER						
	10	2	5H-2532	3	KEY-WOODRUFF						
	11	2	5L-3291	2	BEARING AS-BALL						
	12	1	5P-9960	2	BOLT (1/4-20X0.75-IN)						
	13	2	6V-1943	2	BOLT-HIGH TEMPERATURE (3/8-16X1.125-IN)						
	14	2	6V-6753	1	BOLT-HIGH TEMPERATURE (3/8X16X1.375-IN)						
	15	1,2	7E-0701	4	GASKET						
	16	1,2	7L-6443	24	BOLT-HIGH TEMPERATURE (3/8-16X2.25-IN)						
	17	2	8C-7315	1	ROD END						
	18	2	8C-7321	1	ROD END						
	19	1	8C-8589	12	BOLT-HIGH TEMPERATURE (1/2-13X2.25-IN)						
	20	1	8H-3390	1	NUT-FULL (1-1/2-12-THD)						
	21	2	8M-2295	2	BOLT (3/8-16X1.625-IN)						
	22	2	038-7444	1	ROD						
	23	2	102-1694	1	PLATE						
	24	2	102-3457	1	COVER						
	25	2	102-6309	1	WASHER-THRUST						
	26	2	102-6311	1	STOP						
	27	2	110-8314	4	WASHER (10.3X18.3X2.66-MM THK)						
	28	2	119-5931	1	SPACER						
	29	2	133-8501	1	COVER AS						
	30	1	144-0605	1	ADAPTER-EXHAUST						
	31	1	144-0606	1	ELBOW-EXHAUST						
	32	1	144-0621	1	GASKET						
	33	1	145-0039	1	BRACKET AS						
	34	1	145-0040	1	BRACKET AS						
	35	2	145-0041	1	ROD						
	36	1	145-0043	1	SHAFT						
	37	1	145-0225	1	BRACKET AS						
	38	1	145-0334	1	SHAFT						
	39	1	146-8381	1	HOUSING AS (WASTEGATE)						
		1	119-5929	2	BUSHING						
	40	1	176-3583	2	GUARD						
	41	2	176-3587	1	CLEVIS						
	42	1	184-1613	1	ELBOW-EXHAUST (GAS OUTLET)						
	43	1	184-5290	1	GASKET						
	44	2	193-7879	1	BOOT						
CYR	45	1	211-8175	1	ACTUATOR GP-ELECTRONIC						300
	46	1	222-4718	1	BELLOWS AS						
	47	1,2	0S-1571	9	BOLT (3/8-16X1.75-IN)						
	48	1	0S-1585	2	BOLT (1/2-13X1.5-IN)						
	49	1,2	0S-1588	12	BOLT (3/8-16X1.25-IN)						
	50	2	0S-1590	1	BOLT (3/8-16X2-IN)						
	51	2	0S-1591	4	BOLT (3/8-16X1.5-IN)						
	52	1	0S-1619	4	BOLT (3/8-16X3-IN)						
	53	1	119-0746	4	PLUG-PIPE						
	54	1	1F-7958	14	NUT-FULL (1/2-13-THD)						
C	55	2	225-3769	1	ROD END						
C	56	2	225-3770	1	ROD END						
	57	1,2	2N-2766	24	LOCKNUT (3/8-16-THD)						
	58	1,2	3V-3308	48	WASHER-HARD (10.2X20.5X2.5-MM THK)						

AIR INLET AND EXHAUST SYSTEM

240-0664 BYPASS GP-EXHAUST (contd.)

i02380444

NOTE	REF NO	GRAPHIC REF	PART NUMBER	QTY	PART NAME						SEE PAGE
					1	2	3	4	5	6 (PRODUCT LEVEL)	
	59	1	3H-7654	27	WASHER-HARD (13.5X22.5X3.0-MM THK)						
	60	1,2	8C-8491	48	WASHER-HARD (10.2X22X3-MM THK)						
	61	2	8M-9024	2	WASHER-HARD (10.2X22.5X5-MM THK)						
	62	1,2	9S-8752	21	NUT-FULL (3/8-16-THD)						

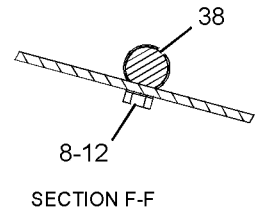
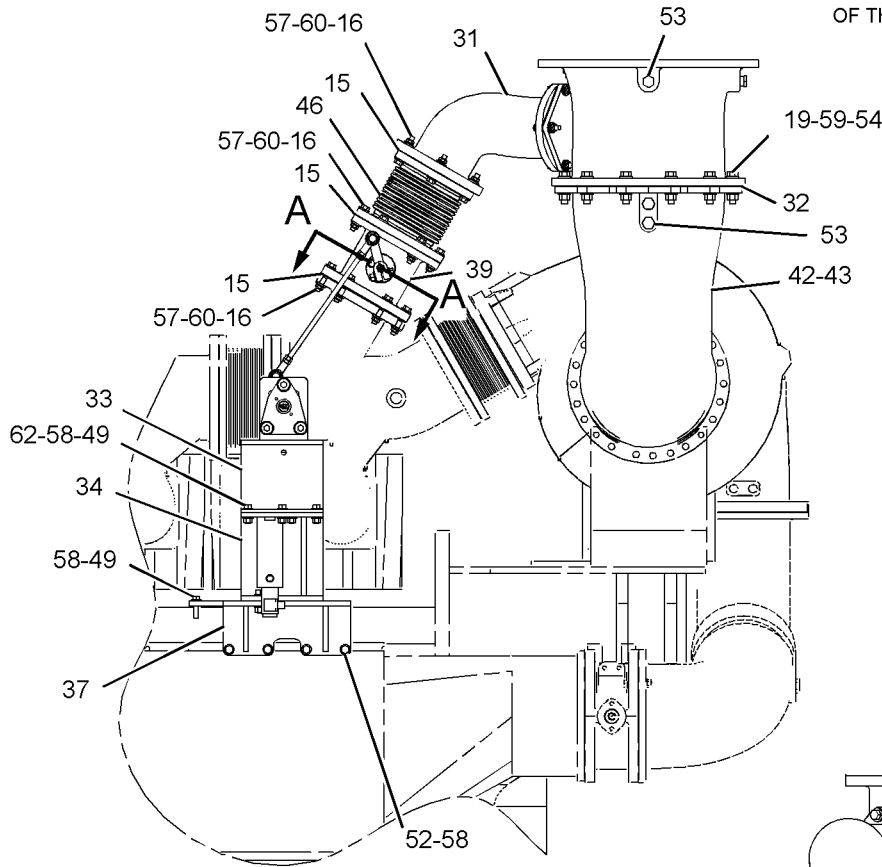
C-CHANGE FROM PREVIOUS TYPE
R-REMG PART MAY BE AVAILABLE
Y-SEPARATE ILLUSTRATION

AIR INLET AND EXHAUST SYSTEM

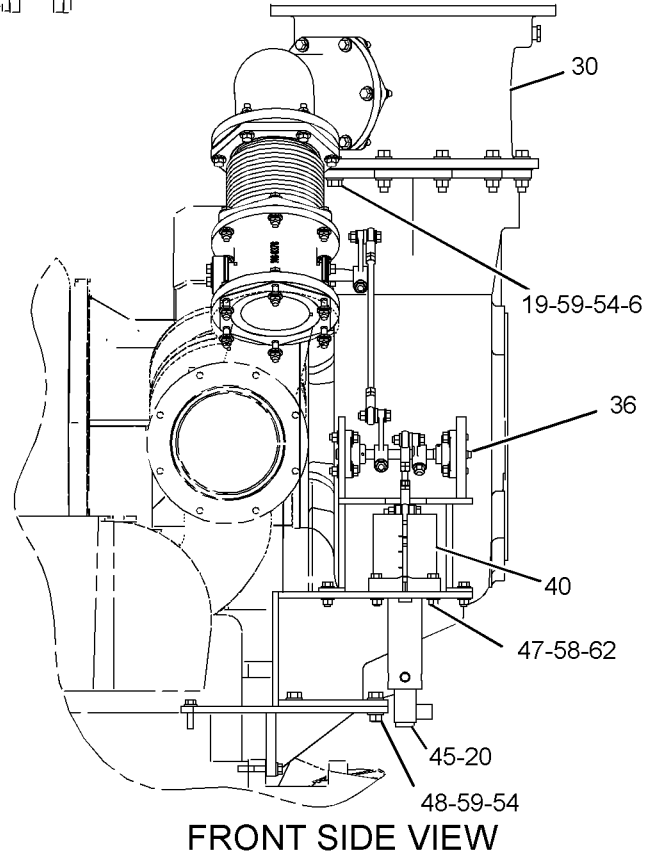
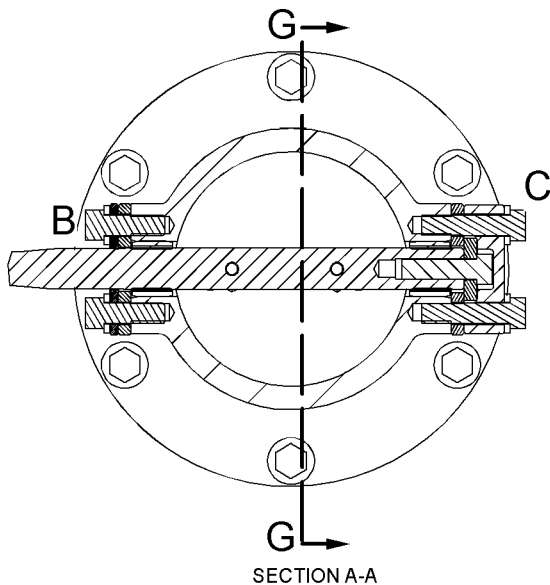
240-0664 BYPASS GP-EXHAUST (contd.)

i02380444

REFER TO ALL ILLUSTRATIONS
OF THIS GROUP FOR AUXILIARY VIEWS.



LEFT SIDE VIEW



FRONT SIDE VIEW

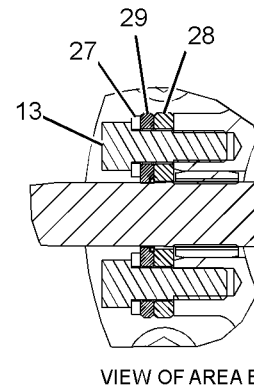
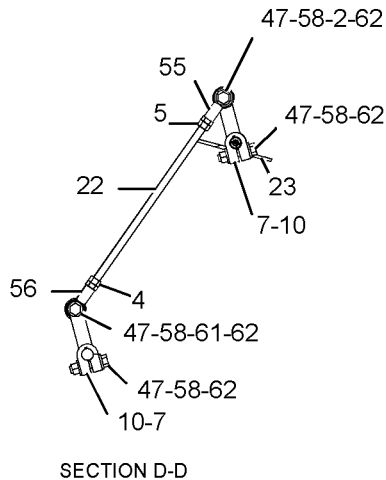
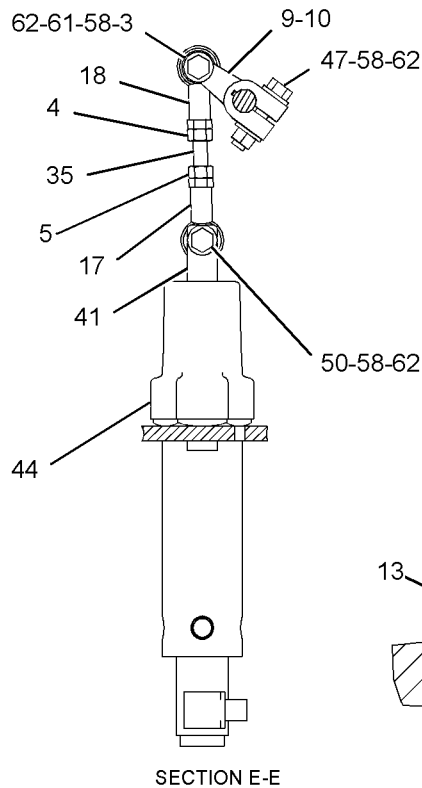
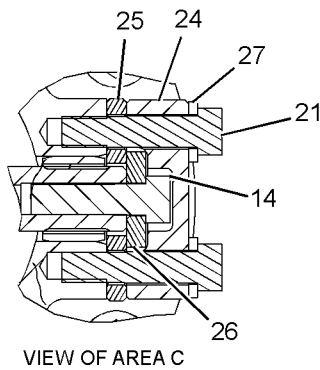
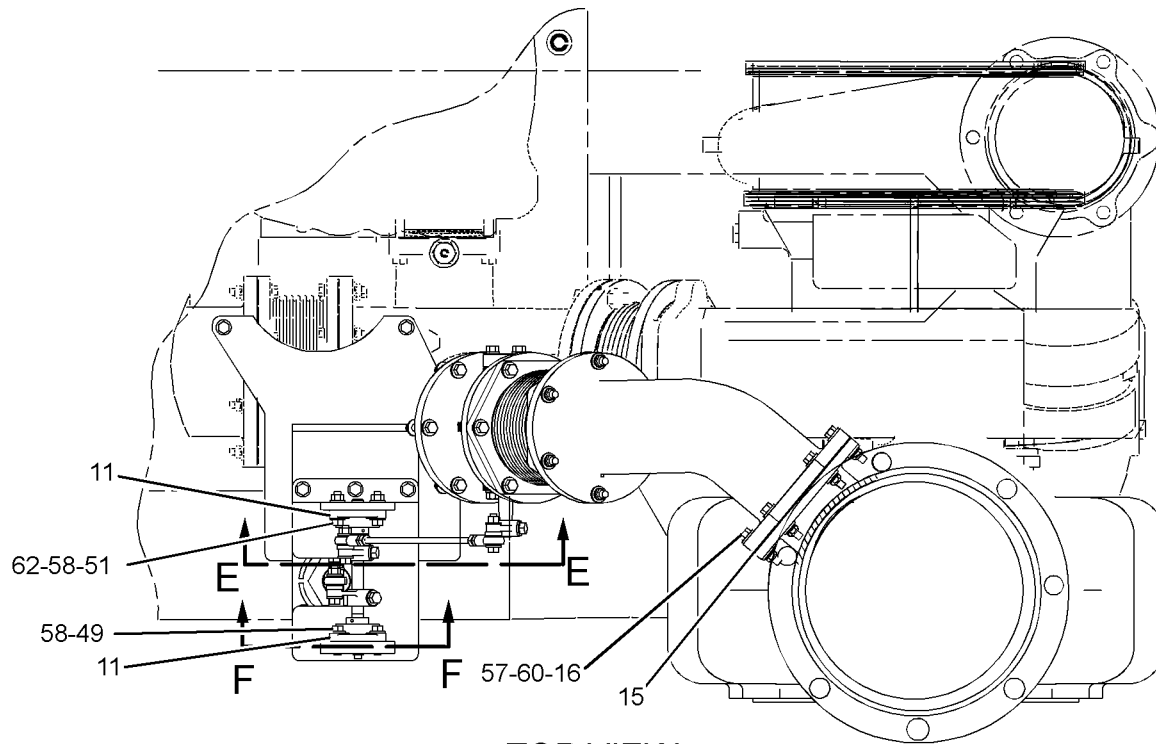
GRAPHIC #1

g01188551

AIR INLET AND EXHAUST SYSTEM

240-0664 BYPASS GP-EXHAUST (contd.)

i02380444



REFER TO ALL ILLUSTRATIONS OF THIS GROUP FOR AUXILIARY VIEWS.

GRAPHIC #2

<END>

g01188553

AIR INLET AND EXHAUST SYSTEM

116-2808 CARTRIDGE GP-TURBOCHARGER (CHG -00 THRU -02) PART OF 4P-6746 TURBOCHARGER GP

SMCS - 1053

i02247174

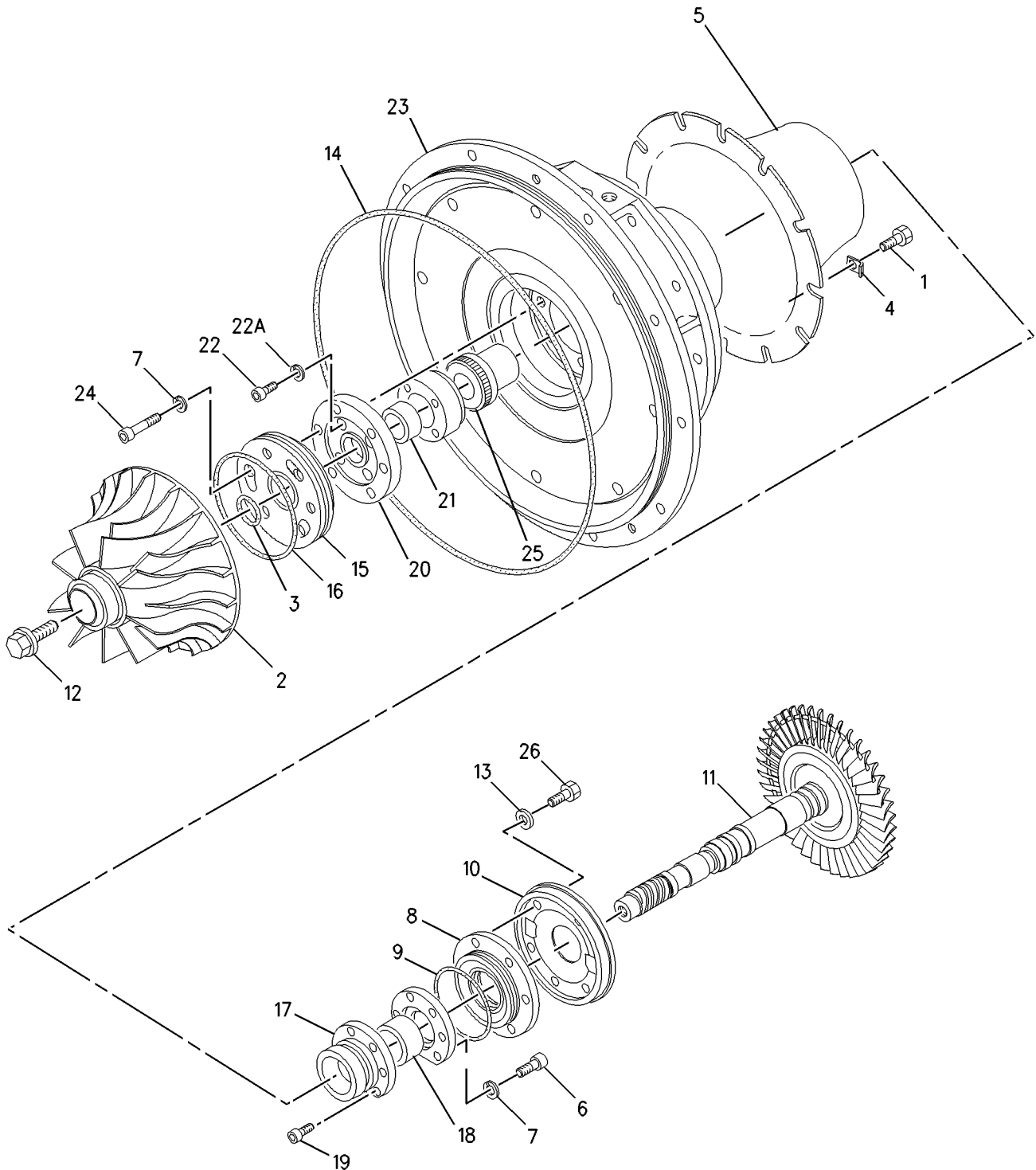
NOTE	REF NO	GRAPHIC REF	PART NUMBER	QTY	PART NAME						SEE PAGE
					1	2	3	4	5	6 (PRODUCT LEVEL)	
M	1	1	100-6772	12	BOLT-HIGH TEMPERATURE (M8X1.25X16-MM)						
	2	1	7W-5415	1	WHEEL AS-COMPRESSOR						
	3	1	4W-8564	1	RING-SEAL						
	4	1	4W-8573	12	PLATE-LOCK (0.8-MM THK)						
	5	1	4P-0372	1	CONE-AIR						
M	6	1	8T-1159	3	BOLT-SOCKET HEAD (M10X1.5X25-MM)						
	7	1	3B-4507	9	LOCKWASHER						
	8	1	4W-7961	1	COVER AS						
	9	1	4W-9032	1	SEAL-O-RING						
	10	1	4P-0307	1	DISC-COVER						
	11	1	116-2809	1	SHAFT AS-TURBINE						
		1	4W-8564	1	RING-SEAL						
M	12	1	4W-9030	1	BOLT (M18X1.5X31-MM)						
		1	4W-8926	1	WASHER (18.3X40X3.15-MM THK)						
	13	1	4W-8572	3	PLATE-LOCK (1-MM THK)						
	14	1	4W-9033	1	SEAL-O-RING						
	15	1	4W-8683	1	COVER AS						
	16	1	4W-9031	1	SEAL-O-RING						
	17	1	4W-9293	1	BEARING AS (TURBINE)						
	18	1	4W-8927	1	BUSHING-TERMINAL						
M	19	1	8T-0267	3	BOLT-SOCKET HEAD (M6X1X12-MM)						
	20	1	4W-8561	1	BEARING AS-COMPRESSOR						
	21	1	4W-8928	1	BUSHING-TERMINAL						
M	22	1	8T-0267	4	BOLT-SOCKET HEAD (M6X1X12-MM)						
	22A	1	3B-4504	4	LOCKWASHER						
	23	1	130-0073	1	HOUSING-BEARING						
M	24	1	8T-1160	6	BOLT-SOCKET HEAD (M10X1.5X50-MM)						
	25	1	7C-3348	1	BEARING-THRUST						
M	26	1	8C-8581	3	BOLT-HIGH TEMPERATURE (M10X1.5X30-MM)						

M-METRIC PART

AIR INLET AND EXHAUST SYSTEM

116-2808 CARTRIDGE GP-TURBOCHARGER (contd.)

i02247174



GRAPHIC #1

<END>

g00866150

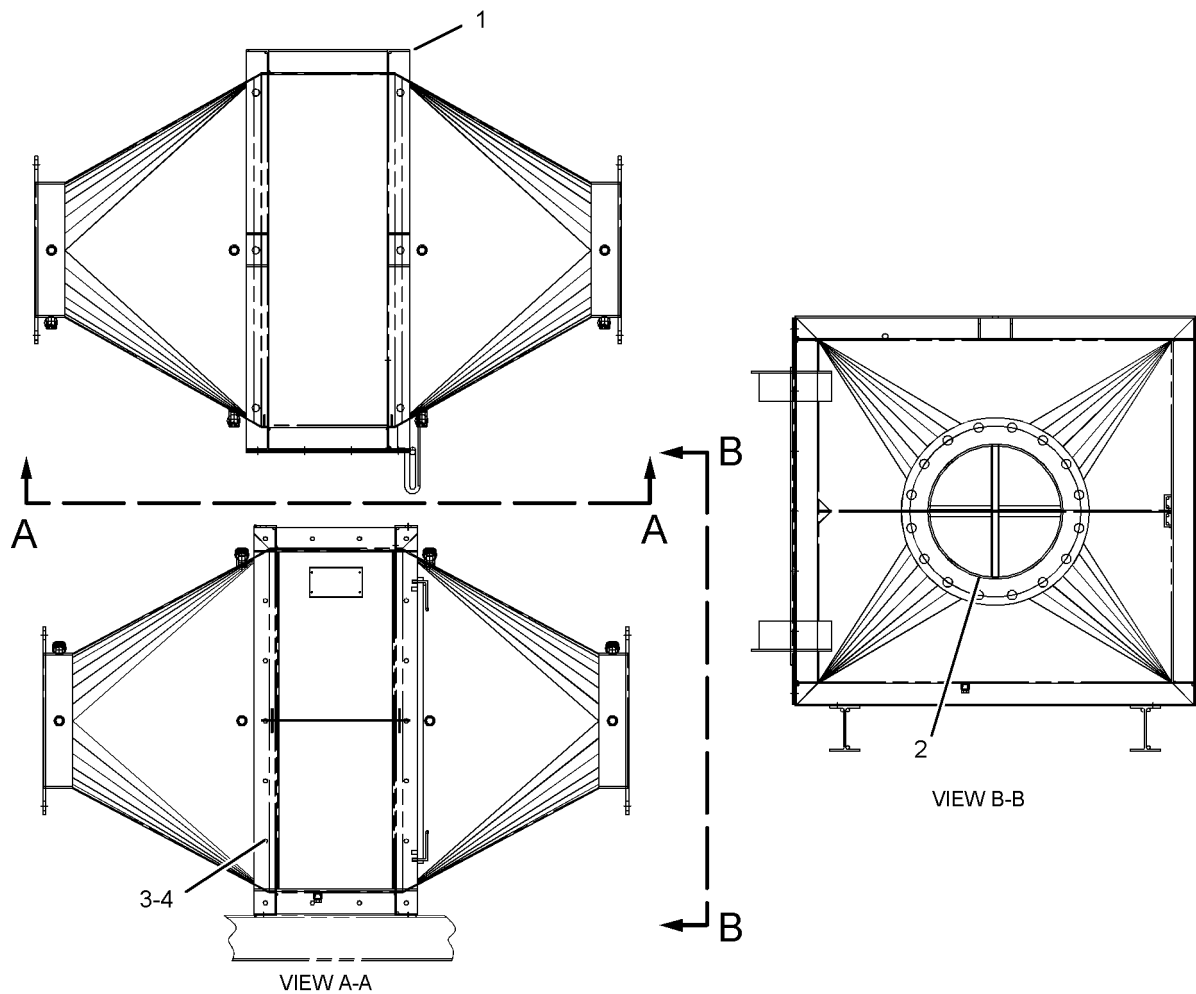
AIR INLET AND EXHAUST SYSTEM

249-0474 CONVERTER GP-CATALYTIC (CHG -00 THRU -02)

SMCS-1091

i02127854

NOTE	REF NO	GRAPHIC REF	PART NUMBER	QTY	PART NAME						SEE PAGE
					1	2	3	4	5	6 (PRODUCT LEVEL)	
	1	1	249-0419	1	HOUSING AS						
	2	1	249-0377	4	CATALYST (OXIDATION)						
	3	1	5P-2566	18	BOLT (1/2-13X1.5-IN)						
	4	1	6V-8188	18	NUT (1/2-13 THD)						



GRAPHIC #1

<END>

g01085519

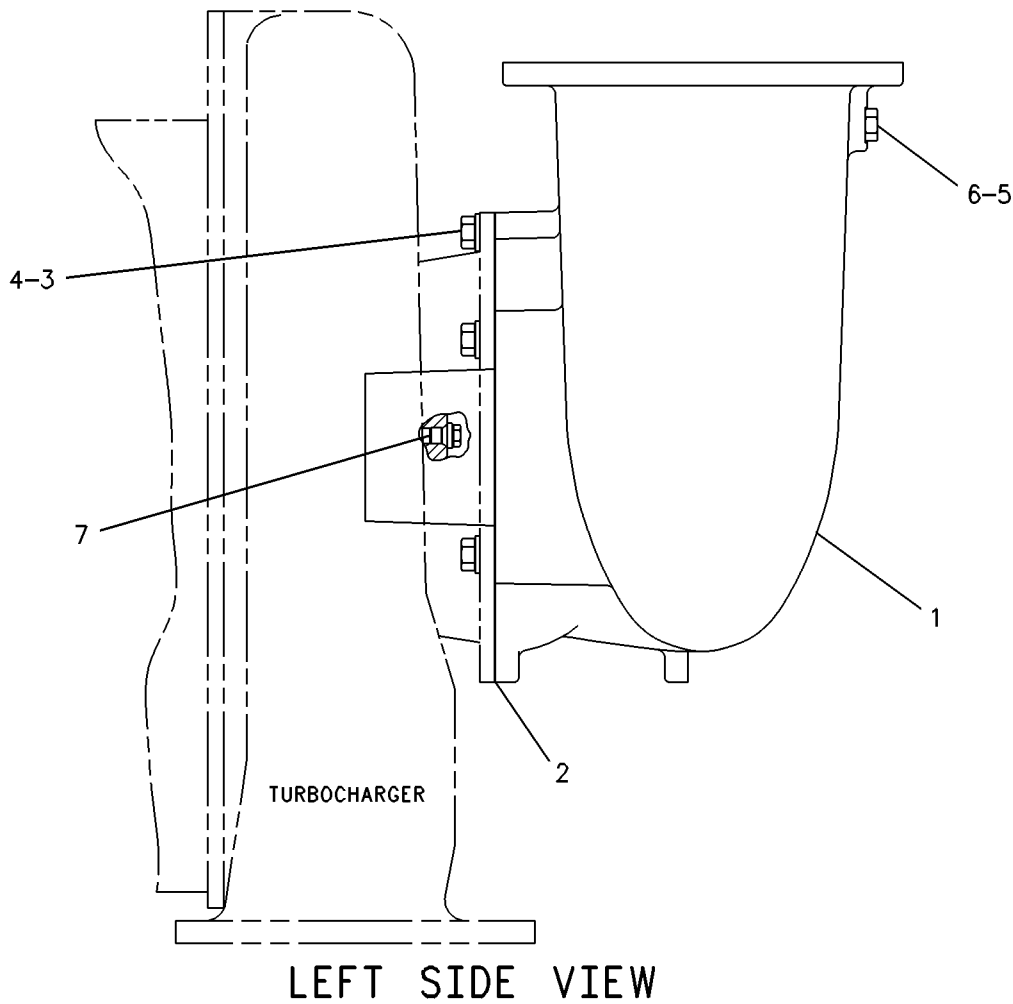
AIR INLET AND EXHAUST SYSTEM

105-3180 ELBOW GP-AIR INLET (CHG -00 THRU -03, -03D1, -03D2, -03D3, -03D4, -03D5)

SMCS-1087

i01551362

NOTE	REF NO	GRAPHIC REF	PART NUMBER	QTY	PART NAME						SEE PAGE
					1	2	3	4	5	6 (PRODUCT LEVEL)	
	1	1	130-6259	1	ELBOW						
	2	1	1W-9823	1	GASKET						
	3	1	030-8538	5	BOLT (1/2-13X1.25-IN)						
	4	1	5P-8245	5	WASHER-HARD (13.5X25.5X3-MM THK)						
	5	1	6V-5049	2	SEAL-O-RING						
	6	1	9S-4191	2	PLUG-O-RING						
	7	1	4W-9028	1	PLUG						



GRAPHIC #1

<END>

g00065602

AIR INLET AND EXHAUST SYSTEM

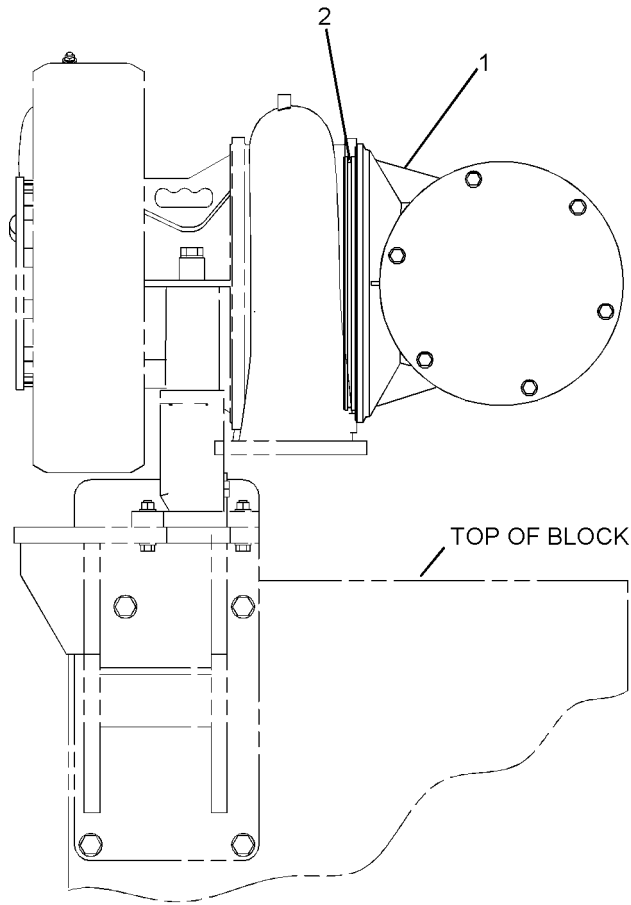
145-5660 ELBOW GP-AIR INLET (CHG -00 THRU -03)

SMCS-1087

i02251030

NOTE	REF NO	GRAPHIC REF	PART NUMBER	QTY	PART NAME						SEE PAGE
					1	2	3	4	5	6 (PRODUCT LEVEL)	
Y	1	1	258-8007	1	ELBOW GP-AIR INLET						236
	2	1	118-7536	1	SEAL-O-RING						

Y-SEPARATE ILLUSTRATION



REAR VIEW
<END>

GRAPHIC #1

g01133819

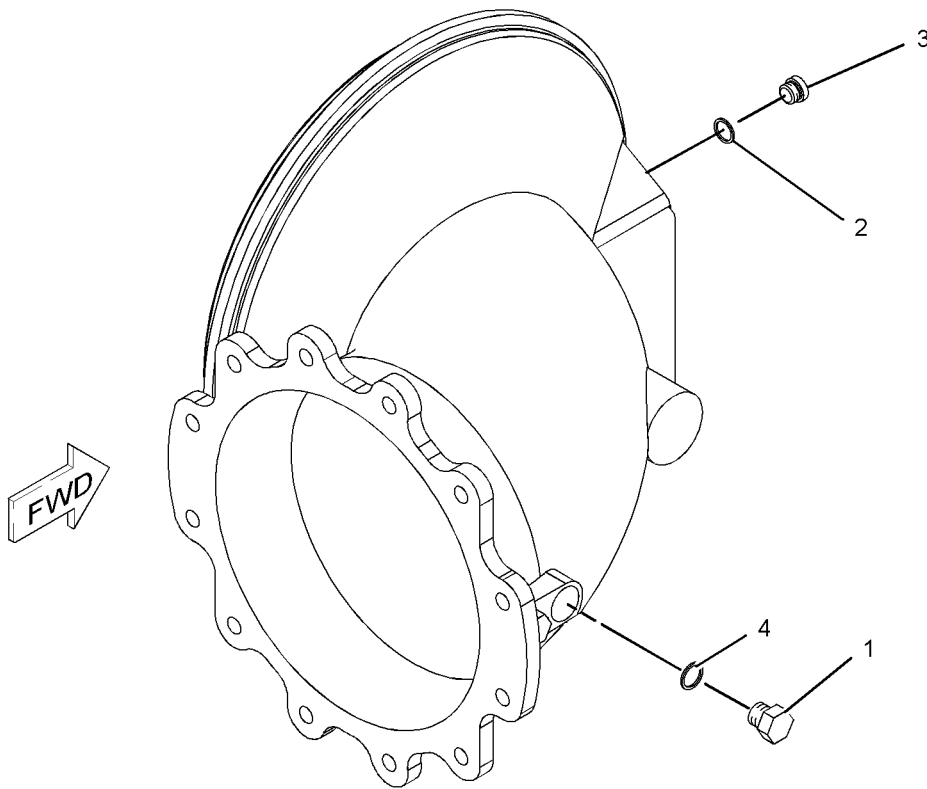
AIR INLET AND EXHAUST SYSTEM

258-8007 ELBOW GP-AIR INLET (CHG -00, -01) PART OF 145-5660 ELBOW GP-AIR INLET

SMCS-1087

i02250990

NOTE	REF NO	GRAPHIC REF	PART NUMBER	QTY	PART NAME						SEE PAGE
					1	2	3	4	5	6 (PRODUCT LEVEL)	
	1	1	3E-2331	2	PLUG						
	2	1	098-5800	1	WASHER-COPPER (16.2X20X1.5-MM THK)						
	3	1	137-4857	1	PLUG						
	4	1	151-2115	2	WASHER-COPPER (18X22X1.5-MM THK)						



GRAPHIC #1

<END>

g01134591

AIR INLET AND EXHAUST SYSTEM

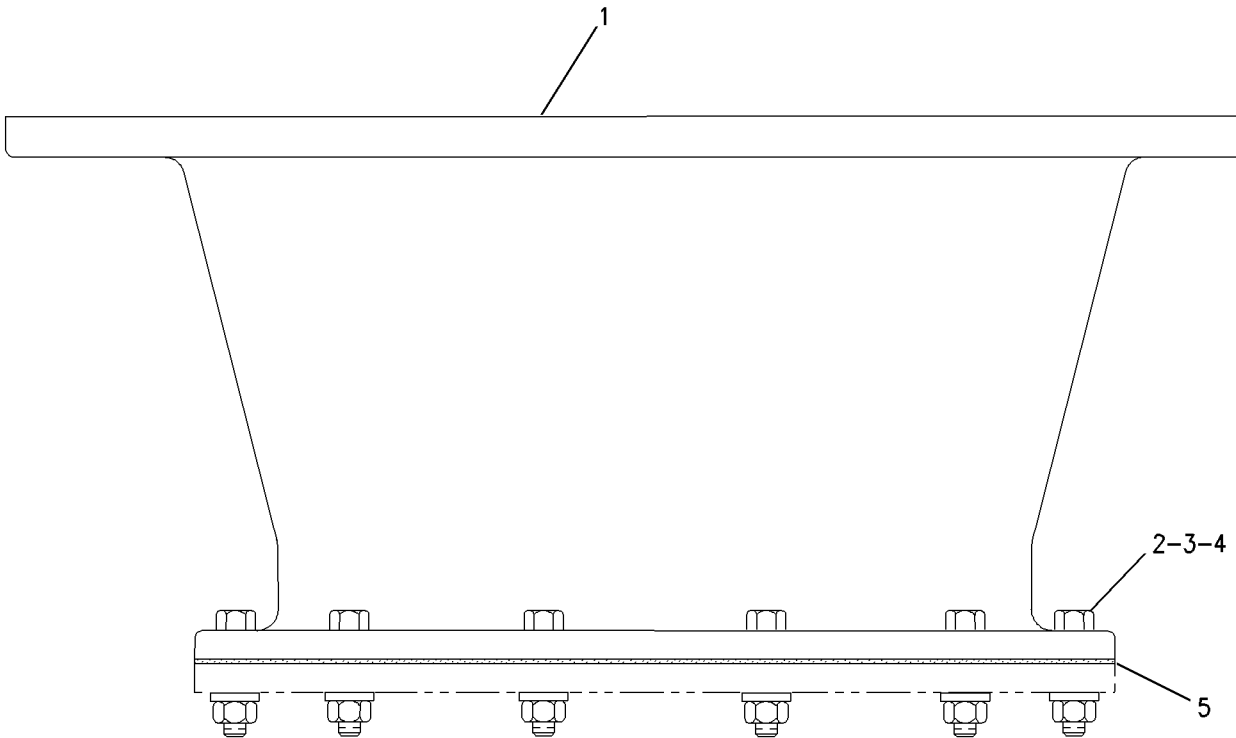
2W-2681 FITTING GP-EXHAUST (CHG -02 THRU -06) EXPANDER

SMCS-1061

i01552713

NOTE	REF NO	GRAPHIC REF	PART NUMBER	QTY	PART NAME						SEE PAGE
					1	2	3	4	5	6 (PRODUCT LEVEL)	
	1	1	2W-3031	1	FITTING-EXHAUST						
	2	1	9X-8873	12	BOLT (1/2-13X2.25-IN)						
	3	1	5P-8245	24	WASHER-HARD (13.5X25.5X3-MM THK)						
	4	1	1B-5357	12	NUT-FULL (1/2-13-THD)						
C	5	1	111-5822	1	GASKET-EXHAUST						

C-CHANGE FROM PREVIOUS TYPE



MOUNTED TO FLEXIBLE
EXHAUST FITTING

GRAPHIC #1

<END>

g00697435

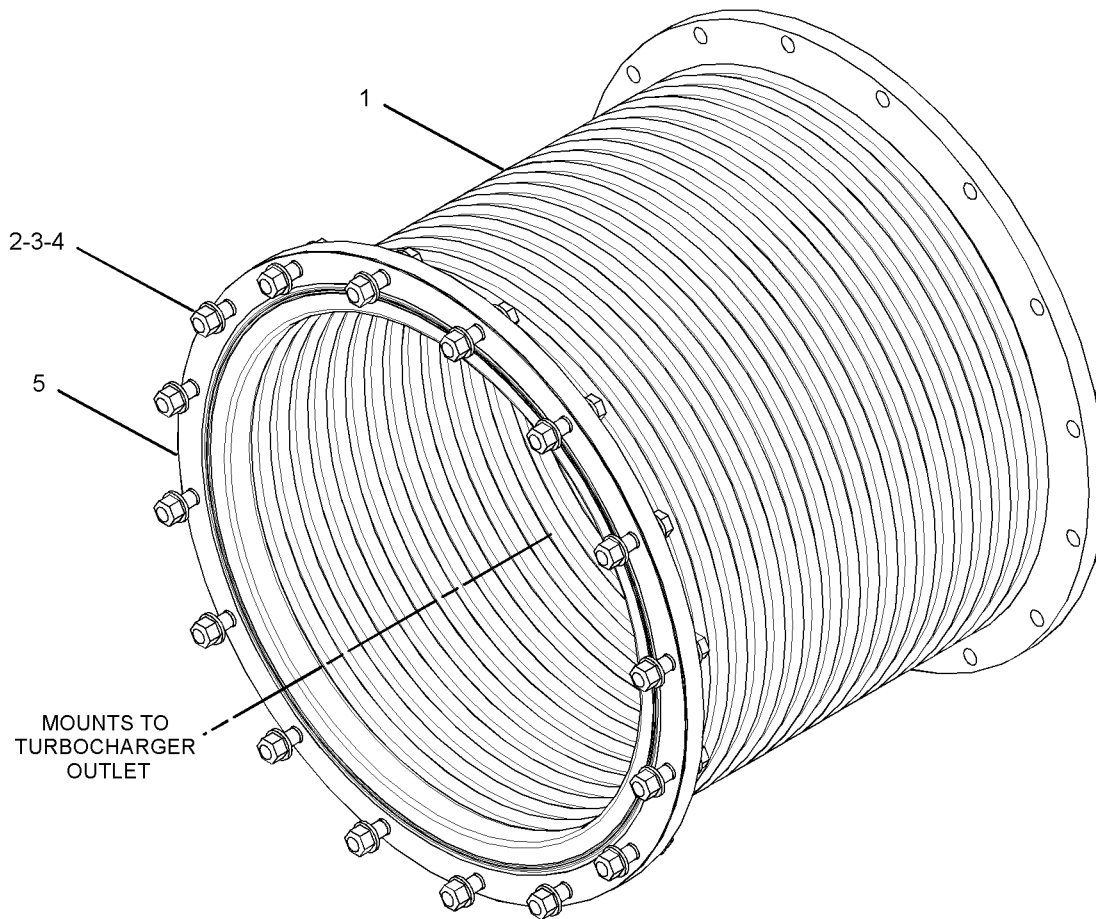
AIR INLET AND EXHAUST SYSTEM

2W-7889 FITTING GP-EXHAUST (CHG -02 THRU -08) FLEXIBLE, SIZE-18M

SMCS-1061

i03358543

NOTE	REF NO	GRAPHIC REF	PART NUMBER	QTY	PART NAME						SEE PAGE
					1	2	3	4	5	6 (PRODUCT LEVEL)	
	1	1	208-9471	1	BELLOWS AS						
	2	1	9X-8873	16	BOLT (1/2-13X2.25-IN)						
	3	1	5P-8245	32	WASHER-HARD (13.5X25.5X3-MM THK)						
	4	1	1B-5357	16	NUT-FULL (1/2-13-THD)						
	5	1	111-5819	1	GASKET-EXHAUST						



GRAPHIC #1

<END>

g01733358

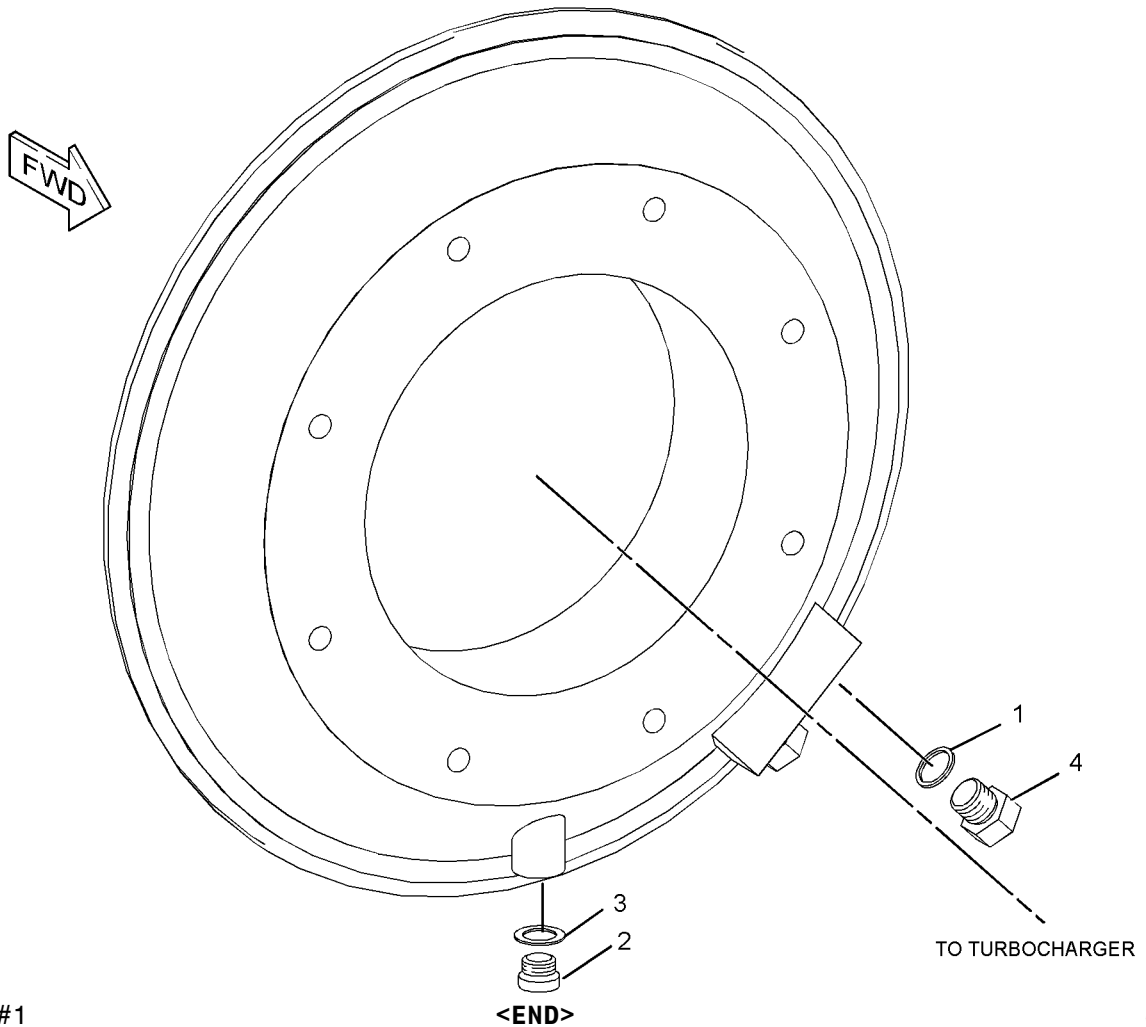
AIR INLET AND EXHAUST SYSTEM

176-3605 FLANGE GP-AIR INLET (CHG -00 THRU -04) PART OF 206-3581 ADAPTER GP-AIR CLEANER

SMCS-1052

i02434024

NOTE	REF NO	GRAPHIC REF	PART NUMBER	QTY	PART NAME						SEE PAGE
					1	2	3	4	5	6 (PRODUCT LEVEL)	
	1	1	151-2115	2	WASHER-COPPER (18X22X1.5-MM THK)						
	2	1	137-4857	1	PLUG						
	3	1	098-5800	1	WASHER-COPPER (16.2X20X1.5-MM THK)						
	4	1	3E-2331	2	PLUG						



GRAPHIC #1

g01215983

AIR INLET AND EXHAUST SYSTEM

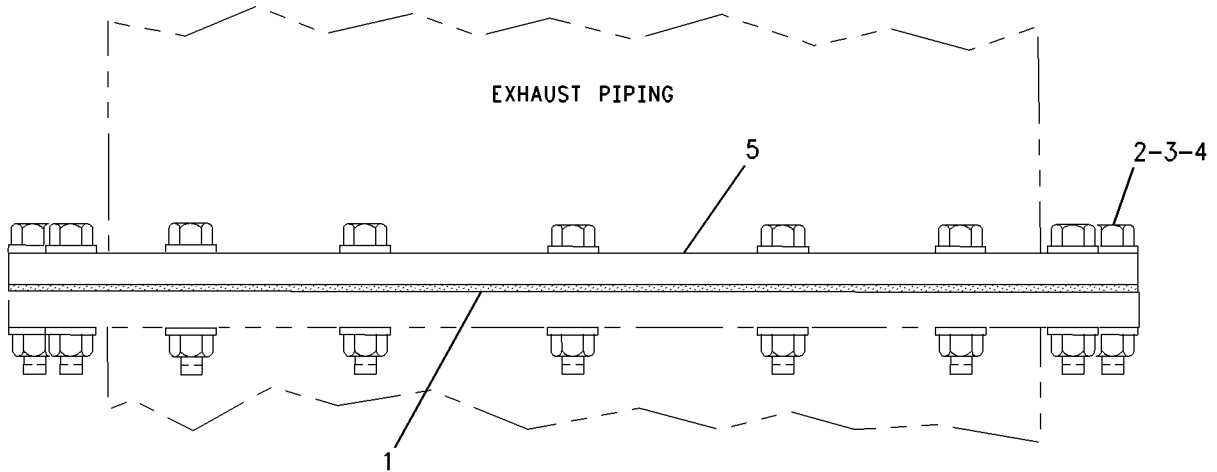
2W-2682 FLANGE GP-EXHAUST (CHG -02 THRU -05) 457.2-MM

SMCS-1061

i01553799

NOTE	REF NO	GRAPHIC REF	PART NUMBER	QTY	PART NAME						SEE PAGE
					1	2	3	4	5	6 (PRODUCT LEVEL)	
C	1	1	111-5819	1	GASKET - EXHAUST						
	2	1	9X-8873	16	BOLT (1/2-13X2.25-IN)						
	3	1	1B-5357	16	NUT-FULL (1/2-13-THD)						
	4	1	5P-8245	32	WASHER-HARD (13.5X25.5X3-MM THK)						
	5	1	2W-7886	1	FLANGE - EXHAUST						

C-CHANGE FROM PREVIOUS TYPE



GRAPHIC #1

<END>

g00697210

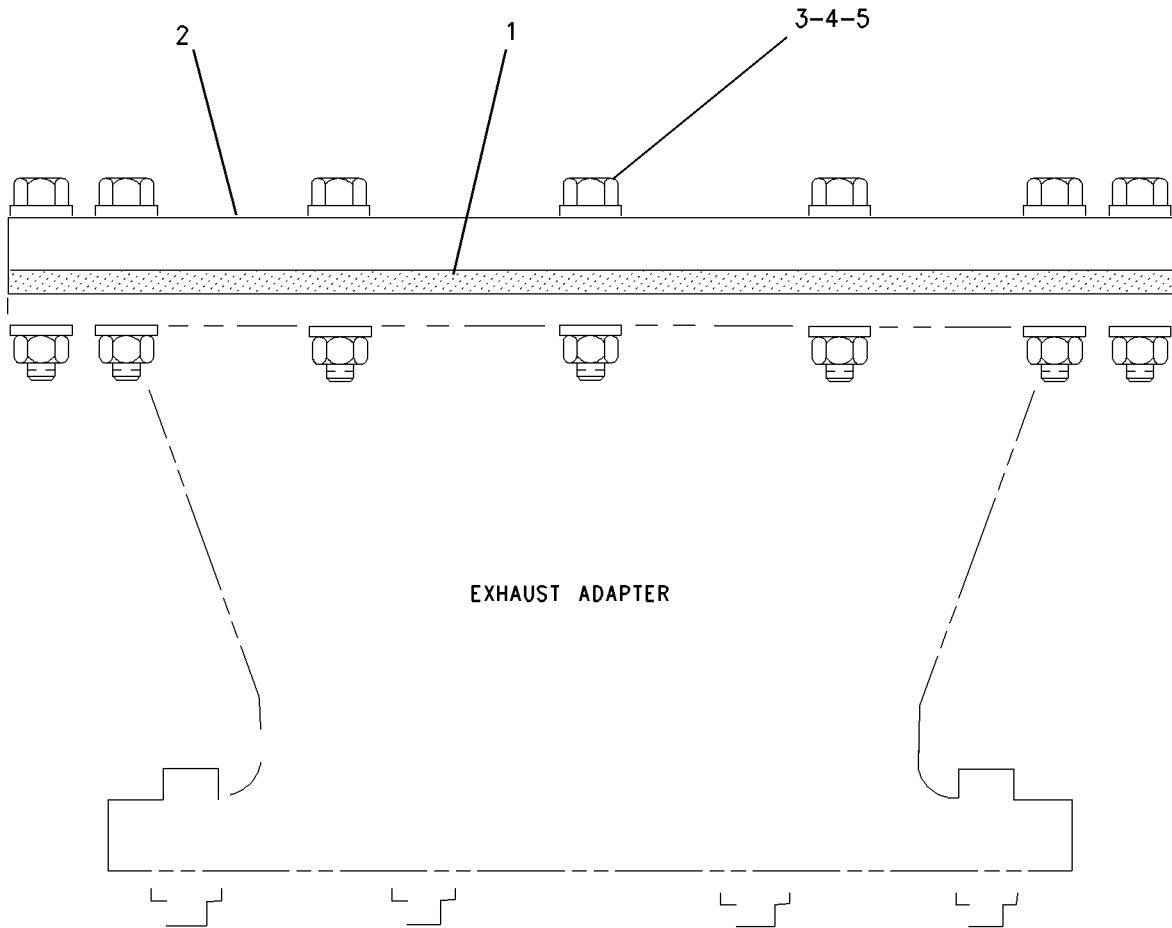
AIR INLET AND EXHAUST SYSTEM

2W-7756 FLANGE GP-EXHAUST (CHG -00, -01, -01D1 THRU -06) 355.61-MM

SMCS-1061

i02179545

NOTE	REF NO	GRAPHIC REF	PART NUMBER	QTY	PART NAME						SEE PAGE
					1	2	3	4	5	6 (PRODUCT LEVEL)	
	1	1	111-5822	1	GASKET - EXHAUST						
	2	1	2W-7755	1	FLANGE - EXHAUST						
	3	1	9X-8873	12	BOLT (1/2-13X2.25-IN)						
	4	1	5P-8245	24	WASHER-HARD (13.5X25.5X3-MM THK)						
	5	1	1B-5357	12	NUT-FULL (1/2-13-THD)						



GRAPHIC #1

<END>

g00788150

AIR INLET AND EXHAUST SYSTEM

254-9223 FLANGE GP-EXHAUST (CHG -00)

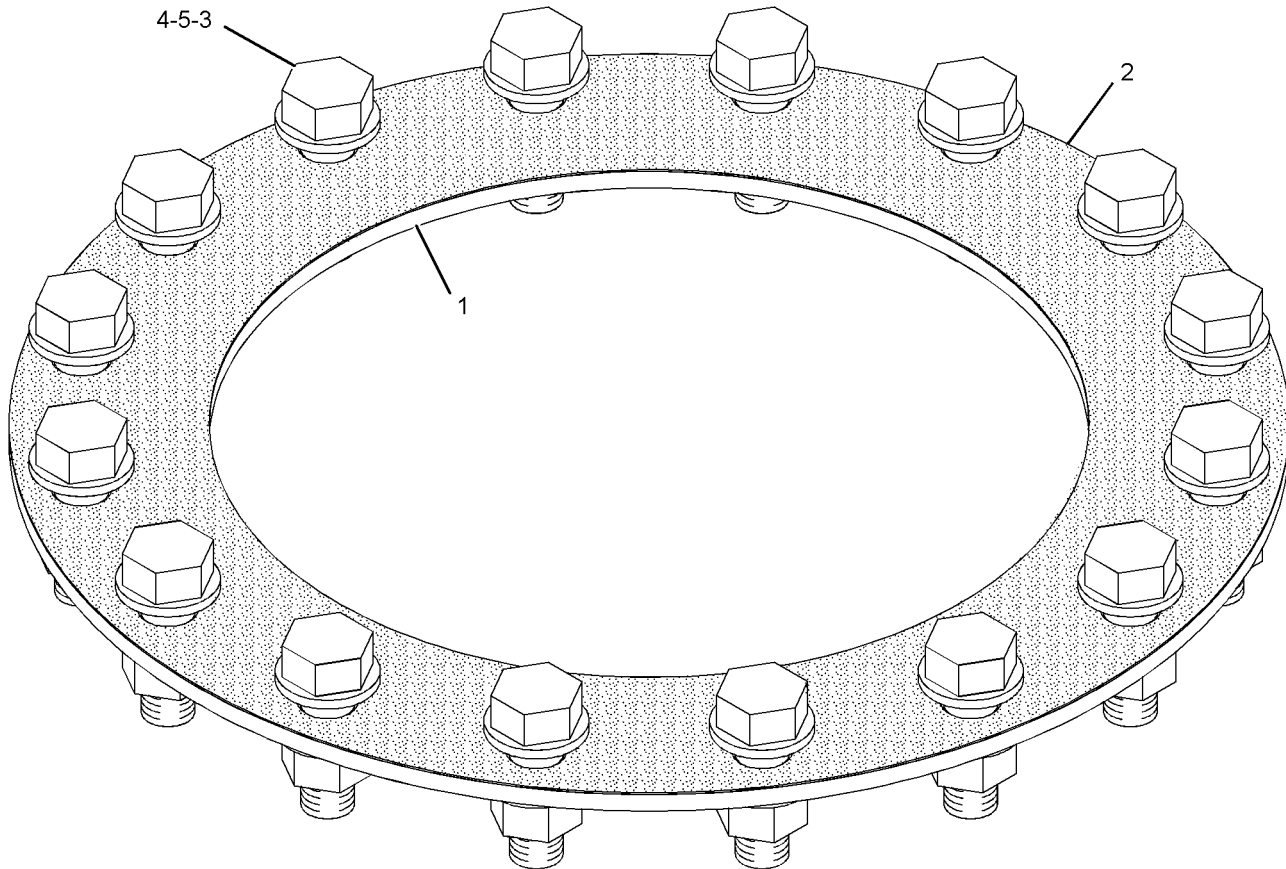
410.2-MM

FOR USE WITH OPTIONAL OXIDATION CATALYST

SMCS-1061

i02187581

NOTE	REF NO	GRAPHIC REF	PART NUMBER	QTY	PART NAME						SEE PAGE
					1	2	3	4	5	6 (PRODUCT LEVEL)	
	1	1	255-0839	1	FLANGE						
	2	1	255-0890	1	GASKET						
	3	1	1D-4709	16	BOLT (1-8X3-IN)						
	4	1	2J-3507	16	NUT-FULL (1-8-THD)						
	5	1	5P-8250	32	WASHER (28X49X5-MM THK)						



GRAPHIC #1

<END>

g01109305

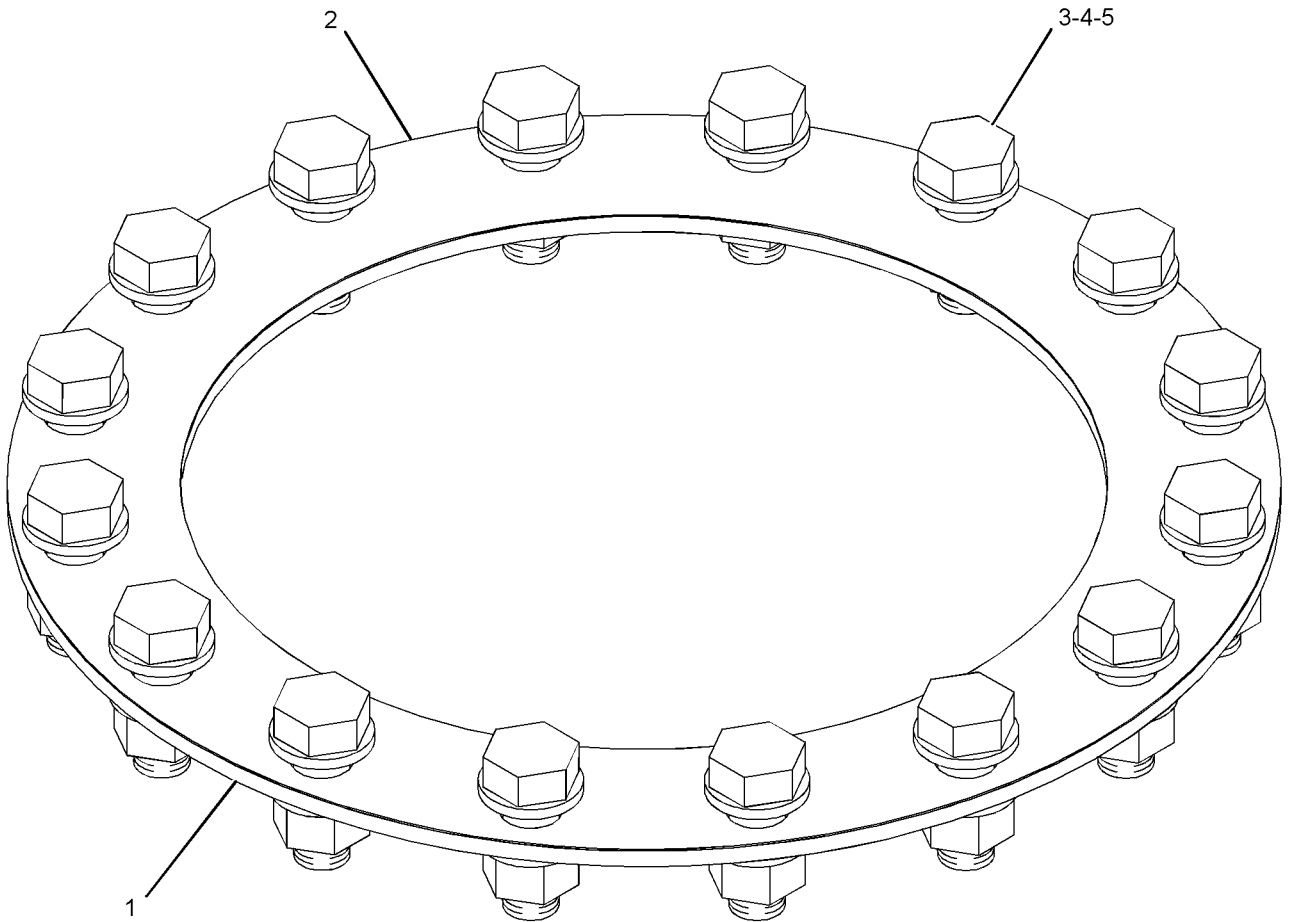
AIR INLET AND EXHAUST SYSTEM

254-9224 FLANGE GP-EXHAUST (CHG -00)

SMCS-1061

i02715954

NOTE	REF NO	GRAPHIC REF	PART NUMBER	QTY	PART NAME						SEE PAGE
					1	2	3	4	5	6 (PRODUCT LEVEL)	
	1	1	255-0840	1	FLANGE						
	2	1	255-0891	1	GASKET						
	3	1	1J-2814	16	BOLT (1-1/8-7X3-IN)						
	4	1	3S-1349	32	WASHER-HARD (31X52.5X6-MM THK)						
	5	1	4J-5977	16	NUT-FULL (1-1/8-7-THD)						



GRAPHIC #1

<END>

g01366738

AIR INLET AND EXHAUST SYSTEM

255-1276 FLANGE GP-EXHAUST (CHG -00)

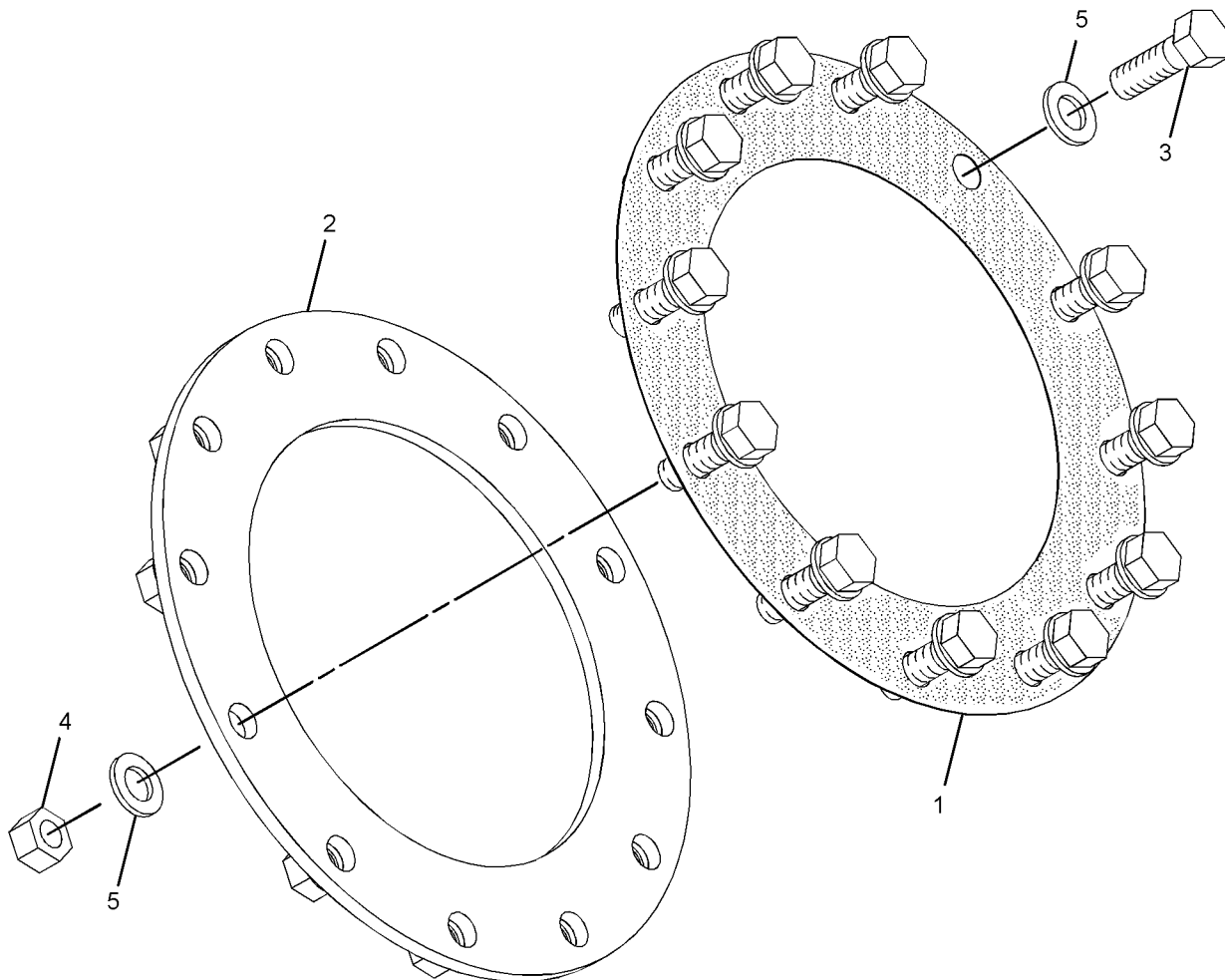
359.4-MM

FOR USE WITH OPTIONAL OXIDATION CATALYST

SMCS-1061

i02516678

NOTE	REF NO	GRAPHIC REF	PART NUMBER	QTY	PART NAME						SEE PAGE
					1	2	3	4	5	6 (PRODUCT LEVEL)	
	1	1	255-1274	1	GASKET						
	2	1	255-1275	1	FLANGE						
	3	1	1D-4709	12	BOLT (1-8X3-IN)						
	4	1	2J-3507	12	NUT-FULL (1-8-THD)						
	5	1	5P-8250	24	WASHER (28X49X5-MM THK)						



GRAPHIC #1

<END>

g01280906

AIR INLET AND EXHAUST SYSTEM

172-4348 LINES GP-AIR (CHG -00 THRU -02, -02D1 THRU -04, -04D1, -05)

SMCS-1071

i02491958

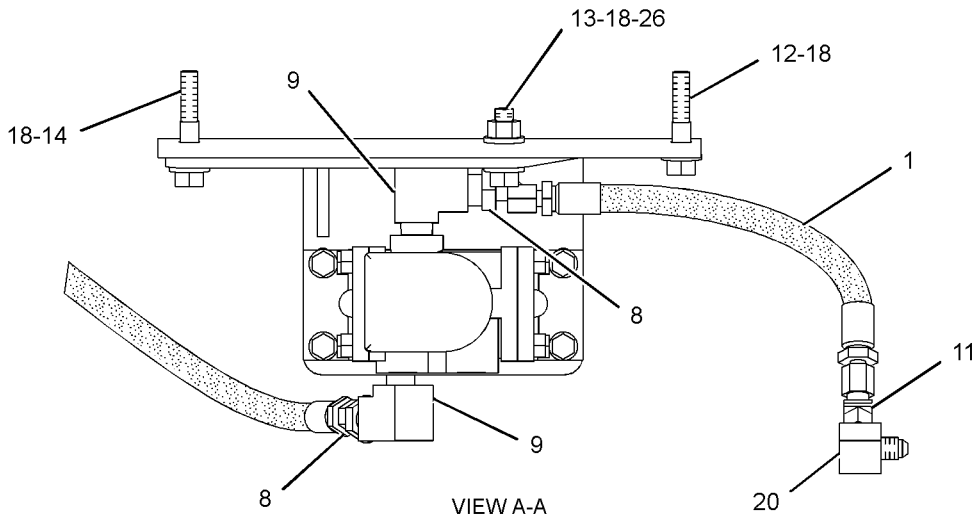
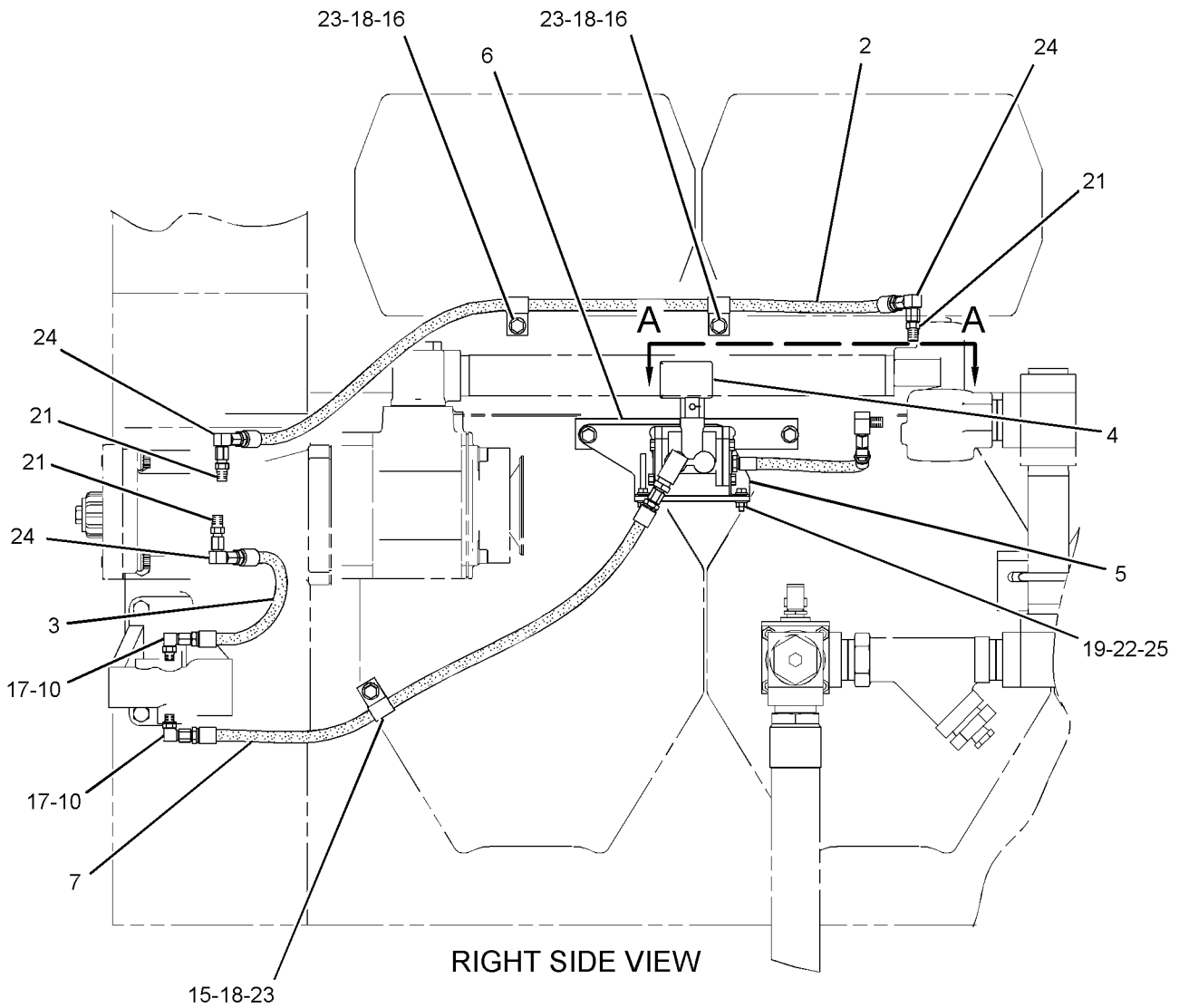
NOTE	REF NO	GRAPHIC REF	PART NUMBER	QTY	PART NAME						SEE PAGE
					1	2	3	4	5	6 (PRODUCT LEVEL)	
I	1	1	2W-7249	1	HOSE AS						
I	2	1	5N-5646	1	HOSE AS						
I	3	1	9G-4523	1	HOSE AS						
	4	1	9X-7206	1	VALVE-SOLENOID (24-VOLT) (AIR START)						
	5	1	115-2180	1	BRACKET AS						
	6	1	142-0397	1	BRACKET						
I	7	1	256-3861	1	HOSE AS						
	8	1	001-6449	2	CONNECTOR						
	9	1	003-2143	2	ELBOW						
	10	1	030-7946	2	ELBOW						
	11	1	030-7961	1	ELBOW						
	12	1	0S-1571	1	BOLT (3/8-16X1.75-IN)						
	13	1	0S-1588	1	BOLT (3/8-16X1.25-IN)						
	14	1	0S-1590	1	BOLT (3/8-16X2-IN)						
	15	1	0S-1591	1	BOLT (3/8-16X1.5-IN)						
	16	1	1A-2029	2	BOLT (3/8-16X1.125-IN)						
	17	1	3J-7354	2	SEAL-O-RING						
	18	1	3V-3308	7	WASHER-HARD (10.2X20.5X2.5-MM THK)						
	19	1	4F-7957	4	BOLT (1/4-20X0.875-IN)						
	20	1	4R-8605	1	ELBOW						
	21	1	4S-6399	3	CONNECTOR						
	22	1	5P-0537	8	WASHER-HARD (7.2X14.5X2-MM THK)						
	23	1	6D-3479	3	CLIP						
	24	1	7K-9197	3	ELBOW						
	25	1	9S-8750	4	NUT-FULL (1/4-20-THD)						
	26	1	9S-8752	1	NUT-FULL (3/8-16-THD)						

I-REFER TO HYDRAULIC INFORMATION SYSTEM

AIR INLET AND EXHAUST SYSTEM

172-4348 LINES GP-AIR (contd.)

i02491958



GRAPHIC #1

<END>

g01245816

AIR INLET AND EXHAUST SYSTEM

172-4348 LINES GP-AIR (CHG -06, -06D1)

SMCS-1071

i02763615

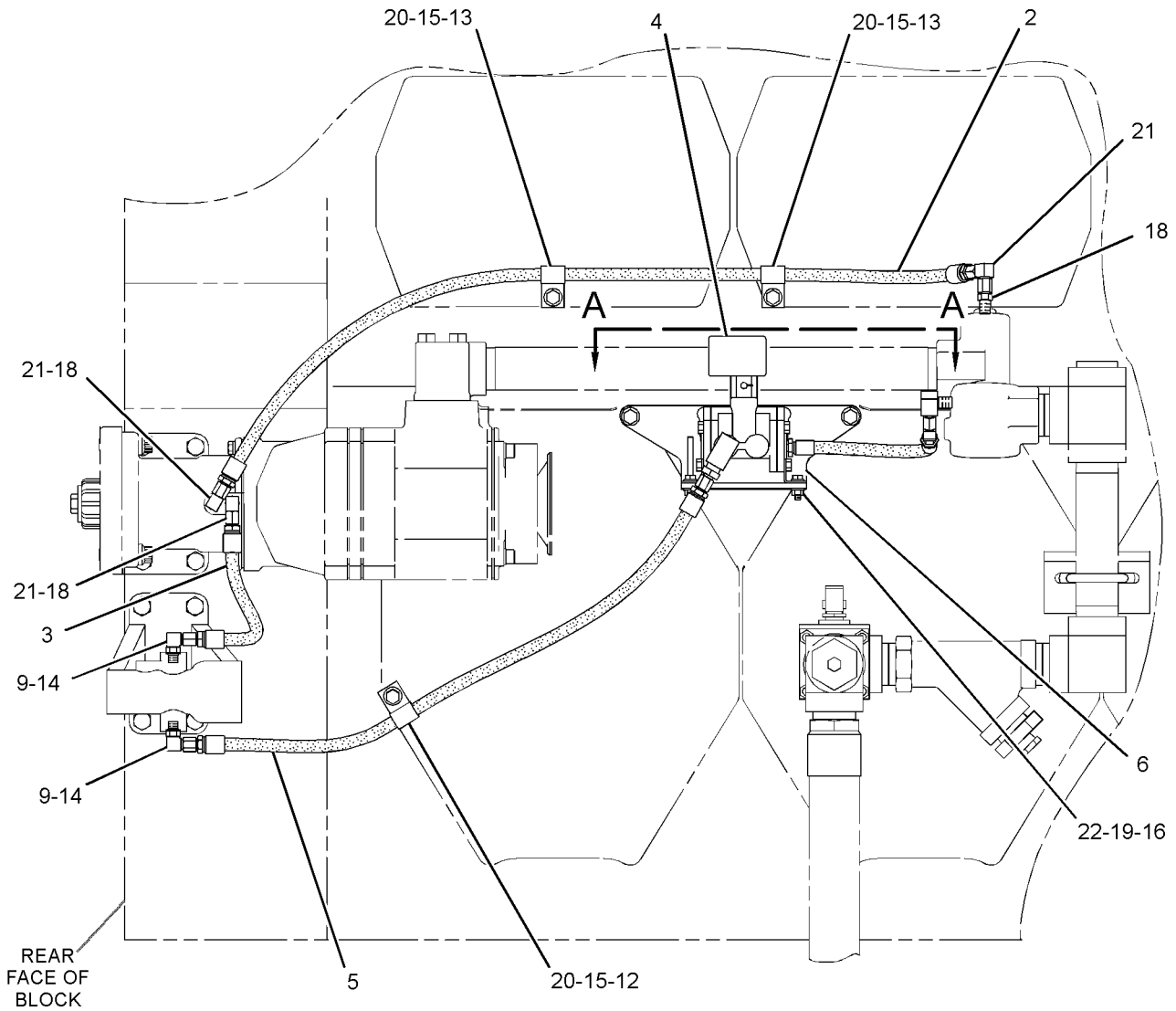
NOTE	REF NO	GRAPHIC REF	PART NUMBER	QTY	PART NAME						SEE PAGE
					1	2	3	4	5	6 (PRODUCT LEVEL)	
I	1	1	2W-7249	1	HOSE AS						
I	2	1	5N-5646	1	HOSE AS						
I	3	1	7V-1037	1	HOSE AS						
	4	1	9X-7206	1	VALVE-SOLENOID (24-VOLT) (AIR START)						
I	5	1	256-3861	1	HOSE AS						
C	6	1	291-4185	1	BRACKET AS						
	7	1	001-6449	2	CONNECTOR						
	8	1	003-2143	2	ELBOW						
	9	1	030-7946	2	ELBOW						
	10	1	030-7961	1	ELBOW						
C	11	1	0S-1571	2	BOLT (3/8-16X1.75-IN)						
	12	1	0S-1591	1	BOLT (3/8-16X1.5-IN)						
	13	1	1A-2029	2	BOLT (3/8-16X1.125-IN)						
	14	1	3J-7354	2	SEAL-O-RING						
C	15	1	3V-3308	5	WASHER-HARD (10.2X20.5X2.5-MM THK)						
	16	1	4F-7957	4	BOLT (1/4-20X0.875-IN)						
	17	1	4R-8605	1	ELBOW						
	18	1	4S-6399	3	CONNECTOR						
	19	1	5P-0537	8	WASHER-HARD (7.2X14.5X2-MM THK)						
	20	1	6D-3479	3	CLIP						
	21	1	7K-9197	3	ELBOW						
	22	1	9S-8750	4	NUT-FULL (1/4-20-THD)						

C-CHANGE FROM PREVIOUS TYPE
 I-REFER TO HYDRAULIC INFORMATION SYSTEM

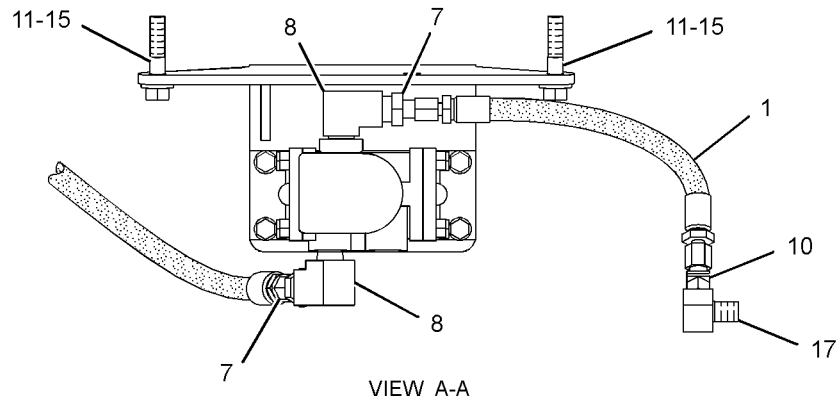
AIR INLET AND EXHAUST SYSTEM

172-4348 LINES GP-AIR (contd.)

i02763615



RIGHT SIDE VIEW OF ENGINE



VIEW A-A

<END>

GRAPHIC #1

g01389159

AIR INLET AND EXHAUST SYSTEM

213-6461 LINES GP-AIR (CHG -01 THRU -04) AIR INLET CHOKE

SMCS-1071

i02093484

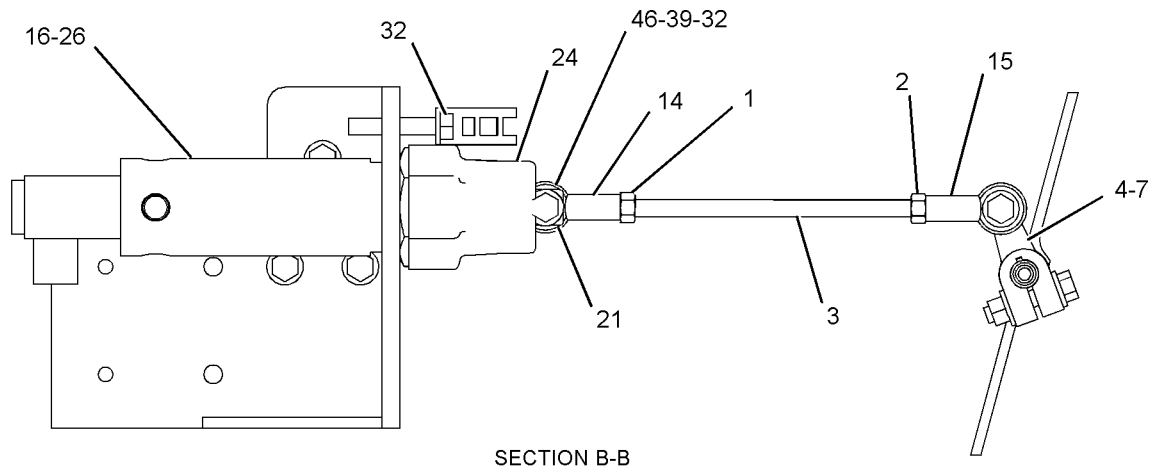
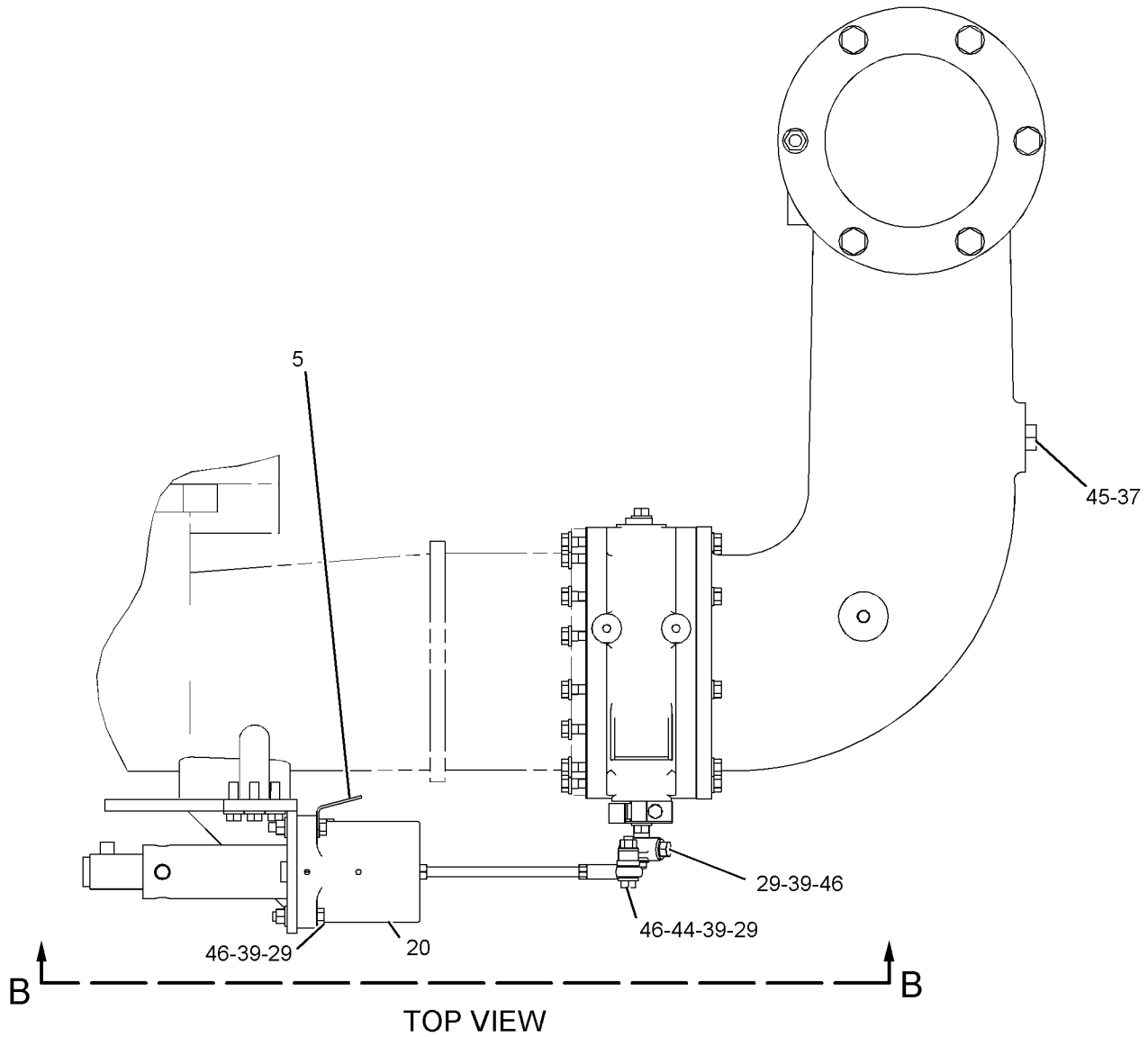
NOTE	REF NO	GRAPHIC REF	PART NUMBER	QTY	PART NAME						SEE PAGE
					1	2	3	4	5	6 (PRODUCT LEVEL)	
	1	1	1S-3584	1	NUT-FULL (3/8-24 LH-THD)						
	2	1	3S-2713	1	NUT-FULL (3/8-24-THD)						
	3	1	4P-0391	1	ROD						
	4	1	4P-0394	1	LEVER						
	5	1	4P-8134	1	CLIP						
	6	2	4W-7394	2	GASKET						
	7	1	5H-2532	1	KEY-WOODRUFF						
	8	2	6I-0728	1	PLATE-BUTTERFLY						
	9	2	6I-1703	1	HOUSING AS						
		2	5P-0547	1	SEAL-LIP TYPE						
		2	6V-3365	1	SEAL-LIP TYPE						
		2	162-4217	2	BEARING-SLEEVE						
	10	2	6I-1705	1	WASHER						
	11	2	6I-1706	1	COVER AS						
	12	2	6I-1707	1	PLATE-STOP						
	13	2	6I-1708	1	PLATE						
	14	1	7X-7874	1	ROD END						
	15	1	7X-7875	1	ROD END						
	16	1	8H-3390	1	NUT-FULL (1-1/2-12-THD)						
	17	2	010-2575	1	SETSCREW (1/4-20X1-IN)						
	18	2	130-3357	1	BRACKET AS						
	19	2	130-3359	1	SHAFT						
	20	1	176-3583	2	GUARD						
	21	1	176-3587	1	CLEVIS						
	22	2	183-7232	1	BELLOWS AS						
	23	2	191-0956	1	ELBOW						
	24	1	193-7879	1	BOOT						
	25	2	197-6232	2	GASKET						
CYR	26	1	211-8175	1	ACTUATOR GP-ELECTRONIC						300
	27	2	031-0214	3	BOLT-LOCKING (1/4-20X0.5-IN)						
	28	2	0S-1566	6	BOLT (5/8-11X1.5-IN)						
	29	1,2	0S-1571	7	BOLT (3/8-16X1.75-IN)						
	30	2	0S-1588	3	BOLT (3/8-16X1.25-IN)						
	31	2	0S-1589	5	BOLT (5/8-11X1.75-IN)						
	32	1	0S-1590	2	BOLT (3/8-16X2-IN)						
	33	2	0S-1591	16	BOLT (3/8-16X1.5-IN)						
	34	2	0S-1594	2	BOLT (3/8-16X1-IN)						
	35	2	1A-9579	1	BOLT (5/16-18X1.5-IN)						
	36	2	1F-7958	1	NUT-FULL (1/2-13-THD)						
	37	1	2M-9780	1	SEAL-O-RING						
	38	2	2S-5658	11	WASHER-HARD (17X29X3-MM THK)						
	39	1,2	3V-3308	25	WASHER-HARD (10.2X20.5X2.5-MM THK)						
	40	2	5M-2894	8	WASHER-HARD (10.2X18.5X2.5-MM THK)						
	41	2	5P-8245	1	WASHER-HARD (13.5X25.5X3-MM THK)						
	42	2	5S-0003	1	NUT (5/16-18-THD)						
	43	2	8B-7997	1	BOLT (1/2-13X2-IN)						
	44	1	8M-9024	1	WASHER-HARD (10.2X22.5X5-MM THK)						
	45	1	9S-4190	1	PLUG-O-RING						
	46	1	9S-8752	7	NUT-FULL (3/8-16-THD)						

C-CHANGE FROM PREVIOUS TYPE
R-REMG PART MAY BE AVAILABLE
Y-SEPARATE ILLUSTRATION

AIR INLET AND EXHAUST SYSTEM

213-6461 LINES GP-AIR (contd.)

i02093484



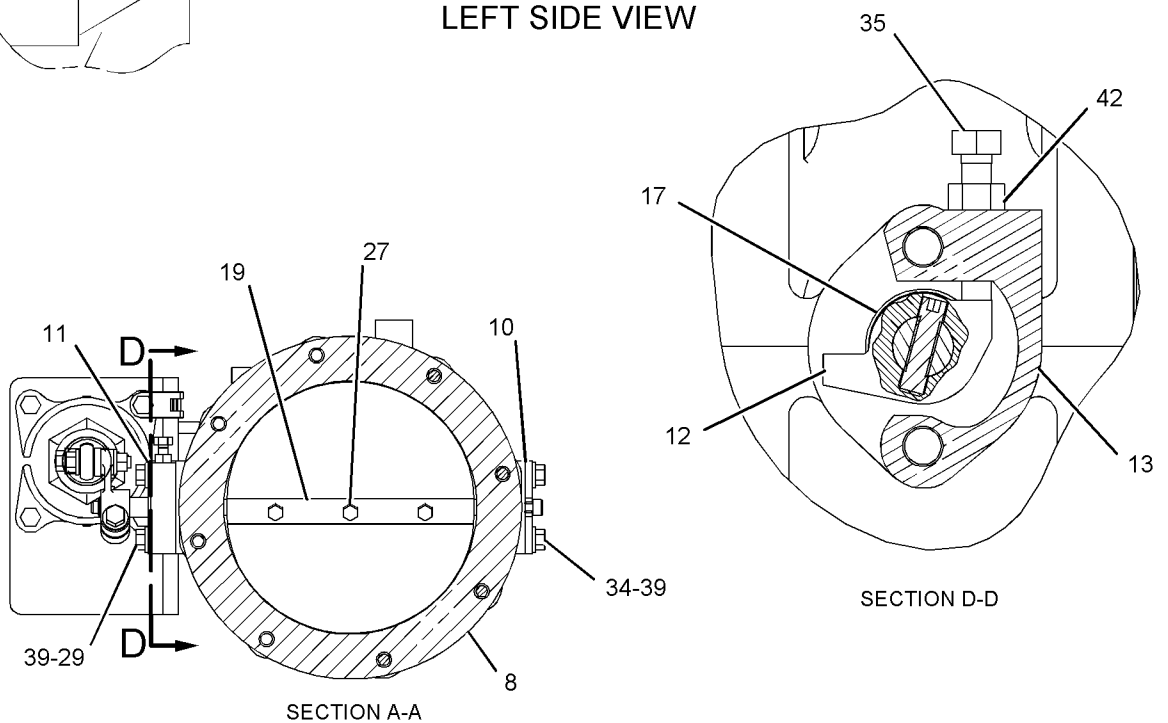
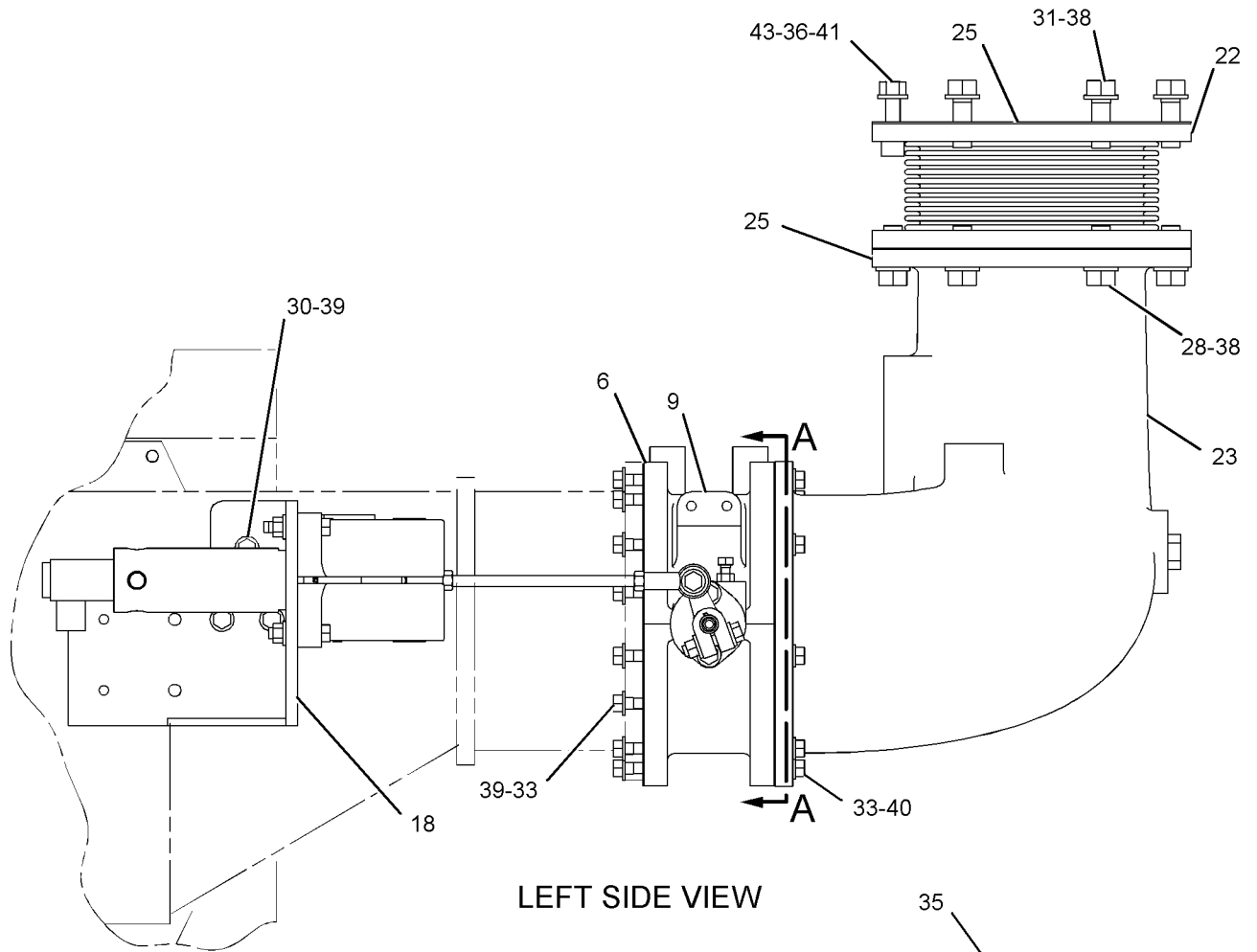
GRAPHIC #1

g01060917

AIR INLET AND EXHAUST SYSTEM

213-6461 LINES GP-AIR (contd.)

i02093484



GRAPHIC #2

<END>

g01060918

AIR INLET AND EXHAUST SYSTEM

219-2856 LINES GP-AIR (CHG -00 THRU -04) ELECTRONIC CONTROL AIR PRELUBE. RH

SMCS-1071

i02909046

NOTE	REF NO	GRAPHIC REF	PART NUMBER	QTY	PART NAME						SEE PAGE
					1	2	3	4	5	6 (PRODUCT LEVEL)	
I	1	1	1Y-3541	1	HOSE AS						
	2	2	2D-7325	1	TEE-PIPE						
	3	2	3D-4022	1	CROSS						
J	4	1	4W-2100	1	VALVE GP-PRESSURE REDUCING						
I	5	1	6N-8659	1	HOSE AS						
	6	2	7M-9544	1	VALVE (AIR STARTING MOTOR)						
Y	7	1	7W-0522	1	LUBRICATOR GP-AIR MOTOR						375
I	8	1	8V-0295	1	HOSE AS						
	9	1	1P-7625	1	ELBOW						
	10	2	160-2546	4	BRACKET						
Y	11	1	164-0717	1	VALVE GP-SOLENOID						413
	12	1	165-7805	1	VALVE-AIR RELIEF						
	13	1	168-7913	1	PLATE AS						
		1	1F-0750	2	NUT-WELD (3/8-16-THD)						
	14	2	168-7914	1	BRACKET						
	15	1	001-6449	2	CONNECTOR						
	16	1	003-2143	2	ELBOW						
	17	1	030-7961	1	ELBOW						
	18	2	0S-1588	8	BOLT (3/8-16X1.25-IN)						
	19	1,2	105-1860	3	NIPPLE-PIPE						
	20	1	1Y-0412	2	ELBOW-PIPE						
	21	2	3B-7866	1	NIPPLE-PIPE						
	22	2	4S-6399	2	CONNECTOR						
	23	2	5B-4855	2	BUSHING-REDUCER						
	24	2	6B-3104	1	NIPPLE-PIPE						
	25	1	6D-3479	1	CLIP						
	26	1	315-9825	1	ADAPTER						
	27	2	7K-4667	1	U-BOLT						
	28	2	7K-9197	2	ELBOW						
	29	2	8T-6762	1	PLUG-PIPE						
	30	2	8T-6765	1	PLUG-PIPE						
	31	2	9L-9132	18	WASHER (10.2X25.5X2.5-MM THK)						
	32	1	9M-6522	1	CONNECTOR						
	33	2	9M-8729	4	U-BOLT						
	34	2	9S-8752	10	NUT-FULL (3/8-16-THD)						
	35	1	3K-0360	1	SEAL-O-RING						

AVAILABLE REPAIR KIT(S):

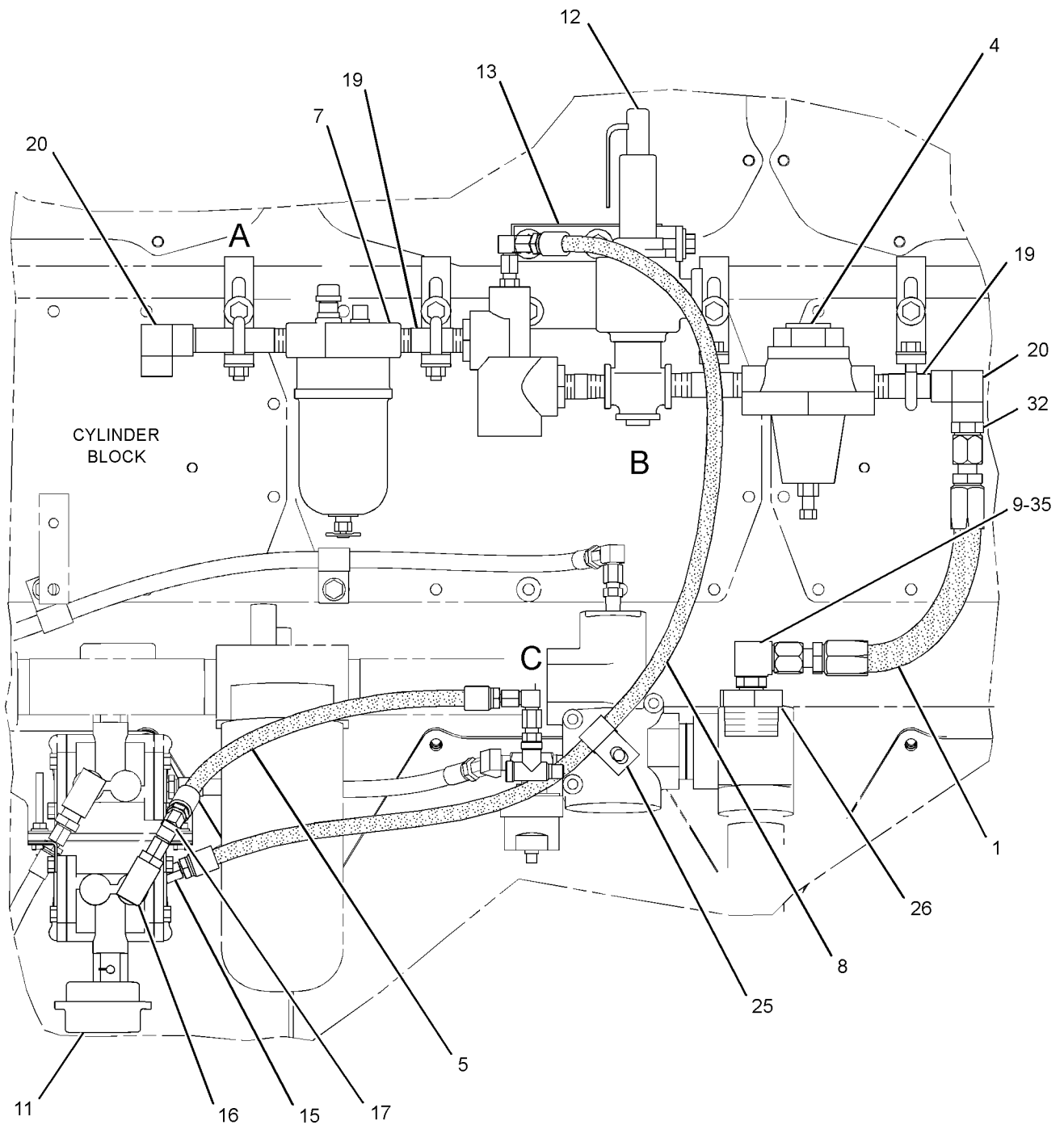
J			7W-2819	1	KIT-RELIEF VALVE (PRESSURE) (INCLUDES DIAPHRAGM, CYLINDER, PISTON ASSEMBLY, SCREEN, GASKET AND SPRING)						
---	--	--	---------	---	-----------------------------------------------------------------------------------------------------------	--	--	--	--	--	--

I-REFER TO HYDRAULIC INFORMATION SYSTEM
 J-KIT MARKED J AVAILABLE FOR PART MARKED J
 Y-SEPARATE ILLUSTRATION

AIR INLET AND EXHAUST SYSTEM

219-2856 LINES GP-AIR (contd.)

i02909046



RIGHT SIDE VIEW

REFER TO ALL ILLUSTRATIONS OF THIS GROUP FOR AUXILIARY VIEWS

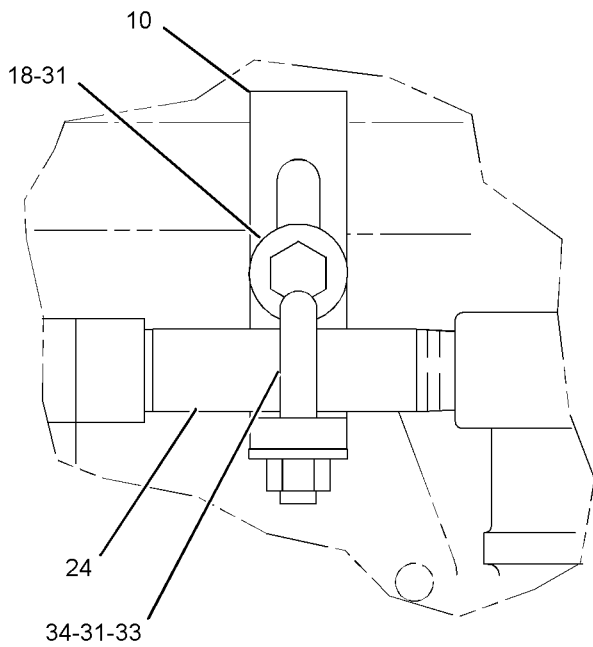
GRAPHIC #1

g01447778

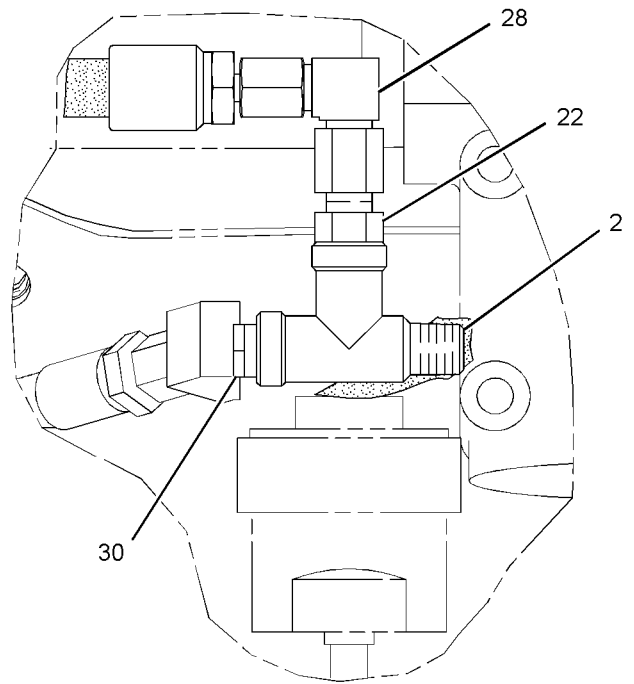
AIR INLET AND EXHAUST SYSTEM

219-2856 LINES GP-AIR (contd.)

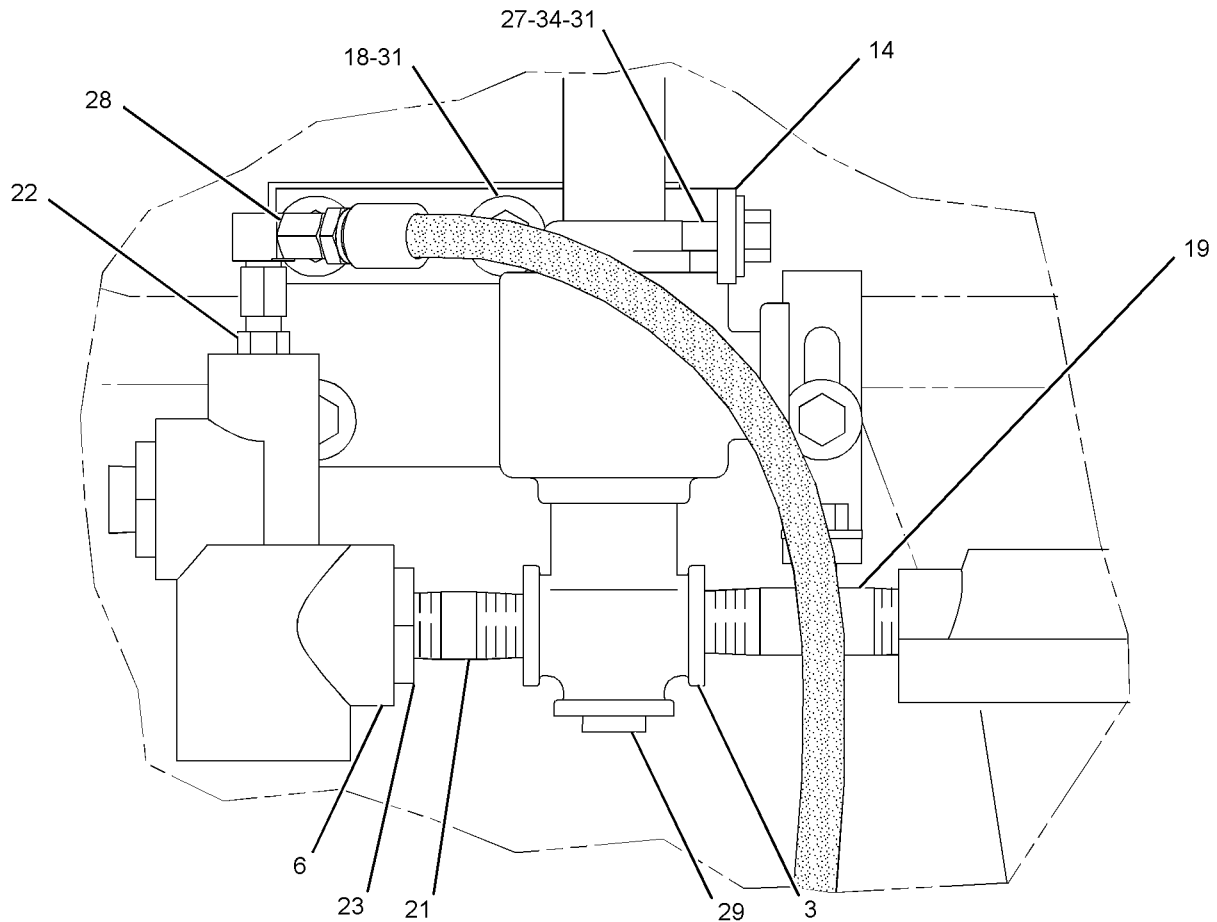
i02909046



VIEW OF AREA A



VIEW OF AREA C



VIEW OF AREA B

<END>

GRAPHIC #2

g01192615

AIR INLET AND EXHAUST SYSTEM

219-2857 LINES GP-AIR (CHG -00, -00D1, -01, -01D1 THRU -03, -03D1, -04)
24VDC. STARTING MOTOR CONTROL

SMCS-1071

i02536381

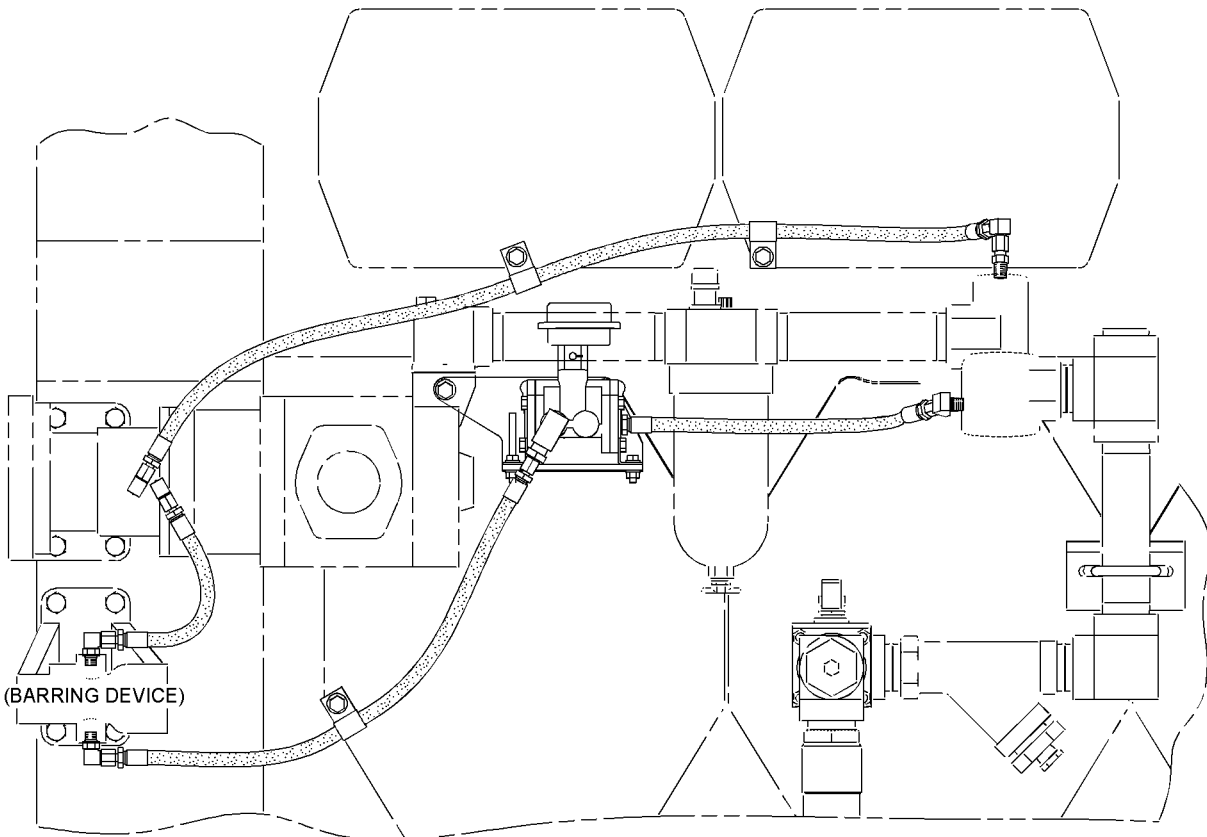
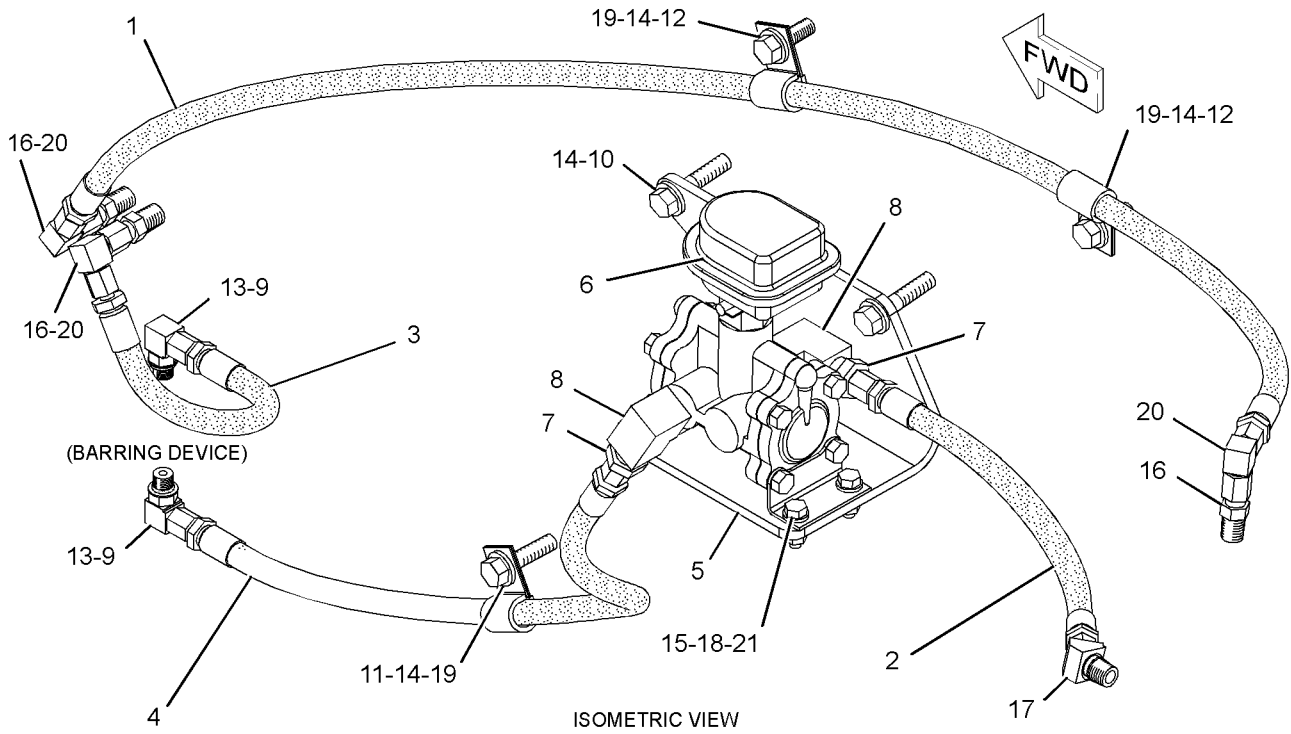
NOTE	REF NO	GRAPHIC REF	PART NUMBER	QTY	PART NAME						SEE PAGE
					1	2	3	4	5	6 (PRODUCT LEVEL)	
I	1	1	5N-5646	1	HOSE AS						
I	2	1	6N-8659	1	HOSE AS						
I	3	1	9G-4523	1	HOSE AS						
I	4	1	9G-4524	1	HOSE AS						
	5	1	115-2180	1	BRACKET AS						
Y	6	1	164-0717	1	VALVE GP-SOLENOID						413
	7	1	001-6449	2	CONNECTOR						
	8	1	003-2143	2	ELBOW						
	9	1	030-7946	2	ELBOW						
	10	1	0S-1571	2	BOLT (3/8-16X1.75-IN)						
	11	1	0S-1591	1	BOLT (3/8-16X1.5-IN)						
	12	1	1A-2029	2	BOLT (3/8-16X1.125-IN)						
	13	1	3J-7354	2	SEAL-O-RING						
	14	1	3V-3308	5	WASHER-HARD (10.2X20.5X2.5-MM THK)						
	15	1	4F-7957	4	BOLT (1/4-20X0.875-IN)						
	16	1	4S-6399	3	CONNECTOR						
	17	1	4R-8605	1	ELBOW						
	18	1	5P-0537	8	WASHER-HARD (7.2X14.5X2-MM THK)						
	19	1	6D-3479	3	CLIP						
	20	1	7K-9197	3	ELBOW						
	21	1	9S-8750	4	NUT-FULL (1/4-20-THD)						

I-REFER TO HYDRAULIC INFORMATION SYSTEM
Y-SEPARATE ILLUSTRATION

AIR INLET AND EXHAUST SYSTEM

219-2857 LINES GP-AIR (contd.)

i02536381



GRAPHIC #1

RIGHT SIDE VIEW

<END>

g01191499

AIR INLET AND EXHAUST SYSTEM

219-2858 LINES GP-AIR

(CHG -00 THRU -04, -04D1 THRU -08, -08D1 THRU -10, -10D1, -11)

TURBINE

SMCS-1071

i03388191

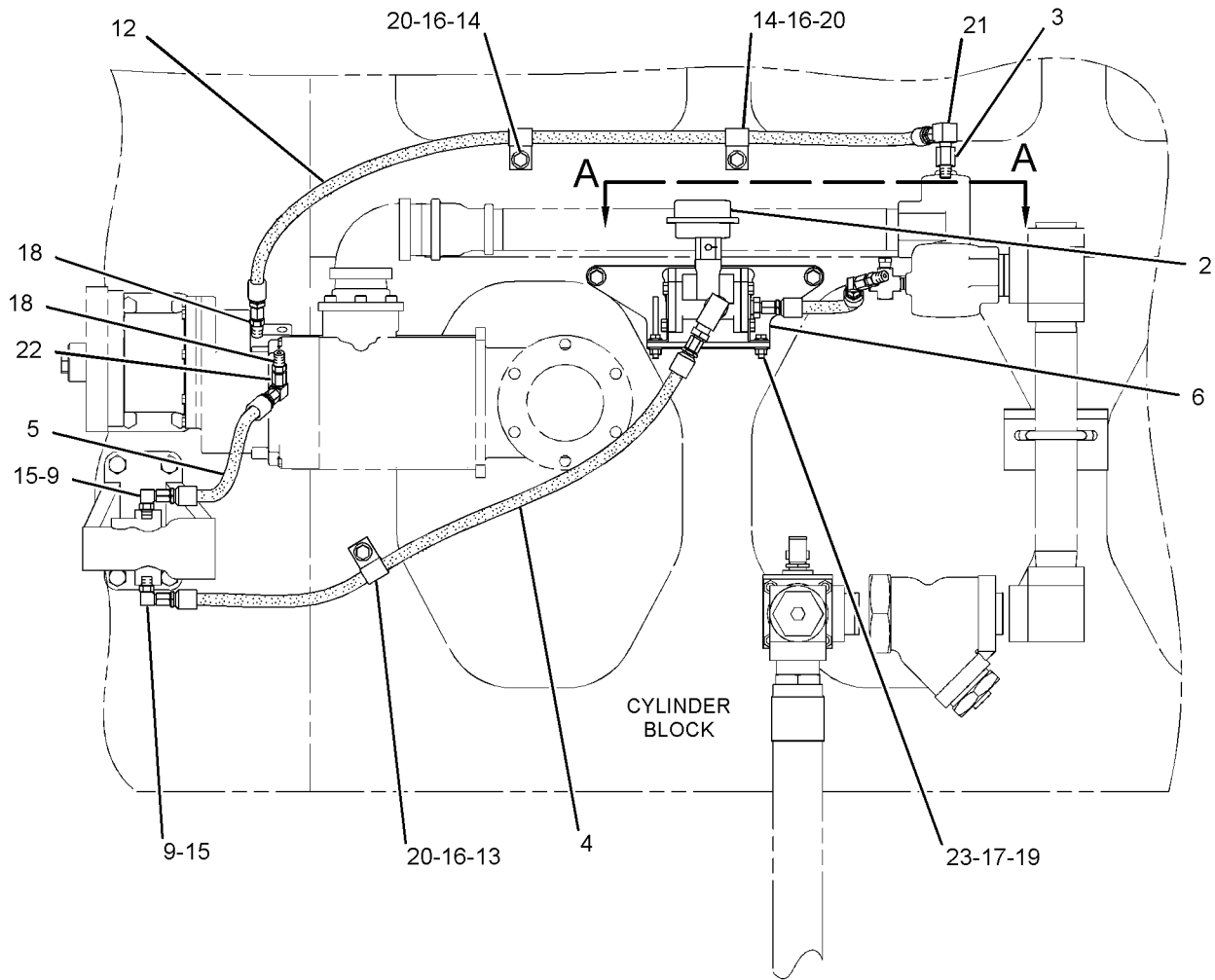
NOTE	REF NO	GRAPHIC REF	PART NUMBER	QTY	PART NAME						SEE PAGE
					1	2	3	4	5	6 (PRODUCT LEVEL)	
I	1	1	2W-7249	1	HOSE AS						
Y	2	1	164-0717	1	VALVE GP-SOLENOID						413
	3	1	254-3773	1	FITTING						
I	4	1	256-3861	1	HOSE AS						
I	5	1	256-7174	1	HOSE AS						
	6	1	291-4185	1	BRACKET AS						
	7	1	001-6449	2	CONNECTOR						
	8	1	003-2143	2	ELBOW						
	9	1	030-7946	2	ELBOW						
	10	1	030-7961	1	ELBOW						
	11	1	0S-1571	2	BOLT (3/8-16X1.75-IN)						
I	12	1	5T-4374	1	HOSE AS						
	13	1	0S-1591	1	BOLT (3/8-16X1.5-IN)						
	14	1	1A-2029	2	BOLT (3/8-16X1.125-IN)						
	15	1	3J-7354	2	SEAL-O-RING						
	16	1	3V-3308	5	WASHER-HARD (10.2X20.5X2.5-MM THK)						
	17	1	4F-7957	4	BOLT (1/4-20X0.875-IN)						
	18	1	4S-6399	3	CONNECTOR						
	19	1	5P-0537	8	WASHER-HARD (7.2X14.5X2-MM THK)						
	20	1	6D-3479	3	CLIP						
	21	1	6K-1972	1	ELBOW-FLARED						
	22	1	7K-9197	1	ELBOW						
	23	1	9S-8750	4	NUT-FULL (1/4-20-THD)						

I-REFER TO HYDRAULIC INFORMATION SYSTEM
Y-SEPARATE ILLUSTRATION

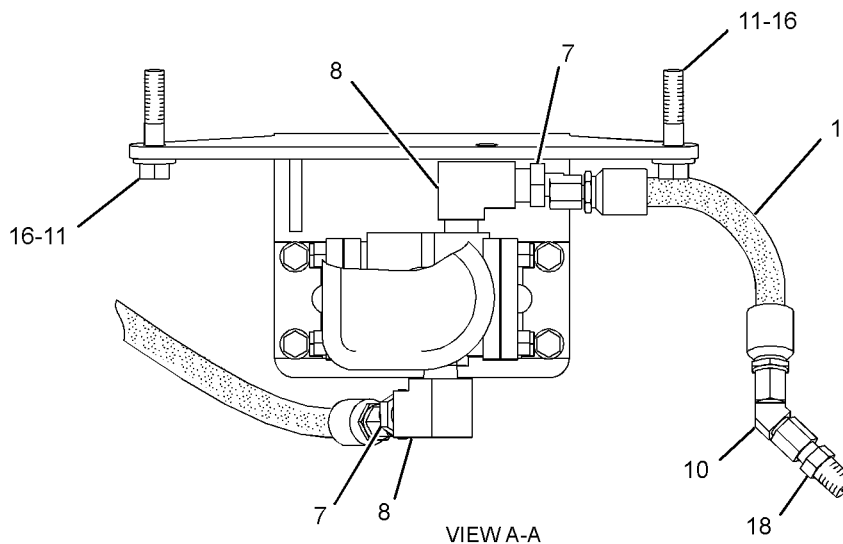
AIR INLET AND EXHAUST SYSTEM

219-2858 LINES GP-AIR (contd.)

i03388191



RIGHT SIDE VIEW OF ENGINE



GRAPHIC #1

<END>

g01754994

AIR INLET AND EXHAUST SYSTEM

219-9931 LINES GP-AIR (CHG -00) AIR INLET CHOKE

SMCS-1071

i01854068

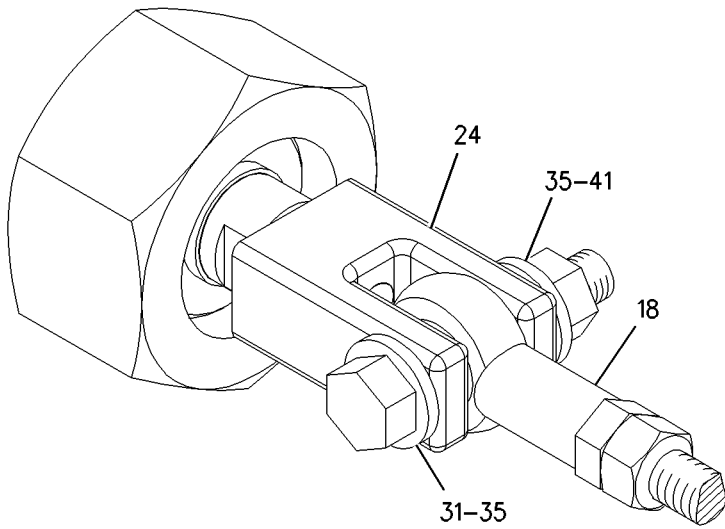
NOTE	REF NO	GRAPHIC REF	PART NUMBER	QTY	PART NAME						SEE PAGE
					1	2	3	4	5	6 (PRODUCT LEVEL)	
	1	1	1S-3584	1	NUT-FULL (3/8-24 LH-THD)						
	2	1	3S-2713	1	NUT-FULL (3/8-24-THD)						
	3	1	4P-0391	1	ROD						
	4	2	4P-0394	1	LEVER						
	5	1	4W-7390	1	FLANGE						
	6	1	4W-7391	1	GASKET						
	7	1	4W-7392	1	PIPE						
	8	1	4W-7393	1	ELBOW						
	9	2	4W-7394	2	GASKET						
	10	2	5H-2532	1	KEY-WOODRUFF						
	11	2	6I-0728	1	PLATE-BUTTERFLY						
	12	2	6I-1703	1	HOUSING AS						
	12A	2	5P-0547	1	SEAL-LIP TYPE						
	12B	2	6V-3365	1	SEAL-LIP TYPE						
	12C	2	162-4217	2	BEARING-SLEEVE						
	13	2	6I-1705	1	WASHER						
	14	2	6I-1706	1	COVER AS						
	15	2	6I-1707	1	PLATE-STOP						
	16	2	6I-1708	1	PLATE						
	17	2	8C-7315	1	ROD END						
	18	1	8C-7321	1	ROD END						
	19	1	8H-3390	1	NUT-FULL (1-1/2-12-THD)						
	20	2	010-2575	1	SETSCREW (1/4-20X1-IN)						
	21	1	130-3357	1	BRACKET AS						
	22	2	130-3359	1	SHAFT						
	23	1	176-3583	2	GUARD						
	24	1	176-3587	1	CLEVIS						
	25	1	193-7879	1	BOOT						
YR	26	1	196-9529	1	ACTUATOR GP-ELECTRONIC						299
	27	2	031-0214	3	BOLT-LOCKING (1/4-20X0.5-IN)						
	28	1,2	0S-1571	8	BOLT (3/8-16X1.75-IN)						
	29	1	0S-1587	6	BOLT (1/2-13X1.75-IN)						
	30	1	0S-1588	3	BOLT (3/8-16X1.25-IN)						
	31	1	0S-1590	1	BOLT (3/8-16X2-IN)						
	32	1,2	0S-1591	16	BOLT (3/8-16X1.5-IN)						
	33	2	0S-1594	2	BOLT (3/8-16X1-IN)						
	34	2	1A-9579	1	BOLT (5/16-18X1.5-IN)						
	35	1,2	3V-3308	30	WASHER-HARD (10.2X20.5X2.5-MM THK)						
	36	1	5M-2894	3	WASHER-HARD (10.2X18.5X2.5-MM THK)						
	37	1	5P-8245	6	WASHER-HARD (13.5X25.5X3-MM THK)						
	38	2	5S-0003	1	NUT (5/16-18-THD)						
	39	1	6V-5095	4	SEAL-O-RING						
	40	2	8M-9024	1	WASHER-HARD (10.2X22.5X5-MM THK)						
	41	1,2	9S-8752	7	NUT-FULL (3/8-16-THD)						

R-REMFG PART MAY BE AVAILABLE
Y-SEPARATE ILLUSTRATION

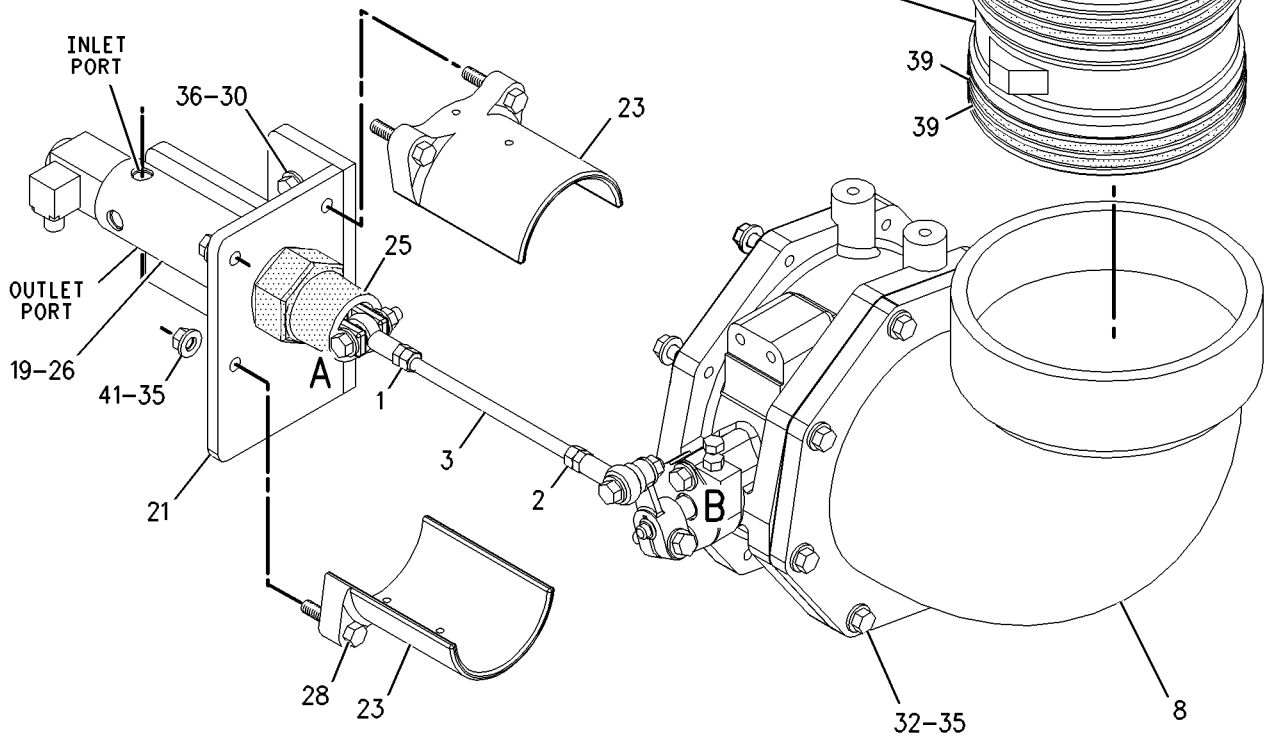
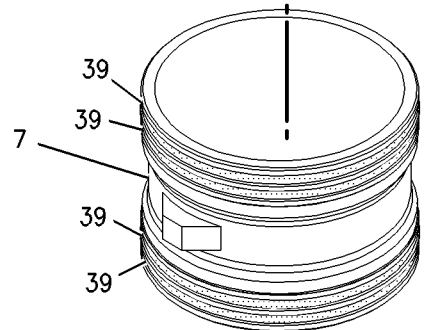
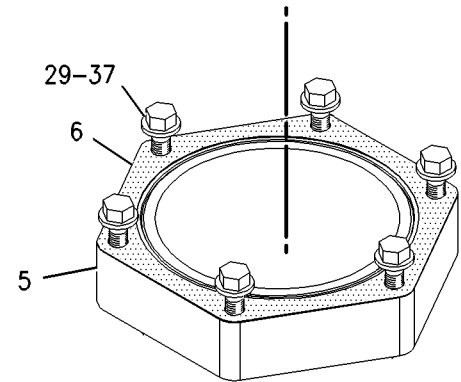
AIR INLET AND EXHAUST SYSTEM

219-9931 LINES GP-AIR (contd.)

i01854068



VIEW OF
AREA A
(BOOT REMOVED-CLOSED POSITION)



REFER TO ALL ILLUSTRATIONS OF
THIS GROUP FOR AUXILIARY VIEWS

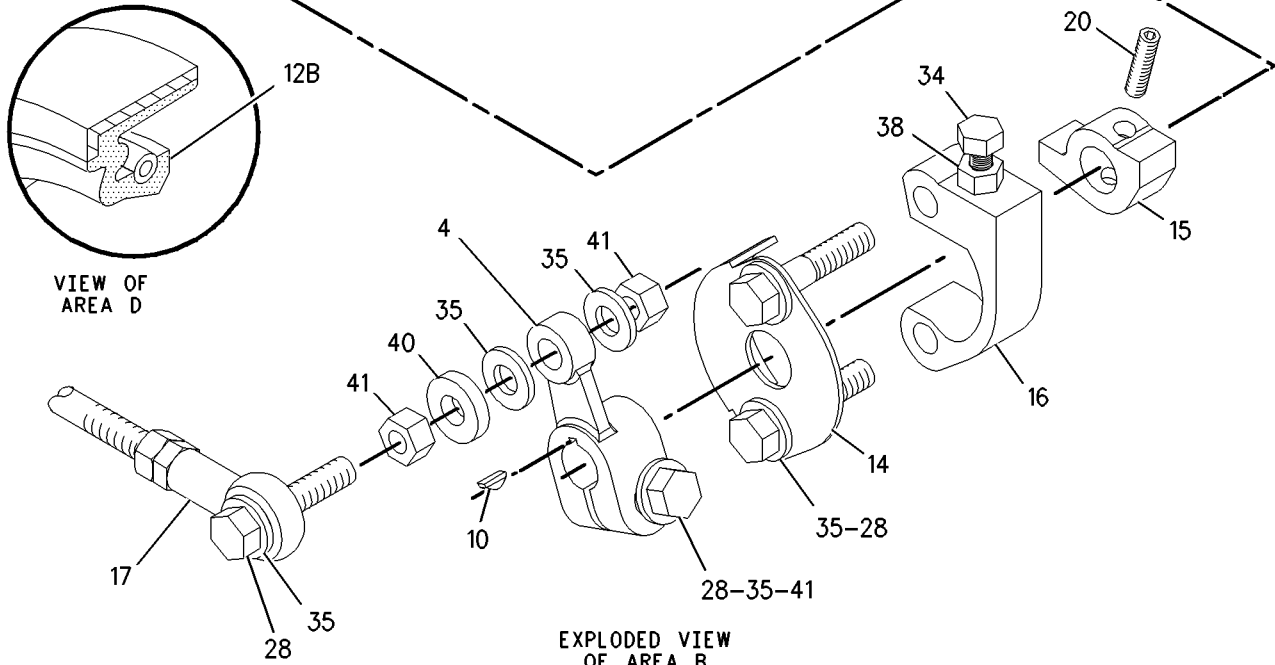
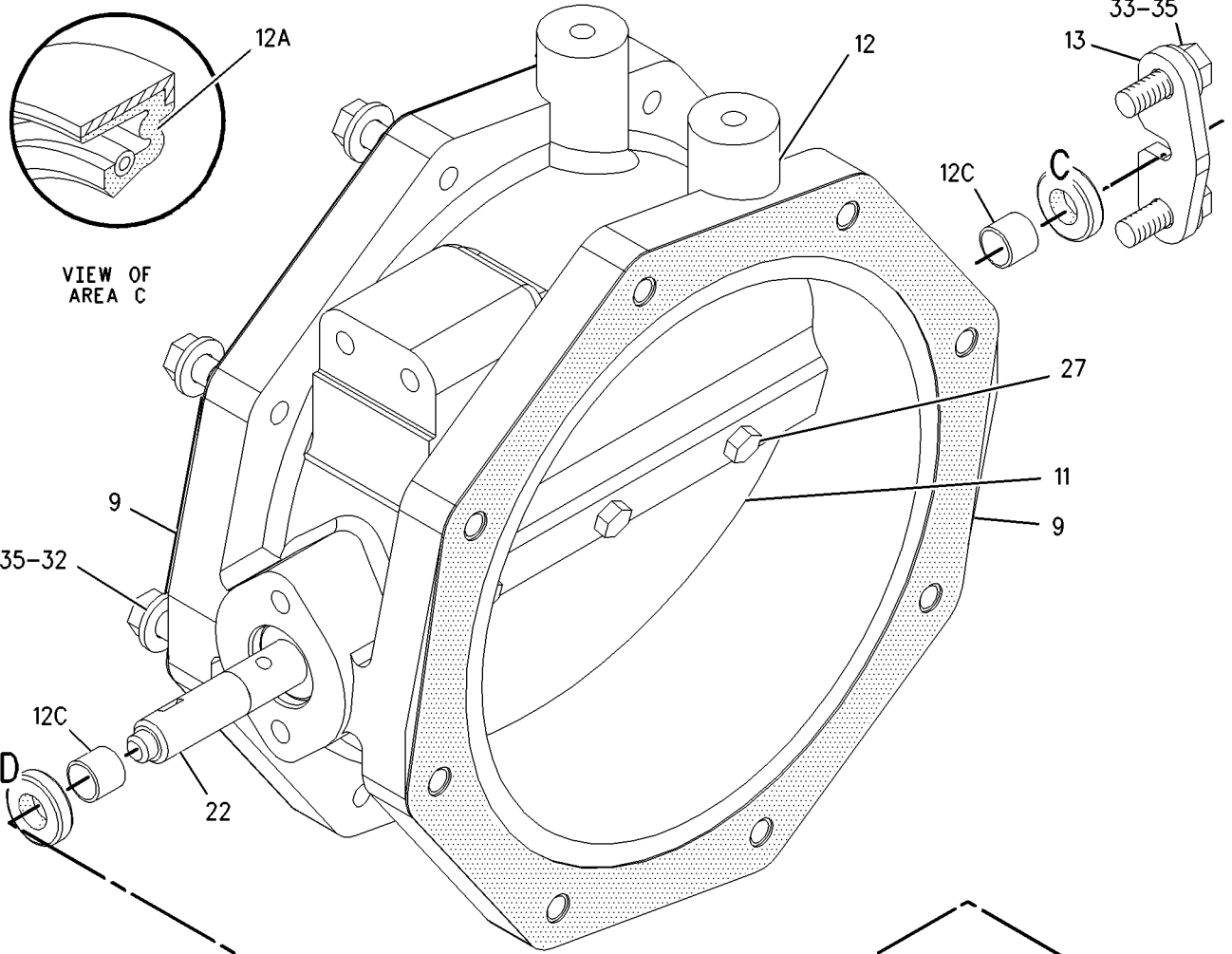
GRAPHIC #1

g00932890

AIR INLET AND EXHAUST SYSTEM

219-9931 LINES GP-AIR (contd.)

i01854068



GRAPHIC #2

EXPLODED VIEW OF AREA B

<END>

g00932891

AIR INLET AND EXHAUST SYSTEM

219-9931 LINES GP-AIR (CHG -01) AIR INLET CHOKE

SMCS-1071

i01854063

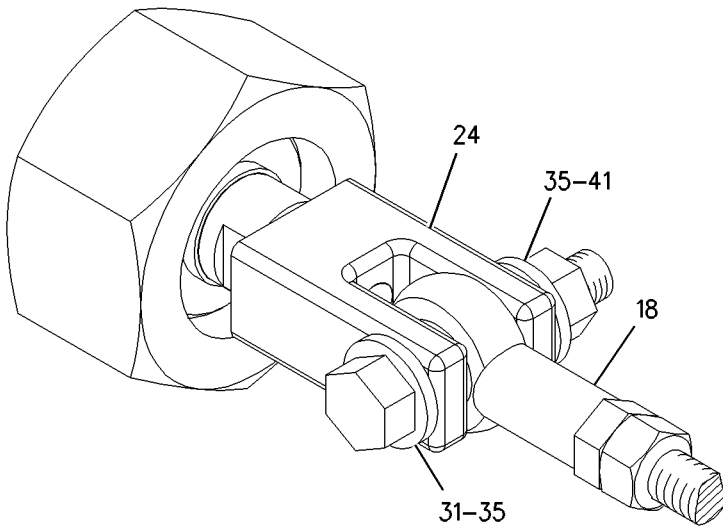
NOTE	REF NO	GRAPHIC REF	PART NUMBER	QTY	PART NAME						SEE PAGE
					1	2	3	4	5	6 (PRODUCT LEVEL)	
	1	1	1S-3584	1	NUT-FULL (3/8-24 LH-THD)						
	2	1	3S-2713	1	NUT-FULL (3/8-24-THD)						
	3	1	4P-0391	1	ROD						
	4	2	4P-0394	1	LEVER						
	5	1	4W-7390	1	FLANGE						
	6	1	4W-7391	1	GASKET						
	7	1	4W-7392	1	PIPE						
	8	1	4W-7393	1	ELBOW						
	9	2	4W-7394	2	GASKET						
	10	2	5H-2532	1	KEY-WOODRUFF						
	11	2	6I-0728	1	PLATE-BUTTERFLY						
	12	2	6I-1703	1	HOUSING AS						
	12A	2	5P-0547	1	SEAL-LIP TYPE						
	12B	2	6V-3365	1	SEAL-LIP TYPE						
	12C	2	162-4217	2	BEARING-SLEEVE						
	13	2	6I-1705	1	WASHER						
	14	2	6I-1706	1	COVER AS						
	15	2	6I-1707	1	PLATE-STOP						
	16	2	6I-1708	1	PLATE						
	17	2	8C-7315	1	ROD END						
	18	1	8C-7321	1	ROD END						
	19	1	8H-3390	1	NUT-FULL (1-1/2-12-THD)						
	20	2	010-2575	1	SETSCREW (1/4-20X1-IN)						
	21	1	130-3357	1	BRACKET AS						
	22	2	130-3359	1	SHAFT						
	23	1	176-3583	2	GUARD						
	24	1	176-3587	1	CLEVIS						
	25	1	193-7879	1	BOOT						
CYR	26	1	211-8175	1	ACTUATOR GP-ELECTRONIC						300
	27	2	031-0214	3	BOLT-LOCKING (1/4-20X0.5-IN)						
	28	1,2	0S-1571	8	BOLT (3/8-16X1.75-IN)						
	29	1	0S-1587	6	BOLT (1/2-13X1.75-IN)						
	30	1	0S-1588	3	BOLT (3/8-16X1.25-IN)						
	31	1	0S-1590	1	BOLT (3/8-16X2-IN)						
	32	1,2	0S-1591	16	BOLT (3/8-16X1.5-IN)						
	33	2	0S-1594	2	BOLT (3/8-16X1-IN)						
	34	2	1A-9579	1	BOLT (5/16-18X1.5-IN)						
	35	1,2	3V-3308	30	WASHER-HARD (10.2X20.5X2.5-MM THK)						
	36	1	5M-2894	3	WASHER-HARD (10.2X18.5X2.5-MM THK)						
	37	1	5P-8245	6	WASHER-HARD (13.5X25.5X3-MM THK)						
	38	2	5S-0003	1	NUT (5/16-18-THD)						
	39	1	6V-5095	4	SEAL-O-RING						
	40	2	8M-9024	1	WASHER-HARD (10.2X22.5X5-MM THK)						
	41	1,2	9S-8752	7	NUT-FULL (3/8-16-THD)						

C-CHANGE FROM PREVIOUS TYPE
R-REMG PART MAY BE AVAILABLE
Y-SEPARATE ILLUSTRATION

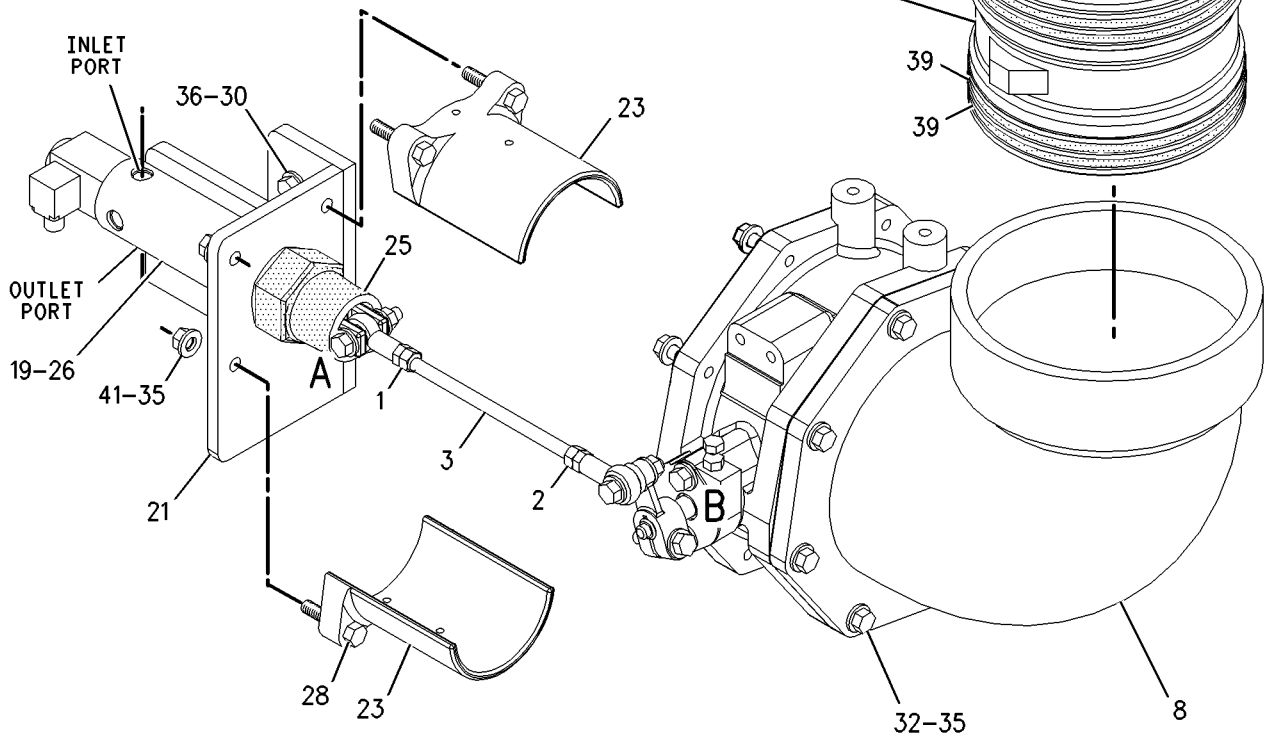
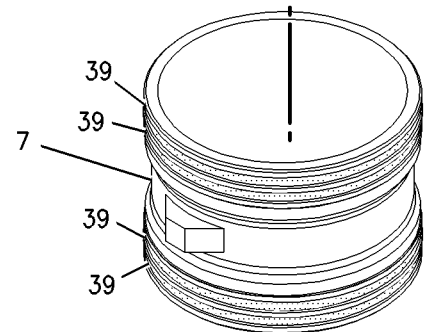
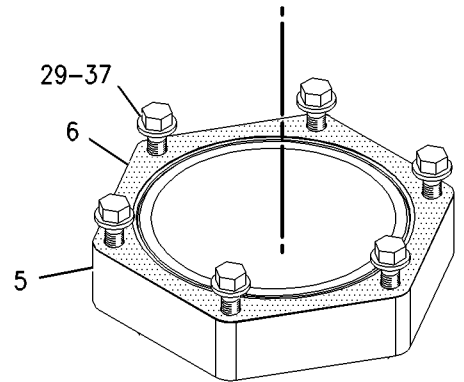
AIR INLET AND EXHAUST SYSTEM

219-9931 LINES GP-AIR (contd.)

i01854063



VIEW OF
AREA A
(BOOT REMOVED-CLOSED POSITION)



REFER TO ALL ILLUSTRATIONS OF
THIS GROUP FOR AUXILIARY VIEWS

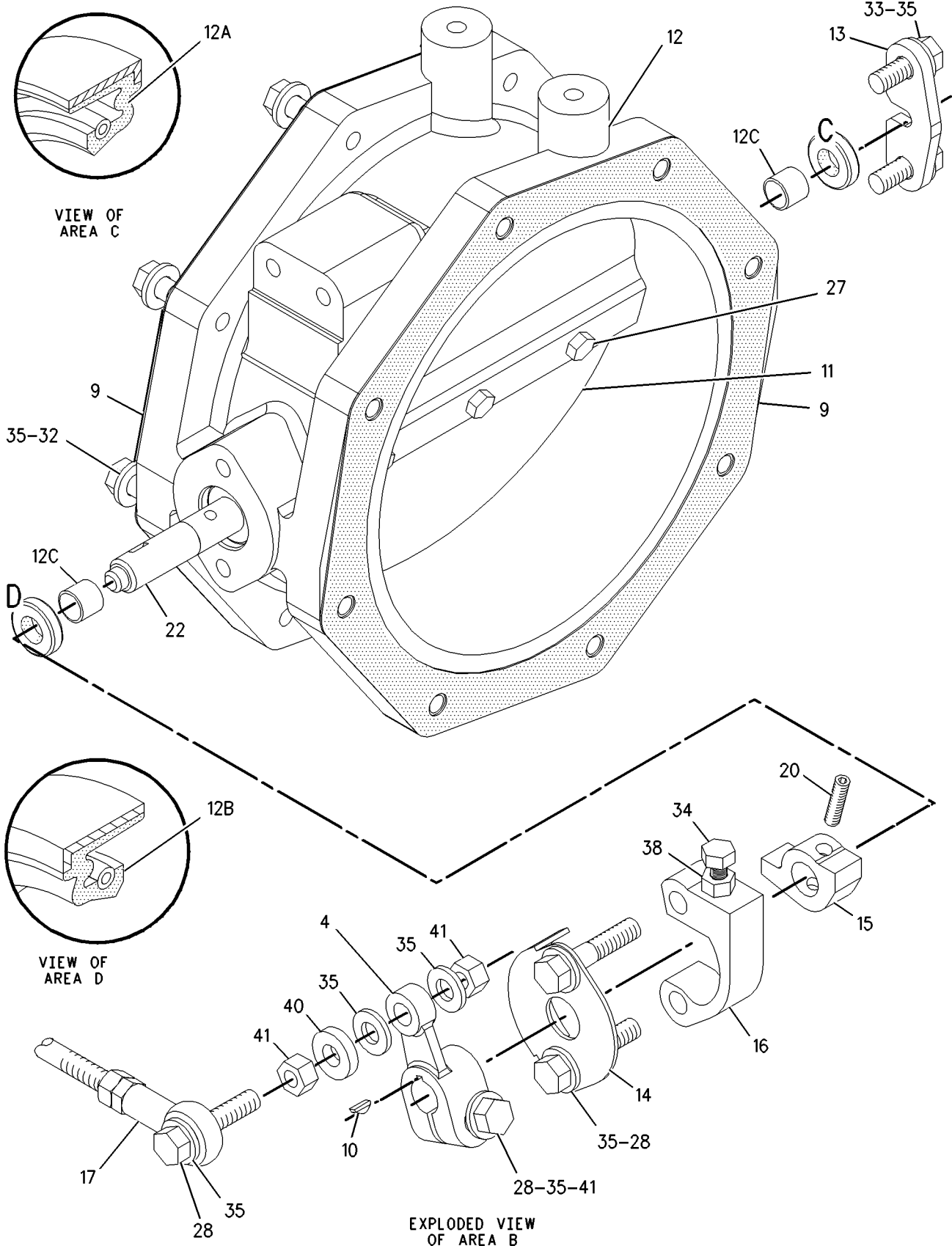
GRAPHIC #1

g00932890

AIR INLET AND EXHAUST SYSTEM

219-9931 LINES GP-AIR (contd.)

i01854063



GRAPHIC #2

<END>

g00932891

AIR INLET AND EXHAUST SYSTEM

233-2206 LINES GP-AIR (CHG -00, -01) TURBINE STARTERS

SMCS-1071

i02416635

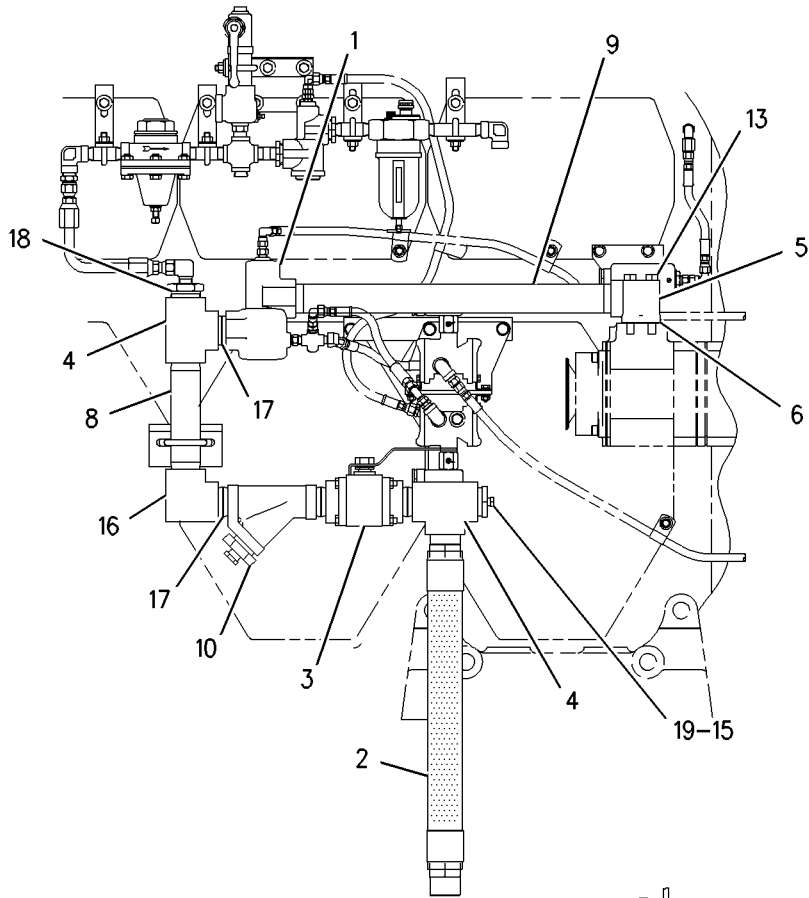
NOTE	REF NO	GRAPHIC REF	PART NUMBER	QTY	PART NAME						SEE PAGE
					1	2	3	4	5	6 (PRODUCT LEVEL)	
J	1	1	4N-3411	1	VALVE GP-RELAY						
I	2	1	4P-4113	1	HOSE AS						
	3	1	4W-2245	1	VALVE-SHUTOFF						
	4	1	6F-7701	2	TEE-PIPE						
	5	1	8N-8446	1	ELBOW						
	6	1	8N-8451	1	GASKET						
	7	1	9Y-9660	1	BRACKET						
	8	1	105-0428	1	NIPPLE-PIPE						
	9	1	123-0214	1	NIPPLE-PIPE						
Y	10	1	146-5215	1	STRAINER GP-AIR LINES						405
	11	1	0S-1571	2	BOLT (3/8-16X1.75-IN)						
	12	1	130-2550	1	NIPPLE-PIPE						
	13	1	1D-4566	4	BOLT (1/2-13X3.5-IN)						
	14	1	5L-2534	1	U-BOLT						
	15	1	6B-7280	1	ADAPTER						
	16	1	6F-8856	2	ELBOW						
	17	1	6F-8858	4	FITTING						
	18	1	8T-6760	1	PLUG-PIPE						
	19	1	8T-6765	1	PLUG-PIPE						
	20	1	9L-9132	4	WASHER (10.2X25.5X2.5-MM THK)						
	21	1	9S-8752	2	NUT-FULL (3/8-16-THD)						
					AVAILABLE REPAIR KIT(S):						
J			7C-5105	1	KIT-VALVE SEAL (AIR STARTING)						
					(INCLUDES BUMPER, RETAINER AND SEALS)						

I-REFER TO HYDRAULIC INFORMATION SYSTEM
 J-KIT MARKED J SERVICES PART MARKED J
 Y-SEPARATE ILLUSTRATION

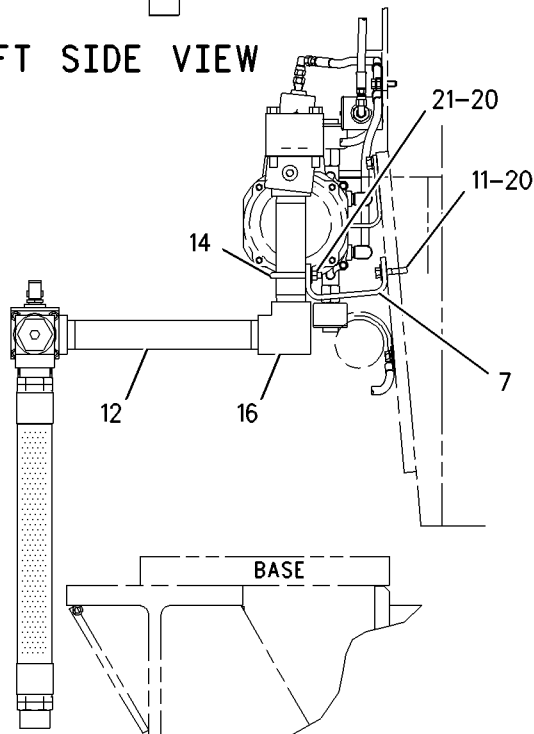
AIR INLET AND EXHAUST SYSTEM

233-2206 LINES GP-AIR (contd.)

i02416635



LEFT SIDE VIEW



REAR VIEW

GRAPHIC #1

<END>

g00955288

AIR INLET AND EXHAUST SYSTEM

233-2206 LINES GP-AIR (CHG -02, -03) TURBINE STARTERS

SMCS-1071

i02536383

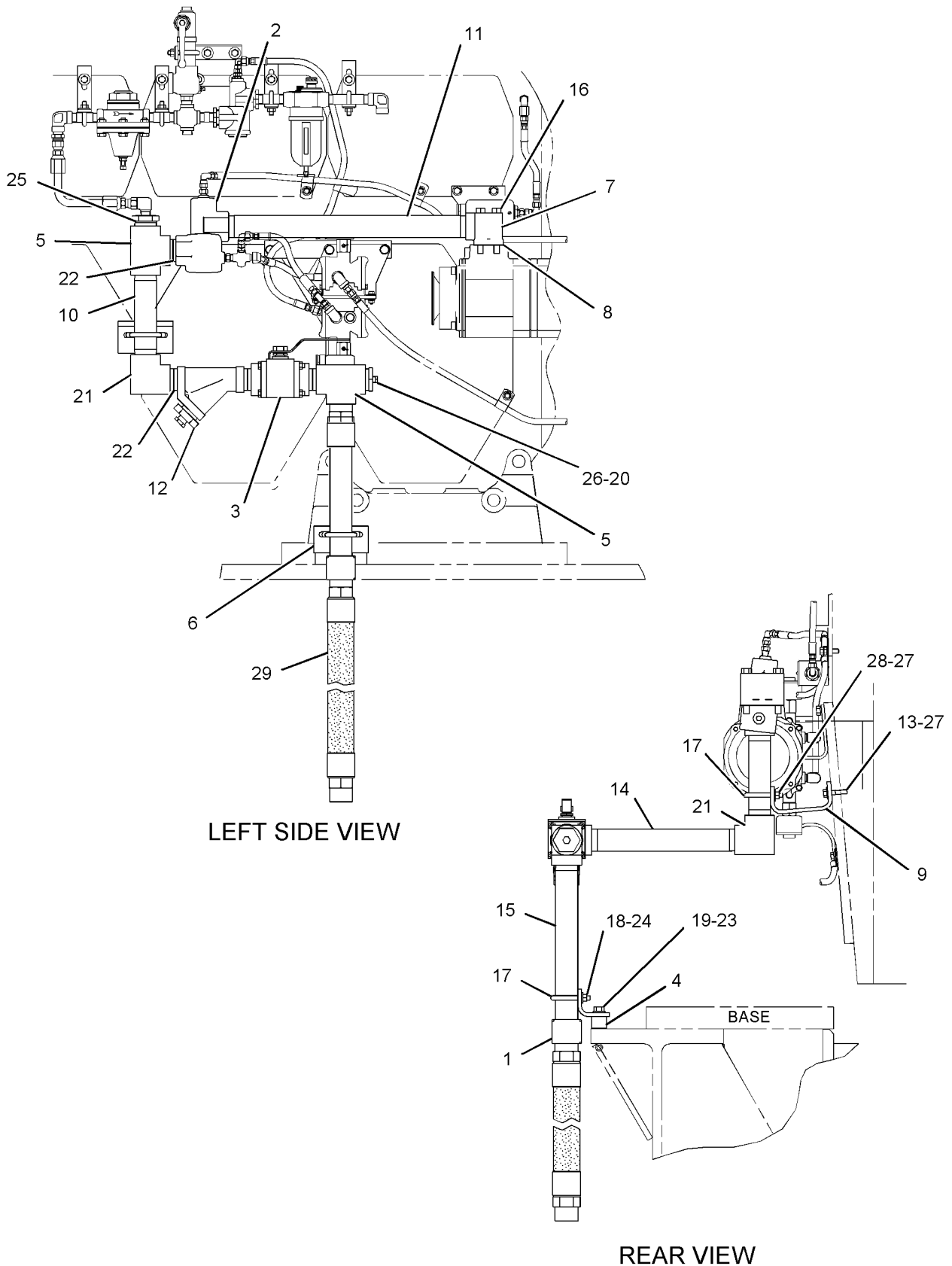
NOTE	REF NO	GRAPHIC REF	PART NUMBER	QTY	PART NAME						SEE PAGE
					1	2	3	4	5	6 (PRODUCT LEVEL)	
C	1	1	3B-6492	1	COUPLING-PIPE						
J	2	1	4N-3411	1	VALVE GP-RELAY						
	3	1	4W-2245	1	VALVE-SHUTOFF (LOCKING)						
C	4	1	5H-0255	2	BOSS						
	5	1	6F-7701	2	TEE-PIPE						
C	6	1	7C-0818	1	BRACKET						
	7	1	8N-8446	1	ELBOW						
	8	1	8N-8451	1	GASKET						
	9	1	9Y-9660	1	BRACKET						
	10	1	105-0428	1	NIPPLE-PIPE						
	11	1	123-0214	1	NIPPLE-PIPE						
Y	12	1	146-5215	1	STRAINER GP-AIR LINES						405
	13	1	0S-1571	2	BOLT (3/8-16X1.75-IN)						
	14	1	287-6901	1	NIPPLE-PIPE						
C	15	1	132-1430	1	NIPPLE-PIPE						
	16	1	1D-4566	4	BOLT (1/2-13X3.5-IN)						
C	17	1	5L-2534	2	U-BOLT						
C	18	1	5P-1075	2	WASHER-HARD (10.2X22.5X3-MM THK)						
C	19	1	5P-8245	2	WASHER-HARD (13.5X25.5X3-MM THK)						
	20	1	6B-7280	1	ADAPTER						
	21	1	6F-8856	2	ELBOW						
	22	1	6F-8858	4	FITTING						
C	23	1	6H-1717	2	BOLT (1/2-13X1.125-IN)						
C	24	1	6V-8801	2	NUT (3/8-16-THD)						
	25	1	8T-6760	1	PLUG-PIPE						
	26	1	8T-6765	1	PLUG-PIPE						
	27	1	9L-9132	4	WASHER (10.2X25.5X2.5-MM THK)						
	28	1	9S-8752	2	NUT-FULL (3/8-16-THD)						
I	29	1	4P-4113	1	HOSE AS						
					AVAILABLE REPAIR KIT(S):						
J			7C-5105	1	KIT-VALVE SEAL (AIR STARTING) (INCLUDES BUMPER, RETAINER AND SEALS)						

C-CHANGE FROM PREVIOUS TYPE
 I-REFER TO HYDRAULIC INFORMATION SYSTEM
 J-KIT MARKED J SERVICES PART MARKED J
 Y-SEPARATE ILLUSTRATION

AIR INLET AND EXHAUST SYSTEM

233-2206 LINES GP-AIR (contd.)

i02536383



LEFT SIDE VIEW

REAR VIEW

GRAPHIC #1

<END>

g01116505

AIR INLET AND EXHAUST SYSTEM

262-4849 LINES GP-AIR (CHG -00)

SMCS-1071

i02221150

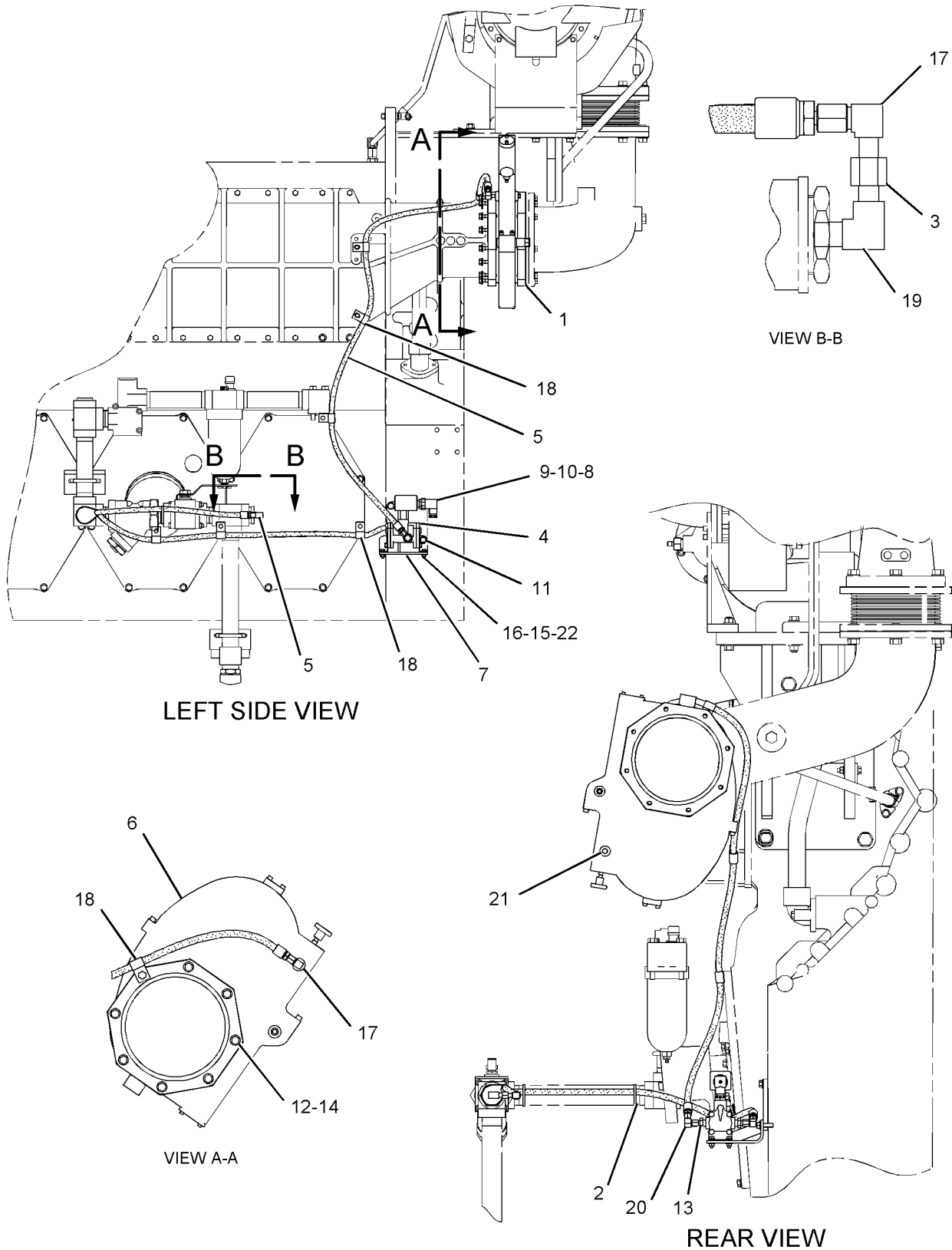
NOTE	REF NO	GRAPHIC REF	PART NUMBER	QTY	PART NAME						SEE PAGE
					1	2	3	4	5	6 (PRODUCT LEVEL)	
	1	1	4W-7394	2	GASKET						
	2	1	6K-0806	3	STRAP-CABLE						
	3	1	6K-6967	1	ADAPTER-PIPE						
	4	1	9X-7206	1	VALVE-SOLENOID (24-VOLT)						
I	5	1	122-0290	2	HOSE AS						
Y	6	1	150-7891	1	SHUTOFF GP-AIR						289
	7	1	160-1066	1	BRACKET AS						
	8	1	166-7656	1	CONNECTOR-SOCKET						
	9	1	166-7657	1	CONNECTOR-PLUG						
	10	1	166-7658	1	GASKET						
	11	1	0S-1588	2	BOLT (3/8-16X1.25-IN)						
	12	1	0S-1591	8	BOLT (3/8-16X1.5-IN)						
	13	1	3E-7402	2	CONNECTOR						
	14	1	3V-3308	10	WASHER-HARD (10.2X20.5X2.5-MM THK)						
	15	1	4F-7957	4	BOLT (1/4-20X0.875-IN)						
	16	1	5P-0537	8	WASHER-HARD (7.2X14.5X2-MM THK)						
	17	1	5P-4479	2	ELBOW (FLARED-LONG)						
	18	1	6D-3479	7	CLIP						
	19	1	6V-4245	1	ELBOW						
	20	1	7K-9197	2	ELBOW						
	21	1	8T-6764	1	PLUG-PIPE						
	22	1	9S-8750	4	NUT-FULL (1/4-20-THD)						

I-REFER TO HYDRAULIC INFORMATION SYSTEM
 Y-SEPARATE ILLUSTRATION

AIR INLET AND EXHAUST SYSTEM

262-4849 LINES GP-AIR (contd.)

i02221150



GRAPHIC #1

<END>

g01122566

AIR INLET AND EXHAUST SYSTEM

280-0548 LINES GP-AIR (CHG -00, -01)

SMCS-1071

i03005695

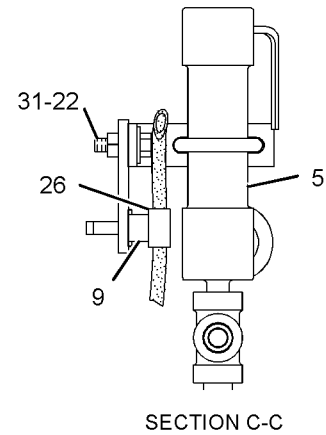
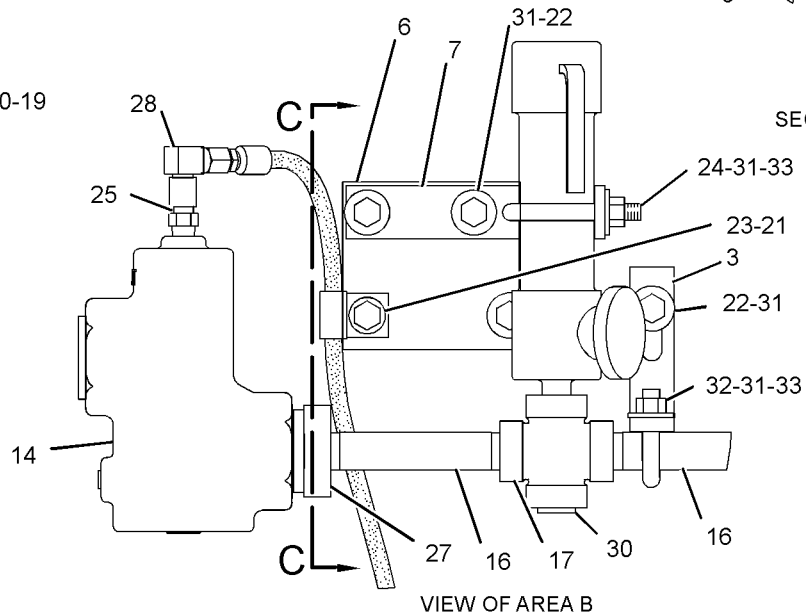
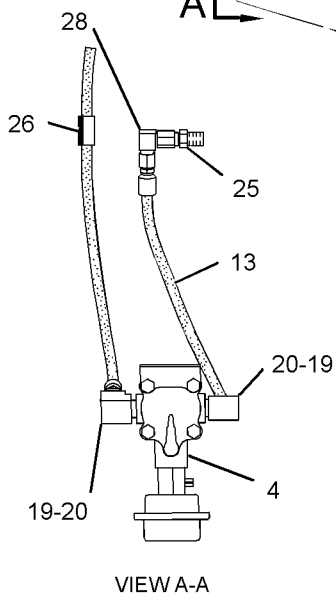
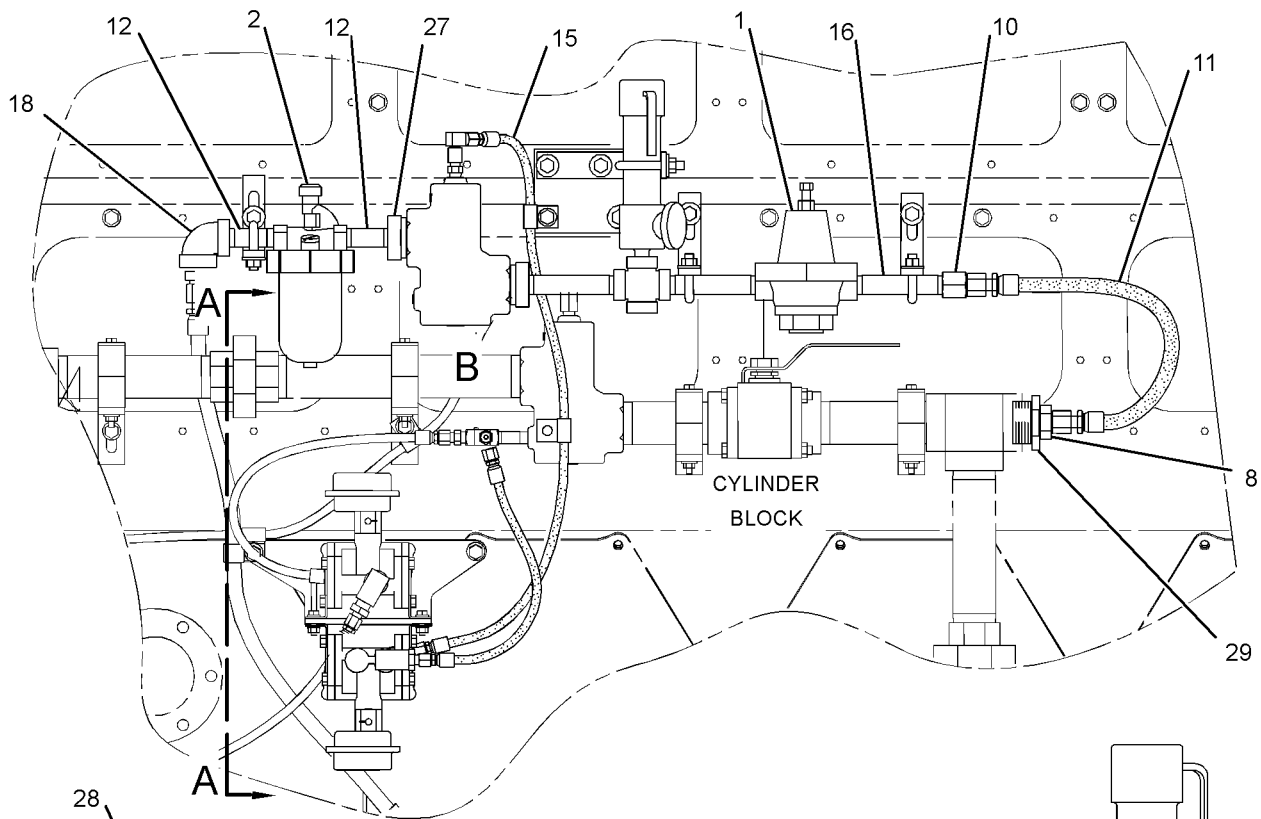
NOTE	REF NO	GRAPHIC REF	PART NUMBER	QTY	PART NAME						SEE PAGE
					1	2	3	4	5	6 (PRODUCT LEVEL)	
	1	1	4W-2100	1	VALVE GP-PRESSURE REDUCING						
		1	7W-2819	1	KIT-RELIEF VALVE (PRESSURE)						
					(INCLUDES DIAPHRAGM, CYLINDER, PISTON, SCREEN, GASKET, & SPRING.)						
Y	2	1	7W-0522	1	LUBRICATOR GP-AIR MOTOR						375
	3	1	160-2546	3	BRACKET						
Y	4	1	164-0717	1	VALVE GP-SOLENOID						413
	5	1	165-7805	1	VALVE-AIR RELIEF						
	6	1	168-7913	1	PLATE AS						
		1	1F-0750	2	NUT-WELD (3/8-16-THD)						
	7	1	168-7914	1	BRACKET						
	8	1	171-4361	1	CONNECTOR						
	9	1	198-0230	1	SPACER (10.5X19X15-MM THK)						
	10	1	198-0961	1	ADAPTER-PIPE						
	11	1	247-3837	1	HOSE AS						
	12	1	250-9212	2	FITTING						
	13	1	278-0620	1	HOSE AS						
	14	1	302-2199	1	VALVE-RELAY						
	15	1	314-3329	1	HOSE AS						
	16	1	314-9603	3	FITTING						
	17	1	319-6192	1	CROSS-PIPE						
	18	1	319-6193	1	ELBOW-REDUCING						
	19	1	001-6449	2	CONNECTOR						
	20	1	003-2143	2	ELBOW						
	21	1	0S-1571	1	BOLT (3/8-16X1.75-IN)						
	22	1	0S-1588	6	BOLT (3/8-16X1.25-IN)						
	23	1	3V-3308	1	WASHER-HARD (10.2X20.5X2.5-MM THK)						
	24	1	4K-1086	1	U-BOLT						
	25	1	4S-6399	2	CONNECTOR						
	26	1	5P-9297	2	CLIP						
	27	1	6V-4516	2	ADAPTER						
	28	1	7K-9197	2	ELBOW						
	29	1	8B-5774	1	BUSHING-REDUCER						
	30	1	8B-8817	1	PLUG						
	31	1	9L-9132	14	WASHER (10.2X25.5X2.5-MM THK)						
	32	1	9M-8729	3	U-BOLT						
	33	1	9S-8752	8	NUT-FULL (3/8-16-THD)						

Y-SEPARATE ILLUSTRATION

AIR INLET AND EXHAUST SYSTEM

280-0548 LINES GP-AIR (contd.)

i03005695



GRAPHIC #1

<END>

g01524064

AIR INLET AND EXHAUST SYSTEM

281-4241 LINES GP-AIR (CHG -00, -01)

SMCS-1071

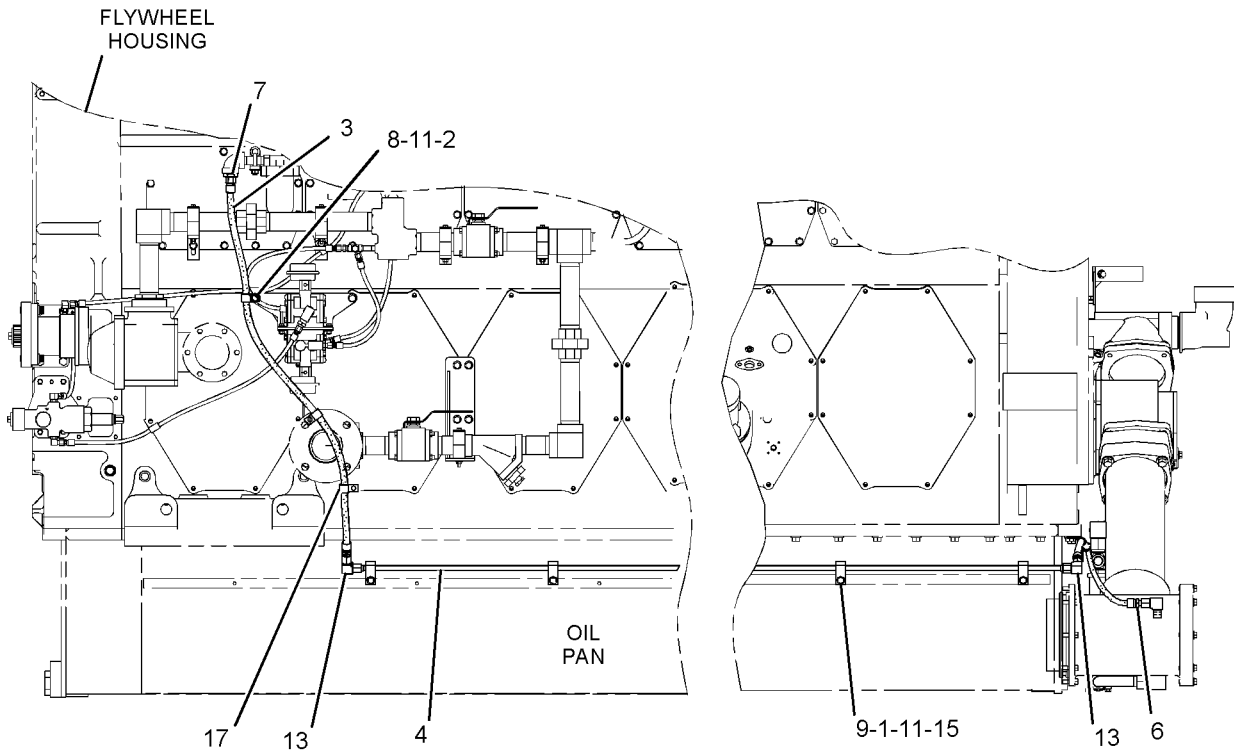
i03005701

NOTE	REF NO	GRAPHIC REF	PART NUMBER	QTY	PART NAME						SEE PAGE
					1	2	3	4	5	6 (PRODUCT LEVEL)	
	1	1	6K-4947	7	CLIP (TAB)						
	2	1	106-4159	1	SPACER (13.5-MM THK)						
	3	1	278-0632	1	HOSE AS						
	4	1	285-8543	1	TUBE AS						
	5	1	314-3329	1	HOSE AS						
	6	1	001-9440	1	CONNECTOR						
	7	1	004-7626	1	CONNECTOR (FLARED)						
	8	1	0L-1143	1	BOLT (3/8-16X2.5-IN)						
	9	1	0S-0509	7	BOLT (3/8-16X0.75-IN)						
	10	1	2D-9155	1	ELBOW						
	11	1	3V-3308	8	WASHER-HARD (10.2X20.5X2.5-MM THK)						
	12	1	5P-5007	1	REDUCER						
	13	1	5P-6399	2	ELBOW-FLARED						
	14	1	5P-9297	1	CLIP						
	15	1	6K-4948	7	CLIP (SLOT)						
	16	1	7N-3718	1	CLIP						
	17	1	8M-2773	3	CLIP						

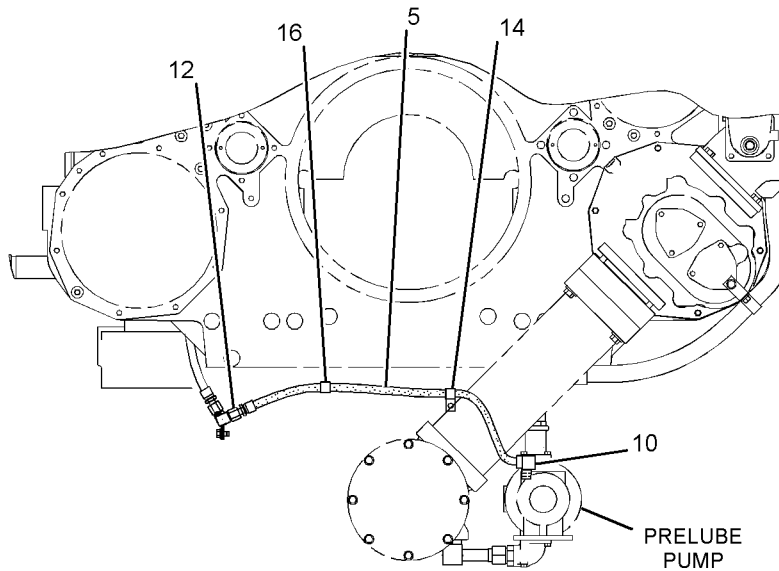
AIR INLET AND EXHAUST SYSTEM

281-4241 LINES GP-AIR (contd.)

i03005701



RIGHT SIDE VIEW OF ENGINE



FRONT VIEW OF ENGINE

GRAPHIC #1

<END>

g01524841

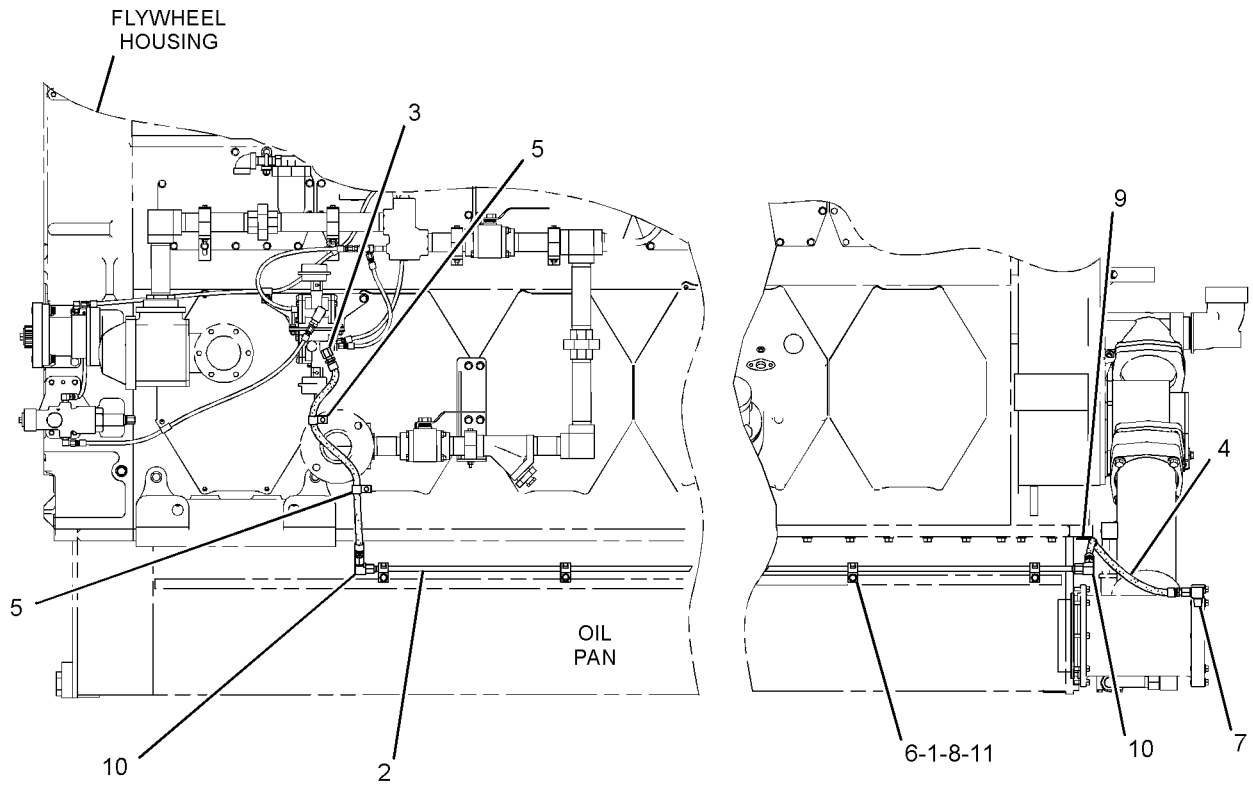
AIR INLET AND EXHAUST SYSTEM

281-4241 LINES GP-AIR (CHG -02, -02D1 THRU -04)

SMCS-1071

i03538064

NOTE	REF NO	GRAPHIC REF	PART NUMBER	QTY	PART NAME						SEE PAGE
					1	2	3	4	5	6 (PRODUCT LEVEL)	
	1	1	8T-1885	7	CLIP (SLOT)						
	2	1	285-8543	1	TUBE AS						
	3	1	335-9271	1	HOSE AS						
	4	1	329-4628	1	HOSE AS						
	5	1	067-2551	2	CLIP						
	6	1	0S-0509	7	BOLT (3/8-16X0.75-IN)						
	7	1	2N-3378	1	ELBOW-FLARED						
	8	1	3V-3308	7	WASHER-HARD (10.2X20.5X2.5-MM THK)						
	9	1	4K-8302	2	CLIP						
	10	1	5P-6399	2	ELBOW-FLARED						
	11	1	8T-1886	7	CLIP (TAB)						



RIGHT SIDE VIEW OF ENGINE

GRAPHIC #1

<END>

g01868153

AIR INLET AND EXHAUST SYSTEM

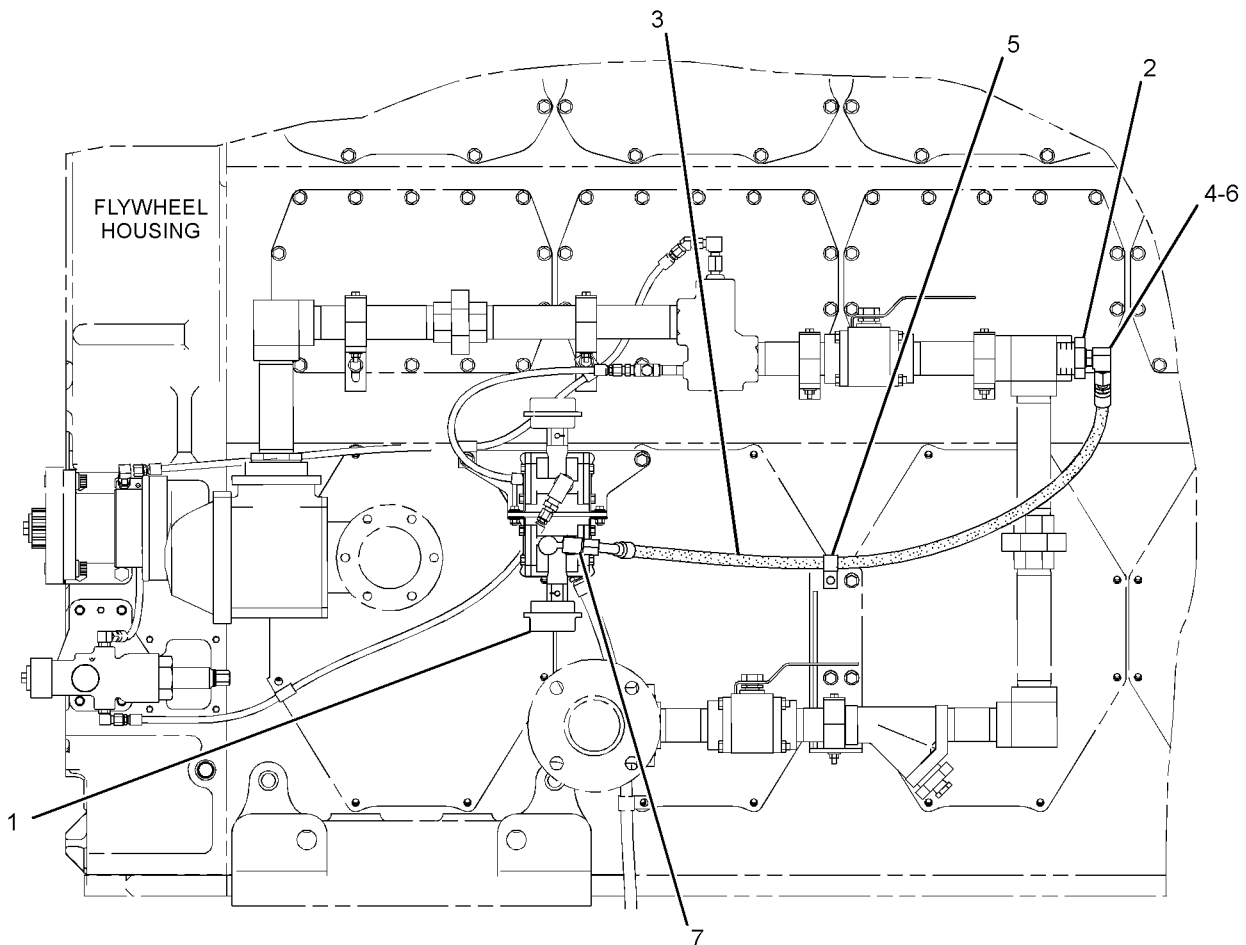
329-4631 LINES GP-AIR (CHG -00)

SMCS-1071

i03163161

NOTE	REF NO	GRAPHIC REF	PART NUMBER	QTY	PART NAME						SEE PAGE
					1	2	3	4	5	6 (PRODUCT LEVEL)	
Y	1	1	164-0717	1	VALVE GP-SOLENOID						413
	2	1	315-9825	1	ADAPTER						
	3	1	329-4626	1	HOSE AS						
	4	1	118-4728	1	ELBOW						
	5	1	067-2551	1	CLIP						
	6	1	3K-0360	1	SEAL-O-RING						
	7	1	7L-7262	2	ELBOW-FLARED						

Y-SEPARATE ILLUSTRATION



RIGHT SIDE VIEW OF ENGINE

GRAPHIC #1

<END>

g01622965

AIR INLET AND EXHAUST SYSTEM

178-3648 LINES GP-TURBOCHARGER AIR

(CHG -00 THRU -03, -03D1, -04, -04D1, -05, -05D1, -05D2, -05D3, -05D4, -06, -06D1, -06D2, -07)
HORIZONTAL EXHAUST

SMCS-1052, 1071

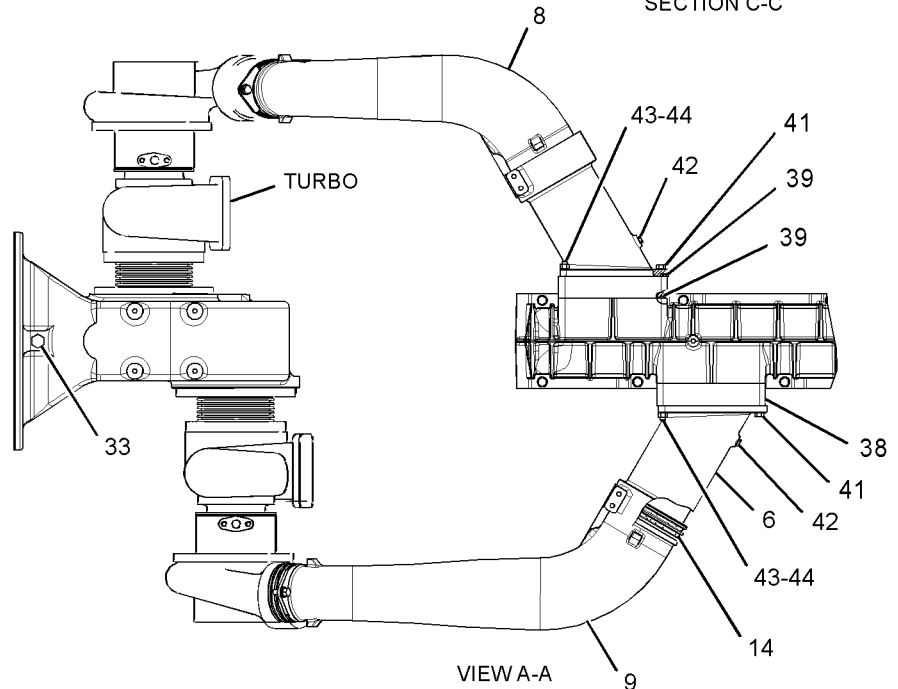
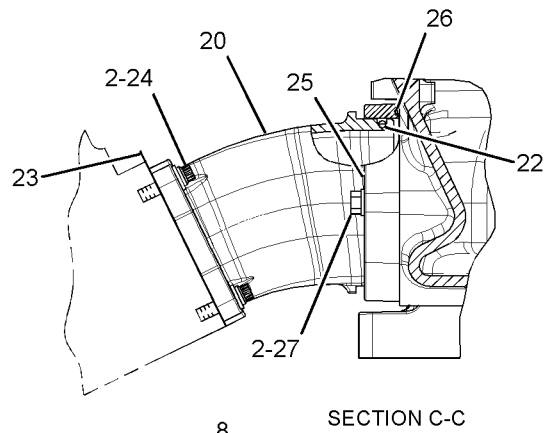
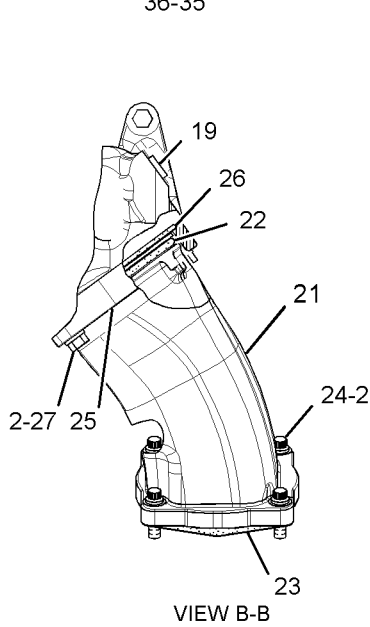
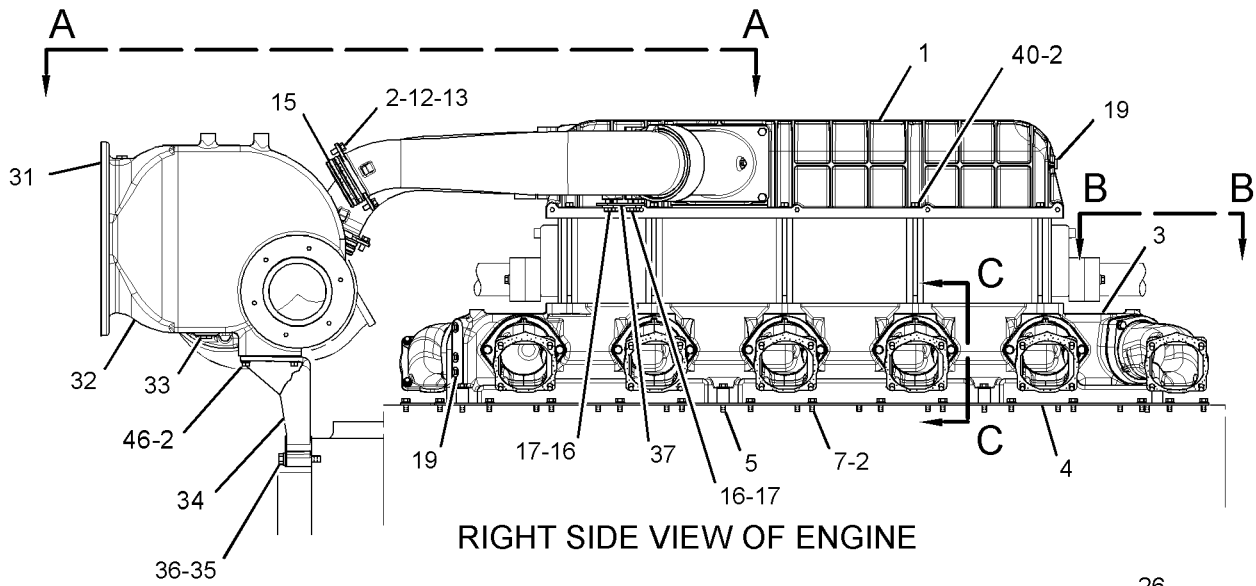
i02910887

NOTE	REF NO	GRAPHIC REF	PART NUMBER	QTY	PART NAME						SEE PAGE
					1	2	3	4	5	6 (PRODUCT LEVEL)	
	1	1	111-2077	1	COVER						
	2	1	5M-2894	120	WASHER-HARD (10.2X18.5X2.5-MM THK)						
	3	1	107-6749	1	MANIFOLD						
	4	1	129-9528	1	PLATE						
	5	1	0S-1590	6	BOLT (3/8-16X2-IN)						
	6	1	122-3374	2	ELBOW (AIR INLET)						
	7	1	0S-0509	30	BOLT (3/8-16X0.75-IN)						
	8	1	167-9529	1	TUBE-AIR (LH)						
	9	1	167-9528	1	TUBE-AIR (RH)						
	12	1	0L-1351	4	BOLT (3/8-16X0.875-IN)						
	13	1	7W-3145	4	PLATE						
	14	1	6V-5103	4	SEAL-O-RING						
	15	1	6V-3917	4	SEAL-O-RING						
	16	1	0S-1594	8	BOLT (3/8-16X1-IN)						
	17	1	8M-9024	8	WASHER-HARD (10.2X22.5X5-MM THK)						
	19	1	8T-6762	8	PLUG-PIPE						
	20	1	7C-7909	10	ELBOW (AIR INLET)						
	21	1	7C-7910	2	ELBOW (AIR INLET)						
	22	1	6V-5101	12	SEAL-O-RING						
	23	1	7N-5080	12	GASKET-MANIFOLD						
	24	1	1T-0720	48	BOLT-12 POINT HEAD (3/8-16X1.25-IN)						
	25	1	7C-8199	12	FLANGE						
	26	1	4S-5898	12	SEAL-O-RING						
	27	1	2A-4639	24	BOLT (3/8-16X1.625-IN)						
	31	1	1W-6356	1	GASKET						
	32	1	173-7665	1	ELBOW-TURBOCHARGER EXHAUST						
	33	1	3J-5389	3	PLUG						
	34	1	140-6458	1	BRACKET						
	35	1	5P-8245	2	WASHER-HARD (13.5X25.5X3-MM THK)						
	36	1	9X-8874	2	BOLT (1/2-13X3-IN)						
	37	1	112-1567	2	STRAP						
	38	1	127-7103	2	SPACER (FLANGE)						
	39	1	109-7411	4	SEAL-O-RING						
	40	1	9F-2773	10	BOLT (3/8-16X8.5-IN)						
	41	1	0T-0573	4	BOLT (3/8-16X2.75-IN)						
	42	1	8T-6764	2	PLUG-PIPE						
	43	1	6V-2605	4	STUD-TAPERLOCK						
	44	1	9S-8752	4	NUT-FULL (3/8-16-THD)						
	46	1	1A-2029	4	BOLT (3/8-16X1.125-IN)						

AIR INLET AND EXHAUST SYSTEM

178-3648 LINES GP-TURBOCHARGER AIR (contd.)

i02910887



GRAPHIC #1

<END>

g01470349

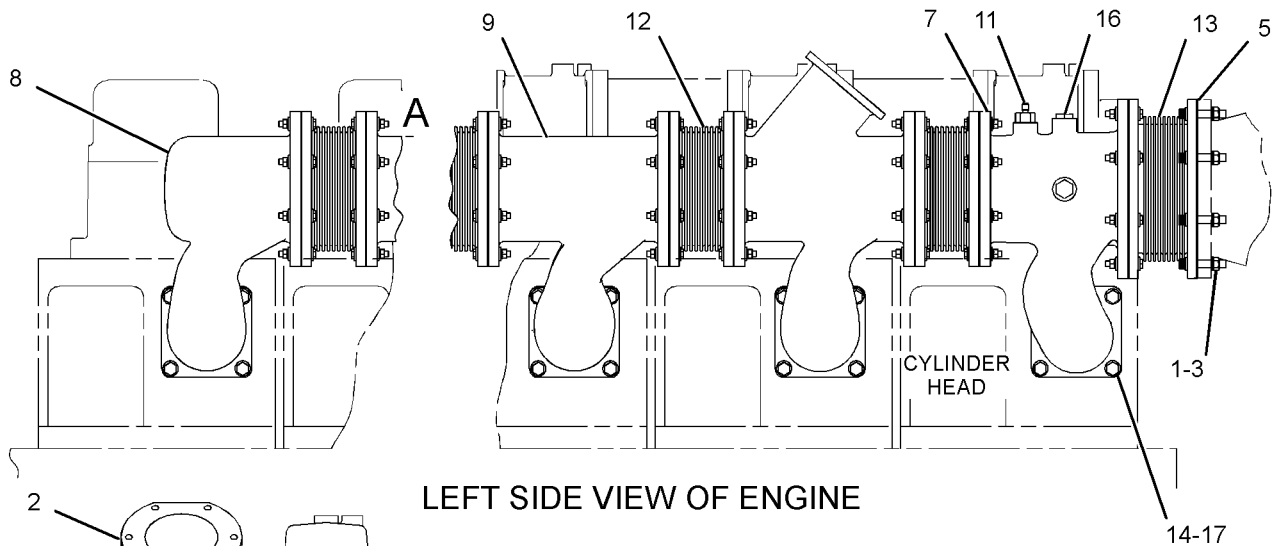
AIR INLET AND EXHAUST SYSTEM

219-9932 MANIFOLD GP-EXHAUST (CHG -00, -03 THRU -06)

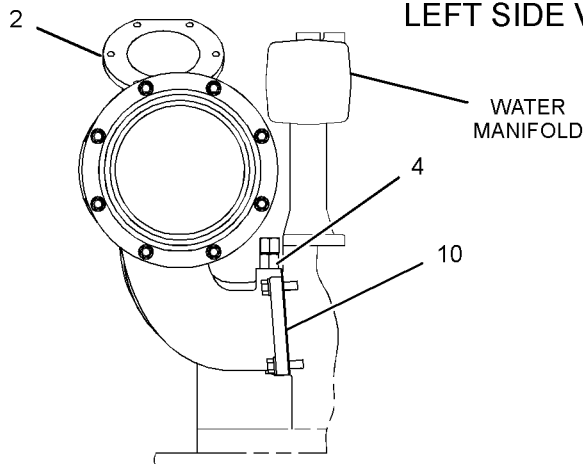
SMCS-1059

i03566556

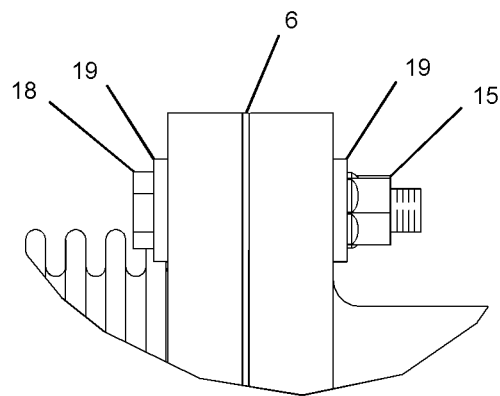
NOTE	REF NO	GRAPHIC REF	PART NUMBER	QTY	PART NAME						SEE PAGE
					1	2	3	4	5	6 (PRODUCT LEVEL)	
	1	1	6V-3630	8	BOLT-HIGH TEMPERATURE (1/2-13X2.5-IN)						
	2	1	7E-0022	1	MANIFOLD-EXHAUST						
	3	1	8C-8763	8	LOCKNUT (1/2X13X2-THD)						
	4	1	339-3140	8	ADAPTER						
	5	1	134-5641	2	GASKET						
	6	1	134-5643	14	GASKET						
	7	1	134-5654	1	MANIFOLD-EXHAUST						
	8	1	134-5655	1	MANIFOLD-EXHAUST						
	9	1	134-5656	5	MANIFOLD-EXHAUST						
	10	1	136-7730	8	GASKET (CYLINDER HEAD)						
	11	1	4P-0419	1	ADAPTER						
	12	1	218-7106	7	BELLOWS AS						
	13	1	222-4705	1	BELLOWS AS						
	14	1	136-4185	32	BOLT (1/2-13X1.75-IN)						
	15	1	2N-2766	120	LOCKNUT (3/8-16-THD)						
	16	1	3M-7045	2	PLUG						
	17	1	5P-8245	32	WASHER-HARD (13.5X25.5X3-MM THK)						
	18	1	7L-6443	120	BOLT-HIGH TEMPERATURE (3/8-16X2.25-IN)						
	19	1	8C-8491	240	WASHER-HARD (10.2X22X3-MM THK)						



LEFT SIDE VIEW OF ENGINE



REAR VIEW OF ENGINE



VIEW OF AREA A

GRAPHIC #1

<END>

g01902093

AIR INLET AND EXHAUST SYSTEM

228-6588 MANIFOLD GP-EXHAUST (CHG -00 THRU -06) FOR USE WITH ABB TPS57 TURBOCHARGER

SMCS-1059

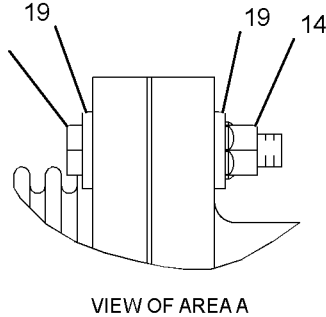
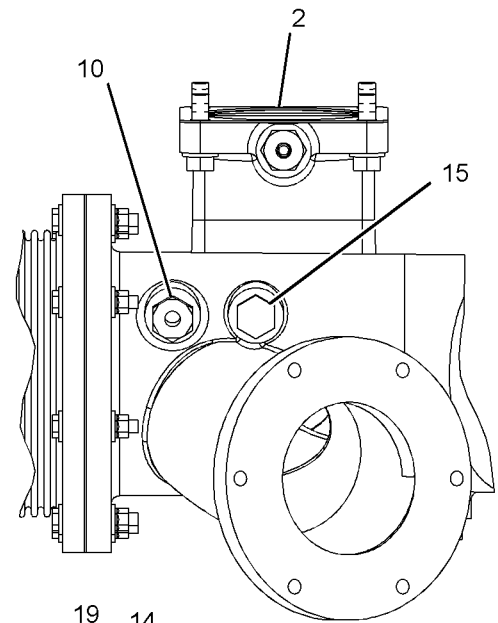
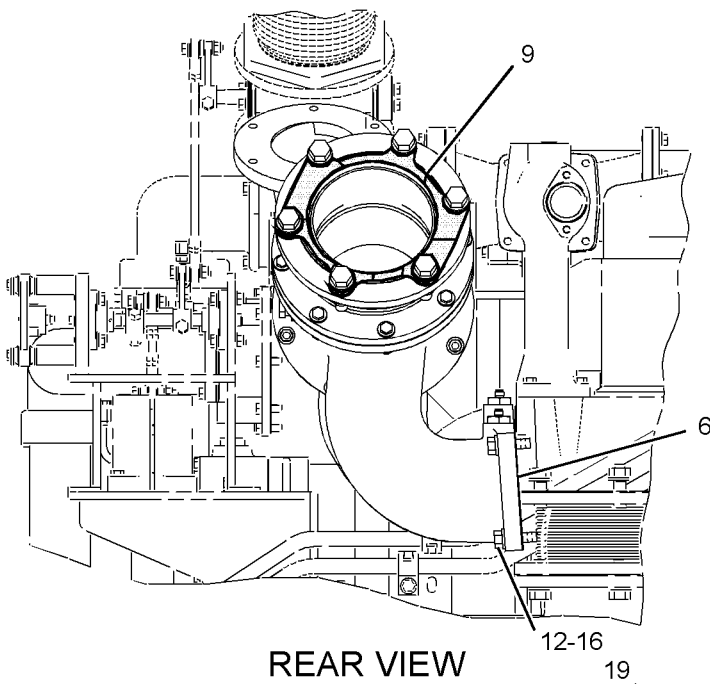
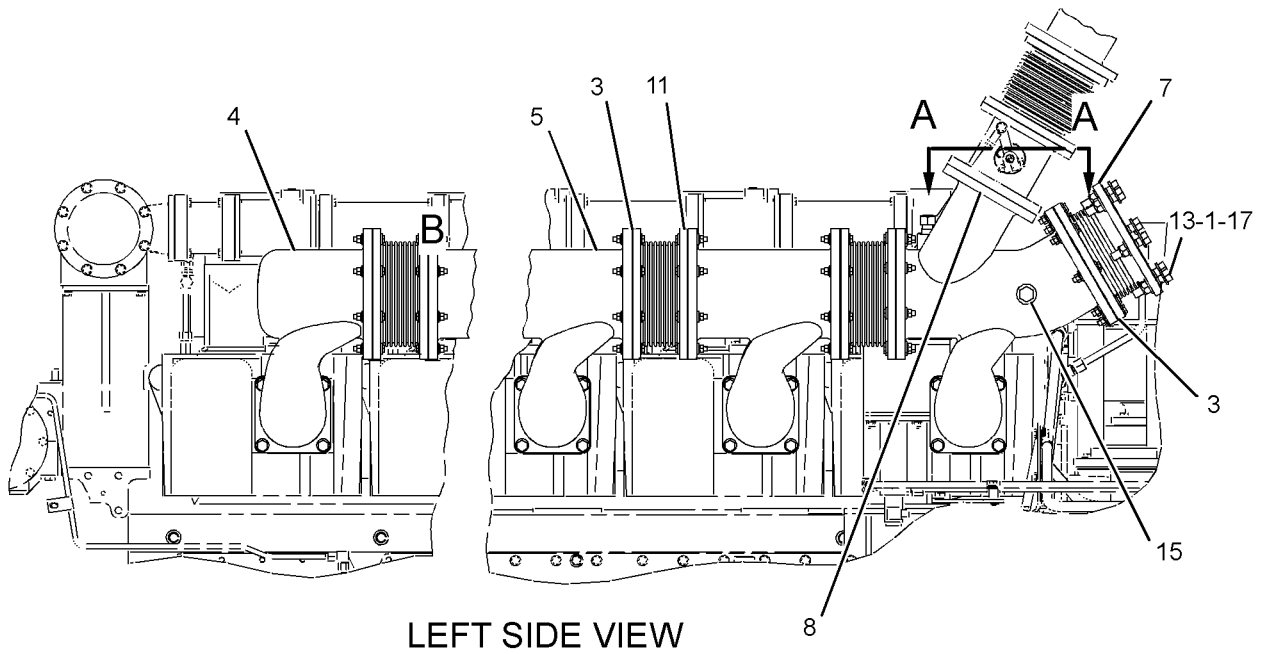
i03566558

NOTE	REF NO	GRAPHIC REF	PART NUMBER	QTY	PART NAME						SEE PAGE
					1	2	3	4	5	6 (PRODUCT LEVEL)	
	1	1	7M-6101	12	WASHER (0.656X1.31X0.095-IN THK)						
	2	1	339-3140	8	ADAPTER						
	3	1	134-5643	15	GASKET						
	4	1	134-5655	1	MANIFOLD-EXHAUST						
	5	1	134-5656	6	MANIFOLD-EXHAUST						
	6	1	136-7730	8	GASKET (CYLINDER HEAD)						
	7	1	194-8110	1	BELLOWS AS						
	8	1	195-3506	1	MANIFOLD						
	9	1	197-4185	1	GASKET						
	10	1	4P-0419	1	ADAPTER						
	11	1	218-7106	7	BELLOWS AS						
	12	1	136-4185	32	BOLT (1/2-13X1.75-IN)						
	13	1	303-9450	6	BOLT-12 POINT HEAD (5/8-11X2.75-IN)						
	14	1	2N-2766	120	LOCKNUT (3/8-16-THD)						
	15	1	3M-7045	2	PLUG						
	16	1	5P-8245	32	WASHER-HARD (13.5X25.5X3-MM THK)						
	17	1	6V-4605	6	LOCKNUT (5/8-11-THD)						
	18	1	7L-6443	120	BOLT-HIGH TEMPERATURE (3/8-16X2.25-IN)						
	19	1	8C-8491	240	WASHER-HARD (10.2X22X3-MM THK)						

AIR INLET AND EXHAUST SYSTEM

228-6588 MANIFOLD GP-EXHAUST (contd.)

i03566558



GRAPHIC #1

<END>

g01264870

AIR INLET AND EXHAUST SYSTEM

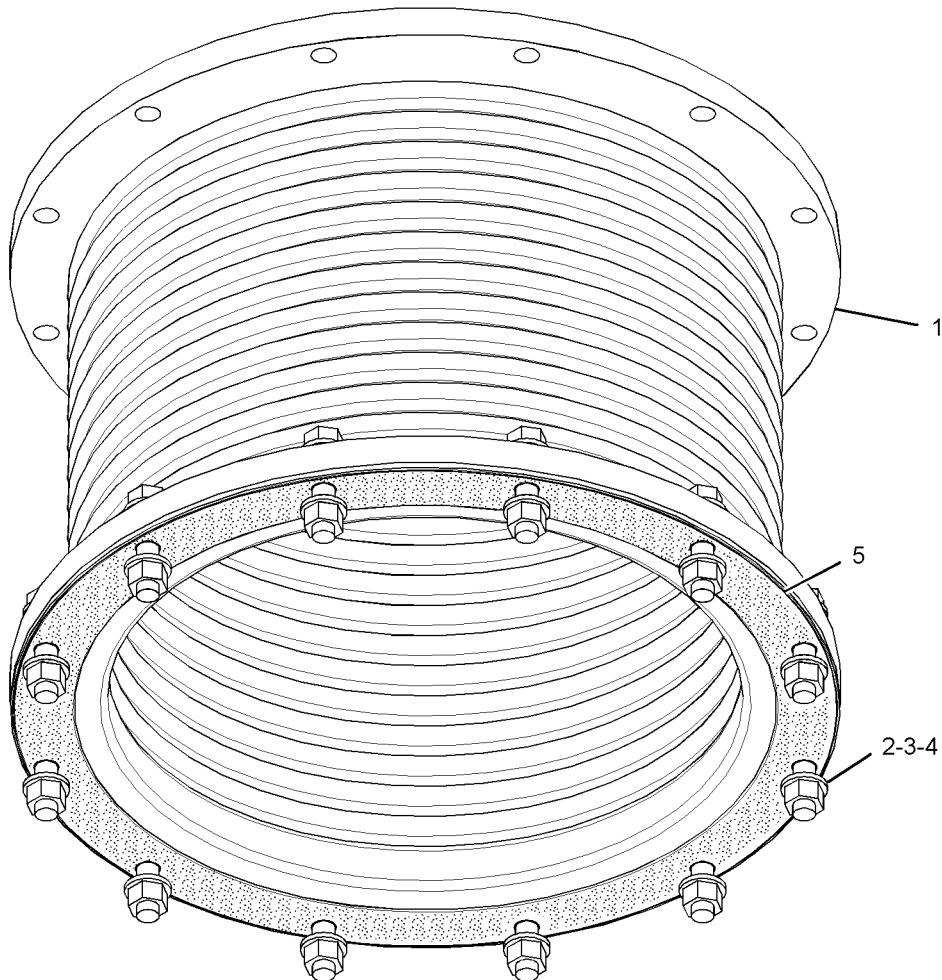
2W-2680 MOUNTING GP-BELLOWS-FLEXIBLE (CHG -04 THRU -09) 356-MM

SMCS-1061

i03451250

NOTE	REF NO	GRAPHIC REF	PART NUMBER	QTY	PART NAME						SEE PAGE
					1	2	3	4	5	6 (PRODUCT LEVEL)	
C	1	1	207-1331	1	BELLOWS AS						
	2	1	9X-8873	12	BOLT (1/2-13X2.25-IN)						
	3	1	5P-8245	24	WASHER-HARD (13.5X25.5X3-MM THK)						
	4	1	1B-5357	12	NUT-FULL (1/2-13-THD)						
	5	1	111-5822	1	GASKET-EXHAUST						

C-CHANGE FROM PREVIOUS TYPE



GRAPHIC #1

<END>

g01800675

AIR INLET AND EXHAUST SYSTEM

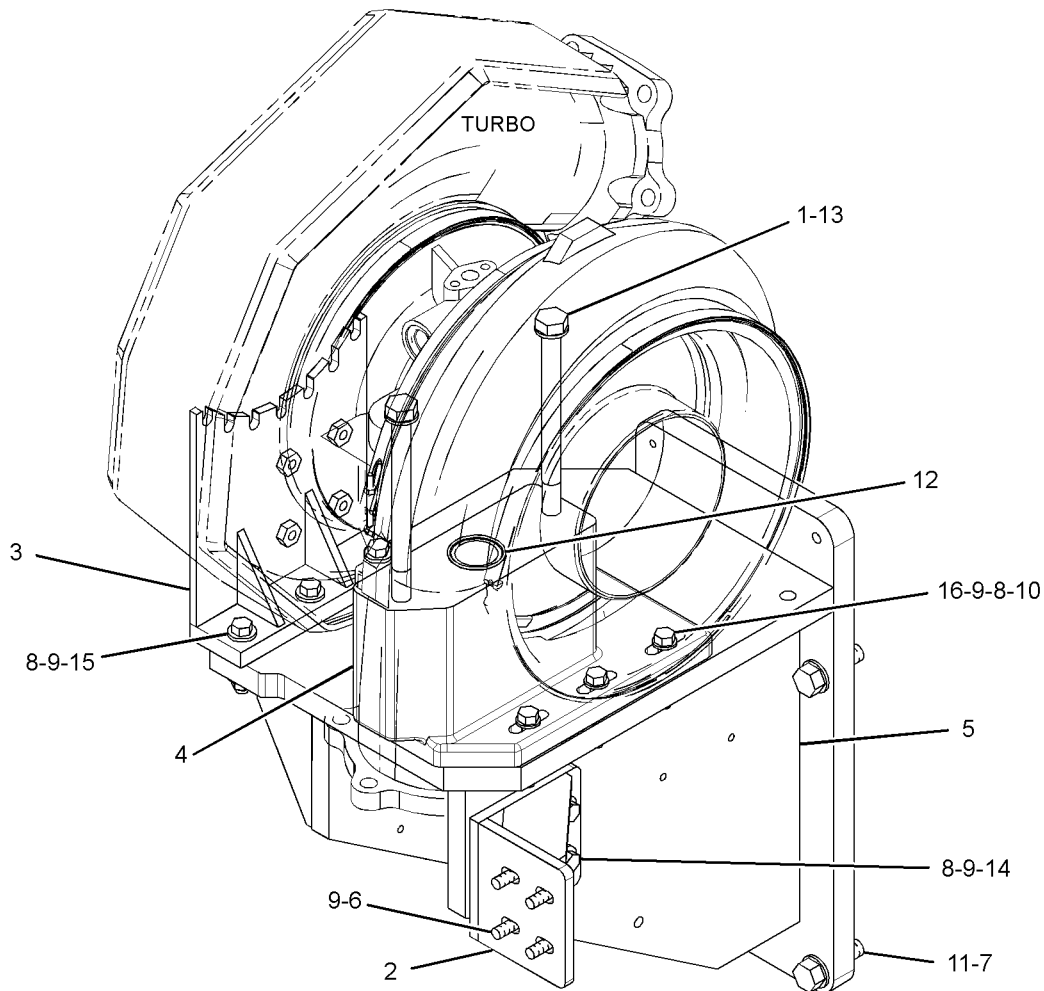
145-5655 MOUNTING GP-TURBOCHARGER (CHG -03 THRU -10) TPS57D

SMCS-1052

i03368456

NOTE	REF NO	GRAPHIC REF	PART NUMBER	QTY	PART NAME						SEE PAGE
					1	2	3	4	5	6 (PRODUCT LEVEL)	
M	1	1	089-7988	2	BOLT (M20X2.5X270-MM)						
C	2	1	190-6078	1	BRACKET AS (TURBOCHARGER) (REAR, RH)						
C	3	1	191-0955	1	BRACKET AS (TURBOCHARGER) (REAR, LH)						
		1	8T-5911	4	NUT-WELD (1/2-13-THD)						
C	4	1	191-0957	1	SUPPORT (TURBOCHARGER)						
C	5	1	191-0959	1	SUPPORT AS-TURBOCHARGER						
C	6	1	0S-1585	4	BOLT (1/2-13X1.5-IN)						
	7	1	1A-8063	4	BOLT (3/4-10X2.5-IN)						
C	8	1	1F-7958	13	NUT-FULL (1/2-13-THD)						
C	9	1	5P-1076	24	WASHER-HARD (13.5X30X4-MM THK)						
	10	1	5P-8245	6	WASHER-HARD (13.5X25.5X3-MM THK)						
	11	1	5P-8248	4	WASHER-HARD (20X36.5X3.5-MM THK)						
	12	1	6V-3832	1	SEAL-O-RING						
	13	1	8T-3282	2	WASHER-HARD (22X35X3.5-MM THK)						
C	14	1	9S-1366	4	BOLT (1/2-13X2.5-IN)						
	15	1	9X-8874	3	BOLT (1/2-13X3-IN)						
	16	1	0V-0375	6	BOLT (1/2-13X3.25-IN)						

C-CHANGE FROM PREVIOUS TYPE
M-METRIC PART



GRAPHIC #1

<END>

g01743673

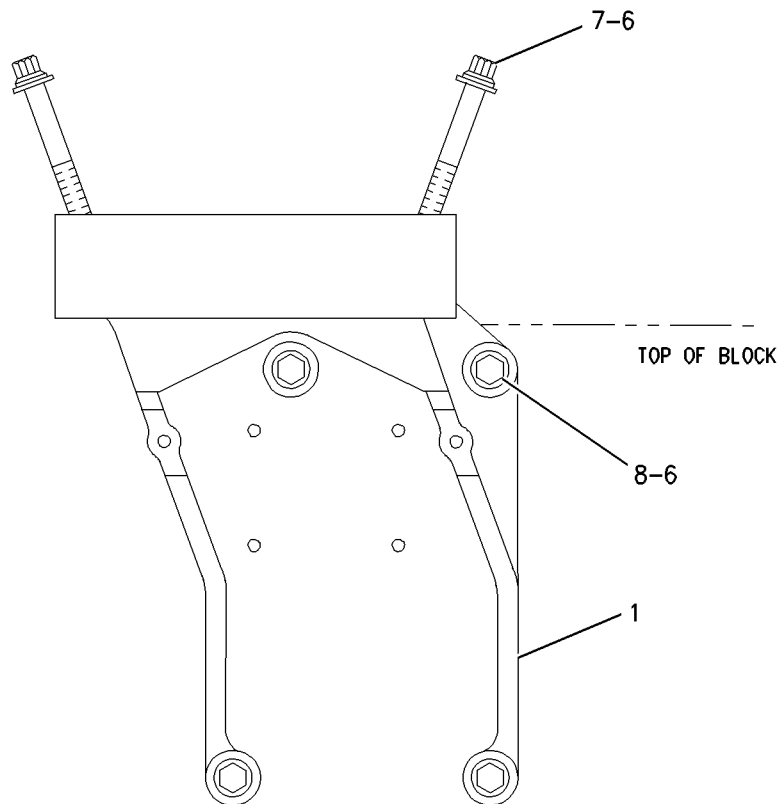
AIR INLET AND EXHAUST SYSTEM

161-1197 MOUNTING GP-TURBOCHARGER (CHG -00, -01)

SMCS-1052

i02434023

NOTE	REF NO	GRAPHIC REF	PART NUMBER	QTY	PART NAME						SEE PAGE
					1	2	3	4	5	6 (PRODUCT LEVEL)	
	1	1	2W-5935	1	SUPPORT-TURBOCHARGER						
	6	1	5P-8248	8	WASHER-HARD (20X36.5X3.5-MM THK)						
	7	1	8T-0105	4	BOLT-12 POINT HEAD (3/4-10X6.5-IN)						
	8	1	9X-8887	4	BOLT (3/4-10X3-IN)						



GRAPHIC #1

<END>

g00798665

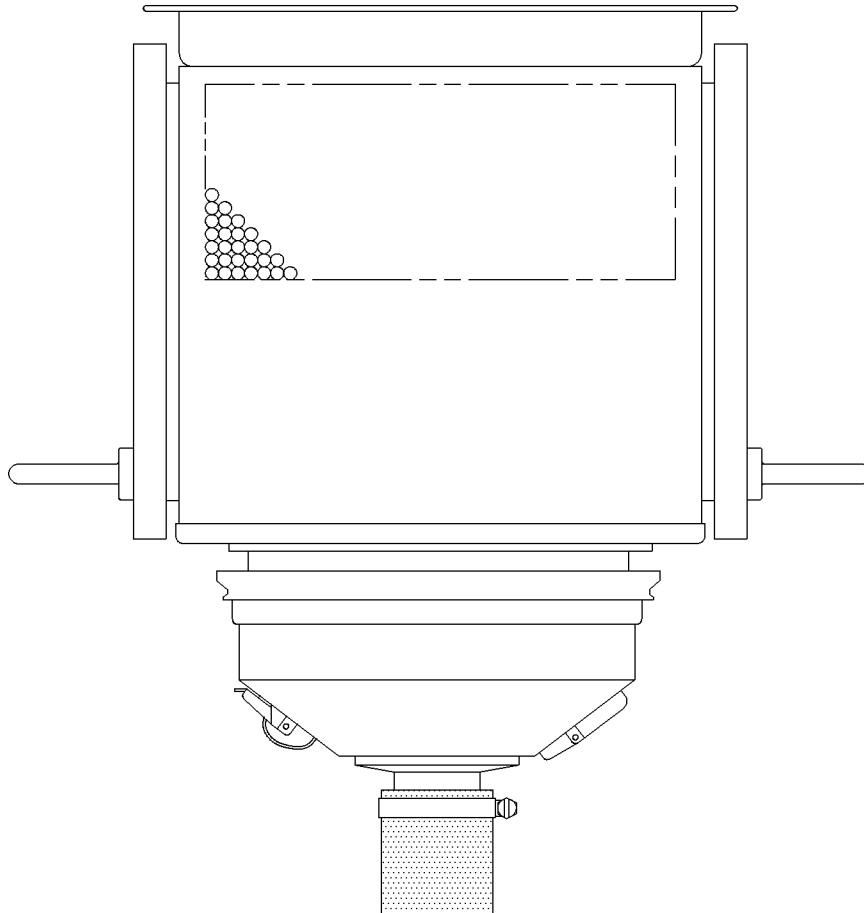
AIR INLET AND EXHAUST SYSTEM

132-9324 PRECLEANER GP (CHG -00) PART OF 132-9322 AIR CLEANER GP

SMCS-1055

i01378532

NOTE	REF NO	GRAPHIC REF	PART NUMBER	QTY	PART NAME						SEE PAGE
					1	2	3	4	5	6 (PRODUCT LEVEL)	
(NO SERVICED PARTS)											



GRAPHIC #1

<END>

g00728558

AIR INLET AND EXHAUST SYSTEM

135-8136 SHIELD GP-MANIFOLD (CHG -03, -04)

SMCS - 1067

i02216321

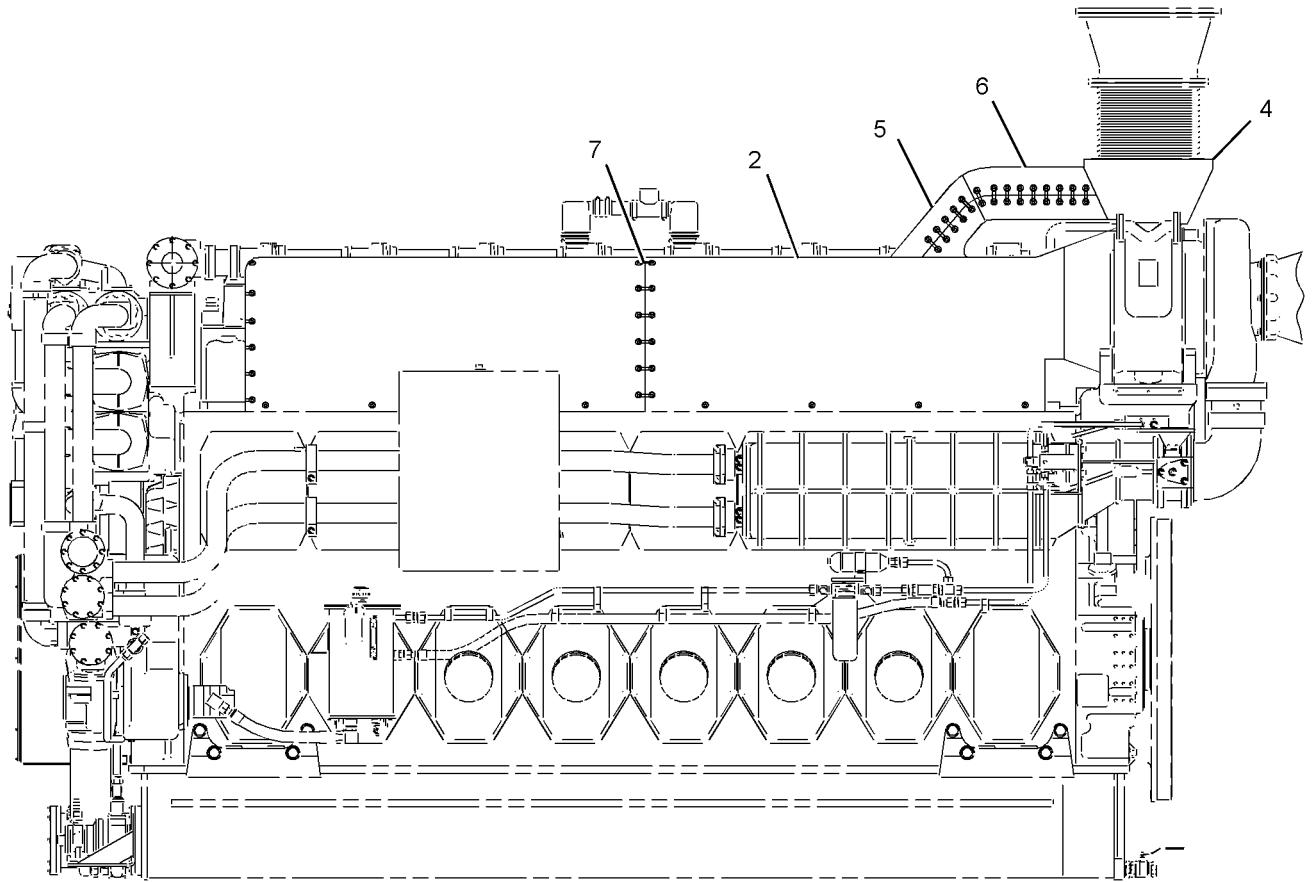
NOTE	REF NO	GRAPHIC REF	PART NUMBER	QTY	PART NAME						SEE PAGE
					1	2	3	4	5	6 (PRODUCT LEVEL)	
	1	1	257-7703	1	SHIELD AS-EXHAUST						
	2	1	260-1796	1	SHIELD AS-EXHAUST						
	3	1	132-8300	1	SHIELD AS-EXHAUST						
	4	1	135-8128	1	SHIELD AS-MANIFOLD						
	5	1	161-1195	1	SHIELD AS-MANIFOLD						
	6	1	161-1194	1	SHIELD AS-MANIFOLD						
BD	7	1	138-3331		WIRE-TIE						

B-USE AS REQUIRED
D-ORDER BY THE METER

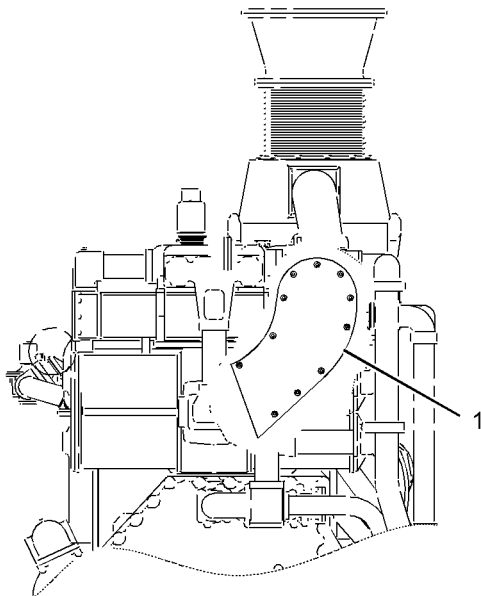
AIR INLET AND EXHAUST SYSTEM

135-8136 SHIELD GP-MANIFOLD (contd.)

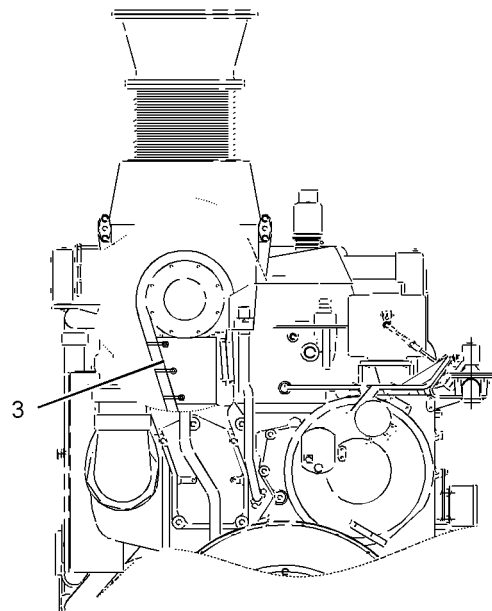
i02216321



LEFT SIDE VIEW



FRONT VIEW



REAR VIEW

GRAPHIC #1

<END>

g01118611

AIR INLET AND EXHAUST SYSTEM

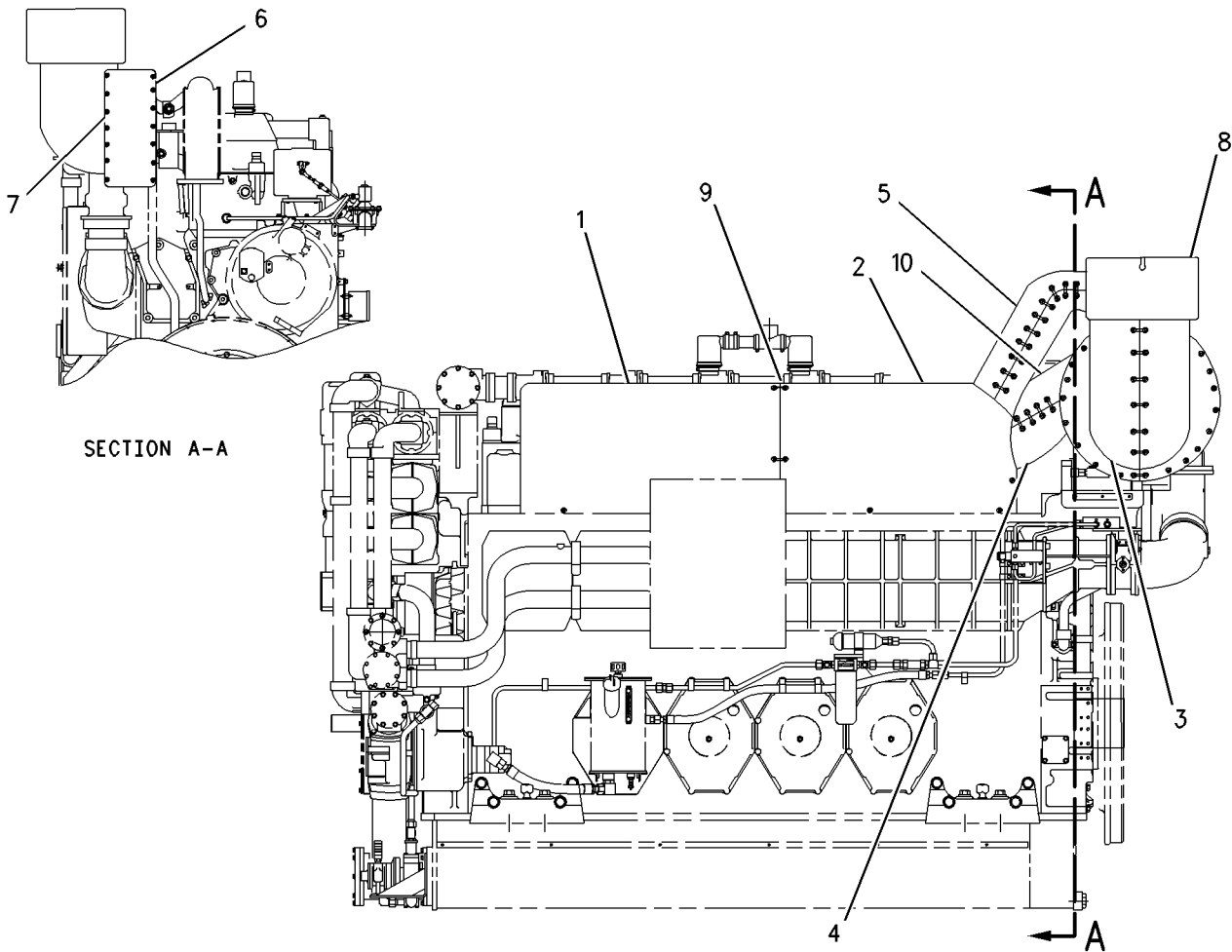
228-6084 SHIELD GP-MANIFOLD (CHG -00, -01) FOR USE WITH ABB TPS57 TURBOCHARGER

SMCS-1067

i02253397

NOTE	REF NO	GRAPHIC REF	PART NUMBER	QTY	PART NAME						SEE PAGE
					1	2	3	4	5	6 (PRODUCT LEVEL)	
	1	1	228-6081	1	SHIELD AS (EXHAUST MANIFOLD)						
	2	1	228-6082	1	SHIELD AS (EXHAUST MANIFOLD)						
	3	1	180-3990	1	SHIELD AS-ELBOW (EXHAUST)						
	4	1	208-3787	1	SHIELD AS-MANIFOLD						
	5	1	188-2875	1	SHIELD AS-MANIFOLD (EXHAUST)						
	6	1	199-8967	1	SHIELD AS-MANIFOLD (EXHAUST)						
	7	1	161-1191	1	SHIELD AS-MANIFOLD (EXHAUST)						
	8	1	125-3780	1	SHIELD AS-MANIFOLD (EXHAUST)						
BD	9	1	138-3331		WIRE-TIE						
	10	1	208-3788	1	SHIELD AS-MANIFOLD						

B-USE AS REQUIRED
D-ORDER BY THE METER



GRAPHIC #1

<END>

g00850078

AIR INLET AND EXHAUST SYSTEM

150-7891 SHUTOFF GP-AIR (CHG -00)

8 INCH

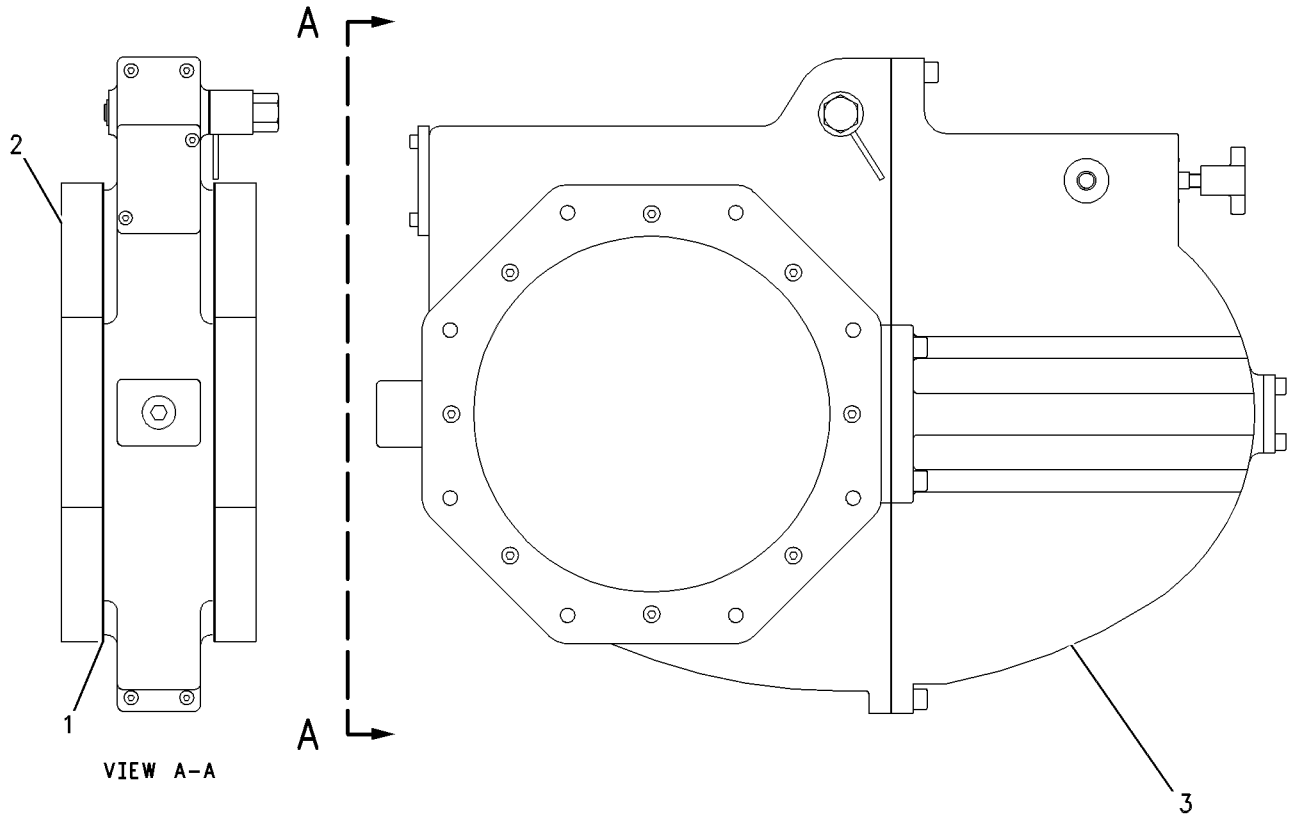
PART OF 262-4849 LINES GP-AIR

SMCS-1078

i00649756

NOTE	REF NO	GRAPHIC REF	PART NUMBER	QTY	PART NAME						SEE PAGE
					1	2	3	4	5	6 (PRODUCT LEVEL)	
	1	1	150-7892	2	GASKET						
	2	1	150-7895	2	ADAPTER-FLANGE						
Y	3	1	150-7931	1	SHUTOFF GP-AIR						290

Y-SEPARATE ILLUSTRATION



GRAPHIC #1

<END>

g00290062

AIR INLET AND EXHAUST SYSTEM

150-7931 SHUTOFF GP-AIR (CHG -00, -01)

8 INCH

PART OF 150-7891 SHUTOFF GP-AIR

SMCS-1078

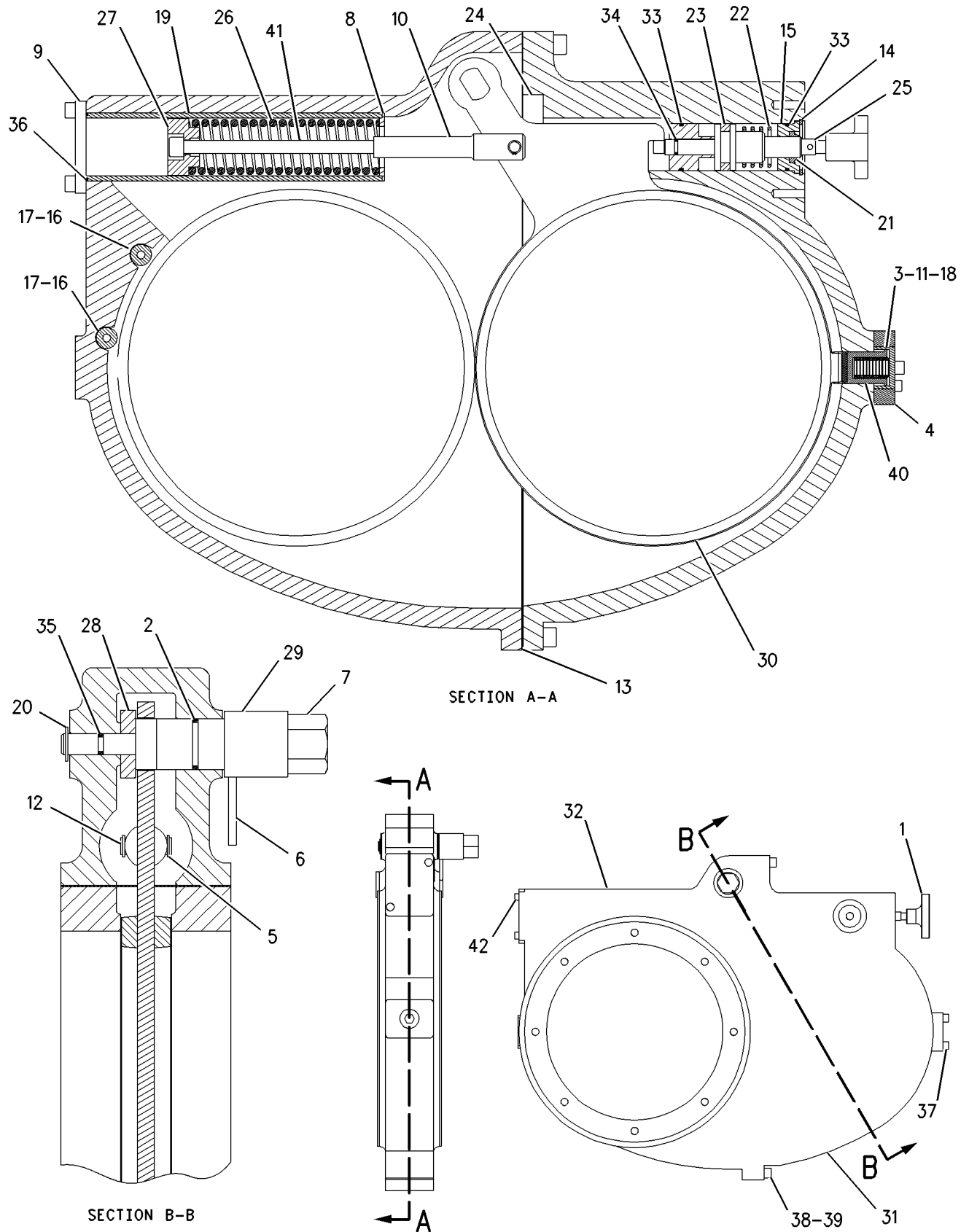
i02339193

NOTE	REF NO	GRAPHIC REF	PART NUMBER	QTY	PART NAME						SEE PAGE
					1	2	3	4	5	6 (PRODUCT LEVEL)	
	1	1	195-0988	1	KNOB						
	2	1	148-8136	1	SEAL-O-RING						
	3	1	150-7897	1	SCREW (ALIGNMENT)						
	4	1	150-7898	1	CAP-SUPPORT						
	5	1	150-7899	2	RING-RETAINING						
	6	1	150-7900	1	INDICATOR (POSITION PIN)						
	7	1	150-7901	1	DRIVE-HEX						
	8	1	150-7902	1	PLATE-STOP						
	9	1	150-7903	1	CAP						
	10	1	150-7904	1	CLEVIS						
	11	1	150-7905	1	SPRING-SUPPORT						
	12	1	150-7906	1	PIN						
	13	1	150-7907	1	GASKET						
	14	1	150-7909	1	RING-RETAINING						
	15	1	150-7910	1	PLATE-END						
	16	1	150-7911	2	SETSCREW						
	17	1	150-7912	2	BUMPER						
	18	1	150-7913	1	SUPPORT-GATE						
	19	1	150-7914	1	SLEEVE						
	20	1	150-7915	1	RING-RETAINING						
	21	1	150-7916	1	WIPER						
	22	1	150-7917	1	SPRING-SPINDLE						
	23	1	150-7918	1	CUP-U						
	24	1	150-7919	1	GUIDE						
	25	1	150-7920	1	SPINDLE-PISTON						
	26	1	150-7921	1	SPRING (COMPRESSION)						
	27	1	150-7922	1	RETAINER-SPRING						
	28	1	150-7923	1	SPACER						
	29	1	150-7924	1	SHAFT-OPERATING						
	30	1	150-7926	1	PADDLE AS						
	31	1	150-7927	1	COVER						
	32	1	150-7930	1	BODY						
	33	1	150-8700	2	SEAL-O-RING						
	34	1	150-8701	1	SEAL-O-RING						
	35	1	150-8698	1	SEAL-O-RING						
	36	1	150-8699	1	SEAL-O-RING						
	37	1	8H-0707	2	BOLT (1/4-20X1-IN)						
	38	1	5J-5314	8	BOLT (5/16-18X1.5-IN)						
	39	1	9M-1974	8	WASHER-HARD (8.8X16X2-MM THK)						
	40	1	180-3953	1	BUSHING						
	41	1	180-3954	1	BOLT						
	42	1	8H-3127	2	BOLT (1/4-20X0.75-IN)						

AIR INLET AND EXHAUST SYSTEM

150-7931 SHUTOFF GP-AIR (contd.)

i02339193



SECTION A-A

SECTION B-B

<END>

GRAPHIC #1

g00762828

AIR INLET AND EXHAUST SYSTEM

4P-6746 TURBOCHARGER GP (CHG -04)

SMCS-1052, 1053

i01923129

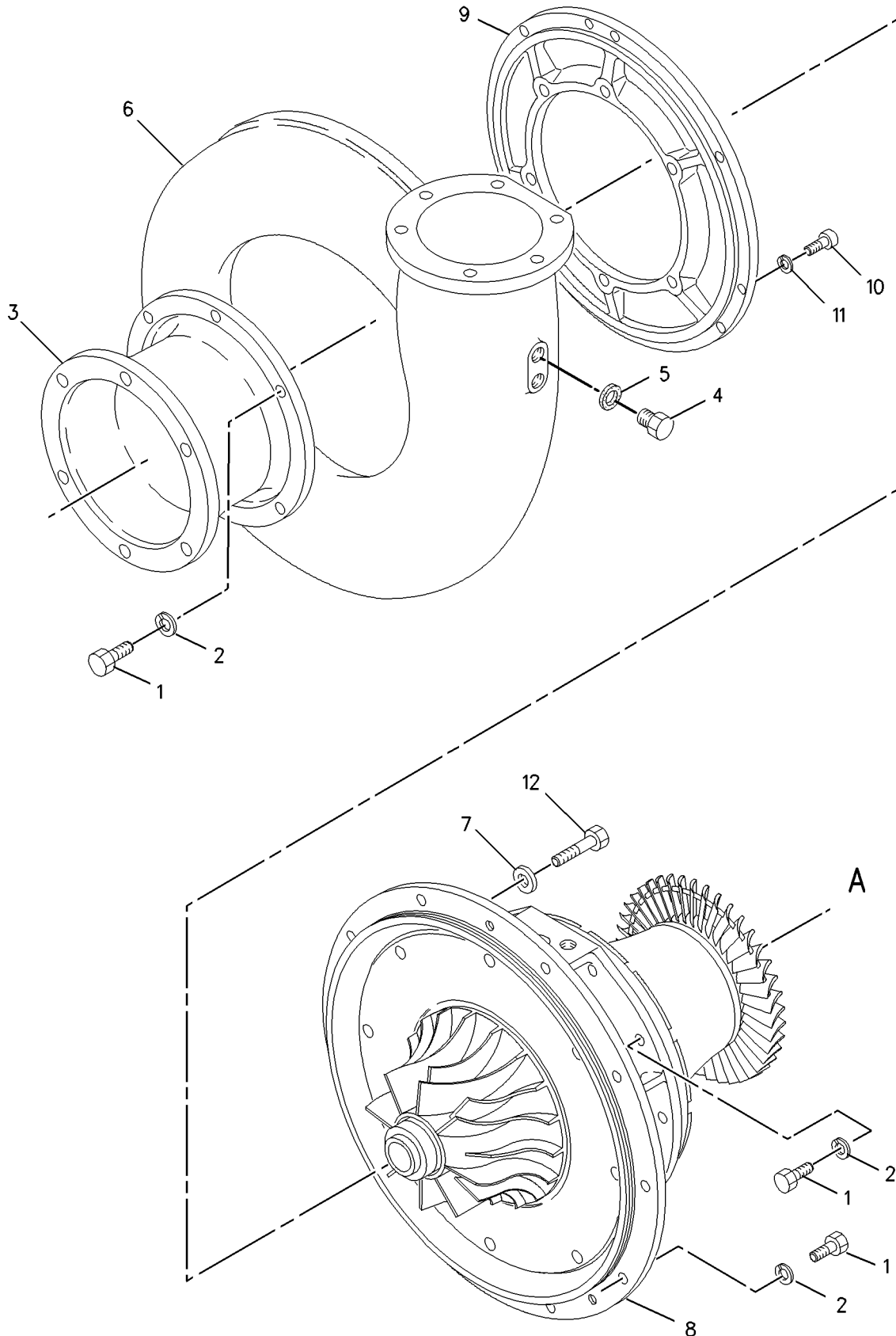
NOTE	REF NO	GRAPHIC REF	PART NUMBER	QTY	PART NAME						SEE PAGE
					1	2	3	4	5	6 (PRODUCT LEVEL)	
CM	1	1	6V-3668	39	BOLT (M12X1.75X30-MM)						
C	2	1	3B-4508	39	LOCKWASHER						
	3	1	7W-5857	1	INSERT						
	4	1	4W-9029	2	PLUG						
	5	1	4W-9027	2	GASKET						
C	6	1	130-1860	1	HOUSING-COMPRESSOR						
	7	1	4W-9025	6	WASHER-SPRING						
Y	8	1	116-2808	1	CARTRIDGE GP-TURBOCHARGER						231
	9	1	4P-6077	1	DIFFUSER						
M	10	1	8T-1158	3	BOLT-SOCKET HEAD (M8X1.25X20-MM)						
	11	1	3B-4505	3	LOCKWASHER						
M	12	1	6V-5230	6	BOLT (M10X1.5X60-MM)						
	13	2	6B-6863	1	PIN-SPRING						
	14	2	4W-8571	12	PLATE-LOCK (5-MM THK)						
C	15	2	131-3708	1	HOUSING						
	16	2	4W-8607	1	COVER						
	17	2	4W-8606	1	GASKET						
M	18	2	6V-3668	40	BOLT (M12X1.75X30-MM)						
	19	2	4W-8605	2	GASKET						
	20	2	4W-8608	2	COVER						
	21	2	7E-7093	2	GASKET						
	22	2	4W-9533	2	COVER						
	23	2	3B-4508	28	LOCKWASHER						
	24	2	0S-1595	4	BOLT (1/2-13X1.25-IN)						
	25	2	4W-8568	4	SEGMENT						
	26	2	4W-9036	2	SUPPORT						
M	27	2	6V-3823	4	BOLT (M12X1.75X60-MM)						
	28	2	9Y-0778	1	NOZZLE						
M	29	2	6V-8675	8	BOLT (M12X1.75X35-MM)						
M	30	2	8C-8581	20	BOLT-HIGH TEMPERATURE (M10X1.5X30-MM)						
	31	2	4W-8566	20	PLATE-LOCK (1-MM THK)						
	32	2	4W-9037	1	COVER-RING						
	33	2	4P-0309	1	HOUSING AS-INLET						
	34	2	4P-0300	1	FLANGE-GAS INLET						
	35	2	7E-9688	2	CLAMP-SEGMENT						
	36	2	7E-9689	4	KEY						
	37	2	7E-9690	1	PIN-SPRING						
M	38	2	9X-8275	4	BOLT-SOCKET HEAD (M6X1X10-MM)						
M	39	2	100-6777	24	BOLT-HIGH TEMPERATURE (M10X1.5X25-MM)						
	40	2	7E-9699	12	RETAINER-BOLT						
AVAILABLE REPAIR KIT(S):											
Y			4W-0686	1	KIT-TURBOCHARGER REPAIR						463
(KIT INCLUDES GASKET, SEAL-O-RINGS AND SEAL KIT-TURBO)											

C-CHANGE FROM PREVIOUS TYPE
M-METRIC PART
Y-SEPARATE ILLUSTRATION

AIR INLET AND EXHAUST SYSTEM

4P-6746 TURBOCHARGER GP (contd.)

i01923129



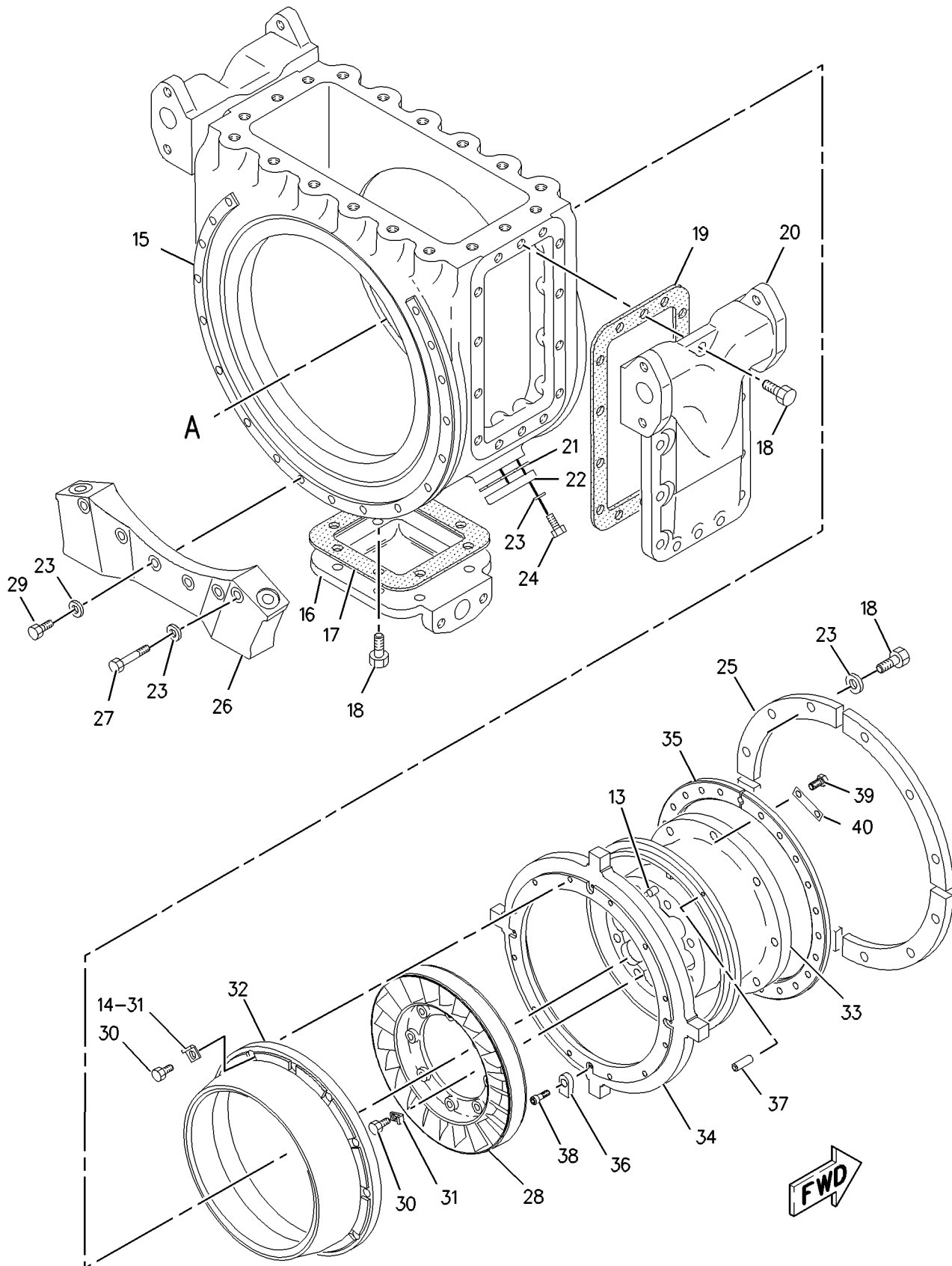
GRAPHIC #1

g00779224

AIR INLET AND EXHAUST SYSTEM

4P-6746 TURBOCHARGER GP (contd.)

i01923129



GRAPHIC #2

<END>

g01000825

AIR INLET AND EXHAUST SYSTEM

228-7328 TURBOCHARGER GP (CHG -00 THRU -03)

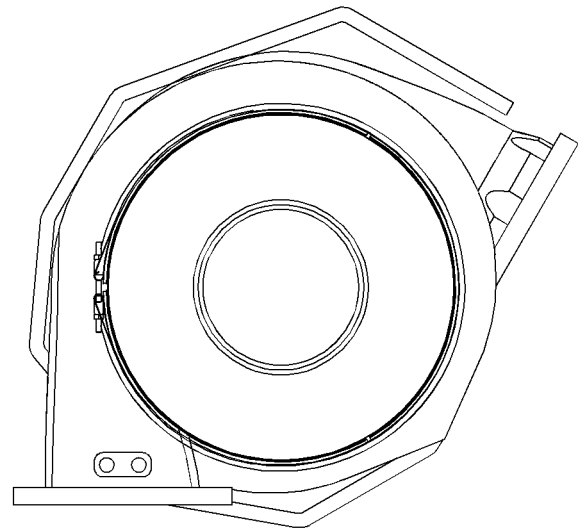
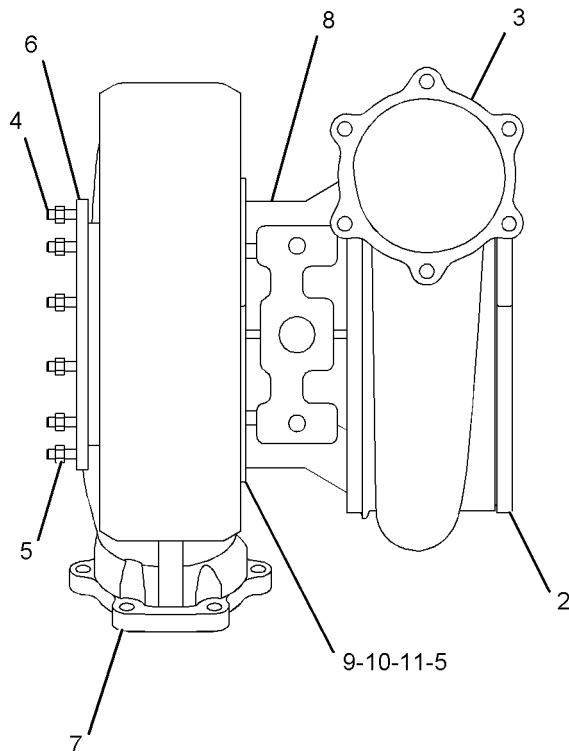
FOR USE WITH INDUSTRIAL ENGINES. CANNOT BE USED WITH VTC254 TURBOCHARGER

SMCS-1052, 1053

i02246351

NOTE	REF NO	GRAPHIC REF	PART NUMBER	QTY	PART NAME						SEE PAGE
					1	2	3	4	5	6 (PRODUCT LEVEL)	
	2	1	176-3611	1	CLAMP-BAND						
	3	1	230-0933	1	HOUSING-COMPRESSOR						
	4	1	178-1797	12	STUD						
	5	1	178-1798	12	NUT (M12X19-THD)						
	6	1	230-0939	1	INSERT						
	7	1	211-3212	1	HOUSING-TURBINE						
	8	1	211-3215	1	HOUSING-BEARING						
	9	1	176-3609	1	KIT-SEAL (BEARING)						
	10	1	176-3610	1	(INCLUDES SEAL-O-RING, BOLT, AND RING-PISTON)						
					KIT-BEARING						
					(INCLUDES BOLT, BEARING-JOURNAL, RING-THRUST, CLIP, BEARING-THRUST, AND BEARING-AUXILIARY)						
	11	1	207-6111	12	STUD						
F		1	178-1790	3	CLAMP						
F		1	178-1791	18	BOLT (M12X1.75X35-MM)						
F		1	178-1799	5	BOLT (M12X32.5-MM)						
F		1	178-1800	7	WASHER (14X29X3-MM THK)						
F		1	178-1801	2	BOLT (M12X1.75X42.5-MM)						
F		1	207-6106	1	KIT-TURBOCHARGER SEAL						
					(INCLUDES BOLT, SEAL-O-RINGS, AND GASKETS)						
F		1	207-6109	4	CLIP						
F		1	207-6110	12	WASHER (12.5X21X2.7-MM THK)						
F		1	230-0932	1	CARTIDGE GP-TURBOCHARGER						
F		1	230-0936	1	INSERT						
F		1	230-0937	1	DIFFUSER						
F		1	230-0938	1	RING-NOZZLE						

F-NOT SHOWN



GRAPHIC #1

<END>

g01064470

AIR INLET AND EXHAUST SYSTEM

259-8435 TURBOCHARGER GP (CHG -00 THRU -02)

SMCS-1052, 1053

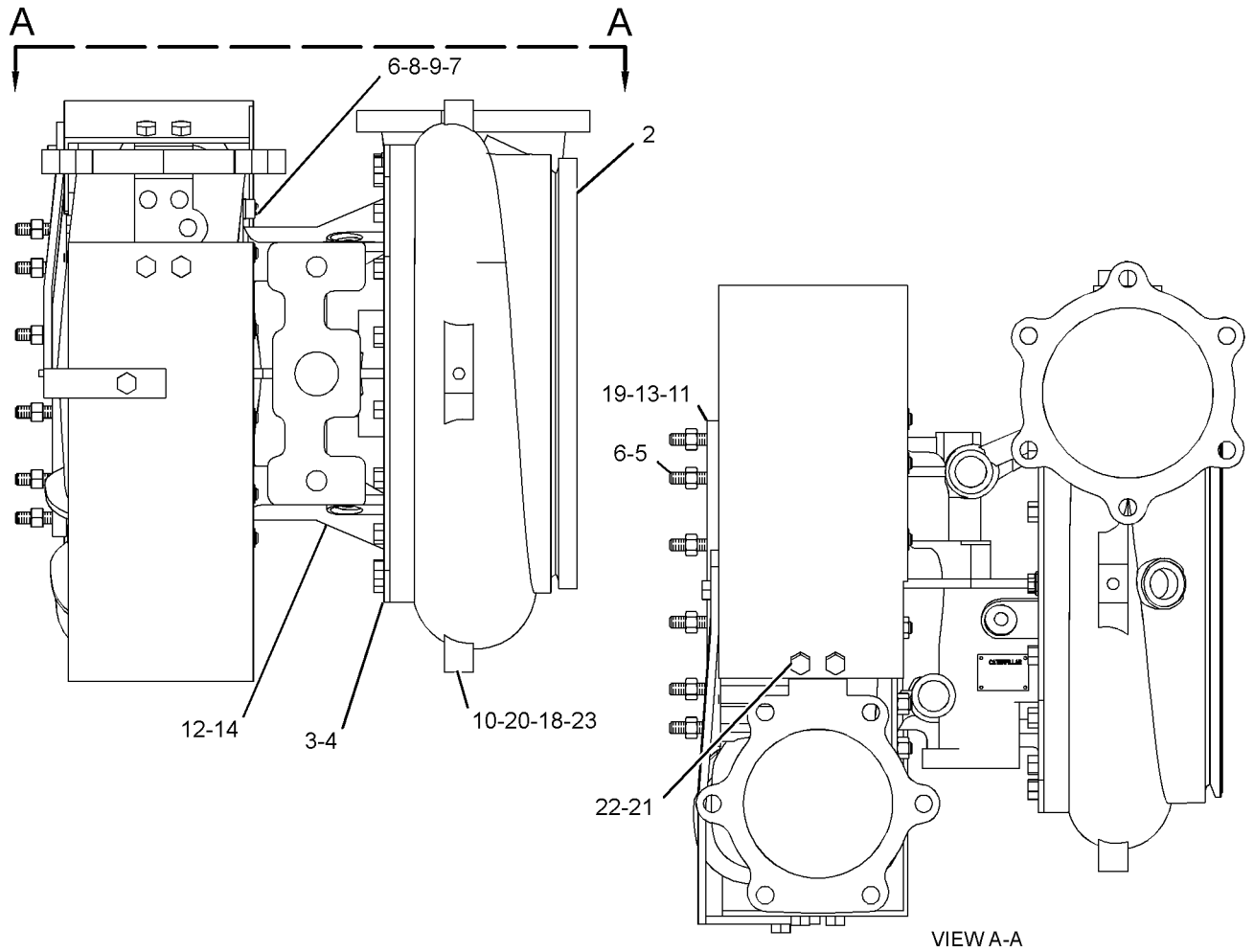
i02488523

NOTE	REF NO	GRAPHIC REF	PART NUMBER	QTY	PART NAME						SEE PAGE
					1	2	3	4	5	6 (PRODUCT LEVEL)	
	2	1	176-3611	1	CLAMP-BAND						
	3	1	178-1790	3	CLAMP						
	4	1	178-1791	18	BOLT (M12X1.75X35-MM)						
	5	1	178-1797	12	STUD						
	6	1	178-1798	24	NUT (M12X19-THD)						
	7	1	207-6109	4	CLIP						
	8	1	207-6110	12	WASHER (12.5X21X2.7-MM THK)						
	9	1	207-6111	12	STUD						
	10	1	230-0933	1	HOUSING-COMPRESSOR						
	11	1	230-0936	1	INSERT (TURBINE)						
	12	1	262-7116	1	HOUSING-BEARING						
	13	1	262-7117	1	HOUSING (TURBINE)						
	14	1	273-2105	1	CARTRIDGE GP-TURBOCHARGER						
	18	1	230-0937	1	DIFFUSER						
	19	1	230-0938	1	RING-NOZZLE						
	20	1	230-0939	1	INSERT						
	21	1	178-1799	5	BOLT (M12X32.5-MM)						
	22	1	178-1800	7	WASHER (14X29X3-MM THK)						
	23	1	178-1801	2	BOLT (M12X1.75X42.5-MM)						
					AVAILABLE REPAIR KIT(S):						
			207-6106	1	KIT-TURBOCHARGER SEAL (INCLUDES BOLTS, O-RINGS, AND GASKETS)						
			176-3609	1	KIT-SEAL (BEARING) (TURBOCHARGER) (INCLUDES PISTON RING, O-RING, AND BOLT)						
			176-3610	1	KIT-BEARING (TURBOCHARGER) (INCLUDES BEARINGS, BOLTS, CLIPS, AND THRUST-RING)						

AIR INLET AND EXHAUST SYSTEM

259-8435 TURBOCHARGER GP (contd.)

i02488523



GRAPHIC #1

<END>

VIEW A-A

g01242812

FUEL SYSTEM

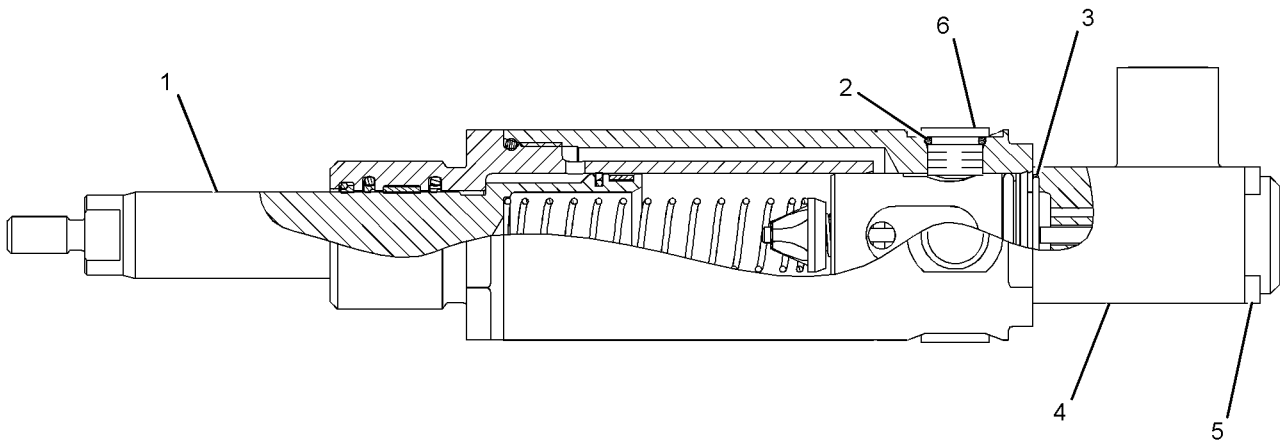
196-9528 ACTUATOR GP-ELECTRONIC (CHG -00 THRU -02) PART OF 196-9529 ACTUATOR GP-ELECTRONIC

SMCS-1716

i02758352

NOTE	REF NO	GRAPHIC REF	PART NUMBER	QTY	PART NAME						SEE PAGE
					1	2	3	4	5	6 (PRODUCT LEVEL)	
	1	1	211-8177	1	PISTON AS						
	2	1	6V-5049	4	SEAL-O-RING						
	3	1	033-6032	1	SEAL-O-RING						
	4	1	101-9528	1	SOLENOID AS (GOVERNOR ACTUATOR)						
		1	033-6032	1	SEAL-O-RING						
M	5	1	129-3174	4	BOLT-SOCKET HEAD (M4X0.7X60-MM)						
	6	1	9S-8004	2	PLUG-O-RING						

M-METRIC PART



GRAPHIC #1

<END>

g01300381

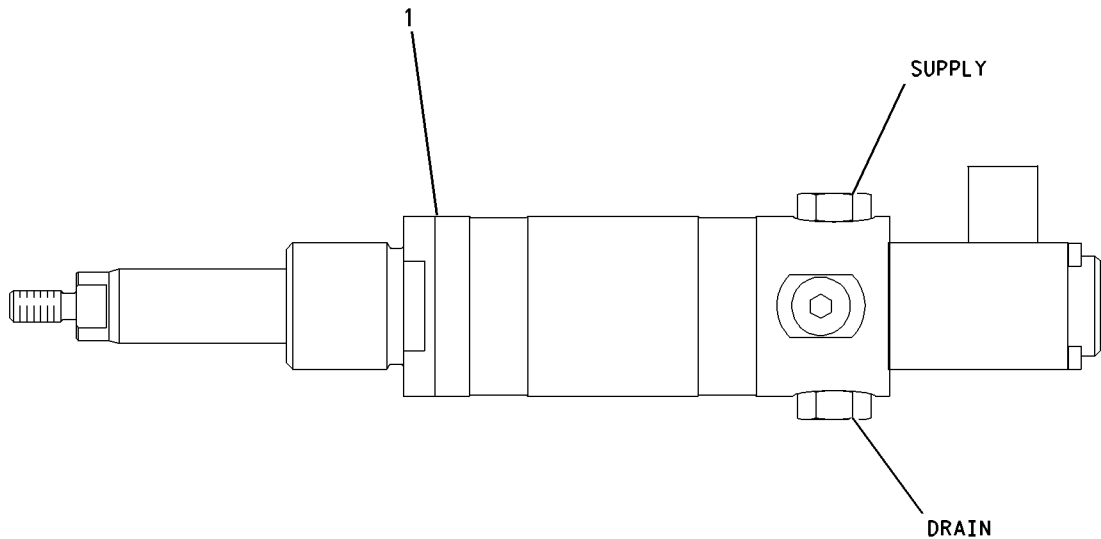
FUEL SYSTEM

196-9529 ACTUATOR GP-ELECTRONIC (CHG -00, -00D1 THRU -02)
 PART OF 219-9930 BYPASS GP-EXHAUST, 213-6462 CONTROL GP-FUEL, 219-9931 LINES
 GP-AIR

SMCS-1716

i01550306

NOTE	REF NO	GRAPHIC REF	PART NUMBER	QTY	PART NAME						SEE PAGE
					1	2	3	4	5	6 (PRODUCT LEVEL)	
Y	1	1	196-9528	1	ACTUATOR GP-ELECTRONIC						298
Y-SEPARATE ILLUSTRATION											



GRAPHIC #1

<END>

g00806064

FUEL SYSTEM

211-8175 ACTUATOR GP-ELECTRONIC (CHG -00, -01)

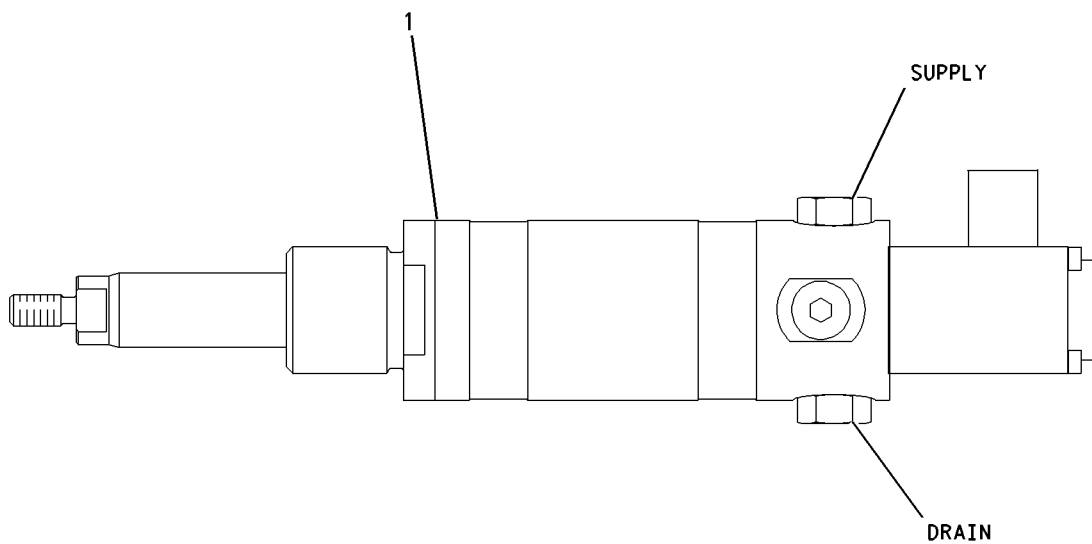
ELECTROHYDRAULIC

PART OF 213-6460, 219-9930, 240-0664 BYPASS GP-EXHAUST, 213-6462 CONTROL
GP-FUEL, 213-6461, 219-9931 LINES GP-AIR

SMCS-1716

i01814188

NOTE	REF NO	GRAPHIC REF	PART NUMBER	QTY	PART NAME						SEE PAGE
					1	2	3	4	5	6 (PRODUCT LEVEL)	
Y	1	1	211-8176	1	ACTUATOR GP-ELECTRONIC						301
Y-SEPARATE ILLUSTRATION											



GRAPHIC #1

<END>

g00806064

FUEL SYSTEM

211-8176 ACTUATOR GP-ELECTRONIC (CHG -00, -01)

ELECTROHYDRAULIC

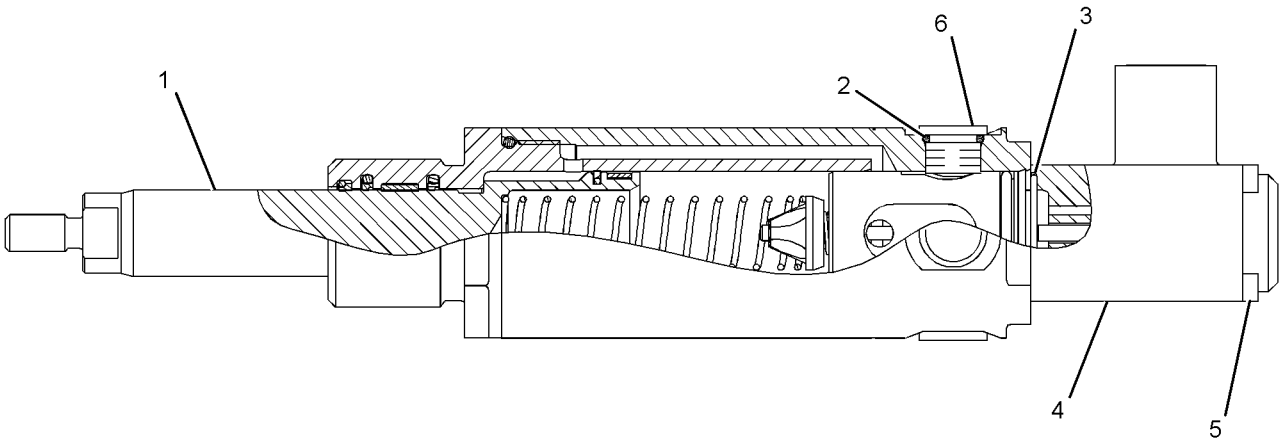
PART OF 211-8175 ACTUATOR GP-ELECTRONIC

SMCS-1716

i02597808

NOTE	REF NO	GRAPHIC REF	PART NUMBER	QTY	PART NAME						SEE PAGE
					1	2	3	4	5	6 (PRODUCT LEVEL)	
	1	1	211-8177	1	PISTON AS						
	2	1	6V-5049	4	SEAL-O-RING						
	3	1	033-6032	1	SEAL-O-RING						
	4	1	101-9528	1	SOLENOID AS						
		1	033-6032	1	SEAL-O-RING						
M	5	1	129-3174	4	BOLT-SOCKET HEAD (M4X0.7X60-MM)						
	6	1	9S-8004	2	PLUG-O-RING						

M-METRIC PART



GRAPHIC #1

<END>

g01300381

FUEL SYSTEM

202-4869 CONTROL AS-GOVERNOR-LOAD SHARE (CHG -00)
0-VOLT TO 5-VOLT

SMCS-1264

i01483524

NOTE	PART NUMBER	QTY	PART NAME						SEE PAGE
			1	2	3	4	5	6 (PRODUCT LEVEL)	
			(NO SERVICED PARTS)						
			<END>						

FUEL SYSTEM

213-6462 CONTROL GP-FUEL (CHG -00) GAS

SMCS - 1265

i01727467

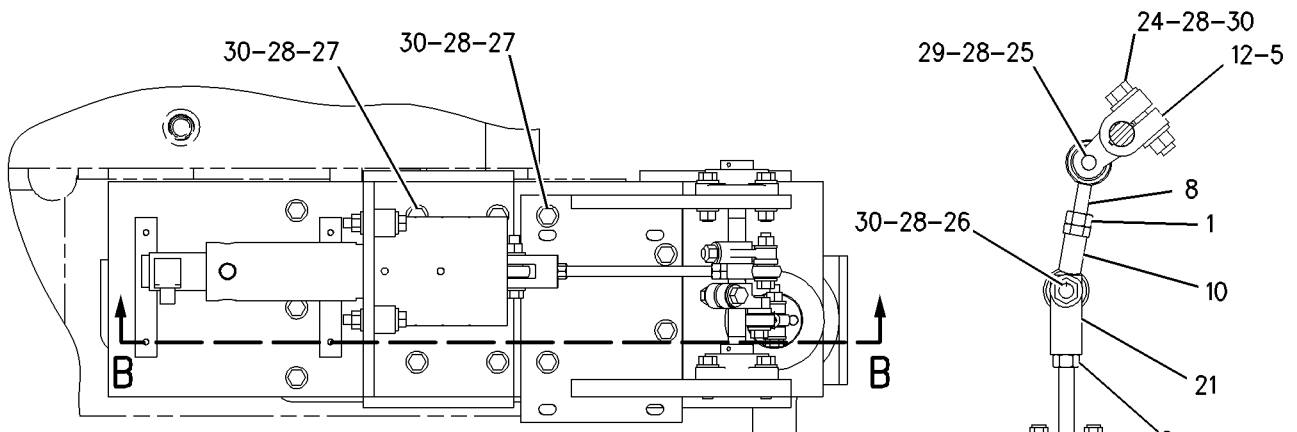
NOTE	REF NO	GRAPHIC REF	PART NUMBER	QTY	PART NAME						SEE PAGE
					1	2	3	4	5	6 (PRODUCT LEVEL)	
	1	1	1S-3584	2	NUT-FULL (3/8-24 LH-THD)						
	2	1	3S-2713	2	NUT-FULL (3/8-24-THD)						
	3	1	4D-8532	1	LEVER						
	4	1	4P-0391	1	ROD						
	5	1	5H-2532	2	KEY-WOODRUFF						
	6	1	5L-3291	2	BEARING AS-BALL						
Y	7	1	6I-1732	1	VALVE GP-CONTROL						409
	8	1	8C-6971	1	ROD END						
	9	1	8C-7315	1	ROD END						
	10	1	8C-7321	2	ROD END						
	11	1	8H-3390	1	NUT-FULL (1-1/2-12-THD)						
	12	1	115-7768	1	LEVER						
	13	1	118-6663	1	BRACKET AS						
	14	1	118-6665	1	SHAFT-FUEL						
	15	1	131-7749	1	BRACKET AS						
	16	1	131-7750	1	BRACKET AS						
	17	1	131-7751	1	BRACKET AS						
	18	1	169-2521	1	PLATE						
	19	1	169-2522	1	GASKET						
	20	1	176-3583	2	GUARD						
	21	1	176-3587	2	CLEVIS						
	22	1	193-7879	1	BOOT						
YR	23	1	196-9529	1	ACTUATOR GP-ELECTRONIC						299
	24	1	0S-1571	3	BOLT (3/8-16X1.75-IN)						
	25	1	0S-1588	5	BOLT (3/8-16X1.25-IN)						
	26	1	0S-1590	6	BOLT (3/8-16X2-IN)						
	27	1	0S-1591	24	BOLT (3/8-16X1.5-IN)						
	28	1	3V-3308	59	WASHER-HARD (10.2X20.5X2.5-MM THK)						
	29	1	8M-9024	2	WASHER-HARD (10.2X22.5X5-MM THK)						
	30	1	9S-8752	25	NUT-FULL (3/8-16-THD)						

R-REMFG PART MAY BE AVAILABLE
Y-SEPARATE ILLUSTRATION

FUEL SYSTEM

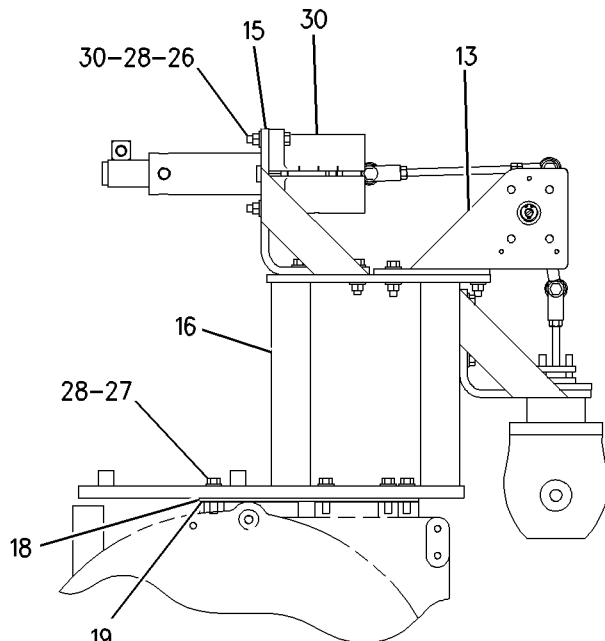
213-6462 CONTROL GP-FUEL (contd.)

i01727467

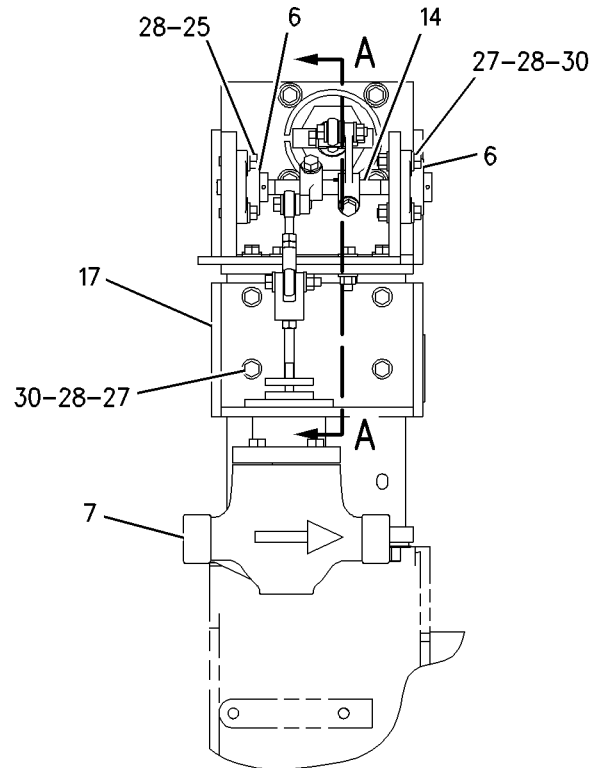


TOP VIEW

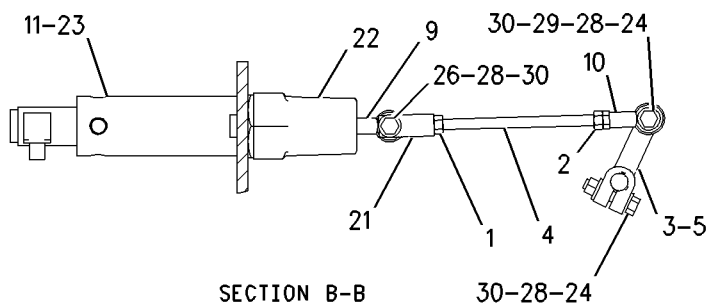
SECTION A-A



REAR VIEW



RIGHT SIDE VIEW



SECTION B-B

FUEL SYSTEM

213-6462 CONTROL GP-FUEL (CHG -01, -02) GAS

SMCS-1265

i02024497

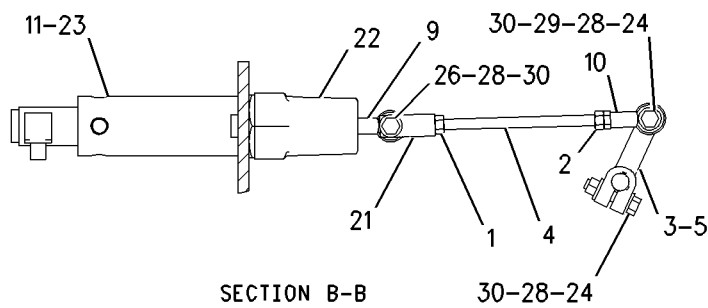
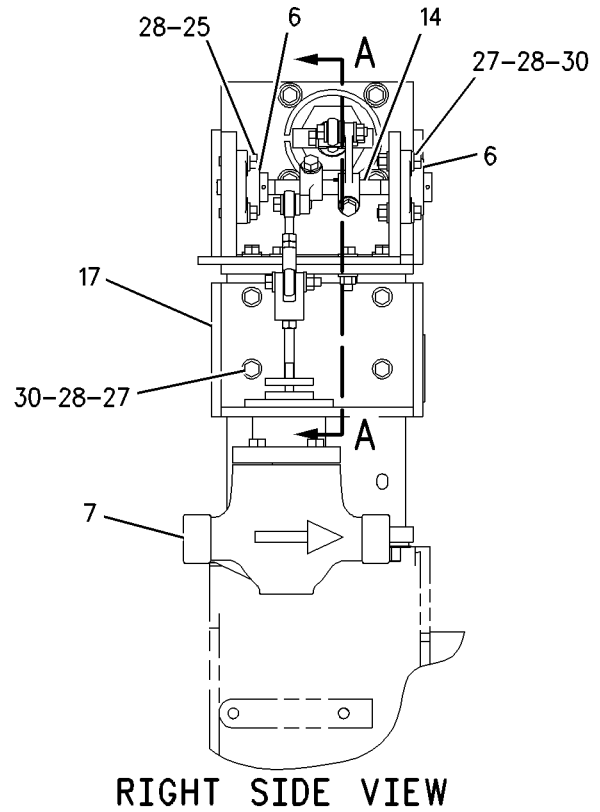
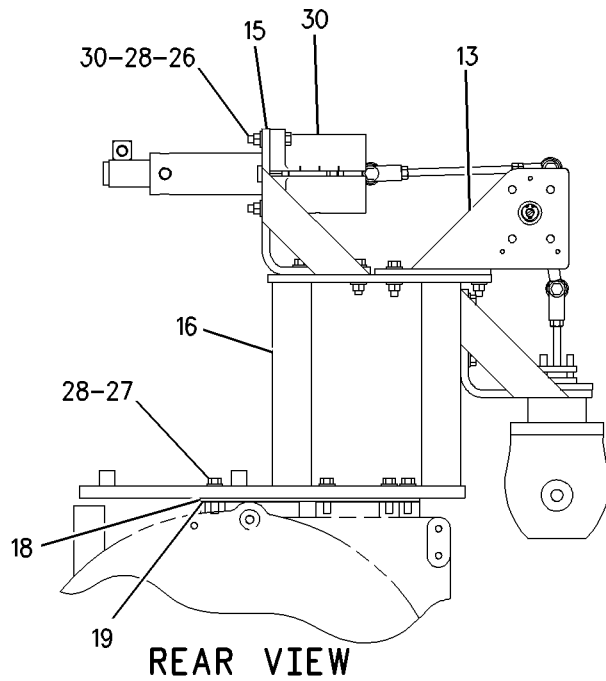
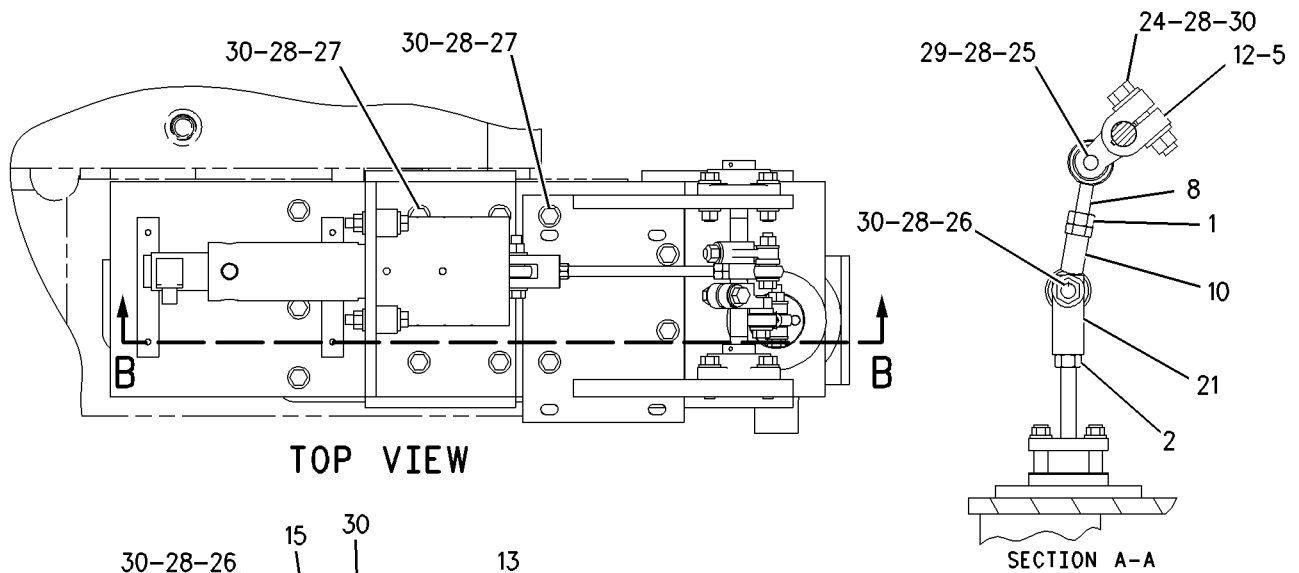
NOTE	REF NO	GRAPHIC REF	PART NUMBER	QTY	PART NAME						SEE PAGE
					1	2	3	4	5	6 (PRODUCT LEVEL)	
	1	1	1S-3584	2	NUT-FULL (3/8-24 LH-THD)						
	2	1	3S-2713	2	NUT-FULL (3/8-24-THD)						
	3	1	4D-8532	1	LEVER						
	4	1	4P-0391	1	ROD						
	5	1	5H-2532	2	KEY-WOODRUFF						
	6	1	5L-3291	2	BEARING AS-BALL						
Y	7	1	6I-1732	1	VALVE GP-CONTROL						409
	8	1	8C-6971	1	ROD END						
	9	1	8C-7315	1	ROD END						
	10	1	8C-7321	2	ROD END						
	11	1	8H-3390	1	NUT-FULL (1-1/2-12-THD)						
	12	1	115-7768	1	LEVER						
	13	1	118-6663	1	BRACKET AS						
	14	1	118-6665	1	SHAFT-FUEL						
	15	1	131-7749	1	BRACKET AS						
	16	1	131-7750	1	BRACKET AS						
	17	1	131-7751	1	BRACKET AS						
	18	1	169-2521	1	PLATE						
	19	1	169-2522	1	GASKET						
	20	1	176-3583	2	GUARD						
	21	1	176-3587	2	CLEVIS						
	22	1	193-7879	1	BOOT						
CYR	23	1	211-8175	1	ACTUATOR GP-ELECTRONIC						300
	24	1	0S-1571	3	BOLT (3/8-16X1.75-IN)						
	25	1	0S-1588	5	BOLT (3/8-16X1.25-IN)						
	26	1	0S-1590	6	BOLT (3/8-16X2-IN)						
	27	1	0S-1591	24	BOLT (3/8-16X1.5-IN)						
	28	1	3V-3308	63	WASHER-HARD (10.2X20.5X2.5-MM THK)						
	29	1	8M-9024	2	WASHER-HARD (10.2X22.5X5-MM THK)						
	30	1	9S-8752	25	NUT-FULL (3/8-16-THD)						

C-CHANGE FROM PREVIOUS TYPE
R-REMG PART MAY BE AVAILABLE
Y-SEPARATE ILLUSTRATION

FUEL SYSTEM

213-6462 CONTROL GP-FUEL (contd.)

i02024497



GRAPHIC #1

<END>

g00887415

FUEL SYSTEM

213-6462 CONTROL GP-FUEL (CHG -03 THRU -05) GAS

SMCS-1265

i03335290

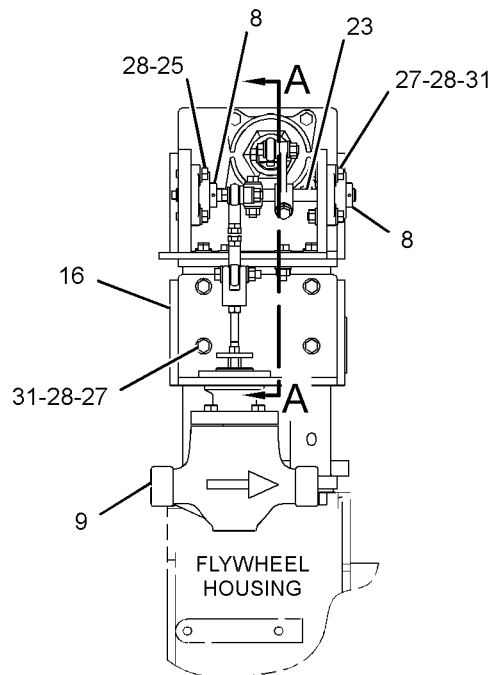
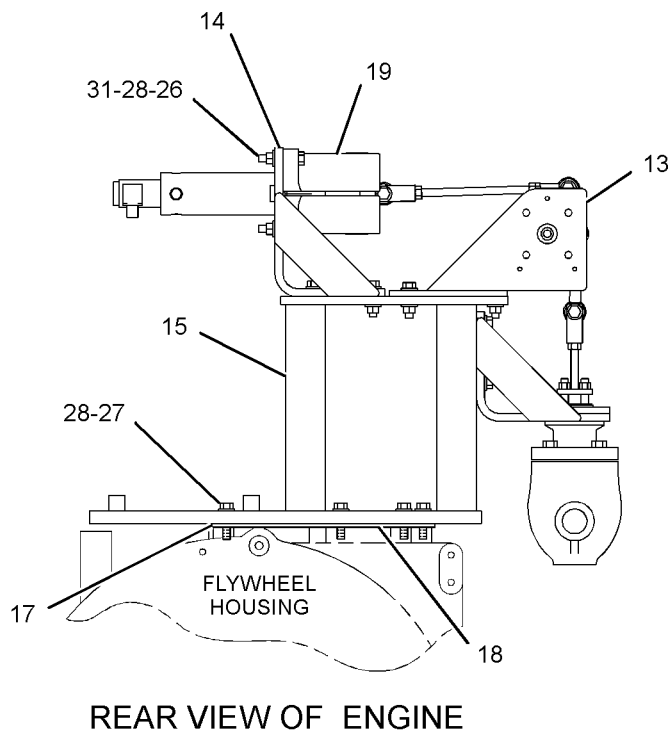
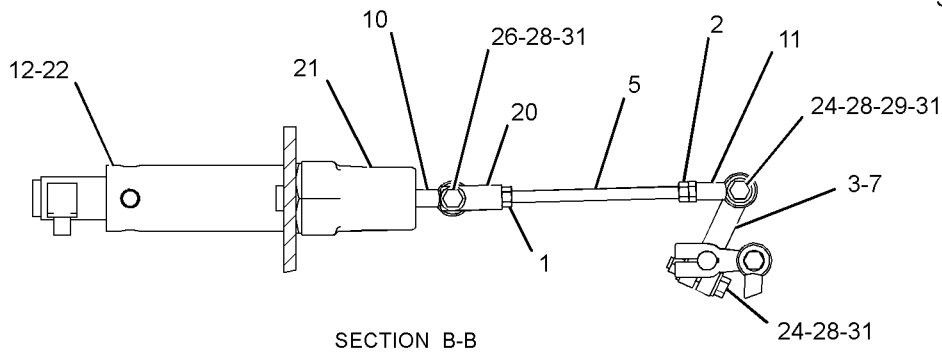
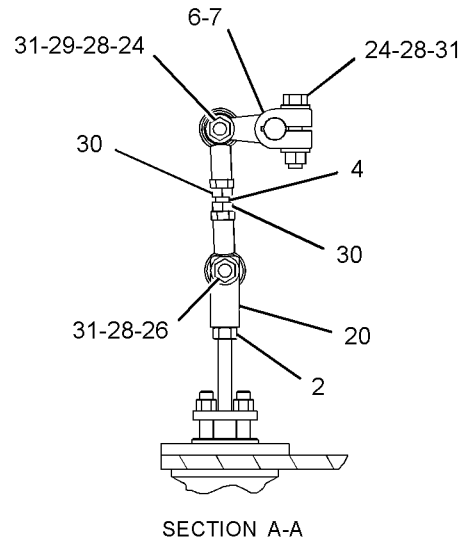
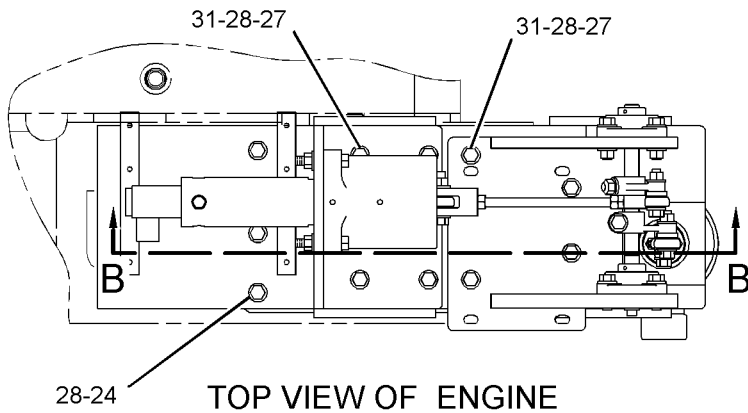
NOTE	REF NO	GRAPHIC REF	PART NUMBER	QTY	PART NAME						SEE PAGE
					1	2	3	4	5	6 (PRODUCT LEVEL)	
C	1	1	1S-3584	1	NUT-FULL (3/8-24 LH-THD)						
	2	1	3S-2713	2	NUT-FULL (3/8-24-THD)						
	3	1	4D-8532	1	LEVER						
C	4	1	4K-2877	1	STUD						
	5	1	4P-0391	1	ROD						
C	6	1	4P-0394	1	LEVER						
	7	1	5H-2532	2	KEY-WOODRUFF						
	8	1	5L-3291	2	BEARING AS-BALL						
Y	9	1	6I-1732	1	VALVE GP-CONTROL						409
C	10	1	8C-7315	3	ROD END						
C	11	1	8C-7321	1	ROD END						
	12	1	8H-3390	1	NUT-FULL (1-1/2-12-THD)						
	13	1	118-6663	1	BRACKET AS						
	14	1	131-7749	1	BRACKET AS						
	15	1	331-4483	1	BRACKET AS						
	16	1	131-7751	1	BRACKET AS						
	17	1	169-2521	1	PLATE						
	18	1	169-2522	1	GASKET						
	19	1	176-3583	2	GUARD						
	20	1	176-3587	2	CLEVIS						
	21	1	193-7879	1	BOOT						
YR	22	1	211-8175	1	ACTUATOR GP-ELECTRONIC						300
C	23	1	294-0980	1	SHAFT-FUEL						
C	24	1	0S-1571	5	BOLT (3/8-16X1.75-IN)						
C	25	1	0S-1588	4	BOLT (3/8-16X1.25-IN)						
	26	1	0S-1590	6	BOLT (3/8-16X2-IN)						
	27	1	0S-1591	23	BOLT (3/8-16X1.5-IN)						
C	28	1	3V-3308	64	WASHER-HARD (10.2X20.5X2.5-MM THK)						
	29	1	8M-9024	2	WASHER-HARD (10.2X22.5X5-MM THK)						
C	30	1	9L-7712	2	NUT (3/8-24-THD)						
C	31	1	9S-8752	26	NUT-FULL (3/8-16-THD)						

C-CHANGE FROM PREVIOUS TYPE
R-REMG PART MAY BE AVAILABLE
Y-SEPARATE ILLUSTRATION

FUEL SYSTEM

213-6462 CONTROL GP - FUEL (contd.)

i03335290



GRAPHIC #1

<END>

g01358770

FUEL SYSTEM

4P-4718 FILTER GP-FUEL (CHG -00, -01)

SMCS-1261

i02015171

NOTE	PART NUMBER	QTY	PART NAME						SEE PAGE
			1	2	3	4	5	6 (PRODUCT LEVEL)	
	4P-4721	1	FILTER ELEMENT-FUEL (GAS)						

<END>

FUEL SYSTEM

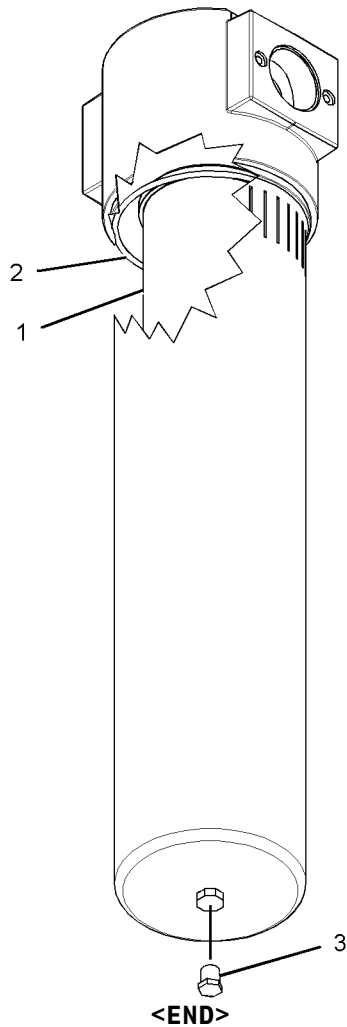
321-6971 FILTER GP-FUEL (CHG -00, -01)

SMCS-1261

i03546522

NOTE	REF NO	GRAPHIC REF	PART NUMBER	QTY	PART NAME						SEE PAGE
					1	2	3	4	5	6 (PRODUCT LEVEL)	
C	1	1	322-4985	1	FILTER ELEMENT-FUEL (GAS)						
		1	329-6134	1	SEAL-O-RING						
		1	329-6135	1	SEAL-O-RING						
C	2	1	329-6105	1	SEAL-O-RING						
C	3	1	090-9013	1	PLUG-PIPE						

C-CHANGE FROM PREVIOUS TYPE



GRAPHIC #1

g01803097

FUEL SYSTEM

219-9933 LINES GP-GAS (CHG -00 THRU -05)

SMCS-1274

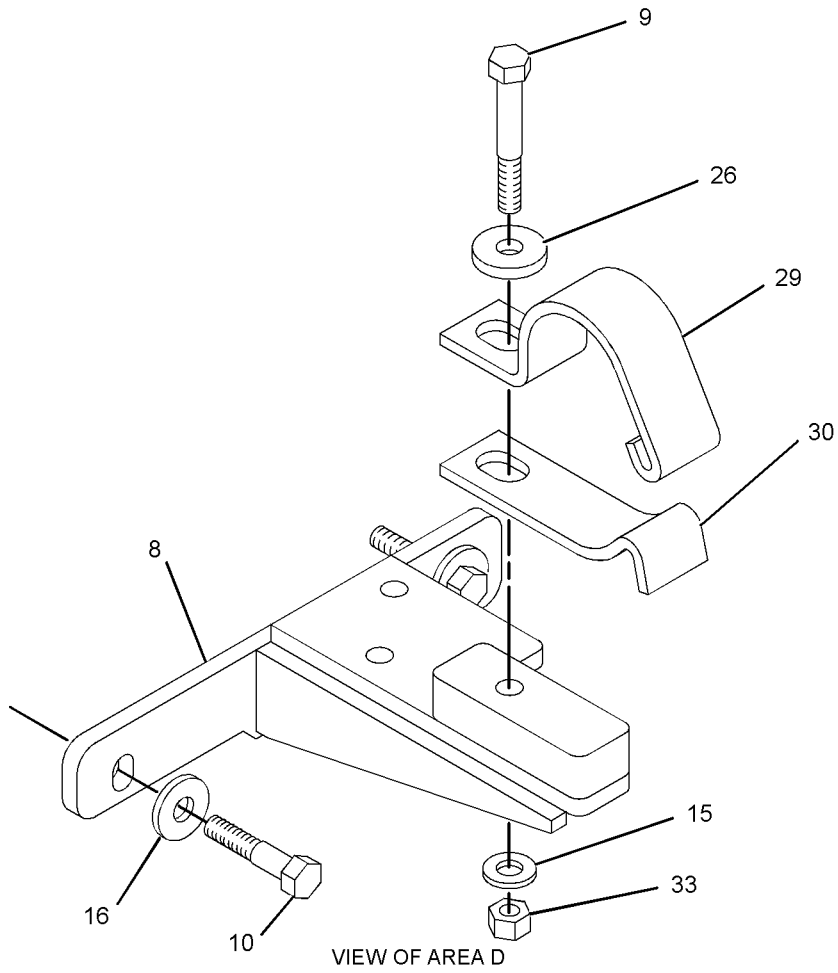
i02828694

NOTE	REF NO	GRAPHIC REF	PART NUMBER	QTY	PART NAME						SEE PAGE
					1	2	3	4	5	6 (PRODUCT LEVEL)	
	1	1	8C-6868	16	CONNECTOR						
	2	1	105-4046	8	TUBE AS						
	3	1	118-2735	8	VALVE-NEEDLE						
	4	1	131-7752	1	ADAPTER AS						
	5	1	210-5638	8	TUBE AS						
	6	1	210-5639	8	TUBE AS						
	7	1	219-9954	1	TUBE AS						
	8	2	265-9703	1	BRACKET AS						
	9	2	0L-1143	1	BOLT (3/8-16X2.5-IN)						
	10	2	0S-1571	2	BOLT (3/8-16X1.75-IN)						
	11	1	0S-1588	32	BOLT (3/8-16X1.25-IN)						
	12	1	0S-1590	9	BOLT (3/8-16X2-IN)						
	13	1	0S-1591	4	BOLT (3/8-16X1.5-IN)						
	14	1	124-9633	8	CLIP						
	15	2,1	3V-3308	40	WASHER-HARD (10.2X20.5X2.5-MM THK)						
	16	2	9L-9132	2	WASHER (10.2X25.5X2.5-MM THK)						
	17	1	5P-8211	8	SEAL-O-RING						
	18	1	6J-2244	16	SEAL-O-RING						
	19	1	6V-5039	4	CLIP (SLOT)						
	20	1	6V-5040	4	CLIP (TAB)						
	21	1	6V-5049	17	SEAL-O-RING						
	22	1	6V-8002	1	SEAL-O-RING						
	23	1	6V-8636	8	CONNECTOR						
	24	1	8L-2779	32	SEAL-O-RING						
	25	1	8L-2786	1	SEAL-O-RING						
	26	2,1	8M-7145	8	WASHER (10.2X28.5X5-MM THK)						
	27	1	8M-9024	12	WASHER-HARD (10.2X22.5X5-MM THK)						
	28	1	8T-0075	8	CONNECTOR						
	29	2,1	9D-6196	4	CLIP (SLOT)						
	30	2,1	9D-6197	4	CLIP (TAB)						
	31	1	9S-4185	1	PLUG-O-RING						
	32	1	9S-4191	1	PLUG-O-RING						
	33	2,1	9S-8752	14	NUT-FULL (3/8-16-THD)						

FUEL SYSTEM

219-9933 LINES GP-GAS (contd.)

i02828694



GRAPHIC #1

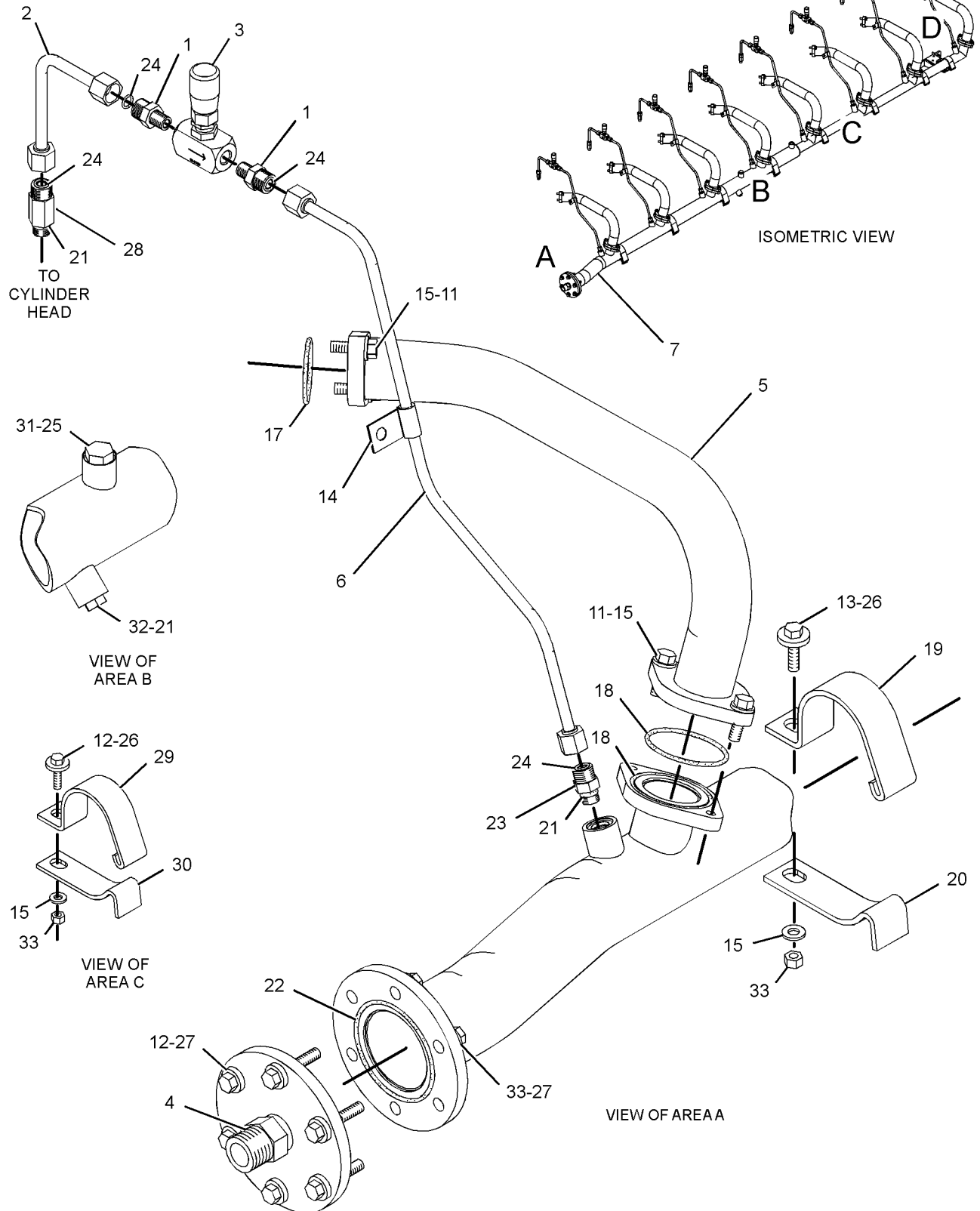
g01411468

FUEL SYSTEM

219-9933 LINES GP-GAS (contd.)

i02828694

REFER TO ALL ILLUSTRATIONS OF THIS GROUP FOR AUXILIARY VIEWS



GRAPHIC #2

<END>

g01412279

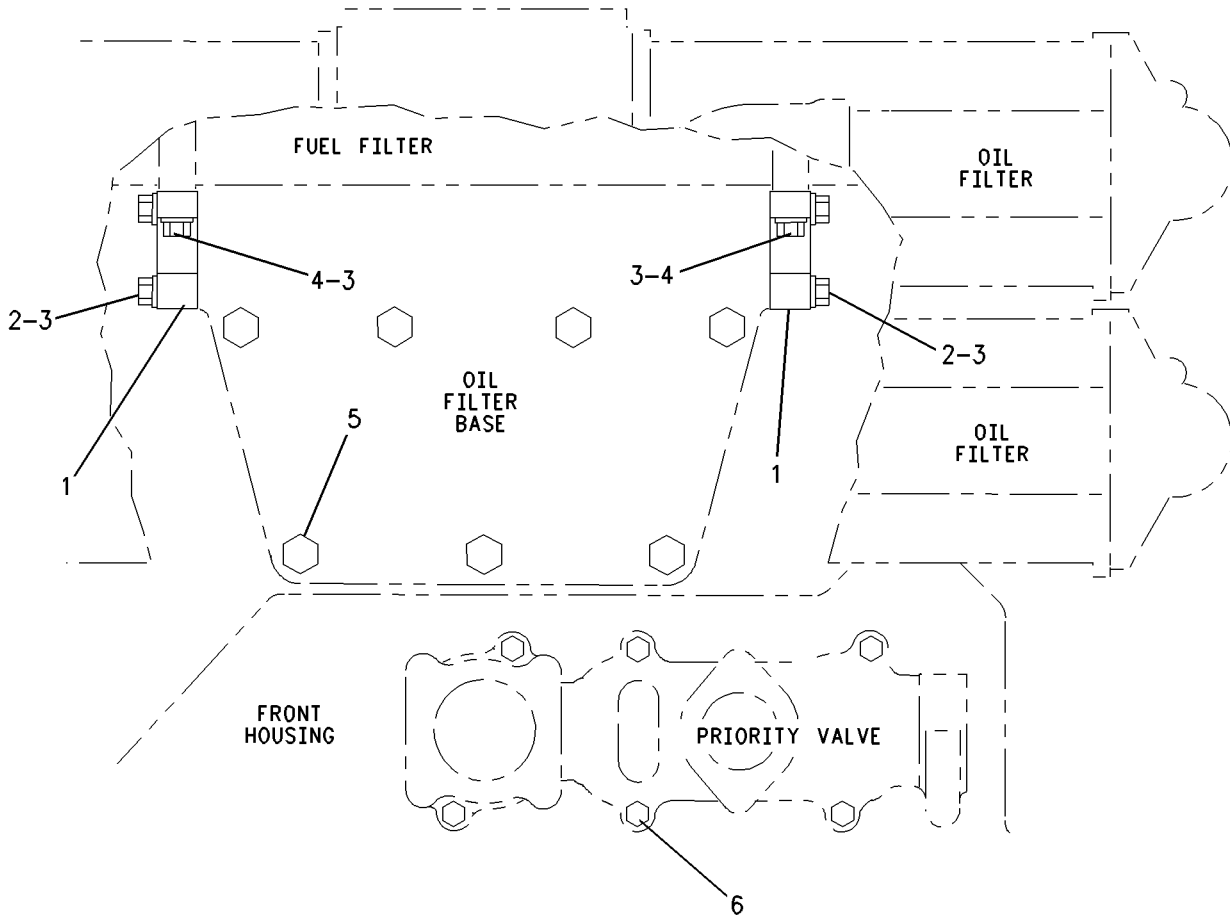
FUEL SYSTEM

4W-0012 MOUNTING GP-FUEL FILTER (CHG -00 THRU -02) FRONT STRUCTURE

SMCS-1262

i01552720

NOTE	REF NO	GRAPHIC REF	PART NUMBER	QTY	PART NAME						SEE PAGE
					1	2	3	4	5	6 (PRODUCT LEVEL)	
	1	1	4W-8556	2	SUPPORT						
	2	1	2B-0947	6	BOLT (1/2-13X2.25-IN)						
	3	1	5P-8245	10	WASHER-HARD (13.5X25.5X3-MM THK)						
	4	1	0S-1587	4	BOLT (1/2-13X1.75-IN)						
	5	1	1A-8063	7	BOLT (3/4-10X2.5-IN)						
	6	1	2H-6488	6	BOLT (1/2-13X5-IN)						



GRAPHIC #1

<END>

g00696227

FUEL SYSTEM

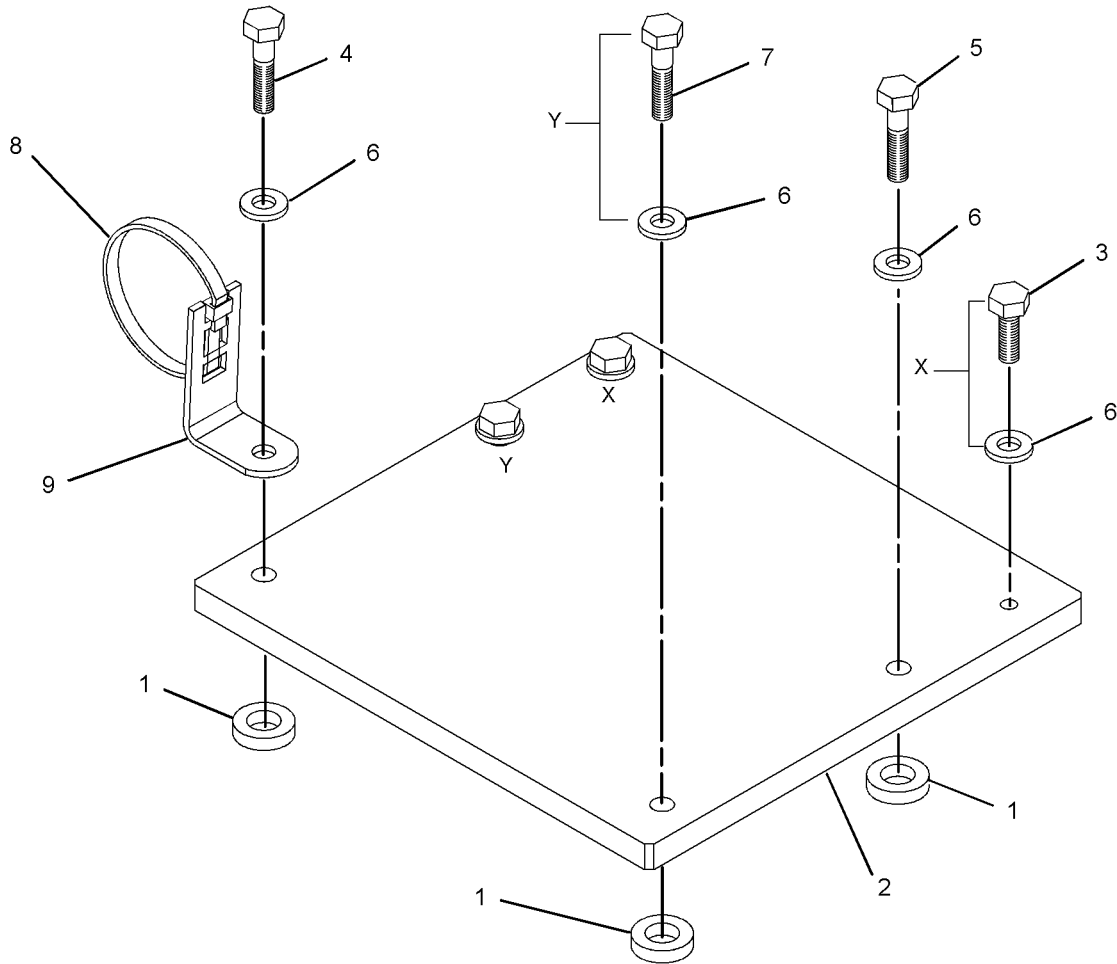
255-8184 MOUNTING GP-GAS PRESS MODULE (CHG -00 THRU -03)

SMCS-1740

i02325507

NOTE	REF NO	GRAPHIC REF	PART NUMBER	QTY	PART NAME						SEE PAGE
					1	2	3	4	5	6 (PRODUCT LEVEL)	
	1	1	7G-1239	4	SPACER (10.5X19X4.5-MM THK)						
	2	1	255-8183	1	PLATE						
	3	1	4M-5281	2	BOLT (1/4-20X0.75-IN)						
	4	1	6D-2928	1	BOLT (1/4-20X1.125-IN)						
	5	1	7X-2501	2	BOLT (1/4-20X1.25-IN)						
	6	1	8T-4205	6	WASHER-HARD (7.2X14.5X2-MM THK)						
	7	1	8T-8908	1	BOLT (1/4-20X1-IN)						
B	8	1	9X-6772	1	STRAP-CABLE						
B	9	1	156-6175	1	CLIP						

B-USE AS REQUIRED



GRAPHIC #1

<END>

g01123579

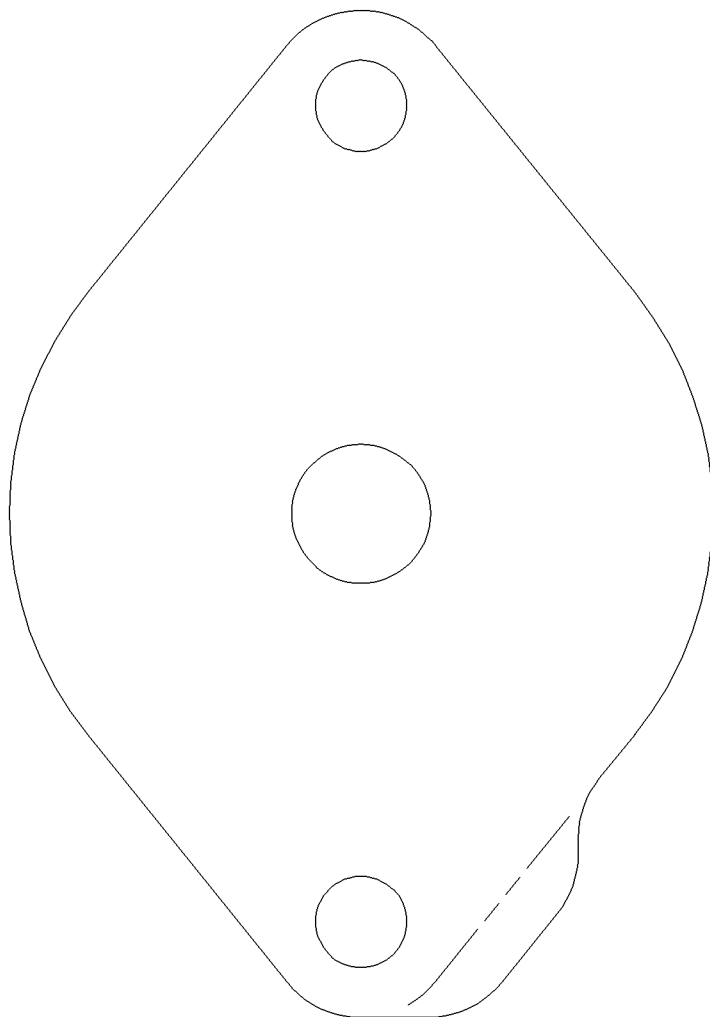
FUEL SYSTEM

122-2083 ORIFICE (CHG -00, -01)

SMCS-1274

i01289650

NOTE	REF NO	GRAPHIC REF	PART NUMBER	QTY	PART NAME	SEE PAGE
					1 2 3 4 5 6 (PRODUCT LEVEL)	
(NO SERVICED PARTS)						



GRAPHIC #1

<END>

g00683609

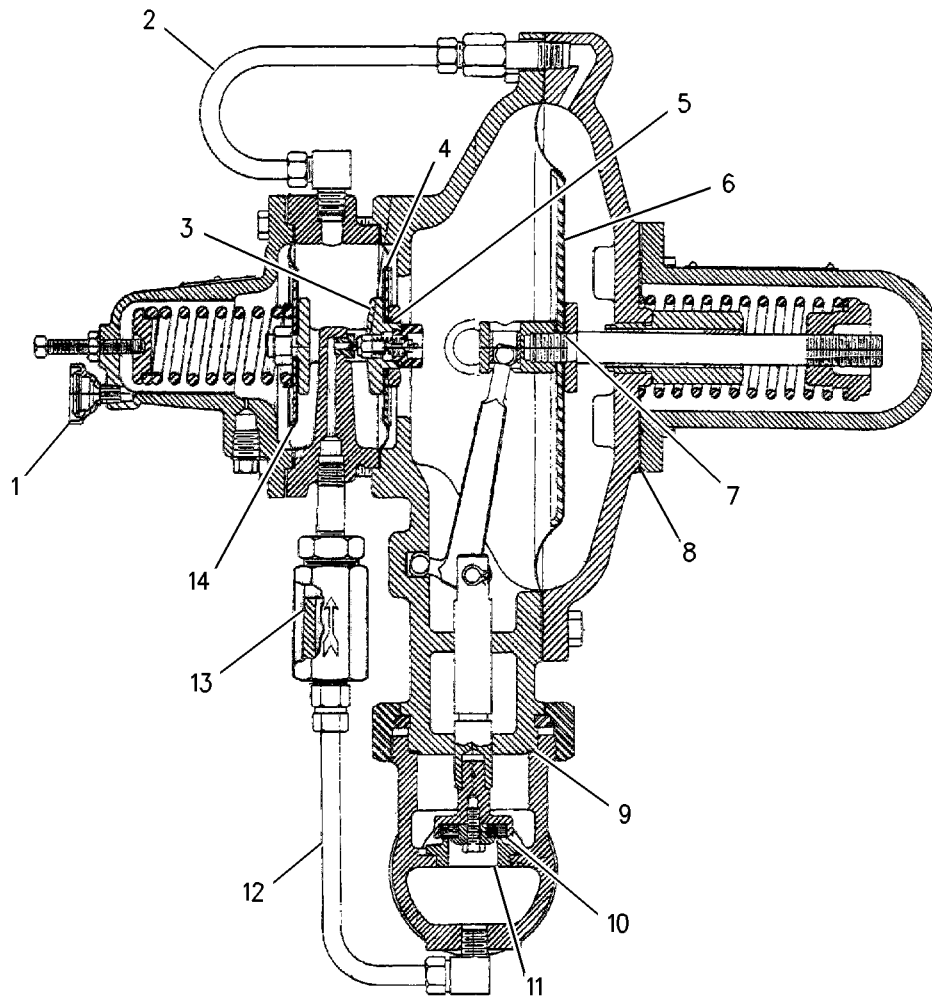
FUEL SYSTEM

6I-1946 REGULATOR GP-GAS PRESSURE (CHG -00)

SMCS-1270

i02030156

NOTE	REF NO	GRAPHIC REF	PART NUMBER	QTY	PART NAME						SEE PAGE
					1	2	3	4	5	6 (PRODUCT LEVEL)	
	1	1	4P-2210	1	VENT AS-REGULATOR						
	2	1	4P-2211	1	TUBE (PILOT SUPPLY)						
	3	1	4P-2212	1	DISC AS-RELAY						
	4	1	4P-2213	1	DIAPHRAGM (UPPER RELAY)						
	5	1	4P-2214	1	SEAL-O-RING						
	6	1	4P-2215	1	DIAPHRAGM						
	7	1	4P-2216	1	GASKET						
	8	1	4P-2217	1	GASKET						
	9	1	4P-2218	1	GASKET						
	10	1	6I-1948	1	SEAL						
		1	6I-1949	1	RETAINER						
11	1	1	6I-1947	1	RING-SEAT						
12	1	1	4P-2221	1	TUBE-LEADING						
13	1	1	4P-2222	1	FILTER ELEMENT-FUEL						
14	1	1	4P-2223	1	DIAPHRAGM (LOWER RELAY)						



GRAPHIC #1

<END>

g00780526

FUEL SYSTEM

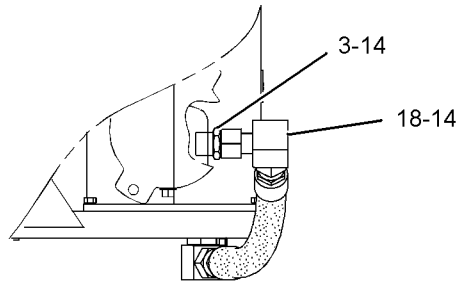
142-1583 TANK & MTG GP-HYDRAULIC (CHG -00 THRU -03) HYDRAX

SMCS-5056

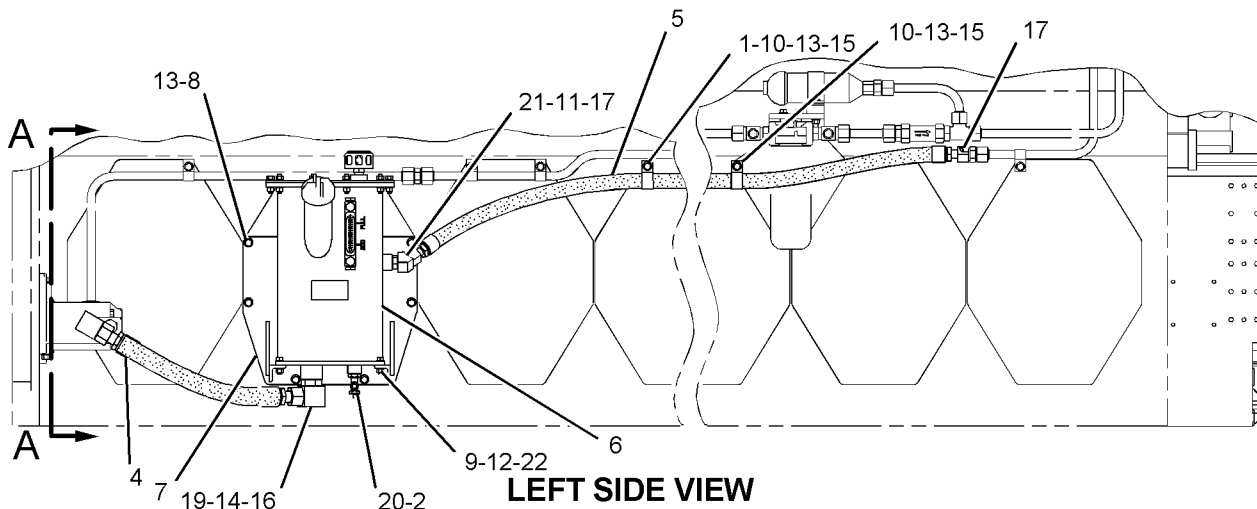
i02126251

NOTE	REF NO	GRAPHIC REF	PART NUMBER	QTY	PART NAME						SEE PAGE
					1	2	3	4	5	6 (PRODUCT LEVEL)	
	1	1	5G-4313	3	SPACER (10.34X15.88X12-MM THK)						
	2	1	6V-7238	1	VALVE-SHUTOFF						
	3	1	8C-6875	1	CONNECTOR						
I	4	1	140-0971	1	HOSE AS						
I	5	1	142-1584	1	HOSE AS						
Y	6	1	143-4770	1	TANK GP-HYDRAULIC						319
	7	1	143-4773	1	BRACKET AS						
	8	1	0S-1571	6	BOLT (3/8-16X1.75-IN)						
	9	1	0S-1588	4	BOLT (3/8-16X1.25-IN)						
	10	1	0S-1590	4	BOLT (3/8-16X2-IN)						
	11	1	2M-9780	1	SEAL-O-RING						
	12	1	3V-2431	8	WASHER (10.2X16X2-MM THK)						
	13	1	3V-3308	10	WASHER-HARD (10.2X20.5X2.5-MM THK)						
	14	1	5K-9090	3	SEAL-O-RING						
	15	1	5P-7854	4	CLIP						
	16	1	6V-9008	1	ELBOW						
	17	1	6V-9746	2	SEAL-O-RING						
	18	1	6V-9854	1	ELBOW						
	19	1	7M-8485	1	SEAL-O-RING						
	20	1	8L-2786	1	SEAL-O-RING						
	21	1	8T-5389	1	ELBOW						
	22	1	9S-8752	4	NUT-FULL (3/8-16-THD)						

I-REFER TO HYDRAULIC INFORMATION SYSTEM
Y-SEPARATE ILLUSTRATION



VIEW A-A



LEFT SIDE VIEW

GRAPHIC #1

<END>

g01082162

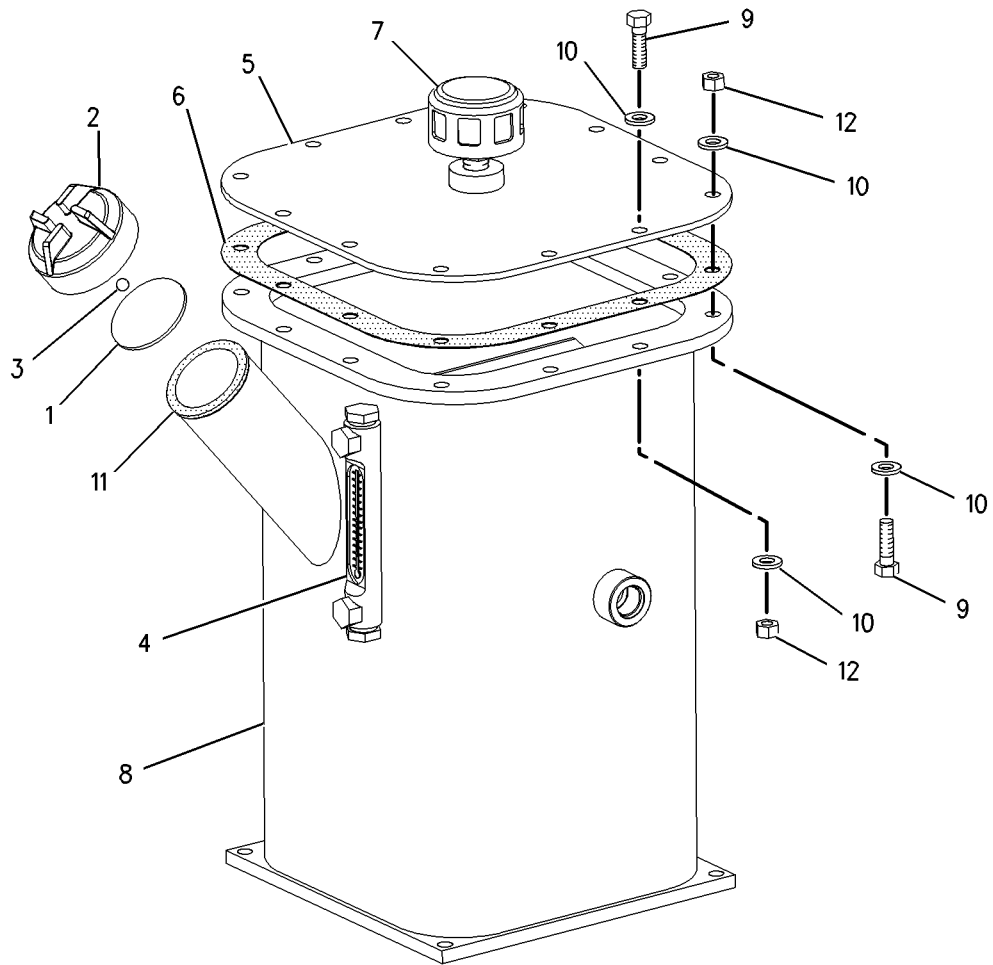
FUEL SYSTEM

143-4770 TANK GP-HYDRAULIC (CHG -00 THRU -04) PART OF 142-1583 TANK & MTG GP-HYDRAULIC

SMCS-5056

i02030163

NOTE	REF NO	GRAPHIC REF	PART NUMBER	QTY	PART NAME						SEE PAGE
					1	2	3	4	5	6 (PRODUCT LEVEL)	
	1	1	2D-4202	1	PLATE						
	2	1	7H-1447	1	CAP-FILLER (HYDRAULIC TANK)						
	3	1	8T-2275	1	BALL						
	4	1	125-3896	1	THERMOMETER						
	5	1	143-4772	1	COVER AS						
	6	1	143-4774	1	GASKET						
	7	1	143-4880	1	BREATHER (HYDRAULIC TANK)						
	8	1	176-3584	1	TANK AS-HYDRAULIC						
	9	1	OS-1588	12	BOLT (3/8-16X1.25-IN)						
	10	1	3V-2431	24	WASHER (10.2X16X2-MM THK)						
	11	1	9H-6454	1	GASKET						
	12	1	9S-8752	12	NUT-FULL (3/8-16-THD)						



GRAPHIC #1

<END>

g00752774

ELECTRICAL AND STARTING SYSTEM

6N-9294 ALTERNATOR GP-CHARGING*R (CHG -16, -17, -17D1, -17D2) 24-VOLT, 35-AMPERE

SMCS - 1405

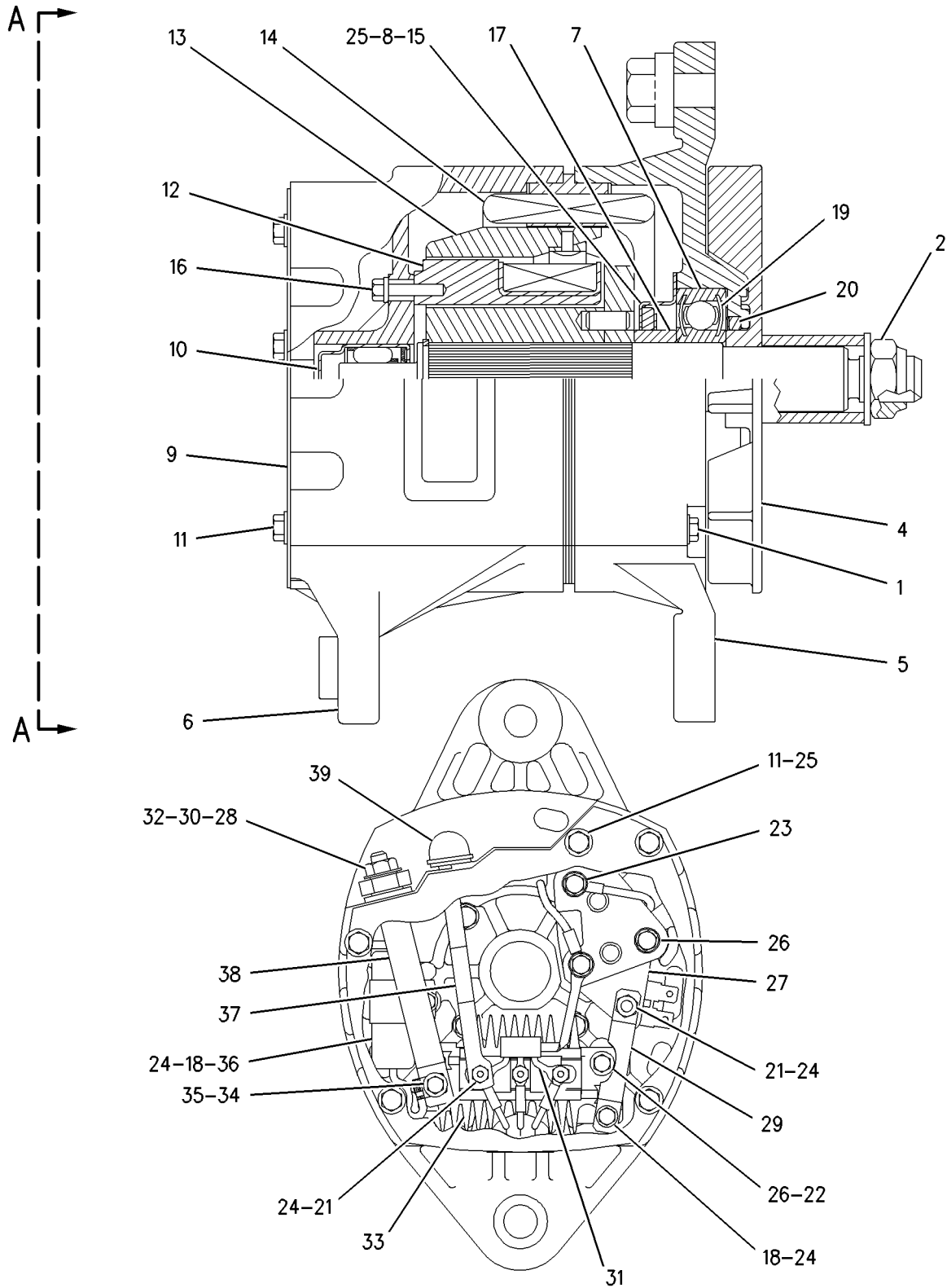
i03501681

NOTE	REF NO	GRAPHIC REF	PART NUMBER	QTY	PART NAME						SEE PAGE
					1	2	3	4	5	6 (PRODUCT LEVEL)	
	1	1	7N-9024	4	BOLT (M10X24X63.5-MM)						
	2	1	187-2034	1	NUT-FLANGE (5/8-18-THD)						
	4	1	3E-5454	1	FAN-ALTERNATOR (11-BLADE)						
	5	1	7N-7810	1	FRAME AS-DRIVE END						
	6	1	7N-7805	1	HOUSING						
	7	1	6V-2202	1	BALL BEARING						
	8	1	9S-2437	3	SCREW-TAPPING (10-24X19.05-MM)						
	9	1	7N-7809	1	PLATE						
	10	1	5P-6920	1	BEARING-ROLLER						
	11	1	030-9612	5	SCREW-FORMING (10-24X0.5-IN)						
	12	1	7N-7806	1	COIL AS-FIELD						
	13	1	7N-7800	1	ROTOR AS						
	14	1	7N-7804	1	STATOR AS						
	15	1	9L-2137	1	RETAINER AS						
	16	1	7X-3353	4	SCREW-HEX HEAD (10X24X19.05-MM)						
	17	1	7N-7795	1	COLLAR						
	18	1	9S-2544	2	SCREW-HEX HEAD (8-32X11.13-MM)						
	19	1	9L-2140	1	PLATE						
	20	1	9L-2139	1	WASHER-FELT (1.31X1.68X0.125-IN THK)						
	21	1	6V-8377	4	NUT (8-32 THD)						
	22	1	8T-0328	6	WASHER-HARD (5.5X10X1-MM THK)						
	23	1	6N-1872	2	SCREW AS (8-32X1.25-IN)						
	24	1	9B-7233	6	LOCKWASHER						
	25	1	8F-1434	4	LOCKWASHER						
	26	1	7N-9023	2	SCREW AS (8-32X26.9-MM)						
	27	1	3T-6354	1	REGULATOR AS-VOLTAGE (24-VOLT) (ALTERNATOR)						
	28	1	1H-3244	1	LOCKWASHER						
	29	1	7N-7811	1	CONNECTOR						
	30	1	6V-8187	1	NUT (1/4-28-THD)						
	31	1	112-9119	1	DIODE AS-ALTERNATOR						
	32	1	8T-4205	1	WASHER-HARD (7.2X14.5X2-MM THK)						
	33	1	206-4202	1	RECTIFIER AS						
	34	1	7N-9021	1	SCREW AS (8-32X1.34-IN)						
	35	1	7N-7796	1	BUSHING-TERMINAL						
	36	1	7N-7802	1	CAPACITOR AS						
	37	1	7N-7801	1	CONNECTOR						
	38	1	7N-7798	1	CONNECTOR						
	39	1	9L-6770	1	CAP-DUST						
					AVAILABLE REPAIR KIT(S):						
			7N-7807	1	KIT-OUTPUT TERMINAL (ALTERNATOR) (INCLUDES INSULATOR, SCREW, WASHERS, LOCKWASHER, NUT & ADAPTER)						
			7N-7808	1	KIT-RELAY TERMINAL (ALTERNATOR) (INCLUDES STUD, BUSHINGS, WASHERS & NUT AS)						

ELECTRICAL AND STARTING SYSTEM

6N-9294 ALTERNATOR GP-CHARGING (contd.)

i03501681



VIEW A-A

GRAPHIC #1

<END>

g00810638

ELECTRICAL AND STARTING SYSTEM

9X-7803 ALTERNATOR GP-CHARGING*R

(CHG -00, -01, -01D1 THRU -06, 106-7688-01)

24-VOLT, 100-AMPERE. BRUSHLESS, REQUIRES 2300 RPM MINIMUM IDLE SPEED
FIELD REPLACEMENT ORDER 316-7251-PAGE 324

SMCS-1405

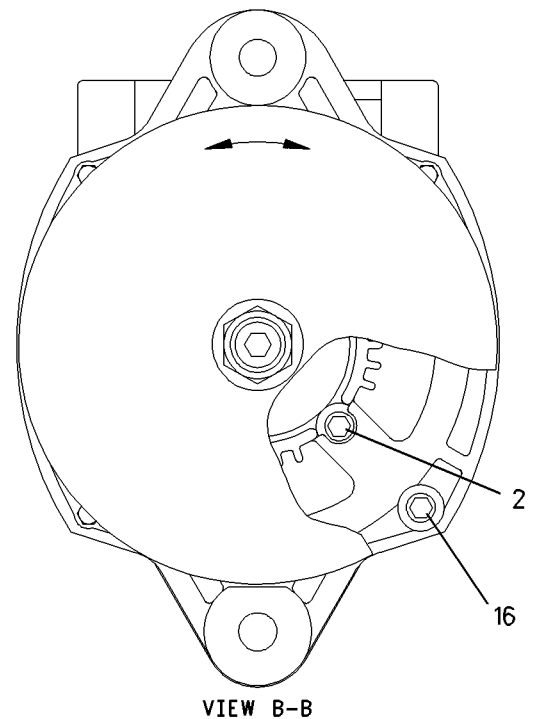
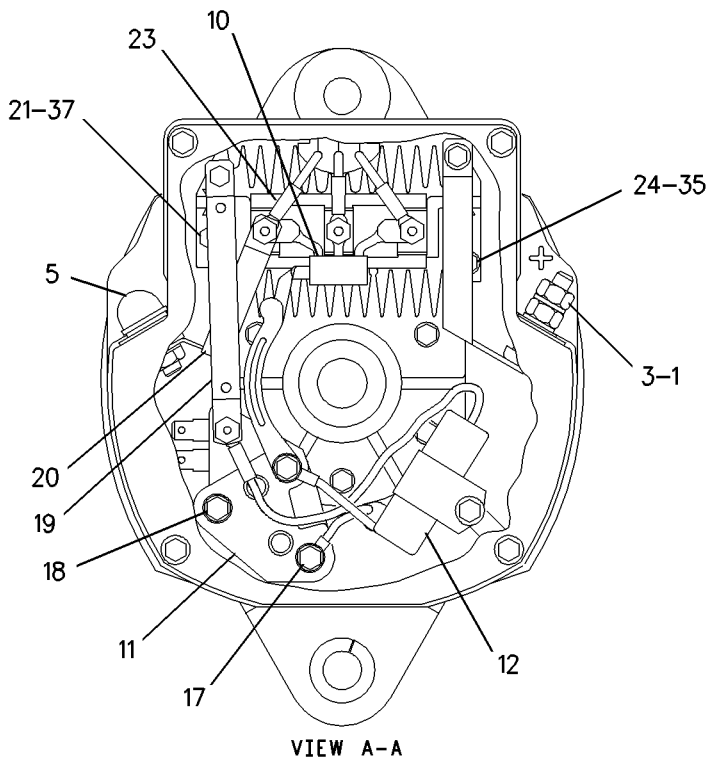
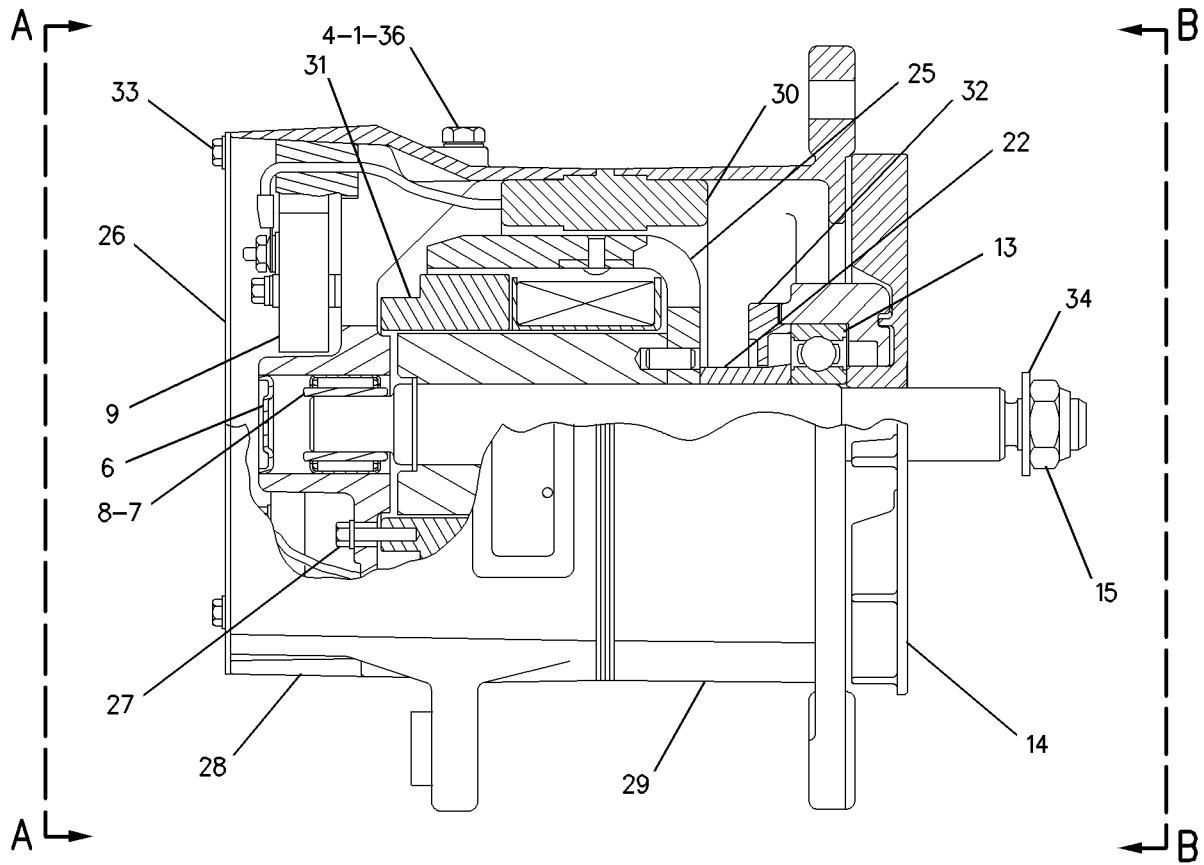
i02706304

NOTE	REF NO	GRAPHIC REF	PART NUMBER	QTY	PART NAME						SEE PAGE
					1	2	3	4	5	6 (PRODUCT LEVEL)	
1		1	8T-4205	2	WASHER-HARD (7.2X14.5X2-MM THK)						
2		1	9X-2500	4	SCREW-HEX FLANGE (10-24X38.1-MM)						
3		1	6V-8187	1	NUT (1/4-28-THD)						
4		1	5S-7349	1	BOLT (1/4-20X0.5-IN)						
5		1	9L-6770	1	CAP-DUST (ALTERNATOR RELAY TERMINAL)						
6		1	9N-0943	1	PLUG-BEARING WELL						
7		1	5P-3418	1	BEARING-ROLLER						
8		1	5P-3419	1	RACE-BEARING INNER						
9		1	9L-6776	1	RECTIFIER AS						
10		1	6N-1944	1	DIODE AS						
11		1	3T-6354	1	REGULATOR AS-VOLTAGE (24-VOLT) (ALTERNATOR)						
12		1	105-3763	1	CAPACITOR AS-ALTERNATOR						
13		1	5P-7807	1	BALL BEARING						
14		1	100-6531	1	FAN-ALTERNATOR (11-BLADE)						
15		1	2K-4821	1	LOCKNUT (5/8-18-THD)						
16		1	9S-2009	4	BOLT-FLANGE HEAD (10-24X3.625-IN)						
17		1	6N-1872	2	SCREW AS (8-32X1.25-IN)						
18		1	7N-9023	1	SCREW AS (8-32X26.9-MM)						
19		1	106-7689	1	CONNECTOR-ALTERNATOR						
20		1	106-7690	1	CONNECTOR-ALTERNATOR						
21		1	9S-2544	2	SCREW-HEX HEAD (8-32X11.13-MM)						
22		1	100-6532	1	COLLAR-ALTERNATOR						
23		1	2L-8075	3	TERMINAL (14-GA TO 16-GA, NO. 8 SCREW)						
24		1	7N-9021	2	SCREW AS (8-32X1.34-IN)						
25		1	9S-2302	1	ROTOR AS						
26		1	9N-0942	1	PLATE-COVER						
27		1	9N-3388	5	BOLT (10-24X0.75-IN)						
28		1	106-7687	1	HOUSING AS-ALTERNATOR						
29		1	2P-5616	1	FRAME-DRIVE END						
30		1	8T-9762	1	STATOR AS						
31		1	202-2703	1	COIL AS						
32		1	9S-2390	1	RETAINER						
33		1	030-9612	4	SCREW-FORMING (10-24X0.5-IN)						
34		1	7F-7621	1	WASHER (0.635X1.25X0.09-IN THK)						
35		1	8T-0328	2	WASHER-HARD (5.5X10X1-MM THK)						
36		1	1H-3244	2	LOCKWASHER						
37		1	9B-7233	2	LOCKWASHER						
					AVAILABLE REPAIR KIT(S):						
			9S-2013	1	KIT-RELAY TERMINAL (ALTERNATOR) (INCLUDES BUSHING, WASHERS, NUT AS, & STUD)						
			105-3764	1	KIT-ALTERNATOR TERMINAL (INCLUDES TERMINAL AS, INSULATOR, BUSHING, WASHER, NUTS & LOCKWASHERS)						

ELECTRICAL AND STARTING SYSTEM

9X-7803 ALTERNATOR GP-CHARGING (contd.)

i02706304



GRAPHIC #1

<END>

g00741720

ELECTRICAL AND STARTING SYSTEM

316-7251 ALTERNATOR GP-CHARGING (CHG -00)

24-VOLT, 105-AMPERE

FIELD REPLACEMENT FOR 9X-7803-PAGE 322

SMCS-1405

i03486746

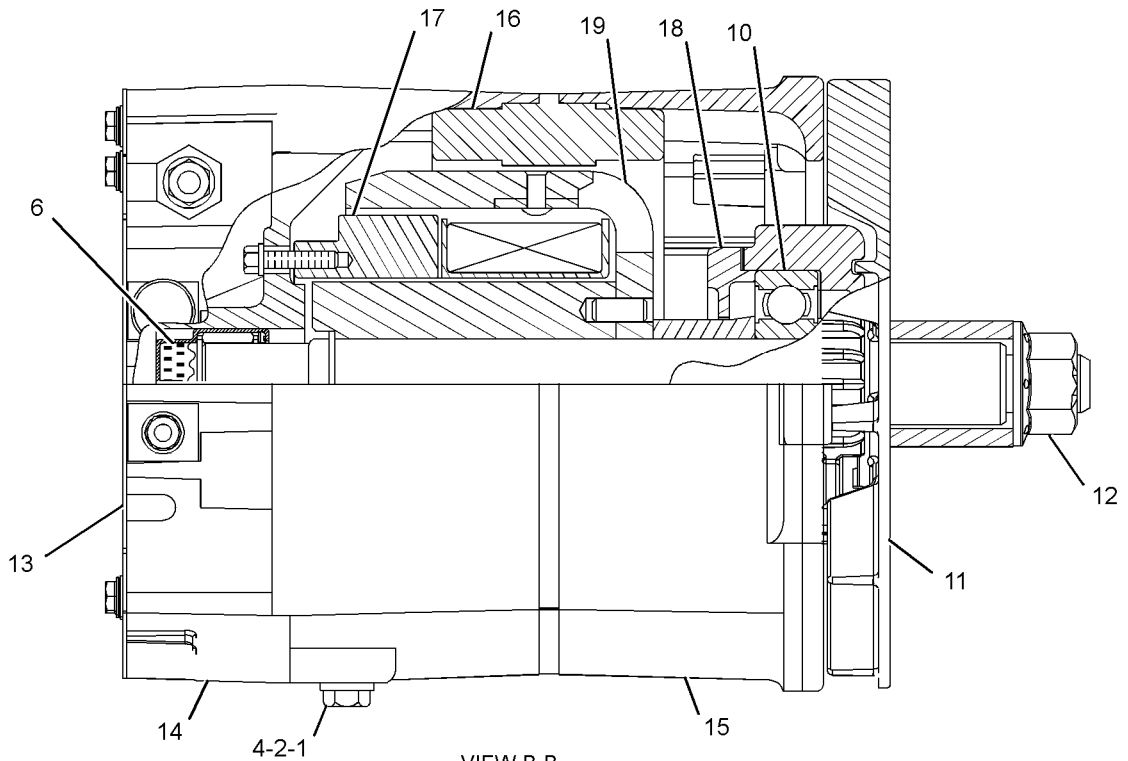
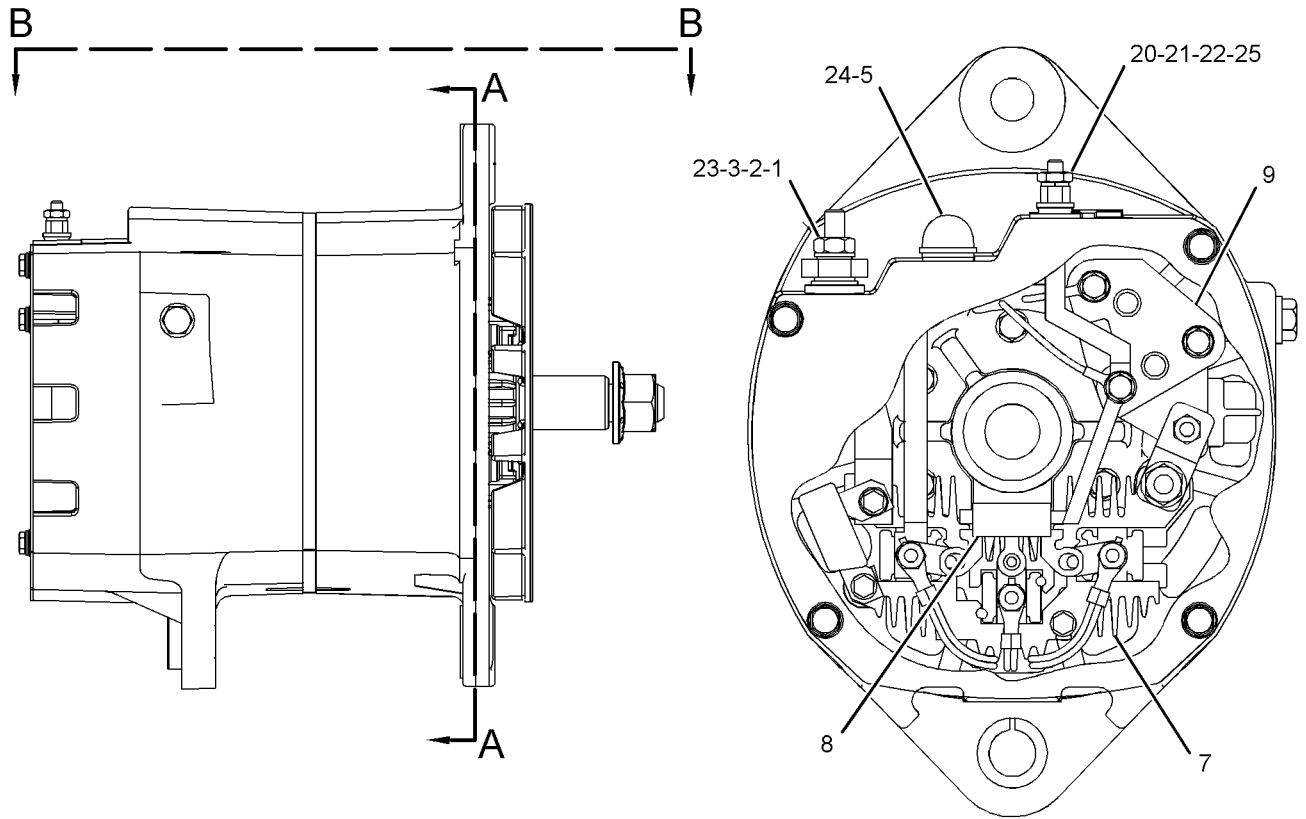
NOTE	REF NO	GRAPHIC REF	PART NUMBER	QTY	PART NAME						SEE PAGE
					1	2	3	4	5	6 (PRODUCT LEVEL)	
	1	1	8T-4205	2	WASHER-HARD (7.2X14.5X2-MM THK)						
	2	1	1H-3244	2	LOCKWASHER						
	3	1	6V-8187	1	NUT (1/4-28-THD)						
	4	1	5S-7349	1	BOLT (1/4-20X0.5-IN)						
	5	1	9L-6770	1	CAP-DUST						
	6	1	231-6133	1	KIT-BEARING						
		1	5P-3419	1	RACE-BEARING INNER						
		1	229-9407	1	BEARING AS						
	7	1	308-1362	1	RECTIFIER AS						
	8	1	202-2708	1	DIODE AS						
	9	1	3T-6354	1	REGULATOR AS-VOLTAGE (24-VOLT)						
	10	1	202-9897	1	BEARING-SPECIAL BALL						
	11	1	100-6531	1	FAN-ALTERNATOR (11-BLADE)						
	12	1	187-2034	1	NUT-FLANGE (5/8-18-THD)						
	13	1	202-2783	1	PLATE						
	14	1	316-7118	1	HOUSING AS						
	15	1	202-2700	1	FRAME						
	16	1	308-1365	1	STATOR AS						
	17	1	308-1366	1	COIL AS						
	18	1	9S-2390	1	RETAINER						
	19	1	299-1761	1	ROTOR AS						
	20	1	4B-2047	1	NUT (10-24-THD)						
	21	1	8T-0328	1	WASHER-HARD (5.5X10X1-MM THK)						
	22	1	8F-1434	1	LOCKWASHER						
	23	1	202-2784	1	KIT-ALTERNATOR TERMINAL (INCLUDES NUT, LOCKWASHER, WASHERS, INSULATORS, SCREW, CONNECTORS, & ADAPTER)						
	24	1	202-2785	1	KIT-ALTERNATOR TERMINAL (INCLUDES STUD, BUSHINGS, WASHERS, CONNECTOR, & NUT AS)						
	25	1	202-2786	1	KIT-ALTERNATOR TERMINAL (INCLUDES NUTS, LOCKWASHER, BUSHINGS, WASHERS, CONNECTOR, & STUD)						
F			202-2787	1	KIT-HARDWARE (INCLUDES NUT AS, PLUG, SCREW AS, SCREWS, LOCKWASHER, NUT, CONNECTOR, BOLTS, COLLAR, & BOOT)						

F - NOT SHOWN

ELECTRICAL AND STARTING SYSTEM

316-7251 ALTERNATOR GP-CHARGING (contd.)

i03486746



GRAPHIC #1

VIEW B-B

<END>

g01516970

ELECTRICAL AND STARTING SYSTEM

213-6282 BOX & MOUNTING GP (CHG -00 THRU -02)

SMCS-4460, 7426

i02296324

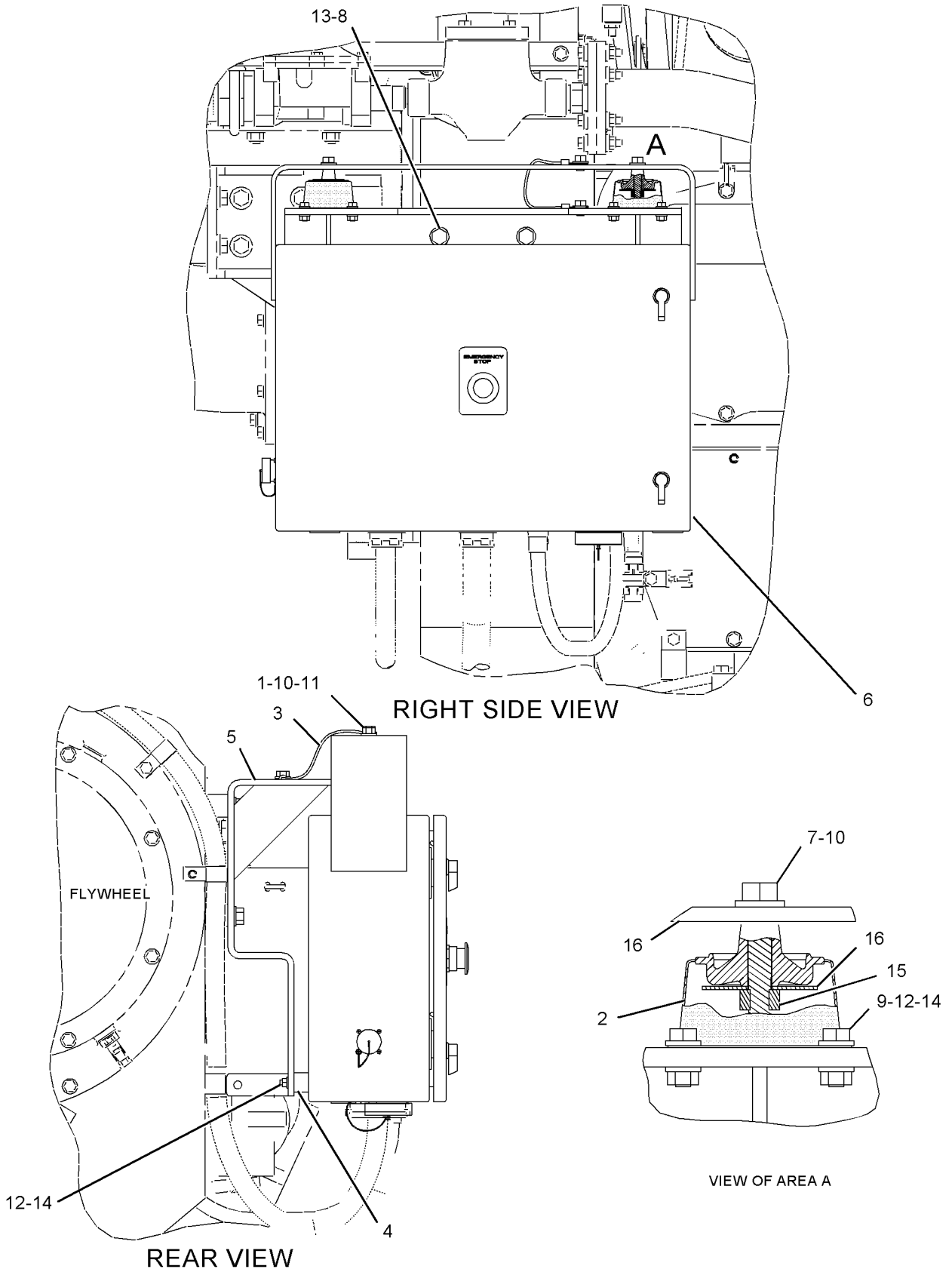
NOTE	REF NO	GRAPHIC REF	PART NUMBER	QTY	PART NAME						SEE PAGE
					1	2	3	4	5	6 (PRODUCT LEVEL)	
	1	1	4D-1326	2	LOCKWASHER						
	2	1	9Y-9480	2	MOUNT-FLEXIBLE						
	3	1	127-0594	1	WIRE AS-GROUND						
	4	1	167-9430	2	ISOLATOR						
	5	1	213-6283	1	BRACKET AS						
Y	6	1	213-6284	1	BOX GP-CONTROL PANEL (ENGINE CONTROL MODULE)						448
	7	1	0L-2070	2	BOLT (3/8-16X2.25-IN)						
	8	1	0S-1595	4	BOLT (1/2-13X1.25-IN)						
	9	1	0S-1615	8	BOLT (1/4-20X0.75-IN)						
	10	1	3V-3308	4	WASHER-HARD (10.2X20.5X2.5-MM THK)						
	11	1	0S-0509	2	BOLT (3/8-16X0.75-IN)						
	12	1	5P-0537	20	WASHER-HARD (7.2X14.5X2-MM THK)						
	13	1	5P-8245	4	WASHER-HARD (13.5X25.5X3-MM THK)						
	14	1	9S-8750	12	NUT-FULL (1/4-20 THD)						
	15	1	9S-8752	2	NUT-FULL (3/8-16-THD)						
	16	1	9Y-9481	2	WASHER (9.9X47.8X1.5-MM THK)						

Y-SEPARATE ILLUSTRATION

ELECTRICAL AND STARTING SYSTEM

213-6282 BOX & MOUNTING GP (contd.)

i02296324



GRAPHIC #1

<END>

g01150073

ELECTRICAL AND STARTING SYSTEM

257-8836 BOX AS-CONTROL (CHG -00 THRU -02) PART OF 257-5889 PANEL GP-CONTROL

SMCS-4460, 7426

i02191013

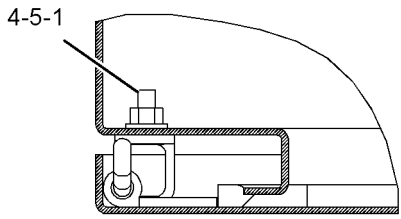
NOTE	REF NO	GRAPHIC REF	PART NUMBER	QTY	PART NAME						SEE PAGE
					1	2	3	4	5	6 (PRODUCT LEVEL)	
M	1	1	6R-7943	4	SCREW (M5X0.8X15-MM)						
	2	1	151-1315	2	LATCH AS						
	3	1	153-3723	2	HINGE AS						
					(EACH INCLUDES)						
		1	8T-5447	1	RING-RETAINING						
	4	1	154-9294		SEAL (FASTENER)						
M	5	1	5C-2874	4	NUT (M5X0.8-THD)						
	6	1	7T-1099	14	LINK						
BD	7	1	6V-1392		SEAL						

B-USE AS REQUIRED
D-ORDER BY THE METER
M-METRIC PART

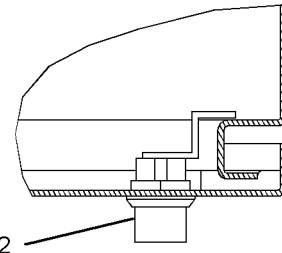
ELECTRICAL AND STARTING SYSTEM

257-8836 BOX AS-CONTROL (contd.)

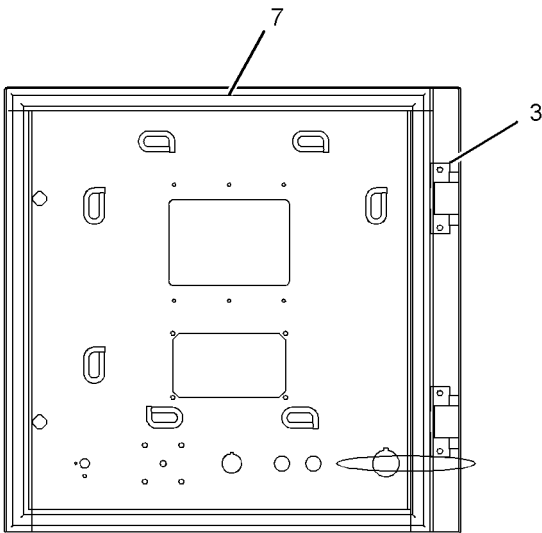
i02191013



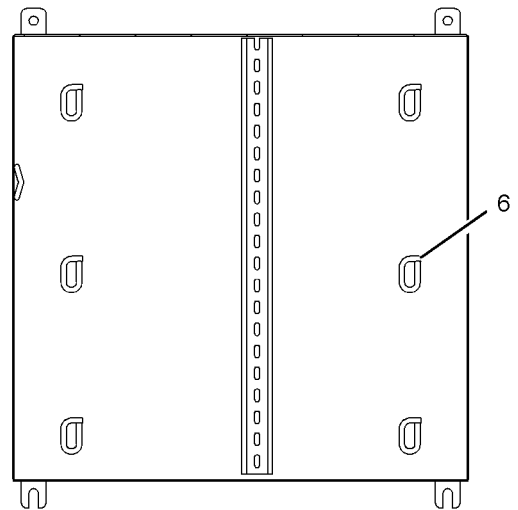
SECTION A-A



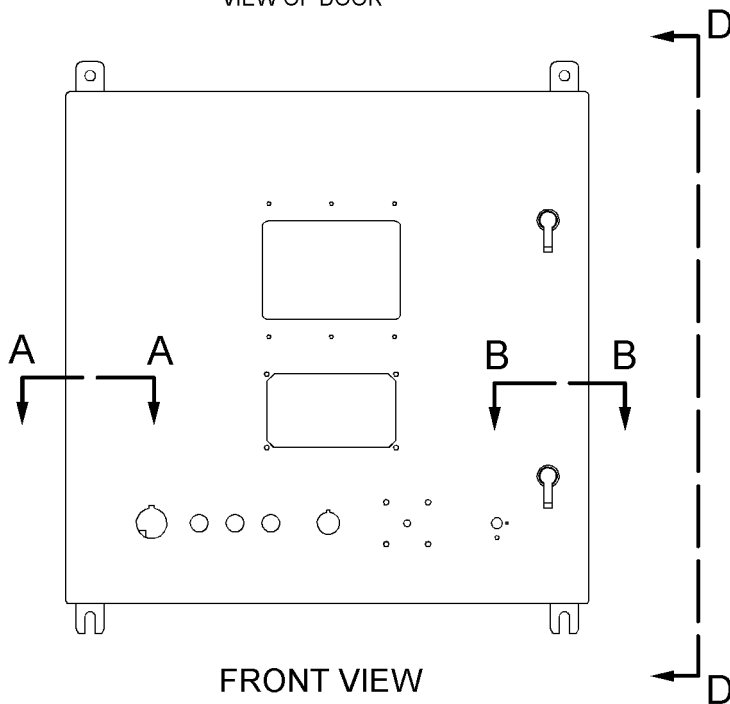
SECTION B-B



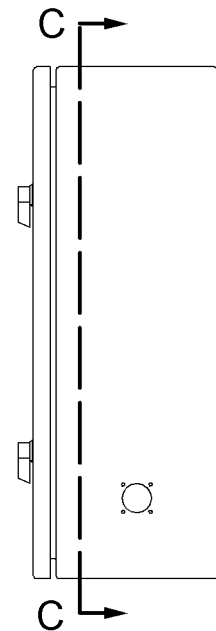
VIEW OF DOOR



SECTION C-C



FRONT VIEW



VIEW D-D

GRAPHIC #1

<END>

g01107226

ELECTRICAL AND STARTING SYSTEM

197-0064 BOX AS-JUNCTION (CHG -00 THRU -03) PART OF 213-6284 BOX GP-CONTROL PANEL

SMCS-7426

i02528442

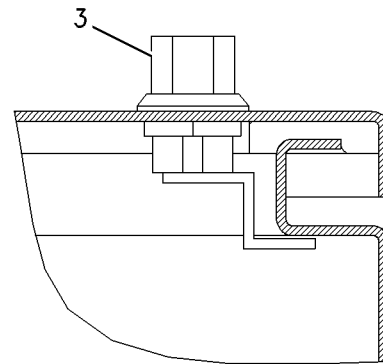
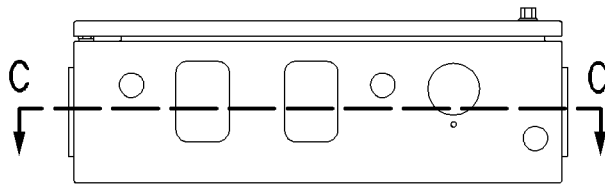
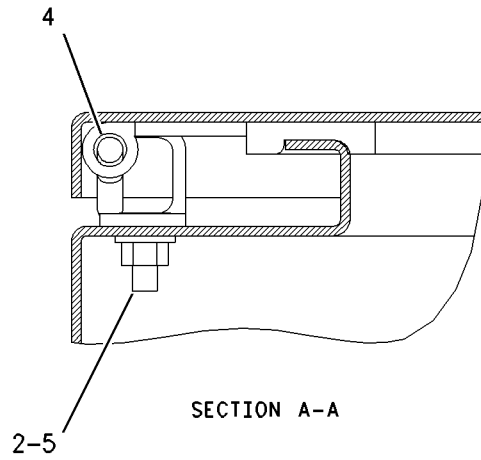
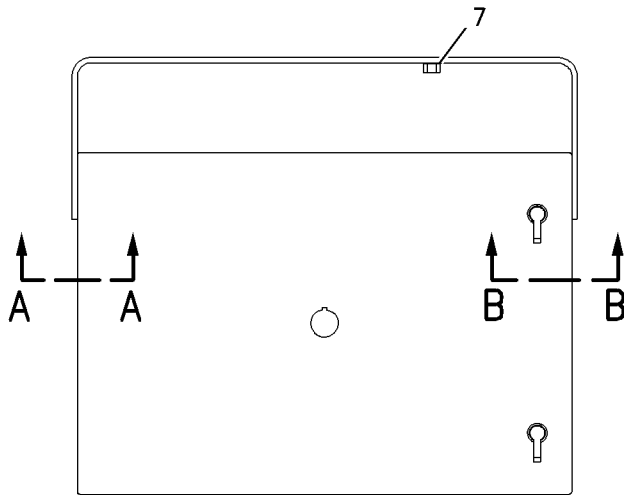
NOTE	REF NO	GRAPHIC REF	PART NUMBER	QTY	PART NAME						SEE PAGE
					1	2	3	4	5	6 (PRODUCT LEVEL)	
D	1	1	6V-1392		SEAL (0.1-M)						
M	2	1	6R-7943	4	SCREW (M5X0.8X15-MM)						
	3	1	151-1315	2	LATCH AS						
	4	1	153-3723	2	HINGE AS						
					(EACH INCLUDES)						
		1	8T-5447	1	RING-RETAINING						
M	5	1	5C-2874	4	NUT (M5X0.8-THD)						
	6	1	7T-1099	2	LINK						
	7	1	1F-0750	1	NUT-WELD (3/8-16-THD)						

D-ORDER BY THE METER
M-METRIC PART

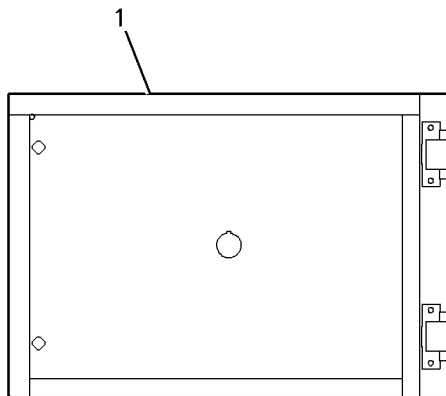
ELECTRICAL AND STARTING SYSTEM

197-0064 BOX AS-JUNCTION (contd.)

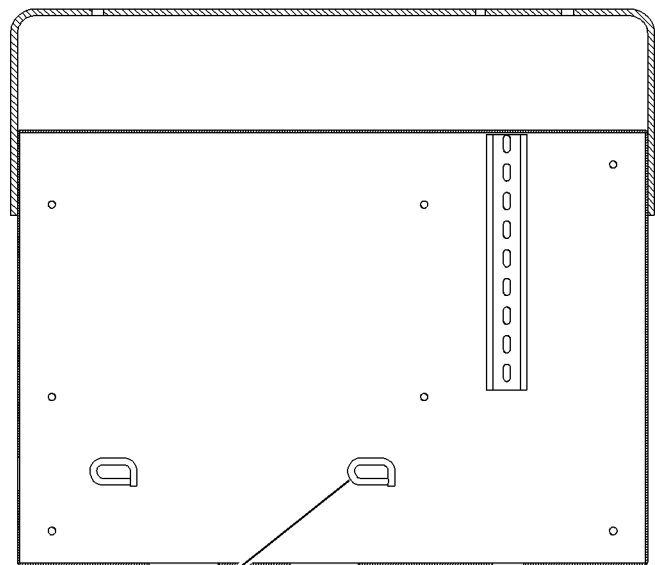
i02528442



SECTION B-B



VIEW OF DOOR



SECTION C-C

GRAPHIC #1

<END>

g01265046

ELECTRICAL AND STARTING SYSTEM

228-6559 CABLE AS-COMMUNICATION (CHG -00) FOR USE WITH 276-0785-PAGE 342

SMCS-7556

i02525035

NOTE	PART NUMBER	QTY	PART NAME						SEE PAGE
			1	2	3	4	5	6 (PRODUCT LEVEL)	
			(NO SERVICED PARTS)						
			<END>						

256-7511 CONTROL GP-COMMUNICATION-PL1000T (CHG -00 THRU -05, 235-9720-00 THRU 235-9720-03, 258-4550-01, 279-6664-00) PART OF 320-9980 INSTALLATION GP-COMMUNICATION FOR USE WITH 270-1732-PAGE 342

SMCS-7606, 7610, 7620

i03462833

NOTE	PART NUMBER	QTY	PART NAME						SEE PAGE
			1	2	3	4	5	6 (PRODUCT LEVEL)	
	335-6885	1	FILM-WARNING (CSA CONTROL PANEL APPROVAL)						
			<END>						

256-7512 CONTROL GP-COMMUNICATION-PL1000E (CHG -00 THRU -06, 256-6806-00, 258-4548-00, 258-4548-01) PART OF 320-9979 INSTALLATION GP-COMMUNICATION

SMCS-7606, 7610, 7620

i03462832

NOTE	PART NUMBER	QTY	PART NAME						SEE PAGE
			1	2	3	4	5	6 (PRODUCT LEVEL)	
	335-6885	1	FILM-WARNING (CSA CONTROL PANEL APPROVAL)						
			<END>						

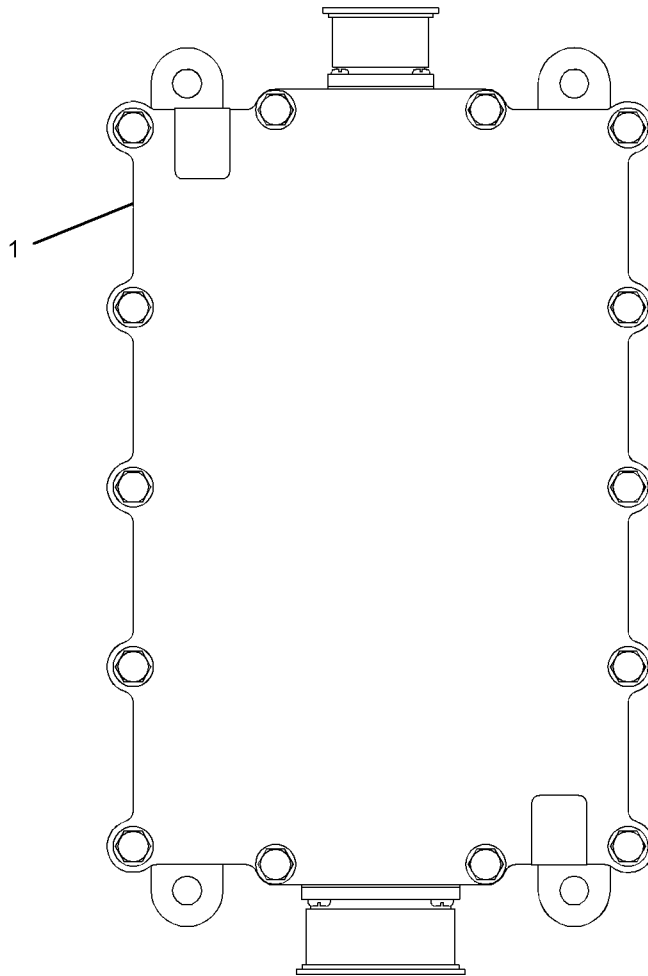
ELECTRICAL AND STARTING SYSTEM

242-8988 CONTROL GP-ELECTRONIC- INTEGRATED COMBUSTION SENSING (CHG -00) PART OF 219-9926 SENSOR GP-COMBUSTION

SMCS-1917, 1924

i02380445

NOTE	REF NO	GRAPHIC REF	PART NUMBER	QTY	PART NAME						SEE PAGE
					1	2	3	4	5	6 (PRODUCT LEVEL)	
	1	1	158-6051	1	CONTROL AS-ELECTRONIC (INTEGRATED COMBUSTION SENSING)						



GRAPHIC #1

<END>

g01188598

ELECTRICAL AND STARTING SYSTEM

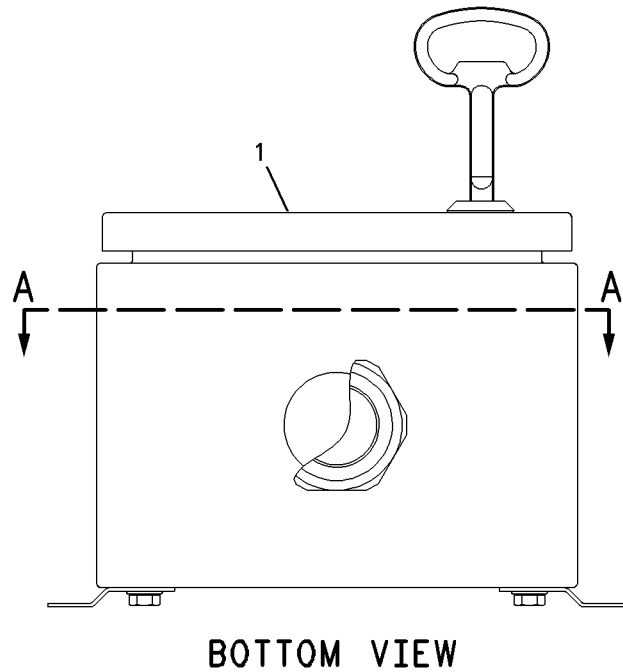
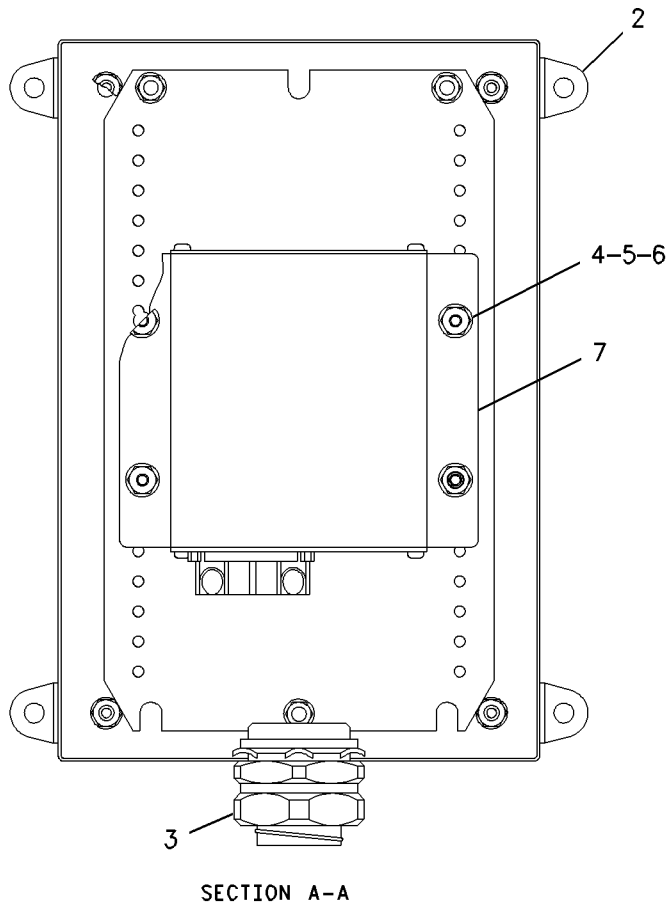
216-8697 CONTROL GP-ENG RATINGS ELEK (CHG -00)

SMCS-1902

i02424664

NOTE	REF NO	GRAPHIC REF	PART NUMBER	QTY	PART NAME						SEE PAGE
					1	2	3	4	5	6 (PRODUCT LEVEL)	
	1	1	131-3911	1	JUNCTION BOX						
		1	120-9850	1	BOX						
	2	1	121-0124	4	BRACKET AS						
	3	1	5N-7501	1	CONNECTOR						
	4	1	1H-3337	4	BOLT (1/4-20X0.875-IN)						
	5	1	9T-4017	8	SEAL						
	6	1	9S-8750	4	NUT-FULL (1/4-20-THD)						
Y	7	1	188-3081	1	MODULE GP-SYSTEM COMMUNICATION (CUSTOMER)						456

Y-SEPARATE ILLUSTRATION



GRAPHIC #1

<END>

g00730787

ELECTRICAL AND STARTING SYSTEM

210-0176 CONTROL GP-ENGINE ELECTRONIC (CHG -00, -01)

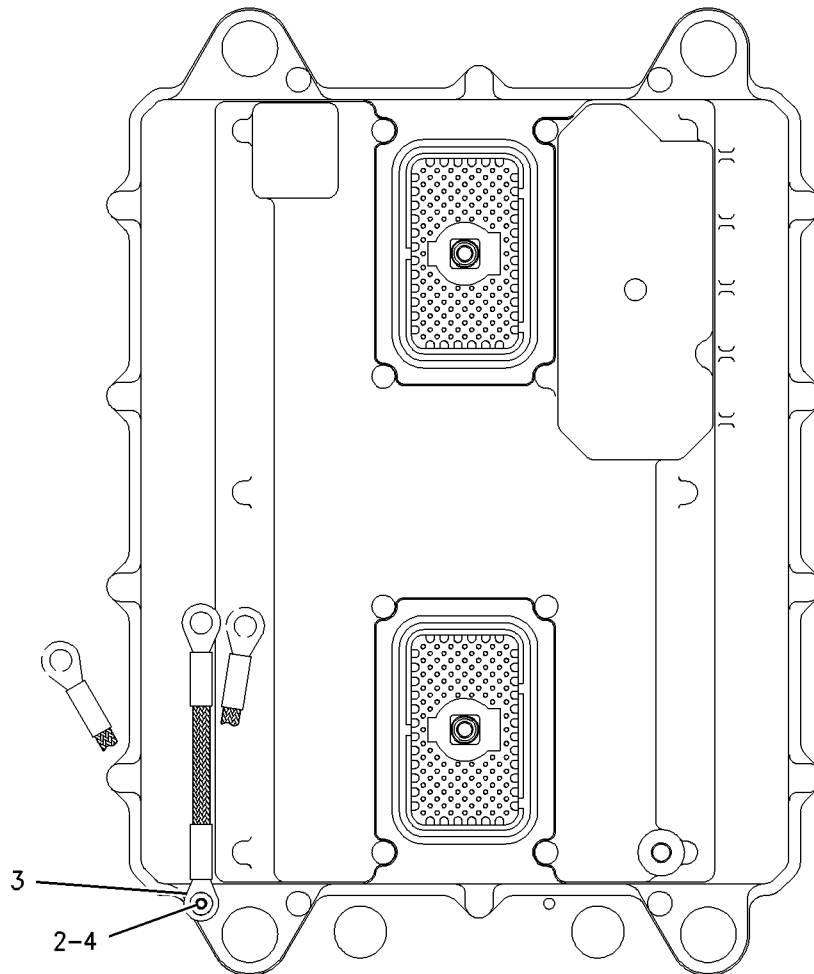
GAS

PART OF 213-6284 BOX GP-CONTROL PANEL

SMCS-1901

i01598415

NOTE	REF NO	GRAPHIC REF	PART NUMBER	QTY	PART NAME						SEE PAGE
					1	2	3	4	5	6 (PRODUCT LEVEL)	
	2	1	184-2472	1	SCREW-PAN HEAD (NO 8-32X9.52-MM)						
	3	1	7X-6315	1	STRAP AS-GROUND						
	4	1	134-4126	1	WASHER (4.52X8.28X0.76-MM THK)						



GRAPHIC #1

<END>

g00839997

ELECTRICAL AND STARTING SYSTEM

210-9470 CONTROL GP-ENGINE ELECTRONIC (CHG -01, -02)

GAS

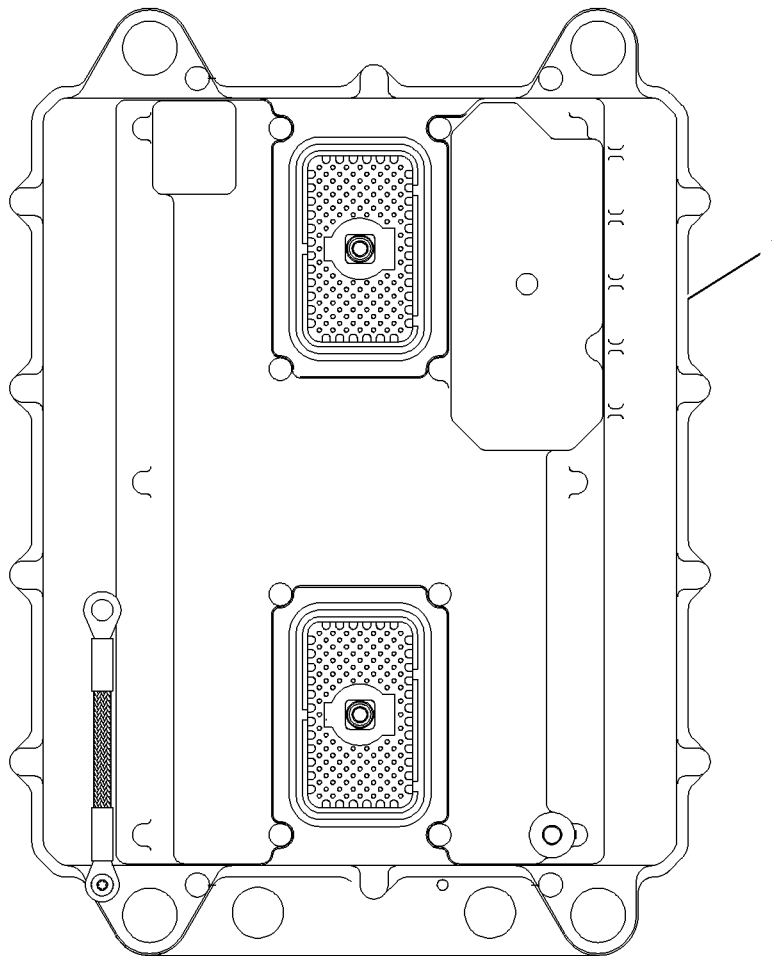
PART OF 213-6284 BOX GP-CONTROL PANEL

SMCS-1901

i01874048

NOTE	REF NO	GRAPHIC REF	PART NUMBER	QTY	PART NAME						SEE PAGE
					1	2	3	4	5	6 (PRODUCT LEVEL)	
Y	1	1	211-5228	1	CONTROL GP-UNPROGRAMMED						337

Y-SEPARATE ILLUSTRATION



FRONT VIEW

GRAPHIC #1

<END>

g00959928

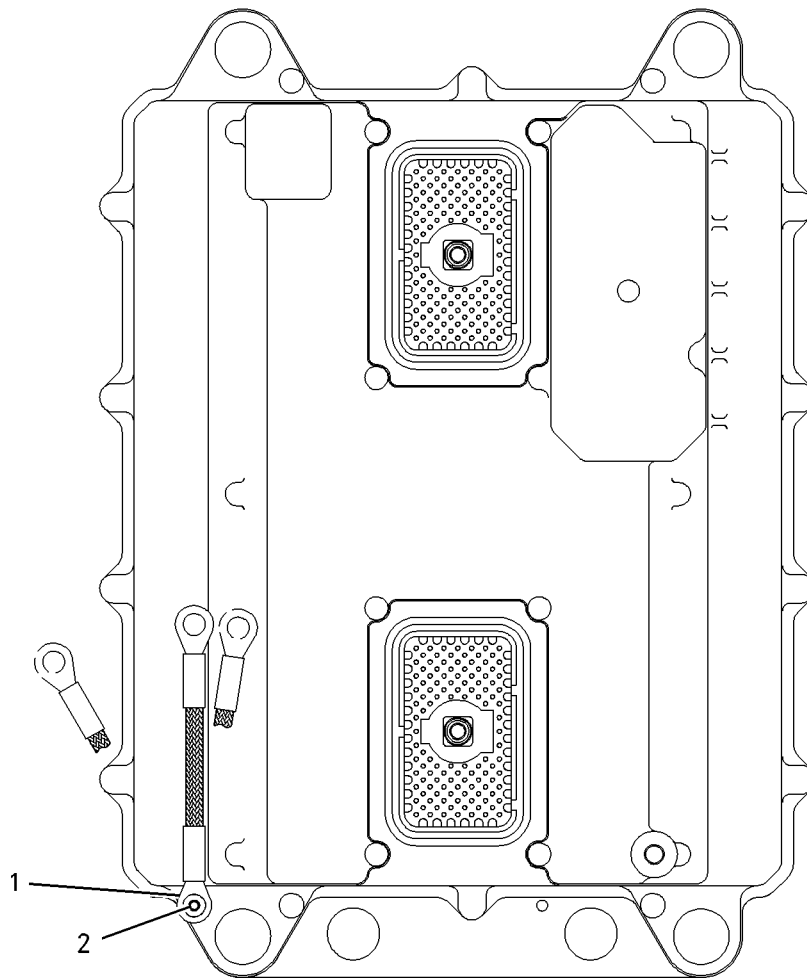
ELECTRICAL AND STARTING SYSTEM

211-5228 CONTROL GP-UNPROGRAMMED (CHG -00 THRU -03) PART OF 210-9470 CONTROL GP-ENGINE ELECTRONIC

SMCS-7610

i01857883

NOTE	REF NO	GRAPHIC REF	PART NUMBER	QTY	PART NAME						SEE PAGE
					1	2	3	4	5	6 (PRODUCT LEVEL)	
	1	1	7X-6315	1	STRAP AS-GROUND						
	2	1	184-2472	1	SCREW-PAN HEAD (NO 8-32X9.52-MM)						



GRAPHIC #1

<END>

g00948724

ELECTRICAL AND STARTING SYSTEM

255-8937 CONTROL GP - UNPROGRAMMED (CHG -00 THRU -03)

SMCS-7610

i02434034

NOTE	PART NUMBER	QTY	PART NAME						SEE PAGE
			1	2	3	4	5	6 (PRODUCT LEVEL)	
(NO SERVICED PARTS)									

<END>

ELECTRICAL AND STARTING SYSTEM

266-2501 CONVERSION GP-WIRING-ADVISOR (CHG -00, -01) FOR USE WITH ADEM II TO ADEM III CONVERSION, G3600, 266-0269 DISPLAY GP-MONITOR, G3500, 266-0270 DISPLAY GP-MONITOR

SMCS-1408

i03169744

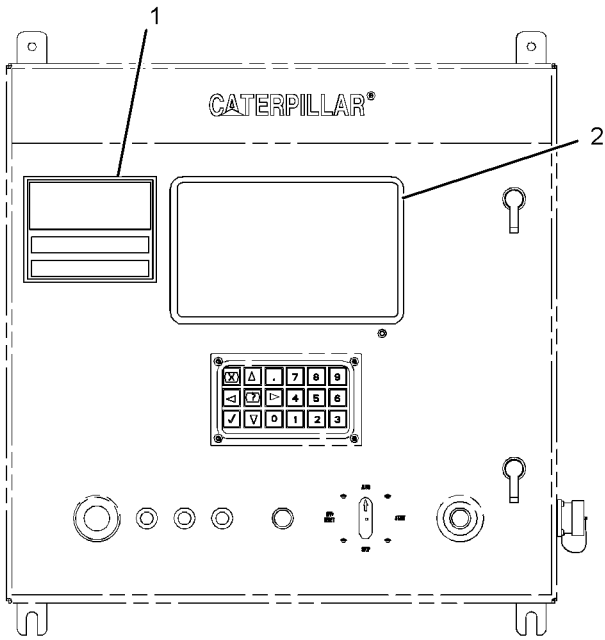
NOTE	REF NO	GRAPHIC REF	PART NUMBER	QTY	PART NAME						SEE PAGE
					1	2	3	4	5	6 (PRODUCT LEVEL)	
	1	1	230-0975	1	PLATE-WARNING (ELECTRICAL SHOCK)						
	2	1	248-5563	1	GASKET						
	3	1	260-0405	2	BRACKET AS						
	4	1	260-0406	4	BOLT (1/4-20X1.5-IN)						
	5	1	260-0407	4	CAP						
	6	1	260-0864	1	HARNESS AS-MONITOR (ADVISOR)						
		1	186-3736	6	SOCKET-CONNECTOR (16-GA TO 18-GA)						
		1	8T-8737	67	PLUG-SEAL						
		1	147-1444	1	PLUG AS-CONNECTOR (70-PIN)						
		1	159-9322	1	SEAL-O-RING						
		1	155-2260	2	KIT-CONNECTING PLUG (3-PIN) (EACH INCLUDES PLUG ASSEMBLY AND WEDGES)						
M	7	1	8T-0639	4	BOLT (M6X1X12-MM)						
	8	1	9X-8256	4	WASHER (6.6X12X2-MM THK)						
B	9	1	3S-2093	10	STRAP-CABLE						

B-USE AS REQUIRED
M-METRIC PART

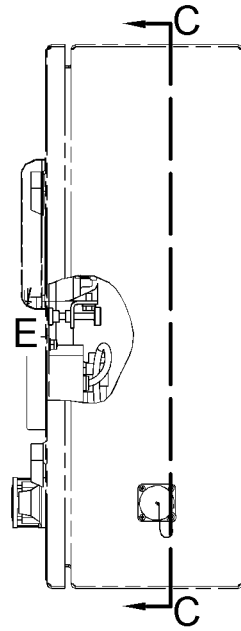
ELECTRICAL AND STARTING SYSTEM

266-2501 CONVERSION GP-WIRING (contd.)

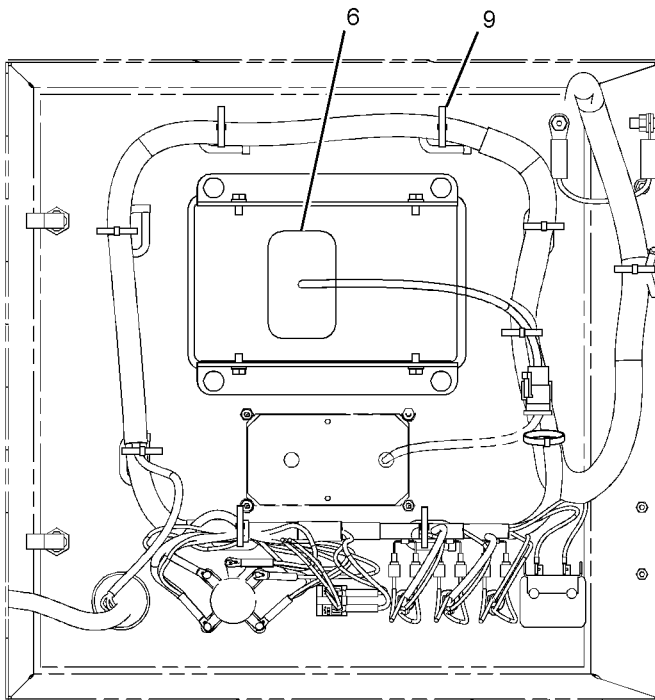
i03169744



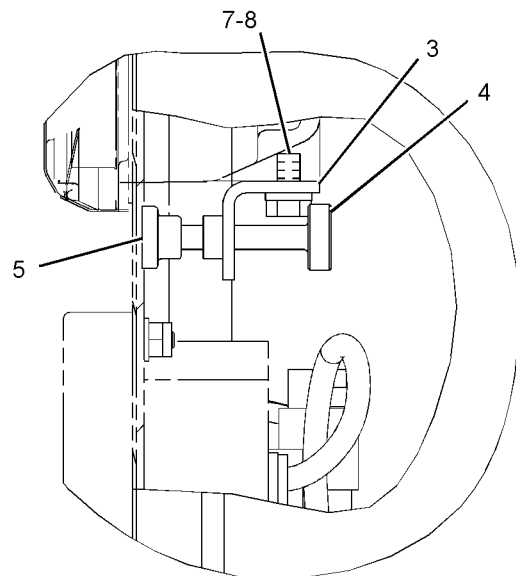
FRONT VIEW



LEFT SIDE VIEW



SECTION C-C



VIEW OF AREA E

GRAPHIC #1

<END>

g01165646

ELECTRICAL AND STARTING SYSTEM

206-6543 HARNESS AS (CHG -00, -01)

SMCS-1408

i01614231

NOTE	PART NUMBER	QTY	PART NAME						SEE PAGE
			1	2	3	4	5	6 (PRODUCT LEVEL)	
	9X-4187	1	PLUG AS-CONNECTOR						

<END>

206-6544 HARNESS AS-INTERCONNECT (CHG -00, -01)

SMCS-1408

i02030167

NOTE	PART NUMBER	QTY	PART NAME						SEE PAGE
			1	2	3	4	5	6 (PRODUCT LEVEL)	
	9X-4187	1	PLUG AS-CONNECTOR						
	213-4749	1	ADAPTER (CONDUIT)						
E	8T-6342		TUBE-HEAT SHRINK (3.2-MM DIA) (8CM)						

E-ORDER BY THE CENTIMETER

<END>

258-6989 HARNESS AS-CONTROL (CHG -00)

DATA LINK

PART OF 257-5889 PANEL GP-CONTROL

SMCS-1408

i02395814

NOTE	PART NUMBER	QTY	PART NAME						SEE PAGE
			1	2	3	4	5	6 (PRODUCT LEVEL)	
E	153-2707		CABLE-ELECTRICAL (19-GA) (47-CM)						
	109-3038	2	END-WIRE (16-GA)						
	110-8714	5	END-WIRE (18-GA)						
	9D-5421	1	RECEPTACLE AS-CONNECTOR (10-PIN)						
	3S-2093	7	STRAP-CABLE						
D	5P-6009		TUBE-HEAT SHRINK (9.52-MM DIA) (0.1-M)						
E	8T-6342		TUBE-HEAT SHRINK (3.2-MM DIA) (14-CM)						

D-ORDER BY THE METER

E-ORDER BY THE CENTIMETER

<END>

ELECTRICAL AND STARTING SYSTEM

270-1732 HARNESS AS-CONTROL-PL1000T (CHG -00) PART OF 320-9980 INSTALLATION GP-COMMUNICATION FOR USE WITH 256-7511-PAGE 332

SMCS-1408

i02417749

NOTE	PART NUMBER	QTY	PART NAME						SEE PAGE
			1	2	3	4	5	6 (PRODUCT LEVEL)	
	126-1774	1	COVER-CONNECTOR						
	155-2270	4	KIT-CONNECTING PLUG (2-PIN) (EACH INCLUDES PLUG AS AND WEDGE)						
	102-8804	1	KIT-RECEPTACLE (4-PIN) (INCLUDES RECEPTACLE AS AND WEDGE)						
	257-2719	1	PLUG AS						
	160-7690	1	PLUG AS-CONNECTOR (70-PIN)						
	159-9322	1	SEAL-O-RING						
	8T-8735	1	PLUG-CONNECTOR						
	7K-1181	1	STRAP-CABLE						
	9X-6772	2	STRAP-CABLE						
	218-4935	2	SUPPRESSOR-ARC						
E	119-3662		TUBE-HEAT SHRINK (10.85-MM DIA) (20-CM)						
E	125-7874		TUBE-HEAT SHRINK (5.72-MM DIA) (5-CM)						
	3E-3377	1	WEDGE-RECEPTACLE LOCK (4-PIN)						
E-ORDER BY THE CENTIMETER									
<END>									

276-0785 HARNESS AS-CONTROL-PL1000E (CHG -00) PART OF 320-9979 INSTALLATION GP-COMMUNICATION

SMCS-1408

i02384488

NOTE	PART NUMBER	QTY	PART NAME						SEE PAGE
			1	2	3	4	5	6 (PRODUCT LEVEL)	
	8C-6354	1	CAP-RECEPTACLE						
	126-1774	1	COVER-CONNECTOR						
	155-2270	2	KIT-CONNECTING PLUG (2-PIN) (EACH INCLUDES PLUG ASSEMBLY AND WEDGE)						
	102-8804	1	KIT-RECEPTACLE (4-PIN) (INCLUDES RECEPTACLE ASSEMBLY AND WEDGE)						
	171-5349	1	STRAP-MARKER						
	186-3735	7	PIN-CONNECTOR (16-GA TO 18-GA)						
	257-2719	1	PLUG AS						
	160-7690	1	PLUG AS-CONNECTOR (70-PIN)						
	159-9322	1	SEAL-O-RING						
	8T-8735	1	PLUG-CONNECTOR						
	8T-8737	65	PLUG-SEAL						
	9W-1951	1	RECEPTACLE-CONNECTOR (9-PIN)						
	186-3736	10	SOCKET-CONNECTOR (16-GA TO 18-GA)						
	9X-3402	14	SOCKET-CONNECTOR (16-GA TO 18-GA)						
	126-1768	14	SOCKET-CONNECTOR (14-GA)						
	7K-1181	1	STRAP-CABLE						
	9X-6772	2	STRAP-CABLE						
	218-4935	2	SUPPRESSOR-ARC						
E	119-3662		TUBE-HEAT SHRINK (10.85-MM DIA) (20-CM)						
E	125-7875		TUBE-HEAT SHRINK (7.44-MM DIA) (5-CM)						
E-ORDER BY THE CENTIMETER									
<END>									

ELECTRICAL AND STARTING SYSTEM

257-8837 HARNESS AS-MONITOR (CHG -00 THRU -02) PART OF 257-5889 PANEL GP-CONTROL

SMCS-7490

i02723949

NOTE	PART NUMBER	QTY	PART NAME						SEE PAGE
			1	2	3	4	5	6 (PRODUCT LEVEL)	
	109-3038	7	END-WIRE (16-GA)						
	110-8714	20	END-WIRE (18-GA)						
	155-2260	3	KIT-CONNECTING PLUG (3-PIN)						
			(EACH KIT INCLUDES PLUG ASSEMBLY AND WEDGE)						
	147-1444	1	PLUG AS-CONNECTOR (70-PIN)						
	159-9322	1	SEAL-O-RING						
	8T-8737	62	PLUG-SEAL						
	122-9457	1	POTENTIOMETER (ENGINE SPEED)						
	186-3736	11	SOCKET-CONNECTOR (16-GA TO 18-GA)						
	9X-6772	19	STRAP-CABLE						
	7N-7221	6	TERMINAL (18-GA TO 22-GA)						
	5P-5618	6	TERMINAL-BLADE (10-GA TO 12-GA)						
	5P-1475	4	TERMINAL-BLADE (14-GA TO 16-GA, NO. 8 SCREW)						
D	5P-6009		TUBE-HEAT SHRINK (9.52-MM DIA) (0.1-M)						
E	8T-6342		TUBE-HEAT SHRINK (3.2-MM DIA) (21-CM)						
E	119-3662		TUBE-HEAT SHRINK (10.85-MM DIA) (7-CM)						
E	125-7875		TUBE-HEAT SHRINK (7.44-MM DIA) (10-CM)						
E	121-0199		WRAP-SPIRAL (3/8-IN OD) (56-CM)						
E	121-0200		WRAP-SPIRAL (3/4-IN OD) (82-CM)						

D-ORDER BY THE METER
E-ORDER BY THE CENTIMETER

<END>

205-3584 HARNESS AS-WIRING (CHG -00, -01) CUSTOMER CONNECT

SMCS-1408

i01614178

NOTE	PART NUMBER	QTY	PART NAME						SEE PAGE
			1	2	3	4	5	6 (PRODUCT LEVEL)	
	9X-4187	1	PLUG AS-CONNECTOR						

<END>

ELECTRICAL AND STARTING SYSTEM

296-2872 HEATER GP-COOLANT & ENGINE OIL (CHG -00)

SMCS-1333, 1383

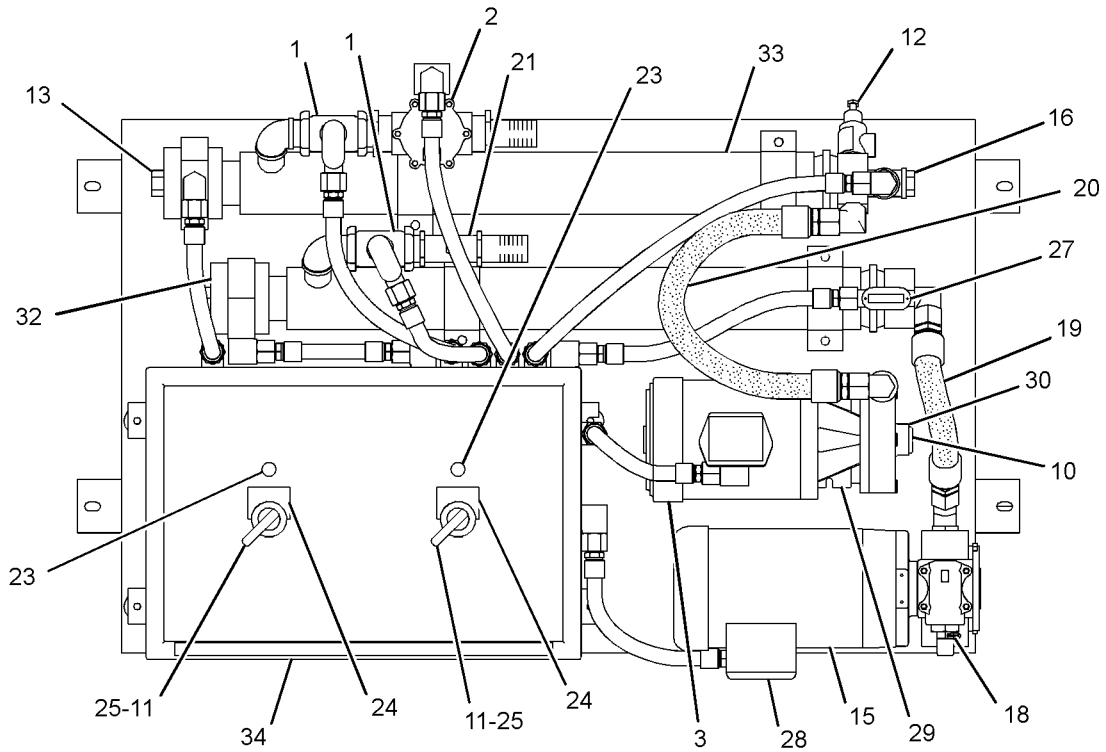
i02839763

NOTE	REF NO	GRAPHIC REF	PART NUMBER	QTY	PART NAME						SEE PAGE
					1	2	3	4	5	6 (PRODUCT LEVEL)	
	1	1	4P-5135	2	SWITCH AS-FLOW						
	2	1	4P-5136	1	VALVE-SOLENOID						
	3	1	4P-5138	1	MOTOR AS-PUMP						
	4	1	4P-5143	1	SWITCH-MOTOR (PROTECTION)						
	5	1	4P-5144	2	RELAY-TIME DELAY						
	6	1	4P-5145	1	RELAY (24-VOLT)						
	7	1	4P-5147	1	FUSE (2-AMPERE)						
	8	1	4P-5148	3	CONTACTOR (MAGNETIC, 30-AMPERE)						
	9	1	4P-5149	1	CONTACTOR (MAGNETIC, 60-AMPERE)						
	10	1	4P-5152	1	KIT-PUMP SEAL						
	11	1	111-2100	2	SWITCH AS						
	12	1	111-2102	1	VALVE-PRESSURE RELIEF						
	13	1	118-1300	1	THERMOSTAT (HIGH LIMIT)						
	14	1	150-0401	1	FUSE (1-AMPERE)						
	15	1	173-3854	1	MOTOR AS (PUMP)						
	16	1	187-4191	1	THERMOSTAT (ON, OFF TEMP 100/120-DEG F)						
	17	1	197-2033	1	PUMP AS-OIL (ENGINE OIL)						
	18	1	197-2034	1	SEAL						
	19	1	197-2037	1	HOSE AS						
	20	1	197-2038	1	HOSE AS						
	21	1	197-2039	1	VALVE (CHECK)						
	22	1	197-2044	2	FUSE (2-AMPERE)						
	23	1	197-2045	2	LIGHT (PILOT)						
	24	1	197-2046	2	PLATE						
	25	1	197-2047	2	BLOCK-CONTACT						
	26	1	198-3196	1	SWITCH-MOTOR						
	27	1	217-0165	1	THERMOSTAT (ON, OFF TEMP 120/140-DEG F)						
	28	1	217-0437	1	PUMP-OIL						
	29	1	217-0718	1	PUMP-COOLANT						
	30	1	300-1305	1	PUMP AS-COOLANT						
	31	1	300-1309	1	TRANSFORMER						
	32	1	300-1311	1	ELEMENT AS-ENGINE OIL HEATER						
	33	1	300-1312	1	ELEMENT AS-JACKET WATER HEATER						
	34	1	300-1314	1	PANEL						
	35	1	300-1316	3	FUSE (40-AMPERE)						
	36	1	300-1317	3	FUSE (20-AMPERE)						

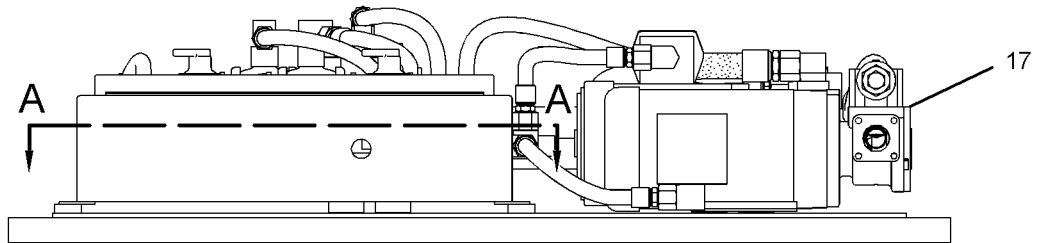
ELECTRICAL AND STARTING SYSTEM

296-2872 HEATER GP-COOLANT & ENGINE OIL (contd.)

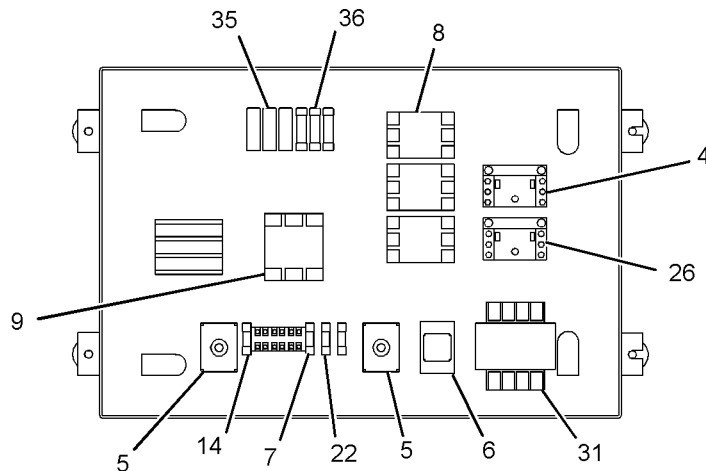
i02839763



TOP VIEW



FRONT VIEW



SECTION A-A

<END>

GRAPHIC #1

g01414220

ELECTRICAL AND STARTING SYSTEM

219-9929 IGNITION GP-GAS ENGINE (CHG -00 THRU -04)

SMCS - 1550

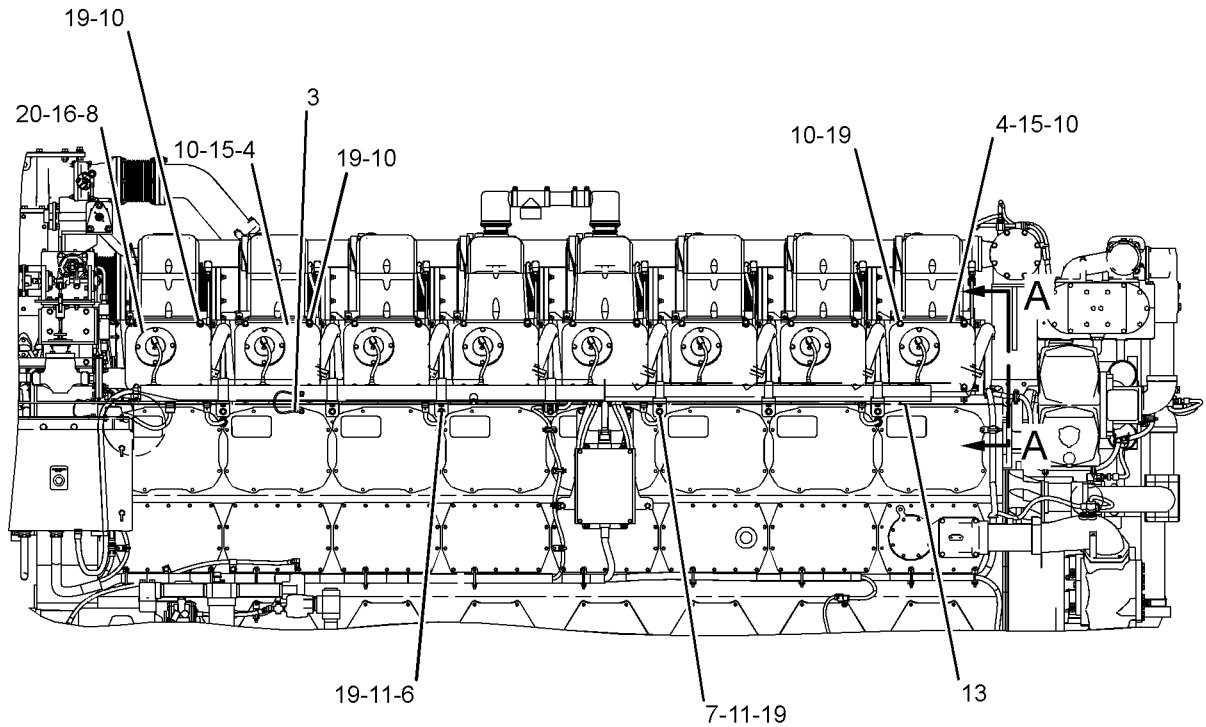
i02622885

NOTE	REF NO	GRAPHIC REF	PART NUMBER	QTY	PART NAME						SEE PAGE
					1	2	3	4	5	6 (PRODUCT LEVEL)	
	1	1	4D-1326	2	LOCKWASHER						
	2	2	9X-7688	8	SEAL-O-RING						
	3	1	127-0594	1	WIRE AS-GROUND						
	4	1	145-8634	8	COVER (LIFTER GUIDE)						
	5	2	166-3796	8	TUBE AS						
	6	1	213-6288	4	BRACKET						
	7	1	214-9421	3	BRACKET AS						
	8	2	232-6351	8	TRANSFORMER GP						
					(EACH INCLUDES)						
		2	150-2050	1	EXTENSION AS						
		2	122-0355	1	TERMINAL AS						
		2	125-1372	1	SEAL-O-RING						
	9	2	0S-0509	2	BOLT (3/8-16X0.75-IN)						
	10	1	0S-1571	31	BOLT (3/8-16X1.75-IN)						
	11	1,2	0S-1594	14	BOLT (3/8-16X1-IN)						
	12	2	194-8518	8	SPARK PLUG (IGNITION)						
					(EACH INCLUDES)						
		2	9Y-6792	1	GASKET-SPARK PLUG						
13	1		219-9946	1	HARNES AS-ENGINE (IGNITION)						
		1	4G-2544	8	CONNECTOR-PLUG						
		1	186-3736	16	SOCKET-CONNECTOR (16-GA TO 18-GA)						
		1	9X-4814	1	RECEPTACLE AS-CONNECTOR (6-PIN)						
		1	9X-4813	4	RECEPTACLE AS-CONNECTOR (3-PIN)						
		1	207-4556	1	CONDUIT AS						
		1	219-2587	8	CONDUIT AS						
14	2		3P-0650	8	SEAL-O-RING						
15	1,2		3V-3308	32	WASHER-HARD (10.2X20.5X2.5-MM THK)						
16	1		4B-3388	32	BOLT (5/16-18X1.125-IN)						
17	2		6V-3830	8	SEAL-O-RING						
18	2		6V-3834	8	SEAL-O-RING						
19	1		9L-9132	15	WASHER (10.2X25.5X2.5-MM THK)						
20	1		9M-1974	32	WASHER-HARD (8.8X16X2-MM THK)						

ELECTRICAL AND STARTING SYSTEM

219-9929 IGNITION GP-GAS ENGINE (contd.)

i0262885



RIGHT SIDE VIEW

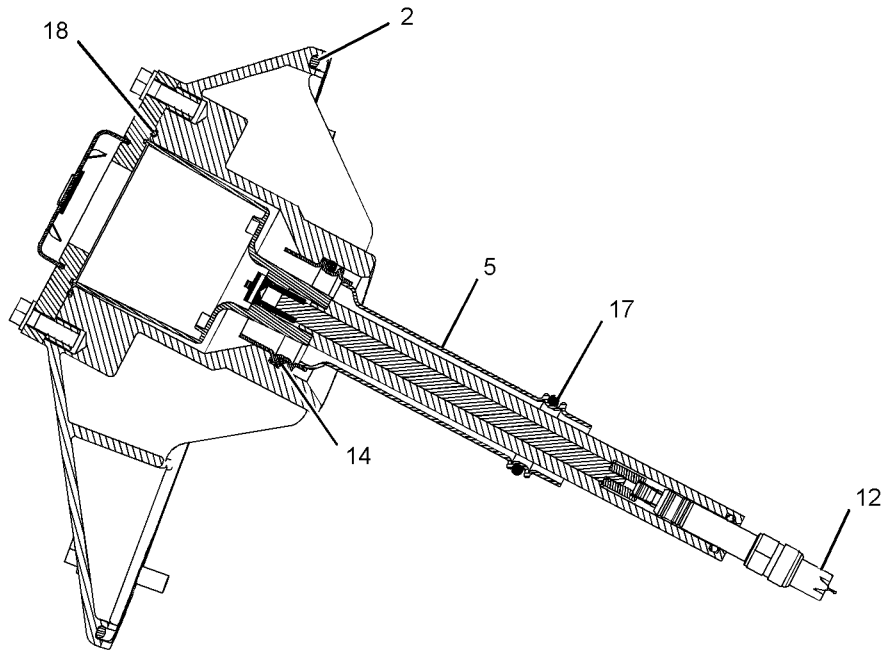
GRAPHIC #1

g01167951

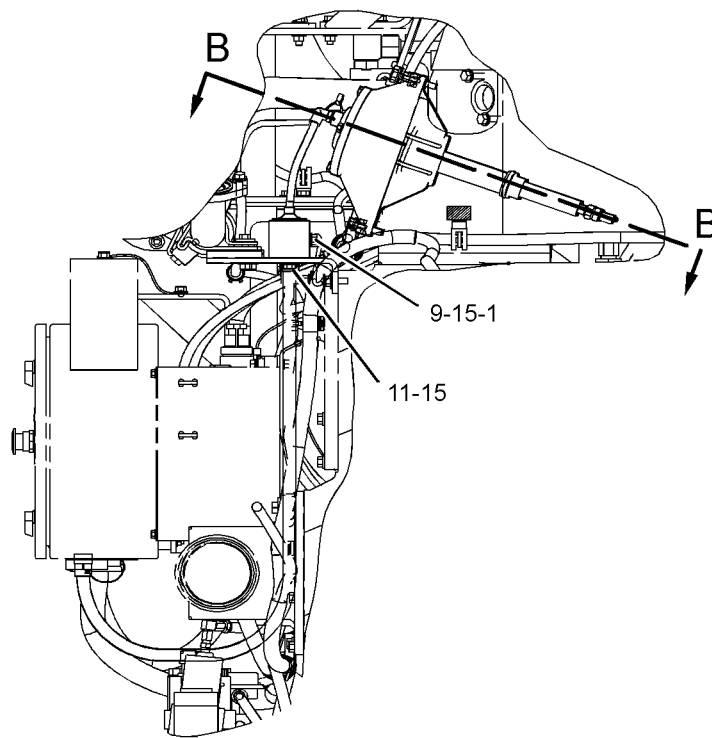
ELECTRICAL AND STARTING SYSTEM

219-9929 IGNITION GP-GAS ENGINE (contd.)

i02622885



SECTION B-B



VIEW A-A

GRAPHIC #2

<END>

g01167949

ELECTRICAL AND STARTING SYSTEM

219-9929 IGNITION GP-GAS ENGINE (CHG -05)

SMCS - 1550

i02622841

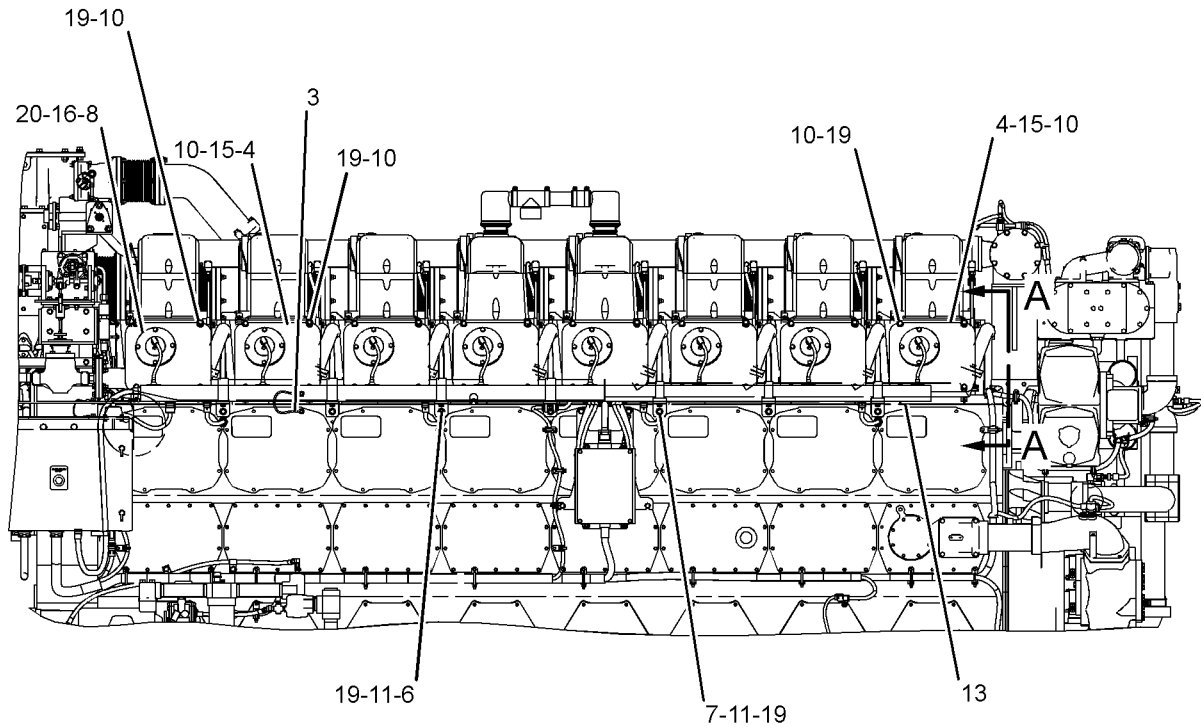
NOTE	REF NO	GRAPHIC REF	PART NUMBER	QTY	PART NAME						SEE PAGE
					1	2	3	4	5	6 (PRODUCT LEVEL)	
	1	1	4D-1326	2	LOCKWASHER						
	2	2	9X-7688	8	SEAL-O-RING						
	3	1	127-0594	1	WIRE AS-GROUND						
	4	1	145-8634	8	COVER (LIFTER GUIDE)						
	5	2	166-3796	8	TUBE AS						
	6	1	213-6288	4	BRACKET						
	7	1	214-9421	3	BRACKET AS						
C	8	2	283-5269	8	TRANSFORMER GP-POTENTIAL						
					(EACH INCLUDES)						
		2	283-5271	1	EXTENSION AS						
		2	125-1372	1	SEAL-O-RING						
	9	2	0S-0509	2	BOLT (3/8-16X0.75-IN)						
	10	1	0S-1571	31	BOLT (3/8-16X1.75-IN)						
	11	1,2	0S-1594	14	BOLT (3/8-16X1-IN)						
	12	2	194-8518	8	SPARK PLUG (IGNITION)						
					(EACH INCLUDES)						
		2	9Y-6792	1	GASKET-SPARK PLUG						
13	1		219-9946	1	HARNES AS-ENGINE (IGNITION)						
		1	4G-2544	8	CONNECTOR-PLUG						
		1	186-3736	16	SOCKET-CONNECTOR (16-GA TO 18-GA)						
		1	9X-4813	4	RECEPTACLE AS-CONNECTOR (3-PIN)						
		1	9X-4814	1	RECEPTACLE AS-CONNECTOR (6-PIN)						
		1	207-4556	1	CONDUIT AS						
		1	219-2587	8	CONDUIT AS						
	14	2	3P-0650	8	SEAL-O-RING						
	15	1,2	3V-3308	32	WASHER-HARD (10.2X20.5X2.5-MM THK)						
	16	1	4B-3388	32	BOLT (5/16-18X1.125-IN)						
	17	2	6V-3830	8	SEAL-O-RING						
	18	2	6V-3834	8	SEAL-O-RING						
	19	1	9L-9132	15	WASHER (10.2X25.5X2.5-MM THK)						
	20	1	9M-1974	32	WASHER-HARD (8.8X16X2-MM THK)						

C-CHANGE FROM PREVIOUS TYPE

ELECTRICAL AND STARTING SYSTEM

219-9929 IGNITION GP-GAS ENGINE (contd.)

i02622841



RIGHT SIDE VIEW

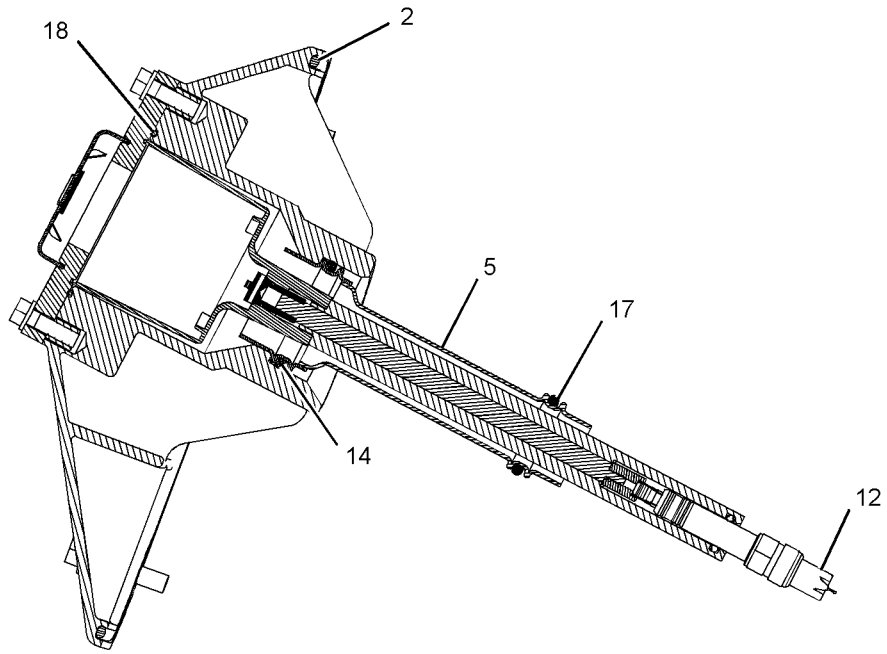
GRAPHIC #1

g01167951

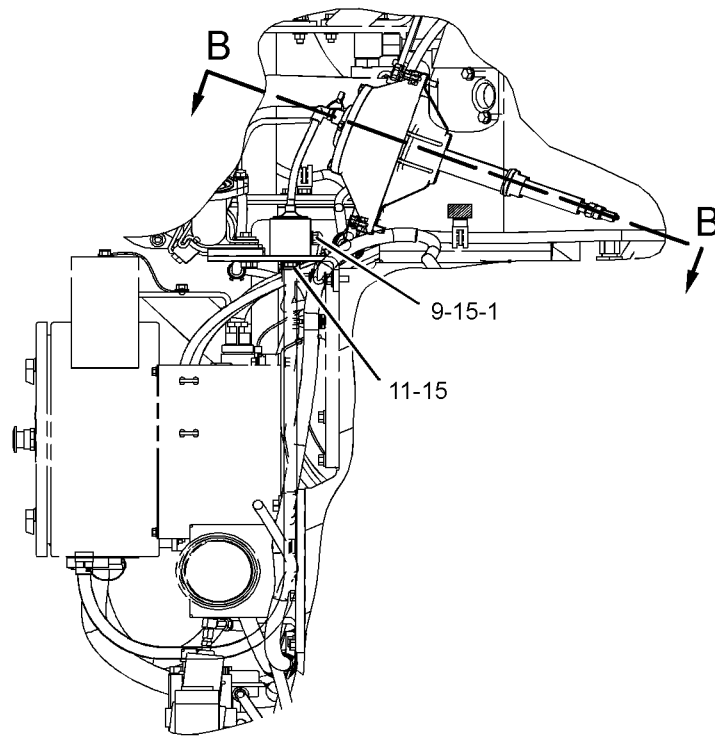
ELECTRICAL AND STARTING SYSTEM

219-9929 IGNITION GP-GAS ENGINE (contd.)

i02622841



SECTION B-B



VIEW A-A

GRAPHIC #2

<END>

g01167949

ELECTRICAL AND STARTING SYSTEM

219-9929 IGNITION GP-GAS ENGINE (CHG -06, -07)

SMCS-1550

i03296402

NOTE	REF NO	GRAPHIC REF	PART NUMBER	QTY	PART NAME						SEE PAGE
					1	2	3	4	5	6 (PRODUCT LEVEL)	
	1	2	4D-1326	2	LOCKWASHER						
	2	2	9X-7688	8	SEAL-O-RING						
	3	1	127-0594	1	WIRE AS-GROUND						
	4	1	145-8634	8	COVER (LIFTER GUIDE)						
	5	2	166-3796	8	TUBE AS						
	6	1	213-6288	4	BRACKET						
	7	1	214-9421	3	BRACKET AS						
CY	8	1	310-3180	8	TRANSFORMER GP-POTENTIAL						408
	9	2	0S-0509	2	BOLT (3/8-16X0.75-IN)						
	10	1	0S-1571	31	BOLT (3/8-16X1.75-IN)						
	11	1,2	0S-1594	14	BOLT (3/8-16X1-IN)						
C	12	2	198-6420	8	SPARK PLUG						
					(EACH INCLUDES)						
		2	194-8518	1	SPARK PLUG						
	13	1	219-9946	1	HARNESS AS-ENGINE (IGNITION)						
		1	4G-2544	8	CONNECTOR-PLUG						
		1	186-3736	16	SOCKET-CONNECTOR (16-GA TO 18-GA)						
		1	9X-4813	4	RECEPTACLE AS-CONNECTOR (3-PIN)						
		1	9X-4814	1	RECEPTACLE AS-CONNECTOR (6-PIN)						
		1	207-4556	1	CONDUIT AS						
		1	219-2587	8	CONDUIT AS						
	14	2	324-8782	8	SEAL						
	15	1,2	3V-3308	32	WASHER-HARD (10.2X20.5X2.5-MM THK)						
	16	1	4B-3388	32	BOLT (5/16-18X1.125-IN)						
	17	2	6V-3830	8	SEAL-O-RING						
	18	2	6V-3834	8	SEAL-O-RING						
	19	1	9L-9132	15	WASHER (10.2X25.5X2.5-MM THK)						
	20	1	9M-1974	32	WASHER-HARD (8.8X16X2-MM THK)						

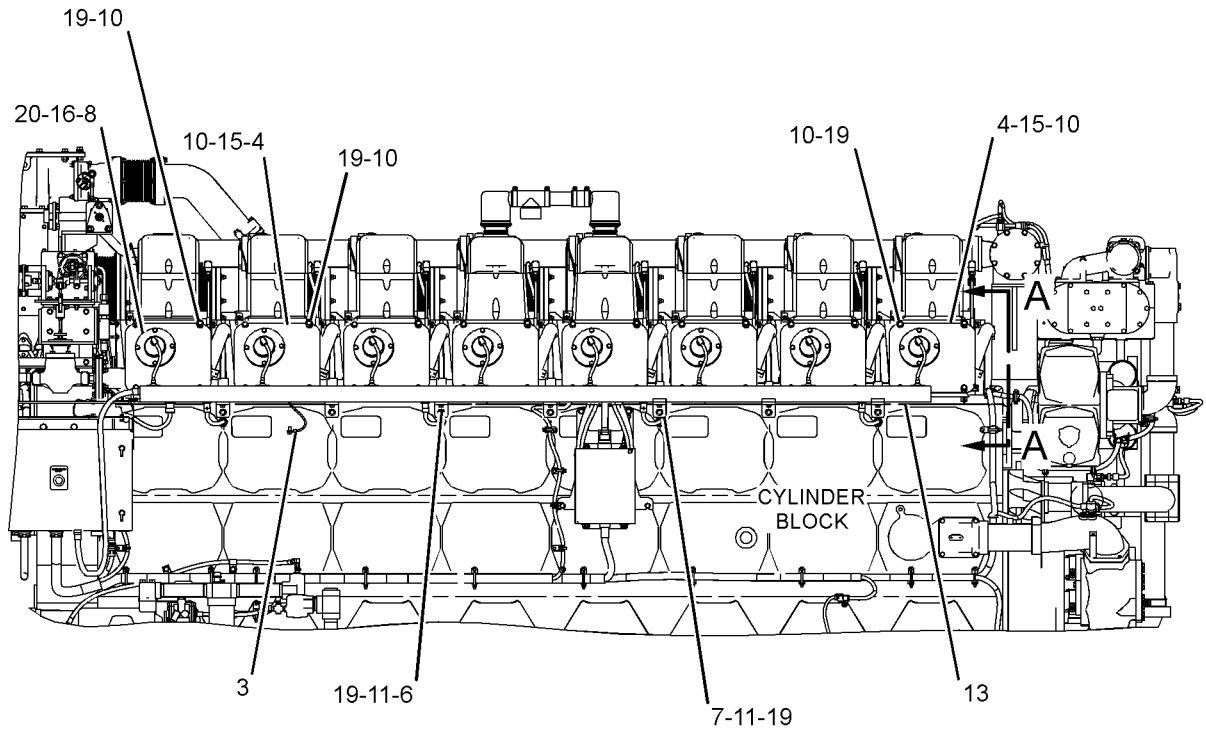
C-CHANGE FROM PREVIOUS TYPE
Y-SEPARATE ILLUSTRATION

ELECTRICAL AND STARTING SYSTEM

219-9929 IGNITION GP-GAS ENGINE (contd.)

i03296402

REFER TO ALL ILLUSTRATIONS OF
THIS GROUP FOR AUXILIARY VIEWS



RIGHT SIDE VIEW OF ENGINE

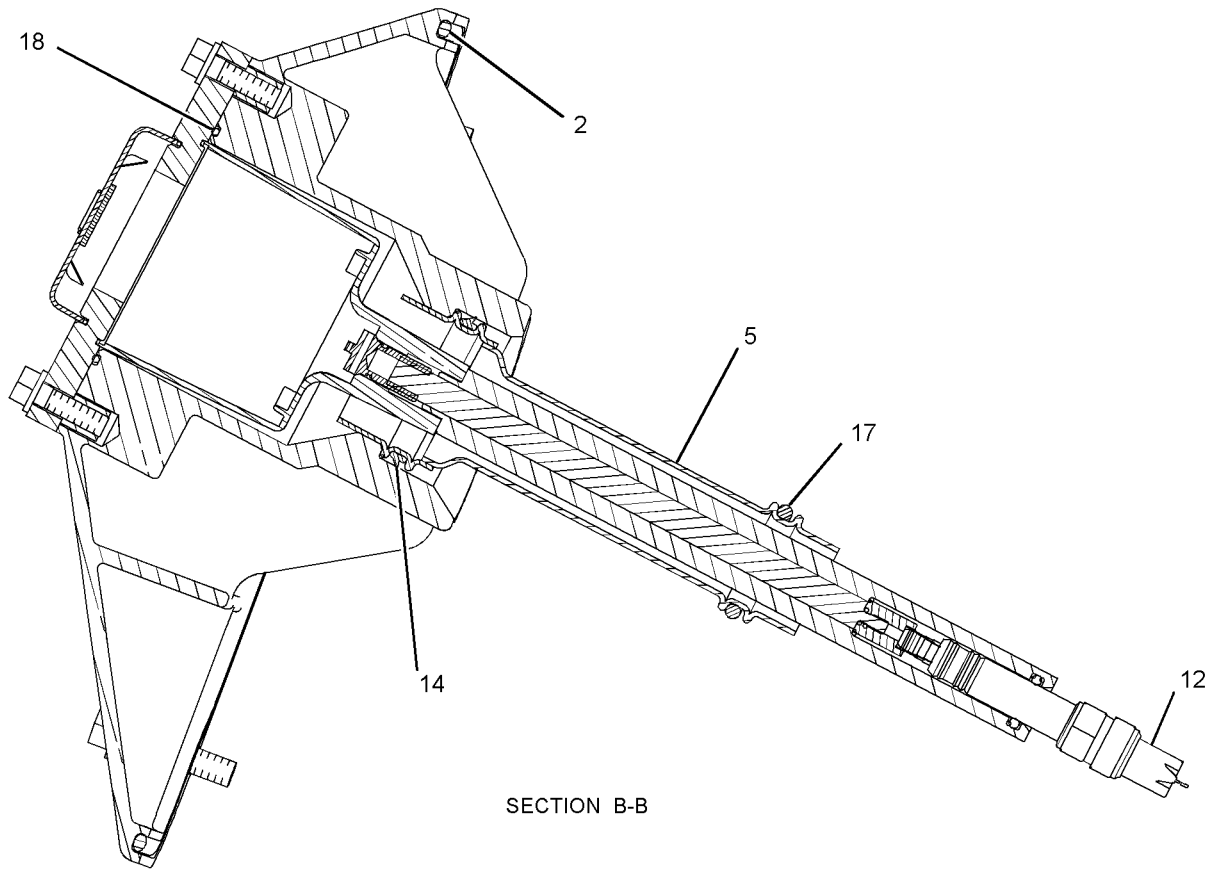
GRAPHIC #1

g01681790

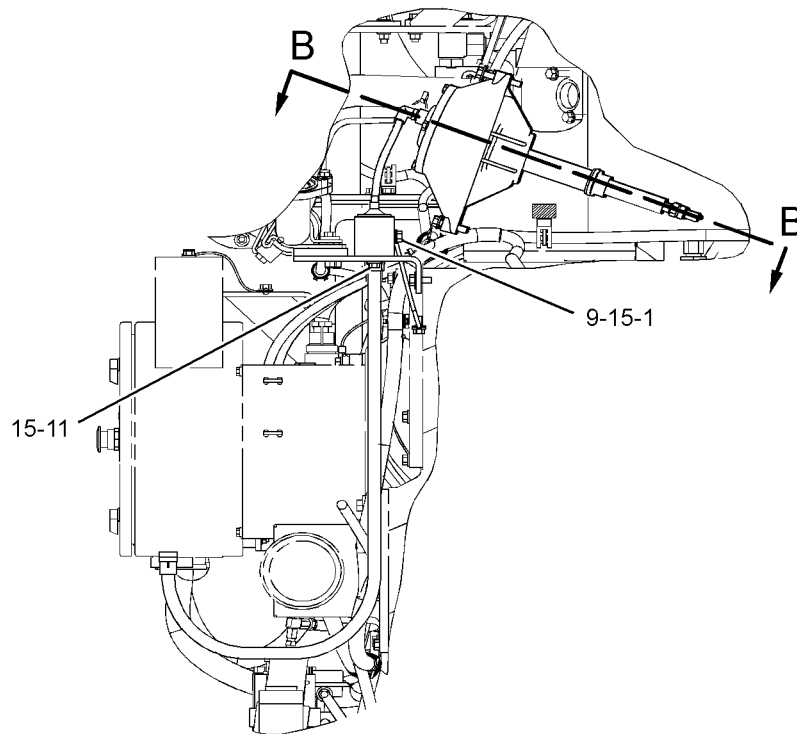
ELECTRICAL AND STARTING SYSTEM

219-9929 IGNITION GP-GAS ENGINE (contd.)

i03296402



SECTION B-B



VIEW A-A

<END>

GRAPHIC #2

g01681789

ELECTRICAL AND STARTING SYSTEM

231-4150 IGNITION GP-GAS ENGINE (CHG -00, -01) FOR USE WITH BIO-GAS APPLICATIONS TYPE 1

SMCS-1550

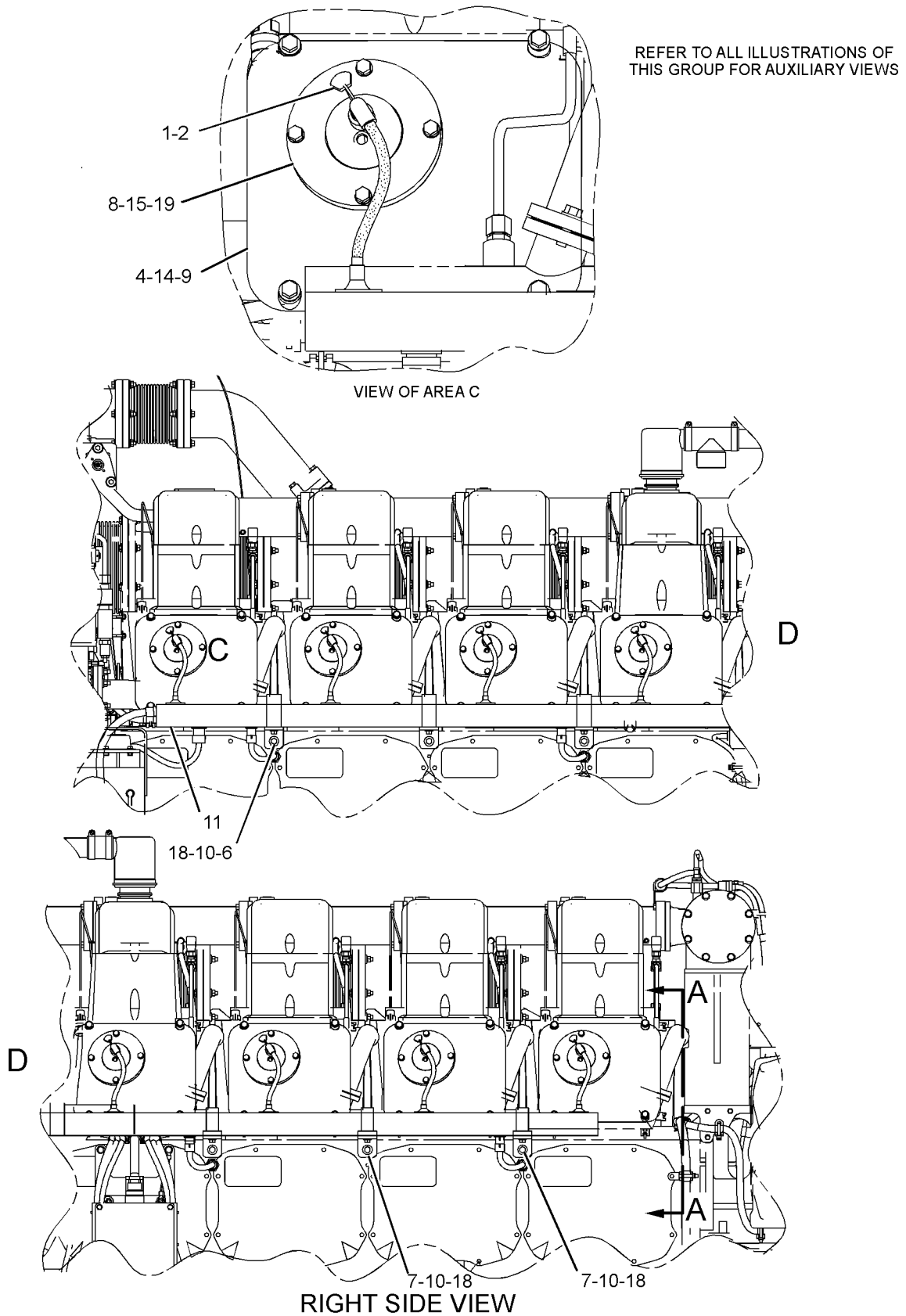
i02622887

NOTE	REF NO	GRAPHIC REF	PART NUMBER	QTY	PART NAME						SEE PAGE
					1	2	3	4	5	6 (PRODUCT LEVEL)	
E	1	1	5P-6025		LOCKWIRE (80-CM)						
	2	1	8S-8158	8	SEAL-WIRE						
	3	2	9X-7688	8	SEAL-O-RING						
	4	1	145-8634	8	COVER (LIFTER GUIDE)						
	5	2	166-3796	8	TUBE AS						
	6	1	213-6288	4	BRACKET						
	7	1	214-9421	3	BRACKET AS						
	8	1	232-6351	8	TRANSFORMER GP						
					(EACH INCLUDES)						
		1	150-2050	1	EXTENSION AS						
		1	122-0355	1	TERMINAL AS						
		1	125-1372	1	SEAL-O-RING						
	9	1	0S-1571	32	BOLT (3/8-16X1.75-IN)						
	10	1	0S-1594	7	BOLT (3/8-16X1-IN)						
	11	1	219-9946	1	HARNESS AS-ENGINE (IGNITION)						
		1	4G-2544	8	CONNECTOR-PLUG						
		1	186-3736	16	SOCKET-CONNECTOR (16-GA TO 18-GA)						
		1	9X-4813	4	RECEPTACLE AS-CONNECTOR (3-PIN)						
		1	9X-4814	1	RECEPTACLE AS-CONNECTOR (6-PIN)						
		1	207-4556	8	CONDUIT AS						
		1	219-2587	4	CONDUIT AS						
	12	2	243-4291	8	SPARK PLUG (IGNITION)						
					(EACH INCLUDES)						
		2	9Y-6792	1	GASKET-SPARK PLUG						
	13	2	3P-0650	8	SEAL-O-RING						
	14	1	3V-3308	32	WASHER-HARD (10.2X20.5X2.5-MM THK)						
	15	1	4B-3388	32	BOLT (5/16-18X1.125-IN)						
	16	2	6V-3830	8	SEAL-O-RING						
	17	2	6V-3834	8	SEAL-O-RING						
	18	1	9L-9132	7	WASHER (10.2X25.5X2.5-MM THK)						
	19	1	9M-1974	32	WASHER-HARD (8.8X16X2-MM THK)						
E-ORDER BY THE CENTIMETER											

ELECTRICAL AND STARTING SYSTEM

231-4150 IGNITION GP-GAS ENGINE (contd.)

i02622887



GRAPHIC #1

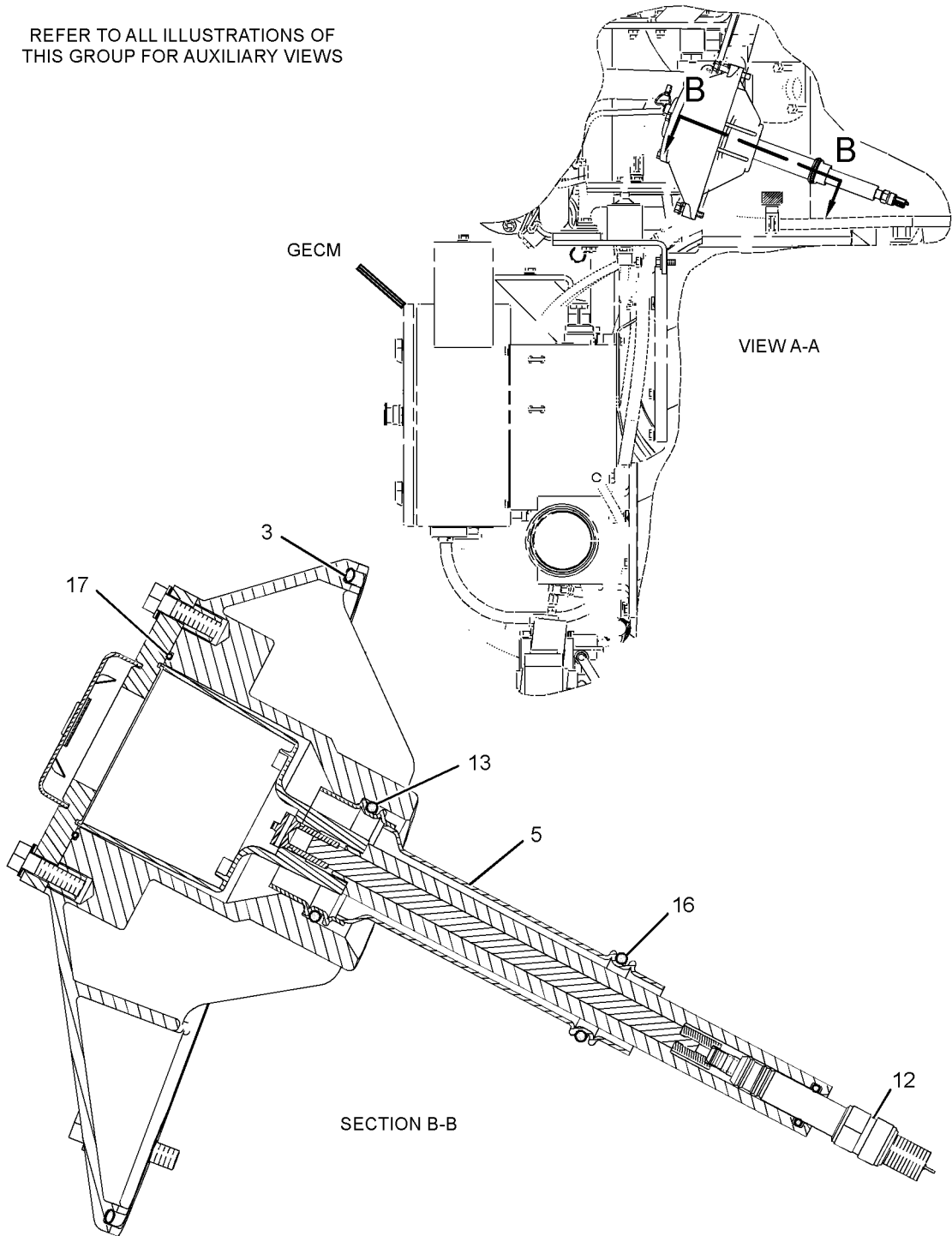
g01169625

ELECTRICAL AND STARTING SYSTEM

231-4150 IGNITION GP-GAS ENGINE (contd.)

i02622887

REFER TO ALL ILLUSTRATIONS OF THIS GROUP FOR AUXILIARY VIEWS



GRAPHIC #2

<END>

g01169653

ELECTRICAL AND STARTING SYSTEM

231-4150 IGNITION GP-GAS ENGINE (CHG -02 THRU -04) FOR USE WITH BIO-GAS APPLICATIONS TYPE 2

SMCS-1550

i03296404

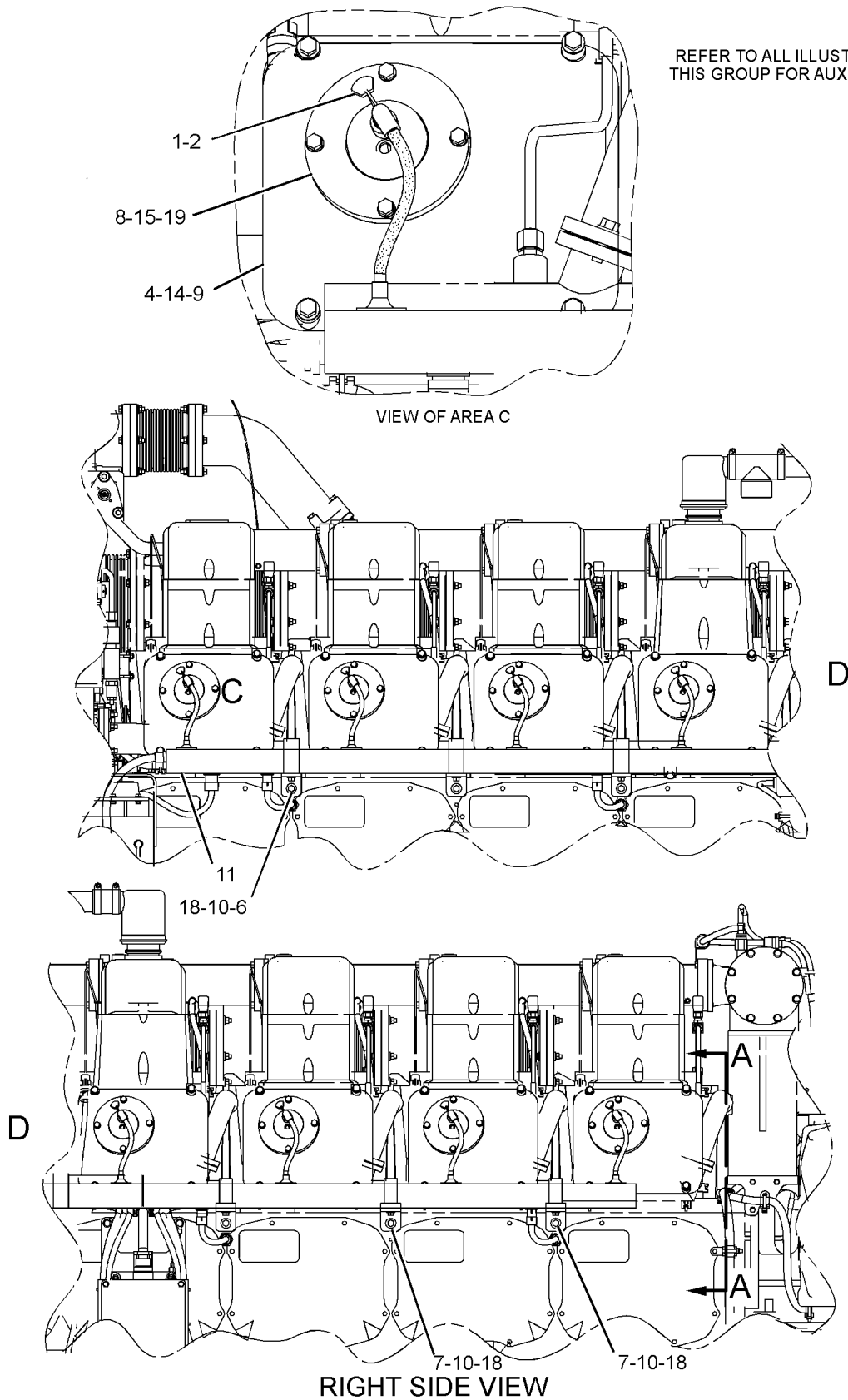
NOTE	REF NO	GRAPHIC REF	PART NUMBER	QTY	PART NAME						SEE PAGE
					1	2	3	4	5	6 (PRODUCT LEVEL)	
D	1	1	5P-6025		LOCKWIRE (0.8-M)						
	2	1	8S-8158	8	SEAL-WIRE						
	3	2	9X-7688	8	SEAL-O-RING						
	4	1	145-8634	8	COVER (LIFTER GUIDE)						
	5	2	166-3796	8	TUBE AS						
	6	1	213-6288	4	BRACKET						
	7	1	214-9421	3	BRACKET AS						
CY	8	1	310-3180	8	TRANSFORMER GP-POTENTIAL						408
	9	1	0S-1571	32	BOLT (3/8-16X1.75-IN)						
	10	1	0S-1594	7	BOLT (3/8-16X1-IN)						
	11	1	219-9946	1	HARNESS AS-ENGINE (IGNITION)						
		1	186-3736	16	SOCKET-CONNECTOR (16-GA TO 18-GA)						
		1	4G-2544	8	CONNECTOR-PLUG						
		1	9X-4813	4	RECEPTACLE AS-CONNECTOR (3-PIN)						
		1	9X-4814	1	RECEPTACLE AS-CONNECTOR (6-PIN)						
		1	207-4556	8	CONDUIT AS						
		1	219-2587	4	CONDUIT AS						
	12	2	243-4291	8	SPARK PLUG (IGNITION) (EACH INCLUDES)						
		2	9Y-6792	1	GASKET-SPARK PLUG						
	13	2	324-8782	8	SEAL						
	14	1	3V-3308	32	WASHER-HARD (10.2X20.5X2.5-MM THK)						
	15	1	4B-3388	32	BOLT (5/16-18X1.125-IN)						
	16	2	6V-3830	8	SEAL-O-RING						
	17	2	6V-3834	8	SEAL-O-RING						
	18	1	9L-9132	7	WASHER (10.2X25.5X2.5-MM THK)						
	19	1	9M-1974	32	WASHER-HARD (8.8X16X2-MM THK)						

C-CHANGE FROM PREVIOUS TYPE
D-ORDER BY THE METER
Y-SEPARATE ILLUSTRATION

ELECTRICAL AND STARTING SYSTEM

231-4150 IGNITION GP-GAS ENGINE (contd.)

i03296404



GRAPHIC #1

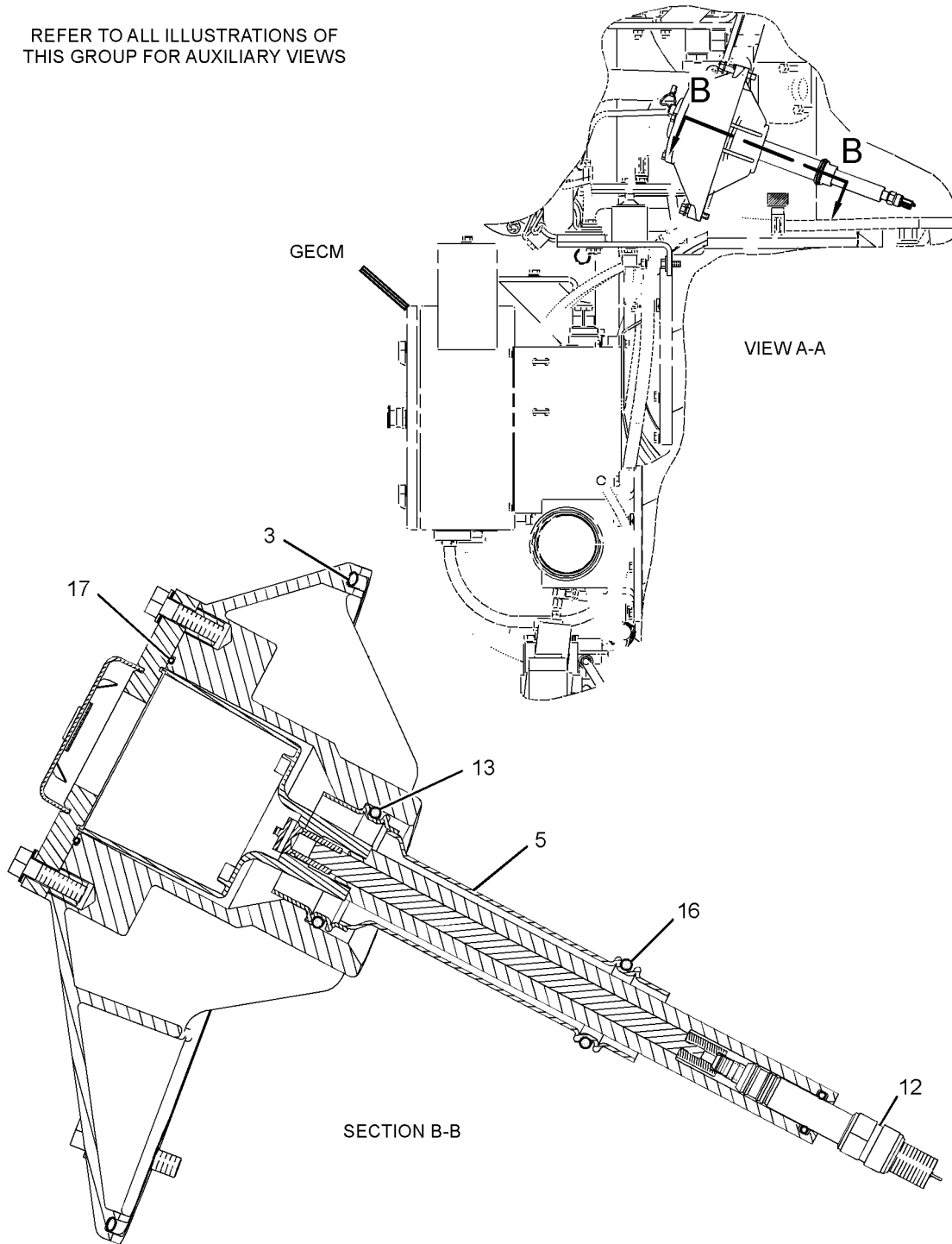
g01169625

ELECTRICAL AND STARTING SYSTEM

231-4150 IGNITION GP-GAS ENGINE (contd.)

i03296404

REFER TO ALL ILLUSTRATIONS OF THIS GROUP FOR AUXILIARY VIEWS



GRAPHIC #2

<END>

g01169653

ELECTRICAL AND STARTING SYSTEM

320-9979 INSTALLATION GP-COMMUNICATION (CHG -00, -01) FOR USE WITH CUSTOMER MOUNTED PL1000E COMMUNICATION MODULE

SMCS-1408, 1901, 1902, 7610, 7620

i03418163

NOTE	PART NUMBER	QTY	PART NAME						SEE PAGE
			1	2	3	4	5	6 (PRODUCT LEVEL)	
Y	256-7512	1	CONTROL GP-COMMUNICATION (PL1000E)						332
Y	276-0785	1	HARNESS AS-CONTROL (PL1000E)						342
	228-6559	1	CABLE AS-COMMUNICATION (RJ45)						
	3E-9865	4	LOCKNUT (1/4-20-THD)						
	9X-9896	4	MOUNT (ISOLATION)						
	8C-5608	4	SPACER (6.5X9.5X25.4-MM THK)						
	3S-2093	10	STRAP-CABLE						
	8L-8413	10	STRAP-CABLE						
	9X-6772	4	STRAP-CABLE						
	9X-6165	4	WASHER (6.5X22X2.5-MM THK)						
Y-SEPARATE ILLUSTRATION									

<END>

320-9980 INSTALLATION GP-COMMUNICATION (CHG -00) FOR USE WITH CUSTOMER MOUNTED PL1000T COMMUNICATION MODULE

SMCS-1408, 1901, 1902, 7610, 7620

i03022261

NOTE	PART NUMBER	QTY	PART NAME						SEE PAGE
			1	2	3	4	5	6 (PRODUCT LEVEL)	
Y	256-7511	1	CONTROL GP-COMMUNICATION (PL1000T)						332
Y	270-1732	1	HARNESS AS-CONTROL (PL1000T)						342
	3E-9865	4	LOCKNUT (1/4-20-THD)						
	9X-9896	4	MOUNT (ISOLATION)						
	8C-5608	4	SPACER (6.5X9.5X25.4-MM THK)						
	3S-2093	10	STRAP-CABLE						
	8L-8413	10	STRAP-CABLE						
	9X-6772	4	STRAP-CABLE						
	9X-6165	4	WASHER (6.5X22X2.5-MM THK)						
Y-SEPARATE ILLUSTRATION									

<END>

ELECTRICAL AND STARTING SYSTEM

174-9447 LINES GP-AIR STARTING

(CHG -00, -00D1 THRU -05, -05D1, -06)
FOR USE WITH VANE AIR STARTING MOTORS

SMCS-1451

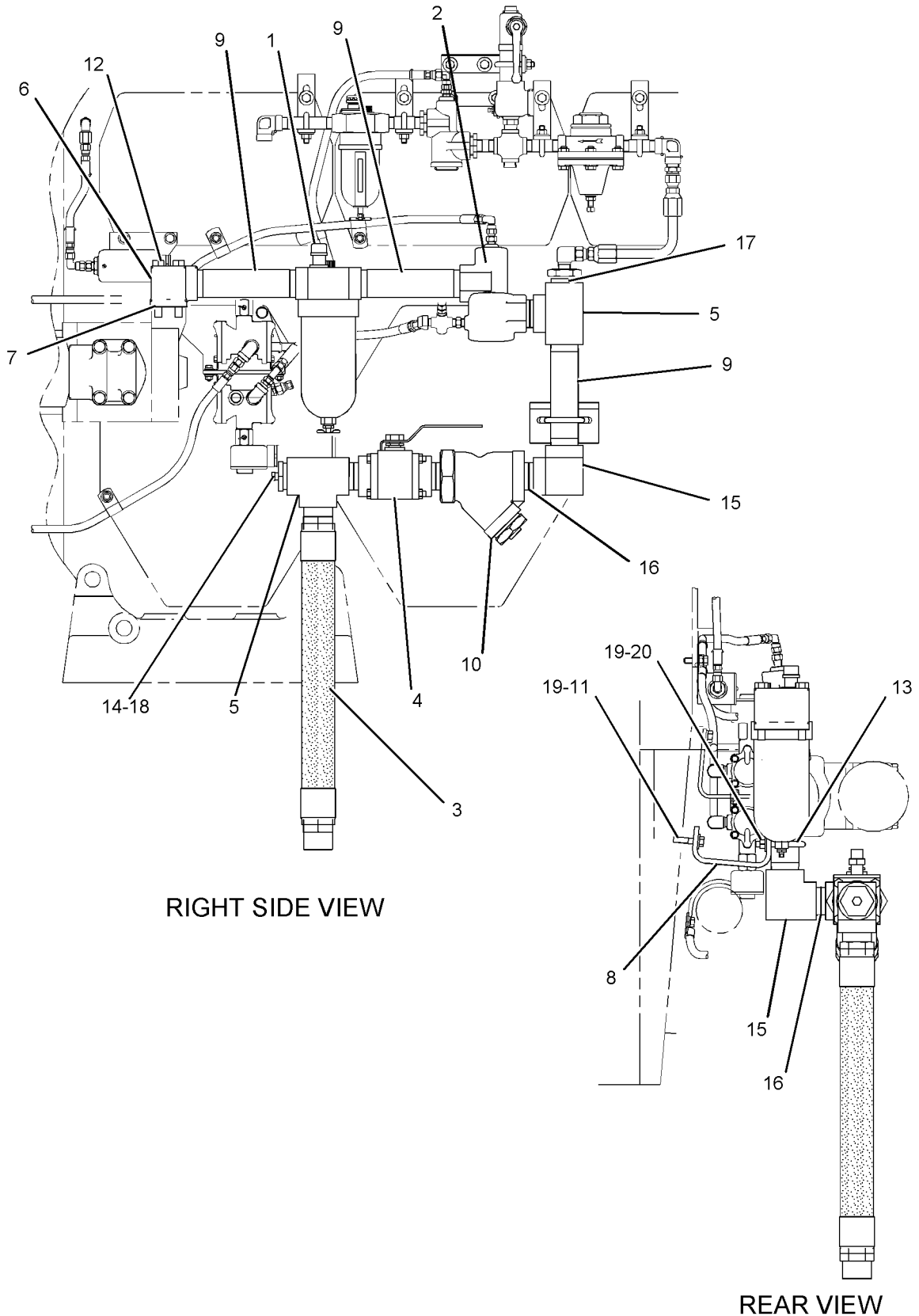
i03538070

NOTE	REF NO	GRAPHIC REF	PART NUMBER	QTY	PART NAME						SEE PAGE
					1	2	3	4	5	6 (PRODUCT LEVEL)	
J	1	1	2W-2945	1	LUBRICATOR GP-AIR MOTOR						
		1	7W-0524	1	PLUG AS						
		1	7W-0537	1	DOME AS						
		1	7W-2759	1	BOWL AS						
S	2	1	4N-3411	1	VALVE GP-RELAY (AIR STARTING)						
I	3	1	4P-4113	1	HOSE AS						
	4	1	4W-2245	1	VALVE-SHUTOFF (LOCKING)						
	5	1	6F-7701	2	TEE-PIPE						
	6	1	8N-8446	1	ELBOW						
	7	1	8N-8451	1	GASKET						
	8	1	9Y-9660	1	BRACKET						
	9	1	105-0428	3	NIPPLE-PIPE						
Y	10	1	146-5215	1	STRAINER GP-AIR LINES						405
	11	1	0S-1571	2	BOLT (3/8-16X1.75-IN)						
	12	1	1D-4566	4	BOLT (1/2-13X3.5-IN)						
	13	1	5L-2534	1	U-BOLT						
	14	1	6B-7280	1	ADAPTER						
	15	1	6F-8856	2	ELBOW						
	16	1	3L-8993	5	FITTING						
	17	1	8T-6760	1	PLUG-PIPE						
	18	1	8T-6765	1	PLUG-PIPE						
	19	1	9L-9132	4	WASHER (10.2X25.5X2.5-MM THK)						
	20	1	9S-8752	2	NUT-FULL (3/8-16-THD)						
AVAILABLE REPAIR KIT(S):											
J			7W-2760		KIT-SEAL (AIR MOTOR)						
S			7C-5105		KIT-VALVE SEAL (AIR STARTING)						
(INCLUDES SEALS, RETAINER & BUMPER)											
I-REFER TO HYDRAULIC INFORMATION SYSTEM J-KIT MARKED J SERVICES PART MARKED J S-KIT MARKED S SERVICES PART MARKED S Y-SEPARATE ILLUSTRATION											

ELECTRICAL AND STARTING SYSTEM

174-9447 LINES GP-AIR STARTING (contd.)

i03538070



GRAPHIC #1

<END>

g01062960

ELECTRICAL AND STARTING SYSTEM

210-1565 LINES GP-AIR STARTING (CHG -01 THRU -06)

SMCS-1451

i03538067

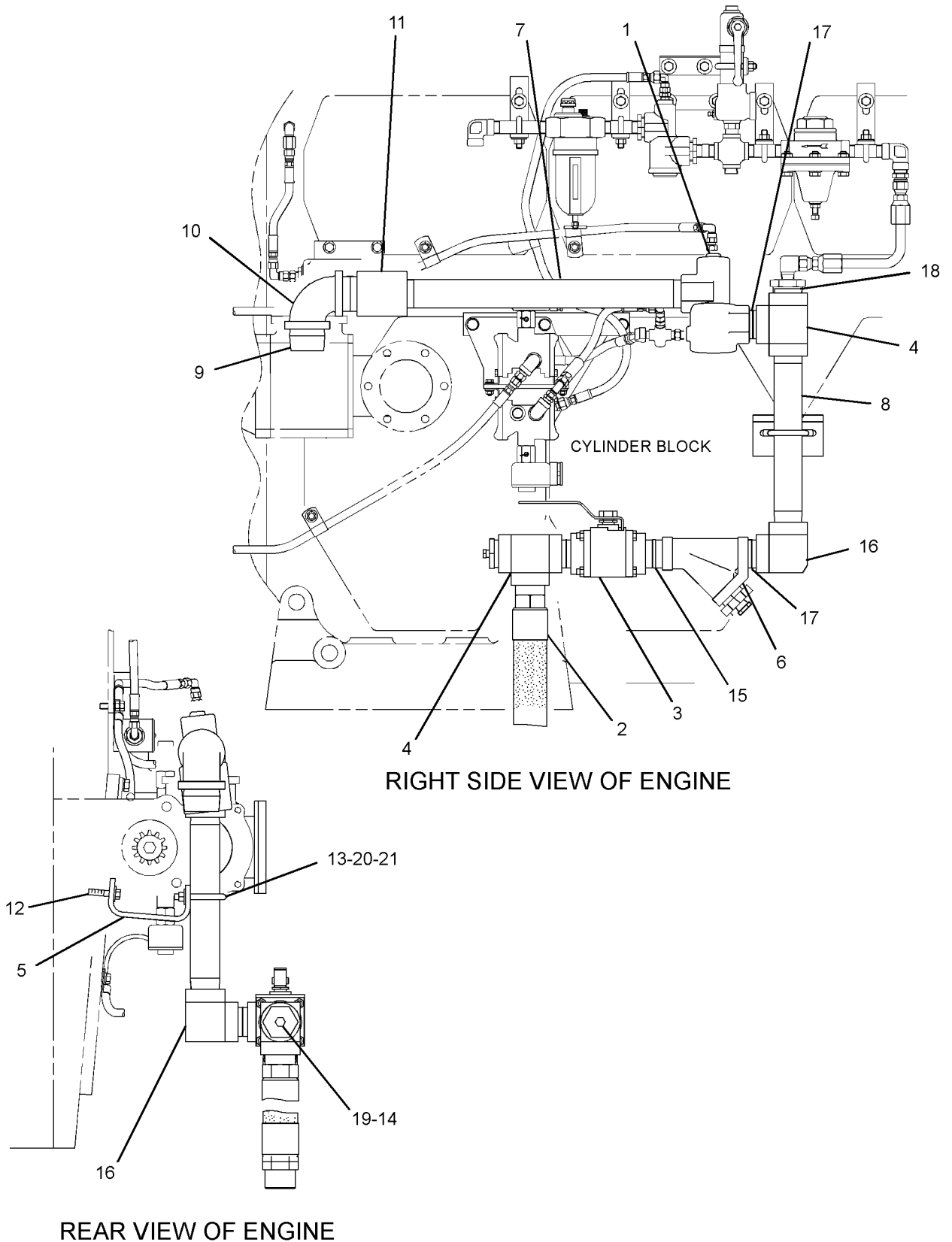
NOTE	REF NO	GRAPHIC REF	PART NUMBER	QTY	PART NAME						SEE PAGE
					1	2	3	4	5	6 (PRODUCT LEVEL)	
J	1	1	4N-3411	1	VALVE GP-RELAY						
I	2	1	4P-4113	1	HOSE AS						
	3	1	4W-2245	1	VALVE-SHUTOFF						
	4	1	6F-7701	2	TEE-PIPE						
	5	1	9Y-9660	1	BRACKET						
	6	1	146-5215	1	STRAINER GP-AIR LINES						405
Y	7	1	210-8819	1	FITTING-PIPE						
	8	1	210-8820	1	FITTING-PIPE						
	9	1	246-1245	2	FITTING						
	10	1	246-1470	1	ELBOW						
	11	1	246-1587	1	REDUCER						
	12	1	0S-1571	2	BOLT (3/8-16X1.75-IN)						
	13	1	5L-2534	1	U-BOLT						
	14	1	6B-7280	1	ADAPTER						
	15	1	6F-6045	1	NIPPLE-PIPE						
	16	1	6F-8856	2	ELBOW						
	17	1	3L-8993	4	FITTING						
	18	1	8T-6760	1	PLUG-PIPE						
	19	1	8T-6765	1	PLUG-PIPE						
	20	1	9L-9132	4	WASHER (10.2X25.5X2.5-MM THK)						
	21	1	9S-8752	2	NUT-FULL (3/8-16-THD)						
					AVAILABLE REPAIR KIT(S):						
J			7C-5105	KIT-VALVE SEAL (AIR STARTING)							
					(INCLUDES BUMPER, RETAINER AND SEALS)						

I-REFER TO HYDRAULIC INFORMATION SYSTEM
 J-KIT MARKED J SERVICES PART MARKED J
 Y-SEPARATE ILLUSTRATION

ELECTRICAL AND STARTING SYSTEM

210-1565 LINES GP-AIR STARTING (contd.)

i03538067



GRAPHIC #1

<END>

g01310755

ELECTRICAL AND STARTING SYSTEM

233-2205 LINES GP-AIR STARTING (CHG -00, -01) VANE STARTERS

SMCS-1451

i01968177

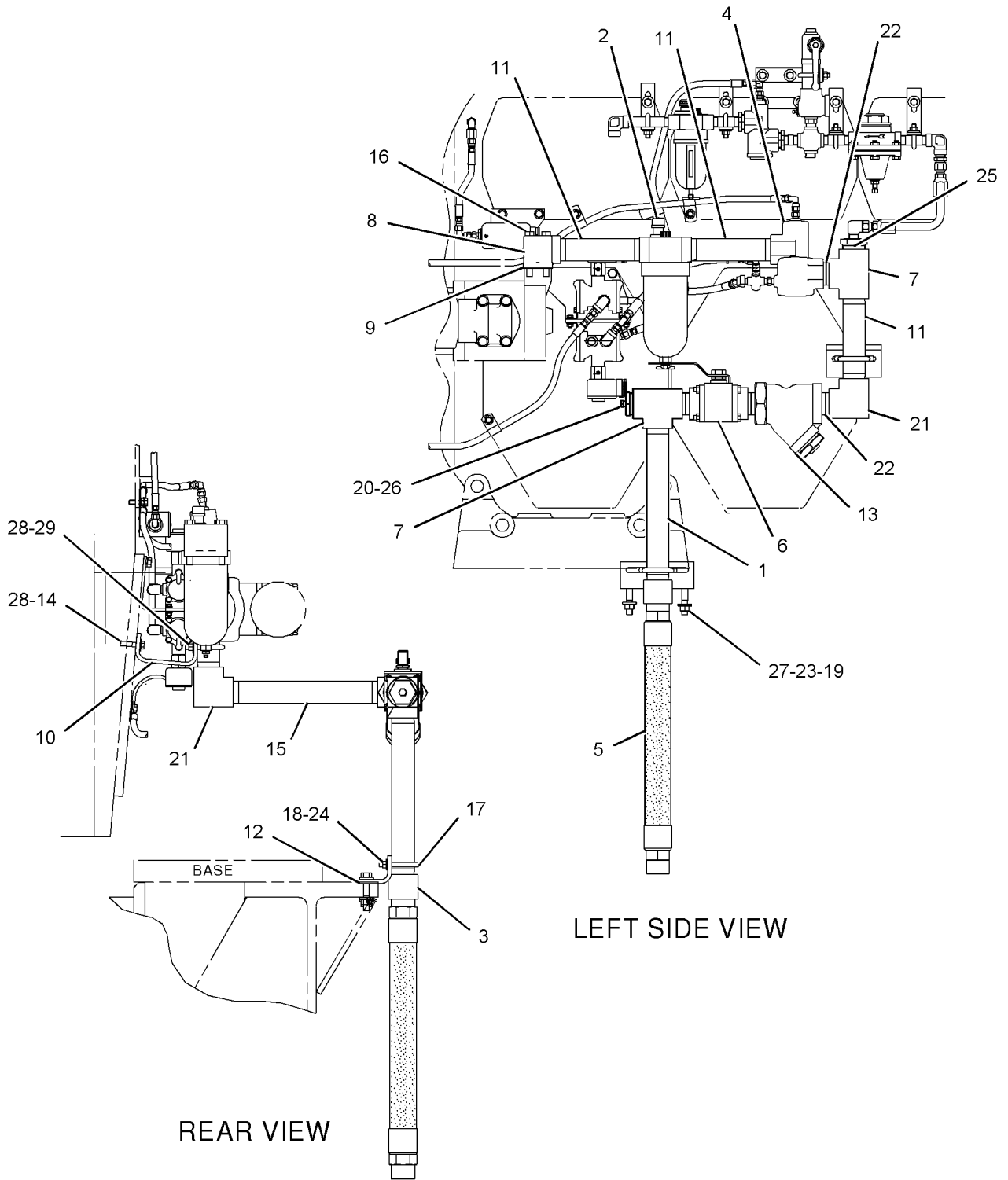
NOTE	REF NO	GRAPHIC REF	PART NUMBER	QTY	PART NAME						SEE PAGE
					1	2	3	4	5	6 (PRODUCT LEVEL)	
	1	1	1H-7722	1	FITTING (1-1/2-11-1/2 NPT)						
	2	1	2W-2945	1	LUBRICATOR GP-AIR MOTOR						
		1	7W-0524	1	PLUG AS						
		1	7W-0537	1	DOME AS						
		1	7W-2759	1	BOWL AS						
		1	7W-2760	1	KIT-SEAL (AIR MOTOR)						
	3	1	3B-6492	1	COUPLING-PIPE						
	4	1	4N-3411	1	VALVE GP-RELAY						
		1	7C-5105	1	KIT-VALVE SEAL (AIR STARTING)						
I	5	1	4P-4113	1	HOSE AS						
	6	1	4W-2245	1	VALVE-SHUTOFF						
	7	1	6F-7701	2	TEE-PIPE						
	8	1	8N-8446	1	ELBOW						
	9	1	8N-8451	1	GASKET						
	10	1	9Y-9660	1	BRACKET						
	11	1	105-0428	3	NIPPLE-PIPE						
	12	1	208-6636	1	BRACKET						
	13	1	229-5867	1	STRAINER GP-AIR LINES						
		1	7X-7731	1	PLUG-PIPE						
	14	1	0S-1571	2	BOLT (3/8-16X1.75-IN)						
	15	1	130-2550	1	NIPPLE-PIPE						
	16	1	1D-4566	4	BOLT (1/2-13X3.5-IN)						
	17	1	5L-2534	2	U-BOLT						
	18	1	5P-1075	2	WASHER-HARD (10.2X22.5X3-MM THK)						
	19	1	5P-1076	4	WASHER-HARD (13.5X30X4-MM THK)						
	20	1	6B-7280	1	ADAPTER						
	21	1	6F-8856	2	ELBOW						
	22	1	6F-8858	4	FITTING						
	23	1	6V-8188	2	NUT (1/2-13-THD)						
	24	1	6V-8801	2	NUT (3/8-16-THD)						
	25	1	8T-6760	1	PLUG-PIPE						
	26	1	8T-6765	1	PLUG-PIPE						
	27	1	8T-9389	2	BOLT (1/2-13X2.75-IN)						
	28	1	9L-9132	4	WASHER (10.2X25.5X2.5-MM THK)						
	29	1	9S-8752	2	NUT-FULL (3/8-16-THD)						

I-REFER TO HYDRAULIC INFORMATION SYSTEM

ELECTRICAL AND STARTING SYSTEM

233-2205 LINES GP-AIR STARTING (contd.)

i01968177



GRAPHIC #1

<END>

g01023681

ELECTRICAL AND STARTING SYSTEM

233-2205 LINES GP-AIR STARTING

(CHG -02 THRU -04, -04D1 THRU -06)

VANE STARTERS

SMCS-1451

i03538065

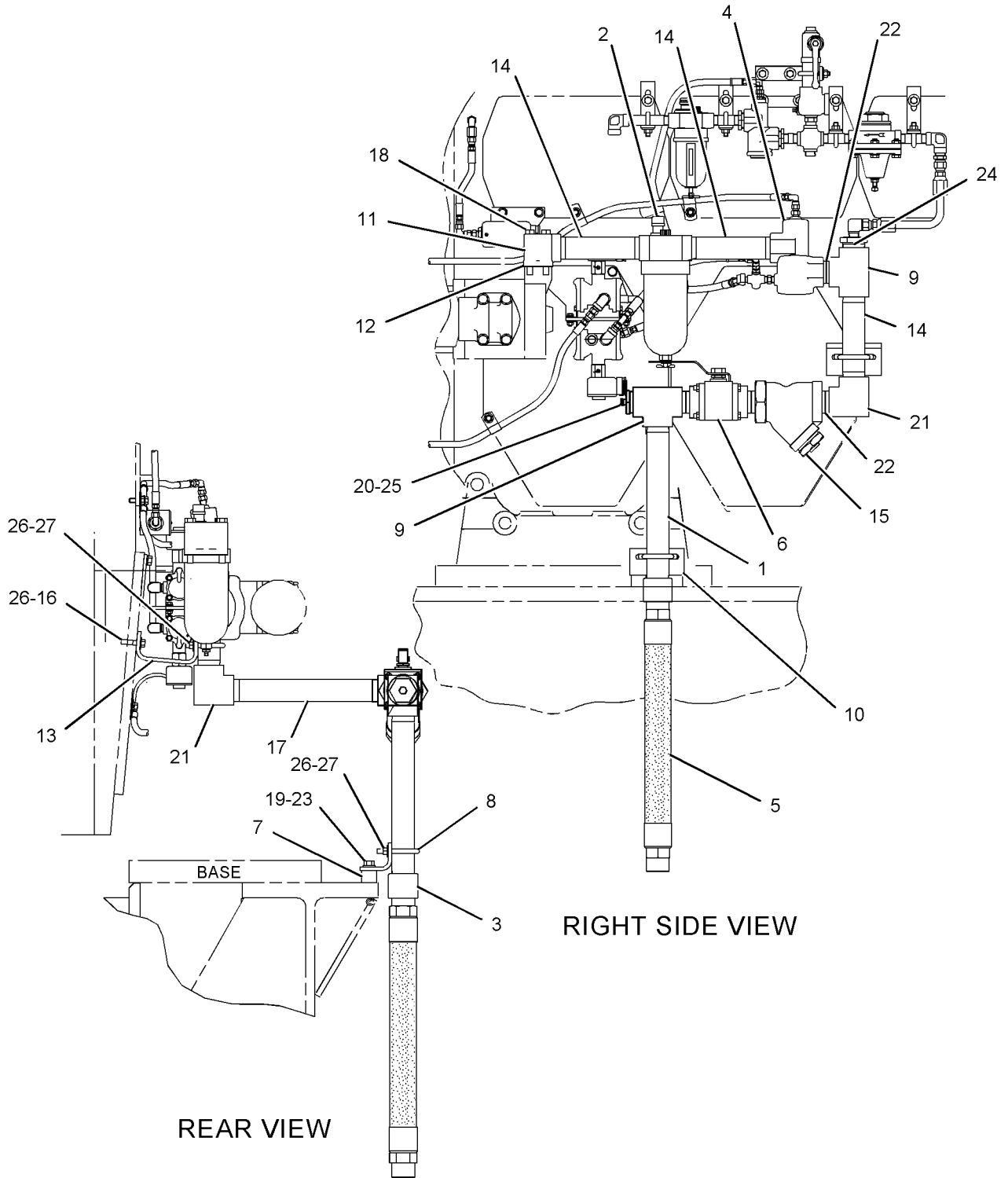
NOTE	REF NO	GRAPHIC REF	PART NUMBER	QTY	PART NAME						SEE PAGE
					1	2	3	4	5	6 (PRODUCT LEVEL)	
	1	1	132-1430	1	NIPPLE-PIPE						
N	2	1	2W-2945	1	LUBRICATOR GP-AIR MOTOR						
		1	7W-0524	1	PLUG AS						
		1	7W-0537	1	DOME AS						
		1	7W-2759	1	BOWL AS						
	3	1	3B-6492	1	COUPLING-PIPE						
J	4	1	4N-3411	1	VALVE GP-RELAY (AIR STARTING)						
I	5	1	4P-4113	1	HOSE AS						
	6	1	4W-2245	1	VALVE-SHUTOFF (LOCKING)						
C	7	1	5H-0255	2	BOSS						
	8	1	5L-2534	2	U-BOLT						
	9	1	6F-7701	2	TEE-PIPE						
C	10	1	7C-0818	1	BRACKET						
	11	1	8N-8446	1	ELBOW						
	12	1	8N-8451	1	GASKET						
	13	1	9Y-9660	1	BRACKET						
	14	1	105-0428	3	NIPPLE-PIPE						
Y	15	1	146-5215	1	STRAINER GP-AIR LINES						405
	16	1	0S-1571	2	BOLT (3/8-16X1.75-IN)						
C	17	1	287-6901	1	NIPPLE-PIPE						
	18	1	1D-4566	4	BOLT (1/2-13X3.5-IN)						
C	19	1	5P-8245	2	WASHER-HARD (13.5X25.5X3-MM THK)						
	20	1	6B-7280	1	ADAPTER						
	21	1	6F-8856	2	ELBOW						
	22	1	3L-8993	4	FITTING						
C	23	1	6H-1717	2	BOLT (1/2-13X1.125-IN)						
	24	1	8T-6760	1	PLUG-PIPE						
	25	1	8T-6765	1	PLUG-PIPE						
C	26	1	9L-9132	6	WASHER (10.2X25.5X2.5-MM THK)						
C	27	1	9S-8752	4	NUT-FULL (3/8-16-THD)						
AVAILABLE REPAIR KIT(S):											
N			7W-2760		KIT-SEAL (AIR MOTOR)						
J			7C-5105		KIT-VALVE SEAL (AIR STARTING)						
(INCLUDES BUMPER, RETAINER AND SEALS)											

C-CHANGE FROM PREVIOUS TYPE
 I-REFER TO HYDRAULIC INFORMATION SYSTEM
 J-KIT MARKED J SERVICES PART MARKED J
 N-KIT MARKED N SERVICES PART MARKED N
 Y-SEPARATE ILLUSTRATION

ELECTRICAL AND STARTING SYSTEM

233-2205 LINES GP-AIR STARTING (contd.)

i03538065



RIGHT SIDE VIEW

REAR VIEW

<END>

GRAPHIC #1

g01101448

ELECTRICAL AND STARTING SYSTEM

280-0546 LINES GP-AIR STARTING (CHG -00 THRU -03)

SMCS-1451

i03487842

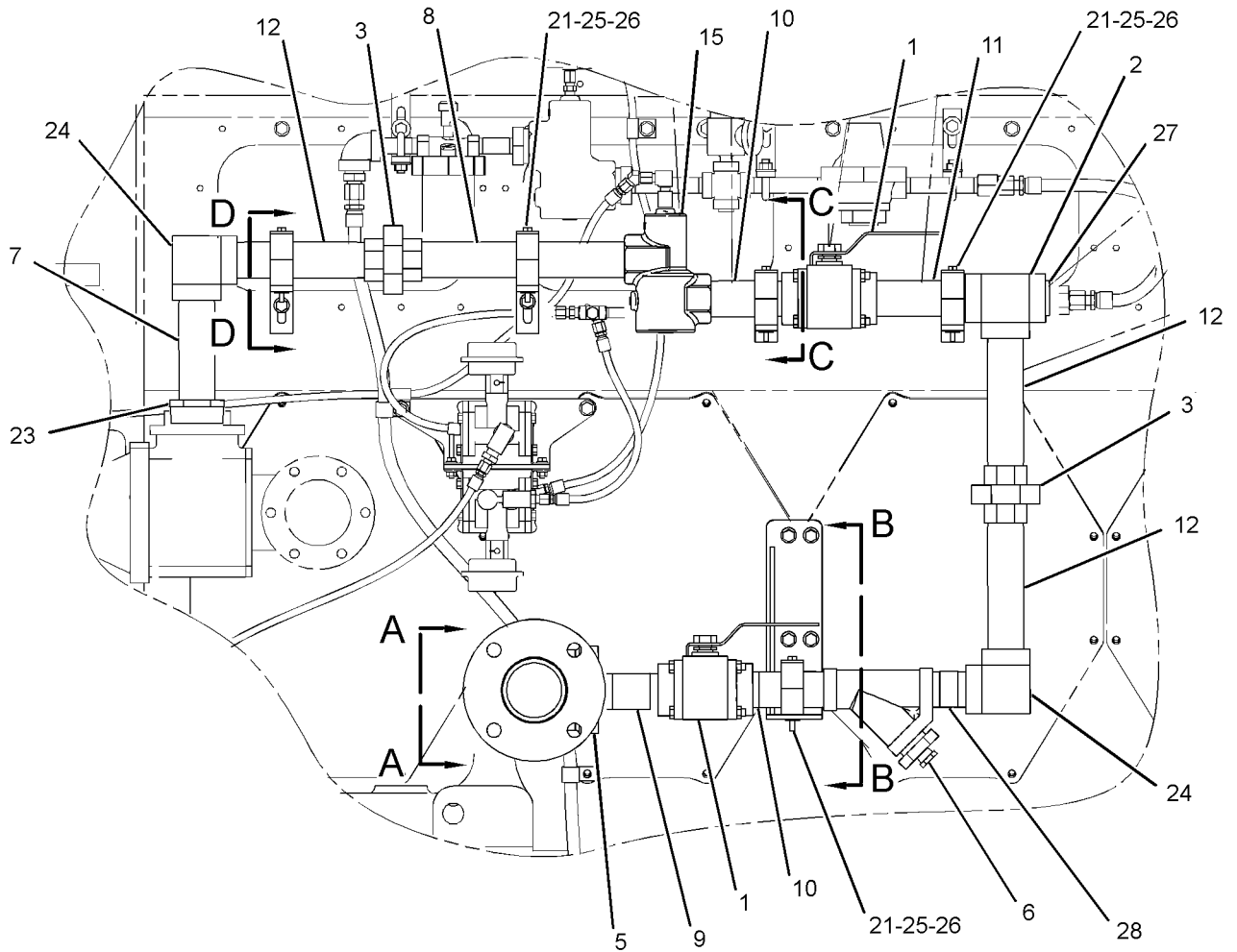
NOTE	REF NO	GRAPHIC REF	PART NUMBER	QTY	PART NAME						SEE PAGE
					1	2	3	4	5	6 (PRODUCT LEVEL)	
	1	1	4W-2245	2	VALVE-SHUTOFF (LOCKING)						
	2	1	6F-7701	1	TEE-PIPE						
	3	1	6V-8252	2	UNION-PIPE						
	4	1	106-5620	5	CLAMP-PIPE						
	5	1	140-9462	1	BUSHING-REDUCING						
Y	6	1	146-5215	1	STRAINER GP-AIR LINES						405
	7	1	149-3995	1	NIPPLE-PIPE						
	8	1	278-6220	1	FITTING						
	9	1	3L-1258	1	NIPPLE-PIPE						
	10	1	279-4500	2	FITTING						
	11	1	279-4502	1	FITTING						
	12	1	279-4503	3	FITTING						
	13	1	280-0471	1	BRACKET AS						
	14	1	280-0473	4	BRACKET						
	15	1	302-2199	1	VALVE-RELAY						
	16	1	315-8399	1	FITTING						
	17	1	317-6510	1	FLANGE						
	18	1	319-6195	1	ELBOW						
	19	1	0S-1571	4	BOLT (3/8-16X1.75-IN)						
	20	1	0S-1588	4	BOLT (3/8-16X1.25-IN)						
	21	1	5P-4115	10	WASHER-HARD (7.2X19X2-MM THK)						
	22	1	3V-3308	8	WASHER-HARD (10.2X20.5X2.5-MM THK)						
	23	1	5B-7660	1	BUSHING-REDUCER						
	24	1	6F-8856	2	ELBOW						
	25	1	6V-8185	10	NUT (1/4-20-THD)						
	26	1	8F-6302	10	BOLT (1/4-20X3.75-IN)						
	27	1	8T-6760	1	PLUG-PIPE						
	28	1	6F-8857	1	NIPPLE-PIPE						

Y-SEPARATE ILLUSTRATION

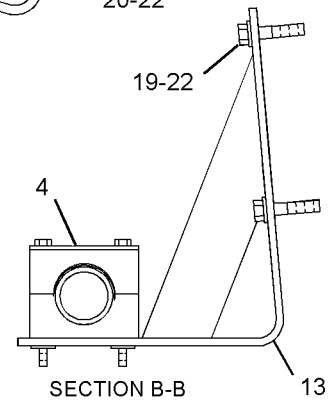
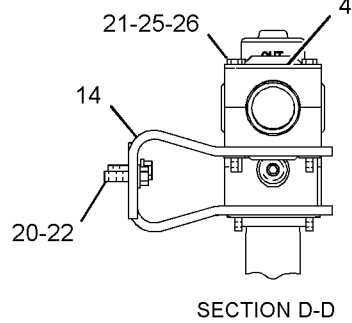
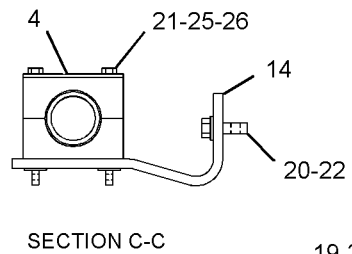
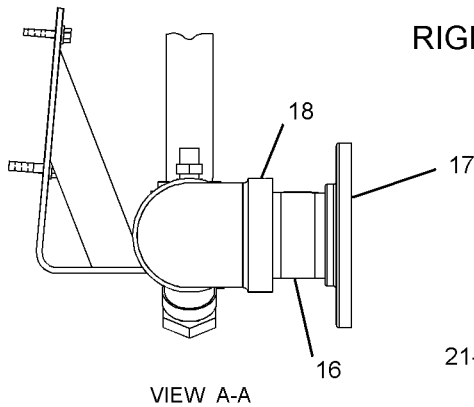
ELECTRICAL AND STARTING SYSTEM

280-0546 LINES GP-AIR STARTING (contd.)

i03487842



RIGHT SIDE VIEW OF ENGINE



GRAPHIC #1

<END>

g01830682

ELECTRICAL AND STARTING SYSTEM

280-0547 LINES GP-AIR STARTING (CHG -00 THRU -03)

SMCS-1451

i02909053

NOTE	REF NO	GRAPHIC REF	PART NUMBER	QTY	PART NAME						SEE PAGE
					1	2	3	4	5	6 (PRODUCT LEVEL)	
	1	2	7B-0192	1	CONNECTOR						
Y	2	2	164-0717	1	VALVE GP-SOLENOID						413
	3	2	254-3773	1	FITTING						
	4	1	278-0619	1	HOSE AS						
	5	1	278-0622	1	HOSE AS						
	6	1	278-0626	1	HOSE AS						
	7	1	278-0629	1	HOSE AS						
	8	2	279-4495	1	FITTING						
	9	2	291-4185	1	BRACKET AS						
	10	2	001-6449	2	CONNECTOR						
	11	2	003-2143	2	ELBOW						
	12	1	030-7946	2	ELBOW						
	13	1	030-7961	1	ELBOW						
	14	1	0S-1571	2	BOLT (3/8-16X1.75-IN)						
	15	1	3J-7354	2	SEAL-O-RING						
	16	1	3V-3308	2	WASHER-HARD (10.2X20.5X2.5-MM THK)						
	17	2	4F-7957	4	BOLT (1/4-20X0.875-IN)						
	18	1,2	4S-6399	3	CONNECTOR						
	19	2	5P-0537	8	WASHER-HARD (7.2X14.5X2-MM THK)						
	20	1,2	5P-9297	3	CLIP						
	21	1	6K-1972	1	ELBOW-FLARED						
	22	1	7K-9197	1	ELBOW						
	23	2	8T-6765	1	PLUG-PIPE						
	24	2	9S-8750	4	NUT-FULL (1/4-20-THD)						

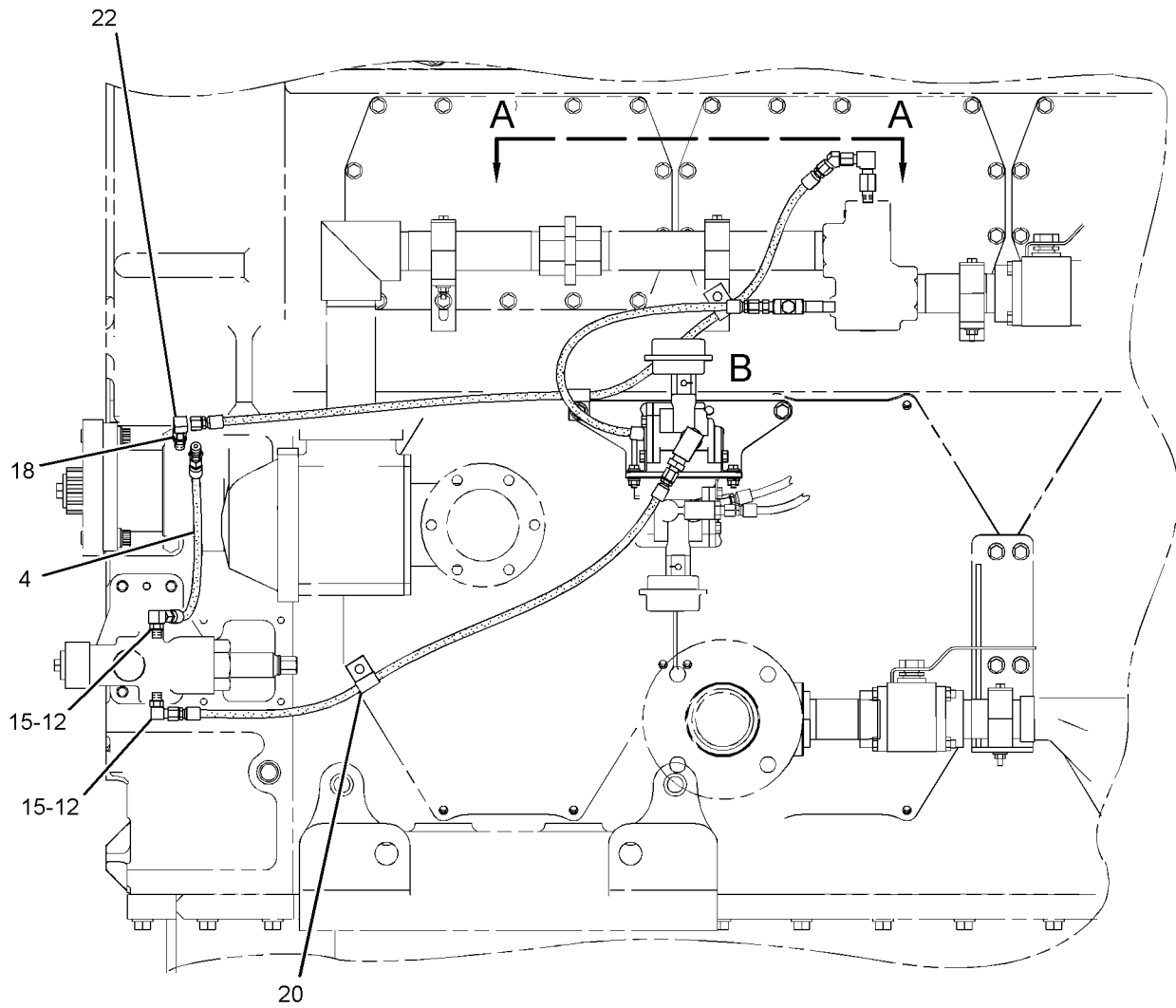
Y-SEPARATE ILLUSTRATION

ELECTRICAL AND STARTING SYSTEM

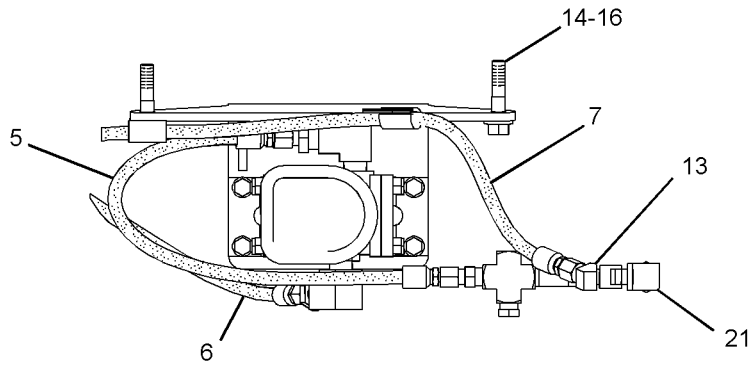
280-0547 LINES GP-AIR STARTING (contd.)

i02909053

REFER TO ALL ILLUSTRATIONS OF THIS GROUP FOR AUXILIARY VIEWS.



RIGHT SIDE VIEW OF ENGINE



VIEW A-A

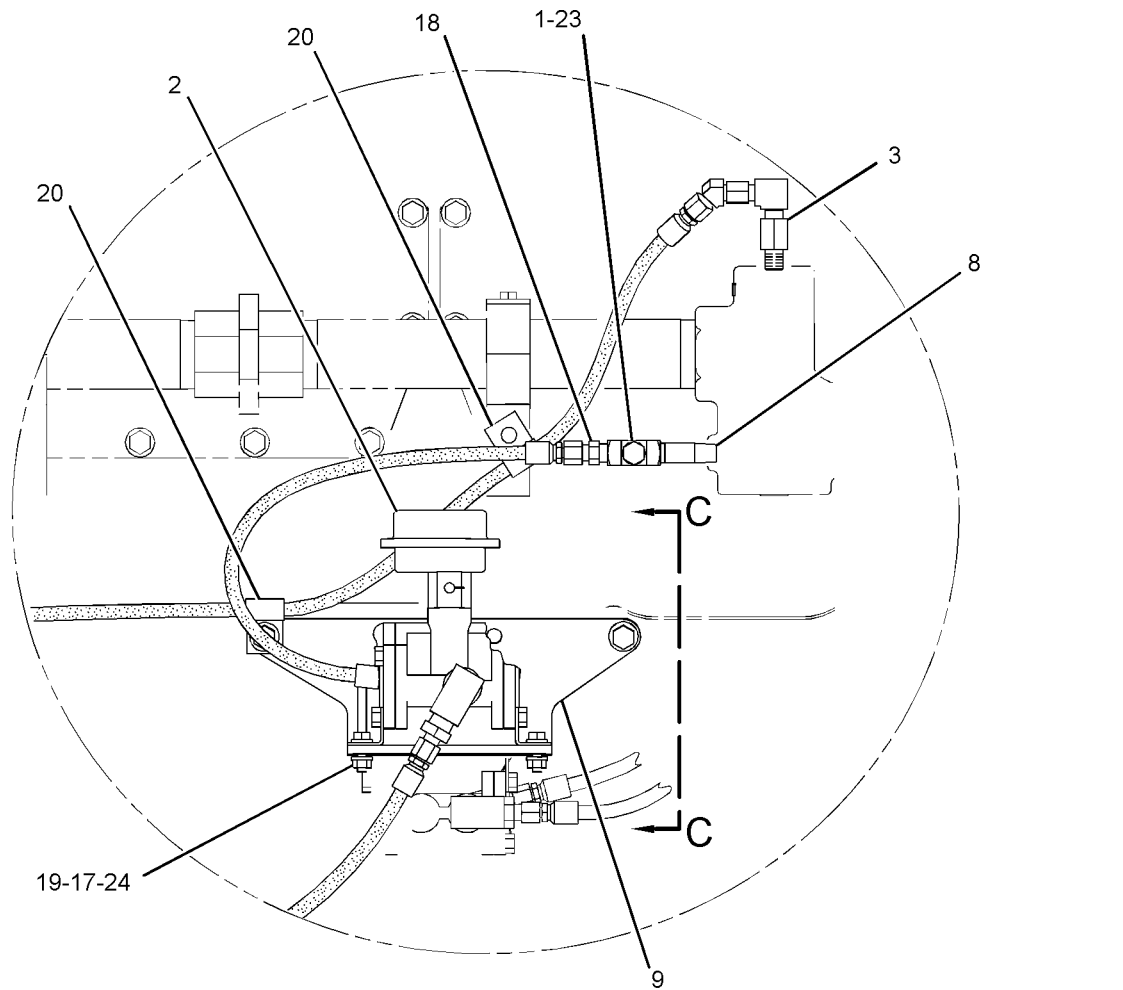
GRAPHIC #1

g01453145

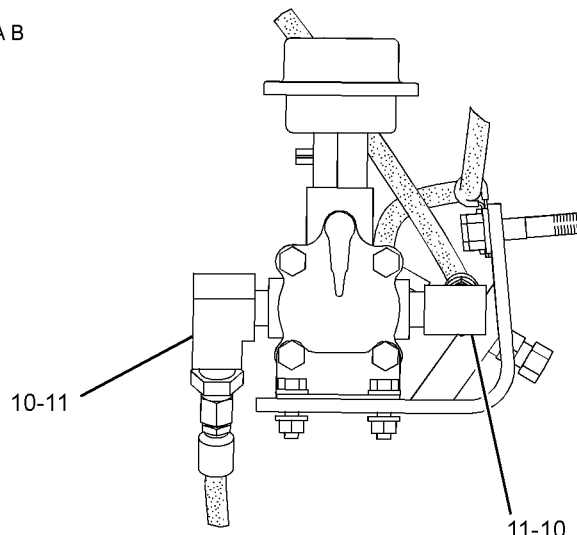
ELECTRICAL AND STARTING SYSTEM

280-0547 LINES GP-AIR STARTING (contd.)

i02909053



VIEW OF AREA B



VIEW C-C

GRAPHIC #2

<END>

g01453115

ELECTRICAL AND STARTING SYSTEM

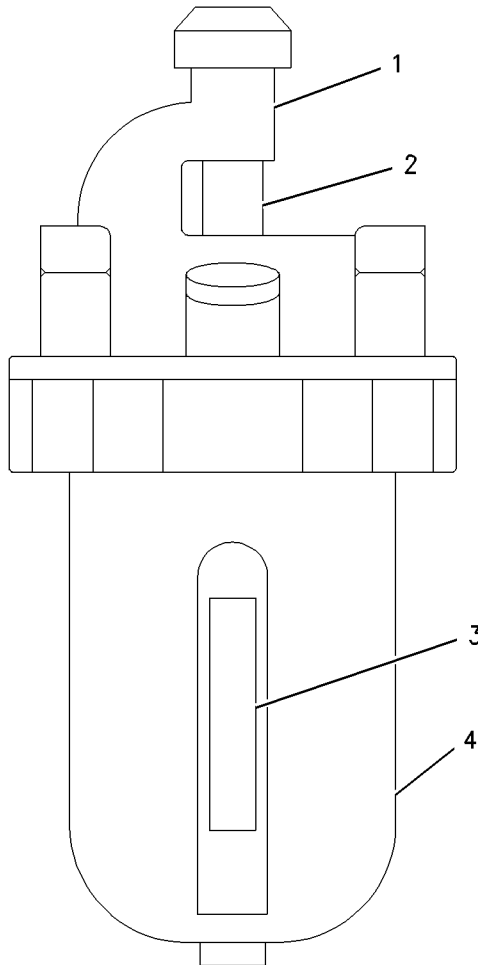
7W-0522 LUBRICATOR GP-AIR MOTOR (CHG -02, -03) PART OF 219-2856, 280-0548 LINES GP-AIR

SMCS-1451

i02240509

NOTE	REF NO	GRAPHIC REF	PART NUMBER	QTY	PART NAME						SEE PAGE
					1	2	3	4	5	6 (PRODUCT LEVEL)	
C	1	1	158-6245	1	VALVE-NEEDLE						
C	2	1	158-6247	1	TUBE-GLASS						
C	3	1	158-6246	1	GAUGE-SIGHT (LUBRICANT) (FLUID LEVEL)						
C	4	1	158-6248	1	BOWL						

C-CHANGE FROM PREVIOUS TYPE



GRAPHIC #1

<END>

g00726267

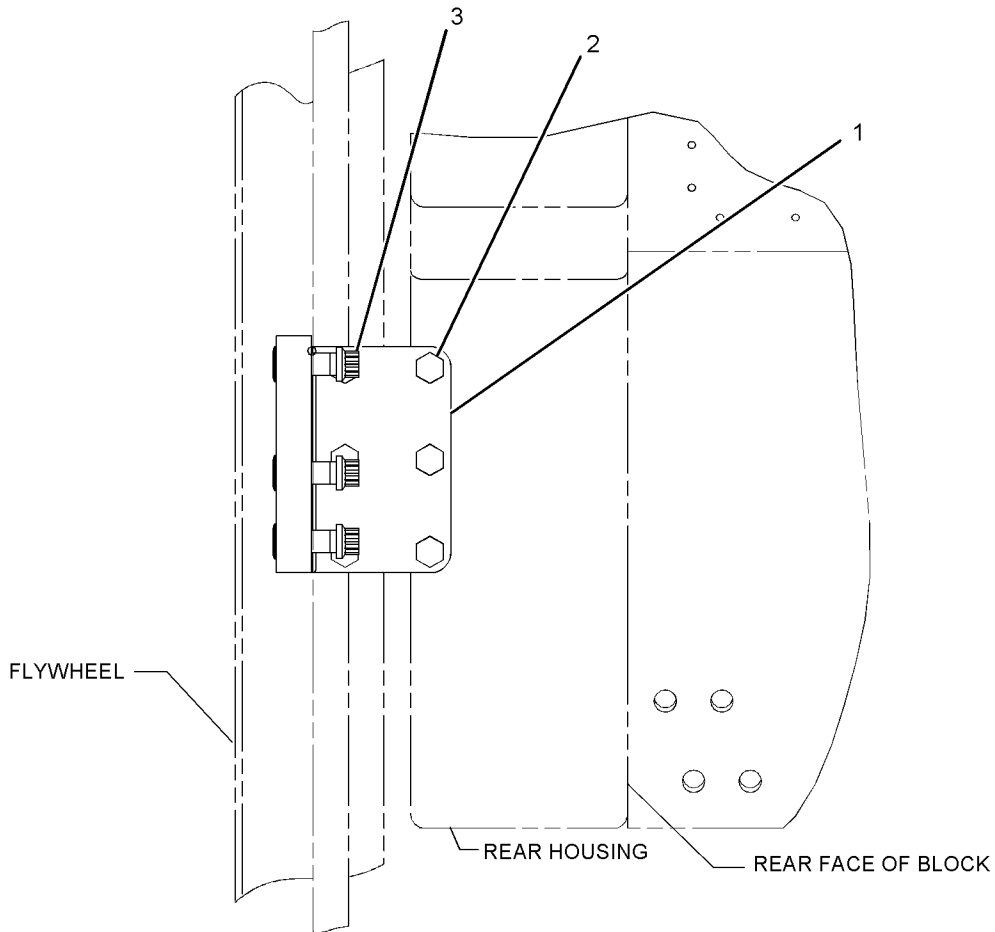
ELECTRICAL AND STARTING SYSTEM

153-5035 MOUNTING GP-STARTING MOTOR (CHG -02)

SMCS-1452, 1453

i02092047

NOTE	REF NO	GRAPHIC REF	PART NUMBER	QTY	PART NAME						SEE PAGE
					1	2	3	4	5	6 (PRODUCT LEVEL)	
	1	1	4W-6273	1	SUPPORT AS-MOTOR						
		1	6V-3538	2	DOWEL						
	2	1	0S-1587	6	BOLT (1/2-13X1.75-IN)						
	3	1	8S-2332	3	BOLT-12 POINT HEAD (5/8-11X1.75-IN)						



GRAPHIC #1

<END>

g01066714

ELECTRICAL AND STARTING SYSTEM

219-9926 SENSOR GP-COMBUSTION (CHG -00 THRU -02, 213-6301-03)

SMCS-1563

i02434030

NOTE	REF NO	GRAPHIC REF	PART NUMBER	QTY	PART NAME						SEE PAGE
					1	2	3	4	5	6 (PRODUCT LEVEL)	
	1	1	7H-3937	2	LOCKWASHER						
	2	1	9X-3495	8	CLIP AS						
	3	1	9X-6772	48	STRAP-CABLE						
	4	1	116-0118	2	CLIP						
Y	5	1	116-2649	1	SENSOR GP-TEMPERATURE (THERMOCOUPLE) (INTAKE)						392
Y	5A	1	116-2649	1	SENSOR GP-TEMPERATURE (THERMOCOUPLE) (EXHAUST)						392
	6	1	127-0594	1	WIRE AS-GROUND						
	7	1	128-8831	1	BRACKET						
	8	1	136-4605	8	EXTENSION AS						
					(EACH INCLUDES)						
		1	226-4813	1	KIT-FASTENER						
	9	1	141-6380	4	MOUNT-FLEXIBLE						
Y	10	1	152-0807	8	SENSOR GP-TEMPERATURE (THERMOCOUPLE) (CYLINDER HEAD)						393
	11	1	159-3219	8	SENSOR-COMBUSTION						
	12	1	176-1287	1	CONTROL GP-ELECTRONIC (INTEGRATED COMBUSTION SENSING)						
	13	1	188-4926	8	CONNECTOR AS						
	14	1	198-0113	1	BRACKET AS						
		1	9F-6445	4	NUT-WELD (1/4-20-THD)						
	15	1	198-0114	1	PLATE						
	16	1	213-6287	1	BRACKET AS						
		1	1F-0750	1	NUT-WELD (3/8-16-THD)						
	17	1	213-6294	1	HARNESS AS-SENSOR (COMBUSTION)						
		1	4G-2544	1	CONNECTOR-PLUG						
		1	189-3769	1	SEAL-O-RING						
	18	1	213-6295	1	HARNESS AS-SENSOR (COMBUSTION)						
		1	4G-2544	1	CONNECTOR-PLUG						
		1	189-3769	1	SEAL-O-RING						
	19	1	213-6296	1	HARNESS AS-SENSOR (COMBUSTION)						
		1	4G-2544	1	CONNECTOR-PLUG						
		1	189-3769	1	SEAL-O-RING						
	20	1	213-6297	1	HARNESS AS-SENSOR (COMBUSTION)						
		1	4G-2544	1	CONNECTOR-PLUG						
		1	189-3769	1	SEAL-O-RING						
	21	1	213-6298	1	HARNESS AS-SENSOR (COMBUSTION)						
		1	4G-2544	1	CONNECTOR-PLUG						
		1	189-3769	1	SEAL-O-RING						
	22	1	213-6299	1	HARNESS AS-SENSOR (COMBUSTION)						
		1	4G-2544	1	CONNECTOR-PLUG						
		1	189-3769	1	SEAL-O-RING						
	23	1	213-6300	1	HARNESS AS-SENSOR (COMBUSTION)						
		1	4G-2544	1	CONNECTOR-PLUG						
		1	189-3769	1	SEAL-O-RING						
	24	1	213-6301	1	HARNESS AS-SENSOR (COMBUSTION)						
		1	4G-2544	1	CONNECTOR-PLUG						
		1	189-3769	1	SEAL-O-RING						
	25	1	213-6302	1	BRACKET						
	26	1	0L-2070	2	BOLT (3/8-16X2.25-IN)						
	27	1	0S-1615	4	BOLT (1/4-20X0.75-IN)						
	28	1	0T-0102	1	BOLT (3/8-16X0.625-IN)						
	29	1	125-5356	16	DISC-INSULATOR						
	30	1	219-9939	1	HARNESS AS-SENSOR (THERMOCOUPLE)						
		1	176-2943	2	KIT-CONNECTING PLUG (2-PIN)						
					(EACH KIT INCLUDES PLUG AS. AND WEDGE)						
	31	1	3B-1915	2	BOLT (3/8-16X1.375-IN)						
	32	1	3V-3308	13	WASHER-HARD (10.2X20.5X2.5-MM THK)						
	33	1	4F-4879	1	BOLT (3/8-16X0.5-IN)						

ELECTRICAL AND STARTING SYSTEM

219-9926 SENSOR GP-COMBUSTION (contd.)

i02434030

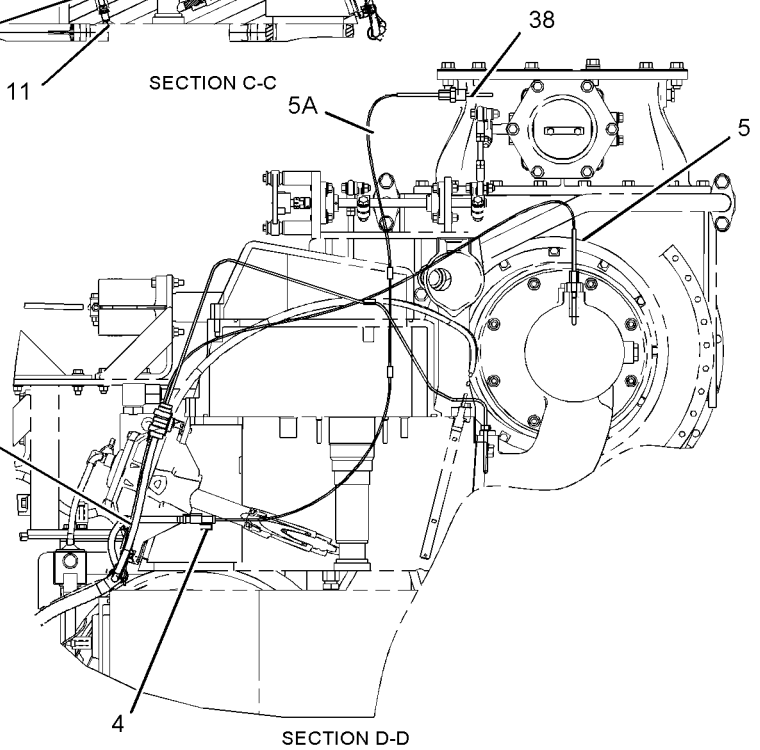
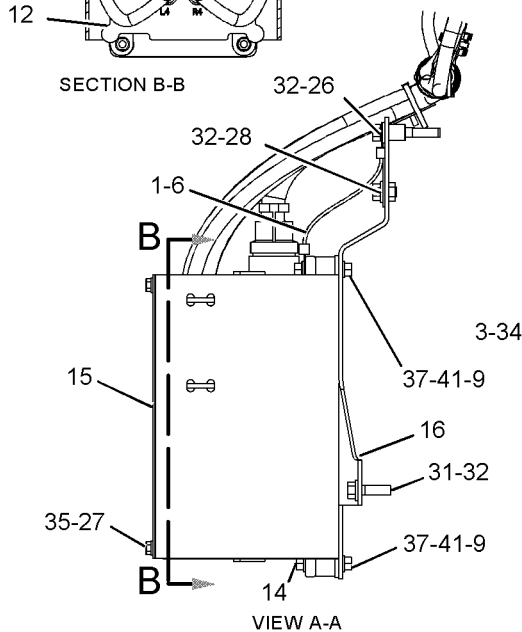
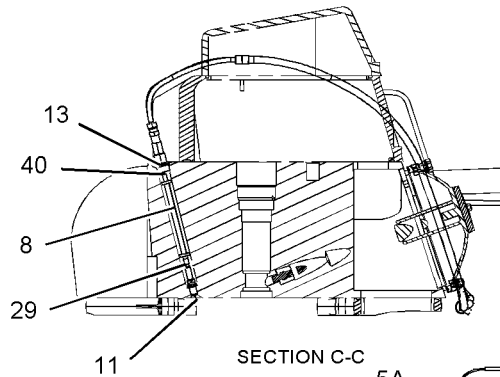
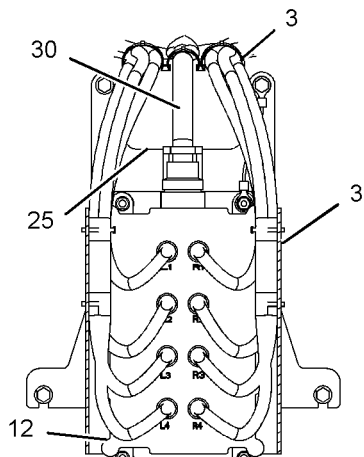
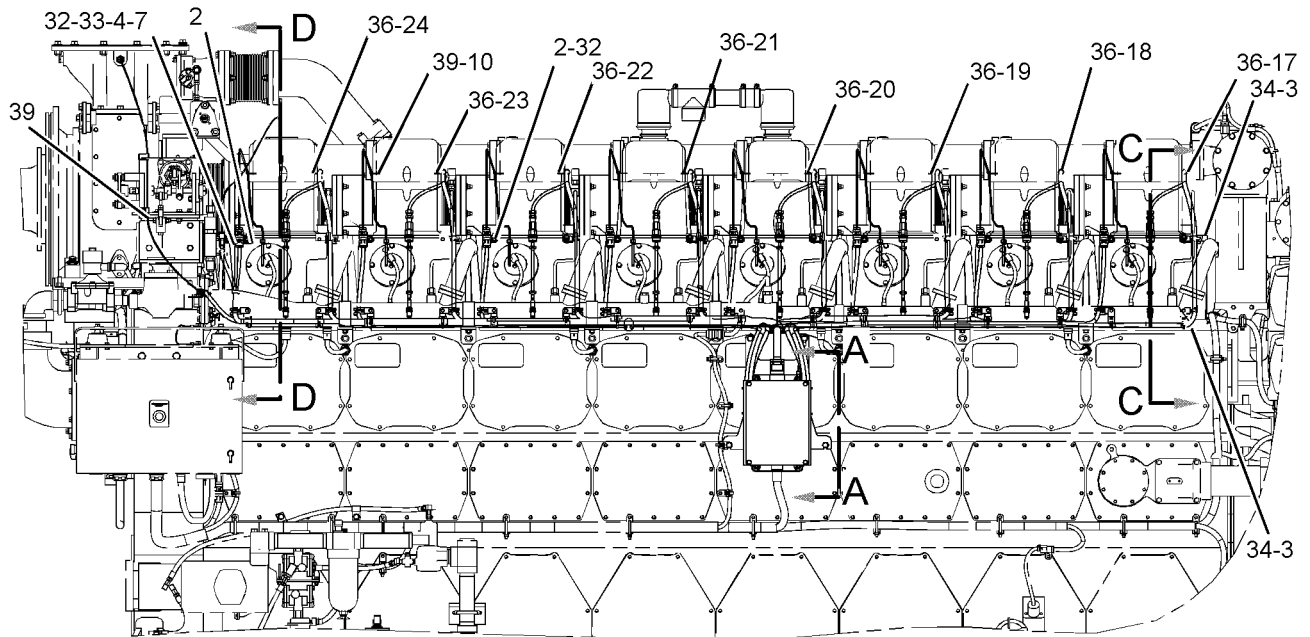
NOTE	REF NO	GRAPHIC REF	PART NUMBER	QTY	PART NAME						SEE PAGE
					1	2	3	4	5	6 (PRODUCT LEVEL)	
	34	1	4P-7581	41	CLIP						
	35	1	5P-0537	4	WASHER-HARD (7.2X14.5X2-MM THK)						
	36	1	5P-9297	8	CLIP						
	37	1	5S-0003	8	NUT (5/16-18-THD)						
	38	1	6B-5072	1	BUSHING-REDUCING						
	39	1	6K-8179	10	CLIP						
	40	1	6V-5050	8	SEAL-O-RING						
	41	1	9M-1974	8	WASHER-HARD (8.8X16X2-MM THK)						

Y-SEPARATE ILLUSTRATION

ELECTRICAL AND STARTING SYSTEM

219-9926 SENSOR GP-COMBUSTION (contd.)

i02434030



GRAPHIC #1

<END>

g01083377

ELECTRICAL AND STARTING SYSTEM

219-9926 SENSOR GP-COMBUSTION (CHG -03 THRU -07)

SMCS - 1563

i02781416

NOTE	REF NO	GRAPHIC REF	PART NUMBER	QTY	PART NAME						SEE PAGE
					1	2	3	4	5	6 (PRODUCT LEVEL)	
	1	2	7H-3937	2	LOCKWASHER						
	2	1	7W-6333	1	SPACER (10.5X20X10.7-MM THK)						
	3	1	9X-3495	8	CLIP AS						
	4	1	116-0118	1	CLIP						
Y	5	3	116-2649	1	SENSOR GP-TEMPERATURE (THERMOCOUPLE) (INTAKE)						392
Y	5A	3	116-2649	1	SENSOR GP-TEMPERATURE (THERMOCOUPLE) (EXHAUST)						392
	6	2	127-0594	1	WIRE AS-GROUND						
	7	1	128-8831	1	BRACKET						
J	8	3	136-4605	8	EXTENSION AS						
CY	9	2	242-8988	1	CONTROL GP-ELECTRONIC (INTEGRATED COMBUSTION SENSING)						333
	10	2	141-6380	4	MOUNT-FLEXIBLE						
Y	11	1	152-0807	8	SENSOR GP-TEMPERATURE (THERMOCOUPLE) (CYLINDER HEAD)						393
	12	3	159-3219	8	SENSOR-COMBUSTION						
	13	3	188-4926	8	CONNECTOR AS						
	14	2	198-0113	1	BRACKET AS						
		2	9F-6445	4	NUT-WELD (1/4-20-THD)						
	15	2	198-0114	1	PLATE						
	16	2	213-6287	1	BRACKET AS						
		2	1F-0750	1	NUT-WELD (3/8-16-THD)						
	17	2	213-6302	1	BRACKET						
	18	2	219-9939	1	HARNESS AS-SENSOR (THERMOCOUPLE)						
		2	176-2943	2	KIT-CONNECTING PLUG (2-PIN) (EACH INCLUDES PLUG AS. AND WEDGE)						
	19	1	271-5584	16	CLIP						
	20	1	277-4765	1	HARNESS AS-SENSOR (COMBUSTION)						
		1	4G-2544	1	CONNECTOR-PLUG						
		1	189-3769	1	SEAL-O-RING						
	21	1	277-4766	1	HARNESS AS-SENSOR (COMBUSTION)						
		1	4G-2544	1	CONNECTOR-PLUG						
		1	189-3769	1	SEAL-O-RING						
	22	1	277-4767	1	HARNESS AS-SENSOR (COMBUSTION)						
		1	4G-2544	1	CONNECTOR-PLUG						
		1	189-3769	1	SEAL-O-RING						
	23	1	277-4768	1	HARNESS AS-SENSOR (COMBUSTION)						
		1	4G-2544	1	CONNECTOR-PLUG						
		1	189-3769	1	SEAL-O-RING						
	24	1	277-4769	1	HARNESS AS-SENSOR (COMBUSTION)						
		1	4G-2544	1	CONNECTOR-PLUG						
		1	189-3769	1	SEAL-O-RING						
	25	1	277-4771	1	HARNESS AS-SENSOR (COMBUSTION)						
		1	4G-2544	1	CONNECTOR-PLUG						
		1	189-3769	1	SEAL-O-RING						
	26	1	277-4772	1	HARNESS AS-SENSOR (COMBUSTION)						
		1	4G-2544	1	CONNECTOR-PLUG						
		1	189-3769	1	SEAL-O-RING						
	27	1	277-4773	1	HARNESS AS-SENSOR (COMBUSTION)						
		1	4G-2544	1	CONNECTOR-PLUG						
		1	189-3769	1	SEAL-O-RING						
	28	1,2	0L-2070	3	BOLT (3/8-16X2.25-IN)						
	29	2	0S-1615	4	BOLT (1/4-20X0.75-IN)						
	30	2,3	0T-0102	2	BOLT (3/8-16X0.625-IN)						
	31	3	104-6202	1	CLIP						
	32	3	125-5356	16	DISC-INSULATOR						
	33	2	3B-1915	2	BOLT (3/8-16X1.375-IN)						
C	34	1,2,3	3V-3308	15	WASHER-HARD (10.2X20.5X2.5-MM THK)						
	35	1	4F-4879	1	BOLT (3/8-16X0.5-IN)						

ELECTRICAL AND STARTING SYSTEM

219-9926 SENSOR GP-COMBUSTION (contd.)

i02781416

NOTE	REF NO	GRAPHIC REF	PART NUMBER	QTY	PART NAME						SEE PAGE
					1	2	3	4	5	6 (PRODUCT LEVEL)	
	36	1	4P-7581	8	CLIP						
	37	3	4P-8134	1	CLIP						
	38	2	5P-0537	4	WASHER-HARD (7.2X14.5X2-MM THK)						
	39	1	5P-9297	8	CLIP						
	40	2	5S-0003	8	NUT (5/16-18-THD)						
	41	3	6B-5072	1	BUSHING-REDUCING						
	42	1	6V-2686	8	CLIP						
	43	3	6V-5050	8	SEAL-O-RING						
	44	3	9L-9132	2	WASHER (10.2X25.5X2.5-MM THK)						
	45	2	9M-1974	8	WASHER-HARD (8.8X16X2-MM THK)						
	46	1, 2, 3	9X-6772	54	STRAP-CABLE						
	47	3	4P-7582	1	CLIP						
	48	2	4D-1326	1	LOCKWASHER						

AVAILABLE REPAIR KIT(S):

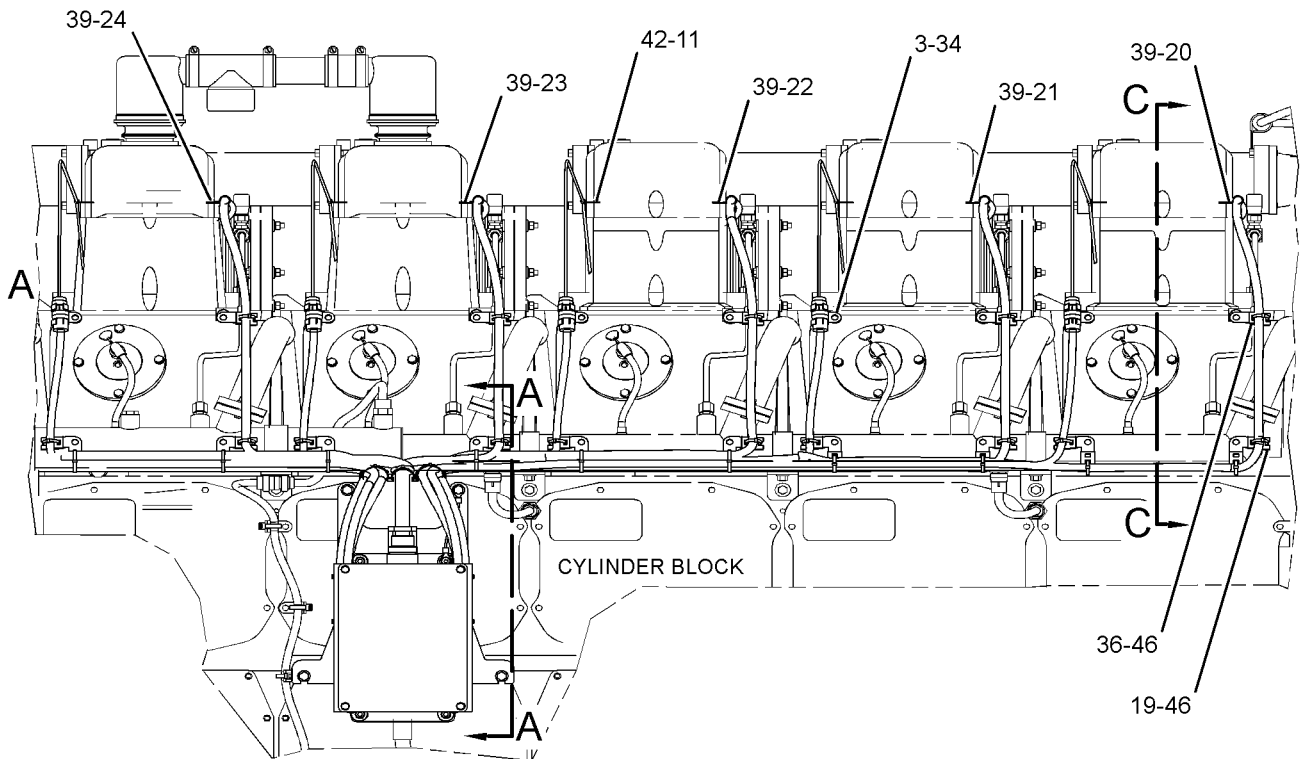
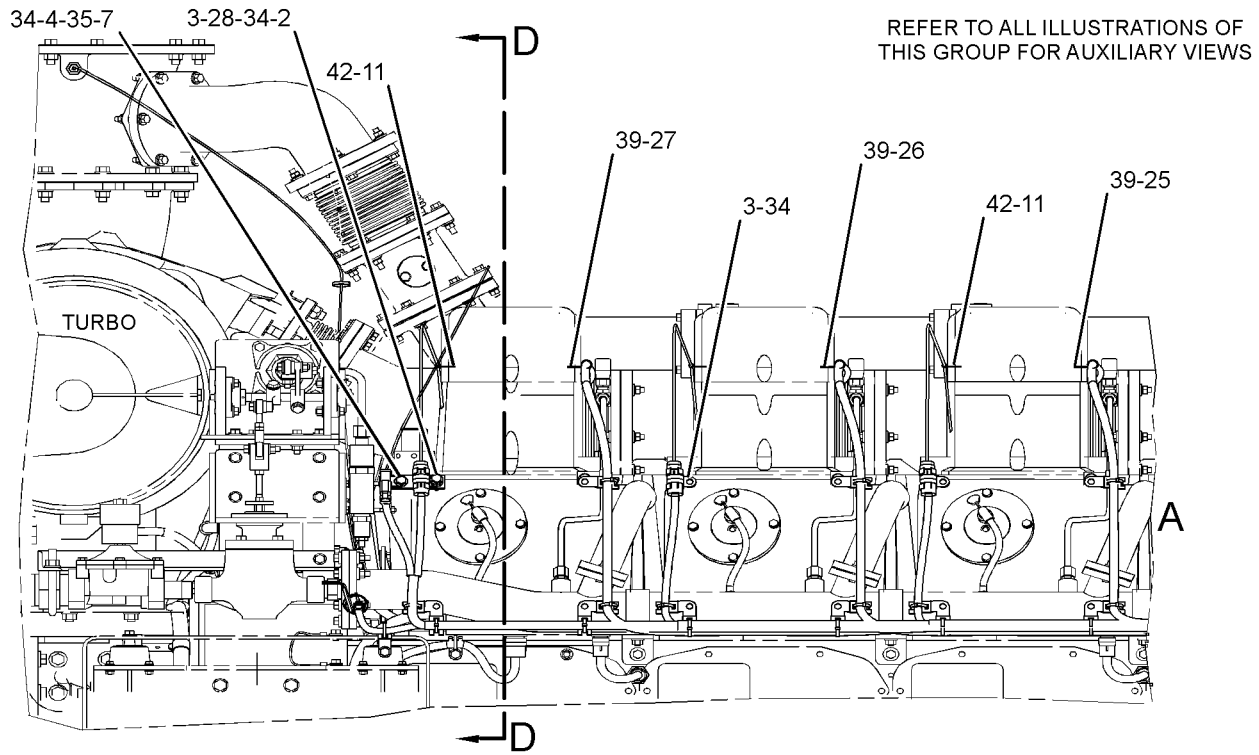
J	226-4813	1	KIT-FASTENER (INCLUDES CLIPS AND SPRINGS)
---	-----------------	---	----------------------------------------------

C-CHANGE FROM PREVIOUS TYPE
 J-KIT MARKED J SERVICES PART MARKED J
 Y-SEPARATE ILLUSTRATION

ELECTRICAL AND STARTING SYSTEM

219-9926 SENSOR GP-COMBUSTION (contd.)

i02781416



RIGHT SIDE VIEW

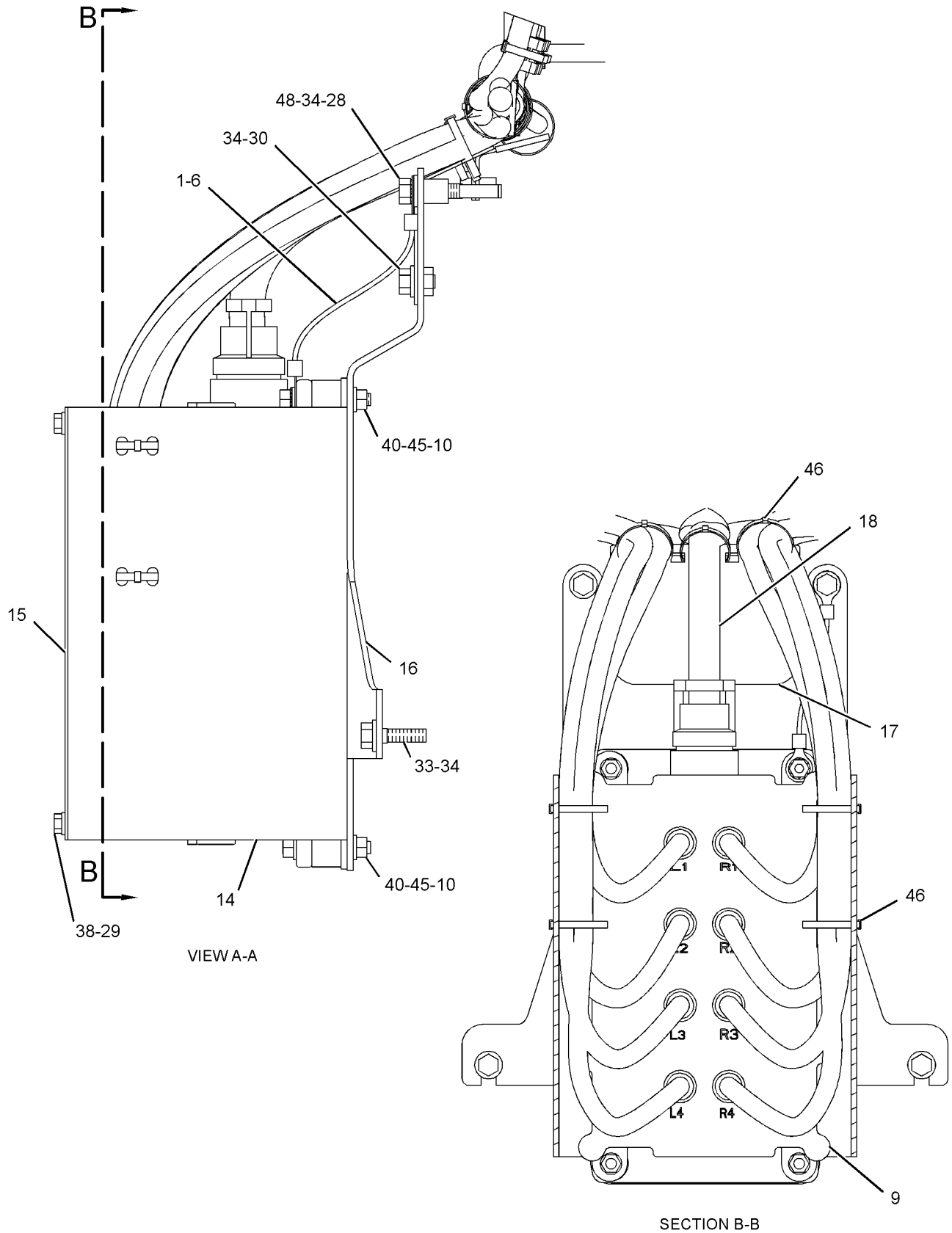
GRAPHIC #1

g01265626

ELECTRICAL AND STARTING SYSTEM

219-9926 SENSOR GP-COMBUSTION (contd.)

i02781416



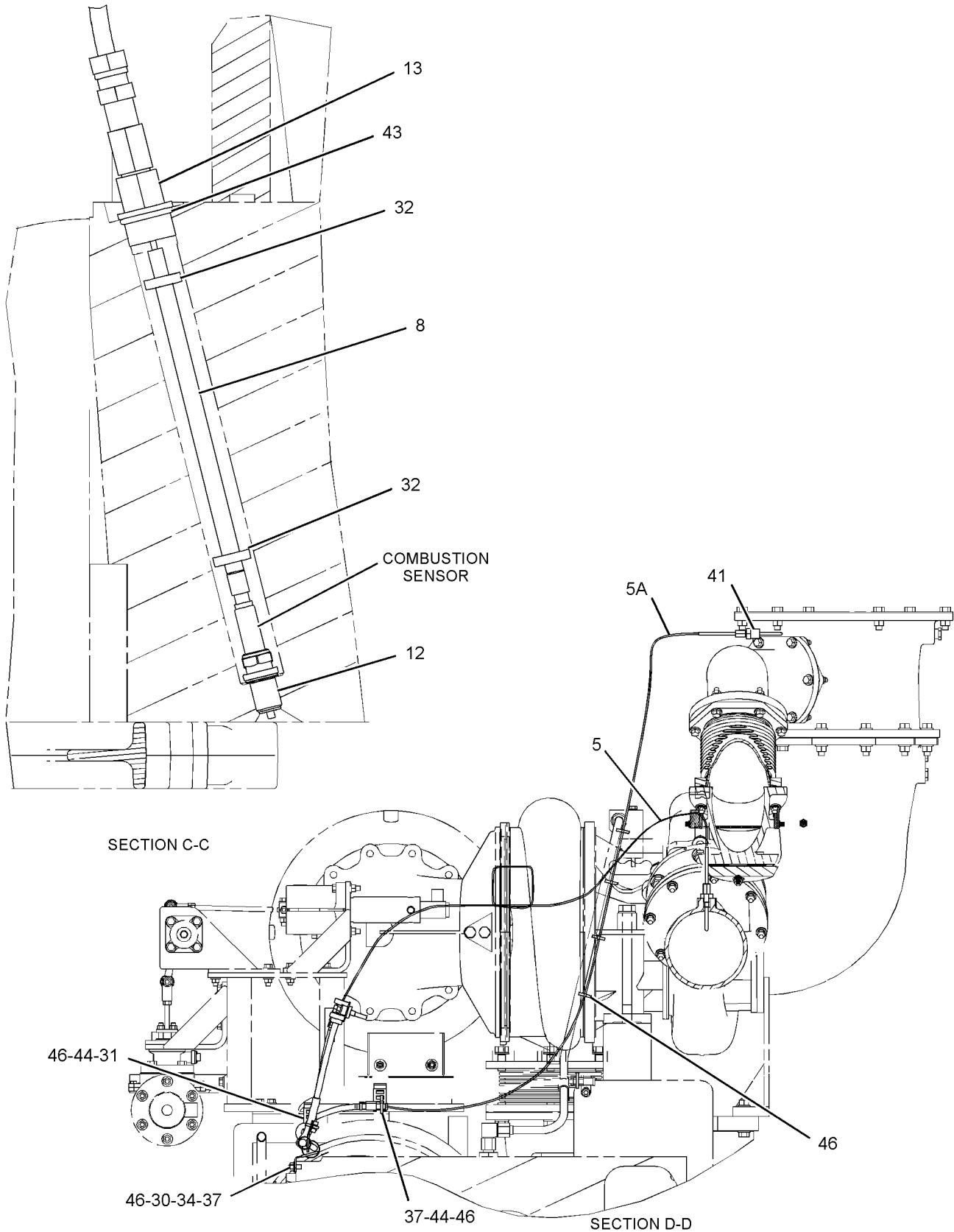
GRAPHIC #2

g01389502

ELECTRICAL AND STARTING SYSTEM

219-9926 SENSOR GP-COMBUSTION (contd.)

i02781416



GRAPHIC #3

<END>

g01264923

ELECTRICAL AND STARTING SYSTEM

219-9926 SENSOR GP-COMBUSTION (CHG -08 THRU -10)

SMCS-1563

i03566554

NOTE	REF NO	GRAPHIC REF	PART NUMBER	QTY	PART NAME						SEE PAGE
					1	2	3	4	5	6 (PRODUCT LEVEL)	
C	1	1	3S-2093	1	STRAP-CABLE						
	2	3	4D-1326	1	LOCKWASHER						
C	3	2	5N-2126	1	ADAPTER (THERMOCOUPLE)						
	4	3	7H-3937	1	LOCKWASHER						
	5	1	7W-6333	1	SPACER (10.5X20X10.7-MM THK)						
	7	1	116-0118	1	CLIP						
	8	3	127-0594	1	WIRE AS-GROUND						
	9	1	128-8831	1	BRACKET						
J	10	2	136-4605	8	EXTENSION AS						
YR	11	3	242-8988	1	CONTROL GP-ELECTRONIC (INTEGRATED COMBUSTION SENSING)						333
	12	3	141-6380	4	MOUNT-FLEXIBLE						
	13	1	337-6968	8	SENSOR GP-TEMPERATURE						
	14	2	159-3219	8	SENSOR-COMBUSTION						
	15	2	188-4926	8	CONNECTOR AS						
	16	3	198-0113	1	BRACKET AS						
		3	9F-6445	4	NUT-WELD (1/4-20-THD)						
	17	3	198-0114	1	PLATE						
	18	3	213-6287	1	BRACKET AS						
		3	1F-0750	1	NUT-WELD (3/8-16-THD)						
	19	3	213-6302	1	BRACKET						
	20	3	339-3559	1	HARNESS AS-SENSOR (THERMOCOUPLE)						
E	3		8T-6342		TUBE-HEAT SHRINK (3.2-MM DIA) (40-CM)						
			186-3736	20	SOCKET-CONNECTOR (16-GA TO 18-GA)						
E	3		114-8843		SLEEVE-PLASTIC (200-CM)						
E	3		114-8845		SLEEVE-PLASTIC (80-MM DIA) (20-CM)						
			155-2270	2	KIT-CONNECTING PLUG (2-PIN)						
	3		176-2943	2	KIT-CONNECTING PLUG (2-PIN)						
					(EACH PLUG KIT INCLUDES PLUG AS, WEDGE, & INTERFACE SEAL)						
	3		297-5475	8	PLUG AS-CONNECTOR (2-PIN)						
	21	1	271-5584	16	CLIP						
	22	1	314-9494	1	CABLE AS (COMBUSTION SENSOR)						
	23	1	314-9495	1	CABLE AS (COMBUSTION SENSOR)						
	24	1	314-9496	1	CABLE AS (COMBUSTION SENSOR)						
	25	1	314-9497	1	CABLE AS (COMBUSTION SENSOR)						
	26	1	314-9498	1	CABLE AS (COMBUSTION SENSOR)						
	27	1	314-9499	1	CABLE AS (COMBUSTION SENSOR)						
	28	1	314-9500	1	CABLE AS (COMBUSTION SENSOR)						
	29	1	314-9501	1	CABLE AS (COMBUSTION SENSOR)						
CY	30	2	310-4795	1	SENSOR GP-TEMPERATURE (TURBOCHARGER OUTLET)						394
CY	31	2	310-4796	1	SENSOR GP-TEMPERATURE (TURBOCHARGER INLET)						395
	32	1,3	0L-2070	3	BOLT (3/8-16X2.25-IN)						
	33	3	0S-1615	4	BOLT (1/4-20X0.75-IN)						
	34	2,3	0T-0102	2	BOLT (3/8-16X0.625-IN)						
	35	2	104-6202	1	CLIP						
	36	2	125-5356	16	DISC-INSULATOR						
	37	3	3B-1915	2	BOLT (3/8-16X1.375-IN)						
	38	1,2,3	3V-3308	15	WASHER-HARD (10.2X20.5X2.5-MM THK)						
	39	1	4F-4879	1	BOLT (3/8-16X0.5-IN)						
	40	1	4P-7581	16	CLIP						
	41	2	4P-7582	1	CLIP						
	42	2	4P-8134	1	CLIP						
	43	3	5P-0537	4	WASHER-HARD (7.2X14.5X2-MM THK)						
	44	1	5P-9297	8	CLIP						
	45	3	5S-0003	8	NUT (5/16-18-THD)						
	46	1	6V-2686	8	CLIP						
	47	2	6V-5050	8	SEAL-O-RING						

ELECTRICAL AND STARTING SYSTEM

219-9926 **SENSOR GP-COMBUSTION** (contd.)

i03566554

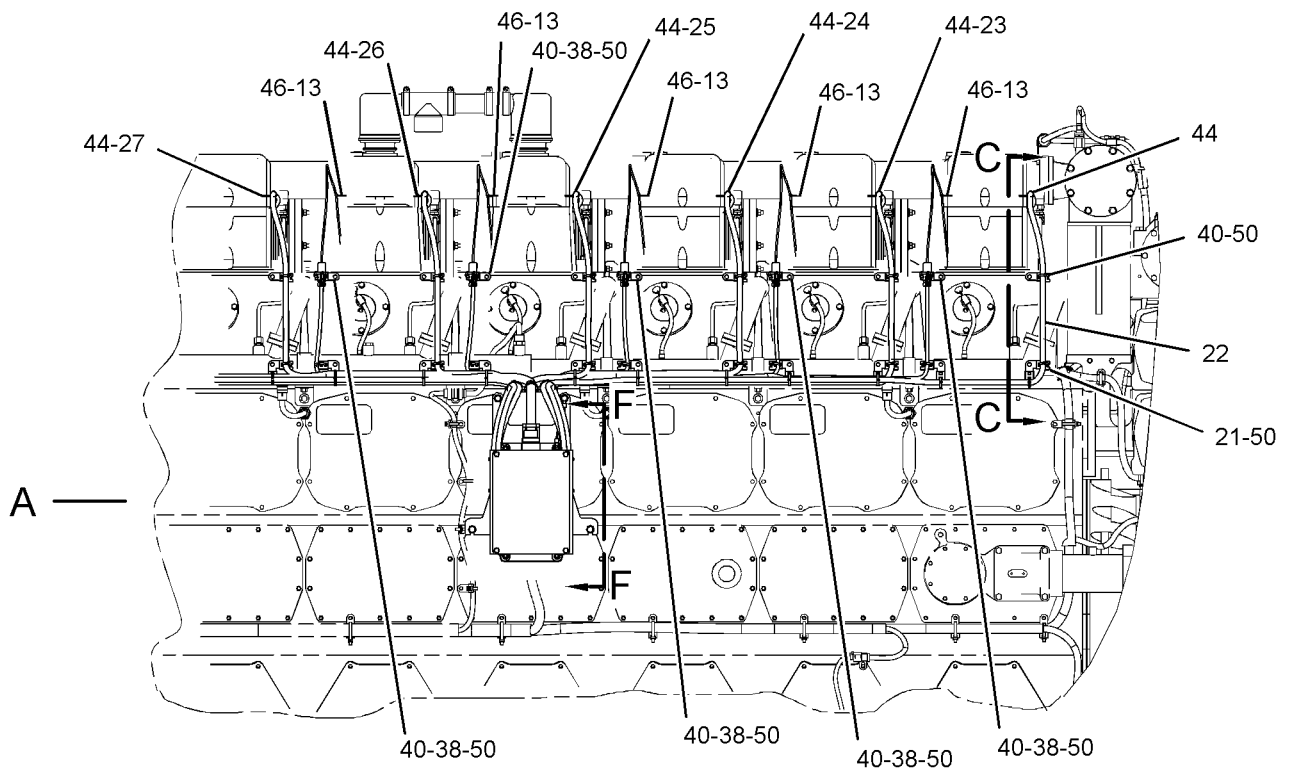
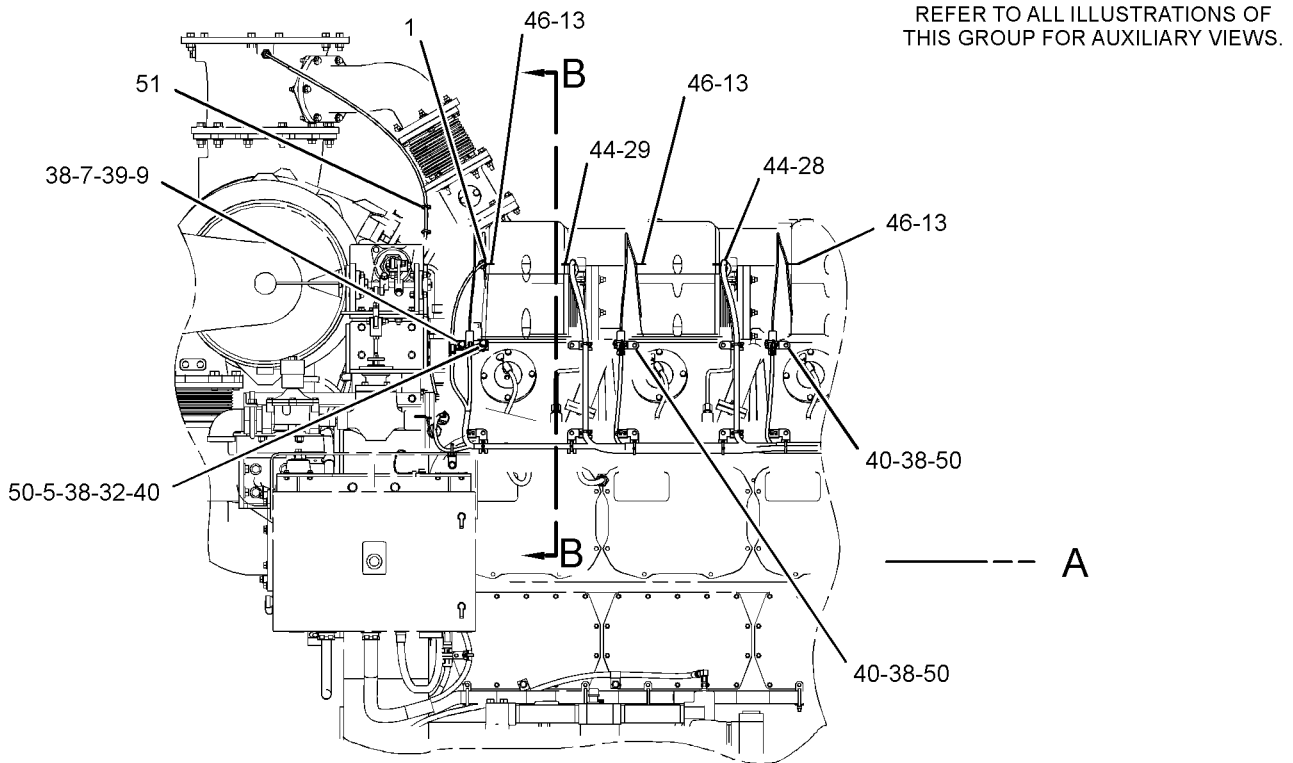
NOTE	REF NO	GRAPHIC REF	PART NUMBER	QTY	PART NAME						SEE PAGE
					1	2	3	4	5	6 (PRODUCT LEVEL)	
	48	2	9L-9132	2	WASHER (10.2X25.5X2.5-MM THK)						
	49	3	9M-1974	8	WASHER-HARD (8.8X16X2-MM THK)						
C	50	1, 2, 3	9X-6772	58	STRAP-CABLE						
BC	51	1	3S-2093	6	STRAP-CABLE						
	52	2	6B-5072	1	BUSHING-REDUCING						
AVAILABLE REPAIR KIT(S):											
J			226-4813	1	KIT-FASTENER (INCLUDES CLIPS AND SPRINGS)						

B-USE AS REQUIRED
 C-CHANGE FROM PREVIOUS TYPE
 E-ORDER BY THE CENTIMETER
 J-KIT MARKED J SERVICES PART MARKED J
 R-REMFG PART MAY BE AVAILABLE
 Y-SEPARATE ILLUSTRATION

ELECTRICAL AND STARTING SYSTEM

219-9926 SENSOR GP-COMBUSTION (contd.)

i03566554



RIGHT SIDE VIEW OF ENGINE

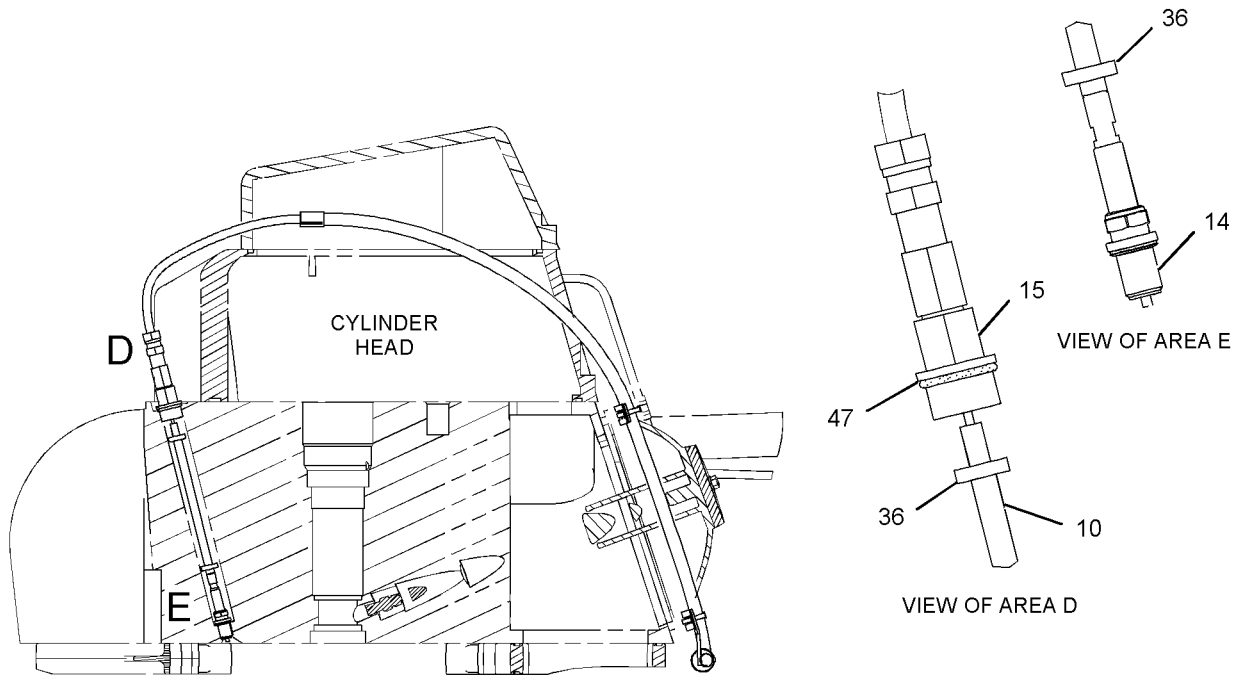
GRAPHIC #1

g01896734

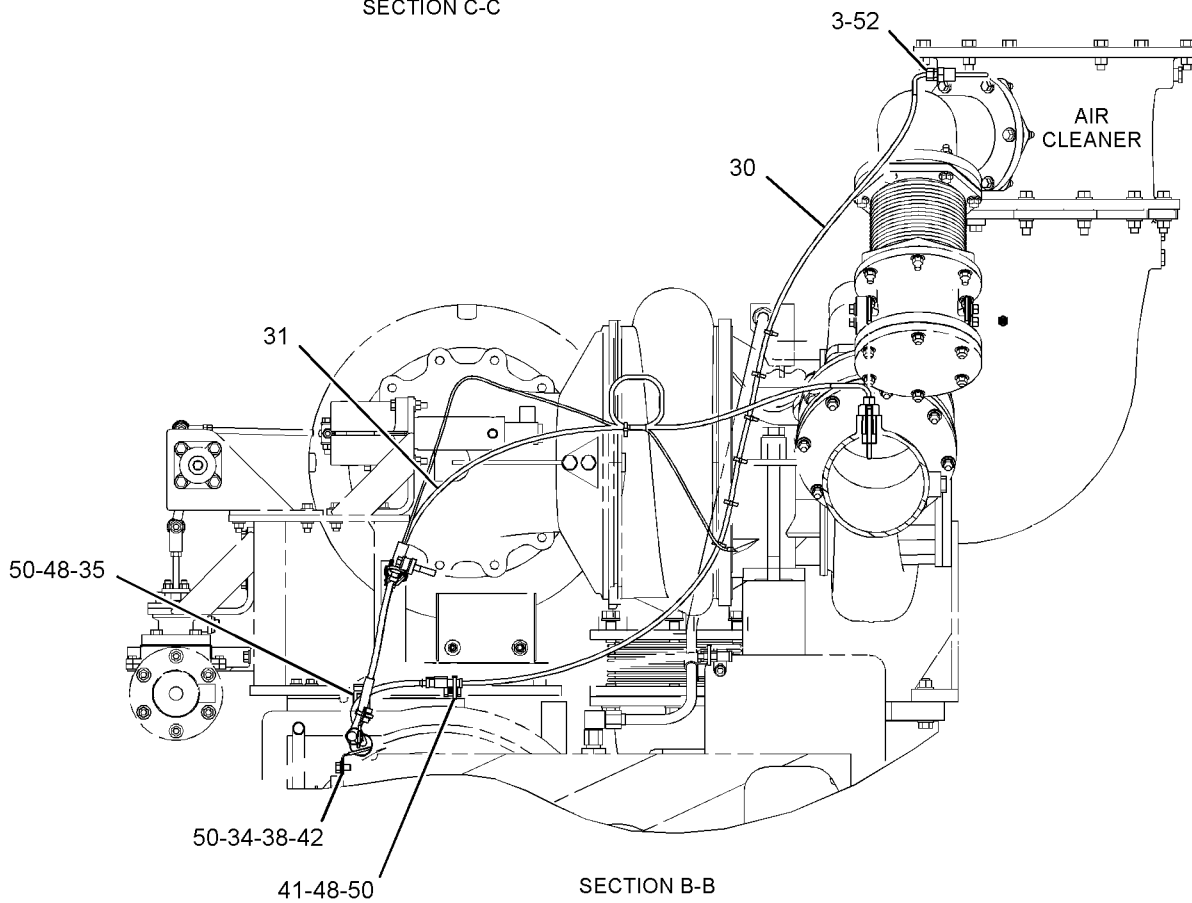
ELECTRICAL AND STARTING SYSTEM

219-9926 SENSOR GP-COMBUSTION (contd.)

i03566554



SECTION C-C



SECTION B-B

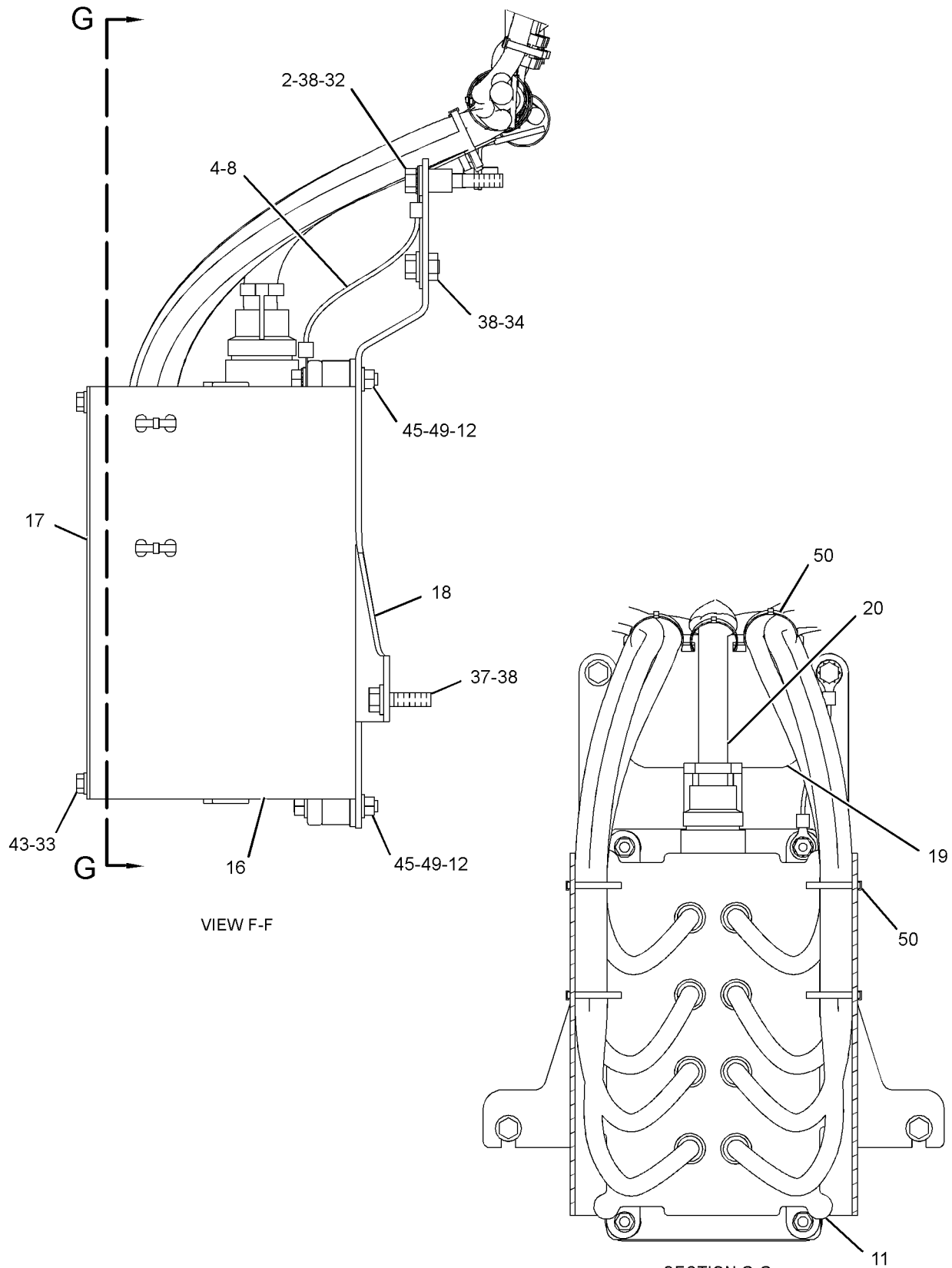
GRAPHIC #2

g01896735

ELECTRICAL AND STARTING SYSTEM

219-9926 SENSOR GP-COMBUSTION (contd.)

i03566554



GRAPHIC #3

<END>

g01896737

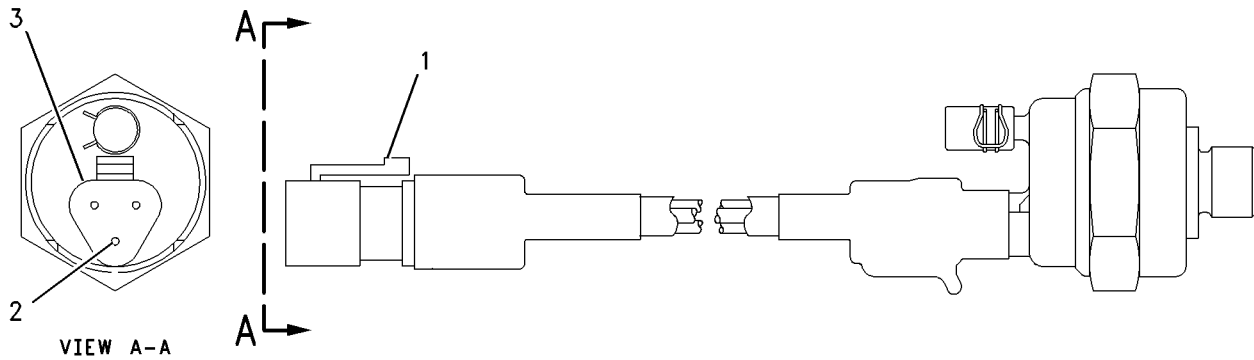
ELECTRICAL AND STARTING SYSTEM

207-6859 SENSOR GP-PRESSURE-CRANKCASE (CHG -00 THRU -02) PART OF 219-9928, 228-6594 WIRING GP-ENGINE

SMCS-1718, 1916, 1917, 1923, 1924, 1925

i02318842

NOTE	REF NO	GRAPHIC REF	PART NUMBER	QTY	PART NAME						SEE PAGE
					1	2	3	4	5	6 (PRODUCT LEVEL)	
	1	1	174-0503	1	KIT-CONNECTING PLUG (3-PIN)						
					(KIT INCLUDES PLUG ASSEMBLY AND WEDGES)						
	2	1	186-3736	3	SOCKET-CONNECTOR (16-GA TO 18-GA)						
	3	1	155-2260	1	KIT-CONNECTING PLUG (3-PIN)						
					(KIT INCLUDES PLUG ASSEMBLY AND WEDGES)						



GRAPHIC #1

<END>

g00884318

ELECTRICAL AND STARTING SYSTEM

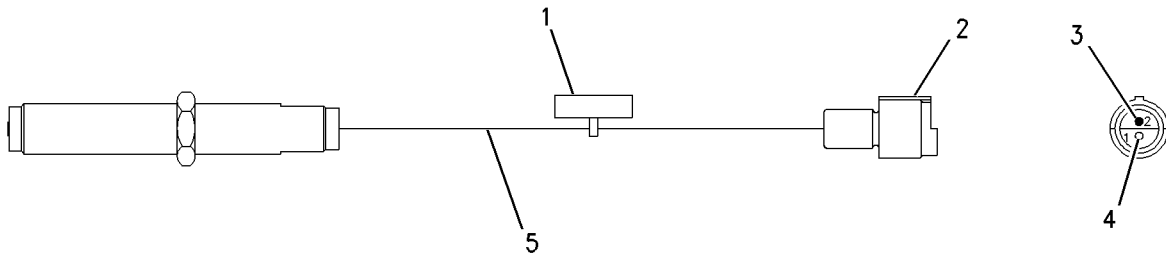
7C-1897 SENSOR GP-SPEED-ENGINE (CHG -00 THRU -05) PART OF 134-8347 HOUSING GP-FRONT

SMCS-1907

i02369261

NOTE	REF NO	GRAPHIC REF	PART NUMBER	QTY	PART NAME						SEE PAGE
					1	2	3	4	5	6 (PRODUCT LEVEL)	
	1	1	171-5349	1	STRAP-MARKER						
	2	1	7N-9738	1	HOUSING-RECEPTACLE (14-GA TO 18-GA)						
	3	1	7N-7780	1	PIN-CONNECTOR (14-GA TO 18-GA)						
	4	1	7N-7779	1	SOCKET-CONNECTOR (14-GA TO 18-GA)						
E	5	1	9X-1386		SLEEVE (14-CM)						

E-ORDER BY THE CENTIMETER



GRAPHIC #1

<END>

g00845691

ELECTRICAL AND STARTING SYSTEM

116-2649 SENSOR GP-TEMPERATURE (CHG -00 THRU -02) THERMOCOUPLE

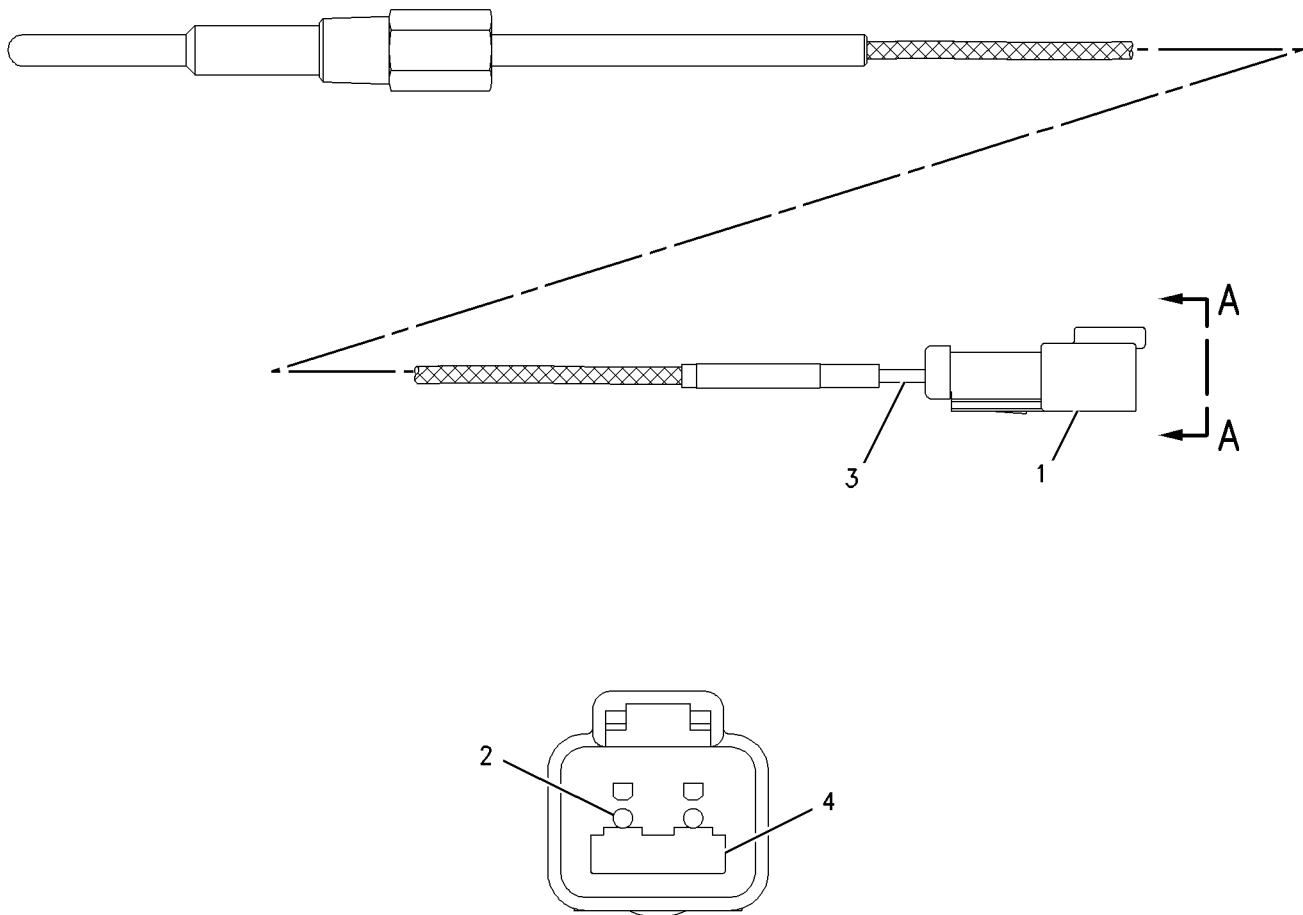
PART OF 219-9926 SENSOR GP-COMBUSTION

SMCS-1906, 1919, 1921, 1922, 1928, 1929

i02389084

NOTE	REF NO	GRAPHIC REF	PART NUMBER	QTY	PART NAME						SEE PAGE
					1	2	3	4	5	6 (PRODUCT LEVEL)	
	1	1	102-8802	1	KIT-RECEPTACLE (2-PIN) (KIT INCLUDES RECEPTACLE AS. AND WEDGE)						
	2	1	8T-8729	2	PIN-CONNECTOR						
E	3	1	8T-6342		TUBE-HEAT SHRINK (3.2-MM DIA) (10-CM)						
	4	1	3E-3365	1	WEDGE-RECEPTACLE LOCK (2-PIN)						

E-ORDER BY THE CENTIMETER



SECTION A-A

GRAPHIC #1

<END>

g00730811

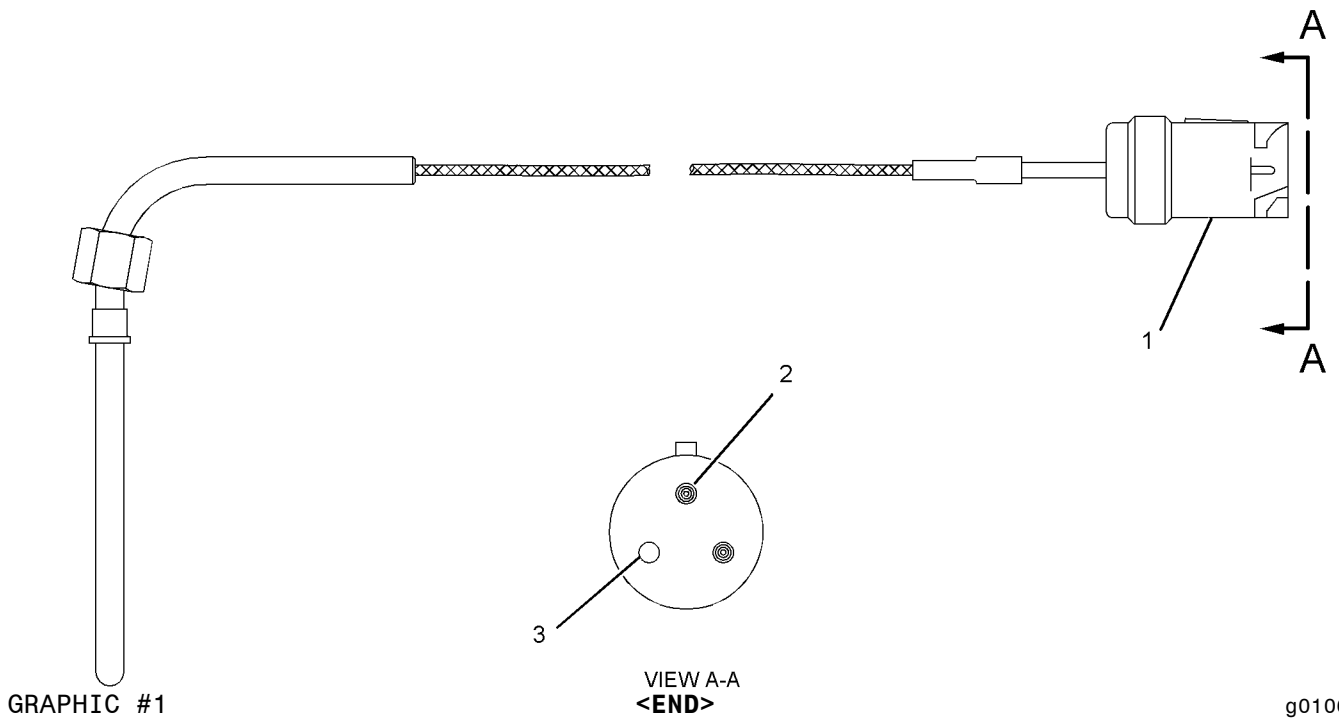
ELECTRICAL AND STARTING SYSTEM

152-0807 SENSOR GP-TEMPERATURE-THERMOCOUPLE- CYLINDER HEAD (CHG -00 THRU -04) PART OF 219-9926 SENSOR GP-COMBUSTION

SMCS-1906, 1919, 1921, 1922, 1928, 1929

i02085906

NOTE	REF NO	GRAPHIC REF	PART NUMBER	QTY	PART NAME						SEE PAGE
					1	2	3	4	5	6 (PRODUCT LEVEL)	
	1	1	8T-8732	1	RECEPTACLE (3-PIN)						
	2	1	186-3735	2	PIN-CONNECTOR (16-GA TO 18-GA)						
	3	1	8T-8737	1	PLUG-SEAL						



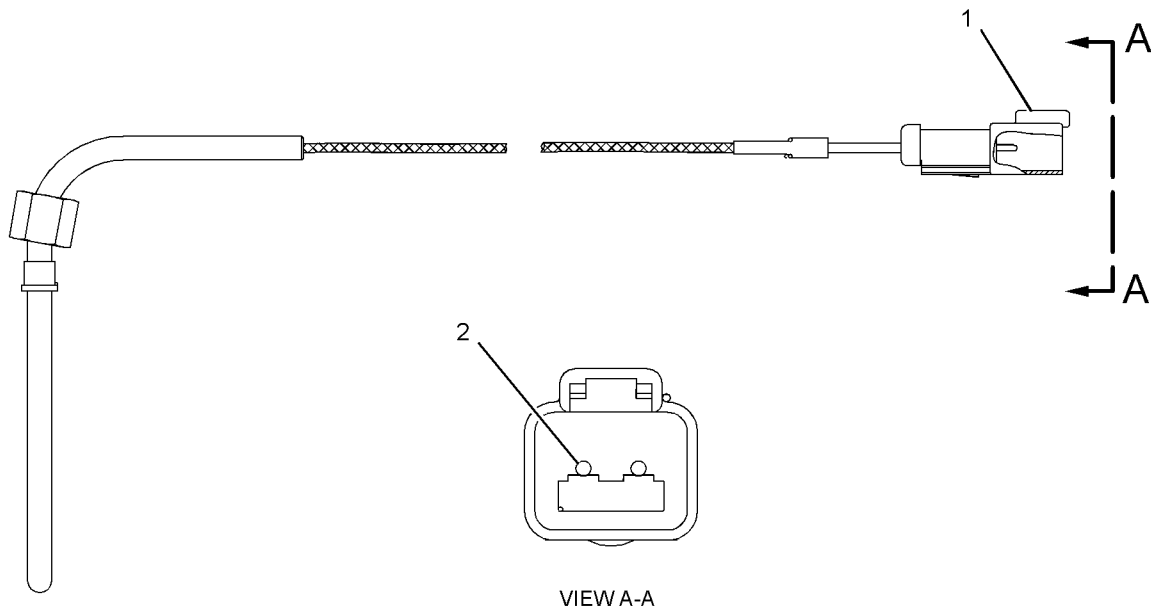
ELECTRICAL AND STARTING SYSTEM

310-4795 SENSOR GP-TEMPERATURE (CHG -00) PART OF 219-9926 SENSOR GP-COMBUSTION

SMCS-1906, 1919, 1921, 1922, 1928, 1929

i02781563

NOTE	REF NO	GRAPHIC REF	PART NUMBER	QTY	PART NAME						SEE PAGE
					1	2	3	4	5	6 (PRODUCT LEVEL)	
	1	1	102-8802	1	KIT-RECEPTACLE (2-PIN) (INCLUDES RECEPTACLE AS AND WEDGE)						
	2	1	186-3735	2	PIN-CONNECTOR (16-GA TO 18-GA)						



GRAPHIC #1

<END>

g01391251

ELECTRICAL AND STARTING SYSTEM

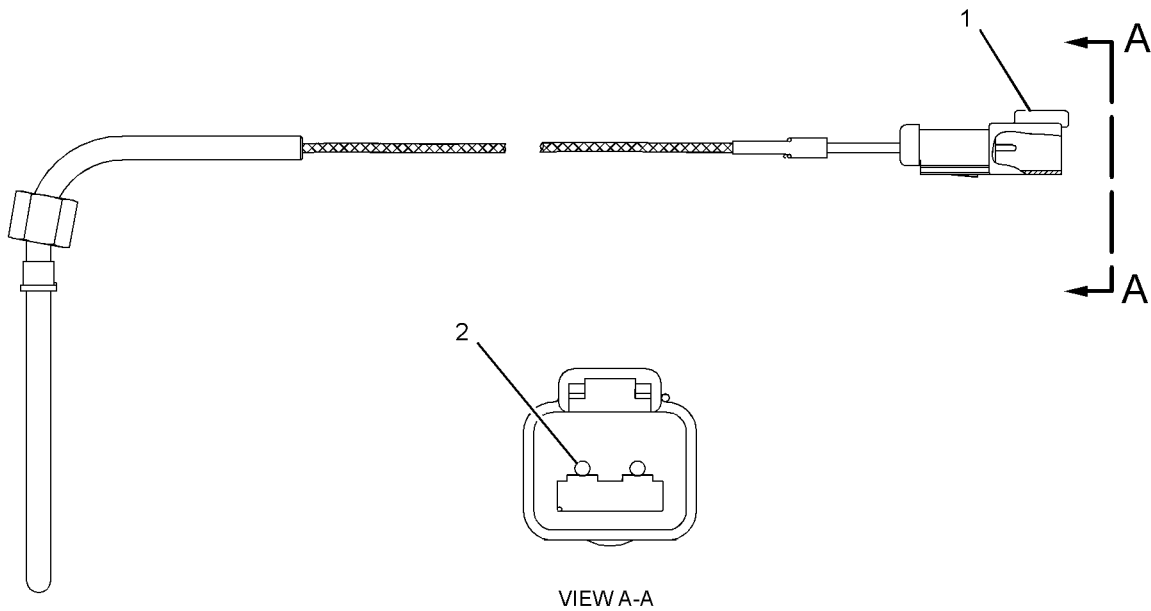
310-4796 SENSOR GP-TEMPERATURE (CHG -00, -01)

PART OF 219-9926 SENSOR GP-COMBUSTION

SMCS-1906, 1919, 1921, 1922, 1928, 1929

i02781483

NOTE	REF NO	GRAPHIC REF	PART NUMBER	QTY	PART NAME						SEE PAGE
					1	2	3	4	5	6 (PRODUCT LEVEL)	
	1	1	102-8802	1	KIT-RECEPTACLE (2-PIN)						
					(INCLUDES RECEPTACLE AS AND WEDGE)						
	2	1	186-3735	2	PIN-CONNECTOR (16-GA TO 18-GA)						



GRAPHIC #1

<END>

g01390850

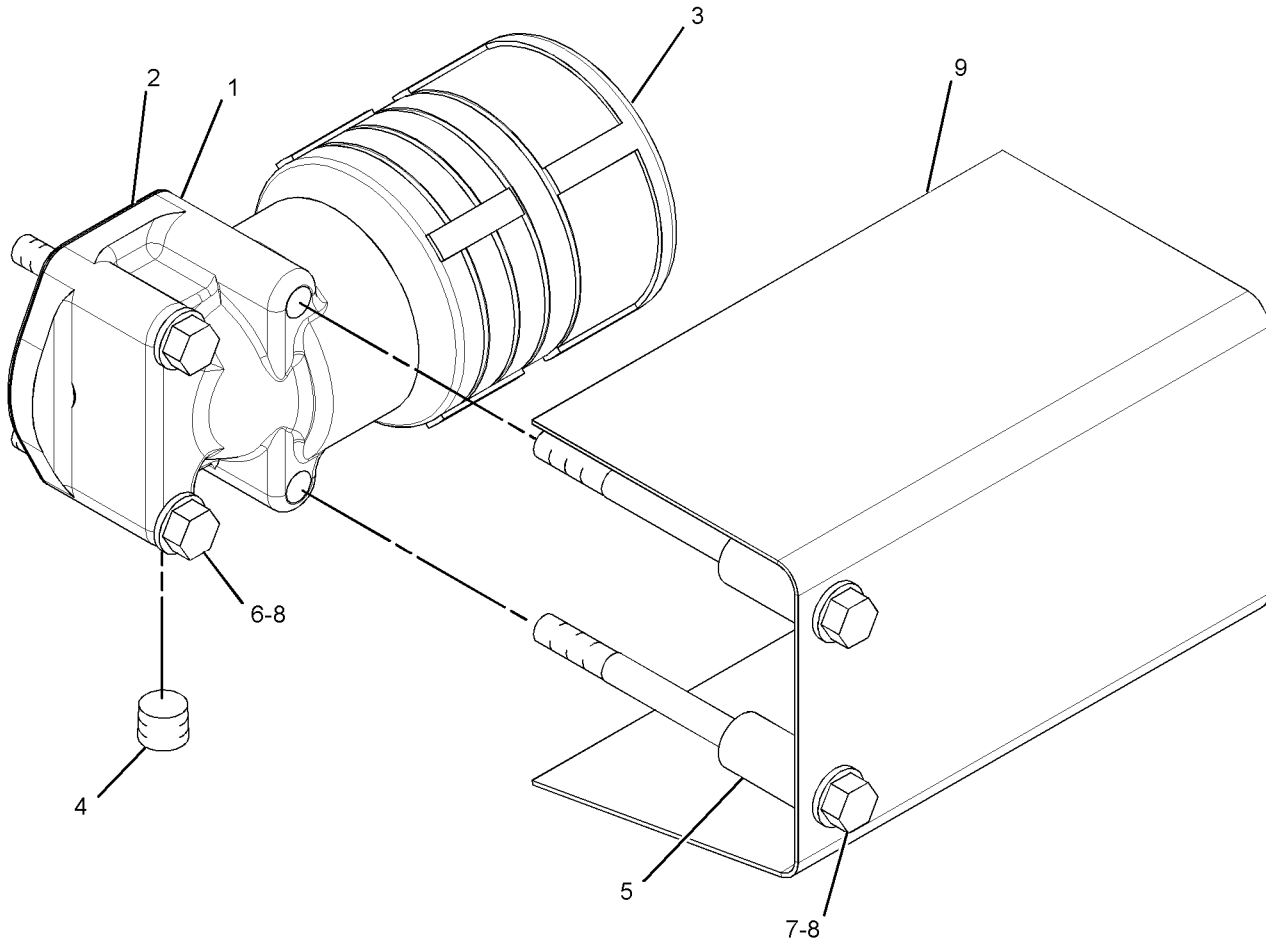
ELECTRICAL AND STARTING SYSTEM

116-3767 SILENCER GP-AIR STARTING (CHG -00 THRU -04) CANNOT BE USED WITH TURBINE STARTERS

SMCS-1468

i03258428

NOTE	REF NO	GRAPHIC REF	PART NUMBER	QTY	PART NAME						SEE PAGE
					1	2	3	4	5	6 (PRODUCT LEVEL)	
	1	1	8N-8447	1	ELBOW						
	2	1	8N-8452	1	GASKET						
	3	1	8N-8488	1	SILENCER-AIR STARTING						
	4	1	8T-6762	1	PLUG-PIPE						
	5	1	8S-5107	2	SPACER (0.622X0.84X2-IN THK)						
	6	1	9X-8875	2	BOLT (1/2-13X3.5-IN)						
	7	1	2A-1531	2	BOLT (1/2-13X6.5-IN)						
	8	1	5P-8245	4	WASHER-HARD (13.5X25.5X3-MM THK)						
	9	1	190-0399	1	DEFLECTOR AS						



GRAPHIC #1

<END>

g01664533

ELECTRICAL AND STARTING SYSTEM

132-6834 MOTOR STARTER (CHG -00, -01)
24VOLTS, 460VAC. FULL VOLTAGE STARTER - 3 PHASE, 3 POLE

SMCS-1426

i01929215

NOTE	PART NUMBER	QTY	PART NAME						SEE PAGE
			1	2	3	4	5	6 (PRODUCT LEVEL)	
			(NO SERVICED PARTS)						
			<END>						

ELECTRICAL AND STARTING SYSTEM

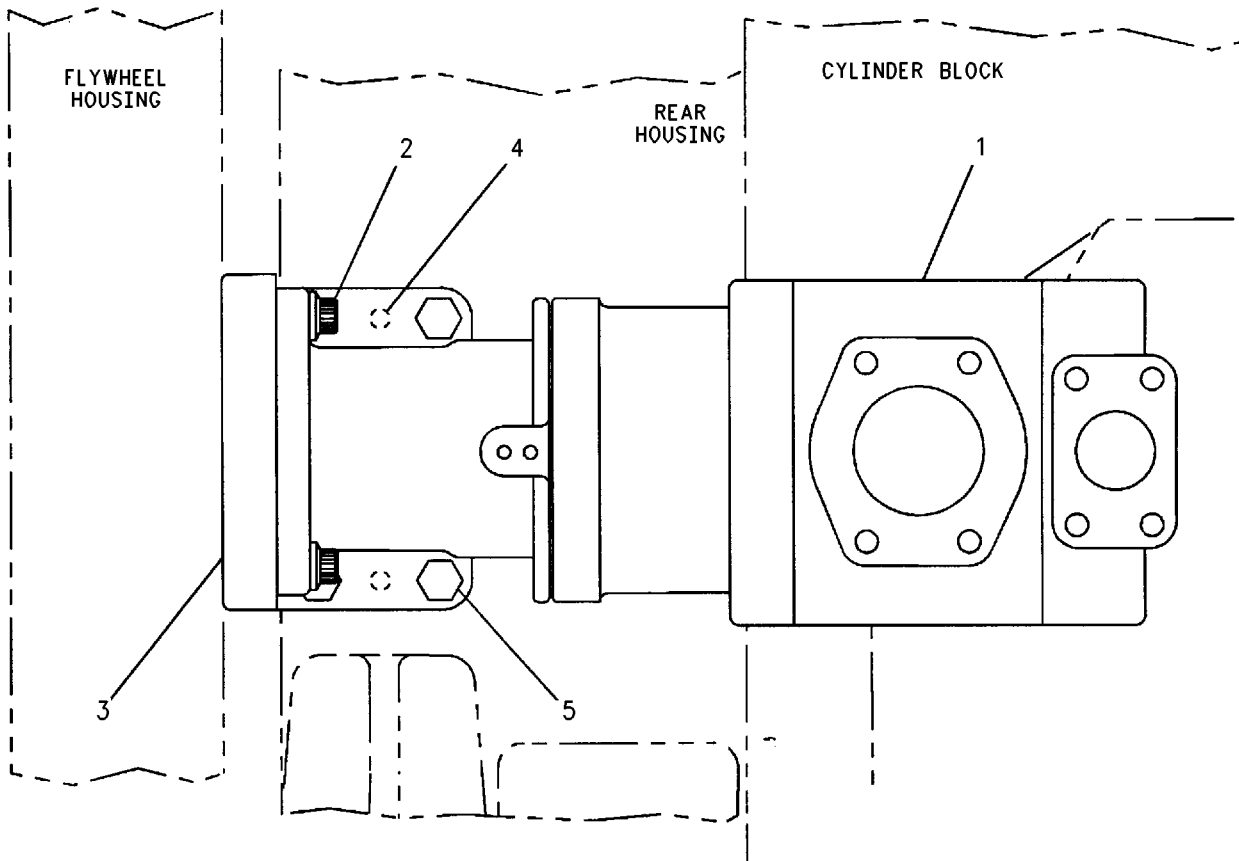
1W-0894 STARTING MOTOR GP-AIR (CHG -03 THRU -05, -05D5)

SMCS-1451

i02345191

NOTE	REF NO	GRAPHIC REF	PART NUMBER	QTY	PART NAME						SEE PAGE
					1	2	3	4	5	6 (PRODUCT LEVEL)	
Y	1	1	4W-0695	1	STARTING MOTOR GP-AIR						399
	2	1	8S-2332	3	BOLT-12 POINT HEAD (5/8-11X1.75-IN)						
	3	1	4W-6273	1	SUPPORT AS-MOTOR						
	4	1	6V-3538	2	DOWEL						
	5	1	0S-1587	6	BOLT (1/2-13X1.75-IN)						

Y-SEPARATE ILLUSTRATION



GRAPHIC #1

<END>

g00696218

ELECTRICAL AND STARTING SYSTEM

4W-0695 STARTING MOTOR GP-AIR (CHG -02 THRU -06) PART OF 1W-0894 STARTING MOTOR GP-AIR

SMCS-1451

i03017656

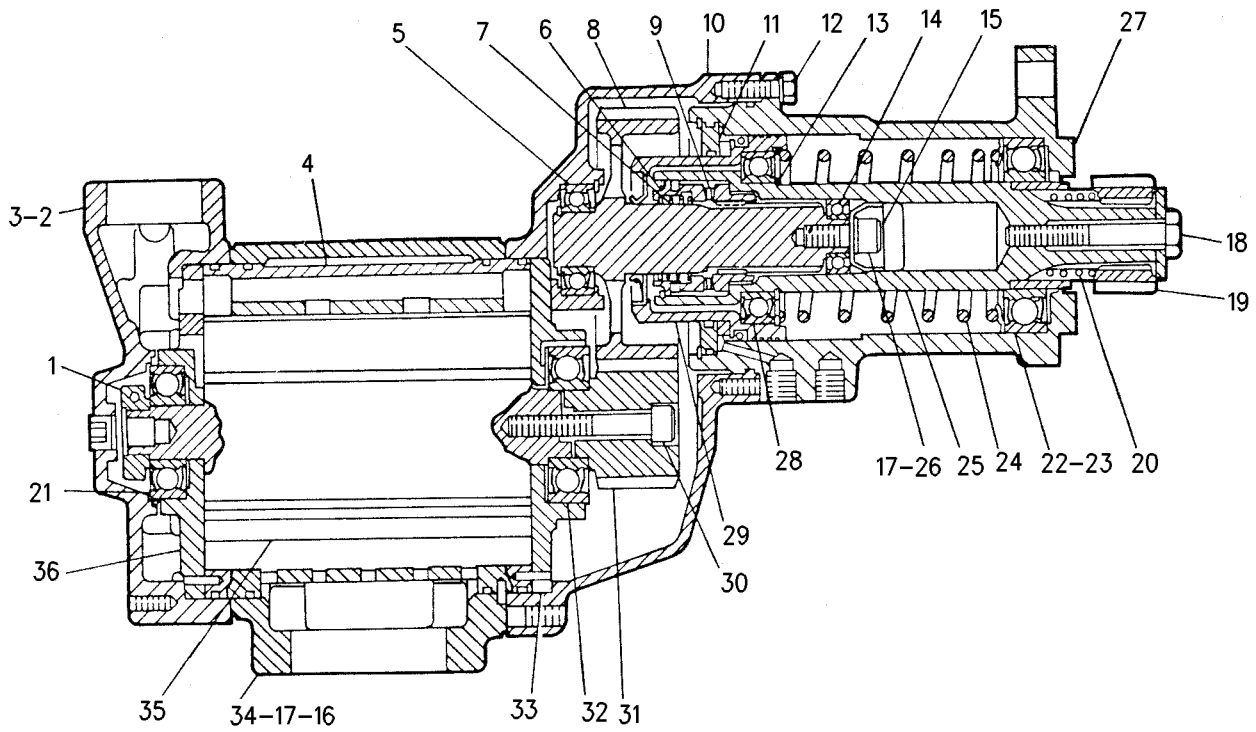
NOTE	REF NO	GRAPHIC REF	PART NUMBER	QTY	PART NAME						SEE PAGE	
					1	2	3	4	5	6 (PRODUCT LEVEL)		
M	1	1	096-4833	1	BOLT-SOCKET HEAD (M5X0.8X20-MM)							
		1	5N-8378	1	NUT-ROTOR CLAMP (M5X0.8-THD)							
	2	1	5N-8363	1	COVER AS							
	3	1	4D-3118	3	PLUG-PIPE							
	4	1	5N-8383	1	CYLINDER							
	5	1	6V-3916	1	BALL BEARING							
		1	1L-8497	1	RING-SNAP (EXTERNAL)							
		1	6J-7855	1	RING-LOCK (INTERNAL)							
	6	1	5N-8375	1	CUP-SPRING							
		1	6V-3935	1	RING-RETAINING							
	7	1	5N-8381	1	SPRING-CLUTCH							
	8	1	2W-6084	1	GEAR AS-DRIVE (38/24-TEETH)							
	9	1	5N-9574	1	JAW AS-CLUTCH							
	10	1	5N-8387	1	CASE-GEAR							
	11	1	5N-8424	1	BULKHEAD							
M	12	1	6V-3940	8	BOLT (M8X1.25X25-MM)							
		1	3B-4505	8	LOCKWASHER							
	13	1	3J-7719	1	RING-RETAINING (INNER)							
		1	6V-3971	1	RING-RETAINING (OUTER)							
	14	1	7F-8671	1	BALL BEARING							
	15	1	5N-8428	1	WASHER-GEAR (10.1X34X15.5-MM THK)							
M	16	1	5N-8427	4	BOLT-MOTOR (M10X1.5X180-MM)							
	17	1	6V-3959	5	LOCKWASHER							
M	18	1	5N-8403	1	SCREW-PINION (M12X1.25X70-MM)							
		1	5N-8425	1	WASHER (12.2X41.5X4.5-MM THK)							
	19	1	7W-1650	1	PINION-DRIVE (11-TEETH)							
	20	1	5N-8380	1	SPRING-PINION							
		1	5N-8374	1	SLEEVE-SPRING							
	21	1	5P-9514	1	BALL BEARING							
	22	1	8B-7624	1	BALL BEARING							
	23	1	5N-8379	1	SEAT-SPRING							
	24	1	5N-8372	1	SPRING-RETURN							
	25	1	5N-8384	1	SHAFT-DRIVE							
M	26	1	6V-3938	1	BOLT (M10X1.5X20-MM)							
	27	1	2W-6082	1	KIT-DRIVE (AIR STARTING MOTOR) (INCLUDES BEARING, HOUSING, O-RING, SEAL & VENT)							
	28	1	5N-8377	1	BEARING-DRIVE SHAFT							
	29	1	5N-8373	1	PISTON							
M	30	1	6V-3939	1	BOLT (M12X1.75X60-MM)							
	31	1	7W-1649	1	PINION-ROTOR (15-TEETH)							
	32	1	6V-1394	1	BALL BEARING							
		1	039-4317	2	WASHER-SPRING							
	33	1	5N-8365	1	PLATE-FRONT END							
	34	1	5N-8364	1	HOUSING-MOTOR							
	35	1	7W-4154	1	ROTOR							
	36	1	5N-8367	1	PLATE-REAR END							
					AVAILABLE REPAIR KIT(S):							
				5N-8390	1	KIT-SEAL & VANE (AIR STARTING MOTOR) (INCLUDES END PLATE ALIGNMENT PIN, CYLINDER ALIGNMENT PIN, O-RINGS, VANE, SEALS AND RETAINER)						

M-METRIC PART

ELECTRICAL AND STARTING SYSTEM

4W-0695 STARTING MOTOR GP-AIR (contd.)

i03017656



GRAPHIC #1

<END>

g00696242

ELECTRICAL AND STARTING SYSTEM

206-4113 STARTING MOTOR GP-AIR

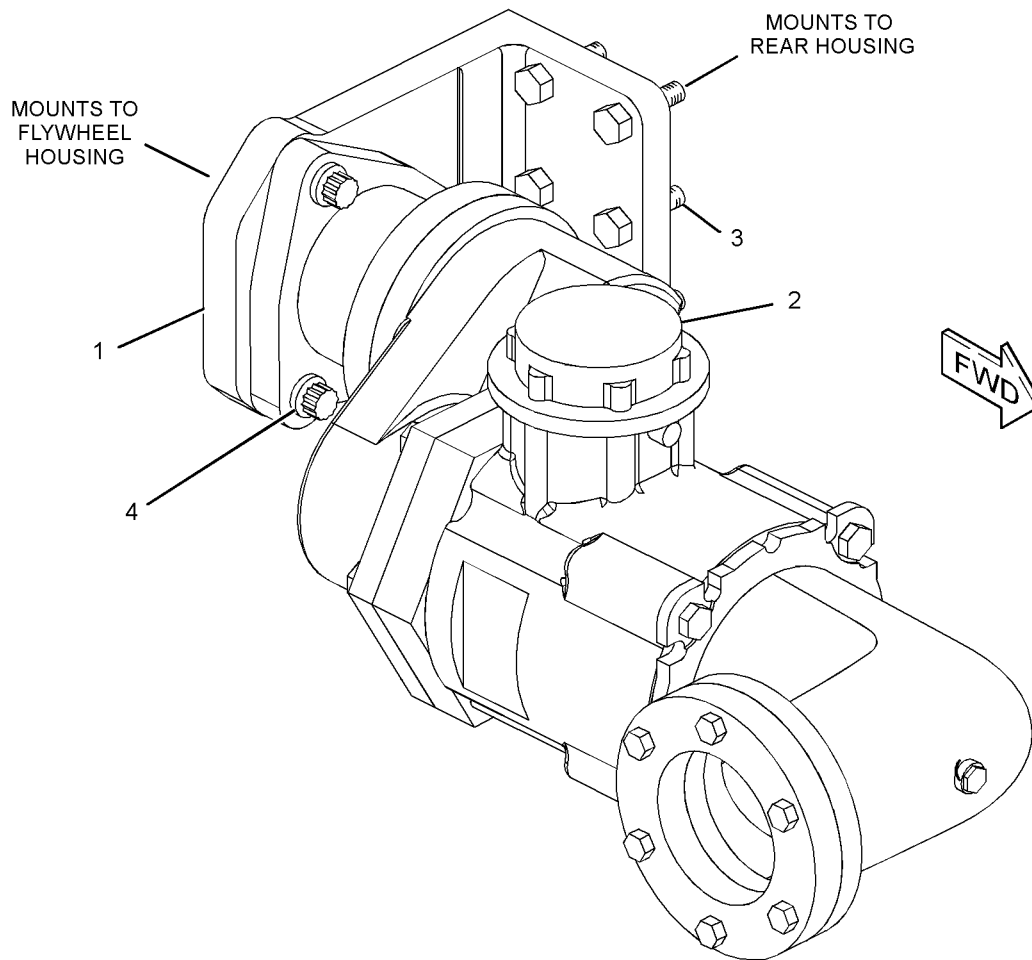
(CHG -01, -02, -02D1, -03, -03D1, -04, -04D1)

SMCS-1451

i02481987

NOTE	REF NO	GRAPHIC REF	PART NUMBER	QTY	PART NAME						SEE PAGE
					1	2	3	4	5	6 (PRODUCT LEVEL)	
	1	1	4W-6273	1	SUPPORT AS-MOTOR						
		1	6V-3538	2	DOWEL						
Y	2	1	208-5479	1	STARTING MOTOR GP-AIR						402
	3	1	0S-1587	6	BOLT (1/2-13X1.75-IN)						
	4	1	8S-2332	3	BOLT-12 POINT HEAD (5/8-11X1.75-IN)						

Y-SEPARATE ILLUSTRATION



GRAPHIC #1

<END>

g01240920

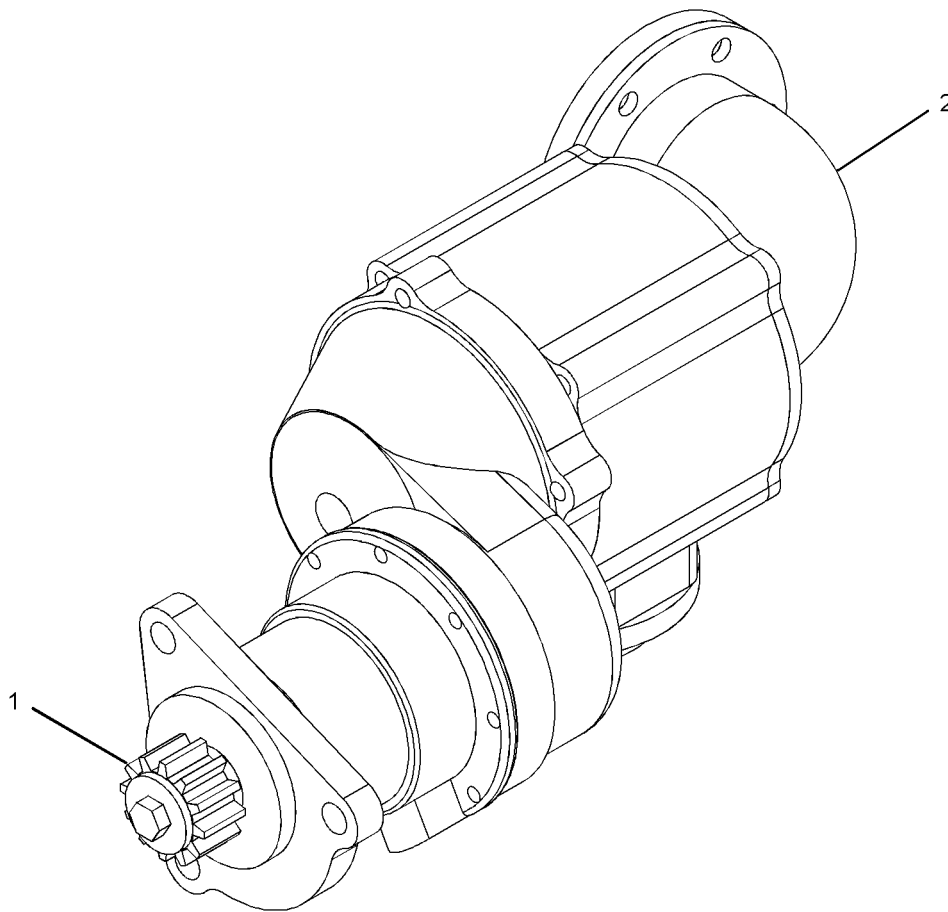
ELECTRICAL AND STARTING SYSTEM

208-5479 STARTING MOTOR GP-AIR (CHG -00 THRU -04) PART OF 206-4113 STARTING MOTOR GP-AIR

SMCS-1451

i02195584

NOTE	REF NO	GRAPHIC REF	PART NUMBER	QTY	PART NAME						SEE PAGE	
					1	2	3	4	5	6 (PRODUCT LEVEL)		
	1	1	246-1238	1	PINION-DRIVE (12-TEETH)							
	2	1	254-7215	1	ELBOW AS-EXHAUST							
					AVAILABLE REPAIR KIT(S):							
					246-1237	KIT-TURBINE WHEEL (INCLUDES SCREW, WASHER, AND ROTORS)						
					246-1239	KIT-REBUILD (AIR STARTING MOTOR) (INCLUDES BEARINGS, SPACERS, SEALS, SCREWS, RINGS, AND WASHERS)						
					246-1240	KIT-REPAIR (AIR STARTING MOTOR) (INCLUDES INSTRUCTIONS, LABEL, FITTING, AND VALVE)						



GRAPHIC #1

<END>

g01112460

ELECTRICAL AND STARTING SYSTEM

254-5423 STARTING MOTOR GP-AIR-LOW PRESSURE (CHG -00) PART OF 254-5425 STARTING MOTOR GP-AIR

SMCS-1451

i02416636

NOTE	PART NUMBER	QTY	PART NAME 1 2 3 4 5 6 (PRODUCT LEVEL)	SEE PAGE
	254-7215	1	ELBOW AS-EXHAUST	
	246-1239	1	KIT-REBUILD (AIR STARTING MOTOR) (INCLUDES BEARINGS, BEARING SPACER, GREASE, O-RINGS, RETAINING RING, SCREWS, SEALS, SEAL SPACER AND WASHERS)	
	246-1240	1	KIT-REPAIR (AIR STARTING MOTOR) (INCLUDES FILTER FITTING, INSTRUCTIONS, WARNING LABEL, AND VALVE)	
	246-1237	1	KIT-TURBINE WHEEL (AIR STARTING MOTOR) (INCLUDES ROTORS, SCREW, AND WASHER)	
	246-1238	1	PINION-DRIVE (12-TEETH)	
<END>				

ELECTRICAL AND STARTING SYSTEM

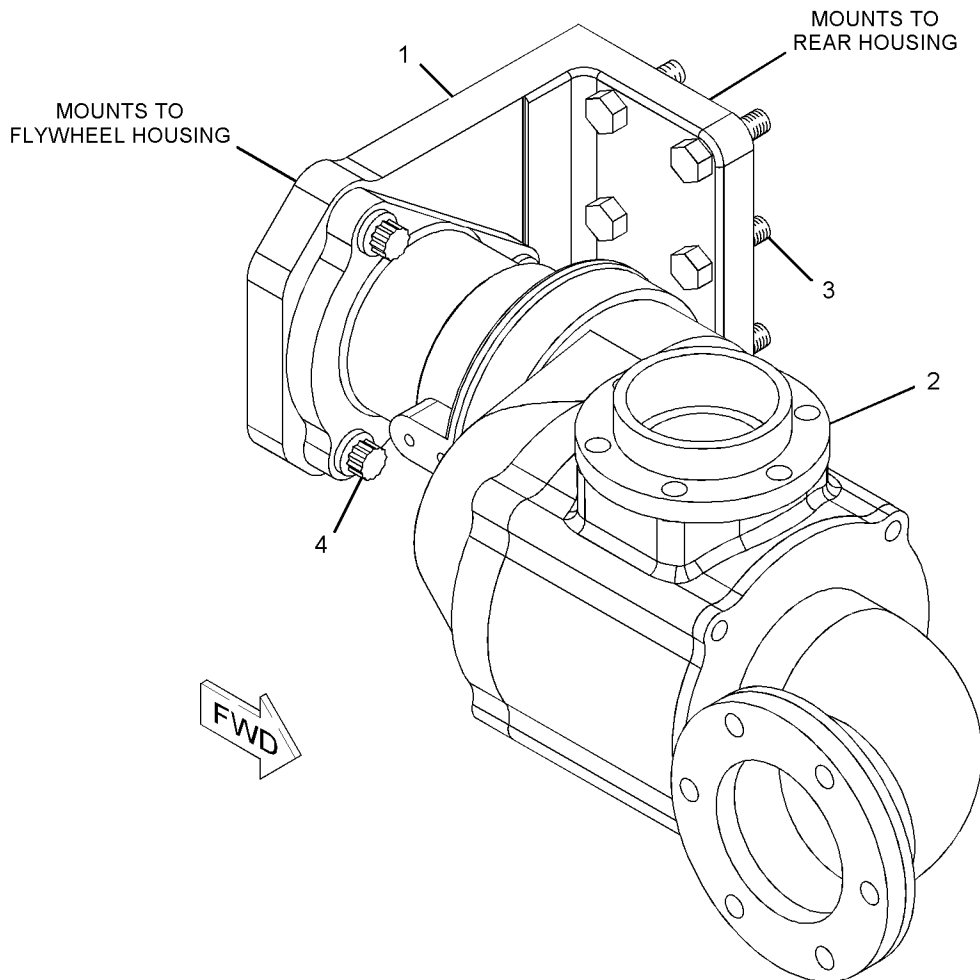
254-5425 STARTING MOTOR GP-AIR-LOW PRESSURE (CHG -00, -01, -01D1, -01D2)

SMCS-1451

i02195336

NOTE	REF NO	GRAPHIC REF	PART NUMBER	QTY	PART NAME						SEE PAGE
					1	2	3	4	5	6 (PRODUCT LEVEL)	
	1	1	4W-6273	1	SUPPORT AS-MOTOR						
		1	6V-3538	2	DOWEL						
Y	2	1	254-5423	1	STARTING MOTOR GP-AIR						403
	3	1	0S-1587	6	BOLT (1/2-13X1.75-IN)						
	4	1	8S-2332	3	BOLT-12 POINT HEAD (5/8-11X1.75-IN)						

Y-SEPARATE ILLUSTRATION



GRAPHIC #1

<END>

g01116543

ELECTRICAL AND STARTING SYSTEM

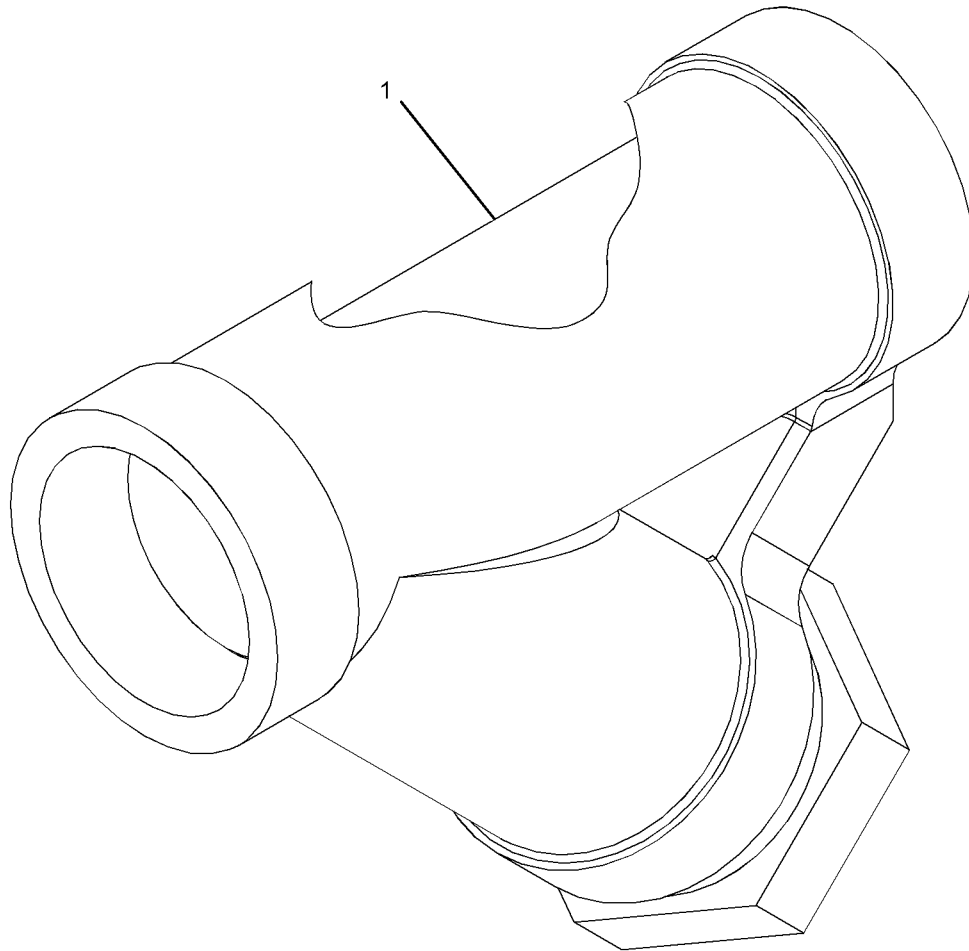
146-5215 STRAINER GP-AIR LINES (CHG -00, -01)

PART OF 233-2206 LINES GP-AIR, 174-9447, 210-1565, 233-2205, 280-0546 LINES
GP-AIR STARTING

SMCS-1451

i02797990

NOTE	REF NO	GRAPHIC REF	PART NUMBER	QTY	PART NAME						SEE PAGE
					1	2	3	4	5	6 (PRODUCT LEVEL)	
	1	1	146-5216	1	SCREEN-STRAINER (STARTING MOTOR AIR LINES)						



GRAPHIC #1

<END>

g01398706

ELECTRICAL AND STARTING SYSTEM

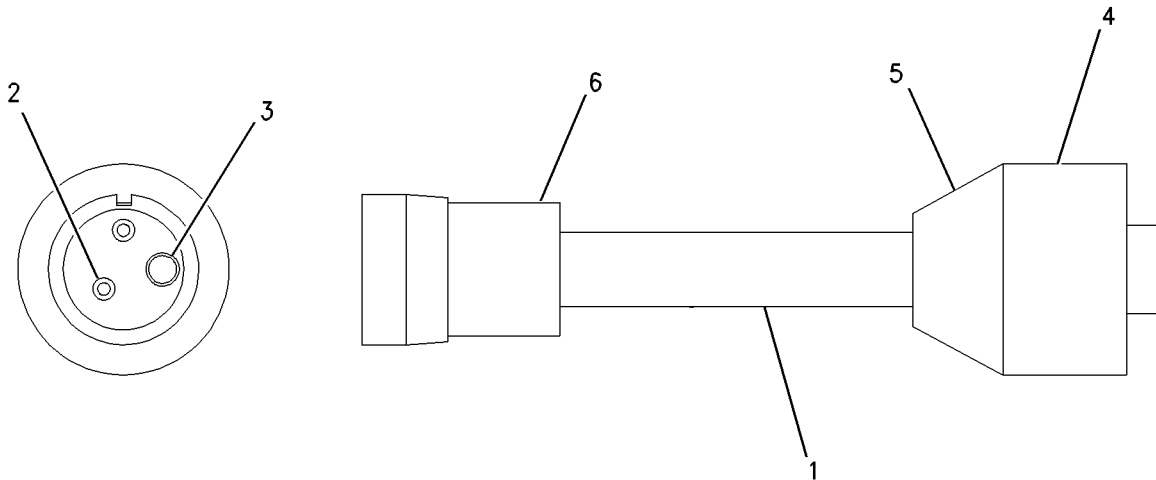
211-3504 SWITCH AS-PRESSURE-INLET AIR (CHG -00, -01) PART OF 219-9928, 228-6594 WIRING GP-ENGINE

SMCS-7400

i02394946

NOTE	REF NO	GRAPHIC REF	PART NUMBER	QTY	PART NAME						SEE PAGE
					1	2	3	4	5	6 (PRODUCT LEVEL)	
E	1	1	9X-1813		SLEEVE (8-CM)						
	2	1	186-3736	2	SOCKET-CONNECTOR (16-GA TO 18-GA)						
	3	1	8T-8737	1	PLUG-SEAL						
	4	1	162-6209	1	COVER						
	5	1	202-2569	1	SWITCH AS (PRESSURE)						
	6	1	8T-8731	1	PLUG-CONNECTOR (3-PIN)						

E-ORDER BY THE CENTIMETER



GRAPHIC #1

<END>

g00880214

ELECTRICAL AND STARTING SYSTEM

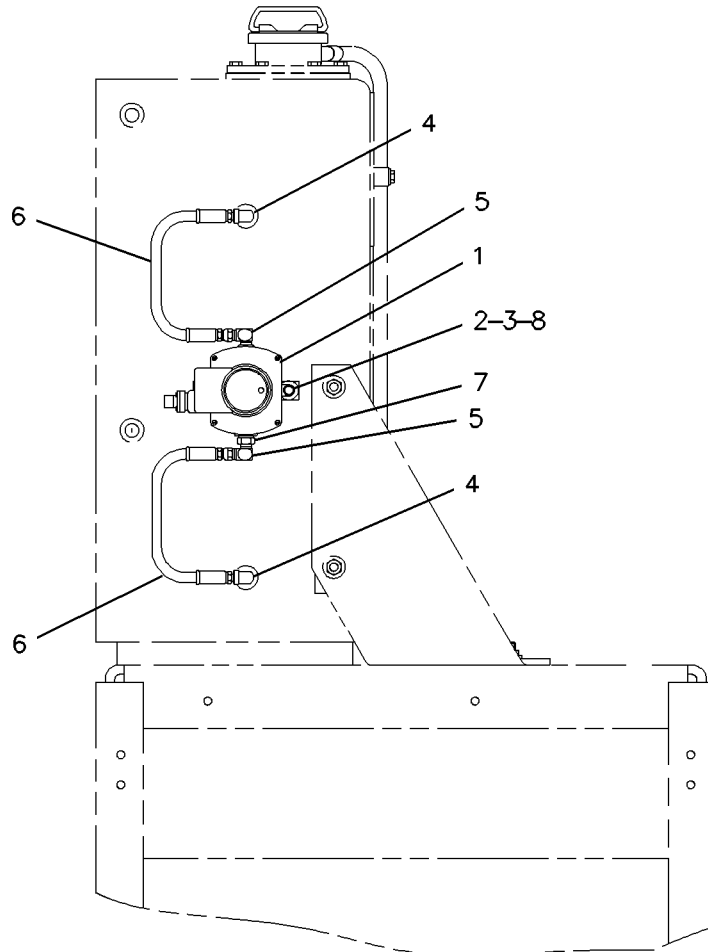
218-0769 SWITCH GP-LIQUID LEVEL (CHG -00, -01) FOR USE WITH ENGINES WITH JACKET WATER SYSTEM EXPANSION TANK

SMCS-7422

i01708694

NOTE	REF NO	GRAPHIC REF	PART NUMBER	QTY	PART NAME						SEE PAGE
					1	2	3	4	5	6 (PRODUCT LEVEL)	
	1	1	7E-1794	1	SWITCH AS						
		1	2N-9768	1	SWITCH-LIQUID LEVEL						
		1	9Y-6993	1	ADAPTER						
		1	033-4926	4	SCREW-MACHINE (4-40X0.25-IN)						
	2	1	5P-0537	2	WASHER-HARD (7.2X14.5X2-MM THK)						
	3	1	2A-0762	2	BOLT (1/4-20X0.625-IN)						
	4	1	6V-4245	2	ELBOW						
	5	1	4R-8605	2	ELBOW						
I	6	1	3N-4622	2	HOSE AS						
	7	1	6B-5072	1	BUSHING-REDUCING						
	8	1	7E-7731	2	MOUNT						

I-REFER TO HYDRAULIC INFORMATION SYSTEM



LEFT SIDE VIEW

GRAPHIC #1

<END>

g00879517

ELECTRICAL AND STARTING SYSTEM

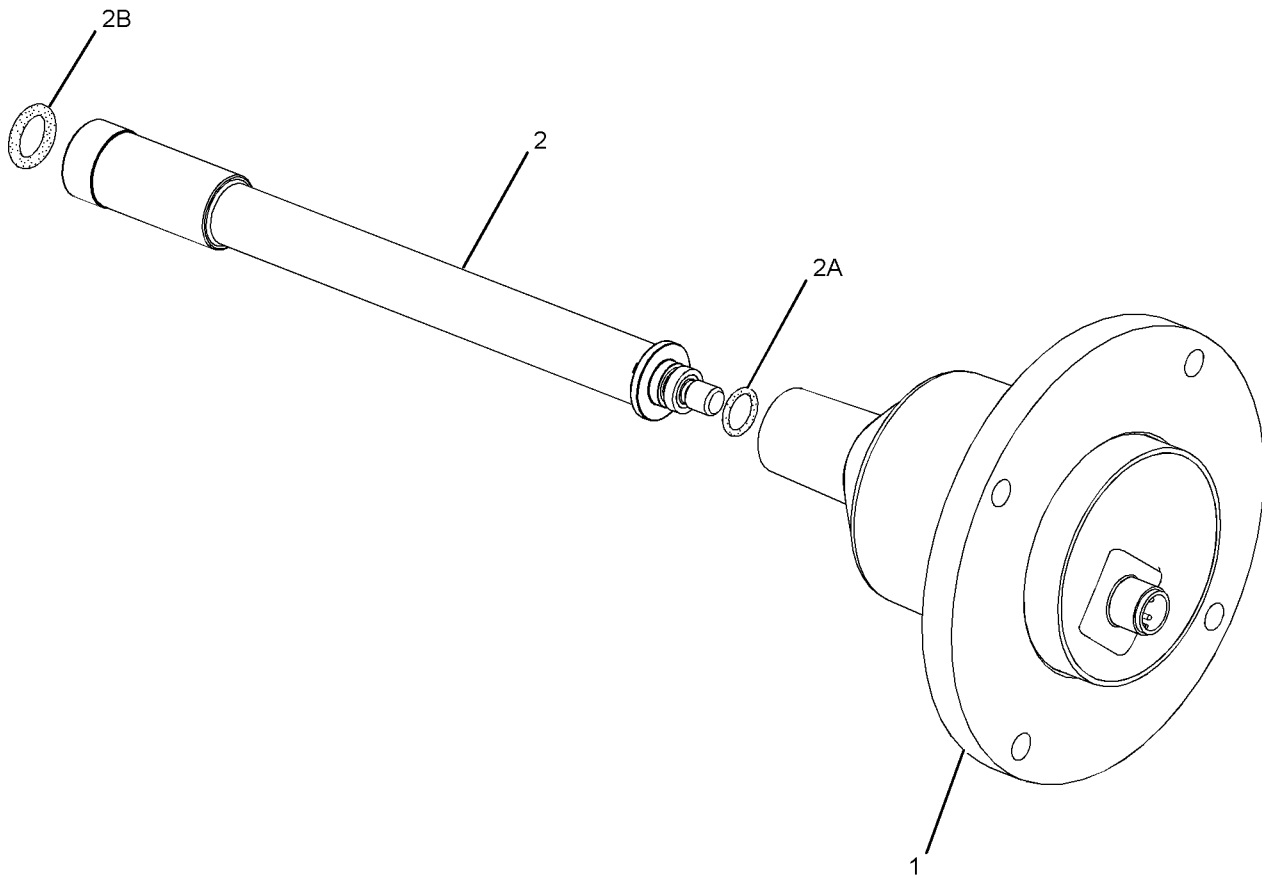
310-3180 TRANSFORMER GP-POTENTIAL (CHG -01)

PART OF 219-9929, 231-4150 IGNITION GP-GAS ENGINE

SMCS-1409

i02946698

NOTE	REF NO	GRAPHIC REF	PART NUMBER	QTY	PART NAME						SEE PAGE
					1	2	3	4	5	6 (PRODUCT LEVEL)	
	1	1	283-5270	1	TRANSFORMER AS						
	2	1	308-1380	1	EXTENSION AS						
	2A	1	214-7568	1	SEAL-O-RING						
	2B	1	125-1372	1	SEAL-O-RING						



GRAPHIC #1

<END>

g01461508

ELECTRICAL AND STARTING SYSTEM

6I-1732 VALVE GP-CONTROL (CHG -00 THRU -02)

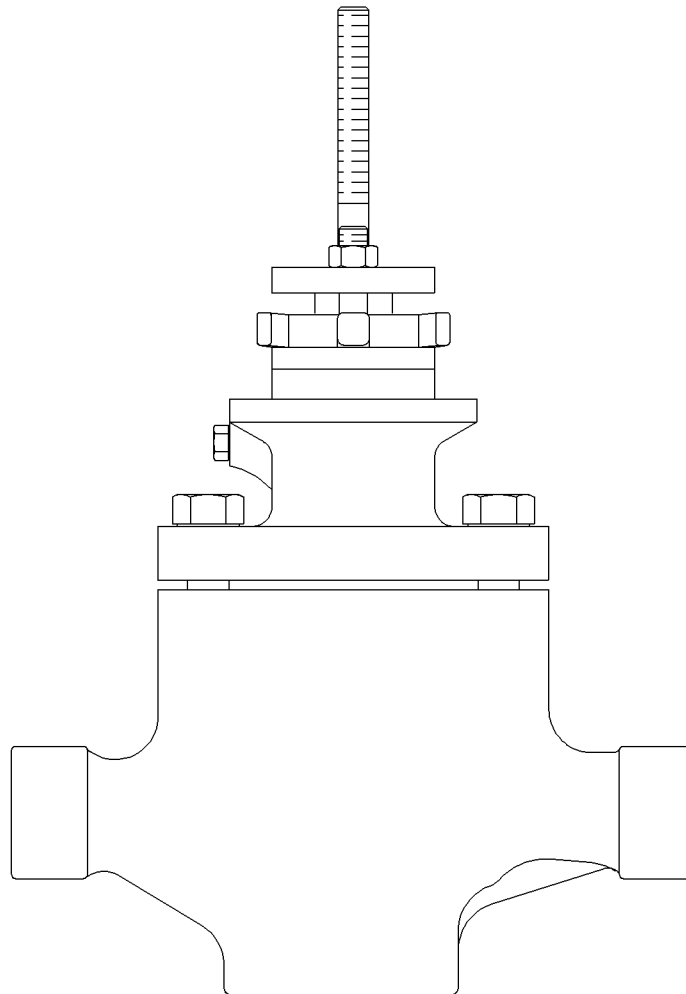
GAS

PART OF 213-6462 CONTROL GP-FUEL

SMCS-1400

i02030132

NOTE	REF NO	GRAPHIC REF	PART NUMBER	QTY	PART NAME						SEE PAGE
					1	2	3	4	5	6 (PRODUCT LEVEL)	
					AVAILABLE REPAIR KIT(S):						
			4P-6945	1	KIT-VALVE REPAIR (INCLUDES INSTRUCTION SHEET, WASHER-SPECIAL, SPRING-PACKING, WIPPER-UPPER, RING-PACKING BOX AND PACKING SET-TEE V-RING)						
			6I-2024	1	KIT-VALVE GASKET (INCLUDES GASKET-BONNET, GASKET-SHIM, GASKET-SPIRAL WOUND AND GASKET-SEAT RING)						
			6I-2025	1	KIT-VALVE SEAL (INCLUDES RETAINER-DISK, SEAT-DISK, DISK, RING-SEAL AND RING-BACKUP)						



GRAPHIC #1

<END>

g00730251

ELECTRICAL AND STARTING SYSTEM

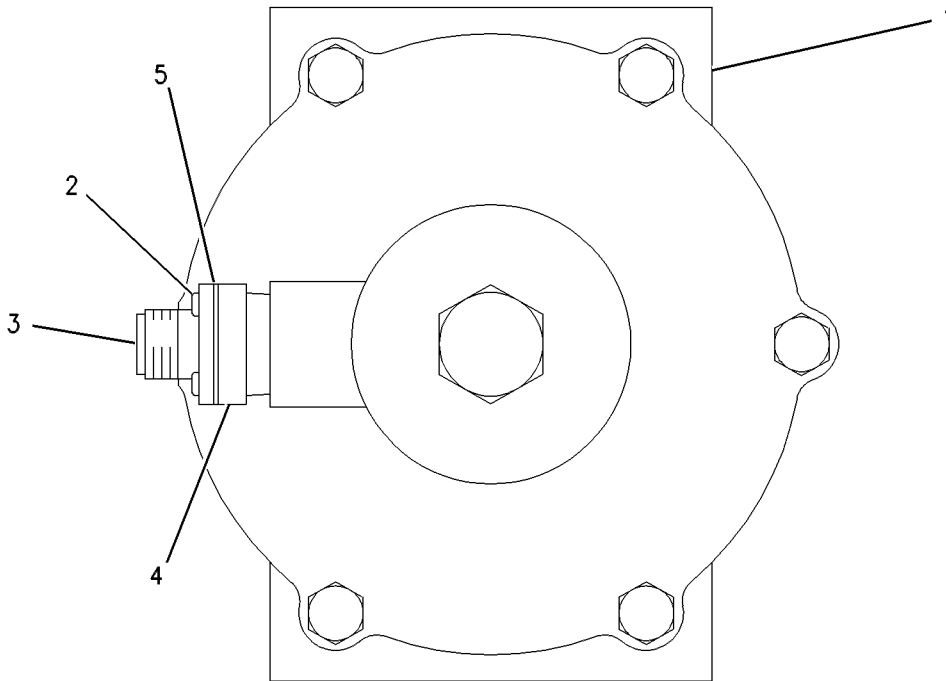
9Y-6992 VALVE GP-SOLENOID-GAS SHUTOFF (CHG -03 THRU -05) PART OF 125-3907 VALVE GP-SOLENOID

SMCS-5479

i02897961

NOTE	REF NO	GRAPHIC REF	PART NUMBER	QTY	PART NAME						SEE PAGE
					1	2	3	4	5	6 (PRODUCT LEVEL)	
Y	1	1	103-0692	1	VALVE GP-SOLENOID (GAS SHUTOFF)						411
	2	1	9X-8917	4	SCREW-MACHINE (4-40X9.52-MM)						
	3	1	9X-3406	1	RECEPTACLE AS						
	4	1	9Y-6993	1	ADAPTER						
	5	1	4P-9477	1	GASKET						

Y-SEPARATE ILLUSTRATION



GRAPHIC #1

<END>

g00562912

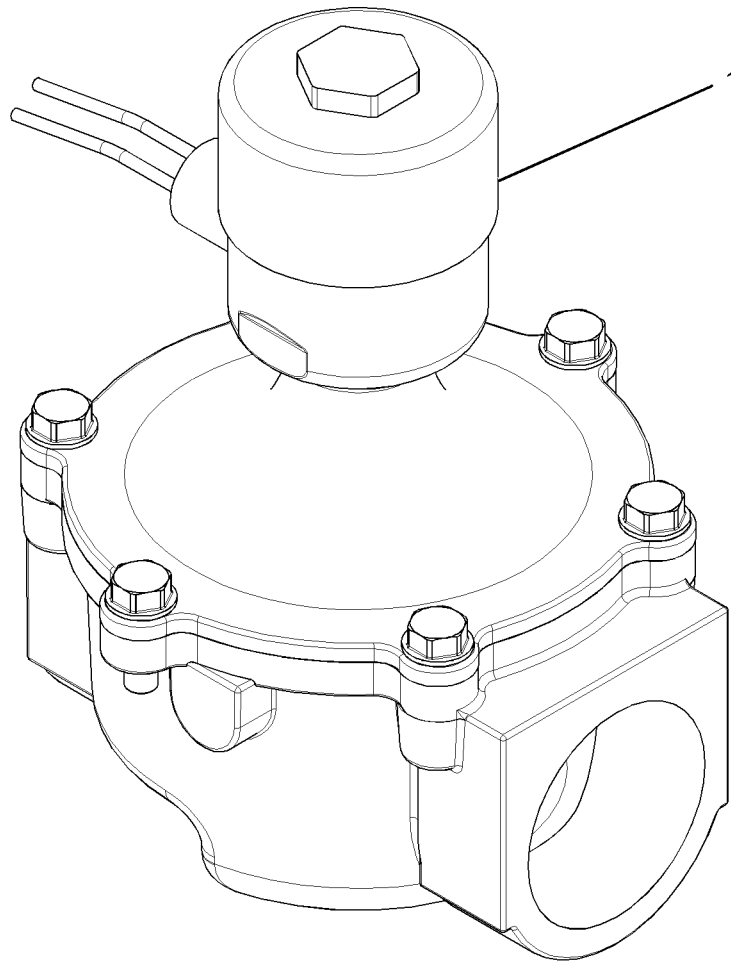
ELECTRICAL AND STARTING SYSTEM

103-0692 VALVE GP-SOLENOID-GAS SHUTOFF (CHG -00 THRU -08)
24-VOLT
PART OF 9Y-6992 VALVE GP-SOLENOID

SMCS-5479

i03257633

NOTE	REF NO	GRAPHIC REF	PART NUMBER	QTY	PART NAME						SEE PAGE
					1	2	3	4	5	6 (PRODUCT LEVEL)	
	1	1	7X-1678	1	COIL AS						



GRAPHIC #1

<END>

g01664255

ELECTRICAL AND STARTING SYSTEM

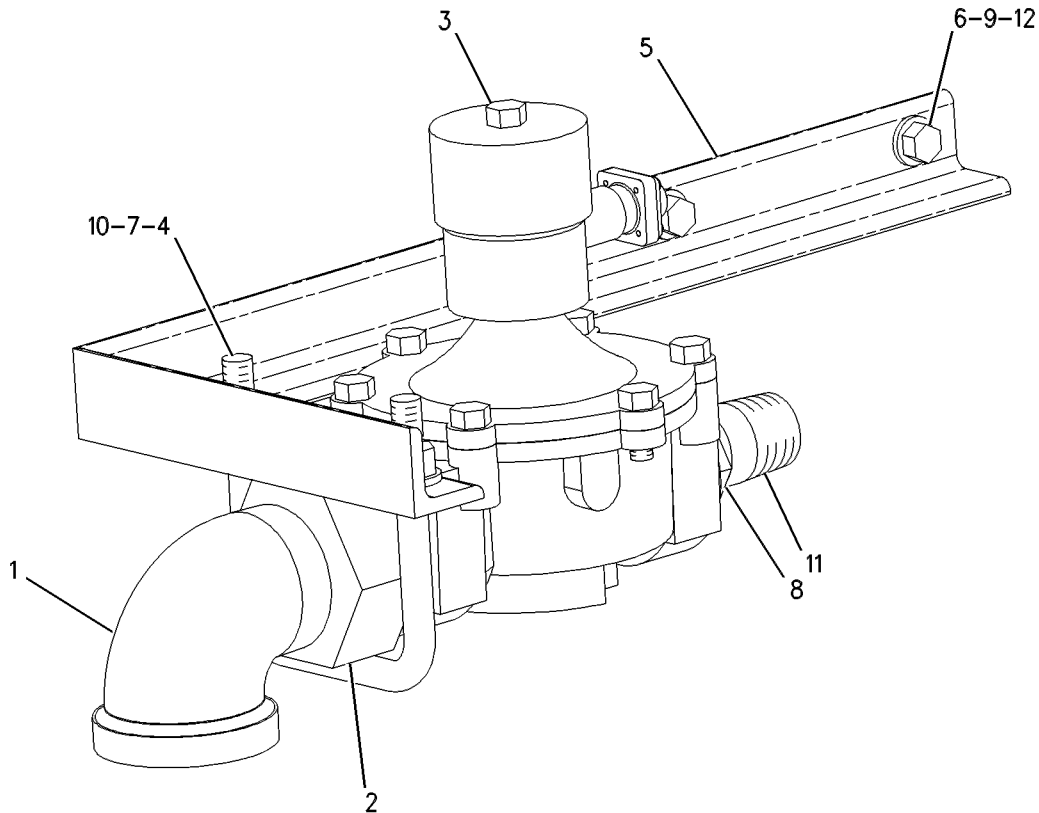
125-3907 VALVE GP-SOLENOID (CHG -00, -01) GAS SHUTOFF

SMCS-5479

i01553741

NOTE	REF NO	GRAPHIC REF	PART NUMBER	QTY	PART NAME						SEE PAGE
					1	2	3	4	5	6 (PRODUCT LEVEL)	
	1	1	7B-7138	1	ELBOW						
	2	1	9D-9658	1	ADAPTER						
Y	3	1	9Y-6992	1	VALVE GP-SOLENOID						410
	4	1	107-8480	1	U-BOLT						
	5	1	140-1736	1	BRACKET AS						
	6	1	0S-1588	2	BOLT (3/8-16X1.25-IN)						
	7	1	1F-7958	2	NUT-FULL (1/2-13-THD)						
	8	1	2F-5277	1	BUSHING-TERMINAL						
	9	1	3V-3308	4	WASHER-HARD (10.2X20.5X2.5-MM THK)						
	10	1	5P-8245	2	WASHER-HARD (13.5X25.5X3-MM THK)						
	11	1	170-1186	1	FITTING-PIPE						
	12	1	9S-8752	2	NUT-FULL (3/8-16-THD)						

Y-SEPARATE ILLUSTRATION



VIEWED FROM UPPER
RIGHT REAR OF ENGINE

GRAPHIC #1

<END>

g00279576

ELECTRICAL AND STARTING SYSTEM

164-0717 VALVE GP-SOLENOID (CHG -00 THRU -02)

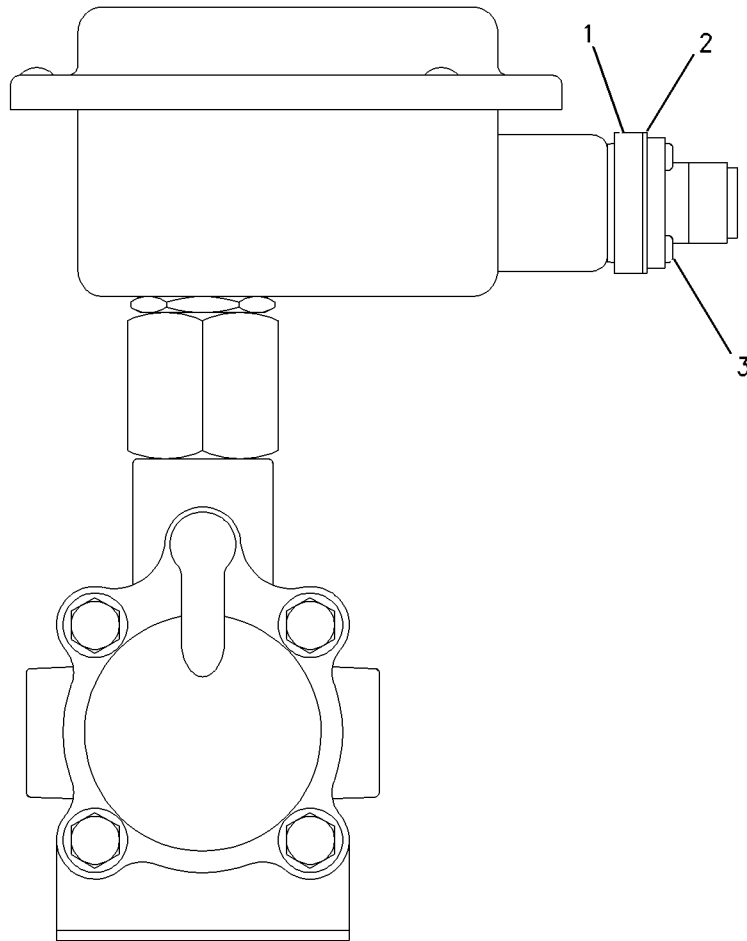
24 VDC

PART OF 219-2856, 219-2857, 219-2858, 280-0548, 329-4631 LINES GP-AIR,
280-0547 LINES GP-AIR STARTING

SMCS-5479

i02193913

NOTE	REF NO	GRAPHIC REF	PART NUMBER	QTY	PART NAME						SEE PAGE
					1	2	3	4	5	6 (PRODUCT LEVEL)	
	1	1	9Y-6993	1	ADAPTER						
	2	1	4P-9477	1	GASKET						
	3	1	9X-8917	4	SCREW-MACHINE (4-40X9.52-MM)						



GRAPHIC #1

<END>

g00861068

ELECTRICAL AND STARTING SYSTEM

207-3814 WIRE AS-PRODUCT LINK, SPLICE (CHG -00)

SMCS-1408

i02417225

NOTE	PART NUMBER	QTY	PART NAME						SEE PAGE
			1	2	3	4	5	6 (PRODUCT LEVEL)	
(NO SERVICED PARTS)									
<END>									

ELECTRICAL AND STARTING SYSTEM

219-9928 WIRING GP-ENGINE (CHG -00 THRU -10)

SMCS-1000, 1408

i03260975

NOTE	REF NO	GRAPHIC REF	PART NUMBER	QTY	PART NAME						SEE PAGE
					1	2	3	4	5	6 (PRODUCT LEVEL)	
	1	2	3P-0764	1	PLUG						
	2	4	3S-2093	1	STRAP-CABLE						
	3	2	4N-5756	1	BRACKET						
	4	4	5L-3233	1	FITTING						
	5	2	5P-3501	1	ADAPTER						
	6	2	6K-0806	1	STRAP-CABLE						
	7	4	8N-6265	1	BRACKET						
	8	1,2,4	9X-3495	9	CLIP AS						
	9	1,2,3,4	9X-6772	46	STRAP-CABLE						
	10	1	100-7870	1	ADAPTER-O-RING						
	11	2	110-1168	1	SWITCH AS-PRESSURE (JACKET WATER INLET)						
		2	186-3736	3	SOCKET-CONNECTOR (16-GA TO 18-GA)						
		2	8T-8731	1	PLUG-CONNECTOR (3-PIN)						
BE		2	9X-1813		SLEEVE						
	12	2	116-0118	2	CLIP						
	13	1	130-8299	1	SENSOR GP-TEMPERATURE (OIL)						
		1	186-3735	3	PIN-CONNECTOR (16-GA TO 18-GA)						
E		1	8T-8732	1	RECEPTACLE (3-PIN)						
BE		1	9X-1813		SLEEVE						
	13A	2	130-8299	1	SENSOR GP-TEMPERATURE (FUEL)						
		2	186-3735	3	PIN-CONNECTOR (16-GA TO 18-GA)						
		2	8T-8732	1	RECEPTACLE (3-PIN)						
BE		2	9X-1813		SLEEVE						
	13B	4	130-8299	1	SENSOR GP-TEMPERATURE (MANIFOLD AIR)						
		4	186-3735	3	PIN-CONNECTOR (16-GA TO 18-GA)						
		4	8T-8732	1	RECEPTACLE (3-PIN)						
BE		4	9X-1813		SLEEVE						
	14	3	132-3125	1	COVER AS						
	15	4	140-9669	1	SWITCH AS-PRESSURE (HYDRAX)						
		4	186-3736	3	SOCKET-CONNECTOR (16-GA TO 18-GA)						
		4	8T-8731	1	PLUG-CONNECTOR (3-PIN)						
BE		4	9X-1813		SLEEVE						
	16	2	152-1959	1	SWITCH AS-PRESSURE (PRELUBRICATION)						
		2	186-3735	2	PIN-CONNECTOR (16-GA TO 18-GA)						
		2	8T-8732	1	RECEPTACLE (3-PIN)						
		2	9G-3695	1	PLUG						
	17	3	156-4311	1	TUBE AS						
	18	3	156-4312	1	TUBE AS						
	19	1	163-8523	1	SENSOR GP-PRESSURE (FILTERED OIL)						
		1	180-9340	3	SOCKET-CONNECTOR						
		1	8T-8731	1	PLUG-CONNECTOR (3-PIN)						
BE		1	9X-1813		SLEEVE						
	19A	1	163-8523	1	SENSOR GP-PRESSURE (UNFILTERED OIL)						
		1	180-9340	3	SOCKET-CONNECTOR						
		1	8T-8731	1	PLUG-CONNECTOR (3-PIN)						
BE		1	9X-1813		SLEEVE						
	20	1	170-3528	1	ADAPTER						
	21	3	191-8305	1	SENSOR GP-SPEED (TIMING)						
	22	2	195-2431	4	SENSOR GP-DETONATION						
					(EACH INCLUDES)						
		2	186-3736	3	SOCKET-CONNECTOR (16-GA TO 18-GA)						
		2	8T-8731	1	PLUG-CONNECTOR (3-PIN)						
BE		2	9X-1813		SLEEVE						
Y	23	2	207-6859	1	SENSOR GP-PRESSURE (CRANKCASE)						390
Y	24	4	211-3504	1	SWITCH AS-PRESSURE (INLET AIR)						406
	25	2	219-9941	1	HARNESS AS-ENGINE (RH)						
E		2	8T-6342		TUBE-HEAT SHRINK (3.2-MM DIA) (205-CM)						

ELECTRICAL AND STARTING SYSTEM

219-9928 WIRING GP-ENGINE (contd.)

i03260975

NOTE	REF NO	GRAPHIC REF	PART NUMBER	QTY	PART NAME						SEE PAGE
					1	2	3	4	5	6 (PRODUCT LEVEL)	
E		2	153-2707		CABLE-ELECTRICAL (19-GA) (266-CM)						
		2	155-2270	1	KIT-CONNECTING PLUG (2-PIN) (INCLUDES PLUG AS AND WEDGE)						
		2	102-8803	1	KIT-RECEPTACLE (3-PIN) (INCLUDES RECEPTACLE AS AND WEDGE)						
		2	102-8804	1	KIT-RECEPTACLE (4-PIN) (INCLUDES RECEPTACLE AS AND WEDGE)						
		2	3E-6488	1	PLUG AS-CONNECTOR						
		2	4P-3857	1	PLUG AS-CONNECTOR						
		2	155-2271	1	KIT-CONNECTING PLUG (4-PIN) (INCLUDES PLUG AS AND WEDGE)						
		2	160-7690	1	PLUG AS-CONNECTOR (70-PIN)						
		2	155-2272	1	PLUG AS-CONNECTOR (4-PIN)						
		2	155-2271	1	KIT-CONNECTING PLUG (4-PIN) (INCLUDES PLUG AS AND WEDGE)						
		2	176-2942	1	PLUG AS-CONNECTOR (2-PIN)						
		2	176-2943	1	KIT-CONNECTING PLUG (2-PIN) (INCLUDES PLUG AS AND WEDGE)						
	26	3	219-9942	1	HARNESS AS						
		3	1Q-5094	1	PLUG AS-CONNECTOR						
		3	4P-3857	4	PLUG AS-CONNECTOR						
J	3	5P-1038		TUBE-HEAT SHRINK (9.52-MM DIA) (2-DM)							
	3	6K-0806	1	STRAP-CABLE							
E	3	8T-6342		TUBE-HEAT SHRINK (3.2-MM DIA) (39-CM)							
	3	9G-3695	52	PLUG							
	3	9X-6772	1	STRAP-CABLE							
	3	147-1443	1	PLUG AS-CONNECTOR (70-PIN)							
	3	159-9322	1	SEAL-O-RING							
	3	176-2942	1	PLUG AS-CONNECTOR (2-PIN)							
B	27	2	234-5896	1	PLUG						
	28	3	242-8824	1	SENSOR GP-PRESSURE						
	29	1	264-4297	1	SENSOR GP-TEMPERATURE (WATER, COOLANT)						
		1	137-6645	1	PAD (CONNECTOR)						
	30	1	276-6793	1	SENSOR GP-PRESSURE						
	31	1	290-4619	1	BUFFER GP-SENSOR						
		1	186-3736	3	SOCKET-CONNECTOR (16-GA TO 18-GA)						
		1	8T-8731	1	PLUG-CONNECTOR (3-PIN)						
BE		1	9X-1813		SLEEVE						
	32	3	030-7947	1	ELBOW						
	33	3	030-7961	1	ELBOW						
	34	4	0L-1351	1	BOLT (3/8-16X0.875-IN)						
	35	2, 3, 4	0S-0509	11	BOLT (3/8-16X0.75-IN)						
	36	1	0S-1588	2	BOLT (3/8-16X1.25-IN)						
	37	1, 3, 4	0S-1594	6	BOLT (3/8-16X1-IN)						
	38	3	0S-1617	1	BOLT (5/16-18X0.75-IN)						
	39	3	117-1385	1	SEAL-O-RING						
I	40	4	143-7225	1	HOSE AS						
	41	3	1L-5081	4	SPACER (0.41X0.75X0.56-IN THK)						
	42	3	2P-1314	1	CONNECTOR						
	43	4	3B-4508	1	LOCKWASHER						
	44	1	3J-1907	1	SEAL-O-RING						
	45	1	3J-7354	1	SEAL-O-RING						
	46	1, 4	3K-0360	3	SEAL-O-RING						
	47	1, 2, 3, 4	3V-3308	29	WASHER-HARD (10.2X20.5X2.5-MM THK)						
	48	1, 2, 4	4P-7428	5	CLIP						
	49	1	4P-7429	2	CLIP						
	50	2, 4	4P-7581	20	CLIP						
	51	1, 2, 3, 4	4P-8134	19	CLIP						

ELECTRICAL AND STARTING SYSTEM

219-9928 WIRING GP-ENGINE (contd.)

i03260975

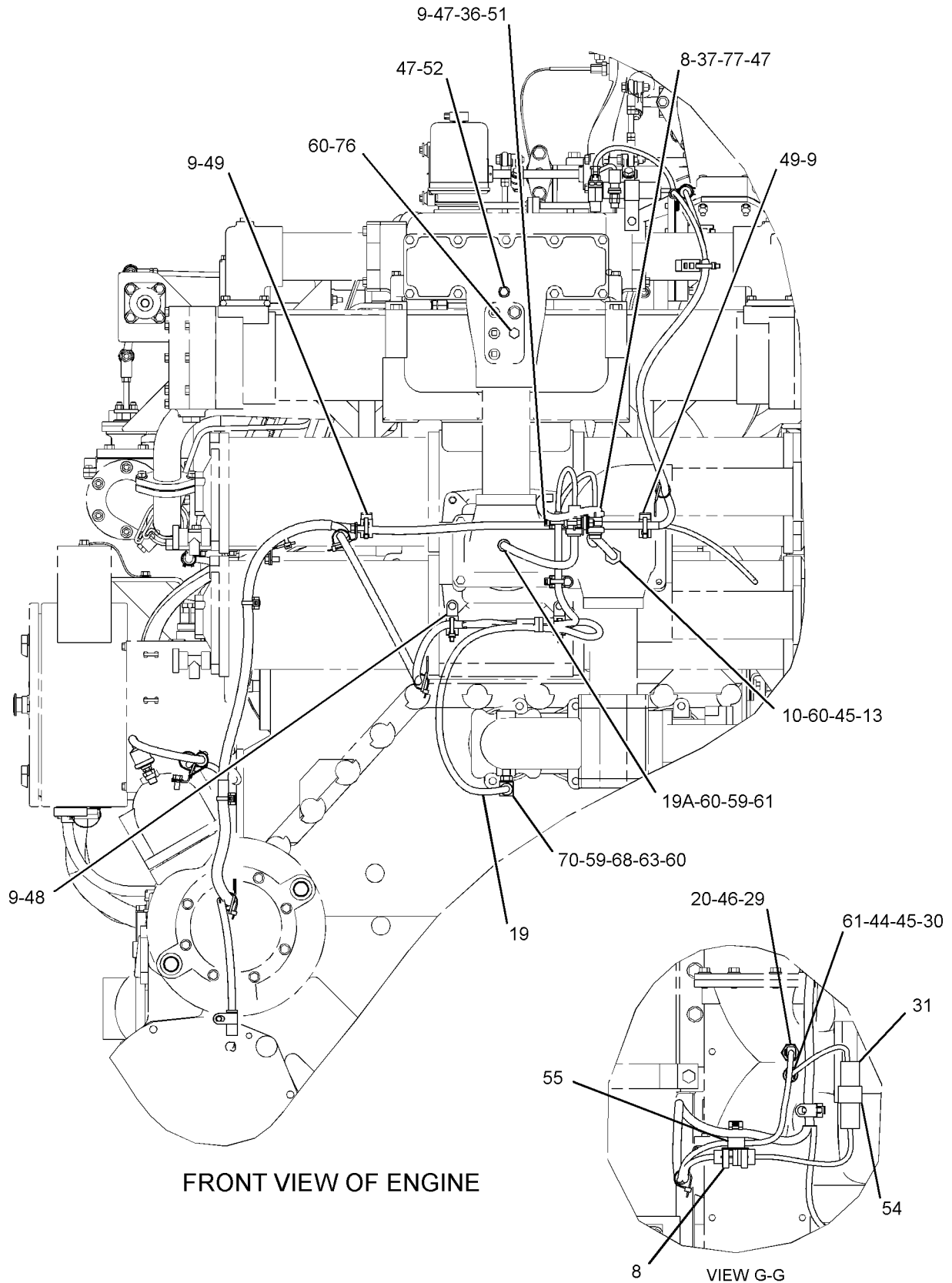
NOTE	REF NO	GRAPHIC REF	PART NUMBER	QTY	PART NAME						SEE PAGE
					1	2	3	4	5	6 (PRODUCT LEVEL)	
	52	1	5B-9603	1	BOLT (3/8-16X5-IN)						
	53	4	5D-9231	1	CONNECTOR						
	54	1	5N-2840	1	CLIP						
	55	1	5P-9299	1	CLIP						
	56	4	6D-3479	1	CLIP						
	57	3	6K-9194	2	ELBOW-FLARED						
	58	2	6V-4589	1	SEAL-O-RING						
	59	1,2	6V-5048	3	SEAL-O-RING						
	60	1,2,3,4	214-7568	9	SEAL-O-RING						
	61	1	6V-8647	2	CONNECTOR						
M	62	4	6V-8675	1	BOLT (M12X1.75X35-MM)						
	63	1	6V-9872	1	CONNECTOR						
	64	4	7J-4026	1	ELBOW						
	65	3	7K-9197	1	ELBOW						
	66	3	7X-2501	4	BOLT (1/4-20X1.25-IN)						
	67	3	8C-3103	1	SEAL-O-RING						
	68	1	8L-2779	1	SEAL-O-RING						
	69	2,4	8L-2786	2	SEAL-O-RING						
	70	1	8T-0788	1	ELBOW						
	71	4	8T-1887	2	CLIP (SLOT)						
	72	4	8T-1888	2	CLIP (TAB)						
	73	2	8T-2353	1	ADAPTER						
	74	3	8T-4205	4	WASHER-HARD (7.2X14.5X2-MM THK)						
	75	3	9M-1974	1	WASHER-HARD (8.8X16X2-MM THK)						
	76	1	9S-4191	1	PLUG-O-RING						
	77	1,3,4	9S-8752	5	NUT-FULL (3/8-16-THD)						

B-USE AS REQUIRED
 E-ORDER BY THE CENTIMETER
 I-REFER TO HYDRAULIC INFORMATION SYSTEM
 J-ORDER BY THE DECIMETER
 M-METRIC PART
 Y-SEPARATE ILLUSTRATION

ELECTRICAL AND STARTING SYSTEM

219-9928 WIRING GP-ENGINE (contd.)

i03260975



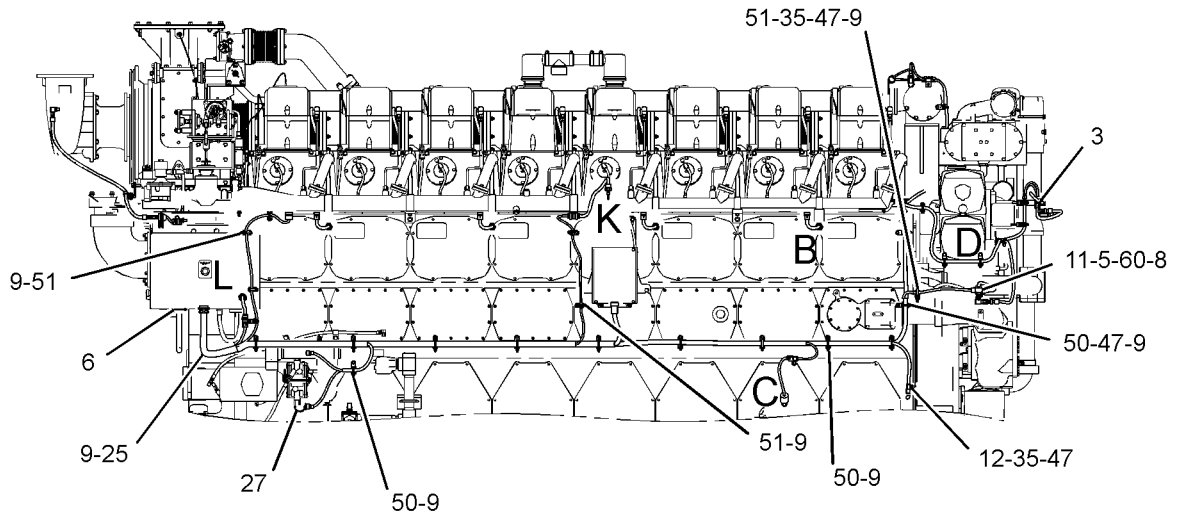
GRAPHIC #1

g01682233

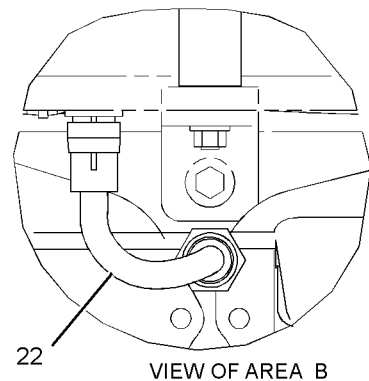
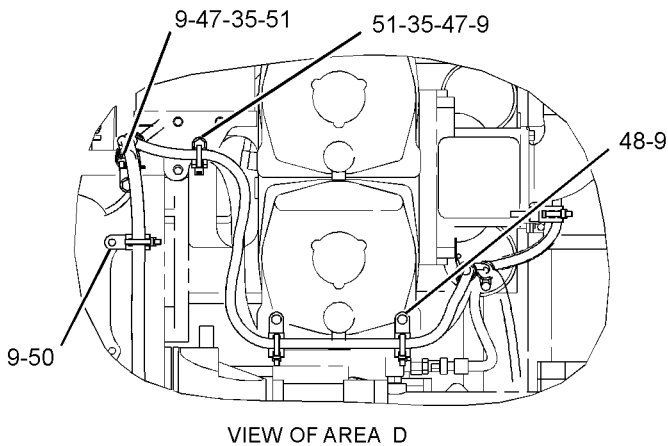
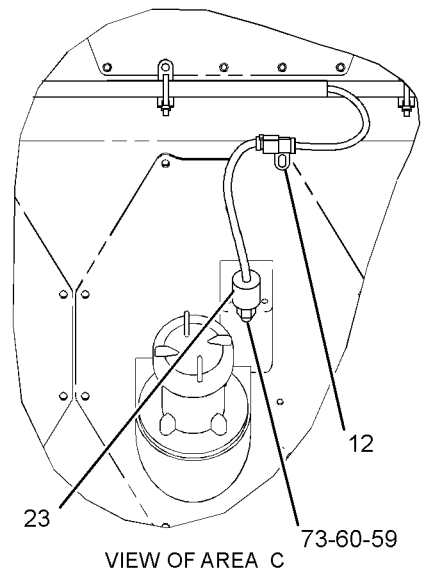
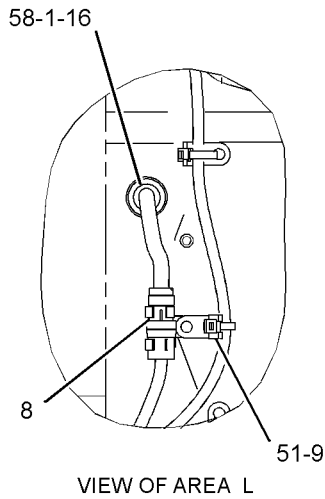
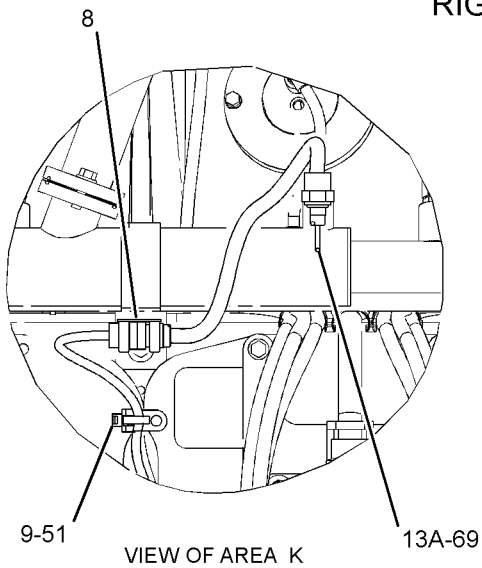
ELECTRICAL AND STARTING SYSTEM

219-9928 WIRING GP-ENGINE (contd.)

i03260975



RIGHT SIDE VIEW OF ENGINE



GRAPHIC #2

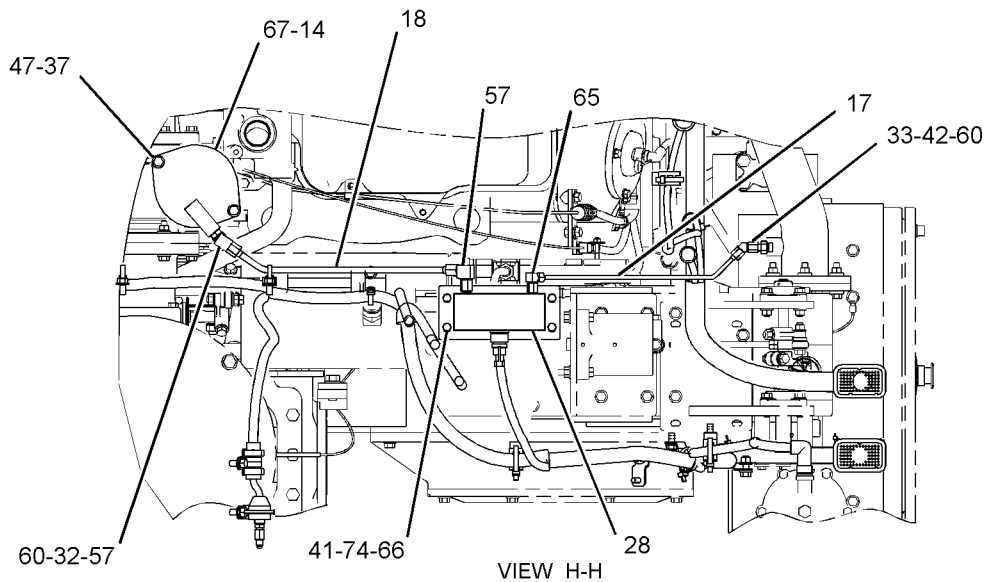
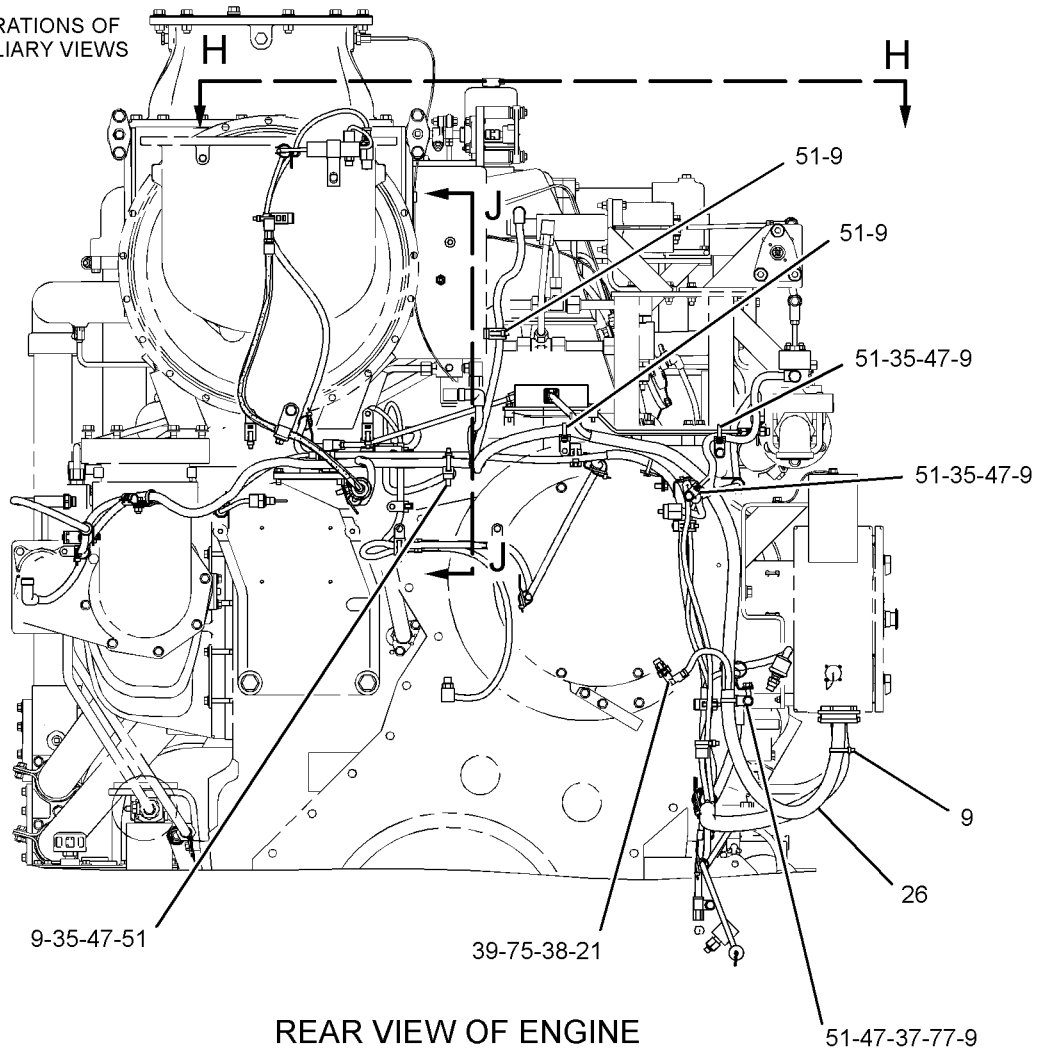
g01682234

ELECTRICAL AND STARTING SYSTEM

219-9928 WIRING GP-ENGINE (contd.)

i03260975

REFER TO ALL ILLUSTRATIONS OF THIS GROUP FOR AUXILIARY VIEWS



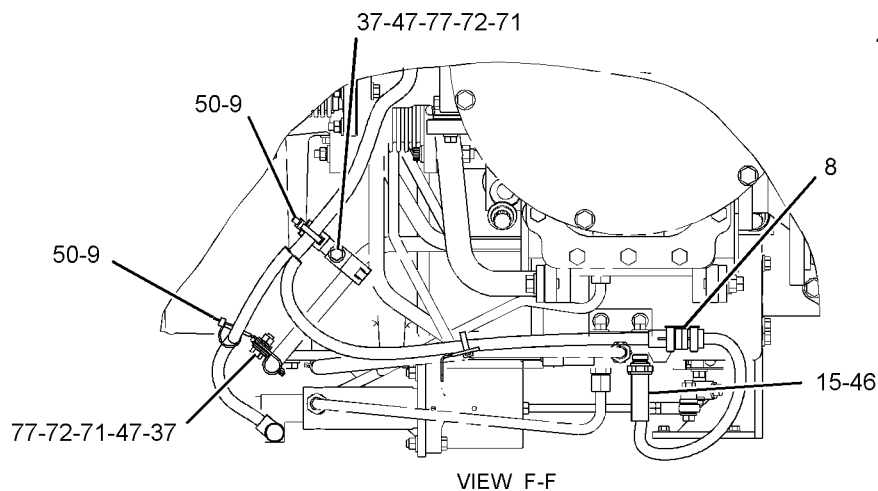
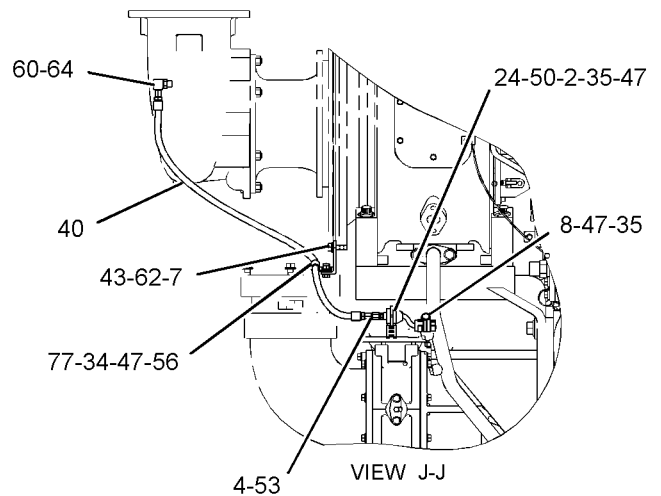
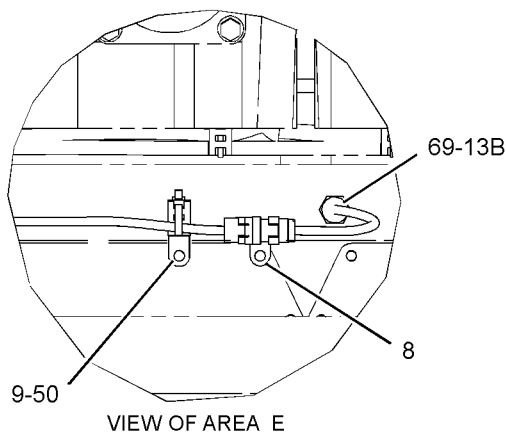
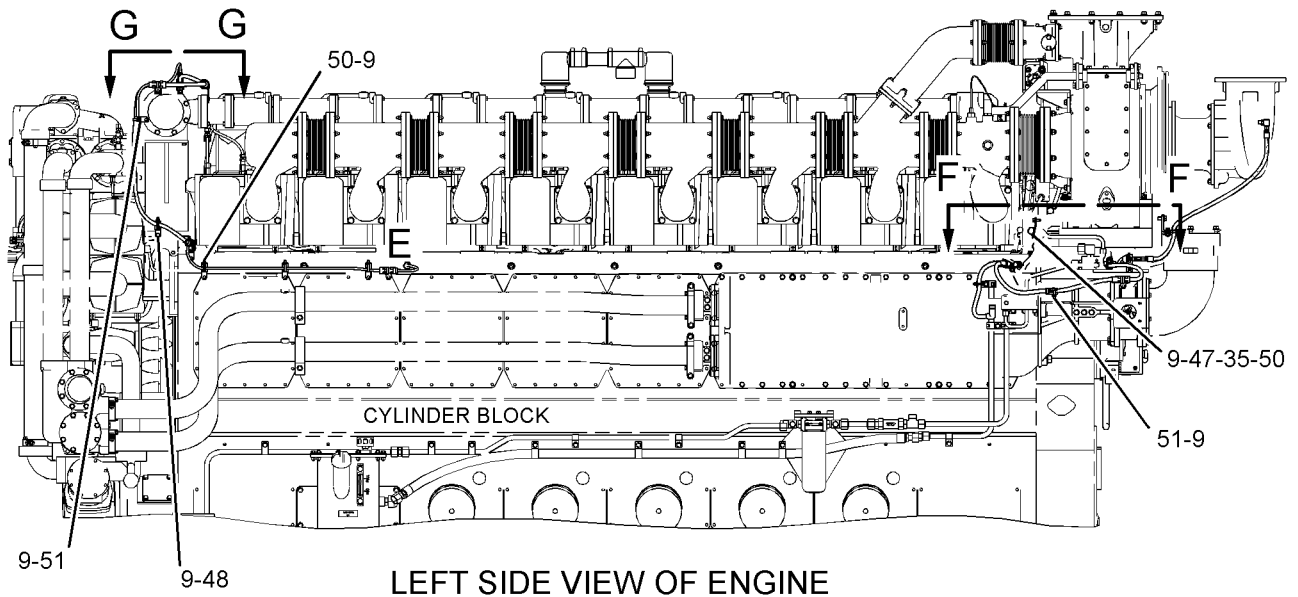
GRAPHIC #3

g01682235

ELECTRICAL AND STARTING SYSTEM

219-9928 WIRING GP-ENGINE (contd.)

i03260975



REFER TO ALL ILLUSTRATIONS OF THIS GROUP FOR AUXILIARY VIEWS

GRAPHIC #4

<END>

g01682236

ELECTRICAL AND STARTING SYSTEM

228-6594 WIRING GP-ENGINE

(CHG -00 THRU -11, 213-6305-03, 219-9941-03)

SMCS-1000, 1408

i03261341

NOTE	REF NO	GRAPHIC REF	PART NUMBER	QTY	PART NAME						SEE PAGE
					1	2	3	4	5	6 (PRODUCT LEVEL)	
	1	2	3P-0764	1	PLUG						
	2	2	3S-2093	1	STRAP-CABLE						
	3	2	4N-5756	1	BRACKET						
	4	2	5L-3233	1	FITTING						
	5	2	5P-3501	1	ADAPTER						
	6	2,3	6K-0806	2	STRAP-CABLE						
	7	1,2,3,4	9X-3495	9	CLIP AS						
	8	1,2,3,4	9X-6772	50	STRAP-CABLE						
	9	1	100-7870	1	ADAPTER-O-RING						
	10	2	110-1168	1	SWITCH AS-PRESSURE (JACKET WATER INLET)						
		2	186-3736	3	SOCKET-CONNECTOR (16-GA TO 18-GA)						
		2	8T-8731	1	PLUG-CONNECTOR (3-PIN)						
BE		2	9X-1813		SLEEVE						
	11	2	116-0118	2	CLIP						
	12	1	130-8299	1	SENSOR GP-TEMPERATURE (OIL)						
		1	186-3735	3	PIN-CONNECTOR (16-GA TO 18-GA)						
		1	8T-8732	1	RECEPTACLE (3-PIN)						
BE		1	9X-1813		SLEEVE						
	12A	2	130-8299	1	SENSOR GP-TEMPERATURE (FUEL)						
		2	186-3735	3	PIN-CONNECTOR (16-GA TO 18-GA)						
		2	8T-8732	1	RECEPTACLE (3-PIN)						
BE		2	9X-1813		SLEEVE						
	12B	4	130-8299	1	SENSOR GP-TEMPERATURE (MANIFOLD AIR)						
		4	186-3735	3	PIN-CONNECTOR (16-GA TO 18-GA)						
		4	8T-8732	1	RECEPTACLE (3-PIN)						
BE		4	9X-1813		SLEEVE						
	13	3	132-3125	1	COVER AS						
	14	4	140-9669	1	SWITCH AS-PRESSURE (GOVERNOR OIL)						
		4	8T-8731	1	PLUG-CONNECTOR (3-PIN)						
BE		4	9X-1813		SLEEVE						
		4	186-3736	3	SOCKET-CONNECTOR (16-GA TO 18-GA)						
I	15	2	148-0170	1	HOSE AS						
	16	2	152-1959	1	SWITCH AS-PRESSURE (PRELUBRICATION)						
		2	186-3735	2	PIN-CONNECTOR (16-GA TO 18-GA)						
		2	8T-8732	1	RECEPTACLE (3-PIN)						
		2	9G-3695	1	PLUG						
	17	3	156-4311	1	TUBE AS						
	18	3	156-4312	1	TUBE AS						
	19	1	163-8523	1	SENSOR GP-PRESSURE (FILTERED OIL)						
		1	8T-8731	1	PLUG-CONNECTOR (3-PIN)						
BE		1	9X-1813		SLEEVE						
		1	194-5226	3	WIRE AS						
	19A	1	163-8523	1	SENSOR GP-PRESSURE (UNFILTERED OIL)						
		1	8T-8731	1	PLUG-CONNECTOR (3-PIN)						
BE		1	9X-1813		SLEEVE						
		1	194-5226	3	WIRE AS						
	20	3	170-3528	1	ADAPTER						
	21	3	191-8305	1	SENSOR GP-SPEED (TIMING)						
	22	2	195-2431	4	SENSOR GP-DETONATION (EACH INCLUDES)						
		2	186-3736	3	SOCKET-CONNECTOR (16-GA TO 18-GA)						
		2	8T-8731	1	PLUG-CONNECTOR (3-PIN)						
BE		2	9X-1813		SLEEVE						
Y	23	2	207-6859	1	SENSOR GP-PRESSURE (CRANKCASE)						390
Y	24	2	211-3504	1	SWITCH AS-PRESSURE (INLET AIR)						406

ELECTRICAL AND STARTING SYSTEM

228-6594 WIRING GP-ENGINE (contd.)

i03261341

NOTE	REF NO	GRAPHIC REF	PART NUMBER	QTY	PART NAME	1 2 3 4 5 6 (PRODUCT LEVEL)						SEE PAGE
	25	3	213-6305	1	HARNESS AS-ENGINE (REAR)							
		3	1Q-5094	1	PLUG AS-CONNECTOR							
		3	4P-3857	3	PLUG AS-CONNECTOR							
		3	3E-6488	1	PLUG AS-CONNECTOR							
		3	186-3736	22	SOCKET-CONNECTOR (16-GA TO 18-GA)							
BE		3	8T-6342		TUBE-HEAT SHRINK (3.2-MM DIA)							
		3	9G-3695	52	PLUG							
		3	147-1443	1	PLUG AS-CONNECTOR (70-PIN)							
		3	159-9322	1	SEAL-O-RING							
		3	155-2270	1	KIT-CONNECTING PLUG (2-PIN)							
					(INCLUDES PLUG ASSEMBLY AND WEDGE)							
		3	176-2942	1	PLUG AS-CONNECTOR (2-PIN)							
		3	176-2943	1	KIT-CONNECTING PLUG (2-PIN)							
					(INCLUDES PLUG ASSEMBLY AND WEDGE)							
	26	2	219-9941	1	HARNESS AS-ENGINE (RH)							
		2	102-8803	1	KIT-RECEPTACLE (3-PIN)							
					(INCLUDES RECEPTACLE AS AND WEDGE)							
		2	102-8804	1	KIT-RECEPTACLE (4-PIN)							
					(INCLUDES RECEPTACLE AS AND WEDGE)							
		2	3E-6488	1	PLUG AS-CONNECTOR							
		2	4P-3857	1	PLUG AS-CONNECTOR							
		2	6K-0806	1	STRAP-CABLE							
BE		2	8T-6342		TUBE-HEAT SHRINK (3.2-MM DIA)							
		2	9G-3695	12	PLUG							
		2	9X-6772	1	STRAP-CABLE							
E		2	153-2707		CABLE-ELECTRICAL (2-CONDUCTOR, 18-GA)							
					(266-CM)							
		2	155-2270	1	KIT-CONNECTING PLUG (2-PIN)							
					(INCLUDES PLUG ASSEMBLY AND WEDGE)							
		2	155-2272	1	PLUG AS-CONNECTOR (4-PIN)							
		2	160-7690	1	PLUG AS-CONNECTOR (70-PIN)							
		2	176-2942	1	PLUG AS-CONNECTOR (2-PIN)							
		2	176-2943	1	KIT-CONNECTING PLUG (2-PIN)							
					(INCLUDES PLUG AS AND WEDGE)							
B	27	2	234-5896	1	PLUG							
	28	2	250-1498	1	ELBOW AS							
		2	6V-4589	1	SEAL-O-RING							
		2	250-1497	1	ELBOW							
	29	3	242-8824	1	SENSOR GP-PRESSURE							
	30	3	264-4297	1	SENSOR GP-TEMPERATURE (COOLANT, WATER)							
		3	137-6645	1	PAD (CONNECTOR)							
	31	3	276-6793	1	SENSOR GP-PRESSURE (JACKET WATER OUTLET)							
	32	3	290-4619	1	BUFFER GP-SENSOR							
BE		3	9X-1813		SLEEVE							
	33	3	030-7947	1	ELBOW							
	34	3	030-7961	1	ELBOW							
	35	2,3,4	0S-0509	10	BOLT (3/8-16X0.75-IN)							
	36	1	0S-1588	2	BOLT (3/8-16X1.25-IN)							
	37	1,3,4	0S-1594	7	BOLT (3/8-16X1-IN)							
	38	3	0S-1617	1	BOLT (5/16-18X0.75-IN)							
	39	3	117-1385	1	SEAL-O-RING							
	40	3	1L-5081	4	SPACER (0.41X0.75X0.56-IN THK)							
	41	3	2P-1314	1	CONNECTOR							
	42	3	3J-1907	1	SEAL-O-RING							
	43	3	3J-7354	1	SEAL-O-RING							
	44	1,3,4	3K-0360	3	SEAL-O-RING							
	45	1,2,3,4	3V-3308	28	WASHER-HARD (10.2X20.5X2.5-MM THK)							
	46	1,2,4	4P-7428	5	CLIP							
	47	1	4P-7429	2	CLIP							

ELECTRICAL AND STARTING SYSTEM

228-6594 WIRING GP-ENGINE (contd.)

i03261341

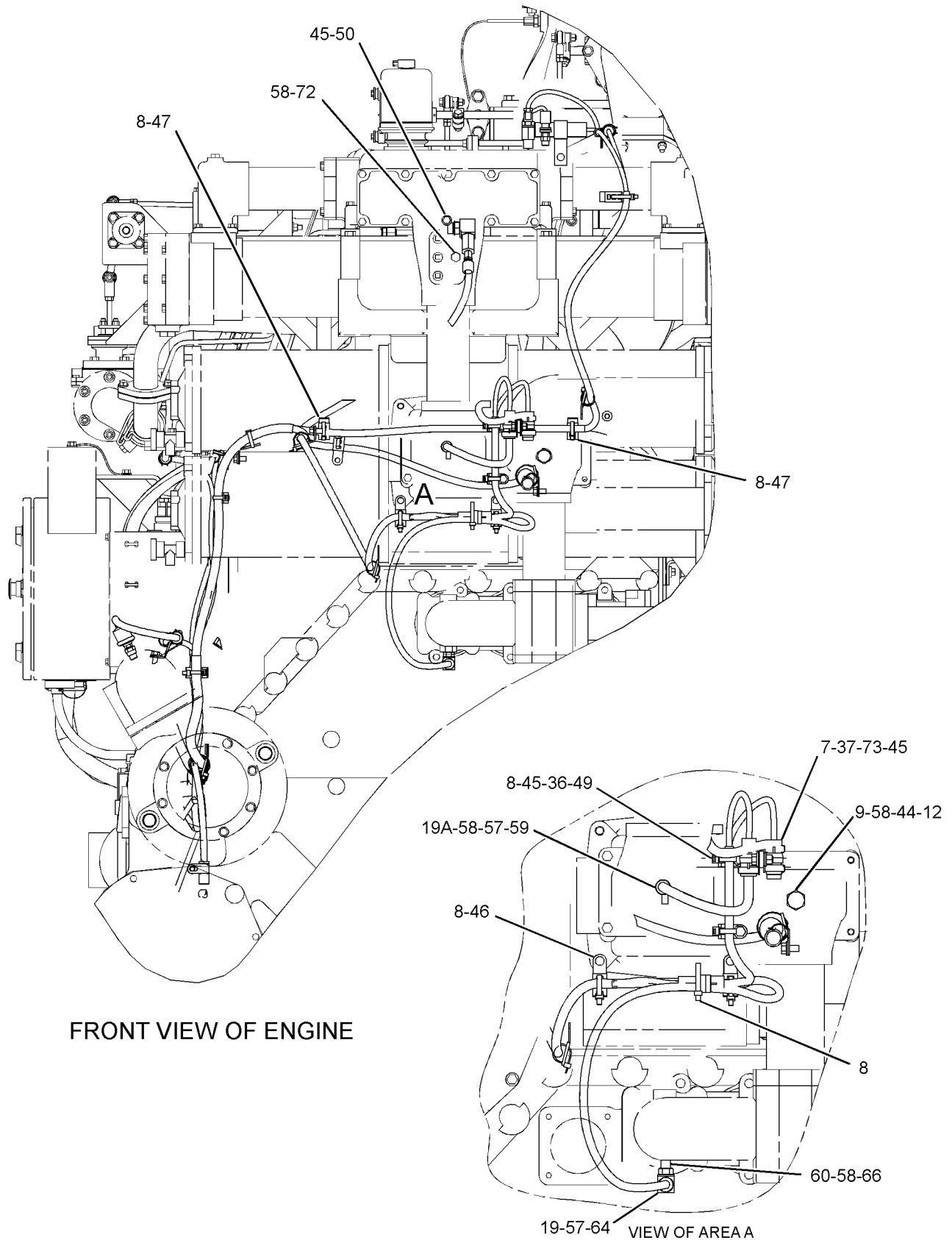
NOTE	REF NO	GRAPHIC REF	PART NUMBER	QTY	PART NAME						SEE PAGE
					1	2	3	4	5	6 (PRODUCT LEVEL)	
	48	2, 3, 4	4P-7581	22	CLIP						
	49	1, 2, 3, 4	4P-8134	19	CLIP						
	50	1	5B-9603	1	BOLT (3/8-16X5-IN)						
	51	2	5D-9231	1	CONNECTOR						
	52	3	5N-2840	1	CLIP						
	53	2	5P-5006	1	REDUCER-FLARED						
	54	3	5P-9299	1	CLIP						
	55	3	6K-9194	2	ELBOW-FLARED						
	56	2	6V-4589	1	SEAL-O-RING						
	57	1, 2	6V-5048	3	SEAL-O-RING						
	58	1, 2, 3	214-7568	8	SEAL-O-RING						
	59	1, 3	6V-8647	2	CONNECTOR						
	60	1	6V-9872	1	CONNECTOR						
	61	3	7K-9197	1	ELBOW						
	62	3	7X-2501	4	BOLT (1/4-20X1.25-IN)						
	63	3	8C-3103	1	SEAL-O-RING						
	64	1	8L-2779	1	SEAL-O-RING						
	65	2, 4	8L-2786	2	SEAL-O-RING						
	66	1	8T-0788	1	ELBOW						
	67	3, 4	8T-1887	3	CLIP (SLOT)						
	68	3, 4	8T-1888	3	CLIP (TAB)						
	69	2	8T-2353	1	ADAPTER						
	70	3	8T-4205	4	WASHER-HARD (7.2X14.5X2-MM THK)						
	71	3	9M-1974	1	WASHER-HARD (8.8X16X2-MM THK)						
	72	1	9S-4191	1	PLUG-O-RING						
	73	1, 3, 4	9S-8752	5	NUT-FULL (3/8-16-THD)						

B-USE AS REQUIRED
 E-ORDER BY THE CENTIMETER
 I-REFER TO HYDRAULIC INFORMATION SYSTEM
 Y-SEPARATE ILLUSTRATION

ELECTRICAL AND STARTING SYSTEM

228-6594 WIRING GP-ENGINE (contd.)

i03261341



FRONT VIEW OF ENGINE

VIEW OF AREA A

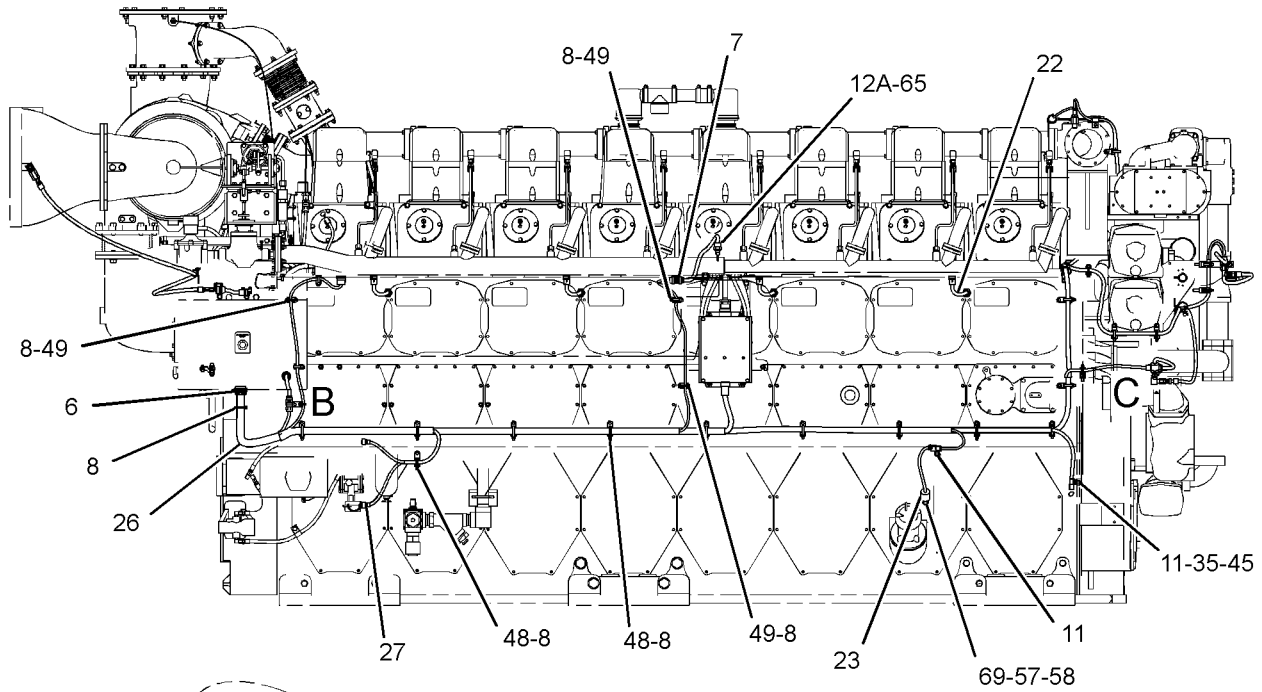
GRAPHIC #1

g01674973

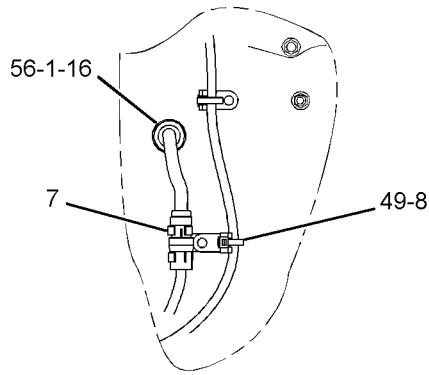
ELECTRICAL AND STARTING SYSTEM

228-6594 WIRING GP-ENGINE (contd.)

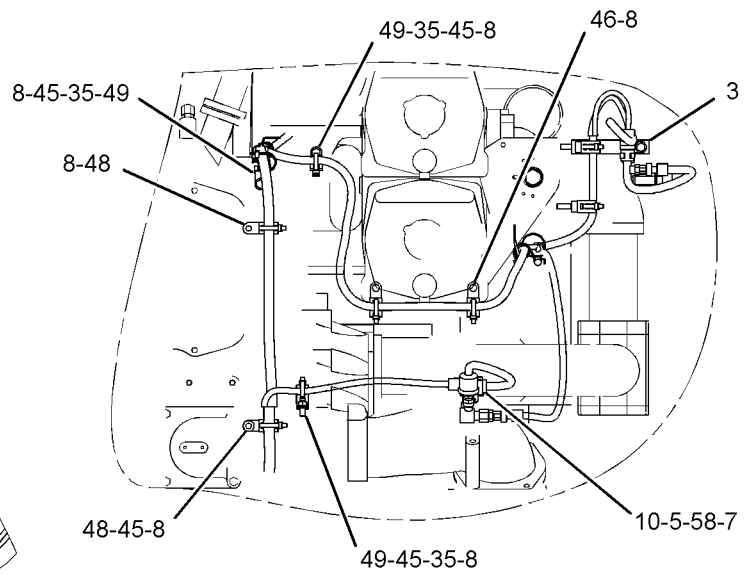
i03261341



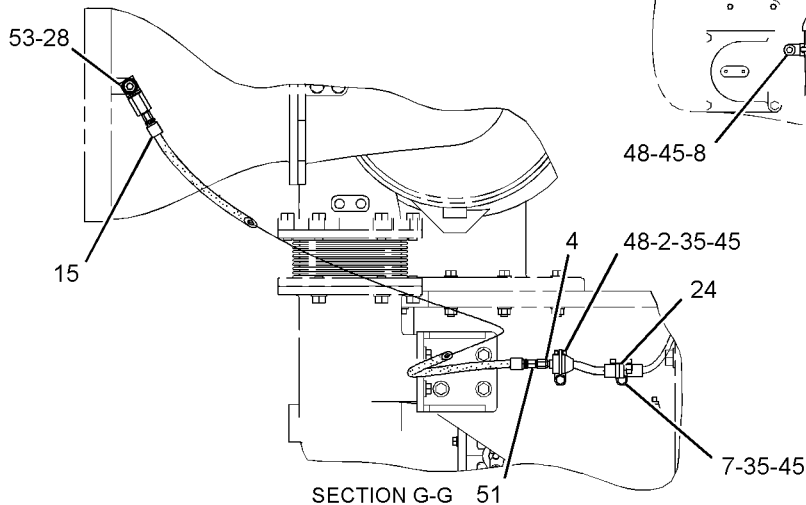
RIGHT SIDE VIEW OF ENGINE



VIEW OF AREA B



VIEW OF AREA C



SECTION G-G 51

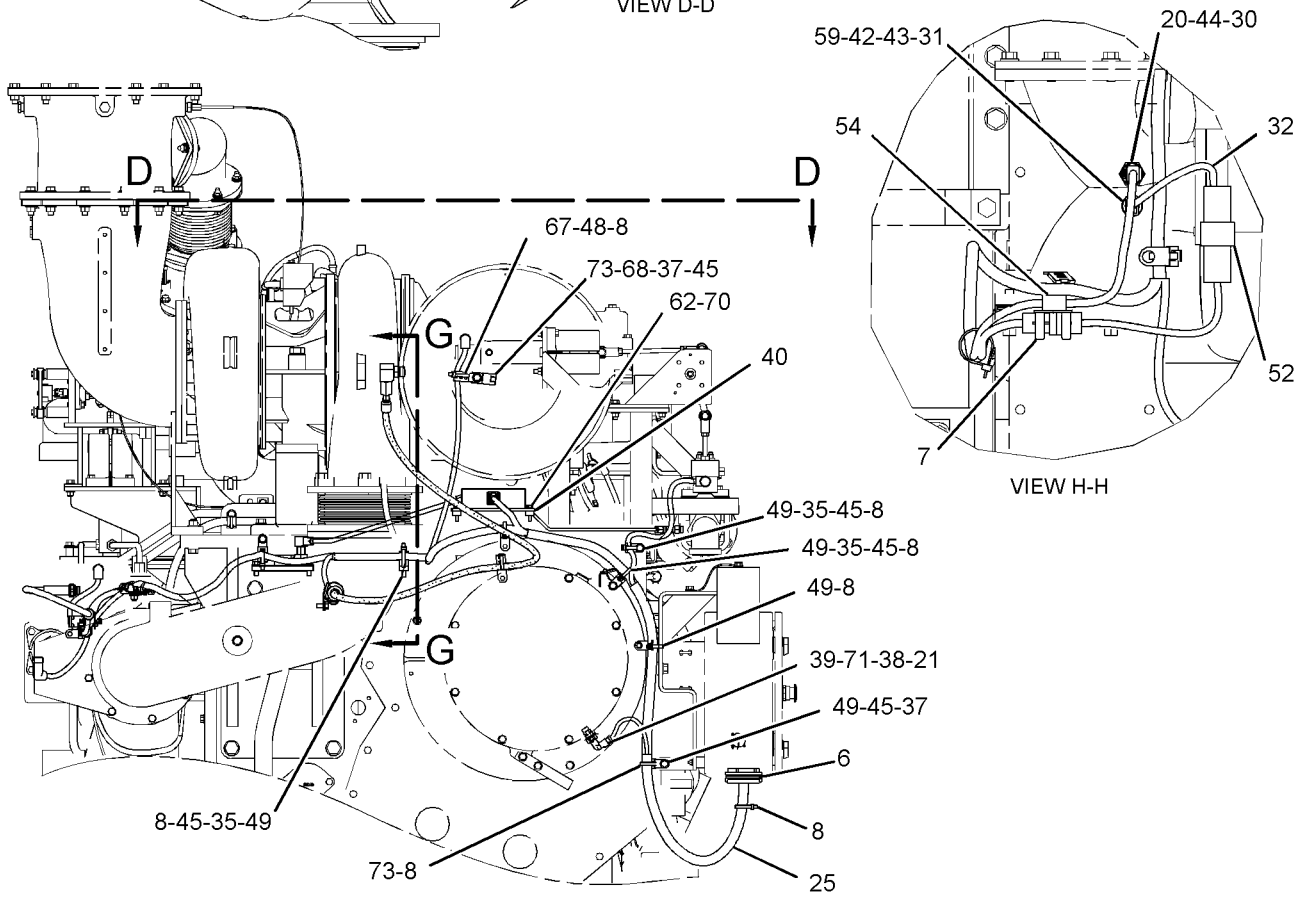
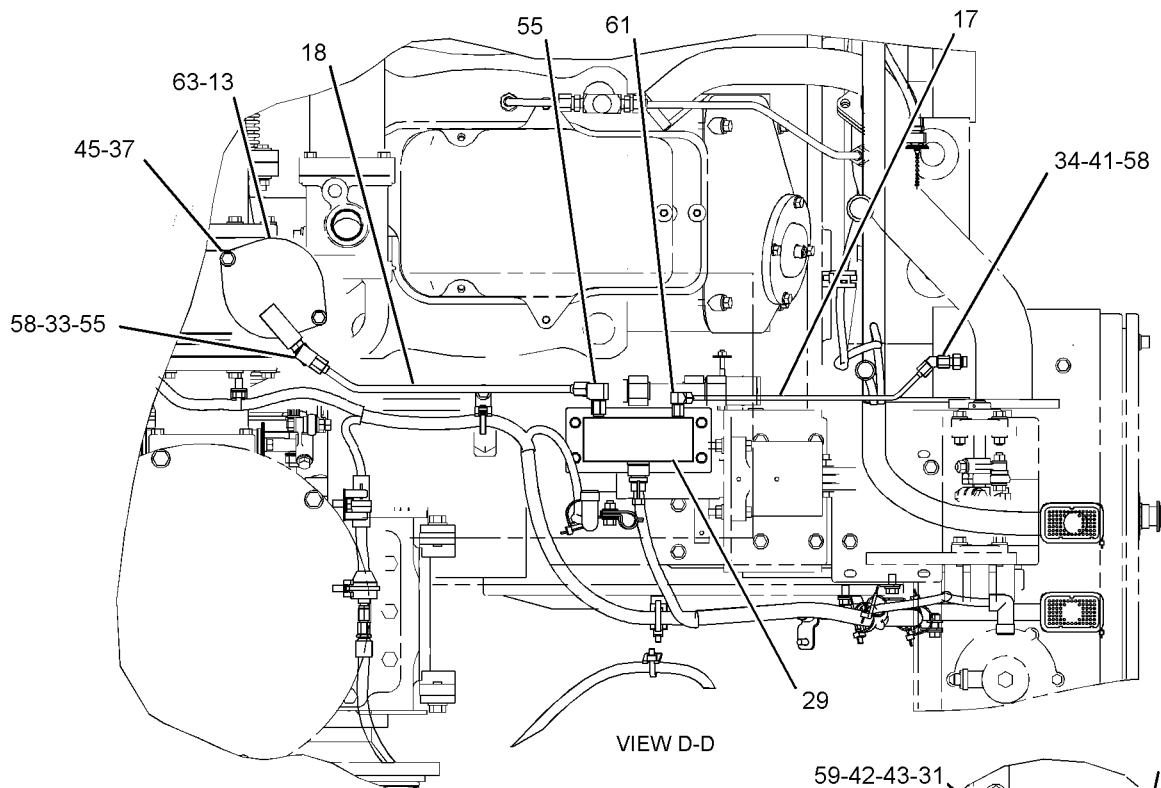
GRAPHIC #2

g01675214

ELECTRICAL AND STARTING SYSTEM

228-6594 WIRING GP-ENGINE (contd.)

i03261341



GRAPHIC #3

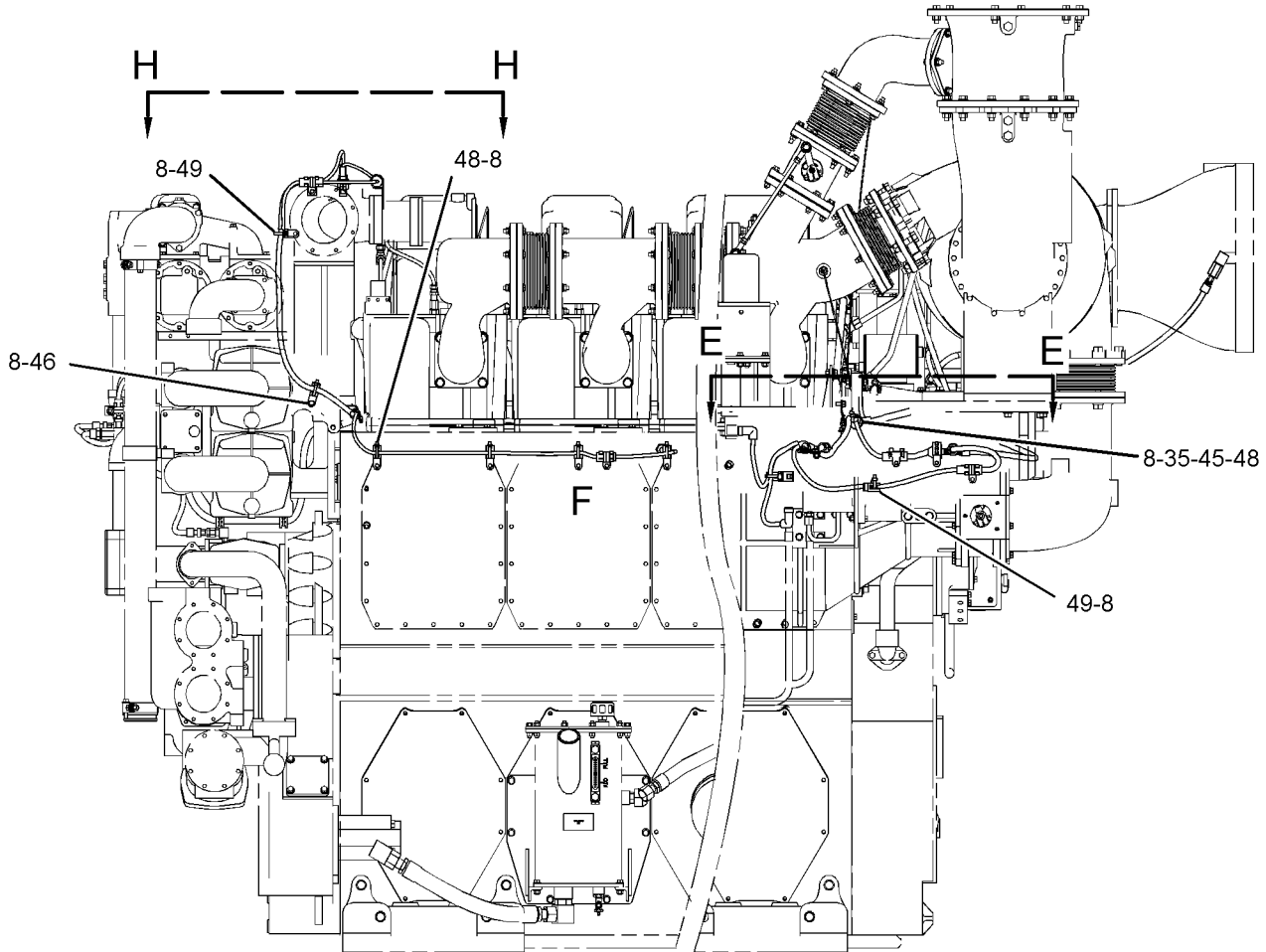
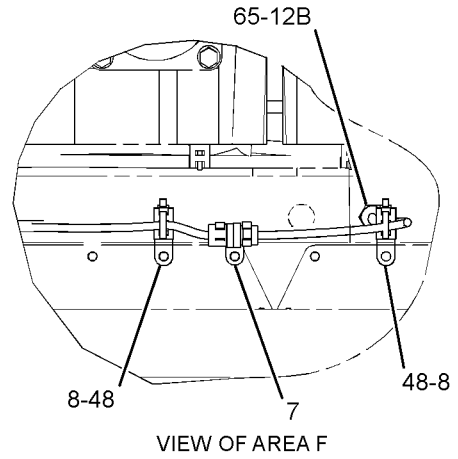
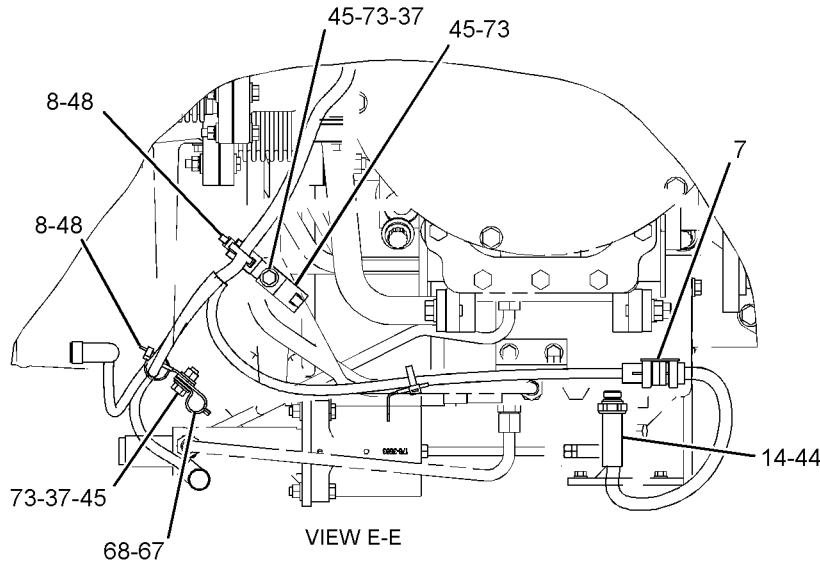
g01675215

ELECTRICAL AND STARTING SYSTEM

228-6594 WIRING GP-ENGINE (contd.)

i03261341

REFER TO ALL ILLUSTRATIONS OF THIS GROUP FOR AUXILIARY VIEWS



GRAPHIC #4

<END>

g01675216

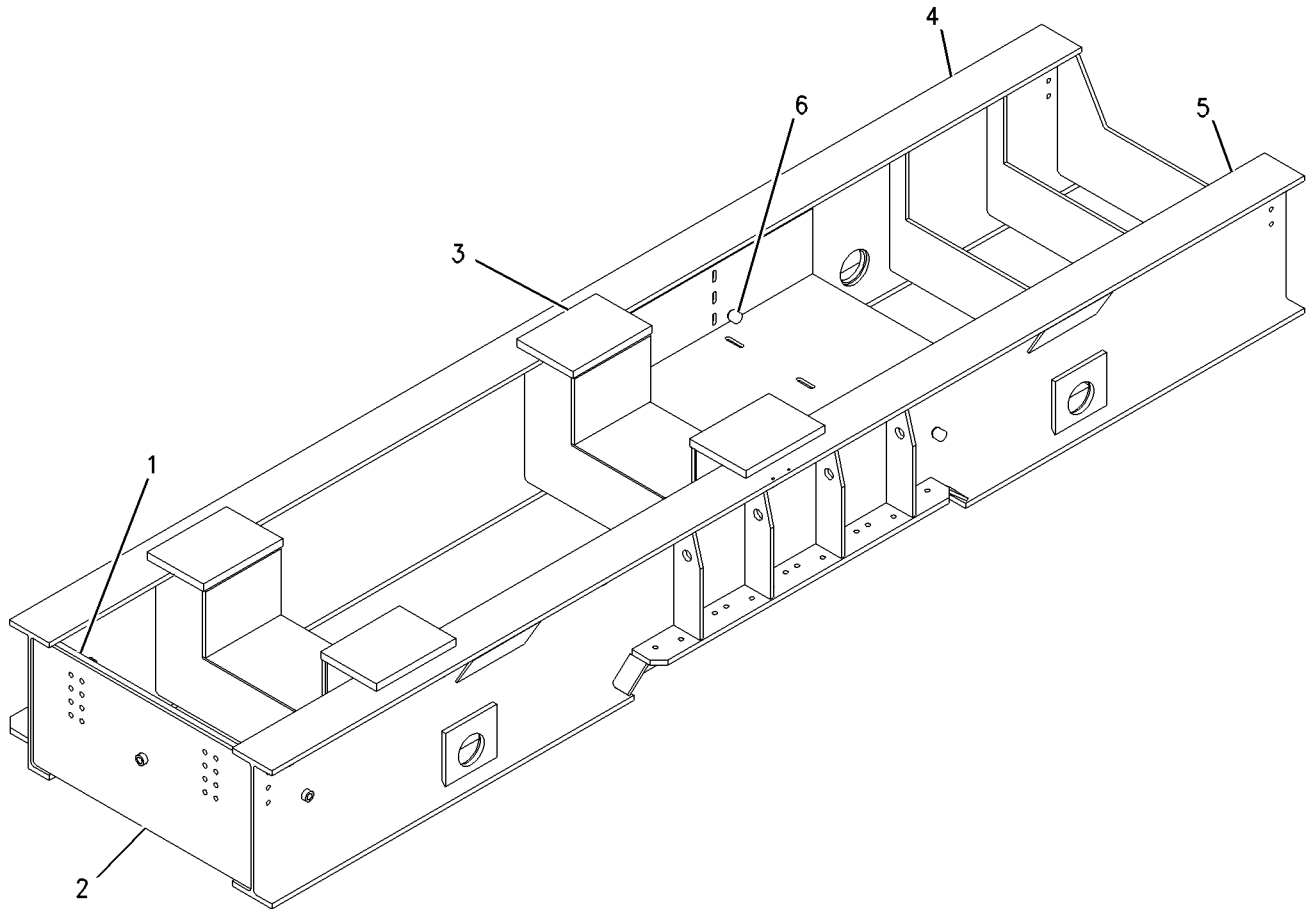
ENCLOSURES, GUARDS AND BASES

188-6008 BASE AS (CHG -00, -01)

SMCS-7060

i02071048

NOTE	REF NO	GRAPHIC REF	PART NUMBER	QTY	PART NAME						SEE PAGE
					1	2	3	4	5	6 (PRODUCT LEVEL)	
	1	1	171-7982	1	CHANNEL						
	2	1	175-1397	1	PLATE						
	3	1	175-1402	2	SUPPORT AS						
	4	1	192-9183	1	BEAM AS						
		1	3K-5068	4	DOWEL						
		1	3V-0409	7	SPACER (0.423X.675X1.25-IN THK)						
5		1	192-9184	1	BEAM AS						
		1	3V-0409	7	SPACER (0.423X.675X1.25-IN THK)						
6		1	8F-7800	4	CAP-PIPE						



GRAPHIC #1

<END>

g00886818

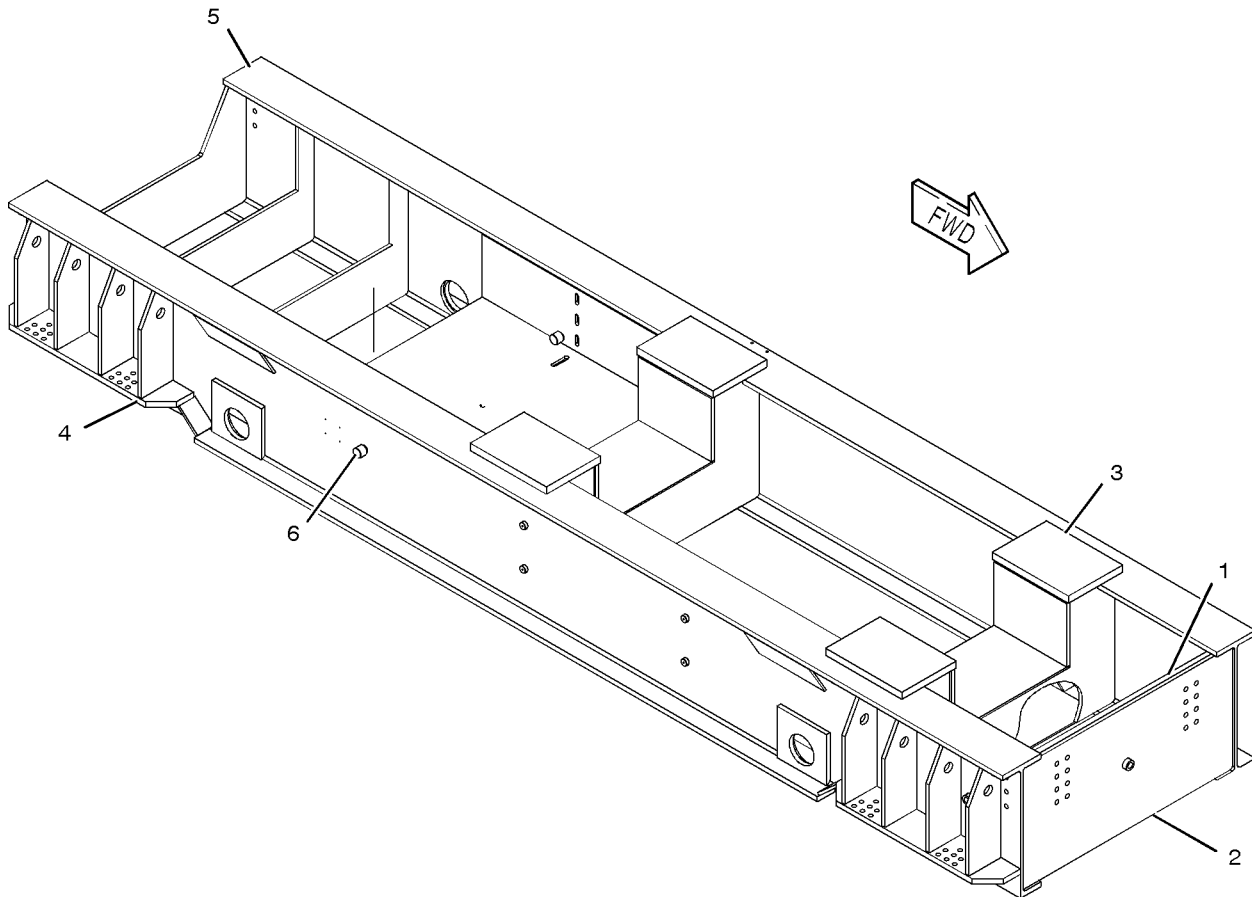
ENCLOSURES, GUARDS AND BASES

225-3208 BASE AS (CHG -00, -01)

SMCS-7060

i02044782

NOTE	REF NO	GRAPHIC REF	PART NUMBER	QTY	PART NAME						SEE PAGE
					1	2	3	4	5	6 (PRODUCT LEVEL)	
	1	1	171-7982	1	CHANNEL						
	2	1	175-1397	1	PLATE						
	3	1	175-1402	2	SUPPORT AS						
	4	1	225-3209	1	BEAM AS						
		1	3K-5068	4	DOWEL						
		1	3V-0409	7	SPACER (0.423X.675X1.25-IN THK)						
	5	1	225-3210	1	BEAM AS						
		1	3V-0409	7	SPACER (0.423X.675X1.25-IN THK)						
	6	1	8F-7800	4	CAP-PIPE						



GRAPHIC #1

<END>

g01050161

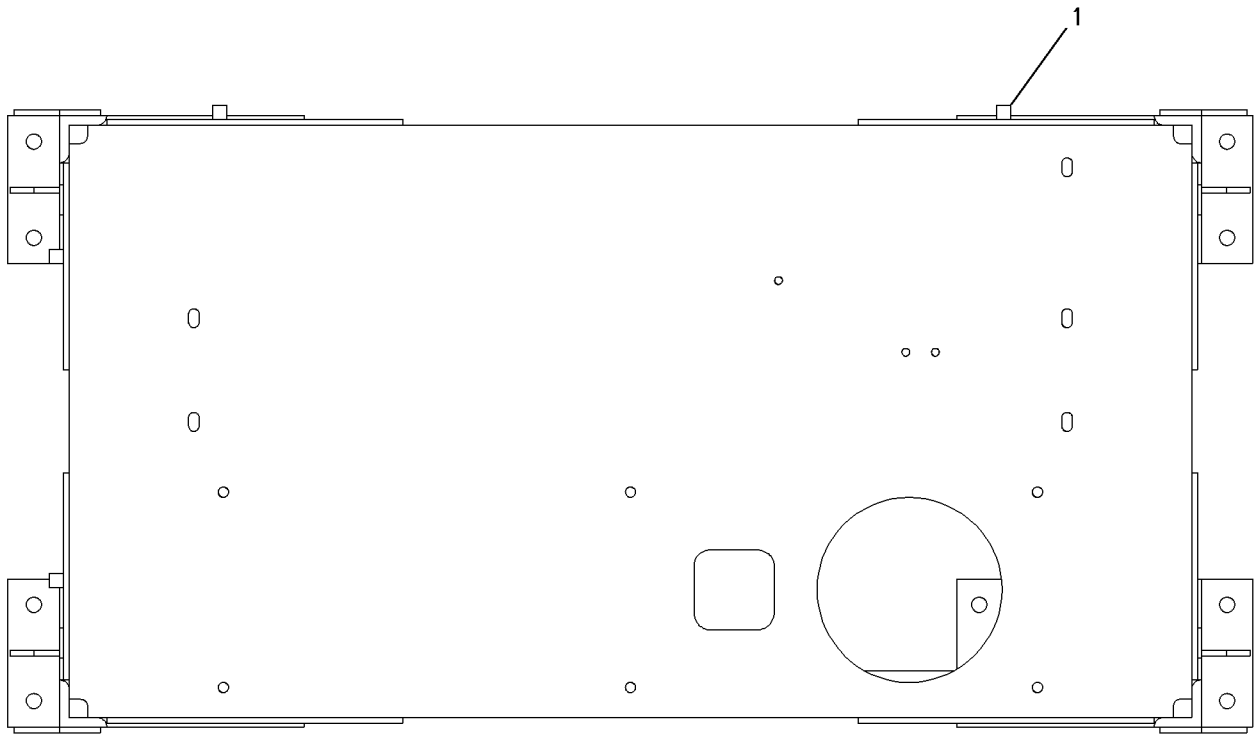
ENCLOSURES, GUARDS AND BASES

196-3752 MODULE AS-ACCESSORY (CHG -00 THRU -03)

SMCS-7263, 7274

i02387832

NOTE	REF NO	GRAPHIC REF	PART NUMBER	QTY	PART NAME						SEE PAGE
					1	2	3	4	5	6 (PRODUCT LEVEL)	
	1	1	8F-9836	4	BOSS (3/8-16-THD)						



GRAPHIC #1

<END>

g00818505

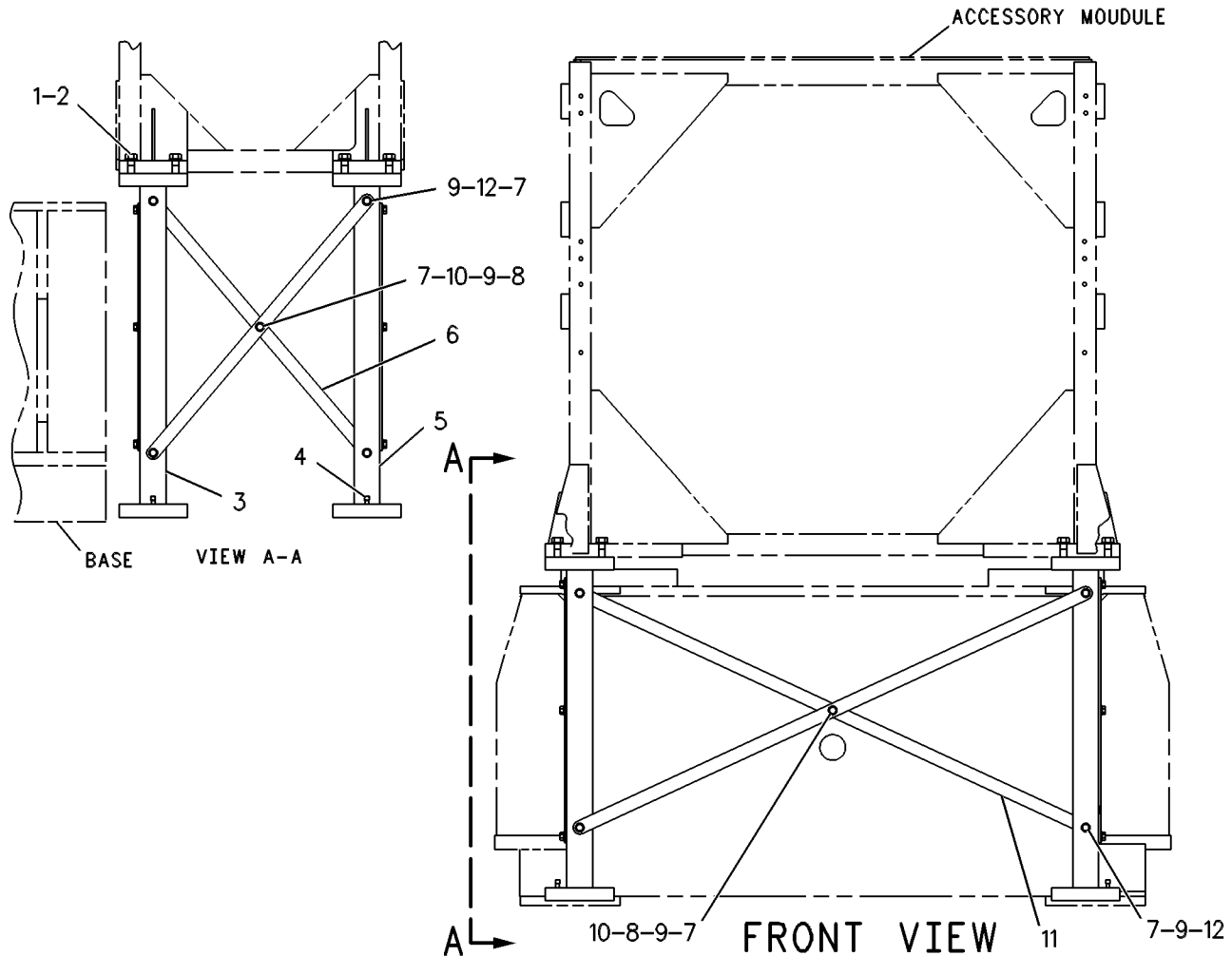
ENCLOSURES, GUARDS AND BASES

124-2448 SUPPORT GP-ACCESSORY MODULE (CHG -00)

SMCS-7263, 7274

i01671952

NOTE	REF NO	GRAPHIC REF	PART NUMBER	QTY	PART NAME						SEE PAGE
					1	2	3	4	5	6 (PRODUCT LEVEL)	
	1	1	1A-8063	16	BOLT (3/4-10X2.5-IN)						
	2	1	5P-8248	16	WASHER-HARD (20X36.5X3.5-MM THK)						
	3	1	124-0526	2	SUPPORT AS						
	4	1	4B-3584	4	SCREW (1/2-13X1.5-IN)						
	5	1	124-0527	2	SUPPORT AS						
	6	1	124-0532	4	PLATE						
	7	1	5P-8245	40	WASHER-HARD (13.5X25.5X3-MM THK)						
	8	1	4S-5719	4	SPACER (10.31X25X12.7-MM THK)						
	9	1	1F-7958	20	NUT-FULL (1/2-13-THD)						
	10	1	9S-1366	4	BOLT (1/2-13X2.5-IN)						
	11	1	124-0531	4	PLATE						
	12	1	0S-1587	16	BOLT (1/2-13X1.75-IN)						



GRAPHIC #1

<END>

g00066534

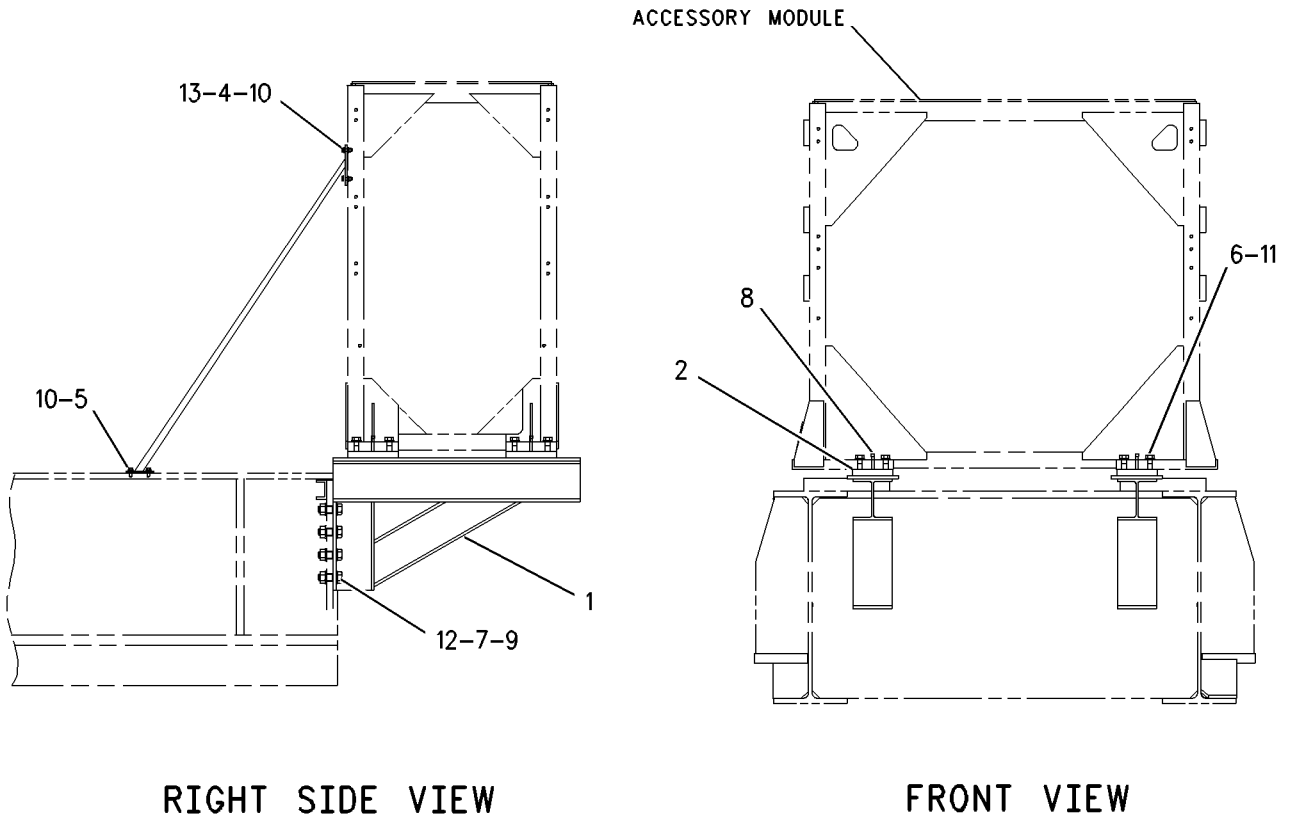
ENCLOSURES, GUARDS AND BASES

214-5179 SUPPORT GP-ACCESSORY MODULE (CHG -00)

SMCS-7263, 7274

i02357768

NOTE	REF NO	GRAPHIC REF	PART NUMBER	QTY	PART NAME						SEE PAGE
					1	2	3	4	5	6 (PRODUCT LEVEL)	
	1	1	124-0530	2	BRACKET AS						
	2	1	124-1382	4	PLATE						
	3	1	214-5539	2	BRACE						
	4	1	0S-1591	4	BOLT (3/8-16X1.5-IN)						
	5	1	0S-1594	4	BOLT (3/8-16X1-IN)						
	6	1	1A-8063	16	BOLT (3/4-10X2.5-IN)						
	7	1	1D-4709	16	BOLT (1-8X3-IN)						
	8	1	2H-3888	4	SETSCREW-SQUARE HEAD (1/2-13 THD)						
	9	1	2J-3507	16	NUT-FULL (1-8-THD)						
	10	1	3V-3308	12	WASHER-HARD (10.2X20.5X2.5-MM THK)						
	11	1	5P-8248	16	WASHER-HARD (20X36.5X3.5-MM THK)						
	12	1	5P-8250	32	WASHER (28X49X5-MM THK)						
	13	1	9S-8752	4	NUT-FULL (3/8-16-THD)						



GRAPHIC #1

<END>

g00880308

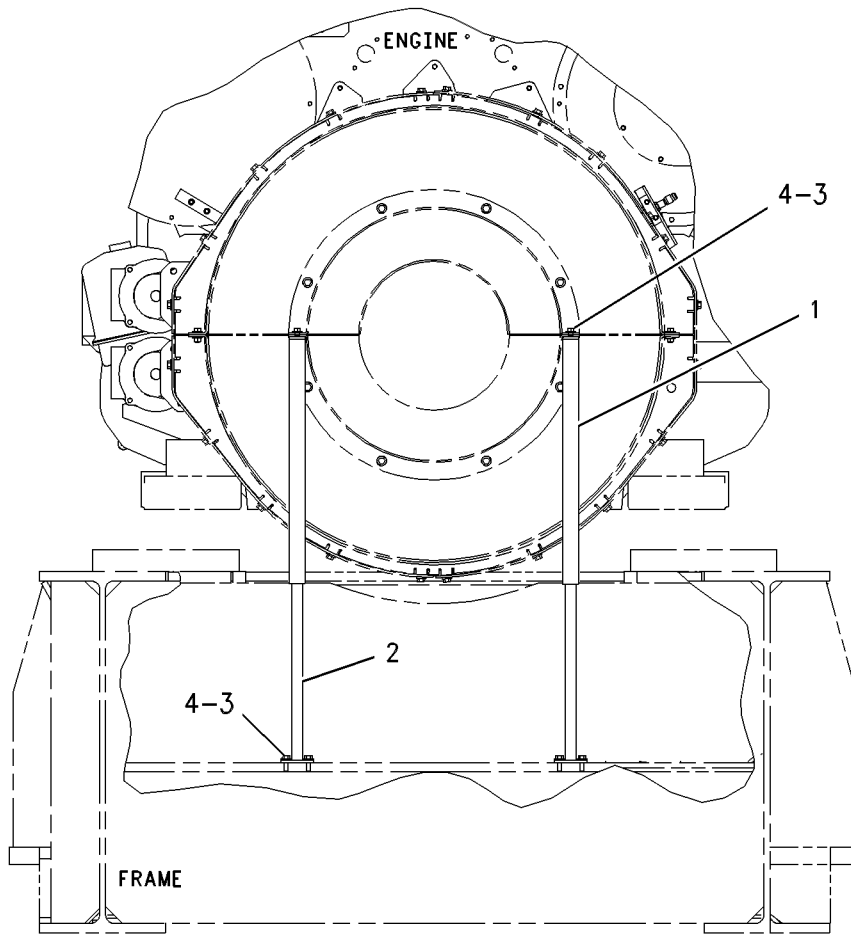
ENCLOSURES, GUARDS AND BASES

174-9798 SUPPORT GP-COUPLING GUARD (CHG -00, -00D1, -00D2, -01)

SMCS-7153

i02344201

NOTE	REF NO	GRAPHIC REF	PART NUMBER	QTY	PART NAME						SEE PAGE
					1	2	3	4	5	6 (PRODUCT LEVEL)	
	1	1	174-8976	2	LEG AS						
					(EACH INCLUDES)						
		1	1F-0750	1	NUT-WELD (3/8-16-THD)						
	2	1	174-9012	2	LEG AS						
					(EACH INCLUDES)						
		1	1F-0750	1	NUT-WELD (3/8-16-THD)						
	3	1	1A-2029	6	BOLT (3/8-16X1.125-IN)						
	4	1	5P-1075	6	WASHER-HARD (10.2X22.5X3-MM THK)						



GRAPHIC #1

<END>

g00582416

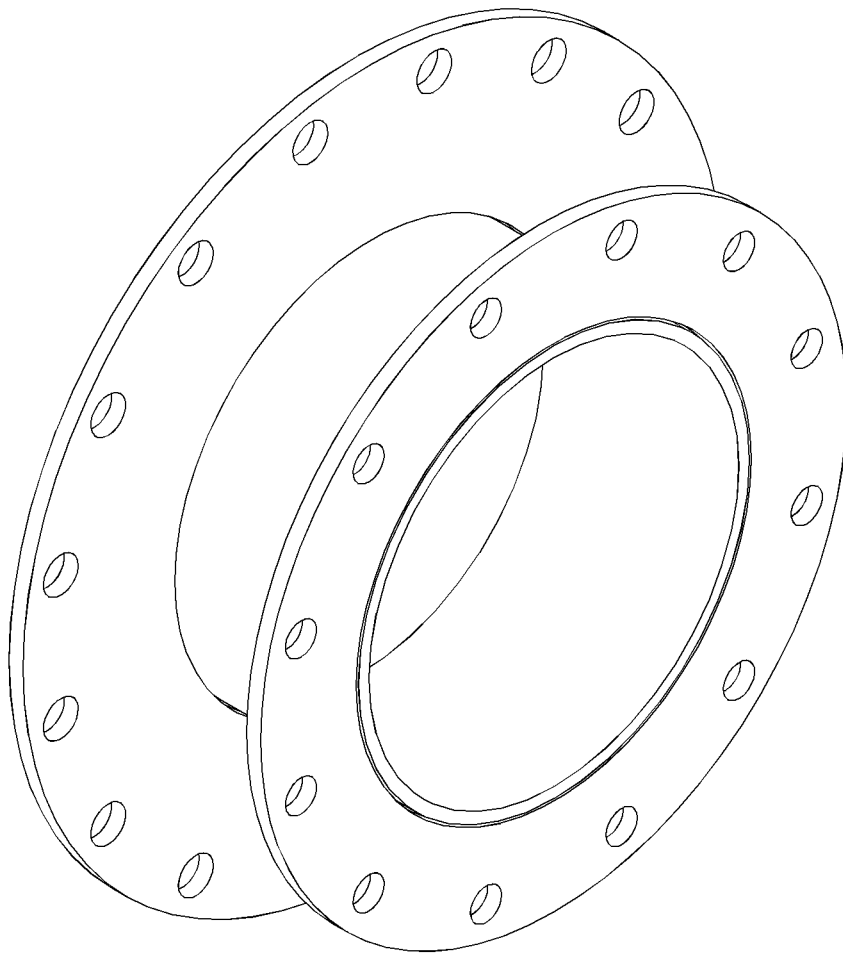
GENERATORS

255-2837 ADAPTER (CHG -00)

SMCS-4450

i02811851

NOTE	REF NO	GRAPHIC REF	PART NUMBER	QTY	PART NAME						SEE PAGE
					1	2	3	4	5	6 (PRODUCT LEVEL)	
(NO SERVICED PARTS)											



GRAPHIC #1

<END>

g01403735

GENERATORS

233-0875 MOUNTING GP-GENERATOR (CHG -00, -01) RIGHT DOWEL

SMCS-4450, 7060

i02357762

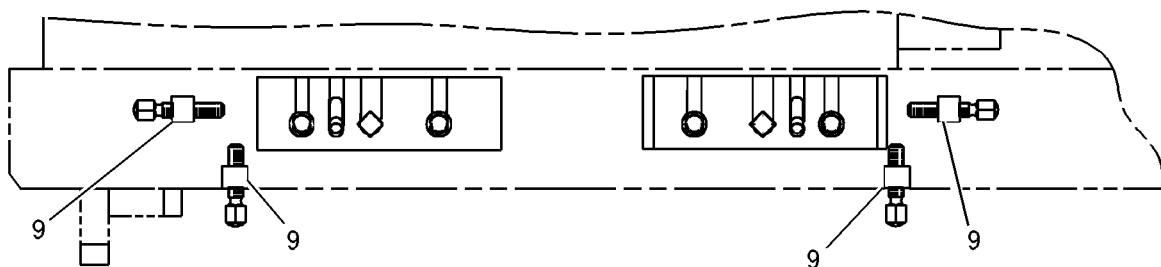
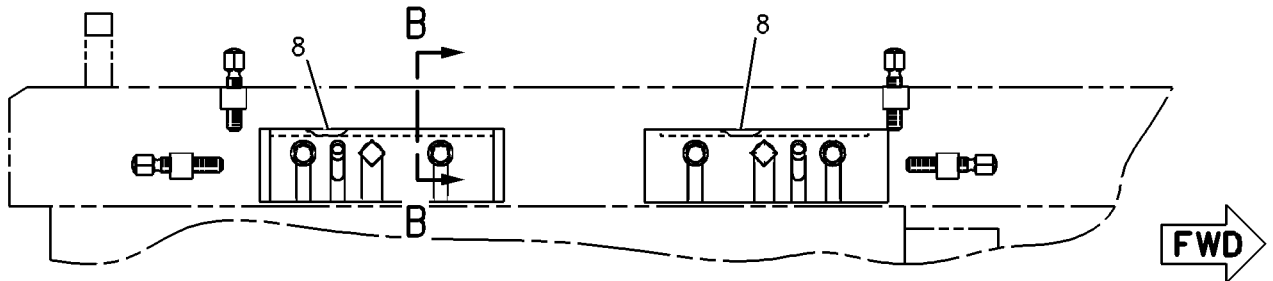
NOTE	REF NO	GRAPHIC REF	PART NUMBER	QTY	PART NAME						SEE PAGE
					1	2	3	4	5	6 (PRODUCT LEVEL)	
	1	1	2W-2988	2	DOWEL						
B	2	1	4W-7593	4	SHIM PACK (INCLUDES 36-SHIMS)						
	3	1	1F-7464	8	BOLT (1-14X4-IN)						
	4	1	5D-4661	8	WASHER-HARD (28X52.5X8-MM THK)						
	5	1	8T-3850	4	SETSCREW (1-1/2-12X5-IN)						
B	6	1	9G-1520	4	BLOCK						
	7	1	8M-4446	16	SEAL-O-RING						
	8	1	7W-5770	4	PLATE						
	9	1	7W-5898	8	LUG-ALIGNING						
B	10	1	5R-4911	4	STRIP						
	11	1	6V-5136	8	SETSCREW-SQUARE HEAD (1-14X127-MM)						
B	12	1	146-2556	4	PLATE						

B-USE AS REQUIRED

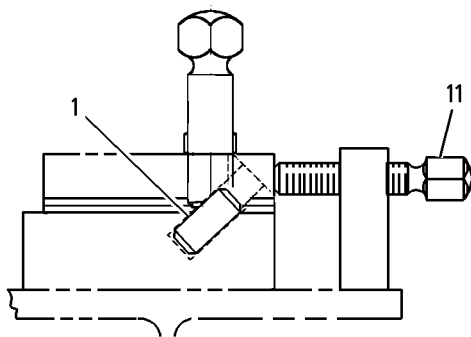
GENERATORS

233-0875 MOUNTING GP-GENERATOR (contd.)

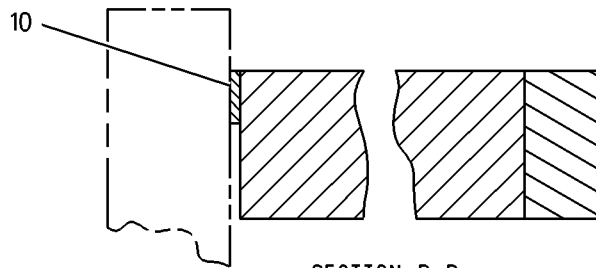
i02357762



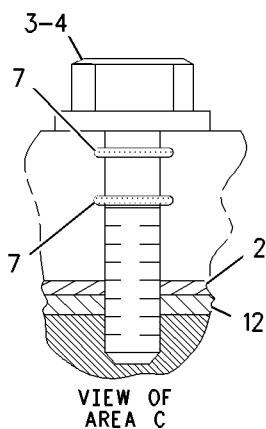
TOP VIEW



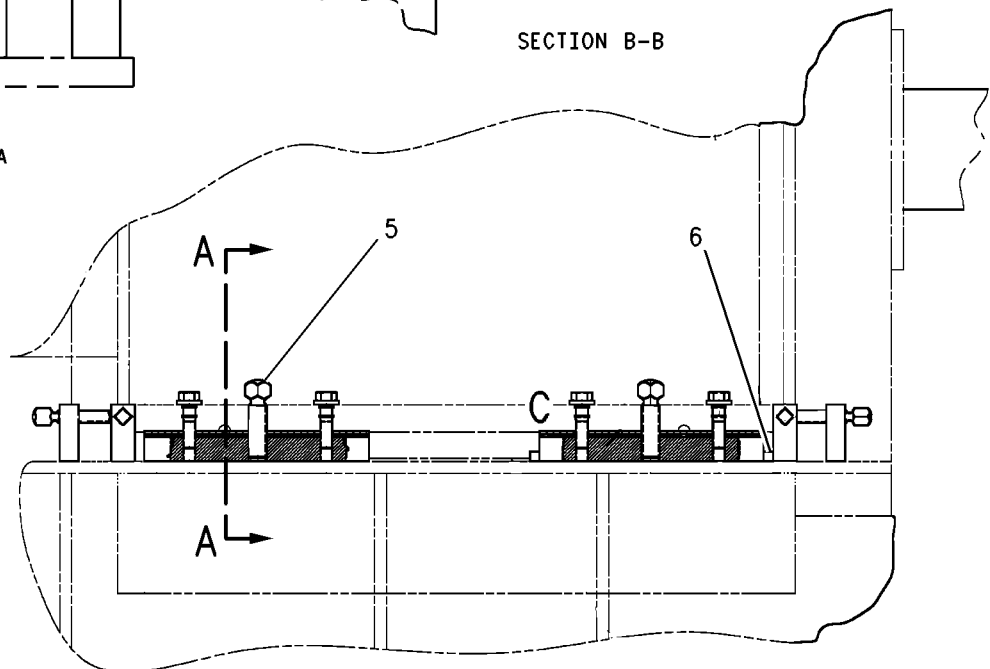
SECTION A-A



SECTION B-B



VIEW OF AREA C



RIGHT SIDE VIEW

GRAPHIC #1

<END>

g00998616

GENERATORS

233-0876 MOUNTING GP-GENERATOR (CHG -00 THRU -02) LEFT DOWEL

SMCS-4450, 7060

i02357761

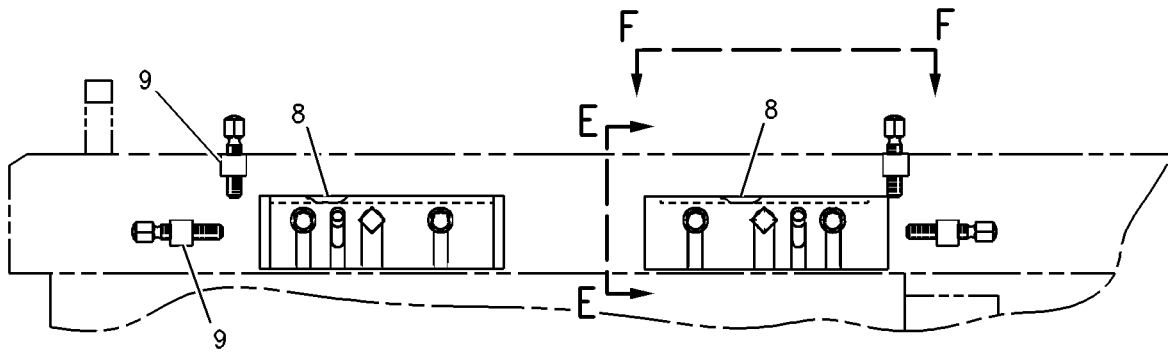
NOTE	REF NO	GRAPHIC REF	PART NUMBER	QTY	PART NAME						SEE PAGE
					1	2	3	4	5	6 (PRODUCT LEVEL)	
	1	1	2W-2988	2	DOWEL						
B	2	1	4W-7593	4	SHIM PACK (INCLUDES 36-SHIMS)						
	3	1	1F-7464	8	BOLT (1-14X4-IN)						
	4	1	5D-4661	8	WASHER-HARD (28X52.5X8-MM THK)						
	5	1	8T-3850	4	SETSCREW (1-1/2-12X5-IN)						
B	6	1	9G-1520	4	BLOCK						
	7	1	8M-4446	16	SEAL-O-RING						
	8	1	7W-5770	4	PLATE						
	9	1	7W-5898	8	LUG-ALIGNING						
B	10	1	5R-4911	4	STRIP						
	11	1	6V-5136	8	SETSCREW-SQUARE HEAD (1-14X127-MM)						
B	12	1	146-2556	4	PLATE						

B-USE AS REQUIRED

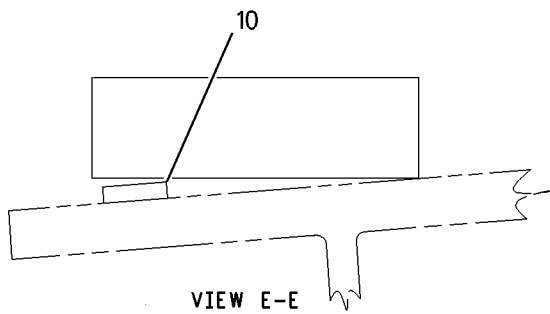
GENERATORS

233-0876 MOUNTING GP-GENERATOR (contd.)

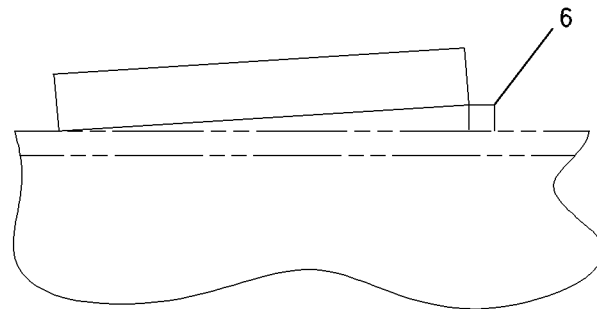
i02357761



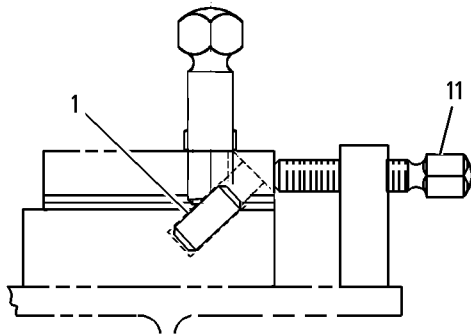
TOP VIEW



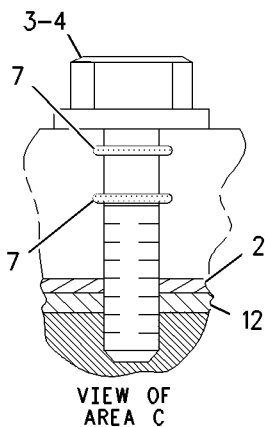
VIEW E-E



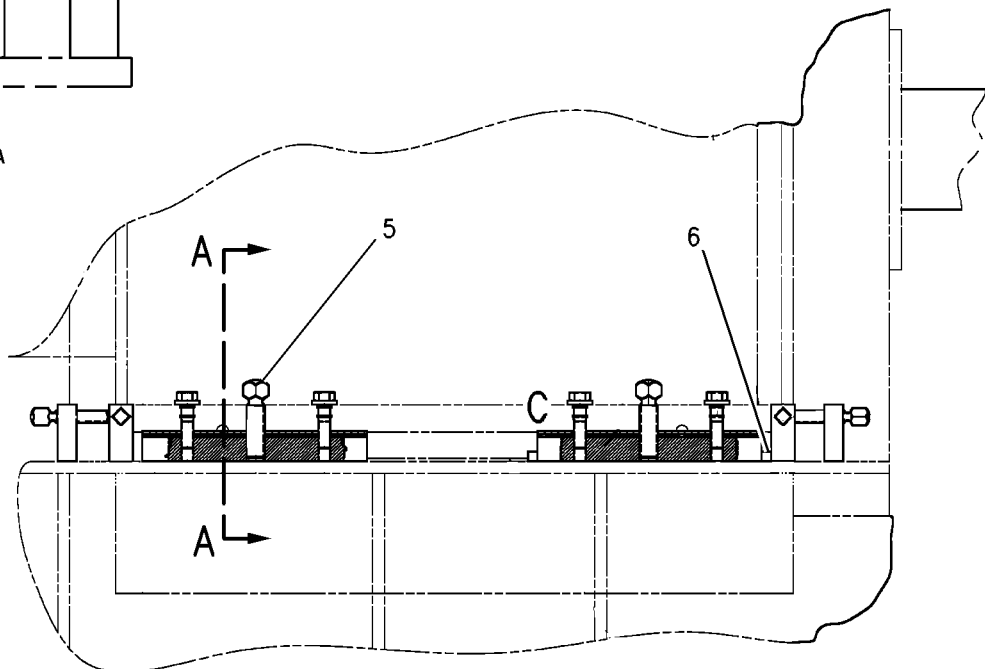
VIEW F-F



SECTION A-A



VIEW OF AREA C



RIGHT SIDE VIEW

GRAPHIC #1

<END>

g00999087

OPERATOR STATION

204-6687 BOX GP-CONTROL PANEL (CHG -00, -01) PART OF 204-6689 BOX GP-CONTROL PANEL

SMCS-4490, 7451

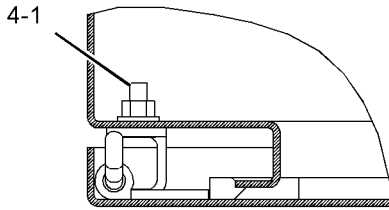
i02140162

NOTE	REF NO	GRAPHIC REF	PART NUMBER	QTY	PART NAME						SEE PAGE
					1	2	3	4	5	6 (PRODUCT LEVEL)	
M	1	1	6R-7943	4	SCREW (M5X0.8X15-MM)						
	2	1	151-1315	2	LATCH AS						
	3	1	153-3723	2	HINGE AS						
					(EACH INCLUDES)						
		1	8T-5447	1	RING-RETAINING						
M	4	1	5C-2874	4	NUT (M5X0.8-THD)						
	5	1	7T-1099	14	LINK						
D	6	1	6V-1392		SEAL (1.9-M)						
D-ORDER BY THE METER											
M-METRIC PART											

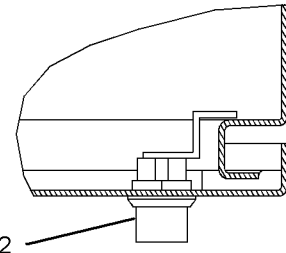
OPERATOR STATION

204-6687 BOX GP-CONTROL PANEL (contd.)

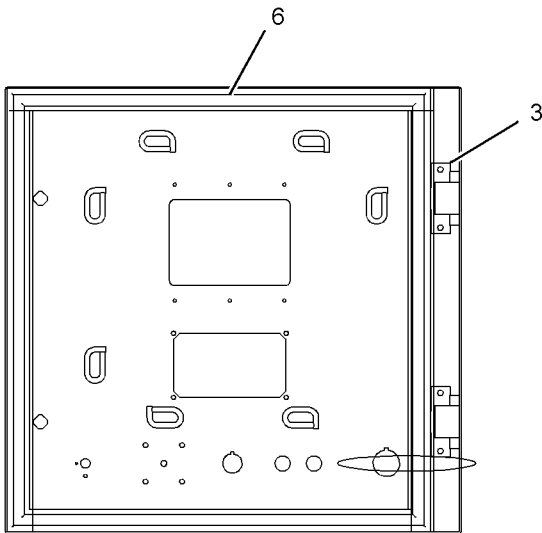
i02140162



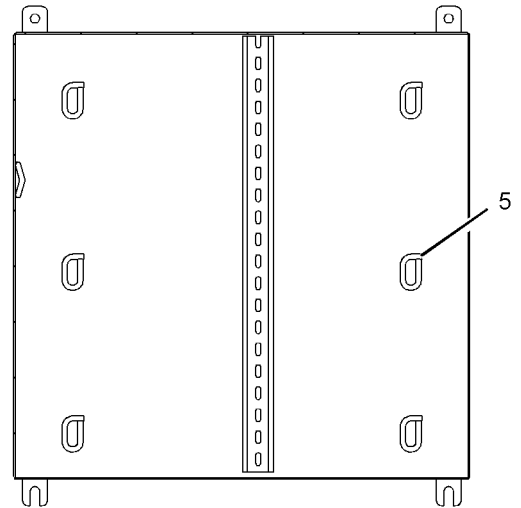
SECTION A-A



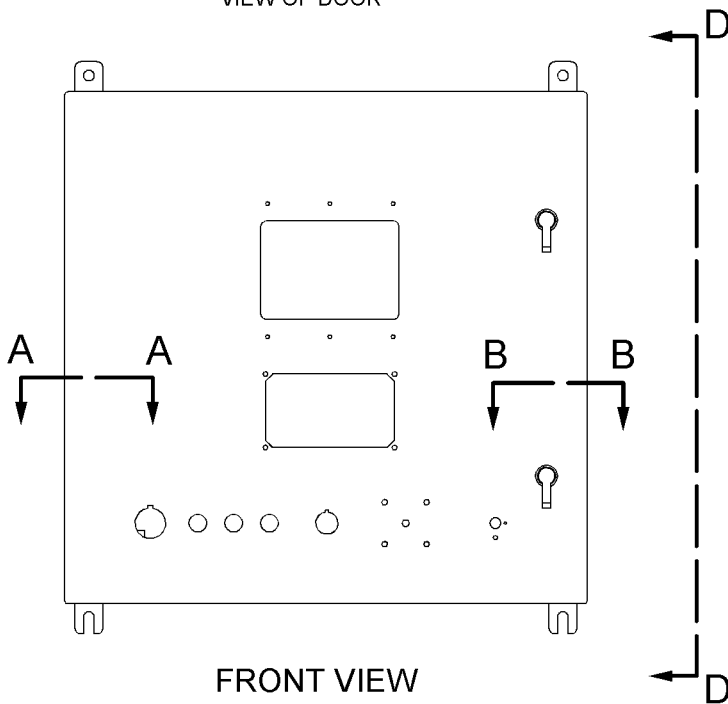
SECTION B-B



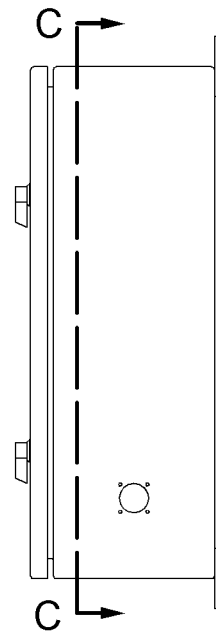
VIEW OF DOOR



SECTION C-C



FRONT VIEW



VIEW D-D

GRAPHIC #1

<END>

g01086698

OPERATOR STATION

204-6689 BOX GP-CONTROL PANEL (CHG -00)

FOR USE WITH ADEMIII CONTROLLER. CANNOT BE USED WITH ESS CONTROLLER

SMCS-4490, 7451

i02437803

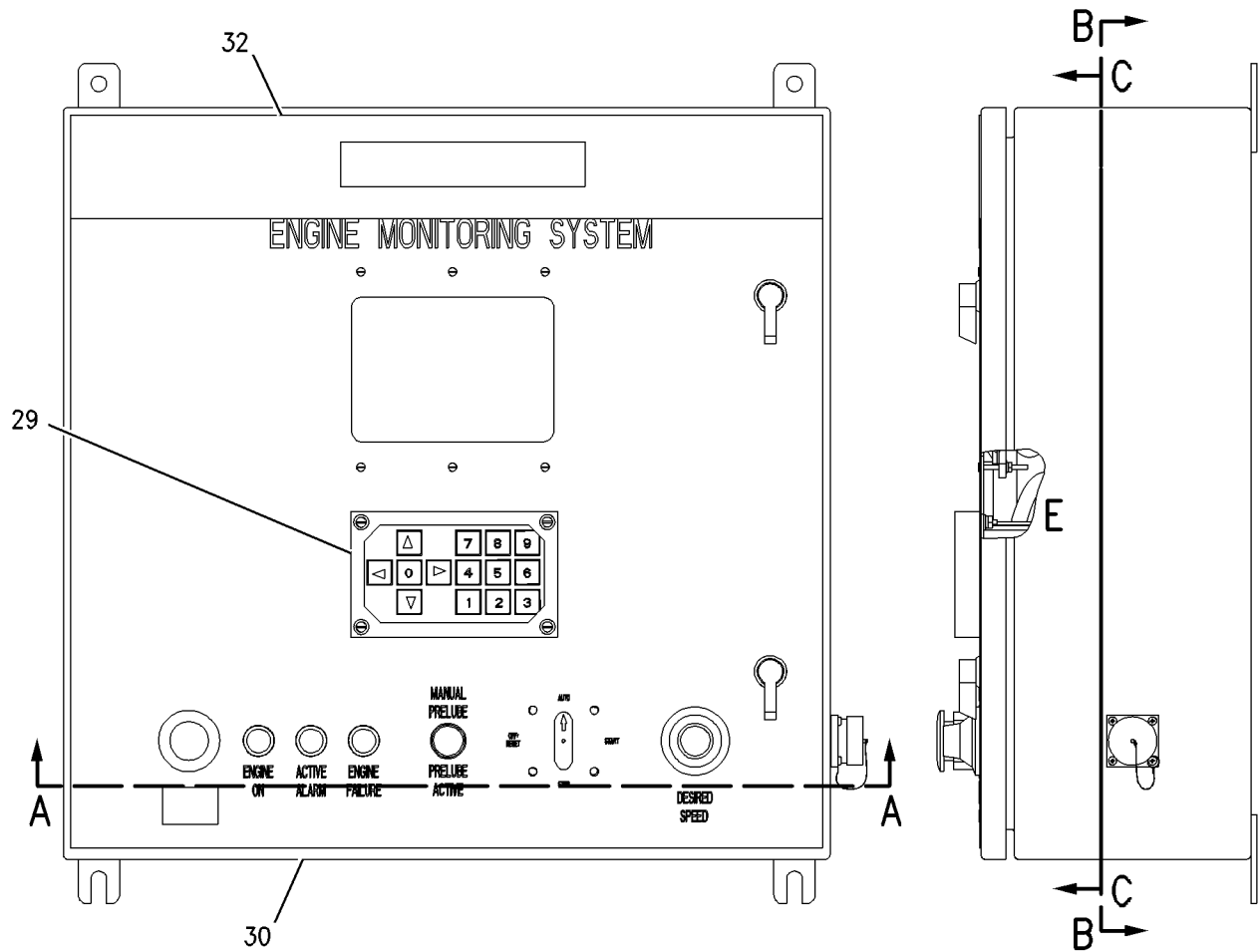
NOTE	REF NO	GRAPHIC REF	PART NUMBER	QTY	PART NAME						SEE PAGE
					1	2	3	4	5	6 (PRODUCT LEVEL)	
	1	1	2V-7088	1	LENS-RED (ENGINE FAILURE)						
	2	1	3E-1813	1	SWITCH AS-PUSH BUTTON (LIGHTED) (PRELUBRICATION)						
		1	3E-1814	1	LAMP (24-VOLT) (24-VOLT)						
	3	1	3E-2149	1	SWITCH-ROTARY (ENGINE CONTROL)						
	4	2	3S-2093	8	STRAP-CABLE						
	5	1	7C-4910	1	SEAL						
	6	2	7D-6922	4	LOCKNUT (6-32-THD)						
	7	1	7E-0860	1	DIAL-CONCENTRIC (SPEED CONTROL)						
	8	2	7R-3029	1	CAP-DUST						
	9	2	8L-8413	4	STRAP-CABLE						
	10	2	9X-9614	3	TERMINAL (SINGLE)						
	11	2	9X-9616	2	COVER-END						
	12	2	9X-9675	2	BRACKET-END						
	13	1	109-6507	1	SWITCH AS-PUSH BUTTON (EMERGENCY STOP)						
	14	1	111-1324	1	BLOCK-CONTACT (1-POLE)						
	15	2	115-1322	55	TERMINAL (DOUBLE)						
	16	2	115-2538	13	COVER-END						
	17	1	116-5270	1	LAMP (24-VOLT) (RED)						
	18	2	131-2639	6	WASHER (3.2X9X0.5-MM THK)						
	19	1	131-4888	1	GASKET						
	20	2	132-8487	1	NUT-RING						
	21	1	153-5040	1	LAMP-INDICATOR (24-VOLT)						
	22	1	153-5042	1	LAMP-INDICATOR (24-VOLT)						
	23	1	156-0518	3	SOCKET AS (EACH INCLUDES)						
		1	6V-8367	1	LOCKWASHER						
		1	6V-8382	1	NUT-HEX (11/16-27-THD)						
	24	1	156-0519	1	LENS-AMBER (ALARM)						
	25	1	156-0520	1	LENS-GREEN (ENGINE ON)						
Y	26	2	168-5274	1	MODULE GP-DISPLAY						453
	27	2	174-8737	1	BAR-FIXED BRIDGE						
	28	2	197-2691	1	STRIP-CONTACT						
Y	29	1	200-6198	1	MODULE GP-KEYPAD						454
Y	30	1	204-6687	1	BOX GP-CONTROL PANEL						440
	31	2	207-2391	1	HARNESS AS-PANEL (CONTROL)						
		2	9D-5421	1	RECEPTACLE AS-CONNECTOR (10-PIN)						
		2	155-2255	1	KIT-CONNECTING PLUG (12-PIN) (KIT INCLUDES PLUG AS AND WEDGE)						
		2	155-2258	1	WEDGE-PLUG LOCK (12-PIN)						
	32	1	208-1028	1	FILM (CONTROL PANEL)						
	33	1	208-3697	1	GASKET						
	34	2	208-6049	1	TAG						
	35	2	030-8838	4	SCREW (6-32X1-IN)						
	36	2	033-5929	6	SCREW (4-40X1.25-IN)						
	37	2	142-2928	6	LOCKNUT (4-40-THD)						
	38	2	4B-5324	4	WASHER (3.9X9.6X1.2-MM THK)						
	39	2	8C-8560	4	SCREW-LOCK (4-40X0.5-IN)						

Y-SEPARATE ILLUSTRATION

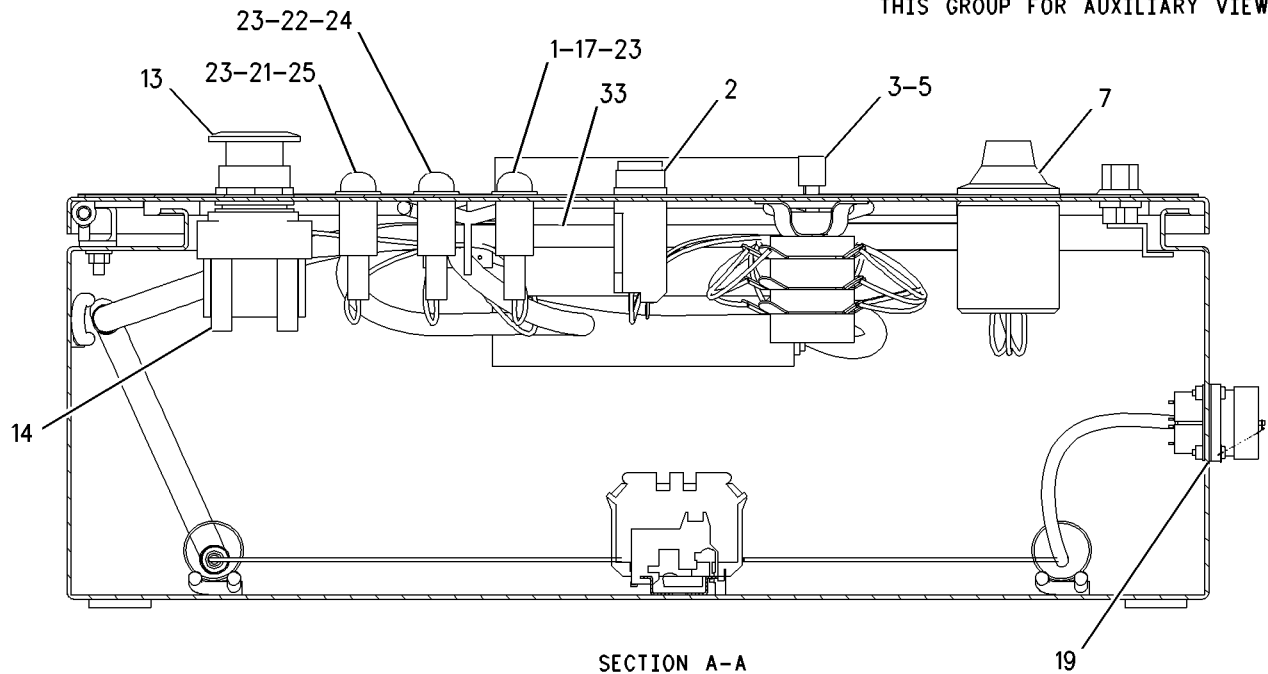
OPERATOR STATION

204-6689 BOX GP-CONTROL PANEL (contd.)

i02437803



REFER TO ALL ILLUSTRATIONS OF THIS GROUP FOR AUXILIARY VIEWS



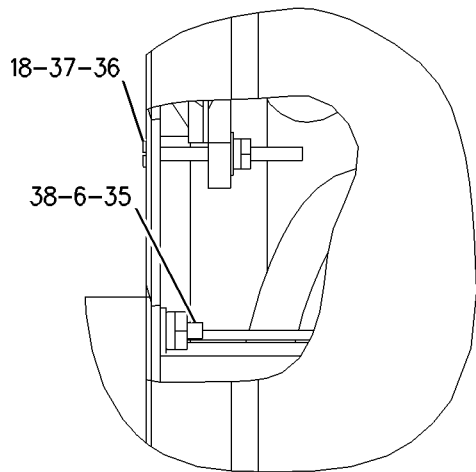
GRAPHIC #1

g00851065

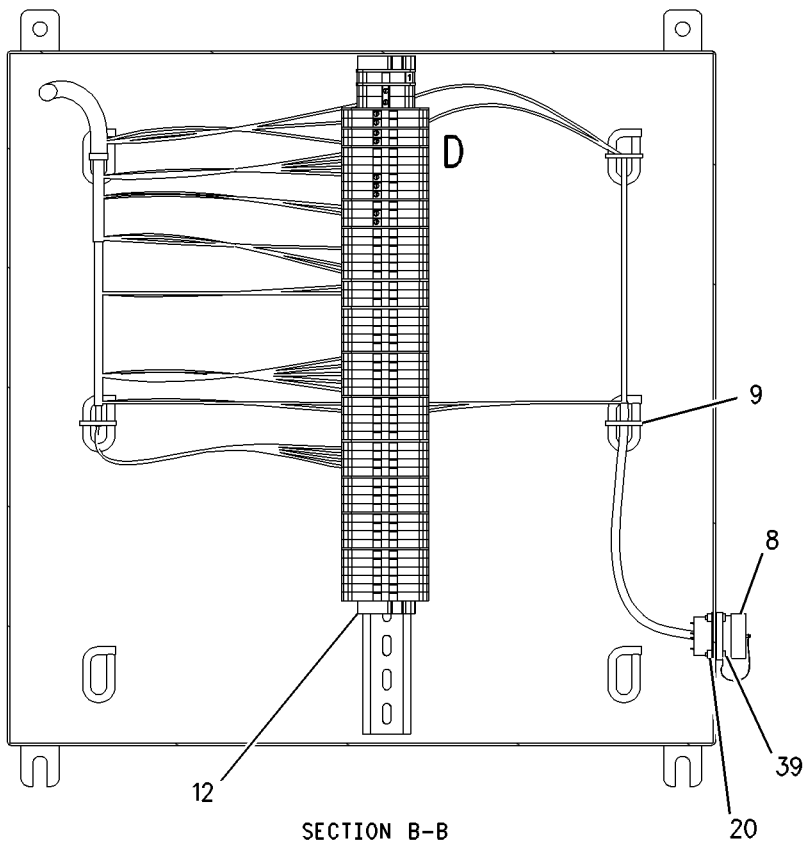
OPERATOR STATION

204-6689 BOX GP-CONTROL PANEL (contd.)

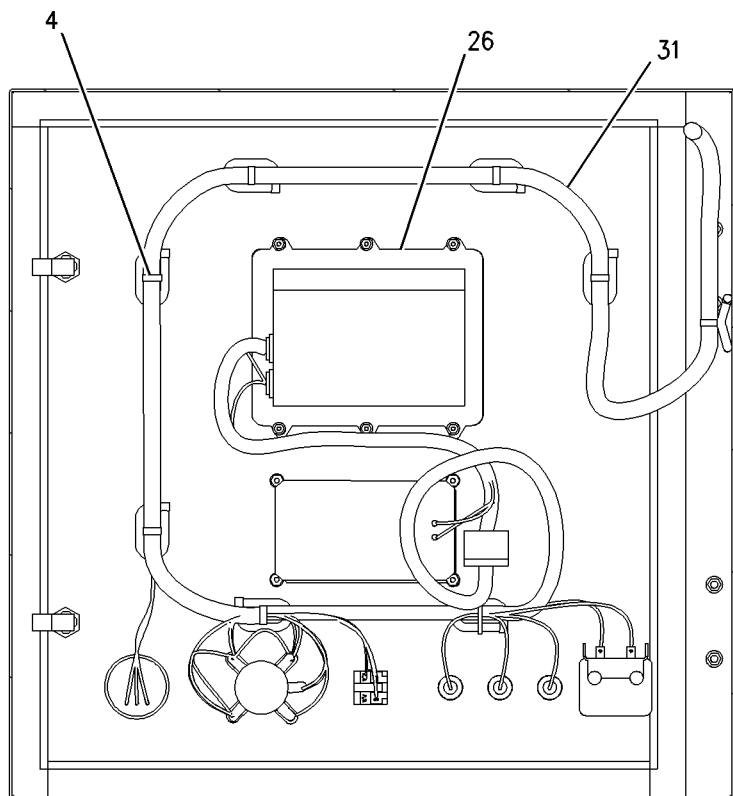
i02437803



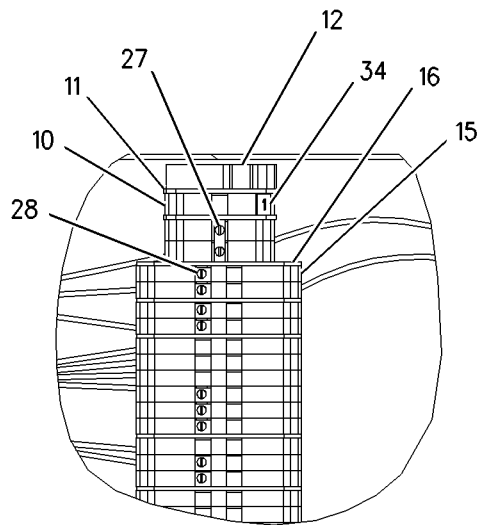
VIEW OF AREA E



SECTION B-B



SECTION C-C



VIEW OF AREA D

GRAPHIC #2

<END>

g00851001

OPERATOR STATION

204-6689 BOX GP-CONTROL PANEL (CHG -01 THRU -03)
FOR USE WITH ADEMIII CONTROLLER. CANNOT BE USED WITH ESS CONTROLLER

SMCS-4490, 7451

i02416804

NOTE	REF NO	GRAPHIC REF	PART NUMBER	QTY	PART NAME						SEE PAGE
					1	2	3	4	5	6 (PRODUCT LEVEL)	
	1	1	2V-7088	1	LENS-RED (ENGINE FAILURE)						
	2	1	3E-1813	1	SWITCH AS-PUSH BUTTON (LIGHTED) (PRELUBRICATION)						
		1	3E-1814	1	LAMP (24-VOLT) (24-VOLT)						
	3	2	3S-2093	8	STRAP-CABLE						
	4	1	7C-4910	1	SEAL						
	5	1	7E-0860	1	DIAL-CONCENTRIC						
	6	2	7R-3029	1	CAP-DUST						
	7	2	8L-8413	4	STRAP-CABLE						
	8	2	9X-9675	2	BRACKET-END						
	9	2	100-8254	6	BOLT-SOCKET HEAD (6-32X1-IN)						
	10	1	109-6507	1	SWITCH AS-PUSH BUTTON (EMERGENCY STOP)						
	11	2	110-3890	3	TERMINAL						
	12	2	110-3891	2	COVER-END						
	13	1	111-1324	1	BLOCK-CONTACT (1-POLE)						
	14	2	115-1322	55	TERMINAL (DOUBLE)						
	15	2	115-2538	13	COVER-END						
	16	1	116-5270	1	LAMP (24-VOLT) (RED)						
	17	1	124-3176	1	COVER						
	18	1	131-2639	1	WASHER (3.2X9X0.5-MM THK)						
	19	1	131-4888	1	GASKET						
	20	2	132-8487	1	NUT-RING						
	21	1	153-5040	1	LAMP-INDICATOR (24-VOLT)						
	22	1	153-5042	1	LAMP-INDICATOR (24-VOLT)						
	23	1	156-0518	3	SOCKET AS (EACH INCLUDES)						
		1	6V-8367	1	LOCKWASHER						
		1	6V-8382	1	NUT-HEX (11/16-27-THD)						
	24	1	156-0519	1	LENS-AMBER (ALARM)						
	25	1	156-0520	1	LENS-GREEN (ENGINE ON)						
Y	26	2	168-5274	1	MODULE GP-DISPLAY						453
	27	2	197-2691	1	STRIP-CONTACT						
	28	2	197-6949	1	STRIP-CONTACT						
Y	29	1	200-6198	1	MODULE GP-KEYPAD						454
Y	30	1	204-6687	1	BOX GP-CONTROL PANEL						440
	31	2	207-2391	1	HARNESS AS-PANEL (CONTROL)						
		2	9D-5421	1	RECEPTACLE AS-CONNECTOR (10-PIN)						
		2	155-2255	1	KIT-CONNECTING PLUG (12-PIN) (KIT INCLUDES PLUG AS AND WEDGE)						
	32	1	208-1028	1	FILM (CONTROL PANEL)						
	33	2	208-3697	1	GASKET						
	34	2	208-6049	1	TAG						
	35	1	221-2304	1	SWITCH AS-ROTARY (ENGINE CONTROL)						
C	36	2	221-2498	1	WIRE AS						
	37	2	235-4861	1	TERMINAL-GROUND						
	38	2	4B-4863	4	WASHER (4.7X11X1.2-MM THK)						
	39	2	4B-5324	6	WASHER (3.9X9.6X1.2-MM THK)						
C	40	2	5P-0537	4	WASHER-HARD (7.2X14.5X2-MM THK)						
	41	2	6D-5801	4	LOCKNUT (8-32-THD)						
C	42	2	7D-6922	6	LOCKNUT (6-32-THD)						
	43	2	8C-8560	4	SCREW-LOCK (4-40X0.5-IN)						
	44	2	9S-8750	2	NUT-FULL (1/4-20-THD)						

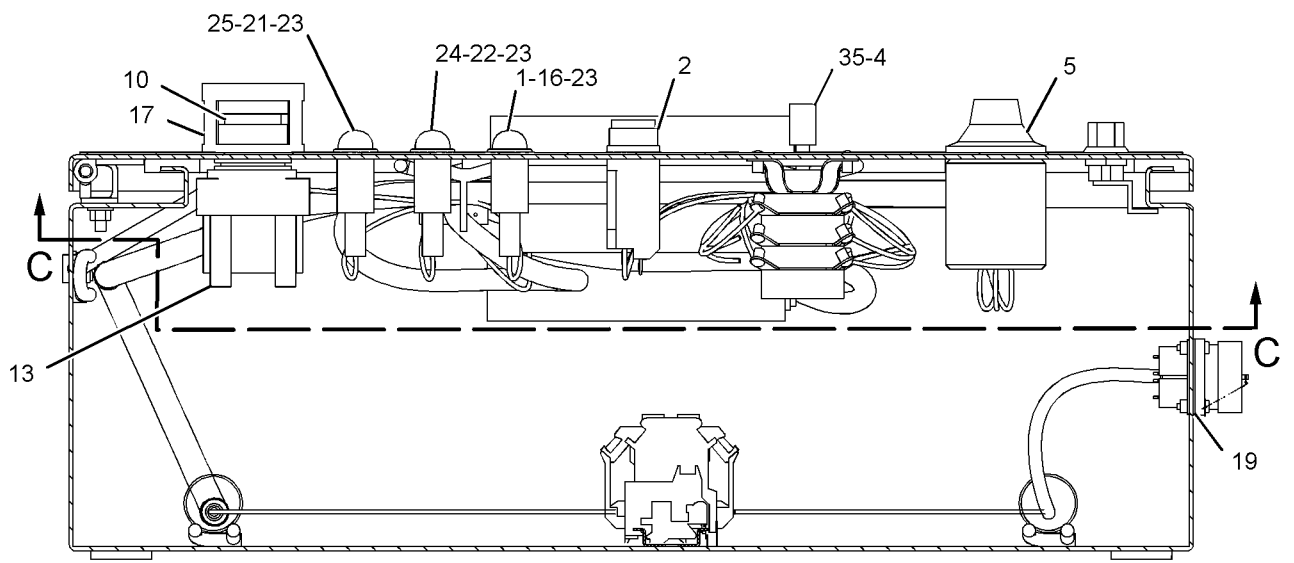
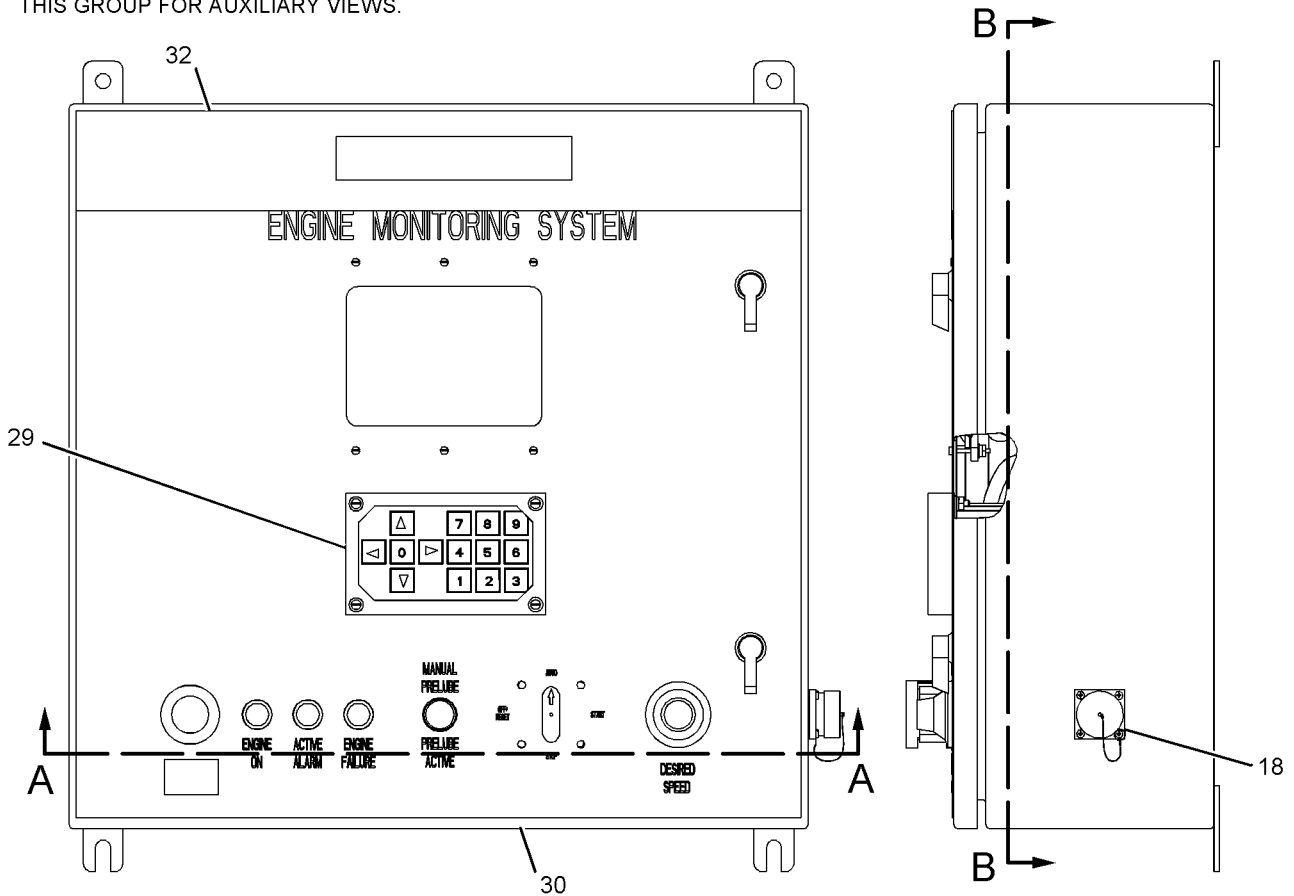
C-CHANGE FROM PREVIOUS TYPE
Y-SEPARATE ILLUSTRATION

OPERATOR STATION

204-6689 BOX GP-CONTROL PANEL (contd.)

i02416804

REFER TO ALL ILLUSTRATIONS OF THIS GROUP FOR AUXILIARY VIEWS.



GRAPHIC #1

SECTION A-A

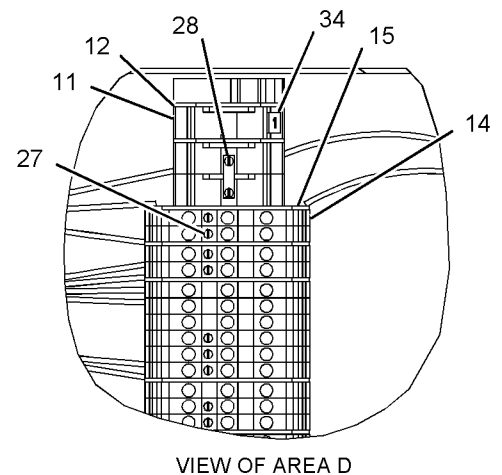
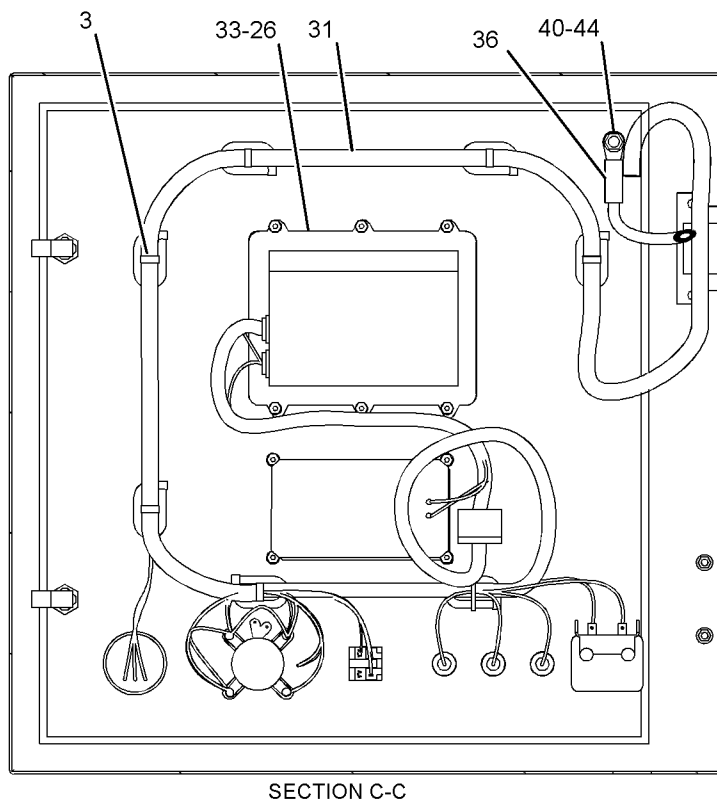
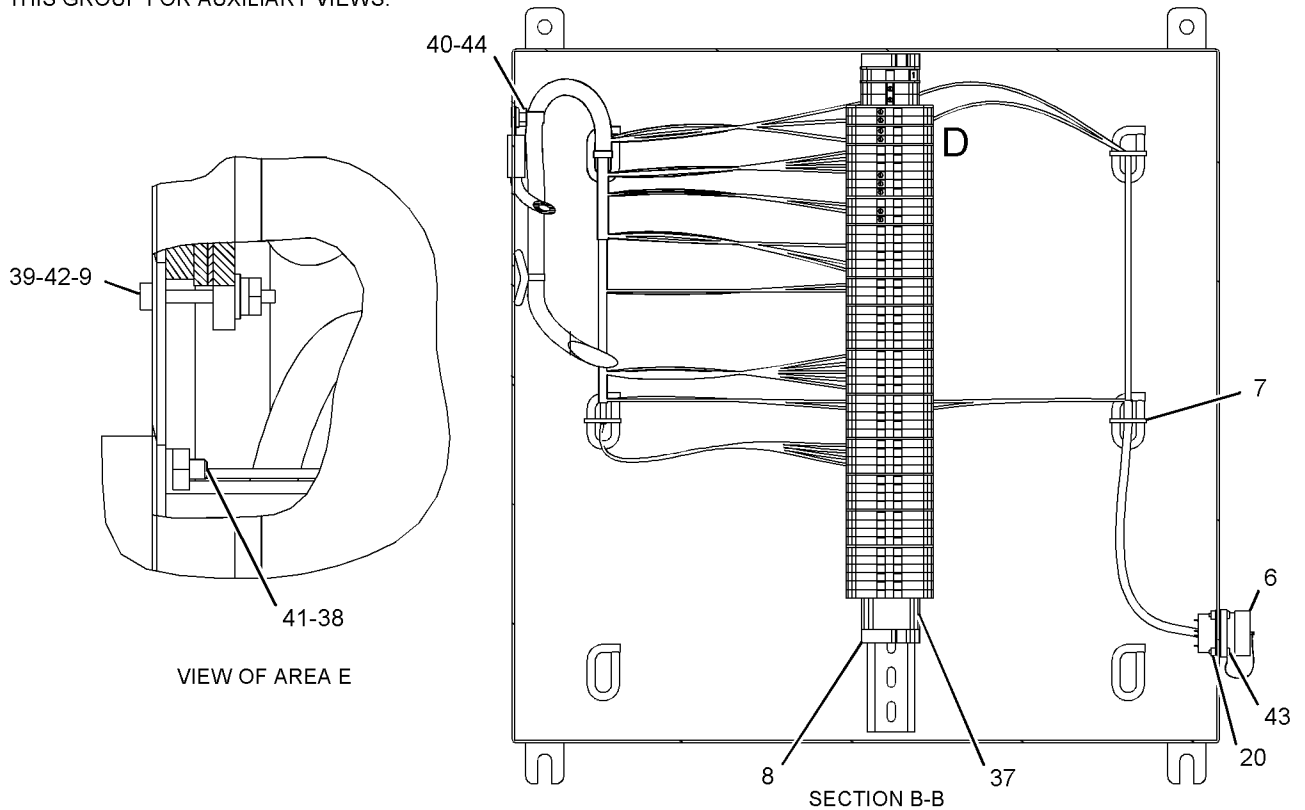
g01059353

OPERATOR STATION

204-6689 BOX GP-CONTROL PANEL (contd.)

i02416804

REFER TO ALL ILLUSTRATIONS OF THIS GROUP FOR AUXILIARY VIEWS.



GRAPHIC #2

SECTION C-C

<END>

g01059354

OPERATOR STATION

213-6284 BOX GP-CONTROL PANEL (CHG -00, -01) PART OF 213-6282 BOX & MOUNTING GP

SMCS-4490, 7451

i01809470

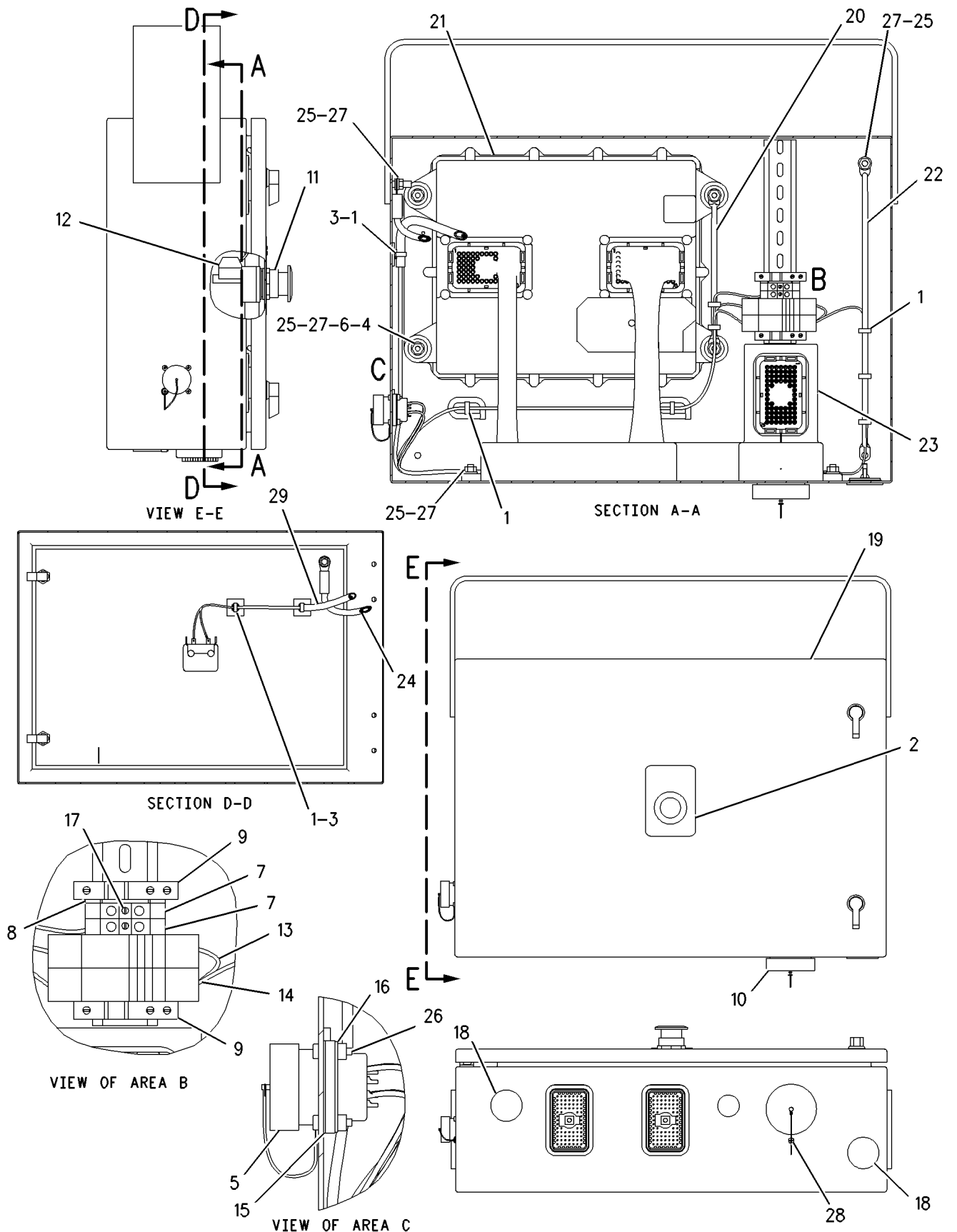
NOTE	REF NO	GRAPHIC REF	PART NUMBER	QTY	PART NAME						SEE PAGE
					1	2	3	4	5	6 (PRODUCT LEVEL)	
	1	1	1S-9593	11	STRAP-CABLE						
	2	1	2W-6090	1	PLATE-IDENTIFICATION (EMERGENCY STOP)						
	3	1	3E-0105	4	MOUNT						
	4	1	6I-1418	4	SPACER (8.2X12.7X28.7-MM THK)						
	5	1	7R-3029	1	CAP-DUST						
	6	1	8T-9655	8	MOUNT-ISOLATION						
	7	1	9X-9614	2	TERMINAL (SINGLE)						
	8	1	9X-9616	1	COVER-END						
	9	1	9X-9675	2	BRACKET-END						
	10	1	105-9161	1	CAP-DUST						
	11	1	109-6507	1	SWITCH AS-PUSH BUTTON						
	12	1	111-1324	1	BLOCK-CONTACT						
	13	1	114-1143	1	CIRCUIT BREAKER AS (16-AMPERE)						
	14	1	125-8019	1	CIRCUIT BREAKER AS (6-AMPERE)						
	15	1	131-4888	1	GASKET						
	16	1	132-8487	1	NUT-RING						
	17	1	174-8737	1	BAR-FIXED BRIDGE						
	18	1	183-3192	2	SEAL AS (CONDUIT HOLE)						
Y	19	1	197-0064	1	BOX AS-JUNCTION						330
	20	1	207-5403	1	BAR-MOUNTING						
Y	21	1	210-0176	1	CONTROL GP-ENGINE ELECTRONIC						335
	22	1	210-3936	1	BAR-MOUNTING						
	23	1	213-6285	1	HARNESS AS-PANEL						
		1	9D-5421	1	RECEPTACLE AS-CONNECTOR (10-PIN)						
		1	9X-5609	1	RECEPTACLE AS-CONNECTOR (47-PIN)						
		1	133-8753	3	RECEPTACLE AS-CONNECTOR (70-PIN)						
		1	147-1443	1	PLUG AS-CONNECTOR (70-PIN)						
		1	159-9322	1	SEAL-O-RING						
		1	160-7690	1	PLUG AS-CONNECTOR (70-PIN)						
		1	159-9322	1	SEAL-O-RING						
	24	1	221-2498	1	WIRE AS						
	25	1	5P-0537	9	WASHER-HARD (7.2X14.5X2-MM THK)						
	26	1	8C-8560	4	SCREW-LOCK (4-40X0.5-IN)						
	27	1	9S-8750	9	NUT-FULL (1/4-20-THD)						
	28	1	9X-6258	1	SCREW-MACHINE (6-32X0.5-IN)						
E	29	1	121-0199		WRAP-SPIRAL (3/8-IN OD) (40CM)						

E-ORDER BY THE CENTIMETER
Y-SEPARATE ILLUSTRATION

OPERATOR STATION

213-6284 BOX GP-CONTROL PANEL (contd.)

i01809470



GRAPHIC #1

<END>

g00924701

OPERATOR STATION

213-6284 BOX GP-CONTROL PANEL (CHG -02) PART OF 213-6282 BOX & MOUNTING GP

SMCS-4490, 7451

i01874052

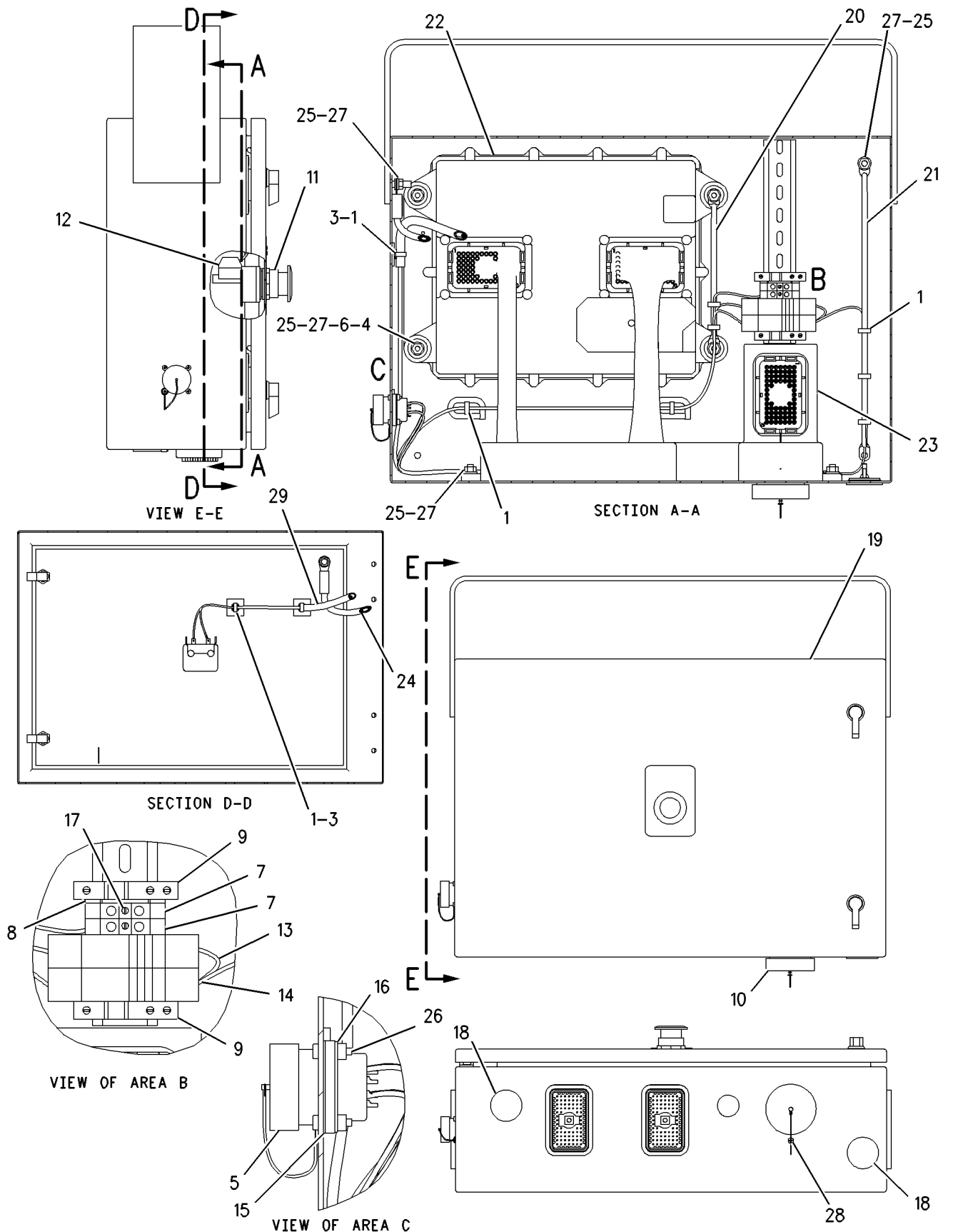
NOTE	REF NO	GRAPHIC REF	PART NUMBER	QTY	PART NAME						SEE PAGE
					1	2	3	4	5	6 (PRODUCT LEVEL)	
	1	1	1S-9593	11	STRAP-CABLE						
	3	1	3E-0105	4	MOUNT						
	4	1	6I-1418	4	SPACER (8.2X12.7X28.7-MM THK)						
	5	1	7R-3029	1	CAP-DUST						
	6	1	8T-9655	8	MOUNT-ISOLATION						
	7	1	9X-9614	2	TERMINAL (SINGLE)						
	8	1	9X-9616	1	COVER-END						
	9	1	9X-9675	2	BRACKET-END						
	10	1	105-9161	1	CAP-DUST						
	11	1	109-6507	1	SWITCH AS-PUSH BUTTON						
	12	1	111-1324	1	BLOCK-CONTACT						
	13	1	114-1143	1	CIRCUIT BREAKER AS (16-AMPERE)						
	14	1	125-8019	1	CIRCUIT BREAKER AS (6-AMPERE)						
	15	1	131-4888	1	GASKET						
	16	1	132-8487	1	NUT-RING						
	17	1	174-8737	1	BAR-FIXED BRIDGE						
	18	1	183-3192	2	SEAL AS (CONDUIT HOLE)						
Y	19	1	197-0064	1	BOX AS-JUNCTION						330
	20	1	207-5403	1	BAR-MOUNTING						
	21	1	210-3936	1	BAR-MOUNTING						
Y	22	1	210-9470	1	CONTROL GP-ENGINE ELECTRONIC						336
	23	1	213-6285	1	HARNESS AS-PANEL						
	24	1	221-2498	1	WIRE AS						
	25	1	5P-0537	13	WASHER-HARD (7.2X14.5X2-MM THK)						
	26	1	8C-8560	4	SCREW-LOCK (4-40X0.5-IN)						
	27	1	9S-8750	11	NUT-FULL (1/4-20-THD)						
	28	1	9X-6258	1	SCREW-MACHINE (6-32X0.5-IN)						
E	29	1	121-0199		WRAP-SPIRAL (3/8-IN OD) (40CM)						

E-ORDER BY THE CENTIMETER
Y-SEPARATE ILLUSTRATION

OPERATOR STATION

213-6284 BOX GP-CONTROL PANEL (contd.)

i01874052



GRAPHIC #1

<END>

g00954355

OPERATOR STATION

257-3196 DISPLAY GP-MONITOR-ADVISOR (CHG -00 THRU -02)

SMCS-7490

i02360713

NOTE	PART NUMBER	QTY	PART NAME						SEE PAGE
			1	2	3	4	5	6 (PRODUCT LEVEL)	
	266-0269	1	DISPLAY GP-MONITOR (ADVISOR)						

<END>

266-0269 DISPLAY GP-MONITOR (CHG -00 THRU -08) FIELD REPLACEMENT FOR 168-5274-PAGE 453. FOR USE WITH 266-2501 CONVERSION GP-WIRING

SMCS-7490

i02897303

NOTE	PART NUMBER	QTY	PART NAME						SEE PAGE
			1	2	3	4	5	6 (PRODUCT LEVEL)	
			(NO SERVICED PARTS)						

<END>

266-0270 DISPLAY GP-MONITOR (CHG -00 THRU -06) PART OF 204-6689 BOX GP-CONTROL PANEL FIELD REPLACEMENT FOR 168-5274-PAGE 453. FOR USE WITH 266-2501 CONVERSION GP-WIRING

SMCS-7490

i03069819

NOTE	PART NUMBER	QTY	PART NAME						SEE PAGE
			1	2	3	4	5	6 (PRODUCT LEVEL)	
	284-8908	1	CONTROL GP-ELECTRONIC						

<END>

OPERATOR STATION

168-5274 MODULE GP-DISPLAY-MIDS (CHG -00 THRU -11)

PART OF 204-6689 BOX GP-CONTROL PANEL

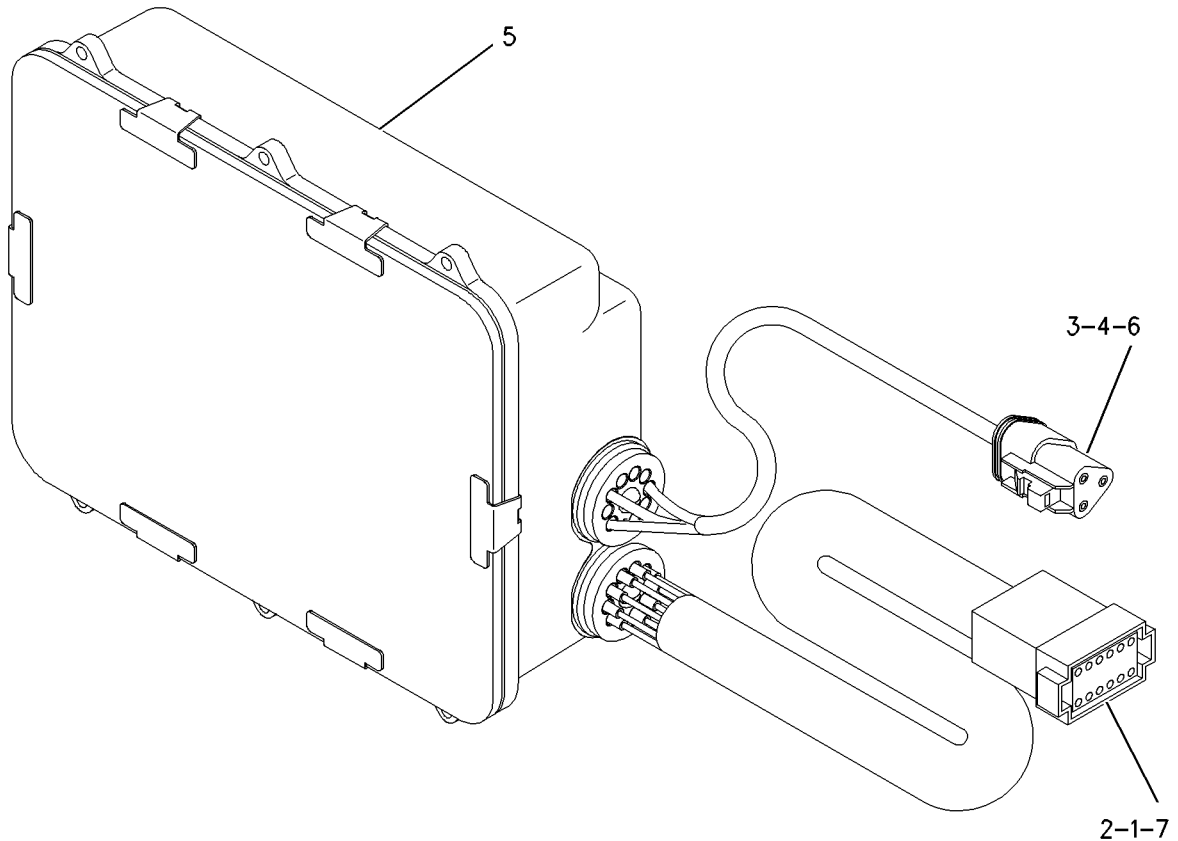
FIELD REPLACEMENT ORDER 266-0269-PAGE 452, 266-0270-PAGE 452

SMCS-7490

i02437402

NOTE	REF NO	GRAPHIC REF	PART NUMBER	QTY	PART NAME						SEE PAGE
					1	2	3	4	5	6 (PRODUCT LEVEL)	
	1	1	3E-5180	1	WEDGE-RECEPTACLE LOCK (12-PIN)						
	2	1	186-3735	12	PIN-CONNECTOR (16-GA TO 18-GA)						
	3	1	186-3736	3	SOCKET-CONNECTOR (16-GA TO 18-GA)						
	4	1	155-2276	1	WEDGE-PLUG LOCK (3-PIN)						
Z	5	1		1	CONTROL AS-ELECTRONIC						
	6	1	155-2260	1	KIT-CONNECTING PLUG (3-PIN)						
					INCLUDES PLUG AS AND WEDGE						
	7	1	102-8801	1	KIT-RECEPTACLE (12-PIN)						
					INCLUDES RECEPTACLE AS AND WEDGE						

Z-NOT SERVICED SEPARATELY



GRAPHIC #1

<END>

g00760413

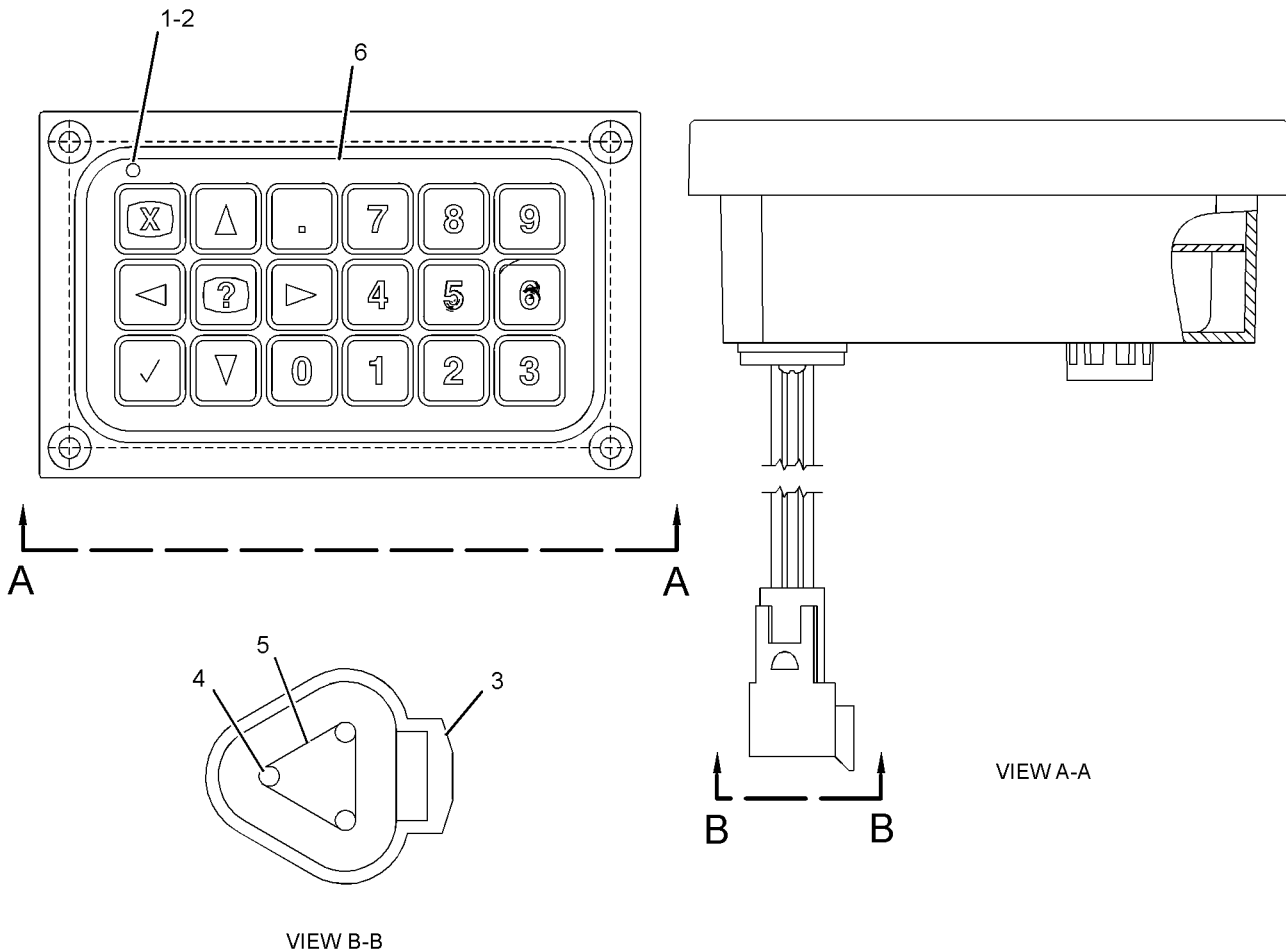
OPERATOR STATION

200-6198 MODULE GP-KEYPAD (CHG -00 THRU -02) PART OF 204-6689 BOX GP-CONTROL PANEL

SMCS-7490

i02690681

NOTE	REF NO	GRAPHIC REF	PART NUMBER	QTY	PART NAME						SEE PAGE
					1	2	3	4	5	6 (PRODUCT LEVEL)	
	1	1	4B-1218	1	SCREW-MACHINE (6-32X0.25-IN)						
	2	1	4B-2041	1	NUT (6-32-THD)						
	3	1	102-8803	1	KIT-RECEPTACLE (3-PIN) (INCLUDES RECEPTACLE AND WEDGE)						
	4	1	186-3735	3	PIN-CONNECTOR (16-GA TO 18-GA)						
	5	1	3E-3371	1	WEDGE-RECEPTACLE LOCK (3-PIN)						
	6	1	205-0821	1	FILM-KEYPAD						



GRAPHIC #1

<END>

g01351537

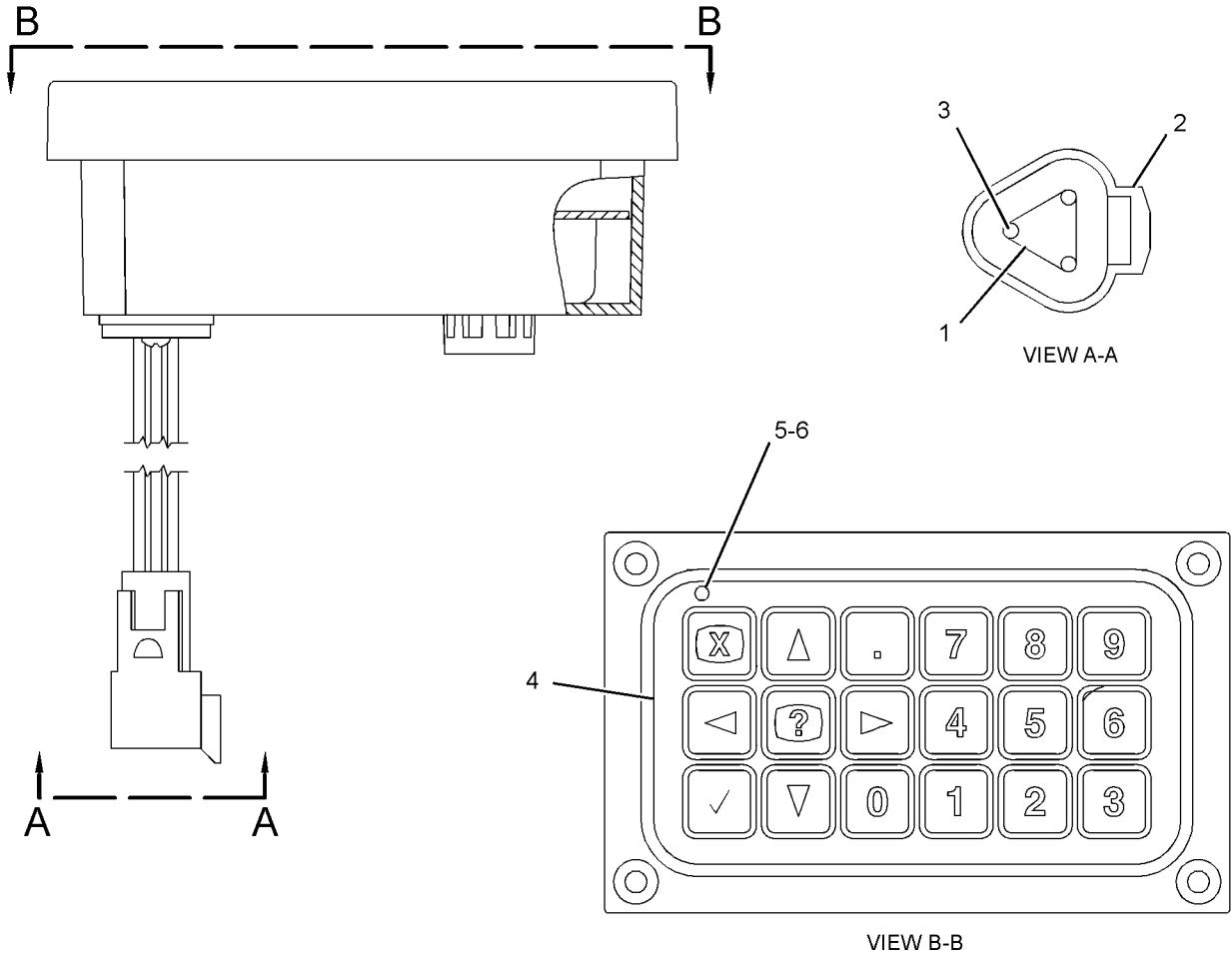
OPERATOR STATION

297-1405 MODULE GP-KEYPAD (CHG -00 THRU -02) PART OF 257-5889 PANEL GP-CONTROL

SMCS-7490

i02683060

NOTE	REF NO	GRAPHIC REF	PART NUMBER	QTY	PART NAME						SEE PAGE
					1	2	3	4	5	6 (PRODUCT LEVEL)	
	1	1	3E-3371	1	WEDGE-RECEPTACLE LOCK (3-PIN)						
	2	1	102-8803	1	KIT-RECEPTACLE (3-PIN) (INCLUDES RECEPTACLE AS AND WEDGE)						
	3	1	186-3735	3	PIN-CONNECTOR (16-GA TO 18-GA)						
	4	1	205-0821	1	FILM-KEYPAD						
	5	1	4B-1218	1	SCREW-MACHINE (6-32X0.25-IN)						
	6	1	4B-2041	1	NUT (6-32-THD)						



GRAPHIC #1

<END>

g01349789

OPERATOR STATION

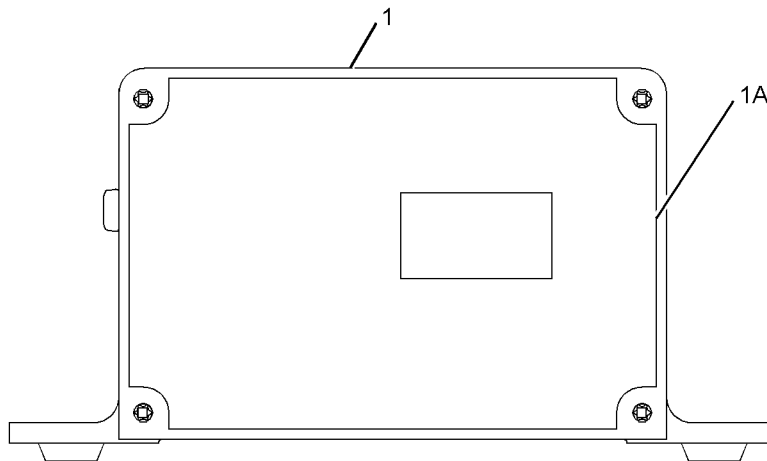
188-3081 MODULE GP-SYSTEM COMMUNICATION-CUSTOMER (CHG -00)

PART OF 216-8697 CONTROL GP-ENG RATINGS ELEK

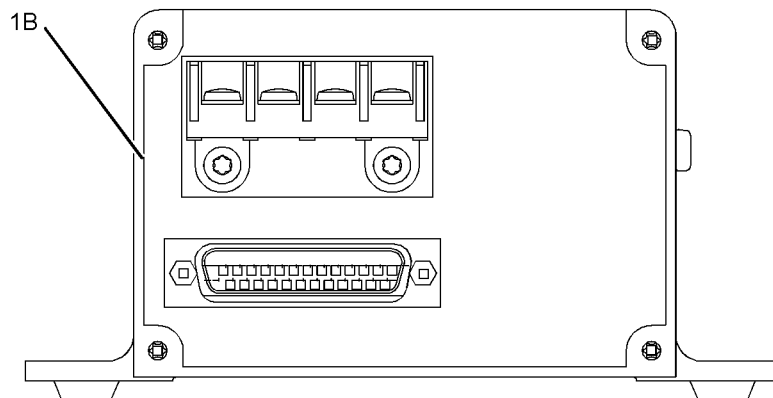
SMCS-1926

i02394592

NOTE	REF NO	GRAPHIC REF	PART NUMBER	QTY	PART NAME						SEE PAGE
					1	2	3	4	5	6 (PRODUCT LEVEL)	
	1	1	188-3080	1	MODULE GP-SYSTEM COMMUNICATION (CUSTOMER)						
	1A	1	109-5737	1	FILM-DISPLAY (COMMUNICATION MODULE)						
	1B	1	109-5738	1	FILM-INTERFACE (COMMUNICATION MODULE)						
	1C	2	101-1785	1	BATTERY (LITHIUM) (3-VOLT)						
	1D	2	8L-8413	1	STRAP-CABLE						



REAR VIEW



FRONT VIEW

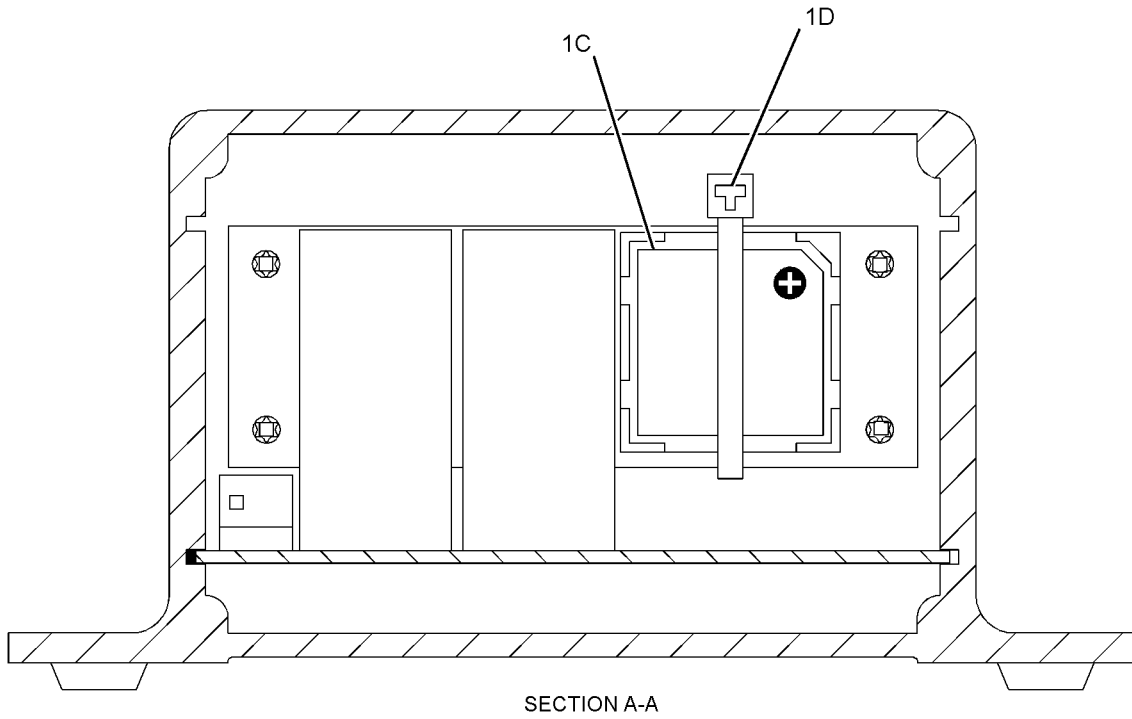
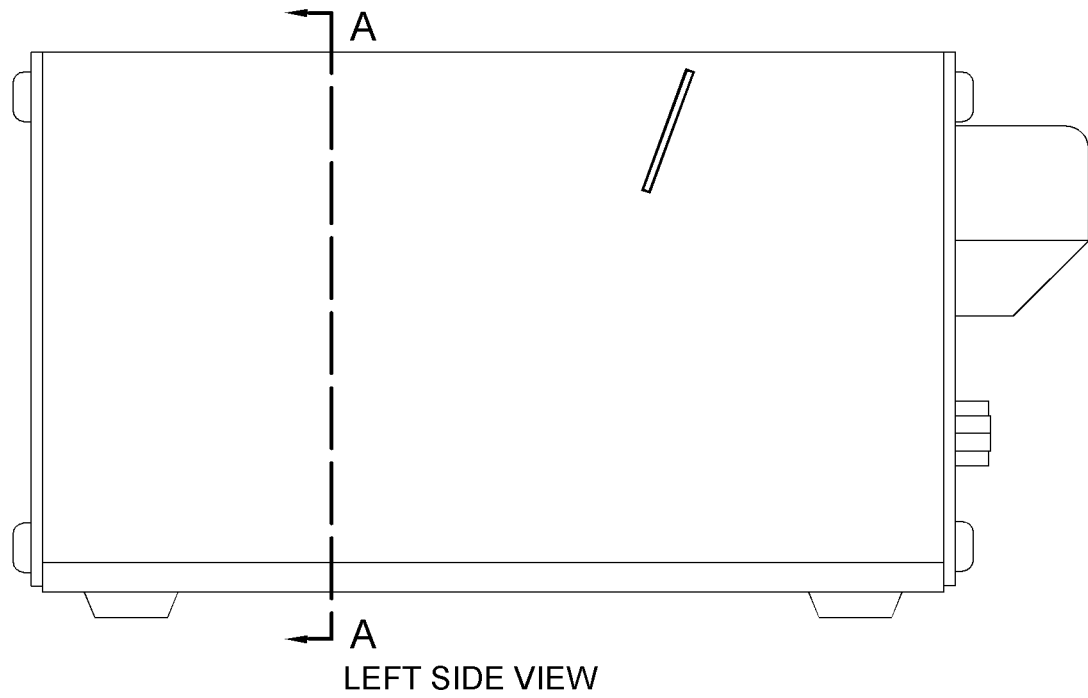
GRAPHIC #1

g01192993

OPERATOR STATION

188-3081 MODULE GP-SYSTEM COMMUNICATION (contd.)

i02394592



GRAPHIC #2

<END>

g01193026

OPERATOR STATION

257-5889 PANEL GP-CONTROL (CHG -00, -01) DISPLAY

SMCS-4490, 7451

i02693351

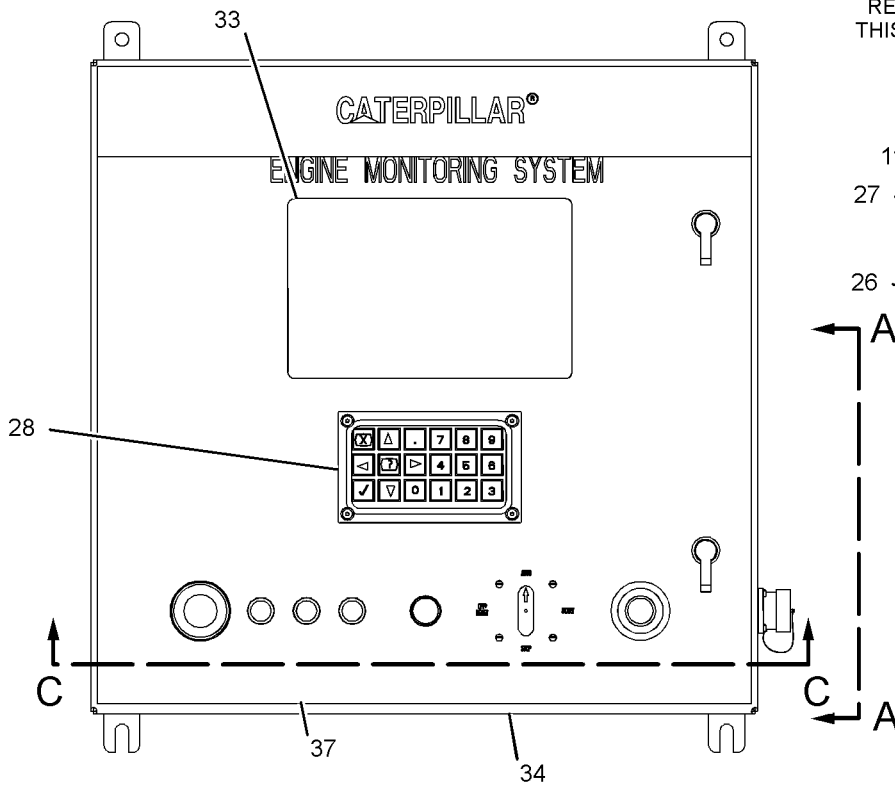
NOTE	REF NO	GRAPHIC REF	PART NUMBER	QTY	PART NAME						SEE PAGE
					1	2	3	4	5	6 (PRODUCT LEVEL)	
	1	2	2V-7088	1	LENS-RED (ENGINE FAILURE)						
	2	2	3E-1813	1	SWITCH AS-PUSH BUTTON (LIGHTED) (PRELUBRICATION)						
		2	3E-1814	1	LAMP (24-VOLT)						
	3	2	3S-2093	8	STRAP-CABLE						
	5	2	7C-4910	1	SEAL						
	6	2	7E-0860	1	DIAL-CONCENTRIC						
	7	2	7R-3029	1	CAP-DUST						
	8	2	8L-8413	4	STRAP-CABLE						
	9	1	9X-9675	2	BRACKET-END						
	10	2	109-6507	1	SWITCH AS-PUSH BUTTON (EMERGENCY STOP)						
	11	1	110-3890	3	TERMINAL						
	12	1	110-3891	2	COVER-END						
	13	2	111-1324	1	BLOCK-CONTACT (1-POLE)						
	14	1	115-1322	55	TERMINAL (DOUBLE)						
	15	1	115-2538	13	COVER-END						
	16	2	116-5270	1	LAMP (24-VOLT) (RED)						
	17	2	124-3176	1	COVER						
	18	1	131-2639	1	WASHER (3.2X9X0.5-MM THK)						
	19	2	131-4888	1	GASKET						
	20	2	132-8487	1	NUT-RING						
	21	2	153-5040	1	LAMP-INDICATOR (24-VOLT)						
	22	2	153-5042	1	LAMP-INDICATOR (24-VOLT)						
	23	2	156-0518	3	SOCKET AS (EACH INCLUDES)						
		2	6V-8367	1	LOCKWASHER						
		2	6V-8382	1	NUT-HEX (11/16-27-THD)						
	24	2	156-0519	1	LENS-AMBER (ALARM)						
	25	2	156-0520	1	LENS-GREEN (ENGINE ON)						
	26	1	197-2691	1	STRIP-CONTACT						
	27	1	197-6949	1	STRIP-CONTACT						
Y	28	1	297-1405	1	MODULE GP-KEYPAD						455
	29	1	208-6049	1	TAG						
	30	2	221-2304	1	SWITCH AS-ROTARY (ENGINE CONTROL)						
	31	2	221-2498	1	WIRE AS						
	32	1	235-4861	1	TERMINAL-GROUND						
	33	1	248-5563	1	GASKET						
Y	34	1	257-8836	1	BOX AS-CONTROL						328
Y	35	2	257-8837	1	HARNESS AS-MONITOR (ADVISOR)						343
	37	1	258-6988	1	FILM-CONTROL PANEL						
Y	38	2	258-6989	1	HARNESS AS-CONTROL (DATA LINK)						341
	39	1	259-5812	2	MOUNTING GP-CONTROL (ENGINE MONITORING SYSTEM) (EACH INCLUDES)						
	39A	1	260-0405	1	BRACKET AS						
	39B	1	260-0406	2	BOLT (1/4-20X1.5-IN)						
	39C	1	260-0407	2	CAP						
	40	1	4B-4863	4	WASHER (4.7X11X1.2-MM THK)						
	41	2	5P-0537	4	WASHER-HARD (7.2X14.5X2-MM THK)						
	42	1	6D-5801	4	LOCKNUT (8-32-THD)						
	43	2	8C-8560	4	SCREW-LOCK (4-40X0.5-IN)						
M	44	1	8T-0639	4	BOLT (M6X1X12-MM)						
	45	2	9S-8750	2	NUT-FULL (1/4-20-THD)						
	46	1	9X-8256	4	WASHER (6.6X12X2-MM THK)						

M-METRIC PART
Y-SEPARATE ILLUSTRATION

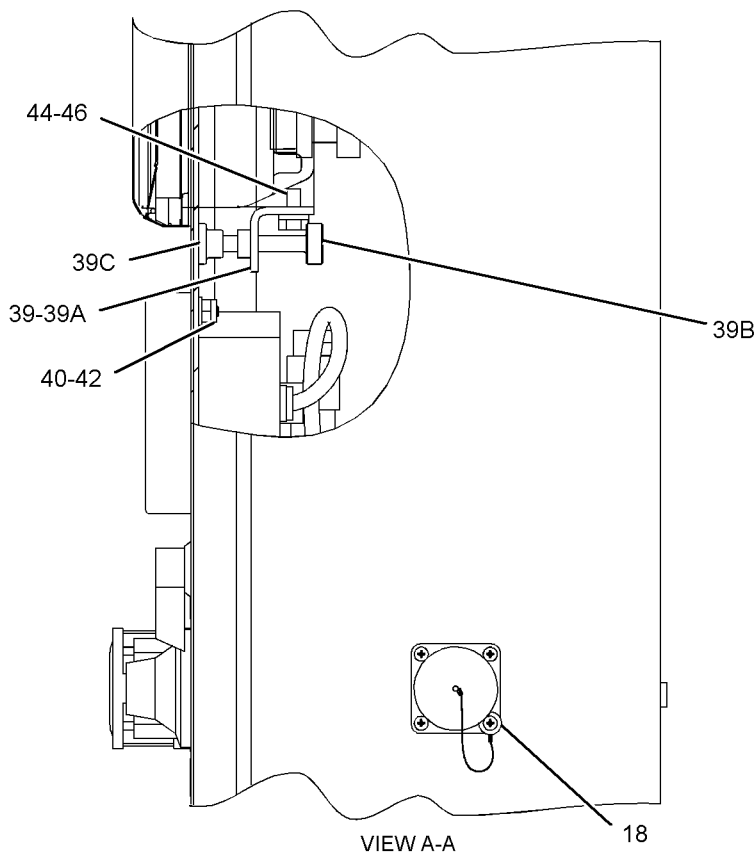
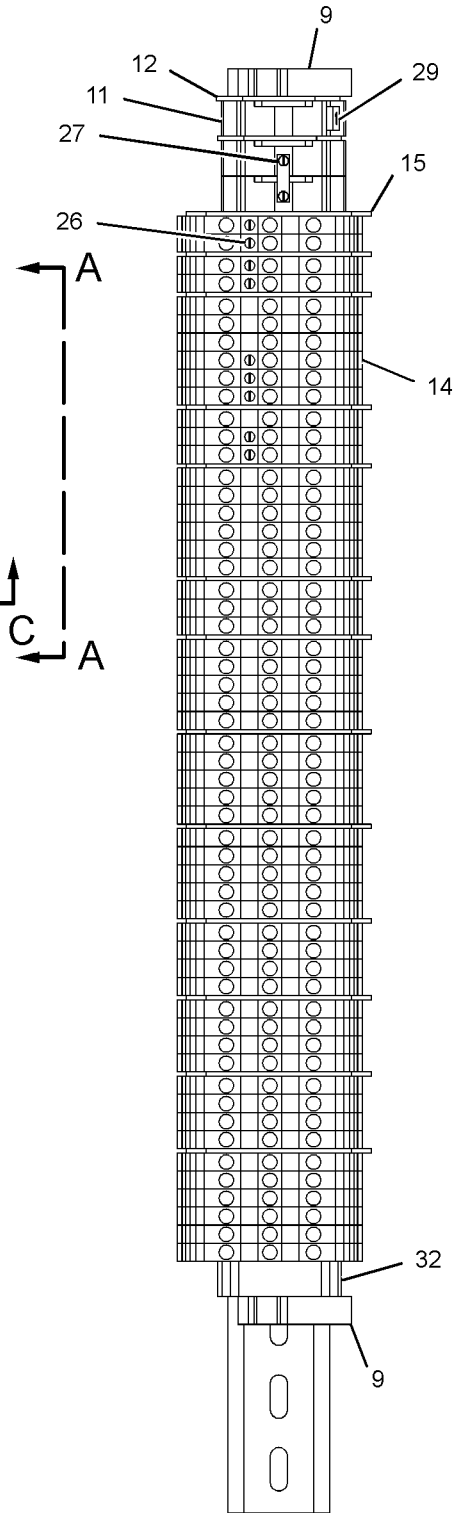
OPERATOR STATION

257-5889 PANEL GP-CONTROL (contd.)

i02693351



REFER TO ALL ILLUSTRATIONS OF THIS GROUP FOR AUXILIARY VIEWS.



SECTION B-B

VIEW A-A

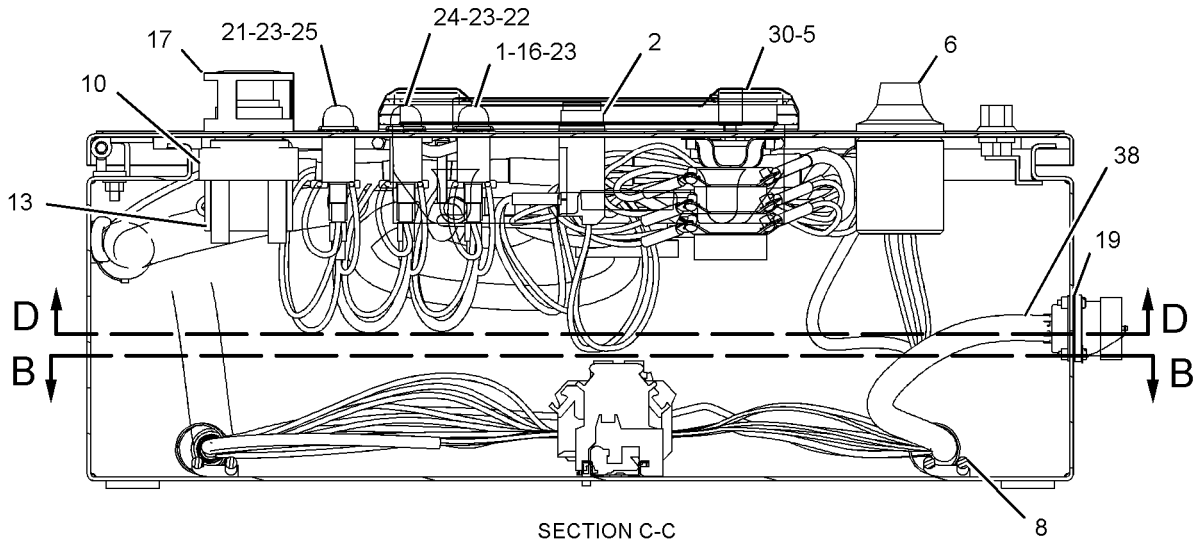
GRAPHIC #1

g01182766

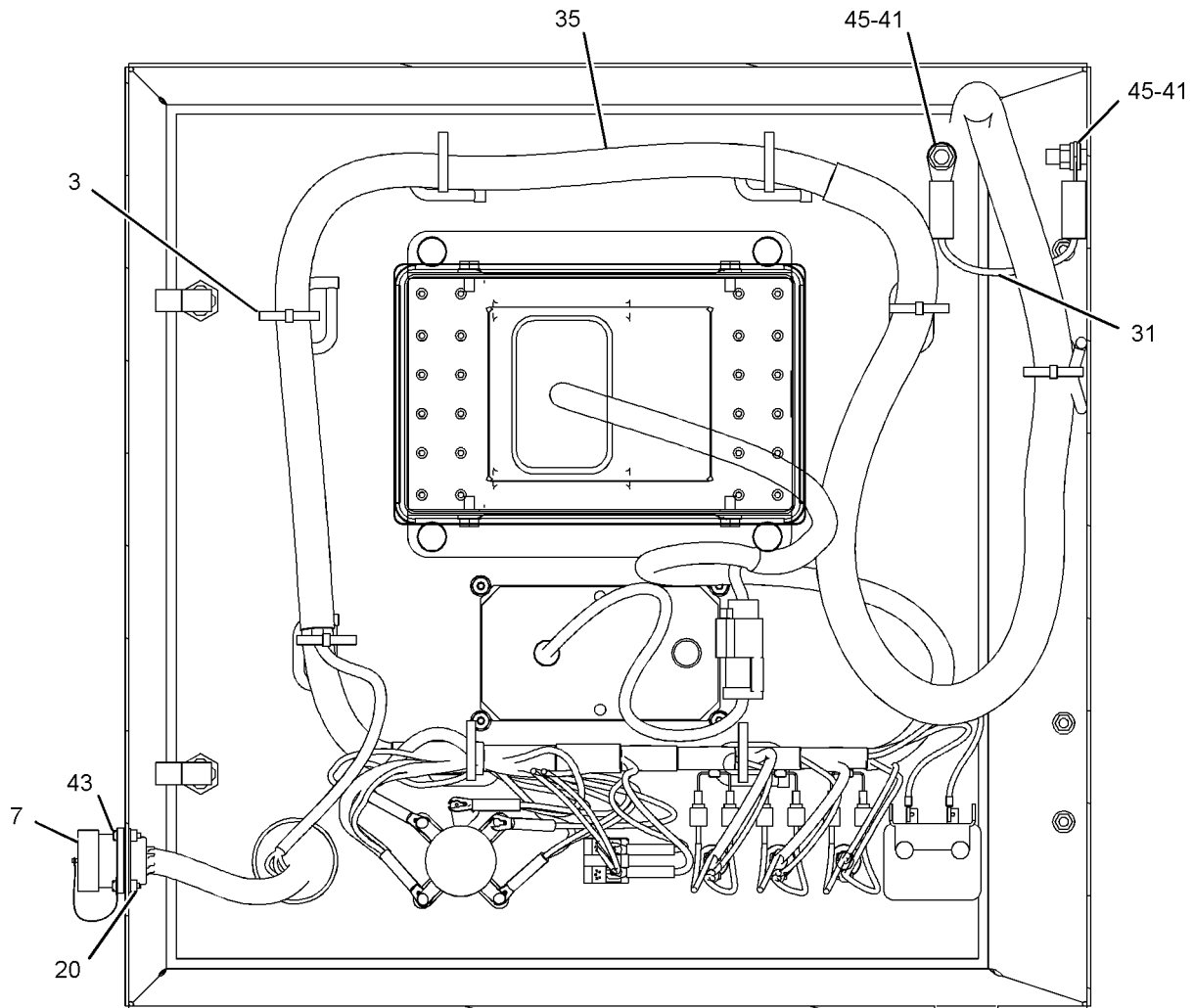
OPERATOR STATION

257-5889 PANEL GP-CONTROL (contd.)

i02693351



SECTION C-C



SECTION D-D

GRAPHIC #2

<END>

g01107314

SERVICE EQUIPMENT AND SUPPLIES

6L-4502 CHART-PLATE & FILM (CHG -538)

SMCS - 7557

i02380808

NOTE	PART NUMBER	QTY	PART NAME 1 2 3 4 5 6 (PRODUCT LEVEL)	SEE PAGE
	7E-7852	6	FILM (PICTOGRAPH) INSTALL 2 ON SIDE OF AIR CHOKE ACTUATOR'S TOP COVER. ONE READABLE FROM LH SIDE OF ENGINE AND ONE READABLE FROM FRONT.	
			INSTALL 2 ON SIDE OF WASTE GATE ACTUATOR'S TOP COVER. ONE READABLE FROM LH SIDE OF ENGINE AND ONE READABLE FROM FRONT.	
			INSTALL 2 ON SIDE OF FUEL ACTUATOR'S TOP COVER. ONE READABLE FROM RH SIDE OF ENGINE AND ONE READABLE FROM REAR.	
	3E-2098	1	FILM-IDENTIFICATION (SI TIMING) INSTALLED ON ELECTRONIC CONTROL BOX.	
	9X-0379	1	FILM-IDENTIFICATION (ENGINE CONTROL MODULE) INSTALL ON FRONT OF SI ENGINE CONTROL BOX.	
	7W-3055	1	FILM-INFORMATION INSTALL FILM OVER CORRESPONDING NUMBERS FOR LINES GROUPS.	
	4P-6469	8	FILM-NOTICE (SPARK PLUG DAMAGE) INSTALL ONE ON OUTBOARD FACE OF UPPER VALVE COVER ON EACH CYLINDER HEAD.	
	7W-5890	1	FILM-ROTATION (STANDARD ROTATION) INSTALL ON TOP OF FLYWHEEL HOUSING.	
	1H-4950	2	FILM-WARNING (CRANKCASE) INSTALL ONE ON UPPER PORTION OF 3RD RH CRANKSHAFT COVER FROM REAR OF ENGINE. INSTALL ONE ON 2ND LH CRANKCASE COVER FROM FRONT OF ENGINE.	
	9L-6531	1	PLATE-INFORMATION (ENGINE RATING) INSTALL BETWEEN 2ND AND 3RD RH REAR CRANKCASE COVERS.	
	159-8314	1	PLATE-INFORMATION (GAS ENGINE) INSTALL BETWEEN 2ND AND 3RD RH REAR CRANKCASE COVERS.	
	3N-3790	1	PLATE-SERIAL NUMBER (ENGINE) INSTALL ON LH SIDE OF CYLINDER BLOCK BETWEEN REAR TWO CRANKCASE COVERS.	
	4B-4158	2	SCREW-DRIVE (NO 4X1/4-IN) FOR USE WITH 3N3790.	
<END>				

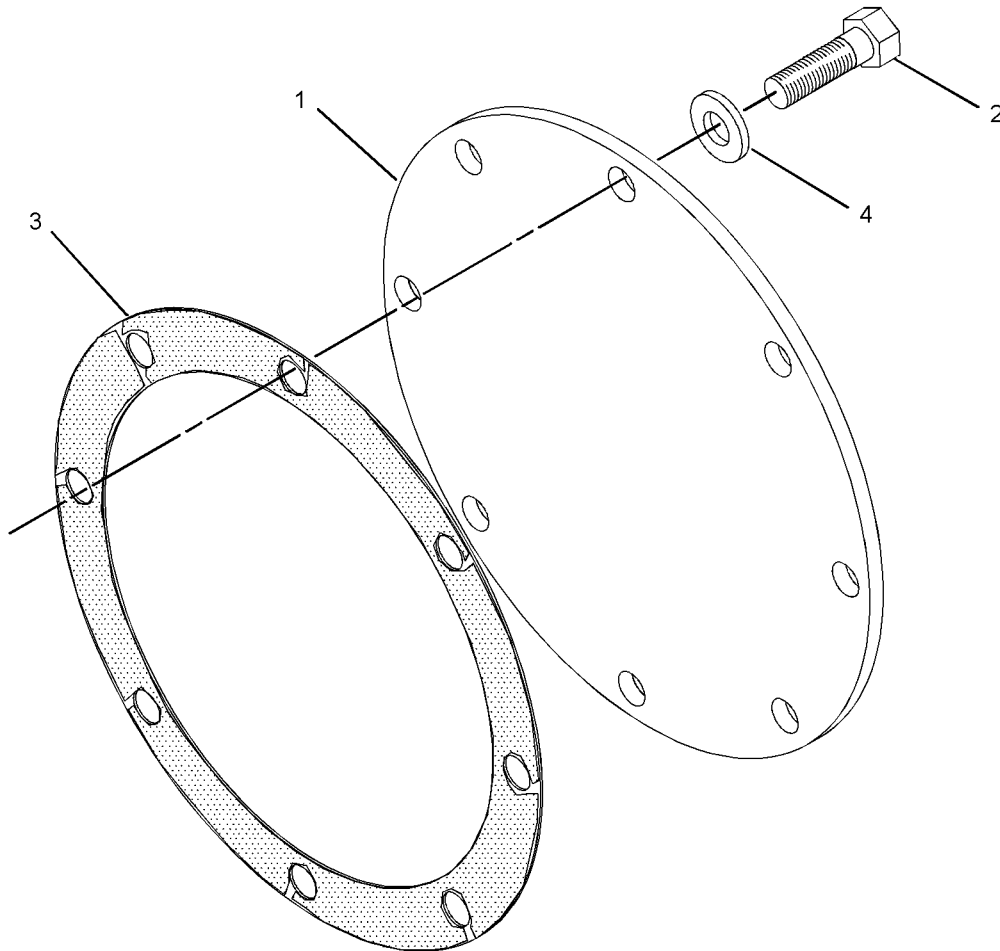
SERVICE EQUIPMENT AND SUPPLIES

259-0488 COVER GP-SHIPPING (CHG -00) FOR USE WITH ADAPTER FOR THE REGULATOR

SMCS-1000, 7500

i02459014

NOTE	REF NO	GRAPHIC REF	PART NUMBER	QTY	PART NAME						SEE PAGE
					1	2	3	4	5	6 (PRODUCT LEVEL)	
	1	1	120-8146	1	COVER (5-IN)						
	2	1	0L-1351	8	BOLT (3/8-16X0.875-IN)						
	3	1	1S-5772	1	GASKET						
	4	1	3V-3308	8	WASHER-HARD (10.2X20.5X2.5-MM THK)						



GRAPHIC #1

<END>

g01227157

SERVICE EQUIPMENT AND SUPPLIES

4W-0686 KIT-TURBOCHARGER REPAIR (CHG -00 THRU -02) PART OF 4P-6746 TURBOCHARGER GP

SMCS-1052

i02339158

NOTE	PART NUMBER	QTY	PART NAME						SEE PAGE
			1	2	3	4	5	6 (PRODUCT LEVEL)	
	1W-2577	1	GASKET						
Y	9Y-0205	1	KIT-TURBOCHARGER SEAL						463
	6J-2245	1	SEAL-O-RING						
	4W-9033	1	SEAL-O-RING						
Y-SEPARATE ILLUSTRATION									
<END>									

9Y-0205 KIT-TURBOCHARGER SEAL (CHG -01 THRU -03) PART OF 4W-0686 KIT-TURBOCHARGER REPAIR

SMCS-1052

i02345481

NOTE	PART NUMBER	QTY	PART NAME						SEE PAGE
			1	2	3	4	5	6 (PRODUCT LEVEL)	
	7C-3348	1	BEARING-THRUST						
M	156-2687	9	BOLT-HIGH TEMPERATURE (M10X1.5X30-MM)						
	4W-8927	1	BUSHING-TERMINAL						
	4W-8928	1	BUSHING-TERMINAL						
	4W-8566	20	PLATE-LOCK (1-MM THK)						
	4W-8572	3	PLATE-LOCK (1-MM THK)						
	4W-8564	2	RING-SEAL						
	4W-9031	1	SEAL-O-RING						
	4W-9032	1	SEAL-O-RING						
M-METRIC PART									
<END>									

MEMORANDA

PART NUMBER INDEX

Part	Page	Part	Page	Part	Page	Part	Page
0							
OL-1143	32		265		169		277
	34		267		170		303
	36		271		171		305
	103		303		172		307
	104		305		173		311
	125		307		174		318
	128		311		175	OS-1591	16
	132		318		176		17
	138		346		177		62
	139		349		178		94
	163		352		184		117
	182		355		190		119
	190		358		192		124
	215		362		195		125
	273		364		197		128
	311		366		201		133
OL-1351	165		368		203		150
	277	OS-1585	370		215		154
	416		372		219		160
	462		2		223		162
OL-1352	15		4		227		182
OL-2070	125		81		245		184
	138		103		249		186
	227		104		252		190
	326		117		259		195
	377		119		262		209
	380		125		269		210
	385		150		271		215
OS-0509	80		199		303		219
	117		200		305		223
	128		205		307		227
	132		215		311		245
	273	OS-1587	227		318		247
	275		283		319		249
	277		67		370		255
	326		69		412		257
	346		89		416		259
	349		117		423		262
	352		119	OS-1589	249		269
	416		199	OS-1590	17		303
	423		200		22		305
OS-1566	249		259		62		307
OS-1569	84		262		79		311
	86		314		80		433
	141		376		94	OS-1594	4
OS-1571	125		398		110		14
	141		401		124		16
	161	OS-1588	404		128		21
	182		432		132		26
	186		11		139		32
	190		12		155		36
	195		15		157		81
	215		17		159		82
	219		107		168		84
	223		117		186		85
	227		119		190		117
	245		123		192		123
	247		124		215		125
	249		125		219		128
	255		128		223		132
	257		132		227		136
	259		136		245		139
	262		141		249		145
			148		259		150
			167		262		156

PART NUMBER INDEX

Part	Page	Part	Page	Part	Page	Part	Page
	158	1			69		303
	159				71		305
	168	1A-0168	69		73		307
	174		89	1D-4709	242	1S-4698	67
	182	1A-1135	78		244		69
	184	1A-1460	84		433		89
	186		94	1F-0750	82	1S-5772	155
	188		132		252		156
	190		207		271		157
	192	1A-2029	16		330		159
	195		85		377		162
	197		117		380		166
	201		119		385		167
	211		147		434		168
	249		150	1F-6762	78		169
	259		156	1F-7464	436		170
	262		192		438		171
	277		245	1F-7958	67		172
	346		247		69		173
	349		255		89		174
	352		257		132		175
	355		277		206		176
	358		434		207		177
	416	1A-5822	145		208		178
	423	1A-5964	67		215		190
	433		69		227		195
OS-1595	20		71		249		203
	77		73		283		462
	84	1A-8063	190		412	1S-9593	448
	112		283		432		450
	125		314	1G-8878	121	1T-0689	147
	138		432	1H-3244	320	1T-0720	277
	139		433		322	1V-6256	132
	141	1A-9579	249		324	1W-0098	13
	144		259	1H-3337	334	1W-0104	85
	188		262	1H-4950	461	1W-0105	32
	219	1B-2713	141	1H-5959	148		34
	223	1B-3057	132	1H-7722	366		36
	292	1B-4367	159	1J-2814	243	1W-0121	28
	326		160	1K-9740	117		30
OS-1615	326		161	1L-5081	416		34
	377	1B-4971	80		423	1W-0122	28
	380		94	1L-8497	399		30
	385	1B-5357	237	1M-0644	152		34
OS-1617	105		238	1M-4584	205	1W-0123	28
	141		240		206		30
	148		241	1N-3134	136		34
	416		282	1N-3828	77	1W-0605	87
	423	1B-7182	103	1N-3834	77		105
OS-1618	136		104	1N-3842	77	1W-0790	▶77
OS-1619	192		147	1N-4622	125	1W-0796	▶90
	227	1D-4540	136	1N-5998	94	1W-0797	▶144
OS-1621	81	1D-4566	78	1P-5274	136	1W-0798	▶117
	82		163	1P-7346	4	1W-0804	▶152
OS-1625	78		265	1P-7625	252	1W-0809	▶163
	86		267	1Q-5094	416	1W-0826	▶88
	190		362		423	1W-0839	▶94
OS-1626	158		366	1S-1638	97	1W-0894	▶398
OT-0102	377		368	1S-3584	215	1W-0899	▶147
	380	1D-4569	75		219	1W-1049	16
	385	1D-4588	141		223	1W-1174	26
OT-0573	277	1D-4599	84		227	1W-1415	123
OV-0375	163	1D-4601	107		249	1W-1748	50
	283	1D-4608	190		259		51
		1D-4706	67		262		52

PART NUMBER INDEX

Part	Page	Part	Page	Part	Page	Part	Page
	53	1W-3382	▶21	2H-3088	117		223
	54	1W-3389	103	2H-3745	76	2W-0546	26
	57		104	2H-3756	84	2W-2678	▶154
	58	1W-3390	103		86	2W-2680	▶282
	60		104	2H-3888	433	2W-2681	▶237
	61	1W-3591	184	2H-6488	314	2W-2682	▶240
1W-1749	50	1W-3785	195	2J-3506	158	2W-2742	▶19
	51	1W-3891	163		164	2W-2945	362
	52	1W-3958	117		190		366
	53		119	2J-3507	242		368
	54	1W-3979	125		244	2W-2972	19
	57		182		433	2W-2988	92
	58	1W-4059	125	2K-4821	322		436
	60	1W-4067	195	2K-4973	117		438
	61	1W-4152	125	2L-2813	115	2W-3031	237
1W-1752	50		190		116	2W-3335	▶91
	51	1W-4153	125	2L-8075	322	2W-3584	17
	52	1W-4307	125	2M-6471	38	2W-3790	138
	53	1W-4776	147		40	2W-4025	188
	54		▶148		43	2W-4026	188
	57	1W-5200	163		46	2W-4032	188
	58	1W-6356	277		169		192
	60	1W-6492	124		170	2W-4379	141
	61	1W-6700	94		171	2W-4555	184
1W-1754	50	1W-6702	94		172		195
	51	1W-6917	209		173	2W-4763	186
	52		210		174	2W-5022	184
	53	1W-7020	188		175		195
	57		192		176	2W-5023	184
	58	1W-7117	15		177		195
	60		32		178	2W-5032	184
1W-1756	87		34	2M-9780	128	2W-5753	195
1W-1760	109		36		132	2W-5754	195
1W-1960	32	1W-8260	26		207	2W-5755	195
	36	1W-8409	105		249	2W-5935	284
1W-2057	144	1W-8410	105		318	2W-6082	399
1W-2058	144	1W-8444	105	2N-0475	184	2W-6083	148
1W-2059	145	1W-8562	62		195	2W-6084	399
1W-2240	152	1W-8564	62	2N-2766	215	2W-6090	448
1W-2242	152	1W-9217	62		219	2W-6317	125
1W-2243	152	1W-9823	205		223	2W-6318	182
1W-2244	125		206		227	2W-6862	117
1W-2332	141		234		279		119
1W-2334	14	1Y-0412	252		280	2W-7121	154
	141	1Y-3541	252	2N-3350	47		160
1W-2361	47				48		168
	48				49		195
	49	2			55	2W-7249	245
	55				56		247
	56	2A-0762	407	2N-3378	275		257
1W-2362	47	2A-1531	396	2N-7520	148	2W-7755	241
	48	2A-4429	105	2N-7521	148	2W-7756	▶241
	49	2A-4639	155	2N-7522	148	2W-7886	240
	55		157	2N-9768	150	2W-7889	▶238
	56		277		407	2W-8216	125
1W-2473	87	2B-0858	160	2P-1314	416	2W-8313	16
1W-2577	138	2B-0947	314		423	2W-8545	184
	139	2B-2695	125	2P-5616	322	2W-8546	186
	463	2B-7947	2	2R-6806	109		
1W-2823	107	2D-4202	319		195		
1W-2824	107	2D-6642	105	2S-5658	249		
1W-2828	197	2D-7325	252	2V-7088	442		
	201	2D-9155	273		445	3B-0645	38
1W-2834	17	2F-5277	412		458		40
1W-3377	20	2G-5664	152	2W-0439	219		43

PART NUMBER INDEX

Part	Page	Part	Page	Part	Page	Part	Page
	46	3E-9865	361		355		16
3B-1915	11	3F-7674	19	3P-0654	182		17
	12	3G-7382	77	3P-0655	86		21
	15	3H-3433	136		125		22
	67	3H-6622	184		182		26
	69		195	3P-0656	16		32
	71	3H-6630	219		32		36
	73		223		34		62
	78	3H-7654	215		36		65
	128		228		125		67
	132	3J-1907	2	3P-0658	124		69
	166		34	3P-0764	415		71
	190		128		422		73
	377		132	3P-1156	145		79
	380		416	3R-6789	136		80
	385		423	3S-1349	63		81
3B-2968	197	3J-5389	277		76		84
	201	3J-7352	125		243		85
3B-4504	231	3J-7354	38	3S-2093	150		97
3B-4505	292		40		339		107
	399		43		341		110
3B-4507	231		46		361		117
3B-4508	292		245		385		119
	416		247		386		123
3B-6492	114		255		415		124
	267		257		422		125
	366		372		442		128
	368		416		445		132
3B-7722	150		423		458		136
3B-7725	211	3J-7355	141	3S-2713	105		138
	213	3J-7719	399		215		141
3B-7745	181	3K-0360	128		219		145
3B-7866	252		132		223		150
3B-8489	2		141		227		152
	4		252		249		154
3D-0472	206		276		259		155
3D-2824	128		416		262		156
	132		423		303		157
	190	3K-5068	429		305		162
3D-4022	252		430		307		165
3E-0105	448	3L-1258	370	3S-7079	28		166
	450	3L-2540	141		30		167
3E-1813	442	3L-8993	65		34		168
	445		150	3S-9643	169		174
	458		362		170		182
3E-1814	442		364		171		186
	445		368		172		188
	458	3M-7045	279		173		190
3E-2098	461		280		174		192
3E-2149	442	3N-1283	148		175		195
3E-2331	236	3N-1284	148		176		197
	239	3N-1285	148		177		201
3E-3365	392	3N-1287	148		178		209
3E-3371	454	3N-1308	117		182		210
	455	3N-3790	461		203		211
3E-3377	342	3N-4622	407	3T-6354	320		215
3E-4084	113	3N-8591	19		322		219
	114	3P-0647	97		324		223
	115		98	3V-0409	429		227
	116		100		430		245
3E-5180	453		101	3V-2431	318		247
3E-5454	320	3P-0649	138		319		249
3E-6488	416		139	3V-3308	11		255
	423	3P-0650	346		14		257
3E-7402	269		349		15		259

PART NUMBER INDEX

Part	Page	Part	Page	Part	Page	Part	Page
	262		307		227	4P-7581	150
	269	4F-2753	215		249		378
	271		219		259		381
	273		223		262		385
	275		227		307		416
	303	4F-4585	15	4P-0419	279		424
	305	4F-4879	377		280	4P-7582	381
	307		380	4P-0692	138		385
	311		385	4P-2210	317	4P-8018	138
	318	4F-6024	100	4P-2211	317	4P-8019	138
	326		101	4P-2212	317		139
	346	4F-7957	117	4P-2213	317	4P-8034	►2
	349		245	4P-2214	317	4P-8035	2
	352		247	4P-2215	317	4P-8036	2
	355		255	4P-2216	317	4P-8038	2
	358		257	4P-2217	317	4P-8040	2
	370		269	4P-2218	317	4P-8134	150
	372		372	4P-2221	317		192
	377	4G-2544	346	4P-2222	317		249
	380		349	4P-2223	317		381
	385		352	4P-2268	►64		385
	412		355	4P-2351	►85		416
	416		358		86		424
	423		377	4P-2854	50	4P-8958	95
	433		380		51	4P-9060	►184
	462	4J-0523	192		52	4P-9168	117
3W-2647	215	4J-5977	243		53		119
	227	4K-0367	67		54	4P-9169	117
			69		57		119
			89		58	4P-9174	117
			159		60	4P-9185	117
			160		61	4P-9218	117
			161	4P-3857	416	4P-9477	410
4B-1218	454		190		423		413
	455		28	4P-4113	265	4R-8605	245
4B-2041	454	4K-0684	30		267		247
	455		34		362		255
4B-2047	324		271		364		407
4B-3140	32	4K-1086	307		366	4S-5719	182
	36	4K-2877	2		368		432
4B-3388	2	4K-5175	275	4P-4718	►309	4S-5898	277
	346	4K-8302	315	4P-4721	309	4S-6399	150
	349	4M-5281	265	4P-5135	344		245
	352	4N-3411	267	4P-5136	344		247
	355		362	4P-5138	344		252
	358		364	4P-5143	344		255
4B-3584	432		366	4P-5144	344		257
4B-4158	461		368	4P-5145	344		271
4B-4863	445		415	4P-5147	344		372
	458	4N-5756	422	4P-5148	344	4T-4027	4
4B-5324	442		292	4P-5149	344	4W-0012	►314
	445	4P-0300	231	4P-5152	344	4W-0234	197
4B-9365	128	4P-0307	292	4P-5238	►108		201
	132	4P-0309	231	4P-5304	17	4W-0365	►20
4B-9808	2	4P-0372	219	4P-6077	292	4W-0379	117
4D-1326	326	4P-0391	223	4P-6125	13	4W-0686	292
	346		249	4P-6469	461		►463
	349		259	4P-6746	►292	4W-0695	398
	352		262	4P-6945	409		►399
	381		303	4P-6961	82	4W-1162	124
	385		305	4P-6979	111	4W-1164	125
4D-3118	399		307	4P-7428	416	4W-2100	252
4D-8532	215		215		423		271
	227	4P-0394	219	4P-7429	416	4W-2138	136
	303		223		423	4W-2139	136
	305						

4

PART NUMBER INDEX

Part	Page	Part	Page	Part	Page	Part	Page
4W-2245	265	4W-7486	125	5B-9603	109		249
	267	4W-7487	125		182		259
	362	4W-7593	436		184		262
	364		438		417		277
	366	4W-7749	154		424	5M-4639	195
	368		158	5C-2874	328	5M-6214	145
	370		160		330		148
4W-2535	124		165		440	5N-2126	385
4W-3027	110		168	5D-4661	92	5N-2840	417
4W-3034	110		190		93		424
4W-3637	205		195		436	5N-5646	245
	206	4W-7961	231		438		247
	207	4W-8010	26	5D-5957	103		255
	211	4W-8344	13		104	5N-6668	148
	213	4W-8556	314	5D-9231	417	5N-7501	334
4W-3996	145	4W-8561	231		424	5N-7776	148
4W-3997	145	4W-8564	231	5E-4852	132	5N-7917	125
4W-3998	145		463	5G-4313	318	5N-8363	399
4W-4050	94	4W-8566	292	5H-0255	267	5N-8364	399
4W-4100	86		463		368	5N-8365	399
4W-4101	84	4W-8568	292	5H-0275	127	5N-8367	399
4W-4460	145	4W-8571	292	5H-1504	108	5N-8372	399
4W-4484	145	4W-8572	231	5H-2532	215	5N-8373	399
4W-4544	144		463		219	5N-8374	399
	▶145	4W-8573	231		223	5N-8375	399
4W-4555	124	4W-8605	292		227	5N-8377	399
4W-4813	84	4W-8606	292		249	5N-8378	399
4W-5017	84	4W-8607	292		259	5N-8379	399
4W-5441	50	4W-8608	292		262	5N-8380	399
	51	4W-8683	231		303	5N-8381	399
	52	4W-8775	16		305	5N-8383	399
	53		125		307	5N-8384	399
	54		186	5H-8848	110	5N-8387	399
	57	4W-8926	231	5H-9573	2	5N-8390	399
	58	4W-8927	231		4	5N-8403	399
	60		463	5J-5314	290	5N-8424	399
	61	4W-8928	231	5J-7303	150	5N-8425	399
4W-5442	38		463	5K-2294	117	5N-8427	399
	40	4W-9025	292	5K-9090	318	5N-8428	399
	43	4W-9027	292	5K-9660	128	5N-8617	211
	46	4W-9028	234		132	5N-9574	399
4W-6273	376	4W-9029	292	5L-1091	2	5P-0537	101
	398	4W-9030	231		4		117
	401	4W-9031	231	5L-2534	65		128
	404		463		265		132
4W-6637	21	4W-9032	231		267		141
	84		463		362		150
4W-6638	21	4W-9033	231		364		245
	84		463		366		247
4W-6799	125	4W-9036	292		368		255
4W-7322	188	4W-9037	292	5L-3233	415		257
4W-7390	259	4W-9293	231		422		269
	262	4W-9533	292	5L-3291	215		326
4W-7391	259	4W-9549	4		219		372
	262	4W-9551	4		223		378
4W-7392	259	4W-9774	136		227		381
	262				303		385
4W-7393	259				305		407
	262				307		445
4W-7394	249			5M-2894	139		448
	259	5B-4855	252		150		450
	262	5B-7660	370		159		458
	269	5B-7661	113		160	5P-0547	249
4W-7483	86		115		209		259
4W-7484	86		116		210		262

PART NUMBER INDEX

Part	Page	Part	Page	Part	Page	Part	Page
5P-0597	110		94		190		386
	113		150		283		407
	114	5P-7818	86		284	6B-6863	292
	115		117		432	6B-7280	265
	116	5P-7854	318		433		267
5P-1038	416	5P-8211	311	5P-8250	34		362
5P-1075	82	5P-8215	2		36		364
	94	5P-8245	2		76		366
	267		6		90		368
	366		67		91	6D-2928	150
	434		69		242		315
5P-1076	75		71		244	6D-3479	245
	124		73		433		247
	283		81	5P-8429	124		252
	366		82	5P-8861	94		255
5P-1475	343		84		124		257
5P-2428	92		89	5P-8872	125		269
5P-2566	233		94	5P-9130	▶179		417
5P-2755	219		117	5P-9147	15	6D-3910	148
	223		119		67	6D-5801	445
5P-3418	322		132		69		458
5P-3419	322		138		71	6F-2172	148
	324		139		73	6F-6045	364
5P-3456	4		150	5P-9297	271	6F-7701	265
	139		163		273		267
5P-3501	415		188		372		362
	422		199		378		364
5P-3591	34		200		381		366
5P-4115	370		205		385		368
5P-4479	269		206	5P-9299	417		370
5P-4868	110		207		424	6F-8856	265
5P-4889	97		208	5P-9514	399		267
	98		219	5P-9658	141		362
	100		223	5P-9757	139		364
	101		234	5P-9960	215		366
	145		237		219		368
5P-5006	424		238		223		370
5P-5007	273		240		227	6F-8857	65
5P-5618	343		241	5R-4911	436		370
5P-5846	138		249		438	6F-8858	265
	139		259	5R-9286	141		267
5P-6009	341		262	5S-0003	125		366
	343		267		147	6H-1717	82
5P-6025	355		277		249		267
	358		279		259		368
5P-6399	273		280		262	6H-6109	4
	275		282		378	6I-0578	105
5P-6920	320		283		381	6I-0728	249
5P-6944	34		314		385		259
5P-7701	87		326	5S-2586	2		262
	96		368	5S-7349	322	6I-1418	448
	124		396		324		450
	136		412	5S-9134	77	6I-1703	249
	138		432		125		259
	139	5P-8247	67		182		262
5P-7807	322		69	5T-4374	257	6I-1705	249
5P-7813	145		84				259
	197		89				262
	201		141			6I-1706	249
5P-7815	97		159				259
	98		160	6B-3104	252		262
	100		161	6B-3685	65	6I-1707	249
5P-7816	64		190		150		259
	65	5P-8248	158	6B-5072	378		262
	66		164		381	6I-1708	249

6

PART NUMBER INDEX

Part	Page	Part	Page	Part	Page	Part	Page
	259		330		349		86
	262		440		352		109
6I-1732	303	6V-1394	399		355		125
	305	6V-1454	186		358		127
	307		195	6V-3832	283		141
	▶409		209	6V-3833	86		145
6I-1946	▶317		210		125		152
6I-1947	317	6V-1903	192	6V-3834	346		182
6I-1948	317	6V-1904	17		349		205
6I-1949	317	6V-1943	215		352		206
6I-2024	409		219		355		209
6I-2025	409		223		358		210
6I-2073	76		227	6V-3835	152		234
6I-2074	▶76	6V-2202	320	6V-3908	209		298
6I-2313	105	6V-2605	277		210		301
6I-2489	109	6V-2686	381	6V-3916	399		311
6I-2491	109		385	6V-3917	277	6V-5050	378
6I-2527	219	6V-3250	16	6V-3935	399		381
	223		184	6V-3938	399		385
6I-4545	17		186	6V-3939	399	6V-5052	77
6I-4953	171		188	6V-3940	399	6V-5055	125
6J-2244	97		195	6V-3955	32		182
	98	6V-3349	117		34	6V-5058	62
	100		119		36		77
	101	6V-3365	249		86		78
	311		259	6V-3959	399	6V-5059	107
6J-2245	138		262	6V-3964	103	6V-5060	15
	463	6V-3536	62		104	6V-5061	38
6J-7855	399	6V-3537	26	6V-3968	124		40
6K-0806	269	6V-3538	2		125		43
	415		4	6V-3971	399		46
	416		7	6V-3980	117	6V-5063	163
	422		9	6V-4245	269		181
	423		28		407		197
6K-1972	257		30	6V-4314	17		201
	372		32		47	6V-5065	184
6K-4947	273		34		48	6V-5068	184
6K-4948	273		36		49	6V-5095	259
6K-6967	269		50		55		262
6K-8179	378		51		56	6V-5100	136
6K-9194	195		52	6V-4356	182	6V-5101	125
	417		53	6V-4357	182		182
	424		54	6V-4368	97		277
6L-4502	▶461		57		98	6V-5103	277
6L-7817	188		58		100	6V-5136	436
6N-1872	320		60		101		438
	322		61	6V-4516	271	6V-5137	92
6N-1944	322		144	6V-4589	26		93
6N-3792	110		376		32	6V-5139	184
6N-8659	252		398		34		195
	255		401		36	6V-5140	16
6N-9294	▶320		404		138		186
6R-7943	328	6V-3539	32		139	6V-5141	117
	330		34		417		119
	440		36		423	6V-5230	292
6V-0717	141	6V-3602	22		424	6V-5605	76
	209		28	6V-4605	280	6V-5625	109
	210		110	6V-5019	105	6V-6609	195
6V-0973	85	6V-3603	145	6V-5039	311	6V-6753	215
	117	6V-3630	279	6V-5040	311		219
6V-1179	97	6V-3668	292	6V-5048	125		223
	98	6V-3677	141		417		227
	100	6V-3683	117		424	6V-6809	184
	101	6V-3823	292	6V-5049	17		186
6V-1392	328	6V-3830	346		62	6V-6869	109

PART NUMBER INDEX

Part	Page	Part	Page	Part	Page	Part	Page
6V-6963	117	6V-9832	128		40	7E-0729	16
6V-7238	117		132		43	7E-0733	22
	119	6V-9854	318		46	7E-0734	110
	318	6V-9872	417	7C-4299	47	7E-0768	17
6V-7607	109		424		48	7E-0769	17
6V-7646	128	6V-9873	128		49	7E-0860	442
	132		133		55		445
6V-7699	141	6Y-9542	190		56		458
6V-7701	199			7C-4910	442	7E-0930	117
	200				445	7E-0932	117
6V-7702	20				458	7E-1036	109
	112			7C-5044	28	7E-1251	184
	144	7B-0192	372	7C-5105	265	7E-1630	97
6V-8002	311	7B-1597	195		267		98
6V-8104	195	7B-2742	141		362		100
6V-8185	370	7B-7138	412		364		101
6V-8187	320	7B-8167	101		366	7E-1659	17
	322	7B-8363	34		368		▶111
	324		36	7C-5269	▶92	7E-1660	111
6V-8188	233		90	7C-5273	92	7E-1661	111
	366		91		93	7E-1794	407
6V-8197	208	7C-0400	▶47	7C-5616	147	7E-2545	195
6V-8251	65		▶48	7C-6021	182	7E-2548	195
	150		▶49	7C-7807	2	7E-2946	219
6V-8252	370	7C-0403	▶22	7C-7886	95		223
6V-8367	442	7C-0406	▶11	7C-7909	277	7E-3155	▶181
	445	7C-0415	▶95	7C-7910	277	7E-3172	▶197
	458	7C-0417	▶109	7C-8199	277		199
6V-8377	320	7C-0418	▶87	7C-8246	128	7E-3173	197
6V-8382	442		109	7C-8363	219		201
	445	7C-0419	▶105		223	7E-3174	197
	458		109	7C-8432	▶110		201
6V-8398	128	7C-0435	▶32	7C-8798	169	7E-4356	197
	132	7C-0436	▶28		170		201
6V-8629	128		32		171	7E-4365	199
	132	7C-0457	138		172		200
6V-8636	311	7C-0818	267		173	7E-4444	64
6V-8637	128		368		174		65
	132	7C-1124	117		175		66
6V-8638	128	7C-1128	117		176		113
	132	7C-1164	141		177		114
6V-8647	417	7C-1165	141		178		115
	424	7C-1167	141		203		116
6V-8675	219	7C-1190	141	7C-9033	▶155		150
	223	7C-1412	95	7C-9589	119	7E-4449	▶186
	292	7C-1413	95	7C-9590	119	7E-4451	186
	417	7C-1642	141	7C-9591	▶119	7E-5485	67
6V-8733	128	7C-1643	141	7D-1649	82		69
	132	7C-1668	141		98		71
6V-8784	128	7C-1897	86		100		73
	132		▶391		101	7E-5639	80
6V-8801	267	7C-1955	141	7D-5363	195	7E-6218	67
	366	7C-2115	62	7D-6922	442		69
6V-9007	128	7C-2120	62		445		89
	132	7C-2122	▶62	7D-7233	136	7E-7066	145
6V-9008	318		63	7D-9766	67	7E-7074	105
6V-9182	128	7C-2322	125		69	7E-7093	292
	132	7C-2359	105		89	7E-7122	30
6V-9331	▶180	7C-3302	195	7E-0022	279		▶34
6V-9336	180	7C-3347	▶153	7E-0596	184	7E-7139	78
6V-9607	139	7C-3348	231	7E-0701	215	7E-7163	7
6V-9608	84		463		219		9
6V-9746	128	7C-3945	117		223	7E-7202	105
	133		119		227	7E-7209	186
	318	7C-4298	38	7E-0728	16	7E-7731	407

PART NUMBER INDEX

Part	Page	Part	Page	Part	Page	Part	Page
7E-7852	461		128	7V-1037	247	7W-4111	169
7E-8124	7		133	7W-0127	▶63		170
	9		318	7W-0193	4		171
7E-8126	7	7M-9544	252	7W-0194	4		172
	9	7N-1903	105	7W-0195	2		173
7E-8127	7	7N-1904	105		4		174
	9	7N-2043	85	7W-0196	2		175
7E-8130	7		101		4		176
	9	7N-2328	32	7W-0261	82		177
7E-8131	7		34	7W-0264	82		178
	9		36	7W-0273	82		203
7E-8132	7		90	7W-0522	252	7W-4116	169
	9		91		271		170
7E-8133	7	7N-2597	67		▶375		171
	9		69	7W-0524	362		172
7E-8180	▶199		89		366		173
	▶200	7N-3718	273		368		174
7E-8215	95	7N-4896	139	7W-0537	362		175
7E-8363	▶156	7N-5080	277		366		176
7E-8365	156	7N-5683	145		368		177
7E-9638	78	7N-7009	155	7W-0592	11		178
7E-9639	78		157		12		203
7E-9688	292		159	7W-0749	195	7W-4154	399
7E-9689	292		161	7W-0855	11	7W-4916	▶205
7E-9690	292		162		12		▶206
7E-9699	292		168	7W-1632	23	7W-5033	78
7F-3425	184		190		26	7W-5034	78
7F-4283	92		195	7W-1649	399	7W-5415	231
	93	7N-7221	343	7W-1650	399	7W-5482	110
7F-7621	322	7N-7688	188	7W-1771	92	7W-5718	105
7F-8671	399	7N-7779	391	7W-2029	163	7W-5720	105
7G-1239	315	7N-7780	391	7W-2459	117	7W-5722	109
7H-1447	319	7N-7795	320		119	7W-5725	105
7H-3171	145	7N-7796	320		182	7W-5770	436
7H-3937	377	7N-7798	320	7W-2467	117		438
	380	7N-7800	320	7W-2750	117	7W-5857	292
	385	7N-7801	320	7W-2759	362	7W-5890	461
7J-4026	141	7N-7802	320		366	7W-5898	436
	417	7N-7804	320		368		438
7K-1181	141	7N-7805	320	7W-2760	362	7W-6333	380
	342	7N-7806	320		366		385
7K-4667	252	7N-7807	320		368	7W-6424	16
7K-9197	245	7N-7808	320	7W-2819	252	7W-6583	▶81
	247	7N-7809	320		271	7W-7096	81
	252	7N-7810	320	7W-2970	117	7W-7469	32
	255	7N-7811	320	7W-3055	461		34
	257	7N-8465	145	7W-3145	277		36
	269	7N-9021	320	7W-3269	159	7W-7825	152
	271		322	7W-3688	169	7W-7833	125
	372	7N-9023	320		170	7W-8431	34
	417		322		171		36
	424	7N-9024	320		172		90
7L-6443	215	7N-9044	125		173		91
	219		182		174	7W-8486	92
	223	7N-9738	391		175	7W-8487	92
	227	7R-3029	442		176		93
	279		445		177	7W-8575	109
	280		448		178	7W-8580	87
7L-6580	188		450		203	7W-8895	22
	192		458	7W-3709	159		110
7L-7262	276	7S-8420	174	7W-3881	182	7W-9085	82
7L-9061	105		195	7W-3882	125	7W-9088	82
7M-6101	280	7T-1099	328		182	7W-9115	219
7M-8485	34		330	7W-3883	182		223
	101		440	7W-3884	182	7W-9191	219

PART NUMBER INDEX

Part	Page	Part	Page	Part	Page	Part	Page
	223		259	8L-3441	109	8S-8158	355
7W-9423	152		262	8L-8413	361		358
7W-9424	125		303		442	8S-9089	124
7W-9425	152		305		445		163
7W-9683	▶107		307		456	8S-9191	125
7W-9814	186	8C-8491	216		458		163
7W-9817	195		219	8M-2295	215		182
7X-1678	411		223		219	8T-0075	311
7X-2501	315		228		223	8T-0098	16
	417		279		227	8T-0105	284
	424		280	8M-2773	139	8T-0267	231
7X-3154	63	8C-8560	442		273	8T-0328	320
7X-3324	63		445	8M-4446	92		322
7X-3353	320		448		93		324
7X-4789	117		450		436	8T-0639	339
7X-6315	335		458		438		458
	337	8C-8581	231	8M-7145	311	8T-0788	417
7X-7731	366		292	8M-9024	147		424
7X-7874	249	8C-8589	215		186	8T-1158	292
7X-7875	249		227		216	8T-1159	231
		8C-8763	279		219	8T-1160	231
		8C-9023	47		223	8T-1885	123
			48		228		128
			49		249		275
			55		259	8T-1886	123
8B-5774	271		98		262		129
8B-7624	399	8D-0648	100		277		275
8B-7997	249		101		303	8T-1887	129
8B-8817	271		150		305		133
8C-0569	128	8D-3338	109		307		417
	132	8D-7941	320		311		424
8C-0624	101	8F-1434	324	8N-0453	117	8T-1888	129
8C-3103	16		164	8N-6265	415		133
	417	8F-2347	82	8N-6984	162		417
	424	8F-5093	370	8N-8446	265		424
8C-3991	64	8F-6302	429		267	8T-2275	319
	65	8F-7800	430		362	8T-2353	417
	66		431		366		424
	150	8F-9836	290		368	8T-2903	190
8C-5053	128	8H-0707	290	8N-8447	396	8T-3282	283
	132	8H-3127	215	8N-8451	265	8T-3850	436
8C-5230	47	8H-3390	219		267		438
	48		223		362	8T-4205	315
	49		227		366		320
	55		249		368		322
	56		259	8N-8452	396		324
8C-5608	361		262	8N-8488	396		417
8C-6354	342		303	8N-8570	190		424
8C-6790	190		305	8N-9071	188	8T-4987	208
8C-6868	311		307	8N-9072	188	8T-5389	318
8C-6875	318		105	8S-2332	376	8T-5447	328
8C-6971	303	8J-4351	97		398		330
	305	8K-2090	311		401		440
8C-7315	215	8L-2779	417		404	8T-5911	283
	219		424	8S-4714	19	8T-6342	341
	223		32	8S-4757	34		343
	227	8L-2786	34		36		385
	259		36		90		392
	262		86		91		415
	303		117	8S-4950	188		416
	305		119		195		423
	307		311	8S-5107	396	8T-6757	87
8C-7321	215		318	8S-5383	67	8T-6758	184
	219		417		69	8T-6759	38
	223		424		89		40
	227						

8

PART NUMBER INDEX

Part	Page	Part	Page	Part	Page	Part	Page
	43	8V-0295	252		381		17
	46				386		125
	87			9M-1974	2		129
8T-6760	113	9			125		133
	114				139		152
	115	9B-4202	181		141		182
	116	9B-7233	320		290		184
	190		322		346		186
	265	9C-5344	128		349		188
	267		132		352		195
	362	9D-5403	150		355		205
	364	9D-5421	341		358		206
	366		442		378		209
	368		445		381		210
	370		448		386		234
8T-6762	158	9D-6196	311		417		311
	159	9D-6197	311		424		417
	161	9D-9658	412	9M-4584	138		424
	182	9F-2247	34		139	9S-6130	184
	184		105	9M-4594	227	9S-8002	38
	186	9F-2773	277	9M-5590	97		40
	188	9F-6445	377		98		43
	190		380		100		46
	192		385		101	9S-8004	62
	195	9F-8127	190		188		86
	252		195	9M-6522	252		145
	277	9G-1520	436	9M-8729	252		298
	396		438		271		301
8T-6764	103	9G-3695	415	9N-0942	322	9S-8005	32
	104		416	9N-0943	322		34
	269		422	9N-3388	322		36
	277		423	9S-1302	2		86
8T-6765	252	9G-4523	245	9S-1328	4	9S-8006	32
	265		255	9S-1364	144		34
	267	9G-4524	255	9S-1366	283		36
	362	9G-9150	85		432	9S-8007	145
	364	9H-2367	136	9S-2009	322		197
	366	9H-6454	319	9S-2013	322		201
	368	9L-0672	136	9S-2302	322	9S-8008	197
	372	9L-2137	320	9S-2390	322		201
8T-6876	129	9L-2139	320		324	9S-8009	192
	133	9L-2140	320	9S-2437	320	9S-8748	2
8T-8729	392	9L-6531	461	9S-2544	320		4
8T-8731	406	9L-6770	320		322	9S-8750	129
	415		322	9S-4181	34		133
	416		324	9S-4182	38		141
	422	9L-6776	322		40		150
8T-8732	393	9L-7712	307		43		245
	415	9L-9132	80		46		247
	422		182	9S-4183	163		255
8T-8735	342		195		190		257
8T-8737	339		252	9S-4185	32		269
	342		265		34		326
	343		267		36		334
	393		271		86		372
	406		311		129		445
8T-8883	22		346		133		448
	110		349		195		450
8T-8908	315		352		311		458
8T-9047	28		355	9S-4190	129	9S-8752	65
8T-9389	366		358		133		94
8T-9392	67		362		207		117
8T-9655	448		364		249		129
	450		366	9S-4191	2		133
8T-9762	322		368		16		136

PART NUMBER INDEX

Part	Page	Part	Page	Part	Page	Part	Page
	139		343	9X-8888	164		364
	150	9X-4813	346	9X-8917	410		366
	155		349		413		368
	157		352	9X-9614	442	9Y-9842	182
	159		355		448	9Y-9924	17
	166		358		450	9Y-9926	▶123
	182	9X-4814	346	9X-9616	442		
	186		349		448		
	190		352		450		
	192		355	9X-9675	442		
	211		358		445		
	216	9X-5609	448		448	001-6301	150
	219	9X-6003	88		450	001-6449	245
	223	9X-6165	361		458		247
	228	9X-6258	448	9X-9896	361		252
	245		450	9Y-0205	▶463		255
	249	9X-6375	192	9Y-0539	4		257
	252	9X-6376	192	9Y-0778	292		271
	259	9X-6380	7	9Y-0778	292		372
	262		9	9Y-1851	▶79	001-9440	273
	265	9X-6621	97	9Y-1852	81	003-2143	245
	267	9X-6772	315	9Y-2749	62		247
	271		342	9Y-2997	62		252
	277		343	9Y-3297	147		255
	303		361	9Y-3299	136		257
	305		377	9Y-3300	▶136		271
	307		381	9Y-3303	▶124		372
	311		386	9Y-3305	124	004-7626	273
	318		415	9Y-3306	124	009-2062	84
	319		416	9Y-3307	124	010-2575	249
	326		422	9Y-3308	94		259
	362		423	9Y-4252	▶4		262
	364	9X-7206	245	9Y-4254	4	030-7935	136
	366		247	9Y-4709	2	030-7942	127
	368		269	9Y-4732	182	030-7946	125
	412	9X-7539	190	9Y-4871	123		245
	417	9X-7540	179	9Y-5535	79		247
	424	9X-7688	346	9Y-6181	63		255
	433		349	9Y-6792	346		257
9S-9334	96		352		349		372
	101		355		355	030-7947	416
	124		358	9Y-6874	17		423
9S-9979	111	9X-7803	▶322	9Y-6992	▶410	030-7951	136
9T-4017	334	9X-8256	339		412	030-7960	136
9W-1951	342		458	9Y-6993	407	030-7961	141
9X-0379	461	9X-8275	292		410		245
9X-1386	391	9X-8873	208		413		247
9X-1813	406		237	9Y-7083	16		252
	415		238		141		257
	416		240	9Y-7441	141		372
	422		241	9Y-7442	141		416
	423		282	9Y-7443	141		423
9X-2360	114	9X-8874	138	9Y-8546	78	030-7962	127
9X-2500	322		277	9Y-8547	78	030-7972	138
9X-2604	181		283	9Y-8548	78		139
9X-2646	186	9X-8875	396	9Y-8549	78	030-8145	127
9X-2647	186	9X-8877	67	9Y-9333	82	030-8310	150
9X-3402	342		69	9Y-9345	▶78	030-8538	234
9X-3406	410		71	9Y-9346	78	030-8838	442
9X-3495	377		73	9Y-9348	78	030-9612	320
	380	9X-8880	67	9Y-9349	78		322
	415		69	9Y-9480	326	031-0214	249
	422		89	9Y-9481	326		259
9X-3978	105	9X-8885	108	9Y-9660	265		262
9X-4187	341	9X-8887	284		267	031-0220	209
					362		210

0

PART NUMBER INDEX

Part	Page	Part	Page	Part	Page	Part	Page
031-5744	136		219		450		422
032-1267	195		223		458	116-2649	377
032-1268	195		227	109-7411	277		380
033-4926	407	102-6311	215	109-9717	▶93		▶392
033-5929	442		219	110-0096	182	116-2808	▶231
033-6032	298		223	110-1168	415		292
	301		227		422	116-2809	231
038-7444	215	102-8801	453	110-3753	▶158	116-3767	▶396
	227	102-8802	392	110-3890	445	116-5270	442
039-4317	399		394		458		445
039-9895	219		395	110-3891	445		458
	223	102-8803	416		458	116-6965	▶103
053-5065	67		423	110-5469	▶97		▶104
	69		454	110-8314	215	116-8535	205
	71		455		219		206
	73	102-8804	342		223		207
061-8284	127		416		227		211
061-9455	105		423	110-8714	341		213
067-2551	275	103-0692	410		343	116-8654	190
	276		▶411	111-1324	442	117-1385	416
067-9921	136	104-6202	141		445		423
068-6074	138		380		448	117-9984	▶169
	139		385		450	118-1300	344
089-7988	283	105-0428	265		458	118-2735	311
090-9013	310		267	111-2077	277	118-4728	276
091-0081	128		362	111-2100	344	118-4736	219
	133		366	111-2102	344		223
096-4833	399		368	111-5819	238	118-6663	303
098-5800	236	105-1860	252		240		305
	239	105-3176	▶182	111-5822	237		307
		105-3180	▶234		241	118-6665	303
		105-3763	322		282		305
		105-3764	322	112-1567	277	118-7536	208
		105-4046	311	112-9119	320		235
		105-9161	448	113-4199	▶138	118-8086	197
100-3725	67		450	114-1143	448	118-8706	197
	69	105-9741	212		450	118-9605	150
	89		214	114-4301	47	119-0746	215
100-4996	105		107		48		219
100-6531	322	106-2033	63		49		223
	324	106-2035	273		55		227
100-6532	322	106-4159	150		56	119-3662	342
100-6772	231	106-5620	370	114-4302	47		343
100-6777	292		▶125		48	119-5927	219
100-7870	415	106-5652	322		49		223
	422	106-7687	322		55	119-5929	215
100-8254	445	106-7689	322		56		219
101-1785	456	106-7690	322		94		223
101-8187	34	106-9203	▶157	114-6672	385		227
	36	106-9586	192	114-8843	385	119-5930	219
	88	107-2702	▶16	114-8845	385		223
101-9528	298	107-6749	277	115-1322	442		223
	301	107-8480	412		445	119-5931	215
102-1694	215	108-5603	105		458		219
	219	108-8235	87	115-2180	245		223
	223	109-0072	192		255		227
	227	109-2327	173	115-2367	105	120-7521	190
102-3457	215		174	115-2538	442	120-8146	166
	219	109-3038	341		445		167
	223		343		458		168
	227	109-4842	▶122	115-7768	303		462
102-4112	107	109-5737	456		305	120-8147	165
102-4157	97	109-5738	456	116-0118	377		168
	98	109-6507	442		380	120-9330	32
	100		445		385		34
102-6309	215		448		415		36

1

PART NUMBER INDEX

Part	Page	Part	Page	Part	Page	Part	Page
120-9453	172	125-8019	448		448	134-8347	▶86
	182		450		450	135-6527	84
120-9850	334	126-1083	184		458	135-6529	▶84
121-0124	334	126-1768	342	131-7747	128	135-8128	286
121-0199	343	126-1774	342		132	135-8136	▶286
	448	126-4229	125	131-7749	303	136-1585	150
	450	127-0594	326		305	136-4185	279
121-0200	343		346		307		280
121-4506	1		349	131-7750	303	136-4605	377
	108		352		305		380
121-6750	128		377	131-7751	303		385
	132		380		305	136-7055	65
121-7697	128		385		307		150
	132	127-1916	26	131-7752	311	136-7730	279
122-0290	269	127-1921	26	131-9370	128		280
122-0355	346	127-7103	277		132	136-8557	65
	355	128-8831	377	131-9372	128		150
122-1148	182		380		132	137-0135	23
122-2083	▶316		385	131-9373	128		26
122-3374	277	129-3174	298		132	137-0257	125
122-6875	113		301	131-9376	128	137-4857	236
	115	129-4054	26		132		239
	116	129-4859	105	131-9379	128	137-6645	416
122-9457	343	129-8228	205		132		423
122-9578	105		206	131-9381	128	138-3331	286
123-0214	265	129-8598	205		132		288
	267		206	132-1430	267	138-6144	▶121
123-5717	219	129-9528	277		368		128
123-6256	209	130-0073	231	132-3125	415		132
	210	130-1860	292		422	138-6158	128
123-6265	112	130-2550	265	132-6834	▶397		132
123-6266	▶112		366	132-8300	286	138-6261	128
	150	130-3273	▶12	132-8487	442		132
124-0526	432	130-3357	249		445	138-6804	80
124-0527	432		259		448	138-8239	141
124-0530	433		262		450	138-8240	141
124-0531	432	130-3359	249		458	139-6857	209
124-0532	432		259	132-9322	▶211		210
124-1382	433		262	132-9323	211	140-0971	318
124-1836	28	130-5194	67		▶212	140-1736	412
	30		69	132-9324	211	140-2984	150
	34		71		▶285	140-5866	65
124-2448	▶432		73	132-9327	▶213		150
124-3176	445	130-5195	67	132-9331	213	140-6458	277
	458		69		▶214	140-8485	160
124-6333	186		71	133-3201	▶170	140-9462	370
124-9633	311		73	133-6584	▶1	140-9669	415
125-1372	346	130-5199	67	133-8501	215		422
	349		69		219	140-9865	150
	355		71		223	141-1220	150
	408		73		227	141-5047	150
125-3345	170	130-6259	234	133-8753	448	141-6380	377
125-3780	288	130-7921	67	133-9637	136		380
125-3848	100		69		192		385
	101		71	134-4126	335	141-9812	128
125-3896	319		73	134-5641	279		132
125-3902	128	130-8299	415	134-5643	279	141-9885	219
	132		422		280		223
125-3907	▶412	131-2639	442	134-5654	279	141-9904	128
125-5356	377		445	134-5655	279	142-0397	245
	380		458		280	142-1583	▶318
	385	131-3708	292	134-5656	279	142-1584	318
125-7874	342	131-3911	334		280	142-2055	188
125-7875	342	131-4888	442	134-5958	197	142-2056	▶188
	343		445		201	142-2296	▶17

PART NUMBER INDEX

Part	Page	Part	Page	Part	Page	Part	Page
142-2928	442	146-5215	265	150-7924	290		458
143-2878	47		267	150-7926	290	156-0520	442
	48		362	150-7927	290		445
	49		364	150-7930	290		458
	55		368	150-7931	289	156-2687	463
	56		370		▶290	156-4311	415
143-4117	▶7		▶405	150-8521	164		422
	11	146-5216	405	150-8698	290	156-4312	415
143-4126	▶9	146-8381	215	150-8699	290		422
	12		227	150-8700	290	156-6175	315
143-4770	318	147-0529	128	150-8701	290	156-9570	164
	▶319		132	151-1315	328	158-6051	333
143-4772	319	147-1443	416		330	158-6245	375
143-4773	318		423		440	158-6246	375
143-4774	319		448	151-2115	236	158-6247	375
143-4880	319	147-1444	339		239	158-6248	375
143-6219	26		343	151-4918	105	158-8548	190
143-6221	26	148-0170	422	152-0807	377	158-8551	190
143-6222	26	148-2185	186		380	158-8552	190
143-6224	26	148-8136	290		▶393	158-8553	190
143-7090	159	148-9764	▶141	152-1959	415	158-8554	190
	161	149-2042	141		422	158-8557	190
143-7225	416	149-2326	141	153-2707	341	158-8558	190
143-7229	150	149-2862	132		416	158-8559	190
143-8445	141	149-2942	132		423	158-8560	190
143-8446	141	149-2943	132	153-3723	328	159-3219	377
143-8447	141	149-3995	370		330		380
143-8448	141	150-0401	344		440		385
143-8449	141	150-2050	346	153-3931	87	159-3545	▶190
143-8451	141		355	153-3932	87	159-8314	461
144-0605	215	150-4881	7	153-5035	▶376	159-9322	339
	227		9	153-5040	442		342
144-0606	215	150-4882	7		445		343
	227		9		458		416
144-0612	139	150-6732	150	153-5042	442		423
144-0615	207	150-7891	269		445		448
144-0620	207		▶289		458	160-1066	269
	208	150-7892	289	153-7002	54	160-2546	252
144-0621	215	150-7895	289		61		271
	227	150-7897	290	153-9138	85	160-7690	342
145-0039	215	150-7898	290	154-2417	50		416
	227	150-7899	290		52		423
145-0040	215	150-7900	290		57		448
	227	150-7901	290	154-2709	75	160-8173	1
145-0041	215	150-7902	290	154-9294	328		107
	227	150-7903	290	155-2255	442		108
145-0043	215	150-7904	290		445	161-0083	117
	227	150-7905	290	155-2258	442		119
145-0225	215	150-7906	290	155-2260	339	161-1191	288
	227	150-7907	290		343	161-1194	286
145-0334	215	150-7909	290		390	161-1195	286
	227	150-7910	290		453	161-1197	▶284
145-1271	164	150-7911	290	155-2270	342	162-4217	249
145-1273	164	150-7912	290		385		259
145-5655	▶283	150-7913	290		416		262
145-5659	▶139	150-7914	290		423	162-6209	406
145-5660	▶235	150-7915	290	155-2271	416	163-0018	190
145-5661	▶207	150-7916	290	155-2272	416	163-8523	415
145-8634	346	150-7917	290		423		422
	349	150-7918	290	155-2276	453	164-0717	252
	352	150-7919	290	156-0518	442		255
	355	150-7920	290		445		257
	358	150-7921	290		458		271
146-2556	436	150-7922	290	156-0519	442		276
	438	150-7923	290		445		372

PART NUMBER INDEX

Part	Page	Part	Page	Part	Page	Part	Page
	▶413		448	176-5880	192		343
164-5989	▶150		450	177-7760	11		346
164-7482	150	174-8976	434		12		349
164-9501	16	174-9012	434	178-1790	295		352
165-4416	▶209	174-9447	▶362		296		355
165-7805	252	174-9798	▶434	178-1791	295		358
	271	175-1362	209		296		385
166-2264	156		210	178-1797	295		390
166-3796	346	175-1397	429		296		406
	349		430	178-1798	295		415
	352	175-1402	429		296		416
	355		430	178-1799	295		422
	358	175-6344	50		296		423
166-7656	269		51	178-1800	295		453
166-7657	269		52		296	187-0450	32
166-7658	269		53	178-1801	295		34
167-9430	326		54		296		36
167-9528	277		57	178-3648	▶277	187-2034	320
167-9529	277		58	179-1502	117		324
168-5274	442		60		119	187-4191	344
	445		61	179-3576	23	187-6613	97
	▶453	175-7770	192		26	188-0449	197
168-7913	252	176-1287	377	180-2923	209		201
	271	176-1321	150		210	188-0450	197
168-7914	252	176-2942	416	180-3864	77		201
	271		423	180-3865	77	188-1024	192
169-2521	303	176-2943	377	180-3953	290	188-1025	192
	305		380	180-3954	290	188-1026	192
	307		385	180-3990	288	188-1027	192
169-2522	303		416	180-6981	2	188-2875	288
	305		423	180-6982	2	188-3080	456
	307	176-3209	7	180-9340	415	188-3081	334
169-8676	117	176-3583	215	183-3192	448		▶456
170-1186	412		219		450	188-4926	377
170-3528	415		223	183-7232	249		380
	422		227	184-1613	215		385
171-3992	38		249		227	188-6008	▶429
	40		259	184-2472	335	188-7695	▶195
	42		262		337	189-3769	377
	45		303	184-5287	128		380
171-3993	38		305		132	189-4583	50
	40		307	184-5288	128		51
	42	176-3584	319	184-5290	215		52
	45	176-3586	128		227		53
171-4361	271		132	184-6957	103		54
171-5349	342	176-3587	215	184-6959	103		57
	391		219	185-1103	51		58
171-5858	128		223		53		60
	132		227		54		61
171-7982	429		249		60	189-5178	67
	430		259		61		71
172-4348	▶245		262	186-0136	23	190-0399	396
	▶247		303	186-0144	23	190-2462	107
173-3712	139		305	186-0145	23	190-2463	107
173-3854	344		307	186-3735	342	190-6078	283
173-7077	139	176-3591	128		393	190-6465	77
173-7476	219		132		394	191-0955	283
173-7477	219	176-3605	208		395	191-0956	249
173-7663	101		▶239		415	191-0957	283
173-7665	277	176-3609	295		422	191-0959	283
174-0503	390		296		453	191-8305	415
174-3504	169	176-3610	295		454		422
174-4479	139		296		455	192-7870	95
174-6918	▶192	176-3611	295	186-3736	339	192-9183	429
174-8737	442		296		342	192-9184	429

PART NUMBER INDEX

Part	Page	Part	Page	Part	Page	Part	Page
193-5845	▶23		458	204-6708	178	210-3936	448
	24	197-4185	280	204-6716	▶176		450
	25	197-5899	▶159	204-6724	▶177	210-5638	311
	26	197-6202	▶160	204-7168	▶168	210-5639	311
193-5846	▶26	197-6232	249	205-0640	13	210-8819	364
193-7879	215	197-6949	445	205-0821	454	210-8820	364
	219		458		455	210-9470	▶336
	223	197-6980	97	205-3584	▶343		450
	227	197-6999	105	205-5791	208	211-3212	295
	249	197-7100	160	206-2593	▶115	211-3215	295
	259	198-0113	377	206-2594	▶116	211-3504	▶406
	262		380	206-3581	▶208		415
	303		385	206-3848	208		422
	305	198-0114	377	206-4113	▶401	211-5228	336
	307		380	206-4202	320		▶337
194-0629	87		385	206-6543	▶341	211-8175	215
194-4099	9	198-0230	271	206-6544	▶341		223
194-5226	422	198-0961	271	206-6583	14		227
194-8110	280	198-3196	344	206-7468	15		249
194-8517	▶65	198-6420	352	206-7469	15		262
194-8518	346	198-7778	128	207-1331	282		▶300
	349		132	207-1402	▶161		305
	352	199-8967	288	207-2391	442		307
195-0988	290				445	211-8176	300
195-2431	415			207-3814	▶414		▶301
	422			207-4556	346	211-8177	298
195-3506	280				349		301
195-5915	▶14	200-6198	442		352	212-3743	158
196-0427	176		445		355	213-4749	341
196-0428	▶171		▶454		358	213-6282	▶326
196-0429	▶172	201-3610	163	207-5403	448	213-6283	326
196-0431	175	202-2569	406		450	213-6284	326
196-0432	▶173	202-2624	208	207-6106	295		▶448
196-0433	▶174	202-2700	324		296		▶450
196-0435	▶175	202-2703	322	207-6109	295	213-6285	448
196-3752	▶431	202-2708	324		296		450
196-6041	67	202-2783	324	207-6110	295	213-6287	377
	69	202-2784	324		296		380
	89	202-2785	324	207-6111	295		385
196-6042	127	202-2786	324		296	213-6288	346
196-6043	75	202-2787	324	207-6859	▶390		349
196-6044	67	202-3110	208		415		352
	69	202-4869	▶302		422		355
	71	202-9897	324	208-0327	197		358
	73	203-4615	▶113		201	213-6294	377
196-9528	▶298	203-4617	▶114	208-1007	197	213-6295	377
	299	203-9566	38		201	213-6296	377
196-9529	219		40	208-1028	442	213-6297	377
	259		42		445	213-6298	377
	▶299		45	208-3697	442	213-6299	377
	303	203-9567	38		445	213-6300	377
197-0064	▶330		40	208-3787	288	213-6301	377
	448		42	208-3788	288	213-6302	377
	450		45	208-5479	401		380
197-2033	344	203-9569	38		▶402		385
197-2034	344		40	208-6049	442	213-6305	423
197-2037	344		42		445	213-6456	▶75
197-2038	344		45		458	213-6457	▶15
197-2039	344	204-4385	105	208-6636	366	213-6458	▶67
197-2044	344	204-6687	▶440	208-9471	238		▶69
197-2045	344		442	208-9649	97	213-6459	▶127
197-2046	344		445	209-0962	105	213-6460	▶215
197-2047	344	204-6689	▶442	210-0176	▶335	213-6461	▶249
197-2691	442		▶445		448	213-6462	▶303
	445	204-6707	177	210-1565	▶364		▶305

2

PART NUMBER INDEX

Part	Page	Part	Page	Part	Page	Part	Page
	▶307	219-2960	▶55	228-6594	▶422	246-1238	402
213-6464	▶82		▶56	228-6595	▶132		403
213-6465	82	219-6908	98	228-7328	▶295	246-1239	402
213-6956	38		100	229-5867	366		403
213-6958	▶38		101	229-8567	38	246-1240	402
	50	219-7009	100		40		403
	51		101		43	246-1245	364
213-6962	47	219-9926	▶377		46	246-1470	364
	▶50		▶380	229-8570	38	246-1587	364
213-6964	47		▶385		40	247-3796	163
	▶51	219-9928	▶415		43		195
214-5179	▶433	219-9929	▶346		46	247-3837	271
214-5539	433		▶349	229-8571	38	248-5563	339
214-6044	34		▶352		40		458
	36	219-9930	▶219		43	249-0377	233
214-6055	▶30		▶223		46	249-0419	233
	36	219-9931	▶259	229-9407	324	249-0474	▶233
214-6056	▶36		▶262	230-0932	295	250-0826	65
214-7568	408	219-9932	▶279	230-0933	295	250-0827	65
	417	219-9933	▶311		296	250-1497	423
	424	219-9939	377	230-0936	295	250-1498	423
214-9421	346		380		296	250-8521	▶204
	349	219-9941	415	230-0937	295	250-9212	271
	352		423		296	251-9565	6
	355	219-9942	416	230-0938	295	253-0857	98
	358	219-9946	346		296		100
215-3890	▶178		349	230-0939	295		101
216-8697	▶334		352		296	253-0858	98
217-0165	344		355	230-0975	339		100
217-0437	344		358	231-4150	▶355		101
217-0718	344	219-9954	311		▶358	253-0859	98
217-6692	110	221-0058	97	231-6133	324		100
218-0660	34	221-2304	445	232-3759	80		101
	36		458	232-6351	346	253-8893	15
218-0769	▶407	221-2498	445		355	254-3773	257
218-1915	97		448	233-0219	▶89		372
218-3893	▶98		450	233-0220	▶71	254-5423	▶403
218-3894	98		458		▶73		404
218-3902	▶100	221-2541	▶80	233-0853	117	254-5425	▶404
218-3905	100	221-2542	80	233-0875	▶436	254-7215	402
218-3907	▶101	221-2543	80	233-0876	▶438		403
218-3908	101	222-1306	▶128	233-2205	▶366	254-9223	▶242
218-4935	342	222-4705	279		▶368	254-9224	▶243
218-7106	279	222-4718	215	233-2206	▶265	255-0024	▶42
	280		223		▶267		43
219-2587	346		227	234-5896	416	255-0025	▶43
	349	225-3208	▶430		423		57
	352	225-3209	430	235-2484	69	255-0027	▶57
	355	225-3210	430		73	255-0029	▶45
	358	225-3769	215	235-4861	445		46
219-2856	▶252		223		458	255-0030	▶46
219-2857	▶255		227	236-8812	108		58
219-2858	▶257	225-3770	215	240-0664	▶227		60
219-2953	40		223	241-3284	16		61
219-2954	▶40		227		156	255-0031	49
	52	226-1926	▶66	242-1930	42		▶58
	53	226-4813	377	242-8824	416	255-0032	▶60
	54		381		423	255-0033	56
219-2955	48		386	242-8988	▶333		▶61
	▶52	228-6081	288		380	255-0839	242
219-2956	48	228-6082	288		385	255-0840	243
	49	228-6084	▶288	243-4291	355	255-0890	242
	▶53	228-6559	▶332		358	255-0891	243
219-2957	▶54		361	246-1237	402	255-1274	244
	55	228-6588	▶280		403	255-1275	244

PART NUMBER INDEX

Part	Page	Part	Page	Part	Page	Part	Page
255-1276	▶244	272-5886	38	294-0980	307		358
255-2837	▶435		40	296-2872	▶344	325-8461	▶24
255-8183	315		42	297-1405	▶455	325-8462	▶25
255-8184	▶315		45		458	329-4626	276
255-8937	▶338	273-2105	296	297-5475	385	329-4628	275
256-1270	▶6	275-4011	98	299-1761	324	329-4631	▶276
256-3861	245		100	299-5671	28	329-6105	310
	247		101			329-6134	310
	257	276-0785	▶342			329-6135	310
256-7174	257		361			331-4483	307
256-7511	▶332	276-6793	416			335-6885	332
	361		423	300-1305	344	335-9271	275
256-7512	▶332	277-4765	380	300-1309	344	337-6968	385
	361	277-4766	380	300-1311	344	339-3140	279
257-2719	342	277-4767	380	300-1312	344		280
257-3196	▶452	277-4768	380	300-1314	344	339-3559	385
257-5889	▶458	277-4769	380	300-1316	344		
257-7185	▶210	277-4771	380	300-1317	344		
257-7703	286	277-4772	380	302-2199	271		
257-8836	▶328	277-4773	380		370		
	458	277-6427	150	303-9450	280		
257-8837	▶343	278-0619	372	304-4942	200		
	458	278-0620	271		▶201		
258-5631	6	278-0622	372	305-5302	56		
258-6988	458	278-0626	372	305-6395	▶164		
258-6989	▶341	278-0629	372	305-6397	▶164		
	458	278-0632	273	308-1362	324		
258-8007	235	278-1085	117	308-1365	324		
	▶236		119	308-1366	324		
259-0488	▶462	278-6220	370	308-1380	408		
259-0489	▶165	279-4495	372	310-3180	352		
259-0490	▶166	279-4500	370		358		
259-4600	117	279-4502	370		▶408		
	119	279-4503	370	310-4795	385		
	125	280-0471	370		▶394		
259-5812	458	280-0473	370	310-4796	385		
259-8295	▶167	280-0546	▶370		▶395		
259-8435	▶296	280-0547	▶372	313-5546	▶203		
260-0405	339	280-0548	▶271	314-3329	271		
	458	281-4241	▶273		273		
260-0406	339		▶275	314-9494	385		
	458	283-5269	349	314-9495	385		
260-0407	339	283-5270	408	314-9496	385		
	458	283-5271	349	314-9497	385		
260-0864	339	283-7776	203	314-9498	385		
260-1796	286	284-8908	452	314-9499	385		
262-4849	▶269	285-8543	273	314-9500	385		
262-7116	296		275	314-9501	385		
262-7117	296	287-6901	267	314-9603	271		
262-7162	95		368	315-8399	370		
262-7163	95	287-7867	▶96	315-9825	252		
263-1852	▶13	288-4608	104		276		
	95	288-6618	104	316-7118	324		
264-0167	209	290-2038	95	316-7251	▶324		
	210	290-2039	95	317-6510	370		
264-4297	416	290-2041	95	319-6192	271		
	423	290-4619	416	319-6193	271		
265-9703	311		423	319-6195	370		
266-0269	452	290-9753	104	319-9074	58		
266-0270	▶452	291-4185	247	320-9979	▶361		
266-2501	▶339		257	320-9980	▶361		
270-1732	▶342		372	321-6971	▶310		
	361	291-6177	▶162	322-4985	310		
271-5584	380	292-5982	201	323-8937	▶164		
	385	292-8198	109	324-8782	352		

3



SEBP3793-40

G3608 INDUSTRIAL AND GENERATOR

BEN1-Up