



CUMMINS

ENGINE Model: QSX15

S/N 79007291

Build Date: 2003 year

Fuel Pump #

CPL : CPL2825

SPARE PARTS CATALOG

Cummins Inc.

Box 3005

Colombus, Indiana, U.S.A., 47202

Copyright 2013

Cummins Inc.

Printed in U.S.A.

Table of contents

GROUP	OPTION No	PART NAME	PAGE No
01.01	bb1725-01	Cylinder Block	1
01.01.1	bb1725-02	Cylinder Liner Kit	2
01.01.2	bb1725	Cover Plate	3
01.01.2	pp2825	Piston Cooling Nozzle	4
01.02	bb1725-04	Crankshaft	5
01.02.2	da1229-03	Vibration Damper	6
01.02.3	bb1725-02	Retaining Brace Bracket	7
01.05	pp2825-06	Engine Piston	8
01.06	gg1713-07	Front Gear Cover	9
01.06.1	ap1045-02	Agency Approval	10
01.09	bb1725-02	Gear Housing/Idler Gears	11
02.01	pp2825-12	Cylinder Head	12
02.02	pp2825-08	Camshaft	13
03.01	ss1139	Paint	15
03.01	rl1732-02	Lever,Rocker	14
03.01.1	vc1072-01	Cover,Valve	16
03.02	br1241-02	Crankcase Breather	17
03.04	eb1203-02	Brake,Engine	18
05.01	fp11067	Fuel Pump	19
05.06.1	ph1763-08	Electronic Control Module	20
06.01	pp2825-02	Injector	21
06.04	ff1257-04	Filter,Fuel	22
06.07	dl1048-02	Drain Location	23
07.01	op1491-02	Oil Pan	24
07.02	ob1401-02	Arrangement,Oil Fill	26
07.02	lg1086	Gauge,Oil Level	25
07.03	lf1210-04	Filter,Full Flow Oil	27
07.05	lc1734-06	Cooler,Engine Oil	28
07.06	lp1718-01	Lube Oil Pump	29
08.01	wp1730-04	Pump,Water	30
08.03	fa1450-05	Drive,Fan	31
08.05	sp1059-02	Fan Pilot Spacer	32
08.07	th1160-01	Arrangement,Thm Housing	34
08.07	ec1722	Thermostat	33
08.07.1	wo1121-03	Water Outlet Connection	36
08.07.1	wi1087-03	Connection,Water Inlet	35
08.08	wf1241-02	Corrosion Resistor	37
08.13.1	hc1001-02	Cabin Heater Plumbing	38
09.04	df1016	Drive,Fro Ger Tra Acc	39
10.01.2	ic1065-02	Air Intake Connection	40
10.01.2	ic1080	Air Intake Hose	41
10.01.2	it1014	Air Transfer Connection	42
10.02	ch1011-02	Aid,Coo Heater Starting	43
10.06	pp10169-01	Turbocharger	44
10.06.1	tb1411	Turbocharger Arrangement	45
10.06.2	tp1757	Turbocharger Plumbing	46

Table of contents

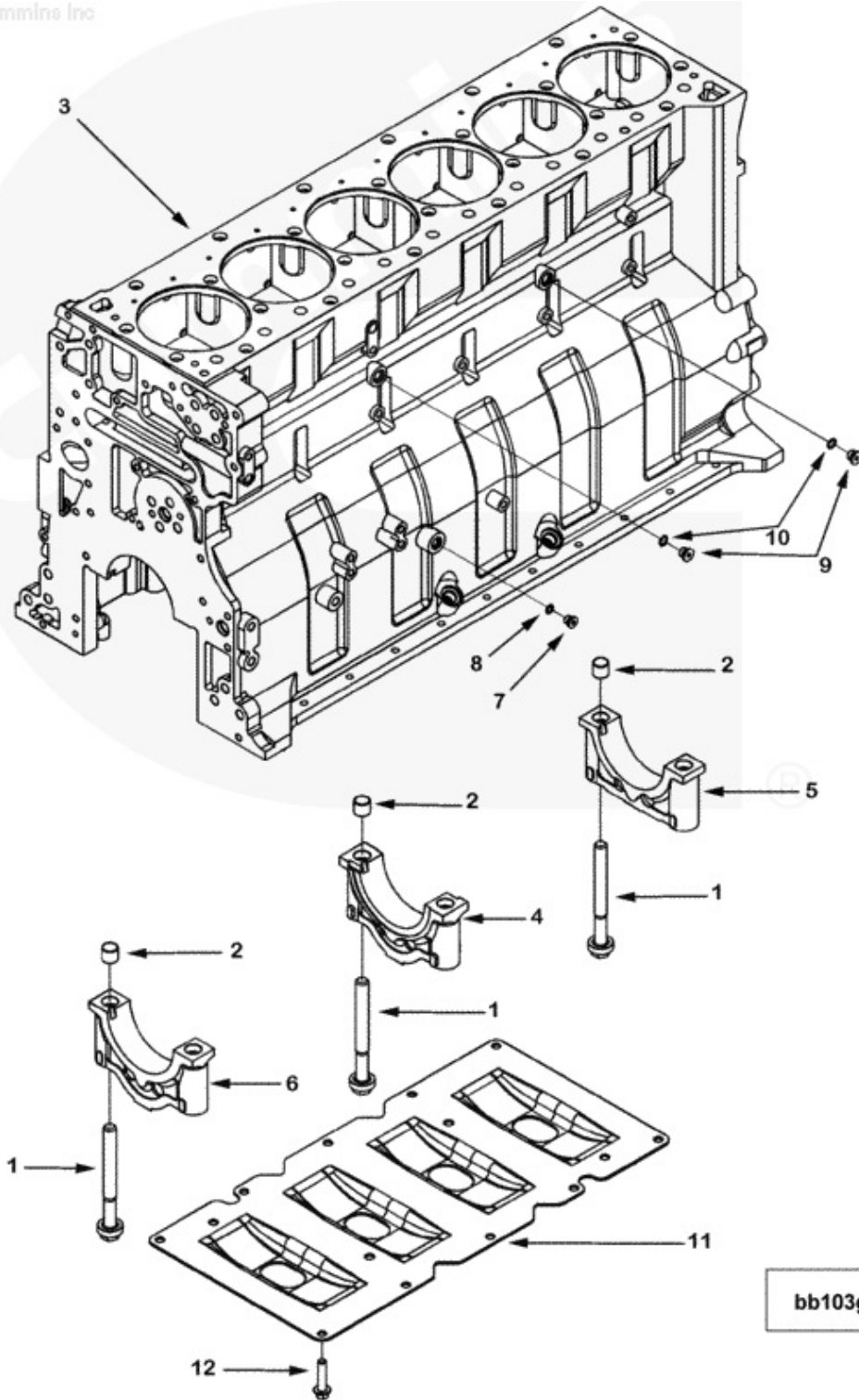
GROUP	OPTION No	PART NAME	PAGE No
11.01.1	xs1056-02	Connection,Exhaust Outlet	47
13.01	sv1002	Engine Operating Voltage	48
13.02	ee1246	Alternator	49
13.02.3	eh1721-04	Alternator Drive	51
13.02.3	eh1083-04	Alternator Mounting	50
13.05	st1383-01	Motor,Starting	52
13.05.1	sm1742-01	Mounting,Starting Motor	53
13.11	sb1002-01	Electric Starting	54
16.01	cb1705-03	Engine Barring Drive	55
16.01	fh11089-05	Flywheel Housing	56
16.02	fw1022-05	Flywheel	57
16.02.1	fw1701-02	Flywheel Mounting	58
16.03	em1343-01	Front Engine Support	59
16.04.1	ab1010-01	Accessory Support	60
16.04.1	bb1725-02	Accessory Support	61
17.02	4955590	Kit,Lower Engine Gasket	63
17.02	4955594	Set,Upper Engine Gasket	64
17.02	4352144	Set,Upper Engine Gasket	65
17.02	4955590	Kit,Lower Engine Gasket	66
17.02	4955594	Set,Upper Engine Gasket	67
17.02	4352144	Set,Upper Engine Gasket	62
17.06	la1079-02	Arrangement,Lifting	68
17.07	pp2825	Gear Cover Noise Panel	69
17.08	cf1032-02	Ref Compressor Mounting	70
21.01.1	ea1704	Electrical Accessories	71
99.01	do1172	Software,Cus Interface	72
99.01	fcpi42	Calibration,Fuel Pump	73
99.01	fr10376	Rating,Fuel	74
99.01	sc10567	Software,Calibration	75

Cylinder Block

ref no	part number	part name	req	remarks
*	BB1725-01	Cylinder Block		Cylinder Block Application: Industrial CPL Family: ISX2 or ISX3 Gear Housing Accessory Mounting Hole Size: 6mm Lower Idler Gear: Scissors Type Cast Iron Gear Cover Mounting Provision: Yes Thermostat Housing Compatible: Dual Thermostat Cylinder Block Plumbing Hardware Structured: In Cylinder Block Option
	4089161	Block, Cylinder (kit)	1	Does include cylinder liner
	3682862	Block, Cylinder	1	
1	3678506	Screw, Fracture Resistant	14	
2	3678507	Dowel, Ring	14	
3	3682861	Block, Cylinder	1	
4	3680246	Cap, Main Bearing	1	
5	3688547	Cap, Main Bearing	1	#1
6	3688549	Cap, Main Bearing	5	#s 2,3,5,6,7
7	3678610	Plug, Threaded	1	M12 x 1.50
8	3678603	Seal, O Ring	1	
9	3678921	Plug, Threaded	2	
10	3678912	Seal, O Ring	1	
11	3680425	Plate, Cyl Blk Stiffening	1	
12	3680781	Screw, Hex Flange Head Cap	10	

Cylinder Block

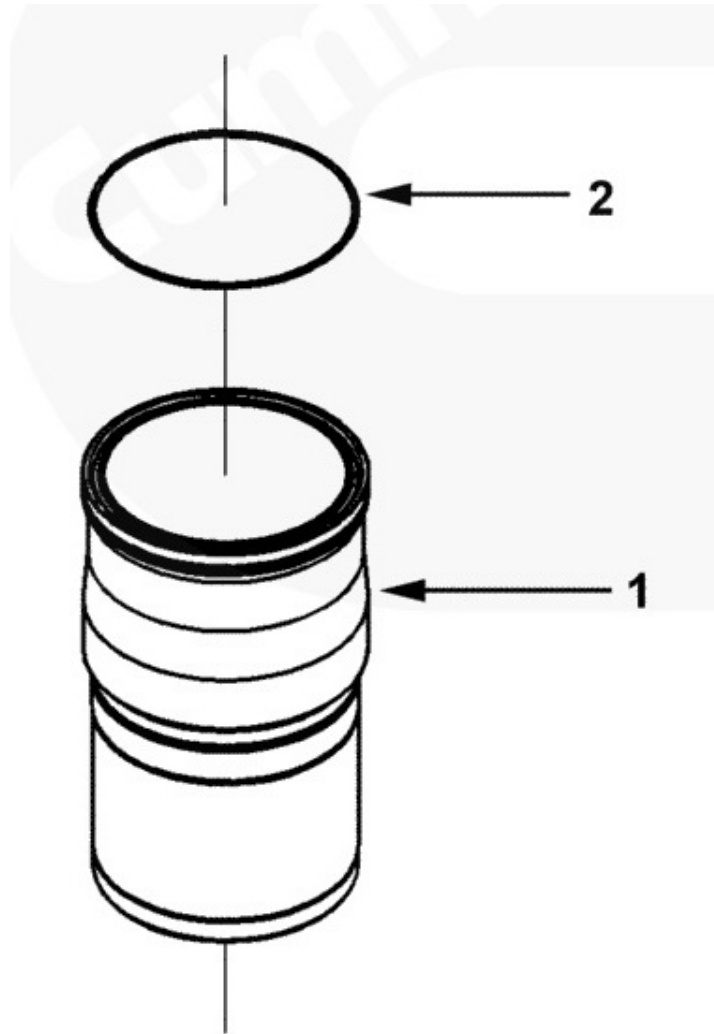
©Cummins Inc



bb103gj

Cylinder Liner Kit

ref no	part number	part name	req	remarks
*	BB1725-02	Cylinder Liner Kit		Cylinder Liner Kit
	4025311	Kit, Cylinder Liner	6	
1	3682829	Liner, Cylinder	1	
2	3678738	Seal, O Ring	1	

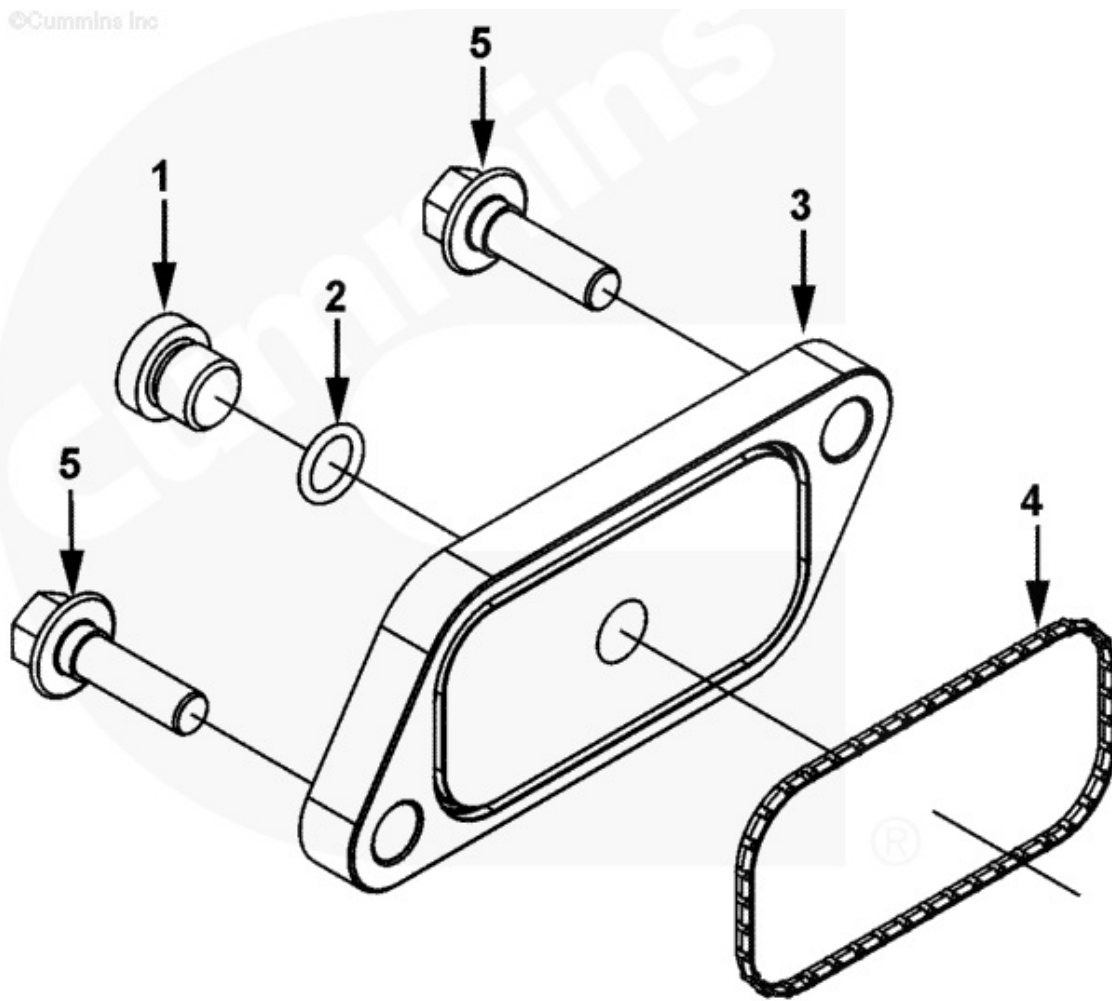


bb103go

Cover Plate

ref no	part number	part name	req	remarks
*	BB1725	Cover Plate		Cover Plate
	3678921	Plug, Threaded	1	
1	3678922	Plug, Threaded	1	
2	3678912	Seal, O Ring	1	
3	3684350	Plate, Cover	1	
4	3683607	Seal, Water	1	
5	3903112	Screw, Hex Flange Head Cap	2	M10 X 1.50 X 30.

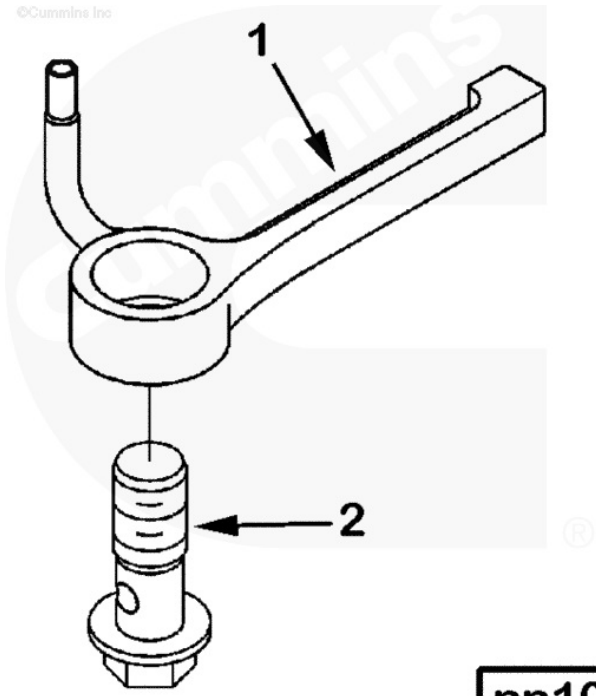
©Cummins Inc



bb104gb

Piston Cooling Nozzle

ref no	part number	part name	req	remarks
*	PP2825	Piston Cooling Nozzle		Piston Cooling Nozzle
1	3412860	Nozzle, Piston Cooling	6	
2	3679037	Screw, Banjo Connector	6	

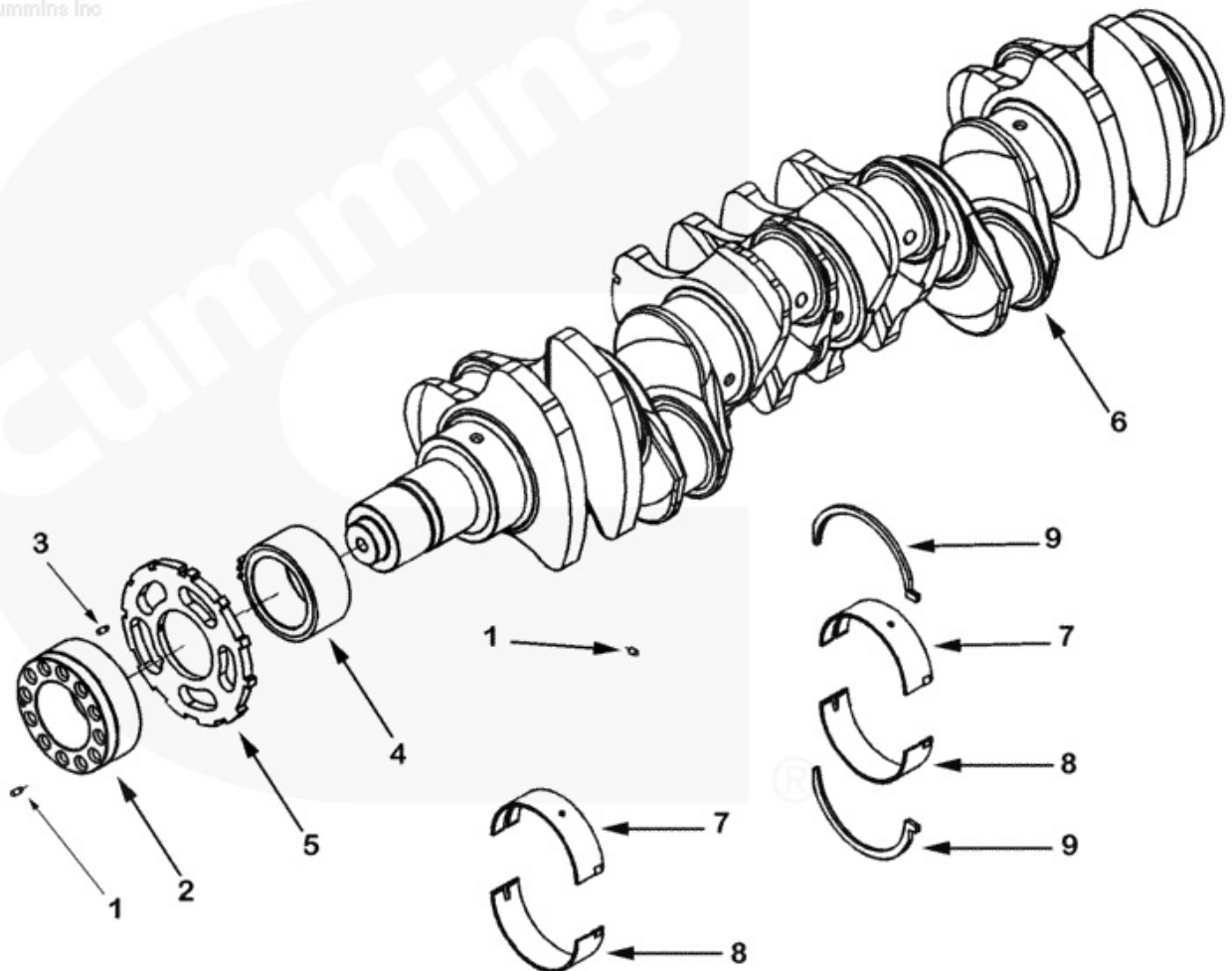


pp100gd

Crankshaft

ref no	part number	part name	req	remarks
*	BB1725-04	Crankshaft		Crankshaft
	3681911	Crankshaft, Engine	1	Recon equivalent 3681911 EX
1	3068935	Dowel, Pin	2	
2	3680503	Adapter, Crankshaft	1	
3	3681054	Dowel, Pin	1	
4	3680542	Gear, Crankshaft	1	
5	3681194	Ring, Speed Indicator	1	
6	3681910	Crankshaft, Engine	1	
	3800298	Set, Main Bearing		Std
7	3678555	Bearing, Main	7	Upper.
8	3678556	Bearing, Main	7	Lower.
9	3680202	Bearing, Crankshaft Thrust	4	
	4089845	Set, Main Bearing		.25mm Oversize
7	4907151	Bearing, Main	7	Upper.
8	4907153	Bearing, Main	7	Lower.
9	3680202	Bearing, Crankshaft Thrust	4	
	4089846	Set, Main Bearing		.50mm Oversize
7	4907152	Bearing, Main	7	Upper.
8	4907154	Bearing, Main	7	Lower.
9	3680202	Bearing, Crankshaft Thrust	4	

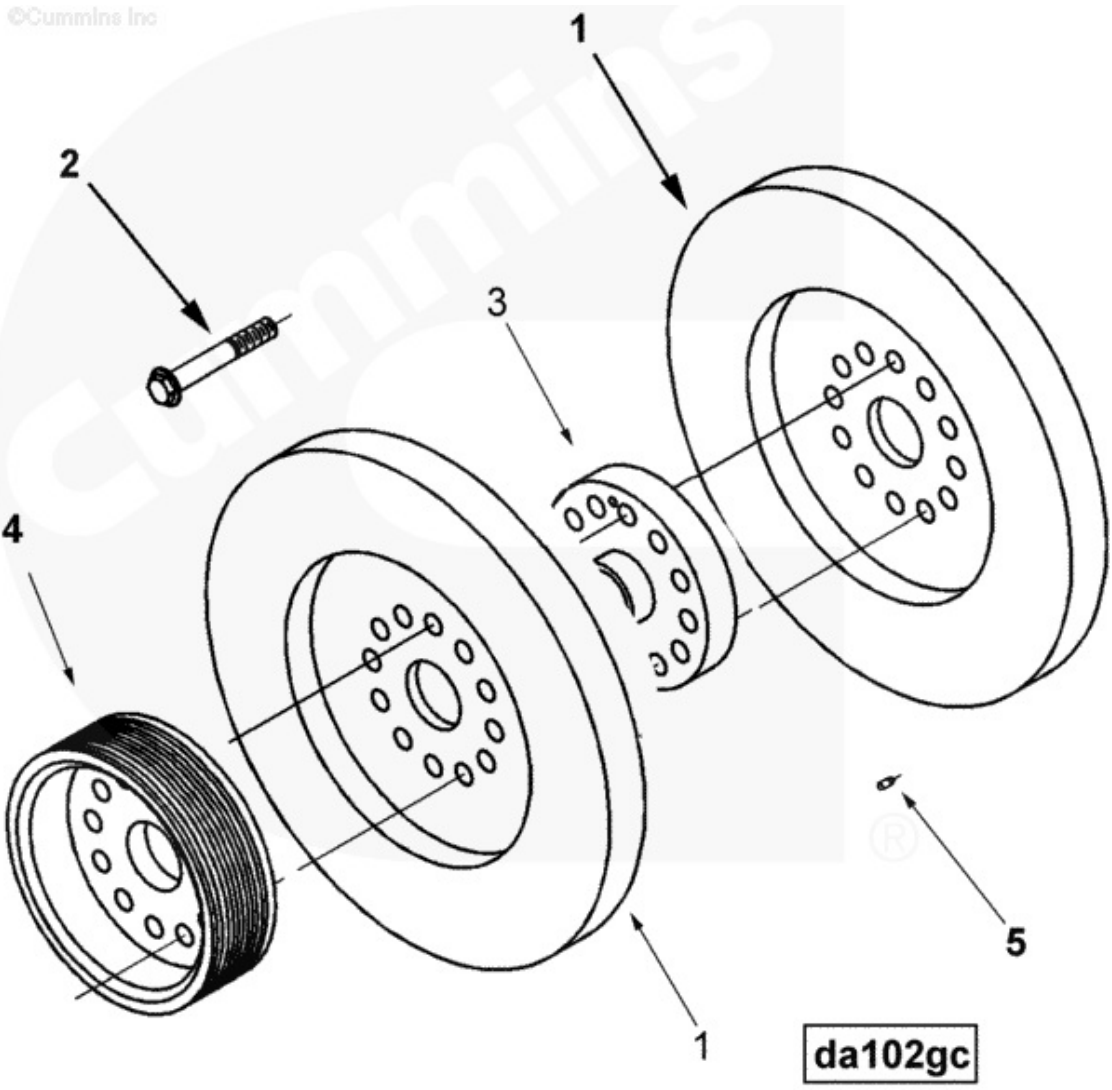
©Cummins Inc



bb102gn

Vibration Damper

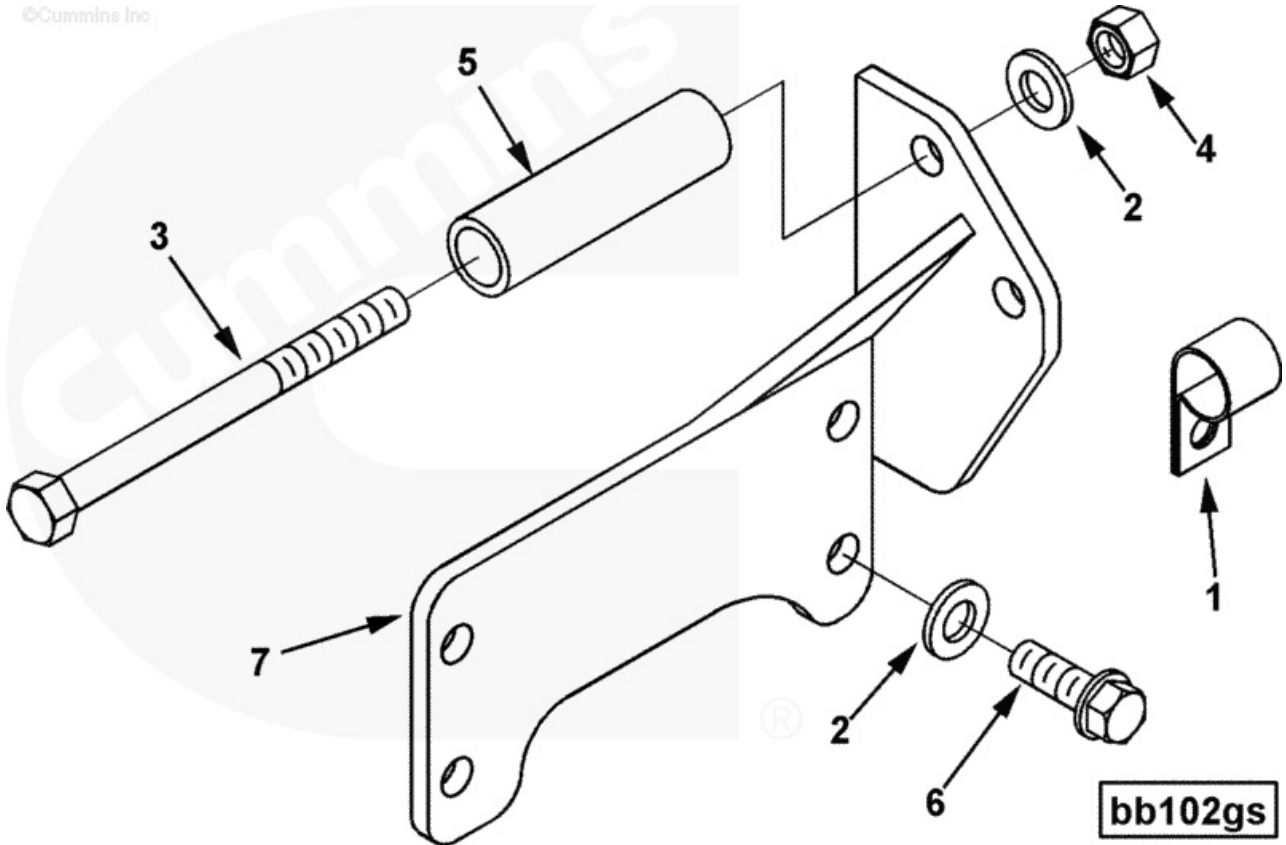
ref no	part number	part name	req	remarks
*	DA1229-03	Vibration Damper		Vibration Damper Intended Drive: Belt Driven Fan or Off Engine Customer Driven Fan Includes Two Viscous Vibration Dampers and Crank Shaft Pulley with no Front PTO Provision Crank Pulley Diameter: 186.23 mm (7.33 in.) Crank Pulley Groove Type: Poly Vee 12 Rib "K" Crank Pulley Groove Location: 190.95 mm (7.51 in.) Vibration Damper Quantity: Two 50 HP Maximum
1	4026799	Damper, Vibration	2	
2	3681583	Screw, Hexagon Head Cap	12	
3	3681595	Spacer, Mounting	1	
4	3101376	Pulley, Crankshaft	1	
5	3068935	Dowel, Pin	2	



Retaining Brace Bracket

ref no	part number	part name	req	remarks
*	BB1725-02	Retaining Brace Bracket		Retaining Brace Bracket
1	107460	Clip	1	
2	3035806	Washer, Plain	6	M12
3	3093774	Screw, Hexagon Head Cap	2	M12 x 1.75 x 50.
4	3093948	Nut, Regular Hexagon	2	
5	3681584	Spacer, Mounting	2	
6	3900637	Screw, Hex Flange Head Cap	4	M12 x 1.75 x 35
7	3681648	Bracket, Retaining Brace	1	

©Cummins Inc

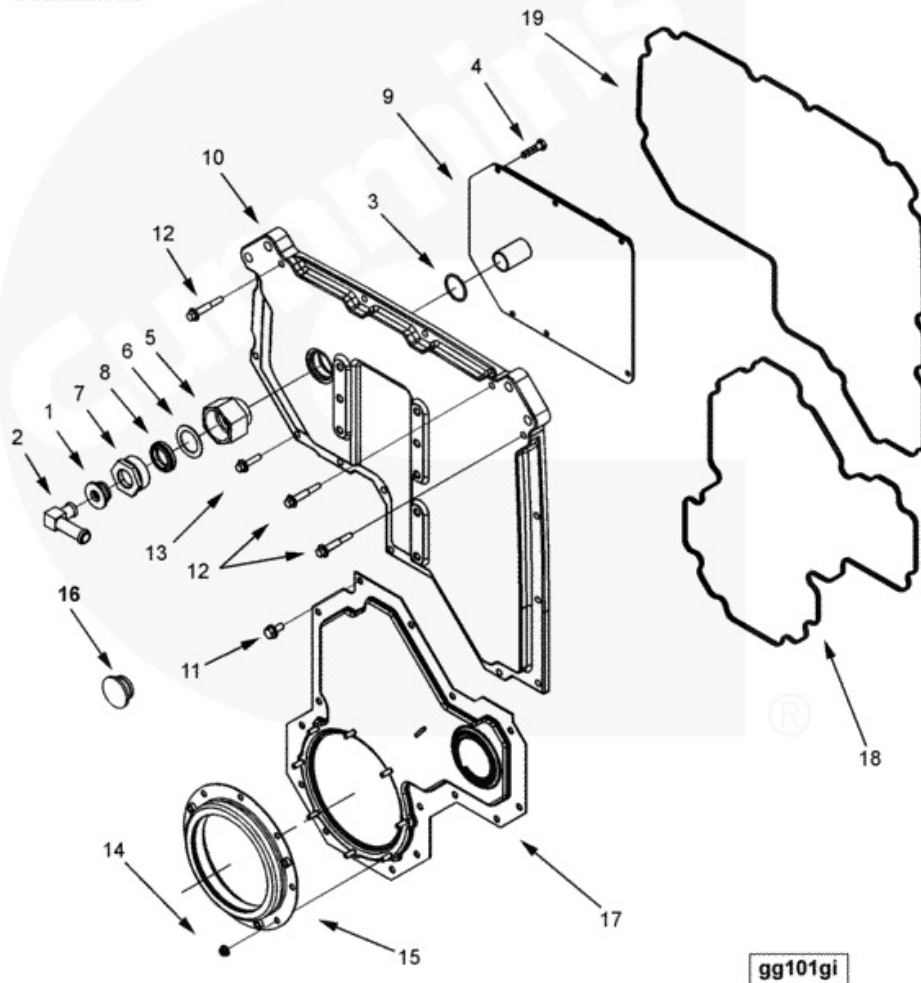


ref no	part number	part name	req	remarks
*	PP2825-06	Engine Piston		Engine Piston Certified Model Name: QSX15-G Timing Gear Code: 46 CPL: 2483 Certified By: EPA,CARB AFC: N/A ASA: N/A EFC: N/A ETC: Yes Manifold Type: Dry Engine Aspiration: Turbocharged/Aftercooled Engine Control Systm: Dox Application: Nonroad Generator Drive Power Turbine: N/A Design Phase: Dox Unique Characteristics: Injector Wedge Angle: 4 Degrees Valve Wedge Angle: 6 Degrees Certification Level: Tier 1.
	4059429	Rod, Engine Connecting	6	Ref TSB120067
1	4059449	Rod, Engine Connecting	6	
2	3678574	Screw, Connecting Rod Cap	24	
3	3678739	Dowel, Ring	12	
4	4059448	Bushing	6	
	4089405	Set,Rod Bearing	1	Std. Ref. TSB120067
5	4059447	Bearing, connecting Rod	1	
6	3682166	Bearing, Connecting Rod	1	
7	4059363	Pin, Piston	6	
	4089415	Kit, Engine Piston	6	
8	4059450	Piston, Engine	1	
9	3064305	Ring, Retaining	12	
	4089406	Set, Piston Ring	6	
10	3683008	Ring, Compression Piston	1	
11	3681078	Ring, Compression Piston	1	
12	3682398	Ring, Oil Piston	1	
	4089415	Kit, Engine Piston		
	3064305	Ring, Retaining	2	
	4059363	Pin, Piston	1	
	4089406	Set, Piston Ring	1	
	3681078	Ring, Compression Piston	1	
	3682398	Ring, Oil Piston	1	
	3683008	Ring, Compression Piston	1	
	4059450	Piston, Engine	1	

Front Gear Cover

ref no	part number	part name	req	remarks
*	GG1713-07	Front Gear Cover		Front Gear Cover Front gear cover belt driven fan drive.
	3100948	Assembly,Gear Cover	1	
1	3042401	Seal, Grommet	1	
2	3047134	Tube, Breather	1	
3	3081494	Seal, O Ring	1	
4	3900626	Screw, Hex Flange Head Cap	6	M6 x 1.00 x 12
5	3100256	Carrier, Seal	1	
6	3100257	Seal, Oil	1	
7	3100258	Retainer, Seal	1	
8	3100413	Gasket,Carrier	1	
9	3100947	Baffle, Breather	1	
10	3681128	Cover, Gear	1	
11	3721783	Screw, Captive Washer Cap	15	
12	3900633	Screw, Hex Flange Head Cap	5	M8 x 1.25 x 50
13	3902114	Screw, Hex Flange Head Cap	11	M8 x 1.25 x 30
14	3906216	Nut, Hexagon Flange	8	M6 X 1.00.
15	4101504	Seal, Oil	1	
16	3681907	Plug, Gear Cover	1	
17	3681677	Cover, Gear	1	
18	4059182	Seal, Diamond Strip	1	
19	4059183	Seal, Diamond Strip	1	

©Cummins Inc

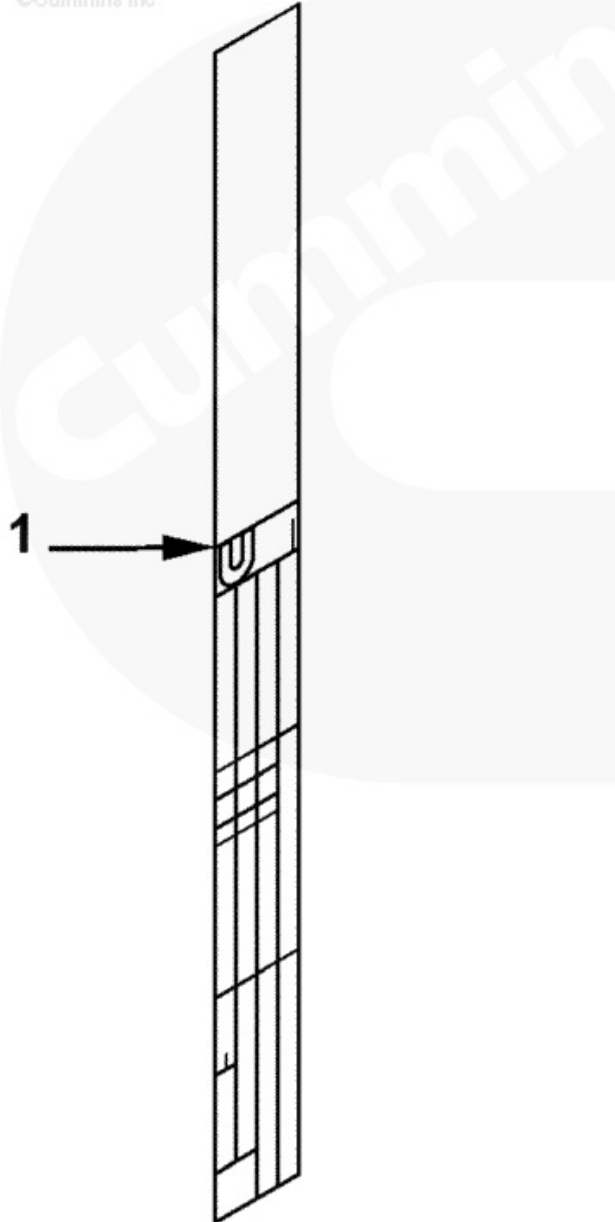


gg101gi

Agency Approval

ref no	part number	part name	req	remarks
*	AP1045-02	Agency Approval		Agency Approval Certified By: EPA, CARB, EU, JMLT Application: Nonroad Cert Level: Tier 2, Tier 2, Stage 2, Step 2 Special Allowance: NA Cert Agent: EPA, CARB, VCA, JMLT Comments: Fuel Type: Diesel
1	3100447	Dataplate	1	
	4905219	Tape	1	

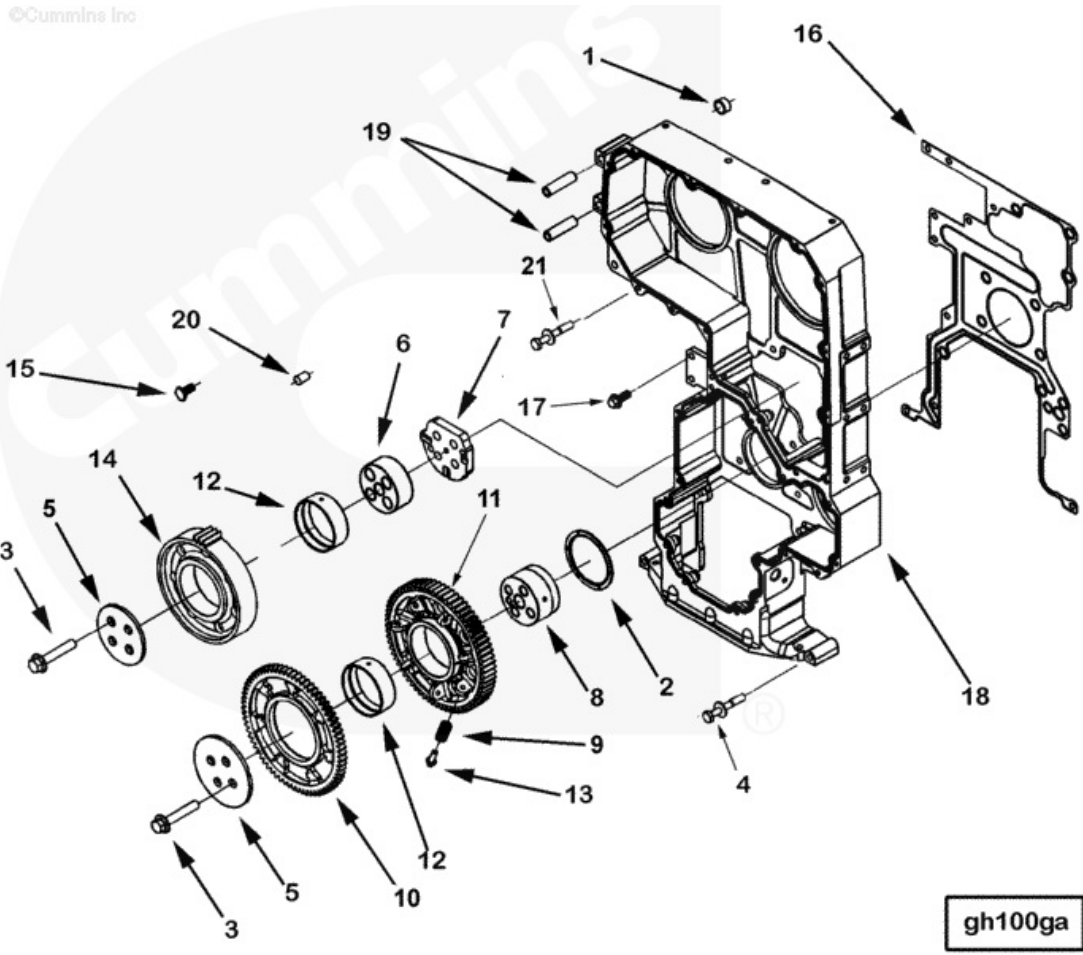
©Cummins Inc



ap100gl

Gear Housing/Idler Gears

ref no	part number	part name	req	remarks
*	BB1725-02	Gear Housing/Idler Gears		Gear Housing/Idler Gears
1	3678871	Dowel, Ring	2	
2	3681149	Bearing, Thrust	1	
3	3681174	Screw, Hex Flange Head Cap	8	
4	3412921	Screw, Hex Flange Head Cap	3	
5	3681273	Retainer, Gear	2	
6	3680239	Shaft, Idler	1	
7	3680240	Spacer, Mounting	1	
8	3680260	Shaft, Idler	1	
	3680546	Gear, Idler		
9	3680212	Spring, Compression	7	
10	3680544	Gear, Idler	1	
11	3680545	Gear, Idler	1	
12	3680201	Bushing	1	
13	3900631	Screw, Hex Flange Head Cap	7	M8 x 1.25 x 25
	3681144	Gear, Idler		
12	3680201	Bushing	1	
14	3681143	Gear, Idler	1	
15	3680866	Screw, Hex Flange Head Cap	1	
16	4026694	Gasket, Gear Housing	1	
17	3680882	Screw, Captive Washer Cap	15	
	4059396	Housing, Gear		
18	4059386	Housing, Gear	1	
19	3680086	Spacer, Mounting	2	
20	3900257	Dowel, Pin	4	
21	3681268	Screw, Captive Washer Cap	1	



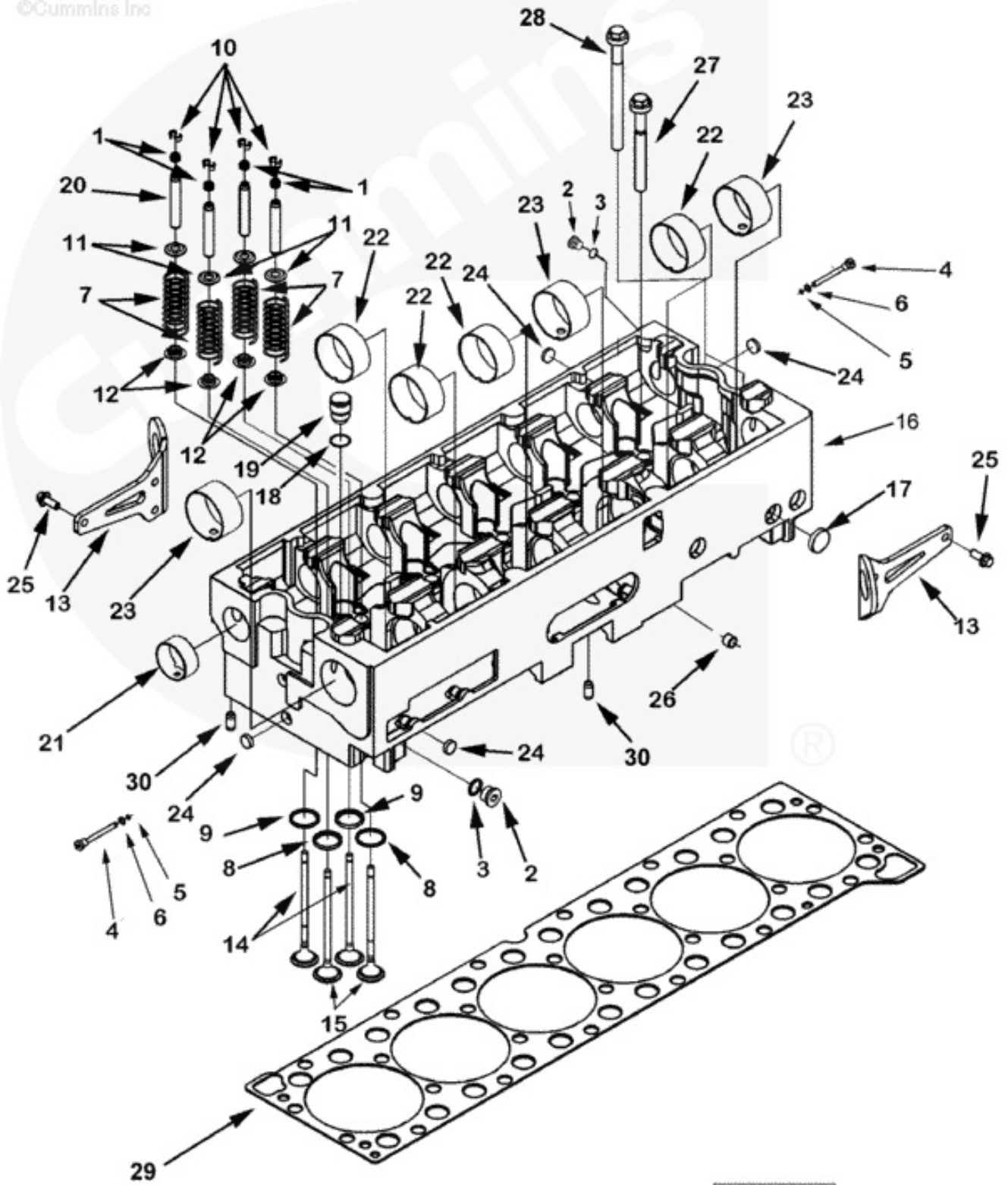
gh100ga

Cylinder Head

ref no	part number	part name	req	remarks
*	PP2825-12	Cylinder Head		Cylinder Head
	3683002	Head, Cylinder	1	
1	4026791	Seal, Valve Stem	24	Exhaust
2	3678611	Plug, Threaded	3	
3	3678606	Seal, O Ring	1	
4	3679354	Plug, Threaded	6	
5	3678603	Seal, O Ring	1	
6	3679122	Seal, O Ring	1	
7	3681001	Spring, Valve	24	
8	3679659	Insert, Valve	12	Exhaust
9	3681071	Insert, Valve	12	Intake
10	3680883	Collet, Valve	48	
11	3680884	Retainer, Valve Spring	24	
12	3680318	Guide, Valve Spring	24	
13	3680656	Bracket, Lifting	2	
14	4101454	Valve, Exhaust	12	
15	4059216	Valve, Intake	12	
16	3683003	Head, Cylinder	1	
17	3015865	Plug, Expansion	7	
18	3678536	Seal, Rectangular Ring	6	
19	3412352	Sleeve, Injector	6	Inj. Sleeves Not Available
20	4026657	Guide, Valve Stem	24	
21	3680579	Bushing	7	
22	3680580	Bushing	4	
23	3680581	Bushing	3	
24	3813247	Plug, Expansion	21	
25	3910495	Screw, Hex Flange Head Cap	6	M12 X 1.75 X 30.
26	3911678	Dowel, Ring	2	
27	3678506	Screw, Fracture Resistant	22	
28	3678804	Screw, Hex Flange Head Cap	4	
29	4059350	Gasket, Cylinder Head	1	
30	3901846	Dowel, Pin		

Cylinder Head

©Cummins Inc

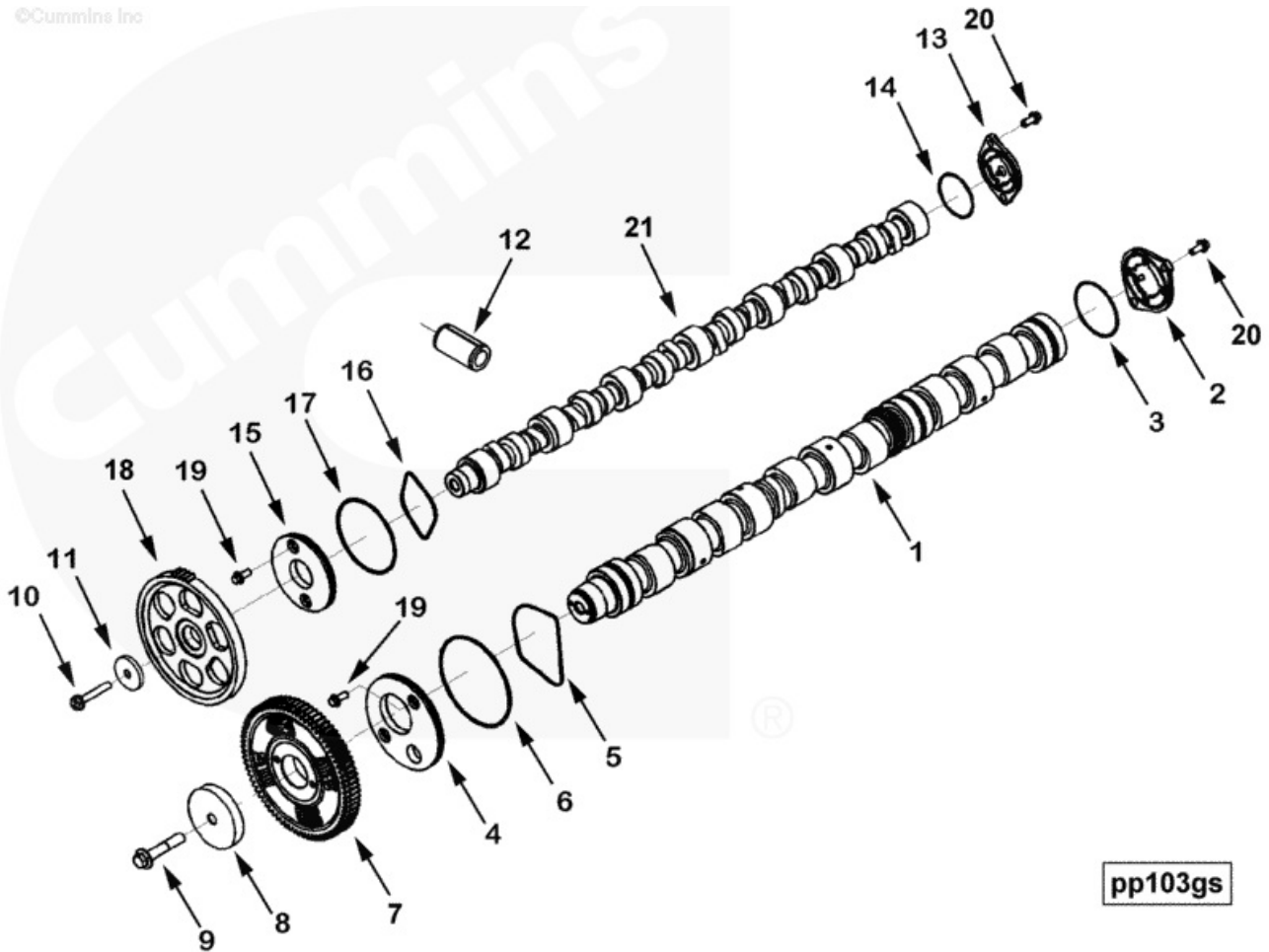


pp103gm

Camshaft

ref no	part number	part name	req	remarks
*	PP2825-08	Camshaft		Camshaft
1	3100363	Camshaft	1	
2	3679268	Cover, Camshaft	1	
3	4026523	Seal, Rectangular Ring	1	
4	3679929	Support, Camshaft Thrust	1	
5	3679931	Gasket, Camshaft Cover	1	
6	3679933	Seal, O Ring	1	
7	4101850	Gear, Camshaft	1	Injector
8	3680512	Washer, Plain	1	
9	3680817	Screw, Hex Flange Head Cap	1	
10	3678882	Screw, Hex Flange Head Cap	1	
	3102739	Spacer, Mounting	1	
11	3102740	Spacer, Mounting	1	
12	100128	Pin, Roll	1	
13	3679269	Cover, Camshaft	1	
14	4026522	Seal, Rectangular Ring	1	
15	3679930	Support, Camshaft Thrust	1	
16	3679932	Gasket, Camshaft Cover	1	
17	3679934	Seal, O Ring	1	
18	3102742	Gear, Camshaft	1	Valve
19	3902460	Screw, Hex Flange Head Cap	4	M10 x 1.50 x 25
20	3681041	Screw, Socket Head Cap	4	
21	4059331	Camshaft	1	Valve

©Cummins Inc



pp103gs

ref no	part number	part name	req	remarks
*	RL1732-02	Rocker Lever		Rocker Lever Use on Industrial Engines Without Engine Brake (with High Microfinish Cam Roller)
	3100776	Lever, Rocker	6	
	3100777	Lever, Rocker	6	
1	3067941	Plug, Ball	6	
2	3100778	Roller, Cam Follower	6	
3	3679504	Pin, Spiral	6	
4	3679869	Pin, Cam Follower Roller	6	
5	3679870	Bushing	6	
6	3680167	Lever, Rocker	6	
7	3680057	Nut, Regular Hexagon Jam	6	
8	3680058	Screw, Rkr Lever Adjusting	6	
	3679418	Shaft, Rocker Lever	2	Injector (Front and Rear)
9	3019630	Plug, Drive	12	
10	3679417	Shaft, Rocker Lever	6	
11	4059197	Spacer, Thrust Ring	36	
12	3679427	Clamp, Retaining	12	
13	3680732	Plug, Expansion	1	
14	3679561	Spacer, Thrust Ring	6	
	4059410	Lever, Rocker	3	Exhaust Front
15	4059377	Screw, Rkr Lever Adjusting	3	
16	3679694	Nut, Regular Hexagon Jam	3	
	4059295	Lever, Rocker	3	
1	3067941	Plug, Ball	3	
17	4059322	Roller, Cam Follower	3	
18	4059294	Lever, Rocker	3	
19	4026779	Pin, Cam Follower Roller	3	
20	4059282	Bushing	3	
3	3679504	Pin, Spiral	3	
	4059412	Lever, Rocker	3	Intake Front
15	4059377	Screw, Rkr Lever Adjusting	3	
16	3679694	Nut, Regular Hexagon Jam	3	
	4059352	Lever, Rocker	3	
1	3067941	Plug, Ball	3	
17	4059322	Roller, Cam Follower	3	
19	4026780	Pin, Cam Follower Roller	3	
20	4059282	Bushing	3	
3	3679504	Pin, Spiral	3	
21	4059351	Lever, Rocker		
	4059283	Shaft, Rocker Lever	1	Front
22	4059284	Shaft, Rocker Lever	1	
23	3680954	Plug, Drive	2	
	4059411	Lever, Rocker	3	Exhaust Rear
15	4059377	Screw, Rkr Lever Adjusting	3	
16	3679694	Nut, Regular Hexagon Jam	3	
	4059298	Lever, Rocker	3	
1	3067941	Plug, Ball	3	
17	4059322	Roller, Cam Follower	3	
24	4059297	Lever, Rocker	3	
19	4026780	Pin, Cam Follower Roller	3	
20	4059282	Bushing	3	
3	3679504	Pin, Spiral	3	
	4059413	Lever, Rocker	3	Intake Rear
15	4059377	Screw, Rkr Lever Adjusting	3	
16	3679694	Nut, Regular Hexagon Jam	3	
	4059354	Lever, Rocker	3	
1	3067941	Plug, Ball	3	

Lever,Rocker

17	4059322	Roller, Cam Follower	3	
19	4026779	Pin, Cam Follower Roller	3	
20	4059282	Bushing	3	
3	3679504	Pin, Spiral	3	
25	4059353	Lever, Rocker	3	
	4059288	Shaft, Rocker Lever	1	Rear
26	4059289	Shaft, Rocker Lever	1	
23	3680954	Plug, Drive	2	
27	3681221	Screw, Hex Flange Head Cap	24	
28	4059342	Crosshead, Valve	12	Intake

©Cummins Inc



Group 03.01

15

Option No

Picture null

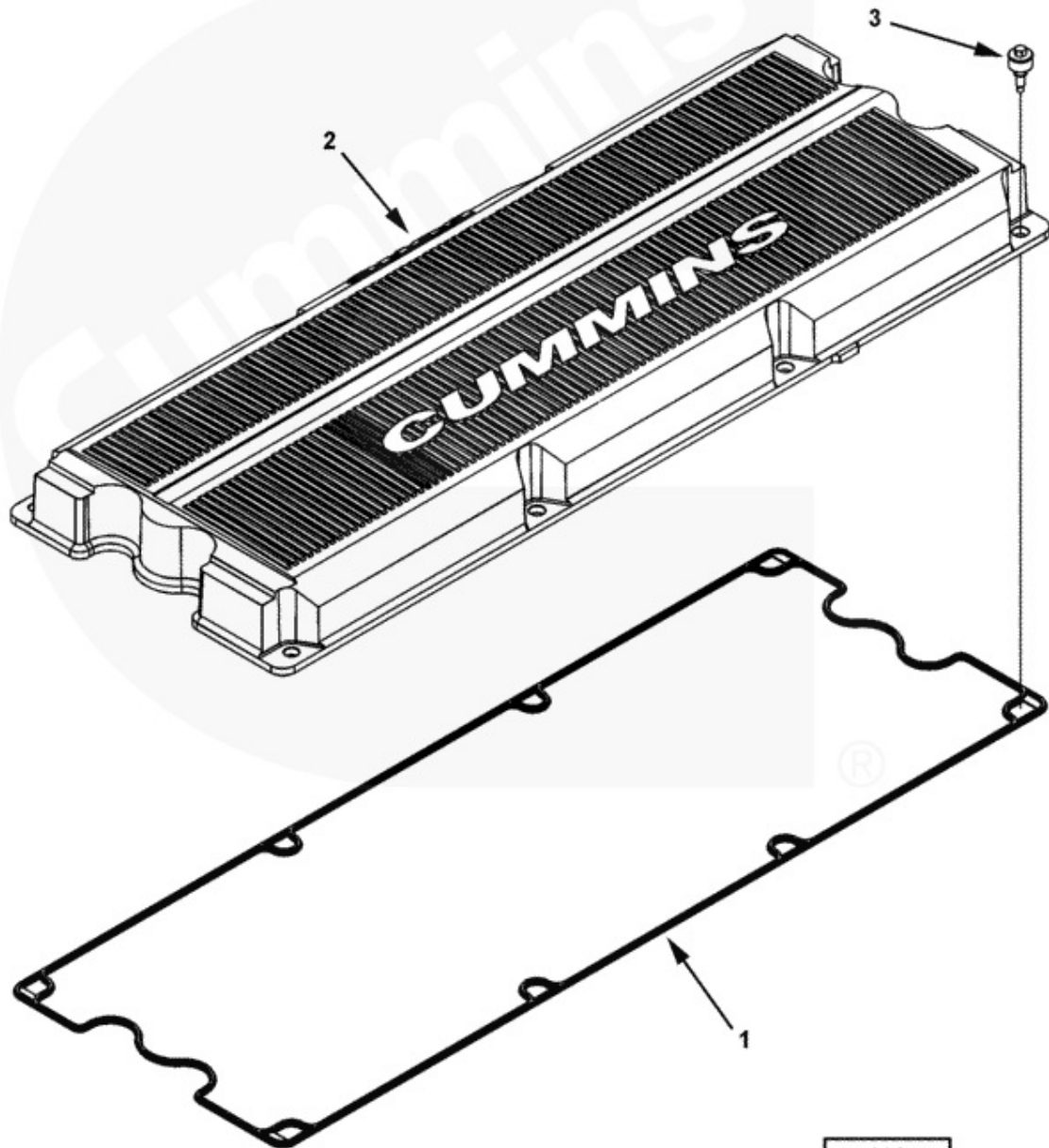
Paint

ss1139

ref no	part number	part name	req	remarks
*	SS1139	Paint		Paint Paint Color: Titanium Black Water Based Primer Paint: No No Content Option
	3896190	Titanium Black Paint	1	

ref no	part number	part name	req	remarks
*	VC1072-01	Valve Cover		Valve Cover Material: Plastic Oil Filler: No Unique Characteristics: Without Gasket Groove Use with Carrier-Type Gasket
1	4026507	Gasket, Valve Cover	1	Ref. TSB100816
2	4059375	Cover, Valve	1	Purchase 3687085
3	3100895	Isolator, Noise	8	

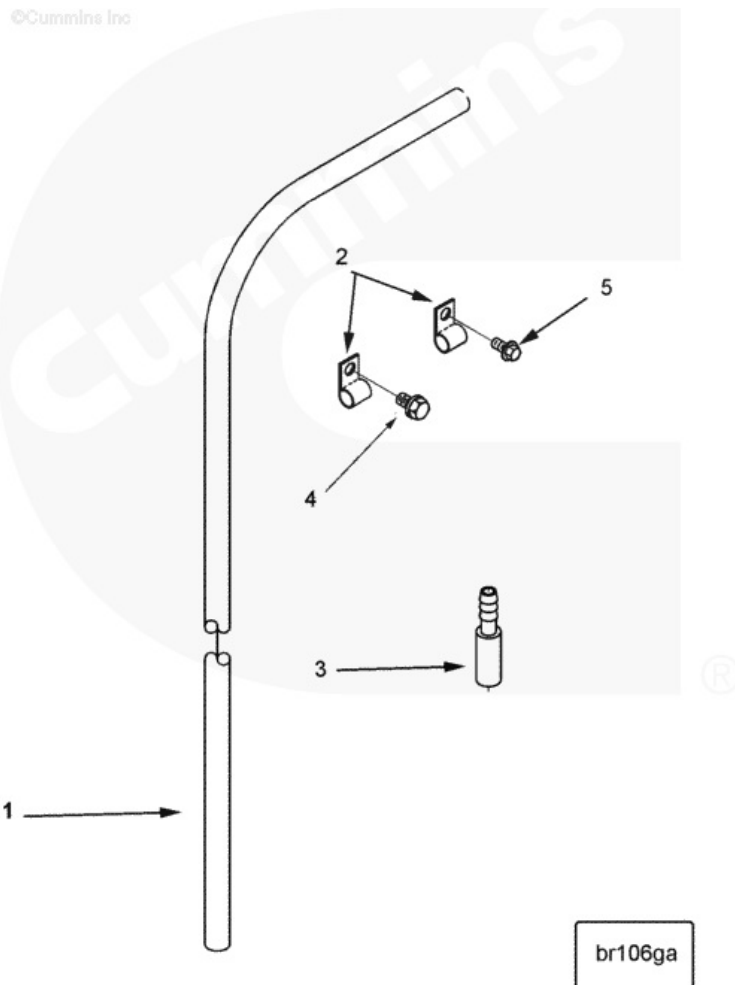
©Cummins Inc



vc102gg

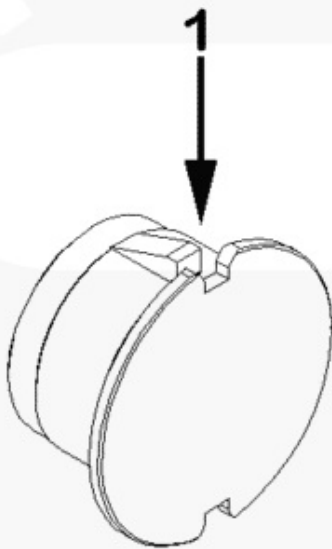
Crankcase Breather

ref no	part number	part name	req	remarks
*	BR1241-02	Crankcase Breather		<p>Crankcase Breather Breather System: Open Breather Location: Internal Vent Location: Front Vent Tube Routing: Front/Left Side Vent Tube End Location: 1016mm (40 in) below pan rail on left side mounting for use with belt driven fan drive. Limited to 10 degrees front down for operation exceeding 20 sec at a time or 25 degrees front down for operation of less than 20 sec at a time. See OP option for additional angularity restrictions.</p>
1	64998 C	Hose, Plain	1	
2	107460	Clip	4	
3	3819475	Tube, Breather	1	
4	3901249	Screw, Hex Flange Head Cap	1	M12 X 1.75 X 25.
5	3903990	Screw, Hex Flange Head Cap	1	M10 x 1.50 x 20



ref no	part number	part name	req	remarks
*	EB1203-02	Engine Brake		<p>Engine Brake Brake Supplier: None Application: Non Automotive Use Only To be selected when customer does not want an engine brake. Protective cover plugs into 8-way engine brake connector on base engine harness.</p>
1	3412893	Cover, Protective	1	

©Cummins Inc



eb102gw

ref no	part number	part name	req	remarks
*	FP11067	Fuel Pump		Fuel Pump Fuel Filter: Fuel Pump Mounted Fuel Solenoid: 12 Volt or 24 Volt, Single Post Inlet Fitting Size: #10 Outlet Fitting Size: #8 Seat: 45 Degrees Drainline Check Valve Fitting: Without Priming Pump: Electric 24 V
1	3900679	Screw, Hex Flange Head Cap	2	M10 x 1.50 x 80
2	3903464	Screw, Hex Flange Head Cap	3	M10 X 1.50 X 40
3	4076599	Plug, Orifice	1	
4	3034451	Housing, Actuator	1	
5	3034452	Disc, Actuator	1	
6	4076587	Gasket, Ful Cnt Housing	1	
	4076601	Module, Fuel Control	1	
7	70700	Spring, Compression	1	
8	70704	Washer, Plain	2	1/4 Inch.
9	100099	Seal, Rectangular Ring	2	
10	129768	Spring, Valve	1	
11	129839	Shield, Shutoff Valve	1	
12	129888	Seal, Rectangular Ring	2	
13	139988	Seal, Rectangular Ring	2	
14	151900	Seal, Rectangular Ring	2	
15	160514	Washer, Plain	2	1 11/16 Inch.
16	196057	Disc, Valve	1	
17	202897	Diaphragm,Fuel Pump Damper	2	
18	3014575	Cap, Fuel Pump Filter	1	
19	3021123	Seal, O Ring	1	
20	3025806	Screw, Socket Head Cap	3	M8 X 1.25 X 30.
	3042619	Nipple, Coupling	2	
21	3037537	Seal, O Ring	2	
22	3042620	Nipple, Coupling	2	
23				Item not in this version.
24	4902789	Gasket, Actuator	4	
25	3090769	Screen, Filter	1	
26	3330019	Screw, Socket Head Cap	1	
27	3330022	Screw, Socket Head Cap	4	
28	3330069	Screw, Socket Head Cap	14	
29	3330651	Cover, Fuel Pump Damper	2	
30	3330652	Body, Fuel Pump Damper	2	
31	3330719	Plate, Thrust Bearing	1	
32	3330720	Shaft, Idler	1	
33	3330753	Screw, Socket Head Cap	4	
34	3331275	Retainer, Shaft	1	
	3348322	Valve, Pressure Regulator	1	
35	3348323	Valve, Pressure Regulator	1	
36	3348703	Seal, O Ring	1	
37	3867640	Seal, O Ring	1	
38	3397506	Screw, Hex Flange Head Cap	4	M6 X 1.00 X 35
	3408377	Sensor, Pressure	1	Fuel.
	3330202	Seal, O Ring	1	
40	3408378	Sensor, Pressure	1	
41	3408421	Solenoid	1	
	3417138	Elbow, Male Adapter	1	
42	3417139	Elbow, Male Adapter	1	
43	3679139	Seal, O Ring	1	

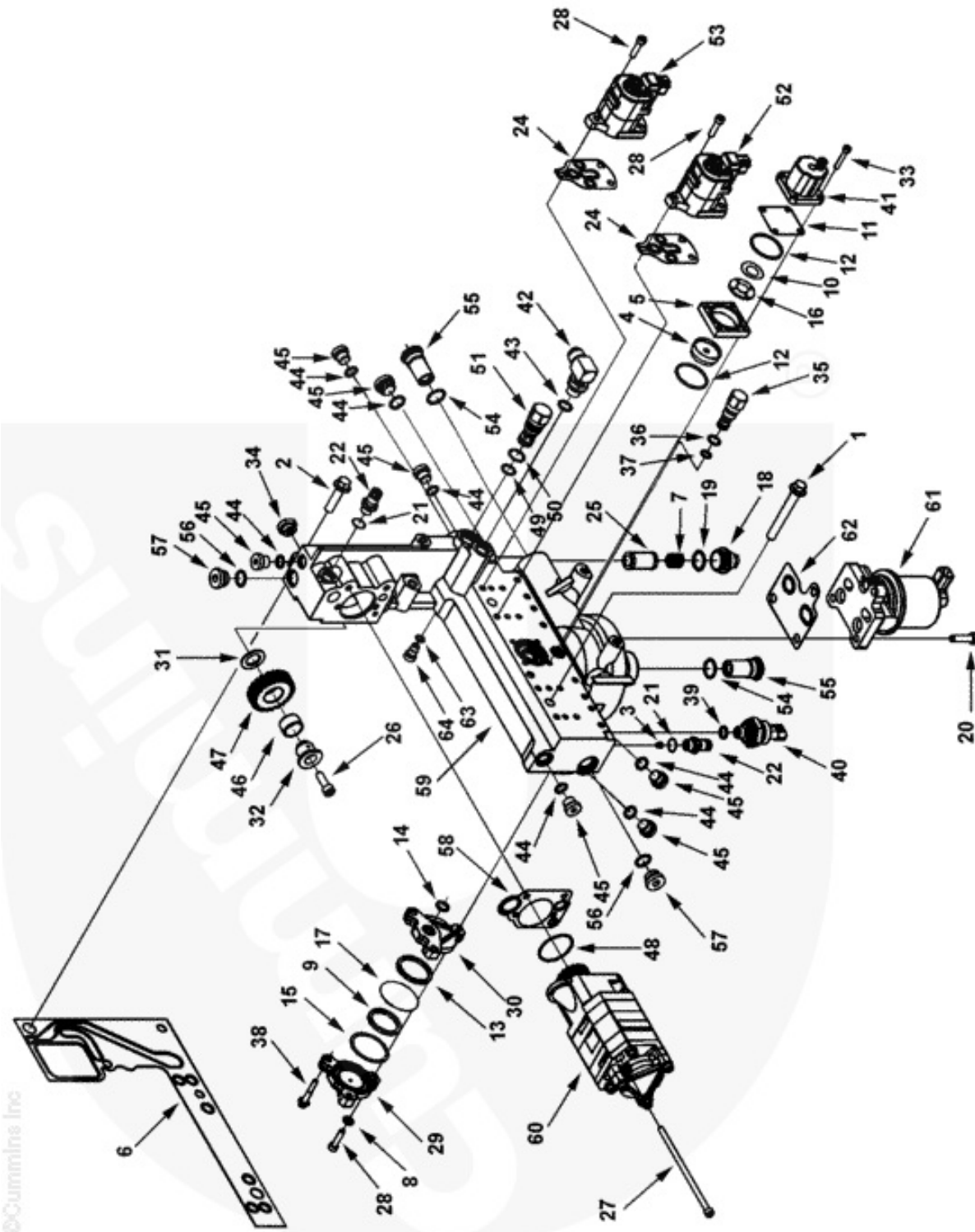
Fuel Pump

	3678921	Plug, Threaded	6	M14 X 1.50
44	3678912	Seal, O Ring	6	
45	3678922	Plug, Threaded	6	
	3867093	Gear, Idler	1	
46	3330639	Bushing	1	
47	3867094	Gear, Idler	1	
48	3867481	Seal, O Ring	1	
	4001926	Valve, Pressure Regulator	1	
49	3330478	Seal, O Ring	1	
50	3867641	Seal, O Ring	1	
51	4001925	Valve, Pressure Regulator	1	
52	4902905	Actuator, Timing	2	Serviced as 4089981.
53	4902904	Actuator, Metering	2	Serviced as 4089980.
	4010077	Valve, Check	2	
54	3089240	Seal, O Ring	1	M22 x 1.50 x 15.5
55	4010078	Valve, Check	1	
	4010349	Plug, Threaded	3	
56	3678786	Seal, O Ring	3	
57	4010348	Plug, Threaded	3	
58	4062005	Gasket, Support	1	
59	4076572	Housing, Fuel Control	1	
60	4076574	Pump, Gear Fuel	1	
61	4076581	Pump, Fuel	1	
62	4076586	Gasket, Fuel Pump	1	
	4076593	Valve, Check	1	
63	3678925	Seal, O Ring	1	M10 X 1.00
64	4076594	Valve, Check	1	
	4025255	Kit, Ifsm Service/Repair	1	
	S 2286	Screw, Drive	1	
	105375	Nameplate	1	
	129888	Seal, Rectangular Ring	2	
	151900	Seal, Rectangular Ring	2	
	3021123	Seal, O Ring	1	
	3025806	Screw, Socket Head Cap	3	M8 X 1.25 X 30.
	3037537	Seal, O Ring	2	
	3042543	Seal, O Ring	1	
	3044297	Seal, O Ring	13	
	3045986	Seal, O Ring	4	
	3084539	Seal, O Ring	1	
	3089240	Seal, O Ring	2	
	3089392	Seal, O Ring	1	
	3330202	Seal, O Ring	3	
	3330478	Seal, O Ring	1	
	3347832	Seal, Grommet	4	
	3348703	Seal, O Ring	1	
	3678786	Seal, O Ring	3	
	3678846	Seal, O Ring	2	
	3678912	Seal, O Ring	6	
	3679139	Seal, O Ring	1	
	3867481	Seal, O Ring	1	
	3867640	Seal, O Ring	1	
	3867641	Seal, O Ring	1	
	3918190	Washer, Sealing	2	M8
	3922794	Seal, O Ring	2	
	4062005	Gasket, Support	1	
	4076585	Plate, Cover	1	
	4076586	Gasket, Fuel Pump	1	
	4076587	Gasket, Ful Cnt Housing	1	
	4076597	Housing, Fuel control	1	
	4024808	Kit, Fuel Solenoid		

Fuel Pump

12	129888	Seal, Rectangular Ring	2	
41	3408421	Solenoid	1	
	4089980	Kit, Actuator		Recon equivalent 4089980 NX
24	4902789	Gasket, Actuator	1	
53	4902904	Actuator, Metering	1	Serviced as 4089980.
	4954670	Screw, Pan Head Cap	3	
	4089981	Kit, Actuator		Recon equivalent 4089981 NX
24	4902789	Gasket, Actuator	1	
52	4902905	Actuator, Timing	1	Serviced as 4089981.
	4954670	Screw, Pan Head Cap	3	

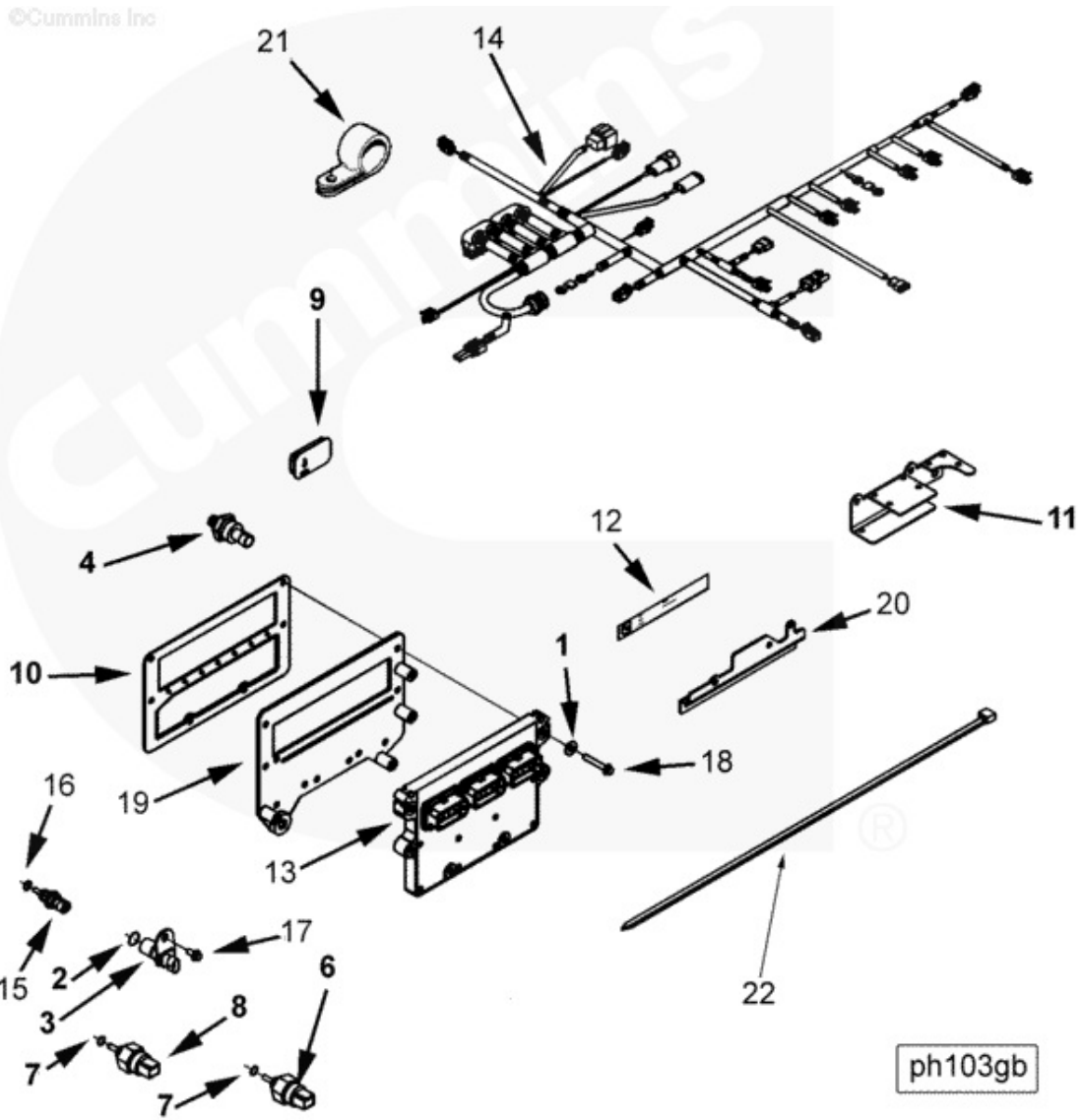
fp106gd



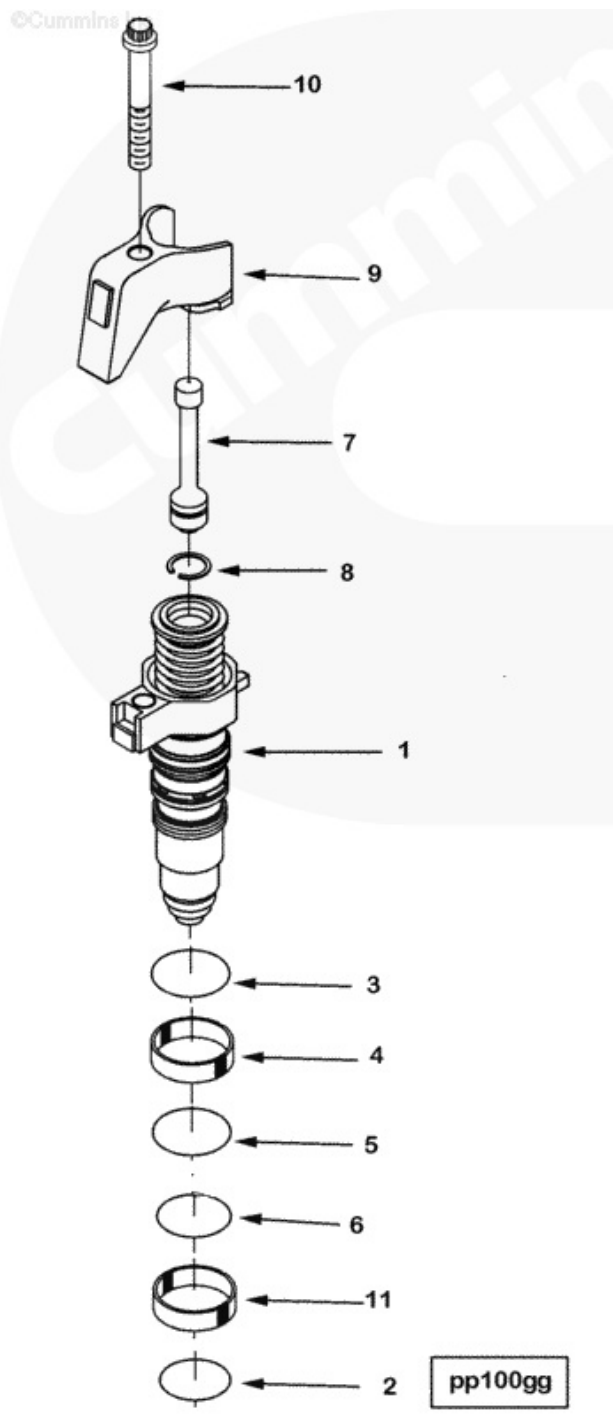
Electronic Control Module

ref no	part number	part name	req	remarks
*	PH1763-08	Electronic Control Module		Electronic Control Module Engine Control System: API ECM Version: DCM 570 Motorola Module Location: Upper Left Side Front Ambient Air Pressure Sensor Included: Yes Intake Mfld Temp Sensor Manufacturer: Kaylico with Industrial Customer Accessory Brackets Application: Industrial
1	146161	Washer, Plain	4	3/8 inch
	4001902	Sensor, Position	2	Cam or crank.
2	4010600	Seal, O Ring	1	
3	4001903	Sensor, Position	1	
4	3331044	Sensor, Pressure	1	Ambient air.
5	3330202	Seal, O Ring	1	
6	3417185	Sensor, Prs Temperature	1	Oil.
	3417183	Sensor, Prs Temperature	1	Intake manifold.
7	3330202	Seal, O Ring	1	
8	3417143	Sensor, Prs Temperature	1	
9	3618863	Cover, Protective	1	
10	3680284	Gasket, Etr Control Module	1	
11	4026680	Brace, Wiring	1	
12	3680896	Dataplate	1	
13	3408501	Module, Electronic Control	1	
14	4059348	Harness, Etr Cnt Mdl Wrg	1	
15	3096153	Sensor, Temperature	1	Coolant or oil **
16	3678912	Seal, O Ring	1	
17	3900629	Screw, Hex Flange Head Cap	2	M8 x 1.25 x 16
18	3925402	Screw, Hex Flange Head Cap	6	M8 x 1.25 x 50.
19	3681059	Plate, Cooler	1	
20	4059191	Bracket, Cus Accessory	1	
21	69465	Clip	2	
22	3076301	Clamp, Wire Tie	6	
				Note: The information below should provide assistance in type/function of sensors.
	3417183	Sensor, Prs Temperature		Intake manifold.
	3417185	Sensor, Prs Temperature		Oil.
	3865346	Sensor, Temperature		Coolant or oil or fuel
	3331044	Sensor, Pressure		Ambient air.
	4001902	Sensor, Position		Cam or crank.

Electronic Control Module

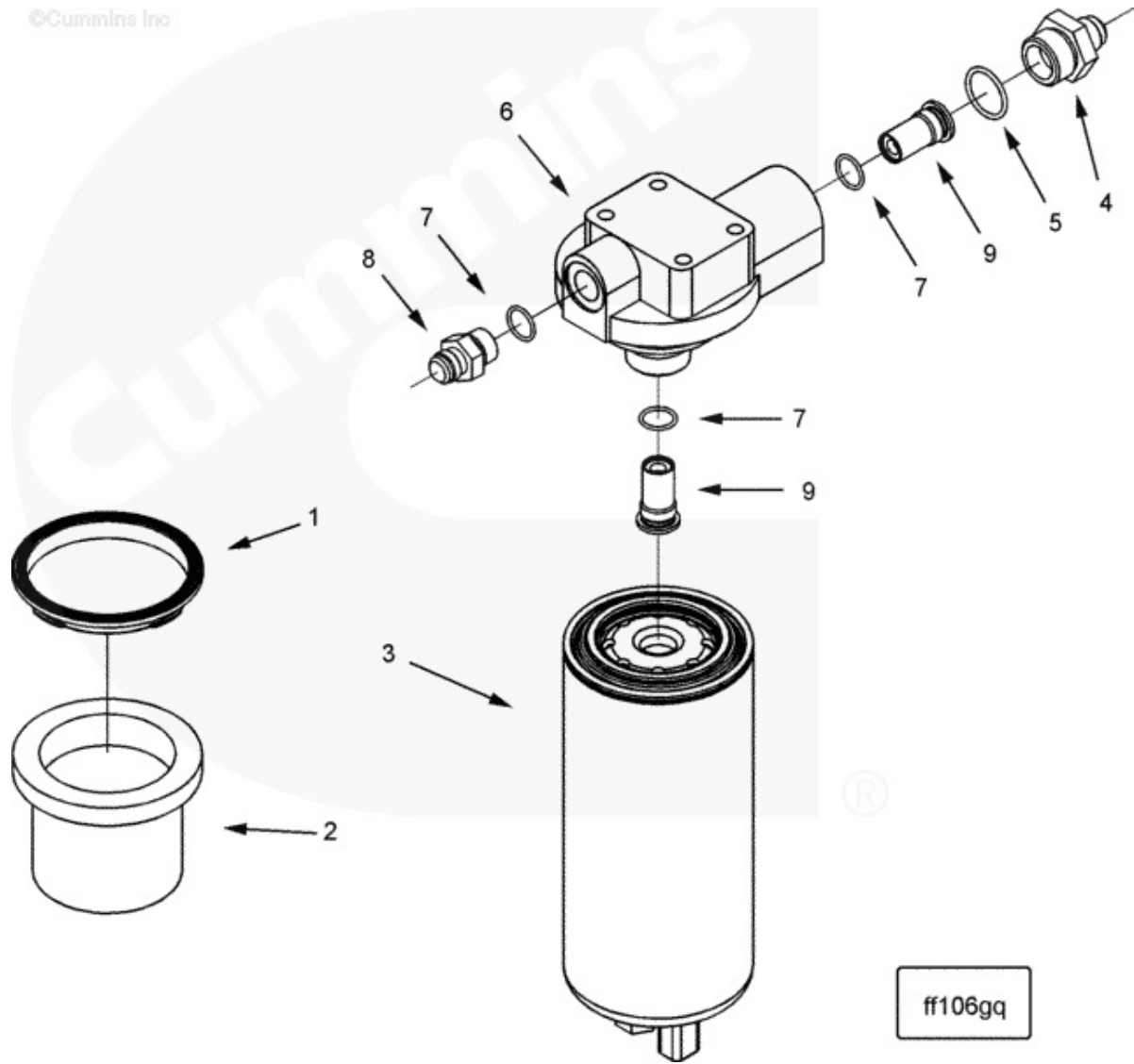


ref no	part number	part name	req	remarks
*	PP2825-02	Injector		Injector
1	4062569	Injector	6	
2	3347937	Seal, O Ring	6	Green
3	3347939	Seal, O Ring	6	Black
4	4009692	Screen, Filter	6	
5	3330537	Seal, O Ring	6	
6	3330538	Seal, O Ring	6	
	3347867	Link, Injector Plunger	6	
7	3330607	Link, Injector Plunger	6	
8	3867742	Retainer, Injector Link	6	
9	4010231	Clamp, Injector	6	
10	3679102	Screw, Twelve Point Cap	6	
11	3087316	Screen, Filter	6	



ref no	part number	part name	req	remarks
*	FF1257-04	Fuel Filter		Fuel Filter Water in Fuel Sensor: Yes Fuel Filter Type: Water Separator with Drain Fuel Filter Mounting: Remote Chassis Mounted Includes: Single Filter, Filter Head, Filter Head Adapter Customer to Supply Hoses and Mounting Hardware
	4059444	Adapter, Filter Head	1	
1	4059445	Adapter, Filter Head	1	
2	4059451	Gasket, Filter Head	1	
	4059243	Head, Fuel Filter	1	
3	3101872	Filter, Fuel	1	Buy from Cummins Filtration
	4059219	Head, Fuel Filter	1	
	3417130	Union, Male	1	
^4	3417131	Union, Male	1	
^5	3678846	Seal, O Ring	1	
6	3681512	Head, Fuel Filter	1	
	3681694	Union, Male	1	
^7	3089240	Seal, O Ring	1	M22 x 1.50 x 15.5.
^8	3681110	Union, Male	1	
	4010077	Valve, Check	2	
^7	3089240	Seal, O Ring	1	M22 x 1.50 x 15.5.
^9	4010078	Valve, Check	1	
	4024871	Kit, Centinel Valve		
	66945 A	Spacer, Mounting	1	
	201351	Clamp, Wire Tie	10	
	3009330	Washer, Plain	1	M10
	3045985	Clip	1	
	3093957	Screw, Hex Flange Head Cap	1	M10 X 1.50 X 16.
	3100560	Decal	1	
	3101872	Filter, Fuel	1	Buy from Cummins Filtration
	3102651	Screw, Hex Flange Head Cap	2	M10 x 1.50 x 60
	3102709	Connector, Male	1	
	3407849	Instruct, ISX Cent Insta	1	
	3678921	Plug, Threaded	1	
	3681176	Bracket, Valve	1	
	3681519	Union, Male	1	
	3681520	Connector, Male	1	
	3824848	Assy, Exh Temp Conn	1	
	3902662	Nut, Hexagon Flange	2	M10 x 1.50
	3903990	Screw, Hex Flange Head Cap	2	M10 x 1.50 x 20
	3925437	Screw, Hex Flange Head Cap	1	M10 x 1.50 x 40
	4059271	Stud	1	
	4059334	Valve, Oil Control	1	
	4906633	Cartridge, Lub Oil Filter	1	Buy from Cummins Filtration.

©Cummins Inc

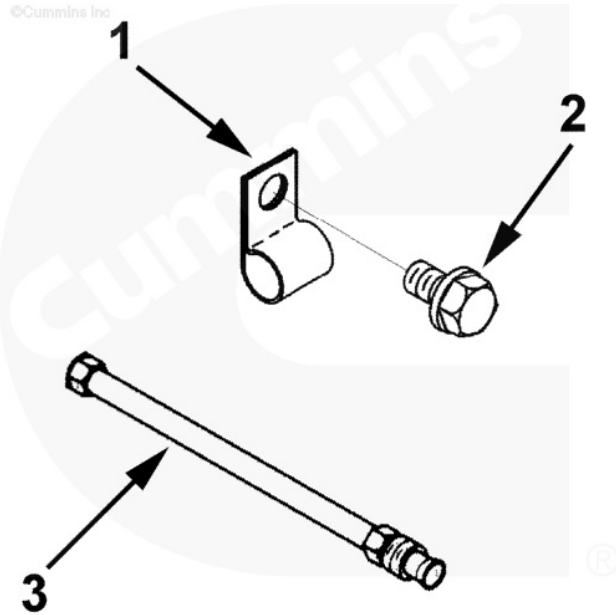


ff106gq

Drain Location

ref no	part number	part name	req	remarks
--------	-------------	-----------	-----	---------

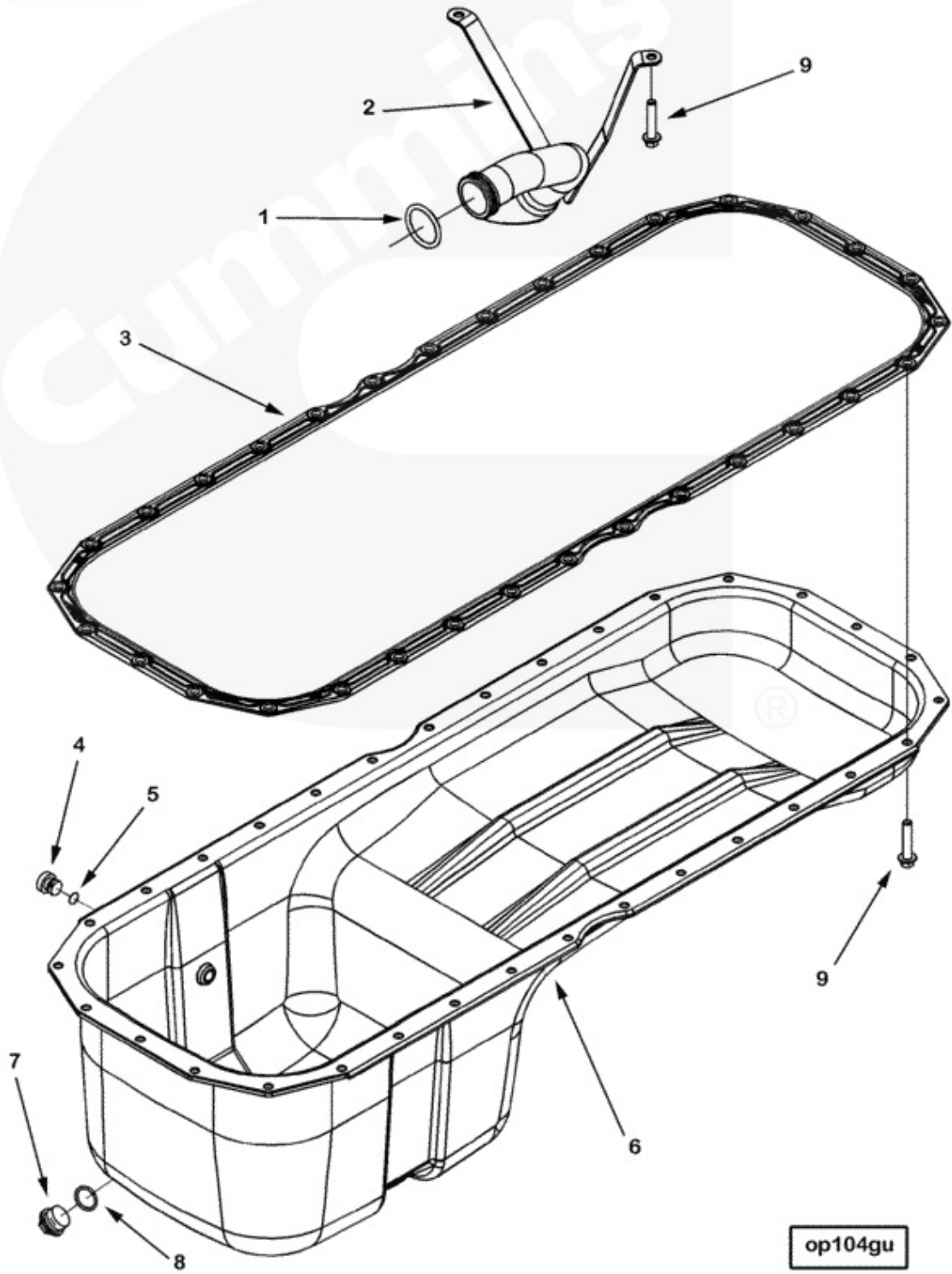
*	DL1048-02	Drain Location		Drain Location
---	-----------	----------------	--	----------------



dl100ga

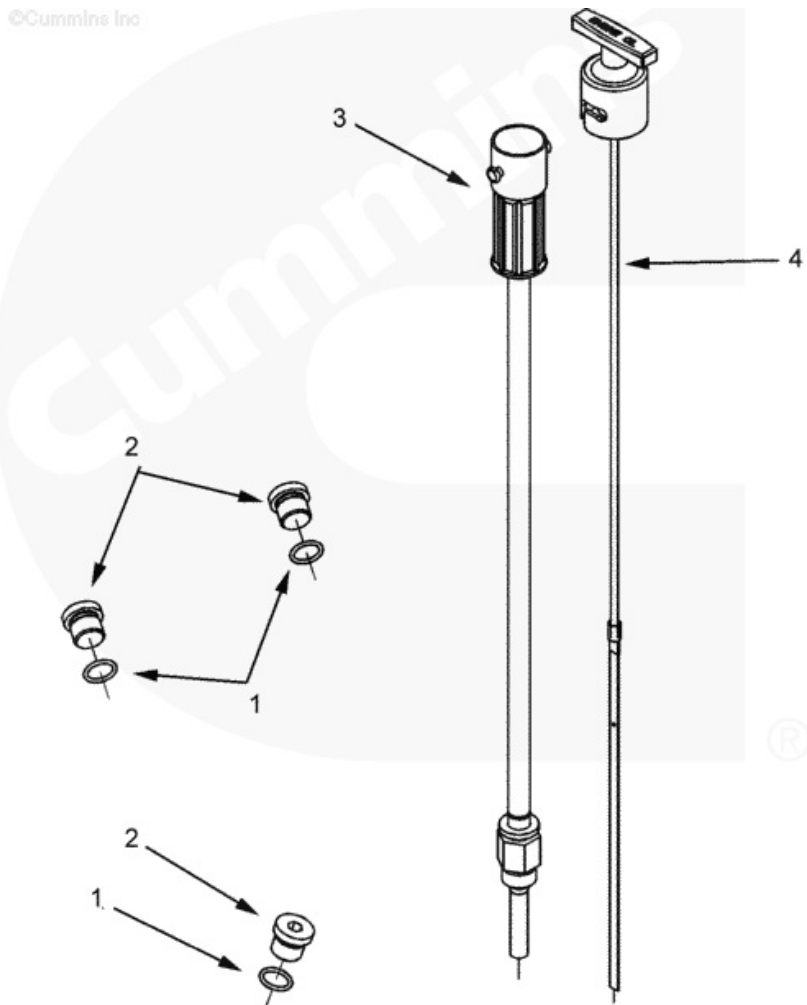
ref no	part number	part name	req	remarks
*	OP1491-02	Oil Pan		Oil Pan Sump Location: Front Material: Stamped Steel High Oil Pan Capacity: 45.4 L (12.0 Gallons) Low Oil Pan Capacity: 37.9 L (10.0 Gallons) Engine Capacity: 53 L (14 Gallons) Angularity Limits: 45 Degrees Front Down 45 Degrees Rear Down 45 Degrees Fuel Pump Down 24 Degrees Exhaust Down Drain Location (M27 x 2 Straight Thread O Ring): Side See BR Option for Additional Angularity Restrictions
1	3678756	Seal, O Ring	1	(Oil Suction)
2	3679714	Connection, Oil Suction	1	
3	4026684	Gasket, Oil Pan	1	
	3680530	Assy, Oil Pan TLA	1	
4	3680420	Plug, Threaded	1	
5	3678912	Seal, O Ring	1	
6	3680531	Pan, Oil	1	
7	3680534	Plug, Threaded	2	
8	3678606	Seal, O Ring	1	M27 x 2.00
9	3903112	Screw, Hex Flange Head Cap	34	M10 X 1.50 X 30.

©Cummins Inc



op104gu

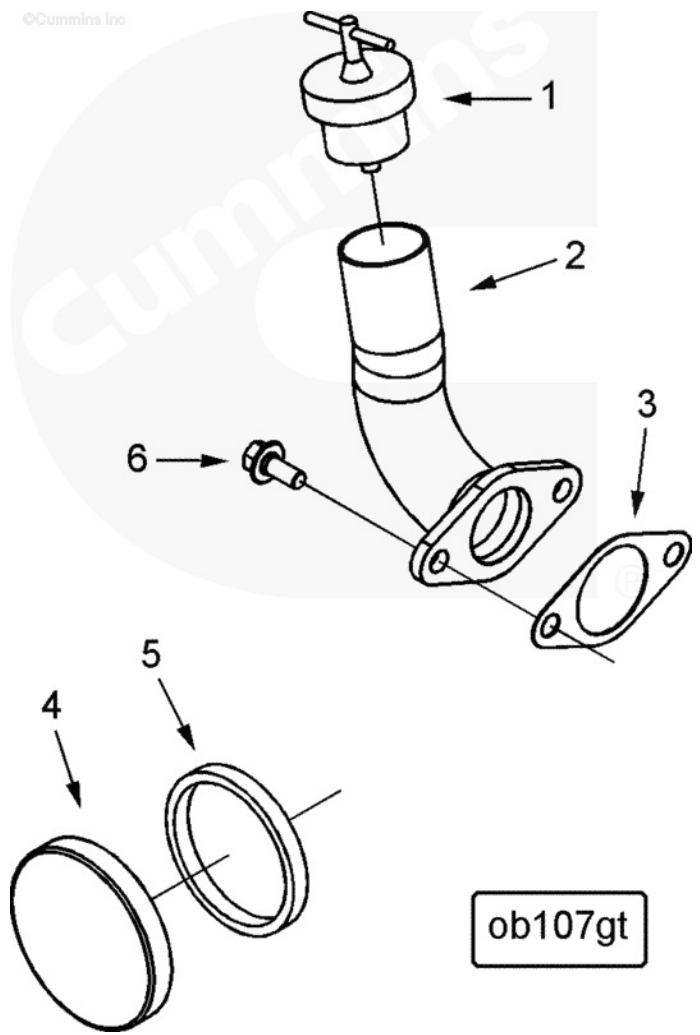
ref no	part number	part name	req	remarks
*	LG1086	Oil Level Gauge		Oil Level Gauge Dipstick Supplier: Cummins Dipstick Location: Right Side Front Sump Location: Front For Use With Sump Capacities: 45.4 l (12 Gallons) High 37.9 l (10 Gallons) Low Power Angle (deg): 0 Tilt Angle (deg): 0
	3678873	Plug, Threaded	3	
1	3678786	Seal, O Ring	1	
2	3678791	Plug, Threaded	1	
	3681842	Dipstick	1	
3	3681847	Tube, Oil Gauge	1	
4	3681848	Dipstick	1	



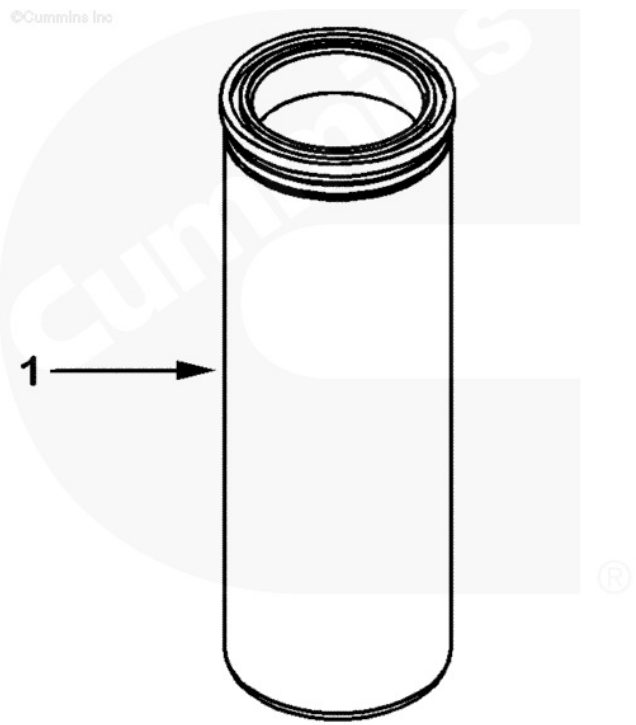
Ig106gt

Arrangement, Oil Fill

ref no	part number	part name	req	remarks
*	OB1401-02	Oil Filler Arrangement		Oil Filler Arrangement Oil Fill Supplier: Cummins Supplied Oil Fill Location: Right Side Rear Fill Tube Centerline from Front Face of Block: 778mm (30.63 in.) Fill Tube Vert Position from Centerline of Crank: 23mm (0.906 in.) Fill Tube Position Horiz from Engine Centerline: 282.1mm (11.1 in.) Additional Information: For Use With Only Left Hand Starters
	3100789	Assembly, Oil Fill	1	
1	3101401	Cap, Filler	1	
2	3100468	Tube, Oil Filler	1	
3	3680832	Gasket, Cover Plate	1	
4	3903463	Cover, Access Hole	1	
5	3903475	Seal, Rectangular Ring	1	
6	3903990	Screw, Hex Flange Head Cap	2	M10 x 1.50 x 20



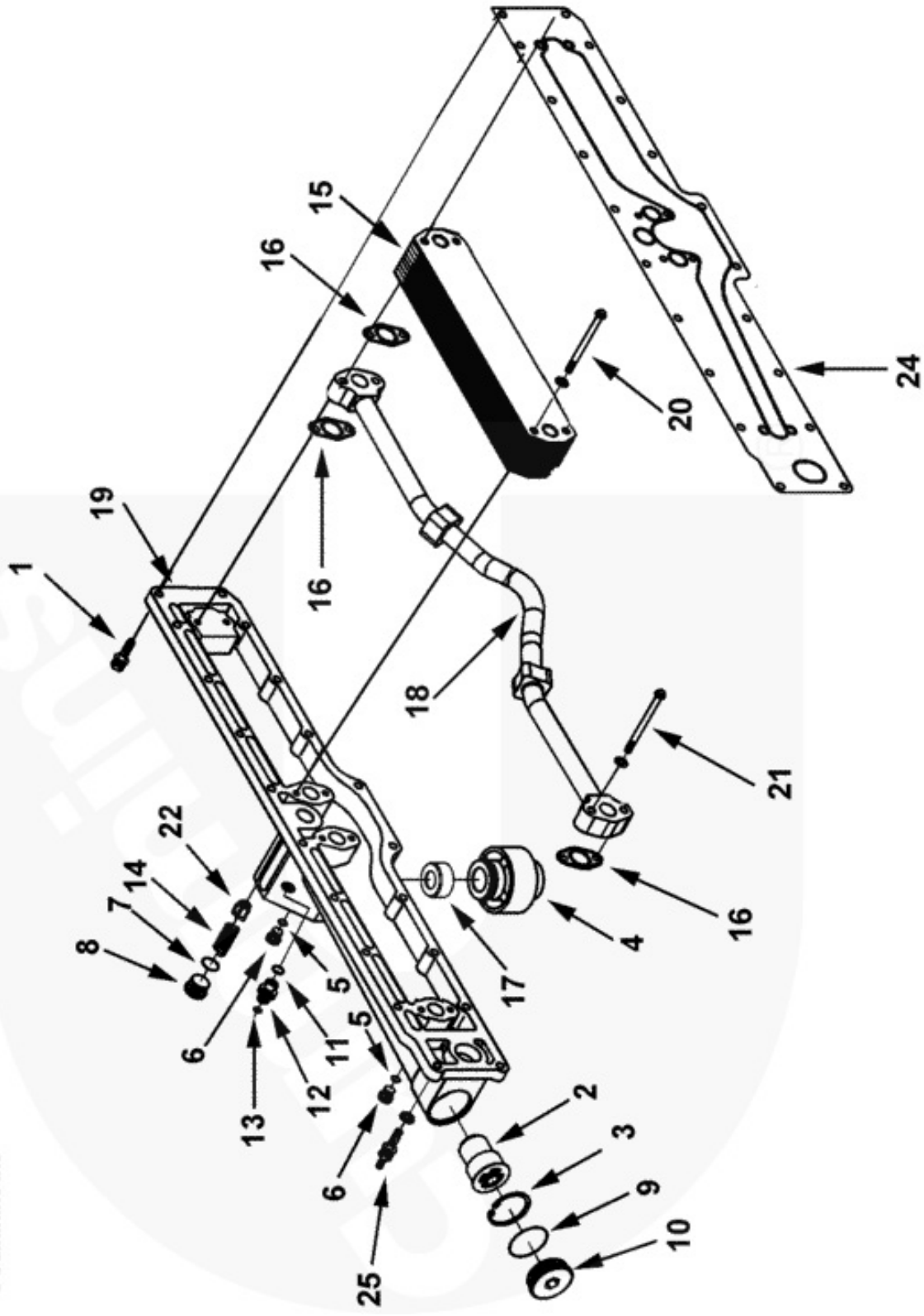
ref no	part number	part name	req	remarks
*	LF1210-04	Full Flow Oil Filter		Full Flow Oil Filter One Combo Spin-on Element Mounted to the Lube Cooler Filter Model: LF9000 Capacity: 3.8 l (One US Gallon)
1	3101868	Filter, Lubricating Oil	1	Buy from Cummins Filtration



If101gq

ref no	part number	part name	req	remarks
*	LC1734-06	Engine Oil Cooler		<p>Engine Oil Cooler Oil Filter Location: Direct to Filter Head Oil Flow Control Thermostat: Yes (Industrial Low Temperature Thermostat 218-237 degrees F) Lube Cooler Quantity: Two Oil Filter Type: Combination Full Flow/Bypass This option provides studed capscrews for mounting OEM supplied items. Six studed screws are located in the oil cooler mounting holes. OEM mounted items should be flush with the outboard screw hexagon face. The maximum weight attached to each capscrew should not exceed 11 n (2.5 lbf).</p>
1	3417474	Screw, Captive Washer Cap	15	M10 x 1.50 x 40
	4101863	Head,Lub Oil Filter	1	
2	3100300	Thermostat	1	
3	3411881	Ring, Retaining	1	
4	3411882	Adapter, Filter Head	1	
	3678921	Plug, Threaded	3	
5	3678912	Seal, O Ring	1	
6	3678922	Plug, Threaded	1	
	4059434	Plug, Threaded	1	
7	3678606	Seal, O Ring	1	M27 x 2.00
8	4059433	Plug, Threaded	1	
	3679880	Plug, Threaded	1	
9	3089025	Seal, O Ring	1	
10	3679881	Plug, Threaded	1	
	3090400	Union, Male	1	
11	3679139	Seal, O Ring	1	
12	3090419	Union, Male	1	
13	3922794	Seal, O Ring	1	
14	3882586	Spring, Compression	1	
15	4059460	Core, Cooler	2	
16	4101869	Gasket, Oil Cooler Core	6	
17	3681508	Insert, Filter Head	1	
18	3681557	Tube, Oil Cooler	1	
	3681681	Connection, Oil Cooler	2	
	3681906	Isolator, Vibration	2	
19	3682658	Head, Oil Filter Cooler	1	
20	4101867	Screw, Twelve Point Cap	4	
21	4101868	Screw, Twelve Point Cap	4	
22	3820320	Plunger, Bypass Valve	1	
23	3681927	Screw, Captive Washer Cap	5	
24	3682789	Gasket, Lub Oil Clr Hsg	1	
	4089197	Kit, Lub Oil Clr Hsg Gaske		
	3682789	Gasket, Lub Oil Clr Hsg	1	
	4026420	Cover, Protective	1	
	4058956	Cover, Protective	1	

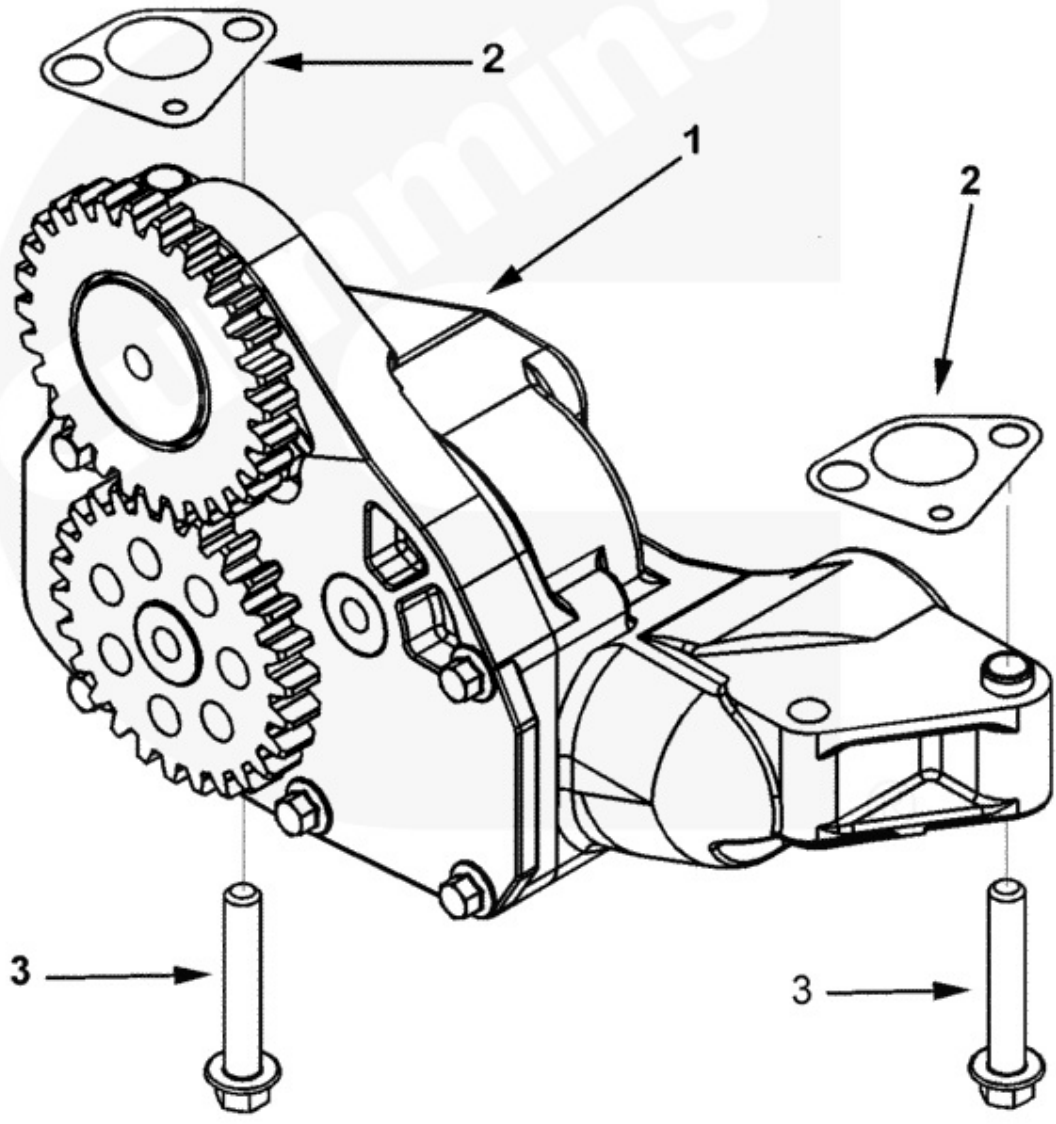
Ic106gf



Lube Oil Pump

ref no	part number	part name	req	remarks
*	LP1718-01	Lube Oil Pump		Lube Oil Pump Gallons Per Minute: 37.0 at 1100 RPM Cast Iron Housing
	4024935	Kit, Lub Oil Pump		
1	3100445	Pump, Lubricating Oil	1	
2	3681287	Shim	2	
2	3681288	Shim	2	
2	3681289	Shim	2	
2	3681290	Shim	2	
2	3681291	Shim	2	
2	3681292	Shim	2	
3	4059430	Screw, Hex Flange Head Cap	4	M10 X 1.50 X 60.

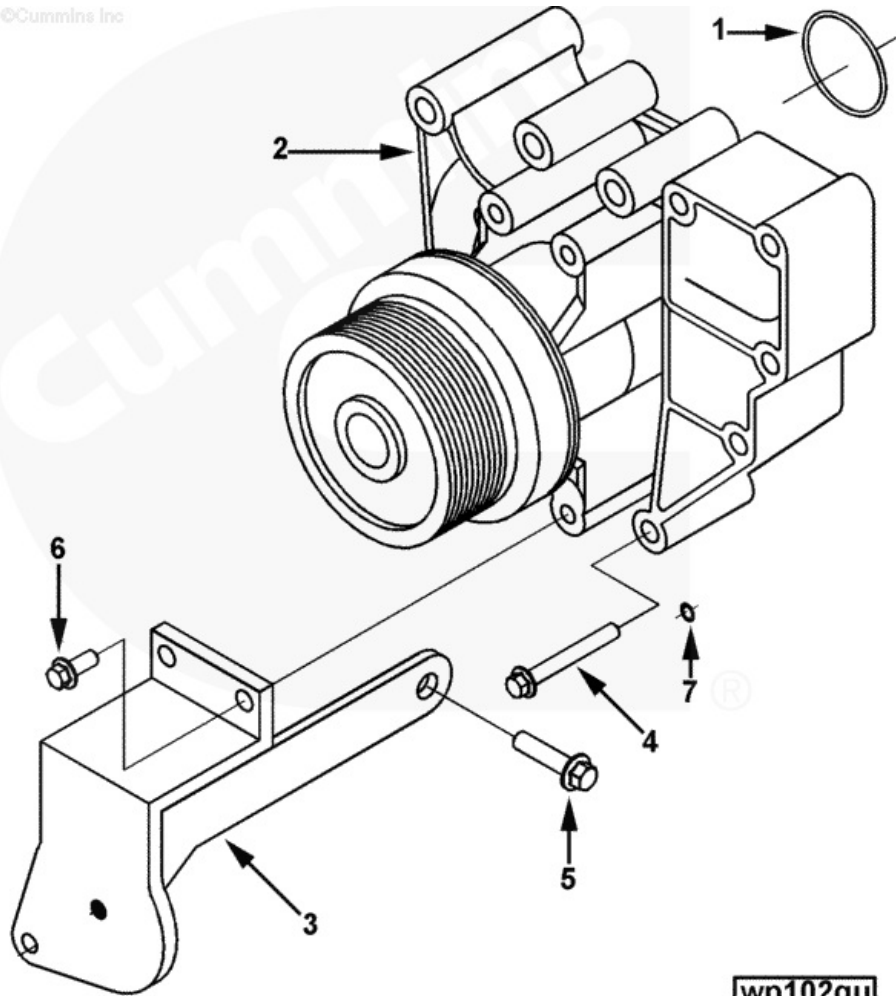
©Cummins Inc



Ip104gg

ref no	part number	part name	req	remarks
*	WP1730-04	Water Pump		Water Pump Unique Characteristics: High Flow for Belt Drive Fan Drives
1	3678724	Seal, O Ring	1	Water pump to block
2	4920464	Pump, Water	1	Serviced as 4089909.
3	3681191	Bracket, Belt Tensioner	1	
4	3896408	Screw, Hex Flange Head Cap	2	
5	3681390	Screw, Hex Flange Head Cap	1	M10 X 1.50 X 150.
6	3093936	Screw, Hex Flange Head Cap	2	
7	3009330	Washer, Plain	1	M10
	4089909	Kit, Water Pump	1	Recon equivalent 4024886 NX
	4920464	Pump, Water	1	Serviced as 4089909.
	3678724	Seal, O Ring	1	Water pump to block
	4059172	Seal, O Ring	1	Water pump inlet connection
	4090022	Kit,Water Repair	1	
	4059172	Seal, O Ring	1	Water pump inlet connection
	3678724	Seal, O Ring	1	Water pump to block
	3679751	Seal, O Ring	1	Water pump cover plate
	3680737	Ring, Retaining	1	
	3680410	Cover, Water Pump	1	

©Cummins Inc

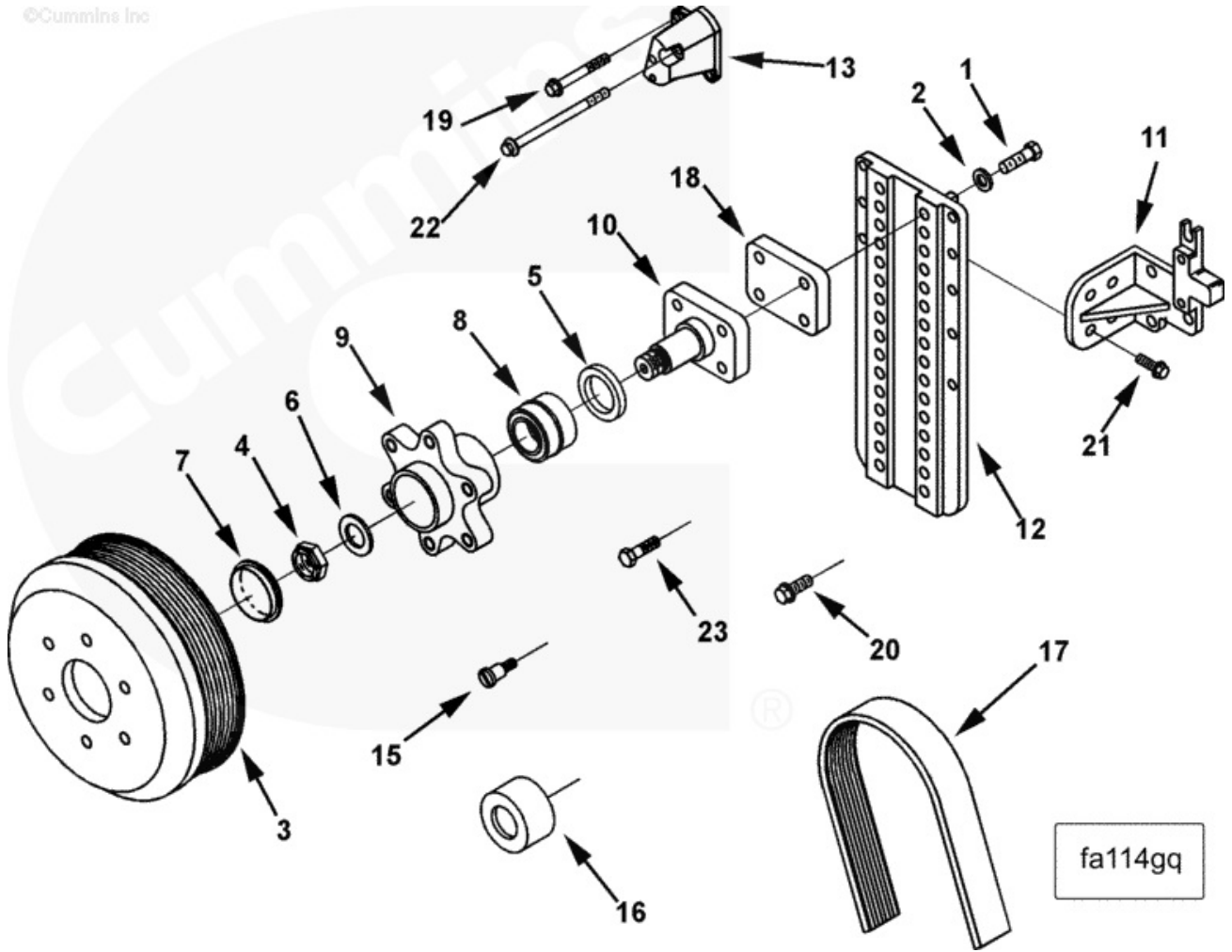


wp102gu

ref no	part number	part name	req	remarks
*	FA1450-05	Fan Drive		<p>Fan Drive Fan Drive Supplier: Cummins Fan Center Location: 304.8mm (12.0 in.) Fan Drive Ratio: .85:1 Fan Center Style: Driven from Crankshaft Fan Hub Pilot Diameter: 76.2mm (3.0 in.) Pulley Groove Type: Poly Vee 12 Rib "K" Fan Pulley Diameter: 216.89mm (8.54 in.) Fan Drive Groove Location: 190.95mm (7.52 in.) Front Face of Block to First Groove Belt Tensioning Method: Automatic Fan Bracket Mounting Location: Front of Head/Block Fan Mounting Surface Location: 278.3mm (10.9 in.) Front Face of Block to Fan Mounting Surface Maximum Torque Capability: 200nm (150 Lbs.FT) Maximum Fan Inertia: 1.69 nm-sec² (15 in-LB-sec²) Maximum Bending Moment: 62.2nm (550 in-LB) Maximum Fan Weight: 49.9 Kg (110 LB) Maximum Fan Spacer Thickness: 127mm (5 in.)</p>
1	S 113	Screw, Hexagon Head Cap	4	1/2 - 13 x 1 1/2 inch
2	203310	Washer, Plain	4	9/16 inch
3	3095218	Pulley, Fan	1	
	3098685	Hub, Fan	1	
4	142176	Nut, Lock	1	1 1/8 - 12 UNF.
5	200307	Seal, Oil	1	
6	3012467	Washer, Plain	1	1 1/8 Inch.
7	3063844	Cover, Fan Hub	1	
8	3081164	Bearing, Roller	1	
9	3095221	Hub, Fan	1	
10	3095226	Spindle, Fan	1	
11	3681129	Support, Fan	1	
12	3681130	Bracket, Fan	1	
13	3681191	Bracket, Belt Tensioner	1	
15	3681586	Screw, Drive	1	
16	3681587	Pulley, Idler	1	
17	3681636	Belt, V Ribbed	1	
18	3681634	Spacer, Fan	1	
19	3896408	Screw, Hex Flange Head Cap	2	
20	3900637	Screw, Hex Flange Head Cap	4	M12 X 1.75 X 35.
21	3903112	Screw, Hex Flange Head Cap	12	M10 X 1.50 X 30.
22	3904987	Screw, Hex Flange Head Cap	1	M10 x 1.50 x 150
23	3908545	Screw, Hexagon Head Cap	8	M12 X 1.75 X 40.

Drive,Fan

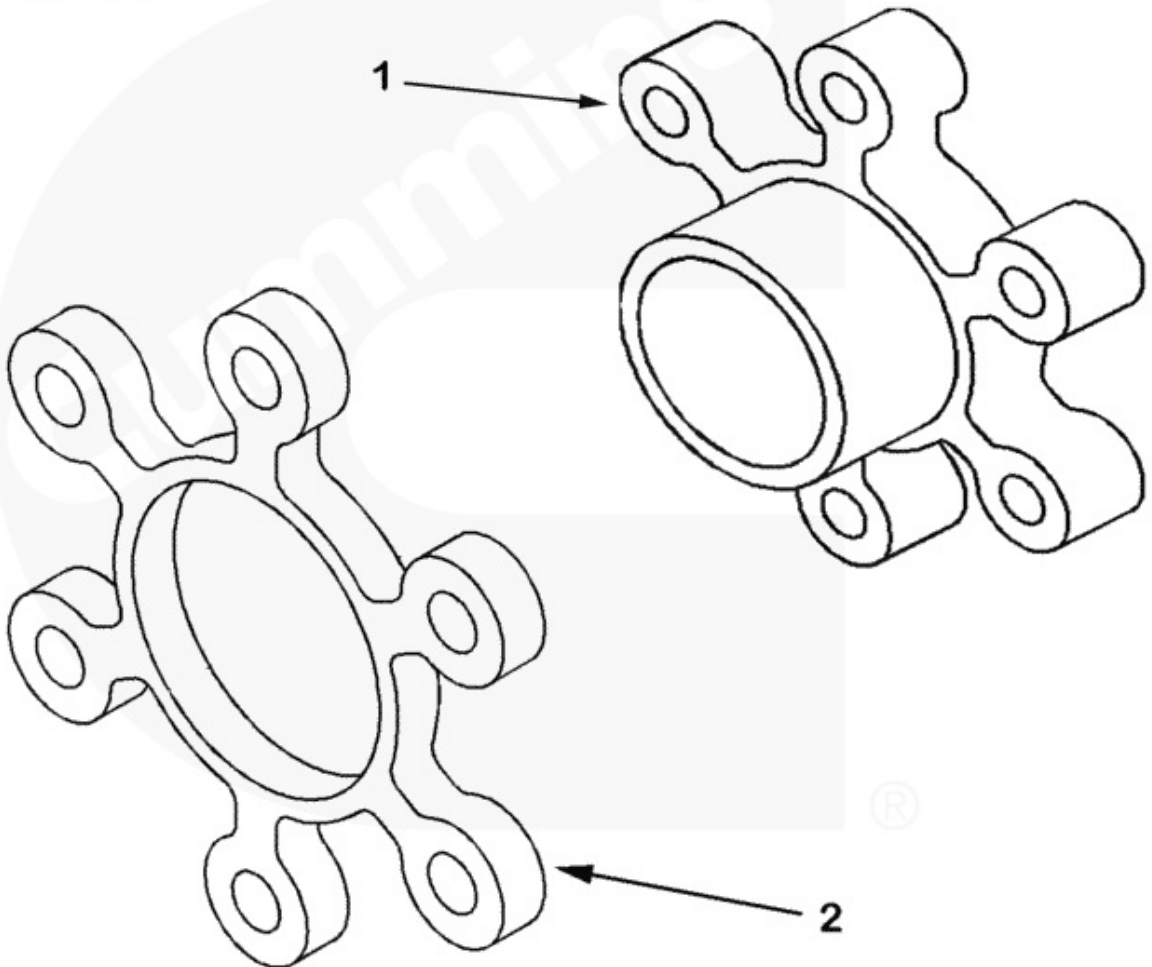
©Cummins Inc



Fan Pilot Spacer

ref no	part number	part name	req	remarks
*	SP1059-02	Fan Pilot Spacer		Fan Pilot Spacer Spacer Thickness: 50.8mm (2.0 in.) Fan Pilot Diameter: 76.2mm (3.0 in.) Fan Mtg. Bolt Circle Dia.: 139.7mm (5.5 in.) N14: For Use on Fixed Fan Drives Only QSX: All Supplied in Kit
	4906678	Kit Parts Sp	1	
1	3095228	Spacer, Fan	1	
2	3095231	Spacer, Fan	2	

©Cummins Inc



sp100gw

Group 08.07

33

Option No

Picture ec103gx

Thermostat

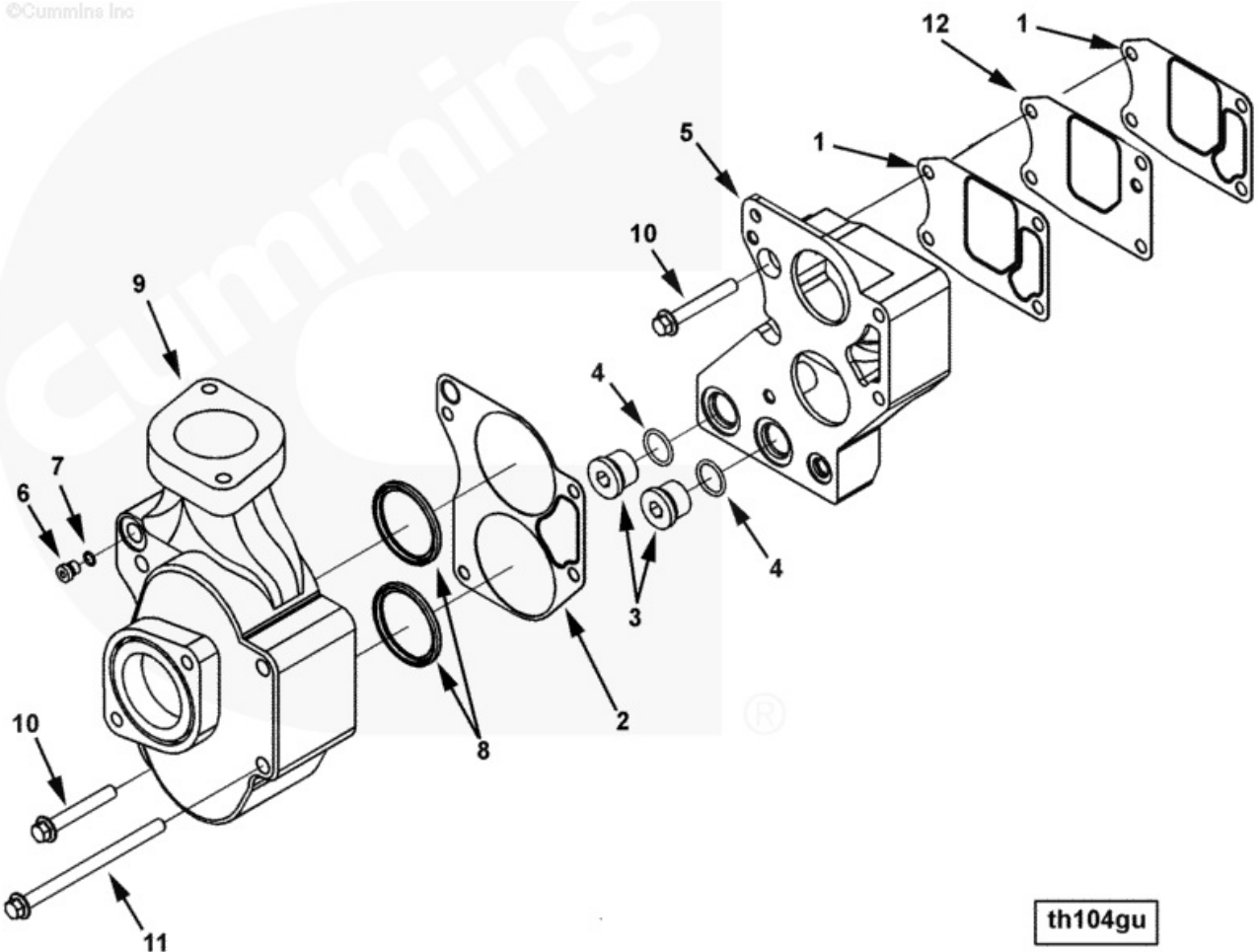
ec1722

ref no	part number	part name	req	remarks
*	EC1722	Thermostat		Thermostat Operating Range: 180 Degrees (Open) .435" Stroke Number of Thermostats: 2
	3335550	Thermostat	2	
1	3335549	Thermostat	1	
2	3335548	Seal, Thermostat	1	

Arrangement,Thm Housing

ref no	part number	part name	req	remarks
*	TH1160-01	Thermostat Housing		Thermostat Housing With vertical vent cast iron thermostat housing and cover. One thermostat housing with two thermostats. Thermostat cover has two provisions for water outlet connection attachments.
1	3680601	Gasket, Thermostat Housing	1	
2	3680602	Gasket, Thm Housing Cover	1	
	3681408	Housing, Thermostat	1	
	3678611	Plug, Threaded	2	
3	3678605	Plug, Threaded	1	
4	3678606	Seal, O Ring	1	M27 x 2.00
5	3681195	Housing, Thermostat	1	
	3681409	Cover, Thermostat Housing		
	3678610	Plug, Threaded	2	M12 x 1.50
6	3678602	Plug, Threaded	2	
7	3678603	Seal, O Ring	2	
	3100125	Cover, Thermostat Housing	1	
8	3084879	Seal, Thermostat	2	
9	3100124	Cover, Thermostat Housing	1	
10	3904446	Screw, Hex Flange Head Cap	4	M10 x 1.50 x 70
11	3904987	Screw, Hex Flange Head Cap	2	M10 x 1.50 x 150
12				Item not in this version.

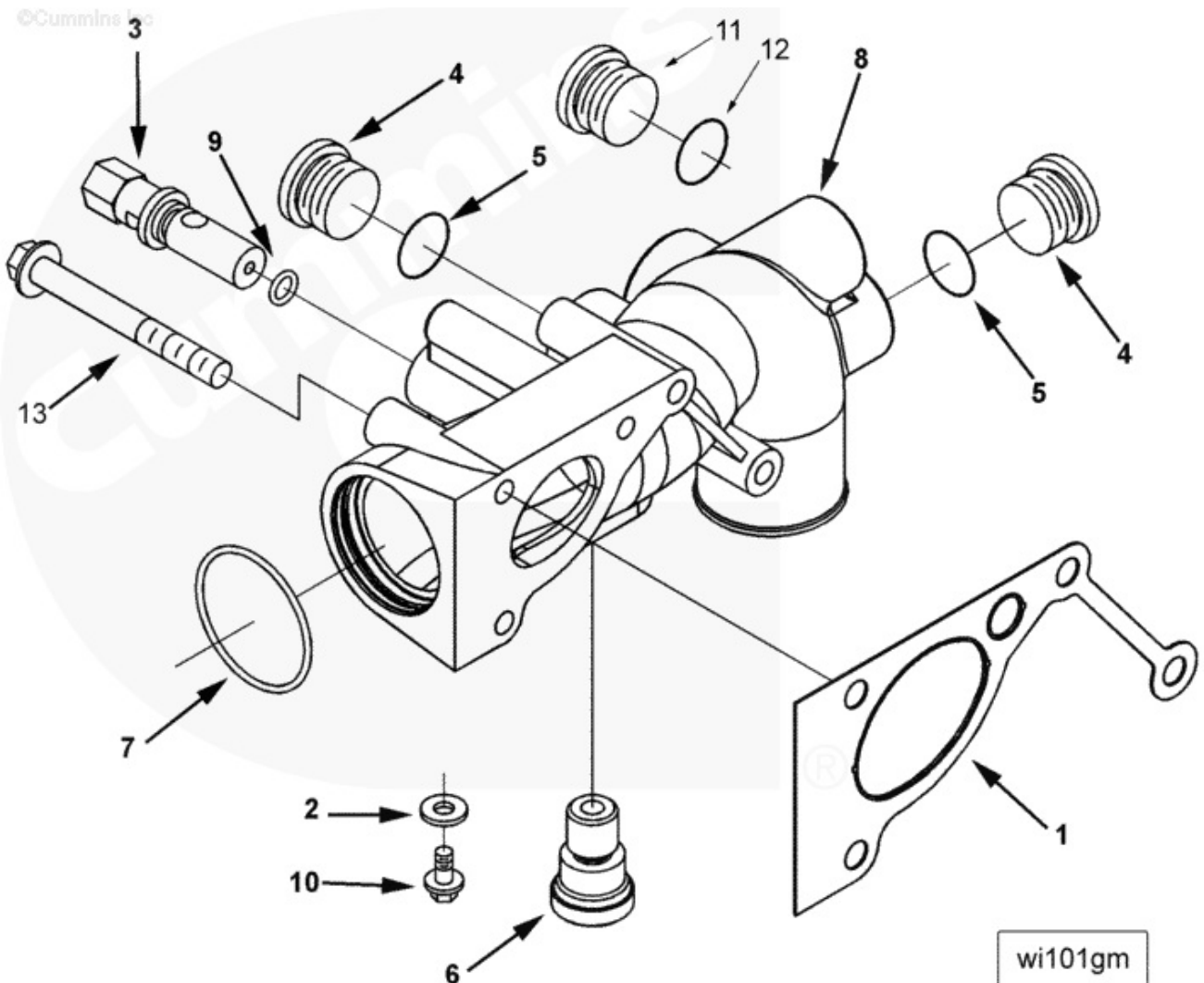
©Cummins Inc



th104gu

Connection,Water Inlet

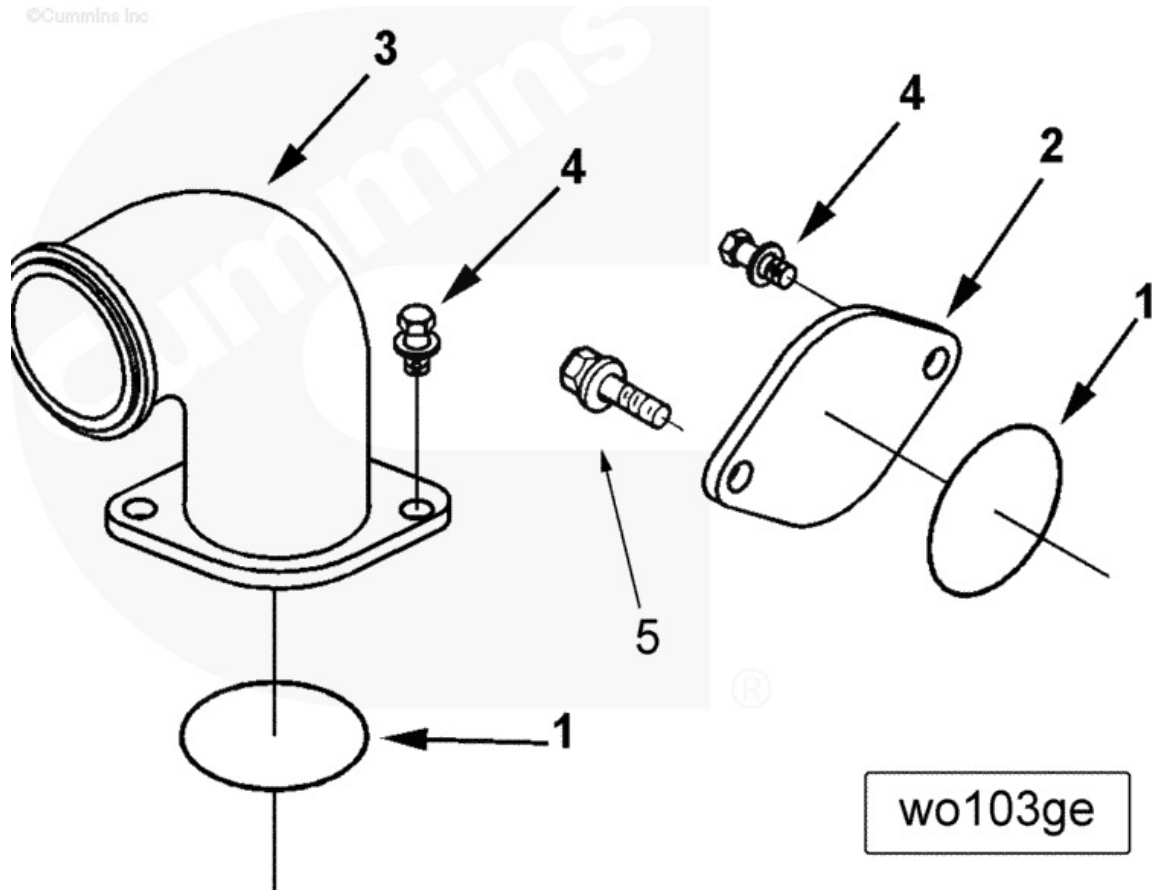
ref no	part number	part name	req	remarks
*	WI1087-03	Water Inlet Connection		Water Inlet Connetion Cast Iron 63.5mm (2.5 in.) Outside Diameter Connection Mounted Pointing Down
1	3680574	Gasket, Connection	1	
	3681322	Connection, Water Inlet		
2	70709	Washer, Plain	1	1/4 Inch.
3	3412920	Shaft, Shutoff Valve	1	
	3678611	Plug, Threaded	3	
4	3678605	Plug, Threaded	1	
5	3678606	Seal, O Ring	1	M27 x 2.00
6	3680293	Adapter, Filter Head	1	
7	4059172	Seal, O Ring	1	Water pump inlet connection
8	3681321	Connection, Water Inlet	1	
9	3818885	Seal, O Ring	1	
10	3900626	Screw, Hex Flange Head Cap	1	M6 x 1.00 x 12
	3678838	Plug, Threaded	1	M33 x 2.00
11	3678845	Plug, Threaded	1	
12	3678846	Seal, O Ring	1	
13	3093936	Screw, Hex Flange Head Cap	4	



Water Outlet Connection

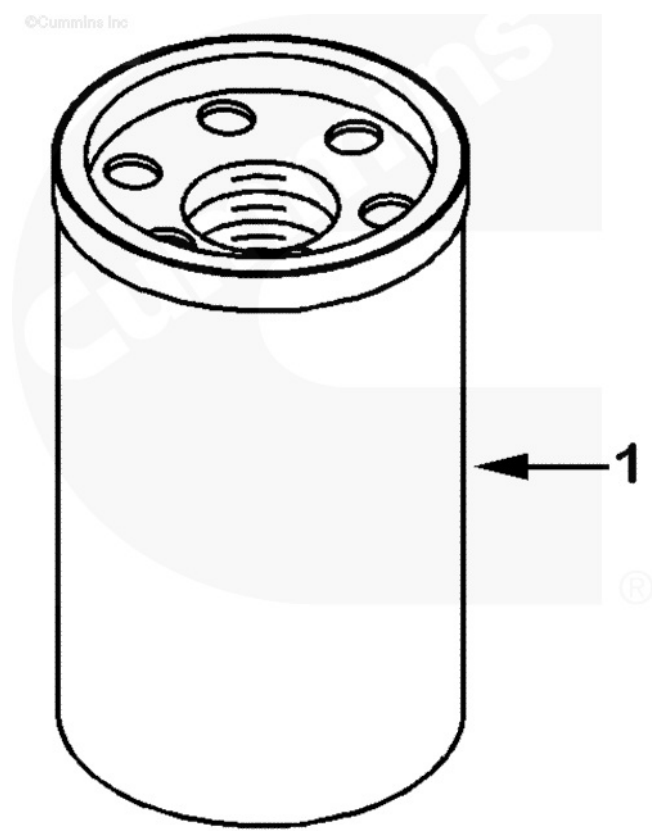
ref no	part number	part name	req	remarks
*	WO1121-03	Water Outlet Connection		Water Outlet Connection Outlet Outside Diameter: 63.5mm (2.5 in.) Mounting Location: Thermostat Housing Centerline Of Outlet Located: 798.6mm (31.44 in.) above the centerline of the crankshaft, outboard 244mm (9.61 in) from the centerline of the engine, turbocharger side, and terminates at the front face of block plane. Direction of Outlet Connection: Centerline of Water Outlet Parallel to Horizontal Centerline of Crankshaft Provides a studded capscrew located in the thermostat housing cover. The stud is a M8 x 1.25 x 20.

1	3081695	Seal, O Ring	2	
2	3681197	Plate, Cover	1	
3	3100299	Connection, Water Outlet	1	
4	3821783	Screw, Captive Washer Cap	3	M8 x 1.25 x 20
5	3941976	Screw, Hex Flange Head Cap	1	



Corrosion Resistor

ref no	part number	part name	req	remarks
*	WF1241-02	Corrosion Resistor		Corrosion Resistor Corrosion resistor with Fleetguard (WF2126) element with 8 units of DCA4 type additives. For use with fully formulated coolants (with additives) meeting TMC RP329 or 330. TMC RP302 low silicate coolants requires RP328 additives. Suitable for 50,000 mile/ 4000 hr service interval
1	3680433	Resistor, Corrosion	1	Fleetguard #WF2126



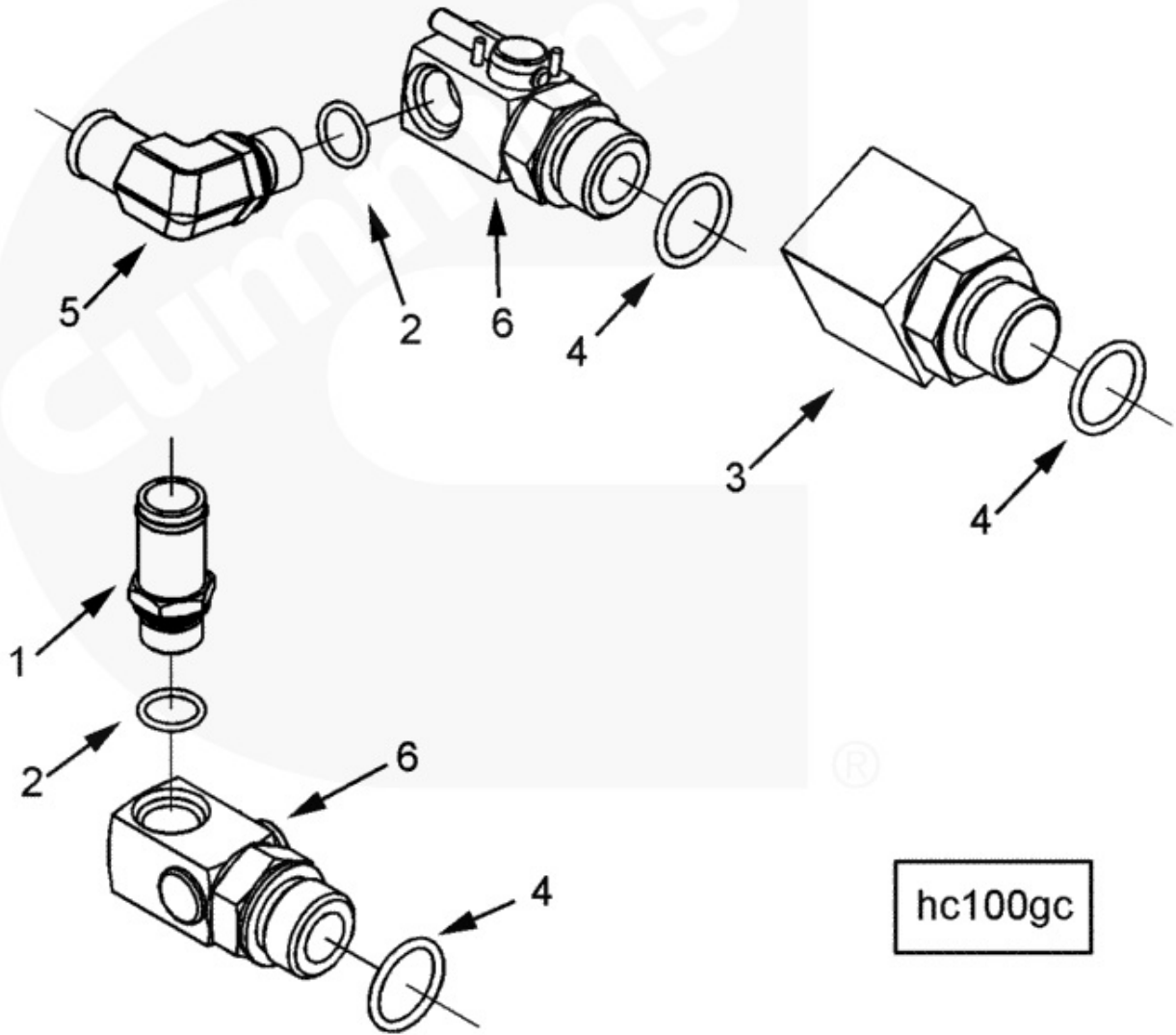
wf103gf

Cabin Heater Plumbing

ref no	part number	part name	req	remarks
*	HC1001-02	Cabin Heater Plumbing		Cabin Heater Plumbing Heater plumbing thread size: M27 Cab heater plumbing located at rear of engine and at water inlet connection. Elbow coupling hose end orientated at 7 O'Clock position. Shut-off located with in upper rear port. Elbow located in left lower rear port. Shut-off valve with straight hose connection located in front hole of water inlet connection.
	3099921	Coupling, Plain Hose	1	
1	3099973	Coupling, Plain Hose	1	
2	3678786	Seal, O Ring	1	
	3099932	Coupling, Elbow Hose	1	
3	3099933	Coupling, Elbow Hose	1	
4	3678606	Seal, O Ring	1	M27 x 2.00
	3100217	Coupling, Elbow Hose	1	
5	3100218	Coupling, Elbow Hose	1	
2	3678786	Seal, O Ring	1	
	3682019	Valve, Shutoff	2	
4	3678606	Seal, O Ring	1	M27 x 2.00
6	3682020	Valve, Shutoff	1	

Cabin Heater Plumbing

©Cummins Inc

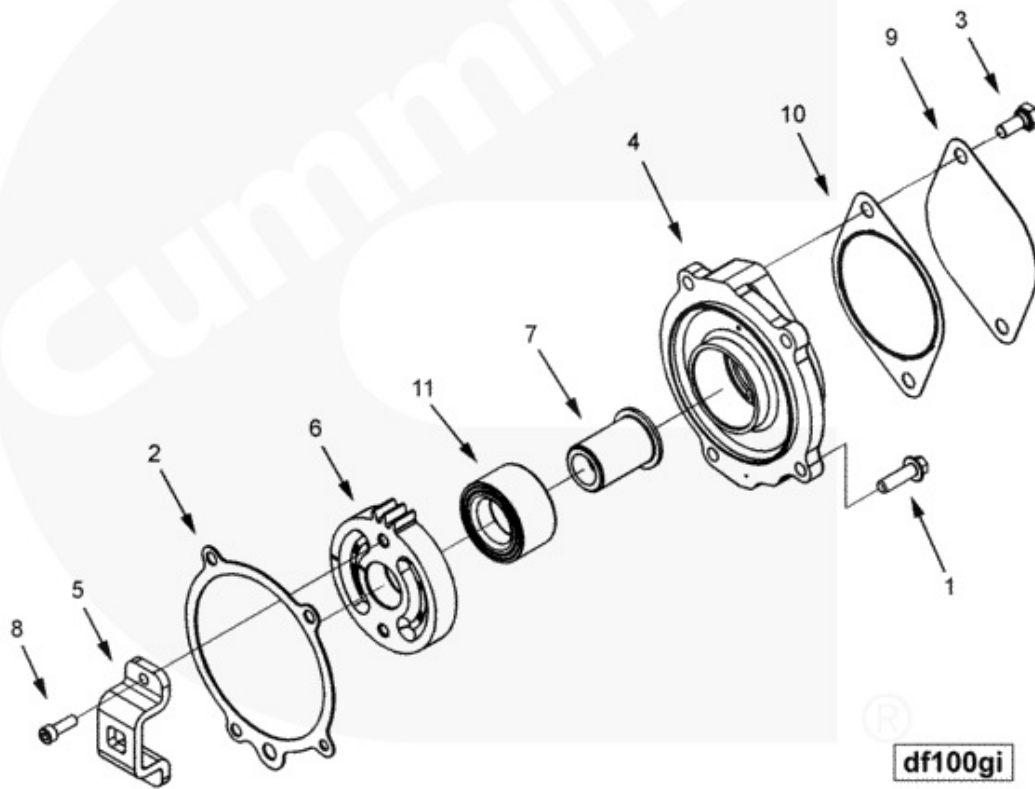


hc100gc

ref no	part number	part name	req	remarks
*	DF1016	Front Gear Train Acc Drive		<p>Front Gear Train Acc Drive Provides an ASE-A Flange, 9 tooth splined hydraulic pump drive in the accessory drive location on the back side of the gear housing left side of engine.</p> <p>Approximate Coordinate Location from Horizontal C/L of Crankshaft: 166mm From Vertical C/L of Crankshaft: 224mm From FFOB: 0mm</p> <p>The pump drive flange is oriented at an 18 degree angle vertical towards engine. Pump drive turns in clockwise direction as looking at pump input shaft and at the same RPM as the engine. Pump drive maximum torque capacity is 43 FT lbs. Pumps weighing more than 30 lbs must be supported by a customer supplied bracket which must be approved by Cummins engineering. Pumps with total length of 16.5inches or greater must use a remote mounted fuel filter.</p> <p>This option does not supply a hydraulic pump.</p>
1	3089016	Screw, Hex Flange Head Cap	4	
2	3680443	Gasket, Acc Drive Support	1	
	3681381	Adapter, Hydraulic Pump	1	
3	3036230	Screw, Hexagon Head Cap	2	M10 x 1.50 x 20
4	3681378	Adapter, Hydraulic Pump	1	
5	3681612	Adapter, Barring	1	
6	3681663	Gear, Accessory Drive	1	
7	3935647	Shaft, Accessory Drive	1	
8	3681898	Screw, Socket Head Cap	2	
9	204048	Plate, Cover	1	
10	154916	Gasket, Hydraulic Pump	1	
11	3935644	Bearing, Roller	1	

Drive, Fro Ger Tra Acc

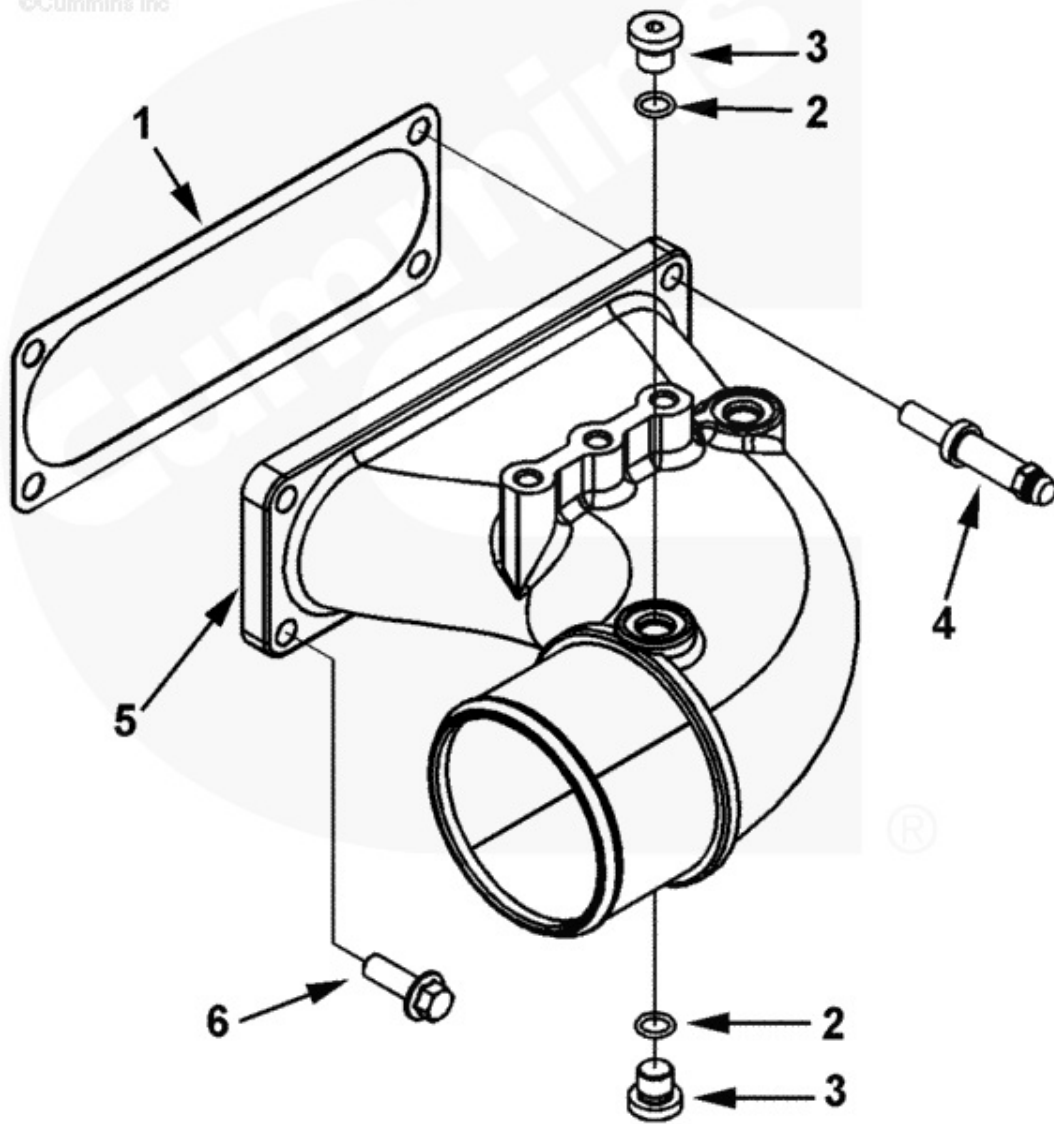
©Cummins Inc



Air Intake Connection

ref no	part number	part name	req	remarks
*	IC1065-02	Air Intake Connection		Air Intake Connection Air intake connection 90 degree forward.
1	3678770	Gasket, Connection	1	
	4026519	Connection, Air Intake	1	
	3678921	Plug, Threaded	2	
2	3678912	Seal, O Ring	1	
3	3678922	Plug, Threaded	1	
5	3681391	Connection, Air Intake	1	
4	3681498	Stud, Clinch	1	
6	3903112	Screw, Hex Flange Head Cap	3	M10 X 1.50 X 30.

©Cummins Inc

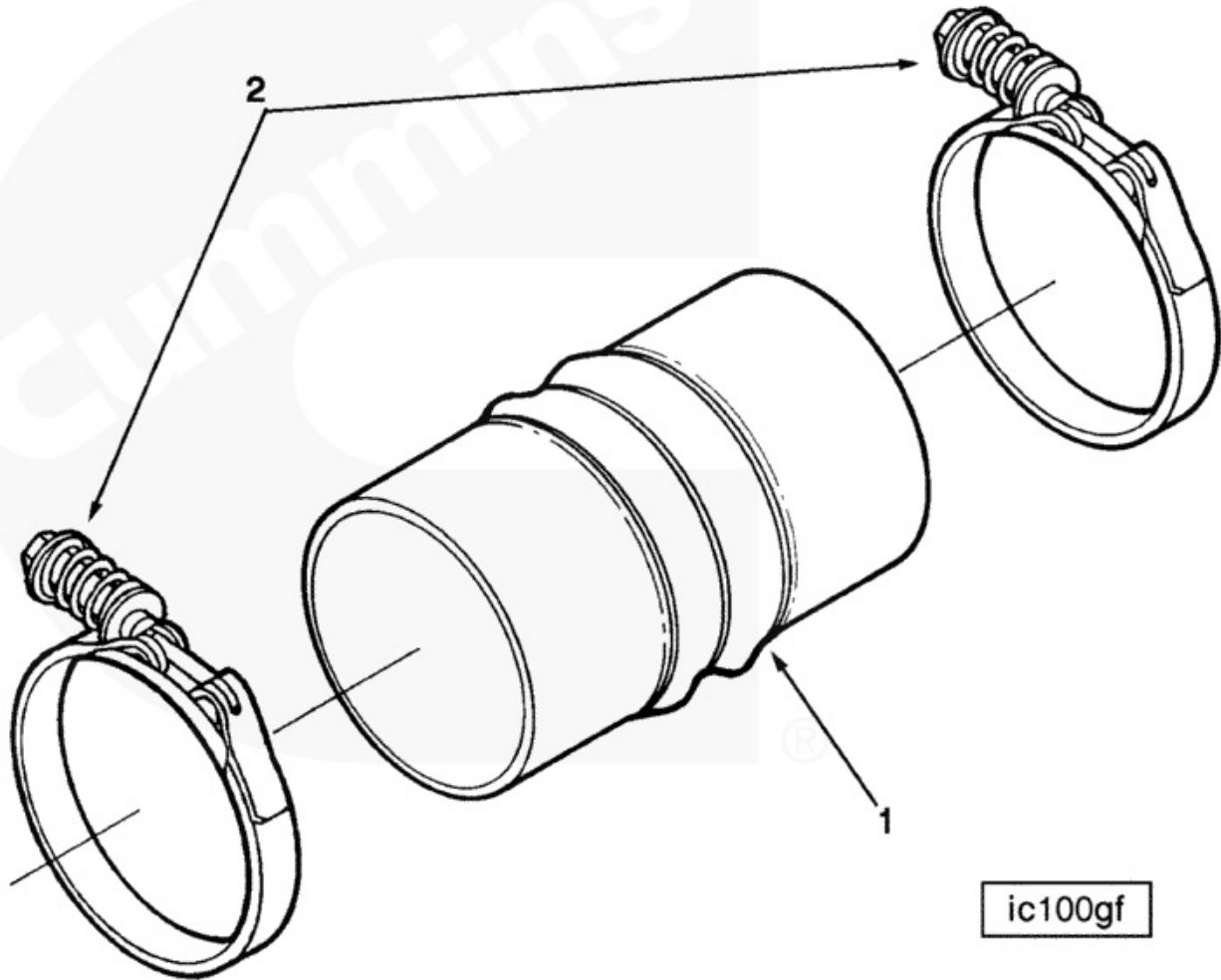


ic101gg

Air Intake Hose

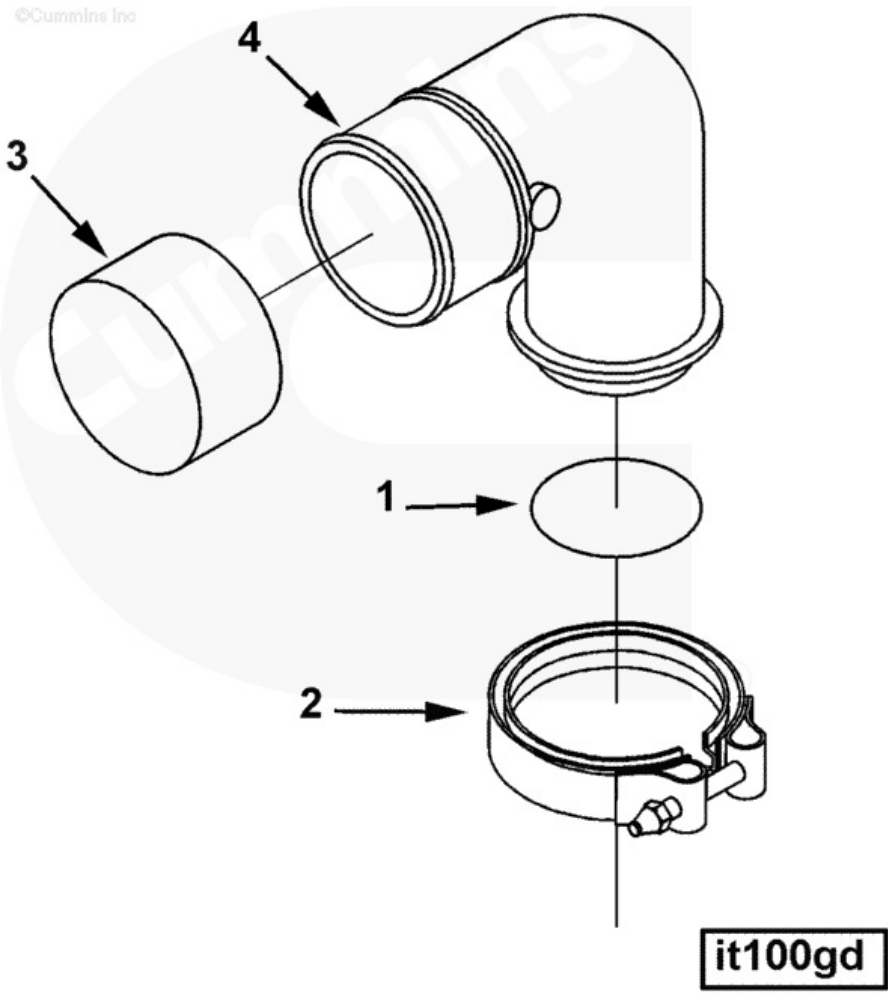
ref no	part number	part name	req	remarks
*	IC1080	Air Intake Hose		Air Intake Hose Intake Hose Count: 4 Intake Hose Length: 7.50 in. (190mm) Intake Hose I.D.: 4.00 in. (101.6mm) Intake Hose Material: Silicone Clamp Type: Spring Engine Aspiration: Charged Air Cooled Tubing to Transfer Air from Turbocharger to Charge Air Cooler and Intake Manifold
	3102652	Hose, Air Intake	1	
1	3071049	Hose, Hump	4	
2	3926704	Clamp, Spring Hose	8	

©Cummins Inc



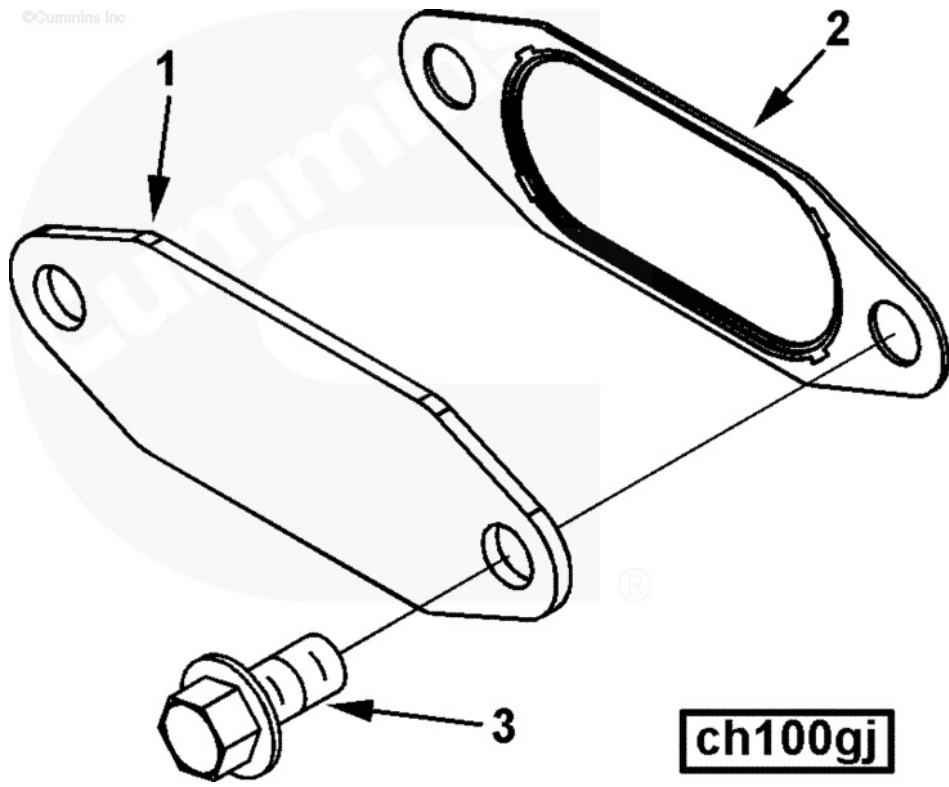
Air Transfer Connection

ref no	part number	part name	req	remarks
*	IT1014	Air Transfer Connection		Air Transfer Connection 90 degree air outlet connection at the turbocharger compressor housing. Does not have pressure drop inspection hole
1	3066211	Seal, O Ring	1	
2	3067979	Clamp, V Band	1	
3	3074422	Cover, Protective	1	
4	3681017	Connection, Air Transfer	1	



Aid,Coo Heater Starting

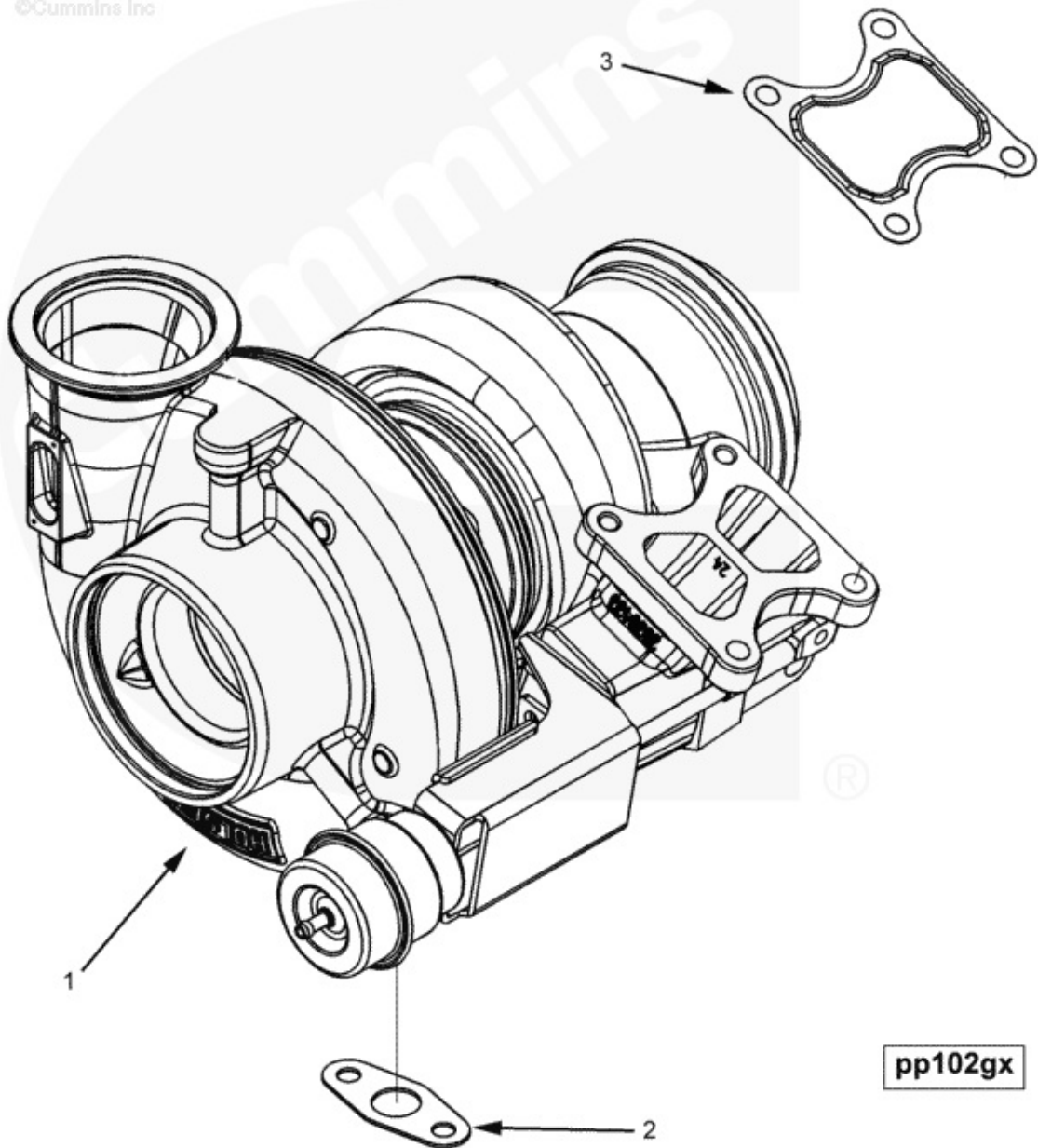
ref no	part number	part name	req	remarks
*	CH1011-02	Coo Heater Starting		Coo Heater Starting Aid Heater Element Supplier: None
1	3688556	Plate, Cover	1	
2	3688557	Gasket, Heater	1	
3	3093957	Screw, Hex Flange Head Cap	2	M10 X 1.50 X 16.



Turbocharger

ref no	part number	part name	req	remarks
*	PP10169-01	Turbocharger		Turbocharger Turbocharger Location: Mid Mount Exhaust Outlet Location: Rear Out HX60 W D1292 J/WC22 V1 Application: Nonroad Crankcase Breather Type: Open Non-Watercooled Bearing Housing CPL: 2825
	4024937	Kit, Turbocharger		
1	3594488	Turbocharger	1	
2	3680324	Gasket, Flange	1	
3	4026884	Gasket, Turbocharger	1	

©Cummins Inc



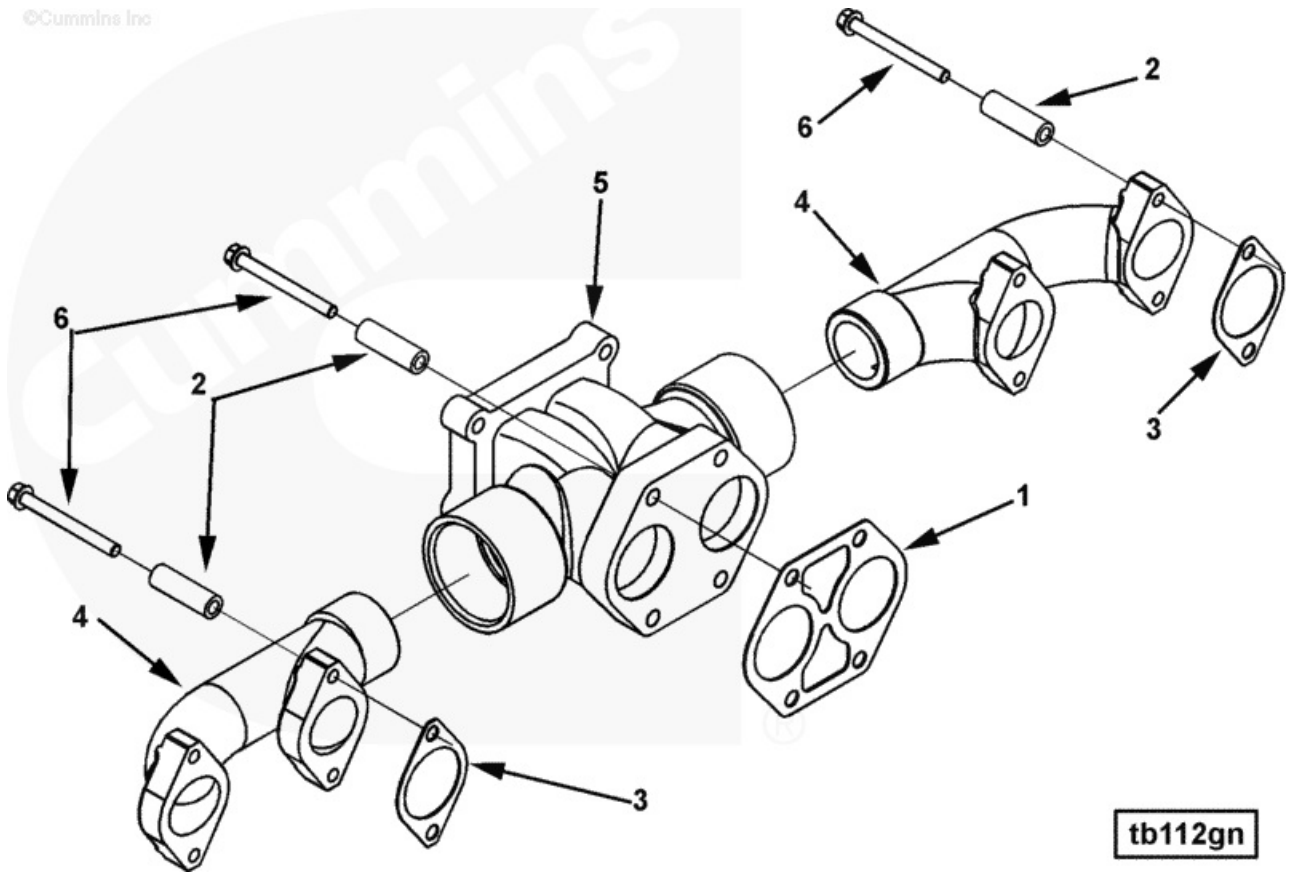
pp102gx

Turbocharger Arrangement

ref no	part number	part name	req	remarks
*	TB1411	Turbocharger Arrangement		Turbocharger Arrangement Engine Aspiration: Charged Air Cooled Turbocharger Location: Mid Mount Exhaust Outlet Location: Rear Out Exhaust Outlet Size: 88mm (3.46 in.) Turbocharger Model: HX60 W Turbocharger Compressor Housing Style: Rotatable Turbocharger Centerline Vertically from Crank Centerline: 585.4mm (23.05 in.) Turbocharger Centerline Horizontally from Crank Centerline: 404.55mm (15.93 in.) Range of Rotation: 120 Degrees Total from 30 Degrees to 150 Degrees Rotation Reference: Centerline of compressor outlet is at zero when pointing horizontal out from engine and at 90 degrees when pointing straight up. Exhaust Outlet Flange Type: V-Band Marmon Turbocharger Oil Supply Line Type: O Ring Face Seal Int. Man. Compuchek Fitting Included: No
1	3679309	Gasket, Exhaust Manifold	1	
2	3679445	Spacer, Mounting	12	
3	3680343	Gasket, Exhaust Manifold	4	
	3681837	Manifold, Exhaust	1	
4	3680200	Manifold, Exhaust	2	
5	3681836	Manifold, Exhaust	1	
6	4026696	Screw, Hex Flange Head Cap	12	

Turbocharger Arrangement

©Cummins Inc



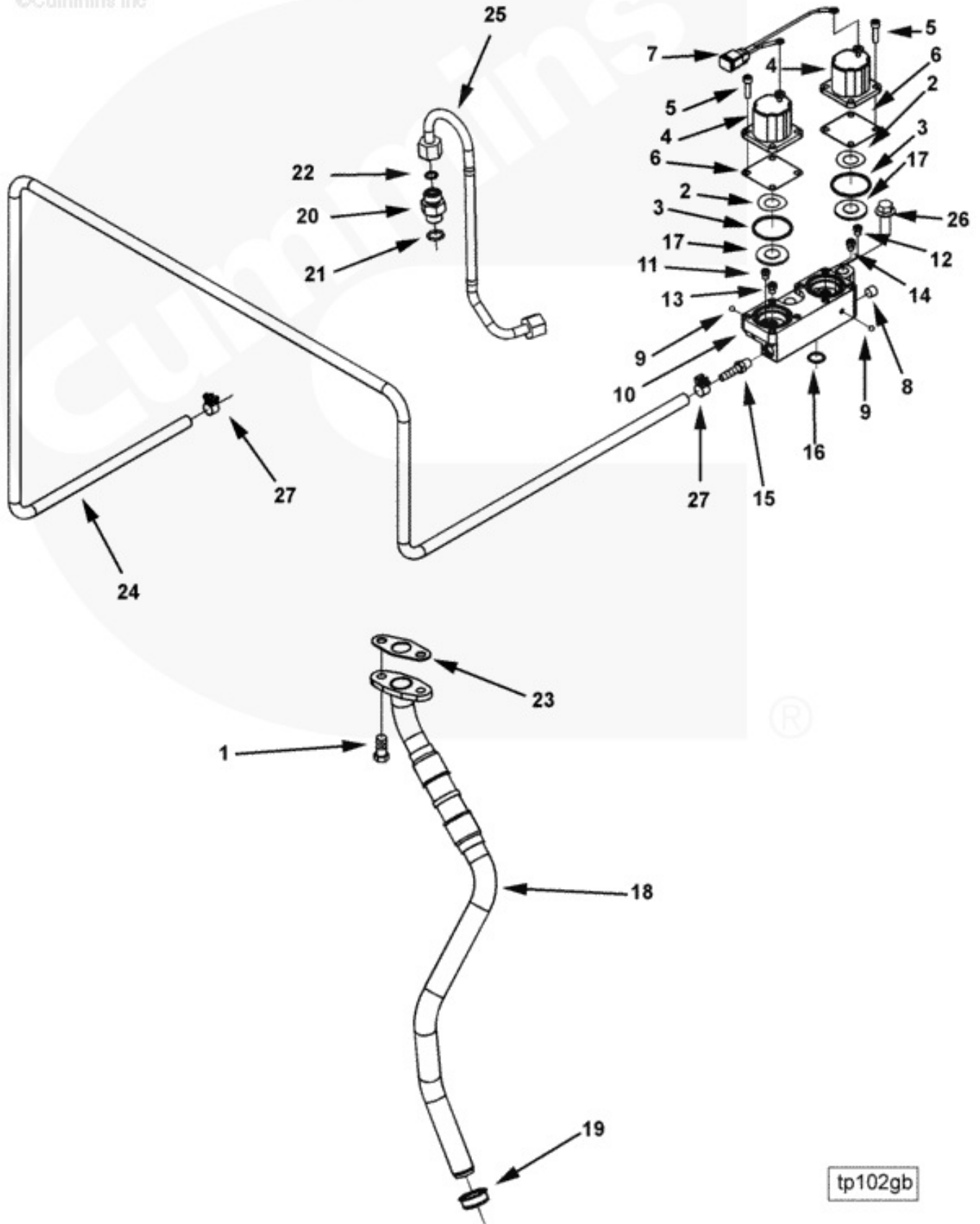
tb112gn

Turbocharger Plumbing

ref no	part number	part name	req	remarks
*	TP1757	Turbocharger Plumbing		Turbocharger Plumbing Turbocharger Location: Mid-Mount Exhaust Outlet Location: Rear Out Engine Aspiration: Charged Air Cooled Turbo C/L Vertically from Crank C/L: 585.4mm (23 in.) Turbo C/L Horizontally from Crank C/L: 404.6mm (15.93 in) Oil Supply Line Type: O-Ring Face Seal Application: QSX15 Wastegate Actuator Voltage: 24 V
1	3902460	Screw, Hex Flange Head Cap	2	M10 x 1.50 x 25
	3417288	Valve, Pressure Regulator		
2	129768	Spring, Valve	2	
3	129888	Seal, Rectangular Ring	2	
4	3054609	Solenoid	2	
5	3347962	Screw, Socket Head Cap	8	
6	3348060	Shield, Shutoff Valve	2	
7	3348061	Harness, Wiring	1	
8	103303	Plug, Pipe	1	1/8 NPT
9	3015521	Ball	2	
10	3348687	Body, Control Valve	1	
11	3406782	Plug, Orifice	1	
12	3406783	Plug, Orifice	1	
13	3406792	Plug, Orifice	1	
14	3406793	Plug, Orifice	1	
15	3920191	Coupling, Plain Hose	1	
16	3867641	Seal, O Ring	1	
17	4001741	Disc, Valve	2	
18	3681850	Tube, Tur Oil Drain	1	
19	3678762	Seal, Grommet	1	
	3090400	Union, Male	1	
20	3090419	Union, Male	1	
21	3679139	Seal, O Ring	1	
22	3922794	Seal, O Ring	1	
23	3202117	Gasket, Connection	1	
24	3680745	Hose, Flexible	1	
25	3100611	Tube, Tur Oil Supply	1	
26	3089016	Screw, Hex Flange Head Cap	2	M10 x 1.50 x 35
27	3914420	Clamp, Hose	2	10.5 - 13mm

Turbocharger Plumbing

©Cummins Inc

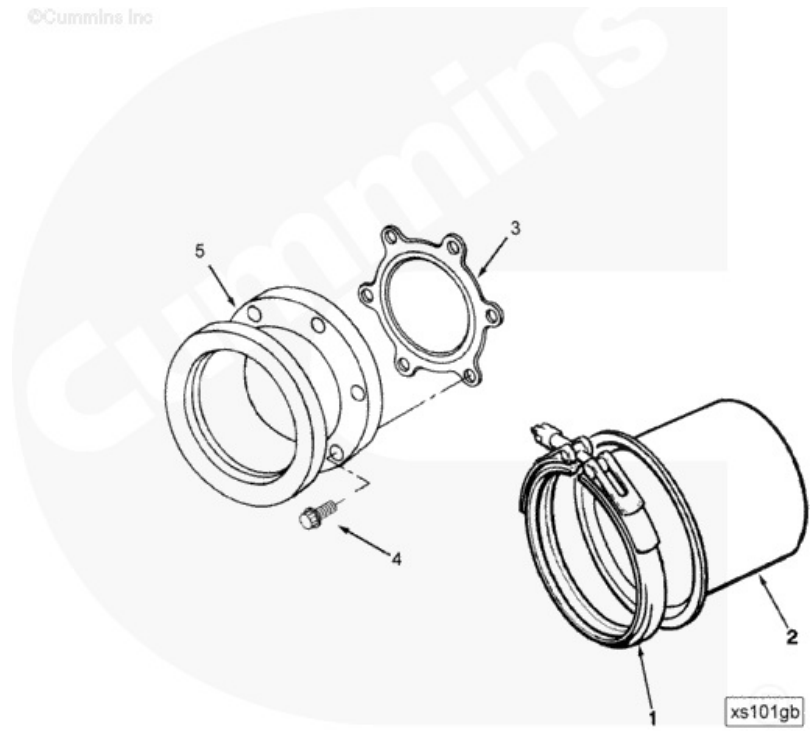


tp102gb

Connection, Exhaust Outlet

ref no	part number	part name	req	remarks
*	XS1056-02	Exhaust Outlet Conn.		Exhaust Outlet Conn. Outlet Connection Type: Straight Turbocharger Outlet Connection Outside Diameter: 122.9mm (4.84 in.) Outlet Connection Length: 76.2mm (3 in.) Outlet Connection Clamp Qty: One Outlet Connection Clamp Diameter: 146.1mm (5.75 in.) Outlet Connection Clamp Type: V-Band Marmon Outlet Connection Clamp Supplied: N/A Outlet Connection Type: Full Marmon one 127mm (5 in.) diameter by 76.2mm (3 in.) Length Straight Turbocharger Exhaust Connection Includes One 127mm (5 in.) Marmon Type V-Band Clamp
S				
1	186917	Clamp, V Band	1	
2	186918	Adapter, Exhaust Outlet	1	
3	3011876	Gasket, Turbocharger	1	
4	3094731	Screw, Twelve Point Cap	6	
5	3250510	Connection, Exhaust Outlet	1	

©Cummins Inc



Group 13.01

48

Option No

Picture null

Engine Operating Voltage

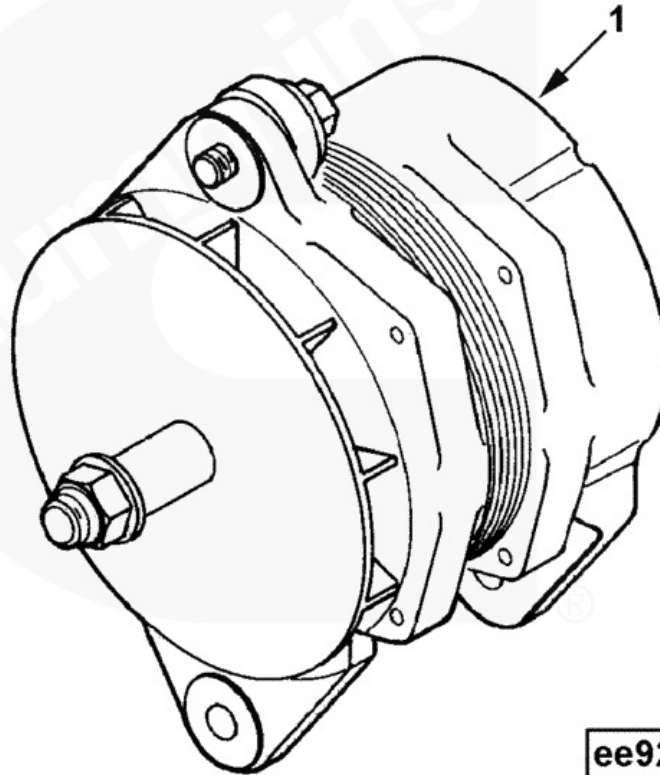
sv1002

ref no	part number	part name	req	remarks
*	SV1002	Engine Operating Voltage		Engine Operating Voltage 24 Volt NO CONTENT OPTION

Alternator

ref no	part number	part name	req	remarks
*	EE1246	Alternator		Alternator Quantity: One Manufacturer/Model/Type: Delco Remy 22 SI 350 Volts: 24 Amps: 70 Grounding Method: Negative Insulation Provision: No Sealing Provision: No built- Built-In Voltage Regulator: Yes Ground Wire Supplier: Customer Alternator Length: 160mm (6.3 in) Unique Characteristics: Spool Mount Charging System: Standard Battery Terminal: M6 x 1 R Terminal: M4 x .7
1	3935530	Alternator	1	

©Cummins Inc

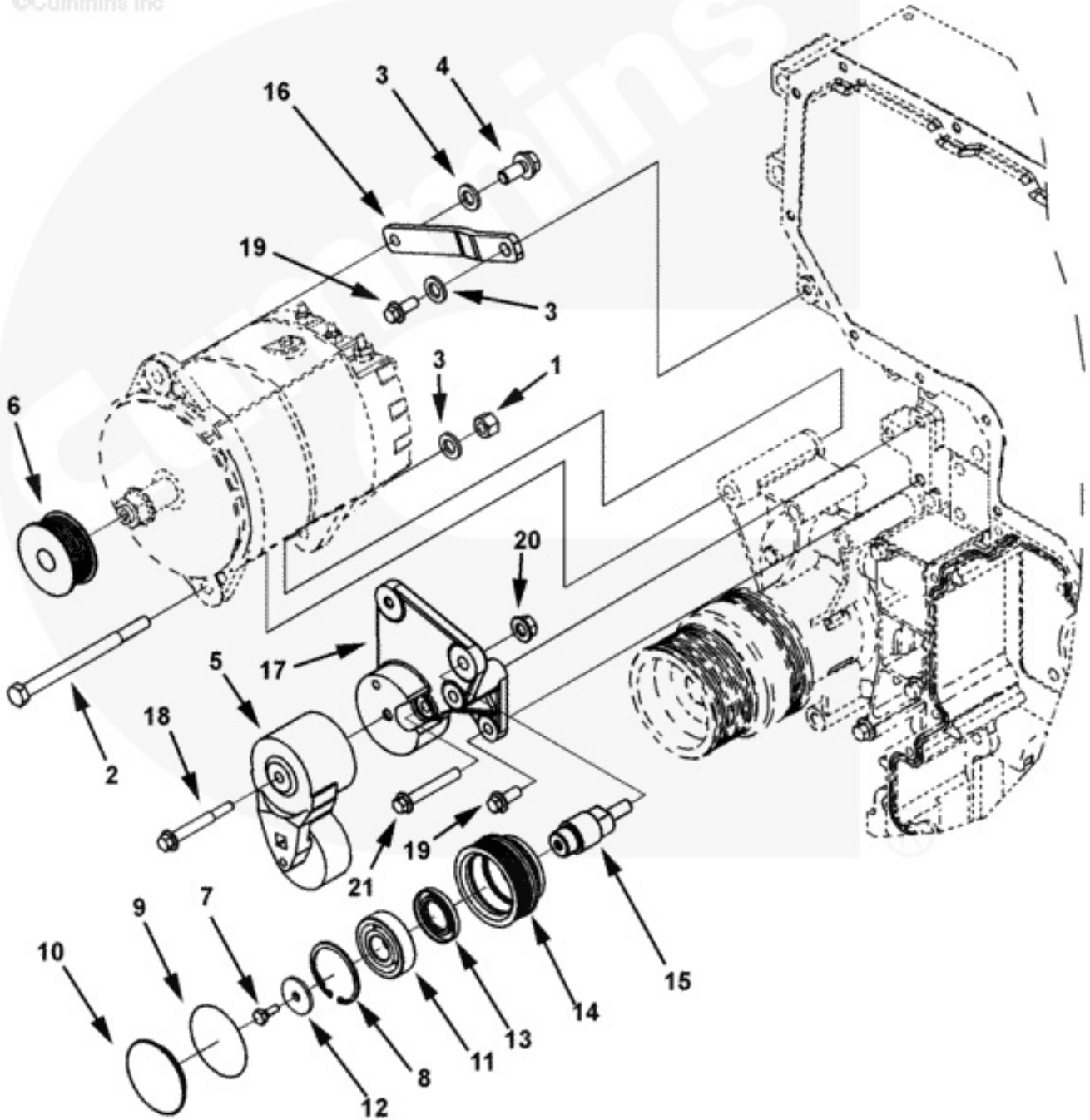


ee920gd

Alternator Mounting

ref no	part number	part name	req	remarks
*	EH1083-04	Alternator Mounting		<p>Alternator Mounting Alternator Quantity: One For Use With: Alternators With Body Diameters Less Than 152.4mm (6.0 inch) Such as Bosch N1, Delco 20SI, or Delco 22SI Maximum Alternator Output: 135 Amps/12 Volt or 70 Amps/24 Volt Mounting Location: Right Side Drive Location: Water Pump Pulley Alternator Pulley Supplied: On Engine Altitude Pulley Diameter: 67.99mm (2.68 in) Altitude Pulley Groove: Poly Vee 6 Rib "K" Belt Tensioner: Automatic Required Drive Pulley Diameter: 103.63mm (4.08 in) Bracket Attachment Method: Spool Horizontal Attachment Point: 322mm (12.68 in) Vertical Attachment Point: 210mm (8.27 in) Front Face of Block to First Groove: 133.16mm (5.24 in) Belt Supplied: Yes Drive Ratio: 3.06:1 Additional Information: For Use With Sanden Refrigerant Compressor Model SD7 H15</p>
1	70897	Nut, Lock	1	1/2 - 20 UNF
2	158829	Screw, Hexagon Head Cap	1	1/2 - 20 x 6 1/2 inch
3	203310	Washer, Plain	1	9/16 inch
4	3063567	Screw, Captive Washer Cap	1	1/2 - 13 X 1 1/4 Inch.
5	3102433	Tensioner, Belt	1	
6	3680082	Pulley, Alternator	1	
	3680196	Pulley, Idler TLA	1	Recon equivalent 3680196 NX
7	S 107	Screw, Hexagon Head Cap	1	5/16 - 18 x 3/4 inch
8	S 16255	Ring, Retaining	1	
9	145551	Seal, O Ring	1	
10	3064404	Cover, Idler Pulley	1	
11	3064406	Bearing, Ball	1	
12	3035806	Washer, Plain	1	M12
13	3074482	Seal, Oil	1	
14	3680195	Pulley, Idler	1	
15	3680283	Shaft, Idler	1	
16	3681826	Link, Adjusting	1	
17	3681827	Support, Belt Tensioner	1	
18	3900679	Screw, Hex Flange Head Cap	1	M10 x 1.50 x 80
19	3902460	Screw, Hex Flange Head Cap	2	M10 x 1.50 x 25
20	3903210	Nut, Hexagon Flange	1	M12 x 1.75
21	3904446	Screw, Hex Flange Head Cap	2	M10 x 1.50 x 70

©Cummins Inc

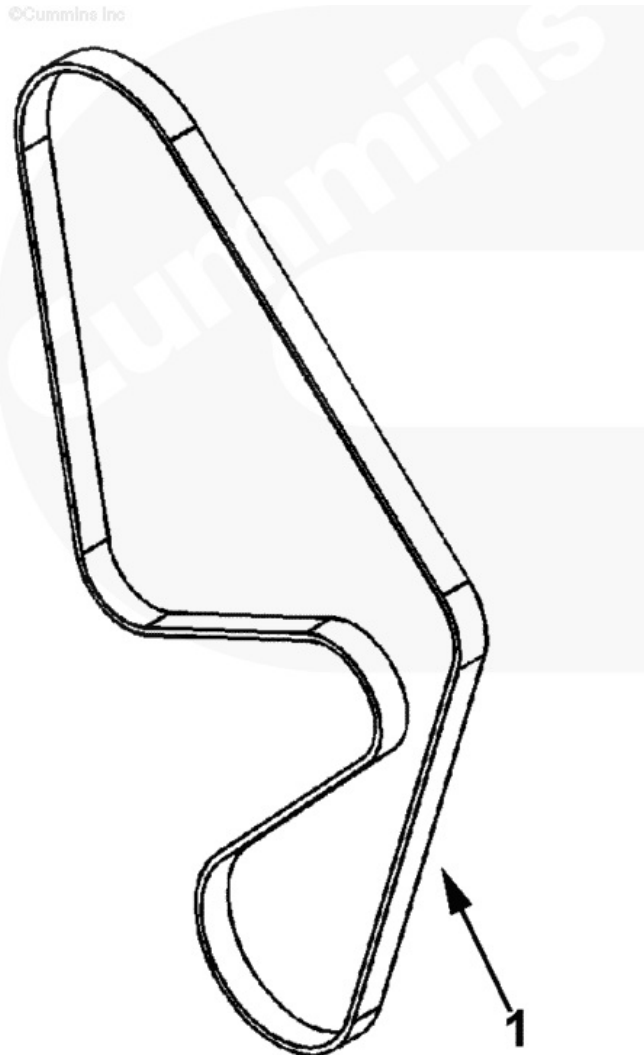


eh101gg

Alternator Drive

ref no	part number	part name	req	remarks
*	EH1721-04	Alternator Drive		Alternator Drive Effective Belt Length: 1589.77mm (62.59 in) Alternator Belt Supplied: On Engine Additional Information: For Use with Dual Alternators Without Refrigerant Compressors or with Single Alternator with Refrigerant Compressor

1	3103233	Belt, V Ribbed	1	
---	---------	----------------	---	--

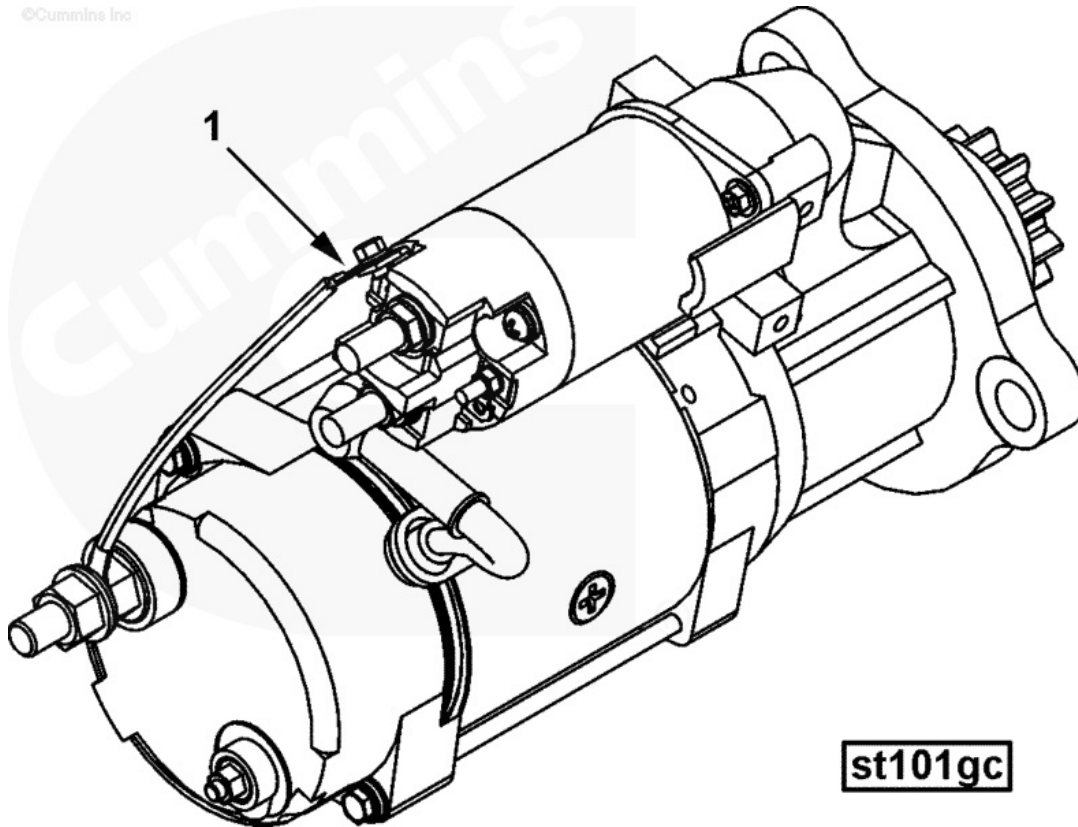


eh205gc

Motor,Starting

ref no	part number	part name	req	remarks
*	ST1383-01	Starting Motor		Starting Motor Manufacturer: Delco Branded for Cummins Model: 39 MT - HD Voltage: 24 Rotation: Right Hand Solenoid Angle (degrees): 82.0 Length: 358.1mm (14.1 in.) Power Supply: Electric Starter Location: Engine Left
1	3103305	Starting Motor	1	

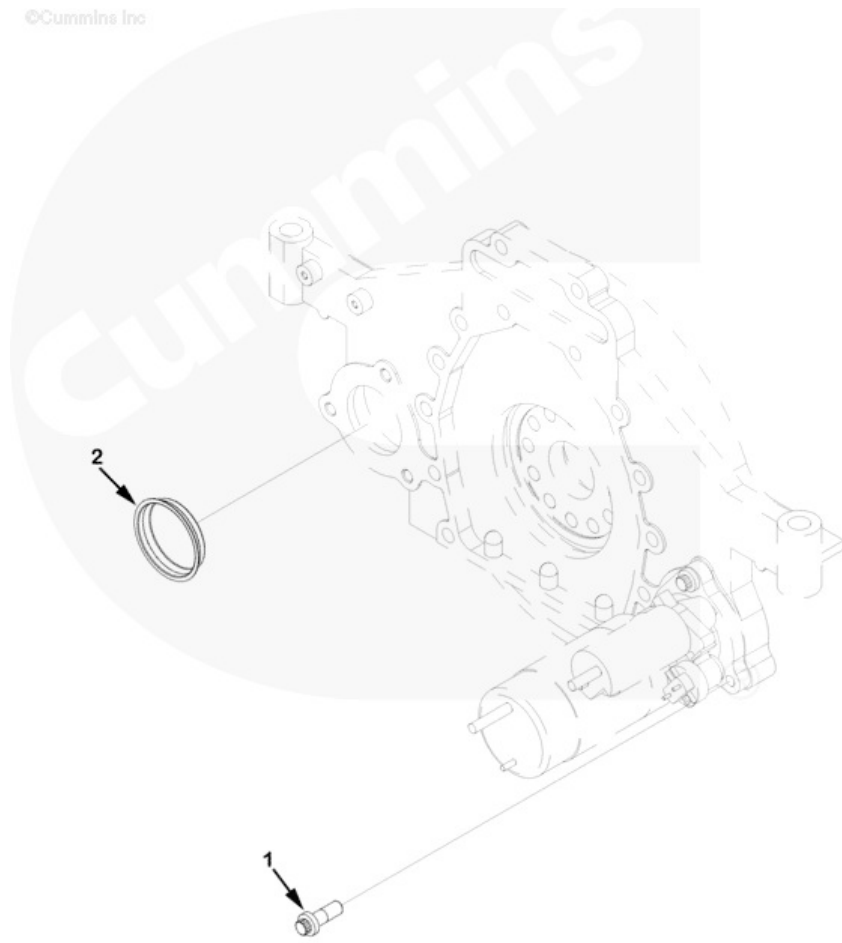
©Cummins Inc



Mounting, Starting Motor

ref no	part number	part name	req	remarks
*	SM1742-01	Starting Motor Mounting		Starting Motor Mounting Cummins Supplied Mounting Screws: English (in.) Clutch Provision: Dry For use with Cummins or customer supplied single starting motor on flywheel housing with dual starter provision (includes cover plate). Contains Hardened Plain Washers For Use with 39 MT-HD Starting Motor
	158250	Screw, Twelve Point Cap	3	5/8 - 11 X 1 3/4 Inch.
1	206332	Screw, Twelve Point Cap	3	5/8 - 11 x 1 1/4 inch
2	206389	Cover, Starter Flange	1	
	127316	Washer, Plain	3	5/8 inch

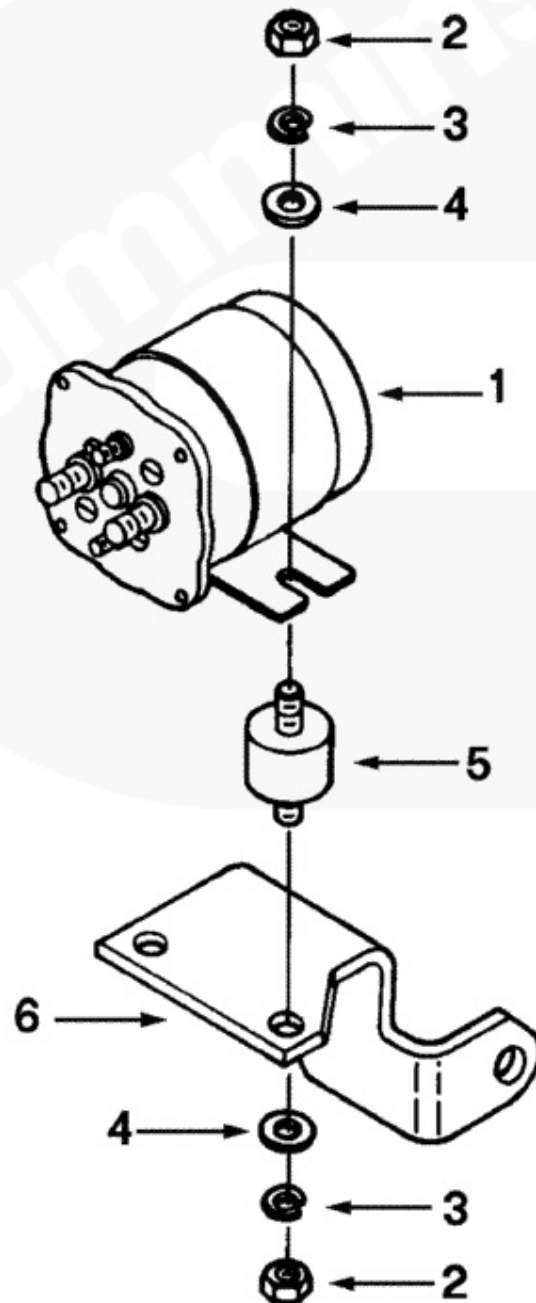
©Cummins Inc



Electric Starting

ref no	part number	part name	req	remarks
*	SB1002-01	Electric Starting		Electric Starting 24 volt insulated magnetic switch for use with single or dual positive engagement electronic starter/starters secured to the starter mounting flange.
1	3050692	Switch, Magnetic	1	
2	S 224	Nut, Heavy Hexagon	4	1/4 - 20 UNC.
3	S 600	Washer, Lock	4	1/4 inch
4	S 631	Washer, Plain	4	1/4 inch
5	3408250	Isolator, Vibration	2	
6	3062483	Bracket, Magnetic Switch	1	

©Cummins Inc



es100ge

Engine Barring Drive

ref no	part number	part name	req	remarks
*	CB1705-03	Engine Barring Drive		Engine Barring Drive 3 plugs are added in the absence of an air compressor. The barring device is the hydraulic drive adapter gear that requires a 19.1mm (3/4in) drive and is accessed through the lower gear cover.
	3678838	Plug, Threaded	1	M33 x 2.00
1	3678845	Plug, Threaded	1	
2	3678846	Seal, O Ring	1	
3	3679334	Plug, Expansion	2	

©Cummins Inc



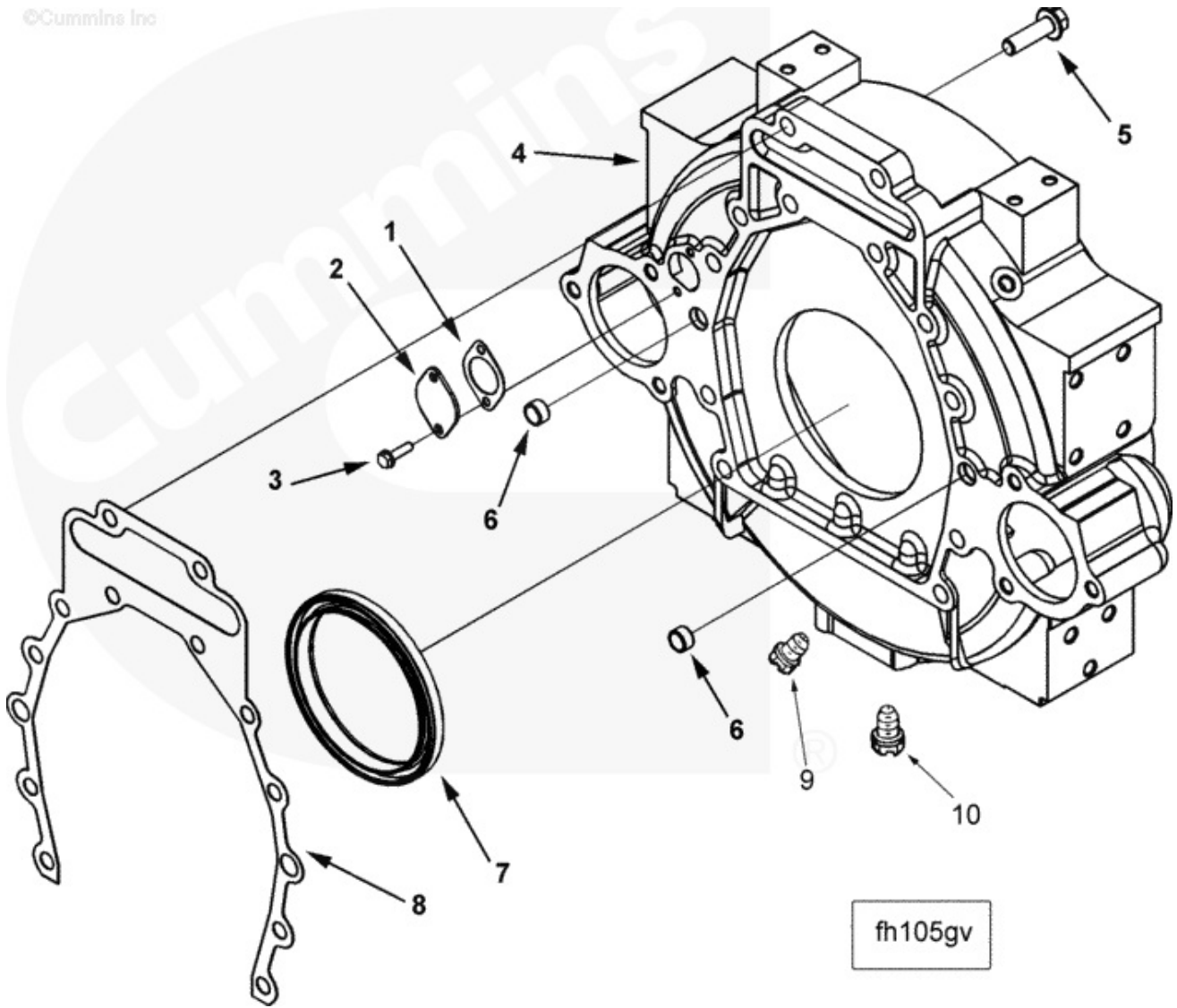
cb100gc

Flywheel Housing

ref no	part number	part name	req	remarks
*	FH11089-05	Flywheel Housing		Flywheel Housing Flywheel Housing SAE Size or Type: 1 Flywheel Housing Material: Cast Iron Engine Mount Type: High and Low Vertical Pad Transmission Mounting Hole Nomenclature: SAE Starting Motor Mounting Screws: SAE Starter Center Distance: 275.6mm (10.85 in.) Clutch Type Provision: Dry Sensor Mounting Hole Nomenclature: Quad 1, 3/4 - 16 Quad 4, 5/8 - 20 Rear Gear Drive: No Transmission Mounting Face to Rear Face of Block: 156mm (6.142 in.) Starter Location: 2nd and 3rd Quadrant sensor Sensor Mounting Hole Count: Two
	4026662	Housing, Flywheel		
1	3026134	Gasket, Cover Plate	1	
2	3026135	Cover, Access Hole	1	
3	3918108	Screw, Hex Flange Head Cap	2	M8 x 1.25 x 16
4	3102152	Housing, Flywheel	1	
5	3022148	Screw, Hexagon Head Cap	14	M16 x 2.00 x 55
6	3678871	Dowel, Ring	2	
7	4101422	Seal, Oil	1	
8	4026695	Gasket, Flywheel Housing	1	
9	3042004	Plug, Threaded	1	3/4-16 UNF
10	4026918	Plug, Threaded	1	

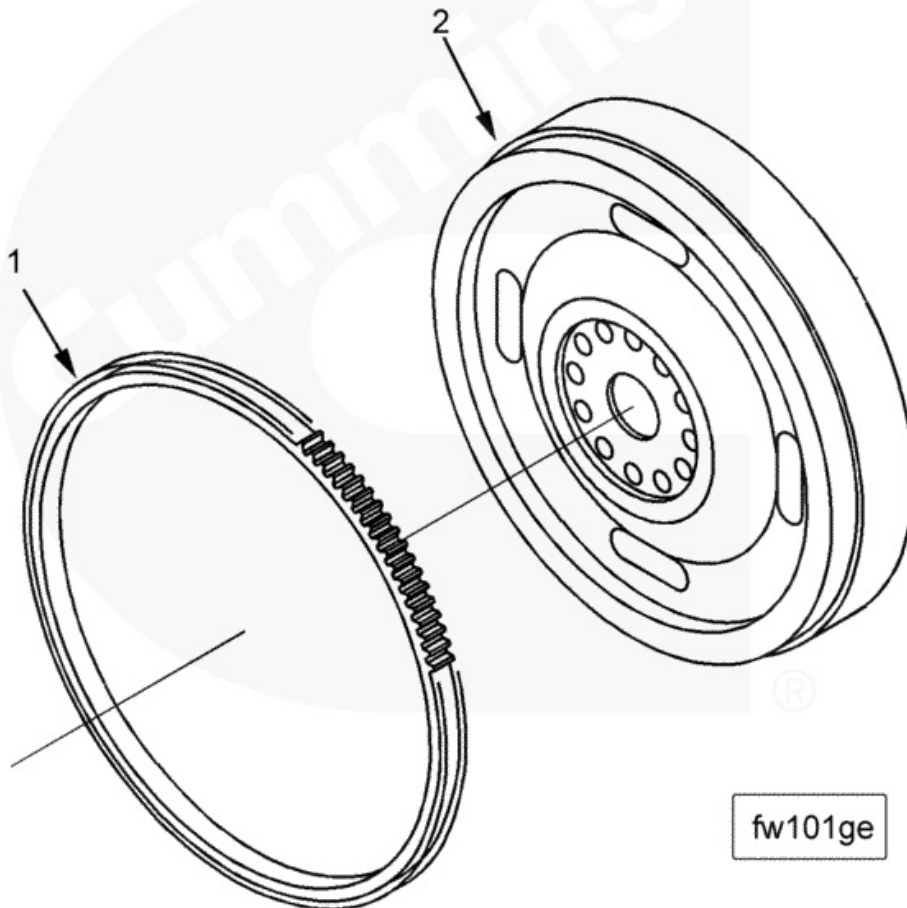
Flywheel Housing

©Cummins Inc



ref no	part number	part name	req	remarks
*	FW1022-05	Flywheel		Flywheel Type: Flywheel Intended Housing SAE: 1 Starter Center Distance: 275.6mm (10.85 in.) Clutch Bearing Pilot Bore Diameter: 80.00mm (3.15 in.) Clutch Size: 292.1mm (11.5 in.) and 355.6mm (14 in.) Rear Gear Drive: No Intended Drive Hardware: Overcenter Clutch Transmission Mounting Face to Rear Face of Block: 110.0mm (4.327 in.) and 130.4mm (5.134 in.) Additional Information: 118 Tooth Ring Gear 292.1mm (11.5 in.) Clutch is Suitable to Mount Lord LCD 5229-5 Coupling
	3101528	Flywheel	1	
1	4851	Gear, Flywheel Ring	1	
2	3101529	Flywheel	1	

©Cummins Inc



fw101ge

Flywheel Mounting

ref no	part number	part name	req	remarks
*	FW1701-02	Flywheel Mounting		Flywheel Mounting Flywheel mounting parts for counterbored flywheels with mounting web thickness of 14mm (.55 in.).
1	3678740	Screw, Twelve Point Cap	12	

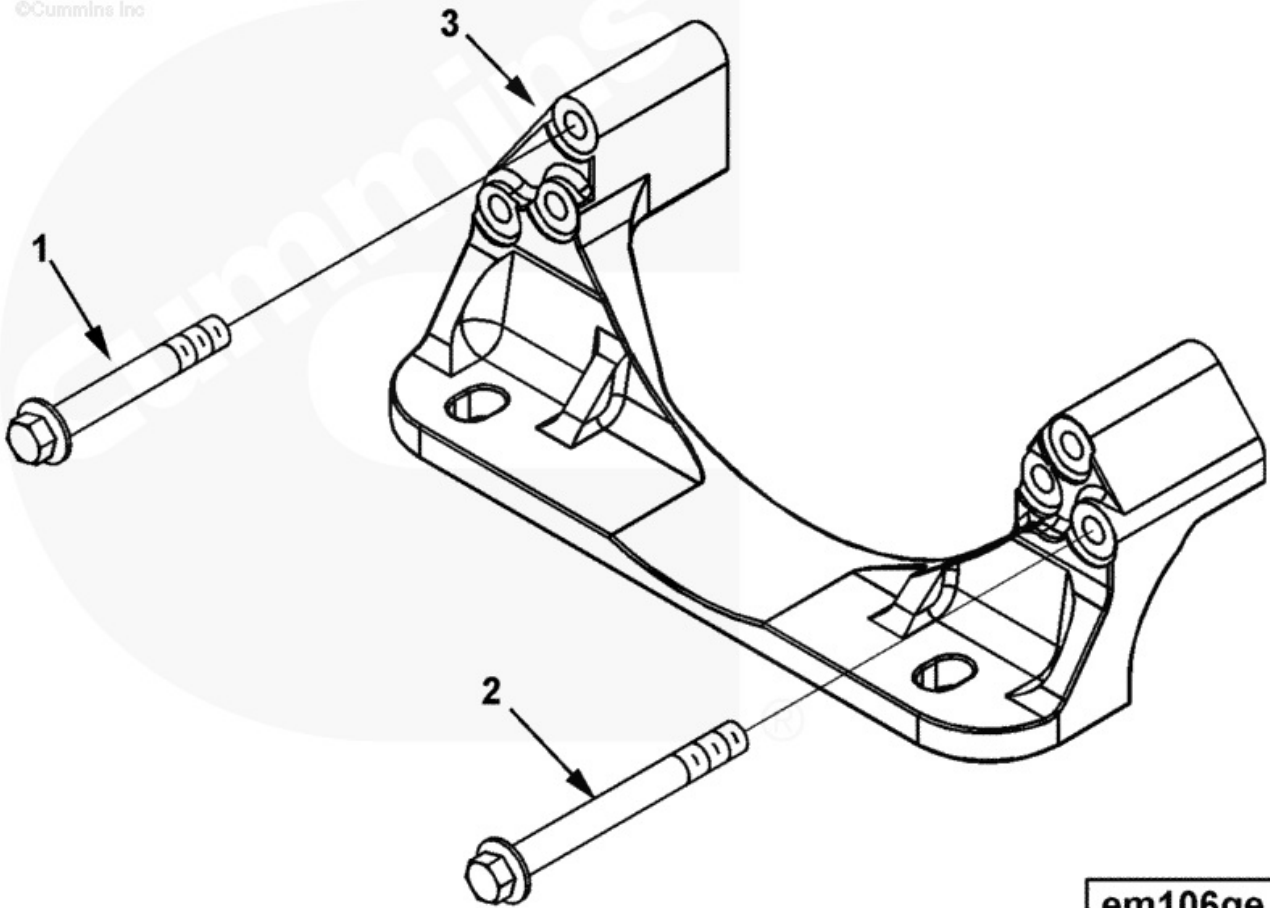
©Cummins Inc

**fw101gf**

Front Engine Support

ref no	part number	part name	req	remarks
*	EM1343-01	Front Engine Support		Front Engine Support Type: Two Hole Material: Ductile Cast Iron Engine Position: Vertical Standard
1	3681056	Screw, Hex Flange Head Cap	3	
2	3681057	Screw, Hex Flange Head Cap	3	
3	3681723	Support, Front Engine	1	

©Cummins Inc

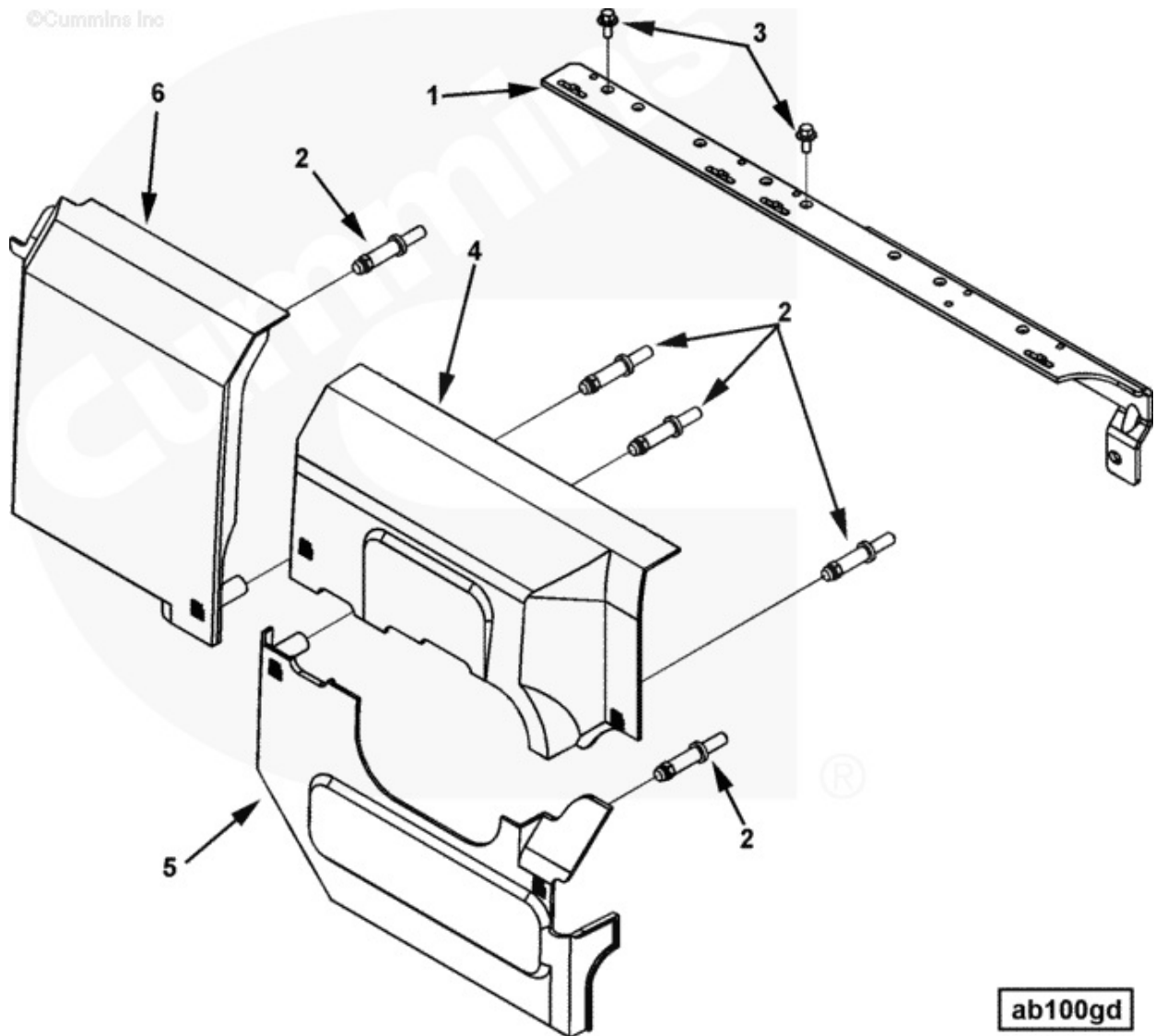


em106ge

Accessory Support

ref no	part number	part name	req	remarks
*	AB1010-01	Accessory Support		Accessory Support Bracket located on the top left side of engine. Fuel system and electronic control module covers are included.
1	3100182	Bracket, Cus Accessory	1	
2	3681498	Stud, Clinch	5	
3	3900629	Screw, Hex Flange Head Cap	2	M8 x 1.25 x 16
4	4026430	Cover, Fuel Control	1	
5	4026431	Cover, Fuel Control	1	
6	4026784	Cover, Etr Control Module	1	

©Cummins Inc

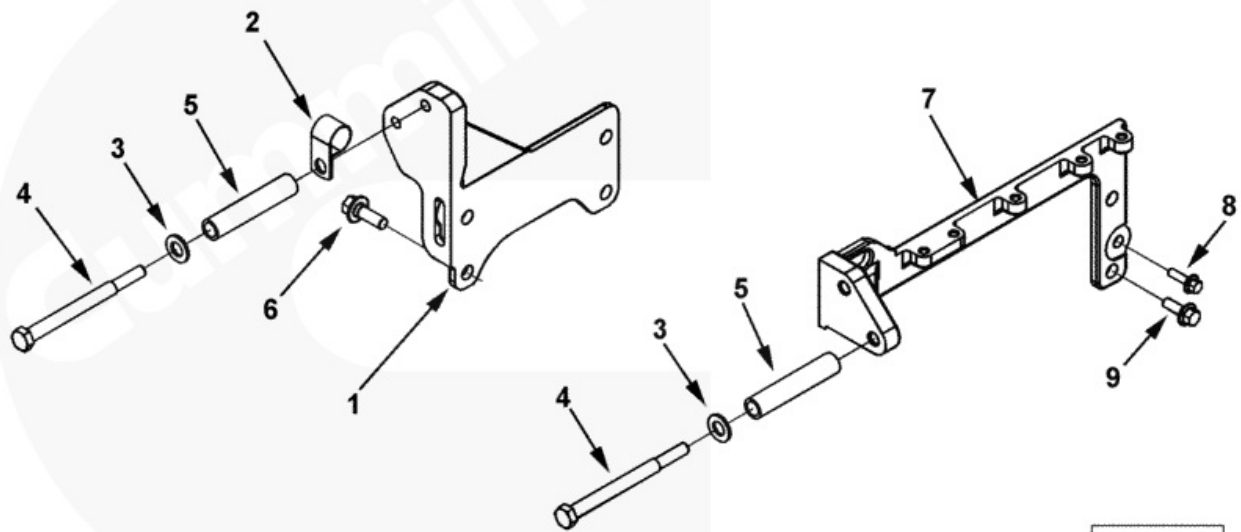


ab100gd

Accessory Support

ref no	part number	part name	req	remarks
*	BB1725-02	Accessory Support		Accessory Support
1	3100190	Support, Accessory	1	
2	69465	Clip	1	
3	3035806	Washer, Plain	4	M12
4	3093773	Screw, Hexagon Head Cap	4	
5	3681584	Spacer, Mounting	4	
6	3900637	Screw, Hex Flange Head Cap	3	M12 x 1.75 x 35
7	3910495	Screw, Hex Flange Head Cap	3	M12 X 1.75 X 30.
8	3100196	Support, Accessory	1	
9	3900631	Screw, Hex Flange Head Cap	1	M8 x 1.25 x 25
10	3902460	Screw, Hex Flange Head Cap	2	M10 x 1.50 x 25

©Cummins Inc



bb103gh

Set,Upper Engine Gasket

ref no	part number	part name	req	remarks
		\$Set, Cylinder Head Gasket		Set, Cylinder Head Gasket
	4352144	Set, Cylinder Head Gasket	1	
	3042544	Seal, O Ring	1	
	3330537	Seal, O Ring	6	
	3330538	Seal, O Ring	6	
	3347937	Seal, O Ring	6	
	3347939	Seal, O Ring	6	
	3678762	Seal, Grommet	1	
	3678770	Gasket, Connection	1	
	3679931	Gasket, Camshaft Cover	1	
	3679932	Gasket, Camshaft Cover	1	
	3680284	Gasket, Etr Control Module	1	
	3680324	Gasket, Flange	1	
	3680602	Gasket, Thm Housing Cover	1	
	3684336	Gasket, Thermostat Housing	1	
	4026884	Gasket, Turbocharger	1	
	4089255	Plug, Cavity	4	
	4299098	Gasket, Cylinder Head	1	
	4299124	Seal, O Ring	1	
	4299125	Seal, O Ring	1	
	4907446	Gasket, Exhaust Manifold	1	
	4907447	Gasket, Exhaust Manifold	4	
	4907448	Gasket, Exhaust Manifold	1	
	4962721	Seal, Rectangular Strip	1	
	4965689	Gasket, Ful Cnt Housing	1	
	4985660	Seal, Camshaft Cover	1	
	4985661	Seal, Camshaft Cover	1	

Kit,Lower Engine Gasket

ref no	part number	part name	req	remarks
		\$Gasket Set		
	4955590	Set, Lower Engine Gskt	1	
	3102109	Seal, O Ring	2	
	3103015	Seal, Grommet	2	
	3104232	Gasket, Lub Oil Clr Hsg	1	
	3678606	Seal, O Ring	1	
	3678724	Seal, O Ring	1	
	3678756	Seal, O Ring	1	(Oil Suction)
	3678846	Seal, O Ring	1	
	3678912	Seal, O Ring	1	
	3684338	Gasket, Connection	1	
	4026684	Gasket, Oil Pan	1	
	4059172	Seal, O Ring	1	
	4955383	Kit, Front Crank Seal	1	
	4962722	Seal, Rectangular Strip	1	
	4965569	Kit, Seal & Spacer	1	
	4965688	Gasket, Flywheel Housing	1	
	4965690	Gasket, Acc Drive Support	1	
	4985562	Gasket, Gear Housing	1	

Set,Upper Engine Gasket

ref no	part number	part name	req	remarks
		\$Gasket Set		
4955594		Set, Upper Engine Gasket		Eng. Built Prior to 08-27-01.
3042544		Seal, O Ring	1	
3330537		Seal, O Ring	6	
3330538		Seal, O Ring	6	
3347937		Seal, O Ring	6	
3347939		Seal, O Ring	6	
3412426		Seal, Secondary Combustion	6	
3678751		Seal, Combustion	6	
3678762		Seal, Grommet	1	
3678770		Gasket, Connection	1	
3679931		Gasket, Camshaft Cover	1	
3679932		Gasket, Camshaft Cover	1	
3679933		Seal, O Ring	1	
3679934		Seal, O Ring	1	
3680284		Gasket, Etr Control Module	1	
3680324		Gasket, Flange	1	
3680602		Gasket, Thm Housing Cover	1	
3684336		Gasket, Thermostat Housing	1	
4026884		Gasket, Turbocharger	1	
4059190		Gasket, Cylinder Head	1	
4965689		Gasket, Ful Cnt Housing	1	
4089255		Plug, Cavity	4	
4985660		Seal, Camshaft Cover	1	
4985661		Seal, Camshaft Cover	1	
4907446		Gasket, Exhaust Manifold	1	
4907447		Gasket, Exhaust Manifold	4	
4907448		Gasket, Exhaust Manifold	1	
4962721		Seal, Rectangular Strip	1	

Set,Upper Engine Gasket

ref no	part number	part name	req	remarks
		\$Set, Cylinder Head Gasket		Set, Cylinder Head Gasket
	4352144	Set, Cylinder Head Gasket	1	
	3042544	Seal, O Ring	1	
	3330537	Seal, O Ring	6	
	3330538	Seal, O Ring	6	
	3347937	Seal, O Ring	6	
	3347939	Seal, O Ring	6	
	3678762	Seal, Grommet	1	
	3678770	Gasket, Connection	1	
	3679931	Gasket, Camshaft Cover	1	
	3679932	Gasket, Camshaft Cover	1	
	3680284	Gasket, Etr Control Module	1	
	3680324	Gasket, Flange	1	
	3680602	Gasket, Thm Housing Cover	1	
	3684336	Gasket, Thermostat Housing	1	
	4026884	Gasket, Turbocharger	1	
	4089255	Plug, Cavity	4	
	4299098	Gasket, Cylinder Head	1	
	4299124	Seal, O Ring	1	
	4299125	Seal, O Ring	1	
	4907446	Gasket, Exhaust Manifold	1	
	4907447	Gasket, Exhaust Manifold	4	
	4907448	Gasket, Exhaust Manifold	1	
	4962721	Seal, Rectangular Strip	1	
	4965689	Gasket, Ful Cnt Housing	1	
	4985660	Seal, Camshaft Cover	1	
	4985661	Seal, Camshaft Cover	1	

Kit,Lower Engine Gasket

ref no	part number	part name	req	remarks
		\$Gasket Set		
	4955590	Set, Lower Engine Gskt	1	
	3102109	Seal, O Ring	2	
	3103015	Seal, Grommet	2	
	3104232	Gasket, Lub Oil Clr Hsg	1	
	3678606	Seal, O Ring	1	
	3678724	Seal, O Ring	1	
	3678756	Seal, O Ring	1	(Oil Suction)
	3678846	Seal, O Ring	1	
	3678912	Seal, O Ring	1	
	3684338	Gasket, Connection	1	
	4026684	Gasket, Oil Pan	1	
	4059172	Seal, O Ring	1	
	4955383	Kit, Front Crank Seal	1	
	4962722	Seal, Rectangular Strip	1	
	4965569	Kit, Seal & Spacer	1	
	4965688	Gasket, Flywheel Housing	1	
	4965690	Gasket, Acc Drive Support	1	
	4985562	Gasket, Gear Housing	1	

Set,Upper Engine Gasket

ref no	part number	part name	req	remarks
		\$Gasket Set		
4955594		Set, Upper Engine Gasket		Eng. Built Prior to 08-27-01.
3042544		Seal, O Ring	1	
3330537		Seal, O Ring	6	
3330538		Seal, O Ring	6	
3347937		Seal, O Ring	6	
3347939		Seal, O Ring	6	
3412426		Seal, Secondary Combustion	6	
3678751		Seal, Combustion	6	
3678762		Seal, Grommet	1	
3678770		Gasket, Connection	1	
3679931		Gasket, Camshaft Cover	1	
3679932		Gasket, Camshaft Cover	1	
3679933		Seal, O Ring	1	
3679934		Seal, O Ring	1	
3680284		Gasket, Etr Control Module	1	
3680324		Gasket, Flange	1	
3680602		Gasket, Thm Housing Cover	1	
3684336		Gasket, Thermostat Housing	1	
4026884		Gasket, Turbocharger	1	
4059190		Gasket, Cylinder Head	1	
4965689		Gasket, Ful Cnt Housing	1	
4089255		Plug, Cavity	4	
4985660		Seal, Camshaft Cover	1	
4985661		Seal, Camshaft Cover	1	
4907446		Gasket, Exhaust Manifold	1	
4907447		Gasket, Exhaust Manifold	4	
4907448		Gasket, Exhaust Manifold	1	
4962721		Seal, Rectangular Strip	1	

Arrangement,Lifting

ref no	part number	part name	req	remarks
*	LA1079-02	Lifting Arrangement		Lifting Arrangement Lifting Capability: Mounting Locations: Turbocharger Side of Engine Qty of Brackets: Provides One Additional
1	3682031	Bracket, Lifting	3	
2	3910495	Screw, Hex Flange Head Cap	8	M12 X 1.75 X 30.

©Cummins Inc



®

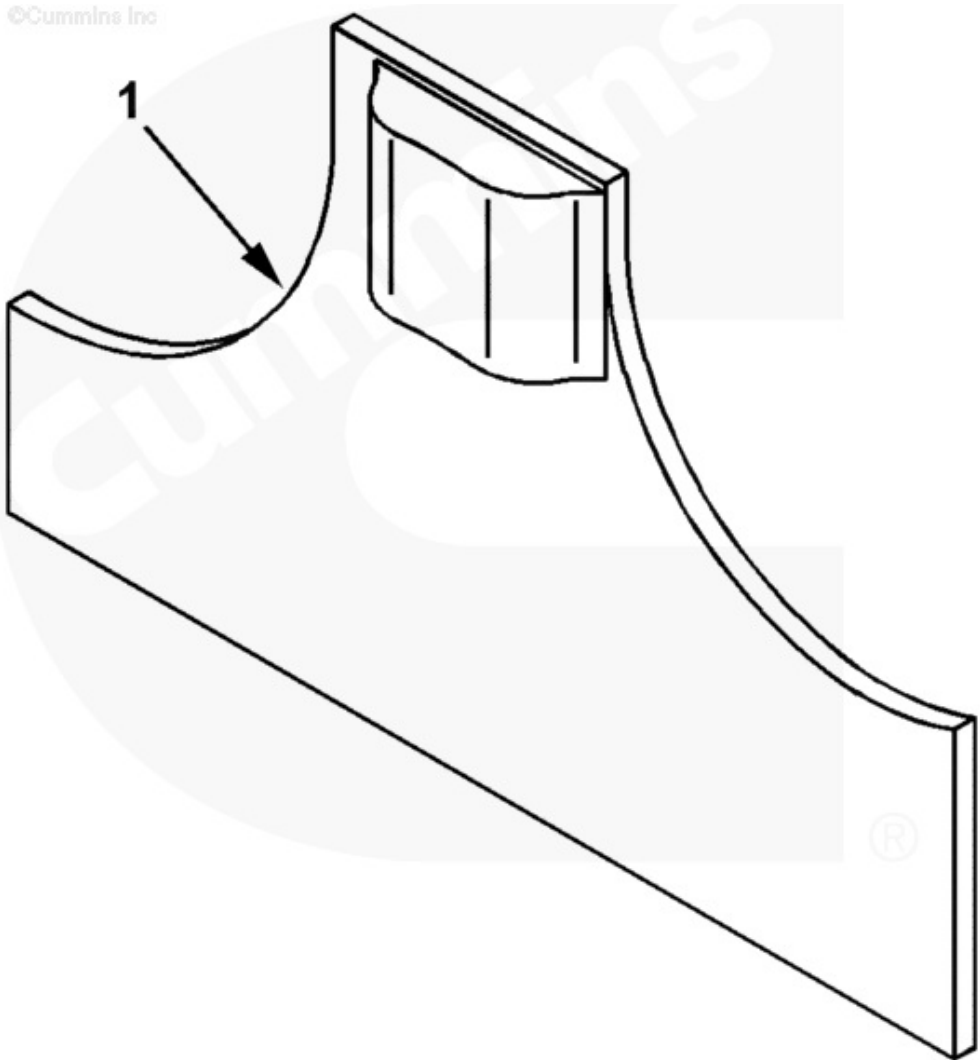
la102gc

Gear Cover Noise Panel

ref no	part number	part name	req	remarks
--------	-------------	-----------	-----	---------

*	PP2825	Gear Cover Noise Panel		Gear Cover Noise Panel Noise reduction device used between gear housing and cylinder head.
---	--------	------------------------	--	---

1	3681792	Isolator, Noise	1	
---	---------	-----------------	---	--

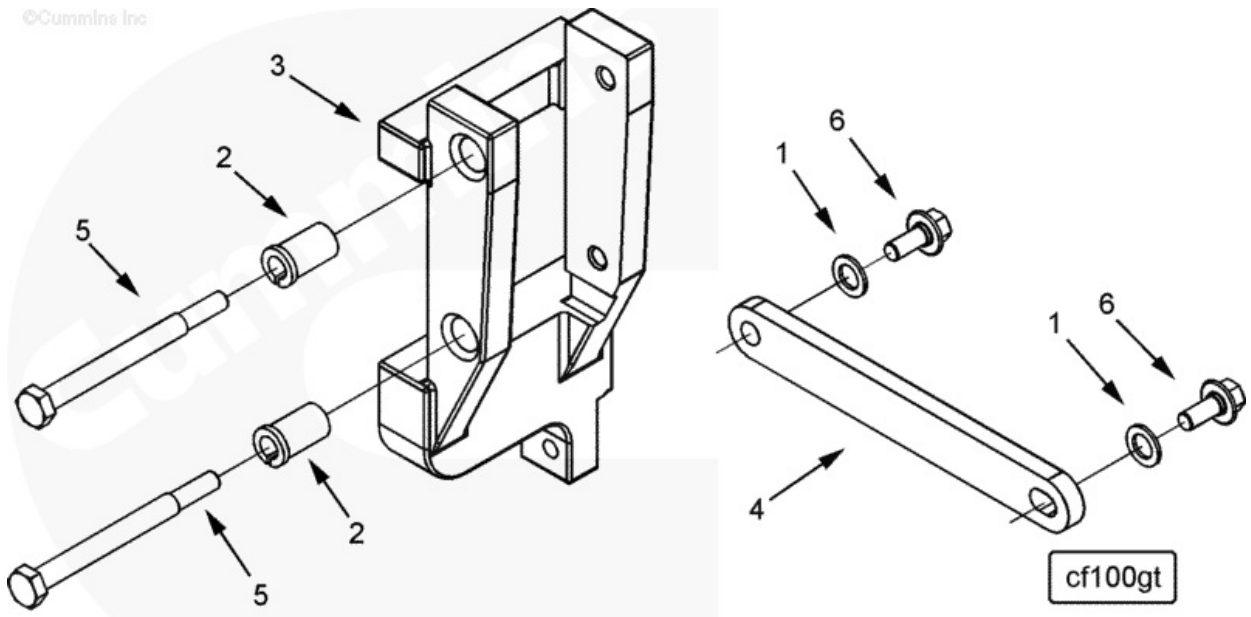


np100gn

Ref Compressor Mounting

ref no	part number	part name	req	remarks
*	CF1032-02	Ref Compressor Mounting		Ref Compressor Mounting Belt Supplied: Cummins CPR Mounting Bracket Provision: Customer Supplied Sanden Pad Mount Reference Compressor Model SD7H15 Drive Belt: Poly Vee 6 Rib "K" Drive Pulley Rotation: Same as Engine Crankshaft Drive Ratios: 1.36:1 for CPR Pulley Dia 153mm (6.02 in.) 1.24:1 for CPR Pulley Dia 139mm (5.45 in.) Belt Tensioner: Automatic Pulley Groove Location: 133.16 mm (5.24 in.) from FFOB Distance from Centerline of Front Pad to First Groove is 40.14 MM (1.58 in)
1	69324	Washer, Plain	2	3/8 inch
	3101145	Support, Ref Compressor	1	
2	3679266	Spacer, Mounting	2	
3	3681642	Support, Ref Compressor	1	
4	3679684	Link, Adjusting	1	
5	3900469	Screw, Hexagon Head Cap	2	M10 X 1.50 X 110.
6	3903990	Screw, Hex Flange Head Cap	2	M10 x 1.50 x 20

©Cummins Inc

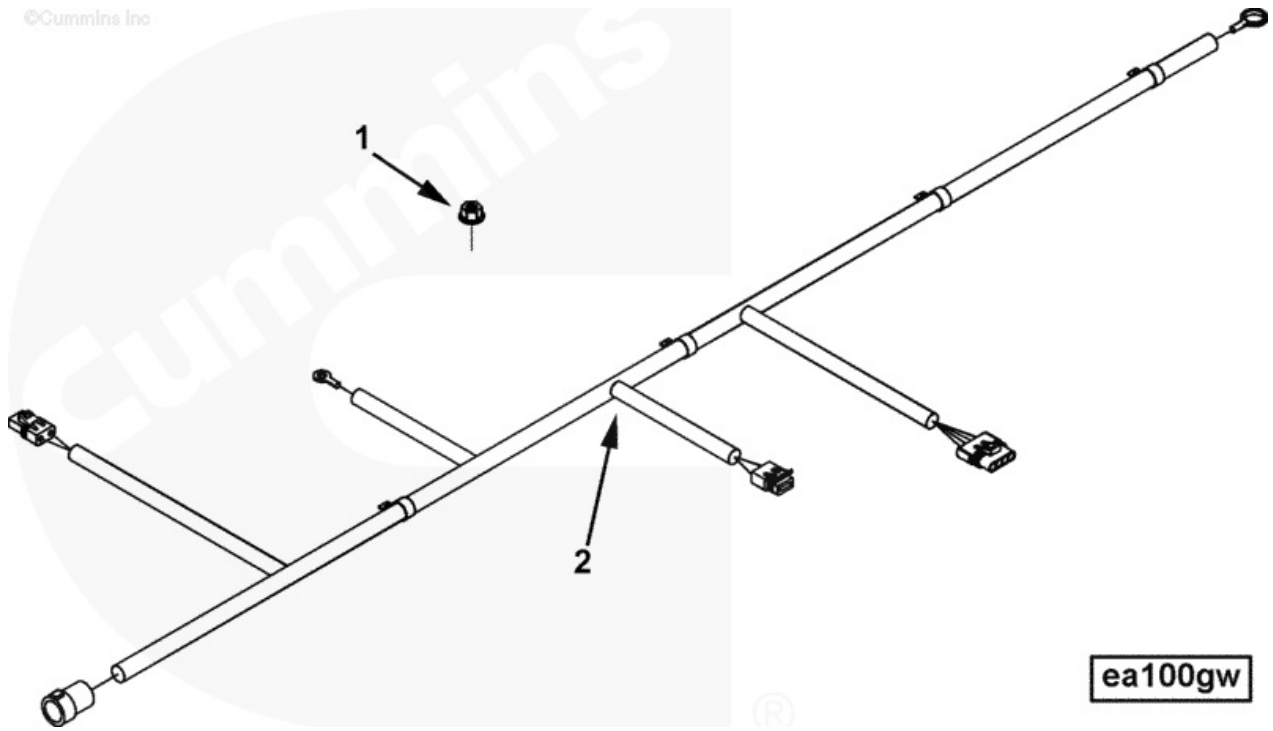


Electrical Accessories

ref no	part number	part name	req	remarks
--------	-------------	-----------	-----	---------

*	EA1704	Electrical Accessories		Priming pump wiring harness starter location: Left quadrant.
1	3902662	Nut, Hexagon Flange	2	M10 x 1.50
2	4059346	Harness, Wiring	1	

©Cummins Inc



ea100gw

ref no	part number	part name	req	remarks
*	DO1172	SOFTWARE,CUS INTERFACE		<p>Customer interface software Engine Control System: Api Transmission: None Commun Support: J1939 OEM Name: Generic OEM Model: N/A oemcomment: 403 KW (540 BHP) at 2100 RPM Remote Throttle: Y High Idle: 2250 RPM Low Idle: 0750 RPM ISC enable: On ISC Validation: Off switch speed input: No Torque Curve Selection: No ASG/axg/min/max: ASG governor droop: 07 % idle validation: No Multiple Unit Synchronization: No Output Driver Setup: Yes Calibration Voltage: N/A Throttle Type: Linear comment: For use with 4-step wg control powermatch: Yes guid: N/A Application: Nonroad CPL: 2825 ECM version: CM series ECM module level: CM570 Peak torque: 1550 FT at 1200 Peak Power: 0460 BHP At 2100 RPM engine brake enabled: Powermatch air heater enabled: Powermatch wif enabled: Yes sentinel provision: No.</p>

Group 99.01

73

Option No

Picture null

Calibration,Fuel Pump

fcpi42

ref no	part number	part name	req	remarks
*	FCPI42	CALIBRATION,FUEL PUMP		Fuel pump calibration adv/rated power: 0540 BHP at 2100 RPM Peak torque: 1730 FT LB at 0400 RPM Governed Power: 0540 BHP At 2100 RPM CPL: 2825 Certified By: EPA ,CARB,Eu ,Mep cal restr: None Power Rating: Intermittent Engine Control System: Api Application: Nonroad cert level: Tier 2,tier 2,stg II,stg II mamimum power: 550 BHP at 1800 RPM.

ref no	part number	part name	req	remarks
*	FR10376	RATING,FUEL		Fuel rating Engine Control System: Api Advertised Power: 0547.5 PS (0540 BHP) at 2100 RPM Peak torque: 2346nm (1730 FT LB) speed at peak torque: 1400 RPM Governed Power: 0547.5 PS (0540 BHP) at 2100 RPM Governed Torque: 1831nm (1350 FT LB) Power Rating: Intermittent High Idle: 0000 RPM. Low Idle: 00 FR1037600 Certified By: EPA ,CARB, Eu ,Mep CPL: 2825 Application: Nonroad maximum power: 564.7 PS (557 BHP) at 1900 RPM altitude restriction (FT): 12000 cert level: Tier 2,tier 2,stg II,stg II Use with aluminum oil cooler See do option note for high/low idle acceptable for highly cyclical applications: N Turbocharger compressor wheel type: Cast AL.

Group 99.01

75

Option No

Picture null

Software,Calibration

sc10567

ref no	part number	part name	req	remarks
*	SC10567	SOFTWARE,CALIBRATION		Calibration software CPL: 2825 Engine Control System: Api Certified By: EPA ,CARB,Eu ,Mep Application: Nonroad Power Rating: Intermittent ECM version: CM series comment: Phase 2.4.12.61 cal restr: None pw: 01055 FR: 10376 Advertised Power: 0540 BHP At 2100 RPM Peak torque: 1730 FT LB at 1400 RPM Governed Power: 0540 BHP At 2100 RPM cert level: Tier 2,tier 2,stg II,stg II Calibration Voltage: N/A maximum power: 550 BHP at 1800 RPM centinel provision: No.