

CUMMINS NTA855 ENGINE



JOHN DEERE

PARTS CATALOG CUMMINS NTA855 ENGINE

PC2282 (01MAR90) English

JOHN DEERE WATERLOO WORKS
PC2282 (01MAR90)

LITHO IN THE U.S.A.
ENGLISH



Parts Catalog

NTA855

Big Cam III
Deere
Model 8960
PC-2282
(March 1990)



Cummins Engine Co., Inc.

New Parts Warranty Heavy Duty

COVERAGE

PRODUCTS WARRANTED

These warranties apply to New Parts marketed by Cummins for its engines (except those for A, B, and C series engines). They apply anywhere in the world where service is available through a Cummins distributor or full service dealer.*

BASE WARRANTY

The Base Warranty covers any failures of parts on or after March 31, 1986, which result, under normal use and service, from defects in workmanship or material (Warrantable Failures). The coverage on cylinder kits designated by Cummins as "Premium Plus" extends two years, 200,000 miles (321,870 kilometers) or 7,200 hours of operation, whichever occurs first, from the date of first installation. The coverage on other parts extends one year, 100,000 miles (160,935 kilometers) or 3,600 hours of operation, whichever occurs first, from the date of first installation.

EXTENDED MAJOR COMPONENTS WARRANTY

The Extended Major Components Warranty covers Warrantable Failures on or after March 31, 1986, of engine cylinder blocks, crankshafts, flangeless NT camshafts** and connecting rods (Covered Parts). Bushing and bearing failures are not included. This coverage begins with the expiration of the Base Warranty and ends three years, 300,000 miles (482,805 kilometers) or 10,800 hours of operation, whichever occurs first.

Both the Base Warranty and Extended Major Components Warranty apply to all Owners in the chain of distribution, and coverage continues to all subsequent Owners until the end of the respective periods of coverage.

CUMMINS RESPONSIBILITIES

DURING THE BASE WARRANTY

Cummins will pay for all parts and labor needed to repair the damage to the engine resulting from the Warrantable Failure. All labor costs will be paid in accordance with Cummins published Standard Repair Operation guidelines.

Cummins will pay for the lubricating oil, antifreeze, filter elements, and other maintenance items that are not reusable due to the Warrantable Failure.

Cummins will pay reasonable labor costs for engine removal and reinstallation when necessary to make the warranty repair.

When the parts are installed in a non-automotive engine, Cummins will pay reasonable travel expenses for mechanics to and from the engine site, or the repair dock in the case of a marine engine, including meals, mileage and lodging when it is necessary for mechanics to make on-site warranty repairs.

DURING THE EXTENDED MAJOR COMPONENTS WARRANTY

Cummins will pay for the Covered Part and for any Covered Part damaged by a Warrantable Failure of another Covered Part.

OWNER RESPONSIBILITIES

DURING THE BASE WARRANTY

Before expiration of the warranty, Owner must give notice to a Cummins distributor or full service dealer* of a failure considered to be warrantable and have the repair performed by such facility.

If the part was installed in an automotive engine, the Owner must deliver the engine to the repair location. If installed in a marine engine, Owner is responsible for the cost of towing the boat to a repair dock and for any associated docking and harbor charges.

Owner is responsible for the cost of lubricating oil, antifreeze, filter elements and other maintenance items replaced during warranty repairs except where such items are not reusable due to a Warrantable Failure.

DURING THE EXTENDED MAJOR COMPONENTS WARRANTY

Before expiration of the warranty, Owner must give notice to a Cummins distributor or full service dealer* of a failure considered to be warrantable and deliver the defective and damaged Covered Parts to such facility.

Owner is responsible for the cost of all parts needed for the repair except for the defective Covered Part and for any Covered Part damaged by a Warrantable Failure of another Covered Part.

Owner is responsible for the cost of all labor needed to repair the engine, including the labor to remove and reinstall the engine. When Cummins elects to repair a part instead of replacing it, Owner is not responsible for the labor needed to repair the part.

Owner is responsible for the cost of lubricating oil, antifreeze, filter elements and other maintenance items replaced during the repair.

DURING BOTH WARRANTIES

At the time when the parts are installed, Owner is responsible for the preparation of a written record containing the following: (1) the date of installation of the parts; (2) the engine serial number; (3) the engine miles, hours or kilometers of operation; (4) the parts installed, and (5) the location of the parts in the engine. The purpose of this record is to protect Owner's interests and support any claim for a Warrantable Failure.

Owner is responsible for the operation and maintenance of the engine as specified in Cummins Operation and Maintenance Manuals.

Owner is responsible for communication expenses, meals, lodging and similar costs incurred by Owner as a result of a Warrantable Failure. Owner is responsible for non-engine repairs and for "down time" expenses, cargo damage and all business costs and losses resulting from a Warrantable Failure. CUMMINS IS NOT RESPONSIBLE FOR INCIDENTAL OR CONSEQUENTIAL DAMAGES.

LIMITATIONS

Cummins is not responsible for failures resulting from Owner or Operator abuse or neglect, such as: operation without adequate coolant, fuel or lubricants; overfueling; overspeeding; lack of maintenance of lubricating, cooling or air intake systems; improper storage, starting, warm-up, run-in or shutdown practices. Cummins is also not responsible for failures caused by incorrect fuel, or by water, dirt or other contaminants in the fuel.

Cummins does not warrant parts supplied by Cummins which bear the name of another company. These parts are warranted by their manufacturers and not by Cummins. This category of parts includes, but is not limited to: hydraulic pumps, alternators, starters, fans, air conditioning compressors, clutches, steering pumps, transmissions, torque converters, marine gears, air cleaners, filters and non-Cummins air compressors, power steering pumps, and engine compression brakes.

Parts provided may be new Cummins, Cummins approved rebuilt parts, or repaired parts. Cummins is not responsible for failures resulting from the use of parts not approved by Cummins.

Before a claim for excessive oil consumption will be considered, Owner must submit adequate documentation to show that consumption exceeds Cummins published standards.

This warranty does not apply to parts furnished by Cummins at no charge to the Owner.

INVEST IN THE BEST

Product Identification Information

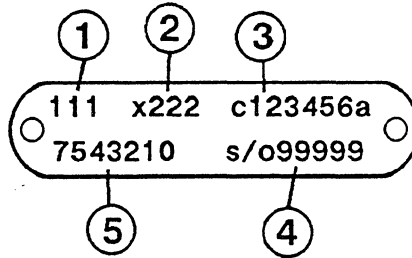
Data plates should be referred for parts identification.

1. ENGINE DATA PLATE

③	Engine No.	S.O. No. ①			
②	Model	Ref. No.			
	Advertised	Engine Cert	C.I.D.	Family	C.P.L. ④
	Conf. No.	Indent.			
	Date of mfg.	Warranty start date			
Manufactured by Cummins Engine Co.					

- 1. Shop order number
- 2. Model designation
- 3. Engine serial number
- 4. Control parts list

2. FUEL PUMP DATA PLATE



- 1. Control parts list number
- 2. Calibration code
- 3. Serial number
- 4. Top level number
- 5. Fuel pump assembly number

This catalog was compiled by Pat Vails in Parts Communications.

Customer Service Information

This customized Parts Catalog contains parts information for the following Cummins Engine Model(s):

NTA855-A370

D093585AX02

CPL 1194

SO 29259

Certain basic engine components have been matched to give optimum performance to your engine. The part numbers listed in this catalog for these components are for the above engine configuration. When ordering any of the Control Parts List (CPL) components listed below, please order by part description and engine serial number. Reference to the CPL number stamped on the engine data (name) plate will also help identify the proper service parts for your engine.

Control Parts List (CPL) Components

Aftercooler	Page 53	Piston, engine	Page 65
Camshaft	Page 62	Turbocharger	Page 73
Cylinder Head	Page 69	Exhaust, manifold	Page 77
Injector	Page 71		

USER INFORMATION

- . Parts numbers appearing in () are for identification purposes only and should not be used when ordering service replacement parts.
- . The reference numbers appearing on the art pages is for publication use only.
- . Assembly content is shown by part number indentation.
- . Options are engineered production part groupings, specifically used for compiling engine orders.
- . Option numbers are for reference only and are not sold for service.
- . Use assembly and not option content to determine service parts replacement.

ALWAYS SPECIFY ENGINE MODEL AND SERIAL NUMBER WHEN ORDERING PARTS FROM THIS CATALOG

Engine Model _____ Engine Serial No. _____

MFG Make _____ Model _____ Chassis No. _____

Fuel Pump Assembly No. _____ Injector No. _____

Belt, Fan _____ Belt, Water Pump _____ Belt, Gen. _____

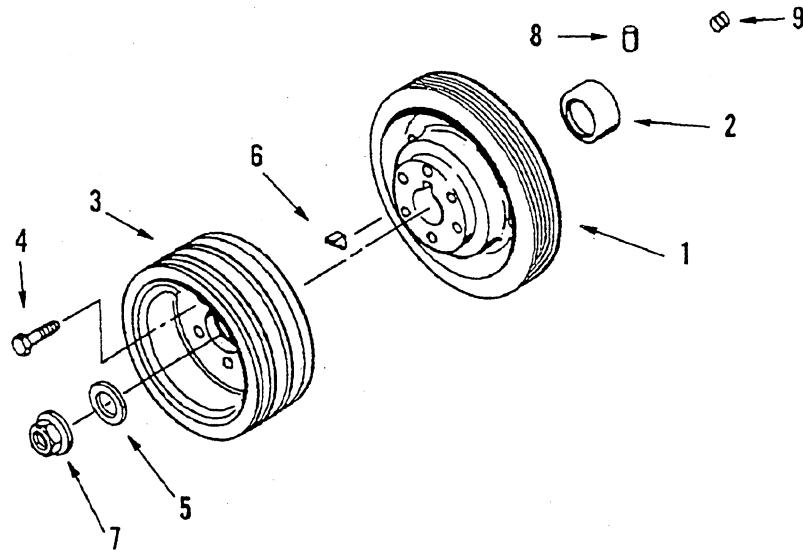
Element, Fuel Filter _____ Full Flow Lub. Filter _____

Air Cleaner _____ By-Pass Lub. Filter _____

Special Equipment

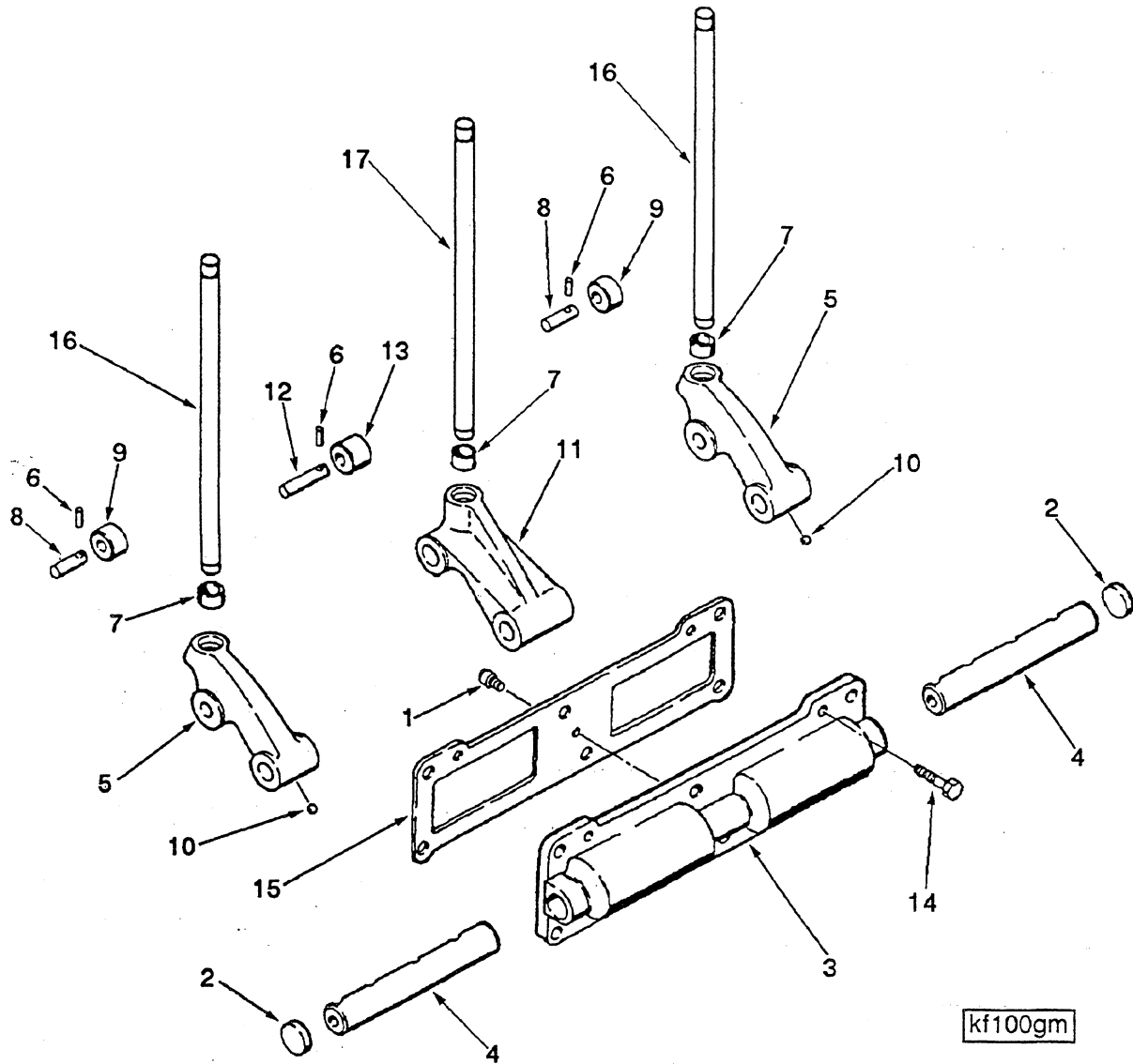
Table of Contents

	Page No.		Page No.
Accessory Drive	33	Piston Rings	65
Accessory Drive Pulley	2	Rocker Lever Housing	15
AFC Assembly	41	Sets And Kits	89
Air Crossover/ Exhaust Manifold	77	Throttle Lever	80
Air Intake Intercooler	53	Turbocharger	73
Alternator Mounting Arrangement	25	Turbocharger Kits	75
Block Water Heater	22	Turbocharger Mounting	79
Breather And Valve Covers	21	Vibration Damper	23
Cam Follower Housing	5	Water Header Cover	18
Camshaft	62	Water Inlet Connection	84
Connecting Rod	65	Water Manifold	85
Corrosion Resistor	83	Water Outlet Connection	86
Cover & Weight Assembly	39	Water Pump/Idler Gear	17
Crankshaft	7	Option Number Index	A-1
Crosshead	66	Part Number Index	B-1
Cylinder Block	9		
Cylinder Head	69		
Cylinder Kit	65		
Cylinder Liner Kit	10		
Exhaust Mounting	83		
Fan Arrangement	29		
Fan Bracket Support	29		
Fan Spacer	76		
Fan Support	29		
Flywheel	49		
Front Engine Support	27		
Fuel Crossover	11		
Fuel Filter	30		
Fuel Gear Pump	40		
Fuel Pump	34		
Fuel Pump Damper	44		
Fuel Pump Housing	37		
Fuel Tubing	47		
Fuel Valve	48		
Gasket Sets	87, 88		
Gear Cover	27		
Governor Spring Pack	43		
Injector	71		
Intake Manifold	53		
Lifting Bracket	27		
Lubricating Oil Cooler/ Filter	57, 59		
Main Bearings	7		
Manifold Pressure Tube	54		
Oil Fill Arrangement	31		
Oil Pan	61		
Oil Pan Mounting	61		
Oil Pump	51		
Piston	65		
Piston Cooling Nozzle	12		



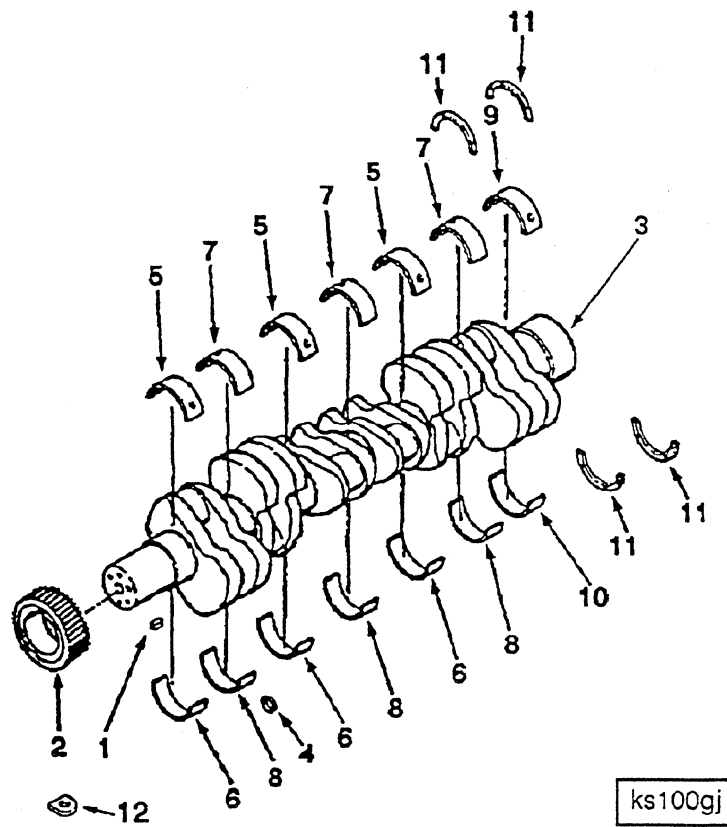
ad100gb

Ref No.	Part Number	Part Name	Req	Remarks
		ACCESSORY DRIVE PULLEY OPTION AD1116		
				One poly-vee groove on base pulley to drive water pump. Four grooves on add on pulley.
		MOUNTING PARTS		
1	3023473 (3013335)	Pulley, Accessory Drive	1	
2	190397	Sleeve, Wear	1	
3	3036449	Pulley, Accessory Drive	1	
4	175833	Capscrew, Hexagon Head	6	3/8 - 16 x 1 1/8 Inch
5	193136	Washer, Plain	1	1 3/4 Inch
6	3008947	Seal, Keyway	1	
7	3012526	Nut	1	7/8 Inch
8	70550	Dowel, Pin	1	
9	3013786	Plug, Pipe	1	

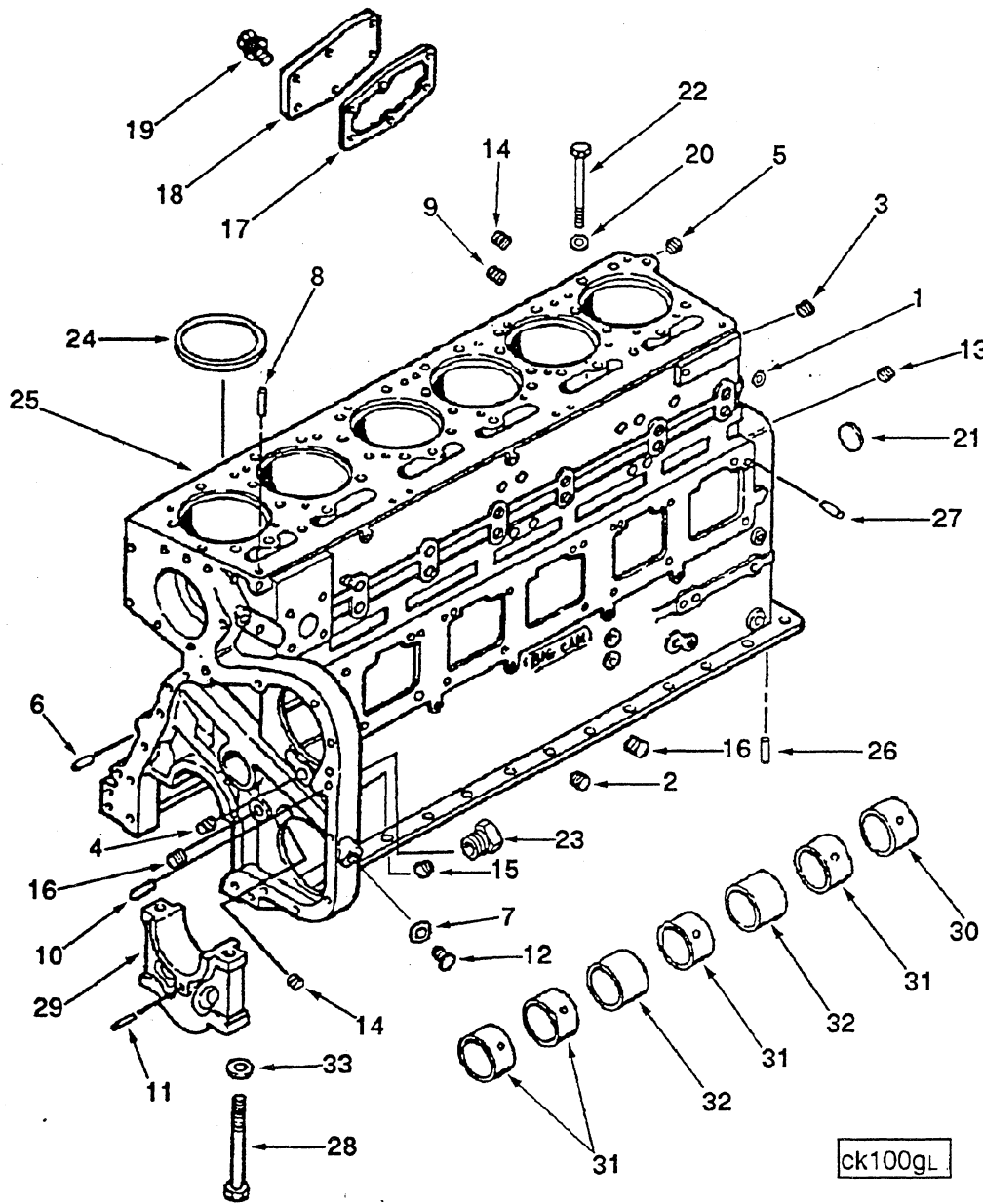


kf100gm

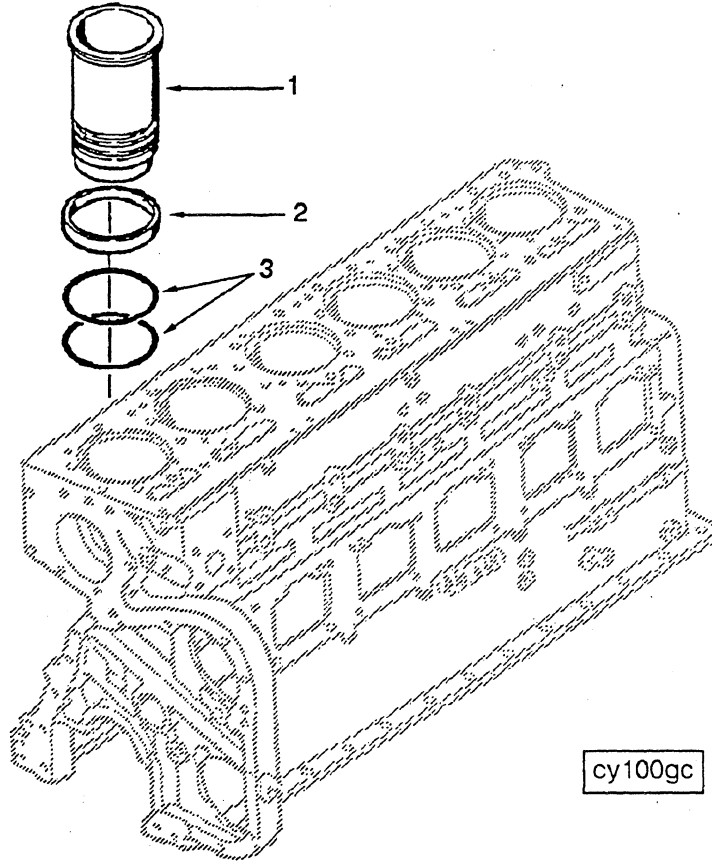
Ref No.	Part Number	Part Name	Req	Remarks
		CAM FOLLOWER HOUSING		
		OPTION BP1300		
	3036939	Assembly, Cam Fol. Hsg.	3	
1	69736	Screw, Lock	2	
2	3007634	Plug, Expansion	2	
3	3016887	Housing, Cam Follower	1	
4	3017031	Shaft, Cam Follower	2	
5	3056568	Lever, Cam Follower	4	
6	118939	Pin, Roll	1	
7	213559	Socket, Cam Follower	1	
8	3013331	Pin, Cam Follower Roller	1	
9	3036933	Roller, Cam Follower	1	
10	3056570	Plug, Ball	1	
11	3056569	Lever, Cam Follower	2	
6	118939	Pin, Roll	1	
7	213559	Socket, Cam Follower	1	
12	3013330	Pin, Cam Follower Roller	1	
13	3036934	Roller, Cam Follower	1	
		MOUNTING PARTS		
14	S-129	Capscrew, Hexagon Head	18	3/8 - 24 x 1 Inch
16	3046420	Rod, Push	12	
17	3046430	Rod, Push Injector	6	
		OPTION PP1194		
15	3041501	Gasket, Cam Follower Hsg.	3	CPL1194



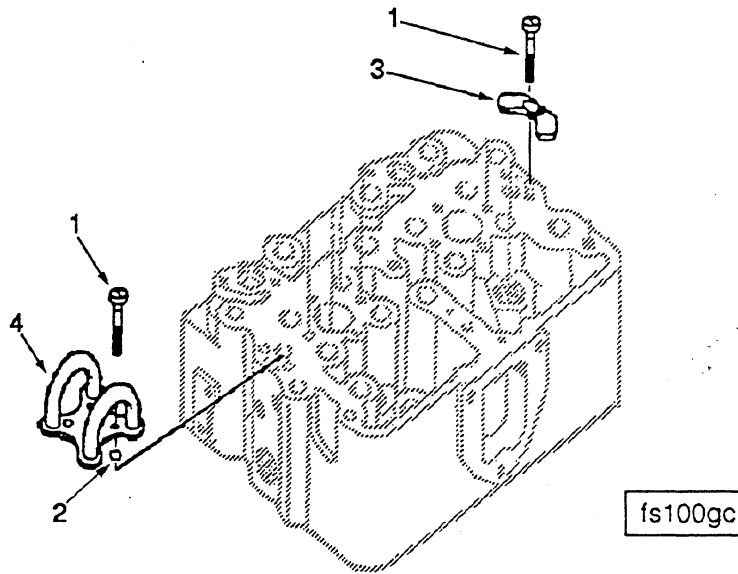
Ref No.	Part Number	Part Name	Req	Remarks
CRANKSHAFT				
OPTION BP1300				
1	210179	Key	1	
2	3014614	Gear	1	
3	3608833	Crankshaft	1	
MAIN BEARINGS				
4	3037045	Dowel, Ring	7	
	3801260	Set, Main Bearing	1	Standard
5	3019174	Bearing, Main	3	Upper 1, 3 and 5
6	3019180	Bearing, Main	3	Lower 1, 3 and 5
7	3019186	Bearing, Main	3	Upper 2, 4 and 6
8	3019192	Bearing, Main	3	Lower 2, 4 and 6
9	3019198	Bearing, Main	1	Upper 7
10	3019204	Bearing, Main	1	Lower 7
11	3019218	Bearing, Thrust	4	
12	3009213	Lockplate	14	
	3801261	Set, Main Bearing	1	0.010 Inch Oversize
	3801262	Set, Main Bearing	1	0.020 Inch Oversize
	3801263	Set, Main Bearing	1	0.030 Inch Oversize
	3801264	Set, Main Bearing	1	0.040 Inch Oversize



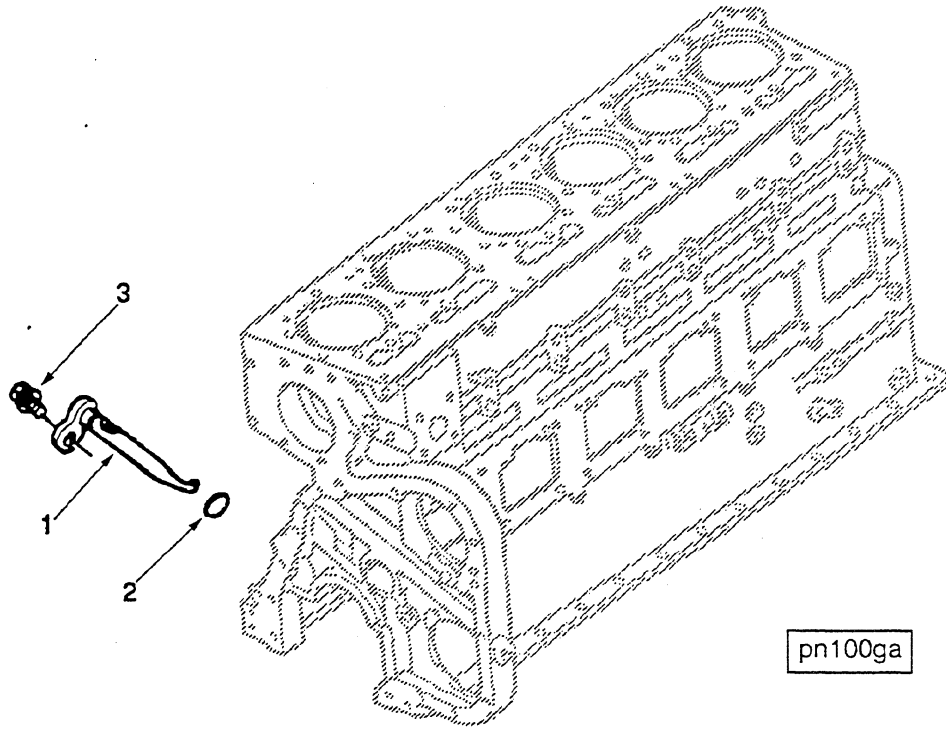
Ref No.	Part Number	Part Name	Req	Remarks
		CYLINDER BLOCK OPTION BP1300		
	3801743	Block, Cylinder	1	
1	S-679	Washer, Plain	1	
2	S-716	Plug, Expansion	1	
3	S-719	Plug, Expansion	1	1 Inch
4	S-911-B	Plug, Pipe	2	1/8 Inch
5	S-966-E	Plug, Pipe	1	1 Inch
6	60408	Dowel	3	
7	66292	Washer, Plain	1	
8	68445	Pin, Groove	6	
9	69901	Plug, Pipe	9	1/8 Inch
10	70653	Dowel	1	
11	202903	Pin, Roll	2	
12	210884	Plug, Threaded	1	
13	3008466	Plug, Pipe	2	1/4 Inch
14	3008468	Plug, Pipe	5	1/2 Inch
15	3008469	Plug, Pipe	2	3/4 Inch
16	3013786	Plug, Pipe	6	3/8 Inch
17	70089-1	Gasket, Cover Plate	1	
18	132019	Cover, Water Header	1	
19	3013904	Capscrew, Captive Washer	6	1/4 - 20 x 5/8 Inch
20	69699	Washer, Plain	36	
21	3011952	Plug, Expansion	1	
22	3013623	Capscrew, Hexagon Head	36	11/16-16 x 7 3/8 Inch
23	3046202	Plug, Threaded	1	
24	3054947	Ring, Liner Seal	A/R	0.0195 Inch (black)
24	3054948	Ring, Liner Seal	6	0.0205 Inch (white)
24	3054949	Ring, Liner Seal	A/R	0.0215 Inch (orange)
24	3019959	Ring, Liner Seal	A/R	0.031 Inch
24	3019960	Ring, Liner Seal	A/R	0.062 Inch
25	(3060622)	Block, Cylinder	1	
26	67211	Dowel, Rear Main	2	
27	68585	Dowel, Pin	6	
28	208346	Capscrew, Hexagon	14	3/4-16 x 6 5/8 Inch
29	3008047	Cap, Main Bearing	3	No. 1,3, and 5
29	3008048	Cap, Main Bearing	3	No. 2, 4, and 6
29	3008049	Cap, Main Bearing	1	No. 7 only
	3801106	Kit, Camshaft Bushing	1	
30	3011951	Bushing, Camshaft	1	No. 7
31	3028075	Bushing, Camshaft	4	No. 1, 2, 4, and 6
32	3028269	Bushing, Camshaft	2	No. 3 and 5
33	3046246	Washer, Plain	14	



Ref No.	Part Number	Part Name	Req	Remarks
CYLINDER LINER KIT OPTION BP1300				
1	3801826 (3055099)	Kit, Cylinder Liner	6	
2	215090	Liner, Cylinder	1	
3	3032874	Seal, Crevice	1	
		Seal, O-ring	2	

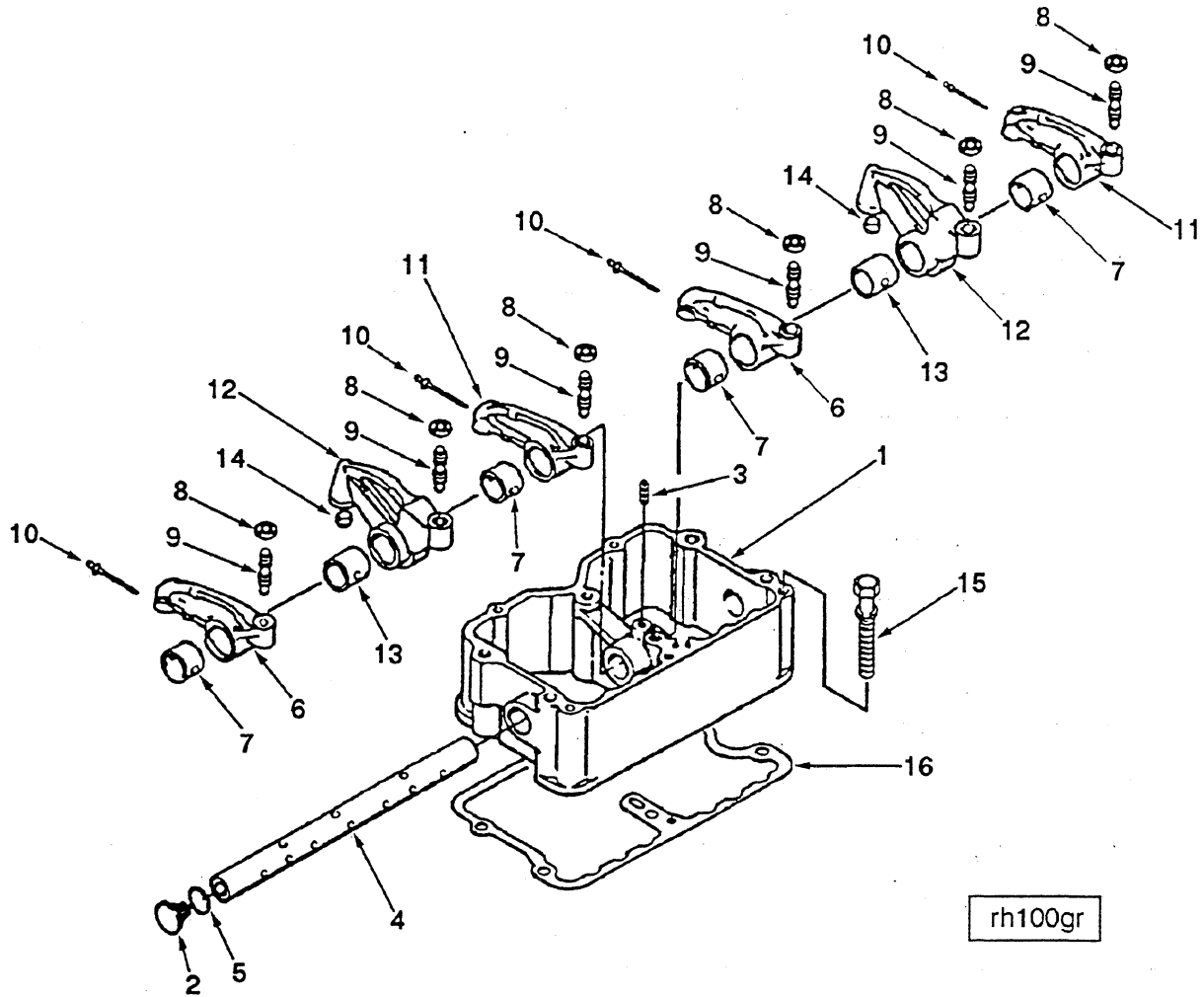


Ref No.	Part Number	Part Name	Req	Remarks
FUEL CROSSOVER OPTION BP1300				
1	70772	Capscrew, Springtite	12	1/4-20 x 1/2 Inch
2	131026	Seal, O-ring	12	
3	135308	Plate, Cover	2	
4	147100	Crossover, Fuel Con.	2	



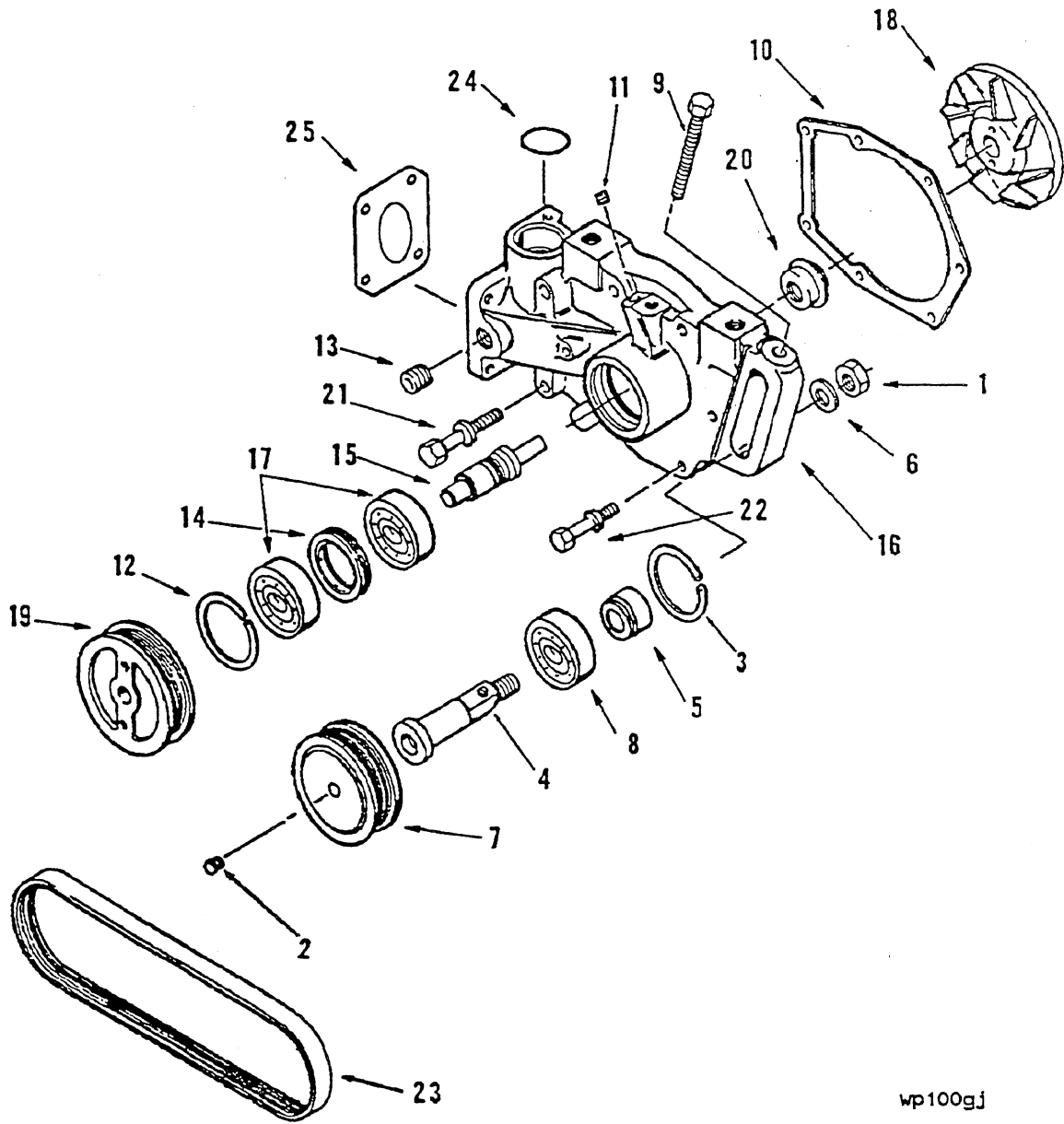
pn100ga

Ref No.	Part Number	Part Name	Req	Remarks
PISTON COOLING NOZZLE OPTION BP1300				
1	3014404	Assembly, Piston Nozzle	6	
	3013591	Nozzle, Piston Cooling	1	
	(3013590)	Nozzle, Piston Cooling	1	
2	3007442	Seal, O-ring	1	
3	3033822	Capscrew, Captive Washer	1	5/16 -24 x 5/8 Inch



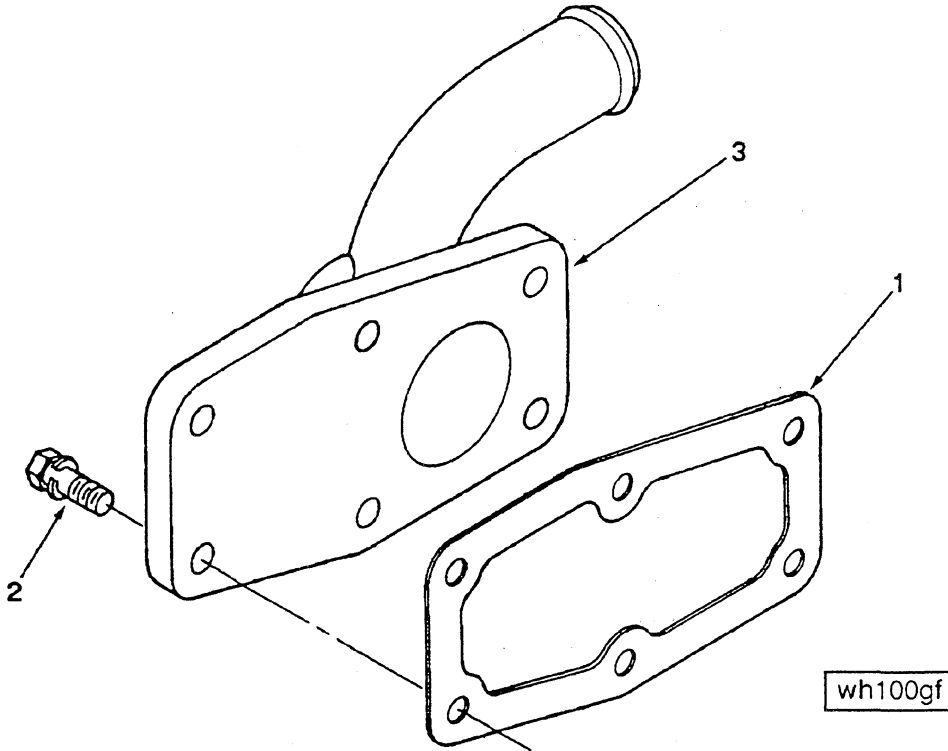
rh100gr

Ref No.	Part Number	Part Name	Req	Remarks
		ROCKER LEVER HOUSING		
		OPTION BP1300		
	3044788	Assembly, Rocker Housing	3	
1	3044787	Housing, Rocker Lever	1	
2	3038903	Plug	2	
3	168319	Screw, Rocker Lever Shaft	1	
4	3038904	Shaft, Rocker Lever	1	
5	3058653	Seal, O-ring	2	
6	BM-95162	Lever, Rocker	2	
7	140330	Bushing, Lever	1	
8	S-212	Nut, Adjusting Screw	1	
9	168306	Screw, Adjusting	1	
10	208084	Rivet, Blind	1	
11	BM-95161	Lever, Rocker	2	
7	140330	Bushing, Lever	1	
8	S-212	Nut, Adjusting Screw	1	
9	168306	Screw, Adjusting	1	
10	208084	Rivet, Blind	1	
12	AR-02308	Lever, Injector Rocker	2	
13	218153	Bushing, Lever	1	
14	194037	Socket	1	
8	S-212	Nut, Adjusting Screw	1	
9	168306	Screw, Adjusting	1	
15	3010589	Capscrew, Captive Washer	6	
16	3017750	Gasket, Rocker Lever Hsg	1	

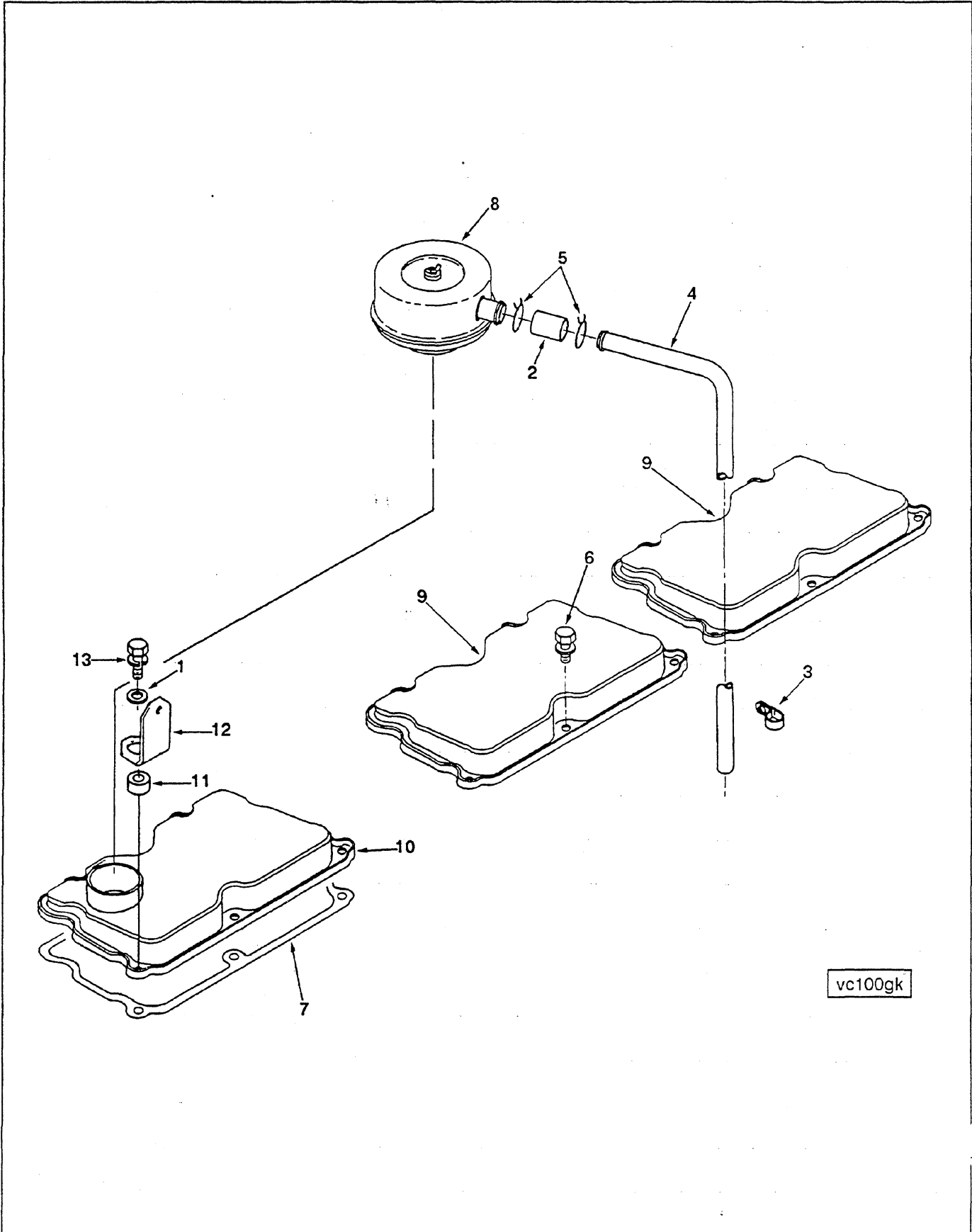


wp100gj

Ref No.	Part Number	Part Name	Req	Remarks
		WATER PUMP/IDLER GEAR OPTION BP1300		
	3064919	Assembly, Water Pump Idler		
1	S-201	Nut, Heavy Hexagon	1	
2	S-965-E	Plug, Pipe	1	
3	S-16255	Ring, Retaining	1	
4	3050396	Shaft, Idler	1	
5	3050395	Spacer, Mounting	1	
6	213082	Washer, Plain	1	
7	215397	Pulley, Idler	1	
8	3063246	Bearing, Ball	1	
9	182706	Capscrew, Hexagon Head	1	1/2-13 x 5 5/8 Inch
	3801708	Kit, Water Pump	1	
10	3002385	Gasket, Water Pump	1	
	(3051408)	Assembly, Water Pump		
11	S-911-B	Plug, Pipe	2	1/8 Inch
12	S-16255	Ring, Retaining	1	
13	3013786	Plug, Pipe	1	3/8 Inch
14	196844	Spacer, Bearing	1	
15	3050394	Shaft, Water Pump	1	
16	3045163	Body, Water Pump	1	
17	3063246	Bearing, Ball	2	
18	3000888	Impeller, Water Pump	1	
19	3025861	Pulley, Water Pump	1	
20	3033677	Assembly, Seal and Seat	1	
24	43463-A	Seal, O-ring	1	
25	3024960	Gasket, Connection	1	
		MOUNTING PARTS		
21	3012469	Capscrew, Captive Washer	2	3/8-24 x 3 1/4 Inch
22	3012468	Capscrew, Captive Washer	4	3/8-24 x 2 1/4 Inch
23	217638	Belt, V-ribbed	1	
		WATER PUMP REPAIR KITS		
	3801710	Kit, Wtr Pump Repair Minor	1	
3	S-16255	Ring, Retaining	1	
24	43463-A	Seal, O-ring	1	
17	3063246	Bearing, Ball	2	
10	3002385	Gasket, Water Pump	1	
25	3024960	Gasket, Connection	1	
20	3033677	Assembly, Seal and Seat	1	
	3801712	Kit, Wtr Pump Repair Major	1	
14	196844	Spacer, Bearing	1	
18	3000888	Impeller, Water Pump	1	
15	3050394	Shaft, Water Pump	1	
	3801710	Kit, Wtr Pump Repair Minor	1	

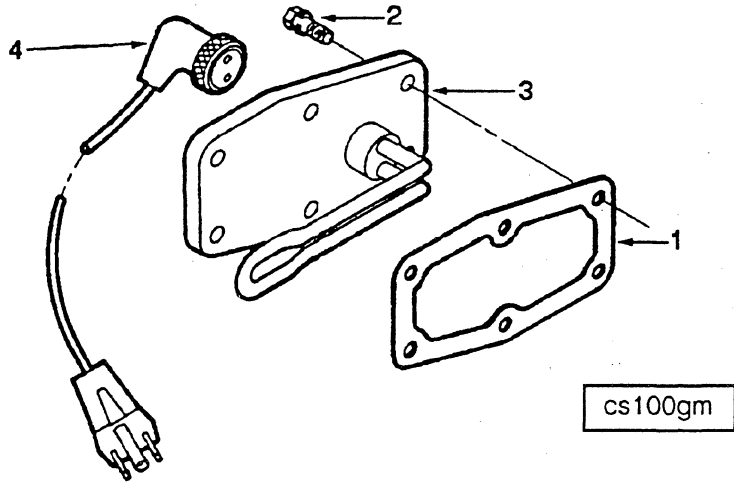


Ref No.	Part Number	Part Name	Req	Remarks
WATER HEADER COVER				
OPTION BP1758				
1	70089-1	Gasket, Water Header	1	Rear water header cover with outlet for aftercooler supply. Not compatible with hotstart plumbing. For BCIII engines.
2	3011342	Screw, Captive Washer Cap	6	
3	3028288	Connection, Water Outlet	1	

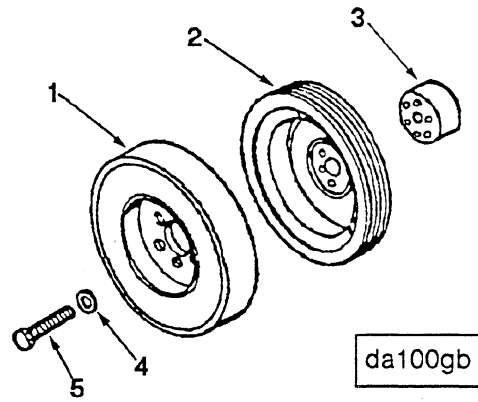


vc100gk

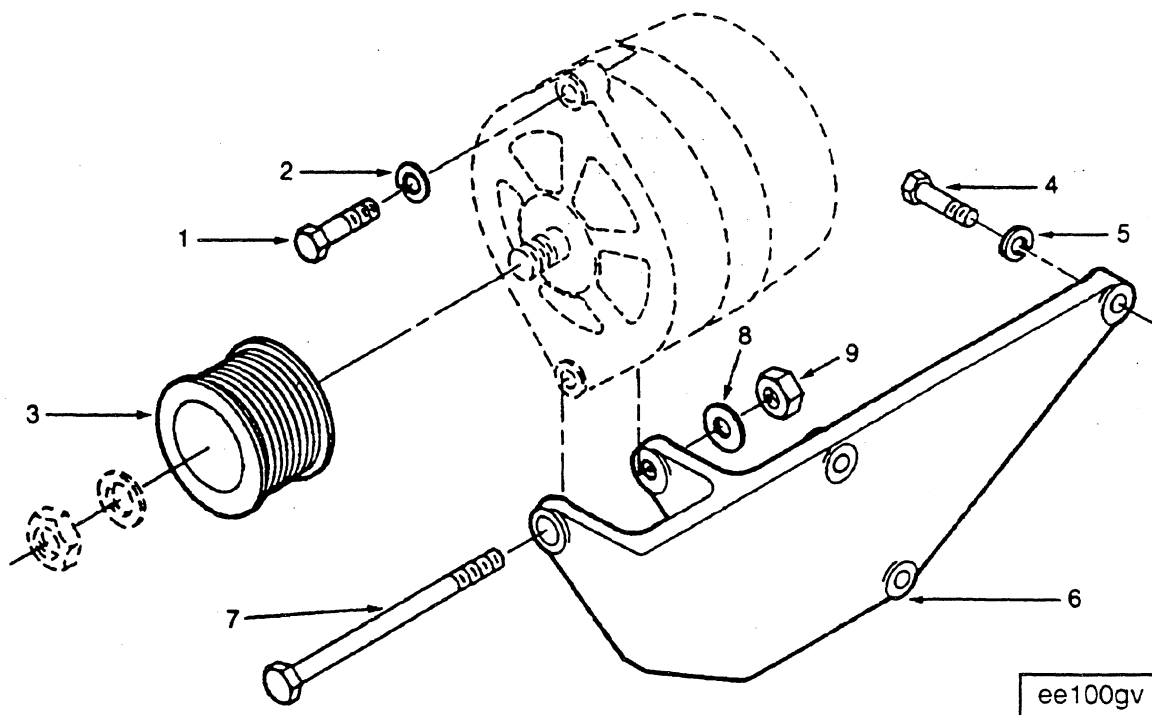
Ref No.	Part Number	Part Name	Req	Remarks
		BREATHER AND VALVE COVERS OPTION BR1175		Engine valve covers with breather only. Breather located over number one cylinder. Includes 3068056 mounting to support 3068057 water transfer tube. Use with IM1185.
1	S-622	Washer, Plain	1	
2	64775	Hose, Plain	1	
3	100269	Clip	1	
4	204152	Tube, Vent	1	
5	3008596	Clamp, Spring	2	
6	3038076	Screw, Captive Washer Cap	14	3/8 - 16 x 15/16 inch
7	3054841	Gasket, Valve Cover	3	
8	255180	Breather, Crankcase	1	
9	3006183	Cover, Rocker Lever	2	
10	3006188	Cover, Rocker Lever	1	
11	63385	Spacer, Water Conn	1	
12	3010564	Brace, Tube	1	
13	3012472	Screw, Captive Washer Cap	1	3/8 - 16 x 1 - 1/2 inch



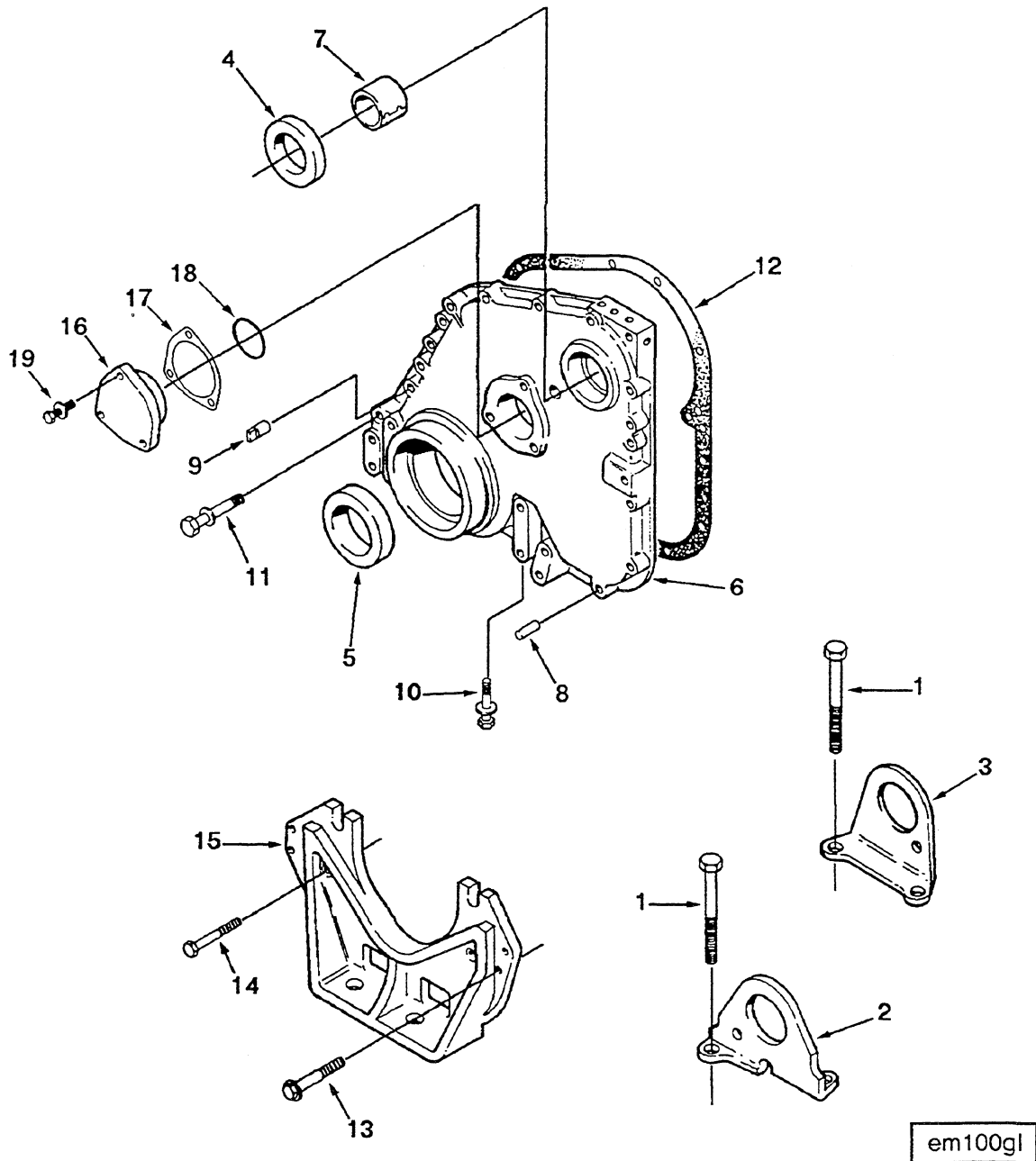
Ref No.	Part Number	Part Name	Req	Remarks
BLOCK WATER HEATER				
OPTION CS1051				
1	70089-1	Gasket, Cover Plate	1	Block water heater, 115 volt, 1500 watts. Mounts in front water header port. Includes 12 inch cord.
2	3013904	Screw, Captive Washer Cap	6	
3	3832162	Heater, Engine	1	
4	3913106	Cable, Engine Heater	1	



Ref No.	Part Number	Part Name	Req	Remarks
VIBRATION DAMPER OPTION DA1183				
1	217323	Damper, Vibration	1	Large vibration damper and fan drive pulley 10.62 inches (270 MM) diameter. For use with the fixed center fan arrangements.
2	3058488	Adapter, Crankshaft	1	
3	3062641	Pulley, Crankshaft	1	
4	127316	Washer, Plain	6	
5	213883	Screw, Head Locking Cap	6	

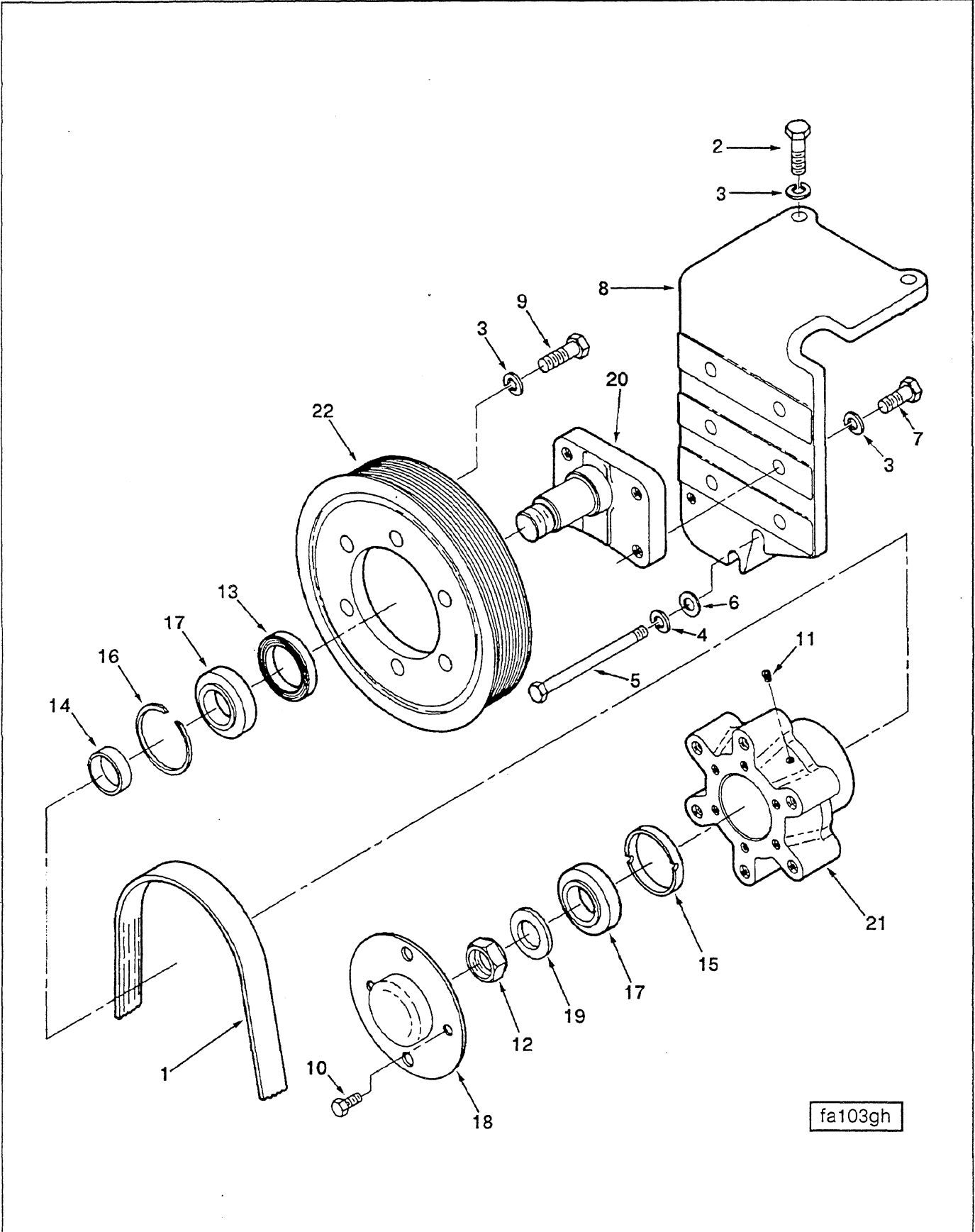


Ref No.	Part Number	Part Name	Req.	Remarks
		ALTERNATOR MOUNTING ARRANGEMENT OPTION EE1191		Alternator mounting arrangement for A 12 VOLT/120A small frame Nippondenso alternator when used with new fixed fan drive arrangement.
1	S-155	Screw, Hexagon Head Cap	1	7/16-14 x 1 1/2 inch \
2	S-610	Washer, Lock	1	
3	3065954	Pulley, Alternator	1	
4	S-174-B	Screw, Hexagon Head Cap	3	3/8-16 x 1 3/8 Inch
5	S-604	Washer, Lock	3	
6	3065953	Support, Alternator	1	
7	S-151	Screw, Hexagon Head Cap	1	7/16-14 x 6 Inch
8	3042330	Washer, Plain	1	
9	555273	Nut, Lock	1	

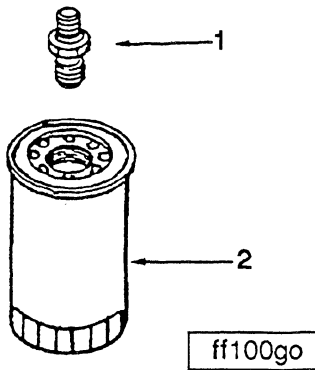


em100gl

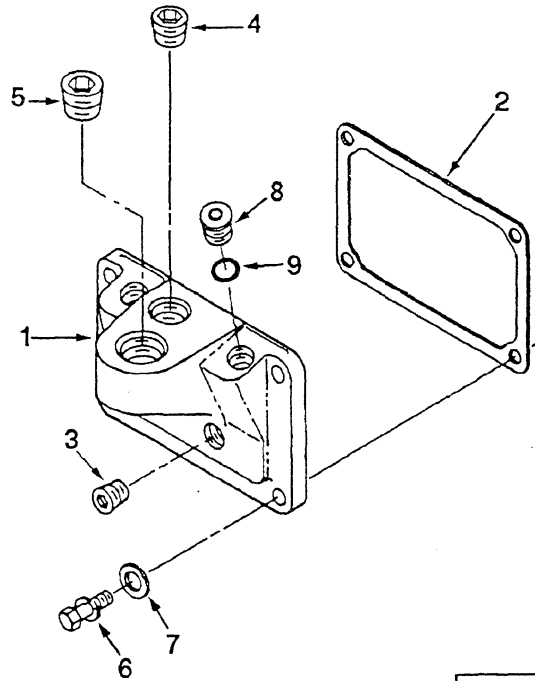
Ref No.	Part Number	Part Name	Req	Remarks
		GEAR COVER OPTION EM1271		Narrow span two hole pad type front support with mounting surface located 8 in (203MM) below crank center line. Usually used with soft type mounting. Includes bare engine lifting brackets and plain aluminum gear cover. Lifting brackets located between front and middle rocker arm cover and at back of rear rocker arm cover. Includes cast-in oil transfer tube.
		LIFTING BRACKET		
1	S-176	Capscrew	4	1/2 - 13 x 5 Inch
2	170226	Bracket, Lifting	1	
3	3001726	Bracket, Lifting	1	
4	3020185	Seal, Oil	1	
5	3020186	Seal, Oil	1	
		GEAR COVER		
6	3052534	Cover, Gear	1	
	(3048033)	Cover, Gear	1	
7	132770	Bushing	1	
8	60408	Dowel, Pin	1	
9	70653	Dowel, Pin	1	
10	3011712	Screw, Captive Washer Cap	11	7/16 - 20 x 2 3/16 Inch
11	3011714	Screw, Captive Washer Cap	3	7/16 - 20 x 3 Inch
12	3065115	Gasket, Gear Cover	1	
		FRONT ENGINE SUPPORT		
13	3054889	Capscrew, Hexagon Head	6	7/16 - 20 x 2 3/4 Inch
14	3058664	Screw, Hexagon Head Cap	2	7/16 - 20 x 2 1/2 Inch
15	3063029	Support, Front Engine	1	
		OPTION PP1194		
16	3008530	Support, Camshaft Thrust	1	
	3060301	Assembly, Thrust Shim	1	
17	65259-A	Shim	1	0.010 Inch
17	65259-B	Shim	1	0.050 Inch
17	65259-C	Shim	1	0.020 Inch
17	185573	Shim	1	0.025 Inch
18	215705	Seal, O-ring	1	
19	3011715	Screw, Captive Washer Cap	3	3/8 - 16 x 1 3/16 Inch



Ref No.	Part Number	Part Name	Req	Remarks
		FAN ARRANGEMENT		
		OPTION FA1316		
1	3064957	Belt, V Ribbed	1	1.1:1 ratio 12.0 inch fan center crank driven fixed center triangular fan drive arrangement. Driven by 12 rib "K" section polyrib belt and tensioned by the alternator.
		FAN BRACKET SUPPORT		
2	S-149-B	Screw, Hexagon Head Cap	2	1/2 - 20 x 1 1/2 Inch
3	S-608	Washer, Lock	2	
4	S-610	Washer, Lock	2	
5	117897	Screw, Cap	2	7/16 - 20 x 5 1/4 Inch
6	3042330	Washer, Plain	2	
		FAN SUPPORT		
7	S-145	Screw, Hexagon Head Cap	4	1/2 - 13 x 1 1/4 Inch
3	S-608	Washer, Lock	4	
8	3063028	Support, Fan	1	
	3064949	Assembly, Fan Hub	1	
9	S-113	Screw, Hexagon Head Cap	6	1/2 - 13 x 1 1/2 Inch
10	S-117	Screw, Hexagon Head Cap	2	3/8 - 16 x 3/4 Inch
3	S-608	Washer, Lock	6	
11	S-911-B	Plug, Pipe	2	
12	142176	Nut, Lock	1	
13	200307	Seal, Oil		
14	217008	Spacer, Bearing	1	
15	217011	Spacer, Bearing	1	
16	3001280	Ring, Retaining	1	
17	3001281	Bearing, Roller	2	
18	3008883	Cover, Protective	1	
19	3012467	Washer, Plain	1	
20	3062639	Shaft, Fan Hub	1	
21	3062645	Hub, Fan	1	
22	3066516	Pulley, Fan	1	

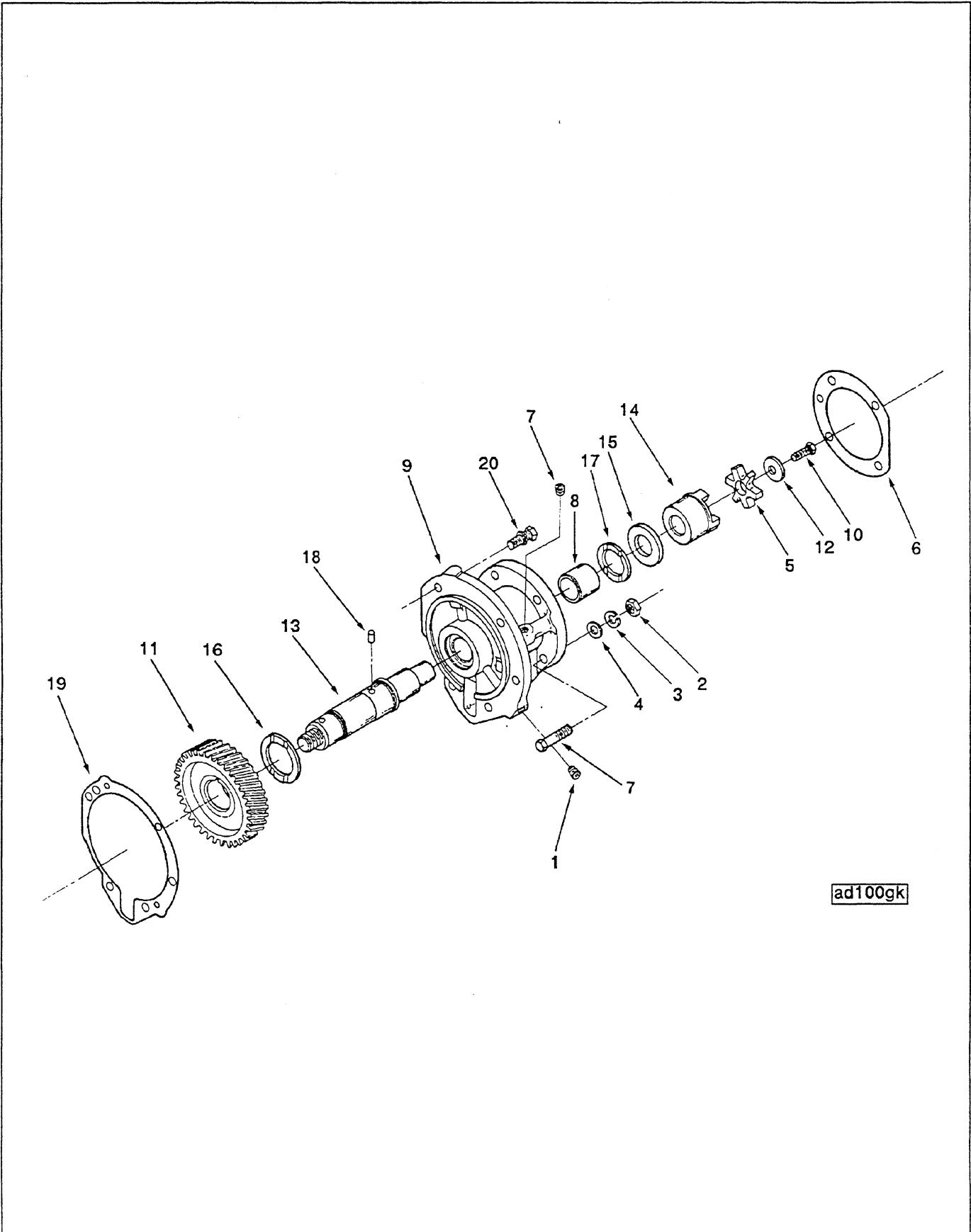


Ref No.	Part Number	Part Name	Req	Remarks
		FUEL FILTER OPTION FF1069		
1	129866	Union, Male	1	Single spin on water separator fuel filter with straight inlet fitting mounted on rear of fuel pump. FS1212 Fleetguard
2	3831132	Filter, Fuel	1	

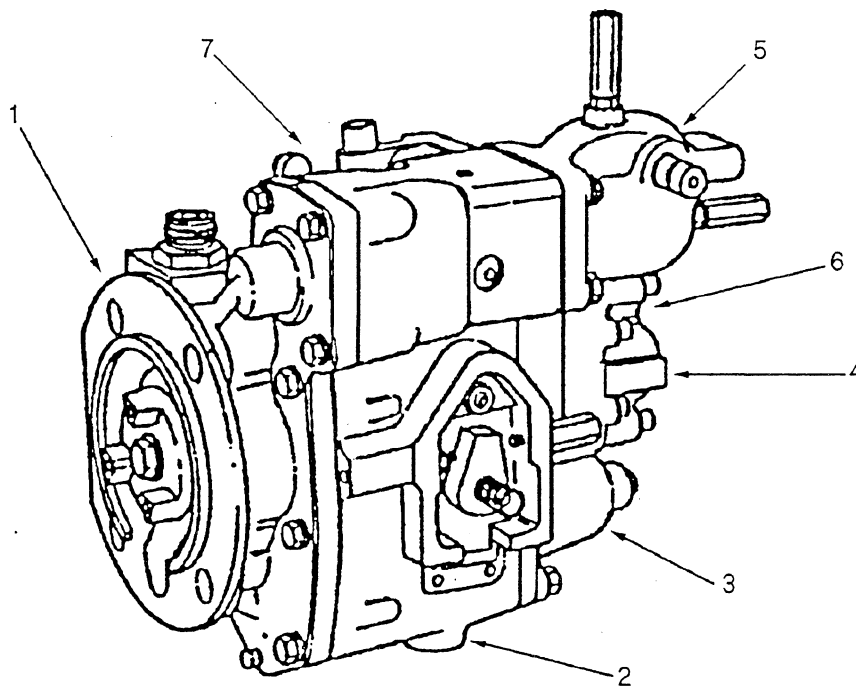


fo100gb

Ref No.	Part Number	Part Name	Req	Remarks
		OIL FILL ARRANGEMENT OPTION FO1036		
1	3031279	Cover, Hand Hole	1	Universal hand hole cover with provision for compression type dipstick in rear location. Must specify oil fill in breather option unless customer supplies a remote oil fill to 1.0 inch NPT tap in hand hole cover.
2	65274	Gasket, Hand Hole Cover	1	
3	3008468	Plug, Pipe	2	
4	3008469	Plug, Pipe	1	
5	3008470	Plug, Pipe	1	
6	3010596	Screw, Captive Washer Cap	4	
7	3042329	Washer, Plain	4	
8	3046202	Plug, Threaded	1	
9	3046201	Seal, O-ring	1	

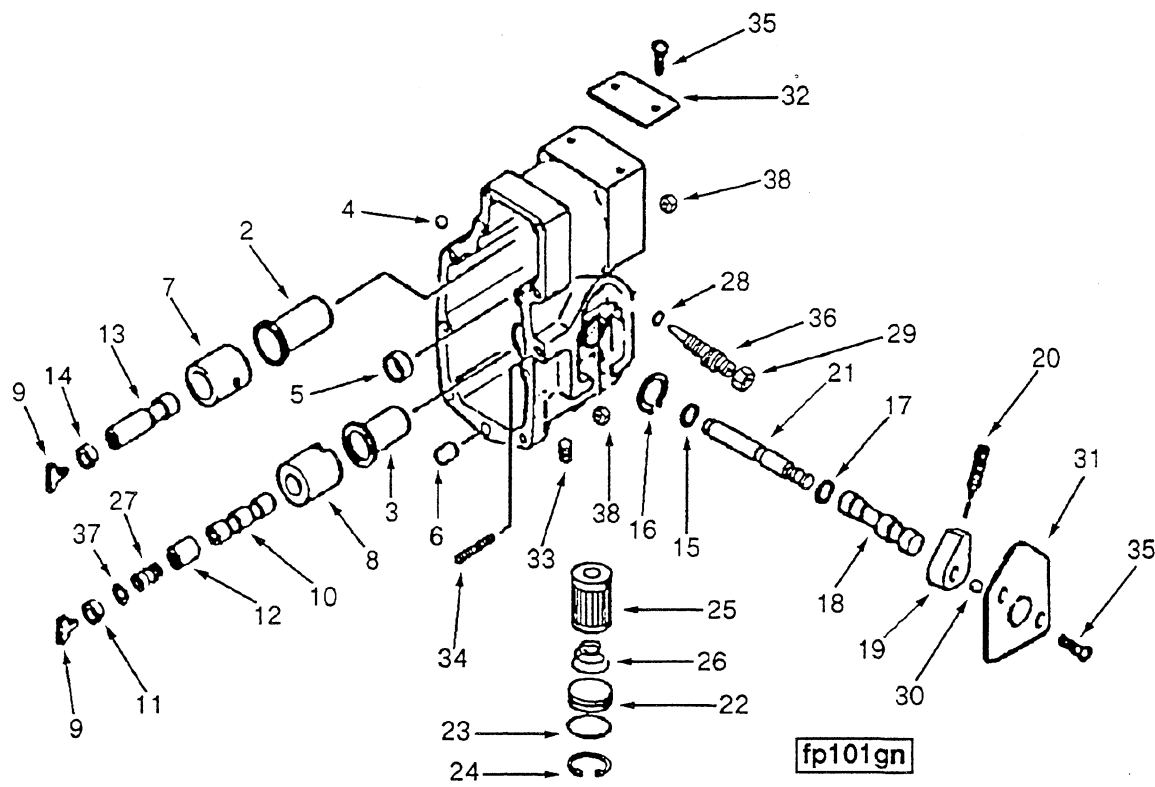


Ref No.	Part Number	Part Name	Req	Remarks
		ACCESSORY DRIVE OPTION FP1519		Accessory drive sub option used on 855 series when no compressor is required. Includes hardened gear.
1	S-140	Screw, Hexagon Head Cap	4	7/16 - 14 x 1 3/4 Inch
2	S-274	Nut, Heavy Hexagon Jam	4	7/16 - 14
3	S-610	Washer, Lock	4	7/16
4	69324	Washer, Plain	4	7/16
5	3046200	Spider, Jaw Coupling	1	
6	3048341	Gasket, Fuel Pump	1	
7	S-911-B	Plug, Pipe	2	1/8 - 27 NPTF
8	116391	Bushing	1	
9	3002170	Support, Fuel Pump	1	
10	129510	Screw, Hexagon Head Cap	1	3/8 - 16 x 1 Inch
11	142689	Gear, Accessory Drive	1	
12	170664	Washer, Plain	1	
13	3000171	Shaft, Accessory Drive	1	
14	3000175	Hub, Jaw Coupling	1	
15	3014103	Washer, Plain	1	
16	3026556	Bearing, Thrust	1	
17	3026557	Bearing, Thrust	1	
18	3034438	Pin, Groove	1	
19	200809	Gasket, Acc Drive Support	1	
20	3010590	Screw, Captive Washer Cap	5	7/16 - 20 x 1.13 Inch

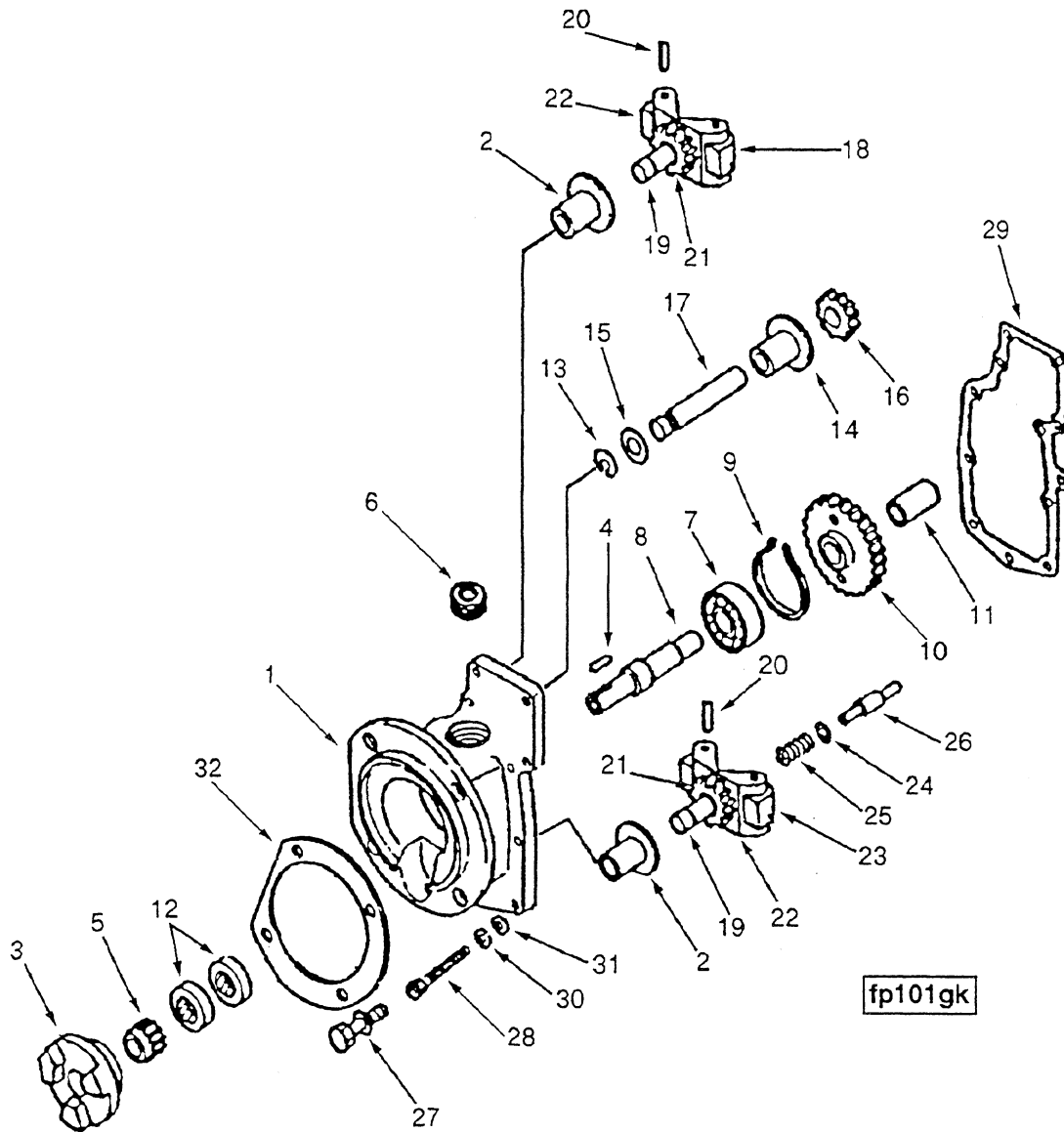


fp101gh

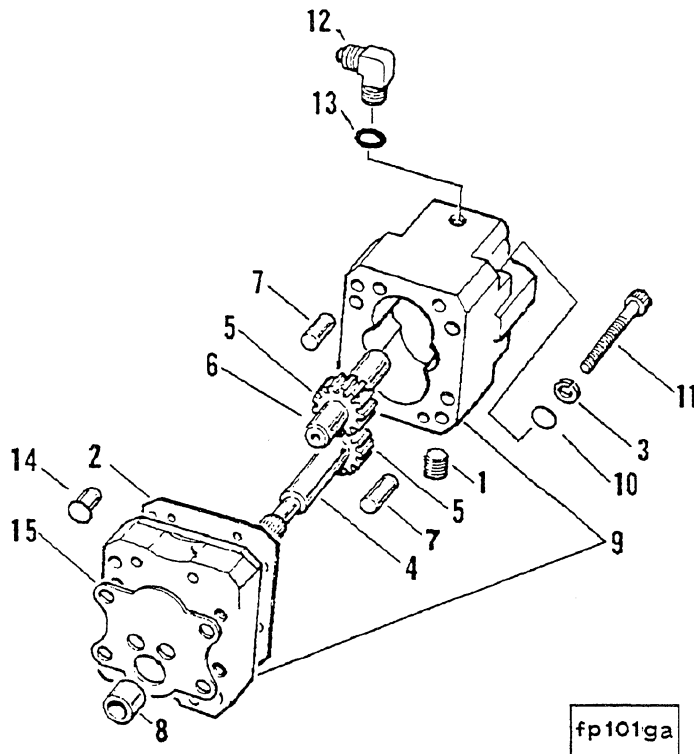
Ref No.	Part Number	Part Name	Req	Remarks
		FUEL PUMP		
		OPTION FP12306		
				PTG/VS/AFC less Tach Drive
				Fuel Code 9408
	3067129	Assembly, Fuel Pump	1	
1	3052863	Fuel Pump Front Cover	1	
2	3038668	Fuel Pump Housing	1	
3	44678	Spring Pack Cover	1	
4	3034217	Fuel Pump Gear Assembly	1	
5	3020523	VS Spring Pack	1	
6	BM-76340	Fuel Pump Damper	1	
7	3031298	AFC Assembly	1	
				Breakdown on following pages.



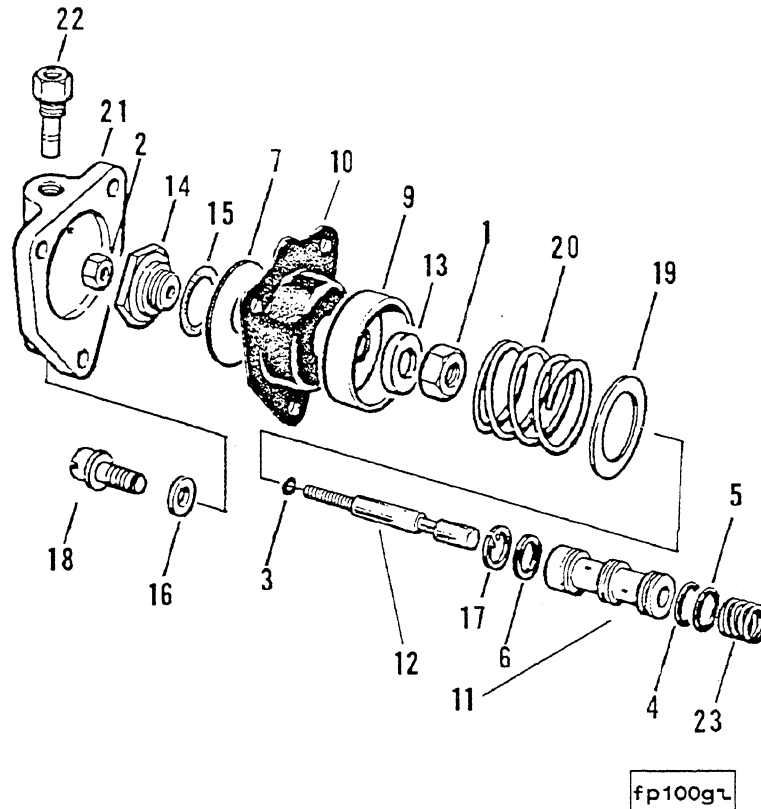
Ref No.	Part Number	Part Name	Req	Remarks
		FUEL PUMP HOUSING		
	3038668	Housing, Fuel Pump	1	
1	3025695	Body, Fuel Pump	1	
2	108384	Sleeve, Spring Pack	1	Upper
3	202682	Housing, Spring Pack	1	Lower
4	214139	Ball, Plug AFC	3	
5	100193	Bushing, Tachometer Drive	1	
6	118227	Dowel, Ring	2	
7	3001735	Barrel, Governor	1	
8	218548	Barrel, Governor	1	
	3040760	Plunger, Governor	1	
9	70690	Driver, Governor Plunger	1	
10	3040750	Plunger, Governor	1	
11	3027633	Bearing, Thrust	1	
12	3048557	Spacer, Bearing	1	
	AR40230	Plunger, Governor	1	
9	70690	Driver, Governor Plunger	1	
13	212350	Plunger, Governor	1	
14	3035230	Bearing, Thrust	1	
15	100478	Seal, O-Ring	1	
16	163945	Ring, Retaining	1	
17	213768	Seal, O-Ring	1	
18	3006175	Screw, Fuel Pump Adjusting	1	1/4 - 28 x 1 3/4 Inches
19	3006343	Stop, Throttle Lever	1	
20	3006344	Screw, Set Hex Flat S'K'T	2	1/4 - 28 x 3/8 Inch
21	3046680	Shaft, Throttle	1	
22	201007	Plug, Fuel Screen Return	1	
23	145504	Seal, O-Ring	1	
24	128807	Ring, Retaining	1	
25	146483	Screen, Filter	1	
26	70700	Spring, Compression	1	
27	3035823	Spring, Compression	1	
28	68061-A	Seal, O-Ring	1	
29	S-248	Nut, Regular Hexagon	1	
30	213769	Plug, Ball	1	
31	3000446	Cover, Fuel Control	1	
32	105375	Nameplate	1	
33	3025460	Plug, Pipe	3	
34	3046407	Screw, Socket Set	1	1/4 - 28 x 1 1/2 Inches
35	S-2286	Screw, Drive	4	
36	214144	Valve, Needle	1	
37	101841	Shim	A/R	.005 Inch
37	101842	Shim	A/R	.010 Inch
37	101843	Shim	A/R	.020 Inch
38	S-251	Nut, Regular Hexagon Jam	2	1/4 - 28



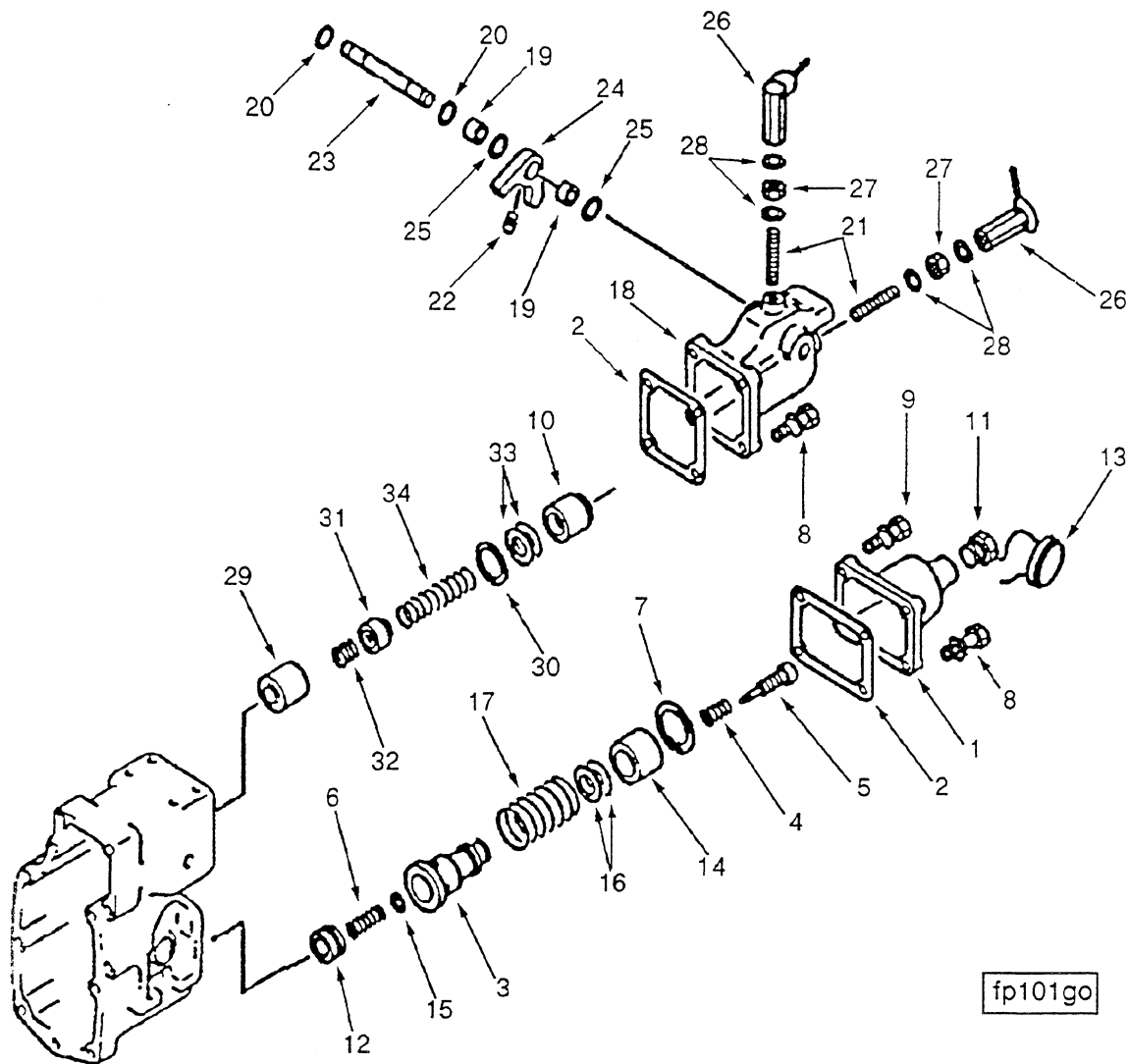
Ref No.	Part Number	Part Name	Req	Remarks
		COVER & WEIGHT ASSEMBLY		
				PTG/VS front cover without tach drive.
	3052863	Cover, Front Fuel Pump	1	
	3028370	Cover and Bushing	1	
1	3063055	Cover, Fuel Pump	1	
2	163944	Bushing	2	
3	212613	Hub, Jaw Coupling	1	
4	212668	Key, Drive Gear	1	
5	212602	Gear, Tachometer Drive	1	
6	3040815	Plug, Threaded	1	
	3028372	Main Drive Assembly	1	
7	S-16052	Bearing, Ball	1	
8	212601	Shaft, Fuel Pump Drive	1	
9	212604	Ring, Retaining	1	
10	212605	Gear, Fuel Pump	1	
11	212639	Adapter, Spline	1	
12	3062676	Seal, Oil	2	
	AR40147	Shaft, Idler Gear	1	
13	135169	Ring, Retaining	1	
14	201010	Bushing	1	
15	201745	Ring, Thrust	1	
	AR74273	Shaft, Gear	1	
16	113244	Gear, Idler	1	
17	201008	Shaft, Idler	1	
	3024989	Assembly, Upper Weight	1	
18	163826	Weight, Governor	1	
19	211633	Shaft, Governor	1	
20	211635	Pin, Governor	2	
21	211636	Gear, Governor	1	
22	3006550	Carrier, Governor	1	
	3024991	Assembly, Lower Weight	1	
23	146437	Weight, Governor	1	
19	211633	Shaft, Governor	1	
20	211635	Pin, Governor	2	
21	211636	Gear, Governor	1	
22	3006550	Carrier, Governor	1	
24	144179	Shim	7	
25	143855	Spring, Compression	1	
26	144178	Plunger, Gov Weight Assist	1	
27	3017051	Screw, Captive Washer Cap	8	1/4 - 20 x 1 1/8 Inches
28	118226	Screw, Socket Head Cap	1	3/16 - 24 x 1 1/4 Inches
29	200998	Gasket, Front Housing	1	
30	S-607	Washer, Lock	1	
31	103089	Washer, Plain	1	
32	3048341	Gasket, Fuel Pump	1	



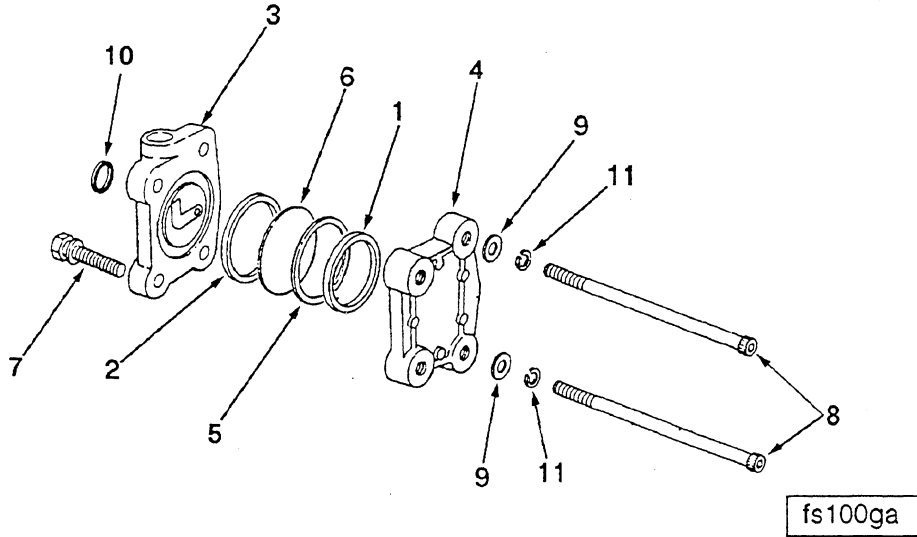
Ref No.	Part Number	Part Name	Req	Remarks
		FUEL GEAR PUMP		
	3034217	Assy., Fuel Pump Gear		3/4 inch gear pump.
1	3033742	Plug, Threaded	1	
2	110855	Gasket, Fuel Pump	1	
3	181466	Washer, Lock	2	
	3016609	Gear and Shaft	1	
4	100215	Shaft, Fuel Pump Drive	1	
5	119363	Gear, Fuel Pumping	1	
	3019616	Gear and Shaft	1	
5	119363	Gear, Fuel Pumping	1	
6	175864	Shaft, Fuel Pump Drive	1	
7	3029857	Pin, Roll	2	
8	3033719	Dowel, Ring	1	
9	3033732	Assy., Housing & Cover	1	
	(3033717)	Housing, Fuel Pump Gear	1	
	(3033722)	Cover, Fuel Pump Gear	1	
10	70704	Washer, Plain	2	
11	70790	Capscrew, Socket Head	2	
12	3033740	Valve, Check Ball Elbow	1	
13	(3050625)	Seal, O-Ring	1	
13	3034412	Seal, O-Ring	1	
14	3050624	Valve, Pressure Regulator	1	
15	3026163	Gasket, Fuel Pump	1	



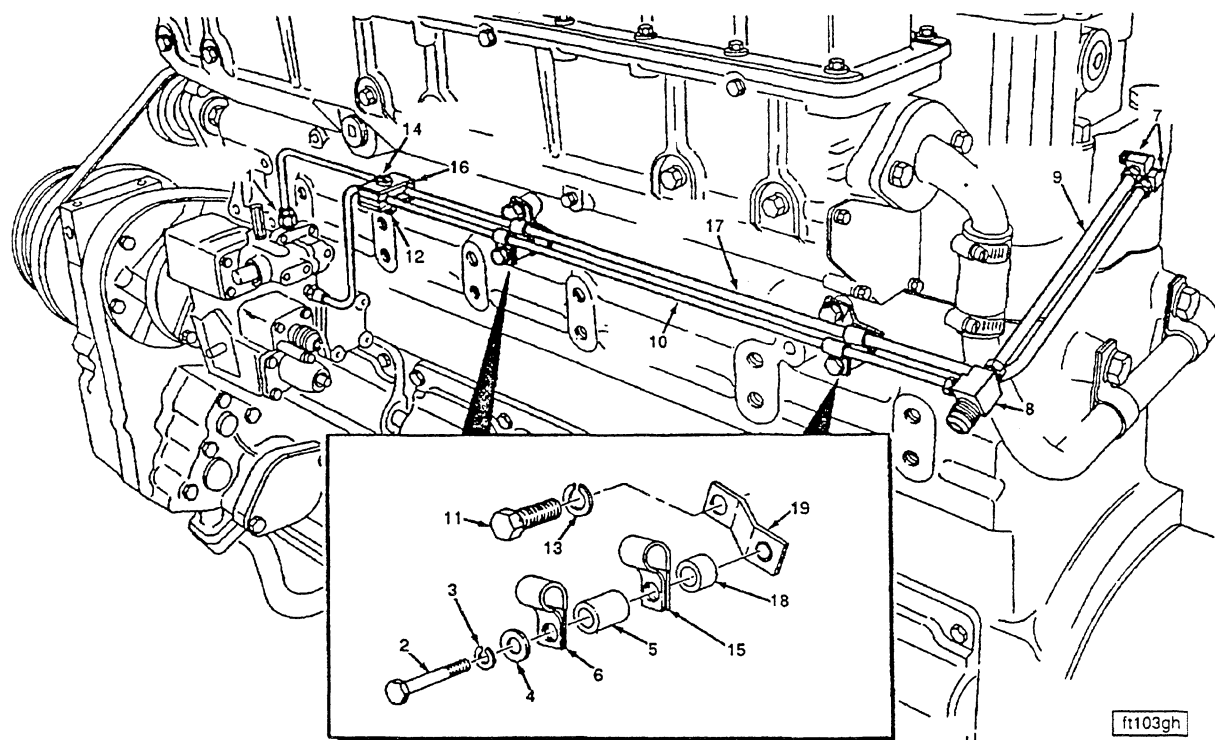
Ref No.	Part Number	Part Name	Req	Remarks
		AFC ASSEMBLY		
	3031298	Assembly, Air Fuel Control		
1	S-213-A	Nut, Regular Hexagon	1	5/8 - 18
2	S-251	Nut, Regular Hexagon	1	1/4 - 28
3	68061-A	Seal, O-Ring	1	
4	70775	Seal, O-Ring	1	
5	145504	Seal, O-Ring	1	
6	145505	Seal, O-Ring	1	
7	214150	Washer, Plain	1	7/8 inch
9	3013810	Piston, Air Fuel Control	1	
10	3013811	Diaphragm	1	
11	3021068	Barrel	1	
12	3021676	Plunger	1	
13	3023088	Spacer, Mounting	1	
14	3023171	Insert, Air Fuel	1	
15	3044942	Seal, O-Ring	1	
16	70704	Washer, Plain	1	1/4 Inch
17	S-16240	Ring, Retaining	1	
18	70772-B	Capscrew, Captive	1	1/4 - 20 x 1 Inch
19	3001707	Shim, Air Fuel Control	1	
20	3000592	Spring, Compression	1	
21	3015520	Cover, Fuel Control	1	
22	3015522	Valve, Check	1	
23	3018655	Spring, Compression	1	
				To obtain specific calibration part numbers, refer to PT (type G) fuel pump calibration data manual.



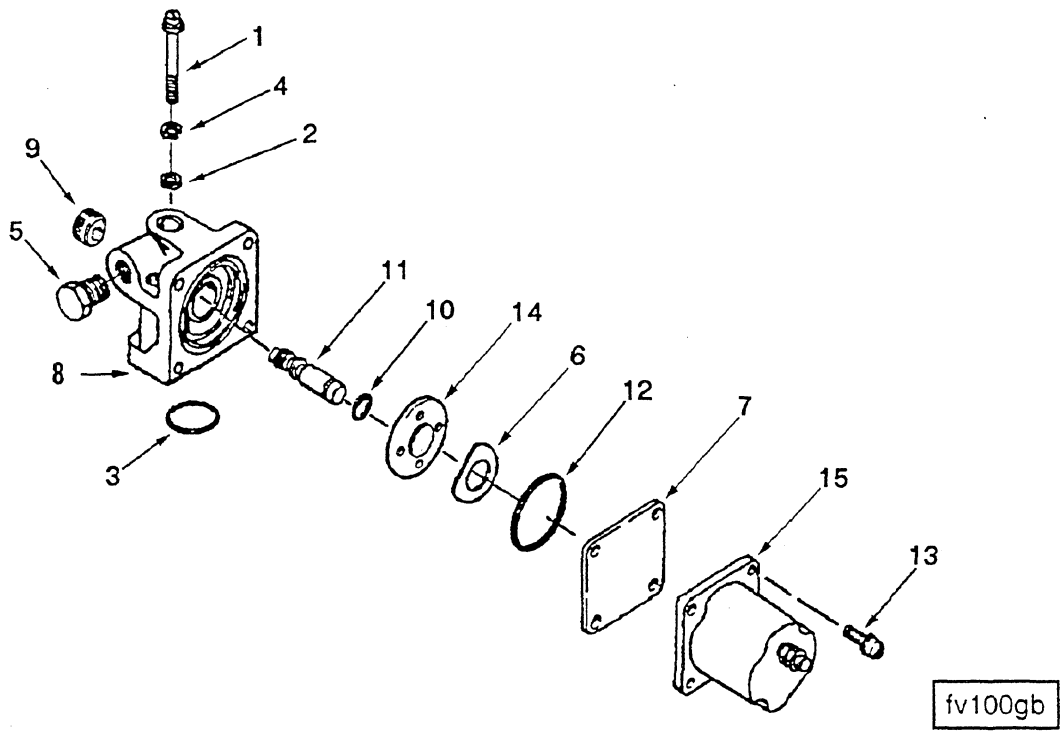
Ref No.	Part Number	Part Name	Req	Remarks
		GOVERNOR SPRING PACK		
1	44678	Cover, Spring Pack	1	
2	70705	Gasket, Flange	2	
	3038216	Pack, Idle Spring	1	
3	3036474	Guide, Idle	1	
4	3032014	Spring, Compression	1	
5	70716	Screw, Knurled	1	3/16 - 28 x 1 1/4 Inches
6	3018767	Spring, Compression	1	
7	S-16240	Ring, Retaining	2	
8	3017051	Screw, Captive Washer Cap	6	1/4 - 20 x 1 1/8 Inches
9	3017052	Screw, Captive Washer Cap	2	1/4 - 20 x 1 1/8 Inches
10	70836	Plunger, Throttle Lever	1	
11	3025459	Plug, Pipe	1	
12	141626	Plunger, Idle Spring	1	
13	3003156	Seal, Wire	2	
14	203346	Spacer, Mounting	1	
15	70715	Washer, Plain	1	
16	70717	Shim	A/R	.020 Inch
16	70717-A	Shim	A/R	.010 Inch
16	70717-B	Shim	A/R	.005 Inch
16	179068	Shim	A/R	.007 Inch
16	189800	Shim	A/R	.007 Inch
17	3004756	Spring, Compression	1	
	3020523	Cover & Bsh Assy VS Gov	1	
18	3016021	Housing, Governor	1	
19	3010941	Bushing	2	
20	70415	Seal, O-Ring	2	
21	109917	Screw, Socket Set	2	1/4 - 28 x 1 1/4 Inches
22	70813	Screw, Set	1	1/4 - 20 x 7/16 Inch
23	3010942	Shaft, Throttle	1	
24	70834	Stop, Throttle Shaft	1	
25	3010945	Seal, Dust	2	
26	110058	Nut, Fuel Pump Adjusting	2	1/4 - 28
27	S-270	Nut, Regular Hexagon	2	1/4 - 28
28	112408	Washer, Plain	4	13/16 Inch
	BM-30245	Pack, Idling	1	
29	70820	Plunger, Governor	1	
30	70823	Ring, Retaining	1	
31	70798	Guide, Spring	1	
32	70778	Spring, Compression	1	
33	70811	Shim	A/R	.020 Inch
33	70811-A	Shim	A/R	.010 Inch
33	70811-B	Shim	A/R	.005 Inch
34	109687	Spring, Governor	1	



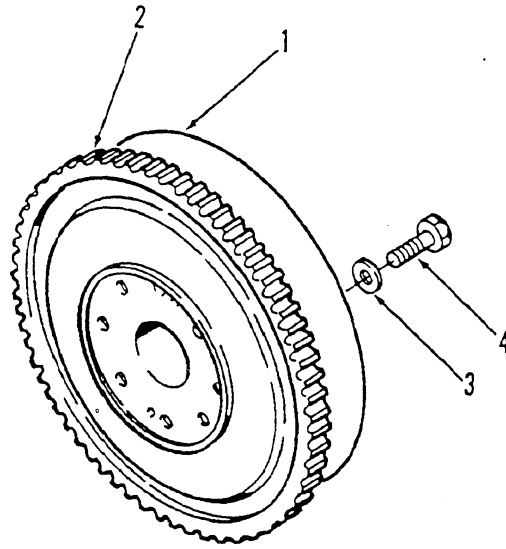
Ref No.	Part Number	Part Name	Req	Remarks
		FUEL PUMP DAMPER OPTION FP12306		
	BM-76340	Assembly, Fuel Pump Damper	1	
1	100099	Seal, Rectangular Ring	1	
2	139988	Seal, Rectangular Ring	1	
3	153336	Body, Fuel Pump Damper	1	
4	153338	Plate, Fuel Control	1	
5	160514	Washer, Plain	1	
6	202897	Diaphragm, Damper	1	
7	3017051	Capscrew, Captive Washer	2	1/4 - 20 x 1 - 1/8 Inch
8	S-174-C	Capscrew, Socket Head	2	1/4 - 20 x 3 - 1/2 Inch
9	70704	Washer, Plain	2	1/4 Inch
10	151900	Seal, Rectangular Ring	1	
11	181466	Washer, Lock	2	1/4 Inch



Ref No.	Part Number	Part Name	Req	Remarks
		FUEL TUBING OPTION FT10037		Use with non-working AFC automotive or VS fuel pump, less compressor, with fuel bypass line, use only with DL1001.
1	3018889	Connector, Female	1	
2	S-182-B	Screw, Hexagon Head Cap	2	
3	S-600	Washer, Lock	2	
4	S-631	Washer, Plain	2	
5	64709	Spacer, Filter	2	
6	180371	Clip	2	
7	181213	Elbow, Plain Adapter	2	
8	203863	Tee, Fuel Bypass	1	
9	3003578	Tube, Fuel Drain	1	
10	3003580	Tube, Fuel Bypass	1	
11	S-190-C	Screw, Hexagon Head Cap	2	
12	S-251	Nut, Regular Hexagon	1	
13	S-604	Washer, Lock	2	
14	S-1315	Screw, Pan Head Cap	1	
15	180372	Clip	2	
16	3007025	Clamp, Tube	2	
17	3013166	Tube, Fuel Supply	1	
18	3019301	Spacer, Mounting	2	
19	3033098	Brace, Tube	2	

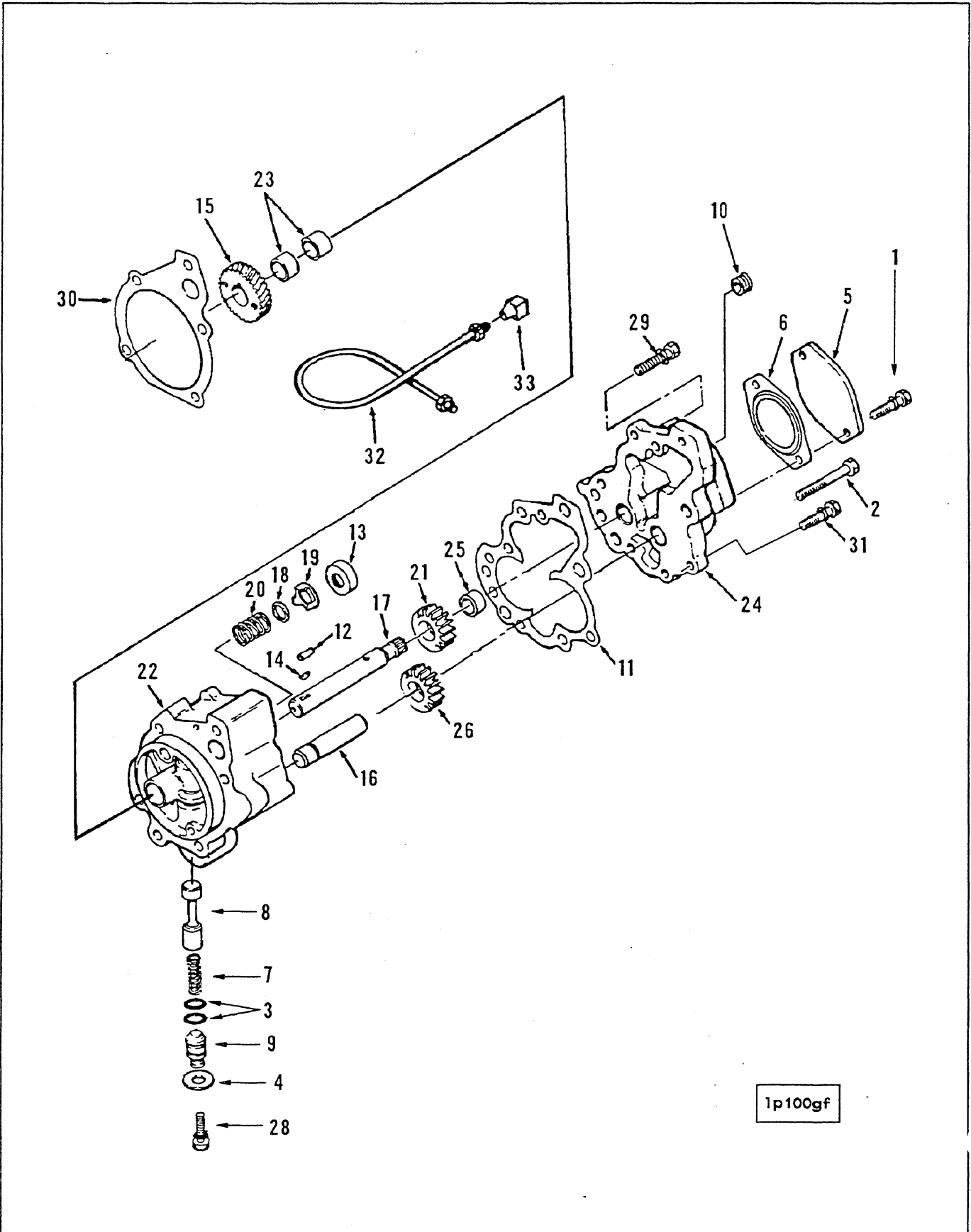


Ref No.	Part Number	Part Name	Req	Remarks
		FUEL VALVE OPTION FV8001		12 volt DC solenoid operated fuel shutoff valve mounted on fuel pump. Single terminal.
1	S-189-C	Capscrew, Socket Head	2	1/4-20 x 1 3/4 inch
2	67684	Washer, Plain	2	
3	154087	Seal, Rectangular Ring	1	
4	181466	Washer, Lock	2	
	3035342	Assembly, Shutoff Valve	1	
5	3025458	Plug, Pipe	1	
6	129768	Spring, Valve	1	
7	129839	Shield, Shutoff Valve	1	
	129886	Assembly, Valve Body	1	
8	129826	Body, shutoff valve	1	
9	129838	Knob, Shutoff Valve Hsg.	1	
10	190876	Seal, O-ring	1	
11	3000266	Shaft, Shutoff Valve	1	
12	129888	Seal, Rectangular Ring	1	
13	187556	Capscrew, Hexagon Head	4	
14	3030970	Disc, Valve	1	
15	3054611	Solenoid, Fuel Pump	1	

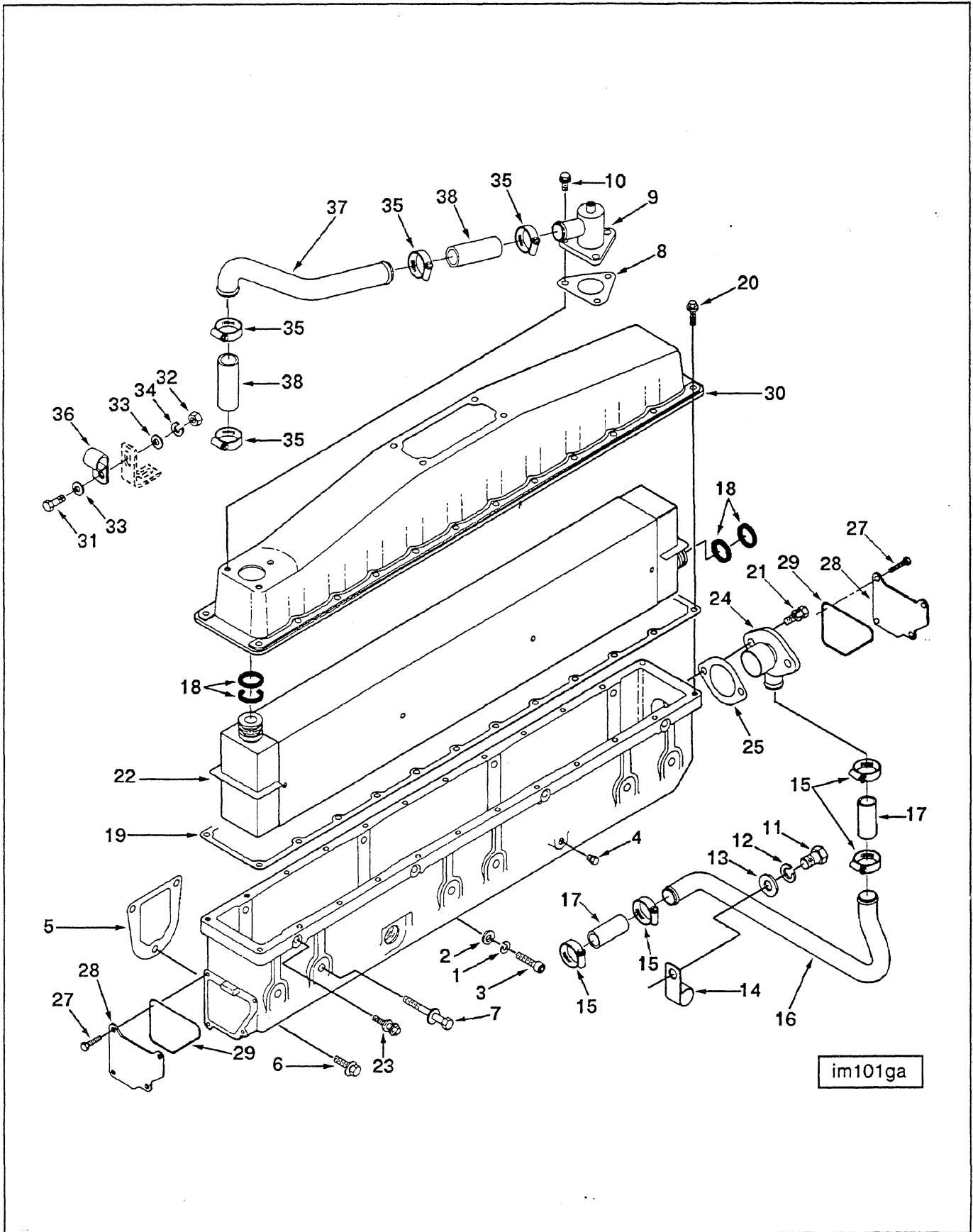


fw100ga

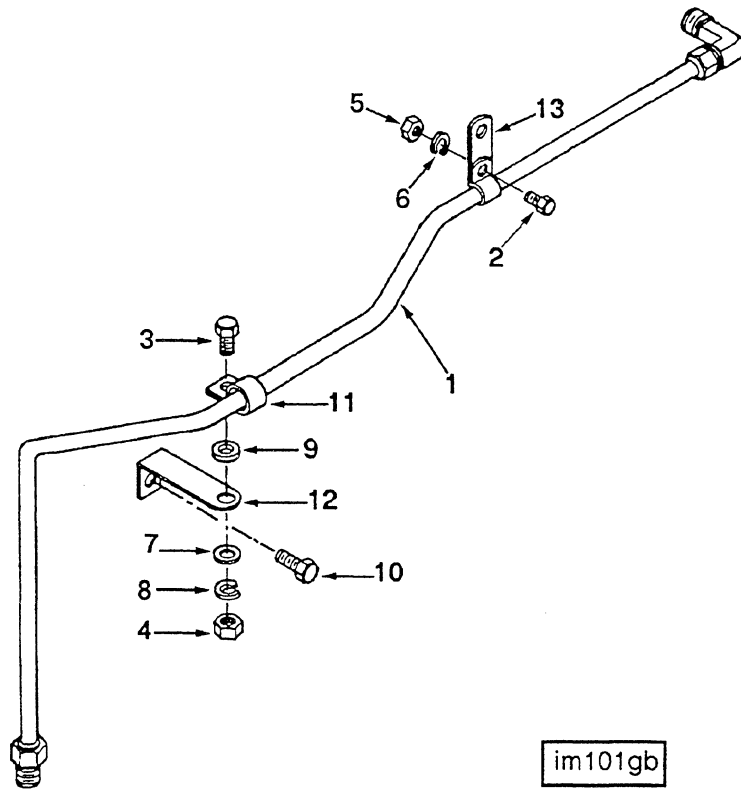
Ref No.	Part Number	Part Name	Req	Remarks
		FLYWHEEL OPTION FW1186		
1	3066469 (3066468)	Flywheel	1	SAE #1 flywheel with 14.5 inch bolt circle. For use with Lord LCD-0400 and LCD-600 Flex couplings.
2	4851	Flywheel	1	
3	3025100	Gear, Flywheel Ring	6	
4	207386	Washer, Plain	6	
		Screw, Head Locking	6	inch



Ref No.	Part Number	Part Name	Req	Remarks
		OIL PUMP		
		OPTION HD1056		
				Big Cam III double capacity oil pump for engines with regular piston cooling and with a spline drive and SAE "A" flange on rear suction inlet 1 1/4 NPTF.
	3821579	Assembly, Lube Oil Pump	1	
1	3010595	Capscrew, Hexagon Head	2	3/8-16 x 1 Inch
2	S-142-A	Capscrew, Hexagon Head	2	7/16 - 20 x 4 1/2 Inch
3	145504	Seal, O-ring	2	
4	146161	Washer, Plain	1	
5	204048	Plate, Cover	1	
6	3004242	Gasket, Hydraulic Pump	1	
7	3010146	Spring, Pressure	1	
8	3012529	Plunger, Pressure	1	
9	3012726	Plug, Retainer	1	
10	3037536	Plug, Pipe	1	
11	3014778	Gasket, Pump Cover	1	
	(3821578)	Pump, Lub Oil	1	
12	69519	Dowel, Pin	1	
13	179063	Plug, Retainer	1	
14	183695	Key, Plain Woodruff	1	
15	204832	Gear, Lube Oil Pump	1	
16	3012531	Shaft, Idler	1	
17	3012532	Shaft, Lube Oil Pump	1	
18	3014754	Washer, Plain	1	
19	3014755	Disc, Valve	1	
20	3014756	Spring, Bypass Valve	1	
21	3045617	Gear, Lube Oil Pump	1	
22	3821577	Body, Lube Oil Pump	1	
23	69521	Bushing	2	
24	3014964	Cover, Lube Oil Pump	1	
25	69521	Bushing	1	
26	3045622	Gear, Lube Oil Pump	1	
28	3022589	Capscrew, Captive Washer	1	5/16-18 x 5/8 Inch
29	3022590	Capscrew, Captive Washer	7	5/16-18 x 1 Inch
30	3031434	Gasket, Lube Oil Pump	1	
31	3034526	Capscrew, Captive Washer	2	7/16-20 x 1 3/4 Inch
		PRESSURE SENSING HOSE		
32	3044849	Tube, Pressure Sensing	1	
33	3044854	Elbow, Plain Adapter	2	

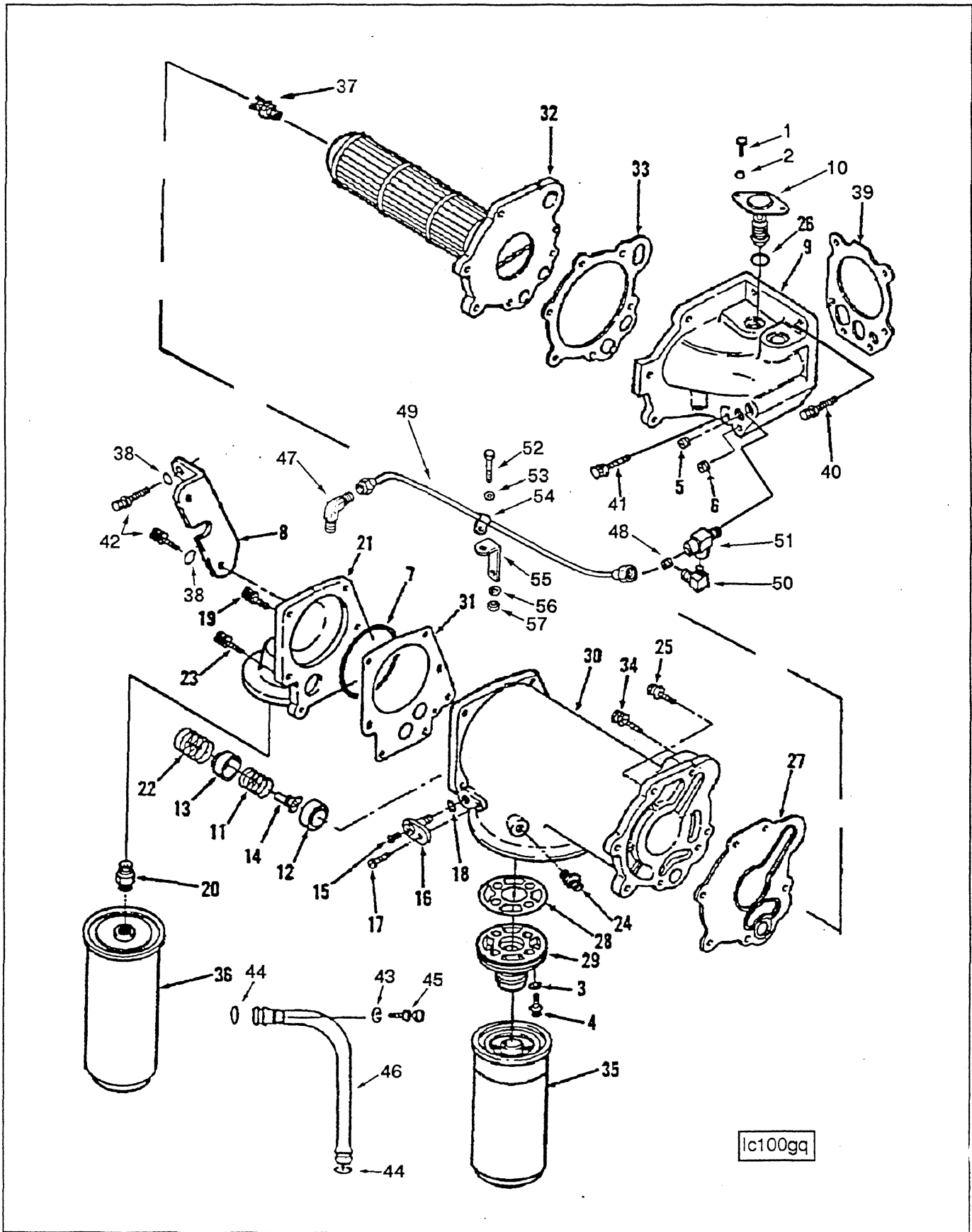


Ref No.	Part Number	Part Name	Req	Remarks
		INTAKE MANIFOLD		
		OPTION IM1185		Die cast three pass intercooler and air intake manifold for all Big Cam III NTA-855 models.
		AIR MANIFOLD MOUNTING		
1	S-604	Washer, Lock	1	
2	63842	Washer, Plain	1	
3	69047-A	Capscrew	1	3/8 - 16 x 1 1/2 Inch
4	70295	Plug, Pipe	1	
5	3008591	Gasket, Intake Manifold	3	
6	3011716	Capscrew, Captive Washer	2	3/8 - 16 x 1 3/8 Inch
7	3028967	Capscrew, Captive Washer	6	3/8 - 16 x 5 7/32 Inch
8	215044	Gasket, Water Trnsf. Conn.	1	
9	3013296	Connection, Water Outlet	1	
10	3015283	Capscrew, Captive Washer	3	5/16 - 18 x 3/4 Inch
		REAR WATER TUBE		
11	S-190	Capscrew	2	5/8 - 18 x 1 Inch
12	S-603	Washer, Lock	2	
13	S-658	Washer, Plain	2	
14	204263	Clip	2	
15	3010550	Clamp, Hose	4	
16	3028312	Tube, Water Transfer	1	
17	3818267	Hose, Plain	2	
		AIR INTAKE INTERCOOLER		
18	195952	Seal, O-ring	4	
19	216486	Gasket, Housing	1	
20	3005508	Capscrew, Hexagon Head	24	5/16 - 18 x 1 Inch
21	3012471	Capscrew, Captive Washer	2	3/8 - 16 x 1 1/8 Inch
22	3028997	Core, Aftercooler	1	
23	3030286	Capscrew, Captive Washer	8	5/16 - 18 x 1 1/2 Inch
24	3030843	Connection, Water Inlet	1	
25	3032348	Gasket, Water Trnsf. Conn.	1	
26	3036811	Manifold, Air Intake	1	
27	3001646	Screw, Self Tapping Metal	8	
28	3029815	Plate, Cover	2	
29	3029816	Seal, O-ring	2	
30	3046170	Cover, Aftercooler	1	
		WATER TRANSFER TUBE		
31	S-112	Capscrew, Hexagon Head	1	
32	S-223	Nut, Heavy Hexagon	1	
33	S-602	Washer, Plain	2	
34	S-604	Washer, Lock	1	
35	43828-A	Clamp, Hose	4	
36	107460	Clip	2	
37	3036844	Tube, Water Transfer	1	
38	3818267	Hose, Plain	2	

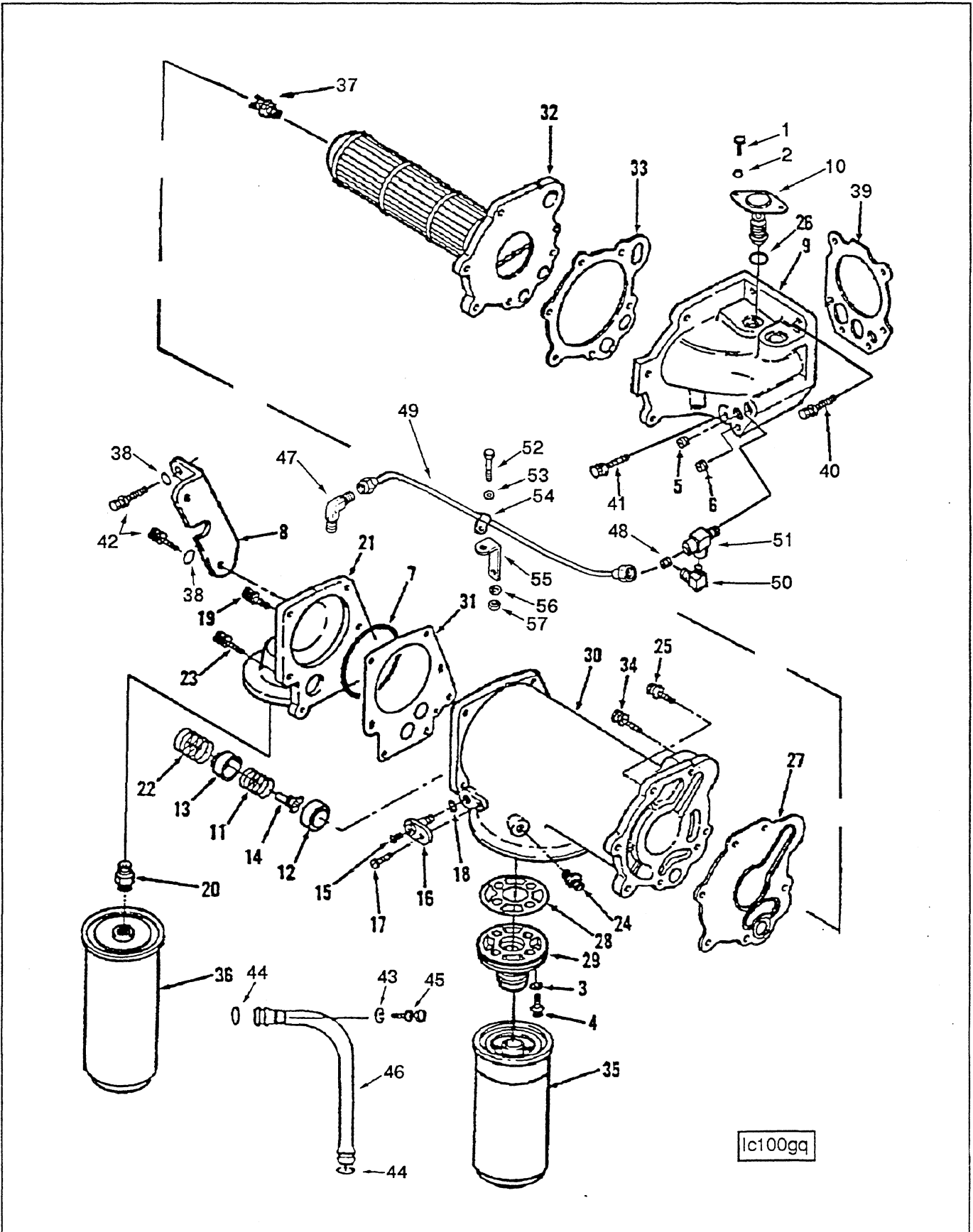


im101gb

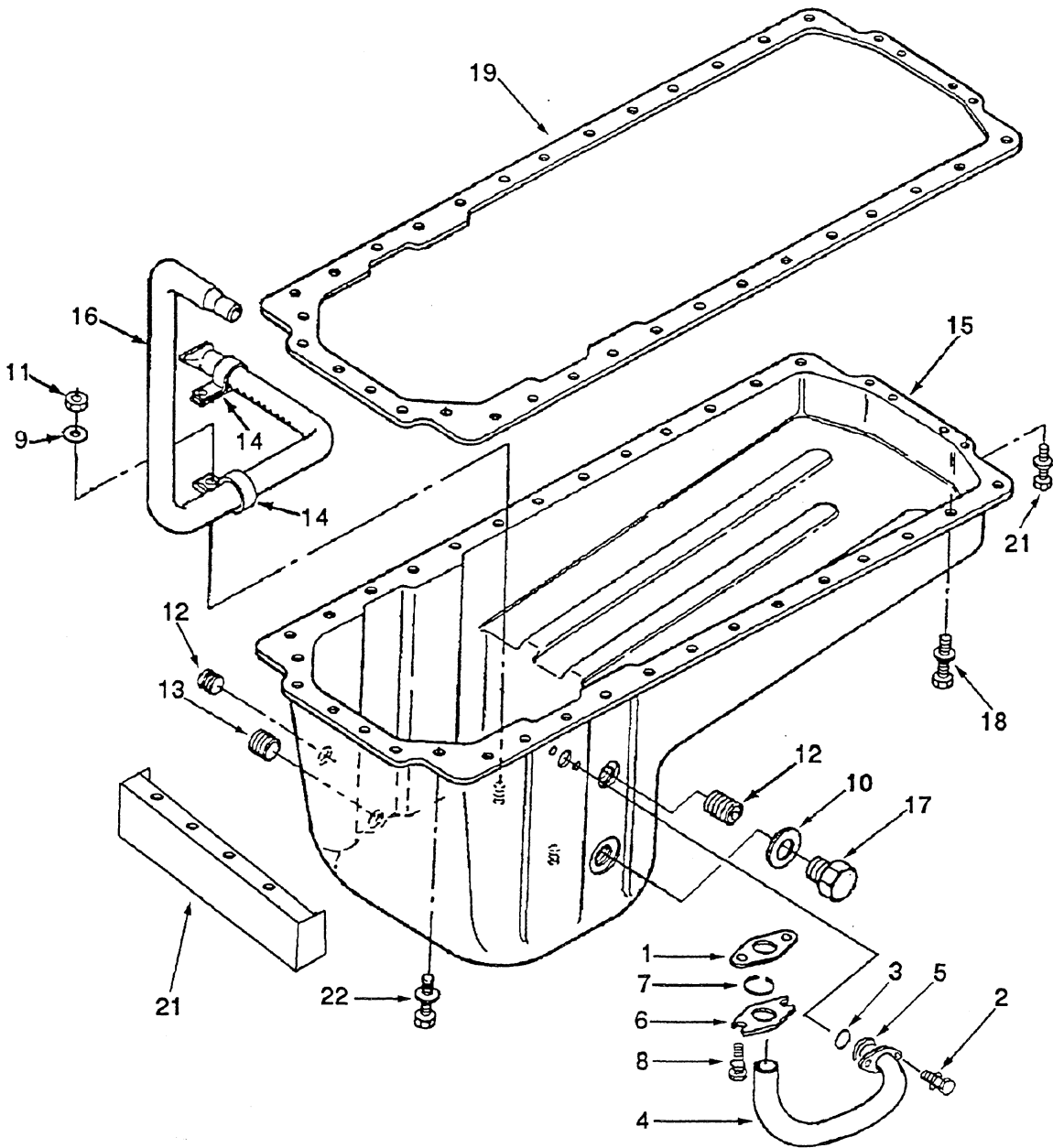
Ref No.	Part Number	Part Name	Req	Remarks
		MANIFOLD PRESSURE TUBE OPTION IM1810		
1	3067495	Tube, Manifold	1	For use on John Deere engines with short accessory drive less air compressor, AFC fuel pump without ASA, low profile air manifold with clearance to air compressor supply port.
2	S-121	Screw, Hexagon	1	
3	S-190-C	Screw, Hexagon	1	
4	S-205	Nut, Regular Hexagon	1	
5	S-251	Nut, Regular Hexagon	1	
6	S-600	Washer, Lock	1	
7	S-602	Washer, Plain	1	
8	S-604	Washer, Lock	1	
9	60724	Spacer, Belt	1	
10	69793	Screw, Hexagon Head Cap	1	
11	180371	Clip	1	
12	200015	Brace, Hose	1	
13	3031618	Clip	1	



Ref No.	Part Number	Part Name	Req	Remarks
		LUBRICATING OIL COOLER/ FILTER OPTION LF1089		Lube oil filter/cooler arrangement with spin-on full flow LF-670 filter and spin- on bypass LF-777 filter mounted.
1	3053392	Assembly, Oil Cooler	1	
2	S-117	Capscrew, Hexagon Head	2	3/8-16 x 3/4 Inch
3	S-604	Washer, Lock	2	
4	70734	Washer, Plain	4	
5	115482	Capscrew, Twelve Point	4	5/16-18 x 1 1/4 Inch
6	3008466	Plug, Pipe	1	
7	3013786	Plug, Pipe	1	
8	3018695	Seal, Rectangular Ring	1	
9	3018697	Brace, Oil Cooler	1	
10	3027460	Support, Oil Cooler	1	
11	3023512	Valve, Bypass	1	
12	3030803	Spring, Compression	1	
13	3030804	Piston, Bypass Valve	1	
14	3030805	Piston, Pressure Sensing	1	
15	3030806	Plunger, Bypass Valve	1	
16	3031005	Capscrew, Pan Head	1	1/4 - 20 x 3/4 Inch
17	3035028	Assembly, Sensing Unit	1	
18	101996	Capscrew, Pan Head	1	
19	3030808	Seal, O-ring	1	
20	3035624	Capscrew, Captive Washer	3	3/8 - 16 x 1 1/2 Inch
21	3037242	Head, Lub Oil Filter	1	
22	3037219	Insert, Filter Head	1	
23	(3037241)	Head, Lub Oil Filter	1	
24	3039296	Spring, Compression	1	
25	3040837	Capscrew, Captive Washer	2	3/8 - 16 x 2 1/4 Inch
26	3042619	Nipple, Coupling	1	
27	3044413	Capscrew, Captive Washer	6	3/8 - 16 x 2 Inch
28	3045979	Seal, O-ring	1	
29	3047465	Gasket, Cooler Housing	1	
30	3052128	Gasket, Filter Head	1	
31	3052129	Head, Lub Oil Filter	1	
32	3052210	Housing, Oil Cooler	1	
33	3052513	Gasket, Cooler Cover	1	
34	3045483	Core, Cooler	1	
35	3047464	Gasket, Cooler Cover	1	
36	3040838	Capscrew, Captive Washer	1	3/8 - 16 x 1 1/4 Inch
37	3313279	Element, Oil Filter	1	Fleetguard LF670
	3313283	Element, Oil Filter	1	Fleetguard LF777
	214345	Draincock	1	

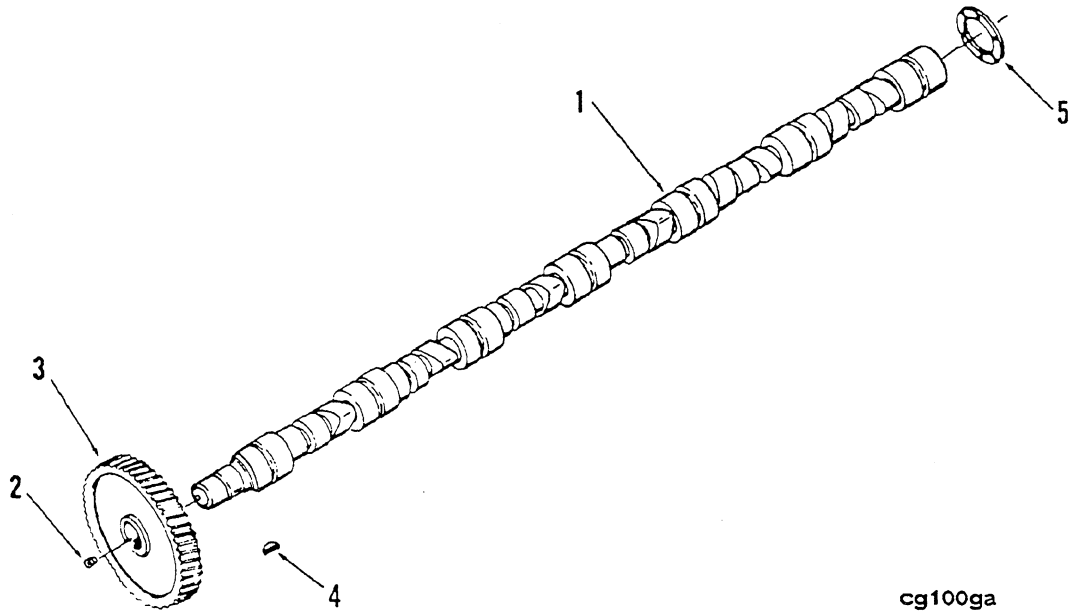


Ref No.	Part Number	Part Name	Req	Remarks
		LUBRICATING OIL COOLER/ FILTER OPTION LF1089		Lube oil filter/cooler arrangement with spin-on full flow LF-670 filter and spin- on bypass LF-777 filter mounted.
		OIL COOLER MOUNTING		
38	S-602	Washer, Plain	2	13/32 Inch
39	3031858	Gasket, Oil Cooler Support	1	
40	3010596	Capscrew, Captive Washer	3	3/8-16 x 1 1/4 Inch
41	3010597	Capscrew, Captive Washer	3	3/8-16 x 3 3/4 Inch
42	3044901	Capscrew, Captive Washer	2	1/4 - 20 x 7/8 Inch
		WATER TRANSFER TUBE		
43	S-626	Washer, Plain	1	
44	212161	Seal, O-ring	2	
45	3022589	Capscrew, Captive Washer	1	
46	3024666	Tube, Water Transfer	1	
		LUBE OIL BYPASS TUBE		
47	68645	Elbow, Male Adapter	1	
48	3008466	Plug, Pipe	1	
49	3037052	Tube, Lub Oil Bypass	1	
50	S-1040-A	Elbow, Male Adapter	1	
51	3818101	Tee, Street Pipe	1	
		LUBE OIL BYPASS MOUNTING		
52	S-117	Capscrew, Hexagon Head	1	
53	S-604	Washer, Lock	1	
54	108722	Clip	1	
55	109895	Bracket, Oil Gauge Tube	1	
56	S-602	Washer, Plain	1	
57	S-223	Nut, Heavy Hexagon	1	
		OIL COOLER SEAL KIT		
	3801199	Kit, Oil Cooler Seal	1	
44	212161	Seal, O-ring	2	
39	3008017	Gasket, Oil Cooler Support	1	
7	3018695	Seal, Rectangular Ring	1	
18	3030808	Seal, O-ring	1	
	3034579	Seal, Grommet	1	
26	3045979	Seal, O-ring	1	
33	3047464	Gasket, Cooler Cover	1	
27	3047465	Gasket, Cooler Housing	1	
	3052127	Gasket, Filter Head	1	
28	3052128	Gasket, Filter Head	1	
31	3052513	Gasket, Cooler Cover	1	
	3054445	Gasket, Cooler Cover	1	



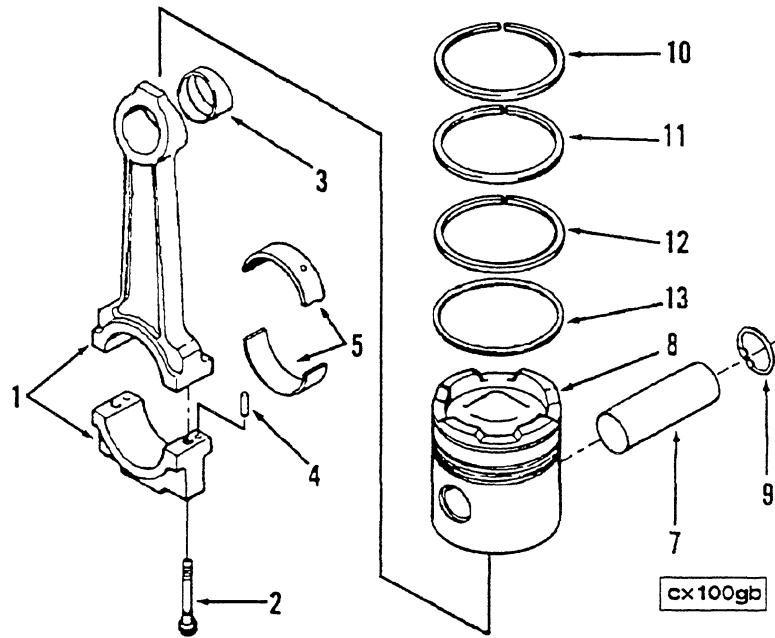
op100gp

Ref No.	Part Number	Part Name	Req	Remarks
		OIL PAN OPTION OP1430		Stamped steel 9 gallon capacity front sump oil pan. Angularity limits: 45 degree front down, 25 degrees front up, 45 degrees side to side. Oil drain on exhaust side only. Heater tap on fuel pump side, 1 inch NPTF bypass filter returns each side, 1/2 inch NPTF. Requires dipstick in hand hole cover. Must be used with breather located over No. 1 or No. 2.
1	157551	Gasket, Oil Connection	1	
2	3010595	Capscrew, Captive Washer	2	3/8-16 x 1 Inch
3	3029847	Seal, O-ring	1	
4	3029848	Tube, Lube Oil Transfer	1	
5	3029850	Plate, Clamping	1	
6	3034830	Retainer, Seal	1	
7	3034986	Seal, Retangular Ring	1	
8	3035624	Capscrew, Captive Washer	2	3/8-16 x 1 1/2 Inch
	3046951	Assembly, Oil Pan	1	
9	S-626	Washer, Plain	2	
10	67946	Washer, Plain	1	1 - 1/32 Inch
11	69832	Nut, Hex	2	
12	3008468	Plug, Pipe	2	1/2 Inch
13	3008470	Plug, Pipe	1	1 Inch
14	3039267	Clip	2	
15	(3046947)	Pan, Oil	1	
16	3046948	Tube, Lube Oil Suction	1	
17	3055069	Plug, Threaded	1	1 Inch
		OIL PAN MOUNTING OPTION OP1726		Oil pan/oil pump suction arrangement. Use with stamped steel 9 gal oil pan and conventional pump location (no front hydraulic pump drive).
18	3032674	Capscrew, Captive	28	7/16-20 x 1 1/8 Inch
19	3032861	Gasket, Oil Pan	1	
20	3048352	Capscrew, Captive Washer	4	5/16-24 x 1 Inch
21	3058675	Seal, Dust	1	
22	3818599	Capscrew, Captive Washer	4	

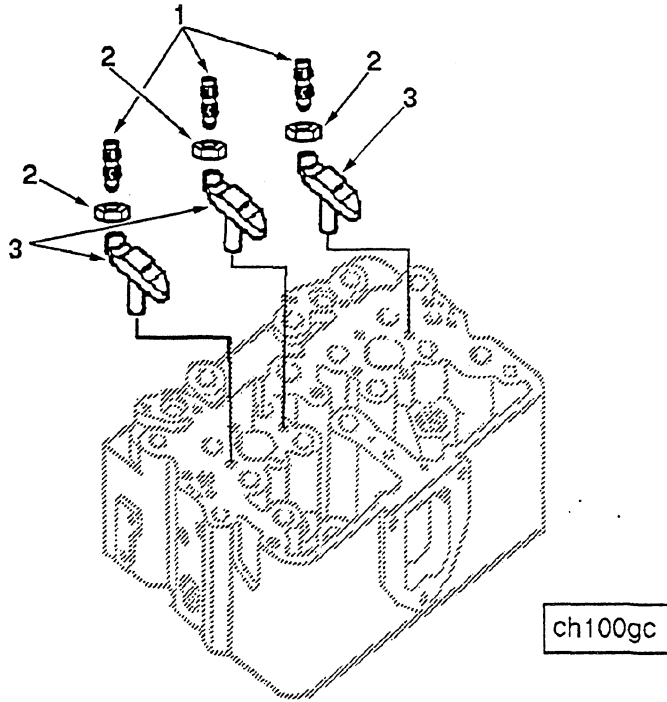


cg100ga

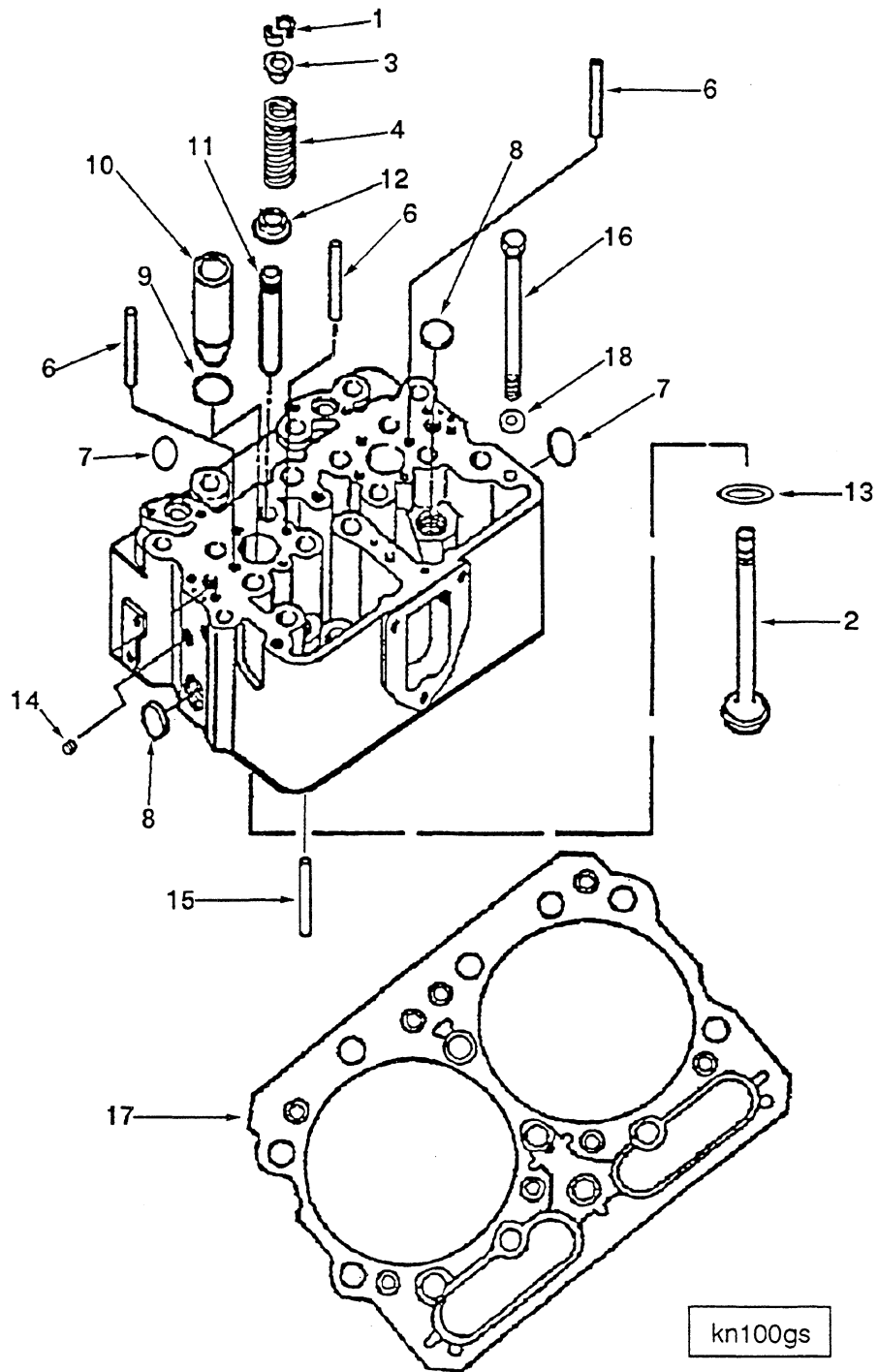
Ref No.	Part Number	Part Name	Req	Remarks
CAMSHAFT OPTION PP1194				
1	3049024	Camshaft	1	
1	(3042568)	Camshaft	1	
2	68193	Plug, Pipe	1	
3	3002901	Gear, Camshaft	1	
4	3065975	Key, Plain Woodruff	1	
5	215233	Bearing, Thrust	1	



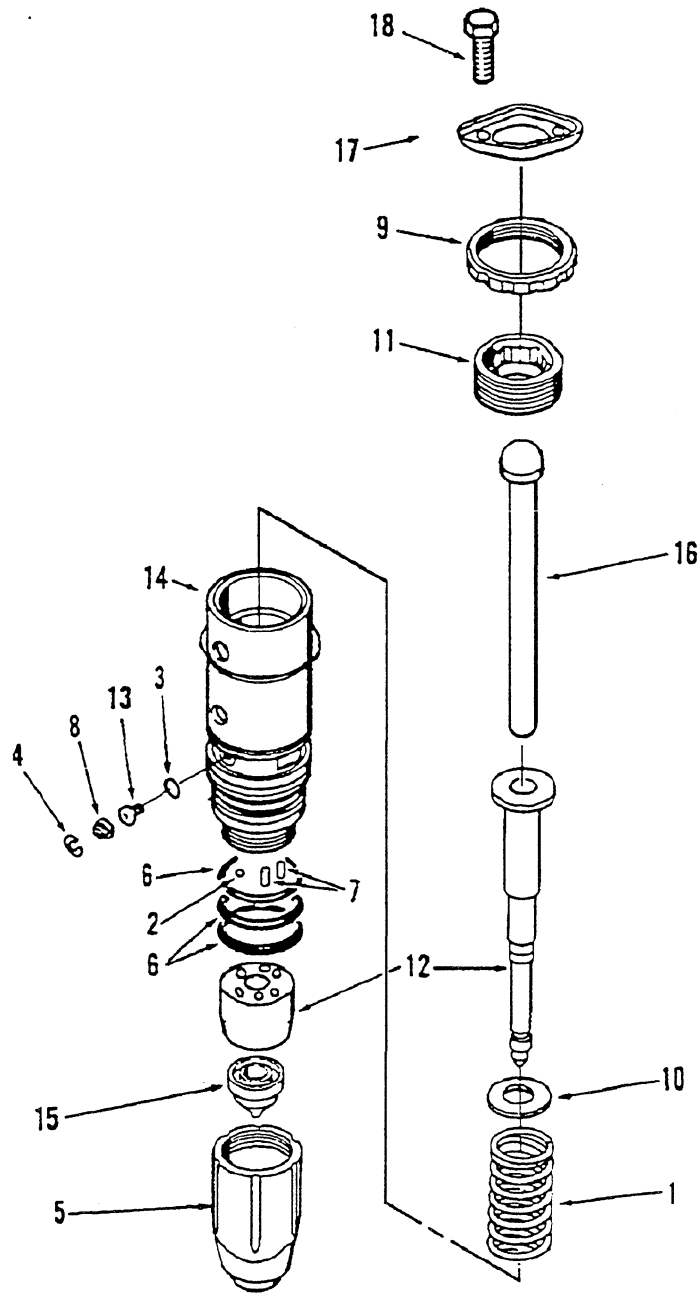
Ref No.	Part Number	Part Name	Req	Remarks
CONNECTING ROD				
OPTION PP1194				
1	3013930 (218808)	Assembly, Connecting Rod	6	
		Rod, Connecting	1	
2	219153	Bolt, Connecting Rod	2	
3	187420	Bushing, Piston Pin	1	
4	70550	Dowel	2	
5	214950	Bearing, Connecting Rod	2	Standard
5	214951	Bearing, Connecting Rod	2	0.010 Inch Oversize
5	214952	Bearing, Connecting Rod	2	0.020 Inch Oversize
5	214953	Bearing, Connecting Rod	2	0.030 Inch Oversize
5	214954	Bearing, Connecting Rod	2	0.040 Inch Oversize
7	191970	Pin, Piston	1	
PISTON				
	3801819	Kit, Piston	6	CPL1194
8	(3048808)	Piston	1	
9	175755	Ring, Retaining	2	
PISTON RINGS				
	3801755	Set, Piston Ring	6	
10	218025	Ring, Compression	1	
11	216983	Ring, Compression	1	
12	3056429	Ring, Compression	1	
13	218732	Ring, Oil	1	
CYLINDER KIT				
	3801823	Kit, Cylinder	6	
	(3048808)	Piston, Engine	1	
	(3055099)	Liner, Cylinder	1	
	191970	Pin, Piston	1	
	175755	Ring, Retaining	2	
	215090	Seal, O-ring	1	
	3032874	Seal, O-ring	2	
	3801755	Set, Piston Ring	1	



Ref No.	Part Number	Part Name	Req	Remarks
		CROSSHEAD OPTION PP1194		
	3030038	Assembly, Crosshead	12	
1	147389	Screw, Crosshead	1	
2	203131	Nut, Heavy Hexagon	1	
3	(3028293)	Crosshead, Valve	1	

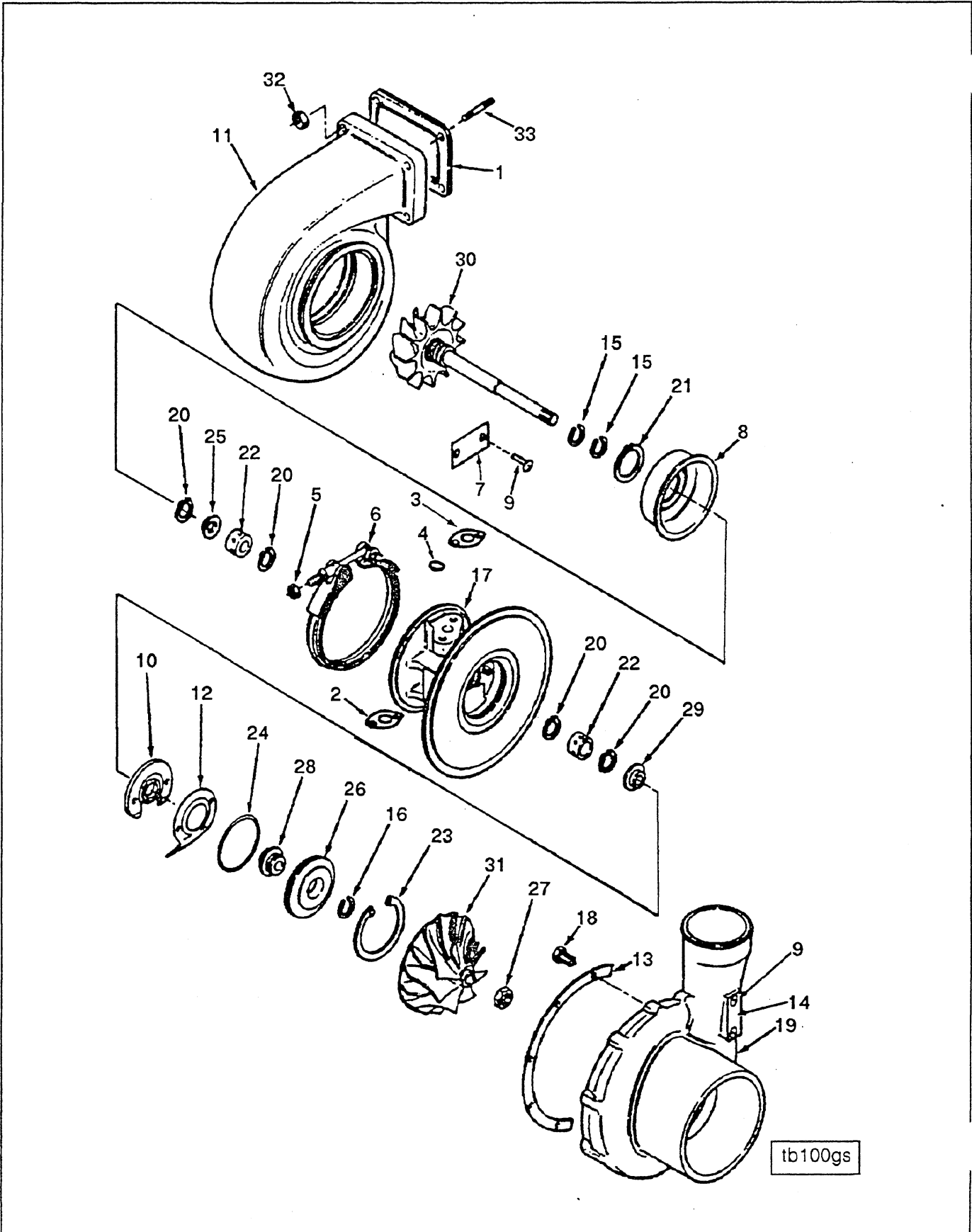


Ref No.	Part Number	Part Name	Req	Remarks
		CYLINDER HEAD OPTION PP1194		
	3055098	Assembly, Cylinder Head	3	
1	127554	Collet, Valve	16	
2	135957	Valve, Intake	4	
2	3040830	Valve, Exhaust	4	
3	170296	Guide, Valve Spring	8	
4	211999	Spring, Valve	8	
5	(3050418)	Head, Cylinder	1	
6	123558	Guide, Valve Crosshead	4	
7	3007634	Plug, Expansion	3	
8	3007635	Plug, Expansion	8	
9	3007759	Seal, O-ring	2	
10	3011934	Sleeve, Injector	2	
11	3050369	Guide, Valve Stem Intake	8	
12	3202144	Guide, Valve Spring	8	
13	200354	Insert, Valve Exhaust	4	
13	3017759	Insert, Valve Intake	4	
		CYLINDER HEAD MOUNTING		
14	S-911-B	Plug, Pipe	10	1/8 Inch
15	68445	Pin, Groove	6	
16	3013623	Capscrew, Hexagon Head	36	11/16-16 x 7 3/8 Inch
17	3047402	Gasket, Cylinder Head	3	
18	3060633	Washer, Plain	36	

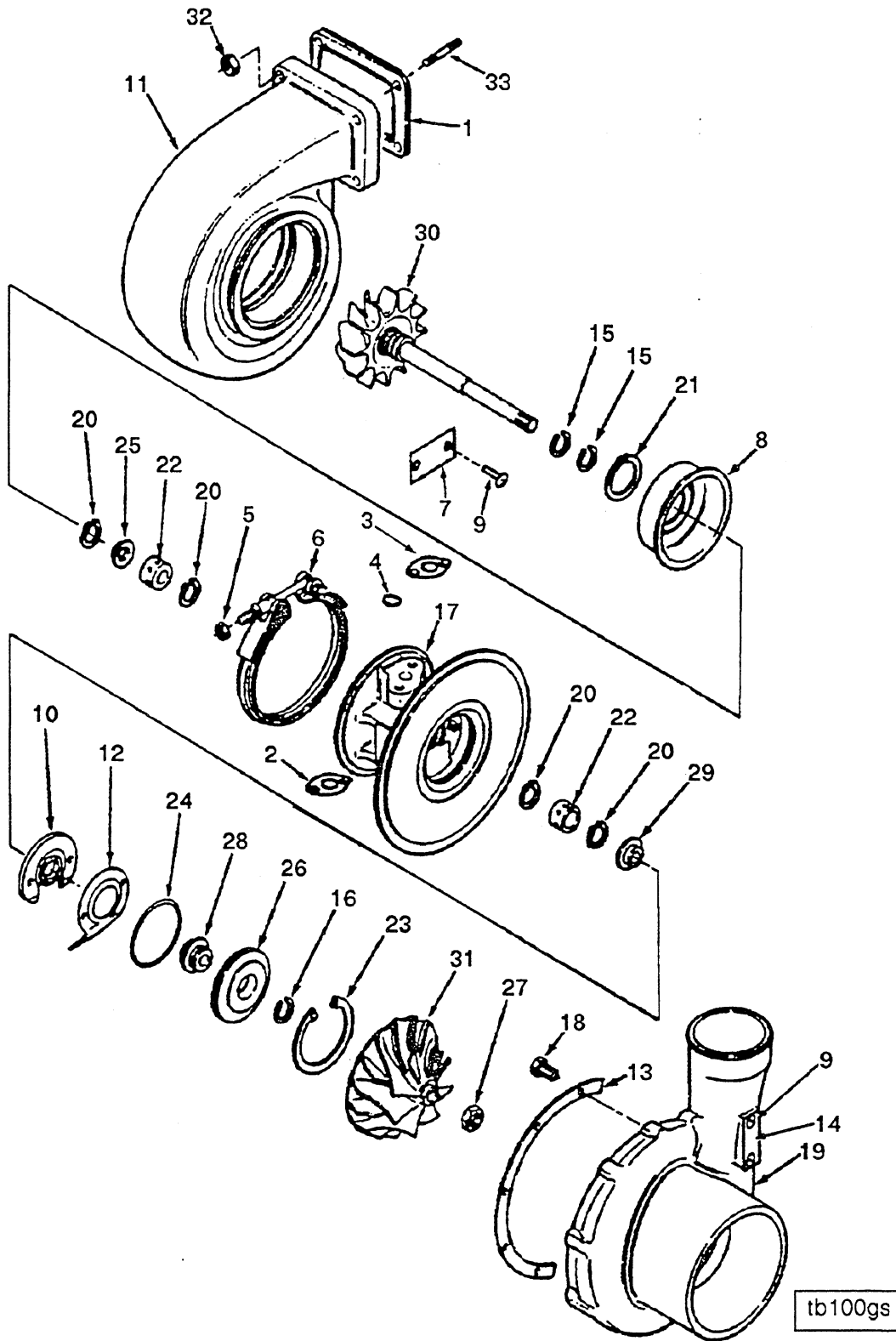


f1100gb

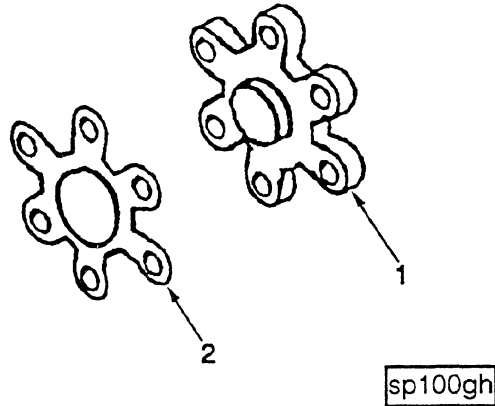
Ref No.	Part Number	Part Name	Req	Remarks
		INJECTOR		
		OPTION PP1194		Top Stop
	3047973	Assembly, Injector	6	
1	166009	Spring, Compression	1	
2	167157	Ball, Check	1	
3	173086	Gasket, Orifice Plug	1	
4	174299	Clip	1	
5	185138	Retainer, Injector Cup	1	
6	193736	O-ring	3	
7	203426	Pin, Roll	2	
8	3008706	Screen, Filter	1	
9	3000465	Nut, Lock	1	
10	3015469	Retainer, Injector Spring	1	
11	212954	Screw, Stop	1	
12	3047963	Assembly, Barrel & Plunger	1	
13	3045047	Plug, Orifice	1	
14	3000464	Adapter	1	
15	3023556	Cup, Injector	1	
		MOUNTING PARTS		
16	191916	Link, Injector Plunger	1	
17	3060447	Clamp, Injector	1	
18	3049333	Capscrew, Twelve Point	12	3/8 - 16 x 1 1/4 inch



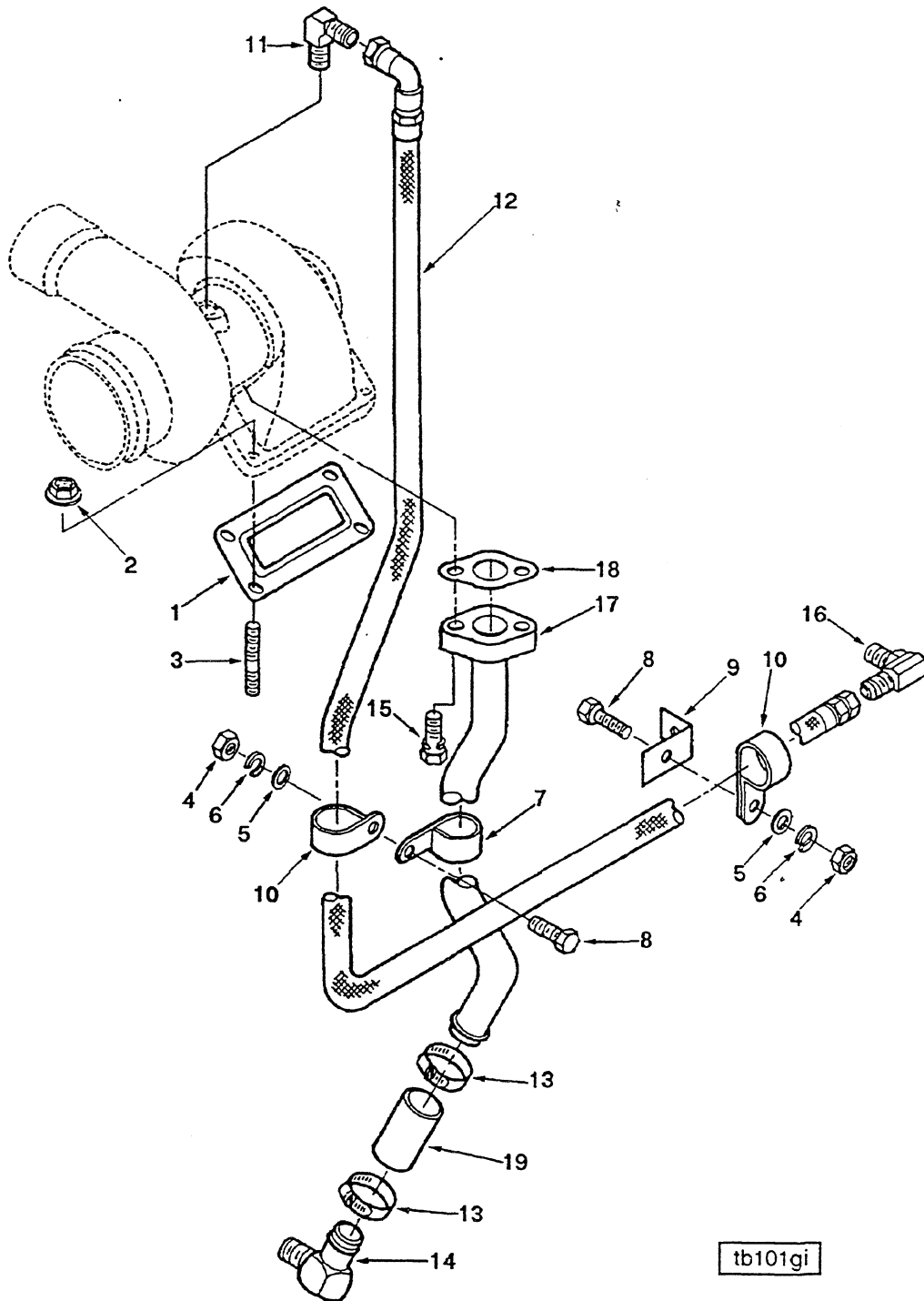
Ref No.	Part Number	Part Name	Req	Remarks
		TURBOCHARGER		
		OPTION PP1194		BHT3B
	3803108	Kit, Turbocharger	1	
1	190849	Gasket, Exh Collector	1	
2	201048	Gasket, Connection	1	
3	201049	Gasket, Connection	1	
4	3037537	Seal, O-ring	1	
	(3527046)	Assembly, Turbocharger	1	
5	3503335	Nut, Hex	1	
6	3504959	Clamp, V-band	1	
7	3519021	Dataplate	1	
8	3519155	Shield, Turbo Heat	1	
9	3519163	Screw, Drive	4	
10	3519290	Bearing, Turbo Thrust	1	
11	3519351	Housing, Turbine	1	
12	3519401	Baffle, Oil	1	
13	3520981	Plate, Clamping	1	
14	3520992	Dataplate		
15	3521441	Seal, Split Ring	2	
16	3521442	Seal, Split Ring	1	
17	3522416	Housing, Turbo Bearing	1	
18	3526653	Capscrew, Captive Washer	10	
19	3527048	Housing, Compressor	1	
20	3709510	Ring, Retaining	4	
21	3718373	Ring, Retaining	1	
22	3722366	Bearing, Turbocharger	2	
23	3723863	Ring, Retaining	1	
24	3751948	Seal, O-ring	1	
25	3757753	Sleeve, Oil Control	1	
26	3759618	Plate, Oil Seal	1	
27	3519471	Nut, Lock	1	
28	3521439	Slinger, Oil	1	
29	3521440	Collar, Thrust	1	
30	3522075	Shaft and Wheel	1	
31	3527047	Impeller, Turbo	1	
		MOUNTING PARTS		
32	3056158	Nut, Hex	4	
33	3056155	Stud	4	



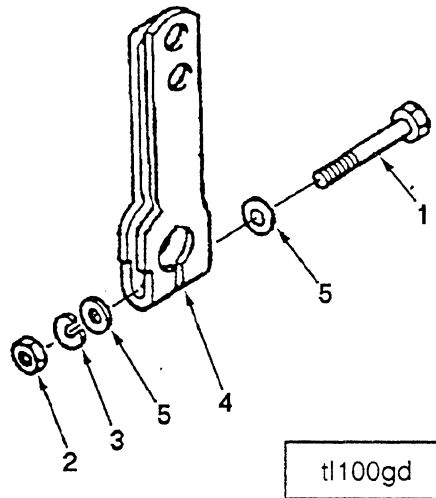
Ref No.	Part Number	Part Name	Req	Remarks
		TURBOCHARGER KITS		
	3801523	Kit, Turbo Bearing	1	BHT3B
2	201048	Gasket, Connection	1	
3	201049	Gasket, Connection	1	
10	3519290	Bearing, Turbo Thrust	1	
15	3521441	Seal, Split Ring	2	
16	3521442	Seal, Split Ring	1	
20	3709510	Ring, Retaining	4	
22	3722366	Bearing, Turbo	2	
24	3751948	Seal, O-ring	1	
28	3521439	Slinger, Oil	1	
29	3521440	Collar, Thrust	1	
	3801522	Kit, Seal	1	BHT3B
2	201048	Gasket, Connection	1	
3	201049	Gasket, Connection	1	
15	3521441	Seal, Split Ring	2	
16	3521442	Seal, Split Ring	1	
20	3709510	Ring, Retaining	4	
24	3751948	Seal, O-ring	1	



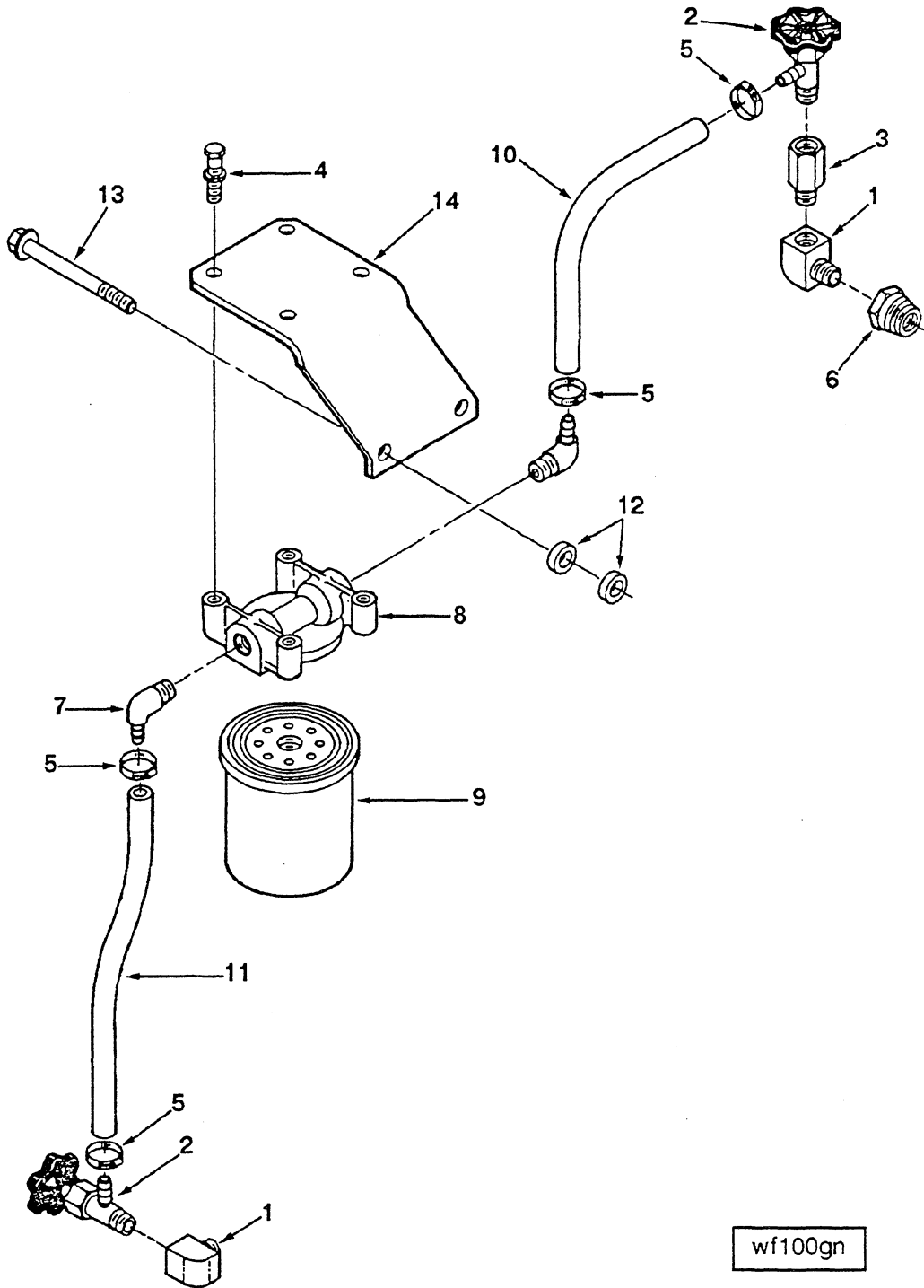
Ref No.	Part Number	Part Name	Req	Remarks
FAN SPACER OPTION SP1028				
1	3005588	Spacer, Fan Pilot	1	.25 inch fan spacer (3.5 inch diameter B.C.) and gasket for use with the fixed center triangular fan drive arrangements.
2	3005592	Gasket, Fan Spacer	1	



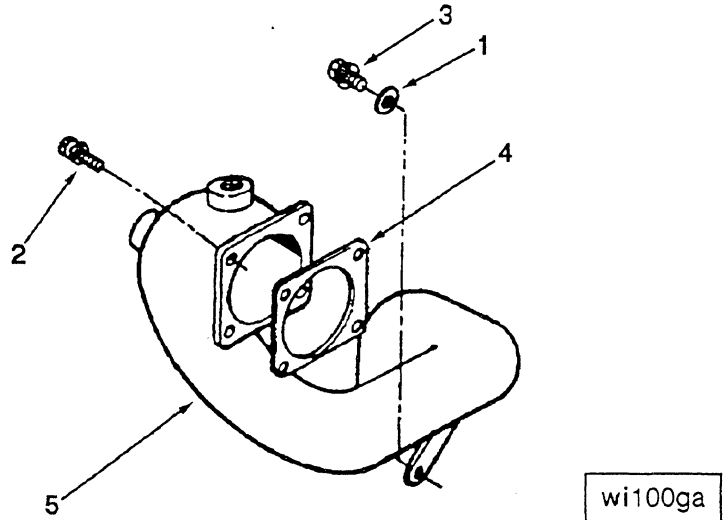
Ref No.	Part Number	Part Name	Req	Remarks
TURBOCHARGER MOUNTING OPTION TB1253				
1	190849	Gasket, Exh Collector	1	
2	3056158	Nut, Hexagon Flange	4	
3	3056155	Stud	4	
4	S-205	Nut, Regular Hexagon	3	
5	S-602	Washer, Plain	3	
6	S-604	Washer, Lock	3	
7	69465	Clip	1	
8	69793	Capscrew, Hexagon Head	2	
9	70907	Support, Oil Gauge Tube	1	
10	108722	Clip	2	
11	142429	Elbow, Male Adapter	1	
12	209958	Hose, Flexible	1	
13	210753	Clamp, Hose	2	
14	3003536	Coupling, Elbow Hose	1	
15	3010596	Capscrew, Captive Washer	2	
16	3037535	Elbow, Male Union	1	
17	3067466	Tube, Tur Oil Drain	1	
18	3202117	Gasket, Connection	1	
19	3035174	Hose, Plain	1	



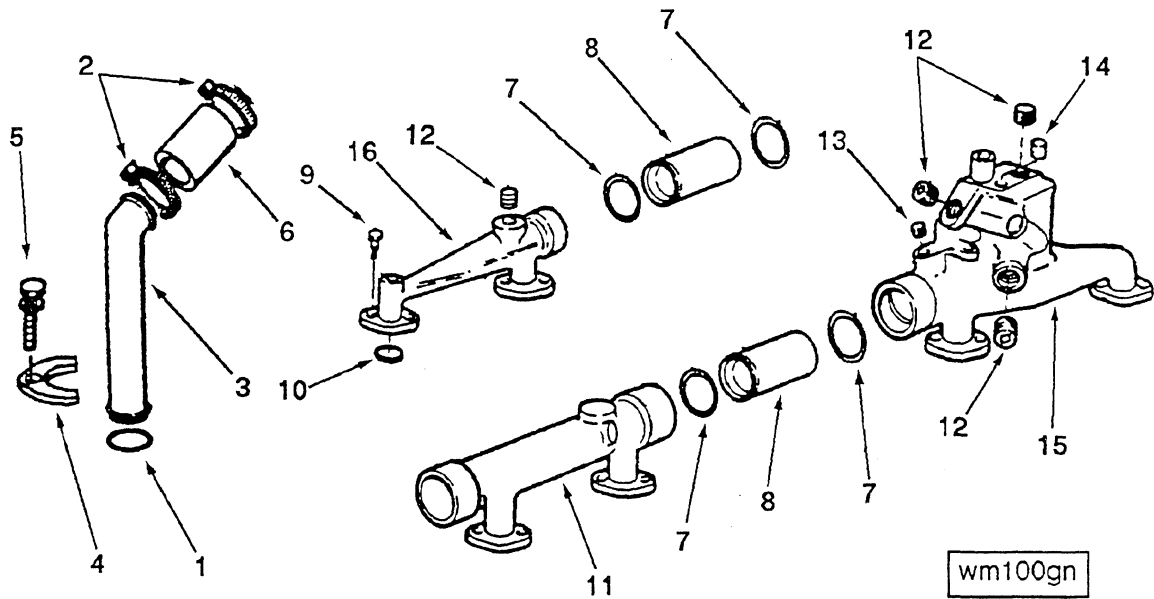
Ref No.	Part Number	Part Name	Req	Remarks
		THROTTLE LEVER OPTION TL8005		Two hole rigid type lever .34 inch diameter with 2.00 and 2.50 inch centers. Variable speed type.
1	S-159-B	Capscrew, Hexagon Head	1	
2	S-251	Nut, Regular Hexagon Jam	1	
3	S-600	Washer, Lock	1	
4	44680	Lever, Throttle	1	
5	70704	Washer, Plain	2	



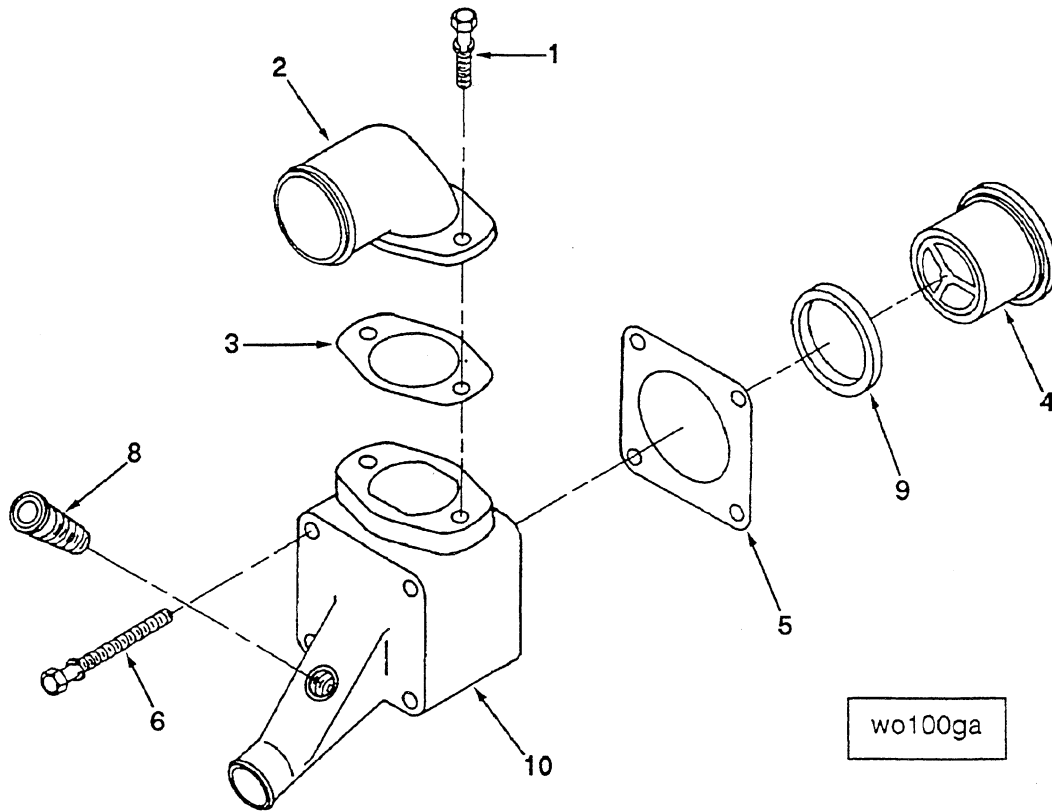
Ref No.	Part Number	Part Name	Req	Remarks	
		CORROSION RESISTOR OPTION WF1186		Spin on corrosion resistor mounted on front port of pulse type exhaust manifold. Located 1.30 inches behind FFOB and 26.30 inches above centerline of crank. Option contains silicone hoses DCA precharge of 4 units. To be used when OEM is precharging coolant. For system capacities 30 to 60 quart. Corrosion resistor code 624.	
		CORROSION RESISTOR MOUNTING			
1	70470	Elbow, Street	2		
2	179901	Valve, Shutoff	2		
3	180221	Adapter, Plain Pipe	1		
4	3010596	Capscrew, Captive Washer	4	3/8 - 16 x 1 1/4 Inch	
5	3016190	Clamp, Hose	4		
		CORROSION RESISTOR			
6	S-983	Bushing, Reducing Pipe	1		
7	179903	Coupling, Elbow Hose	2		
8	204163	Head, Fuel Filter	1		
9	3315116	Element, Cor. Resistor	1		
10	3062302	Hose, Plain	1		
11	3062304	Hose, Plain	1		
		EXHAUST MOUNTING OPTION TB1792		Use when corrosion resistor is mounted on exhaust manifold. Contains water filter bracket.	
12	109594	Washer, Plain	4		
13	3043649	Capscrew, Hexagon Head	2		7/16 - 14 x 4 3/16 Inch
14	3060476	Bracket, Crn Resistor	1		



Ref No.	Part Number	Part Name	Req	Remarks
WATER INLET CONNECTION				
OPTION WI1044				
1	63842	Washer, Plain	1	One piece water inlet connection. Has 2.5 Inch O.D. hose connection located between oil filter and alternator pointing straight down. Includes one 1/2 inch and one 3/4 inch reduced to 1/2 inch NPT holes for the standard engine.
2	3010595	Capscrew, Captive Washer	4	
3	3012470	Capscrew, Captive Washer	1	
4	3024960	Gasket, Connection	1	
5	3028281	Connection, Water Transfer	1	



Ref No.	Part Number	Part Name	Req	Remarks
WATER MANIFOLD OPTION WM1085				
Water manifolds for use with dry type exhaust manifolds.				
1	43463-A	Seal, O-ring	1	
2	3008690	Clamp, Hose	2	
3	213485	Tube, Water Bypass	1	
4	214617	Clamp, Tube	1	
5	3022589	Capscrew, Captive Washer	1	5/16 - 18 x 5/8 Inch
6	3056139	Hose, Plain	1	
7	70624	Seal, O-ring	4	
8	130394	Connection, Water Bypass	2	
9	3010596	Capscrew, Captive Washer	12	3/8 - 16 x 1 1/4 Inch
10	3024709	Seal, Rectangular Ring	6	
11	130118	Manifold, Water	1	Center
12	3008468	Plug, Pipe	4	
13	3008469	Plug, Pipe	2	
14	3025458	Plug, Pipe	1	
15	3015114	Manifold, Water	1	Front
16	3013001	Manifold, Water	1	Rear



wo100ga

Ref No.	Part Number	Part Name	Req	Remarks
		WATER OUTLET CONNECTION OPTION WO1045		90 degree type 2.25 inch O.D. (57MM) water outlet connection mounted to top of top outlet thermostat housing and pointed forward. Includes 175-197 degree F thermostat
1	3010595	Capscrew, Captive Washer	2	3/8 - 16 x 1 Inch
2	3018764	Connection, Radiator	1	
3	3019158	Gasket, Radiator	1	
4	201737	Thermostat	1	
5	208128	Gasket, Thermostat Housing	1	
6	3010597	Capscrew, Captive Washer	4	
8	S-932-B	Coupling, Plain Hose	1	
9	186780	Seal, Thermostat	1	
10	3017748	Housing, Thermostat	1	

Ref No.	Part Number	Part Name	Req	Remarks
		GASKET SETS		
	3801330	Set, Upper Engine Gasket	1	
	S-1003-A	Seal, Grommet	2	
	43463-A	Seal, O-ring	1	
	70624	Seal, O-ring	4	
	100328	Seal, O-ring	2	
	109080	Seal, O-ring	1	
	116982	Lockplate	6	
	131026	Seal, O-ring	12	
	156545	Seal, O-ring	3	
	190849	Gasket, Exhaust Collector	1	
	195950	Gasket, Thermo Housing	1	
	195952	Seal, O-ring	4	
	208128	Seal, O-ring	4	
	212161	Seal, O-ring	2	
	215044	Gasket, Wtr Trf Connection	1	
	216487	Gasket, Connection	1	
	217037	Seal, O-ring	1	
	3008591	Gasket, Intake Mfld.	3	
	3012972	Gasket, Intake Manifold	1	
	3017750	Gasket, Rkr Lever Housing	3	
	3019158	Gasket, Radiator	1	
	3020943	Gasket, Exhaust Mfld.	6	
	3024709	Seal, Rectangular Ring	6	
	3032348	Gasket, Wtr Trf Connection	1	
	3047402	Gasket, Cylinder Head	1	
	3054841	Gasket, Rkr Lever Cover	3	

Ref No.	Part Number	Part Name	Req	Remarks
		GASKET SETS		
	3801235	Set, Lower Engine Gasket	1	
	40662-A	Gasket, Rear Cover	1	
	65274	Gasket, Hand Hold	1	
	67946	Washer, Plain	2	
	67963	Gasket, Suction Flange	1	
	70089-1	Gasket, Cover Plate	1	
	157551	Gasket, Lub Suc Connection	1	
	176027	Gasket	1	
	200307	Seal, Oil	1	
	200809	Gasket, Acc Drive Housing	1	
	215705	Seal, O-ring	1	
	3002385	Gasket, Water Pump	1	
	3004316	Seal, Oil	1	
	3005592	Gasket, Fan Spacer	1	
	3006736	Seal, Oil	1	
	3006737	Seal, Oil	1	
	3007442	Seal, O-ring	6	
	3008017	Gasket, Oil Cooler	1	
	3011931	Gasket, Connection	1	
	3014778	Gasket, Lub Oil Pump Cover	1	
	3018695	Seal, Rectangular Ring	1	
	3020000	Gasket, Cam Follower	3	
	3020001	Gasket, Cam Follower	3	
	3020002	Gasket, Cam Follower	3	
	3020004	Gasket, Cam Follower	3	
	3021705	Gasket, Gear Cover	1	
	3024960	Gasket, Connection	1	
	3029847	Seal, O-ring	1	
	3030808	Seal, O-ring	1	
	3030969	Seal, Rectangular Ring	1	
	3031434	Gasket, Lub Oil Pump	1	
	3034986	Seal, Rectangular Ring	1	
	3037421	Gasket, Flange	1	
	3038998	Seal, Oil	1	
	3045979	Seal, O-ring	1	
	3047464	Gasket, Lub Oil Clr Core	1	
	3047465	Gasket, Lub Oil Clr Hsg	1	
	3048341	Gasket, Fuel Pump	1	
	3049408	Gasket, Oil Pan	1	
	3049688	Gasket, Air Compressor	1	
	3052513	Gasket, Lub Oil Clr Cover	1	

Ref No.	Part Number	Part Name	Req	Remarks
		SETS AND KITS		
	3801823	Kit, Cylinder	6	
	3801826	Kit, Liner	1	CPL1194
	3801819	Kit, Piston	1	CPL1194
	3801755	Set, Piston Ring	1	CPL1194
	3801710	Kit, Wtr Pump Repair Minor	1	
	3801712	Kit, Wtr Pump Repair Major	1	
	3801523	Kit, Turbo Bearing	1	
	3801522	Kit, Turbo Seal	1	
	3801235	Set, Lower Engine Gasket	1	
	3801330	Set, Upper Engine Gasket	1	
	3801328	Set, Single Head Gasket	1	

Option Index

Option No.	Description	Page No.
AD1116	Accessory Drive Pulley	2
BP1300	Cam Follower Housing	5
	Crankshaft	7
	Cylinder Block	9
	Cylinder Liner Kit	10
	Fuel Crossover	11
	Piston Cooling Nozzle	12
	Rocker Lever Housing	15
	Water Pump/Idler Gear	17
BP1758	Water Header Cover	18
BR1175	Breather And Valve Covers	21
CS1051	Block Water Heater	22
DA1183	Vibration Damper	23
EE1191	Alternator Mounting Arrangement	25
EM1271	Gear Cover	27
FA1316	Fan Arrangement	29
FF1069	Fuel Filter	30
FO1036	Oil Fill Arrangement	31
FP12306	Fuel Pump	34
	Fuel Pump Damper	44
FP1519	Accessory Drive	33
FT10037	Fuel Tubing	47
FV8001	Fuel Valve	48
FW1186	Flywheel	49
HD1056	Oil Pump	51
IM1185	Intake Manifold	53
IM1810	Manifold Pressure Tube	54
LF1089	Lubricating Oil Cooler/ Filter	57, 59
OP1430	Oil Pan	61
OP1726	Oil Pan Mounting	61
PP1194	Cam Follower Housing	5
	Camshaft	62
	Connecting Rod	65
	Crosshead	66
	Cylinder Head	69
	Front Engine Support	27
	Injector	71
	Turbocharger	73
SP1028	Fan Spacer	76
TB1253	Air Crossover/ Exhaust Manifold	77
	Turbocharger Mounting	79
TB1792	Exhaust Mounting	83
TL8005	Throttle Lever	80
WF1186	Corrosion Resistor	83
WI1044	Water Inlet Connection	84
WM1085	Water Manifold	85
WO1045	Water Outlet Connection	86

INDEX

Part No.	Description	Page No.	Part No.	Description	Page No.
AR-02308	Lever, Injector Rocker	15	9948	Screw, Hexagon Head Cap	25
AR40147	Shaft, Idler Gear	39	40662-A	Gasket, Rear Cover	88
AR40230	Plunger, Governor	37	43463-A	Seal, O-ring	17, 85, 87
AR74273	Shaft, Gear	39	43828-A	Clamp, Hose	53
BM-30245	Pack, Idling	43	44678	Spring Pack Cover	34, 43
BM-76340	Fuel Pump Damper	34, 44	44680	Lever, Throttle	80
BM-95161	Lever, Rocker	15	60408	Dowel	9, 27
BM-95162	Lever, Rocker	15	60724	Spacer, Belt	54
S- 103-D	Capscrew	77	63385	Spacer, Water Conn	21
S- 112	Capscrew, Hexagon Head	53	63842	Washer, Plain	53, 84
S- 113	Screw, Hexagon Head Cap	29	64709	Spacer, Filter	47
S- 117	Screw, Hexagon Head Cap	29, 57, 59	64775	Hose, Plain	21
S- 121	Screw, Hexagon	54	65259-A	Shim	27
S- 129	Capscrew, Hexagon Head	5	65259-B	Shim	27
S- 140	Screw, Hexagon Head Cap	33	65259-C	Shim	27
S- 142-A	Capscrew, Hexagon Head	51	65274	Gasket, Hand Hole Cover	31, 88
S- 145	Screw, Hexagon Head Cap	29	66292	Washer, Plain	9
S- 149-B	Screw, Hexagon Head Cap	29	67211	Dowel, Rear Main	9
S- 151	Screw, Hexagon Head Cap	25	67684	Washer, Plain	48
S- 155	Screw, Hexagon Head Cap	25	67946	Washer, Plain	61, 88
S- 159-B	Capscrew, Hexagon Head	80	67963	Gasket, Suction Flange	88
S- 174-B	Screw, Hexagon Head Cap	25	68061-A	Seal, O-Ring	37, 41
S- 174-C	Capscrew, Socket Head	44	68445	Pin, Groove	9, 69
S- 176	Capscrew	27	68585	Dowel, Pin	9
S- 182-B	Screw, Hexagon Head Cap	47	68645	Elbow, Male Adapter	59
S- 189-C	Capscrew, Socket Head	48	69047-A	Capscrew	53
S- 190	Capscrew	53	69324	Washer, Plain	33
S- 190-C	Screw, Hexagon Head Cap	47, 54	69465	Clip	79
S- 201	Nut, Heavy Hexagon	17	69519	Dowel, Pin	51
S- 205	Nut, Regular Hexagon	54, 79	69521	Bushing	51
S- 212	Nut, Adjusting Screw	15	69699	Washer, Plain	9
S- 213-A	Nut, Regular Hexagon	41	69736	Screw, Lock	5
S- 223	Nut, Heavy Hexagon	53, 59	69793	Screw, Hexagon Head Cap	54, 79
S- 248	Nut, Regular Hexagon	37	69832	Nut, Hex	61
S- 251	Nut, Regular Hexagon Jam	37, 41, 47, 54, 80	69901	Plug, Pipe	9
			70089-1	Gasket, Cover Plate	9, 18, 22, 88
S- 270	Nut, Regular Hexagon	43	70295	Plug, Pipe	53, 77
S- 274	Nut, Heavy Hexagon Jam	33	70415	Seal, O-Ring	43
S- 285	Nut, Heavy Hexagon Jam	25	70470	Elbow, Street	83
S- 600	Washer, Lock	47, 54, 80	70550	Dowel, Pin	2
S- 602	Washer, Plain	53, 54, 59, 79	70624	Seal, O-ring	85, 87
S- 603	Washer, Lock	53	70653	Dowel	9, 27
S- 604	Washer, Lock	25, 47, 53, 54, 57, 59, 79	70690	Driver, Governor Plunger	37
			70700	Spring, Compression	37
S- 607	Washer, Lock	39	70704	Washer, Plain	40, 41, 44, 80
S- 608	Washer, Lock	29	70705	Gasket, Flange	43
S- 610	Washer, Lock	25, 29, 33	70715	Washer, Plain	43
S- 622	Washer, Plain	21	70716	Screw, Knurled	43
S- 626	Washer, Plain	59, 61	70717	Shim	43
S- 631	Washer, Plain	47	70717-A	Shim	43
S- 658	Washer, Plain	53	70717-B	Shim	43
S- 679	Washer, Plain	9, 77	70734	Washer, Plain	57
S- 716	Plug, Expansion	9	70772	Capscrew, Springtite	11
S- 719	Plug, Expansion	9	70772-B	Capscrew, Captive	41
S- 911-B	Plug, Pipe	9, 17, 29, 33, 69	70775	Seal, O-Ring	41
			70778	Spring, Compression	43
S- 932-B	Coupling, Plain Hose	86	70790	Capscrew, Socket Head	40
S- 965-E	Plug, Pipe	17	70798	Guide, Spring	43
S- 966-E	Plug, Pipe	9	70811	Shim	43
S- 1003-A	Seal, Grommet	87	70811-A	Shim	43
S- 1040-A	Elbow, Male Adapter	59	70811-B	Shim	43
S- 1315	Screw, Pan Head Cap	47	70813	Screw, Set	43
S- 2286	Screw, Drive	37	70820	Plunger, Governor	43
S-16052	Bearing, Ball	39	70823	Ring, Retaining	43
S-16240	Ring, Retaining	41, 43	70834	Stop, Throttle Shaft	43
S-16255	Ring, Retaining	17	70836	Plunger, Throttle Lever	43
4851	Gear, Flywheel Ring	49	70907	Support, Oil Gauge Tube	79

INDEX

Part No.	Description	Page No.	Part No.	Description	Page No.
100099	Seal, Rectangular Ring	44	146483	Screen, Filter	37
100193	Bushing, Tachometer Drive	37	147100	Crossover, Fuel Con.	11
100215	Shaft, Fuel Pump Drive	40	147389	Screw, Crosshead	66
100269	Clip	21	151900	Seal, Rectangular Ring	44
100328	Seal, O-ring	87	153336	Body, Fuel Pump Damper	44
100478	Seal, O-Ring	37	153338	Plate, Fuel Control	44
101841	Shim	37	154087	Seal, Rectangular Ring	48
101842	Shim	37	156545	Seal, O-ring	87
101843	Shim	37	157551	Gasket, Oil Connection	61, 88
101996	Capscrew, Pan Head	57	160514	Washer, Plain	44
103009	Screw, Hexagon Head Cap	25	163826	Weight, Governor	39
103089	Washer, Plain	39	163944	Bushing	39
105199	Pin, Groove	77	163945	Ring, Retaining	37
105375	Nameplate	37	166009	Spring, Compression	71
107460	Clip	53	167157	Ball, Check	71
108384	Sleeve, Spring Pack	37	168306	Screw, Adjusting	15
108722	Clip	59, 79	168319	Screw, Rocker Lever Shaft	15
109080	Seal, O-ring	87	170226	Bracket, Lifting	27
109594	Washer, Plain	83	170296	Guide, Valve Spring	69
109687	Spring, Governor	43	170664	Washer, Plain	33
109895	Bracket, Oil Gauge Tube	59	173086	Gasket, Orifice Plug	71
109917	Screw, Socket Set	43	174299	Clip	71
110058	Nut, Fuel Pump Adjusting	43	175755	Ring, Retaining	65
110855	Gasket, Fuel Pump	40	175755	Ring, Retaining	65
112408	Washer, Plain	43	175833	Capscrew, Hexagon Head	2
113244	Gear, Idler	39	175864	Shaft, Fuel Pump Drive	40
115482	Capscrew, Twelve Point	57	176027	Gasket	88
116391	Bushing	33	179063	Plug, Retainer	51
116982	Lockplate	87	179068	Shim	43
117897	Screw, Cap	29	179901	Valve, Shutoff	83
118226	Screw, Socket Head Cap	39	179903	Coupling, Elbow Hose	83
118227	Dowel, Ring	37	180221	Adapter, Plain Pipe	83
118939	Pin, Roll	5	180371	Clip	47, 54
119363	Gear, Fuel Pumping	40	180372	Clip	47
123558	Guide, Valve Crosshead	69	181213	Elbow, Plain Adapter	47
127316	Washer, Plain	23	181466	Washer, Lock	40, 44, 48
127554	Collet, Valve	69	182706	Capscrew, Hexagon Head	17
128807	Ring, Retaining	37	183695	Key, Plain Woodruff	51
129510	Screw, Hexagon Head Cap	33	185138	Retainer, Injector Cup	71
129768	Spring, Valve	48	185573	Shim	27
129826	Body, shutoff valve	48	186780	Seal, Thermostat	86
129838	Knob, Shutoff Valve Hsg.	48	187420	Bushing, Piston Pin	65
129839	Shield, Shutoff Valve	48	187556	Capscrew, Hexagon Head	48
129866	Union, Male	30	189800	Shim	43
129886	Assembly, Valve Body	48	190397	Sleeve, Wear	2
129888	Seal, Rectangular Ring	48	190849	Gasket, Exh Collector	73, 79, 87
130118	Manifold, Water	85	190876	Seal, O-ring	48
130394	Connection, Water Bypass	85	191916	Link, Injector Plunger	71
131026	Seal, O-ring	11, 87	191970	Pin, Piston	65
132019	Cover, Water Header	9	191970	Pin, Piston	65
132770	Bushing	27	193136	Washer, Plain	2
135169	Ring, Retaining	39	193736	O-ring	71
135308	Plate, Cover	11	194037	Socket	15
135957	Valve, Intake	69	195950	Gasket, Thermo Housing	87
139988	Seal, Rectangular Ring	44	195952	Seal, O-ring	53, 87
140330	Bushing, Lever	15	196844	Spacer, Bearing	17
141626	Plunger, Idle Spring	43	200015	Brace, Hose	54
142176	Nut, Lock	29	200307	Seal, Oil	29, 88
142429	Elbow, Male Adapter	79	200354	Insert, Valve Exhaust	69
142689	Gear, Accessory Drive	33	200809	Gasket, Acc Drive Support	33, 88
143855	Spring, Compression	39	200998	Gasket, Front Housing	39
144178	Plunger, Gov Weight Assist	39	201007	Plug, Fuel Screen Return	37
144179	Shim	39	201008	Shaft, Idler	39
145504	Seal, O-Ring	37, 41, 51	201010	Bushing	39
145505	Seal, O-Ring	41	201048	Gasket, Connection	73, 75
146161	Washer, Plain	51	201049	Gasket, Connection	73, 75
146437	Weight, Governor	39	201737	Thermostat	86

INDEX

Part No.	Description	Page No.	Part No.	Description	Page No.
201745	Ring, Thrust	39	217638	Belt, V-ribbed	17
202682	Housing, Spring Pack	37	218025	Ring, Compression	65
202897	Diaphragm, Damper	44	218153	Bushing, Lever	15
202903	Pin, Roll	9	218548	Barrel, Governor	37
203131	Nut, Heavy Hexagon	66	218732	Ring, Oil	65
203346	Spacer, Mounting	43	218808	Rod, Connecting	65
203426	Pin, Roll	71	219153	Bolt, Connecting Rod	65
203863	Tee, Fuel Bypass	47	255180	Breather, Crankcase	21
204048	Plate, Cover	51	3032874	Seal, O-ring	65
204152	Tube, Vent	21	3801755	Set, Piston Ring	65
204163	Head, Fuel Filter	83	555273	Nut, Lock	25
204263	Clip	53	68193	Plug, Pipe	62
204832	Gear, Lube Oil Pump	51	70550	Dowel	65
207386	Screw, Head Locking	49	3000171	Shaft, Accessory Drive	33
208084	Rivet, Blind	15	3000175	Hub, Jaw Coupling	33
208128	Gasket, Thermostat Housing	86, 87	3000266	Shaft, Shutoff Valve	48
			3000446	Cover, Fuel Control	37
208326	Clamp, T-bolt	77	3000464	Adapter	71
208346	Capscrew, Hexagon	9	3000465	Nut, Lock	71
209958	Hose, Flexible	79	3000592	Spring, Compression	41
210179	Key	7	3000888	Impeller, Water Pump	17
210753	Clamp, Hose	79	3001280	Ring, Retaining	29
210884	Plug, Threaded	9	3001281	Bearing, Roller	29
211633	Shaft, Governor	39	3001646	Screw, Self Tapping Metal	53
211635	Pin, Governor	39	3001707	Shim, Air Fuel Control	41
211636	Gear, Governor	39	3001726	Bracket, Lifting	27
211657	Connection, Air Crossover	77	3001735	Barrel, Governor	37
211999	Spring, Valve	69	3002170	Support, Fuel Pump	33
212161	Seal, O-ring	59, 87	3002385	Gasket, Water Pump	17, 88
212350	Plunger, Governor	37	3002901	Gear, Camshaft	62
212601	Shaft, Fuel Pump Drive	39	3003156	Seal, Wire	43
212602	Gear, Tachometer Drive	39	3003536	Coupling, Elbow Hose	79
212604	Ring, Retaining	39	3003578	Tube, Fuel Drain	47
212605	Gear, Fuel Pump	39	3003580	Tube, Fuel Bypass	47
212613	Hub, Jaw Coupling	39	3004242	Gasket, Hydraulic Pump	51
212639	Adapter, Spline	39	3004316	Seal, Oil	88
212668	Key, Drive Gear	39	3004756	Spring, Compression	43
212954	Screw, Stop	71	3005508	Capscrew, Hexagon Head	53
213082	Washer, Plain	17	3005588	Spacer, Fan Pilot	76
213485	Tube, Water Bypass	85	3005592	Gasket, Fan Spacer	76, 88
213559	Socket, Cam Follower	5	3006175	Screw, Fuel Pump Adjusting	37
213768	Seal, O-Ring	37	3006183	Cover, Rocker Lever	21
213769	Plug, Ball	37	3006188	Cover, Rocker Lever	21
213883	Screw, Head Locking Cap	23	3006343	Stop, Throttle Lever	37
214139	Ball, Plug AFC	37	3006344	Screw, Set Hex Flat S'K'T	37
214144	Valve, Needle	37	3006550	Carrier, Governor	39
214150	Washer, Plain	41	3006736	Seal, Oil	88
214345	Draincock	57	3006737	Seal, Oil	88
214617	Clamp, Tube	85	3007025	Clamp, Tube	47
214950	Bearing, Connecting Rod	65	3007442	Seal, O-ring	12, 88
214951	Bearing, Connecting Rod	65	3007634	Plug, Expansion	5, 69
214952	Bearing, Connecting Rod	65	3007635	Plug, Expansion	69
214953	Bearing, Connecting Rod	65	3007759	Seal, O-ring	69
214954	Bearing, Connecting Rod	65	3008017	Gasket, Oil Cooler Support	59, 88
215044	Gasket, Water Trnsf. Conn.	53, 87	3008047	Cap, Main Bearing	9
215090	Seal, Crevice	10	3008048	Cap, Main Bearing	9
215090	Seal, O-ring	65	3008049	Cap, Main Bearing	9
215233	Bearing, Thrust	62	3008466	Plug, Pipe	9, 57, 59
215397	Pulley, Idler	17	3008468	Plug, Pipe	9, 31, 61, 85
215705	Seal, O-ring	27, 88	3008469	Plug, Pipe	9, 31, 85
216486	Gasket, Housing	53	3008470	Plug, Pipe	31, 61
216487	Gasket, Crossover	77, 87	3008530	Support, Camshaft Thrust	27
216983	Ring, Compression	65	3008591	Gasket, Intake Manifold	53, 87
217008	Spacer, Bearing	29	3008596	Clamp, Spring	21
217011	Spacer, Bearing	29	3008690	Clamp, Hose	85
217037	Seal, O-ring	87	3008706	Screen, Filter	71
217323	Damper, Vibration	23	3008883	Cover, Protective	29

INDEX

Part No.	Description	Page No.	Part No.	Description	Page No.
3008947	Seal, Keyway	2	3017051	Screw, Captive Washer Cap	39, 43, 44
3009213	Lockplate	7	3017052	Screw, Captive Washer Cap	43
3010146	Spring, Pressure	51	3017748	Housing, Thermostat	86
3010550	Clamp, Hose	53	3017750	Gasket, Rocker Lever Hsg	15, 87
3010564	Brace, Tube	21	3017759	Insert, Valve Intake	69
3010589	Capscrew, Captive Washer	15	3018655	Spring, Compression	41
3010590	Screw, Captive Washer Cap	33	3018695	Seal, Rectangular Ring	57, 59, 88
3010595	Capscrew, Hexagon Head	51, 61, 84, 86	3018697	Brace, Oil Cooler	57
3010596	Screw, Captive Washer Cap	31, 59, 79, 83, 85	3018764	Connection, Radiator	86
			3018767	Spring, Compression	43
3010597	Capscrew, Captive Washer	59, 86	3018889	Connector, Female	47
3010941	Bushing	43	3019158	Gasket, Radiator	86, 87
3010942	Shaft, Throttle	43	3019174	Bearing, Main	7
3010945	Seal, Dust	43	3019180	Bearing, Main	7
3011342	Screw, Captive Washer Cap	18	3019186	Bearing, Main	7
3011712	Screw, Captive Washer Cap	27	3019192	Bearing, Main	7
3011714	Screw, Captive Washer Cap	27	3019198	Bearing, Main	7
3011715	Screw, Captive Washer Cap	27	3019204	Bearing, Main	7
3011716	Capscrew, Captive Washer	53	3019218	Bearing, Thrust	7
3011931	Gasket, Connection	88	3019301	Spacer, Mounting	47
3011934	Sleeve, Injector	69	3019616	Gear and Shaft	40
3011951	Bushing, Camshaft	9	3019959	Ring, Liner Seal	9
3011952	Plug, Expansion	9	3019960	Ring, Liner Seal	9
3012467	Washer, Plain	29	3020000	Gasket, Cam Follower	88
3012468	Capscrew, Captive Washer	17	3020001	Gasket, Cam Follower	88
3012469	Capscrew, Captive Washer	17	3020002	Gasket, Cam Follower	88
3012470	Capscrew, Captive Washer	84	3020004	Gasket, Cam Follower	88
3012471	Capscrew, Captive Washer	53	3020185	Seal, Oil	27
3012472	Screw, Captive Washer Cap	21	3020186	Seal, Oil	27
3012526	Nut	2	3020523	VS Spring Pack	34, 43
3012529	Plunger, Pressure	51	3020943	Gasket, Exhaust Manifold	77, 87
3012531	Shaft, Idler	51	3021068	Barrel	41
3012532	Shaft, Lube Oil Pump	51	3021676	Plunger	41
3012726	Plug, Retainer	51	3021705	Gasket, Gear Cover	88
3012972	Gasket, Intake Manifold	87	3022589	Capscrew, Captive Washer	51, 59, 85
3013001	Manifold, Water	85	3022590	Capscrew, Captive Washer	51
3013166	Tube, Fuel Supply	47	3023088	Spacer, Mounting	41
3013296	Connection, Water Outlet	53	3023171	Insert, Air Fuel	41
3013330	Pin, Cam Follower Roller	5	3023473	Pulley, Accessory Drive	2
3013331	Pin, Cam Follower Roller	5	3023512	Valve, Bypass	57
3013335	Pulley, Accessory Drive	2	3023556	Cup, Injector	71
3013590	Nozzle, Piston Cooling	12	3024666	Tube, Water Transfer	59
3013591	Nozzle, Piston Cooling	12	3024709	Seal, Rectangular Ring	85, 87
3013623	Capscrew, Hexagon Head	9, 69	3024960	Gasket, Connection	17, 84, 88
3013786	Plug, Pipe	2, 9, 17, 57	3024989	Assembly, Upper Weight	39
3013810	Piston, Air Fuel Control	41	3024991	Assembly, Lower Weight	39
3013811	Diaphragm	41	3025100	Washer, Plain	49
3013904	Capscrew, Captive Washer	9, 22	3025458	Plug, Pipe	48, 85
3013930	Assembly, Connecting Rod	65	3025459	Plug, Pipe	43
3014103	Washer, Plain	33	3025460	Plug, Pipe	37
3014404	Assembly, Piston Nozzle	12	3025695	Body, Fuel Pump	37
3014614	Gear	7	3025861	Pulley, Water Pump	17
3014754	Washer, Plain	51	3026051	Manifold, Exhaust	77
3014755	Disc, Valve	51	3026163	Gasket, Fuel Pump	40
3014756	Spring, Bypass Valve	51	3026556	Bearing, Thrust	33
3014778	Gasket, Pump Cover	51, 88	3026557	Bearing, Thrust	33
3014964	Cover, Lube Oil Pump	51	3027460	Support, Oil Cooler	57
3015114	Manifold, Water	85	3027633	Bearing, Thrust	37
3015283	Capscrew, Captive Washer	53	3028075	Bushing, Camshaft	9
3015469	Retainer, Injector Spring	71	3028269	Bushing, Camshaft	9
3015520	Cover, Fuel Control	41	3028281	Connection, Water Transfer	84
3015522	Valve, Check	41	3028288	Connection, Water Outlet	18
3016021	Housing, Governor	43	3028293	Crosshead, Valve	66
3016190	Clamp, Hose	83	3028312	Tube, Water Transfer	53
3016609	Gear and Shaft	40	3028370	Cover and Bushing	39
3016887	Housing, Cam Follower	5	3028372	Main Drive Assembly	39
3017031	Shaft, Cam Follower	5	3028967	Capscrew, Captive Washer	53

INDEX

Part No.	Description	Page No.	Part No.	Description	Page No.
3028997	Core, Aftercooler	53	3037537	Seal, O-ring	73
3029815	Plate, Cover	53	3038076	Screw, Captive Washer Cap	21
3029816	Seal, O-ring	53	3038216	Pack, Idle Spring	43
3029847	Seal, O-ring	61, 88	3038668	Fuel Pump Housing	34, 37
3029848	Tube, Lube Oil Transfer	61	3038903	Plug	15
3029850	Plate, Clamping	61	3038904	Shaft, Rocker Lever	15
3029857	Pin, Roll	40	3038998	Seal, Oil	88
3030038	Assembly, Crosshead	66	3039267	Clip	61
3030286	Capscrew, Captive Washer	53	3039296	Spring, Compression	57
3030803	Spring, Compression	57	3040750	Plunger, Governor	37
3030804	Piston, Bypass Valve	57	3040760	Plunger, Governor	37
3030805	Piston, Pressure Sensing	57	3040815	Plug, Threaded	39
3030806	Plunger, Bypass Valve	57	3040830	Valve, Exhaust	69
3030808	Seal, O-ring	57, 59, 88	3040837	Capscrew, Captive Washer	57
3030843	Connection, Water Inlet	53	3040838	Capscrew, Captive Washer	57
3030969	Seal, Rectangular Ring	88	3041501	Gasket, Cam Follower Hsg.	5
3030970	Disc, Valve	48	3042329	Washer, Plain	31
3031005	Capscrew, Pan Head	57	3042330	Washer, Plain	25, 29
3031186	Manifold, Exhaust	77	3042568	Camshaft	62
3031187	Manifold, Exhaust	77	3042619	Nipple, Coupling	57
3031279	Cover, Hand Hole	31	3043647	Capscrew, Hexagon Head	77
3031298	AFC Assembly	34, 41	3043649	Capscrew, Hexagon Head	83
3031434	Gasket, Lube Oil Pump.	51, 88	3044413	Capscrew, Captive Washer	57
3031618	Clip	54	3044787	Housing, Rocker Lever	15
3031858	Gasket, Oil Cooler Support	59	3044788	Assembly, Rocker Housing	15
3032014	Spring, Compression	43	3044849	Tube, Pressure Sensing	51
3032348	Gasket, Water Trnsf. Conn.	53, 87	3044854	Elbow, Plain Adapter	51
3032674	Capscrew, Captive	61	3044901	Capscrew, Captive Washer	59
3032861	Gasket, Oil Pan	61	3044942	Seal, O-Ring	41
3032874	Seal, O-ring	10	3045047	Plug, Orifice	71
3033098	Brace, Tube	47	3045163	Body, Water Pump	17
3033677	Assembly, Seal and Seat	17	3045483	Core, Cooler	57
3033717	Housing, Fuel Pump Gear	40	3045617	Gear, Lube Oil Pump	51
3033719	Dowel, Ring	40	3045622	Gear, Lube Oil Pump	51
3033722	Cover, Fuel Pump Gear	40	3045979	Seal, O-ring	57, 59, 88
3033732	Assy., Housing & Cover	40	3046170	Cover, Aftercooler	53
3033740	Valve, Check Ball Elbow	40	3046200	Spider, Jaw Coupling	33
3033742	Plug, Threaded	40	3046201	Seal, O-ring	31
3033822	Capscrew, Captive Washer	12	3046202	Plug, Threaded	9, 31
3034217	Fuel Pump Gear Assembly	34, 40	3046246	Washer, Plain	9
3034412	Seal, O-Ring	40	3046407	Screw, Socket Set	37
3034438	Pin, Groove	33	3046420	Rod, Push	5
3034526	Capscrew, Captive Washer	51	3046430	Rod, Push Injector	5
3034579	Seal, Grommet	59	3046680	Shaft, Throttle	37
3034830	Retainer, Seal	61	3046947	Pan, Oil	61
3034986	Seal, Rectangular Ring	61, 88	3046948	Tube, Lube Oil Suction	61
3035028	Assembly, Sensing Unit	57	3046951	Assembly, Oil Pan	61
3035174	Hose, Plain	79	3047402	Gasket, Cylinder Head	69, 87
3035230	Bearing, Thrust	37	3047464	Gasket, Cooler Cover	57, 59, 88
3035342	Assembly, Shutoff Valve	48	3047465	Gasket, Cooler Housing	57, 59, 88
3035624	Capscrew, Captive Washer	57, 61	3047963	Assembly, Barrel & Plunger	71
3035823	Spring, Compression	37	3047973	Assembly, Injector	71
3036449	Pulley, Accessory Drive	2	3048033	Cover, Gear	27
3036474	Guide, Idle	43	3048341	Gasket, Fuel Pump	33, 39, 88
3036811	Manifold, Air Intake	53	3048352	Capscrew, Captive Washer	61
3036844	Tube, Water Transfer	53	3048557	Spacer, Bearing	37
3036933	Roller, Cam Follower	5	3048808	Piston	65, 65
3036934	Roller, Cam Follower	5	3049024	Camshaft	62
3036939	Assembly, Cam Fol. Hsg.	5	3049333	Capscrew, Twelve Point	71
3037045	Dowel, Ring	7	3049408	Gasket, Oil Pan	88
3037052	Tube, Lub Oil Bypass	59	3049688	Gasket, Air Compressor	88
3037219	Insert, Filter Head	57	3050369	Guide, Valve Stem Intake	69
3037241	Head, Lub Oil Filter	57	3050394	Shaft, Water Pump	17
3037242	Head, Lub Oil Filter	57	3050395	Spacer, Mounting	17
3037421	Gasket, Flange	88	3050396	Shaft, Idler	17
3037535	Elbow, Male Union	79	3050418	Head, Cylinder	69
3037536	Plug, Pipe	51	3050624	Valve, Pressure Regulator	40

INDEX

Part No.	Description	Page No.	Part No.	Description	Page No.
3050625	Seal, O-Ring	40	3315116	Element, Cor. Resistor	83
3051408	Assembly, Water Pump	17	3503335	Nut, Hex	73
3052127	Gasket, Filter Head	59	3504959	Clamp, V-band	73
3052128	Gasket, Filter Head	57, 59	3519021	Dataplate	73
3052129	Head, Lub Oil Filter	57	3519155	Shield, Turbo Heat	73
3052210	Housing, Oil Cooler	57	3519163	Screw, Drive	73
3052513	Gasket, Cooler Cover	57, 59, 88	3519290	Bearing, Turbo Thrust	73, 75
3052534	Cover, Gear	27	3519351	Housing, Turbine	73
3052863	Fuel Pump Front Cover	34, 39	3519401	Baffle, Oil	73
3053392	Assembly, Oil Cooler	57	3519471	Nut, Lock	73
3054445	Gasket, Cooler Cover	59	3520981	Plate, Clamping	73
3054611	Solenoid, Fuel Pump	48	3520992	Dataplate	73
3054841	Gasket, Valve Cover	21, 87	3521439	Slinger, Oil	73, 75
3054889	Capscrew, Hexagon Head	27	3521440	Collar, Thrust	73, 75
3054947	Ring, Liner Seal	9	3521441	Seal, Split Ring	73, 75
3054948	Ring, Liner Seal	9	3521442	Seal, Split Ring	73, 75
3054949	Ring, Liner Seal	9	3522075	Shaft and Wheel	73
3055069	Plug, Threaded	61	3522416	Housing, Turbo Bearing	73
3055098	Assembly, Cylinder Head	69	3526653	Capscrew, Captive Washer	73
3055099	Liner, Cylinder	10, 65	3527046	Assembly, Turbocharger	73
3056139	Hose, Plain	85	3527047	Impeller, Turbo	73
3056155	Stud	73, 79	3527048	Housing, Compressor	73
3056158	Nut, Hex	73, 79	3608833	Crankshaft	7
3056429	Ring, Compression	65	3709510	Ring, Retaining	73, 75
3056568	Lever, Cam Follower	5	3718373	Ring, Retaining	73
3056569	Lever, Cam Follower	5	3722366	Bearing, Turbocharger	73, 75
3056570	Plug, Ball	5	3723863	Ring, Retaining	73
3058488	Adapter, Crankshaft	23	3751948	Seal, O-ring	73, 75
3058653	Seal, O-ring	15	3757753	Sleeve, Oil Control	73
3058664	Screw, Hexagon Head Cap	27	3759618	Plate, Oil Seal	73
3058675	Seal, Dust	61	3801106	Kit, Camshaft Bushing	9
3060301	Assembly, Thrust Shim	27	3801199	Kit, Oil Cooler Seal	59
3060447	Clamp, Injector	71	3801235	Set, Lower Engine Gasket	88, 89
3060476	Bracket, Crn Resistor	83	3801260	Set, Main Bearing	7
3060613	Hose, Plain	77	3801261	Set, Main Bearing	7
3060622	Block, Cylinder	9	3801262	Set, Main Bearing	7
3060633	Washer, Plain	69	3801263	Set, Main Bearing	7
3062302	Hose, Plain	83	3801264	Set, Main Bearing	7
3062304	Hose, Plain	83	3801328	Set, Single Head Gasket	89
3062639	Shaft, Fan Hub	29	3801330	Set, Upper Engine Gasket	87, 89
3062641	Pulley, Crankshaft	23	3801522	Kit, Seal	75, 89
3062643	Link, Adjusting	25	3801523	Kit, Turbo Bearing	75, 89
3062645	Hub, Fan	29	3801708	Kit, Water Pump	17
3062676	Seal, Oil	39	3801710	Kit, Wtr Pump Repair Minor	17, 89
3063028	Support, Fan	29	3801712	Kit, Wtr Pump Repair Major	17, 89
3063029	Support, Front Engine	27	3801743	Block, Cylinder	9
3063055	Cover, Fuel Pump	39	3801755	Set, Piston Ring	65
3063246	Bearing, Ball	17	3801755	Set, Piston Ring	89
3064919	Assembly, Water Pump Idler	17	3801819	Kit, Piston	65, 89
			3801823	Kit, Cylinder	65, 89
3064948	Retainer, Adjusting Screw	25	3801826	Kit, Cylinder Liner	10, 89
3064949	Assembly, Fan Hub	29	3803108	Kit, Turbocharger	73
3064957	Belt, V Ribbed	29	3818101	Tee, Street Pipe	59
3065115	Gasket, Gear Cover	27	3818267	Hose, Plain	53
3065953	Support, Alternator	25	3818599	Capscrew, Captive Washer	61
3065954	Pulley, Alternator	25	3821577	Body, Lube Oil Pump	51
3065975	Key, Plain Woodruff	62	3821578	Pump, Lub Oil	51
3066468	Flywheel	49	3821579	Assembly, Lube Oil Pump	51
3066469	Flywheel	49	3831132	Filter, Fuel	30
3066516	Pulley, Fan	29	3832162	Heater, Engine	22
3067129	Assembly, Fuel Pump	34	3913106	Cable, Engine Heater	22
3067466	Tube, Tur Oil Drain	79			
3067495	Tube, Manifold	54			
3202117	Gasket, Connection	79			
3202144	Guide, Valve Spring	69			
3313279	Element, Oil Filter	57			
3313283	Element, Oil Filter	57			

Cummins Engine Company, Inc.
Box 3005
Columbus, Indiana, U.S.A., 47202
Cable: CUMDIEX COLUMBUS

Registered Office
Cummins Engine Company, Ltd.
46-50 Coombe Road
New Malden,
Surrey KT3 4QL,
England
Cable: CUMEUR G
Registration No. 573951 England

Copyright© 1989
Cummins Engine Company, Inc.

