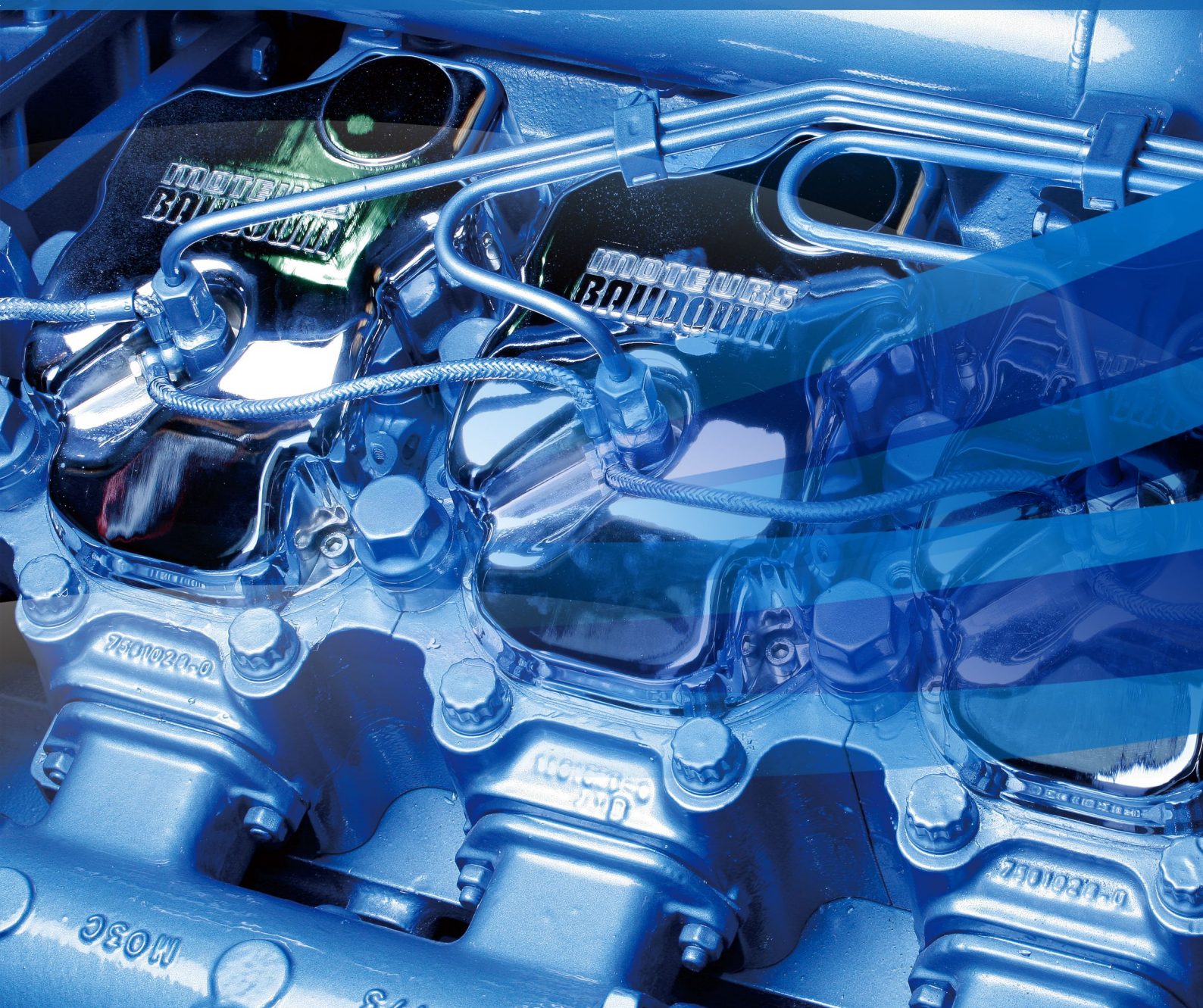


**6M26 BAUDOIN DIESEL PARTS CATALOGUE**



# PREFACE

This illustrated parts manual is specially prepared for customers to facilitate the use of 6M26 series diesel engine in operation and tenance.

The illustrations are grouped under the heading of each assembly and numbered individually.Part.

No.,Quantity,Model,English designation,Chinese designation and so on are written in the parts list .  
The parts catalogue include detailed assembling parts list of diesel engine ,some parts can not be sold ,if you want to know selling part matters,please ask weichai power spare part resource CO.,LTD.

With the development of technology and production,the versions of the diesel engine will be increased, so the catalogue will be revised.Please pay attention to our revised edition.After service of this product is authorized to Weichai Power Co.,Ltd ,Consumers can acquire information of this product through [www.weichai.com](http://www.weichai.com).

# CONTENTS

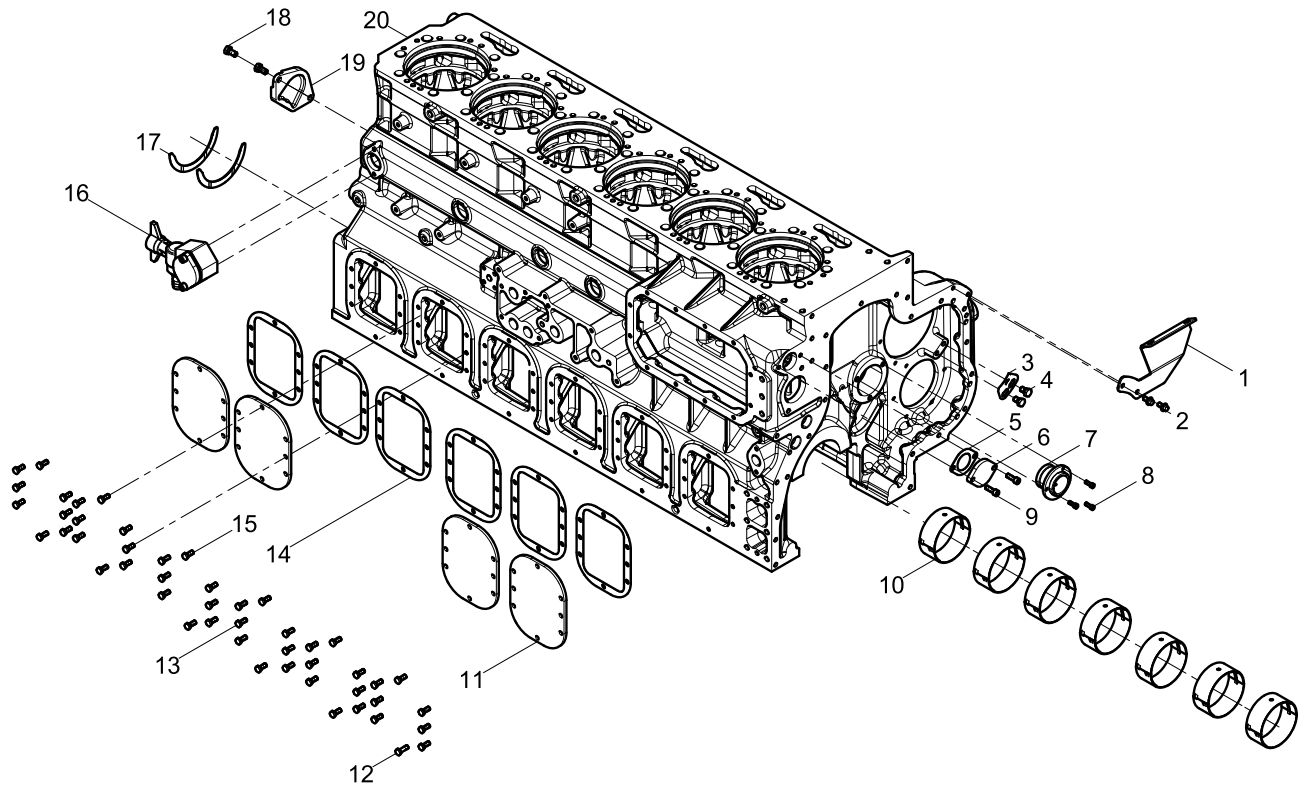
<b>Engine Block Group .....</b>	<b>1</b>
Engine Block Subassembly .....	3
crankcase pre-assembly .....	5
Main Bearing Group.....	7
Water Draining Valve .....	9
<b>Flywheel Housing Group.....</b>	<b>11</b>
<b>Front cover group .....</b>	<b>13</b>
Front oil seal Group.....	15
<b>Crankshaft Group.....</b>	<b>17</b>
Crankshaft Assembly .....	19
<b>Flywheel Group.....</b>	<b>21</b>
Flywheel Assembly .....	23
<b>Piston and Connecting Rod Group .....</b>	<b>25</b>
Connecting Rod Assembly.....	27
Piston Assembly .....	29
<b>Cylinder Head Group .....</b>	<b>31</b>
Valve Bridge Assembly.....	33
Cylinder Head Assembly.....	35
Cylinder Head Subassembly .....	37
Rocker Arm Set.....	39
Intake Rocker Arm Assembly .....	41
Exhaust Rocker Arm Assembly .....	43
<b>Cylinder Head Accessory Group.....</b>	<b>45</b>
<b>Rocker Arm Oil Pipe Group.....</b>	<b>47</b>
<b>Camshaft Group.....</b>	<b>49</b>
Camshaft Assembly.....	51
<b>Tappet And Push Rod Group .....</b>	<b>53</b>
Push Rod.....	55
<b>Crankshaft Pulley Group .....</b>	<b>57</b>
<b>Oil Pan Group .....</b>	<b>59</b>
<b>Oil Pump Group.....</b>	<b>61</b>

<b>Hand Oil Pump Group .....</b>	<b>63</b>
Pipe Joint .....	65
<b>Oil Cooler Group .....</b>	<b>67</b>
Oil Cooler .....	69
Water Draining Valve .....	71
<b>Oil Filter Group .....</b>	<b>73</b>
<b>Oil Filling Tube Group .....</b>	<b>75</b>
<b>Breather set.....</b>	<b>77</b>
<b>Fresh Water Pump Grpup .....</b>	<b>79</b>
<b>Water inlet pipe group.....</b>	<b>81</b>
<b>Water Outlet Pipe Group .....</b>	<b>83</b>
Thermostat Assembly.....	85
<b>Fan Bracket Group .....</b>	<b>87</b>
<b>Fan and Hub Group.....</b>	<b>89</b>
<b>Fuel Injection Pump Group .....</b>	<b>91</b>
Fuel Injection Pump .....	93
<b>Fuel Injection Pump Oil Pipe Group .....</b>	<b>95</b>
<b>Electronic Governor Group .....</b>	<b>97</b>
<b>Fuel Injector Group.....</b>	<b>99</b>
<b>Injector Return Pipe Group.....</b>	<b>101</b>
<b>Low Pressure Fuel Pipe Group.....</b>	<b>103</b>
<b>Fuel Filter Group .....</b>	<b>105</b>
<b>High Pressure Fuel Pipe Group.....</b>	<b>107</b>
High-pressure Fuel Pipe Assembly .....	109
<b>Intake Manifold Group .....</b>	<b>111</b>
<b>Turbocharger Group .....</b>	<b>113</b>
<b>Compressor Pipe Group.....</b>	<b>115</b>
<b>Air Filter Group.....</b>	<b>117</b>
<b>Exhaust Manifold Group .....</b>	<b>119</b>
<b>Connection syphon group.....</b>	<b>121</b>

Expansion Joint .....	123
<b>Air Compressor Group.....</b>	<b>125</b>
<b>Tensioner And Belt Group .....</b>	<b>127</b>
<b>Starter Motor Group .....</b>	<b>129</b>
<b>Engine Bracket Group.....</b>	<b>131</b>
<b>Packing Box Chassis Parts Group.....</b>	<b>133</b>
<b>Separate Delivery Parts Group Attached to Engine.....</b>	<b>135</b>
<b>Parts Box Group .....</b>	<b>137</b>
<b>General-use Wire and Sensor Group .....</b>	<b>139</b>
<b>Alternator Group .....</b>	<b>141</b>



### Engine Block Group

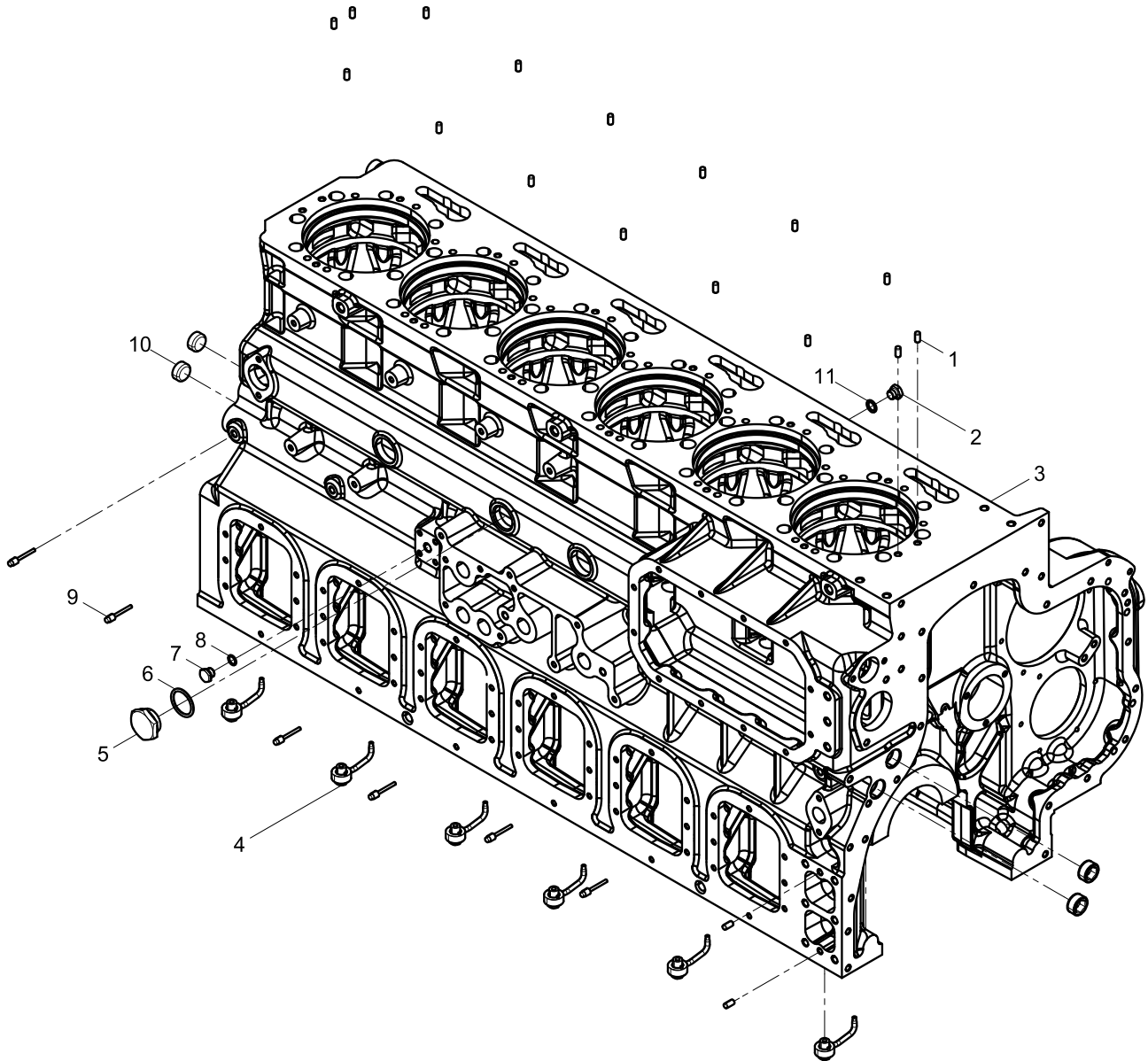


**Engine Block Group**

Pos.	Teile.Number	Amount	Designation
1	330208000170	1	Inter-cool Pipe Bracket
2	90011430040	2	Hexagon Flange with Tooth Bolt
3	15052030C	1	Indicator
4	90011270108	2	Hexagon head bolt
5	14031820D	1	Gasket
6	15032090D	1	Flange
7	330201000102	1	Camshaft Bush
8	1000428092S	3	Hexagon Flange Bolt
9	90013050036	2	Inner Hexagon Socket Head Cap Screw
10	15510670Z	7	Main Bearing Group
11	13501200S	4	Handhole Cover
12	90011400058	1	Hexagon flange bolt, heavy series
13	90003802443	4	Hexagon Head Bolt
14	13501131S	6	Gasket
15	90011400008	43	Hexagon Flange Bolt
16	M03M022B1	1	Water Draining Valve
17	15011780C	2	Thrust Plate
18	9000000734	2	Hexagon Flange Bolt
19	13501370C	1	Flange
20	330201000228	1	Engine Block Subassembly



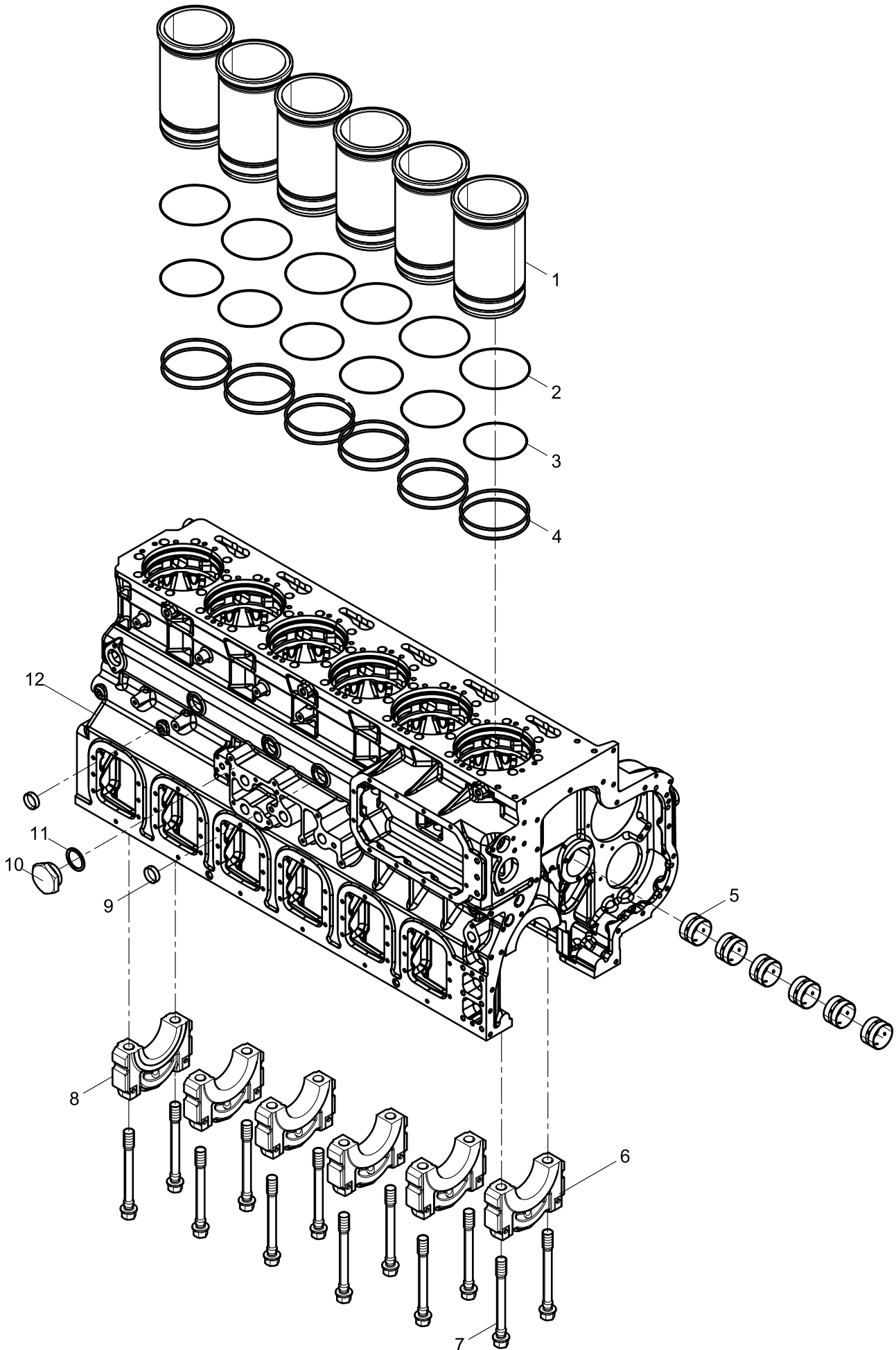
### Engine Block Subassembly



**Engine Block Subassembly**

<b>Pos.</b>	<b>Teile.Number</b>	<b>Amount</b>	<b>Designation</b>
1	90015210006	18	Parallel Pin
2	14040940R	1	Hexagon Screw Plug
3	X6231.616W	1	crankcase pre-assembly
4	1000104463	6	Piston Nozzle Set
5	13584180N	1	Hexagon Screw Plug
6	77707870B	1	Washer
7	11144230T	1	Hexagon Screw Plug
8	90003098014	1	Sealing Washer
9	610800010023	5	Pulling Rivet
10	1000795770	4	Hexagon Taper Screw Plug
11	90003098012	1	Sealing Washer

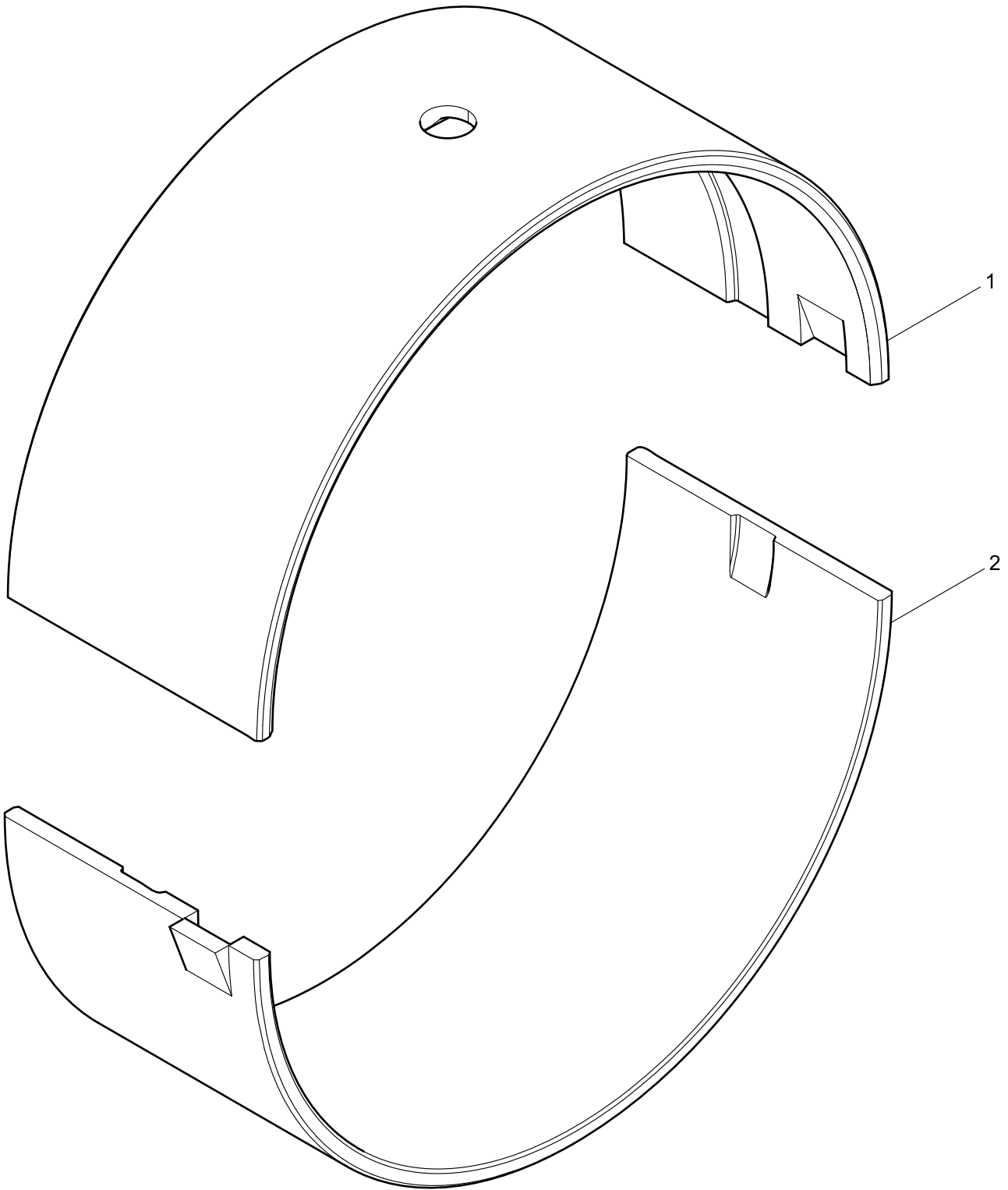
crankcase pre-assembly



**crankcase pre-assembly**

Pos.	Teile.Number	Amount	Designation
1	X6260.114	6	Cylinder Liner
2	330201000034	6	O-ring
3	330201000035	6	O-ring
4	330201000036	12	O-ring
5	13501210D	6	Camshaft Bush
6	15011760F	6	Main Bearing Cap
7	1001046098	14	Main Bearing Bolt
8	15011750V	1	Thrust Bearing Cover
9	330201000374	2	Bowl Plug
10	13584180N	1	Hexagon Screw Plug
11	612600150106	1	Washer
12	X6231.182W	1	Engine Block

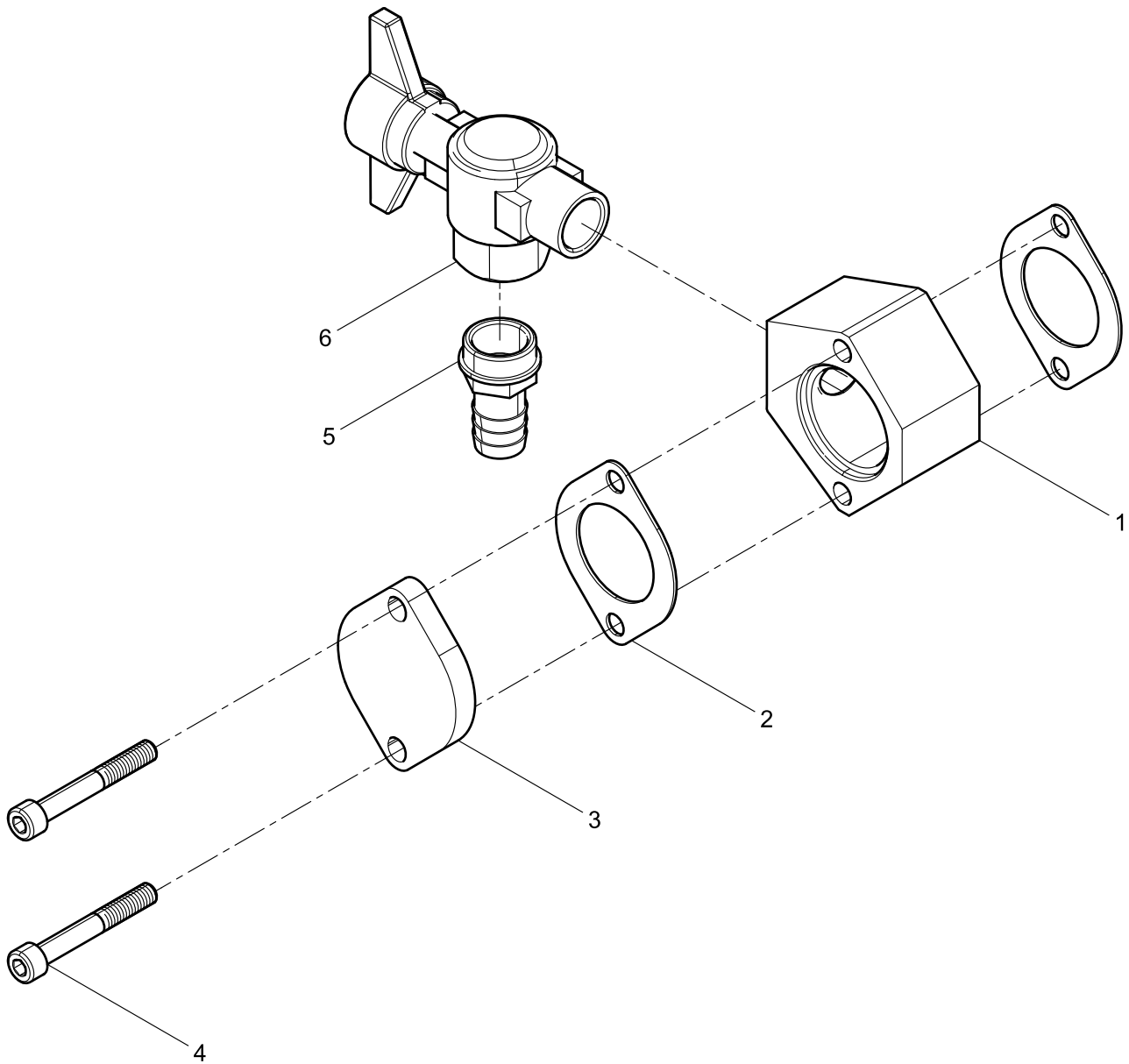
**Main Bearing Group**



**Main Bearing Group**

<b>Pos.</b>	<b>Teile.Number</b>	<b>Amount</b>	<b>Designation</b>
1	15011740J	7	Main Bearing Upper Shell
2	13506500D	7	Main Bearing Lower Shell

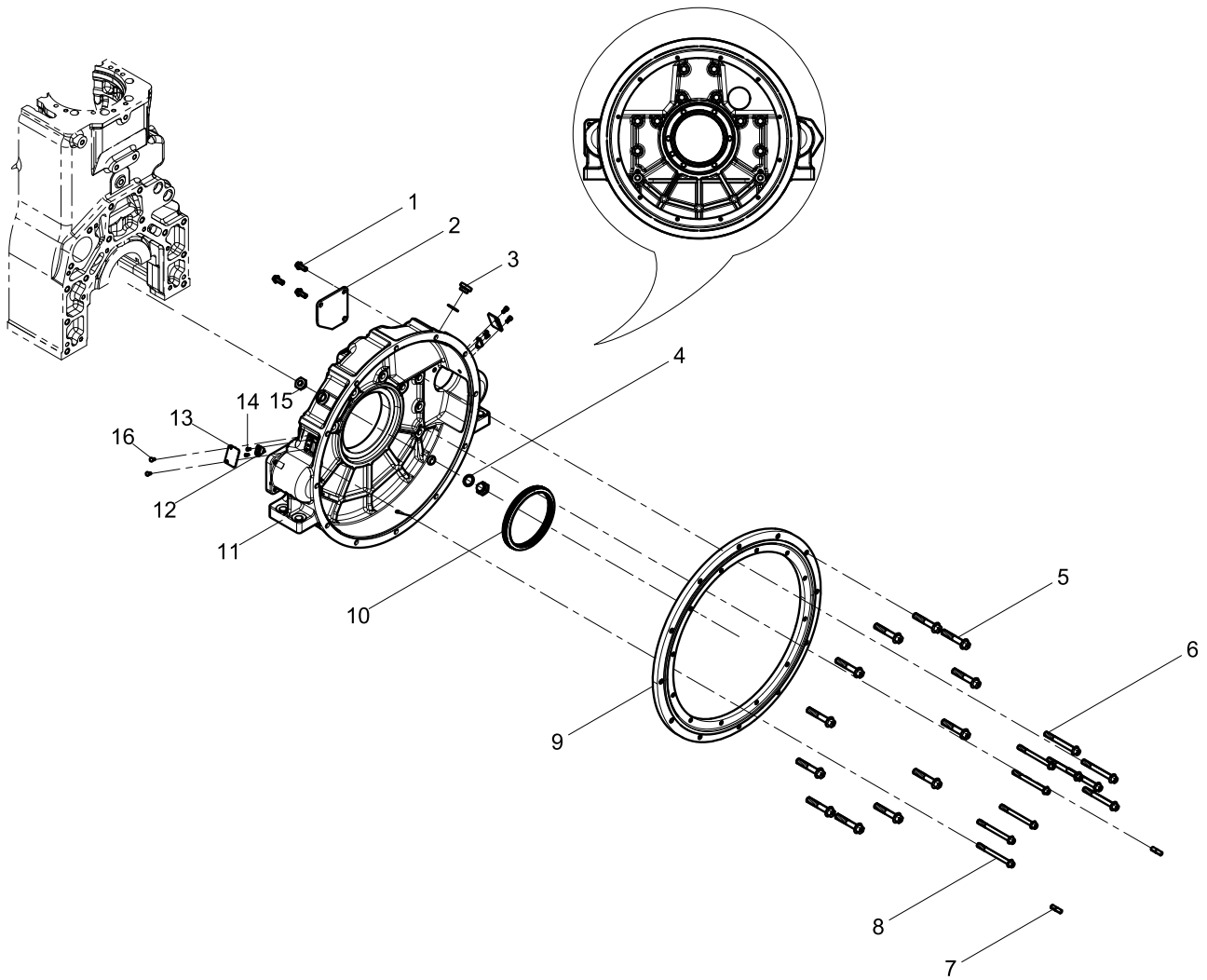
### Water Draining Valve







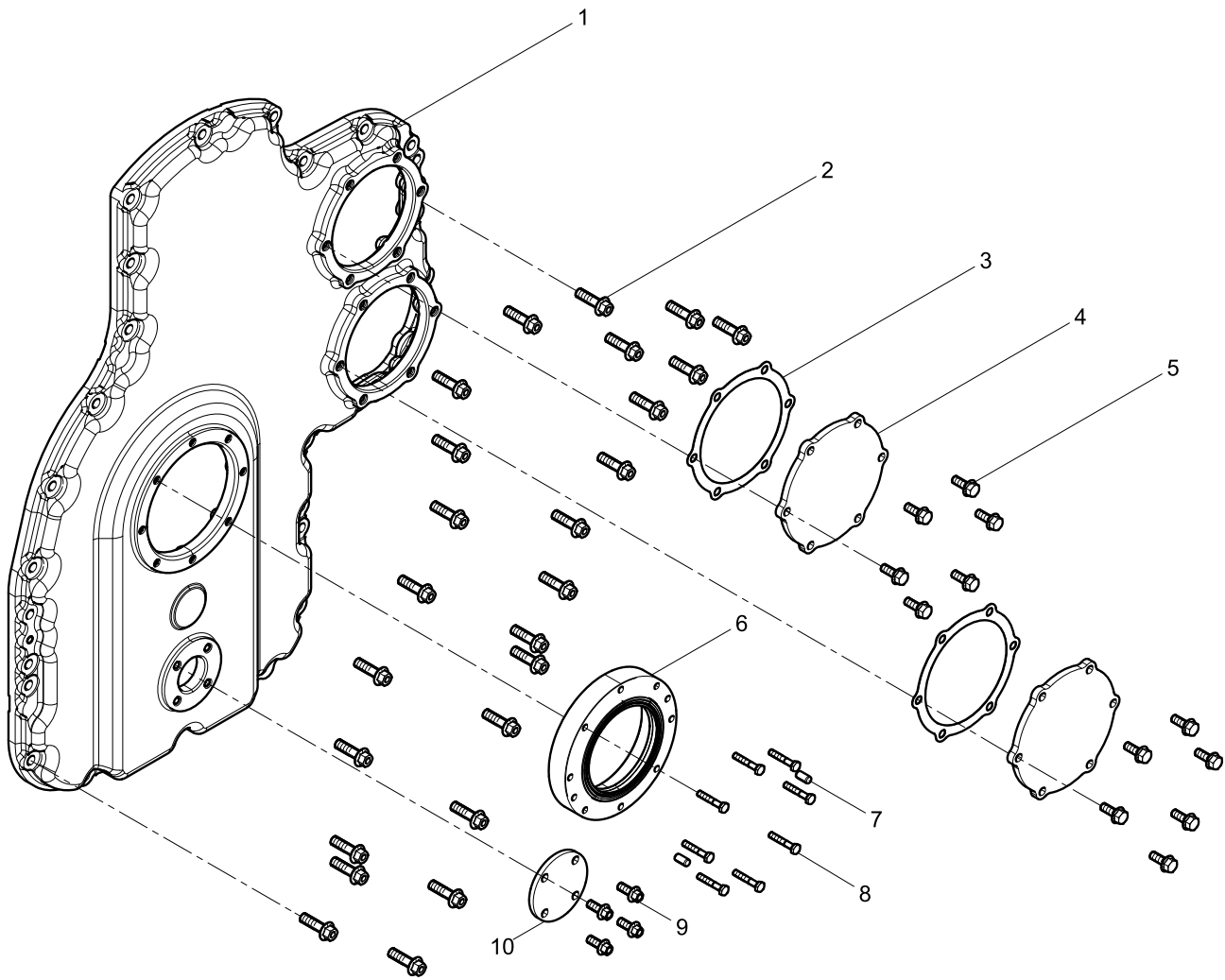
### Flywheel Housing Group



**Flywheel Housing Group**

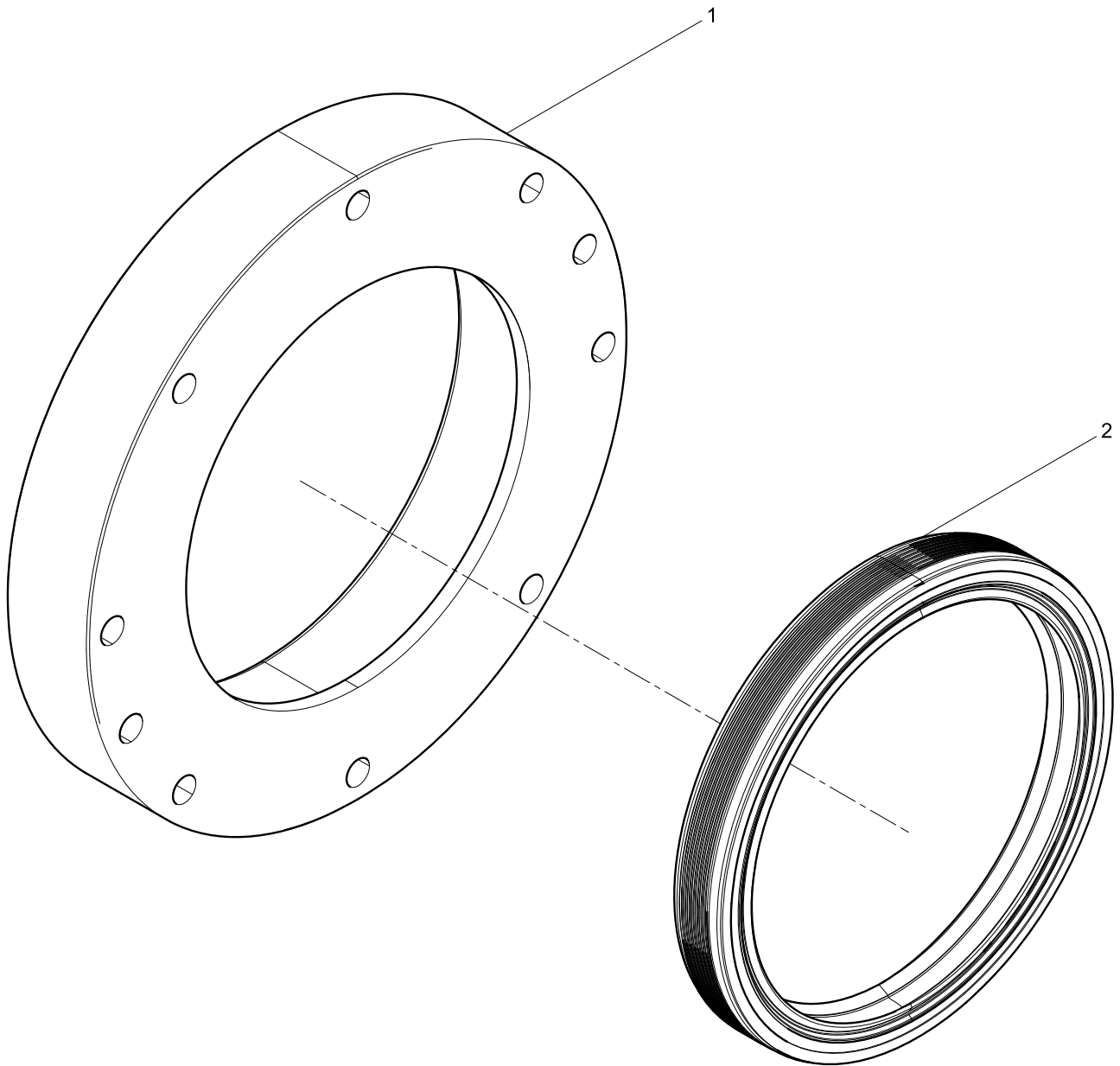
<b>Pos.</b>	<b>Teile.Number</b>	<b>Amount</b>	<b>Designation</b>
1	90011420007	3	Hexagon Flange Bolt
2	13601570Q	1	Cover
3	14011250V	2	Hexagon Screw Plug
4	90003802312	2	Hexagon Head Bolt
5	1000196433	12	Hexagon Flange Bolt
6	1000844738	5	Hexagon Flange Bolt
7	90019230003	2	Grooved Pin
8	1000844739	5	Hexagon Flange Bolt
9	15010901X	1	Flywheel Housing Coupling Ring
10	13505601B	1	Rear Oil Seal
11	1000908977	1	Flywheel Housing
12	X6253.003	1	Indicator
13	X6253.004	1	Cover
14	90013050051	2	Inner Hexagon Socket Head Cap Screw
15	X6231.150W	1	Sensor Seat
16	90011420002	2	Hexagon Flange Bolt

### Front cover group





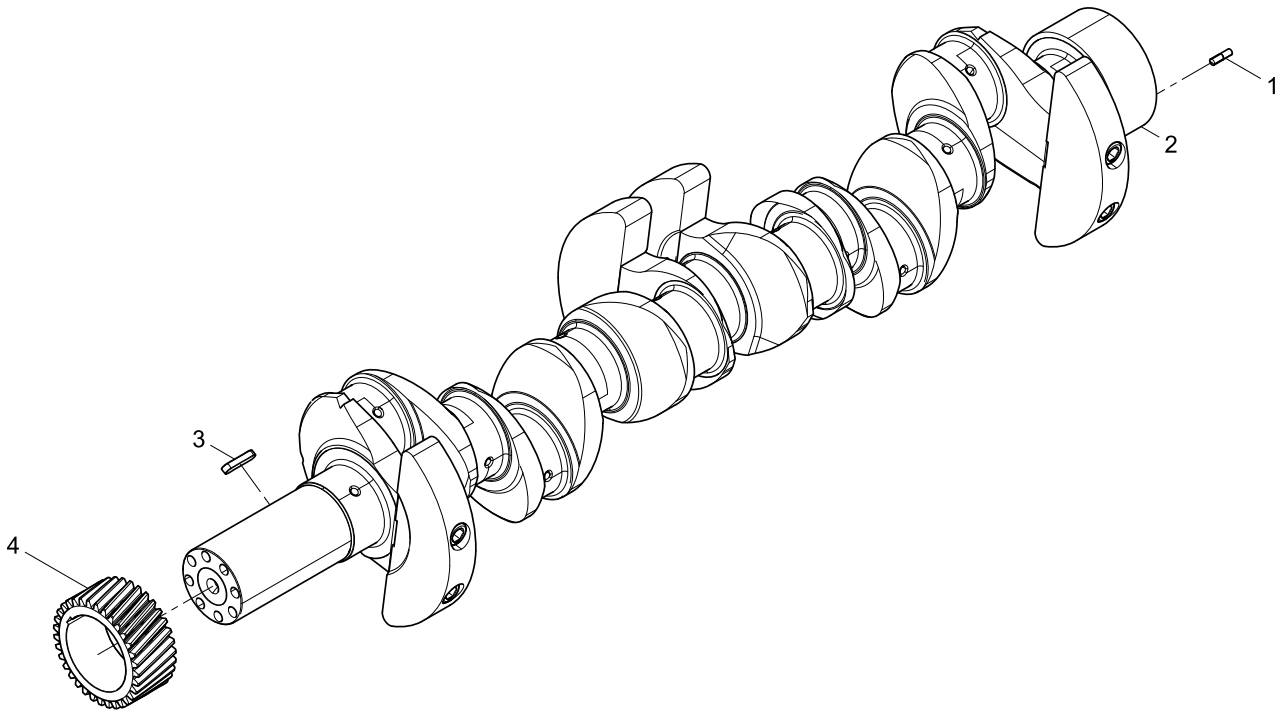
**Front oil seal Group**



**Front oil seal Group**

<b>Pos.</b>	<b>Teile.Number</b>	<b>Amount</b>	<b>Designation</b>
1	15012861C	1	Front Oil Seal Seat
2	15010240D	1	Front Oil Seal

### Crankshaft Group

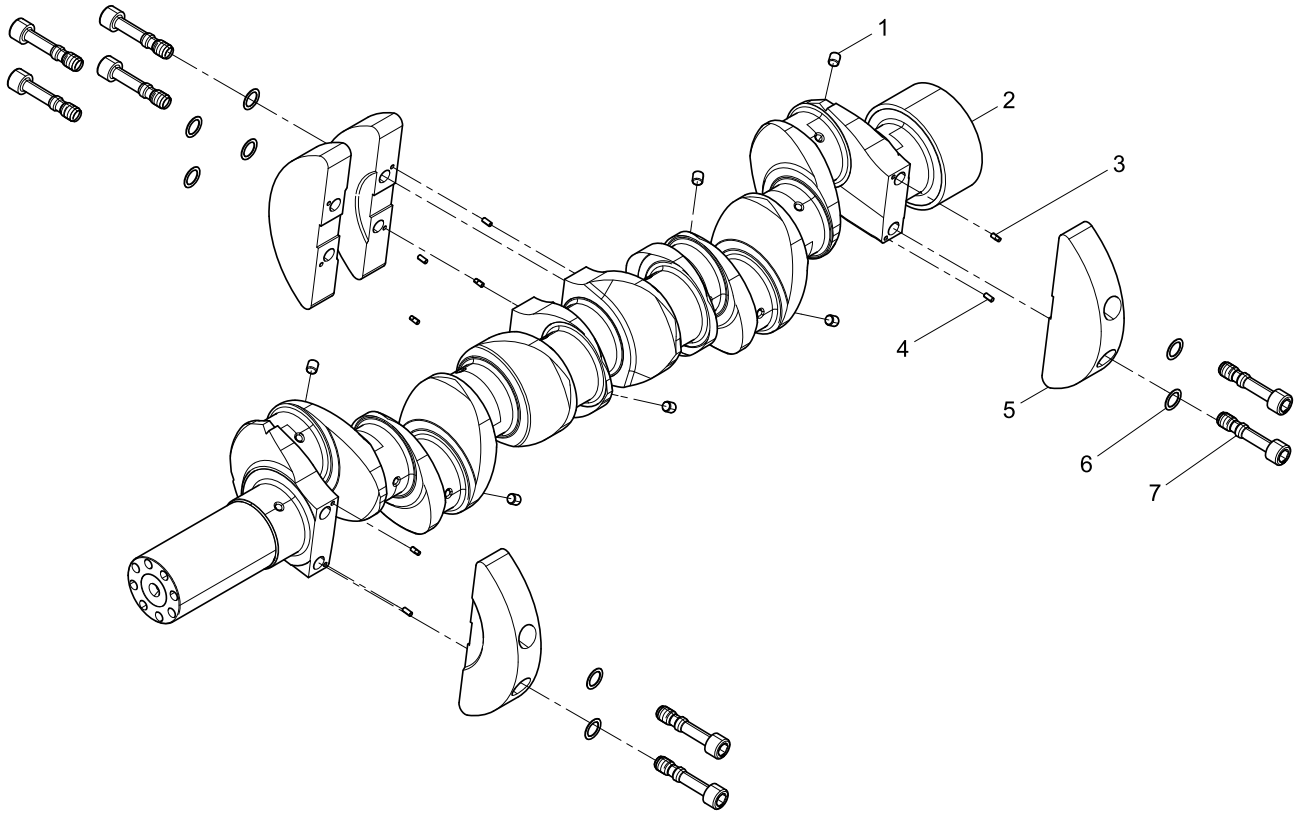


**Crankshaft Group**

<b>Pos.</b>	<b>Teile.Number</b>	<b>Amount</b>	<b>Designation</b>
1	90019230002	1	Grooved Pin
2	15520300R	1	Crankshaft Assembly
3	90015410020	1	Square and Rectangular Key
4	13504290B	1	Crankshaft Timing Gear



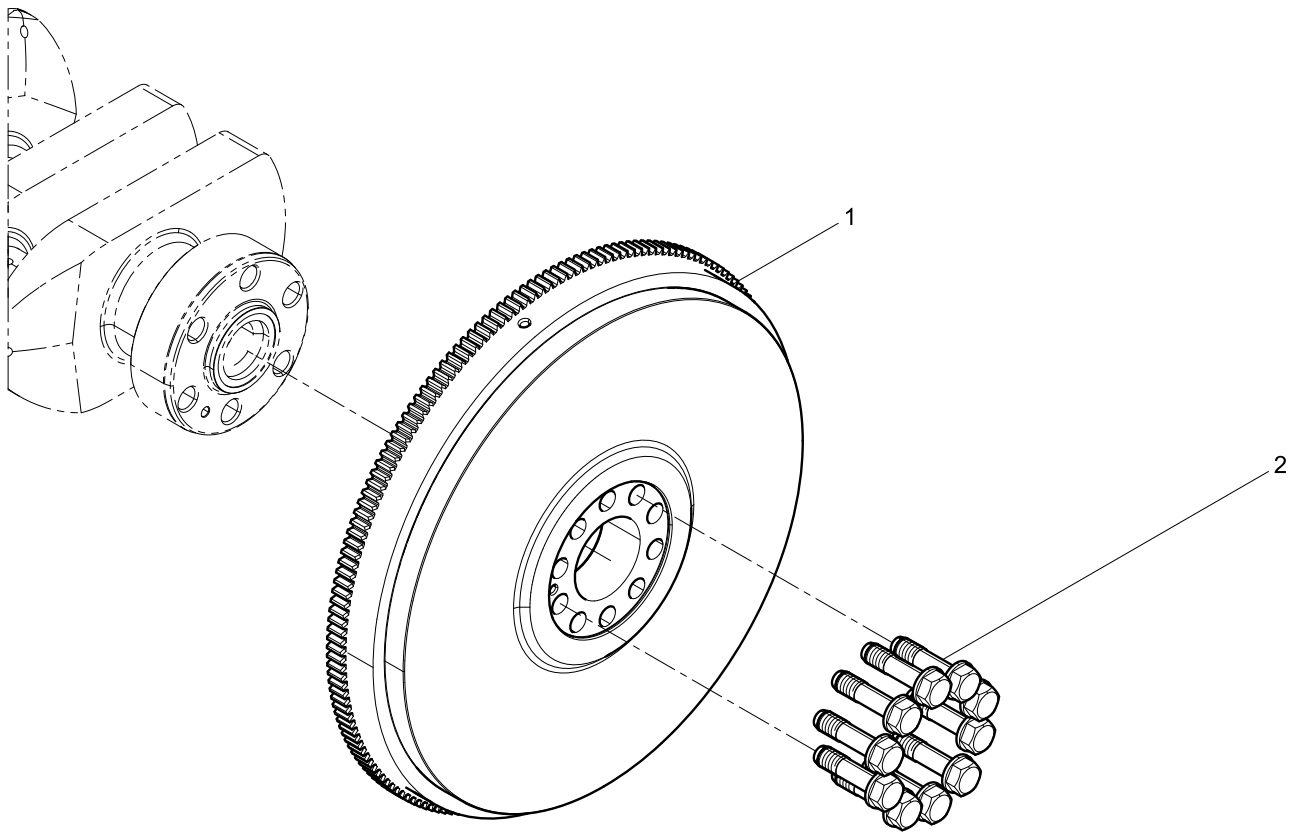
### Crankshaft Assembly



**Crankshaft Assembly**

<b>Pos.</b>	<b>Teile.Number</b>	<b>Amount</b>	<b>Designation</b>
1	13605340N	6	Screw Plug
2	15020720V	1	Crankshaft
3	X6231.296W	4	Diamond Pin
4	X6231.295W	4	Parallel Pin
5	13508010V	4	Counterweight
6	15020310Z	8	Washer
7	15020300N	8	Counterweight Fixing Bolt

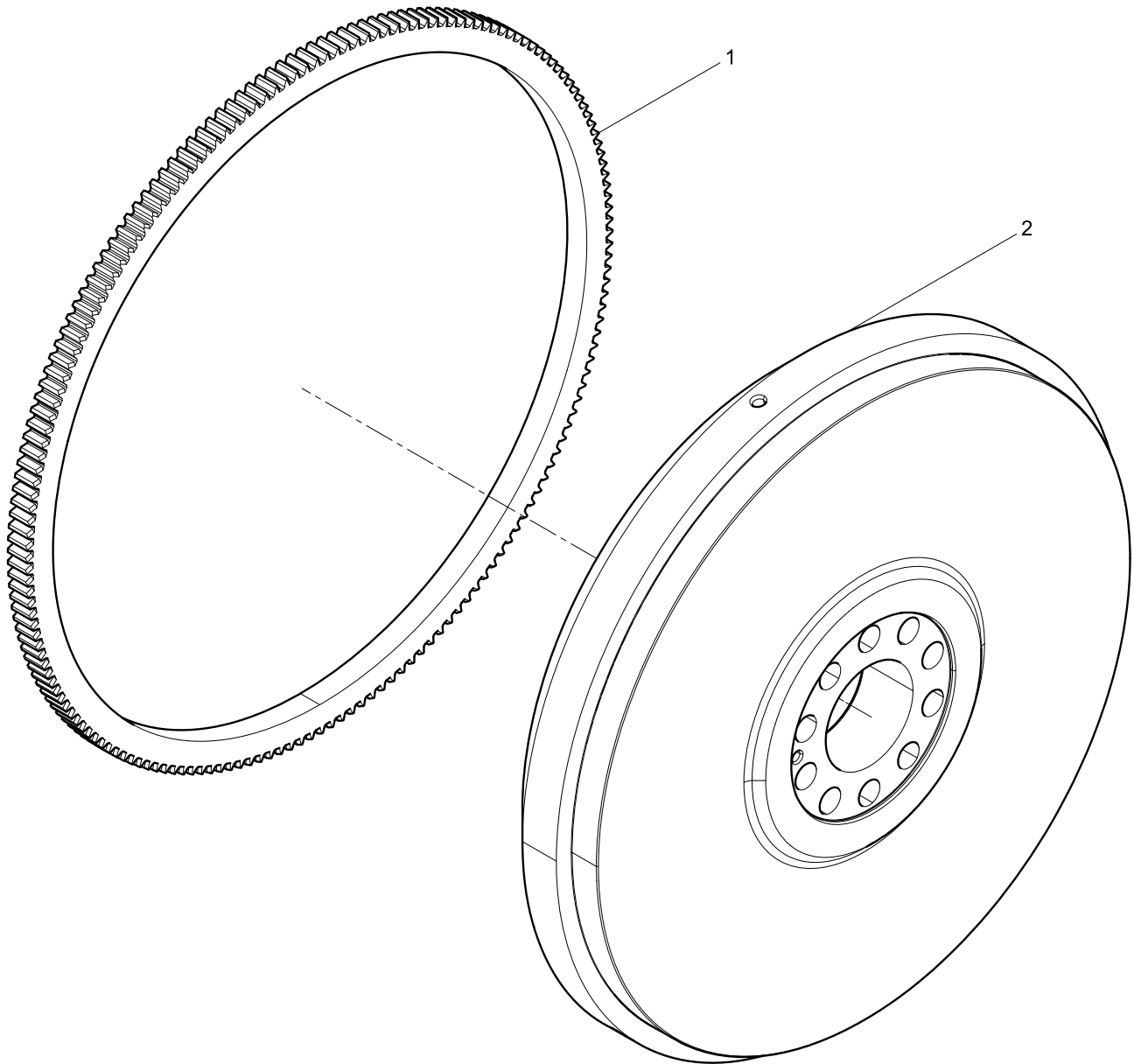
### Flywheel Group



**Flywheel Group**

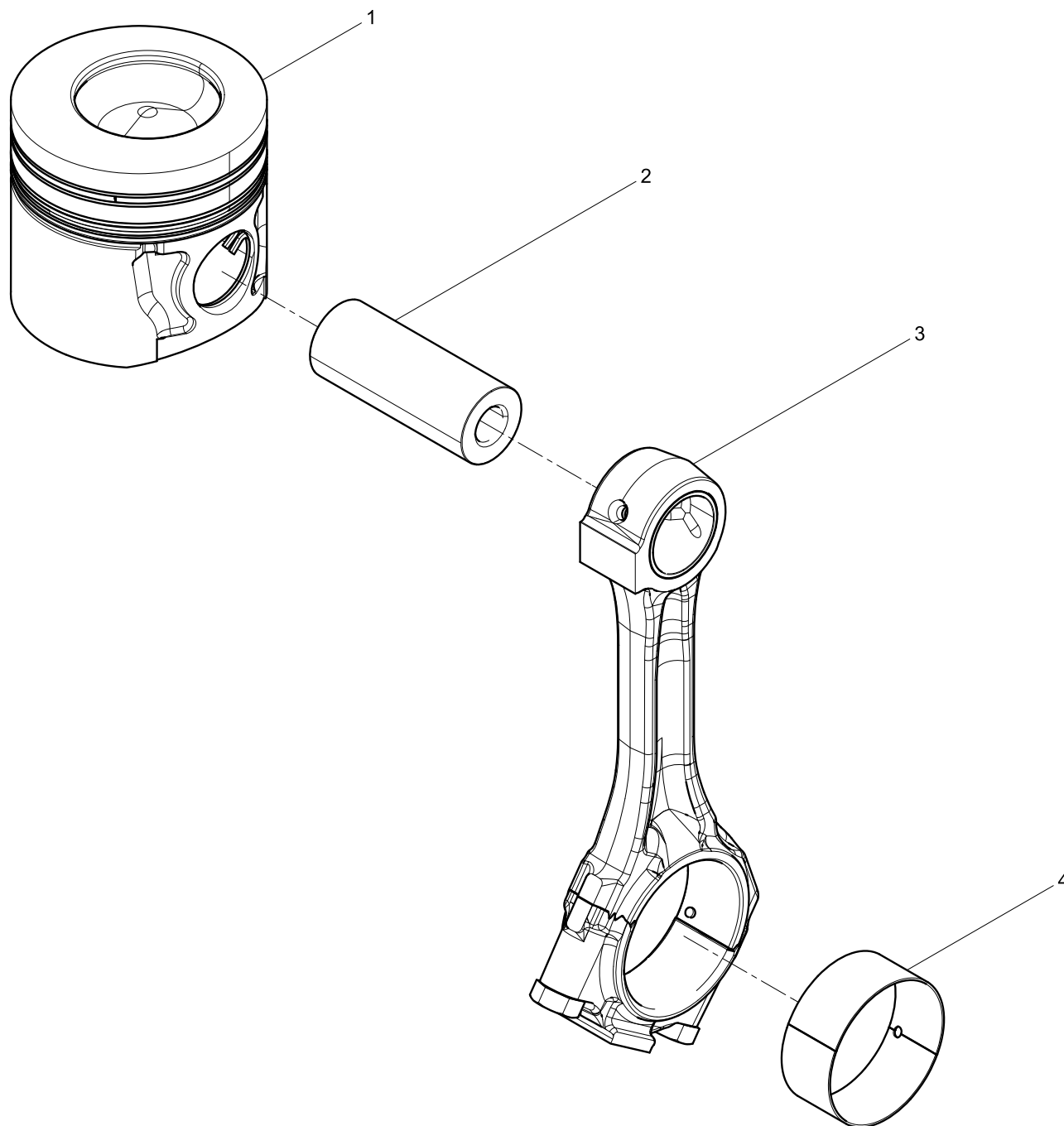
<b>Pos.</b>	<b>Teile.Number</b>	<b>Amount</b>	<b>Designation</b>
1	15520420X	1	Flywheel Assembly
2	13508080W	10	Flywheel Bolt

### Flywheel Assembly





### Piston and Connecting Rod Group

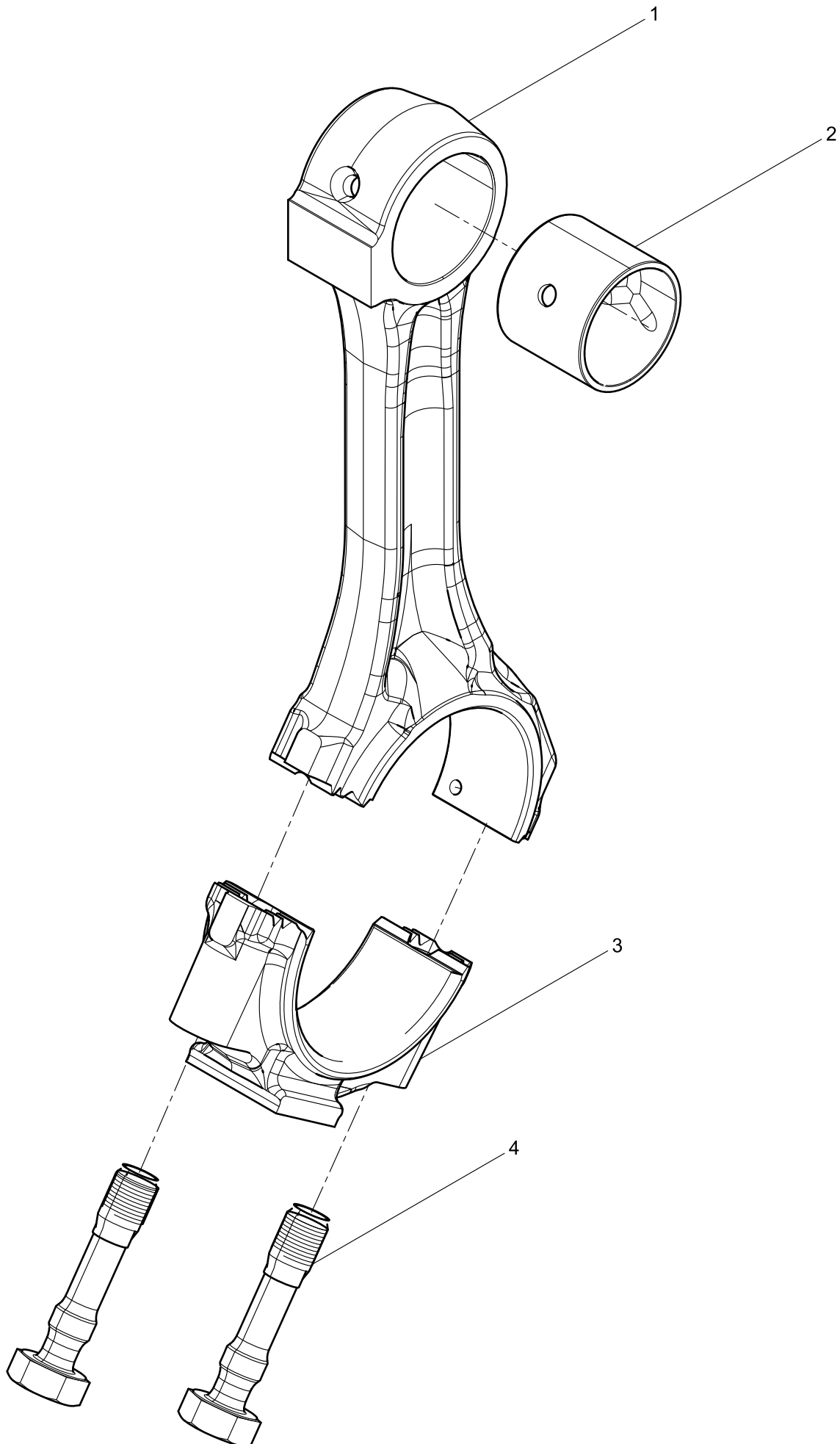


**Piston and Connecting Rod Group**

<b>Pos.</b>	<b>Teile.Number</b>	<b>Amount</b>	<b>Designation</b>
1	X6231.624W	6	Piston Assembly
2	15020180H	6	Piston Pin
3	1000645680	6	Connecting Rod Assembly
4	13506500D	12	Main Bearing Lower Shell



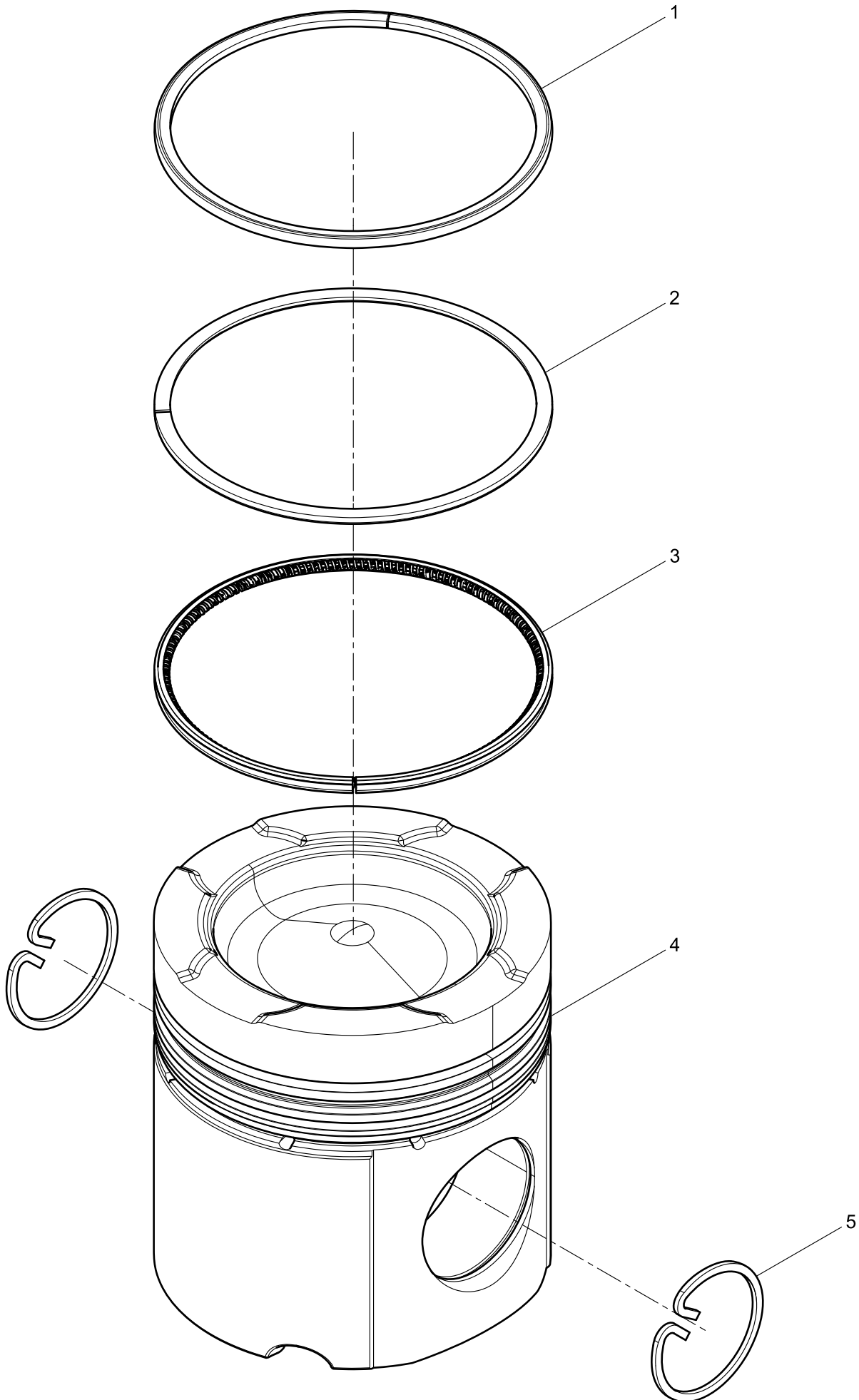
### Connecting Rod Assembly



**Connecting Rod Assembly**

Pos.	Teile.Number	Amount	Designation
1	1000645657	1	Connecting Rod Body
2	331002000012	1	Connecting Rod Bush
3	1000645425	1	Connecting Rod Cover
4	1000618969	2	Connecting Rod Bolt

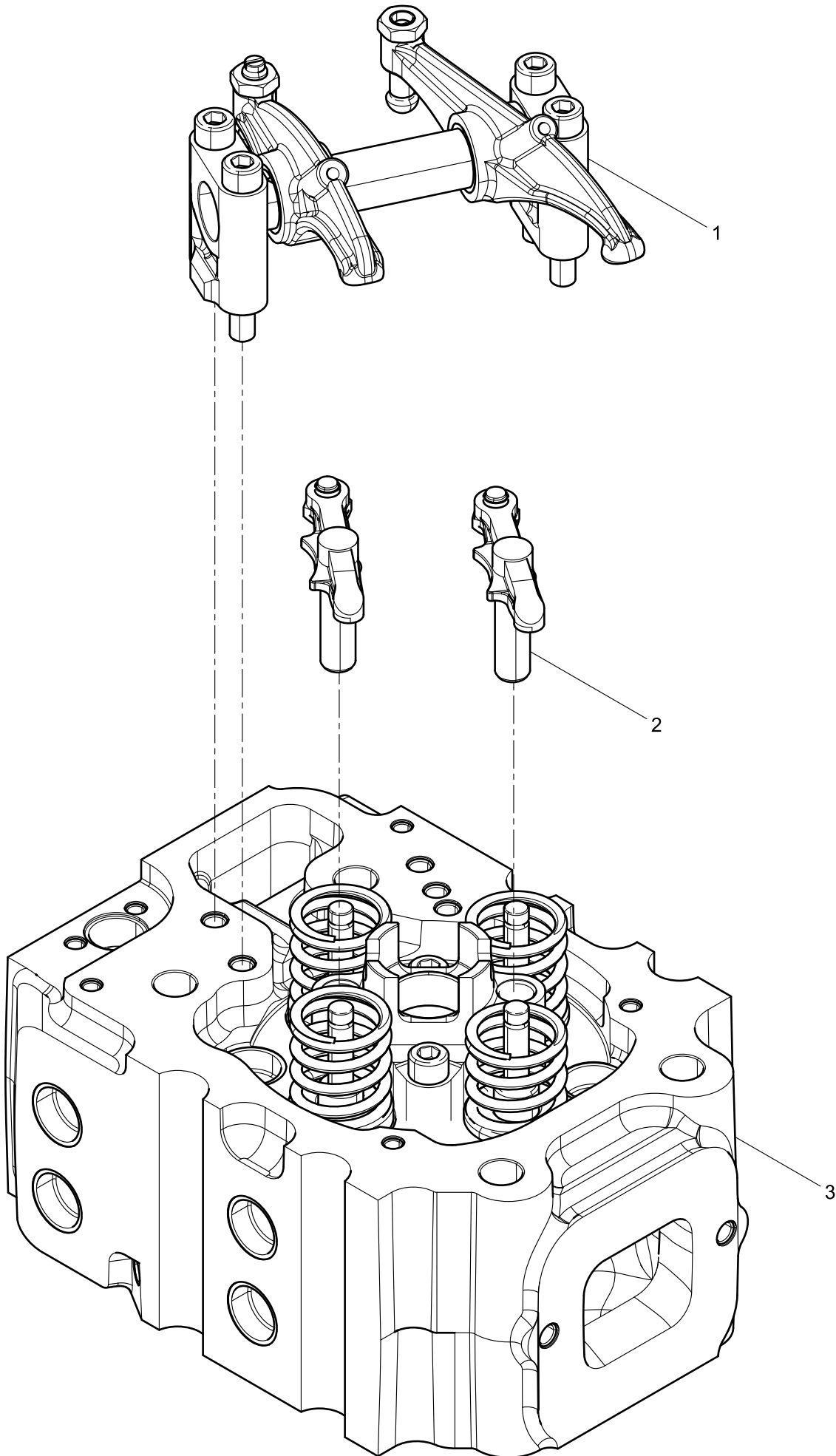
Piston Assembly



**Piston Assembly**

<b>Pos.</b>	<b>Teile.Number</b>	<b>Amount</b>	<b>Designation</b>
1	330202000183	1	Keystone Barrel Ring
2	330202000190	1	Twist Taper Ring
3	W15020470Y	1	Coil Spring Loaded Oil-control Ring
4	1000443147	1	Piston
5	1001162820	2	Piston Pin Retainer

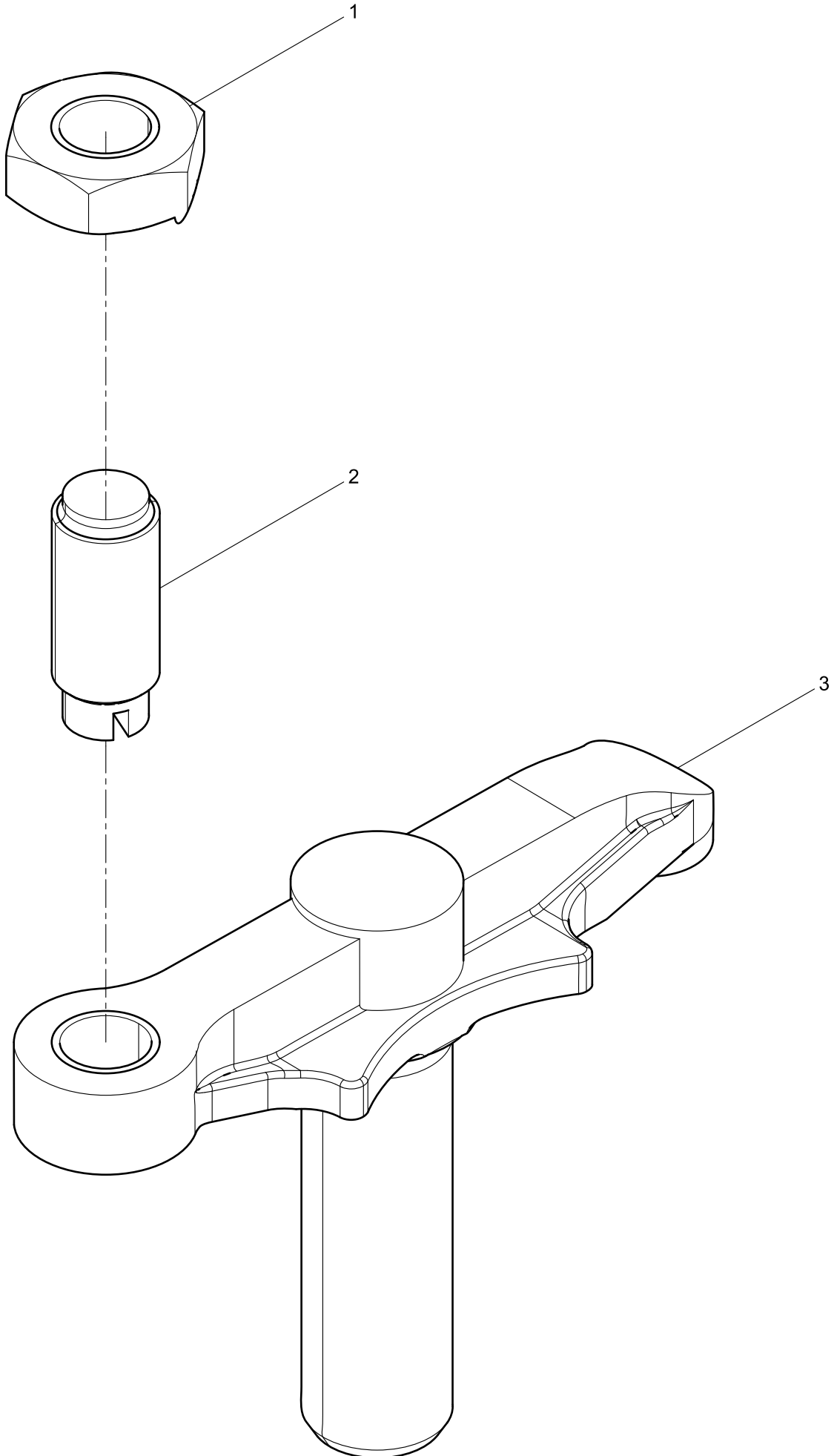
### Cylinder Head Group



**Cylinder Head Group**

Pos.	Teile.Number	Amount	Designation
1	13583540S	12	Valve Bridge Assembly
2	330202000130	6	Rocker Arm Set
3	330250000054	6	Cylinder Head Assembly

### Valve Bridge Assembly

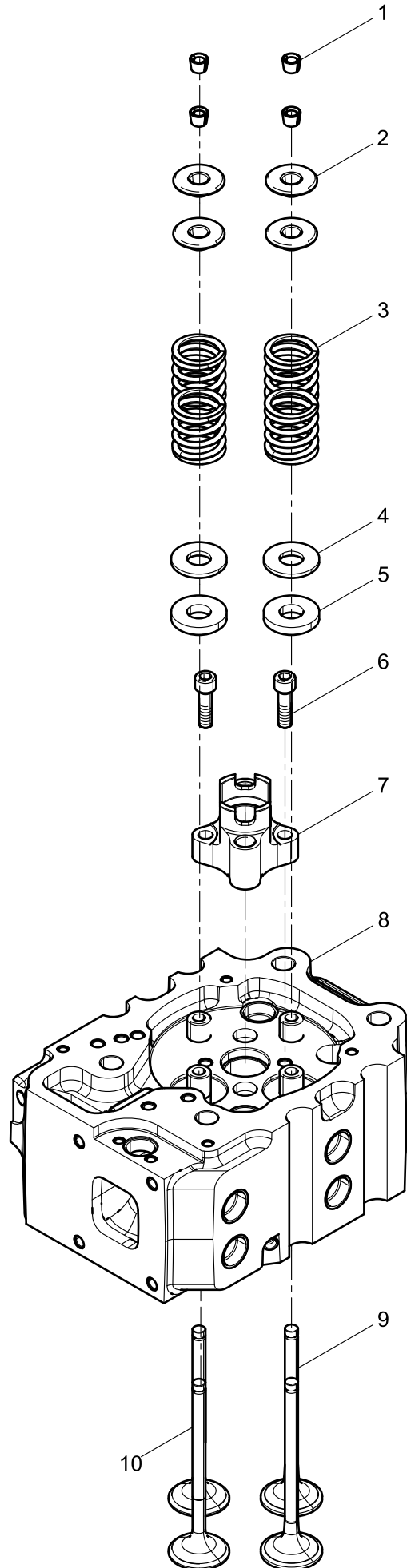


### Valve Bridge Assembly

Pos.	Teile.Number	Amount	Designation
1	13504230L	2	Hexagon Lock Nut
2	13504090J	2	Adjusting Screw
3	13504080Y	2	Valve Bridge



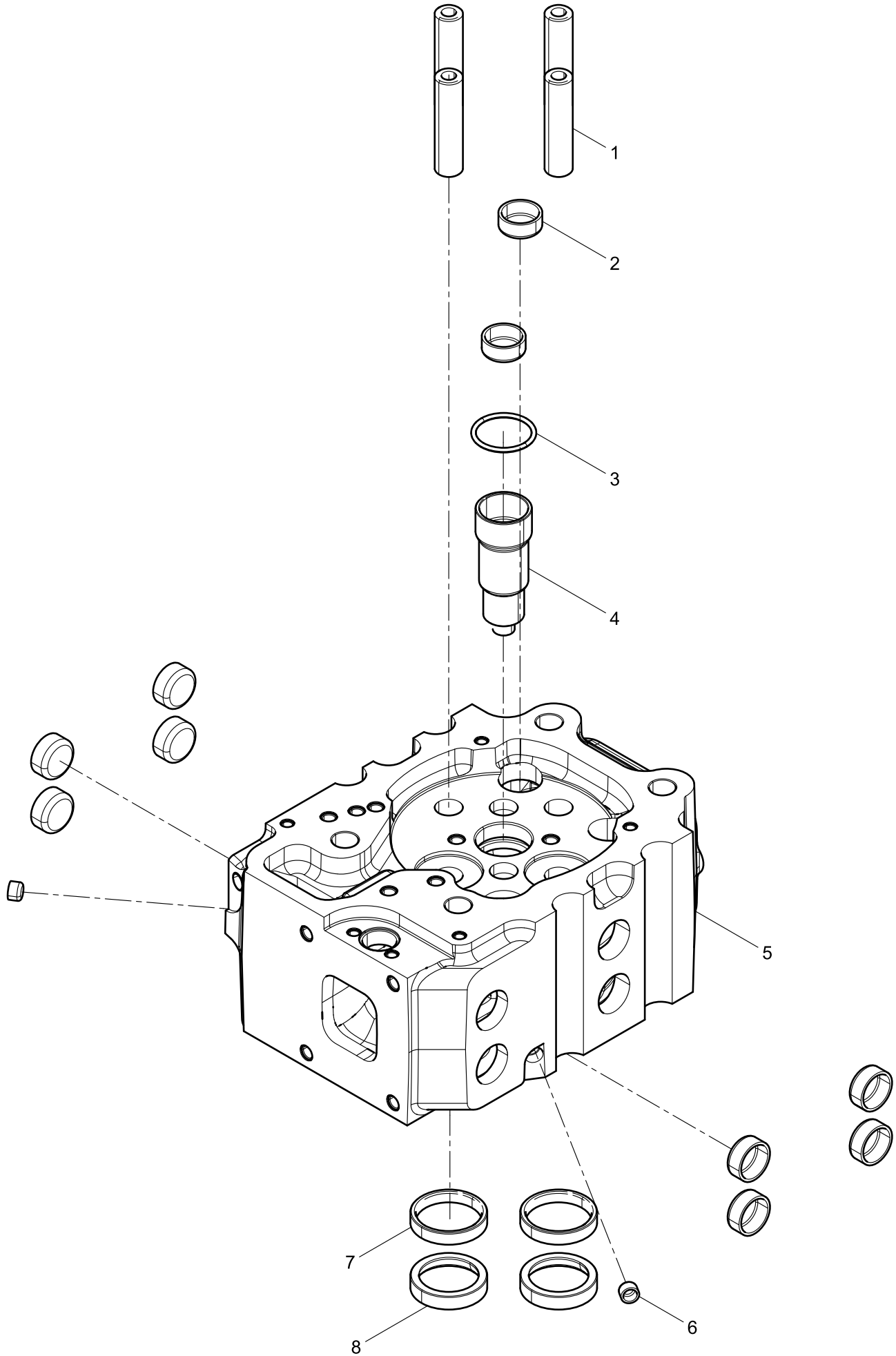
### Cylinder Head Assembly



**Cylinder Head Assembly**

<b>Pos.</b>	<b>Teile.Number</b>	<b>Amount</b>	<b>Designation</b>
1	14010780J	4	Valve Collet
2	15012610E	4	Valve Spring Top Retainer
3	15012720Z	4	Valve Spring
4	X6231.178W	2	Intake Valve Spring Bottom Retainer
5	X6231.179W	2	Exhaust Valve Spring Bottom Retainer
6	77753190M	2	
7	15010330B	1	Valve Bridge Seat
8	X6231.222W	1	Cylinder Head Subassembly
9	1000391263	2	Intake Valve
10	1000391264	2	Exhaust Valve

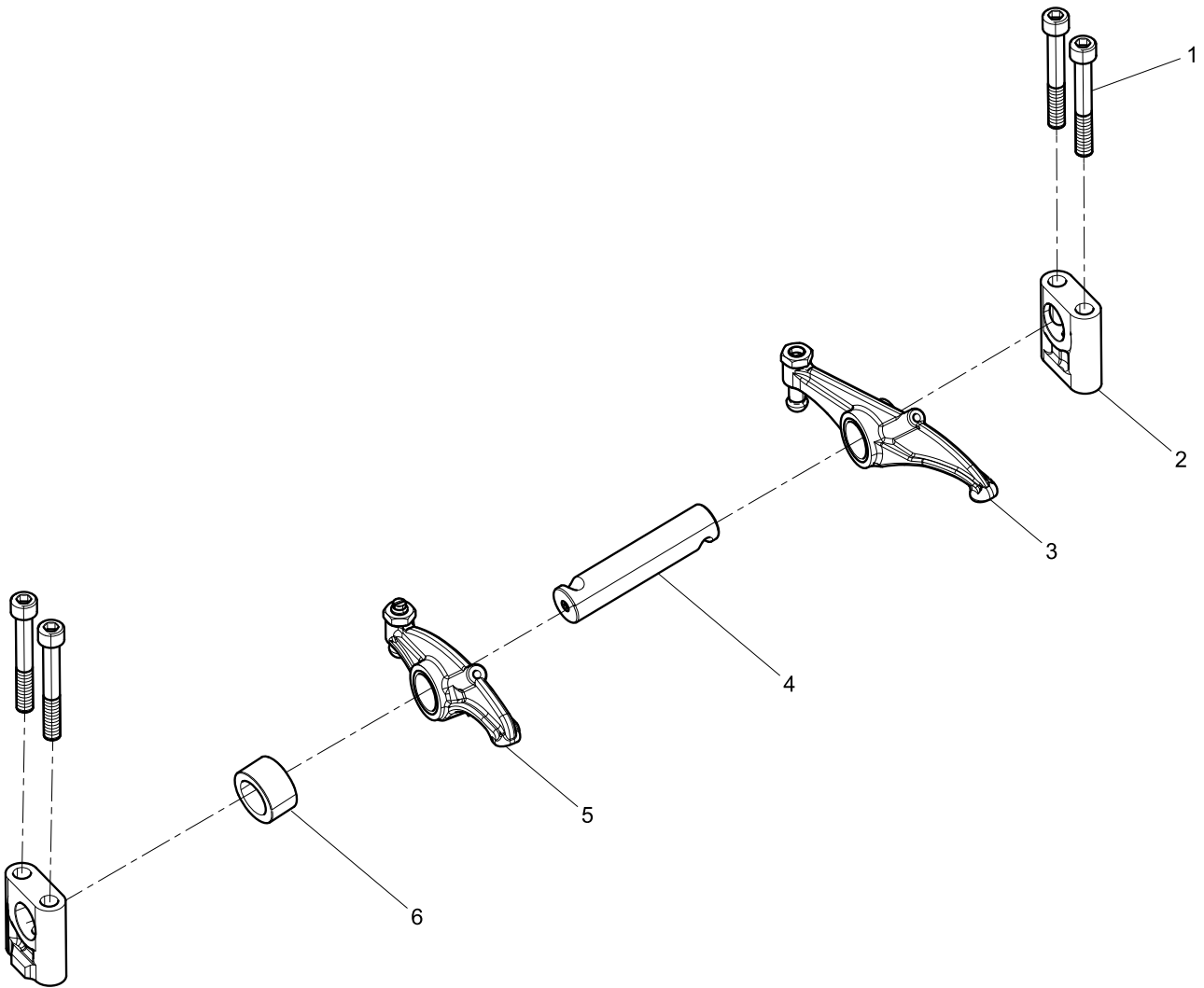
### Cylinder Head Subassembly



**Cylinder Head Subassembly**

<b>Pos.</b>	<b>Teile.Number</b>	<b>Amount</b>	<b>Designation</b>
1	W15011040Y	4	Valve Guide
2	331001000587	9	Bowl Plug
3	77711170N	1	O-ring
4	15012730K	1	Injector Bush
5	X6231.211W	1	Cylinder Head
6	90003989277	2	Bowl Type Expansion Plug
7	15012800L	2	Intake Valve Seat
8	15012810X	2	Exhaust Valve Seat

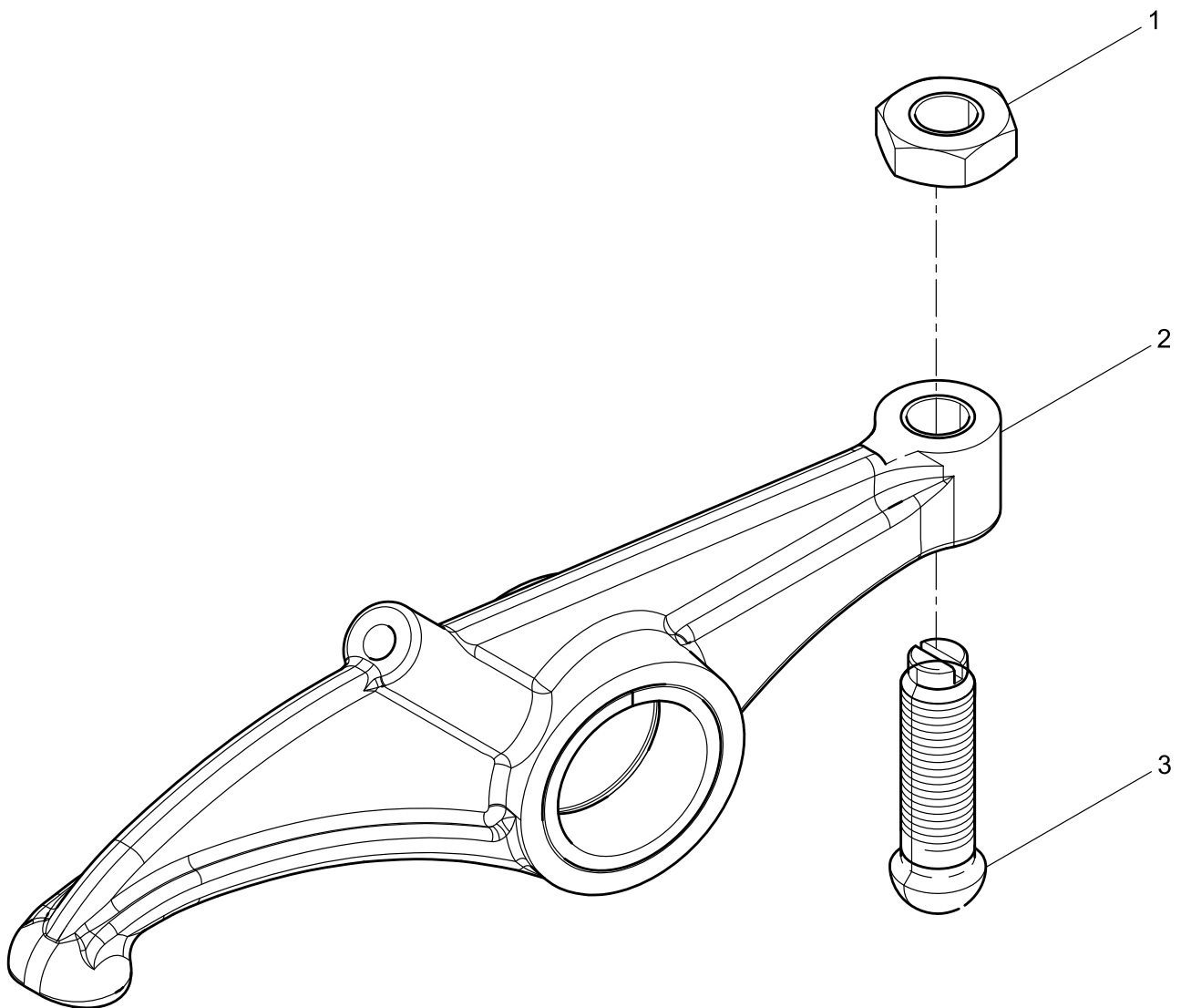
### Rocker Arm Set



**Rocker Arm Set**

<b>Pos.</b>	<b>Teile.Number</b>	<b>Amount</b>	<b>Designation</b>
1	77753250CS	4	Inner Hexagon Socket Head Cap Screw
2	15010320Q	2	Rocker Arm Bracket
3	13583521X	1	Intake Rocker Arm Assembly
4	13583500Z	1	Rocker Arm Shaft Set
5	330202000110	1	Exhaust Rocker Arm Assembly
6	13502300N	1	Sleeve

### Intake Rocker Arm Assembly

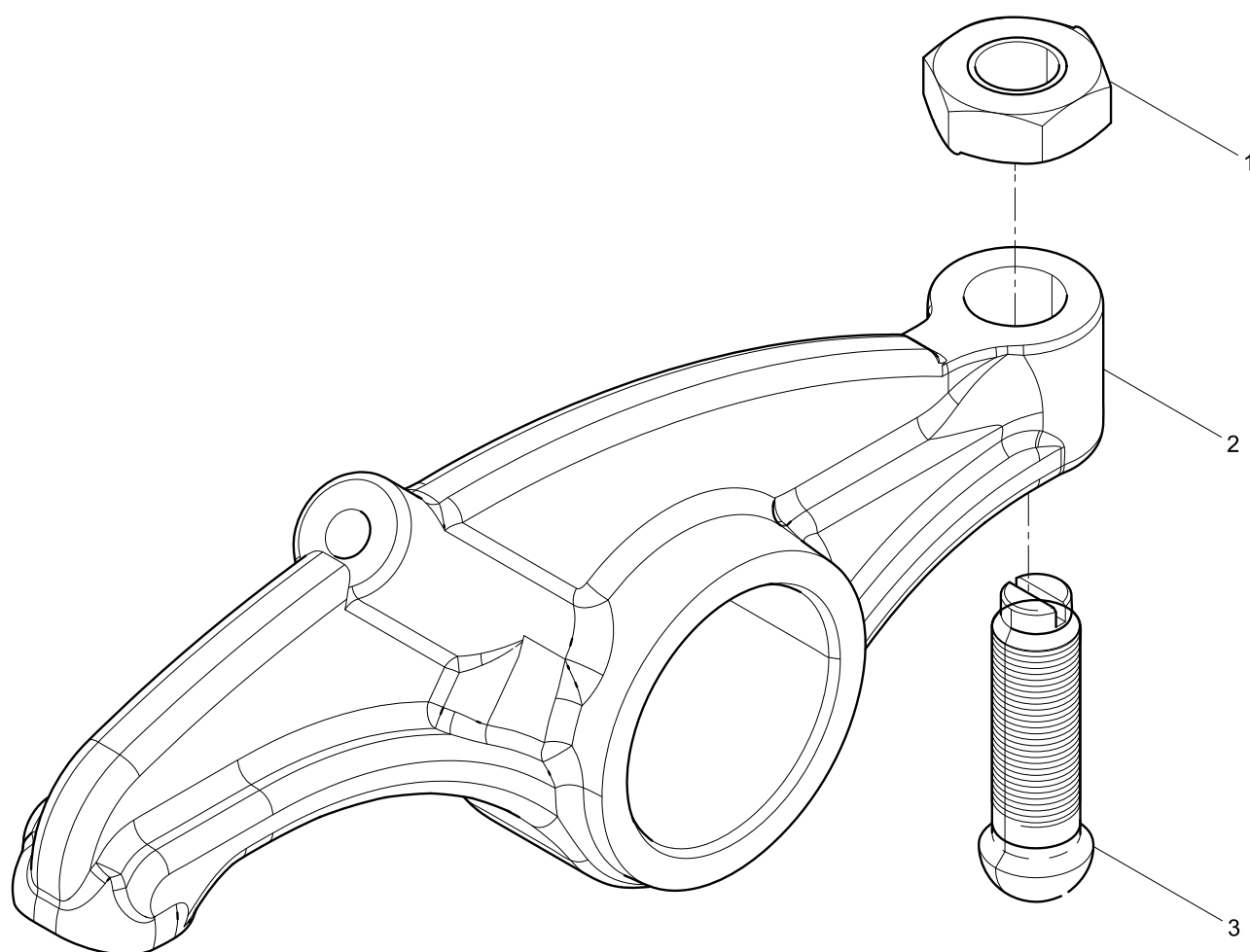


**Intake Rocker Arm Assembly**

Pos.	Teile.Number	Amount	Designation
1	13504230L	1	Hexagon Lock Nut
2	13504071N	1	Inlet rocker arm assemblage
3	13504190S	1	Adjusting Screw



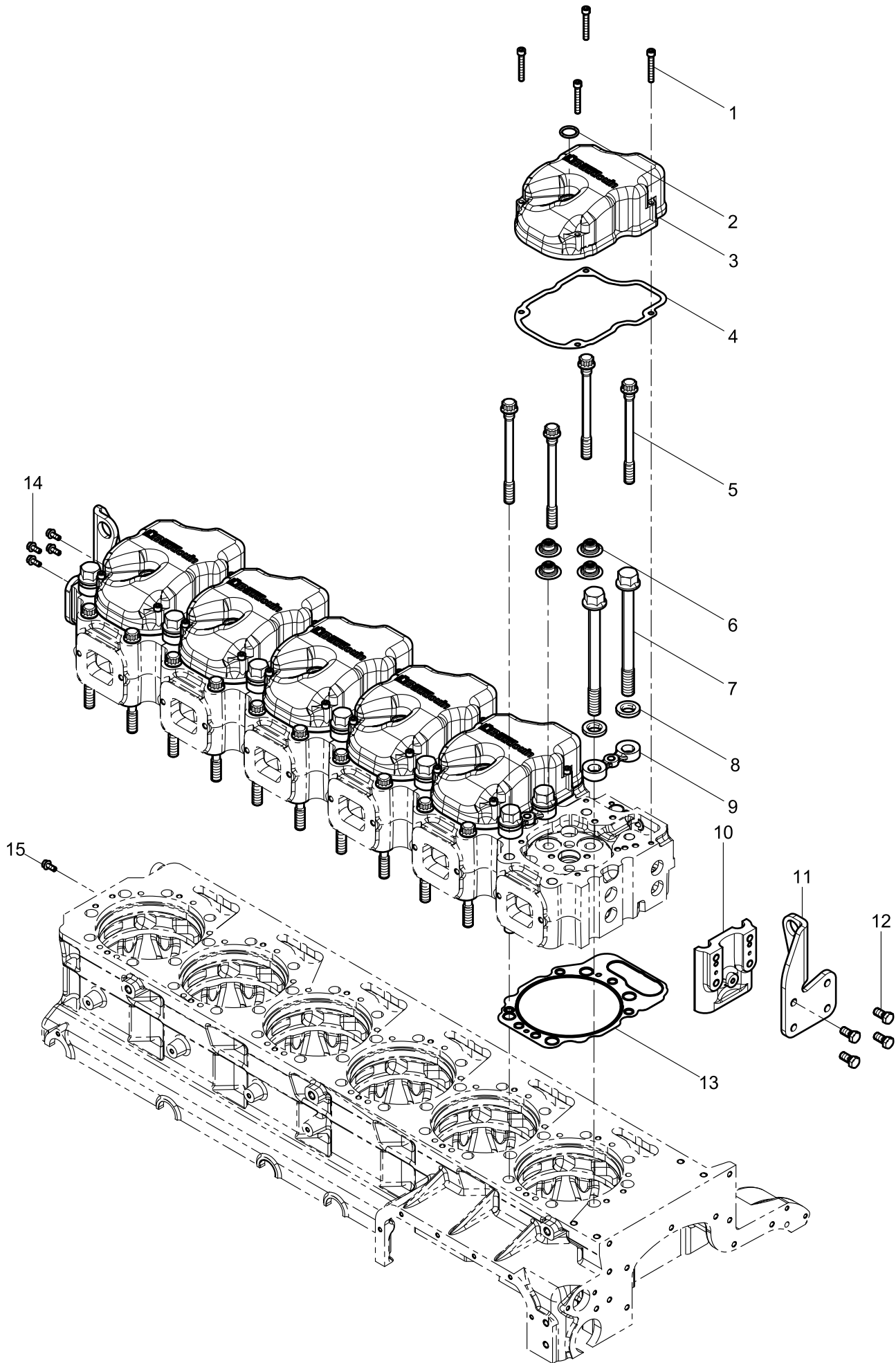
### Exhaust Rocker Arm Assembly



**Exhaust Rocker Arm Assembly**

<b>Pos.</b>	<b>Teile.Number</b>	<b>Amount</b>	<b>Designation</b>
1	13504230L	1	Hexagon Lock Nut
2	330202000111	1	Exhaust Rocker Arm Set
3	13504190S	1	Adjusting Screw

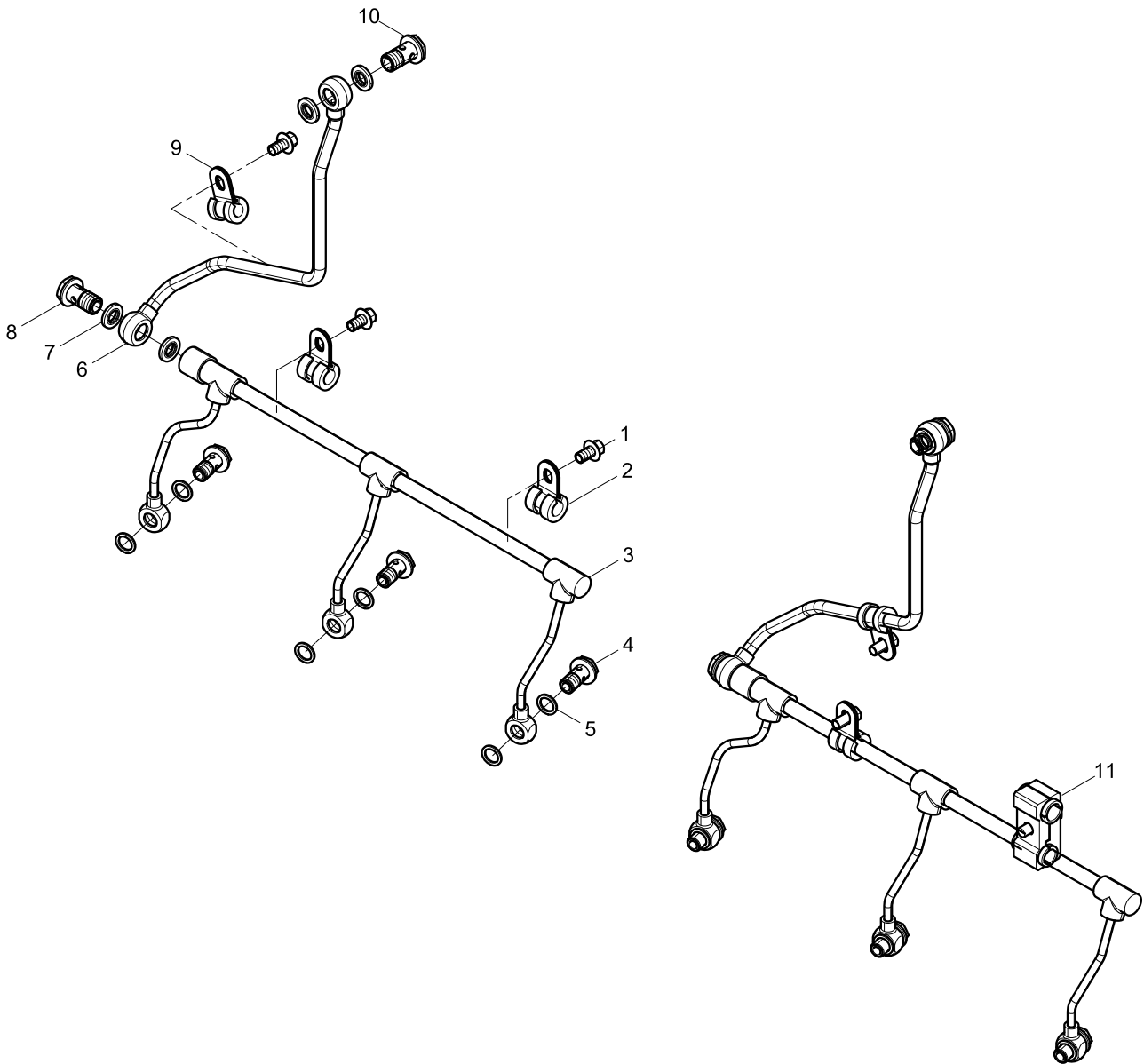
### Cylinder Head Accessory Group



**Cylinder Head Accessory Group**

<b>Pos.</b>	<b>Teile.Number</b>	<b>Amount</b>	<b>Designation</b>
1	77752810Z	24	Inner Hexagon Socket Head Cap Screw
2	330201000147	6	O-ring
3	15010361K	6	Cylinder Head Cover
4	330201000012	6	Cylinder Head Cover Gasket
5	1000997330	24	Cylinder Head Main Bolt
6	X6231.177W	24	Valve Stem Seal
7	1000986091	14	Secondary Blots of Cylinder Head
8	15011620D	14	Washer
9	15011540R	7	Clamping Block
10	15010540E	2	Board
11	15010620R	2	Engine Hanger Plate
12	90011270018	4	Hexagon head bolt
13	330201000108	6	Cylinder Head Gasket
14	90011400048	4	Hexagon flange bolt, heavy series
15	9000000482	1	Hexagon Flange Bolt

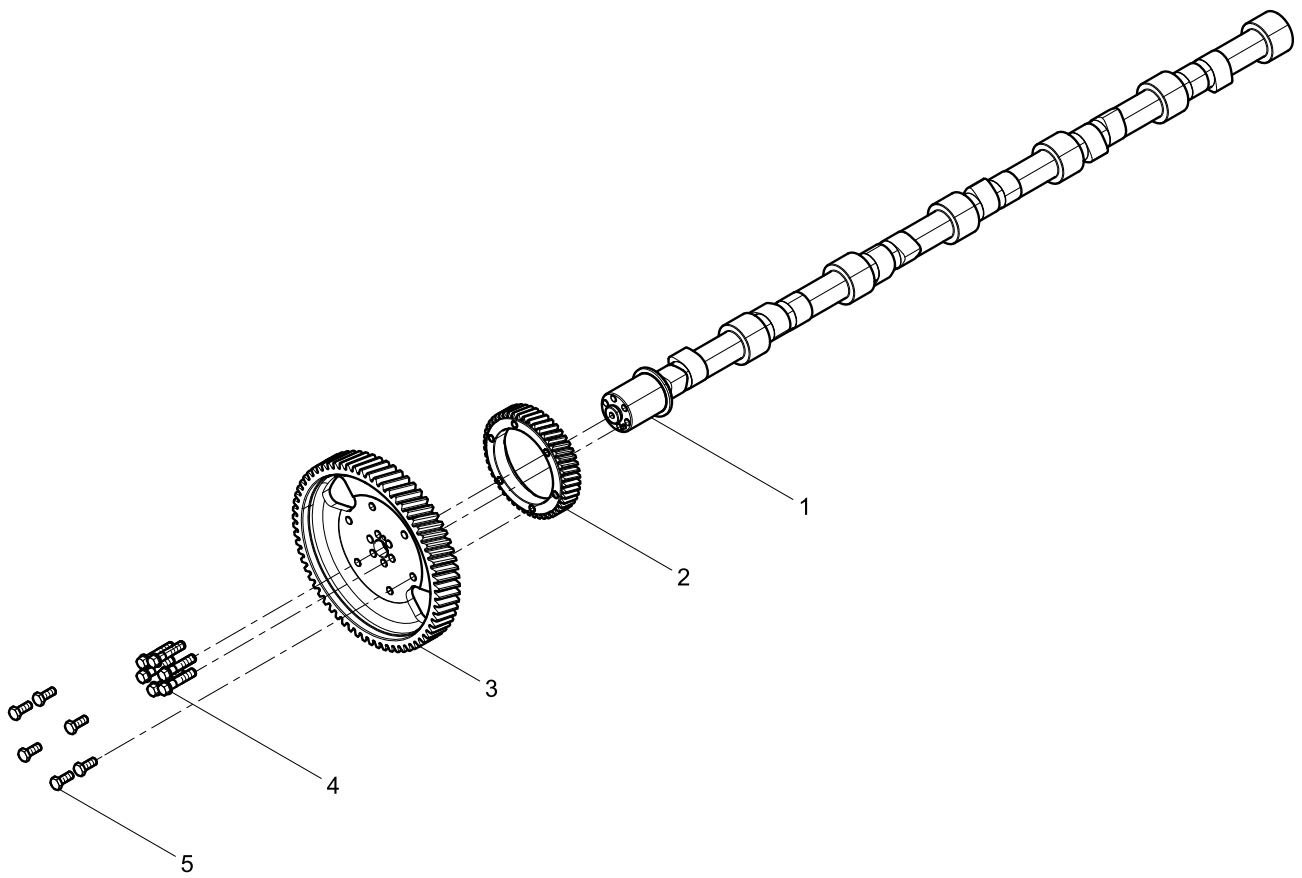
### Rocker Arm Oil Pipe Group



**Rocker Arm Oil Pipe Group**

<b>Pos.</b>	<b>Teile.Number</b>	<b>Amount</b>	<b>Designation</b>
1	900000203	5	Hexagon Flange Bolt
2	331001000765	3	Pipe Clamp Assembly
3	331001000748	2	Rocker Arm Oil Pipe
4	331001000653	6	Bolt
5	90003098012	12	Sealing Washer
6	1000396615	2	Rocker Arm Oil Pipe
7	13023360	8	Assembled Sealing Washer
8	612639000108	3	Bolt
9	331001000795	2	Pipe Clamp Assembly
10	1000141434	1	Gemel Bolt
11	331001000760	1	Pipe Clamp Assembly

**Camshaft Group**

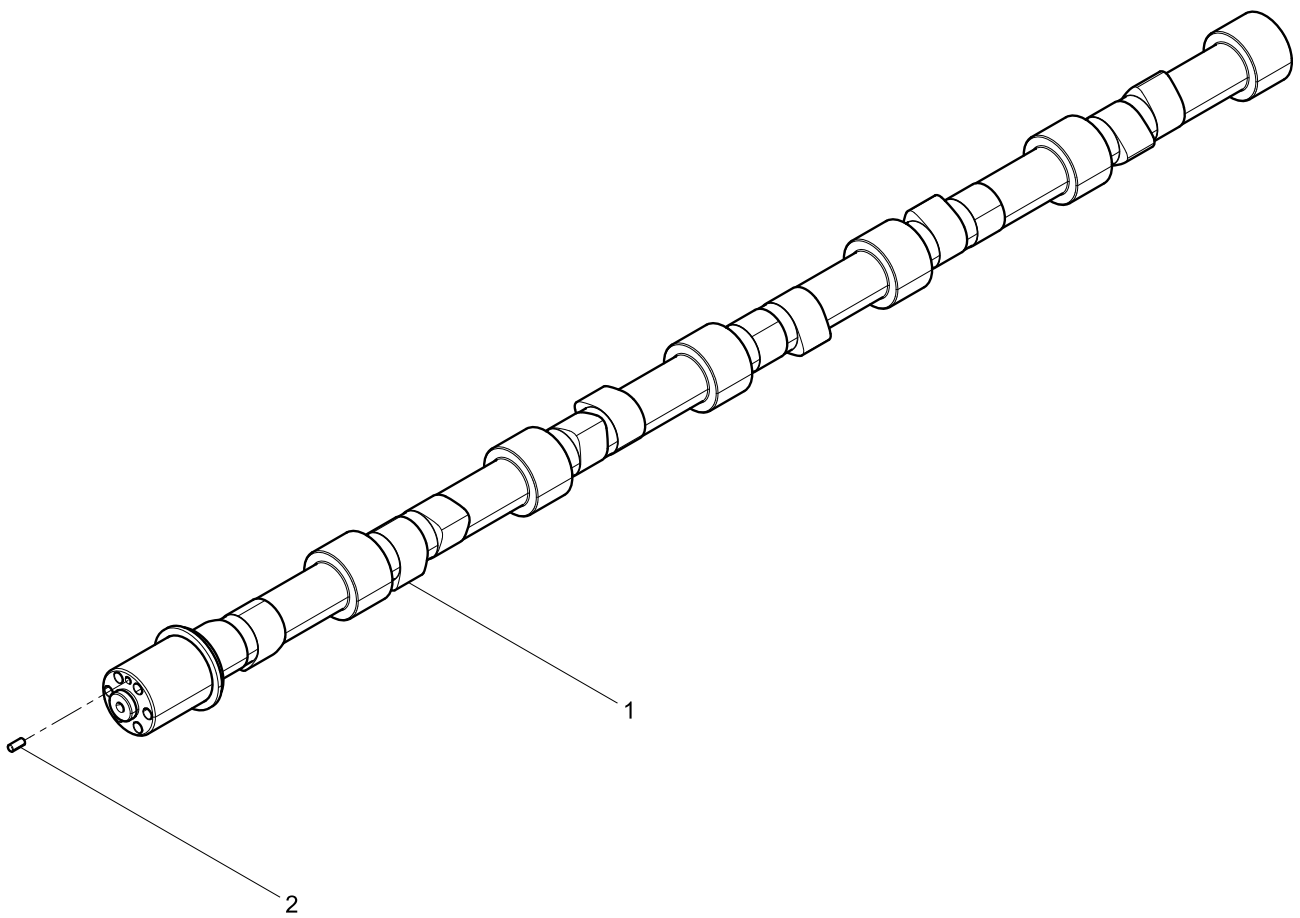


**Camshaft Group**

<b>Pos.</b>	<b>Teile.Number</b>	<b>Amount</b>	<b>Designation</b>
1	330202000343	1	Camshaft Assembly
2	13504260T	1	Idler Gear
3	330202000125	1	Camshaft Timing Gear
4	330202000247S	6	Hexagon Flange Bolt
5	330202000246S	6	Hexagon Head Bolt

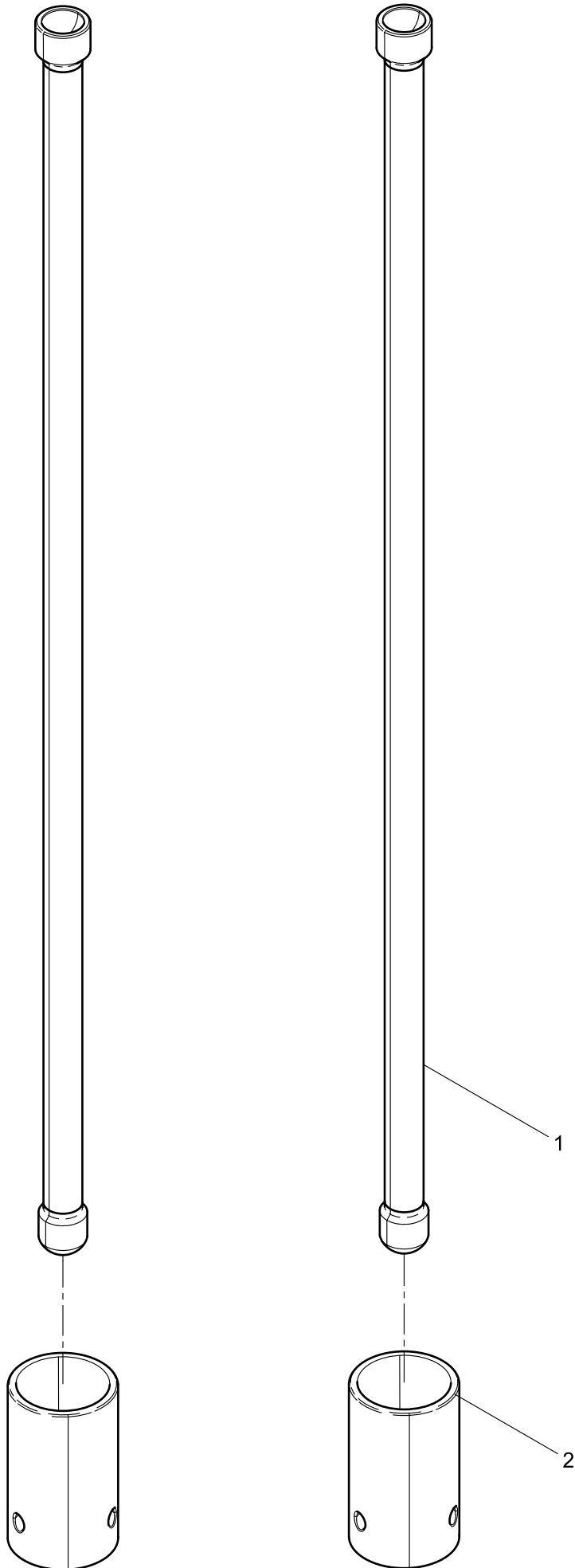


### Camshaft Assembly



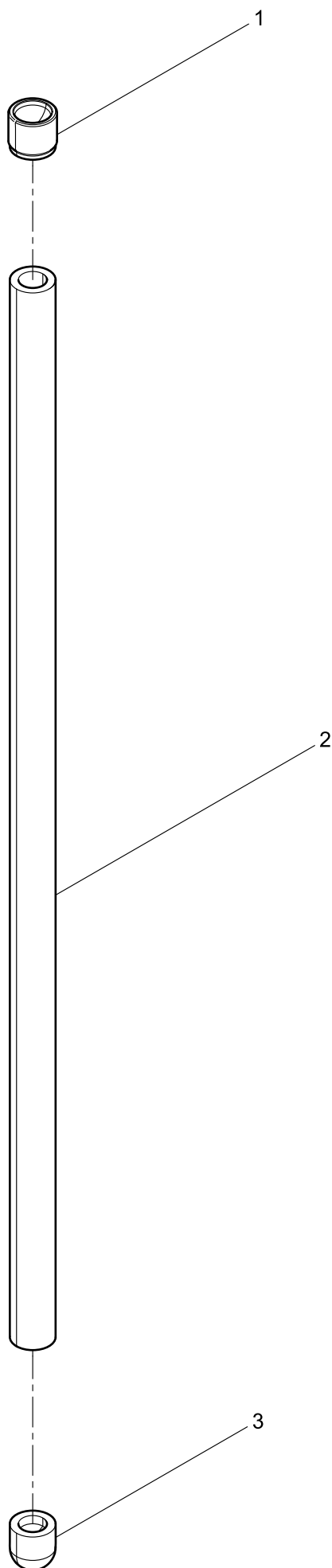


### Tappet And Push Rod Group





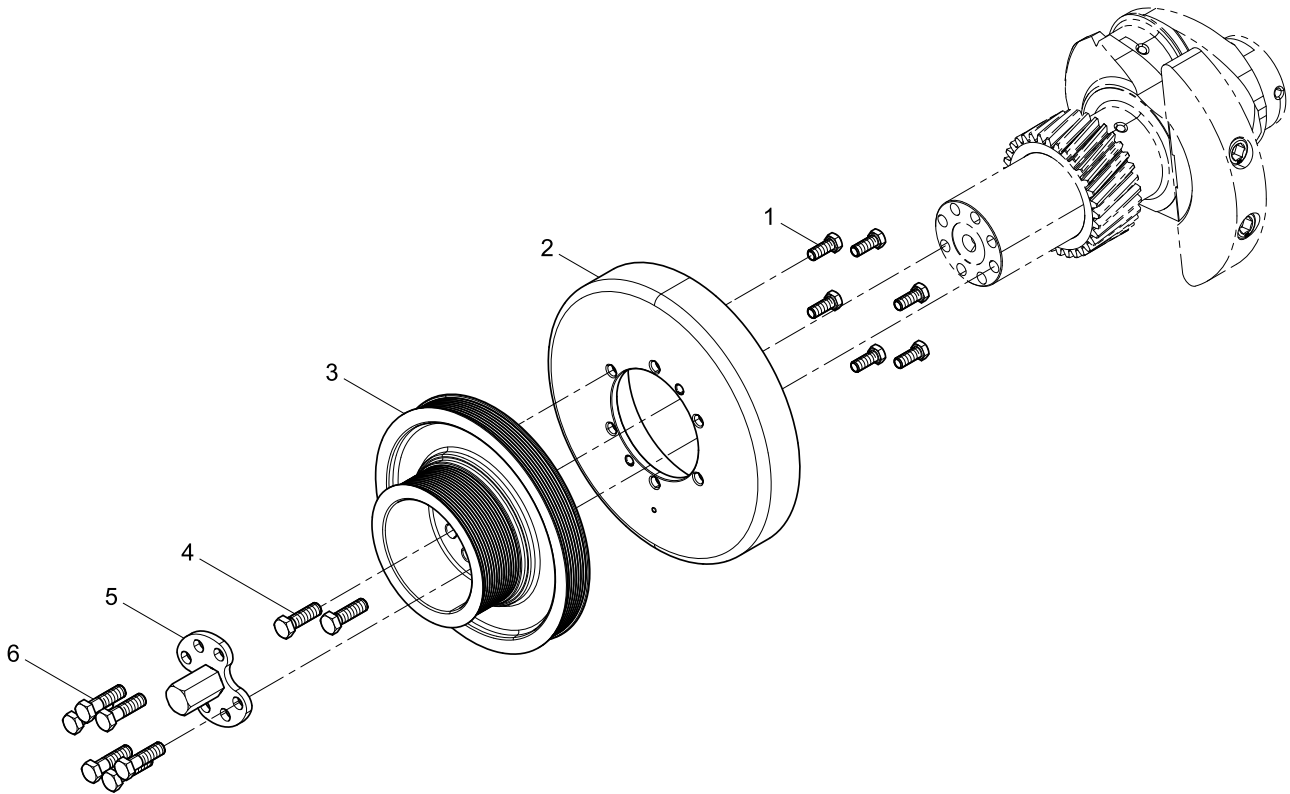
**Push Rod**



### Push Rod

Pos.	Teile.Number	Amount	Designation
1	331002000068	2	Push Rod Concave Head
2	330302000245	2	Push Rod Body
3	331002000069	2	Push Rod Sphere Head

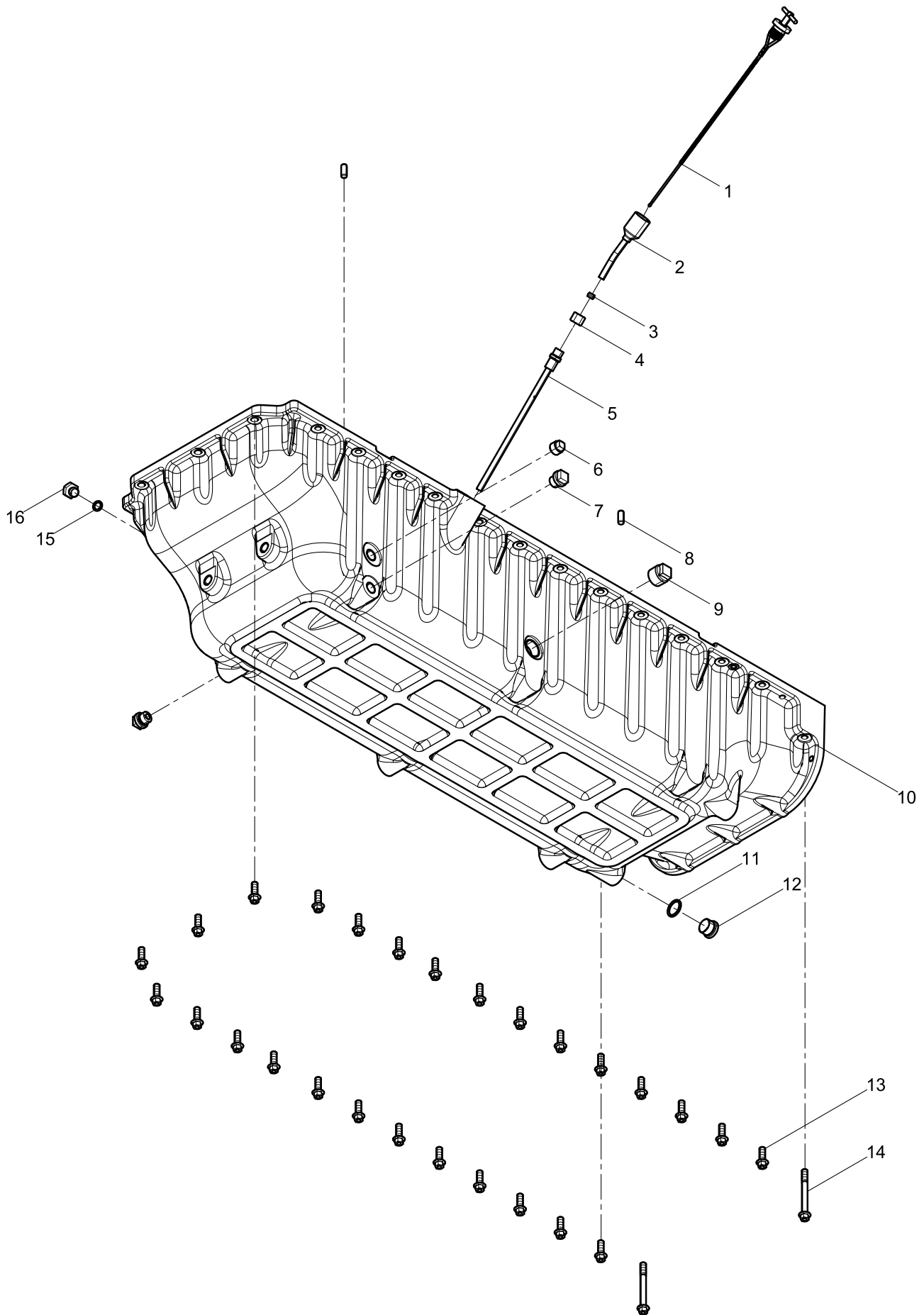
### Crankshaft Pulley Group







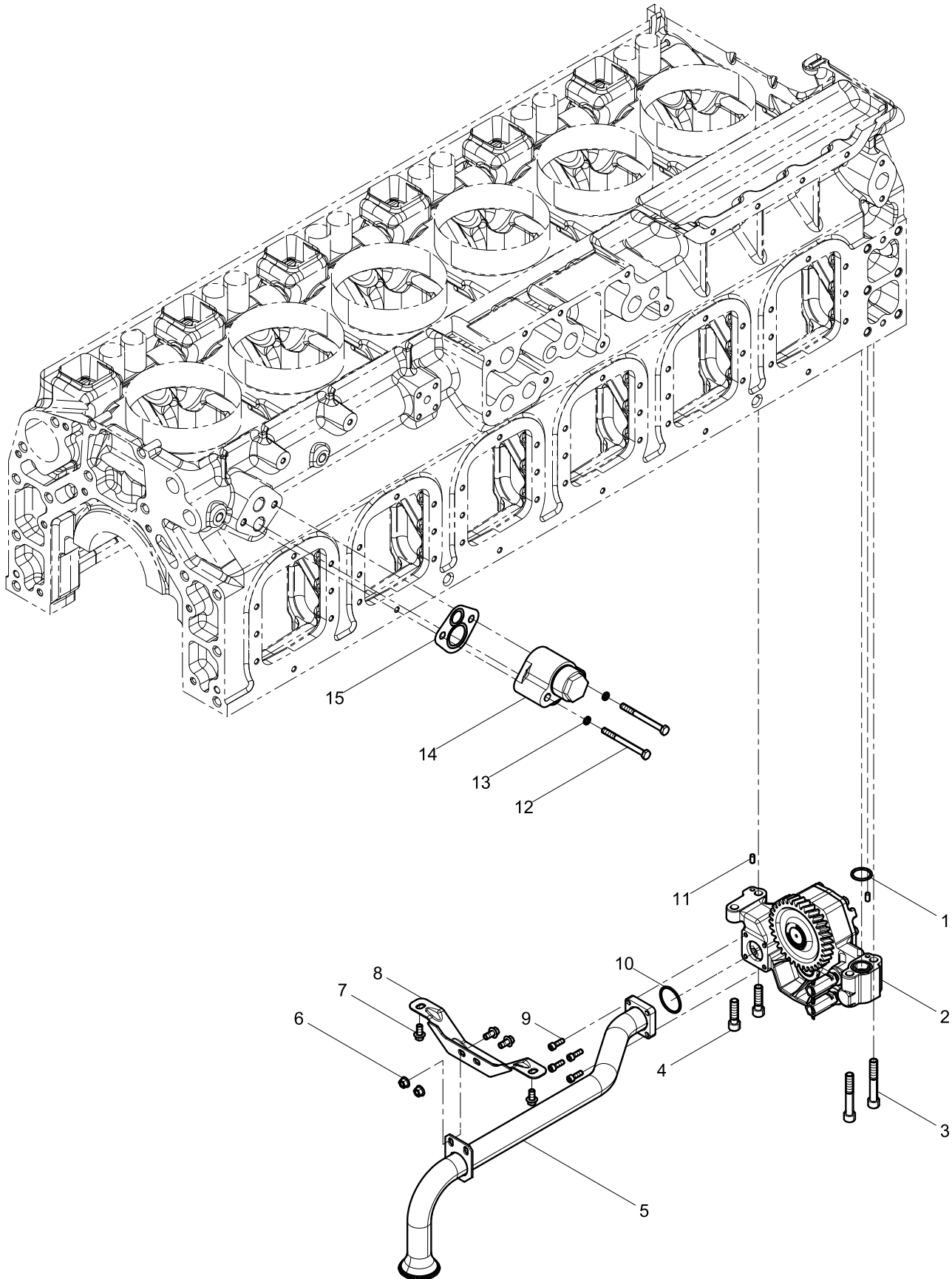
### Oil Pan Group



**Oil Pan Group**

Pos.	Teile.Number	Amount	Designation
1	1000835308	1	Dipstick Assembly
2	331001000647	1	Dipstick Pipe Set
3	11216370G	1	Washer
4	11216360W	1	Screw cap
5	1000835290	1	Dipstick Pipe Below Set
6	13022827	1	Screw Plug
7	612600150302	2	Magnetic Screw Plug Assembly
8	90015050029	2	Parallel Pin
9	13036173	1	Screw Plug
10	1000925671	1	Oil Pan
11	77707780D	1	Gasket
12	77733030Z	1	Hexagon Taper Screw Plug
13	90011420002	27	Hexagon Flange Bolt
14	9000000702	2	Hexagon Flange Bolt
15	13023361	1	Assembled Sealing Washer
16	90017020003	1	Hexagon Screw Plug

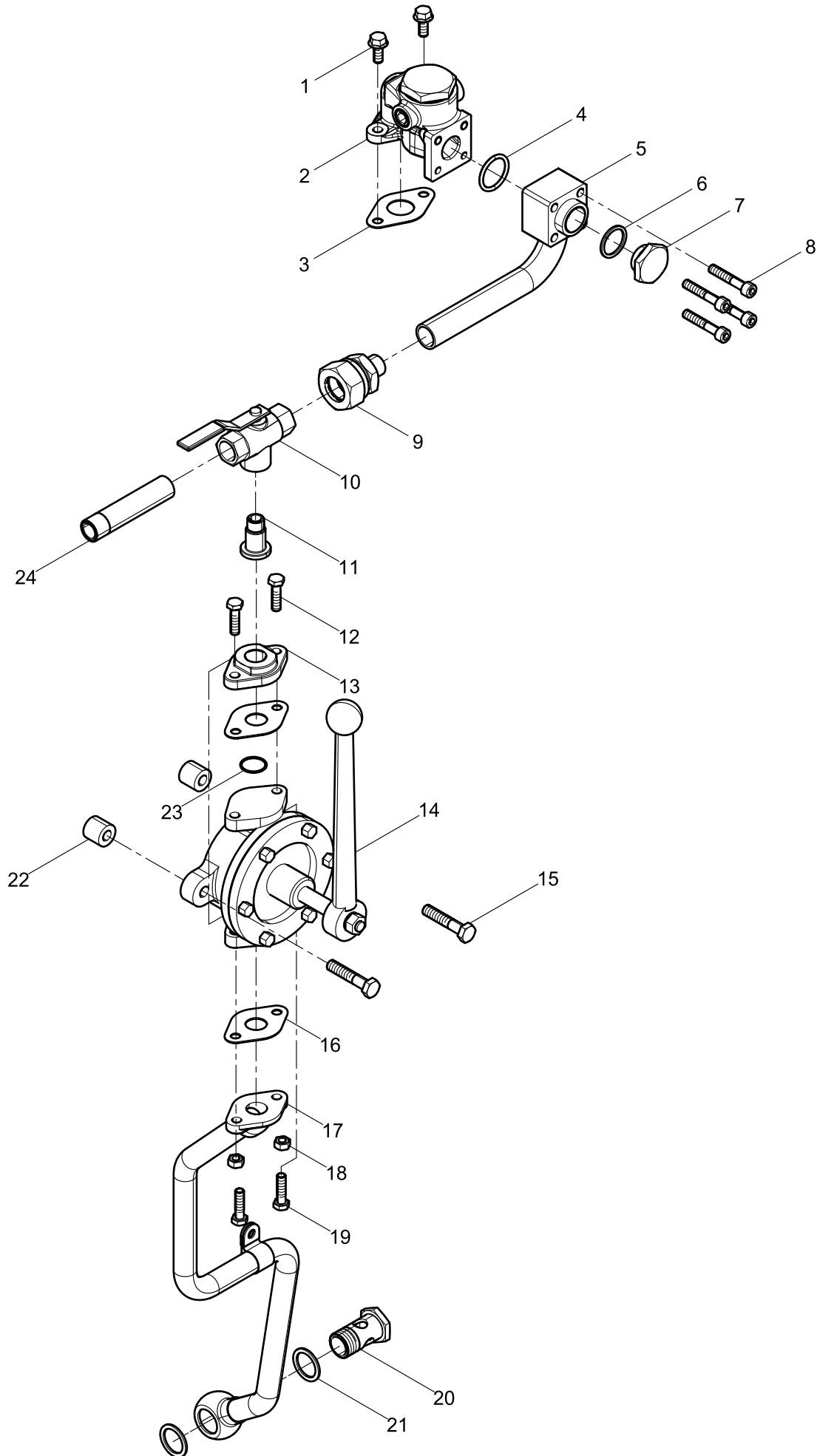
### Oil Pump Group



**Oil Pump Group**

<b>Pos.</b>	<b>Teile.Number</b>	<b>Amount</b>	<b>Designation</b>
1	90017510015	1	O-ring
2	330250000101	1	Lubricating Oil Pump
3	90013050068S	2	Inner Hexagon Socket Head Cap Screw
4	90013050069S	2	Inner Hexagon Socket Head Cap Screw
5	1000538052	1	Filter Assembly
6	90012290002	2	Hexagon Flange Nut
7	9000000734	4	Hexagon Flange Bolt
8	1000586619	1	Oil Suction Strainer Bracket
9	90013050036	4	Inner Hexagon Socket Head Cap Screw
10	90017550003	1	O-Ring
11	90015210006	2	Parallel Pin
12	90013550035	2	Inner Hexagon Socket Head Cap Screw
13	90014010001	2	Single Coil Spring Lock Washer, Normal Type
14	330204000215	1	Pressure-limiting valve of the main oil passage
15	330204000119	1	Gasket

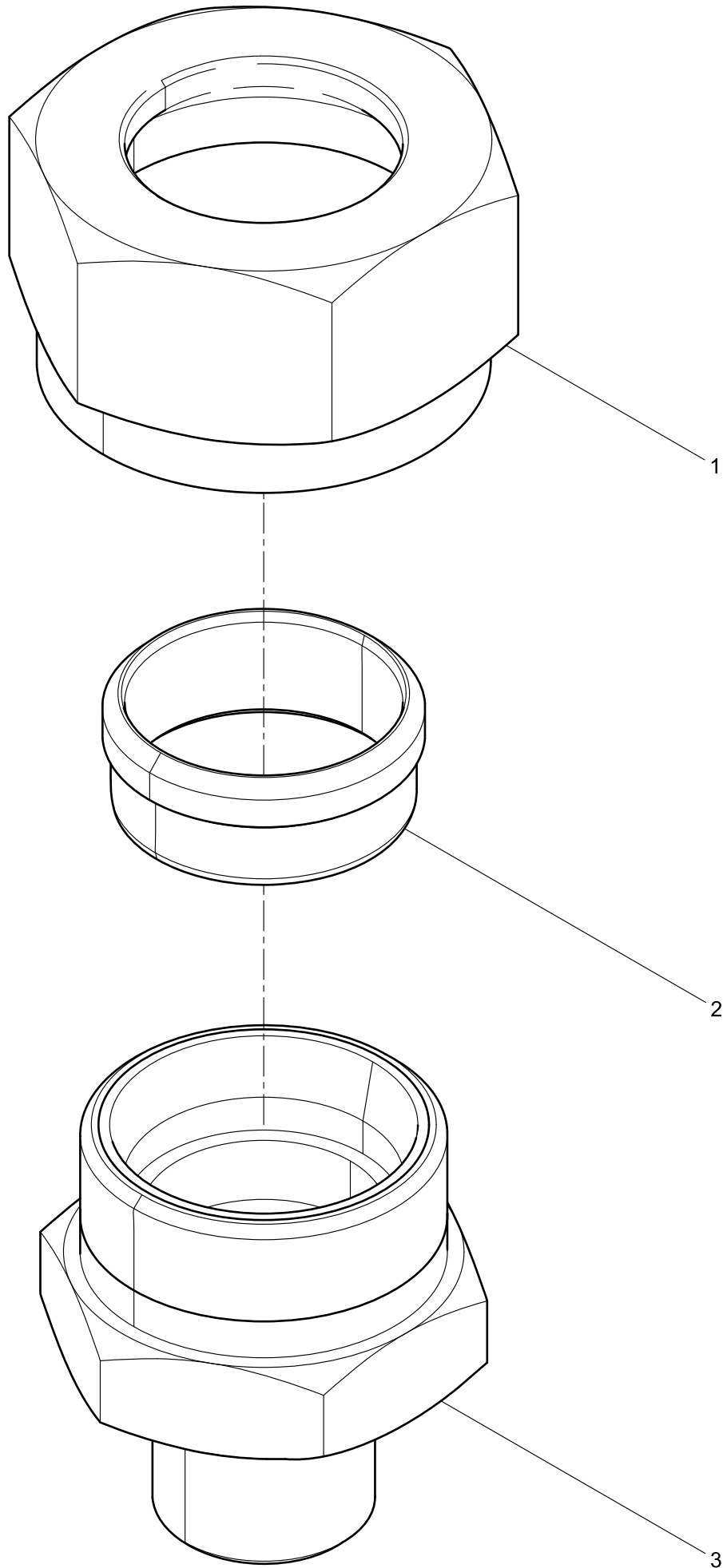
### Hand Oil Pump Group



**Hand Oil Pump Group**

Pos.	Teile.Number	Amount	Designation
1	90011400002	2	Hexagon Flange Bolt
2	13583790P	1	Non-return Valve
3	13614100K	1	Gasket
4	90017510013	1	O-ring
5	15041260W	1	Pre-luburicationg Pump Oil Pipe
6	77707780D	1	Gasket
7	13601280A	1	Screw Plug
8	90013550012	4	Inner Hexagon Socket Head Cap Screw
9	77718890E	1	Pipe Joint
10	77718910B	1	Valve Core
11	1000120356	1	Pipe Joint
12	90011350076	2	Hexagon Head Bolt
13	1000126238	1	Flange
14	77717510E	1	Hand oil pump assembly
15	90011350087	2	Hexagon Head Bolt
16	11204940H	1	Gasket
17	1000664623	1	Pre-luburicationg Pump Oil Pipe
18	90003871248	2	Hexagon Nut
19	90003802444	2	Hexagon Head Bolt
20	77720280Q	1	Bolt
21	13034050	2	Assembled Sealing Washer
22	15041240Z	2	Washer
23	9000000462	1	O-ring
24	15040760C	1	Pre-luburicationg Pump Oil Pipe

### Pipe Joint

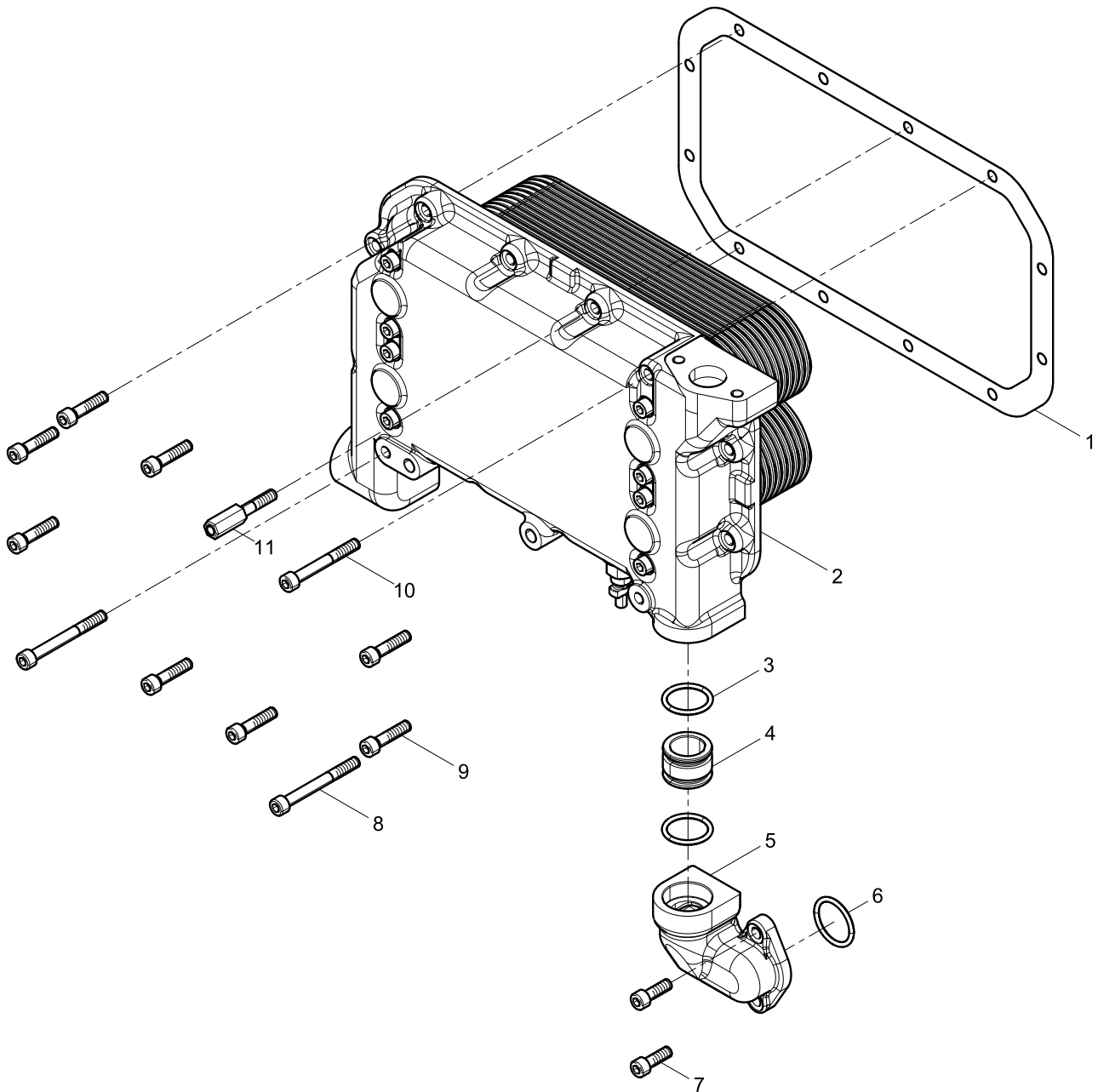


### Pipe Joint

Pos.	Teile.Number	Amount	Designation
1	330204000206	1	Ferrule 24° Cone Connectors, Nut
2	330204000205	1	Ferrule
3	330204000204	1	Joint Body

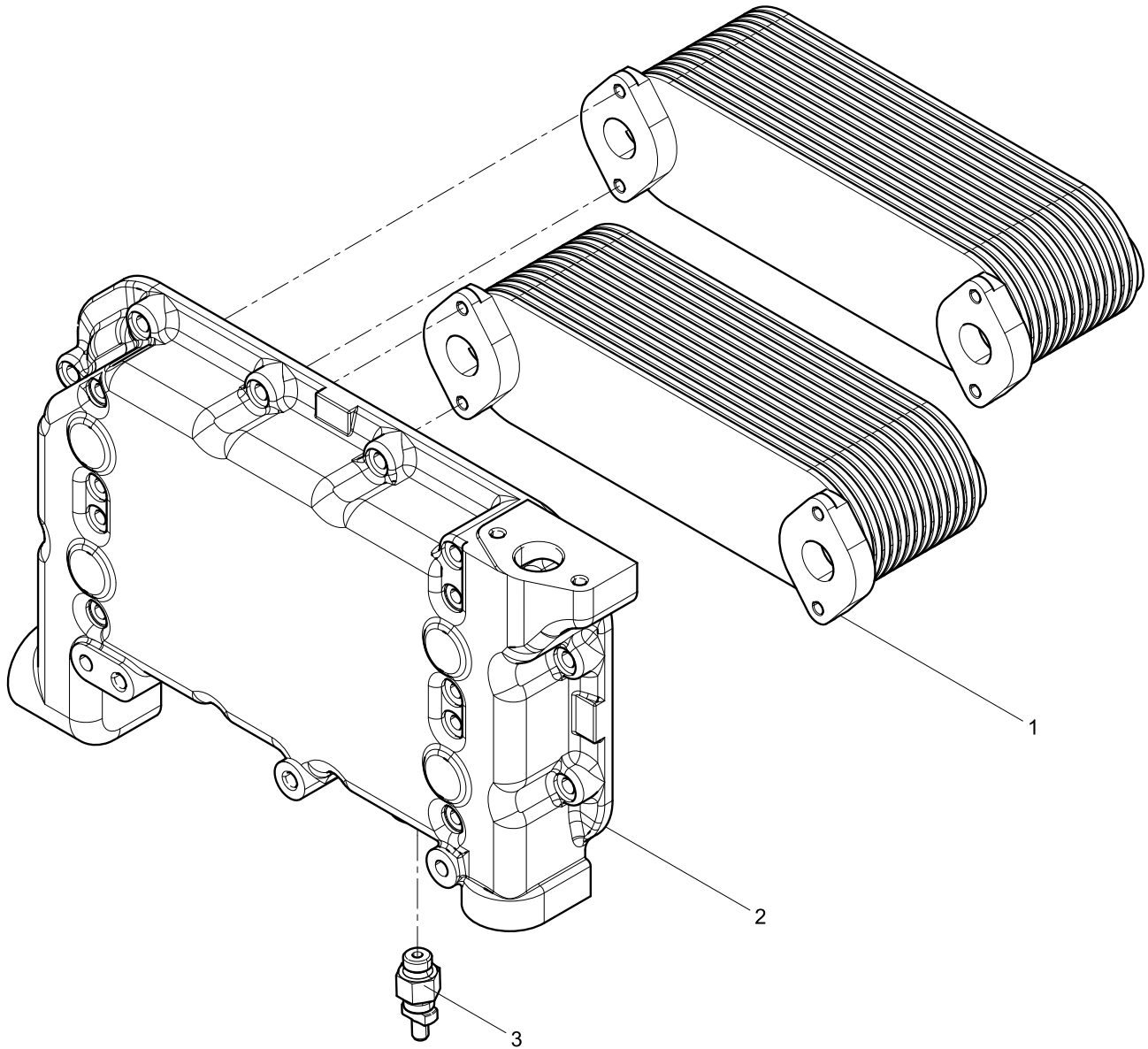


### Oil Cooler Group





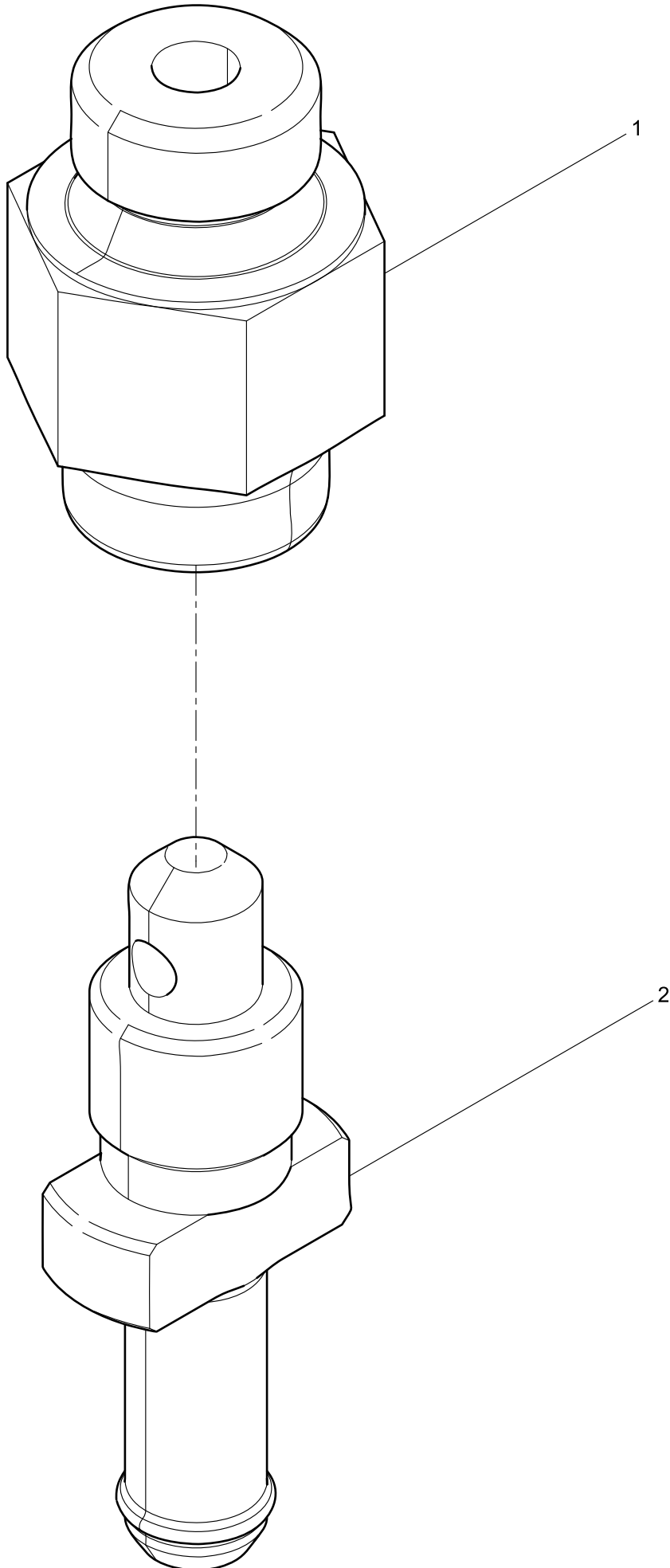
### Oil Cooler



**Oil Cooler**

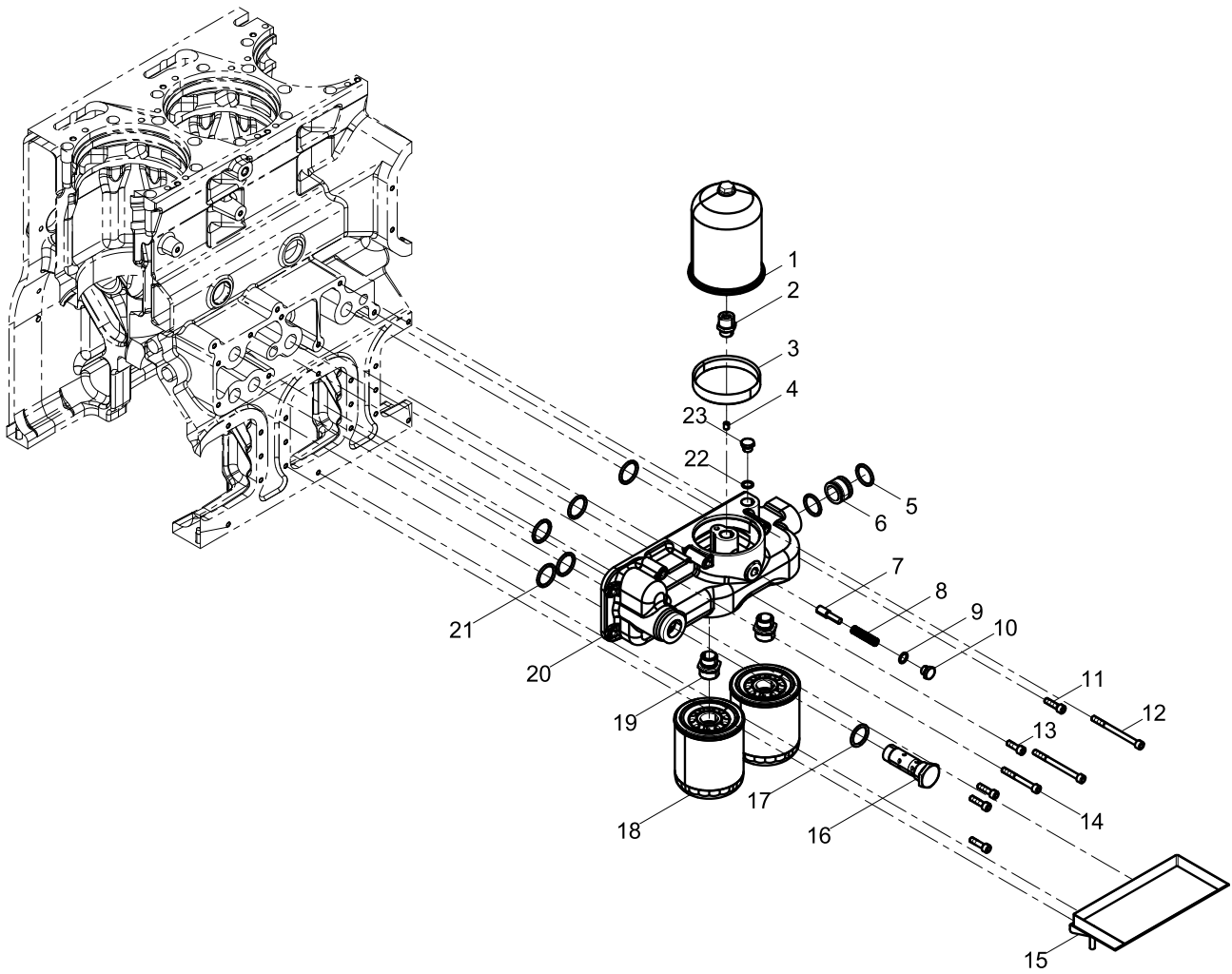
Pos.	Teile.Number	Amount	Designation
1	15540570Z	2	Oil Cooler
2	15041140Q	1	Cover
3	1001312338	1	Water Draining Valve

### Water Draining Valve





### Oil Filter Group

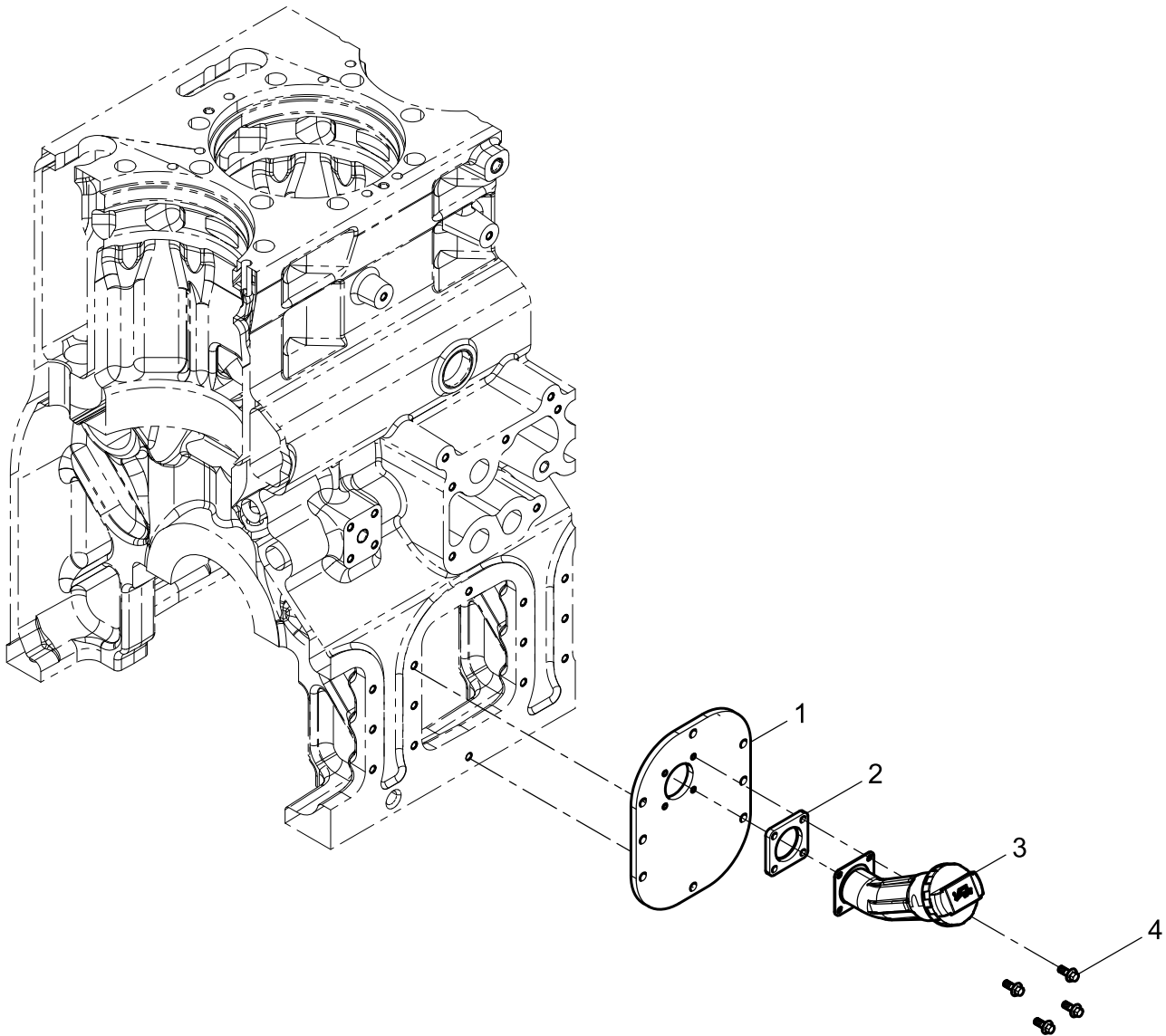


**Oil Filter Group**

Pos.	Teile.Number	Amount	Designation
1	15540390D	1	Spin-on Cartridge Lubricating Oil Filter
2	15041230N	1	Oil Filter Seat
3	15041310A	1	Washer
4	15041690N	1	Piston Nozzle
5	77711630N	2	
6	15041180J	1	Oil Filter Seat
7	15041270G	1	Valve Core
8	15041220C	1	Oil Pump Safety Valve Spring
9	90003098014	1	Sealing Washer
10	14400234D	1	Hexagon Screw Plug
11	90013050037	4	Inner Hexagon Socket Head Cap Screw
12	77752630D	2	
13	90013050036	1	Inner Hexagon Socket Head Cap Screw
14	90013550032	1	Inner Hexagon Socket Head Cap Screw
15	330204000149	1	Fuel filter pan
16	330204000100	1	Oil Pressure Relief Valve
17	14400073D	1	
18	612630010506	2	Oil Filter
19	330204000098	2	Inner Connector
20	15041150B	1	Bracket
21	90017510015	5	O-ring
22	13023363	1	Unit washer
23	90003960005	1	Hexagon Screw Plug

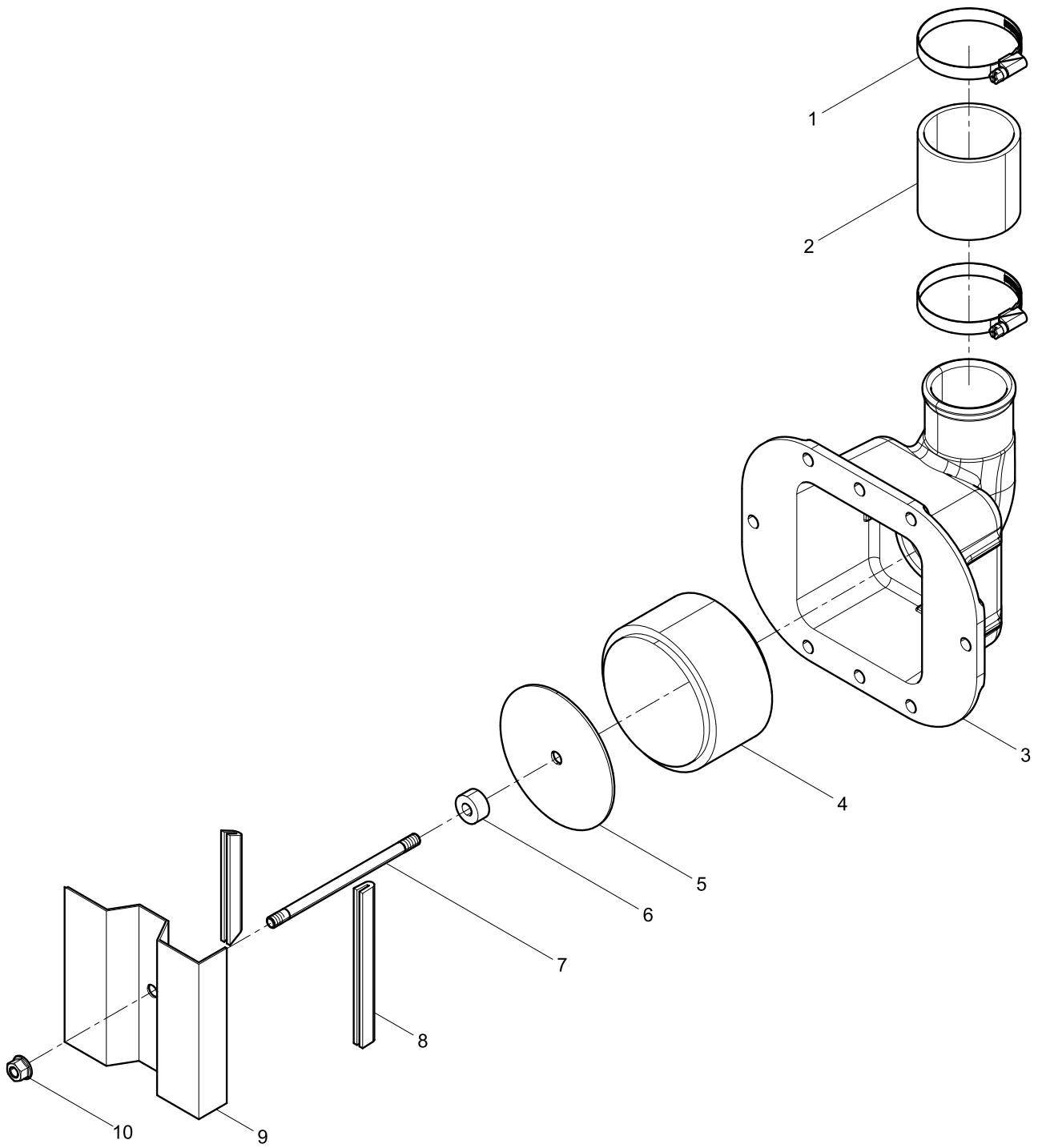


### Oil Filling Tube Group





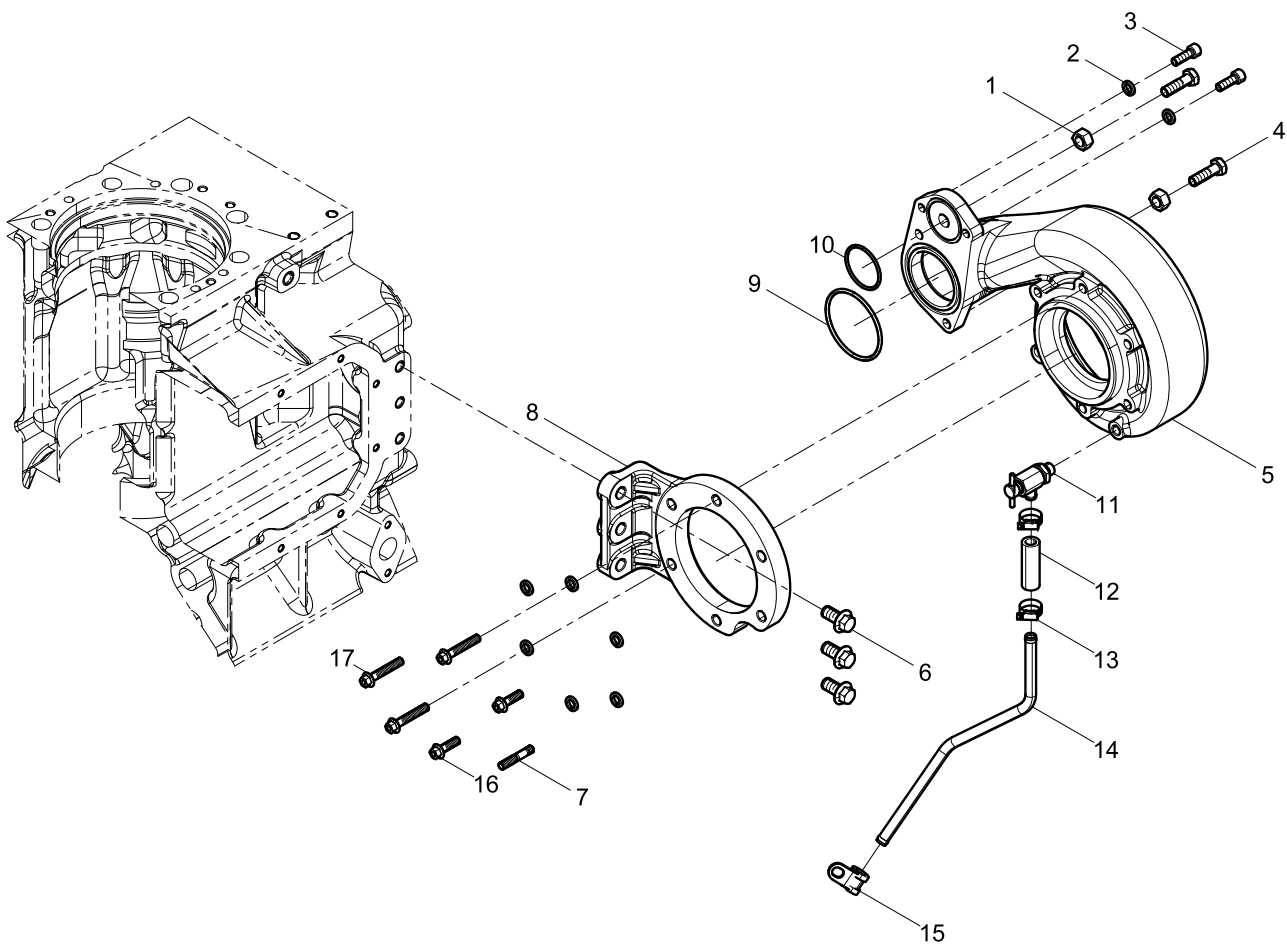
**Breather set**



**Breather set**

Pos.	Teile.Number	Amount	Designation
1	90003989311	2	Clamp
2	15010760T	1	Oil Connecting Rubber Pipe
3	15010720A	1	Breather Block
4	13502530N	1	Oil-gas Separator Element
5	15010730L	1	Plate
6	27302940J	1	Pad
7	77771140Y	1	Double End Stud
8	15010985N	1	Washer
9	15010740X	1	Separating Oil Board
10	90012420002	1	Prevailing Torque Type All-metal Hexagon Nut with Flange

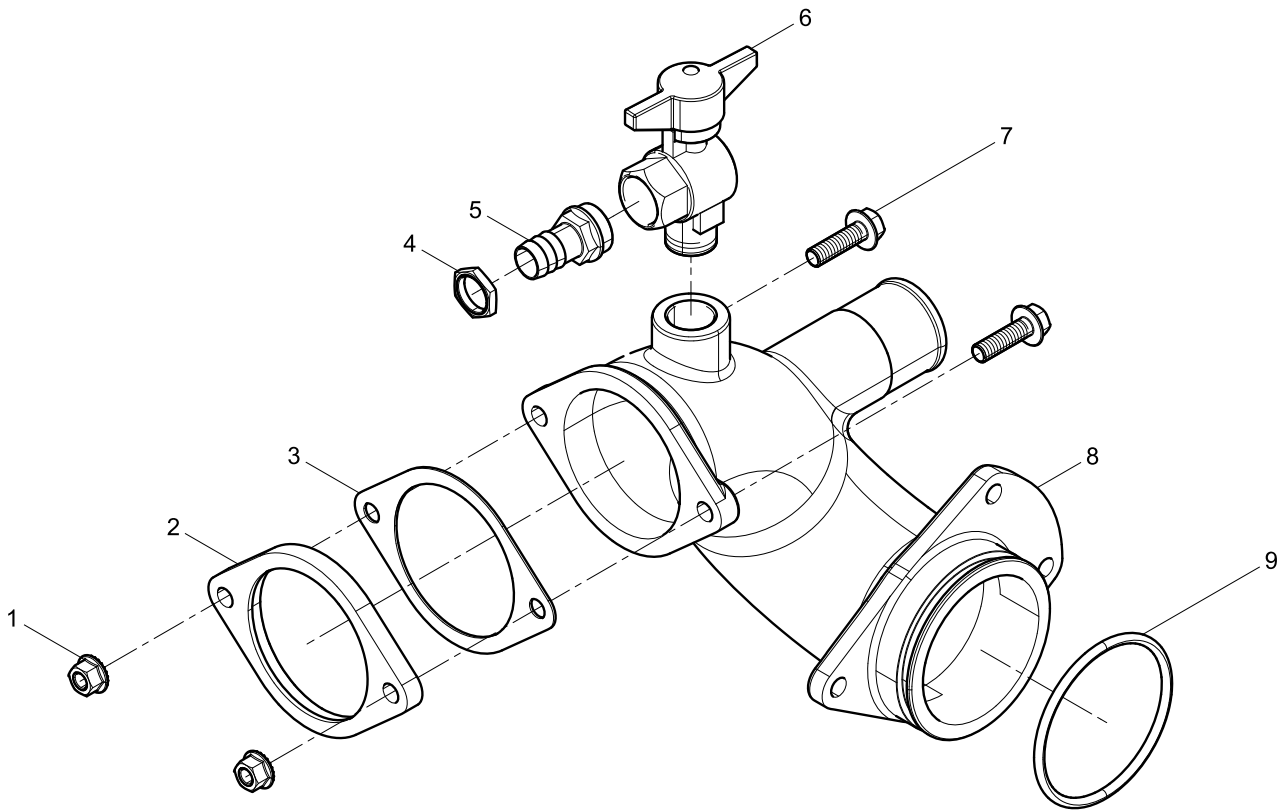
### Fresh Water Pump Grpup



**Fresh Water Pump Grpup**

Pos.	Teile.Number	Amount	Designation
1	90012290002	2	Hexagon Flange Nut
2	90003931122	8	Spring Washer
3	90013050042	2	Inner Hexagon Socket Head Cap Screw
4	90011420013	2	Hexagon Flange Bolt
5	1001219196	1	Water Pump
6	90011420002	3	Hexagon Flange Bolt
7	90003813544	1	Double End Stud
8	1001219195	1	Water Pump Bracket
9	90017510064	1	O-ring
10	90017510065	1	O-ring
11	612600012598	1	Water Draining Valve
12	610800130013	1	Coolant Connecting Rubber Pipe
13	13039655	2	Clamp
14	1000978359	1	Water Pipe
15	1000083546	1	Pipe Clamp Assembly
16	90011400058	2	Hexagon flange bolt, heavy series
17	90011420005	3	Hexagon Flange Bolt

### Water inlet pipe group

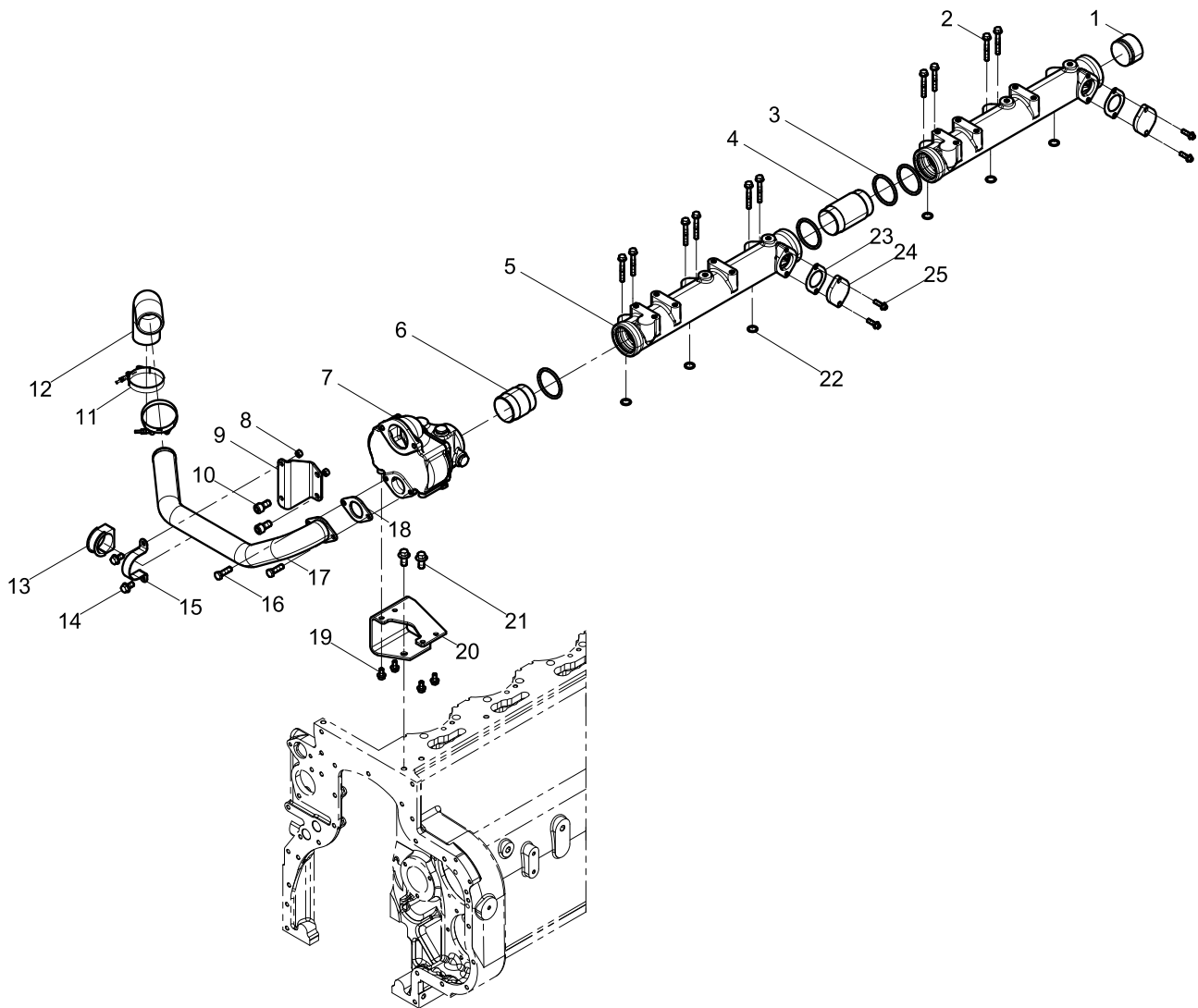


**Water inlet pipe group**

<b>Pos.</b>	<b>Teile.Number</b>	<b>Amount</b>	<b>Designation</b>
1	612600061725	2	Prevailing Torque Type Hexagon Nut with Flange
2	330203000260	1	Flange
3	330203000265	1	Gasket
4	1000593609	1	Thin Nut for Connector
5	15035710N	1	Pipe Joint
6	77736060S	1	Valve Core
7	90011400006	2	Hexagon Flange Bolt
8	330203000224	1	Water Pipe Connector
9	90017550031	1	O-Ring



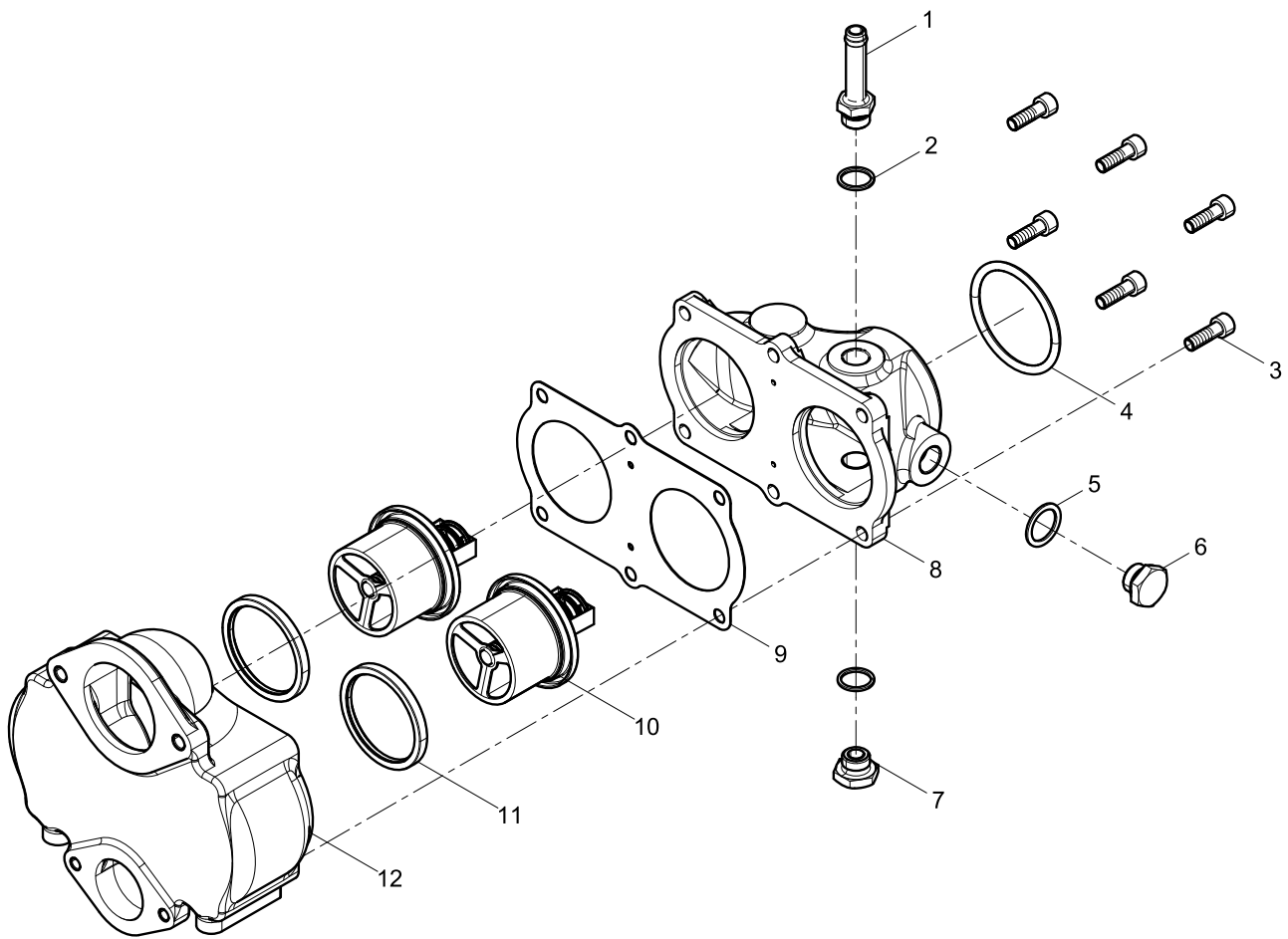
### Water Outlet Pipe Group



**Water Outlet Pipe Group**

Pos.	Teile.Number	Amount	Designation
1	331003000401	1	Screw Plug
2	90011400010	10	Hexagon flange bolt, heavy series
3	90017510050	4	O-ring
4	15032350L	1	Water Pipe
5	15032290W	2	Water-outlet Pipe
6	15033660K	1	Water Pipe
7	330203000454	1	Thermostat Assembly
8	612600061719	2	Prevailing Torque Type Hexagon Nut with Flange
9	330203000009	1	Bracket
10	90003862524	2	Inner Hexagon Socket Head Cap Screw
11	612600062206	2	Clamp
12	330203000191	1	Coolant Connecting Rubber Pipe
13	1000978193	1	Rubber Sleeve
14	90011430016	2	Hexagon Flange with Tooth Bolt
15	330203000010	1	Clamp
16	90011430001	2	Hexagon Flange with Tooth Bolt
17	330203000232	1	Water Pump Water Pipe
18	15032830H	1	Gasket
19	90011400019	4	Hexagon Flange Bolt
20	15033170C	1	Thermostat Bracket
21	90011430041	2	Hexagon Flange with Tooth Bolt
22	15090980P	6	Seal Ring
23	14031820D	2	Gasket
24	15032090D	2	Flange
25	9000000075	4	Hexagon Flange Bolt

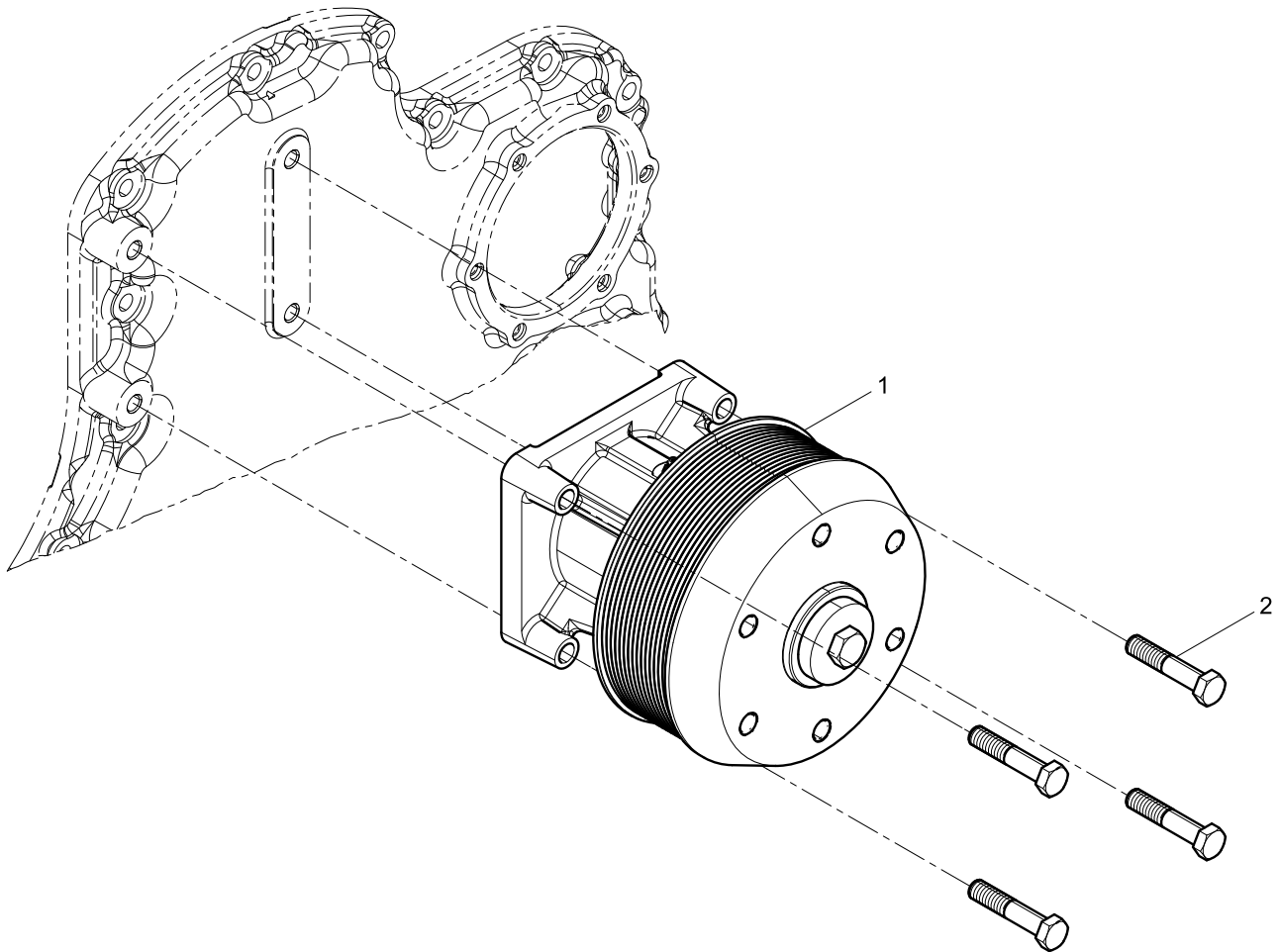
### Thermostat Assembly



**Thermostat Assembly**

<b>Pos.</b>	<b>Teile.Number</b>	<b>Amount</b>	<b>Designation</b>
1	330203000255	1	Pipe Joint
2	90003098020	2	Washer
3	90013050036	6	Inner Hexagon Socket Head Cap Screw
4	90017510050	1	O-ring
5	77707700R	1	Gasket
6	11230560F	1	Screw Plug
7	330203000407	1	Conversion Adapter
8	330203000072	1	Thermostat Cover
9	15032770S	1	Gasket
10	14230430J	2	Thermostat
11	15032070G	2	Seal Ring
12	330203000076	1	Thermostat Body

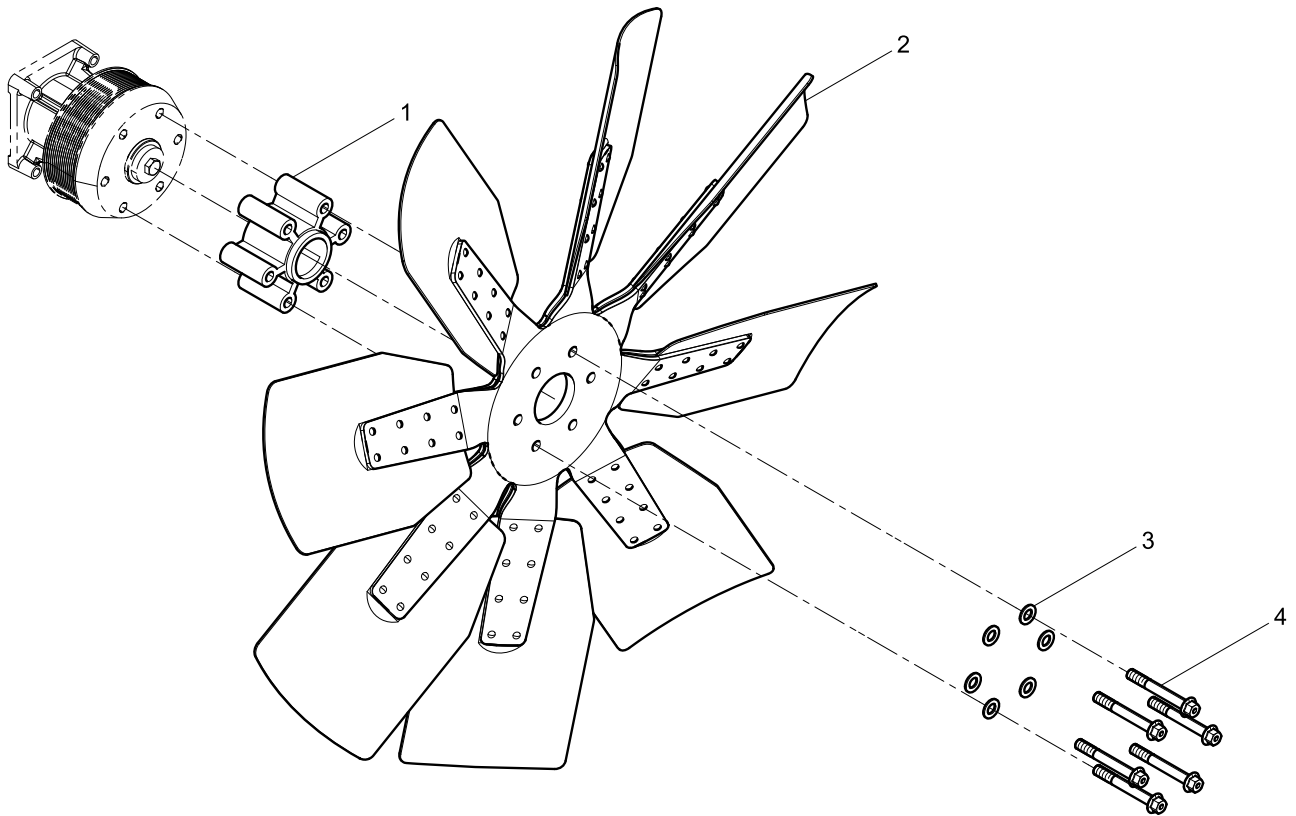
### Fan Bracket Group



**Fan Bracket Group**

Pos.	Teile.Number	Amount	Designation
1	X6231.461W	1	Fan Bracket Assembly
2	90011260018	4	Hexagon Head Bolt

### Fan and Hub Group

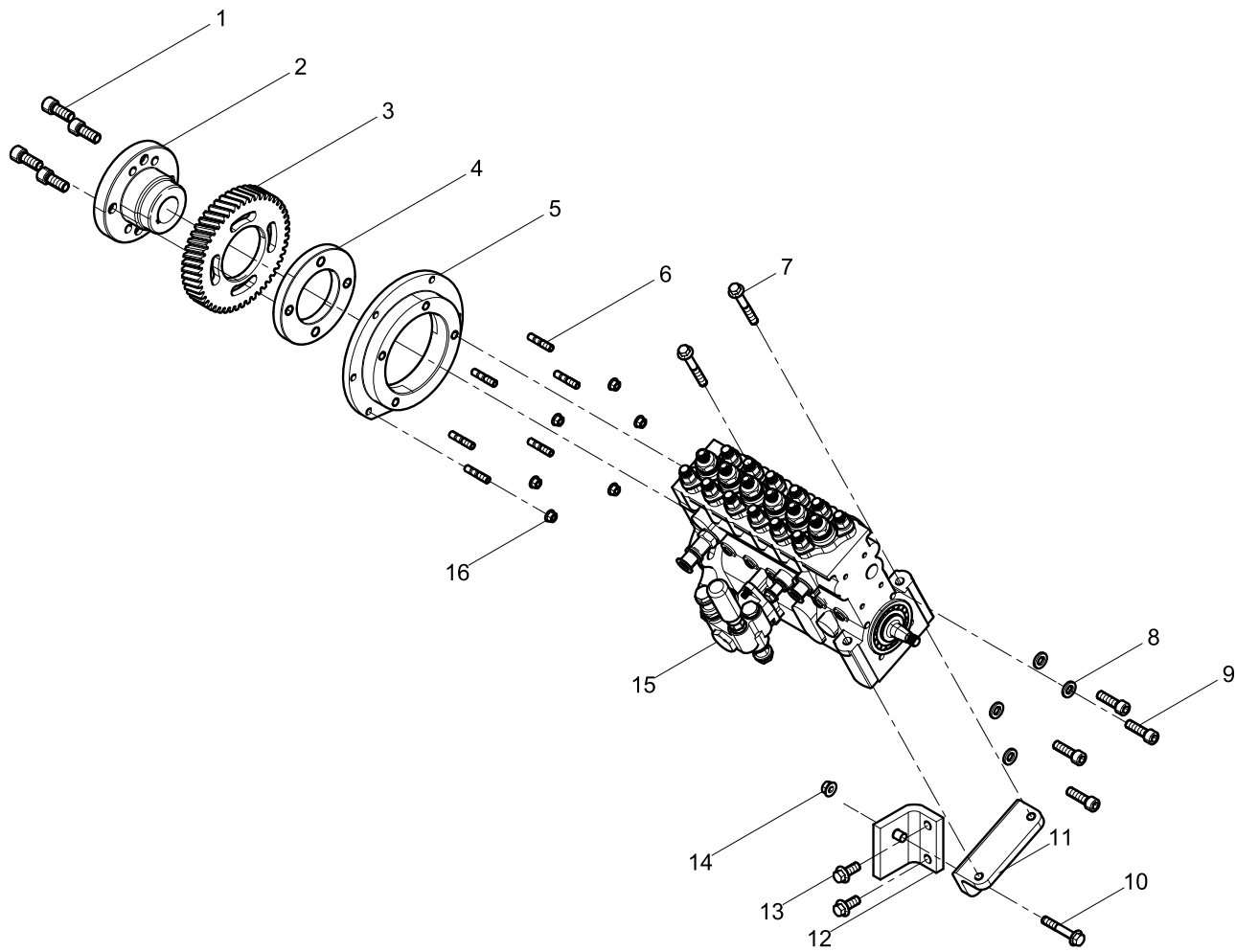


**Fan and Hub Group**

Pos.	Teile.Number	Amount	Designation
1	X6231.446W	1	Pad
2	330225000053	1	Fan
3	90003935015	6	Plain Washer
4	9000000065	6	Hexagon Flange Bolt



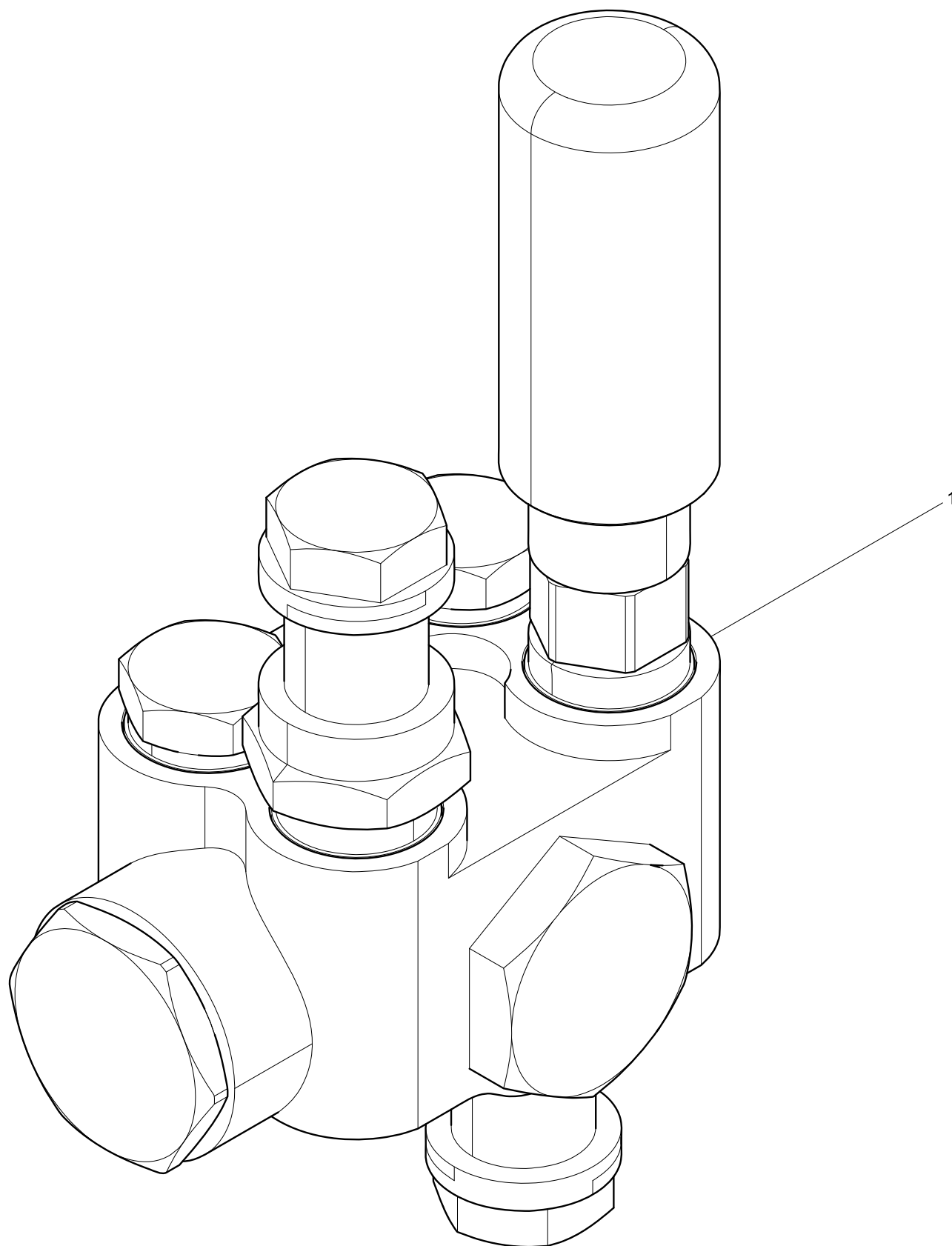
### Fuel Injection Pump Group



**Fuel Injection Pump Group**

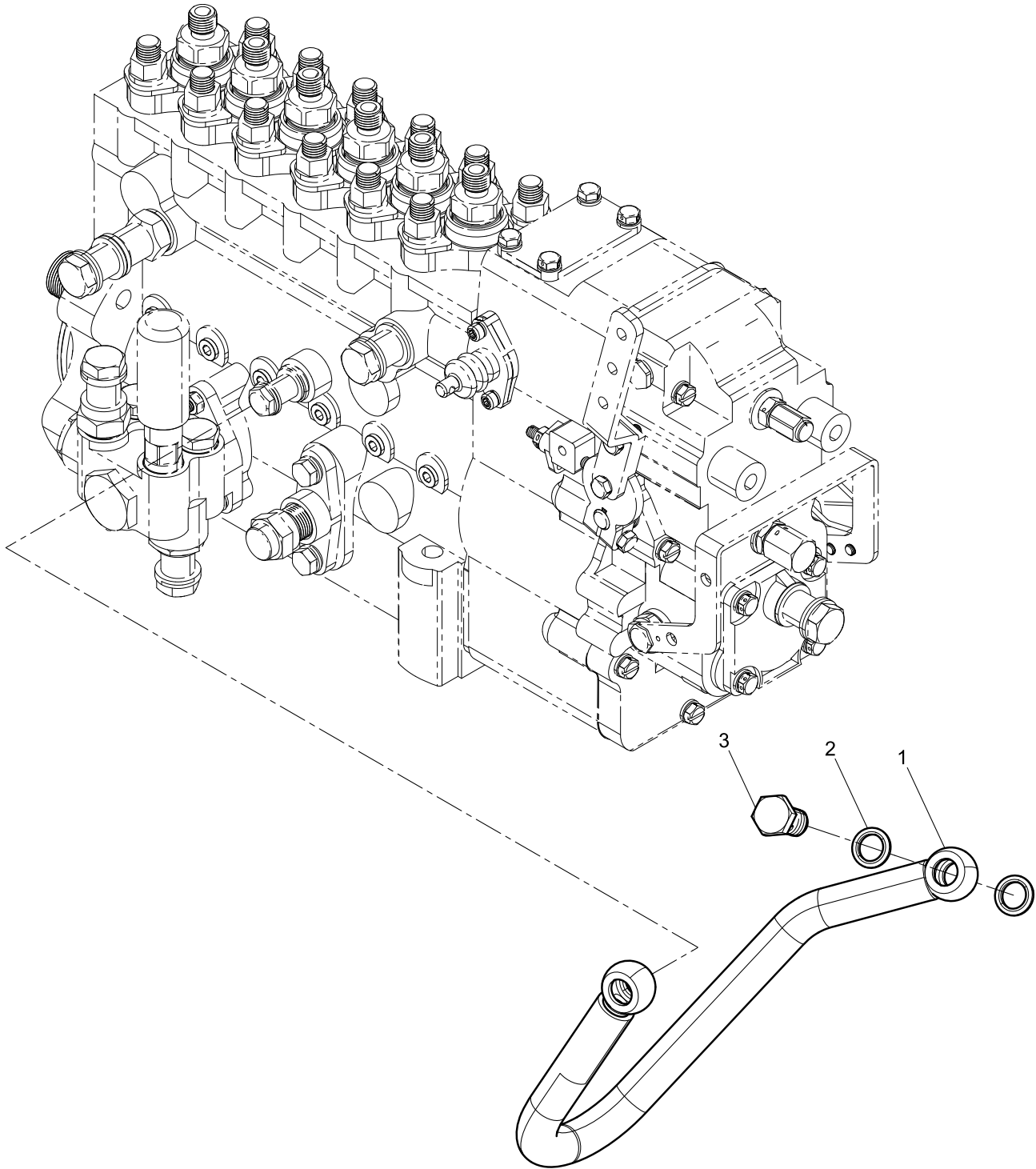
<b>Pos.</b>	<b>Teile.Number</b>	<b>Amount</b>	<b>Designation</b>
1	77754400C	4	Bolt
2	X6231.140W	1	Fuel Injection Pump Hub
3	15052020R	1	Fuel Injection Pump Gear
4	15052010F	1	Washer
5	15051990J	1	Flange
6	90011530011	6	Double End Stud
7	9000000684	2	Hexagon Flange Bolt
8	14052420V	4	Washer
9	1000399883	4	Inner Hexagon Socket Head Cap Screw
10	90011420014	1	Hexagon Flange Bolt
11	X6231.164W	1	Fuel Injection Pump Bracket
12	X6231.163W	1	Fuel Injection Pump Bracket
13	90011430008	2	Hexagon Flange with Tooth Bolt
14	90012290002	1	Hexagon Flange Nut
15	330205000014	1	Fuel Injection Pump
16	90012290006	1	Hexagon Flange Nut

**Fuel Injection Pump**



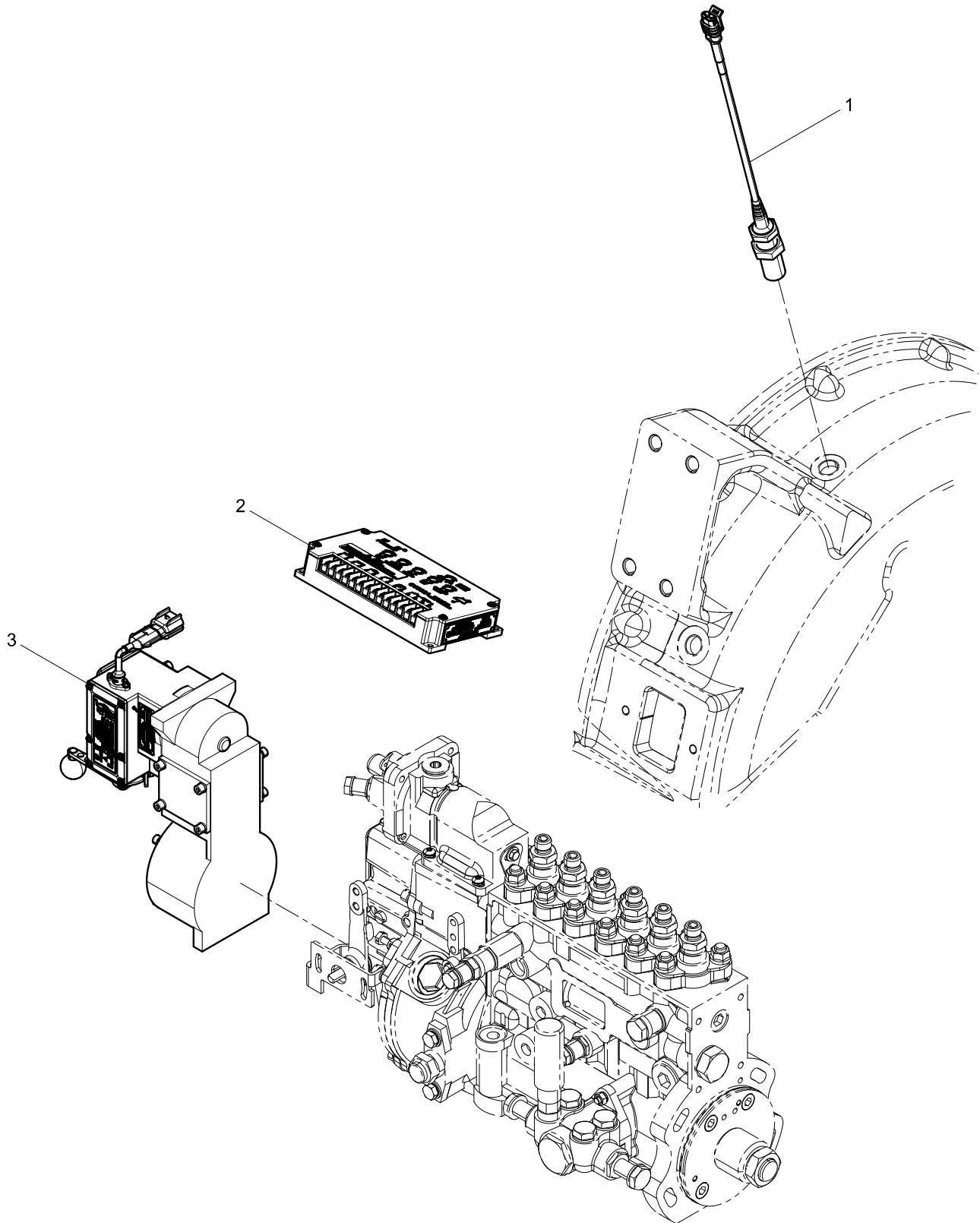


### Fuel Injection Pump Oil Pipe Group





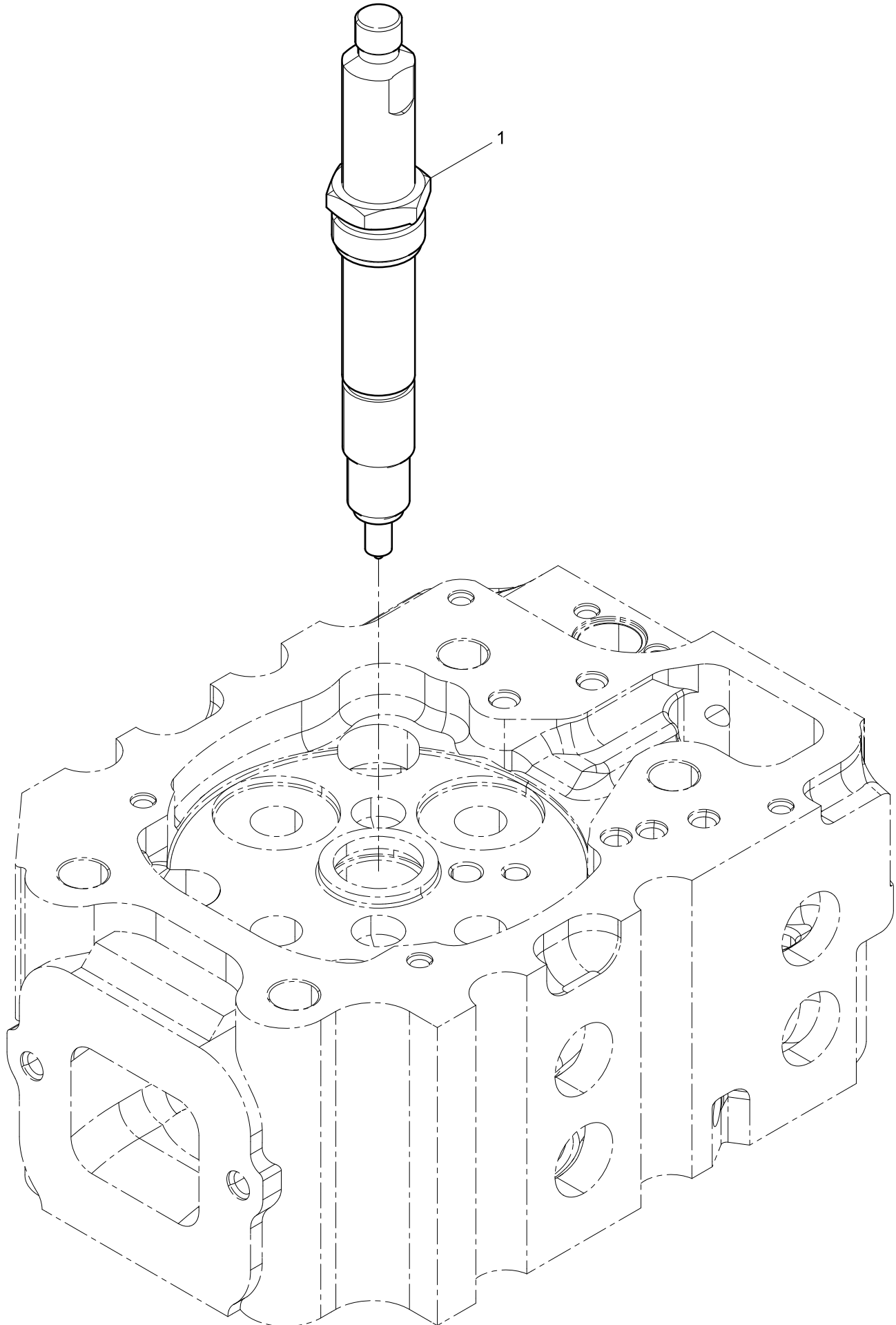
### Electronic Governor Group





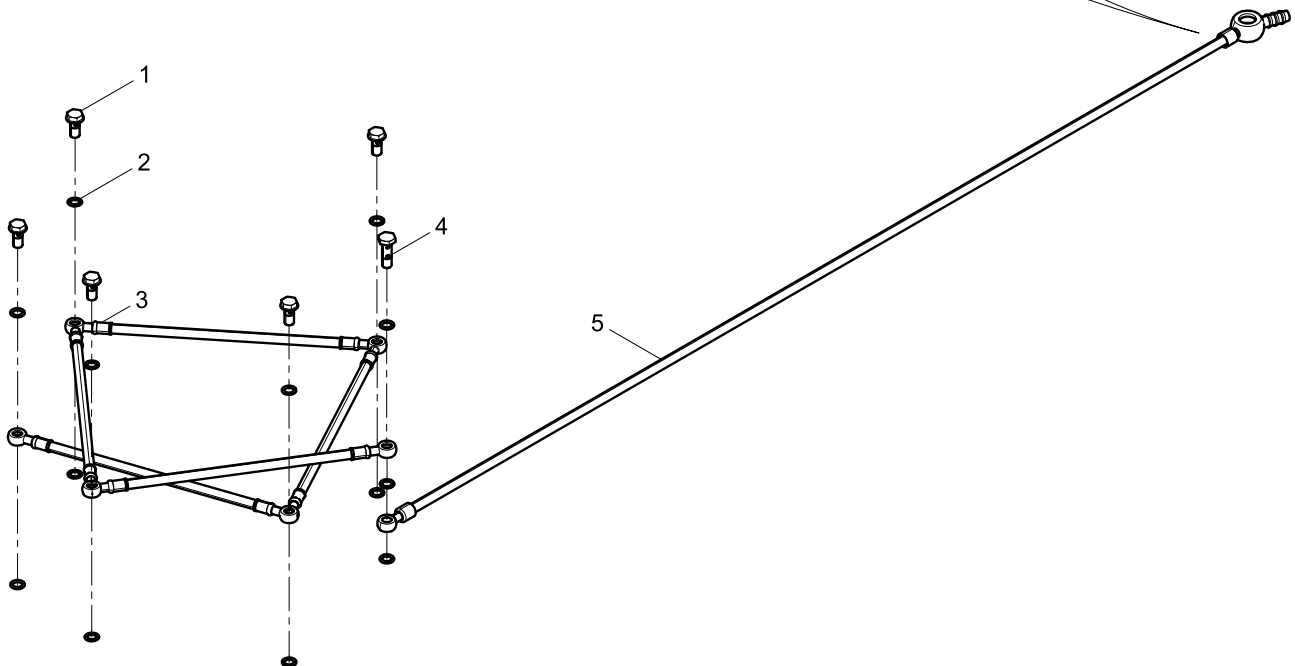
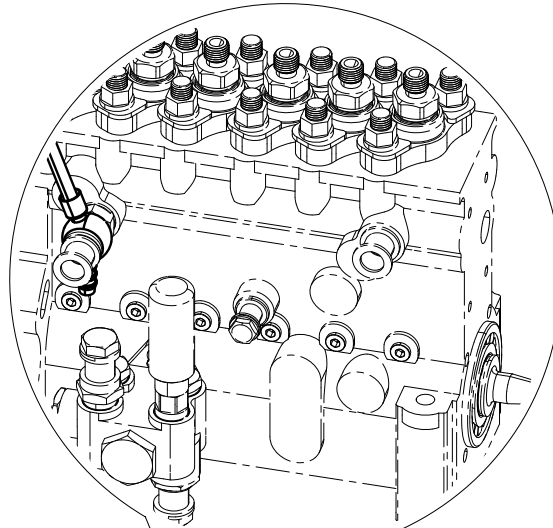


### Fuel Injector Group



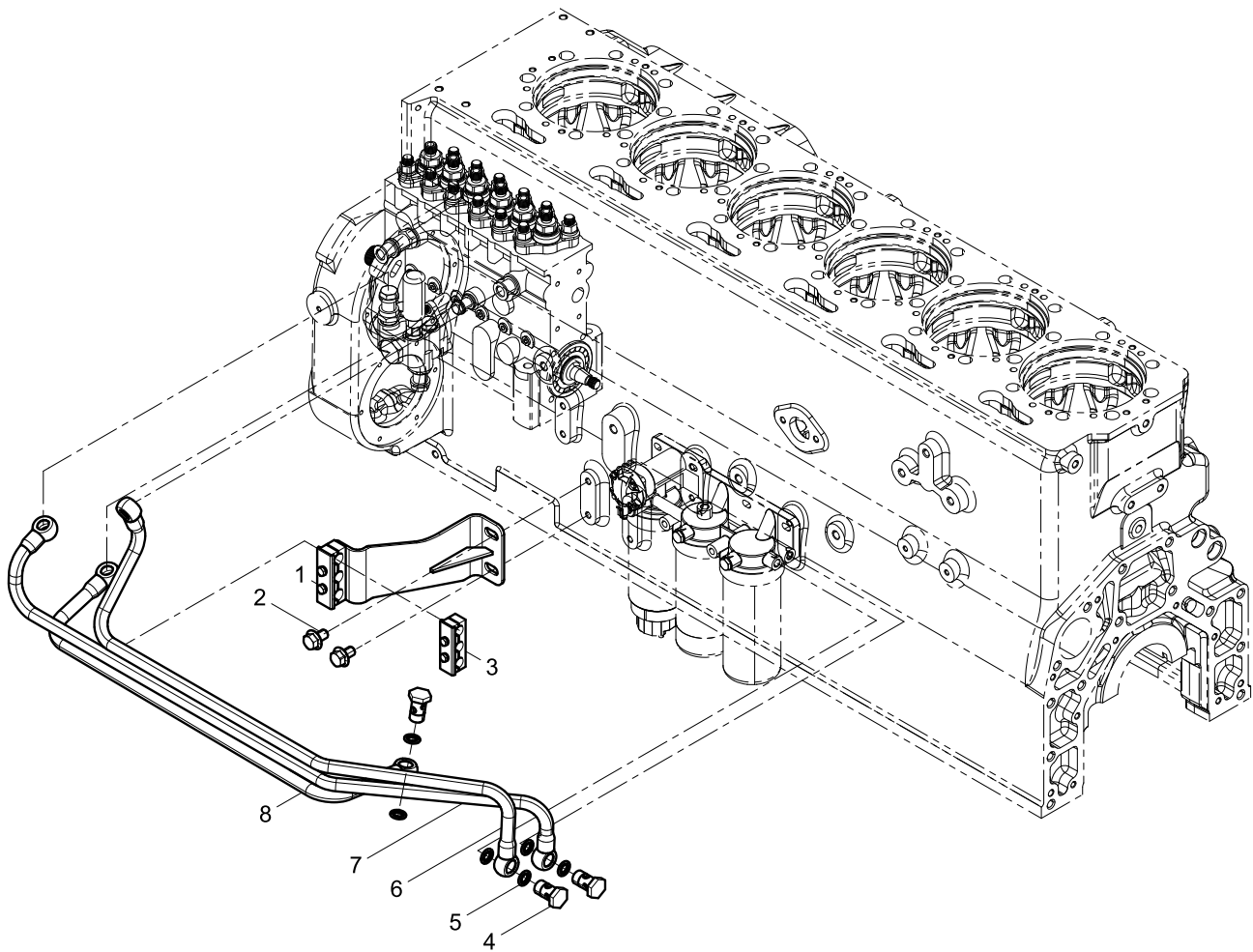


### Injector Return Pipe Group



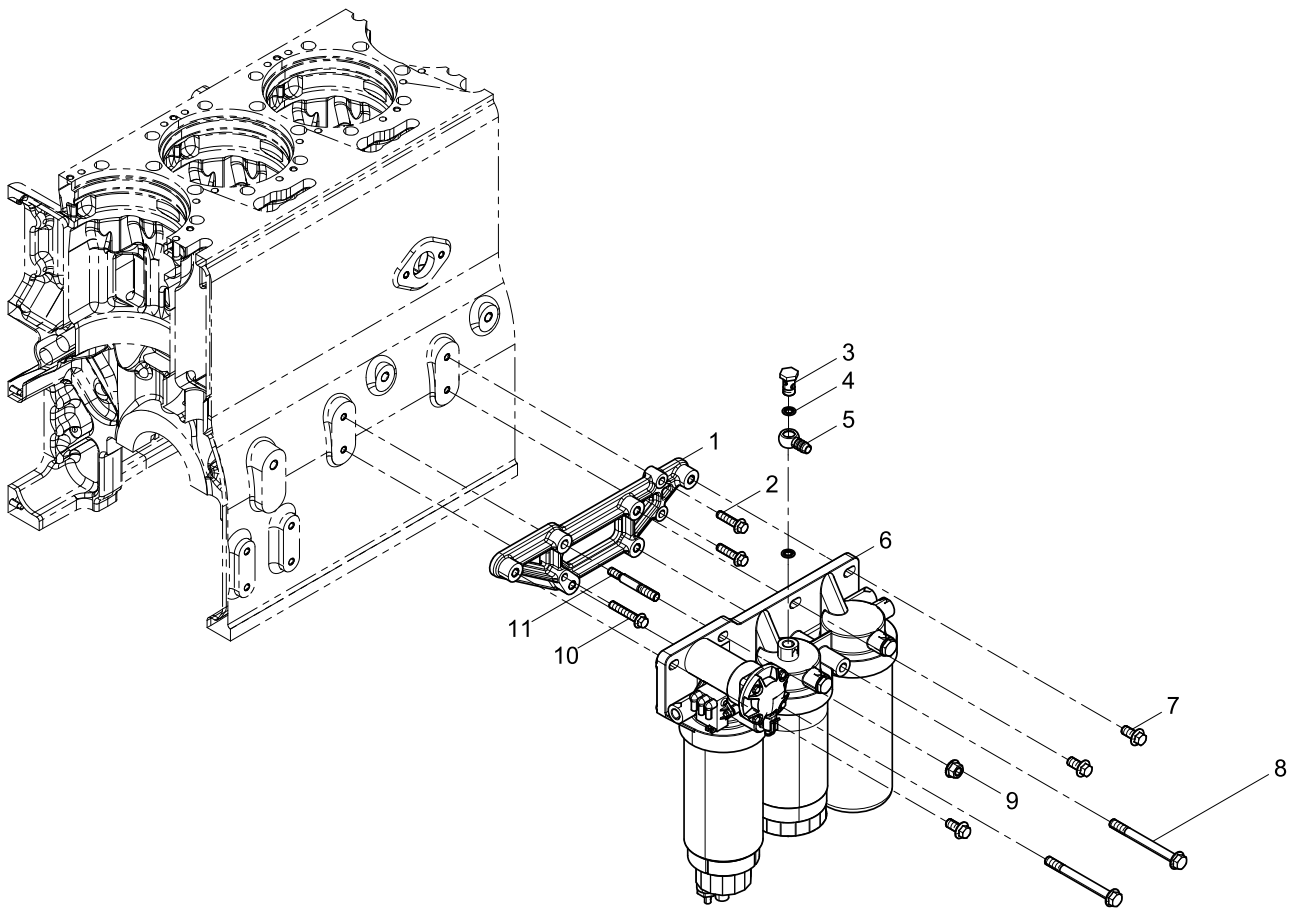


### Low Pressure Fuel Pipe Group





### Fuel Filter Group

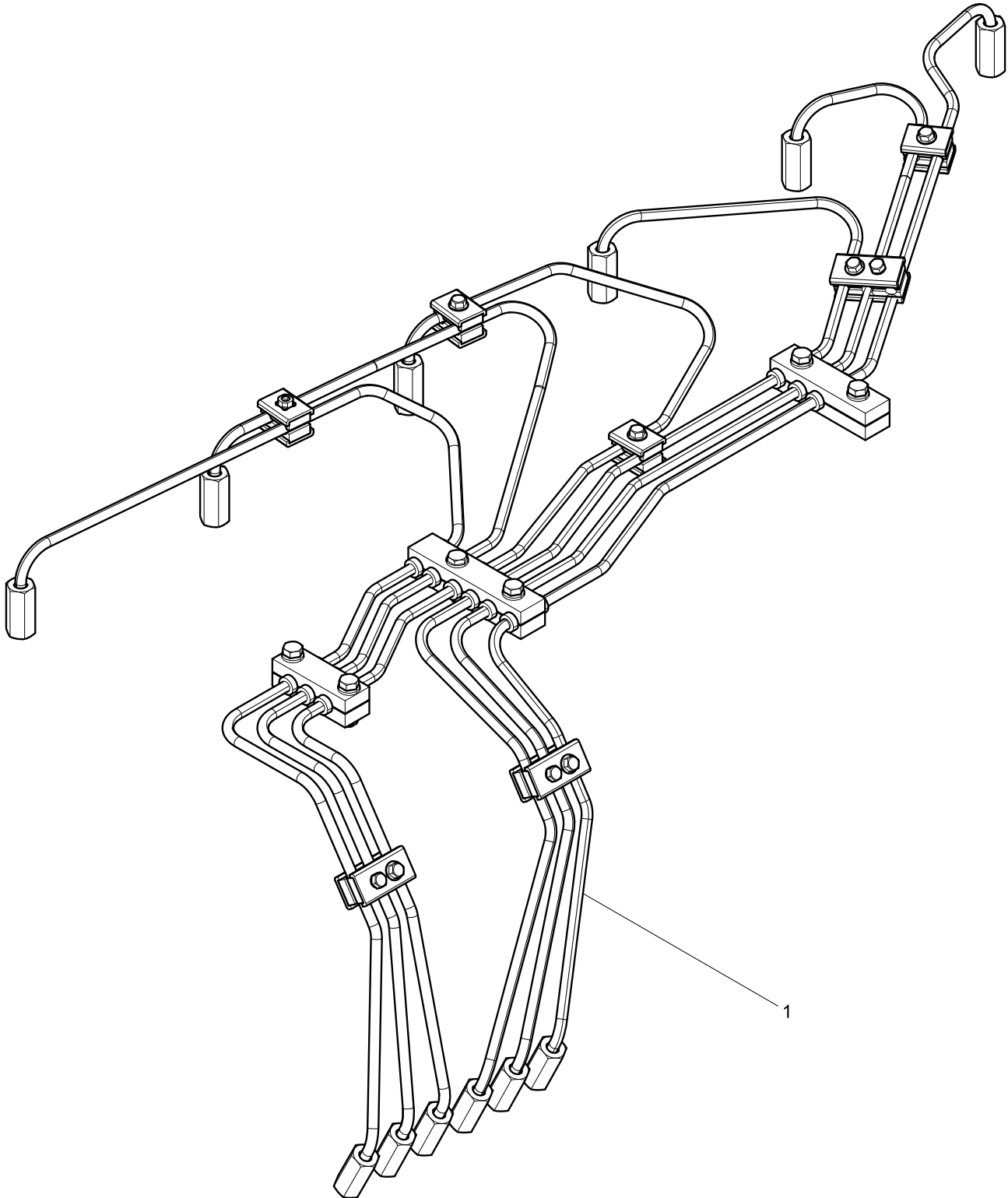


**Fuel Filter Group**

Pos.	Teile.Number	Amount	Designation
1	330205000150	1	Fuel Filter Bracket
	1000728431	1	Electrical Fuel Supply Pump Controller
2	90011430042	2	Hexagon Flange with Tooth Bolt
	1000728430	1	Electrical Fuel Supply Pump Assembly
3	612600081327	1	Seal Ring
	612639000049	1	Bolt
4	330205000730	1	Fuel Coarse Filter Element
	13023361	2	Assembled Sealing Washer
5	330205000729	1	Fuel Fine Filter Element
	612600082772	1	Pipe Joint
6	1000728425	1	Fuel System Protector
	612600081322	1	Water Cup Assembly
7	330205000728	1	Fuel Filter Element
	90011420005	3	Hexagon Flange Bolt
8	330205000251	2	Hexagon Flange Bolt
9	612600061726	1	Prevailing Torque Type Hexagon Nut with Flange
10	90011430058	1	Hexagon Flange with Tooth Bolt
11	330205000182	1	Double End Stud

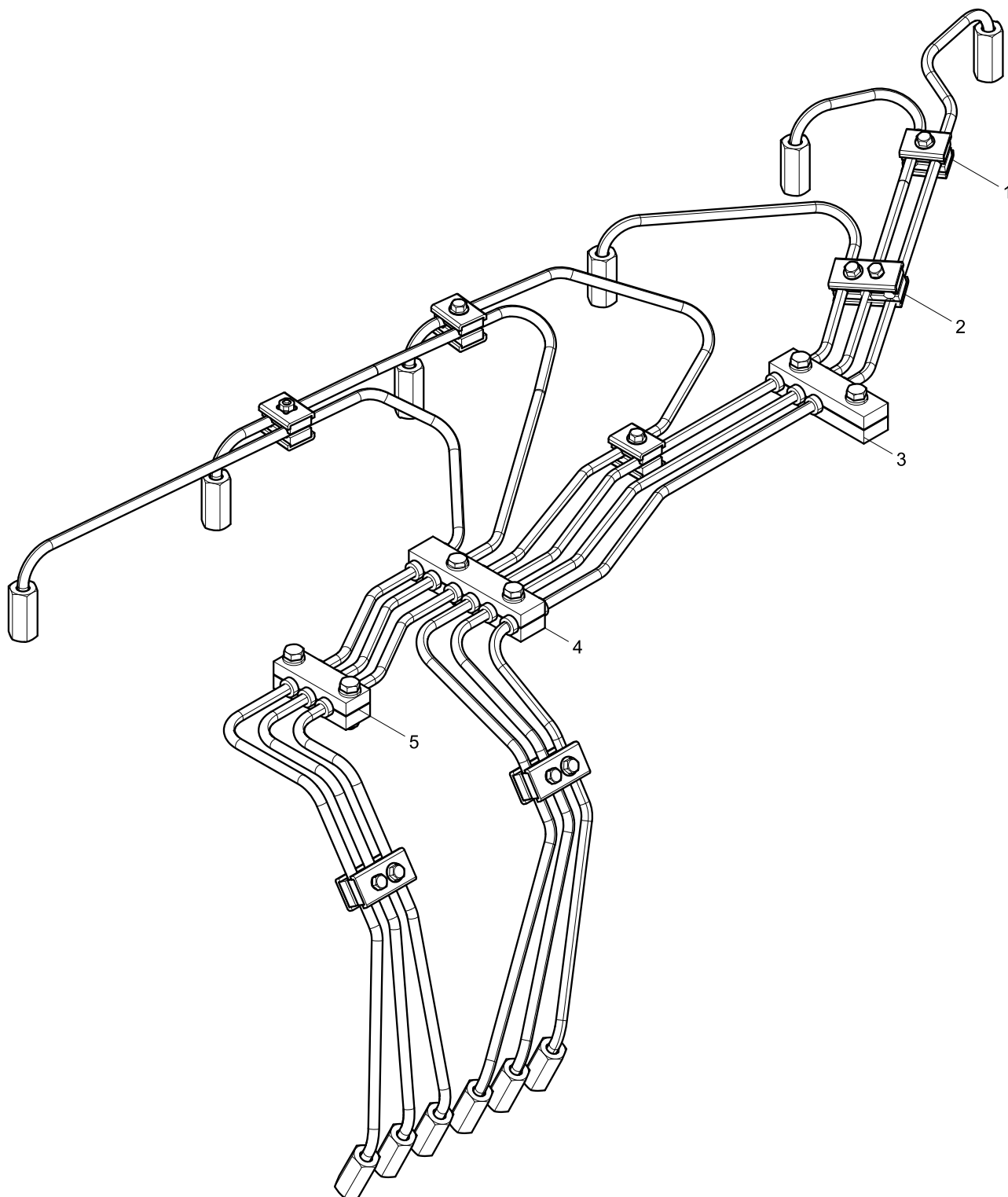


### High Pressure Fuel Pipe Group



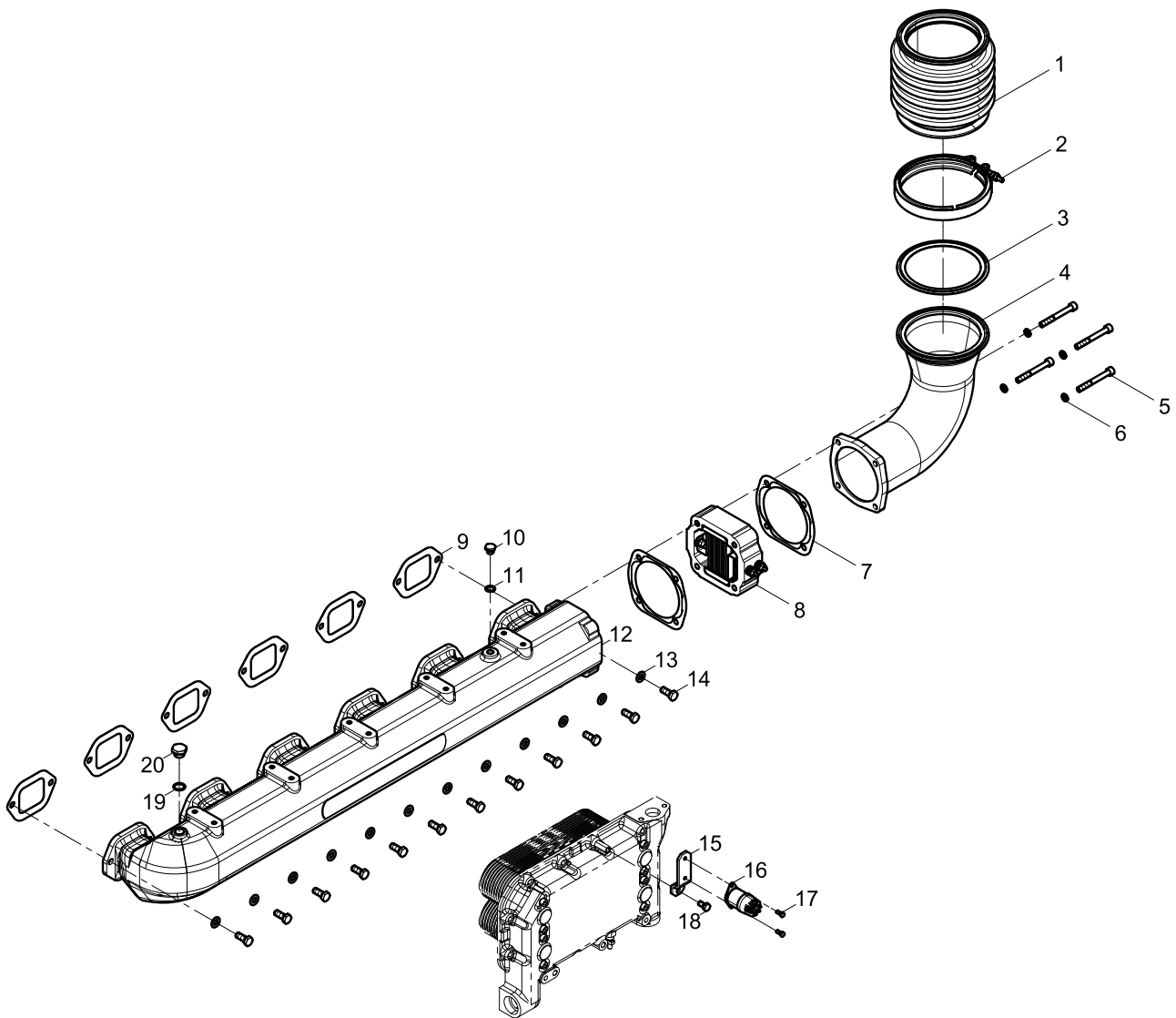


### High-pressure Fuel Pipe Assembly





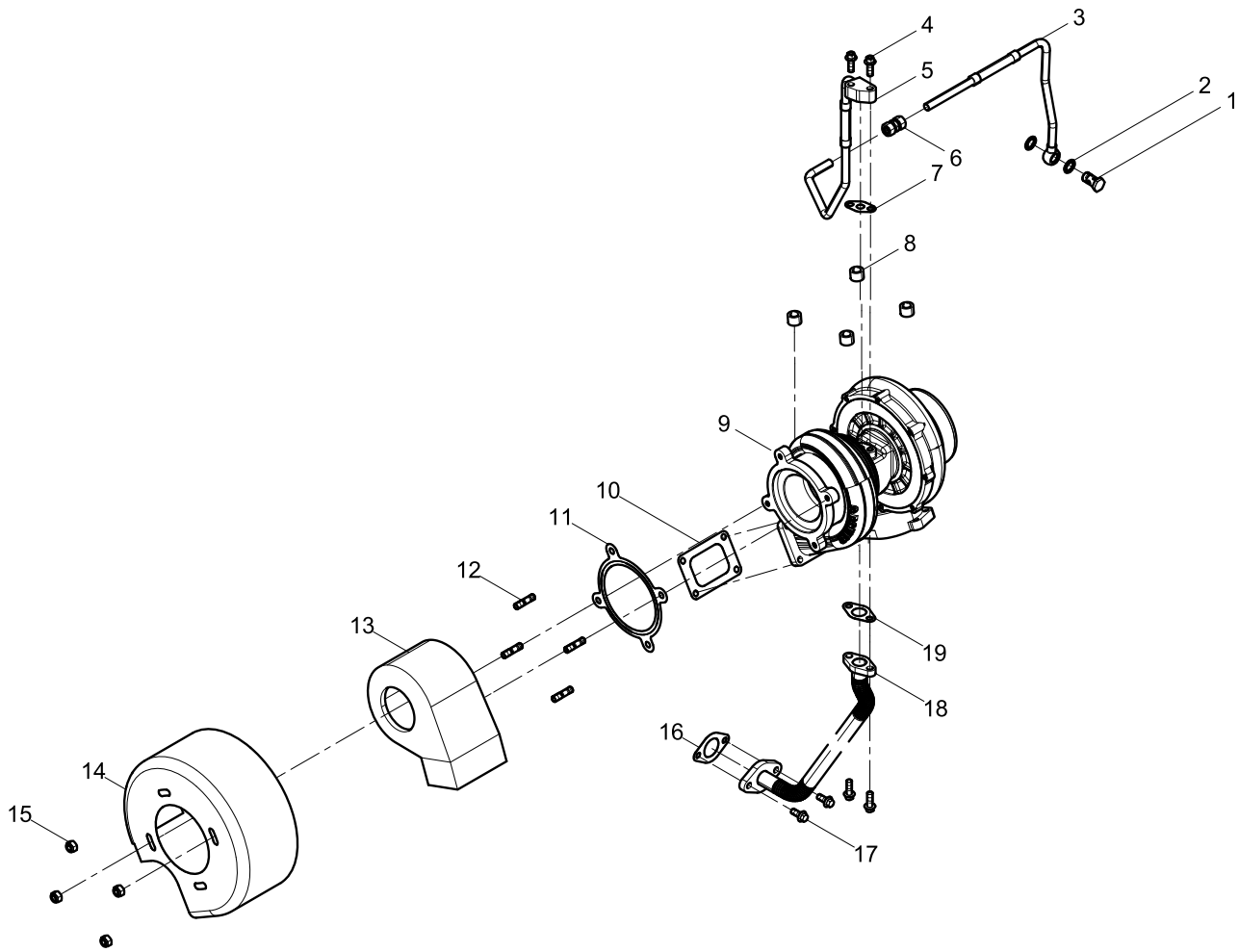
### Intake Manifold Group



**Intake Manifold Group**

<b>Pos.</b>	<b>Teile.Number</b>	<b>Amount</b>	<b>Designation</b>
1	330208000310	1	Expansion Pipe
2	612640130143	1	Clamp
3	330208000306	1	Gasket
4	330208000362	1	Inter-cooler Air Pipe Assembly
5	90003862471	4	Screw
6	90003931102	4	Spring Washer
7	X6231.176W	2	Intake Manifold Gasket
8	X6231.175W	1	Heater
9	13530000X	6	Intake Manifold Gasket
10	14230460R	1	Hexagon Screw Plug
11	90003098012	1	Sealing Washer
12	330208000259	1	Intake Manifold
13	90014040008	12	Plain Washer
14	90011350084	12	Hexagon Head Bolt
15	330208000347	1	Bracket
16	612630080076	1	Relay
17	90011270060	2	Hexagon head bolt
18	90003802411	1	Hexagon Head Bolt
19	90014400008	1	Sealing Washer
20	11230560F	1	Screw Plug

### Turbocharger Group

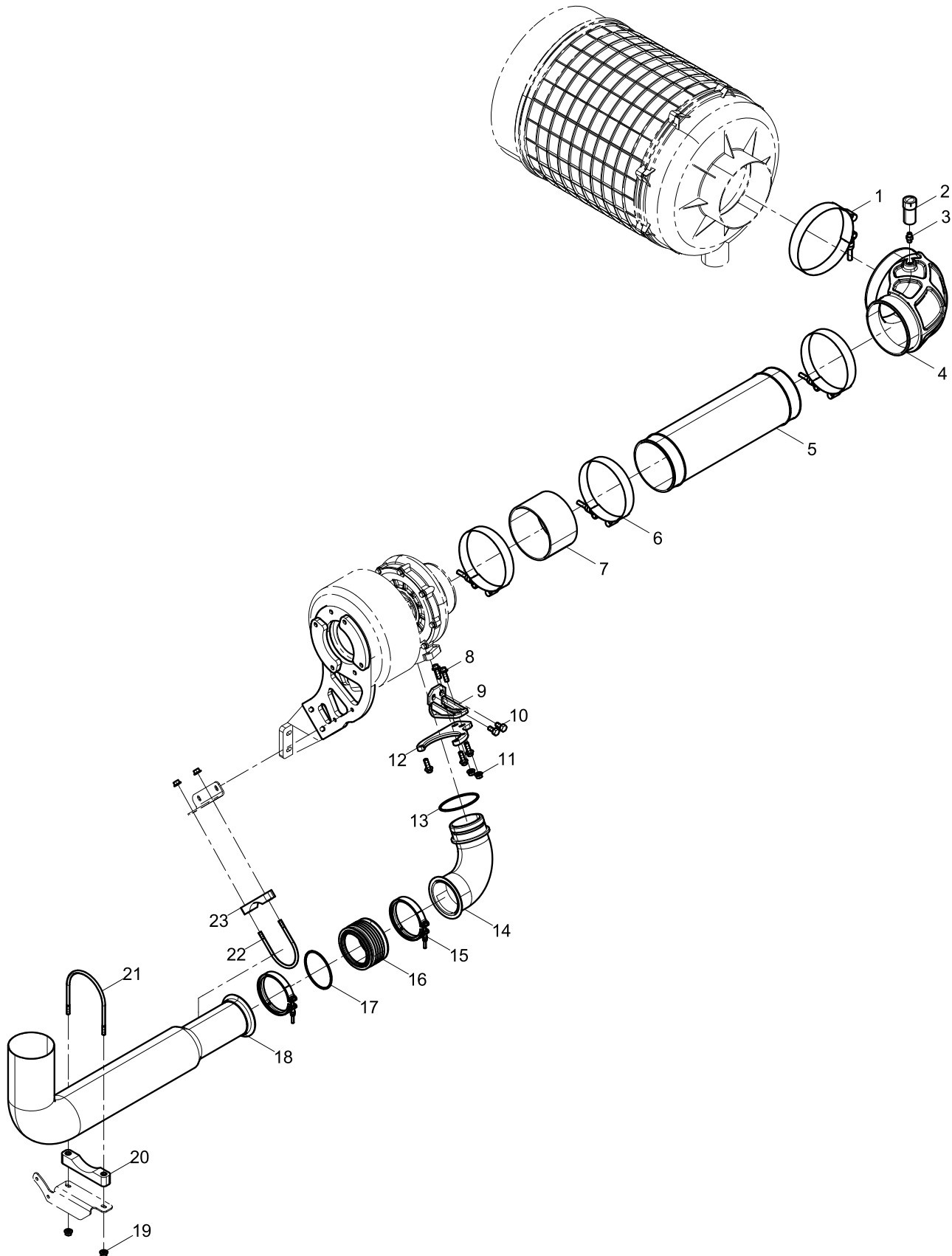


**Turbocharger Group**

Pos.	Teile.Number	Amount	Designation
1	77720090J	1	
2	13023362	2	Assembled Sealing Washer
3	1000966691	1	Turbocharger Oil Pipe Assembly
4	90011420034	4	Hexagon Flange Bolt
5	1000966688	1	Turbocharger Oil Pipe Assembly
6	15100330C	1	Joint Body
7	14409622H	1	Turbocharger Oil Pipe Gasket
8	330209000184	4	Sleeve
9	1000677768	1	Turbocharger
10	330210000069	1	Gasket
11	330210000028	1	Gasket
12	612630110046	4	Double End Stud
13	330209000113	1	Turbocharge Heat Insulation Layer
14	330209000028	1	Turbocharger Heat Shield
15	612600114387	4	Locknut
16	27306460K	1	Gasket
17	90011420016	2	Hexagon Flange Bolt
18	330209000081	1	Turbocharger Oil Pipe Assembly
19	X6231.660W	1	Turbocharger Oil Pipe Gasket



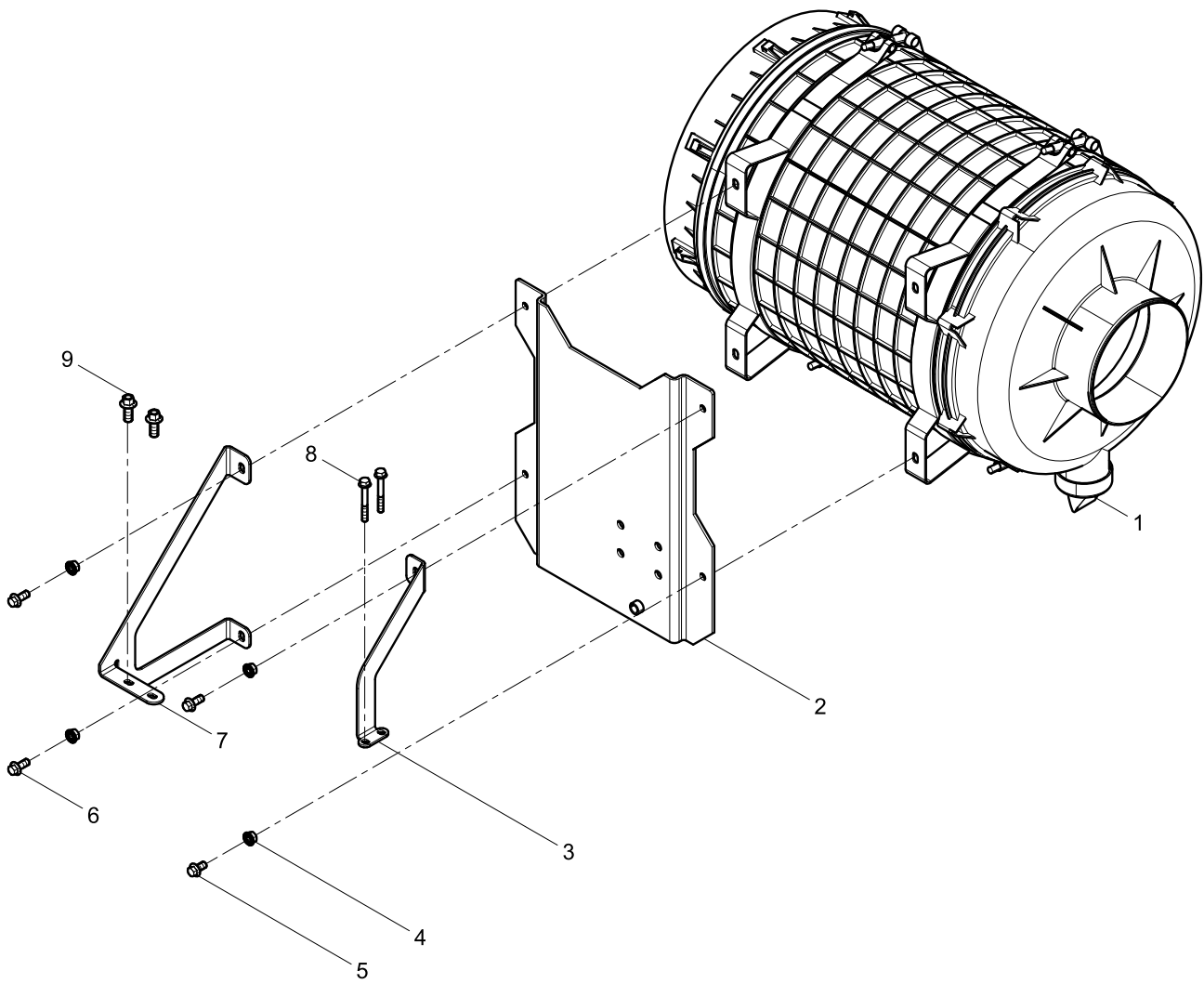
### Compressor Pipe Group



**Compressor Pipe Group**

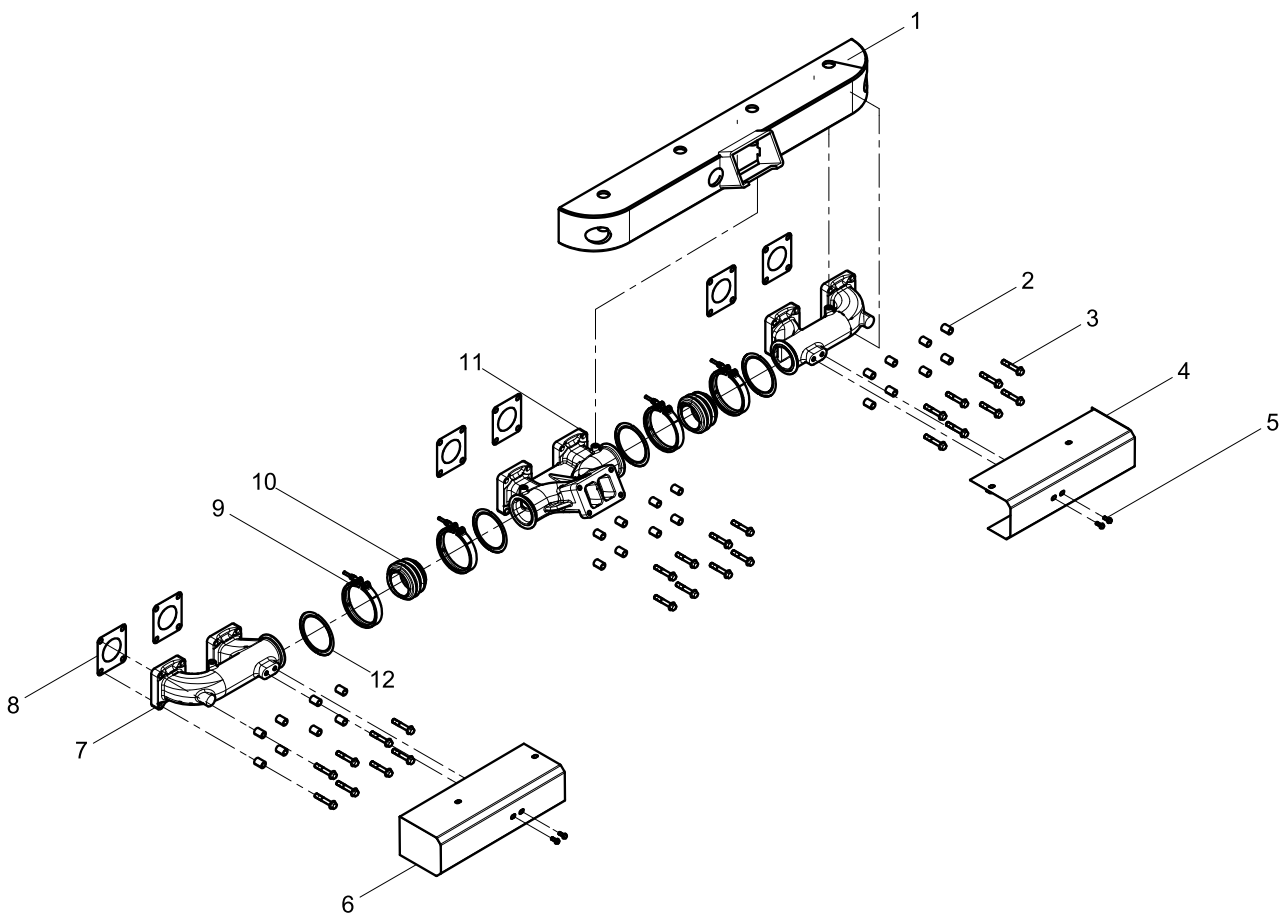
Pos.	Teile.Number	Amount	Designation
1	612600115560	1	Clamp
2	1000644232	1	Intake Resistance Alarm
3	612600115282	1	Transition joint
4	330208000135	1	Intake Connecting Pipe
5	330208000124	1	Intake Connecting Pipe
6	X6231.118W	3	Clamp
7	330208000139	1	Air Connecting Rubber Pipe
8	90011430017	5	Hexagon Flange with Tooth Bolt
9	330208000141	1	Bracket
10	612630110411	2	Bolt
11	90012290002	2	Hexagon Flange Nut
12	330208000144	1	Plate
13	90017550015	1	O-Ring
14	330208000126	1	Inter- cooler Air Pipe
15	X6209.104	2	Clamp
16	330208000127	1	Expansion Pipe
17	90017550021	1	O-Ring
18	330208000366	1	Inter-cooler Air Pipe Assembly
19	612600061719	4	Prevailing Torque Type Hexagon Nut with Flange
20	330208000303	1	Pad
21	330208000300	1	Bolt
22	612600120276	1	Bolt
23	330208000230	1	Pad

### Air Filter Group



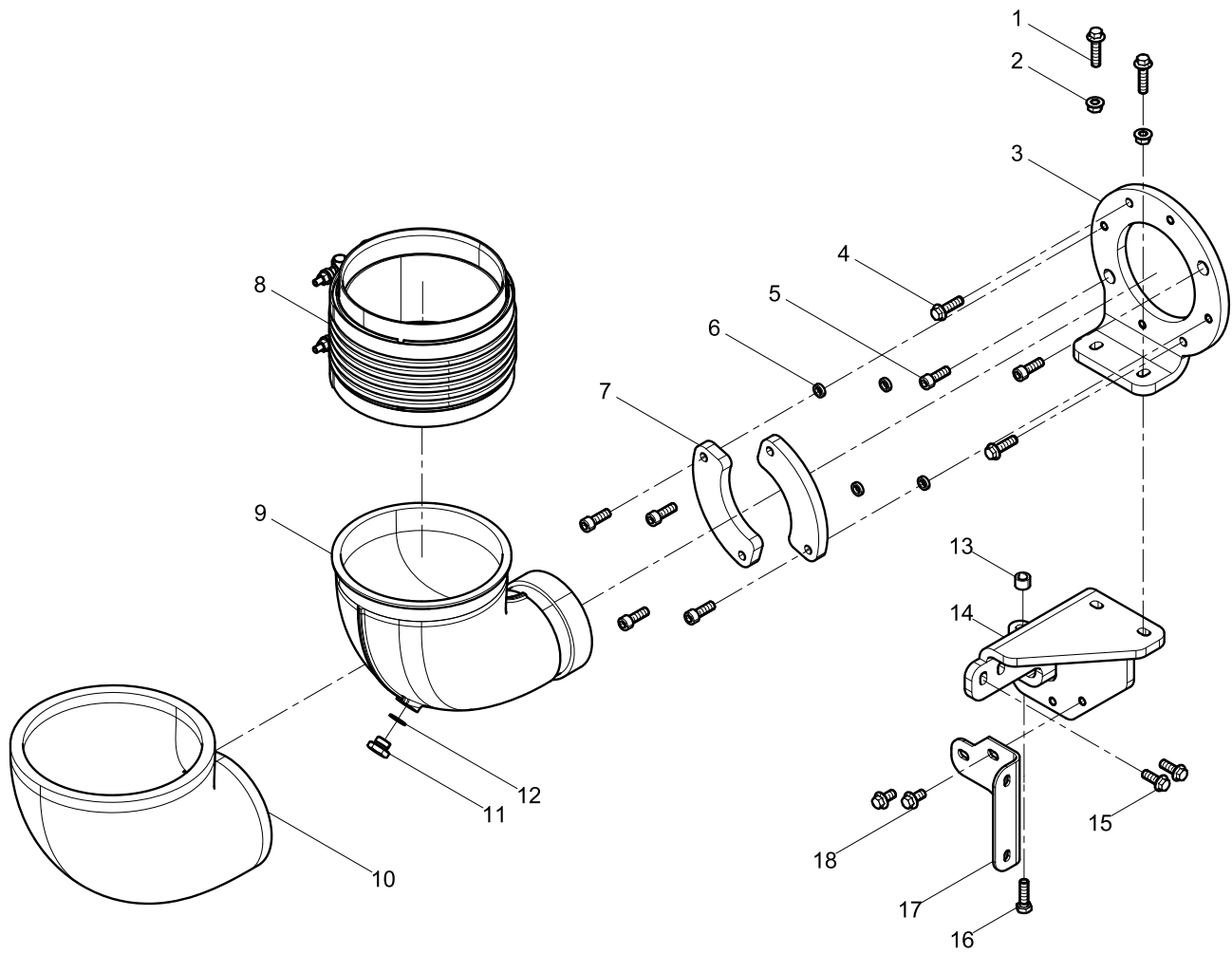


### Exhaust Manifold Group





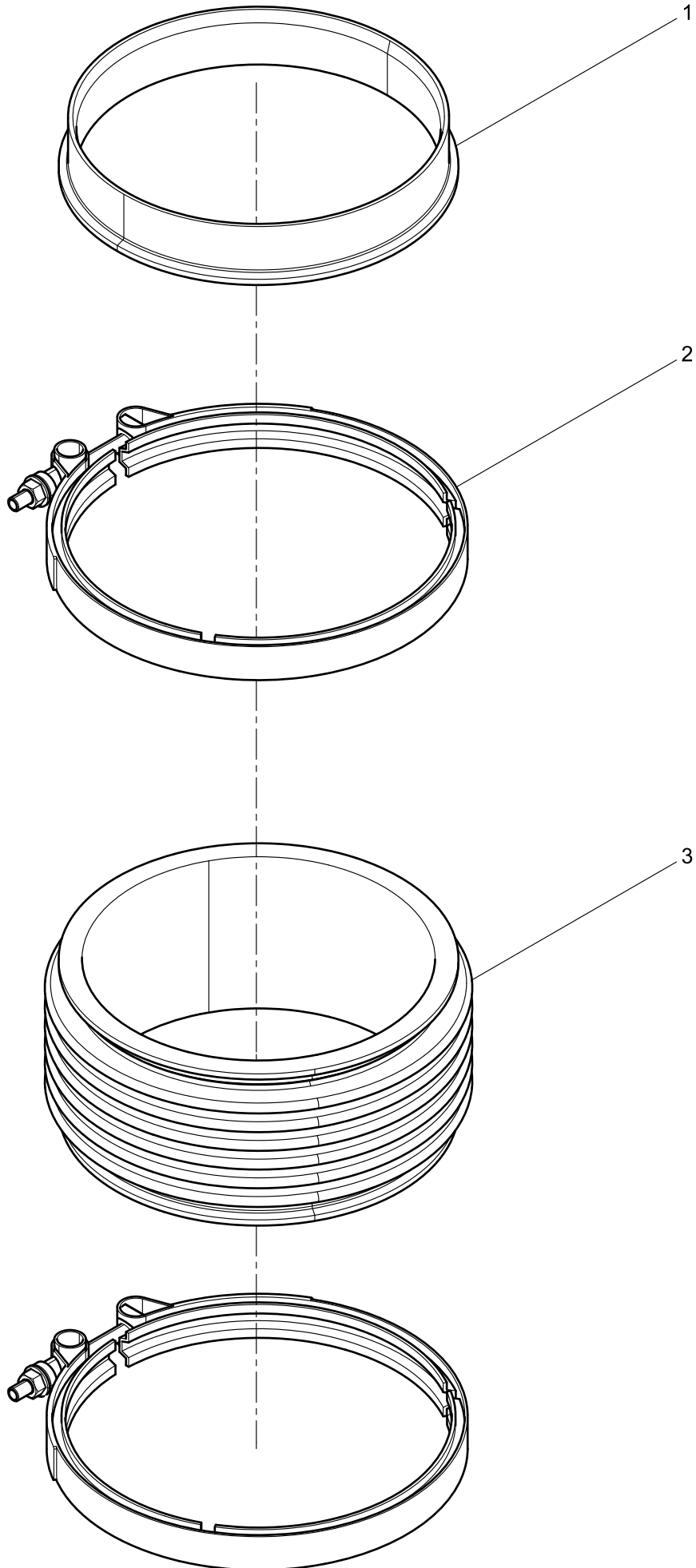
### Connection syphon group





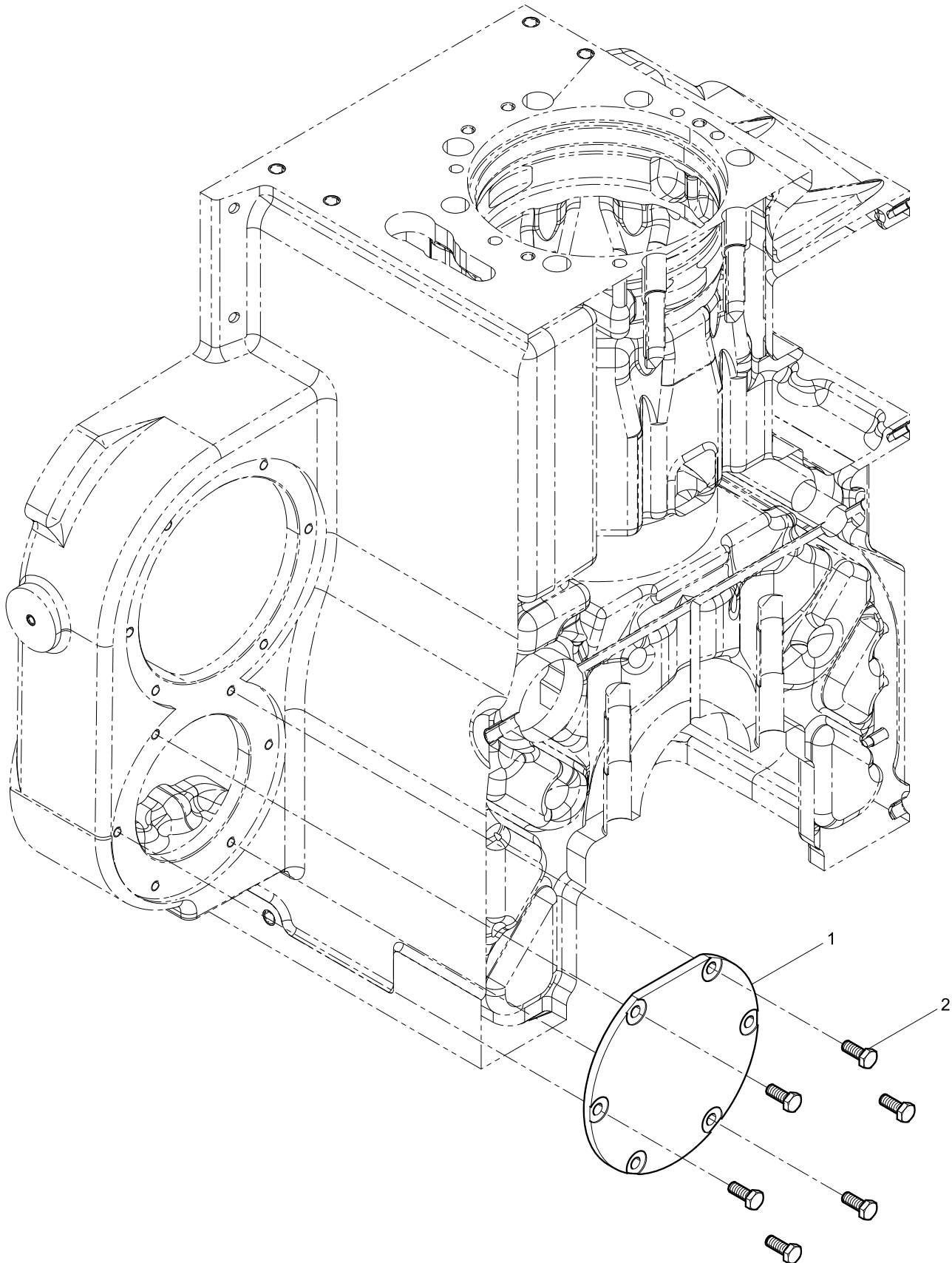


### Expansion Joint



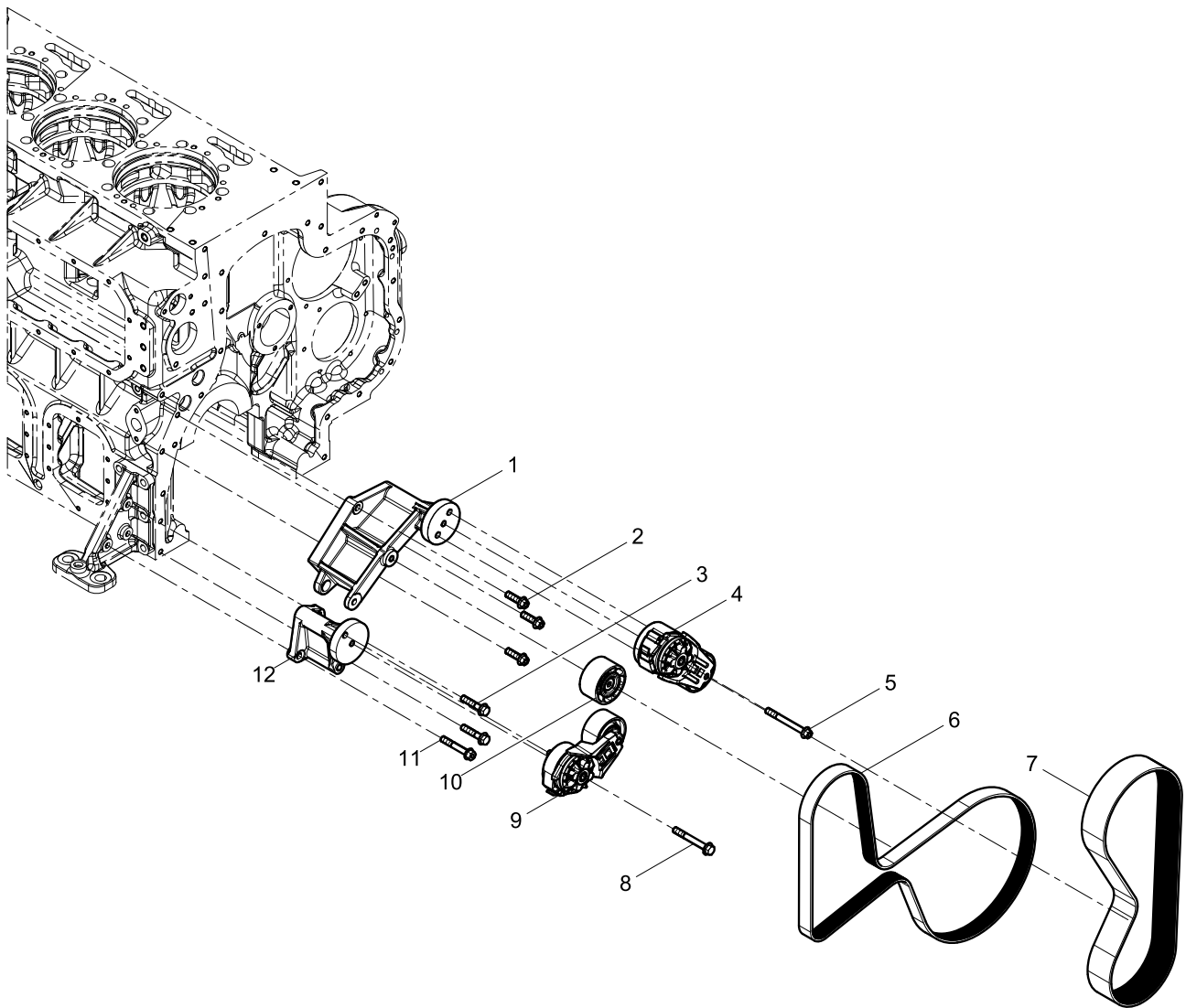


### Air Compressor Group





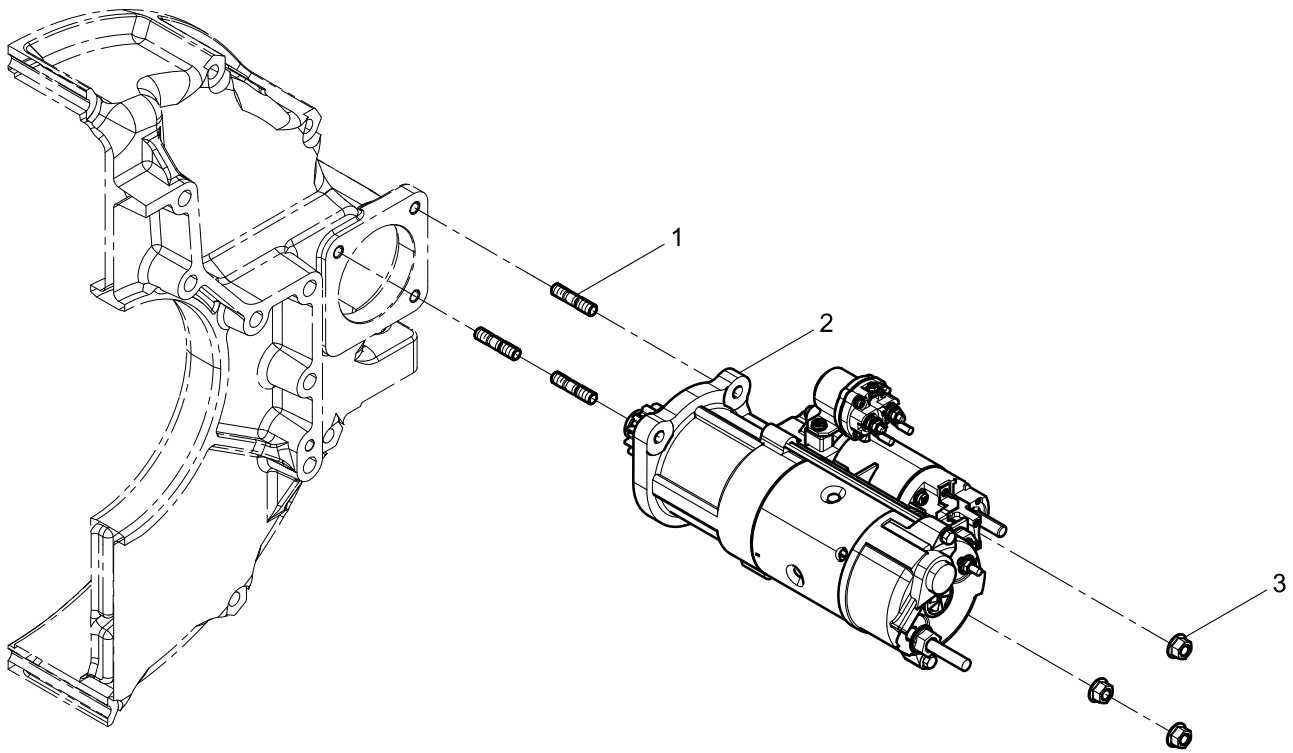
### Tensioner And Belt Group



**Tensioner And Belt Group**

Pos.	Teile.Number	Amount	Designation
1	330225000050	1	Tensioner Bracket
2	90011420014	3	Hexagon Flange Bolt
3	90011400053	2	Hexagon flange bolt, heavy series
4	X6231.186W	1	Automatic Tensioner
5	9000000702	1	Hexagon Flange Bolt
6	1000692858	1	Poly V Belt
7	1000692871	1	Poly V Belt
8	90011400026	1	Hexagon Flange Bolt
9	612600061332	1	Automatic Tensioner
10	612630060836	1	Tensioner
11	90011430059	1	Hexagon Flange with Tooth Bolt
12	330225000003	1	Tensioner Bracket

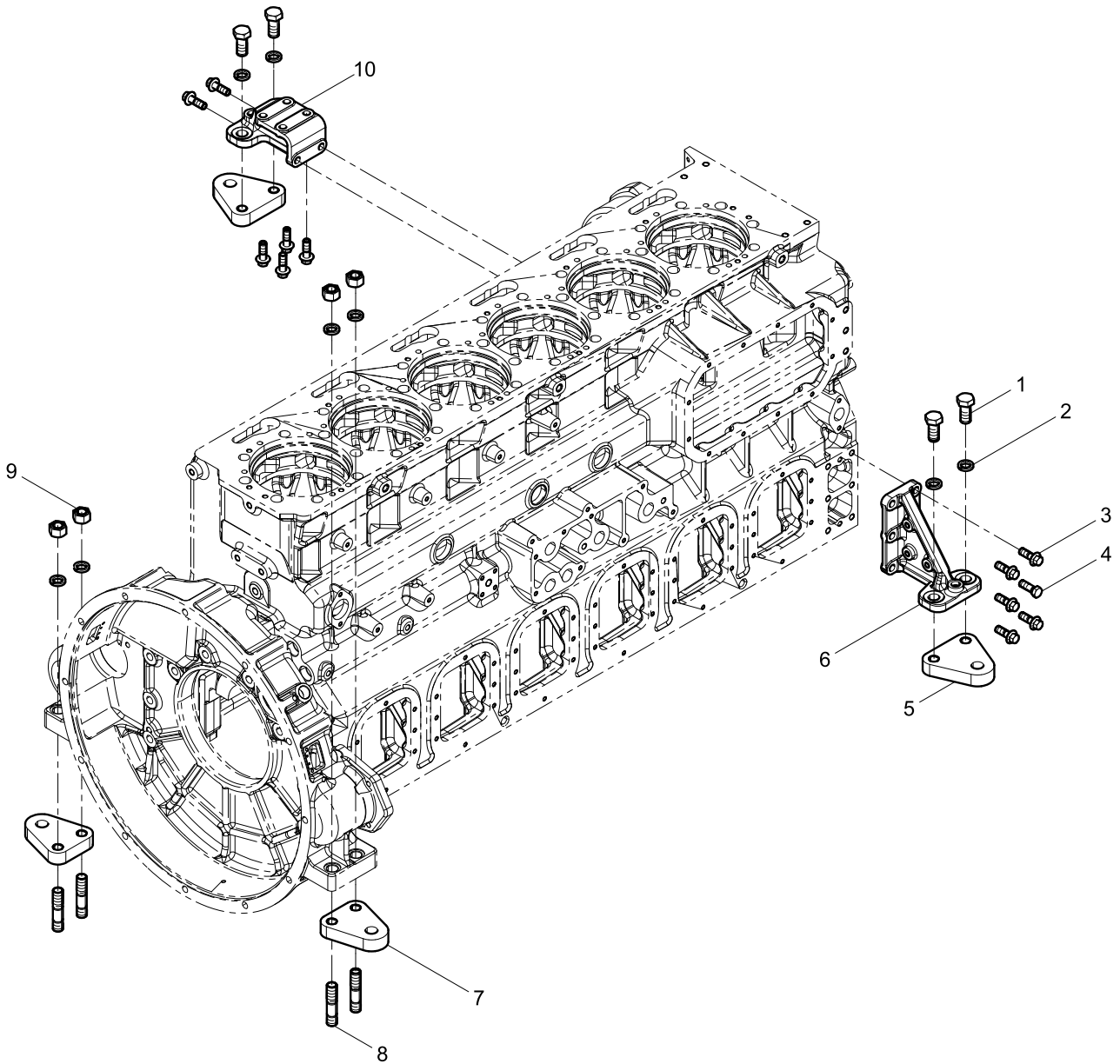
### Starter Motor Group





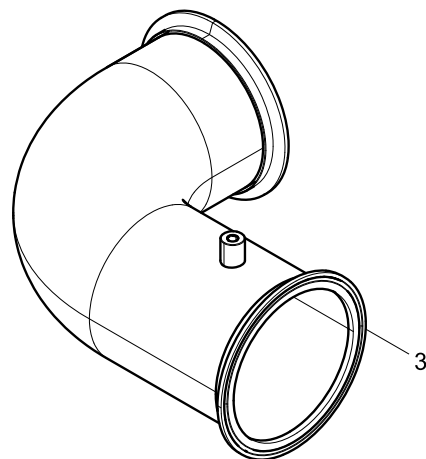
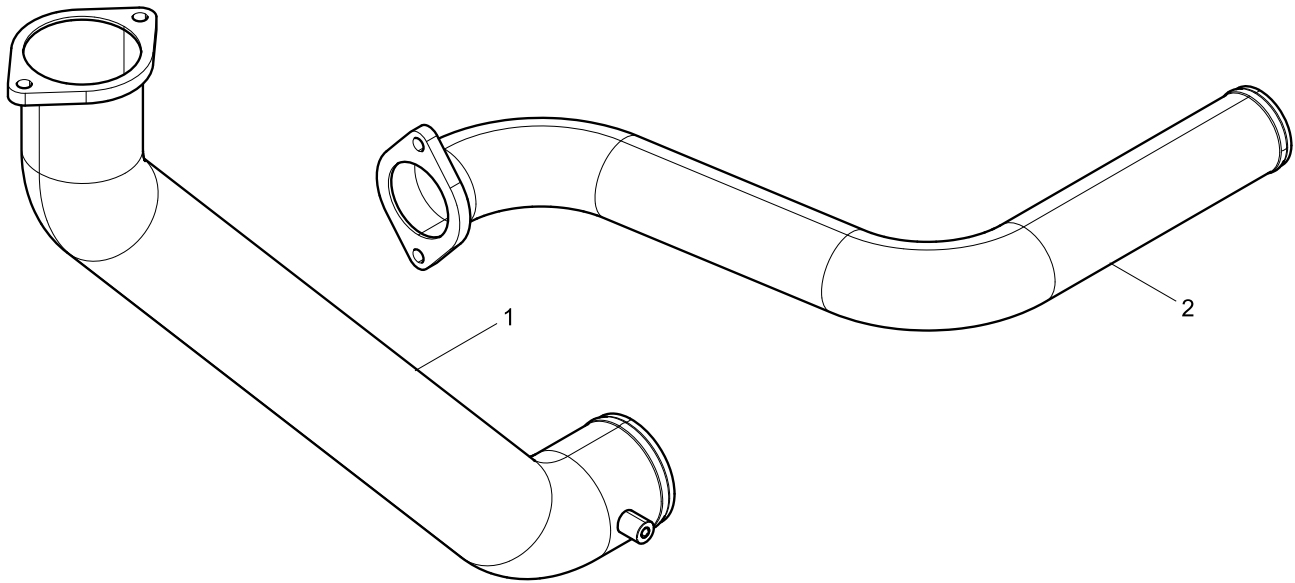


### Engine Bracket Group



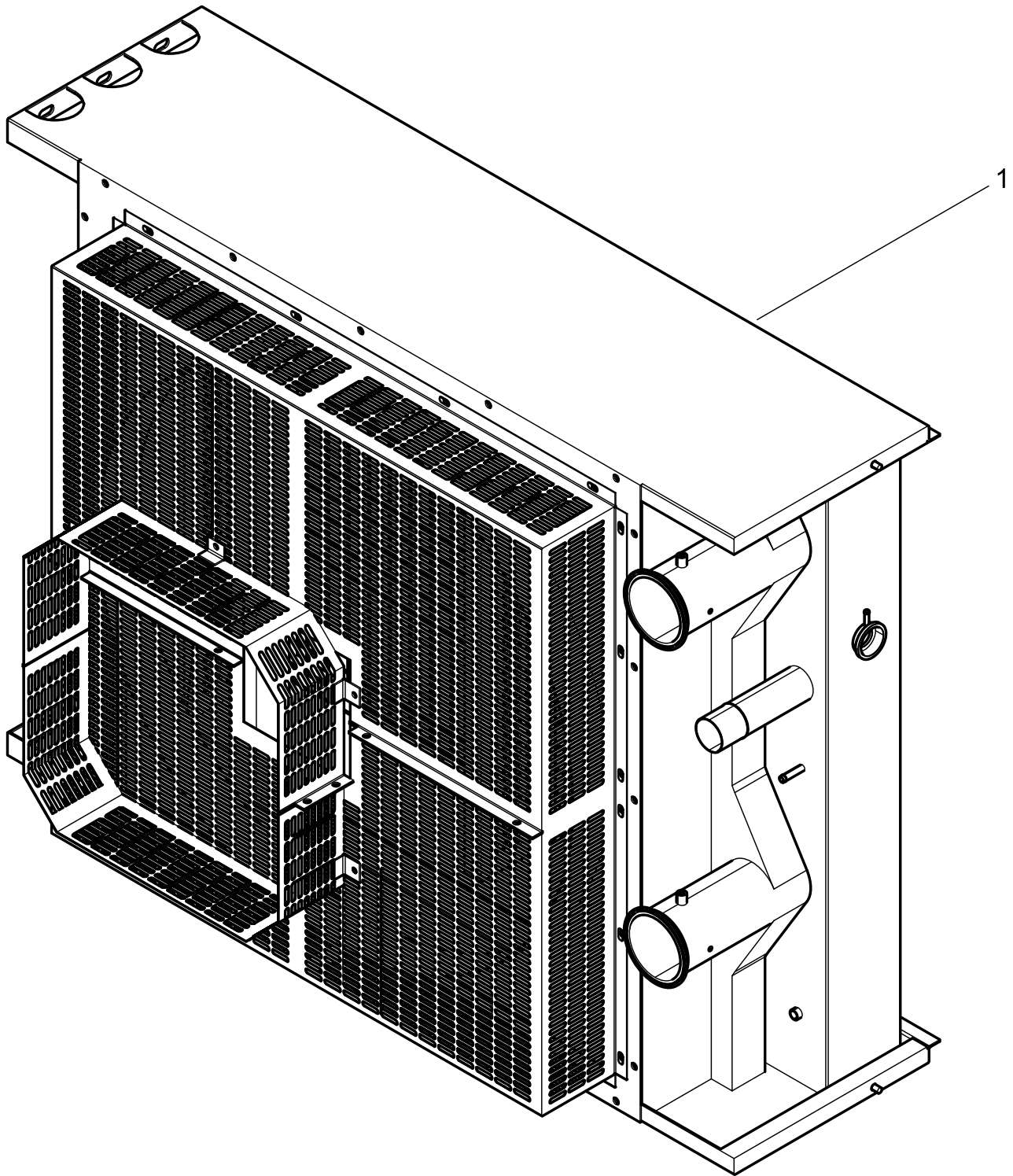


**Packing Box Chassis Parts Group**



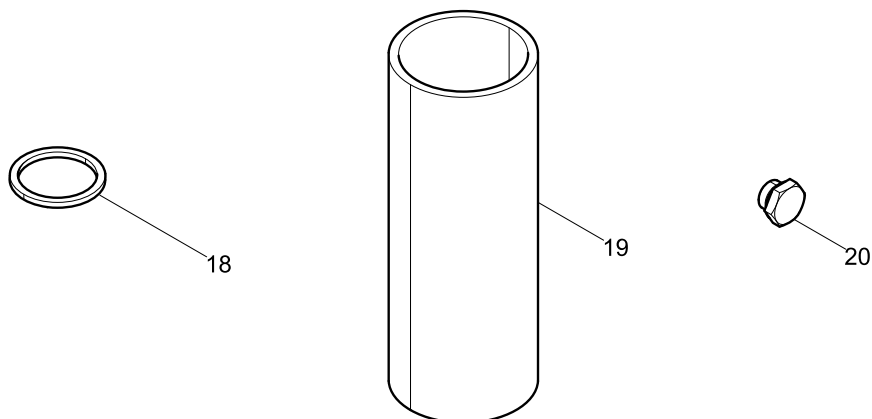
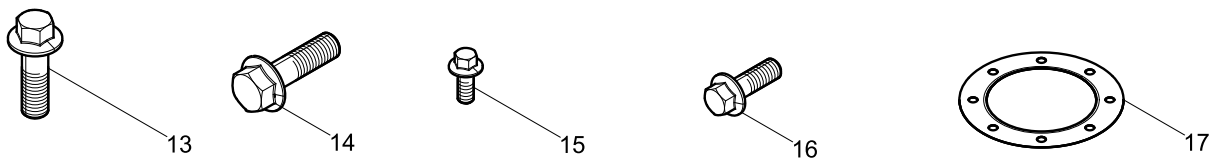
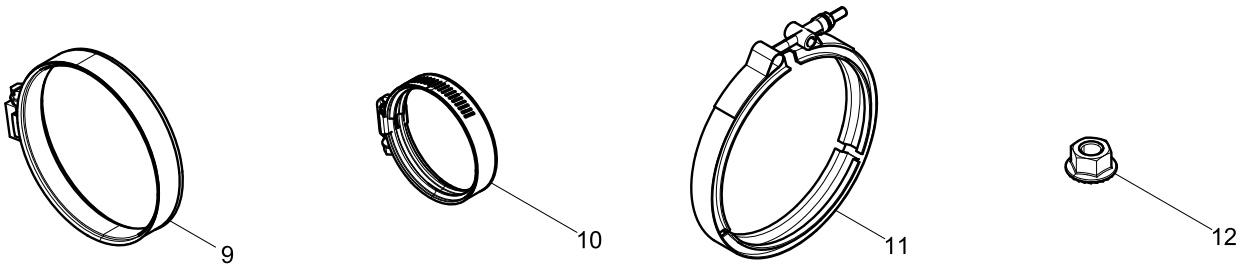
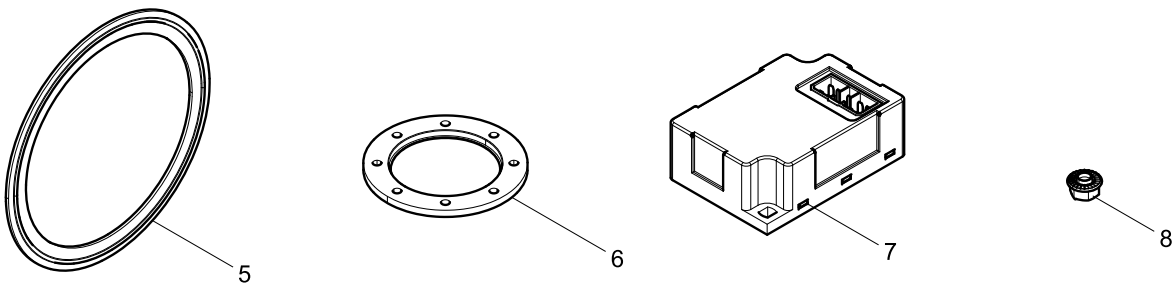
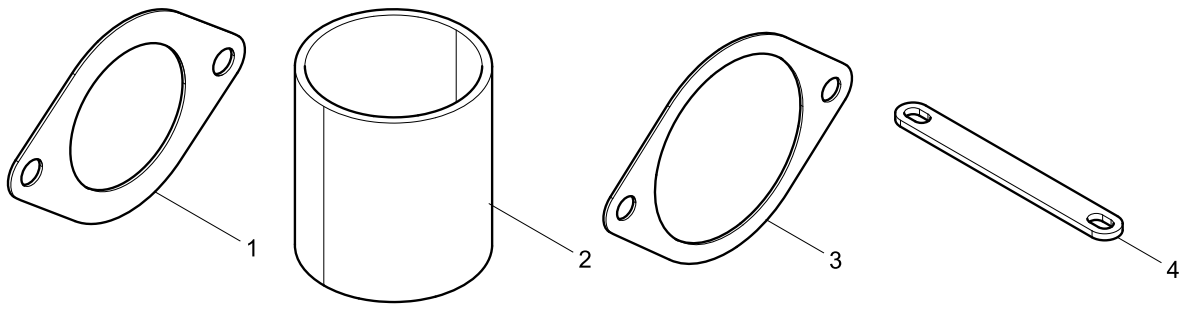


Separate Delivery Parts Group Attached to Engine





**Parts Box Group**

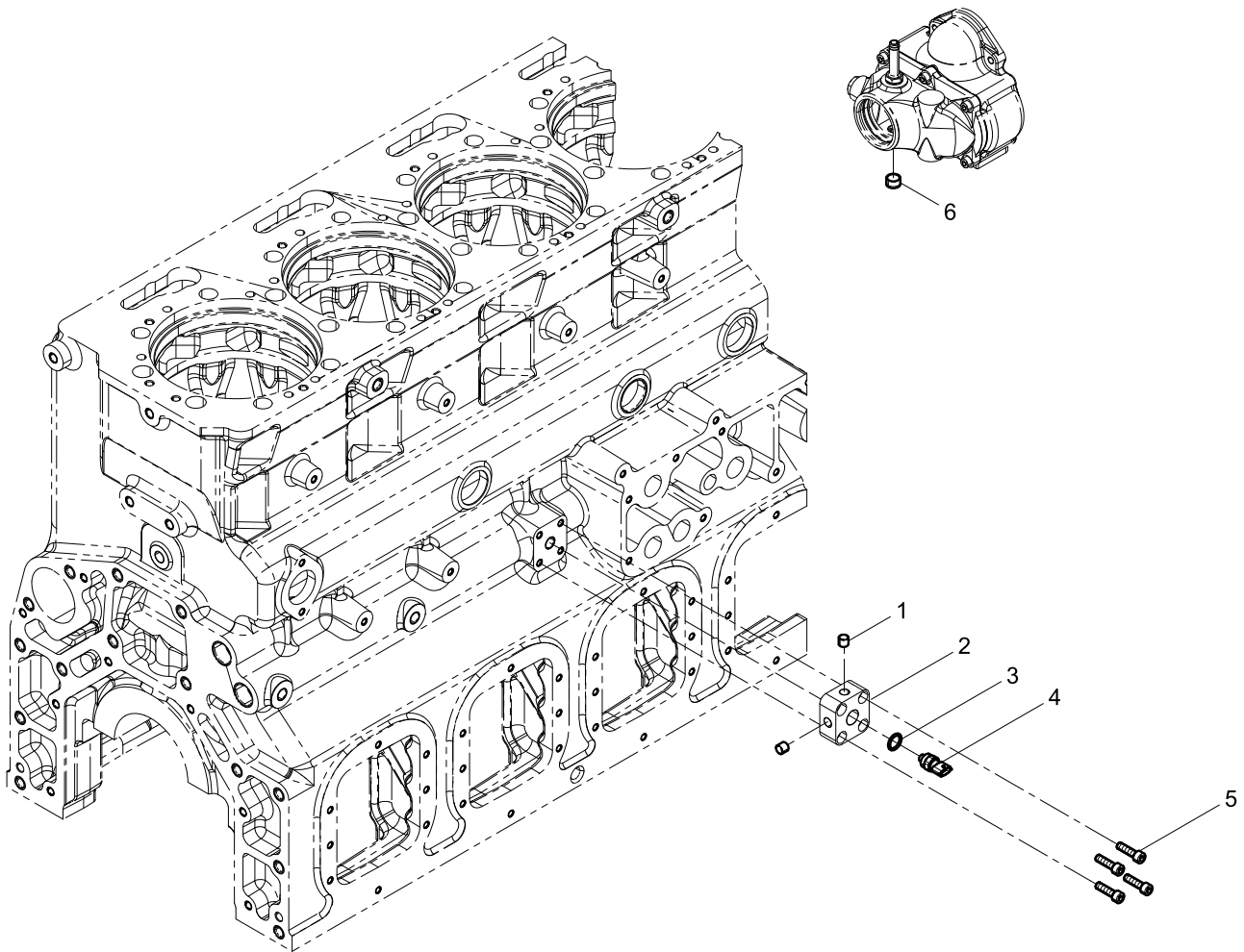


**Parts Box Group**

Pos.	Teile.Number	Amount	Designation
1	1000521481	1	Water-outlet pipe gasket
2	330203000240	1	Coolant Connecting Rubber Pipe
3	1000512047	1	Water Pump Sealing Gasket
4	330208000147	5	Plate
5	330208000306	4	Gasket
6	330209000178	2	Flange
7	1000728423	1	Flame Preheater Cold Starter Controller
8	612600061725	2	Prevailing Torque Type Hexagon Nut with Flange
9	612600062212	2	Clamp
10	612600114682	2	Clamp
11	612640130143	4	Clamp
12	612600061721	16	Prevailing Torque Type Hexagon Nut with Flange
13	90011430033	16	Hexagon Flange with Tooth Bolt
14	90011400006	2	Hexagon Flange Bolt
15	90011430016	10	Hexagon Flange with Tooth Bolt
16	90011430017	2	Hexagon Flange with Tooth Bolt
17	330209000180	2	Gasket
18	90003098020	2	Washer
19	X6231.640W	1	Coolant Connecting Rubber Pipe
20	11230560F	2	Screw Plug

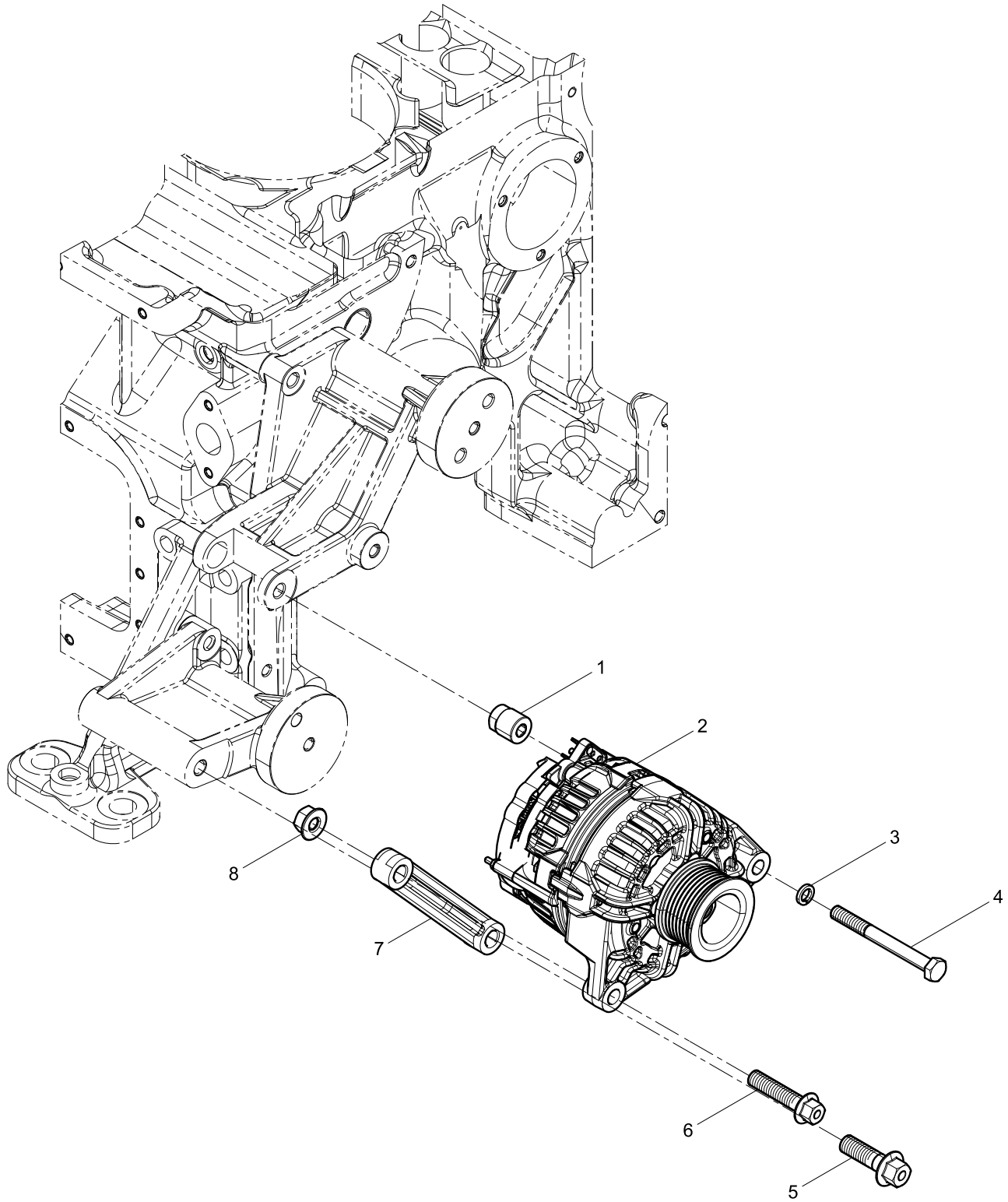


**General-use Wire and Sensor Group**





### Alternator Group





This manual is for reference only,  
product parameters are subject to alteration  
without notice,  
whichever is the physical product.