



# Parts Catalog

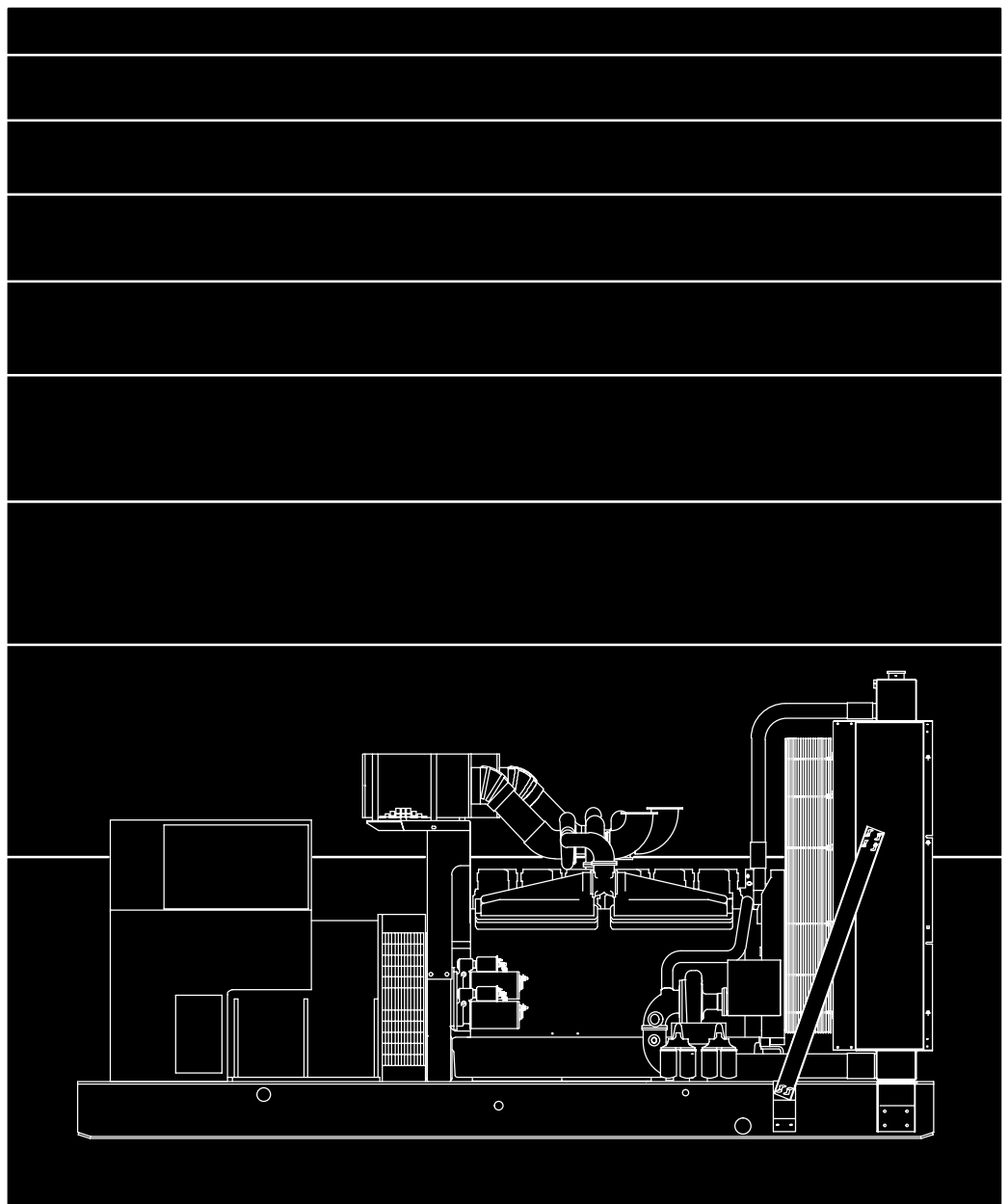
DFJA

DFJB

DFJC

DFJD

## Generator Set



## MODEL IDENTIFICATION

To avoid errors or delay in filling your parts order, always give the MODEL, SPEC NO. and SERIAL NO. from the Onan nameplate.

For handy reference, insert your nameplate information in the spaces below.

\_\_\_\_\_  
MODEL AND SPEC NO.

\_\_\_\_\_  
SERIAL NO.

\_\_\_\_\_  
DIGITAL CONTROL SOFTWARE VERSION  
AND DATE (IF APPLICABLE)

## SAFETY PRECAUTIONS

The following symbols are used in Onan manuals to alert users to the potentially dangerous conditions relating to maintenance of equipment and replacement of parts. Please read and observe.



*This symbol warns of immediate hazards which will result in severe personal injury or death.*



*This symbol refers to a hazard or unsafe practice which can result in severe personal injury or death.*



*This symbol refers to a hazard or unsafe practice which can result in severe personal injury or product or property damage.*

## PRODUCT SAFETY PRECAUTIONS



***Service and repair of Onan equipment must be performed by trained, experienced personnel only. Improper service or repair may result in property damage, severe personal injury or death. Do not use this catalog as a guide to servicing your equipment. Read and follow the IMPORTANT SAFETY INSTRUCTIONS in the Service Manual appropriate for the equipment you are working on.***



***Contact with USED ENGINE OILS has been identified by a United States federal agency and some USA state agencies as causing CANCER or REPRODUCTIVE TOXICITY. When checking or changing engine oils take all necessary precautions not to ingest, breathe the fumes or contact the used oil.***



***Contact with ASBESTOS has been identified by a United States federal agency and some USA state agencies as causing CANCER or REPRODUCTIVE TOXICITY. When handling engine gaskets take all necessary precautions not to ingest, breathe or contact the dust from the gaskets! Use adequate ventilation and wear protective gloves, masks and clothing!***



***Contact with BENZINE and LEAD, found in gasoline, fuel additives and solvents has been identified by a United States federal agency and some USA state agencies as causing CANCER or REPRODUCTIVE TOXICITY. When checking, draining or adding gasoline and fuel additives or using solvents take all necessary precautions not to ingest, breathe the fumes or contact the liquids. Use adequate ventilation and wear protective gloves, masks and protective clothing!***

## Introduction

This catalog applies to Onan Generator Models DFJA, DFJB, DFJC and DFJD as listed in the Generator Set Data Table. Parts are arranged in groups of related items and each illustrated part is identified by a reference number corresponding to the same reference number in the parts list. Parts illustrations are typical. Unless otherwise mentioned in the description or page heading, parts are interchangeable between models. Throughout this catalog left and right sides are determined by facing the engine end (front) of the set unless noted in the description column.

Engine parts that have been modified or added by Onan are identified in this catalog. All other engine replacement parts must be ordered from the engine manufacturer by referring to the engine manufacturer's nameplate and supplying all available information. Contact your nearest engine parts distributor for assistance in ordering replacement parts.

## Replacement Engine

Onan/Cummins Generator Model	Cummins Engine Model
DFJA	KTA38–G1 Configuration No. D233019DX02
DFJB	KTA38–G2 Configuration No. D233020DX02
DFJC	KTA38–G3 Configuration No. D233030DX02
DFJD 50 Hertz DFJD 60 Hertz	KTA38–G5 Configuration No. D233031DX02 KTA38–G4 Configuration No. D233031DX02

Replacement engines cannot be ordered from Onan. Order from your nearest Cummins distributor.

## Generator Set Data Table

Model and Specification	Electrical Data					Battery Voltage
	Watts	Volts	Hertz	Wire	Phase	
620DFJA/*+ 750DFJA/*+	620,000 750,000	# #	50 60	6,12 6,12	1 or 3 1 or 3	24VDC 24VDC
660DFJB/*+ 800DFJB/*+	660,000 800,000	# #	50 60	6,12 6,12	1 or 3 1 or 3	24VDC 24VDC
800DFJC/* 900DFJC/*	800,000 900,000	# #	50 60	6,12 6,12	1 or 3 1 or 3	24VDC 24VDC
880DFJD/* 1000DFJD/*	880,000 1,000,000	# #	50 60	6,12 6,12	1 or 3 1 or 3	24VDC 24VDC

\* – The diagonal line (/) in the model and specification number separates generator set characteristics from the specification number and letter. The specification number denotes customer requested options or deviations from the standard model. The specification letter advances (A to B, B to C, etc.) with major manufacturing changes.

+ – Models DFJA and DFJB were discontinued after Spec M.

# – Broad range reconnectible

# Index

- Absorber, Shock – Fan – DFJA, DFJB – DFJC Spec J Through M, **52**
- Absorber, Shock – Fan – DFJC Begin Spec N, DFJD Sets With 60" Diameter Fan, **54**
- Absorber, Shock – Fan – DFJD Sets With 56" Diameter Fan, **53**
- Alarm, Audible – Sets With Detector Control, **99**
- Alarm, Bell – Circuit Breaker – Non-UL Listed – DFJA, DFJB Spec K Through M, DFJC Spec K Through N, DFJD Spec E and F, **155**
- Alarm, Bell – Circuit Breaker – Non-UL Listed – DFJA, DFJB, DFJC Spec J, **153**
- Alternator – 45 Amp, **57**
- Alternator – 75 Amp, **59**
- Ammeter – Sets With Detector Control, **79**
- Band, Mounting – Water Inlet – DFJA, DFJB Spec M, DFJC Begin Spec M, DFJD Begin Spec E, **32**
- Bar, Bus – Circuit Breaker – IEC Conformity – DFJA, DFJB Spec K Through M, DFJC Spec K Through N, DFJD Spec C Through F, **139**
- Bar, Bus – Circuit Breaker – IEC Conformity – DFJC Begin Spec P, DFJD Begin Spec G, **143**
- Bar, Bus – Circuit Breaker – UL Listed – DFJA, DFJB Spec K Through M, DFJC Spec K Through N, DFJD Spec C Through F, **129**
- Bar, Bus – Circuit Breaker – UL Listed – DFJC Begin Spec P, DFJD Begin Spec G, **131**
- Bar, Bus – Disconnect Switch – Molded Case – UL Listed – DFJA, DFJB Spec L and M, DFJC Spec L Through N, DFJD Spec D Through F, **147**
- Bar, Bus – Disconnect Switch – Molded Case – UL Listed – DFJC Begin Spec P, DFJD Begin Spec G, **149**
- Bar, Neutral – Circuit Breaker – IEC Conformity – DFJA, DFJB Spec K Through M, DFJC Spec K Through N, DFJD Spec C Through F, **137**
- Bar, Neutral – Circuit Breaker – IEC Conformity – DFJA, DFJB, DFJC Spec J, DFJD Spec B, **135**
- Bar, Neutral – Circuit Breaker – IEC Conformity – DFJC Begin Spec P, DFJD Begin Spec G, **141**
- Bar, Neutral – Circuit Breaker – Non-UL Listed – DFJA, DFJB Spec K Through M, DFJC Spec K Through N, DFJD Spec E and F, **155**
- Bar, Neutral – Circuit Breaker – UL Listed – DFJA, DFJB Spec K Through M, DFJC Spec K Through N, DFJD Spec C Through F, **127, 129**
- Bar, Neutral – Circuit Breaker – UL Listed – DFJC Begin Spec P, DFJD Begin Spec G, **131**
- Bar, Neutral – Circuit Breaker – UL Listed – DFJD Spec B, **123**
- Bar, Neutral – Circuit Breaker and Disconnect Switch – UL Listed, IEC Conformity – DFJC Begin Spec P, DFJD Begin Spec G, **151**
- Bar, Neutral – Disconnect Switch – Molded Case – UL Listed – DFJA, DFJB Spec L and M, DFJC Spec L Through N, DFJD Spec D Through F, **145**
- Bar, Neutral – Disconnect Switch – Molded Case – UL Listed – DFJC Begin Spec P, DFJD Begin Spec G, **149**
- Base, Heat Exchanger, **45**
- Belt, Alternator – 45 Amp, **57**
- Belt, Alternator – 75 Amp, **59**
- Belt, Ribbed – Fan Drive – DFJA, DFJB – DFJC Spec J Through M, **52**
- Belt, Ribbed – Fan Drive – DFJC Begin Spec N, DFJD Sets With 60" Diameter Fan, **54**
- Belt, Ribbed – Fan Drive – DFJD Sets With 56" Diameter Fan, **53**
- Block, Auxiliary Terminal – Sets With Detector Control, **113**
- Block, Terminal – Control Box – Sets With Detector Control, **77**
- Block, Terminal – Engine Coolant Heater Control – DFJA, DFJB Spec M, DFJC Begin Spec M, DFJD Begin Spec E, **41**
- Block, Terminal – Engine to Control Wiring Harness – Sets With Detector Control, **84**
- Block, Terminal – Engine to Control Wiring Harness – Sets With PowerCommand Control – DFJA, DFJB, DFJC Begin Spec K, DFJD Begin Spec C, **83**
- Block, Terminal – Generator Heater, **71**
- Block, Terminal – Paralleling Interconnect, **114**
- Block, Terminal – Woodward Governor, **61**
- Board, Printed Circuit – Alarm Relay, **90**
- Board, Printed Circuit – Common Alarm – Sets With Detector Control, **91**
- Board, Printed Circuit – Electronic Overspeed, **98**
- Board, Printed Circuit – Engine Monitor – Sets With Detector Control, **77**
- Board, Printed Circuit – Isolation Transformer – Sets With Detector Control, **89**
- Board, Printed Circuit – Over/Under Voltage Relay – DFJA, DFJB Spec L and M, DFJC Begin Spec L, DFJD Begin Spec D, **95**
- Board, Printed Circuit – Time Delay Start/Stop, **116**
- Board, Printed Circuit – Voltage Regulator – Sets With Detector Control, **89**
- Box, Circuit Breaker – IEC Conformity – DFJA, DFJB Spec K Through M, DFJC Spec K Through N, DFJD Spec C Through F, **137**
- Box, Circuit Breaker – IEC Conformity – DFJA, DFJB, DFJC Spec J, DFJD Spec B, **135**
- Box, Circuit Breaker – IEC Conformity – DFJC Begin Spec P, DFJD Begin Spec G, **141**
- Box, Circuit Breaker – Non-UL Listed – DFJA, DFJB Spec K Through M, DFJC Spec K Through N, DFJD Spec E and F, **155**
- Box, Circuit Breaker – Non-UL Listed – DFJA, DFJB, DFJC Spec J, **153**
- Box, Circuit Breaker – UL Listed – DFJA, DFJB Spec K Through M, DFJC Spec K Through N, DFJD Spec C Through F, **125**
- Box, Circuit Breaker – UL Listed – DFJA, DFJB, DFJC Spec J, **121**
- Box, Circuit Breaker – UL Listed – DFJC Begin Spec P, DFJD Begin Spec G, **131**
- Box, Circuit Breaker – UL Listed – DFJD Spec B, **123**
- Box, Circuit Breaker and Disconnect Switch – UL Listed, IEC Conformity – DFJC Begin Spec P, DFJD Begin Spec G, **151**
- Box, Control – Engine Coolant Heater – DFJA, DFJB Spec M, DFJC Begin Spec M, DFJD Begin Spec E, **41**
- Box, Control – Sets With Detector Control, **77**
- Box, Disconnect Switch – Molded Case – UL Listed – DFJA, DFJB Spec L and M, DFJC Spec L Through N, DFJD Spec D Through F, **145**

# Index

- Box, Disconnect Switch – Molded Case – UL Listed – DFJC Begin Spec P, DFJD Begin Spec G, **149**
- Box, Entrance – DFJA, DFJB Spec K Through M, DFJC Spec K Through N, DFJD Spec C Through F, **64**
- Box, Entrance – DFJA, DFJB, DFJC Spec J, DFJD Spec B, **63**
- Box, Entrance – DFJC Begin Spec P, DFJD Begin Spec G, **65**
- Box, Junction – Engine Coolant Heater – DFJA, DFJB, DFJC Spec J Through L, DFJD Spec B Through D, **34**
- Box, Relay – Engine Coolant Heater – DFJA, DFJB, DFJC Spec J Through L, DFJD Spec B Through D, **35**
- Box, Terminal – Generator Heater, **71**
- Brace, Air Starter, **55**
- Bracket, Adjusting – Alternator – 45 Amp, **57**
- Bracket, Adjusting – Alternator – 75 Amp, **59**
- Bracket, Mounting – Resistive Temperature Detectors, **117**
- Bracket, Retaining – Battery, **11**
- Breaker, Circuit – AC Control Door, **103**
- Breaker, Circuit – IEC Conformity – DFJA, DFJB Spec K Through M, DFJC Spec K Through N, DFJD Spec C Through F, **137**
- Breaker, Circuit – IEC Conformity – DFJA, DFJB, DFJC Spec J, DFJD Spec B, **135**
- Breaker, Circuit – IEC Conformity – DFJC Begin Spec P, DFJD Begin Spec G, **141**
- Breaker, Circuit – Non-UL Listed – DFJA, DFJB Spec K Through M, DFJC Spec K Through N, DFJD Spec E and F, **155**
- Breaker, Circuit – Non-UL Listed – DFJA, DFJB, DFJC Spec J, **153**
- Breaker, Circuit – UL Listed – DFJA, DFJB Spec K Through M, DFJC Spec K Through N, DFJD Spec C Through F, **125**
- Breaker, Circuit – UL Listed – DFJA, DFJB, DFJC Spec J, **121**
- Breaker, Circuit – UL Listed – DFJC Begin Spec P, DFJD Begin Spec G, **131**
- Breaker, Circuit – UL Listed – DFJD Spec D, **123**
- Breaker, Circuit – UL Listed, IEC Conformity – DFJC Begin Spec P, DFJD Begin Spec G, **151**
- Bulb, Panel Light – Replacement – DC Control Door – Sets With Detector Control, **81**
- Bulb, Replacement – Emergency Stop Switch, **109**
- Cable, Battery – Sets With Detector Control – DFJA, DFJB Spec M, DFJC Begin Spec M, DFJD Begin Spec E, **15**
- Cable, Battery – Sets With Detector Control – DFJA, DFJB, DFJC Spec J Through L, DFJD Spec B Through D, **13**
- Cable, Battery – Sets With PowerCommand Control – DFJA, DFJB Spec K Through M, **17**
- Cable, Battery – Sets With PowerCommand Control – DFJC Begin Spec K, DFJD Begin Spec C, **19**
- Cable, Generator – Ground Fault Relay – DFJA, DFJB Spec L and M, DFJC Begin Spec L, DFJD Begin Spec D, **93**
- Cable, Heater – Control – Sets With Detector Control – DFJA, DFJB, DFJC Begin Spec K, DFJD Begin Spec C, **86**
- Cable, Magnetic Pickup – Generator Sets With Detector Control, **84**
- Cable, Magnetic Pickup – Sets With PowerCommand Control – DFJA, DFJB, DFJC Begin Spec K, DFJD Begin Spec C, **83**
- Cable, Shielded – Speed Adjusting Potentiometer, **106**
- Cap, Expansion Tank – Heat Exchanger, **45**
- Cap, Radiator – DFJA, **47**
- Cap, Radiator – DFJB, **49**
- Cap, Radiator – DFJC, DFJD, **51**
- Capacitor – Voltmeter – Sets With Detector Control, **79**
- Cartridge, Generator Heater, **71**
- Cleaner, Air – Heavy Duty – DFJA, DFJB, **22**
- Cleaner, Air – Heavy Duty – DFJC, DFJD, **23**
- Cleaner, Air – Standard – DFJA, DFJB, **20**
- Cleaner, Air – Standard – DFJC, DFJD, **21**
- Clip, End – Mounting Rail – Over/Under Frequency Relay, **96**
- Clip, End – Mounting Rail – Over/Under Voltage Relay – DFJA, DFJB, DFJC Spec J and K, DFJD Spec B and C, **94**
- Cock, Drain – Heat Exchanger, **45**
- Connection, Water Inlet – DFJA, DFJB, DFJC Spec J Through L, DFJD Spec B Through D, **31**
- Contact, Auxiliary – Circuit Breaker – Non-UL Listed – DFJA, DFJB Spec K Through M, DFJC Spec K Through N, DFJD Spec E and F, **155**
- Contact, Auxiliary – Circuit Breaker – Non-UL Listed – DFJA, DFJB, DFJC Spec J, **153**
- Control, Detector, **77**
- Control, Engine Coolant Heater, **41**
- Control, Governor – Electronic, **62**
- Control, PowerCommand – DFJA, DFJB Spec K Through M, DFJC Begin Spec K, DFJD Begin Spec C, **78**
- Controller, VAR Power Factor, **102**
- Cover, Circuit Breaker – IEC Conformity – DFJA, DFJB Spec K Through M, DFJC Spec K Through N, DFJD Spec C Through F, **137**
- Cover, Circuit Breaker – IEC Conformity – DFJA, DFJB, DFJC Spec J, DFJD Spec B, **135**
- Cover, Circuit Breaker – IEC Conformity – DFJC Begin Spec P, DFJD Begin Spec G, **141**
- Cover, Circuit Breaker – Non-UL Listed – DFJA, DFJB Spec K Through M, DFJC Spec K Through N, DFJD Spec E and F, **155**
- Cover, Circuit Breaker – Non-UL Listed – DFJA, DFJB, DFJC Spec J, **153**
- Cover, Circuit Breaker – UL Listed – DFJA, DFJB Spec K Through M, DFJC Spec K Through N, DFJD Spec C Through F, **125**
- Cover, Circuit Breaker – UL Listed – DFJA, DFJB, DFJC Spec J, **121**
- Cover, Circuit Breaker – UL Listed – DFJC Begin Spec P, DFJD Begin Spec G, **131**
- Cover, Circuit Breaker – UL Listed – DFJD Spec B, **123**
- Cover, Circuit Breaker and Disconnect Switch – UL Listed, IEC Conformity – DFJC Begin Spec P, DFJD Begin Spec G, **151**
- Cover, Control – Electronic Governor, **62**
- Cover, Control Box – Sets With PowerCommand Control – DFJA, DFJB Spec J Through M, DFJC Spec J Through N, DFJD Spec B Through F, **67**
- Cover, Control Box – Sets With PowerCommand Control – DFJC Begin Spec P, DFJD Begin Spec G, **69**

# Index

- Cover, Damper Guard – Sets With Remote Radiator or Heat Exchanger, **42**
- Cover, Disconnect Switch – Molded Case – UL Listed – DFJA, DFJB Spec L and M, DFJC Spec L Through N, DFJD Spec D Through F, **145**
- Cover, Disconnect Switch – Molded Case – UL Listed – DFJC Begin Spec P, DFJD Begin Spec G, **149**
- Cover, Entrance Box – DFJA, DFJB Spec K Through M, DFJC Spec K Through N, DFJD Spec C Through F, **64**
- Cover, Entrance Box – DFJA, DFJB, DFJC Spec J, DFJD Spec B, **63**
- Cover, Entrance Box – DFJC Begin Spec P, DFJD Begin Spec G, **65**
- Cover, Flange – Air Starter, **55**
- Cover, Hand Hole – Fuel Transfer Pump – DFJA, DFJB Spec L and M, DFJC Begin Spec L, DFJD Begin Spec D, **25**
- Cover, Side – Control Housing – DFJA, DFJB Spec J Through M, DFJC Spec J Through N, DFJD Spec B Through F, **67**
- Cover, Side – Control Housing – DFJC Begin Spec P, DFJD Begin Spec G, **69**
- Cover, Terminal Box – Engine Coolant Heater – DFJA, DFJB Spec M, DFJC Begin Spec M, DFJD Begin Spec E, **39**
- Cover, Top – Control Housing – DFJA, DFJB Spec J Through M, DFJC Spec J Through N, DFJD Spec B Through F, **67**
- Cover, Top – Control Housing – DFJC Begin Spec P, DFJD Begin Spec G, **69**
- Detectors, Resistive Temperature, **117**
- Door, Control – AC – Sets With Detector Control, **79**
- Door, Control – DC – Sets With Detector Control, **81**
- Drive, Fan – DFJA, DFJB – DFJC Spec J Through M, **52**
- Drive, Fan – DFJC Begin Spec N, DFJD Sets With 60” Diameter Fan, **54**
- Drive, Fan – DFJD Sets With 56” Diameter Fan, **53**
- Drive, Fuel Transfer Pump – DFJA, DFJB Spec L and M, DFJC Begin Spec L, DFJD Begin Spec D, **25**
- Elbow, Exhaust – Sets With Pyrometer – Sets With Detector Control, **104**
- Elbow, Exhaust – Sets With Pyrometer – Sets With PowerCommand Control – DFJA, DFJB, DFJC Begin Spec K, DFJD Begin Spec C, **105**
- Elbow, Outlet – Heat Exchanger, **45**
- Element, Air Cleaner – Heavy Duty – DFJA, DFJB, **22**
- Element, Air Cleaner – Heavy Duty – DFJC, DFJD, **23**
- Element, Oil Bypass Filter, **28**
- Exchanger, Heat, **45**
- External Engine Parts – Sets With Detector Control – DFJA, DFJB Spec M, DFJC Begin Spec M, DFJD Begin Spec E, **15**
- External Engine Parts – Sets With Detector Control – DFJA, DFJB, DFJC Spec J Through L, DFJD Spec B Through D, **13**
- External Engine Parts – Sets With PowerCommand Control – DFJA, DFJB Spec K Through M, **17**
- External Engine Parts – Sets With PowerCommand Control – DFJC Begin Spec K, DFJD Begin Spec C, **19**
- Fan – DFJA, DFJB – DFJC Spec J Through M, **52**
- Fan – DFJC Begin Spec N, DFJD Sets With 60” Diameter Fan, **54**
- Fan – DFJD Sets With 56” Diameter Fan, **53**
- Fan, Alternator – 45 Amp, **57**
- Filter, Oil Bypass, **28**
- Flange, Radiator – DFJA, **47**
- Fuse – Engine To Control Wiring Harness – Sets With PowerCommand Control – DFJA, DFJB, DFJC Begin Spec K, DFJD Begin Spec C, **83**
- Fuse – Printed Circuit Board – Engine Monitor – Sets With Detector Control, **77**
- Fuse – Radio Frequency Interference Module , **111**
- Gasket, Connection – Water Outlet, **33**
- Gasket, Flange – Heat Exchanger, **45**
- Gasket, Hand Hole – Fuel Transfer Pump – DFJA, DFJB Spec L and M, DFJC Begin Spec L, DFJD Begin Spec D, **25**
- Gasket, Heat Exchanger, **45**
- Gasket, Louvre – Generator, **72**
- Gasket, Mounting – Fuel Transfer Pump – DFJA, DFJB Spec L and M, DFJC Begin Spec L, DFJD Begin Spec D, **25**
- Gasket, Outlet Tube – Radiator – DFJA, **47**
- Gasket, Thermostat Housing – Water Outlet, **33**
- Gasket, Thermostatic Valve, **43**
- Gasket, Water Inlet Connection – DFJA, DFJB, DFJC Spec J Through L, DFJD Spec B Through D, **31**
- Gauge, Fuel Pressure, **26**
- Gauge, Oil Pressure – Control Mounted – Sets With Detector Control, **81**
- Gauge, Oil Temperature, **108**
- Gauge, Water Temperature – Sets With Detector Control, **81**
- Generator, **74**
- Governor, Electronic, **62**
- Governor, Woodward, **60, 61**
- Grille, Control Housing – DFJA, DFJB Spec J Through M, DFJC Spec J Through N, DFJD Spec B Through F, **67**
- Grille, Control Housing – DFJC Begin Spec P, DFJD Begin Spec G, **69**
- Grille, Radiator – DFJB, **49**
- Grille, Radiator – DFJC, DFJD, **51**
- Guard, Belt – Alternator – 45 Amp, **57**
- Guard, Belt – Alternator – 75 Amp, **59**
- Guard, Belt – Radiator – DFJA, **47**
- Guard, Belt – Radiator – DFJB, **49**
- Guard, Belt – Radiator – DFJC, DFJD, **51**
- Guard, Damper – Sets With Remote Radiator or Heat Exchanger, **42**
- Guard, Fan – Radiator – DFJA, **47**
- Guard, Fan – Radiator – DFJB, **49**
- Guard, Fan – Radiator – DFJC, DFJD, **51**
- Guard, Heat Exchanger, **45**
- Harness, Wiring – AC – Engine Coolant Heater Control – DFJA, DFJB Spec M, DFJC Begin Spec M, DFJD Begin Spec E, **41**

# Index

- Harness, Wiring – AC Control Door – Sets With Detector Control, **77**
- Harness, Wiring – Adapter – Woodward Governor To Engine Harness, **61**
- Harness, Wiring – Alarm Relay Board, **90**
- Harness, Wiring – Auxiliary Terminal Block – Sets With Detector Control, **113**
- Harness, Wiring – Common Alarm Board – Sets With Detector Control, **91**
- Harness, Wiring – Control Heater – Sets With Detector Control – DFJA, DFJB, DFJC Spec J, DFJD Spec B, **85**
- Harness, Wiring – Current Transformer, **120**
- Harness, Wiring – DC – Engine Coolant Heater Control – DFJA, DFJB Spec M, DFJC Begin Spec M, DFJD Begin Spec E, **41**
- Harness, Wiring – DC Control Door – Sets With Detector Control, **77**
- Harness, Wiring – Electronic Governor, **62**
- Harness, Wiring – Electronic Overspeed, **98**
- Harness, Wiring – Engine Coolant Heater – DFJA, DFJB, DFJC Spec J Through L, DFJD Spec B Through D, **37**
- Harness, Wiring – Engine to Control – Sets With Detector Control, **84**
- Harness, Wiring – Engine To Control – Sets With PowerCommand Control – DFJA, DFJB, DFJC Begin Spec K, DFJD Begin Spec C, **83**
- Harness, Wiring – Excitation Loss Module, **110**
- Harness, Wiring – Governor – Paralleling Interconnect Terminal Block, **114**
- Harness, Wiring – Ground Fault Relay – DFJA, DFJB Spec L and M, DFJC Begin Spec L, DFJD Begin Spec D, **93**
- Harness, Wiring – Junction Box – Engine Coolant Heater – DFJA, DFJB, DFJC Spec J Through L, DFJD Spec B Through D, **34**
- Harness, Wiring – Low Battery Voltage Sensor, **97**
- Harness, Wiring – Low Coolant Level Sender – With Continuously Monitored Low Coolant Level – 12 Light Indicator Controls – Sets With Radiator Cooling, **30**
- Harness, Wiring – Neutral Sensor – Circuit Breaker – UL Listed – DFJA, DFJB Spec K Through M, DFJC Spec K Through N, DFJD Spec C Through F, **129**
- Harness, Wiring – Over/Under Frequency Relay, **96**
- Harness, Wiring – Over/Under Voltage – DFJA, DFJB, DFJC Spec J and K, DFJD Spec B and C, **94**
- Harness, Wiring – Over/Under Voltage Relay – DFJA, DFJB Spec L and M, DFJC Begin Spec L, DFJD Begin Spec D, **95**
- Harness, Wiring – Paralleling Interconnect Terminal Block, **114**
- Harness, Wiring – Pigtail – Low Coolant Level Sender – Sets Without Continuously Monitored Low Coolant Level – Sets With Radiator Cooling, **29**
- Harness, Wiring – Power Factor Meter, **101**
- Harness, Wiring – Time Delay Start/Stop, **116**
- Harness, Wiring – Transformer – Auxiliary Terminal Block – Sets With Detector Control, **113**
- Harness, Wiring – Wattmeter, **100**
- Harness, Wiring – Woodward Governor Control, **61**
- Head, Oil Bypass Filter, **28**
- Heater Components, Engine Coolant – DFJA, DFJB, DFJC Spec J Through L, DFJD Spec B Through D, **35**
- Heater, Control – Sets With Detector Control – DFJA, DFJB, DFJC Begin Spec K, DFJD Begin Spec C, **86**
- Heater, Control – Sets With Detector Control – DFJA, DFJB, DFJC Spec J, DFJD Spec B, **85**
- Heater, Control – Sets With PowerCommand Control – DFJA, DFJB, DFJC Begin Spec K, DFJD Begin Spec C, **87**
- Heater, Engine Coolant – DFJA, DFJB Spec M, DFJC Begin Spec M, DFJD Begin Spec E, **39**
- Heater, Engine Coolant – DFJA, DFJB, DFJC Spec J Through L, DFJD Spec B Through D, **37**
- Heater, Oil Pan, **27**
- Hood, Air Inlet – Air Cleaner – Heavy Duty – DFJA, DFJB, **22**
- Hood, Air Inlet – Air Cleaner – Heavy Duty – DFJC, DFJD, **23**
- Hose, Check Valve – Sets With Remote Radiator or Heat Exchanger, **42**
- Hose, Flexible – Oil Bypass Filter, **28**
- Hose, Fuel Pump – Woodward Governor, **61**
- Hose, Heat Exchanger, **45**
- Hose, Heater – Engine Coolant Heater – DFJA, DFJB, DFJC Spec J Through L, DFJD Spec B Through D, **37**
- Hose, Oil Drain – Sets With Detector Control – DFJA, DFJB Spec M, DFJC Begin Spec M, DFJD Begin Spec E, **15**
- Hose, Oil Drain – Sets With Detector Control – DFJA, DFJB, DFJC Spec J Through L, DFJD Spec B Through D, **13**
- Hose, Oil Drain – Sets With PowerCommand Control – DFJA, DFJB Spec K Through M, **17**
- Hose, Oil Drain – Sets With PowerCommand Control – DFJC Begin Spec K, DFJD Begin Spec C, **19**
- Hose, Radiator – DFJA, **47**
- Hose, Radiator – DFJB, **49**
- Hose, Radiator – DFJC, DFJD, **51**
- Hose, Water Inlet – DFJA, DFJB Spec M, DFJC Begin Spec M, DFJD Begin Spec E, **32**
- Housing, Control – DFJA, DFJB Spec J Through M, DFJC Spec J Through N, DFJD Spec B Through F, **67**
- Housing, Control – DFJC Begin Spec P, DFJD Begin Spec G, **69**
- Housing, Thermostat – Water Outlet, **33**
- Hub, Fan – DFJA, DFJB – DFJC Spec J Through M, **52**
- Hub, Fan – DFJC Begin Spec N, DFJD Sets With 60" Diameter Fan, **54**
- Idle Assembly, Fan – DFJA, DFJB – DFJC Spec J Through M, **52**
- Idle Assembly, Fan – DFJC Begin Spec N, DFJD Sets With 60" Diameter Fan, **54**
- Idle Assembly, Fan – DFJD Sets With 56" Diameter Fan, **53**
- Indicator, Service – Air Cleaner – Heavy Duty – DFJA, DFJB, **22**
- Indicator, Service – Air Cleaner – Heavy Duty – DFJC, DFJD, **23**
- Indicator, Service – Air Cleaner – Standard – DFJA, DFJB, **20**
- Indicator, Service – Air Cleaner – Standard – DFJC, DFJD, **21**
- Inlet, Water – DFJA, DFJB Spec M, DFJC Begin Spec M, DFJD Begin Spec E, **32**
- Inlet, Water – DFJA, DFJB, DFJC Spec J Through L, DFJD Spec B Through D, **31**

# Index

- Isolator, Vibration – Control Box – Sets With Detector Control, **77**
- Isolator, Vibration – Pilot Solenoid – Sets With PowerCommand Control – DFJA, DFJB Spec K Through M, **17**
- Isolator, Vibration – Pilot Solenoid – Sets With PowerCommand Control – DFJC Begin Spec K, DFJD Begin Spec C, **19**
- Kit, Repair – Radiator Sight Gauge – DFJA, **47**
- Lead, Circuit Breaker – IEC Conformity – DFJA, DFJB Spec K Through M, DFJC Spec K Through N, DFJD Spec C Through F, **137**
- Lead, Circuit Breaker – IEC Conformity – DFJA, DFJB, DFJC Spec J, DFJD Spec B, **135**
- Lead, Circuit Breaker – IEC Conformity – DFJC Begin Spec P, DFJD Begin Spec G, **143**
- Lead, Circuit Breaker – Non-UL Listed – DFJA, DFJB Spec K Through M, DFJC Spec K Through N, DFJD Spec E and F, **155**
- Lead, Circuit Breaker – Non-UL Listed – DFJA, DFJB, DFJC Spec J, **153**
- Lead, Circuit Breaker – UL Listed – DFJA, DFJB Spec K Through M, DFJC Spec K Through N, DFJD Spec C Through F, **125**
- Lead, Circuit Breaker – UL Listed – DFJA, DFJB, DFJC Spec J, **121**
- Lead, Circuit Breaker – UL Listed – DFJC Begin Spec P, DFJD Begin Spec G, **133**
- Lead, Circuit Breaker – UL Listed – DFJD Spec B, **123**
- Lead, Circuit Breaker and Disconnect Switch – UL Listed, IEC Conformity – DFJC Begin Spec P, DFJD Begin Spec G, **151**
- Lead, Disconnect Switch – Molded Case – UL Listed – DFJA, DFJB Spec L and M, DFJC Spec L Through N, DFJD Spec D Through F, **145**
- Lead, Disconnect Switch – Molded Case – UL Listed – DFJC Begin Spec P, DFJD Begin Spec G, **149**
- Lead, Thermocouple – Pyrometer – Sets With Detector Control, **104**
- Lead, Thermocouple – Pyrometer – Sets With PowerCommand Control – DFJA, DFJB, DFJC Begin Spec K, DFJD Begin Spec C, **105**
- Lens, Indicator – Ground Fault Relay – DFJA, DFJB Spec L and M, DFJC Begin Spec L, DFJD Begin Spec D, **93**
- Lens, Indicator – Low Battery Voltage Sensor, **97**
- Lens, Indicator – Over/Under Frequency Relay, **96**
- Lens, Indicator – Over/Under Voltage – DFJA, DFJB Spec L and M, DFJC Begin Spec L, DFJD Begin Spec D, **95**
- Lens, Indicator Light – Low Coolant Level Sender – With Continuously Monitored Low Coolant Level – 12 Light Indicator Controls – Sets With Radiator Cooling, **30**
- Light Assembly, Indicator – DC Control Door – Sets With Detector Control, **81**
- Light, Indicator – Over/Under Voltage Relay – DFJA, DFJB, DFJC Spec J and K, DFJD Spec B and C, **94**
- Light, Indicator – Replacement – DC Control Door – Sets With Detector Control, **81**
- Light, Indicator – Upper/Lower Scale – Sets With Detector Control, **79**
- Light, Panel – DC Control Door – Sets With Detector Control, **81**
- Line, Flexible – Radiator – DFJA, **47**
- Line, Flexible – Radiator – DFJB, **49**
- Line, Flexible – Radiator – DFJC, DFJD, **51**
- Line, Fuel – Flexible – Fuel In and Fuel Out – Sets With Detector Control – DFJA, DFJB Spec M, DFJC Begin Spec M, DFJD Begin Spec E, **15**
- Line, Fuel – Flexible – Fuel In and Fuel Out – Sets With Detector Control – DFJA, DFJB, DFJC Spec J Through L, DFJD Spec B Through D, **13**
- Line, Fuel – Flexible – Fuel In and Fuel Out – Sets With PowerCommand Control – DFJA, DFJB Spec K Through M, **17**
- Line, Fuel – Flexible – Fuel In and Fuel Out – Sets With PowerCommand Control – DFJC Begin Spec K, DFJD Begin Spec C, **19**
- Line, Fuel – Flexible – Fuel Transfer Pump – DFJA, DFJB Spec L and M, DFJC Begin Spec L, DFJD Begin Spec D, **25**
- Louvre, Generator, **72**
- Lug, Solderless – Circuit Breaker – IEC Conformity – DFJA, DFJB Spec K Through M, DFJC Spec K Through N, DFJD Spec C Through F, **137**
- Lug, Solderless – Circuit Breaker – IEC Conformity – DFJC Begin Spec P, DFJD Begin Spec G, **141, 143**
- Lug, Solderless – Circuit Breaker – Non-UL Listed – DFJA, DFJB Spec K Through M, DFJC Spec K Through N, DFJD Spec E and F, **155**
- Lug, Solderless – Circuit Breaker – Non-UL Listed – DFJA, DFJB Spec K Through M, DFJC Spec K Through N, DFJD Spec E and F, **155**
- Lug, Solderless – Circuit Breaker – UL Listed – DFJA, DFJB Spec K Through M, DFJC Spec K Through N, DFJD Spec C Through F, **127, 129**
- Lug, Solderless – Circuit Breaker – UL Listed – DFJC Begin Spec P, DFJD Begin Spec G, **131**
- Lug, Solderless – Circuit Breaker and Disconnect Switch – UL Listed, IEC Conformity – DFJC Begin Spec P, DFJD Begin Spec G, **151**
- Lug, Solderless – Disconnect Switch – Molded Case – UL Listed – DFJA, DFJB Spec L and M, DFJC Spec L Through N, DFJD Spec D Through F, **145**
- Lug, Solderless – Disconnect Switch – Molded Case – UL Listed – DFJC Begin Spec P, DFJD Begin Spec G, **149**
- Lug, Solderless – Grounding – Skid, **11**
- Manifold, Inlet – Heat Exchanger, **45**
- Meter, Frequency – Sets With Detector Control, **79**
- Meter, Power Factor, **101**
- Meter, Time Totalizing – Sets With Detector Control, **81**
- Module, Audible Alarm – Sets With PowerCommand Control – DFJA, DFJB, DFJC Begin Spec K, DFJD Begin Spec C, **92**
- Module, Excitation Loss, **110**
- Module, Radio Frequency Interference, **111**
- Mount, Shock – Ground Fault Relay – DFJA, DFJB Spec L and M, DFJC Begin Spec L, DFJD Begin Spec D, **93**
- Mount, Shock – Over/Under Frequency Relay, **96**
- Mount, Shock – Over/Under Voltage Relay – DFJA, DFJB, DFJC Spec J and K, DFJD Spec B and C, **94**
- Mount, Shock – Power Factor Meter, **101**



# Index

- Mount, Shock – Watts Transducer, **100**  
Mounting, Generator, **73**
- Outlet, Water, **33**
- Paint, **10**
- Panel, Control Housing – DFJA, DFJB Spec J Through M, DFJC Spec J Through N, DFJD Spec B Through F, **67**  
Panel, Control Housing – DFJC Begin Spec P, DFJD Begin Spec G, **69**
- Pickup, Magnetic – Electronic Governor, **62**  
Pickup, Magnetic – Sets With Detector Control – DFJA, DFJB, DFJC Spec J Through L, DFJD Spec B Through D, **13**  
Pickup, Magnetic – Sets With PowerCommand Control – DFJA, DFJB Spec K Through M, **17**  
Pickup, Magnetic – Sets With PowerCommand Control – DFJC Begin Spec K, DFJD Begin Spec C, **19**  
Pickup, Magnetic – Woodward Governor, **61**
- Plug – Fuel Pump EFC Cavity – Woodward Governor, **61**
- Potentiometer – Voltage Adjust – AC Control Door – Sets With Detector Control, **89**  
Potentiometer, Speed Adjusting – Governor Controller, **106**
- Pulley, Alternator – 45 Amp, **57**  
Pulley, Alternator – 75 Amp, **59**  
Pulley, Fan Drive – DFJA, DFJB – DFJC Spec J Through M, **52**  
Pulley, Fan Drive – DFJC Begin Spec N, DFJD Sets With 60" Diameter Fan, **54**  
Pulley, Fan Drive – DFJD Sets With 56" Diameter Fan, **53**
- Pump, Fuel Transfer – DFJA, DFJB Spec L and M, DFJC Begin Spec L, DFJD Begin Spec D, **25**
- Pyrometer – Sets With Detector Control, **104**  
Pyrometer – Sets With PowerCommand Control – DFJA, DFJB, DFJC Begin Spec K, DFJD Begin Spec C, **105**
- Radiator – DFJA, **47**  
Radiator – DFJB, **49**  
Radiator – DFJC, DFJD, **51**
- Rail, Mounting – Over/Under Frequency Relay, **96**  
Rail, Mounting – Over/Under Voltage Relay – DFJA, DFJB, DFJC Spec J and K, DFJD Spec B and C, **94**
- Rectifier – Control Box Mounted – Sets With Detector Control – Alternator – 75 Amp, **59**
- Regulator, Voltage – Alternator – 45 Amp, **57**  
Regulator, Voltage – Manual, **88**  
Regulator, Voltage – Sets With Detector Control, **89**
- Relay – Engine Coolant Heater – DFJA, DFJB, DFJC Spec J Through L, DFJD Spec B Through D, **35**
- Relay Assembly, Engine Coolant Heater – DFJA, DFJB, DFJC Spec J Through L, DFJD Spec B Through D, **35**
- Relay, Alarm, **90**  
Relay, Frequency – Over/Under, **96**  
Relay, Ground Fault – DFJA, DFJB Spec L and M, DFJC Begin Spec L, DFJD Begin Spec D, **93**  
Relay, Power – Engine Coolant Heater Control – DFJA, DFJB Spec M, DFJC Begin Spec M, DFJD Begin Spec E, **41**
- Relay, Solenoid – Start – Sets With Detector Control – DFJA, DFJB Spec M, DFJC Begin Spec M, DFJD Begin Spec E, **15**  
Relay, Solenoid – Start – Sets With Detector Control – DFJA, DFJB, DFJC Spec J Through L, DFJD Spec B Through D, **13**  
Relay, Voltage – Over/Under – DFJA, DFJB, DFJC Spec J and K, DFJD Spec B and C, **94**
- Reservoir, Fuel – Fuel Transfer Pump – DFJA, DFJB Spec L and M, DFJC Begin Spec L, DFJD Begin Spec D, **25**
- Resistor, Oil Temperature Gauge, **108**
- Seal, O–Ring – EFC Cavity Plug – Woodward Governor, **61**  
Seal, Thermostat – Water Outlet, **33**
- Sealant, Thread, **10**
- Sender Assembly – Low Coolant Level – Sets With Continuously Monitored Low Coolant Level – 12 Light Indicator Controls – Sets With Radiator Cooling, **30**  
Sender Assembly – Low Coolant Level – Sets Without Continuously Monitored Low Coolant Level – Sets With Radiator Cooling, **29**
- Sender, Oil Pressure – Sets With Detector Control – DFJA, DFJB Spec M, DFJC Begin Spec M, DFJD Begin Spec E, **15**  
Sender, Oil Pressure – Sets With Detector Control – DFJA, DFJB, DFJC Spec J Through L, DFJD Spec B Through D, **13**  
Sender, Oil Pressure – Sets With PowerCommand Control – DFJA DFJB Spec K Through M, **17**  
Sender, Oil Pressure – Sets With PowerCommand Control – DFJC Begin Spec K, DFJD Begin Spec C, **19**  
Sender, Oil Temperature – Engine Block, Oil Pan – Sets With PowerCommand Control – DFJC Begin Spec K, DFJD Begin Spec C, **19**  
Sender, Oil Temperature – Sets With PowerCommand Control – DFJA, DFJB Spec K Through M, **17**  
Sender, Oil Temperature Gauge – Oil Pan Mounted, **108**
- Sender, Water Temperature – Low Engine Coolant – Sets With Detector Control – DFJA, DFJB Spec M, DFJC Begin Spec M, DFJD Begin Spec E, **15**  
Sender, Water Temperature – Low Engine Coolant – Sets With Detector Control – DFJA, DFJB, DFJC Spec J Through L, DFJD Spec B Through D, **13**
- Sensor – Low Battery Voltage, **97**
- Shim, Generator Mounting, **73**
- Shroud, Fan – Radiator – DFJC, DFJD, **51**
- Skid, **11**
- Solenoid, Pilot – Sets With PowerCommand Control – DFJA, DFJB Spec K Through M, **17**  
Solenoid, Pilot – Sets With PowerCommand Control – DFJC Begin Spec K, DFJD Begin Spec C, **19**
- Spacer, Fan – DFJA, DFJB – DFJC Spec J Through M, **52**  
Spacer, Fan – DFJC Begin Spec N, DFJD Sets With 60" Diameter Fan, **54**  
Spacer, Fan – DFJD Sets With 56" Diameter Fan, **53**
- Spacer, Mounting – Water Filter Assembly – Sets With Detector Control – DFJA, DFJB Spec M, DFJC Begin Spec M, DFJD Begin Spec E, **15**  
Spacer, Mounting – Water Filter Assembly – Sets With Detector Control – DFJA, DFJB, DFJC Spec J Through L, DFJD Spec B Through D, **13**  
Spacer, Mounting – Water Filter Assembly – Sets With PowerCommand Control – DFJA, DFJB Spec K Through M, **17**

# Index

- Spacer, Mounting – Water Filter Assembly – Sets With PowerCommand Control – DFJC Begin Spec K, DFJD Begin Spec C, **19**
- Standoff, Insulator – Circuit Breaker – IEC Conformity – DFJA, DFJB Spec K Through M, DFJC Spec K Through N, DFJD Spec C Through F, **137**
- Standoff, Insulator – Circuit Breaker – IEC Conformity – DFJA, DFJB, DFJC Spec J, DFJD Spec B, **135**
- Standoff, Insulator – Circuit Breaker – IEC Conformity – DFJC Begin Spec P, DFJD Begin Spec G, **141**
- Standoff, Insulator – Circuit Breaker – Non-UL Listed – DFJA, DFJB Spec K Through M, DFJC Spec K Through N, DFJD Spec E and F, **155**
- Standoff, Insulator – Circuit Breaker – Non-UL Listed – DFJA, DFJB, DFJC Spec J, **153**
- Standoff, Insulator – Circuit Breaker – UL Listed – DFJA, DFJB Spec K Through M, DFJC Spec K Through N, DFJD Spec C Through F, **127, 129**
- Standoff, Insulator – Circuit Breaker – UL Listed – DFJC Begin Spec P, DFJD Begin Spec G, **131**
- Standoff, Insulator – Circuit Breaker – UL Listed – DFJD Spec B, **123**
- Standoff, Insulator – Circuit Breaker and Disconnect Switch – UL Listed, IEC Conformity – DFJC Begin Spec P, DFJD Begin Spec G, **151**
- Standoff, Insulator – Disconnect Switch – Molded Case – UL Listed – DFJA, DFJB Spec L and M, DFJC Spec L Through N, DFJD Spec D Through F, **145**
- Standoff, Insulator – Disconnect Switch – Molded Case – UL Listed – DFJC Begin Spec P, DFJD Begin Spec G, **149**
- Starter, Air, **55**
- Strainer, Fuel – Sets With Detector Control – DFJA, DFJB Spec M, DFJC Begin Spec M, DFJD Begin Spec E, **15**
- Strainer, Fuel – Sets With Detector Control – DFJA, DFJB, DFJC Spec J Through L, DFJD Spec B Through D, **13**
- Strainer, Fuel – Sets With PowerCommand Control – DFJA, DFJB Spec K Through M, **17**
- Strainer, Fuel – Sets With PowerCommand Control – DFJC Begin Spec K, DFJD Begin Spec C, **19**
- Strap, Ground – Control Box – Sets With Detector Control, **77**
- Strip, Marker – Terminal Block – Woodward Governor, **61**
- Support, Alternator – 45 Amp, **57**
- Support, Alternator – 75 Amp, **59**
- Support, Fan – DFJA, DFJB – DFJC Spec J Through M, **52**
- Support, Fan – DFJC Begin Spec N, DFJD Sets With 60” Diameter Fan, **54**
- Support, Fan – DFJD Sets With 56” Diameter Fan, **53**
- Switch, Disconnect – Molded Case – UL Listed – DFJA, DFJB Spec L and M, DFJC Spec L Through N, DFJD Spec D Through F, **145**
- Switch, Disconnect – Molded Case – UL Listed – DFJC Begin Spec P, DFJD Begin Spec G, **149**
- Switch, Disconnect – UL Listed, IEC Conformity – DFJC Begin Spec P, DFJD Begin Spec G, **151**
- Switch, Oil Pressure – Sets With Detector Control – DFJA, DFJB Spec M, DFJC Begin Spec M, DFJD Begin Spec E, **15**
- Switch, Oil Pressure – Sets With Detector Control – DFJA, DFJB, DFJC Spec J Through L, DFJD Spec B Through D, **13**
- Switch, Pushbutton – Emergency Stop, **109**
- Switch, Rocker – DC Control Door – Sets With Detector Control, **81**
- Switch, Rotary – Voltmeter/Ammeter – Sets With Detector Control, **79**
- Switch, Selector – Left/Right Exhaust – Pyrometer – Generator Sets With Detector Control, **104**
- Switch, Temperature – Low Engine Coolant – Sets With Detector Control – DFJA, DFJB Spec M, DFJC Begin Spec M, DFJD Begin Spec E, **15**
- Switch, Temperature – Low Engine Coolant – Sets With Detector Control – DFJA, DFJB, DFJC Spec J Through L, DFJD Spec B Through D, **13**
- Switch, Temperature – Low Engine Coolant – Sets With PowerCommand Control – DFJA, DFJB Spec K Through M, **17**
- Switch, Temperature – Low Engine Coolant – Sets With PowerCommand Control – DFJC Begin Spec K, DFJD Begin Spec C, **19**
- Switch, Thermostat – High Engine Coolant Temperature – Sets With Detector Control – DFJA, DFJB DFJC Spec J Through L, DFJD Spec B Through D, **13**
- Switch, Thermostat – High Engine Coolant Temperature – Sets With Detector Control – DFJA, DFJB Spec M, DFJC Begin Spec M, DFJD Begin Spec E, **15**
- Switch, Toggle – Cross Current Compensation Circuit, **115**
- Switch, Toggle – Woodward Governor, **61**
- Tachometer, **107**
- Tank, Expansion – Heat Exchanger, **45**
- Terminal Assembly (T26) – Sets With Detector Control – DFJA, DFJB, DFJC Spec J Through L, DFJD Spec B Through D, **13**
- Thermostat – Control Heater – Sets With Detector Control – DFJA, DFJB, DFJC Spec J, DFJD Spec B, **85**
- Thermostat, Engine Coolant Heater – DFJA, DFJB Spec M, DFJC Begin Spec M, DFJD Begin Spec E, **39**
- Transducer, Watts, **100**
- Transducer, Watts – Power Factor Meter, **101**
- Transformer – Auxiliary Terminal Block – Sets With Detector Control, **113**
- Transformer, Current, **120**
- Transformer, Current – Cross Current Compensation Circuit, **115**
- Transformer, Current – Differential, **119**
- Transformer, Current – VAR Power Factor Controller, **102**
- Trip, 24 Volt Shunt – Circuit Breaker – Non-UL Listed – DFJA, DFJB Spec K Through M, DFJC Spec K Through N, DFJD Spec E and F, **155**
- Trip, 24 Volt Shunt – Circuit Breaker – Non-UL Listed – DFJA, DFJB, DFJC Spec J, **153**
- Tube, Air Inlet – Air Cleaner – Heavy Duty – DFJA, DFJB, **22**
- Tube, Air Inlet – Air Cleaner – Heavy Duty – DFJC, DFJD, **23**
- Tube, Air Inlet – Air Cleaner – Standard – DFJA, DFJB, **20**
- Tube, Air Inlet – Air Cleaner – Standard – DFJC, DFJD, **21**
- Tube, Copper – Fuel Pressure Gauge, **26**
- Tube, Heater – Engine Coolant Heater – DFJA, DFJB Spec M, DFJC Begin Spec M, DFJD Begin Spec E, **39**
- Tube, Inlet – Heat Exchanger, **45**
- Tube, Outlet – Heat Exchanger, **45**

# Index

- Tube, Radiator Inlet – DFJA, **47**
- Tube, Radiator Inlet – DFJB, **49**
- Tube, Radiator Inlet – DFJC, DFJD, **51**
- Tube, Radiator Outlet – DFJA, **47**
- Tube, Radiator Outlet – DFJB, **49**
- Tube, Radiator Outlet – DFJC, DFJD, **51**
- Tube, Water Inlet – DFJA, DFJB Spec M, DFJC Begin Spec M, DFJD Begin Spec E, **32**
- Tube, Water Outlet, **33**
  
- Valve, Check – Heat Exchanger Expansion Tank, **45**
- Valve, Check – Radiator – DFJA, **47**
- Valve, Check – Radiator – DFJB, **49**
- Valve, Check – Radiator – DFJC, DFJD, **51**
- Valve, Check – Sets With Remote Radiator or Heat Exchanger, **42**
- Valve, Fuel Pressure Gauge, **26**
- Valve, Gate – Heat Exchanger, **45**
- Valve, Shutoff – Fuel Transfer Pump – DFJA, DFJB Spec L and M, DFJC Begin Spec L, DFJD Begin Spec D, **25**
  
- Valve, Shutoff – Oil Drain – Sets With Detector Control – DFJA, DFJB DFJC Spec J Through L, DFJD Spec B Through D, **13**
- Valve, Shutoff – Oil Drain – Sets With Detector Control – DFJA, DFJB Spec M, DFJC Begin Spec M, DFJD Begin Spec E, **15**
- Valve, Shutoff – Oil Drain – Sets With PowerCommand Control – DFJA, DFJB Spec K Through M, **17**
- Valve, Shutoff – Oil Drain – Sets With PowerCommand Control – DFJC Begin Spec K, DFJD Begin Spec C, **19**
- Valve, Solenoid – Heat Exchanger, **45**
- Valve, Thermostatic, **43**
- Voltmeter, AC – Sets With Detector Control, **79**
- Voltmeter, DC – Sets With Detector Control, **81**
  
- Wattmeter, **100**
- Wrapper, Control Box – Sets With PowerCommand Control – DFJA, DFJB Spec J Through M, DFJC Spec J Through N, DFJD Spec B Through F, **67**
- Wrapper, Control Box – Sets With PowerCommand Control – DFJC Begin Spec P, DFJD Begin Spec G, **69**
- Wrapper, Fan Shroud – Radiator – DFJA, **47**
- Wrapper, Fan Shroud – Radiator – DFJB, **49**
- Wrapper, Fan Shroud – Radiator – DFJC, DFJD, **51**

## Abbreviations

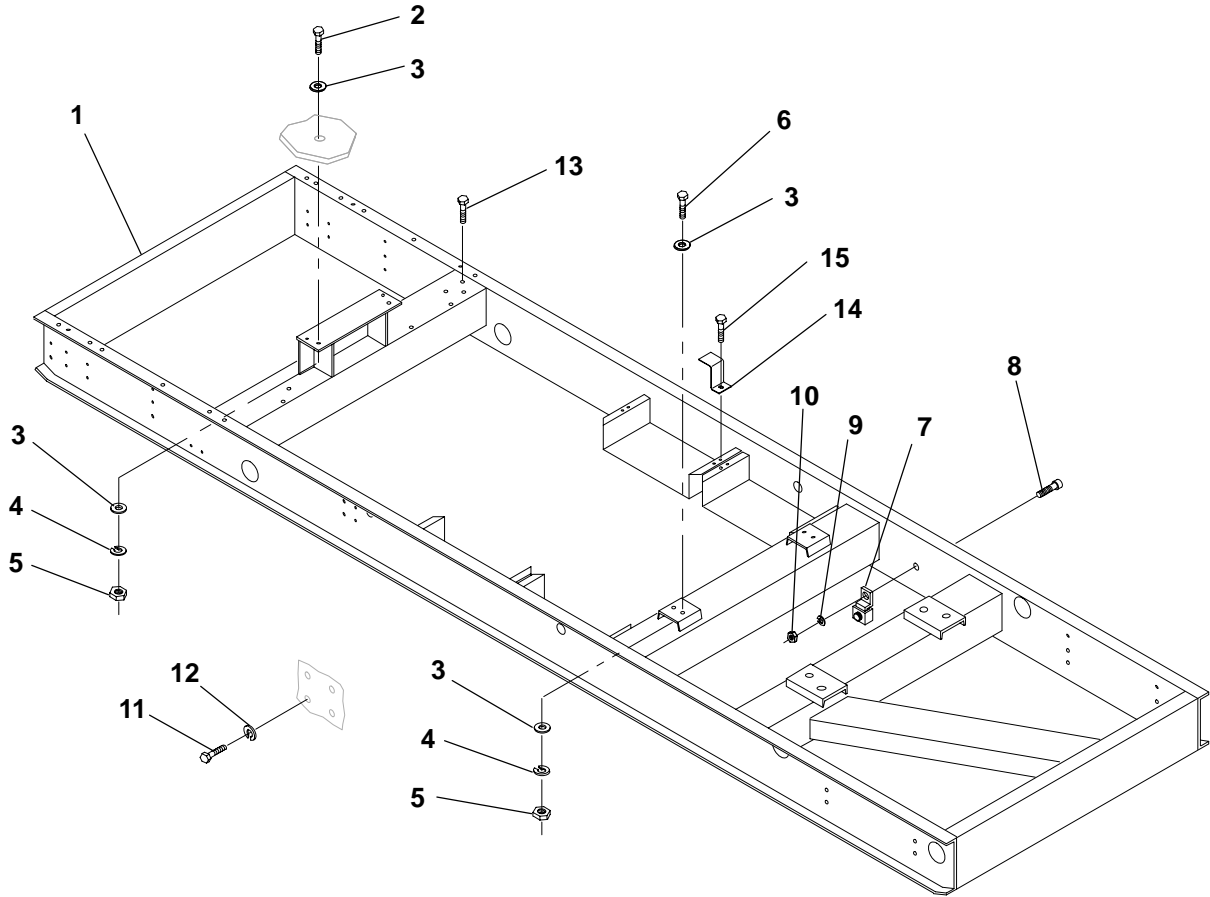
Some of the following abbreviations may be used throughout this Parts Catalog:

AC	Alternating Current	mm	Millimeter
Amp	Ampere	MOH	Mobile Off Highway
A/R	As Required	NFS	Not For Sale
AVR	Automatic Voltage Regulator	NPT	National Pipe Thread
AWG	American Wire Gauge	OD	Outside Diameter
DC	Direct Current	oz.	Ounce
Deg	Degree	PC	Printed Circuit
EFC	Electronic Fuel Control	Ph	Phase
EIT	External/Internal Tooth	PMG	Permanent Magnet Generator
EPRM	Erasable Programmable Read Only Memory	PT/CT	Potential Transformer/Current Transformer
ET	External Tooth	RFI	Radio Frequency Interference
GFI	Ground Fault Interrupter	RT	Right
ID	Inside Diameter	Spec	Specification
IEC	International Electrotechnical Commission	Thk	Thick
IT	Internal Tooth	UL	Underwriters Laboratories Inc.
kW	Kilowatt	UNC	Union National Coarse
LPG	Liquid Petroleum Gas	UNF	Union National Fine
LT	Left	VAC	Volts Alternating Current
M(meter number)	Meter	VDC	Volts Direct Current
		W/(ET, IT, EIT)	With

## Paint and Thread Sealant

REF NO.	PART NO.	QTY USED	PART DESCRIPTION	REF NO.	PART NO.	QTY USED	PART DESCRIPTION
			Onan Green Enamel (Non-Metallic)				Cummins Beige Enamel
	525-0305	-	12 oz. Pressurized Spray Can		525-0551-02	-	12 oz. Pressurized Spray Can
	525-0306	-	Quart Can		525-0551-03	-	Quart Can
	525-0304	-	Gallon Can		525-0551-04	-	Gallon Can
					518-0601	-	Sealant, Thread (6 ml Tube)

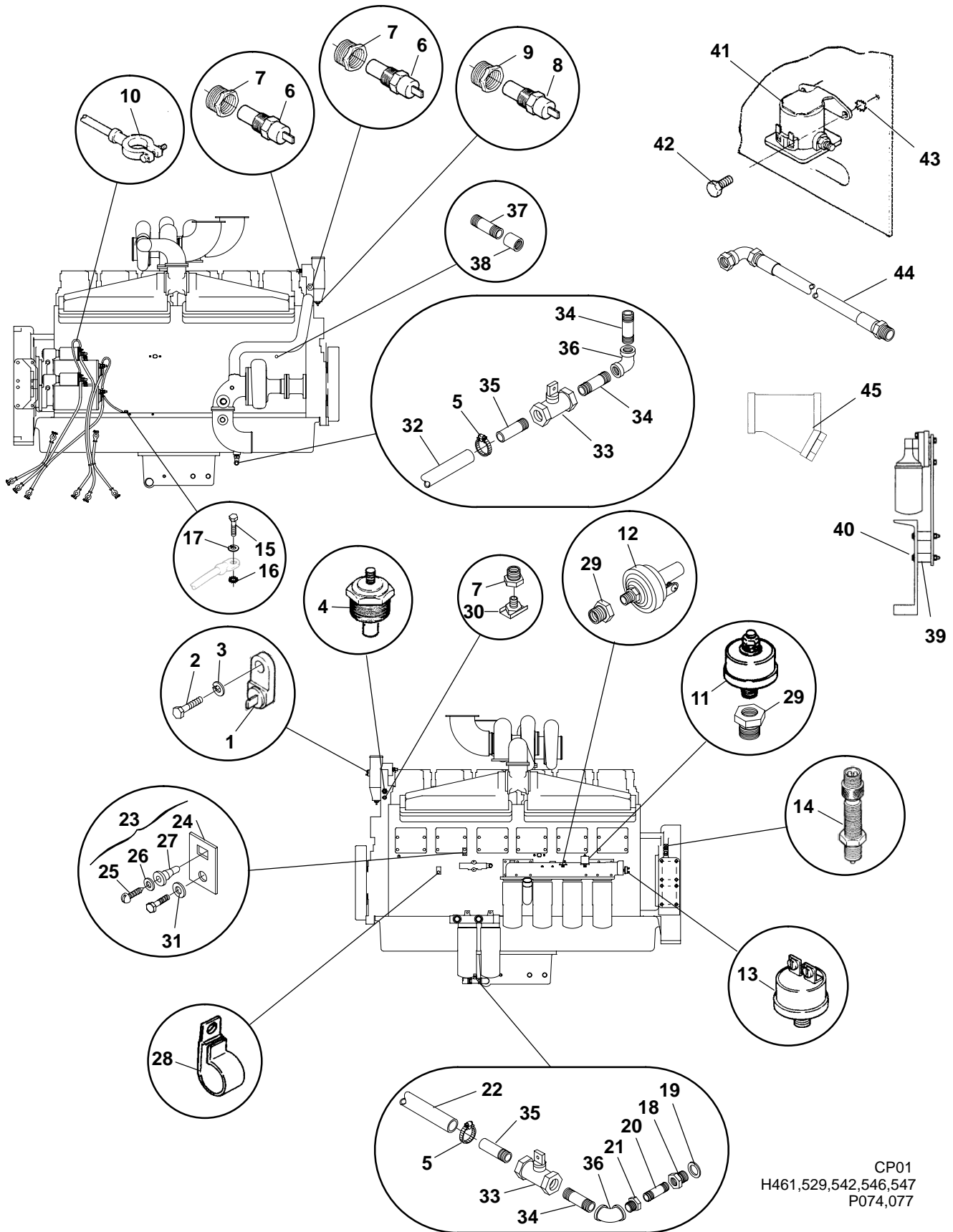
# Skid



CP01,P074,077

REF NO.	PART NO.	QTY USED	PART DESCRIPTION	REF NO.	PART NO.	QTY USED	PART DESCRIPTION
1	403-3155	1	Skid	10	870-0281	1	Nut, Locking – Hex Head (3/8-16) DFJA, DFJB, DFJC Spec J Through L, DFJD Spec B Through D
2	800-0163	2	Screw, Cap – Hex Head (3/4-10 x 4")	11	800-0158	8	Screw, Cap – Hex Head (3/4-10 x 2-3/4") DFJA, DFJB Spec M, DFJC Begin Spec M, DFJD Begin Spec E
3	526-0027	12	Washer, Flat (3/4")	12	850-0079	8	Washer, Lock – Spring (3/4") DFJA, DFJB Spec M, DFJC Begin Spec M, DFJD Begin Spec E
4	850-0079	6	Washer, Lock – Spring (3/4")	13	821-5004-03	7	Screw, Self-Locking – Hex Washer Head (3/8-16 x 1") DFJA, DFJB Spec M, DFJC Begin Spec M, DFJD Begin Spec E
5	862-0008	6	Nut, Hex (3/4-10)	14	416-0850	8	Bracket, Retainer
6	800-0158	4	Screw, Cap – Hex Head (3/4-10 x 2-3/4")	15	800-0048	8	Screw, Cap – Hex Head (3/8-16 x 3/4")
7	332-2001	1	Lug, Solderless – Grounding – DFJA, DFJB, DFJC Spec J Through L, DFJD Spec B Through D				
8	800-0050	1	Screw, Cap – Hex Head (3/8-16 x 1") DFJA, DFJB, DFJC Spec J Through L, DFJD Spec B Through D				
9	856-0010	1	Washer, Lock – EIT (3/8") DFJA, DFJB, DFJC Spec J Through L, DFJD Spec B Through D				

**External Engine Parts  
Generator Sets With Detector Control  
DFJA, DFJB, DFJC Spec J Through L  
DFJD Spec B Through D**



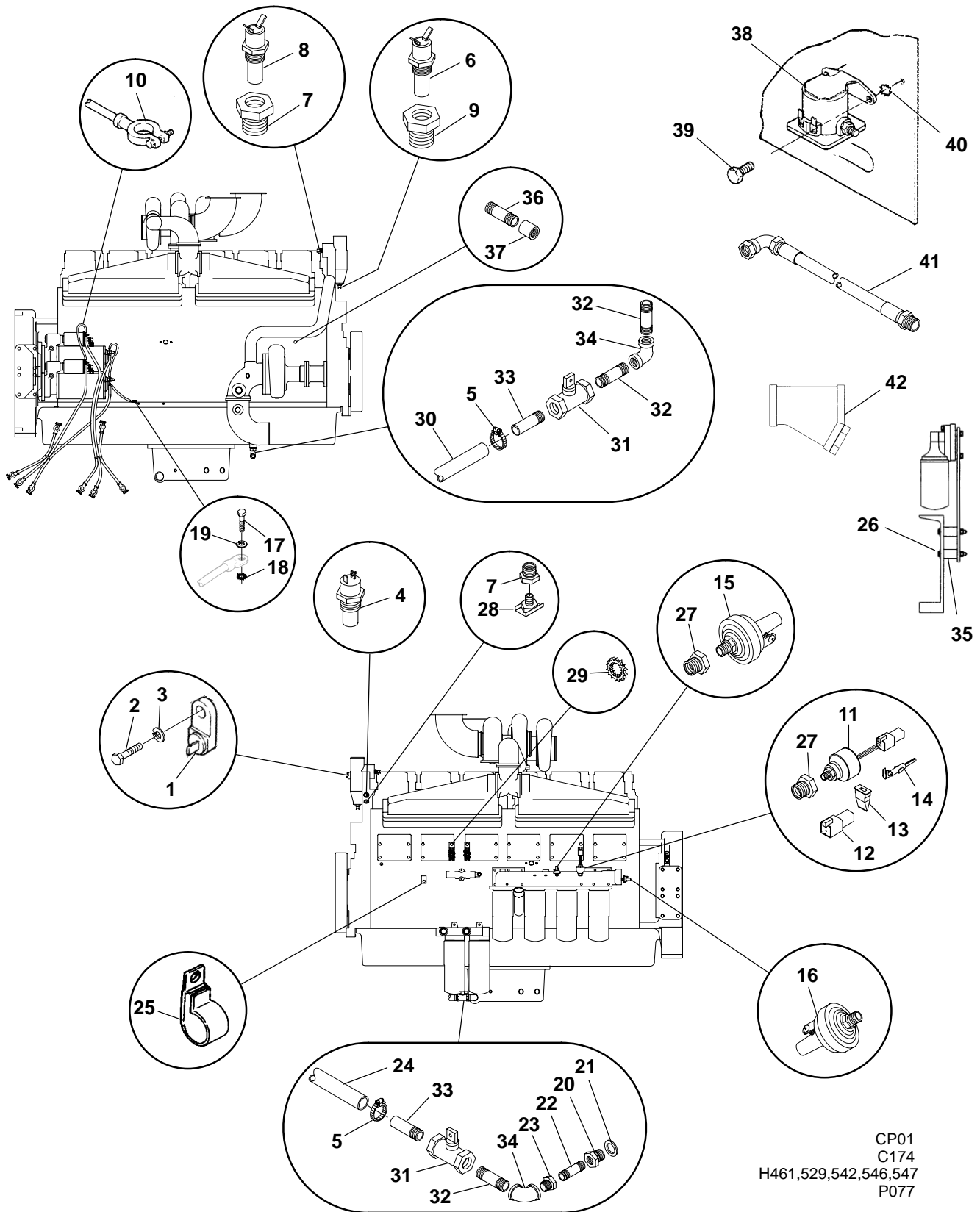
CP01  
H461,529,542,546,547  
P074,077

**External Engine Parts  
Generator Sets With Detector Control  
DFJA, DFJB, DFJC Spec J Through L  
DFJD Spec B Through D**

REF NO.	PART NO.	QTY USED	PART DESCRIPTION	REF NO.	PART NO.	QTY USED	PART DESCRIPTION
1	309-0269	1	Switch, Temperature – Low Engine Coolant (S4)	22	503-0249	–	Hose – Bulk (1" ID) (Order By The Foot – 3 Feet Required)
2	800-0062	1	Screw, Cap – Hex Head (3/8-16 x 4")	23	332-1292	1	Terminal Assembly (Includes Parts Marked *) (T26)
3	850-0050	1	Washer, Lock – Spring (3/8")	24	332-1281	1	* Bracket, Terminal
4	193-0375	1	Sender, Water Temperature (E2)	25	809-0036	1	* Screw, Sheet Metal – Round Head (#8 x 7/8")
5	503-0189	2	Clamp, Hose	26	508-0015	1	* Washer, Fiber
6	309-0437	2	Switch, Thermostat – High Engine Coolant Temperature (Opens at 202 Deg F – Closes at 222 Deg F) (S2)	27	870-0196	1	* Nut, Insulation
				28	332-2634	6	Clamp, "J"
				29	505-0007	2	Bushing, Pipe – Reducer (1/4" to 1/8")
7	505-0019	3	Bushing, Pipe – Reducer (1/2" to 3/8")	30	504-0028	1	Cock, Drain (3/8")
				31	856-0010	1	Washer, Lock – EIT (3/8")
8	309-0436	2	Switch, Thermostat – High Engine Coolant Temperature (Opens at 196 Deg F – Closes at 216 Deg F) (S6 Pre-Alarm)	32	503-0249	–	Hose – Bulk (1" ID) (Order By The Foot – 2 Feet Required)
				33	504-0171	2	Valve, Shutoff
				34	505-0102	3	Nipple, Pipe (3/4" x 1-3/8")
9	505-0131	2	Bushing, Pipe – Reducer (3/4" to 3/8")	35	505-0324	2	Nipple, Pipe – Half (3/4" x 2")
				36	505-0132	2	Elbow, Street – 90 Deg (3/4")
10			Cable, Battery	37	505-0071	1	Nipple, Pipe (1/4" x 2")
	416-0680	3	10" – Starters and Engine Ground (With 2 Ring Terminal Ends)	38	505-0027	1	Coupling, Pipe (1/4")
				39	130-3660-02	4	Spacer (1/2" ID x 1-3/4")
	416-0446	2	12-1/2" – Jumper (With Red Colored Battery Boot)	40	800-0059	4	Screw, Cap – Hex Head (3/8-16 x 3-1/4")
				41	307-2167	1	Relay, Solenoid – Start (K2)
	416-0964	2	35" – Battery To Starter (With 1 Ring End And 1 Bolted End)	42	821-0010	2	Screw, Self-Locking – Hex Washer Head (1/4-20 x 1/2")
				43	856-0006	1	Washer, Lock – EIT (1/4")
	416-0639	2	60" – Battery To Starter (With 1 Ring End And 1 Bolted End)	44			Line, Fuel – Flexible
11	193-0244	1	Sender, Oil Pressure (E1)				<b>Generator Sets Without Fuel Transfer Pump – Feature Option C174</b>
12	309-0641-07	1	Switch, Oil Pressure (Opens at 20 Lbs Descending) (S5 – Pre-Alarm)		501-0522	1	Fuel In (5/8" ID x 50")
					501-0520	1	Fuel Out (1/2" ID x 50")
13	309-0561	1	Switch, Oil Pressure (Opens at 14 Lbs Descending) (S1)				<b>Generator Sets With Fuel Transfer Pump – Feature Option C174</b>
14	151-0411	1	Pickup, Magnetic		501-0662	1	Fuel In (1" ID x 84" – With 90 Deg Female Swivel)
15	800-0090	1	Screw, Cap – Hex Head (1/2-13 x 1")				Fuel Out (3/4" ID x 72" – With 90 Deg Female Swivel)
16	856-0013	1	Washer, Lock – EIT (1/2")		501-0652	1	
17	850-0060	1	Washer, Lock – Spring (1/2")				
18	102-1335	1	Plug, Oil Drain (Special)				
19	508-0292	1	Washer, Sealing – Copper	45	502-1275	1	Strainer, Fuel
20	505-0100	1	Nipple, Pipe (1/2" x 1-1/8")				
21	505-0021	1	Bushing, Pipe – Reducer (3/4" to 1/2")				

\* – Parts Included In 332-1292 Terminal Assembly

**External Engine Parts  
Generator Sets With Detector Control  
DFJA, DFJB Spec M  
DFJC Begin Spec M  
DFJD Begin Spec E**



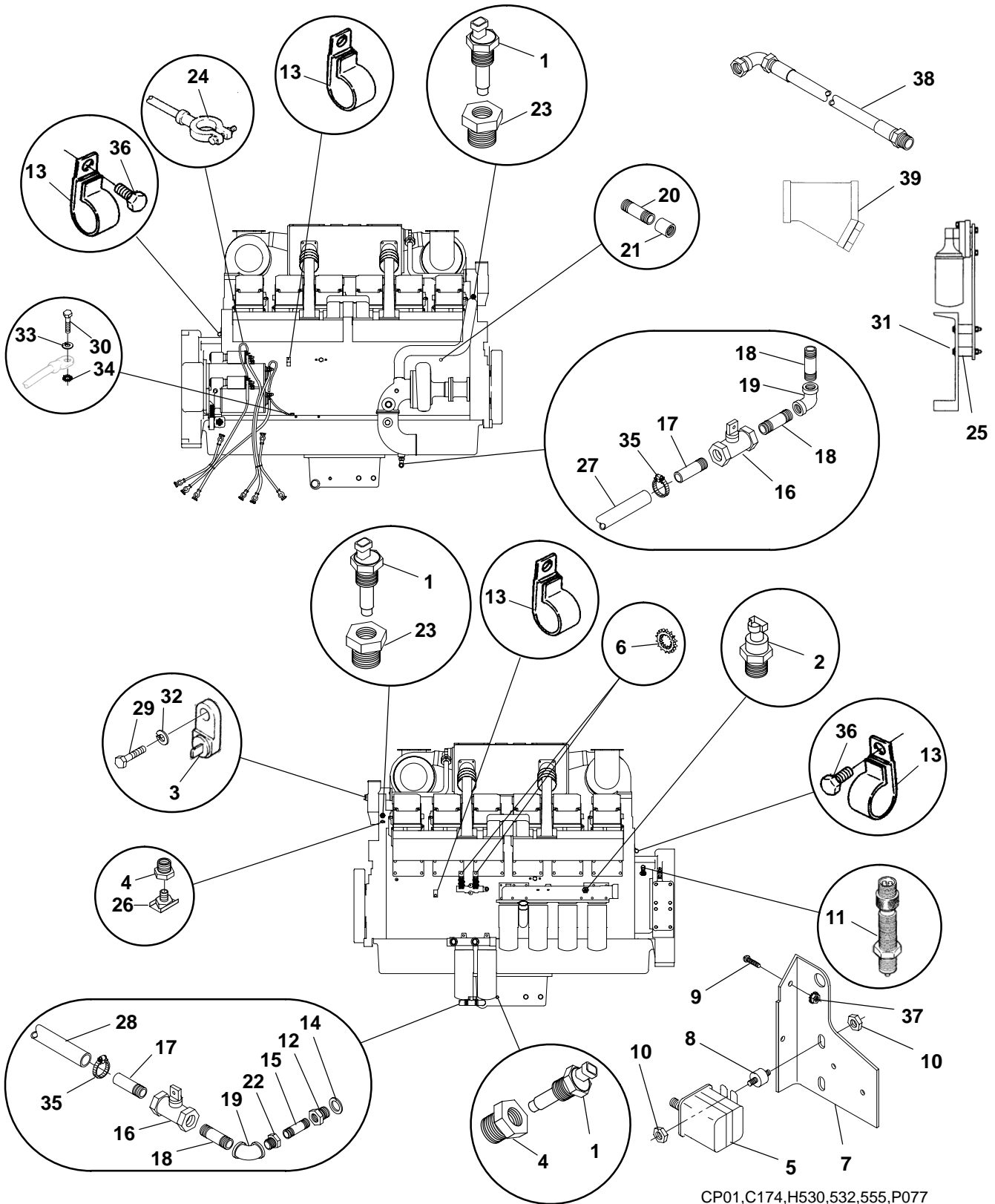
CP01  
C174  
H461,529,542,546,547  
P077



**External Engine Parts  
Generator Sets With Detector Control  
DFJA, DFJB Spec M  
DFJC Begin Spec M  
DFJD Begin Spec E**

REF NO.	PART NO.	QTY USED	PART DESCRIPTION	REF NO.	PART NO.	QTY USED	PART DESCRIPTION
1	309-0269	1	Switch, Temperature – Low Engine Coolant (S4)	19	850-0060	1	Washer, Lock – Spring (1/2")
2	800-0062	1	Screw, Cap – Hex Head (3/8-16 x 4")	20	102-1335	1	Plug, Oil Drain (Special)
3	850-0050	1	Washer, Lock – Spring (3/8")	21	508-0292	1	Washer, Sealing – Copper
4	193-0447-01	1	Sender, Water Temperature (E2)	22	505-0100	1	Nipple, Pipe (1/2" x 1-1/8")
5	503-0189	2	Clamp, Hose	23	505-0021	1	Bushing, Pipe – Reducer (3/4" to 1/2")
6	309-0576	2	Switch, Thermostat – High Engine Coolant Temperature (Opens at 202 Deg F – Closes at 222 Deg F) (S2)	24	503-0249	–	Hose – Bulk (1" ID) (Order By The Foot – 3 Feet Required)
7	505-0019	2	Bushing, Pipe – Reducer (1/2" to 3/8")	25	332-2634	6	Clamp, "J"
8	309-0651-02	1	Switch, Thermostat – High Engine Coolant Temperature (Opens at 190 Deg F – Closes at 214 Deg F) (S6 Pre-Alarm)	26	800-0059	4	Screw, Cap – Hex Head (3/8-16 x 3-1/4")
9	505-0131	2	Bushing, Pipe – Reducer (3/4" to 3/8")	27	505-0007	2	Bushing, Pipe – Reducer (1/4" to 1/8")
10	416-0680	3	Cable, Battery 10" – Starters and Engine Ground (With 2 Ring Terminal Ends)	28	504-0028	1	Cock, Drain (3/8")
	416-0446	2	12-1/2" – Jumper (With Red Colored Battery Boot)	29	856-0010	1	Washer, Lock – EIT (3/8")
	416-0964	2	35" – Battery To Starter (With 1 Ring End And 1 Bolted End)	30	503-0249	–	Hose – Bulk (1" ID) (Order By The Foot – 2 Feet Required)
	416-0639	2	60" – Battery To Starter (With 1 Ring End And 1 Bolted End)	31	504-0171	2	Valve, Shutoff
11	193-0448	1	Sender, Oil Pressure (Includes Parts Marked *) (E1)	32	505-0102	3	Nipple, Pipe (3/4" x 1-3/8")
12	323-1549	1	* Connector, Receptacle – 4 Place	33	505-0324	2	Nipple, Pipe – Half (3/4" x 2")
13	323-1548	1	* Wedge, Receptacle	34	505-0132	2	Elbow, Street – 90 Deg (3/4")
14	323-1492	4	* Socket, Contact	35	130-3660-02	4	Spacer (1/2" ID x 1-3/4")
15	309-0641-07	1	Switch, Oil Pressure (Opens at 20 Lbs Descending) (S5 – Pre-Alarm)	36	505-0071	1	Nipple, Pipe (1/4" x 2")
16	309-0641-03	1	Switch, Oil Pressure (Opens at 14 Lbs Descending) (S1)	37	505-0027	1	Coupling, Pipe (1/4")
17	800-0090	1	Screw, Cap – Hex Head (1/2-13 x 1")	38	307-2167	1	Relay, Solenoid – Start (K2)
18	856-0013	1	Washer, Lock – EIT (1/2")	39	821-0010	2	Screw, Self-Locking – Hex Washer Head (1/4-20 x 1/2")
				40	856-0006	1	Washer, Lock – EIT (1/4")
				41			Line, Fuel – Flexible
							<b>Generator Sets Without Fuel Transfer Pump – Feature Option C174</b>
					501-0522	1	Fuel In (5/8" ID x 50")
					501-0520	1	Fuel Out (1/2" ID x 50")
							<b>Generator Sets With Fuel Transfer Pump – Feature Option C174</b>
					501-0662	1	Fuel In (1" ID x 84" – With 90 Deg Female Swivel)
					501-0652	1	Fuel Out (3/4" ID x 72" – With 90 Deg Female Swivel)
				42	502-1275	1	Strainer, Fuel
							* – Parts Included In 193-0448 Oil Pressure Sender

# External Engine Parts Generator Sets With PowerCommand Control DFJA, DFJB Spec K Through M

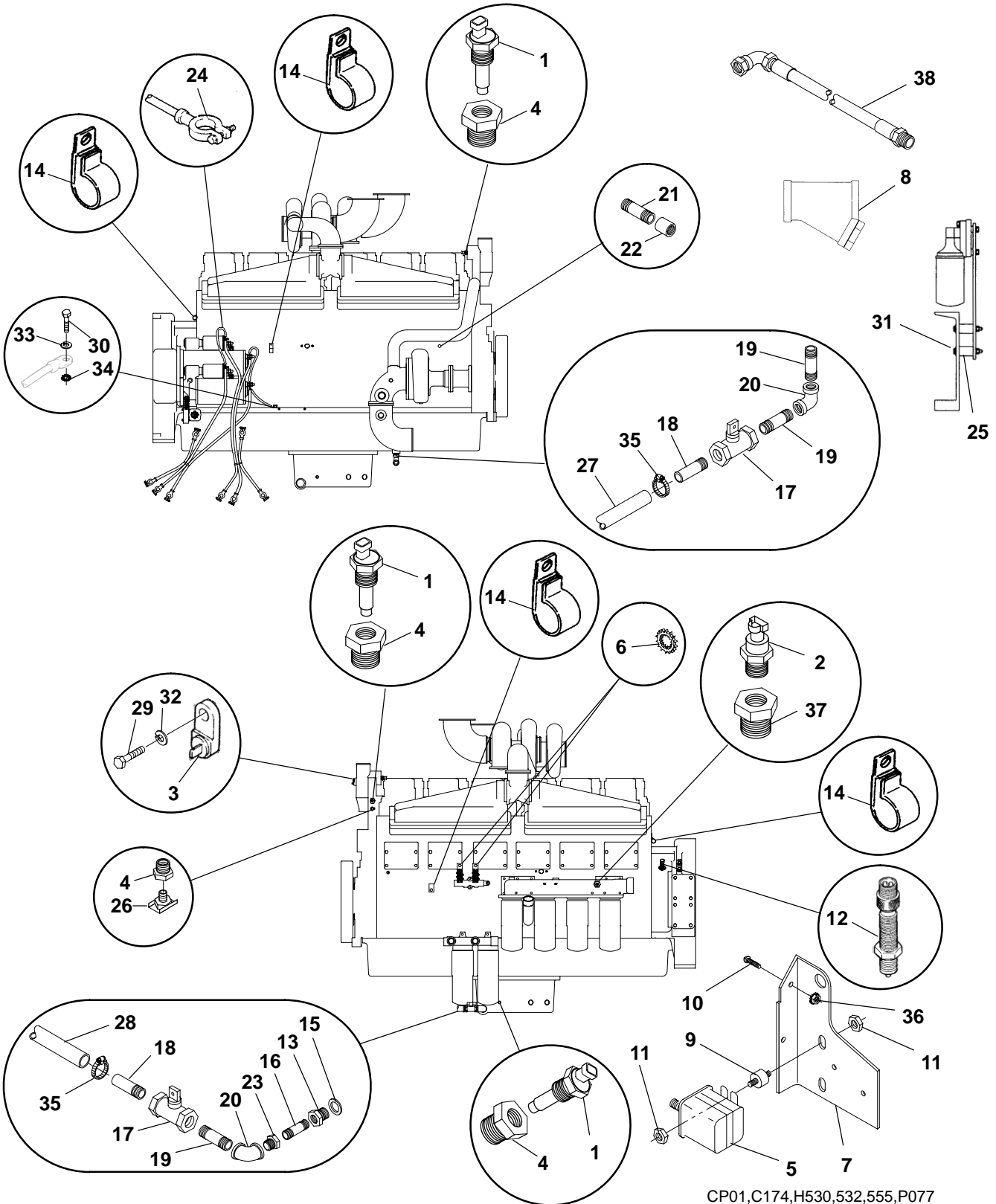


CP01,C174,H530,532,555,P077

**External Engine Parts  
Generator Sets With PowerCommand Control  
DFJA, DFJB Spec K Through M**

REF NO.	PART NO.	QTY USED	PART DESCRIPTION	REF NO.	PART NO.	QTY USED	PART DESCRIPTION
1	193-0432	3	Sender, Oil Temperature (S2 Engine Block, E4 Oil Pan)	25	130-3660-02	4	Spacer (1/2" ID x 1-3/4")
2	193-0444	1	Sender, Oil Pressure (S1)	26	504-0028	1	Cock, Drain (3/8")
3	309-0269	1	Switch, Temperature - Low Engine Coolant (S4)	27	503-0249	-	Hose - Bulk (1" ID) (Order By The Foot - 2 Feet Required)
4	505-0019	2	Bushing, Pipe - Reducer (1/2" to 3/8")	28	503-0249	-	Hose - Bulk (1" ID) (Order By The Foot - 3 Feet Required)
5	307-2621-02	1	Solenoid, Pilot (K4)	29	800-0061	1	Screw, Cap - Hex Head (3/8-16 x 3-3/4")
6	856-0010	2	Washer, Lock - EIT (3/8")	30	800-0090	1	Screw, Cap - Hex Head (1/2-13 x 1")
7	319-2236	1	Bracket, Mounting	31	800-0059	4	Screw, Cap - Hex Head (3/8-16 x 3-1/4")
8	402-0610	2	Isolator, Vibration	32	850-0050	1	Washer, Lock - Spring (3/8")
9	812-0067	2	Screw, Machine - Round Head (#6-32 x 7/8")	33	850-0060	1	Washer, Lock - Spring (1/2")
10	870-0212	4	Nut, Locking (1/4-20)	34	856-0013	1	Washer, Lock - EIT (1/2")
11	151-0411	1	Pickup, Magnetic	35	503-0189	2	Clamp, Hose
12	102-1335	1	Plug, Oil Drain	36	821-0033	2	Screw, Self-Locking - Hex Washer Head (7/16-14 x 3/4")
13	332-2634	3	Clamp, "J"	37	870-0183	2	Nut, Hex - W/ET (#6-32)
14	508-0292	1	Washer, Sealing - Copper	38			Line, Fuel - Flexible
15	505-0100	1	Nipple, Pipe - Close (1/2" x 1-1/8")				<b>Generator Sets Without Fuel Transfer Pump - Feature Option C174</b>
16	504-0171	2	Valve, Shutoff		501-0522	1	Fuel In (5/8" ID x 50")
17	505-0324	2	Nipple, Pipe - Half (3/4" x 2")		501-0520	1	Fuel Out (1/2" ID x 50")
18	505-0102	3	Nipple, Pipe (3/4" x 1-3/8")				<b>Generator Sets With Fuel Transfer Pump - Feature Option C174</b>
19	505-0132	2	Elbow, Pipe - 90 Deg (3/4")		501-0662	1	Fuel In (1" ID x 84" - With 90 Deg Female Swivel)
20	505-0071	1	Nipple, Pipe (1/4" x 2")		501-0652	1	Fuel Out (3/4" ID x 72" - With 90 Deg Female Swivel)
21	505-0027	1	Coupling, Pipe (1/4")				
22	505-0021	1	Bushing, Pipe - Reducer (3/4" to 1/2")	39	502-1275	1	Strainer, Fuel
23	505-0131	2	Bushing, Pipe - Reducer (3/4" to 3/8")				
24			Cable, Battery				
	416-0680	3	<b>10"</b> - Starters and Engine Ground (With 2 Ring Terminal Ends)				
	416-0446	2	<b>12-1/2"</b> - Jumper (With Red Colored Battery Boot)				
	416-0964	2	<b>35"</b> - Battery To Starter (With 1 Ring End And 1 Bolted End)				
	416-0639	2	<b>60"</b> - Battery To Starter (With 1 Ring End And 1 Bolted End)				

**External Engine Parts  
Generator Sets With PowerCommand Control  
DFJC Begin Spec K  
DFJD Begin Spec C**

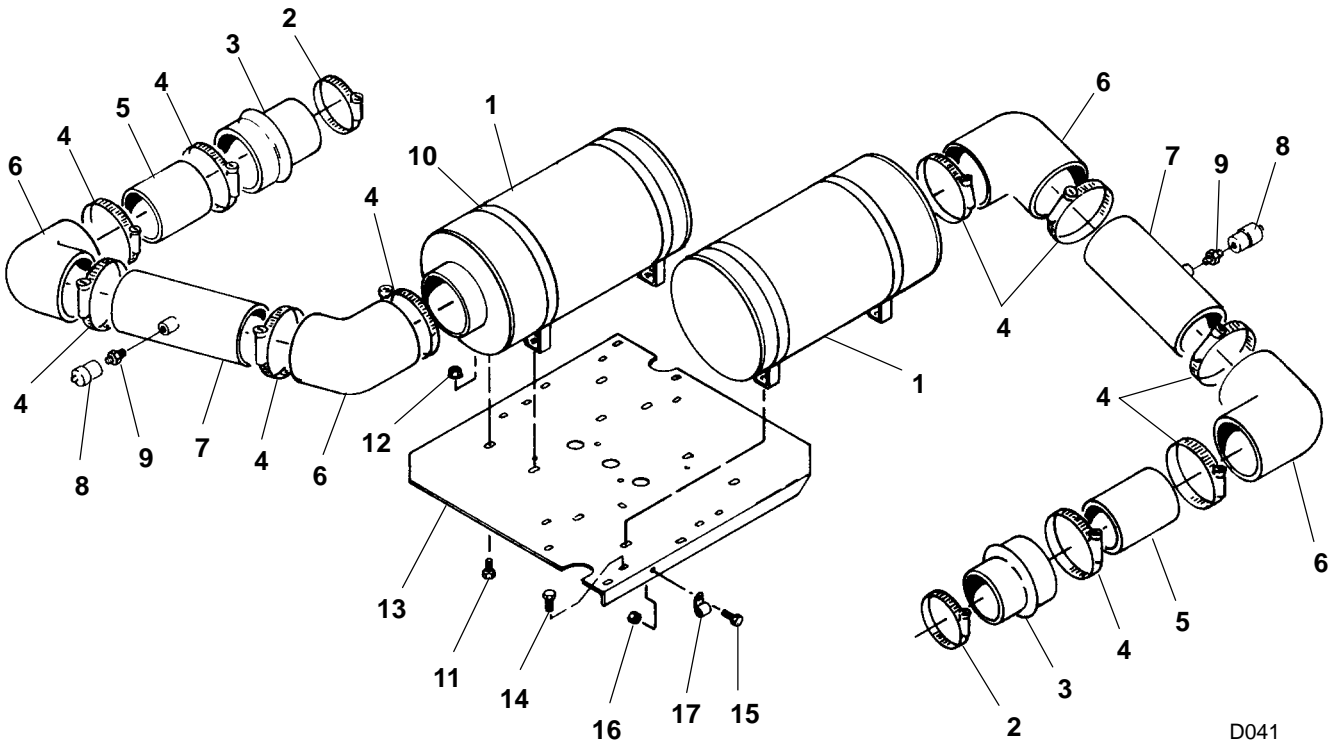


CP01,C174,H530,532,555,P077

**External Engine Parts**  
**Generator Sets With PowerCommand Control**  
**DFJC Begin Spec K**  
**DFJD Begin Spec C**

REF NO.	PART NO.	QTY USED	PART DESCRIPTION	REF NO.	PART NO.	QTY USED	PART DESCRIPTION
1	193-0432	3	Sender, Oil Temperature (S2 Engine Block, E4 Oil Pan)	25	130-3660-02	4	Spacer (1/2" ID x 1-3/4")
2	193-0444	1	Sender, Oil Pressure (S1)	26	504-0028	1	Cock, Drain (3/8")
3	309-0269	1	Switch, Temperature – Low Engine Coolant (S4)	27	503-0249	–	Hose – Bulk (1" ID) (Order By The Foot – 2 Feet Required)
4	505-0019	2	Bushing, Pipe – Reducer (1/2" to 3/8")	28	503-0249	–	Hose – Bulk (1" ID) (Order By The Foot – 3 Feet Required)
5	307-2621-02	1	Solenoid, Pilot (K4)	29	800-0061	1	Screw, Cap – Hex Head (3/8-16 x 3-3/4")
6	856-0010	2	Washer, Lock – EIT (3/8")	30	800-0090	1	Screw, Cap – Hex Head (1/2-13 x 1")
7	319-2236	1	Bracket, Mounting	31	800-0059	4	Screw, Cap – Hex Head (3/8-16 x 3-1/4")
8	502-1275	1	Strainer, Fuel	32	850-0050	1	Washer, Lock – Spring (3/8")
9	402-0610	2	Isolator, Vibration	33	850-0060	1	Washer, Lock – Spring (1/2")
10	812-0067	2	Screw, Machine – Round Head (#6-32 x 7/8")	34	856-0013	1	Washer, Lock – EIT (1/2")
11	870-0212	4	Nut, Locking (1/4-20)	35	503-0189	2	Clamp, Hose
12	151-0411	1	Pickup, Magnetic	36	870-0183	2	Nut, Hex – W/ET (#6-32)
13	102-1335	1	Plug, Oil Drain	37	505-0007	1	Bushing, Pipe – Reducer (1/4" to 1/8")
14	332-2634	3	Clamp, "J"	38			Line, Fuel – Flexible
15	508-0292	1	Washer, Sealing – Copper				<b>Generator Sets Without Fuel Transfer Pump – Feature Option C174</b>
16	505-0100	1	Nipple, Pipe – Close (1/2" x 1-1/8")				Fuel In (5/8" ID x 50")
17	504-0171	2	Valve, Shutoff				Fuel Out (1/2" ID x 50")
18	505-0324	2	Nipple, Pipe – Half (3/4" x 2")				<b>Generator Sets With Fuel Transfer Pump – Feature Option C174</b>
19	505-0102	3	Nipple, Pipe (3/4" x 1-3/8")				Fuel In (1" ID x 84" – With 90 Deg Female Swivel)
20	505-0132	2	Elbow, Pipe – 90 Deg (3/4")				Fuel Out (3/4" ID x 72" – With 90 Deg Female Swivel)
21	505-0071	1	Nipple, Pipe (1/4" x 2")		501-0522	1	
22	505-0027	1	Coupling, Pipe (1/4")		501-0520	1	
23	505-0021	1	Bushing, Pipe – Reducer (3/4" to 1/2")				
24			Cable, Battery				
	416-0680	3	<b>10"</b> – Starters and Engine Ground (With 2 Ring Terminal Ends)		501-0662	1	
	416-0446	2	<b>12-1/2"</b> – Jumper (With Red Colored Battery Boot)		501-0652	1	
	416-0964	2	<b>35"</b> – Battery To Starter (With 1 Ring End And 1 Bolted End)				
	416-0639	2	<b>60"</b> – Battery To Starter (With 1 Ring End And 1 Bolted End)				

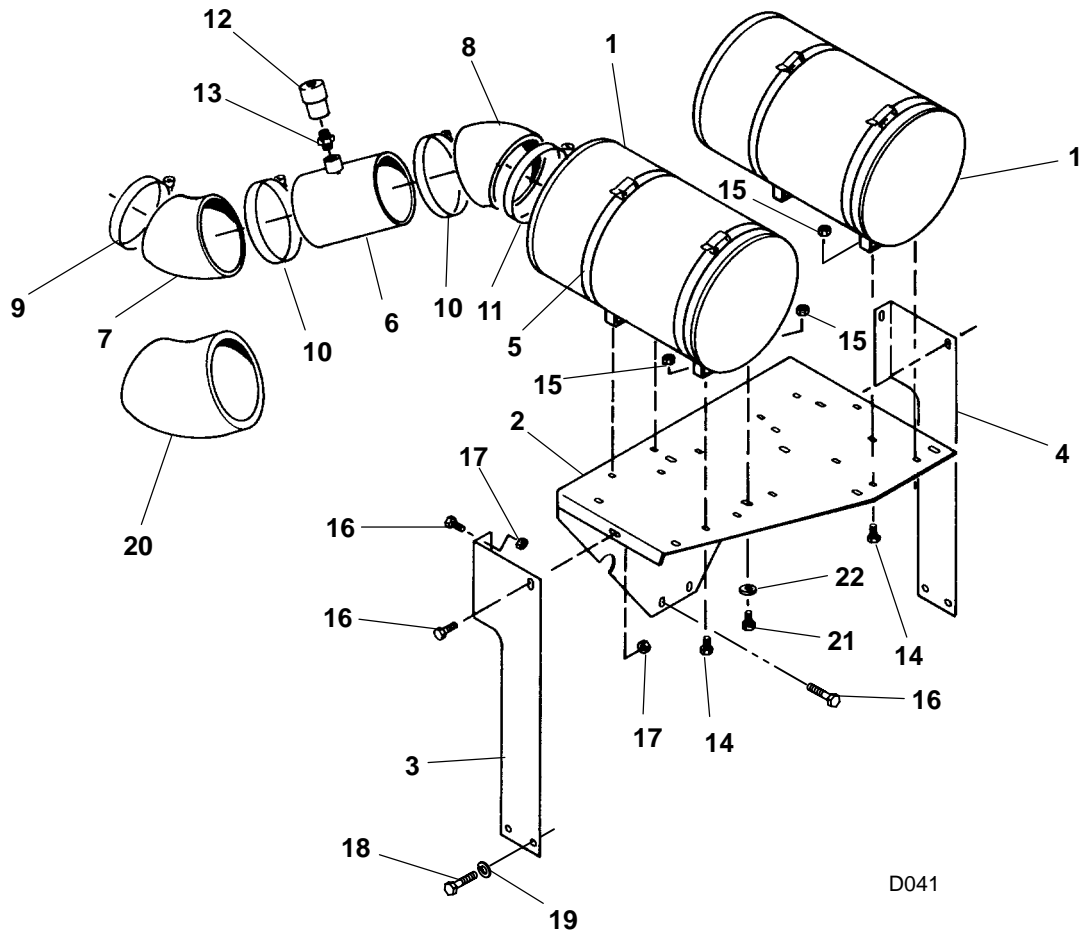
# Air Cleaner Standard DFJA, DFJB



D041

REF NO.	PART NO.	QTY USED	PART DESCRIPTION	REF NO.	PART NO.	QTY USED	PART DESCRIPTION
1	140-2501	2	Cleaner, Air (Disposable)	12	870-0281	8	Nut, Hex – Locking (3/8-16)
2	503-1870-11	2	Clamp, Hose	13	140-2515	1	Bracket, Mounting
3	503-1675	2	Hose, Rubber – Reducer (7" ID to 5" ID)	14	821-0033	8	Screw, Self-Locking – Hex Washer Head (7/16-14 x 3/4")
4	503-1870-14	10	Clamp, Hose	15	821-0016	2	Screw, Self-Locking – Hex Washer Head (5/16-18 x 3/4")
5	140-2519	2	Tube, Air Inlet (7" x 9")	16	870-0257	2	Nut, Hex – Locking (5/16-18)
6	503-0970	4	Elbow (90 Deg)	17	518-0548-08	2	Clamp, "J"
7	140-2509	2	Tube, Air Inlet				
8	140-1548	2	Indicator, Service				
9	140-1260	2	Fitting, Safety Filter				
10	140-2502	4	Band, Mounting				
11	821-0029	8	Screw, Self-Locking – Hex Washer Head (3/8-16 x 3/4")				

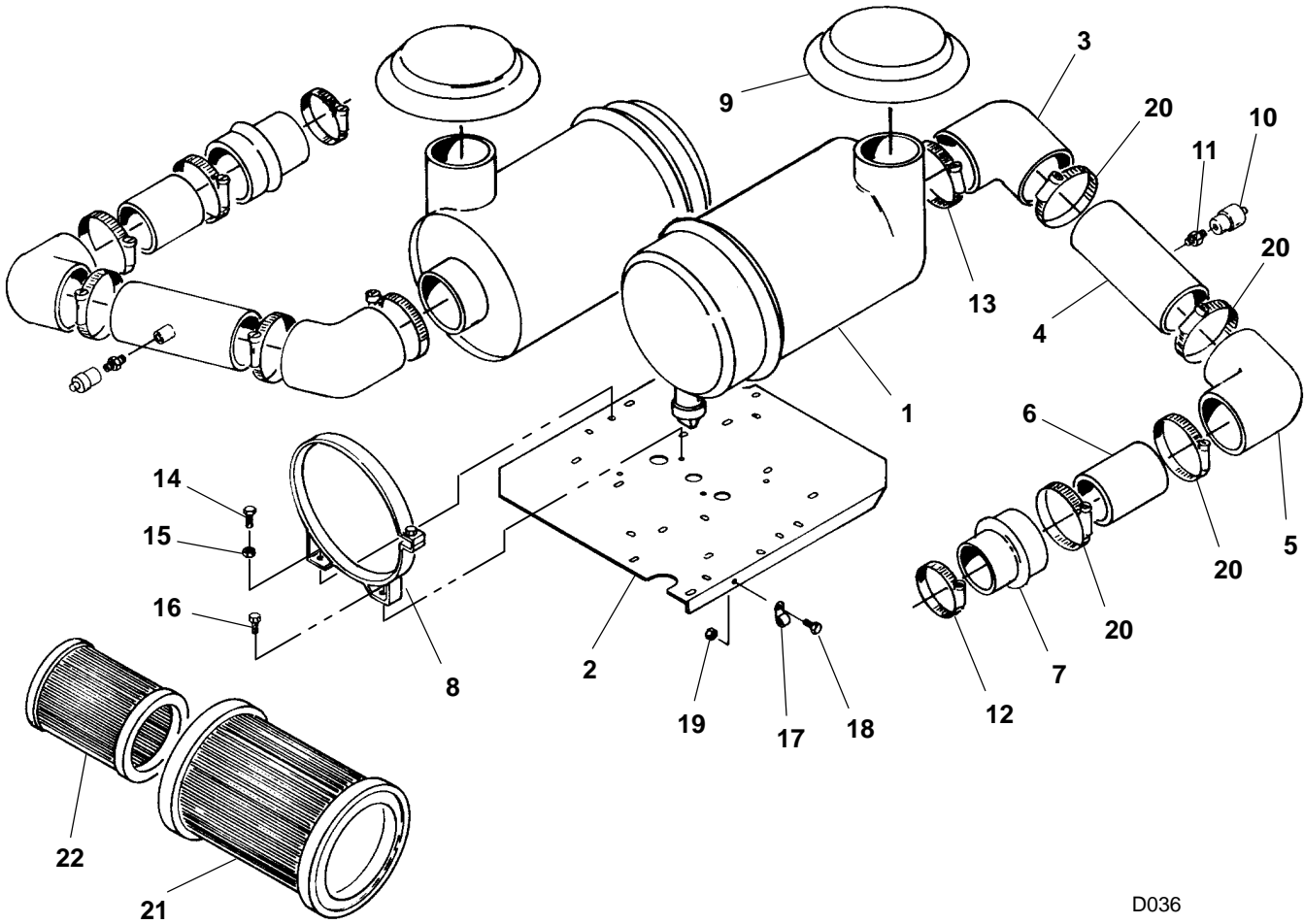
# Air Cleaner Standard DFJC, DFJD



D041

REF NO.	PART NO.	QTY USED	PART DESCRIPTION	REF NO.	PART NO.	QTY USED	PART DESCRIPTION
1	140-2501	2	Cleaner, Air (Disposable)	14	821-0029	7	Screw, Self-Locking – Hex Washer Head (3/8-16 x 3/4")
2	140-2514	1	Bracket, Mounting	15	870-0281	8	Nut, Locking – Hex (3/8-16)
3	140-2504-01	1	Bracket – Right Side	16	821-0033	6	Screw, Self-Locking – Hex Washer Head (7/16-14 x 3/4")
4	140-2504-02	1	Bracket – Left Side	17	870-0437	4	Nut, Locking – Hex (7/16-14)
5	140-2502	4	Band, Mounting	18	800-0153	4	Screw, Cap – Hex Head (3/4-10 x 1-1/2")
6	140-2688	2	Tube, Air Inlet	19	850-0079	4	Washer, Lock – Spring (3/4")
7	503-1722	2	Elbow, Reducer (45 Deg) (6" ID to 5-1/2" ID)	20	140-2528	1	Shield
8	503-1717	2	Elbow, Reducer (45 Deg) (7" ID to 6" ID)	21	821-0030	1	Screw, Self-Locking – Hex Washer Head (3/8-16 x 1")
9	503-1870-10	2	Clamp, Hose	22	526-0124	1	Washer, Flat (3/8")
10	503-1870-12	4	Clamp, Hose				
11	503-1870-14	2	Clamp, Hose				
12	140-1548	2	Indicator, Service				
13	140-1260	2	Fitting, Service Indicator				

# Air Cleaner Heavy Duty DFJA, DFJB

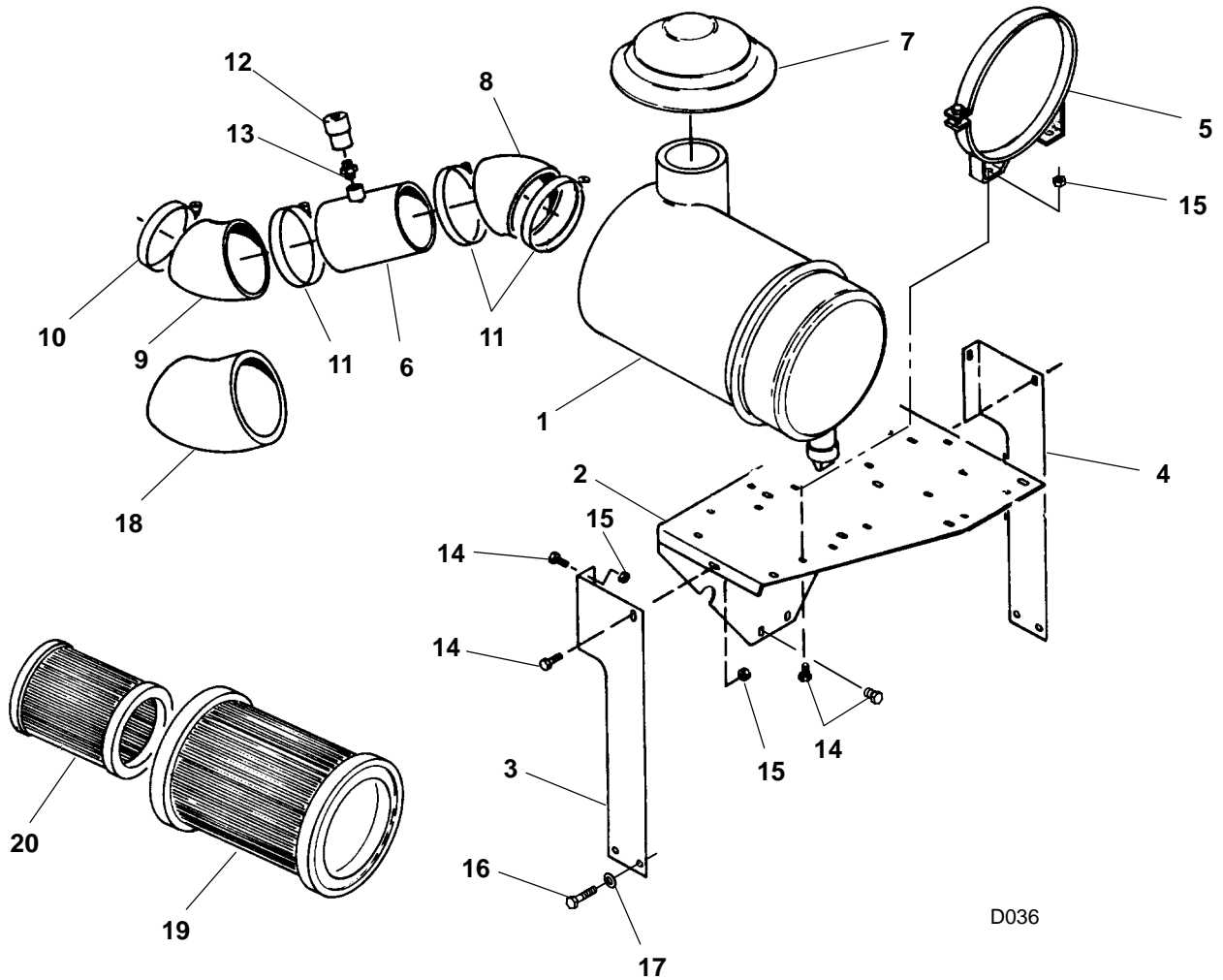


D036

REF NO.	PART NO.	QTY USED	PART DESCRIPTION	REF NO.	PART NO.	QTY USED	PART DESCRIPTION
1	140-2301	2	Cleaner, Air (Includes Elements)	13	503-1870-12	2	Clamp, Hose
2	140-2515	1	Bracket, Mounting	14	800-0033	12	Screw, Cap – Hex Head (7/16-14 x 3/4")
3	503-1703	2	Elbow, Reducer – Rubber (90 Deg) (7" to 6")	15	870-0437	6	Nut, Locking – Hex (7/16-14)
4	140-2509	2	Tube, Air Inlet	16	821-0028	2	Screw, Self-Locking – Hex Washer Head (3/8-16 x 1/2")
5	503-0970	2	Elbow (90 Deg)	17	332-2634	2	Clamp, "J"
6	140-2519	2	Tube, Air Inlet (7" x 9")	18	821-0018	2	Screw, Self-Locking – Hex Washer Head (1/4-20 x 5/8")
7	503-1675	2	Hose, Reducer – Rubber (7" ID to 5-1/2" ID)	19	870-0212	2	Nut, Locking – Hex (1/4-20)
8	140-2052	4	Band, Mounting	20	503-1870-14	8	Clamp, Hose
9	140-1545	2	Hood, Air Inlet	21	140-2465	2	Element, Primary (Outer)
10	140-1548	2	Indicator, Service	22	140-2466	2	Element, Safety (Inner)
11	140-1260	2	Fitting, Safety Filter				
12	503-1870-11	2	Clamp, Hose				



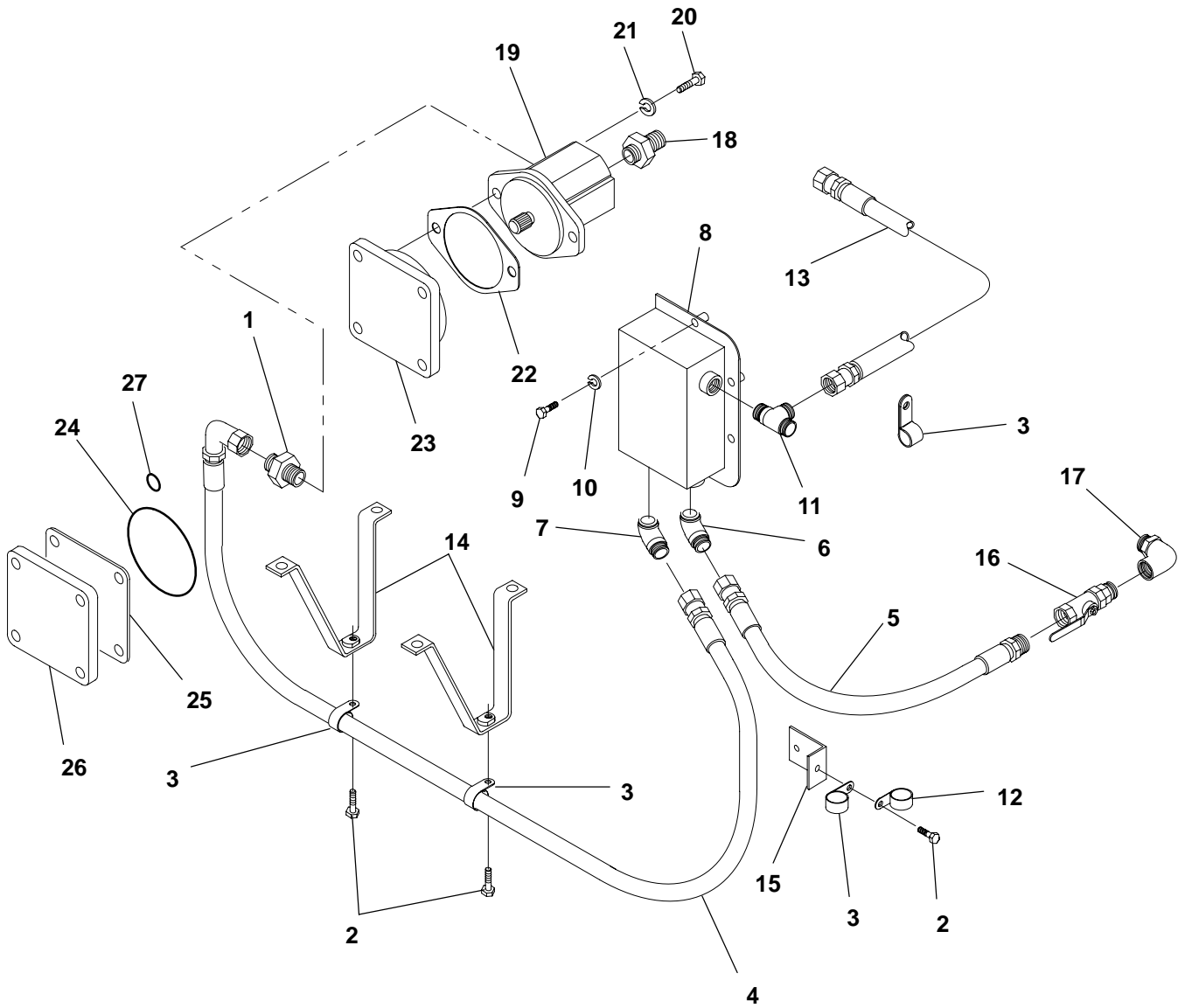
**Air Cleaner  
Heavy Duty  
DFJC, DFJD**



D036

REF NO.	PART NO.	QTY USED	PART DESCRIPTION	REF NO.	PART NO.	QTY USED	PART DESCRIPTION
1	140-2301	2	Cleaner, Air (Includes Elements)	11	503-1870-12	6	Clamp, Hose
2	140-2514	1	Bracket, Mounting	12	140-1548	2	Indicator, Service
3	140-2504-01	1	Bracket - Right Side	13	140-1260	2	Fitting, Service Indicator
4	140-2504-02	1	Bracket - Lift Side	14	821-0033	14	Screw, Self-Locking - Hex Washer Head (7/16-14 x 3/4")
5	140-2052	4	Band, Mounting	15	870-0437	12	Nut, Locking - Hex (7/16-14)
6	140-2520	2	Tube, Air Inlet	16	800-0152	4	Screw, Cap - Hex Head (3/4-10 x 1-1/4")
7	140-1545	2	Hood, Air Inlet	17	850-0079	4	Washer, Lock - Spring (3/4")
8	503-1723	2	Elbow, Rubber - (45 Deg) (6")	18	140-2528	1	Shield
9	503-1722	2	Elbow, Reducer (45 Deg) (6" ID to 5-1/2" ID)	19	140-2465	2	Element, Primary (Outer)
10	503-1870-10	2	Clamp, Hose	20	140-2466	2	Element, Safety (Inner)

**Fuel Transfer Pump  
DFJA, DFJB Spec L and M  
DFJC Begin Spec L  
DFJD Begin Spec D**

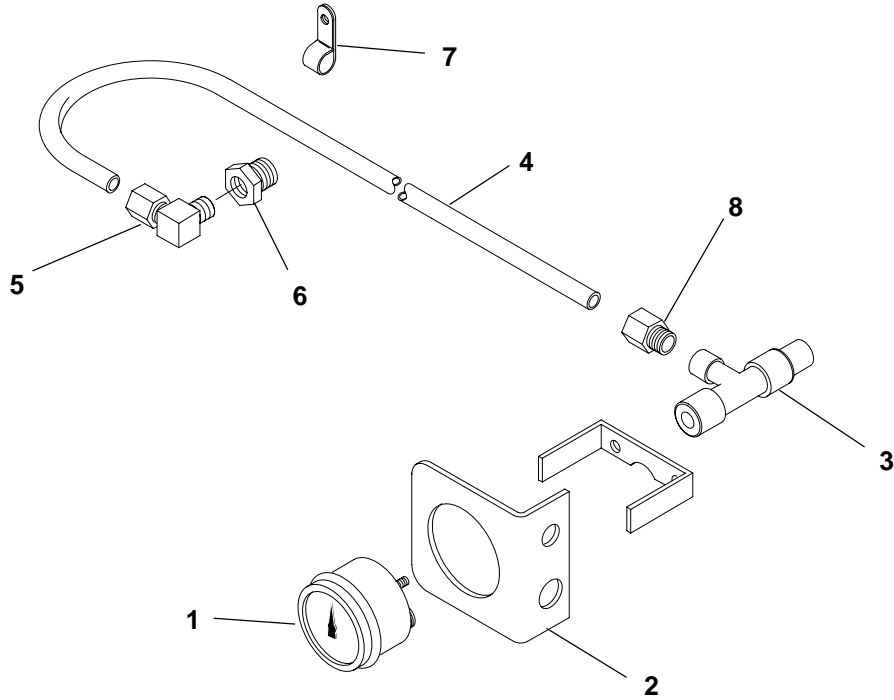


C174

**Fuel Transfer Pump  
DFJA, DFJB Spec L and M  
DFJC Begin Spec L  
DFJD Begin Spec D**

REF NO.	PART NO.	QTY USED	PART DESCRIPTION	REF NO.	PART NO.	QTY USED	PART DESCRIPTION
1	502-1267	1	Connector, Straight (7/8-14 x 1-3/16-12)	12	518-0633	1	Clamp, "J"
2	821-5004-02	3	Screw, Self-Locking - Hex Washer Head (3/8-16 x 3/4")	13	501-0654	1	Line, Fuel - Flexible (3/4" ID x 40")
3	518-0548-29	5	Clamp, Hose	14	159-1450	2	Bracket
4	501-0651	1	Line, Fuel - Flexible (3/4" ID x 67")	15	159-1448	1	Bracket
5	501-0653	1	Line, Fuel - Flexible (1" ID x 26")	16	502-1270	1	Valve, Shutoff
6	502-1266-02	1	Elbow - 45 Deg (1-5/16-12 x 1-7/16-12)	17	502-1271	1	Elbow - 90 Deg (1-5/16-12 x 1-5/16-12)
7	502-1266-01	1	Elbow - 45 Deg (1-1/16-12 x 1-3/16-12)	18	502-1268	1	Connector, Straight (7/8-14 x 1-5/16-12)
8	159-1445	1	Reservoir, Fuel	19	159-1451	1	Pump, Fuel Transfer
9	800-0081	2	Screw, Cap - Hex Head (7/16-14 x 3-1/2")	20	800-0050	2	Screw, Cap - Hex Head (3/8-16 x 1")
10	850-0055	2	Washer, Lock - Spring (7/16")	21	850-0050	2	Washer, Lock - Spring (3/8")
11	502-1269	1	Tee (1-3/16-12 x 1-3/16-12 x 1-1/16-12)	22	121-0113	1	Gasket, Pump
				23	121-0111	1	Drive, Pump
				24	509-0336	1	Seal, O-Ring
				25	121-0117	1	Gasket, Hand Hole
				26	121-0116	1	Cover, Hand Hole
				27	509-0337	1	Seal, O-Ring

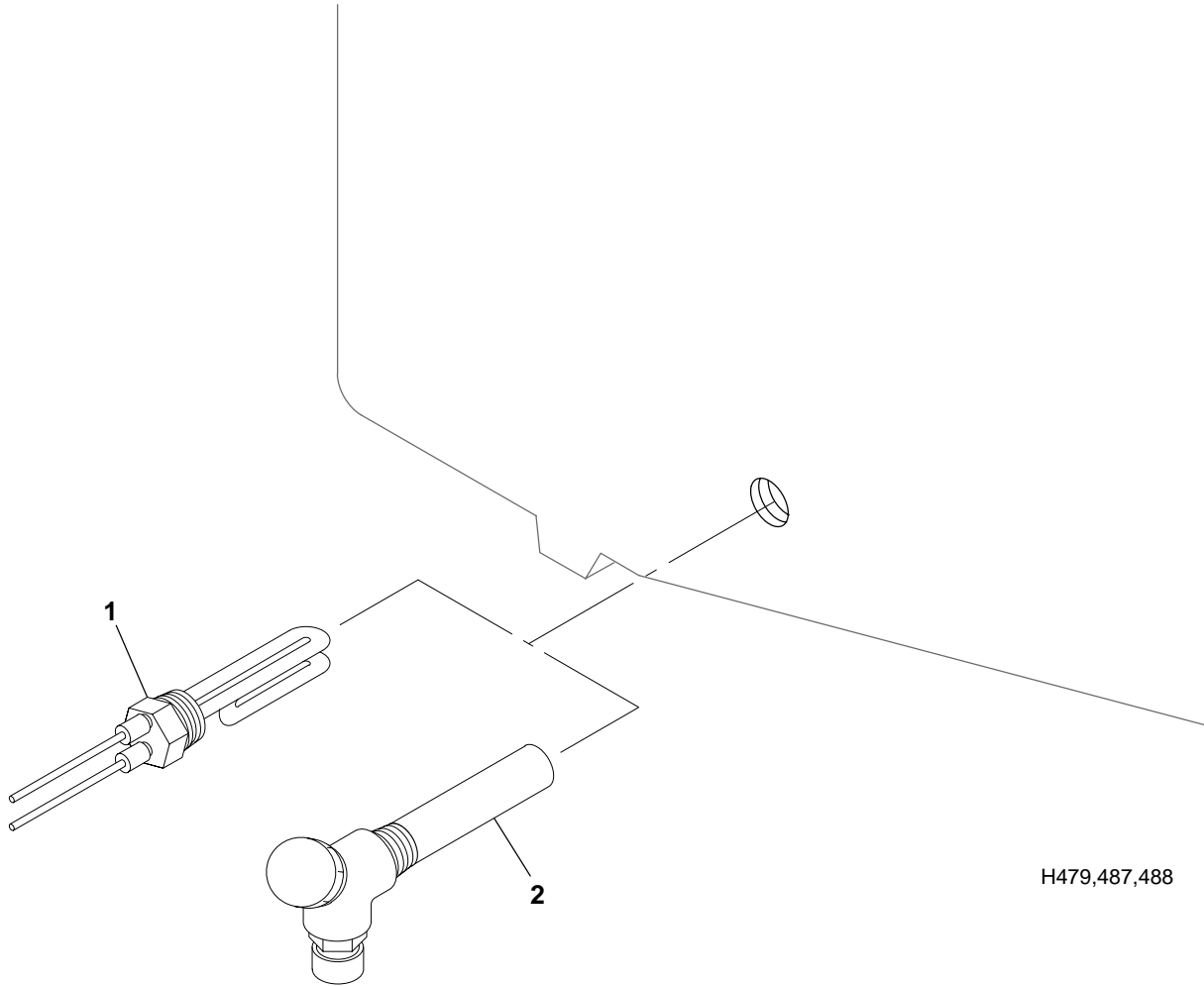
## Fuel Pressure Gauge



H095

REF NO.	PART NO.	QTY USED	PART DESCRIPTION	REF NO.	PART NO.	QTY USED	PART DESCRIPTION
1	193-0128	1	Gauge, Fuel Pressure (Includes Mounting Hardware)	6	505-0007	1	Bushing, Pipe – Reducer (1/4" to 1/8")
2	193-0029	1	Bracket, Mounting	7	518-0350	2	Clamp, Insulated
3	504-0064	1	Valve	8	502-0067	1	Connector, Compression – Male
4	149-2291-01	1	Tube, Copper (82")				
5	502-0034	1	Elbow, Compression – 90 Deg (Includes Nut and Ring)				

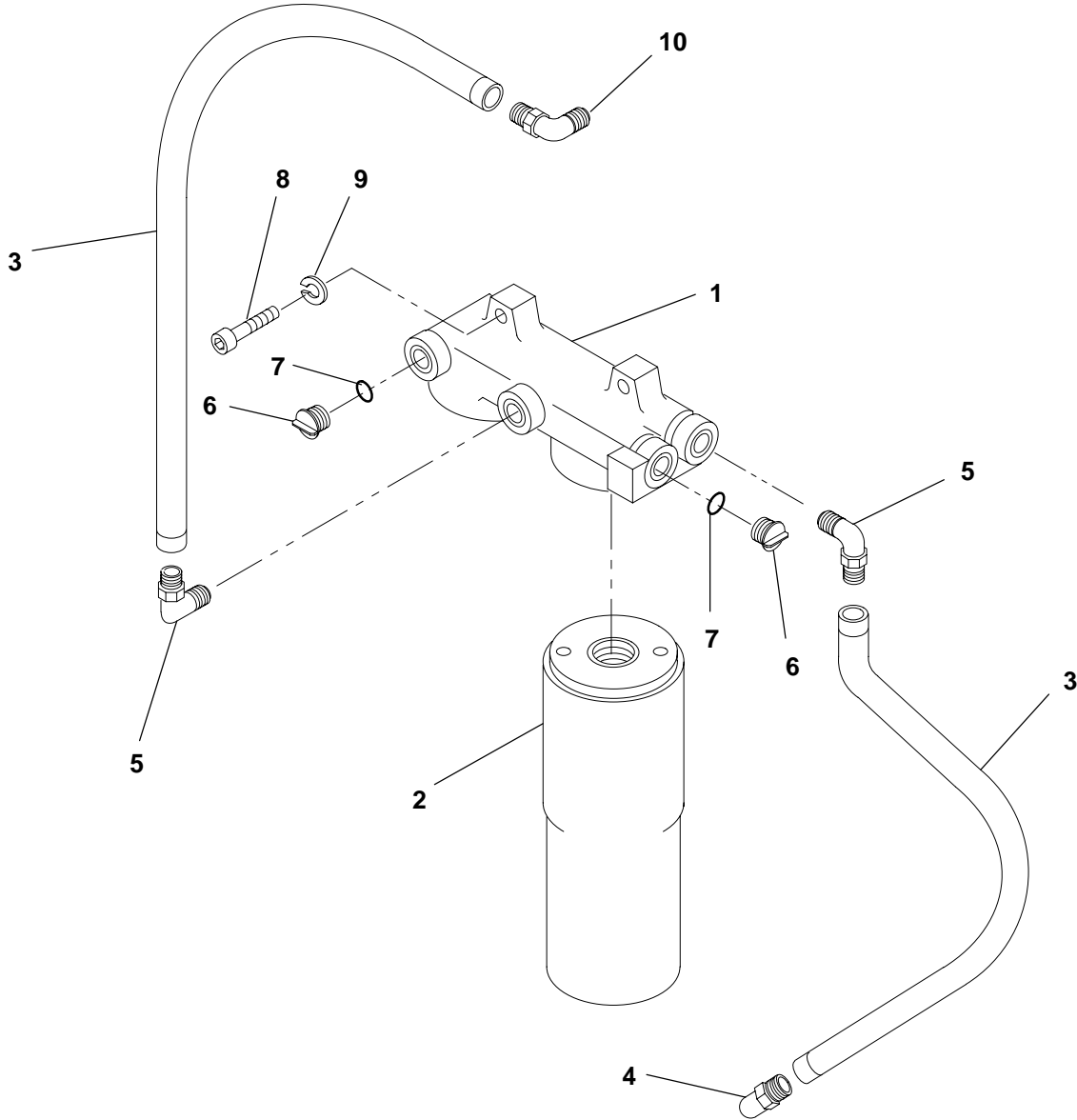
# Oil Pan Heater



H479,487,488

REF NO.	PART NO.	QTY USED	PART DESCRIPTION	REF NO.	PART NO.	QTY USED	PART DESCRIPTION
1			Heater, Oil (300 Watt)	2			Heater, Oil (300 Watt, 480 Volt)
	333-0407-02	1	120 Volt		333-0407-05	1	
	333-0407-04	1	240 Volt				

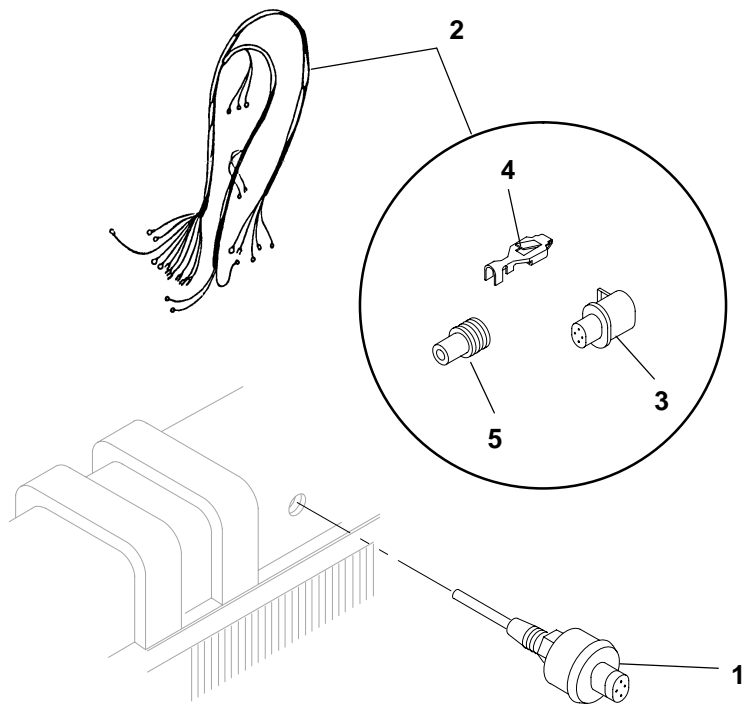
## Oil Bypass Filter



H393

REF NO.	PART NO.	QTY USED	PART DESCRIPTION	REF NO.	PART NO.	QTY USED	PART DESCRIPTION
1	122-0776	1	Head, Oil Filter	7	509-0272-01	2	Seal, O-Ring
2	122-0777	2	Element, Oil Filter	8	800-0075	2	Screw, Cap – Hex Head (7/16-14 x 2")
3	501-0537-49	2	Hose, Flexible (18")	9	850-0055	2	Washer, Lock – Spring (7/16")
4	502-1043-12	1	Elbow, Male Adapter	10	502-1072-30	1	Elbow, Male Union
5	502-1072-14	2	Elbow, Male Union				
6	505-1428	2	Plug, O-Ring				

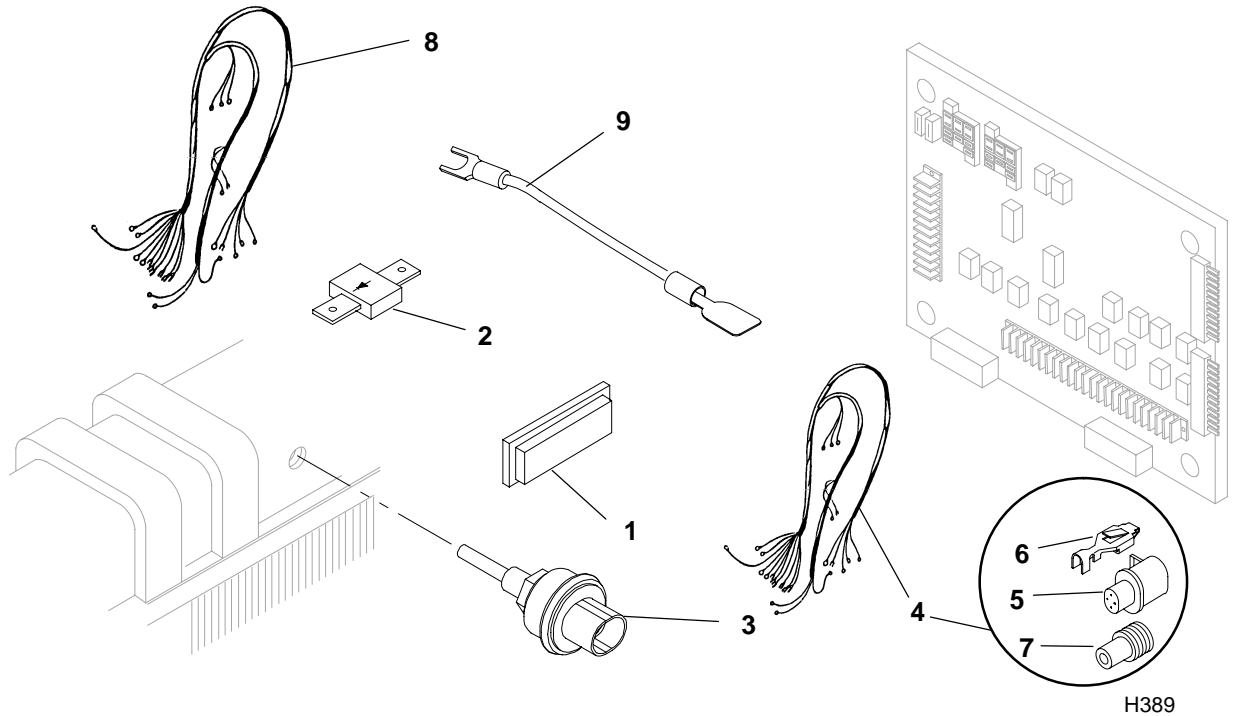
**Low Coolant Level Sender  
Without Continuously Monitored Low Coolant Level  
Generator Sets With Radiator Cooling**



H389,527

REF NO.	PART NO.	QTY USED	PART DESCRIPTION	REF NO.	PART NO.	QTY USED	PART DESCRIPTION
	193-0481	1	Sender Assembly – Low Coolant Level (Includes Parts Marked *)	4	323-1709	4	*# Socket, Contact
1	193-0468	1	* Sender, Low Coolant Level (S7)	5	323-1708	4	*# Seal, Cable
2	338-3594	1	* Harness, Wiring – Pigtail – Low Coolant Level Sender (Includes Parts Marked #)	* – Parts Included In 193-0481 Low Coolant Level Sender Assembly			
3	323-1765	1	*# Connector, Housing – 4 Pin (S3)	# – Parts Included In 338-3594 Pigtail Wiring Harness			

**Low Coolant Level Sender  
With Continuously Monitored Low Coolant Level  
12 Light Indicator Controls  
Generator Sets With Radiator Cooling**



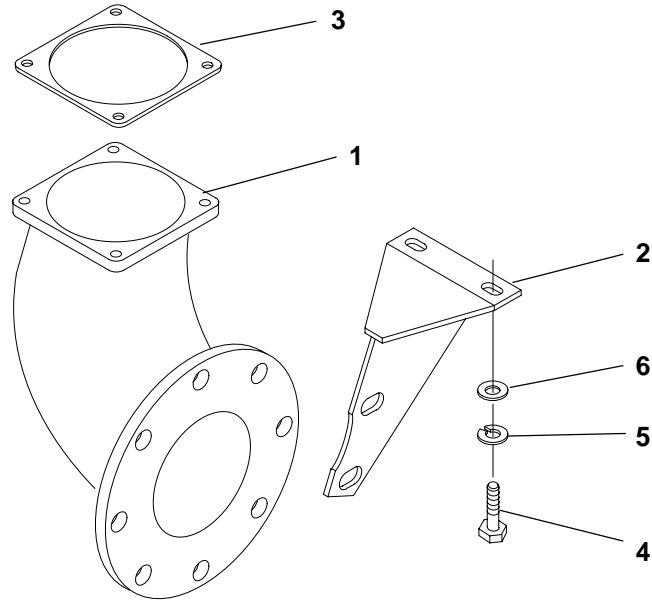
H389

REF NO.	PART NO.	QTY USED	PART DESCRIPTION	REF NO.	PART NO.	QTY USED	PART DESCRIPTION
	193-0481	1	Sender Assembly – Low Coolant Level (Includes Parts Marked *)	6	323-1709	4	*# Socket, Contact
1	322-0431-07	1	Lens, Indicator Light (Marked "Coolant Lo")	7	323-1708	4	*# Seal, Cable
2	357-0030	1	Diode (6 Amp)	8	338-3035-02	1	Harness, Wiring (3 Wire, 308") (S7 to A11)
3	193-0468	1	* Sender, Low Coolant Level (S7)	9	226-4661-02	2	Lead (4") (No Markings) (A11TB2-1 to Diode and A11TB2-16 to Diode)
4	338-3594	1	* Harness, Wiring – Low Coolant Level Sender (Pigtail – 6") (Includes Parts Marked #) (S3 to S3)				
5	323-1765	1	*# Connector, Housing – 4 Pin (S3)				

\* – Parts Included In 193-0481 Low Coolant Level Sender Assembly  
# – Parts Included In 338-3594 Pigtail Wiring Harness



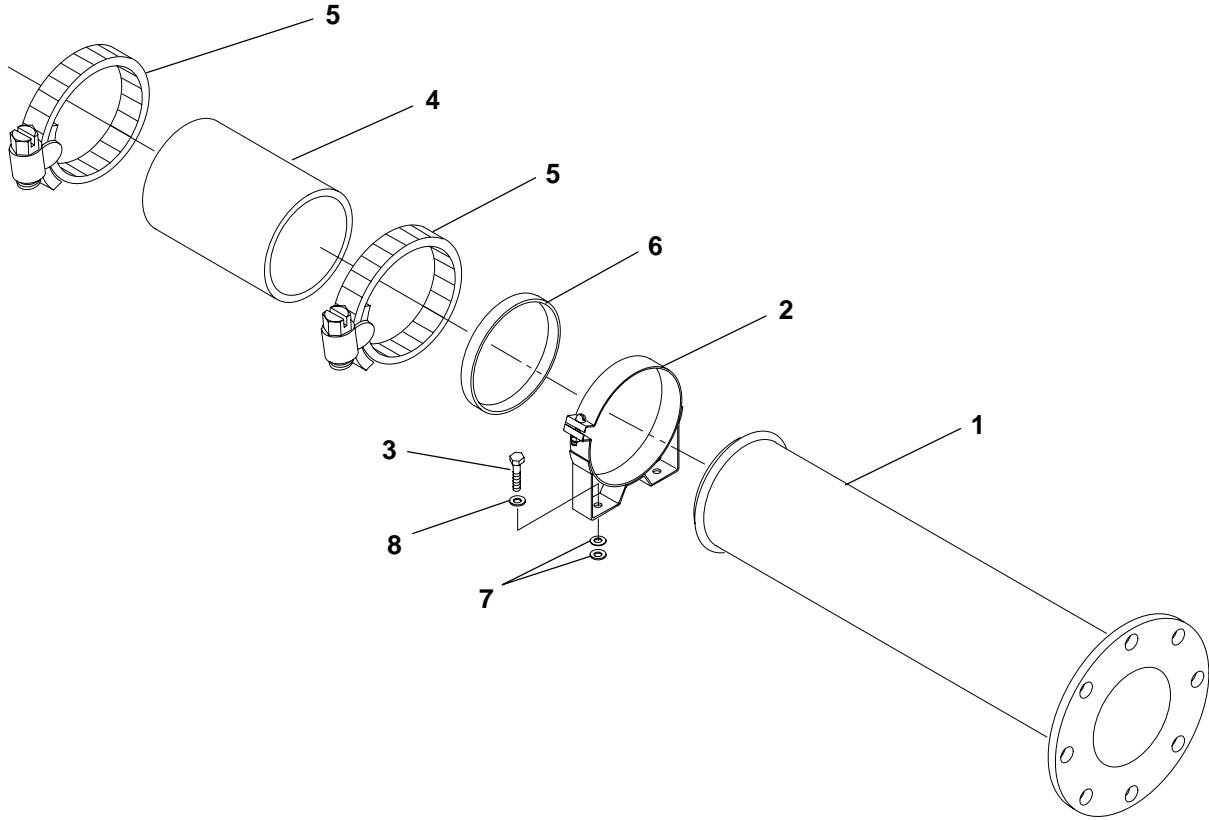
**Water Inlet**  
**DFJA, DFJB, DFJC Spec J Through L**  
**DFJD Spec B Through D**



E038

REF NO.	PART NO.	QTY USED	PART DESCRIPTION	REF NO.	PART NO.	QTY USED	PART DESCRIPTION
1	130-3681	1	Connection, Water Inlet	5	850-0060	2	Washer, Lock – Spring (1/2")
2	130-3682	1	Brace, Connection	6	526-0028	2	Washer, Flat (1/2")
3	130-3685	1	Gasket				
4	800-0091	2	Screw, Cap – Hex Head (1/2-13 x 1-1/4")				

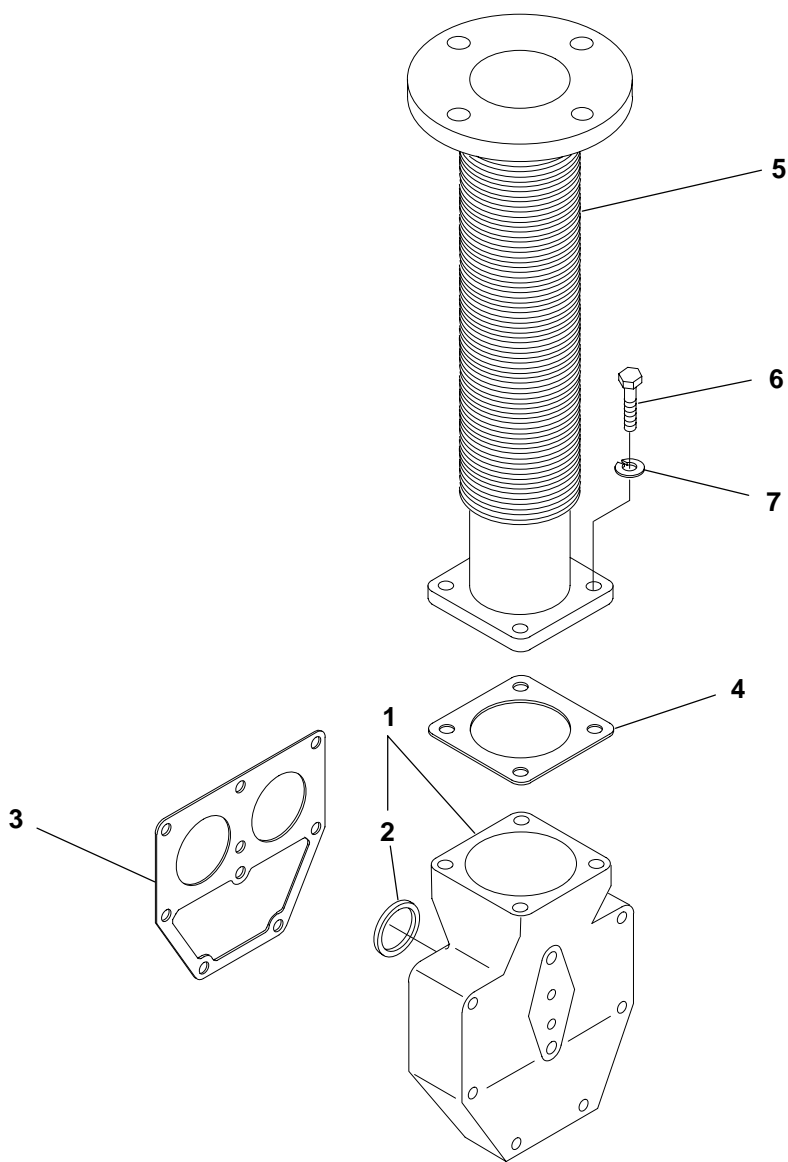
**Water Inlet**  
**DFJA, DFJB Spec M**  
**DFJC Begin Spec M**  
**DFJD Begin Spec E**



E080

REF NO.	PART NO.	QTY USED	PART DESCRIPTION	REF NO.	PART NO.	QTY USED	PART DESCRIPTION
1	130-4517	1	Tube, Water Inlet	6	895-0182	-	Stripping, Weather - Bulk (1/4" Thk x 3/4" Wide) (Order By The Foot - 2 Feet Required)
2	140-0519	1	Band, Mounting	7	526-0128	4	Washer, Flat (15/32" ID x 1-1/2" OD x 1/4" Thk)
3	800-0006	2	Screw, Cap - Hex Head (1/4-20 x 7/8")	8	526-0015	2	Washer, Flat (1/4")
4	503-1726	1	Hose (5" ID x 6")				
5	503-1872-10	2	Clamp, Hose				

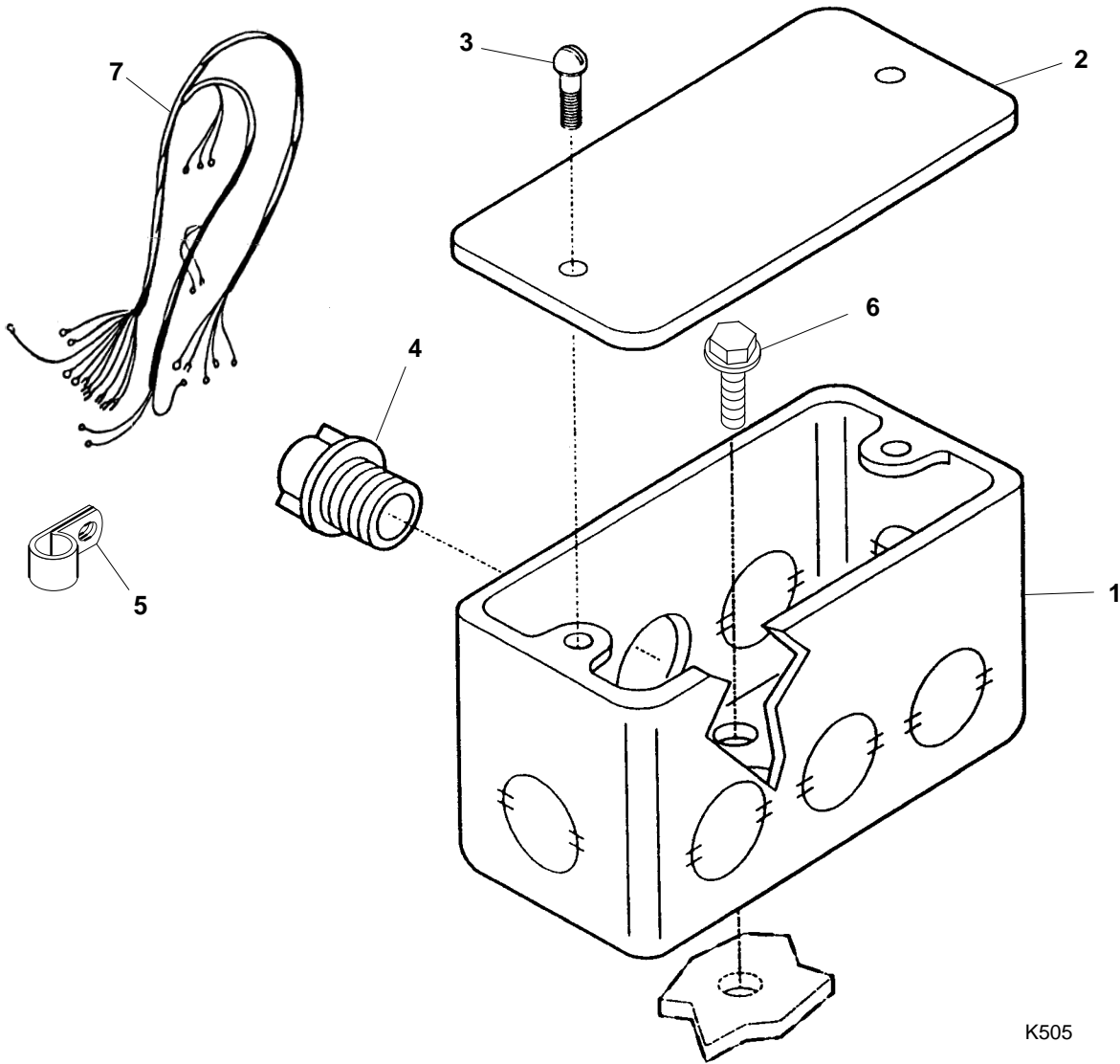
## Water Outlet



E038,80

REF NO.	PART NO.	QTY USED	PART DESCRIPTION	REF NO.	PART NO.	QTY USED	PART DESCRIPTION
1	309-0612	2	Housing, Thermostat (Includes Seals)	5	130-3686	2	Tube, Water Outlet
2	309-0613	4	Seal, Thermostat	6	800-0051	8	Screw, Cap – Hex Head (3/8-16 x 1-1/4")
3	130-3679	2	Gasket, Thermostat Housing	7	850-0050	8	Washer, Lock – Spring (3/8")
4	130-3680	2	Gasket, Connection				

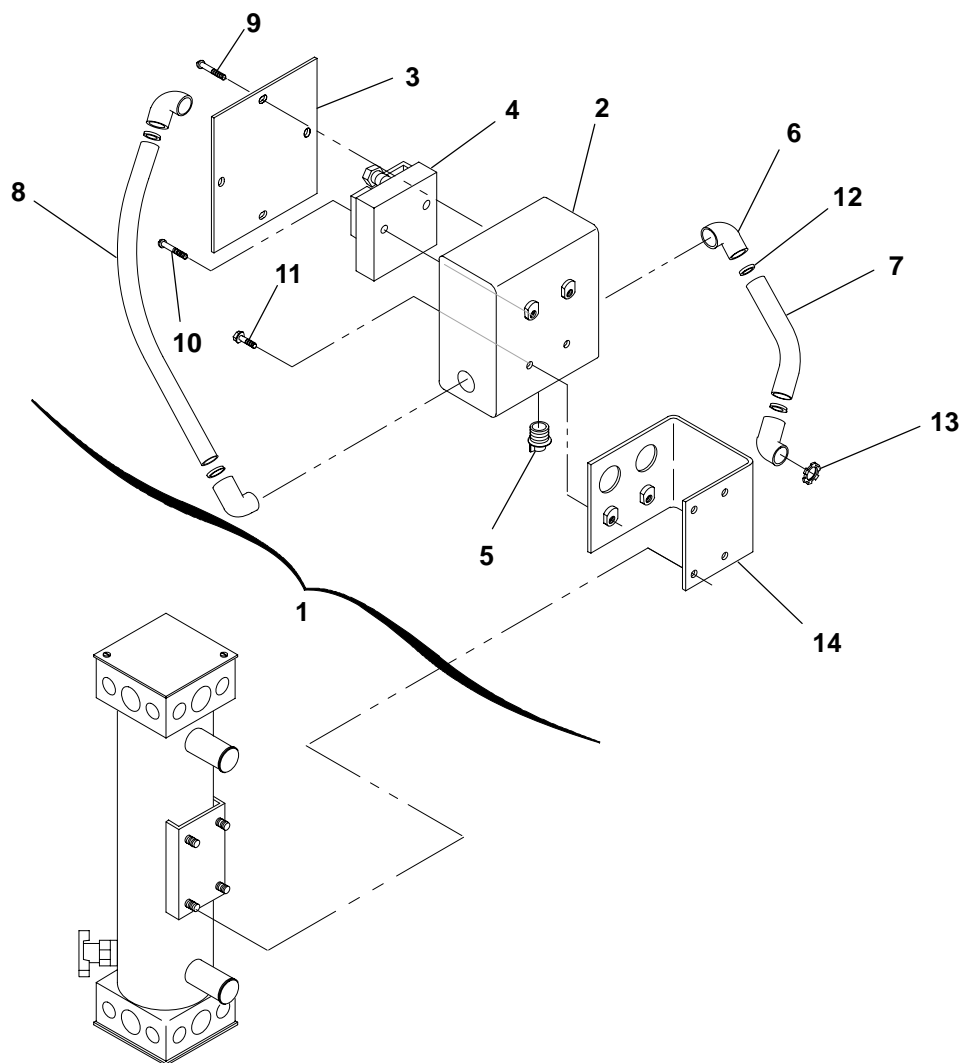
**Junction Box  
Engine Coolant Heater  
DFJA, DFJB, DFJC Spec J Through L  
DFJD Spec B Through D**



K505

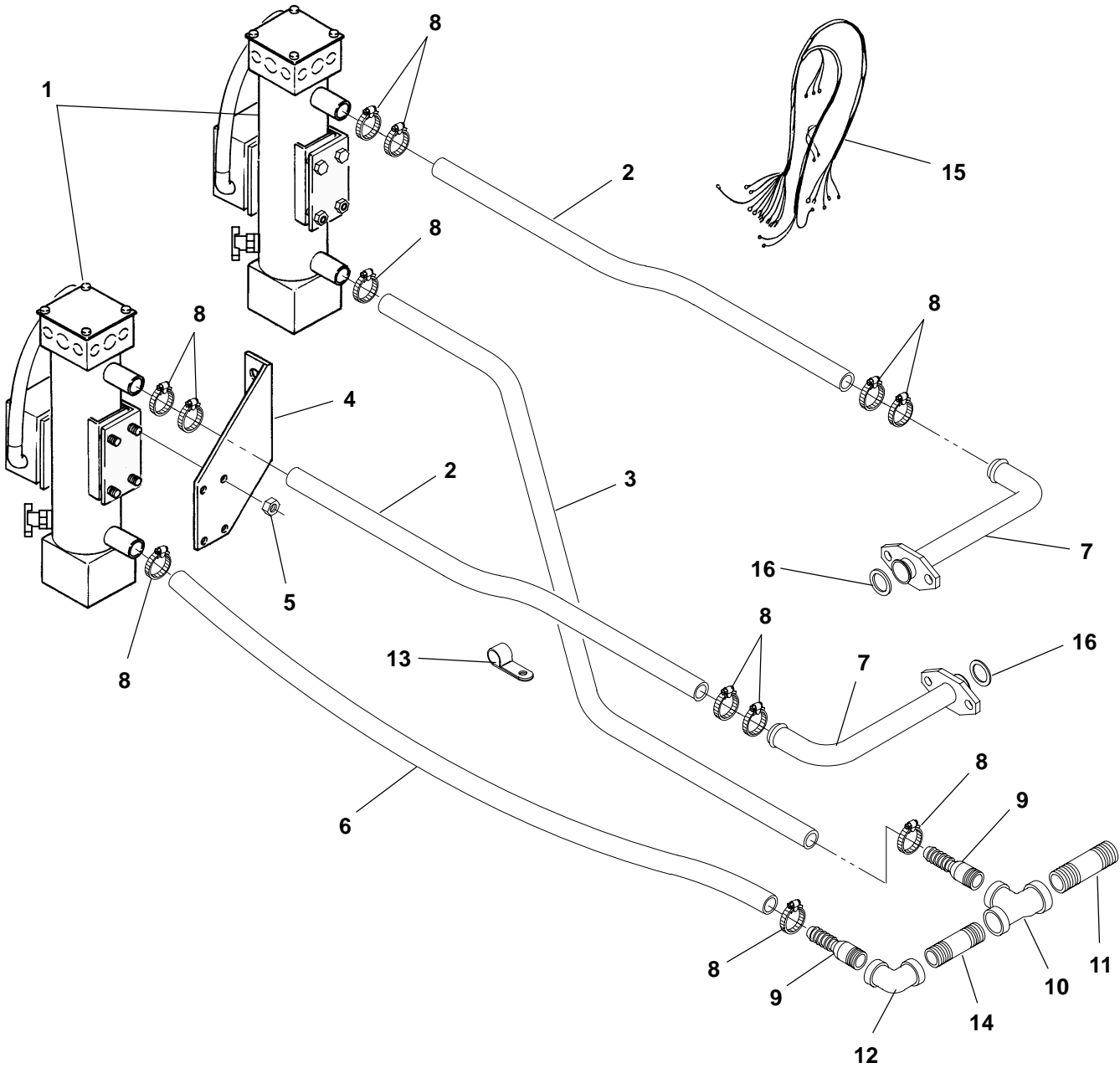
REF NO.	PART NO.	QTY USED	PART DESCRIPTION	REF NO.	PART NO.	QTY USED	PART DESCRIPTION
1	330-0005	1	Box, Junction	7			Harness, Wiring – Junction Box to Coolant Heater (3 Wire) (GND,Black,White to GND-GND,HTR-TH, HTR-EL)
2	330-0004	1	Cover, Junction Box				
3	812-0079	2	Screw, Machine – Round Head (#8-32 x 1/2")				
4	331-0027	4	Connector, Knockout				
5	332-2634	1	Clamp, "J"	338-2544		1	36"
6	815-0340	2	Screw, Locking – Hex Washer Head (#10-32 x 3/8")	338-2545		1	70"

**Engine Coolant Heater Components  
DFJA, DFJB, DFJC Spec J Through L  
DFJD Spec B Through D**



REF NO.	PART NO.	QTY USED	PART DESCRIPTION	REF NO.	PART NO.	QTY USED	PART DESCRIPTION
	333-0512-02	2	Heater, Coolant (4000 Watt)	8	331-0531-02	1	Conduit, Flexible (1/2" ID x 11-1/2")
	333-0512-01	2	120 Volt	9	813-0100	4	Screw, Machine – Round Head (#10-32 x 1/2")
1	179-2661	2	208, 240, 480 Volt	10	813-0103	2	Screw, Machine – Round Head (#10-32 x 3/4")
			Relay Assembly, Heater (Includes All Parts Listed Below) (Quantities Listed Below Are For 1 Heater Relay Assembly)	11	821-0010	2	Screw, Self-Locking – Hex Washer Head (1/4-20 x 1/2")
2	130-4079	1	Box, Relay	12	331-0533	4	Bushing, Antishort (1/2")
3	130-4082	1	Cover, Box	13	331-0532	1	Locknut, Sealing (1/2")
4	307-2762	1	Relay (K1, K2)	14	130-4083	1	Bracket, Mounting
5	331-0027	1	Connector, Romex (3/8")				
6	331-0010	4	Connector (1/2" x 90 Deg)				
7	331-0531-01	1	Conduit, Flexible (1/2" ID x 6")				

**Engine Coolant Heater**  
**DFJA, DFJB, DFJC Spec J Through L**  
**DFJD Spec B Through D**

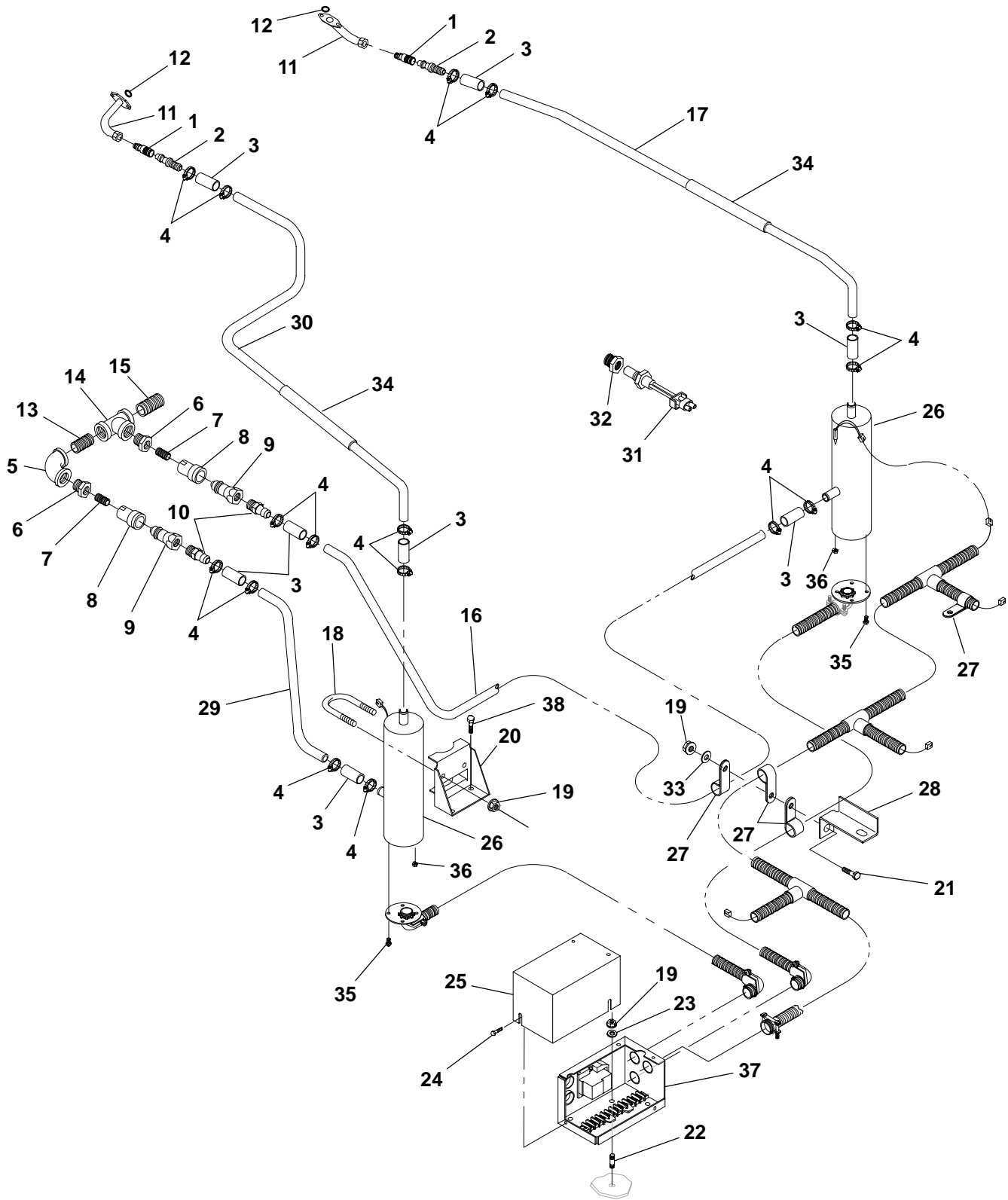


H501,502,556,557

**Engine Coolant Heater  
DFJA, DFJB, DFJC Spec J Through L  
DFJD Spec B Through D**

REF NO.	PART NO.	QTY USED	PART DESCRIPTION	REF NO.	PART NO.	QTY USED	PART DESCRIPTION
1			Heater, Coolant (4000 Watt) (Includes Thermostat Indented Below) (See Separate Page For Components)	6	503-1779	-	Hose, Heater – Bulk (1" ID) (Order By The Foot – 4 Feet Required)
	333-0512-02	2	120 Volt	7	130-3692	2	Adapter, Heater Hose
	333-0512-01	2	208, 240, 480 Volt	8	503-1872-01	12	Clamp, Hose
	333-0468	2	Thermostat, Heater (Service Replacement) (Not Illustrated)	9	505-0759	2	Nipple, Combination (1" Pipe to 1" Hose)
2	503-1779	-	Hose, Heater – Bulk (1" ID) (Order By The Foot – 5 Feet Required)	10	505-1430	1	Tee, Pipe – Reducing (1-1/4" x 1" x 1")
3	503-1779	-	Hose, Heater – Bulk (1" ID) (Order By The Foot – 9 Feet Required)	11	505-0177	1	Nipple, Pipe (1-1/4" x 1-5/8")
4	130-3866	2	Bracket, Mounting	12	505-0041	1	Elbow, Pipe – 90 Deg (1")
5	870-0212	8	Nut, Locking – Hex Head (1/4-20)	13	518-0548-02	2	Clip, Retainer
				14	505-0004	1	Nipple, Pipe (1" x 1-1/2")
				15			Harness, Wiring (K1, K2 to ENG-GND, T26)
					338-2760-01	1	Left Side (121")
					338-2760-02	1	Right Side (85")
				16	509-0283-01	2	Seal, Retangular Ring

Engine Coolant Heater  
DFJA, DFJB Spec M  
DFJC Begin Spec M  
DFJD Begin Spec E

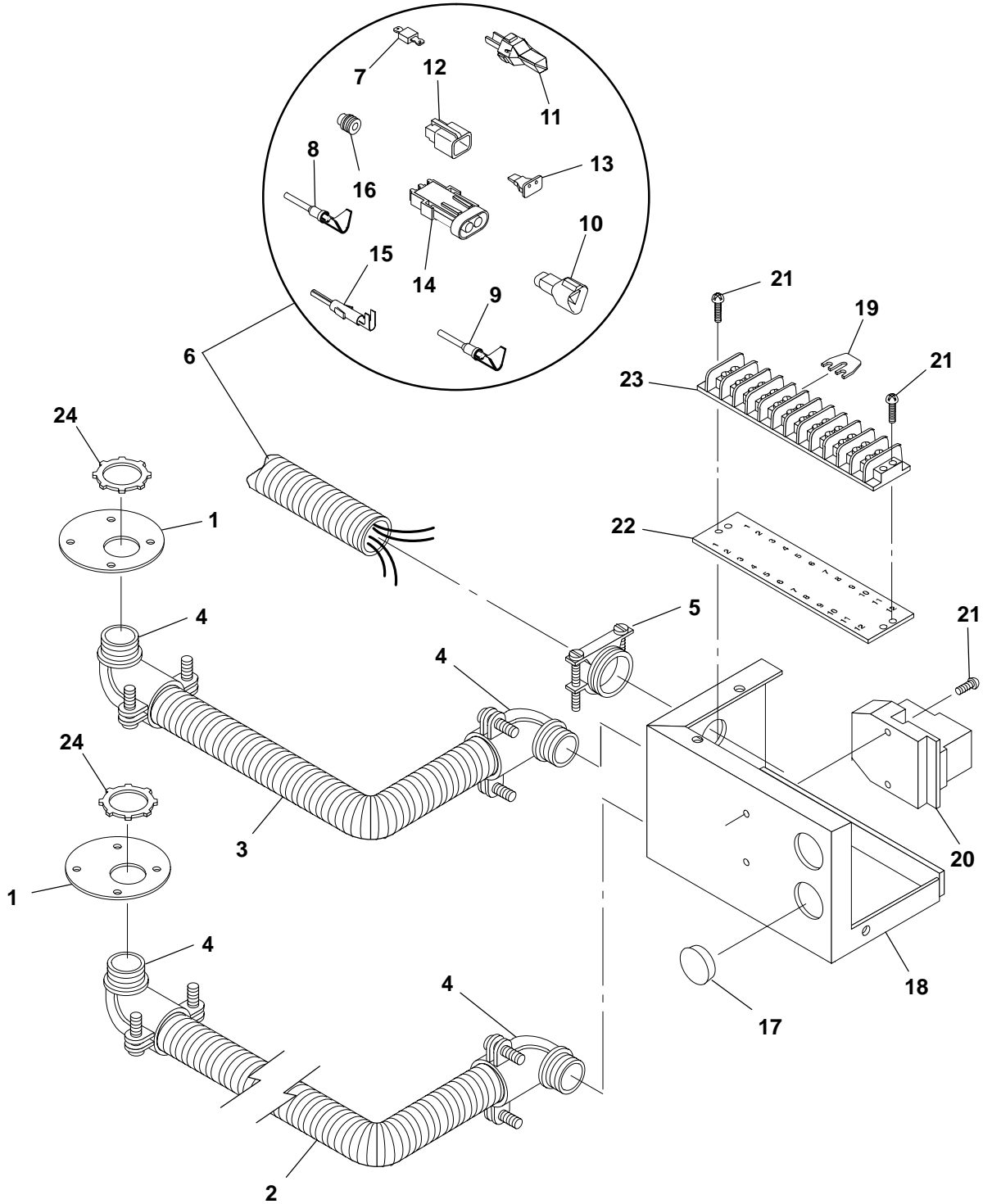




**Engine Coolant Heater  
DFJA, DFJB Spec M  
DFJC Begin Spec M  
DFJD Begin Spec E**

REF NO.	PART NO.	QTY USED	PART DESCRIPTION	REF NO.	PART NO.	QTY USED	PART DESCRIPTION
1	502-1259	2	Coupler (1/2" Male)	25	319-2815	1	Cover, Terminal Box
2	502-1257	2	Connector, Hose – Barbed (Fits 3/4" ID Hose)	26			Heater, Coolant
3	503-1634-01	8	Hose, Rubber (3/4" ID x 4")		333-0639-01	2	4990 Watt
4	503-1136	16	Clamp, Hose		333-0639-02	2	6420 Watt
5	505-0041	1	Elbow, Pipe – 90 Deg (1")	27	332-2634	4	Clamp, "J"
6	505-0022	2	Bushing, Pipe – Reducer (1" to 1/2")	28	130-4538	1	Bracket, Retainer
7	505-0100	2	Nipple, Pipe (1/2" x 1-1/8")	29	130-4540	1	Tube, Heater
8	502-1260	2	Coupler, Brass (1/2")	30	130-4844	1	Tube, Heater
9	502-1261	2	Nipple, Brass (1/2")	31	309-0649	1	Thermostat (Opens At 110 Deg F, Closes At 130 Deg F) (S11)
10	502-0827	2	Fitting, Hose – Barbed (1/2" ID Pipe to 3/4" ID Hose)	32			Bushing, Pipe – Reducer
11	130-4519	2	Tube, Heater		505-0131	1	DFJA, DFJB (3/4" to 3/8 ")
12	509-0283-01	2	Seal		505-0019	1	DFJC, DFJD (1/2" to 3/8")
13	505-0004	1	Nipple, Pipe (1" x 1-1/2")	33	526-0029	1	Washer, Flat (3/8")
14	505-1430	1	Tee, Pipe – Reducing (1-1/4" x 1" x 1")	34	128-0108	-	Insulation, Hose – Bulk (Order By The Foot – 7 Feet Required)
15	505-0177	1	Nipple, Pipe (1-1/4 x 1-5/8")	35	815-0539	6	Screw, Machine – Round Head – Cross Recessed W/IT (#8-32 x 5/8")
16	130-4539	1	Tube, Heater				Nut, Hex – W/ET (#10-32)
17	130-4541	1	Tube, Heater	36	870-0131	6	Control Assembly, Coolant Heater (See Separate Page For Components)
18	155-3021	2	Clamp, Mounting	37	-	1	Heater (See Separate Page For Components)
19	870-0550-09	7	Nut, Hex – Flange (3/8-16)	38	821-5004-02	5	Screw, Self-Locking – Hex Washer Head (3/8-16 x 3/4")
20	130-4546	2	Bracket, Mounting – Coolant Heater				
21	821-5004-03	1	Screw, Self-Locking – Hex Washer Head (3/8-16 x 1")				
22	520-0544	2	Stud, Mounting (3/8-16 x 1-3/16")				
23	526-0128	2	Washer, Flat (3/8")				
24	821-5002-03	4	Screw, Self-Locking – Hex Washer Head (1/4-20 x 1/2")				

**Engine Coolant Heater Control**  
**DFJA, DFJB Spec M**  
**DFJC Begin Spec M**  
**DFJD Begin Spec E**

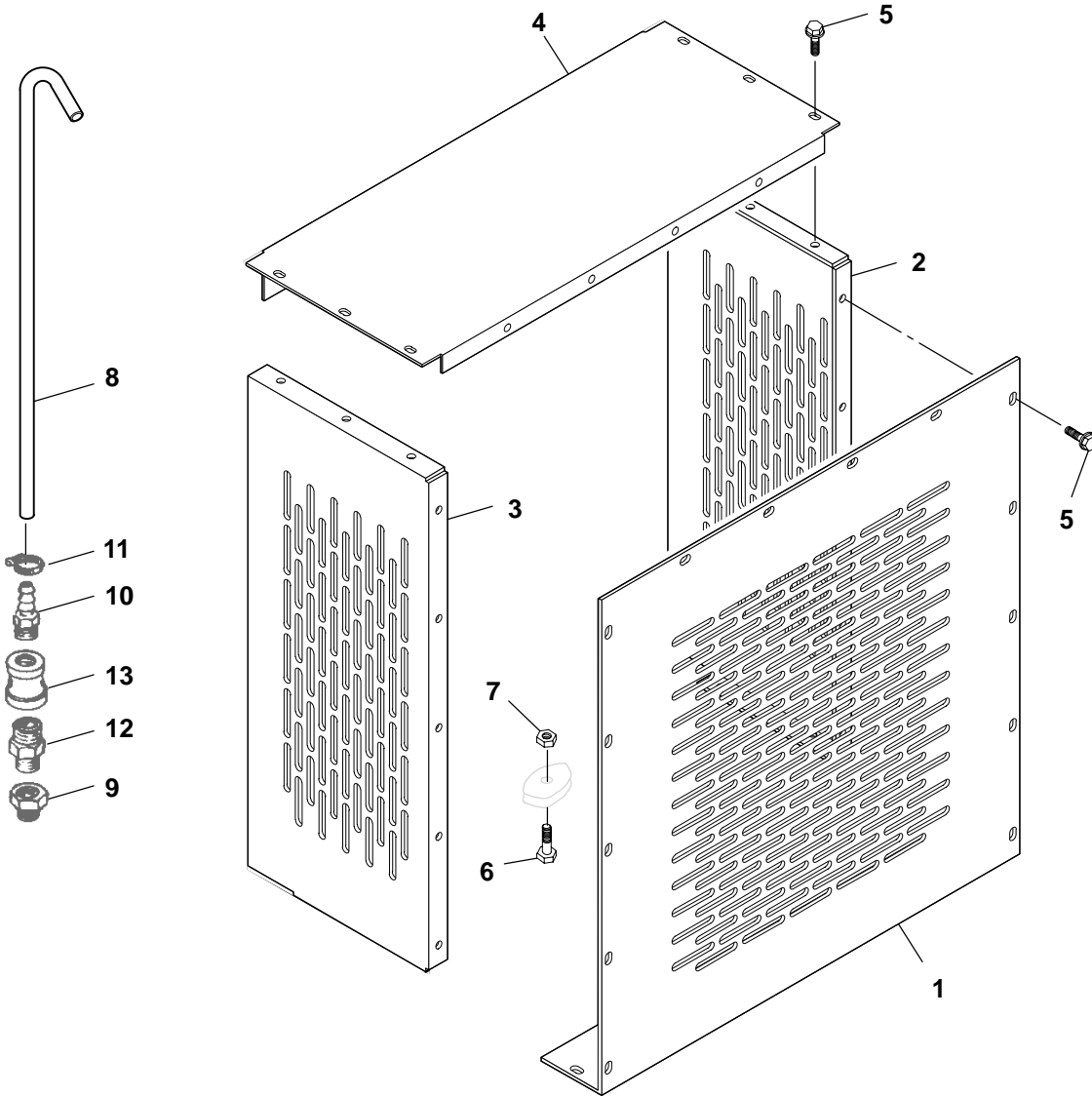


**Engine Coolant Heater Control  
DFJA, DFJB Spec M  
DFJC Begin Spec M  
DFJD Begin Spec E**

REF NO.	PART NO.	QTY USED	PART DESCRIPTION	REF NO.	PART NO.	QTY USED	PART DESCRIPTION
1	130-4552	2	Cover, Coolant Heater	10	323-1494	1	* Connector, Receptacle (3 Pin) (J3)
2	338-3335-02	1	Harness, Wiring – AC – Coolant Heater (From Coolant Heater Bottom To Coolant Heater Control Box) (Includes Conduit Connectors) (108")	11	323-1502	1	* Wedge, Receptacle (Used With J3)
3	338-3335-01	1	Harness, Wiring – AC – Coolant Heater (From Coolant Heater Bottom To Coolant Heater Control Box) (Includes Conduit Connectors) (30")	12	323-1504	2	* Connector, Plug (2 Pin) (P4,P5)
4	331-0554	4	Connector, Conduit – 90 Deg (3/4")	13	323-1500	2	* Wedge, Plug (Used With P4,P5)
5	331-0042	1	Connector, Wiring – DC – Romex (3/4")	14	323-1652	1	* Connector, Plug – 2-Way (2 Pin) (P11)
6	338-3330	1	Harness, Wiring – DC – Engine Heater (From Coolant Heater Control Box To Engine And Main Engine Harness) (Includes Parts Marked *)	15	323-1718	2	* Pin, Contact (Used In P11)
7	357-0030	1	* Rectifier (6 Amp) (Located At K11 End Of Harness) (CR1)	16	323-1445	2	* Seal, Cable (Used With P11)
8	323-1491	3	* Pin, Contact (Used In J3)	17	517-0138-02	2	Plug, Hole (Fits 1-1/8" Hole)
9	323-1492	4	* Socket, Contact (Two Used In P4, Two Used In P5)	18	319-2814	1	Box, Terminal
				19	332-3440	2	Jumper, Terminal
				20	307-2859	1	Relay, Power – 24VDC (K11)
				21	815-0447	4	Screw, Machine – Round Head – Cross Recessed W/IT – Thread Forming (#8-32 x 3/4")
				22	332-1469	1	Strip, Marker
				23	332-1468	1	Block, Terminal – 12 Place (TB1)
				24	331-0555	4	Nut, Connector Lock (3/4-14)

\* – Parts Included In 338-3330 DC Engine Heater Wiring Harness

## Damper Guard Sets With Remote Radiator or Heat Exchanger

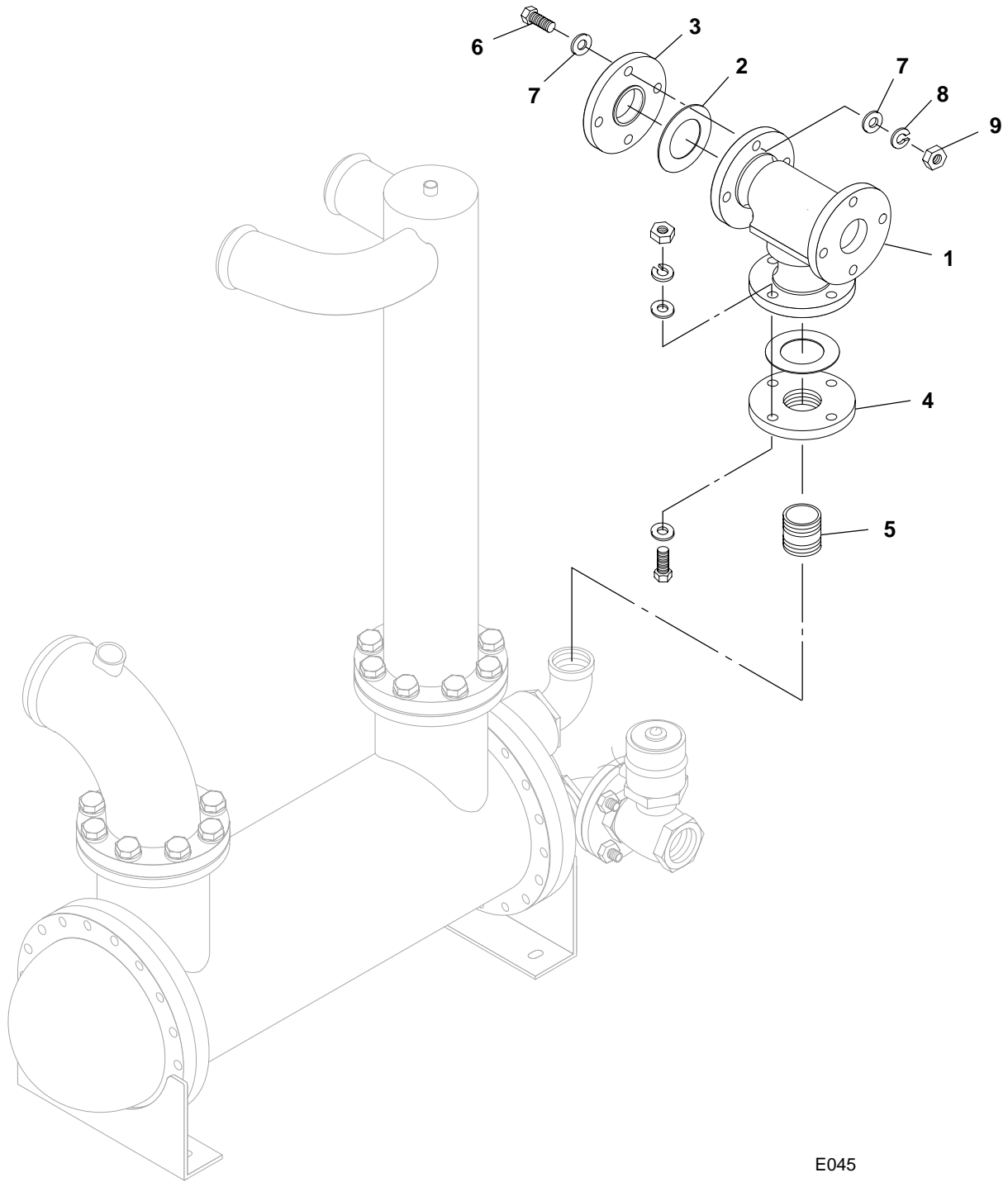


E043

REF NO.	PART NO.	QTY USED	PART DESCRIPTION	REF NO.	PART NO.	QTY USED	PART DESCRIPTION
1	130-3715	1	Cover, Damper Guard	8	503-1620	-	* Hose - Bulk (3/8" ID) (Order By The Foot - 5 Feet Required)
2	130-3714-01	1	Guard, Damper - Right Side	9	505-0018	2	* Bushing, Pipe - Reducer (1/2" to 1/4")
3	130-3714-02	1	Guard, Damper - Left Side	10	502-1162	2	* Connector, Hose (3/8")
4	130-3713	1	Guard, Damper - Top	11	503-0685	2	* Clamp, Hose
5	821-5002-03	22	Screw, Self-Locking - Hex Washer Head (1/4-20 x 1/2")	12	309-0635-02	2	* Valve, Check
6	821-5004-03	2	Screw, Self-Locking - Hex Washer Head (3/8-16 x 1")	13	505-0153	2	* Coupling, Pipe - Reducer (3/8" x 1/4")
7	870-0281	2	Nut, Self-Locking - Hex Washer Head (3/8-16)				

\* - Parts Used On Sets With Remote Radiator

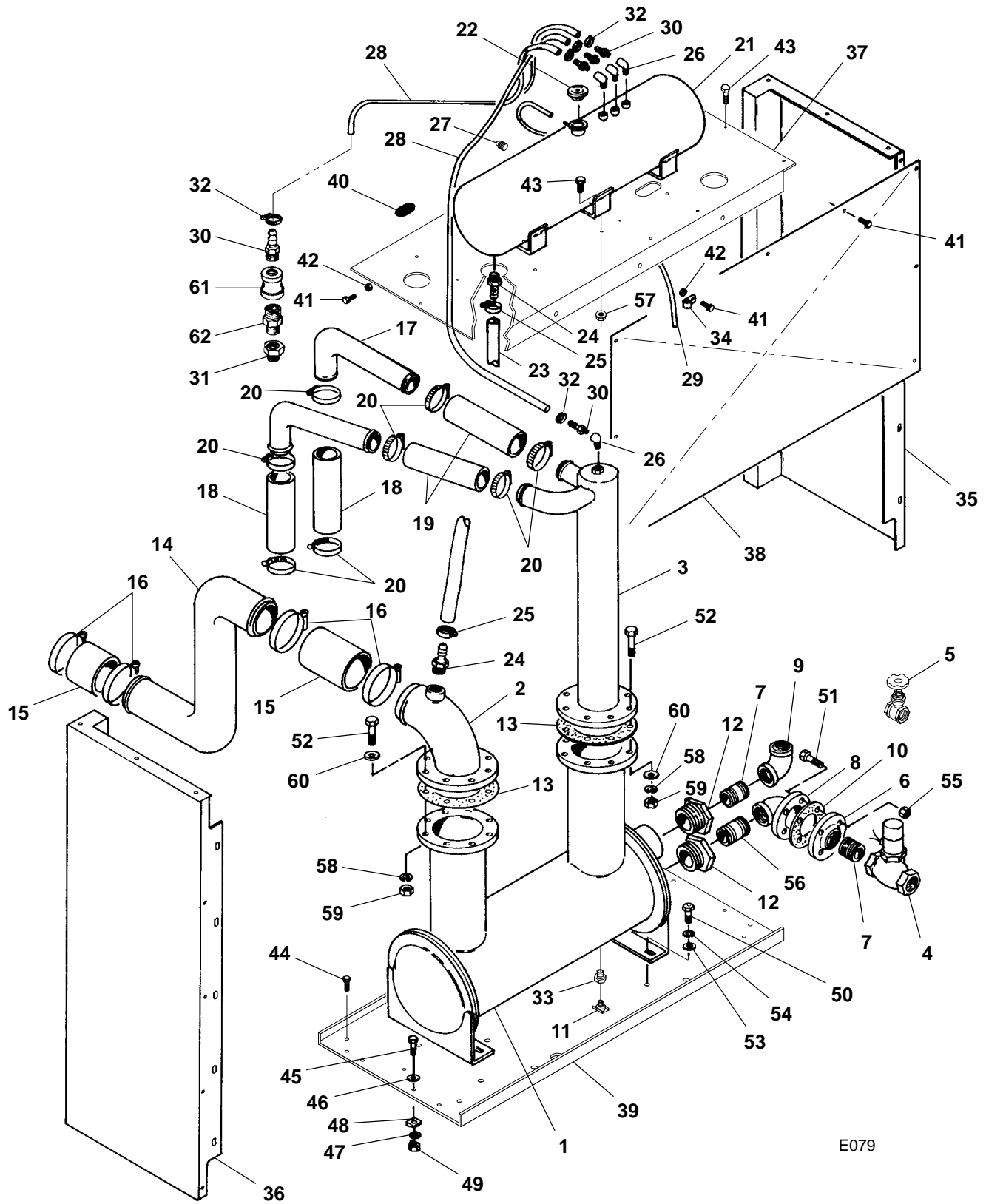
## Thermostatic Valve



E045

REF NO.	PART NO.	QTY USED	PART DESCRIPTION	REF NO.	PART NO.	QTY USED	PART DESCRIPTION
1	309-0607	1	Valve, Thermostatic	6	800-0138	8	Screw, Cap – Hex Head (5/8-11 x 3")
2	155-2514	2	Gasket	7	526-0112	16	Washer, Flat (5/8")
3	505-1440	1	Flange, Blind	8	850-0070	8	Washer, Lock – Spring (5/8")
4	155-0899	1	Flange, Companion (2-1/2" ID)	9	862-0007	8	Nut, Hex (5/8-11)
5	505-0103	1	Nipple, Pipe (2-1/2" ID x 2-1/2")				

# Heat Exchanger

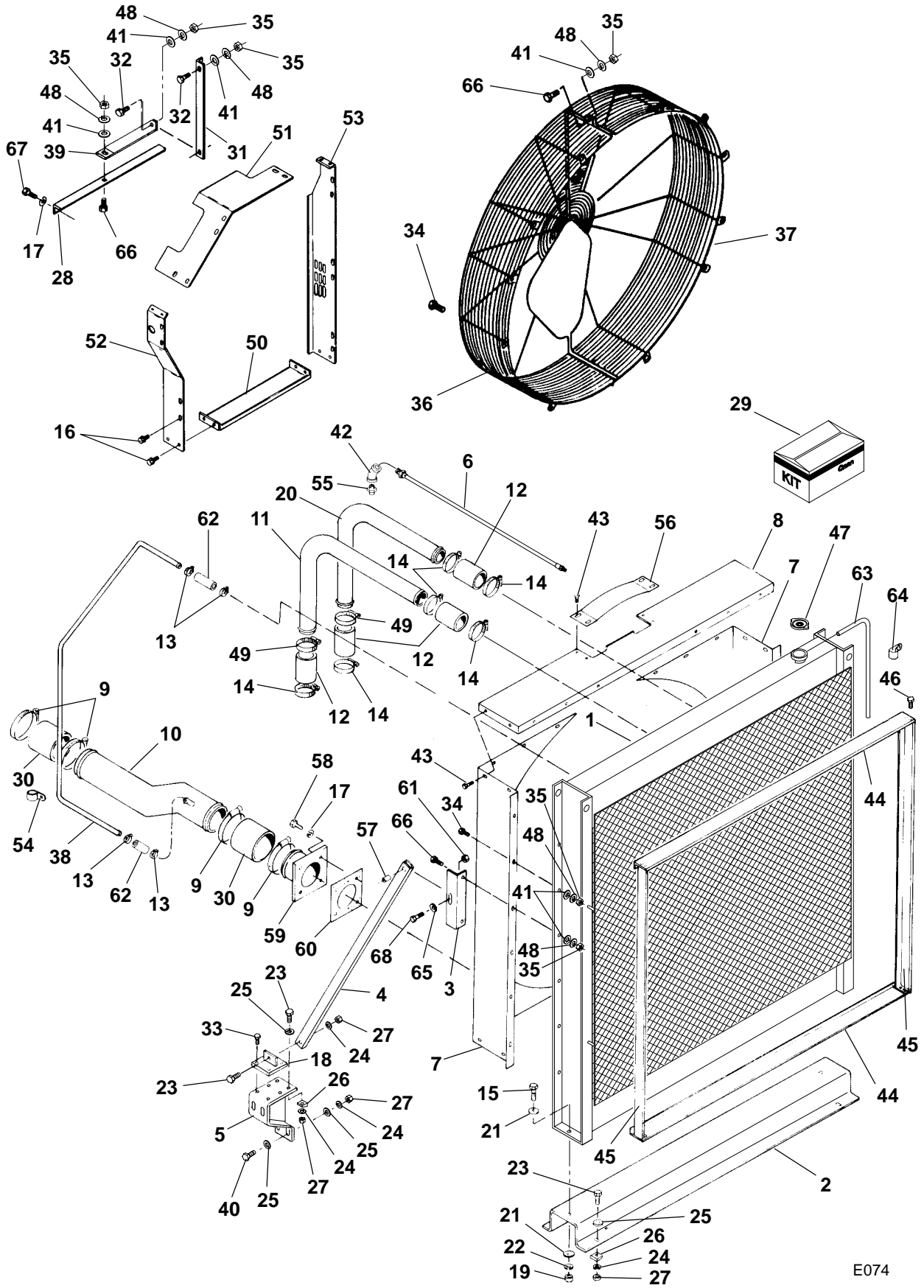


E079

## Heat Exchanger

REF NO.	PART NO.	QTY USED	PART DESCRIPTION	REF NO.	PART NO.	QTY USED	PART DESCRIPTION
1	130-3772	1	Exchanger, Heat	34	518-0548-08	4	Clamp, Hose
2	130-3773	1	Elbow, Outlet	35	130-3592-02	1	Guard, Heat Exchanger – Right Side
3	130-3774	1	Manifold, Inlet	36	130-3592-01	1	Guard, Heat Exchanger – Left Side
4	307-2711	1	Valve, Solenoid (2-1/2")	37	130-3769	1	Panel, Top
5	504-0175	1	Valve, Gate (2-1/2")	38	130-3767	1	Panel, Front
6	155-0899	1	Flange, Companion (2-1/2")	39	130-3770	1	Base, Heat Exchanger
7	505-0103	2	Nipple, Pipe (2-1/2" ID x 2-1/2")	40	508-1090	1	Grommet, Rubber (Fits 3-1/4" Hole)
8	505-1442	1	Elbow, Flange – 90 Deg (2-1/2" x 2-5/8")	41	821-5003-03	15	Screw, Self-Locking – Hex Washer Head (5/16-18 x 3/4")
9	505-0044	1	Elbow, Pipe – 90 Deg (2-1/2")	42	870-0550-07	6	Nut, Flange Head (5/16-18)
10	155-2514	1	Gasket, Flange	43	821-5004-02	13	Screw, Self-Locking – Hex Washer Head (3/8-16 x 3/4")
11	504-0028	1	Cock, Drain (3/8")	44	821-0033	6	Screw, Self-Locking – Hex Washer Head (7/16-14 x 3/4")
12	505-1441	2	Bushing, Pipe – Hex (2-1/2" x 4")	45	800-0094	6	Screw – Cap – Hex Head (1/2-13 x 2")
13	155-2503	2	Gasket	46	526-0219	6	Washer, Flat (1/2")
14	130-3765	1	Tube, Outlet	47	850-0060	6	Washer, Lock – Spring (1/2")
15	503-1726	2	Hose, Radiator (5" ID x 6")	48	403-2733-01	6	Washer, Bevel (9/16" ID)
16	503-1872-10	4	Clamp, Hose	49	862-0016	6	Nut, Hex (1/2-13)
17	130-3764	2	Tube, Inlet	50	800-0133	4	Screw, Cap – Hex Head (5/8-11 x 1-3/4")
18	503-1762	2	Hose, Coolant (3" ID x 8-1/2")	51	800-0135	4	Screw, Cap – Hex Head (5/8-11 x 2-1/4")
19	503-1727	2	Hose, Coolant (3" ID x 10")	52	800-0160	16	Screw, Cap – Hex Head (3/4-10 x 3-1/4")
20	503-1872-05	8	Clamp, Hose	53	526-0112	4	Washer, Flat (5/8")
21	130-3766	1	Tank, Expansion	54	850-0070	4	Washer, Lock – Spring (5/8")
22	130-0449	1	Cap, Expansion Tank	55	862-0007	4	Nut, Hex (5/8-11)
23	503-1764	1	Hose, Flexible (1-1/2" ID x 30")	56	505-0114	1	Nipple, Pipe – Short (2-1/2" x 3")
24	505-1429	2	Nipple, Combination (1-1/2" Pipe to 1-1/2" Hose)	57	870-0550-09	6	Nut, Flange Head (3/8-16)
25	503-1872-02	2	Clamp, Hose	58	850-0079	16	Washer, Lock – Spring (3/4")
26	505-0011	4	Elbow, Pipe – Street (1/4")	59	862-0008	16	Nut, Hex (3/4-10)
27	505-0054	1	Plug, Square Head (1/4")	60	526-0027	16	Washer, Flat (3/4")
28	503-1620	-	Hose – Bulk (3/8" ID) (Order By The Foot – 11 Feet Required)	61	505-0153	2	Coupling, Pipe – Reducer (3/8" to 1/4")
29	503-1418	-	Hose – Bulk (1/4" ID) (Order By The Foot – 9 Feet Required)	62	309-0635-02	2	Valve, Check (3/8" Pipe to 1/4" Pipe)
30	502-1162	6	Connector, Hose – Barbed (1/4" Pipe to 3/8" Hose)				
31	505-0020	2	Bushing, Pipe – Reducer (3/4" to 1/4")				
32	503-0685	7	Clamp, Hose				
33	505-0019	1	Bushing, Pipe – Reducer (1/2" to 3/8")				

# Radiator DFJA



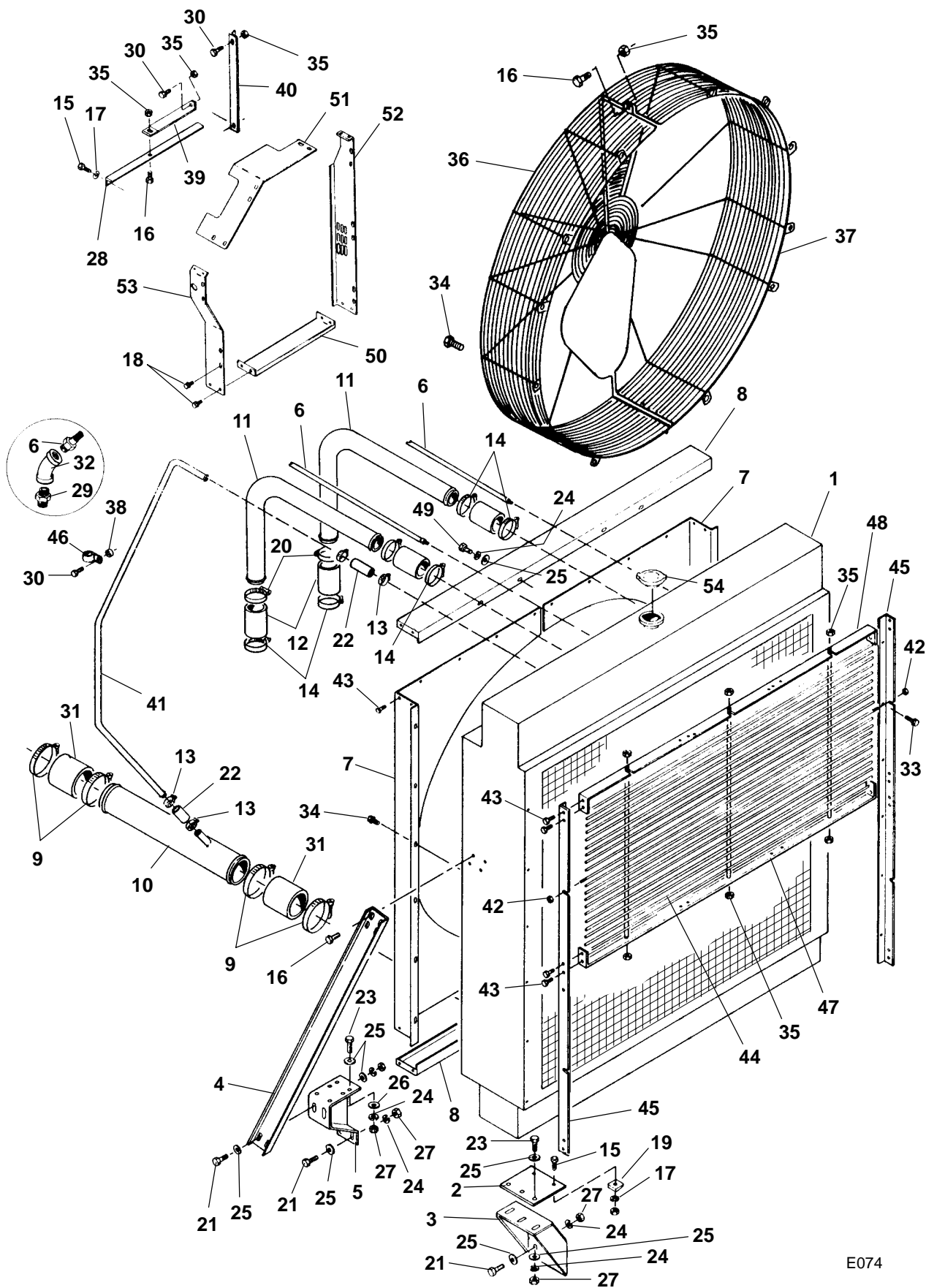
E074



## Radiator DFJA

REF NO.	PART NO.	QTY USED	PART DESCRIPTION	REF NO.	PART NO.	QTY USED	PART DESCRIPTION
1	130-4354	1	Radiator (Includes Cap, Overflow Hose and Sight Gauge)	34	821-5004-03	24	Screw, Self-Locking – Hex Washer Head (3/8-16 x 1")
2	130-3694	1	Support, Radiator	35	870-0550-09	16	Nut, Locking – Flange Head (3/8-16)
3	130-3701	2	Bracket, Radiator	36	130-3693-01	1	Guard, Fan – Left Side
4	130-3702	2	Support, Radiator	37	130-3693-02	1	Guard, Fan – Right Side
5	130-3644	2	Support	38	130-4218	1	Tube, Radiator
6	501-0615	2	Line, Flexible (1/4" ID x 52-1/4")	39	130-3775	1	Angle, Stiffener
7	130-3695	2	Wrapper, Fan Shroud – Sides	40	800-0092	4	Screw, Cap – Hex Head (1/2-13 x 1-1/2")
8	130-3697	2	Shroud, Fan – Top and Bottom	41	526-0399-19	16	Washer, Flat (3/8")
9	503-1872-09	4	Clamp, Hose	42	505-0376	2	Elbow, Pipe – 45 Deg (3/8")
10	130-4217	1	Tube, Radiator Outlet	43	821-5003-01	28	Screw, Self-Locking – Hex Washer Head (5/16-18 x 1/2")
11	130-3706	1	Tube, Radiator Inlet – Left Side	44	130-1419	2	Flange, Radiator – Top and Bottom
12	503-1728	4	Hose, Radiator (3" ID x 5-1/2")	45	130-3215	2	Flange, Radiator – Sides
13	503-1872-01	4	Clamp, Hose	46	821-0010	8	Screw, Self-Locking – Hex Washer Head (1/4-20 x 1/2")
14	503-1872-05	6	Clamp, Hose	47	130-3588	1	Cap, Radiator
15	800-0156	2	Screw, Cap – Hex Head (3/4-10 x 2-1/4")	48	850-0114-07	16	Washer, Lock – Spring (3/8")
16	821-5002-03	20	Screw, Self-Locking – Hex Washer Head (1/4-20 x 1/2")	49	503-1870-05	2	Clamp, Hose
17	850-0050	6	Washer, Lock – Spring (3/8")	50	130-3712	1	Guard, Belt – Bottom
18	130-3700	4	Bracket, Radiator Support	51	130-3711	1	Guard, Belt – Top
19	862-0008	2	Nut, Hex (3/4-10)	52	130-3710	1	Guard, Belt – Left Side
20	130-3705	1	Tube, Radiator Inlet – Right Side	53	130-3709	1	Guard, Belt – Right Side
21	526-0027	4	Washer, Flat (3/4")	54	518-0548-20	2	Clip, Retainer
22	850-0079	2	Washer, Lock – Spring (3/4")	55	309-0635-02	2	Valve, Check (3/8" Pipe to 1/4" Pipe)
23	800-0094	10	Screw, Cap – Hex Head (1/2-13 x 2")	56	130-3699	2	Shroud, Fan Tip
24	850-0060	14	Washer, Lock – Spring (1/2")	57	130-3660-01	2	Spacer
25	526-0219	12	Washer, Flat (1/2")	58	800-0050	4	Screw, Cap – Hex Head (3/8-16 x 1")
26	403-2733-01	8	Washer, Bevel	59	130-3703	1	Adapter, Outlet Tube
27	862-0016	14	Nut, Hex (1/2-13)	60	130-1229	1	Gasket, Outlet Tube
28	130-3778	1	Angle, Engine	61	870-0437	2	Nut, Hex (7/16-14)
29	130-4362	1	Kit, Repair – Radiator Sight Gauge (Includes Glass Bulb and O-Ring)	62	503-1634	2	Hose, Rubber (1" ID x 4")
30	503-1726	2	Hose, Radiator (5" ID x 6")	63	503-1418	-	Hose – Bulk (1/4" ID) (Order By The Foot – 7 Feet Required)
31	130-4219	1	Angle, Stiffener	64	332-2634	2	Clamp, "J"
32	821-0035	2	Screw, Self-Locking – Hex Washer Head (3/8-16 x 1-1/4")	65	526-0141	2	Washer, Flat (7/16")
33	815-0384	8	Screw, Hex Washer Head – Thread Forming (3/8-16 x 3/4")	66	821-0030	6	Screw, Self-Locking – Hex Washer Head (3/8-16 x 1")
				67	800-0051	2	Screw, Cap – Hex Head (3/8-16 x 1-1/4")
				68	800-0075	2	Screw, Cap – Hex Head (7/16-14 x 2")

# Radiator DFJB

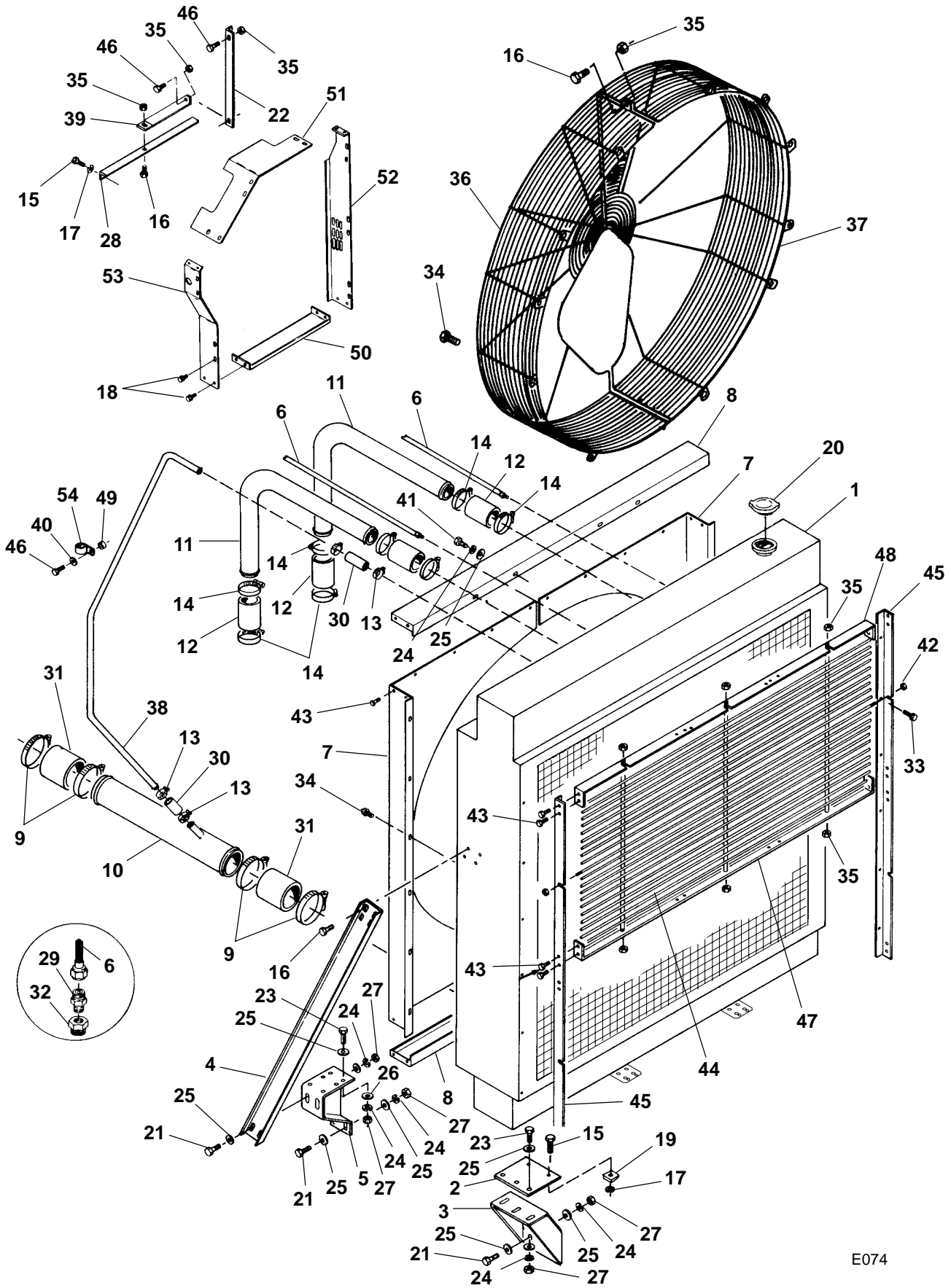


E074

## Radiator DFJB

REF NO.	PART NO.	QTY USED	PART DESCRIPTION	REF NO.	PART NO.	QTY USED	PART DESCRIPTION
1	130-3615	1	Radiator (Includes Cap)	28	130-3778	1	Angle, Engine
2	130-3642	2	Spacer, Radiator	29	309-0635-02	2	Valve, Check (3/8" Pipe to 1/4" Pipe)
3	130-3639	2	Bracket, Radiator	30	821-0035	4	Screw, Self-Locking – Hex Washer Head (3/8-16 x 1-1/4")
4	130-4860	2	Support, Radiator	31	503-1726	2	Hose, Radiator (5" ID x 6")
5	130-3644	2	Support	32	505-0376	2	Elbow, Pipe – 45 Deg (3/8")
6	501-0613	2	Line, Flexible (1/4" ID x 53-1/2")	33	815-0384	12	Screw, Hex Washer Head – Thread Forming (3/8-16 x 3/4")
7	130-3696	2	Wrapper, Fan Shroud – Sides	34	821-5004-02	24	Screw, Self-Locking – Hex Washer Head (3/8-16 x 3/4")
8	130-3698	2	Shroud, Fan – Top and Bottom	35	870-0550-09	29	Nut, Lock (3/8-16)
9	503-1872-09	4	Clamp, Hose	36	130-3693-01	1	Guard, Fan – Left Side
10	130-4152	1	Tube, Radiator Outlet	37	130-3693-02	1	Guard, Fan – Right Side
11	130-3648	2	Tube, Radiator Inlet	38	130-3660	2	Spacer
12	503-1728	4	Hose, Radiator (3" ID x 5-1/2")	39	130-3775	1	Angle, Stiffener
13	503-1872-02	4	Clamp, Hose	40	130-4219	1	Angle, Stiffener
14	503-1872-05	6	Clamp, Hose	41	130-4155	1	Tube, Radiator
15	800-0051	6	Screw, Cap – Hex Head (3/8-16 x 1-1/4")	42	870-0212	8	Nut, Lock (1/4-20)
16	821-5004-03	10	Screw, Self-Locking – Hex Washer Head (3/8-16 x 1")	43	821-5003-01	36	Screw, Self-Locking – Hex Washer Head (5/16-18 x 1/2")
17	850-0048	6	Washer, Lock – Spring (3/8")	44	130-3827	2	Grille
18	821-5002-03	20	Screw, Self-Locking – Hex Washer Head (1/4-20 x 1/2")	45	130-3826	2	Support, Grille – Sides
19	403-2733-02	4	Washer, Bevel	46	518-0633	2	Clip, Retainer
20	503-1870-05	2	Clamp, Hose	47	130-3663	2	Support, Grille – Bottom
21	800-0092	16	Screw, Cap – Hex Head (1/2-13 x 1-1/2")	48	130-3662	2	Support, Grille – Top
22	503-1863	2	Hose, Rubber (1-1/2" ID x 4")	49	800-0090	8	Screw, Cap – Hex Head (1/2-13 x 1")
23	800-0094	10	Screw, Cap – Hex Head (1/2-13 x 2")	50	130-3712	1	Guard, Belt – Bottom
24	850-0060	34	Washer, Lock – Spring (1/2")	51	130-3711	1	Guard, Belt – Top
25	526-0219	44	Washer, Flat (1/2")	52	130-3709	1	Guard, Belt – Right Side
26	403-2733-01	4	Washer, Bevel	53	130-3710	1	Guard, Belt – Left Side
27	862-0016	22	Nut, Hex (1/2-13)	54	130-3588	1	Cap, Radiator

# Radiator DFJC, DFJD

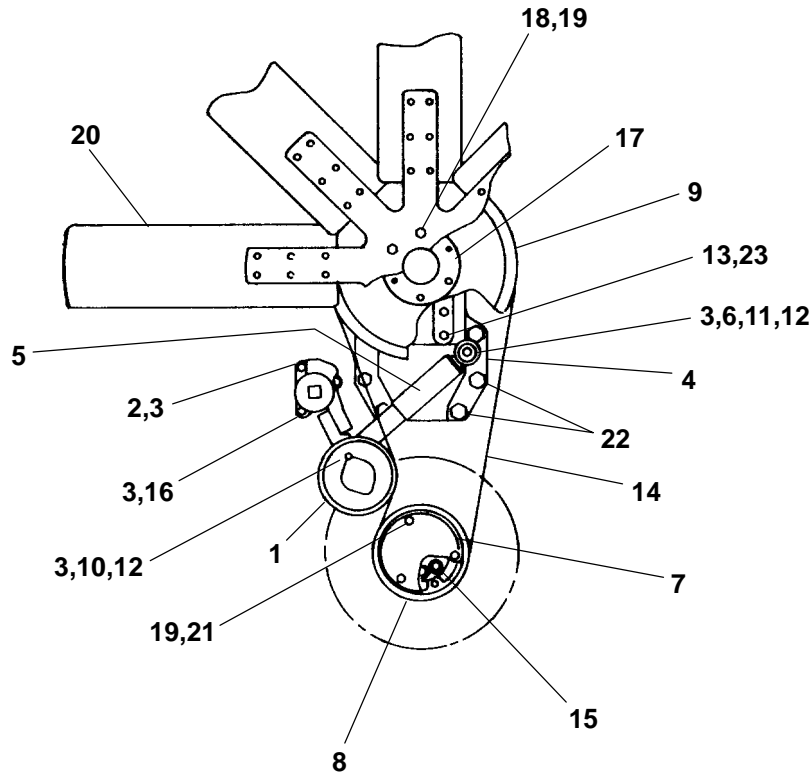


E074

## Radiator DFJC, DFJD

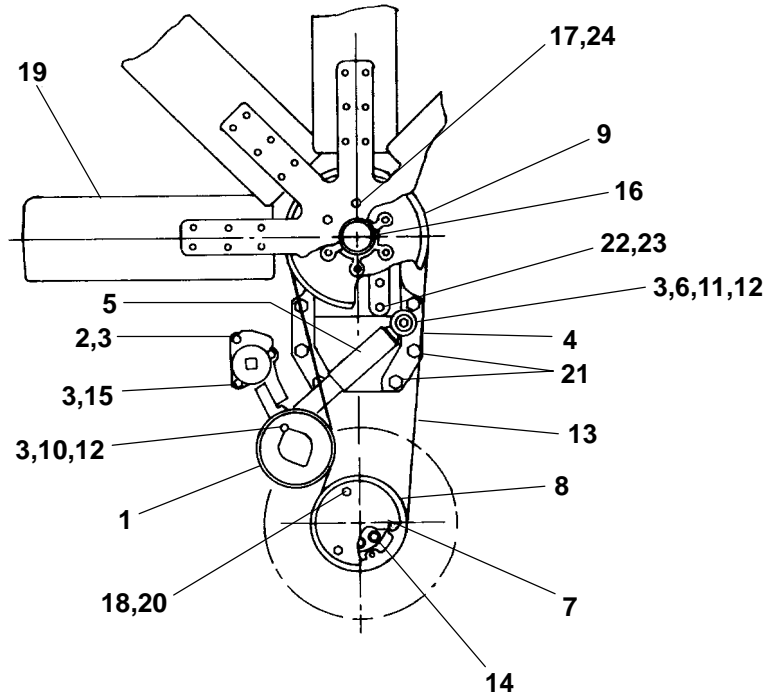
REF NO.	PART NO.	QTY USED	PART DESCRIPTION	REF NO.	PART NO.	QTY USED	PART DESCRIPTION
1			Radiator (Includes Cap and Overflow Tube)	24	850-0060	34	Washer, Lock – Spring (1/2")
	130-3615	1	DFJC	25	526-0219	44	Washer, Flat (1/2")
	130-4167	1	DFJD	26	403-2733-01	4	Washer, Bevel
2	130-3642	2	Spacer, Radiator	27	862-0016	26	Nut, Hex (1/2-13)
3	130-3639	2	Bracket, Radiator	28	130-3778	1	Angle, Engine
4	130-4860	2	Support, Radiator	29	309-0635-02	2	Valve, Check (3/8" Pipe to 1/4" Pipe)
5	130-3644	2	Support	30	503-1863	2	Hose, Rubber (1-1/2" ID x 4")
6	501-0614	2	Line, Flexible (1/4" ID x 59-1/4")	31	503-1726	2	Hose, Radiator (5" ID x 6")
7			Wrapper, Fan Shroud – Sides	32	505-0020	2	Bushing, Pipe – Reducer (3/4" to 1/4")
	130-3696	2	DFJC	33	815-0384	12	Screw, Hex Washer Head – Thread Forming (3/8-16 x 3/4")
	130-3696-01	2	Sets With 56" Diameter Fan	34	821-5004-02	24	Screw, Self-Locking – Hex Washer Head (3/8-16 x 3/4")
	130-3696	2	Sets With 60" Diameter Fan	35	870-0550-09	29	Nut, Locking (3/8-16)
8	130-3698	2	Shroud, Fan – Top and Bottom	36	130-3693-01	1	Guard, Fan – Left Side
9	503-1872-09	4	Clamp, Hose	37	130-3693-02	1	Guard, Fan – Right Side
10	130-4152	1	Tube, Radiator Outlet	38	130-4155	1	Tube, Radiator
11	130-3648	2	Tube, Radiator Inlet	39	130-3775	1	Angle, Stiffener
12	503-1728	4	Hose, Radiator (3" ID x 5-1/2")	40	526-0029	2	Washer, Flat (3/8")
13	503-1872-02	4	Clamp, Hose	41	800-0090	8	Screw, Cap – Hex Head (1/2-13 x 1")
14	503-1872-05	8	Clamp, Hose	42	870-0212	8	Nut, Lock (1/4-20)
15	800-0051	6	Screw, Cap – Hex Head (3/8-16 x 1-1/4")	43	821-5003-01	36	Screw, Self-Locking – Hex Washer Head (5/16-18 x 1/2")
16	821-5004-03	10	Screw, Self-Locking – Hex Washer Head (3/8-16 x 1")	44	130-3827	2	Grille
17	850-0048	6	Washer, Lock – Spring (3/8")	45	130-3826	2	Support, Grille – Sides
18	821-5002-03	20	Screw, Self-Locking – Hex Washer Head (1/4-20 x 1/2")	46	821-0035	4	Screw, Self-Locking – Hex Washer Head (3/8-16 x 1-1/4")
19	403-2733-02	4	Washer, Bevel	47	130-3663	2	Support, Grille – Bottom
20	130-3588	1	Cap, Radiator	48	130-3662	2	Support, Grille – Top
21	800-0092	16	Screw, Cap – Hex Head (1/2-13 x 1-1/2")	49	130-3660	2	Spacer
22	130-4219	1	Angle, Stiffener	50	130-3712	1	Guard, Belt – Bottom
23	800-0094	10	Screw, Cap – Hex Head (1/2-13 x 2")	51	130-3711	1	Guard, Belt – Top
				52	130-3709	1	Guard, Belt – Right Side
				53	130-3710	1	Guard, Belt – Left Side
				54	518-0633	2	Clip, Retainer

**Fan Drive  
DFJA, DFJB  
DFJC Spec J Through M**



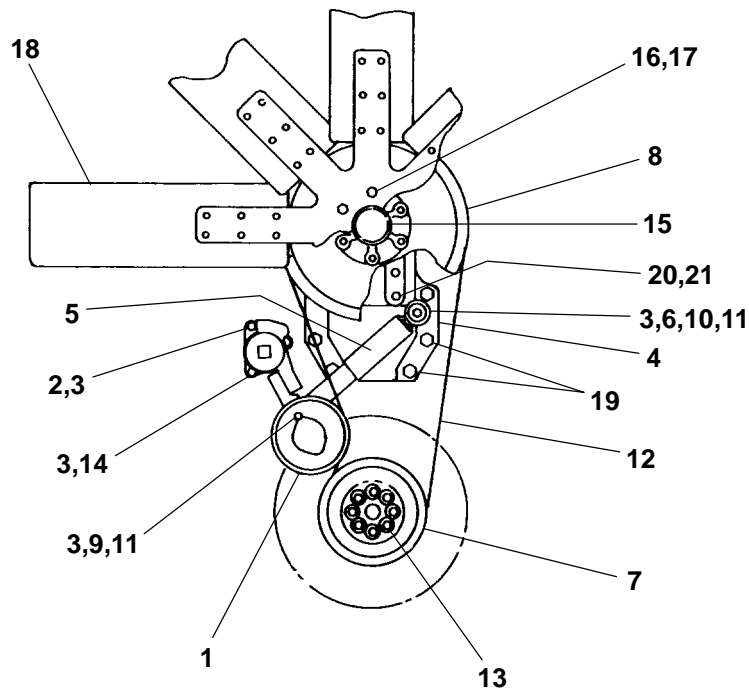
REF NO.	PART NO.	QTY USED	PART DESCRIPTION	REF NO.	PART NO.	QTY USED	PART DESCRIPTION
1	130-3667	1	Idler Assembly, Fan (Includes Idler Lever Assembly, Idler Pulley and Ring Dowel)	13	850-0070	4	Washer, Lock - Spring (5/8")
2	800-0500	2	Screw, Cap - Hex Head (7/16-14 x 5-1/2") Grade 8	14	511-0161-04	1	Belt, Ribbed
3	850-0055	5	Washer, Lock - Spring (7/16")	15	815-0769-01	8	Screw, Cap - 12 Point (3/4-16 x 4-1/2")
4	130-3635	1	Support, Fan	16	800-0507	1	Screw, Cap - Hex Head (7/16-14 x 1-1/2") Grade 8
5	402-0612	1	Absorber, Shock	17	130-4153	1	Spacer, Fan
6	800-0077	1	Screw, Cap - Hex Head (7/16-14 x 2-1/2")	18	800-0106	6	Screw, Cap - Hex Head (1/2-13 x 5-1/2")
7	130-3627	1	Cover	19	526-0219	6	Washer, Flat (1/2")
8	130-3631	1	Pulley, Fan Drive	20	130-4533	1	Fan (8 Blade)
9	130-3636	1	Hub, Fan	21	800-0088	3	Screw, Cap - Hex Head (1/2-13 x 3/4")
10	800-0078	1	Screw, Cap - Hex Head (7/16-14 x 2-3/4")	22	800-0163	6	Screw, Cap - Hex Head (3/4-10 x 4")
11	130-3660	1	Spacer	23	800-0135	4	Screw, Cap - Hex Head (5/8-11 x 2-1/4")
12	526-0141	2	Washer, Flat (7/16")				

## Fan Drive DFJD Sets With 56" Diameter Fan



REF NO.	PART NO.	QTY USED	PART DESCRIPTION	REF NO.	PART NO.	QTY USED	PART DESCRIPTION
1	130-3667	1	Idler Assembly, Fan (Includes Idler Lever Assembly, Idler Pulley and Ring Dowel)	15			Screw, Cap – Hex Head – Grade 8
2	800-0500	2	Screw, Cap – Hex Head (7/16-14 x 5-1/2") Grade 8	800-0580	1		7/16-14 x 1-5/8" – Spec B Through E
3			Washer (7/16")	800-0605	1		7/16-14 x 1-1/4" – Begin Spec F
	850-0055	5	Lock – Spring –Spec B Through E	16	130-4153	1	Spacer, Fan
	526-0032	3	Flat – Begin Spec F	17	800-0106	6	Screw, Cap – Hex Head (1/2-13 x 5-1/2")
4	130-3635	1	Support, Fan	18	850-0060	3	Washer, Lock – Spring (1/2") Spec B Through E
5	402-0612	1	Absorber, Shock	19	130-4537	1	Fan (8 Blade)
6	800-0077	1	Screw, Cap – Hex Head (7/16-14 x 2-1/2")	20	800-0088	3	Screw, Cap – Hex Head (1/2-13 x 3/4") Spec B Through E
7	130-3627	1	Cover – Spec B Through E	21	800-0163	6	Screw, Cap – Hex Head (3/4-10 x 4")
8			Pulley, Fan Drive	22	800-0135	4	Screw, Cap – Hex Head (5/8-11 x 2-1/4")
	130-3631	1	Spec B Through E	23			Washer (5/8")
	130-4768	1	Begin Spec F	850-0070	4		Lock – Spring – Spec B Through E
9	130-4154	1	Pulley, Fan Drive	526-0038	4		Flat – Begin Spec F
10	800-0078	1	Screw, Cap – Hex Head (7/16-14 x 2-3/4")	24	526-0219	6	Washer, Flat (1/2")
11	130-3660	1	Spacer				
12	526-0141	2	Washer, Flat (7/16")				
13	511-0161-10	1	Belt, Ribbed				
14	815-0769-01	8	Screw, Cap – 12 Point (3/4-16 x 4-1/2")				

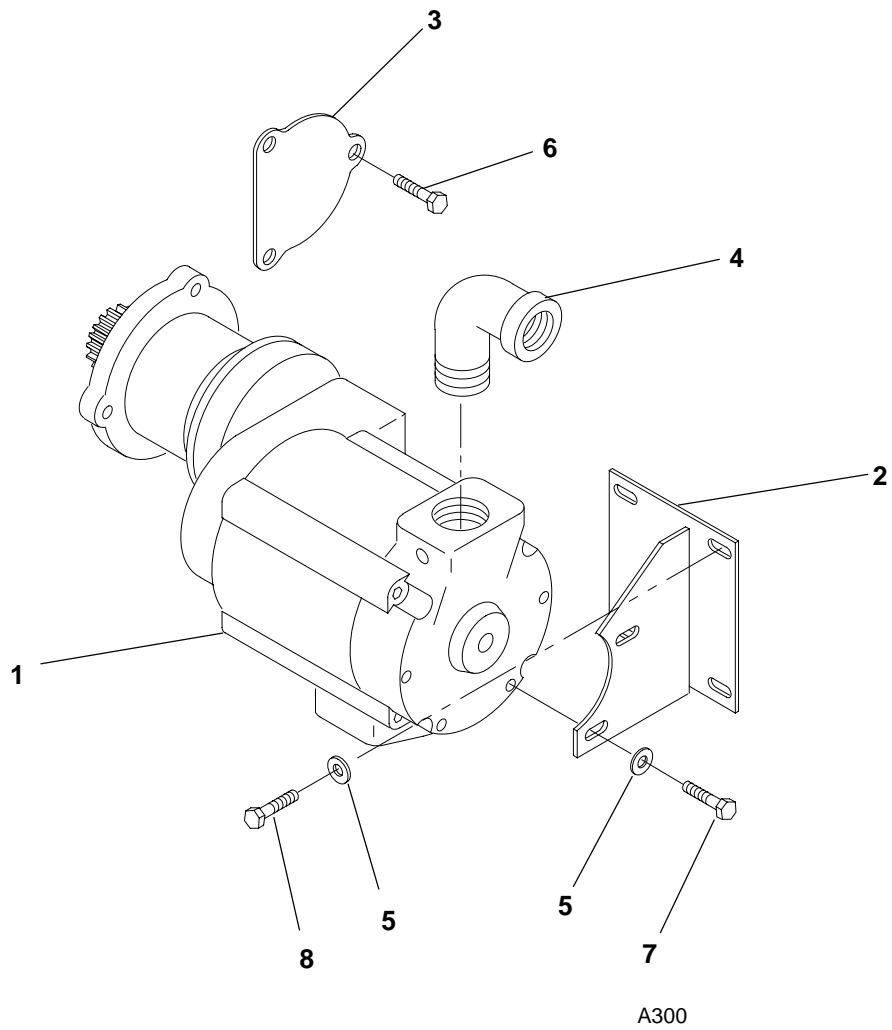
**Fan Drive  
DFJC Begin Spec N  
DFJD Sets With 60" Diameter Fan**



REF NO.	PART NO.	QTY USED	PART DESCRIPTION	REF NO.	PART NO.	QTY USED	PART DESCRIPTION
1	130-3667	1	Idler Assembly, Fan (Includes Idler Lever Assembly, Idler Pulley and Ring Dowel)	14			Screw, Cap – Hex Head (7/16-14 x 1-1/4")
2	800-0500	2	Screw, Cap – Hex Head (7/16-14 x 5-1/2") Grade 8	800-0605	1		DFJC – Grade 8
3			Washer (7/16")	800-0072	1		Spec B Through E
	526-0032	3	DFJC – Flat	800-0605	1		Begin Spec F – Grade 8
	850-0055	5	Spec B Through E – Lock – Spring	15	130-4153	1	Spacer, Fan
	526-0032	3	Begin Spec F – Flat	16	800-0106	6	Screw, Cap – Hex Head (1/2-13 x 5-1/2")
4	130-3635	1	Support, Fan	17	526-0219	6	Washer, Flat (1/2")
5	402-0612	1	Absorber, Shock	18			Fan (8 Blade)
6	800-0077	1	Screw, Cap – Hex Head (7/16-14 x 2-1/2")				DFJC
7			Pulley, Fan Drive				Spec N and P
	130-4768	1	DFJC		130-4533	1	Begin Spec R
			DFJD		130-4880	1	DFJD
	130-4165	1	Spec B Through E		130-4533	1	Spec F and G
	130-4769	1	Begin Spec F		130-4880	1	Begin Spec H
8	130-3636	1	Hub, Fan	19	800-0163	6	Screw, Cap – Hex Head (3/4-10 x 4")
9	800-0078	1	Screw, Cap – Hex Head (7/16-14 x 2-3/4")	20	800-0135	4	Screw, Cap – Hex Head (5/8-11 x 2-1/4")
10	130-3660	1	Spacer	21			Washer (5/8")
11	526-0141	2	Washer, Flat (7/16")		526-0038	4	DFJC – Flat
12			Belt, Ribbed		850-0070	4	DFJD
	511-0161-04	1	DFJC		850-0070	4	Spec B Through E – Lock – Spring
	511-0161-11	1	DFJD		526-0038	4	Begin Spec F – Flat
13	815-0769-01	8	Screw, Cap – 12 Point (3/4-16 x 4-1/2")				

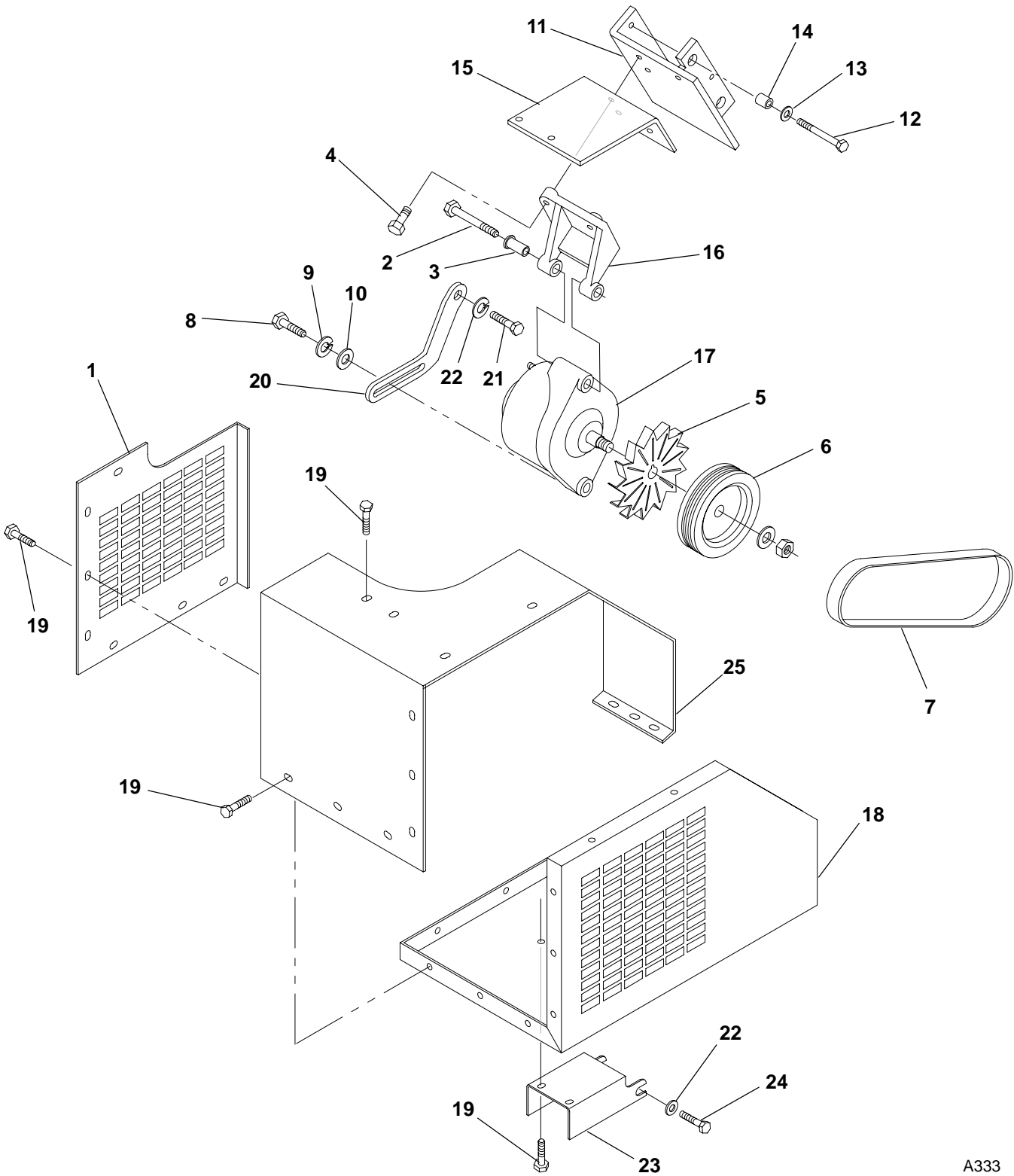


## Air Starter



REF NO.	PART NO.	QTY USED	PART DESCRIPTION	REF NO.	PART NO.	QTY USED	PART DESCRIPTION
1	127-0390-01	1	Starter, Air	7	800-2526	2	Screw, Cap – Hex Head (M10 x 20)
2	127-0395	1	Brace, Starter Motor	8	815-0724	4	Screw, Cap – Hex Head (3/8-16 x 1.25)
3	127-0422	1	Cover, Flange – Starter				
4	502-1054-08	1	Elbow, Street Pipe – 90°				
5	526-0030	6	Washer, Flat (13/32)				
6	800-0130	3	Screw, Cap – Hex Head (5/8-11 x 1.00)				

# Alternator 45 Amp

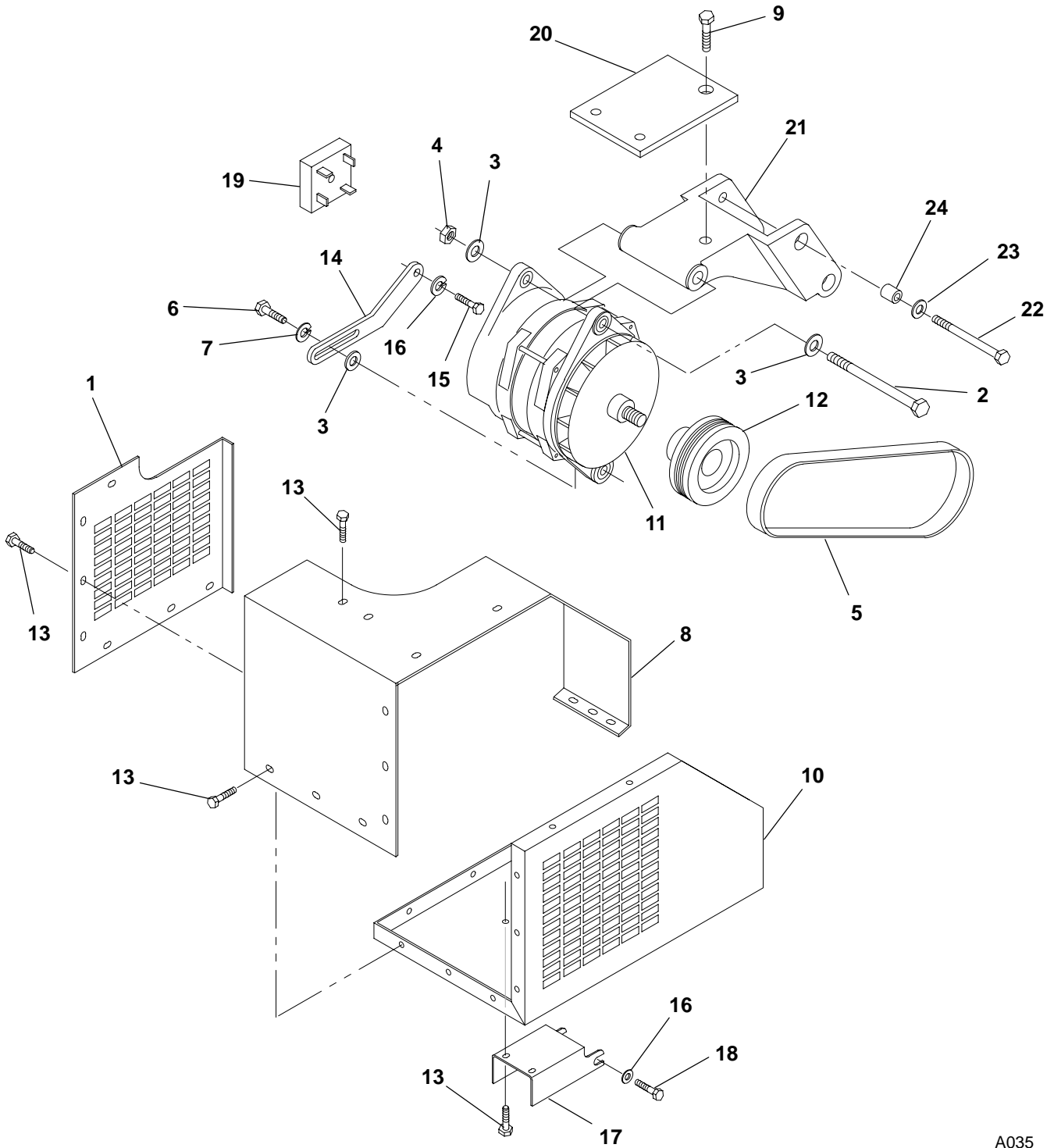


A333

## Alternator 45 Amp

REF NO.	PART NO.	QTY USED	PART DESCRIPTION	REF NO.	PART NO.	QTY USED	PART DESCRIPTION
1	130-3870	1	Guard, Belt	16	191-1990	1	Support, Alternator
2	718-1067	1	Screw, Cap – Hex Head (M10 x 90mm)	17	191-1983-02	1	Alternator – 45 Amp (Includes M16 Nut, Spring Washer and Regulator)
3	191-1989-07	1	Spacer, Mounting				Regulator – Service Replacement (Not Illustrated)
4	821-0022	3	Screw, Self-Locking – Hex Washer Head (5/16-20 x 1-1/4")		191-2121	1	
5	191-1981	1	Fan, Alternator	18	130-3868	1	Guard, Belt
6	191-1984	1	Pulley, Alternator	19	821-5002-04	21	Screw, Self-Locking – Hex Washer Head (1/4-20 x 5/8")
7	511-0119	1	Belt, V				
8	800-2059	1	Screw, Cap – Hex Head (M8 x 30mm)	20	191-2110	1	Bracket, Adjusting
9	850-2008	1	Washer, Lock – Spring (M8)	21	800-0071	1	Screw, Cap – Hex Head (7/16-14 x 1")
10	526-0030	1	Washer, Flat (3/8")				
11	191-2021-01	1	Bracket, Alternator	22	850-0055	2	Washer, Lock – Spring (7/16")
12	800-0500	2	Screw, Cap – Hex Head (7/16-14 x 5-1/2")	23	130-3871-02	1	Bracket, Belt Guard
13	526-0098	2	Washer, Flat (7/16")	24	800-0069	1	Screw, Cap – Hex Head (7/16-14 x 3/4")
14	191-2023	2	Sleeve				
15	191-2017	1	Bracket, Alternator	25	130-3869	1	Guard, Belt

# Alternator 75 Amp

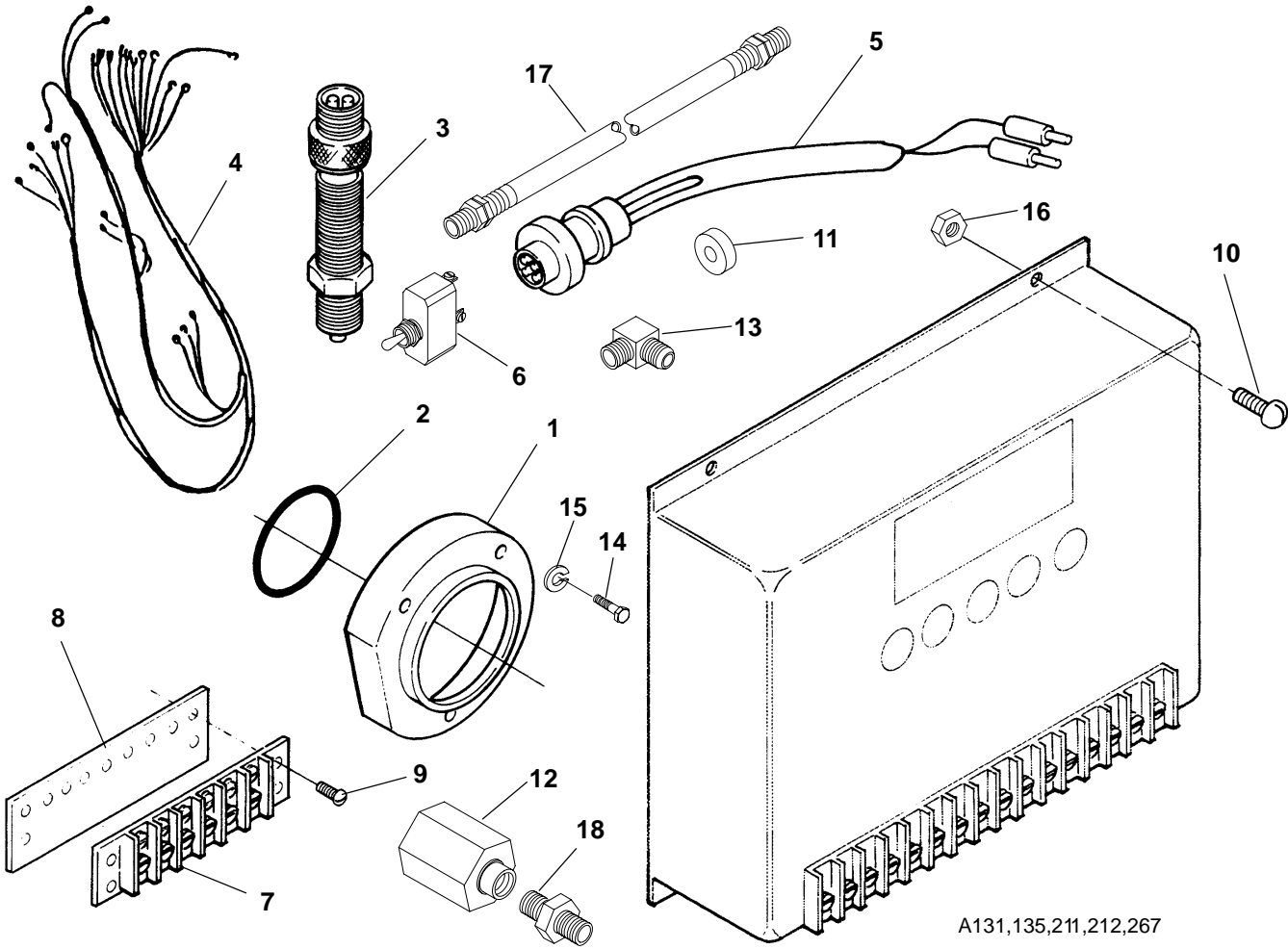


A035

## Alternator 75 Amp

REF NO.	PART NO.	QTY USED	PART DESCRIPTION	REF NO.	PART NO.	QTY USED	PART DESCRIPTION
1	130-3870	1	Guard, Belt	14	191-1942	1	Bracket, Adjusting
2	800-0237	1	Screw, Cap – Hex Head (1/2–20 x 6–1/2")	15	800-0074	1	Screw, Cap – Hex Head (7/16–14 x 1–3/4")
3	526-0353	3	Washer, Flat (1/2")	16	850-0055	2	Washer, Lock – Spring (7/16")
4	870-0452	1	Nut, Locking (1/2–20)	17	130-3871-02	1	Bracket, Belt Guard
5	511-0161-02	1	Belt, V	18	800-0069	1	Screw, Cap – Hex Head (7/16–14 x 3/4")
6	800-0092	1	Screw, Cap – Hex Head (1/2–13 x 1–1/2")	19	305-0653	1	Rectifier (35 Amp) Control Box Mounted – Generator Sets With Detector Control
7	850-0060	1	Washer, Lock – Spring (1/2")	20	191-2111	1	Bracket, Alternator
8	130-3869	1	Guard, Belt	21	191-2108	1	Support, Alternator
9	821-5004-03	1	Screw, Self-Locking – Hex Washer Head (3/8–16 x 1")	22	800-0500	2	Screw, Cap – Hex Head (7/16–14 x 5–1/2")
10	130-3868	1	Guard, Belt	23	526-0098	2	Washer, Flat (7/16")
11	191-1926-02	1	Alternator – 75 Amp	24	191-2023	2	Sleeve
12	191-2112	1	Pulley, Alternator				
13	821-5002-04	21	Screw, Self-Locking – Hex Washer Head (1/4–20 x 5/8")				

# Woodward Governor

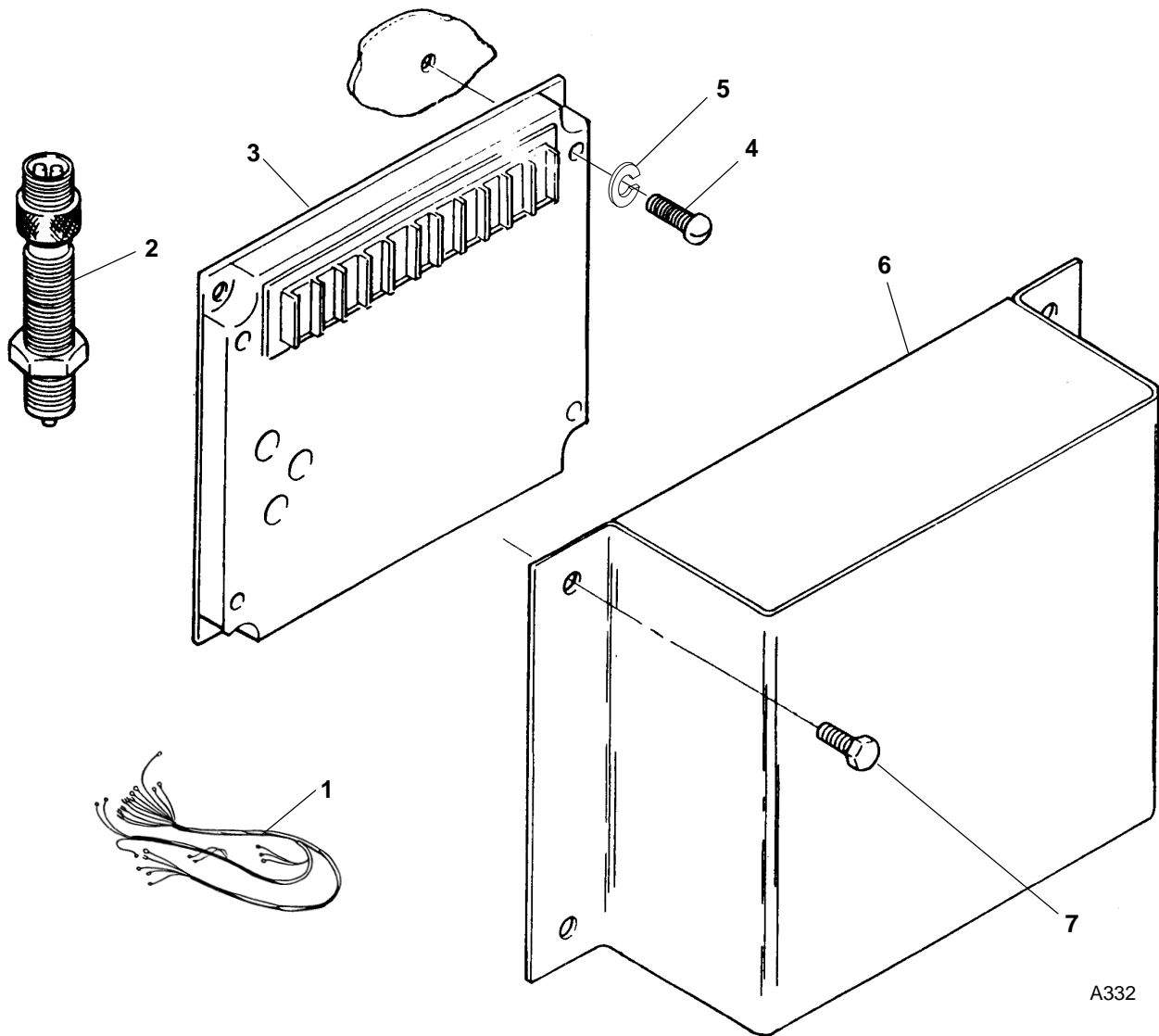


A131,135,211,212,267

## Woodward Governor

REF NO.	PART NO.	QTY USED	PART DESCRIPTION	REF NO.	PART NO.	QTY USED	PART DESCRIPTION
1	150-2334	1	Plug – Fuel Pump EFC Cavity	6	308-0226	1	* Switch, Toggle – 3 Pole (S16)
2	509-0272-02	1	Seal, O-Ring – EFC Cavity Plug	7	332-0699	1	* Block, Terminal (6 Place) Without Load Sharing
3	151-0411	1	* Pickup, Magnetic		332-0699	2	With Load Sharing
4	338-2526	1	* Harness, Wiring – Woodward Governor (7 Wire, 110") DFJA, DFJB, DFJC Spec J Through L, DFJD Spec B Through D (A16 to P1,GND,T26,ACT)	8	332-0970	1	* Strip, Marker Without Load Sharing
					332-0970	2	With Load Sharing
5			* Harness, Wiring – Adapter – Woodward Governor To Engine Harness (12") (ACT to ACT)	9			* Screw, Machine – Round Head (#8-32 x 3/4") Without Load Sharing
	338-2536	1	<b>Used With Adder Code A135</b> (Hydraulic governor, motorized head for remote speed adjustment, externally adjustable for a speed droop of 0% (isochronous) to 7%)		822-1050	2	With Load Sharing
				10	813-0103	4	* Screw, Machine – Round Head (#10-32 x 3/4")
				11	151-0663-02	1	Spacer (21/64" ID x 1/4")
				12	502-1307	1	Adapter, Female Pipe (1/4" Female x 1/2-20 Male)
	338-2538	1	<b>Used With Adder Code A211</b> (Electronic governor with magnetic speed pickup, hydraulic actuator, adjustable for a speed droop of 0% (isochronous) to 5%)	13	502-1308	1	Elbow, Male – 90 Deg (1/4" Male x 3/4-16 Male Flare)
				14	800-0072	4	Screw, Cap – Hex Head (7/16-14 x 1-1/4")
				15	850-0055	4	Washer, Lock – Spring (7/16")
				16			Nut, Hex – Jam (5/16-24) Right Handed Threads
					864-0017	1	Left Harnded Threads
					864-0020-01	1	Hose, Fuel Pump (15")
				17	501-0537-46	1	Connector, Male (3/8-18 Pipe x 3/4-16 Flare)
	338-2537	1	<b>Used With Adder Code A212</b> (Electronic governor with magnetic speed pickup, hydraulic actuator and hydraulic backup, load sharing, adjustable for a speed droop of 0% isochronous) to 5% and load sharing within 5%)	18	502-1045-04	1	
							* – Not Used On All Models
	338-2538	1	<b>Used With Adder Code A267</b> (Electronic governor with magnetic speed pickup, hydraulic actuator, load sharing, adjustable for a speed droop of 0% (isochronous) to 5% and load sharing within 5%)				

## Electronic Governor

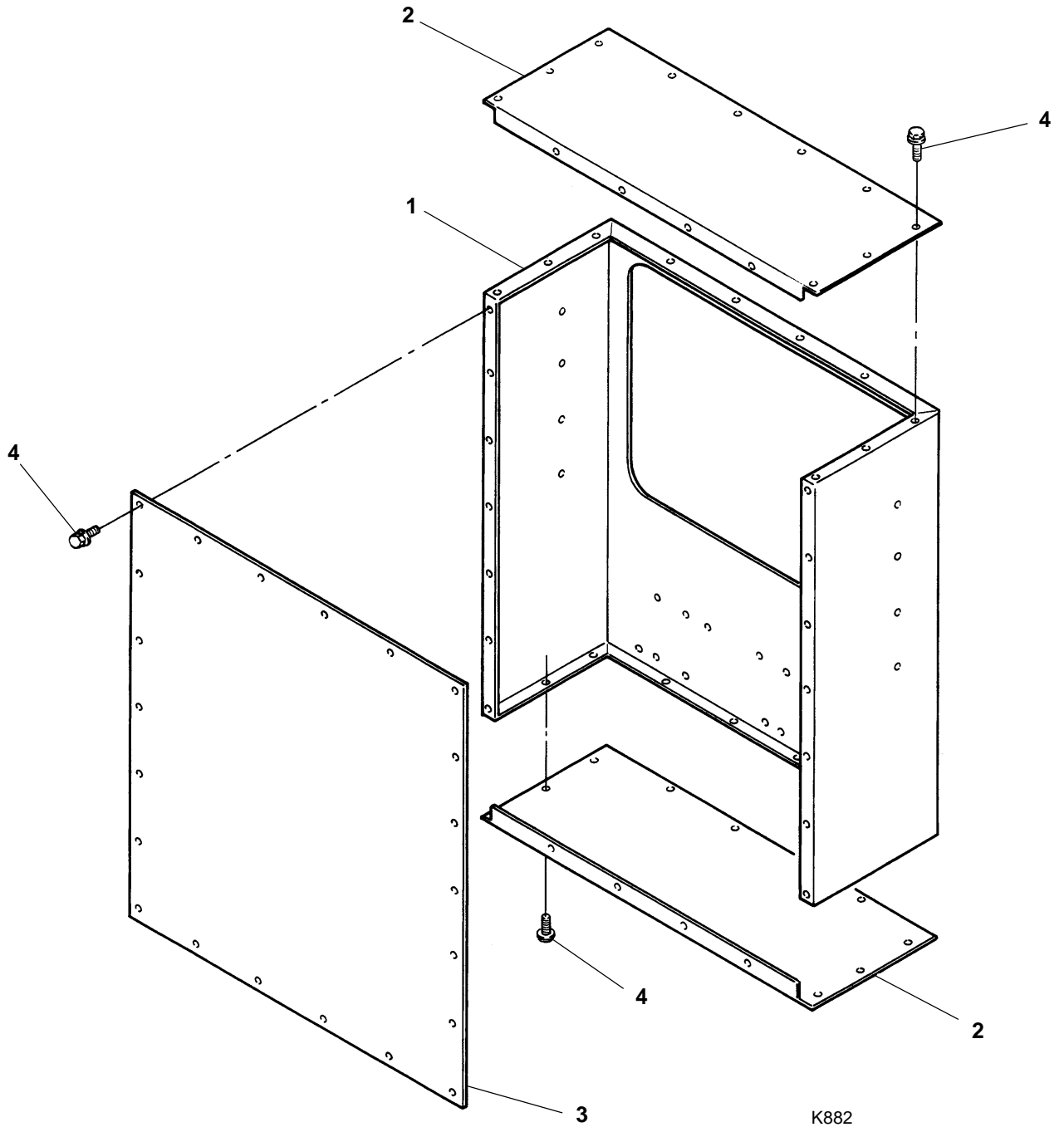


A332

REF NO.	PART NO.	QTY USED	PART DESCRIPTION	REF NO.	PART NO.	QTY USED	PART DESCRIPTION
1	338-2526	1	Harness, Wiring – Electronic Governor (7 Wire, 110") DFJA, DFJB, DFJC Spec J Through L, DFJD Spec B Through D (A16 to P1,GND,T26,ACT)	5	850-0030	4	Washer, Lock – Spring (#10) DFJA, DFJB Spec J Through M, DFJC Spec J Through N, DFJD Spec B Through F (1/4-20 x 1/2")
2	151-0411	1	Pickup, Magnetic	6	150-2213	1	Cover, Governor Control Screw, Self-Locking – Hex Washer Head
3	151-0637-01	1	Control, Governor	7			
4	813-0103	4	DFJA, DFJB Spec J Through M, DFJC Spec J Through N, DFJD Spec B Through F – Machine – Round Head (#10-32 x 3/4")	821-5002-03	4		DFJA, DFJB Spec J Through M, DFJC Spec J Through N, DFJD Spec B Through F (1/4-20 x 1/2")
	821-6001-03	4	DFJC Begin Spec P, DFJD Begin Spec G – Self-Locking – Hex Washer Head (M5 x 16mm)	821-6002-03	4		DFJC Begin Spec P, DFJD Begin Spec G (M6 x 20mm)

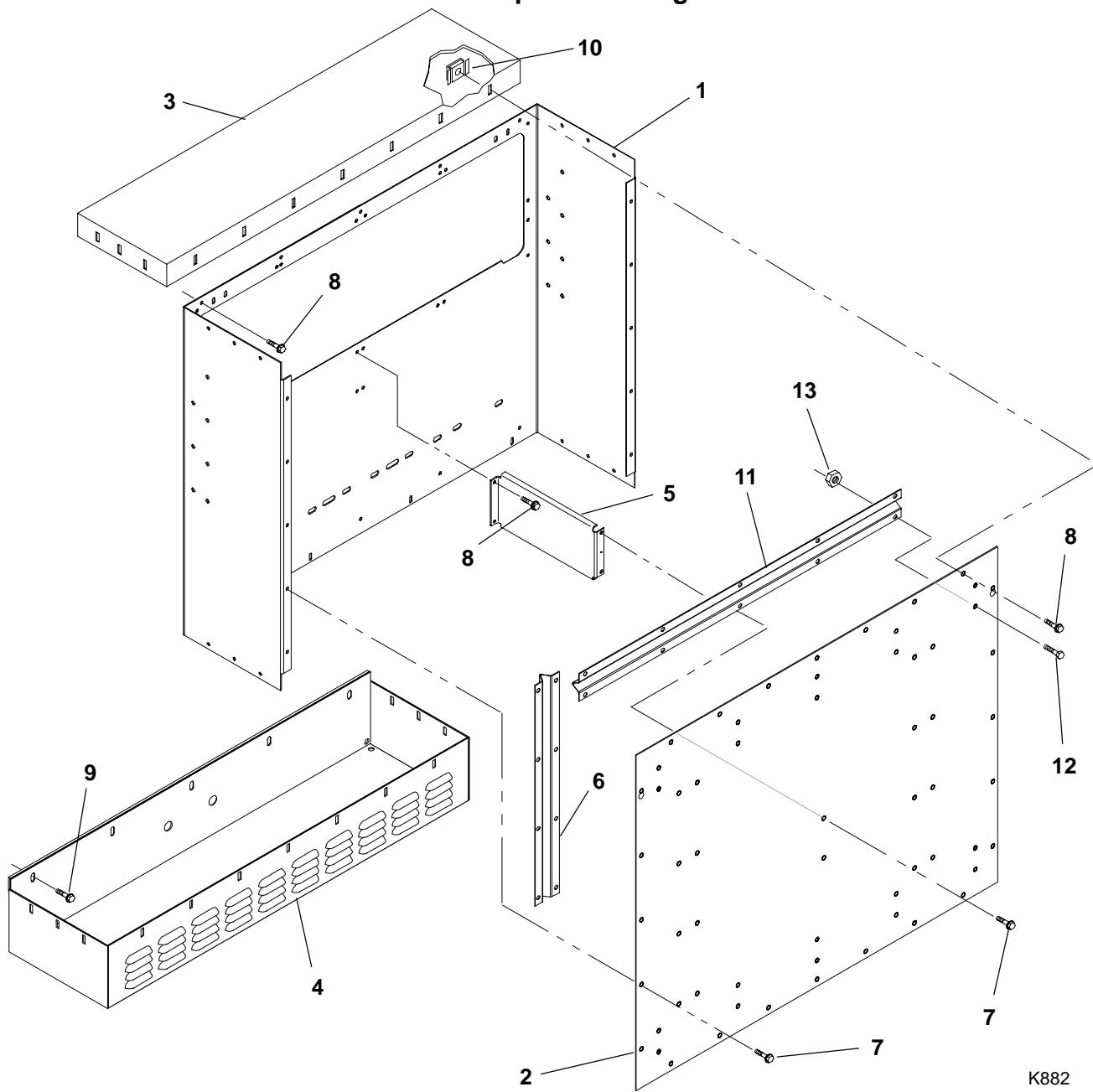


**Entrance Box  
DFJA, DFJB, DFJC Spec J  
DFJD Spec B**



REF NO.	PART NO.	QTY USED	PART DESCRIPTION	REF NO.	PART NO.	QTY USED	PART DESCRIPTION
1	319-0890	1	Box, Entrance	4	821-0010	52	Screw, Self-Locking – Hex Washer Head (1/4–20 x 1/2")
2	319-0892	2	Cover				
3	319-0888	1	Cover				

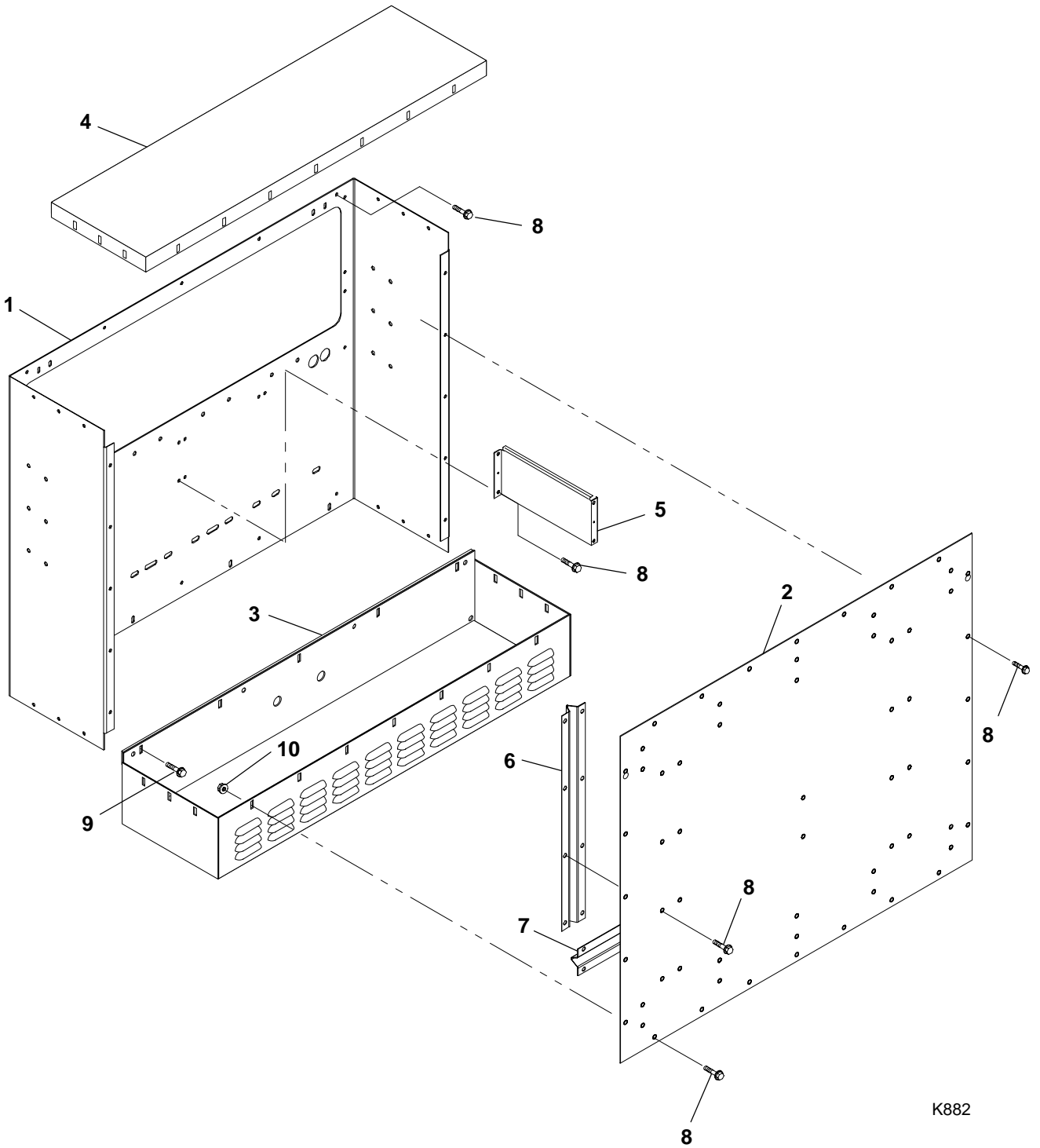
**Entrance Box**  
**DFJA, DFJB Spec K Through M**  
**DFJC Spec K Through N**  
**DFJD Spec C Through F**



K882

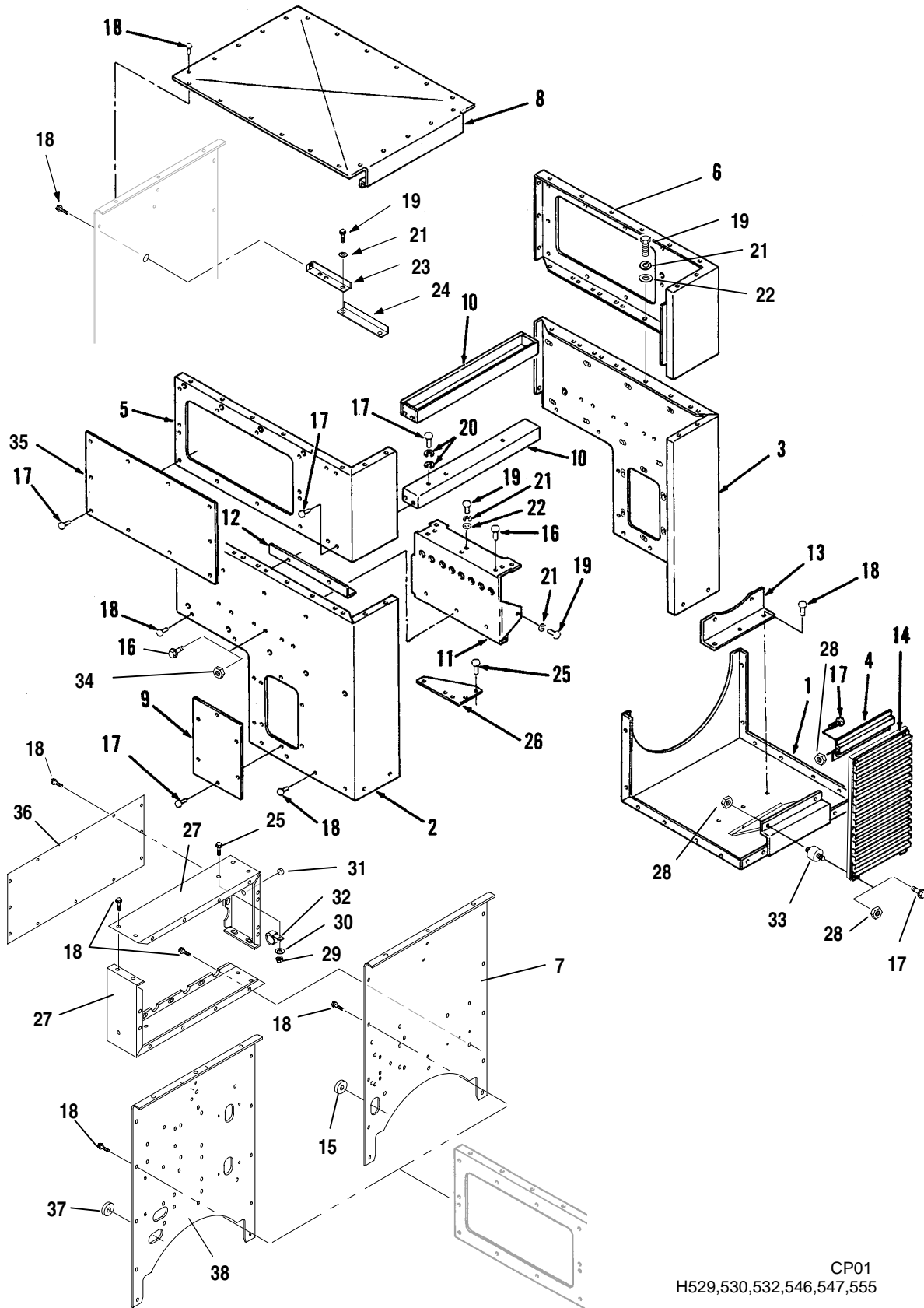
REF NO.	PART NO.	QTY USED	PART DESCRIPTION	REF NO.	PART NO.	QTY USED	PART DESCRIPTION
1	319-1957	1	Box, Entrance	9	821-0011	5	Screw, Self-Locking – Hex Washer Head (1/4–20 x 7/8")
2	319-2378	1	Cover	10	870-0494	26	Nut, Retaining (1/4–20)
3	319-1961	1	Cover – Upper	11	319-2399	2	Brace, Cover (40–1/2")
4	319-1925	1	Cover – Lower	12	816-0098	36	Bolt, Carriage (5/16–18 x 5/8")
5	319-2377-01	1	Brace, Cover	13	870-0257	36	Nut, Locking (5/16–18)
6	319-2398	2	Brace, Cover (24")				
7	821-0010	24	Screw, Self-Locking – Hex Washer Head (1/4–20 x 1/2")				
8	821-0018	21	Screw, Self-Locking – Hex Washer Head (1/4–20 x 5/8")				

**Entrance Box  
DFJC Begin Spec P  
DFJD Begin Spec G**



REF NO.	PART NO.	QTY USED	PART DESCRIPTION	REF NO.	PART NO.	QTY USED	PART DESCRIPTION
1	319-3184	1	Box, Entrance	7	319-3288	2	Brace, Cover (40-1/2")
2	319-3265	1	Cover	8	821-6002-03	89	Screw, Self-Locking - Hex Washer Head (M6 x 16mm)
3	319-1925	1	Cover - Lower	9	821-2035	5	Screw, Self-Locking - Hex Washer Head (M6 x 25mm)
4	319-1961	1	Cover - Upper	10	870-0504	26	Nut, Retaining (M6)
5	319-3264	1	Brace, Cover				
6	319-3286	2	Brace, Cover (24")				

Control Housing  
 DFJA, DFJB Spec J Through M  
 DFJC Spec J Through N  
 DFJD Spec B Through F

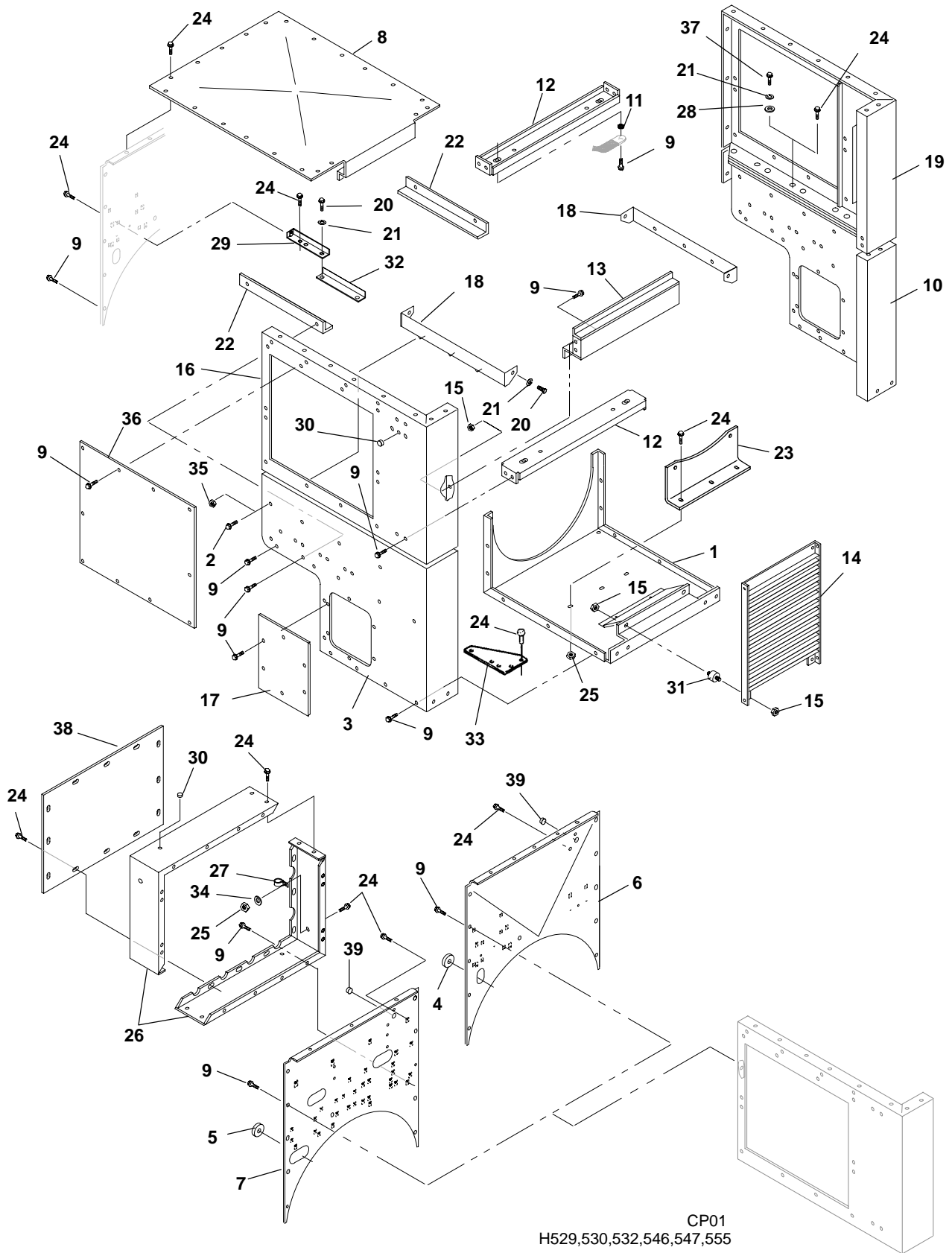


CP01  
 H529,530,532,546,547,555

**Control Housing**  
**DFJA, DFJB Spec J Through M**  
**DFJC Spec J Through N**  
**DFJD Spec B Through F**

REF NO.	PART NO.	QTY USED	PART DESCRIPTION	REF NO.	PART NO.	QTY USED	PART DESCRIPTION
1			Panel – Bottom	22			Washer, Flat (3/8")
	319-2771-03	1	Model HC6 Generators		526-0141	10	Model HC6 Generators
	319-2771-04	1	Model HC7 Generators		526-0141	6	Model HC7 Generators
2	319-2781-01	1	Panel – Right Side – Lower	23	319-1090	1	Angle, Support (5-1/2")
3	319-2781-02	1	Panel – Left Side – Lower	24	319-1118	1	Angle, Support (6-1/2")
4	319-2778	1	Panel – Rear	25			Screw, Self-Locking – Hex Washer Head (5/16-18 x 3/4")
5	319-2779-01	1	Panel – Right Side – Upper				<b>Model HC6 Generators</b>
6	319-2779-02	1	Panel – Left Side – Upper				Sets With Detector Control
7			Panel – Front – Sets With Detector Control		821-5003-03	9	Sets With PowerCommand Control
	319-1089	1	Model HC6 Generators		821-5003-03	11	Sets With PowerCommand Control
	319-1088	1	Model HC7 Generators				<b>Model HC7 Generators</b>
8	319-1093	1	Cover, Top				Sets With Detector Control
9	319-0881	2	Cover, Side – Lower				Sets With PowerCommand Control
10	319-0879	2	Support – Control Box				<b>Model HC7 Generators</b>
11			Bracket, Saddle		821-5003-03	8	Sets With Detector Control
	319-1096	2	Model HC6 Generators		821-5003-03	10	Sets With PowerCommand Control
	319-1097	2	Model HC7 Generators				
12	319-0883	2	Angle, Housing				
13			Bracket, Panel				
	319-1091	1	Model HC6 Generators	26	319-1203-01	2	Gusset
	319-1092	1	Model HC7 Generators	27	319-2244	2	Wrapper, Control Box – Sets With PowerCommand Control
14	319-2767	1	Grille				
15	508-1057	1	Grommet, Rubber – Sets With Detector Control (Fits 2-1/4" Hole)	28	870-0550-05	10	Nut, Hex (1/4-20)
				29	870-0550-07	2	Nut, Hex (5/16-18) Sets With PowerCommand Control
16	821-5004-02	12	Screw, Self-Locking – Hex Washer Head (3/8-16 x 3/4")	30	526-1115	2	Washer, Flat (5/16") Sets With PowerCommand Control
17			Screw, Self-Locking – Hex Washer Head (1/4-20 x 1/2")	31	517-0131	2	Plug, Hole (Fits 3/8" Hole) Sets With PowerCommand Control
	821-5002-03	50	Model HC6 Generators				
	821-5002-03	46	Model HC7 Generators	32	332-2634	4	Clamp, "J" – Sets With PowerCommand Control
18			Screw, Self-Locking – Hex Washer Head (5/16-18 x 1/2")	33	402-0610	4	Isolator, Vibration
			Sets With Detector Control	34	870-0550-09	6	Nut, Hex (3/8-16) Sets With HC7 Generators
	821-5003-01	58	Sets With Detector Control	35			Cover, Side – Upper Without Circuit Breaker, Entrance Box or BUS Box
	821-5003-01	80	Sets With PowerCommand Control		319-1095	2	With Circuit Breaker, Entrance Box or BUS Box
19			Screw, Cap – Hex Head (M10 x 25mm)	36	319-2245	1	Cover, Control Box – Sets With PowerCommand Control
	800-2086	15	Model HC6 Generators				
	800-2086	11	Model HC7 Generators				
20			Washer, Lock – EIT (1/4")	37	508-1090	3	Grommet, Rubber – Sets With PowerCommand Control
	856-0006	1	Sets With Detector Control				
	856-0006	2	Sets With PowerCommand Control	38			Panel, Front – Sets With PowerCommand Control
21			Washer Lock – Spring (M10)				
	850-2010	15	Model HC6 Generators		319-2243	1	Model HC6 Generators
	850-2010	11	Model HC7 Generators		319-2242	1	Model HC7 Generators

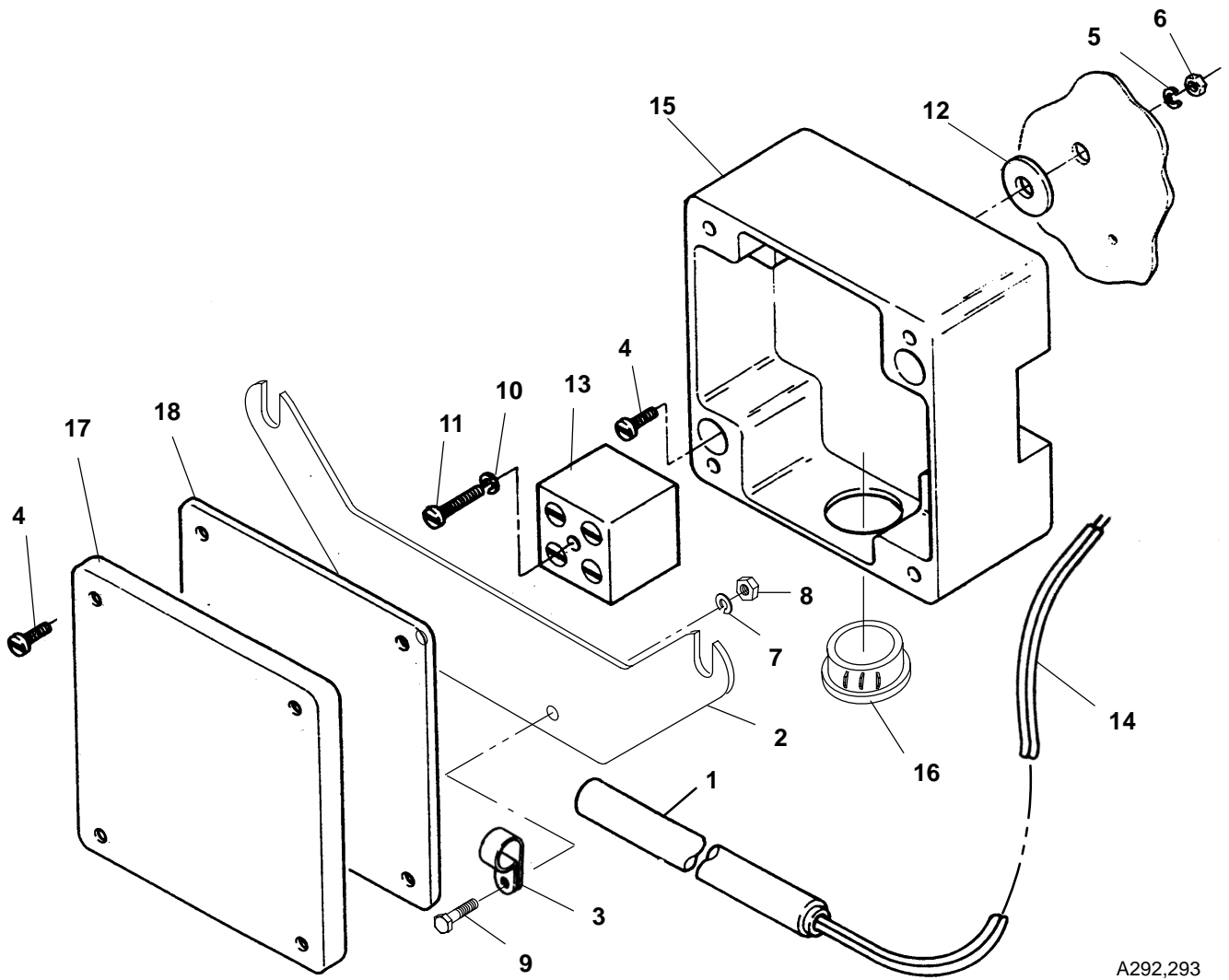
**Control Housing**  
**DFJC Begin Spec P**  
**DFJD Begin Spec G**



**Control Housing**  
**DFJC Begin Spec P**  
**DFJD Begin Spec G**

REF NO.	PART NO.	QTY USED	PART DESCRIPTION	REF NO.	PART NO.	QTY USED	PART DESCRIPTION
1			Panel – Bottom	22	319-3260	2	Angle, Housing – Model HC6 Generators
	319-3270-03	1	Model HC6 Generators				
	319-3270-04	1	Model HC7 Generators	23			Bracket, Panel
2	821-6004-01	12	Screw, Self-Locking – Hex Washer Head (M10 x 20mm) Model HC6 Generators		319-1091	1	Model HC6 Generators
				24	319-1092	1	Model HC7 Generators
3	319-3283-01	1	Panel – Right Side – Bottom				Screw, Self-Locking – Hex Washer Head (M8 x 20mm)
4	508-1057	1	Grommet, Rubber (Fits 2-1/4" Hole) Sets With Detector Control		821-6003-02	63	<b>Sets With Detector Control</b> Model HC6 Generators
5	508-1090	3	Grommet, Rubber (Fits 3-1/4" Hole) Sets With PowerCommand Control		821-6003-02	62	Model HC7 Generators
6			Panel – Front – Sets With Detector Control				<b>Sets With PowerCommand Control</b>
	319-3262	1	Model HC6 Generators		821-6003-02	87	Model HC6 Generators
	319-3261	1	Model HC7 Generators				Model HC7 Generators
7			Panel – Front – Sets With PowerCommand Control		821-6003-02	86	Model HC7 Generators
	319-3276	1	Model HC6 Generators	25	870-2055	2	Nut, Locking (M8) Sets With PowerCommand Control
	319-3275	1	Model HC7 Generators				Wrapper, Control Box – Sets With PowerCommand Control
8	319-1093	1	Cover, Top	26	319-3277	2	Clamp, Retainer – Sets With PowerCommand Control
9			Screw, Self-Locking – Hex Washer Head (M6 x 16mm)				Engine Side (3/4" ID)
			<b>Model HC6 Generators</b>	27			Control Side (1-1/16" ID)
	821-6002-03	50	Without Circuit Breaker, Entrance Box or BUS Box		332-2634	2	Washer, Flat (3/8")
					518-0548-42	2	Model HC6 Generators
	821-6002-03	40	With Circuit Breaker, Entrance Box or BUS Box	28			Model HC7 Generators
					526-0141	10	Angle, Support (5-1/2")
			<b>Model HC7 Generators</b>	29	319-3263	1	Plug, Hole (Fits 3/8" Hole)
	821-6002-03	46	Without Circuit Breaker, Entrance Box or BUS Box	30			Sets With Detector Control
					517-0131	1	Sets With PowerCommand Control
					517-0131	3	Isolator, Vibration
	821-6002-03	36	With Circuit Breaker, Entrance Box or BUS Box	31	402-0729	4	Angle, Support (6-1/2")
				32	319-3269	1	Gusset
10	319-3283-02	1	Panel – Left Side – Bottom	33	319-1203-01	2	Washer, Flat (5/16") Sets With PowerCommand Control
11			Washer, Lock – EIT (1/4")	34	526-1115	2	Nut, Hex (M10) Model HC7 Generators
	856-0006	1	Sets With Detector Control				Cover, Side – Upper
	856-0006	2	Sets With PowerCommand Control				Without Circuit Breaker, Entrance Box or BUS Box
12	319-3258	2	Support, Control Box	35	870-2056	6	With Circuit Breaker, Entrance Box or BUS Box
13	319-2778	1	Panel – Rear	36			Screw, Cap – Hex Head (M10 x 25mm) Model HC7 Generators
14	319-2767	1	Grille		319-1095	2	Cover, Control Box – Sets With PowerCommand Control
15	870-2054	10	Nut, Locking (M6)				Plug, Hole (Fits 5/8" Hole)
16	319-3281-01	1	Panel – Right Side – Upper		319-1095	1	
17	319-0881	2	Cover, Side – Lower				
18			Bracket, Saddle	37	800-2086	6	
	319-3267	2	Model HC6 Generators				
	319-3268	2	Model HC7 Generators				
19	319-3281-02	1	Panel – Left Side – Upper	38	319-2245	1	
20			Screw, Cap – Hex Head (M10 x 25mm)				
	800-2086	15	Model HC6 Generators	39	517-0135	1	
	800-2086	5	Model HC7 Generators				
21			Washer, Lock – Spring (M10)				
	850-2010	15	Model HC6 Generators				
	850-2010	11	Model HC7 Generators				

# Generator Heater



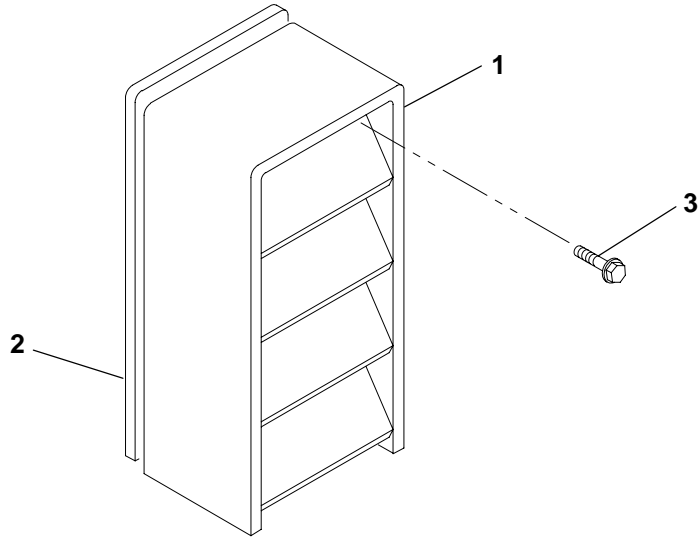
A292,293



## Generator Heater

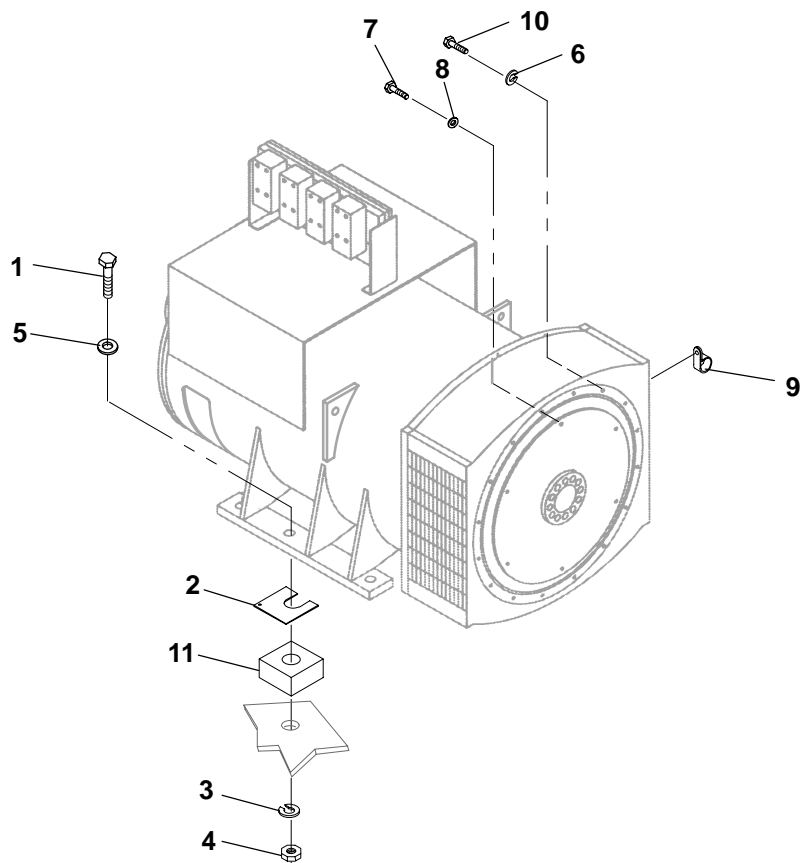
REF NO.	PART NO.	QTY USED	PART DESCRIPTION	REF NO.	PART NO.	QTY USED	PART DESCRIPTION
1			Cartridge, Heater (300 Watt)	10	850-2003	1	Washer, Lock – Spring (M3)
	333-0438-05	1	120 Volt	11	822-3047	1	Screw, Machine – Pan Head (M3 x 20mm)
	333-0438-06	1	240 Volt				
2	232-3849	1	Bracket, Mounting – Heater	12	508-0228	1	Grommet
3	332-3024-14	2	Clamp, Loop	13	332-3023	1	Block, Terminal
4	822-3075	6	Screw, Machine – Slotted Pan Head (M4 x 16mm)	14	898-1254-25	1	Sleeving – Heater Leads (59")
5	850-2004	2	Washer, Lock – Spring (M4)	15	330-0142	1	Box, Terminal
6	860-2005	2	Nut, Hex (M4)	16	517-0021	1	Plug, Dot Button
7	850-2005	2	Washer, Lock – Spring (M5)	17	330-0141-03	1	Cover, Box
8	860-2006	2	Nut, Hex (M5)	18	330-0141-04	1	Gasket, Cover
9	800-2008	2	Screw, Cap – Hex Head (M5 x 16mm)				

## Generator Louvre DFJD



REF NO.	PART NO.	QTY USED	PART DESCRIPTION	REF NO.	PART NO.	QTY USED	PART DESCRIPTION
1			Louvre	3	821-2023	12	Screw, Self-Locking – Hex Washer Head (M5 x 20mm)
	234-0900-01	2	Frame 6 Generators				
	234-0900-02	2	Frame 7 Generators				
2			Gasket, Louvre				
	234-0901-01	2	Frame 6 Generators				
	234-0901-02	2	Frame 7 Generators				

## Generator Mounting



B246,252,258,259,260,276,282,283,284,288,300,301  
302,312,313,314,324,325,326,348,360,372,373,374  
CP01

REF NO.	PART NO.	QTY USED	PART DESCRIPTION	REF NO.	PART NO.	QTY USED	PART DESCRIPTION
1	800-0304	2	Screw, Cap – Hex Head Model HC6 Generators (1-1/4-7 x 5-1/2")	4	862-0017	2	Nut, Hex (1-1/4-7)
	800-0273	2	Model HC7 Generators (1-1/4-7 x 4")	5	526-0445	4	Washer, Flat (1-3/8" ID x 3" OD x .136 Thk) Model HC7 Generators
2			Shim (Quantity Used As Required)	6	850-0060	16	Washer, Lock – Spring (1/2")
			<b>Model HC6 Generators</b>	7	805-0035	6	Bolt, Place (5/8-11 x 1-1/2") Grade 8
	232-3552-01	4	1/64" Thk	8	526-0416	6	Washer, Flat (5/8")
	232-3552-02	4	5/64" Thk	9	332-3196	1	Clamp, "J"
	403-2921	4	7/64" Thk	10			Screw, Cap – Hex Head – Grade 8
			<b>Model HC7 Generators</b>		800-0576	16	Model HC6 Generators (1/2-13 x 1-3/4")
	232-3710-01	4	1/64" Thk		800-0596	16	Model HC7 Generators (1/2-13 x 2-1/4")
	232-3710-02	4	5/64" Thk				
	232-3710-03	4	1/8" Thk				
3	850-0092	2	Washer, Lock – Spring (1-1/4")	11	232-3551	2	Spacer – Model HC6 Generators

## Generator

Frame 6 (with mounting points 27" wide on center) and Frame 7 (with mounting points 29-17/32" wide on center) generator component parts cannot be ordered from Onan. Refer to the Newage nameplate and supply all available information. Contact your nearest Newage distributor for assistance in ordering component parts. For COMPLETE generator replacement use the 249-XXXX-XX Onan identification number listed below.

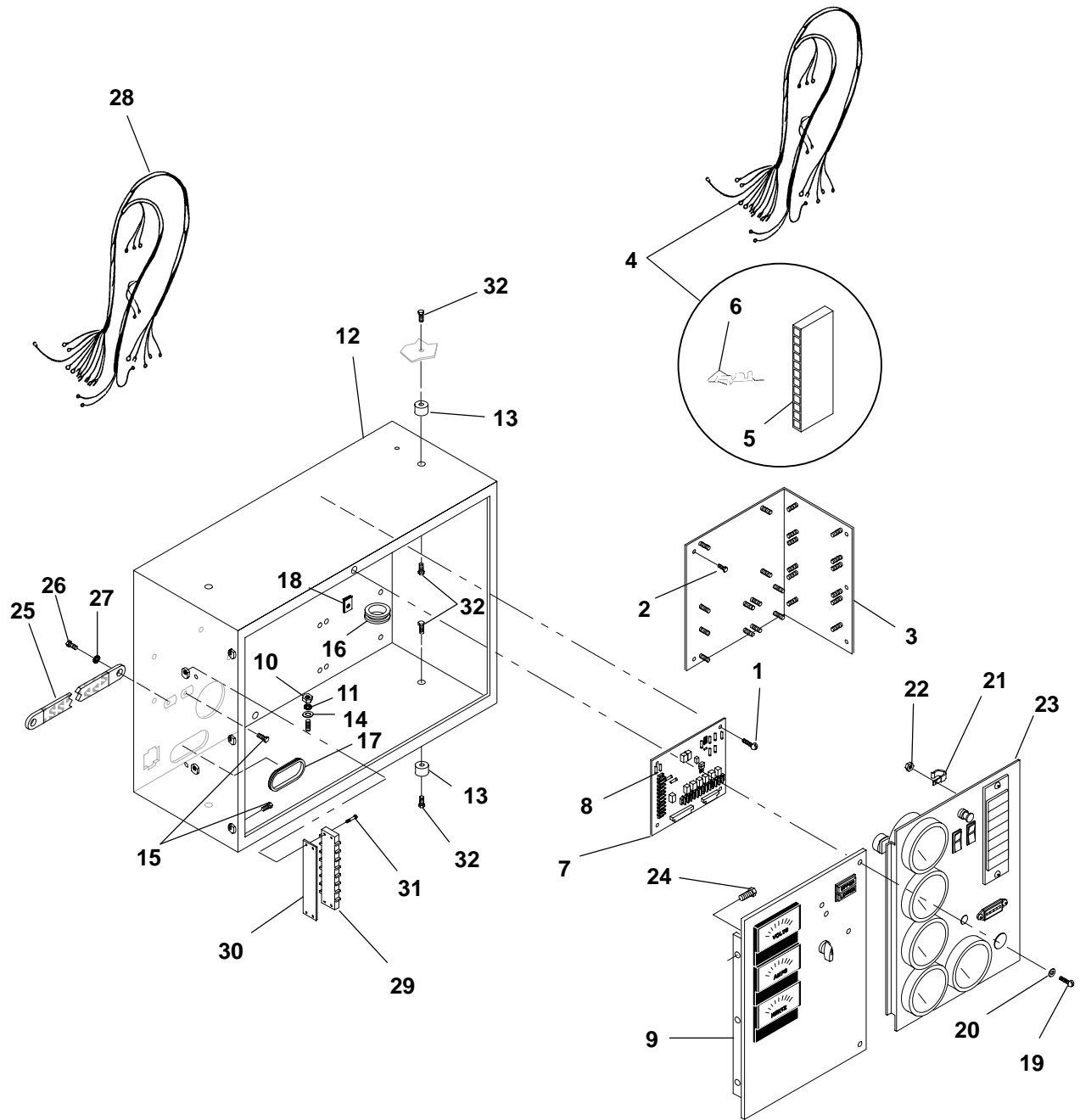
<b>Onan Identification Number</b>	<b>Generator Model</b>
249-0192-04	MV734WE
249-0192-05	MV734WF
249-5061-03	HC634J
249-5061-07	HC634K
249-5063-01	HC634G
249-5063-02	HC634H
249-5063-03	HC634J
249-5063-07	HC634K
249-5064-01	HC734E
249-5064-02	HC734F
249-5065-01	HC634G
249-5065-02	HC634H
249-5065-03	HC634J
249-5065-07	HC634K
249-5066-01	HC634G
249-5066-02	HC634H
249-5066-03	HC634J
249-5066-07	HC634K
249-5067-01	HC734E
249-5088-01	HC634G
249-5088-02	HC634H
249-5088-03	HC634J
249-5088-07	HC634K
<b>Continued...</b>	

## Generator

<b>Onan Identification Number</b>	<b>Generator Model</b>
<b>Continued...</b>	
249-5089-01	HC634G
249-5089-02	HC634H
249-5089-03	HC634J
249-5089-07	HC634K
249-5090-01	HC634G
249-5090-02	HC634H
249-5090-03	HC634J
249-5090-07	HC634K
249-5092-01	HC734E
249-5092-02	HC734F
249-5093-01	HC734E
249-5095-04	MV734WE
249-5095-05	MV734WF

B246,252,258,259,260,276,282,283,284,  
288,300,301,302,312,313,314,324,325,  
326,348,360,361,362,372,373,374,392

# Detector Control

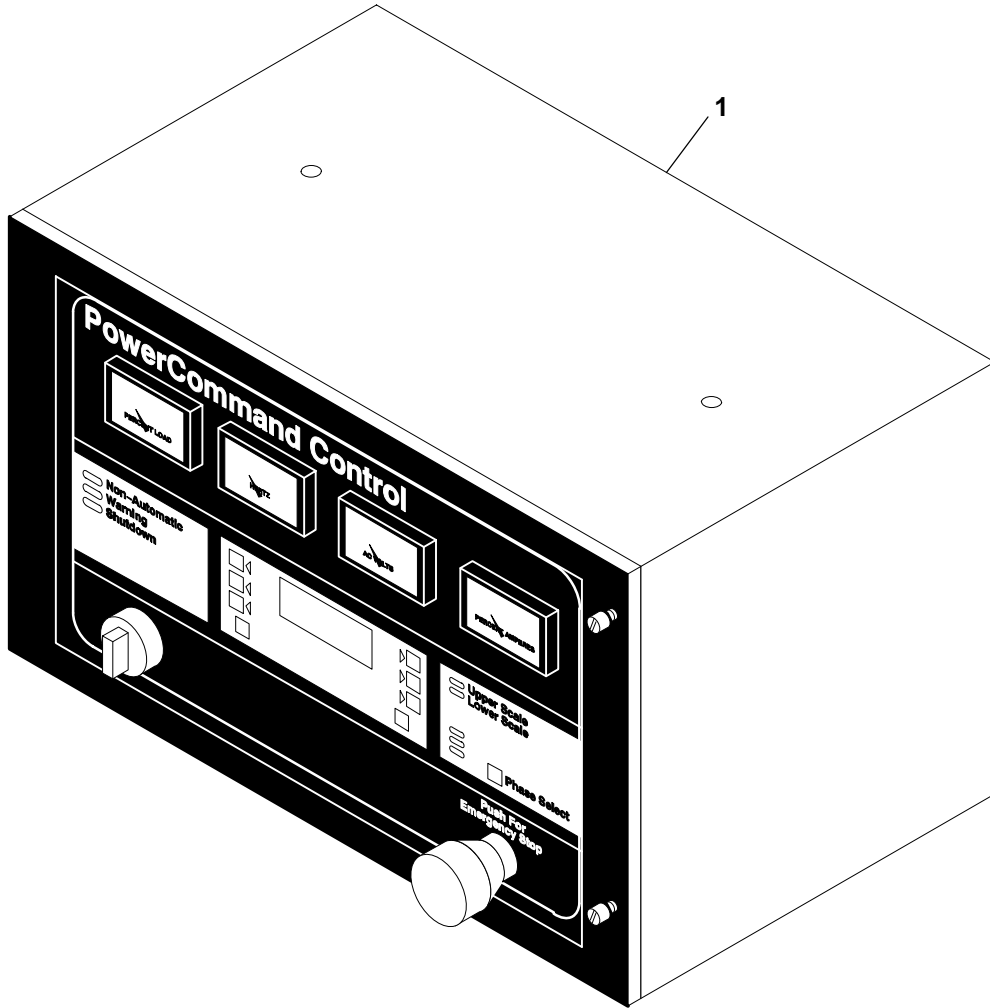


H461,462,529,546,547,  
K001

## Detector Control

REF NO.	PART NO.	QTY USED	PART DESCRIPTION	REF NO.	PART NO.	QTY USED	PART DESCRIPTION
1	815-0388	4	Screw, Pan Head – Cross Recessed (#6-32 x 1/2")	13	402-0527	4	Isolator, Vibration
2	821-0004	5	Screw, Self-Locking – Hex Washer Head (#10-32 x 5/16")	14	526-0018	1	Washer, Flat (1/4")
3	301-8851	1	Bracket, Mounting – Used On Some Early Models	15	821-5000-05	3	Screw, Self-Locking – Hex Washer Head (#10-32 x 1/2")
4	338-3252	1	Harness, Wiring – DC Control Door Assembly to Engine Monitor Board (Includes Connector Housing and Contact Pins)	16	508-0001	1	Grommet (Fits 1-1/16" Hole)
5	323-1308	1	Housing, Connector (12 Place) (J4)	17	508-0051	1	Grommet (Fits 2" Hole)
6	323-1302	11	Pin, Contact	18	406-0332	2	Receptacle, Fastener
7			Board Assembly, Printed Circuit – Engine Monitor (Includes Fuses) (A11)	19	406-0333	2	Stud, Fastener
	300-4295	1	7 Light Control	20	406-0334	2	Washer, Stud Retainer
	300-4297	1	12 Light Control	21	332-0052	2	Clip, Wire
8			Fuse	22	870-0131	5	Nut, Hex – W/ET (#10-32)
			<b>Cylinder Shaped</b> (Used On Some Early Models)	23	-	1	Door, Assembly – Control – DC (See Separate Page For Components)
	321-0270	2	20 Amp (F1,F2)	24	821-0004	8	Screw, Self-Locking – Hex Washer Head (#10-32 x 5/16")
	321-0231	1	15 Amp (F3)	25			Strap, Ground
	321-0094	2	5 Amp (F4,F5)		337-0049	1	Sets Without AC Meters
			<b>U Shaped</b>		337-0049	3	Sets With AC Meters
	321-0307-03	2	5 Amp (Tan) (F4, F5)	26	800-0024	3	Screw, Cap – Hex Head (5/16-18 x 1/2")
	321-0307-06	1	15 Amp (Light Blue) (F3)	27	856-0008	4	Washer, Lock – EIT (5/16")
	321-0307-07	2	20 Amp (Yellow) (F1, F2)	28	338-2278	1	Harness, Wiring – AC Control Door Assembly to TB21 Terminal Block (Includes TB21 Terminal Block)
9	-	1	Door Assembly – Control – AC (See Separate Page For Components)	29	332-0607	1	Block, Terminal – 12 Place (TB21)
10	871-0015	1	Nut, Hex (1/4-20)	30	332-2723	1	Strip, Marker
11	853-0008	1	Washer, Lock – ET (#10)	31	815-0901-06	2	Screw, Machine – Hex Head (#6-32 x 5/8")
12			Box, Control	32	821-0014	8	Screw, Self-Locking – Hex Washer Head (5/16-18 x 1/2")
			<b>Sets Without AC Meters</b>				
	301-8065	1	Sets With PC Boards Mounted On 301-8851 L-Shaped Bracket				
	319-3030	1	Sets With PC Boards Mounted To Control Box				
	301-8065	1	<b>Sets With AC Meters</b>				

**PowerCommand Control**  
**DFJA, DFJB Spec K Through M**  
**DFJC Begin Spec K**  
**DFJD Begin Spec C**



H530,532,555

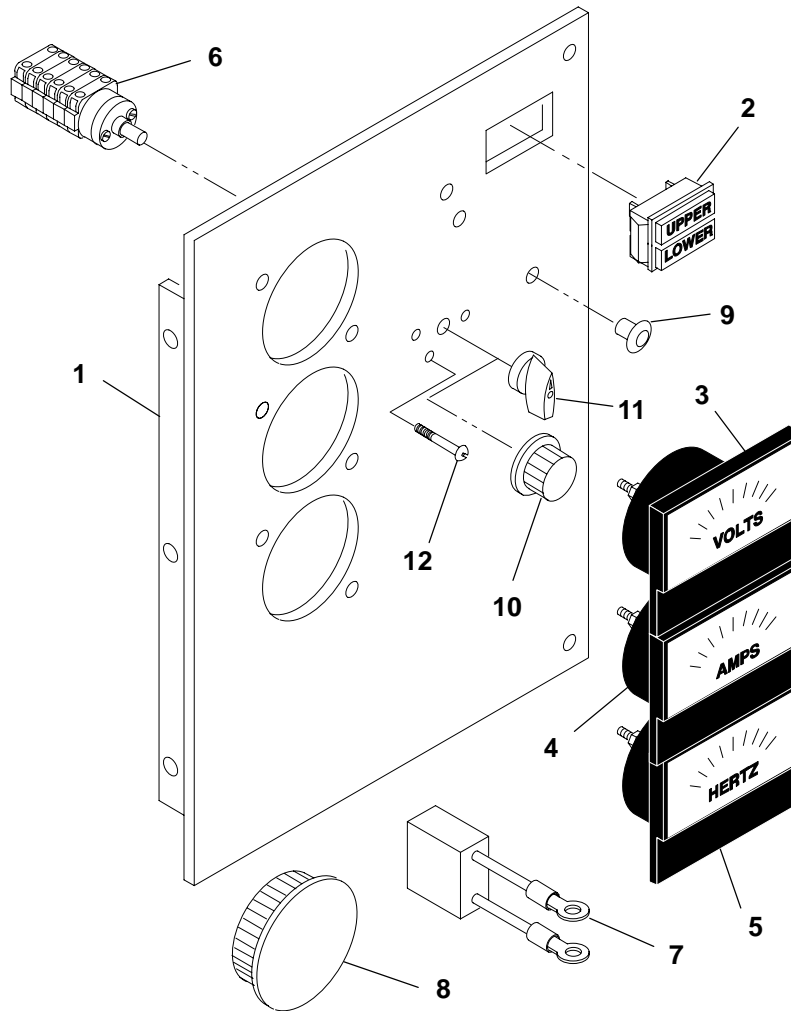
REF NO.	PART NO.	QTY USED	PART DESCRIPTION
1	-	1	Control, PowerCommand

REF NO.	PART NO.	QTY USED	PART DESCRIPTION
---------	----------	----------	------------------

**Note:** For PowerCommand Control Service Replacement Parts, Order PowerCommand Control For Generator Sets Parts Catalog Number 960-0205.

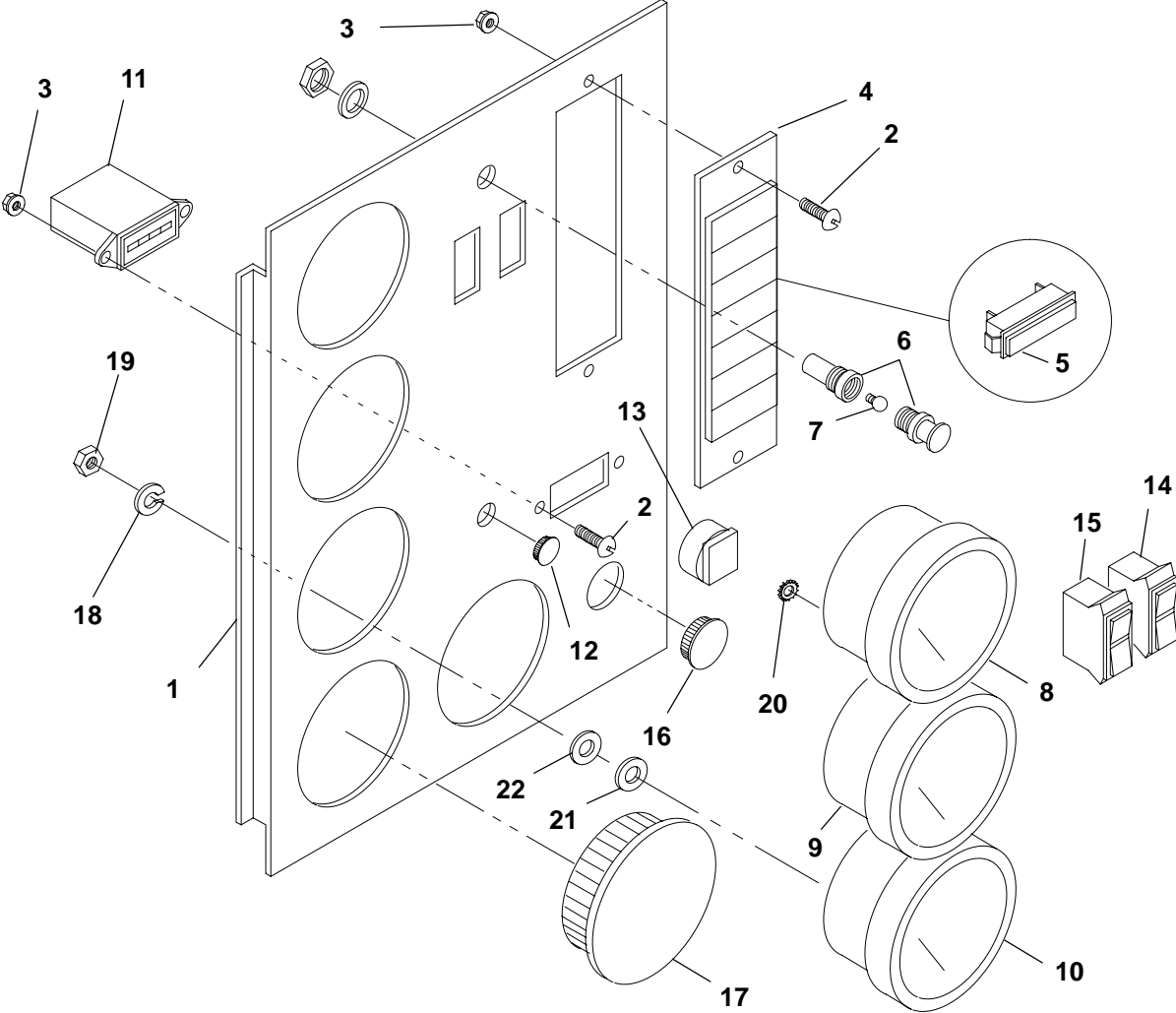


## AC Control Door Assembly Generator Sets With Detector Control



REF NO.	PART NO.	QTY USED	PART DESCRIPTION	REF NO.	PART NO.	QTY USED	PART DESCRIPTION
1	301-9054-01	1	Door, Control – AC With Four Meter Holes	6	308-1052	1	Switch, Rotary – Voltmeter/ Ammeter (Includes Knob)
	301-9054-04	1	With Six Meter Holes	7	355-0189	1	Capacitor – Voltmeter (.1 Mfd., 500 WVDC) (C21)
2	322-0363	1	Light, Indicator – Upper/ Lower Scale (DS21, DS22)	8	517-0302	1	Plug, Hole (Fits 2-1/4" Hole)
3			Voltmeter (M21)	9	517-0131	1	Plug, Hole (Fits 3/8" Hole) Used On Some Early Models
	302-1148	1	Scale Reads 0-300/600	10	303-0032	1	Knob, Rotary Switch (Earlier Round Style) Used On Some Early Models
	302-1753	1	Scale Reads 0-750	11	308-1082	1	Knob, Rotary Switch (Later Wedge Style)
	302-1938	1	Scale Reads 0-5200	12	815-0875-02	3	Screw, Machine – Round Head (M4 x 8mm)
4			Ammeter (M22)				
	302-1684	1	Scale Reads 0-150/0-300				
	302-1685	1	Scale Reads 0-200/0-400				
	302-1798	1	Scale Reads 0-1000/0-2000				
	302-1799	1	Scale Reads 0-1500/0-3000				
	302-1800	1	Scale Reads 0-2000/0-4000				
5	302-1968	1	Meter, Frequency (M23)				

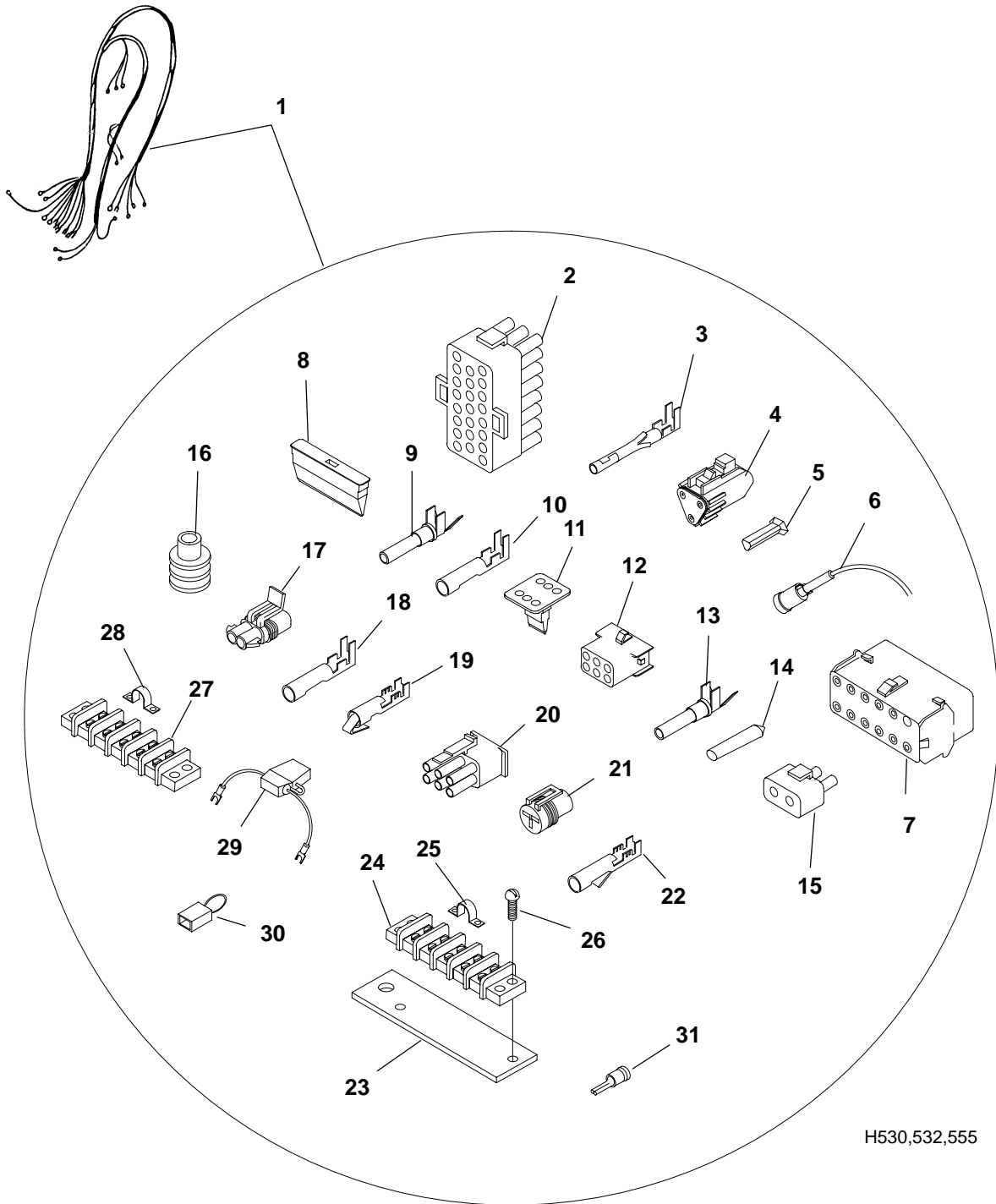
# DC Control Door Assembly Generator Sets With Detector Control



## DC Control Door Assembly Generator Sets With Detector Control

REF NO.	PART NO.	QTY USED	PART DESCRIPTION	REF NO.	PART NO.	QTY USED	PART DESCRIPTION
1			Door, Control – DC	12	517-0131	1	Plug, Hole (Fits 3/8" Hole) Used
	301-9055-02	1	Doors With Three Round Gauge Holes	13	193-0250	2	Resistor (Mounted on Oil Pressure and Water Temperature Gauges) (R12, R13)
	301-9055-01	1	Doors With Five Round Gauge Holes				
2	815-0385	4	Screw, Machine – Round Head (#6-32 x 1/2")	14	308-1010	1	Switch, Rocker – Lamp Test/Reset Panel Lamp – Preheat (S11)
3	870-0183	4	Nut, Hex – W/ET (#6-32)	15	308-1011	1	Switch, Rocker – Run/Stop/Remote (S12)
4			Light Assembly, Indicator (Includes Wiring Harness and Connector Housing) (A12)	16	517-0137	1	Plug, Hole (Fits 7/8" Hole) Used On Some Early Models
	322-0359-02	1	7 Light Assembly	17	517-0301	1	Plug, Hole (Fits 2" Hole) Quantity Used As Required – Used On Some Early Models
	322-0360-02	1	12 Light Assembly				
5	322-0369-02	1	Light, Indicator – Replacement	18	850-0030	8	Washer, Lock – Spring (#10)
6	322-0361	1	Light, Panel (DS11)	19	871-0010	16	Nut, Hex – Brass (#10-32)
7	322-0017	1	Bulb, Panel Light – Replacement	20	853-0008	1	Washer, Lock – ET (#10)
8	193-0466	1	Gauge, Oil Pressure (M11)	21	526-0409	8	Washer, Nylon (3/8" OD x .194" ID x 1/8" Thk)
9	193-0351	1	Gauge, Water Temperature (M12)	22	526-0049	16	Washer, Flat (#10)
10	302-1642	1	Voltmeter (M13)				
11	302-0885	1	Meter, Time Totalizing (M14)				

**Wiring Harness  
Engine to Control  
Generator Sets With PowerCommand Control  
DFJA, DFJB, DFJC Begin Spec K  
DFJD Begin Spec C**



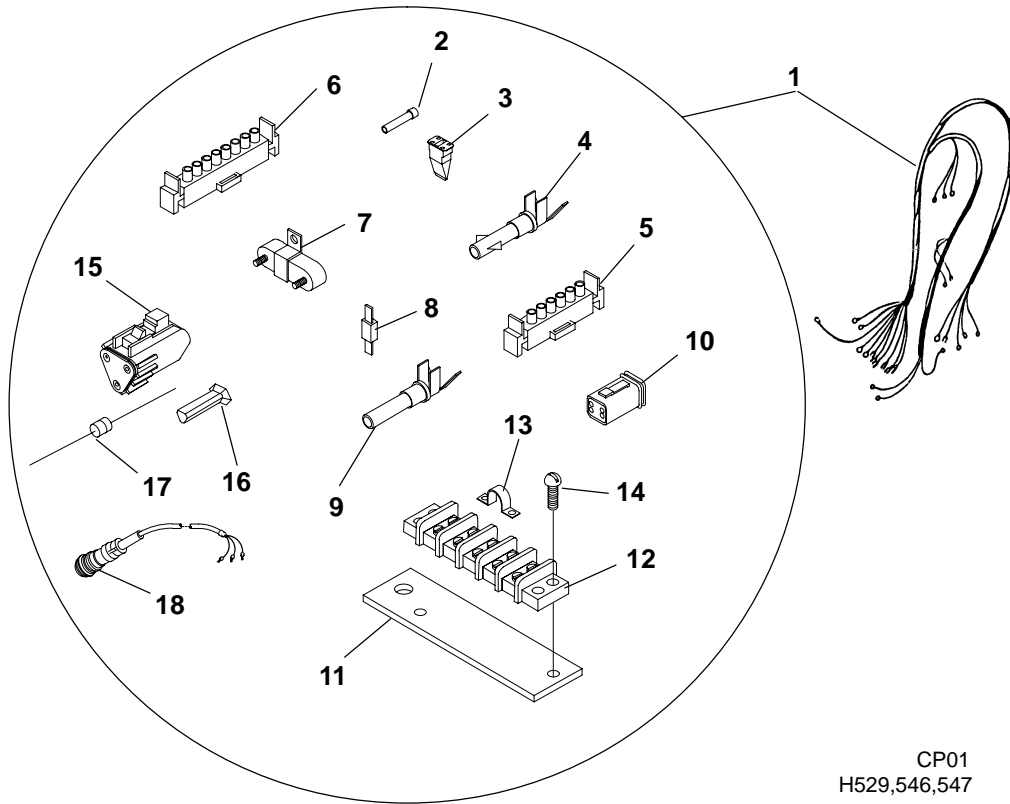
H530,532,555

**Wiring Harness  
Engine to Control  
Generator Sets With PowerCommand Control  
DFJA, DFJB, DFJC Begin Spec K  
DFJD Begin Spec C**

REF NO.	PART NO.	QTY USED	PART DESCRIPTION	REF NO.	PART NO.	QTY USED	PART DESCRIPTION
1			Harness, Wiring – Engine To Control – Generator Sets With PowerCommand Control	16	323-1445	10	*#Seal (Used In E2, E3, E4, E6, E7)
	338-2606	1	DFJA, DFJB, DFJC Spec K and L, DFJD Spec C and D (Includes Parts Marked *)	17	323-1540	3	*#Socket, Connector (2 Place) (E2, E3, E4)
	338-3340	1	DFJA, DFJB Spec M, DFJC Begin Spec M, DFJD Begin Spec E (Includes Parts Marked #)	18	323-1444	4	*#Socket, Contact (Used In E6, E7)
			Plug, Connector (23 Place)	19	332-3096-01	6	*#Socket, Contact (Used In E2, E3, E4)
2	323-1605-03	1	*# Colored Grey (P5)	20	323-1643-01	1	*#Plug, Connector (6 Place) (P10)
	323-1605-02	2	*# Colored Natural (P4, P6)	21	323-1666	1	*#Socket, Connector (3 Place) (E1)
3	323-1614-01	49	*#Socket, Contact (Used In P4, P5, P6)	22	323-1667	3	*#Socket, Contact (Used In E1) Bracket, Mounting – Terminal
4	323-1493	1	#Plug, Connector (3 Place) DFJA, DFJB Spec M, DFJC Begin Spec M, DFJD Begin Spec E (P3)		319-2006-01	1	*# Marked "26" (T26)
			#Wedge – DFJA, DFJB Spec M, DFJC Begin Spec M, DFJD Begin Spec E (Used In P3)		319-2006-02	1	*# Marked "GND" (GND-ENG)
5	323-1503	1	*#Cable, Magnetic Pickup (97") (Includes Indented Sockets Listed Below) (P1)	24	332-0604	2	*#Block, Terminal (5 Place)
6	338-2592-02	1	*# Socket, Contact	25	332-1043	8	*#Jumper
	323-1614-01	3	*#Housing, Connector (12 Place) (J12)	26	815-0538	4	*#Screw, Machine – Round Head – W/IT (#8-32 x 1/2")
7	323-1580	1	*#Wedge (Used In J12)	27	332-0604	1	*#Block, Terminal (5 Place) (TB-BAT)
8	323-1491	5	*#Pin, Contact (Used In J12)	28	332-1043	3	*#Jumper (Used On TB-BAT)
9	323-1648	5	*#Socket, Contact (Used In P10)	29	321-0339	1	*#Holder Assembly, Fuse (Used On TB-BAT) (Includes Indented Parts Listed Below)
10	323-1624	1	*#Wedge (Used In P7)		321-0325	1	*# Holder, Fuse
11	323-1623	1	*#Plug, Connector (6 Place) (P7)		321-0307-07	1	*# Fuse – 20 Amp (Colored Yellow)
12	323-1623	1	Socket, Contact	30	338-3285	2	*#Harness Assembly, Jumper (Includes Parts Indented Below) (Used On E6, E7)
13	323-1492	6	* DFJA, DFJB, DFJC Spec K and L, DFJD Spec C and D (Used In P7)		323-1652	2	*# Socket, Connector (2 Place)
	332-1492	9	# DFJA, DFJB Spec M, DFJC Begin Spec M, DFJD Begin Spec E (Used In P3, P7)		323-1445	4	*# Seal, Cable
14	323-1615	1	*#Plug (Used In P4, P5, P6) (Quantity Used As Required)		323-1718	4	*# Pin, Contact
15	323-1637	2	*#Socket, Connector (2 Place) (E6, E7)	31	332-3496	2	#Pin, Contact – DFJA, DFJB Spec M, DFJC Begin Spec M, DFJD Begin Spec E (Used In TB1)

\* – Parts Included In 338-2606 Engine Wiring Harness  
# – Parts Included In 338-3340 Engine Wiring Harness

## Wiring Harness Engine to Control Generator Sets With Detector Control



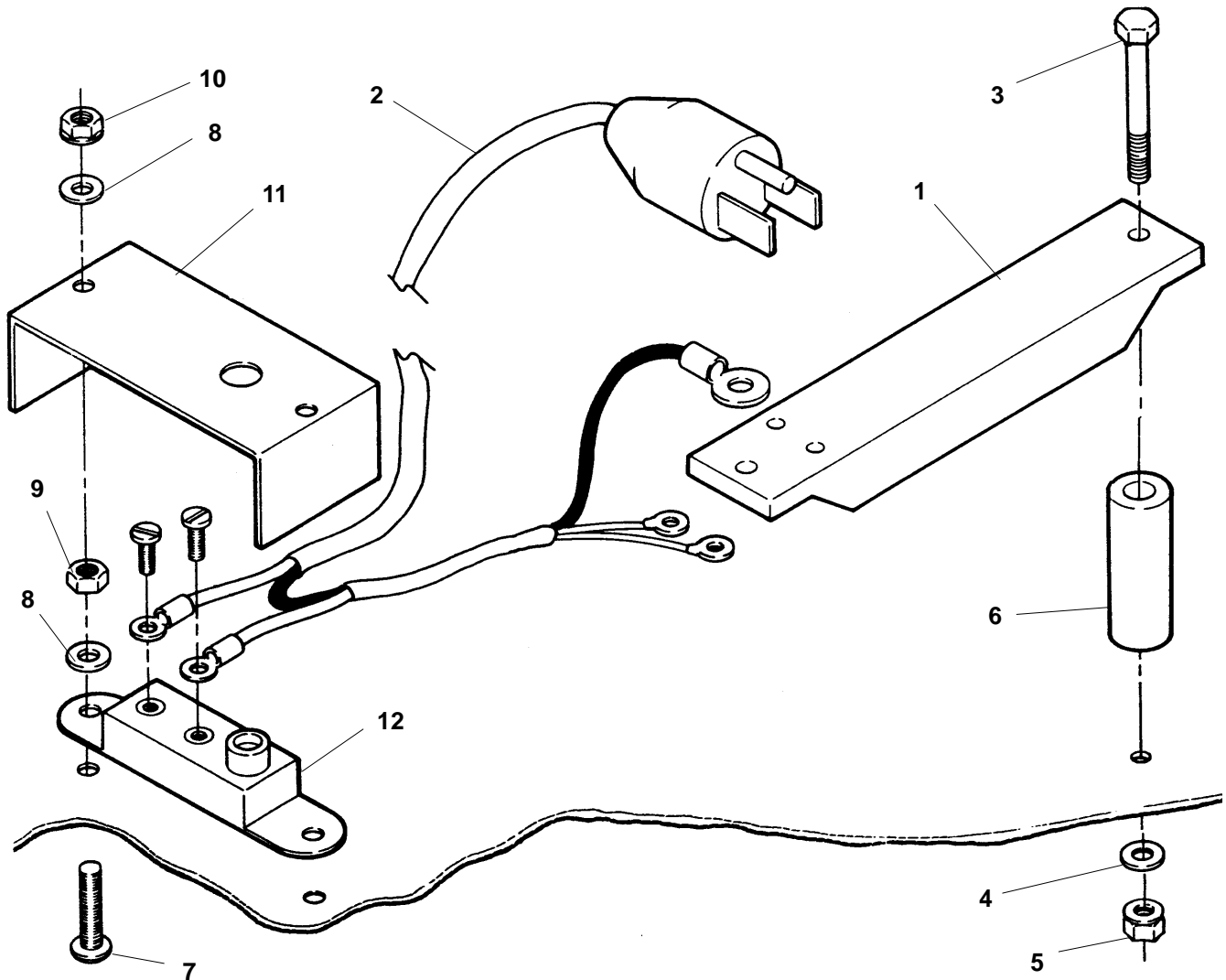
CP01  
H529,546,547

REF NO.	PART NO.	QTY USED	PART DESCRIPTION	REF NO.	PART NO.	QTY USED	PART DESCRIPTION
1			Harness, Wiring – Engine To Control – Generator Sets With Detector Control	9	323-1492	6	#Socket, Contact (Used In E1, P3)
	338-2996	1	DFJA, DFJB, DFJC Spec J Through L (Includes Parts Marked *)	10	323-1546	1	#Plug, Connector (4 Place) (E1) Bracket, Mounting – Terminal
	338-3346	1	DFJA, DFJB Spec M, DFJC Begin Spec M, DFJD Begin Spec E (Includes Parts Marked #)	11	319-2006-01	1	*# Marked "26" (T26)
2	323-1591	1	#Plug, Seal (Used In E1)		319-2006-02	1	*# Marked "GND" (GND-ENG)
3	323-1548	1	#Wedge (Used in E1)	12	332-0604	2	*#Block, Terminal (5 Place)
4	323-1200	11	*#Socket, Contact (Used In J1, J2)	13	332-1043	8	*#Jumper
5	323-1304	1	*#Housing, Connector (6 Place) (J2)	14	815-0538	4	*#Screw, Machine – Round Head – W/IT (#8-32 x 1/2")
6	323-1306	1	*#Housing, Connector (8 Place) (J1)	15	323-1493	1	#Plug, Connector (3 Place) (P3)
7	353-0094-01	1	*#Resistor (R1)	16	323-1503	1	#Wedge (Used In P3)
8	357-0030	1	*#Rectifier (CR1)	17	359-0051	1	*#Diode
				18	338-1765-03	1	*Cable, Magnetic Pickup (42")

\* – Parts Included In 338-2996 Wiring Harness

# – Parts Included In 338-3346 Wiring Harness

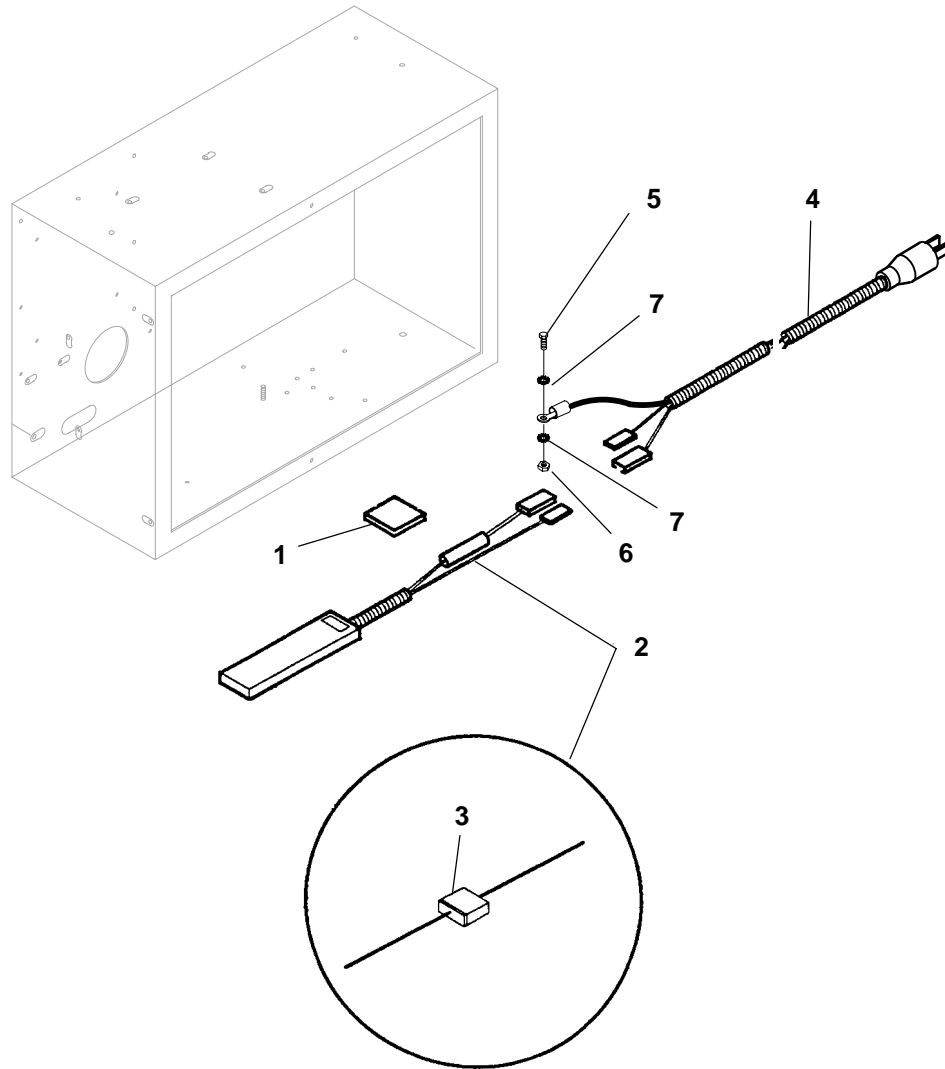
**Control Heater  
Generator Sets With Detector Control  
DFJA, DFJB, DFJC Spec J  
DFJD Spec B**



H362,363,529,546,547

REF NO.	PART NO.	QTY USED	PART DESCRIPTION	REF NO.	PART NO.	QTY USED	PART DESCRIPTION
1	333-0151	1	Heater (300 Watt, 240 Volt) (HR1)	6	130-1107	2	Spacer
2	335-0161	1	Harness, Wiring (7') (P1)	7	812-0070	2	Screw, Machine – Round Head (#6-32 x 1-1/4")
3	800-0034	2	Screw, Cap – Hex Head (5/16-18 x 2-1/4")	8	854-0006	4	Washer, Lock – IT (#6)
4	526-0113	2	Washer, Flat (5/16")	9	860-0006	2	Nut, Hex (#6-32)
5	870-0257	2	Nut, Self-Locking – Hex Head (5/16-18)	10	870-0183	2	Nut, Hex – W/ET (#6-32)
				11	301-1886	1	Cover
				12	309-0128	1	Thermostat – Adjustable (S1)

**Control Heater  
Generator Sets With Detector Control  
DFJA, DFJB, DFJC Begin Spec K  
DFJD Begin Spec C**

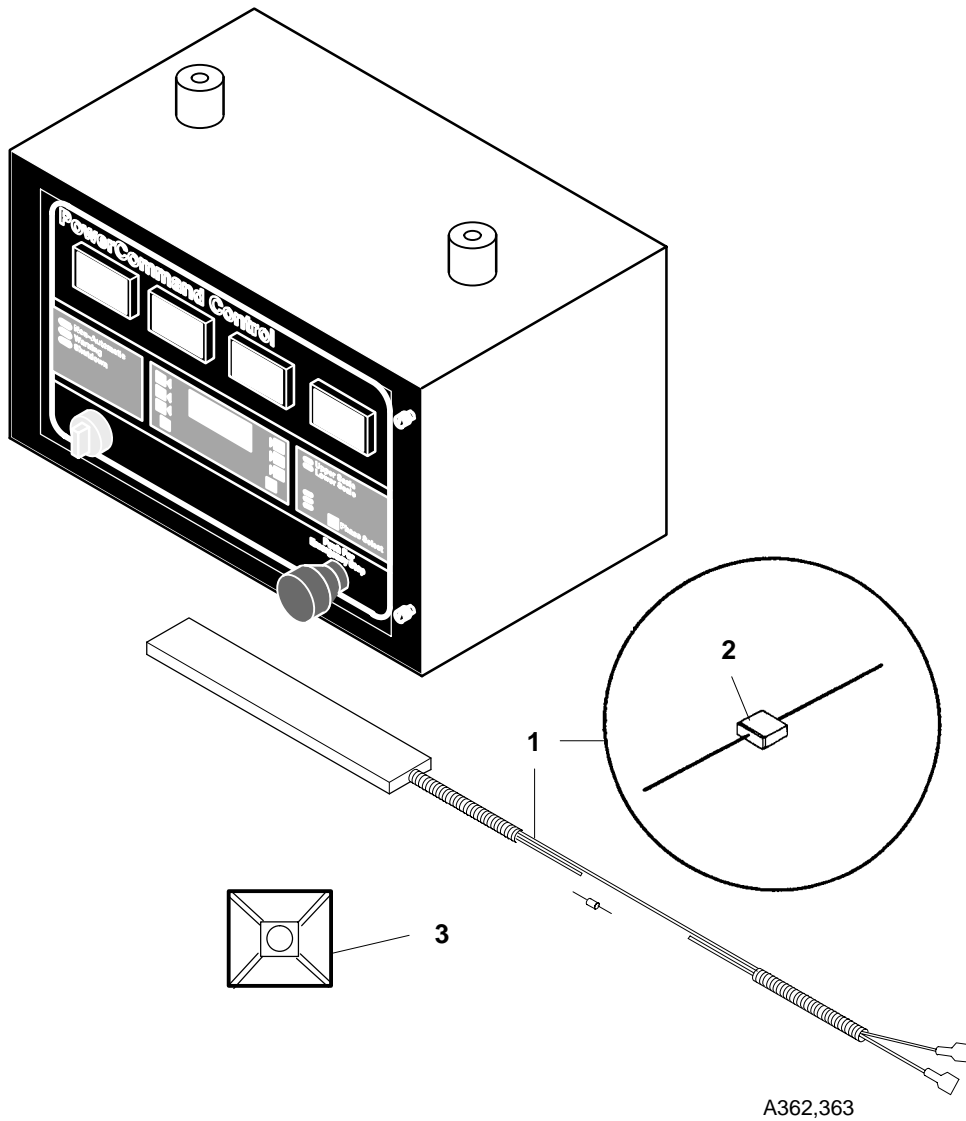


H362,363,529,546,547

REF NO.	PART NO.	QTY USED	PART DESCRIPTION	REF NO.	PART NO.	QTY USED	PART DESCRIPTION
1	332-3338	2	*#Mount, Cable	6	870-0257	1	*Nut, Locking – Hex (5/16-18)
2			Heater Assembly, Control – 100 Watt (Includes Rectifier)	7	856-0008	2	*Washer, Lock – EIT (5/16")
	300-4515-01	1	* 120 Volt				
	300-4515-02	1	# 240 Volt				
3	357-0114	1	*#Rectifier (3 Amp)				* – Parts Used in 120 Volt Control Heater Application
4	335-0173	1	*Cable, Heater (7')				# – Parts Used in 240 Volt Control Heater Application
5	800-0024	1	*Screw, Cap – Hex Head (5/16-18 x 3/4")				

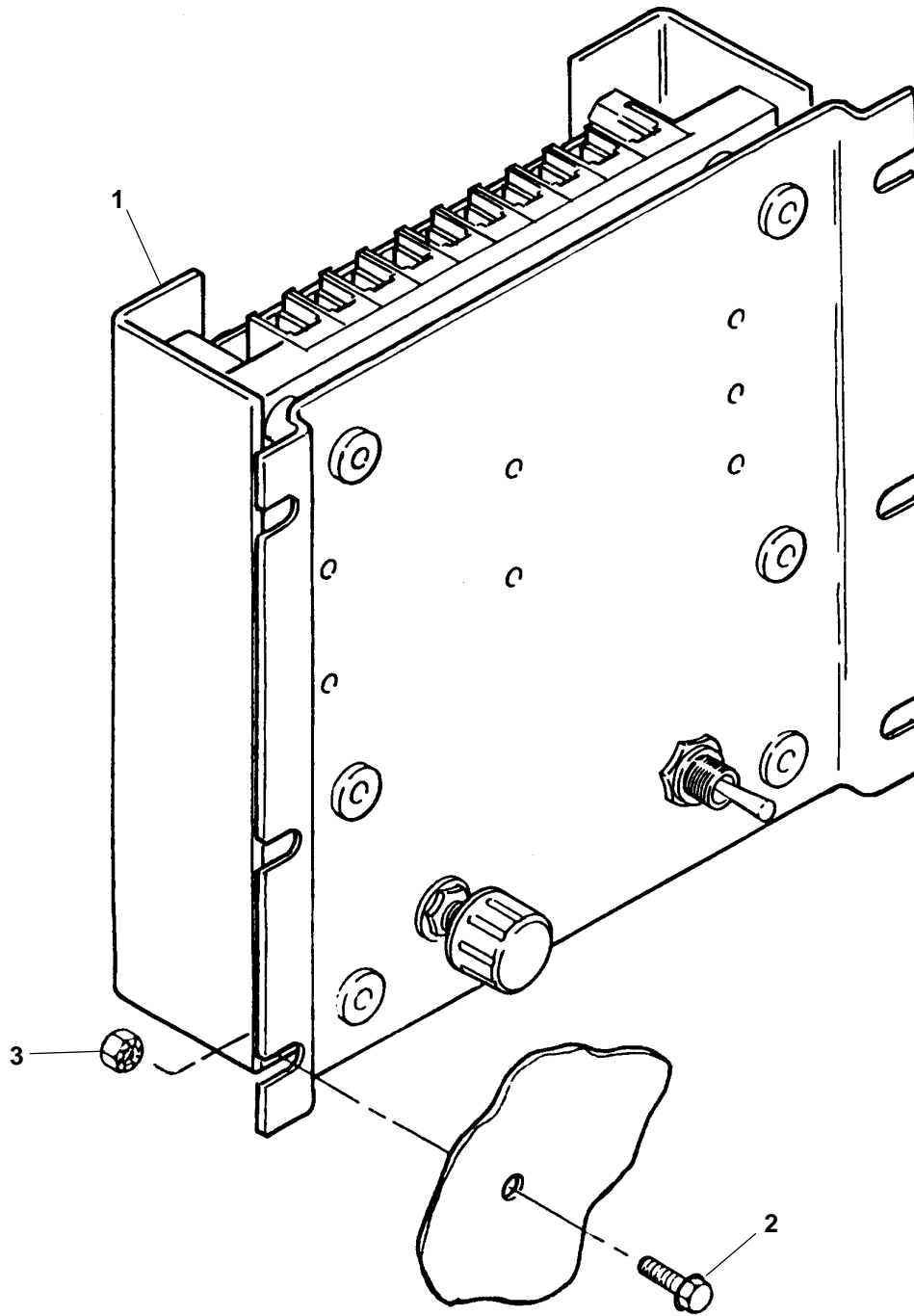


**Control Heater  
Generator Sets With PowerCommand Control  
DFJA, DFJB, DFJC Begin Spec K  
DFJD Begin Spec C**



REF NO.	PART NO.	QTY USED	PART DESCRIPTION	REF NO.	PART NO.	QTY USED	PART DESCRIPTION
1			Heater Assembly, Control – 100 Watt (Includes Rectifier)	2	357-0114	1	Rectifier (3 Amp)
	300-4515-01	1	120 Volt	3	332-3338	1	Mount, Cable
	300-4515-02	1	240 Volt				

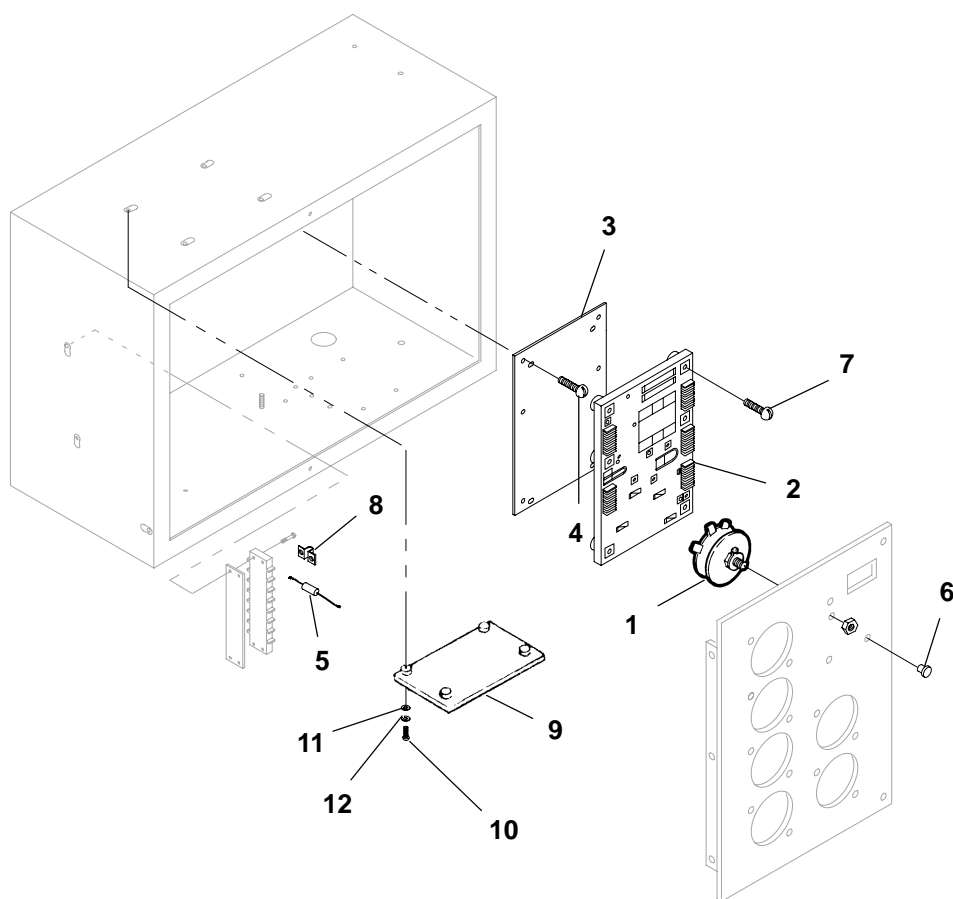
# Manual Voltage Regulator



K939

REF NO.	PART NO.	QTY USED	PART DESCRIPTION	REF NO.	PART NO.	QTY USED	PART DESCRIPTION
1	305-0817	1	Regulator, Voltage – Manual (MVR)	3	870-0131	4	Nut, Hex – W/ET (#10-32)
2	821-0005	4	Screw, Self-Locking – Hex Washer Head (#10-32 x 1/2")				

## Voltage Regulator Generator Sets With Detector Control

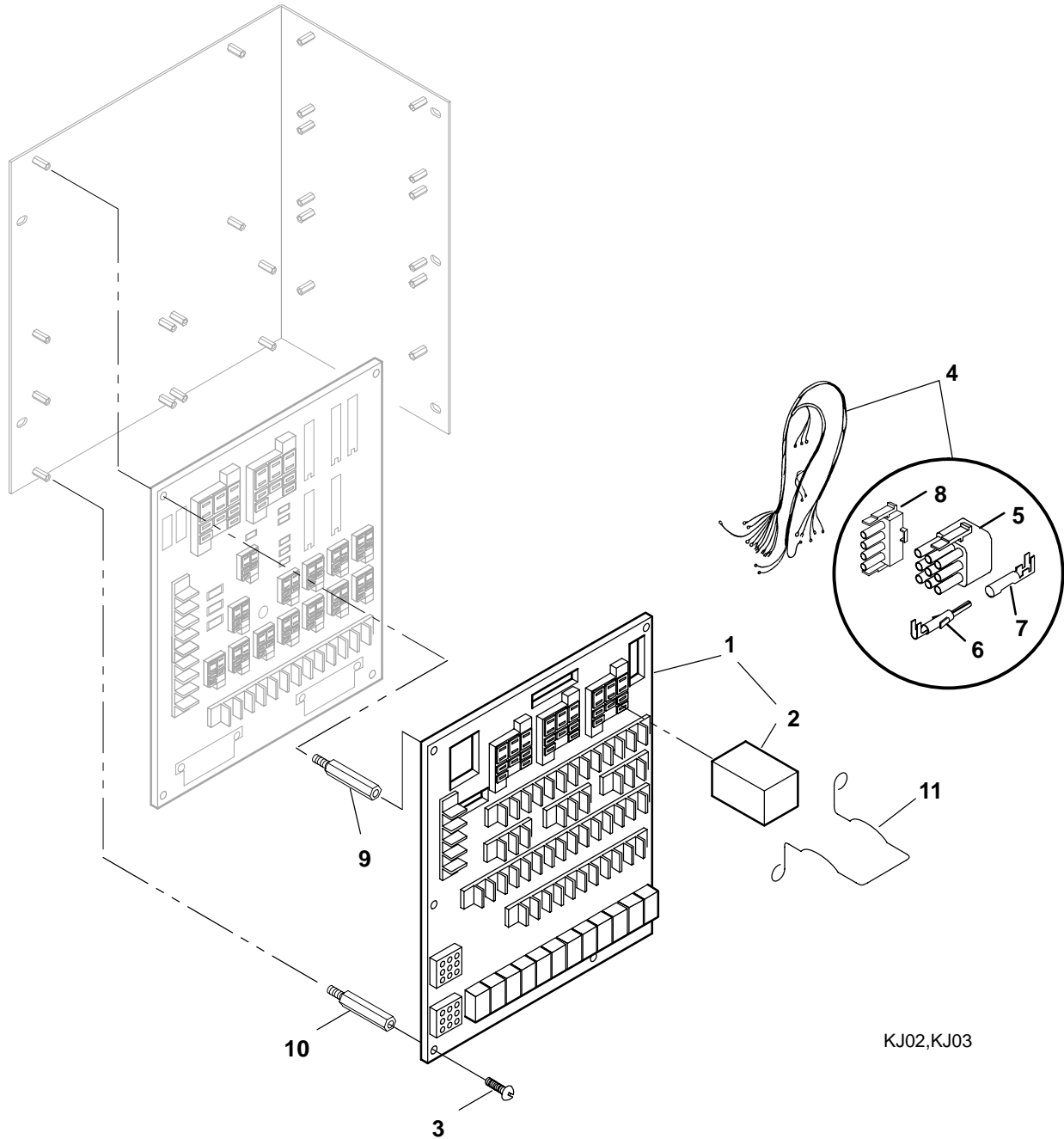


H529,546,547  
K001,994

REF NO.	PART NO.	QTY USED	PART DESCRIPTION	REF NO.	PART NO.	QTY USED	PART DESCRIPTION
1	303-0285	1	*Potentiometer – Voltage Adjust (5K Ohms) (Used With Model MX321 Voltage Regulator) (R21)	7	812-0084	4	Screw, Machine – Round Head (#8-32 x 1")
2	305-0823	1	Board, Printed Circuit – Voltage Regulator (MX321) (VR21)	8	332-1043	1	Jumper (Used On TB21)
3	319-0652	1	Plate, Mounting	9	305-0868	1	*Board, Printed Circuit – Isolation Transformer (T30)
4	815-0544	6	Screw, Machine – Round Head – Cross Recessed W/IT (#6-32 x 1/2")	10	813-0108	4	*Screw, Machine – Round Head (#10-32 x 1-1/2")
5	350-1222	1	Resistor (1.5K Ohms) (Used On TB21)	11	526-0008	4	*Washer, Flat (#10)
6	517-0131	1	Plug, Hole (Fits 3/8" Hole)	12	850-0030	4	*Washer, Lock – Spring (#10)

\* – Not Used On All Models

## Alarm Relay Board

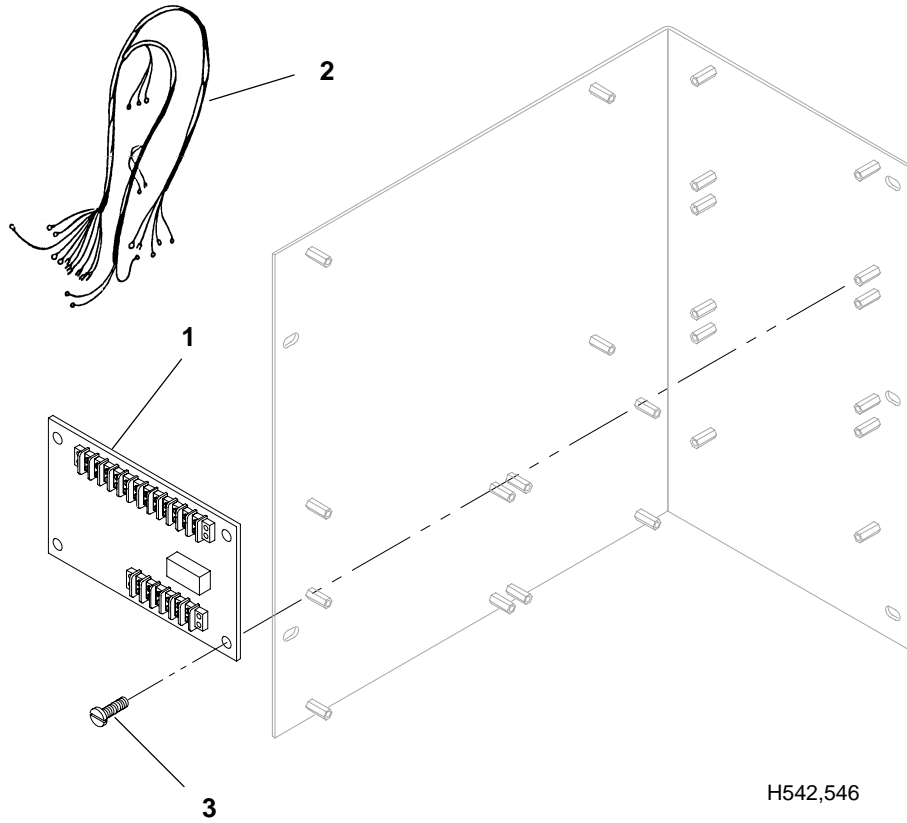


KJ02,KJ03

REF NO.	PART NO.	QTY USED	PART DESCRIPTION	REF NO.	PART NO.	QTY USED	PART DESCRIPTION
1			Board, Printed Circuit – Alarm Relay (Includes Relay)	5	323-1291	2	*Plug – 9 Place (P1,P2)
	300-4111-02	1	Without Form C Relays	6	323-1199	9	*Pin, Contact (Used In P1)
	300-4111-04	1	With Form C Relays	7	323-1200	12	*Socket, Contact (Used In P2,3)
2	307-1056	1	Relay (Quantity Used As Required (K1,K2,K3)	8	323-1292	1	*Plug – 4 Place (P3)
3	815-0544	6	Screw, Machine – Round Head – Cross Recessed W/IT (#6-32 x 1/2")	9	870-0517-01	4	Standoff (Clear) (1-15/16")
				10	870-0517-02	2	Standoff (Yellow) (2")
4	338-2875	1	Harness, Wiring (Includes Parts Marked *) (A11 To P1,P2,P3)	11	307-1157	1	Spring, Relay Hold-Down (Quantity Used As Required)

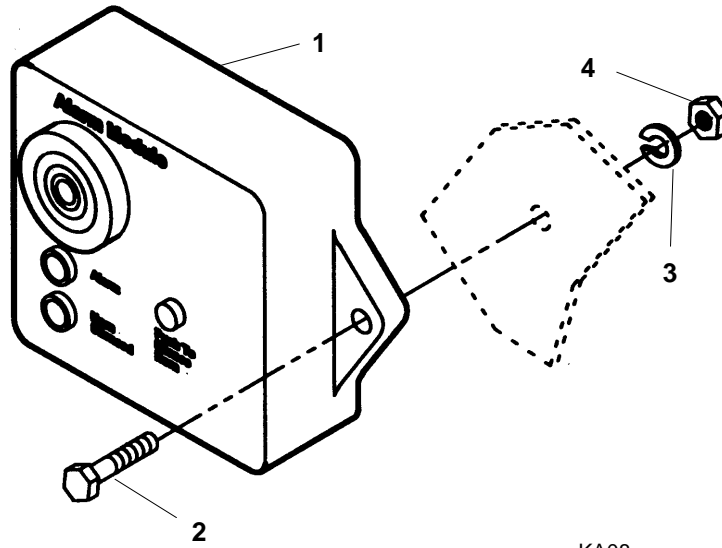
\* – Parts Included in 338-2875 Wiring Harness

## Common Alarm Board Generator Sets With Detector Control



REF NO.	PART NO.	QTY USED	PART DESCRIPTION	REF NO.	PART NO.	QTY USED	PART DESCRIPTION
1	300-4218-02	1	Board, Printed Circuit – Common Alarm (A27)	3	812-0063	4	Screw, Machine – Round Head (#6-32 x 1/2")
2	338-3033	1	Harness, Wiring (12 Wire) (A27 to A11)				

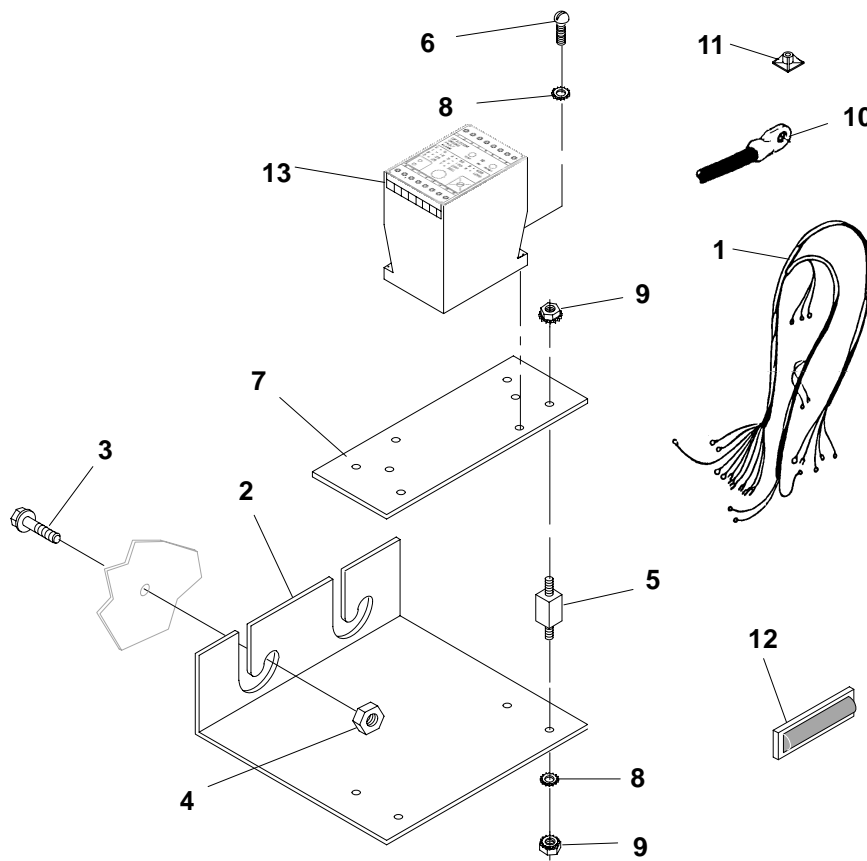
**Audible Alarm Module**  
**Generator Sets With PowerCommand Control**  
**DFJA, DFJB, DFJC Begin Spec K**  
**DFJD Begin Spec C**



KA08

REF NO.	PART NO.	QTY USED	PART DESCRIPTION	REF NO.	PART NO.	QTY USED	PART DESCRIPTION
1	300-3998-01	1	Module, Audible Alarm (DS2)	3	850-0040	2	Washer, Lock – Spring (1/4")
2	800-0006	2	Screw, Cap – Hex Head (1/4-20 x 7/8")	4	862-0001	2	Nut, Hex (1/4")

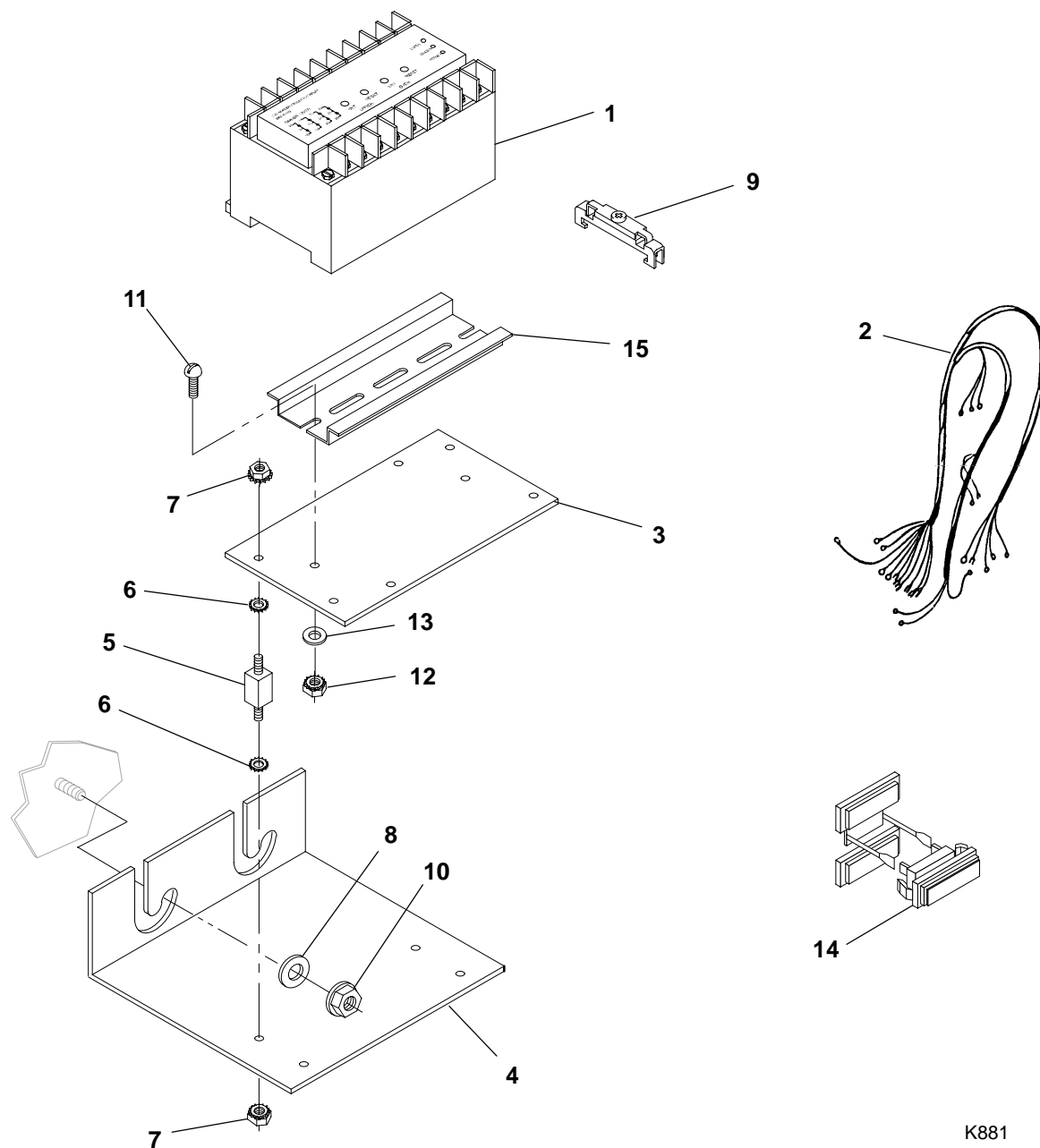
**Ground Fault Relay  
DFJA, DFJB Spec L and M  
DFJC Begin Spec L  
DFJD Begin Spec D**



H550

REF NO.	PART NO.	QTY USED	PART DESCRIPTION	REF NO.	PART NO.	QTY USED	PART DESCRIPTION
1	338-3235	1	Harness, Wiring Generator Sets With Detector Control (7 Wire, 92") (GFA to A11, GND, NEUTRAL, CONT GND)	6	812-0081	2	Screw, Machine – Round Head (#8-32 x 5/8")
	338-3233	1	Generator Sets With PowerCommand Control (7 Wire, 119") (GFA to TB1, GEN NEUTRAL, GND)	7	319-0030	1	Plate, Mounting
2	301-6987	1	Bracket, Mounting	8	853-0005	8	Washer, Lock – ET (#8)
3	821-0017	2	Screw, Self-Locking – Hex Washer Head (5/16-18 x 1/2")	9	870-0221	10	Nut, Hex – W/ET (#8-32)
4	870-0257	2	Nut, Hex – Self-Locking (5/16-18)	10	226-4406-06	2	Cable, Generator (Generator Neutral to Generator Grounding Bolt) (24")
5	402-0354	4	Mount, Shock	11	332-2420	2	Mount, Cable Tie
				12	322-0431-09	1	Lens, Indicator Light (Amber Color, Marked "GROUND FAULT") Generator Sets With Detector Control
				13	307-2843	1	Relay (GFA)

**Over/Under Voltage Relay  
DFJA, DFJB, DFJC Spec J and K  
DFJD Spec B and C**

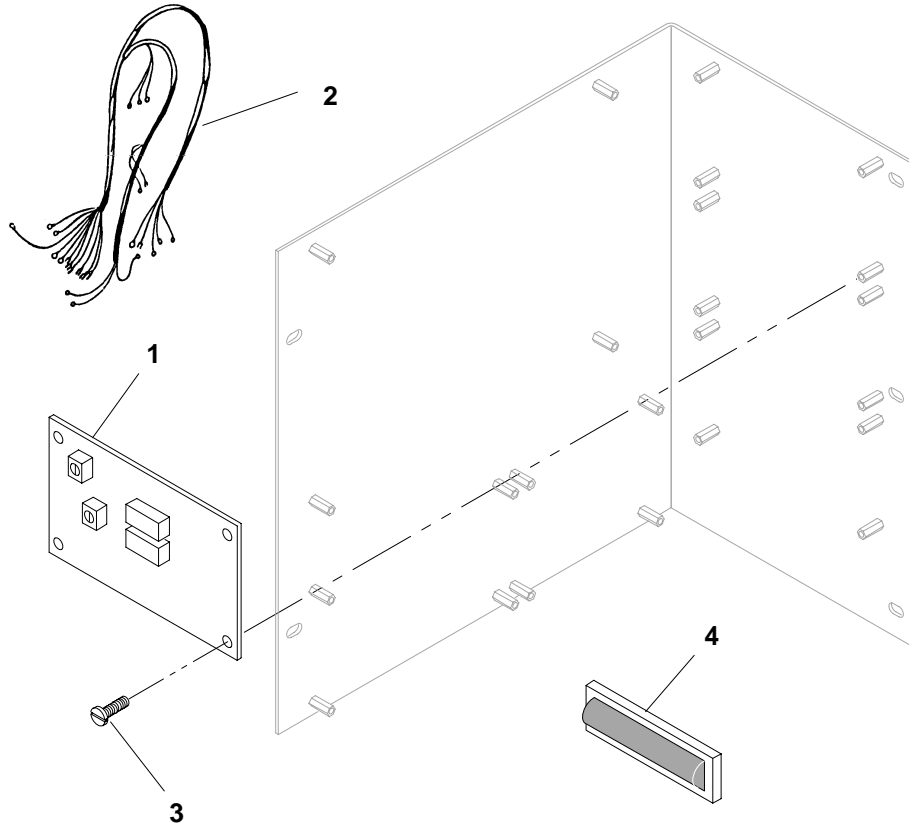


K881

REF NO.	PART NO.	QTY USED	PART DESCRIPTION	REF NO.	PART NO.	QTY USED	PART DESCRIPTION
1	307-2921-01	1	Relay, Voltage (A17)	9	323-1411-01	2	Clip, End
2	338-3752	1	Harness, Wiring – Over/Under Voltage (TB21,A11,GND to A17) (4 Wire, 67")	10	870-0048	2	Nut, Hex – Self-Locking (5/16-18)
3	301-9941	1	Plate, Mounting	11	813-0100	2	Screw, Machine – Round Head (#10-32 x 1/2")
4	301-6987	1	Bracket, Mounting	12	870-0131	2	Nut, Hex – W/ET (#10-32)
5	402-0354	4	Mount, Shock	13	526-0008	2	Washer, Flat (#10)
6	853-0005	8	Washer, Lock – EIT (#8)	14	322-0384-09	1	Light, Indicator – Marked "O/U VOLT"
7	870-0221	8	Nut, Hex – W/ET (#8-32)	15	332-2879-07	1	Rail, Mounting
8	526-0115	2	Washer, Flat (5/16")				



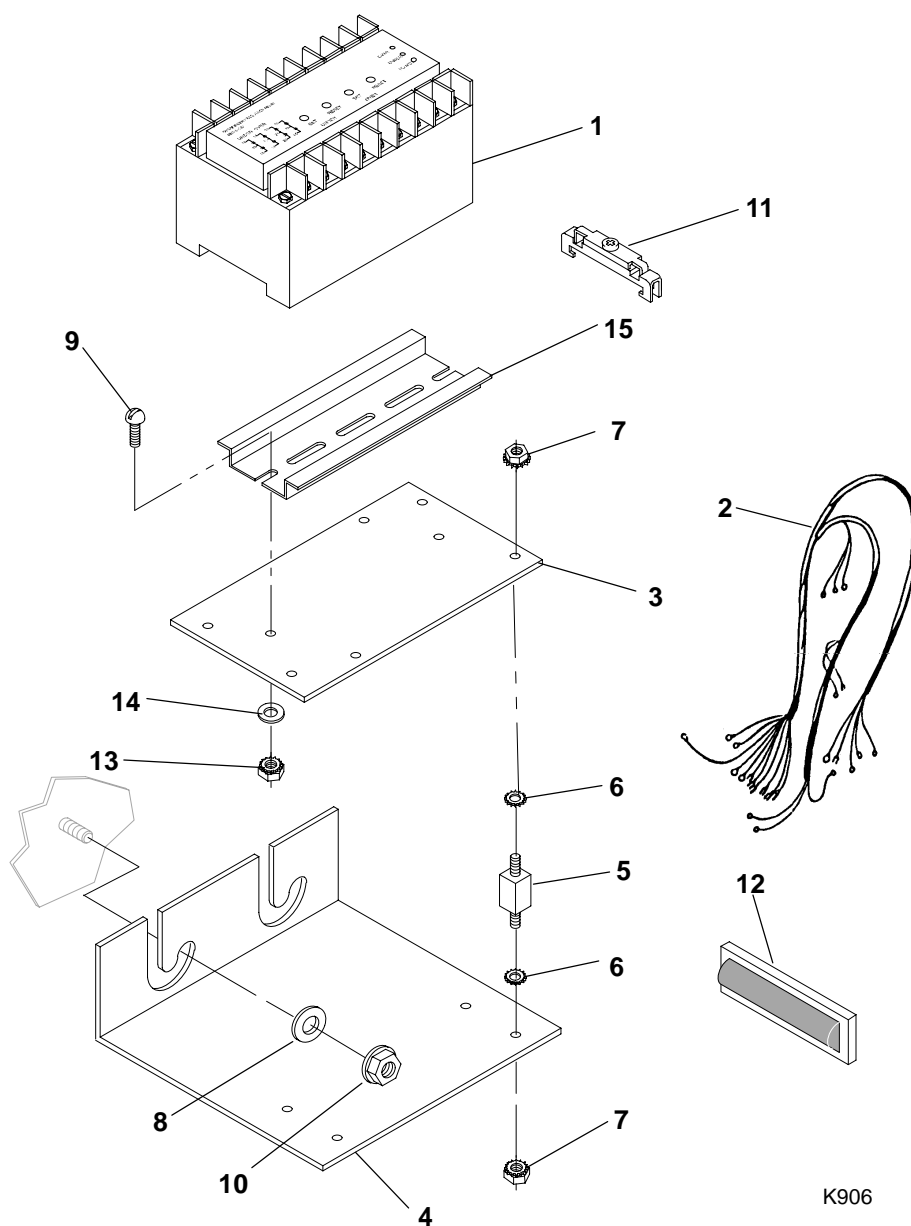
**Over/Under Voltage Relay  
DFJA, DFJB Spec L and M  
DFJC Begin Spec L  
DFJD Begin Spec D**



K881

REF NO.	PART NO.	QTY USED	PART DESCRIPTION	REF NO.	PART NO.	QTY USED	PART DESCRIPTION
1	307-2868	1	Board, Printed Circuit – Over/Under Voltage Relay (A17)	3	815-0388	4	Screw, Pan Head – Cross Recessed (#6-32 x 1/2")
2	338-3366	1	Harness, Wiring (6 Wire) (30")	4	322-0431-03	1	Lens, Indicator Light (Marked "O/U VOLT")

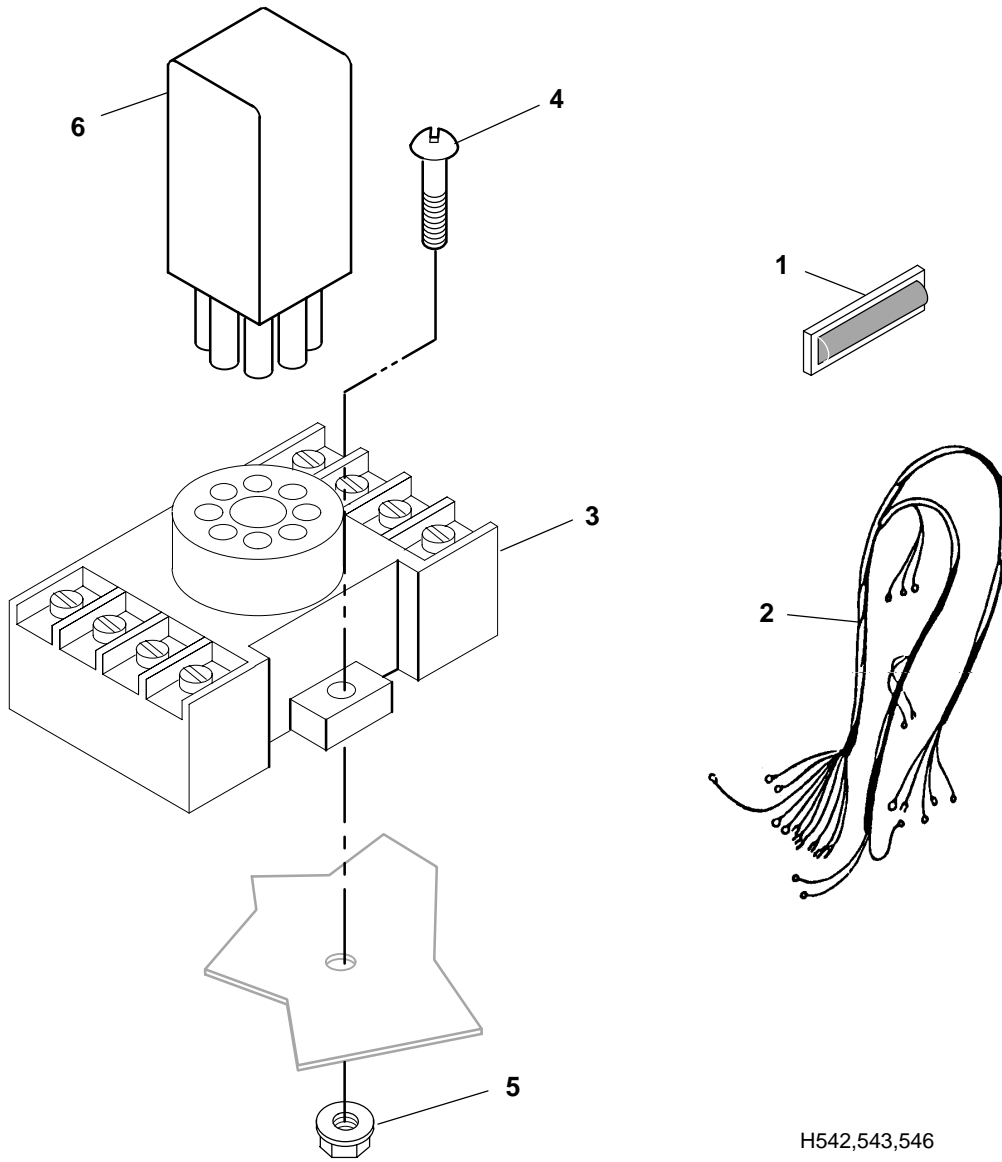
## Over/Under Frequency Relay



K906

REF NO.	PART NO.	QTY USED	PART DESCRIPTION	REF NO.	PART NO.	QTY USED	PART DESCRIPTION
1			Relay, Frequency – Over/Under (A18)	8	526-0115	2	Washer, Flat (5/16")
	307-2920	1	50 Hertz Sets	9	813-0100	2	Screw, Machine – Round Head (#10-32 x 1/2")
	307-2919	1	60 Hertz Sets	10	870-0048	2	Nut, Hex – Self-Locking (5/16-18)
2	338-2347	1	Harness, Wiring – Over/Under Frequency (6 Wire, 62") (TB21,A11,GND to A19)	11	323-1411-01	2	Clip, Rail
3	301-9941	1	Plate, Relay Mounting	12	322-0431-04	1	Lens, Replacement – Marked "O/U HZ" (DS20)
4	301-6987	1	Bracket, Mounting	13	870-0131	2	Nut, Hex – W/ET (#10-32)
5	402-0354	4	Mount, Shock	14	526-0008	2	Washer, Flat (#10)
6	853-0005	8	Washer, Lock – ET (#8)	15	332-2879-07	1	Rail, Mounting
7	870-0221	8	Nut, Hex – W/ET (#8-32)				

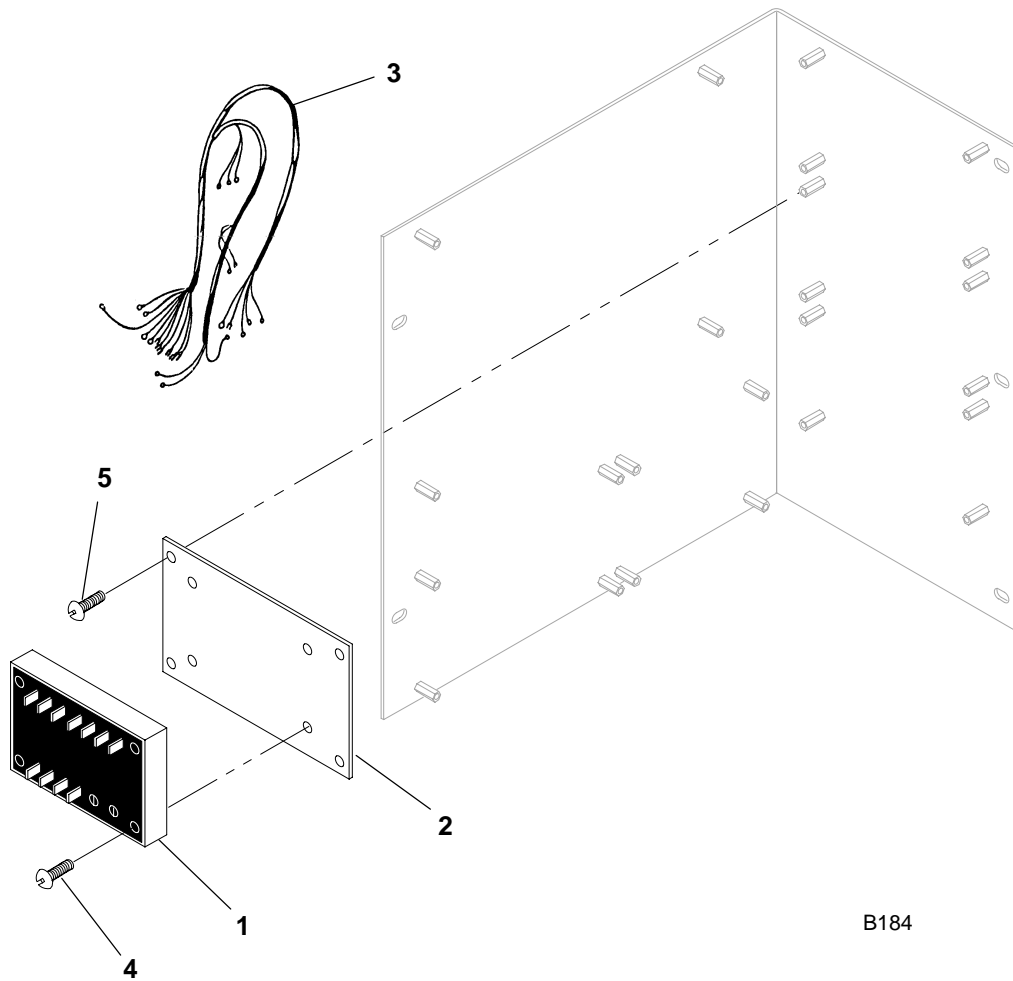
## Low Battery Voltage Sensor



H542,543,546

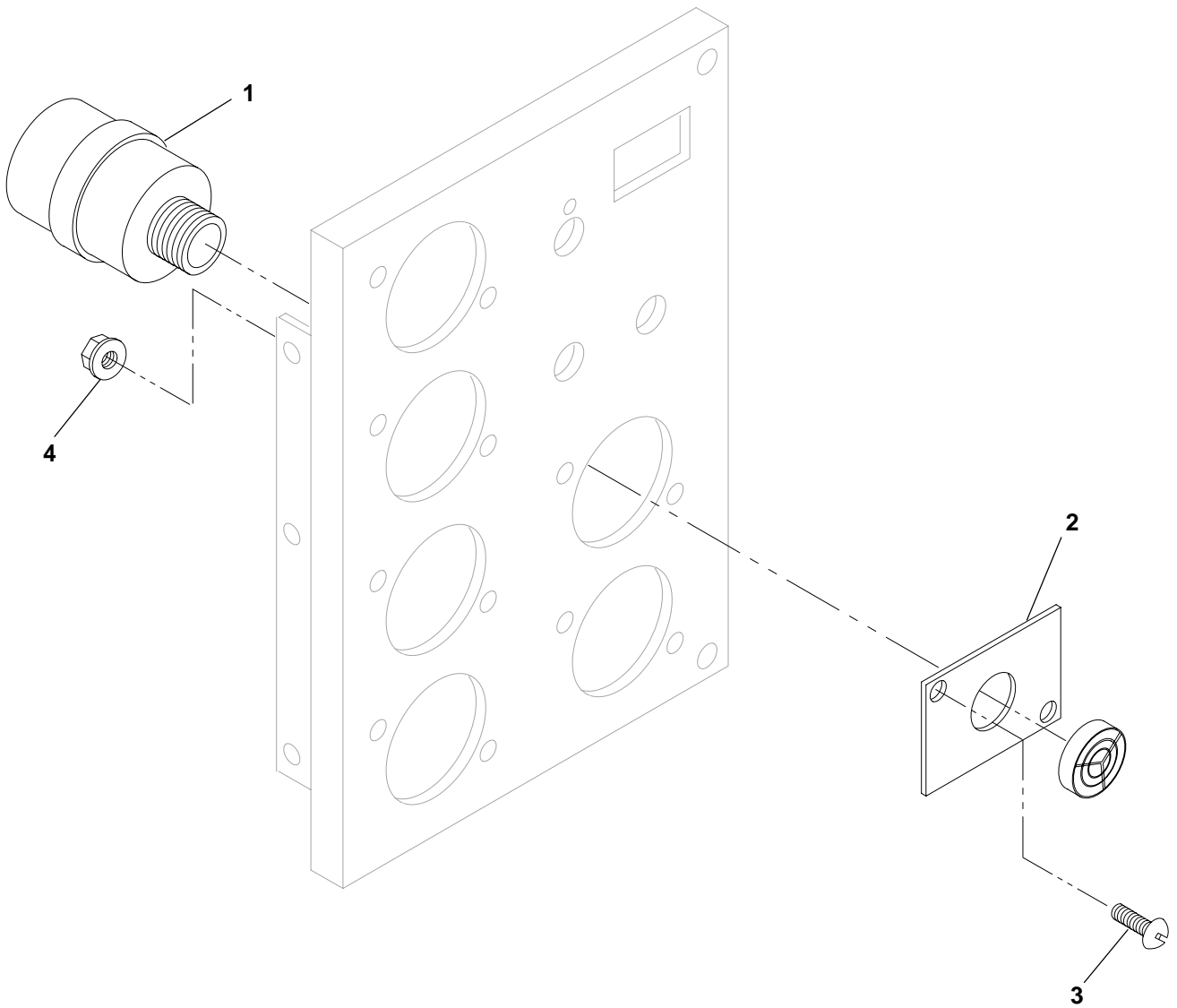
REF NO.	PART NO.	QTY USED	PART DESCRIPTION	REF NO.	PART NO.	QTY USED	PART DESCRIPTION
1	322-0431-08	1	Lens, Indicator Light (Marked "Lo Battery")	5	870-1221	2	*Nut, Hex – W/ET (#8-32)
2	338-3034	1	*Harness, Wiring (4 Wire) (36") (K15 to A11)	6	305-0901	1	*Sensor – Low Battery Voltage (K15)
3	323-1410-03	1	*Base, Relay				
4	812-0084	2	*Screw, Machine – Round Head (#8-32 x 1")				* – Not Used on All Models

## Electronic Overspeed



REF NO.	PART NO.	QTY USED	PART DESCRIPTION	REF NO.	PART NO.	QTY USED	PART DESCRIPTION
1	305-0902-02	1	Board, Printed Circuit – Electronic Overspeed (A16)	4	812-0082	4	Screw, Machine – Round Head (#8-32 x 3/4")
2	319-0754	1	Plate, Mounting	5	815-0388	4	Screw, Pan Head – Cross Recessed – Thread Forming (#6-32 x 1/2")
3	338-2529	1	Harness, Wiring – Electronic Overspeed (AUX to A11, A16) (6 Wire, 74")				

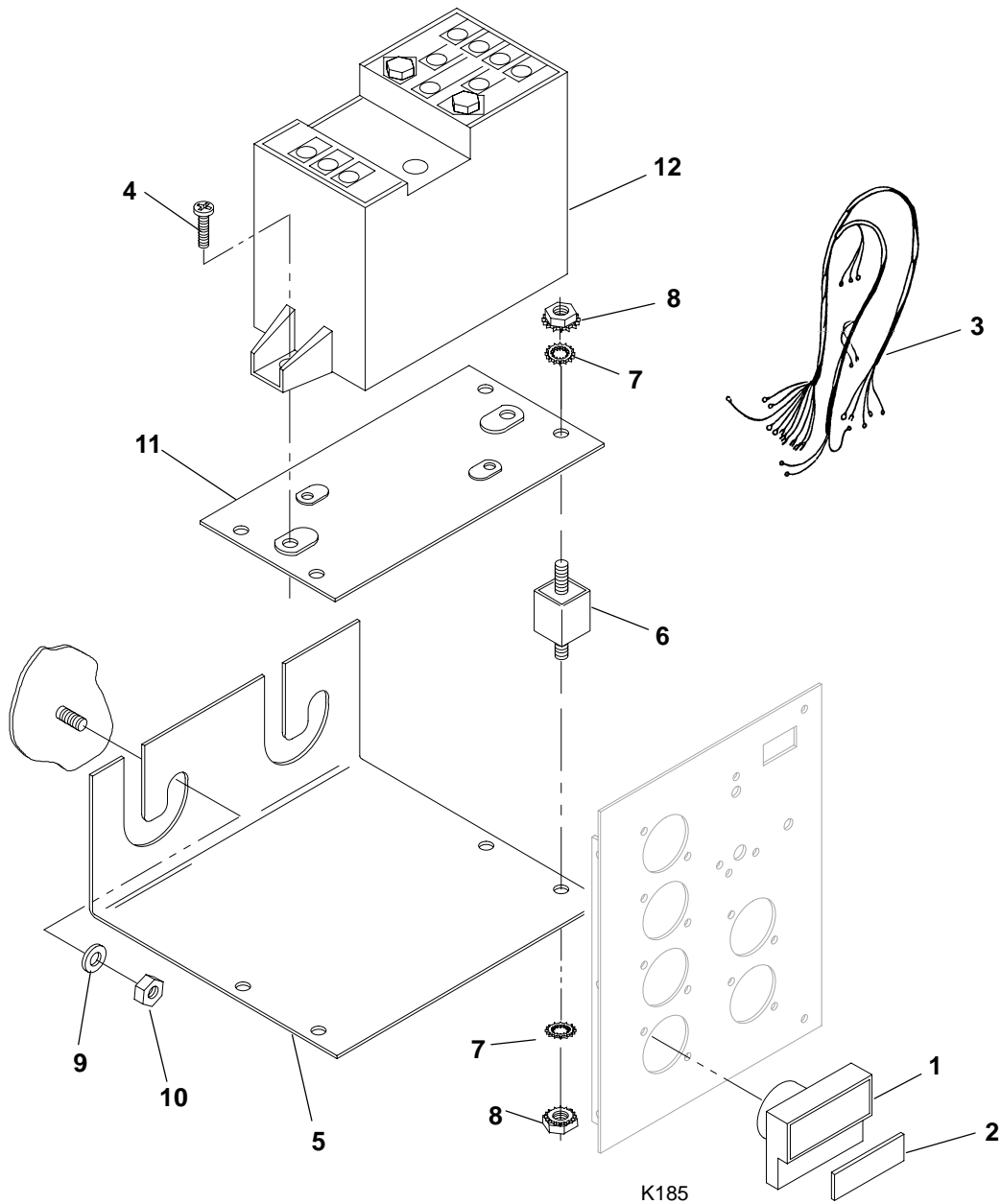
## Audible Alarm Generator Sets With Detector Control



KA08

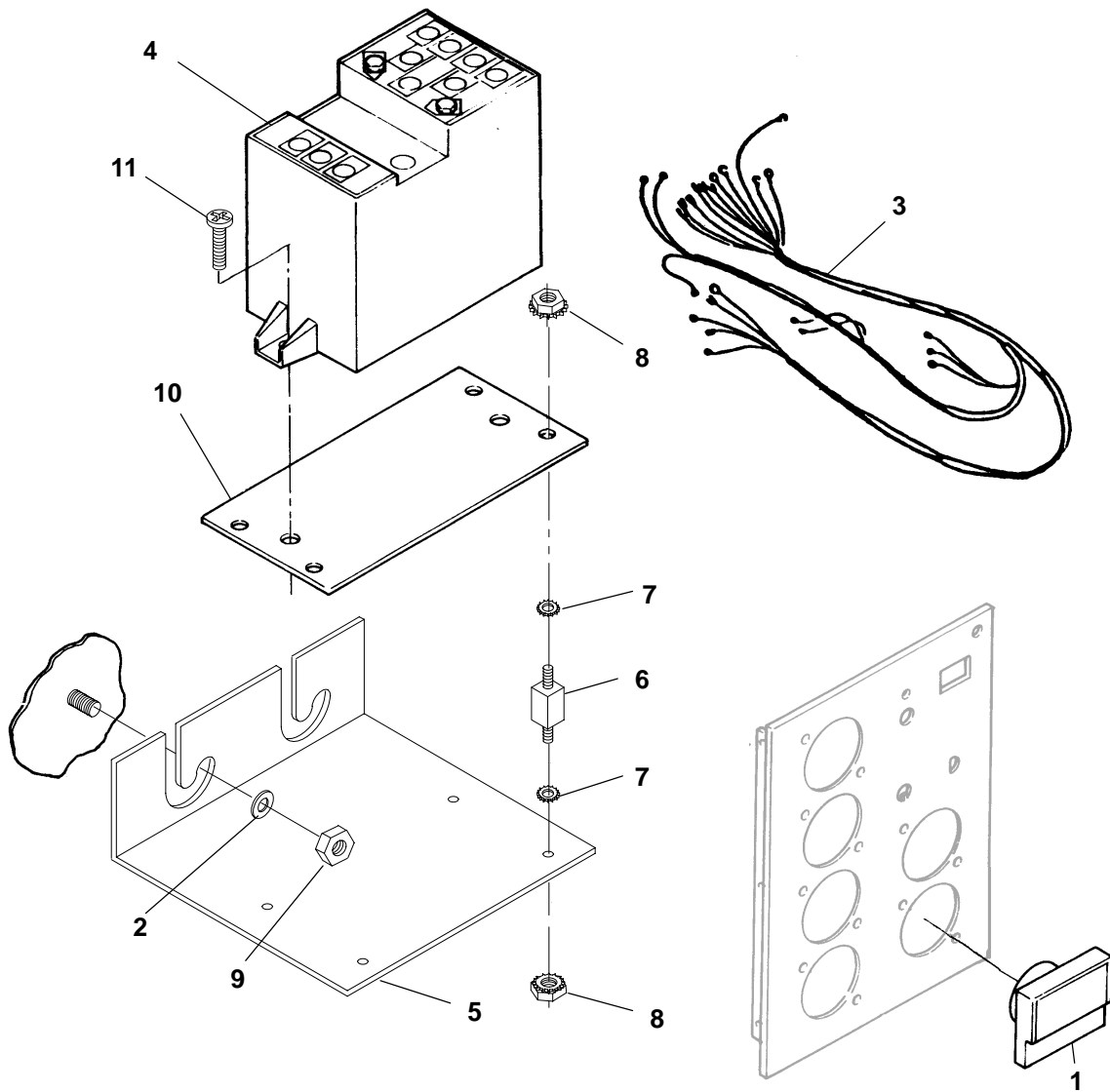
REF NO.	PART NO.	QTY USED	PART DESCRIPTION	REF NO.	PART NO.	QTY USED	PART DESCRIPTION
1	333-0133	1	Alarm, Audible (DS2)	4	870-0183	2	Nut, Hex – W/ET (#6-32)
2	319-0898	1	Plate, Mounting				
3	815-0385	2	Screw, Machine – Round Head (#6-32 x 1/2")				

## Wattmeter



REF NO.	PART NO.	QTY USED	PART DESCRIPTION	REF NO.	PART NO.	QTY USED	PART DESCRIPTION
1	302-1722	1	Wattmeter (Dial Not Included) (M24)	5	301-6987	1	Bracket, Mounting
2			Dial, Wattmeter	6	402-0354	4	Mount, Shock
	302-1721-15	1	0-700 kW Rating	7	853-0005	8	Washer, Lock - W/ET (#8)
	302-1721-16	1	0-800 kW Rating	8	870-0221	8	Nut, Hex - W/ET (#8-32)
	302-1721-17	1	0-1200 kW Rating	9	526-0115	2	Washer, Flat (5/16")
	302-1721-18	1	0-1500 kW Rating	10	870-0048	2	Nut, Locking (5/16-18)
3			Harness, Wiring - Wattmeter	11	319-0030	1	Plate, Mounting
	338-1936	1	Reconnectable WYE, Three Phase	12			Transducer, Watts (A21)
	338-2479	1	120/240 Volt Delta, Three Phase		302-1833-01	1	2-1/2 Element, Three Phase, 4 Wire
4	815-0905-06	2	Screw, Machine - Pan Head - Cross Recessed (#10-32 x 5/8")		302-1833-05	1	2 Element, Three Phase, 3 Wire

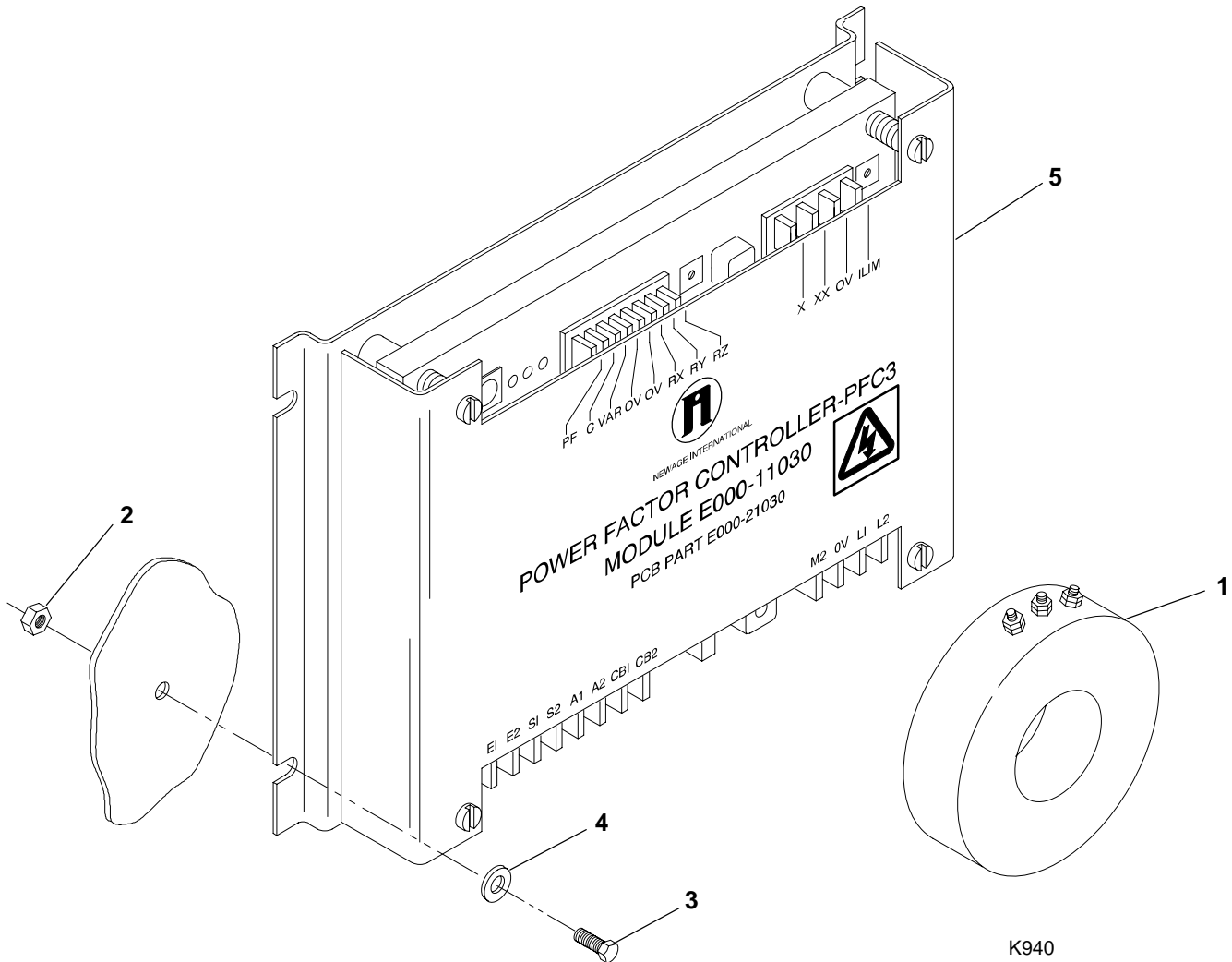
## Power Factor Meter



K264

REF NO.	PART NO.	QTY USED	PART DESCRIPTION	REF NO.	PART NO.	QTY USED	PART DESCRIPTION
1	302-1883	1	Meter, Power Factor (M25)	7	853-0008	8	Washer, Lock - ET (#10)
2	526-0115	2	Washer, Flat (5/16")	8	870-0221	8	Nut, Hex - W/ET (#8-32)
3	338-2368	1	Harness, Wiring - Meter (6 Wire, 44") (M25,TB21,GND to A22)	9	870-0048	2	Nut, Locking (5/16-18)
4	302-1833-03	1	Transducer, Watts (A21)	10	319-0030	1	Plate, Mounting
5	301-6987	1	Bracket, Mounting	11	815-0905-06	2	Screw, Machine - Pan Head - Cross Recessed (#10-32 x 5/8")
6	402-0354	4	Mount, Shock				

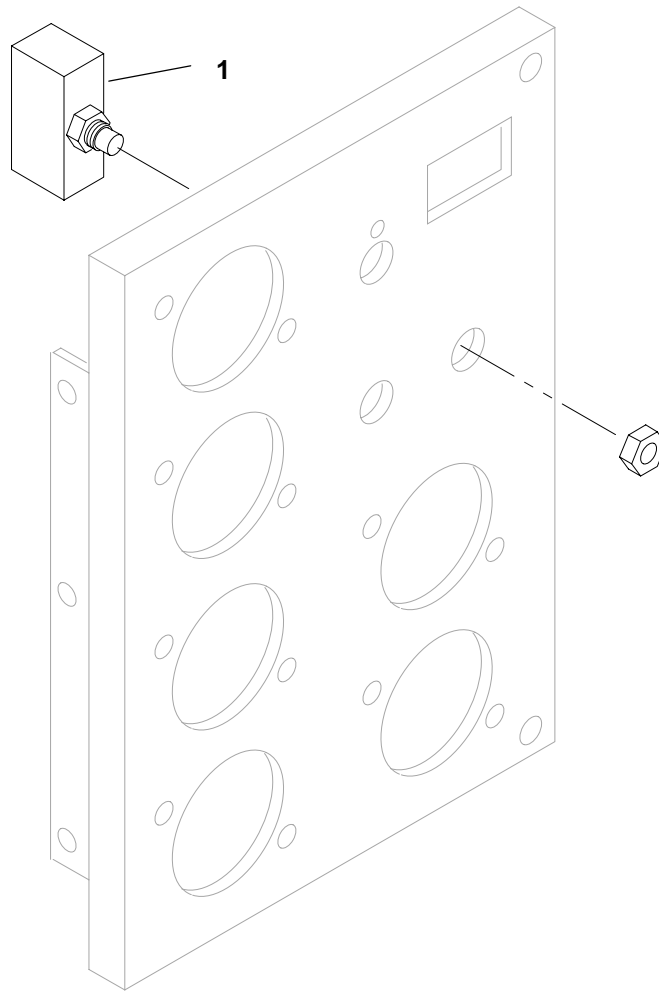
## VAR Power Factor Controller



REF NO.	PART NO.	QTY USED	PART DESCRIPTION	REF NO.	PART NO.	QTY USED	PART DESCRIPTION
1			Transformer, Current (CT25)	2	870-0131	4	Nut, Hex – W/EIT (#10-32)
	302-1845-03	1	Ratio 150/5	3	813-0103	4	Screw, Machine – Round Head (#10-32 x 3/4")
	302-1845-05	1	Ratio 300/5				
	302-1845-10	1	Ratio 1000/5	4	526-0008	4	Washer, Flat (#10)
	302-1794-11	1	Ratio 1500/5	5	305-0870	1	Controller, Power Factor (VAR)
	302-1794-13	1	Ratio 3000/5				
	302-1794-14	1	Ratio 4000/5				



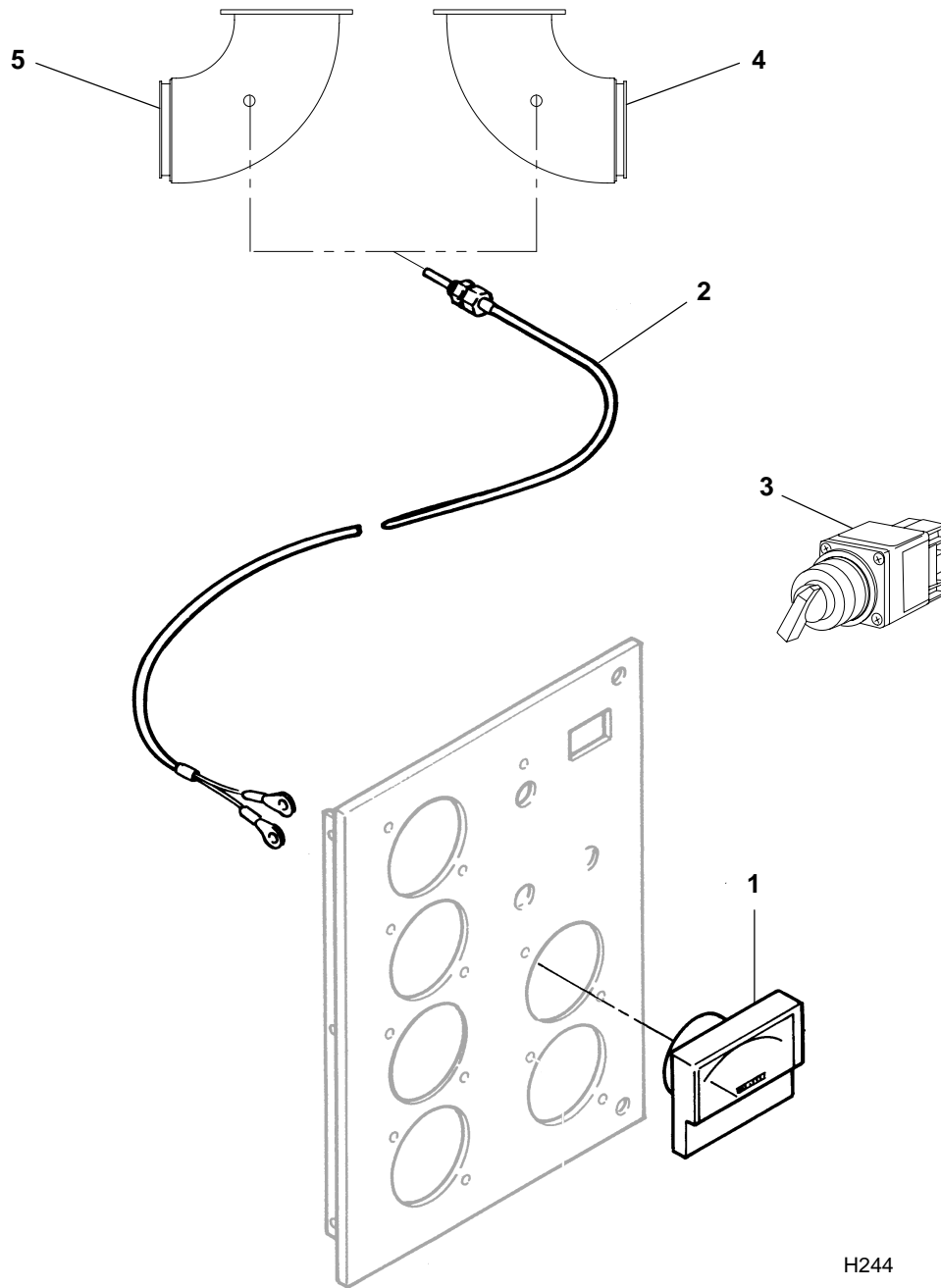
## Circuit Breaker AC Control Door



KJ35,K600

REF NO.	PART NO.	QTY USED	PART DESCRIPTION	REF NO.	PART NO.	QTY USED	PART DESCRIPTION
1			Breaker, Circuit (CB21)				
	320-1688-01	1	Without Auxiliary Contacts				
	320-1688-02	1	With Auxiliary Contacts				

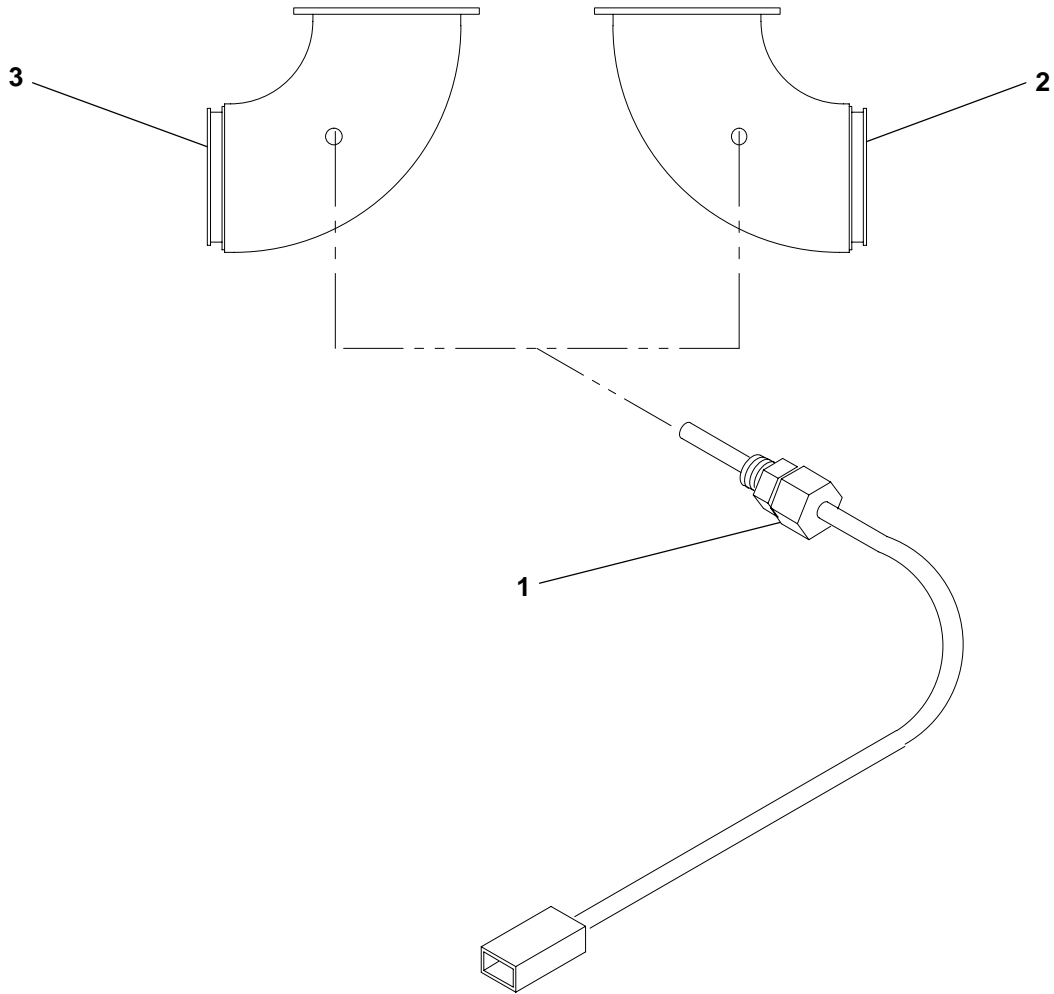
## Pyrometer Generator Sets With Detector Control



H244

REF NO.	PART NO.	QTY USED	PART DESCRIPTION	REF NO.	PART NO.	QTY USED	PART DESCRIPTION
1	302-1874	1	Pyrometer (M26)	4	155-2531-01	1	Elbow, Exhaust – With Tapped Hole On The Elbow Side Illustrated Above
2			Lead, Thermocouple DFJA, DFJB	5	155-2531-04	1	Elbow, Exhaust – With Tapped Hole On The Elbow Side Illustrated Above
	193-0299	1	140"				
	193-0299-01	1	200"				
	193-0299-01	2	DFJC, DFJD – 200"				
3	308-0987	1	Switch, Selector (Left/Right Exhaust)				

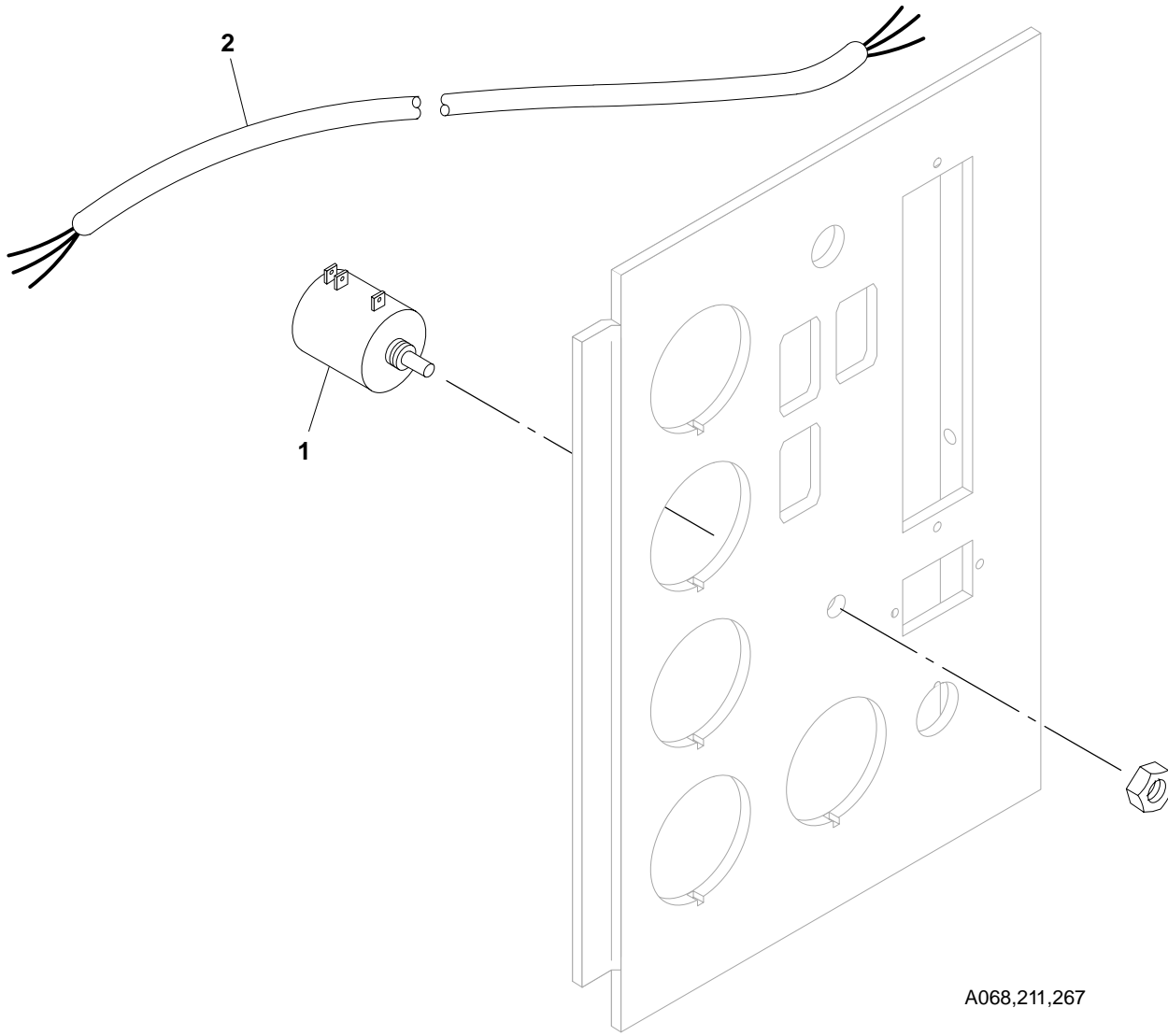
**Pyrometer  
Generator Sets With PowerCommand Control  
DFJA, DFJB, DFJC Begin Spec K  
DFJD Begin Spec C**



H244

REF NO.	PART NO.	QTY USED	PART DESCRIPTION	REF NO.	PART NO.	QTY USED	PART DESCRIPTION
1			Lead, Thermocouple DFJA, DFJB	3	155-2531-04	1	Elbow, Exhaust – With Tapped Hole On The Elbow Side Illustrated Above
	193-0446-01	1	12"				
	193-0446-03	1	50"				
	193-0446-02	2	DFJC, DFJD – 30"				
2	155-2531-01	1	Elbow, Exhaust – With Tapped Hole On The Elbow Side Illustrated Above				

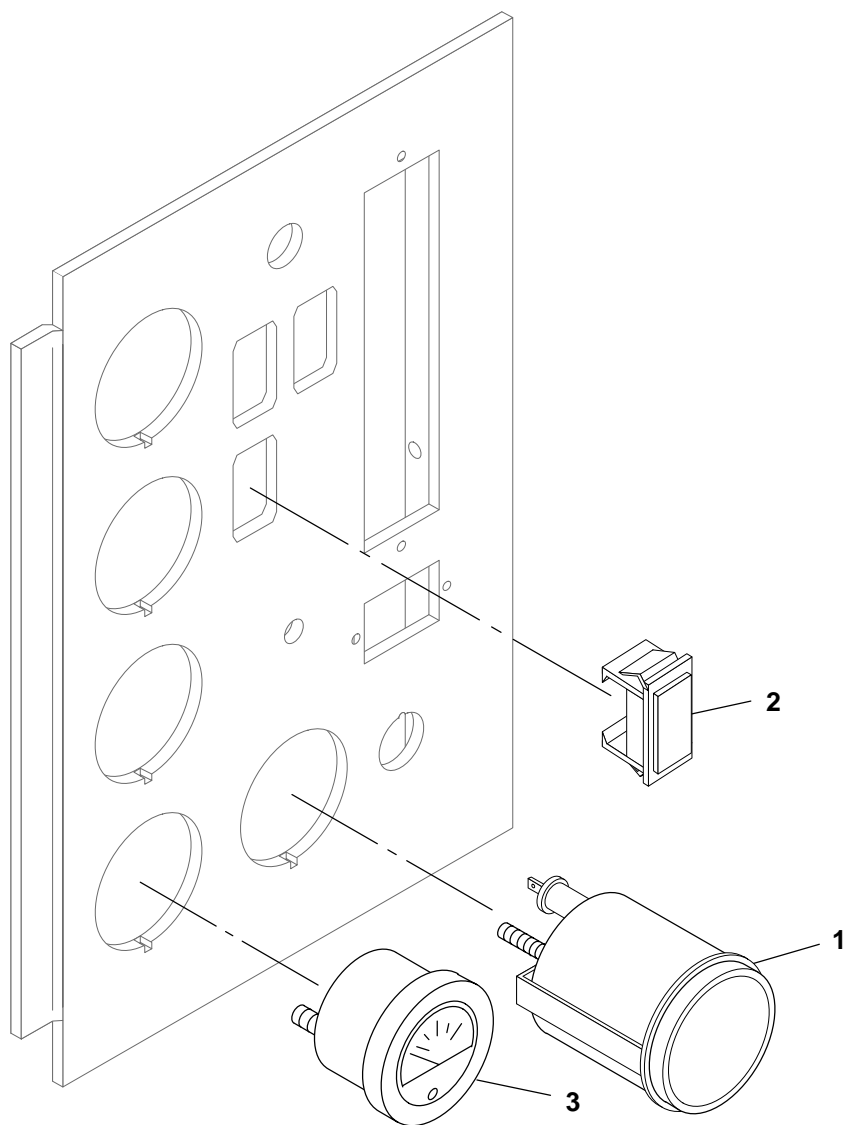
## Potentiometer Speed Adjusting



A068,211,267

REF NO.	PART NO.	QTY USED	PART DESCRIPTION	REF NO.	PART NO.	QTY USED	PART DESCRIPTION
1			Potentiometer, Speed Adjusting – Governor Controller (R21)	2	334-0116	–	Cable, Shielded – Bulk (Order by the Foot – 7 Feet Required)
	303-0223-05	1	100 Ohms				
	303-0280	1	5K Ohms				

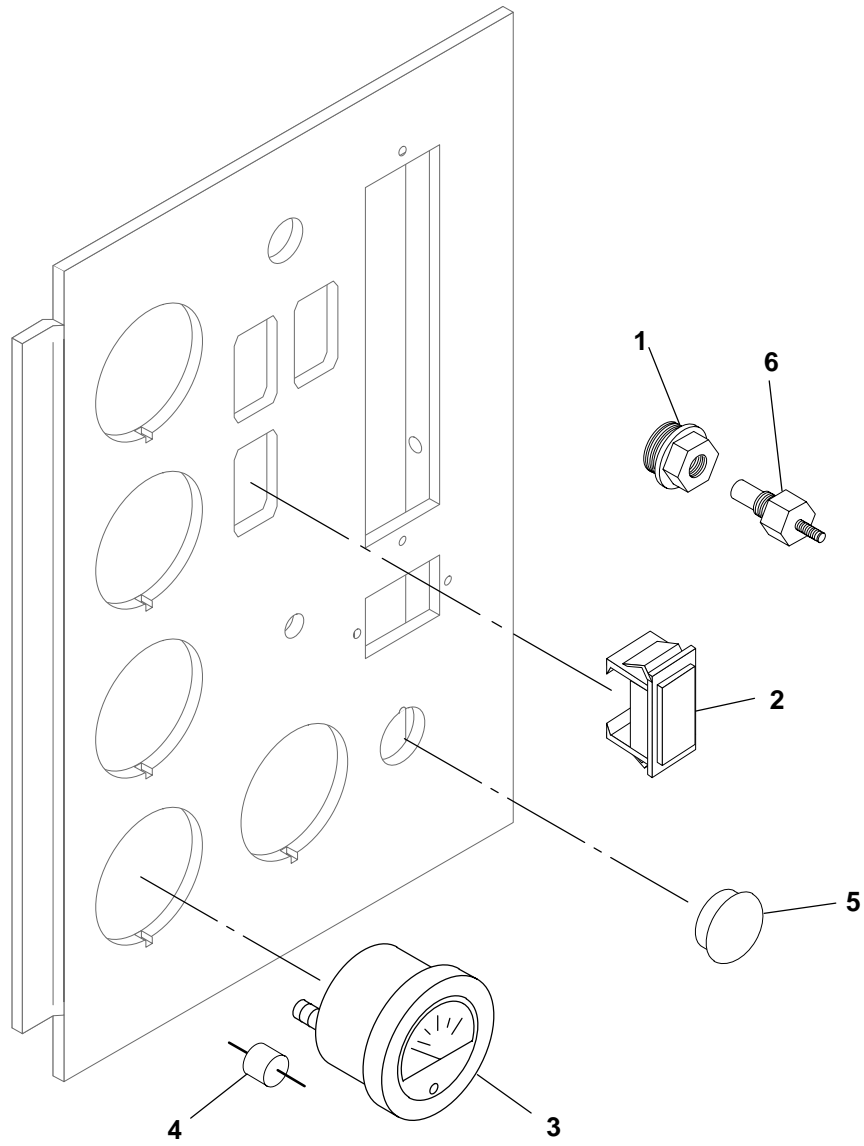
## Tachometer



K145

REF NO.	PART NO.	QTY USED	PART DESCRIPTION	REF NO.	PART NO.	QTY USED	PART DESCRIPTION
1	302-1873-01	1	Tachometer (0-4000 RPM, 12 Volt) (M16)	2	301-6257	1	Switch, Blank
				3	302-1723	1	Ammeter - Blank Scale

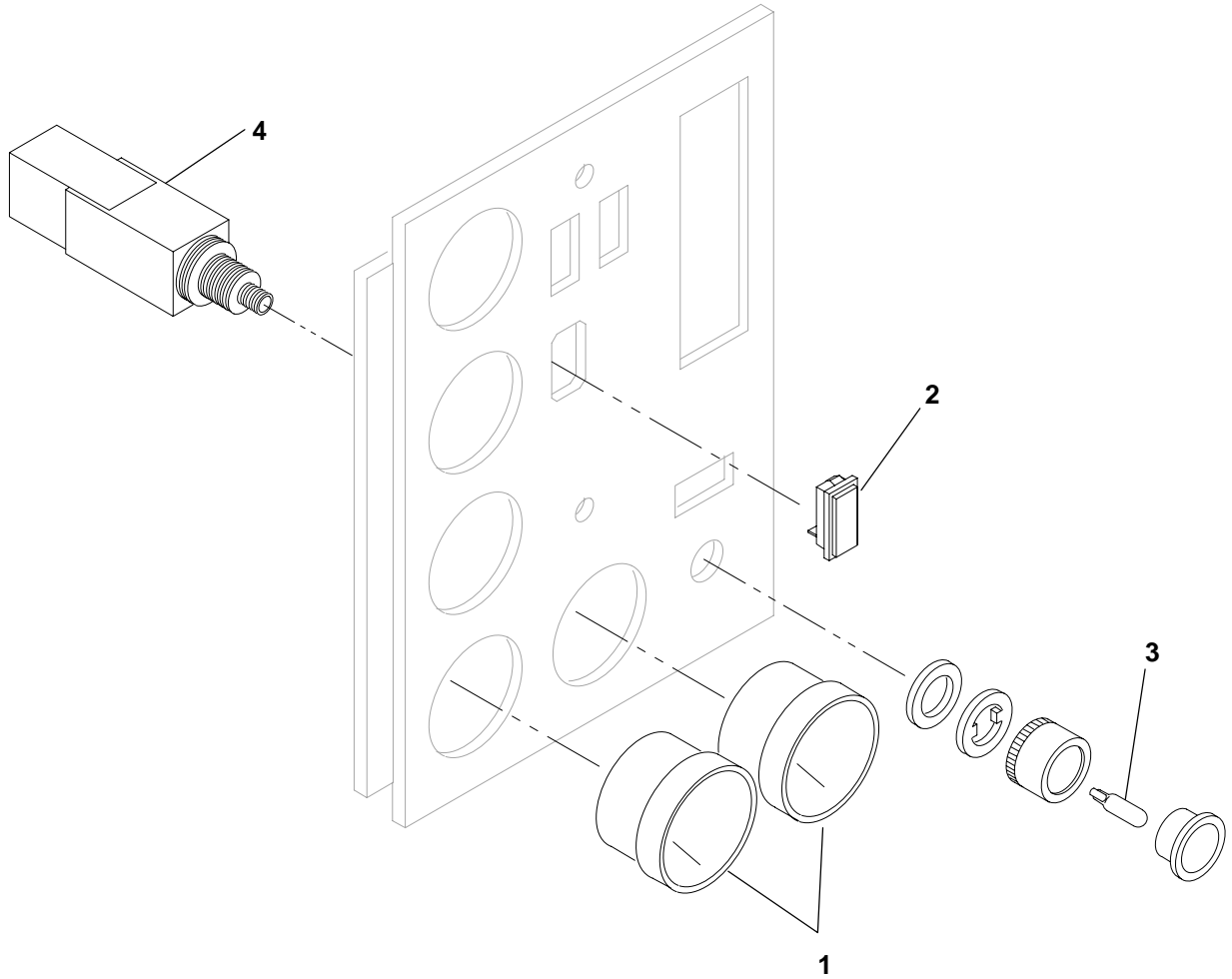
## Oil Temperature Gauge



K486

REF NO.	PART NO.	QTY USED	PART DESCRIPTION	REF NO.	PART NO.	QTY USED	PART DESCRIPTION
1	505-0151	1	Bushing, Pipe – Reducer (1/2" to 1/8") Oil Pan Mounted	4	193-0250	1	Resistor, Gauge (R13)
2	301-6257	1	Switch – Blank	5	517-0137	1	Plug, Hole (7/8" Hole)
3	193-0435	1	Gauge, Oil Temperature (M15)	6	193-0388	1	Sender, Oil Temperature – Oil Pan Mounted (E4)

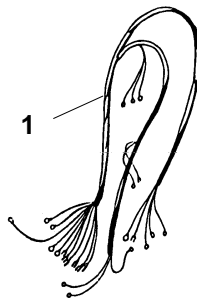
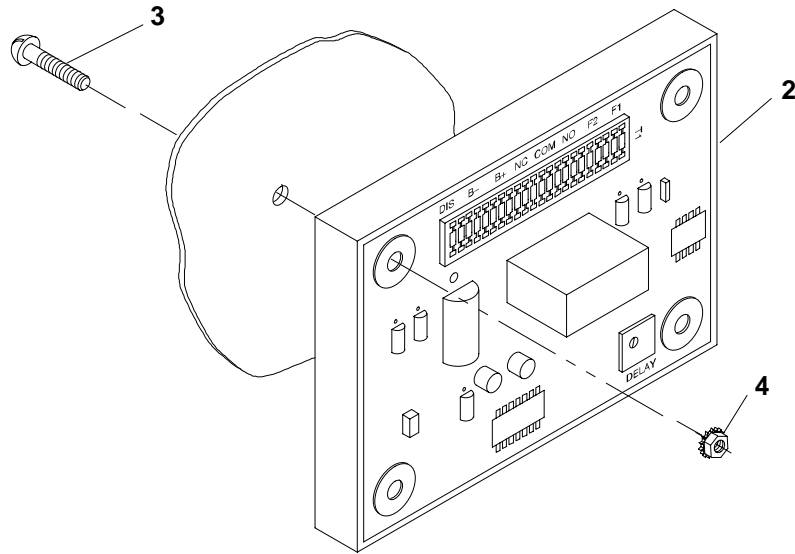
## Emergency Stop Switch



K796

REF NO.	PART NO.	QTY USED	PART DESCRIPTION	REF NO.	PART NO.	QTY USED	PART DESCRIPTION
1	302-1723	2	Ammeter – Blank Scale	4	308-0853	1	Switch, Pushbutton – Emergency Stop (Includes Bulb) (S14)
2	301-6257	1	Switch – Blank				
3	322-0394	1	Bulb, Replacement				

## Excitation Loss Module

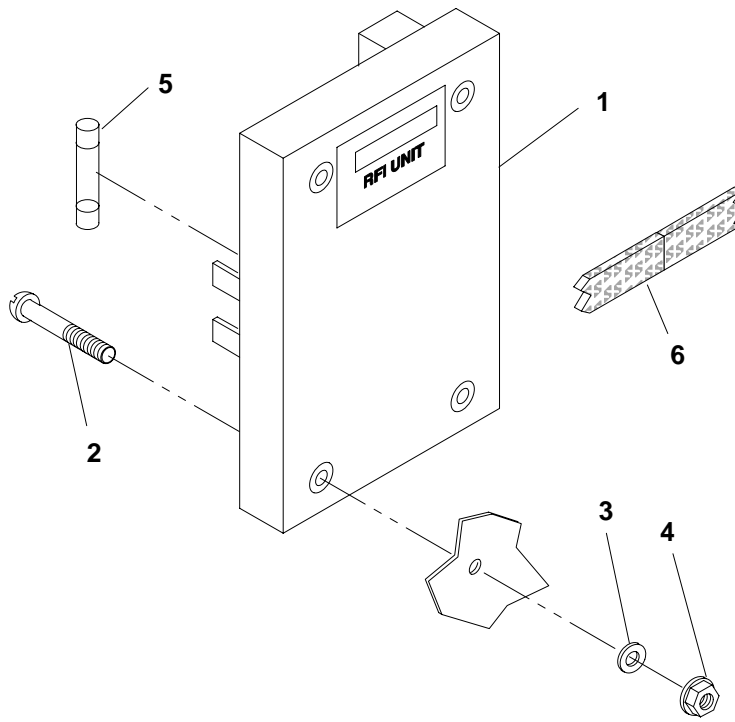


KJ35, K991

REF NO.	PART NO.	QTY USED	PART DESCRIPTION	REF NO.	PART NO.	QTY USED	PART DESCRIPTION
1	338-2455	1	Harness, Wiring – Excitation Loss Module (AUX to A11)	3	813-0103	4	Screw, Machine – Round Head (#10-32 x 3/4")
2	305-0821-02	1	Module (ELM)	4	870-0131	4	Nut, Hex – W/ET (#10-32)



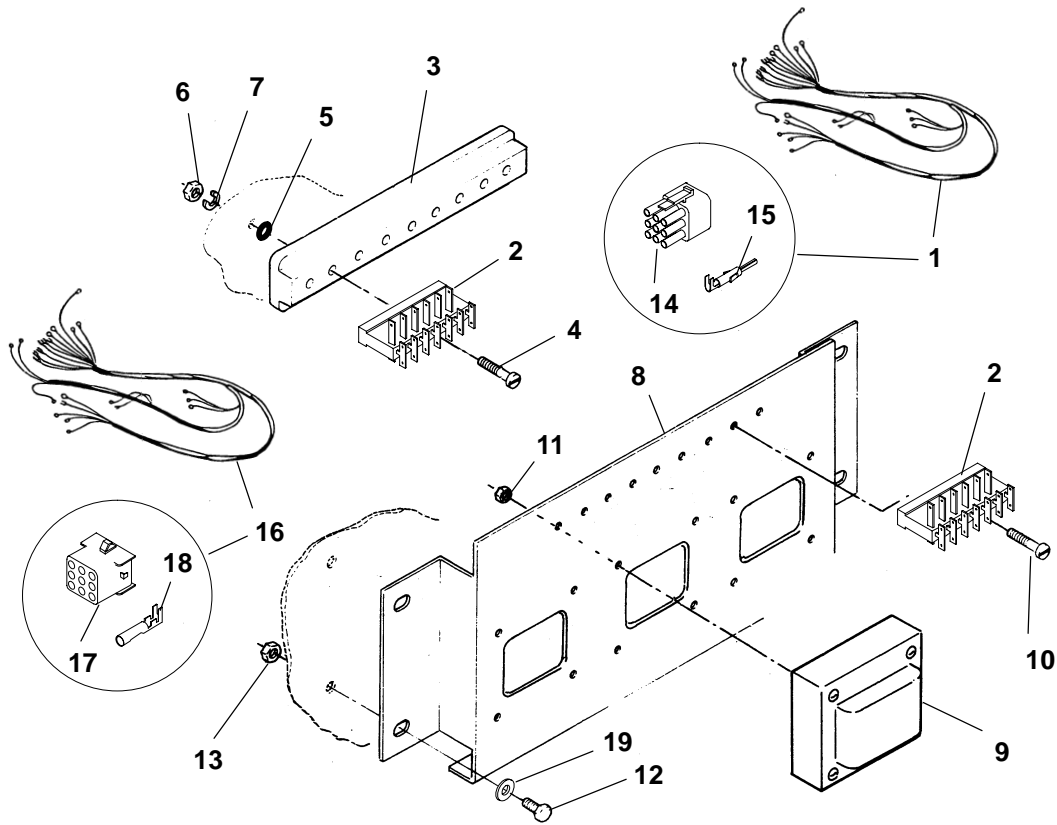
## Radio Frequency Interference Module



B220

REF NO.	PART NO.	QTY USED	PART DESCRIPTION	REF NO.	PART NO.	QTY USED	PART DESCRIPTION
1	314-0212	1	Module (RFI)	6	314-0213	-	Shielding, Wire – Bulk (3" Wide) (Order By The Foot – 12 Feet Required) Used On AC Control Harness And Leads For RFI Module And Current Transformer
2	813-0107	4	Screw, Machine – Round Head (#10-32 x 1-1/4")				
3	526-0008	4	Washer, Flat (#10)				
4	870-0131	4	Nut, Hex – W/ET (#10-32)				
5	321-0327-01	4	Fuse (5 Amp)				

# Auxiliary Terminal Block Generator Sets With Detector Control



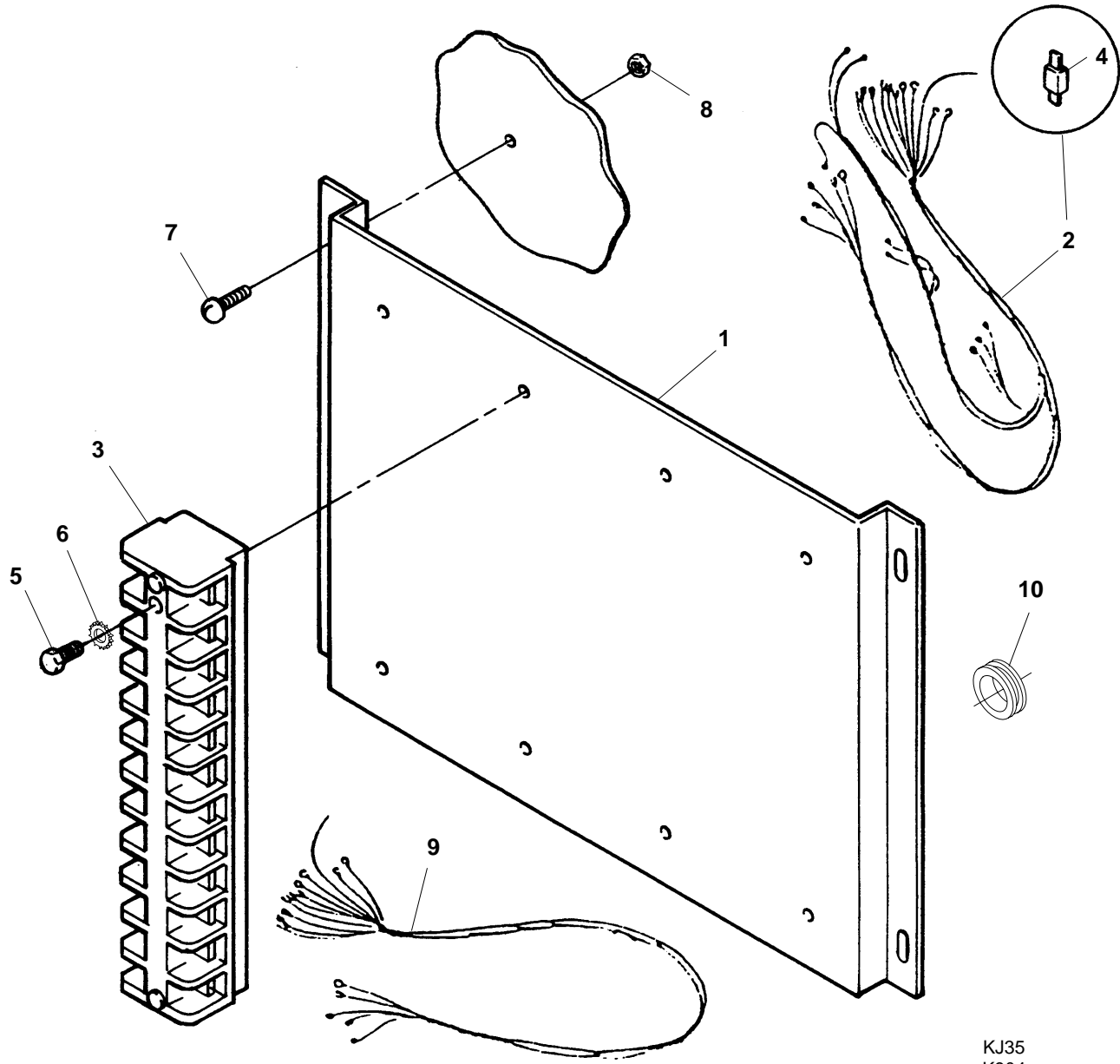
B246,252,258,259,260,276,282,283,284,288,300,301,302,312,  
313,314,324,325,326,348,360,361,362,372,373,374,392

## Auxiliary Terminal Block Generator Sets With Detector Control

REF NO.	PART NO.	QTY USED	PART DESCRIPTION	REF NO.	PART NO.	QTY USED	PART DESCRIPTION
1			Harness, Wiring – Auxiliary Terminal Block <b>DFJA, DFJB, DFJC Spec J Through L, DFJD Spec B Through D</b>	7	850-0025	3	Washer, Lock – Spring (#10)
				8	319-1245	1	< Bracket, Mounting
				9	315-0717	3	< Transformer (PTW,PTV,PTU) 380-480 and 600 Volt Wye Generators 240-480 Volt Delta Generators
338-2530	1	1	190-240, 380-480 Volt 12 Lead Reconnectable Generators (AUX to TB21,VR21,A16,X,XX,P2,P3,P4,5,8,7,4,6)		315-0717	1	Mounted In The PTV Position
					315-0717-01	2	Mounted In The PTW And PTU Positions
				10	812-0079	3	< Screw, Machine – Round Head (#8-32 x 1/2")
338-2713	1	1	240-480 Delta, 380-480, 600 Volt Wye Generators (Includes Parts Marked *) (AUX to TB21,VR21,A16,X,XX,P2,P3,P4,TB2,TB1,8,7,6,5)	11	870-0221	12	< Nut, Hex – W/ET (#8-32) Screw
				12	821-0016	4	DFJA, DFJB, DFJC Spec J Through L, DFJD Spec B Through D – Self-Locking – Hex Washer Head (5/16-18 x 3/4")
338-2867	1	1	4160-2400 Volt Wye Generators (AUX to TB21,VR21,A16,X,XX,P2,P3,P4,TB1) <b>DFJA, DFJB Spec M, DFJC Begin Spec M, DFJD Begin Spec E</b>		800-2088	4	DFJA, DFJB Spec M, DFJC Begin Spec M, DFJD Begin Spec E – Cap – Hex Head (M10 x 35mm)
				13	870-0257	4	Nut, Locking – Hex Flange Head (5/16-18)
338-2530	1	1	190-240, 380-480 Volt 12 Lead Reconnectable Generators (AUX to TB21,VR21,A16,X,XX,P2,P3,P4,5,8,7,4,6)	14	323-1644-01	1	# Plug, Connector (9 Place) (P1)
				15	323-1647	8	# Pin, Contact
				16	338-3337	1	Harness, Wiring – Transformer (Includes Parts Marked +) DFJA, DFJB Spec M, DFJC Begin Spec M, DFJD Begin Spec E (J1 to PTW, PTV, PTU)
338-3360	1	1	380-480, 600 Volt Wye Generators (Includes Parts Marked #) (AUX to 8,7,6,5,P1,X,XX,P2,P3,P4,A16,VR21,TB21)	17	323-1644-02	1	+ Housing, Connector (9 Place) DFJA, DFJB Spec M, DFJC Begin Spec M, DFJD Begin Spec E (J1)
				18	323-1648	9	+ Socket, Contact – DFJA, DFJB Spec M, DFJC Begin Spe M, DFJD Begin Spec E
338-2867	1	1	4160-2400 Volt Wye Generators (AUX to TB21,VR21,A16,X,XX,P2,P3,P4,TB1)	19	526-2120	4	< Washer, Flat (M10)
2	332-3007	3	**< Block, Terminal (AUX)				
3	232-3536	1	**< Base, Terminal Block				
4	812-0085	3	**< Screw, Machine – Round Head (#8-32 x 1-1/8")				
5	509-0065	1	** Seal, O-Ring				
6	870-0221	3	Nut, Hex – W/ET (#8-32)				

\* – Parts Included In Wiring Harness 338-2713  
# – Parts Included In Wiring Harness 338-3360  
+ – Parts Included In Wiring Harness 338-3337  
< – Not Used On All Models

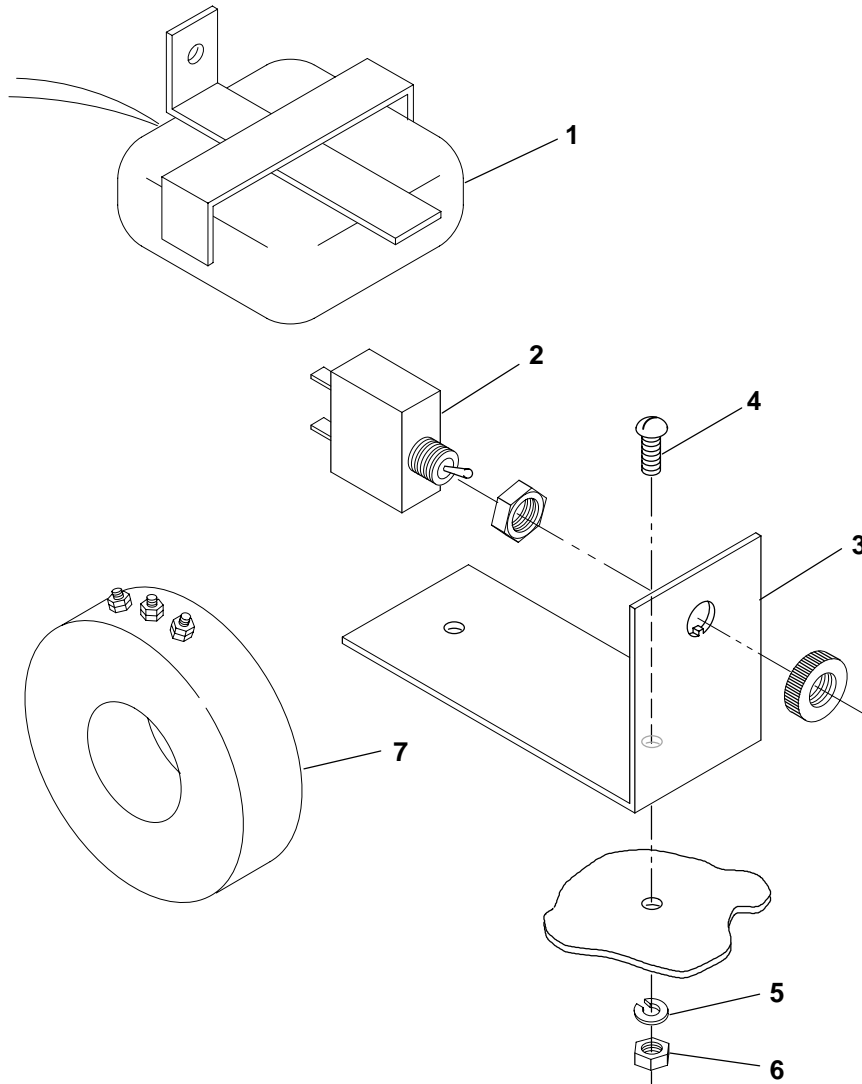
## Paralleling Interconnect Terminal Block



KJ35  
K904

REF NO.	PART NO.	QTY USED	PART DESCRIPTION	REF NO.	PART NO.	QTY USED	PART DESCRIPTION
1	319-1137	1	Panel, Mounting	6	853-0005	8	Washer, Lock - W/ET (#8)
2	338-2590	1	Harness, Wiring (Includes Four Terminal Blocks And Diode) (30 Wire, 84") (TB11, CR1 to VR21, CB21, ELM, A11 and GND)	7	813-0100	4	Screw, Machine - Round Head (#10-32 x 1/2")
3	332-2315	4	Block, Terminal (TB11)	8	870-0131	4	Nut, Hex - W/ET (#10-32)
4	357-0030	1	Diode (6 Amp) (CR1)	9	338-2172	1	Harness, Wiring - Governor (Shielded) (5 Wire, 39")
5	812-0085	8	Screw, Machine - Round Head (#8-32 x 1-1/8")	10	508-0051	1	Grommet, Rubber (Fits 2" Hole) (Control Knockout)

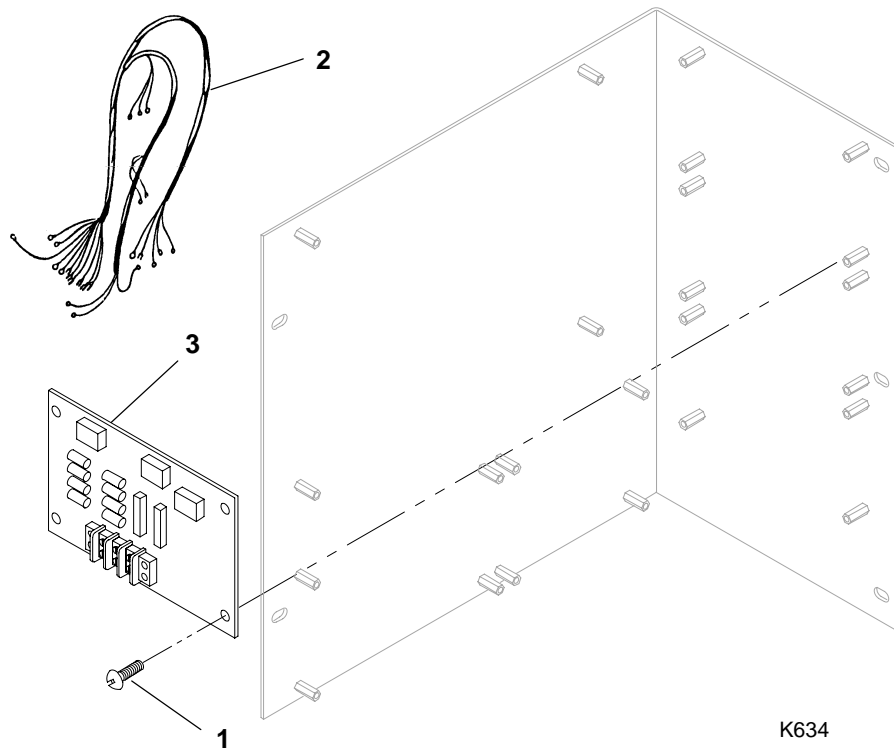
## Cross Current Compensation Circuit



KJ35,K611

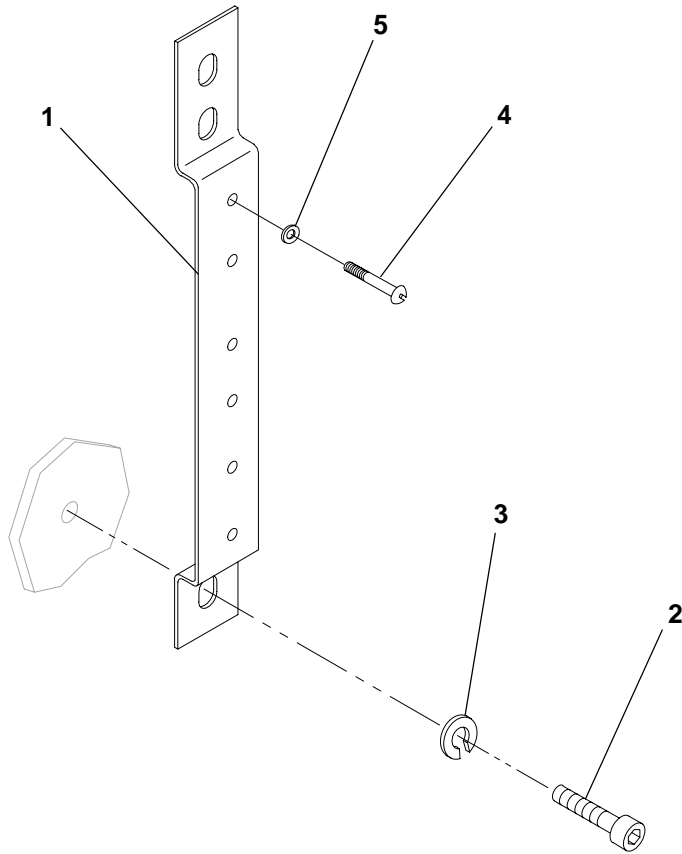
REF NO.	PART NO.	QTY USED	PART DESCRIPTION	REF NO.	PART NO.	QTY USED	PART DESCRIPTION
1			Transformer, Current (CT)	2	308-0069	1	Switch, Toggle (S22)
	302-1852-02	1	600:0.37 Ratio – DFJC Begin Spec P, DFJD Begin Spec G	3	301-9657	1	Bracket, Mounting
	302-1852-03	1	600:0.38 Ratio – DFJA, DFJB Spec J Through M, DFJC Spec J Through N, DFJD Spec B Through F	4	813-0100	2	Screw, Machine – Round Head (#10-32 x 1/2")
	302-1852-07	1	1000:0:38 Ratio – DFJC Begin Spec P, DFJD Begin Spec G	5	850-0030	2	Washer, Lock – Spring (#10)
				6	870-0053	2	Nut, Hex (#10-32)
				7	302-1926-30	1	Transformer, Current – 1667/1 Ratio (CT)

## Time Delay Start/Stop



REF NO.	PART NO.	QTY USED	PART DESCRIPTION	REF NO.	PART NO.	QTY USED	PART DESCRIPTION
1	815-0544	4	Screw, Machine – Round Head – Cross Recessed W/IT (#6-32 x 1/2")	3	300-2899	1	Board, Printed Circuit – Time Delay (A15)
2	338-1904	1	Harness, Wiring (5 Wire) (21-1/2") (A15 to A11)				

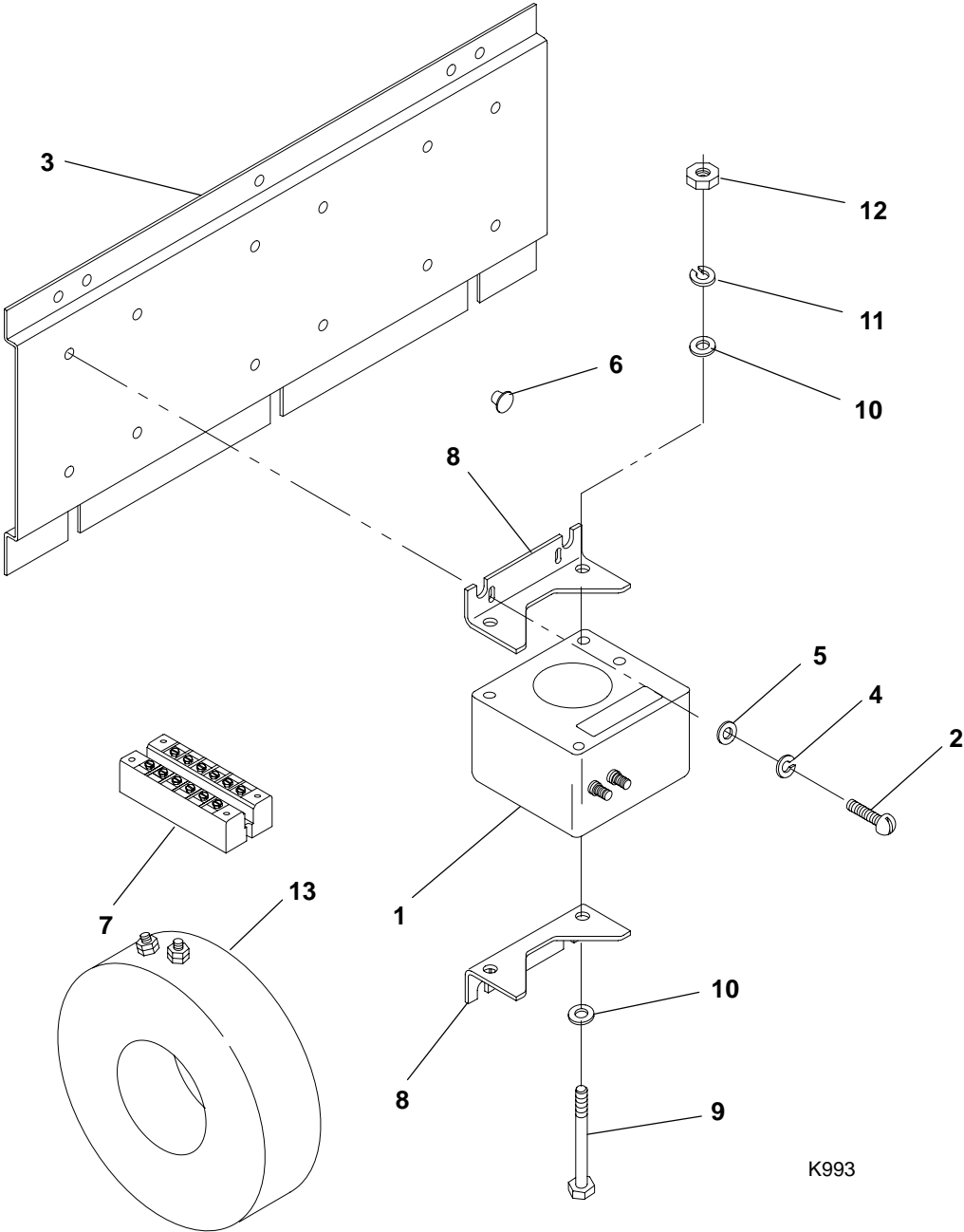
## Resistive Temperature Detectors



B312,313,314,372,373,374

REF NO.	PART NO.	QTY USED	PART DESCRIPTION	REF NO.	PART NO.	QTY USED	PART DESCRIPTION
1	319-1293	1	Bracket	4	812-0070	4	Screw, Machine – Round Head (#6-32 x 1-1/4")
2	800-2080	2	Screw, Cap – Hex Head (M10 x 12mm)	5	526-0002	4	Washer, Flat (#6)
3	850-2010	2	Washer, Lock – Spring (M10)				

# Differential Current Transformer



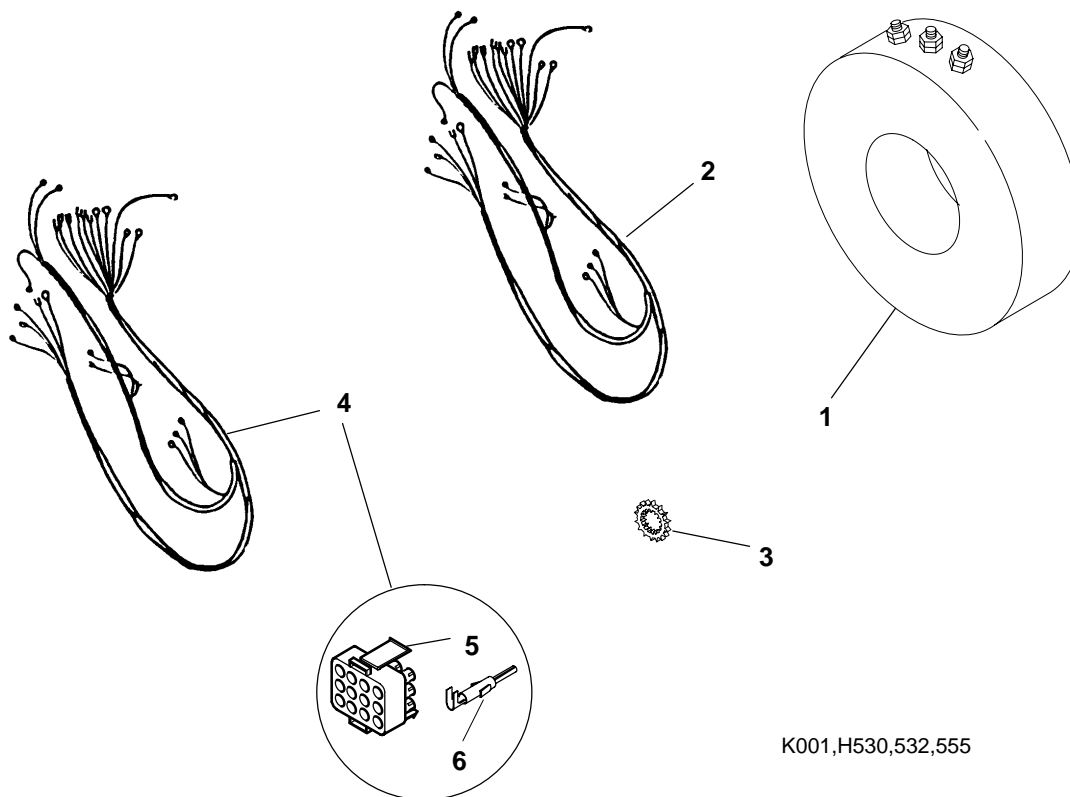
K993



## Differential Current Transformer

REF NO.	PART NO.	QTY USED	PART DESCRIPTION	REF NO.	PART NO.	QTY USED	PART DESCRIPTION
1			Transformer, Current – 5kV (U1,V1,W1)	10	526-0022	12	* Washer, Flat (5/16")
	302-1945-02	3	Ratio 150/5	11	850-0045	6	* Washer, Lock – Spring (5/16")
	302-1945-01	3	Ratio 200/5	12	862-0015	6	* Nut, Hex (5/16-18)
	302-1945-04	3	Ratio 250/5	13			Transformer, Current – 600V (CT1,CT2,CT3)
2	813-0098	12	* Screw, Machine – Round Head (#10-32 x 3/8")		302-1961-09	3	Ratio 1000/5
3	319-1265	1	* Bracket, Current Transformer		302-1961-10	3	Ratio 1200/5
4	850-0030	12	* Washer, Lock – Spring (#10)		302-1961-11	3	Ratio 1500/5
5	526-0008	12	* Washer, Flat (#10)		302-1961-12	3	Ratio 1600/5
6	517-0090	1	Plug, Hole (Fits 5/16" Hole) (Quantity Used As Required)		302-1961-13	3	Ratio 1800/5
7	332-3178-01	1	Block, Terminal (6 Place) (SCB)		302-1961-14	3	Ratio 2000/5
8	319-3297	6	* Bracket, Foot	* – Mounting Hardware And Brackets Used With 5kV Current Transformers			
9	800-0039	6	* Screw, Cap – Hex Head (5/16-18 x 3-1/2")				

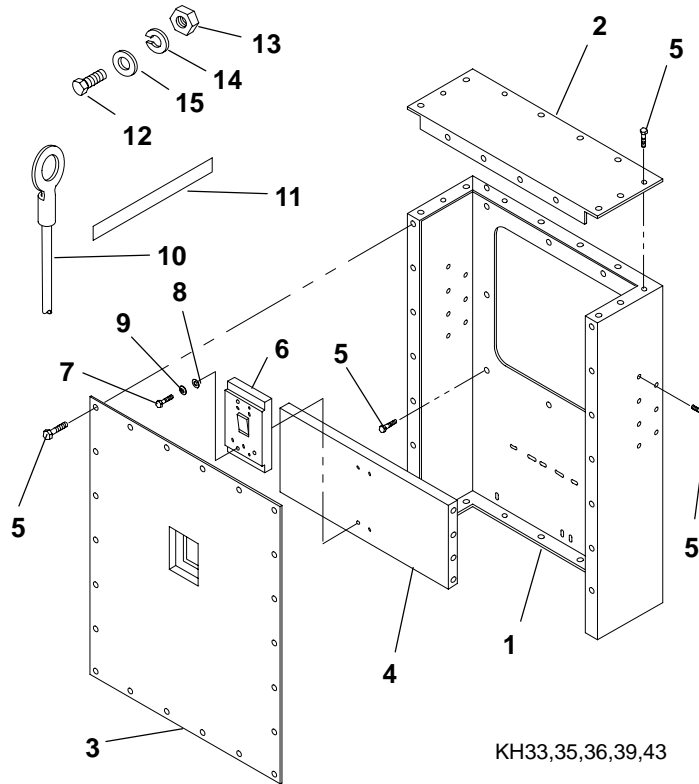
## Current Transformer



K001,H530,532,555

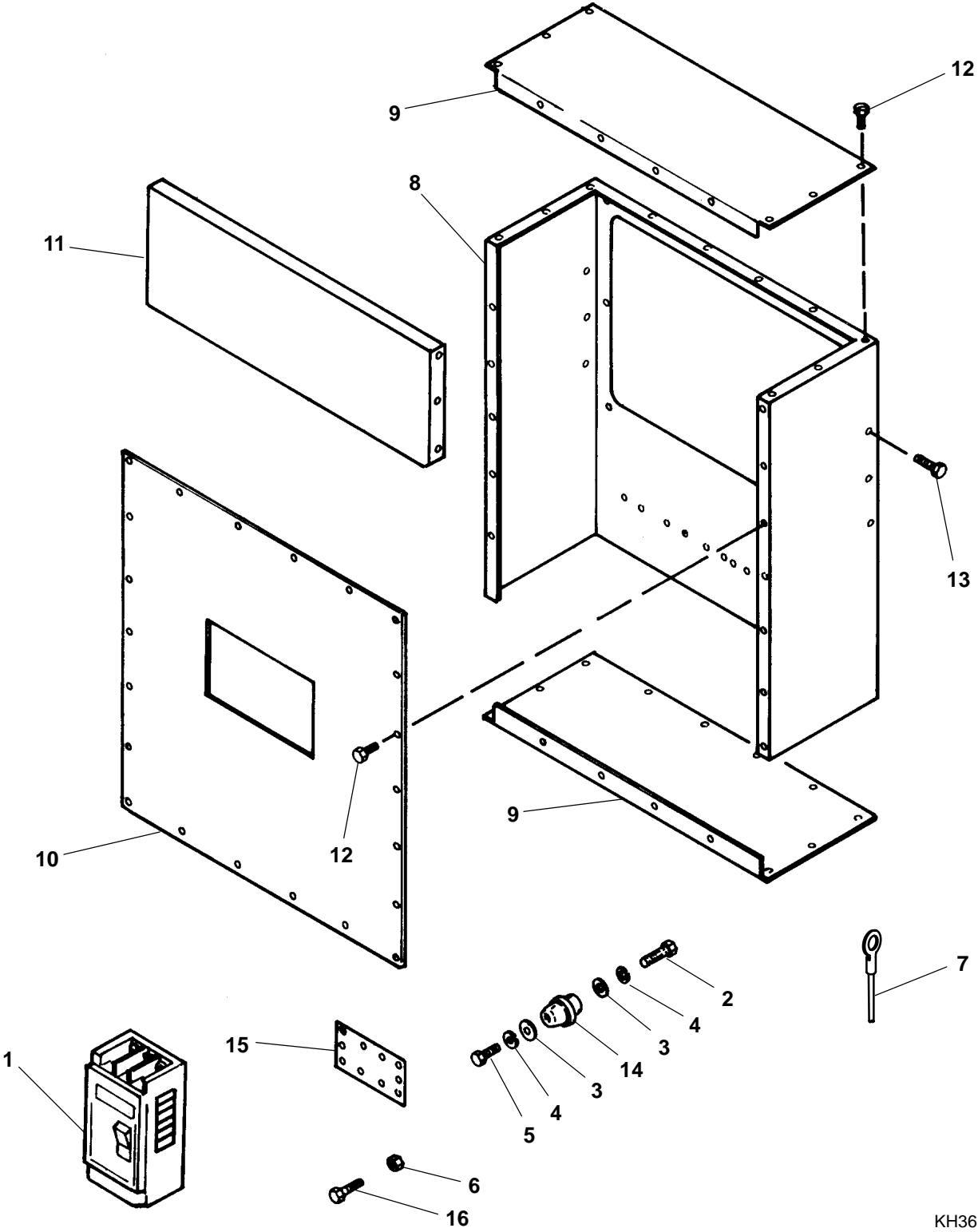
REF NO.	PART NO.	QTY USED	PART DESCRIPTION	REF NO.	PART NO.	QTY USED	PART DESCRIPTION
1			Transformer, Current (CT21, CT22, CT23) <b>Generator Sets With Detector Control</b>	3	856-0008	2	Washer, Lock – EIT (5/16") (Grounding Wires)
	302-1845-05	3	Ratio 150/5 or 300/5	4	338-3019	1	Harness, Wiring – Generator Sets With PowerCommand Control – DFJA, DFJB, DFJC Begin Spec K, DFJD Begin Spec C (Includes Plug And Sockets) (10 Wire, 60") (P9 To CT21,CT22,CT23 And 5,6,7,8)
	302-1845-06	3	Ratio 200/5 or 400/5				
	302-1794-12	3	Ratio 1000/5 or 2000/5	5	323-1644-03	1	Plug – 12 Place – Generator Sets With PowerCommand Control – DFJA, DFJB, DFJC Begin Spec K, DFJD Begin Spec C (P9)
	302-1794-13	3	Ratio 1500/5 or 3000/5				
	302-1794-14	3	Ratio 2000/5 or 4000/5 <b>Generator Sets With Power Command Control – DFJA, DFJB, DFJC Begin Spec K, DFJD Begin Spec C</b>	6	323-1648	10	Socket, Contract – Generator Sets With PowerCommand Control – DFJA, DFJB, DFJC Begin Spec K, DFJD Begin Spec C
	302-1922-34	3	Ratio 1893/1 or 3786/1				
	302-1922-36	3	Ratio 2141/1 or 4282/1				
	302-1922-37	3	Ratio 2279/1 or 4558/1				
	302-1922-38	3	Ratio 2366/1 or 4732/1				
	302-1922-39	3	Ratio 2523/1 or 5046/1				
	302-1922-41	3	Ratio 2839/1 or 5678/1				
	302-1926-09	3	Ratio 3039/1				
	302-1922-42	3	Ratio 3154/1 or 6308/1				
2	338-2532	1	Harness, Wiring – Generator Sets With Detector Control (7 Wire, 79") (TB21 To GND, CT21,CT22,CT23)				

**Circuit Breaker  
UL Listed  
DFJA, DFJB, DFJC Spec J**



REF NO.	PART NO.	QTY USED	PART DESCRIPTION	REF NO.	PART NO.	QTY USED	PART DESCRIPTION
1	319-0890	1	Box, Circuit Breaker	7	800-0031	4	Screw, Cap – Hex Head (5/16–18 x 1–1/2")
2	319-0892	2	Panel	8	526-0115	4	Washer, Flat (5/16")
3	319-0893	1	Cover	9	850-0045	4	Washer, Lock – Spring (5/16")
4	319-0891	1	Bracket, Mounting	10			Lead, Circuit Breaker (Quantity Used As Required) (#1/0 Wire)
5	821-0010	60	Screw, Self-Locking – Hex Washer Head (1/4–20 x 1/2")				40"
6			Breaker, Circuit (Includes Lugs And Interchangeable Trip) (CB21)				56"
			<b>Standard</b>	11	091-0002	1	Strip, Copper (Used for wrapping end of leads before securing to circuit breakers) (Quantity Used As Required)
	320-1461-09	1	1000 Amp				
	320-1461-10	1	1200 Amp				
			<b>With Auxiliary Contacts</b>				
	320-1465-09	1	1000 Amp	12	800-0094	8	Screw, Cap – Hex Head (1/2–13 x 2")
	320-1465-10	1	1200 Amp				
			<b>With Shunt Trip</b>				
	320-1473-09	1	1000 Amp	13	862-0005	8	Nut, Hex (1/2–13)
	320-1473-10	1	1200 Amp	14	850-0060	8	Washer, Lock – Spring (1/2")
			<b>With Auxiliary Contacts and Shunt Trip</b>	15	526-0219	16	Washer, Flat (1/2")
	320-1493-09	1	1000 Amp				
	320-1493-10	1	1200 Amp				

Circuit Breaker  
UL Listed  
DFJD Spec B

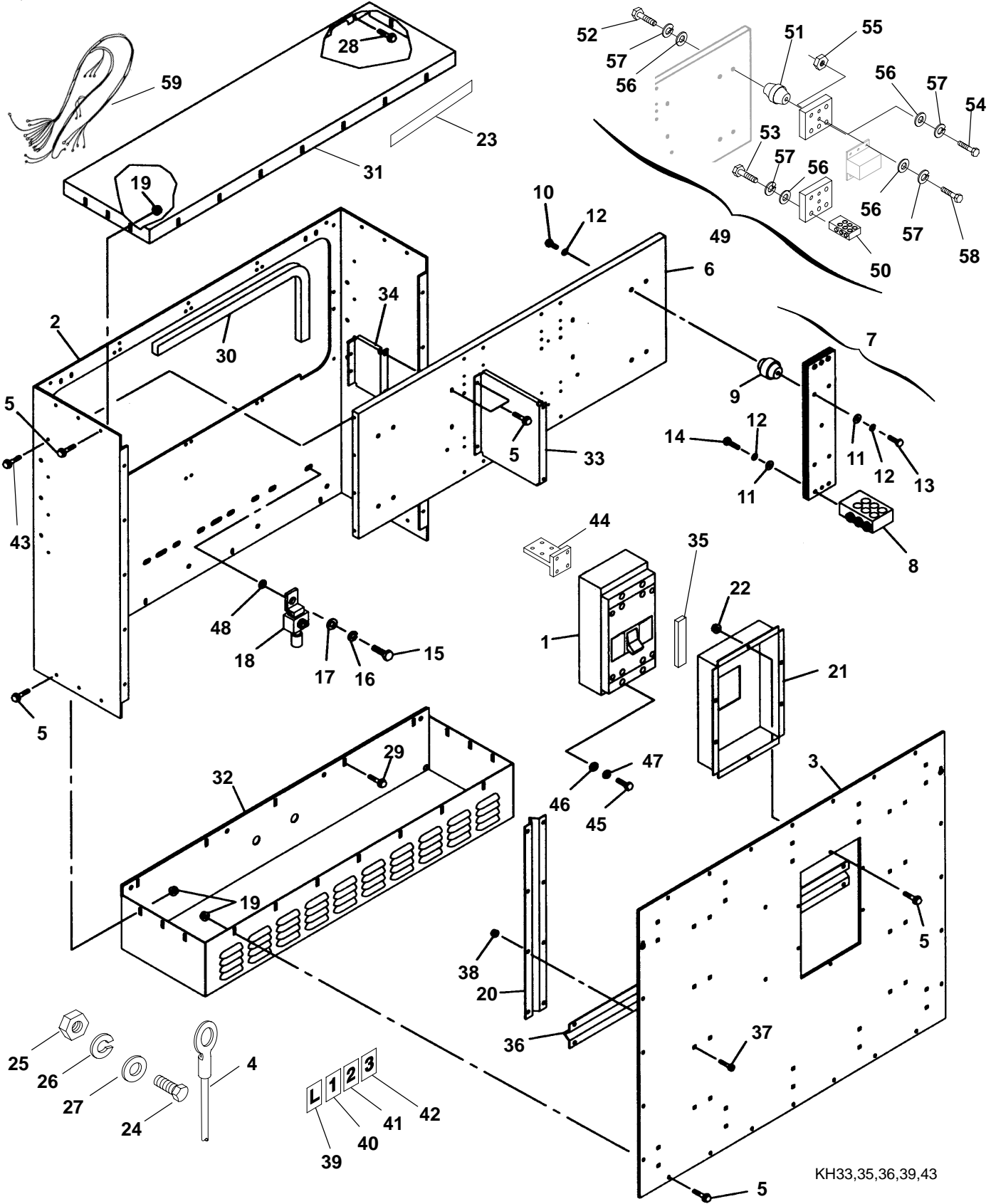


KH36,39,43

**Circuit Breaker  
UL Listed  
DFJD Spec B**

REF NO.	PART NO.	QTY USED	PART DESCRIPTION	REF NO.	PART NO.	QTY USED	PART DESCRIPTION
1			Breaker, Circuit – 3 Pole – 100% Rated – Frame Size CM2000–HH Circuit Breakers Include Bus Bars (T–bars).	6	862–0003	13	Nut, Hex (3/8–16)
			<b>Standard</b>	7			Lead – Circuit Breaker (1/2” Ring Terminal End to 3/8” Ring Terminal End) (Quantity Used As Required) (#1/0 Wire)
	320–1783–01	1	Frame Size CM1250–HH		226–4498–01	1	56” (Marked “LO”)
	320–1783	1	Frame Size CM1600–HH		226–4498–02	1	40” (Without Markings)
	320–1783–02	1	Frame Size CM2000–HH	8	319–0890	1	Box, Circuit Breaker
			<b>With 24 Volt Shunt Trip</b>	9	319–0892	2	Panel
	320–1783–05	1	Frame Size CM1250–HH	10	319–1121	1	Cover
	320–1783–04	1	Frame Size CM1600–HH	11	319–1120	1	Bracket, Mounting – Circuit Breaker
	320–1783–06	1	Frame Size CM2000–HH	12	821–0010	60	Screw, Self–Locking – Hex Washer Head (1/4–20 x 1/2”)
2	800–0052	8	Screw, Cap – Hex Head (3/8–16 x 1–1/2”)	13	821–0031	6	Screw, Self–Locking – Hex Washer Head (3/8–16 x 3/4”)
3	526–0030	30	Washer, Flat (3/8”)	14	332–2744–07	2	Standoff, Insulator
4	850–0050	19	Washer, Lock – Spring (3/8”)	15	337–2702	1	Bar, Neutral
5	800–0054	9	Screw, Cap – Hex Head (3/8–16 x 2”)	16	800–0048	2	Screw, Cap – Hex Head (3/8–16 x 3/4”)

**Circuit Breaker**  
**UL Listed**  
**DFJA, DFJB Spec K Through M**  
**DFJC Spec K Through N**  
**DFJD Spec C Through F**



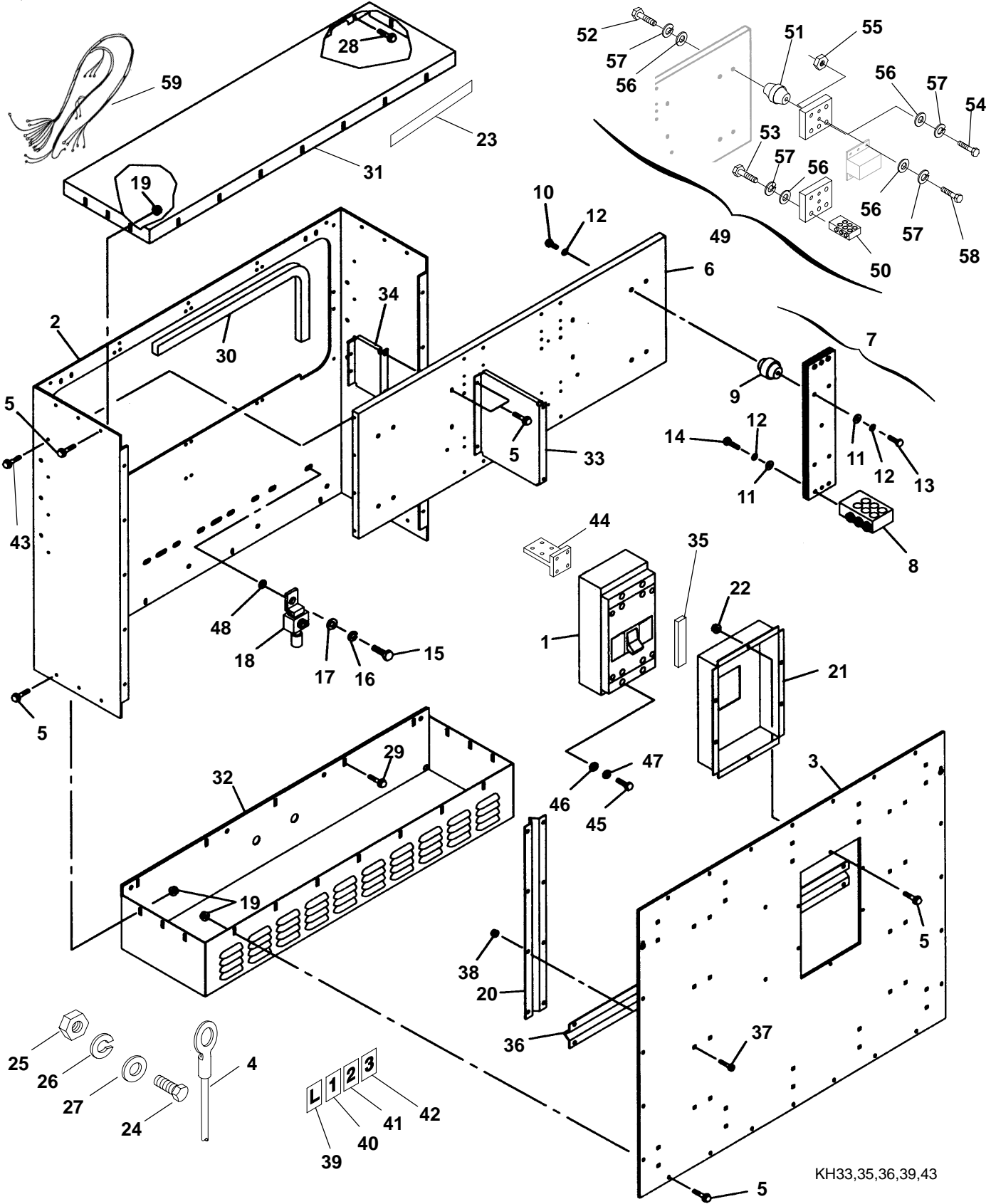
KH33,35,36,39,43

**Circuit Breaker  
UL Listed  
DFJA, DFJB Spec K Through M  
DFJC Spec K Through N  
DFJD Spec C Through F**

REF NO.	PART NO.	QTY USED	PART DESCRIPTION	REF NO.	PART NO.	QTY USED	PART DESCRIPTION
1			Breaker, Circuit (Includes Mounting Screws) 3 Pole (CB21)				<b>With Auxiliary Contacts and Bell Alarm</b>
			<b>This first group of circuit breakers have interchangeable trip and include the lugs.</b>	320-1783-18		1	Frame Size CM1250-HH
			<b>Standard</b>	320-1783-17		1	Frame Size CM1600-HH
	320-1461-09	1	1000 Amp	320-1783-19		1	Frame Size CM2000-HH
	320-1461-10	1	1200 Amp				<b>With Auxiliary Contacts, Bell Alarm and 24 Volt Shunt Trip</b>
			<b>With Auxiliary Contacts</b>	320-1783-09		1	Frame Size CM1250-HH
	320-1465-09	1	1000 Amp	320-1783-08		1	Frame Size CM1600-HH
	320-1465-10	1	1200 Amp	320-1783-10		1	Frame Size CM2000-HH
			<b>With 24 Volt Shunt Trip</b>	2	319-1957	1	Box, Circuit Breaker
	320-1473-09	1	1000 Amp	3			Cover, Circuit Breaker
	320-1473-10	1	1200 Amp		319-1964	1	1000 and 1200 Amp Breakers
			<b>With Auxiliary Contacts and 24 Volt Shunt Trip</b>		319-1959-01	1	CM1250-HH to CM2000-HH Breakers
	320-1493-09	1	1000 Amp	4			Lead - Circuit Breaker (Quantity Used As Required) (Without Markings) (#1/0 Wire)
	320-1493-10	1	1200 Amp				<b>1000 and 1200 Amp Breakers (39")</b>
			<b>This second group of circuit breakers are 100% rated. Frame size CM2000-HH circuit breakers include bus bars (T-bars).</b>				1/2" Ring Terminal End to 1" Stripped End
			<b>Standard</b>	226-4406-03		1	1/2" Ring Terminal End to 1/2" Ring Terminal End
	320-1783-01	1	Frame Size CM1250-HH				<b>CM1250-HH to CM2000-HH Breakers</b>
	320-1783-02	1	Frame Size CM2000-HH	226-4406-04		1	- 1/2" Ring Terminal End to 1/2" Ring Terminal End (30")
			<b>With 4 Wire Ground Fault</b>				Screw, Self-Locking - Hex Washer Head (1/4-20 x 1/2")
	320-1783-13	1	Frame Size CM1250-HH	226-4498-03		1	1000 and 1200 Amp Breakers
	320-1783-12	1	Frame Size CM1600-HH				CM1250-HH to CM2000-HH Breakers
	320-1783-14	1	Frame Size CM2000-HH	5			
			<b>With 24 Volt Shunt Trip</b>	821-0010		52	
	320-1783-05	1	Frame Size CM1250-HH	821-0010		44	
	320-1783-04	1	Frame Size CM1600-HH				
	320-1783-06	1	Frame Size CM2000-HH				

Continued...

**Circuit Breaker**  
**UL Listed**  
**DFJA, DFJB Spec K Through M**  
**DFJC Spec K Through N**  
**DFJD Spec C Through F**



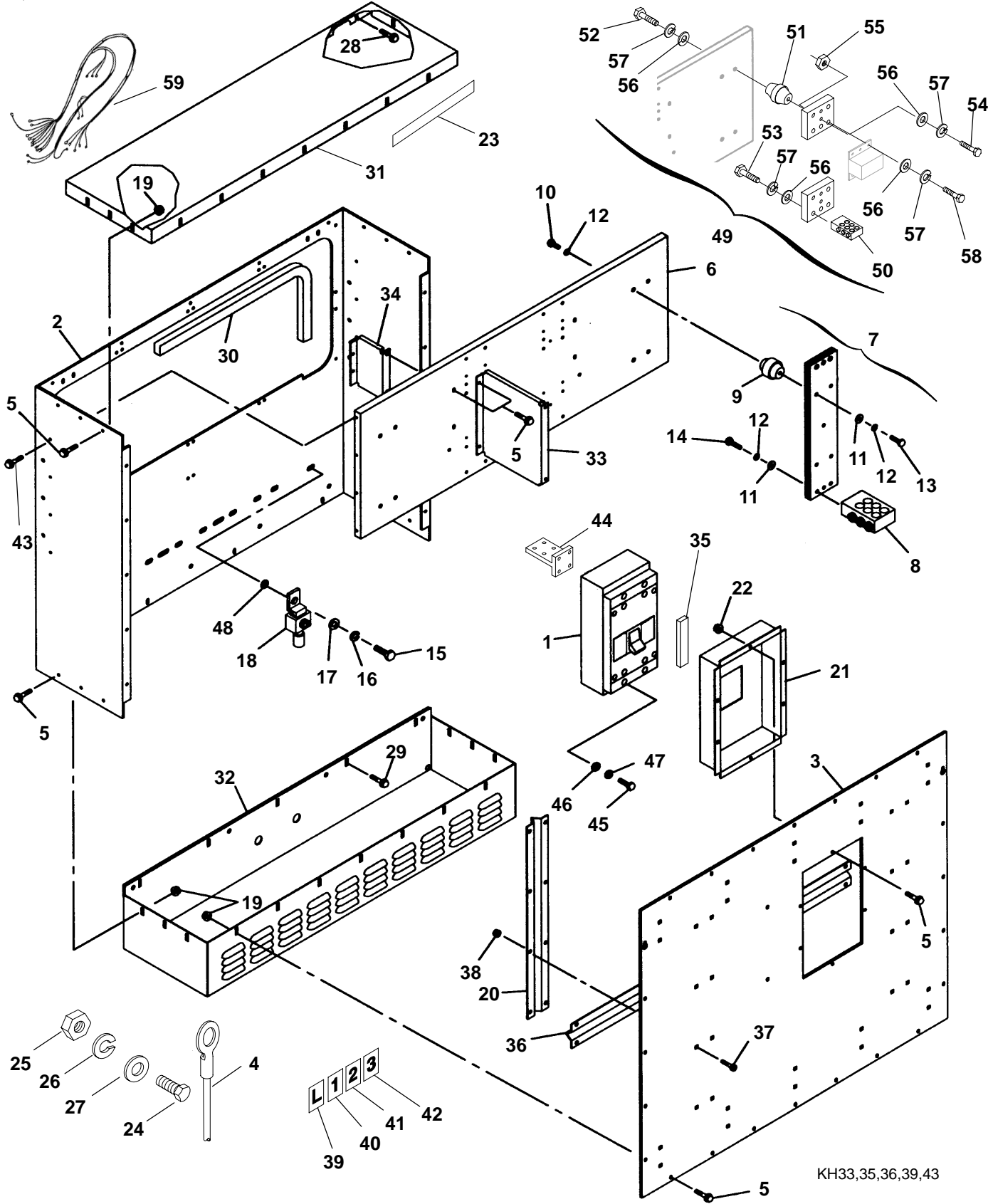
KH33,35,36,39,43



**Circuit Breaker  
UL Listed  
DFJA, DFJB Spec K Through M  
DFJC Spec K Through N  
DFJD Spec C Through F**

REF NO.	PART NO.	QTY USED	PART DESCRIPTION	REF NO.	PART NO.	QTY USED	PART DESCRIPTION
<b>Continued...</b>				<b>The following four hardware items are used to fasten the load leads to the generator and neutral bar. Quantity used as required.</b>			
6			Bracket, Mounting – Circuit Breaker	24	800-0094	1	Screw, Cap – Hex Head (1/2-13 x 2")
	319-1963	1	1000 and 1200 Amp Breakers	25	862-0005	1	Nut, Hex (1/2-13)
	319-1962	1	CM1250-HH to CM2000-HH Breakers	26	850-0060	1	Washer, Lock – Spring (1/2")
7	300-4480-01	1	Bar Assembly, Neutral (Includes Neutral Bars, Labels and Parts Marked *) <b>(Note: Used In All Circuit Breaker Applications Except CM1250-HH to CM2000-HH With 4 Wire Ground Fault)</b>	27	526-0219	1	Washer, Flat (1/2")
				28	821-0018	5	Screw, Self-Locking – Hex Washer Head (1/4-20 x 5/8")
				29	821-0011	5	Screw, Self-Locking – Hex Washer Head (1/4-20 x 7/8")
8	332-3303-01	1	* Lug, Solderless	30	508-1109	-	Edging – Bulk (Order By The Foot – 3 Feet Required)
9	332-2744-07	4	* Standoff, Insulator	31	319-1961	1	Panel – Top
10	800-0048	4	* Screw, Cap – Hex Head (3/8-16 x 3/4")	32	319-1925	1	Panel – Bottom
11	526-2120	7	* Washer, Flat (M10)	33			Brace, Cover
12	850-2010	11	* Washer, Lock – Spring (M10)		319-1926-01	1	1000 and 1200 Amp Breakers
13	800-0052	4	* Screw, Cap – Hex Head (3/8-16 x 1-1/2")		319-1926-02	1	CM1250-HH to CM2000-HH Breakers
14	800-2089	3	* Screw, Cap – Hex Head (M10 x 40mm)	34			Brace, Mounting Bracket – Circuit Breaker
15	800-0050	1	Screw, Cap – Hex Head (3/8-16 x 1")		319-2316-01	1	1000 and 1200 Amp Breakers
16	850-0050	1	Washer, Lock – Spring (3/8")		319-2316-02	1	CM1250-HH to CM2000-HH Breakers
17			Washer, Flat (3/8")				Stripping, Weather – Bulk (Order By The Foot)
	526-0029	4	1000 and 1200 Amp Breakers	35			1000 and 1200 Amp Breakers (1 Foot Required)
	526-0029	2	CM1250-HH to CM2000-HH Breakers		895-0182	-	CM1250-HH to CM2000-HH Breakers (4 Feet Required)
18	332-2001	1	Lug, Solderless				
19	870-0494	26	Nut, Self-Retaining – Floating (1/4-20)		895-0182	-	
20	319-2398	2	Brace, Cover (Vertical)				
21	319-2431-18	1	Cup, Circuit Breaker				
22	870-0212	6	Nut, Locking (1/4-20)				
23	091-0002	1	Strip, Copper (Used for wrapping ends of leads before securing to circuit breakers and neutral bar lug) (Quantity Used As Required)				
							* – Parts Included In 300-4480-01 Neutral Bar Assembly
<b>Continued...</b>							

**Circuit Breaker**  
**UL Listed**  
**DFJA, DFJB Spec K Through M**  
**DFJC Spec K Through N**  
**DFJD Spec C Through F**



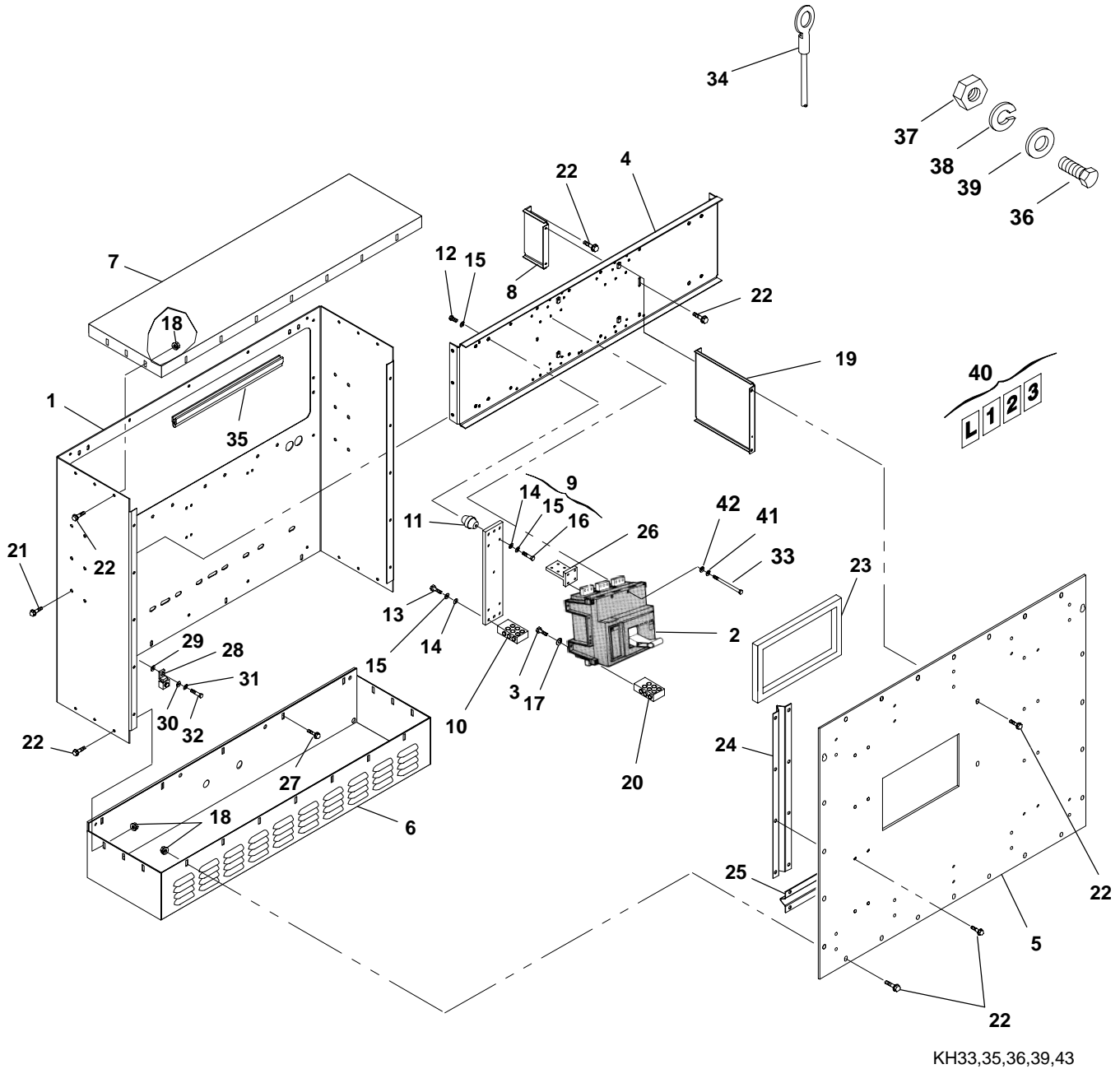
KH33,35,36,39,43

**Circuit Breaker  
UL Listed  
DFJA, DFJB Spec K Through M  
DFJC Spec K Through N  
DFJD Spec C Through F**

REF NO.	PART NO.	QTY USED	PART DESCRIPTION	REF NO.	PART NO.	QTY USED	PART DESCRIPTION
<b>Continued...</b>				46	526-0115	4	Washer, Flat (5/16")
				47	850-0045	4	Washer, Lock – Spring (5/16")
36	319-2399	2	Brace, Cover (Horizontal)	48	856-0010	1	Washer, Lock – EIT (3/8")
37	816-0098	36	Bolt, Carriage (5/16-18 x 5/8")	49	337-2794	1	Bar Assembly, Neutral (Includes Neutral Bars, Label and Parts Marked #)
38	870-0257	36	Nut, Locking (5/16-18)				( <b>Note:</b> Used With CM1250-HH to CM2000-HH Circuit Breaker Applications With 4 Wire Ground Fault)
39	098-5854-06	3	Label, Marker (10 Characters Per Card) Marked "L"	50	332-3303	1	# Lug, Solderless
40	098-5854-07	1	Label, Marker (10 Characters Per Card) Marked "1"	51	332-2744-07	2	# Standoff, Insulated
41	098-5854-08	1	Label, Marker (10 Characters Per Card) Marked "2"	52	800-0048	2	# Screw, Cap – Hex Head (3/8-16 x 3/4")
42	098-5854-09	1	Label, Marker (10 Characters Per Card) Marked "3"	53	800-0053	3	# Screw, Cap – Hex Head (3/8-16 x 1-3/4")
43			Screw, Self-Locking – Hex Washer Head	54	800-0051	2	# Screw, Cap – Hex Head (3/8-16 x 1-1/4")
	821-0010	6	1000 and 1200 Amp Breakers (1/4-20 x 1/2")	55	862-0003	6	# Nut, Hex (3/8")
	821-0030	6	CM1250-HH to CM2000-HH Breakers (3/8-16 x 1")	56	526-0030	22	# Washer, Flat (3/8")
44			Bar, Bus (T-Bar) (Includes Mounting Hardware)	57	850-0050	13	# Washer, Lock – Spring (3/8")
	337-2789	4	Sets With CM1250-HH and CM1600-HH Breakers	58	800-0055	6	# Screw, Cap – Hex Head (3/8-16 x 2-1/4")
	337-2789	1	Sets With CM2000-HH Breakers	59	338-3012	1	Harness, Wiring – Neutral Sensor to Circuit Breaker (2 Wire, 30") Used With CM1250-HH to CM2000-HH Circuit Breakers With 4 Wire Ground Fault)
45			Screw				
	800-0031	4	Cap – Hex Head – 1000 and 1200 Amp Breakers (5/16-18 x 1-1/2")				
	800-0033	4	Cap – Hex Head – CM1250-HH to CM2000-HH Breakers (5/16-18 x 2")				

\* – Parts Included In 300-4480-01 Neutral Bar Assembly  
# – Parts Included In 337-2794 Neutral Bar Assembly

**Circuit Breaker  
UL Listed  
DFJC Begin Spec P  
DFJD Begin Spec G**



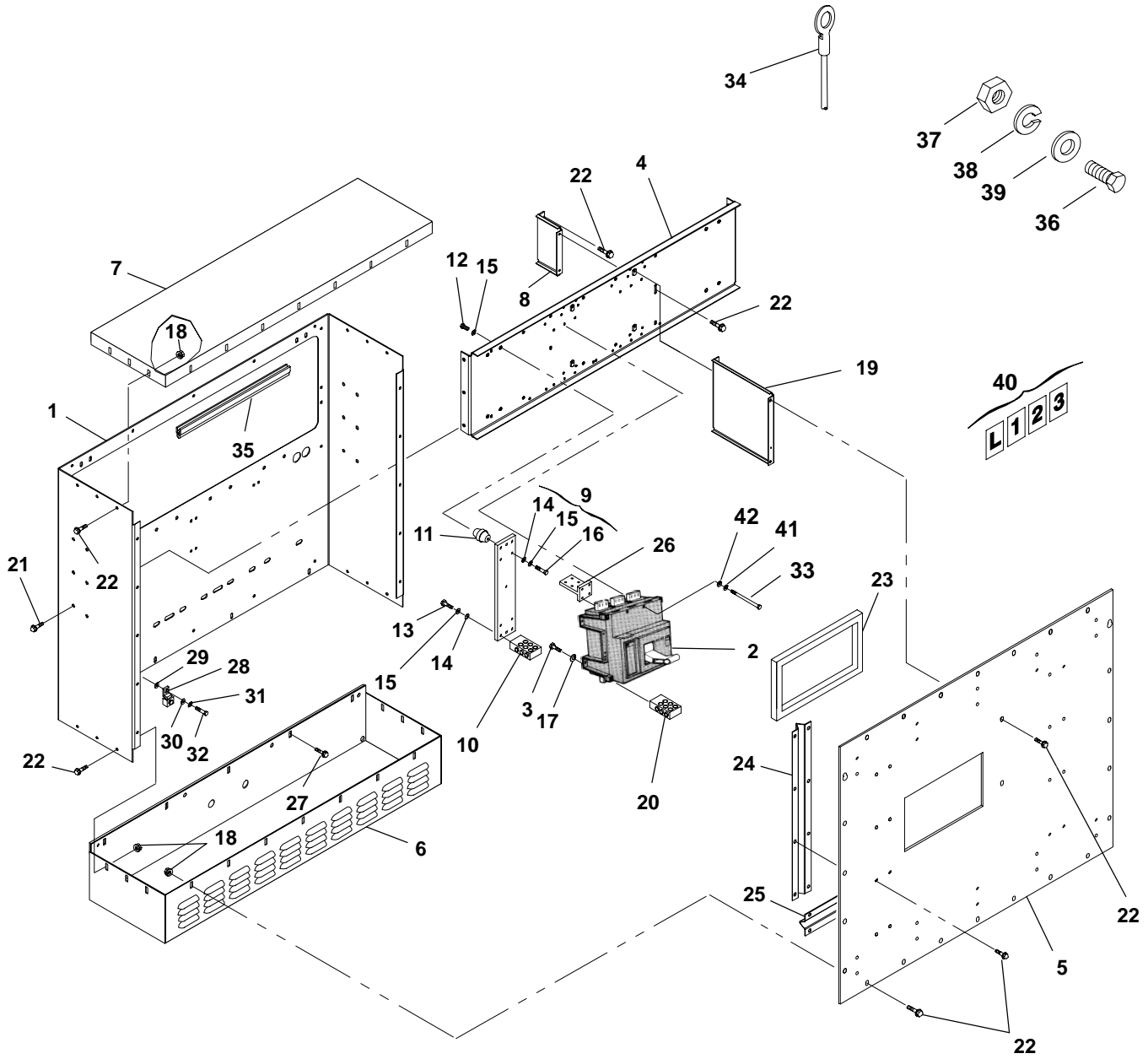
**Circuit Breaker  
UL Listed  
DFJC Begin Spec P  
DFJD Begin Spec G**

REF NO.	PART NO.	QTY USED	PART DESCRIPTION	REF NO.	PART NO.	QTY USED	PART DESCRIPTION
1	319-3184	1	Box, Circuit Breaker	5	319-3266-01	1	Cover, Circuit Breaker
2			Breaker, Circuit – 3 Pole, 100% Rated (Includes Mounting Screws) Frame Size CM2000-HH Circuit Breakers Include Bus Bars (T-bars) (CB21)	6	319-1925	1	Panel – Bottom
			<b>Standard</b>	7	319-1961	1	Panel – Top
	320-1783-01	1	Frame Size CM1250-HH	8	319-3253-02	1	Brace, Mounting – Circuit Breaker
	320-1783	1	Frame Size CM1600-HH	9	300-4480-01	1	Bar Assembly, Neutral (Includes Neutral Bars, Labels and Parts Marked *)
	320-1783-02	1	Frame Size CM2000-HH	10	332-3303-01	1	* Lug, Solderless
	320-1783-03	1	Frame Size CM2500-HH	11	332-2744-07	4	* Standoff, Insulator
			<b>With 24 Volt Shunt Trip</b>	12	800-0048	4	* Screw, Cap – Hex Head (3/8-16 x 3/4")
	320-1783-05	1	Frame Size CM1250-HH	13	800-2089	3	* Screw, Cap – Hex Head (M10 x 40mm)
	320-1783-04	1	Frame Size CM1600-HH	14	526-2120	7	* Washer, Flat (M10)
	320-1783-06	1	Frame Size CM2000-HH	15	850-2010	11	* Washer, Lock – Spring (M10)
	320-1783-07	1	Frame Size CM2500-HH	16	800-0052	4	* Screw, Cap – Hex Head (3/8-16 x 1-1/2")
			<b>With Auxiliary Contacts and Bell Alarm</b>	17	850-2010	9	Washer, Lock – Spring (M10) CM1250-HH, CM1600-HH Breakers
	320-1783-18	1	Frame Size CM1250-HH	18	870-0504	26	Nut, Self-Retaining (M6)
	320-1783-17	1	Frame Size CM1600-HH	19	319-3252-02	1	Brace, Cover
	320-1783-19	1	Frame Size CM2000-HH	20	332-3303-01	3	Lug, Solderless
	320-1783-20	1	Frame Size CM2500-HH	21	821-6003-02	6	Screw, Self-Locking – Hex Washer Head (M8 x 20mm)
			<b>With Auxiliary Contacts and Bell Alarm and 24 Volt Shunt Trip</b>	22	821-6002-03	85	Screw, Self-Locking – Hex Washer Head (M6 x 16mm)
	320-1783-09	1	Frame Size CM1250-HH	23	895-0182	-	Stripping, Weather – Bulk (Order By The Foot – 4 Feet Required)
	320-1783-08	1	Frame Size CM1600-HH	24	319-3286	2	Brace, Cover (Vertical)
	320-1783-10	1	Frame Size CM2000-HH	25	319-3288	2	Brace, Cover (Horizontal)
	320-1783-11	1	Frame Size CM2500-HH	26			Bar, Bus (T-Bar) (Includes Mounting Hardware)
			<b>With Auxiliary Contacts and Bell Alarm and 24 Volt Shunt Trip</b>		337-2789	4	Sets With CM1250-HH, CM1600-HH Breakers
					337-2789	1	Sets With CM2000-HH, CM2500-HH Breakers
	320-1783-09	1	Frame Size CM1250-HH	27	821-2035	5	Screw, Self-Locking – Hex Washer Head (M6 x 25mm)
	320-1783-08	1	Frame Size CM1600-HH	28	332-2001	1	Lug, Solderless
	320-1783-10	1	Frame Size CM2000-HH	29	856-0010	1	Washer, Lock – EIT (3/8")
	320-1783-11	1	Frame Size CM2500-HH	30	526-2120	1	Washer, Flat (M10)
				31	850-2010	1	Washer, Lock – Spring (M10)
3	800-2089	9	Screw, Cap – Hex Head (M10 x 40mm) CM1250-HH, CM1600-HH Breakers	32	800-2086	1	Screw, Cap – Hex Head (M10 x 25mm)
4	319-3153	1	Bracket, Mounting				

\* – Parts Included In 300-4480-01 Neutral Bar Assembly

**Continued...**

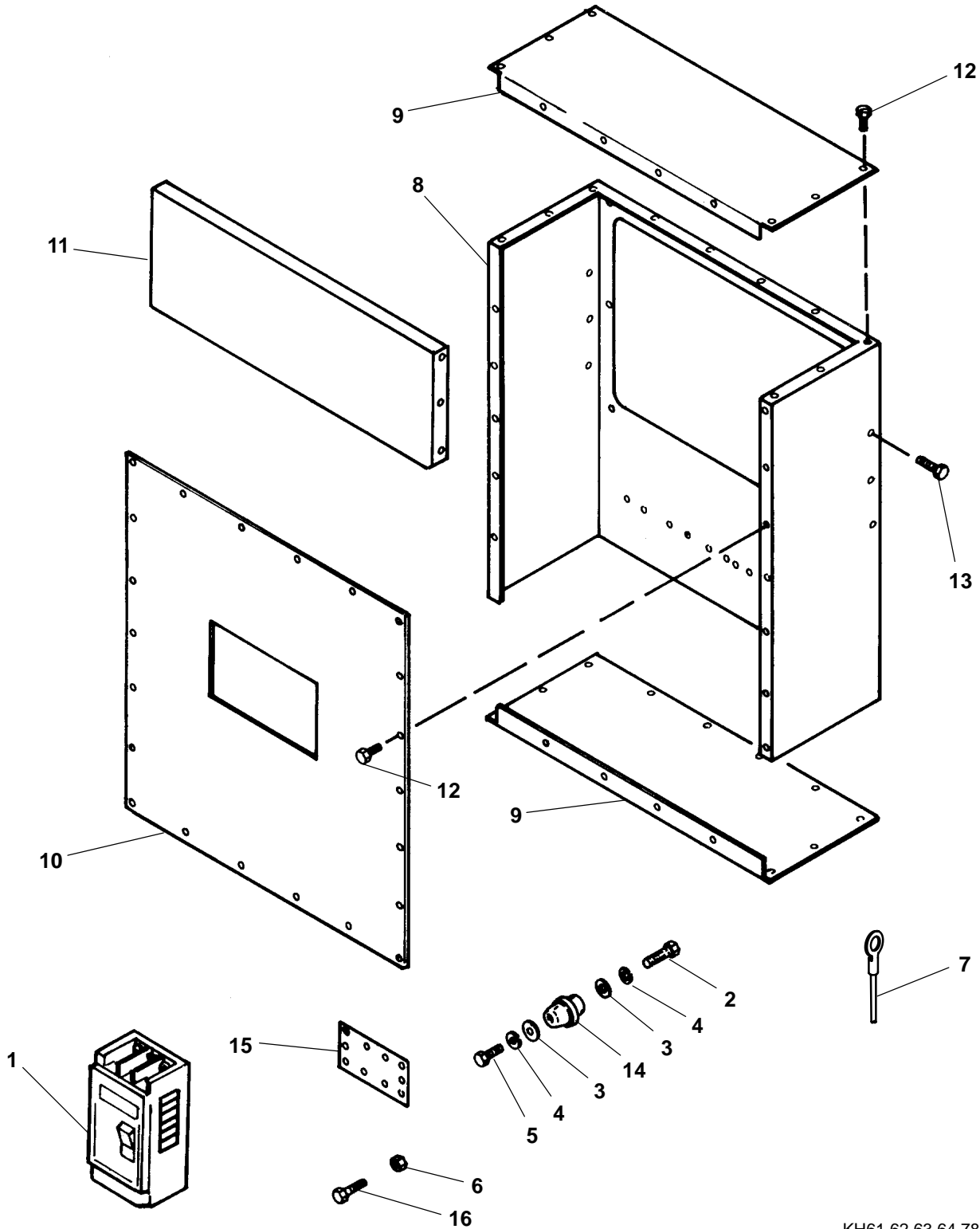
**Circuit Breaker  
UL Listed  
DFJC Begin Spec P  
DFJD Begin Spec G**



**Circuit Breaker  
UL Listed  
DFJC Begin Spec P  
DFJD Begin Spec G**

REF NO.	PART NO.	QTY USED	PART DESCRIPTION	REF NO.	PART NO.	QTY USED	PART DESCRIPTION
<b>Continued...</b>							
33	800-2063	4	Screw, Cap – Hex Head (M8 x 50mm)	37	860-2010	1	Nut, Hex (M12)
34	226-4498-03	1	Lead – Circuit Breaker (Quantity Used As Required) 30" (Without Markings) (#1/0 Wire)	38	850-2012	1	Washer, Lock – Spring (M12)
35	508-1109	–	Edging – Bulk (Order By The Foot – 3 Feet Required) <b>The following four hardware items are used to fasten the load leads to the generator and neutral bar. Quantity used as required.</b>	39	526-2140	1	Washer, Flat (M12)
				40			Label, Marker (10 Characters Per Card) (Quantity Used As Required)
					098-5854-06	3	Marked "L"
					098-5854-07	1	Marked "1"
					098-5854-08	1	Marked "2"
	098-5854-09	1	Marked "3"				
		41	850-2008	4	Washer, Lock – Spring (M8)		
		42	526-2100	4	Washer, Flat (M8)		
36	800-2116	1	Screw, Cap – Hex Head (M12 x 50mm)	* – Parts Included In 300-4480-01 Neutral Bar Assembly			

Circuit Breaker  
IEC Conformity  
DFJA, DFJB, DFJC Spec J  
DFJD Spec B



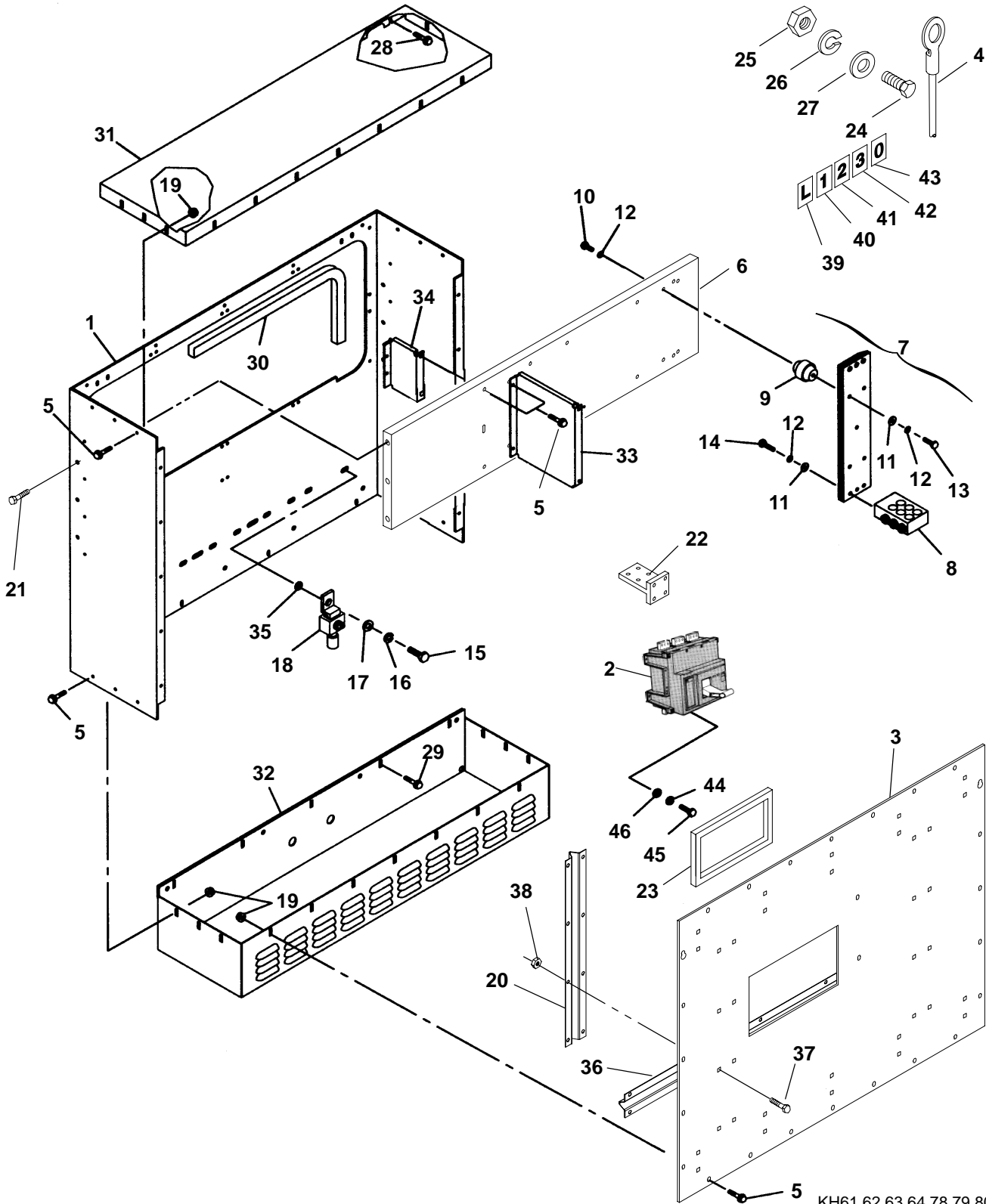
KH61,62,63,64,78,79,80,81



**Circuit Breaker  
IEC Conformity  
DFJA, DFJB, DFJC Spec J  
DFJD Spec B**

REF NO.	PART NO.	QTY USED	PART DESCRIPTION	REF NO.	PART NO.	QTY USED	PART DESCRIPTION
1			Breaker, Circuit (CB21)	5	800-0054	9	Screw, Cap – Hex Head (3/8-16 x 2")
			<b>Three Pole Breakers</b>	6			Nut, Hex (3/8-16)
	320-1699-01	1	Frame Size CM1250		862-0003	13	3 Pole Breakers
	320-1699	1	Frame Size CM1600		862-0003	9	4 Pole Breakers
	320-1699-02	1	Frame Size CM2000	7			Lead – Circuit Breaker (1/2" Ring Terminal End to 3/8" Ring Terminal End)
	320-1699-03	1	Frame Size CM2500				(Quantity Used As Required) (#1/0 Wire)
			<b>With 24 Volt Shunt Trip</b>				56" (Marked "LO")
	320-1699-05	1	Frame Size CM1250		226-4498-01	1	40" (Without Markings)
	320-1699-04	1	Frame Size CM1600	8	319-0890	1	Box, Circuit Breaker
	320-1699-06	1	Frame Size CM2000	9	319-0892	2	Panel
	320-1699-07	1	Frame Size CM2500	10	319-1121	1	Cover
			<b>Four Pole Breakers</b>	11	319-1120	1	Bracket, Mounting – Circuit Breaker
			<b>Standard</b>	12	821-0010	60	Screw, Self-Locking – Hex Washer Head (1/4-20 x 1/2")
	320-1699-21	1	Frame Size CM1600				Screw, Self-Locking – Hex Washer Head (3/8-16 x 3/4")
	320-1699-23	1	Frame Size CM2000	14	332-2744-07	2	Standoff, Insulator (3 Pole Breakers)
	320-1699-24	1	Frame Size CM2500	15	337-2702	1	Bar, Neutral (3 Pole Breakers)
			<b>With 24 Volt Shunt Trip</b>	16	800-0048	2	Screw, Cap – Hex Head (3/8-16 x 3/4") (3 Pole Breakers)
	320-1699-25	1	Frame Size CM1600				
	320-1699-27	1	Frame Size CM2000				
	320-1699-28	1	Frame Size CM2500				
2			Screw, Cap – Hex Head (3/8-16 x 1-1/2")				
	800-0052	8	3 Pole Breakers				
	800-0052	4	4 Pole Breakers				
3			Washer, Flat (3/8")				
	526-0030	30	3 Pole Breakers				
	526-0030	22	4 Pole Breakers				
4			Washer, Lock – Spring (3/8")				
	850-0050	19	3 Pole Breakers				
	850-0050	13	4 Pole Breakers				

**Circuit Breaker**  
**IEC Conformity**  
**DFJA, DFJB Spec K Through M**  
**DFJC Spec K Through N**  
**DFJD Spec C Through F**



KH61,62,63,64,78,79,80,81

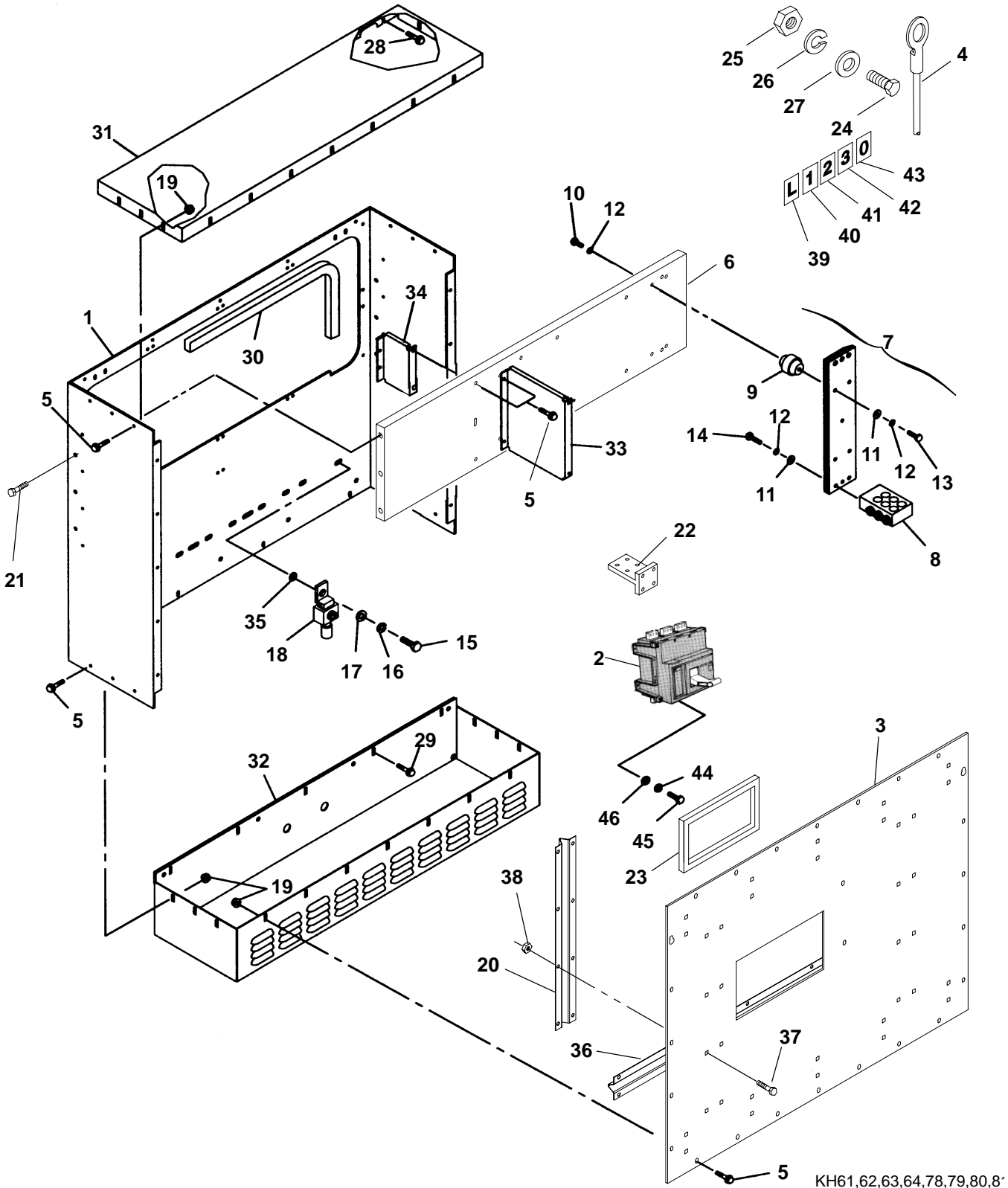
**Circuit Breaker  
IEC Conformity  
DFJA, DFJB Spec K Through M  
DFJC Spec K Through N  
DFJD Spec C Through F**

REF NO.	PART NO.	QTY USED	PART DESCRIPTION	REF NO.	PART NO.	QTY USED	PART DESCRIPTION
1	319-1957	1	Box, Circuit Breaker	3			Cover, Circuit Breaker
2			Breaker, Circuit (Includes Mounting Screws) (CB21)	319-1959-01	1		Sets With 3 Pole Breaker Mounted On Left Or Right Side When Facing Control
			<b>Three Pole Breakers</b>				
			<b>Standard</b>				
	320-1699-01	1	Frame Size CM1250	319-1959-01	1		Sets With 4 Pole Breaker Mounted On Left Side When Facing Control
	320-1699	1	Frame Size CM1600				
	320-1699-02	1	Frame Size CM2000	319-1959-02	1		Sets With 4 Pole Breaker Mounted On Right Side When Facing Control
			<b>With 24 Volt Shunt Trip</b>				
	320-1699-05	1	Frame Size CM1250	4	226-4498-03	1	Lead – Circuit Breaker (Quantity Used As Required) 30" (Without Markings) (#1/0 Wire)
	320-1699-04	1	Frame Size CM1600				
	320-1699-06	1	Frame Size CM2000	5	821-0010	44	Screw, Self-Locking – Hex Washer Head (1/4-20 x 1/2")
			<b>With Auxiliary Contacts, Bell Alarm and 24 Volt Shunt Trip</b>	6	319-1962	1	Bracket, Mounting – Circuit Breaker
	320-1699-09	1	Frame Size CM1250	7	300-4480-01	1	Bar Assembly, Neutral (Includes Neutral Bars, Labels and Parts Marked *) (Used With 3 Pole Circuit Breakers)
	320-1699-08	1	Frame Size CM1600				
	320-1699-10	1	Frame Size CM2000	8	332-3303-01	1	* Lug, Solderless
			<b>Four Pole Breakers</b>	9	332-2744-07	4	* Standoff, Insulator
			<b>Standard</b>	10	800-0048	4	* Screw, Cap – Hex Head (3/8-16 x 3/4")
	320-1699-22	1	Frame Size CM1250	11	526-2120	7	* Washer, Flat (M10)
	320-1699-21	1	Frame Size CM1600	12	850-2010	11	* Washer, Lock – Spring (M10)
	320-1699-23	1	Frame Size CM2000	13	800-0052	4	* Screw, Cap – Hex Head (3/8-16 x 1-1/2")
			<b>With 24 Volt Shunt Trip</b>	14	800-2089	3	* Screw, Cap – Hex Head (M10 x 40mm)
	320-1699-26	1	Frame Size CM1250	15	800-0050	1	Screw, Cap – Hex Head (3/8-16 x 1")
	320-1699-25	1	Frame Size CM1600	16	850-0050	1	Washer, Lock – Spring (3/8")
	320-1699-27	1	Frame Size CM2000	17	526-0029	2	Washer, Flat (3/8")
			<b>With Auxiliary Contacts, Bell Alarm and 24 Volt Shunt Trip</b>	18	332-2001	1	Lug, Solderless
	320-1699-30	1	Frame Size CM1250	19	870-0494	26	Nut, Self-Retaining – Floating (1/4-20)
	320-1699-29	1	Frame Size CM1600				
	320-1699-31	1	Frame Size CM2000				

\* – Parts Included In 300-4480-01 Neutral Bar Assembly

Continued...

**Circuit Breaker**  
**IEC Conformity**  
**DFJA, DFJB Spec K Through M**  
**DFJC Spec K Through N**  
**DFJD Spec C Through F**



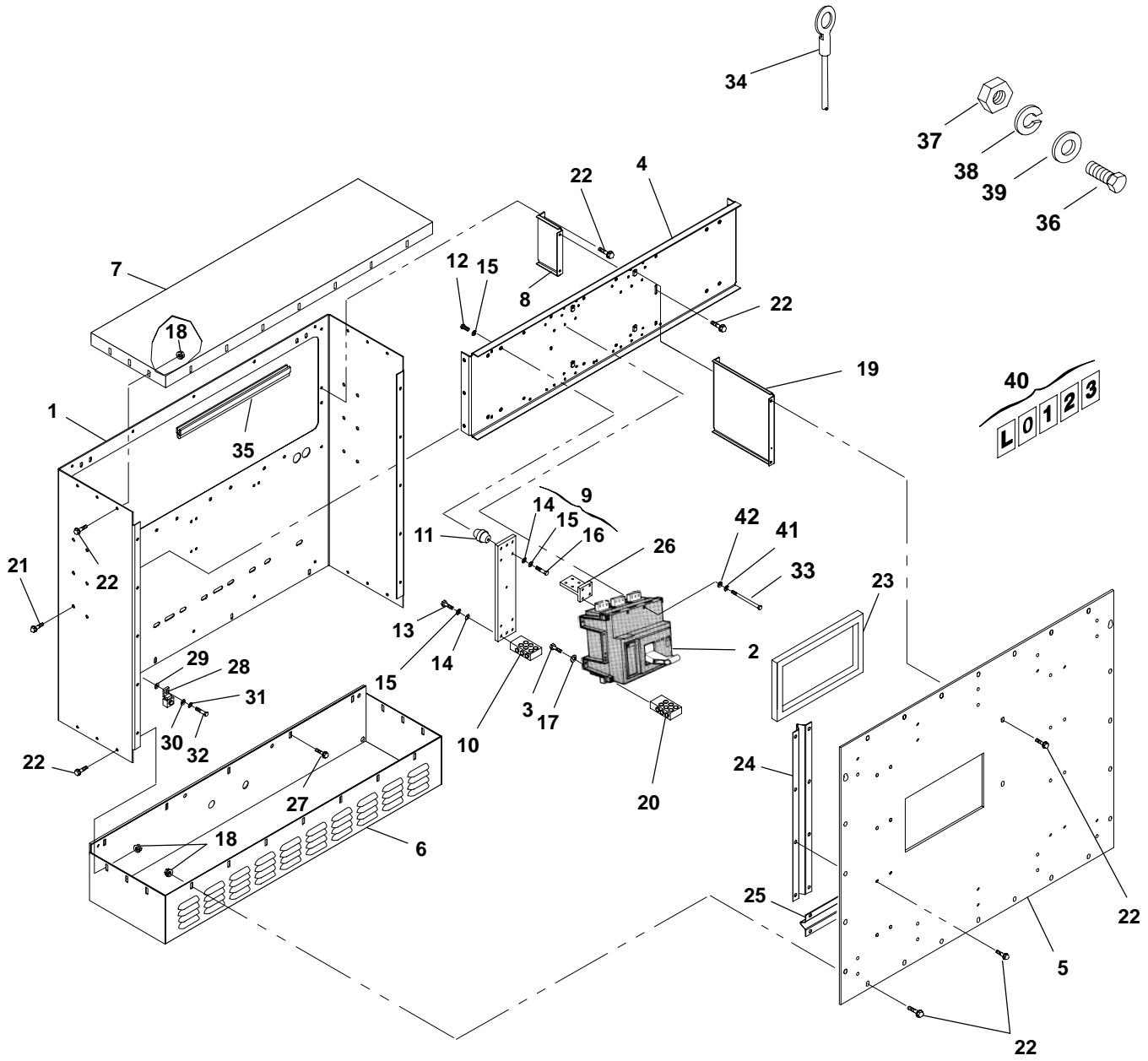
KH61,62,63,64,78,79,80,81

**Circuit Breaker  
IEC Conformity  
DFJA, DFJB Spec K Through M  
DFJC Spec K Through N  
DFJD Spec C Through F**

REF NO.	PART NO.	QTY USED	PART DESCRIPTION	REF NO.	PART NO.	QTY USED	PART DESCRIPTION
<b>Continued...</b>							
20	319-2398	2	Brace, Cover (Vertical) Sets With 3 Pole Circuit Breakers	35	856-0010	1	Washer, Lock – EIT (3/8")
	319-2398	1	Sets With 4 Pole Circuit Breakers	36	319-2399	2	Brace, Cover (Horizontal)
21	821-0030	6	Screw, Self-Locking – Hex Washer Head (3/8-16 x 1")	37			Bolt, Carriage (5/16-18 x 5/8")
22			Bar, Bus (T-Bar) (Includes Mounting Hardware)		816-0098	36	Sets With 3 Pole Breaker Mounted On Left Or Right Side When Facing Control
	337-2789	4	Sets With Frame Size CM1250 and CM1600 Circuit Breakers		816-0098	36	Sets With 4 Pole Breaker Mounted On Left Side When Facing Control
	337-2789	1	Sets With Frame Size CM2000 Circuit Breakers		816-0098	28	Sets With 4 Pole Breaker Mounted On Right Side When Facing Control
23			Stripping, Weather – Bulk (Order By The Foot)	38			Nut, Locking (5/16-18)
	895-0182	-	Sets With 3 Pole Circuit Breakers (4 Feet Required)		870-0257	36	Sets With 3 Pole Breaker Mounted On Left Or Right Side When Facing Control
	895-0182	-	Sets With 4 Pole Circuit Breakers (6 Feet Required)		870-0257	36	Sets With 4 Pole Breaker Mounted On Left Side When Facing Control
			<b>The following four hardware items are used to fasten the load leads to the generator. Quantity used as required.</b>		870-0257	28	Sets With 4 Pole Breaker Mounted On Right Side When Facing Control
24	800-0094	1	Screw, Cap – Hex Head (1/2-13 x 2")	39			Label, Marker (10 Characters Per Card) Marked "L"
25	862-0005	1	Nut, Hex (1/2-13)		098-5854-06	3	3 Pole Breakers
26	850-0060	1	Washer, Lock – Spring (1/2")		098-5854-06	4	4 Pole Breakers
27	526-0219	1	Washer, Flat (1/2")	40	098-5854-07	1	Label, Marker (10 Characters Per Card) Marked "1"
28	821-0018	5	Screw, Self-Locking – Hex Washer Head (1/4-20 x 5/8")	41	098-5854-08	1	Label, Marker (10 Characters Per Card) Marked "2"
29	821-0011	5	Screw, Self-Locking – Hex Washer Head (1/4-20 x 7/8")	42	098-5854-09	1	Label, Marker (10 Characters Per Card) Marked "3"
30	508-1109	-	Edging – Bulk (Order By The Foot – 3 Feet Required)	43	098-5854-10	1	Label, Marker (10 Characters Per Card) Marked "0" (4 Pole Breakers)
31	319-1961	1	Panel – Top	44	850-0045	4	Washer, Lock – Spring (5/16")
32	319-1925	1	Panel – Bottom	45	800-0033	4	Screw, Cap – Hex Head (5/16-18 x 2")
33	319-1926-02	1	Brace, Cover	46	526-0115	4	Washer, Flat (5/16")
34	319-2316-02	1	Brace, Mounting – Circuit Breaker Bracket				

\* – Parts Included In 300-4480-01 Neutral Bar Assembly

**Circuit Breaker  
IEC Conformity  
DFJC Begin Spec P  
DFJD Begin Spec G**



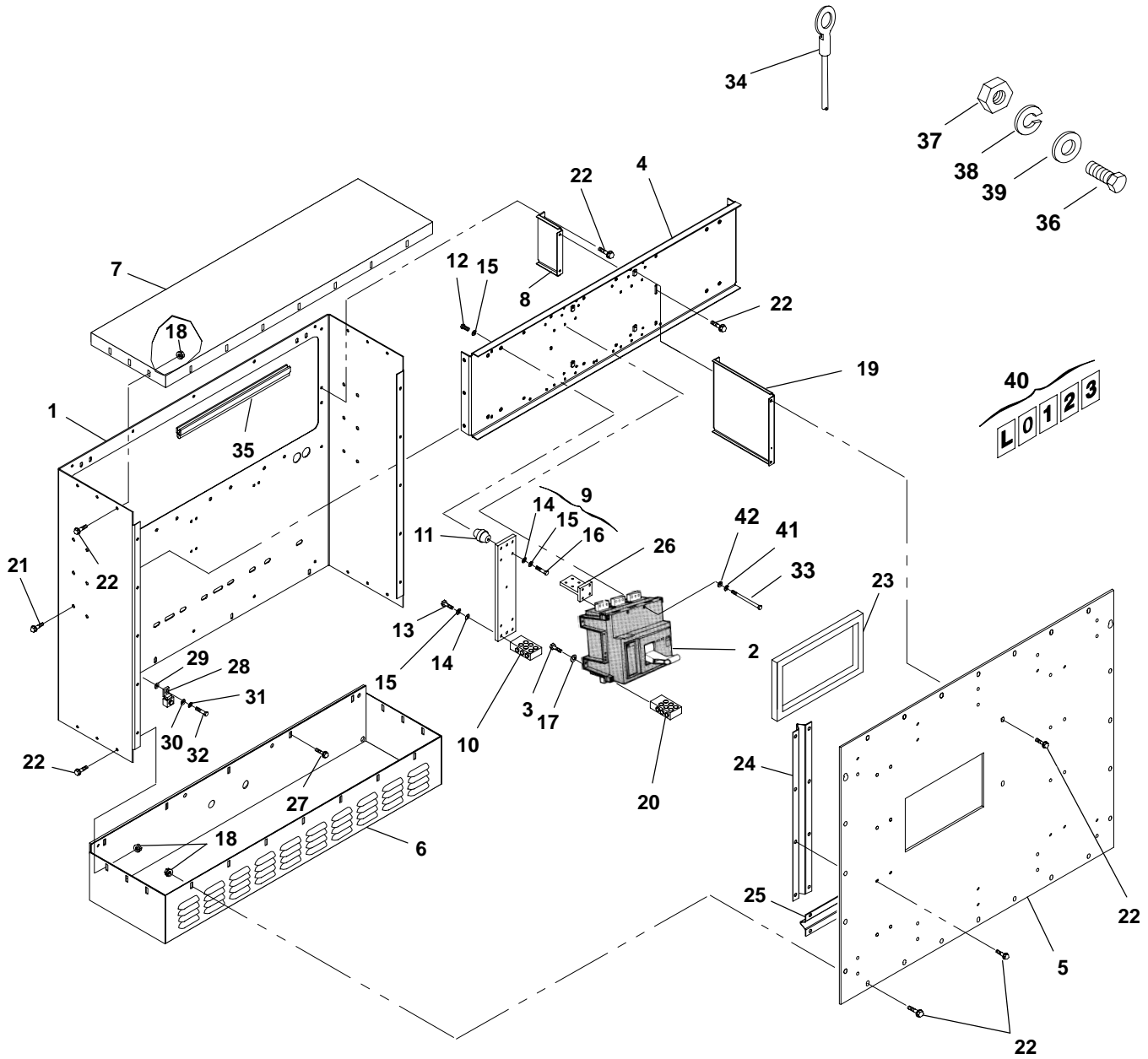
KH61,62,63,64,78,79,80,81

**Circuit Breaker  
IEC Conformity  
DFJC Begin Spec P  
DFJD Begin Spec G**

REF NO.	PART NO.	QTY USED	PART DESCRIPTION	REF NO.	PART NO.	QTY USED	PART DESCRIPTION
1	319-3184	1	Box, Circuit Breaker	9	300-4480-01	1	Bar Assembly, Neutral
2			Breaker, Circuit (Includes Mounting Screws) (CB21)				(Includes Neutral Bars, Labels and Parts Marked *)
			<b>Three Pole Breakers</b>				(Used With 3 Pole Circuit Breakers)
			<b>Standard</b>				
	320-1699	1	Frame Size CM1600	10	332-3303-01	1	* Lug, Solderless
	320-1699-02	1	Frame Size CM2000	11	332-2744-07	4	* Standoff, Insulator
			<b>With 24 Volt Shunt Trip</b>	12	800-0048	4	* Screw, Cap – Hex Head (3/8-16 x 3/4")
	320-1699-04	1	Frame Size CM1600	13	800-2089	3	* Screw, Cap – Hex Head (M10 x 40mm)
	320-1699-06	1	Frame Size CM2000	14	526-2120	7	* Washer, Flat (M10)
			<b>With Auxiliary Contacts, Bell Alarm and 24 Volt Shunt Trip</b>	15	850-2010	11	* Washer, Lock – Spring (M10)
				16	800-0052	4	* Screw, Cap – Hex Head (3/8-16 x 1-1/2")
				17			Washer, Lock – Spring (M10)
	320-1699-08	1	Frame Size CM1600		850-2010	9	Sets With CM1600 3 Pole Circuit Breakers
	320-1699-10	1	Frame Size CM2000		850-2010	12	Sets With CM1600 4 Pole Circuit Breakers
			<b>Four Pole Breakers</b>	18	870-0504	26	Nut, Self-Retaining (M6)
			<b>Standard</b>	19	319-3252-02	1	Brace, Cover
	320-1699-21	1	Frame Size CM1600	20			Lug, Solderless
	320-1699-23	1	Frame Size CM2000		332-3303-01	3	Sets With 3 Pole Circuit Breakers
			<b>With 24 Volt Shunt Trip</b>		332-3303-01	4	Sets With 4 Pole Circuit Breakers
	320-1699-25	1	Frame Size CM1600	21	821-6003-02	6	Screw, Self-Locking – Hex Washer Head (M8 x 20mm)
	320-1699-27	1	Frame Size CM2000	22			Screw, Self-Locking – Hex Washer Head (M6 x 16mm)
			<b>With Auxiliary Contacts, Bell Alarm and 24 Volt Shunt Trip</b>		821-6002-03	89	Sets With 3 Pole Circuit Breakers
					821-6002-03	81	Sets With 4 Pole Circuit Breakers
	320-1699-29	1	Frame Size CM1600	23			Stripping, Weather – Bulk (Order By The Foot)
	320-1699-31	1	Frame Size CM2000		895-0182	–	Sets With 3 Pole Circuit Breakers (4 Feet Required)
3			Screw, Cap – Hex Head (M10 x 40mm)		895-0182	–	Sets With 4 Pole Circuit Breakers (6 Feet Required)
	800-2089	9	Sets With CM1600 3 Pole Circuit Breakers				
	800-2089	12	Sets With CM1600 4 Pole Circuit Breakers				
4	319-3153	1	Bracket, Mounting				
5			Cover, Circuit Breaker				* – Parts Included In 300-4480-01 Neutral Bar Assembly
	319-3266-01	1	Sets With 3 Pole Circuit Breakers				
	319-3266-02	1	Sets With 4 Pole Circuit Breakers				
6	319-1925	1	Panel – Bottom				
7	319-1961	1	Panel – Top				
8	319-3253-02	1	Brace, Mounting – Circuit Breaker				

**Continued...**

**Circuit Breaker  
IEC Conformity  
DFJC Begin Spec P  
DFJD Begin Spec G**



KH61,62,63,64,78,79,80,81

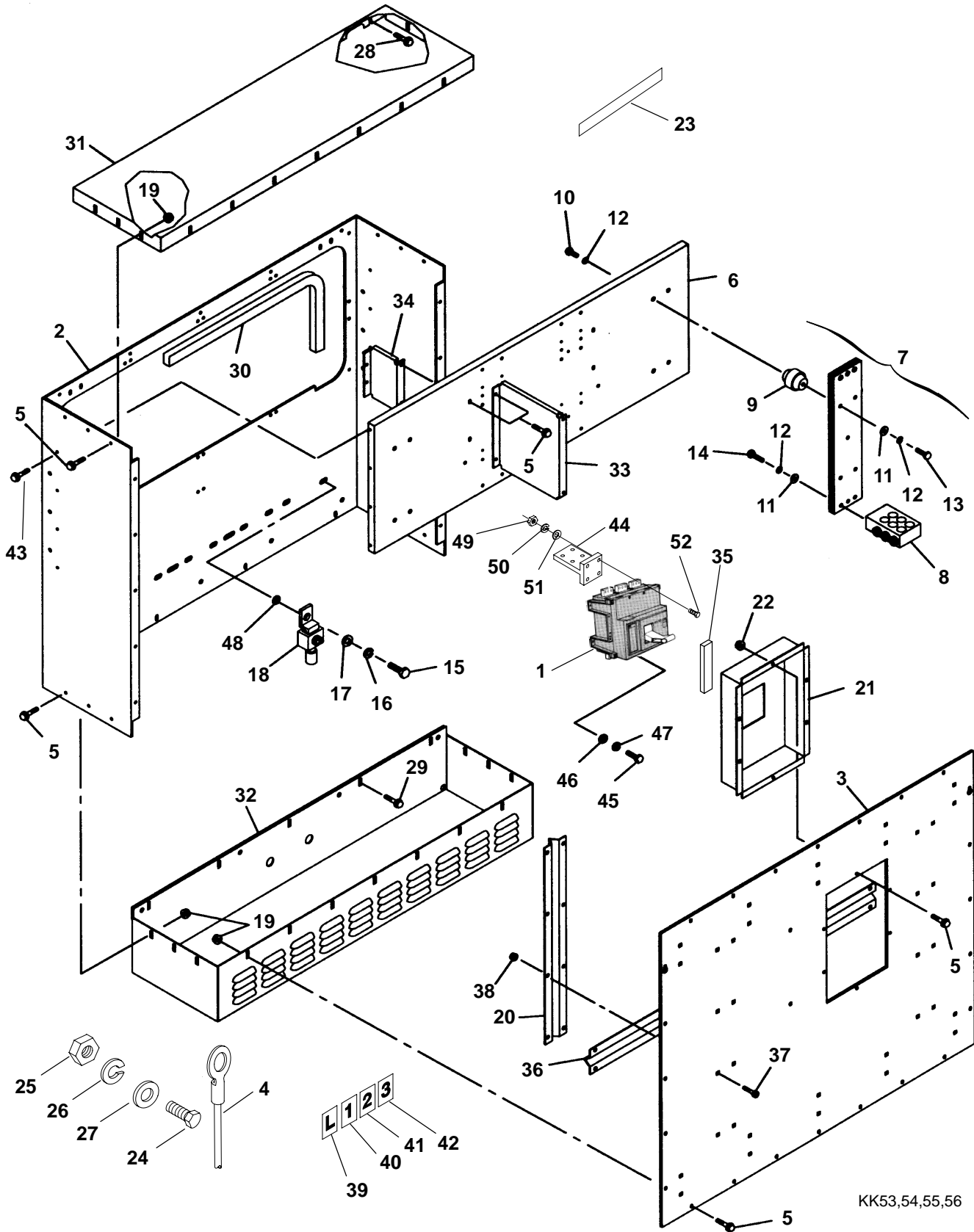


**Circuit Breaker  
IEC Conformity  
DFJC Begin Spec P  
DFJD Begin Spec G**

REF NO.	PART NO.	QTY USED	PART DESCRIPTION	REF NO.	PART NO.	QTY USED	PART DESCRIPTION
<b>Continued...</b>							
24	319-3286	2	Brace, Cover (Vertical) Sets With 3 Pole Circuit Breakers				<b>The following four hardware items are used to fasten the load leads to the generator. Quantity used as required.</b>
	319-3286	1	Sets With 4 Pole Circuit Breakers				
25	319-3288	2	Brace, Cover (Horizontal)	36	800-2116	1	
26			Bar, Bus (T-Bar) (Includes Mounting Hardware)	37	860-2010	1	
	337-2789	4	Sets With Frame Size CM1600 Circuit Breakers	38	850-2012	1	
				39	526-2140	1	
	337-2789	1	Sets With Frame Size CM2000 Circuit Breakers	40			
27	821-2035	5	Screw, Self-Locking – Hex Washer Head (M6 x 25mm)		098-5854-06	3	
28	332-2001	1	Lug, Solderless		098-5854-06	4	
29	856-0010	1	Washer, Lock – EIT (3/8")				
30	526-2120	1	Washer, Flat (M10)		098-5854-07	1	
31	850-2010	1	Washer, Lock – Spring (M10)		098-5854-08	1	
32	800-2086	1	Screw, Cap – Hex Head (M10 x 25mm)		098-5854-09	1	
33	800-2063	4	Screw, Cap – Hex Head (M8 x 50mm)		098-5854-10	1	
34	226-4498-03	1	Lead – Circuit Breaker (Quantity Used As Required) 30" (Without Markings) (#1/0 Wire)	41	850-2008	4	
				42	526-2100	4	
35	508-1109	-	Edging – Bulk (Order By The Foot – 3 Feet Required)				

\* – Parts Included In 300-4480-01 Neutral Bar Assembly

Disconnect Switch  
 Molded Case – UL Listed  
 DFJA, DFJB Spec L and M  
 DFJC Spec L Through N  
 DFJD Spec D Through F



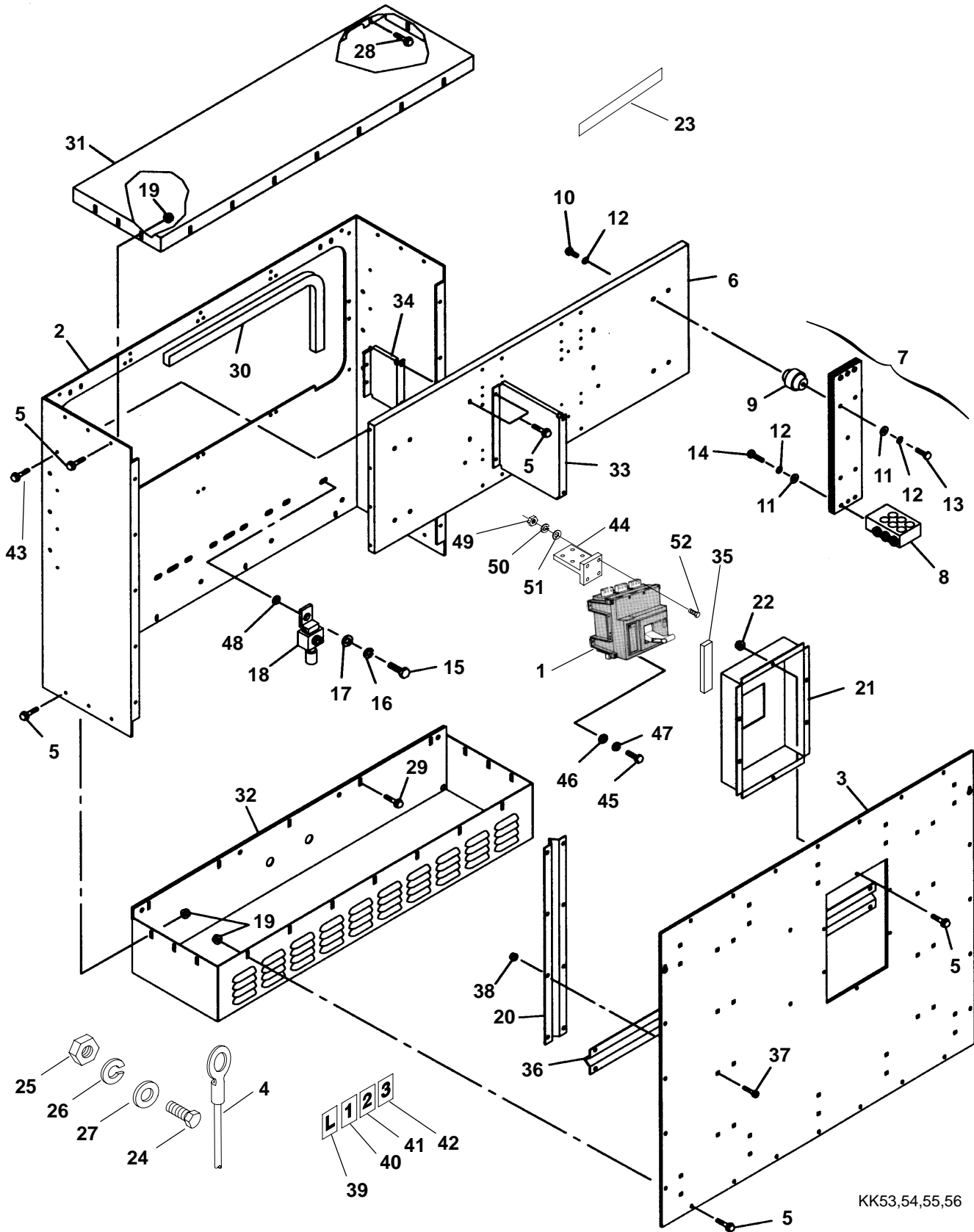
KK53,54,55,56

**Disconnect Switch  
Molded Case – UL Listed  
DFJA, DFJB Spec L and M  
DFJC Spec L Through N  
DFJD Spec D Through F**

REF NO.	PART NO.	QTY USED	PART DESCRIPTION	REF NO.	PART NO.	QTY USED	PART DESCRIPTION
1			Switch, Disconnect – 3 Pole (Includes Lugs for 1000, 1200 Amp Switches) (CB21)	15	800-0050	1	Screw, Cap – Hex Head (3/8-16 x 1")
	320-1906-20	1	1000 Amp	16	850-0050	1	Washer, Lock – Spring (3/8")
	320-1906-21	1	1200 Amp	17			Washer, Flat (3/8")
	320-1907-01	1	1600 Amp		526-0029	4	1000, 1200 Amp Switches
	320-1907-02	1	2000 Amp		526-0029	2	1600, 2000 Amp Switches
2	319-1957	1	Box, Disconnect Switch	18	332-2001	1	Lug, Solderless
3			Cover, Disconnect Switch	19	870-0494	26	Nut, Self-Retaining – Floating (1/4-20)
	319-1964	1	1000, 1200 Amp Switches	20	319-2398	2	Brace, Cover (Vertical)
	319-1959-01	1	1600, 2000 Amp Switches	21	319-2431-18	1	Cup, Disconnect Switch – 1000, 1200 Amp Switches
4			Lead – Disconnect Switch (Quantity Used As Required) (Without Markings) (#1/0 Wire)	22	870-0212	6	Nut, Locking (1/4-20) 1000, 1200 Amp Switches
			<b>1000, 1200 Amp Switches (39")</b>	23	091-0002	1	Strip, Copper (Used for wrapping ends of leads before securing to disconnect switches and neutral bar lug) (Quantity Used As Required) 1000, 1200 Amp Switches
	226-4406-03	1	1/2" Ring Terminal End to 1" Stripped End				<b>The following four hardware items are used to fasten the load leads to the generator and neutral bar. Quantity used as required.</b>
	226-4406-04	1	1/2" Ring Terminal End to 1/2" Ring Terminal End	24	800-0094	1	Screw, Cap – Hex Head (1/2-13 x 2")
	226-4498-03	1	<b>1600, 2000 Amp Switches – 1/2" Ring Terminal End to 1/2" Ring Terminal End (30")</b>	25	862-0005	1	Nut, Hex (1/2-13)
5			Screw, Self-Locking – Hex Washer Head (1/4-20 x 1/2")	26	850-0060	1	Washer, Lock – Spring (1/2")
	821-0010	52	1000, 1200 Amp Switches	27	526-0219	1	Washer, Flat (1/2")
	821-0010	44	1600, 2000 Amp Switches	28	821-0018	5	Screw, Self-Locking – Hex Washer Head (1/4-20 x 5/8")
6			Bracket, Mounting – Disconnect Switch	29	821-0011	5	Screw, Self-Locking – Hex Washer Head (1/4-20 x 7/8")
	319-1963	1	1000, 1200 Amp Switches	30	508-1109	-	Edging – Bulk (Order By The Foot – 3 Feet Required)
	319-1962	1	1600, 2000 Amp Switches	31	319-1961	1	Panel – Top
7	300-4480-01	1	Bar Assembly, Neutral (Includes Neutral Bars, Labels and Parts Marked *)	32	319-1925	1	Panel – Bottom
8	332-3303-01	1	* Lug, Solderless	33			Brace, Cover
9	332-2744-07	4	* Standoff, Insulator		319-1926-01	1	1000, 1200 Amp Switches
10	800-0048	4	* Screw, Cap – Hex Head (3/8-16 x 3/4")		319-1926-02	1	1600, 2000 Amp Switches
11	526-2120	7	* Washer, Flat (M10)				* – Parts Included In 300-4480-01 Neutral Bar Assembly
12	850-2010	11	* Washer, Lock – Spring (M10)				
13	800-0052	4	* Screw, Cap – Hex Head (3/8-16 x 1-1/2")				
14	800-2089	3	* Screw, Cap – Hex Head (M10 x 40mm)				

Continued...

Disconnect Switch  
 Molded Case – UL Listed  
 DFJA, DFJB Spec L and M  
 DFJC Spec L Through N  
 DFJD Spec D Through F



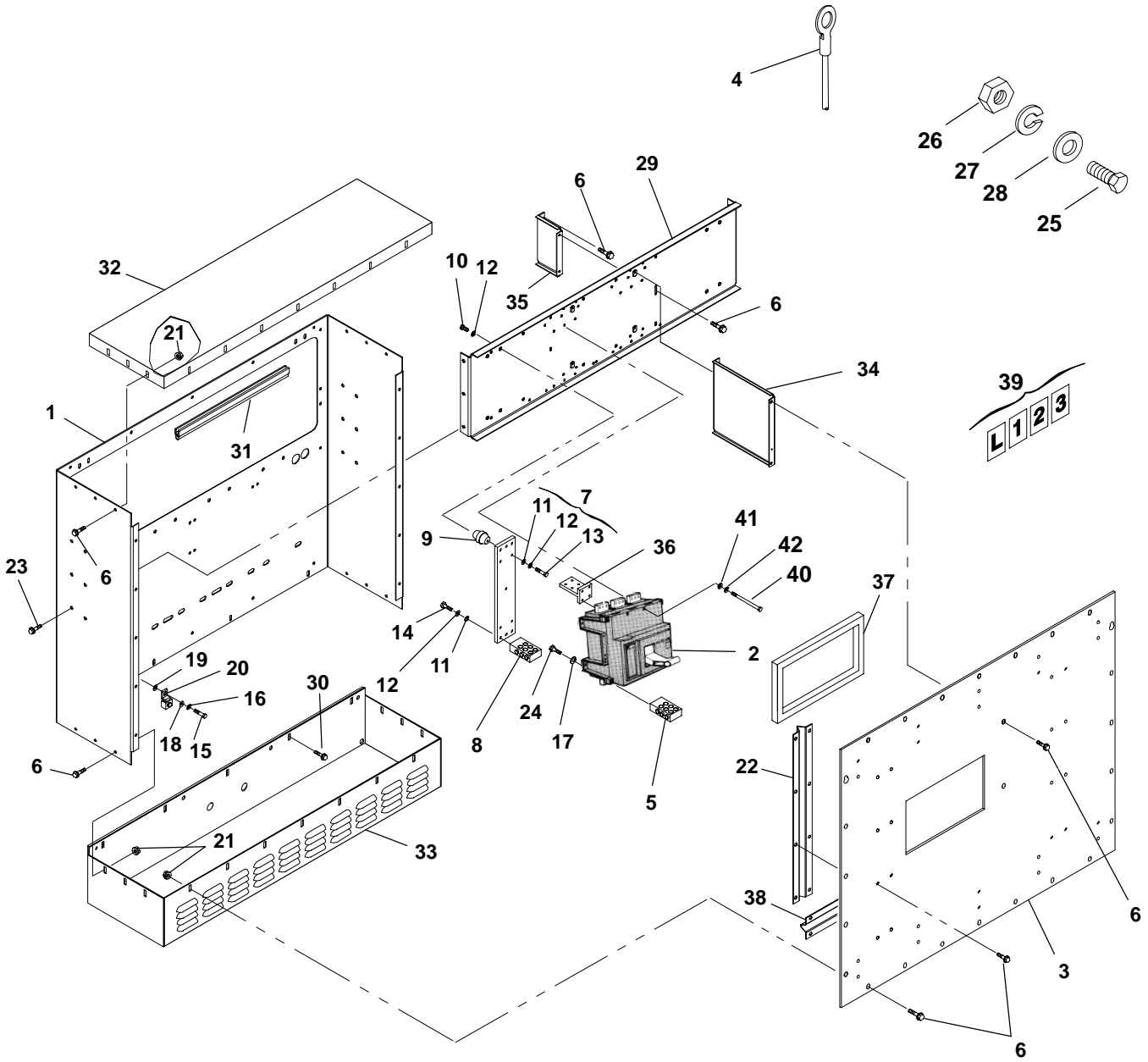
KK53,54,55,56

**Disconnect Switch  
Molded Case – UL Listed  
DFJA, DFJB Spec L and M  
DFJC Spec L Through N  
DFJD Spec D Through F**

REF NO.	PART NO.	QTY USED	PART DESCRIPTION	REF NO.	PART NO.	QTY USED	PART DESCRIPTION
<b>Continued...</b>							
34			Brace, Mounting Bracket – Disconnect Switch	44			Bar, Bus (T-Bar) (Includes Mounting Hardware) 1600, 2000 Amp Switches
	319-2316-01	1	1000, 1200 Amp Switches		337-2789	4	Sets With 1600 Amp Switches
	319-2316-02	1	1600, 2000 Amp Switches		337-2789	1	Sets With 2000 Amp Switches
35			Stripping, Weather – Bulk (Order By The Foot)	45			Screw
	895-0182	–	1000, 1200 Amp Switches (1 Foot Required)		800-0031	4	Cap – Hex Head – 1000, 1200 Amp Switches (5/16–18 x 1–1/2")
	895-0182	–	1600, 2000 Amp Switches (4 Feet Required)		800-0033	4	Cap – Hex Head – 1600, 2000 Amp Switches (5/16–18 x 2")
36	319-2399	2	Brace, Cover (Horizontal)	46	526-0115	4	Washer, Flat (5/16")
37	816-0098	36	Bolt, Carriage (5/16–18 x 5/8")	47	850-0045	4	Washer, Lock – Spring (5/16")
38	870-0257	36	Nut, Locking (5/16–18)	48	856-0010	1	Washer, Lock – EIT (3/8")
39	098-5854-06	3	Label, Marker (10 Characters Per Card) Marked "L"	49	862-0003	12	Nut, Hex (3/8") 1600, 2000 Amp Switches
40	098-5854-07	1	Label, Marker (10 Characters Per Card) Marked "1"	50	850-0050	25	Washer, Lock – Spring (3/8") 1600, 2000 Amp Switches
41	098-5854-08	1	Label, Marker (10 Characters Per Card) Marked "2"	51	526-0029	36	Washer, Flat (3/8") 1600, 2000 Amp Switches
42	098-5854-09	1	Label, Marker (10 Characters Per Card) Marked "3"	52	800-0054	13	Screw, Cap – Hex Head (3/8–16 x 2") 1600, 2000 Amp Switches
43			Screw, Self-Locking – Hex Washer Head				
	821-0010	6	1000, 1200 Amp Switches (1/4–20 x 1/2")				
	821-0030	6	1600, 2000 Amp Switches (3/8–16 x 1")				

\* – Parts Included In 300-4480-01 Neutral Bar Assembly

Disconnect Switch  
 Molded Case  
 UL Listed  
 DFJC Begin Spec P  
 DFJD Begin Spec G



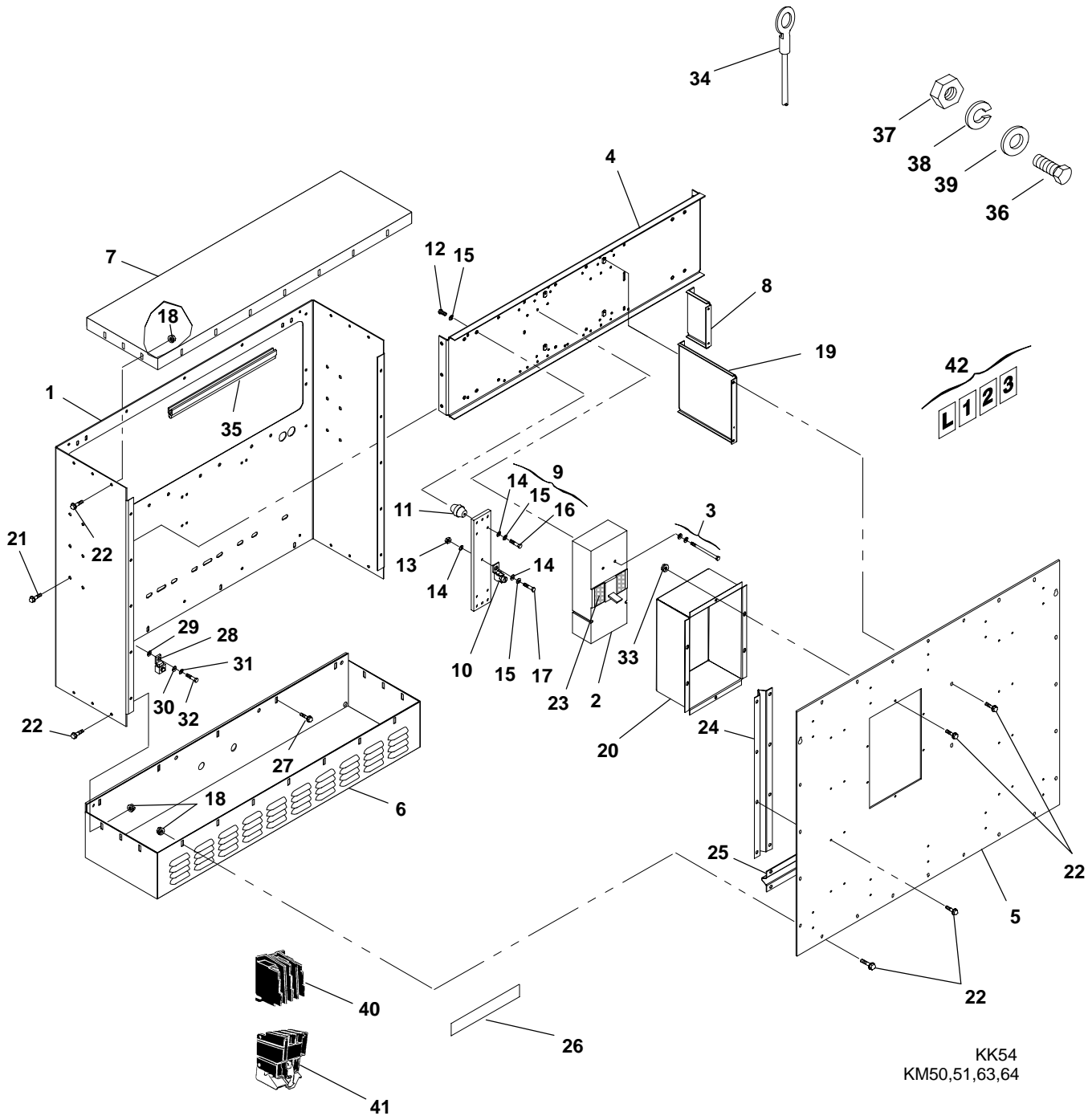
KK53,54,55,56

**Disconnect Switch  
Molded Case  
UL Listed  
DFJC Begin Spec P  
DFJD Begin Spec G**

REF NO.	PART NO.	QTY USED	PART DESCRIPTION	REF NO.	PART NO.	QTY USED	PART DESCRIPTION
1	319-3184	1	Box, Disconnect Switch	29	319-3153	1	Bracket, Mounting
2			Switch, Disconnect – 3 Pole (Includes Mounting Screws) (CB21)	30	821-2035	5	Screw, Self-Locking – Hex Washer Head (M6 x 25mm)
	320-1907-01	1	1600 Amp	31	508-1109	–	Edging – Bulk (Order By The Foot – 3 Feet Required)
	320-1907-02	1	2000 Amp	32	319-1961	1	Panel – Top
3	319-3266-01	1	Cover, Disconnect Switch	33	319-1925	1	Panel – Bottom
4	226-4498-03	1	Lead – Disconnect Switch (Quantity Used As Required) 30” (Without Markings) (#1/0 Wire)	34	319-3252-02	1	Brace, Cover
				35	319-3253-02	1	Brace, Mounting – Disconnect Switch
5	332-3303-01	3	Lug, Solderless	36			Bar, Bus (T-Bar) (Includes Mounting Hardware)
6	821-6002-03	89	Screw, Self-Locking – Hex Washer Head (M6 x 16mm)		337-2789	4	Sets With 1600 Amp Disconnect Switches
7	300-4480-01	1	Bar Assembly, Neutral (Includes Neutral Bars, Labels and Parts Marked *)		337-2789	1	Sets With 2000 Amp Disconnect Switches
8	332-3303-01	1	* Lug, Solderless	37	895-0182	–	Stripping, Weather – Bulk (Order By The Foot – 4 Feet Required)
9	332-2744-07	4	* Standoff, Insulator				
10	800-0048	4	* Screw, Cap – Hex Head (3/8-16 x 3/4”)	38	319-3288	2	Brace, Cover (Horizontal)
				39			Label, Marker (10 Characters Per Card) (Quantity Used As Required)
11	526-2120	7	* Washer, Flat (M10)		098-5854-06	3	Marked “L”
12	850-2010	11	* Washer, Lock – Spring (M10)		098-5854-07	1	Marked “1”
13	800-0052	4	* Screw, Cap – Hex Head (3/8-16 x 1-1/2”)		098-5854-08	1	Marked “2”
14	800-2089	3	* Screw, Cap – Hex Head (M10 x 40mm)		098-5854-09	1	Marked “3”
15	800-2086	1	Screw, Cap – Hex Head (M10 x 25mm)	40	800-2063	4	Screw, Cap – Hex Head (M8 x 50mm)
16	850-2010	1	Washer, Lock – Spring (M10)	41	526-2100	4	Washer, Flat (M8)
17	850-2010	9	Washer, Lock – Spring (M10) 1600 Amp Switches	42	850-2008	4	Washer, Lock – Spring (M8)
18	526-2120	1	Washer, Flat (M10)				
19	856-0010	1	Washer, Lock – EIT (3/8”)				
20	332-2001	1	Lug, Solderless				
21	870-0504	26	Nut, Self-Retaining (M6)				
22	319-3286	2	Brace, Cover (Vertical)				
23	821-6003-02	6	Screw, Self-Locking – Hex Washer Head (M8 x 20mm)				
24	800-2089	9	Screw, Cap – Hex Head (M10 x 40mm) 1600 Amp Disconnect Switches				
			<b>The following four hardware items are used to fasten the load leads to the generator and neutral bar. Quantity used as required.</b>				
25	800-2116	1	Screw, Cap – Hex Head (M12 x 50mm)				
26	860-2010	1	Nut, Hex (M12)				
27	850-2012	1	Washer, Lock – Spring (M12)				
28	526-2140	1	Washer, Flat (M12)				

\* – Parts Included In 300-4480-01 Neutral Bar Assembly

**Circuit Breaker and Disconnect Switch**  
**UL Listed, IEC Conformity**  
**DFJC Begin Spec P**  
**DFJD Begin Spec G**



KK54  
 KM50,51,63,64



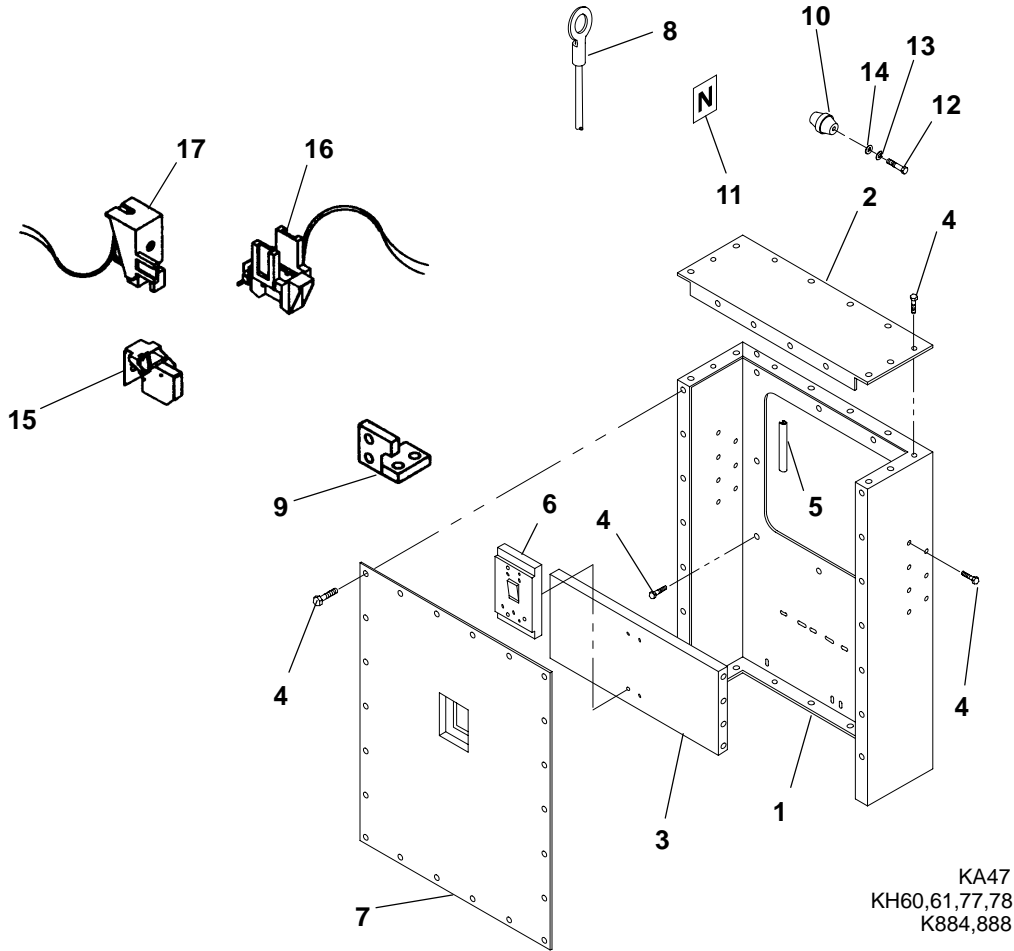
**Circuit Breaker and Disconnect Switch**  
**UL Listed, IEC Conformity**  
**DFJC Begin Spec P**  
**DFJD Begin Spec G**

REF NO.	PART NO.	QTY USED	PART DESCRIPTION	REF NO.	PART NO.	QTY USED	PART DESCRIPTION
1	319-3184	1	Box, Circuit Breaker	25	319-3288	2	Brace, Cover (Horizontal)
2			The following listed Circuit Breakers and Disconnect Switch include lugs and mounting hardware.	26	091-0002	1	Strip, Copper (Used for wrapping end of leads before securing to circuit breakers and disconnect switch) (Quantity Used As Required)
			<b>Circuit Breakers</b>				
			<b>3 Pole (UL, IEC)</b>				
	320-1964-02	1	1000 Amp	27	821-2034	5	Screw, Self-Locking – Hex Washer Head (M6 x 20mm)
	320-1964-01	1	1200 Amp				
			<b>4 Pole (IEC)</b>	28	332-2001	1	Lug, Solderless
	320-1964-07	1	1000 Amp	29	856-0010	1	Washer, Lock – EIT (3/8")
	320-1964-06	1	1250 Amp	30	526-2120	1	Washer, Flat (M10)
	320-1992-01	1	<b>Disconnect Switch</b>	31	850-2010	1	Washer, Lock – Spring (M10)
			(3 Pole) (UL, IEC) 1200 Amp	32	800-2086	1	Screw, Cap – Hex Head (M10 x 25mm)
3	320-1986-01	1	Package, Hardware – Mounting (Includes Screws, Nuts and Lock Washers – 1 Package Required Per Switch) Used With 320-1964-XX Circuit Breakers	33	870-2054	6	Nut, Hex – Flange (M6)
				34			Lead (Quantity Used As Required) 39" (Without Markings) (#1/0 Wire)
					226-4406-03	1	1/2" Ring Terminal End to 1" Stripped End
					226-4406-04	1	1/2" Ring Terminal End to 1/2" Ring Terminal End
4	319-3153	1	Bracket, Mounting				
5	319-3300	1	Cover	35	508-1109	–	Edging – Bulk (Order By The Foot – 3 Feet Required)
6	319-1925	1	Panel – Bottom				<b>The following four hardware items are used to fasten the load leads to the generator and neutral bar. Quantity used as required.</b>
7	319-1961	1	Panel – Top				
8	319-3253-01	1	Brace, Cover				
9	300-4318-01	1	Bar Assembly, Neutral – Used on 3 Pole Circuit Breakers and Disconnect Switch (Includes Neutral Bars, Labels and Parts Marked *)	36	800-2114	1	Screw, Cap – Hex Head (M12 x 40mm)
10	332-2001	3	* Lug, Solderless	37	860-2010	1	Nut, Hex (M12)
11	332-2744-07	2	* Standoff, Insulator	38	850-2012	1	Washer, Lock – Spring (M12)
12	800-0048	2	* Screw, Cap – Hex Head (3/8-16 x 3/4")	39	526-2140	1	Washer, Flat (M12)
13	862-0003	3	* Nut, Hex (3/8")				<b>Accessories, Circuit Breaker: The following are used on 320-1964-XX Circuit Breakers</b>
14	526-0029	8	* Washer, Flat (3/8")				Switches – Includes 1 Trip Alarm and 1 Auxilliary Contact
15	850-0050	7	* Washer, Lock – Spring (3/8")				24 Volt Shunt Trip
16	800-0051	2	* Screw, Cap – Hex Head (3/8-16 x 1-1/4")	40	320-1977-01	1	Label, Marker (10 Characters Per Card) (Quantity Used As Required)
17	800-0052	3	* Screw, Cap – Hex Head (3/8-16 x 1-1/2")	41	320-1977-03	1	Marked "L"
18	870-0504	30	Nut, Self-Retaining (M6)	42			Marked "1"
19	319-3252-01	1	Brace, Cover				Marked "2"
20	319-2431-28	1	Cup				Marked "3"
21	821-6003-02	6	Screw, Self-Locking – Hex Washer Head (M8 x 20mm)		098-5854-06	3	
22	821-6002-03	91	Screw, Self-Locking – Hex Washer Head (M6 x 16mm)		098-5854-07	1	
					098-5854-08	1	
					098-5854-09	1	
23	895-0182	–	Stripping, Weather – Bulk (Order By The Foot – 1 Foot Required)				
24	319-3286	2	Brace, Cover (Vertical)				

\* – Parts Included In 300-4318-01 Neutral Bar Assembly

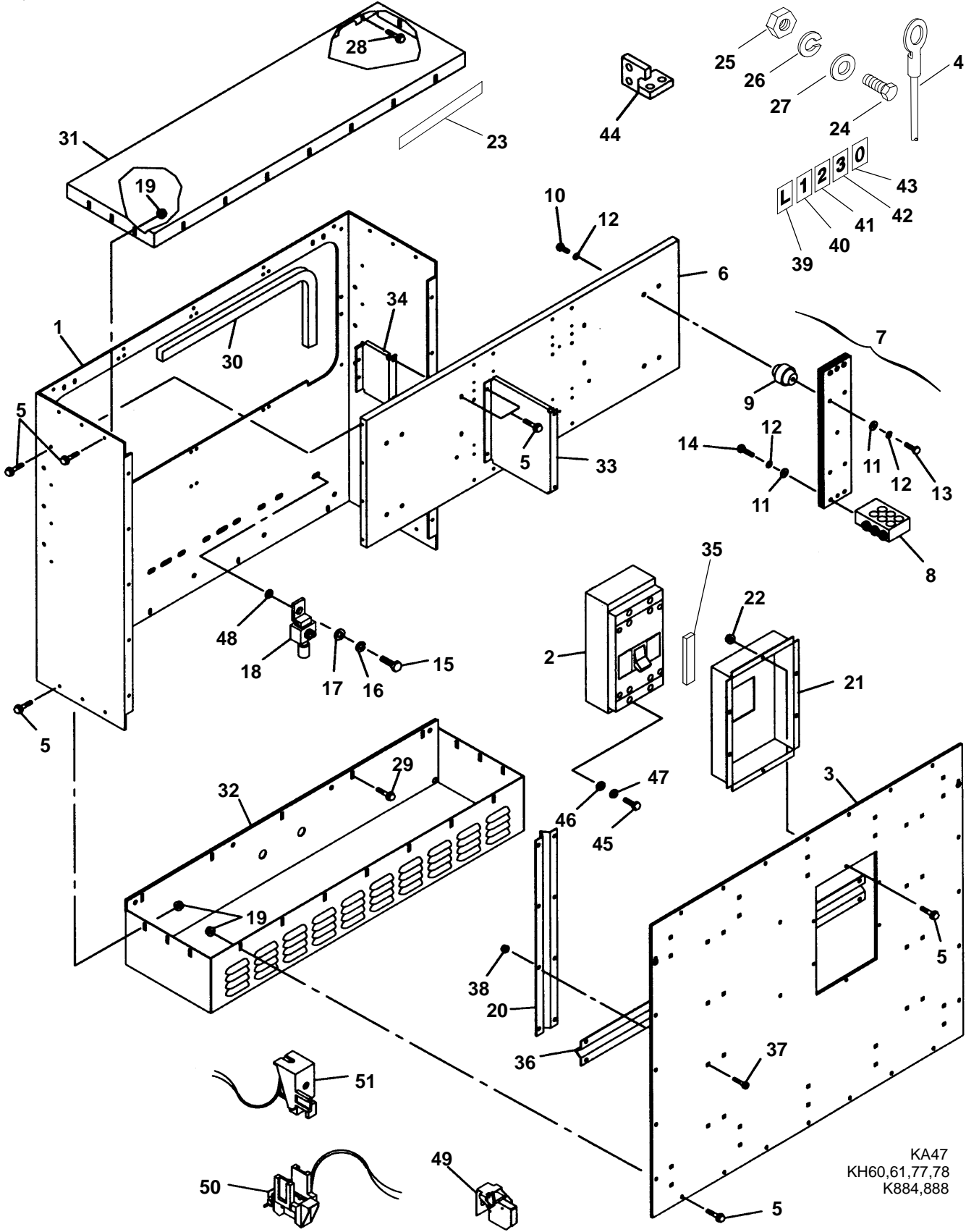


**Circuit Breaker  
Non-UL Listed  
DFJA, DFJB, DFJC Spec J**



REF NO.	PART NO.	QTY USED	PART DESCRIPTION	REF NO.	PART NO.	QTY USED	PART DESCRIPTION
1	319-0890	1	Box, Circuit Breaker	9	320-1755-15	1	Lug Set – Circuit Breaker (Packaged In Sets – Two Lugs Per Set) (Quantity Used As Required)
2	319-0892	2	Panel	10	332-2744-07	1	Standoff, Insulator (3 Pole Circuit Breakers)
3	319-0891	1	Bracket, Mounting	11	098-5854-04	1	Label, Marker (10 Characters Per Card) (Marked “N”) (3 Pole Circuit Breakers) (Quantity Used As Required)
4	821-0010	74	Screw, Self-Locking – Hex Washer Head (1/4-20 x 1/2”)	12	800-0050	2	Screw, Cap – Hex Head (3/8-16 x 1”)
5	508-0239	–	Edging – Bulk (Order By The Foot – 9 Feet Required)	13	850-0050	2	Washer, Lock – Spring (3/8”)
6			Breaker, Circuit (Includes Mounting Hardware) (Lugs Not Included) (CB21)	14	526-0029	2	Washer, Flat (3/8”)
			<b>3 Pole Breakers</b>	15	320-1747-18	1	Contact, Auxiliary
	320-1730-03	1	1000 Amp	16	320-1748-14	1	Alarm, Bell
	320-1730-04	1	1250 Amp	17	320-1749-14	1	Trip, 24 Volt Shunt
			<b>4 Pole Breakers</b>				
	320-1730-07	1	1000 Amp				
	320-1730-08	1	1250 Amp				
7	319-1410	1	Cover, Circuit Breaker				
8			Lead, Circuit Breaker (Quantity Used As Required) 39” (#1/0 Wire)				
	226-4406-04	1	Without “LO” Marking				
	226-4537	1	With “LO” Marking				

**Circuit Breaker**  
**Non-UL Listed**  
**DFJA, DFJB Spec K Through M**  
**DFJC Spec K Through N**  
**DFJD Spec E and F**



KA47  
 KH60,61,77,78  
 K884,888

**Circuit Breaker  
Non-UL Listed  
DFJA, DFJB Spec K Through M  
DFJC Spec K Through N  
DFJD Spec E and F**

REF NO.	PART NO.	QTY USED	PART DESCRIPTION	REF NO.	PART NO.	QTY USED	PART DESCRIPTION
1	319-1957	1	Box, Circuit Breaker	24	800-0092	1	Screw, Cap – Hex Head (1/2-13 x 1-1/2")
2			Breaker, Circuit (Includes Mounting Screws) (CB21)	25	862-0016	1	Nut, Hex (1/2-13)
			<b>Three Pole Breakers</b>	26	850-0060	1	Washer, Lock – Spring (1/2")
	320-1730-03	1	1000 Amp	27	526-0219	1	Washer, Flat (1/2")
	320-1730-04	1	1250 Amp	28	821-0018	5	Screw, Self-Locking – Hex Washer Head (1/4-20 x 5/8")
			<b>Four Pole Breakers</b>	29	821-0011	5	Screw, Self-Locking – Hex Washer Head (1/4-20 x 7/8")
	320-1730-07	1	1000 Amp				
	320-1730-08	1	1250 Amp				
3	319-1964	1	Cover, Circuit Breaker	30	508-1109	-	Edging – Bulk (Order By The Foot – 3 Feet Required)
4	226-4406-04	1	Lead – Circuit Breaker (Quantity Used As Required) 39" (#1/0 Wire)	31	319-1961	1	Panel – Top
5	821-0010	58	Screw, Self-Locking – Hex Washer Head (1/4-20 x 1/2")	32	319-1925	1	Panel – Bottom
6	319-1963	1	Bracket, Mounting – Circuit Breaker	33	319-1926-01	1	Brace, Cover
7	300-4480-01	1	Bar Assembly, Neutral (Includes Neutral Bars, Labels and Parts Marked *) (Used With 3 Pole Breakers)	34	319-2316-01	1	Brace, Mounting Bracket – Circuit Breaker
				35	895-0182	-	Stripping, Weather – Bulk (Order By The Foot – 1 Foot Required)
8	332-3303-01	1	* Lug, Solderless	36	319-2399	2	Brace, Cover (Horizontal)
9	332-2744-07	4	* Standoff, Insulator	37	816-0098	36	Bolt, Carriage (5/16-18 x 5/8")
10	800-0048	4	* Screw, Cap – Hex Head (3/8-16 x 3/4")	38	870-0257	36	Nut, Locking (5/16-18)
11	526-2120	7	* Washer, Flat (M10)	39			Label, Marker (10 Characters Per Card) Marked "L"
12	850-2010	11	* Washer, Lock – Spring (M10)		098-5854-06	3	3 Pole Breakers
13	800-0052	4	* Screw, Cap – Hex Head (3/8-16 x 1-1/2")		098-5854-06	4	4 Pole Breakers
14	800-2089	3	* Screw, Cap – Hex Head (M10 x 40mm)	40	098-5854-07	1	Label, Marker (10 Characters Per Card) Marked "1"
15	800-0050	1	Screw, Cap – Hex Head (3/8-16 x 1")	41	098-5854-08	1	Label, Marker (10 Characters Per Card) Marked "2"
16	850-0050	1	Washer, Lock – Spring (3/8")	42	098-5854-09	1	Label, Marker (10 Characters Per Card) Marked "3"
17	526-0029	4	Washer, Flat (3/8")	43	098-5854-10	1	Label, Marker (10 Characters Per Card) Marked "0" (4 Pole Breakers)
18	332-2001	1	Lug, Solderless	44	320-1755-15	1	Lug Set – Circuit Breaker (Packaged In Sets – Two Lugs Per Set) (Quantity Used As Required)
19	870-0494	26	Nut, Self-Retaining – Floating (1/4-20)	45	800-0033	4	Screw, Cap – Hex Head (5/16-18 x 2")
20	319-2398	2	Brace, Cover (Vertical)	46	526-0115	4	Washer, Flat (5/16")
21	319-2431-20	1	Cup, Circuit Breaker	47	850-0045	4	Washer, Lock – Spring (5/16")
22	870-0212	6	Nut, Locking (1/4-20)	48	856-0010	1	Washer, Lock – EIT (3/8")
23	091-0002	1	Strip, Copper (Used for wrapping ends of leads before securing to circuit breakers and neutral bar lug) (Quantity Used As Required)	49	320-1747-18	1	Contact, Auxiliary
			<b>The following four hardware items are used to fasten the load leads to the generator and neutral bar. Quantity used as required.</b>	50	320-1748-14	1	Alarm, Bell
				51	320-1749-14	1	Trip, 24 Volt Shunt

\* – Parts Included In 300-4480-01 Neutral Bar Assembly

# Numerical Index

<u>Part No.</u>	<u>Page</u>	<u>Part No.</u>	<u>Page</u>	<u>Part No.</u>	<u>Page</u>	<u>Part No.</u>	<u>Page</u>
091-0002,	121, 127, 145,	130-3660-02,	13, 15, 17, 19	130-3774,	45	140-1548,	20, 21, 22, 23
151, 155		130-3662,	49, 51	130-3775,	47, 49, 51	140-2052,	22, 23
098-5854-04,	153	130-3663,	49, 51	130-3778,	47, 49, 51	140-2301,	22, 23
098-5854-06,	129, 133,	130-3667,	52, 53, 54	130-3826,	49, 51	140-2465,	22, 23
139, 143, 147, 149, 151,	155	130-3679,	33	130-3827,	49, 51	140-2466,	22, 23
098-5854-07,	129, 133,	130-3680,	33	130-3866,	37	140-2501,	20, 21
139, 143, 147, 149, 151,	155	130-3681,	31	130-3868,	57, 59	140-2502,	20, 21
098-5854-08,	129, 133,	130-3682,	31	130-3869,	57, 59	140-2504-01,	21, 23
139, 143, 147, 149, 151,	155	130-3685,	31	130-3870,	57, 59	140-2504-02,	21, 23
098-5854-09,	129, 133,	130-3686,	33	130-3871-02,	57, 59	140-2509,	20, 22
139, 143, 147, 149, 151,	155	130-3692,	37	130-4079,	35	140-2514,	21, 23
098-5854-10,	139, 143, 155	130-3693-01,	47, 49, 51	130-4082,	35	140-2515,	20, 22
102-1335,	13, 15, 17, 19	130-3693-02,	47, 49, 51	130-4083,	35	140-2519,	20, 22
121-0111,	25	130-3694,	47	130-4152,	49, 51	140-2520,	23
121-0113,	25	130-3695,	47	130-4153,	52, 53, 54	140-2528,	21, 23
121-0116,	25	130-3696,	49, 51	130-4154,	53	140-2688,	21
121-0117,	25	130-3696-01,	51	130-4155,	49, 51	149-2291-01,	26
122-0776,	28	130-3697,	47	130-4165,	54	150-2213,	62
122-0777,	28	130-3698,	49, 51	130-4167,	51	150-2334,	61
127-0390-01,	55	130-3699,	47	130-4217,	47	151-0411,	13, 17, 19, 61, 62
127-0395,	55	130-3700,	47	130-4218,	47	151-0637-01,	62
127-0422,	55	130-3701,	47	130-4219,	47, 49, 51	151-0663-02,	61
128-0108,	39	130-3702,	47	130-4354,	47	155-0899,	43, 45
130-0449,	45	130-3703,	47	130-4362,	47	155-2503,	45
130-1107,	85	130-3705,	47	130-4517,	32	155-2514,	43, 45
130-1229,	47	130-3706,	47	130-4519,	39	155-2531-01,	104, 105
130-1419,	47	130-3709,	47, 49, 51	130-4533,	52, 54	155-2531-04,	104, 105
130-3215,	47	130-3710,	47, 49, 51	130-4537,	53	155-3021,	39
130-3588,	47, 49, 51	130-3711,	47, 49, 51	130-4538,	39	159-1445,	25
130-3592-01,	45	130-3712,	47, 49, 51	130-4539,	39	159-1448,	25
130-3592-02,	45	130-3713,	42	130-4540,	39	159-1450,	25
130-3615,	49, 51	130-3714-01,	42	130-4541,	39	159-1451,	25
130-3627,	52, 53	130-3714-02,	42	130-4546,	39	179-2661,	35
130-3631,	52, 53	130-3715,	42	130-4552,	41	191-1926-02,	59
130-3635,	52, 53, 54	130-3764,	45	130-4768,	53, 54	191-1942,	59
130-3636,	52, 54	130-3765,	45	130-4769,	54	191-1981,	57
130-3639,	49, 51	130-3766,	45	130-4844,	39	191-1983-02,	57
130-3642,	49, 51	130-3767,	45	130-4860,	49, 51	191-1984,	57
130-3644,	47, 49, 51	130-3769,	45	130-4880,	54	191-1989-07,	57
130-3648,	49, 51	130-3770,	45	140-0519,	32	191-1990,	57
130-3660,	49, 51, 52, 53, 54	130-3772,	45	140-1260,	20, 21, 22, 23	191-2017,	57
130-3660-01,	47	130-3773,	45	140-1545,	22, 23	191-2021-01,	57

# Numerical Index

<u>Part No.</u>	<u>Page</u>	<u>Part No.</u>	<u>Page</u>	<u>Part No.</u>	<u>Page</u>	<u>Part No.</u>	<u>Page</u>
191-2023,	57, 59	232-3710-02,	73	249-5095-05,	75	302-1800,	79
191-2108,	59	232-3710-03,	73	300-2899,	116	302-1833-01,	100
191-2110,	57	232-3849,	71	300-3998-01,	92	302-1833-03,	101
191-2111,	59	234-0900-01,	72	300-4111-02,	90	302-1833-05,	100
191-2112,	59	234-0900-02,	72	300-4111-04,	90	302-1845-03,	102
191-2121,	57	234-0901-01,	72	300-4218-02,	91	302-1845-05,	102, 120
193-0029,	26	234-0901-02,	72	300-4295,	77	302-1845-06,	120
193-0128,	26	249-0192-04,	74	300-4297,	77	302-1845-10,	102
193-0244,	13	249-0192-05,	74	300-4318-01,	151	302-1852-02,	115
193-0250,	81, 108	249-5061-03,	74	300-4480-01,	127, 131, 137, 141, 145, 149, 155	302-1852-03,	115
193-0299,	104	249-5061-07,	74	300-4515-01,	86, 87	302-1852-07,	115
193-0299-01,	104	249-5063-01,	74	300-4515-02,	86, 87	302-1873-01,	107
193-0351,	81	249-5063-02,	74	301-1886,	85	302-1874,	104
193-0375,	13	249-5063-03,	74	301-6257,	107, 108, 109	302-1883,	101
193-0388,	108	249-5063-07,	74	301-6987,	93, 94, 96, 100, 101	302-1922-34,	120
193-0432,	17, 19	249-5064-01,	74	301-8065,	77	302-1922-36,	120
193-0435,	108	249-5064-02,	74	301-8851,	77	302-1922-37,	120
193-0444,	17, 19	249-5065-01,	74	301-9054-01,	79	302-1922-38,	120
193-0446-01,	105	249-5065-02,	74	301-9054-04,	79	302-1922-39,	120
193-0446-02,	105	249-5065-03,	74	301-9055-01,	81	302-1922-41,	120
193-0446-03,	105	249-5065-07,	74	301-9055-02,	81	302-1922-42,	120
193-0447-01,	15	249-5066-01,	74	301-9657,	115	302-1926-09,	120
193-0448,	15	249-5066-02,	74	301-9941,	94, 96	302-1926-30,	115
193-0466,	81	249-5066-03,	74	302-0885,	81	302-1938,	79
193-0468,	29, 30	249-5066-07,	74	302-1148,	79	302-1945-01,	119
193-0481,	29, 30	249-5067-01,	74	302-1642,	81	302-1945-02,	119
226-3371,	121	249-5088-01,	74	302-1684,	79	302-1945-04,	119
226-3376,	121	249-5088-02,	74	302-1685,	79	302-1961-09,	119
226-4406-03,	125, 145, 151	249-5088-03,	74	302-1721-15,	100	302-1961-10,	119
226-4406-04,	125, 145, 151, 153, 155	249-5088-07,	74	302-1721-16,	100	302-1961-11,	119
226-4406-06,	93	249-5089-01,	75	302-1721-17,	100	302-1961-12,	119
226-4498-01,	123, 135	249-5089-02,	75	302-1721-18,	100	302-1961-13,	119
226-4498-02,	123, 135	249-5089-03,	75	302-1721-18,	100	302-1961-14,	119
226-4498-03,	125, 133, 137, 143, 145, 149	249-5089-07,	75	302-1722,	100	302-1968,	79
226-4537,	153	249-5090-01,	75	302-1723,	107, 109	303-0032,	79
226-4661-02,	30	249-5090-02,	75	302-1753,	79	303-0223-05,	106
232-3536,	113	249-5090-03,	75	302-1794-11,	102	303-0280,	106
232-3551,	73	249-5090-07,	75	302-1794-12,	120	303-0285,	89
232-3552-01,	73	249-5092-01,	75	302-1794-13,	102, 120	305-0653,	59
232-3552-02,	73	249-5092-02,	75	302-1794-14,	102, 120	305-0817,	88
232-3710-01,	73	249-5093-01,	75	302-1798,	79	305-0821-02,	110
		249-5095-04,	75	302-1799,	79	305-0823,	89

# Numerical Index

<u>Part No.</u>	<u>Page</u>	<u>Part No.</u>	<u>Page</u>	<u>Part No.</u>	<u>Page</u>	<u>Part No.</u>	<u>Page</u>
305-0868, <b>89</b>		319-0030, <b>93, 100, 101</b>		319-1963, <b>127, 145, 155</b>		319-3264, <b>65</b>	
305-0870, <b>102</b>		319-0652, <b>89</b>		319-1964, <b>125, 145, 155</b>		319-3265, <b>65</b>	
305-0901, <b>97</b>		319-0754, <b>98</b>		319-2006-01, <b>83, 84</b>		319-3266-01, <b>131, 141, 149</b>	
305-0902-02, <b>98</b>		319-0879, <b>67</b>		319-2006-02, <b>83, 84</b>		319-3266-02, <b>141</b>	
307-1056, <b>90</b>		319-0881, <b>67, 69</b>		319-2236, <b>17, 19</b>		319-3267, <b>69</b>	
307-1157, <b>90</b>		319-0883, <b>67</b>		319-2242, <b>67</b>		319-3268, <b>69</b>	
307-2167, <b>13, 15</b>		319-0888, <b>63</b>		319-2243, <b>67</b>		319-3269, <b>69</b>	
307-2621-02, <b>17, 19</b>		319-0890, <b>63, 121, 123, 135, 153</b>		319-2244, <b>67</b>		319-3270-03, <b>69</b>	
307-2711, <b>45</b>		319-0891, <b>121, 153</b>		319-2245, <b>67, 69</b>		319-3270-04, <b>69</b>	
307-2762, <b>35</b>		319-0892, <b>63, 121, 123, 135, 153</b>		319-2316-01, <b>127, 147, 155</b>		319-3275, <b>69</b>	
307-2843, <b>93</b>		319-0893, <b>121</b>		319-2316-02, <b>127, 139, 147</b>		319-3276, <b>69</b>	
307-2859, <b>41</b>		319-0898, <b>99</b>		319-2377-01, <b>64</b>		319-3277, <b>69</b>	
307-2868, <b>95</b>		319-1088, <b>67</b>		319-2378, <b>64</b>		319-3281-01, <b>69</b>	
307-2919, <b>96</b>		319-1089, <b>67</b>		319-2398, <b>64, 127, 139, 145, 155</b>		319-3281-02, <b>69</b>	
307-2920, <b>96</b>		319-1090, <b>67</b>		319-2399, <b>64, 129, 139, 147, 155</b>		319-3283-01, <b>69</b>	
307-2921-01, <b>94</b>		319-1091, <b>67, 69</b>		319-2431-18, <b>127, 145</b>		319-3283-02, <b>69</b>	
308-0069, <b>115</b>		319-1092, <b>67, 69</b>		319-2431-20, <b>155</b>		319-3286, <b>65, 131, 143, 149, 151</b>	
308-0226, <b>61</b>		319-1093, <b>67, 69</b>		319-2431-28, <b>151</b>		319-3288, <b>65, 131, 143, 149, 151</b>	
308-0853, <b>109</b>		319-1095, <b>67, 69</b>		319-2767, <b>67, 69</b>		319-3297, <b>119</b>	
308-0987, <b>104</b>		319-1096, <b>67</b>		319-2771-03, <b>67</b>		319-3300, <b>151</b>	
308-1010, <b>81</b>		319-1097, <b>67</b>		319-2771-04, <b>67</b>		320-1461-09, <b>121, 125</b>	
308-1011, <b>81</b>		319-1118, <b>67</b>		319-2778, <b>67, 69</b>		320-1461-10, <b>121, 125</b>	
308-1052, <b>79</b>		319-1120, <b>123, 135</b>		319-2779-01, <b>67</b>		320-1465-09, <b>121, 125</b>	
308-1082, <b>79</b>		319-1121, <b>123, 135</b>		319-2779-02, <b>67</b>		320-1465-10, <b>121, 125</b>	
309-0128, <b>85</b>		319-1137, <b>114</b>		319-2781-01, <b>67</b>		320-1473-09, <b>121, 125</b>	
309-0269, <b>13, 15, 17, 19</b>		319-1203-01, <b>67, 69</b>		319-2781-02, <b>67</b>		320-1473-10, <b>121, 125</b>	
309-0436, <b>13</b>		319-1245, <b>113</b>		319-2814, <b>41</b>		320-1493-09, <b>121, 125</b>	
309-0437, <b>13</b>		319-1265, <b>119</b>		319-2815, <b>39</b>		320-1493-10, <b>121, 125</b>	
309-0561, <b>13</b>		319-1293, <b>117</b>		319-3030, <b>77</b>		320-1688-01, <b>103</b>	
309-0576, <b>15</b>		319-1410, <b>153</b>		319-3153, <b>131, 141, 149, 151</b>		320-1688-02, <b>103</b>	
309-0607, <b>43</b>		319-1925, <b>64, 65, 127, 131, 139, 141, 145, 149, 151, 155</b>		319-3184, <b>65, 131, 141, 149, 151</b>		320-1699, <b>135, 137, 141</b>	
309-0612, <b>33</b>		319-1926-01, <b>127, 145, 155</b>		319-3252-01, <b>151</b>		320-1699-01, <b>135, 137</b>	
309-0613, <b>33</b>		319-1926-02, <b>127, 139, 145</b>		319-3252-02, <b>131, 141, 149</b>		320-1699-02, <b>135, 137, 141</b>	
309-0635-02, <b>42, 45, 47, 49, 51</b>		319-1957, <b>64, 125, 137, 145, 155</b>		319-3253-01, <b>151</b>		320-1699-03, <b>135</b>	
309-0641-03, <b>15</b>		319-1959-01, <b>125, 137, 145</b>		319-3253-02, <b>131, 141, 149</b>		320-1699-04, <b>135, 137, 141</b>	
309-0641-07, <b>13, 15</b>		319-1959-02, <b>137</b>		319-3258, <b>69</b>		320-1699-05, <b>135, 137</b>	
309-0649, <b>39</b>		319-1961, <b>64, 65, 127, 131, 139, 141, 145, 149, 151, 155</b>		319-3260, <b>69</b>		320-1699-06, <b>135, 137, 141</b>	
309-0651-02, <b>15</b>		319-1962, <b>127, 137, 145</b>		319-3261, <b>69</b>		320-1699-07, <b>135</b>	
314-0212, <b>111</b>				319-3262, <b>69</b>		320-1699-08, <b>137, 141</b>	
314-0213, <b>111</b>				319-3263, <b>69</b>		320-1699-09, <b>137</b>	
315-0717, <b>113</b>						320-1699-10, <b>137, 141</b>	
315-0717-01, <b>113</b>							



# Numerical Index

<u>Part No.</u>	<u>Page</u>	<u>Part No.</u>	<u>Page</u>	<u>Part No.</u>	<u>Page</u>	<u>Part No.</u>	<u>Page</u>
320-1699-21,	<b>135, 137, 141</b>	320-1964-02,	<b>151</b>	323-1493,	<b>83, 84</b>	331-0532,	<b>35</b>
320-1699-22,	<b>137</b>	320-1964-06,	<b>151</b>	323-1494,	<b>41</b>	331-0533,	<b>35</b>
320-1699-23,	<b>135, 137, 141</b>	320-1964-07,	<b>151</b>	323-1500,	<b>41</b>	331-0554,	<b>41</b>
320-1699-24,	<b>135</b>	320-1977-01,	<b>151</b>	323-1502,	<b>41</b>	331-0555,	<b>41</b>
320-1699-25,	<b>135, 137, 141</b>	320-1977-03,	<b>151</b>	323-1503,	<b>83, 84</b>	332-0052,	<b>77</b>
320-1699-26,	<b>137</b>	320-1986-01,	<b>151</b>	323-1504,	<b>41</b>	332-0604,	<b>83, 84</b>
320-1699-27,	<b>135, 137, 141</b>	320-1992-01,	<b>151</b>	323-1540,	<b>83</b>	332-0607,	<b>77</b>
320-1699-28,	<b>135</b>	321-0094,	<b>77</b>	323-1546,	<b>84</b>	332-0699,	<b>61</b>
320-1699-29,	<b>137, 141</b>	321-0231,	<b>77</b>	323-1548,	<b>15, 84</b>	332-0970,	<b>61</b>
320-1699-30,	<b>137</b>	321-0270,	<b>77</b>	323-1549,	<b>15</b>	332-1043,	<b>83, 84, 89</b>
320-1699-31,	<b>137, 141</b>	321-0307-03,	<b>77</b>	323-1580,	<b>83</b>	332-1281,	<b>13</b>
320-1730-03,	<b>153, 155</b>	321-0307-06,	<b>77</b>	323-1581,	<b>83</b>	332-1292,	<b>13</b>
320-1730-04,	<b>153, 155</b>	321-0307-07,	<b>77, 83</b>	323-1591,	<b>84</b>	332-1468,	<b>41</b>
320-1730-07,	<b>153, 155</b>	321-0325,	<b>83</b>	323-1605-02,	<b>83</b>	332-1469,	<b>41</b>
320-1730-08,	<b>153, 155</b>	321-0327-01,	<b>111</b>	323-1605-03,	<b>83</b>	332-2001,	<b>11, 127, 131, 137,</b>
320-1747-18,	<b>153, 155</b>	321-0339,	<b>83</b>	323-1614-01,	<b>83</b>	332-2315,	<b>143, 145, 149, 151, 155</b>
320-1748-14,	<b>153, 155</b>	322-0017,	<b>81</b>	323-1615,	<b>83</b>	332-2420,	<b>114</b>
320-1749-14,	<b>153, 155</b>	322-0359-02,	<b>81</b>	323-1623,	<b>83</b>	332-2634,	<b>13, 15, 17, 19,</b>
320-1755-15,	<b>153, 155</b>	322-0360-02,	<b>81</b>	323-1624,	<b>83</b>	332-2723,	<b>22, 34, 39, 47, 67, 69</b>
320-1783,	<b>123, 131</b>	322-0361,	<b>81</b>	323-1637,	<b>83</b>	332-2744-07,	<b>123, 127,</b>
320-1783-01,	<b>123, 125, 131</b>	322-0363,	<b>79</b>	323-1643-01,	<b>83</b>	332-2879-07,	<b>129, 131, 135, 137, 141,</b>
320-1783-02,	<b>123, 125, 131</b>	322-0369-02,	<b>81</b>	323-1644-01,	<b>113</b>	332-3007,	<b>145, 149, 151, 153, 155</b>
320-1783-03,	<b>131</b>	322-0384-09,	<b>94</b>	323-1644-02,	<b>113</b>	332-3023,	<b>94, 96</b>
320-1783-04,	<b>123, 125, 131</b>	322-0394,	<b>109</b>	323-1644-03,	<b>120</b>	332-3077,	<b>113</b>
320-1783-05,	<b>123, 125, 131</b>	322-0431-03,	<b>95</b>	323-1647,	<b>113</b>	332-3023,	<b>71</b>
320-1783-06,	<b>123, 125, 131</b>	322-0431-04,	<b>96</b>	323-1648,	<b>83, 113, 120</b>	332-3024-14,	<b>71</b>
320-1783-07,	<b>131</b>	322-0431-07,	<b>30</b>	323-1652,	<b>41, 83</b>	332-3096-01,	<b>83</b>
320-1783-08,	<b>125, 131</b>	322-0431-08,	<b>97</b>	323-1666,	<b>83</b>	332-3178-01,	<b>119</b>
320-1783-09,	<b>125, 131</b>	322-0431-09,	<b>93</b>	323-1667,	<b>83</b>	332-3196,	<b>73</b>
320-1783-10,	<b>125, 131</b>	323-1199,	<b>90</b>	323-1708,	<b>29, 30</b>	332-3303,	<b>129</b>
320-1783-11,	<b>131</b>	323-1200,	<b>84, 90</b>	323-1709,	<b>29, 30</b>	332-3303-01,	<b>127, 131,</b>
320-1783-12,	<b>125</b>	323-1291,	<b>90</b>	323-1718,	<b>41, 83</b>	332-3338,	<b>137, 141, 145, 149, 155</b>
320-1783-13,	<b>125</b>	323-1292,	<b>90</b>	323-1765,	<b>29, 30</b>	332-3440,	<b>86, 87</b>
320-1783-14,	<b>125</b>	323-1302,	<b>77</b>	330-0004,	<b>34</b>	332-3440,	<b>41</b>
320-1783-17,	<b>125, 131</b>	323-1304,	<b>84</b>	330-0005,	<b>34</b>	332-3496,	<b>83</b>
320-1783-18,	<b>125, 131</b>	323-1306,	<b>84</b>	330-0141-03,	<b>71</b>	333-0133,	<b>99</b>
320-1783-19,	<b>125, 131</b>	323-1308,	<b>77</b>	330-0141-04,	<b>71</b>	333-0151,	<b>85</b>
320-1783-20,	<b>131</b>	323-1410-03,	<b>97</b>	330-0142,	<b>71</b>	333-0407-02,	<b>27</b>
320-1906-20,	<b>145</b>	323-1411-01,	<b>94, 96</b>	331-0010,	<b>35</b>	333-0407-04,	<b>27</b>
320-1906-21,	<b>145</b>	323-1444,	<b>83</b>	331-0027,	<b>34, 35</b>	333-0407-05,	<b>27</b>
320-1907-01,	<b>145, 149</b>	323-1445,	<b>41, 83</b>	331-0042,	<b>41</b>	333-0438-05,	<b>71</b>
320-1907-02,	<b>145, 149</b>	323-1491,	<b>41, 83</b>	331-0531-01,	<b>35</b>	333-0438-06,	<b>71</b>
320-1964-01,	<b>151</b>	323-1492,	<b>15, 41, 83, 84</b>	331-0531-02,	<b>35</b>	333-0468,	<b>37</b>

# Numerical Index

<u>Part No.</u>	<u>Page</u>	<u>Part No.</u>	<u>Page</u>	<u>Part No.</u>	<u>Page</u>	<u>Part No.</u>	<u>Page</u>
333-0512-01, <b>35, 37</b>		338-3035-02, <b>30</b>		501-0613, <b>49</b>		503-1717, <b>21</b>	
333-0512-02, <b>35, 37</b>		338-3233, <b>93</b>		501-0614, <b>51</b>		503-1722, <b>21, 23</b>	
333-0639-01, <b>39</b>		338-3235, <b>93</b>		501-0615, <b>47</b>		503-1723, <b>23</b>	
333-0639-02, <b>39</b>		338-3252, <b>77</b>		501-0651, <b>25</b>		503-1726, <b>32, 45, 47, 49, 51</b>	
334-0116, <b>106</b>		338-3285, <b>83</b>		501-0652, <b>13, 15, 17, 19</b>		503-1727, <b>45</b>	
335-0161, <b>85</b>		338-3330, <b>41</b>		501-0653, <b>25</b>		503-1728, <b>47, 49, 51</b>	
335-0173, <b>86</b>		338-3335-01, <b>41</b>		501-0654, <b>25</b>		503-1762, <b>45</b>	
337-0049, <b>77</b>		338-3335-02, <b>41</b>		501-0662, <b>13, 15, 17, 19</b>		503-1764, <b>45</b>	
337-2702, <b>123, 135</b>		338-3337, <b>113</b>		502-0034, <b>26</b>		503-1779, <b>37</b>	
337-2789, <b>129, 131, 139, 143, 147, 149</b>		338-3340, <b>83</b>		502-0067, <b>26</b>		503-1863, <b>49, 51</b>	
337-2794, <b>129</b>		338-3346, <b>84</b>		502-0827, <b>39</b>		503-1870-05, <b>47, 49</b>	
338-1765-03, <b>84</b>		338-3360, <b>113</b>		502-1043-12, <b>28</b>		503-1870-10, <b>21, 23</b>	
338-1904, <b>116</b>		338-3366, <b>95</b>		502-1045-04, <b>61</b>		503-1870-11, <b>20, 22</b>	
338-1936, <b>100</b>		338-3594, <b>29, 30</b>		502-1054-08, <b>55</b>		503-1870-12, <b>21, 22, 23</b>	
338-2172, <b>114</b>		338-3752, <b>94</b>		502-1072-14, <b>28</b>		503-1870-14, <b>20, 21, 22</b>	
338-2278, <b>77</b>		350-1222, <b>89</b>		502-1072-30, <b>28</b>		503-1872-01, <b>37, 47</b>	
338-2347, <b>96</b>		353-0094-01, <b>84</b>		502-1162, <b>42, 45</b>		503-1872-02, <b>45, 49, 51</b>	
338-2368, <b>101</b>		355-0189, <b>79</b>		502-1257, <b>39</b>		503-1872-05, <b>45, 47, 49, 51</b>	
338-2455, <b>110</b>		357-0030, <b>30, 41, 84, 114</b>		502-1259, <b>39</b>		503-1872-09, <b>47, 49, 51</b>	
338-2479, <b>100</b>		357-0114, <b>86, 87</b>		502-1260, <b>39</b>		503-1872-10, <b>32, 45</b>	
338-2526, <b>61, 62</b>		359-0051, <b>84</b>		502-1261, <b>39</b>		504-0028, <b>13, 15, 17, 19, 45</b>	
338-2529, <b>98</b>		402-0354, <b>93, 94, 96, 100, 101</b>		502-1266-01, <b>25</b>		504-0064, <b>26</b>	
338-2530, <b>113</b>		402-0527, <b>77</b>		502-1266-02, <b>25</b>		504-0171, <b>13, 15, 17, 19</b>	
338-2532, <b>120</b>		402-0610, <b>17, 19, 67</b>		502-1267, <b>25</b>		504-0175, <b>45</b>	
338-2536, <b>61</b>		402-0612, <b>52, 53, 54</b>		502-1268, <b>25</b>		505-0004, <b>37, 39</b>	
338-2537, <b>61</b>		402-0729, <b>69</b>		502-1269, <b>25</b>		505-0007, <b>13, 15, 19, 26</b>	
338-2538, <b>61</b>		403-2733-01, <b>45, 47, 49, 51</b>		502-1270, <b>25</b>		505-0011, <b>45</b>	
338-2544, <b>34</b>		403-2733-02, <b>49, 51</b>		502-1271, <b>25</b>		505-0018, <b>42</b>	
338-2545, <b>34</b>		403-2921, <b>73</b>		502-1275, <b>13, 15, 17, 19</b>		505-0019, <b>13, 15, 17, 19, 39, 45</b>	
338-2590, <b>114</b>		403-3155, <b>11</b>		502-1307, <b>61</b>		505-0020, <b>45, 51</b>	
338-2592-02, <b>83</b>		406-0332, <b>77</b>		502-1308, <b>61</b>		505-0021, <b>13, 15, 17, 19</b>	
338-2606, <b>83</b>		406-0333, <b>77</b>		503-0189, <b>13, 15, 17, 19</b>		505-0022, <b>39</b>	
338-2713, <b>113</b>		406-0334, <b>77</b>		503-0249, <b>13, 15, 17, 19</b>		505-0027, <b>13, 15, 17, 19</b>	
338-2760-01, <b>37</b>		416-0446, <b>13, 15, 17, 19</b>		503-0685, <b>42, 45</b>		505-0041, <b>37, 39</b>	
338-2760-02, <b>37</b>		416-0639, <b>13, 15, 17, 19</b>		503-0970, <b>20, 22</b>		505-0044, <b>45</b>	
338-2867, <b>113</b>		416-0680, <b>13, 15, 17, 19</b>		503-1136, <b>39</b>		505-0054, <b>45</b>	
338-2875, <b>90</b>		416-0850, <b>11</b>		503-1418, <b>45, 47</b>		505-0071, <b>13, 15, 17, 19</b>	
338-2996, <b>84</b>		416-0964, <b>13, 15, 17, 19</b>		503-1620, <b>42, 45</b>		505-0100, <b>13, 15, 17, 19, 39</b>	
338-3012, <b>129</b>		501-0520, <b>13, 15, 17, 19</b>		503-1634, <b>47</b>		505-0102, <b>13, 15, 17, 19</b>	
338-3019, <b>120</b>		501-0522, <b>13, 15, 17, 19</b>		503-1634-01, <b>39</b>		505-0103, <b>43, 45</b>	
338-3033, <b>91</b>		501-0537-46, <b>61</b>		503-1675, <b>20, 22</b>		505-0114, <b>45</b>	
338-3034, <b>97</b>		501-0537-49, <b>28</b>		503-1703, <b>22</b>			

# Numerical Index

<u>Part No.</u>	<u>Page</u>	<u>Part No.</u>	<u>Page</u>	<u>Part No.</u>	<u>Page</u>	<u>Part No.</u>	<u>Page</u>
505-0131, 13, 15, 17, 39		518-0350, 26		526-0416, 73		800-0094, 45, 47, 49, 51, 121, 127, 139, 145	
505-0132, 13, 15, 17, 19		518-0548-02, 37		526-0445, 73		800-0106, 52, 53, 54	
505-0151, 108		518-0548-08, 20, 45		526-1115, 67, 69		800-0130, 55	
505-0153, 42, 45		518-0548-20, 47		526-2100, 133, 143, 149		800-0133, 45	
505-0177, 37, 39		518-0548-29, 25		526-2120, 113, 127, 131, 137, 141, 143, 145, 149, 151, 155		800-0135, 45, 52, 53, 54	
505-0324, 13, 15, 17, 19		518-0548-42, 69		526-2140, 133, 143, 149, 151		800-0138, 43	
505-0376, 47, 49		518-0601, 10		718-1067, 57		800-0152, 23	
505-0759, 37		518-0633, 25, 49, 51		800-0006, 32, 92		800-0153, 21	
505-1428, 28		520-0544, 39		800-0024, 77, 86		800-0156, 47	
505-1429, 45		525-0304, 10		800-0031, 121, 129, 147		800-0158, 11	
505-1430, 37, 39		525-0305, 10		800-0033, 22, 129, 139, 147, 155		800-0160, 45	
505-1440, 43		525-0306, 10		800-0034, 85		800-0163, 11, 52, 53, 54	
505-1441, 45		525-0551-02, 10		800-0039, 119		800-0237, 59	
505-1442, 45		525-0551-03, 10		800-0048, 11, 123, 127, 129, 131, 135, 137, 141, 145, 149, 151, 155		800-0273, 73	
508-0001, 77		525-0551-04, 10		800-0050, 11, 25, 47, 127, 137, 145, 153, 155		800-0304, 73	
508-0015, 13		526-0002, 117		800-0051, 33, 47, 49, 51, 129, 151		800-0500, 52, 53, 54, 57, 59	
508-0051, 77, 114		526-0008, 89, 94, 96, 102, 111, 119		800-0052, 123, 127, 131, 135, 137, 141, 145, 149, 151, 155		800-0507, 52	
508-0228, 71		526-0015, 32		800-0053, 129		800-0576, 73	
508-0239, 153		526-0018, 77		800-0054, 123, 135, 147		800-0580, 53	
508-0292, 13, 15, 17, 19		526-0022, 119		800-0055, 129		800-0596, 73	
508-1057, 67, 69		526-0027, 11, 45, 47		800-0059, 13, 15, 17, 19		800-0605, 53, 54	
508-1090, 45, 67, 69		526-0028, 31		800-0061, 17, 19		800-2008, 71	
508-1109, 127, 133, 139, 143, 145, 149, 151, 155		526-0029, 39, 51, 127, 137, 145, 147, 151, 153, 155		800-0062, 13, 15		800-2059, 57	
509-0065, 113		526-0030, 55, 57, 123, 129, 135		800-0069, 57, 59		800-2063, 133, 143, 149	
509-0272-01, 28		526-0032, 53, 54		800-0071, 57		800-2080, 117	
509-0272-02, 61		526-0038, 53, 54		800-0072, 54, 61		800-2086, 67, 69, 131, 143, 149, 151	
509-0283-01, 37, 39		526-0049, 81		800-0074, 59		800-2088, 113	
509-0336, 25		526-0098, 57, 59		800-0075, 28, 47		800-2089, 127, 131, 137, 141, 145, 149, 155	
509-0337, 25		526-0112, 43, 45		800-0077, 52, 53, 54		800-2114, 151	
511-0119, 57		526-0113, 85		800-0078, 52, 53, 54		800-2116, 133, 143, 149	
511-0161-02, 59		526-0115, 94, 96, 100, 101, 121, 129, 139, 147, 155		800-0081, 25		800-2526, 55	
511-0161-04, 52, 54		526-0124, 21		800-0088, 52, 53		805-0035, 73	
511-0161-10, 53		526-0128, 32, 39		800-0090, 13, 15, 17, 19, 49, 51		809-0036, 13	
511-0161-11, 54		526-0141, 47, 52, 53, 54, 67, 69		800-0091, 31		812-0063, 91	
517-0021, 71		526-0219, 45, 47, 49, 51, 52, 53, 54, 121, 127, 139, 145, 155		800-0092, 47, 49, 51, 59, 155		812-0067, 17, 19	
517-0090, 119		526-0353, 59				812-0070, 85, 117	
517-0131, 67, 69, 79, 81, 89		526-0399-19, 47				812-0079, 34, 113	
517-0135, 69		526-0409, 81				812-0081, 93	
517-0137, 81, 108						812-0082, 98	
517-0138-02, 41						812-0084, 89, 97	
517-0301, 81							
517-0302, 79							

# Numerical Index

<u>Part No.</u>	<u>Page</u>	<u>Part No.</u>	<u>Page</u>	<u>Part No.</u>	<u>Page</u>	<u>Part No.</u>	<u>Page</u>
812-0085, 113, 114		821-0030, 21, 47, 129, 139, 147		850-0060, 13, 15, 17, 19, 31, 45, 47, 49, 51, 53, 59, 73, 121, 127, 139, 145, 155		862-0017, 73	
813-0098, 119		821-0031, 123, 135		850-0070, 43, 45, 52, 53, 54		864-0017, 61	
813-0100, 35, 94, 96, 114, 115		821-0033, 17, 20, 21, 23, 45		850-0079, 11, 21, 23, 45, 47		864-0020-01, 61	
813-0103, 35, 61, 62, 102, 110		821-0035, 47, 49, 51		850-0092, 73		870-0048, 94, 96, 100, 101	
813-0107, 111		821-2023, 72		850-0114-07, 47		870-0053, 115	
813-0108, 89		821-2034, 151		850-2003, 71		870-0131, 39, 77, 88, 94, 96, 102, 110, 111, 114	
815-0340, 34		821-2035, 65, 131, 143, 149		850-2004, 71		870-0183, 17, 19, 81, 85, 99	
815-0384, 47, 49, 51		821-5000-05, 77		850-2005, 71		870-0196, 13	
815-0385, 81, 99		821-5002-03, 39, 42, 47, 49, 51, 62, 67		850-2008, 57, 133, 143, 149		870-0212, 17, 19, 22, 37, 49, 51, 127, 145, 155	
815-0388, 77, 95, 98		821-5002-04, 57, 59		850-2010, 67, 69, 117, 127, 131, 137, 141, 143, 145, 149, 151, 155		870-0221, 93, 94, 96, 100, 101, 113	
815-0447, 41		821-5003-01, 47, 49, 51, 67		850-2012, 133, 143, 149, 151		870-0257, 20, 64, 85, 86, 93, 113, 129, 139, 147, 155	
815-0538, 83, 84		821-5003-03, 45, 67		853-0005, 93, 94, 96, 100, 114		870-0281, 11, 20, 21, 42	
815-0539, 39		821-5004-02, 25, 39, 45, 49, 51, 67		853-0008, 77, 81, 101		870-0437, 21, 22, 23, 47	
815-0544, 89, 90, 116		821-5004-03, 11, 39, 42, 47, 49, 59		854-0006, 85		870-0452, 59	
815-0724, 55		821-6001-03, 62		856-0006, 13, 15, 67, 69		870-0494, 64, 127, 137, 145, 155	
815-0769-01, 52, 53, 54		821-6002-03, 62, 65, 69, 131, 141, 149, 151		856-0008, 77, 86, 120		870-0504, 65, 131, 141, 149, 151	
815-0875-02, 79		821-6003-02, 69, 131, 141, 149, 151		856-0010, 11, 13, 15, 17, 19, 129, 131, 139, 143, 147, 149, 151, 155		870-0517-01, 90	
815-0901-06, 77		821-6004-01, 69		856-0013, 13, 15, 17, 19		870-0517-02, 90	
815-0905-06, 100, 101		822-1050, 61		860-0006, 85		870-0550-05, 67	
816-0098, 64, 129, 139, 147, 155		822-3047, 71		860-2005, 71		870-0550-07, 45, 67	
821-0004, 77		822-3075, 71		860-2006, 71		870-0550-09, 39, 45, 47, 49, 51, 67	
821-0005, 88		850-0025, 113		860-2010, 133, 143, 149, 151		870-1221, 97	
821-0010, 13, 15, 35, 47, 63, 64, 121, 123, 125, 129, 135, 137, 145, 147, 153, 155		850-0030, 62, 81, 89, 115, 119		862-0001, 92		870-2054, 69, 151	
821-0011, 64, 127, 139, 145, 155		850-0040, 92		862-0003, 123, 129, 135, 147, 151		870-2055, 69	
821-0014, 77		850-0045, 119, 121, 129, 139, 147, 155		862-0005, 121, 127, 139, 145		870-2056, 69	
821-0016, 20, 113		850-0048, 49, 51		862-0007, 43, 45		871-0010, 81	
821-0017, 93		850-0050, 13, 15, 17, 19, 25, 33, 47, 123, 127, 129, 135, 137, 145, 147, 151, 153, 155		862-0008, 11, 45, 47		871-0015, 77	
821-0018, 22, 64, 127, 139, 145, 155		850-0055, 25, 28, 52, 53, 54, 57, 59, 61		862-0015, 119		895-0182, 32, 127, 131, 139, 141, 147, 149, 151, 155	
821-0022, 57				862-0016, 45, 47, 49, 51, 155		898-1254-25, 71	
821-0028, 22							
821-0029, 20, 21							



**Onan**

Onan Corporation  
1400 73rd Avenue N.E.  
Minneapolis, MN 55432  
612-574-5000  
Telex: 275477  
Fax: 612-574-8087

Onan is a registered trademark of Onan Corporation  
Cummins is a registered trademark of Cummins Engine Company