

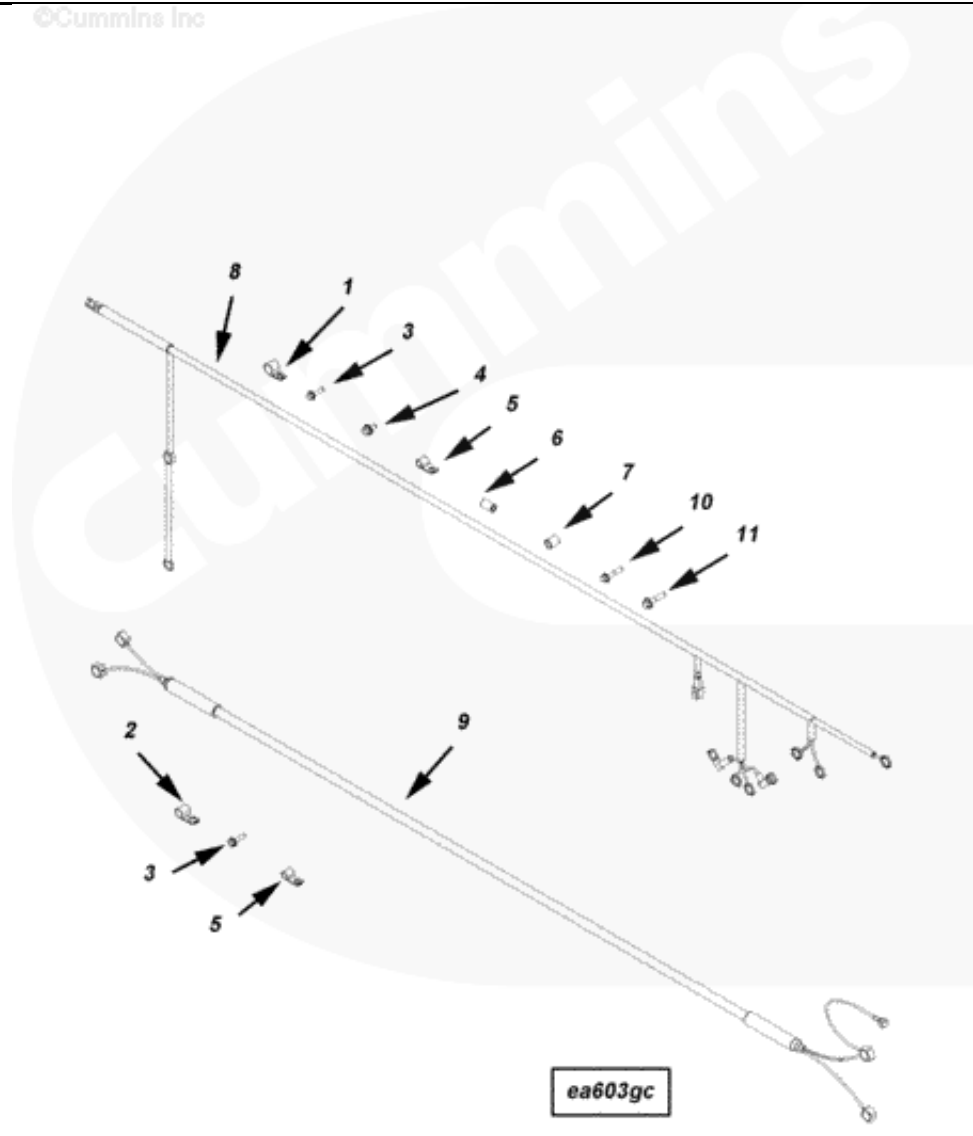


Parts Catalog - Option Detail

Content For Engine Serial Number (ESN): 66301765

Electronic Parts Catalog - Option Detail				
Option	Group	Graphic	Film Card	Date
EA6745-01	21.01.1	ea603gc	P78	24-MAY-10
Engines	QSK78 CM500			

©Cummins Inc



SMALL | MEDIUM | LARGE

Add Part to Cart	Ref No	Part Number	Part Name	Required	Remarks
<input type="button" value="View My Cart"/>					
		EA6745-01	ACCESSORIES,ELECTRICAL		Electrical accessories
					Engine Family: Qsk78
					connects starters to main
					harness starter connection
					locations: Left bank - 2
					starters right bank - 1
					starter
					Includes a charging harness.
<input type="checkbox"/>	1	69465	Clip	1	
<input type="checkbox"/>	2	106221	Clip	1	
<input type="checkbox"/>	3	3089016	Screw, Hex Flange Head Cap	5	M10 x 1.50 x 35
<input type="checkbox"/>	4	3093937	Screw, Hex Flange Head Cap	1	
<input type="checkbox"/>	5	3627412	Clip	12	
<input type="checkbox"/>	6	3631396	Spacer, Mounting	2	
<input type="checkbox"/>	7	3631782	Spacer, Mounting	1	
<input type="checkbox"/>	8	3640476	Harness, Wiring	1	
<input type="checkbox"/>	9	3642885	Harness, Wiring	1	
<input type="checkbox"/>	10	3900634	Screw, Hex Flange Head Cap	2	M10 x 1.50 x 50
<input type="checkbox"/>	11	3902116	Screw, Hex Flange Head Cap	1	M12 x 1.75 x 50



Parts Catalog - Option Detail

Content For Engine Serial Number (ESN): 66301765

Electronic Parts Catalog - Option Detail				
Option	Group	Graphic	Film Card	Date
TB6749-08	10.01	tb615gs	P78	30-NOV-09
Engines	QSK78 CM500			

©Cummins Inc



[SMALL](#) | [MEDIUM](#) | [LARGE](#)

Add Part to Cart	Ref No	Part Number	Part Name	Required	Remarks
View My Cart					
		TB6749-08	AFTERCOOLER		Aftercooler
					Engine Family: Qsk78

					Aspiration: Single stage low
					temp aftercooled
					Exhaust Outlet Orientation:
					Top Out
					Exhaust Outlet Location:
					Left bank: From engine
					centerline (mm): 180 from
					crankshaft centerline (mm):
					1230 from front face of block
					(mm): - 795.9 right bank:
					From engine centerline (mm):
					- 180 from crankshaft
					centerline (mm): 1230 from
					front face of block (mm): -
					1516.
<input type="checkbox"/>	1	117099	Seal, O Ring	6	
<input type="checkbox"/>	2	3026421	Seal, O Ring	6	
<input type="checkbox"/>	3	3035026	Seal, O Ring	12	
<input type="checkbox"/>	4	3063809	Clamp, T Bolt	8	3 3/4 Inch.
<input type="checkbox"/>	5	3089016	Screw, Hex Flange Head Cap	24	M10 x 1.50 x 35
<input type="checkbox"/>	6	3093806	Screw, Hex Flange Head Cap	6	
<input type="checkbox"/>	7	3093930	Screw, Hex Flange Head Cap	8	M10 x 1.50 x 16
<input type="checkbox"/>	8	3349461	Screw, Hex Flange Head Cap	12	
<input type="checkbox"/>	9	3628605	Plug, Pipe	6	1/4 -18
<input type="checkbox"/>	10	3635882	Screw, Hex Flange Head Cap	48	
<input type="checkbox"/>	11	3636518	Connection, Water Transfer	12	
<input type="checkbox"/>	12	3638582	Draincock	12	
		3640158	Assy, Aftercooler	6	
<input type="checkbox"/>	13	131584	Pin, Roll	2	
<input type="checkbox"/>	14	206808	Seal, Grommet	2	
<input type="checkbox"/>	15	3089232	Screw, Hex Flange Head Cap	27	M10 x 1.50 x 45
<input type="checkbox"/>	16	3171287	Gasket, Connection	2	
	17	3639666	Manifold, Air Intake	1	
<input type="checkbox"/>	18	3641079	Core, Aftercooler	1	
<input type="checkbox"/>		3678921	Plug, Threaded	2	M14 x 1.50 x 16

<input type="checkbox"/>	19	3678912	Seal, O Ring	2	M14
	20	3678922	Plug, Threaded	2	Purchase P/N 3678921
<input type="checkbox"/>		3678923	Plug, Threaded	1	M10 x 1.00 x 13.5
	21	3678924	Plug, Threaded	1	Purchase P/N 3678923
<input type="checkbox"/>	22	3678925	Seal, O Ring	1	M10
<input type="checkbox"/>	23	3900679	Screw, Hex Flange Head Cap	2	M10 x 1.50 x 80
<input type="checkbox"/>	24	3903990	Screw, Hex Flange Head Cap	10	M10 x 1.50 x 20
<input type="checkbox"/>	25	4000714	Gasket, Aftercooler Cover	1	
		4007997	Cover, Aftercooler	1	
	26	4007998	Cover, Aftercooler	1	
	27	4007999	Insert, Threaded	10	
<input type="checkbox"/>	28	4066129	Retainer, Seal	2	
<input type="checkbox"/>	29	3642589	Connection, Air Crossover	2	
<input type="checkbox"/>	30	3642590	Connection, Air Crossover	2	
<input type="checkbox"/>	31	3642593	Spacer, Mounting	40	
<input type="checkbox"/>	32	3903112	Screw, Hex Flange Head Cap	56	M10 x 1.50 x 30
<input type="checkbox"/>	33	4006251	Connection, Air Transfer	4	
<input type="checkbox"/>	34	4006252	Plate, Cover	2	
<input type="checkbox"/>	35	4006303	Plate, Cover	4	
<input type="checkbox"/>	36	4006304	Gasket, Connection	12	
<input type="checkbox"/>	37	4006339	Screw, Hex Flange Head Cap	120	
<input type="checkbox"/>	38	4006340	Retainer, Connection	4	
<input type="checkbox"/>	39	4007438	Gasket, Connection	6	
<input type="checkbox"/>	40	4007640	Connection, Air Crossover	2	
<input type="checkbox"/>	41	4007649	Plate, Cover	2	
<input type="checkbox"/>	42	4007710	Gasket, Intake Manifold	18	
<input type="checkbox"/>	43	4007881	Connection, Air Transfer	8	
<input type="checkbox"/>	44	4007882	Hose, Hump	4	
<input type="checkbox"/>	45	4007957	Hose, Hump	6	
<input type="checkbox"/>	46	4008037	Clamp, T Bolt	12	

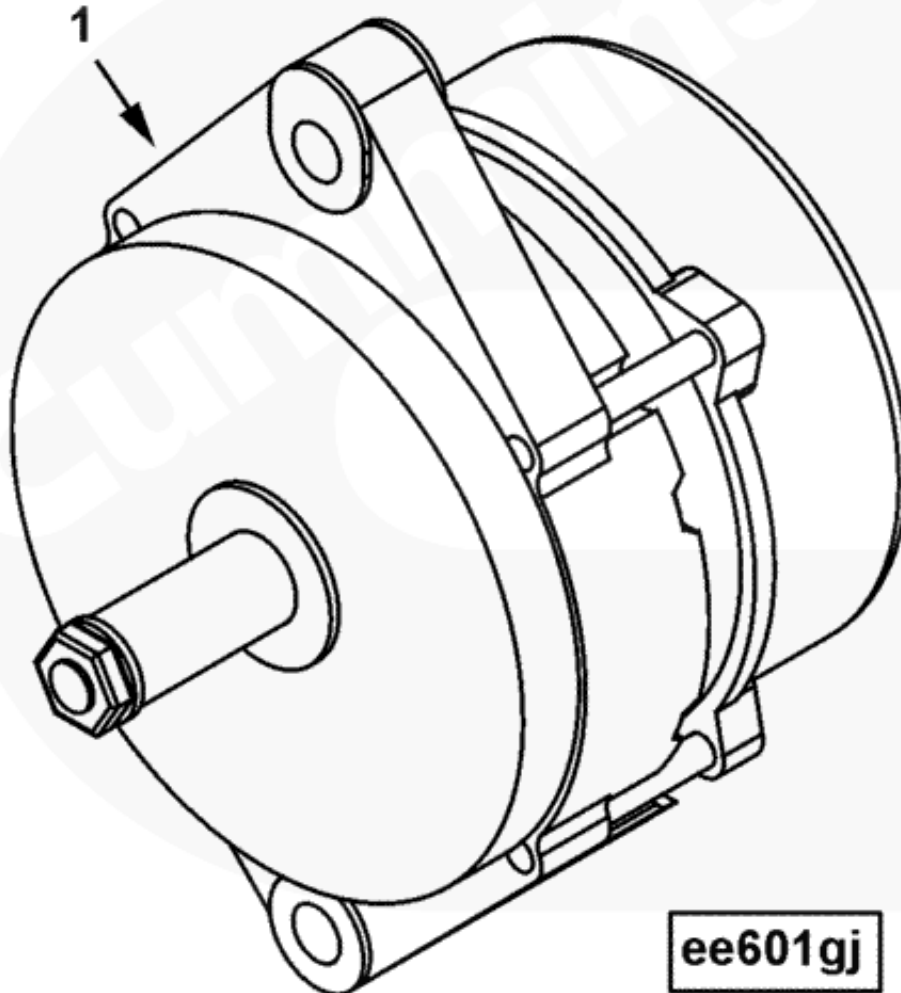


Parts Catalog - Option Detail

Content For Engine Serial Number (ESN): 66301765

Electronic Parts Catalog - Option Detail				
Option	Group	Graphic	Film Card	Date
EE6066	13.02	ee601gj	P78	15-SEP-03
Engines	QSK78 CM500			

©Cummins Inc



SMALL | MEDIUM | LARGE

Add Part to Cart	Ref No	Part Number	Part Name	Required	Remarks
<input type="button" value="View My Cart"/>					

		EE6066	Alternator		Alternator
					manufacture/model: Cummins
					branded
					Voltage: 24
					Amperage: 55 ground type:
					Negative insulated: Yes
					built in voltage regulator:
					Yes
					Wiring Harness Included: No
					ground strap required: No
					ground strap included: No
					cooling fan included: Yes
					brush type: Yes
					Manufacturing/model:
					Prestolite-Ina4024/7.
<input type="checkbox"/>	1	4101372	Alternator	1	

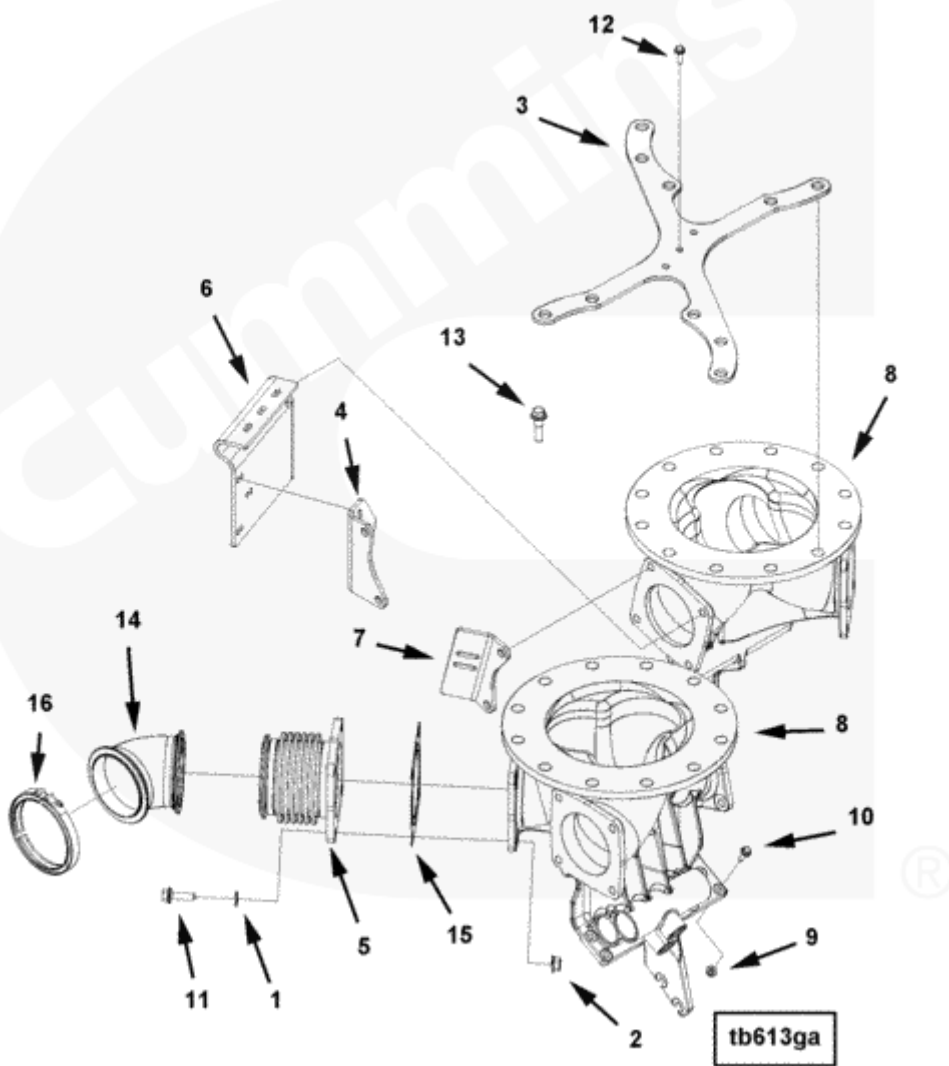


Parts Catalog - Option Detail

Content For Engine Serial Number (ESN): 66301765

Electronic Parts Catalog - Option Detail				
Option	Group	Graphic	Film Card	Date
TB6037-02	10.06.1	tb613ga	P78	29-SEP-08
Engines	QSK78 CM500			

©Cummins Inc



SMALL | MEDIUM | LARGE

Add Part to Cart	Ref No	Part Number	Part Name	Required	Remarks
View My Cart					
		TB6037-02	Arrangement,Turbocharger		Turbocharger arrangement
					Engine Family: Qsk78
					Aspiration: Single stage low

					temp aftercooled
					Exhaust Outlet Orientation:
					Top Out
					Exhaust Outlet Location:
					Left bank: From engine
					centerline (mm): 180 from
					crankshaft centerline (mm):
					1230 from front face of block
					(mm): - 795.9 right bank:
					From engine centerline (mm):
					- 180 from crankshaft
					centerline (mm): 1230 from
					front face of block (mm): -
					1516
					Exhaust Outlet Outer Diameter
					(mm): 482.6
					Exhaust Outlet Flange Type:
					Bolted
					Exhaust Outlet Flange Descr:
					12 X 25.4mm Thru equally
					spaced on 431.8mm pcd
					Turbocharger mounting flange
					type: Monarch 4 bolt
					Turbocharger quantity: 6
					intake air connection flange
					type: Hose bead intake air
					connection outside diameter
					(mm): 139 accessory mounting
					provision: No.
<input type="checkbox"/>	1	127316	Washer, Plain	10	5/8 Inch.
<input type="checkbox"/>	2	3171181	Nut, Hexagon Flange	34	
<input type="checkbox"/>	3	3637897	Brace, Exh Out Connection	1	
<input type="checkbox"/>	4	3637899	Brace, Exh Out Connection	1	
<input type="checkbox"/>	5	3637928	Bellows	6	
<input type="checkbox"/>	6	3637993	Brace, Exh Out Connection	1	
<input type="checkbox"/>	7	3637995	Brace, Exh Out Connection	2	

<input type="checkbox"/>	8	3640930	Connection, Exhaust Outlet	2	
<input type="checkbox"/>	9	3902662	Nut, Hexagon Flange	6	M10 x 1.50
<input type="checkbox"/>	10	3903112	Screw, Hex Flange Head Cap	6	M10 x 1.50 x 30
	11	3916071	Screw, Hex Flange Head Cap	26	M16 X 2.00 X 50.
<input type="checkbox"/>	12	3925344	Screw, Hex Flange Head Cap	16	M10 x 1.50 x 30
<input type="checkbox"/>	13	4001048	Screw, Hex Flange Head Cap	8	
<input type="checkbox"/>	14	4007670	Connection, Exh Transfer	2	
<input type="checkbox"/>	15	4065349	Gasket, Exh Out Connection	6	
<input type="checkbox"/>	16	4065488	Clamp, V Band	8	

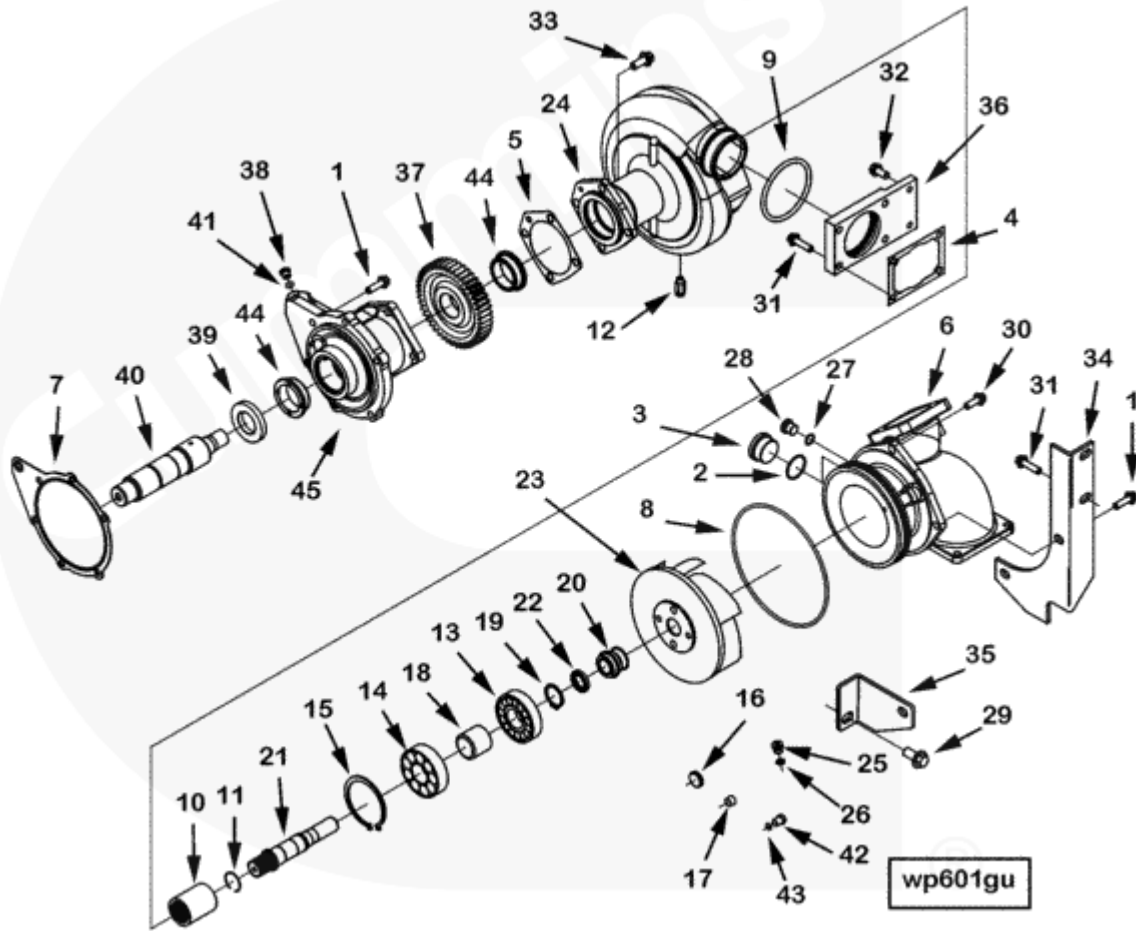


Parts Catalog - Option Detail

Content For Engine Serial Number (ESN): 66301765

Electronic Parts Catalog - Option Detail				
Option	Group	Graphic	Film Card	Date
WP6024-01	08.01	wp601gu	P78	27-APR-09
Engines	QSK78 CM500			

©Cummins Inc



[SMALL](#) | [MEDIUM](#) | [LARGE](#)

Add Part to Cart	Ref No	Part Number	Part Name	Required	Remarks
View My Cart					
		WP6024-01	Pump,Water		Water pump
					engine cooling water pump
					internal or external:
					External qsk78 engines:
					Approx. 585 US gallons/min
					at 1900 RPM with 10 PSI

					external restriction.
					For use on qsk78 engines
					only.
<input type="checkbox"/>	1	3089016	Screw, Hex Flange Head Cap	7	M10 x 1.50 x 35
<input type="checkbox"/>		3089023	Plug, Threaded	1	M42 x 2.00 x 19.5
<input type="checkbox"/>	2	3089019	Seal, O Ring	1	M42
	3	3089021	Plug, Threaded	1	M42 x 2.00 x 19.5
<input type="checkbox"/>	4	3089262	Gasket, Water Pump	1	
<input type="checkbox"/>	5	3089261	Gasket, Water Pump	1	
<input type="checkbox"/>	6	3089731	Connection, Water Inlet	1	
<input type="checkbox"/>	7	3332299	Gasket, Water Pump Support	1	
<input type="checkbox"/>		4955792	Kit, Water Pump	1	
<input type="checkbox"/>	8	206457	Seal, O Ring	1	
<input type="checkbox"/>	9	3007512	Seal, O Ring	1	
<input type="checkbox"/>		3641576	Pump, Water	1	
<input type="checkbox"/>	10	206195	Sleeve, Spline Coupling	1	
<input type="checkbox"/>	11	206196	Ring, Retaining	1	
<input type="checkbox"/>	12	3638582	Draincock	1	
<input type="checkbox"/>	13	S 16054	Bearing, Ball	1	
<input type="checkbox"/>	14	S 16069	Bearing, Ball	1	
<input type="checkbox"/>	15	70183	Ring, Retaining	1	
<input type="checkbox"/>	16	3004259	Plug, Expansion	1	
<input type="checkbox"/>	17	3008466	Plug, Pipe	1	1/4 NPT
<input type="checkbox"/>	18	3030487	Spacer, Bearing	1	
<input type="checkbox"/>	19	3175573	Ring, Retaining	1	
<input type="checkbox"/>	20	3634007	Seal, Water Pump	1	
<input type="checkbox"/>	21	3634049	Shaft, Water Pump	1	
<input type="checkbox"/>	22	3634146	Seal, Oil	1	
	23	3641331	Impeller, Water Pump	1	
<input type="checkbox"/>	24	3640122	Body, Water Pump	1	
<input type="checkbox"/>		3678610	Plug, Threaded	2	
	25	3678602	Plug, Threaded	1	
<input type="checkbox"/>	26	3678603	Seal, O Ring	1	

<input type="checkbox"/>		3678873	Plug, Threaded	1	
<input type="checkbox"/>	27	3678786	Seal, O Ring	1	
	28	3678791	Plug, Threaded	1	
<input type="checkbox"/>	29	3901249	Screw, Hex Flange Head Cap	1	M12 x 1.75 x 25
<input type="checkbox"/>	30	3903112	Screw, Hex Flange Head Cap	2	M10 x 1.50 x 30
<input type="checkbox"/>	31	3903464	Screw, Hex Flange Head Cap	5	M10 x 1.50 x 40
<input type="checkbox"/>	32	3903990	Screw, Hex Flange Head Cap	2	M10 x 1.50 x 20
<input type="checkbox"/>	33	3910495	Screw, Hex Flange Head Cap	4	M12 x 1.75 x 30
<input type="checkbox"/>	34	4007215	Bracket, Connection	1	
<input type="checkbox"/>	35	4007216	Bracket, Connection	1	
<input type="checkbox"/>	36	4016906	Adapter, O Ring	1	
<input type="checkbox"/>		4066277	Support, Water Pump	1	Recon equivalent 4066277 NX
<input type="checkbox"/>	37	3089100	Gear, Accessory Drive	1	
<input type="checkbox"/>	38	3089412	Plug, Orifice	1	
<input type="checkbox"/>		3332037	Shaft, Water Pump	1	
<input type="checkbox"/>	39	3089413	Retainer, Shaft	1	
<input type="checkbox"/>	40	3332036	Shaft, Water Pump	1	
<input type="checkbox"/>	41	3634019	Plug, Expansion	1	
<input type="checkbox"/>		3678923	Plug, Threaded	1	M10 x 1.00 x 13.5
	42	3678924	Plug, Threaded	1	Purchase P/N 3678923
<input type="checkbox"/>	43	3678925	Seal, O Ring	1	M10
		4066278	Support, Water Pump	1	
<input type="checkbox"/>	44	3089409	Bushing	2	
<input type="checkbox"/>	45	4066279	Support, Water Pump	1	

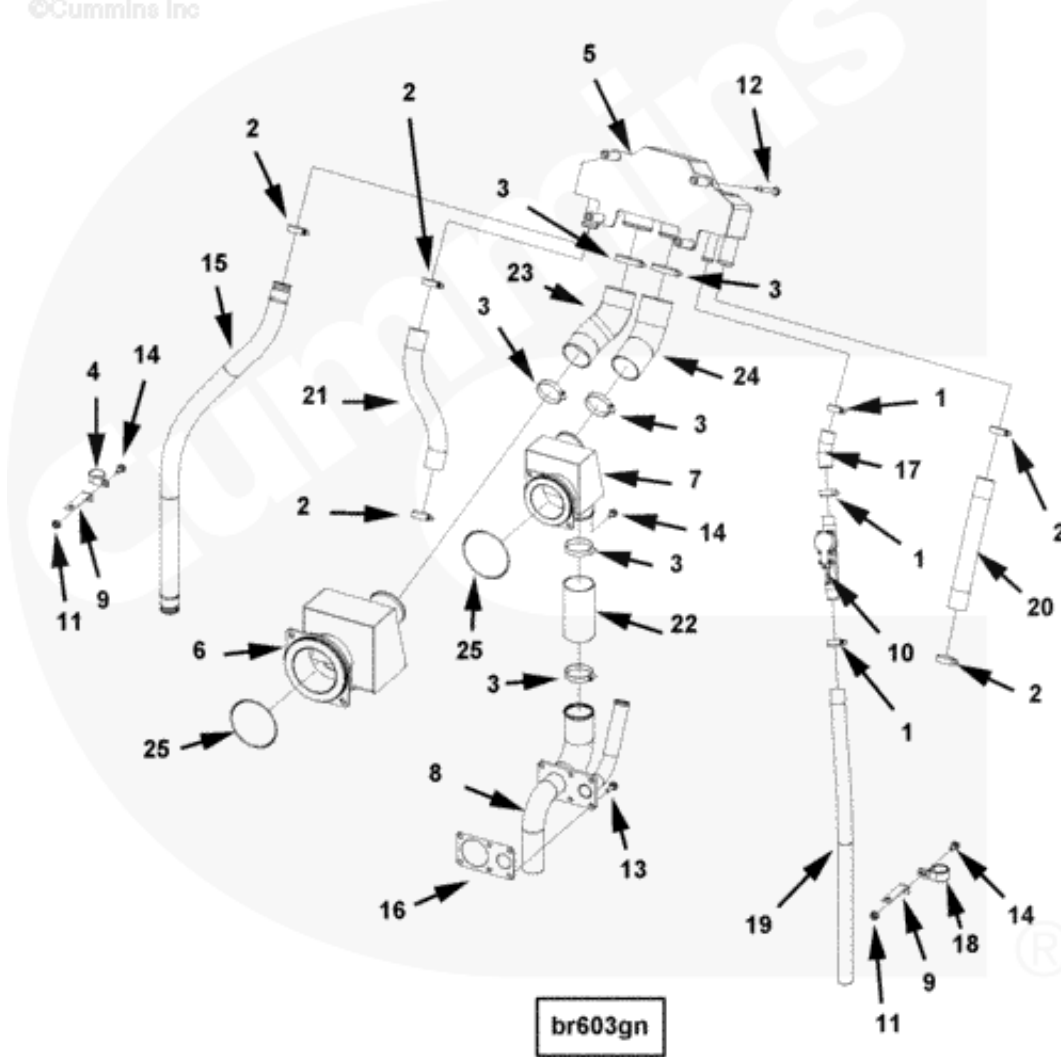


Parts Catalog - Option Detail

Content For Engine Serial Number (ESN): 66301765

Electronic Parts Catalog - Option Detail				
Option	Group	Graphic	Film Card	Date
BR6818	03.02	br603gn	P78	17-AUG-09
Engines	QSK78 CM500			

©Cummins Inc



SMALL | MEDIUM | LARGE

Add Part to Cart	Ref No	Part Number	Part Name	Required	Remarks
View My Cart		BR6818	BREATHER,CRANKCASE		Crankcase breather

					Engine Family: Qsk78
					Breather Type: Open
					Application: Power
					Generation breather inlet
					location: Left bank over
					cylinders 6 and 7 oil drain
					plumbing location: Oil pan
					adapter - left bank over
					cylinders 6 and 7
					Oil Fill Provision: None oil
					drain tube required oil pan
					sump loc: Double deep rear
					locations #3 and #4 deep sump
					on all locations vent hose
					total length(mm): 1060
					(41.7in)
					Unique Characteristics:
					Includes internal oil drain
					mounted inside oil pan.
<input type="checkbox"/>	1	43828 A	Clamp, Hose	3	11 16 - 1 1/2 in.
<input type="checkbox"/>	2	43828 B	Clamp, Hose	5	1 5/16 - 2 1/4 Inch.
<input type="checkbox"/>	3	43828 E	Clamp, Hose	8	2 5/16 - 3 1/4 Inch.
<input type="checkbox"/>	4	68189	Clip	1	
<input type="checkbox"/>	5	3642247	Breather, Crankcase	1	
<input type="checkbox"/>	6	3642264	Breather, Crankcase	1	
<input type="checkbox"/>	7	3642269	Breather, Crankcase	1	
<input type="checkbox"/>	8	3642271	Tube, Breather	2	
<input type="checkbox"/>	9	3642285	Brace, Tube	2	
<input type="checkbox"/>	10	3867561	Sensor, Blowby Flow	1	Blowby flow.
<input type="checkbox"/>	11	3902662	Nut, Hexagon Flange	2	M10 x 1.50

<input type="checkbox"/>	12	3902663	Screw, Hex Flange Head Cap	4	M10 X 1.50 X 120.
<input type="checkbox"/>	13	3903112	Screw, Hex Flange Head Cap	12	M10 x 1.50 x 30
<input type="checkbox"/>	14	3903990	Screw, Hex Flange Head Cap	6	M10 x 1.50 x 20
<input type="checkbox"/>	15	4006880	Hose, Molded	1	
<input type="checkbox"/>	16	4006890	Gasket, Oil Drain	2	
<input type="checkbox"/>	17	4006891	Hose, Molded	1	
<input type="checkbox"/>	18	4006930	Clip	1	
<input type="checkbox"/>	19	4007898	Hose, Plain	1	
<input type="checkbox"/>	20	4007899	Hose, Plain	1	
<input type="checkbox"/>	21	4007900	Hose, Plain	1	
<input type="checkbox"/>	22	4007901	Hose, Plain	2	
<input type="checkbox"/>	23	4007902	Hose, Molded	1	
<input type="checkbox"/>	24	4007903	Hose, Molded	1	
<input type="checkbox"/>	25	4100660	Seal, O Ring	2	

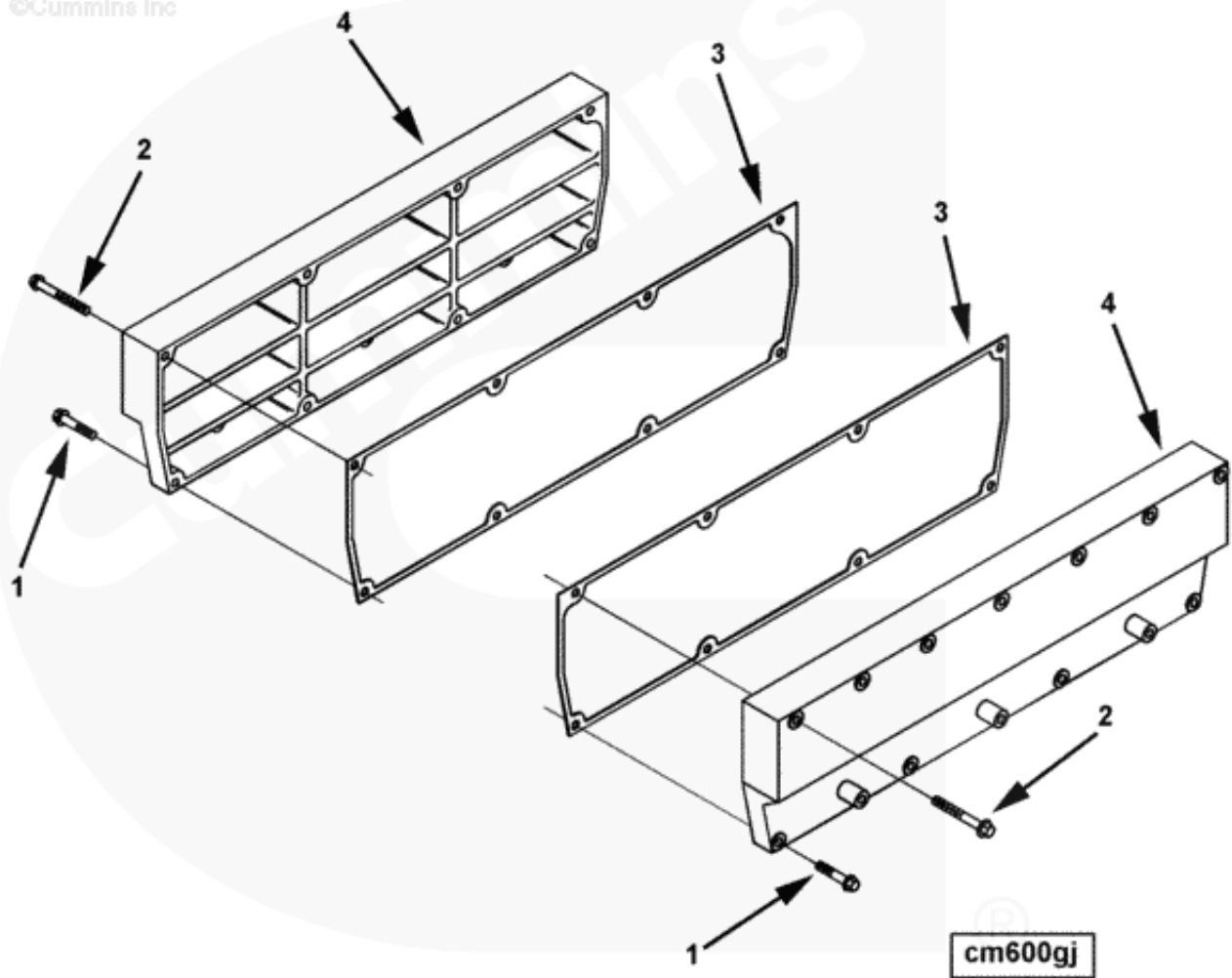


Parts Catalog - Option Detail

Content For Engine Serial Number (ESN): 66301765

Electronic Parts Catalog - Option Detail				
Option	Group	Graphic	Film Card	Date
CM6706-02	04.03	cm600gj	P78	03-AUG-04
Engines	QSK78 CM500			

©Cummins Inc



SMALL | MEDIUM | LARGE

Add Part to Cart	Ref No	Part Number	Part Name	Required	Remarks
<input type="button" value="View My Cart"/>					
		CM6706-02	Cam Follower Cover		Cam follower cover

<input type="checkbox"/>	1	3900634	Screw, Hex Flange Head Cap	24	M10 x 1.50 x 50
<input type="checkbox"/>	2	3900679	Screw, Hex Flange Head Cap	24	M10 x 1.50 x 80
<input type="checkbox"/>	3	4005020	Gasket, Camshaft Cover	6	
<input type="checkbox"/>	4	3636649	Cover, Camshaft	6	

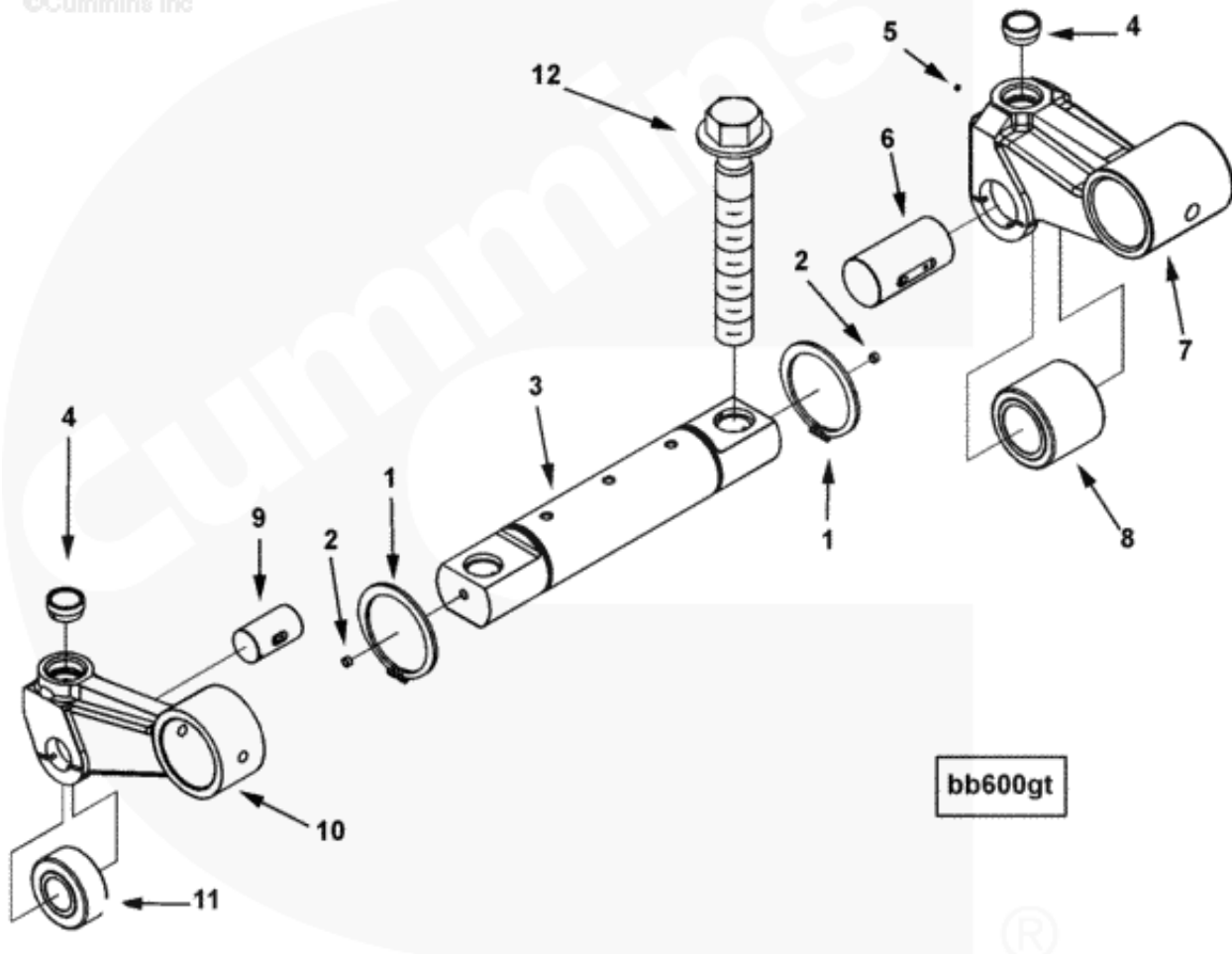


Parts Catalog - Option Detail

Content For Engine Serial Number (ESN): 66301765

Electronic Parts Catalog - Option Detail				
Option	Group	Graphic	Film Card	Date
BB6722-02	04.01	bb600gt	P78	05-AUG-09
Engines	QSK78 CM500			

©Cummins Inc



SMALL | MEDIUM | LARGE

Add Part to Cart	Ref No	Part Number	Part Name	Required	Remarks
<input type="button" value="View My Cart"/>					
		BB6722-02	Cam Follower Lever		
<input type="checkbox"/>		3641461	Lever, Cam Follower TLA	18	
<input type="checkbox"/>	1	3082415	Ring, Retaining	36	

<input type="checkbox"/>		3082416	Shaft, Cam Follower	18	
	2	4066210	Plug, Ball	2	
	3	3082417	Shaft, Cam Follower	1	
		3641459	Lever, Cam Follower	18	
<input type="checkbox"/>	4	4006772	Socket, Cam Follower	1	
<input type="checkbox"/>	5	4066811	Plug, Ball		
	6	4006770	Pin, Cam Follower Roller	1	
	7	4005008	Lever, Cam Follower	1	
	8	3641457	Roller, Cam Follower	1	
		3641460	Lever, Cam Follower	36	
	9	4006771	Pin, Cam Follower Roller	1	
<input type="checkbox"/>	4	4006772	Socket, Cam Follower	1	
	10	4005012	Lever, Cam Follower	1	
	11	3641458	Roller, Cam Follower	1	
<input type="checkbox"/>	12	3082427	Screw, Hex Flange Head Cap	36	

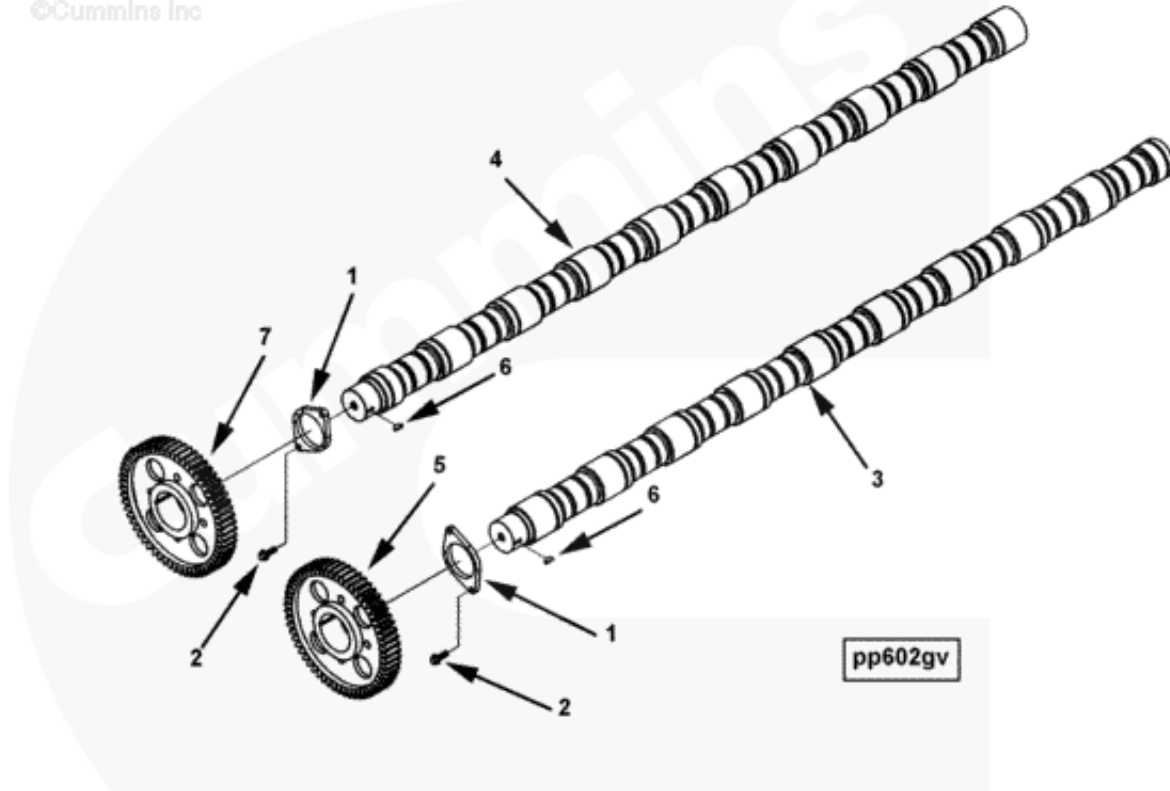


Parts Catalog - Option Detail

Content For Engine Serial Number (ESN): 66301765

Electronic Parts Catalog - Option Detail				
Option	Group	Graphic	Film Card	Date
PP8241-01	01.07	pp602gv	P78	27-JUL-04
Engines	QSK78 CM500			

©Cummins Inc



SMALL | MEDIUM | LARGE

Add Part to Cart	Ref No	Part Number	Part Name	Required	Remarks
<input type="button" value="View My Cart"/>					
		PP8241-01	Camshaft		
<input type="checkbox"/>	1	3082437	Bearing, Camshaft Thrust	2	
<input type="checkbox"/>	2	3903112	Screw, Hex Flange Head Cap	4	M10 x 1.50 x 30
<input type="checkbox"/>	3	4006951	Camshaft	1	Left Bank
<input type="checkbox"/>	4	4006950	Camshaft	1	Right Bank

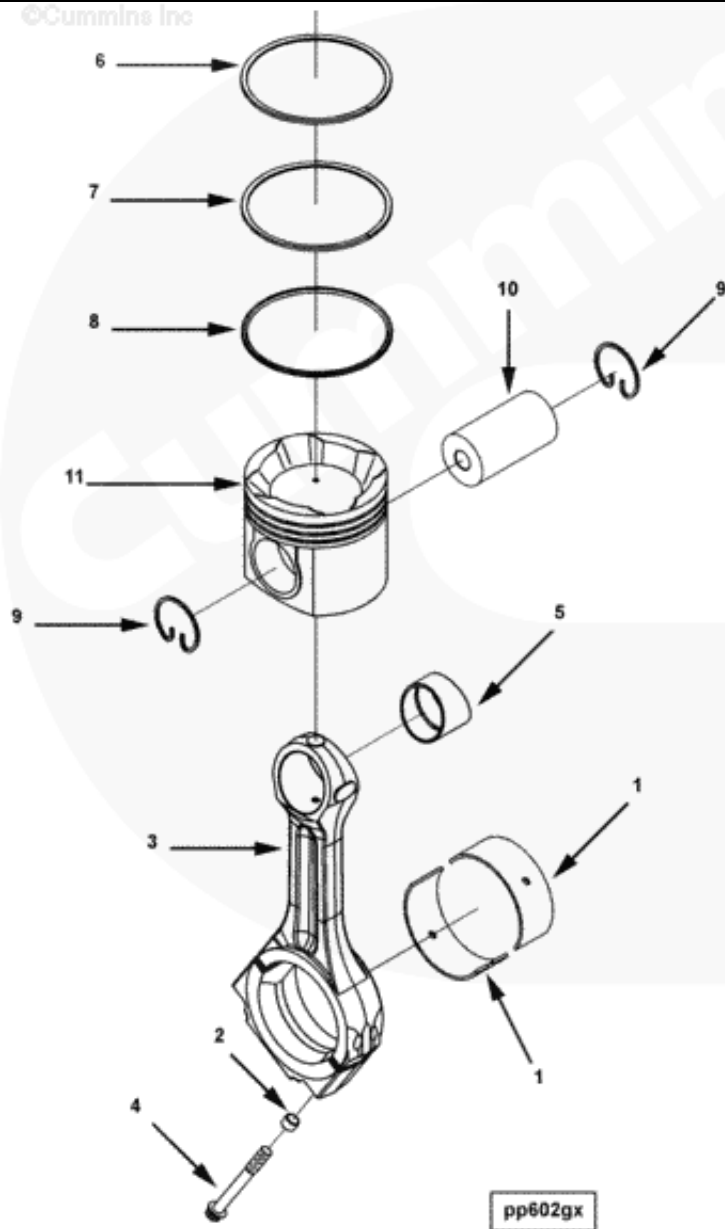
<input type="checkbox"/>	5	4007346	Gear, Camshaft	1	Left Bank
<input type="checkbox"/>	6	S 302	Key, Plain Woodruff	2	
<input type="checkbox"/>	7	4007345	Gear, Camshaft	1	Right Bank



Parts Catalog - Option Detail

Content For Engine Serial Number (ESN): 66301765

Electronic Parts Catalog - Option Detail				
Option	Group	Graphic	Film Card	Date
PP8241-04	01.04	pp602gx	P78	11-AUG-08
Engines	QSK78 CM500			



pp602gx

SMALL | MEDIUM | LARGE

Add Part to Cart	Ref No	Part Number	Part Name	Required	Remarks
<input type="button" value="View My Cart"/>					
		PP8241-04	Connecting Rod And Piston		Performance parts
					Certified Model Name: QSK78-
					G timing gear code: LC
					CPL: 8241
					Certified By: EPA ,CARB
					AFC: N/A
					ASA: N/A
					EFC: N/A
					ETC: N/A
					Manifold Type: Dry
					Engine Aspiration:
					Turbocharged
					Engine Control System: Doh
					Application: Power
					Generation
					Power Turbine: N/A
					Design Phase: Production
					Power Rating: N/A ECM
					version: Dominion centinel
					provision: Yes.
<input type="checkbox"/>	1	4007511	Bearing, Connecting Rod	2	
<input type="checkbox"/>		4007512	Bearing, Connecting Rod	A/R	.25 MM Oversize
<input type="checkbox"/>		4007513	Bearing, Connecting Rod	A/R	.50 MM Oversize
<input type="checkbox"/>		4007514	Bearing, Connecting Rod	A/R	.75 MM Oversize
<input type="checkbox"/>		4007515	Bearing, Connecting Rod	A/R	1.00 MM Oversize
<input type="checkbox"/>		4007116	Rod, Engine Connecting	18	
<input type="checkbox"/>	2	4007225	Dowel, Ring	2	
<input type="checkbox"/>	3	4007115	Rod, Engine Connecting	1	

<input type="checkbox"/>	4	4007226	Screw, Hex Flange Head Cap	4	
	5	4007707	Bushing	1	
<input type="checkbox"/>		4025382	Set, Piston Ring	18	Standard
	6	4006172	Ring, Compression Piston	1	
	7	4006173	Ring, Compression Piston	1	
	8	4006174	Ring, Oil Piston	1	
<input type="checkbox"/>		4955737	Kit, Engine Piston	18	
<input type="checkbox"/>	9	4006175	Ring, Retaining	2	
<input type="checkbox"/>	10	4006176	Pin, Piston	1	
<input type="checkbox"/>	11	3638753	Piston, Engine	1	

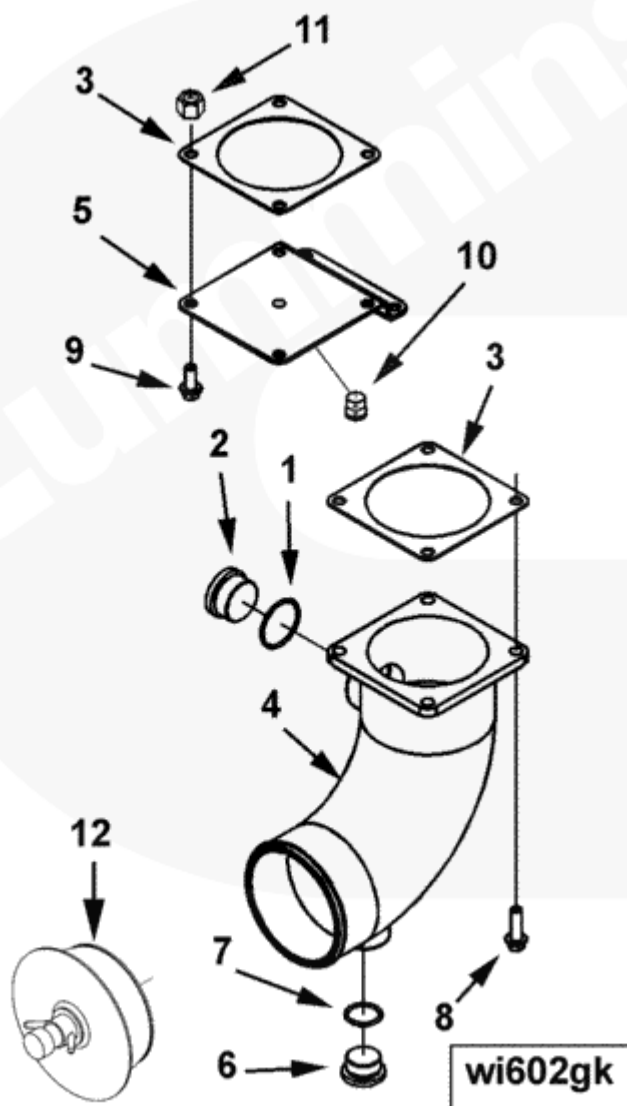


Parts Catalog - Option Detail

Content For Engine Serial Number (ESN): 66301765

Electronic Parts Catalog - Option Detail				
Option	Group	Graphic	Film Card	Date
WI6016-03	08.07.1	wi602gk	P78	03-MAR-08
Engines	QSK78 CM500			

©Cummins Inc



[SMALL](#) | [MEDIUM](#) | [LARGE](#)

Add Part to Cart	Ref No	Part Number	Part Name	Required	Remarks
<input type="button" value="View My Cart"/>					
		WI6016-03	Connection,Water Inlet		Water inlet connection
					90 degree water inlet

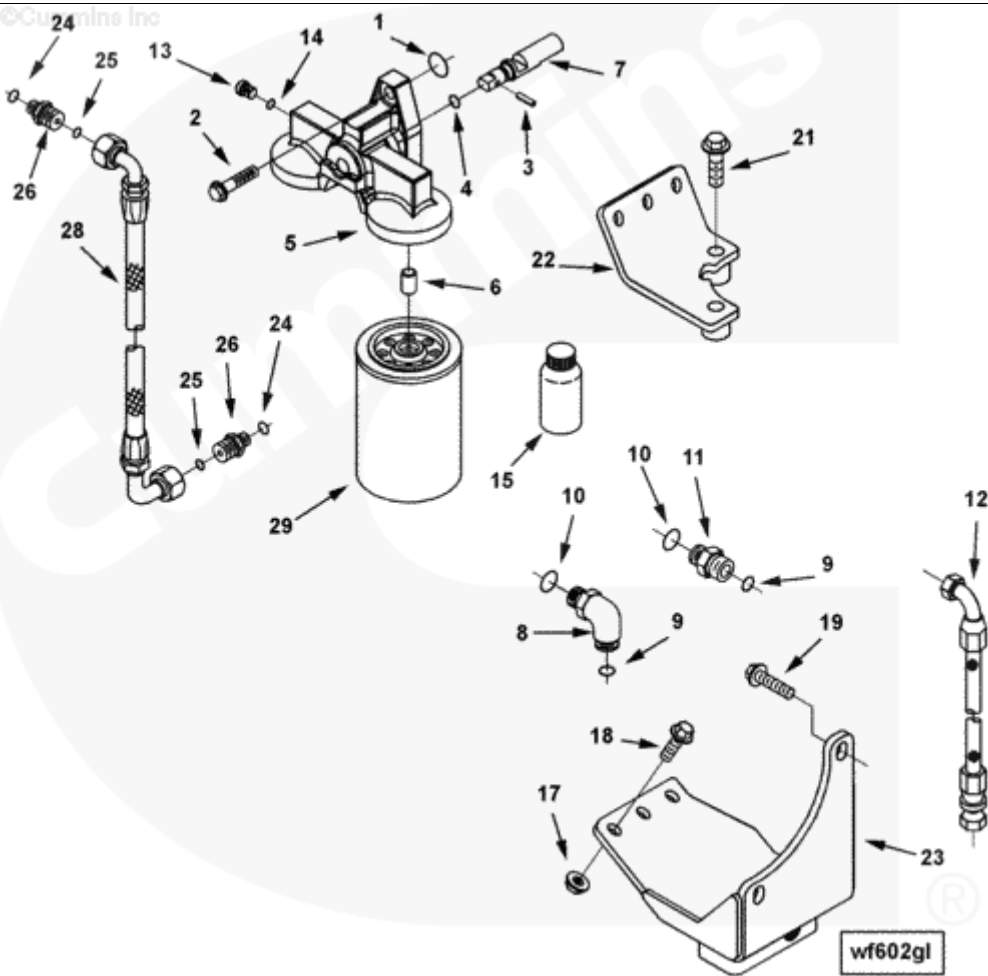
					connection. Inlet outside
					diameter: 127mm (5.0inches)
					inlet inside diameter: 117mm
					(4.62inches)
					Unique Characteristics:
					Cannot be used with Cummins
					supplied cooling system.
<input type="checkbox"/>		3089023	Plug, Threaded	1	M42 x 2.00 x 19.5
<input type="checkbox"/>	1	3089019	Seal, O Ring	1	M42
	2	3089021	Plug, Threaded	1	M42 x 2.00 x 19.5
<input type="checkbox"/>	3	3179035	Gasket, Wtr Trf Connection	2	
<input type="checkbox"/>	4	3332314	Connection, Water Inlet	1	
<input type="checkbox"/>	5	3631921	Cover, Water Transfer	1	
<input type="checkbox"/>		3678838	Plug, Threaded	1	
	6	3678845	Plug, Threaded	1	
<input type="checkbox"/>	7	3678846	Seal, O Ring	1	
<input type="checkbox"/>	8	3902460	Screw, Hex Flange Head Cap	4	M10 x 1.50 x 25
<input type="checkbox"/>	9	3903990	Screw, Hex Flange Head Cap	6	M10 x 1.50 x 20
<input type="checkbox"/>	10	3628605	Plug, Pipe	1	1/4 -18
<input type="checkbox"/>	11	3902662	Nut, Hexagon Flange	2	M10 x 1.50
<input type="checkbox"/>	12	4100771	Plug, Orifice	1	



Parts Catalog - Option Detail

Content For Engine Serial Number (ESN): 66301765

Electronic Parts Catalog - Option Detail				
Option	Group	Graphic	Film Card	Date
WF6038-10	08.08	wf602gl	P78	27-JUL-10
Engines	QSK78 CM500			



[SMALL](#) | [MEDIUM](#) | [LARGE](#)

Add Part to Cart	Ref No	Part Number	Part Name	Required	Remarks
View My Cart					
		WF6038-10	Corrosion Resistor		Corrosion resistor
					type of element: Replacable
					spin-on cartridge length:
					5.55in (141mm) mounting
					location: On jacket water
					pump housing

					Number Of Filter Heads: 1
					Number Of DCA Units: Two 15
					Units type of mounting:
					Bracket type of plumbing:
					Hoses to pump outlet/inlet
					shut-off valve location:
					Integral units of corrosion
					inhibitor in filters: TBD
					units of corrosion inhibitor
					in kit: TBD
					Unique Characteristics:
					Customer must use heavy duty
					anit-freeze.
<input type="checkbox"/>	1	145528	Seal, O Ring	2	
<input type="checkbox"/>	2	3089232	Screw, Hex Flange Head Cap	2	M10 x 1.50 x 45
<input type="checkbox"/>		3089299	Head, Corrosion Resistor	1	
<input type="checkbox"/>	3	8306	Pin, Roll	1	
<input type="checkbox"/>	4	70415	Seal, O Ring	1	
<input type="checkbox"/>	5	3089298	Head, Corrosion Resistor	1	
<input type="checkbox"/>	6	3643997	Adapter, Filter Head	2	
<input type="checkbox"/>	7	3177040	Shaft, Shutoff Valve	1	
<input type="checkbox"/>		3331872	Elbow, Male Union	1	
	8	3331837	Elbow, Male Union	1	
<input type="checkbox"/>	9	3627695	Seal, O Ring	1	
<input type="checkbox"/>	10	3678786	Seal, O Ring	1	
<input type="checkbox"/>		3331873	Union, Male	1	
	11	3331838	Union, Male	1	
<input type="checkbox"/>	9	3627695	Seal, O Ring	1	
<input type="checkbox"/>	10	3678786	Seal, O Ring	1	
<input type="checkbox"/>	12	3627910	Hose, Flexible	1	
<input type="checkbox"/>	12	3627910	Hose, Flexible	1	
<input type="checkbox"/>		3678923	Plug, Threaded	1	M10 x 1.00 x 13.5
	13	3678924	Plug, Threaded	1	Purchase P/N 3678923
<input type="checkbox"/>	14	3678925	Seal, O Ring	1	M10

<input type="checkbox"/>	15	3888312	Inhibitor, Corrosion	6	Buy from Cummins Filtration
<input type="checkbox"/>	17	3902662	Nut, Hexagon Flange	3	M10 x 1.50
<input type="checkbox"/>	18	3903112	Screw, Hex Flange Head Cap	3	M10 x 1.50 x 30
<input type="checkbox"/>	19	3903464	Screw, Hex Flange Head Cap	2	M10 x 1.50 x 40
<input type="checkbox"/>	21	3905372	Screw, Hex Flange Head Cap	2	M12 x 1.75 x 60
<input type="checkbox"/>	22	4007261	Bracket, Connection	1	
<input type="checkbox"/>	23	4007264	Bracket, Connection	1	
<input type="checkbox"/>		4016669	Union, Male	2	
<input type="checkbox"/>	24	3678603	Seal, O Ring	1	
<input type="checkbox"/>	25	3922794	Seal, O Ring	1	
	26	4016670	Union, Male	1	
<input type="checkbox"/>	28	4016954	Hose, Flexible	1	
<input type="checkbox"/>	29	4058965	Resistor, Corrosion	2	Buy from Cummins Filtration

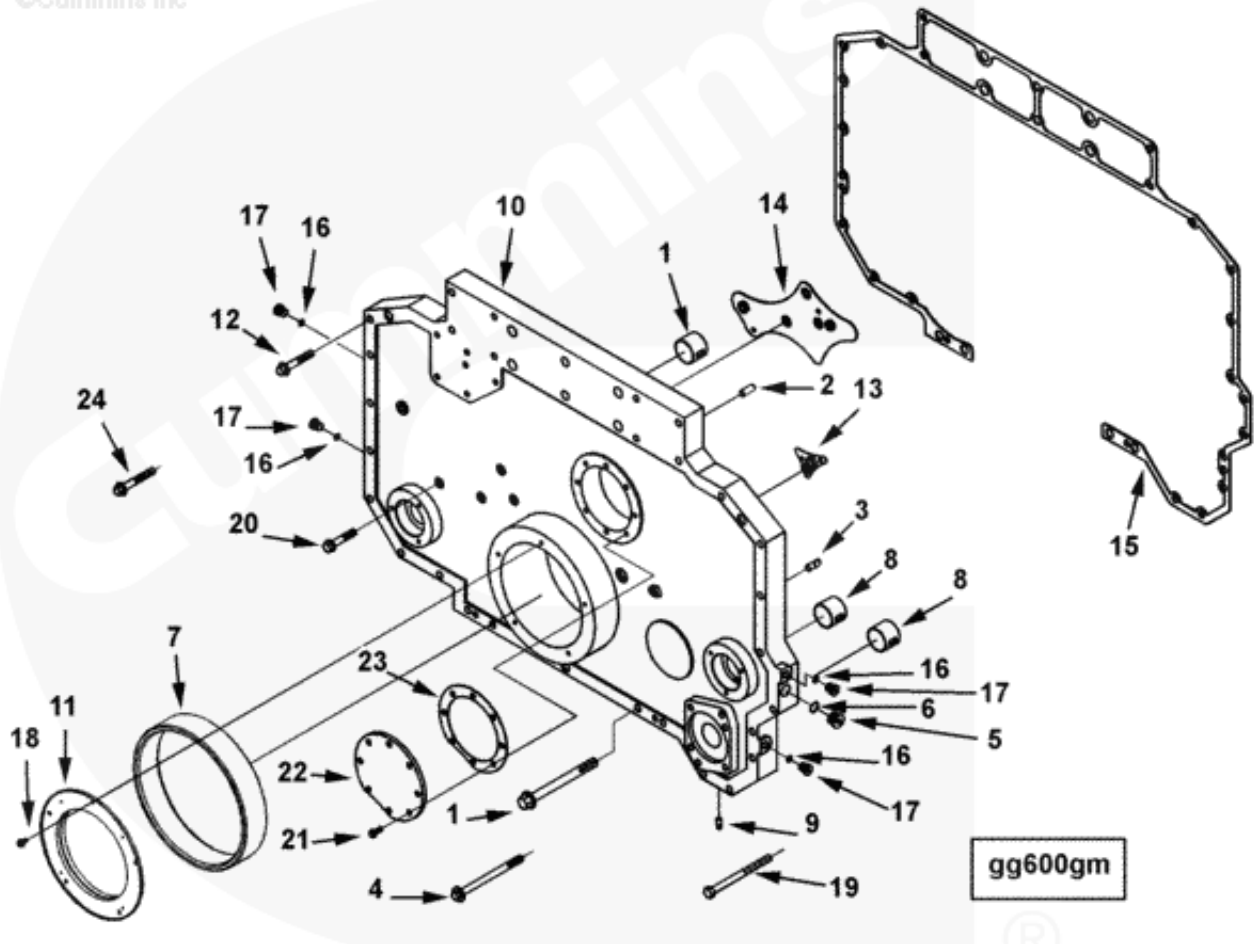


Parts Catalog - Option Detail

Content For Engine Serial Number (ESN): 66301765

Electronic Parts Catalog - Option Detail				
Option	Group	Graphic	Film Card	Date
GG6714-06	01.06	gg600gm	P78	15-FEB-11
Engines	QSK78 CM500			

©Cummins Inc



SMALL | MEDIUM | LARGE

Add Part to Cart	Ref No	Part Number	Part Name	Required	Remarks
<input type="button" value="View My Cart"/>					
		GG6714-06	Front Gear Cover		Front gear cover
					cast iron front gear cover no
					fan drive.

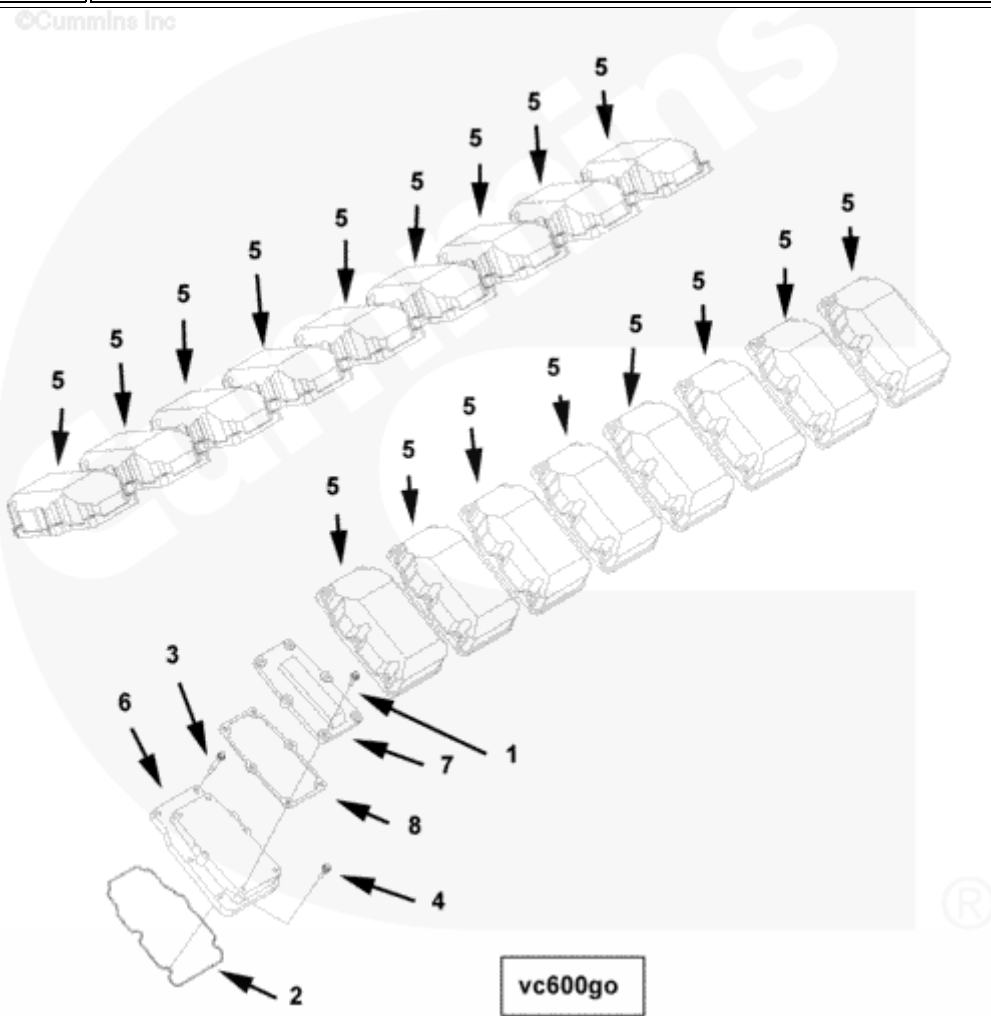
<input type="checkbox"/>	1	3089296	Screw, Hex Flange Head Cap	6	M16 x 2.00 x 170
<input type="checkbox"/>	2	3089378	Dowel, Pin	1	
<input type="checkbox"/>	3	3089379	Dowel, Diamond	1	
<input type="checkbox"/>	4	3089592	Screw, Hex Flange Head Cap	2	
<input type="checkbox"/>		4007564	Cover, Gear	1	
<input type="checkbox"/>		3089238	Plug, Threaded	1	M22 x 1.50 x 20.1
	5	3089239	Plug, Threaded	1	M22 x 1.50 x 20.1
<input type="checkbox"/>	6	3089240	Seal, O Ring	1	M22
<input type="checkbox"/>		3678921	Plug, Threaded	4	M14 x 1.50 x 16
<input type="checkbox"/>	16	3678912	Seal, O Ring	1	M14
	17	3678922	Plug, Threaded	1	Purchase P/N 3678921
<input type="checkbox"/>		4101323	Cover, Gear	1	
<input type="checkbox"/>	7	4101322	Bushing	1	
<input type="checkbox"/>	8	3089454	Bushing	3	
<input type="checkbox"/>	9	3640776	Seal, Tamper Proof	2	
<input type="checkbox"/>	10	4007358	Cover, Gear	1	
<input type="checkbox"/>	11	4100624	Seal, Oil	1	
<input type="checkbox"/>	12	3278480	Screw, Hex Flange Head Cap	17	M12 x 1.75 x 70
<input type="checkbox"/>	13	3331969	Gasket, Spacer	1	
<input type="checkbox"/>	14	3331970	Gasket, Spacer	1	
<input type="checkbox"/>	15	4100983	Gasket, Gear Cover	1	
<input type="checkbox"/>	18	3900626	Screw, Hex Flange Head Cap	5	M6 x 1.00 x 12
<input type="checkbox"/>	19	3903105	Screw, Hex Flange Head Cap	4	M12 x 1.75 x 150
<input type="checkbox"/>	20	3905372	Screw, Hex Flange Head Cap	1	M12 x 1.75 x 60
<input type="checkbox"/>	21	3900630	Screw, Hex Flange Head Cap	8	M8 x 1.25 x 20
<input type="checkbox"/>	22	4007352	Plate, Cover	1	
<input type="checkbox"/>	23	4007353	Gasket, Connection	1	
<input type="checkbox"/>	24	3914177	Screw, Hex Flange Head Cap	2	M12 x 1.75 x 80



Parts Catalog - Option Detail

Content For Engine Serial Number (ESN): 66301765

Electronic Parts Catalog - Option Detail				
Option	Group	Graphic	Film Card	Date
VC6725	03.01.1	vc600go	P78	07-DEC-09
Engines	QSK78 CM500			



[SMALL](#) | [MEDIUM](#) | [LARGE](#)

Add Part to Cart	Ref No	Part Number	Part Name	Required	Remarks
View My Cart					
		VC6725	Cover,Valve		Valve cover
					Engine Family: Qsk78
					Fill Location: N/A
					Number Of Covers: 18
					breather location: N/A

					Material: Aluminum retaining
					plate included: Yes
					Unique Characteristics:
					Two piece cast iron cover for
					LB#1.
<input type="checkbox"/>	1	3089016	Screw, Hex Flange Head Cap	6	M10 x 1.50 x 35
<input type="checkbox"/>	2	3640483	Gasket, Valve Cover	18	
<input type="checkbox"/>	3	3900679	Screw, Hex Flange Head Cap	1	M10 x 1.50 x 80
<input type="checkbox"/>	4	3903464	Screw, Hex Flange Head Cap	107	M10 x 1.50 x 40
<input type="checkbox"/>	5	4006216	Cover, Rocker Lever	17	
<input type="checkbox"/>	6	4007836	Cover, Rocker Lever	1	
<input type="checkbox"/>	7	4007837	Cover, Rocker Lever	1	
<input type="checkbox"/>	8	4007838	Gasket, Valve Cover	1	

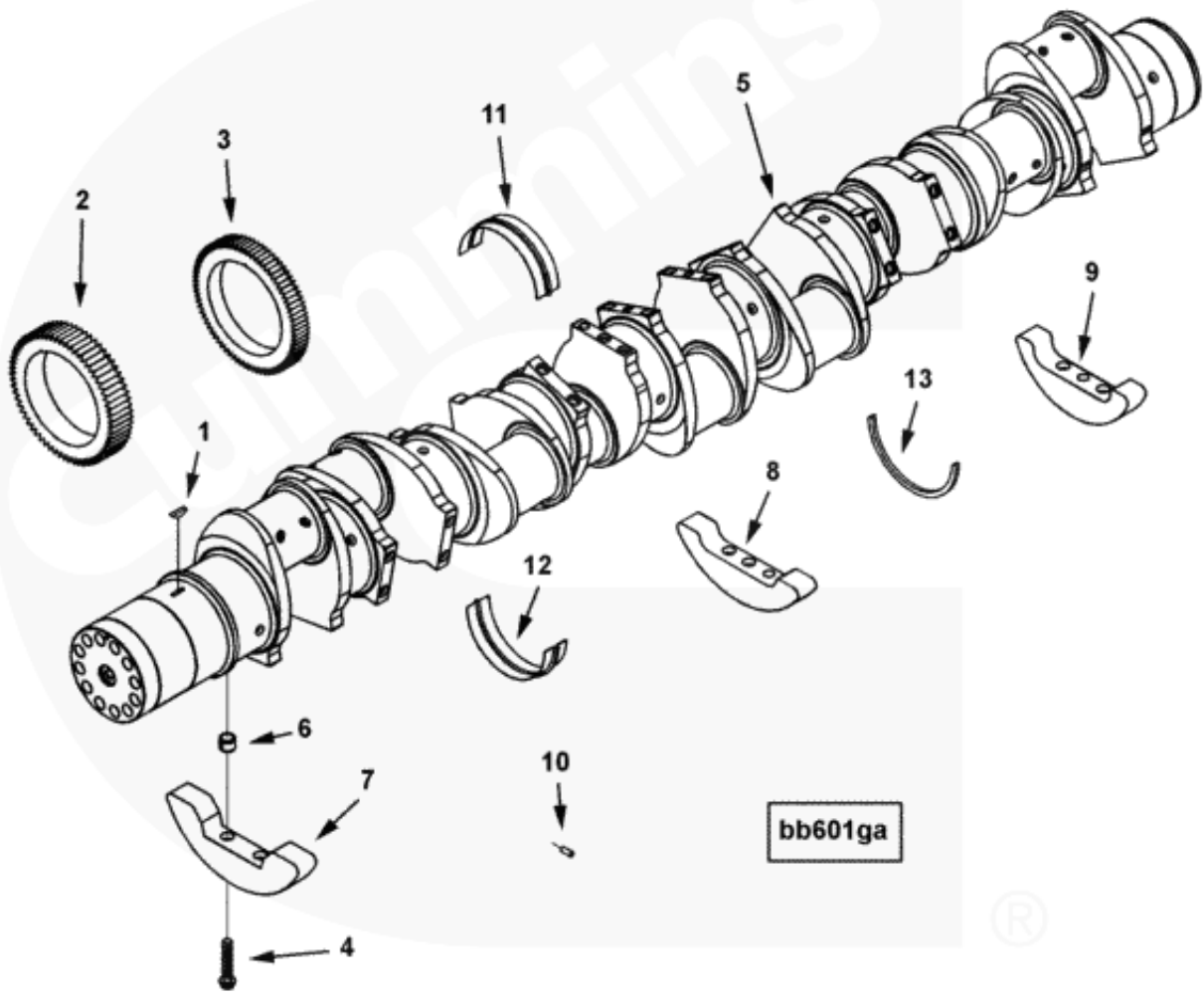


Parts Catalog - Option Detail

Content For Engine Serial Number (ESN): 66301765

Electronic Parts Catalog - Option Detail				
Option	Group	Graphic	Film Card	Date
BB6722-02	01.02	bb601ga	P78	03-AUG-04
Engines	QSK78 CM500			

©Cummins Inc



SMALL | MEDIUM | LARGE

Add Part to Cart	Ref No	Part Number	Part Name	Required	Remarks
View My Cart					
		BB6722-02	Crankshaft Assembly		

<input type="checkbox"/>		4007630	Crankshaft, Engine TLA	1	
<input type="checkbox"/>	1	206904	Key, Woodruff	1	
<input type="checkbox"/>	2	4007558	Gear, Crankshaft	1	
<input type="checkbox"/>	3	4007347	Gear, Crankshaft	1	
		4007629	Crankshaft, Engine	1	
<input type="checkbox"/>	4	4007563	Screw, Twelve Point Cap	44	
	5	4007606	Crankshaft, Engine	1	
<input type="checkbox"/>	6	3176218	Dowel, Ring	36	
	7	4007193	Weight, Crankshaft Counter	10	
	8	4007619	Weight, Crankshaft Counter	6	
	9	4007620	Weight, Crankshaft Counter	2	
<input type="checkbox"/>	10	4016468	Dowel, Pin	4	
<input type="checkbox"/>		4089937	Set, Main Bearing	1	Standard
<input type="checkbox"/>	11	3082340	Bearing, Main	10	
<input type="checkbox"/>	12	3082346	Bearing, Main	10	
<input type="checkbox"/>	13	4007569	Bearing, Thrust	4	
<input type="checkbox"/>		4089938	Set, Main Bearing	A/R	.010 inch oversize
<input type="checkbox"/>	11	3082341	Bearing, Main	A/R	
<input type="checkbox"/>	12	3082347	Bearing, Main	A/R	
<input type="checkbox"/>	13	4007569	Bearing, Thrust	A/R	
<input type="checkbox"/>		4089939	Set, Main Bearing	A/R	.020 inch oversize
<input type="checkbox"/>	11	3082342	Bearing, Main	A/R	
<input type="checkbox"/>	12	3082348	Bearing, Main	A/R	
<input type="checkbox"/>	13	4007569	Bearing, Thrust	A/R	
<input type="checkbox"/>		4089940	Set, Main Bearing	A/R	.030 inch oversize
<input type="checkbox"/>	11	3082343	Bearing, Main	A/R	
	12	3082349	Bearing, Main	A/R	

<input type="checkbox"/>					
<input type="checkbox"/>	13	4007569	Bearing, Thrust	A/R	
<input type="checkbox"/>		4089941	Set, Main Bearing	A/R	.040 inch oversize
<input type="checkbox"/>	11	3082344	Bearing, Main	A/R	
<input type="checkbox"/>	12	3082350	Bearing, Main	A/R	
<input type="checkbox"/>	13	4007569	Bearing, Thrust	A/R	

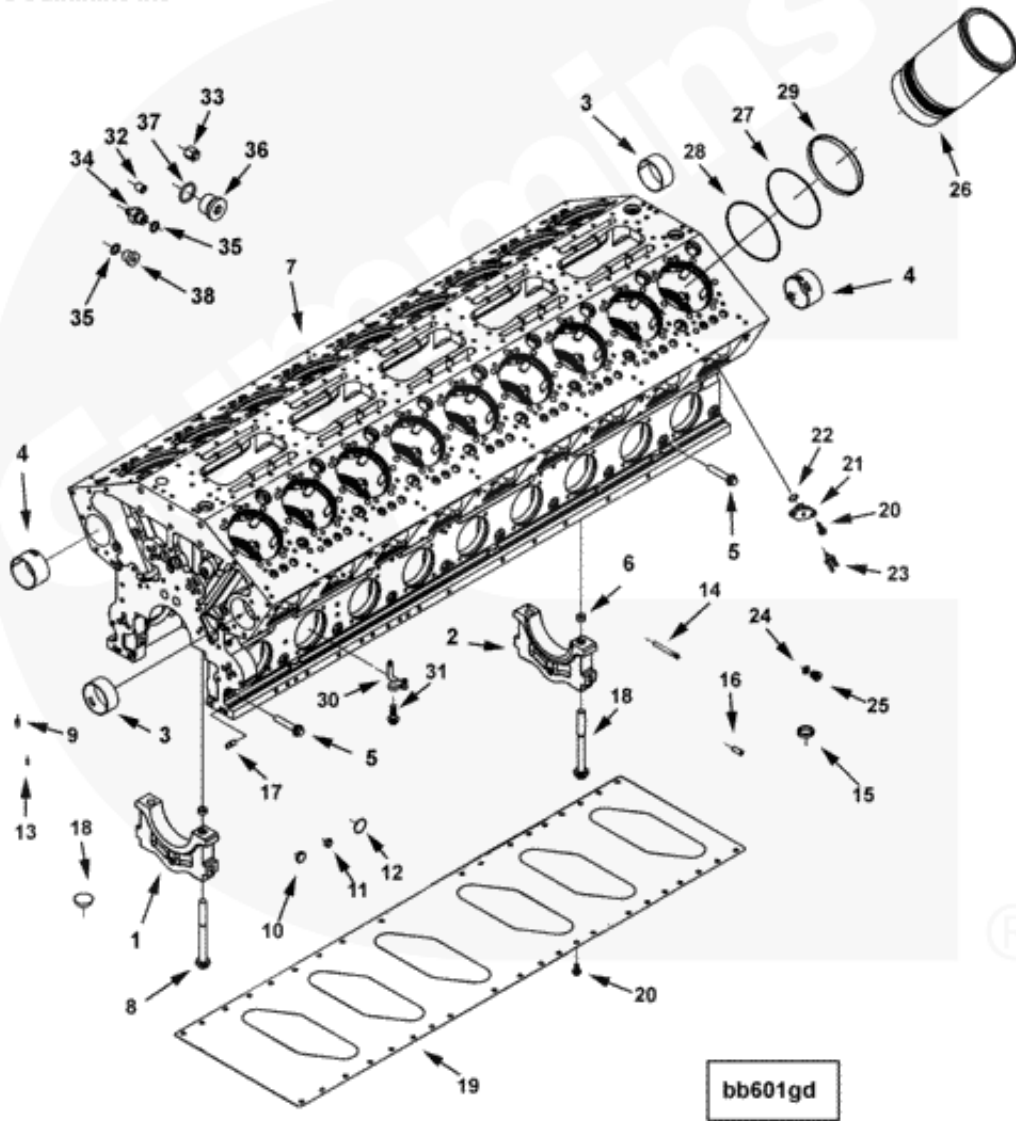


Parts Catalog - Option Detail

Content For Engine Serial Number (ESN): 66301765

Electronic Parts Catalog - Option Detail				
Option	Group	Graphic	Film Card	Date
BB6722-07	01.01	bb601gd	P78	18-SEP-09
Engines	QSK78 CM500			

©Cummins Inc



SMALL | MEDIUM | LARGE

Add Part to Cart	Ref No	Part Number	Part Name	Required	Remarks

View My Cart

		BB6722-07	Cylinder Block		Block, cylinder
<input type="checkbox"/>		4089095	Block, Cylinder	1	
<input type="checkbox"/>		4007214	Block, Cylinder	1	
<input type="checkbox"/>	1	3642431	Cap, Main Bearing	9	
<input type="checkbox"/>	2	3642432	Cap, Main Bearing	1	
<input type="checkbox"/>	3	4007741	Bushing	2	
<input type="checkbox"/>	4	3089173	Bushing	18	
<input type="checkbox"/>	5	3089192	Screw, Hex Flange Head Cap	20	
<input type="checkbox"/>	6	3089201	Dowel, Ring	18	
<input type="checkbox"/>	7	4007168	Block, Cylinder	1	
<input type="checkbox"/>	8	3332234	Screw, Hex Flange Head Cap	20	
<input type="checkbox"/>		4089091	Kit, Service Block	1	
<input type="checkbox"/>	9	68445	Pin, Groove	36	
<input type="checkbox"/>	10	4006411	Plug, Expansion	4	
<input type="checkbox"/>	11	3082438	Dowel, Ring	36	
<input type="checkbox"/>	12	3629168	Plug, Expansion	9	
<input type="checkbox"/>	13	69519	Dowel, Pin	2	
<input type="checkbox"/>	14	3640776	Seal, Tamper Proof	26	
<input type="checkbox"/>	15	4017621	Plug, Expansion	3	
<input type="checkbox"/>	16	4006293	Dowel, Pin	36	
<input type="checkbox"/>	17	4016701	Dowel, Diamond	4	
<input type="checkbox"/>	18	4017240	Plug, Expansion	22	
<input type="checkbox"/>	19	4007704	Plate, Cyl Block Stiffener	1	
<input type="checkbox"/>	20	3903990	Screw, Hex Flange Head Cap	51	M10 x 1.50 x 20
<input type="checkbox"/>	21	4080519	Adapter, O Ring	4	
<input type="checkbox"/>	22	3632840	Seal, O Ring	4	
<input type="checkbox"/>	23	3638583	Draincock	4	

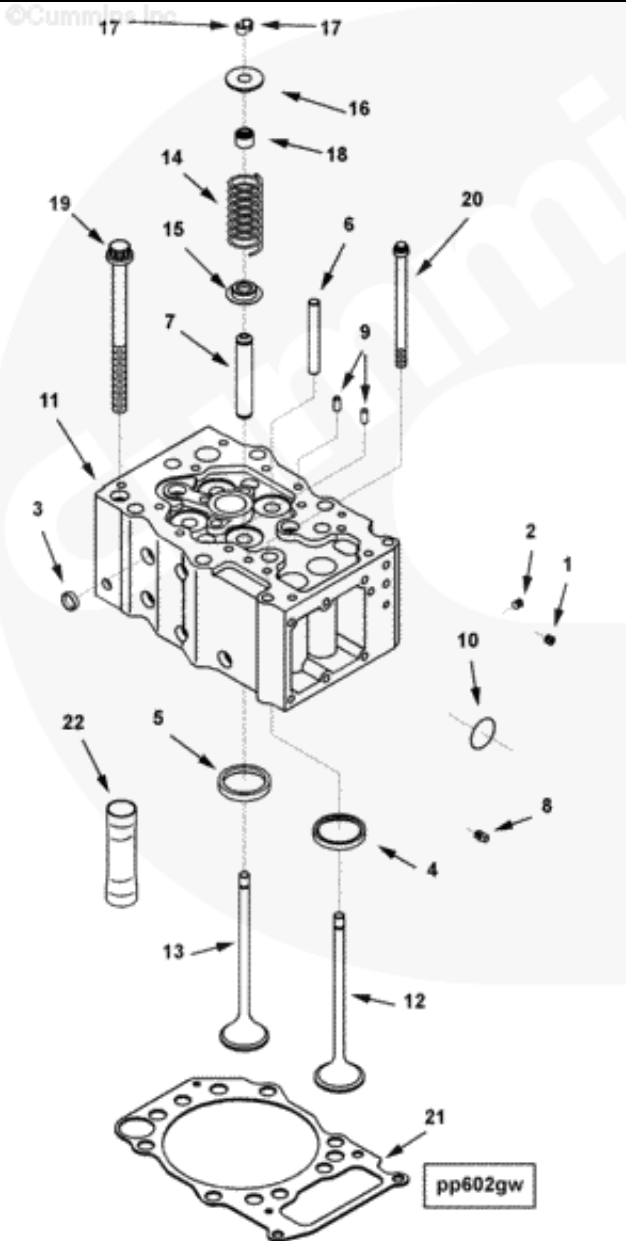
<input type="checkbox"/>		3678873	Plug, Threaded	8	
<input type="checkbox"/>	24	3678786	Seal, O Ring	8	
	25	3678791	Plug, Threaded	8	
<input type="checkbox"/>		4955679	Kit, Liner	18	
	26	3638756	Liner, Cylinder	18	
<input type="checkbox"/>	27	4006179	Seal, Oil	18	
<input type="checkbox"/>	28	4006297	Seal, Oil	18	
<input type="checkbox"/>	29	3639993	Ring, Liner Seal	18	
<input type="checkbox"/>	30	4006218	Nozzle, Piston Cooling	36	
<input type="checkbox"/>	31	3093923	Screw, Hex Flange Head Cap	36	M8 x 1.25 x 14
<input type="checkbox"/>	32	3628605	Plug, Pipe	1	1/4 -18
	33	3635472	Cap, Valve	1	
		3635725	Connection, Adapter	1	
	34	3635471	Connection, Adapter	1	
<input type="checkbox"/>	35	3678912	Seal, O Ring	1	M14
<input type="checkbox"/>		3678611	Plug, Threaded	1	
	36	3678605	Plug, Threaded	1	
<input type="checkbox"/>	37	3678606	Seal, O Ring	1	M27 x 2.00
<input type="checkbox"/>		3678921	Plug, Threaded	3	M14 x 1.50 x 16
<input type="checkbox"/>	35	3678912	Seal, O Ring	1	M14
	38	3678922	Plug, Threaded	1	Purchase P/N 3678921



Parts Catalog - Option Detail

Content For Engine Serial Number (ESN): 66301765

Electronic Parts Catalog - Option Detail				
Option	Group	Graphic	Film Card	Date
PP8241-05	02.01	pp602gw	P78	25-OCT-10
Engines	QSK78 CM500			



SMALL | MEDIUM | LARGE

Add Part to Cart	Ref No	Part Number	Part Name	Required	Remarks
<input type="button" value="View My Cart"/>					
		PP8241-04	Cylinder Head		
<input type="checkbox"/>		4007663	Head, Cylinder	18	
<input type="checkbox"/>		4007664	Head, Cylinder	1	
<input type="checkbox"/>	1	S 910 B	Plug, Pipe	3	1/4 NPT
<input type="checkbox"/>	2	217632	Plug, Pipe	4	1/8 NPT.
<input type="checkbox"/>	3	3920706	Plug, Expansion	18	
<input type="checkbox"/>	4	4006184	Insert, Valve	2	Intake
<input type="checkbox"/>	5	4095988	Insert, Valve	2	Exhaust
<input type="checkbox"/>	6	4006186	Guide, Valve Crosshead	2	
<input type="checkbox"/>	7	4008036	Guide, Valve Stem	4	
<input type="checkbox"/>	8	4006292	Plug, Pipe	1	
<input type="checkbox"/>	9	4006293	Dowel, Pin	2	
<input type="checkbox"/>	10	4006295	Seal, O Ring	2	
	11	4007665	Head, Cylinder	1	
<input type="checkbox"/>	22	4006294	Enclosure, Push Rod	2	
	12	4007179	Valve, Intake	2	
	13	3639658	Valve, Exhaust	2	Purchase 4955601
<input type="checkbox"/>	14	3639621	Spring, Valve	4	
<input type="checkbox"/>	15	4007182	Plate, Valve Spring Wear	4	
<input type="checkbox"/>	16	4007183	Retainer, Valve Spring	4	
<input type="checkbox"/>	17	4007184	Retainer, Valve Spring	8	
<input type="checkbox"/>	18	4007185	Seal, Valve Stem	4	
<input type="checkbox"/>	19	4006200	Screw, Twelve Point head	126	
<input type="checkbox"/>	20	4006201	Screw, Twelve Point Cap	36	
<input type="checkbox"/>	21	3643980	Gasket, Cylinder Head	18	
<input type="checkbox"/>		3640106	Gasket, Cylinder Head	A/R	.5mm oversize

		4089090	Kit, Exhaust Valve	1	
	13	4007180	Valve, Exhaust	1	
<input type="checkbox"/>	17	4007184	Retainer, Valve Spring	2	
		4089089	Kit, Intake Valve	1	
	12	4007179	Valve, Intake	1	
<input type="checkbox"/>	17	4007184	Retainer, Valve Spring	2	

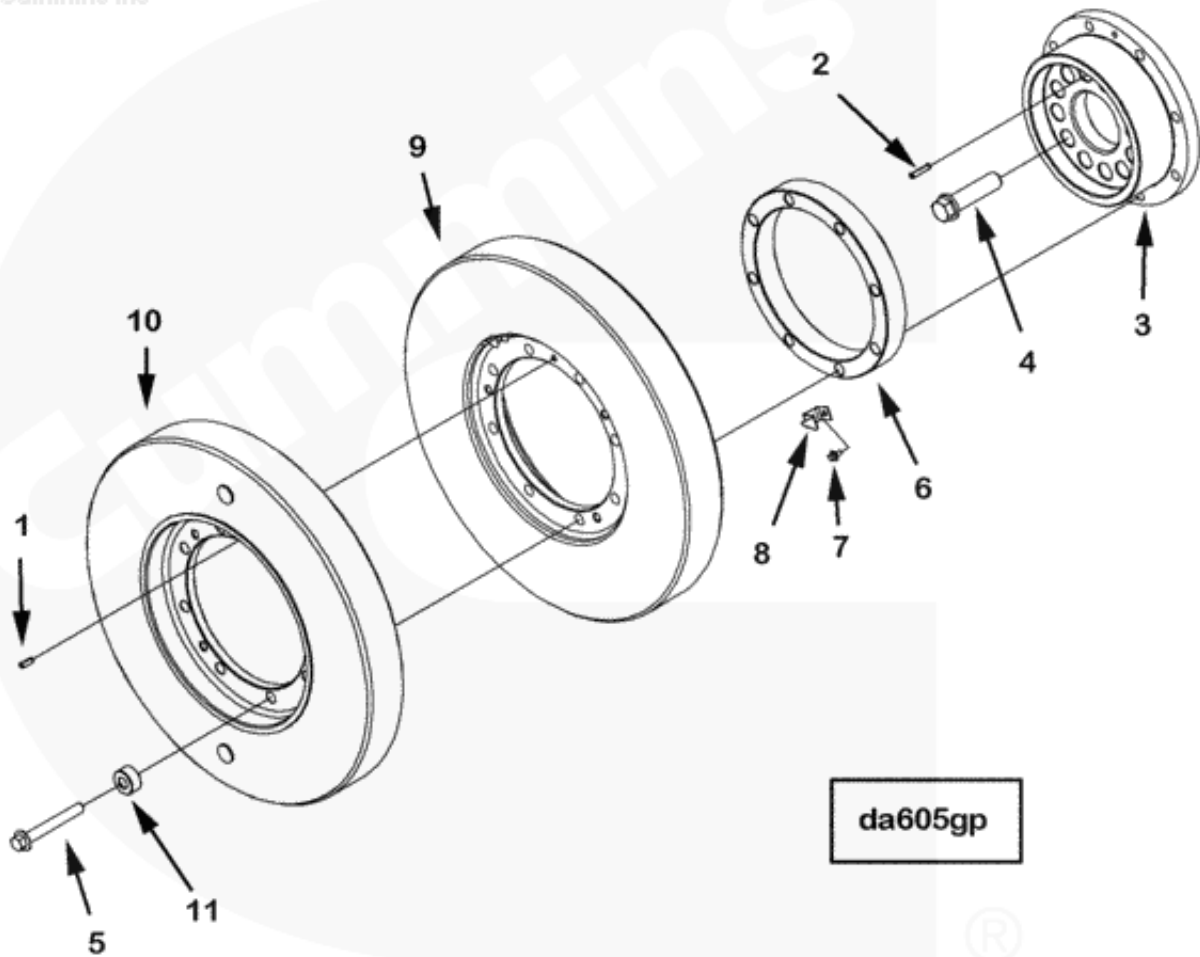


Parts Catalog - Option Detail

Content For Engine Serial Number (ESN): 66301765

Electronic Parts Catalog - Option Detail				
Option	Group	Graphic	Film Card	Date
DA6152-03	01.02.2	da605gp	P78	19-JUN-06
Engines	QSK78 CM500			

©Cummins Inc



SMALL | MEDIUM | LARGE

Add Part to Cart	Ref No	Part Number	Part Name	Required	Remarks
View My Cart					
		DA6152-03	Damper,Vibration		Vibration damper
					type: High viscosity

					Number Of Dampers: 2
					Provision for mounting front
					power takeoff: No speed
					limitation: TBD
					Unique Characteristics: Base
					circle diameter of crank
					attached holes is 241.3.
					With press fit crankshaft
					adapter. Damper size: 520mm
					fan drive: No.
<input type="checkbox"/>	1	131584	Pin, Roll	1	
<input type="checkbox"/>	2	3033629	Pin, Roll	1	
<input type="checkbox"/>	3	3089093	Adapter, Crankshaft	1	
<input type="checkbox"/>	4	3089127	Screw, Hex Flange Head Cap	12	
<input type="checkbox"/>	5	3089128	Screw, Hex Flange Head Cap	8	
<input type="checkbox"/>	6	3089570	Spacer, Crankshaft	1	
<input type="checkbox"/>	7	3900626	Screw, Hex Flange Head Cap	1	M6 x 1.00 x 12
<input type="checkbox"/>	8	4017238	Pointer, Timing	1	
<input type="checkbox"/>	9	4007034	Damper, Vibration	1	
<input type="checkbox"/>	10	4007062	Damper, Vibration	1	
<input type="checkbox"/>	11	4086673	Spacer, Mounting	8	

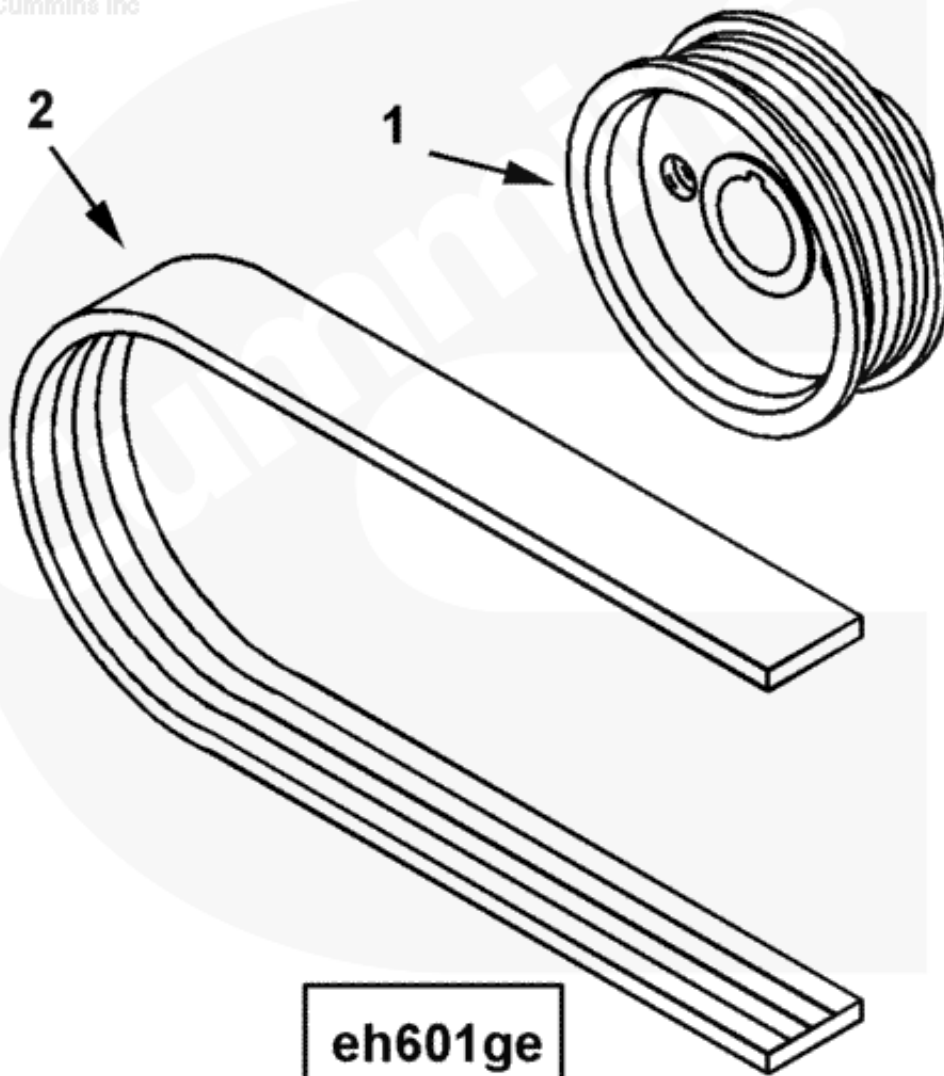


Parts Catalog - Option Detail

Content For Engine Serial Number (ESN): 66301765

Electronic Parts Catalog - Option Detail				
Option	Group	Graphic	Film Card	Date
EH6702	13.02.3	eh601ge	P78	18-AUG-03
Engines	QSK78 CM500			

©Cummins Inc



SMALL | MEDIUM | LARGE

Add Part to Cart	Ref No	Part Number	Part Name	Required	Remarks
<input type="button" value="View My Cart"/>					
		EH6702	Drive,Alternator		Alternator drive pulley

					no of alternators: 1
					Drive Ratio: 2.62:1 belt
					description: 5rib pk section
					v-ribbed
					Supplied In Kit: No pulley
					description: 5 groove pk
					section v-ribbed alternator
					manufacture:
					Prestolite Ina 4024/7.
<input type="checkbox"/>	1	4101077	Pulley, Alternator	1	
<input type="checkbox"/>	2	3039376	Belt, V Ribbed	1	

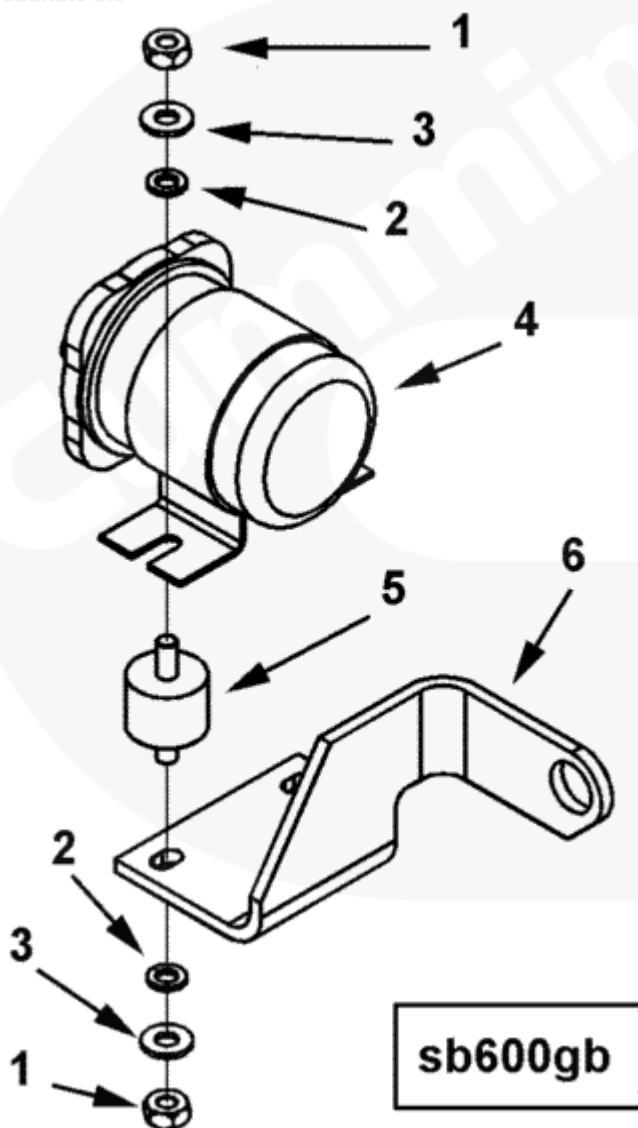


Parts Catalog - Option Detail

Content For Engine Serial Number (ESN): 66301765

Electronic Parts Catalog - Option Detail				
Option	Group	Graphic	Film Card	Date
SB6002	13.11	sb600gb	P78	15-MAY-00
Engines	QSK78 CM500			

©Cummins Inc



[SMALL](#) | [MEDIUM](#) | [LARGE](#)

Add Part to Cart	Ref No	Part Number	Part Name	Required	Remarks
View My Cart					
		SB6002	Electric Starting Accessor		Electrical starting
					accessories type: Magnetic

					switch
					Voltage: 24 grounding:
					Insulated
					Power Supply: Electric
					starter engagement: Dual
					positive kitted: No
					Secured to starter mounting
					flange.
<input type="checkbox"/>	1	S 224	Nut, Heavy Hexagon	4	1/4 - 20 UNC.
<input type="checkbox"/>	2	S 600	Washer, Lock	4	1/4 Inch.
<input type="checkbox"/>	3	S 631	Washer, Plain	4	1/4 in.
<input type="checkbox"/>	4	3050692	Switch, Magnetic	1	
<input type="checkbox"/>	5	3408250	Isolator, Vibration	2	
<input type="checkbox"/>	6	3627324	Bracket, Magnetic Switch	1	

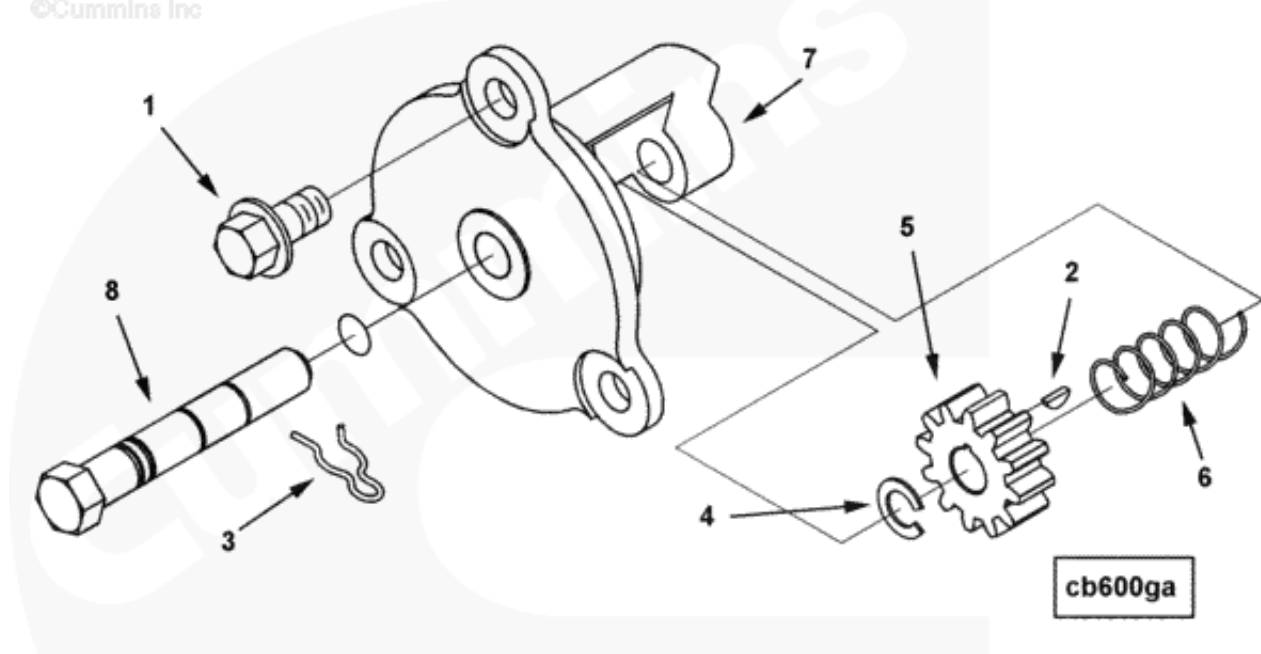


Parts Catalog - Option Detail

Content For Engine Serial Number (ESN): 66301765

Electronic Parts Catalog - Option Detail				
Option	Group	Graphic	Film Card	Date
CB6701-01	16.01	cb600ga	P78	01-MAY-01
Engines	QSK78 CM500			

©Cummins Inc



SMALL | MEDIUM | LARGE

Add Part to Cart	Ref No	Part Number	Part Name	Required	Remarks
<input type="button" value="View My Cart"/>					
		CB6701-01	Engine Barring Drive		Drive, engine barring.
<input type="checkbox"/>	1	3089324	Screw, Hex Flange Head Cap	3	
<input type="checkbox"/>		3332325	Drive, Engine Barring	1	
<input type="checkbox"/>	2	S 306	Key, Plain Woodruff	1	
<input type="checkbox"/>	3	169834	Clip	1	
<input type="checkbox"/>	4	206090	Ring, Retaining	1	
<input type="checkbox"/>	5	206091	Gear, Engine Barring	1	

<input type="checkbox"/>	6	206092	Spring, Compression	1	
<input type="checkbox"/>	7	3332326	Housing, Engine Barring	1	
<input type="checkbox"/>	8	3332383	Shaft, Barring	1	
<input type="checkbox"/>	9	3913994	Seal, O Ring	1	

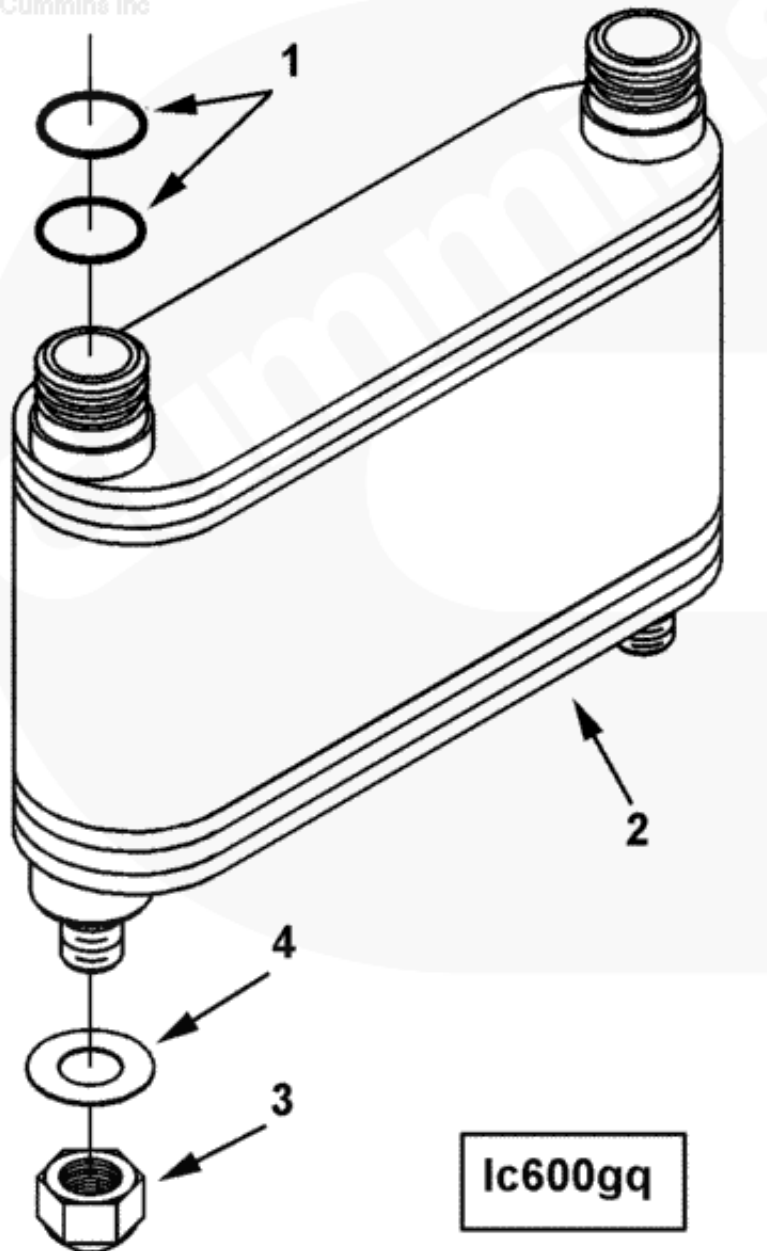


Parts Catalog - Option Detail

Content For Engine Serial Number (ESN): 66301765

Electronic Parts Catalog - Option Detail				
Option	Group	Graphic	Film Card	Date
LC6703-04	07.05	lc600gq	P78	14-SEP-09
Engines	QSK78 CM500			

©Cummins Inc



SMALL | MEDIUM | LARGE

Add Part to Cart	Ref No	Part Number	Part Name	Required	Remarks
<input type="button" value="View My Cart"/>					
		LC6703-04	Engine Oil Cooler		Engine oil cooler
<input type="checkbox"/>	1	212161	Seal, O Ring	20	
<input type="checkbox"/>	2	3641960	Core, Cooler	5	
<input type="checkbox"/>	3	3089271	Nut, Lock	10	
<input type="checkbox"/>	4	3637730	Gasket, Lub Oil Clr Cover	10	



Parts Catalog - Option Detail

Content For Engine Serial Number (ESN): 66301765

Electronic Parts Catalog - Option Detail				
Option	Group	Graphic	Film Card	Date
TB6748-03	10.06.1	tb604gs	P78	18-MAR-09
Engines	QSK78 CM500			

©Cummins Inc



SMALL | MEDIUM | LARGE

Add Part to Cart	Ref No	Part Number	Part Name	Required	Remarks
View My Cart					
		TB6748-03	Exhaust Manifold		Exhaust manifold
					single stage.
<input type="checkbox"/>	1	S 962 A	Plug, Pipe	18	1/4 NPT.
<input type="checkbox"/>	2	3089308	Clamp, V Band	20	
<input type="checkbox"/>	3	4007965	Stud	24	
<input type="checkbox"/>	4	3637921	Bellows	10	
<input type="checkbox"/>	5	4007576	Gasket, Exhaust Manifold	18	

<input type="checkbox"/>	6	4007577	Screw, Hexagon Head Cap	72	
<input type="checkbox"/>	7	4007578	Spacer, Mounting	72	
<input type="checkbox"/>	8	4007642	Manifold, Exhaust	2	
<input type="checkbox"/>	9	4007644	Manifold, Exhaust	2	
<input type="checkbox"/>	10	4007646	Manifold, Exhaust	2	
<input type="checkbox"/>	11	3641635	Manifold, Exhaust	6	

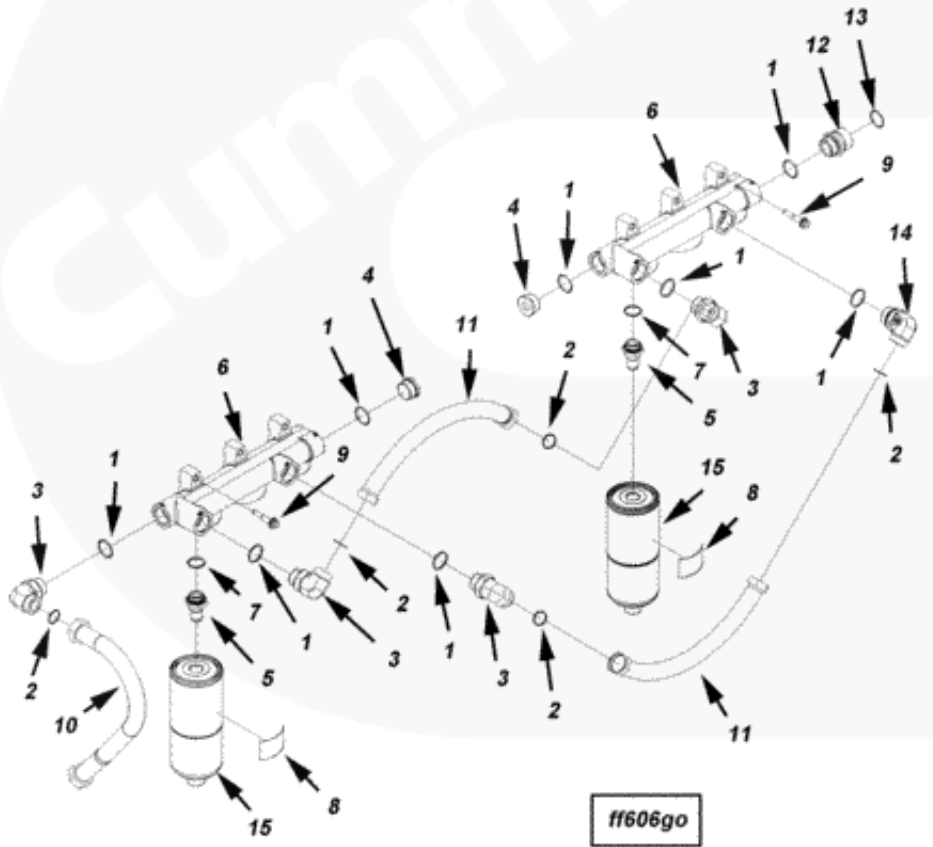


Parts Catalog - Option Detail

Content For Engine Serial Number (ESN): 66301765

Electronic Parts Catalog - Option Detail				
Option	Group	Graphic	Film Card	Date
FF6070-09	06.04	ff606go	P78	15-FEB-10
Engines	QSK78 CM500			

©Cummins Inc



SMALL | MEDIUM | LARGE

Add Part to Cart	Ref No	Part Number	Part Name	Required	Remarks
<input type="button" value="View My Cart"/>					
		FF6070-09	FILTER,FUEL		Fuel filter
					Number Of Elements: 6
					Element Type: Spin-On water
					separator: Yes mounting
					location: Left bank absolute
					filtration measure in micron:
					10 inlet fitting description:
					2-12 un,-24 orfs to SAE j1453
					fitting orientation:
					Straight protective coated
					flexible hoses: No.
<input type="checkbox"/>		3410392	Elbow, Male Union	4	
<input type="checkbox"/>	1	3089019	Seal, O Ring	1	M42
<input type="checkbox"/>	2	3332160	Seal, O Ring	1	
	3	3410393	Elbow, Male Union	1	
<input type="checkbox"/>		3640340	Head, Fuel Filter	2	
<input type="checkbox"/>		3089023	Plug, Threaded	1	M42 x 2.00 x 19.5
<input type="checkbox"/>	1	3089019	Seal, O Ring	1	M42
	4	3089021	Plug, Threaded	1	M42 x 2.00 x 19.5
<input type="checkbox"/>	5	4916693	Adapter, Filter Head	3	
<input type="checkbox"/>	6	4916702	Head, Fuel Filter	1	
<input type="checkbox"/>	7	4975427	Seal, O Ring	3	
	8	3642787	Decal	6	
<input type="checkbox"/>	9	3905372	Screw, Hex Flange Head Cap	6	M12 x 1.75 x 60
<input type="checkbox"/>	10	4007058	Hose, Flexible	1	
<input type="checkbox"/>	11	4007066	Hose, Flexible	2	
<input type="checkbox"/>		4007121	Union, Male	1	
<input type="checkbox"/>	1	3089019	Seal, O Ring	1	M42

	12	4007120	Union, Male	1	
<input type="checkbox"/>	13	4007147	Seal, O Ring	1	
<input type="checkbox"/>		4007307	Elbow, Male Union	1	
<input type="checkbox"/>	1	3089019	Seal, O Ring	1	M42
<input type="checkbox"/>	2	3332160	Seal, O Ring	1	
	14	4007306	Elbow, Male Union	1	
	15	4095189	Separator, Fuel Water	6	

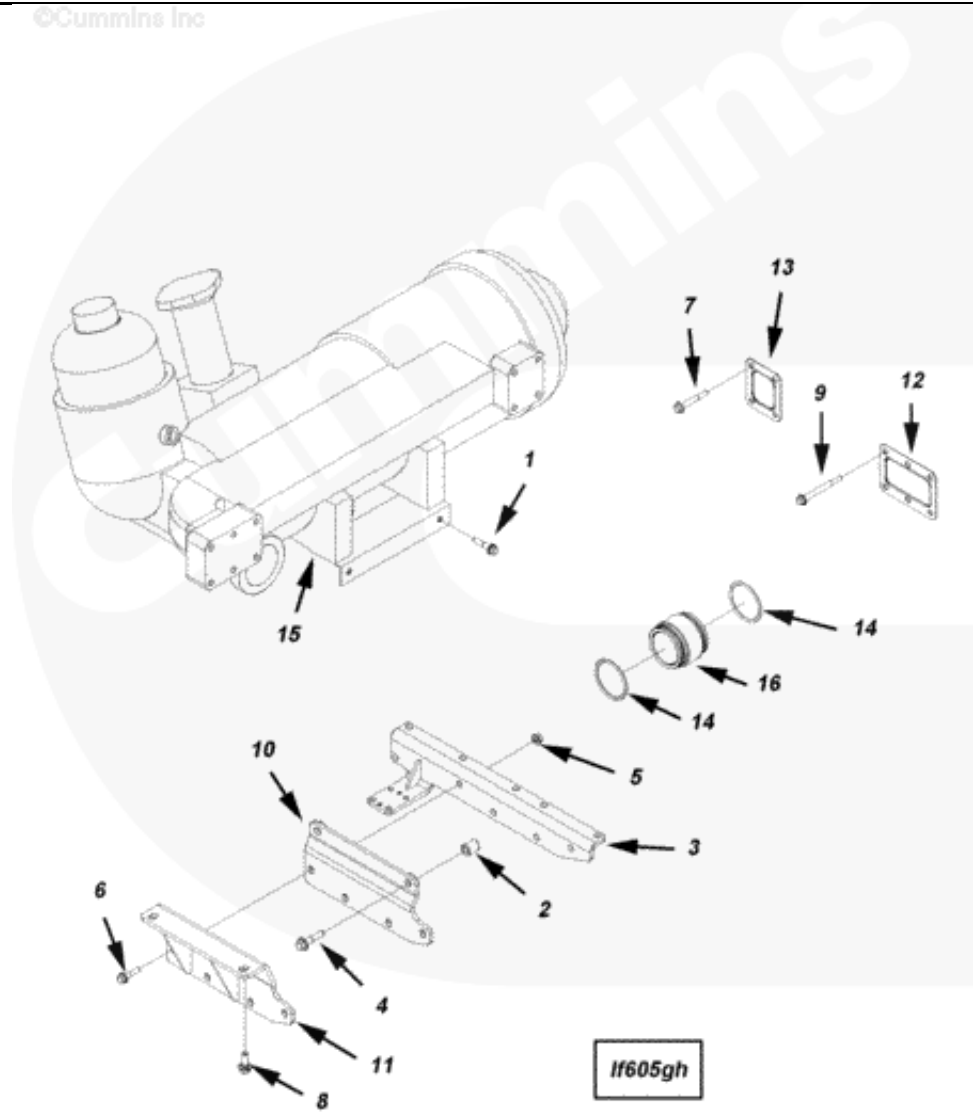


Parts Catalog - Option Detail

Content For Engine Serial Number (ESN): 66301765

Electronic Parts Catalog - Option Detail				
Option	Group	Graphic	Film Card	Date
LF6067-05	07.03	lf605gh	P78	22-NOV-10
Engines	QSK78 CM500			

©Cummins Inc



SMALL | MEDIUM | LARGE

Add Part to Cart	Ref No	Part Number	Part Name	Required	Remarks
<input type="button" value="View My Cart"/>					
		LF6067-05	Filter,Full Flow Oil		Full flow oil filter
					Element Type: Wire Mesh
					Number Of Full Flow Filter
					Elements: N/A
					Number Of Combo Filter
					Elements: N/A filter
					model/manufacturer:
					Eliminator/alfa laval filter
					capacity: N/A filter head:
					Integral mounting location:
					RB only middle bypass filter:
					Integral
					Element Type: Centrifuge
					Unique Characteristics: Self
					cleaning full flow elements
					with serviceable bypass unit.
<input type="checkbox"/>	1	3089232	Screw, Hex Flange Head Cap	2	M10 x 1.50 x 45
<input type="checkbox"/>	2	3631782	Spacer, Mounting	2	
<input type="checkbox"/>	3	3643718	Bracket, Connection	1	
<input type="checkbox"/>	4	3902116	Screw, Hex Flange Head Cap	2	M12 x 1.75 x 50
<input type="checkbox"/>	5	3902662	Nut, Hexagon Flange	4	M10 x 1.50
<input type="checkbox"/>	6	3903464	Screw, Hex Flange Head Cap	4	M10 x 1.50 x 40
<input type="checkbox"/>	7	3904446	Screw, Hex Flange Head Cap	4	M10 x 1.50 x 70
<input type="checkbox"/>	8	3910495	Screw, Hex Flange Head Cap	2	M12 x 1.75 x 30
<input type="checkbox"/>	9	3914407	Screw, Hex Flange Head Cap	4	M10 x 1.50 x 100
<input type="checkbox"/>	10	4007409	Bracket, Connection	1	
<input type="checkbox"/>	11	4007412	Bracket, Connection	1	
<input type="checkbox"/>	12	4066135	Gasket, Filter Head	1	

<input type="checkbox"/>	13	4066136	Gasket, Filter Head	1	
<input type="checkbox"/>		4086601	Head, Lub Oil Filter	1	
<input type="checkbox"/>	14	3633325	Seal, O Ring	2	
<input type="checkbox"/>	15	4007689	Head, Lub Oil Filter	1	
<input type="checkbox"/>	16	4016425	Tube, Lub Oil Transfer	1	

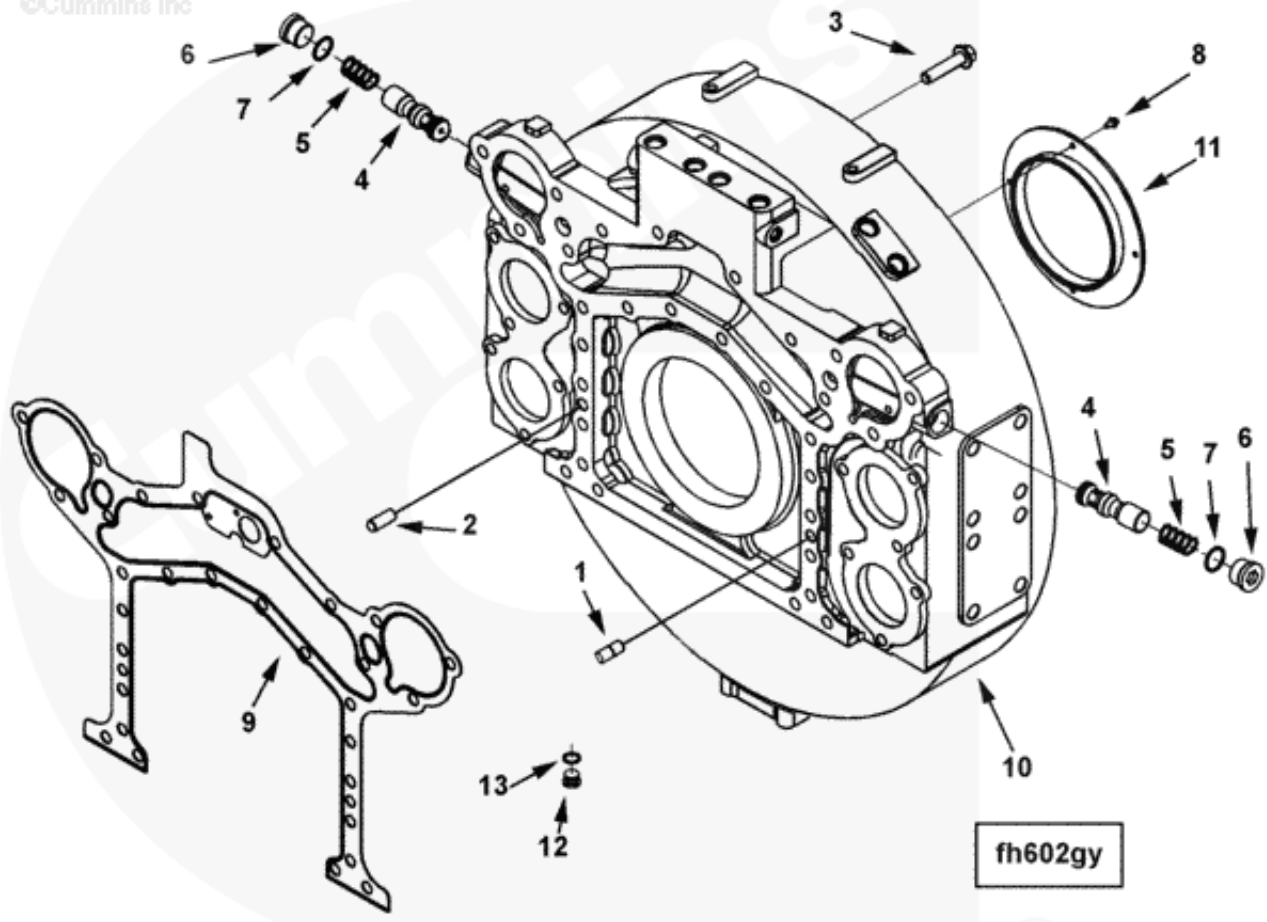


Parts Catalog - Option Detail

Content For Engine Serial Number (ESN): 66301765

Electronic Parts Catalog - Option Detail				
Option	Group	Graphic	Film Card	Date
FH6039-04	16.01	fh602gy	P78	05-AUG-04
Engines	QSK78 CM500			

©Cummins Inc



SMALL | MEDIUM | LARGE

Add Part to Cart	Ref No	Part Number	Part Name	Required	Remarks
View My Cart					
		FH6039-04	Flywheel Housing		Flywheel housing.
					SAE size: 00
					Clutch Type Provision: Dry

					Material: S G Iron
					Starter center distance:
					345.52 MM
					Starter spacer capability:
					No
					Wrench clearance hole
					provision: No
					Tachometer sensor mounting
					hole: Three
					Tachometer sensor mounting
					hole location:#1 (RS) M22x1.5
					#4 (LS) M22x1.5
					Engine mount type: Pad
					Both sides machined for
					starter mounting.
<input type="checkbox"/>	1	4080164	Dowel, Diamond	1	
<input type="checkbox"/>	2	3089327	Dowel, Pin	1	
<input type="checkbox"/>	3	3089328	Screw, Hex Flange Head Cap	30	
<input type="checkbox"/>	4	3089330	Plunger, Prs Regulator	2	
<input type="checkbox"/>	5	3331976	Spring, Compression	2	
<input type="checkbox"/>		3678838	Plug, Threaded	2	
	6	3678845	Plug, Threaded	1	
<input type="checkbox"/>	7	3678846	Seal, O Ring	1	
<input type="checkbox"/>	8	3900626	Screw, Hex Flange Head Cap	6	M6 x 1.00 x 12
<input type="checkbox"/>	9	4006223	Gasket, Flywheel Housing	1	
<input type="checkbox"/>	10	4016655	Housing, Flywheel	1	
<input type="checkbox"/>	11	4100625	Seal, Oil	1	
<input type="checkbox"/>		3089238	Plug, Threaded	3	M22 x 1.50 x 20.1
	12	3089239	Plug, Threaded	1	M22 x 1.50 x 20.1
<input type="checkbox"/>	13	3089240	Seal, O Ring	1	M22

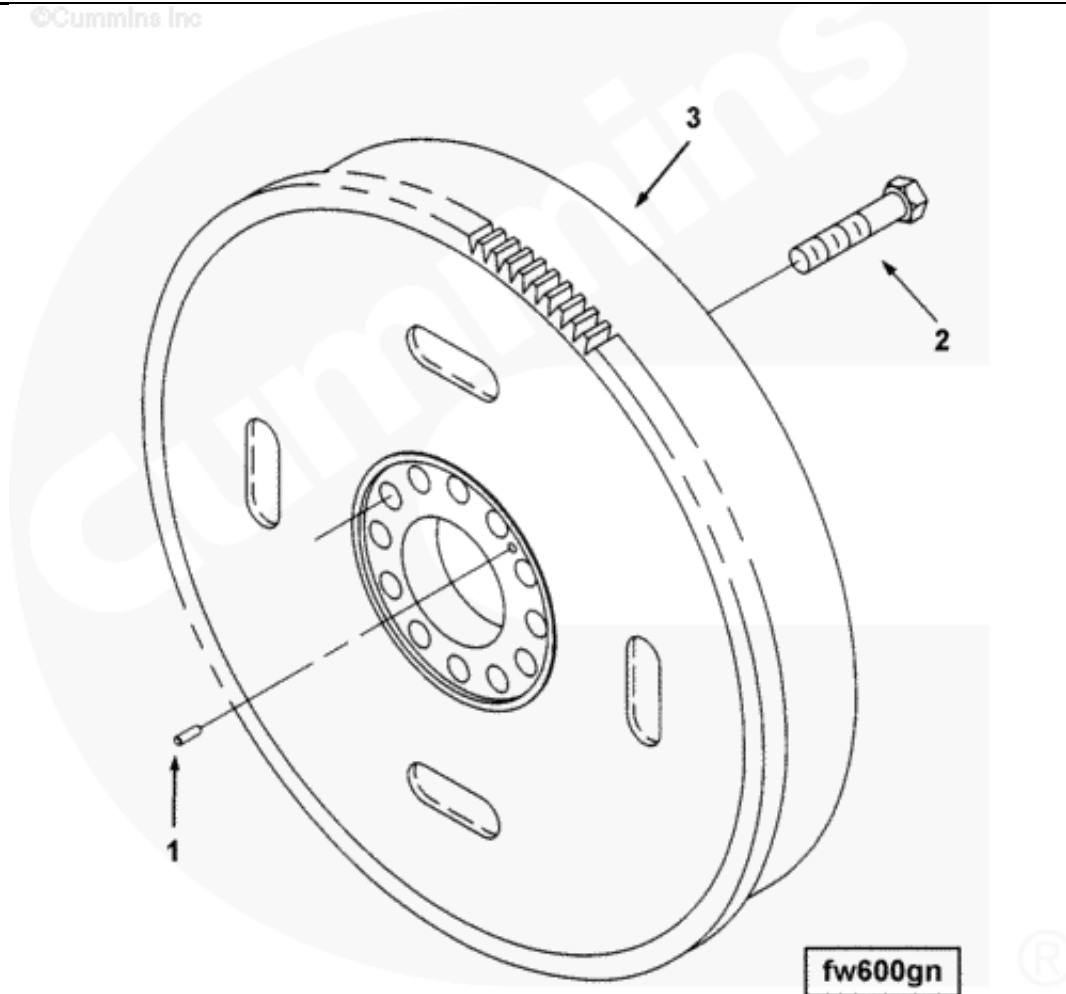


Parts Catalog - Option Detail

Content For Engine Serial Number (ESN): 66301765

Electronic Parts Catalog - Option Detail				
Option	Group	Graphic	Film Card	Date
FW6057	16.02	fw600gn	P78	07-DEC-98
Engines	QSK78 CM500			

©Cummins Inc



SMALL | MEDIUM | LARGE

Add Part to Cart	Ref No	Part Number	Part Name	Required	Remarks
View My Cart					
		FW6057	Flywheel		Flywheel
					SAE size: 00.

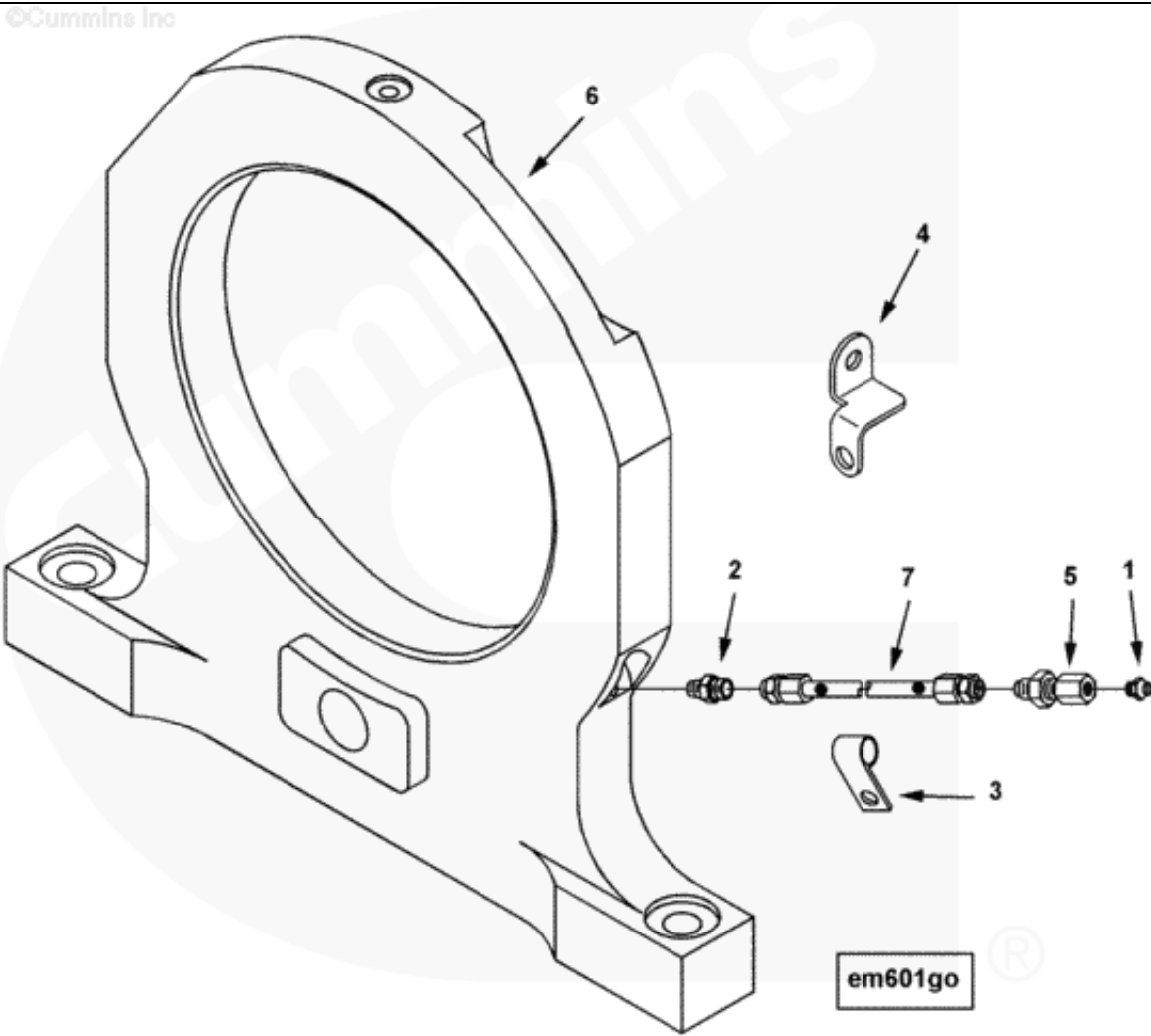
	1	131584	Pin, Roll	1	
	2	3089127	Screw, Hex Flange Head Cap	12	
	3	4006346	Flywheel	1	
		5587	Gear, Flywheel Ring	1	
		4006347	Flywheel	1	



Parts Catalog - Option Detail

Content For Engine Serial Number (ESN): 66301765

Electronic Parts Catalog - Option Detail				
Option	Group	Graphic	Film Card	Date
EM6085-02	16.03	em601go	P78	13-NOV-01
Engines	QSK78 CM500			



SMALL | MEDIUM | LARGE

Add Part to Cart	Ref No	Part Number	Part Name	Required	Remarks
<input type="button" value="View My Cart"/>					
		EM6085-02	Front Engine Support		Support, front engine
					mounting location: Front

					type: Trunnion
					Unique Characteristics: Has
					remote grease fill
					To be used on qsk45/60
					contruction engines.
<input type="checkbox"/>	1	S 2268	Fitting, Grease	1	
<input type="checkbox"/>	2	68138	Connector, Male	1	
<input type="checkbox"/>	3	68425	Clip	1	
<input type="checkbox"/>	4	3634008	Bracket, Connection	1	
<input type="checkbox"/>	5	3634057	Adapter, Plain Pipe	1	
<input type="checkbox"/>	6	4066304	Support, Front Engine	1	
<input type="checkbox"/>	7	4080433	Hose, Flexible	1	

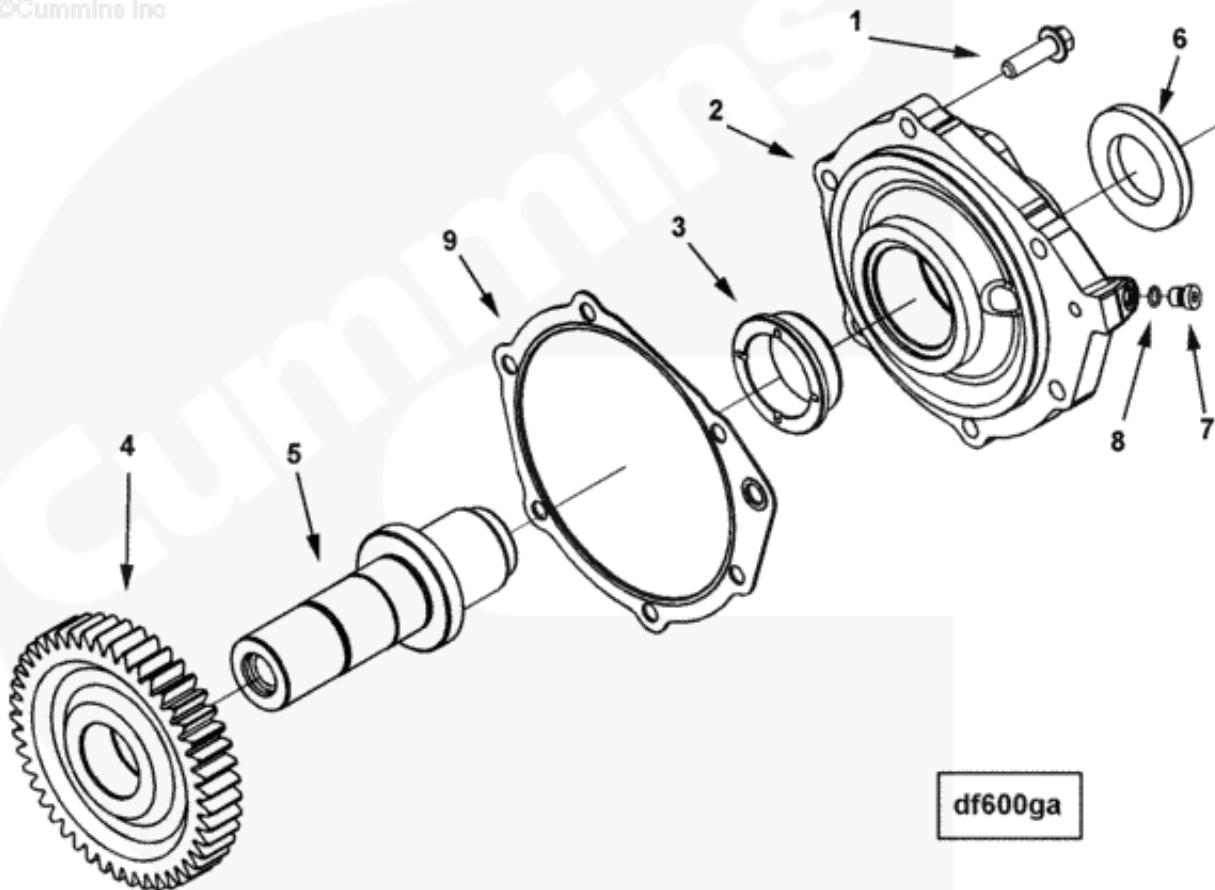


Parts Catalog - Option Detail

Content For Engine Serial Number (ESN): 66301765

Electronic Parts Catalog - Option Detail				
Option	Group	Graphic	Film Card	Date
DF6003-01	09.04	df600ga	P78	16-APR-01
Engines	QSK78 CM500			

©Cummins Inc



SMALL | MEDIUM | LARGE

Add Part to Cart	Ref No	Part Number	Part Name	Required	Remarks
<input type="button" value="View My Cart"/>					
		DF6003-01	Front Gear Train Accessory		Front gear train accessory
					drive.
					Drive location front: Yes

					Drive location rear: Yes
					Drive provision: Yes
					Number Of Teeth Spline Drive
					Front: 13
					Number Of Teeth Spline Drive
					Rear: 13
					Can be used with 2 or 4 bolt
					flange.
<input type="checkbox"/>	1	3089016	Screw, Hex Flange Head Cap	6	M10 x 1.50 x 35
<input type="checkbox"/>		4066546	Drive, Hydraulic Pump	1	
<input type="checkbox"/>		4066545	Support, Hydraulic Pump	1	
<input type="checkbox"/>	2	4066385	Support, Hydraulic Pump	1	
<input type="checkbox"/>	3	3089409	Bushing	2	
<input type="checkbox"/>		4066057	Gear & Shaft	1	
<input type="checkbox"/>	4	3089100	Gear, Accessory Drive	1	
<input type="checkbox"/>	5	4065992	Shaft, Hyd Pump Drive	1	
<input type="checkbox"/>	6	3089415	Retainer, Shaft	1	
<input type="checkbox"/>		3678923	Plug, Threaded	1	M10 x 1.00 x 13.5
	7	3678924	Plug, Threaded	1	Purchase P/N 3678923
<input type="checkbox"/>	8	3678925	Seal, O Ring	1	M10
<input type="checkbox"/>	9	3332298	Gasket, Hyd Drive Support	1	

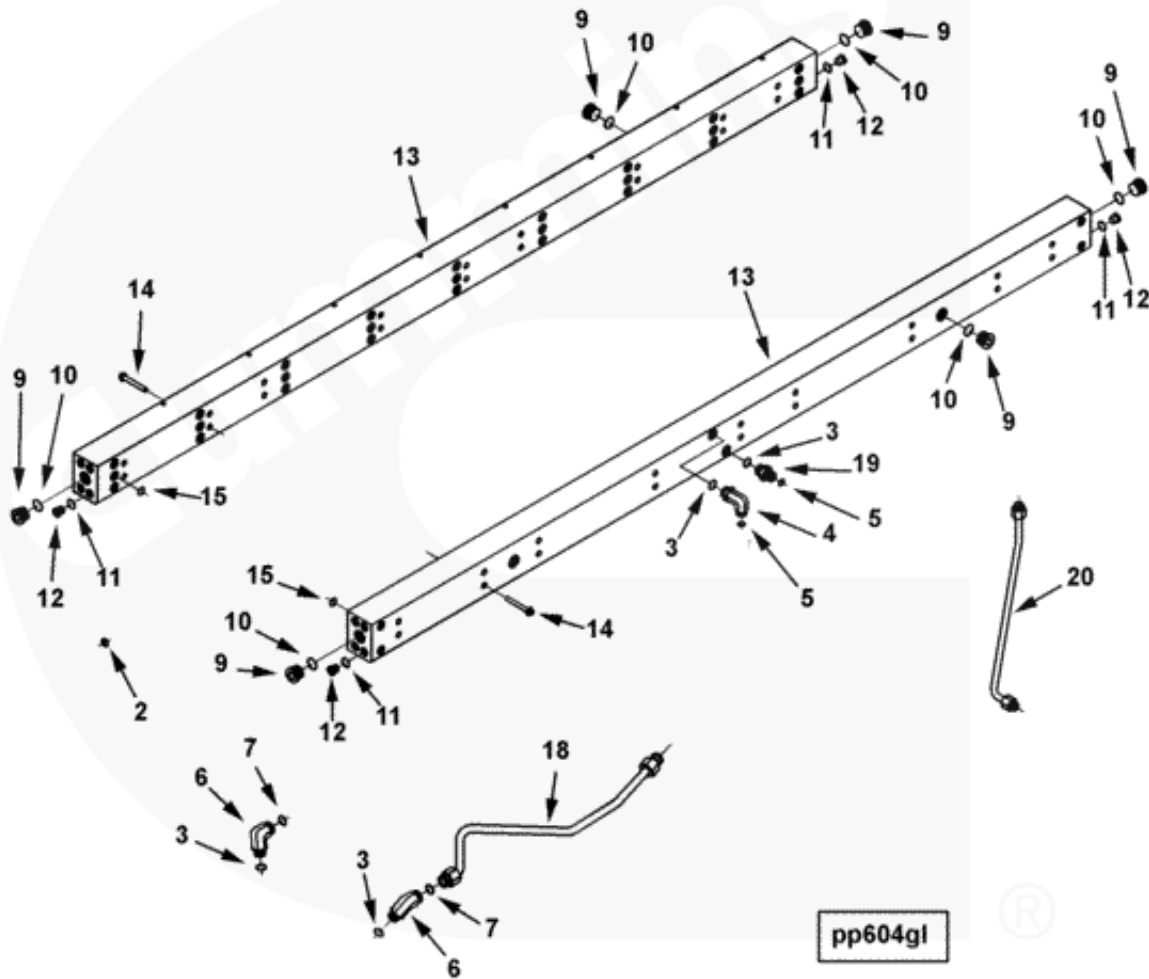


Parts Catalog - Option Detail

Content For Engine Serial Number (ESN): 66301765

Electronic Parts Catalog - Option Detail				
Option	Group	Graphic	Film Card	Date
PP8241-01	06.01.2	pp604gl	P78	13-JUN-03
Engines	QSK78 CM500			

©Cummins Inc



SMALL | MEDIUM | LARGE

Add Part to Cart	Ref No	Part Number	Part Name	Required	Remarks
<input type="button" value="View My Cart"/>					
		PP8241-01	Fuel Manifold		

<input type="checkbox"/>	2	193734	Seal, O Ring	1	
<input type="checkbox"/>		3089584	Elbow, Male Union	1	
<input type="checkbox"/>	3	3089240	Seal, O Ring	1	M22
<input type="checkbox"/>	4	3089446	Elbow, Male Union	1	
<input type="checkbox"/>	5	3627695	Seal, O Ring	1	
<input type="checkbox"/>		3171883	Elbow, Male Union	1	
<input type="checkbox"/>	3	3089240	Seal, O Ring	1	M22
	6	3171973	Elbow, Male Union	1	
<input type="checkbox"/>	7	3630740	Seal, O Ring	1	
<input type="checkbox"/>		3678611	Plug, Threaded	6	
	9	3678605	Plug, Threaded	1	
<input type="checkbox"/>	10	3678606	Seal, O Ring	1	
<input type="checkbox"/>		3678873	Plug, Threaded	24	
<input type="checkbox"/>	11	3678786	Seal, O Ring	1	
	12	3678791	Plug, Threaded	1	
<input type="checkbox"/>	13	4080226	Manifold, Fuel	2	
<input type="checkbox"/>	14	3900679	Screw, Hex Flange Head Cap	36	M10 x 1.50 x 80
<input type="checkbox"/>	15	4007519	Seal, O Ring	54	
<input type="checkbox"/>	18	4007571	Tube, Fuel Transfer	1	
<input type="checkbox"/>		3410804	Union, Male	1	
<input type="checkbox"/>	3	3089240	Seal, O Ring	1	M22
	19	3410805	Union, Male	1	
<input type="checkbox"/>	5	3627695	Seal, O Ring	1	
<input type="checkbox"/>	20	4007573	Tube, Fuel Transfer	1	

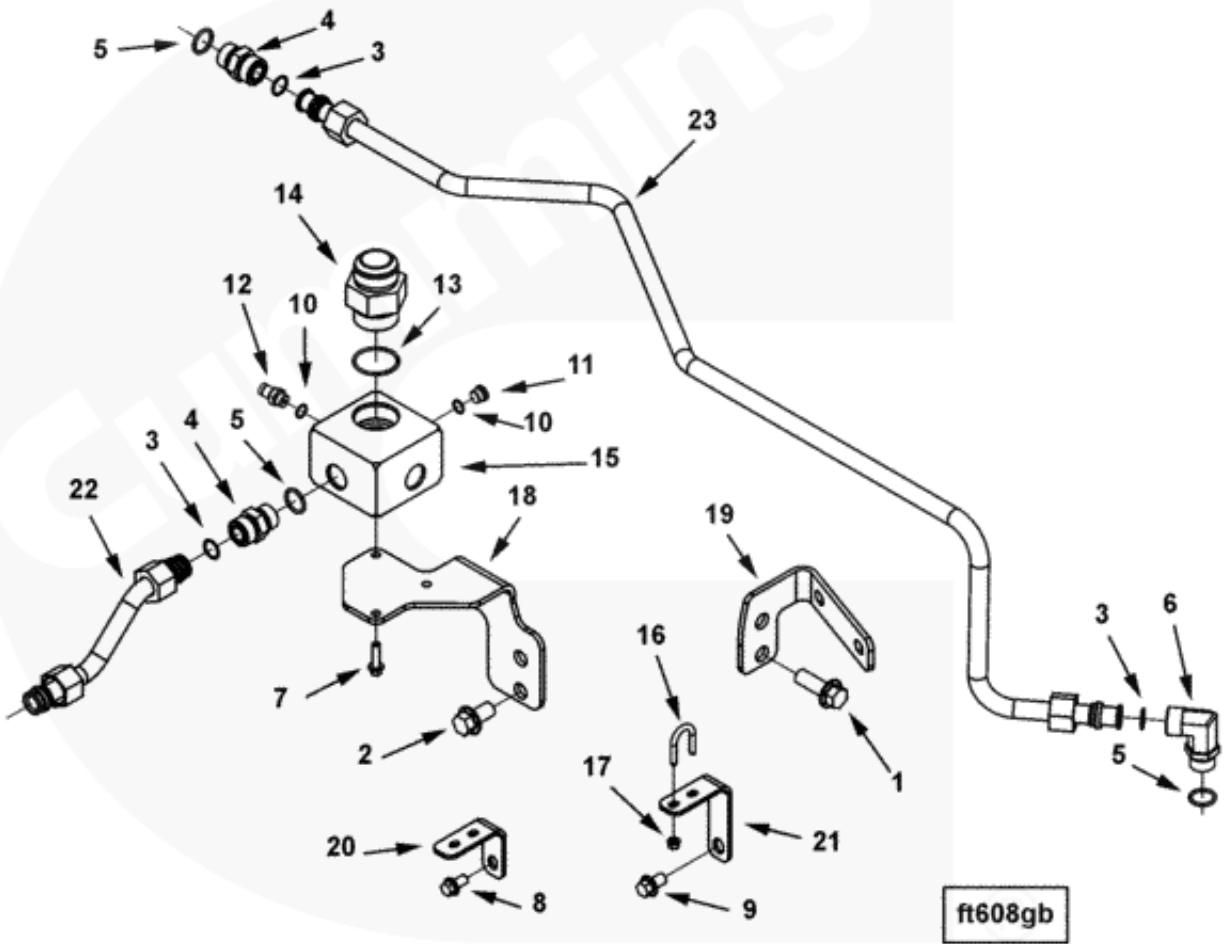


Parts Catalog - Option Detail

Content For Engine Serial Number (ESN): 66301765




















Electronic Parts Catalog - Option Detail				
Option	Group	Graphic	Film Card	Date
FT60774-01	06.03	ft608gb	P78	10-DEC-02
Engines	QSK78 CM500			

©Cummins Inc



SMALL | MEDIUM | LARGE

Add Part to Cart	Ref No	Part Number	Part Name	Required	Remarks
<input type="button" value="View My Cart"/>					
		FT60774-01	Fuel Plumbing		Fuel plumbing
					Drain Position: Vertical
					from crank centerline:

					314.4mm (12.4inches) from
					rear face of block: 205.9mm
					(8.1inches) horizontal from
					engine centerline: 672mm
					(26.5inches)
					Unique Characteristics: LB
					down, with fan drive.
	1	3089288	Screw, Hex Flange Head Cap	2	
	2	3089324	Screw, Hex Flange Head Cap	2	
		3171722	Union, Male	3	
	3	3085709	Seal, O Ring	1	
	4	3171723	Union, Male	1	
	5	3678606	Seal, O Ring	1	
		3331818	Elbow, Male Union	1	
	3	3085709	Seal, O Ring	1	
	6	3331819	Elbow, Male Union	1	
	5	3678606	Seal, O Ring	1	
	7	3900630	Screw, Hex Flange Head Cap	3	M8 x 1.25 x 20
	8	3903990	Screw, Hex Flange Head Cap	1	M10 x 1.50 x 20
	9	3913372	Screw, Hex Flange Head Cap	1	M12 X 1.75 X 20.
		3037536	Plug, Threaded	1	9/16 - 18 UNF.
	10	3037537	Seal, O Ring	1	
	11	3040813	Plug, Threaded	1	
		3042619	Nipple, Coupling	1	
	10	3037537	Seal, O Ring	1	
	12	3042620	Nipple, Coupling	1	
		4007210	Valve, Check	1	
	13	3082459	Seal, O Ring	1	
	14	4007211	Valve, Check	1	
	15	4007212		1	

<input type="checkbox"/>			Tee, Tube Connector		
<input type="checkbox"/>	16	4007582	Clamp, U Bolt	2	
<input type="checkbox"/>	17	4007601	Nut, Lock	4	
<input type="checkbox"/>	18	4007857	Bracket, Check Valve	1	
<input type="checkbox"/>	19	4007858	Bracket, Water Tube	1	
<input type="checkbox"/>	20	4007860	Bracket, Fuel Plumbing	1	
<input type="checkbox"/>	21	4007861	Bracket, Fuel Plumbing	1	
<input type="checkbox"/>	22	4007865	Tube, Fuel Drain	1	
<input type="checkbox"/>	23	4007894	Tube, Fuel Drain	1	

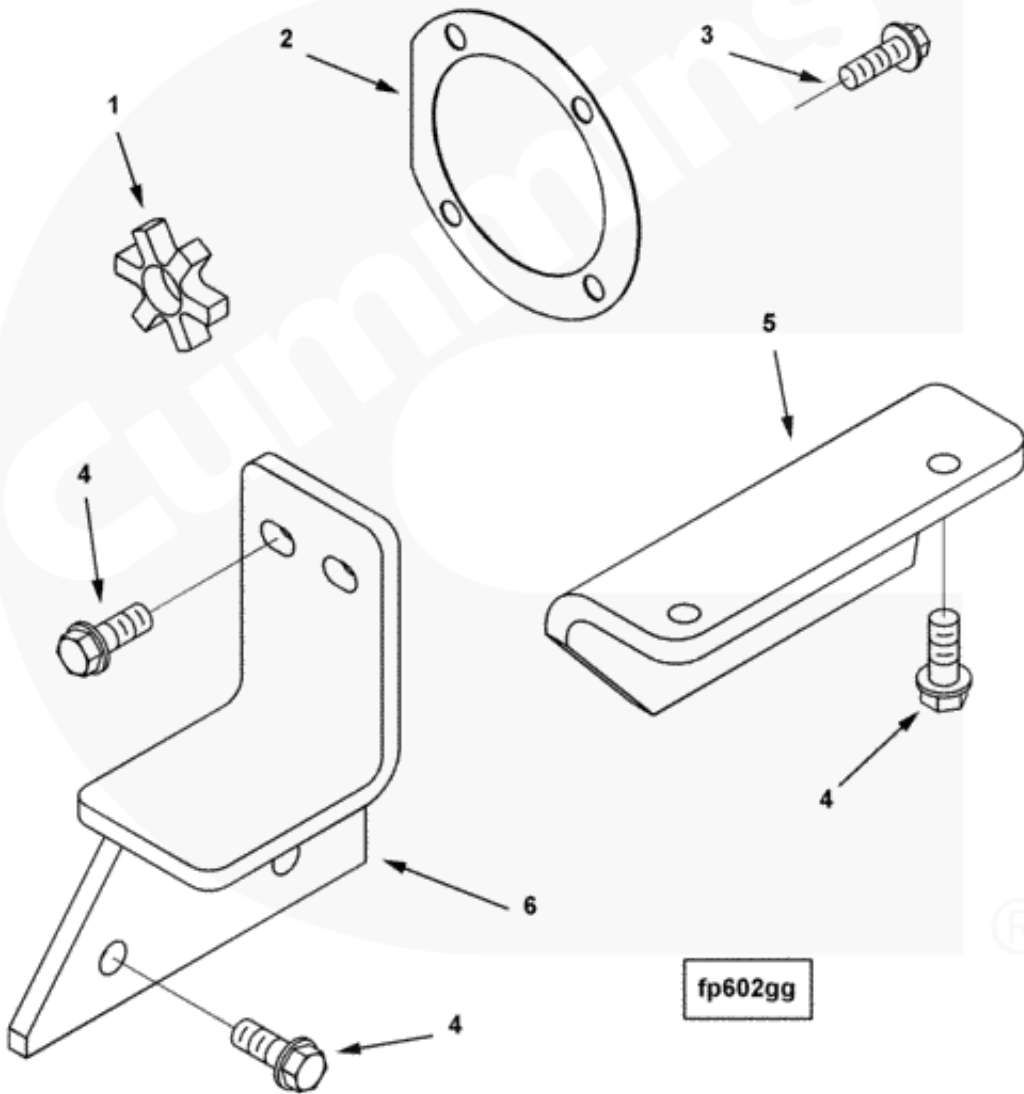


Parts Catalog - Option Detail

Content For Engine Serial Number (ESN): 66301765

Electronic Parts Catalog - Option Detail				
Option	Group	Graphic	Film Card	Date
FP6862	09.01	fp602gg	P78	08-APR-02
Engines	QSK78 CM500			

©Cummins Inc



SMALL | MEDIUM | LARGE

Add Part to Cart	Ref No	Part Number	Part Name	Required	Remarks
<input type="button" value="View My Cart"/>					

		FP6862	Fuel Pump Coupling		Fuel pump coupling
					imo fuel pump support
					brackets and drive coupling
					hardware. Air compressor:
					No.
<input type="checkbox"/>	1	3046200	Spider, Jaw Coupling	1	
<input type="checkbox"/>	2	3331821	Gasket, Fuel Pump	1	
<input type="checkbox"/>	3	3903112	Screw, Hex Flange Head Cap	4	M10 x 1.50 x 30
<input type="checkbox"/>	4	3910495	Screw, Hex Flange Head Cap	6	M12 x 1.75 x 30
<input type="checkbox"/>	5	4017669	Bracket, Pump	1	
<input type="checkbox"/>	6	4017670	Bracket, Pump	1	

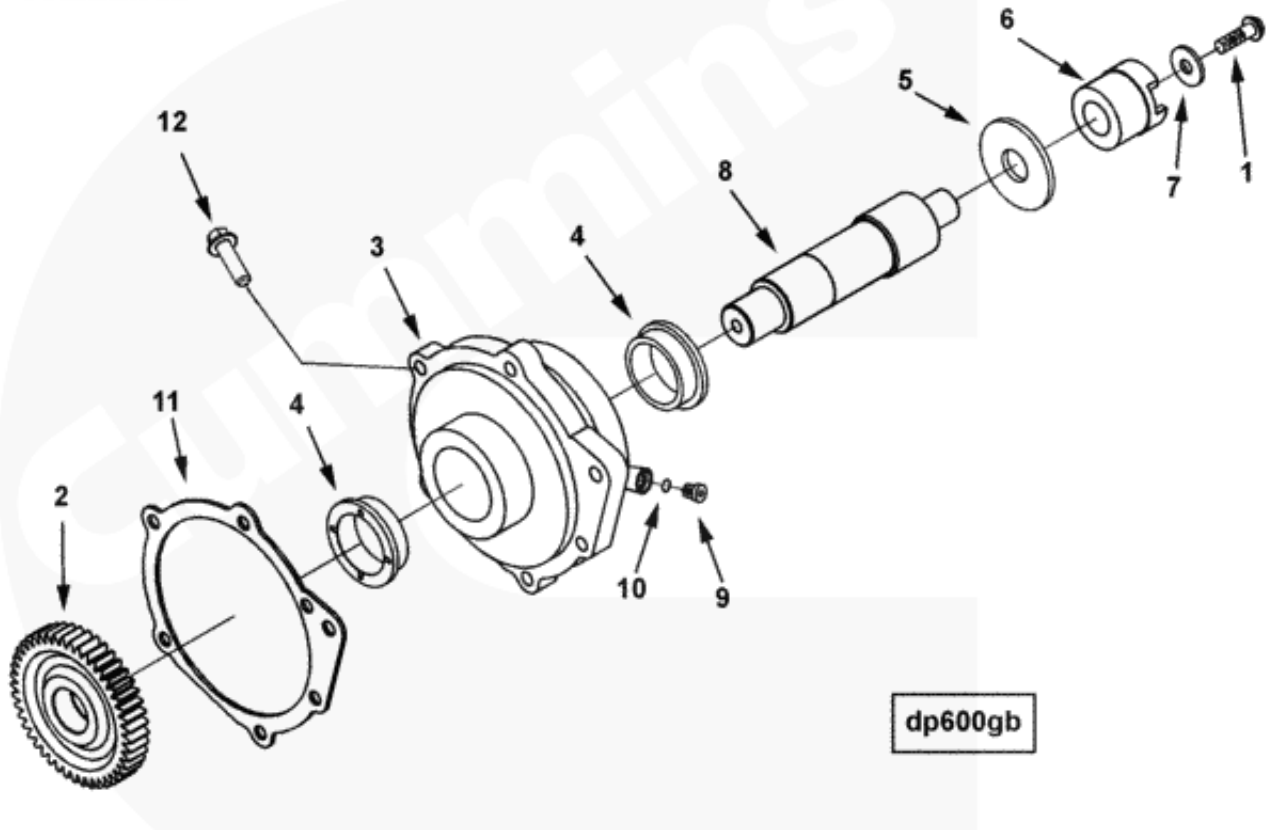


Parts Catalog - Option Detail

Content For Engine Serial Number (ESN): 66301765

Electronic Parts Catalog - Option Detail				
Option	Group	Graphic	Film Card	Date
DP6702-01	09.01	dp600gb	P78	13-NOV-00
Engines	QSK78 CM500			

©Cummins Inc



SMALL | MEDIUM | LARGE

Add Part to Cart	Ref No	Part Number	Part Name	Required	Remarks
<input type="button" value="View My Cart"/>					
		DP6702-01	Fuel Pump Drive		Fuel pump drive
					Air compressor: No.
<input type="checkbox"/>	1	3904446	Screw, Hex Flange Head Cap	1	M10 x 1.50 x 70
<input type="checkbox"/>		4017326	Support, Fuel Pump	1	
<input type="checkbox"/>	2	3089100	Gear, Accessory Drive	1	

<input type="checkbox"/>		3089102	Support, Fuel Pump	1	
<input type="checkbox"/>	3	3089103	Support, Fuel Pump	1	
<input type="checkbox"/>	4	3089409	Bushing	2	
<input type="checkbox"/>	5	3089407	Washer, Plain	1	
<input type="checkbox"/>	6	4015993	Hub, Jaw Coupling	1	
<input type="checkbox"/>	7	3089555	Washer, Plain	1	
<input type="checkbox"/>	8	4017529	Shaft, Fuel Pump Drive	1	
<input type="checkbox"/>		3678923	Plug, Threaded	1	M10 x 1.00 x 13.5
	9	3678924	Plug, Threaded	1	Purchase P/N 3678923
<input type="checkbox"/>	10	3678925	Seal, O Ring	1	M10
<input type="checkbox"/>	11	3332297	Gasket, Acc Drive Support	1	
<input type="checkbox"/>	12	3089016	Screw, Hex Flange Head Cap	6	M10 x 1.50 x 35

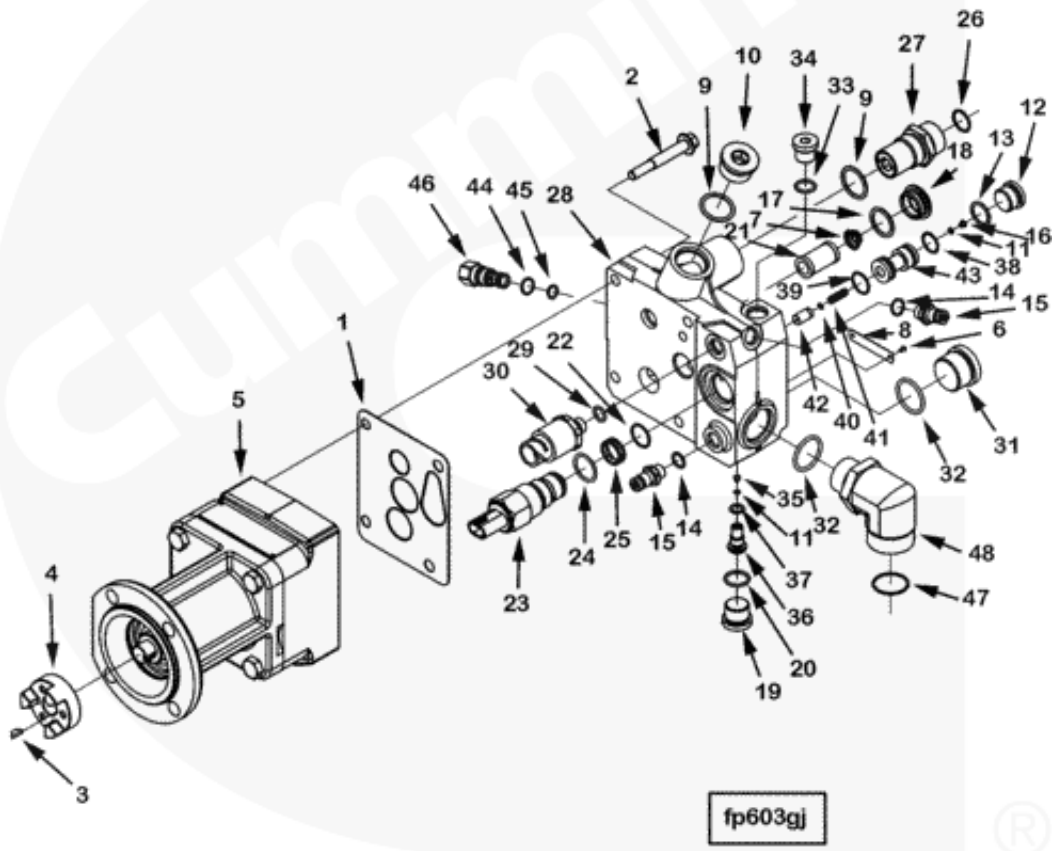


Parts Catalog - Option Detail

Content For Engine Serial Number (ESN): 66301765

Electronic Parts Catalog - Option Detail				
Option	Group	Graphic	Film Card	Date
FP6868-02	05.01	fp603gj	P78	31-AUG-09
Engines	QSK78 CM500			

©Cummins Inc



SMALL | MEDIUM | LARGE

Add Part to Cart	Ref No	Part Number	Part Name	Required	Remarks
View My Cart					
		FP6868-02	Fuel Pump		Pump, fuel

					manufacturer/model: Imo
					Governor Type: Electronic
					magnetic pick-up included:
					No
					Check Valves: Yes direction
					of rotation gear pump: RH
					outlet orientation: Straight
<input type="checkbox"/>		4088188	Pump, Fuel	1	
<input type="checkbox"/>	1	3348583	Gasket, Prs Rgl Valve	1	
<input type="checkbox"/>	2	3904446	Screw, Hex Flange Head Cap	4	M10 x 1.50 x 70
		4062159	Pump, Gear Fuel	1	
<input type="checkbox"/>	3	S 306	Key, Plain Woodruff	1	
<input type="checkbox"/>	4	4061677	Hub, Jaw Coupling	1	
<input type="checkbox"/>	5	4903534	Pump, Fuel	1	
		4088184	Valve, Pressure Regulator	1	
<input type="checkbox"/>	6	S 2286	Screw, Drive	2	
<input type="checkbox"/>	7	70700	Spring, Compression	1	
<input type="checkbox"/>	8	105375	Nameplate	1	
<input type="checkbox"/>		3040818	Plug, Threaded	1	1 3/16 - 12 un.
<input type="checkbox"/>	9	3035228	Seal, O Ring	1	
	10	3040819	Plug, Threaded	1	
<input type="checkbox"/>	11	173086	Gasket, Injector	1	
<input type="checkbox"/>		3040815	Plug, Threaded	1	7/18 - 14 UNF.
	12	3040816	Plug, Threaded	1	
<input type="checkbox"/>	13	3040817	Seal, O Ring	1	
<input type="checkbox"/>		3040818	Plug, Threaded	1	1 3/16 - 12 un.
<input type="checkbox"/>	9	3035228	Seal, O Ring	1	
	10	3040819	Plug, Threaded	1	
<input type="checkbox"/>		3042619	Nipple, Coupling	2	

<input type="checkbox"/>	14	3037537	Seal, O Ring	2	
<input type="checkbox"/>	15	3042620	Nipple, Coupling	2	
<input type="checkbox"/>	16	3045045	Plug, Injector Orifice	1	
<input type="checkbox"/>	17	3046943	Seal, O Ring	1	
<input type="checkbox"/>	18	3080223	Cap, Fuel Pump Filter	1	
<input type="checkbox"/>		3089238	Plug, Threaded	1	M22 x 1.50 x 20.1
	19	3089239	Plug, Threaded	1	M22 x 1.50 x 20.1
<input type="checkbox"/>	20	3089240	Seal, O Ring	1	M22
<input type="checkbox"/>	21	3090769	Screen, Filter	1	
<input type="checkbox"/>		3330600	Actuator, Etr Fuel Control	1	
<input type="checkbox"/>	22	3042542	Seal, O Ring	1	
	23	3331029	Actuator, Etr Fuel Control	1	
<input type="checkbox"/>	24	3865398	Seal, O Ring	1	
<input type="checkbox"/>	25	3867393	Screen, Filter	1	
<input type="checkbox"/>		3348444	Valve, Check	1	
<input type="checkbox"/>	9	3035228	Seal, O Ring	1	
<input type="checkbox"/>	26	3328589	Seal, O Ring	1	
	27	4001945	Valve, Check	1	
<input type="checkbox"/>	28	3348458	Body, Prs Regulator Valve	1	
<input type="checkbox"/>		3408568	Sensor, Pressure	1	Fuel pump.
<input type="checkbox"/>	29	3330202	Seal, O Ring	1	
	30	3408569	Sensor, Pressure	1	
<input type="checkbox"/>		3678838	Plug, Threaded	1	
	31	3678845	Plug, Threaded	1	
<input type="checkbox"/>	32	3678846	Seal, O Ring	1	
<input type="checkbox"/>		3678873	Plug, Threaded	3	
<input type="checkbox"/>	33	3678786	Seal, O Ring	3	
	34	3678791	Plug, Threaded	3	
<input type="checkbox"/>		3867737	Valve, Pressure Relief	1	

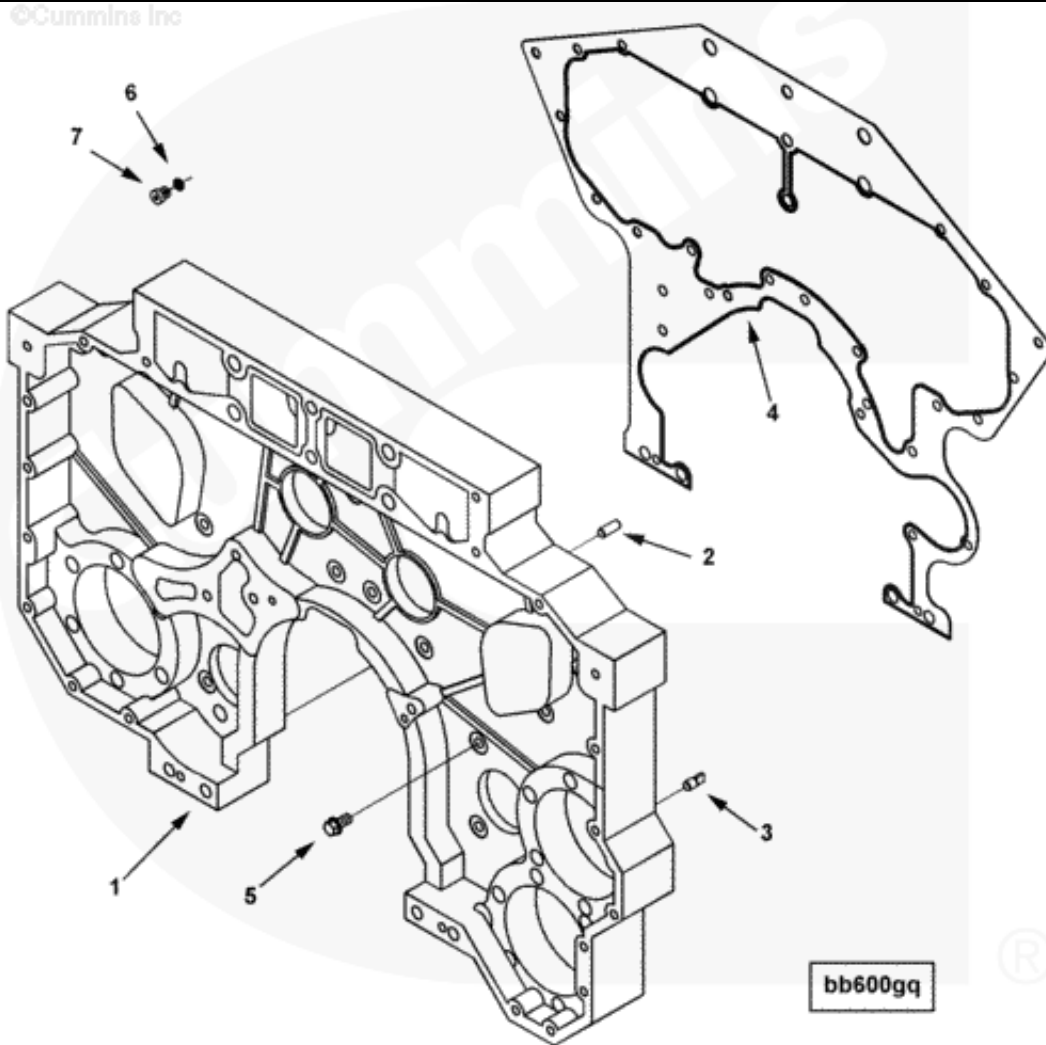
<input type="checkbox"/>	11	173086	Gasket, Injector	1	
<input type="checkbox"/>	35	3045012	Plug, Injector Orifice	1	
	36	3329676	Valve, Pressure Relief	1	
<input type="checkbox"/>	37	3417238	Seal, O Ring	1	
<input type="checkbox"/>		4001753	Valve, Pressure Regulator	1	
<input type="checkbox"/>	38	3045986	Seal, O Ring	1	
<input type="checkbox"/>	39	3066914	Seal, O Ring	1	
<input type="checkbox"/>	40	3071719	Shim	1	
	41	3867668	Spring, Compression	1	
	42	4001751	Plunger, Ful Prs Regulator	1	
	43	4001752	Barrel, Control Valve	1	
<input type="checkbox"/>		4002080	Valve, Pressure Regulator	1	
<input type="checkbox"/>	44	3348703	Seal, O Ring	1	
<input type="checkbox"/>	45	3867640	Seal, O Ring	1	
	46	4002081	Valve, Pressure Regulator	1	
<input type="checkbox"/>		4007074	Elbow, Male Union	1	
<input type="checkbox"/>	47	3332160	Seal, O Ring	1	
<input type="checkbox"/>	32	3678846	Seal, O Ring	1	
	48	4007073	Elbow, Male Union	1	



Parts Catalog - Option Detail

Content For Engine Serial Number (ESN): 66301765

Electronic Parts Catalog - Option Detail				
Option	Group	Graphic	Film Card	Date
BB6722-03	01.09	bb600gq	P78	03-AUG-04
Engines	QSK78 CM500			



SMALL | MEDIUM | LARGE

Add Part to Cart	Ref No	Part Number	Part Name	Required	Remarks
<input type="button" value="View My Cart"/>					
		BB6722-03	Gear Housing		
	1	3636085	Housing, Gear	1	

<input type="checkbox"/>					
<input type="checkbox"/>	2	3089378	Dowel, Pin	1	
<input type="checkbox"/>	3	3089379	Dowel, Diamond	1	
<input type="checkbox"/>	4	4007165	Gasket, Gear Housing	1	
<input type="checkbox"/>	5	3910495	Screw, Hex Flange Head Cap	19	M12 x 1.75 x 30
<input type="checkbox"/>		3678611	Plug, Threaded	3	
<input type="checkbox"/>	6	3678606	Seal, O Ring	3	M27 x 2.00
	7	3678605	Plug, Threaded	3	

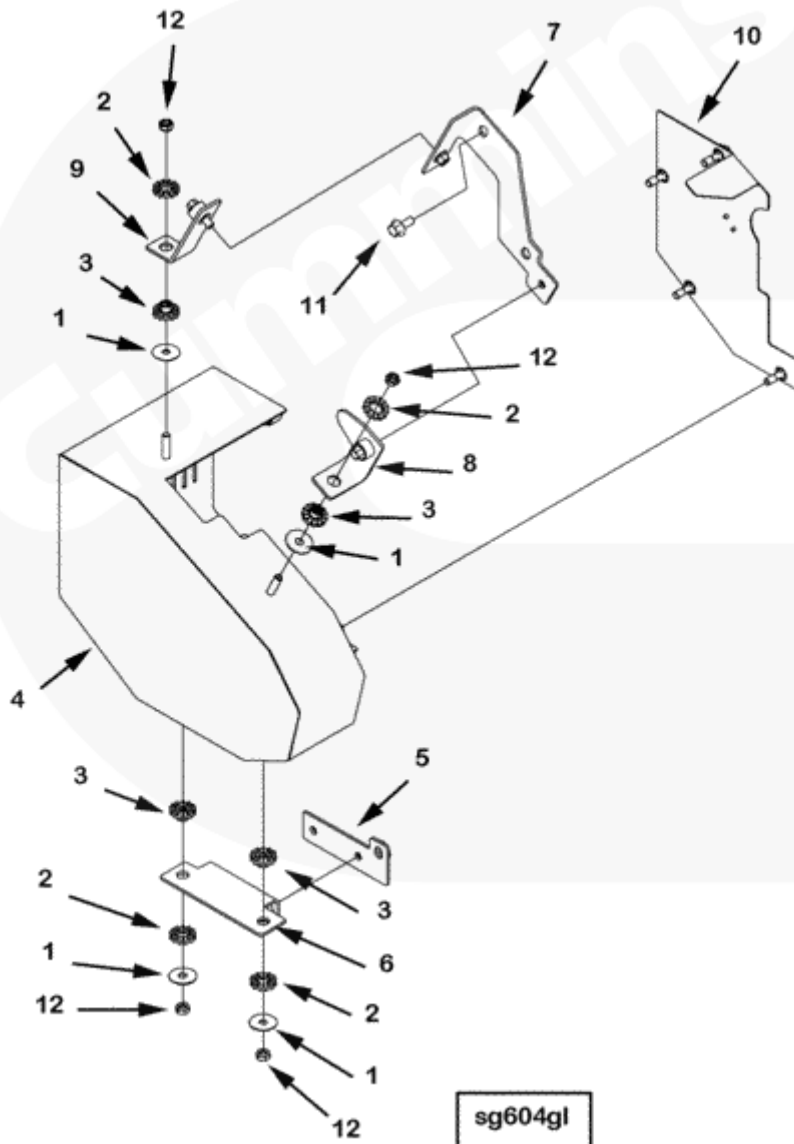


Parts Catalog - Option Detail

Content For Engine Serial Number (ESN): 66301765

Electronic Parts Catalog - Option Detail				
Option	Group	Graphic	Film Card	Date
SG6093	13.02.3	sg604gl	P78	21-DEC-09
Engines	QSK78 CM500			

©Cummins Inc



SMALL | MEDIUM | LARGE

Add Part to Cart	Ref No	Part Number	Part Name	Required	Remarks
View My Cart					

		SG6093	Guard,Alternator		Alternator guard
					guard provision: Right side
					driven items alternator
					manufacturing/model:
					Prestolite Ina 4024/7 alt
					drive ratio: 2.62:1 and
					3.56:1 right side(alternator)
					guard supplied: Mounted
					alternator terminal access:
					No damper guard compatible:
					Yes fan drive belt tensioner
					clearance: Yes alternator
					guard compliance: UL2200
					standard eu directive
					2006/42/EC for protective
					guards.
<input type="checkbox"/>	1	3033800	Washer, Plain	4	3/8 Inch.
<input type="checkbox"/>	2	3035083	Isolator, Vibration	4	
<input type="checkbox"/>	3	3035084	Isolator, Vibration	4	
<input type="checkbox"/>	4	3642982	Guard, Alternator	1	
<input type="checkbox"/>	5	3642988	Bracket, Belt Guard	1	
<input type="checkbox"/>	6	3642991	Bracket, Belt Guard	1	
<input type="checkbox"/>	7	3642993	Bracket, Belt Guard	1	
<input type="checkbox"/>	8	3642995	Bracket, Belt Guard	1	
<input type="checkbox"/>	9	3642997	Bracket, Belt Guard	1	
<input type="checkbox"/>	10	3643008	Plate, Cover	1	
<input type="checkbox"/>	11	3901249	Screw, Hex Flange Head Cap	1	M12 x 1.75 x 25
<input type="checkbox"/>	12	4001248	Nut, Lock	4	

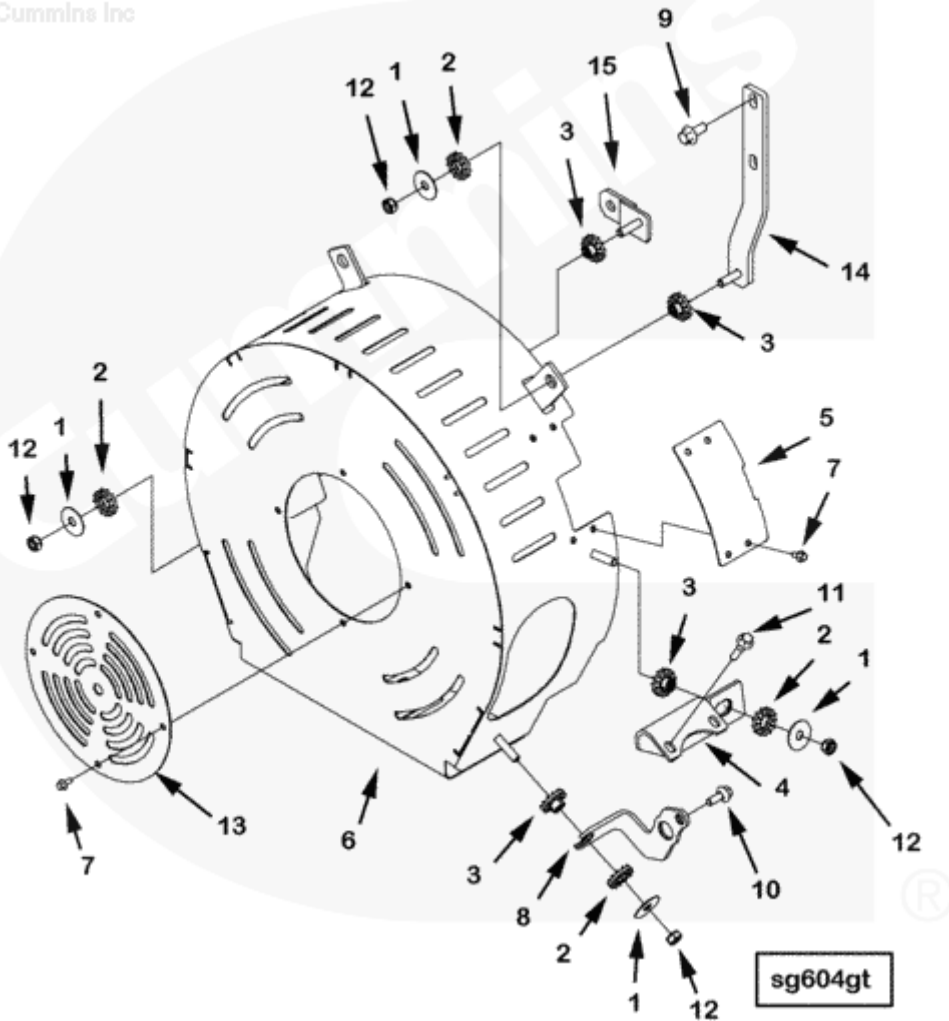


Parts Catalog - Option Detail

Content For Engine Serial Number (ESN): 66301765

Electronic Parts Catalog - Option Detail				
Option	Group	Graphic	Film Card	Date
SG6042-02	15.03	sg604gt	P78	18-FEB-08
Engines	QSK78 CM500			

©Cummins Inc



SMALL | MEDIUM | LARGE

Add Part to Cart	Ref No	Part Number	Part Name	Required	Remarks
View My Cart					
		SG6042-02	GUARD,FRONT ENGINE		Front engine guard
					damper guard for dual 520mm
					diameter dampers
					Supplied in kit.
<input type="checkbox"/>	1	3033800	Washer, Plain	5	3/8 Inch.

<input type="checkbox"/>	2	3035083	Isolator, Vibration	5	
<input type="checkbox"/>	3	3035084	Isolator, Vibration	5	
<input type="checkbox"/>	4	3636864	Bracket, Damper Guard	1	
<input type="checkbox"/>	5	3636826	Plate, Cover	1	
<input type="checkbox"/>	6	3636865	Guard, Damper	1	
<input type="checkbox"/>	7	3900627	Screw, Hex Flange Head Cap	8	M6 X 1.00 X 14
<input type="checkbox"/>	8	3640716	Bracket, Damper Guard	1	
<input type="checkbox"/>	9	3901249	Screw, Hex Flange Head Cap	4	M12 x 1.75 x 25
<input type="checkbox"/>	10	3902460	Screw, Hex Flange Head Cap	1	M10 x 1.50 x 25
<input type="checkbox"/>	11	3903464	Screw, Hex Flange Head Cap	2	M10 x 1.50 x 40
<input type="checkbox"/>	12	4001248	Nut, Lock	5	
<input type="checkbox"/>	13	4016890	Cover, Pwr Takeoff Flange	1	
<input type="checkbox"/>	14	4016900	Bracket, Damper Guard	2	
<input type="checkbox"/>	15	4080546	Bracket, Damper Guard	1	

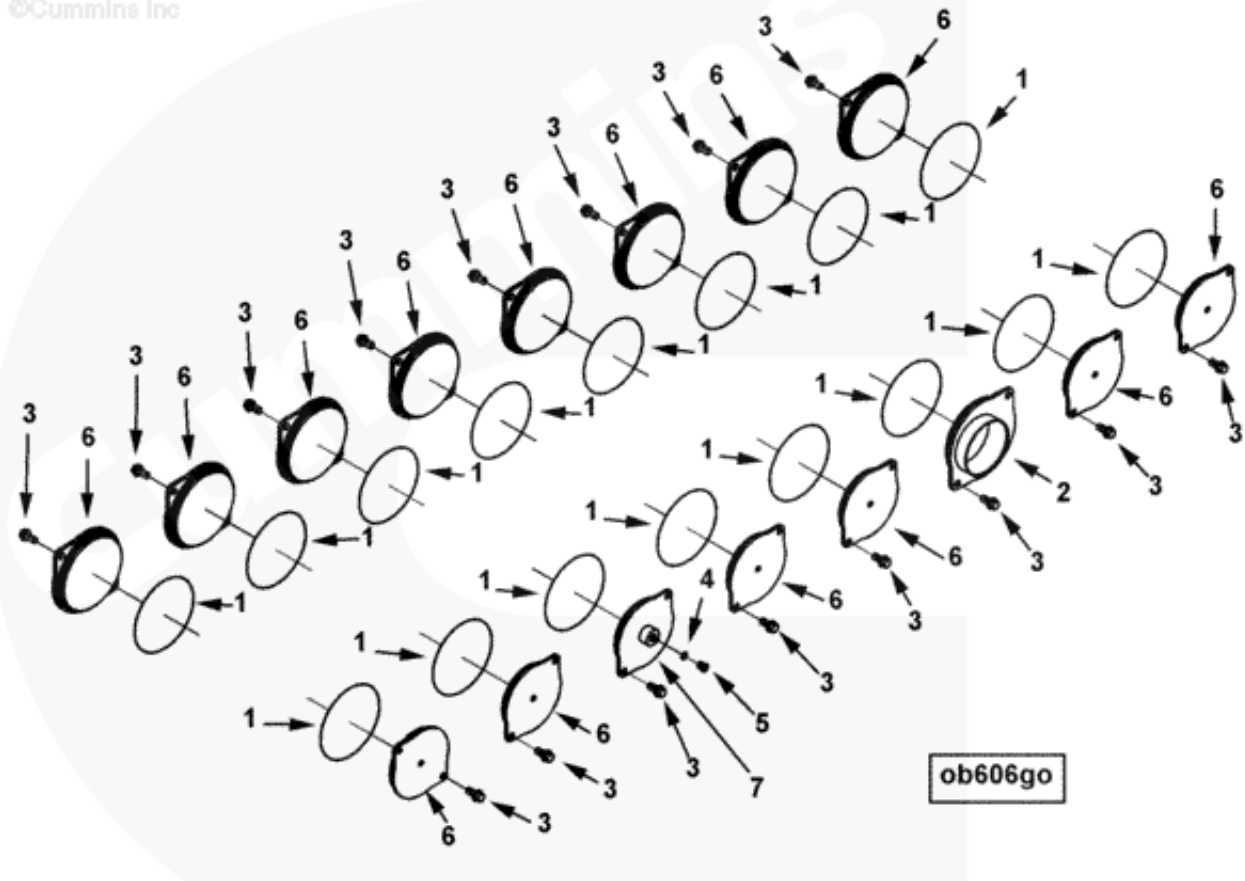


Parts Catalog - Option Detail

Content For Engine Serial Number (ESN): 66301765

Electronic Parts Catalog - Option Detail				
Option	Group	Graphic	Film Card	Date
OB6776-06	07.02	ob606go	P78	23-APR-07
Engines	QSK78 CM500			

©Cummins Inc



SMALL | MEDIUM | LARGE

Add Part to Cart	Ref No	Part Number	Part Name	Required	Remarks
<input type="button" value="View My Cart"/>					
		OB6776-06	Hand Hole Cover		Hand hole cover
					Oil Fill Depth From Hand Hole
					Cover Face: N/A
					Oil Fill Length: N/A lube

					filter type: Eliminator
					starters: LB top + bottom,
					RB top
					Oil Fill Location: None
					Dipstick Provision: None
					drain provision: None
					eliminator: Yes centrifuge:
					No air compressor: No
					Hand Hole Cover Position:
					Plain cover LB1,2,3,4,5,8,9
					RB1,2,4,5,6,7,8,9 breather:
					LB6,7 eliminator drain: RB3
					Unique Characteristics: For
					qsk78 engines.
<input type="checkbox"/>	1	4100660	Seal, O Ring	16	
<input type="checkbox"/>	2	3411146	Cover, Hand Hole	1	
<input type="checkbox"/>	3	3903990	Screw, Hex Flange Head Cap	32	M10 x 1.50 x 20
<input type="checkbox"/>		3678923	Plug, Threaded	1	M10 x 1.00 x 13.5
<input type="checkbox"/>	4	3678925	Seal, O Ring	1	M10
	5	3678924	Plug, Threaded	1	Purchase P/N 3678923
<input type="checkbox"/>	6	4086695	Cover, Hand Hole	14	
<input type="checkbox"/>	7	4015982	Cover, Hand Hole	1	

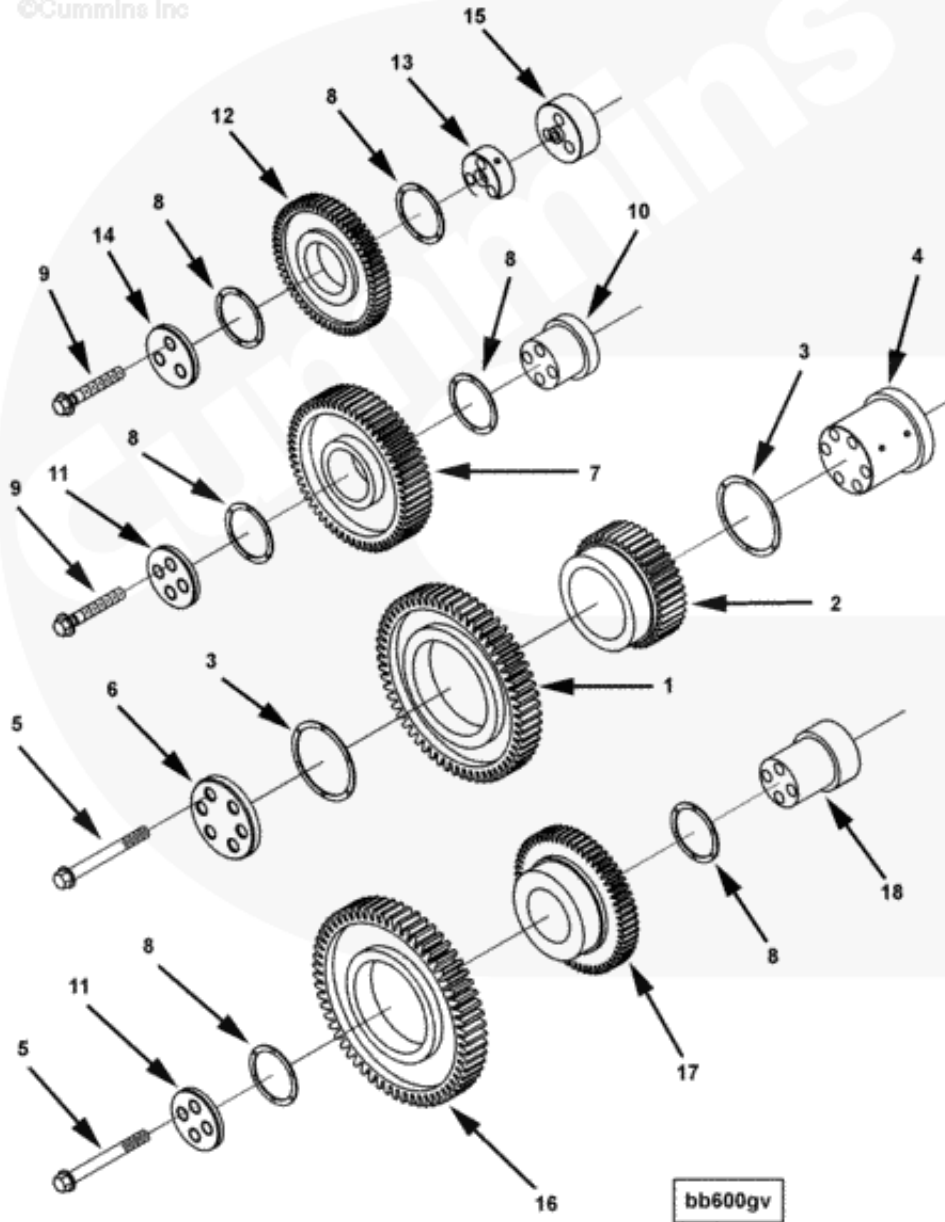


Parts Catalog - Option Detail

Content For Engine Serial Number (ESN): 66301765

Electronic Parts Catalog - Option Detail				
Option	Group	Graphic	Film Card	Date
BB6722-02	01.07.1	bb600gv	P78	03-AUG-04
Engines	QSK78 CM500			

©Cummins Inc



SMALL | MEDIUM | LARGE

Add Part to Cart	Ref No	Part Number	Part Name	Required	Remarks
<input type="button" value="View My Cart"/>					
		BB6722-02	Idler Gear		
			\$L.B. Cam (Compound)		
<input type="checkbox"/>		4007562	Gear, Idler	1	
	1	4007561	Gear, Idler	1	
<input type="checkbox"/>	2	4007343	Gear, Idler	1	
<input type="checkbox"/>		4007668	Bushing	2	
<input type="checkbox"/>	3	4007158	Bearing, Thrust	2	
<input type="checkbox"/>	4	4007151	Shaft, Idler	1	
<input type="checkbox"/>	5	4007114	Screw, Hex Flange Head Cap	6	
<input type="checkbox"/>	6	4007157	Retainer, Gear	1	
			\$R.B. Cam		
<input type="checkbox"/>	7	4007350	Gear, Idler	1	
<input type="checkbox"/>		4007344	Gear, Idler	1	
<input type="checkbox"/>		3089214	Bushing	1	
<input type="checkbox"/>	8	3082121	Bearing, Thrust	2	
<input type="checkbox"/>	9	3082427	Screw, Hex Flange Head Cap	4	
<input type="checkbox"/>	10	3089084	Shaft, Idler	1	
<input type="checkbox"/>	11	3089281	Retainer, Gear	1	
			\$Water Pump		
<input type="checkbox"/>	12	3089105	Gear, Idler	1	
		4000791	Gear, Idler	1	
<input type="checkbox"/>		3089107	Bushing	1	
<input type="checkbox"/>	8	3082121	Bearing, Thrust	2	
<input type="checkbox"/>	9	3082427	Screw, Hex Flange Head Cap	3	
<input type="checkbox"/>	13	4007355	Shaft, Idler	1	
<input type="checkbox"/>	14	3089320	Retainer, Gear	1	
<input type="checkbox"/>	15	4007354	Retainer, Gear	1	

			\$LTA Water Pump Drive		
<input type="checkbox"/>		4007739	Gear, Idler	1	
	16	4007738	Gear, Idler	1	
	17	4000793	Gear, Idler	1	
<input type="checkbox"/>		3089315	Bushing	2	
<input type="checkbox"/>	8	3082121	Bearing, Thrust	2	
<input type="checkbox"/>	5	4007114	Screw, Hex Flange Head Cap	4	
<input type="checkbox"/>	10	3089281	Retainer, Gear	1	
<input type="checkbox"/>	18	3089314	Shaft, Idler	1	

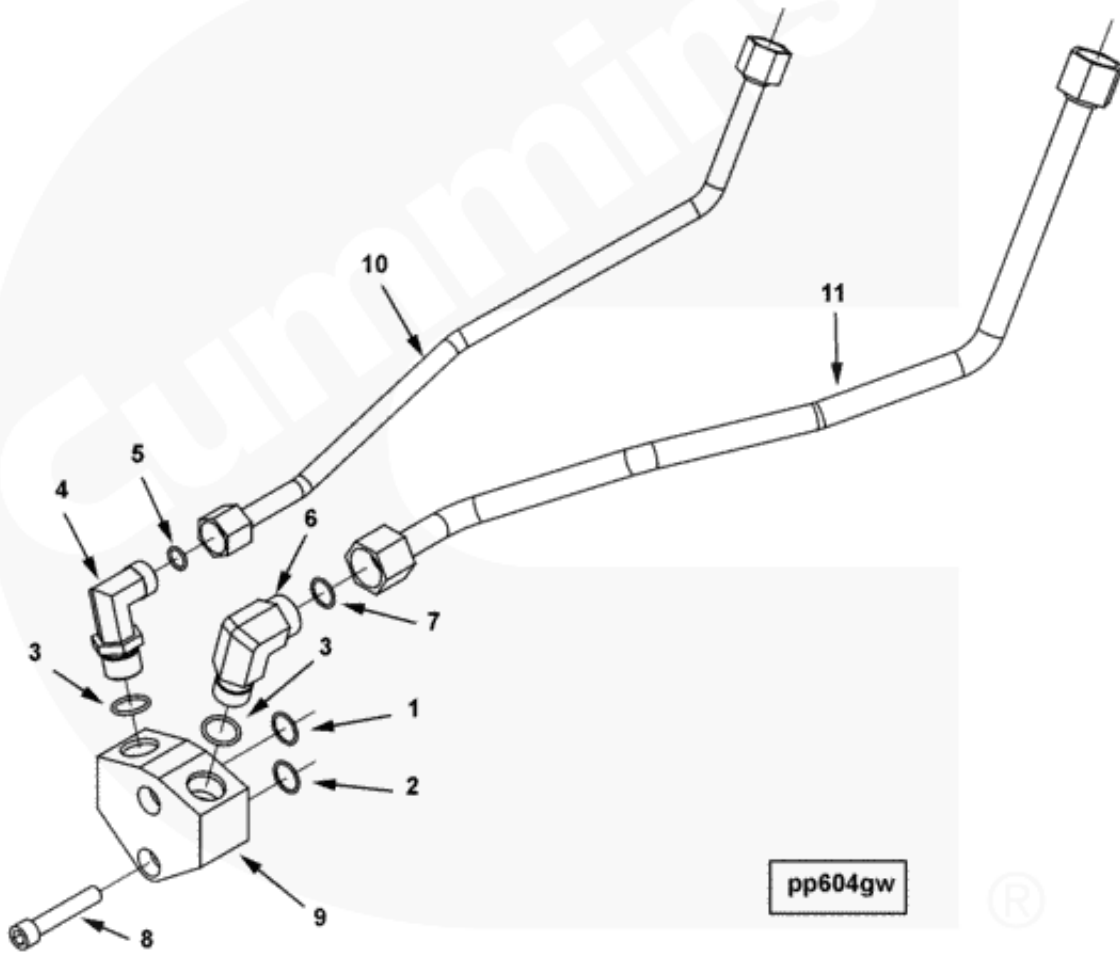


Parts Catalog - Option Detail

Content For Engine Serial Number (ESN): 66301765

Electronic Parts Catalog - Option Detail				
Option	Group	Graphic	Film Card	Date
PP6832	06.01.2	pp604gw	P78	05-JAN-04
Engines	QSK78 CM500			

©Cummins Inc



SMALL | MEDIUM | LARGE

Add Part to Cart	Ref No	Part Number	Part Name	Required	Remarks
<input type="button" value="View My Cart"/>					
		PP6832	Injector Plumbing		Plumbing, injector
					for qsk78 single stage with

					eliminator only.
	1	193734	Seal, O Ring	1	
<input type="checkbox"/>	2	3330478	Seal, O Ring	1	
<input type="checkbox"/>		3089584	Elbow, Male Union	2	
<input type="checkbox"/>	3	3089240	Seal, O Ring	1	M22
<input type="checkbox"/>	4	3089446	Elbow, Male Union	1	
<input type="checkbox"/>	5	3627695	Seal, O Ring	1	
<input type="checkbox"/>		3171883	Elbow, Male Union	2	
<input type="checkbox"/>	3	3089240	Seal, O Ring	1	M22
	6	3171973	Elbow, Male Union	1	
<input type="checkbox"/>	7	3630740	Seal, O Ring	1	
<input type="checkbox"/>	8	3422908	Screw, Socket Head Cap	2	
<input type="checkbox"/>	9	4006396	Connection, Fuel Block	1	
<input type="checkbox"/>	10	4006812	Tube, Fuel Supply	1	
<input type="checkbox"/>	11	4007044	Tube, Fuel Transfer	1	

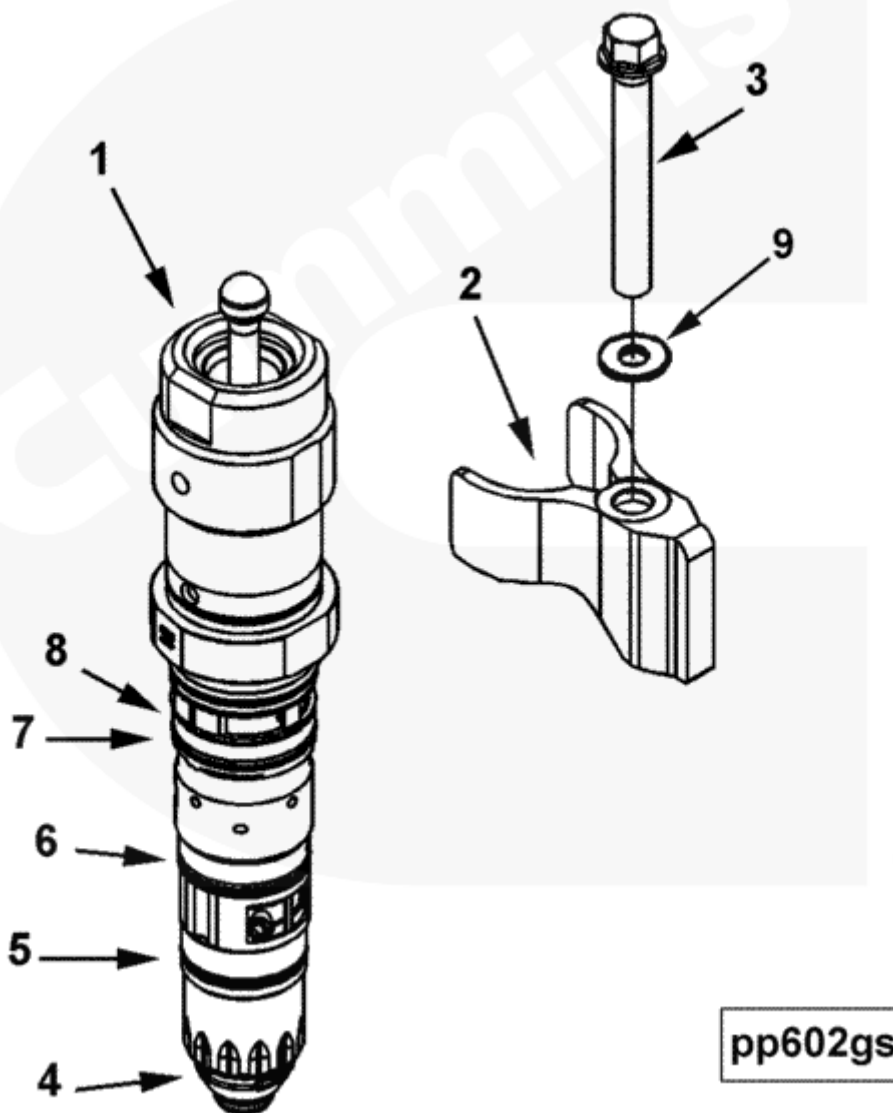


Parts Catalog - Option Detail

Content For Engine Serial Number (ESN): 66301765

Electronic Parts Catalog - Option Detail				
Option	Group	Graphic	Film Card	Date
PP8241-04	06.01	pp602gs	P78	11-AUG-08
Engines	QSK78 CM500			

©Cummins Inc



SMALL | MEDIUM | LARGE

Add Part to Cart	Ref No	Part Number	Part Name	Required	Remarks
View My Cart					
		PP8241-04	Injector		
<input type="checkbox"/>	1	4954801	Injector	18	

<input type="checkbox"/>	2	3867350	Clamp, Injector	18	
<input type="checkbox"/>	3	4006238	Screw, Twelve Point Cap	18	
<input type="checkbox"/>	4	3867687	Seal, Injector	18	Std.
<input type="checkbox"/>	5	3867651	Seal, O Ring	18	Brown
<input type="checkbox"/>	6	3347937	Seal, O Ring	18	Green
<input type="checkbox"/>	7	4010577	Seal, O Ring	18	Blue
<input type="checkbox"/>	8	3347939	Seal, O Ring	18	Black
<input type="checkbox"/>	9	4006240	Washer, Plain	18	

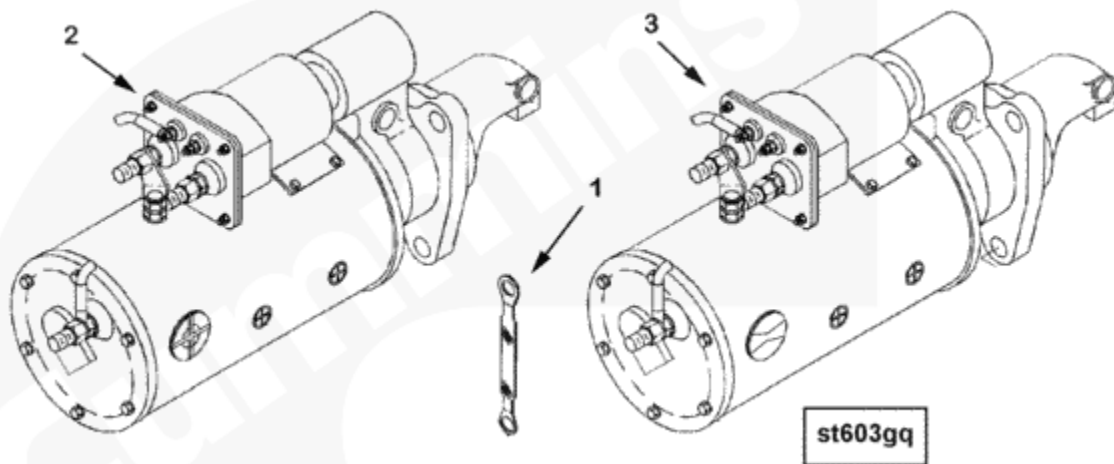


Parts Catalog - Option Detail

Content For Engine Serial Number (ESN): 66301765

Electronic Parts Catalog - Option Detail				
Option	Group	Graphic	Film Card	Date
ST6089-03	13.05	st603gq	P78	18-SEP-06
Engines	QSK78 CM500			

©Cummins Inc



SMALL | MEDIUM | LARGE

Add Part to Cart	Ref No	Part Number	Part Name	Required	Remarks
View My Cart					
		ST6089-03	Motor,Starting		Starting motor
					type: Engine mounted remote
					pre-lube
					Voltage: 24 manufacturer:
					Manufactured by Remy inc,
					branded for Cummins.
					Model: 50 MT400 starter
					count: 3
					Method Of Engagement:
					Positive
					Solenoid Location For:
					Starter motor: Left bank:

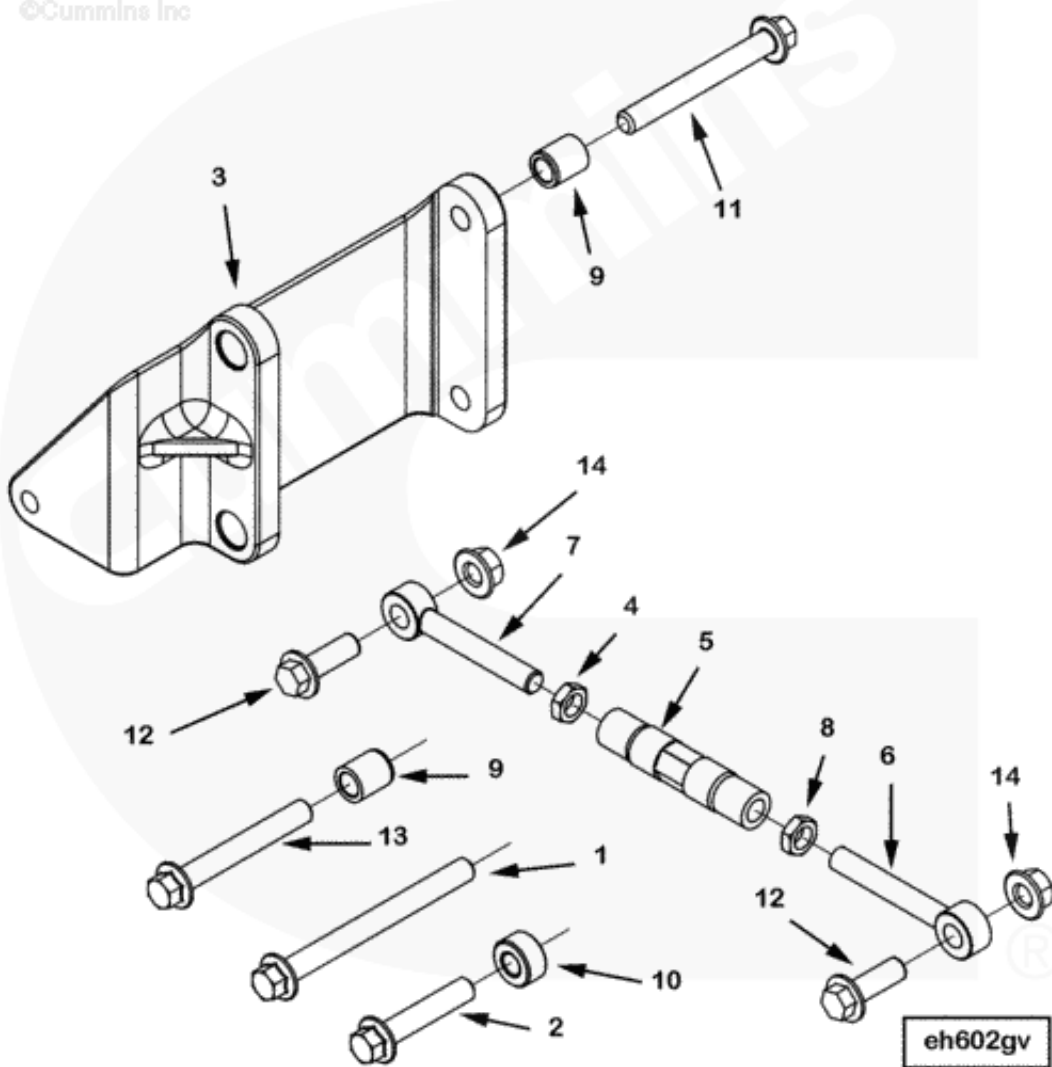
					322 starter motor: Right
					bank: 37'30 gear pitch: 6/8
					KW rating: 8.95 SAE type
					starter mounting flange:
					Type no. 3 heavy duty
					mounting location: 2 left
					bank; 1 right bank
					Unique Characteristics: Has
					Engine Mounted
					Remote pre-lube.
<input type="checkbox"/>	1	3018924	Wire, Ground	3	
<input type="checkbox"/>	2	3636819	Motor, Starting	2	
<input type="checkbox"/>	3	3636818	Motor, Starting	1	



Parts Catalog - Option Detail

Content For Engine Serial Number (ESN): 66301765

Electronic Parts Catalog - Option Detail				
Option	Group	Graphic	Film Card	Date
EH6005	13.02.3	eh602gv	P78	10-MAR-08
Engines	QSK78 CM500			



SMALL | MEDIUM | LARGE

Add Part to Cart	Ref No	Part Number	Part Name	Required	Remarks
<input type="button" value="View My Cart"/>					
		EH6005	Mounting,Alternator		Alternator mounting

				Engine Family: Qsk45, Qsk60,
				Qsk78 alternator
				manufacturer/model:
				Prestolite Ina4024/7 support
				interface type (mm): 76.4
				(3.0in) lug
				Alternator Mounting Location:
				From engine centerline (mm):
				-597 (-23.5in) from crank
				centerline (mm): 153
				(6.02in) from front face of
				block (mm): 195 (7.68in) alt
				pulley diameter (mm): 82.77
				(3.26in) over 2.92 (0.115in)
				gage ball alt pulley location
				front face of block to
				centerline of first pulley
				groove (mm): 223.6 (8.80in)
				alt pulley groove profile: 5
				groove belt description: K
				section v ribbed alternator
				drive location: Right side
				alt drive ratio: 2.62:1 x
				engine speed rqrdr drive
				pulley diameter (mm): 125.64
				(4.95in) over 2.92 (0.115in)
				gage ball
				Belt Tensioner Type: Manual
				Adjusting Link tensioner
				pivot location: From engine
				centerline (mm): -507
				(20.0in) from crank
				centerline (mm): -63 (-2.5in)

<input type="checkbox"/>	1	3089234	Screw, Hex Flange Head Cap	1	
<input type="checkbox"/>	2	3171713	Screw, Hex Flange Head Cap	1	
<input type="checkbox"/>	3	3332187	Support, Alternator	1	
<input type="checkbox"/>		3332206	Link, Adjusting	1	
<input type="checkbox"/>	4	3093948	Nut, Regular Hexagon	1	
<input type="checkbox"/>	5	3332204	Link, Adjusting	1	
<input type="checkbox"/>	6	3332205	Bolt, Eye	1	
<input type="checkbox"/>	7	3332209	Bolt, Eye	1	
<input type="checkbox"/>	8	3332240	Nut, Regular Hexagon	1	
<input type="checkbox"/>	9	3332237	Sleeve	3	
<input type="checkbox"/>	10	3332241	Spacer, Accessory Drive	1	
<input type="checkbox"/>	11	3332242	Screw, Hex Flange Head Cap	1	
<input type="checkbox"/>	12	3900637	Screw, Hex Flange Head Cap	2	M12 x 1.75 x 35
<input type="checkbox"/>	13	3902451	Screw, Hex Flange Head Cap	2	M12 X 1.75 X 90.
<input type="checkbox"/>	14	3903210	Nut, Hexagon Flange	2	M12 x 1.75

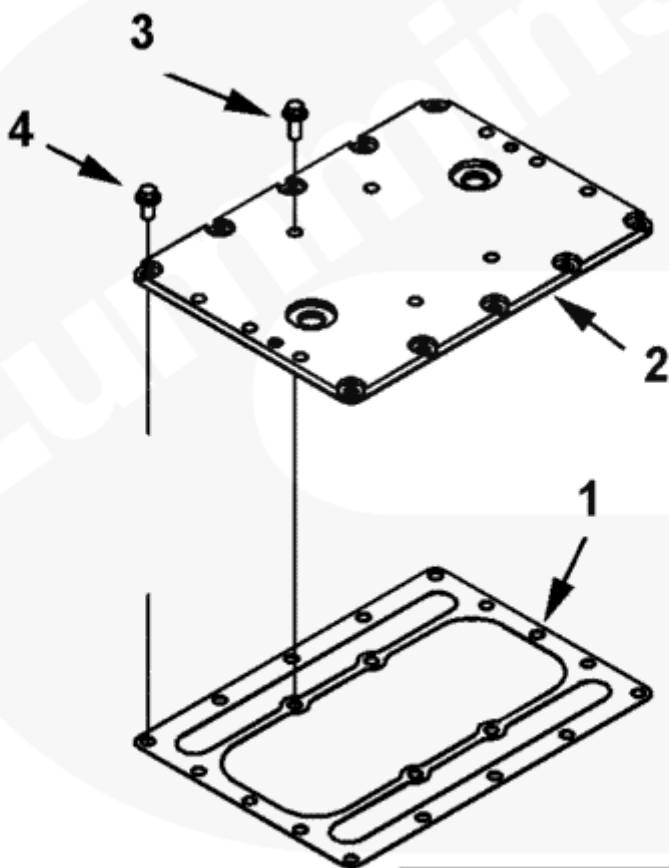


Parts Catalog - Option Detail

Content For Engine Serial Number (ESN): 66301765

Electronic Parts Catalog - Option Detail				
Option	Group	Graphic	Film Card	Date
WH6713	08.07.1	wh600gg	P78	02-SEP-02
Engines	QSK78 CM500			

©Cummins Inc



wh600gg

[SMALL](#) | [MEDIUM](#) | [LARGE](#)

Add Part to Cart	Ref No	Part Number	Part Name	Required	Remarks
View My Cart					
		WH6713	Oil Cooler Water Plumbing		Oil cooler water plumbing
					water header covers.
<input type="checkbox"/>	1	3089170	Gasket, Water Header Cover	5	

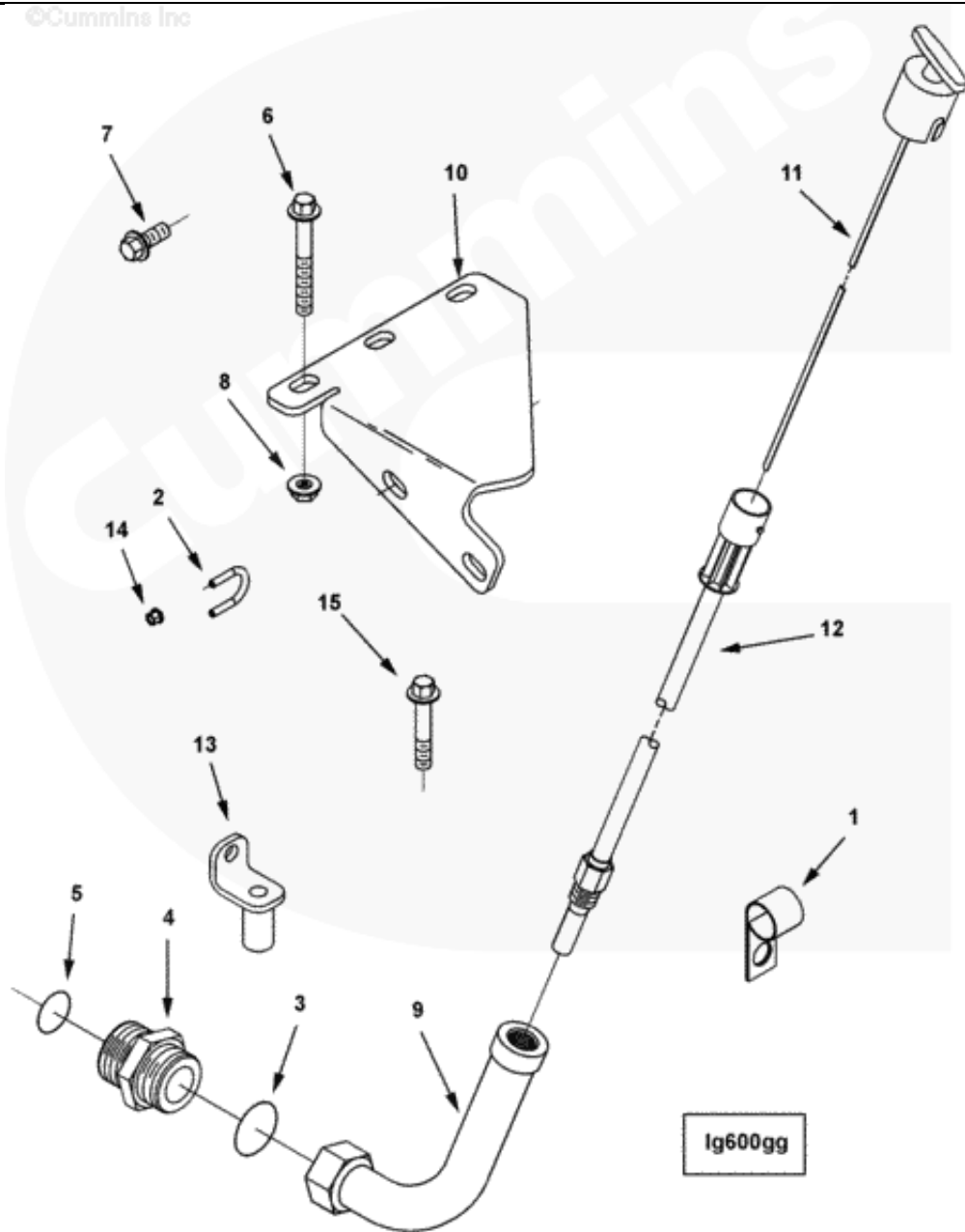
<input type="checkbox"/>	2	3332002	Cover, Water Header	5	
<input type="checkbox"/>	3	3902460	Screw, Hex Flange Head Cap	50	M10 x 1.50 x 25
<input type="checkbox"/>	4	3903990	Screw, Hex Flange Head Cap	50	M10 x 1.50 x 20



Parts Catalog - Option Detail

Content For Engine Serial Number (ESN): 66301765

Electronic Parts Catalog - Option Detail				
Option	Group	Graphic	Film Card	Date
LG6044-03	07.02	Ig600gg	P78	02-FEB-09
Engines	QSK78 CM500			



SMALL | MEDIUM | LARGE

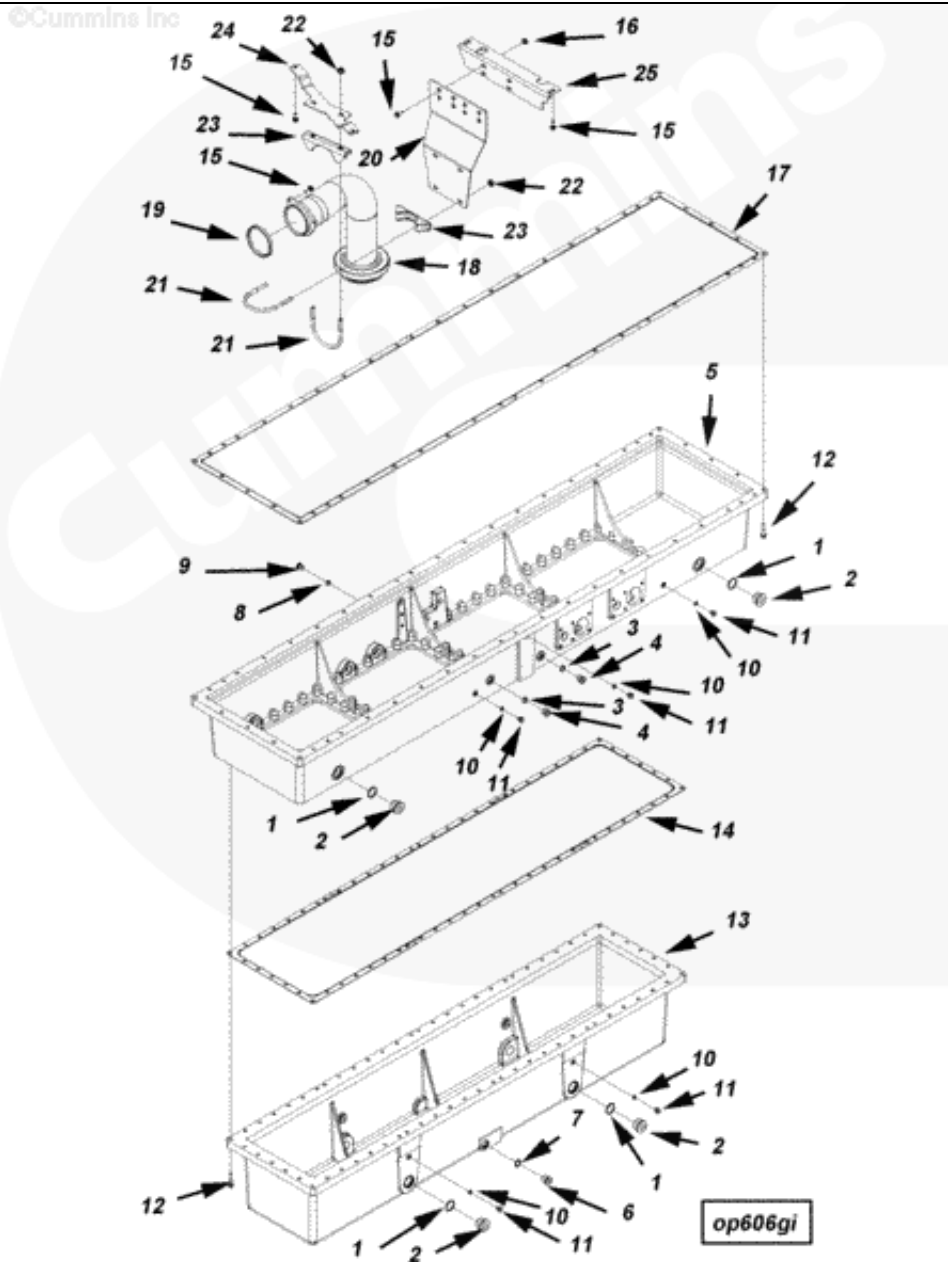
Add Part to Cart	Ref No	Part Number	Part Name	Required	Remarks
<input type="button" value="View My Cart"/>					
		LG6044-03	Oil Level Gauge		Oil level gauge
<input type="checkbox"/>	1	107460	Clip	1	
<input type="checkbox"/>	2	4007583	Clamp, U Bolt	1	
<input type="checkbox"/>		3332059	Union, Male	1	
<input type="checkbox"/>	3	3089019	Seal, O Ring	1	M42
	4	3332060	Union, Male	1	
<input type="checkbox"/>	5	3332160	Seal, O Ring	1	
<input type="checkbox"/>	6	3904446	Screw, Hex Flange Head Cap	1	M10 x 1.50 x 70
<input type="checkbox"/>	7	3902460	Screw, Hex Flange Head Cap	1	M10 x 1.50 x 25
<input type="checkbox"/>	8	3902662	Nut, Hexagon Flange	1	M10 x 1.50
<input type="checkbox"/>	9	4007624	Tube, Oil Gauge	1	
<input type="checkbox"/>	10	4007627	Bracket, Oil Tube	1	
<input type="checkbox"/>	11	4007628	Dipstick	1	
<input type="checkbox"/>	12	4007631	Tube, Oil Gauge	1	
<input type="checkbox"/>	13	4007935	Bracket, Oil Tube	1	
<input type="checkbox"/>	14	4007602	Nut, Lock	2	
<input type="checkbox"/>	15	3900635	Screw, Hex Flange Head Cap	3	M10 x 1.50 x 60



Parts Catalog - Option Detail

Content For Engine Serial Number (ESN): 66301765

Electronic Parts Catalog - Option Detail				
Option	Group	Graphic	Film Card	Date
OP6085-04	07.01	op606gi	P78	12-JUL-10
Engines	QSK78 CM500			



SMALL | MEDIUM | LARGE

Add Part to Cart	Ref No	Part Number	Part Name	Required	Remarks
<input type="button" value="View My Cart"/>					
		OP6085-04	PAN,OIL		Oil pan
					sump location: Deep sump on
					all locations
					Material: Aluminum
					construction: Cast high oil
					capacity: 413litres (109 US
					gallons) low oil capacity:
					TBD litres (TBD US gallons)
					Angularity Limits: TBD
					Drain Location: LB And RB
					accessible ports/sizes: TBD
					Unique Characteristics:
					For use with qsk78 engines.
		3637491	Adapter, Oil Pan TLA	1	
<input type="checkbox"/>		3089023	Plug, Threaded	9	M42 x 2.00 x 19.5
<input type="checkbox"/>	1	3089019	Seal, O Ring	9	M42
	2	3089021	Plug, Threaded	9	M42 x 2.00 x 19.5
<input type="checkbox"/>		3089238	Plug, Threaded	5	M22 x 1.50 x 20.1
	3	3089239	Plug, Threaded	1	M22 x 1.50 x 20.1
<input type="checkbox"/>	4	3089240	Seal, O Ring	1	M22
<input type="checkbox"/>	5	3637137	Adapter, Oil Pan	1	
<input type="checkbox"/>		3678611	Plug, Threaded	2	
	6	3678605	Plug, Threaded	2	
<input type="checkbox"/>	7	3678606	Seal, O Ring	2	
<input type="checkbox"/>		3678873	Plug, Threaded	1	
<input type="checkbox"/>	8	3678786	Seal, O Ring	1	
	9	3678791	Plug, Threaded	1	
<input type="checkbox"/>		3678921	Plug, Threaded	8	M14 x 1.50 x 16

<input type="checkbox"/>	10	3678912	Seal, O Ring	1	M14
	11	3678922	Plug, Threaded	1	Purchase P/N 3678921
<input type="checkbox"/>	12	3900634	Screw, Hex Flange Head Cap	66	M10 x 1.50 x 50
<input type="checkbox"/>	13	4017079	Pan, Oil	1	
<input type="checkbox"/>	14	4065555	Gasket, Oil Pan	1	
<input type="checkbox"/>	12	3900634	Screw, Hex Flange Head Cap	45	M10 x 1.50 x 50
<input type="checkbox"/>		3902460	Screw, Hex Flange Head Cap	11	M10 x 1.50 x 25
<input type="checkbox"/>	16	3902662	Nut, Hexagon Flange	4	M10 x 1.50
<input type="checkbox"/>	17	4006236	Gasket, Oil Pan Adapter	1	
<input type="checkbox"/>	18	4006413	Tube, Lub Oil Supply	1	
<input type="checkbox"/>	19	4006483	Seal, Rectangular Ring	1	
<input type="checkbox"/>	20	4007706	Bracket, Oil Tube	1	
<input type="checkbox"/>	21	4007725	Clamp, U Bolt	3	
<input type="checkbox"/>	22	4007735	Nut, Lock	6	
<input type="checkbox"/>	23	4007909	Clamp, Tube	3	
<input type="checkbox"/>	24	4007910	Bracket, Oil Tube	1	
<input type="checkbox"/>	25	4086650	Bracket, Oil Tube	1	

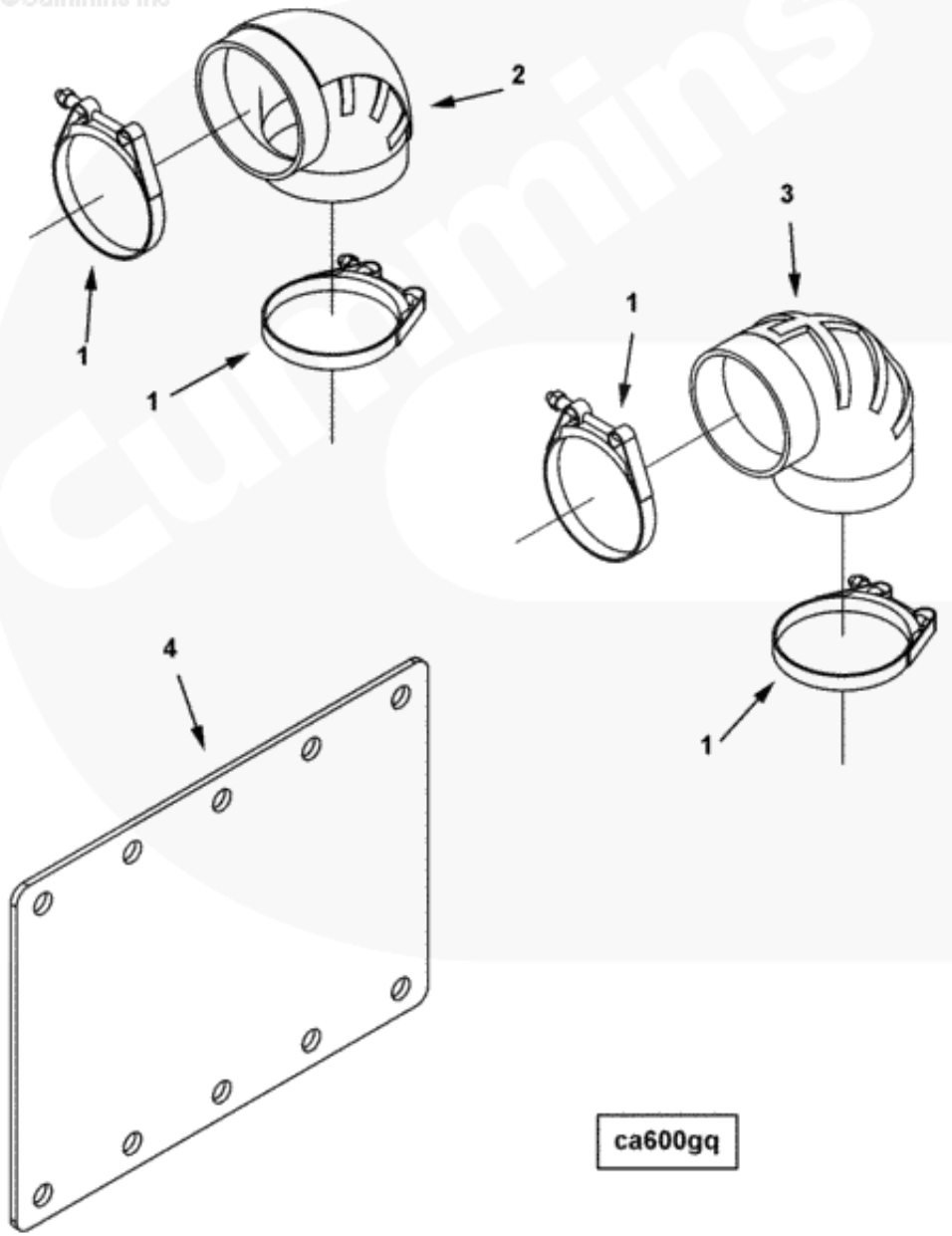


Parts Catalog - Option Detail

Content For Engine Serial Number (ESN): 66301765

Electronic Parts Catalog - Option Detail				
Option	Group	Graphic	Film Card	Date
CA6013-02	10.04.2	ca600gq	P78	12-JUN-06
Engines	QSK78 CM500			

©Cummins Inc



SMALL | MEDIUM | LARGE

Add Part to Cart	Ref No	Part Number	Part Name	Required	Remarks
<input type="button" value="View My Cart"/>					
		CA6013-02	Plumbing,Air Cleaner		
<input type="checkbox"/>	1	125741	Clamp, T Bolt	6	6 in.
<input type="checkbox"/>	2	3030513	Hose, Elbow	4	
<input type="checkbox"/>	3	3030773	Hose, Elbow	2	
<input type="checkbox"/>	4	4007831	Blanket, Exh Connection	2	

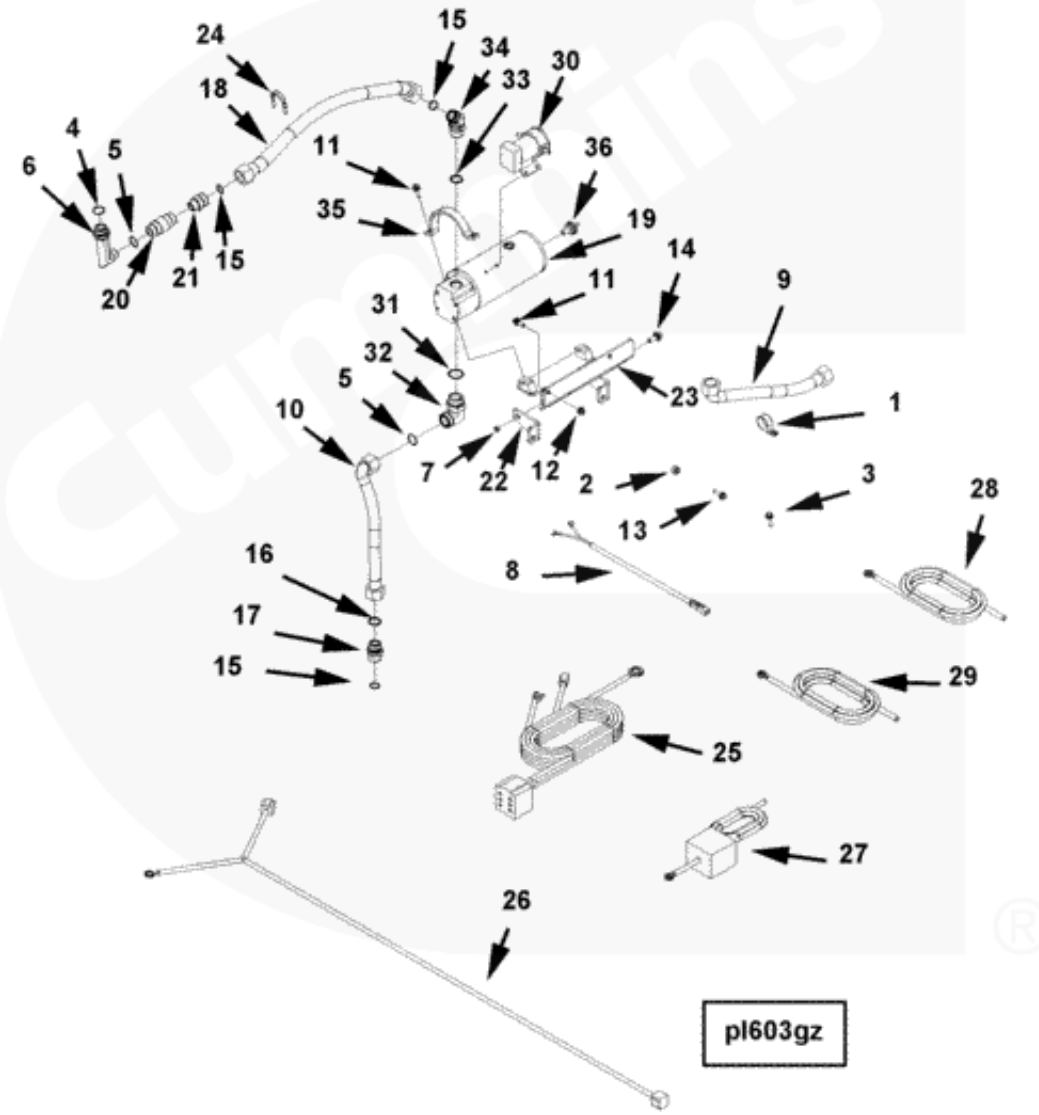


Parts Catalog - Option Detail

Content For Engine Serial Number (ESN): 66301765

Electronic Parts Catalog - Option Detail				
Option	Group	Graphic	Film Card	Date
PL6727-05	07.06.1	pl603gz	P78	22-NOV-10
Engines	QSK78 CM500			

©Cummins Inc



SMALL | MEDIUM | LARGE

Add Part to Cart	Ref No	Part Number	Part Name	Required	Remarks

View My Cart

		PL6727-05	Primer,Engine Lubricating		Engine lubricating primer
					prelube location: RB
					Includes prelube wiring
					harness supplied in kit.
					Used with eliminator.
<input type="checkbox"/>	1	68189	Clip	1	
<input type="checkbox"/>	2	104857	Spacer, Fan	1	
<input type="checkbox"/>	3	3089016	Screw, Hex Flange Head Cap	1	M10 x 1.50 x 35
<input type="checkbox"/>		3410392	Elbow, Male Union	1	
<input type="checkbox"/>	4	3089019	Seal, O Ring	1	M42
<input type="checkbox"/>	5	3332160	Seal, O Ring	1	
	6	3410393	Elbow, Male Union	1	
<input type="checkbox"/>	7	3625826	Nut, Lock	4	
<input type="checkbox"/>	8	3637361	Harness, Wiring	1	
<input type="checkbox"/>	9	3637676	Hose, Flexible	1	
<input type="checkbox"/>	10	3637677	Hose, Flexible	1	
<input type="checkbox"/>	11	3902460	Screw, Hex Flange Head Cap	6	M10 x 1.50 x 25
<input type="checkbox"/>	12	3902662	Nut, Hexagon Flange	3	M10 x 1.50
<input type="checkbox"/>	13	3903112	Screw, Hex Flange Head Cap	2	M10 x 1.50 x 30
<input type="checkbox"/>	14	3910495	Screw, Hex Flange Head Cap	2	M12 x 1.75 x 30
<input type="checkbox"/>		4006284	Union, Male	1	
<input type="checkbox"/>	15	3075658	Seal, O Ring	1	
<input type="checkbox"/>	16	3678846	Seal, O Ring	1	
	17	4006285	Union, Male	1	
<input type="checkbox"/>	18	4006977	Hose, Flexible	1	
<input type="checkbox"/>	19	4007201	Primer, Engine Lubricating	1	
<input type="checkbox"/>	20	3643839	Valve, Check	1	
<input type="checkbox"/>		4007207	Connector, Male	2	

<input type="checkbox"/>	15	3075658	Seal, O Ring	1	
	21	4007208	Union, Male	1	
<input type="checkbox"/>	22	4007270	Bracket, Connection	2	
<input type="checkbox"/>	23	4007550	Bracket, Pump	1	
<input type="checkbox"/>	24	4007584	Clamp, U Bolt	2	
<input type="checkbox"/>		4065275	Harness, Wiring	1	
<input type="checkbox"/>	25	4007286	Harness, Wiring	1	
<input type="checkbox"/>	26	4007287	Harness, Wiring	1	
<input type="checkbox"/>	27	4007288	Cable, Battery	1	
<input type="checkbox"/>	28	4007290	Cable, Battery	1	
<input type="checkbox"/>	29	4101380	Cable, Battery	1	
<input type="checkbox"/>	30	4065468	Switch, Relay	1	
<input type="checkbox"/>		4065714	Elbow, Male Union	1	
<input type="checkbox"/>	31	3063166	Seal, O Ring	1	
<input type="checkbox"/>	5	3332160	Seal, O Ring	1	
<input type="checkbox"/>	32	4065715	Elbow, Male Union	1	
<input type="checkbox"/>		4065716	Elbow, Male Union	1	
<input type="checkbox"/>	15	3075658	Seal, O Ring	1	
<input type="checkbox"/>	33	3201585	Seal, O Ring	1	
<input type="checkbox"/>	34	4065717	Elbow, Male Union	1	
<input type="checkbox"/>	35	4066180	Bracket, Pump	2	
<input type="checkbox"/>	36	4101287	Switch, Pressure	1	

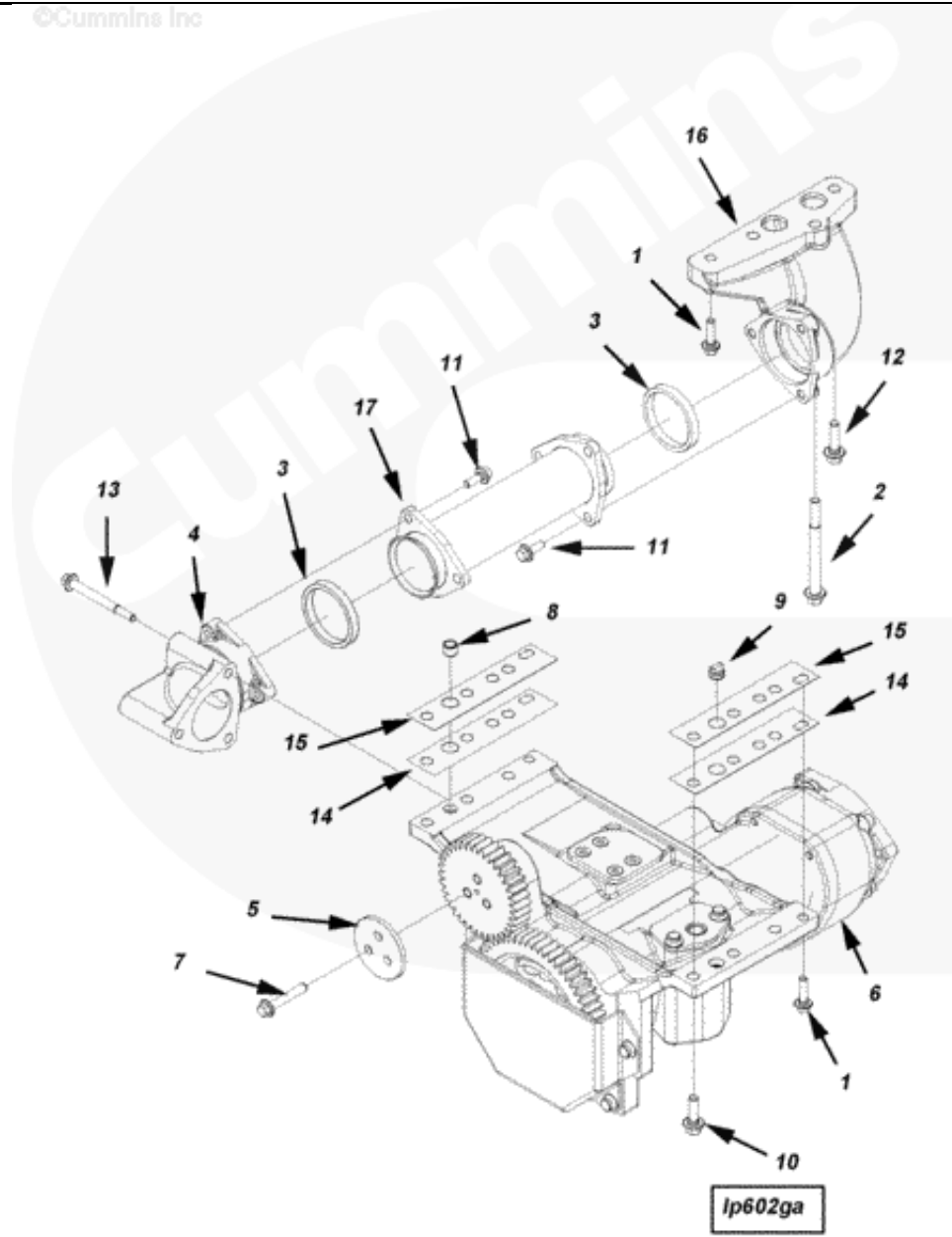


Parts Catalog - Option Detail

Content For Engine Serial Number (ESN): 66301765

Electronic Parts Catalog - Option Detail				
Option	Group	Graphic	Film Card	Date
LP6705-05	07.06	lp602ga	P78	25-JAN-10
Engines	QSK78 CM500			

©Cummins Inc



SMALL | MEDIUM | LARGE

Add Part to Cart	Ref No	Part Number	Part Name	Required	Remarks
<input type="button" value="View My Cart"/>					
		LP6705-05	PUMP,LUBRICATING OIL		Lubricating oil pump
					Engine Family: Qsk60, Qsk78
					nominal inlet diameter:
					123.89 (4.88in.) nominal flow
					rate: 340 GPM at 1900 RPM
					engine speed 240 GPM at 1200
					RPM engine speed lub pump
					inlet flange description: 3
					bolt x 152mm (5.986in)
					outside diameter engine speed
					rating restriction: Qsk60:
					Equal to 1200 RPM engine
					speed.
<input type="checkbox"/>	1	3089016	Screw, Hex Flange Head Cap	3	M10 x 1.50 x 35
<input type="checkbox"/>	2	3089234	Screw, Hex Flange Head Cap	1	
<input type="checkbox"/>	3	3089886	Seal, Rectangular Ring	2	
<input type="checkbox"/>	4	3636362	Connection, Oil Transfer	1	
<input type="checkbox"/>		3642282	Pump, Lubricating Oil	1	
<input type="checkbox"/>	5	3026233	Retainer, Gear	1	
<input type="checkbox"/>	6	3642796	Pump, Lubricating Oil	1	
<input type="checkbox"/>	7	3900635	Screw, Hex Flange Head Cap	3	M10 x 1.50 x 60
<input type="checkbox"/>	8	3911678	Dowel, Ring	1	
<input type="checkbox"/>	9	4001283	Dowel, Diamond	1	
<input type="checkbox"/>	10	3900637	Screw, Hex Flange Head Cap	6	M12 x 1.75 x 35
<input type="checkbox"/>	11	3902460	Screw, Hex Flange Head Cap	6	M10 x 1.50 x 25

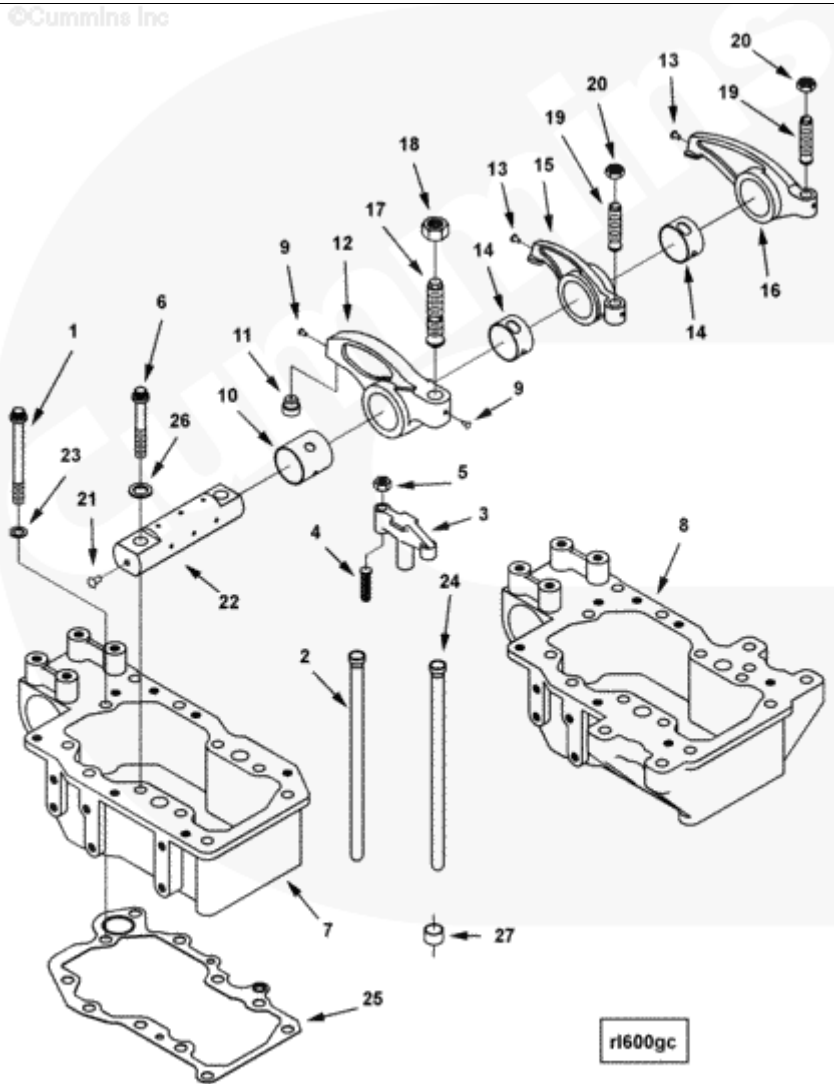
	12	3910540	Screw, Hex Flange Head Cap	2	M12 x 1.75 x 40
<input type="checkbox"/>	13	3914407	Screw, Hex Flange Head Cap	3	M10 x 1.50 x 100
<input type="checkbox"/>	14	4016660	Shim	2	
<input type="checkbox"/>	15	4016661	Shim	2	
<input type="checkbox"/>	16	4916874	Connection, Oil Transfer	1	
<input type="checkbox"/>	17	4916878	Tube, Lub Oil Transfer	1	



Parts Catalog - Option Detail

Content For Engine Serial Number (ESN): 66301765

Electronic Parts Catalog - Option Detail				
Option	Group	Graphic	Film Card	Date
RL6709-06	03.01	rl600gc	P78	18-AUG-09
Engines	QSK78 CM500			



[SMALL](#) | [MEDIUM](#) | [LARGE](#)

Add Part to Cart	Ref No	Part Number	Part Name	Required	Remarks
<input type="button" value="View My Cart"/>					
		RL6709-06	Rocker Lever		Rocker lever.
<input type="checkbox"/>	1	3094523	Screw, Twelve Point Cap	198	

<input type="checkbox"/>	2	4006170	Rod, Push	36	
	3	4006196	Crosshead, Valve	36	
	4	4006197	Screw, Crosshead Adjusting	36	
	5	4006198	Nut, Heavy Hexagon	36	
<input type="checkbox"/>	6	4006276	Screw, Twelve Point Cap	36	
<input type="checkbox"/>	7	4007891	Housing, Rocker Lever	14	
<input type="checkbox"/>	8	4007892	Housing, Rocker Lever	4	
<input type="checkbox"/>		4096490	Lever, Rocker	18	Intake
<input type="checkbox"/>		4096491	Lever, Rocker	1	
<input type="checkbox"/>	9	3092407	Rivet	2	
<input type="checkbox"/>	10	4006272	Bushing	1	
<input type="checkbox"/>	11	4006273	Socket, Rocker Lever	1	
<input type="checkbox"/>	12	4006274	Lever, Rocker	1	
<input type="checkbox"/>	17	4096493	Screw, Rkr Lever Adjustin	18	
<input type="checkbox"/>	18	4006212	Nut, Regular Hexagon Jam	18	
<input type="checkbox"/>		4095968	Lever, Rocker	18	Injector
<input type="checkbox"/>		4006208	Lever, Rocker	1	
<input type="checkbox"/>	13	4006265	Rivet	1	
<input type="checkbox"/>	14	4006266	Bushing	1	
	15	4006267	Lever, Rocker	1	
<input type="checkbox"/>	19	4006269	Screw, Rkr Lever Adjusting	1	
<input type="checkbox"/>	20	4006270	Nut, Regular Hexagon Jam	1	
<input type="checkbox"/>		4095967	Lever, Rocker	18	Exhaust
<input type="checkbox"/>		4006209	Lever, Rocker	1	
<input type="checkbox"/>	13	4006265	Rivet	1	
<input type="checkbox"/>	14	4006266	Bushing	1	
	16	4006268	Lever, Rocker	1	
<input type="checkbox"/>	19	4006269	Screw, Rkr Lever Adjusting	1	
<input type="checkbox"/>	20	4006270	Nut, Regular Hexagon Jam	1	

<input type="checkbox"/>		4007889	Shaft, Rocker Lever	18	
<input type="checkbox"/>	21	4006264	Rivet	1	
	22	4007890	Shaft, Rocker Lever	1	
<input type="checkbox"/>	23	4007239	Washer, Plain	198	
<input type="checkbox"/>	24	3640481	Rod, Push	18	
<input type="checkbox"/>	25	4007711	Gasket, Rkr Lever Housing	18	
<input type="checkbox"/>	26	4007723	Washer, Plain	36	
<input type="checkbox"/>	27	3079743	Dowel, Ring	18	



Parts Catalog - Option Detail

Content For Engine Serial Number (ESN): 66301765

Electronic Parts Catalog - Option Detail				
Option	Group	Graphic	Film Card	Date
TB6750-08	10.06.1	tb612gz	P78	20-FEB-06
Engines	QSK78 CM500			

©Cummins Inc



SMALL | MEDIUM | LARGE

Add Part to Cart	Ref No	Part Number	Part Name	Required	Remarks
View My Cart					
		TB6750-08	System,Auxiliary Cooling		
<input type="checkbox"/>	1	64709	Spacer, Mounting	4	

<input type="checkbox"/>	2	204476	Plug, Expansion	1	
<input type="checkbox"/>	3	205976	Ring, Retaining	2	
<input type="checkbox"/>	4	207515	Gasket, Connection	2	
<input type="checkbox"/>	5	3001837	Clamp, T Bolt	6	2 7/8 Inch.
<input type="checkbox"/>	6	3028291	Seal, O Ring	20	
<input type="checkbox"/>	7	3033248	Seal, O Ring	1	
<input type="checkbox"/>	8	3089016	Screw, Hex Flange Head Cap	8	M10 x 1.50 x 35
<input type="checkbox"/>		3089023	Plug, Threaded	1	M42 x 2.00 x 19.5
<input type="checkbox"/>	9	3089019	Seal, O Ring	1	M42
	10	3089021	Plug, Threaded	1	M42 x 2.00 x 19.5
<input type="checkbox"/>	11	3089247	Gasket, Connection	2	
<input type="checkbox"/>	12	3089297	Screw, Hex Flange Head Cap	1	
<input type="checkbox"/>	13	3089563	Screw, Hex Flange Head Cap	4	
<input type="checkbox"/>	14	3094814	Screw, Hex Flange Head Cap	4	
<input type="checkbox"/>	15	3171287	Gasket, Connection	1	
<input type="checkbox"/>	16	3171752	Screw, Hex Flange Head Cap	3	
<input type="checkbox"/>	17	3635697	Spacer, Mounting	1	
<input type="checkbox"/>	18	3636000	Connection, Water Transfer	2	
<input type="checkbox"/>	19	3636262	Tube, Water Transfer	1	
<input type="checkbox"/>	20	3636628	Pad, Wear	2	
<input type="checkbox"/>	21	3637101	Clamp, U Bolt	1	
<input type="checkbox"/>	22	3637151	Bracket, Connection	1	
<input type="checkbox"/>	23	3637152	Bracket, Connection	1	
<input type="checkbox"/>	24	3637900	Brace, Exh Out Connection	2	
<input type="checkbox"/>	25	3637902	Bracket, Connection	2	
<input type="checkbox"/>	26	3637996	Brace, Exh Out Connection	2	
<input type="checkbox"/>	27	3638582	Draincock	1	
<input type="checkbox"/>		3678873	Plug, Threaded	1	
<input type="checkbox"/>	28	3678786	Seal, O Ring	1	
	29	3678791	Plug, Threaded	1	
<input type="checkbox"/>	30	3900629	Screw, Hex Flange Head Cap	1	M8 x 1.25 x 16
<input type="checkbox"/>	31	3900630	Screw, Hex Flange Head Cap	9	M8 x 1.25 x 20

<input type="checkbox"/>	32	3900634	Screw, Hex Flange Head Cap	4	M10 x 1.50 x 50
<input type="checkbox"/>	33	3900679	Screw, Hex Flange Head Cap	1	M10 x 1.50 x 80
<input type="checkbox"/>	34	3902460	Screw, Hex Flange Head Cap	16	M10 x 1.50 x 25
<input type="checkbox"/>	35	3902662	Nut, Hexagon Flange	16	M10 x 1.50
<input type="checkbox"/>	36	3902663	Screw, Hex Flange Head Cap	1	M10 X 1.50 X 120.
<input type="checkbox"/>	37	3903112	Screw, Hex Flange Head Cap	14	M10 x 1.50 x 30
<input type="checkbox"/>	38	3903990	Screw, Hex Flange Head Cap	37	M10 x 1.50 x 20
<input type="checkbox"/>	39	3914177	Screw, Hex Flange Head Cap	2	M12 X 1.75 X 80.
		4006394	Housing, Thermostat	1	
<input type="checkbox"/>	2	204476	Plug, Expansion	1	
<input type="checkbox"/>		3089238	Plug, Threaded	1	M22 x 1.50 x 20.1
	40	3089239	Plug, Threaded	1	M22 x 1.50 x 20.1
<input type="checkbox"/>	41	3089240	Seal, O Ring	1	M22
<input type="checkbox"/>	42	3627961	Seal, Thermostat	4	
<input type="checkbox"/>		3678921	Plug, Threaded	2	M14 x 1.50 x 16
<input type="checkbox"/>	43	3678912	Seal, O Ring	1	M14
	44	3678922	Plug, Threaded	1	Purchase P/N 3678921
<input type="checkbox"/>	33	3900679	Screw, Hex Flange Head Cap	8	M10 x 1.50 x 80
<input type="checkbox"/>	45	4006235	Housing, Thermostat	1	
<input type="checkbox"/>	46	4006392	Cover, Thermostat Housing	1	
<input type="checkbox"/>	47	4006393	Gasket, Thm Housing Cover	1	
<input type="checkbox"/>	48	4065566	Thermostat	4	
<input type="checkbox"/>	49	4006395	Bracket, Thm Housing	1	
<input type="checkbox"/>	50	4006438	Bracket, Water Tube	1	
<input type="checkbox"/>	51	4006790	Tube, Water Transfer	1	
<input type="checkbox"/>	52	4006795	Gasket, Connection	2	
<input type="checkbox"/>	53	4006939	Bracket, Connection	1	
<input type="checkbox"/>	54	4006959	Tube, Water Transfer	1	
<input type="checkbox"/>	55	4006965	Tube, Water Transfer	6	
<input type="checkbox"/>	56	4007017	Support, Water Pump	1	
<input type="checkbox"/>	57	4007019	Pump, Water	1	
<input type="checkbox"/>	58	4007309	Tube, Water Transfer	1	
<input type="checkbox"/>	59	4007310	Connection, Water Transfer	1	

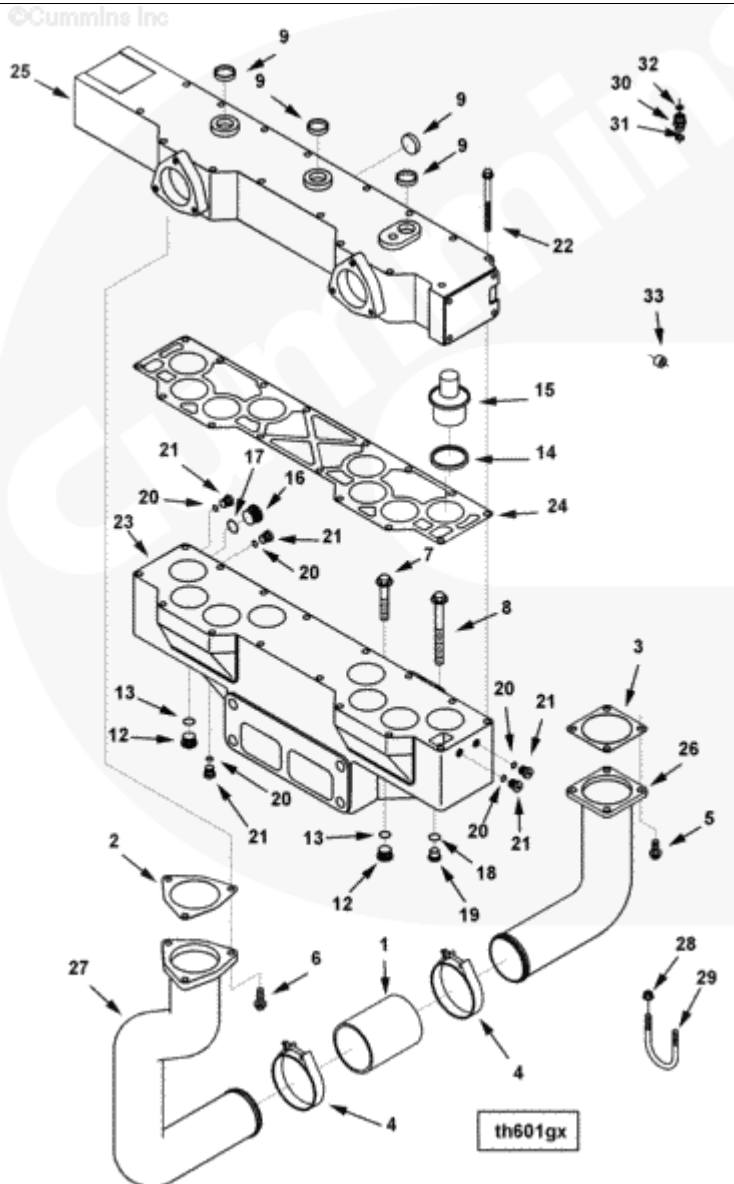
<input type="checkbox"/>	60	4007330	Tube, Water Transfer	1	
<input type="checkbox"/>	61	4007332	Tube, Water Transfer	1	
<input type="checkbox"/>	62	4007334	Tube, Water Transfer	1	
<input type="checkbox"/>	63	4007369	Connection, Water Transfer	1	
<input type="checkbox"/>	64	4007373	Connection, Water Transfer	1	
<input type="checkbox"/>	65	4007375	Tube, Water Transfer	1	
<input type="checkbox"/>	66	4007376	Tube, Water Transfer	1	
<input type="checkbox"/>	67	4007416	Hose, Plain	3	
<input type="checkbox"/>	68	4007444	Bracket, Connection	1	
<input type="checkbox"/>	69	4007585	Clamp, U Bolt	1	
<input type="checkbox"/>	70	4007603	Nut, Lock	4	
<input type="checkbox"/>	71	4007671	Plate, Cover	1	
<input type="checkbox"/>	72	4007978	Bracket, Connection	1	
<input type="checkbox"/>	73	3643078	Tube, Water Transfer	1	



Parts Catalog - Option Detail

Content For Engine Serial Number (ESN): 66301765

Electronic Parts Catalog - Option Detail				
Option	Group	Graphic	Film Card	Date
TH6708-07	08.07	th601gx	P78	14-FEB-05
Engines	QSK78 CM500			



SMALL | MEDIUM | LARGE

Add Part to Cart	Ref No	Part Number	Part Name	Required	Remarks
View My Cart					
		TH6708-07	Thermostat Housing		Thermostat housing
					low temperature aftercooled:

					Number Of Thermostats: 8
<input type="checkbox"/>	1	60985	Hose, Plain	1	
<input type="checkbox"/>	2	3089318	Gasket, Flange	1	
<input type="checkbox"/>	3	3089319	Gasket, Flange	1	
<input type="checkbox"/>	4	3633972	Clamp, T Bolt	4	
<input type="checkbox"/>	5	3902460	Screw, Hex Flange Head Cap	4	M10 x 1.50 x 25
<input type="checkbox"/>	6	3089232	Screw, Hex Flange Head Cap	3	M10 x 1.50 x 45
<input type="checkbox"/>	7	4006384	Screw, Hex Flange Head Cap	3	
<input type="checkbox"/>	8	4006385	Screw, Hex Flange Head Cap	4	
<input type="checkbox"/>	9	204476	Plug, Expansion	4	
<input type="checkbox"/>		3089238	Plug, Threaded	2	M22 x 1.50 x 20.1
	12	3089239	Plug, Threaded	1	M22 x 1.50 x 20.1
<input type="checkbox"/>	13	3089240	Seal, O Ring	1	M22
<input type="checkbox"/>	14	3627961	Seal, Thermostat	8	
<input type="checkbox"/>	15	3629205	Thermostat	8	
<input type="checkbox"/>		3678611	Plug, Threaded	1	
	16	3678605	Plug, Threaded	1	
<input type="checkbox"/>	17	3678606	Seal, O Ring	1	
<input type="checkbox"/>		3678873	Plug, Threaded	1	
<input type="checkbox"/>	18	3678786	Seal, O Ring	1	
	19	3678791	Plug, Threaded	1	
<input type="checkbox"/>		3678921	Plug, Threaded	11	M14 x 1.50 x 16
<input type="checkbox"/>	20	3678912	Seal, O Ring	1	M14
	21	3678922	Plug, Threaded	1	Purchase P/N 3678921
<input type="checkbox"/>	22	3902663	Screw, Hex Flange Head Cap	16	M10 X 1.50 X 120.
<input type="checkbox"/>	23	3636955	Support, Thm Housing	1	
<input type="checkbox"/>	24	4006735	Gasket, Thermostat Housing	1	
<input type="checkbox"/>	25	3636618	Housing, Thermostat	1	
<input type="checkbox"/>	26	4007702	Tube, Water Bypass	1	
<input type="checkbox"/>	27	4007754	Tube, Water Bypass	1	
<input type="checkbox"/>	28	4006705	Clamp, U Bolt	1	
<input type="checkbox"/>	29	4006785	Nut, Lock	2	
<input type="checkbox"/>		3332136	Union, Male	1	

	30	3332137	Union, Male	1	
<input type="checkbox"/>	31	3678912	Seal, O Ring	1	M14
<input type="checkbox"/>	32	3922794	Seal, O Ring	1	
<input type="checkbox"/>	33	63385	Spacer, Water Conn	3	

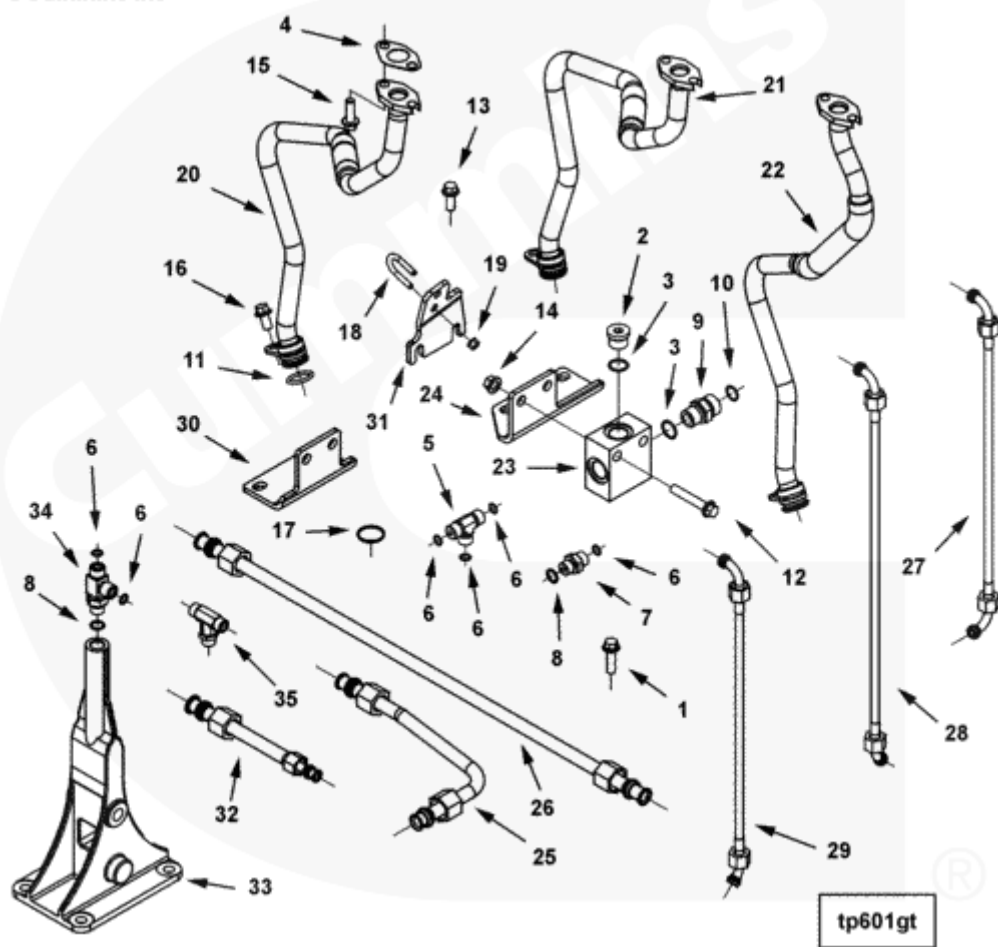


Parts Catalog - Option Detail

Content For Engine Serial Number (ESN): 66301765

Electronic Parts Catalog - Option Detail				
Option	Group	Graphic	Film Card	Date
TP6750-05	10.06.2	tp601gt	P78	23-OCT-03
Engines	QSK78 CM500			

©Cummins Inc



SMALL | MEDIUM | LARGE

Add Part to Cart	Ref No	Part Number	Part Name	Required	Remarks
View My Cart					
		TP6750-05	Turbocharger Oil Plumbing		Turbocharger oil plumbing
					single stage.
<input type="checkbox"/>	1	3089016	Screw, Hex Flange Head Cap	6	M10 x 1.50 x 35
<input type="checkbox"/>		3089238	Plug, Threaded	2	M22 x 1.50 x 20.1
	2	3089239	Plug, Threaded	1	M22 x 1.50 x 20.1

<input type="checkbox"/>	3	3089240	Seal, O Ring	1	M22
<input type="checkbox"/>	4	3089955	Gasket, Connection	6	
<input type="checkbox"/>		3089989	Tee, Male Union	3	Buy at lower level= (1)
					3089946
<input type="checkbox"/>	5	3089946	Tee, Male Union	1	
<input type="checkbox"/>	6	3922794	Seal, O Ring	3	
<input type="checkbox"/>		3090400	Union, Male	6	
<input type="checkbox"/>	7	3090419	Union, Male	1	
<input type="checkbox"/>	8	3679139	Seal, O Ring	1	
<input type="checkbox"/>	6	3922794	Seal, O Ring	1	
<input type="checkbox"/>		3171818	Union, Male	6	
<input type="checkbox"/>	3	3089240	Seal, O Ring	1	M22
	9	3171819	Union, Male	1	
<input type="checkbox"/>	10	3630740	Seal, O Ring	1	
<input type="checkbox"/>	11	3337273	Seal, O Ring	6	
<input type="checkbox"/>	12	3900635	Screw, Hex Flange Head Cap	6	M10 x 1.50 x 60
<input type="checkbox"/>	13	3902460	Screw, Hex Flange Head Cap	12	M10 x 1.50 x 25
<input type="checkbox"/>	14	3902662	Nut, Hexagon Flange	6	M10 x 1.50
<input type="checkbox"/>	15	3903112	Screw, Hex Flange Head Cap	12	M10 x 1.50 x 30
<input type="checkbox"/>	16	3903990	Screw, Hex Flange Head Cap	6	M10 x 1.50 x 20
<input type="checkbox"/>	17	4006411	Plug, Expansion	6	
<input type="checkbox"/>	18	4007582	Clamp, U Bolt	6	
<input type="checkbox"/>	19	4007601	Nut, Lock	12	
<input type="checkbox"/>	20	4007950	Hose, Flexible	2	
<input type="checkbox"/>	21	4007949	Hose, Flexible	2	
<input type="checkbox"/>	22	4007681	Hose, Flexible	2	
<input type="checkbox"/>	23	4007690	Connection, Oil Block	3	
<input type="checkbox"/>	24	4007691	Bracket, Connection	2	
<input type="checkbox"/>	25	4008007	Tube, Lub Oil Supply	1	
<input type="checkbox"/>	26	4008005	Tube, Lub Oil Supply	2	
<input type="checkbox"/>	27	4008010	Hose, Flexible	2	
<input type="checkbox"/>	28	4008008	Hose, Flexible	2	

<input type="checkbox"/>	29	4008009	Hose, Flexible	2	
<input type="checkbox"/>	30	4007730	Bracket, Connection	1	
<input type="checkbox"/>	31	4007740	Bracket, Connection	6	
<input type="checkbox"/>	32	4007887	Tube, Lub Oil Transfer	3	
<input type="checkbox"/>	33	3635394	Manifold, Oil	3	
<input type="checkbox"/>		4007006	Tee, Male Union	2	
<input type="checkbox"/>	8	3679139	Seal, O Ring	1	
<input type="checkbox"/>	6	3922794	Seal, O Ring	1	
	34	4007007	Tee, Male Union	1	
<input type="checkbox"/>	35	4008011	Tee, Male Union	1	

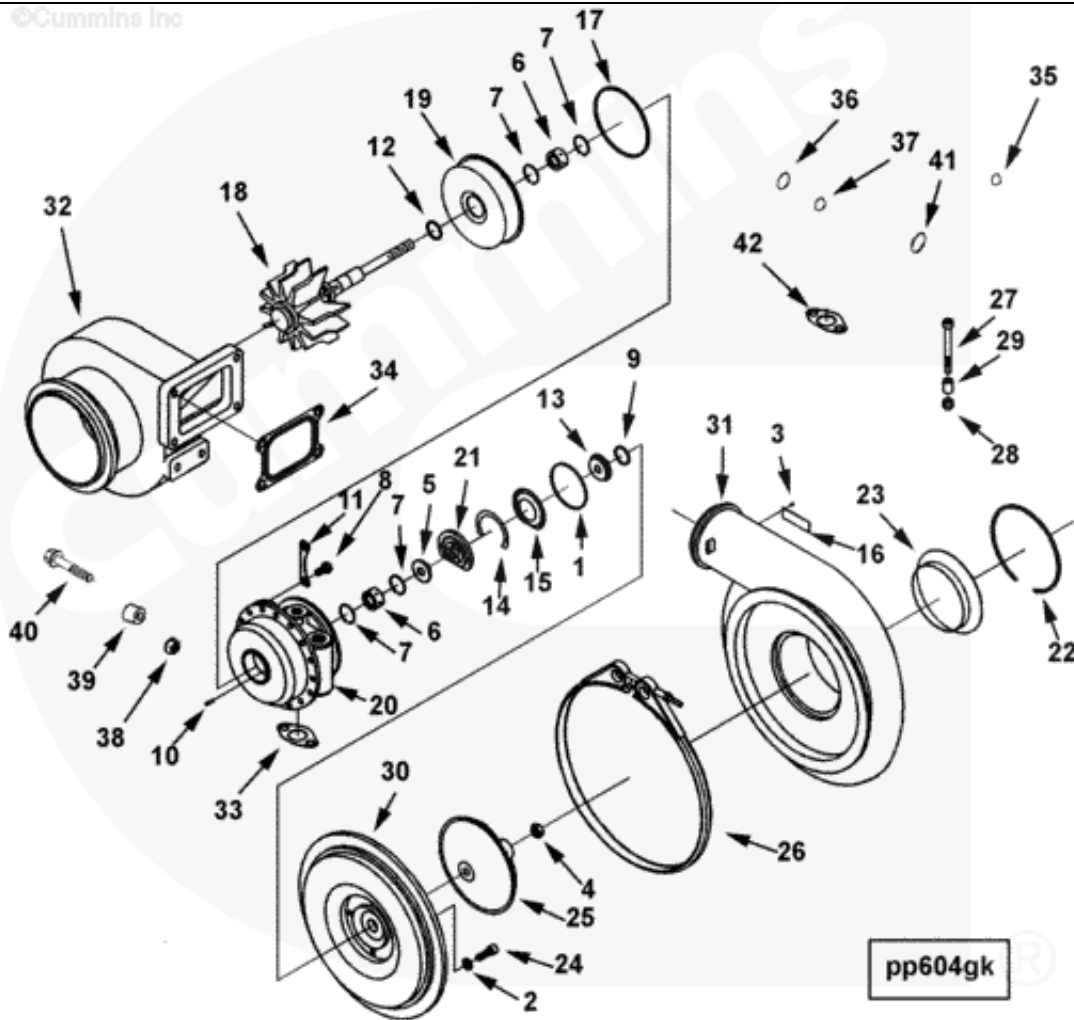


Parts Catalog - Option Detail

Content For Engine Serial Number (ESN): 66301765

Electronic Parts Catalog - Option Detail				
Option	Group	Graphic	Film Card	Date
PP6808-03	10.06	pp604gk	P78	10-FEB-10
Engines	QSK78 CM500			

©Cummins Inc



SMALL | MEDIUM | LARGE

Add Part to Cart	Ref No	Part Number	Part Name	Required	Remarks
<input type="button" value="View My Cart"/>					
		PP6808-03	Turbocharger		Turbocharger

					altitudes: C - TBD degrees t
					- TBD degrees lockplates
					locked: No single stage
					power generation.
					HX83 for qsk78 g 3.0 mw
					powergen application
					altitudes: C - 223 degrees t
					- 360 degrees vcc - 90
					degrees.
					HX83-f4017 BL/bf22 ha3
					for qsk78 g 3.0 mw powergen
					application.
<input type="checkbox"/>		4089708	Turbocharger Kit	6	
<input type="checkbox"/>		2843371	Turbocharger	1	
<input type="checkbox"/>	1	3502449	Seal, Rectangular Ring	1	
<input type="checkbox"/>	2	3504967	Washer, Plain	4	Holset Part Sold Only In Kits
<input type="checkbox"/>	3	3519163	Screw, Drive	2	
<input type="checkbox"/>	4	3519535	Nut, Lock	1	M11 X 1.00.
<input type="checkbox"/>	5	3591522	Collar, Thrust	1	
<input type="checkbox"/>	6	3598528	Bearing, Turbocharger	2	
<input type="checkbox"/>	7	3519641	Ring, Retaining	4	
<input type="checkbox"/>	8	3521225	Screw, Hexagon Head Set	8	M8 X 1.25 X 16.
<input type="checkbox"/>	9	3521442	Seal, Split Ring	1	
<input type="checkbox"/>	10	3522597	Pin, Roll	2	
<input type="checkbox"/>	11	3522904	Lockplate	4	
<input type="checkbox"/>	12	3523412	Seal, Split Ring	1	
<input type="checkbox"/>	13	3523980	Slinger, Oil	1	
<input type="checkbox"/>	14	3524418	Shim	1	
<input type="checkbox"/>	15	3524419	Baffle, Oil	1	
	16	3527619	Dataplate	1	Sold In Higher Level Assy/Kit

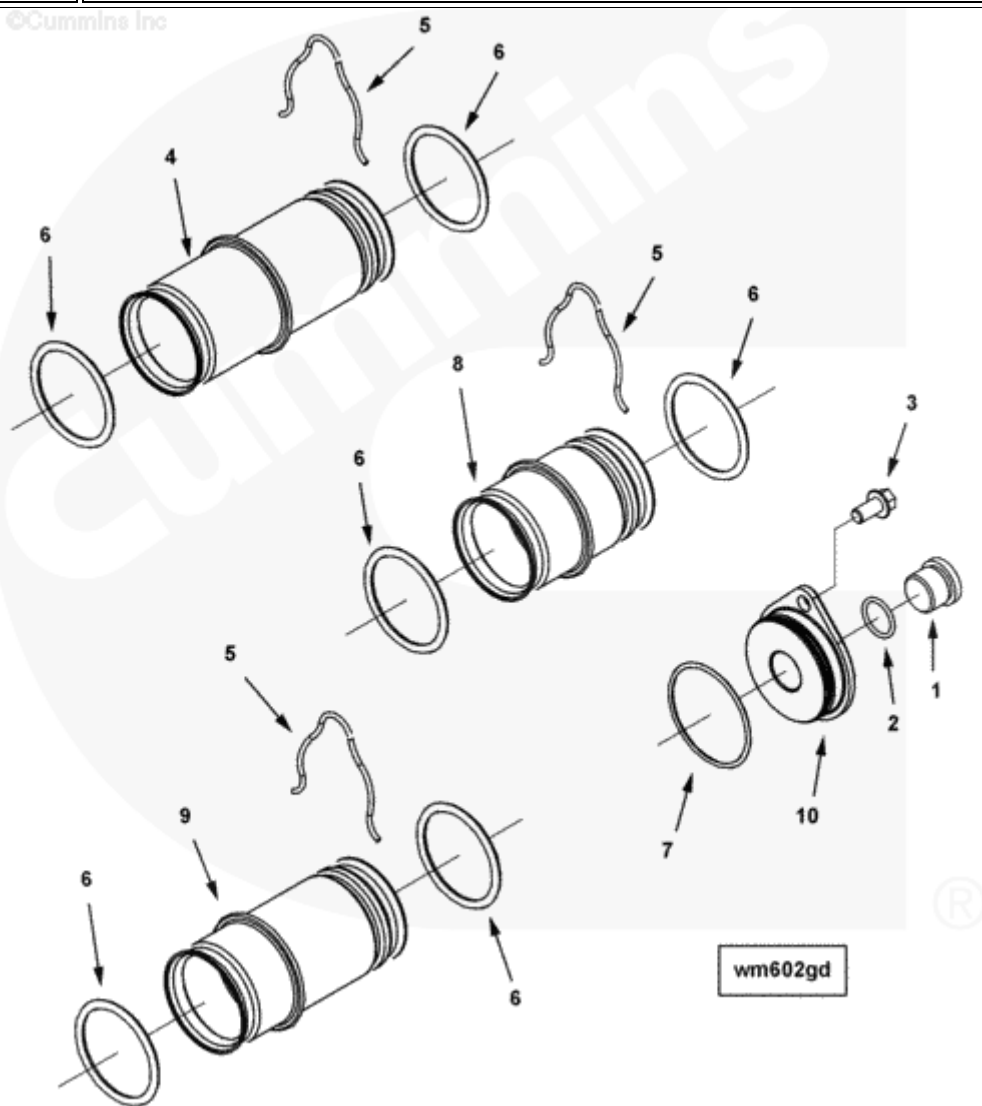
<input type="checkbox"/>	17	3534405	Seal, Rectangular Ring	1	
<input type="checkbox"/>	18	3521033	Shaft & Wheel	1	
<input type="checkbox"/>	19	3536588	Shield, Turbocharger Heat	1	
<input type="checkbox"/>	20	3594556	Housing, Tur Bearing	1	
<input type="checkbox"/>	21	3591532	Bearing, Tur Thrust	1	
<input type="checkbox"/>	22	3537301	Ring, Retaining	1	
<input type="checkbox"/>	23	3537916	Baffle, Turbocharger Noise	1	
	24	3590377	Screw, Socket Head Cap	4	
	25	3596539	Impeller, Tur Compressor	1	
<input type="checkbox"/>	26	3590386	Clamp, V Band		
<input type="checkbox"/>	27	3590435	Screw, Socket Head Cap	1	
<input type="checkbox"/>	28	3590444	Nut, Lock	1	
<input type="checkbox"/>	29	3590445	Spacer, Mounting	1	
	30	3590516	Diffuser, Turbocharger	1	
	31	3590548	Housing, Compressor	1	
	32	3598536	Housing, Turbine	1	
<input type="checkbox"/>	33	3202117	Gasket, Connection	1	
<input type="checkbox"/>	34	4065615	Gasket, Turbocharger	6	
<input type="checkbox"/>	35	3922794	Seal, O Ring	1	
<input type="checkbox"/>	36	3679139	Seal, O Ring	1	
<input type="checkbox"/>	37	3627695	Seal, O Ring	1	
<input type="checkbox"/>	38	3636059	Nut, Lock	24	
<input type="checkbox"/>	39	4007966	Spacer, Mounting	24	
<input type="checkbox"/>	40	4000837	Screw, Hex Flange Head Cap	24	
<input type="checkbox"/>	41	3337273	Seal, O Ring	1	
<input type="checkbox"/>	42	3089955	Gasket, Connection	1	



Parts Catalog - Option Detail

Content For Engine Serial Number (ESN): 66301765

Electronic Parts Catalog - Option Detail				
Option	Group	Graphic	Film Card	Date
WM6713	08.06	wm602gd	P78	22-AUG-02
Engines	QSK78 CM500			



[SMALL](#) | [MEDIUM](#) | [LARGE](#)

Add Part to Cart	Ref No	Part Number	Part Name	Required	Remarks
View My Cart					
		WM6713	Water Manifold		Manifold, water
					accessible ports: TBD
					accessible locations: TBD

					TBD thread size: TBD two
					pump/two loop single stage
					qsk78 engines.
<input type="checkbox"/>		3678611	Plug, Threaded	2	
	1	3678605	Plug, Threaded	1	
<input type="checkbox"/>	2	3678606	Seal, O Ring	1	M27 x 2.00.
<input type="checkbox"/>	3	3903990	Screw, Hex Flange Head Cap	2	M10 x 1.50 x 20
<input type="checkbox"/>	4	4006213	Tube, Water Transfer	16	
<input type="checkbox"/>	5	4006214	Clamp, Retaining	18	
<input type="checkbox"/>	6	4006215	Seal, O Ring	36	
<input type="checkbox"/>	7	4006337	Seal, O Ring	2	
<input type="checkbox"/>	8	4006348	Tube, Water Transfer	1	
<input type="checkbox"/>	9	4006843	Tube, Water Transfer	1	
<input type="checkbox"/>	10	4007527	Cover, Water Transfer	2	