



Parts Catalog

QST30

Generator Drive

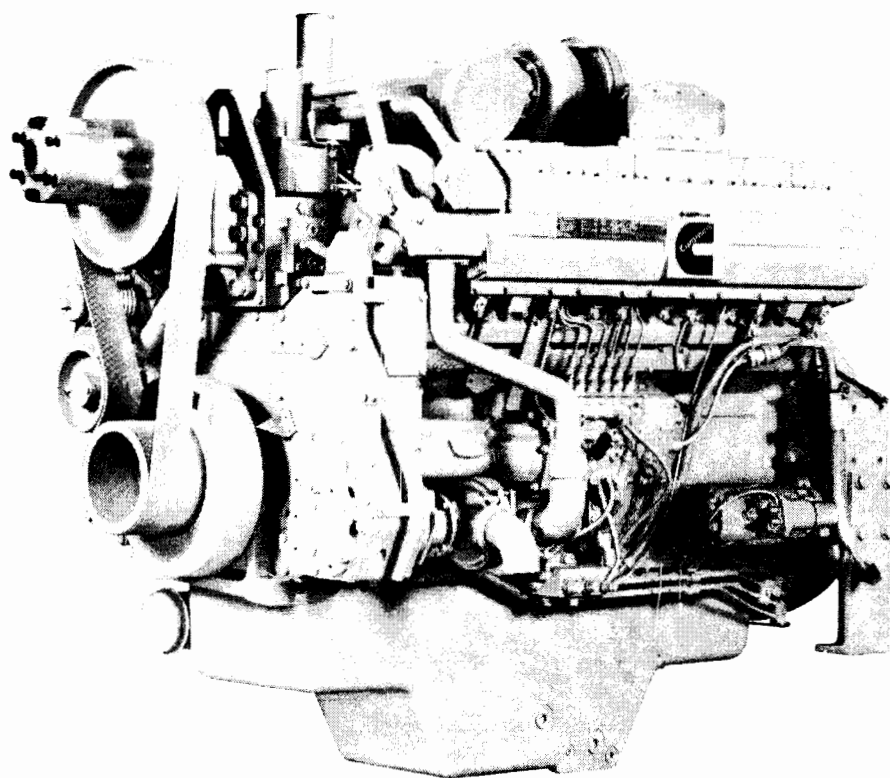




Parts Catalog

QST30

Generator Drive





Cummins Engine Co., Inc.

New Parts Warranty Heavy Duty

COVERAGE

PRODUCTS WARRANTED

These warranties apply to New Parts marketed by Cummins for its engines (except those for A, B, and C series engines). They apply anywhere in the world where service is available through a Cummins distributor or full service dealer.*

BASE WARRANTY

The Base Warranty covers any failures of parts on or after March 31, 1986, which result, under normal use and service, from defects in workmanship or material (Warrantable Failures). The coverage on cylinder kits designated by Cummins as "Premium Plus" extends two years, 200,000 miles (321,870 kilometers) or 7,200 hours of operation, whichever occurs first, from the date of first installation. The coverage on other parts extends one year, 100,000 miles (160,935 kilometers) or 3,600 hours of operation, whichever occurs first, from the date of first installation.

EXTENDED MAJOR COMPONENTS WARRANTY

The Extended Major Components Warranty covers Warrantable Failures on or after March 31, 1986, of engine cylinder blocks, crankshafts, flangeless NT camshafts** and connecting rods (Covered Parts). Bushing and bearing failures are not included. This coverage begins with the expiration of the Base Warranty and ends three years, 300,000 miles (482,805 kilometers) or 10,800 hours of operation, whichever occurs first, from the date of first installation.

Both the Base Warranty and Extended Major Components Warranty apply to all Owners in the chain of distribution, and coverage continues to all subsequent Owners until the end of the respective periods of coverage.

CUMMINS RESPONSIBILITIES

DURING THE BASE WARRANTY

Cummins will pay for all parts and labor needed to repair the damage to the engine resulting from the Warrantable Failure. All labor costs will be paid in accordance with Cummins published Standard Repair Operation guidelines.

Cummins will pay for the lubricating oil, antifreeze, filter elements, and other maintenance items that are not reusable due to the Warrantable Failure.

Cummins will pay reasonable labor costs for engine removal and reinstallation when necessary to make the warranty repair.

When the parts are installed in a non-automotive engine, Cummins will pay reasonable travel expenses for mechanics to and from the engine site, or the repair dock in the case of a marine engine, including meals, mileage and lodging when it is necessary for mechanics to make on-site warranty repairs.

DURING THE EXTENDED MAJOR COMPONENTS WARRANTY

Cummins will pay for the Covered Part and for any Covered Part damaged by a Warrantable Failure of another Covered Part.

OWNER RESPONSIBILITIES

DURING THE BASE WARRANTY

Before expiration of the warranty, Owner must give notice to a Cummins distributor or full service dealer* of a failure considered to be warrantable and have the repair performed by such facility.

If the part was installed in an automotive engine, the Owner must deliver the engine to the repair location. If installed in a marine engine, Owner is responsible for the cost of towing the boat to a repair dock and for any associated docking and harbor charges.

Owner is responsible for the cost of lubricating oil, antifreeze, filter elements and other maintenance items replaced during warranty repairs except where such items are not reusable due to a Warrantable Failure.

DURING THE EXTENDED MAJOR COMPONENTS WARRANTY

Before expiration of the warranty, Owner must give notice to a Cummins distributor or full service dealer* of a failure considered to be warrantable and deliver the defective and damaged Covered Parts to such facility.

Owner is responsible for the cost of all parts needed for the repair except for the defective Covered Part and for any Covered Part damaged by a Warrantable Failure of another Covered Part.

Owner is responsible for the cost of all labor needed to repair the engine, including the labor to remove and reinstall the engine. When Cummins elects to repair a part instead of replacing it, Owner is not responsible for the labor needed to repair the part.

Owner is responsible for the cost of lubricating oil, antifreeze, filter elements and other maintenance items replaced during the repair.

DURING BOTH WARRANTIES

At the time when the parts are installed, Owner is responsible for the preparation of a written record containing the following: (1) the date of installation of the parts; (2) the engine serial number; (3) the engine miles, hours or kilometers of operation; (4) the parts installed, and (5) the location of the parts in the engine. The purpose of this record is to protect Owner's interests and support any claim for a Warrantable Failure.

Owner is responsible for the operation and maintenance of the engine as specified in Cummins Operation and Maintenance Manuals.

Owner is responsible for communication expenses, meals, lodging and similar costs incurred by Owner as a result of a Warrantable Failure. Owner is responsible for non-engine repairs and for "down time" expenses, cargo damage and all business costs and losses resulting from a Warrantable Failure. CUMMINS IS NOT RESPONSIBLE FOR INCIDENTAL OR CONSEQUENTIAL DAMAGES.

LIMITATIONS

Cummins is not responsible for failures resulting from Owner or Operator abuse or neglect, such as: operation without adequate coolant, fuel or lubricants; overfueling; overspeeding; lack of maintenance of lubricating, cooling or air intake systems; improper storage, starting, warm-up, run-in or shutdown practices. Cummins is also not responsible for failures caused by incorrect fuel, or by water, dirt or other contaminants in the fuel.

Cummins does not warrant parts supplied by Cummins which bear the name of another company. These parts are warranted by their manufacturers and not by Cummins. This category of parts includes, but is not limited to: hydraulic pumps, alternators, starters, fans, air conditioning compressors, clutches, steering pumps, transmissions, torque converters, marine gears, air cleaners, filters and non-Cummins air compressors, power steering pumps, and engine compression brakes.

Parts provided may be new Cummins, Cummins approved rebuilt parts, or repaired parts. Cummins is not responsible for failures resulting from the use of parts not approved by Cummins.

Before a claim for excessive oil consumption will be considered, Owner must submit adequate documentation to show that consumption exceeds Cummins published standards.

This warranty does not apply to parts furnished by Cummins at no charge to the Owner.

INVEST IN THE BEST

Product Identification Information

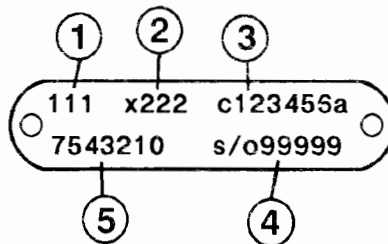
Data plates should be referred for parts identification.

1. ENGINE DATA PLATE

<div style="display: flex; justify-content: space-between;"> 3 Engine No. </div>	<div style="display: flex; justify-content: space-between;"> 1 S.O. No. </div>												
<div style="display: flex; justify-content: space-between;"> 2 Model </div>	<div style="display: flex; justify-content: space-between;"> Ref. No. </div>												
<div style="display: flex; justify-content: space-between;"> Advertised </div>	<table border="1" style="width: 100%; border-collapse: collapse;"> <tr> <td style="width: 25%;">Engine</td> <td style="width: 25%;">C.I.D.</td> <td style="width: 25%;">Family</td> <td style="width: 25%;">C.P.L.</td> </tr> <tr> <td>Cert</td> <td></td> <td></td> <td></td> </tr> <tr> <td>Indent.</td> <td></td> <td></td> <td></td> </tr> </table>	Engine	C.I.D.	Family	C.P.L.	Cert				Indent.			
Engine	C.I.D.	Family	C.P.L.										
Cert													
Indent.													
<div style="display: flex; justify-content: space-between;"> Conf. No. </div>	<div style="display: flex; justify-content: space-between;"> Warranty start date </div>												
Manufactured by Cummins Engine Co.													

1. Shop order number
2. Model designation
3. Engine serial number
4. Control parts list

2. FUEL PUMP DATA PLATE



1. Control parts list number
2. Calibration code
3. Serial number
4. Top level number
5. Fuel pump assembly number

This catalog was compiled by Wanda Ferguson in Parts Communications.

Customer Service Information

This standard Parts Catalog contains parts information for the following Cummins Engine Model(s):

QST30 GENERATOR DRIVE

D573001GX03

CPL 2276

CPL 2499

CPL 2277

CPL 2548

CPL 2366

CPL 2606

Certain basic engine components have been matched to give optimum performance to your engine. The part numbers listed in this catalog for these components are for a standard engine configuration. When ordering any of the Control Parts List (CPL) components listed below, please order by part description and engine serial number. Reference to the CPL number stamped on the engine data (name) plate will also help identify the proper service parts for your engine.

Control Parts List (CPL) Components

Camshaft

Page 74

Piston

Page 73

Cylinder Head

Page 77

Pump, Injection

Page 35, 37

Exhaust Manifold

Page 104, 112

Turbocharger

Page 85, 87 89

Injector

Page 79

USER INFORMATION

- . Parts numbers appearing in () are for identification purposes only and should not be used when ordering service replacement parts.
- . The reference numbers appearing on the art pages is for publication use only.
- . Assembly content is shown by part number indentation.
- . Options are engineered production part groupings, specifically used for compiling engine orders.
- . Option numbers are for reference only and are not sold for service.
- . Use assembly and not option content to determine service parts replacement.

ALWAYS SPECIFY ENGINE MODEL AND SERIAL NUMBER WHEN ORDERING PARTS FROM THIS CATALOG

Engine Model _____ Engine Serial No. _____

MFG Make _____ Model _____ Chassis No. _____

Fuel Pump Assembly No. _____ Injector No. _____

Belt, Fan _____ Belt, Water Pump _____ Belt, Gen. _____

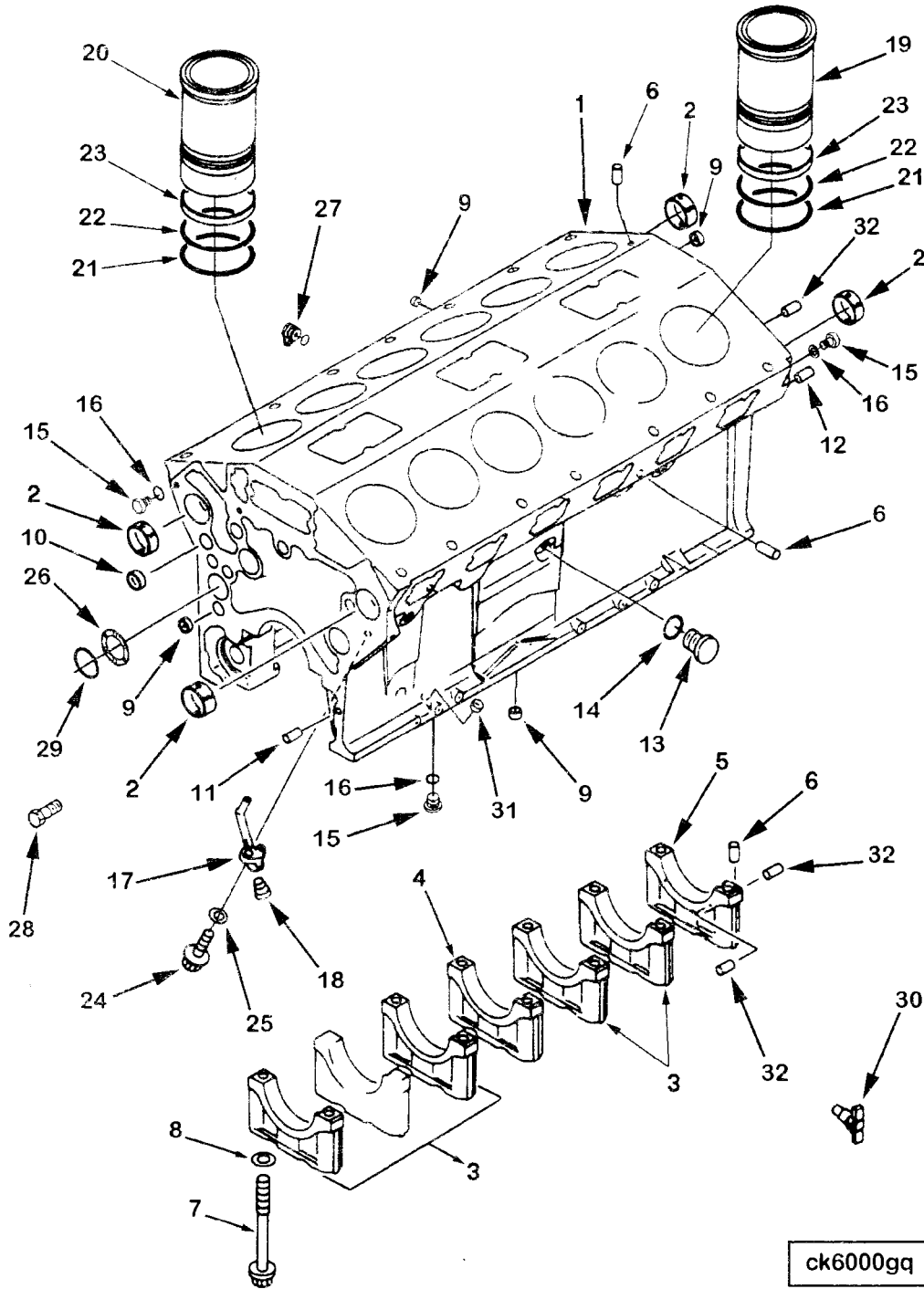
Element, Fuel Filter _____ Full Flow Lub. Filter _____

Air Cleaner _____ By-Pass Lub. Filter _____

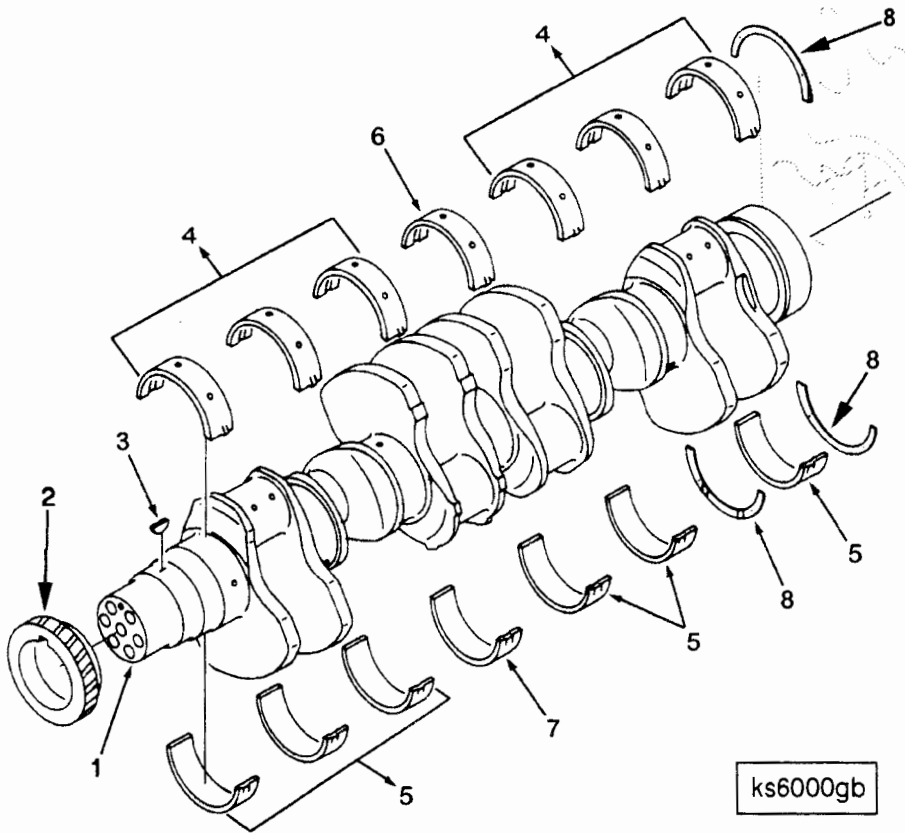
Special Equipment _____

Table of Contents

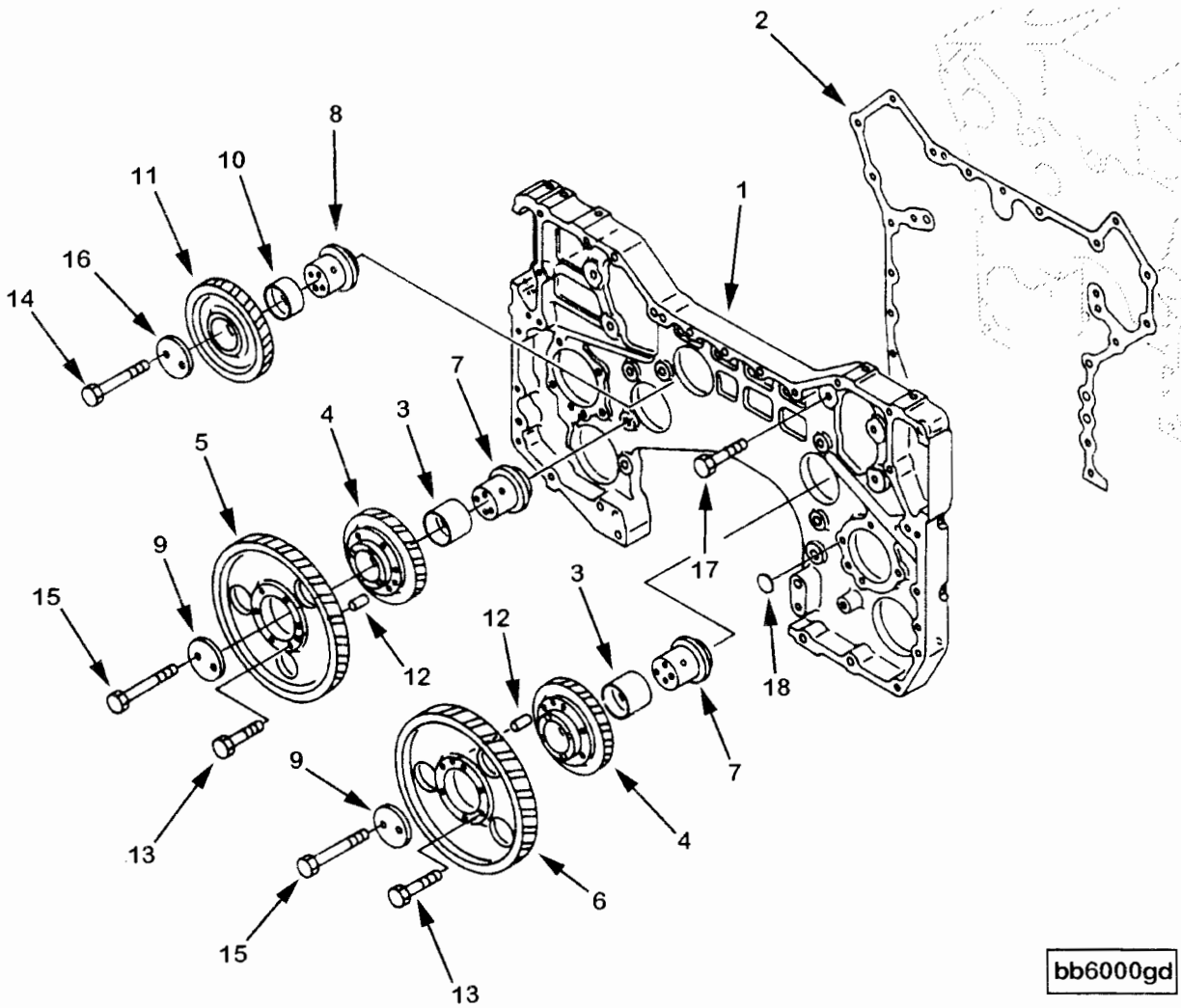
	Page No.		Page No.
Accessory Drive Pulley	91	Oil Level Gauge	58
Aftercooler	101, 103, 117, 119	Oil Pan	67
Aftercooler Water Plumbing	129	Oil Pan Plumbing	68
Aftercooler Wtr. Plumbing	130	Rear Engine Support	92, 93
Air Crossover Connection	107, 109, 115	Rocker Lever	95, 126
Air Intake Connection	50	Signal Generating Device	23
Air Transfer Connection	51	Starting Motor Mounting	98
Alternator Drive Pulley	21	Thermostat Housing	121
Alternator Mounting	20	Turbocharger	85, 87, 89
Auxiliary Cooling System	111	Turbocharger Plumbing	123, 125
Auxiliary Pump	49	Vent Tube	82
Cam Follower	8	Vibration Damper	14, 15
Cam Follower Cover	13	Water Inlet Connection	134, 135
Camshaft And Gear	74	Water Pump	137
Connecting Rod And Piston	73	Option Number Index	A-1
Corrosion Resistor	131	Part Number Index	B-1
Crankcase Breather	11		
Crankshaft	4		
Cylinder Block	3		
Cylinder Block Cover	62		
Cylinder Head	77		
Electric Starting Accessor	96		
Engine Barring Drive	12		
Engine Control Module	71		
Engine Oil Cooler	55		
Exhaust Manifold	104, 112		
Exhaust Outlet Connection	138, 139		
Fan Drive Arrangement	25		
Fan Pilot Spacer	99		
Flywheel	42		
Flywheel Housing	32		
Flywheel Housing Plumbing	33		
Front Engine Support	22		
Front Gear Cover	45, 47		
Front Gear Train Accessory	16		
Fuel Filter	29		
Fuel Filter Plumbing	31		
Fuel Injection Pump	35, 37		
Fuel Plumbing	41		
Fuel Pump Drive	19		
Fuel System Accessories	38		
Full Flow Oil Filter	57		
Gear Housing	7		
Heat Shield	97		
Injector	79		
Injector Fuel Supply Tube	81		
Lifting Bracket	52		
Lube Oil Pump	61		
Oil Bypass Filter	65		
Oil Cooler Water Plumbing	133		



Ref No.	Part Number	Part Name	Req	Remarks
		CYLINDER BLOCK OPTION BB5701		For QST-30 engines with provision of accessory drive, compressors and hydraulic pump drive.
1	3093720 (3092780)	Block, Cylinder	1	
2	3092488	Block, Cylinder	1	
3	3092488	Bushing	14	
4	3092781	Cap, Main Bearing	5	
5	3092782	Cap, Main Bearing	1	
6	3092783	Cap, Main Bearing	1	
7	3093784	Dowel, Pin	24	
8	3092786	Screw, Twelve Point Cap	14	M24 x 3.00 x 242
9	3094029	Washer, Plain	14	M24
10	3092553	Plug, Expansion	12	
11	3094028	Plug, Expansion	2	
12	3093970	Dowel, Pin	2	
13	3092287	Dowel, Pin	2	
14	3678611	Plug, Threaded	1	M27
15	(3678605)	Plug, Threaded	1	
16	3678606	Seal, O Ring	1	
17	3678923	Plug, Threaded	4	M10
18	(3678924)	Plug, Threaded	1	
19	3678925	Seal, O Ring	1	
20	3092564	Nozzle, Piston Cooling		
21	(3092565)	Nozzle, Piston Cooling	1	
22	3093719	Plug, Pipe	1	1/16 - 27 NPTF
23	(3092717)	Liner, Cylinder	6	Small
24	(3092718)	Liner, Cylinder	6	Large
25	3092491	Seal, O Ring	12	Lower
26	3092492	Seal, O Ring	12	Center
27	3092493	Seal, Rectangular Ring	12	Upper
28	3094526	Screw, Twelve Point Cap	12	M10 x 1.50 x 20
29	3094024	Washer, Plain	12	M10
30	3094735	Bearing, Thrust	4	
31	3094445	Adapter, Plug	1	1/8 - 27 NPTF
32	3093742	Screw, Hexagon Head Cap	1	M10 x 1.50 x 20
33	3093155	Seal, O Ring	1	
34	S 962 E	Draincock	1	1/4 NPTF
35	3094064	Plug, Expansion	2	
36	3092487	Dowel, Pin	6	
	3804711	Kit, Cylinder Liner		
	3092491	Seal, O Ring	1	
	3092492	Seal, O Ring	1	
	3092493	Seal, Rectangular	1	
	(3092717)	Liner, Cylinder	1	Small
	3804712	Kit, Cylinder Liner		
	3092491	Seal, O Ring	1	
	3092492	Seal, O Ring	1	
	3092493	Seal, Rectangular	1	
	(3092718)	Liner, Cylinder	1	Large

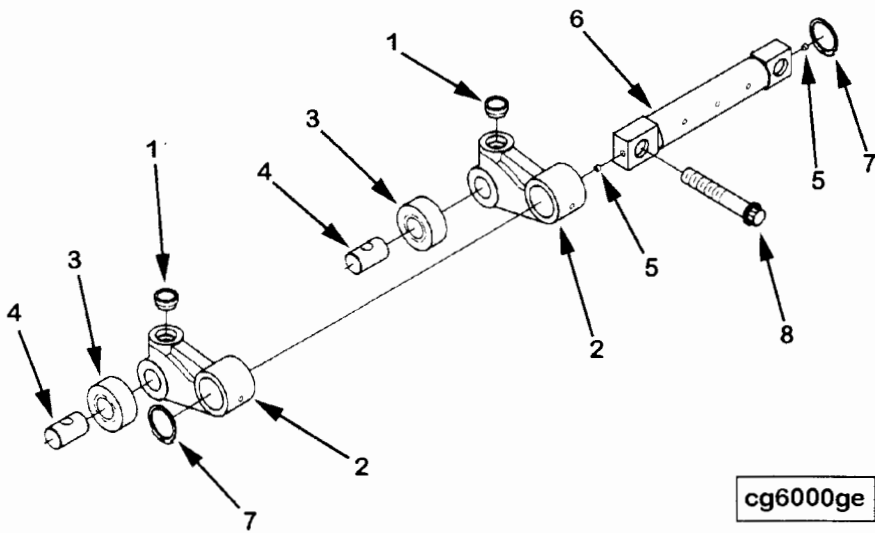


Ref No.	Part Number	Part Name	Req	Remarks
CRANKSHAFT OPTION BB5701				
1	3092921	Crankshaft, Engine	1	
2	3092923	Gear, Crankshaft	1	
3	3094027	Key, Plain Woodruff	1	
	3804713	Set, Main Bearing		
4	3092877	Bearing, Main	6	Upper
5	3092878	Bearing, Main	6	Lower
6	3092879	Bearing, Main	1	Upper
7	3092880	Bearing, Main	1	Lower
8	3092881	Bearing, Thrust	3	No 4



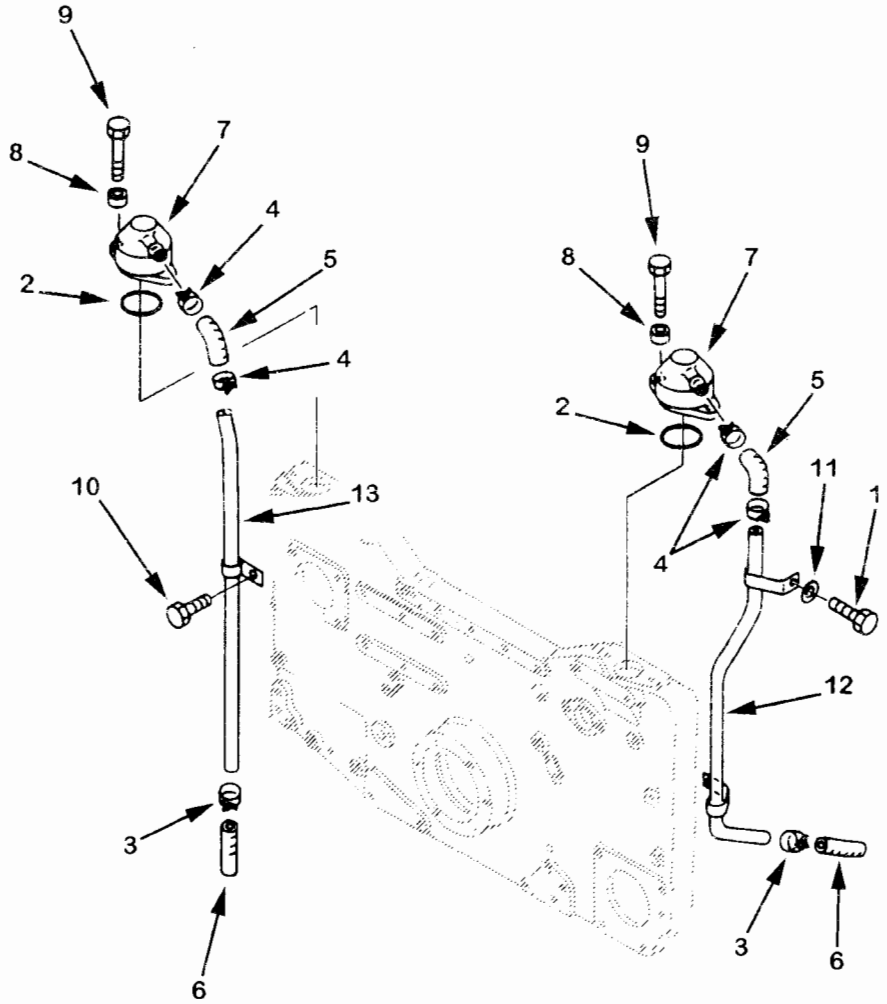
bb6000gd

Ref No.	Part Number	Part Name	Req	Remarks
		GEAR HOUSING OPTION BB5701		
				Cylinder block for V30 engines with customer supplied accessory drive, compressors, and hydraulic pump drive.
1	3094362	Housing, Gear	1	
2	3092817	Gasket, Gear Housing	1	
	3092954	Gear, Idler	2	
3	3092495	Bushing	1	
4	(3092955)	Gear, Idler	1	
5	3092956	Gear, Idler	1	Right hand
6	3092957	Gear, Idler	1	Left hand
7	3094788	Shaft, Idler	2	
8	3092959	Shaft, Idler	1	
9	3092960	Retainer, Gear	2	
	3092961	Gear, Idler	1	
10	3092953	Bushing	1	
11	(3092962)	Gear, Idler	1	
12	3092288	Dowel, Pin	2	
13	3093745	Screw, Hexagon Head Cap	12	M10 x 1.50 x 40
14	3092145	Screw, Hexagon Head Cap	2	M12 x 1.75 x 80
15	3094533	Screw, Hexagon Head Cap	4	M12 x 1.75 x 110
16	3094025	Retainer, Gear	1	
17	3093728	Screw, Hexagon Head Cap	13	M12 x 1.75 x 30
18	3093967	Plug, Expansion	9	



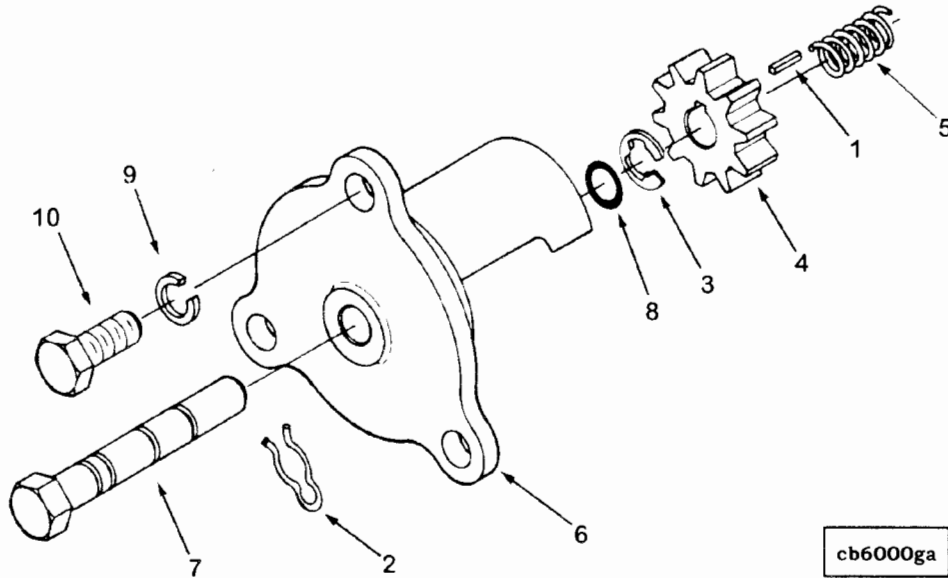
cg6000ge

Ref No.	Part Number	Part Name	Req	Remarks
		CAM FOLLOWER OPTION BB5701		
	3092499	Lever, Cam Follower	2	For V30 engines with customer supplied accessory drive, compressors and hydraulic pump drive.
1	3092362	Socket, Cam Follower	1	
2	(3092500)	Lever, Cam Follower	1	
3	3092501	Roller, Cam Follower	1	
4	3092502	Pin, Cam Follower Roller	1	
	3092503	Shaft, Cam Follower	1	
5	3092374	Ball	1	
6	3092506	Shaft, Cam Follower	1	
7	3094176	Ring, Retaining	4	
8	3092505	Screw, Cam Follower Shaft	24	

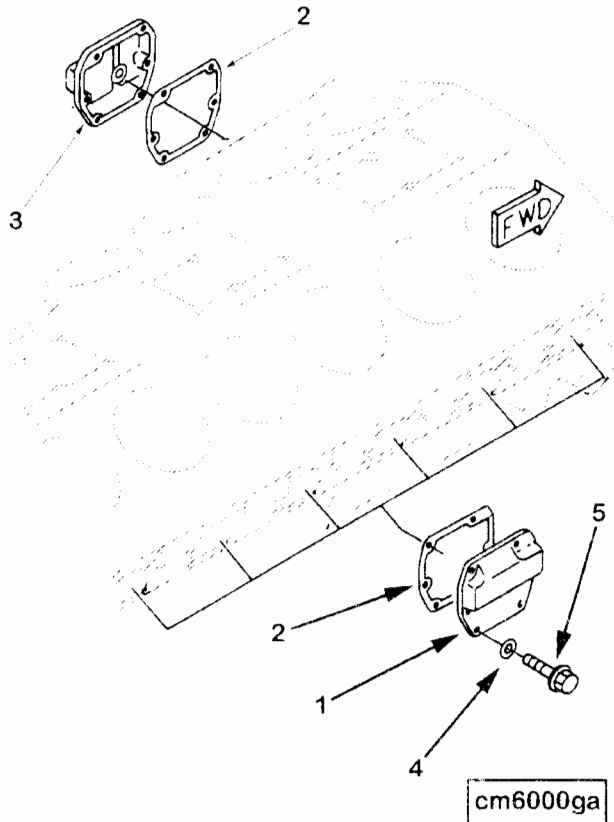


br6000gc

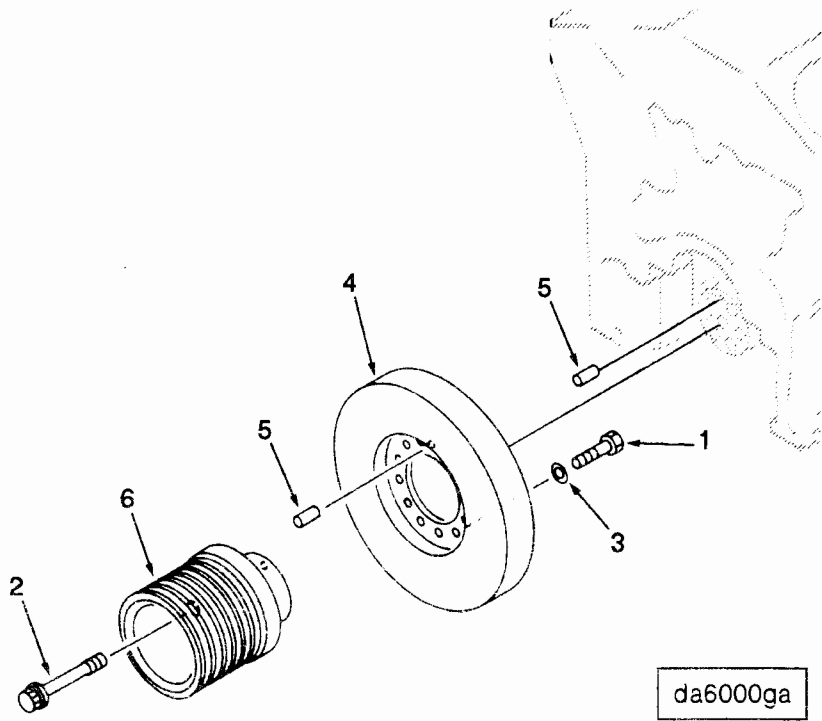
Ref No.	Part Number	Part Name	Req	Remarks
		CRANKCASE BREATHER OPTION BR5702		
				Located: Left and right front gear cover. Mounting Arrangement: External
1	3064106	Screw, Hexagon Head Cap	1	M10 x 1.50 x 30
2	3092252	Seal, O Ring	2	
3	3092253	Clamp, Spring Hose	2	
4	3092254	Clamp, Spring Hose	4	
5	3092255	Hose, Flexible	2	
6	3092333	Hose, Plain	2	
7	3092494	Breather, Crankcase	2	
8	3093632	Spacer, Mounting	4	
9	3093745	Screw, Hexagon Head Cap	4	M10 x 1.50 x 40
10	3093741	Screw, Hexagon Head Cap	1	M10 x 1.50 x 16
11	3094024	Washer, Plain	1	M10
12	3094412	Tube, Breather	1	
13	3094722	Tube, Breather	1	



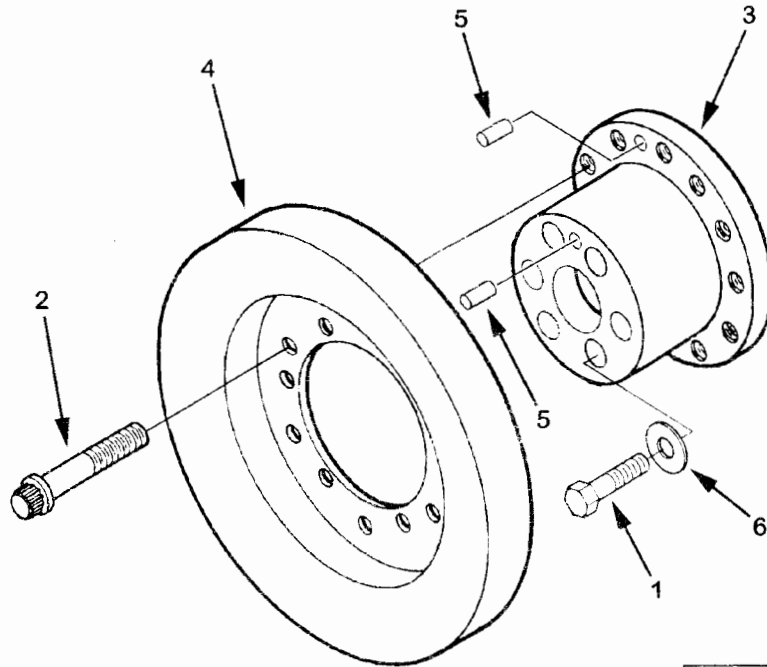
Ref No.	Part Number	Part Name	Req	Remarks
		ENGINE BARRING DRIVE		
		OPTION CB5001		
		OPTION CB5002		
		OPTION CB5003		
				Mounting Location: Quadrant 4-15 degree Type: Mechanical
1	3201740	Drive, Engine Barring	1	
	S 306	Key, Plain Woodruff	1	
2	169834	Clip	1	
3	206090	Ring, Retaining	1	
4	206091	Gear, Engine Barring	1	
5	206092	Spring, Compression	1	
6	206093	Housing, Engine Barring	1	
7	3201739	Shaft, Barring	1	
8	3913994	Seal, O Ring	1	
9	S 603	Washer, Lock	3	5/8 inch
10	3010151	Screw, Hexagon Head Cap	3	M6 x 2.00 x 40



Ref No.	Part Number	Part Name	Req	Remarks
		CAM FOLLOWER COVER OPTION CM5701		
1	3092858	Cover, Camshaft	11	
2	3092859	Gasket, Camshaft Cover	12	
3	3092860	Cover, Camshaft	1	
4	3093950	Washer, Sealing	46	
5	3903990	Screw, Hexagon Flange Head	68	M10 x 1.50 x 20

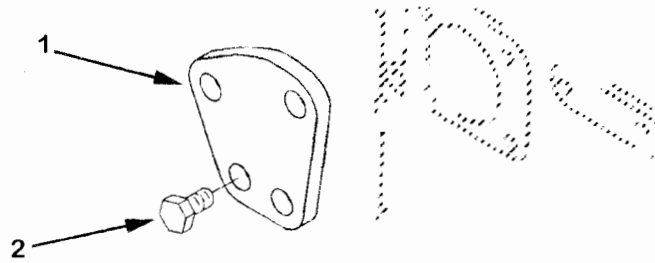


Ref No.	Part Number	Part Name	Req	Remarks
		VIBRATION DAMPER OPTION DA5078 OPTION DA5079		Type: Viscous Provision for Mounting Front Power Takeoff: No Speed Limitation: N/A Pulley Material: Cast Pulley Groove Desc: K-Section Pulley Dia: 202.8mm, DA5078 Pulley Dia: 223.5mm, DA5079 No of Ribs: 23 Poly V Spacing: Single damper Crank Pulley Groove Loc (FFOB): 393.4mm
1	3064111	Screw, Hexagon Head Cap	12	M12 x 1.75 x 35
2	3092406	Screw, Twelve Point Cap	6	M22 x 1.50 x 135
3	3093778	Washer, Plain	12	M12
4	3093729	Damper, Vibration	1	
5	3093731	Dowel, Pin	2	
6	3093959	Pulley, Crankshaft	1	- DA5078
6	3094163	Pulley, Crankshaft	1	- DA5079



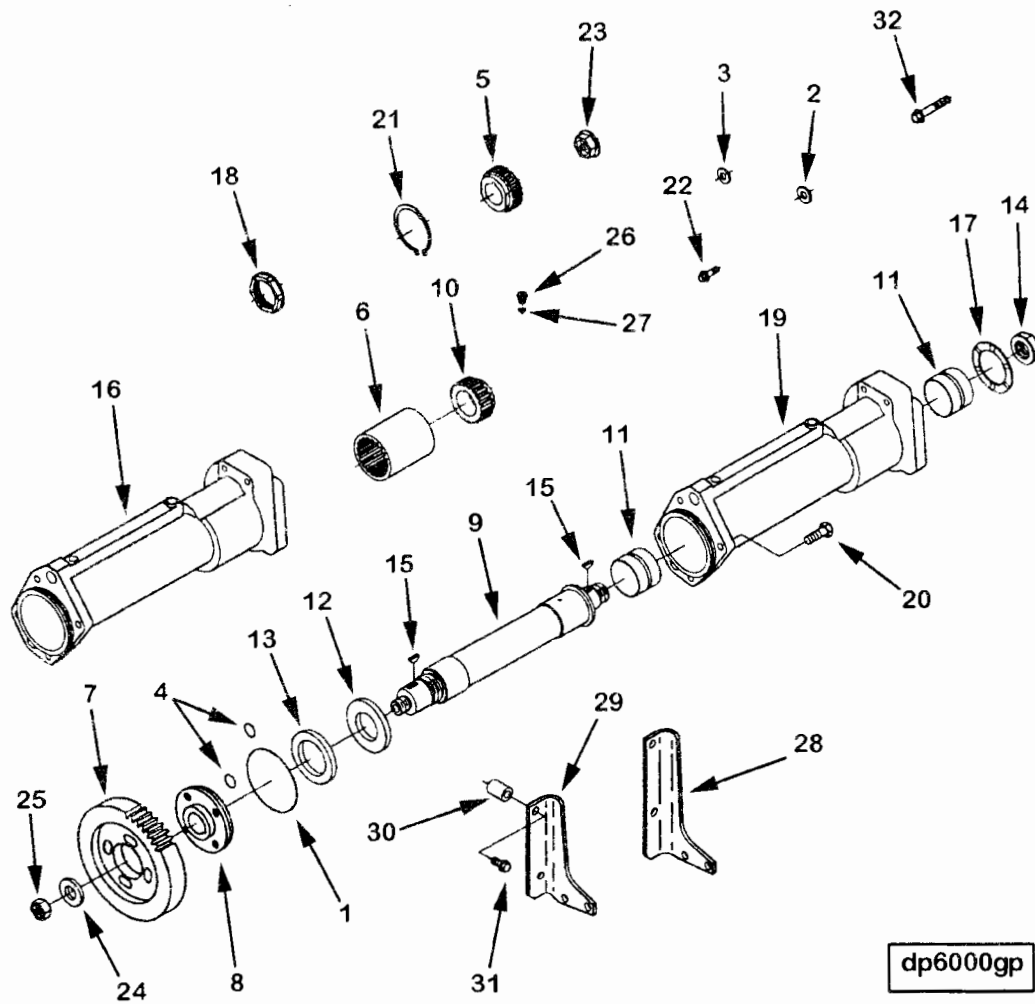
da6000ge

Ref No.	Part Number	Part Name	Req	Remarks
		VIBRATION DAMPER OPTION DA5080		Single vibration damper with crankshaft adaptor less crankshaft pulley.
1	306411	Screw, Hexagon Head Cap	12	M12 x 1.75 x 35
2	3092930	Screw, Twelve Point Cap	6	M22 x 1.50 x 135
3	3092925	Adapter, Crankshaft	1	
4	3093729	Damper, Vibration	1	
5	3093731	Dowel, Pin	2	
6	3093778 (3201209)	Washer, Plain Decal	12 1	M12

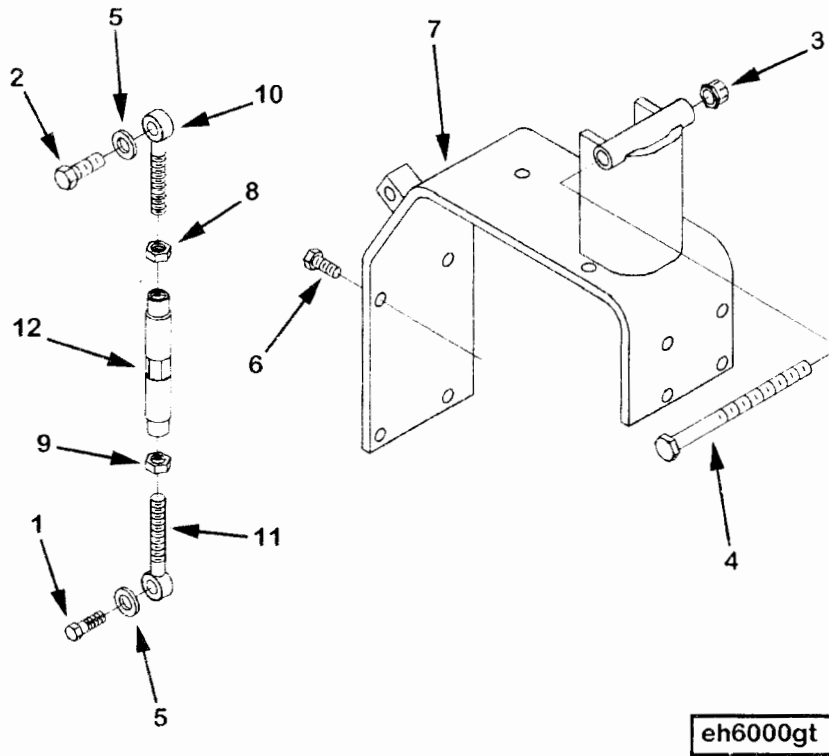


ad6000gf

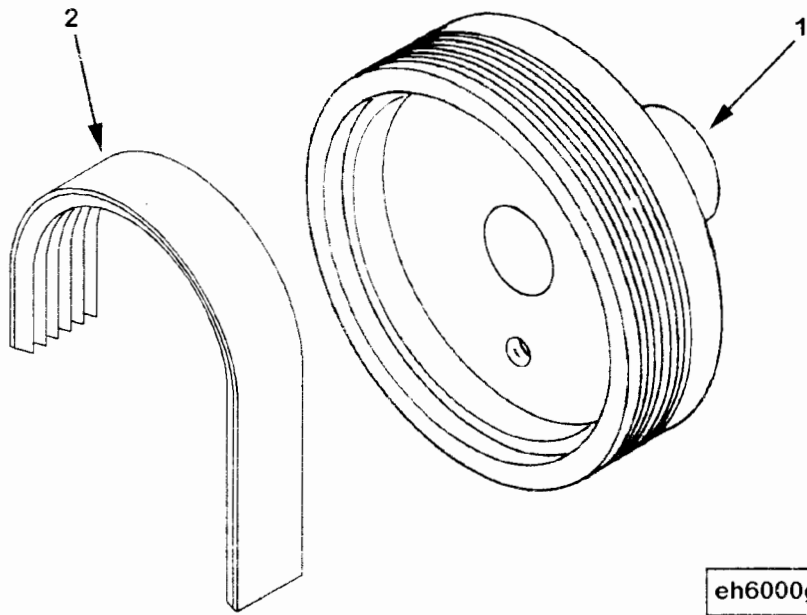
Ref No.	Part Number	Part Name	Req	Remarks
FRONT GEAR TRAIN ACCESSORY OPTION DF5701				
1	3092788	Plate, Cover	1	Unique Characteristics: Cover plate for the left bank rear drive location.
2	3093751	Screw, Hexagon Head Cap	4	



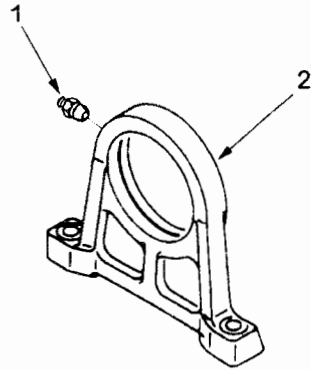
Ref No.	Part Number	Part Name	Req	Remarks
		FUEL PUMP DRIVE OPTION DP5703		
				Driven Item: Bosch P8500 flange mount pump.
1	3092262	Seal, O Ring	2	
2	3093778	Washer, Plain	8	M12
3	3093879	Washer, Plain	8	M12
4	3094014	Seal, O Ring	4	
5	3094755	Adapter, Spline	2	
6	3094212	Sleeve, Spline	2	
7	3094303	Gear, Fuel Pump	2	
8	3094304	Hub, Fuel Pump	2	
	3094407	Support, Fuel	1	
9	3094209	Shaft, Fuel Pump	1	
10	3094211	Adapter, Spline	2	
11	3094298	Bushing	2	
12	3094300	Plate, Thrust	1	
13	3094301	Plate, Thrust	1	
14	3094343	Nut, Regular Hexagon	1	M30 x 1.50
15	3094406	Key, Plain Woodruff	2	
16	3094668	Support, Fuel	1	
17	3094735	Bearing, Thrust	2	
18	3094842	Nut, Regular Hexagon	1	M45 x 1.50
	3094408	Support, Fuel	1	
9	3094209	Shaft, Fuel Pump	1	
10	3094211	Adapter, Spline	2	
11	3094298	Bushing	2	
12	3094300	Plate, Thrust	1	
13	3094301	Plate, Thrust	1	
14	3094343	Nut, Regular Hexagon	1	M30 x 1.50
15	3094406	Key, Plain Woodruff	2	
17	3094735	Bearing, Thrust	2	
18	3094842	Nut, Regular Hexagon	1	M45 x 1.50
19	3094669	Support, Fuel	1	
20	3094534	Screw, Hexagon Head Cap	8	M12 x 1.75 x 45
21	3094816	Ring, Retaining	4	
22	3094817	Screw, Hex Flange Head Cap	8	
23	3094892	Nut, Regular Hexagon	2	
24	3094010	Washer, Plain	2	M22
25	3094011	Nut, Regular Hexagon	2	M22 x 1.25
	3678923	Plug, Threaded	6	M10
26	(3678924)	Plug, Threaded	1	
27	3678925	Seal, O Ring	1	
28	3094296	Bracket, Retaining Brace	1	
29	3094297	Bracket, Retaining Brace	1	
30	3094335	Spacer, Mounting	4	
31	3093931	Screw, Hex Flange Head Cap	4	M10 x 1.50 x 20
32	3900635	Screw, Hex Flange Head Cap	4	M10 x 1.50 x 60



Ref No.	Part Number	Part Name	Req	Remarks
		ALTERNATOR MOUNTING OPTION EH5004		For use with: Delco-Remy and Butec 75 and 100 amp Drive ratio if driven pulley included: 2.62:1 Location: High right bank Pulley location: TBD Mounting type: Cradle Alternator attachment point: N/A Belt description: 5 ribbed, K section, polly-vee Adjusting link included: Yes
1	S 106	Screw, Hexagon Head Cap	1	1/2 - 13 x 1 3/4 inch
2	S 113	Screw, Hexagon Head Cap	1	1/2 - 13 x 1 1/2 inch
3	70897	Nut, Lock	1	1/2 - 20 UNF
4	158829	Screw, Hexagon Head Cap	1	1/2 - 20 x 6 1/2 inch
5	3035806	Washer, Plain	6	M12
6	3093743	Screw, Hexagon Head Cap	8	M10 x 1.50 x 25
7	3094694	Bracket, Alternator	1	
	3201188	Link, Adjusting	1	
8	S 253	Nut, Regular Hexagon Jam	1	1/2 - 20 UNF
9	206202	Nut, Jam	1	1/2 - 20 UNF
10	(3201185)	Bolt, Eye	1	
11	(3201186)	Bolt, Eye	1	
12	(3201187)	Link, Adjusting	1	

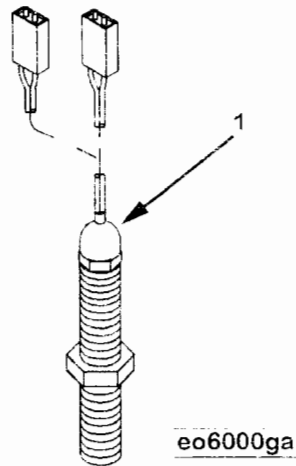


Ref No.	Part Number	Part Name	Req	Remarks
		ALTERNATOR DRIVE PULLEY OPTION EH5705		
1	3094067	Pulley, Alternator	1	Alternator pulley and belt installed on the engine.
2	3094909	Belt, V Ribbed	1	

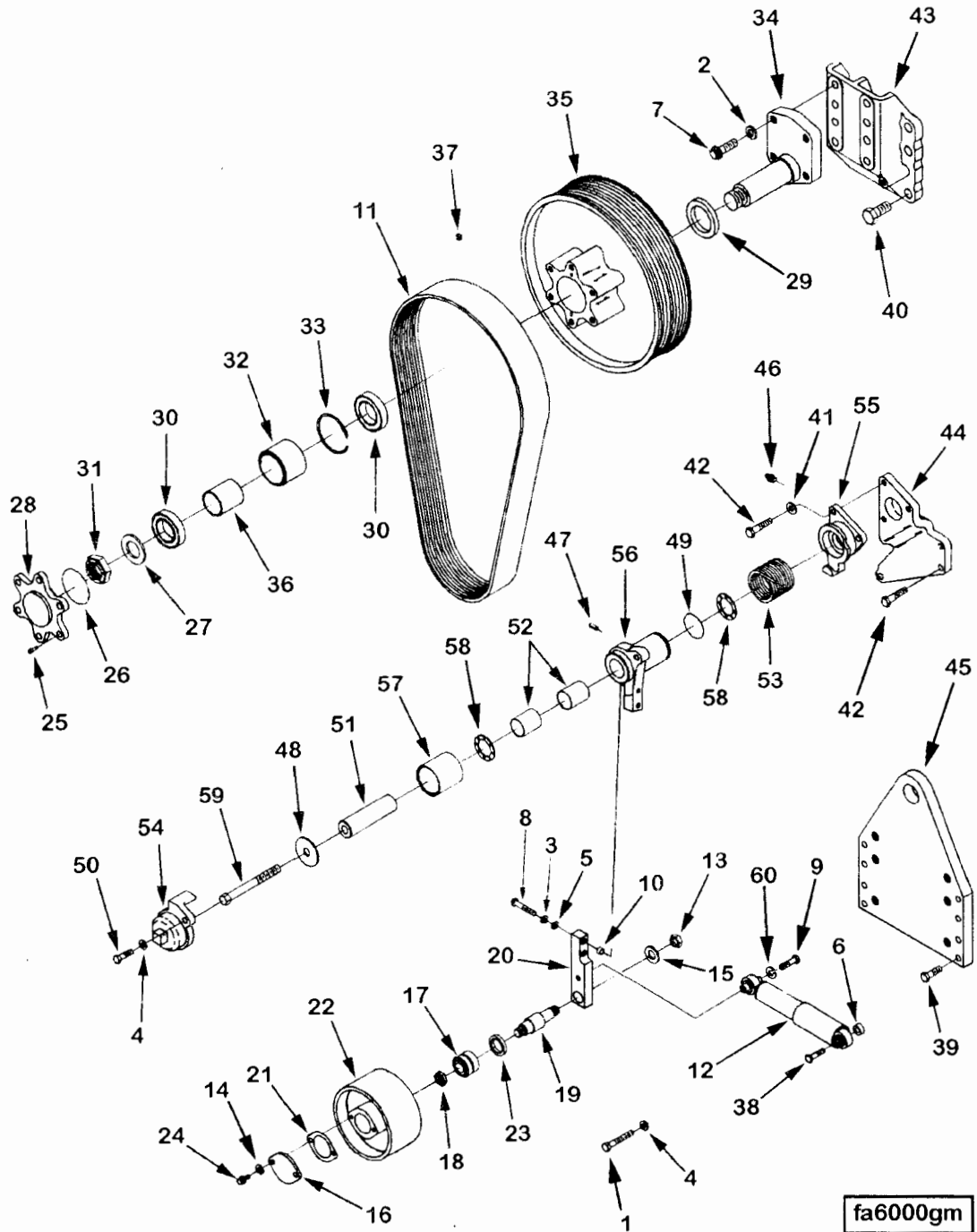


em6000gb

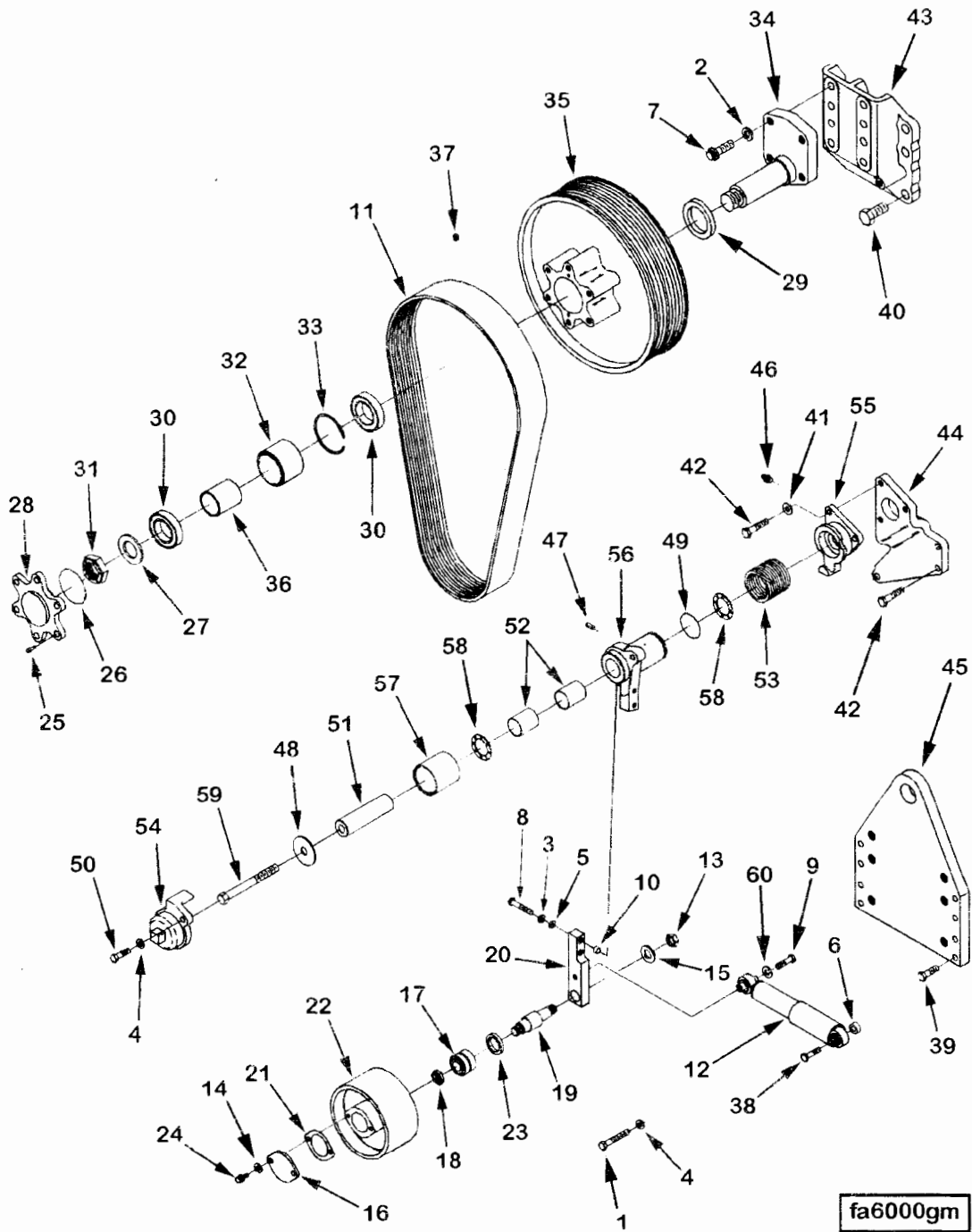
Ref No.	Part Number	Part Name	Req	Remarks
		FRONT ENGINE SUPPORT OPTION EM5075		Mounting Location: Front Type: Trunnion Hydraulic Pump Compatible: Y Degree of Engine Tilt: 0 Gear Cover Material: Cast Iron Support Material: Ductile Iron Loading Capability: 4.5 G Compatible Isolators: N/A Unique Characteristics: With Grease Fitting
1	S 2268	Fitting, Grease	1	
2	3093982	Support, Front Engine	1	



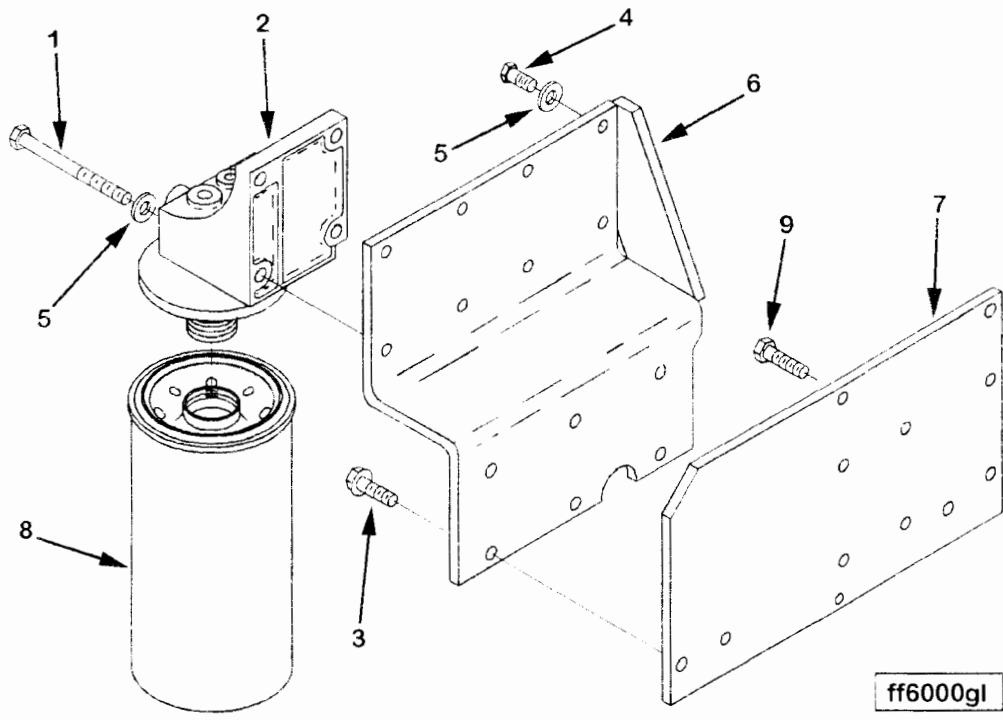
Ref No.	Part Number	Part Name	Req	Remarks
1	3865349	<p style="text-align: center;">SIGNAL GENERATING DEVICE OPTION EO5001</p> <p>Sensor, Speed</p>	1	<p>Application: Mag Pickup Location: Fly Hsg (30 deg from vertical center line) Type: RPM Sending Unit Output: 700-6000HZ Supplied by Cummins for Customer use.</p>



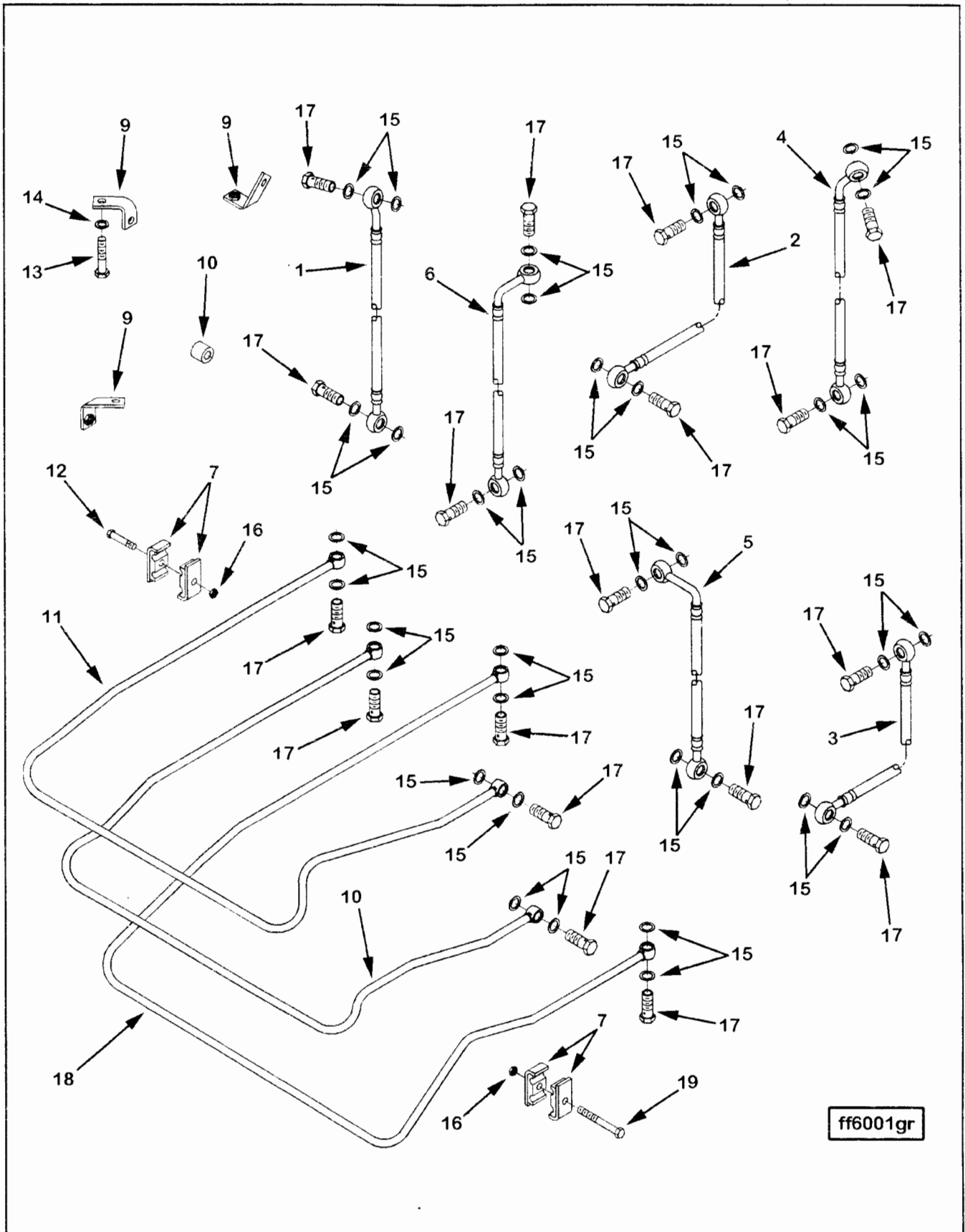
Ref No.	Part Number	Part Name	Req	Remarks
		FAN DRIVE ARRANGEMENT OPTION FA5057		
				Fan Drive Arrange w/ Engine Mounted Fan Hub. Drive Ratio: 0.5 to 1 Fan Center: 508mm (24 inch) Spacing: Single damper Belt: 23 rib "K" section v-ribbed Drive Pulley: 23 groove, 8 inch diameter Fan Pulley Groove Location: 393.4 mm Mounting Bolt Circle: 140 mm (5.5 inch) Includes shock absorber in belt tensioner.
1	S 162 A	Screw, Hexagon Head Cap	1	7/16 - 14 x 2 3/4 inch
2	S 603	Washer, Lock	4	5/8 inch
3	S 604	Washer, Lock	2	3/8 inch
4	S 610	Washer, Lock	1	7/16 inch
5	S 622	Washer, Plain	1	3/8 inch
6	65434	Spacer, Mounting	1	
7	153581	Screw, Twelve Point Cap	4	5/8 - 11 x 1/2 inch
8	205375	Screw, Twelve Point Cap	2	3/8 - 16 x 2 1/4 inch
9	3093892	Screw, Hexagon Head Cap	1	M12 x 1.75 x 65
10	3002993	Dowel, Ring	2	
11	3003343	Belt, V Ribbed	1	
12	3008018	Absorber, Schock	1	
	3009480	Pulley, Idler	1	
13	S 249	Nut, Regular Hexagon Jam	1	3/4 - 16 UNF
14	S 626	Washer, Plain	2	5/16 inch
15	S 640	Washer, Plain	1	3/4 inch
16	207603	Cover, Water Conn	1	
17	3003354	Bearing, Roller	1	
18	3004057	Nut, Lock	1	3/4 - 16 UNF
19	3009481	Shaft, Idler	1	
20	3009482	Bracket, Idler Pulley	1	
21	3014449	Gasket, Flange	1	
22	3016766	Pulley, Idler	1	
23	3065830	Seal, Oil	1	
24	3021470	Screw, Captive Washer Cap	2	5/16 - 18 x 1/2 inch
	3031519	Hub, Fan	1	
25	69771	Screw, Socket Head Cap	2	1/4 - 20 x 5/8 inch
26	145586	Seal, O Ring	1	
27	205168	Washer, Plain	1	1 1/2 inch
28	206507	Pilot, Fan	1	
29	185747	Seal, Oil	1	
30	206505	Bearing, Roller	2	
31	206506	Nut, Lock	1	1 1/2 - 12 UNF
32	206519	Spacer, Bearing	1	
33	206520	Ring, Retaining	1	
34	3031518	Shaft, Fan Hub	1	
35	3178563	Pulley, Fan	1	
36	3627681	Spacer, Bearing	1	
37	3628604	Plug, Pipe	2	
38	3093774	Screw, Hexagon Head Cap	1	M12 x 1.75 x 50
39	3094934	Screw, Hexagon Head Cap	8	M12 x 1.75 x 40
40	3093761	Screw, Hexagon Head Cap	6	M20 x 2.50 x 45
41	S 608	Washer, Lock	3	1/2 inch
42	3064111	Screw, Hexagon Head Cap	5	M12 x 1.75 x 35
43	3093958	Support, Fan	1	



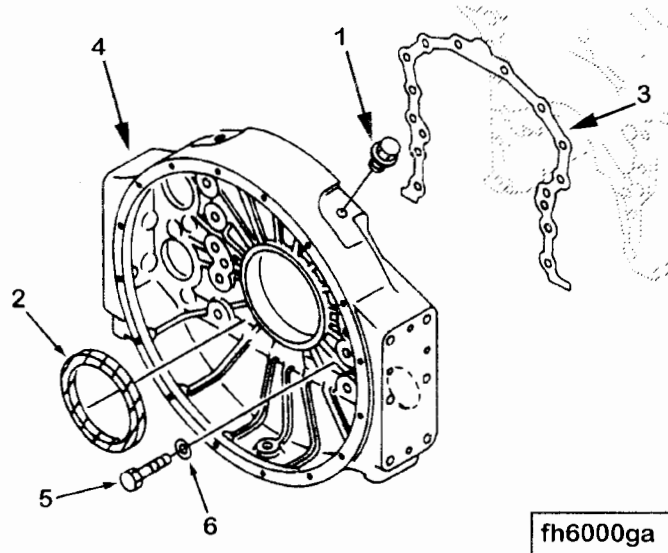
Ref No.	Part Number	Part Name	Req	Remarks
44	3093960	Bracket, Idler Pulley	1	
45	3093978	Bracket, Lifting	1	
	3177130	Lever, Idler	1	
4	S 610	Washer, Lock	1	7/16 inch
46	S 2268	Fitting, Grease	1	
47	68171	Pin, Roll	2	
48	127454	Washer, Plain	1	5/8 inch
49	145581	Seal, O Ring	1	
50	185804	Screw, Hexagon Head Cap	1	7/16 - 14 x 1 3/8 inch
51	3009475	Shaft, Pivot	1	
52	3009477	Sleeve	2	
53	3019416	Spring, Torsion	1	
54	3023499	Cap, Idler Lever	1	
55	3177125	Support, Pivot Shaft	1	
56	3177127	Lever, Idler	1	
57	3177128	Sleeve, Wear	1	
58	3177129	Bearing, Thrust	2	
59	3628104	Screw, Hexagon Head Cap	1	5/8 - 11 x 6 1/2 inch
60	3093778	Washer, Plain	2	M12



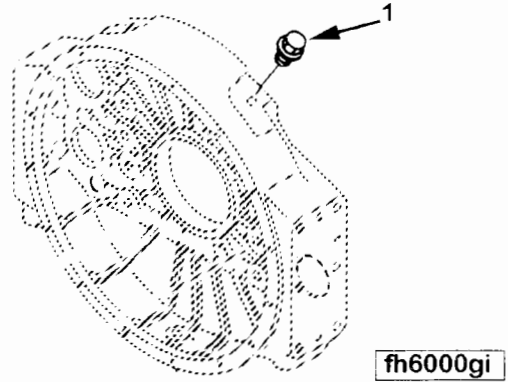
Ref No.	Part Number	Part Name	Req	Remarks
		FUEL FILTER OPTION FF5065		Element Type: Spin-On Number Of Elements: 2 Water Separator: No, - FF5065 Water Separator: Yes, - FF5068 Inlet Fitting: M14 x 1.5 Mounting Location: RB below fuel pump Customer Supplied: No Absolute Filtration Measure in Micron: 20 Not approved for engines in marine service.
1	3064106	Screw, Hexagon Head Cap	2	M10 x 1.50 x 30
2	3092547	Head, Fuel Filter	2	
3	3093932	Screw, Hex Flange Head Cap	6	M10 x 1.50 x 25
4	3093764	Screw, Hexagon Head Cap	4	M10 x 1.50 x 10
5	3335076	Washer, Bevel	6	
6	3094034	Bracket, Filter	1	
7	3094404	Bracket, Filter	1	
8	(3313306)	Element, Fuel Filter	2	
9	3093743 (3315230)	Screw, Hexagon Head Cap Decal	3 2	M10 x 1.50 x 25
		OPTION FF5068		
1	3064106	Screw, Hexagon Head Cap	2	M10 x 1.50 x 30
2	3092547	Head, Fuel Filter	2	
3	3093932	Screw, Hex Flange Head Cap	6	M10 x 1.50 x 25
4	3093764	Screw, Hexagon Head Cap	4	M10 x 1.50 x 10
5	3335076	Washer, Bevel	6	
6	3094034	Bracket, Filter	1	
7	3094404	Bracket, Filter	1	
8	(3313304)	Element, Fuel Filter	2	
9	3093743 (3315226)	Screw, Hexagon Head Cap Decal	3 2	M10 x 1.50 x 25



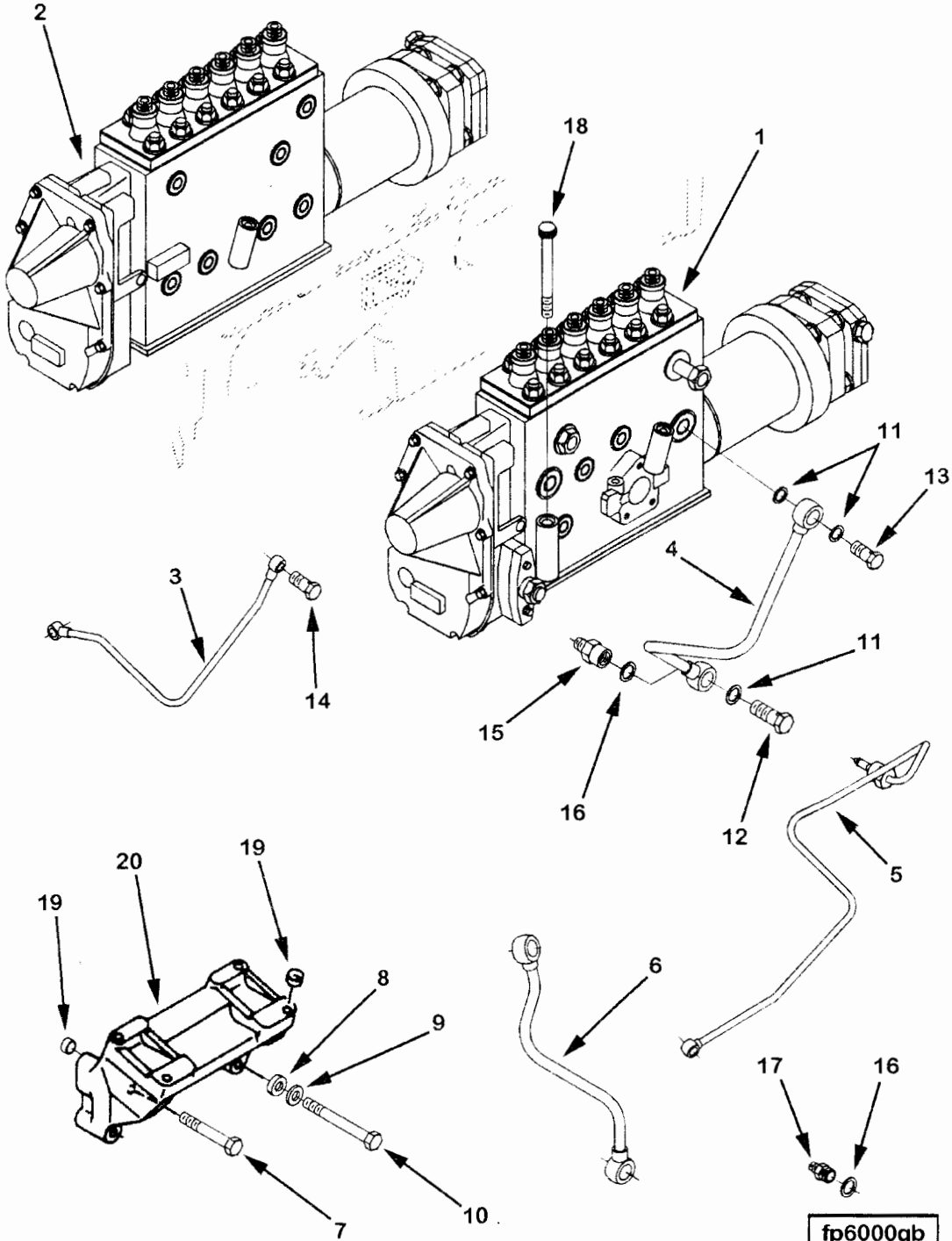
Ref No.	Part Number	Part Name	Req	Remarks
		FUEL FILTER PLUMBING OPTION FF5745		
				Fuel Filter Mounting Loc: Rear of Block below Fuel Pump
1	3092066	Hose, Flexible	1	
2	3092067	Hose, Flexible	1	
3	3092092	Hose, Flexible	2	
4	3092093	Hose, Flexible	1	
5	3092095	Hose, Flexible	1	
6	3092096	Hose, Flexible	1	
7	3092300	Clamp, Tube	16	
8	3092339	Spacer, Mounting	1	
9	3092911	Bracket, Retaining Brace	3	
10	3093330	Tube, Fuel Supply	1	
11	3093332	Tube, Fuel Drain	1	
12	3093739	Screw, Hexagon Head Cap	6	M8 x 1.25 x 40
13	3093746	Screw, Hexagon Head Cap	1	M10 x 1.50 x 50
14	3093799	Washer, Plain	1	M10
15	3093863	Washer, Sealing	40	
16	3093947	Nut, Regular Hexagon	4	
17	3094020	Screw, Banjo Connector	20	
18	3094145	Tube, Fuel Supply	1	
19	3094933	Screw, Hexagon Head Cap	1	M8 x 1.25 x 70



Ref No.	Part Number	Part Name	Req	Remarks
		FLYWHEEL HOUSING OPTION FH5031		SAE Size: 0 Starter Center Distance: 326.47 (12.85 in.) Starter Location: 4 = 15 Degrees, 3 = 18 Degrees, 2 = 18 Degrees Starter Spacer Capability: N Wet/Dry: Dry Material: Cast Iron Loading Capability: Mounting Description: Pad 20 x 2.5 (8/side) Attachment Description and Locations: Angle Transmission Mounting Holes and Type: 16 M12 X 1.75 Automatic Transmission Hole: Speed Sensor: Yes
1	3092345	Plug, Threaded	1	
2	3092821	Seal, Oil	1	
3	3092825	Gasket, Flywheel Housing	1	
4	3094578	Housing, Flywheel	1	
5	3093842	Screw, Hexagon Head Cap	14	M18 x 2.50 x 65
6	3093843	Washer, Plain	14	M18

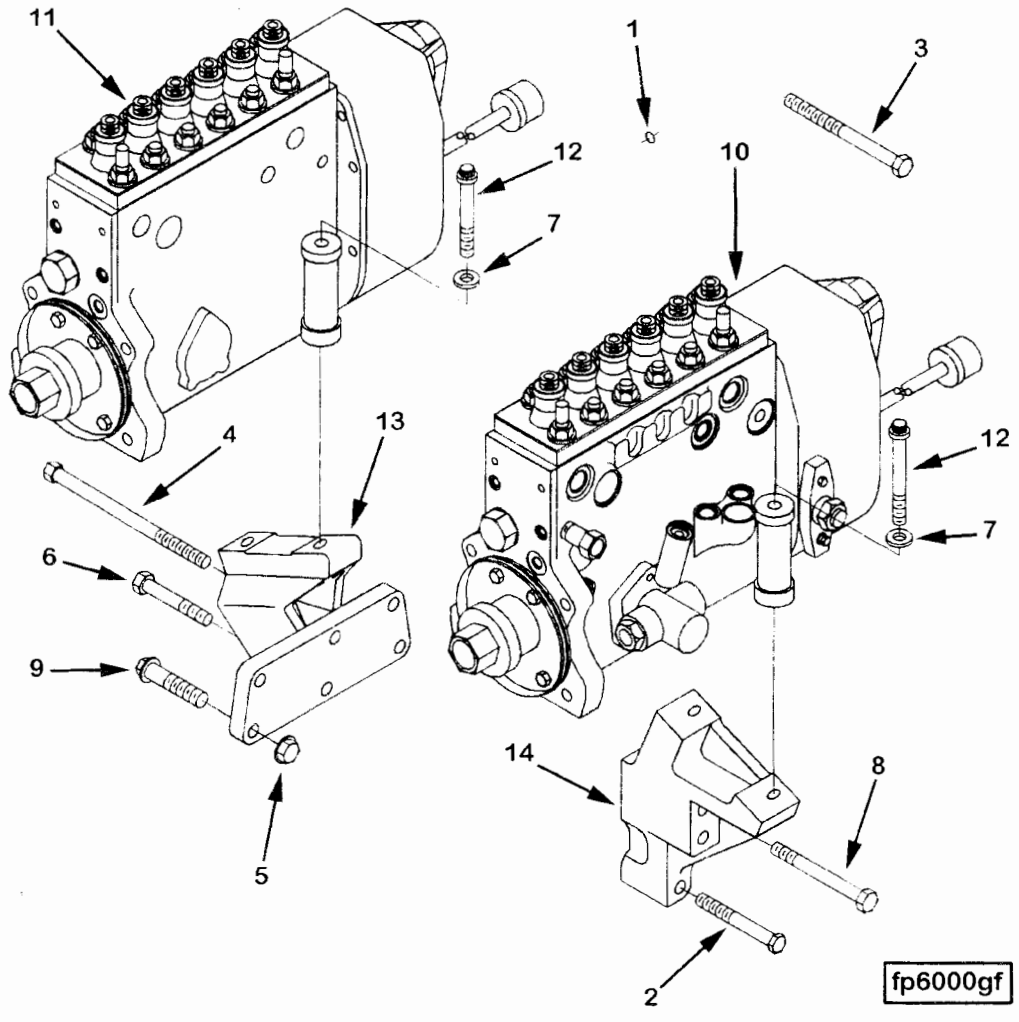


Ref No.	Part Number	Part Name	Req	Remarks
1	3092345	<p style="text-align: center;">FLYWHEEL HOUSING PLUMBING OPTION FH5703</p> <p>Plug, Expansion</p>	1	Provision for customer supplied speed sensor.



fp6000gb

Ref No.	Part Number	Part Name	Req	Remarks
		FUEL INJECTION PUMP OPTION FP50022		Manufacturer/Model: Bosch P8500 Governor Type: Bosch RE30 BHP: 1340 BHP @ 1800 RPM and 1200 BHP @ 1500 PRM CPL: 2006 Unique Characteristics: QST30-G3
		OPTION FP50023		Manufacturer/Model: Bosch P8500 Governor Type: Bosch RE30 BHP: 1200 and 1135 BHP @ 1800 RPM. 1030 and 940 BHP @ 1500 RPM CPL: 2124 Unique Characteristics: QST30-G1/G2
1	3094653	Pump, Fuel Injection	1	
2	3094654	Pump, Fuel Injection	1	
3	3093339	Tube, Lube Oil Supply	1	
4	3093340	Tube, Lube Oil Drain	1	
5	3093343	Tube, Lube Oil Drain	1	
6	3093345	Tube, Lube Oil Drain	1	
7	3093838	Screw, Hexagon Head Cap	4	M10 x 1.50 x 65
8	3093863	Washer, Sealing	8	
9	203518	Washer, Plain	8	3/8 inch
10	3093891	Screw, Flange Head Cap	8	
11	3093950	Washer, Sealing	6	
12	3863131	Screw, Banjo Connector	1	
13	3094020	Screw, Banjo Connector	4	
14	3094389	Screw, Banjo Connector	2	
	3094441	Connector, Female	2	1/4 NPTF x M14 x 1.50
15	3094443	Adapter, Plain	1	
16	3678912	Seal, O Ring	1	
	3094471	Connector, Female	1	1/8 NPTF x M14 x 1.50
17	3094444	Union, Male	1	
16	3678912	Seal, O Ring	1	
18	3094520	Screw, Twelve Point Cap	8	
	3094691	Support, Fuel Pump	2	
19	3092504	Dowel, Ring	4	
20	(3093349)	Support, Fuel Pump	1	

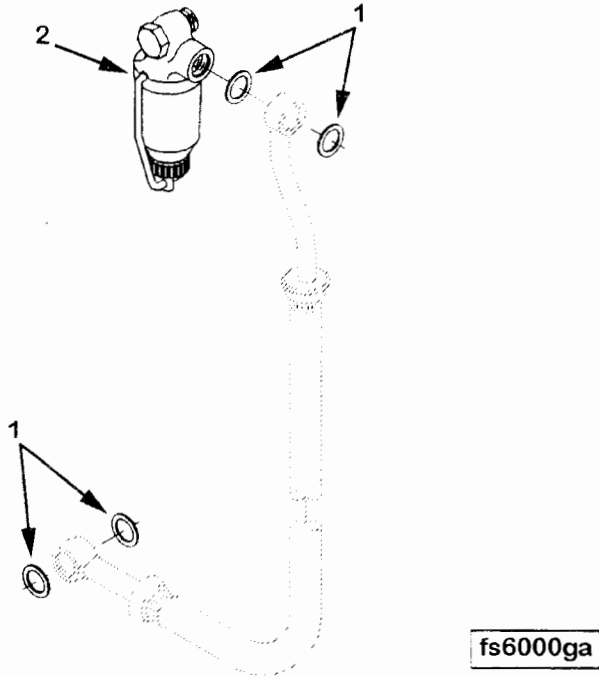


Group No. 05.21

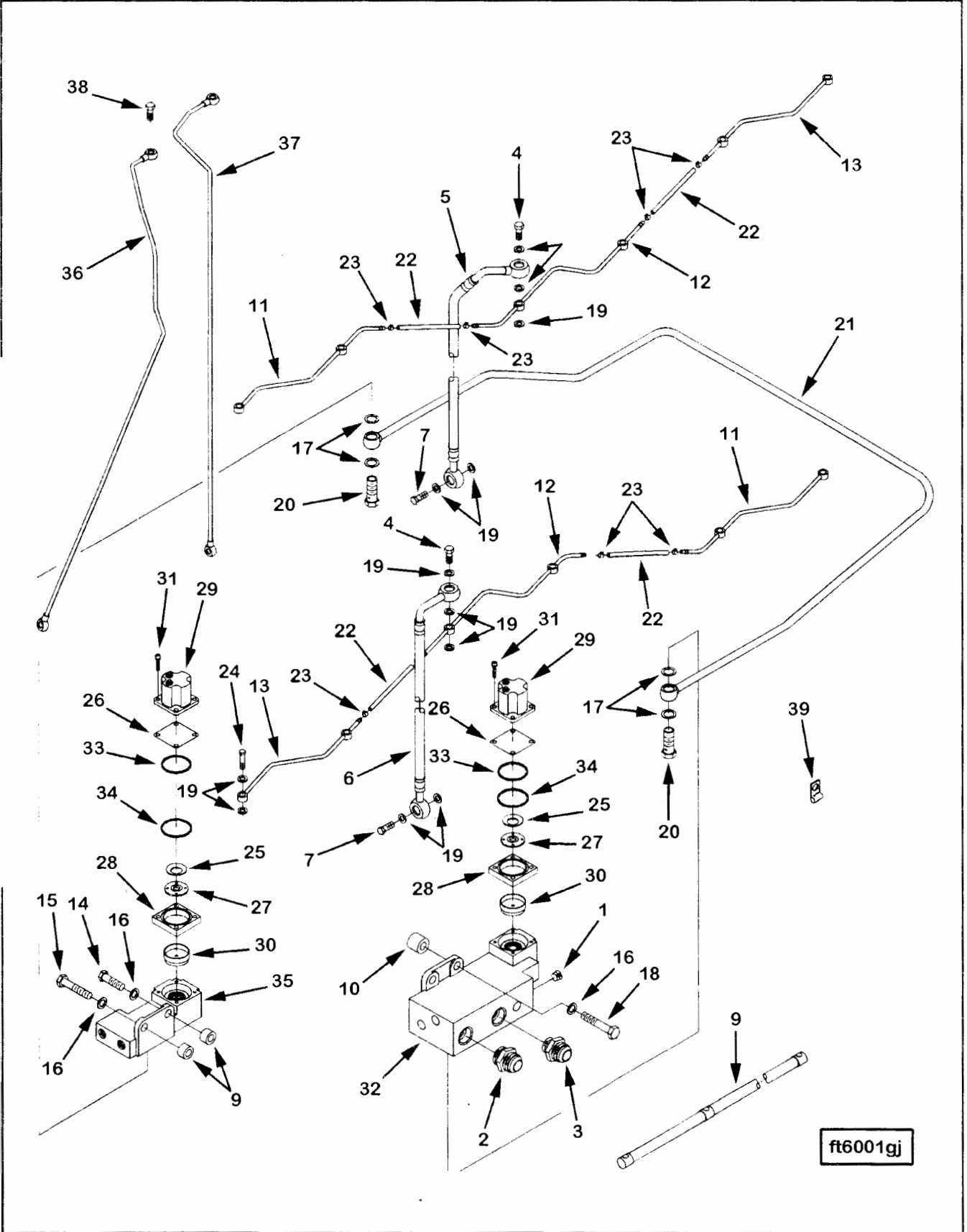
Fuel Injection Pump

Option No. FP50027

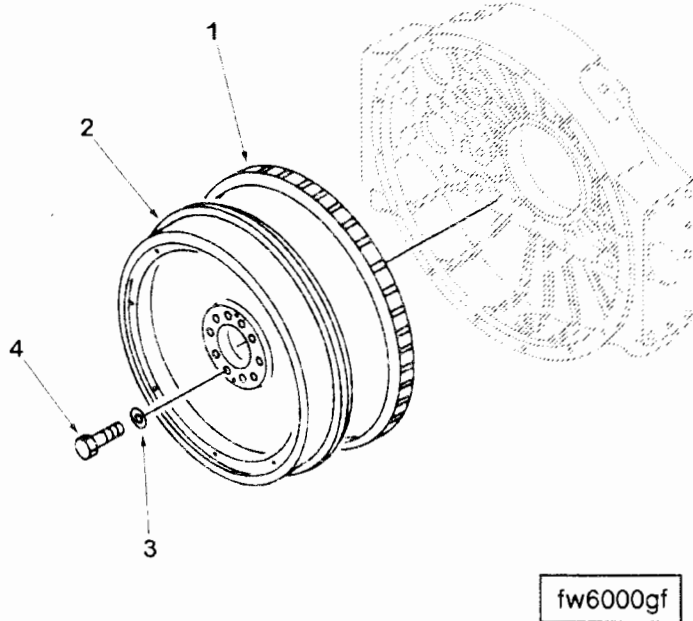
Ref No.	Part Number	Part Name	Req	Remarks
		FUEL INJECTION PUMP OPTION FP50027		Manuf./Model: Bosch 8500 flange mount Governor Type: Bosch RE30 BHP: 1240 BHP @ 1800 RPM - 1200 & 1135 BHP @ 1800 RPM - 1030 & 940 BHP @ 1500 RPM CPL: 2127 Unique Characteristics: VTA30-G1/G2/G3
1	3092337	Seal, O Ring	2	
2	3093749	Screw, Hexagon Head Cap	4	M10 x 1.50 x 80
3	3093765	Screw, Hexagon Head Cap	1	M10 x 1.50 x 20
4	3093767	Screw, Hexagon Head Cap	1	M10 x 1.50 x 160
5	3093828	Nut, Hexagon Flange	8	M10 x 1.50
6	3093838	Screw, Hexagon Head Cap	1	M10 x 1.50 x 65
7	203518	Washer, Plain	4	3/8 inch
8	3093891	Screw, Hexagon Head Cap	2	M10 x 1.50 x 95
9	3094032	Screw, Hex Flange Head Cap	8	M10 x 1.50 x 55
10	3094435	Pump, Fuel Injection	1	
11	3094436	Pump, Fuel Injection	1	
12	3094520	Screw, Twelve Point Cap	4	M10 x 1.50 x 90
13	3094591	Bracket, Pump	1	
14	3094593	Bracket, Pump	1	



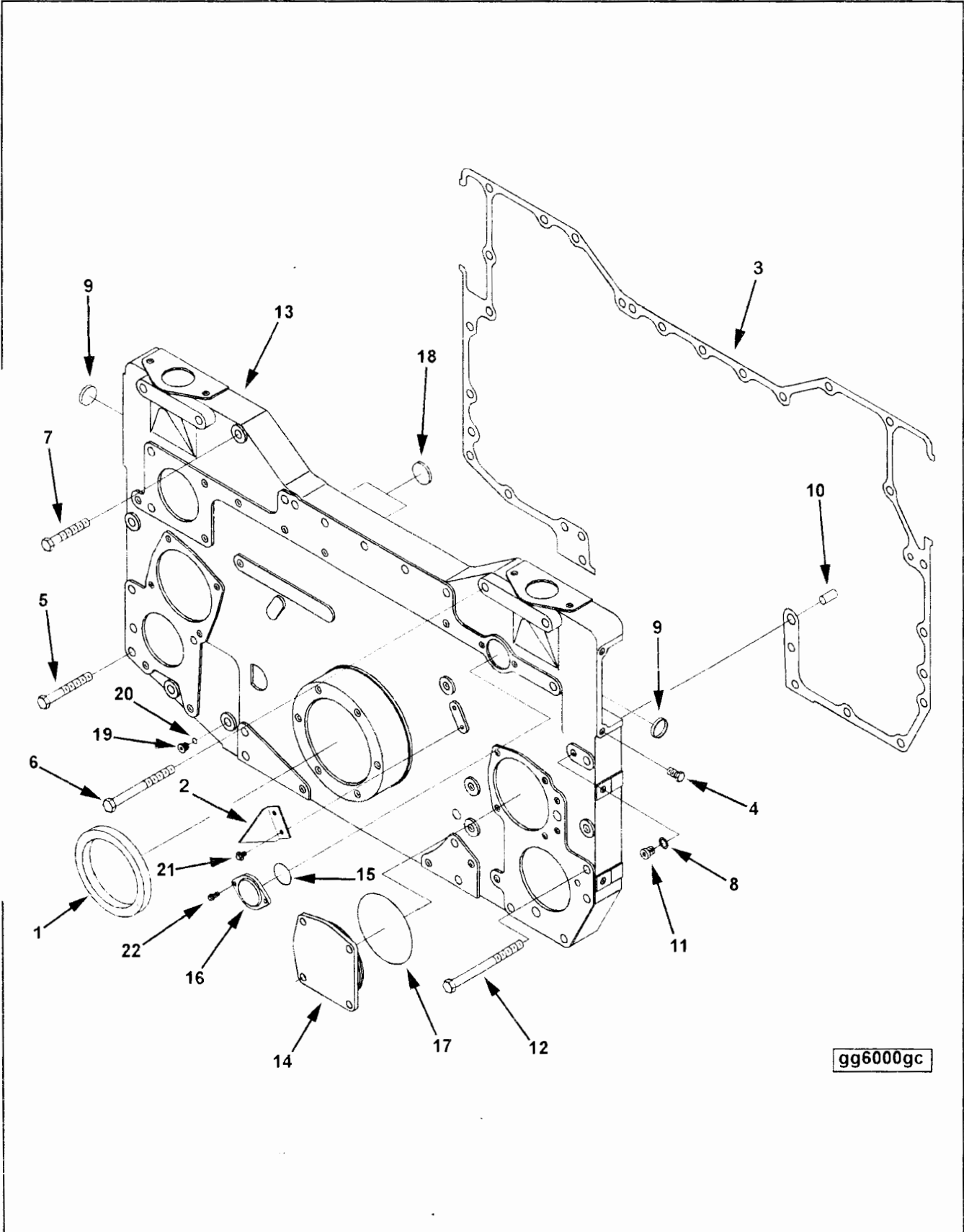
Ref No.	Part Number	Part Name	Req	Remarks
FUEL SYSTEM ACCESSORIES				
OPTION FS5024				
1	3093863	Washer, Sealing	4	Manuf/Model: Bosch Plumbing Location: Before lift pump Hoses Included: Yes
2	3094756	Strainer, Fuel	2	



Ref No.	Part Number	Part Name	Req	Remarks
		FUEL PLUMBING OPTION FT5707		
				Fuel tubing for V30 G-Drive Pump Type: Bosch P8500/RP39 Air Compressor: None Drain Location: DL 5006 Includes rapid restart, single terminal solenoid valve.
1	3008466	Plug, Pipe	1	1/4 NPTF
2	3059278	Union, Male	1	
3	3090295	Union, Male	1	
4	3092032	Valve, Check	2	
5	3092094	Hose, Flexible	1	
6	3092098	Hose, Flexible	1	
7	3092103	Screw, Banjo Connector	3	
8	3092118	Hose, Flexible	1	
9	3092334	Spacer, Mounting	2	
10	3092339	Spacer, Mounting	2	
11	3093336	Tube, Fuel Drain	2	
12	3093337	Tube, Fuel Drain	2	
13	3093338	Tube, Fuel Drain	2	
14	3093744	Screw, Hexagon Head Cap	1	M10 x 1.50 x 35
15	3093746	Screw, Hexagon Head Cap	1	M10 x 1.50 x 50
16	3093799	Washer, Plain	4	M10
17	3093863	Washer, Sealing	12	
18	3093889	Screw, Hexagon Head Cap	2	M10 x 1.50 x 55
19	3093980	Washer, Sealing	36	
20	3094020	Screw, Banjo Connector	1	
21	3094146	Tube, Fuel Drain	1	
22	3094185	Hose, Flexible	4	
23	3094186	Clip	8	
24	3094188	Screw, Banjo Connector	13	
	(3094675)	Manifold, Fuel (tla)	1	
25	129768	Spring, Valve	1	
26	129839	Shield, Shutoff Valve	1	
27	196057	Disc, Valve	1	
28	3034451	Housing, Actuator	1	
29	3054609	Solenoid	1	
30	3056009	Disc, Actuator	1	
31	3065944	Screw, Captive Washer Cap	4	#10 - 24 x 1 inch
32	3094153	Manifold, Fuel	1	
33	3094572	Seal, Rectangular Ring	1	
34	3094667	Seal, Rectangular Ring	1	
	(3094677)	Manifold, Fuel (tla)	1	
25	129768	Spring, Valve	1	
26	129839	Shield, Shutoff Valve	1	
27	196057	Disc, Valve	1	
28	3034451	Housing, Actuator	1	
29	3054609	Solenoid	1	
30	3056009	Disc, Actuator	1	
31	3065944	Screw, Captive Washer Cap	4	#10 - 24 x 1 inch
33	3094572	Seal, Rectangular Ring	1	
34	3094667	Seal, Rectangular Ring	1	
35	3094154	Manifold, Fuel	1	
36	3094821	Tube, Fuel Drain	1	
37	3094822	Tube, Fuel Drain	1	
38	3092545	Screw, Banjo Connector	2	
39	3600861	Clip	2	

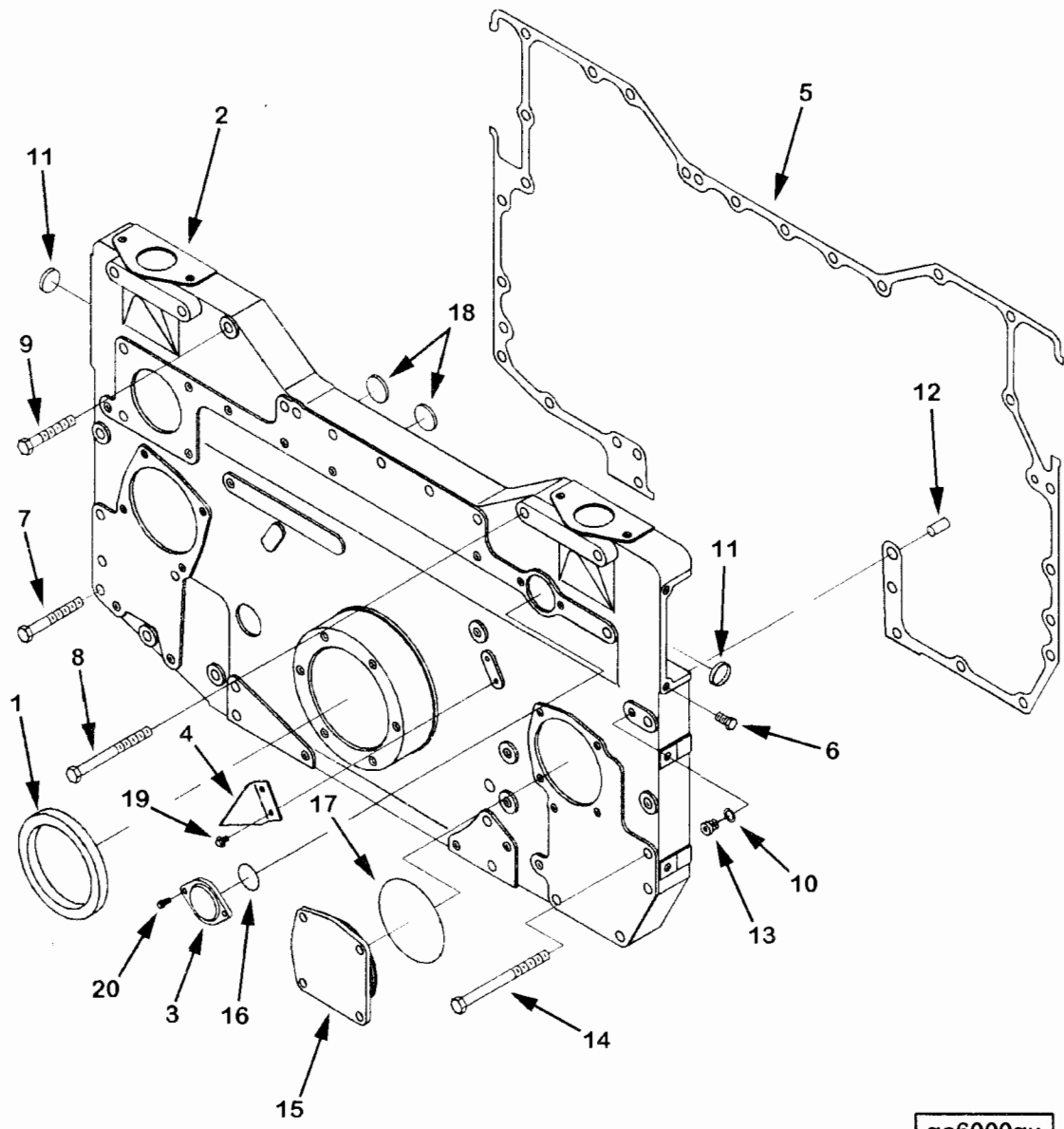


Ref No.	Part Number	Part Name	Req	Remarks
		FLYWHEEL OPTION FW5050		Material Spec: Ductile iron Hsg SAE Size or Type: SAE 0 Intended Drive Hardware: SAE 14 OC clutch SAE 18 OC clutch Ring Gear Pitch: 6/8 Ring Gear Tooth Count: 142 Maximum RPM: 2100 Clutch Bore Diameter: 466.725 mm (18.375 in) 571.5 mm (22.5 in) Clutch Mounting Bolt Circle: 438.16 mm 542.94 mm Moment of Inertia: 5.97 KGM2
1	3093712	Flywheel	1	
	124507	Gear, Flywheel Ring	1	
2	3093713	Flywheel	1	
3	3092283	Washer, Plain	10	M20
4	3093917	Screw, Hexagon Head Cap	10	M20 x 1.50 x 60



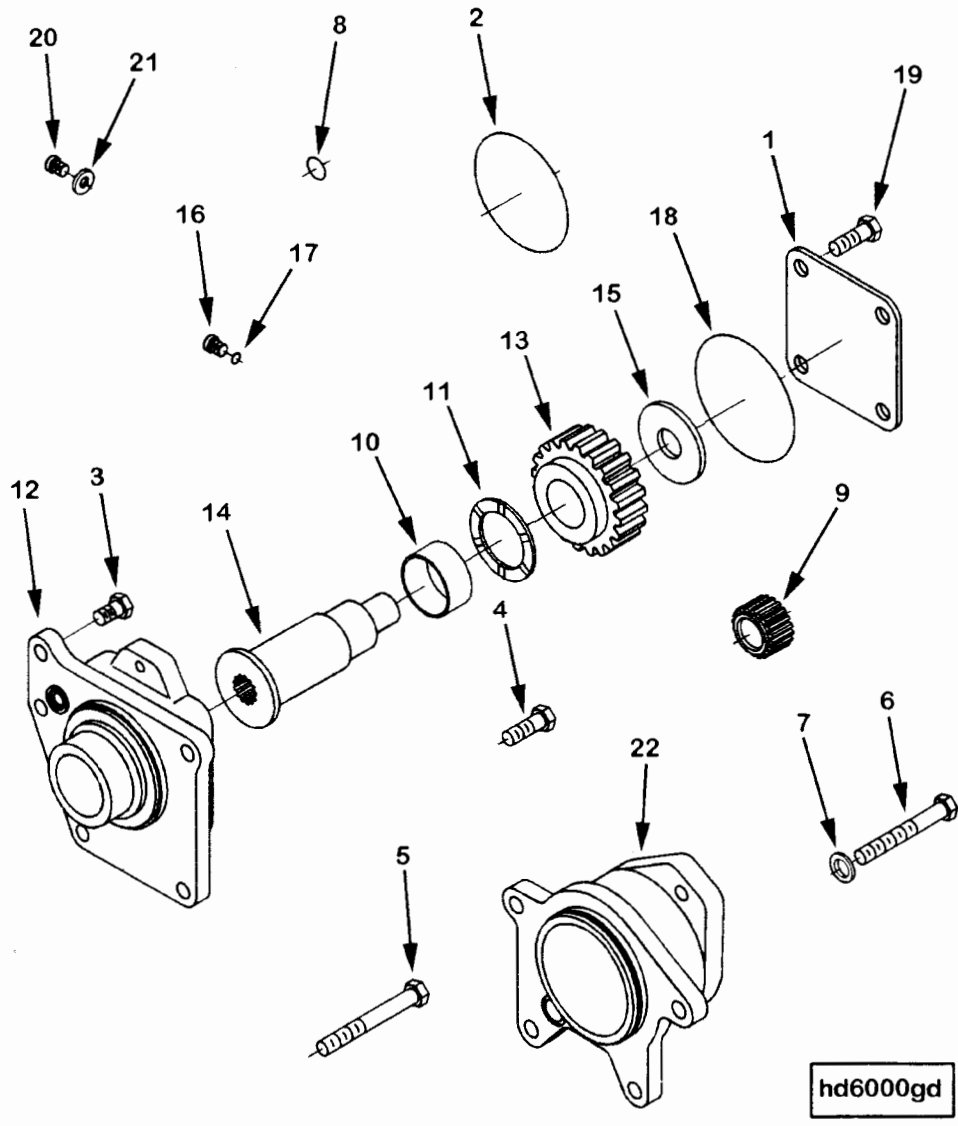
gg6000gc

Ref No.	Part Number	Part Name	Req	Remarks
		FRONT GEAR COVER OPTION GG5703		
				Provisions for hydraulic pump drive
1	3016787	Seal, Oil	1	
2	3092803	Pointer, Timing	1	
3	3092816	Gasket, Gear Cover	1	
4	3093742	Screw, Hexagon Head Cap	4	M10 x 1.50 x 20
5	3093758	Screw, Hexagon Head Cap	3	M12 x 1.75 x 90
6	3093772	Screw, Hexagon Head Cap	8	M12 x 1.75 x 30
7	3093830	Screw, Hexagon Head Cap	5	M12 x 1.75 x 75
8	3093950	Washer, Sealing	1	
9	3093967	Plug, Expansion	11	
10	3093970	Dowel, Pin	2	
11	3093971	Plug, Threaded	1	
12	3093972	Screw, Hexagon Head Cap	1	M12 x 1.75 x 45
13	3094305	Cover, Gear	1	
14	3094306	Plate, Cover	1	
15	3094339	Seal, O Ring	1	
16	3094786	Plate, Cover	1	
17	3094818	Seal, O Ring	1	
18	3094924	Plug, Expansion	8	
	3678923	Plug, Threaded	4	M10
19	(3678924)	Plug, Threaded	1	
20	3678925	Seal, O Ring	1	
21	3900625	Screw, Hex Flange Head Cap	2	M6 x 1.00 x 10
22	3900626	Screw, Hex Flange Head Cap	2	M6 x 1.00 x 12

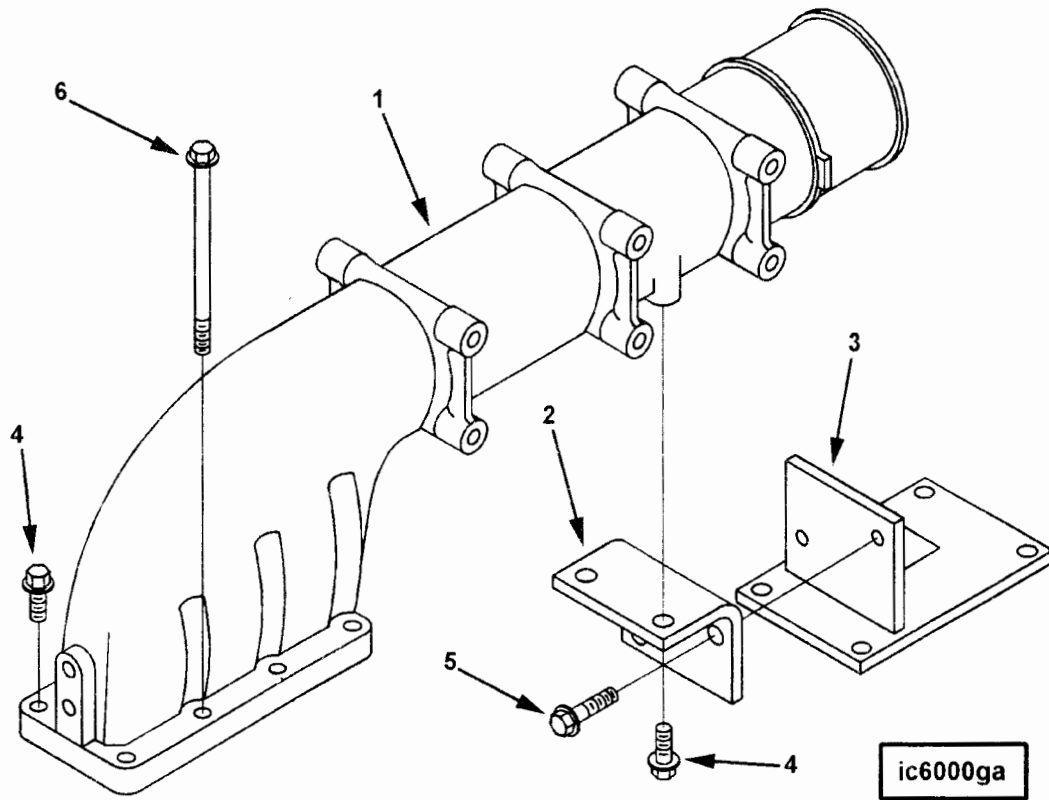


gc6000gu

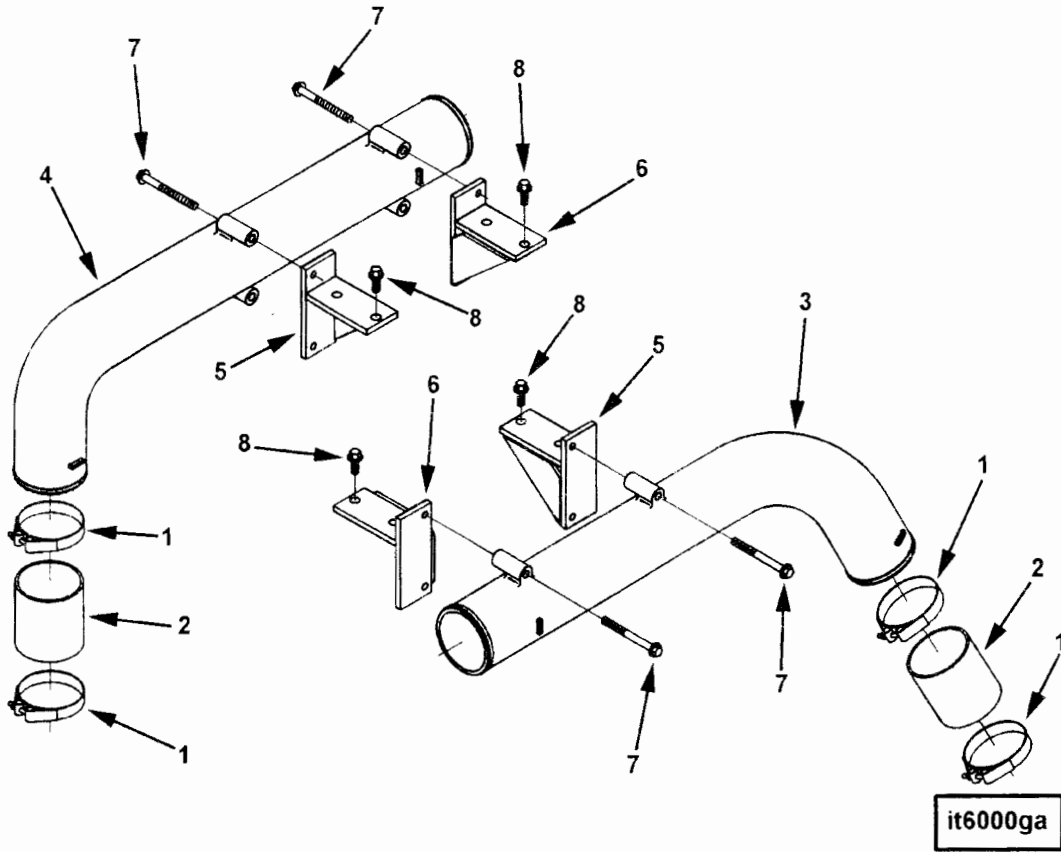
Ref No.	Part Number	Part Name	Req	Remarks
		FRONT GEAR COVER OPTION GG5704		
				Provisions for hydraulic pump drive: No Unique Characteristics: Cast closed
1	3016787	Seal, Oil	1	
2	3092116	Cover, Gear	1	
3	3092361	Plate, Cover	1	
4	3092803	Pointer, Timing	1	
5	3092816	Gasket, Gear Cover	1	
6	3093742	Screw, Hexagon Head Cap	4	M10 x 1.50 x 20
7	3093758	Screw, Hexagon Head Cap	3	M12 x 1.75 x 90
8	3093772	Screw, Hexagon Head Cap	8	M12 x 1.75 x 30
9	3093830	Screw, Hexagon Head Cap	11	M12 x 1.75 x 75
10	3093950	Washer, Sealing	1	
11	3093967	Plug, Expansion	9	
12	3093970	Dowel, Pin	2	
13	3093971	Plug, Threaded	1	
14	3093972	Screw, Hexagon Head Cap	1	M12 x 1.75 x 45
15	3094306	Plate, Cover	1	
16	3094339	Seal, O Ring	1	
17	3094818	Seal, O Ring	1	
18	3094924	Plug, Expansion	8	
19	3900625	Screw, Hex Flange Head Cap	2	M6 x 1.00 x 10
20	3900626	Screw, Hex Flange Head Cap	2	M6 x 1.00 x 12



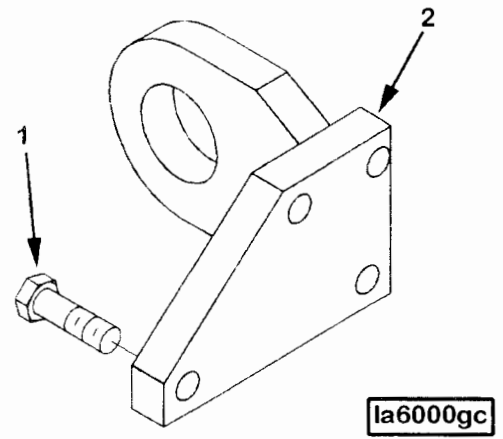
Ref No.	Part Number	Part Name	Req	Remarks
		AUXILIARY PUMP OPTION HD5024		
				Provision for 2 pump 2 loop aftercooler water pump.
1	204069	Plate, Cover	1	
2	3092262	Seal, O Ring	2	
3	3093728	Screw, Hexagon Head Cap	1	M12 x 1.75 x 30
4	3093751	Screw, Hexagon Head Cap	4	M12 x 1.75 x 20
5	3093758	Screw, Hexagon Head Cap	3	M12 x 1.75 x 90
6	3093769	Screw, Hexagon Head Cap	1	M12 x 1.75 x 100
7	3093778	Washer, Plain	1	M12
8	3093811	Seal, O Ring	2	
	3094460	Support, Accessory Drive	1	
9	3000174	Hub, Spline Coupling	1	
10	3094450	Bushing	2	
11	3094451	Bearing, Thrust	2	
12	3094453	Support, Accessory Drive	1	
13	3094454	Gear, Accessory Drive	1	
14	3094461	Shaft, Accessory Drive	1	
15	3094462	Plate, Thrust Bearing	1	
	3678923	Plug, Threaded	1	M10
16	(3678924)	Plug, Threaded	1	
17	3678925	Seal, O Ring	1	
18	3094456	Seal, O Ring	1	
19	3064111	Screw, Hexagon Head Cap	4	M12 x 1.75 x 35
20	3093971	Plug, Threaded	1	
21	3093950	Washer, Sealing	1	
22	(3092398)	Support, Water Pump	1	



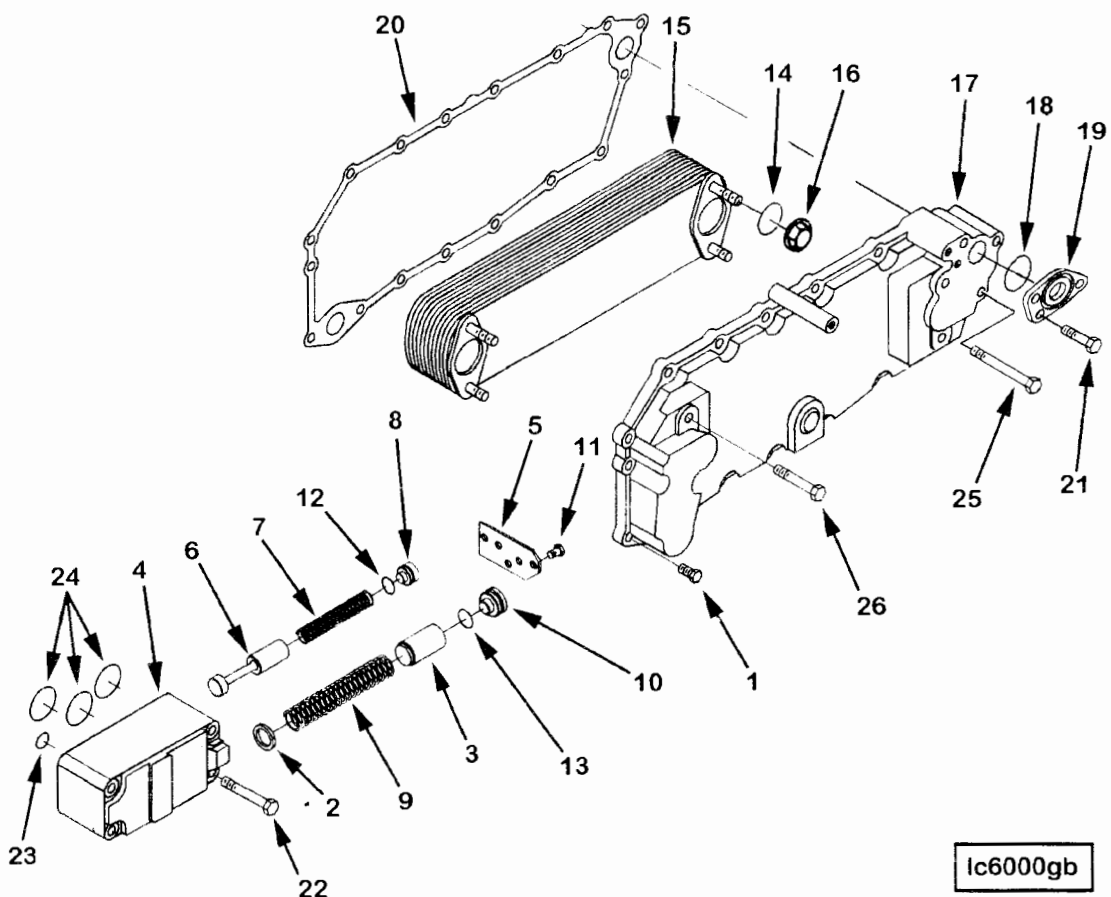
Ref No.	Part Number	Part Name	Req	Remarks
		AIR INTAKE CONNECTION OPTION IC5701		for G4 air to air.
1	3092818	Connection, Air Intake	2	
2	3092837	Bracket, Connection	2	
3	3092838	Bracket, Connection	1	
4	3093932	Screw, Hex Flange Head Cap	4	M10 x 1.50 x 25
5	3094512	Screw, Hex Flange Head Cap	2	M10 x 1.50 x 40
6	3094514	Screw, Hex Flange Head Cap	6	M10 x 1.50 x 150



Ref No.	Part Number	Part Name	Req	Remarks
		AIR TRANSFER CONNECTION OPTION IT5701		
				For air to air G4.
1	3063809	Clamp, T Bolt	4	3 3/4 inch
2	3067370	Hose, Plain	2	
3	3092819	Connection, Air Transfer	1	
4	3092820	Connection, Air Intake	1	
5	3092835	Bracket, Connection	2	
6	3092836	Bracket, Connection	2	
7	3093802	Screw, Hex Flange Head Cap	4	M10 x 1.50 x 100
8	3093932	Screw, Hex Flange Head Cap	8	M10 x 1.50 x 25

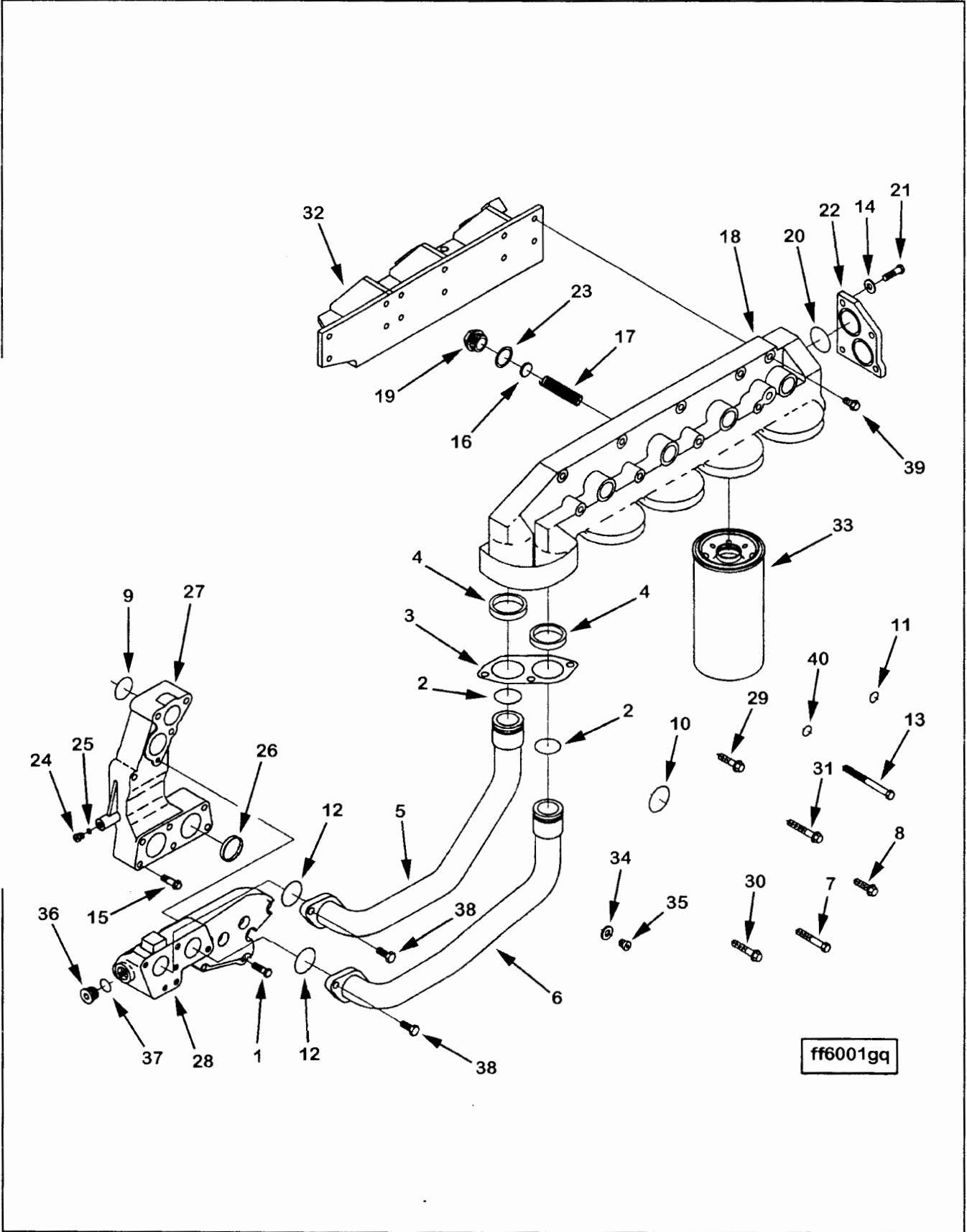


Ref No.	Part Number	Part Name	Req	Remarks
		LIFTING BRACKET OPTION LA5701		Lifting bracket mounted on right face of block.
1	3094934	Screw, Hexagon Head Cap	4	M12 x 1.75 x 40
2	3094179	Bracket, Lifting	1	



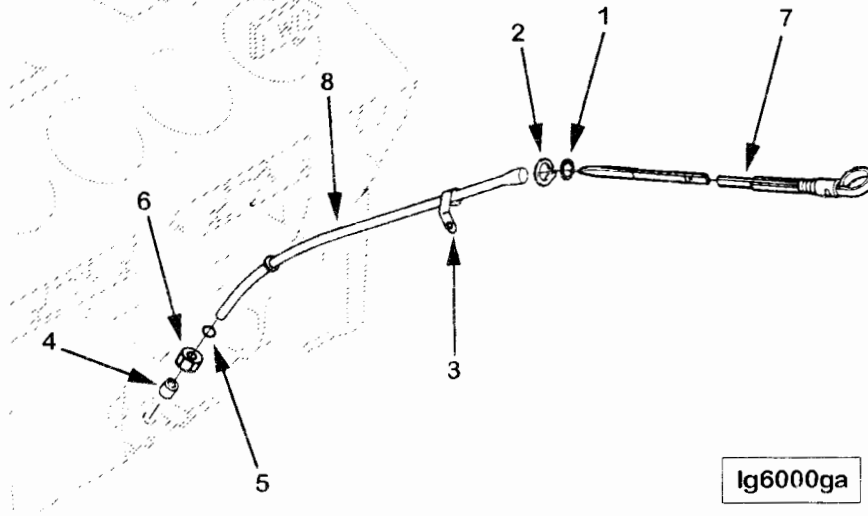
lc6000gb

Ref No.	Part Number	Part Name	Req	Remarks
		ENGINE OIL COOLER OPTION LC5701		
				Oil Cooler Type: Plate Pressure Relief Valve Setting: 4.0 +/- 0.2 KG/CM2 M10 x 1.50 x 30
1	3064106	Screw, Hexagon Head Cap	24	
	3093010	Valve, Bypass	1	
2	3092001	Shim	1	
3	3092997	Plunger, Bypass Valve	1	
4	3093011	Body, Bypass Valve	1	
5	3093012	Plate, Cover	1	
6	3093013	Valve, Pressure Regulator	1	
7	3093014	Spring Compression	1	
8	3093015	Plug, Retainer	1	
9	3093016	Spring, Valve	1	
10	3093017	Plug, Retainer	1	
11	3093736	Screw Hexagon Head Cap	3	M8 x 1.25 x 12
12	3093811	Seal, O Ring	2	
13	3093813	Seal, O Ring	1	
	3093093	Cooler, Lube Oil	2	
14	3092538	Seal, O Ring	2	
15	3092611	Core, Cooler	1	
16	3094050	Nut, Hexagon Flange	4	M10 x 1.25
17	3094322	Cover, Lube Oil Cooler	1	
18	3094323	Seal, O Ring	2	
19	3093096	Plate, Cover	1	
20	3093099	Gasket, Lube Oil Clr Cover	2	
21	3093742	Screw, Hexagon Head Cap	1	M10 x 1.50 x 20
22	3093750	Screw Hexagon Head Cap	4	M10 x 1.50 x 90
23	3093808	Seal, O Ring	1	
24	3093817	Seal, O Ring	3	
25	3093838	Screw, Hexagon Head Cap	2	M10 x 1.50 x 65
26	(3093839)	Screw, Hexagon Head Cap	6	M10 x 1.50 x 75

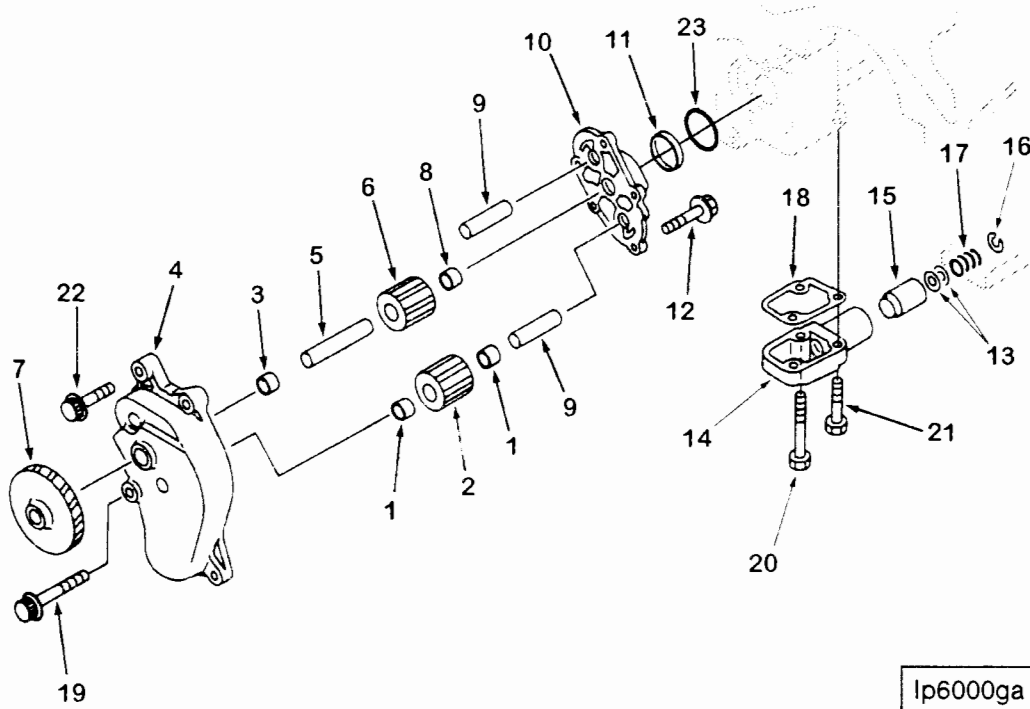


ff6001gq

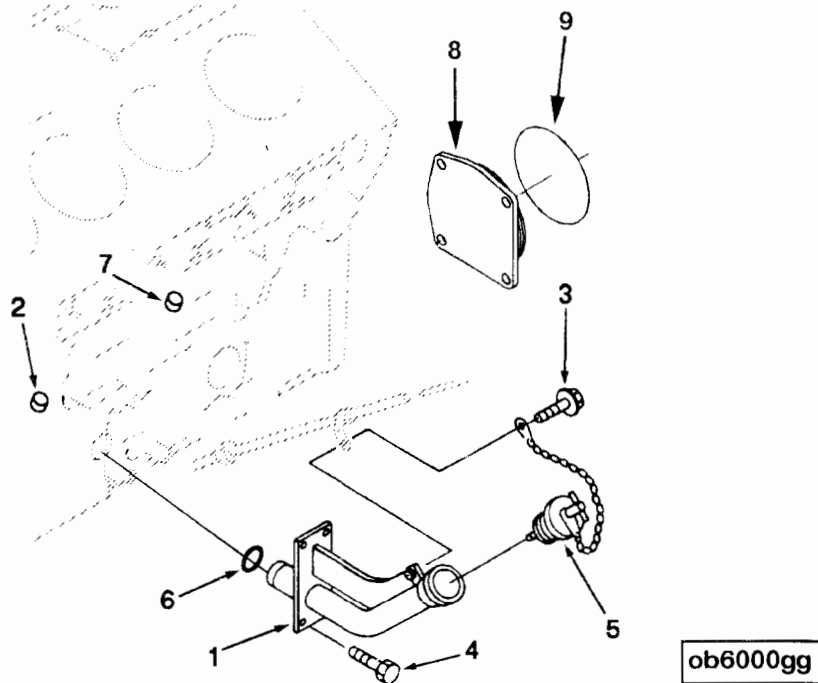
Ref No.	Part Number	Part Name	Req	Remarks
		FULL FLOW OIL FILTER OPTION LF5058		
				Engine Cyl: 12 Oil Filter Position: Down Engine Aspiration: Jacket Water Aftercooled Remote Mounted: No Filter Plumbing Included: Yes Filter Element Type: Cartridge Filter Element Thread: 1 1/2 -12 UNF Filter Element Length: 17mm Mounting Brkt Inc: Yes Includes Oil Filter Slave: No Location: RBF-High
1	3064106	Screw, Hexagon Head Cap	3	M10 x 1.50 x 30
2	3092438	Seal, O Ring	2	
3	3093018	Plate, Cover	1	
4	3093019	Seal, Grommet	2	
5	3093025	Tube, Filter	1	
6	3093026	Tube, Filter	1	
7	3093747	Screw, Hexagon Head Cap	6	M10 x 1.50 x 60
8	3093805	Screw, Hex Flange Head Cap	1	M10 x 1.50 x 35
9	3093808	Seal, O Ring	2	
10	3093809	Seal, O Ring	1	
11	3093811	Seal, O Ring	1	
12	3093829	Seal, O Ring	2	
13	3093896	Screw, Hexagon Head Cap	4	M10 x 1.50 x 105
14	3335076	Washer, Bevel	12	M10
15	3925344	Screw, Hex Flange Head Cap	6	M10 x 1.50 x 30
	3094123	Head, Lube Oil Filter	1	
16	200819	Disc, Bypass	4	
17	3092078	Spring, Compression	4	
14	3094030	Washer, Ground	4	M10
18	3094041	Head, Lube Oil Filter	1	
19	3094042	Plug, Threaded	4	
20	3094129	Seal, O Ring	2	
21	3093744	Screw, Hexagon Head Cap	4	M10 x 1.50 x 35
22	3094040	Plate, Cover	1	
23	3094836	Washer, Sealing	4	
	3678923	Plug, Threaded	2	M10
24	(3678924)	Plug, Threaded	1	
25	3678925	Seal, O Ring	1	
	3094790	Connection, Oil Transfer	1	
26	3094028	Plug, Expansion	2	
27	(3094789)	Connection, Oil Transfer	1	
28	3094792	Connection, Oil Transfer	1	
29	3094813	Screw, Hex Flange Head Cap	3	
30	3094814	Screw, Hex Flange Head Cap	1	
31	3094815	Screw, Hex Flange Head Cap	1	
32	3094911	Bracket, Filter	1	
33	3889310	Element, Lube Oil Filter	4	
34	3093950	Washer, Sealing	1	
35	3093971	Plug, Threaded	1	
	3089238	Plug, Threaded	1	
36	(3089239)	Plug, Threaded	1	
37	3089240	Seal, O Ring	1	
38	3093743	Screw, Hexagon Head Cap	4	M10 x 1.50 x 25
39	3093931	Screw, Hex Flange Head Cap	1	
40	3094345	Seal, O Ring	3	
	(3889381)	Decal	4	



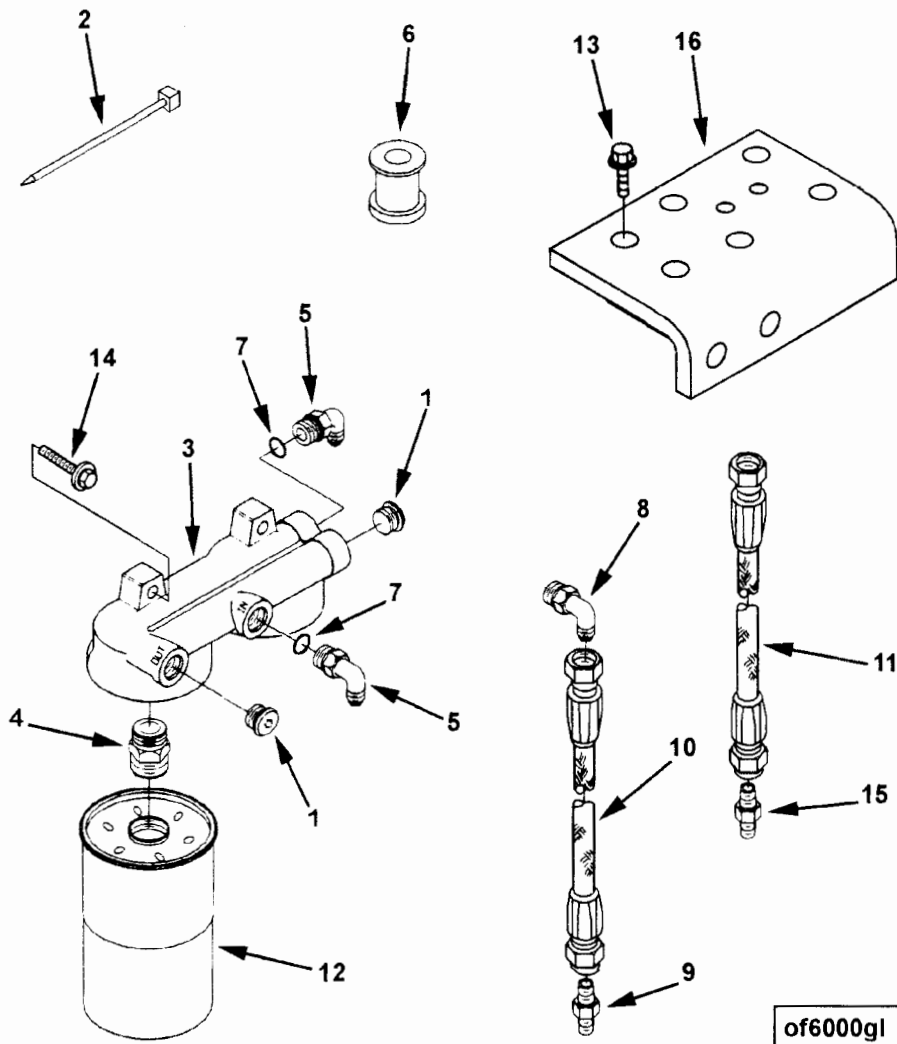
Ref No.	Part Number	Part Name	Req	Remarks
		OIL LEVEL GAUGE OPTION LG5010		Location: Right side FFOB: 429.5 mm Vertical Location From Crank: 123 mm Horizontal Location From Crank: 549 mm Number of Dipsticks: 1 Power Angle: 0 degrees Tilt Angle: 0 degrees
1	108172	Seal, O Ring	1	
2	3030207	Retainer, Dipstick	1	
3	3092353	Clip	1	
4	3092842	Bushing	1	
5	3093964	Seal, O Ring	1	
6	3093965	Nut, Tube	1	
7	3094288	Dipstick	1	
8	3092603	Tube, Oil Gauge	1	



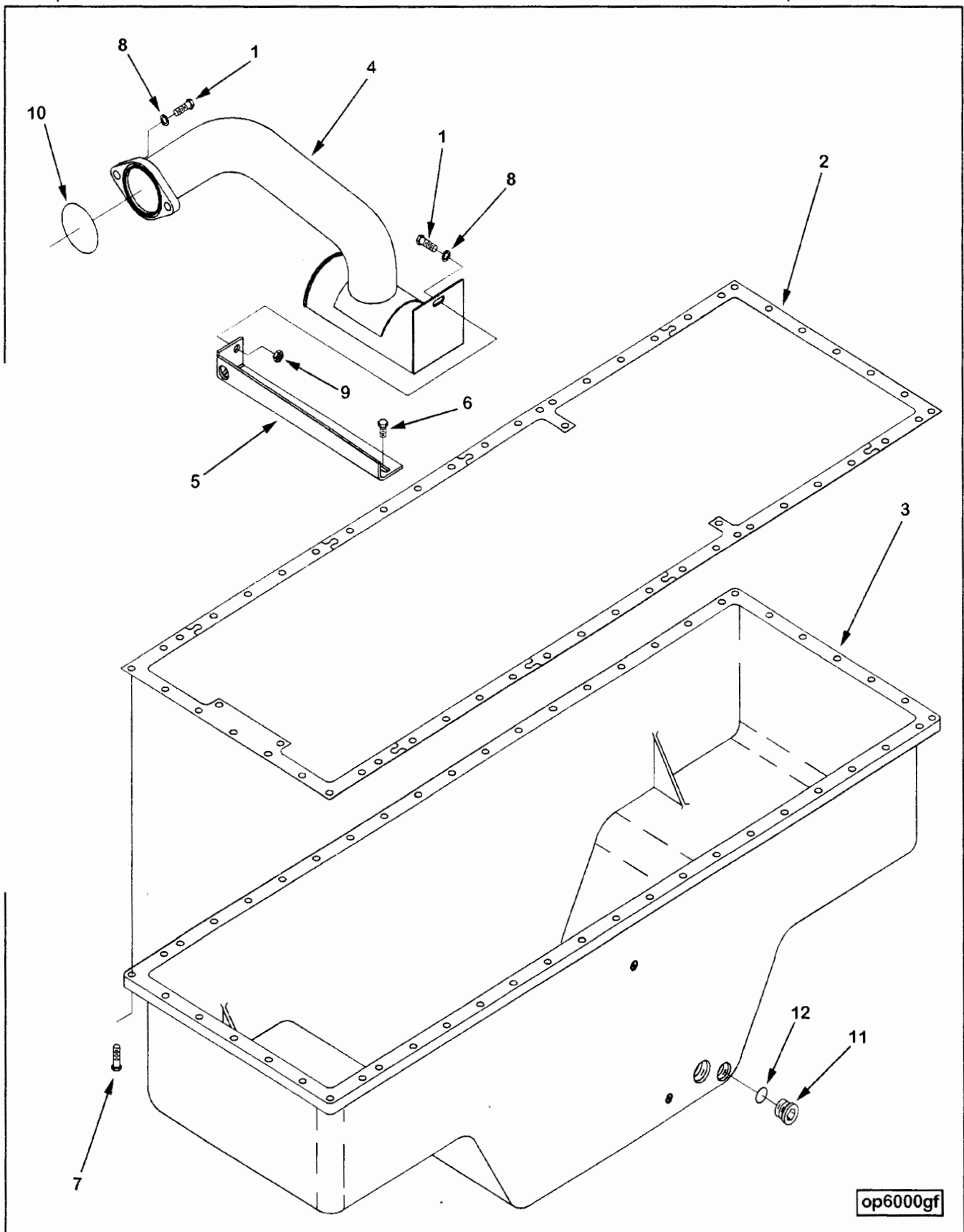
Ref No.	Part Number	Part Name	Req	Remarks
		LUBE OIL PUMP OPTION LP5701		
				Flow rate: 85 GPM @ 1500 RPM x 50 PSI Flow rate: 102 GPM @ 1800 RPM x 57 PSI Relief pressure setting: TBD
	3092984	Pump, Lube Oil	1	
	3092609	Gear, Lube Oil Pumping	2	
1	3092384	Bushing	2	
2	3092610	Gear, Lube Oil Pumping	1	
	3092985	Body, Lube Oil Pump	1	
3	3092347	Bushing	1	
4	3092986	Body, Lube Oil Pump	1	
	3092987	Gear And Shaft	1	
5	3092989	Shaft, Lube Oil Pump	1	
6	3092990	Gear, Lube Oil Pumping	1	
7	3092988	Gear, Lube Oil Pumping	1	
	3092991	Cover, Lube Oil Pump	1	
8	3092346	Bushing	1	
9	3092381	Shaft, Lube Oil Pump	2	
10	(3092992)	Cover, Lube Oil Pump	1	
11	3093776	Bushing	1	
12	3093775	Screw, Hex Flange Head Cap	5	M8 x 1.25 x 20
	3092994	Valve, Bypass	1	
13	3092001	Shim	1	
14	3092995	Body, Bypass Valve	1	
15	3092997	Plunger, Bypass Valve	1	
16	3092998	Retainer, Spring	1	
17	3092999	Spring, Compression	1	
18	3093000	Gasket, Bypass Valve	1	
19	3094521	Screw, Twelve Point Cap	1	M12 x 2.00 x 80
20	3093889	Screw, Hexagon Head Cap	1	M10 x 1.50 x 55
21	3064106	Screw, Hexagon Head Cap	2	M10 x 1.50 x 30
22	3094524	Screw, Twelve Point Cap	2	M12 x 2.00 x 45
23	3093945	Seal, O Ring	1	



Ref No.	Part Number	Part Name	Req	Remarks
		CYLINDER BLOCK COVER OPTION OB5042		
				Oil Fill: Right Side of Block FFOB: 480 mm Vertical Location From Crank: 50 mm Horizontal Location From Crank: 560 mm Dipstick Location: Right Side of Block FFOB: 429.5 mm Vertical Location From Crank: 123 mm Horizontal Location From Crank: 549 mm Unique Characteristics: One dipstick and oil fill location plugged
1	3094385	Tube, Oil Filler	1	
2	3092887	Plug, Expansion	1	
3	3093741	Screw, Hexagon Head Cap	1	M10 x 1.50 x 16
4	3093742	Screw, Hexagon Head Cap	8	M10 x 1.50 x 20
5	107981	Cap, Filler	1	
6	3093963	Seal, O Ring	1	
7	3093966	Plug, Expansion	1	
8	3094306	Plate, Cover	1	
9	3092262	Seal, O Ring	1	
	(3892253)	Tag, Instruction	1	
	3027935	Decal	1	

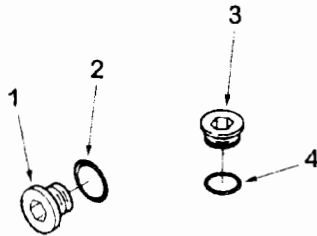


Ref No.	Part Number	Part Name	Req	Remarks
		OIL BYPASS FILTER OPTION OF5020		Type: Engine Mounted- RB Rear on the Aftercooler Cover Element Type: Spin-on Filter Capacity: TBD
1	3040815	Plug, Threaded	2	7/18 - 14 UNF
2	201351	Clamp, Wire Tie	1	
	3033405	Head, Fuel Filter	1	
3	(3010636)	Head, Fuel Filter	1	
4	3037219	Insert, Filter Head	2	
5	3094069	Elbow, Male Union	1	
6	3094088	Pad, Wear	2	
7	3094092	Seal, O Ring	3	
8	3094093	Elbow, Male Union	1	
9	3094395	Union, Male	1	
10	3094087	Hose, Flexible	1	
11	3094094	Hose, Flexible	1	
12	3889311	Element, Oil Bypass Filter	2	
13	3925344	Screw, Hex Flange Head Cap	6	M10 x 1.50 x 30
14	3093826	Screw, Hex Flange Head Cap	2	
15	3094095	Union, Male	1	
16	3094070	Bracket, Filter	1	
	(3889382)	Decal	2	



op6000gf

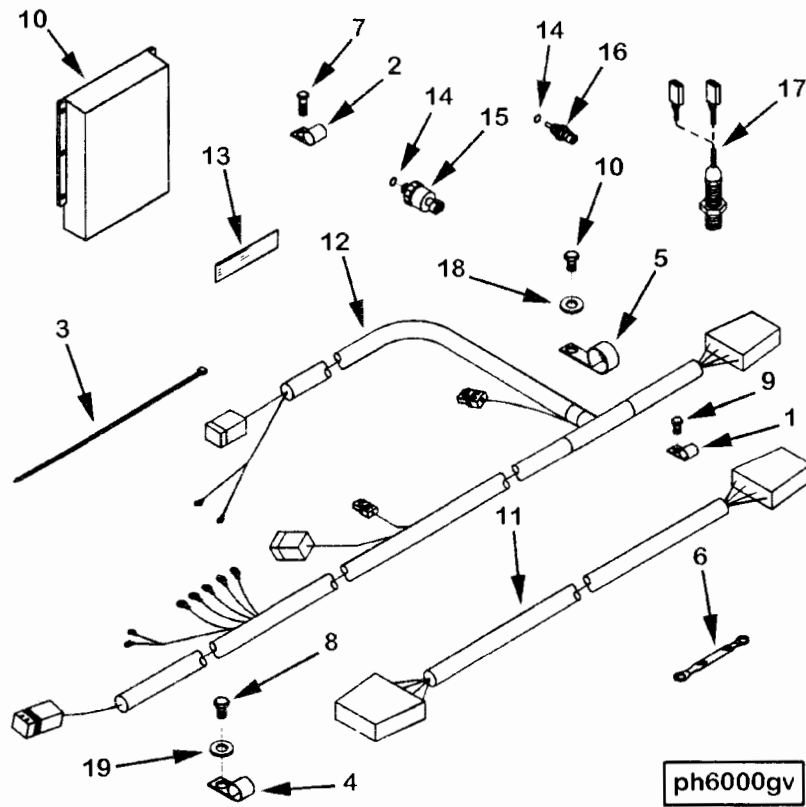
Ref No.	Part Number	Part Name	Req	Remarks
		OIL PAN OPTION OP5133		Material: Cast aluminum Location: Center Capacity: 35 gal (high) 30 gal (low) Angularities: Front Up/ 30 degrees; Front Down/ 30 degrees; Side to Side/ 30 degrees Drain plugs included for left and right side of pan. Provision for temperature sensor, immersion heater, prelube and sight gauge on left side only.
1	3094534	Screw, Hexagon Head Cap	2	
2	3092855	Gasket, Oil Pan	1	
	(3093822)	Gasket, Oil Pan	1	
	(3093823)	Gasket, Oil Pan	2	
	(3093824)	Gasket, Oil Pan	4	
	(3093825)	Gasket, Oil Pan	1	
3	3093702	Pan, Oil	1	
4	3093704	Tube, Lube Oil Suction	1	
5	3093706	Bracket, Oil Tube	1	
6	3093743	Screw, Hexagon Head Cap	2	M10 x 1.50 x 25
7	3417474	Screw, Captive Washer Cap	50	M10 x 1.50 x 40
8	3093799	Washer, Plain	3	M10
9	3094939	Nut, Regular Hexagon	1	
10	3093801	Seal, O Ring	1	
	3678611	Plug, Threaded	2	M27
11	(3678605)	Plug, Threaded	1	
12	3678606	Seal, O Ring	1	



op6000gh

Ref No.	Part Number	Part Name	Req	Remarks
		OIL PAN PLUMBING OPTION OP5713		Plugs for deep center sump G drive pan.
1	3678838 (3678845)	Plug, Threaded	4	M33 x 2.00
2	3678846	Plug, Threaded	1	
	3678846	Seal, O Ring	1	
3	3678921 (3678922)	Plug, Threaded	3	M14 x 1.50
4	3678912	Plug, Threaded	1	
		Seal, O Ring	1	

Engine Control Module



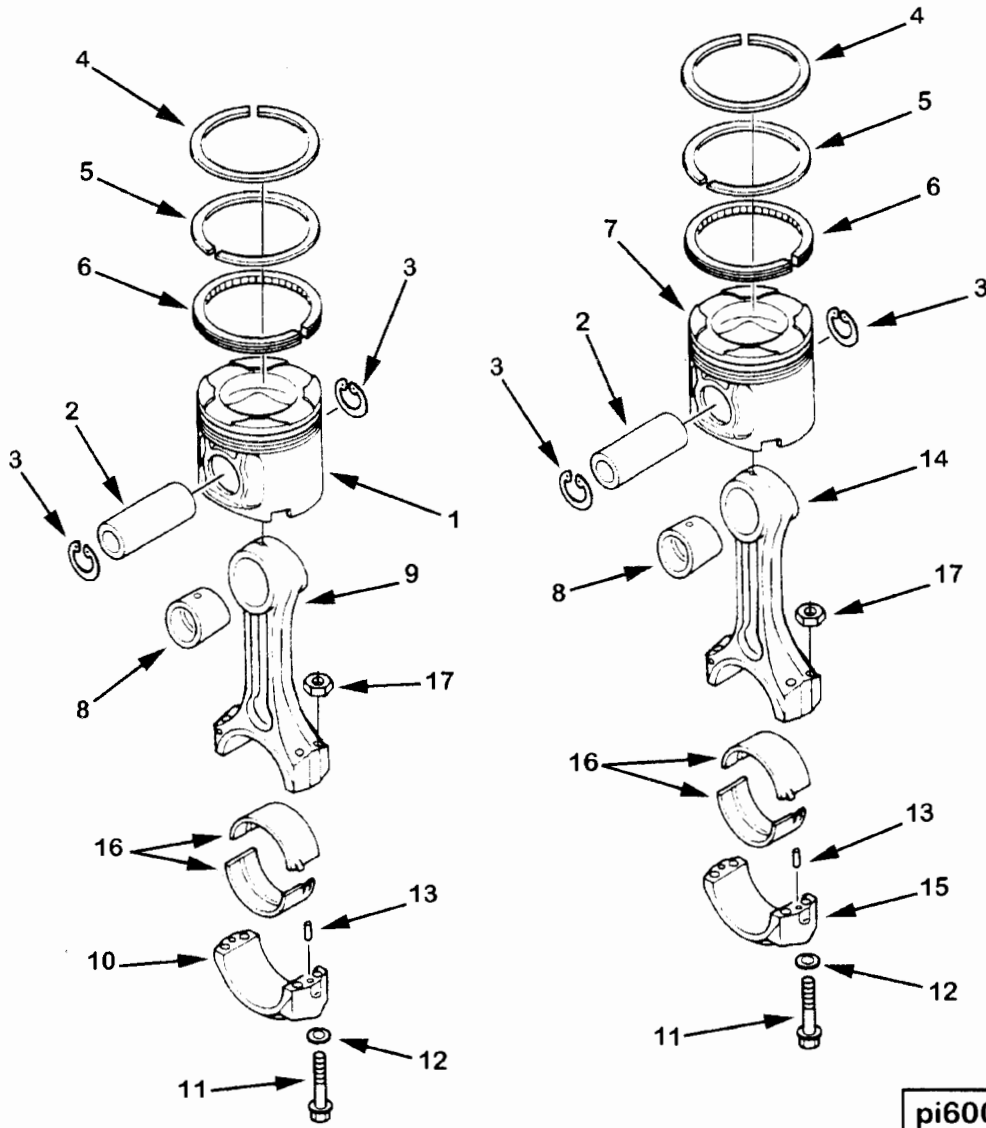
Option No. PH5703,
 PH5705, PH5706, PH5707,
 PH5708, PH5709, PH5710,
 PH5711

Group No. 05.06.1

Engine Control Module

Ref No.	Part Number	Part Name	Req	Remarks
		ENGINE CONTROL MODULE		
		OPTION PH5703		
		OPTION PH5705		
		OPTION PH5706		
		OPTION PH5707		
		OPTION PH5708		
		OPTION PH5709		
		OPTION PH5710		
		OPTION PH5711		
				Eng Control Sys: Electronic Includes engine wiring harness. Engine control module shipped in the kit for customer mounting.
1	69911 A	Clip	5	
2	106221	Clip	1	
3	201351	Clamp, Wire Tie	2	
4	204263	Clip	2	
5	3016478	Clip	1	
6	3018924	Wire, Ground	1	
7	3064106	Screw, Hexagon Head Cap	1	M10 x 1.50 x 30
8	3093741	Screw, Hexagon Head Cap	5	M10 x 1.50 x 16
9	3093751	Screw, Hexagon Head Cap	3	M12 x 1.75 x 20
10	3094141	Module, Engine Control	1	- PH5703
10	3094439	Module, Electronic Control	1	- PH5705
10	3094440	Module, Engine Control	1	- PH5706
10	3092327	Module, Electronic Control	1	- PH5707
10	3092328	Module, Electronic Control	1	- PH5708
10	3092329	Module, Electronic Control	1	- PH5709
10	(3092640)	Module, Electronic Control	1	- PH5710
10	(3092676)	Module, Engine Control	1	- PH5711
11	3094469	Harness, Wiring	1	
12	3094470	Harness, Wiring	1	
13	3609867	Dataplate	1	
	3865337	Sensor, Pressure	1	
14	3678912	Seal, O Ring	1	
15	(3865373)	Sensor, Pressure	1	
	3865346	Sensor, Temperature	1	
14	3678912	Seal, O Ring	1	
16	(3096153)	Sensor, Temperature	1	
17	3865349	Sensor, Speed	1	
18	3093778	Washer, Plain	3	M12
19	3094024	Washer, Plain	5	M10

Connecting Rod And Piston



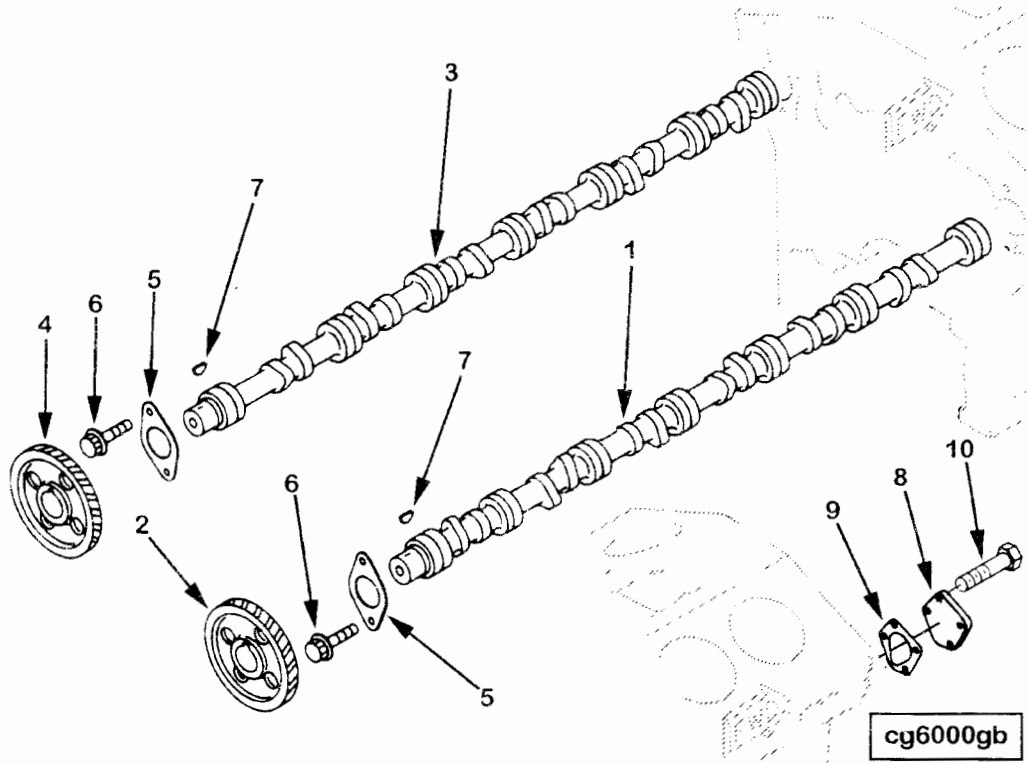
pi6000gc

Group No. 01.04

Connecting Rod And Piston

Ref No.	Part Number	Part Name	Req	Remarks
		CONNECTING ROD AND PISTON		
		OPTION PP2276		G1/2
		OPTION PP2277		
		OPTION PP2499		
		OPTION PP2548		
		OPTION PP2606		
				Aftercooled: Yes Engine Control System: Electronic
	3804709	Kit, Engine Piston		
1	(3092607)	Piston, Engine	6	Right Bank (large)
2	3092572	Pin, Piston	12	
3	3093785	Ring, Retaining	24	
	3804708	Set, Piston Ring		
4	3092569	Ring, Compression Ring	12	Top
6	3092571	Ring, Oil Piston	12	Bottom
	3804710	Kit, Engine Piston		
7	(3092606)	Piston, Engine	6	Left Bank (small)
2	3092572	Pin, Piston	12	
3	3093785	Ring, Retaining	24	
	3804708	Set, Piston Ring		
4	3092569	Ring, Compression Ring	12	Top
5	3092570	Ring, Compression Ring	12	2nd ring
6	3092571	Ring, Oil Piston	12	Bottom
	3092932	Rod, Engine Connecting	6	
8	3092573	Bushing	1	
9	(3092933)	Rod, Engine Connecting	1	Right Bank (large)
10	(3092934)	Cap, Conn Rod Bearing	1	
11	3092938	Screw, Connecting Rod	4	
12	3092939	Washer, Plain	4	
13	3093777	Dowel, Pin	2	
	3092935	Rod, Engine Connecting	6	
8	3092573	Bushing	1	
14	(3092936)	Rod, Engine Connecting	1	Left Bank (small)
15	(3092937)	Cap, Conn Rod Bearing	1	
11	3092938	Screw, Connecting Rod	4	
12	3092939	Washer, Plain	4	
13	3093777	Dowel, Pin	2	
16	3092940	Bearing, Connecting Rod	24	
17	3092580	Nut, Regular Hexagon	12	
		OPTION PP2366		
				Aftercooled: Yes Engine Control System: Electronic
	3800364	Kit, Engine Piston		
1	(3093032)	Piston, Engine	6	Right Bank (large)
	3800363	Kit, Engine Piston		
7	(3093031)	Piston, Engine	6	Left Bank (small)

Camshaft And Gear

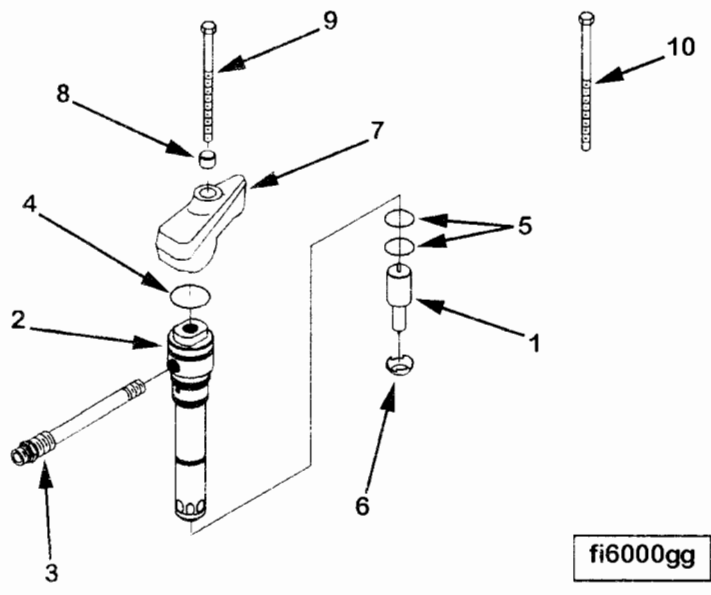


Ref No.	Part Number	Part Name	Req	Remarks
		CAMSHAFT AND GEAR		
		OPTION PP2276		
		OPTION PP2277		
		OPTION PP2366		
		OPTION PP2499		
		OPTION PP2548		
		OPTION PP2606		
1	3092971	Camshaft	1	Right hand
2	3092972	Gear, Camshaft	1	Right hand
3	3092974	Camshaft	1	Left hand
4	3092496	Gear, Camshaft	1	Left hand
5	3092497	Plate, Thrust Bearing	2	
6	3093786	Screw, Twelve Point Cap	4	M12 x 1.75 x 20
7	3093787	Key, Plain Woodruff	2	
8	3092861	Cover, Camshaft	2	
9	3092863	Gasket, Camshaft Cover	2	
10	3094532	Screw, Hexagon Head Cap	8	M12 x 1.75 x 55

Group No. 02.01

Cylinder Head

Ref No.	Part Number	Part Name	Req	Remarks
		CYLINDER HEAD		
		OPTION PP2276		
		OPTION PP2277		
		OPTION PP2366		
		OPTION PP2499		
		OPTION PP2548		
		OPTION PP2606		
	3094190	Head, Cylinder	12	TLA
1	3092344	Collet, Valve	8	
2	3092396	Plug, Expansion	12	
3	3092508	Spring, Valve	4	
4	3092509	Spring, Valve	4	
5	3092510	Retainer, Valve Spring	4	
6	3092511	Guide, Valve Spring	4	
7	3092608	Seal, Valve Stem	4	
8	(3094157)	Valve, Intake	2	
9	(3094158)	Valve, Exhaust	2	
	(3094189)	Head, Cylinder	1	
10	3092459	Guide, Valve Crosshead	2	
11	3092460	Sleeve	1	
12	3092461	Insert, Valve	2	Exhaust
13	(3092557)	Head, Cylinder	1	
14	3092585	Guide, Valve Stem	4	
15	3093781	Seal, O Ring	1	
16	3093782	Plug, Expansion	1	
17	3094159	Insert, Valve	2	Intake
	3678923	Plug, Threaded	1	M10
18	(3678924)	Plug, Threaded	1	
19	3678925	Seal, O Ring	1	
20	3093784	Dowel, Pin	2	
21	3093789	Screw, Twelve Point Cap	12	M10 x 1.75 x 120
22	3092463	Screw, Twelve Point Cap	72	M16 x 2.00 x 162
23	3092486	Gasket, Cylinder Head	12	

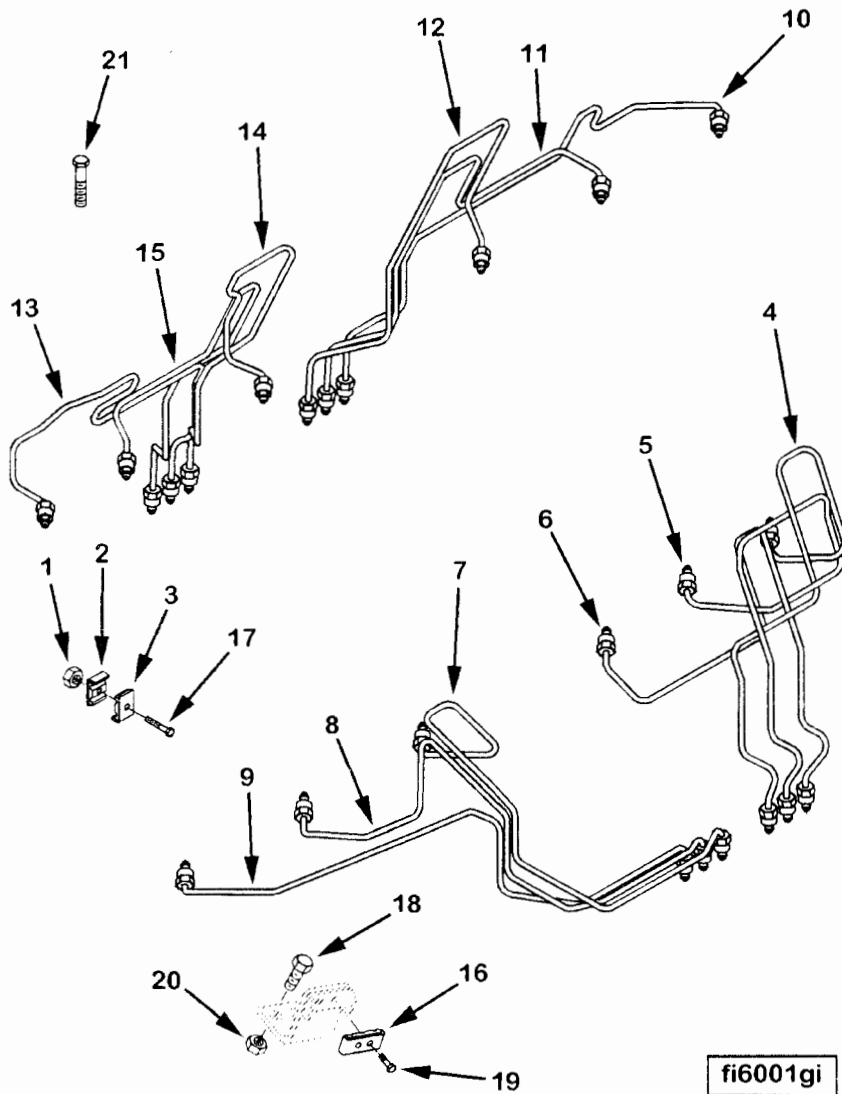


Group No. 06.01

Injector

Ref No.	Part Number	Part Name	Req	Remarks
INJECTOR				
OPTION PP2276				
	3094292	Injector	12	
1	3094008	Nozzle, Injector	1	
2	(3094233)	Body, Injector	1	
3	3092558	Tube, Injector Fuel Supply	1	
4	3092478	Seal, O, Ring	12	
5	3094178	Seal, O Ring	24	
6	3092543	Seal, Injector	12	
8	3092541	Washer, Injector Clamping	12	
9	3094935	Screw, Hexagon Head Cap	12	M8 x 1.25 x 16
OPTION PP2277				
	3094561	Injector	12	
1	3094562	Nozzle, Injector	1	
2	(3094233)	Body, Injector	1	
3	3092558	Tube, Injector Fuel Supply	1	
4	3092478	Seal, O, Ring	12	
5	3094178	Seal, O Ring	24	
6	3092543	Seal, Injector	12	
7	3092542	Clamp, Injector	12	
8	3092541	Washer, Injector Clamping	12	
9	3094935	Screw, Hexagon Head Cap	12	M8 x 1.25 x 16
10	3093765	Screw, Hexagon Head Cap	12	M10 x 1.50 x 120
OPTION PP2366				
OPTION PP2499				
OPTION PP2548				
OPTION PP2606				
1	3092039	Injector	12	PP2366
1	3092639	Injector	12	PP2499, PP2548, PP2606
2	(3094233)	Body, Injector	1	
3	3092558	Tube, Injector Fuel Supply	1	
4	3092478	Seal, O, Ring	12	
5	3094178	Seal, O Ring	24	
6	3092543	Seal, Injector	12	
8	3092541	Washer, Injector Clamping	12	
9	3094935	Screw, Hexagon Head Cap	12	M8 x 1.25 x 16

Injector Fuel Supply Tube

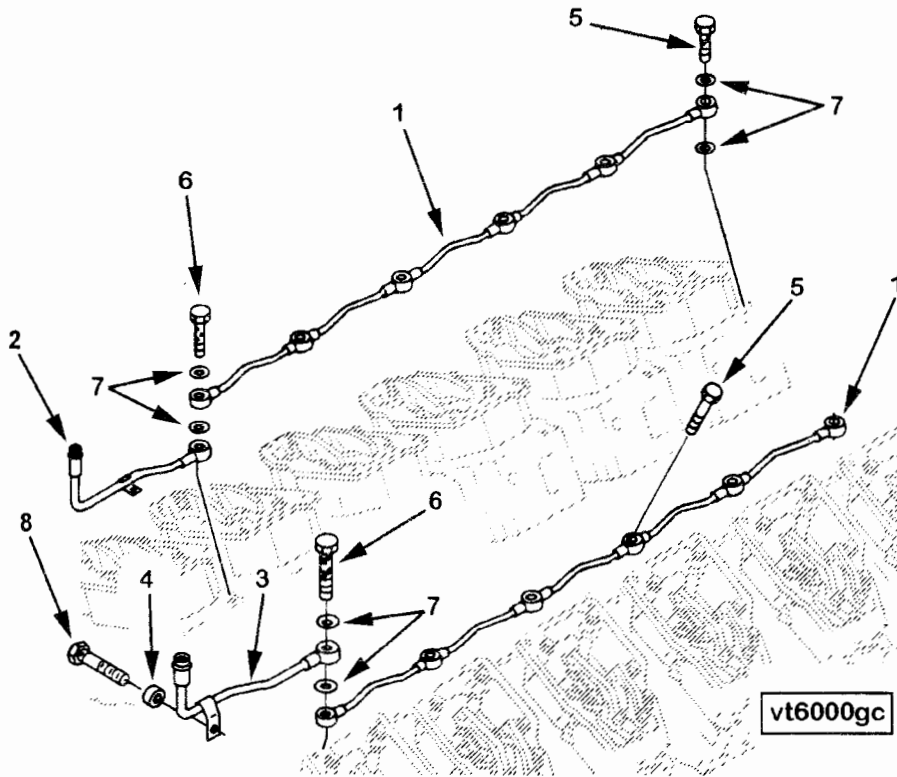


Group No. 06.03

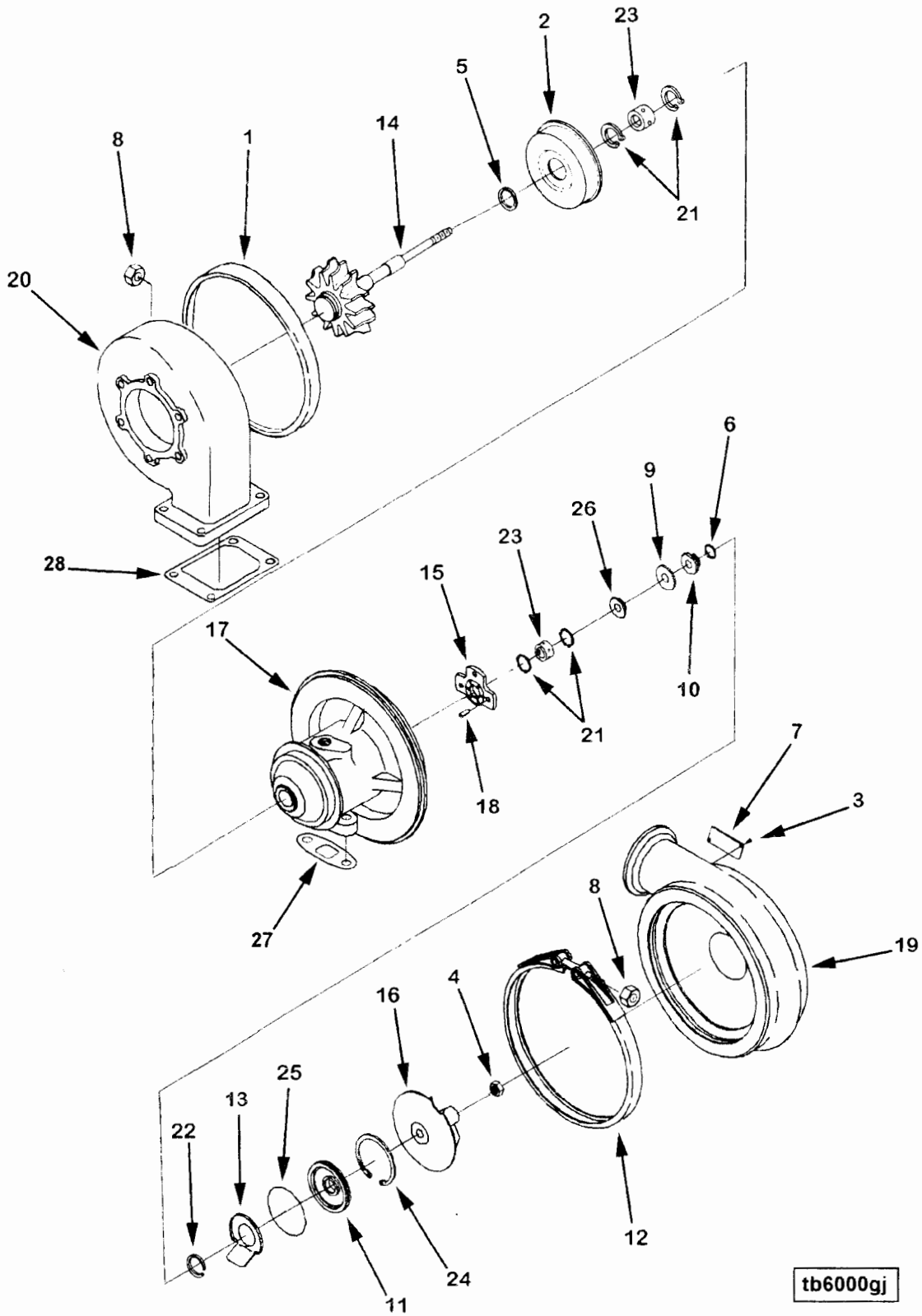
Injector Fuel Supply Tube

Ref No.	Part Number	Part Name	Req	Remarks
		INJECTOR FUEL SUPPLY TUBE		
		OPTION PP2276		
		OPTION PP2277		
		OPTION PP2366		
		OPTION PP2499		
		OPTION PP2548		
		OPTION PP2606		
1	3092282	Nut, Regular Hexagon	8	
2	3092426	Clamp, Tube	11	
3	3092427	Clamp, Tube	11	
4	3092137	Tube, Injector Fuel Supply	1	
5	3092138	Tube, Injector Fuel Supply	1	
6	3092139	Tube, Injector Fuel Supply	1	
7	3092140	Tube, Injector Fuel Supply	1	
8	3092141	Tube, Injector Fuel Supply	1	
9	3092142	Tube, Injector Fuel Supply	1	
10	3094878	Tube, Injector Fuel Supply	1	
11	3094879	Tube, Injector Fuel Supply	1	
12	3094880	Tube, Injector Fuel Supply	1	
13	3094881	Tube, Injector Fuel Supply	1	
14	3094882	Tube, Injector Fuel Supply	1	
15	3094883	Tube, Injector Fuel Supply	1	
16	3093324	Clamp, Tube	6	
17	3093734	Screw, Hexagon Head Cap	11	M6 x 1.00 x 25
18	3093735	Screw, Hexagon Head Cap	8	M6 x 1.00 x 35
19	3093743	Screw, Hexagon Head Cap	1	M10 x 1.50 x 25
20	3093946	Nut, Regular Hexagon	2	M6 x 1.00
21	3094409	Screw, Hexagon Head Cap	2	M6 x 1.00 x 30

Vent Tube



Ref No.	Part Number	Part Name	Req	Remarks
		VENT TUBE		
		OPTION PP2276		
		OPTION PP2277		
		OPTION PP2366		
		OPTION PP2499		
		OPTION PP2548		
		OPTION PP2606		
1	3092707	Tube, Vent	2	
2	3092709	Tube, Vent	1	
3	3092711	Tube, Vent	1	
4	3092026	Spacer, Mounting	1	
5	3863131	Screw, Banjo Connector	10	
6	3092712	Screw, Banjo Connector	2	
7	3094065	Washer, Sealing	26	
8	3064106	Screw, Hexagon Head Cap	1	M10 M10 x 1.50 x 30



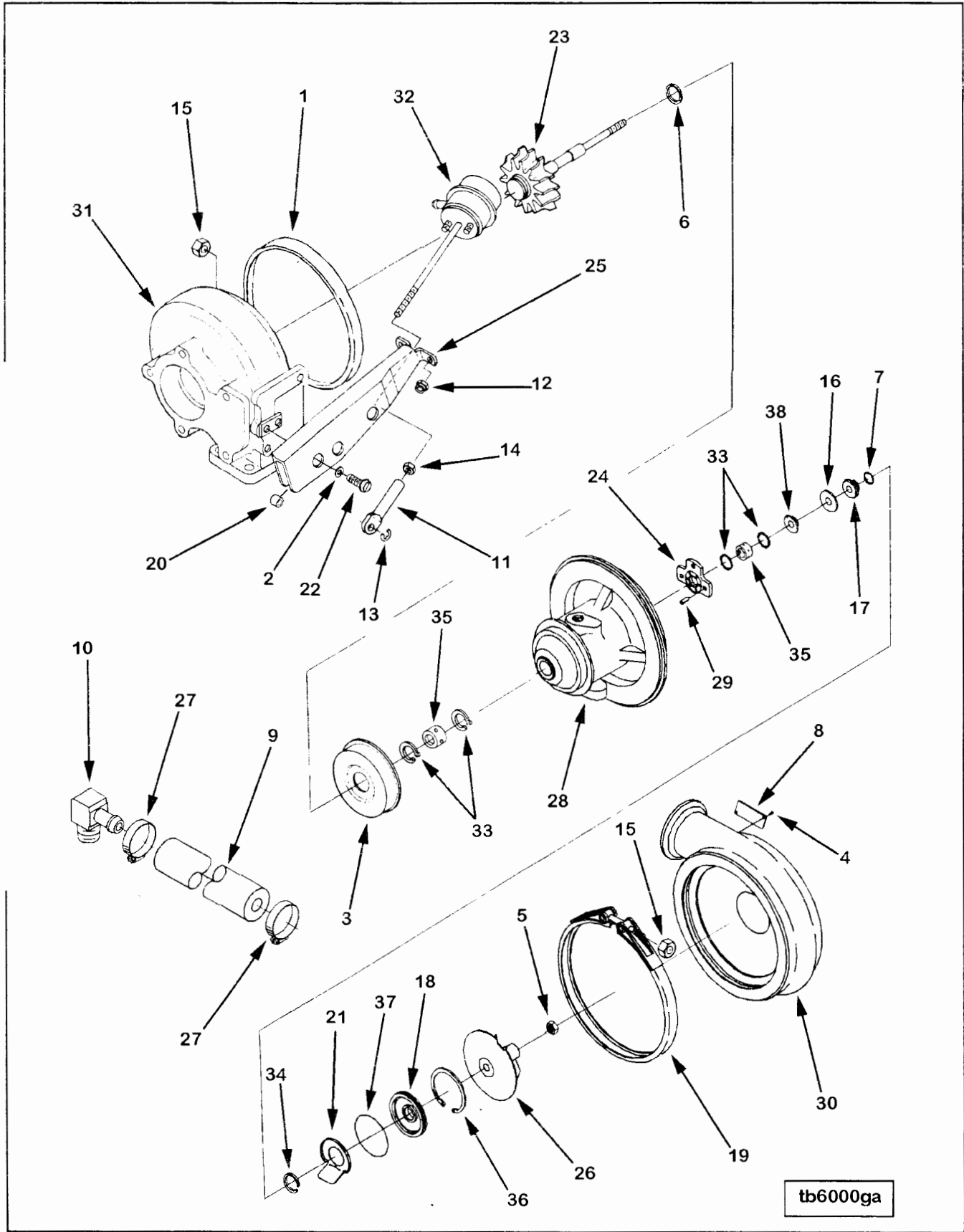
tb6000gj

Group No. 10.06

Turbocharger

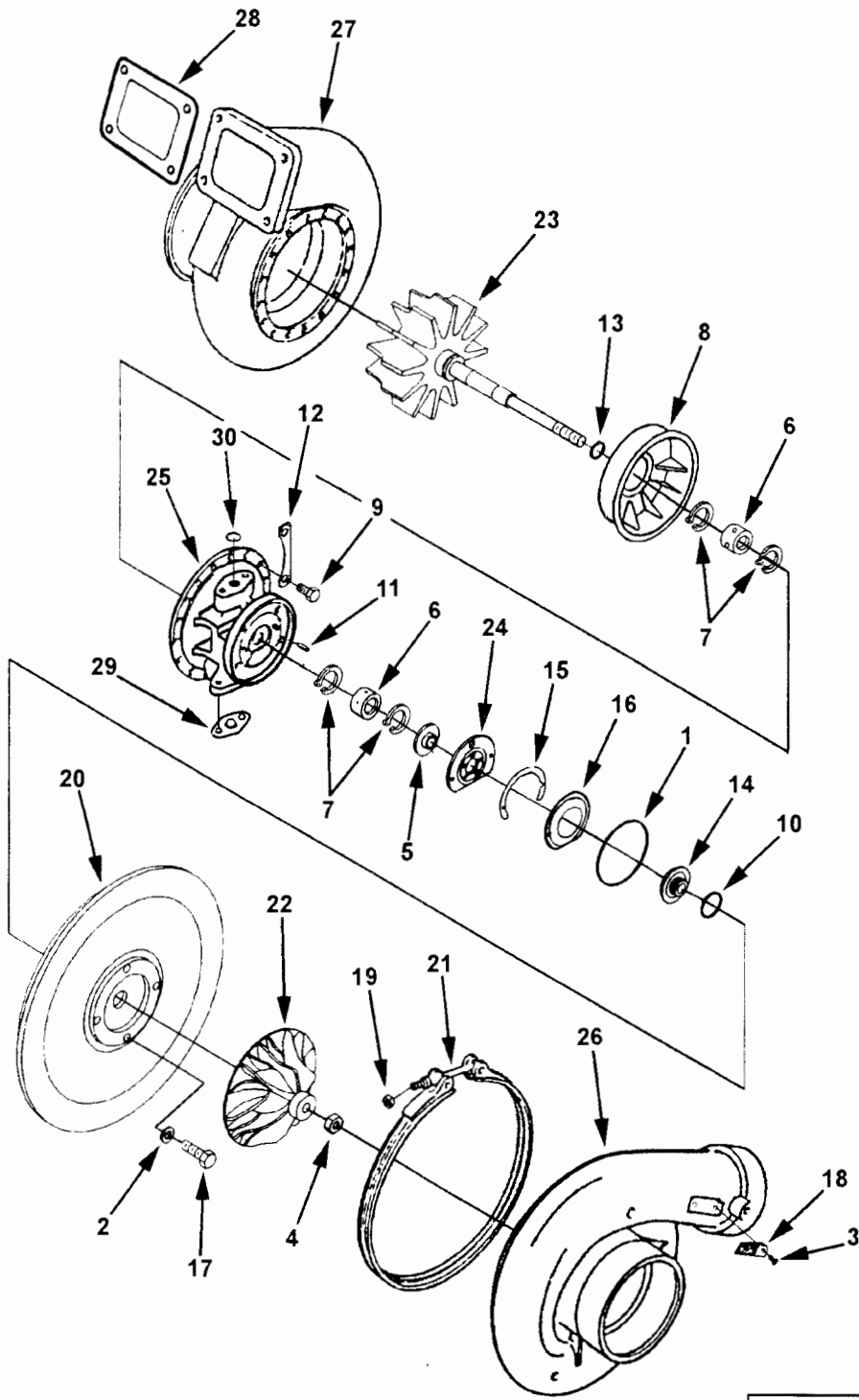
Option No. PP2276,
PP2366, PP2499, PP2548

Ref No.	Part Number	Part Name	Req	Remarks
		TURBOCHARGER		
		OPTION PP2276		
	3802867 (3590257)	Turbocharger Turbocharger	2	HX60
		OPTION PP2366		
	3800286 (3590096)	Kit, Turbocharger Turbocharger	2	
		OPTION PP2499		
	3800286 (3590096)	Kit, Turbocharger Turbocharger	2	HX60
		OPTION PP2548		
	3800396 (3591213)	Kit, Turbocharger Turbocharger	2	HX82 Dry
	3803430 (3504959)	Kits, V Band Clamp Clamp, V Band	1	
1	3529372	Nut, Regular Hexagon	1	
2	3519155	Shield, Turbocharger Heat	2	1/4 - 28 UNF
3	3519163	Screw, Drive	1	
4	3519535	Nut, Lock	2	M11 x 1.00
5	3521441	Seal, Split Ring	1	
6	3521442	Seal, Split Ring	2	
7	(3527619)	Dataplate	1	
8	3531776	Collar, Thrust	1	
9	3531916	Slinger, Oil	1	
10	3531917	Plate, Oil Seal	1	
11	3532045	Clamp, V Band	1	
12	3532501	Baffle, Oil	1	
13	3533025	Shaft And Wheel	1	
14	3533202	Bearing, Turbo Thrust	1	
15	3534650	Impeller, Turbo Compressor	1	
16	3536802	Housing, Turbo Bearing	1	
17	3756135	Pin, Roll	2	
18	3536070	Housing, Compressor	1	PP2276
19	(3536001)	Housing, Compressor	1	PP2366
19	3590224	Housing, Compressor	1	PP2499 and PP2548
20	3518130	Housing, Turbine	1	
21	3709510	Ring, Retaining	4	
22	3718373	Ring, Retaining	1	
23	3722366	Bearing, Turbocharger	2	
24	3723863	Ring, Retaining	1	
25	3751948	Seal, O Ring	1	
26	3757753	Sleeve, Oil Control	1	
27	3202117	Gasket, Connection	1	
28	3092604	Gasket, Turbocharger	1	
29	3679139	Seal, O Ring	1	
30	3092282	Nut, Regular Hexagon	8	



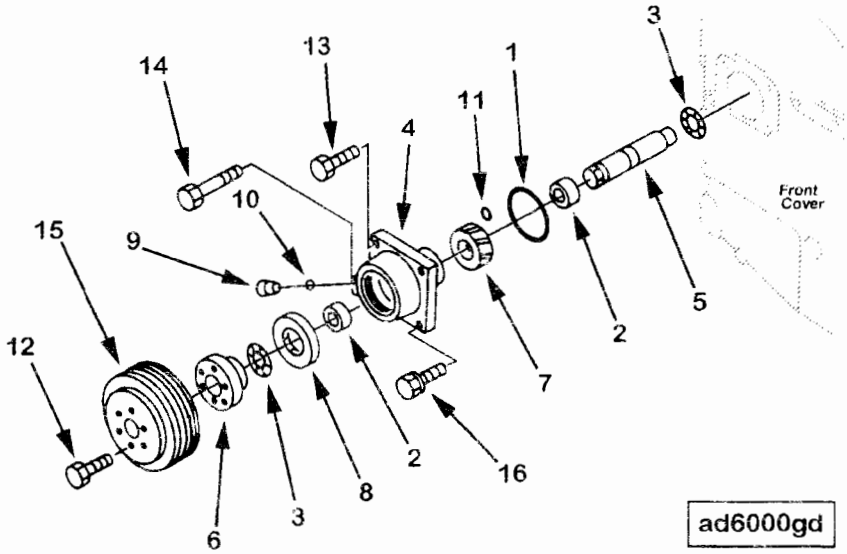
tb6000ga

Ref No.	Part Number	Part Name	Req	Remarks
		TURBOCHARGER		
		OPTION PP2277		
				CPL: 2277 Certified Model Name: VTA-30-G Aftercooled: Yes Engine Control System: Electronic Application: GX-G3 Std performance parts, Wastegated turbos.
	3802868	Turbocharger	2	
	(3538029)	Turbocharger	1	
1	(3504959)	Clamp, V Band	1	
2	3504967	Washer, Plain	3	
3	3519155	Shield, Turbocharger Heat	1	
4	3519163	Screw, Drive	2	
5	3519535	Nut, Lock	1	M11 x 1.00
6	3521441	Seal, Split Ring	2	
7	3521442	Seal, Split Ring	2	
8	3525562	Dataplate	1	
9	3528118	Hose, Plain	1	
10	3528121	Coupling, Elbow Hose	1	
11	3528177	End, Adjusting Link	1	
12	3528204	Nut, Lock	2	1/4 - 28 UNF
13	3528221	Ring, Retaining	1	
14	3528414	Nut, Regular Hexagon Jam	1	
15	3529372	Nut, Regular Hexagon	2	1/4 - 28 UNF
16	3531776	Collar, Thrust	1	
17	3531916	Slinger, Oil	1	
18	3531917	Plate, Oil Seal	1	
19	3532045	Clamp, V Band	1	
20	3532195	Spacer, Mounting	3	
21	3532501	Baffle, Oil	1	
22	3532940	Screw, Hexagon Head Set	3	
23	3533025	Shaft And Wheel	1	
24	3533202	Bearing, Turbo Thrust	1	
25	3533328	Bracket, Actuator	1	
26	3534650	Impeller, Turbo Compressor	1	
27	3535215	Clamp, Hose	2	
28	3536802	Housing, Turbo Bearing	1	
29	3756135	Pin, Roll	2	
30	3591174	Housing, Compressor	1	
31	(3538028)	Housing, Turbine	1	
32	(3538603)	Actuator, Turbocharger	1	
33	3709510	Ring, Retaining	4	
34	3718373	Ring, Retaining	1	
35	3722366	Bearing, Turbocharger	2	
36	3723863	Ring, Retaining	1	
37	3751948	Seal, O Ring	1	
38	3757753	Sleeve, Oil Control	1	
	3545577	Kit, Turbocharger Gasket	1	
	3519762	Gasket, Turbocharger	1	
	3519763	Gasket, Turbocharger	1	
	3519805	Gasket, Turbocharger	1	
	3519807	Gasket, Turbocharger	1	
	3709749	Gasket, Turbocharger	1	

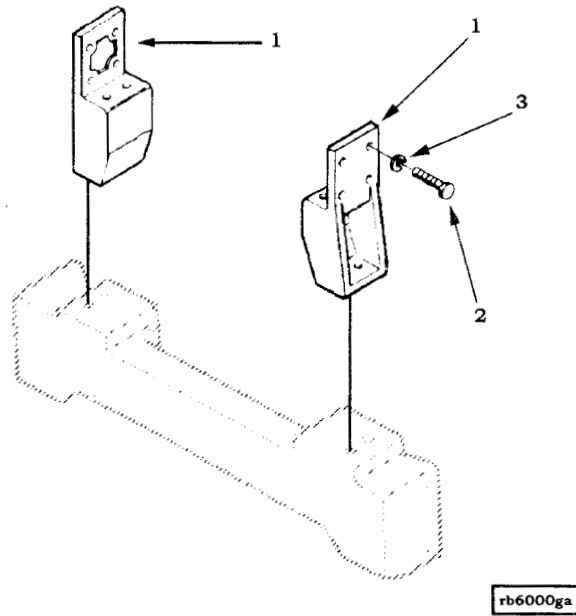


pp6000gc

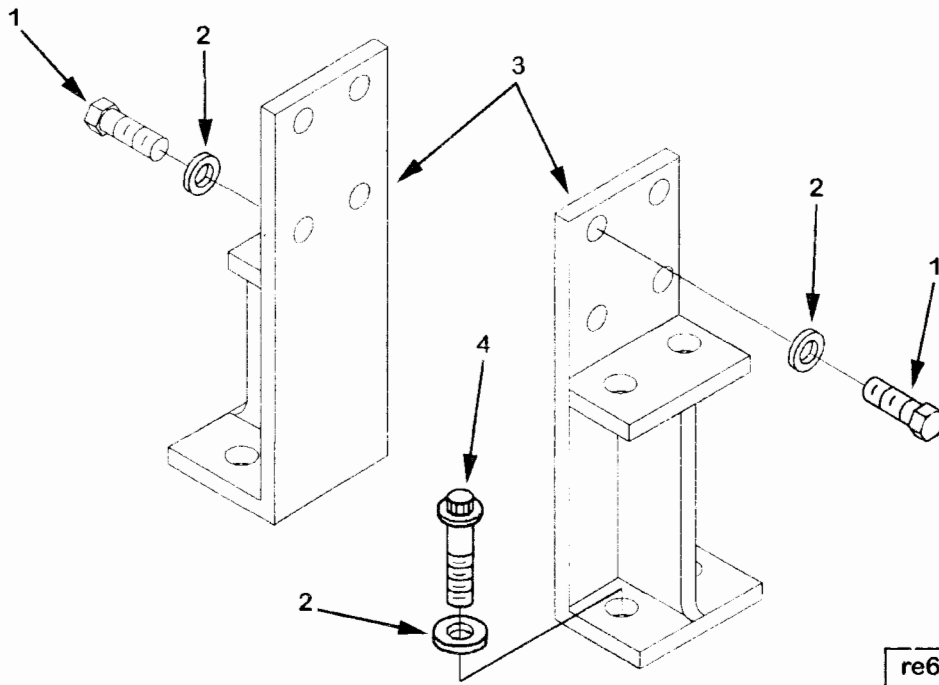
Ref No.	Part Number	Part Name	Req	Remarks
		TURBOCHARGER		
		OPTION PP2606		
	3800694	Kit, Turbocharger	2	
	(3592062)	Turbocharger	1	
1	3502449	Seal, Rectangular Ring	1	
2	3504967	Washer, Plain	4	M8
3	3519163	Screw, Drive	2	
4	3519535	Nut, Lock	1	M11 x 1.00
5	3519623	Collar, Thrust	1	
6	3519627	Bearing, Turbocharger	2	
7	3519641	Ring, Retaining	4	
8	3519783	Shield, Turbocharger Heat	1	
9	3521225	Screw, Hexagon Head Set	8	M8 x 1.25 x 16
10	3521442	Seal, Split Ring	1	
11	3522597	Pin, Roll	2	
12	3522904	Lockplate	4	
13	3523412	Seal, Split Ring	1	
14	3523980	Slinger, Oil	1	
15	3524418	Shim	1	
16	3524419	Baffle, Oil	1	
17	3525073	Screw, Hexagon Head Set	4	M8 x 1.25 x 25
18	(3527619)	Dataplate	1	
19	3529372	Nut, Regular Hexagon	2	1/4 - 28 UNF
20	3532593	Diffuser, Turbocharger	1	
21	3532617	Clamp, V Band	1	
22	(3535771)	Impeller, Tur Compressor	1	
23	(3535980)	Shaft & Wheel	1	
24	3536914	Bearing, Tur Thrust	1	
25	(3538201)	Housing, Tur Bearing	1	
26	(3539931)	Housing, Compressor	1	
27	(3591819)	Housing, Turbine	1	
28	3178988	Gasket, Turbocharger	1	
29	3202117	Gasket, Connection	1	
30	3679139	Seal, O Ring	1	



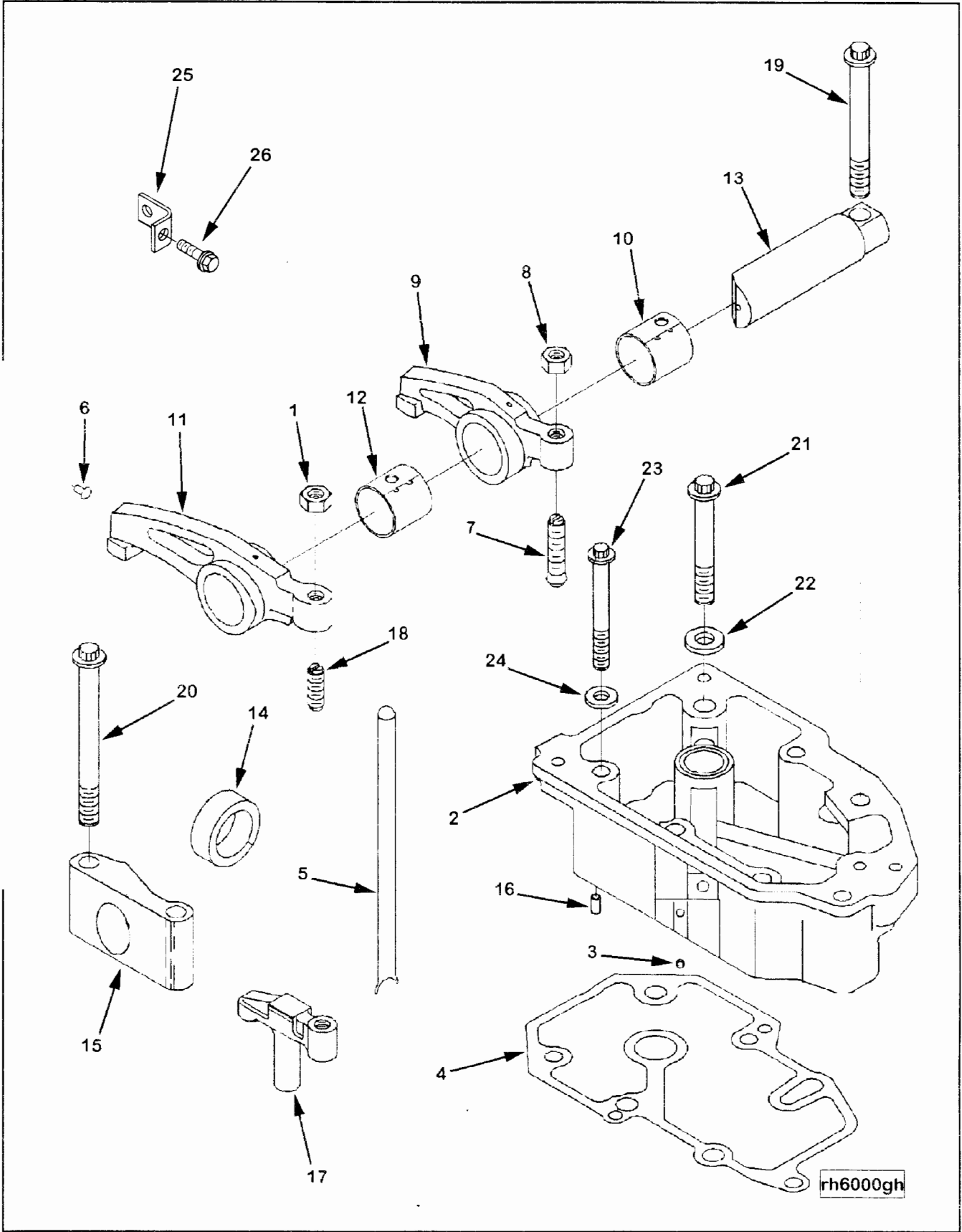
Ref No.	Part Number	Part Name	Req	Remarks
ACCESSORY DRIVE PULLEY OPTION PU5001				
				Pulley Drive Ratio: 1.68:1 Pulley Groove Location: Right bank FFOB: 165.8 mm Vertical Location From Crank: 215 mm Horizontal Location From crank: 165.8 mm Pulley Diameter: 181.4 mm
1	3092262	Seal, O Ring	1	
	3092805	Drive, Accessory	1	
2	3092290	Bushing	2	
3	3092291	Bearing, Thrust	2	
4	3092806	Support, Accessory Drive	1	
5	3092807	Shaft, Accessory Drive	1	
6	3092808	Hub, Accessory Drive	1	
7	3092809	Gear, Accessory Drive	1	
8	3092812	Seal, Oil	1	
	3678923	Plug, Threaded	1	M10
9	(3678924)	Plug, Threaded	1	
10	3678925	Seal, O Ring	1	
11	3093725	Seal, O Ring	1	
12	3094932	Screw, Hexagon Head Cap	6	
13	3093758	Screw, Hexagon Head Cap	1	M12 x 1.75 x 90
14	3093769	Screw, Hexagon Head Cap	1	M12 x 1.75 x 100
15	3094068	Pulley, Accessory Drive	1	
16	3093728	Screw, Hexagon Head Cap	2	M12 x 1.75 x 30



Ref No.	Part Number	Part Name	Req	Remarks
REAR ENGINE SUPPORT OPTION RE5002				
1	3003440	Support, Flywheel Housing	2	Type: Pedestal For Use With Flywheel Hsg: SAE 0 Unique Characteristics: Mounted on flywheel housing
2	3093951	Screw, Hexagon Head Cap	12	
3	3093955	Washer, P/Jain	12	

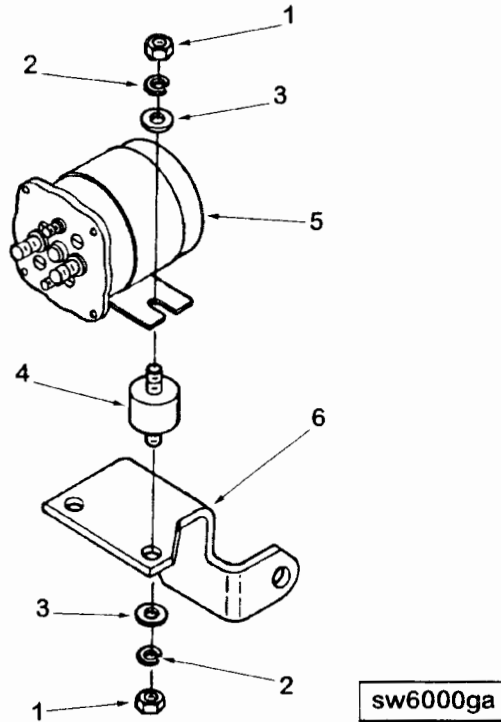


Ref No.	Part Number	Part Name	Req	Remarks
		REAR ENGINE SUPPORT OPTION RE5003		Type: Pedestal For Use With Flywheel Hsg: SAE 0
1	3093951	Screw, Hexagon Head Cap	8	M20 x 2.50 x 60
2	3093955	Washer, Plain	12	M20
3	3094467	Support, Flywheel Housing	2	
4	3094567	Screw, Twelve Point Cap	4	M20 x 2.50 x 60

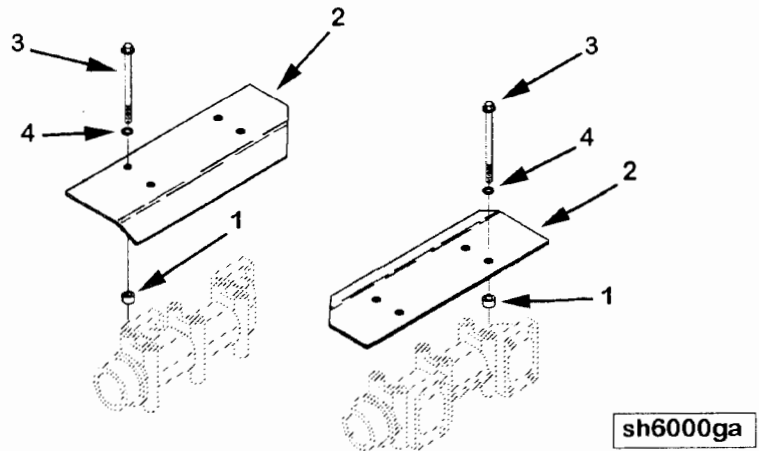


rh6000gh

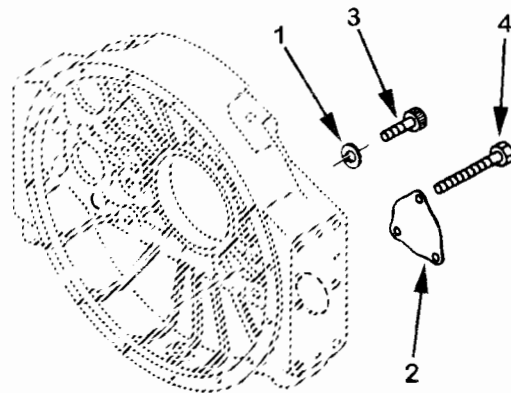
Ref No.	Part Number	Part Name	Req	Remarks
		ROCKER LEVER OPTION RL5701		Rocker lever housing assemblies.
1	3092408	Nut, Regular Hexagon	24	M10 x 1.25
	3092475	Housing, Rocker Lever	12	
2	(3092476)	Housing, Rocker Lever	1	
3	3093877	Plug, Expansion	3	
4	3092480	Gasket, Rkr Lever Housing	12	
5	3092507	Rod, Push	24	
	3092515	Lever, Rocker	12	
6	3092407	Rivet	1	
	3092513	Lever, Rocker	1	
7	3092363	Screw, Round Head Cap	1	M10 x 1.50 x 43
8	3092684	Nut, Regular Hexagon	1	
	3093882	Lever, Rocker	1	
9	3092521	Lever, Rocker	1	
10	3092523	Bushing	1	
	3092514	Lever, Rocker		
7	3092363	Screw, Round Head Cap	1	M10 x 1.50 x 43
8	3092684	Nut, Regular Hexagon	1	
	3092525	Lever, Rocker	1	
11	3092527	Lever, Rocker	1	
12	3092528	Bushing	1	
13	(3092519)	Shaft, Rocker Lever	1	
14	3092524	Collar, Thrust	1	
15	3092529	Support, Rocker Lever	1	
16	3093875	Dowel, Pin	1	
17	3092530	Crosshead, Valve	24	
18	3092531	Screw, Crosshead Adjusting	24	M10 x 1.25 x 30
19	3092552	Screw, Twelve Point Cap	12	M12 x 1.75 x 102
20	3094523	Screw, Twelve Point Cap	24	
21	3094521	Screw, Twelve Point Cap	12	M12 x 1.75 x 80
22	3093879	Washer, Plain	12	M12
23	3094522	Screw, Twelve Point Cap	34	M10 x 1.50 x 80
24	203518	Washer, Plain	34	3/8 inch
25	3093061	Brace, Hose	2	
26	3094525	Screw, Hex Flange Head Cap	2	



Ref No.	Part Number	Part Name	Req	Remarks
ELECTRIC STARTING ACCESSOR OPTION SB5001				
				Type: Magnetic Switch Voltage: 24 Kitted: No Unique Characteristics: Use with starter arrangement that has single electric starter or dual 42 MT starters. Secured to the starter mounting flange.
1	S 224	Nut, Heavy Hexagon	4	1/4 - 20 UNC
2	S 600	Washer, Lock	4	1/4 inch
3	S 631	Washer, Plain	4	1/4 inch
4	204493	Isolator, Vibration	2	
5	3050692	Switch, Magnetic	1	
6	3062483	Bracket, Magnetic Switch	1	

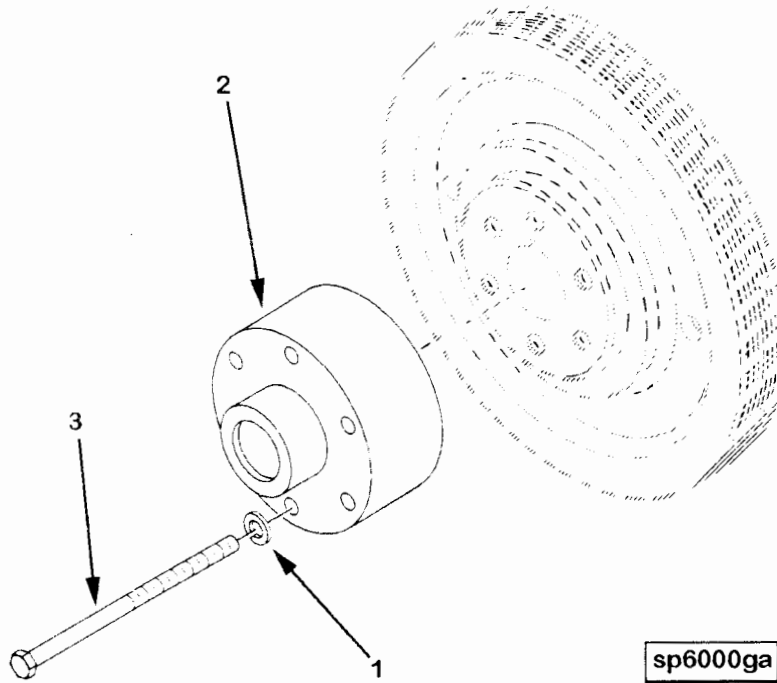


Ref No.	Part Number	Part Name	Req	Remarks
HEAT SHIELD OPTION SH5701				
Heat shields for V30-G and C				
1	68368 B	Spacer, Mounting	8	
2	3092687	Shield, Heat	2	
3	3064106	Screw, Hexagon Head Cap	8	M10 x 1.50 x 30
4	3093799	Washer, Plain	8	M10

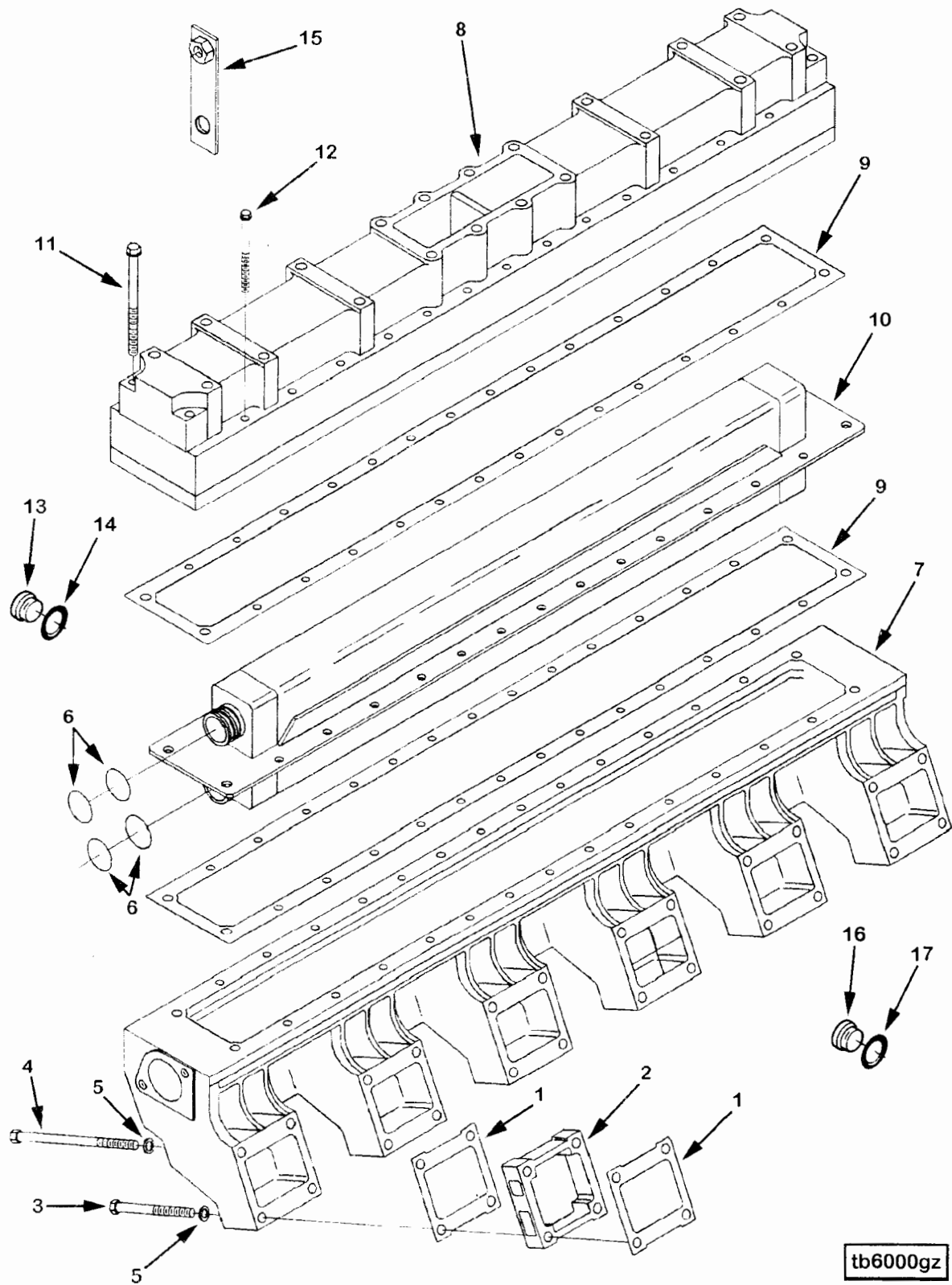


sm6000gc

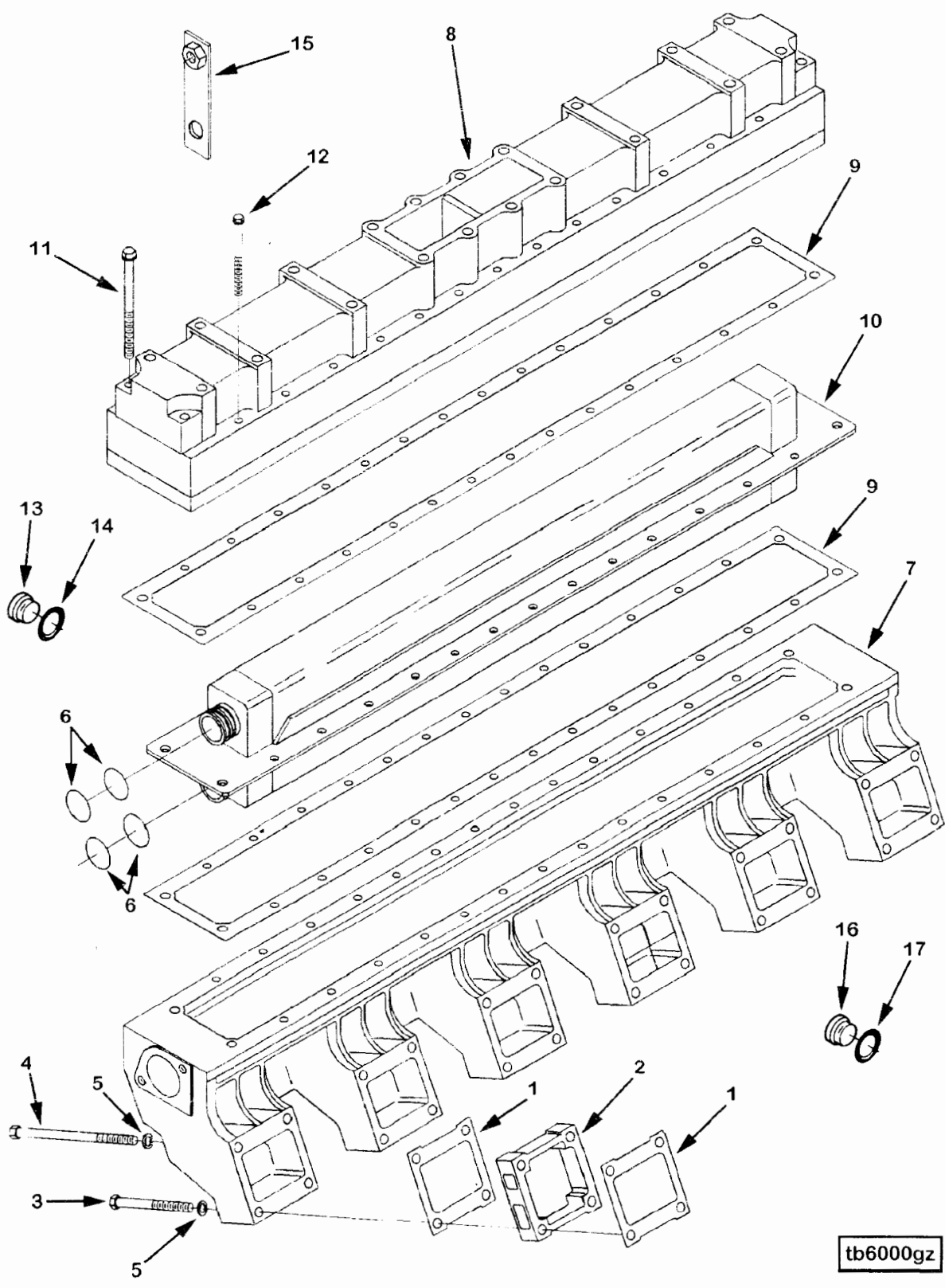
Ref No.	Part Number	Part Name	Req	Remarks
STARTING MOTOR MOUNTING OPTION SM5702				
1	S 603	Washer, Lock	3	Housing Type: Dry Mounting capscrew/nut size: TBD Starter Mount SAE: #0, bolt , degrees Flange size for starter mounting: Unique characteristics: mounting for one starter, one cover, when uses with engine barring device.
2	62182	Cover, Starter Flange	1	
3	3600596	Screw, Twelve Point Cap	3	
4	3896826	Screw, Hexagon Head Cap	3	



Ref No.	Part Number	Part Name	Req	Remarks
FAN PILOT SPACER OPTION SP5002				
1	S 608	Washer, Lock	6	Spacer Thickness: 123.95 mm
2	159607	Spacer, Fan Pilot	1	Fan Pilot Dia: 76.2 mm
3	3202223	Screw, Hexagon Head Cap	6	Fan Hub Pilot Bore: 76.2 mm
				Mounting Hole Bolt Circle: 139.7 mm
				Material: Aluminum
				1/2 inch
				1/2 - 13 x 7 1/2 inch

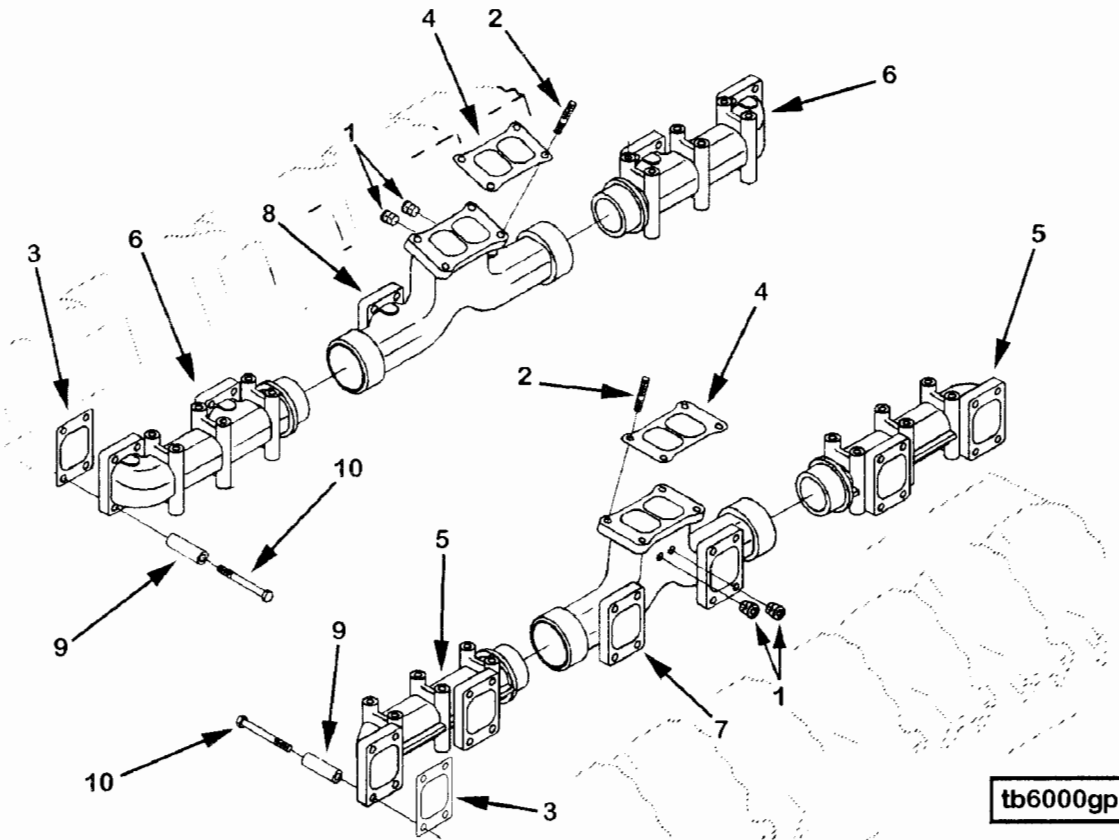


Ref No.	Part Number	Part Name	Req	Remarks
		AFTERCOOLER OPTION TB5701		VTA30-G 1200 BHP No Air Heater
1	3092470	Gasket, Intake Manifold	24	
2	3092597	Spacer, Mounting	12	
3	3093763	Screw, Hexagon Head Cap	24	M10 x 1.50 x 100
4	3093767	Screw, Hexagon Head Cap	24	M10 x 1.50 x 160
5	3093799	Washer, Plain	46	M10
	3094496	Aftercooler	1	Left Bank
6	3092613	Seal, O Ring	4	
7	3094492	Manifold, Air Intake	1	
8	3094491	Cover, Aftercooler	1	
9	3092730	Gasket, Aftercooler Hsg	2	
10	3093793	Core, Aftercooler	1	
11	3093973	Screw, Hex Flange Head Cap	4	M10 x 1.50 x 135
12	3093974	Screw, Hex Flange Head Cap	26	M8 x 1.25 x 95
	3678923	Plug, Threaded	2	M10
13	(3678924)	Plug, Threaded	1	
14	3678925	Seal, O Ring	1	
	3094495	Aftercooler	1	Right Bank
6	3092613	Seal, O Ring	4	
7	3094492	Manifold, Air Intake	1	
8	3094491	Cover, Aftercooler	1	
9	3092730	Gasket, Aftercooler Hsg	2	
10	3093793	Core, Aftercooler	1	
11	3093973	Screw, Hex Flange Head Cap	4	M10 x 1.50 x 135
12	3093974	Screw, Hex Flange Head Cap	26	M8 x 1.25 x 95
	3678923	Plug, Threaded	2	M10
13	(3678924)	Plug, Threaded	1	
14	3678925	Seal, O Ring	1	
15	3092149	Bracket, Cable	2	
	3678921	Plug, Threaded	4	
16	(3678922)	Plug, Threaded	1	
17	3678912	Seal, O Ring	1	

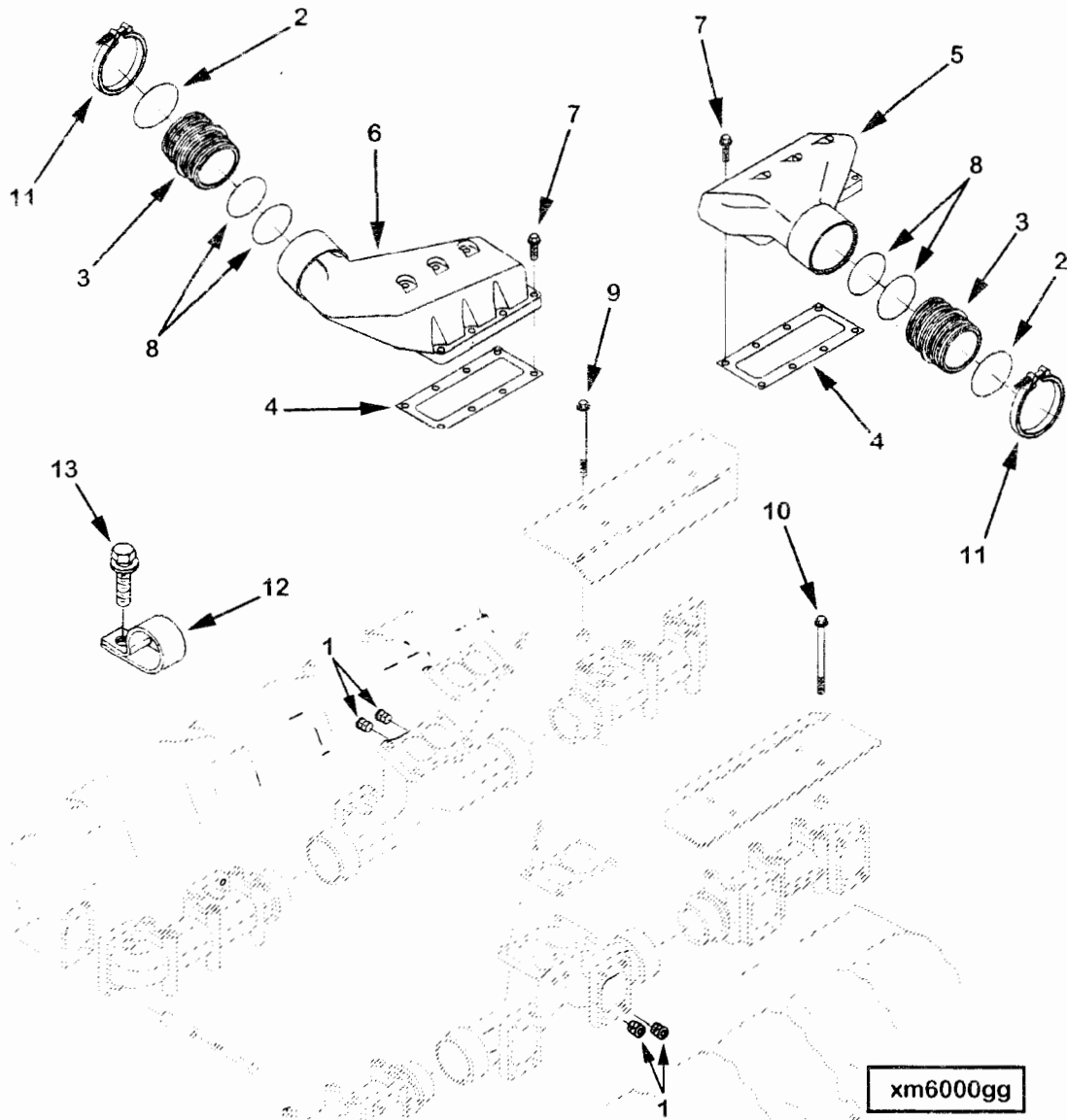


tb6000gz

Ref No.	Part Number	Part Name	Req	Remarks
		AFTERCOOLER OPTION TB5702		
				VTA30-G 1340 BHP No Air Heater
1	3092470	Gasket, Intake Manifold	24	
2	3092597	Spacer, Mounting	12	
3	3093763	Screw, Hexagon Head Cap	22	M10 x 1.50 x 100
4	3093767	Screw, Hexagon Head Cap	24	M10 x 1.50 x 160
5	3093799	Washer, Plain	44	M10
	3094494	Aftercooler	1	Left Bank
6	3092613	Seal, O Ring	4	
7	3094492	Manifold, Air Intake	1	
8	3094491	Cover, Aftercooler	1	
9	3092730	Gasket, Aftercooler Hsg	2	
10	3093717	Core, Aftercooler	1	
11	3093973	Screw, Hex Flange Head Cap	4	M10 x 1.50 x 135
12	3093974	Screw, Hex Flange Head Cap	26	M8 x 1.25 x 95
	3678923	Plug, Threaded	1	M10
13	(3678924)	Plug, Threaded	1	
14	3678925	Seal, O Ring	1	
	3094493	Aftercooler	1	Right Bank
6	3092613	Seal, O Ring	4	
7	3094491	Manifold, Air Intake	1	
8	3094492	Cover, Aftercooler	1	
9	3092730	Gasket, Aftercooler Hsg	2	
10	3093717	Core, Aftercooler	1	
11	3093973	Screw, Hex Flange Head Cap	4	M10 x 1.50 x 135
12	3093974	Screw, Hex Flange Head Cap	26	M8 x 1.25 x 95
	3678923	Plug, Threaded	1	M10
13	(3678924)	Plug, Threaded	1	
14	3678925	Seal, O Ring	1	
15	3092149	Bracket, Cable	2	
	3678921	Plug, Threaded	4	
16	(3678922)	Plug, Threaded	1	
17	3678912	Seal, O Ring	1	



Ref No.	Part Number	Part Name	Req	Remarks
		EXHAUST MANIFOLD OPTION TB5712		
				Exhaust manifold for V30-G
1	3084829	Plug, Pipe	4	1/8 NPT
2	3092377	Stud	8	
3	3092471	Gasket, Exhaust Manifold	12	
4	(3093604)	Gasket, Turbocharger	2	
5	3092657	Manifold, Exhaust	2	
6	3092658	Manifold, Exhaust	2	
7	3092659	Manifold, Exhaust	1	
8	3092660	Manifold, Exhaust	1	
9	3092681	Spacer, Mounting	48	
10	3092996	Screw, Hexagon Head Cap	48	M10 x 1.50 x 95

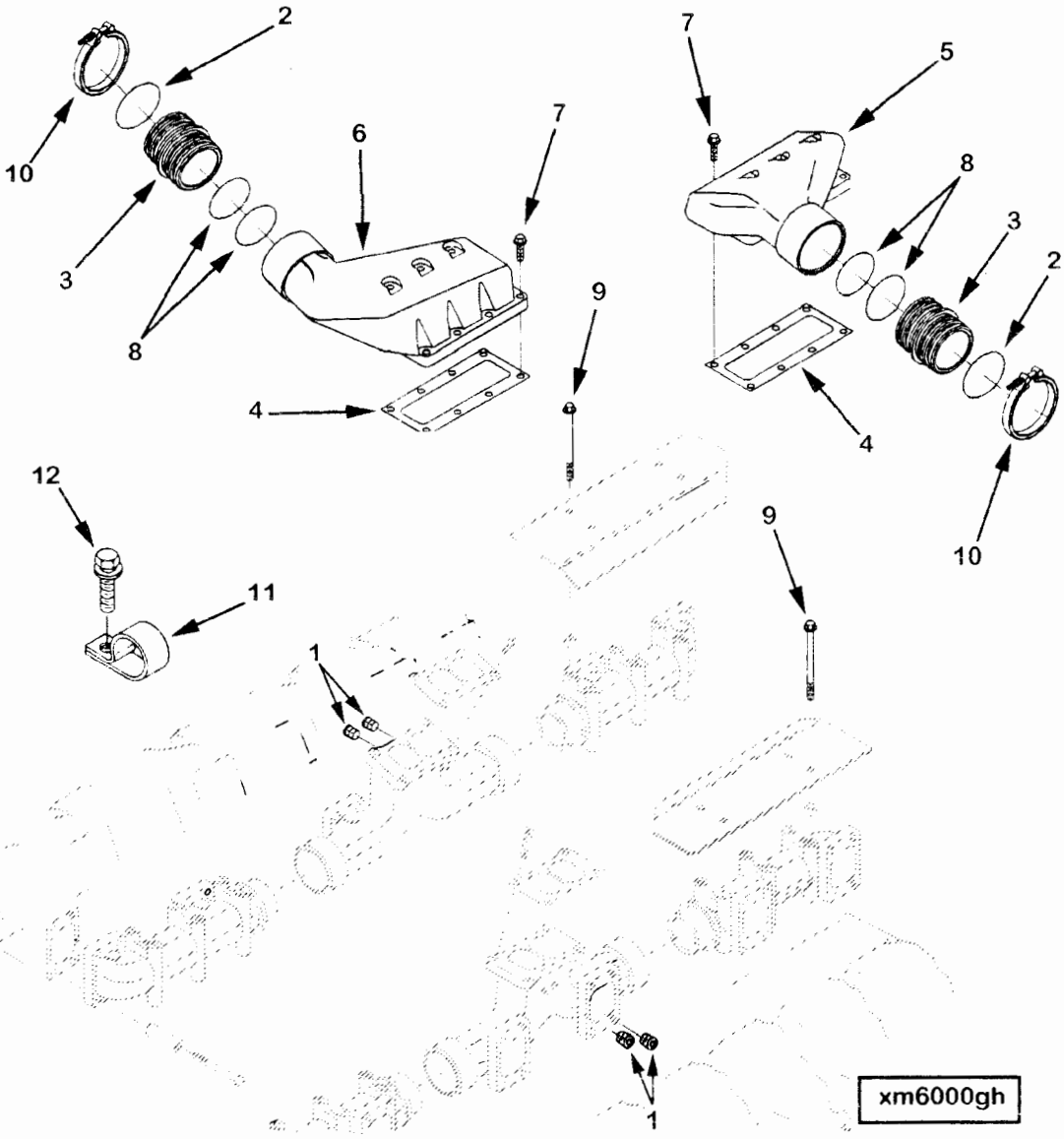


Group No. 10.01.1

Air Crossover Connection

Option No. TB5715

Ref No.	Part Number	Part Name	Req	Remarks
		AIR CROSSOVER CONNECTION OPTION TB5715		
				Turbocharger Type: Non-Wastegated
1	3025458	Plug, Pipe	4	1/8 NPT
2	3066211	Seal, O Ring	2	
3	3092560	Pipe, Air Inlet	2	
4	3092596	Gasket, Connection	2	
5	3092632	Connection, Air Crossover	1	
6	3092633	Connection, Air Crossover	1	
7	3094512	Screw, Hex Flange Head Cap	10	M10 x 1.50 x 40
8	3093834	Seal, O Ring	4	
9	3094513	Screw, Hex Flange Head Cap	3	M10 x 1.50 x 140
10	3094514	Screw, Hex Flange Head Cap	3	M10 x 1.50 x 150
11	3094043	Clamp, V Band	2	
12	3092388	Clip	2	
13	3863703	Screw, Hex Flange Head Cap	2	M10 x 1.50 x 16

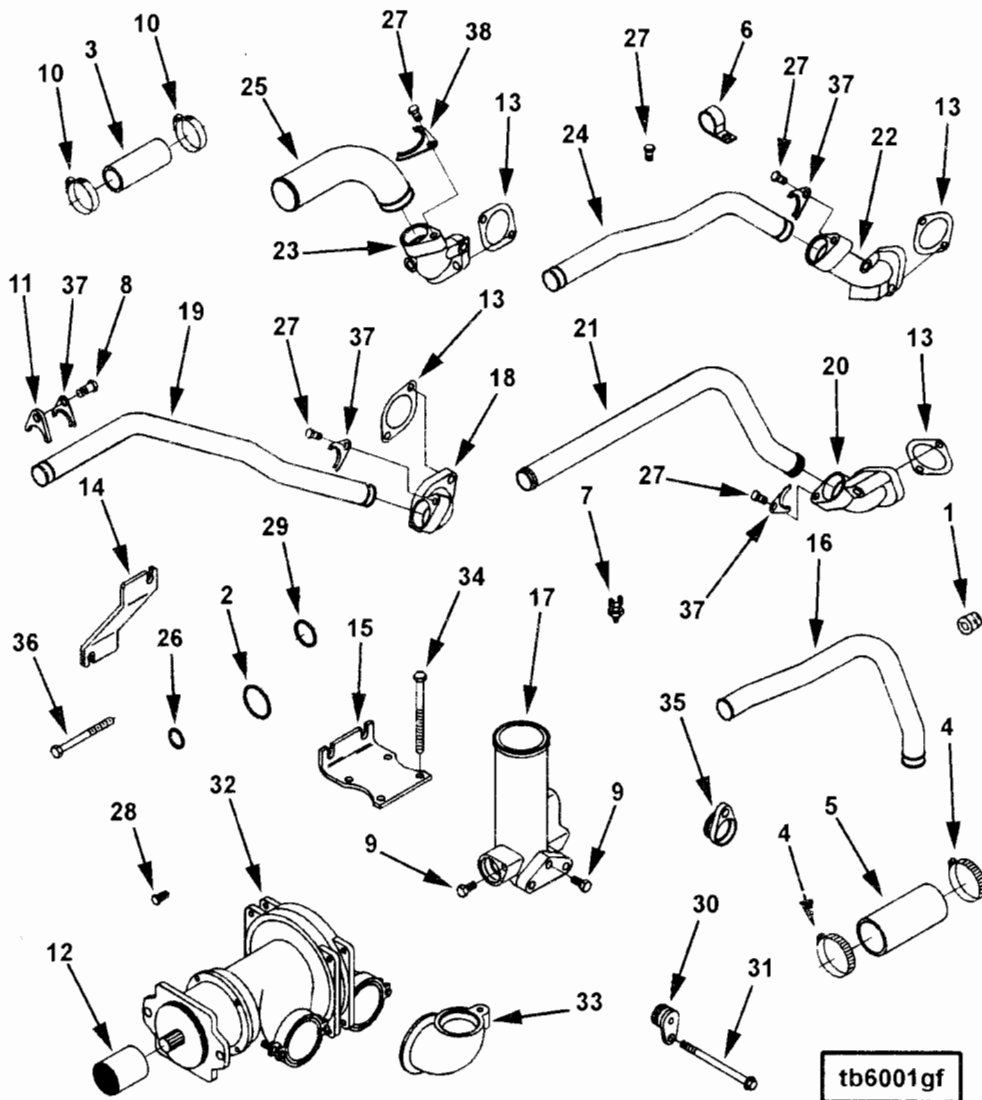


Group No. 10.01.1

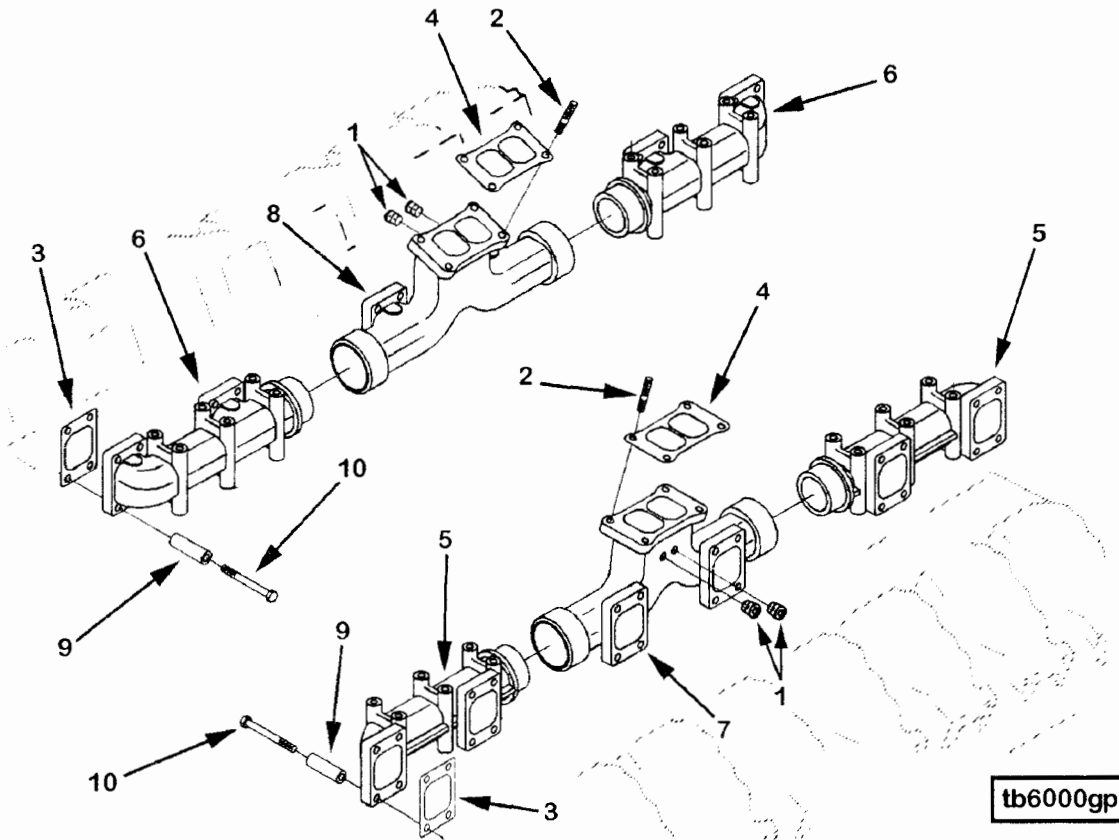
Air Crossover Connection

Option No. TB5716

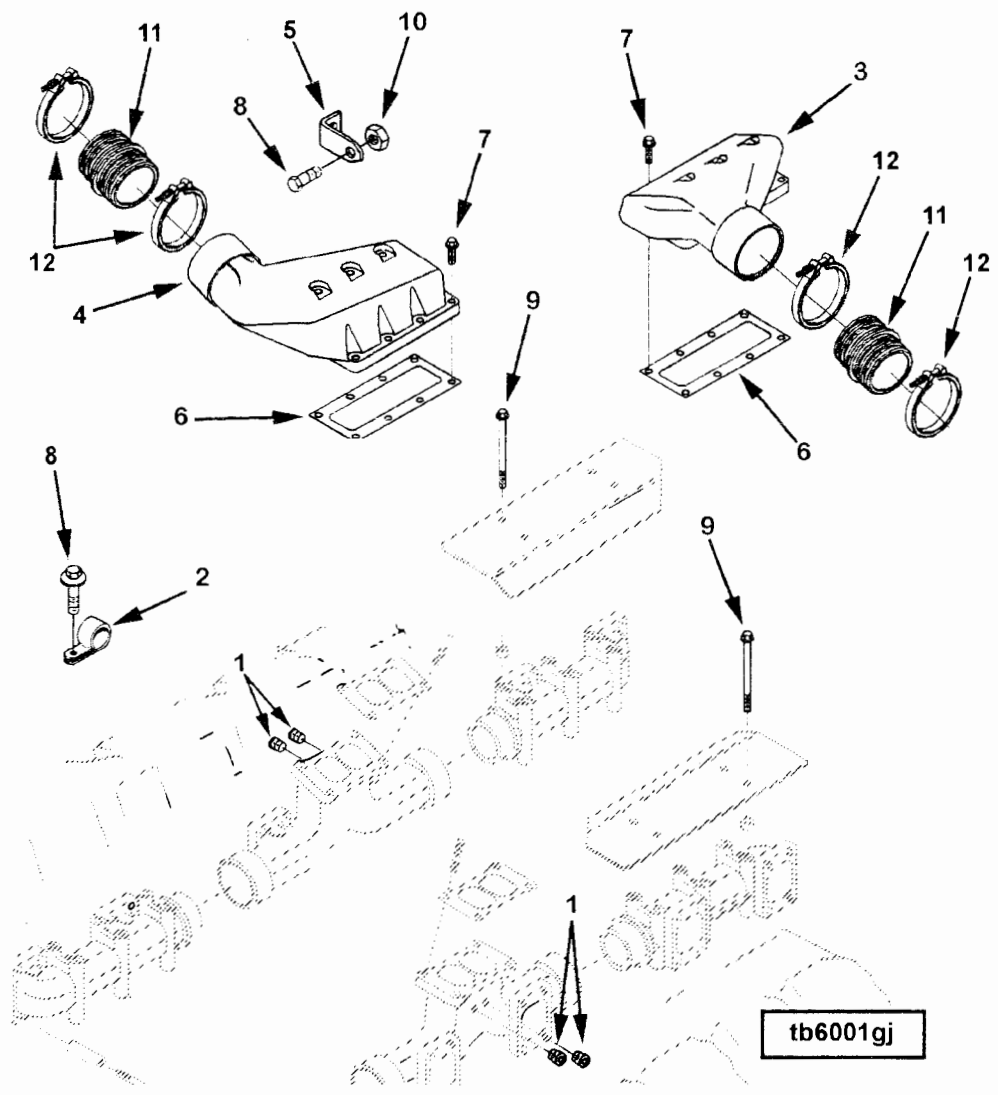
Ref No.	Part Number	Part Name	Req	Remarks
		AIR CROSSOVER CONNECTION OPTION TB5716		
				Turbocharger Type: Wastegated
1	3025458	Plug, Pipe	4	1/8 NPT
2	3066211	Seal, O Ring	2	
3	3092560	Pipe, Air Inlet	2	
4	3092596	Gasket, Connection	2	
5	3092632	Connection, Air Crossover	1	
6	3092633	Connection, Air Crossover	1	
7	3094512	Screw, Hex Flange Head Cap	10	M10 x 1.50 x 40
8	3093834	Seal, O Ring	4	
9	3094514	Screw, Hex Flange Head Cap	6	M10 x 1.50 x 150
10	3094043	Clamp, V Band	2	
11	3092388	Clip	2	
12	3863703	Screw, Hex Flange Head Cap	2	



Ref No.	Part Number	Part Name	Req	Remarks
		AUXILIARY COOLING SYSTEM OPTION TB5717		
				Auxiliary cooling system for 2 pump 2 loop design.
1	S 911 B	Plug, Pipe	2	1/8 NPT
2	S 16144	Seal, O Ring	2	
3	9539	Hose, Plain	1	
4	43828 C	Clamp, Hose	2	1 9/16 - 2 1/2 inch
5	63241 A	Hose, Plain	1	
6	67950	Clip	1	
7	214345	Draincock	2	1/8 NPTF
8	3033043	Screw, Hexagon Head Cap	3	M12 x 1.75 x 25
9	3036230	Screw, Hexagon Head Cap	3	M10 x 1.50 x 20
10	3043487	Clamp, Hose	2	1 1/16 - 2 inch
11	3092041	Plate, Clamping	3	
12	3092559	Sleeve, Spline Coupling	1	
13	3092617	Gasket, Wtr Trf Connection	4	
14	3092691	Brace, Manifold	1	
15	3092694	Brace, Manifold	1	
16	3092813	Tube, Water Transfer	1	
17	3092902	Manifold, Water	1	
18	3092903	Connection, Water Transfer	1	
19	3092904	Tube, Water Transfer	1	
20	3092905	Connection, Water Transfer	1	
21	3092906	Tube, Water Transfer	1	
22	3092907	Connection, Water Transfer	1	
23	3092908	Connection, Water Transfer	1	
24	3092909	Tube, Water Transfer	1	
25	3092910	Tube, Water Transfer	2	
26	3093155	Seal, O Ring	3	
27	3093741	Screw, Hexagon Head Cap	8	M10 x 1.50 x 16
28	3093764	Screw, Hexagon Head Cap	6	M10 x 1.50 x 10
29	3093817	Seal, O Ring	4	
30	3094445	Adapter, Plug	2	1/8 - 27 NPTF
31	3094513	Screw, Hex Flange Head Cap	2	
32	(3094858)	Pump, Water	1	
33	3094903	Elbow, Tube Connector	2	
34	3912141	Screw, Hexagon Head Cap	4	M10 x 1.50 x 130
35	3092040	Plug, O Ring	1	
36	3093742	Screw, Hexagon Head Cap	1	M10 x 1.50 x 20
37	3092810	Clamp, Tube	6	
38	3092811	Clamp, Tube	2	



Ref No.	Part Number	Part Name	Req	Remarks
		EXHAUST MANIFOLD OPTION TB5718		
				Exhaust manifold for V30-G
1	3084829	Plug, Pipe	8	1/8 NPT
2	3092377	Stud	8	
3	3092471	Gasket, Exhaust Manifold	12	
4	(3093604)	Gasket, Turbocharger	2	
5	3092657	Manifold, Exhaust	2	
6	3092658	Manifold, Exhaust	2	
7	3092533	Manifold, Exhaust	1	
8	3092534	Manifold, Exhaust	1	
9	3092681	Spacer, Mounting	48	
10	3092996	Screw, Hexagon Head Cap	48	M10 x 1.50 x 95

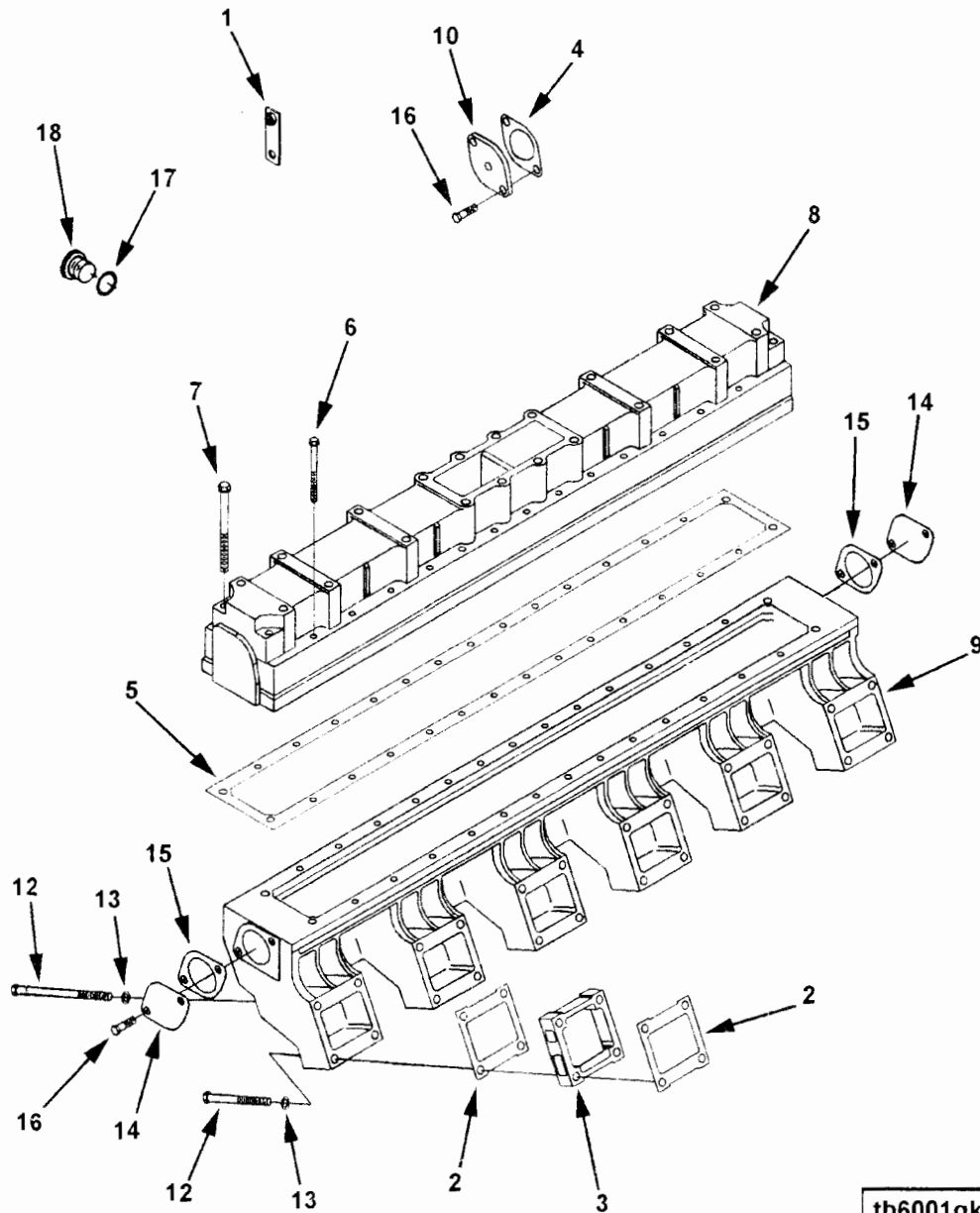


Group No. 10.01.1

Air Crossover Connection

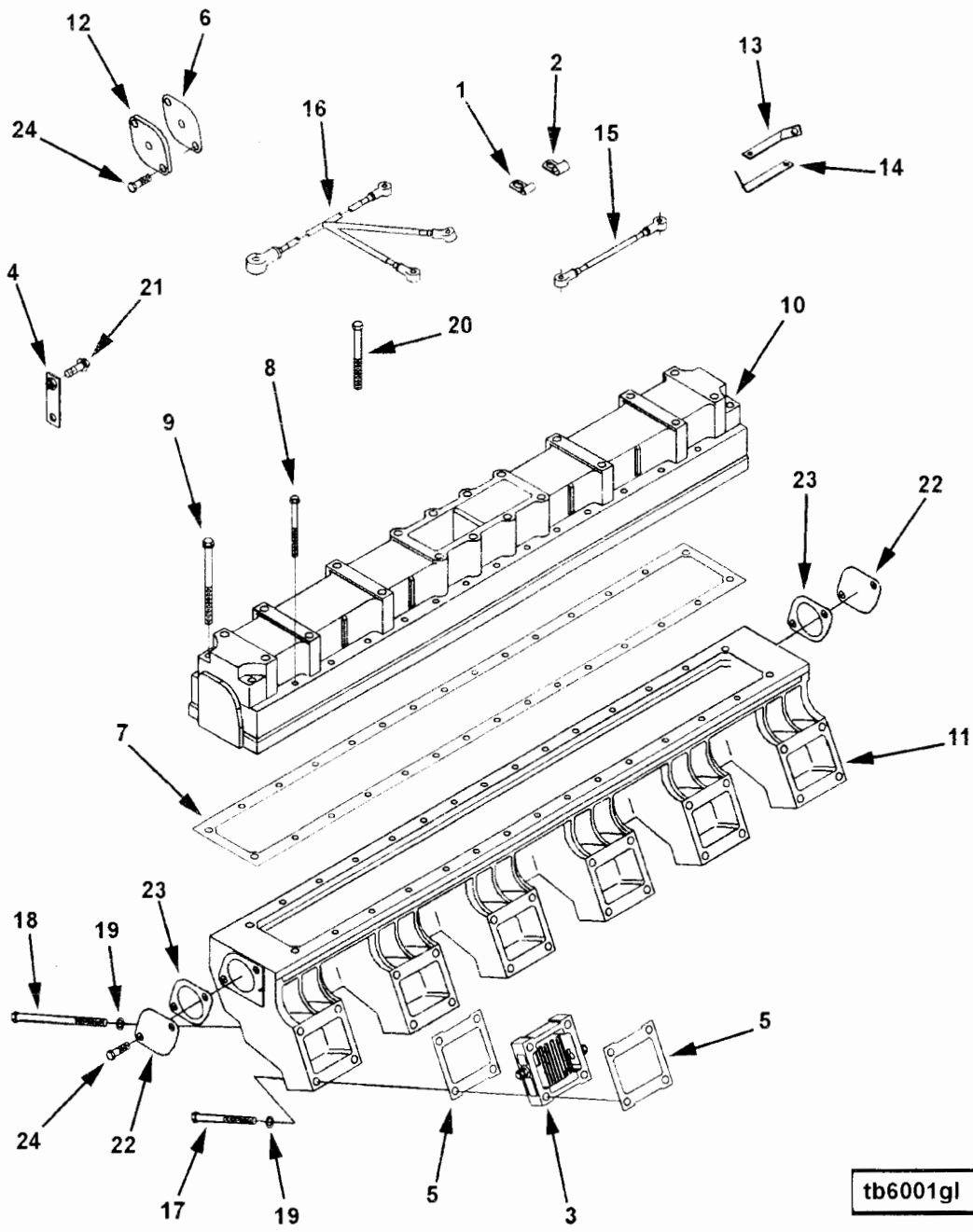
Option No. TB5719

Ref No.	Part Number	Part Name	Req	Remarks
		AIR CROSSOVER CONNECTION OPTION TB5719		
				Turbocharger Type: Non-Wastegated Unique Characteristics: G4
1	3025458	Plug, Pipe	4	1/8 NPT
2	3092388	Clip	2	
3	3092535	Connection, Air Crossover	1	
4	3092536	Connection, Air Crossover	1	
5	3093061	Brace, Hose	1	
6	3092596	Gasket, Connection	2	
7	3094512	Screw, Hex Flange Head Cap	7	M10 x 1.50 x 40
8	3863703	Screw, Hex Flange Head Cap	2	M10 x 1.50 x 16
9	3094514	Screw, Hex Flange Head Cap	9	M10 x 1.50 x 150
10	3094937	Nut, Regular Hexagon	1	M10 x 1.50
11	3627750	Hose, Plain	2	
12	3063809	Clamp, T Bolt	4	3 3/4 inch



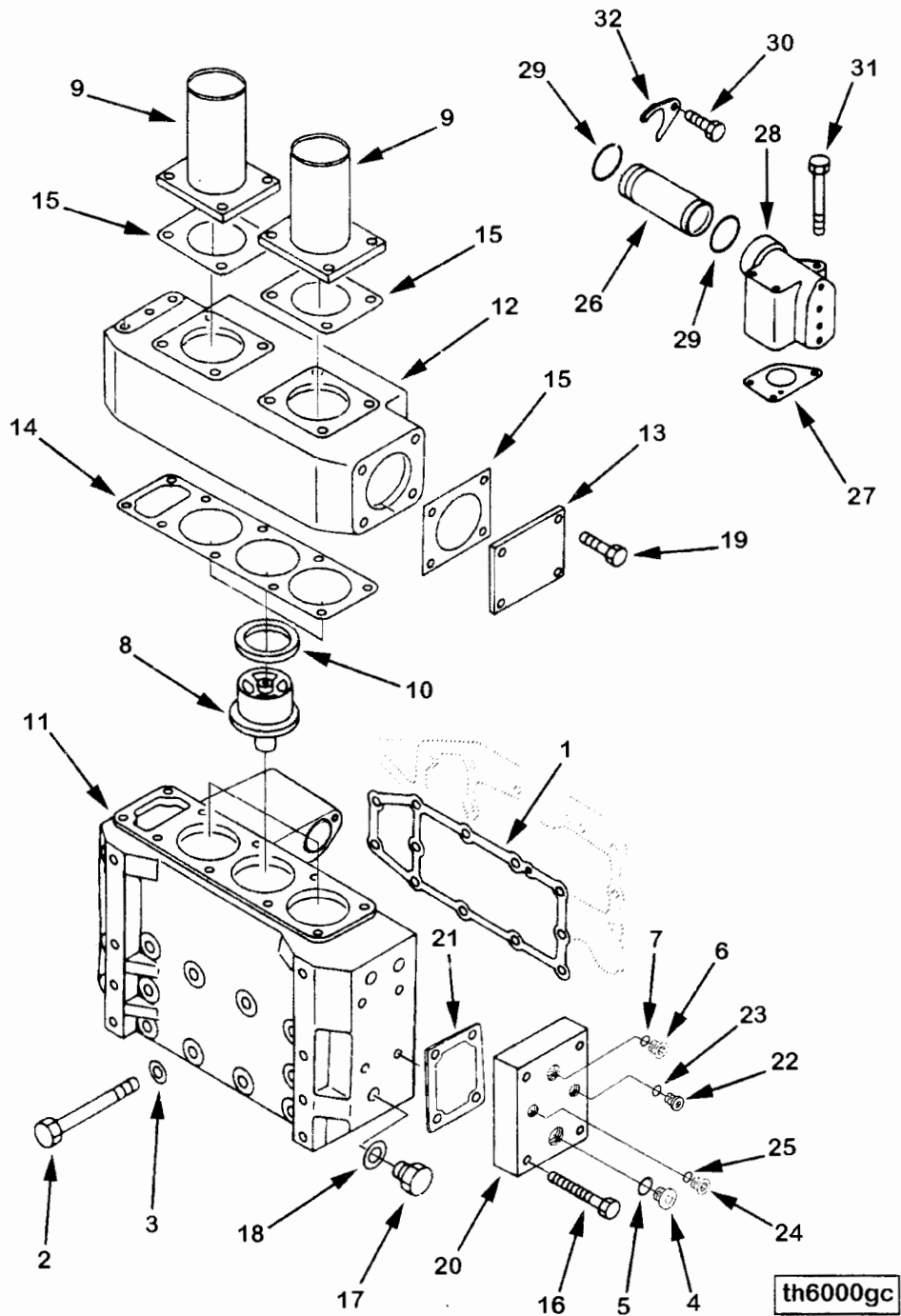
tb6001gk

Ref No.	Part Number	Part Name	Req	Remarks
		AFTERCOOLER OPTION TB5720		
				VTA30-G 1200 BHP No Air Heater For G4 air to air
1	3092149	Bracket, Cable	2	
2	3092470	Gasket, Intake Manifold	24	
3	3092597	Spacer, Mounting	12	
4	3092617	Gasket, Wtr Trf Connection	6	
	3092791	Assy., Air Intake Manifold	2	Left and Right
5	3092730	Gasket, Aftercooler Hsg	1	
6	3092799	Screw, Hex Flange Head Cap	26	
7	3092800	Screw, Hex Flange Head Cap	4	
8	3094491	Cover, Aftercooler	1	
9	3094492	Manifold, Air Intake	1	
10	3093159	Plate, Cover	6	
11	3093763	Screw, Hexagon Head Cap	24	M10 x 1.50 x 100
12	3093767	Screw, Hexagon Head Cap	24	M10 x 1.50 x 160
13	3093799	Washer, Plain	46	M10
14	3093983	Plate, Cover	2	
15	3093984	Gasket, Cover Plate	2	
16	3094508	Screw, Hexagon Head Cap	16	M10 x 1.50 x 30
	3678921	Plug, Threaded	4	
17	3678912	Seal, O Ring	1	
18	(3678922)	Plug, Threaded	1	

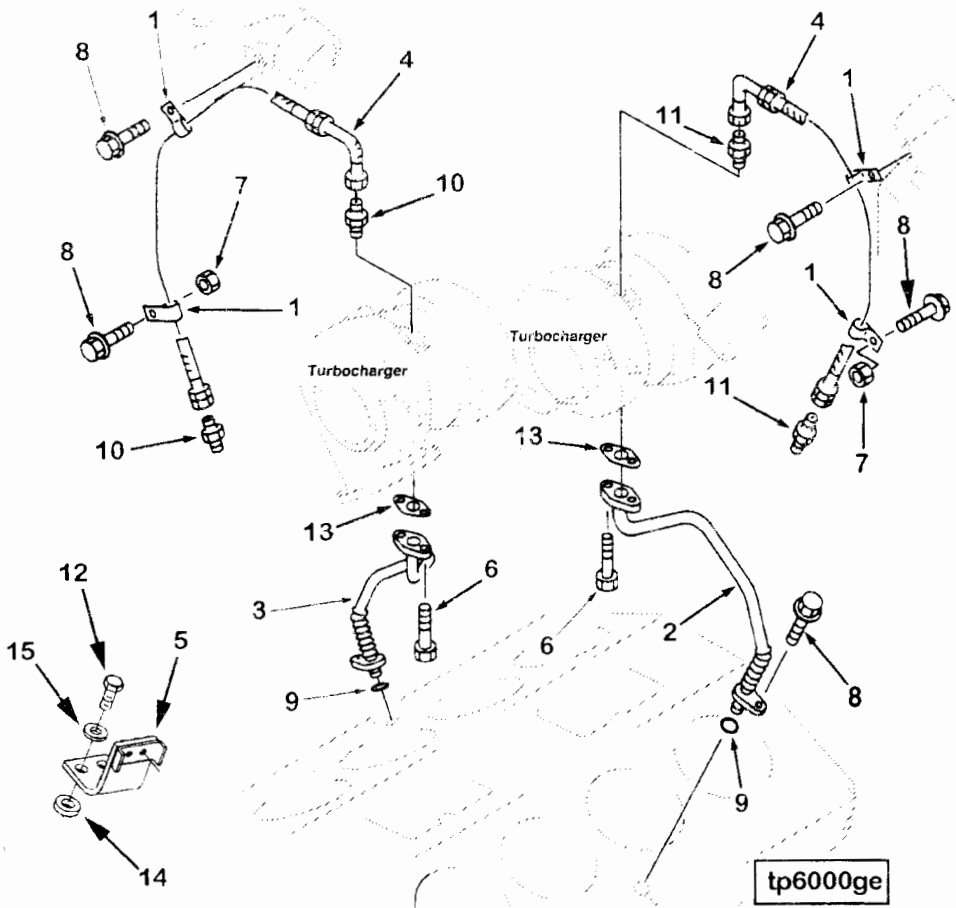


tb6001gl

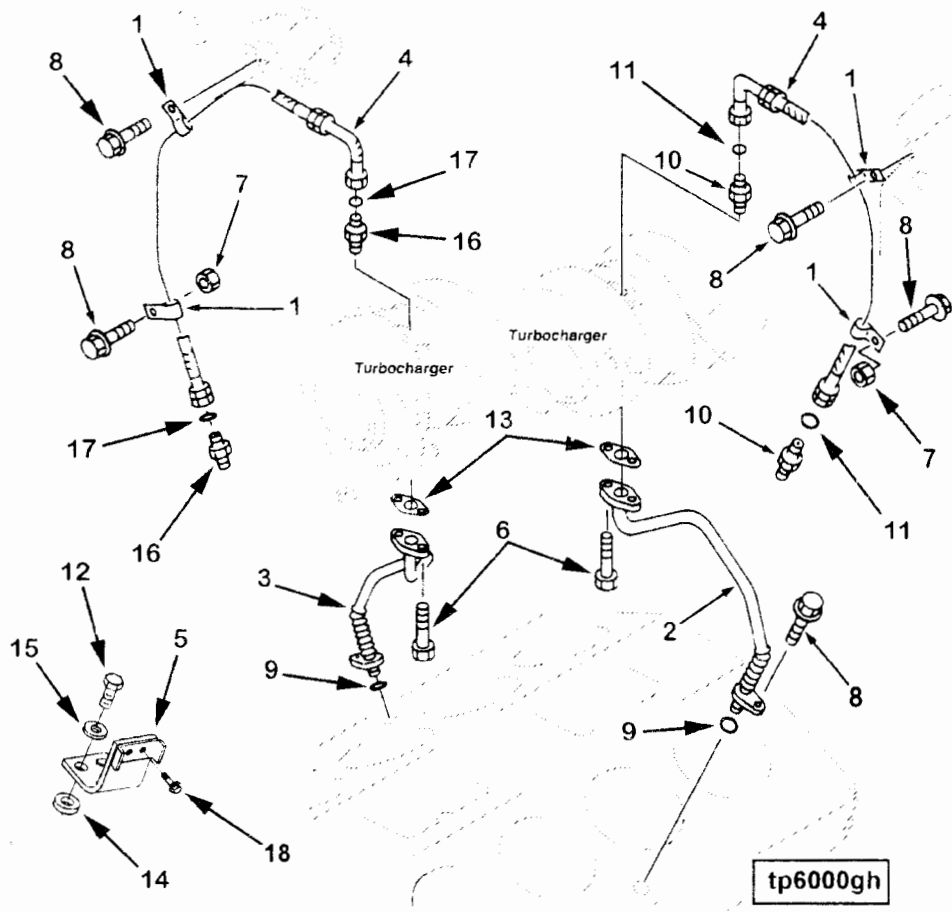
Ref No.	Part Number	Part Name	Req	Remarks
		AFTERCOOLER OPTION TB5721		VTA30-G 1200 BHP No Air Heater For G4 air to air
1	3092057	Clip	4	
2	3092059	Clip	2	
3	3092134	Heater, Intake Air	12	
4	3092149	Bracket, Cable	2	
5	3092470	Gasket, Intake Manifold	24	
6	3092617	Gasket, Wtr Trf Connection	6	
	3092791	Assy., Air Intake Manifold	2	Left and Right
7	3092730	Gasket, Aftercooler Hsg	1	
8	3092799	Screw, Hex Flange Head Cap	26	
9	3092800	Screw, Hex Flange Head Cap	4	
10	3094491	Cover, Aftercooler	1	
11	3094492	Manifold, Air Intake	1	
12	3093159	Plate, Cover	6	
13	3093516	Bracket, Switch	3	
14	3093517	Bracket, Switch	3	
15	3093518	Cable, Engine Heater	6	
16	3093519	Cable, Engine Heater	2	
17	3093763	Screw, Hexagon Head Cap	24	M10 x 1.50 x 100
18	3093767	Screw, Hexagon Head Cap	24	M10 x 1.50 x 160
19	3093799	Washer, Plain	46	M10
20	3093896	Screw, Hexagon Head Cap	6	M10 x 1.50 x 105
21	3093901	Screw, Hexagon Head Cap	4	M10 x 1.50 x 65
22	3093983	Plate, Cover	2	
23	3093984	Gasket, Cover Plate	2	
24	3094508	Screw, Hexagon Head Cap	16	M10 x 1.50 x 30



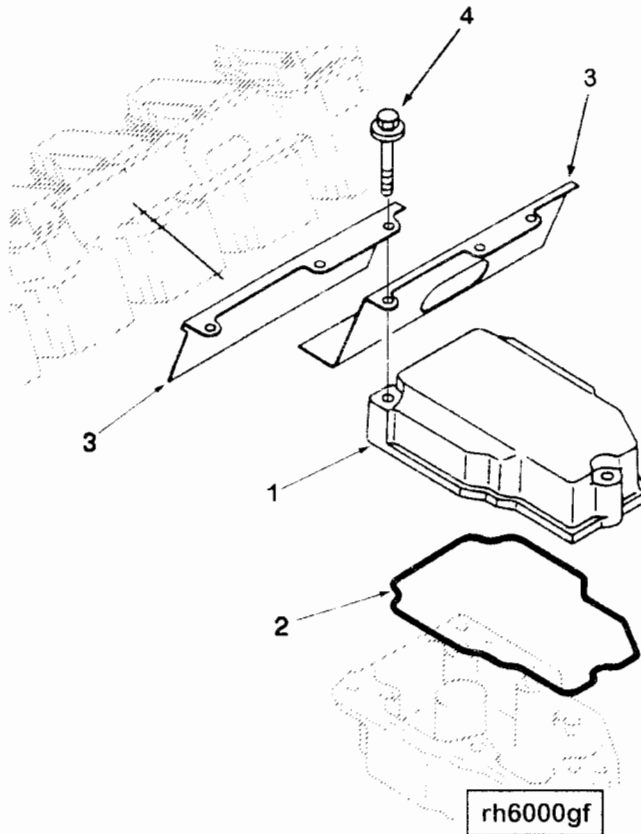
Ref No.	Part Number	Part Name	Req	Remarks
		THERMOSTAT HOUSING OPTION TH5008		Wtr Outlet Conn Style: Dual / Hose Wtr Outlet Outside Dia: 76.2 mm Wtr Outlet Direction: Vertical Engine Aspiration: Jacket Water Aftercooled Wtr Outlet Horizontal Distance: 80 mm Wtr Out Vertical Distance: 807 mm Wtr Out Horizontal Distance From FFOB: 49 mm Water Outlet Height: 155 mm Unique Characteristics: Connection by hose only, includes 3 thermostats (full open temp. 90 degrees C/194 degrees F)
1	3092713	Gasket, Thermostat Housing	1	
2	3093771	Screw, Hexagon Head Cap	12	M12 x 1.75 x 20
3	3093778	Washer, Plain	12	M12
	(3093860)	Housing, Thermostat	1	
	3089238	Plug, Threaded		
4	(3089239)	Plug, Threaded	1	M22
5	3089240	Seal, O Ring	1	
	3089567	Plug, Threaded		
6	(3089568)	Plug, Threaded	1	M16
7	3679139	Seal, O Ring	1	
8	3092114	Thermostat	3	
9	3092263	Connection, Water Outlet	2	
10	3092399	Seal, Thermostat	3	
11	3092700	Housing, Thermostat	1	
12	3092701	Case, Thermostat Housing	1	
13	3092703	Plate, Cover	1	
14	3092714	Gasket, Thermostat Housing	1	
15	3092715	Gasket, Cover Plate	3	
16	3093744	Screw, Hexagon Head Cap	4	M10 x 1.50 x 35
17	3093862	Plug, Threaded	3	
18	3093863	Washer, Sealing	3	
19	3093898	Screw, Hexagon Head Cap	7	M10 x 1.50 x 25
20	3094280	Plate, Cover	1	
21	3094281	Gasket, Cover Plate	1	
	3678921	Plug, Threaded	2	
22	(3678922)	Plug, Threaded	1	M14
23	3678912	Seal, O Ring	1	
	3678923	Plug, Threaded	1	M10
24	(3678924)	Plug, Threaded	1	M10
25	3678925	Seal, O Ring	1	
26	3094063	Tube, Water Transfer	1	
27	3093153	Gasket, Wtr Trf Connection	1	
28	3093177	Connection, Water Bypass	1	
29	3094539	Seal, O Ring	2	
30	3093742	Screw, Hexagon Head Cap	1	M10 x 1.50 x 20
31	3093764	Screw, Hexagon Head Cap	3	M10 x 1.50 x 10
32	3093152	Retainer, Tube	1	



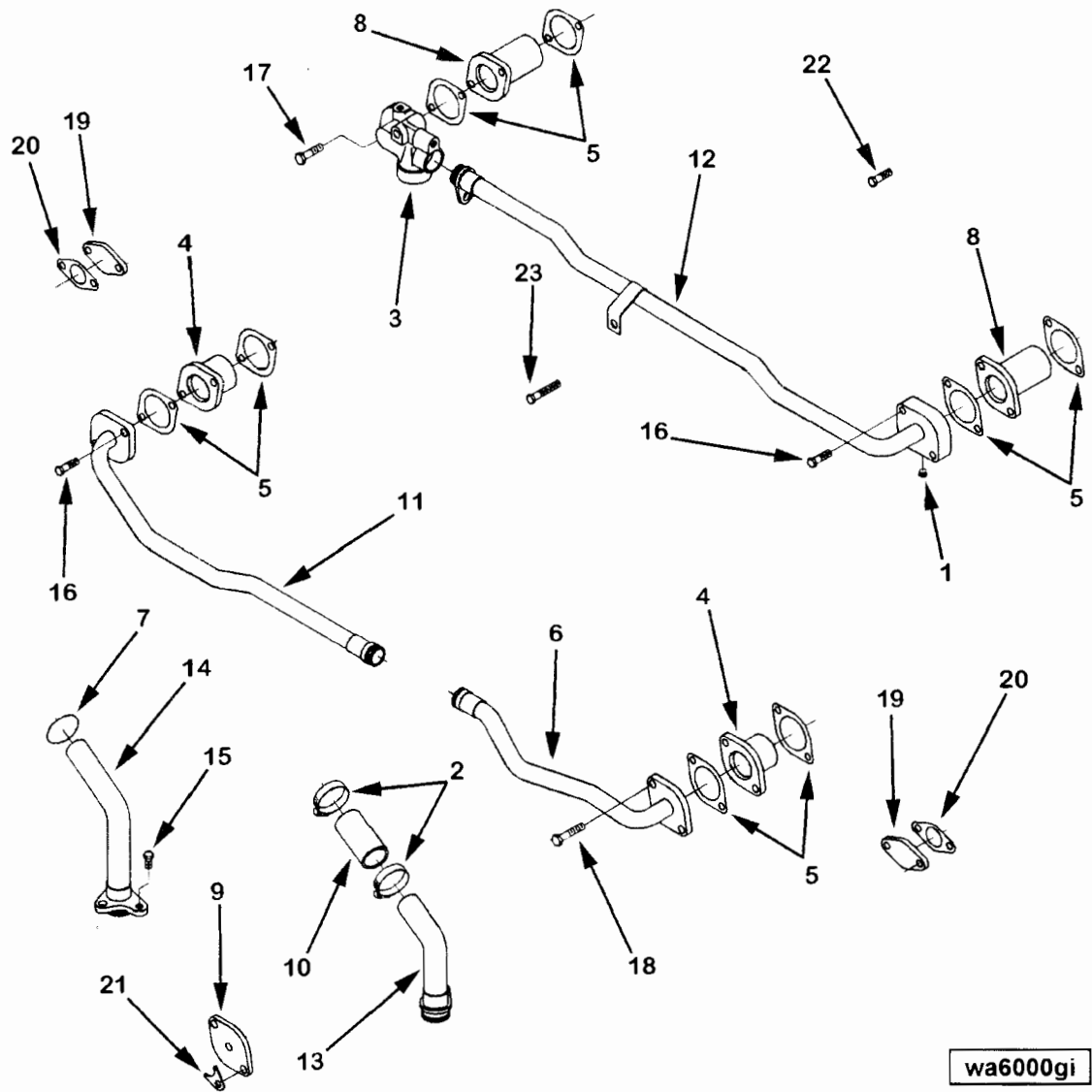
Ref No.	Part Number	Part Name	Req	Remarks
		TURBOCHARGER PLUMBING		
		OPTION TP5702		
				For front out exhaust
1	3092388	Clip	2	
2	3093057	Tube, Tur Oil Drain		
3	3093058	Tube, Turbo Oil Drain	1	
4	3093059	Hose, Flexible	2	
5	3093307	Clamp, Tube	4	
6	3093743	Screw, Hexagon Head Cap	6	M10 x 1.50 x 25
7	3094937	Nut, Regular Hexagon	2	M10 x 1.50
8	3863703	Screw, Hex Flange Head Cap	3	
9	3094045	Seal, O Ring	2	
10	3094160	Union, Male	2	
11	3094161	Union, Male	2	
12	3093742	Screw, Hexagon Head Cap	6	M10 x 1.50 x 20
13	3202117	Gasket, Connection	2	
14	3092021	Spacer	1	
15	3094024	Washer, Plain	8	M10



Ref No.	Part Number	Part Name	Req	Remarks
		TURBOCHARGER PLUMBING OPTION TP5705		
				For front out exhaust Unique Characteristics: G4
1	3092388	Clip	2	
2	3092682	Tube, Tur Oil Drain	1	
3	3092683	Tube, Tur Oil Drain	1	
4	3092710	Hose, Flexible	2	
5	3093307	Clamp, Tube	4	
6	3093743	Screw, Hexagon Head Cap	4	M10 x 1.50 x 25
7	3094937	Nut, Regular Hexagon	2	M10 x 1.50
8	3093930	Screw, Hex Flange Head Cap	6	M10 x 1.50 x 16
9	3094045	Seal, O Ring	2	
	3094161	Union, Male	2	
10	(3094049)	Connector, Male	1	
11	3679139	Seal, O Ring	1	
12	3093742	Screw, Hexagon Head Cap	4	M10 x 1.50 x 20
13	3202117	Gasket, Connection	2	
14	3092021	Spacer	1	
15	3094024	Washer, Plain	8	M10
	3094160	Union, Male	2	
16	(3094044)	Connector, Male	1	
17	3678912	Seal, O Ring	1	
18	3863703	Screw, Hex Flange Head Cap	3	

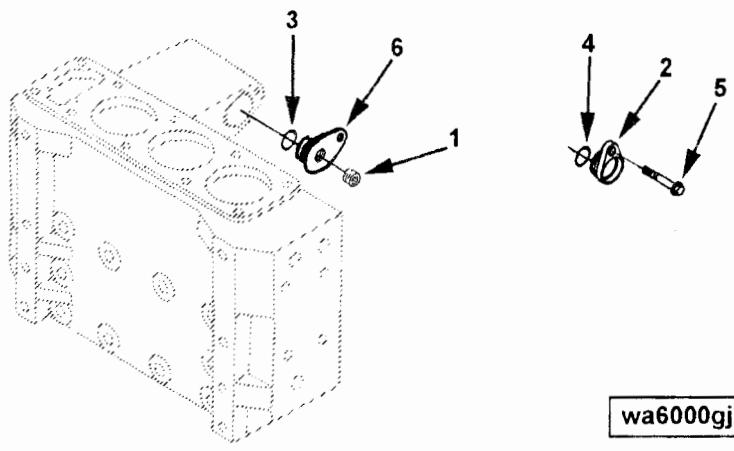


Ref No.	Part Number	Part Name	Req	Remarks
		ROCKER LEVER OPTION VC5701		
1	3092481	Cover, Rocker Lever	12	Material: Aluminum Number of covers: 12
2	3092484	Gasket, Rkr Lever Housing	12	
3	3092716	Shield, Heat	2	
4	3909025	Screw, Hex Flange Head Cap	36	

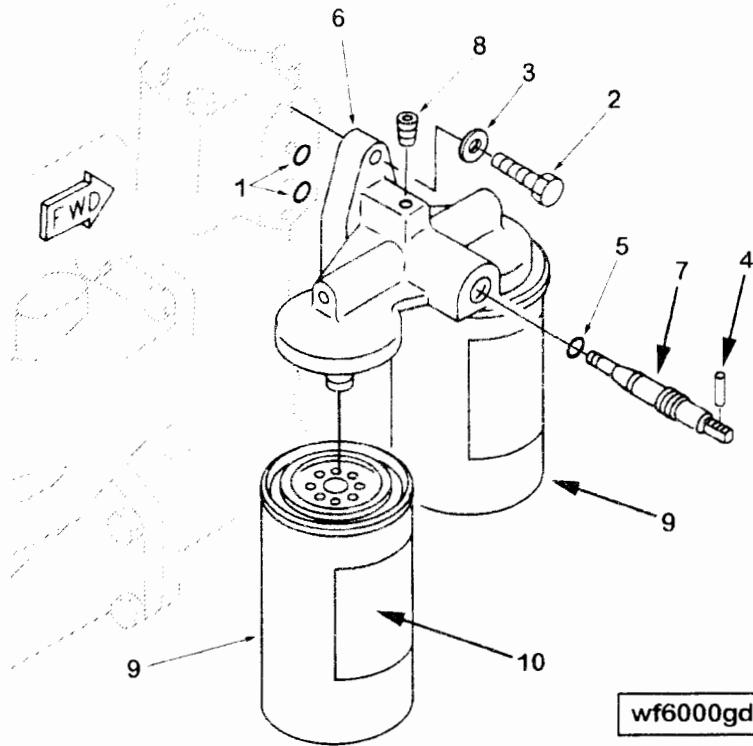


wa6000gi

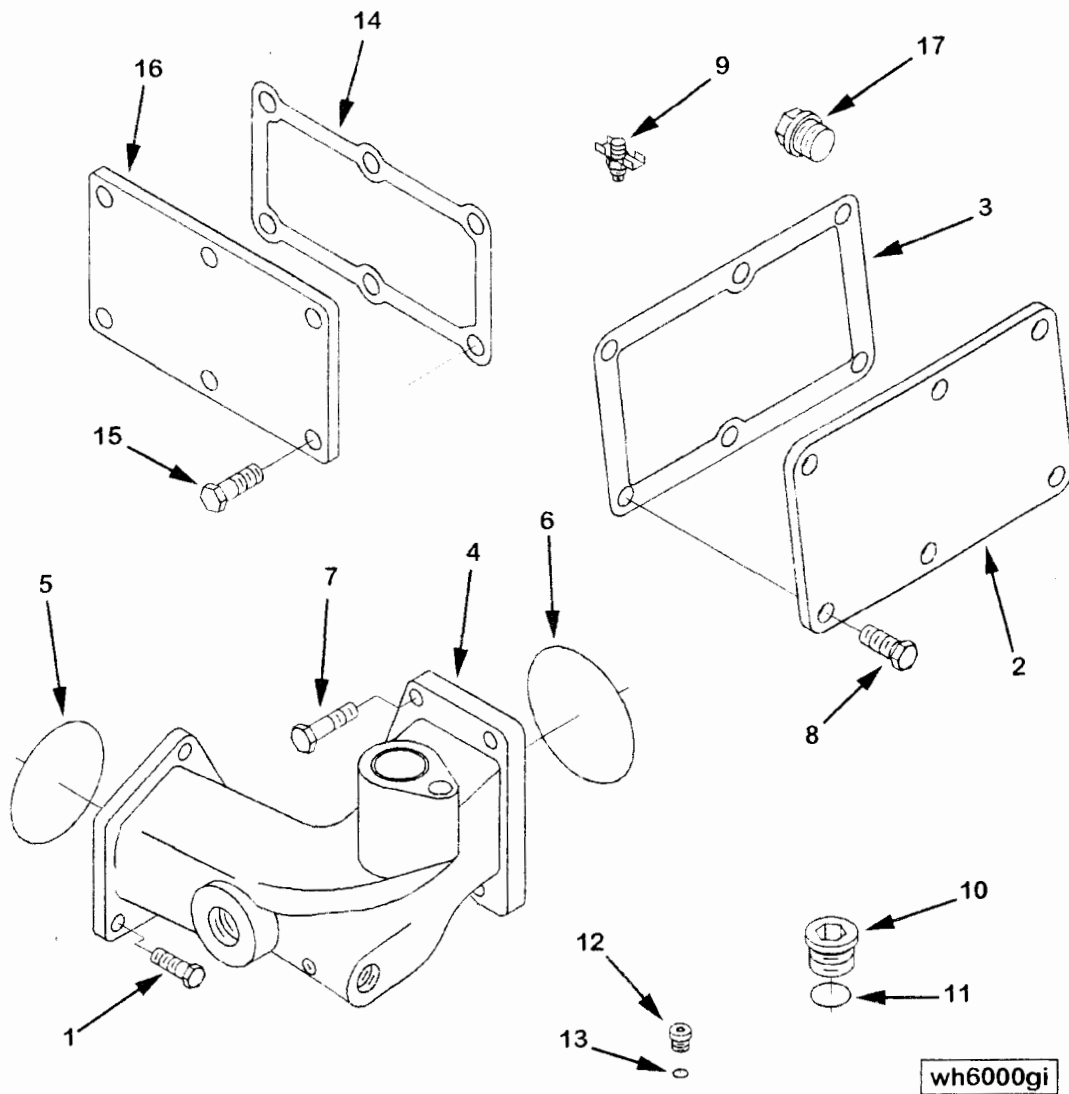
Ref No.	Part Number	Part Name	Req	Remarks
		AFTERCOOLER WATER PLUMBING OPTION WA5701		
				When no air compressor is specified.
1	S 911 B	Plug, Pipe	3	1/8 NPT
2	3043487	Clamp, Hose	2	1 1/16 - 2 inch
3	3092614	Connection, Water Transfer	1	
4	3092615	Connection, Water Transfer	2	
5	3092617	Gasket, Wtr Trf Connection	10	
6	3093154	Connection, Water Transfer	1	
7	3093155	Seal, O Ring	3	
8	3093158	Connection, Water Transfer	2	
9	3093159	Plate, Cover	2	
10	3093160	Hose, Plain	1	
11	3093161	Connection, Water Transfer	1	
12	3094505	Connection, Water Transfer	1	
13	3093183	Connection, Water Transfer	1	
14	3093184	Connection, Water Transfer	1	
15	3093742	Screw, Hexagon Head Cap	3	M10 x 1.50 x 20
16	3094532	Screw, Hexagon Head Cap	1	M12 x 1.75 x 55
17	3094510	Screw, Hexagon Head Cap	5	M10 x 1.50 x 80
18	3094563	Screw, Hexagon Head Cap	2	M10 x 1.50 x 55
19	3093983	Plate, Cover	2	
20	3093984	Gasket, Cover Plate	2	
21	3094005	Plate, Clamping	2	
22	3093741	Screw, Hexagon Head Cap	2	M10 x 1.50 x 16
23	3094508	Screw, Hexagon Head Cap	8	M10 x 1.50 x 30



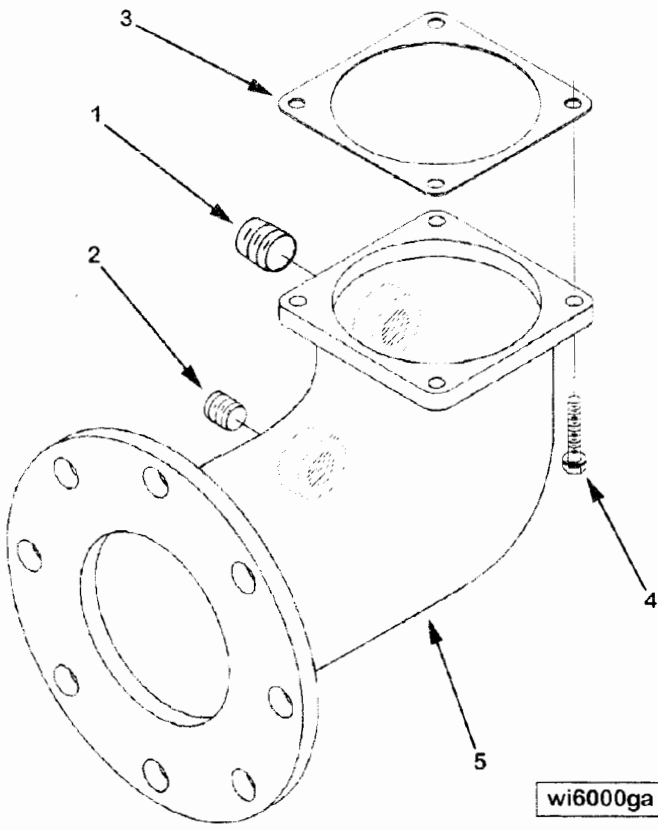
Ref No.	Part Number	Part Name	Req	Remarks
AFTERCOOLER WTR. PLUMBING OPTION WA5704				
1	3008465	Plug, Pipe	2	Used for plugging thermostat housing with 2P2L and ATA.
2	(3092040)	Plug, O Ring	1	
3	3093155	Seal, O Ring	2	
4	3092613	Seal, O Ring	1	
5	3093742	Screw, Hexagon Head Cap	2	
6	3094445	Adapter, Plug	2	



Ref No.	Part Number	Part Name	Req	Remarks
		CORROSION RESISTOR OPTION WF5021		Supplier: Cummins Location: Front right on water pump Element type: Spin-on Element quantity: 2 Cooling system capacity: TBD (liters) Inhibitor units (ea element): 15 Inhibitor units in kit: 20 x 3 Length of can: 135mm (5.3 inches) Unique characteristics: DCA4 units supplied in kit.
1	145528	Seal, O Ring	2	
2	3094536	Screw, Hexagon Head Cap	2	M10 x 1.50 x 35
3	3094024	Washer, Plain	2	M10
	3175452	Head, Water Filter Assy	1	
4	8306	Pin, Roll	1	
5	70415	Seal, O Ring	1	
6	3175453	Head, Corrosion Resistor	1	
7	3177040	Shaft, Shutoff Valve	1	
8	3628604	Plug, Pipe	1	1/8 - 27 NPT
9	3318318	Resistor, Corrosion	2	
10	3826824	Decal	2	
	3883212	Additive, Ati Coolant	3	

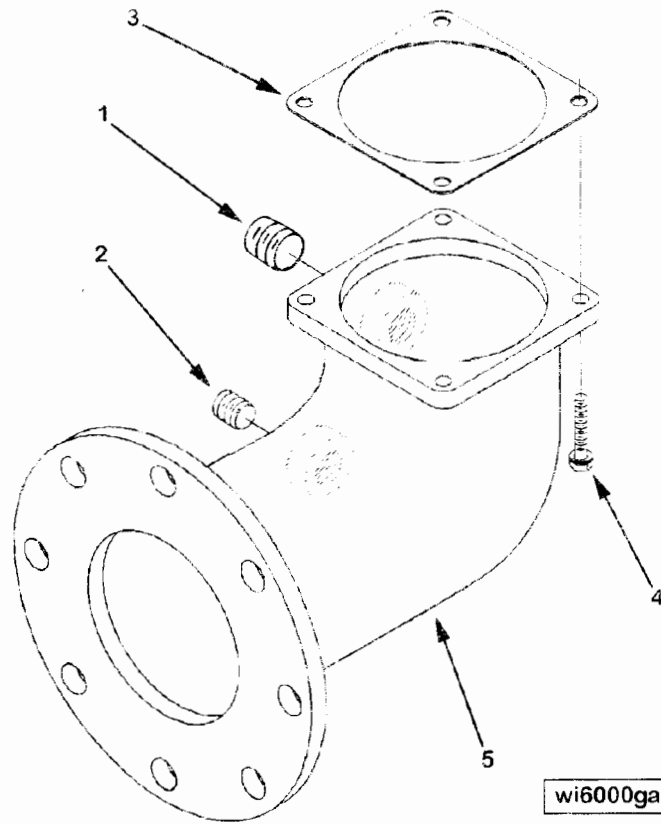


Ref No.	Part Number	Part Name	Req	Remarks
		OIL COOLER WATER PLUMBING OPTION WH5701		
				Includes water head cover plates. Also, includes the water connections for a customer supplied TC cooler.
1	3064106	Screw, Hexagon Head Cap	3	M10 x 1.50 x 30
2	3092784	Cover, Water Header	3	
3	3094519	Gasket, Water Header Cover	3	
4	3093148	Connection, Water Outlet	1	
5	3094531	Seal, O Ring	1	
6	3094540	Seal, O Ring	1	
7	3093745	Screw, Hexagon Head Cap	3	M10 x 1.50 x 40
8	3094532	Screw, Hexagon Head Cap	18	M12 x 1.75 x 55
9	3093961	Draincock	1	
	3678611	Plug, Threaded	1	M27
10	(3678605)	Plug, Threaded	1	
11	3678606	Seal, O Ring	1	
	3678923	Plug, Threaded	1	M10
12	(3678924)	Plug, Threaded	1	
13	3678925	Seal, O Ring	1	
14	3092792	Gasket, Cover Plate	1	
15	3094534	Screw, Hexagon Head Cap	6	M12 x 1.75 x 35
16	3094147	Plate, Cover	1	
17	103306	Plug, Pipe	2	1/2 NPT

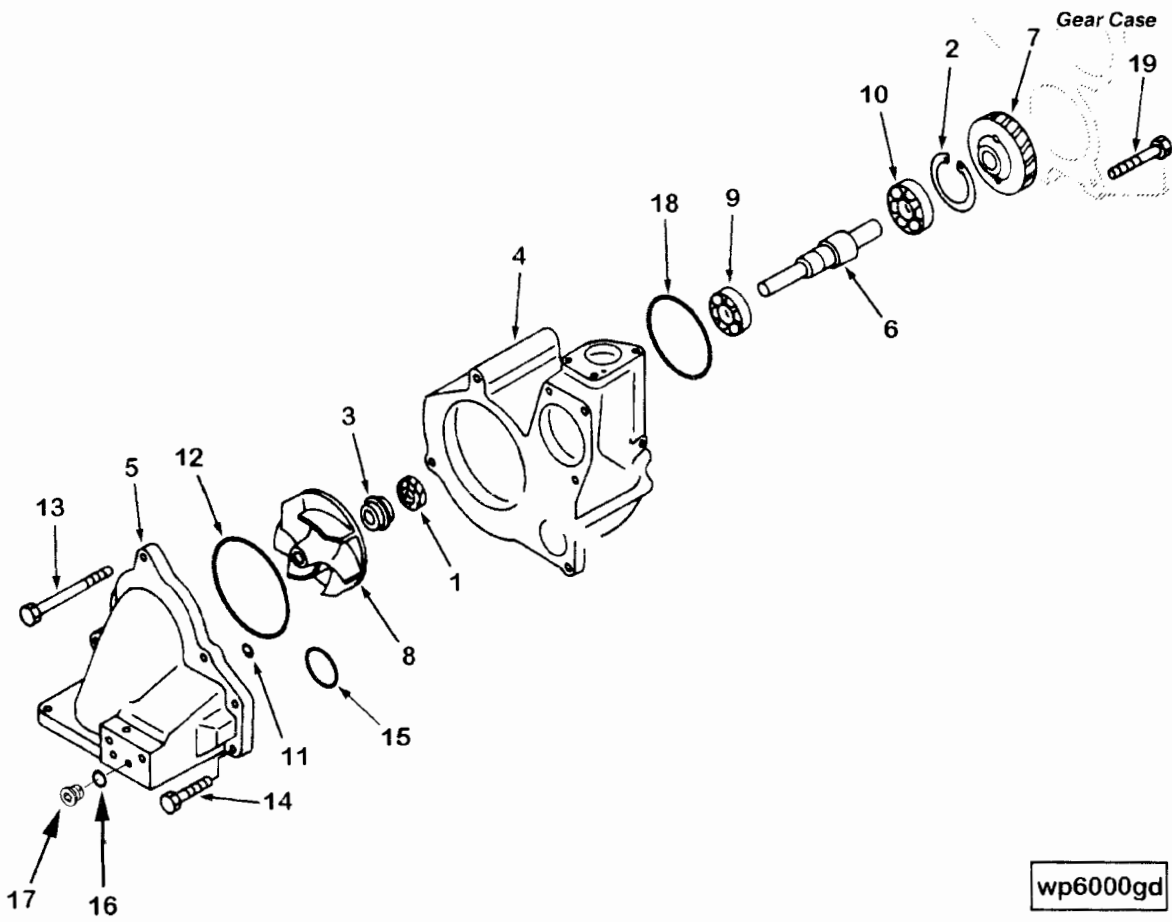


Ref No.	Part Number	Part Name	Req	Remarks
WATER INLET CONNECTION OPTION WI5049				
1	3008470	Plug, Pipe	1	1 inch
2	3008469	Plug, Pipe	1	3/4 - 14
3	3093167	Gasket, Connection	1	
4	3064111	Screw, Hexagon Head Cap	4	M12 x 1.75 x 35
5	3094295	Connection, Water Inlet	1	

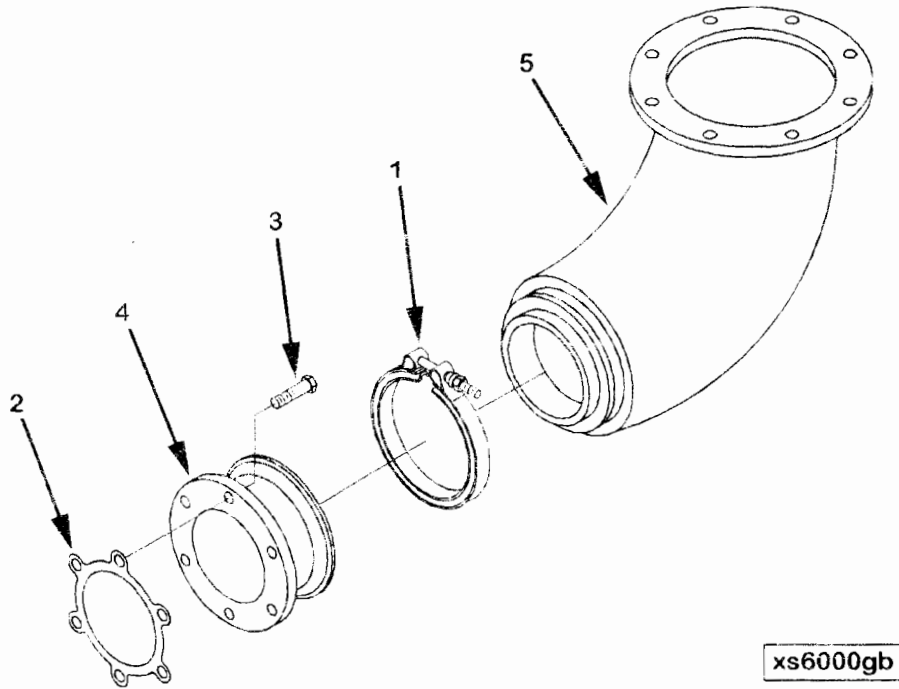
wi6000ga



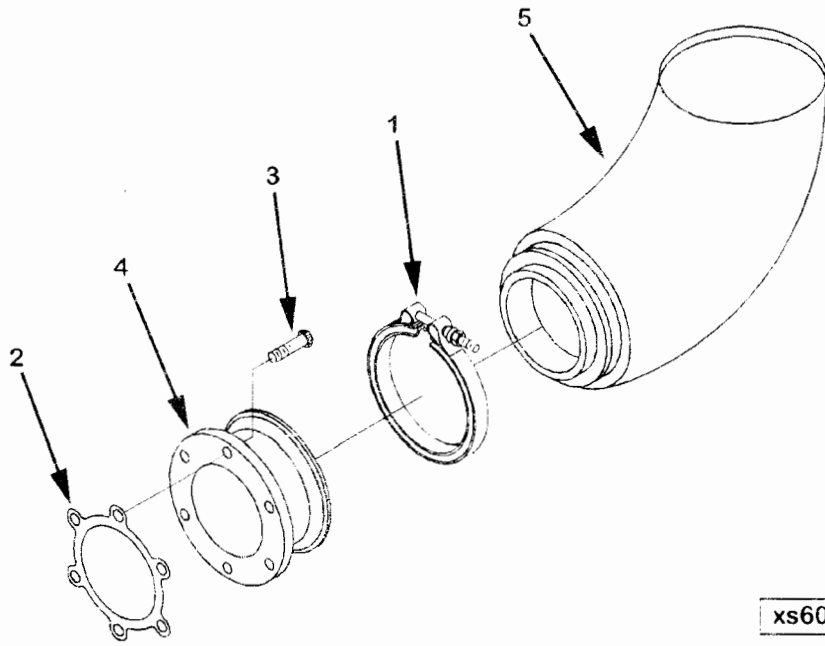
Ref No.	Part Number	Part Name	Req	Remarks
WATER INLET CONNECTION OPTION WI5050				
				Water Inle O.D.: 127 MM Distance: Back from FFOB: 50.5 MM Over from Crank Centerline: 325.2 MM Down from Crank Centerline: 331.9 MM Water Inlet Height: 133 MM 90 degree ASA flange type connection pointing forward.
1	S 962	Plug, Pipe	1	1 NPT
2	S 995	Plug, Pipe	1	3/4 NPT
3	3094519	Gasket, Water Header Cover	3	
4	3064111	Screw, Hexagon Head Cap	4	M12 x 1.75 x 35
5	3094047	Connection, Water Inlet	1	



Ref No.	Part Number	Part Name	Req	Remarks
		WATER PUMP OPTION WP5701		
				Gear Drive: Yes Lift capability: 7 PSI minimum inlet pressure Maximum pressure: 28.5 PSI
	3800322	Kit, Water Pump	1	
	(3092618)	Pump, Water	1	
1	3092366	Seal, Oil	1	
2	3092419	Ring, Retaining	1	
3	3092348	Seal, Water Pump	1	
4	3092619	Body, Water Pump	1	
5	3094897	Cover, Water Pump	1	
6	3093088	Shaft, Water Pump	1	
7	3093089	Gear, Water Pump	1	
8	3092349	Impeller, Water Pump	1	
9	3093723	Bearing, Ball	1	
10	3093724	Bearing, Ball	1	
11	3093725	Seal, O Ring	1	
12	3093726	Seal, O Ring	1	
13	3093727	Screw, Hexagon Head Cap	2	M12 x 1.75 x 65
14	3093728	Screw, Hexagon Head Cap	2	M12 x 1.75 x 30
15	3094485	Seal, O Ring	1	
	3678921	Plug, Threaded	3	M14
16	3678912	Seal, O Ring	1	
17	(3678922)	Plug, Threaded	1	
18	3092262	Seal, O Ring	1	
19	3093770	Screw, Hexagon Head Cap	2	M12 x 1.75 x 10
	3800322	Kit, Water Pump	1	Minor
	3092262	Seal, O Ring	1	
	3093153	Gasket, Wtr Trf Connection	1	
	3093167	Gasket, Connection	1	
	(3092618)	Pump, Water	1	
	3094531	Seal, O Ring	1	
	3094539	Seal, O Ring	2	
	3094540	Seal, O Ring	1	
	3800312	Kit, Water Pump Repair	1	Major
	3092349	Impeller, Water Pump	1	
	3093088	Shaft, Water Pump	1	



Ref No.	Part Number	Part Name	Req	Remarks
EXHAUST OUTLET CONNECTION OPTION XS5028				
				Location of Exhaust Outlet: Rear Out FFOB: 852.4mm Front Out FFOB: TBD Flange Loc Vertical From Crank: 971.5 Flange Loc Horizontal From Crank: RB: 125mm & LB: 185mm Exhaust Outlet Dia: 149.4mm (5.88 in) Quantity: 2 Type: Flange /90 degrees Exhaust Flange: No. of Bolts: 8 Bolt Size: 11.2mm Bolt Circle: 182.63mm
1	201989	Clamp, V Band	2	
2	3011876	Gasket, Turbocharger	2	
3	3094731	Screw, Twelve Point Cap	12	M10 x 1.50 x 25
4	3094048	Adapter, Exhaust Outlet	2	
5	3179979	Connection, Exhaust Outlet	2	



Ref No.	Part Number	Part Name	Req	Remarks
		EXHAUST OUTLET CONNECTION OPTION XS5029		Location of Exhaust Outlet: Rear Out FFOB: Right Bank: 950.4mm 852.4mm Front Out FFOB: TBD Flange Loc Vertical From Crank: TBD Flange Loc Horizontal From Crank: TBD Exhaust Outlet Dia: 152.4mm (6.0 in) Quantity: 2 Type: Slip on/ Elbow
1	201989	Clamp, V Band	2	
2	3011876	Gasket, Turbocharger	2	
3	3094731	Screw, Twelve Point Cap	12	
4	3094048	Adapter, Exhaust Outlet	2	
5	3179978	Connection, Exhaust Outlet	2	

Group No. 17.02

- Gasket Sets

Ref No.	Part Number	Part Name	Req	Remarks
		UPPER ENGINE GASKET SET		
	3804718	Set, Upper Engine Gasket		
	3011876	Gasket, Turbocharger	2	
	3066211	Seal, O Ring	2	
	3092470	Gasket, Intake	24	
	3092471	Gasket, Exhaust	12	
	3092478	Seal, O Ring	12	
	3092480	Gasket, Rocker Lever	12	
	3092484	Gasket, Rocker Lever	12	
	3092486	Gasket, Cylinder	12	
	3092543	Seal, Injector	12	
	3092596	Gasket, Connection	2	
	3092604	Gasket, Turbocharger	2	
	3092613	Seal, O Ring	4	
	3092617	Gasket, Water Trans Conn	12	
	3092730	Gasket, Water Trans Conn	2	
	3093153	Gasket, Water Trans Conn	1	
	3093167	Gasket, Connection	1	
	3093781	Seal, O Ring	1	
	3093834	Seal, O Ring	4	
	3093984	Gasket, Cover	2	
	3094014	Seal, O Ring	4	
	3094045	Seal, O Ring	2	
	3094178	Seal, O Ring	12	
	3202117	Gasket, Connection	2	
	3751948	Seal, O Ring	1	
		SINGLE HEAD GASKET SET		
	3804722	Set, Single Head Gasket		
	3092470	Gasket, Intake	2	
	3092471	Gasket, Exhaust	1	
	3092478	Seal, O Ring	1	
	3092480	Gasket, Rocker Lever	1	
	3092484	Gasket, Rocker Lever	1	
	3092486	Gasket, Cylinder	1	
	3092543	Seal, Injector	1	
	3092596	Gasket, Connection	2	
	3093950	Washer, Sealing	3	
	3093980	Washer, Sealing	2	
	3094178	Seal, O Ring	2	

Ref No.	Part Number	Part Name	Req	Remarks
		LOWER ENGINE GASKET SET		
	3804719	Set, Lower Engine Gasket		
	43696 A	Seal, O Ring	2	
	70415	Seal, O Ring	1	
	145528	Seal, O Ring	2	
	145581	Seal, O Ring	1	
	145586	Seal, O Ring	1	
	3014449	Gasket, Flange	1	
	3040817	Seal, O Ring	2	
	3089240	Seal, O Ring	1	
	3092075	Seal, O Ring	4	
	3092252	Seal, O Ring	2	
	3092262	Seal, O Ring	2	
	3092399	Seal, Thermostat	3	
	3092410	Gasket, Filter	4	
	3092411	Gasket, Filter	4	
	3092438	Seal, O Ring	2	
	3092713	Gasket, Thermostat	1	
	3092714	Gasket, Thermostat	1	
	3092715	Gasket, Cover	3	
	3092792	Gasket, Cover	1	
	3092812	Seal, Oil	1	
	3092816	Gasket, Gear	1	
	3092817	Gasket, Gear	1	
	3092821	Seal, Oil	1	
	3092825	Gasket, Flywheel	1	
	3092855	Gasket, Oil Pan	1	
	3092859	Gasket, Camshaft	12	
	3092863	Gasket, Camshaft	2	
	3093000	Gasket, Bypass	1	
	3093019	Seal, Grommet	2	
	3093055	Seal, O Ring	14	
	3093099	Gasket, Lube Oil	2	
	3093155	Seal, O Ring	2	
	3093170	Seal, O Ring	1	
	3093171	Seal, O Ring	1	
	3093180	Seal, O Ring	2	
	3093505	Gasket, Cover	1	
	3093725	Seal, O Ring	1	
	3093726	Seal, O Ring	1	
	3093801	Seal, O Ring	1	
	3093808	Seal, O Ring	2	
	3093809	Seal, O Ring	4	
	3093811	Seal, O Ring	1	
	3093829	Seal, O Ring	2	
	3093844	Washer, Sealing	2	
	3093863	Washer, Sealing	3	
	3093945	Seal, O Ring	1	
	3093950	Washer, Sealing	48	
	3093963	Seal, O Ring	1	
	3093964	Seal, O Ring	1	
	3093980	Washer, Sealing	30	
	3094031	Gasket, Cover	1	
	3094092	Seal, O Ring	2	
	3094281	Gasket, Cover	1	
	3094323	Seal, O Ring	2	
	3094519	Gasket, Water	3	
	3678606	Seal, O Ring	1	
	3678846	Seal, O Ring	1	
	3678912	Seal, O Ring	1	
	3678925	Seal, O Ring	1	
	3679139	Seal, O Ring	1	
	3913994	Seal, O Ring	1	

Repair Kits And Sets

Ref No.	Part Number	Part Name	Req	Remarks
		REPAIR KITS AND SETS		
		PISTON RING SET		
	3804708	Set, Piston Ring		
		ENGINE PISTON KIT		
	3800364	Kit, Engine Piston		Right Bank (large)
		ENGINE PISTON KIT		
	3800363	Kit, Engine Piston		Left Bank (small)
		ENGINE PISTON KIT		
	3804709	Kit, Engine Piston		Right Bank (large)
		ENGINE PISTON KIT		
	3804710	Kit, Engine Piston		Left Bank (small)
		CYLINDER LINER KIT		
	3804711	Kit, Cylinder Liner		Left Bank (small)
		CYLINDER LINER KIT		
	3804712	Kit, Cylinder Liner		Right Bank (large)
		MAIN BEARING SET		
	3804713	Set, Main Bearing		
		WATER PUMP REPAIR KIT		
	3804716	Kit, Water Pump Repair		Minor
		WATER PUMP REPAIR KIT		
	3804717	Kit, Water Pump Repair		Major
		TURBOCHARGER KIT		
	3802867	Kit, Turbocharger	2	
		TURBOCHARGER KIT		
	3802868	Kit, Turbocharger	2	
		TURBOCHARGER KIT		
	3800396	Kit, Turbocharger	2	

Group No. 17.02

Repair Kits And Sets

Ref No.	Part Number	Part Name	Req	Remarks
	3800286	TURBOCHARGER KIT Kit, Turbocharger	2	
	3800694	TURBOCHARGER KIT Kit, Turbocharger	2	
	3804718	UPPER ENGINE GASKET SET Set, Upper Engine Gasket		
	3804719	LOWER ENGINE GASKET SET Set, Lower Engine Gasket		
	3804721	SEAL KIT Kit, Seal		
	3804722	SINGLE HEAD GASKET SET Set, Single Head Gasket		
	3804723	INTAKE VALVE KIT Kit, Intake Valve		
	3804729	EXHAUST VALVE KIT Kit, Exhaust Valve		

Option Index

Option No.	Description	Page No.
BB5701	Cam Follower	8
	Crankshaft	4
	Cylinder Block	3
	Gear Housing	7
BR5702	Crankcase Breather	11
CB5001	Engine Barring Drive	12
CB5002	Engine Barring Drive	12
CB5003	Engine Barring Drive	12
CM5701	Cam Follower Cover	13
DA5078	Vibration Damper	14
DA5079	Vibration Damper	14
DA5080	Vibration Damper	15
DF5701	Front Gear Train Accessory	16
DP5703	Fuel Pump Drive	19
EH5004	Alternator Mounting	20
EH5705	Alternator Drive Pulley	21
EM5075	Front Engine Support	22
EO5001	Signal Generating Device	23
FA5057	Fan Drive Arrangement	25
FF5065	Fuel Filter	29
FF5068	Fuel Filter	29
FF5745	Fuel Filter Plumbing	31
FH5031	Flywheel Housing	32
FH5703	Flywheel Housing Plumbing	33
FP50022	Fuel Injection Pump	35
FP50023	Fuel Injection Pump	35
FP50027	Fuel Injection Pump	37
FS5024	Fuel System Accessories	38
FT5707	Fuel Plumbing	41
FW5050	Flywheel	42
GG5703	Front Gear Cover	45
GG5704	Front Gear Cover	47
HD5024	Auxiliary Pump	49
IC5701	Air Intake Connection	50
IT5701	Air Transfer Connection	51
LA5701	Lifting Bracket	52
LC5701	Engine Oil Cooler	55
LF5058	Full Flow Oil Filter	57
LG5010	Oil Level Gauge	58
LP5701	Lube Oil Pump	61
OB5042	Cylinder Block Cover	62
OF5020	Oil Bypass Filter	65
OP5133	Oil Pan	67
OP5713	Oil Pan Plumbing	68
PH5703	Engine Control Module	71
PH5705	Engine Control Module	71
PH5706	Engine Control Module	71
PH5707	Engine Control Module	71
PH5708	Engine Control Module	71
PH5709	Engine Control Module	71
PH5710	Engine Control Module	71
PH5711	Engine Control Module	71
PP2276	Camshaft And Gear	74
	Connecting Rod And Piston	73
	Cylinder Head	77

Option No.	Description	Page No.
	Injector	79
	Injector Fuel Supply Tube	81
	Turbocharger	85
	Vent Tube	82
PP2277	Camshaft And Gear	74
	Connecting Rod And Piston	73
	Cylinder Head	77
	Injector	79
	Injector Fuel Supply Tube	81
	Turbocharger	87
	Vent Tube	82
PP2366	Camshaft And Gear	74
	Connecting Rod And Piston	73
	Cylinder Head	77
	Injector	79
	Injector Fuel Supply Tube	81
	Turbocharger	85
	Vent Tube	82
PP2499	Camshaft And Gear	74
	Connecting Rod And Piston	73
	Cylinder Head	77
	Injector	79
	Injector Fuel Supply Tube	81
	Turbocharger	85
	Vent Tube	82
PP2548	Camshaft And Gear	74
	Connecting Rod And Piston	73
	Cylinder Head	77
	Injector	79
	Injector Fuel Supply Tube	81
	Turbocharger	85
	Vent Tube	82
PP2606	Camshaft And Gear	74
	Connecting Rod And Piston	73
	Cylinder Head	77
	Injector	79
	Injector Fuel Supply Tube	81
	Turbocharger	89
	Vent Tube	82
PU5001	Accessory Drive Pulley	91
PE5002	Rear Engine Support	92
PE5003	Rear Engine Support	93
PL5701	Rocker Lever	95
PB5001	Electric Starting Accessor	96
PH5701	Heat Shield	97
PM5702	Starting Motor Mounting	98
PF5002	Fan Pilot Spacer	99
B5701	Aftercooler	101
B5702	Aftercooler	103
B5712	Exhaust Manifold	104
B5715	Air Crossover Connection	107
B5716	Air Crossover Connection	109
B5717	Auxiliary Cooling System	111
B5718	Exhaust Manifold	112
B5719	Air Crossover Connection	115
B5720	Aftercooler	117

Option No.	Description	Page No.
TB5721	Aftercooler	119
TH5008	Thermostat Housing	121
TP5702	Turbocharger Plumbing	123
TP5705	Turbocharger Plumbing	125
VC5701	Rocker Lever	126
WA5701	Aftercooler Water Plumbing	129
WA5704	Aftercooler Wtr. Plumbing	130
WF5021	Corrosion Resistor	131
WH5701	Oil Cooler Water Plumbing	133
WI5049	Water Inlet Connection	134
WI5050	Water Inlet Connection	135
WP5701	Water Pump	137
XS5028	Exhaust Outlet Connection	138
XS5029	Exhaust Outlet Connection	139

INDEX

Part No.	Description	Page No.	Part No.	Description	Page No.
S 106	Screw, Hexagon Head Cap	20	206505	Bearing, Roller	25
S 113	Screw, Hexagon Head Cap	20	206506	Nut, Lock	25
S 162 A	Screw, Hexagon Head Cap	25	206507	Pilot, Fan	25
S 224	Nut, Heavy Hexagon	96	206519	Spacer, Bearing	25
S 249	Nut, Regular Hexagon Jam	25	206520	Ring, Retaining	25
S 253	Nut, Regular Hexagon Jam	20	207603	Cover, Water Conn	25
S 306	Key, Plain Woodruff	12	214345	Draincock	111
S 600	Washer, Lock	96	3000174	Hub, Spline Coupling	49
S 603	Washer, Lock	12, 25, 98	3002993	Dowel, Ring	25
S 604	Washer, Lock	25	3003343	Beil, V Ribbed	25
S 608	Washer, Lock	25, 99	3003354	Bearing, Roller	25
S 610	Washer, Lock	25, 27	3003440	Support, Flywheel Housing	92
S 622	Washer, Plain	25	3004057	Nut, Lock	25
S 626	Washer, Plain	25	3008018	Absorber, Schock	25
S 631	Washer, Plain	96	3008465	Plug, Pipe	130
S 640	Washer, Plain	25	3008466	Plug, Pipe	41
S 911 B	Plug, Pipe	111, 129	3008469	Plug, Pipe	134
S 962 E	Draincock	3	3008470	Plug, Pipe	134
S 962	Plug, Pipe	135	3009475	Shaft, Pivot	27
S 2268	Fitting, Grease	22, 27	3009477	Sleeve	27
S 16144	Seal, O Ring	111	3009480	Pulley, Idler	25
8306	Pin, Roll	131	3009481	Shaft, Idler	25
9539	Hose, Plain	111	3009482	Bracket, Idler Pulley	25
43696 A	Seal, O Ring	141	3010151	Screw, Hexagon Head Cap	12
43828 C	Clamp, Hose	111	3010636	Head, Fuel Filter	65
62182	Cover, Starter Flange	98	3011876	Gasket, Turbocharger	138, 139, 140
63241 A	Hose, Plain	111	3014449	Gasket, Flange	25, 141
65434	Spacer, Mounting	25	3016478	Clip	71
67950	Clip	111	3016766	Pulley, Idler	25
68171	Pin, Roll	27	3016787	Seal, Oil	45, 47
68368 B	Spacer, Mounting	97	3018924	Wire, Ground	71
69771	Screw, Socket Head Cap	25	3019416	Spring, Torsion	27
69911 A	Clip	71	3021470	Screw, Captive Washer Cap	25
70415	Seal, O Ring	131, 141	3023499	Cap, Idler Lever	27
70897	Nut, Lock	20	3025458	Plug, Pipe	107, 109, 115
103306	Plug, Pipe	133	3027935	Decal	62
106221	Clip	71	3030207	Retainer, Dipstick	58
107981	Cap, Filler	62	3031518	Shaft, Fan Hub	25
108172	Seal, O Ring	58	3031519	Hub, Fan	25
124507	Gear, Flywheel Ring	42	3033043	Screw, Hexagon Head Cap	111
127454	Washer, Plain	27	3033405	Head, Fuel Filter	65
129768	Spring, Valve	41	3034451	Housing, Actuator	41
129839	Shield, Shutoff Valve	41	3035806	Washer, Plain	20
145528	Seal, O Ring	131, 141	3036230	Screw, Hexagon Head Cap	111
145581	Seal, O Ring	27, 141	3037219	Insert, Filter Head	65
145586	Seal, O Ring	25, 141	3040815	Plug, Threaded	65
153581	Screw, Twelve Point Cap	25	3040817	Seal, O Ring	141
158829	Screw, Hexagon Head Cap	20	3043487	Clamp, Hose	111, 129
159607	Spacer, Fan Pilot	99	3050692	Switch, Magnetic	96
169834	Clip	12	3054609	Solenoid	41
185747	Seal, Oil	25	3056009	Disc, Actuator	41
185804	Screw, Hexagon Head Cap	27	3059278	Union, Male	41
196057	Disc, Valve	41	3062483	Bracket, Magnetic Switch	96
200819	Disc, Bypass	57	3063809	Clamp, T Bolt	51, 115
201351	Clamp, Wire Tie	65, 71	3064106	Screw, Hexagon Head Cap	11, 29, 55, 57, 61, 71, 82, 97, 133
201989	Clamp, V Band	138, 139			
203518	Washer, Plain	35, 37, 95			
204069	Plate, Cover	49	3064111	Screw, Hexagon Head Cap	14, 15, 25, 49, 134, 135
204263	Clip	71			
204493	Isolator, Vibration	96	3065830	Seal, Oil	25
205168	Washer, Plain	25	3065944	Screw, Captive Washer Cap	41
205375	Screw, Twelve Point Cap	25	3066211	Seal, O Ring	107, 109, 140
206090	Ring, Retaining	12	3067370	Hose, Plain	51
206091	Gear, Engine Barring	12	3084829	Plug, Pipe	104, 112
206092	Spring, Compression	12	3089238	Plug, Threaded	57, 121
206093	Housing, Engine Barring	12	3089239	Plug, Threaded	57, 121
206202	Nut, Jam	20	3089240	Seal, O Ring	57, 121, 141

INDEX

Part No.	Description	Page No.	Part No.	Description	Page No.
189567	Plug, Threaded	121	3092363	Screw, Round Head Cap	95
189568	Plug, Threaded	121	3092366	Seal, Oil	137
190295	Union, Male	41	3092374	Ball	8
192001	Shim	55, 61	3092377	Stud	104, 112
192021	Spacer	123, 125	3092381	Shaft, Lube Oil Pump	61
192026	Spacer, Mounting	82	3092384	Bushing	61
192032	Valve, Check	41	3092388	Clip	107, 109, 115, 123, 125
192039	Injector	79			
192040	Plug, O Ring	111	3092396	Plug, Expansion	77
192040	Plug, O Ring	130	3092398	Support, Water Pump	49
192041	Plate, Clamping	111	3092399	Seal, Thermostat	121, 141
192057	Clip	119	3092406	Screw, Twelve Point Cap	14
192059	Clip	119	3092407	Rivet	95
192066	Hose, Flexible	31	3092408	Nut, Regular Hexagon	95
192067	Hose, Flexible	31	3092410	Gasket, Filter	141
192075	Seal, O Ring	141	3092411	Gasket, Filter	141
192078	Spring, Compression	57	3092419	Ring, Retaining	137
192092	Hose, Flexible	31	3092426	Clamp, Tube	81
192093	Hose, Flexible	31	3092427	Clamp, Tube	81
192094	Hose, Flexible	41	3092438	Seal, O Ring	57, 141
192095	Hose, Flexible	31	3092459	Guide, Valve Crosshead	77
192096	Hose, Flexible	31	3092460	Sleeve	77
192098	Hose, Flexible	41	3092461	Insert, Valve	77
192103	Screw, Banjo Connector	41	3092463	Screw, Twelve Point Cap	77
192114	Thermostat	121	3092470	Gasket, Intake Manifold	101, 103, 117, 119, 140
192116	Cover, Gear	47			
192118	Hose, Flexible	41	3092471	Gasket, Exhaust Manifold	104, 112, 140
192134	Heater, Intake Air	119	3092475	Housing, Rocker Lever	95
192137	Tube, Injector Fuel Supply	81	3092476	Housing, Rocker Lever	95
192138	Tube, Injector Fuel Supply	81	3092478	Seal, O Ring	79, 140
192139	Tube, Injector Fuel Supply	81	3092480	Gasket, Rkr Lever Housing	95, 140
192140	Tube, Injector Fuel Supply	81	3092481	Cover, Rocker Lever	126
192141	Tube, Injector Fuel Supply	81	3092484	Gasket, Rkr Lever Housing	126, 140
192142	Tube, Injector Fuel Supply	81	3092486	Gasket, Cylinder Head	77, 140
192145	Screw, Hexagon Head Cap	7	3092487	Dowel, Pin	3
192149	Bracket, Cable	101, 103, 117, 119	3092488	Bushing	3
			3092491	Seal, O Ring	3
192252	Seal, O Ring	11, 141	3092492	Seal, O Ring	3
192253	Clamp, Spring Hose	11	3092493	Seal, Rectangular Ring	3, 3
192254	Clamp, Spring Hose	11	3092494	Breather, Crankcase	11
192255	Hose, Flexible	11	3092495	Bushing	7
192262	Seal, O Ring	19, 49, 62, 91, 137, 141	3092496	Gear, Camshaft	74
			3092497	Plate, Thrust Bearing	74
192263	Connection, Water Outlet	121	3092499	Lever, Cam Follower	8
192282	Nut, Regular Hexagon	81, 85	3092500	Lever, Cam Follower	8
192283	Washer, Plain	42	3092501	Roller, Cam Follower	8
192287	Dowel, Pin	3	3092502	Pin, Cam Follower Roller	8
192288	Dowel, Pin	7	3092503	Shaft, Cam Follower	8
192290	Bushing	91	3092504	Dowel, Ring	35
192291	Bearing, Thrust	91	3092505	Screw, Cam Follower Shaft	8
192300	Clamp, Tube	31	3092506	Shaft, Cam Follower	8
192327	Module, Electronic Control	71	3092507	Rod, Push	95
192328	Module, Electronic Control	71	3092508	Spring, Valve	77
192329	Module, Electronic Control	71	3092509	Spring, Valve	77
192333	Hose, Plain	11	3092510	Retainer, Valve Spring	77
192334	Spacer, Mounting	41	3092511	Guide, Valve Spring	77
192337	Seal, O Ring	37	3092513	Lever, Rocker	95
192339	Spacer, Mounting	31, 41	3092514	Lever, Rocker	95
192344	Collet, Valve	77	3092515	Lever, Rocker	95
192345	Plug, Threaded	32, 33	3092519	Shaft, Rocker Lever	95
192346	Bushing	61	3092521	Lever, Rocker	95
192347	Bushing	61	3092523	Bushing	95
192348	Seal, Water Pump	137	3092524	Collar, Thrust	95
192349	Impeller, Water Pump	137	3092525	Lever, Rocker	95
192353	Clip	58	3092527	Lever, Rocker	95
192361	Plate, Cover	47	3092528	Bushing	95
192362	Socket, Cam Follower	8	3092529	Support, Rocker Lever	95

INDEX

Part No.	Description	Page No.	Part No.	Description	Page No.
3092530	Crosshead, Valve	95	3092710	Hose, Flexible	125
3092531	Screw, Crosshead Adjusting	95	3092711	Tube, Vent	82
3092533	Manifold, Exhaust	112	3092712	Screw, Banjo Connector	82
3092534	Manifold, Exhaust	112	3092713	Gasket, Thermostat Housing	121, 141
3092535	Connection, Air Crossover	115	3092714	Gasket, Thermostat Housing	121, 141
3092536	Connection, Air Crossover	115	3092715	Gasket, Cover Plate	121, 141
3092538	Seal, O Ring	55	3092716	Shield, Heat	126
3092541	Washer, Injector Clamping	79	3092717	Liner, Cylinder	3
3092542	Clamp, Injector	79	3092718	Liner, Cylinder	3
3092543	Seal, Injector	79, 140	3092730	Gasket, Aftercooler Hsg	101, 103, 117, 119, 140
3092545	Screw, Banjo Connector	41			
3092547	Head, Fuel Filter	29	3092780	Block, Cylinder	3
3092552	Screw, Twelve Point Cap	95	3092781	Cap, Main Bearing	3
3092553	Plug, Expansion	3	3092782	Cap, Main Bearing	3
3092557	Head, Cylinder	77	3092783	Cap, Main Bearing	3
3092558	Tube, Injector Fuel Supply	79	3092784	Cover, Water Header	133
3092559	Sleeve, Spline Coupling	111	3092786	Screw, Twelve Point Cap	3
3092560	Pipe, Air Inlet	107, 109	3092788	Plate, Cover	16
3092564	Nozzle, Piston Cooling	3	3092791	Assy., Air Intake Manifold	117, 119
3092565	Nozzle, Piston Cooling	3	3092792	Gasket, Cover Plate	133, 141
3092569	Ring, Compression Ring	73	3092799	Screw, Hex Flange Head	
3092570	Ring, Compression Ring	73		Cap	117, 119
3092571	Ring, Oil Piston	73	3092800	Screw, Hex Flange Head	
3092572	Pin, Piston	73		Cap	117, 119
3092573	Bushing	73	3092803	Pointer, Timing	45, 47
3092580	Nut, Regular Hexagon	73	3092805	Drive, Accessory	91
3092585	Guide, Valve Stem	77	3092806	Support, Accessory Drive	91
3092596	Gasket, Connection	107, 109, 115, 140	3092807	Shaft, Accessory Drive	91
			3092808	Hub, Accessory Drive	91
3092597	Spacer, Mounting	101, 103, 117	3092809	Gear, Accessory Drive	91
3092603	Tube, Oil Gauge	58	3092810	Clamp, Tube	111
3092604	Gasket, Turbocharger	85, 140	3092811	Clamp, Tube	111
3092606	Piston, Engine	73	3092812	Seal, Oil	91, 141
3092607	Piston, Engine	73	3092813	Tube, Water Transfer	111
3092608	Seal, Valve Stem	77	3092816	Gasket, Gear Cover	45, 47, 141
3092609	Gear, Lube Oil Pumping	61	3092817	Gasket, Gear Housing	7, 141
3092610	Gear, Lube Oil Pumping	61	3092818	Connection, Air Intake	50
3092611	Core, Cooler	55	3092819	Connection, Air Transfer	51
3092613	Seal, O Ring	101, 103, 130, 140	3092820	Connection, Air Intake	51
			3092821	Seal, Oil	32, 141
3092614	Connection, Water Transfer	129	3092825	Gasket, Flywheel Housing	32, 141
3092615	Connection, Water Transfer	129	3092835	Bracket, Connection	51
3092617	Gasket, Wtr Trf Connection	111, 117, 119, 129, 140	3092836	Bracket, Connection	51
			3092837	Bracket, Connection	50
3092618	Pump, Water	137	3092838	Bracket, Connection	50
3092619	Body, Water Pump	137	3092842	Bushing	58
3092632	Connection, Air Crossover	107, 109	3092855	Gasket, Oil Pan	67, 141
3092633	Connection, Air Crossover	107, 109	3092858	Cover, Camshaft	13
3092639	Injector	79	3092859	Gasket, Camshaft Cover	13, 141
3092640	Module, Electronic Control	71	3092860	Cover, Camshaft	13
3092657	Manifold, Exhaust	104, 112	3092861	Cover, Camshaft	74
3092658	Manifold, Exhaust	104, 112	3092863	Gasket, Camshaft Cover	74, 141
3092659	Manifold, Exhaust	104	3092877	Bearing, Main	4
3092660	Manifold, Exhaust	104	3092878	Bearing, Main	4
3092676	Module, Engine Control	71	3092879	Bearing, Main	4
3092681	Spacer, Mounting	104, 112	3092880	Bearing, Main	4
3092682	Tube, Tur Oil Drain	125	3092881	Bearing, Thrust	4
3092683	Tube, Tur Oil Drain	125	3092887	Plug, Expansion	62
3092684	Nut, Regular Hexagon	95	3092902	Manifold, Water	111
3092687	Shield, Heat	97	3092903	Connection, Water Transfer	111
3092691	Brace, Manifold	111	3092904	Tube, Water Transfer	111
3092694	Brace, Manifold	111	3092905	Connection, Water Transfer	111
3092700	Housing, Thermostat	121	3092906	Tube, Water Transfer	111
3092701	Case, Thermostat Housing	121	3092907	Connection, Water Transfer	111
3092703	Plate, Cover	121	3092908	Connection, Water Transfer	111
3092707	Tube, Vent	82	3092909	Tube, Water Transfer	111
3092709	Tube, Vent	82	3092910	Tube, Water Transfer	111

INDEX

Part No.	Description	Page No.	Part No.	Description	Page No.
3092911	Bracket, Retaining Brace	31	3093152	Retainer, Tube	121
3092921	Crankshaft, Engine	4	3093153	Gasket, Wtr Trf Connection	121, 137, 140
3092923	Gear, Crankshaft	4	3093154	Connection, Water Transfer	129
3092925	Adapter, Crankshaft	15	3093155	Seal, O Ring	3, 111, 129, 130, 141
3092930	Screw, Twelve Point Cap	15			
3092932	Rod, Engine Connecting	73	3093158	Connection, Water Transfer	129
3092933	Rod, Engine Connecting	73	3093159	Plate, Cover	117, 119, 129
3092934	Cap, Conn Rod Bearing	73	3093160	Hose, Plain	129
3092935	Rod, Engine Connecting	73	3093161	Connection, Water Transfer	129
3092936	Rod, Engine Connecting	73	3093167	Gasket, Connection	134, 137, 140
3092937	Cap, Conn Rod Bearing	73	3093170	Seal, O Ring	141
3092938	Screw, Connecting Rod	73	3093171	Seal, O Ring	141
3092939	Washer, Plain	73	3093177	Connection, Water Bypass	121
3092940	Bearing, Connecting Rod	73	3093180	Seal, O Ring	141
3092953	Bushing	7	3093183	Connection, Water Transfer	129
3092954	Gear, Idler	7	3093184	Connection, Water Transfer	129
3092955	Gear, Idler	7	3093307	Clamp, Tube	123, 125
3092956	Gear, Idler	7	3093324	Clamp, Tube	81
3092957	Gear, Idler	7	3093330	Tube, Fuel Supply	31
3092959	Shaft, idler	7	3093332	Tube, Fuel Drain	31
3092960	Retainer, Gear	7	3093336	Tube, Fuel Drain	41
3092961	Gear, Idler	7	3093337	Tube, Fuel Drain	41
3092962	Gear, Idler	7	3093338	Tube, Fuel Drain	41
3092971	Camshaft	74	3093339	Tube, Lube Oil Supply	35
3092972	Gear, Camshaft	74	3093340	Tube, Lube Oil Drain	35
3092974	Camshaft	74	3093343	Tube, Lube Oil Drain	35
3092984	Pump, Lube Oil	61	3093345	Tube, Lube Oil Drain	35
3092985	Body, Lube Oil Pump	61	3093349	Support, Fuel Pump	35
3092986	Body, Lube Oil Pump	61	3093505	Gasket, Cover	141
3092987	Gear And Shaft	61	3093516	Bracket, Switch	119
3092988	Gear, Lube Oil Pumping	61	3093517	Bracket, Switch	119
3092989	Shaft, Lube Oil Pump	61	3093518	Cable, Engine Heater	119
3092990	Gear, Lube Oil Pumping	61	3093519	Cable, Engine Heater	119
3092991	Cover, Lube Oil Pump	61	3093604	Gasket, Turbocharger	104, 112
3092992	Cover, Lube Oil Pump	61	3093632	Spacer, Mounting	11
3092994	Valve, Bypass	61	3093702	Pan, Oil	67
3092995	Body, Bypass Valve	61	3093704	Tube, Lube Oil Suction	67
3092996	Screw, Hexagon Head Cap	104, 112	3093706	Bracket, Oil Tube	67
3092997	Plunger, Bypass Valve	55, 61	3093712	Flywheel	42
3092998	Retainer, Spring	61	3093713	Flywheel	42
3092999	Spring, Compression	61	3093717	Core, Aftercooler	103
3093000	Gasket, Bypass Valve	61, 141	3093719	Plug, Pipe	3
3093010	Valve, Bypass	55	3093720	Block, Cylinder	3
3093011	Body, Bypass Valve	55	3093723	Bearing, Ball	137
3093012	Plate, Cover	55	3093724	Bearing, Ball	137
3093013	Valve, Pressure Regulator	55	3093725	Seal, O Ring	91, 137, 141
3093014	Spring Compression	55	3093726	Seal, O Ring	137, 141
3093015	Plug, Retainer	55	3093727	Screw, Hexagon Head Cap	137
3093016	Spring, Valve	55	3093728	Screw, Hexagon Head Cap	7, 49, 91, 137
3093017	Plug, Retainer	55	3093729	Damper, Vibration	14, 15
3093018	Plate, Cover	57	3093731	Dowel, Pin	14, 15
3093019	Seal, Grommet	57, 141	3093734	Screw, Hexagon Head Cap	81
3093025	Tube, Filter	57	3093735	Screw, Hexagon Head Cap	81
3093026	Tube, Filter	57	3093736	Screw Hexagon Head Cap	55
3093031	Piston, Engine	73	3093739	Screw, Hexagon Head Cap	31
3093032	Piston, Engine	73	3093741	Screw, Hexagon Head Cap	11, 62, 71, 111, 129
3093055	Seal, O Ring	141			
3093057	Tube, Tur Oil Drain	123	3093742	Screw, Hexagon Head Cap	3, 45, 47, 55, 62, 111, 121, 123, 125, 129, 130
3093058	Tube, Turbo Oil Drain	123			
3093059	Hose, Flexible	123			
3093061	Brace, Hose	95, 115			
3093088	Shaft, Water Pump	137	3093743	Screw, Hexagon Head Cap	20, 29, 57, 67, 81, 123, 125
3093089	Gear, Water Pump	137			
3093093	Cooler, Lube Oil	55	3093744	Screw, Hexagon Head Cap	41, 57, 121
3093096	Plate, Cover	55	3093745	Screw, Hexagon Head Cap	7, 11, 133
3093099	Gasket, Lube Oil Cir Cover	55, 141	3093746	Screw, Hexagon Head Cap	31, 41
3093148	Connection, Water Outlet	133	3093747	Screw, Hexagon Head Cap	57

INDEX

Part No.	Description	Page No.	Part No.	Description	Page No.
3093749	Screw, Hexagon Head Cap	37	3093891	Screw, Flange Head Cap	35, 37
3093750	Screw Hexagon Head Cap	55	3093892	Screw, Hexagon Head Cap	25
3093751	Screw, Hexagon Head Cap	16, 49, 71	3093896	Screw, Hexagon Head Cap	57, 119
3093758	Screw, Hexagon Head Cap	45, 47, 49, 91	3093898	Screw, Hexagon Head Cap	121
3093761	Screw, Hexagon Head Cap	25	3093901	Screw, Hexagon Head Cap	119
3093763	Screw, Hexagon Head Cap	101, 103, 117, 119	3093917	Screw, Hexagon Head Cap	42
3093764	Screw, Hexagon Head Cap	29, 111, 121	3093930	Screw, Hex Flange Head Cap	125
3093765	Screw, Hexagon Head Cap	37, 79	3093931	Screw, Hex Flange Head Cap	19, 57
3093767	Screw, Hexagon Head Cap	37, 101, 103, 117, 119	3093932	Screw, Hex Flange Head Cap	29, 50, 51
3093769	Screw, Hexagon Head Cap	49, 91	3093945	Seal, O Ring	61, 141
3093770	Screw, Hexagon Head Cap	137	3093946	Nut, Regular Hexagon	81
3093771	Screw, Hexagon Head Cap	121	3093947	Nut, Regular Hexagon	31
3093772	Screw, Hexagon Head Cap	45, 47	3093950	Washer, Sealing	13, 35, 45, 47, 49, 57, 140, 141
3093774	Screw, Hexagon Head Cap	25			
3093775	Screw, Hex Flange Head Cap	61			
3093776	Bushing	61	3093951	Screw, Hexagon Head Cap	92, 93
3093777	Dowel, Pin	73	3093955	Washer, Plain	92, 93
3093778	Washer, Plain	14, 15, 19, 27, 49, 71, 121	3093958	Support, Fan	25
3093781	Seal, O Ring	77, 140	3093959	Pulley, Crankshaft	14
3093782	Plug, Expansion	77	3093960	Bracket, Idler Pulley	27
3093784	Dowel, Pin	3, 77	3093961	Draincock	133
3093785	Ring, Retaining	73	3093963	Seal, O Ring	62, 141
3093786	Screw, Twelve Point Cap	74	3093964	Seal, O Ring	58, 141
3093787	Key, Plain Woodruff	74	3093965	Nut, Tube	58
3093789	Screw, Twelve Point Cap	77	3093966	Plug, Expansion	62
3093793	Core, Aftercooler	101	3093967	Plug, Expansion	7, 45, 47
3093799	Washer, Plain	31, 41, 67, 97, 101, 103, 117, 119	3093970	Dowel, Pin	3, 45, 47
3093801	Seal, O Ring	67, 141	3093971	Plug, Threaded	45, 47, 49, 57
3093802	Screw, Hex Flange Head Cap	51	3093972	Screw, Hexagon Head Cap	45, 47
3093805	Screw, Hex Flange Head Cap	57	3093973	Screw, Hex Flange Head Cap	101, 103
3093808	Seal, O Ring	55, 57, 141	3093974	Screw, Hex Flange Head Cap	101, 103
3093809	Seal, O Ring	57, 141	3093978	Bracket, Lifting	27
3093811	Seal, O Ring	49, 55, 57, 141	3093980	Washer, Sealing	41, 140, 141
3093813	Seal, O Ring	55	3093982	Support, Front Engine	22
3093817	Seal, O Ring	55, 111	3093983	Plate, Cover	117, 119, 129
3093822	Gasket, Oil Pan	67	3093984	Gasket, Cover Plate	117, 119, 129, 140
3093823	Gasket, Oil Pan	67	3094005	Plate, Clamping	129
3093824	Gasket, Oil Pan	67	3094008	Nozzle, Injector	79
3093825	Gasket, Oil Pan	67	3094010	Washer, Plain	19
3093826	Screw, Hex Flange Head Cap	65	3094011	Nut, Regular Hexagon	19
3093828	Nut, Hexagon Flange	37	3094014	Seal, O Ring	19, 140
3093829	Seal, O Ring	57, 141	3094020	Screw, Banjo Connector	31, 35, 41
3093830	Screw, Hexagon Head Cap	45, 47	3094024	Washer, Plain	3, 11, 71, 123, 125, 131
3093834	Seal, O Ring	107, 109, 140	3094025	Retainer, Gear	7
3093838	Screw, Hexagon Head Cap	35, 37, 55	3094027	Key, Plain Woodruff	4
3093839	Screw, Hexagon Head Cap	55	3094028	Plug, Expansion	3, 57
3093842	Screw, Hexagon Head Cap	32	3094029	Washer, Plain	3
3093843	Washer, Plain	32	3094030	Washer, Ground	57
3093844	Washer, Sealing	141	3094031	Gasket, Cover	141
3093860	Housing, Thermostat	121	3094032	Screw, Hex Flange Head Cap	37
3093862	Plug, Threaded	121	3094034	Bracket, Filter	29
3093863	Washer, Sealing	31, 35, 38, 41, 121, 141	3094040	Plate, Cover	57
3093875	Dowel, Pin	95	3094041	Head, Lube Oil Filter	57
3093877	Plug, Expansion	95	3094042	Plug, Threaded	57
3093879	Washer, Plain	19, 95	3094043	Clamp, V Band	107, 109
3093882	Lever, Rocker	95	3094044	Connector, Male	125
3093889	Screw, Hexagon Head Cap	41, 61	3094045	Seal, O Ring	123, 125, 140
			3094047	Connection, Water Inlet	135
			3094048	Adapter, Exhaust Outlet	138, 139

INDEX

Part No.	Description	Page No.	Part No.	Description	Page No.
3094049	Connector, Male	125	3094407	Support, Fuel	19
3094050	Nut, Hexagon Flange	55	3094408	Support, Fuel	19
3094063	Tube, Water Transfer	121	3094409	Screw, Hexagon Head Cap	81
3094064	Plug, Expansion	3	3094412	Tube, Breather	11
3094065	Washer, Sealing	82	3094435	Pump, Fuel Injection	37
3094067	Pulley, Alternator	21	3094436	Pump, Fuel Injection	37
3094068	Pulley, Accessory Drive	91	3094439	Module, Electronic Control	71
3094069	Elbow, Male Union	65	3094440	Module, Engine Control	71
3094070	Bracket, Filter	65	3094441	Connector, Female	35
3094087	Hose, Flexible	65	3094443	Adapter, Plain	35
3094088	Pad, Wear	65	3094444	Union, Male	35
3094092	Seal, O Ring	65, 141	3094445	Adapter, Plug	3, 111, 130
3094093	Elbow, Male Union	65	3094450	Bushing	49
3094094	Hose, Flexible	65	3094451	Bearing, Thrust	49
3094095	Union, Male	65	3094453	Support, Accessory Drive	49
3094123	Head, Lube Oil Filter	57	3094454	Gear, Accessory Drive	49
3094129	Seal, O Ring	57	3094456	Seal, O Ring	49
3094141	Module, Engine Control	71	3094460	Support, Accessory Drive	49
3094145	Tube, Fuel Supply	31	3094461	Shaft, Accessory Drive	49
3094146	Tube, Fuel Drain	41	3094462	Plate, Thrust Bearing	49
3094147	Plate, Cover	133	3094467	Support, Flywheel Housing	93
3094153	Manifold, Fuel	41	3094469	Harness, Wiring	71
3094154	Manifold, Fuel	41	3094470	Harness, Wiring	71
3094157	Valve, Intake	77	3094471	Connector, Female	35
3094158	Valve, Exhaust	77	3094485	Seal, O Ring	137
3094159	Insert, Valve	77	3094491	Cover, Aftercooler	101, 103, 103, 117, 119
3094160	Union, Male	123, 125			
3094161	Union, Male	123, 125	3094492	Manifold, Air Intake	101, 103, 103, 117, 119
3094163	Pulley, Crankshaft	14			
3094176	Ring, Retaining	8	3094493	Aftercooler	103
3094178	Seal, O Ring	79, 140	3094494	Aftercooler	103
3094179	Bracket, Lifting	52	3094495	Aftercooler	101
3094185	Hose, Flexible	41	3094496	Aftercooler	101
3094186	Clip	41	3094505	Connection, Water Transfer	129
3094188	Screw, Banjo Connector	41	3094508	Screw, Hexagon Head Cap	117, 119, 129
3094189	Head, Cylinder	77	3094510	Screw, Hexagon Head Cap	129
3094190	Head, Cylinder	77	3094512	Screw, Hex Flange Head Cap	50, 107, 109, 115
3094209	Shaft, Fuel Pump	19			
3094211	Adapter, Spline	19	3094513	Screw, Hex Flange Head Cap	107, 111
3094212	Sleeve, Spline	19	3094514	Screw, Hex Flange Head Cap	50, 107, 109, 115
3094233	Body, Injector	79			
3094280	Plate, Cover	121			
3094281	Gasket, Cover Plate	121, 141	3094519	Gasket, Water Header Cover	133, 135, 141
3094288	Dipstick	58			
3094292	Injector	79	3094520	Screw, Twelve Point Cap	35, 37
3094295	Connection, Water Inlet	134	3094521	Screw, Twelve Point Cap	61, 95
3094296	Bracket, Retaining Brace	19	3094522	Screw, Twelve Point Cap	95
3094297	Bracket, Retaining Brace	19	3094523	Screw, Twelve Point Cap	95
3094298	Bushing	19	3094524	Screw, Twelve Point Cap	61
3094300	Plate, Thrust	19	3094525	Screw, Hex Flange Head Cap	95
3094301	Plate, Thrust	19	3094526	Screw, Twelve Point Cap	3
3094303	Gear, Fuel Pump	13	3094531	Seal, O Ring	133, 137
3094304	Hub, Fuel Pump	19	3094532	Screw, Hexagon Head Cap	74, 129, 133
3094305	Cover, Gear	45	3094533	Screw, Hexagon Head Cap	7
3094306	Plate, Cover	45, 47, 62	3094534	Screw, Hexagon Head Cap	19, 67, 133
3094322	Cover, Lube Oil Cooler	55	3094536	Screw, Hexagon Head Cap	131
3094323	Seal, O Ring	55, 141	3094539	Seal, O Ring	121, 137
3094335	Spacer, Mounting	19	3094540	Seal, O Ring	133, 137
3094339	Seal, O Ring	45, 47	3094561	Injector	79
3094343	Nut, Regular Hexagon	19	3094562	Nozzle, Injector	79
3094345	Seal, O Ring	57	3094563	Screw, Hexagon Head Cap	129
3094362	Housing, Gear	7	3094567	Screw, Twelve Point Cap	93
3094385	Tube, Oil Filler	62	3094572	Seal, Rectangular Ring	41
3094389	Screw, Banjo Connector	35	3094578	Housing, Flywheel	32
3094395	Union, Male	65			
3094404	Bracket, Filter	29			
3094406	Key, Plain Woodruff	19			

INDEX

Part No.	Description	Page No.	Part No.	Description	Page No.
3094591	Bracket, Pump	37	3201185	Bolt, Eye	20
3094593	Bracket, Pump	37	3201186	Bolt, Eye	20
3094653	Pump, Fuel Injection	35	3201187	Link, Adjusting	20
3094654	Pump, Fuel Injection	35	3201188	Link, Adjusting	20
3094667	Seal, Rectangular Ring	41	3201209	Decal	15
3094668	Support, Fuel	19	3201739	Shaft, Barring	12
3094669	Support, Fuel	19	3201740	Drive, Engine Barring	12
3094675	Manifold, Fuel (tia)	41	3202117	Gasket, Connection	85, 89, 123, 125, 140
3094677	Manifold, Fuel (tia)	41			
3094691	Support, Fuel Pump	35	3202223	Screw, Hexagon Head Cap	99
3094694	Bracket, Alternator	20	3313304	Element, Fuel Filter	29
3094722	Tube, Breather	11	3313306	Element, Fuel Filter	29
3094731	Screw, Twelve Point Cap	138, 139	3315226	Decal	29
3094735	Bearing, Thrust	3, 19	3315230	Decal	29
3094755	Adapter, Spline	19	3318318	Resistor, Corrosion	131
3094756	Strainer, Fuel	38	3335076	Washer, Bevel	29, 57
3094786	Plate, Cover	45	3417474	Screw, Captive Washer Cap	67
3094788	Shaft, Idler	7	3502449	Seal, Rectangular Ring	89
3094789	Connection, Oil Transfer	57	3504959	Clamp, V Band	85, 87
3094790	Connection, Oil Transfer	57	3504967	Washer, Plain	87, 89
3094792	Connection, Oil Transfer	57	3518130	Housing, Turbine	85
3094813	Screw, Hex Flange Head Cap	57	3519155	Shield, Turbocharger Heat	85, 87
			3519163	Screw, Drive	85, 87, 89
3094814	Screw, Hex Flange Head Cap	57	3519535	Nut, Lock	85, 87, 89
			3519623	Collar, Thrust	89
3094815	Screw, Hex Flange Head Cap	57	3519627	Bearing, Turbocharger	89
			3519641	Ring, Retaining	39
3094816	Ring, Retaining	19	3519762	Gasket, Turbocharger	87
3094817	Screw, Hex Flange Head Cap	19	3519763	Gasket, Turbocharger	87
			3519783	Shield, Turbocharger Heat	89
3094818	Seal, O Ring	45, 47	3519805	Gasket, Turbocharger	87
3094821	Tube, Fuel Drain	41	3519807	Gasket, Turbocharger	87
3094822	Tube, Fuel Drain	41	3521225	Screw, Hexagon Head Set	89
3094836	Washer, Sealing	57	3521441	Seal, Split Ring	85, 87
3094842	Nut, Regular Hexagon	19	3521442	Seal, Split Ring	85, 87, 89
3094858	Pump, Water	111	3522597	Pin, Roll	89
3094878	Tube, Injector Fuel Supply	81	3522904	Lockplate	89
3094879	Tube, Injector Fuel Supply	81	3523412	Seal, Split Ring	89
3094880	Tube, Injector Fuel Supply	81	3523980	Slinger, Oil	89
3094881	Tube, Injector Fuel Supply	81	3524418	Shim	89
3094882	Tube, Injector Fuel Supply	81	3524419	Baffle, Oil	89
3094883	Tube, Injector Fuel Supply	81	3525073	Screw, Hexagon Head Set	89
3094892	Nut, Regular Hexagon	19	3525562	Dataplate	87
3094897	Cover, Water Pump	137	3527619	Dataplate	85, 89
3094903	Elbow, Tube Connector	111	3528118	Hose, Plain	87
3094909	Belt, V Ribbed	21	3528121	Coupling, Elbow Hose	87
3094911	Bracket, Filter	57	3528177	End, Adjusting Link	87
3094924	Plug, Expansion	45, 47	3528204	Nut, Lock	87
3094932	Screw, Hexagon Head Cap	91	3528221	Ring, Retaining	87
3094933	Screw, Hexagon Head Cap	31	3528414	Nut, Regular Hexagon Jam	87
3094934	Screw, Hexagon Head Cap	25, 52	3529372	Nut, Regular Hexagon	85, 87, 89
3094935	Screw, Hexagon Head Cap	79	3531776	Collar, Thrust	85, 87
3094937	Nut, Regular Hexagon	115, 123, 125	3531916	Slinger, Oil	85, 87
3094939	Nut, Regular Hexagon	67	3531917	Plate, Oil Seal	85, 87
3096153	Sensor, Temperature	71	3532045	Clamp, V Band	85, 87
3175452	Head, Water Filter Assy	131	3532195	Spacer, Mounting	87
3175453	Head, Corrosion Resistor	131	3532501	Baffle, Oil	85, 87
3177040	Shaft, Shutoff Valve	131	3532593	Diffuser, Turbocharger	89
3177125	Support, Pivot Shaft	27	3532617	Clamp, V Band	89
3177127	Lever, Idler	27	3532940	Screw, Hexagon Head Set	87
3177128	Sieve, Wear	27	3533025	Shaft And Wheel	85, 87
3177129	Bearing, Thrust	27	3533202	Bearing, Turbo Thrust	85, 87
3177130	Lever, Idler	27	3533328	Bracket, Actuator	87
3178563	Pulley, Fan	25	3534650	Impeller, Turbo Compressor	85, 87
3178988	Gasket, Turbocharger	89	3535215	Clamp, Hose	87
3179978	Connection, Exhaust Outlet	139	3535771	Impeller, Tur Compressor	89
3179979	Connection, Exhaust Outlet	138	3535980	Shaft & Wheel	89

INDEX

Part No.	Description	Page No.	Part No.	Description	Page No.
3536001	Housing, Compressor	85	3804708	Set, Piston Ring	73, 142
3536070	Housing, Compressor	85	3804709	Kit, Engine Piston	73, 142
3536802	Housing, Turbo Bearing	85, 87	3804710	Kit, Engine Piston	73, 142
3536914	Bearing, Tur Thrust	89	3804711	Kit, Cylinder Liner	3, 142
3538028	Housing, Turbine	87	3804712	Kit, Cylinder Liner	3, 142
3538029	Turbocharger	87	3804713	Set, Main Bearing	4, 142
3538201	Housing, Tur Bearing	39	3804716	Kit, Water Pump Repair	142
3538603	Actuator, Turbocharger	87	3804717	Kit, Water Pump Repair	142
3539931	Housing, Compressor	89	3804718	Set, Upper Engine Gasket	140, 143
3545577	Kit, Turbocharger Gasket	87	3804719	Set, Lower Engine Gasket	141, 143
3590096	Turbocharger	85	3804721	Kit, Seal	143
3590224	Housing, Compressor	85	3804722	Set, Single Head Gasket	140, 143
3590257	Turbocharger	85	3804723	Kit, Intake Valve	143
3591174	Housing, Compressor	87	3804729	Kit, Exhaust Valve	143
3591213	Turbocharger	85	3826824	Decal	131
3591819	Housing, Turbine	89	3863131	Screw, Banjo Connector	35, 82
3592062	Turbocharger	89	3863703	Screw, Hex Flange Head Cap	107, 109, 115, 123, 125
3600596	Screw, Twelve Point Cap	98			
3600861	Clip	41			
3609867	Dataplate	71	3865337	Sensor, Pressure	71
3627681	Spacer, Bearing	25	3865346	Sensor, Temperature	71
3627750	Hose, Plain	115	3865349	Sensor, Speed	23, 71
3628104	Screw, Hexagon Head Cap	27	3865373	Sensor, Pressure	71
3628604	Plug, Pipe	25, 131	3883212	Additive, Anti Coolant	131
3678605	Plug, Threaded	3, 67, 133	3889310	Element, Lube Oil Filter	57
3678606	Seal, O Ring	3, 67, 133, 141	3889311	Element, Oil Bypass Filter	65
3678611	Plug, Threaded	3, 67, 133	3889381	Decal	57
3678838	Plug, Threaded	68	3889382	Decal	65
3678845	Plug, Threaded	68	3892253	Tag, Instruction	62
3678846	Seal, O Ring	68, 141	3896826	Screw, Hexagon Head Cap	98
3678912	Seal, O Ring	35, 68, 71, 101, 103, 117, 121, 125, 137, 141	3900625	Screw, Hex Flange Head Cap	45, 47
3678921	Plug, Threaded	68, 101, 103, 117, 121, 137	3900626	Screw, Hex Flange Head Cap	45, 47
3678922	Plug, Threaded	68, 101, 103, 117, 121, 137	3900635	Screw, Hex Flange Head Cap	19
3678923	Plug, Threaded	3, 19, 45, 49, 57, 77, 91, 101, 103, 121, 133	3903990	Screw, Hexagon Flange Head	13
3678924	Plug, Threaded	3, 19, 45, 49, 57, 77, 91, 101, 103, 121, 133	3909025	Screw, Hex Flange Head Cap	126
3678925	Seal, O Ring	3, 19, 45, 49, 57, 77, 91, 101, 103, 121, 133, 141	3912141	Screw, Hexagon Head Cap	111
3679139	Seal, O Ring	85, 89, 121, 125, 141	3913994	Seal, O Ring	12, 141
3709510	Ring, Retaining	85, 87	3925344	Screw, Hex Flange Head Cap	57, 65
3709749	Gasket, Turbocharger	87			
3718373	Ring, Retaining	85, 87			
3722366	Bearing, Turbocharger	85, 87			
3723863	Ring, Retaining	85, 87			
3751948	Seal, O Ring	85, 87, 140			
3756135	Pin, Roll	85, 87			
3757753	Sleeve, Oil Control	85, 87			
3800286	Kit, Turbocharger	85, 143			
3800312	Kit, Water Pump Repair	137			
3800322	Kit, Water Pump	137			
3800363	Kit, Engine Piston	73, 142			
3800364	Kit, Engine Piston	73, 142			
3800396	Kit, Turbocharger	85, 142			
3800694	Kit, Turbocharger	89, 143			
3802867	Turbocharger	85, 142			
3802868	Turbocharger	87, 142			
3803430	Kits, V Band Clamp	85			

Cummins Customized Parts Catalog

Cummins is pleased to announce the availability of a parts catalog compiled specifically for you. Unlike the generic versions of parts catalogs that support general high volume parts content; Cummins Customized catalogs contains only the new factory parts that were used to build your engine.

The catalog cover, as well as the content, is customized with you in mind. You can use it in your shop, at your worksite, or as a coffee table book in your RV or boat. The cover contains your name, company name, address, and telephone number. Your name and engine model identification even appears on the catalog spine. Everybody will know that Cummins created a catalog specifically for you.

This new catalog was designed to provide you with the exact information you need to order parts for your engine. This will be valuable for customers that do not have easy access to the Cummins Electronic Parts Catalog or the Cummins Parts Microfilm System.

Additional Features of the Customized Catalog include:

- Engine Configuration Data
- Table of Contents
- Separate Option and Parts Indexes
- Service Kits (when applicable)
- ReCon Part Numbers (when applicable)

ORDERING THE CUSTOMIZED PARTS CATALOG

Customers can call Gannett Marketing Services at 1-800-646-5609 and order by credit card. Ask for bulletin 3672139 the Customized Parts Catalog. North American customers can mail in the attached postage pre-paid order card.

ATTENTION: INTERNATIONAL CUSTOMERS (outside U.S.A.) insert the completed Customized Catalog order form in an envelope and mail to the address printed on the order form. Or, use the E-mail address catalog@gdms.com to place an order for a Customized Parts Catalog.

Contact GDMS for the current price; Freight will be an additional expense.

This information is required to provide a Customized Parts Catalog:

- Name
- Street Address
- Company Name (optional)
- Telephone no.
- Credit Card No.
- Cummins Engine Serial Number (located on the engine dataplate)

Unfortunately not all Cummins Engines can be supported by this parts catalog. Engines older than 1984 or newer than 3 months may not have the necessary parts information to compile a catalog. We will contact you if this occurs and explain why we are unable to fill your order.

Customized Parts Catalogs are produced specifically for a single customer. This means they are not returnable for a refund. If we make an error and your catalog is not useable, we will correct that error by sending you a new catalog.



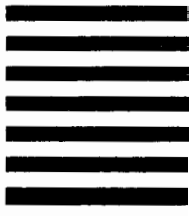
NO POSTAGE
NECESSARY
IF MAILED
IN THE
UNITED STATES

BUSINESS REPLY MAIL

FIRST CLASS PERMIT NO. 15, COLUMBUS INDIANA

-POSTAGE WILL BE PAID BY ADDRESSEE-

CUMMINS ENGINE COMPANY, INC.
MAIL CODE 40905
BOX 3005
COLUMBUS, IN 47202-3005



Cummins Engine Company, Inc.
Box 3005
Columbus, Indiana, U.S.A., 47202

Registered Office
Cummins Engine Company, Ltd.
46-50 Coombe Road
New Malden,
Surrey KT3 4QL,
England
Registration No. 573951 England

Copyright© 1998
Cummins Engine Company