

Parts catalogue

JOHN DEERE

ENGINES

3029TFS70 (TF270)
4045DF270 & TFS70(TF270)
4045HFS72 (HF275)
4045HFS73 (HF279)
4045TF275 & HF475
6068HFS72 (HF275)
6068HFS73 (HF279)
6068HFS76 & 77 (HF475)

**ENGINES FOR GEN-SETS
(TIERII - 2 & 4 VALVE)**



JOHN DEERE

PARTS CATALOG

**ENGINES FOR GEN-SETS
(TIERII - 2 & 4 VALVE)**

PC2477 (May-07) English

John Deere Power Systems

Wordwide Edition

LITHO IN U.S.A. (REVISED)

COPYRIGHT © 2007

DEERE & COMPANY

Moline, Illinois

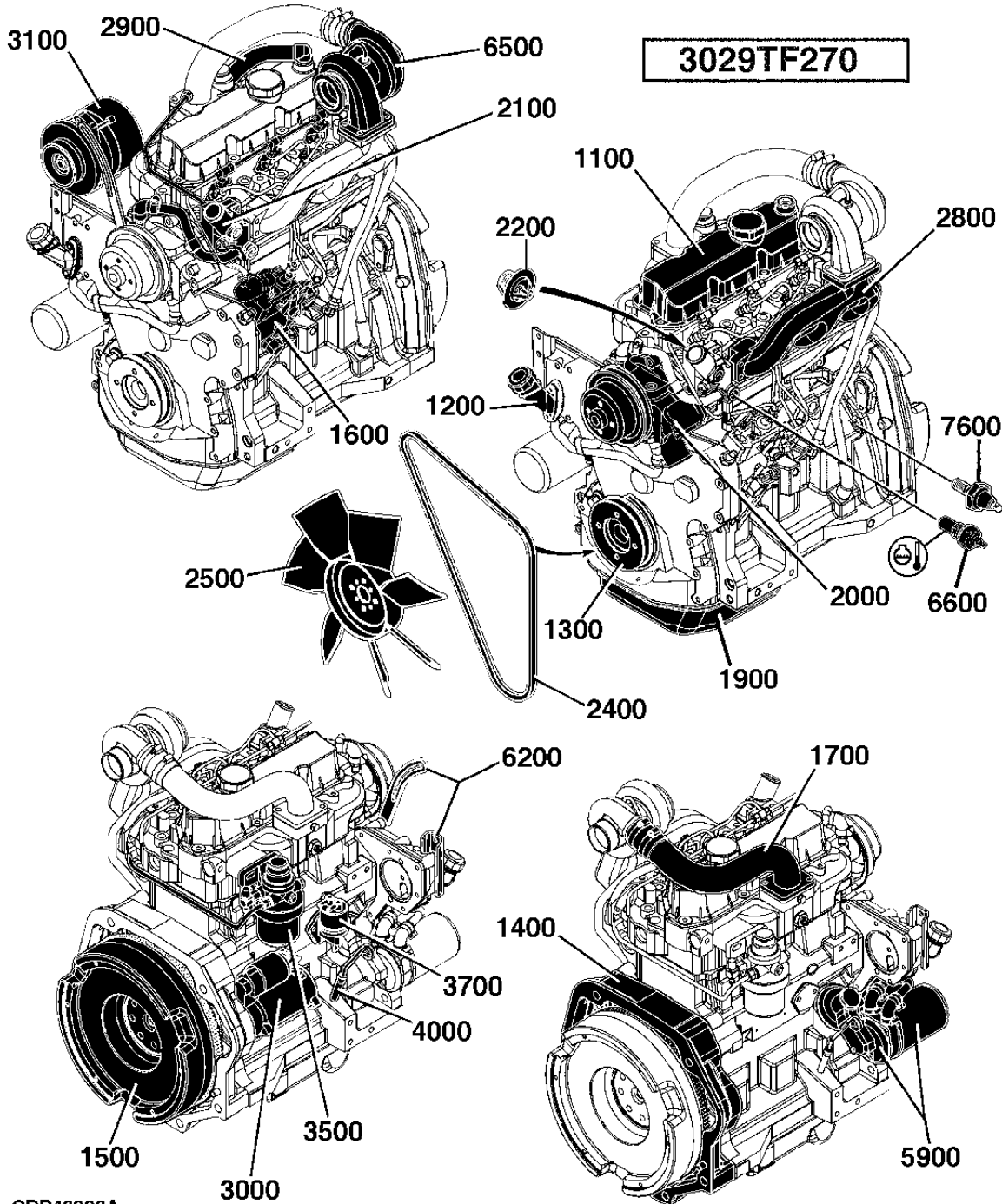
All rights reserved

10-A01

ENGINES FOR GENSETS (3029, 4045 & 6068 TIER2 - 2 & 4 VALVE)

PRIMARY PICTORIAL INDEX
 INDEX PRINCIPAL D'ILLUSTRATION
 HAUPT-BILDINDEX
 INDICE PRINCIPALE ILLUSTRATO
 INDICE PRINCIPAL DE ILLUSTRACIONES
 ILLUSTRERAD HUVUDFOERTECKNING

CDP46926A -UN-



1100-	A01
1200-	A01
1300-	A01
1400-	A01
1500-	A01
1600-	A01
1700-	A01
1900-	A01
2000-	A01
2100-	A01
2200-	A01
2400-	A01
2500-	A01
2800-	A01
2900-	A01
3000-	A01
3100-	A01
3500-	A01
3700-	A01
4000-	A01
5900-	A01
6200-	A01
6500-	A01
6600-	A01
7600-	A01

CDP46926A

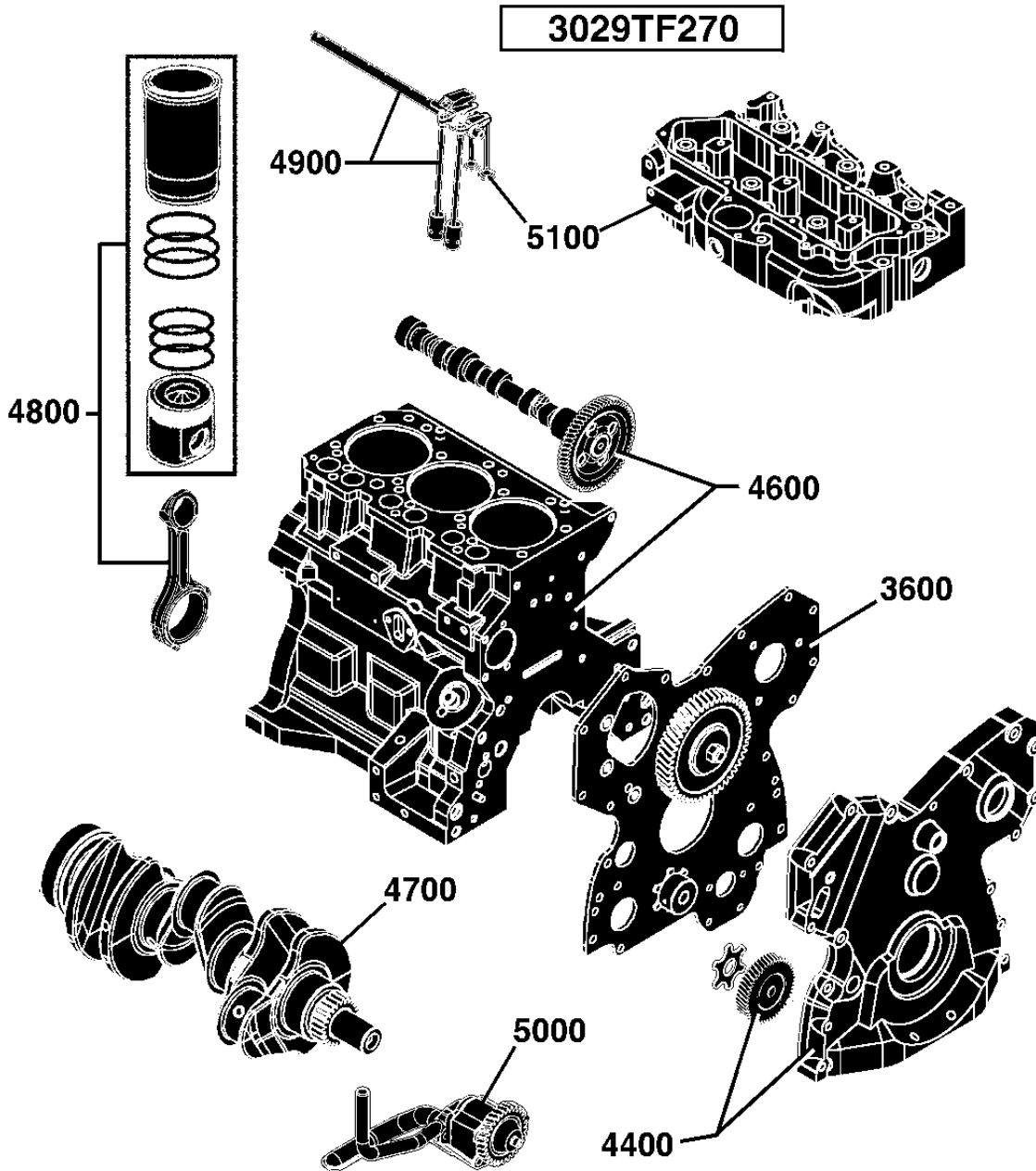
10-A02

ENGINES FOR GENSSETS (3029, 4045 & 6068 TIER2 - 2 & 4 VALVE)

PRIMARY PICTORIAL INDEX
INDEX PRINCIPAL D'ILLUSTRATIONS
HAUPT-BILDINDEX
INDICE PRINCIPALE ILLUSTRATO
INDICE PRINCIPAL DE ILUSTRACIONES
ILLUSTRERAD HUVUDFOERTECKNING

CDP46927A -UN-

3600-	A01
4400-	A01
4600-	A01
4700-	A01
4800-	A01
4900-	A01
5000-	A01
5100-	A01



CDP46927A

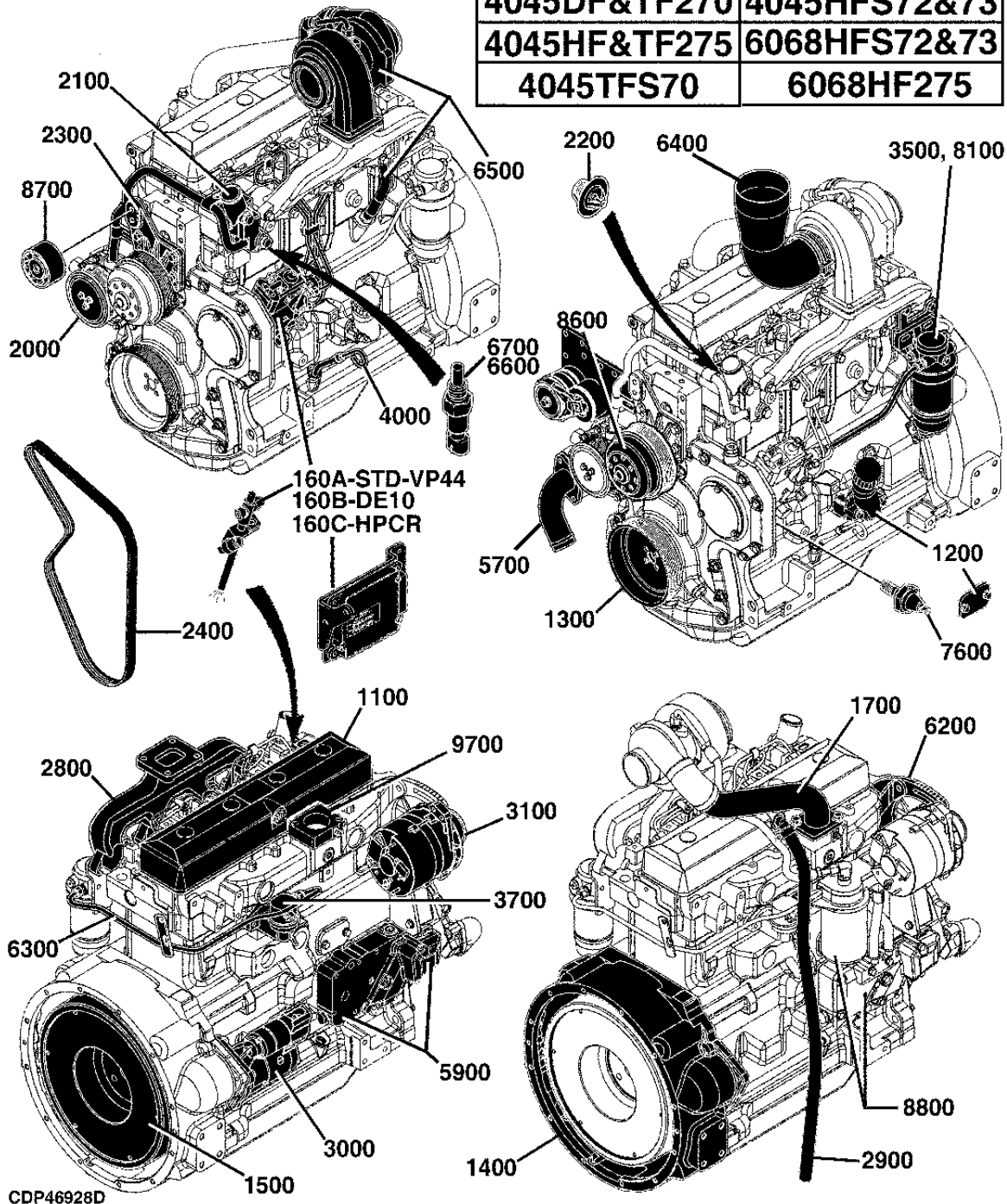
10-A03

ENGINES FOR GENSETS (3029, 4045 & 6068 TIER2 - 2 & 4 VALVE)

PRIMARY PICTORIAL INDEX
 INDEX PRINCIPAL D'ILLUSTRATIONS
 HAUPT-BILDINDEX
 INDICE PRINCIPALE ILLUSTRATO
 INDICE PRINCIPAL DE ILLUSTRACIONES
 ILLUSTRERAD HUVUDFOERTECKNING

CDP46928D -UN-

4045DF&TF270	4045HFS72&73
4045HF&TF275	6068HFS72&73
4045TFS70	6068HF275



1100-	A02
1100-	A04
1200-	A02
1200-	A04
1300-	A02
1400-	A02
1500-	A02
160A-	A02
160B-	A03
160C-	A04
1700-	A02
2000-	A02
2100-	A02
2200-	A02
2300-	A01
2400-	A02
2800-	A02
2900-	A02
3000-	A02
3100-	A02
3500-	A02
3700-	A02
4000-	A02
5700-	A01
5900-	A02
6200-	A02
6200-	A03
6300-	A01
6400-	A01
6500-	A02
6600-	A02
6600-	A03
6700-	A01
7600-	A02
8100-	A01
8600-	A01
8700-	A01
8800-	A01
9700-	A01

CDP46928D

10-A04

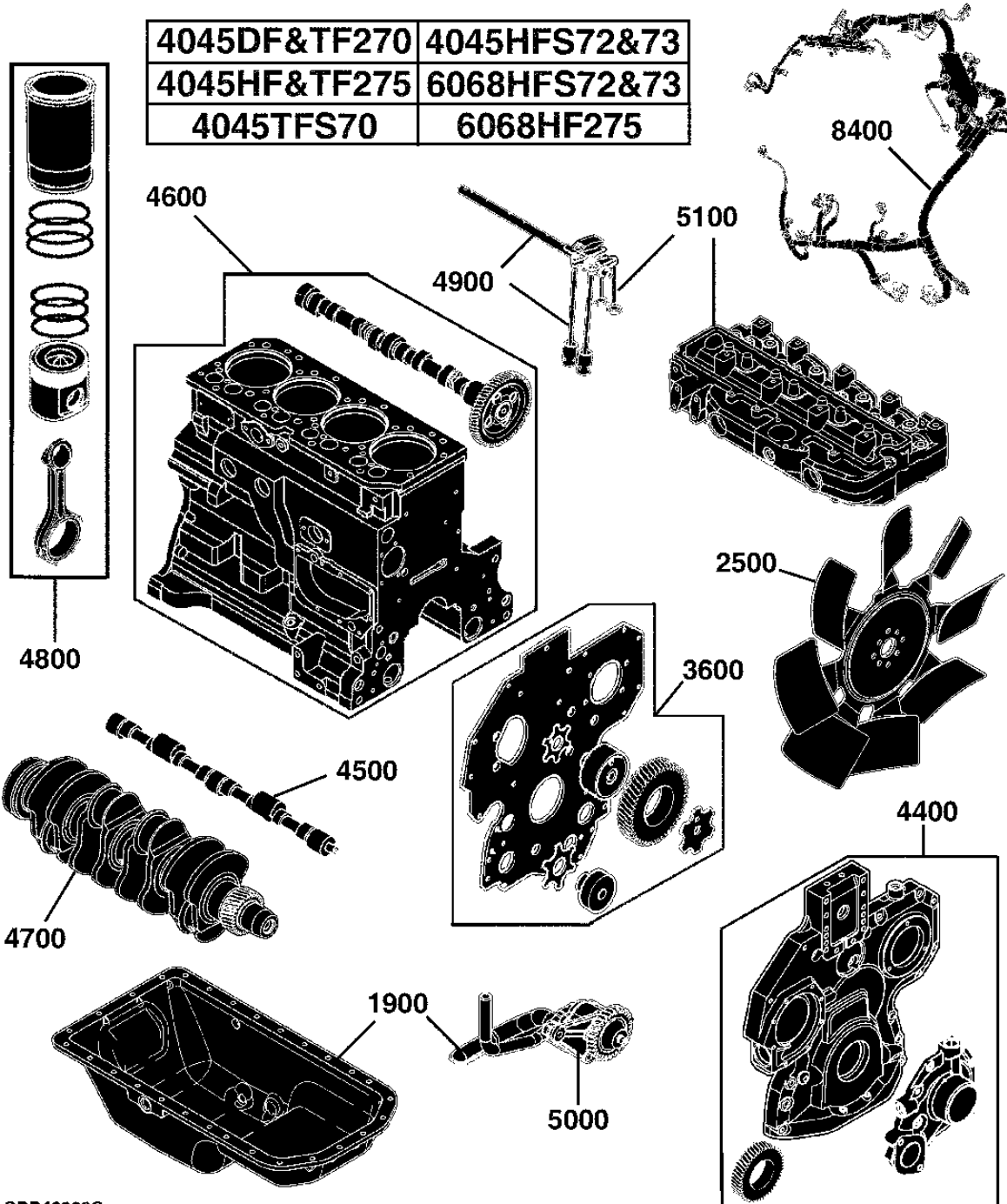
ENGINES FOR GENSETS (3029, 4045 & 6068 TIER2 - 2 & 4 VALVE)

PRIMARY PICTORIAL INDEX
 INDEX PRINCIPAL D'ILLUSTRATIONS
 HAUPT-BILDINDEX
 INDICE PRINCIPALE ILLUSTRATO
 INDICE PRINCIPAL DE ILLUSTRACIONES
 ILLUSTRERAD HUVUDFOERTECKNING

CDP46929C -UN-

4045DF&TF270	4045HFS72&73
4045HF&TF275	6068HFS72&73
4045TFS70	6068HF275

1900-	A02
2500-	A02
3600-	A02
4400-	A02
4500-	A01
4600-	A02
4700-	A02
4800-	A02
4900-	A02
5000-	A02
5100-	A02
8400-	A01



CDP46929C

10-A05

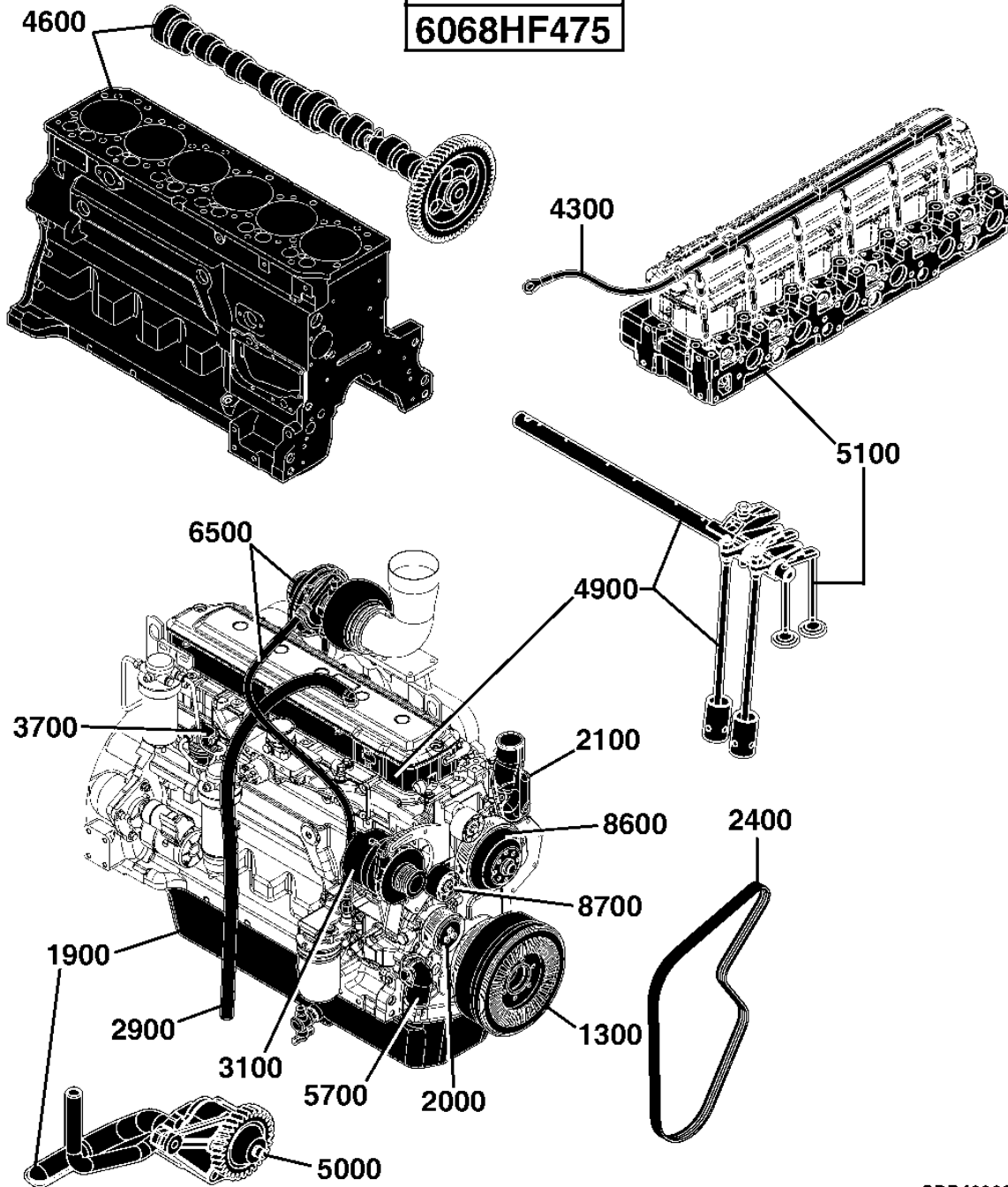
ENGINES FOR GENSETS (3029, 4045 & 6068 TIER2 - 2 & 4 VALVE)

PRIMARY PICTORIAL INDEX
 INDEX PRINCIPAL
 HAUPTINDEX
 INDICE PRINCIPALE
 INDICE DE MATERIAS
 HUVUDFORTECKNING

CDP46930A -UN-

4045HF475
6068HF475

1300-	A03
1900-	A03
2000-	A03
2100-	A03
2400-	A03
2900-	A03
3100-	A03
3700-	A03
4300-	A01
4600-	A03
4900-	A03
5000-	A03
5100-	A03
5700-	A02
6500-	A03
8600-	A02
8700-	A02



CDP46930A

10-A06

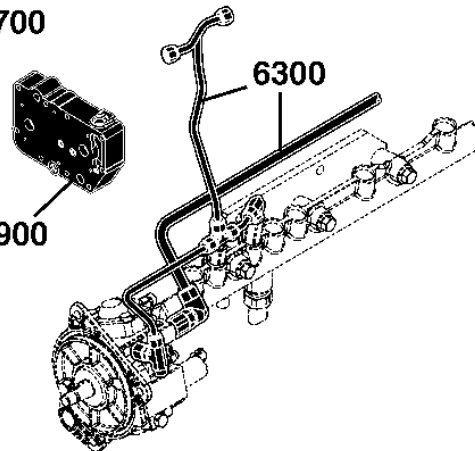
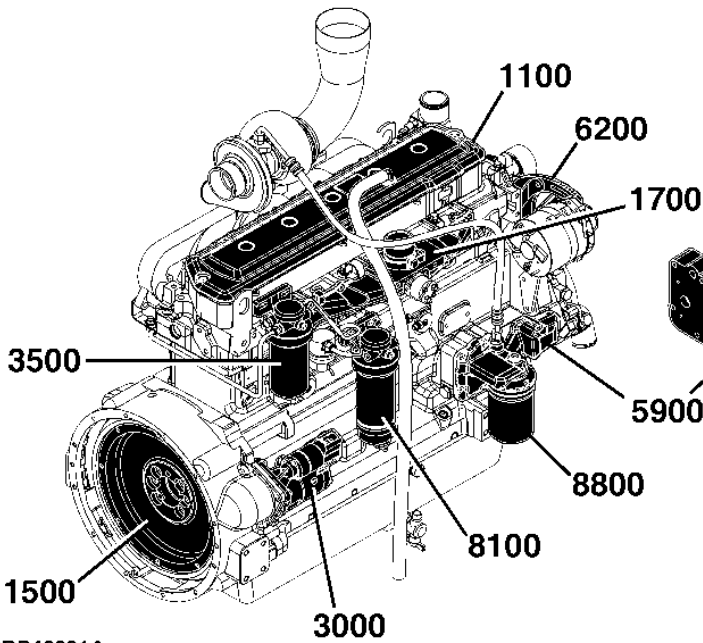
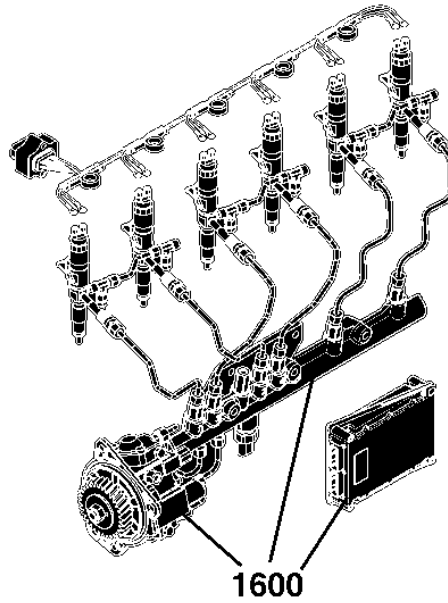
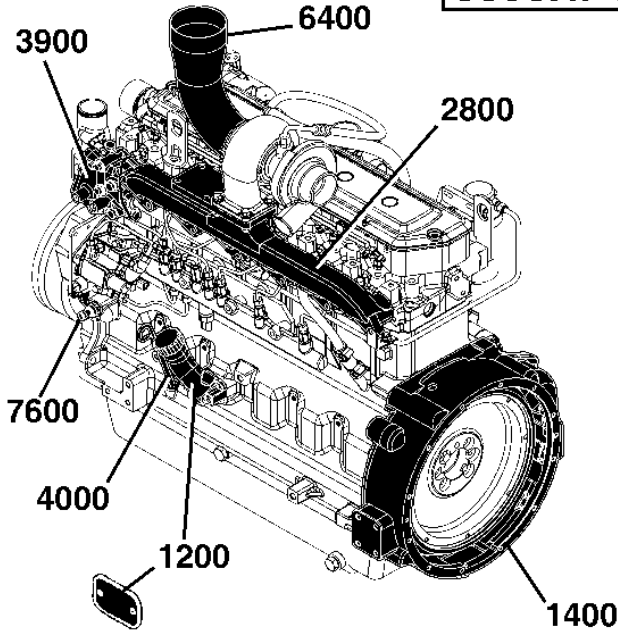
ENGINES FOR GENSETS (3029, 4045 & 6068 TIER2 - 2 & 4 VALVE)

PRIMARY PICTORIAL INDEX
 INDEX PRINCIPAL
 HAUPTINDEX
 INDICE PRINCIPALE
 INDICE DE MATERIAS
 HUVUDFORTECKNING

CDP46931A -UN-

4045HF475
6068HF475

1100-	A03
1200-	A03
1400-	A03
1500-	A03
1600-	A05
1700-	A03
2800-	A03
3000-	A03
3500-	A03
3900-	A01
4000-	A03
5900-	A03
6300-	A02
6400-	A02
7600-	A03
8100-	A02
8800-	A02



CDP46931A

10-A07

ENGINES FOR GENSETS (3029, 4045 & 6068 TIER2 - 2 & 4 VALVE)

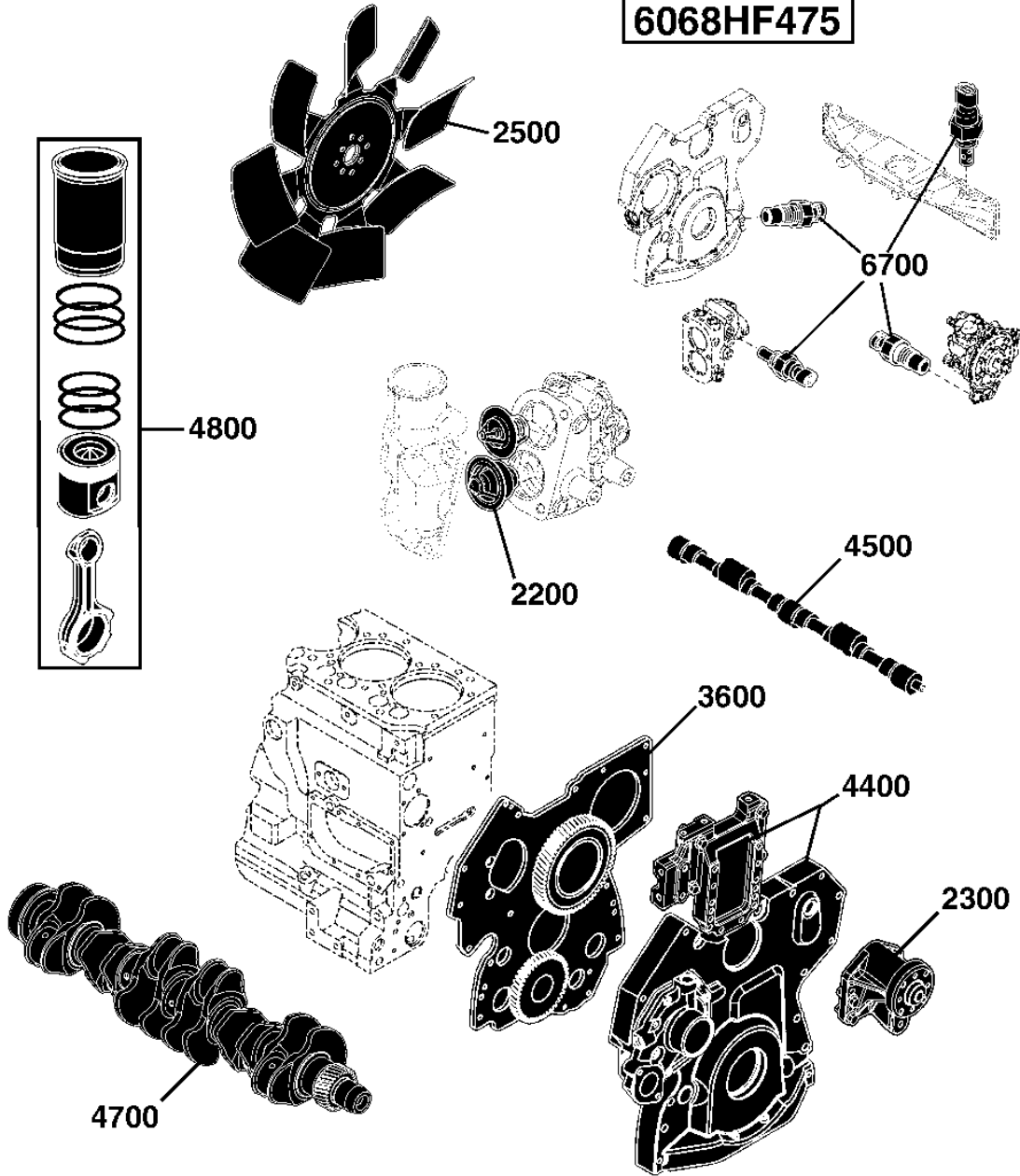
PRIMARY PICTORIAL INDEX
 INDEX PRINCIPAL
 HAUPTINDEX
 INDICE PRINCIPALE
 INDICE DE MATERIAS
 HUVUDFORTECKNING

CDP46932A -UN-

2200-	A03
2300-	A02
2500-	A03
3600-	A03
4400-	A03
4500-	A02
4700-	A03
4800-	A03
6700-	A02

4045HF475

6068HF475



CDP46932A

10-A08

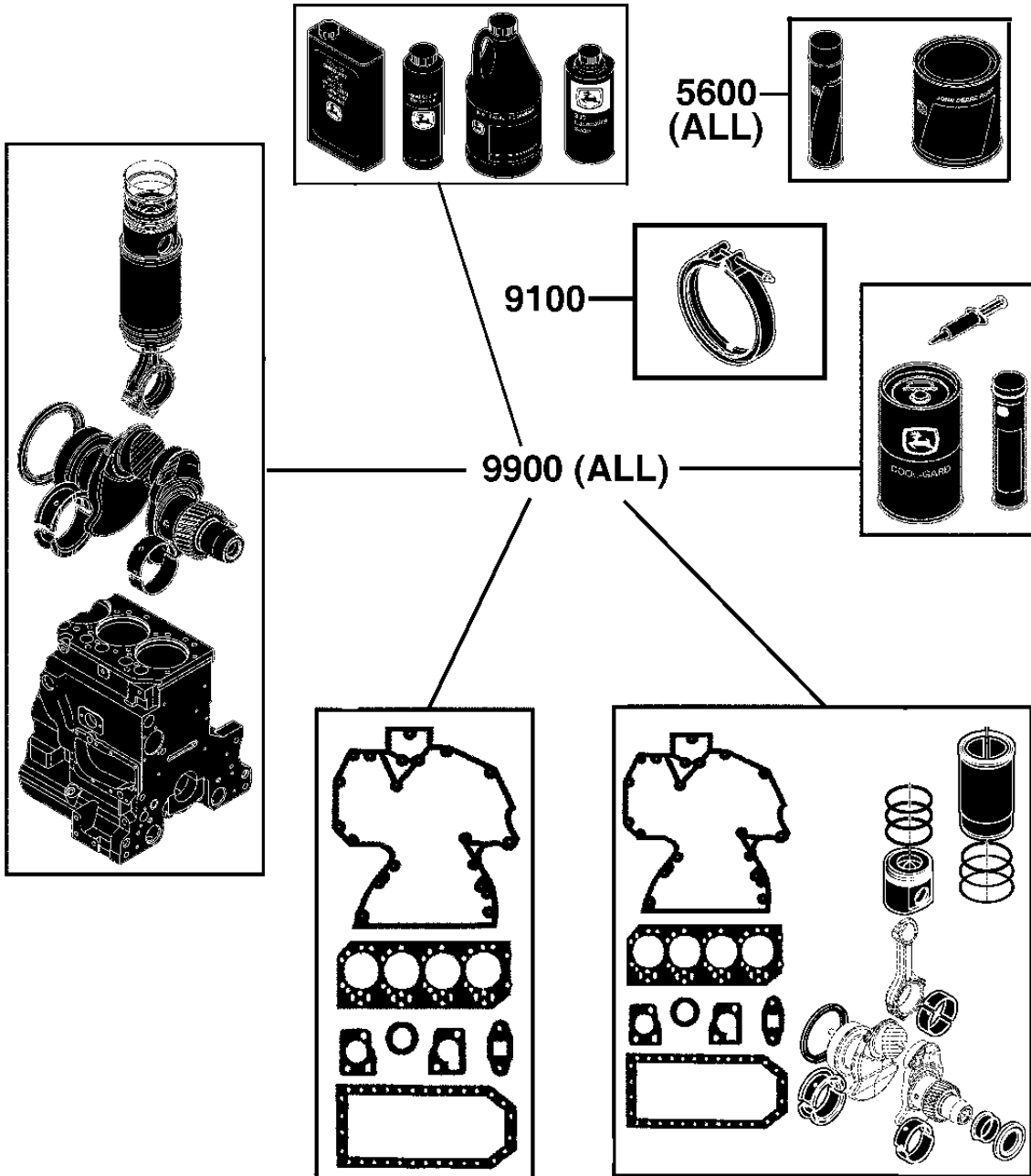
ENGINES FOR GENSETS (3029, 4045 & 6068 TIER2 - 2 & 4 VALVE)

PRIMARY PICTORIAL INDEX
INDEX PRINCIPAL
HAUPTINDEX
INDICE PRINCIPALE
INDICE DE MATERIAS
HUVUDFORTECKNING

CDP46933A

-UN-

5600-	A01
9100-	A01
9900-	A01



CDP46933A

**FOR ENGLISH READERS
INFORMATION AND GUIDELINE OF THIS PARTS CATALOG**

BE SURE TO READ THE PARTS CATALOG GUIDELINES AND ENGINE INFORMATION FOR A PROPER USE OF THE CATALOG AND AN EASY ORDERING OF THE PARTS (SECTION 10)

**POUR LES LECTEURS FRANCAIS
INFORMATION ET GUIDE D'UTILISATION DU CATALOGUE**

VEUILLEZ VOUS REFERER AU GUIDE D'UTILISATION DU CATALOGUE ET AUX INFORMATIONS MOTEURS POUR UNE LECTURE FACILE NECESSAIRE A LA COMMANDE DES PIECES DE RECHANGE (SECTION 10)

**FUER DEUTSCHE LESER
HINWEIS UND GEBRAUCHSANWEISUNG DES ERSATZTEILKATALOGS**

FUER PROBLEMLOSE ERSATZTEILBESTELLUNG WIRD GRUENDLICHES DURCHLESEN DER GEBRAUCHSANWEISUNG UND DER MOTORINFORMATION EMPFOHLEN (KAPITEL 10)

**PER IL LETTORE ITALIANO
INFORMAZIONI E GUIDA PER L'USO DEL CATALOGO**

PER UNA LETTURA FACILE E NECESSARIO PER ORDINARE LE PEZZI DI RICAMBIO, VOGLIATE RIFERIRVI ALLE GUIDA PER L'USO DEL CATALOGO E INFORMAZIONI MOTORI (SEZIONE 10)

**PARA LECTORES EN ESPANOL
INFORMACION Y A LA GUIA DE UTILIZACION DEL CATALOGO**

SIGA A LA GUIA DE USO DEL CATALOGO Y A LAS INFORMACIONES DE MOTOR PARA LEER FACILMENTE Y PEDIR LAS PIEZAS DE RECAMBIO (SECCION 10)

**FOER SVENSKA LAESARE
INFORMATION OCH RAAD FOER ANVAENDNING AV KATALOGEN**

LAES BRUKSANVISNING OCH MOTOR INFORMATIONEN FOER BAESTA ANVAENDNING AV KATALOGEN OCH ENKEL BAESTAELNING AV DELAR (SEKTION 10)

CD42168

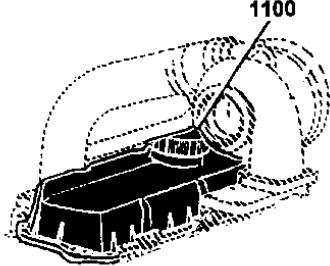
GUIDELINES (WITH ORDERABLE OPTION CODES)

CD42169 -UN-

➔ PRIMARY PICTORIAL INDEX
INDEX PRINCIPAL D'ILLUSTRATIONS
HAUPT-BILDINDEX
INDICE PRINCIPALE ILLUSTRATO
INDICE PRINCIPAL DE ILLUSTRACIONES
ILLUSTRERAD HUVUDFOERTECKNING

1A3

1100- 1A19

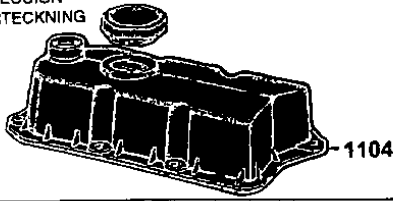


1. Locate the part with the code
Localiser la pièce avec le code
Teil anhand des Codes bestimmen
Determinare il pezzo con il codice
Localizar la pieza por código
Identifiera delen med hjälp av kod

➔ SECTIONAL INDEX
INDEX DE SECTION
GRUPPENINDEX
INDICE DELLA SEZIONE
INDICE DE SECCION
GRUPPSFORTECKNING

1A19

1104- 1A20

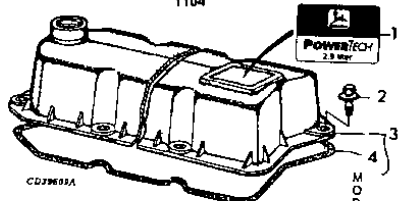


2. Locate the grid by the code
Localiser la grille par le code
Koordinaten anhand des Codes bestimmen
Determinare la griglia con il codice
Localizar coordenadas por código
Fastställ ruta med hjälp av kod

1A20

VALVE COVER

1104



KEY	PART NO.	PART NAME	QTY	ENGINE SERIAL NO.	REMARKS
1	R130942	MEDALLION	1		X
2	RE32140	SCREW	6		X
3	RE44202	VALVE COVER	1		X
4	RT06796	O-RING	1		X

1100-1104

3. Locate the part
Localiser la pièce
Teil bestimmen
Determinare il pezzo
Localizar la pieza
Identifiera delen

CD42169

10-2

ENGINES FOR GENSETS (3029, 4045 & 6068 TIER2 - 2 & 4 VALVE) PC2477 (03-MAY-07) PN=10

SECTION INDEX

010 INTRODUCTION
1100 VALVE COVER
1200 OIL FILLER
1300 CRANKSHAFT PULLEY
1400 FLYWHEEL HOUSING
1500 FLYWHEEL
1600 FUEL INJECTION PUMP
1700 INTAKE MANIFOLD
1900 OIL PAN
2000 WATER PUMP PULLEY
2100 THERMOSTAT COVER
2200 THERMOSTAT
2300 FAN DRIVE
2400 FAN BELT
2500 SUCTION FAN
2600 ENGINE COOLANT HEATER
2800 EXHAUST MANIFOLD
2900 VENTILATING SYSTEM
3000 STARTER
3100 ALTERNATOR
3500 FUEL FILTER AND LINES
3600 FRONT PLATE, CRANKSHAFT UPPER IDLER GEARS
3700 FUEL TRANSFER PUMP
3900 THERMOSTAT HOUSING
4000 ENGINE OIL DIPSTICK
4100 AUXILILARY FRONT DRIVE

10-4

ENGINES FOR GENSETS (3029, 4045 & 6068 TIER2 - 2 & 4 VALVE)

4300 COLD WEATHER STARTING AID
4400 TIMING GEAR COVER, WATER PUMP AND CRANKSHAFT
4500 BALANCER SHAFT
4600 CYLINDER BLOCK AND CAMSHAFT
4700 CRANKSHAFT AND MAIN BEARINGS
4800 PISTON, CONNECTING ROD, CYLINDER LINER
4900 ROCKER ARM SHAFT
5000 OIL PUMP
5100 CYLINDER HEAD, VALVES
5200 AUXILIARY DRIVE ADAPTER, LINES AND COVER
5600 PAINT
5700 WATER PUMP INLET, TUBE
5900 OIL COOLER AND FILTER
6000 AUXILIARY DRIVE
6200 ALTERNATOR BRACKETS
6300 LOW PRESSURE FUEL LINES
6400 EXHAUST ADAPTER
6500 TURBOCHARGER AND OIL LINES
6700 ENGINE SENSORS
7400 COMPRESSOR SUPPORT
7800 AIR COMPRESSOR
8100 PRIMARY FUEL FILTER
8600 FAN PULLEY
8700 AUTOMATIC AND MANUAL DRIVE BELT TENSIONER
8800 OIL FILTER AND FILTER HEAD
9700 ENGINE ACCESSORIES
9900 ENGINE SHORT BLOCK, OVERHAUL KIT, GASKET SETS, AND LUBRICANTS

10-5

ENGINES FOR GENSETS (3029, 4045 & 6068 TIER2 - 2 & 4 VALVE)

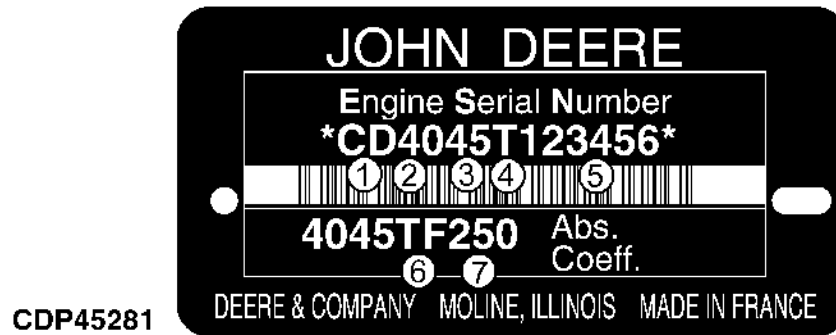
ENGINE GROUPING INFORMATION

ENGINES IN THIS CATALOG ARE MANUFACTURED IN SARAN, THESE ENGINES COULD BE NATURALLY ASPIRED OR TURBOCHARGED DIESEL OR AIR TO AIR INTERCOOLED.

TO ASSIST YOUR DEALER IN GIVING YOU PROMPT AND EFFICIENT SERVICE REFER TO THE ENGINE SERIAL NUMBER PLATE FOR PROPER ENGINE TYPE IDENTIFICATION.

ENGINE SERIAL NUMBER PLATE

CDP45281 -UN-



1. DESIGNATES ENGINE MANUFACTURER
2. DESIGNATES NUMBER OF CYLINDERS
3. DESIGNATES TOTAL DISPLACEMENT (IN LITER)

4. DESIGNATES THE TYPE OF ASPIRATION

5. DESIGNATES ENGINE SERIAL NUMBER
6. DESIGNATES ENGINE USER
7. DESIGNATES ENGINE VERSION

CD - JOHN DEERE SARAN
3, 4 OR 6
029 (2.9 L) (BORE 106.5MM X STROKE 110MM)
045 (4.5 L) (BORE 106.5MM X STROKE 110MM)
068 (6.8 L) (BORE 106.5MM X STROKE 110MM)
D - NATURALLY ASPIRATED DIESEL
T - TURBOCHARGED DIESEL
H - AIR TO AIR INTERCOOLER
123456 (SIX DIGITS)
F (OEM)
270 (THREE DIGITS) (2 VALVE, MECHANICAL INJ.)
275 (THREE DIGITS) (2 VALVE, ELECTRONIC INJ.)
475 (THREE DIGITS) (4 VALVE, ELECTRONIC INJ.)

10-6

ENGINES FOR GENSETS (3029, 4045 & 6068 TIER2 - 2 & 4 VALVE)

ENGINE OPTION CODE LABEL

CD30524 -UN-



ENGINE OPTION CODES

IN ADDITION TO THE SERIAL NUMBER PLATE, OEM ENGINES HAVE AN ENGINE OPTION CODE LABEL AFFIXED TO THE ROCKER ARM COVER.

THESE CODES INDICATES WHICH OF THE ENGINE OPTIONS WERE INSTALLED ON YOUR ENGINE AT THE FACTORY. WHEN IN NEED OF PARTS OR SERVICE, FURNISH YOUR AUTHORIZED SERVICING DEALER OR ENGINE DISTRIBUTOR WITH THESE NUMBERS.

THE FIRST TWO DIGITS OF EACH CODE IDENTIFY A SPECIFIC GROUP, SUCH AS AN ALTERNATOR. THE TWO LAST DIGITS OF EACH CODE IDENTIFY ONE SPECIFIC OPTION PROVIDED ON YOUR ENGINE, SUCH AS A 12 VOLTS, 55 AMPERES ALTERNATOR.

IF AN ENGINE IS ORDERED WITHOUT A PARTICULAR COMPONENT, THE LAST TWO DIGITS OF THAT FUNCTIONAL GROUP OPTION CODE WILL BE 9.

SERIAL NUMBER LISTING INFORMATION

SERIAL NUMBER INFORMATION IS LISTED TO SHOW ON WHICH MACHINES EACH PART CAN BE USED. FOR EXAMPLE:

- THE PART CAN BE USED ON ALL MACHINES.
- 000000 THE PART CAN BE USED ON ALL MACHINES UP TO AND INCLUDING THE SERIAL NUMBER.
- 000000- THE PART CAN BE USED ON ALL MACHINES BEGINNING WITH THE SERIAL NUMBER LISTED.
- 000000-000000 THE PART CAN BE USED ON ALL MACHINES BETWEEN AND INCLUDING THE SERIAL NUMBERS LISTED.

WHEN XXXXXX'S ARE LISTED IN PLACE OF SERIAL NUMBERS, A SERIAL NUMBER CHANGE WAS MADE BUT THE EXACT SERIAL NUMBER WAS NOT AVAILABLE WHEN THE CATALOG WAS PRODUCED.

BOX-ENCLOSED ILLUSTRATIONS

A KEY NUMBER, SHOWN IN THE PARTS LIST, IS ASSIGNED TO A BOX ENCLOSING ALL PARTS SOLD AS A SERVICE ASSEMBLY.
A BOX NOT KEYED INCLUDES NON-CURRENT PARTS.

CHANGE INDICATOR LINE (MICROFICHE PARTS CATALOGS ONLY)

CHANGES AFFECTING THE ORDERING OF PARTS ARE IDENTIFIED BY VERTICAL LINES MARKED IN THE LEFT-HAND MARGIN OF REVISED PARTS LISTING IMAGES. A LINE IS ALSO AT THE LEFT-HAND EDGE OF THE SAME PART NUMBER IN THE NUMERICAL INDEX TO SHOW THE LOCATION OF REVISED INFORMATION.

BOLT AND CAP SCREW STRENGTH IDENTIFICATION

INCH DIMENSIONED PRODUCT: BOLTS AND CAP SCREWS REQUIRED TO HAVE HIGH-STRENGTH QUALITIES EQUIVALENT TO SAE GRADE 8 ARE IDENTIFIED THROUGHOUT THIS CATALOG BY THE DESCRIPTION SAE 8. ALL STANDARD BOLTS AND CAP SCREWS WHICH ARE SAE GRADE 5 OR LOWER ARE NOT INDICATED.

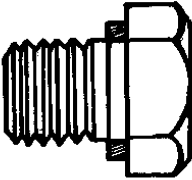
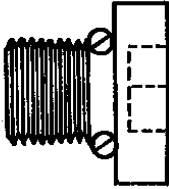
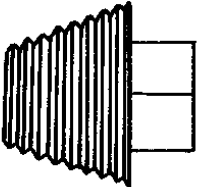
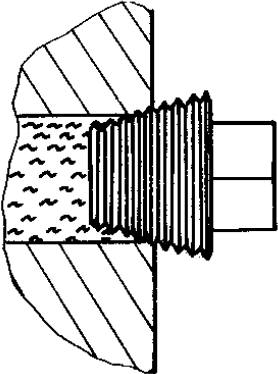
METRIC DIMENSIONED PRODUCT: BOLTS AND CAP SCREWS REQUIRED TO HAVE HIGH-STRENGTH QUALITIES EQUIVALENT TO PROPERTY CLASS 10.9 OR HIGHER ARE IDENTIFIED THROUGHOUT THIS CATALOG BY THE DESCRIPTION 10.9, 12.9 & 14.9. ALL STANDARDS BOLTS AND CAP SCREWS WHICH ARE PROPERTY CLASS 8.8 OR LOWER ARE NOT INDICATED.

10-8

ENGINES FOR GENSETS (3029, 4045 & 6068 TIER2 - 2 & 4 VALVE)

ENGINE INFORMATION

CD39701A -UN-

PLUG, FITTING BOUCHON,RACCORD STOPFEN,FITTING TAPPO,RACCORDO TAPON,CONEXION PLUGG, KOPPLING	STANDARD THREAD PAS STANDARD STANDARD STEIGUNG PASSO STANDARD PASSO ESTANDARD STANDARD GAENGA	FINE THREAD PAS FIN FEINE STEIGUNG PASSO FINO PASSO FINO FIN GAENGA
CYLINDRICAL THREAD FILETAGE CYLINDRIQUE ZYLINDRISCHES GEWINDE FILETTATURA CILINDRICA ROSCADO CILINDRICO CYLINDRISK GAENGA	 <p style="text-align: center;">A = UNC</p>	 <p style="text-align: center;">A = UNF / UNEF</p>
TAPPERED THREAD FILETAGE CONIQUE KONISCHES GEWINDE FILETTATURA CONICA ROSCADO CONICO KONISK GAENGA	 <p style="text-align: center;">A = NPT</p>	<p>WATER,OIL / EAU,HUILE / WASSER,OEL / ACGUA,OLIO / AGUA,ACEITE / VATTEN,OLJA</p>  <p style="text-align: center;">A = NPTF</p>

CD39701A

10-9

ENGINES FOR GENSETS (3029, 4045 & 6068 TIER2 - 2 & 4 VALVE)

CODES USED IN "REMARKS" COLUMN

LVP454

-UN-

	ENGLISH	FRANCAIS	DEUTSCH
ALSO ORDER	ALSO ORDER	COMMANDER AUSSI	EBENSO BESTELLEN
AMP	AMPERE	AMPERE	AMPERE
AND	AND	ET	UND
APPL	THIS APPLICATION ONLY	UNIQUEMENT POUR CETTE UTILISATION	NUR FUR DIESE ANWENDUNG
AR	AS REQUIRED	SELON LE BESOIN	NACH BEDARF
ASSY	COMPLETE ASSEMBLY	ENSEMBLE COMPLET	KOMPLETTE BAUGRUPPE
COMPLETE	COMPLETE	COMPLET	VOLLSTANDIG
FRONT	FRONT	AVANT	VORN
HP	HORSEPOWER	PUISSANCE EN CH	PFERDESTARKE
ID	INSIDE DIAMETER	DIAMETRE INTERIEUR	INNENDURCHMESSER
INCL KEYS	INCLUDES KEYS	COMPREND LES REPERES...	EINSCHLIEBLICH TEILE
KIT	KIT	JEU DE PIECES	TEILESATZ
LGTH	LENGTH	LONGUEUR	LANGE
LH	LEFT-HAND	GAUCHE	LINKS
LOW	LOWER	INFERIEUR	UNTEN
MARKED	MARKED	MARQUE	MARKIERT
MF	MAKE FROM	REALISER AVEC	HERSTELLEN VON
MFWD	MECHANICAL FRONT WHEEL DRIVE	TRACTION AVANT MECANIQUE	MECHANISCHER FRONTRADANTRIEB
NA	NOT USED THIS APPLICATION	NE SERT PAS POUR CETTE APPLICATION	IN DIESER ANWENDUNG NICHT BENUTZT
NLA	NO LONGER AVAILABLE	EPUISE	NICHT MEHR LIEFERBAR
NSEP	NOT SUPPLIED SEPARATELY	NON LIVRE SEPARMENT	EINZELN NICHT LIEFERBAR
OD	OUTSIDE DIAMETER	DIAMETRE EXTERIEUR	AUBENDURCHMESSER
OR	OR	OU	ODER
ORD	ORDER	COMMANDER	BESTELLE
OS	OVERSIZE	SURDIMENSIONNE	UEBERGROSSE
PKG	PACKAGE	PAR PAQUET DE	VERPACKT ZU
REAR	REAR	ARRIERE	HINTEN
RH	RIGHT-HAND	DROIT	RECHTS
STD	STANDARD	STANDARD	STANDARD
SUB	REPLACED BY	REMPLACE PAR	ERSETZT DURCH
SUB FOR	SUBSTITUTES FOR	REPLACE	ERSATZ FUR
TK	THICKNESS	EPAISSEUR	STARKE
UP	UPPER	SUPERIEUR	OBEN
US	UNDERSIZE	SOUS-DIMENSIONNE	UNTERGROSSE
USE WITH	USE WITH	A UTILISER AVEC	BENUTZEN MIT
W/	WITH	AVEC	MIT
W/O	WITHOUT	SANS	OHNE
Z	GEAR AND SPROCKET TEETH NUMBER	NOMBRE DE DENTS DES PIGNONS	ZAHNEZAHL FUR KETTEN-UND ZAHNRAD

LVP454

10-10

ENGINES FOR GENSETS (3029, 4045 & 6068 TIER2 - 2 & 4 VALVE)

CODES USED IN "REMARKS" COLUMN

CD42164 -UN-

	ITALIANO	ESPAÑOL	SVENSKA
ALSO ORDER	ORDINARE ANCHE	PEDIR TAMBIEN	BESTALL ÄVEN
AMP	AMPERE	AMPERIO	AMPERE
AND	E	Y	OCH
APPL	SOLO PER QUESTO IMPIEGO	TAN SOLO PARA ESTE PROPOSITO	ENDAST FÖR DENNA ANVÄNDNING
AR	SECONDO NECESSITA	SEGUN NECESIDAD	VID BEHOV
ASSY	GRUPPO COMPLETO	CONJUNTO COMPLETO	KOMPLETT SATS
COMPLETE	COMPLETO	COMPLETO	FULLSTÄNDIG
FRONT	ANTERIORE	FRENTE	FRAM
HP	POTENZA IN CAVALLI	POTENCIA	HASTKRAFT
ID	DIAMETRO INTERNO	DIAMETRO INTERIOR	INRE DIAMETER
INCL KEYS	CHIAVETTE INCLUSE	INCLUYE LAS POSICIONES	INKLUSIVE NYCKLAR
KIT	SERIE PEZZI	JUEGO	SATS
LGTH	LUNGHEZZA	LONGITUD	LANGD
LH	SINISTRA	IZQUIERDA	VANSTER SIDA
LOW	INFERIORE	MAS BAJO	NEDRE
MARKED	MARCATO	MARCADO	MARKT
MF	FABBRICARE DI	HACER DE	TILLVERKA AV
MFWD	TRAZIONE ANTERIORE MECCANICA	TRACCION DELANTERA MECANICA	MEKANISK FRAMHJULSDRIFT
NA	NON USATO IN QUESTA APPLICAZIONE	NO SE USA EN ESTA APLICACION	EJ ANVÄND I DETTA SAMMANHANG
NLA	NON PIU' DISPONIBILE	DESCONTINUADO	EJ LANGRE TILLGÄNGLIG
NSEP	NON FORNITO SEPARATAMENTE	NO SE SUMINISTRA POR SEPARADO	KAN EJ ERHÅLLAS SEPARAT
OD	DIAMETRO ESTERNO	DIAMETRO EXTERIOR	YTRE DIAMETER
OR	OPPURE	O	ELLER
ORD	ORDINARE	PIDASE	ORDER, REKVISITION
OS	EXTRA GRANDE	SOBRETAMANO	OEVERDIMENSIONERAD
PKG	IN CONFEZIONE DA	POR PAQUETE DE	I SATS ELLER PAKET
REAR	POSTERIORE	TRASERO	BAK, BAKRE
RH	DESTRA	DERECHA	HÖGER
STD	STANDARD	NORMAL	STANDARD
SUB	SOSTITUITO PER	SUSTITUIDO POR	ERSATT MED
SUB FOR	SOSTITUISCE	SUSTITUCION PARA	ERSÄTTER
TK	SPESSORE	ESPESOR	TJOCKLEK
UP	SUPERIORE	SUPERIOR	ÖVRE
US	EXTRA PICCOLO	SUBTAMANO	UNDERDIMENSIONERAD
USE WITH	USARE CON	USAR CON	ANVÄND MED
W /	CON	CON	MED, INKLUSIVE
W/O	SENZA	SIN	UTAN, EXKLUSIVE
Z	NO. DENTI CORONA O PIGNONE	NUMERO DE DIENTES DE LOS ENGRANAJES	ANTAL TÄNDER PÅ DREV OCH KUGGHJUL

CD42164

10-11

ENGINES FOR GENSETS (3029, 4045 & 6068 TIER2 - 2 & 4 VALVE)

OPTION CODES FOR ENGINE MODEL CD3029TF270 (48KW 1800MIN-1)

DD21094	DD21095
1104	1104
1202	1202
1330	1330
1421	1421
1551	1551
164H-16X5(12V)	164I-16X6(24V)
1711	1711
1910	1910
2020	2020
2129	2129
2212	2212
2401	2401
2512	2512
2823	2823
2902	2902
3065(12V)	3026-3066 (24V)
3106(12V)	3121(24V)
35DD	35DD
3622	3622
3710	3710
4006	4006
4399	4399
4402-4499	4402-4499
4607	4607
4710	4710
4814	4814
4903	4903
5001	5001
5105	5105
5607	5607
5939	5939
6218	6218
6566	6566
6610	6610
7622	7622
9900 - SERVICE PARTS	9900 - SERVICE PARTS

10-12

ENGINES FOR GENSETS (3029, 4045 & 6068 TIER2 - 2 & 4 VALVE)

OPTION CODES FOR ENGINE MODEL CD3029TF270 (48KW 1800MIN-1)

DD21312	DD21313
1104	1104
1202	1202
1330	1330
1421	1421
1551	1551
164H-16X5(12V)	164I-16X6(24V)
1756	1756
1910	1910
2020	2020
2129	2129
2212	2212
2401	2401
2512	2512
2810	2810
2902	2902
3065(12V)	3066 (24V)
3106(12V)	3121(24V)
35DD	35DD
3622	3622
3710	3710
4006	4006
4399	4399
4499	4499
4607	4607
4710	4710
4814	4814
4903	4903
5001	5001
5105	5105
5607	5607
5939	5939
6218	6218
65LP	65LP
6610	6610
7622	7622
911U	911U
9900 - SERVICE PARTS	9900 - SERVICE PARTS

OPTION CODES FOR ENGINE MODEL CD4045DF270 (50KW 1800MIN-1)

DD21096	DD21097
1103	1103
1203	1203
1327	1327
1433	1433
1503	1503
164P-16X7(12V)	164Q-16X8(24V)
1705	1705
1949	1949
2002	2002
2109-2126-2153	2109-2126-2153
2204	2204
2312	2312
24AW	24AW
2535	2535
2801	2801
2947	2947
3062(12V)	3054-3067(24V)
3115(12V)	3114(24V)
3563	3563
3618	3618
3702	3702
4005	4005
4399	4399
4429	4429
4502	4502
4601	4601
4715	4715
4833	4833
4901	4901
5001	5001
5102	5102
5607	5607
5722	5722
5904	5904
6211	6211
6410	6410
6609	6609
7622	7622
8606	8606
8711	8711
8844	8844
9700 - FIELD KITS	9700 - FIELD KITS
9900 - SERVICE PARTS	9900 - SERVICE PARTS

10-14

ENGINES FOR GENSETS (3029, 4045 & 6068 TIER2 - 2 & 4 VALVE)

OPTION CODES FOR ENGINE MODEL CD4045TF270 (74KW 1800MIN-1)

DD21098	DD21099
1103	1103
1203	1203
1328	1328
1433	1433
1503	1503
164X-16X9(12V)	164Y-16XA(24V)
17AV	17AV
1949	1949
2002	2002
2109-2126-2153	2109-2126-2153
2204	2204
2312	2312
240B	240B
2535	2535
2803	2803
2924	2924
3062(12V)	3054-3067(24V)
3115(12V)	3114(24V)
3563	3563
3618	3618
3702	3702
4005	4005
4399	4399
4429	4429
4502	4502
4614	4614
4715	4715
4823	4823
4901	4901
5001	5001
5102	5102
5607	5607
5722	5722
5901	5901
6211	6211
6412	6412
65CR-65HC	65HC
6609	6609
7622	7622
8605	8605
8711	8711
8844	8844
9700 - FIELD KITS	9700 - FIELD KITS
9900 - SERVICE PARTS	9900 - SERVICE PARTS

10-15

ENGINES FOR GENSETS (3029, 4045 & 6068 TIER2 - 2 & 4 VALVE)

OPTION CODES FOR ENGINE MODEL CD4045TFS70 (61KW 1500MIN-1)

DD21550	DD21551
1103	1103
1203	1203
1328	1328
1433	1433
1503	1503
16L2(12V)	16L3(24V)
17AV	17AV
1949	1949
2001	2001
2153	2153
2204	2204
2314	2314
240B	240B
2535	2535
2803	2803
2924	2924
3062(12V)	3067(24V)
3115(12V)	3114(24V)
3563	3563
3618	3618
3702	3702
4005	4005
4399	4399
4429	4429
4616	4616
4715	4715
4823	4823
4901	4901
5001	5001
5102	5102
5607	5607
5702	5702
5901	5901
6211	6211
6412	6412
65TN	65TN
6609	6609
7622	7622
8605	8605
8711	8711
8844	8844
9700 - FIELD KITS	9700 - FIELD KITS
9900 - SERVICE PARTS	9900 - SERVICE PARTS

10-16

ENGINES FOR GENSETS (3029, 4045 & 6068 TIER2 - 2 & 4 VALVE)

OPTION CODES FOR ENGINE MODEL CD4045HFS72 (83KW 1500MIN-1)

DD21552	DD21553
1103	1103
1203	1203
1327	1327
1433	1433
1503	1503
16L4(12V)	16L5(24V)
1783	1783
1972	1972
2002	2002
2153	2153
2204	2204
2312	2312
240B	240B
2542	2542
2803	2803
2924	2924
3062(12V)	3067(24V)
3135(12V)	3114(24V)
35CC	35CC
3618	3618
3706	3706
4005	4005
4399	4399
4429	4429
4501	4501
4621	4621
4715	4715
4822	4822
4901	4901
5001	5001
5102	5102
5607	5607
5702	5702
5901	5901
6211	6211
63BT	63BT
6413	6413
65CN	65CN
6698	6698
6710	6710
7635	7635
8140	8140
8605	8605
8711	8711
8844	8844
9700 - FIELD KITS	9700 - -FIELD KITS
9900 - SERVICE PARTS	9900 - SERVICE PARTS

OPTION CODES FOR ENGINE MODEL CD4045HF275 (117KW 1800MIN-1)

DD20620	DD20648
1103	1103
1203	1203
1328	1328
1433	1433
1503	1503
163U(12V)	163V(24V)
1783	1783
1949	1949
2002	2002
2153	2153
2204	2204
2312	2312
240D	240D
2542	2542
2803	2803
2924	2924
3062(12V)	3054-3067(24V)
3115-3135(12V)	3114(24V)
35CC	35CC
3618	3618
3715-3706	3715-3706
4005	4005
4399	4399
4429	4429
4501	4501
4621	4621
4715	4715
4822	4822
4901	4901
5001	5001
5102	5102
5607	5607
5702	5702
5901	5901
6211	6211
6361	6361
6413	6413
65HC	65HC
6710	6710
6698	6698
7635	7635
8135-8140	8135-8140
8605	8605
8711	8711
8844	8844
9700 - FIELD KITS	9700 - FIELD KITS
9900 - SERVICE PARTS	9900 - SERVICE PARTS

10-18

ENGINES FOR GENSETS (3029, 4045 & 6068 TIER2 - 2 & 4 VALVE)

OPTION CODES FOR ENGINE MODEL CD4045HFS73 (103KW 1500MIN-1)

DD21561	DD21562
1134	1134
1234	1234
1328	1328
1433	1433
1503	1503
16A5(12V)	16A5(24V)
1783	1783
1949	1949
2002	2002
2162	2162
2201	2201
2342	2342
240A	240A
2542	2542
2888	2888
2961	2961
3062(12V)	3067(24V)
3155(12V)	3142(24V)
35ED	35ED
3612	3612
3713	3713
4048	4048
4399	4399
4446	4446
4501	4501
4652	4652
4715	4715
4838	4838
4901	4901
5001	5001
5130	5130
5607	5607
5702	5702
5902	5902
6211	6211
63BJ	63BJ
6413	6413
65UB	65UB
6698	6698
6730	6730
8170	8170
8436	8436
8604	8604
8711	8711
8843	8843
9700 - FIELD KITS	9700 - FIELD KITS
9900 - SERVICE PARTS	9900 - SERVICE PARTS

OPTION CODES FOR ENGINE MODEL CD4045TF275 (84KW 1800MIN-1)

DD20619	DD20647
1103	1103
1203	1203
1328	1328
1433	1433
1503	1503
161K(12V)	163L(24V)
1791	1791
1949	1949
2002	2002
2153	2153
2204	2204
2312	2312
240B	240B
2535	2535
2803	2803
2924	2924
3062(12V)	3054-3067(24V)
3115-3135(12V)	3114(24V)
35CC	35CC
3618	3618
3715-3706	3715-3706
4005	4005
4399	4399
4429	4429
4501	4501
4621	4621
4715	4715
4822	4822
4901	4901
5001	5001
5102	5102
5607	5607
5702	5702
5901	5901
6211	6211
6361	6361
6412	6412
65HC	65HC
6710	6710
6698	6698
7635	7635
8135-8140	8135-8140
8605	8605
8711	8711
8844	8844
9700 - FIELD KITS	9700 - FIELD KITS
9900 - SERVICE PARTS	9900 - SERVICE PARTS

10-20

ENGINES FOR GENSETS (3029, 4045 & 6068 TIER2 - 2 & 4 VALVE)

OPTION CODES FOR ENGINE MODEL CD4045HF475 (143KW 1800MIN-1)

DD20649	DD20824
1119	1119
1203	1203
1327	1327
1433	1433
1503	1503
166K(12V)	168M(24V)
17AC	17AC
19AB	19AB
2001	2001
2143	2143
2202	2202
2312	2312
24BK	24BK
2536	2536
2866	2866
2917-2924	2917-2924
3062(12V)	3054-3067(24V)
3115-3135(12V)	3114(24V)
35CS	35CS
3612	3612
3713	3713
4005	4005
4321(12V)	43A1(24V)
4433	4433
4501	4501
4615	4615
4715	4715
4825	4825
4904	4904
5001	5001
5118	5118
5607	5607
5722	5722
5902	5902
6261	6261
6328-63X1	6328-63X1
6413	6413
65HW	65HW
6698	6698
6711	6711
7635	7635
8136	8136
8605	8605
8711	8711
8842	8842
9700 - FIELD KITS	9700 - FIELD KITS
9900 - SERVICE PARTS	9900 - SERVICE PARTS

OPTION CODES FOR ENGINE MODEL CD4045HF475 (120KW 1500MIN-1)

DD21330	DD21331
1119	1119
1203	1203
1327	1327
1433	1433
1503	1503
166K(12V)	168M(24V)
17AC	17AC
19AB	19AB
2001	2001
2143	2143
2202	2202
2312	2312
24BK	24BK
2536	2536
2866	2866
2924	2924
3062(12V)	3067(24V)
3135(12V)	3114(24V)
35CS	35CS
3612	3612
3713	3713
4005	4005
4321(12V)	43A1(24V)
4433	4433
4501	4501
4615	4615
4715	4715
4825	4825
4904	4904
5001	5001
5118	5118
5607	5607
5722	5722
5902	5902
6261	6261
63X1	63X1
6413	6413
65JA	65JA
6698	6698
6711	6711
7635	7635
8136	8136
8605	8605
8711	8711
8842	8842
9700 - FIELD KITS	9700 - FIELD KITS
9900 - SERVICE PARTS	9900 - SERVICE PARTS

10-22

ENGINES FOR GENSETS (3029, 4045 & 6068 TIER2 - 2 & 4 VALVE)

OPTION CODES FOR ENGINE MODEL CD6068HFS72 (123KW 1500MIN-1)

DD21554	DD21555
1104	1104
1203	1203
1324	1324
1433	1433
1503	1503
16L8(12V)	16L9(24V)
1783	1783
1968	1968
2001	2001
2153	2153
2204	2204
2312	2312
240A	240A
2536	2536
2808	2808
2924	2924
3062(12V)	3067(24V)
3135(12V)	3114(24V)
35BW	35BW
3618	3618
3701	3701
4005	4005
4399	4399
4426	4426
4625	4625
4712	4712
4820	4820
4902	4902
5001	5001
5107	5107
5607	5607
5702	5702
5902	5902
6211	6211
63X3	63X3
6413	6413
65EC	65EC
6698	6698
6710	6710
7635	7635
8130	8130
8604	8604
8711	8711
8844	8844
9700 - FIELD KITS	9700 - FIELD KITS
9900 - SERVICE PARTS	9900 - SERVICE PARTS

OPTION CODES FOR ENGINE MODEL CD6068HF275 (187KW 1800MIN-1)

DD20644	DD20645
1104	1104
1203	1203
1320	1320
1433	1433
1503	1503
16YS(12V)	16YT(24V)
1783	1783
1968	1968
2001	2001
2153	2153
2204	2204
2312	2312
24BK	24BK
2553	2553
2808	2808
2924	2924
3062(12V)	3054-3067(24V)
3115-3135(12V)	3114(24V)
35BR	35BR
3616	3616
3799	3799
4005	4005
4399	4399
4426	4426
4625	4625
4712	4712
4820	4820
4902	4902
5001	5001
5107	5107
5607	5607
5702	5702
5902	5902
6211	6211
6306-63X4	6316-63X5
6413	6413
65GS	65GS
6698	6698
6709	6709
7635	7635
8116	8119
8605	8605
8711	8711
8844	8844
9700 - FIELD KITS	9700 - FIELD KITS
9900 - SERVICE PARTS	9900 - SERVICE PARTS

10-24

ENGINES FOR GENSETS (3029, 4045 & 6068 TIER2 - 2 & 4 VALVE)

OPTION CODES FOR ENGINE MODEL CD6068HF275 (164KW 1800MIN-1)

DD20792	DD20793
1104	1104
1203	1203
1320	1320
1433	1433
1503	1503
161N(12V)	161Q(24V)
1783	1783
1968	1968
2001	2001
2144-2153	2144-2153
2204	2204
2312	2312
24OD-24BK	24OD-24BK
2536-2553	2536-2553
2808	2808
2924	2924
3062(12V)	3054-3067(24V)
3115-3135(12V)	3114(24V)
35BW	35BW
3618	3616
3701	3701
4005	4005
4399	4399
4426	4426
4625	4625
4712	4712
4820	4820
4902	4902
5001	5001
5107	5107
5607	5607
5702	5702
5902	5902
6211	6211
6318-63X3	6318-63X3
6413	6413
65DY	65DY
6698	6698
6710	6710
7635	7635
8130	8130
8605	8605
8711	8711
8844	8844
9700 - FIELD KITS	9700 - FIELD KITS
9900 - SERVICE PARTS	9900 - SERVICE PARTS

10-25

ENGINES FOR GENSETS (3029, 4045 & 6068 TIER2 - 2 & 4 VALVE)

OPTION CODES FOR ENGINE MODEL CD6068HFS73 (154KW 1500MIN-1)

DD21563	DD21564
1135	1135
1234	1234
1324	1324
1433	1433
1503	1503
16A6(12V)	16A6(24V)
1783	1783
1968	1968
2001	2001
2162	2162
2201	2201
2342	2342
240B	240B
2553	2553
2892	2892
2924	2924
3062(12V)	3067(24V)
3155(12V)	3142(24V)
35ED	35ED
3612	3612
3713	3713
4005	4005
4399	4399
4446	4446
4653	4653
4712	4712
4839	4839
4902	4902
5001	5001
5132	5132
5607	5607
5702	5702
5903	5903
6211	6211
63BL	63BL
6413	6413
65UC	65UC
6698	6698
6730	6730
8171	8171
8652	8652
8711	8711
8844	8844
9700 - FIELD KITS	9700 - FIELD KITS
9900 - SERVICE PARTS	9900 - SERVICE PARTS

10-26

ENGINES FOR GENSETS (3029, 4045 & 6068 TIER2 - 2 & 4 VALVE)

OPTION CODES FOR ENGINE MODEL CD6068HF475 (234KW 1800MIN-1)

DD20650	DD20825
1117	1117
1203	1203
1320-1321	1321
1433	1433
1503	1503
166L(12V)	168L(24V)
1797	1797
1968	1968
2001	2001
2143	2143
2202	2202
2312	2312
24BK	24BK
2556-2553	2556-2553
2868	2868
2917-2924	2917-2924
3062(12V)	3054-3067(24V)
3115-3135(12V)	3114(24V)
35CR	35CR
3612	3612
3713	3713
3916	3916
4005	4005
4320(12V)	43A2(24V)
4433	4433
4611	4611
4712	4712
4817	4817
4903	4903
5001	5001
5116	5116
5607	5607
5722	5722
5903	5903
6261	6261
6326-63X2	6326-63X2
6413	6413
65HQ	65HQ
6711	6711
7635	7635
8139	8139
8605	8605
8711	8711
8842	8842
9700 - FIELD KITS	9700 - FIELD KITS
9900 - SERVICE PARTS	9900 - SERVICE PARTS

10-27

ENGINES FOR GENSETS (3029, 4045 & 6068 TIER2 - 2 & 4 VALVE)

OPTION CODES FOR ENGINE MODEL CD6068HF475 (207KW 1500MIN-1)

DD20748	DD20826
1117	1117
1203	1203
1321	1321
1433	1433
1503	1503
166L(12V)	168L(24V)
1797	1797
1968	1968
2001	2001
2143	2143
2202	2202
2312	2312
24BK	24BK
2556-2553	2556-2553
2868	2868
2917-2924	2917-2924
3062(12V)	3054-3067(24V)
3115-3135(12V)	3114(24V)
35CR	35CR
3612	3612
3713	3713
3916	3916
4005	4005
4320(12V)	43A2(24V)
4433	4433
4611	4611
4712	4712
4817	4817
4903	4903
5001	5001
5116	5116
5607	5607
5722	5722
5903	5903
6261	6261
6326-63X2	6326-63X2
6413	6413
65MQ	65MQ
6711	6711
7635	7635
8139	8139
8605	8605
8711	8711
8842	8842
9700 - FIELD KITS	9700 - FIELD KITS
9900 - SERVICE PARTS	9900 - SERVICE PARTS

10-28

ENGINES FOR GENSETS (3029, 4045 & 6068 TIER2 - 2 & 4 VALVE)

OPTION CODES FOR ENGINE MODEL CD6068HF475 (DUAL FREQ)

DD21221	DD21222
1117	1117
1203	1203
1321	1321
1433	1433
1503	1503
166L(12V)	168L(24V)
1797	1797
1968	1968
2001	2001
2143	2143
2202	2202
2312	2312
24BK	24BK
2553	2553
2868	2868
2924	2924
3062(12V)	3054-3067(24V)
3135(12V)	3114(24V)
35CR	35CR
3612	3612
3713	3713
3916	3916
4005	4005
4320(12V)	43A2(24V)
4433	4433
4611	4611
4712	4712
4817	4817
4903	4903
5001	5001
5116	5116
5607	5607
5722	5722
5903	5903
6261	6261
6326-63X2	6326-63X2
6413	6413
65NJ	65NJ
6711	6711
7635	7635
8139	8139
8605	8605
8711	8711
8842	8842
9700 - FIELD KITS	9700 - FIELD KITS
9900 - SERVICE PARTS	9900 - SERVICE PARTS

ALPHABETICAL INDEX

PAGE	PAGE
A	B
ADAPTATER, OIL FILTER-ENGINE (8842) (4045H,6068H) (4 VALVES).....	BALANCER SHAFT (4501) (4045H) (4 VALVES).....
880-1	450-2
ADAPTER, EXHAUST (6410) (4045D).....	BALANCER SHAFT (4501) (4045H,T) (2 VALVES).....
640-1	450-1
ADAPTER, EXHAUST (6412) (4045T).....	BALANCER SHAFT (4502) (4045D,T) (2 VALVES).....
640-2	450-3
ADAPTER, EXHAUST (6413) (4045H-6068H-2V).....	BEARING / CONNECTING ROD (ENGINE) (4814) (3029T).....
640-3	480-1
ADAPTER, EXHAUST (6413) (4045H-6068H-4V).....	BEARING, THRUST (CRANKSHAFT) (4710) (3029T).....
640-4	470-2
ADAPTER, OIL FILTER-ENGINE (8844) (4045D,H,T) (2 VALVES).....	BEARINGS (CRANKSHAFT) (4710) (3029T).....
880-4	470-2
ADAPTER, OIL FILTER-ENGINE (8844) (6068H) (2 VALVES).....	BEARINGS / CONNECTING GOD (4838) (4045H-2V).....
880-6	480-8
AIR HEATER (ACCESSORY).....	BEARINGS / CONNECTING ROD (ENGINE) (4817) (6068H) (4 VALVES).....
970-2	480-2
AIR HEATER (ACCESSORY) (4045H,T) (6068H) (2 VALVES).....	BEARINGS / CONNECTING ROD (ENGINE) (4820) (6068H) (2 VALVES).....
970-1	480-3
ALTERNATOR (12V) (3155) (4045H-6068H).....	BEARINGS / CONNECTING ROD (ENGINE) (4822) (4045H,T) (2 VALVES).....
310-20	480-4
ALTERNATOR (3106) (3029T).....	BEARINGS / CONNECTING ROD (ENGINE) (4823) (4045T).....
310-1	480-5
ALTERNATOR (3114) (4045D,H,T) (2 VALVES).....	BEARINGS / CONNECTING ROD (ENGINE) (4825) (4045H) (4 VALVES).....
310-3	480-6
ALTERNATOR (3114) (4045H,6068H) (4 VALVES).....	BEARINGS / CONNECTING ROD (ENGINE) (4833) (4045D).....
310-7	480-7
ALTERNATOR (3114) (6068H) (2 VALVES).....	BEARINGS / CRANKSHAFT (4710) (3029T).....
310-5	470-1
ALTERNATOR (3115) (4045D,H,T) (2 VALVES).....	BEARINGS / CRANKSHAFT (4712) (6068H) (2 VALVES).....
310-9	470-3
ALTERNATOR (3115) (4045H,6068H) (4 VALVES).....	BEARINGS / CRANKSHAFT (4712) (6068H) (4 VALVES).....
310-13	470-4
ALTERNATOR (3115) (6068H) (2 VALVES).....	BEARINGS / CRANKSHAFT (4715) (4045D,H,T) (2 VALVES).....
310-11	470-5
ALTERNATOR (3121) (3029T).....	BEARINGS / CRANKSHAFT (4715) (4045H) (4 VALVES).....
310-15	470-6
ALTERNATOR (3135) (4045H,T) (6068H) (2 VALVES).....	BEARINGS, CONNECTING ROD (4839) (6068H-2V).....
310-17	480-10
ALTERNATOR (3135) (4045H,6068H) (4 VALVES).....	BELT (24AW) (4045D).....
310-18	240-1
ALTERNATOR (3142) (4045H-6068H).....	BELT (24BK) (4045,6068) (4 VALVES).....
310-19	240-3
ALTERNATOR BRACKET,MANUAL BELT TENSIONER (6211) (4045D,H,T) (2 VALVES).....	BELT (24BK) (6068H) (2 VALVES).....
620-1	240-2
ALTERNATOR BRACKET,MANUAL BELT TENSIONER (6211) (6068H) (2 VALVES).....	BELT (240A) (6068H).....
620-2	240-4
ALTERNATOR BRACKET,MANUAL BELT TENSIONER (6261) (4045H,6068H) (4 VALVES).....	BELT (240B) (4045T).....
620-4	240-5
ALTERNATOR BRACKETS (6218) (3029T).....	BELT (240D) (4045H) (2 VALVES).....
620-3	240-6
ALTERNATOR COMPONENTS (3106) (3029T).....	BELT (240D) (6068H) (2 VALVES).....
310-2	240-7
ALTERNATOR COMPONENTS (3114) (4045H,6068H) (4 VALVES).....	BELT (2401) (3029T).....
310-8	240-8
ALTERNATOR COMPONENTS (3114) (4045D,H,T) (2 VALVES).....	BLOCK-CYLINDER (4652).....
310-4	460-18
ALTERNATOR COMPONENTS (3114) (6068H) (2 VALVES).....	BLOCK-CYLINDER (4653) (6068H-2V).....
310-6	460-20
ALTERNATOR COMPONENTS (3115) (4045D,H,T) (2 VALVES).....	BLOCK, CYLINDER (4601) (4045D)(2 VALVES).....
310-10	460-2
ALTERNATOR COMPONENTS (3115) (4045H,6068H) (4 VALVES).....	BLOCK, CYLINDER (4607) (3029T).....
310-14	460-4
ALTERNATOR COMPONENTS (3115) (6068H) (2 VALVES).....	BLOCK, CYLINDER (4611) (6068H)(4 VALVES).....
310-12	460-6
ALTERNATOR COMPONENTS (3121) (3029T).....	BLOCK, CYLINDER (4614) (6068H)(2 VALVES).....
310-16	460-8
ALTERNATOR FAN (3155) (4045H-6068H).....	BLOCK, CYLINDER (4615) (4045H)(4 VALVES).....
310-20	460-10
ASSEMBLY, SHORT BLOC (9901) (3029T).....	BLOCK, CYLINDER (4616) (4045T-2V).....
990-2	460-12
ASSEMBLY, SHORT BLOCK (9902) (4045D).....	BLOCK, CYLINDER (4621) (4045H,T) (2 VALVES).....
990-4	460-14
ASSEMBLY, SHORT BLOCK (9903) (4045T).....	BLOCK, CYLINDER (4625) (6068H)(2 VALVES).....
990-6	460-16
ASSEMBLY, SHORT BLOCK (9904) (4045H,T) (2 VALVES).....	BLOCK, SHORT ASSEMBLY (9901) (3029T).....
990-8	990-2
ASSEMBLY, SHORT BLOCK (9905) (4045H) (4 VALVES).....	BLOCK, SHORT ASSEMBLY (9902) (4045D).....
990-10	990-4
ASSEMBLY, SHORT BLOCK (9906) (6068H) (2 VALVES).....	BLOCK, SHORT ASSEMBLY (9903) (4045T).....
990-12	990-6
ASSEMBLY, SHORT BLOCK (9907) (6068H) (4 VALVES).....	BLOCK, SHORT ASSEMBLY (9904) (4045H,T) (2 VALVES).....
990-14	990-8
	BLOCK, SHORT ASSEMBLY (9905) (4045H) (4 VALVES).....
	990-10
	BLOCK, SHORT ASSEMBLY (9906) (6068H) (2 VALVES).....
	990-12

ALPHABETICAL INDEX - CONTINUED

	PAGE		PAGE
BLOCK, SHORT ASSEMBLY (9907) (6068H)		CODE 2888 - EXHAUST MANIFOLD (4045H)	280-8
(4 VALVES)	990-14	CODE 2961 - BREATHER (4045H)	290-8
BLOWER FAN (2512) (3029T)	250-1	CODE 3142 - ALTERNATOR (4045H-6068H)	310-19
BLOWER FAN (2535) (4045D,T)	250-2	CODE 3155 - ALTERNATOR (12V)	
BLOWER FAN (2536) (4045H)		(4045H-6068H)	310-20
(4 VALVES)	250-4	CODE 35ED - FINAL FUEL FILTER	
BLOWER FAN (2536) (6068H)		(4045H-6068H)	350-26
(2 VALVES)	250-3	CODE 4048 - OIL DIPSTICK (4045H)	400-5
BLOWER FAN (2542) (4045H) (2 VALVES)	250-5	CODE 4446 - TIMING GEAR COVER/WATER PUMP	
BLOWER FAN (2553) (6068H) (2 VALVES)	250-6	(4045H-6068H)	440-14
BLOWER FAN (2553) (6068H) (4 VALVES)	250-7	CODE 4838 - CONNECTING ROD / PISTONS	
BLOWER FAN (2556) (6068H) (4 VALVES)	250-8	(4045H-2V)	480-8
BRACKET REAR (911U)	910-1	CODE 5130 - CYLINDER HEAD (4045H)	510-12
BRACKET, FAN DRIVE (4045H-6068H)	440-14	CODE 63BJ - FUEL LINES (4045H-2V)	630-2
BRACKETS (LOWER)ALTERNATOR (6218)		CODE 6730 - ENGINE SENSORS	
(3029T)	620-3	(4045H-2V/6068H-2V)	670-4
BREATHER (2902) (3029T)	290-1	CODE 8170 - PRIMARY FUEL FILTER	
BREATHER (2917) (4045H,6068H)		(4045H-2V)	810-28
(4 VALVES)	290-2	CODE 8436 - WIRING HARNESS ENGINE	
BREATHER (2924) (4045H,6068H) (2 VALVES)	290-3	(4045H-2V)	840-2
BREATHER (2924) (4045H,6068H) (4 VALVES)	290-5	CODE 8652 - FAN PULLEY	
BREATHER (2947) (4045D)	290-6	(4045H-2V/6068H-2V)	860-5
BREATHER (2961) (4045H)	290-8	CODE 8843 - OIL FILTER / FILTER HEAD	
BY-PASS TUBE (WATER PUMP) (3915) (4045H)		(4045H-2V)	880-2
(4 VALVES)	390-1	COLD WEATHER STARTING AID (ACCESSORY)	970-2
BY-PASS TUBE (WATER PUMP) (3916) (6068H)		COLD WEATHER STARTING AID (ACCESSORY)	
(4 VALVES)	390-2	(4045H,T) (6068H) (2 VALVES)	970-1
C			
CAMSHAFT (4601) (4045D) (2 VALVES)	460-2	COMMON RAIL SYSTEM, HIGH PRESSURE	
CAMSHAFT (4607) (3029T)	460-4	(166K) (4045H) (4 VALVES)	160-130
CAMSHAFT (4611) (6068H) (4 VALVES)	460-6	COMMON RAIL SYSTEM, HIGH PRESSURE	
CAMSHAFT (4614) (6068H) (2 VALVES)	460-8	(166L) (6068H) (4 VALVES)	160-134
CAMSHAFT (4615) (4045H) (4 VALVES)	460-10	COMMON RAIL SYSTEM, HIGH PRESSURE	
CAMSHAFT (4616) (4045T-2V)	460-12	(168L) (6068H) (4 VALVES)	160-138
CAMSHAFT (4621) (4045H,T) (2 VALVES)	460-14	COMMON RAIL SYSTEM, HIGH PRESSURE	
CAMSHAFT (4625) (6068H) (2 VALVES)	460-16	(168M) (4045H) (4 VALVES)	160-142
CAMSHAFT (4652)	460-18	COMMON RAIL SYSTEM, HIGH PRESSURE (16A5)	
CAMSHAFT (4653) (6068H-2V)	460-20	(4045H)	160-2
CAPACITOR (3155) (4045H-6068H)	310-20	COMPONENTS, ALTERNATOR (3106) (3029T)	310-2
CODE 1134 - VALVE COVER (4045H)	110-8	COMPONENTS, ALTERNATOR (3114)	
CODE 1234 - OIL FILLER NECK AND COVER		(4045H,6068H) (4 VALVES)	310-8
(4045H - 6068H)	120-4	COMPONENTS, ALTERNATOR (3114) (6068H)	
CODE 16A5 - FUEL INJECTION PUMP (4045H)	160-2	(2 VALVES)	310-6
CODE 16L4 - FUEL INJECTION SYSTEM(4045H)	160-14	COMPONENTS, ALTERNATOR (3114)(4045D,H,T)	
CODE 16L4 - INJECTION NOZZLE (4045H)	160-18	(2 VALVES)	310-4
CODE 16L4 - SERVICE KITS, INJECTION PUMP		COMPONENTS, ALTERNATOR (3115)	
(4045H)	160-16	(4045D,H,T) (2 VALVES)	310-10
CODE 16L5 - INJECTION NOZZLE (4045H)	160-24	COMPONENTS, ALTERNATOR (3115)	
CODE 16L5 - SERVICE KITS, INJECTION PUMP		(4045H,6068H) (4 VALVES)	310-14
(4045H)	160-22	COMPONENTS, ALTERNATOR (3115) (6068H)	
CODE 16L5- FUEL INJECTION SYSTEM(4045H)	160-20	(2 VALVES)	310-12
CODE 16L8 - INJECTION NOZZLE (6068H)	160-30	COMPONENTS, ALTERNATOR (3121) (3029T)	310-16
CODE 16L8 - SERVICE KITS, INJECTION PUMP		COMPONENTS, STARTER (3026) (3029T)	300-2
(6068H)	160-28	COMPONENTS, STARTER (3054) (4045D,H,T)	
CODE 16L8- FUEL INJECTION SYSTEM		(2 VALVES)	300-4
(STANADYNE-DE10) (6068H)	160-26	COMPONENTS, STARTER (3054) (4045H,6068H)	
CODE 16L9 - INJECTION NOZZLE (6068H)	160-36	(4 VALVES)	300-8
CODE 16L9 - SERVICE KITS, INJECTION PUMP		COMPONENTS, STARTER (3054) (6068H)	
(6068H)	160-34	(2 VALVES)	300-6
CODE 16L9- FUEL INJECTION SYSTEM		CONNECTING ROD (4839) (6068H-2V)	480-10
(STANADYNE-DE10) (6068H)	160-32	CONNECTING ROD / BEARINGS (4838)	
CODE 1972 - OIL PAN (SHEET METAL)(4045H)	190-8	(4045H-2V)	480-8
CODE 2162 - THERMOSTAT COVER(4045H-6068)	210-10	CONNECTING ROD AND PISTON-CYLINDER	
CODE 2342 - FAN DRIVE (4045H-6068H)	230-4	LINER KIT (4814) (3029T)	480-1
		CONNECTING ROD AND PISTON-CYLINDER	
		LINER KIT (4817) (6068H) (4 VALVES)	480-2
		CONNECTING ROD AND PISTON-CYLINDER	
		LINER KIT (4820) (6068H) (2 VALVES)	480-3

ALPHABETICAL INDEX - CONTINUED

PAGE	PAGE		
CONNECTING ROD AND PISTON-CYLINDER LINER KIT (4822) (4045H,T) (2 VALVES).....	480-4	COVER, TIMING GEAR (4429) (4045D,H,T) (2 VALVES).....	440-8
CONNECTING ROD AND PISTON-CYLINDER LINER KIT (4823) (4045T).....	480-5	COVER, TIMING GEAR (4429) (4045D,H,T) (2 VALVES).....	440-10
CONNECTING ROD AND PISTON-CYLINDER LINER KIT (4825) (4045H) (4 VALVES).....	480-6	COVER, TIMING GEAR (4433) (4045H,6068H) (4 VALVES).....	440-12
CONNECTING ROD AND PISTON-CYLINDER LINER KIT (4833) (4045D).....	480-7	COVER, TIMING GEAR AND WATER PUMP (4446) (4045H-6068H).....	440-14
CONNECTING ROD BEARINGS (4839) (6068H-2V).....	480-10	COVER, VALVE (1103).....	110-1
CONNECTORS , WIRING HARNESS (8438) (6068H-2V).....	840-4	COVER, VALVE (1103).....	110-2
CONNECTORS, WIRING HARNESS (8436) (4045H-2V).....	840-2	COVER, VALVE (1104)(6068H-2V).....	110-4
CONTROL UNIT, ELECTRONIC-ECU (STANADYNE-DE10) (16L8) (6068H).....	160-26	COVER, VALVE (1104)(6068H-2V).....	110-5
CONTROL UNIT, ELECTRONIC-ECU (STANADYNE-DE10) (16L9) (6068H).....	160-32	COVER, VALVE (1117).....	110-6
CONTROL UNIT, ELECTRONIC-ECU (6068H) (2 VALVES).....	160-76	COVER, VALVE (1119).....	110-7
CONTROL UNIT, ELECTRONIC-ECU (161K) (4045T).....	160-70	COVER, WITHOUT FUEL PUMP (3799) (6068H) (2 VALVES).....	370-8
CONTROL UNIT, ELECTRONIC-ECU (161Q) (6068H) (2 VALVES).....	160-82	CRANKSHAFT / BEARINGS (4710) (3029T).....	470-1
CONTROL UNIT, ELECTRONIC-ECU (163L) (4045T).....	160-88	CRANKSHAFT / BEARINGS (4712) (6068H) (2 VALVES).....	470-3
CONTROL UNIT, ELECTRONIC-ECU (163U) (4045H) (2 VALVES).....	160-94	CRANKSHAFT / BEARINGS (4712) (6068H) (4 VALVES).....	470-4
CONTROL UNIT, ELECTRONIC-ECU (163V) (4045H) (2 VALVES).....	160-100	CRANKSHAFT / BEARINGS (4715) (4045D,H,T) (2 VALVES).....	470-5
CONTROLLER UNIT, ENGINE (16L4) (4045H).....	160-14	CRANKSHAFT / BEARINGS (4715) (4045H) (4 VALVES).....	470-6
CONTROLLER UNIT, ENGINE (16L5) (4045H).....	160-20	CRANKSHAFT PULLEY (1320) (6068H) (2 VALVES).....	130-1
CONTROLLER, ENGINE (16A6) (6068H).....	160-4	CRANKSHAFT PULLEY (1320) (6068H) (4 VALVES).....	130-2
COOLANT, ENGINE (9919) (ALL).....	990-38	CRANKSHAFT PULLEY (1321) (6068H) (4 VALVES).....	130-3
COOLER, OIL (5901) (4045H,T) (2 VALVES).....	590-2	CRANKSHAFT PULLEY (1324) (6068H).....	130-4
COOLER, OIL (5902) (4045H) (4 VALVES).....	590-6	CRANKSHAFT PULLEY (1327) (4045D, T, H) (2 VALVES).....	130-5
COOLER, OIL (5902) (6068H) (2 VALVES).....	590-4	CRANKSHAFT PULLEY (1328) (4045T,H) (2 VALVES).....	130-6
COOLER, OIL (5903) (6068H) (2 VALVES).....	590-8	CRANKSHAFT PULLEY (1330) (3029T).....	130-7
COOLER, OIL (5903) (6068H) (4 VALVES).....	590-10	CYLINDER BLOCK (4601) (4045D) (2 VALVES).....	460-2
COOLER, OIL (5904) (4045D).....	590-12	CYLINDER BLOCK (4607) (3029T).....	460-4
COOLER, OIL (5939) (3029T).....	590-14	CYLINDER BLOCK (4611) (6068H) (4 VALVES).....	460-6
COVER AND OIL FILLER NECK (1234) (4045H - 6068H).....	120-4	CYLINDER BLOCK (4614) (6068H) (2 VALVES).....	460-8
COVER VALVE (1104)(3029T).....	110-3	CYLINDER BLOCK (4615) (4045H) (4 VALVES).....	460-10
COVER-TIMING GEAR (4499) (3029T).....	440-16	CYLINDER BLOCK (4616) (4045T-2V).....	460-12
COVER-VALVE (1134) (4045H).....	110-8	CYLINDER BLOCK (4621) (4045H,T) (2 VALVES).....	460-14
COVER, ROCKER ARM (1135) (6068H).....	110-10	CYLINDER BLOCK (4625) (6068H) (2 VALVES).....	460-16
COVER, THERMOSTAT (2109) (4045D,T).....	210-1	CYLINDER BLOCK (4652).....	460-18
COVER, THERMOSTAT (2126) (4045D,T).....	210-2	CYLINDER BLOCK (4653) (6068H-2V).....	460-20
COVER, THERMOSTAT (2129) (3029T).....	210-3	CYLINDER HEAD (5102) (4045D,H,T) (2 VALVES).....	510-1
COVER, THERMOSTAT (2143) (4045H,6068H) (4 VALVES).....	210-4	CYLINDER HEAD (5105) (3029T).....	510-3
COVER, THERMOSTAT (2144) (6068H) (2 VALVES).....	210-5	CYLINDER HEAD (5107) (6068H) (2 VALVES).....	510-5
COVER, THERMOSTAT (2153).....	210-9	CYLINDER HEAD (5116) (6068H) (4 VALVES).....	510-7
COVER, THERMOSTAT (2153) (4045H,T) (2 VALVES).....	210-6	CYLINDER HEAD (5118) (4045H) (4 VALVES).....	510-9
COVER, THERMOSTAT (2153) (6068H) (2 VALVES).....	210-7	CYLINDER HEAD (5130) (4045H-2V).....	510-12
COVER, THERMOSTAT (2153) (6068H) (2 VALVES).....	210-8	CYLINDER HEAD (5132) (6068H-2V).....	510-14
COVER, THERMOSTAT (2162) (4045H-6068H).....	210-10	CYLINDER LINER (ENGINE) (4814) (3029T).....	480-1
COVER, TIMING GEAR (4402) (3029T).....	440-2	CYLINDER LINER (ENGINE) (4817) (6068H) (4 VALVES).....	480-2
COVER, TIMING GEAR (4426) (6068H) (2 VALVES).....	440-4	CYLINDER LINER (ENGINE) (4820) (6068H) (2 VALVES).....	480-3
COVER, TIMING GEAR (4426) (6068H) (2 VALVES).....	440-6	CYLINDER LINER (ENGINE) (4822) (4045H,T) (2 VALVES).....	480-4
		CYLINDER LINER (ENGINE) (4823) (4045T).....	480-5
		CYLINDER LINER (ENGINE) (4825) (4045H) (4 VALVES).....	480-6
		CYLINDER LINER (ENGINE) (4833) (4045D).....	480-7

ALPHABETICAL INDEX - CONTINUED

	PAGE		PAGE
CYLINDER LINER (4838) (4045H-2V)	480-8	ELECTRONIS CONTROL UNIT-ECU (161Q)	
CYLINDER LINER O-RING KIT (4839)		(6068H) (2 VALVES).....	160-82
(6068H-2V).....	480-10	ENGINE CONTROLLER (16A5) (4045H)	160-2
CYLINDER LINER O-RING KIT (4839) (6068H)	480-10	ENGINE CONTROLLER (16A6) (6068H)	160-4
D			
DIPSTICK GUIDE (4005) (4045D,H,T)		ENGINE COOLANT (9919) (ALL)	990-38
(2 VALVES).....	400-1	ENGINE COOLANT, LUBRICANT, OIL (9920)	
DIPSTICK GUIDE (4005) (4045H,6068H)		(ALL).....	990-39
(4 VALVES).....	400-3	ENGINE GASKET SET (9914) (3029T)	990-28
DIPSTICK GUIDE (4005) (6068H) (2 VALVES)	400-2	ENGINE GASKET SET (9915) (4045D,H,T)	
DIPSTICK GUIDE (4006) (3029T)	400-4	(2 VALVES).....	990-30
DIPSTICK-OIL (4048) (4045H)	400-5	ENGINE GASKET SET (9916) (4045H)	
DIPSTICK, OIL (4005) (4045,6068H)		(4 VALVES).....	990-32
(4 VALVES).....	400-3	ENGINE GASKET SET (9917) (6068H)	
DIPSTICK, OIL (4005) (4045D,H,T)		(2 VALVES).....	990-34
(2 VALVES).....	400-1	ENGINE GASKET SET (9918) (6068H)	
DIPSTICK, OIL (4005) (6068H) (2 VALVES)	400-2	(4 VALVES).....	990-36
DIPSTICK, OIL (4006) (3029T).....	400-4	ENGINE OVERHAUL KIT (9908) (4045D)	990-16
DRAIN, VALVE/OIL PAN (1910) (3029T)	190-2	ENGINE OVERHAUL KIT (9909) (4045T)	990-18
DRAIN, VALVE/OIL PAN (1949)		ENGINE OVERHAUL KIT (9910)	
(4045D,T,H) (2 VALVES).....	190-3	(4045H,T) (2 VALVES).....	990-20
DRAIN, VALVE/OIL PAN (1968)		ENGINE OVERHAUL KIT (9911) (4045H)	
(6068H) (2 VALVES).....	190-4	(4 VALVES).....	990-22
DRAIN, VALVE/OIL PAN (1968)		ENGINE OVERHAUL KIT (9912) (6068H)	
(6068H) (4 VALVES).....	190-6	(2 VALVES).....	990-24
DRIVE , FAN (2314) (4045T)	230-3	ENGINE OVERHAUL KIT (9913) (6068H)	
DRIVE BELT ROLLER (8711) (4045D,H,T)		(4 VALVES).....	990-26
(2 VALVES).....	870-1	ENGINE SENSORS (6709) (6068H) (2 VALVES)	670-1
DRIVE BELT ROLLER (8711) (4045H,6068H)		ENGINE SENSORS (6710) (4045H,T) (6068H)	
(4 VALVES).....	870-3	(2 VALVES).....	670-2
DRIVE BELT ROLLER (8711) (6068H)		ENGINE SENSORS (6711) (4045H,6068H)	
(2 VALVES).....	870-2	(4 VALVES).....	670-3
DRIVE, FAN (2312)	230-1	ENGINE SENSORS (6730)	
DRIVE, FAN (2312)	230-2	(4045H-2V/6068H-2V).....	670-4
DRIVE, FAN (2342) (4045H-6068H)	230-4	EXHAUST ADAPTER (6410) (4045D)	640-1
E			
ECU - ELECTRONIC CONTROL UNIT (16YS)		EXHAUST ADAPTER (6412) (4045T).....	640-2
(6068H) (2 VALVES).....	160-45	EXHAUST ADAPTER (6413) (4045H-6068H-2V)	640-3
ECU - ELECTRONIC CONTROL UNIT (16YT)		EXHAUST ADAPTER (6413) (4045H-6068H-4V)	640-4
(6068H) (2 VALVES).....	160-49	EXHAUST MANIFOLD (2801) (4045D)	280-1
ECU, ELECTRONIC CONTROLL UNIT (16A6)		EXHAUST MANIFOLD (2803) (4045H,T)	
(6068H)	160-4	(2 VALVES).....	280-2
ELECTRONIC CONTROL UNIT- ECU (16YS)		EXHAUST MANIFOLD (2808) (6068H)	
(6068H) (2 VALVES).....	160-45	(2 VALVES).....	280-3
ELECTRONIC CONTROL UNIT- ECU (16YT)		EXHAUST MANIFOLD (2810)	280-4
(6068H) (2 VALVES).....	160-49	EXHAUST MANIFOLD (2823) (3029T)	280-5
ELECTRONIC CONTROL UNIT-ECU		EXHAUST MANIFOLD (2866) (4045H)	
(STANADYNE-DE10) (16L8) (6068H)	160-26	(4 VALVES).....	280-6
ELECTRONIC CONTROL UNIT-ECU		EXHAUST MANIFOLD (2868) (6068H)	
(STANADYNE-DE10) (16L9) (6068H)	160-32	(4 VALVES).....	280-7
ELECTRONIC CONTROL UNIT-ECU		EXHAUST MANIFOLD (2888) (4045H)	280-8
(6068H) (2 VALVES).....	160-76	EXHAUST MANIFOLD (2892) (6068H)	280-9
ELECTRONIC CONTROL UNIT-ECU (161K)		EXHAUST VALVE (5130) (4045H-2V)	510-12
(4045T).....	160-70	EXHAUST VALVE (5132) (6068H-2V)	510-14
ELECTRONIC CONTROL UNIT-ECU (163L)		F	
(4045T).....	160-88	FAN DRIVE (2312)	230-1
ELECTRONIC CONTROL UNIT-ECU (163U)		FAN DRIVE (2312)	230-2
(4045H) (2 VALVES).....	160-94	FAN DRIVE (2314) (4045T)	230-3
ELECTRONIC CONTROL UNIT-ECU (163V)		FAN DRIVE (2342) (4045H-6068H)	230-4
(4045H) (2 VALVES).....	160-100	FAN PULLEY (8652) (4045H-2V/6068H-2V)	860-5
F			
		FAN SHEAVE (8604) (6068H)	
		(2 VALVES).....	860-1
		FAN SHEAVE (8605) (4045H,T) (6068H)	
		(2 VALVES).....	860-2
		FAN SHEAVE (8605) (4045H,6068H)	
		(4 VALVES).....	860-3

ALPHABETICAL INDEX - CONTINUED

<i>PAGE</i>	<i>PAGE</i>
FAN SHEAVE (8606) (4045D)	860-4
FAN, ALTERNATOR (3155) (4045H-6068H)	310-20
FAN,BLOWER (2512) (3029T)	250-1
FAN,BLOWER (2535) (4045D,T)	250-2
FAN,BLOWER (2536) (4045H) (4 VALVES)	250-4
FAN,BLOWER (2536) (6068H) (2 VALVES)	250-3
FAN,BLOWER (2542) (4045H) (2 VALVES)	250-5
FAN,BLOWER (2553) (6068H) (2 VALVES)	250-6
FAN,BLOWER (2553) (6068H) (4 VALVES)	250-7
FAN,BLOWER (2556) (6068H) (4 VALVES)	250-8
FILLER NECK, OIL (1202) (3029T)	120-1
FILLER NECK, OIL (1203) (4045, 6068) (2 VALVES)	120-2
FILLER NECK, OIL (1203) (4045, 6068) (4 VALVES)	120-3
FILTER HEAD / OIL FILTER (8843) (4045H-2V)	880-2
FILTER OIL, ADAPTER-ENGINE (8844) (4045D,H,T) (2 VALVES)	880-4
FILTER OIL, ADAPTER-ENGINE (8844) (6068H) (2 VALVES)	880-6
FILTER-FUEL FINAL (3563) (4045D,T) (2 VALVES)	350-30
FILTER-FUEL, FINAL (35BR) (6068H) (2 VALVES)	350-2
FILTER-FUEL, FINAL (35BR) (6068H) (2 VALVES)	350-4
FILTER-FUEL, FINAL (35BW) (6068H) (2 VALVES)	350-6
FILTER-FUEL, FINAL (35BW) (6068H) (2 VALVES)	350-8
FILTER-FUEL, FINAL (35CC) (4045H,T) (2 VALVES)	350-10
FILTER-FUEL, FINAL (35CC) (4045H,T) (2 VALVES)	350-12
FILTER-FUEL, FINAL (35CR) (6068H) (4 VALVES)	350-14
FILTER-FUEL, FINAL (35CR) (6068H) (4 VALVES)	350-16
FILTER-FUEL, FINAL (35CS) (4045H) (4 VALVES)	350-18
FILTER-FUEL, FINAL (35CS) (4045H) (4 VALVES)	350-20
FILTER-FUEL, FINAL (35DD) (3029T)	350-22
FILTER-FUEL, FINAL (35DD) (3029T)	350-24
FILTER-FUEL, FINAL (35ED) (4045H-6068H)	350-26
FILTER-FUEL, FINAL (3563) (4045D,T) (2 VALVES)	350-28
FILTER-FUEL, PRIMARY (8116) (6068H) (2 VALVES)	810-1
FILTER-FUEL, PRIMARY (8116) (6068H) (2 VALVES)	810-2
FILTER-FUEL, PRIMARY (8119) (6068H) (2 VALVES)	810-5
FILTER-FUEL, PRIMARY (8119) (6068H) (2 VALVES)	810-6
FILTER-FUEL, PRIMARY (8130) (6068H) (2 VALVES)	810-9
FILTER-FUEL, PRIMARY (8130) (6068H) (2 VALVES)	810-10
FILTER-FUEL, PRIMARY (8135) (4045H,T) (2 VALVES)	810-13
FILTER-FUEL, PRIMARY (8135) (4045H,T) (2 VALVES)	810-14
FILTER-FUEL, PRIMARY (8136) (4045H) (4 VALVES)	810-17
FILTER-FUEL, PRIMARY (8136) (4045H) (4 VALVES)	810-18
FILTER-FUEL, PRIMARY (8139) (6068H) (4 VALVES)	810-21
FILTER-FUEL, PRIMARY (8139) (6068H) (4 VALVES)	810-22
FILTER-FUEL, PRIMARY (8140) (4045H,T) (2 VALVES)	810-25
FILTER-FUEL, PRIMARY (8140) (4045H,T) (2 VALVES)	810-26
FILTER-FUEL, PRIMARY (8170) (4045H-2V)	810-28
FILTER-OIL / FILTER HEAD (8843) (4045H-2V)	880-2
FILTER, OIL (5939) (3029T)	590-14
FINAL FUEL FILTER (35BR) (6068H) (2 VALVES)	350-2
FINAL FUEL FILTER (35BR) (6068H) (2 VALVES)	350-4
FINAL FUEL FILTER (35BW) (6068H) (2 VALVES)	350-6
FINAL FUEL FILTER (35BW) (6068H) (2 VALVES)	350-8
FINAL FUEL FILTER (35CC) (4045H,T) (2 VALVES)	350-10
FINAL FUEL FILTER (35CC) (4045H,T) (2 VALVES)	350-12
FINAL FUEL FILTER (35CR) (6068H) (4 VALVES)	350-14
FINAL FUEL FILTER (35CR) (6068H) (4 VALVES)	350-16
FINAL FUEL FILTER (35CS) (4045H) (4 VALVES)	350-18
FINAL FUEL FILTER (35CS) (4045H) (4 VALVES)	350-20
FINAL FUEL FILTER (35DD) (3029T)	350-22
FINAL FUEL FILTER (35DD) (3029T)	350-24
FINAL FUEL FILTER (35ED) (4045H-6068H)	350-26
FINAL FUEL FILTER (3563) (4045D,T) (2 VALVES)	350-28
FINAL FUEL FILTER (3563) (4045D,T) (2 VALVES)	350-30
FLYWHEEL HOUSING (1421) (3029T)	140-1
FLYWHEEL HOUSING (1433) (4045D, T, H) (2 VALVES)	140-2
FLYWHEEL HOUSING (1433) (4045H) (4 VALVES)	140-4
FLYWHEEL HOUSING (1433) (6068H) (2 VALVES)	140-3
FLYWHEEL HOUSING (1433) (6068H) (4 VALVES)	140-5
FLYWHEEL HOUSING (1503) (4045D, T, H) (2 VALVES)	150-1
FLYWHEEL HOUSING (1503) (4045H) (4 VALVES)	150-3
FLYWHEEL HOUSING (1503) (6068H) (2 VALVES)	150-2
FLYWHEEL HOUSING (1503) (6068H) (4 VALVES)	150-4
FLYWHEEL HOUSING (1551) (3029T)	150-5
FRONT PLATE AND IDLE GEARS (UPPER AND LOWER) (3612) (4045H,6068H)(4 VALVES)	360-1
FRONT PLATE AND IDLE GEARS (UPPER AND LOWER) (3612) (4045H,6068H)(4 VALVES)	360-2
FRONT PLATE AND LOWER IDLE GEAR (3622) (3029T)	360-6

10-34

ENGINES FOR GENSETS (3029, 4045 & 6068 TIER2 - 2 & 4 VALVE)

ALPHABETICAL INDEX - CONTINUED

	PAGE		PAGE
FRONT PLATE AND UPPER IDLE GEAR (3616) (6068H) (2 VALVES).....	360-3	FUEL INJECTION LINES (16A6) (6068H).....	160-4
FRONT PLATE AND UPPER IDLE GEAR (3618) (4045D,H,T) (2 VALVES).....	360-4	FUEL INJECTION LINES (16YS) (6068H) (2 VALVES).....	160-42
FRONT PLATE AND UPPER IDLE GEAR (3618) (6068H) (2 VALVES).....	360-5	FUEL INJECTION LINES (16YT) (6068H) (2 VALVES).....	160-46
FUEL FILTER LINES (63BL) (6068H-2V).....	630-4	FUEL INJECTION LINES (161K) (4045T).....	160-70
FUEL FILTER, FINAL (35BR) (6068H) (2 VALVES).....	350-2	FUEL INJECTION LINES (161N) (6068H) (2 VALVES).....	160-76
FUEL FILTER, FINAL (35BR) (6068H) (2 VALVES).....	350-4	FUEL INJECTION LINES (161Q) (6068H) (2 VALVES).....	160-82
FUEL FILTER, FINAL (35BW) (6068H) (2 VALVES).....	350-6	FUEL INJECTION LINES (163L) (4045T).....	160-88
FUEL FILTER, FINAL (35BW) (6068H) (2 VALVES).....	350-8	FUEL INJECTION LINES (163U) (4045H) (2 VALVES).....	160-94
FUEL FILTER, FINAL (35CC) (4045H,T) (2 VALVES).....	350-10	FUEL INJECTION LINES (163V) (4045H) (2 VALVES).....	160-100
FUEL FILTER, FINAL (35CC) (4045H,T) (2 VALVES).....	350-12	FUEL INJECTION PUMP (STANADYNE-DE10) (16L8) (6068H).....	160-26
FUEL FILTER, FINAL (35CR) (6068H) (4 VALVES).....	350-16	FUEL INJECTION PUMP (STANADYNE-DE10) (16L9) (6068H).....	160-32
FUEL FILTER, FINAL (35CS) (4045H) (4 VALVES).....	350-18	FUEL INJECTION PUMP (16A6) (6068H).....	160-4
FUEL FILTER, FINAL (35CS) (4045H) (4 VALVES).....	350-20	FUEL INJECTION PUMP (16L2) (4045T).....	160-6
FUEL FILTER, FINAL (35DD) (3029T).....	350-22	FUEL INJECTION PUMP (16L3) (4045T).....	160-10
FUEL FILTER, FINAL (35DD) (3029T).....	350-24	FUEL INJECTION PUMP (16L4) (4045H).....	160-14
FUEL FILTER, FINAL (35ED) (4045H-6068H).....	350-26	FUEL INJECTION PUMP (16L5) (4045H).....	160-20
FUEL FILTER, FINAL (3563) (4045D,T) (2 VALVES).....	350-28	FUEL INJECTION PUMP (16XA) (4045T).....	160-38
FUEL FILTER, FINAL (3563) (4045D,T) (2 VALVES).....	350-30	FUEL INJECTION PUMP (16X7) (4045D).....	160-58
FUEL FILTER, PRIMARY (8116) (6068H) (2 VALVES).....	810-1	FUEL INJECTION PUMP (16X8) (4045D).....	160-62
FUEL FILTER, PRIMARY (8116) (6068H) (2 VALVES).....	810-2	FUEL INJECTION PUMP (16X9) (4045T).....	160-66
FUEL FILTER, PRIMARY (8119) (6068H) (2 VALVES).....	810-5	FUEL INJECTION PUMP (161K) (4045T).....	160-70
FUEL FILTER, PRIMARY (8119) (6068H) (2 VALVES).....	810-6	FUEL INJECTION PUMP (161N) (6068H) (2 VALVES).....	160-76
FUEL FILTER, PRIMARY (8130) (6068H) (2 VALVES).....	810-9	FUEL INJECTION PUMP (161Q) (6068H) (2 VALVES).....	160-82
FUEL FILTER, PRIMARY (8130) (6068H) (2 VALVES).....	810-10	FUEL INJECTION PUMP (163L) (4045T).....	160-88
FUEL FILTER, PRIMARY (8135) (4045H,T) (2 VALVES).....	810-13	FUEL INJECTION PUMP (163U) (4045H) (2 VALVES).....	160-94
FUEL FILTER, PRIMARY (8135) (4045H,T) (2 VALVES).....	810-14	FUEL INJECTION PUMP (163V) (4045H) (2 VALVES).....	160-100
FUEL FILTER, PRIMARY (8136) (4045H) (4 VALVES).....	810-17	FUEL INJECTION PUMP (164P) (4045D).....	160-114
FUEL FILTER, PRIMARY (8136) (4045H) (4 VALVES).....	810-18	FUEL INJECTION PUMP (164Q) (4045D).....	160-118
FUEL FILTER, PRIMARY (8139) (6068H) (4 VALVES).....	810-21	FUEL INJECTION PUMP (164X) (4045T).....	160-122
FUEL FILTER, PRIMARY (8139) (6068H) (4 VALVES).....	810-22	FUEL INJECTION PUMP (164Y) (4045T).....	160-126
FUEL FILTER, PRIMARY (8140) (4045H,T) (2 VALVES).....	810-25	FUEL INJECTION PUMP & FUEL LINES (16X5) (3029T).....	160-50
FUEL FILTER, PRIMARY (8140) (4045H,T) (2 VALVES).....	810-26	FUEL INJECTION PUMP & FUEL LINES (16X6) (3029T).....	160-54
FUEL FILTER, PRIMARY (8170) (4045H-2V).....	810-28	FUEL INJECTION PUMP & FUEL LINES (164H) (3029T).....	160-106
FUEL FILTER, FINAL (35CR) (6068H) (4 VALVES).....	350-14	FUEL INJECTION PUMP & FUEL LINES (164I) (3029T).....	160-110
FUEL INJECTION LINES (STANADYNE-DE10) (16L8) (6068H).....	160-26	FUEL INJECTION PUMP, COMMON RAIL (16A5) (4045H).....	160-2
FUEL INJECTION LINES (STANADYNE-DE10) (16L9) (6068H).....	160-32	FUEL INJECTION PUMP, FUEL LINES (16L2) (4045T).....	160-6
		FUEL INJECTION PUMP, FUEL LINES (16L3) (4045T).....	160-10
		FUEL INJECTION PUMP, FUEL LINES (16XA) (4045T).....	160-38
		FUEL INJECTION PUMP, FUEL LINES (16X7) (4045D).....	160-58
		FUEL INJECTION PUMP, FUEL LINES (16X8) (4045D).....	160-62
		FUEL INJECTION PUMP, FUEL LINES (16X9) (4045T).....	160-66
		FUEL INJECTION PUMP, FUEL LINES (164P) (4045D).....	160-114

ALPHABETICAL INDEX - CONTINUED

	PAGE		PAGE
FUEL INJECTION PUMP, FUEL LINES (164Q) (4045D)	160-118	FUEL LINES / FUEL FILTER-FUEL INJECTION PUMP (6316) (6068H) (2 VALVES)	630-20
FUEL INJECTION PUMP, FUEL LINES (164X) (4045T)	160-122	FUEL LINES / FUEL FILTER-FUEL INJECTION PUMP (6318) (6068H) (2 VALVES)	630-22
FUEL INJECTION PUMP, FUEL LINES (164Y) (4045T)	160-126	FUEL LINES / FUEL FILTER-FUEL INJECTION PUMP (6326) (6068H) (4 VALVES)	630-24
FUEL INJECTION PUMP, SERVICE KITS (16L4) (4045H)	160-16	FUEL LINES / FUEL FILTER-FUEL INJECTION PUMP (6328) (4045H) (4 VALVES)	630-26
FUEL INJECTION PUMP, SERVICE KITS (16L5) (4045H)	160-22	FUEL LINES / FUEL FILTER-FUEL INJECTION PUMP (6328) (4045H,T) (2 VALVES)	630-28
FUEL INJECTION PUMP, SERVICE KITS (16L8) (6068H)	160-28	FUEL LINES, HIGH PRESSURE (16A5) (4045H)	160-2
FUEL INJECTION PUMP, SERVICE KITS (16L9) (6068H)	160-34	FUEL LINES, HP - (16L4) (4045H)	160-14
FUEL INJECTION PUMP, SERVICE KITS (161K) (4045T)	160-74	FUEL LINES, HP - (16L5) (4045H)	160-20
FUEL INJECTION PUMP, SERVICE KITS (161N) (6068H) (2 VALVES)	160-78	FUEL LINES, INJECTION PUMP (16L2) (4045T)	160-6
FUEL INJECTION PUMP, SERVICE KITS (161Q) (6068H) (2 VALVES)	160-84	FUEL LINES, INJECTION PUMP (16L3) (4045T)	160-10
FUEL INJECTION PUMP, SERVICE KITS (163L) (4045T)	160-92	FUEL LINES, INJECTION PUMP (16XA) (4045T)	160-38
FUEL INJECTION PUMP, SERVICE KITS (163U) (4045H) (2 VALVES)	160-98	FUEL LINES, INJECTION PUMP (16X7)(4045D)	160-58
FUEL INJECTION PUMP, SERVICE KITS (163V) (4045H) (2 VALVES)	160-104	FUEL LINES, INJECTION PUMP (16X8) (4045D)	160-62
FUEL INJECTION SYSTEM (STANDYNE, DE10) (16L8) (6068H)	160-26	FUEL LINES, INJECTION PUMP (16X9) (4045T)	160-66
FUEL INJECTION SYSTEM (STANDYNE, DE10) (16L9) (6068H)	160-32	FUEL LINES, INJECTION PUMP (164P)(4045D)	160-114
FUEL INJECTION SYSTEM (16L4) (4045H)	160-14	FUEL LINES, INJECTION PUMP (164Q) (4045D)	160-118
FUEL INJECTION SYSTEM (16L5) (4045H)	160-20	FUEL LINES, INJECTION PUMP (164X) (4045T)	160-122
FUEL INJECTION SYSTEM (16YS) (6068H) (2 VALVES)	160-42	FUEL LINES, INJECTION PUMP (164Y) (4045T)	160-126
FUEL INJECTION SYSTEM (16YT) (6068H) (2 VALVES)	160-46	FUEL PUMP (3701) (6068H) (2 VALVES)	370-1
FUEL INJECTION SYSTEM (161K)	160-70	FUEL PUMP (3702) (4045D,T) (2 VALVES)	370-2
FUEL INJECTION SYSTEM (161K) (4045T)	160-70	FUEL PUMP (3706) (4045H,T) (2 VALVES)	370-3
FUEL INJECTION SYSTEM (161N) (6068H) (2 VALVES)	160-76	FUEL PUMP (3710) (3029T)	370-4
FUEL INJECTION SYSTEM (161Q) (6068H) (2 VALVES)	160-82	FUEL PUMP (3713) (4045H,6068H)(4 VALVES)	370-5
FUEL INJECTION SYSTEM (163L) (4045T)	160-88	FUEL PUMP (3713) (4045H,6068H)(4 VALVES)	370-6
FUEL INJECTION SYSTEM (163U) (4045H) (2 VALVES)	160-94	FUEL PUMP (3715) (4045H,T) (2 VALVES)	370-7
FUEL INJECTION SYSTEM (163V) (4045H) (2 VALVES)	160-100	FUEL PUMP, W/O, COVER (3799) (6068H) (2 VALVES)	370-8
FUEL LINES (16X5) (3029T)	160-50	FUEL RETURN LINES (63BL) (6068H-2V)	630-4
FUEL LINES (16X6) (3029T)	160-54	FUEL, WATER SENSOR (WIF) (8171) (6068H-2V)	810-30
FUEL LINES (164H) (3029T)	160-106		
FUEL LINES (164I) (3029T)	160-110	G	
FUEL LINES (63BJ) (4045H-2V)	630-2	GASKET SET, ENGINE (9914) (3029T)	990-28
FUEL LINES / FUEL FILTER-FUEL INJECTION PUMP (63BT) (4045H) (2 VALVES)	630-6	GASKET SET, ENGINE (9915) (4045D,H,T) (2 VALVES)	990-30
FUEL LINES / FUEL FILTER-FUEL INJECTION PUMP (63X1) (4045H) (4 VALVES)	630-8	GASKET, ENGINE SET (9916) (4045H) (4 VALVES)	990-32
FUEL LINES / FUEL FILTER-FUEL INJECTION PUMP (63X2) (6068H) (4 VALVES)	630-10	GASKET, ENGINE SET (9917) (6068H) (2 VALVES)	990-34
FUEL LINES / FUEL FILTER-FUEL INJECTION PUMP (63X3) (6068H) (2 VALVES)	630-12	GASKET, ENGINE SET (9918) (6068H) (4 VALVES)	990-36
FUEL LINES / FUEL FILTER-FUEL INJECTION PUMP (63X4) (6068H) (2 VALVES)	630-14	GASKET, LIQUID (9919) (ALL)	990-38
FUEL LINES / FUEL FILTER-FUEL INJECTION PUMP (63X5) (6068H) (2 VALVES)	630-16	GASKET, ROCKER ARM COVER (1135) (6068H)	110-10
FUEL LINES / FUEL FILTER-FUEL INJECTION PUMP (6306) (6068H) (2 VALVES)	630-18	GEAR-IDLE (UPPER) (4499) (3029T)	440-16
		GEAR, IDLE (LOWER) (3622) (3029T)	360-6
		GEAR, IDLE (LOWER) (4402) (3029T)	440-2
		GEAR, IDLE (LOWER) (4426) (6068H) (2 VALVES)	440-4
		GEAR, IDLE (LOWER) (4426) (6068H) (2 VALVES)	440-6

ALPHABETICAL INDEX - CONTINUED

	PAGE		PAGE
GEAR, IDLE (LOWER) (4429) (4045D,H,T) (2 VALVES).....	440-8	HIGH PRESSURE COMMON RAIL SYSTEM (166L) (6068H) (4 VALVES)	160-134
GEAR, IDLE (LOWER) (4429) (4045D,H,T) (2 VALVES).....	440-10	HIGH PRESSURE COMMON RAIL SYSTEM (168L) (6068H) (4 VALVES)	160-138
GEAR, IDLE (UPPER) (3616) (6068H) (2 VALVES).....	360-3	HIGH PRESSURE COMMON RAIL SYSTEM (168M) (4045H) (4 VALVES)	160-142
GEAR, IDLE (UPPER) (3618) (4045D,H,T) (2 VALVES).....	360-4	HIGH PRESSURE, COMMON RAIL SYSTEM (16A5) (4045H).....	160-2
GEAR, IDLE (UPPER) (3618) (6068H) (2 VALVES).....	360-5	HOUSING, FLYWHEEL (1421) (3029T).....	140-1
GEARS, IDLE (UPPER AND LOWER) (3612) (4045H,6068H) (4 VALVES)	360-1	HOUSING, FLYWHEEL (1503) (4045D, T, H) (2 VALVES).....	150-1
GEARS, IDLE (UPPER AND LOWER) (3612) (4045H,6068H) (4 VALVES)	360-2	HOUSING, FLYWHEEL (1503) (4045H) (4 VALVES).....	150-3
GLOW PLUG AND WIRING HARNESS (12V) (4320) (6068H) (4 VALVES)	430-3	HOUSING, FLYWHEEL (1503) (6068H) (2 VALVES).....	150-2
GLOW PLUG AND WIRING HARNESS (12V) (4321) (4045H) (4 VALVES)	430-4	HOUSING, FLYWHEEL (1503) (6068H) (4 VALVES).....	150-4
GLOW PLUG AND WIRING HARNESS (24V) (43A1) (4045H) (4 VALVES)	430-1	HOUSING, FLYWHEEL (1551) (3029T).....	150-5
GLOW PLUG AND WIRING HARNESS (24V) (43A2) (6068H) (4 VALVES)	430-2	HOUSING, INTERMEDIATE (OIL COOLER / WATER PUMP) (5904) (4045D)	590-13
GREASE FOR CAMSHAFT BUSHING (9919) (ALL).....	990-38	HOUSING, INTERMEDIATE(OIL COOLER / WATER PUMP) (5901) (4045H,T) (2 VALVES)	590-3
GUIDE DIPSTICK (4005) (4045D,H,T) (2 VALVES).....	400-1	HOUSING, INTERMEDIATE(OIL COOLER / WATER PUMP) (5902) (4045H) (4 VALVES)	590-7
GUIDE DIPSTICK (4005) (4045H,6068H) (4 VALVES).....	400-3	HOUSING, INTERMEDIATE(OIL COOLER / WATER PUMP) (5902) (6068H) (2 VALVES)	590-5
GUIDE DIPSTICK (4005) (6068H) (2 VALVES)	400-2	HOUSING, INTERMEDIATE(OIL COOLER / WATER PUMP) (5903) (6068H) (2 VALVES)	590-9
GUIDE DIPSTICK (4006) (3029T).....	400-4	HOUSING, INTERMEDIATE(OIL COOLER / WATER PUMP) (5903) (6068H) (4 VALVES)	590-11
H			
HARNES-WIRING & INJECTION NOZZLE (16A5) (4045H)	160-2	HOUSING, THERMOSTAT (3915) (4045H) (4 VALVES).....	390-1
HARNES-WIRING AND INJECTION NOZZLE (166L) (6068H) (4 VALVES)	160-136	HOUSING, THERMOSTAT (3916) (6068H) (4 VALVES).....	390-2
HARNES-WIRING AND INJECTION NOZZLE (168L) (6068H) (4 VALVES)	160-140	HOUSING,FLYWHEEL (1433) (4045D, T, H) (2 VALVES).....	140-2
HARNES-WIRING ENGINE (8436) (4045H-2V).....	840-2	HOUSING,FLYWHEEL (1433) (4045H) (4 VALVES).....	140-4
HARNES, WIRING (8438) (6068H-2V)	840-4	HOUSING,FLYWHEEL (1433) (6068H) (2 VALVES).....	140-3
HARNES, WIRING AND GLOW PLUG (12V) (4320) (6068H) (4 VALVES)	430-3	HOUSING,FLYWHEEL (1433) (6068H) (4 VALVES).....	140-5
HARNES, WIRING AND GLOW PLUG (12V) (4321) (4045H) (4 VALVES)	430-4	I	
HARNES, WIRING AND GLOW PLUG (24V) (43A1) (4045H) (4 VALVES)	430-1	IDLE GEAR (LOWER) (3622) (3029T).....	360-6
HARNES, WIRING AND GLOW PLUG (24V) (43A2) (6068H) (4 VALVES)	430-2	IDLE GEAR (LOWER) (4402) (3029T).....	440-2
HEAD-CYLINDER (5130) (4045H-2V).....	510-12	IDLE GEAR (LOWER) (4426) (6068H) (2 VALVES).....	440-4
HEAD-CYLINDER (5132) (6068H-2V).....	510-14	IDLE GEAR (LOWER) (4426) (6068H) (2 VALVES).....	440-6
HEAD-FILTER / OIL FILTER (8843) (4045H-2V).....	880-2	IDLE GEAR (LOWER) (4429) (4045D,H,T) (2 VALVES).....	440-8
HEAD, CYLINDER (5102) (4045D,H,T) (2 VALVES).....	510-1	IDLE GEAR (LOWER) (4429) (4045D,H,T) (2 VALVES).....	440-10
HEAD, CYLINDER (5105) (3029T).....	510-3	IDLE GEAR (UPPER) (3616) (6068H) (2 VALVES).....	360-3
HEAD, CYLINDER (5107) (6068H) (2 VALVES)	510-5	IDLE GEAR (UPPER) (3618) (4045D,H,T) (2 VALVES).....	360-4
HEAD, CYLINDER (5116) (6068H) (4 VALVES)	510-7	IDLE GEAR (UPPER) (3618) (6068H) (2 VALVES).....	360-5
HEAD, CYLINDER (5118) (4045H) (4 VALVES)	510-9	IDLE GEAR (UPPER) (4499) (3029T)	440-16
HEATER, AIR (ACCESSORY)	970-2	IDLE GEARS (UPPER AND LOWER) (3612) (4045H,6068H) (4 VALVES)	360-1
HEATER, AIR (ACCESSORY) (4045H,T) (6068H) (2 VALVES).....	970-1	IDLE GEARS (UPPER AND LOWER) (3612) (4045H,6068H) (4 VALVES)	360-2
HIGH PRESSURE COMMON RAIL SYSTEM (166K) (4045H) (4 VALVES).....	160-130		

ALPHABETICAL INDEX - CONTINUED

	PAGE		PAGE
INJECTION FUEL PUMP, SERVICE KITS (16L4) (4045H)	160-16	INJECTION, FUEL SYSTEM (16YS) (6068H) (2 VALVES)	160-42
INJECTION FUEL PUMP, SERVICE KITS (16L5) (4045H)	160-22	INJECTION, FUEL SYSTEM (16YT) (6068H) (2 VALVES)	160-46
INJECTION FUEL PUMP, SERVICE KITS (16L8) (6068H)	160-28	INLET, WATER PUMP (5702) (4045H,T) (6068H) (2 VALVES)	570-1
INJECTION FUEL PUMP, SERVICE KITS (16L9) (6068H)	160-34	INLET, WATER PUMP (5722) (4045D,T) (2 VALVES)	570-2
INJECTION NOZZLE (16L2) (4045T)	160-8	INLET, WATER PUMP (5722) (4045H,6068H) (4 VALVES)	570-3
INJECTION NOZZLE (16L3) (4045T)	160-12	INTAKE MANIFOLD (17AC) (4045H)(4 VALVES)	170-1
INJECTION NOZZLE (16L4) (4045H)	160-18	INTAKE MANIFOLD (17AV) (4045T)	170-2
INJECTION NOZZLE (16L5) (4045H)	160-24	INTAKE MANIFOLD (1705) (4045D)	170-3
INJECTION NOZZLE (16L8) (6068H)	160-30	INTAKE MANIFOLD (1711) (3029T)	170-4
INJECTION NOZZLE (16L9) (6068H)	160-36	INTAKE MANIFOLD (1756)	170-5
INJECTION NOZZLE (16XA) (4045T)	160-40	INTAKE MANIFOLD (1783) (4045H, 6068H) (2 VALVES)	170-6
INJECTION NOZZLE (16X5) (3029T)	160-52	INTAKE MANIFOLD (1791) (4045T)	170-7
INJECTION NOZZLE (16X6) (3029T)	160-56	INTAKE MANIFOLD (1797) (6068H) (4 VALVES)	170-8
INJECTION NOZZLE (16X7) (4045D)	160-60	INTAKE VAVLE (5130) (4045H-2V)	510-12
INJECTION NOZZLE (16X8) (4045D)	160-64	INTAKE VAVLE (5132) (6068H-2V)	510-14
INJECTION NOZZLE (16X9) (4045T)	160-68	INTAKE, OIL PUMP (19AB) (4045H) (4 VALVES)	190-1
INJECTION NOZZLE (16YS) (6068H) (2 VALVES)	160-44	INTAKE, OIL PUMP (1910) (3029T)	190-2
INJECTION NOZZLE (16YT) (6068H) (2 VALVES)	160-48	INTAKE, OIL PUMP (1949) (4045D,T,H) (2 VALVES)	190-3
INJECTION NOZZLE (161K) (4045T)	160-72	INTAKE, OIL PUMP (1968) (6068H) (2 VALVES)	190-4
INJECTION NOZZLE (161N) (6068H) (2 VALVES)	160-80	INTAKE, OIL PUMP (1968) (6068H) (4 VALVES)	190-6
INJECTION NOZZLE (161Q) (6068H) (2 VALVES)	160-86	INTAKE, OIL PUMP (4045H) (1972)	190-8
INJECTION NOZZLE (163L) (4045T)	160-90	INTERMEDIATE HOUSING (OIL COOLER / WATER PUMP) (5901) (4045H,T)(2 VALVES)	590-3
INJECTION NOZZLE (163U) (4045H) (2 VALVES)	160-96	INTERMEDIATE HOUSING (OIL COOLER / WATER PUMP) (5902) (4045H) (4 VALVES)	590-7
INJECTION NOZZLE (163V) (4045H) (2 VALVES)	160-102	INTERMEDIATE HOUSING (OIL COOLER / WATER PUMP) (5902) (6068H) (2 VALVES)	590-5
INJECTION NOZZLE (164H) (3029T)	160-108	INTERMEDIATE HOUSING (OIL COOLER / WATER PUMP) (5903) (6068H) (2 VALVES)	590-9
INJECTION NOZZLE (164I) (3029T)	160-112	INTERMEDIATE HOUSING (OIL COOLER / WATER PUMP) (5903) (6068H) (4 VALVES)	590-11
INJECTION NOZZLE (164P) (4045D)	160-116	INTERMEDIATE HOUSING (OIL COOLER / WATER PUMP) (5904) (4045D)	590-13
INJECTION NOZZLE (164Q) (4045D)	160-120		
INJECTION NOZZLE (164X) (4045T)	160-124	K	
INJECTION NOZZLE (164Y) (4045T)	160-128	KIT, ENGINE OVERHAUL (9908) (4045D)	990-16
INJECTION NOZZLE & WIRING HARNESS (16A5) (4045H)	160-2	KIT, ENGINE OVERHAUL (9909) (4045T)	990-18
INJECTION NOZZLE AND WIRING HARNESS (166K) (4045H) (4 VALVES)	160-132	KIT, ENGINE OVERHAUL (9910) (4045H,T) (2 VALVES)	990-20
INJECTION NOZZLE AND WIRING HARNESS (166L) (6068H) (4 VALVES)	160-136	KIT, ENGINE OVERHAUL (9911) (4045H) (4 VALVES)	990-22
INJECTION NOZZLE AND WIRING HARNESS (168L) (6068H) (4 VALVES)	160-140	KIT, ENGINE OVERHAUL (9912) (6068H) (2 VALVES)	990-24
INJECTION NOZZLE AND WIRING HARNESS (168M) (4045H) (4 VALVES)	160-144	KIT, ENGINE OVERHAUL (9913) (6068H) (4 VALVES)	990-26
INJECTION PUMP (16L4) (4045H)	160-14	KIT, OIL PUMP (5001) (3029T)	500-2
INJECTION PUMP (16L5) (4045H)	160-20	KIT, TIMING GEAR COVER (4499) (3029T)	440-18
INJECTION PUMP (16X5) (3029T)	160-50	KITS SERVICE, FUEL INJECTION PUMP (16L4) (4045H)	160-16
INJECTION PUMP (16X6) (3029T)	160-54	KITS SERVICE, FUEL INJECTION PUMP (16L5) (4045H)	160-22
INJECTION PUMP (164H) (3029T)	160-106	KITS SERVICE, FUEL INJECTION PUMP (16L8) (6068H)	160-28
INJECTION PUMP (164I) (3029T)	160-110		
INJECTION PUMP, FUEL (16L2) (4045T)	160-6		
INJECTION PUMP, FUEL (16L3) (4045T)	160-10		
INJECTION PUMP, FUEL (16XA) (4045T)	160-38		
INJECTION PUMP, FUEL (16X7) (4045D)	160-58		
INJECTION PUMP, FUEL (16X8) (4045D)	160-62		
INJECTION PUMP, FUEL (16X9) (4045T)	160-66		
INJECTION PUMP, FUEL (164P) (4045D)	160-114		
INJECTION PUMP, FUEL (164Q) (4045D)	160-118		
INJECTION PUMP, FUEL (164X) (4045T)	160-122		
INJECTION PUMP, FUEL (164Y) (4045T)	160-126		

10-38

ENGINES FOR GENSETS (3029, 4045 & 6068 TIER2 - 2 & 4 VALVE)

ALPHABETICAL INDEX - CONTINUED

	PAGE		PAGE
KITS SERVICE, FUEL INJECTION PUMP (16L9) (6068H)	160-34	LINES-OIL AND TURBOCHARGER (65LP)	650-22
L		LINES-OIL AND TURBOCHARGER (65UB) (4045H-2V)	650-30
LINER-CYLINDER (4838) (4045H-2V)	480-8	LINES-OIL, TURBOCHARGER (65CR) (4045T)	650-4
LINER, CYLINDER (ENGINE) (4814) (3029T)	480-1	LINES-OIL, TURBOCHARGER (65DY) (6068H) (2 VALVES)	650-6
LINER, CYLINDER (ENGINE) (4817) (6068H) (4 VALVES)	480-2	LINES-OIL, TURBOCHARGER (65GS) (6068H) (2 VALVES)	650-10
LINER, CYLINDER (ENGINE) (4820) (6068H) (2 VALVES)	480-3	LINES-OIL, TURBOCHARGER (65GS) (6068H) (4 VALVES)	650-26
LINER, CYLINDER (ENGINE) (4822) (4045H,T) (2 VALVES)	480-4	LINES-OIL, TURBOCHARGER (65HC) (4045H,T) (2 VALVES)	650-12
LINER, CYLINDER (ENGINE) (4823) (4045T)	480-5	LINES-OIL, TURBOCHARGER (65HC) (4045T)	650-14
LINER, CYLINDER (ENGINE) (4825) (4045H) (4 VALVES)	480-6	LINES-OIL, TURBOCHARGER (65HQ) (6068H) (4 VALVES)	650-16
LINER, CYLINDER (ENGINE) (4833) (4045D)	480-7	LINES-OIL, TURBOCHARGER (65MQ) (6068H) (4 VALVES)	650-24
LINER, CYLINDER (4839) (6068H-2V)	480-10	LINES-OIL, TURBOCHARGER (65TN) (4045T)	650-28
LINES FUEL, INJECTION PUMP (16L2) (4045T)	160-6	LINES-OIL, TURBOCHARGER (6566) (3029T)	650-34
LINES FUEL, INJECTION PUMP (16L3) (4045T)	160-10	LINES-OIL, TURBOCHARGER (65HW) (4045H) (4 VALVES)	650-18
LINES FUEL, INJECTION PUMP (16XA) (4045T)	160-38	LINES-OIL, TURBOCHARGER (65JA) (4045H) (4 VALVES)	650-20
LINES FUEL, INJECTION PUMP (16X7)(4045D)	160-58	LINES, FUEL FILTER (63BL) (6068H-2V)	630-4
LINES FUEL, INJECTION PUMP (16X8) (4045D)	160-62	LINES, FUEL INJECTION (STANADYNE-DE10) (16L8) (6068H)	160-26
LINES FUEL, INJECTION PUMP (16X9) (4045T)	160-66	LINES, FUEL INJECTION (STANADYNE-DE10) (16L9) (6068H)	160-32
LINES FUEL, INJECTION PUMP (164P)(4045D)	160-114	LINES, FUEL INJECTION (16A6) (6068H)	160-4
LINES FUEL, INJECTION PUMP (164Q) (4045D)	160-118	LINES, FUEL INJECTION (16YS) (6068H) (2 VALVES)	160-42
LINES FUEL, INJECTION PUMP (164X) (4045T)	160-122	LINES, FUEL INJECTION (16YT) (6068H) (2 VALVES)	160-46
LINES FUEL, INJECTION PUMP (164Y) (4045T)	160-126	LINES, FUEL INJECTION (161K) (4045T)	160-70
LINES-FUEL (63BJ) (4045H-2V)	630-2	LINES, FUEL INJECTION (161N) (6068H) (2 VALVES)	160-76
LINES-FUEL / FUEL FILTER-FUEL INJECTION PUMP (63BT) (4045H) (2 VALVES)	630-6	LINES, FUEL INJECTION (161Q) (6068H) (2 VALVES)	160-82
LINES-FUEL / FUEL FILTER-FUEL INJECTION PUMP (63X1) (4045H) (4 VALVES)	630-8	LINES, FUEL INJECTION (163L) (4045T)	160-88
LINES-FUEL / FUEL FILTER-FUEL INJECTION PUMP (63X2) (6068H) (4 VALVES)	630-10	LINES, FUEL INJECTION (163U) (4045H) (2 VALVES)	160-94
LINES-FUEL / FUEL FILTER-FUEL INJECTION PUMP (63X3) (6068H) (2 VALVES)	630-12	LINES, FUEL INJECTION (163V) (4045H) (2 VALVES)	160-100
LINES-FUEL / FUEL FILTER-FUEL INJECTION PUMP (63X4) (6068H) (2 VALVES)	630-14	LINES, FUEL RETURN (63BL) (6068H-2V)	630-4
LINES-FUEL / FUEL FILTER-FUEL INJECTION PUMP (63X5) (6068H) (2 VALVES)	630-16	LINES, OIL ADAPTER/OIL FILTER-ENGINE (8844) (4045D,H,T) (2 VALVES)	880-4
LINES-FUEL / FUEL FILTER-FUEL INJECTION PUMP (6306) (6068H) (2 VALVES)	630-18	LINES, OIL ADAPTER/OIL FILTER-ENGINE (8844) (6068H) (2 VALVES)	880-6
LINES-FUEL / FUEL FILTER-FUEL INJECTION PUMP (6316) (6068H) (2 VALVES)	630-20	LINES, TURBOCHARGER OIL (65UC) (6068H) (6068H-2V)	650-32
LINES-FUEL / FUEL FILTER-FUEL INJECTION PUMP (6318) (6068H) (2 VALVES)	630-22	LIQUID GASKET (9919) (ALL)	990-38
LINES-FUEL / FUEL FILTER-FUEL INJECTION PUMP (6326) (6068H) (4 VALVES)	630-24	LUBRICANT, OIL, ENGINE COOLANT (9920) (ALL)	990-39
LINES-FUEL / FUEL FILTER-FUEL INJECTION PUMP (6328) (4045H) (4 VALVES)	630-26	M	
LINES-FUEL / FUEL FILTER-FUEL INJECTION PUMP (6328) (4045H,T) (2 VALVES)	630-28	MANIFOLD-EXHAUST (2810)	280-4
LINES-FUEL, HIGH PRESSURE (16A5) (4045H)	160-2	MANIFOLD-INTAKE (1756)	170-5
LINES-OIL AND TURBOCHARGER (65CN) (4045H)	650-2	MANIFOLD, EXHAUST (2801) (4045D)	280-1
LINES-OIL AND TURBOCHARGER (65EC) (6068H-2V)	650-8	MANIFOLD, EXHAUST (2803) (4045H,T) (2 VALVES)	280-2
		MANIFOLD, EXHAUST (2808) (6068H) (2 VALVES)	280-3
		MANIFOLD, EXHAUST (2823) (3029T)	280-5
		MANIFOLD, EXHAUST (2866) (4045H) (4 VALVES)	280-6

ALPHABETICAL INDEX - CONTINUED

PAGE	PAGE
MANIFOLD, EXHAUST (2868) (6068H) (4 VALVES).....	280-7
MANIFOLD, EXHAUST (2888) (4045H)	280-8
MANIFOLD, EXHAUST (2892) (6068H)	280-9
MANIFOLD, INTAKE (17AC) (4045H) (4 VALVES).....	170-1
MANIFOLD, INTAKE (17AV) (4045T).....	170-2
MANIFOLD, INTAKE (1705) (4045D).....	170-3
MANIFOLD, INTAKE (1711) (3029T).....	170-4
MANIFOLD, INTAKE (1783) (4045H, 6068H) (2 VALVES).....	170-6
MANIFOLD, INTAKE (1791) (4045T).....	170-7
MANIFOLD, INTAKE (1797) (6068H) (4 VALVES).....	170-8
N	
NECK, OIL FILLER AND COVER (1234) (4045H - 6068H).....	120-4
NOZZLE INJECTION & WIRING HARNESS (16A5) (4045H)	160-2
NOZZLE-INJECTION AND WIRING HARNESS (166K) (4045H) (4 VALVES).....	160-132
NOZZLE-INJECTION AND WIRING HARNESS (166L) (6068H) (4 VALVES).....	160-136
NOZZLE-INJECTION AND WIRING HARNESS (168L) (6068H) (4 VALVES).....	160-140
NOZZLE-INJECTION AND WIRING HARNESS (168M) (4045H) (4 VALVES).....	160-144
NOZZLE, INJECTION (16L2) (4045T).....	160-8
NOZZLE, INJECTION (16L3) (4045T).....	160-12
NOZZLE, INJECTION (16L4) (4045H).....	160-18
NOZZLE, INJECTION (16L5) (4045H).....	160-24
NOZZLE, INJECTION (16L8) (6068H).....	160-30
NOZZLE, INJECTION (16L9) (6068H).....	160-36
NOZZLE, INJECTION (16XA) (4045T).....	160-40
NOZZLE, INJECTION (16X5) (3029T).....	160-52
NOZZLE, INJECTION (16X6) (3029T).....	160-56
NOZZLE, INJECTION (16X7) (4045D).....	160-60
NOZZLE, INJECTION (16X8) (4045D).....	160-64
NOZZLE, INJECTION (16X9) (4045T).....	160-68
NOZZLE, INJECTION (16YS) (6068H) (2 VALVES).....	160-44
NOZZLE, INJECTION (16YT) (6068H) (2 VALVES).....	160-48
NOZZLE, INJECTION (161K) (4045T).....	160-72
NOZZLE, INJECTION (161N) (6068H) (2 VALVES).....	160-80
NOZZLE, INJECTION (161Q) (6068H) (2 VALVES).....	160-86
NOZZLE, INJECTION (163L) (4045T).....	160-90
NOZZLE, INJECTION (163U) (4045H) (2 VALVES).....	160-96
NOZZLE, INJECTION (163V) (4045H) (2 VALVES).....	160-102
NOZZLE, INJECTION (164H) (3029T).....	160-108
NOZZLE, INJECTION (164I) (3029T).....	160-112
NOZZLE, INJECTION (164P) (4045D).....	160-116
NOZZLE, INJECTION (164Q) (4045D).....	160-120
NOZZLE, INJECTION (164X) (4045T).....	160-124
NOZZLE, INJECTION (164Y) (4045T).....	160-128
O	
OIL COOLER (5901) (4045H,T) (2 VALVES).....	590-2
OIL COOLER (5902) (4045H) (4 VALVES).....	590-6
OIL COOLER (5902) (6068H) (2 VALVES).....	590-4
OIL COOLER (5903) (6068H) (2 VALVES).....	590-8
OIL COOLER (5903) (6068H) (4 VALVES).....	590-10
OIL COOLER (5904) (4045D).....	590-12
OIL COOLER (5939) (3029T).....	590-14
OIL DIPSTICK (4005) (4045D,H,T) (2 VALVES).....	400-1
OIL DIPSTICK (4005) (4045H,6068H) (4 VALVES).....	400-3
OIL DIPSTICK (4005) (6068H) (2 VALVES).....	400-2
OIL DIPSTICK (4006) (3029T).....	400-4
OIL DIPSTICK (4048) (4045H).....	400-5
OIL FILLER NECK (1202) (3029T).....	120-1
OIL FILLER NECK (1203) (4045, 6068) (2 VALVES).....	120-2
OIL FILLER NECK (1203) (4045, 6068) (4 VALVES).....	120-3
OIL FILLER NECK AND COVER (1234) (4045H - 6068H).....	120-4
OIL FILTER (5939) (3029T).....	590-14
OIL FILTER / FILTER HEAD (8843) (4045H-2V).....	880-2
OIL FILTER, ADAPTER-ENGINE (8842) (4045H,6068H) (4 VALVES).....	880-1
OIL FILTER, ADAPTER-ENGINE (8844) (4045D,H,T) (2 VALVES).....	880-4
OIL FILTER, ADAPTER-ENGINE (8844) (6068H) (2 VALVES).....	880-6
OIL INTAKE PUMP (1968) (6068H) (2 VALVES).....	190-4
OIL LINES ADAPTER/OIL FILTER-ENGINE (8844) (4045F,H,T) (2 VALVES).....	880-4
OIL LINES ADAPTER/OIL FILTER-ENGINE (8844) (6068H) (2 VALVES).....	880-6
OIL LINES AND TURBOCHARGER (65CN) (4045H).....	650-2
OIL LINES AND TURBOCHARGER (65EC) (6068H-2V).....	650-8
OIL LINES AND TURBOCHARGER (65LP).....	650-22
OIL LINES AND TURBOCHARGER (65UB) (4045H-2V).....	650-30
OIL LINES, TURBOCHARGER (65CR) (4045T).....	650-4
OIL LINES, TURBOCHARGER (65DY) (6068H) (2 VALVES).....	650-6
OIL LINES, TURBOCHARGER (65GS) (6068H) (2 VALVES).....	650-10
OIL LINES, TURBOCHARGER (65GS) (6068H) (4 VALVES).....	650-26
OIL LINES, TURBOCHARGER (65HC) (4045H,T) (2 VALVES).....	650-12
OIL LINES, TURBOCHARGER (65HC) (4045T).....	650-14
OIL LINES, TURBOCHARGER (65HQ) (6068H) (4 VALVES).....	650-16
OIL LINES, TURBOCHARGER (65HW) (4045H) (4 VALVES).....	650-18
OIL LINES, TURBOCHARGER (65JA) (4045H) (4 VALVES).....	650-20
OIL LINES, TURBOCHARGER (65MQ) (6068H) (4 VALVES).....	650-24
OIL LINES, TURBOCHARGER (65TN) (4045T).....	650-28
OIL LINES, TURBOCHARGER (65UC) (6068H) (6068H-2V).....	650-32
OIL LINES, TURBOCHARGER (6566) (3029T).....	650-34
OIL PAN (19AB) (4045H) (4 VALVES).....	190-1
OIL PAN (1910) (3029T).....	190-2
OIL PAN (1949) (4045D,T,H) (2 VALVES).....	190-3

ALPHABETICAL INDEX - CONTINUED

	PAGE		PAGE
OIL PAN (1968) (6068H) (2 VALVES)	190-4	PISTON (ENGINE) (4833) (4045D)	480-7
OIL PAN (1968) (6068H) (4 VALVES)	190-6	PISTON (4838) (4045H-2V)	480-8
OIL PAN (1968)(CONTINUED) CONVERSION KIT		PISTON (4839) (6068H-2V)	480-10
(6068H) (2 VALVES).....	190-5	PISTON RINGS (4839) (6068H-2V).....	480-10
OIL PAN (1968)(CONTINUED) CONVERSION KIT		PLATE, FRONT AND IDLE GEARS (UPPER AND	
(6068H) (4 VALVES).....	190-7	LOWER) (3612) (4045H,6068H)(4VALVES).....	360-1
OIL PAN (4045H) (1972)	190-8	PLATE, FRONT AND IDLE GEARS (UPPER AND	
OIL PUMP (5001) (3029T)	500-1	LOWER) (3612) (4045H,6068H)(4VALVES).....	360-2
OIL PUMP (5001) (4045D,H,T) (2 VALVES)	500-3	PLATE, FRONT AND LOWER IDLE GEAR (3622)	
OIL PUMP (5001) (4045H,6068H) (4 VALVES)	500-5	(3029T)	360-6
OIL PUMP (5001) (6068H) (2 VALVES)	500-4	PLATE, FRONT AND UPPER IDLE GEAR (3616)	
OIL PUMP INTAKE (19AB) (4045H)(4 VALVES)	190-1	(6068H) (2 VALVES).....	360-3
OIL PUMP INTAKE (1910) (3029T)	190-2	PLATE, FRONT AND UPPER IDLE GEAR (3618)	
OIL PUMP INTAKE (1949) (4045D,T,H)		(4045D,H,T) (2 VALVES)	360-4
(2 VALVES).....	190-3	PLATE, FRONT AND UPPER IDLE GEAR (3618)	
OIL PUMP INTAKE (1968) (CONTINUED)		(6068H) (2 VALVES)	360-5
(6068H) (2VALVES).....	190-5	PLUG W/O WATER TEMPERATURE SENSOR (6698)	
OIL PUMP INTAKE (1968) (6068H)(4 VALVES)	190-6	(4045H-2V/6068H2V)	660-3
OIL PUMP INTAKE (1968)(CONTINUED)		PLUG, GLOW AND WIRING HARNESS (12V)	
(6068H) (4VALVES).....	190-7	(4320) (6068H) (4 VALVES)	430-3
OIL PUMP INTAKE (4045H) (1972)	190-8	PLUG, GLOW AND WIRING HARNESS (12V)	
OIL PUMP KIT (5001) (3029T)	500-2	(4321) (4045H) (4 VALVES)	430-4
OIL, LUBRICANT, ENGINE COOLANT (9920)		PLUG, GLOW AND WIRING HARNESS (24V)	
(ALL).....	990-39	(43A1) (4045H) (4 VALVES)	430-1
OPTION 1135 ROCKER ARM COVER (6068H)	110-10	PLUG, GLOW AND WIRING HARNESS (24V)	
OPTION 16A6 FUEL INJECTION PUMP (6068H)	160-4	(43A2) (6068H) (4 VALVES)	430-2
OPTION 2892 EXHAUST MANIFOLD (6068H)	280-9	PRESSURE, OIL, SENSOR (7622) (3029T)	760-1
OPTION 4839 PISTON, CONNECTING ROD,		PRESSURE, OIL, SENSOR (7622) (4045D,T)	760-2
CYLINDER LINER (6068H-2V)	480-10	PRESSURE, OIL, SENSOR (7635)	
OPTION 63BL FUEL FILTER LINES (6068H-2V).....	630-4	(4045H,6068H) (4 VALVES)	760-4
OPTION 65UC TURBOCHARGER AND OIL LINES		PRESSURE, OIL, SENSOR (7635) (4045H)	
(6068H) (6068H-2V).....	650-32	(6068H) (2 VALVES).....	760-3
OPTION 8171 WATER SEPARATOR		PRIMARY FUEL FILTER (8116) (6068H)	
(6068H-2V).....	810-30	(2 VALVES).....	810-1
OPTION 8438 WIRING HARNESS (6068H-2V).....	840-4	PRIMARY FUEL FILTER (8116) (6068H)	
OVERHAUL KIT, ENGINE (9908) (4045D)	990-16	(2 VALVES).....	810-2
OVERHAUL KIT, ENGINE (9909) (4045T).....	990-18	PRIMARY FUEL FILTER (8119) (6068H)	
OVERHAUL KIT, ENGINE (9910)		(2 VALVES).....	810-5
(4045H,T) (2 VALVES)	990-20	PRIMARY FUEL FILTER (8119) (6068H)	
OVERHAUL KIT, ENGINE (9911) (4045H)		(2 VALVES).....	810-6
(4 VALVES).....	990-22	PRIMARY FUEL FILTER (8130) (6068H)	
OVERHAUL KIT, ENGINE (9912) (6068H)		(2 VALVES).....	810-9
(2 VALVES).....	990-24	PRIMARY FUEL FILTER (8130) (6068H)	
OVERHAUL KIT, ENGINE (9913) (6068H)		(2 VALVES).....	810-10
(4 VALVES).....	990-26	PRIMARY FUEL FILTER (8135) (4045H,T)	
		(2 VALVES).....	810-13
		PRIMARY FUEL FILTER (8135) (4045H,T)	
		(2 VALVES).....	810-14
		PRIMARY FUEL FILTER (8136) (4045H)	
		(4 VALVES).....	810-17
		PRIMARY FUEL FILTER (8136) (4045H)	
		(4 VALVES).....	810-18
		PRIMARY FUEL FILTER (8139) (6068H)	
		(4 VALVES).....	810-21
		PRIMARY FUEL FILTER (8139) (6068H)	
		(4 VALVES).....	810-22
		PRIMARY FUEL FILTER (8140) (4045H,T)	
		(2 VALVES).....	810-25
		PRIMARY FUEL FILTER (8140) (4045H,T)	
		(2 VALVES).....	810-26
		PRIMARY FUEL FILTER (8170) (4045H-2V).....	810-28
		PULLEY CRANSHAFT (1330) (3029T)	130-7
		PULLEY-FAN (8652) (4045H-2V/6068H-2V).....	860-5
		PULLEY, CRANKSHAFT (1320) (6068H)	
		(2 VALVES).....	130-1
		PULLEY, CRANKSHAFT (1320) (6068H)	
		(4 VALVES).....	130-2

P

PAINT (5607)	560-1
PAN-OIL (1968)(CONTINUED) CONVERSION KIT	
(6068H) (2 VALVES).....	190-5
PAN-OIL (1968)(CONTINUED) CONVERSION KIT	
(6068H) (4 VALVES).....	190-7
PAN, OIL (19AB) (4045H) (4 VALVES)	190-1
PAN, OIL (1949) (4045D,T,H) (2 VALVES)	190-3
PAN, OIL (1968) (6068H) (2 VALVES)	190-4
PAN, OIL (1968) (6068H) (4 VALVES)	190-6
PAN, OIL (4045H) (1972)	190-8
PAN,OIL (1910) (3029T)	190-2
PISTON (ENGINE) (4814) (3029T).....	480-1
PISTON (ENGINE) (4817) (6068H)(4 VALVES)	480-2
PISTON (ENGINE) (4820) (6068H)(2 VALVES)	480-3
PISTON (ENGINE) (4822) (4045H,T)	
(2 VALVES).....	480-4
PISTON (ENGINE) (4823) (4045T).....	480-5
PISTON (ENGINE) (4825) (4045H) (4 VALVES).....	480-6

ALPHABETICAL INDEX - CONTINUED

PAGE	PAGE
PULLEY, CRANKSHAFT (1321) (6068H) (4 VALVES).....	130-3
PULLEY, CRANKSHAFT (1324) (6068H).....	130-4
PULLEY, CRANKSHAFT (1327) (4045D, T, H) (2 VALVES).....	130-5
PULLEY, CRANKSHAFT (1328) (4045T,H) (2 VALVES).....	130-6
PULLEY, WATER PUMP (2001) (4045H, 6068H) (4 VALVES).....	200-2
PULLEY, WATER PUMP (2001) (6068H) (2 VALVES).....	200-1
PULLEY, WATER PUMP (2002) (4045D,H,T) (2 VALVES).....	200-3
PULLEY, WATER PUMP (2020) (3029T).....	200-4
PUMP-FUEL INJECTION, COMMON RAIL (16A5) (4045H).....	160-2
PUMP-WATER (4446) (4045H-6068H).....	440-14
PUMP, FUEL (3701) (6068H) (2 VALVES).....	370-1
PUMP, FUEL (3702) (4045D,T) (2 VALVES).....	370-2
PUMP, FUEL (3706) (4045H,T) (2 VALVES).....	370-3
PUMP, FUEL (3710) (3029T).....	370-4
PUMP, FUEL (3713) (4045H,6068H) (4 VALVES).....	370-5
PUMP, FUEL (3713) (4045H,6068H) (4 VALVES).....	370-6
PUMP, FUEL (3715) (4045H,T) (2 VALVES).....	370-7
PUMP, FUEL INJECTION (STANADYNE-DE10) (16L8) (6068H).....	160-26
PUMP, FUEL INJECTION (STANADYNE-DE10) (16L9) (6068H).....	160-32
PUMP, FUEL INJECTION (16A6) (6068H).....	160-4
PUMP, FUEL INJECTION (16L2) (4045T).....	160-6
PUMP, FUEL INJECTION (16L3) (4045T).....	160-10
PUMP, FUEL INJECTION (16XA) (4045T).....	160-38
PUMP, FUEL INJECTION (16X5) (3029T).....	160-50
PUMP, FUEL INJECTION (16X6) (3029T).....	160-54
PUMP, FUEL INJECTION (16X7) (4045D).....	160-58
PUMP, FUEL INJECTION (16X8) (4045D).....	160-62
PUMP, FUEL INJECTION (16X9) (4045T).....	160-66
PUMP, FUEL INJECTION (161K) (4045T).....	160-70
PUMP, FUEL INJECTION (161N) (6068H) (2 VALVES).....	160-76
PUMP, FUEL INJECTION (161Q) (6068H) (2 VALVES).....	160-82
PUMP, FUEL INJECTION (163L) (4045T).....	160-88
PUMP, FUEL INJECTION (163U) (4045H) (2 VALVES).....	160-94
PUMP, FUEL INJECTION (163V) (4045H) (2 VALVES).....	160-100
PUMP, FUEL INJECTION (164H) (3029T).....	160-106
PUMP, FUEL INJECTION (164I) (3029T).....	160-110
PUMP, FUEL INJECTION (164P) (4045D).....	160-114
PUMP, FUEL INJECTION (164Q) (4045D).....	160-118
PUMP, FUEL INJECTION (164X) (4045T).....	160-122
PUMP, FUEL INJECTION (164Y) (4045T).....	160-126
PUMP, FUEL INJECTION, SERVICE KITS(16L4) (4045H).....	160-16
PUMP, FUEL INJECTION, SERVICE KITS(16L5) (4045H).....	160-22
PUMP, FUEL INJECTION, SERVICE KITS(16L8) (6068H).....	160-28
PUMP, FUEL INJECTION, SERVICE KITS(16L9) (6068H).....	160-34
PUMP, FUEL NJECTION (16L4) (4045H).....	160-14
PUMP, FUEL NJECTION (16L5) (4045H).....	160-20
PUMP, OIL (5001) (3029T).....	500-1
PUMP, OIL (5001) (4045D,H,T) (2 VALVES).....	500-3
PUMP, OIL (5001) (4045H,6068H)(4 VALVES).....	500-5
PUMP, OIL (5001)(6068H) (2 VALVES).....	500-4
PUMP, OIL INTAKE (19AB) (4045H) (4 VALVES).....	190-1
PUMP, OIL INTAKE (1910) (3029T).....	190-2
PUMP, OIL INTAKE (1949) (4045D,T,H) (2 VALVES).....	190-3
PUMP, OIL INTAKE (1968) (6068H) (2 VALVES).....	190-4
PUMP, OIL INTAKE (4045H) (1972).....	190-8
PUMP, OIL INTAKE (6068H) (4 VALVES).....	190-6
PUMP, WATER (2020) (3029T).....	200-4
PUMP, WATER (4402) (3029T).....	440-2
PUMP, WATER (4426) (6068H) (2 VALVES).....	440-4
PUMP, WATER (4426) (6068H) (2 VALVES).....	440-6
PUMP, WATER (4429) (4045D,H,T) (2 VALVES).....	440-8
PUMP, WATER (4429) (4045D,H,T) (2 VALVES).....	440-10
PUMP, WATER (4433) (4045H,6068H) (4 VALVES).....	440-12
PUSH ROD (4903) (6068H) (4 VALVES).....	490-4
PUSH ROD (4904) (4045H) (4 VALVES).....	490-6
R	
REGULATOR (3155) (4045H-6068H).....	310-20
RING KIT, PISTON (4838) (4045H-2V).....	480-8
RINGS, PISTON (4839) (6068H-2V).....	480-10
ROCKER ARM (4901) (4045D,H,T) (2 VALVES).....	490-1
ROCKER ARM (4902) (6068H) (2 VALVES).....	490-2
ROCKER ARM (4903) (3029T).....	490-3
ROCKER ARM / SHAFT / TAPPET / PUSH ROD (4901) (4045D,H,T) (2 VALVES).....	490-1
ROCKER ARM / SHAFT / TAPPET / PUSH ROD (4902) (6068H) (2 VALVES).....	490-2
ROCKER ARM / SHAFT / TAPPET / PUSH ROD (4903) (3029T).....	490-3
ROCKER ARM / SHAFT / TAPPET / PUSH ROD (4903) (6068H) (4 VALVES).....	490-4
ROCKER ARM / SHAFT / TAPPET / PUSH ROD (4904) (4045H) (4 VALVES).....	490-6
ROCKER ARM COVER (1135) (6068H).....	110-10
ROCKER ARM SHAFT (4901) (4045D,H,T) (2 VALVES).....	490-1
ROCKER ARM SHAFT (4902) (6068H) (2 VALVES).....	490-2
ROCKER ARM SHAFT (4903) (3029T).....	490-3
ROD, CONNECTING (4839) (6068H-2V).....	480-10
ROLLER, DRIVE BELT (8711) (4045D,H,T) (2 VALVES).....	870-1
ROLLER, DRIVE BELT (8711) (4045H,6068H) (4 VALVES).....	870-3
ROLLER, DRIVE BELT (8711) (6068H) (2 VALVES).....	870-2
S	
SEAT / VALVE (5116) (6068H) (4 VALVES).....	510-8
SEAT / VALVE (5118) (4045H) (4 VALVES).....	510-10
SEAT, VALVE (5102) (4045D,H,T) (2 VALVES).....	510-2
SEAT, VALVE (5105) (3029T).....	510-4
SEAT, VALVE (5107) (6068H) (2 VALVES).....	510-6
SECTIONAL INDEX.....	910-A01

ALPHABETICAL INDEX - CONTINUED

	PAGE		PAGE
SENSOR, OIL PRESSURE (7622) (3029T)	760-1	SHORT BLOCK ASSEMBLY (9904) (4045H,T)	
SENSOR, OIL PRESSURE (7622) (4045D,T)	760-2	(2 VALVES)	990-8
SENSOR, OIL PRESSURE (7635) (4045H)		SHORT BLOCK ASSEMBLY (9905) (4045H)	
(6068H) (2 VALVES)	760-3	(4 VALVES)	990-10
SENSOR, WATER IN FUEL (WIF) (8171)		SHORT BLOCK ASSEMBLY (9906) (6068H)	
(6068H-2V)	810-30	(2 VALVES)	990-12
SENSOR, WATER TEMPERATURE (6609)		SHORT BLOCK ASSEMBLY (9907) (6068H)	
(4045D,T)	660-1	(4 VALVES)	990-14
SENSOR, WATER TEMPERATURE (6610)		STARTER (3026) (3029T)	300-1
(3029T)	660-2	STARTER (3054) (4045D,H,T) (2 VALVES)	300-3
SENSOR,OIL PRESSURE (7635) (4045H,6068H)		STARTER (3054) (4045H,6068H)	
(4 VALVES)	760-4	(4 VALVES)	300-7
SENSORS ENGINE (6730)		STARTER (3054) (6068H) (2 VALVES)	300-5
(4045H-2V/6068H-2V)	670-4	STARTER (3062) (4045D,H,T) (2 VALVES)	300-9
SENSORS, ENGINE (6709) (6068H)(2 VALVES)	670-1	STARTER (3062) (4045H,6068H) (4 VALVES)	300-11
SENSORS, ENGINE (6710) (4045H,T) (6068H)		STARTER (3062) (6068H) (2 VALVES)	300-10
(2 VALVES)	670-2	STARTER (3065) (3029T)	300-12
SENSORS, ENGINE (6711) (4045H,6068H)		STARTER (3066)	300-13
(4 VALVES)	670-3	STARTER (3067)(4045D, H) (2 VALVES)	300-14
SERVICE KITS, FUEL INJECTION PUMP (161K)		STARTER (3067)(4045H-6068H)(4 VALVES)	300-16
(4045T)	160-74	STARTER (3067)(6068H) (2 VALVES)	300-15
SERVICE KITS, FUEL INJECTION PUMP (161N)		STARTER COMPONENTS (3026) (3029T)	300-2
(6068H) (2 VALVES)	160-78	STARTER COMPONENTS (3054) (4045D,H,T)	
SERVICE KITS, FUEL INJECTION PUMP (161Q)		(2 VALVES)	300-4
(6068H) (2 VALVES)	160-84	STARTER COMPONENTS (3054) (4045H,6068H)	
SERVICE KITS, FUEL INJECTION PUMP (163L)		(4 VALVES)	300-8
(4045T)	160-92	STARTER COMPONENTS (3054) (6068H)	
SERVICE KITS, FUEL INJECTION PUMP (163U)		(2 VALVES)	300-6
(4045H) (2 VALVES)	160-98	STARTING AID, COLD WEATHER (ACCESSORY)	970-2
SERVICE KITS, FUEL INJECTION PUMP (163V)		STARTING AID, COLD WEATHER (ACCESSORY)	
(4045H) (2 VALVES)	160-104	(4045H,T) (6068H) (2 VALVES)	970-1
SERVICE KITS, INJECTION PUMP (16L4)		SWITCH & WIRING HARNESS FOR FUEL INJECTI	
(4045H)	160-16	ON SYSTEM (16L2) (4045T)	160-9
SERVICE KITS, INJECTION PUMP (16L5)		SWITCH & WIRING HARNESS FOR FUEL INJECTI	
(4045H)	160-22	ON SYSTEM (16XA) (4045T)	160-13
SERVICE KITS, INJECTION PUMP (16L8)		SWITCH & WIRING HARNESS FOR FUEL INJECTI	
(6068H)	160-28	ON SYSTEM (16XA) (4045T)	160-41
SERVICE KITS, INJECTION PUMP (16L9)		SWITCH & WIRING HARNESS FOR FUEL INJECTI	
(6068H)	160-34	ON SYSTEM (16X5) (3029T)	160-53
SET, ENGINE GASKET (9914) (3029T)	990-28	SWITCH & WIRING HARNESS FOR FUEL INJECTI	
SET, ENGINE GASKET (9915) (4045D,H,T)		ON SYSTEM (16X6) (3029T)	160-57
(2 VALVES)	990-30	SWITCH & WIRING HARNESS FOR FUEL INJECTI	
SET, ENGINE GASKET (9917) (6068H)		ON SYSTEM (16X7) (4045D)	160-61
(2 VALVES)	990-34	SWITCH & WIRING HARNESS FOR FUEL INJECTI	
SET, ENGINE GASKET (9918) (6068H)		ON SYSTEM (16X8) (4045D)	160-65
(4 VALVES)	990-36	SWITCH & WIRING HARNESS FOR FUEL INJECTI	
SET, GASKET ENGINE (9916) (4045H)		ON SYSTEM (16X9) (4045T)	160-69
(4 VALVES)	990-32	SWITCH & WIRING HARNESS FOR FUEL INJECTI	
SHAFT (4903) (6068H) (4 VALVES)	490-4	ON SYSTEM (164H) (3029T)	160-109
SHAFT (4904) (4045H) (4 VALVES)	490-6	SWITCH & WIRING HARNESS FOR FUEL INJECTI	
SHAFT, BALANCER (4501) (4045H)		ON SYSTEM (164I) (3029T)	160-113
(4 VALVES)	450-2	SWITCH & WIRING HARNESS FOR FUEL INJECTI	
SHAFT, BALANCER (4501) (4045H,T)		ON SYSTEM (164P) (4045D)	160-117
(2 VALVES)	450-1	SWITCH & WIRING HARNESS FOR FUEL INJECTI	
SHAFT, BALANCER (4502) (4045D,T)		ON SYSTEM (164Q) (4045D)	160-121
(2 VALVES)	450-3	SWITCH & WIRING HARNESS FOR FUEL INJECTI	
SHEAVE, FAN (8604) (6068H)		ON SYSTEM (164X) (4045T)	160-125
(2 VALVES)	860-1	SWITCH & WIRING HARNESS FOR FUEL INJECTI	
SHEAVE, FAN (8605) (4045H,T) (6068H)		ON SYSTEM (164Y) (4045T)	160-129
(2 VALVES)	860-2	SYSTEM COMMON RAIL, HIGH PRESSURE	
SHEAVE, FAN (8605) (4045H,6068H)		(166K) (4045H) (4 VALVES)	160-130
(4 VALVES)	860-3	SYSTEM COMMON RAIL, HIGH PRESSURE	
SHEAVE, FAN (8606) (4045D)	860-4	(166L) (6068H) (4 VALVES)	160-134
SHORT BLOCK ASSEMBLY (9901) (3029T)	990-2	SYSTEM COMMON RAIL, HIGH PRESSURE	
SHORT BLOCK ASSEMBLY (9902) (4045D)	990-4	(168L) (6068H) (4 VALVES)	160-138
SHORT BLOCK ASSEMBLY (9903) (4045T)	990-6	SYSTEM COMMON RAIL, HIGH PRESSURE	
		(168M) (4045H) (4 VALVES)	160-142

ALPHABETICAL INDEX - CONTINUED

PAGE	PAGE		
SYSTEM, FUEL INJECTION (STANADYNE-DE10) (16L8) (6068H).....	160-26	TIMING GEAR COVER, KIT (4499) (3029T)	440-18
SYSTEM, FUEL INJECTION (STANADYNE-DE10) (16L9) (6068H).....	160-32	TUBE, BY-PASS (WATER PUMP) (3915) (4045H) (4 VALVES).....	390-1
SYSTEM, FUEL INJECTION (16L4) (4045H).....	160-14	TUBE, BY-PASS (WATER PUMP) (3916) (6068H) (4 VALVES).....	390-2
SYSTEM, FUEL INJECTION (16L5) (4045H).....	160-20	TURBOCHARGER (65CR) (4045T)	650-4
SYSTEM, FUEL INJECTION (161N) (6068H) (2 VALVES).....	160-76	TURBOCHARGER (65DY)(6068H) (2 VALVES).....	650-6
SYSTEM, FUEL INJECTION (161Q) (6068H) (2 VALVES).....	160-82	TURBOCHARGER (65GS) (6068H) (2 VALVES).....	650-10
SYSTEM, FUEL INJECTION (163L) (4045T).....	160-88	TURBOCHARGER (65GS) (6068H) (4 VALVES).....	650-26
SYSTEM, FUEL INJECTION (163U) (4045H) (2 VALVES).....	160-94	TURBOCHARGER (65HC) (4045H,T) (2 VALVES).....	650-12
SYSTEM, FUEL INJECTION (163V) (4045H) (2 VALVES).....	160-100	TURBOCHARGER (65HC) (4045T)	650-14
T		TURBOCHARGER (65HQ) (6068H) (4 VALVES).....	650-16
TAPPET (4901) (4045D,H,T) (2 VALVES).....	490-1	TURBOCHARGER (65HW) (4045H) (4 VALVES).....	650-18
TAPPET (4902) (6068H) (2 VALVES)	490-2	TURBOCHARGER (65JA) (4045H) (4 VALVES).....	650-20
TAPPET (4903) (3029T)	490-3	TURBOCHARGER (65MQ) (6068H) (4 VALVES).....	650-24
TAPPET (4903) (6068H) (4 VALVES)	490-4	TURBOCHARGER (65TN) (4045T).....	650-28
TAPPET (4904) (4045H) (4 VALVES)	490-6	TURBOCHARGER (65UC) (6068H) (6068H-2V).....	650-32
THERMOSTAT (2201)(6068D, T).....	220-1	TURBOCHARGER (6566) (3029T).....	650-34
THERMOSTAT (2202) (4045H, 6068H) (4 VALVES).....	220-2	TURBOCHARGER AND OIL LINES (65CN) (4045H).....	650-2
THERMOSTAT (2204) (4045D,H,T) (2 VALVES).....	220-3	TURBOCHARGER AND OIL LINES (65EC) (6068H-2V).....	650-8
THERMOSTAT (2204) (6068H) (2 VALVES).....	220-4	TURBOCHARGER AND OIL LINES (65LP)	650-22
THERMOSTAT (2212) (3029T).....	220-5	TURBOCHARGER AND OIL LINES (65UB) (4045H-2V).....	650-30
THERMOSTAT COVER (2144) (6068H) (2 VALVES).....	210-5	TURBOCHARGER OIL LINES (65CR) (4045T)	650-4
THERMOSTAT COVER (2153).....	210-9	TURBOCHARGER OIL LINES (65DY) (6068H) (2 VALVES).....	650-6
THERMOSTAT COVER (2153) (4045H,T) (2 VALVES).....	210-6	TURBOCHARGER OIL LINES (65GS) (6068H) (2 VALVES).....	650-10
THERMOSTAT COVER (2153) (6068H) (2 VALVES).....	210-7	TURBOCHARGER OIL LINES (65GS) (6068H) (4 VALVES).....	650-26
THERMOSTAT COVER (2153) (6068H) (2 VALVES).....	210-8	TURBOCHARGER OIL LINES (65HC) (4045H,T) (2 VALVES).....	650-12
THERMOSTAT COVER (2109) (4045D,T)	210-1	TURBOCHARGER OIL LINES (65HC) (4045T).....	650-14
THERMOSTAT COVER (2126) (4045D,T)	210-2	TURBOCHARGER OIL LINES (65HQ) (6068H) (4 VALVES).....	650-16
THERMOSTAT COVER (2129) (3029T).....	210-3	TURBOCHARGER OIL LINES (65HW) (4045H) (4 VALVES).....	650-18
THERMOSTAT COVER (2143) (4045H, 6068H) (4 VALVES).....	210-4	TURBOCHARGER OIL LINES (65JA) (4045H) (4 VALVES).....	650-20
THERMOSTAT COVER (2162) (4045H-6068H).....	210-10	TURBOCHARGER OIL LINES (65MQ) (6068H) (4 VALVES).....	650-24
THERMOSTAT HOUSING / BY-PASS TUBE TO WATER PUMP (3915) (4045H) (4 VALVES)	390-1	TURBOCHARGER OIL LINES (65TN) (4045T).....	650-28
THERMOSTAT HOUSING / BY-PASS TUBE TO WATER PUMP (3916) (6068H) (4 VALVES)	390-2	TURBOCHARGER OIL LINES (65UC) (6068H-2V).....	650-32
THRUST BEARING (CRANKSHAFT) (4710) (3029T).....	470-2	TURBOCHARGER OIL LINES (6566) (3029T)	650-34
TIMING GEAR COVER (4402) (3029T).....	440-2	V	
TIMING GEAR COVER (4426) (6068H) (2 VALVES).....	440-4	VALVE / VALVE SEAT / SPRING / ROTATOR (5102) (4045D,H,T) (2 VALVES).....	510-2
TIMING GEAR COVER (4426) (6068H) (2 VALVES).....	440-6	VALVE / VALVE SEAT / SPRING / ROTATOR (5105) (3029T).....	510-4
TIMING GEAR COVER (4429) (4045D,H,T) (2 VALVES).....	440-8	VALVE / VALVE SEAT / SPRING / ROTATOR (5107) (6068H) (2 VALVES)	510-6
TIMING GEAR COVER (4429) (4045D,H,T) (2 VALVES).....	440-10	VALVE / VALVE SEAT / SPRING / ROTATOR (5116) (6068H) (4 VALVES)	510-8
TIMING GEAR COVER (4499) (3029T).....	440-16	VALVE / VALVE SEAT / SPRING / ROTATOR (5118) (4045H) (4 VALVES)	510-10
TIMING GEAR COVER AND WATER PUMP (4433) (4045H,6068H) (4 VALVES)	440-12	VALVE COVER (1103)	110-1
TIMING GEAR COVER AND WATER PUMP (4446) (4045H-6068H).....	440-14	VALVE COVER (1103).....	110-2
		VALVE COVER (1104)(3029T).....	110-3
		VALVE COVER (1104)(6068H-2V).....	110-4
		VALVE COVER (1104)(6068H-2V).....	110-5
		VALVE COVER (1117)	110-6
		VALVE COVER (1119)	110-7

ALPHABETICAL INDEX - CONTINUED

	PAGE		PAGE
VALVE COVER (1134) (4045H)	110-8	WIRING HARNESS AND GLOW PLUG (24V)	
VALVE ROTATOR (5102) (4045D,H,T)		(43A2) (6068H) (4 VALVES)	430-2
(2 VALVES).....	510-2	WIRING HARNESS AND INJECTION NOZZLE	
VALVE ROTATOR (5105) (3029T)	510-4	(166K) (4045H) (4 VALVES)	160-132
VALVE ROTATOR (5107) (6068H) (2 VALVES)	510-6	WIRING HARNESS AND INJECTION NOZZLE	
VALVE ROTATOR (5116) (6068H) (4 VALVES)	510-8	(166L) (6068H) (4 VALVES)	160-136
VALVE ROTATOR (5118) (4045H) (4 VALVES).....	510-10	WIRING HARNESS AND INJECTION NOZZLE	
VALVE SPRING (5102) (4045D,H,T)		(168L) (6068H) (4 VALVES)	160-140
(2 VALVES).....	510-2	WIRING HARNESS AND INJECTION NOZZLE	
VALVE SPRING (5105) (3029T)	510-4	(168M) (4045H) (4 VALVES)	160-144
VALVE SPRING (5107) (6068H) (2 VALVES)	510-6	WIRING HARNESS ENGINE (8436)	
VALVE SPRING (5116) (6068H) (4 VALVES)	510-8	(4045H-2V).....	840-2
VALVE SPRING (5118) (4045H) (4 VALVES)	510-10	WIRING HARNESS FOR FUEL INJECTION SYSTEM	
VALVE, DRAIN/OIL PAN (1910) (3029T)	190-2	(16L2) (4045T).....	160-9
VALVE, DRAIN/OIL PAN (1949)		WIRING HARNESS FOR FUEL INJECTION SYSTEM	
(4045D,T,H) (2 VALVES)	190-3	(16XA) (4045T).....	160-13
VALVE, DRAIN/OIL PAN (1968)		WIRING HARNESS FOR FUEL INJECTION SYSTEM	
(6068H) (2 VALVES).....	190-4	(16XA) (4045T).....	160-41
VALVE, DRAIN/OIL PAN (1968)		WIRING HARNESS FOR FUEL INJECTION SYSTEM	
(6068H) (4 VALVES).....	190-6	(16X5) (3029T).....	160-53
W			
WATER IN FUEL SENSOR (8171)		WIRING HARNESS FOR FUEL INJECTION SYSTEM	
(6068H-2V).....	810-30	(16X6) (3029T).....	160-57
WATER PUMP (2020) (3029T)	200-4	WIRING HARNESS FOR FUEL INJECTION SYSTEM	
WATER PUMP (4402) (3029T)	440-2	(16X7) (4045D).....	160-61
WATER PUMP (4426) (6068H) (2 VALVES)	440-4	WIRING HARNESS FOR FUEL INJECTION SYSTEM	
WATER PUMP (4426) (6068H) (2 VALVES)	440-6	(16X8) (4045D).....	160-65
WATER PUMP (4429) (4045D,H,T)		WIRING HARNESS FOR FUEL INJECTION SYSTEM	
(2 VALVES).....	440-8	(16X9) (4045T).....	160-69
WATER PUMP (4429) (4045D,H,T)		WIRING HARNESS FOR FUEL INJECTION SYSTEM	
(2 VALVES).....	440-10	(164H) (3029T).....	160-109
WATER PUMP (4433) (4045H,6068H)		WIRING HARNESS FOR FUEL INJECTION SYSTEM	
(4 VALVES).....	440-12	(164I) (3029T).....	160-113
WATER PUMP (4446) (4045H-6068H).....	440-14	WIRING HARNESS FOR FUEL INJECTION SYSTEM	
WATER PUMP INLET (5702) (4045H,T)(6068H)		(164P) (4045D).....	160-117
(2 VALVES).....	570-1	WIRING HARNESS FOR FUEL INJECTION SYSTEM	
WATER PUMP INLET (5722) (4045D,T)		(164Q) (4045D)	160-121
(2 VALVES).....	570-2	WIRING HARNESS FOR FUEL INJECTION SYSTEM	
WATER PUMP INLET (5722) (4045H,6068H)		(164X) (4045T)	160-125
(4 VALVES).....	570-3	WIRING HARNESS FOR FUEL INJECTION SYSTEM	
WATER PUMP PULLEY (2001) (4045H, 6068H)		(164Y) (4045T).....	160-129
(4 VALVES).....	200-2	WIRING HARNESS, ALTERNATOR (3135)	
WATER PUMP PULLEY (2001) (6068H)		(4045H,T) (6068H) (2 VALVES).....	310-17
(2 VALVES).....	200-1	WIRING HARNESS, ALTERNATOR (3135)	
WATER PUMP PULLEY (2002) (4045D,H,T)		(4045H,6068H) (4 VALVES)	310-18
(2 VALVES).....	200-3	WIRING HARNESS, ALTERNATOR (3142)	
WATER PUMP PULLEY (2020) (3029T)	200-4	(4045H-6068H).....	310-19
WATER TEMPERARURE SENSOR (6609)		WIRING HARNESS,PRIMARY FUEL FILTER(8170)	
(4045D,T)	660-1	(4045H-2V).....	810-28
WATER TEMPERARURE SENSOR (6610)			
(3029T)	660-2		
WHEEL, SPEED ENGINE (6730)			
(4045H-2V/6068H-2V).....	670-4		
WIF SENSOR (8171) (6068H-2V)	810-30		
WIRING HARNESS (8438) (6068H-2V)	840-4		
WIRING HARNESS & INJECTION NOZZLE (16A5)			
(4045H)	160-2		
WIRING HARNESS AND GLOW PLUG (12V)			
(4320) (6068H) (4 VALVES)	430-3		
WIRING HARNESS AND GLOW PLUG (12V)			
(4321) (4045H) (4 VALVES)	430-4		
WIRING HARNESS AND GLOW PLUG (24V)			
(43A1) (4045H) (4 VALVES).....	430-1		

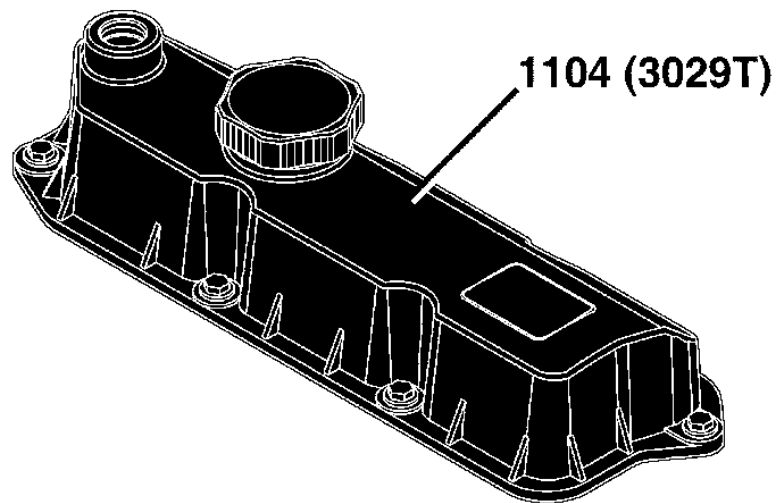
110-A01

VALVE COVER

SECTIONAL INDEX
INDEX DE SECTION
GRUPPENINDEX
INDICE DELLA SEZIONE
INDICE DE SECCION
GRUPPSFORTECKNING

1104- 3

CDP46716A -UN-



CDP46716A

110-A02

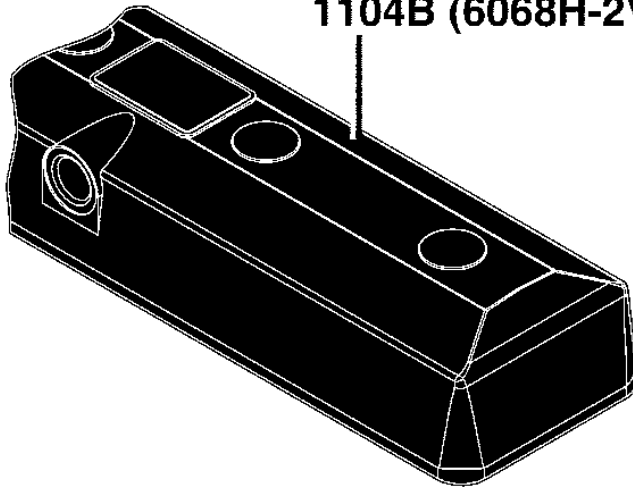
VALVE COVER

SECTIONAL INDEX
INDEX DE SECTION
GRUPPENINDEX
INDICE DELLA SEZIONE
INDICE DE SECCION
GRUPPSFORTECKNING

CDP46717A -UN-

1103A-	1
1103B-	2
1104A-	4
1104B-	5

1103A (4045D, T&H-2V)
1103B (4045D, T&H-2V)
1104A (6068H-2V)
1104B (6068H-2V)



CDP46717A

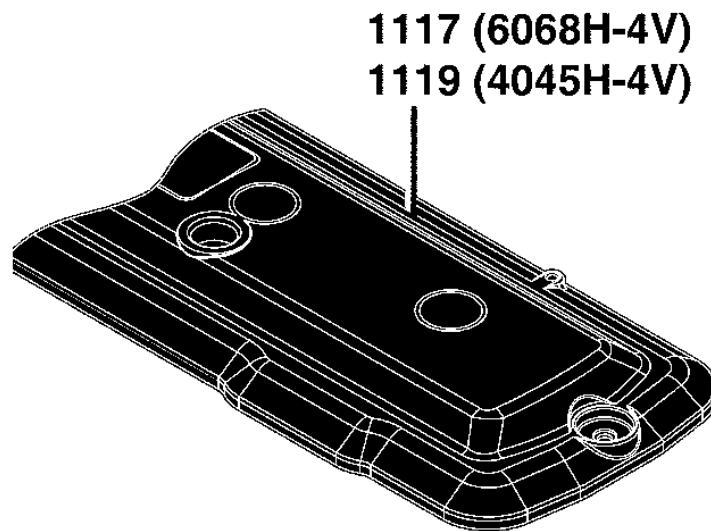
110-A03

VALVE COVER

SECTIONAL INDEX
INDEX DE SECTION
GRUPPENINDEX
INDICE DELLA SEZIONE
INDICE DE SECCION
GRUPPSFORTECKNING

CDP46718A -UN-

1117-	6
1119-	7



CDP46718A

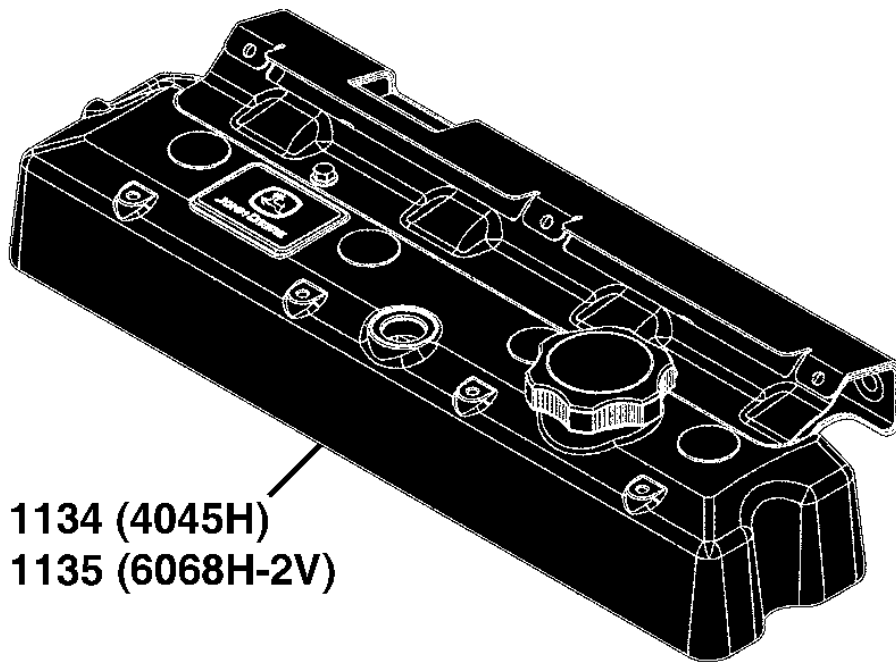
110-A04

VALVE COVER

SECTIONAL INDEX
INDEX DE SECTION
GRUPPENINDEX
INDICE DELLA SEZIONE
INDICE DE SECCION
GRUPPSFORTECKNING

CDP47713A -UN-

1134-	8
1135-	10



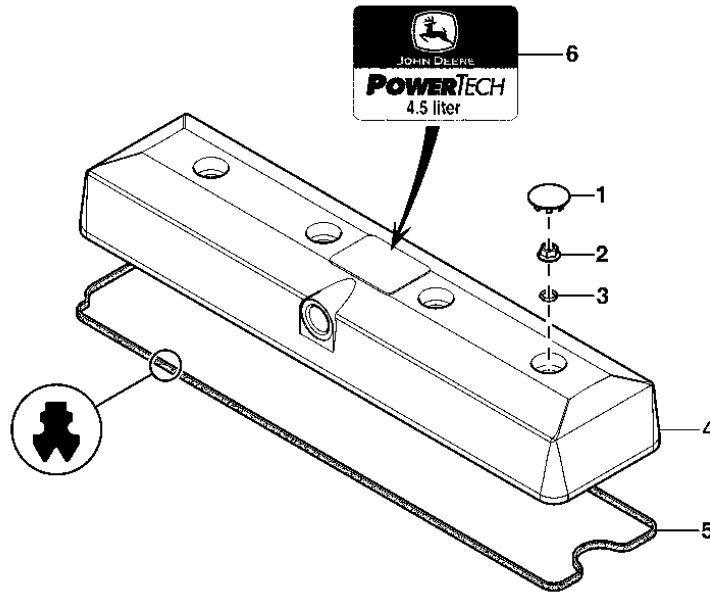
CDP47713A

110-1

VALVE COVER

CDP46272 -UN-

1103
1103
1103
1103
1103
1103



CDP46272

KEY	PART NO.	PART NAME	QTY.	ENGINE SERIAL NO.	D H T	REMARKS
1	H23125	PLUG	4		X X X	
2	R123574	NUT	4		X X X	M8
3	R123575	O-RING	4		X X X	7.595 X 2.616 MM
4	VALVE COVER	1		X X X	(MARKED R501311 OR R519779) (ORDER RE70401, RE59801 AND R123542)
5	R123542 RE520539	GASKET GASKET KIT	1 AR		X X X X X X	(A) INCL. INSTRUCTIONS
6	R116324	MEDALLION	1		X X X	

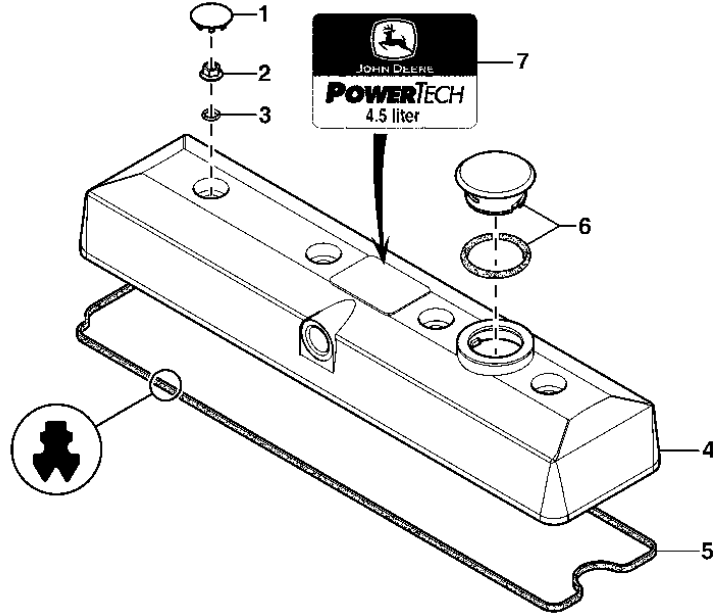
(A) SUITABLE FOR HIGH TEMPERATURE
 CONVIENT POUR HAUTE TEMPERATURE
 FUER HOHE TEMPERATUREN GEEIGNET
 RESISTENTE AD ALTE TEMPERATURE
 ADECUADO PARA ALTAS TEMPERATURAS
 LAEMPLIG FOER HOEGA TEMPERATURER

110-2

VALVE COVER

1103 - CONTINUED
 1103 - SUITE
 1103 - FORTSETZUNG
 1103 - SEGUITO
 1103 - CONTINUACION
 1103 - FORTS

CDP46274 -UN-



CDP46274

KEY	PART NO.	PART NAME	QTY.	ENGINE SERIAL NO.	D H T	REMARKS
1	H23125	PLUG	4		X X X	
2	R123574	NUT	4		X X X	M8
3	R123575	O-RING	4		X X X	7.595 X 2.616 MM
4	RE70401	VALVE COVER	1		X X X	(MARKED R135361 OR R519777)
5	R123542 RE520539	GASKET GASKET KIT	1 AR		X X X	(A) INCL. INSTRUCTIONS
6	RE59801	PLUG	1		X X X	
7	R116324	MEDALLION	1		X X X	

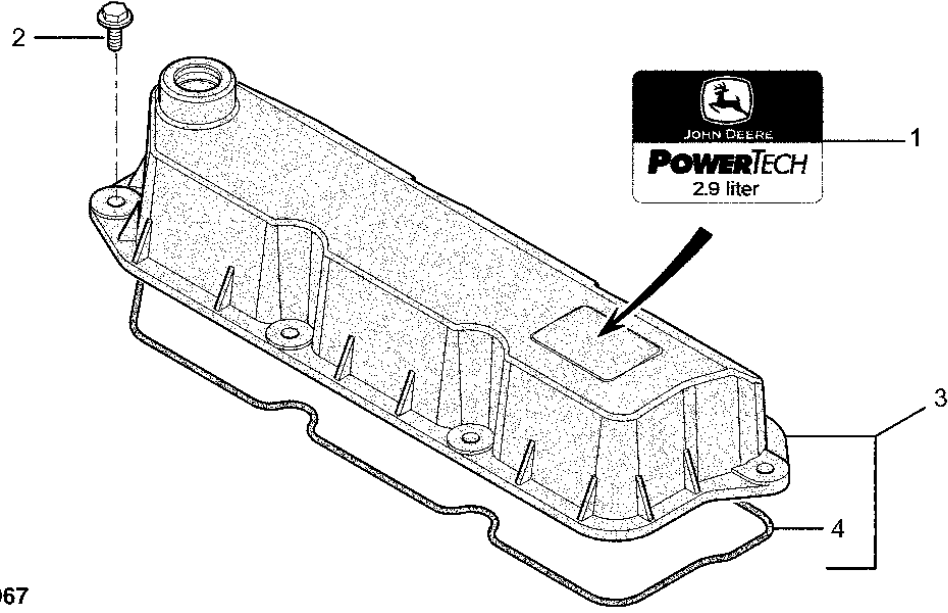
(A) SUITABLE FOR HIGH TEMPERATURE
 CONVIENT POUR HAUTE TEMPERATURE
 FUER HOHE TEMPERATUREN GEEIGNET
 RESISTENTE AD ALTE TEMPERATURE
 ADECUADO PARA ALTAS TEMPERATURAS
 LAEMPLIG FOER HOEGA TEMPERATURER

110-3

VALVE COVER

1104
1104
1104
1104
1104
1104

CDP45967 -UN-



CDP45967

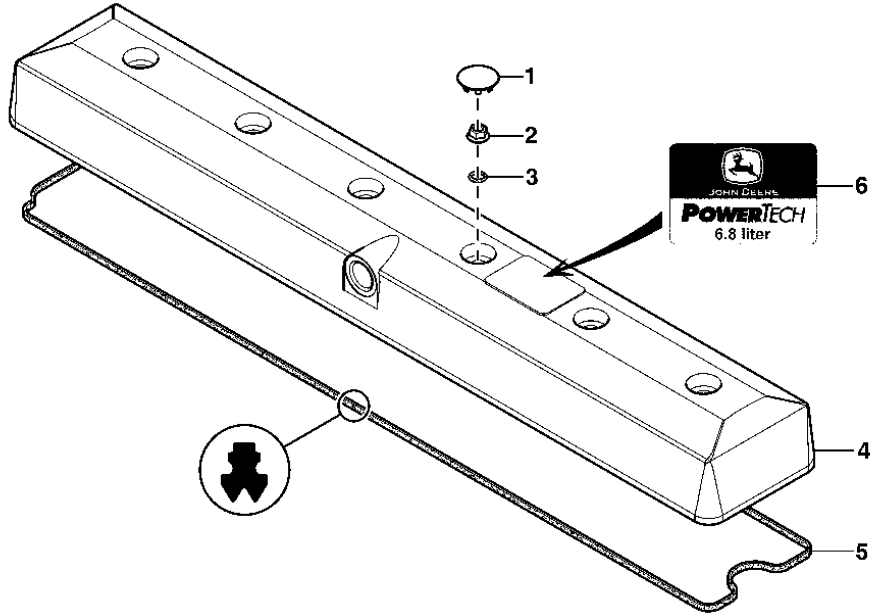
KEY	PART NO.	PART NAME	QTY.	ENGINE SERIAL NO.	REMARKS
1	R130942	MEDALLION	1	3029T	X
2	RE32140	SCREW WITH WASHER	6		X
3	RE44202	VALVE COVER	1		X
4	R106796	O-RING	1		X LGTH 1256MM, CUT TO LENGTH, COUPER A LONGUEUR, ABLAENGEN, TAGLIARE SU MISURE, CORTAR A LONGITUD, AVSKARE EFTER MATT

110-4

VALVE COVER

1104
1104
1104
1104
1104
1104

CDP46109A -UN-



CDP46109A

KEY	PART NO.	PART NAME	QTY.	ENGINE SERIAL NO.	6 0 6 8 H	REMARKS
1	H23125	PLUG	6		X	
2	R123574	NUT	6		X M8	
3	R123575	O-RING	6		X 7.595 X 2.616 MM	
4	VALVE COVER	1		X	(MARKED R501608 OR R519782) (ORDER RE502987, RE59801 AND R123543)
5	R123543 RE520540	GASKET GASKET KIT	1 AR		X X	(A) INCL. INSTRUCTIONS
6	R121674	MEDALLION	1		X	

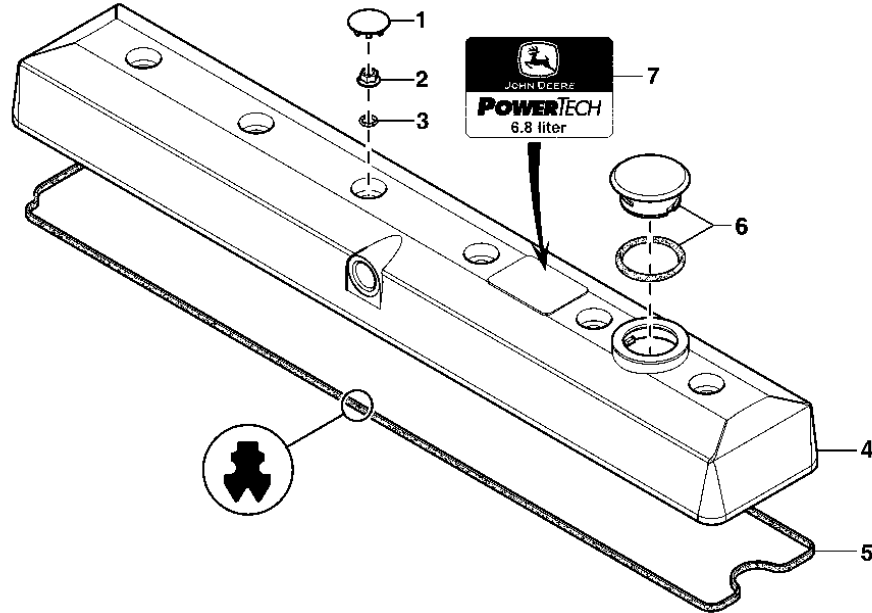
(A) SUITABLE FOR HIGH TEMPERATURE
 CONVIENT POUR HAUTE TEMPERATURE
 FUER HOHE TEMPERATUREN GEEIGNET
 RESISTENTE AD ALTE TEMPERATURE
 ADECUADO PARA ALTAS TEMPERATURAS
 LAEMPLIG FOER HOEGA TEMPERATURER

110-5

VALVE COVER

1104 - CONTINUED
 1104 - SUITE
 1104 - FORTSETZUNG
 1104 - SEGUITO
 1104 - CONTINUACION
 1104 - FORTS

CDP46268A -UN-



CDP46268A

KEY	PART NO.	PART NAME	QTY.	ENGINE SERIAL NO.	6 0 6 8 H	REMARKS
1	H23125	PLUG	6		X	
2	R123574	NUT	6		X	M8
3	R123575	O-RING	6		X	7.595 X 2.616 MM
4	RE502987	VALVE COVER	1		X	(MARKED R135360 OR R519781)
5	R123543	GASKET	1		X	
	RE520540	GASKET KIT	AR		X	(A) INCL. INSTRUCTIONS
6	RE59801	PLUG	1		X	
7	R121674	MEDALLION	1		X	

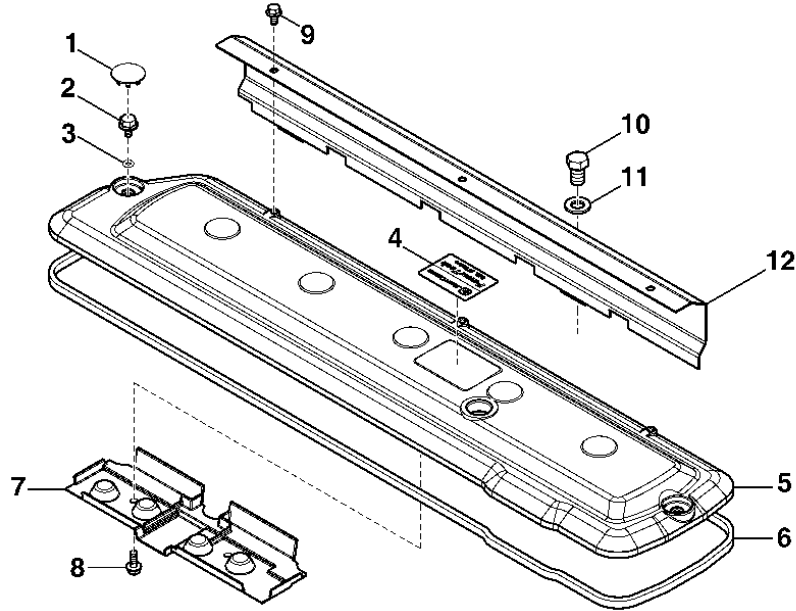
(A) SUITABLE FOR HIGH TEMPERATURE
 CONVIENT POUR HAUTE TEMPERATURE
 FUER HOHE TEMPERATUREN GEEIGNET
 RESISTENTE AD ALTE TEMPERATURE
 ADECUADO PARA ALTAS TEMPERATURAS
 LAEMPLIG FOER HOEGA TEMPERATURER

110-6

VALVE COVER

CDP45557 -UN-

1117
1117
1117
1117
1117
1117



CDP45557

KEY	PART NO.	PART NAME	QTY.	ENGINE SERIAL NO.	REMARKS
1	H23125	PLUG	7		X
2	R516181	CAP SCREW	7		X M6 X 12
3	R516158	O-RING	7		X 5.232 X 2.616 MM
4	R516138	MEDALLION	1		X
5	R504630	VALVE COVER	1		X
6	R504882	GASKET	1		X
7	R515555	DEFLECTOR	1		X
8	19M7775	SCREW	2		X M6 X 16, (10.9)
9	19M7774	SCREW	3		X M6 X 12, (10.9)
10	19M8017	CAP SCREW	2		X M12 X 20, (8.8)
11	24M7047	WASHER	2		X 13 X 24 X 2.500 MM
12	R516174	HEAT SHIELD	1		X

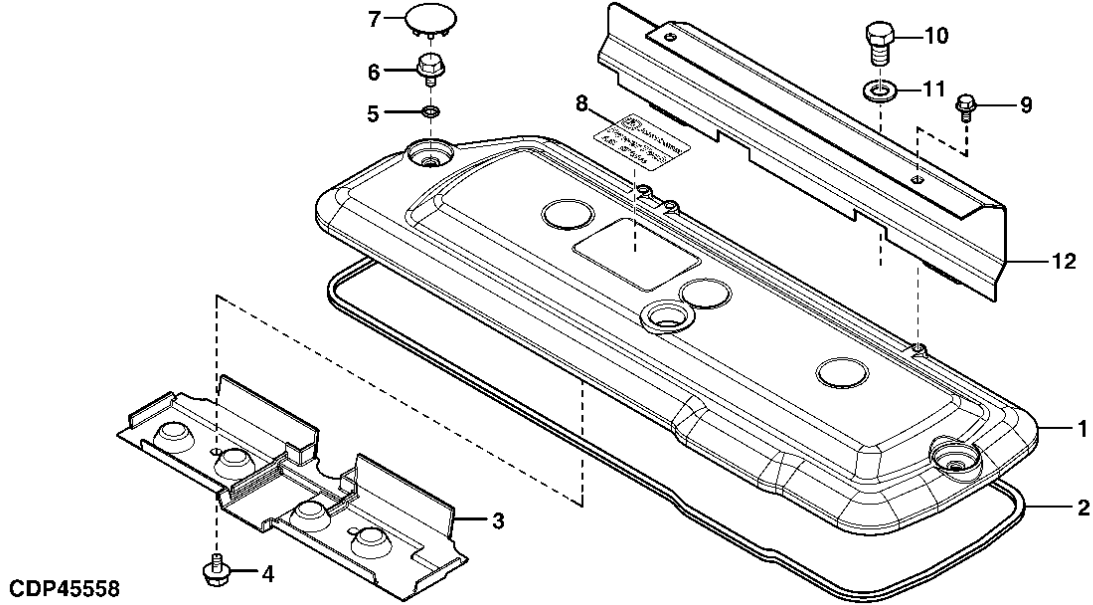
6
0
6
8
H

110-7

VALVE COVER

CDP45558 -UN-

1119
1119
1119
1119
1119
1119



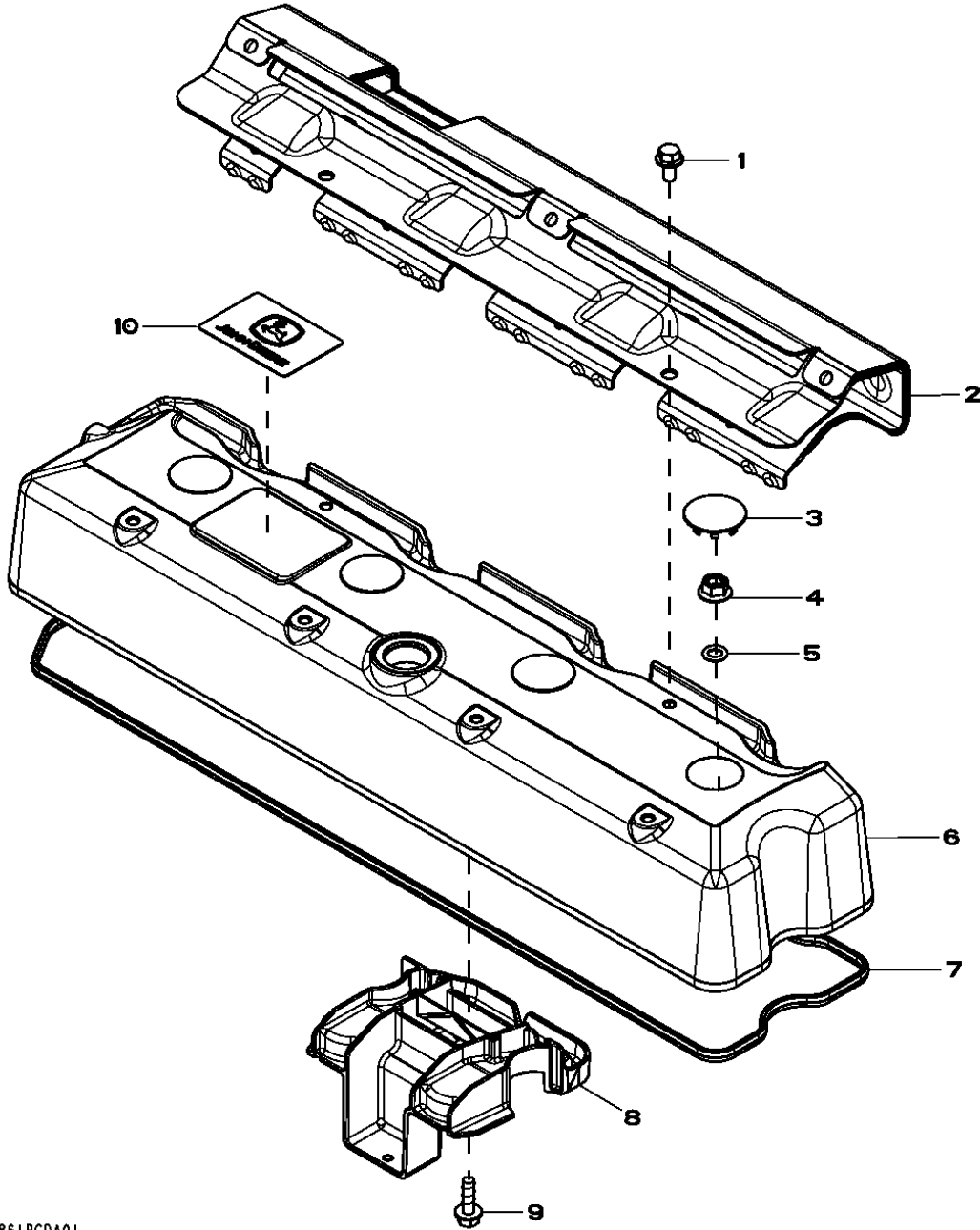
KEY	PART NO.	PART NAME	QTY.	ENGINE SERIAL NO.	4 0 4 5 H	REMARKS
1	R505172	VALVE COVER	1		X	
2	R505174	GASKET	1		X	
3	R515555	DEFLECTOR	1		X	
4	19M7774	SCREW	2		X	M6 X 12, (10.9)
5	R516158	O-RING	5		X	5.232 X 2.616 MM
6	R516181	CAP SCREW	5		X	
7	H23125	PLUG	5		X	
8	R516137	MEDALLION	1		X	
9	19M7774	SCREW	2		X	M6 X 12, (10.9)
10	19M8017	CAP SCREW	2		X	M12 X 20, (8.8)
11	24M7047	WASHER	2		X	13 X 24 X 2.500 MM
12	R516708	HEAT SHIELD	1		X	

110-8

VALVE COVER

1134
1134
1134
1134
1134
1134

RE524861PCDA01 -UN-



RE 524861 PCDA01

110-9

VALVE COVER

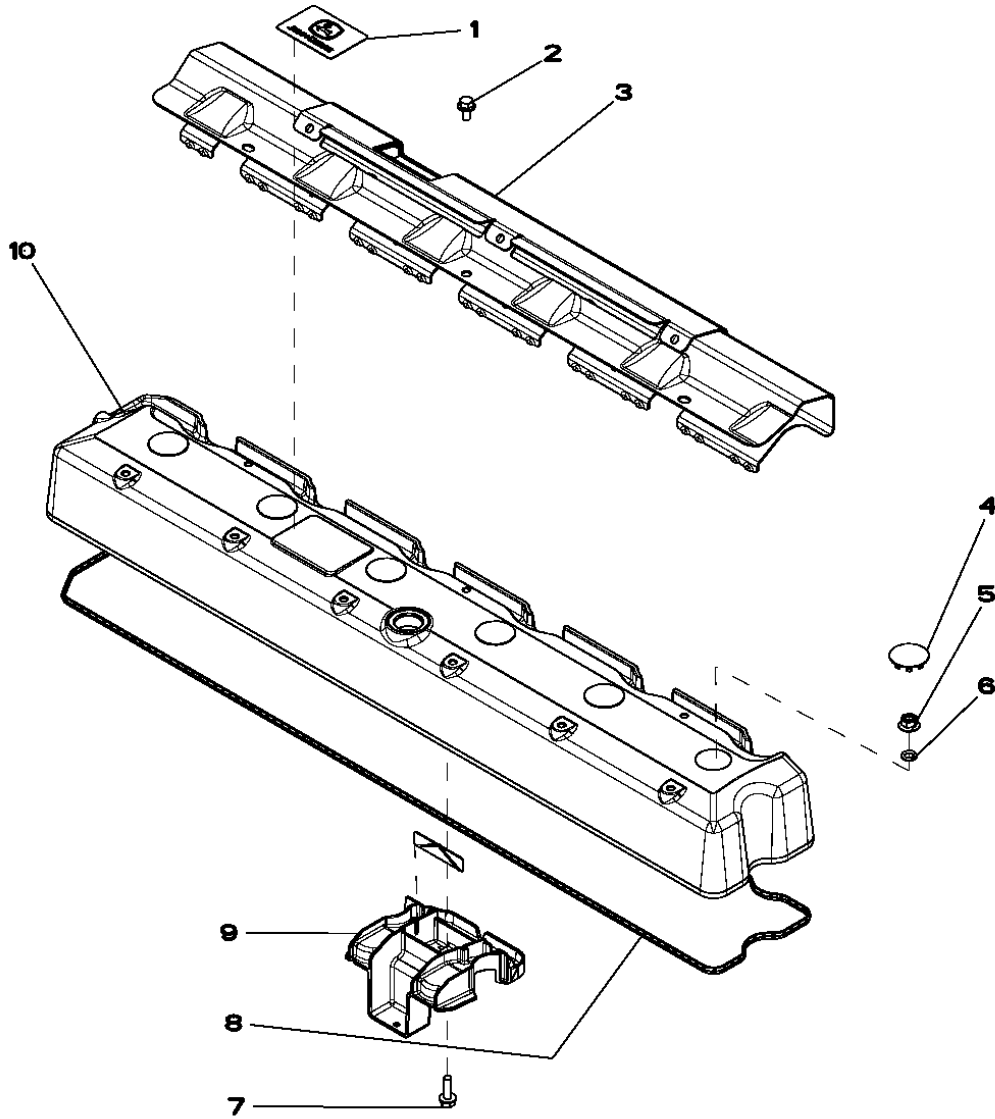
KEY	PART NO.	PART NAME	QTY.	ENGINE SERIAL NO.	4 0 4 5 H	REMARKS
1	RE527858	SCREW	2		X	M6 X 12, THREADS WITH PRE-APPLIED SEALANT, FILETS ENDUITS DE PRODUIT D'ETANCHEITE, MIT DICHTMITTEL, CON MATERIALE DI TENUTA, CON SELLADOR, MED TAETNINGSMEDEL
2	R522409	HEAT SHIELD	1		X	
3	H23125	PLUG	4		X	
4	R123574	NUT	4		X	M8
5	R123575	O-RING	4		X	7.595 X 2.616 MM
6	R520896	VALVE COVER	1		X	
7	R524468	GASKET	1		X	
8	RE528742	DEFLECTOR	1		X	
9	19M7862	SCREW	1		X	M6 X 20
10	R521401	MEDALLION	1		X	

110-10

VALVE COVER

1135
1135
1135
1135
1135
1135

RE524694PCDB01 -UN-



RE524694PCDB01

110-11

VALVE COVER

KEY	PART NO.	PART NAME	QTY.	ENGINE SERIAL NO.	6 0 6 8 H	REMARKS
1	R521401	MEDALLION	1		X	
2	RE527858	SCREW	3		X	M6 X 12
3	R522410	HEAT SHIELD	1		X	
4	H23125	PLUG	6		X	
5	R123574	NUT	6		X	
6	R123575	O-RING	6		X	
7	19M7862	SCREW	1		X	M6 X 20
8	R524469	GASKET	1		X	
9	RE528742	DEFLECTOR	1		X	
10	R520731	VALVE COVER	1		X	

110-12

VALVE COVER

MEMORANDA
MEMORANDA
MEMORANDA
MEMORANDA
MEMORANDA
MEMORANDA

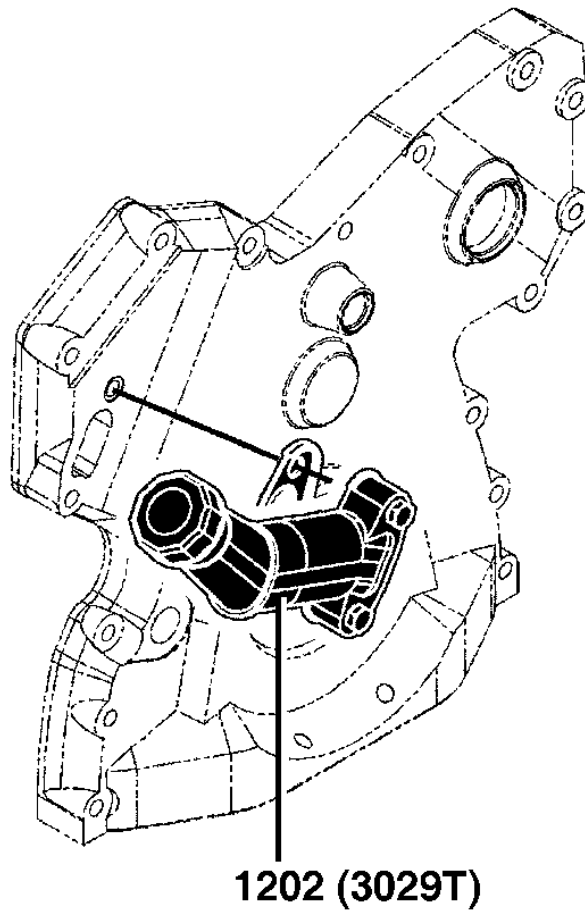
120-A01

OIL FILLER NECK

SECTIONAL INDEX
INDEX DE SECTION
GRUPPENINDEX
INDICE DELLA SEZIONE
INDICE DE SECCION
GRUPPSFORTECKNING

1202- 1

CDP46723A -UN-



CDP46723A

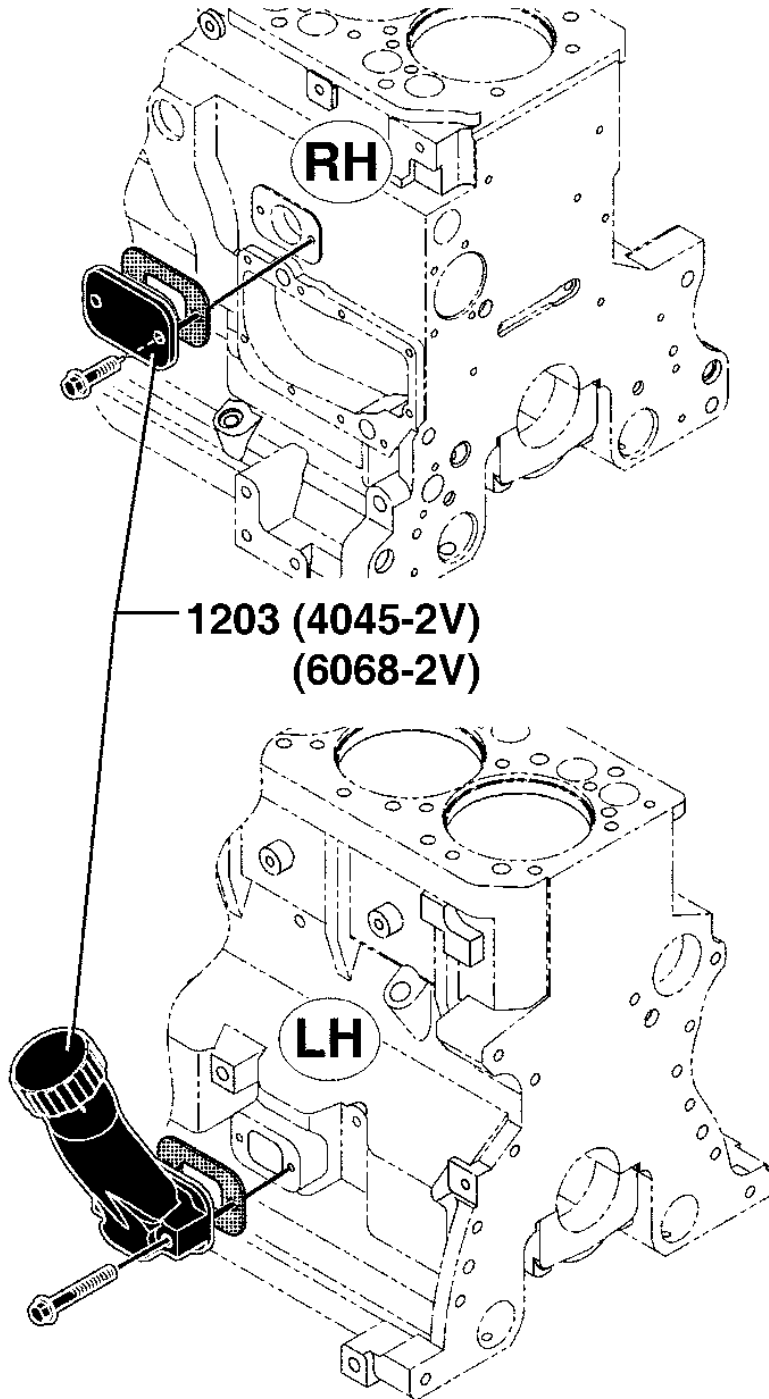
120-A02

OIL FILLER NECK

SECTIONAL INDEX
INDEX DE SECTION
GRUPPENINDEX
INDICE DELLA SEZIONE
INDICE DE SECCION
GRUPPSFORTECKNING

CDP46724A -UN-

1203- 2



CDP46724A

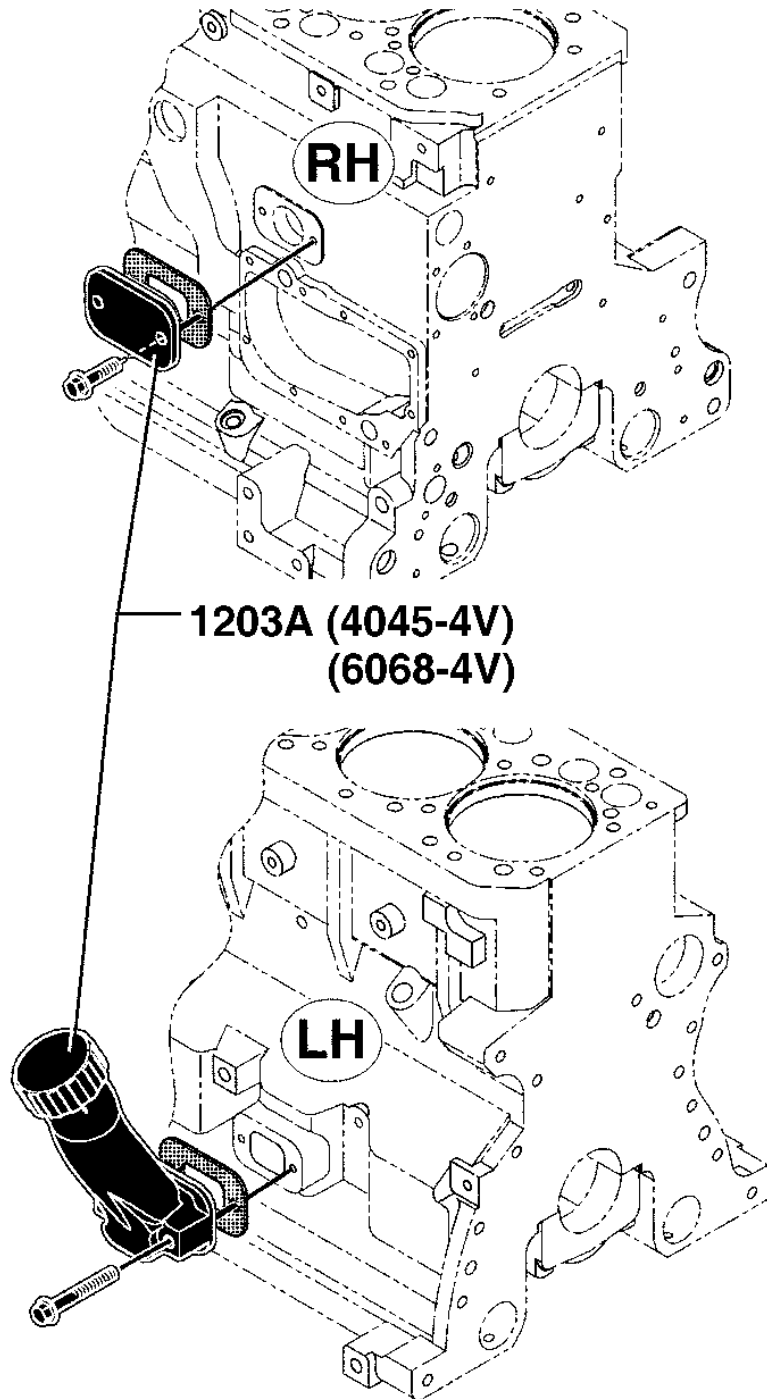
120-A03

OIL FILLER NECK

SECTIONAL INDEX
INDEX DE SECTION
GRUPPENINDEX
INDICE DELLA SEZIONE
INDICE DE SECCION
GRUPPSFORTECKNING

1203A- 3

CDP46725A -UN-



CDP46725A

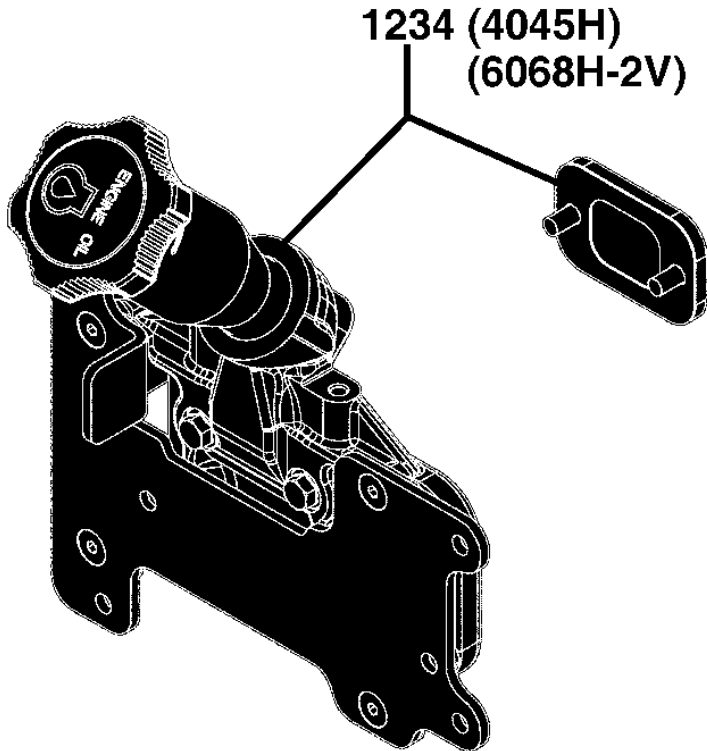
120-A04

OIL FILLER NECK

SECTIONAL INDEX
INDEX DE SECTION
GRUPPENINDEX
INDICE DELLA SEZIONE
INDICE DE SECCION
GRUPPSFORTECKNING

CDP47714A -UN-

1234- 4



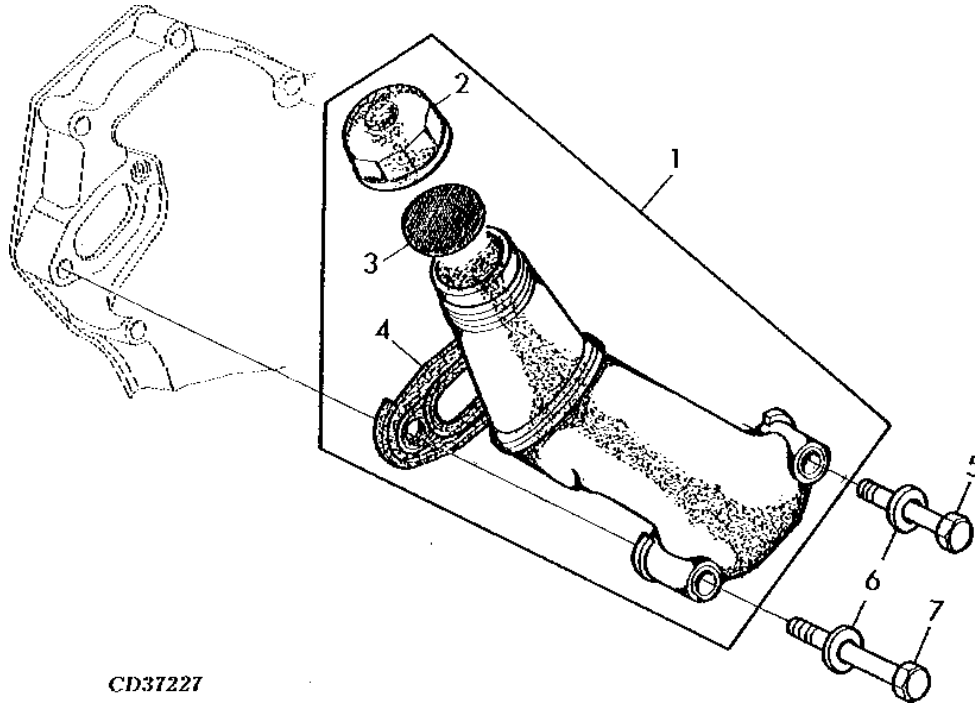
CDP47714A

120-1

OIL FILLER NECK

1202
1202
1202
1202
1202
1202

CD37227 -UN-



CD37227

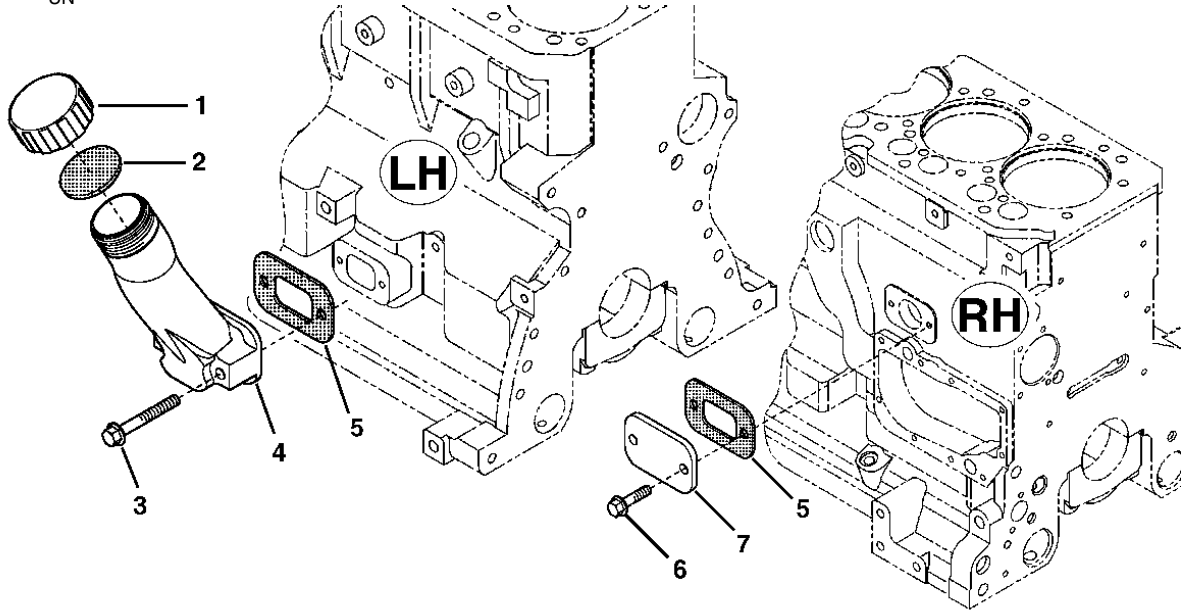
KEY	PART NO.	PART NAME	QTY.	ENGINE SERIAL NO.	3 0 2 9 T	REMARKS
1	RE44199	FILLER NECK	1		X	
2	R90788	PLUG	1		X	1.5"-12UNF
3	T20328	GASKET	1		X	
4	R87259	GASKET	1		X	
5	19H2665	CAP SCREW	1		X	3/8" X 1-5/8", (SAE 8)
6	24M7106	WASHER	2		X	10 X 18 X 2.500 MM
7	19H2458	CAP SCREW	1		X	3/8" X 3", (SAE 8)

120-2

OIL FILLER NECK

1203
1203
1203
1203
1203
1203

CDP45012A -UN-



CDP45012A

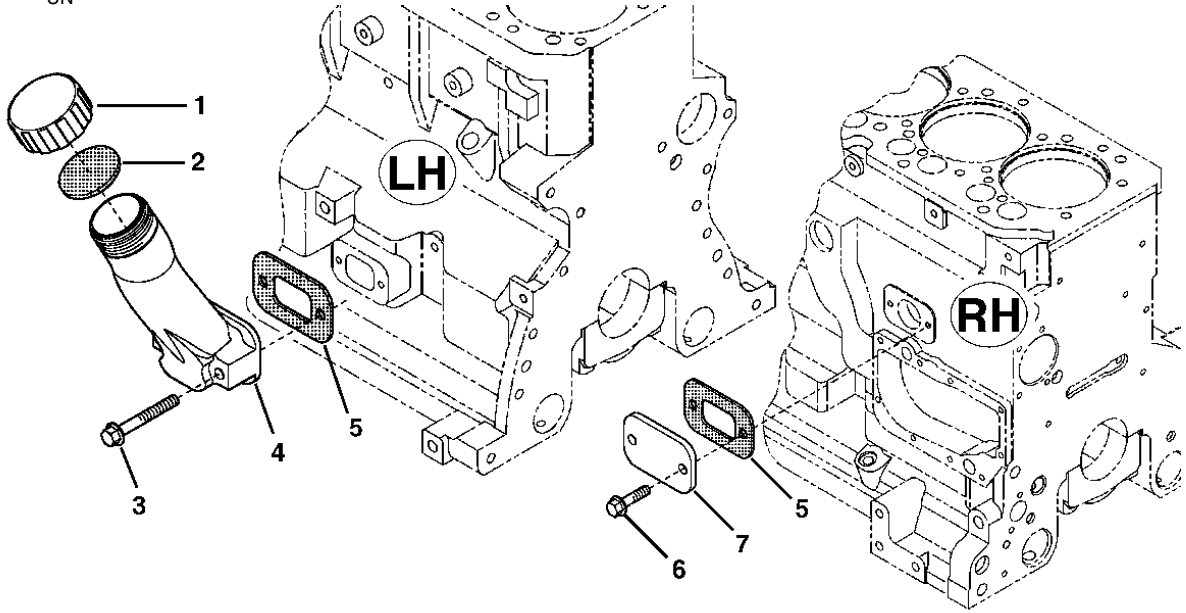
KEY	PART NO.	PART NAME	QTY.	ENGINE SERIAL NO.	REMARKS
				4 6	
				0 0	
				4 6	
				5 8	
1	R80136	FILLER CAP	1	X X	
2	R80135	GASKET	1	X X	
3	19M7799	SCREW	2	X X	M8 X 45. (10.9)
4	R517353	FILLER NECK	1	X X	
5	R136495	GASKET	1	X X	
6	RE67238	SCREW	2	X X	M8 X 20, (10.9) THREADS WITH PRE-APPLIED SEALANT, FILETS ENDUITS DE PRODUIT D'ETANCHEITE
7	R116296	COVER	1	X X	

120-3

OIL FILLER NECK

1203
1203
1203
1203
1203
1203

CDP45012A -UN-



CDP45012A

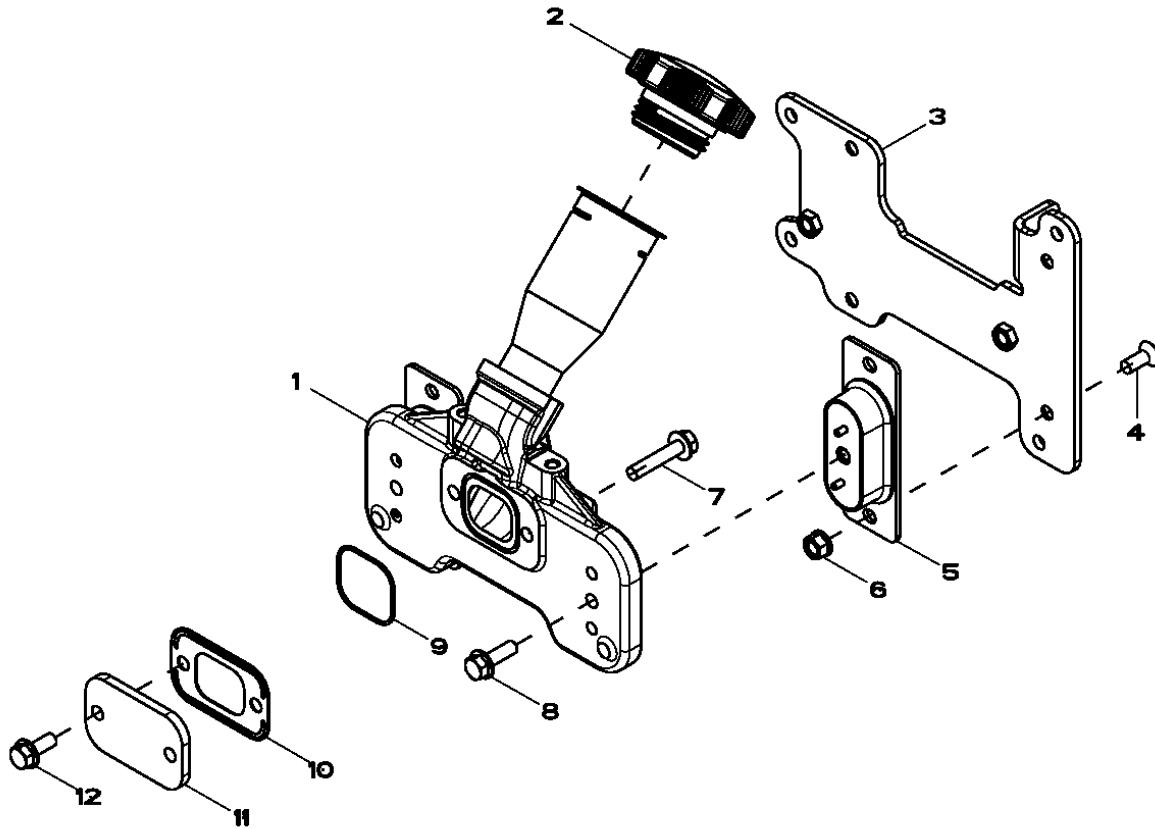
KEY	PART NO.	PART NAME	QTY.	ENGINE SERIAL NO.	REMARKS
1	R80136	FILLER CAP	1	X X	
2	R80135	GASKET	1	X X	
3	19M7799	SCREW	2	X X	M8 X 45, (10.9)
4	R517353	FILLER NECK	1	X X	
5	R136495	GASKET	1	X X	
6	RE67238	SCREW	2	X X	M8 X 20, (10.9) THREADS WITH PRE-APPLIED SEALANT, FILETS ENDUITS DE PRODUIT D'ETANCHEITE
7	R116296	COVER	1	X X	

120-4

OIL FILLER NECK

1234
1234
1234
1234
1234
1234

RE528880PCDC01 -UN-



RE 528880PCDC01

120-5

OIL FILLER NECK

KEY	PART NO.	PART NAME	QTY.	ENGINE SERIAL NO.	4 6 0 0 4 6 5 8 H H	REMARKS
1	RE528649	FILLER NECK	1		X X	
2	RE500250	FILLER CAP	1		X X	
3	RE529619	BRACKET	1		X X	
4	19M7573	SCREW	4		X X	M8 X 20
5	RE527581	ISOLATOR	2		X X	
6	14M7298	FLANGE NUT	4		X X	M8
7	19M8317	SCREW	2		X X	M8 X 40
8	19M7867	SCREW	2		X X	M8 X 25
9	R151097	O-RING	1		X X	47.346 X 1.778 MM
10	R136495	GASKET	1		X X	
11	R116296	COVER	1		X X	
12	RE67238	SCREW	2		X X	M8 X 20, THREADS WITH PRE-APPLIED SEALANT, FILETS ENDUITS DE PRODUIT D'ETANCHEITE, MIT DICHTMITTEL, CON MATERIALE DI TENUTA, CON SELLADOR, MED TAETNINGSMEDEL

120-6

OIL FILLER NECK

MEMORANDA
MEMORANDA
MEMORANDA
MEMORANDA
MEMORANDA
MEMORANDA

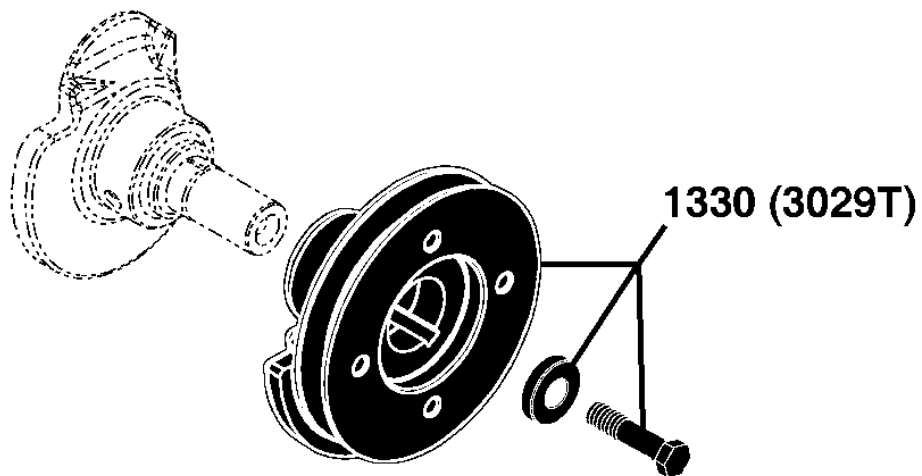
130-A01

CRANKSHAFT PULLEY

SECTIONAL INDEX
INDEX DE SECTION
GRUPPENINDEX
INDICE DELLA SEZIONE
INDICE DE SECCION
GRUPPSFORTECKNING

1330- 7

CDP46736A -UN-



CDP46736A

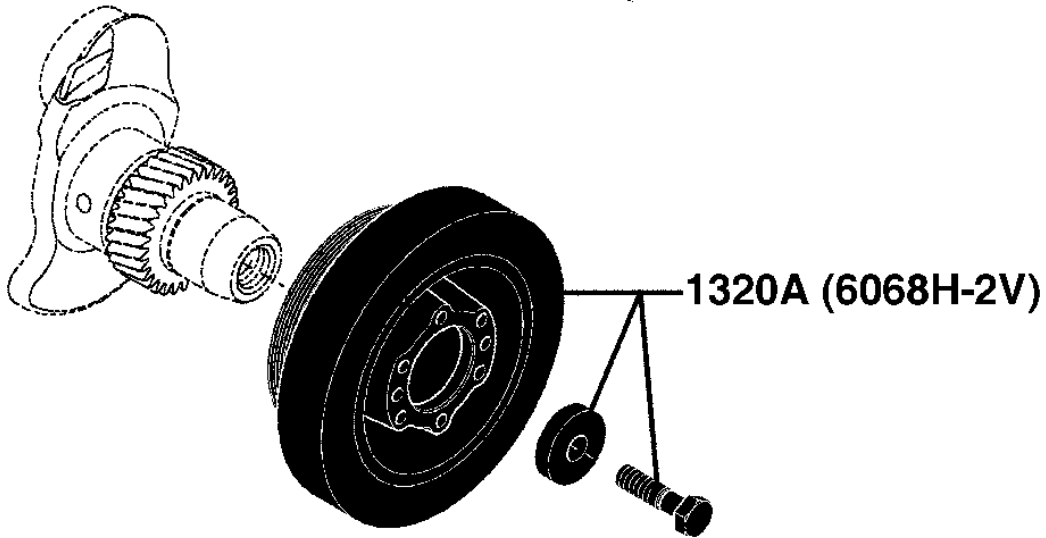
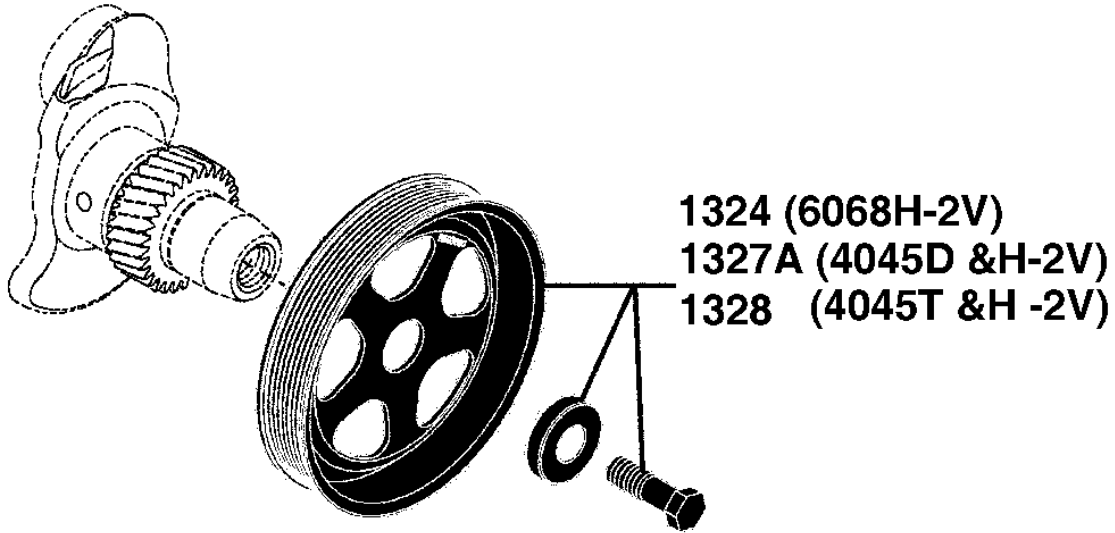
130-A02

CRANKSHAFT PULLEY

SECTIONAL INDEX
INDEX DE SECTION
GRUPPENINDEX
INDICE DELLA SEZIONE
INDICE DE SECCION
GRUPPSFORTECKNING

CDP46737B -UN-

1320A-	1
1324-	4
1327A-	5
1328-	6



CDP46737B

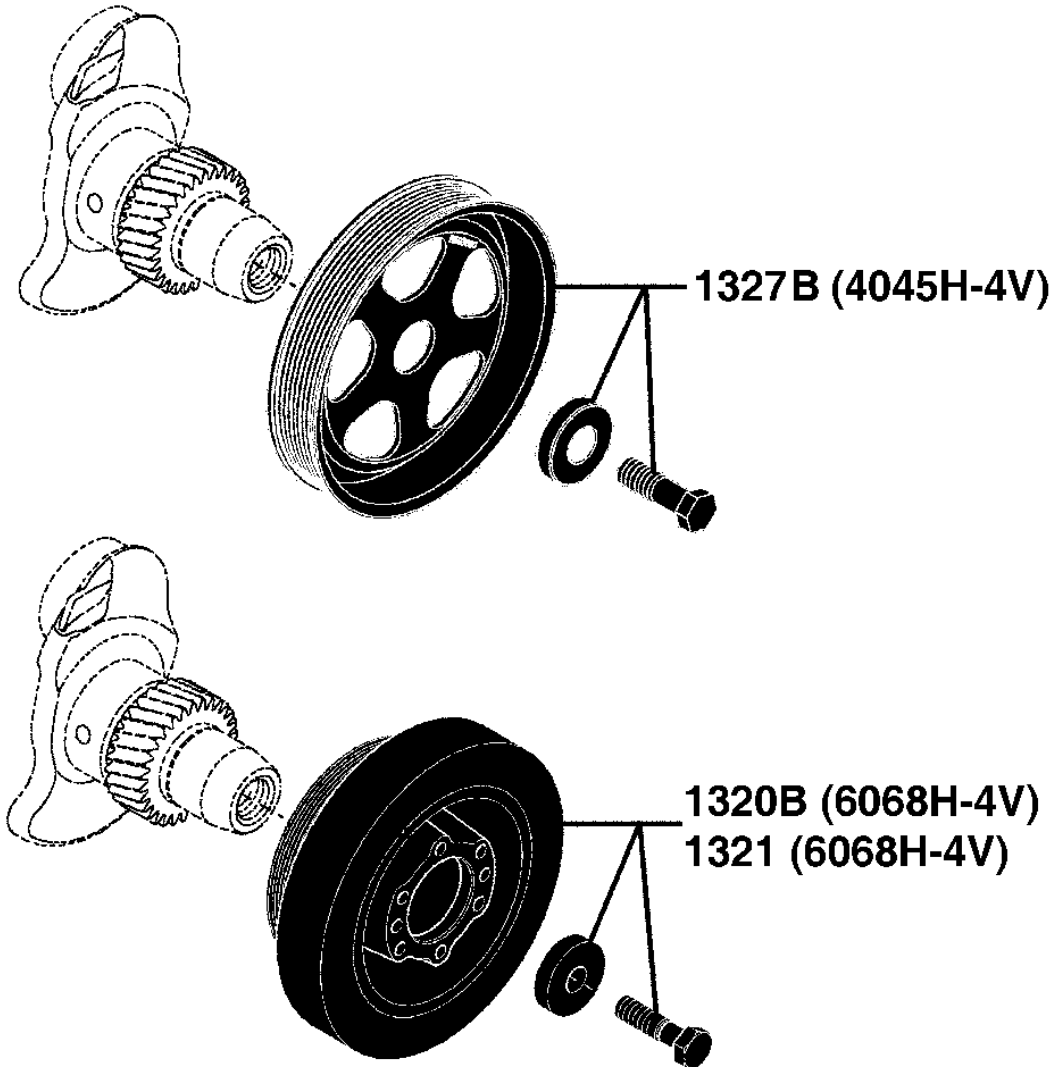
130-A03

CRANKSHAFT PULLEY

SECTIONAL INDEX
INDEX DE SECTION
GRUPPENINDEX
INDICE DELLA SEZIONE
INDICE DE SECCION
GRUPPSFORTECKNING

CDP46738A -UN-

1320B-	2
1321-	3



CDP46738A

130-A04

CRANKSHAFT PULLEY

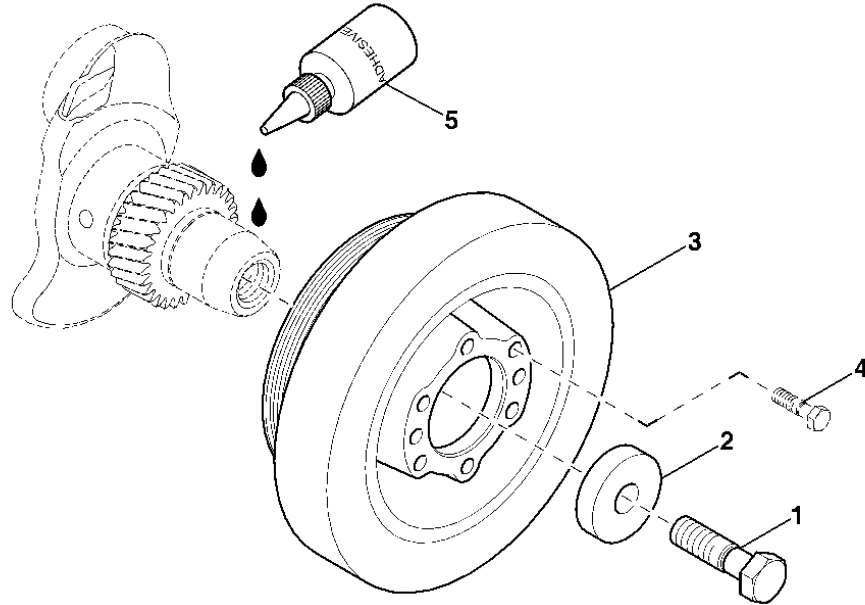
MEMORANDA
MEMORANDA
MEMORANDA
MEMORANDA
MEMORANDA
MEMORANDA

130-1

CRANKSHAFT PULLEY

1320
1320
1320
1320
1320
1320

CD43907B -UN-



CD43907B

KEY	PART NO.	PART NAME	QTY.	ENGINE SERIAL NO.	REMARKS
1	R516648	CAP SCREW	1		X (A) M20 X 70, ONE TIME USAGE, USAGE UNIQUE
2	R517237	BUSHING	1		X (A) OD= 63.5MM
3	RE508578	PULLEY	1		X (A) OD= 188MM
4	SCREW	NA		X M10 X 1.5
5	R520451	ADHESIVE	1		X (A) LOCTITE 620, 10 ML.

6
0
6
8
H

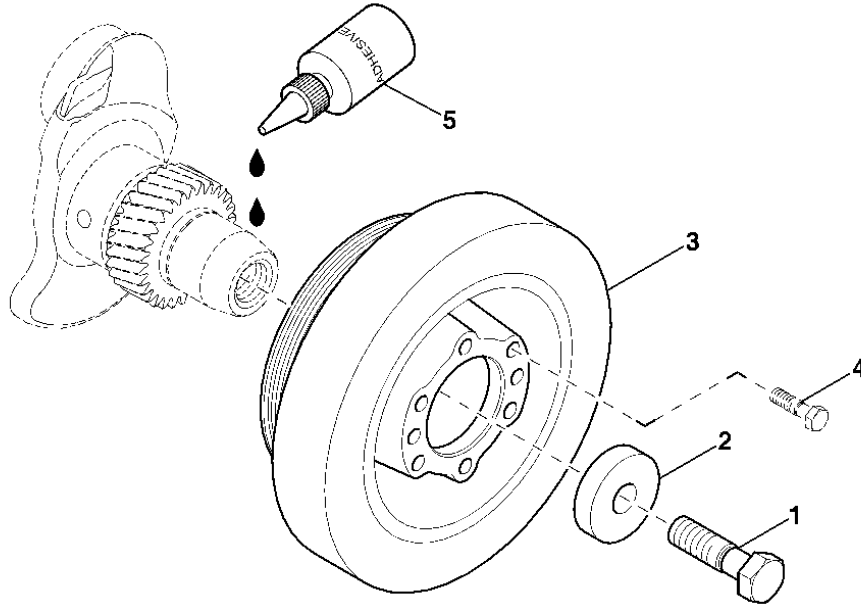
(A) (-832933) FOR DD20650
(-832933) POUR DD20650
(-832933) FUER DD20650
(-832933) PER DD20650
(-832933) PARE DD20650
(-832933) FOER DD20650

130-2

CRANKSHAFT PULLEY

1320 - CONTINUED
 1320 - SUITE
 1320 - FORTSETZUNG
 1320 - SEGUITO
 1320 - CONTINUACION
 1320 - FORTS

CD43907B -UN-



CD43907B

KEY	PART NO.	PART NAME	QTY.	ENGINE SERIAL NO.	REMARKS
1	R516648	CAP SCREW	1		X (A) M20 X 70, ONE TIME USAGE, USAGE UNIQUE
2	R517237	BUSHING	1		X (A) OD= 63.5MM
3	RE508578	PULLEY	1		X (A) OD= 188MM
4	SCREW	NA		X M10 X 1.5
5	R520451	ADHESIVE	1		X (A) LOCTITE 620, 10 ML.

6
0
6
8
H

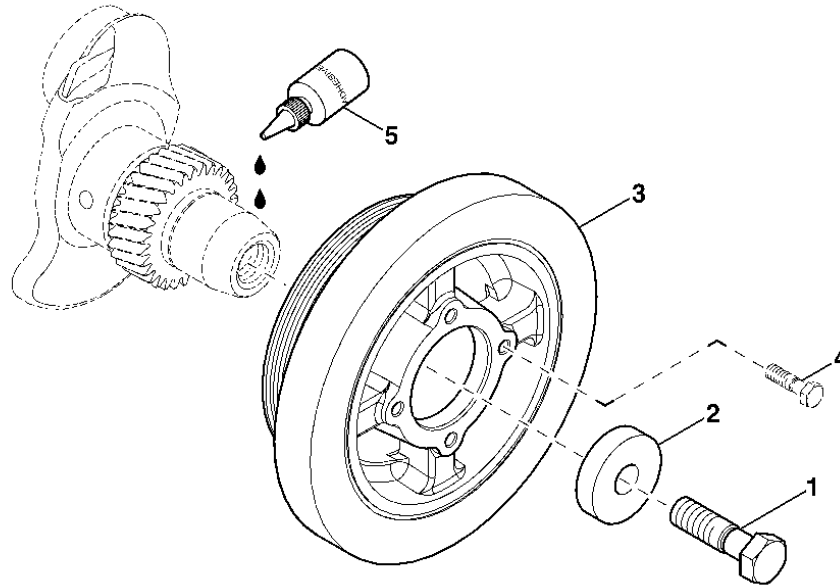
(A) (-832933) FOR DD20650
 (-832933) POUR DD20650
 (-832933) FUER DD20650
 (-832933) PER DD20650
 (-832933) PARA DD20650
 (-832933) FOER DD20650

130-3

CRANKSHAFT PULLEY

1321
1321
1321
1321
1321
1321

CDP46088A -UN-



CDP46088A

KEY	PART NO.	PART NAME	QTY.	ENGINE SERIAL NO.	REMARKS
1	R516648	CAP SCREW	1		X (A) M20 X 70 (12.9), ONE TIME USAGE, USAGE UNIQUE
2	R517237	BUSHING	1		X (A) OD= 63.5MM
3	RE505939	TORSIONAL DAMPER	1		X (A) OD= 188MM
4	SCREW	NA		X M10 X 1.5
5	R520451	ADHESIVE	1		X (A) LOCTITE 620, 10 ML.

6
0
6
8
H

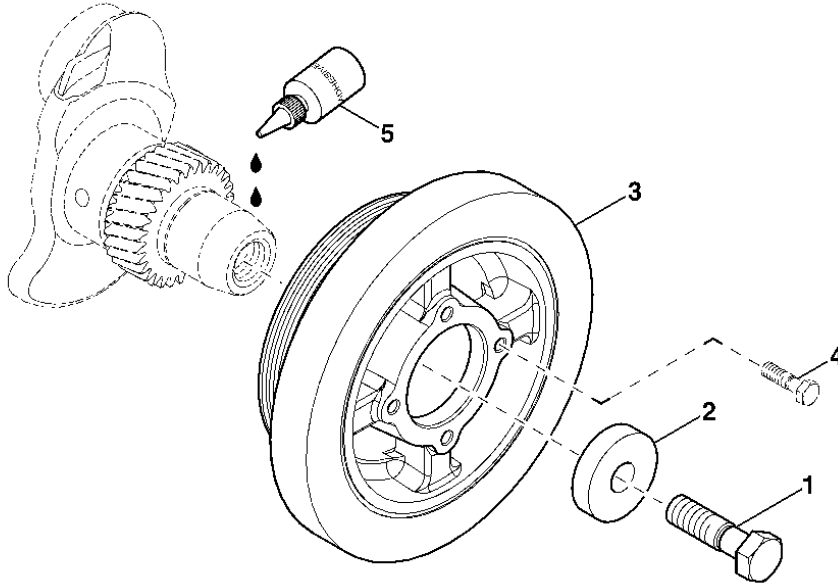
(A) (832934-) FOR DD20650
(832934-) POUR DD20650
(832934-) FUER DD20650
(832934-) PER DD20650
(832934-) PARA DD20650
(832934-) FOER DD20650

130-4

CRANKSHAFT PULLEY

1324
1324
1324
1324
1324
1324

CDP46088A -UN-



CDP46088A

KEY	PART NO.	PART NAME	QTY.	ENGINE SERIAL NO.	REMARKS
1	R516648	CAP SCREW	1		X M20 X 70 (10.9) , ONE TIME USAGE , USAGE UNIQUE
2	R517237	BUSHING	1		X OD= 63.5MM
3	RE505881	TORSIONAL DAMPER	1		X OD= 168MM
4	SCREW	NA		X M10 X 1.5
5	R520451	ADHESIVE	1		X LOCTITE 620, 10 ML.

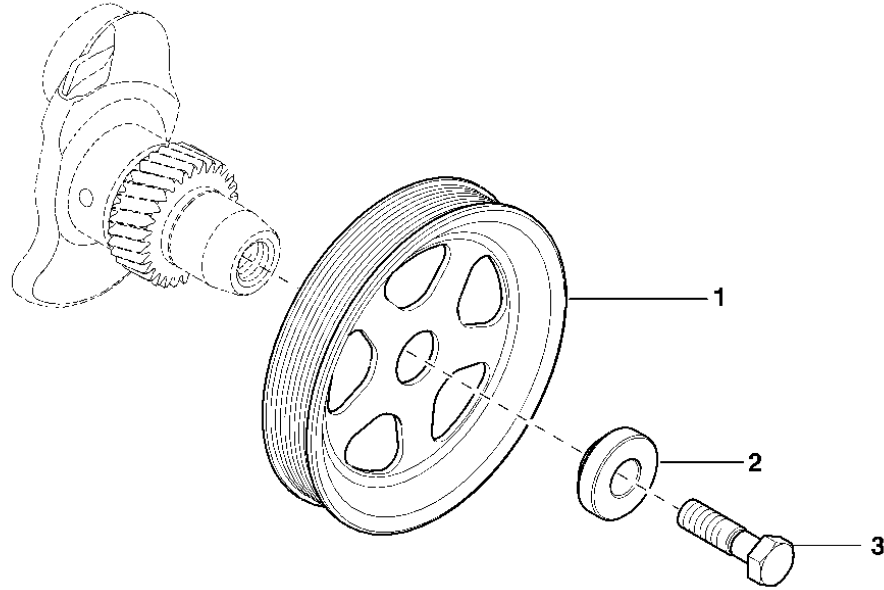
6
0
6
8
H

130-5

CRANKSHAFT PULLEY

1327
1327
1327
1327
1327
1327

CDP46198 -UN-



CDP46198

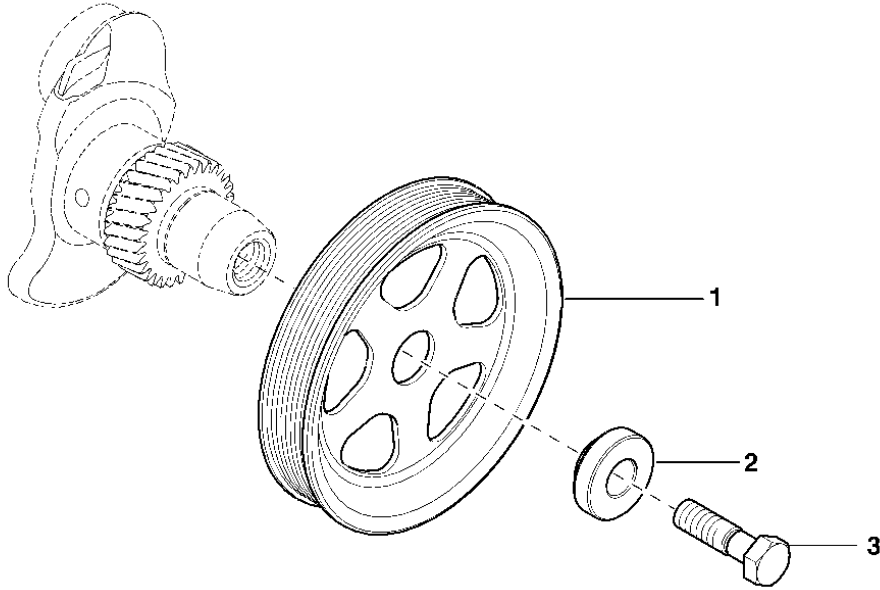
KEY	PART NO.	PART NAME	QTY.	ENGINE SERIAL NO.	REMARKS
1	R503880	PULLEY	1	4 4 0 0 4 4 5 5	X X OD= 188MM
2	R515040	BUSHING	1	D H	X X
3	R516648	CAP SCREW	1		X X M20 X 70 (12.9), ONE TIME USAGE, USAGE UNIQUE

130-6

CRANKSHAFT PULLEY

1328
1328
1328
1328
1328
1328

CDP46198 -UN-



CDP46198

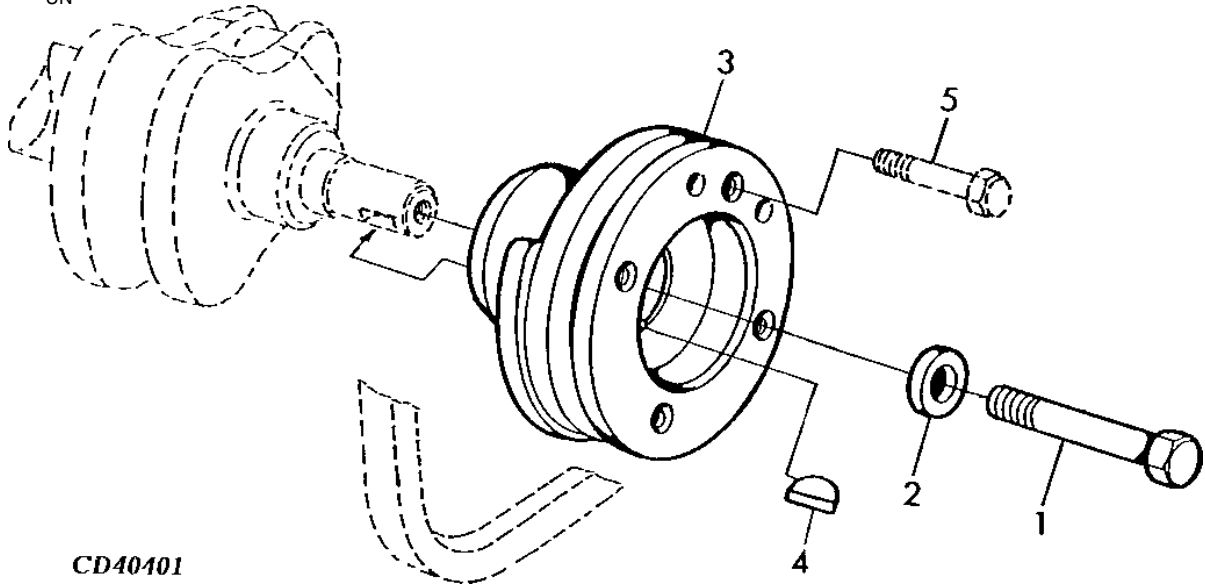
KEY	PART NO.	PART NAME	QTY.	ENGINE SERIAL NO.	REMARKS
1	R505567	PULLEY	1	4 4 0 0 4 4 5 5 H T	X X OD= 168MM
2	R515040	BUSHING	1		X X
3	R516648	CAP SCREW	1		X X M20 X 70 (12.9), ONE TIME USAGE, USAGE UNIQUE

130-7

CRANKSHAFT PULLEY

1330
1330
1330
1330
1330
1330

CD40401 -UN-



CD40401

3
0
2
9
T

KEY	PART NO.	PART NAME	QTY.	ENGINE SERIAL NO.	REMARKS
1	19H2473	CAP SCREW	1		X 1/2" X 1-3/4", (SAE 8)
2	R109086	SPACER	1		X 13 X 44 X 10 MM
3	R117011	PULLEY	1		X 11/16" X OD= 141MM
4	26H27	SHAFT KEY	1		X 5/16" X 1-1/8"
5	CAP SCREW	AR		X 3/8"-16UNC

130-8

CRANKSHAFT PULLEY

MEMORANDA
MEMORANDA
MEMORANDA
MEMORANDA
MEMORANDA
MEMORANDA

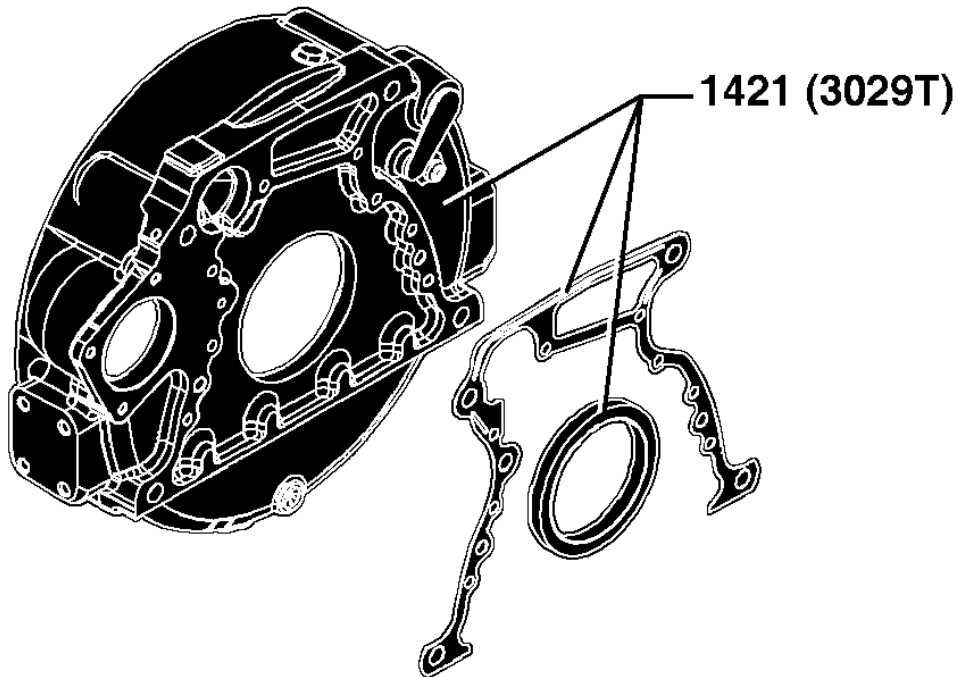
140-A01

FLYWHEEL HOUSING

SECTIONAL INDEX
INDEX DE SECTION
GRUPPENINDEX
INDICE DELLA SEZIONE
INDICE DE SECCION
GRUPPSFORTECKNING

1421- 1

CDP46741A -UN-



CDP46741A

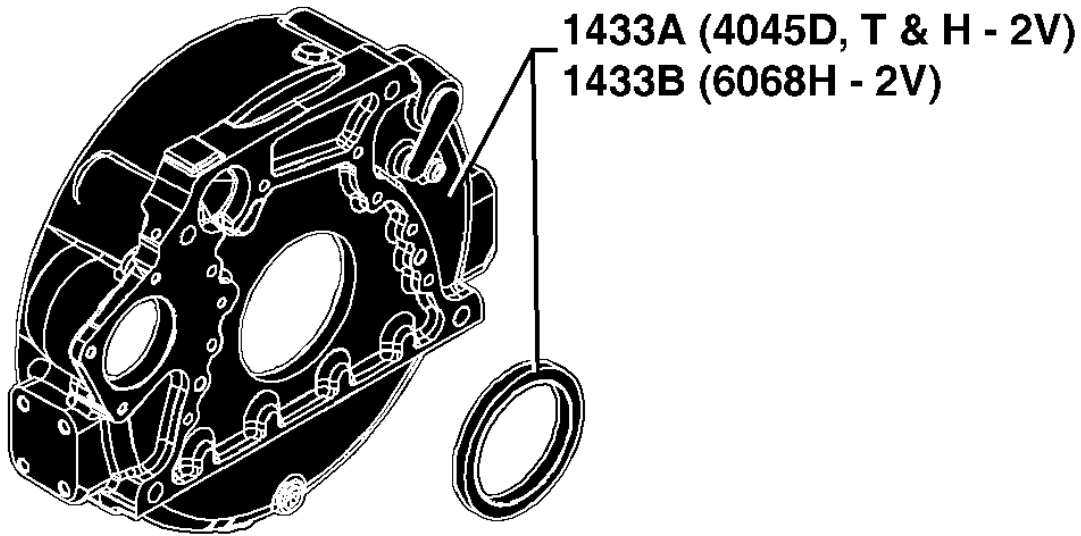
140-A02

FLYWHEEL HOUSING

SECTIONAL INDEX
INDEX DE SECTION
GRUPPENINDEX
INDICE DELLA SEZIONE
INDICE DE SECCION
GRUPPSFORTECKNING

CDP46742A -UN-

1433A-	2
1433B-	3



CDP46742A

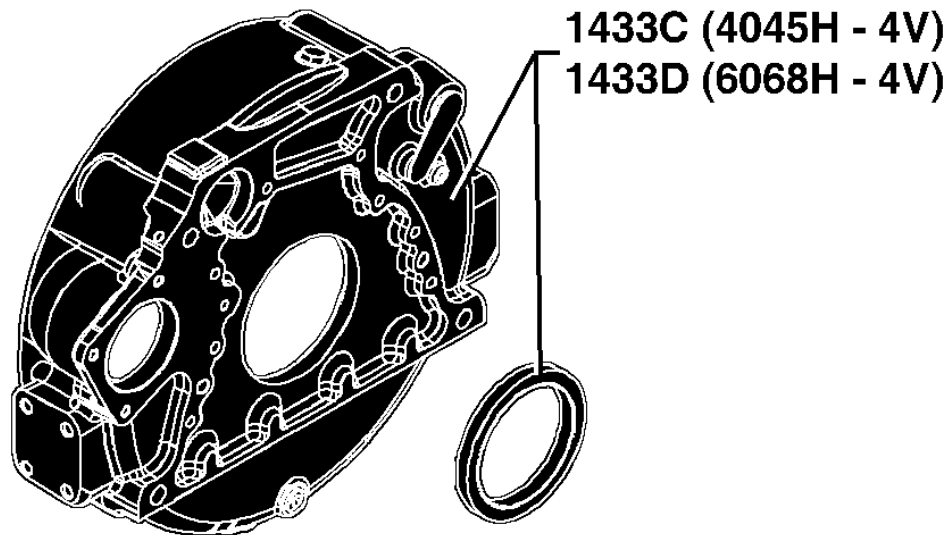
140-A03

FLYWHEEL HOUSING

SECTIONAL INDEX
INDEX DE SECTION
GRUPPENINDEX
INDICE DELLA SEZIONE
INDICE DE SECCION
GRUPPSFORTECKNING

CDP46743A -UN-

1433C-	4
1433D-	5



CDP46742A

140-A04

FLYWHEEL HOUSING

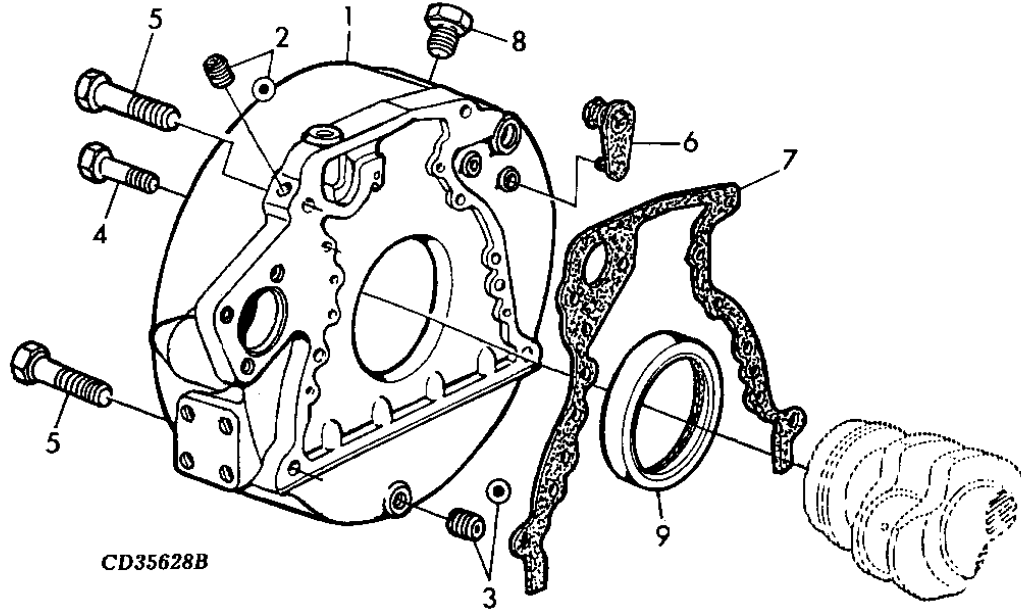
MEMORANDA
MEMORANDA
MEMORANDA
MEMORANDA
MEMORANDA
MEMORANDA

140-1

FLYWHEEL HOUSING

1421
1421
1421
1421
1421
1421

CD35628B -UN-



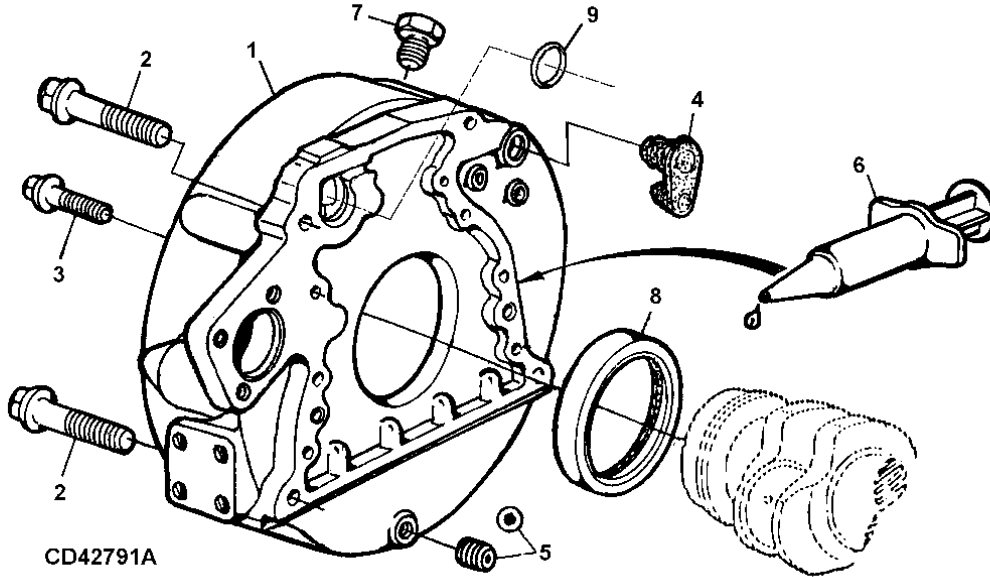
KEY	PART NO.	PART NAME	QTY.	ENGINE SERIAL NO.	3 0 2 9 T	REMARKS
1	R120586	HOUSING	1		X	
2	RE42713	PIPE PLUG	AR		X	1/8"-27NPTF, (SUB FOR R104592) WITH SEALANT, AVEC PRODUIT D'ETANCHEITE
3	15H584	PIPE PLUG	1		X	1/2"-14NPT
4	19H3219	CAP SCREW	8		X	3/8" X 1-3/8", (SAE 8)
5	19H1847	CAP SCREW	4		X	5/8" X 2-1/2", (SAE 8)
6	R131768	PLUG	1		X	
7	R515021	GASKET	1		X	(SUB FOR R97351, THIS APPLICATION)
8	T22867	DRAIN PLUG	NA		X	3/4"-16UNF
9	RE44574	SEAL	1		X	

140-2

FLYWHEEL HOUSING

1433
1433
1433
1433
1433
1433

CD42791A -UN-



CD42791A

4 4 4
0 0 0
4 4 4
5 5 5
D H T

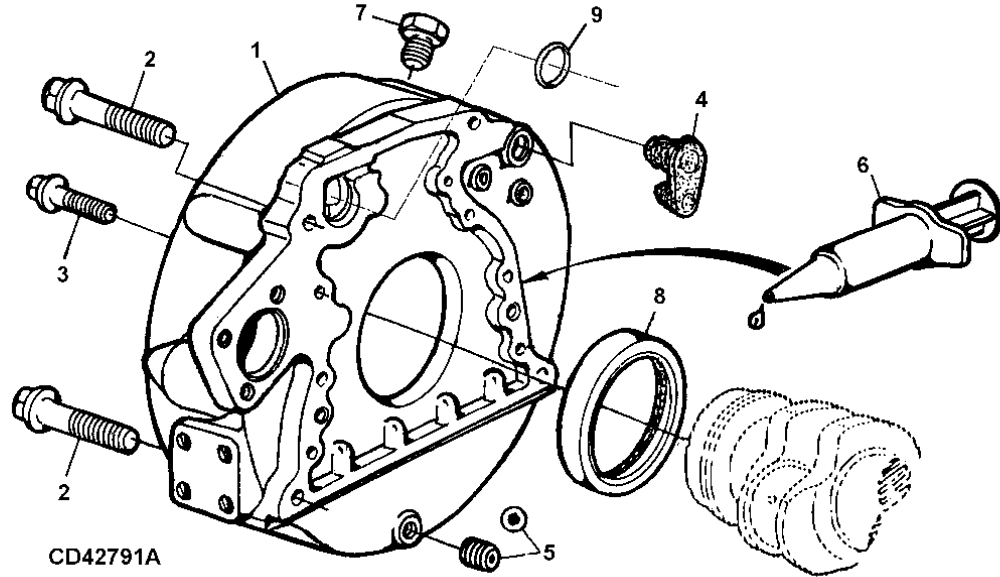
KEY	PART NO.	PART NAME	QTY.	ENGINE SERIAL NO.	REMARKS
1	R504272	HOUSING	1	X X X	(ALSO ORDER R61467)
2	19M8306	SCREW	4	X X X	M12 X 50 (10.9)
3	R135918	BOLT	8	X X X	M12 X 38 (10.9)
4	R131768	PLUG	1	X X X	
5	15H584	PIPE PLUG	1	X X X	1/2"-14NPT
6	DD15664	SEALANT	1	X X X	
7	R39112	FITTING	1	X X X	3/4"-16UNF
8	RE44574	SEAL	1	X X X	
9	R61467	O-RING	1	X X X	69.520 X 2.616 MM

140-3

FLYWHEEL HOUSING

1433 - CONTINUED
 1433 - SUITE
 1433 - FORTSETZUNG
 1433 - SEGUITO
 1433 - CONTINUACION
 1433 - FORTS

CD42791A -UN-



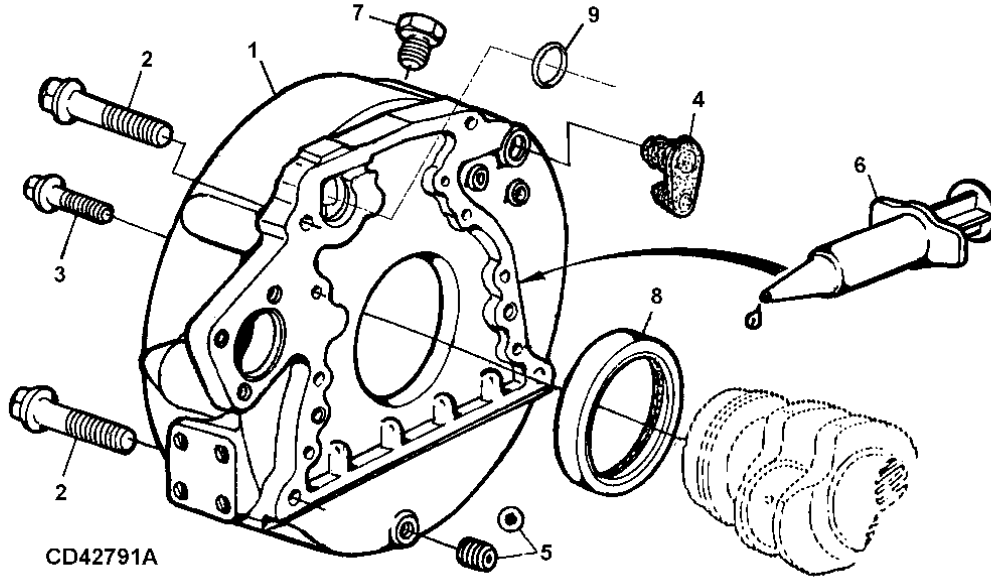
KEY	PART NO.	PART NAME	QTY.	ENGINE SERIAL NO.	6 0 6 8 H	REMARKS
1	R504272	HOUSING	1		X	(ALSO ORDER R61467)
2	19M8306	SCREW	4		X	M12 X 50 (10.9)
3	R135918	BOLT	8		X	M12 X 38 (10.9)
4	R131768	PLUG	1		X	
5	15H584	PIPE PLUG	1		X	1/2"-14NPT
6	DD15664	SEALANT	1		X	
7	R39112	FITTING	1		X	3/4"-16UNF
8	RE44574	SEAL	1		X	
9	R61467	O-RING	1		X	69.520 X 2.616 MM

140-4

FLYWHEEL HOUSING

1433 - CONTINUED
 1433 - SUITE
 1433 - FORTSETZUNG
 1433 - SEGUITO
 1433 - CONTINUACION
 1433 - FORTS

CD42791A -UN-



CD42791A

KEY	PART NO.	PART NAME	QTY.	ENGINE SERIAL NO.	REMARKS
1	R504272	HOUSING	1		X (ALSO ORDER R61467)
2	19M8306	SCREW	4		X M12 X 50 (10.9)
3	R135918	BOLT	8		X M12 X 38 (10.9)
4	R131768	PLUG	1		X
5	15H584	PIPE PLUG	1		X 1/2"-14NPT
6	DD15664	SEALANT	1		X
7	R39112	FITTING	1		X 3/4"-16UNF
8	RE44574	SEAL	1		X
9	R61467	O-RING	1		X 69.520 X 2.616 MM

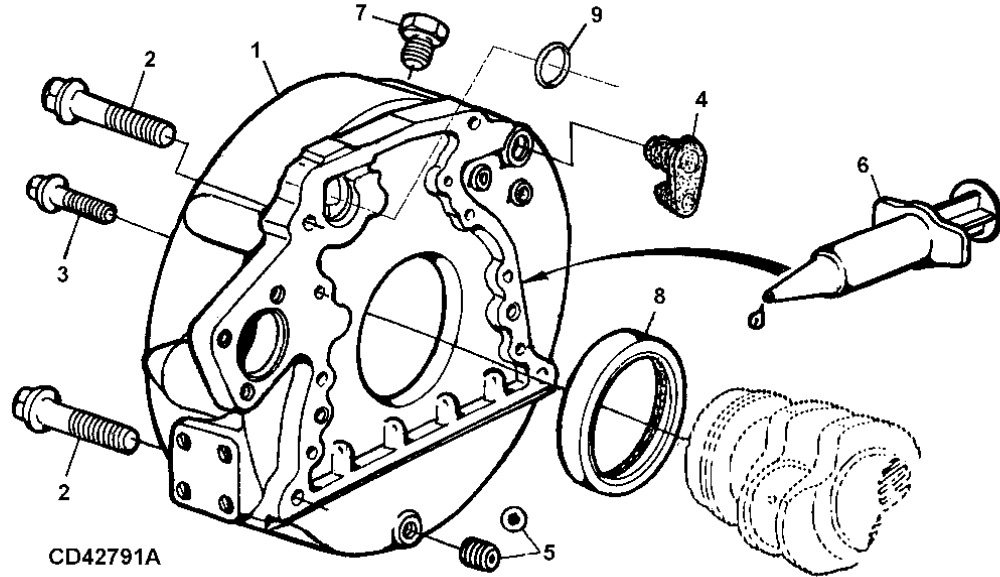
4
0
4
5
H

140-5

FLYWHEEL HOUSING

1433 - CONTINUED
 1433 - SUITE
 1433 - FORTSETZUNG
 1433 - SEGUITO
 1433 - CONTINUACION
 1433 - FORTS

CD42791A -UN-



KEY	PART NO.	PART NAME	QTY.	ENGINE SERIAL NO.	REMARKS
1	R504272	HOUSING	1		X (ALSO ORDER R61467)
2	19M8306	SCREW	4		X M12 X 50 (10.9)
3	R135918	BOLT	8		X M12 X 38 (10.9)
4	R131768	PLUG	1		X
5	15H584	PIPE PLUG	1		X 1/2"-14NPT
6	DD15664	SEALANT	1		X
7	R39112	FITTING	1		X 3/4"-16UNF
8	RE44574	SEAL	1		X
9	R61467	O-RING	1		X 69.520 X 2.616 MM

140-6

FLYWHEEL HOUSING

MEMORANDA
MEMORANDA
MEMORANDA
MEMORANDA
MEMORANDA
MEMORANDA

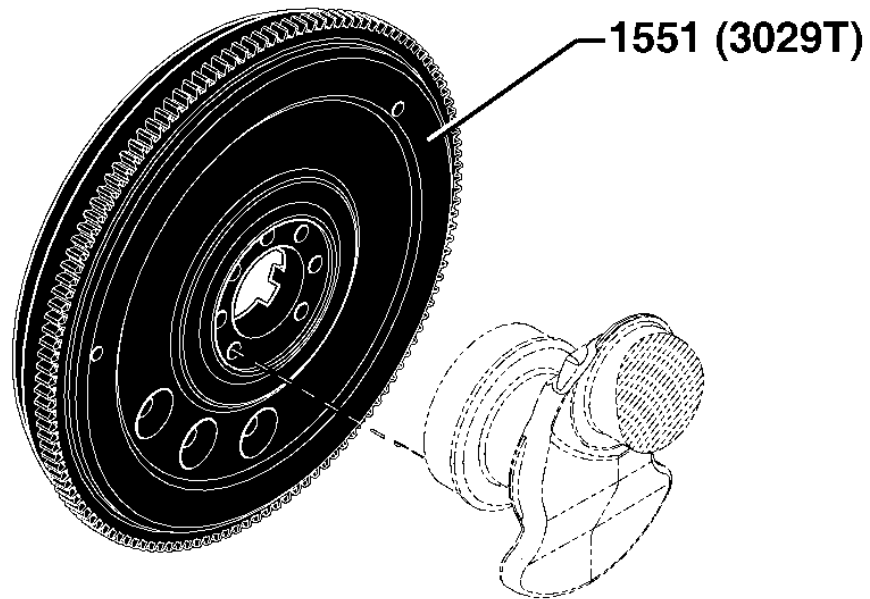
150-A01

FLYWHEEL

SECTIONAL INDEX
INDEX DE SECTION
GRUPPENINDEX
INDICE DELLA SEZIONE
INDICE DE SECCION
GRUPPSFORTECKNING

1551- 5

CDP46746A -UN-



CDP46746A

150-A02

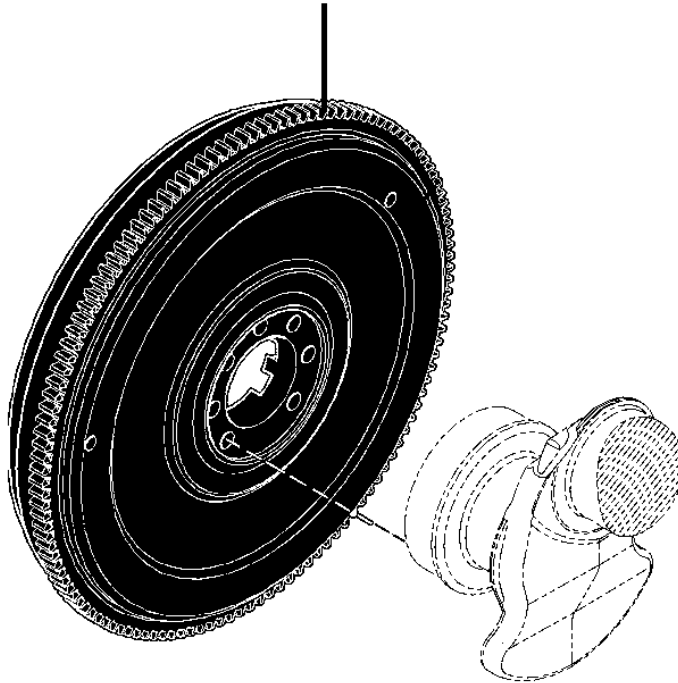
FLYWHEEL

SECTIONAL INDEX
INDEX DE SECTION
GRUPPENINDEX
INDICE DELLA SEZIONE
INDICE DE SECCION
GRUPPSFORTECKNING

CDP46747A -UN-

1503A-	1
1503B-	2

1503A (4045D, T & H - 2V)
1503B (6068H - 2V)



CDP46747A

150-A03

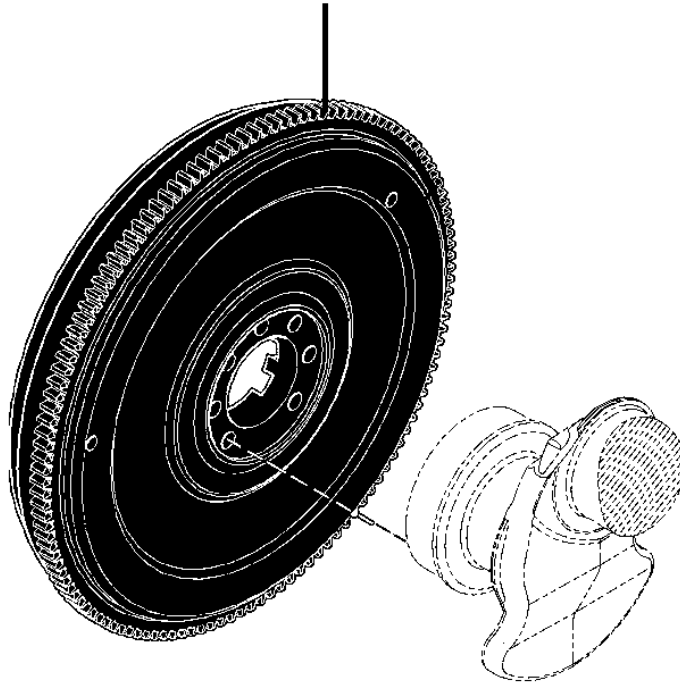
FLYWHEEL

SECTIONAL INDEX
INDEX DE SECTION
GRUPPENINDEX
INDICE DELLA SEZIONE
INDICE DE SECCION
GRUPPSFORTECKNING

CDP46748A -UN-

1503C-	3
1503D-	4

1503C (4045H - 4V)
1503D (6068H - 4V)



CDP46748A

150-A04

FLYWHEEL

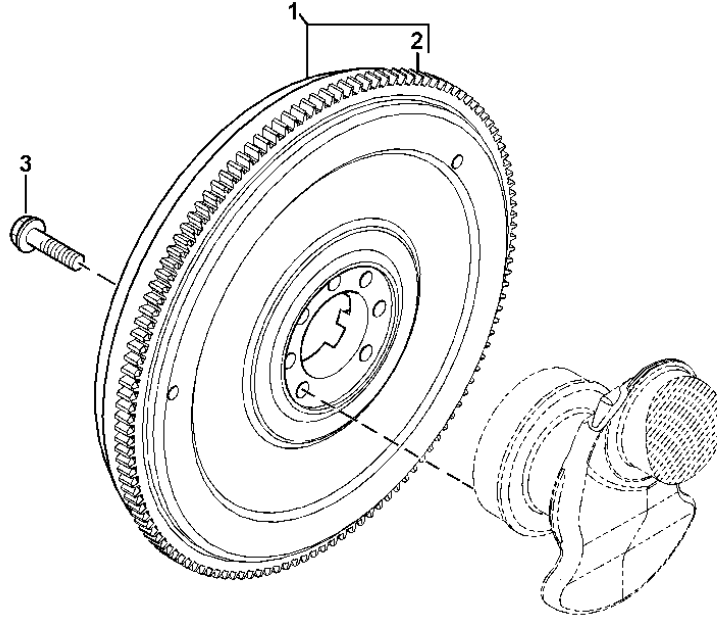
MEMORANDA
MEMORANDA
MEMORANDA
MEMORANDA
MEMORANDA
MEMORANDA

150-1

FLYWHEEL

1503
1503
1503
1503
1503
1503

CDP45148A -UN-



CDP45148A

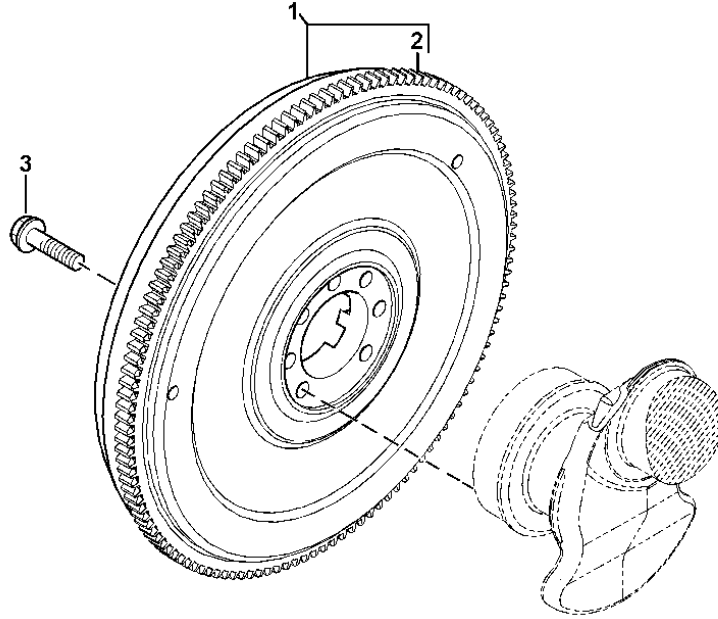
KEY	PART NO.	PART NAME	QTY.	ENGINE SERIAL NO.	D H T	REMARKS
1	RE500398	FLYWHEEL	1		4 4 4	
2	R28811	RING GEAR	1		0 0 0	
3	R135918	BOLT	4		4 4 4	
					5 5 5	
					X X X	
					X X X	Z = 129
					X X X	M12 X 38 (10.9)

150-2

FLYWHEEL

1503 - CONTINUED
 1503 - SUITE
 1503 - FORTSETZUNG
 1503 - SEGUITO
 1503 - CONTINUACION
 1503 - FORTS

CDP45148A -UN-



CDP45148A

KEY	PART NO.	PART NAME	QTY.	ENGINE SERIAL NO.	REMARKS
1	RE500398	FLYWHEEL	1		
2	R28811	RING GEAR	1		
3	R135918	BOLT	6		

6
0
6
8
H

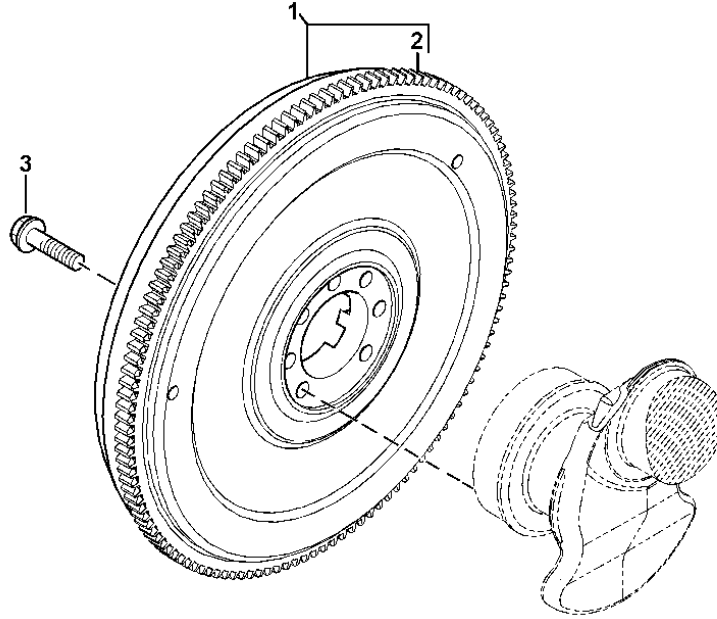
X
X Z = 129
X M12 X 38 (10.9)

150-3

FLYWHEEL

1503 - CONTINUED
 1503 - SUITE
 1503 - FORTSETZUNG
 1503 - SEGUITO
 1503 - CONTINUACION
 1503 - FORTS

CDP45148A -UN-



CDP45148A

KEY	PART NO.	PART NAME	QTY.	ENGINE SERIAL NO.	REMARKS
1	RE500398	FLYWHEEL	1		X
2	R28811	RING GEAR	1		X Z = 129
3	R135918	BOLT	6		X M12 X 38 (10.9)

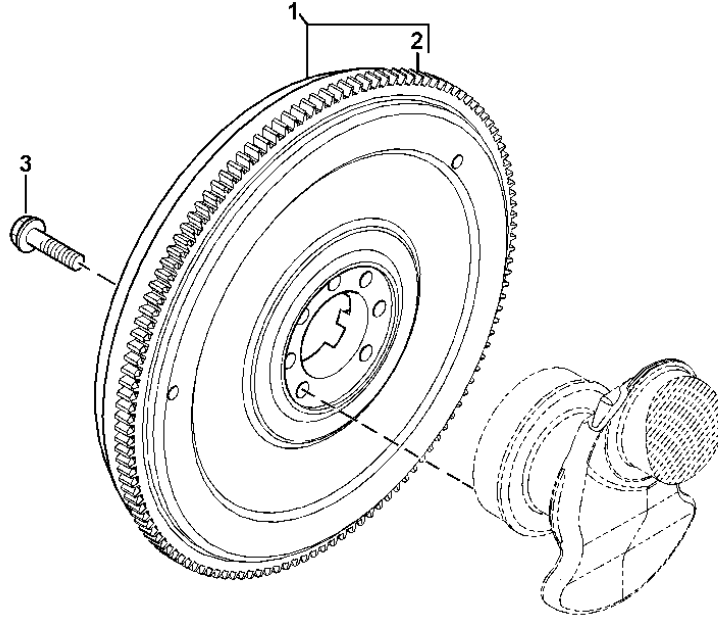
4
0
4
5
H

150-4

FLYWHEEL

1503 - CONTINUED
 1503 - SUITE
 1503 - FORTSETZUNG
 1503 - SEGUITO
 1503 - CONTINUACION
 1503 - FORTS

CDP45148A -UN-



CDP45148A

KEY	PART NO.	PART NAME	QTY.	ENGINE SERIAL NO.	REMARKS
1	RE500398	FLYWHEEL	1	X	
2	R28811	RING GEAR	1	X	Z = 129
3	R135918	BOLT	6	X	M12 X 38 (10.9)

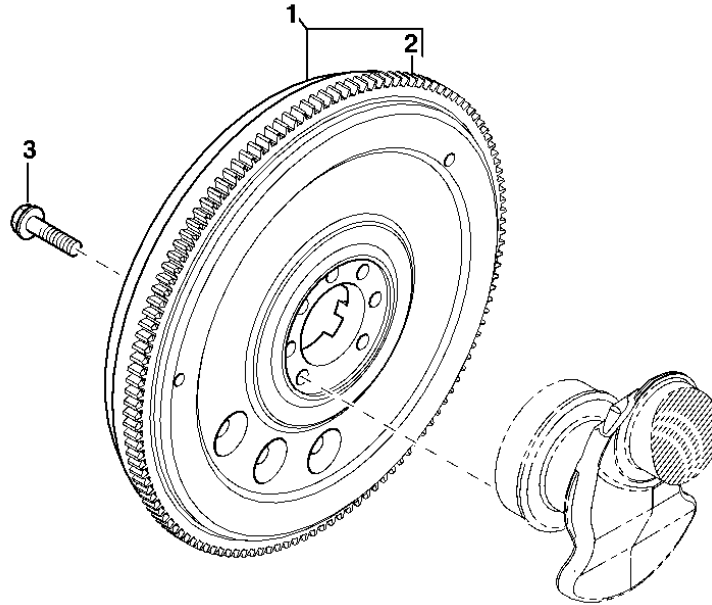
6
0
6
8
H

150-5

FLYWHEEL

1551
1551
1551
1551
1551
1551

CDP45984 -UN-



CDP45984

KEY	PART NO.	PART NAME	QTY.	ENGINE SERIAL NO.	3 0 2 9 T	REMARKS
1	RE502095	FLYWHEEL	1		X	
2	R28811	RING GEAR	1		X	Z = 129
3	19H2993	CAP SCREW	4		X	1/2" X 1-1/2", (SAE 8)

150-6

FLYWHEEL

MEMORANDA
MEMORANDA
MEMORANDA
MEMORANDA
MEMORANDA
MEMORANDA

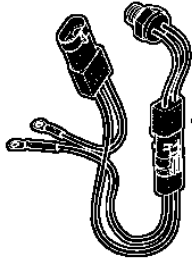
160-A01

FUEL INJECTION PUMP

SECTIONAL INDEX
INDEX DE SECTION
GRUPPENINDEX
INDICE DELLA SEZIONE
INDICE DE SECCION
GRUPPSFORTECKNING

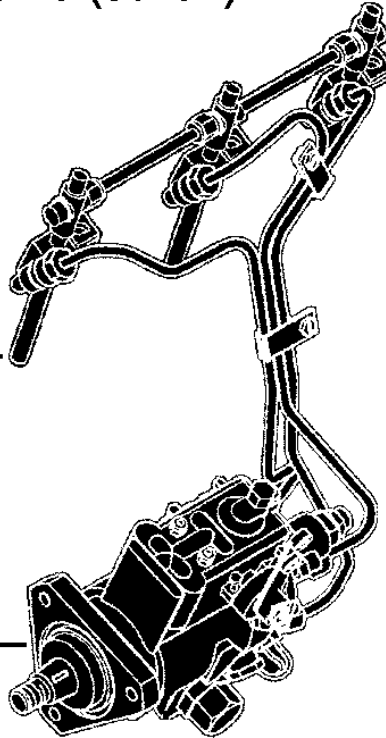
CDP46753B -UN-

16X5A-	50
16X5B-	52
16X5C-	53
16X6A-	54
16X6B-	56
16X6C-	57
164HA-	106
164HB-	108
164HC-	109
164IA-	110
164IB-	112
164IC-	113



16X5C (3029T)
16X6C (3029T)
164HC (3029T)
164IC (3029T)

16X5B (3029T)
16X6B (3029T)
164HB (3029T)
164IB (3029T)



16X5A (3029T) (12V)
16X6A (3029T) (24V)
164HA (3029T) (12V)
164IA (3029T) (24V)

CDP46753B

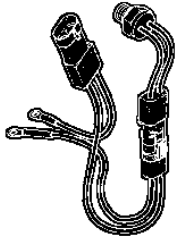
160-A02

FUEL INJECTION PUMP

SECTIONAL INDEX
INDEX DE SECTION
GRUPPENINDEX
INDICE DELLA SEZIONE
INDICE DE SECCION
GRUPPSFORTECKNING

CDP46754D

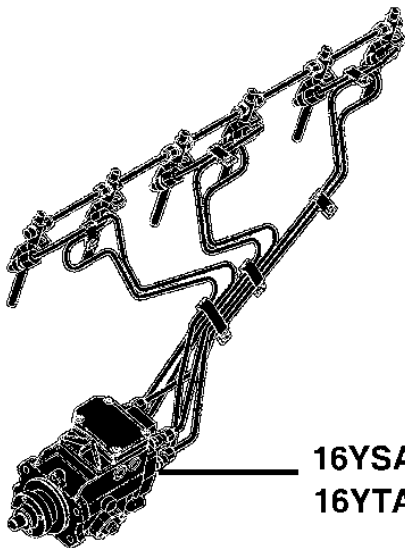
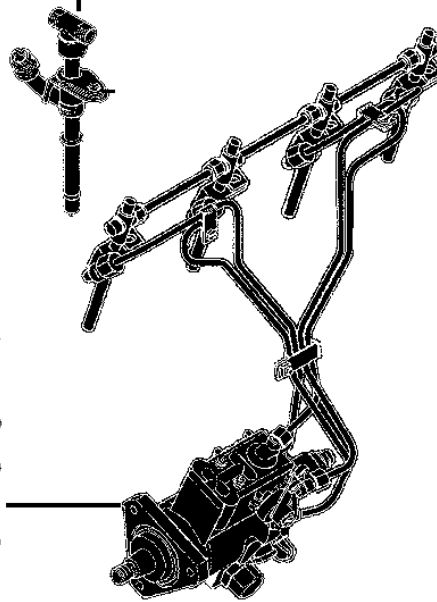
-UN-



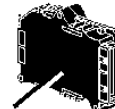
- 16L2C (4045T) 16L3C (4045T)
- 16X7C (4045D) 16X8C (4045D)
- 16X9C (4045T) 16XAC (4045T)
- 164PC (4045D) 164QC (4045D)
- 164XC (4045T) 164YC (4045T)

- 16L2B (4045T) 16L3B (4045T)
- 16X7B (4045D) 16X8B (4045D)
- 16X9B (4045T) 16XAB (4045T)
- 164PB (4045D) 164QB (4045D)
- 164XB (4045T) 164YB (4045T)

- 16L2A (4045T) (12V)
- 16X7A (4045D) (12V)
- 16X9A (4045T) (12V)
- 164PA (4045D) (12V)
- 164XA (4045T) (12V)
- 16L3A (4045T) (24V)
- 16X8A (4045D) (24V)
- 16XAA (4045T) (24V)
- 164QA (4045D) (24V)
- 164YA (4045T) (24V)



- 16YSB (6068H-2V)
- 16YTB (6068H-2V)



- 16YSC (6068H-2V)
- 16YTC (6068H-2V)

- 16YSA (6068H-2V) (12V)
- 16YTA (6068H-2V) (24V)

16L2A-	6
16L2B-	8
16L2C-	9
16L3A-	10
16L3B-	12
16L3C-	13
16XAA-	38
16XAB-	40
16XAC-	41
16YSA-	42
16YSB-	44
16YSC-	45
16YTA-	46
16YTB-	48
16YTC-	49
16X7A-	58
16X7B-	60
16X7C-	61
16X8A-	62
16X8B-	64
16X8C-	65
16X9A-	66
16X9B-	68
16X9C-	69
164PA-	114
164PB-	116
164PC-	117
164QA-	118
164QB-	120
164QC-	121
164XA-	122
164XB-	124
164XC-	125
164YA-	126
164YB-	128
164YC-	129

CDP46754D

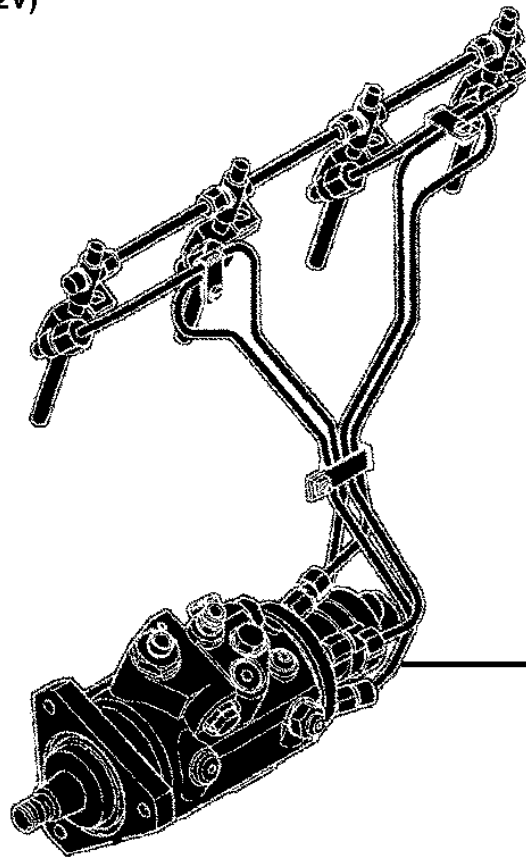
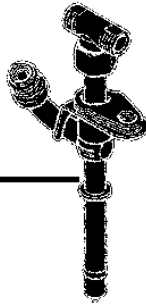
160-A03

FUEL INJECTION PUMP

SECTIONAL INDEX
INDEX DE SECTION
GRUPPENINDEX
INDICE DELLA SEZIONE
INDICE DE SECCION
GRUPPSFORTECKNING

CDP47887 -UN-

16L4C (4045H-2V)
16L5C (4045H-2V)
16L8C (6068H-2V)
16L9C (6068H-2V)
161KC (4045T)
161NC (6068H-2V)
161QC (6068H-2V)
163LC (4045T)
163UC (4045H-2V)
163VC (4045H-2V)



16L4A (4045H-2V) (12V)
16L4B (4045H-2V)
16L5A (4045H-2V) (24V)
16L5B (4045H-2V)
16L8A (6068H-2V) (12V)
16L8B (6068H-2V)
16L9A (6068H-2V) (24V)
16L9B (6068H-2V)
161KA (4045T) (12V)
161KB (4045T)
161NA (6068H-2V) (12V)
161NB (6068H-2V)
161QA (6068H-2V) (24V)
161QB (6068H-2V)
163LA (4045T) (24V)
163LB (4045T)
163UA (4045H-2V) (12V)
163UB (4045H-2V)
163VA (4045H-2V) (24V)
163VB (4045H-2V)

16L4A-	14
16L4B-	16
16L4C-	18
16L5A-	20
16L5B-	22
16L5C-	24
16L8A-	26
16L8B-	28
16L8C-	30
16L9A-	32
16L9B-	34
16L9C-	36
161KA-	70
161KC-	72
161KB-	74
161NA-	76
161NB-	78
161NC-	80
161QA-	82
161QB-	84
161QC-	86
163LA-	88
163LC-	90
163LB-	92
163UA-	94
163UC-	96
163UB-	98
163VA-	100
163VC-	102
163VB-	104

CDP47887

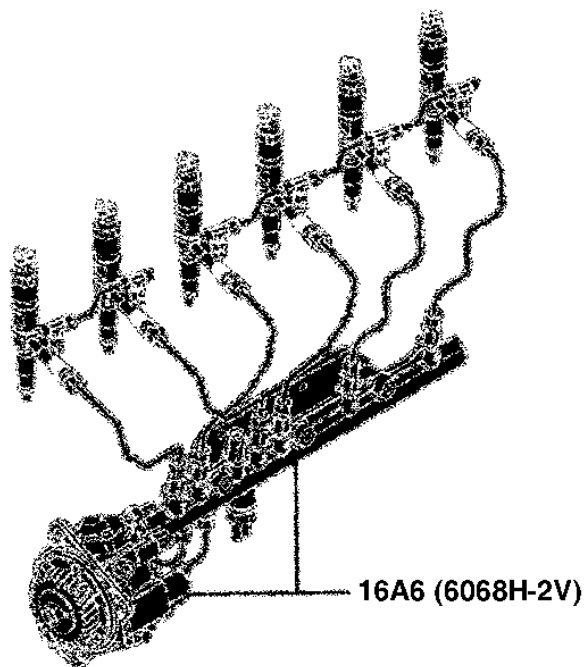
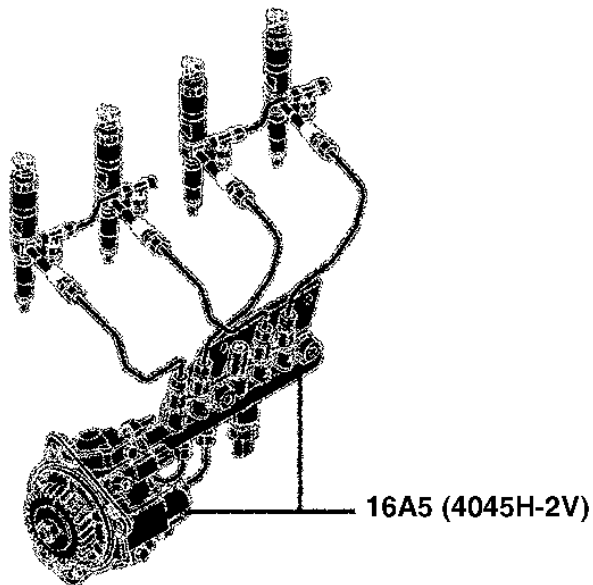
160-A04

FUEL INJECTION PUMP

SECTIONAL INDEX
INDEX DE SECTION
GRUPPENINDEX
INDICE DELLA SEZIONE
INDICE DE GRUPOS
GRUPPSFORTECKNING

CDP47871 -UN-

16A5-	2
16A6-	4



CDP47871

160-A05

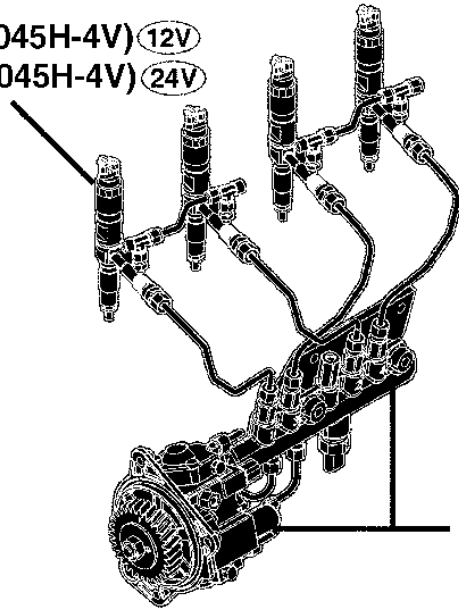
FUEL INJECTION PUMP

SECTIONAL INDEX
INDEX DE SECTION
GRUPPENINDEX
INDICE DELLA SEZIONE
INDICE DE GRUPOS
GRUPPSFORTECKNING

CDP46755B -UN-

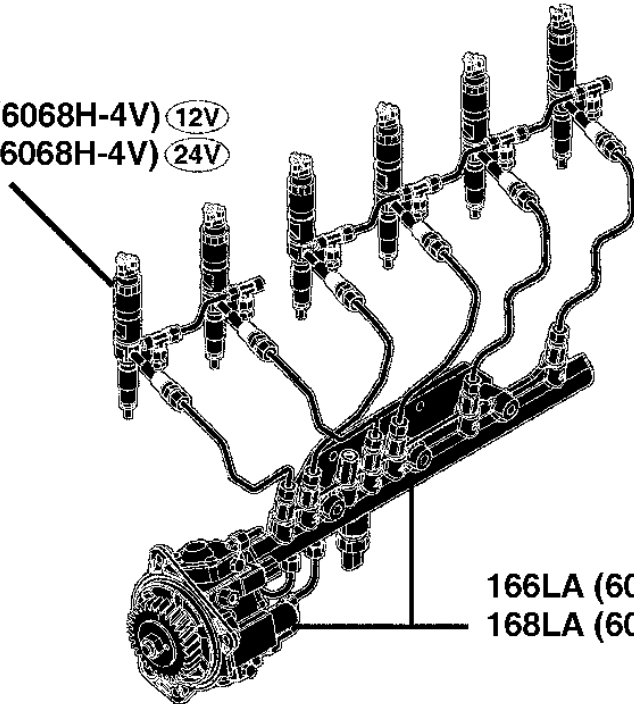
166KA-	130
166KB-	132
166LA-	134
166LB-	136
168LA-	138
168LB-	140
168MA-	142
168MB-	144

166KB (4045H-4V) 12V
168MB (4045H-4V) 24V



166KA (4045H-4V) 12V
168MA (4045H-4V) 24V

166LB (6068H-4V) 12V
168LB (6068H-4V) 24V



166LA (6068H-4V) 12V
168LA (6068H-4V) 24V

CDP46755B

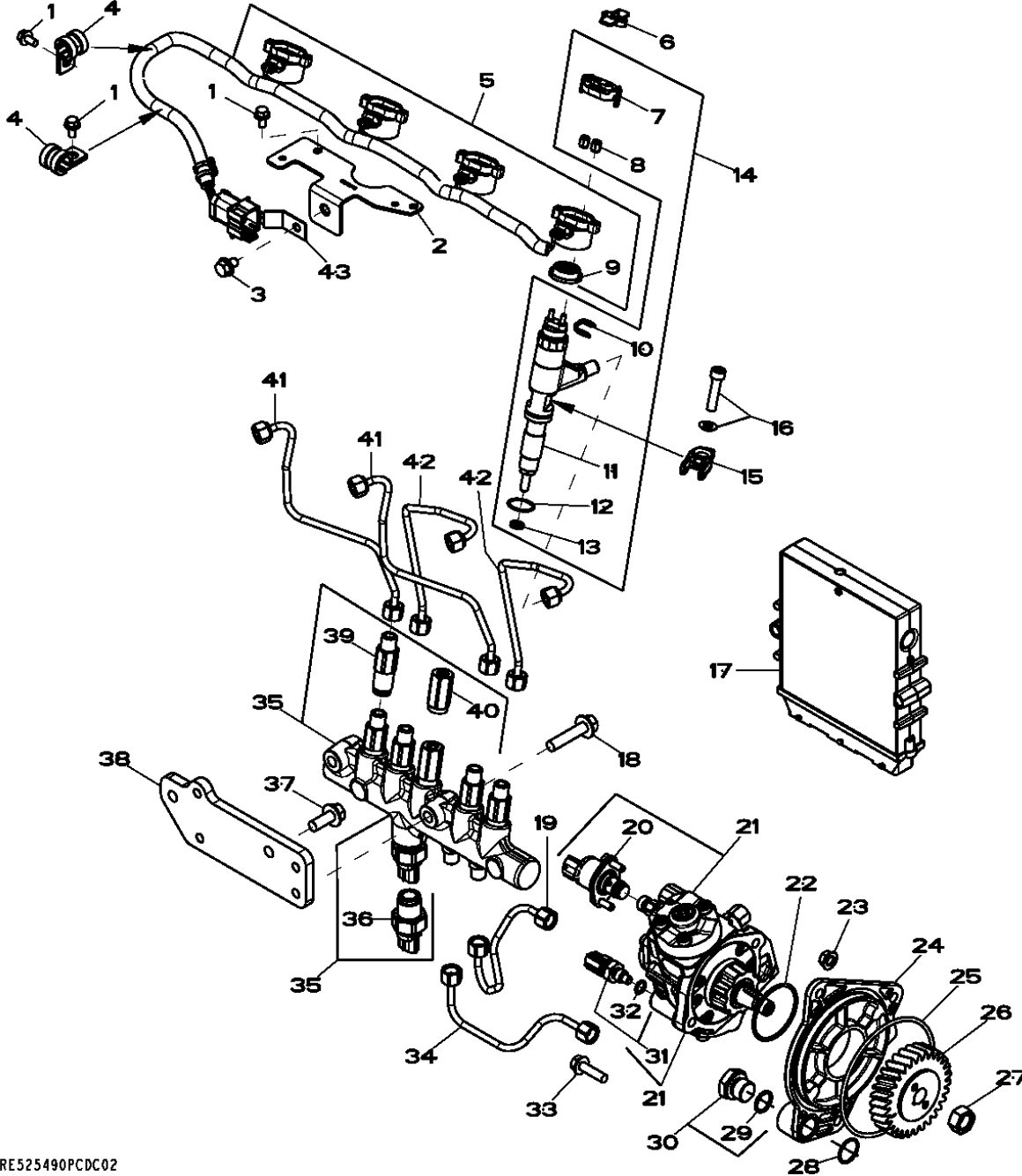
160-2

FUEL INJECTION PUMP

16A5
16A5
16A5
16A5
16A5
16A5

RE525490PCDC02

-UN-



RE525490PCDC02

THIS PARTS LISTING IS CONTINUED

160-3

FUEL INJECTION PUMP

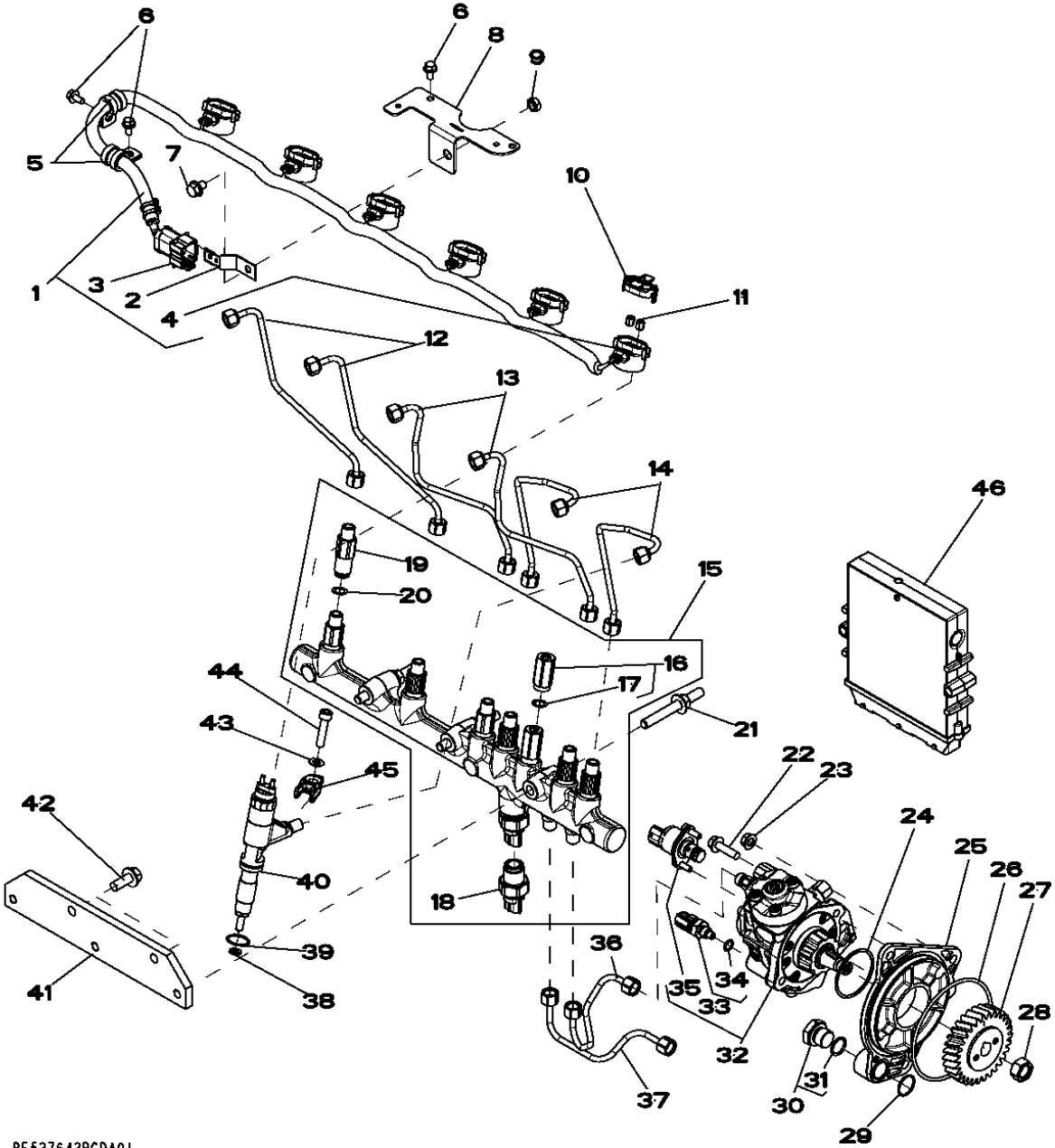
KEY	PART NO.	PART NAME	QTY.	ENGINE SERIAL NO.	4 0 4 5 H	REMARKS
1	RE524730	CAP SCREW	1		X	M8 X 12, WITH PRE-APPLIED SEALANT, FILETS ENDUITS DE PRODUIT D'ETANCHEITE, MIT DICHTMITTEL, CON MATERIALE DI TENUTA, CON SELLADOR, MED TAETNINGSMEDEL
2	R523048	BRACKET	1		X	
3	RE527858	SCREW	4		X	M6 X 12, WITH PRE-APPLIED SEALANT, FILETS ENDUITS DE PRODUIT D'ETANCHEITE, MIT DICHTMITTEL, CON MATERIALE DI TENUTA, CON SELLADOR, MED TAETNINGSMEDEL
4	T75197	CLAMP	2		X	
5	RE528590	INSTRUMENT PNL WRG HARNESS	1		X	INCL. KEY 42
6	CAP	1		X	
7	RE528588	ELECTRICAL CONNECTOR CAP	4		X	
8	R134920	NUT	8		X	M4
9	R522630	SEAL	1		X	
10	R522899	SEALING WASHER	AR		X	
11	ELECTRONIC UNIT INJECTOR	4		X	NSEP, (TYPE 72 - 1000CC) (ORDER RE531209)
12	R516647	O-RING	4		X	21.946 X 1.778 MM
13	R523499	SEALING WASHER	4		X	7.300 X 12.700 X 2.200 MM
14	RE531209	ELECTRONIC UNIT INJECTOR	4		X	
15	R520813	CLAMP	4		X	
16	RE528096	SCREW WITH WASHER	4		X	
17	RE526588	ENGINE CONTROLLER	1		X	
18	19M8320	SCREW	2		X	M10 X 45
19	RE527054	FUEL LINE	1		X	
20	RE532250	KIT	1		X	KIT, INCL. INSTRUCTION
21	RE527528	FUEL INJECTION PUMP	1		X	
22	R516125	O-RING	1		X	53.645 X 2.616 MM
23	14M7298	FLANGE NUT	3		X	M8
24	R504577	ADAPTER FITTING	1		X	
25	R55453	O-RING	1		X	117.069 X 3.531 MM
26	R502541	GEAR	1		X	Z= 30
27	R91360	NUT	1		X	M14
28	R116031	O-RING	1		X	21.946 X 1.778 MM
29	51M7044	O-RING	1		X	17.300 X 2.200 MM
30	RE517370	FITTING	1		X	
31	RE516336	FUEL TEMPERATURE SENSOR	1		X	
32	R50919	O-RING	1		X	9.804 X 1.905 MM
33	19M7868	SCREW	2		X	M8 X 30
34	RE527055	FUEL LINE	1		X	
35	RE522992	RAIL	1		X	
36	RE520930	SENSOR	1		X	
37	19M7785	SCREW	2		X	M10 X 25
38	R522498	BRACKET	1		X	
39	RE515636	RESTRICTOR	4		X	
40	RE516335	PRESSURE RELIEF VALVE	1		X	(W/ : O-RING, JOINT TORIQUE, O-RING, ANELLO O-R, ANILLO TORICO, O-RING)
41	RE526693	FUEL LINE	2		X	
42	RE526692	FUEL LINE	2		X	
43	R520930	BRACKET	1		X	

160-4

FUEL INJECTION PUMP

- 16A6
- 16A6
- 16A6
- 16A6
- 16A6
- 16A6

RE527642PCDA01 -UN-



RE527642PCDA01

THIS PARTS LISTING IS CONTINUED

160-5

FUEL INJECTION PUMP

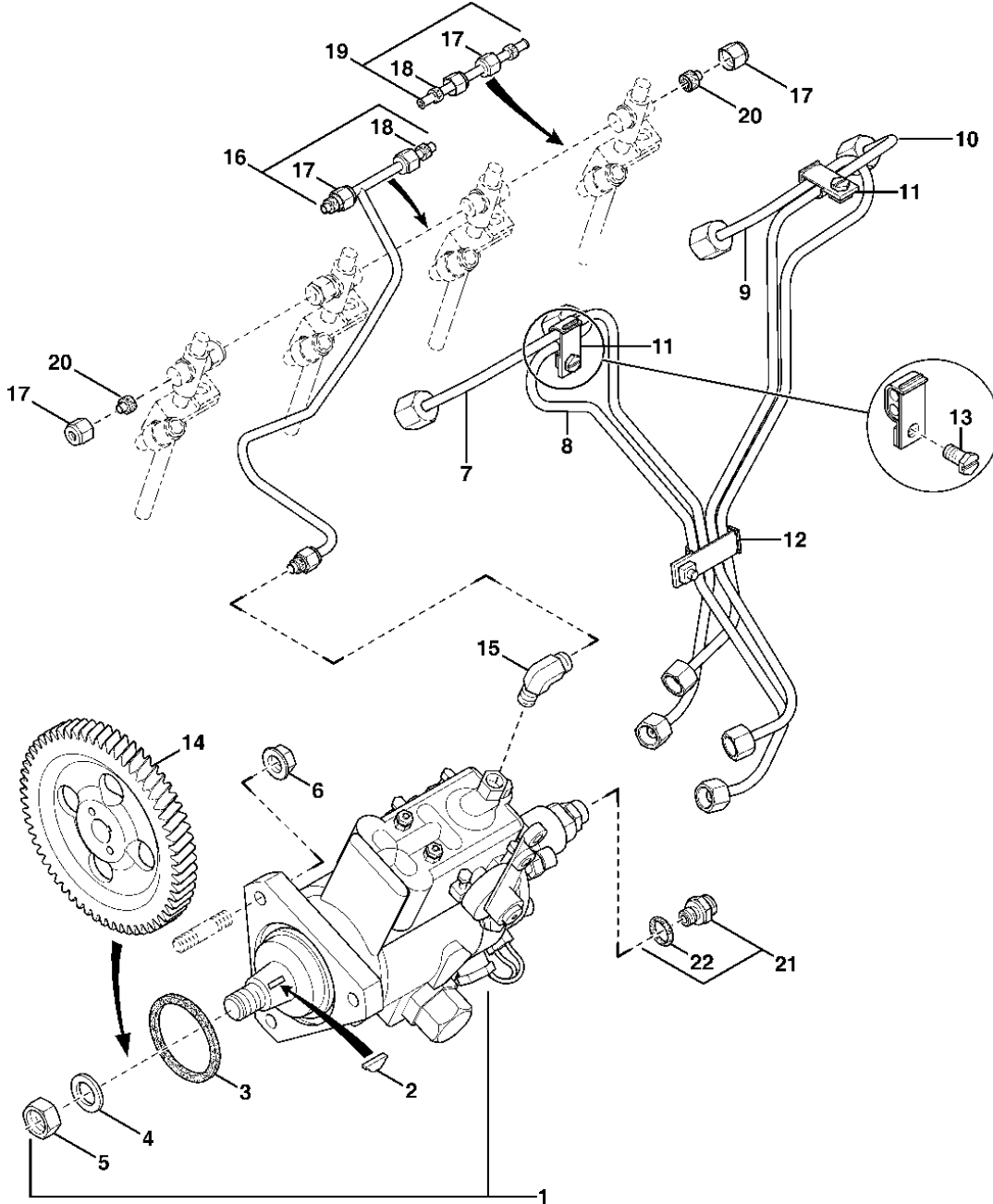
KEY	PART NO.	PART NAME	QTY.	ENGINE SERIAL NO.	6 0 6 8 H	REMARKS
1	RE528609	WIRING HARNESS	1		X	
2	R520930	BRACKET	1		X	
3	57M8747	ELEC. CONNECTOR HOUSING	1		X	
4	R522630	SEAL	1		X	
5	T75197	CLAMP	2		X	
6	RE527858	SCREW	4		X	
7	RE524730	CAP SCREW	1		X	
8	R523048	BRACKET	1		X	
9	WELD NUT	NA		X	
10	RE528588	ELECTRICAL CONNECTOR CAP	6		X	
11	R134920	NUT	12		X	
12	RE526694	FUEL LINE	2		X	
13	RE526693	FUEL LINE	2		X	
14	RE526692	FUEL LINE	2		X	
15	RE522596	RAIL	1		X	
16	RE516335	PRESSURE RELIEF VALVE	1		X	
17	R515454	SHIM	1		X	
18	RE520930	SENSOR	1		X	
19	RE515636	RESTRICTOR	6		X	
20	R515454	SHIM	6		X	
21	R521159	STUD	3		X	
22	19M7868	SCREW	2		X	
23	14M7298	FLANGE NUT	3		X	
24	R516125	O-RING	1		X	
25	R504577	ADAPTER FITTING	1		X	
26	R55453	O-RING	1		X	
27	R502541	GEAR	1		X	
28	R91360	NUT	1		X	
29	R116031	O-RING	1		X	
30	RE517370	FITTING	1		X	
31	51M7044	O-RING	1		X	
32	RE527528	FUEL INJECTION PUMP	1		X	
33	RE516336	FUEL TEMPERATURE SENSOR	1		X	
34	R524234	O-RING	1		X	
35	RE532250	KIT	1		X	
36	RE527054	FUEL LINE	1		X	
37	RE527055	FUEL LINE	1		X	
38	R523499	SEALING WASHER	6		X	
39	RE517435	O-RING	6		X	
40	RE531209	ELECTRONIC UNIT INJECTOR	6		X	
41	R504239	BRACKET	1		X	
42	19M7785	SCREW	2		X	M10 X 25
43	R522416	WASHER	1		X	
44	RE528096	SCREW WITH WASHER	6		X	
45	R520813	CLAMP	6		X	
46	RE526588	ENGINE CONTROLLER	1		X	

160-6

FUEL INJECTION PUMP

16L2
16L2
16L2
16L2
16L2
16L2

CDP46417A -UN-



CDP46417A

THIS PARTS LISTING IS CONTINUED

160-7

FUEL INJECTION PUMP

KEY	PART NO.	PART NAME	QTY.	ENGINE SERIAL NO.	4 0 4 5 T	REMARKS
1	RE532961	FUEL INJECTION PUMP	1		X	(A) STANADYNE- DB4-5998, 60.5KW-1500MIN-1 - 12V
2	R56131	SHAFT KEY	1		X	
3	R502076	O-RING	1		X	
4	R132874	WASHER	1		X	
5	R91360	NUT	1		X	M14
6	14M7298	FLANGE NUT	3		X	M8
7	RE59447	FUEL LINE	1		X	N01
8	RE59448	FUEL LINE	1		X	N02
9	RE59449	FUEL LINE	1		X	N03
10	RE59450	FUEL LINE	1		X	N04
11	RE19797	CLAMP	2		X	
12	RE19799	CLAMP	1		X	
13	19M7923	CAP SCREW	1		X	M6 X 12, (10.9) , (USE WITH RE19797 AND RE19799)
14	R132267	GEAR	1		X	Z= 60
15	R67364	ELBOW FITTING	1		X	1/8"-27NPT X 1/2"-24UNS
16	RE70848	FUEL LINE	1		X	
17	R123593	TUBE NUT	AR		X	1/2"-24UN
18	R51936	SEALING WASHER	AR		X	5.560 X 10.500 X 5.410 MM
19	RE68748	TUBE	2		X	
20	AR85519	PLUG	1		X	
21	RE60029	ADAPTER FITTING	1		X	M12 X 1.5 X 9/16"-24UNEF
22	51M7040	O-RING	1		X	9.300 X 2.200 MM
23	R500731	HOSE FITTING	1		X	

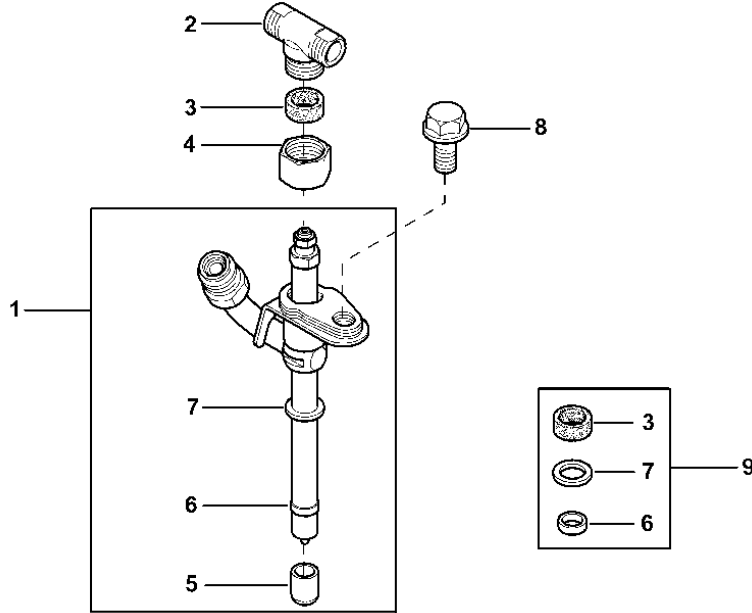
(A) SEE YOUR AUTHORIZED PUMP REPAIR STATION FOR PARTS NOT LISTED
 CONSULTER LE REPARATEUR AGREE DE POMPES POUR LES PIECES NON LISTEES
 NICHT GEZIGTE TEILE VON EINSPRITZPUMPE VETRETER BEZIEHEN
 CONSULTARE IL CONCESSIONARIO AUTORIZZATO DELLE POMPE D'INIEZIONE PER PARTI NON ELENCATI
 CONSULTE CON SU ESTACION AUTORIZADA DE REPARACIONES DE BOMBA
 KONSULTERIAS INSPRUTNINGSPOMPENS ATERFORSALJARE FOR DELAR EJ VISADE

160-8

FUEL INJECTION PUMP

16L2 - CONTINUED
 16L2 - SUITE
 16L2 - FORTSETZUNG
 16L2 - SEGUITO
 16L2 - CONTINUACION
 16L2 - FORTS

CDP45007A -UN-



CDP45007A

4
0
4
5
T

KEY	PART NO.	PART NAME	QTY.	ENGINE SERIAL NO.	REMARKS
1	RE48786	INJECTION NOZZLE	4		X
	SE500826	INJECTION NOZZLE	1		X (A) (PKG 4)
	SE501101	INJECTION NOZZLE	AR		X (A) (PKG 1)
2	R71963	TEE FITTING	1		X
3	PACKING	1		X NSEP, (ORDER RE64292)
4	R79604	TUBE NUT	1		X
5	PLUG	1		X
6	SEAL	1		X NSEP, (ORDER RE64292)
7	PACKING	1		X NSEP, (ORDER RE64292)
8	R116366	SCREW	4		X
9	RE64292	KIT	AR		X

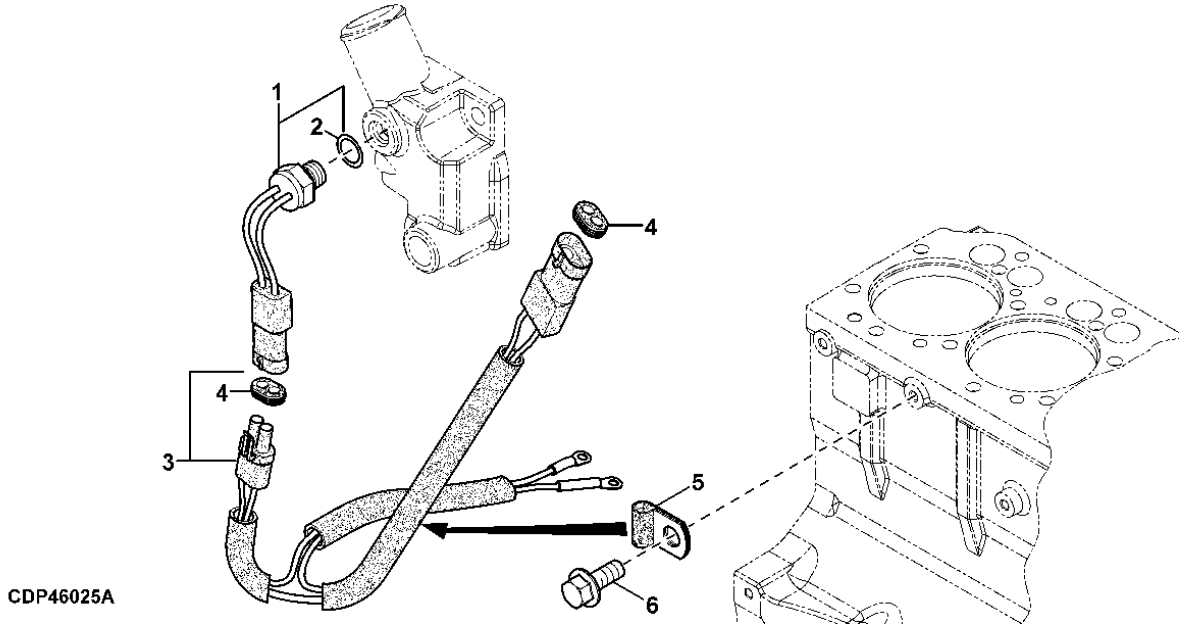
(A) REMANUFACTURED
 ECHANGE STANDARD
 GENERALUEBERHOLT
 REVISIONATO
 REACONDICIONADO
 RENOVERAD

160-9

FUEL INJECTION PUMP

16L2 - CONTINUED
 16L2 - SUITE
 16L2 - FORTSETZUNG
 16L2 - SEGUITO
 16L2 - CONTINUACION
 16L2 - FORTS

CDP46025A -UN-



CDP46025A

KEY	PART NO.	PART NAME	QTY.	ENGINE SERIAL NO.	REMARKS
1	RE503242	SENSOR WIRING HARNESS	1	X	
2	51M7041	O-RING	1	X	11.300 X 2.200 MM
3	RE66560	WIRING HARNESS	1	X	
4	R78048	ELEC. CONNECTOR ACCESSORY	1	X	
5	T74410	CLAMP	1	X	
6	19M7783	SCREW	1	X	M10 X 16

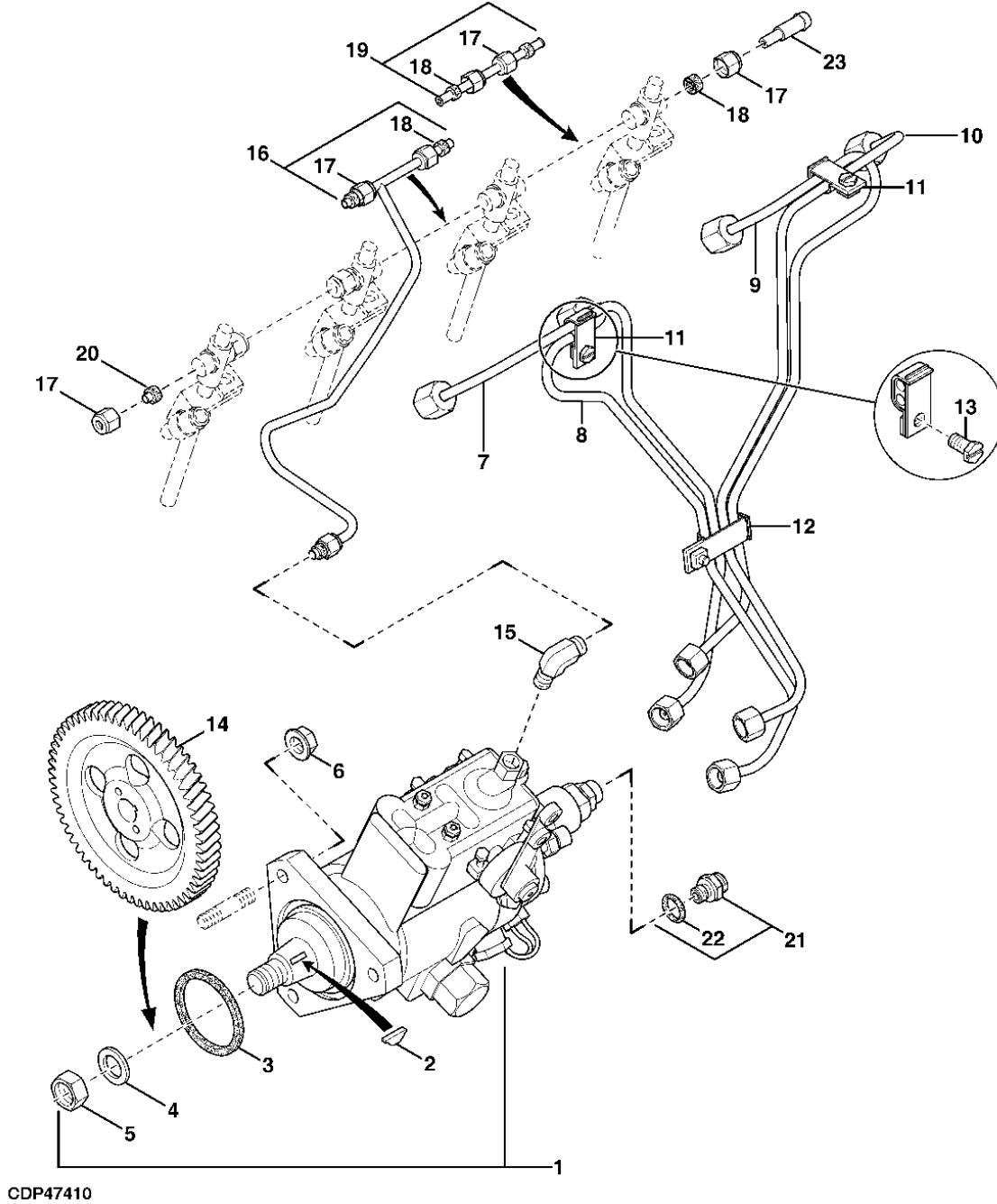
4
0
4
5
T

160-10

FUEL INJECTION PUMP

CDP47410 -UN-

16L3
16L3
16L3
16L3
16L3
16L3



CDP47410

THIS PARTS LISTING IS CONTINUED

160-11

FUEL INJECTION PUMP

KEY	PART NO.	PART NAME	QTY.	ENGINE SERIAL NO.	4 0 4 5 T	REMARKS
1	RE533220	FUEL INJECTION PUMP	1		X	(A) STANADYNE- DB4-5844, 60.5KW-1500MIN-1 - 24V
2	R56131	SHAFT KEY	1		X	
3	R502076	O-RING	1		X	
4	R132874	WASHER	1		X	
5	R91360	NUT	1		X	M14
6	14M7298	FLANGE NUT	3		X	M8
7	RE59447	FUEL LINE	1		X	N01
8	RE59448	FUEL LINE	1		X	N02
9	RE59449	FUEL LINE	1		X	N03
10	RE59450	FUEL LINE	1		X	N04
11	RE19797	CLAMP	2		X	
12	RE19799	CLAMP	1		X	
13	19M7923	CAP SCREW	1		X	M6 X 12, (10.9) , (USE WITH RE19797 AND RE19799)
14	R132267	GEAR	1		X	Z= 60
15	R67364	ELBOW FITTING	1		X	1/8"-27NPT X 1/2"-24UNS
16	RE70848	FUEL LINE	1		X	
17	R123593	TUBE NUT	AR		X	1/2"-24UN
18	R51936	SEALING WASHER	AR		X	5.560 X 10.500 X 5.410 MM
19	RE68748	TUBE	2		X	
20	AR85519	PLUG	1		X	
21	RE60029	ADAPTER FITTING	1		X	M12 X 1.5 X 9/16"-24UNEF
22	51M7040	O-RING	1		X	9.300 X 2.200 MM
23	R500731	HOSE FITTING	1		X	

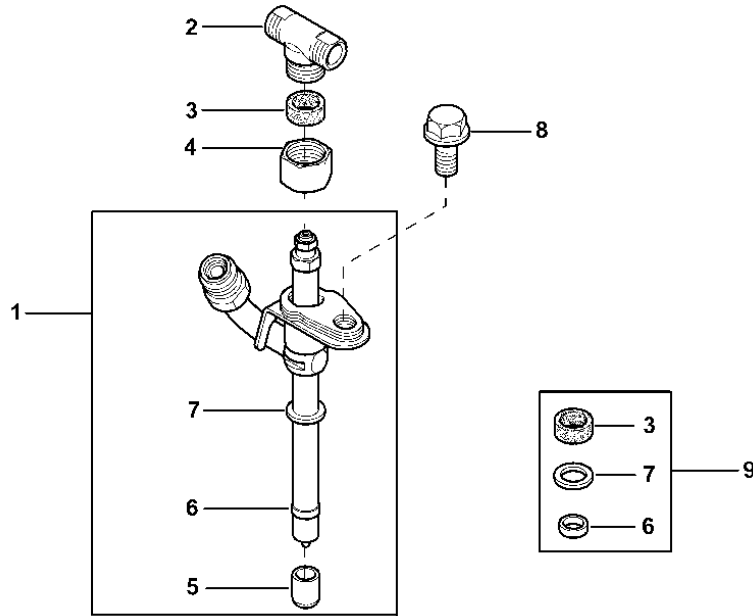
(A) SEE YOUR AUTHORIZED PUMP REPAIR STATION FOR PARTS NOT LISTED
 CONSULTER LE REPARATEUR AGREE DE POMPES POUR LES PIECES NON LISTEES
 NICHT GEZIGTE TEILE VON EINSPRITZPUMPE VETRETER BEZIEHEN
 CONSULTARE IL CONCESSIONARIO AUTORIZZATO DELLE POMPE D'INIEZIONE PER PARTI NON ELENCATI
 CONSULTE CON SU ESTACION AUTORIZADA DE REPARACIONES DE BOMBA
 KONSULTERIAS INSPRUTNINGSPOMPENS ATERFORSALJARE FOR DELAR EJ VISADE

160-12

FUEL INJECTION PUMP

16L3 - CONTINUED
 16L3 - SUITE
 16L3 - FORTSETZUNG
 16L3 - SEGUITO
 16L3 - CONTINUACION
 16L3 - FORTS

CDP45007A -UN-



CDP45007A

4
0
4
5
T

KEY	PART NO.	PART NAME	QTY.	ENGINE SERIAL NO.	REMARKS
1	RE48786	INJECTION NOZZLE	4		X
	SE500826	INJECTION NOZZLE	1		X (A) (PKG 4)
	SE501101	INJECTION NOZZLE	AR		X (A) (PKG 1)
2	R71963	TEE FITTING	1		X
3	PACKING	1		X NSEP, (ORDER RE64292)
4	R79604	TUBE NUT	1		X
5	PLUG	1		X
6	SEAL	1		X NSEP, (ORDER RE64292)
7	PACKING	1		X NSEP, (ORDER RE64292)
8	R116366	SCREW	4		X
9	RE64292	KIT	AR		X

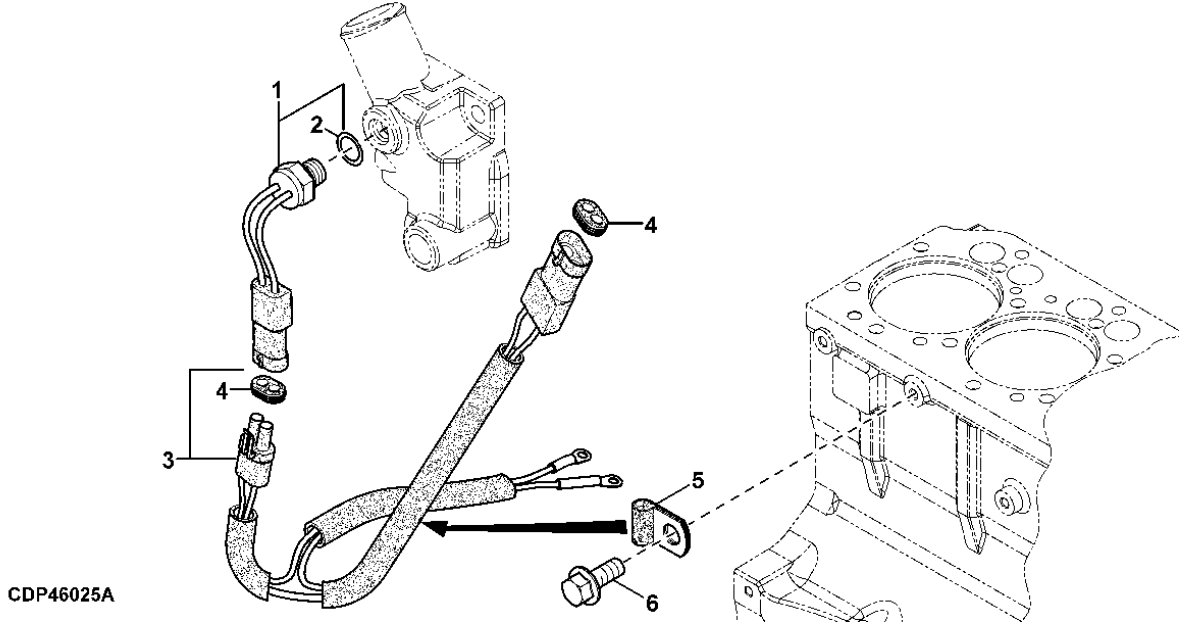
(A) REMANUFACTURED
 ECHANGE STANDARD
 GENERALUEBERHOLT
 REVISIONATO
 REACONDICIONADO
 RENOVERAD

160-13

FUEL INJECTION PUMP

16L3 - CONTINUED
 16L3 - SUITE
 16L3 - FORTSETZUNG
 16L3 - SEGUITO
 16L3 - CONTINUACION
 16L3 - FORTS

CDP46025A -UN-



KEY	PART NO.	PART NAME	QTY.	ENGINE SERIAL NO.	REMARKS
1	RE503242	SENSOR WIRING HARNESS	1	X	
2	51M7041	O-RING	1	X	11.300 X 2.200 MM
3	RE66560	WIRING HARNESS	1	X	
4	R78048	ELEC. CONNECTOR ACCESSORY	1	X	
5	T74410	CLAMP	1	X	
6	19M7783	SCREW	1	X	M10 X 16

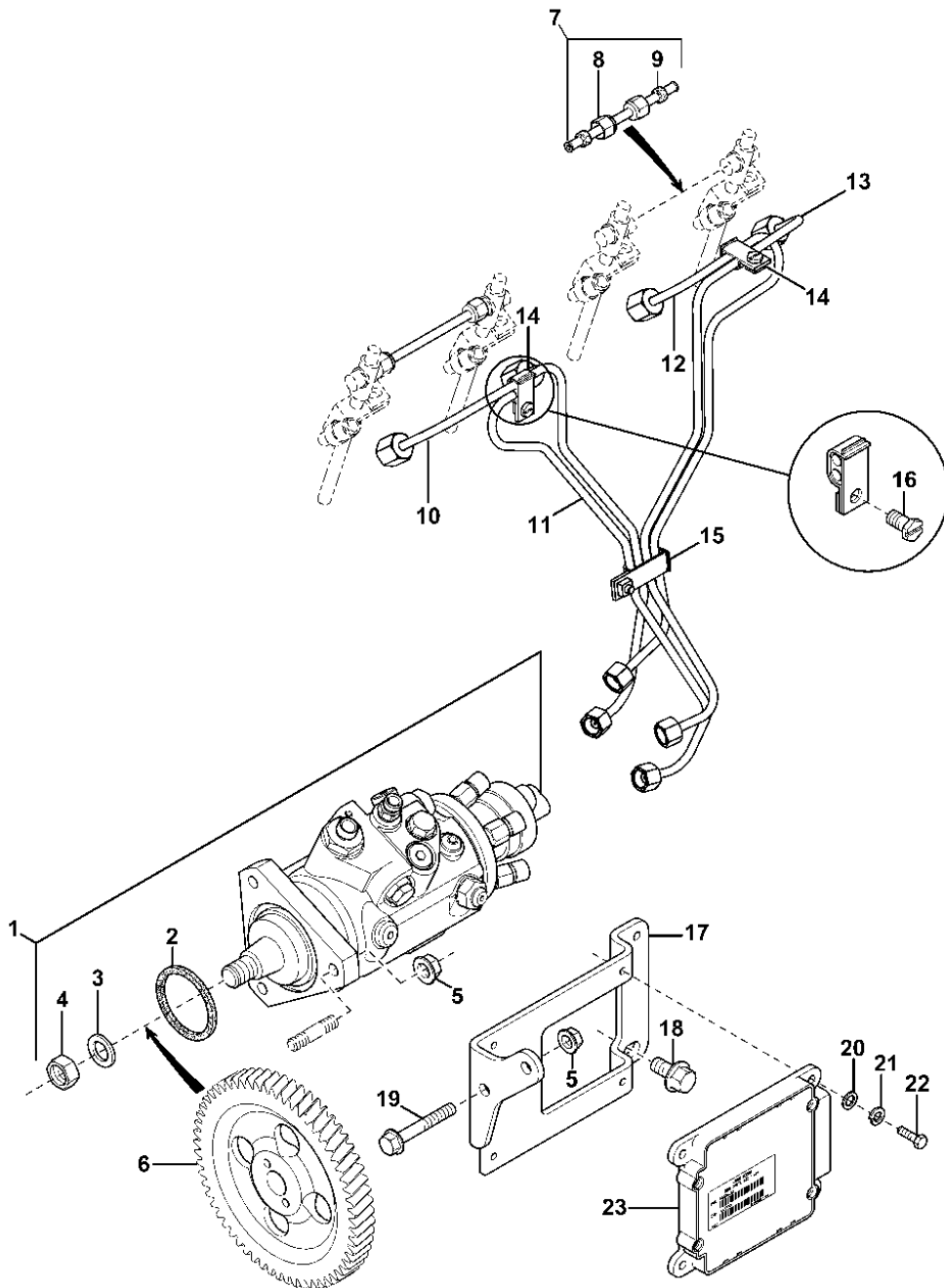
4
0
4
5
T

160-14

FUEL INJECTION PUMP

16L4 (FUEL INJECTION PUMP)
16L4 (POMPE D'INJECTION)
16L4 (EINSPRITZPUMPE)
16L4 (POMPA D'INIEZIONE)
16L4 (BOMBA DE INYECCION)
16L4 (INSPRUTNINGSPUMP)

CDP46606 -UN-



CDP46606

160-15

FUEL INJECTION PUMP

KEY	PART NO.	PART NAME	QTY.	ENGINE SERIAL NO.	4 0 4 5 H	REMARKS
1	FUEL INJECTION PUMP	1		X	(A) STANADYNE-DE10, MARKED RE518167, NSEP, ORD RE518086
	RE518086	FUEL INJECTION PUMP	1		X	(A) STANADYNE, DE10
	SE501234	FUEL INJECTION PUMP	1		X	(C)
2	R502076	O-RING	1		X	
3	R54228	WASHER	1		X	
4	14M7289	NUT	1		X	M16 X 1.5
5	14M7298	FLANGE NUT	5		X	M8
6	R505472	GEAR	1		X	Z= 60
7	RE68748	TUBE	3		X	
8	R123593	TUBE NUT	2		X	1/2"-24UNS
9	R51936	SEALING WASHER	2		X	
10	RE507646	FUEL LINE	1		X	(NO 1)
11	RE507647	FUEL LINE	1		X	(NO 2)
12	RE507648	FUEL LINE	1		X	(NO 3)
13	RE507649	FUEL LINE	1		X	(NO 4)
14	RE19797	CLAMP	2		X	
15	RE19799	CLAMP	1		X	
16	19M7923	CAP SCREW	1		X	M6 X 12. (USE WITH RE19797 AND RE19799)
17	R503520	BRACKET	1		X	
18	19M7784	SCREW	1		X	M10 X 20
19	19M7979	SCREW	2		X	M8 X 55
20	24M7027	WASHER	4		X	5.300 X 10 X 1 MM
21	12H316	LOCK WASHER	4		X	0.216"
22	19M7640	CAP SCREW	4		X	M5 X 12
23	RE532627	ENGINE CONTROLLER	1		X	(B) 12 VOLT

(A) SEE YOUR AUTHORIZED PUMP REPAIR STATION FOR PARTS NOT LISTED
 CONSULTER LE REPARATEUR AGREE DE POMPES POUR LES PIECES NON LISTEES
 NICHT GEZEIGTE TEILE VON EINSPRITZPUMPE VETRETER BEZIEHEN
 CONSULTARE IL CONCESSIONARIO AUTORIZZATO DELLE POMPE D'INIEZIONE PER PARTI NON ELENCATI
 CONSULTE CON SU ESTACION AUTORIZADA DE REPARACIONES DE BOMBA
 KONSULTERAS INSPRUTNINGSPOMPENS ATERFORSALJARE FOR DELAR EJ VISADE

(B) THIS PART MUST BE ORDERED WITH ENGINE SERIAL NUMBER
 CETTE PIECE DOIT ETRE COMMANDEE AVEC LE NUMERO DE SERIE DU MOTEUR
 DIESES TEIL MUSS MIT ANGABE DER MOTORSERIENNUMMER BESTELT WERDEN
 QUESTO PEZZO DEVE ESSERE ORDINATO INDICANDO IL NUMERO DI SERIE DEL MOTORE
 INDICAR EL NO. DE SERIE DEL MOTOR AL PEDIR ESTA PIEZA
 MOTORSERIENNUMMER MASTE ANGES VID BESTALLNING AV DENNA DELEN

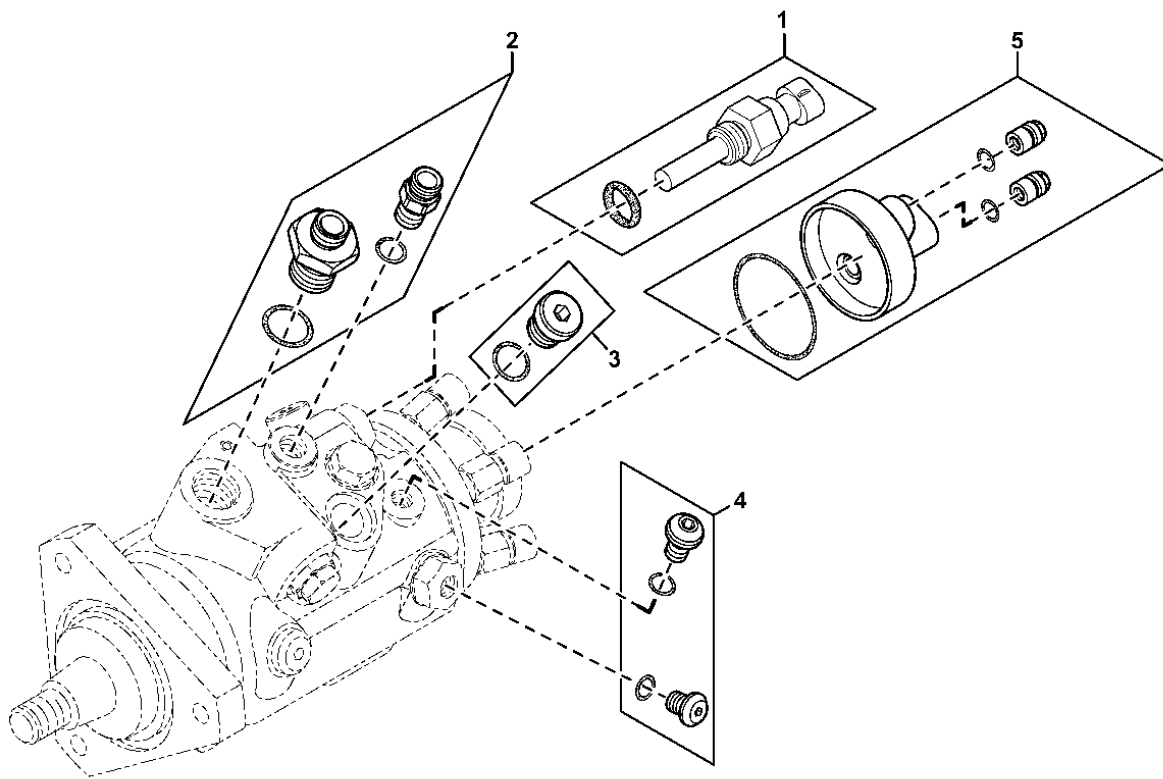
(C) REMANUFACTURED
 ECHANGE STANDARD
 GENERALUEBERHOLT
 REVISIONATO
 REACONDICIONADO
 RENOVERAD

160-16

FUEL INJECTION PUMP

16L4 - CONTINUED (FUEL INJECTION PUMP, STANADYNE DE10 SERVICE KITS)
16L4 - SUITE (POMPE D'INJECTION STANADYNE DE10, JEUX DE REPARATION)
16L4 - FORTSETZUNG (EINSPRITZPUMPE STANADYNE DE10, TEILESAETZE ZUR WARTUNG)
16L4 - SEGUITO (POMPA INIEZIONE COMBUSTIBILE, KIT MANUTENZIONE STANADYNE DE10)
16L4 - CONTINUACION (BOMBA DE INYECCION, STANADYNE DE10, CONJUNTO DE REPARACION)
16L4 - FORTS (STANDAYNE DE10 INSPRUTNINGSPUMP, SERVICE SATS)

CDP45922 -UN-



CDP45922

160-17

FUEL INJECTION PUMP

KEY	PART NO.	PART NAME	QTY.	ENGINE SERIAL NO.	4 0 4 5 H	REMARKS
1	RE521822	FUEL TEMPERATURE SENSOR	1		X (A)	
2	RE521823	KIT	1		X (B)	
3	RE521824	KIT	1		X (C)	
4	RE521825	KIT	1		X (D)	
5	RE522109	KIT	1		X (E)	

(A) FUEL TEMPERATURE SENSOR
 CAPTEUR DE TEMPERATURE DU COMBUSTIBLE
 SENSOR FUER KRAFTSTOFFTEMPERATUR
 SENSORE TEMPERATURA COMBUSTIBILE
 SENSOR DE TEMPERATURA DE COMBUSTIBLE
 BRAENSLETEMPERATURGIVARE

(B) PRESSURE REGULATOR AND FUEL INLET CONNECTOR
 REGULATEUR DE PRESSION ET RACCORD D'ADMISSION DU COMBUSTIBLE
 DRUCKREGLER UND EINLASSANSCHLUSS FUER KRAFTSTOFF
 REGOLATORE PRESSIONE E RACCORDO INGRESSO COMBUSTIBILE
 REGULADOR DE PRESION Y CONEXION DE ADMISION DE COMBUSTIBLE
 TRYCKREGULATOR OCH BRAENSLEINLOPPSANSLUTNING

(C) TIMING PIN HOLE PLUG
 BOUCHON DE L'ORIFICE DE REGLAGE
 STOPFEN FUER EINSTELLOEFFNUNG
 TAPPO FORO SPINA DI FASATURA
 TAPON PARA AGUJERO DE SINCRONIZACION
 PLUGG FOER INSTAELLNINGSHAAL

(D) TRANSFER PUMP TAP SCREW AND VENT WIRE ACCESS SCREW
 VIS DE LA POMPE D'ALIMENTATION ET VIS DE PURGE
 FOERDERPUMPENSCHRAUBE UND SCHRAUBE AN ENTLUEFTUNG
 VITE POMPA DI ALIMENTAZIONE E VITE ACCESSO FILO PER VENTILAZIONE
 TORNILLO DEL TAPON DE LA BOMBA DE ALIMENTACION Y TORNILLO DE PURGA
 MATARPUMPSSKRUV OCH LUFTSKRUV

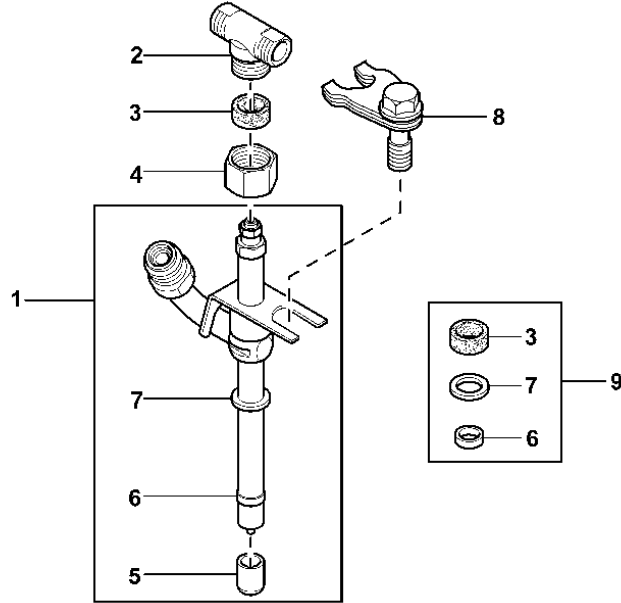
(E) SOLENOID CONNECTOR ASSEMBLY
 RACCORD D'ELECTROVANNE COMPLET
 MAGNETVENTILANSCHLUSS
 GRUPPO CONNETTORE SOLENOIDE
 CONJUNTO PARA LA INSTALA CON DE LA ELECTROVALVULA
 SOLENOIDVENTILANSLUTNING

160-18

FUEL INJECTION PUMP

16L4 - CONTINUED (INJECTION NOZZLE)
 16L4 - SUITE (INJECTEUR)
 16L4 - FORTSETZUNG (EINSPRITZDUESE)
 16L4 - SEGUITO (INIETTORE)
 16L4 - CONTINUACION (INYECTOR)
 16L4 - FORTS (INSPRUTARE)

CDP45970A -UN-



CDP45970A

KEY	PART NO.	PART NAME	QTY.	ENGINE SERIAL NO.	4 0 4 5 H	REMARKS
1	RE532608	INJECTION NOZZLE	4		X	
2	R71963	TEE FITTING	4		X	
3	PACKING	AR		X	NSEP. ORD RE65201
4	R79604	TUBE NUT	4		X	
5	PLUG	NA		X	
6	SEAL	1		X	NSEP. ORD RE65201
7	PACKING	1		X	TK 3MM , NSEP, ORD RE65201
8	RE508716	CLAMP	4		X	
9	RE65201	O-RING KIT	AR		X	

160-19

FUEL INJECTION PUMP

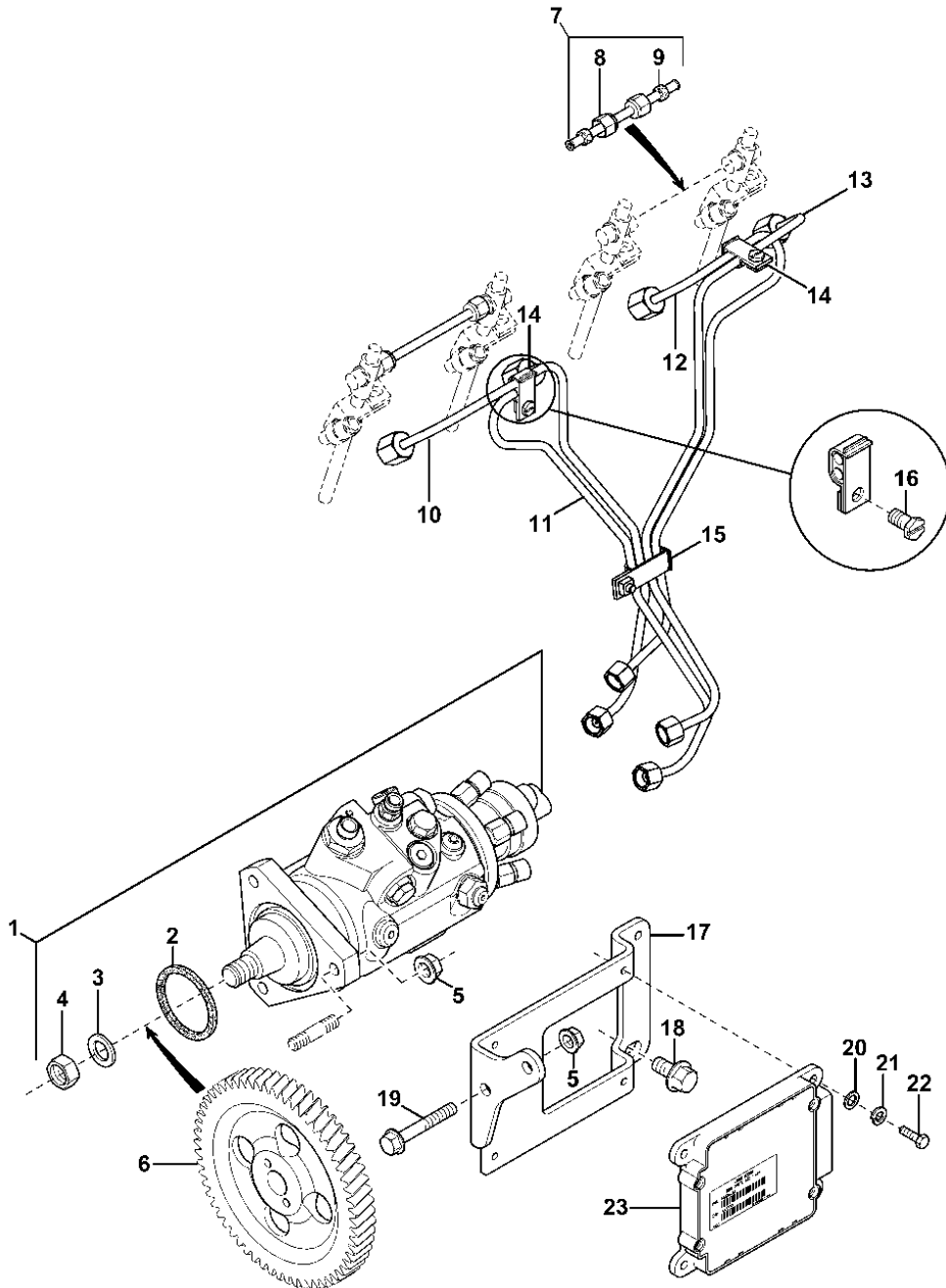
MEMORANDA
MEMORANDA
MEMORANDA
MEMORANDA
MEMORANDA
MEMORANDA

160-20

FUEL INJECTION PUMP

16L5 (FUEL INJECTION PUMP)
16L5 (POMPE D'INJECTION)
16L5 (EINSPRITZPUMPE)
16L5 (POMPA D'INIEZIONE)
16L5 (BOMBA DE INYECCION)
16L5 (INSPRUTNINGSPUMP)

CDP46606 -UN-



CDP46606

160-21

FUEL INJECTION PUMP

KEY	PART NO.	PART NAME	QTY.	ENGINE SERIAL NO.	4 0 4 5 H	REMARKS
1	FUEL INJECTION PUMP	1		X	(A) STANADYNE-DE10, MARKED RE518167, NSEP, ORD RE518086
	RE518086	FUEL INJECTION PUMP	1		X	(A) STANADYNE, DE10
	SE501234	FUEL INJECTION PUMP	1		X	(C)
2	R502076	O-RING	1		X	
3	R54228	WASHER	1		X	
4	14M7289	NUT	1		X	M16 X 1.5
5	14M7298	FLANGE NUT	5		X	M8
6	R505472	GEAR	1		X	Z= 60
7	RE68748	TUBE	3		X	
8	R123593	TUBE NUT	2		X	1/2"-24UNS
9	R51936	SEALING WASHER	2		X	
10	RE507646	FUEL LINE	1		X	(NO 1)
11	RE507647	FUEL LINE	1		X	(NO 2)
12	RE507648	FUEL LINE	1		X	(NO 3)
13	RE507649	FUEL LINE	1		X	(NO 4)
14	RE19797	CLAMP	2		X	
15	RE19799	CLAMP	1		X	
16	19M7923	CAP SCREW	1		X	M6 X 12. (USE WITH RE19797 AND RE19799)
17	R503520	BRACKET	1		X	
18	19M7784	SCREW	1		X	M10 X 20
19	19M7979	SCREW	2		X	M8 X 55
20	24M7027	WASHER	4		X	5.300 X 10 X 1 MM
21	12H316	LOCK WASHER	4		X	0.216"
22	19M7640	CAP SCREW	4		X	M5 X 12
23	RE532629	ENGINE CONTROLLER	1		X	(B) 24 VOLT

(A) SEE YOUR AUTHORIZED PUMP REPAIR STATION FOR PARTS NOT LISTED
 CONSULTER LE REPARATEUR AGREE DE POMPES POUR LES PIECES NON LISTEES
 NICHT GEZEIGTE TEILE VON EINSPRITZPUMPE VETRETER BEZIEHEN
 CONSULTARE IL CONCESSIONARIO AUTORIZZATO DELLE POMPE D'INIEZIONE PER PARTI NON ELENCATI
 CONSULTE CON SU ESTACION AUTORIZADA DE REPARACIONES DE BOMBA
 KONSULTERAS INSPRUTNINGSPOMPENS ATERFORSALJARE FOR DELAR EJ VISADE

(B) THIS PART MUST BE ORDERED WITH ENGINE SERIAL NUMBER
 CETTE PIECE DOIT ETRE COMMANDEE AVEC LE NUMERO DE SERIE DU MOTEUR
 DIESES TEIL MUSS MIT ANGABE DER MOTORSERIENNUMMER BESTELT WERDEN
 QUESTO PEZZO DEVE ESSERE ORDINATO INDICANDO IL NUMERO DI SERIE DEL MOTORE
 INDICAR EL NO. DE SERIE DEL MOTOR AL PEDIR ESTA PIEZA
 MOTORSERIENNUMMER MASTE ANGES VID BESTALLNING AV DENNA DELEN

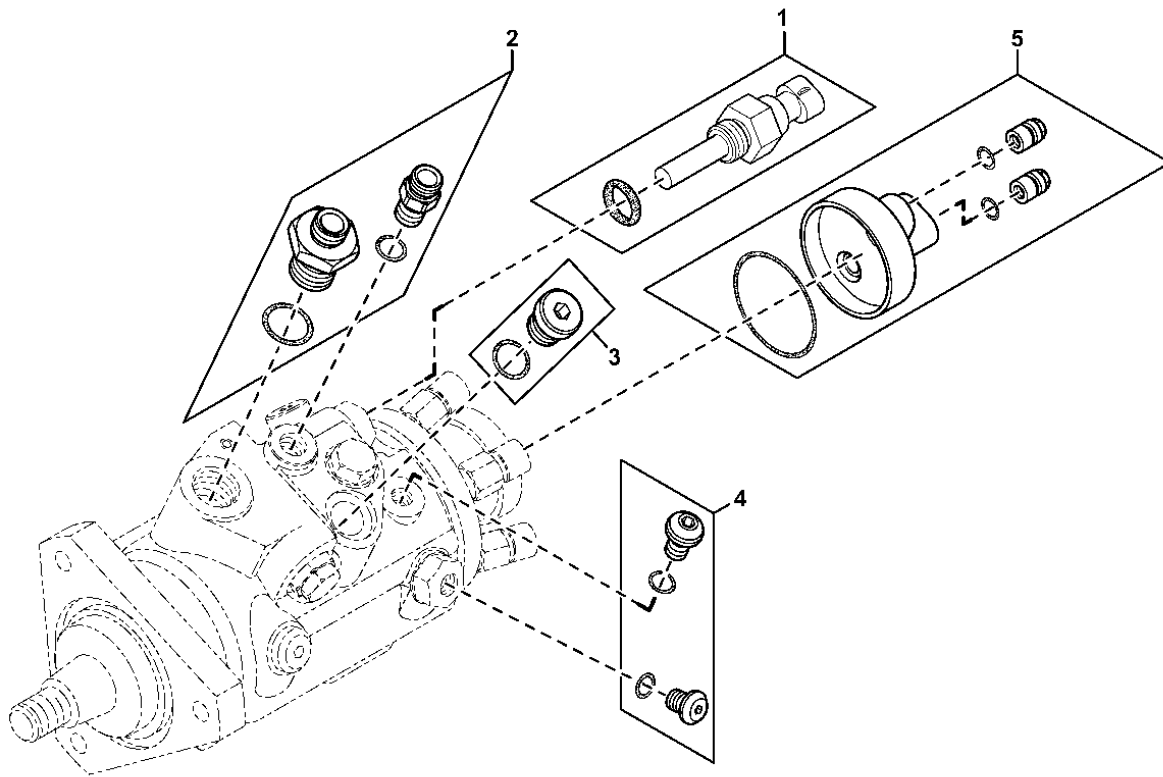
(C) REMANUFACTURED
 ECHANGE STANDARD
 GENERALUEBERHOLT
 REVISIONATO
 REACONDICIONADO
 RENOVERAD

160-22

FUEL INJECTION PUMP

16L5 - CONTINUED (FUEL INJECTION PUMP, STANADYNE DE10 SERVICE KITS)
16L5 - SUITE (POMPE D'INJECTION STANADYNE DE10, JEUX DE REPARATION)
16L5 - FORTSETZUNG (EINSPRITZPUMPE STANADYNE DE10, TEILESAETZE ZUR WARTUNG)
16L5 - SEGUITO (POMPA INIEZIONE COMBUSTIBILE, KIT MANUTENZIONE STANADYNE DE10)
16L5 - CONTINUACION (BOMBA DE INYECCION, STANADYNE DE10, CONJUNTO DE REPARACION)
16L5 - FORTS (STANDAYNE DE10 INSPRUTNINGSPUMP, SERVICE SATS)

CDP45922 -UN-



CDP45922

160-23

FUEL INJECTION PUMP

KEY	PART NO.	PART NAME	QTY.	ENGINE SERIAL NO.	4 0 4 5 H	REMARKS
1	RE521822	FUEL TEMPERATURE SENSOR	1		X (A)	
2	RE521823	KIT	1		X (B)	
3	RE521824	KIT	1		X (C)	
4	RE521825	KIT	1		X (D)	
5	RE522109	KIT	1		X (E)	

(A) FUEL TEMPERATURE SENSOR
 CAPTEUR DE TEMPERATURE DU COMBUSTIBLE
 SENSOR FUER KRAFTSTOFFTEMPERATUR
 SENSORE TEMPERATURA COMBUSTIBILE
 SENSOR DE TEMPERATURA DE COMBUSTIBLE
 BRAENSLETEMPERATURGIVARE

(B) PRESSURE REGULATOR AND FUEL INLET CONNECTOR
 REGULATEUR DE PRESSION ET RACCORD D'ADMISSION DU COMBUSTIBLE
 DRUCKREGLER UND EINLASSANSCHLUSS FUER KRAFTSTOFF
 REGOLATORE PRESSIONE E RACCORDO INGRESSO COMBUSTIBILE
 REGULADOR DE PRESION Y CONEXION DE ADMISION DE COMBUSTIBLE
 TRYCKREGULATOR OCH BRAENSLEINLOPPSANSLUTNING

(C) TIMING PIN HOLE PLUG
 BOUCHON DE L'ORIFICE DE REGLAGE
 STOPFEN FUER EINSTELLOEFFNUNG
 TAPPO FORO SPINA DI FASATURA
 TAPON PARA AGUJERO DE SINCRONIZACION
 PLUGG FOER INSTAELLNINGSHAAL

(D) TRANSFER PUMP TAP SCREW AND VENT WIRE ACCESS SCREW
 VIS DE LA POMPE D'ALIMENTATION ET VIS DE PURGE
 FOERDERPUMPENSCHRAUBE UND SCHRAUBE AN ENTLUEFTUNG
 VITE POMPA DI ALIMENTAZIONE E VITE ACCESSO FILO PER VENTILAZIONE
 TORNILLO DEL TAPON DE LA BOMBA DE ALIMENTACION Y TORNILLO DE PURGA
 MATARPUMPSSKRUV OCH LUFTSKRUV

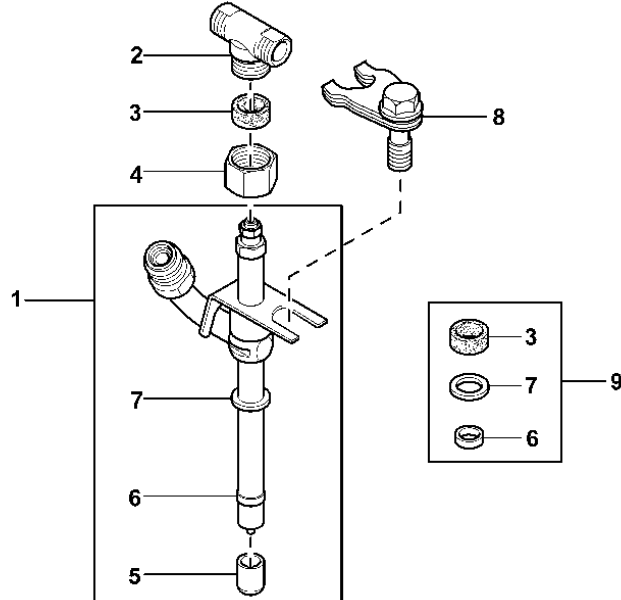
(E) SOLENOID CONNECTOR ASSEMBLY
 RACCORD D'ELECTROVANNE COMPLET
 MAGNETVENTILANSCHLUSS
 GRUPPO CONNETTORE SOLENOIDE
 CONJUNTO PARA LA INSTALA CON DE LA ELECTROVALVULA
 SOLENOIDVENTILANSLUTNING

160-24

FUEL INJECTION PUMP

16L5 - CONTINUED (INJECTION NOZZLE)
 16L5 - SUITE (INJECTEUR)
 16L5 - FORTSETZUNG (EINSPRITZDUESE)
 16L5 - SEGUITO (INIETTORE)
 16L5 - CONTINUACION (INYECTOR)
 16L5 - FORTS (INSPRUTARE)

CDP45970A -UN-



CDP45970A

KEY	PART NO.	PART NAME	QTY.	ENGINE SERIAL NO.	4 0 4 5 H	REMARKS
1	RE532608	INJECTION NOZZLE	4		X	
2	R71963	TEE FITTING	4		X	
3	PACKING	AR		X	NSEP, ORD RE65201
4	R79604	TUBE NUT	4		X	
5	PLUG	NA		X	
6	SEAL	1		X	NSEP, ORD RE65201
7	PACKING	1		X	TK 3MM , NSEP, ORD RE65201
8	RE508716	CLAMP	4		X	
9	RE65201	O-RING KIT	AR		X	

160-25

FUEL INJECTION PUMP

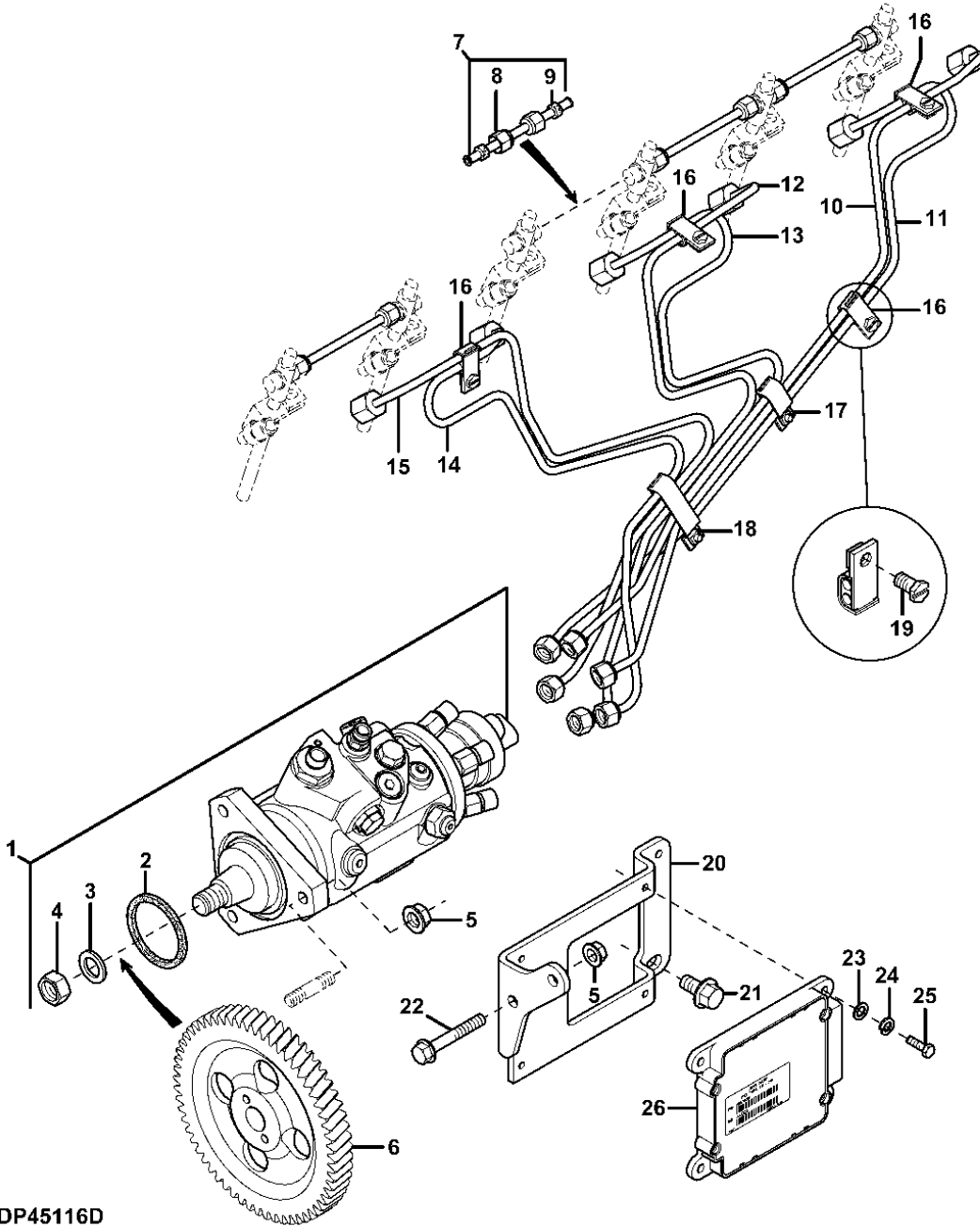
MEMORANDA
MEMORANDA
MEMORANDA
MEMORANDA
MEMORANDA
MEMORANDA

160-26

FUEL INJECTION PUMP

16L8 - FUEL INJECTION PUMP
16L8 - POMPE D'INJECTION
16L8 - EINSPRITZPUMPE
16L8 - POMPA D'INIEZIONE
16L8 - BOMBA DE INYECCION
16L8 - INSPRUNTUNGS PUMP

CDP45116D -UN-



CDP45116D

160-27

FUEL INJECTION PUMP

KEY	PART NO.	PART NAME	QTY.	ENGINE SERIAL NO.	6 0 6 8 H	REMARKS
1	FUEL INJECTION PUMP	1		X	(A) STANADYNE DE10, MARKED RE518165, ORD RE518088
	RE518088	FUEL INJECTION PUMP	1		X	(A) STANADYNE DE10
	SE501236	FUEL INJECTION PUMP	1		X	(C)
2	R502076	O-RING	1		X	
3	R54228	WASHER	1		X	
4	14M7289	NUT	1		X	M16
5	14M7298	FLANGE NUT	5		X	M8
6	R505472	GEAR	1		X	Z= 60
7	RE68748	TUBE	4		X	
8	R123593	TUBE NUT	2		X	1/2"-24UNS
9	R51936	SEALING WASHER	2		X	
10	RE515233	FUEL LINE	1		X	(NO 6)
11	RE515232	FUEL LINE	1		X	(NO 5)
12	RE515231	FUEL LINE	1		X	(NO 4)
13	RE515230	FUEL LINE	1		X	(NO 3)
14	RE515229	FUEL LINE	1		X	(NO 2)
15	RE515228	FUEL LINE	1		X	(NO 1)
16	RE19797	CLAMP	4		X	
17	RE20901	CLAMP	1		X	
18	RE19800	CLAMP	1		X	
19	19M7923	CAP SCREW	1		X	M6 X 12, (USE WITH RE19797, RE19800 AND RE20901)
20	R503520	BRACKET	1		X	
21	19M7784	SCREW	1		X	M10 X 20
22	19M7979	SCREW	2		X	M8 X 55
23	24M7027	WASHER	4		X	5.300 X 10 X 1 MM
24	12H316	LOCK WASHER	4		X	0.216"
25	19M7640	CAP SCREW	4		X	M5 X 12
26	RE532628	ENGINE CONTROLLER	1		X	(B) (12V)

(A) SEE YOUR AUTHORIZED PUMP REPAIR STATION FOR PARTS NOT LISTED
 CONSULTER LE REPARATEUR AGREE DE POMPES POUR LES PIECES NON LISTEES
 NICHT GEZEIGTE TEILE VON EINSPRITZPUMPE VETRETER BEZIEHEN
 CONSULTARE IL CONCESSIONARIO AUTORIZZATO DELLE POMPE D'INIEZIONE PER PARTI NON ELENCATI
 CONSULTE CON SU ESTACION AUTORIZADA DE REPARACIONES DE BOMBA
 KONSULTERAS INSPRUTNINGSPOMPENS ATERFORSALJARE FOR DELAR EJ VISADE

(B) THIS PART MUST BE ORDERED WITH ENGINE SERIAL NUMBER
 CETTE PIECE DOIT ETRE COMMANDEE AVEC LE NUMERO DE SERIE DU MOTEUR
 DIESES TEIL MUSS MIT ANGABE DER MOTORSERIENUMMER BESTELLT WERDEN
 QUESTO PEZZO DEVE ESSERE ORDINATO INDICANDO IL NUMERO DI SERIE DEL MOTORE
 INDICAR EL NO. DE SERIE DEL MOTOR AL PEDIR ESTA PIEZA
 MOTORSERIENUMMER MASTE ANGES VID BESTALLING AV DENNA DELEN

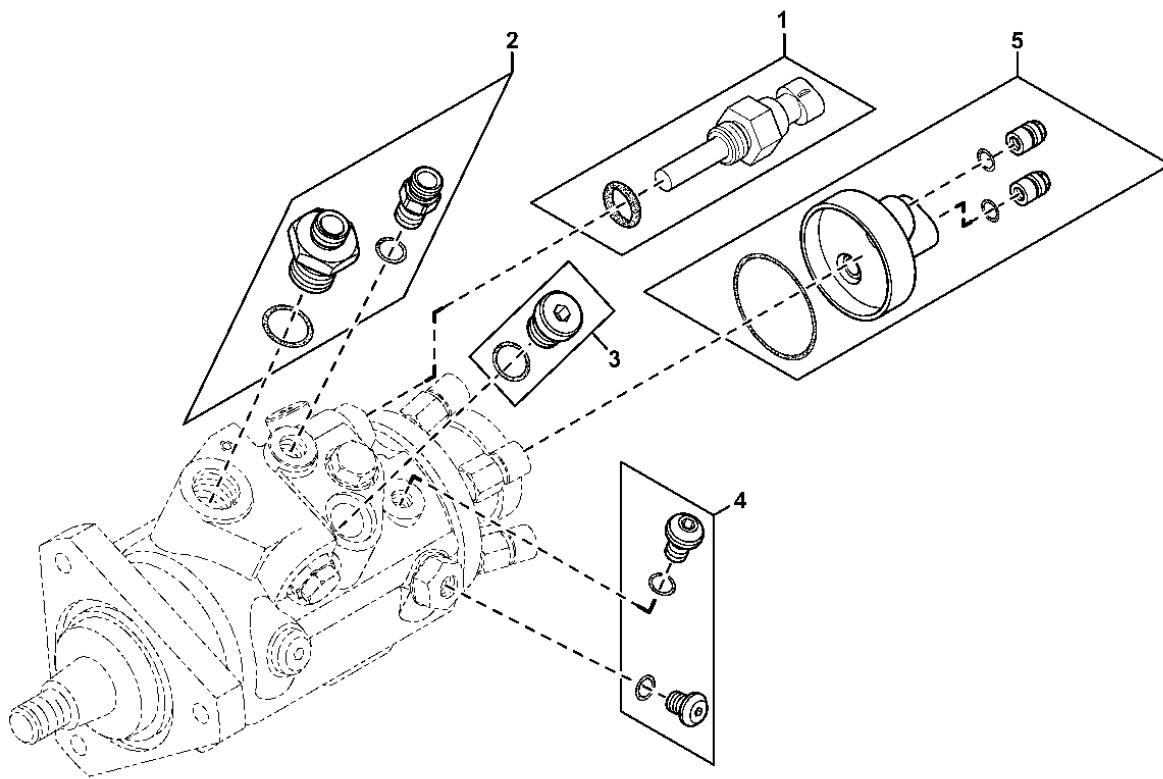
(C) REMANUFACTURED
 ECHANGE STANDARD
 GENERALUEBERHOLT
 REVISIONATO
 REACONDICIONADO
 RENOVERAD

160-28

FUEL INJECTION PUMP

16L8 - CONTINUED (FUEL INJECTION PUMP, STANADYNE DE10 SERVICE KITS)
16L8 - SUITE (POMPE D'INJECTION STANADYNE DE10, JEUX DE REPARATION)
16L8 - FORTSETZUNG (EINSPRITZPUMPE STANADYNE DE10, TEILESAETZE ZUR WARTUNG)
16L8 - SEGUITO (POMPA INIEZIONE COMBUSTIBILE, KIT MANUTENZIONE STANADYNE DE10)
16L8 - CONTINUACION (BOMBA DE INYECCION, STANADYNE DE10, CONJUNTO DE REPARACION)
16L8 - FORTS (STANDAYNE DE10 INSPRUTNINGSPUMP, SERVICE SATS)

CDP45922 -UN-



CDP45922

160-29

FUEL INJECTION PUMP

KEY	PART NO.	PART NAME	QTY.	ENGINE SERIAL NO.	6 0 6 8 H	REMARKS
1	RE521822	KIT	1		X (A)	
2	RE521823	KIT	1		X (B)	
3	RE521824	KIT	1		X (C)	
4	RE521825	KIT	1		X (D)	
5	RE522109	KIT	1		X (E)	

(A) FUEL TEMPERATURE SENSOR
 CAPTEUR DE TEMPERATURE DU COMBUSTIBLE
 SENSOR FUER KRAFTSTOFFTEMPERATUR
 SENSORE TEMPERATURA COMBUSTIBILE
 SENSOR DE TEMPERATURA DE COMBUSTIBLE
 BRAENSLETEMPERATURGIVARE

(B) PRESSURE REGULATOR AND FUEL INLET CONNECTOR
 REGULATEUR DE PRESSION ET RACCORD D'ADMISSION DU COMBUSTIBLE
 DRUCKREGLER UND EINLASSANSCHLUSS FUER KRAFTSTOFF
 REGOLATORE PRESSIONE E RACCORDO INGRESSO COMBUSTIBILE
 REGULADOR DE PRESION Y CONEXION DE ADMISION DE COMBUSTIBLE
 TRYCKREGULATOR OCH BRAENSLEINLOPPSANSLUTNING

(C) TIMING PIN HOLE PLUG
 BOUCHON DE L'ORIFICE DE REGLAGE
 STOPFEN FUER EINSTELLOEFFNUNG
 TAPPO FORO SPINA DI FASATURA
 TAPON PARA AGUJERO DE SINCRONIZACION
 PLUGG FOER INSTAELLNINGSHAAL

(D) TRANSFER PUMP TAP SCREW AND VENT WIRE ACCESS SCREW
 VIS DE LA POMPE D'ALIMENTATION ET VIS DE PURGE
 FOERDERPUMPENSCHRAUBE UND SCHRAUBE AN ENTLUEFTUNG
 VITE POMPA DI ALIMENTAZIONE E VITE ACCESSO FILO PER VENTILAZIONE
 TORNILLO DEL TAPON DE LA BOMBA DE ALIMENTACION Y TORNILLO DE PURGA
 MATARPUMPSSKRUV OCH LUFTSKRUV

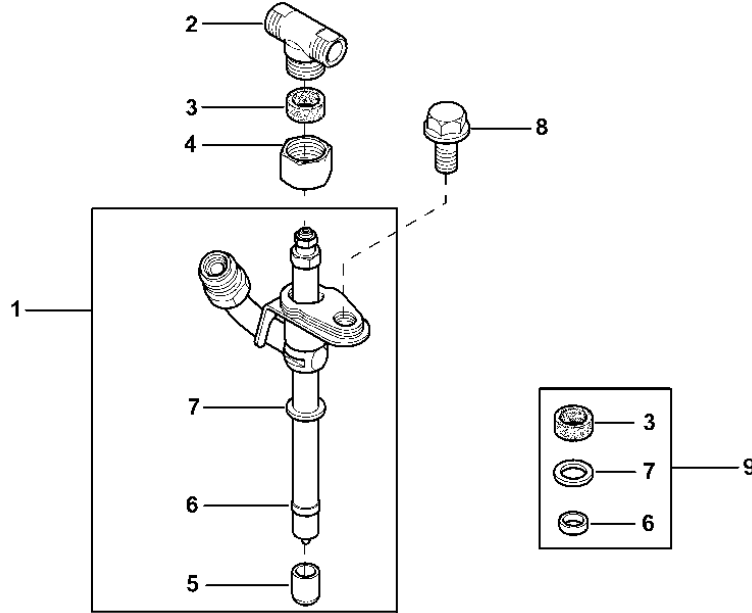
(E) SOLENOID CONNECTOR ASSEMBLY
 RACCORD D'ELECTROVANNE COMPLET
 MAGNETVENTILANSCHLUSS
 GRUPPO CONNETTORE SOLENOIDE
 CONJUNTO PARA LA INSTALA CON DE LA ELECTROVALVULA
 SOLENOIDVENTILANSLUTNING

160-30

FUEL INJECTION PUMP

16L8 - CONTINUED (INJECTION NOZZLE)
 16L8 - SUITE (INJECTEUR)
 16L8 - FORTSETZUNG (EINSPRITZDUESE)
 16L8 - SEGUITO (INIETTORE)
 16L8 - CONTINUACION (INYECTOR)
 16L8 - FORTS (INSPRUTARE)

CDP45007A -UN-



CDP45007A

KEY	PART NO.	PART NAME	QTY.	ENGINE SERIAL NO.	6 0 6 8 H	REMARKS
1	RE48786	INJECTION NOZZLE	6		X	
	SE500827	INJECTION NOZZLE	1		X (A) (PKG 6)	
	SE501101	INJECTION NOZZLE	AR		X (A) (PKG 1)	
2	R71963	TEE FITTING	1		X	
3	PACKING	1		X	NSEP , ORD RE64292
4	R79604	TUBE NUT	1		X	
5	PLUG	NA		X	
6	SEAL	1		X	NSEP , ORD RE64292
7	PACKING	1		X	TK 1.9MM, NSEP , ORD RE64292
8	R116366	SCREW	6		X	
9	RE64292	KIT	AR		X	

(A) REMANUFACTURED
 ECHANGE STANDARD
 GENERALUEBERHOLT
 REVISIONATO
 REACONDICIONADO
 RENOVERAD

160-31

FUEL INJECTION PUMP

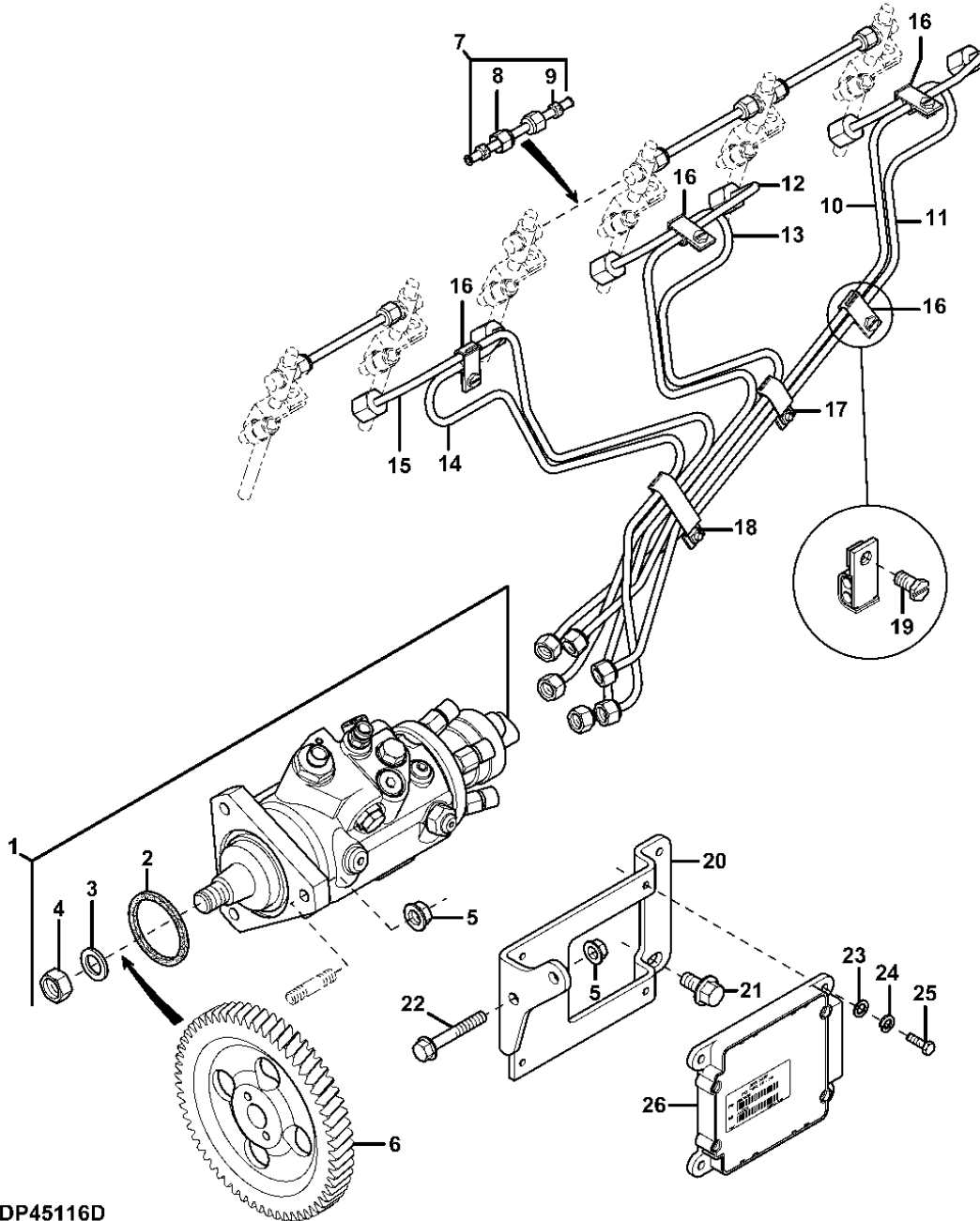
MEMORANDA
MEMORANDA
MEMORANDA
MEMORANDA
MEMORANDA
MEMORANDA

160-32

FUEL INJECTION PUMP

16L9 - FUEL INJECTION PUMP
16L9 - POMPE D'INJECTION
16L9 - EINSPRITZPUMPE
16L9 - POMPA D'INIEZIONE
16L9 - BOMBA DE INYECCION
16L9 - INSPRUTNINGSPUMP

CDP45116D -UN-



CDP45116D

160-33

FUEL INJECTION PUMP

KEY	PART NO.	PART NAME	QTY.	ENGINE SERIAL NO.	6 0 6 8 H	REMARKS
1	FUEL INJECTION PUMP	1		X	(A) STANADYNE DE10, MARKED RE518165, ORD RE518088
	RE518088	FUEL INJECTION PUMP	1		X	(A) STANADYNE DE10
	SE501236	FUEL INJECTION PUMP	1		X	(C)
2	R502076	O-RING	1		X	
3	R54228	WASHER	1		X	
4	14M7289	NUT	1		X	M16
5	14M7298	FLANGE NUT	5		X	M8
6	R505472	GEAR	1		X	Z= 60
7	RE68748	TUBE	4		X	
8	R123593	TUBE NUT	2		X	1/2"-24UNS
9	R51936	SEALING WASHER	2		X	
10	RE515233	FUEL LINE	1		X	(NO 6)
11	RE515232	FUEL LINE	1		X	(NO 5)
12	RE515231	FUEL LINE	1		X	(NO 4)
13	RE515230	FUEL LINE	1		X	(NO 3)
14	RE515229	FUEL LINE	1		X	(NO 2)
15	RE515228	FUEL LINE	1		X	(NO 1)
16	RE19797	CLAMP	4		X	
17	RE20901	CLAMP	1		X	
18	RE19800	CLAMP	1		X	
19	19M7923	CAP SCREW	1		X	M6 X 12, (USE WITH RE19797, RE19800 AND RE20901)
20	R503520	BRACKET	1		X	
21	19M7784	SCREW	1		X	M10 X 20
22	19M7979	SCREW	2		X	M8 X 55
23	24M7027	WASHER	4		X	5.300 X 10 X 1 MM
24	12H316	LOCK WASHER	4		X	0.216"
25	19M7640	CAP SCREW	4		X	M5 X 12
26	RE532629	ENGINE CONTROLLER	1		X	(B) (24V)

(A) SEE YOUR AUTHORIZED PUMP REPAIR STATION FOR PARTS NOT LISTED
 CONSULTER LE REPARATEUR AGREE DE POMPES POUR LES PIECES NON LISTEES
 NICHT GEZEIGTE TEILE VON EINSPRITZPUMPE VETRETER BEZIEHEN
 CONSULTARE IL CONCESSIONARIO AUTORIZZATO DELLE POMPE D'INIEZIONE PER PARTI NON ELENCATI
 CONSULTE CON SU ESTACION AUTORIZADA DE REPARACIONES DE BOMBA
 KONSULTERAS INSPRUTNINGSPOMPENS ATERFORSALJARE FOR DELAR EJ VISADE

(B) THIS PART MUST BE ORDERED WITH ENGINE SERIAL NUMBER
 CETTE PIECE DOIT ETRE COMMANDEE AVEC LE NUMERO DE SERIE DU MOTEUR
 DIESES TEIL MUSS MIT ANGABE DER MOTORSERIENUMMER BESTELT WERDEN
 QUESTO PEZZO DEVE ESSERE ORDINATO INDICANDO IL NUMERO DI SERIE DEL MOTORE
 INDICAR EL NO. DE SERIE DEL MOTOR AL PEDIR ESTA PIEZA
 MOTORSERIENUMMER MASTE ANGES VID BESTALLING AV DENNA DELEN

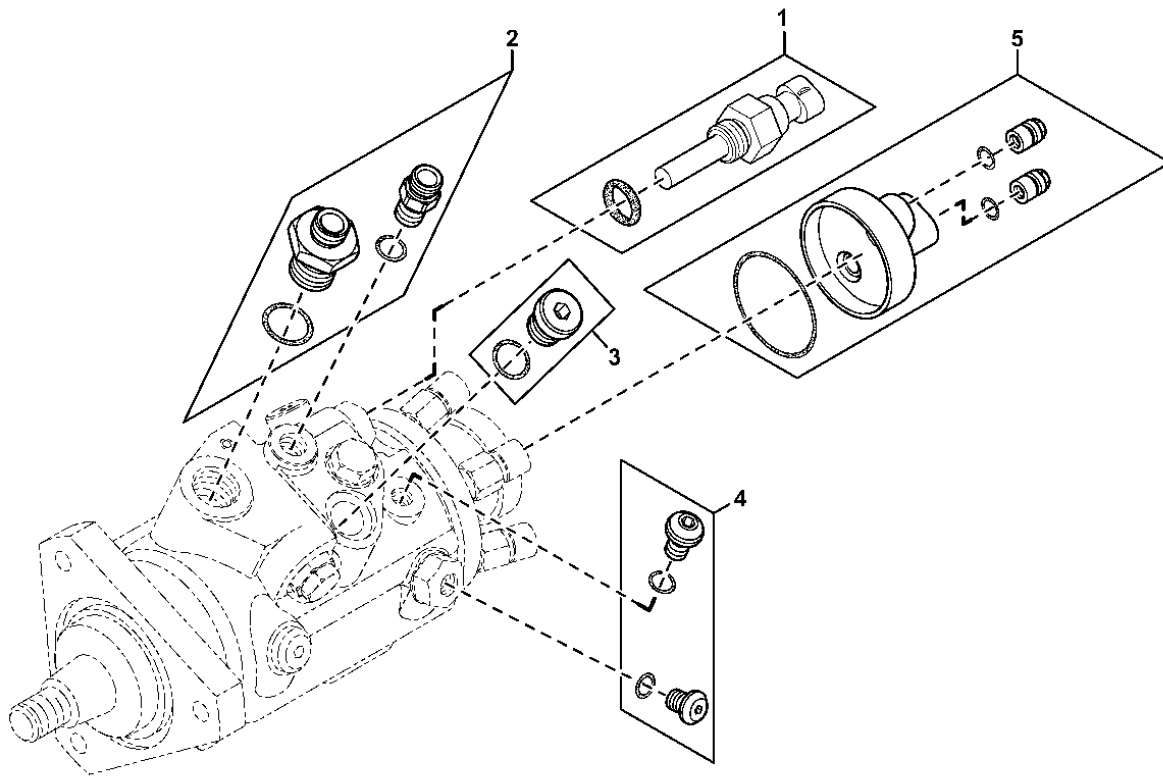
(C) REMANUFACTURED
 ECHANGE STANDARD
 GENERALUEBERHOLT
 REVISIONATO
 REACONDICIONADO
 RENOVERAD

160-34

FUEL INJECTION PUMP

16L9 - CONTINUED (FUEL INJECTION PUMP, STANADYNE DE10 SERVICE KITS)
16L9 - SUITE (POMPE D'INJECTION STANADYNE DE10, JEUX DE REPARATION)
16L9 - FORTSETZUNG (EINSPRITZPUMPE STANADYNE DE10, TEILESAETZE ZUR WARTUNG)
16L9 - SEGUITO (POMPA INIEZIONE COMBUSTIBILE, KIT MANUTENZIONE STANADYNE DE10)
16L9 - CONTINUACION (BOMBA DE INYECCION, STANADYNE DE10, CONJUNTO DE REPARACION)
16L9 - FORTS (STANDAYNE DE10 INSPRUTNINGSPUMP, SERVICE SATS)

CDP45922 -UN-



CDP45922

160-35

FUEL INJECTION PUMP

KEY	PART NO.	PART NAME	QTY.	ENGINE SERIAL NO.	6 0 6 8 H	REMARKS
1	RE521822	FUEL TEMPERATURE SENSOR	1		X (A)	
2	RE521823	KIT	1		X (B)	
3	RE521824	KIT	1		X (C)	
4	RE521825	KIT	1		X (D)	
5	RE522109	KIT	1		X (E)	

(A) FUEL TEMPERATURE SENSOR
 CAPTEUR DE TEMPERATURE DU COMBUSTIBLE
 SENSOR FUER KRAFTSTOFFTEMPERATUR
 SENSORE TEMPERATURA COMBUSTIBILE
 SENSOR DE TEMPERATURA DE COMBUSTIBLE
 BRAENSLETEMPERATURGIVARE

(B) PRESSURE REGULATOR AND FUEL INLET CONNECTOR
 REGULATEUR DE PRESSION ET RACCORD D'ADMISSION DU COMBUSTIBLE
 DRUCKREGLER UND EINLASSANSCHLUSS FUER KRAFTSTOFF
 REGOLATORE PRESSIONE E RACCORDO INGRESSO COMBUSTIBILE
 REGULADOR DE PRESION Y CONEXION DE ADMISION DE COMBUSTIBLE
 TRYCKREGULATOR OCH BRAENSLEINLOPPSANSLUTNING

(C) TIMING PIN HOLE PLUG
 BOUCHON DE L'ORIFICE DE REGLAGE
 STOPFEN FUER EINSTELLOEFFNUNG
 TAPPO FORO SPINA DI FASATURA
 TAPON PARA AGUJERO DE SINCRONIZACION
 PLUGG FOER INSTAELLNINGSHAAL

(D) TRANSFER PUMP TAP SCREW AND VENT WIRE ACCESS SCREW
 VIS DE LA POMPE D'ALIMENTATION ET VIS DE PURGE
 FOERDERPUMPENSCHRAUBE UND SCHRAUBE AN ENTLUEFTUNG
 VITE POMPA DI ALIMENTAZIONE E VITE ACCESSO FILO PER VENTILAZIONE
 TORNILLO DEL TAPON DE LA BOMBA DE ALIMENTACION Y TORNILLO DE PURGA
 MATARPUMPSSKRUV OCH LUFTSKRUV

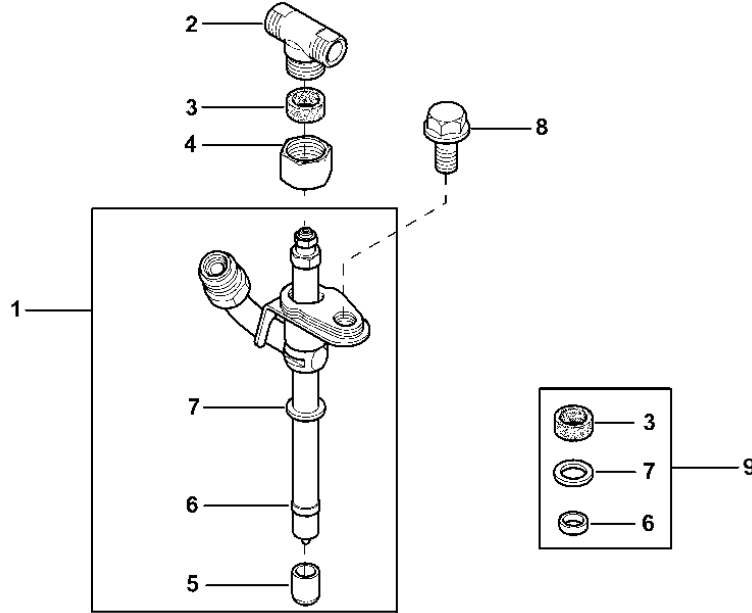
(E) SOLENOID CONNECTOR ASSEMBLY
 RACCORD D'ELECTROVANNE COMPLET
 MAGNETVENTILANSCHLUSS
 GRUPPO CONNETTORE SOLENOIDE
 CONJUNTO PARA LA INSTALA CON DE LA ELECTROVALVULA
 SOLENOIDVENTILANSLUTNING

160-36

FUEL INJECTION PUMP

16L9 - CONTINUED (INJECTION NOZZLE)
 16L9 - SUITE (INJECTEUR)
 16L9 - FORTSETZUNG (EINSPRITZDUESE)
 16L9 - SEGUITO (INIETTORE)
 16L9 - CONTINUACION (INYECTOR)
 16L9 - FORTS (INSPRUTARE)

CDP45007A -UN-



CDP45007A

KEY	PART NO.	PART NAME	QTY.	ENGINE SERIAL NO.	6 0 6 8 H	REMARKS
1	RE48786	INJECTION NOZZLE	6		X	
	SE500827	INJECTION NOZZLE	1		X (A) (PKG 6)	
	SE501101	INJECTION NOZZLE	AR		X (A) (PKG 1)	
2	R71963	TEE FITTING	1		X	
3	PACKING	1		X	NSEP , ORD RE64292
4	R79604	TUBE NUT	1		X	
5	PLUG	NA		X	
6	SEAL	1		X	NSEP , ORD RE64292
7	PACKING	1		X	TK 1.9MM, NSEP , ORD RE64292
8	R116366	SCREW	6		X	
9	RE64292	KIT	AR		X	

(A) REMANUFACTURED
 ECHANGE STANDARD
 GENERALUEBERHOLT
 REVISIONATO
 REACONDICIONADO
 RENOVERAD

160-37

FUEL INJECTION PUMP

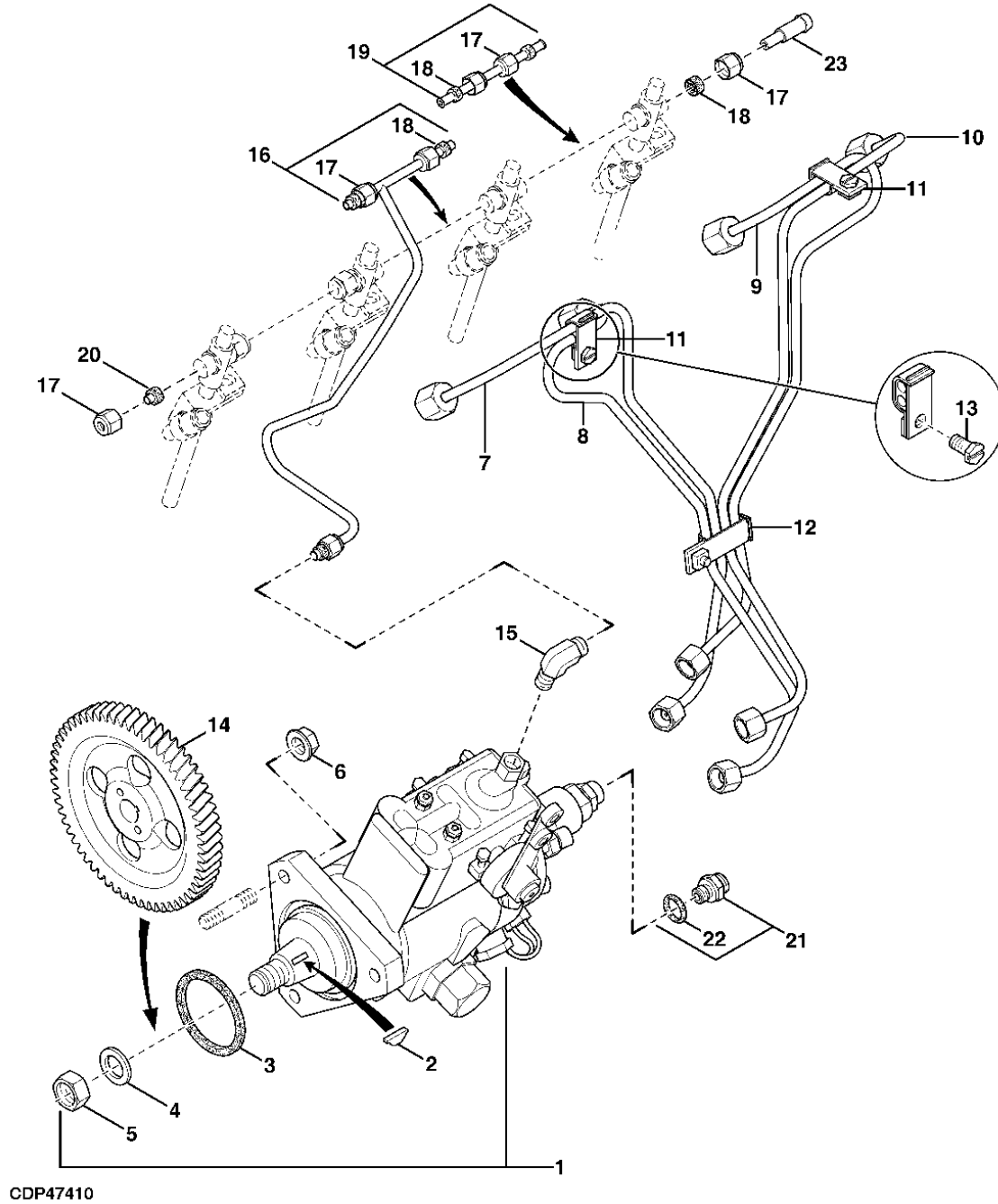
MEMORANDA
MEMORANDA
MEMORANDA
MEMORANDA
MEMORANDA
MEMORANDA

160-38

FUEL INJECTION PUMP

16XA
16XA
16XA
16XA
16XA
16XA

CDP47410 -UN-



160-39

FUEL INJECTION PUMP

KEY	PART NO.	PART NAME	QTY.	ENGINE SERIAL NO.	4 0 4 5 T	REMARKS
1	RE519070	FUEL INJECTION PUMP	1		X	(A) STANADYNE- DB4-5844, 74KW-1800MIN-1 - 24V
2	R56131	SHAFT KEY	1		X	
3	R502076	O-RING	1		X	
4	R132874	WASHER	1		X	
5	R91360	NUT	1		X	M14
6	14M7298	FLANGE NUT	3		X	M8
7	RE59447	FUEL LINE	1		X	N01
8	RE59448	FUEL LINE	1		X	N02
9	RE59449	FUEL LINE	1		X	N03
10	RE59450	FUEL LINE	1		X	N04
11	RE19797	CLAMP	2		X	
12	RE19799	CLAMP	1		X	
13	19M7923	CAP SCREW	1		X	M6 X 12, (10.9) , (USE WITH RE19797 AND RE19799)
14	R132267	GEAR	1		X	Z= 60
15	R67364	ELBOW FITTING	1		X	1/8"-27NPT X 1/2"-24UNS
16	RE70848	FUEL LINE	1		X	
17	R123593	TUBE NUT	AR		X	1/2"-24UN
18	R51936	SEALING WASHER	AR		X	5.560 X 10.500 X 5.410 MM
19	RE68748	TUBE	2		X	
20	AR85519	PLUG	1		X	
21	RE60029	ADAPTER FITTING	1		X	M12 X 1.5 X 9/16"-24UNEF
22	51M7040	O-RING	1		X	9.300 X 2.200 MM
23	R500731	HOSE FITTING	1		X	

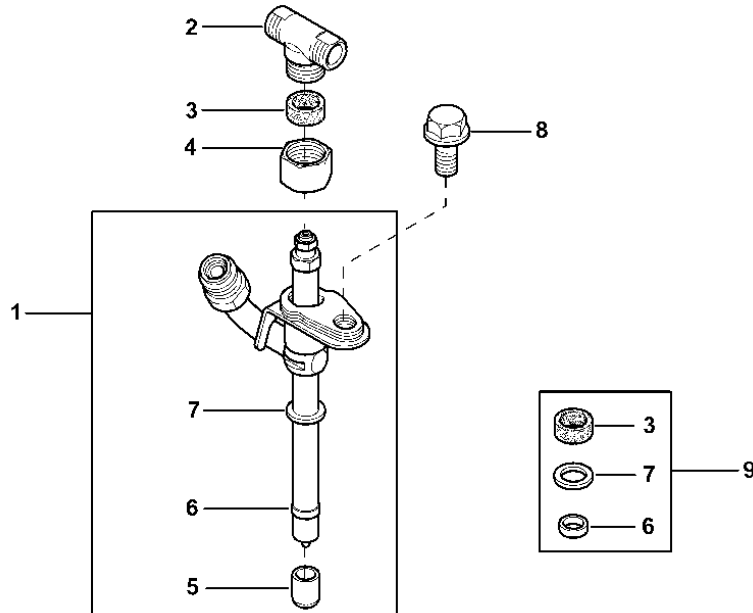
(A) SEE YOUR AUTHORIZED PUMP REPAIR STATION FOR PARTS NOT LISTED
 CONSULTER LE REPARATEUR AGREE DE POMPES POUR LES PIECES NON LISTEES
 NICHT GEZIGTE TEILE VON EINSPRITZPUMPE VETRETER BEZIEHEN
 CONSULTARE IL CONCESSIONARIO AUTORIZZATO DELLE POMPE D'INIEZIONE PER PARTI NON ELENCATI
 CONSULTE CON SU ESTACION AUTORIZADA DE REPARACIONES DE BOMBA
 KONSULTERIAS INSPRUTNINGSPOMPENS ATERFORSALJARE FOR DELAR EJ VISADE

160-40

FUEL INJECTION PUMP

16XA - CONTINUED
 16XA - SUITE
 16XA - FORTSETZUNG
 16XA - SEGUITO
 16XA - CONTINUACION
 16XA - FORTS

CDP45007A -UN-



CDP45007A

KEY	PART NO.	PART NAME	QTY.	ENGINE SERIAL NO.	4 0 4 5 T	REMARKS
1	RE48786	INJECTION NOZZLE	4		X	
	SE500826	INJECTION NOZZLE	1		X (A) (PKG 4)	
	SE501101	INJECTION NOZZLE	AR		X (A) (PKG 1)	
2	R71963	TEE FITTING	1		X	
3	PACKING	1		X	NSEP, (ORDER RE64292)
4	R79604	TUBE NUT	1		X	
5	PLUG	1		X	
6	SEAL	1		X	NSEP, (ORDER RE64292)
7	PACKING	1		X	NSEP, (ORDER RE64292)
8	R116366	SCREW	4		X	
9	RE64292	KIT	AR		X	

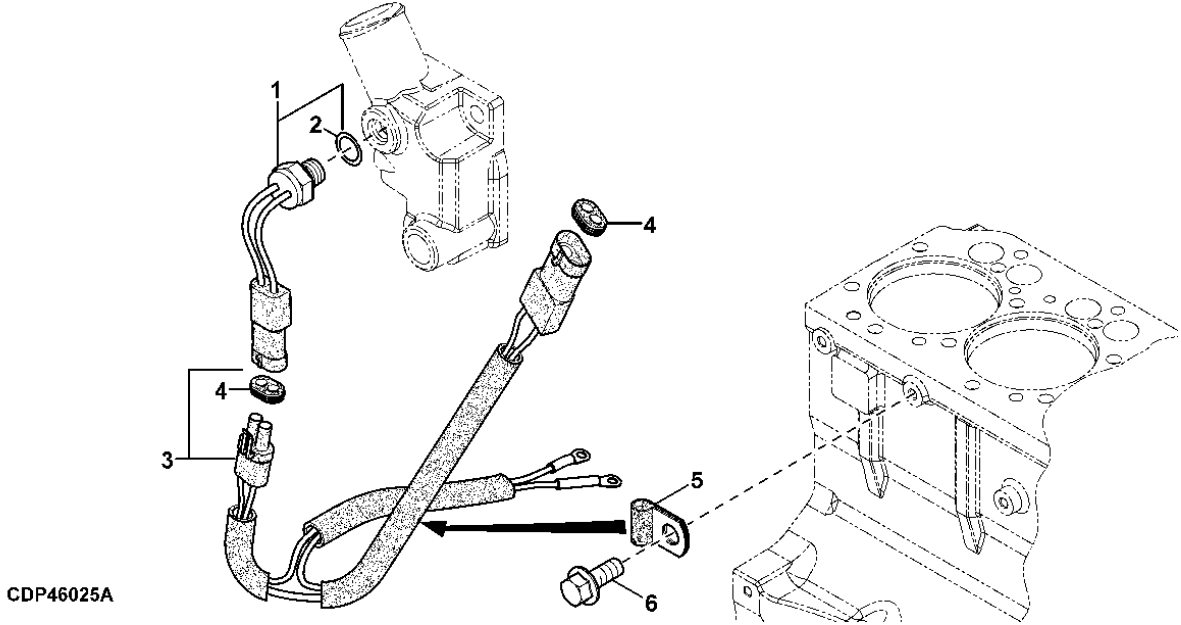
(A) REMANUFACTURED
 ECHANGE STANDARD
 GENERALUEBERHOLT
 REVISIONATO
 REACONDICIONADO
 RENOVERAD

160-41

FUEL INJECTION PUMP

16XA - CONTINUED
 16XA - SUITE
 16XA - FORTSETZUNG
 16XA - SEGUITO
 16XA - CONTINUACION
 16XA - FORTS

CDP46025A -UN-



CDP46025A

KEY	PART NO.	PART NAME	QTY.	ENGINE SERIAL NO.	REMARKS
1	RE503242	SENSOR WIRING HARNESS	1	X	
2	51M7041	O-RING	1	X	11.300 X 2.200 MM
3	RE66560	WIRING HARNESS	1	X	
4	R78048	ELEC. CONNECTOR ACCESSORY	1	X	
5	T74410	CLAMP	1	X	
6	19M7783	SCREW	1	X	M10 X 16

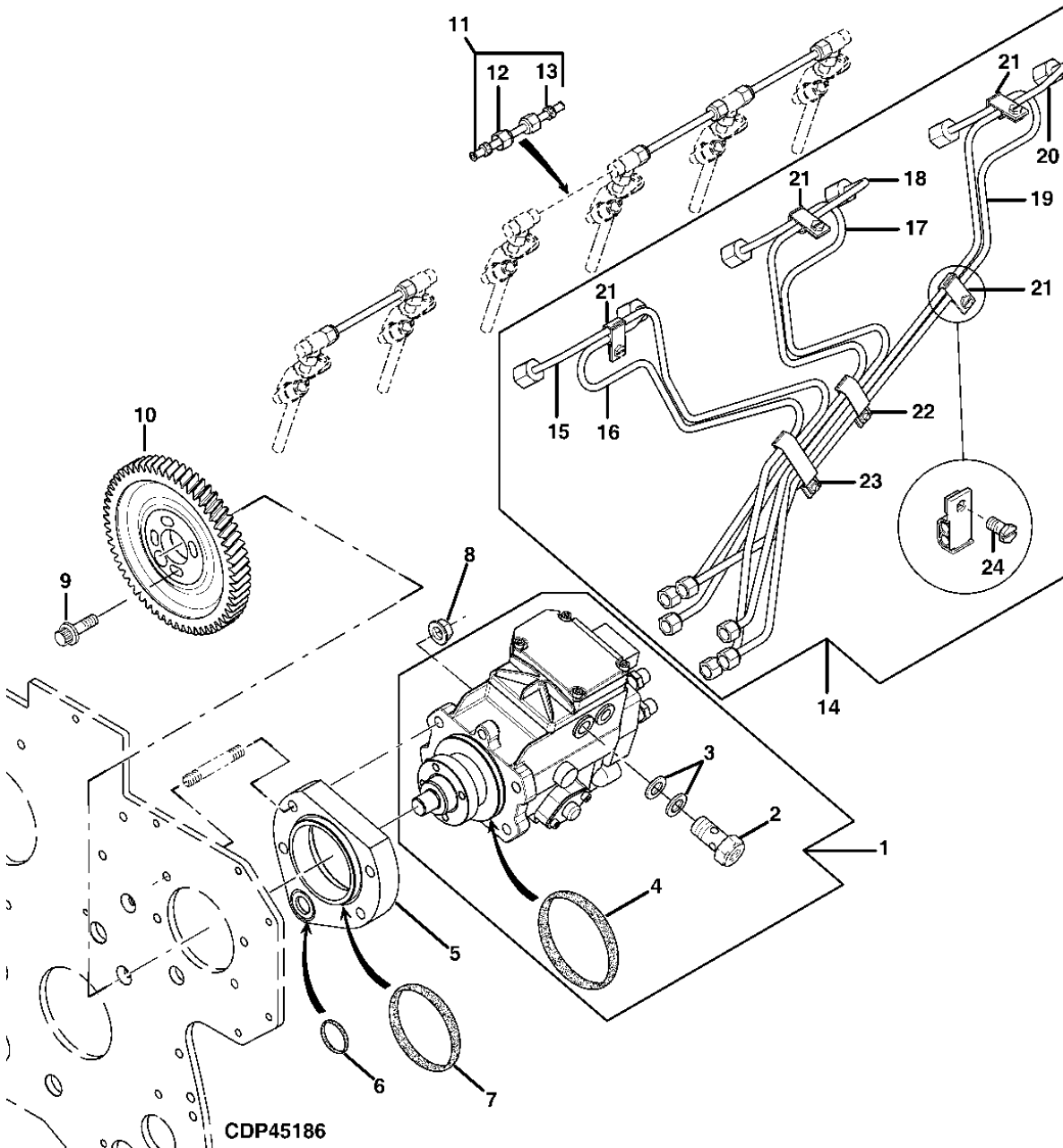
4
0
4
5
T

160-42

FUEL INJECTION PUMP

CDP45186 -UN-

16YS
16YS
16YS
16YS
16YS



160-43

FUEL INJECTION PUMP

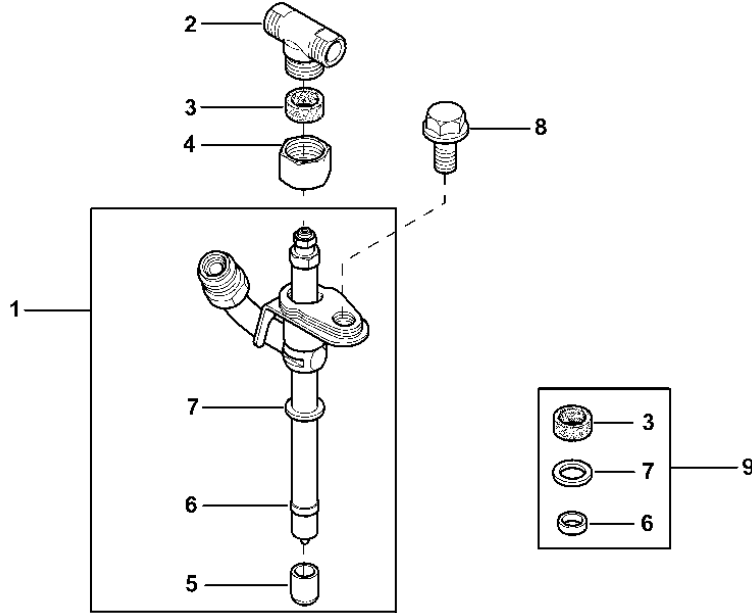
KEY	PART NO.	PART NAME	QTY.	ENGINE SERIAL NO.	6 0 6 8 H	REMARKS
1	RE506680	FUEL INJECTION PUMP	1		X	BOSCH VP44 - 12V
2	RE505227	OVERFLOW	1		X	(ALSO ORDER (2) R504155)
3	R504155	SEALING WASHER	2		X	COPPER, CUIVRE, ONE TIME USAGE, USAGE UNIQUE
4	R54873	O-RING	1		X	75.260 X 2.997 MM
5	R501039	ADAPTER FITTING	1		X	
6	T76938	O-RING	1		X	23.520 X 1.778 MM
7	R123295	O-RING	1		X	86 X 2 MM
8	14M7296	FLANGE NUT	4		X	M10
9	R504798	SCREW	4		X	M8 X 23
10	R515150	HELICAL GEAR	1		X	
11	RE68748	TUBE	4		X	
12	R123593	TUBE NUT	AR		X	
13	R51936	SEALING WASHER	AR		X	5.560 X 10.500 X 5.410 MM
14	RE507163	FUEL LINE	1		X	KIT, (SUB FOR RE507653, RE507654, RE507655, RE507656, RE507657, RE507658)
15	FUEL LINE	1		X	NO 1, NSEP, (ORDER RE507163)
16	FUEL LINE	1		X	NO 2, NSEP, (ORDER RE507163)
17	FUEL LINE	1		X	NO 3, NSEP, (ORDER RE507163)
18	FUEL LINE	1		X	NO 4, NSEP, (ORDER RE507163)
19	FUEL LINE	1		X	NO 5, NSEP, (ORDER RE507163)
20	FUEL LINE	1		X	NO 6, NSEP, (ORDER RE507163)
21	RE19797	CLAMP	4		X	
22	RE20901	CLAMP	1		X	
23	RE19800	CLAMP	1		X	
24	19M6614	CAP SCREW	1		X	M6 X 12

160-44

FUEL INJECTION PUMP

16YS - CONTINUED
 16YS - SUITE
 16YS - FORTSETZUNG
 16YS - SEGUIITO
 16YS - CONTINUACION
 16YS - FORTS

CDP45007A -UN-



CDP45007A

KEY	PART NO.	PART NAME	QTY.	ENGINE SERIAL NO.	6 0 6 8 H	REMARKS
1	RE506688	INJECTION NOZZLE	6		X	
	SE500835	INJECTION NOZZLE	1		X (A) (PKG 6)	
	SE501105	INJECTION NOZZLE	AR		X (A) (PKG 1)	
2	R71963	TEE FITTING	1		X	
3	PACKING	1		X	NSEP, (ORDER RE64292)
4	R79604	TUBE NUT	1		X	
5	PLUG	1		X	
6	SEAL	1		X	NSEP, (ORDER RE64292)
7	PACKING	1		X	NSEP, (ORDER RE64292)
8	R116366	SCREW	6		X	
9	RE64292	KIT	AR		X	

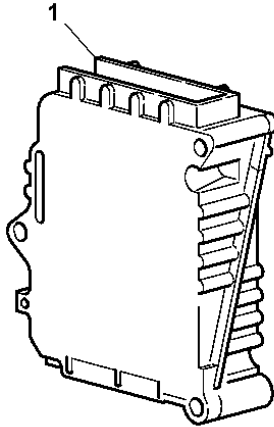
(A) REMANUFACTURED
 ECHANGE STANDARD
 GENERALUEBERHOLT
 REVISIONATO
 REACONDICIONADO
 RENOVERAD

160-45

FUEL INJECTION PUMP

16YS - CONTINUED
 16YS - SUITE
 16YS - FORTSETZUNG
 16YS - SEGUITO
 16YS - CONTINUACION
 16YS - FORTS

CDP45139 -UN-



ECU

CDP45139

KEY	PART NO.	PART NAME	QTY.	SERIAL NO.	6 0 6 8 H	REMARKS
1	RE506664	ENGINE CONTROLLER	1		X (A)	(ECU - 12V)

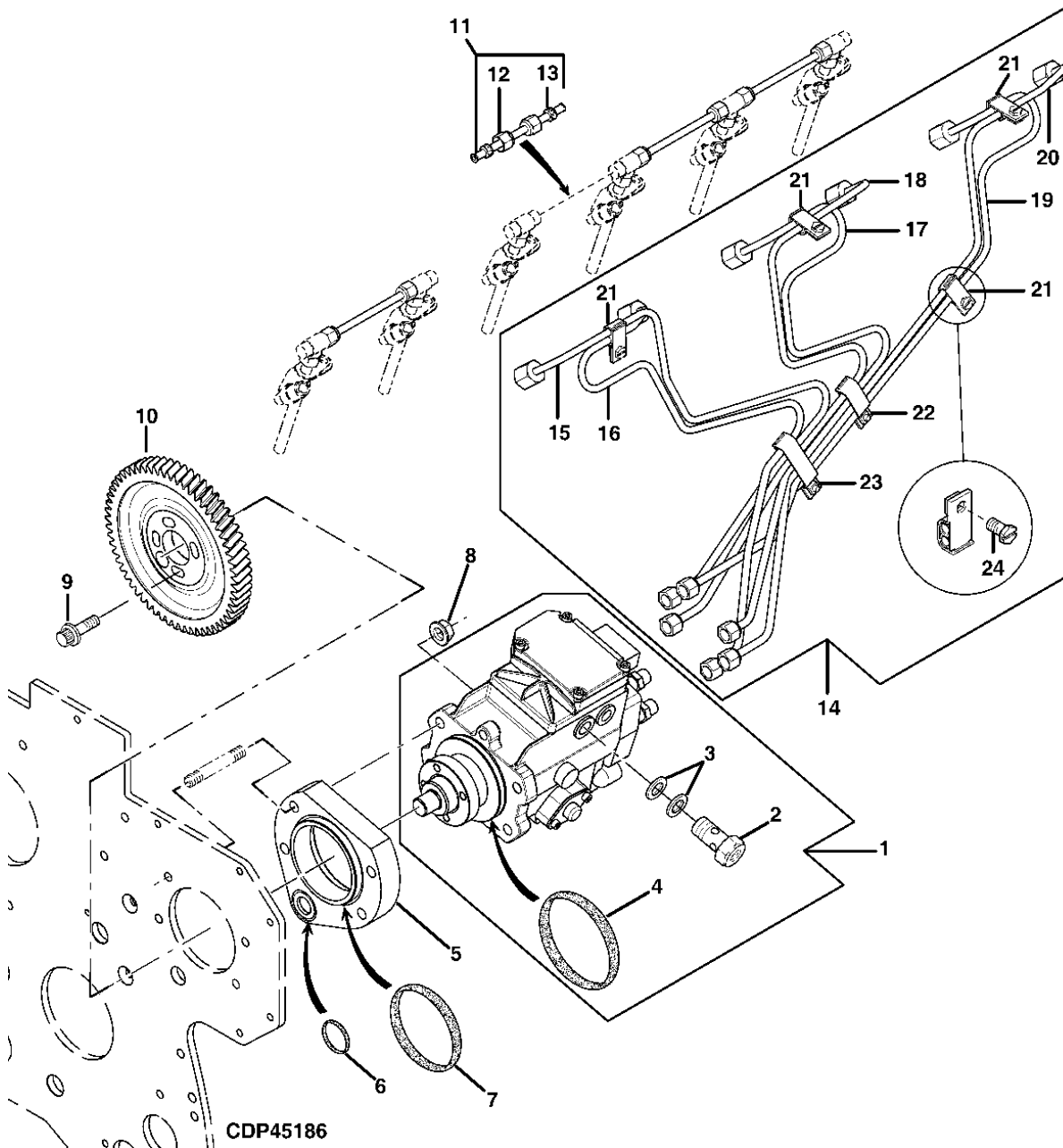
(A) THIS PART MUST BE ORDERED WITH ENGINE SERIAL NUMBER
 CETTE PIECE DOIT ETRE COMMANDEE AVEC LE NUMERO DE SERIE DU MOTEUR
 DIESES TEIL MUSS MIT ANGABE DER MOTORSERIENUMMER BESTELT WERDEN
 QUESTO PEZZO DEVE ESSERE ORDINATO INDICANDO IL NUMERO DI SERIE DEL MOTORE
 INDICAR EL NO. DE SERIE DEL MOTOR AL PEDIR ESTA PIEZA
 MOTORSERIENUMMER MASTE ANGES VID BESTALLNING AV DENNA DELEN

160-46

FUEL INJECTION PUMP

CDP45186 -UN-

16YT
16YT
16YT
16YT
16YT
16YT



160-47

FUEL INJECTION PUMP

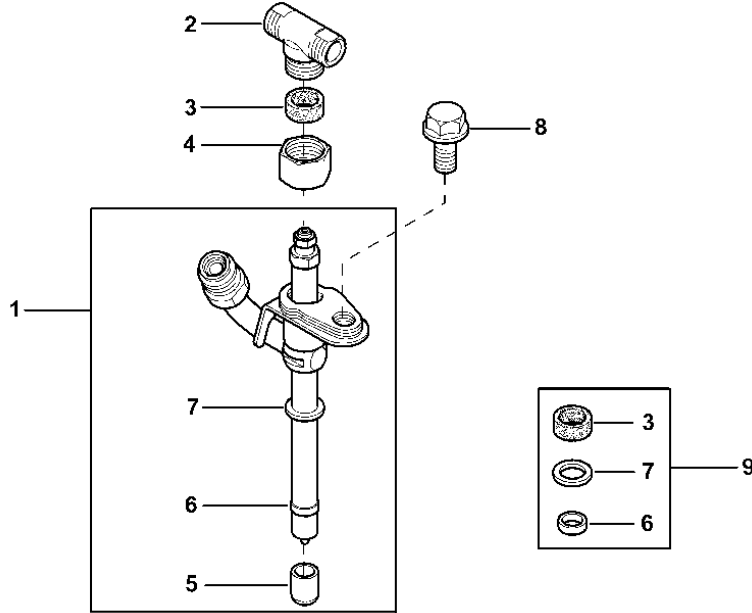
KEY	PART NO.	PART NAME	QTY.	ENGINE SERIAL NO.	6 0 6 8 H	REMARKS
1	RE506681 RE522826	FUEL INJECTION PUMP FUEL INJECTION PUMP	1 1	-862957 862958-	X X	BOSCH VP44 - 24V, (ORDER RE522826) BOSCH VP44 - 24V
2	RE505227	OVERFLOW	1		X	(ALSO ORDER (2) R504155)
3	R504155	SEALING WASHER	2		X	COPPER, CUIVRE, ONE TIME USAGE, USAGE UNIQUE
4	R54873	O-RING	1		X	75.260 X 2.997 MM
5	R501039	ADAPTER FITTING	1		X	
6	T76938	O-RING	1		X	23.520 X 1.778 MM
7	R123295	O-RING	1		X	86 X 2 MM
8	14M7296	FLANGE NUT	4		X	M10
9	R504798	SCREW	4		X	M8 X 23
10	R515150	HELICAL GEAR	1		X	
11	RE68748	TUBE	4		X	
12	R123593	TUBE NUT	AR		X	
13	R51936	SEALING WASHER	AR		X	5.560 X 10.500 X 5.410 MM
14	RE507163	FUEL LINE	1		X	KIT, (SUB FOR RE507653, RE507654, RE507655, RE507656, RE507657, RE507658)
15	FUEL LINE	1		X	NO 1, NSEP, (ORDER RE507163)
16	FUEL LINE	1		X	NO 2, NSEP, (ORDER RE507163)
17	FUEL LINE	1		X	NO 3, NSEP, (ORDER RE507163)
18	FUEL LINE	1		X	NO 4, NSEP, (ORDER RE507163)
19	FUEL LINE	1		X	NO 5, NSEP, (ORDER RE507163)
20	FUEL LINE	1		X	NO 6, NSEP, (ORDER RE507163)
21	RE19797	CLAMP	4		X	
22	RE20901	CLAMP	1		X	
23	RE19800	CLAMP	1		X	
24	19M6614	CAP SCREW	1		X	M6 X 12

160-48

FUEL INJECTION PUMP

16YT - CONTINUED
 16YT - SUITE
 16YT - FORTSETZUNG
 16YT - SEGUI TO
 16YT - CONTINUACION
 16YT - FORTS

CDP45007A -UN-



CDP45007A

KEY	PART NO.	PART NAME	QTY.	ENGINE SERIAL NO.	6 0 6 8 H	REMARKS
1	RE506688	INJECTION NOZZLE	6		X	
	SE500835	INJECTION NOZZLE	1		X (A) (PKG 6)	
	SE501105	INJECTION NOZZLE	AR		X (A) (PKG 1)	
2	R71963	TEE FITTING	1		X	
3	PACKING	1		X	NSEP, (ORDER RE64292)
4	R79604	TUBE NUT	1		X	
5	PLUG	1		X	
6	SEAL	1		X	NSEP, (ORDER RE64292)
7	PACKING	1		X	NSEP, (ORDER RE64292)
8	R116366	SCREW	6		X	
9	RE64292	KIT	AR		X	

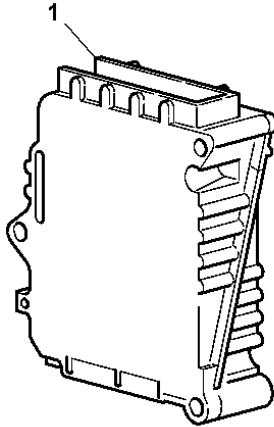
(A) REMANUFACTURED
 ECHANGE STANDARD
 GENERALUEBERHOLT
 REVISIONATO
 REACONDICIONADO
 RENOVERAD

160-49

FUEL INJECTION PUMP

16YT - CONTINUED
 16YT - SUITE
 16YT - FORTSETZUNG
 16YT - SEGUITO
 16YT - CONTINUACION
 16YT - FORTS

CDP45139 -UN-



ECU

CDP45139

KEY	PART NO.	PART NAME	QTY.	SERIAL NO.	6 0 6 8 H	REMARKS
1	RE506665	ENGINE CONTROLLER	1		X (A)	(ECU - 24V)

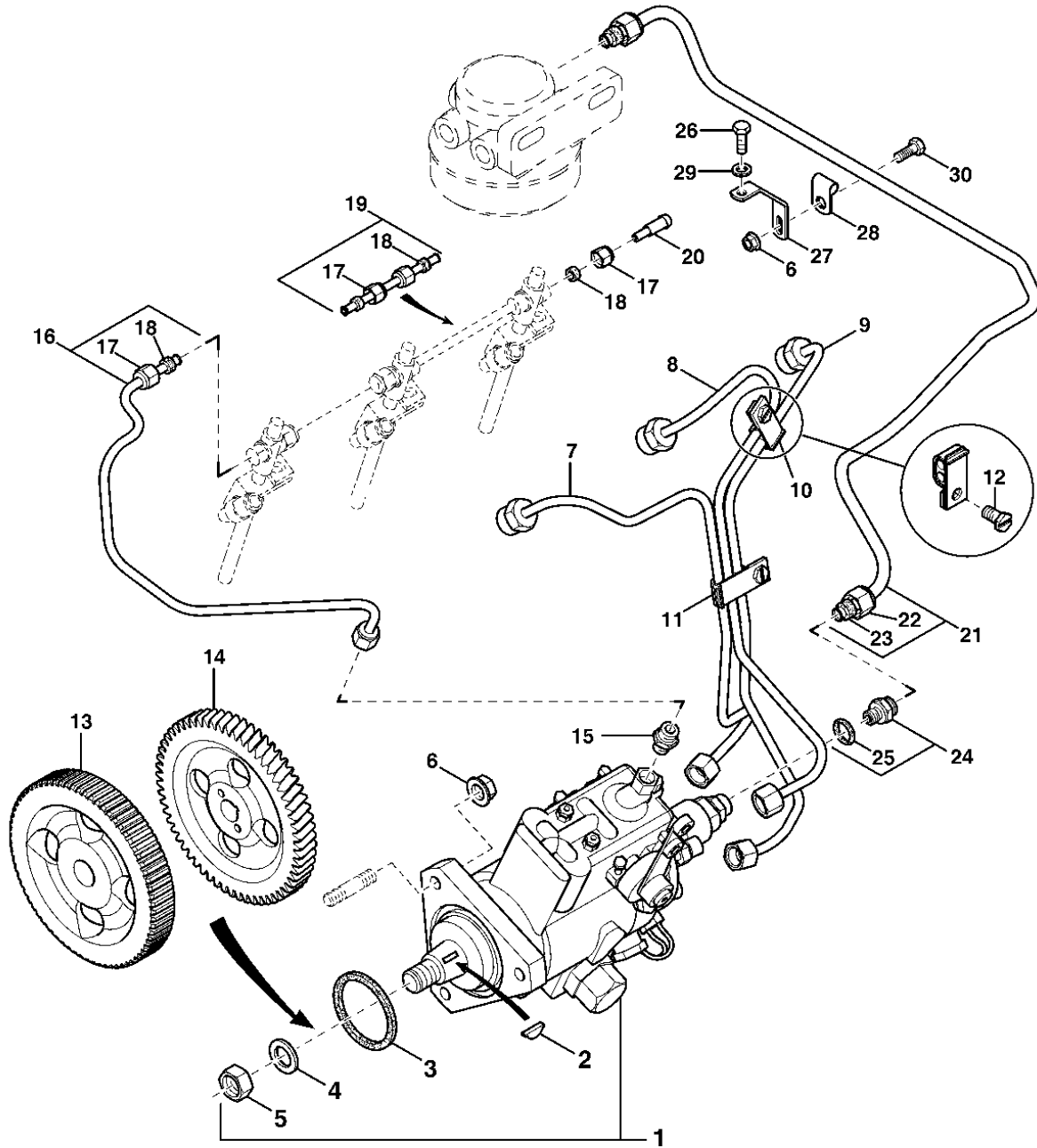
(A) THIS PART MUST BE ORDERED WITH ENGINE SERIAL NUMBER
 CETTE PIECE DOIT ETRE COMMANDEE AVEC LE NUMERO DE SERIE DU MOTEUR
 DIESES TEIL MUSS MIT ANGABE DER MOTORSERIENUMMER BESTELT WERDEN
 QUESTO PEZZO DEVE ESSERE ORDINATO INDICANDO IL NUMERO DI SERIE DEL MOTORE
 INDICAR EL NO. DE SERIE DEL MOTOR AL PEDIR ESTA PIEZA
 MOTORSERIENUMMER MASTE ANGES VID BESTALLNING AV DENNA DELEN

160-50

FUEL INJECTION PUMP

16X5
16X5
16X5
16X5
16X5
16X5

CDP47409 -UN-



CDP47409

160-51

FUEL INJECTION PUMP

KEY	PART NO.	PART NAME	QTY.	ENGINE SERIAL NO.	3 0 2 9 T	REMARKS
1	RE519015	FUEL INJECTION PUMP	1		X	(A) STANADYNE DB4-5828, 48KW-1800MIN-1, 12V
2	R56131	SHAFT KEY	1		X	
3	R502076	O-RING	1		X	
4	R132874	WASHER	1		X	
5	R91360	NUT	1		X	M14
6	A22698	NUT	3		X	7.925 MM
7	RE20898	FUEL LINE	1		X	NO1
8	RE20899	FUEL LINE	1		X	NO2
9	RE20900	FUEL LINE	1		X	NO3
10	RE19797	CLAMP	1		X	
11	RE20901	CLAMP	1		X	
12	19M6614	CAP SCREW	1		X	M6 X 12
13	R500551	SPUR GEAR	NA		X	(B) Z = 48
14	R104907	HELICAL GEAR	1		X	(C) Z = 48
15	R63604	FITTING	1		X	1/8"-27NPT X 1/2"-24UNS
16	RE71145	FUEL LINE	1		X	
17	R123593	TUBE NUT	AR		X	
18	R51936	SEALING WASHER	AR		X	5.560 X 10.500 X 5.410 MM
19	RE68748	TUBE	2		X	
20	R500731	HOSE FITTING	1		X	
21	RE509283	FUEL LINE	1		X	
22	R123594	TUBE NUT	AR		X	9/16"-24UNEF
23	R74012	SEALING WASHER	AR		X	7.140 X 12.300 X 6.400 MM
24	RE60029	ADAPTER FITTING	1		X	M12X1.5 X 9/16"-24UNEF
25	51M7040	O-RING	1		X	9.300 X 2.200 MM
26	19H2284	CAP SCREW	1		X	3/8" X 7/8"
27	R520931	BRACKET	1		X	
28	T13914	CLAMP	1		X	
29	24M7096	WASHER	1		X	10.500 X 18 X 1.600 MM
30	19H2664	CAP SCREW	1		X	5/16" X 3/4"

(A) SEE YOUR AUTHORIZED PUMP REPAIR STATION FOR PARTS NOT LISTED
 CONSULTER LE REPARATEUR AGREE DE POMPES POUR LES PIECES NON LISTEES
 NICHT GEZIGTE TEILE VON EINSPRITZPUMPE VETRETER BEZIEHEN
 CONSULTARE IL CONCESSIONARIO AUTORIZZATO DELLE POMPE D'INIEZIONE PER PARTI NON ELENCATI
 CONSULTE CON SU ESTACION AUTORIZADA DE REPARACIONES DE BOMBA
 KONSULTERIAS INSPRUTNINGSPOMPENS ATERFORSALJARE FOR DELAR EJ VISADE

(B) WITH POWER TAKE-OFF
 AVEC PRISE DE FORCE
 MIT ZAPFWELLE
 CON PREZA DI FORZA
 CON TOMA DE FUERGA
 VID KRAFTUTTAG

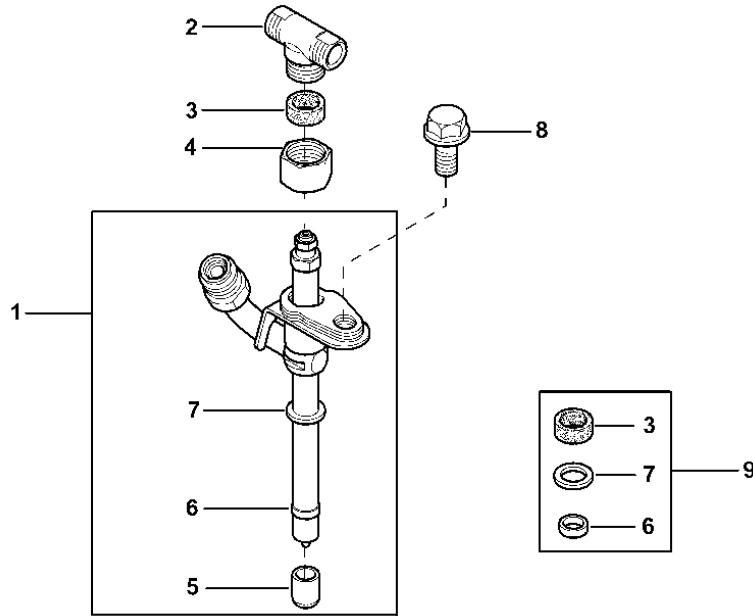
(C) WITHOUT POWER TAKE-OFF
 SANS PRISE DE FORCE
 OHNE ZAPFWELLE
 SENZA PRESA DI FORZA
 SIN TOMA DE FUERGA
 UTAN KRAFTUTTAG

160-52

FUEL INJECTION PUMP

16X5 - CONTINUED
 16X5 - SUITE
 16X5 - FORTSETZUNG
 16X5 - SEGUITO
 16X5 - CONTINUACION
 16X5 - FORTS

CDP45007A -UN-



CDP45007A

KEY	PART NO.	PART NAME	QTY.	ENGINE SERIAL NO.	3 0 2 9 T	REMARKS
1	RE48786	INJECTION NOZZLE	3		X	
	SE501101	INJECTION NOZZLE	AR		X (A) (PKG 1)	
2	R71963	TEE FITTING	3		X	
3	PACKING	1		X	NSEP, (ORDER RE64292)
4	R79604	TUBE NUT	1		X	
5	PLUG	1		X	
6	SEAL	1		X	NSEP, (ORDER RE64292)
7	PACKING	1		X	NSEP, TK= 1.9MM, (ORDER RE64292)
8	R101201	CAP SCREW	3		X	5/16" X 3/4" -18UNC
9	RE64292	KIT	AR		X	

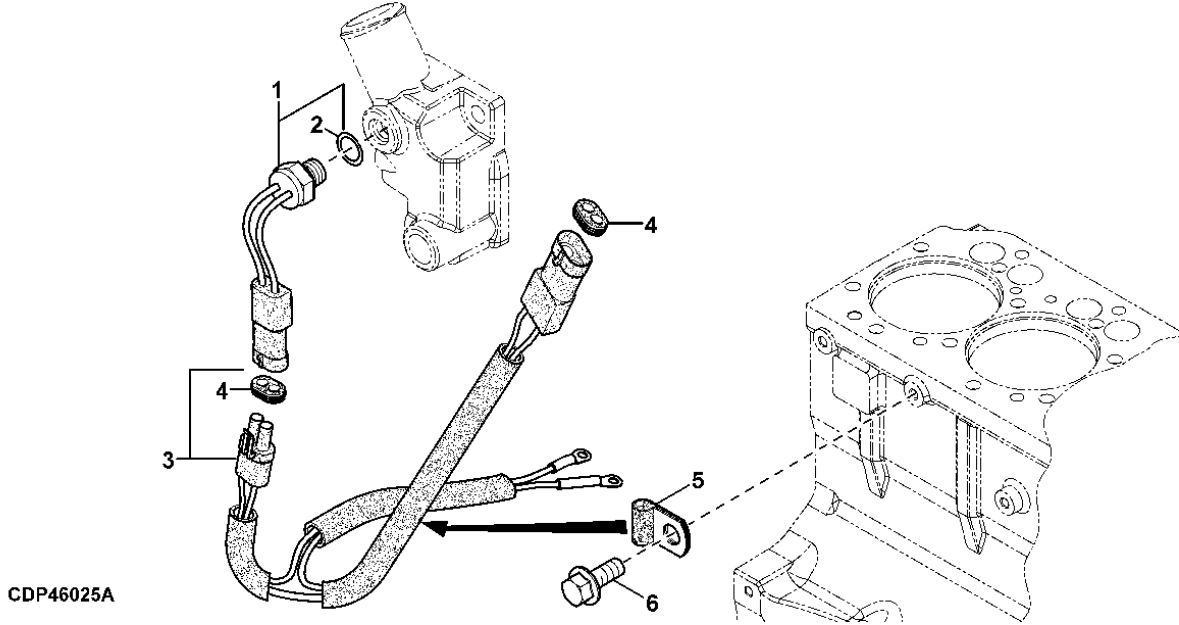
(A) REMANUFACTURED
 ECHANGE STANDARD
 GENERALUEBERHOLT
 REVISIONATO
 REACONDICIONADO
 RENOVERAD

160-53

FUEL INJECTION PUMP

16X5 - CONTINUED
 16X5 - SUITE
 16X5 - FORTSETZUNG
 16X5 - SEGUITO
 16X5 - CONTINUACION
 16X5 - FORTS

CDP46025A -UN-



CDP46025A

3
0
2
9
T

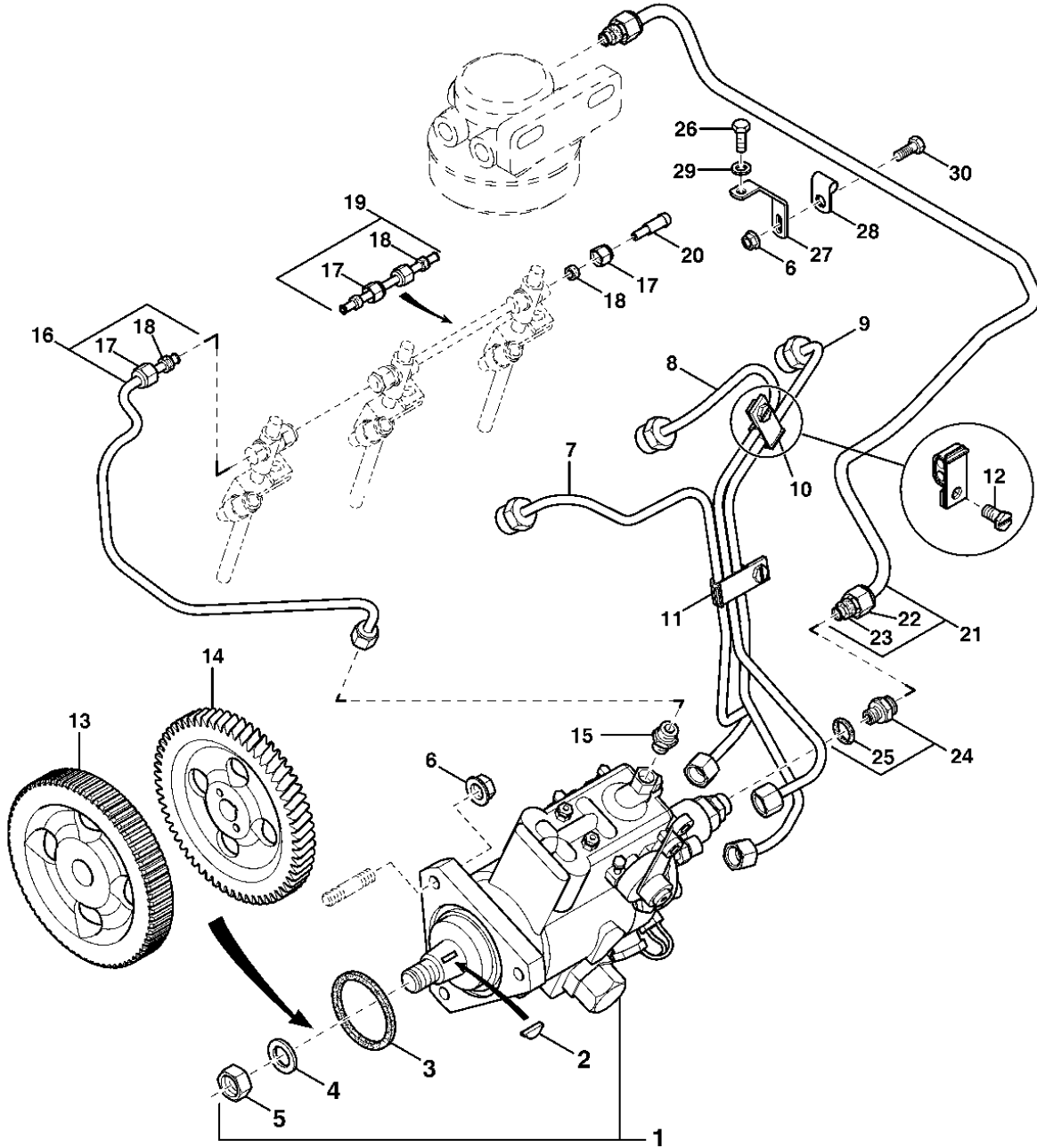
KEY	PART NO.	PART NAME	QTY.	ENGINE SERIAL NO.	REMARKS
1	RE503242	SENSOR WIRING HARNESS	1	X	
2	51M7041	O-RING	1	X	11.300 X 2.200 MM
3	RE66560	WIRING HARNESS	1	X	
4	R78048	ELEC. CONNECTOR ACCESSORY	1	X	
5	T74410	CLAMP	1	X	
6	19M7783	SCREW	1	X	M10 X 16

160-54

FUEL INJECTION PUMP

16X6
16X6
16X6
16X6
16X6
16X6

CDP47409 -UN-



CDP47409

160-55

FUEL INJECTION PUMP

KEY	PART NO.	PART NAME	QTY.	ENGINE SERIAL NO.	3 0 2 9 T	REMARKS
1	RE519016	FUEL INJECTION PUMP	1		X	(A) STANADYNE DB4-5846, 48KW-1800MIN-1, 24V
2	R56131	SHAFT KEY	1		X	
3	R502076	O-RING	1		X	
4	R132874	WASHER	1		X	
5	R91360	NUT	1		X	M14
6	A22698	NUT	3		X	7.925 MM
7	RE20898	FUEL LINE	1		X	NO1
8	RE20899	FUEL LINE	1		X	NO2
9	RE20900	FUEL LINE	1		X	NO3
10	RE19797	CLAMP	1		X	
11	RE20901	CLAMP	1		X	
12	19M6614	CAP SCREW	1		X	M6 X 12
13	R500551	SPUR GEAR	NA		X	(B) Z = 48
14	R104907	HELICAL GEAR	1		X	(C) Z = 48
15	R63604	FITTING	1		X	1/8"-27NPT X 1/2"-24UNS
16	RE71145	FUEL LINE	1		X	
17	R123593	TUBE NUT	AR		X	
18	R51936	SEALING WASHER	AR		X	5.560 X 10.500 X 5.410 MM
19	RE68748	TUBE	2		X	
20	R500731	HOSE FITTING	1		X	
21	RE509283	FUEL LINE	1		X	
22	R123594	TUBE NUT	AR		X	9/16"-24UNEF
23	R74012	SEALING WASHER	AR		X	7.140 X 12.300 X 6.400 MM
24	RE60029	ADAPTER FITTING	1		X	M12X1.5 X 9/16"-24UNEF
25	51M7040	O-RING	1		X	9.300 X 2.200 MM
26	19H2284	CAP SCREW	1		X	3/8" X 7/8"
27	R520931	BRACKET	1		X	
28	T13914	CLAMP	1		X	
29	24M7096	WASHER	1		X	10.500 X 18 X 1.600 MM
30	19H2664	CAP SCREW	1		X	5/16" X 3/4"

(A) SEE YOUR AUTHORIZED PUMP REPAIR STATION FOR PARTS NOT LISTED
 CONSULTER LE REPARATEUR AGREE DE POMPES POUR LES PIECES NON LISTEES
 NICHT GEZIGTE TEILE VON EINSPRITZPUMPE VETRETER BEZIEHEN
 CONSULTARE IL CONCESSIONARIO AUTORIZZATO DELLE POMPE D'INIEZIONE PER PARTI NON ELENCATI
 CONSULTE CON SU ESTACION AUTORIZADA DE REPARACIONES DE BOMBA
 KONSULTERIAS INSPRUTNINGSPOMPENS ATERFORSALJARE FOR DELAR EJ VISADE

(B) WITH POWER TAKE-OFF
 AVEC PRISE DE FORCE
 MIT ZAPFWELLE
 CON PREZA DI FORZA
 CON TOMA DE FUERGA
 VID KRAFTUTTAG

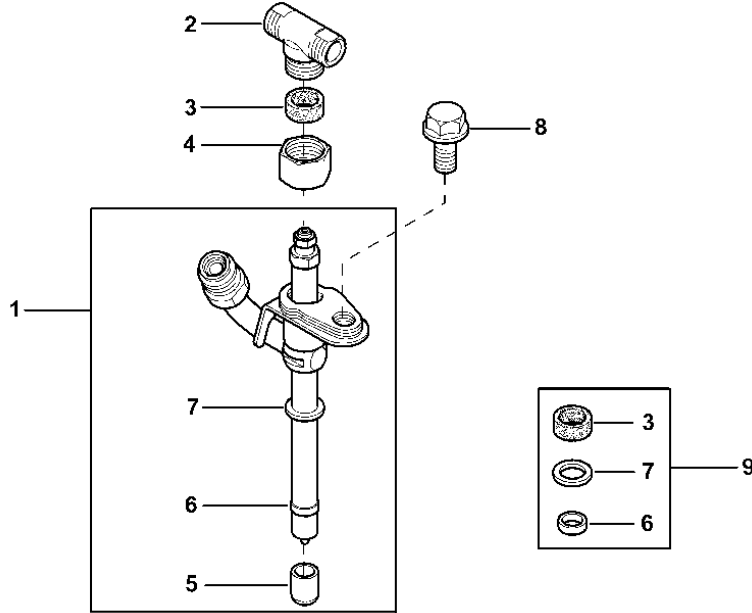
(C) WITHOUT POWER TAKE-OFF
 SANS PRISE DE FORCE
 OHNE ZAPFWELLE
 SENZA PRESA DI FORZA
 SIN TOMA DE FUERGA
 UTAN KRAFTUTTAG

160-56

FUEL INJECTION PUMP

16X6 - CONTINUED
 16X6 - SUITE
 16X6 - FORTSETZUNG
 16X6 - SEGUITO
 16X6 - CONTINUACION
 16X6 - FORTS

CDP45007A -UN-



CDP45007A

KEY	PART NO.	PART NAME	QTY.	ENGINE SERIAL NO.	3 0 2 9 T	REMARKS
1	RE48786	INJECTION NOZZLE	3		X	
	SE501101	INJECTION NOZZLE	AR		X (A) (PKG 1)	
2	R71963	TEE FITTING	3		X	
3	PACKING	1		X	NSEP, (ORDER RE64292)
4	R79604	TUBE NUT	1		X	
5	PLUG	1		X	
6	SEAL	1		X	NSEP, (ORDER RE64292)
7	PACKING	1		X	NSEP, TK= 1.9MM, (ORDER RE64292)
8	R101201	CAP SCREW	3		X	5/16" X 3/4" -18UNC
9	RE64292	KIT	AR		X	

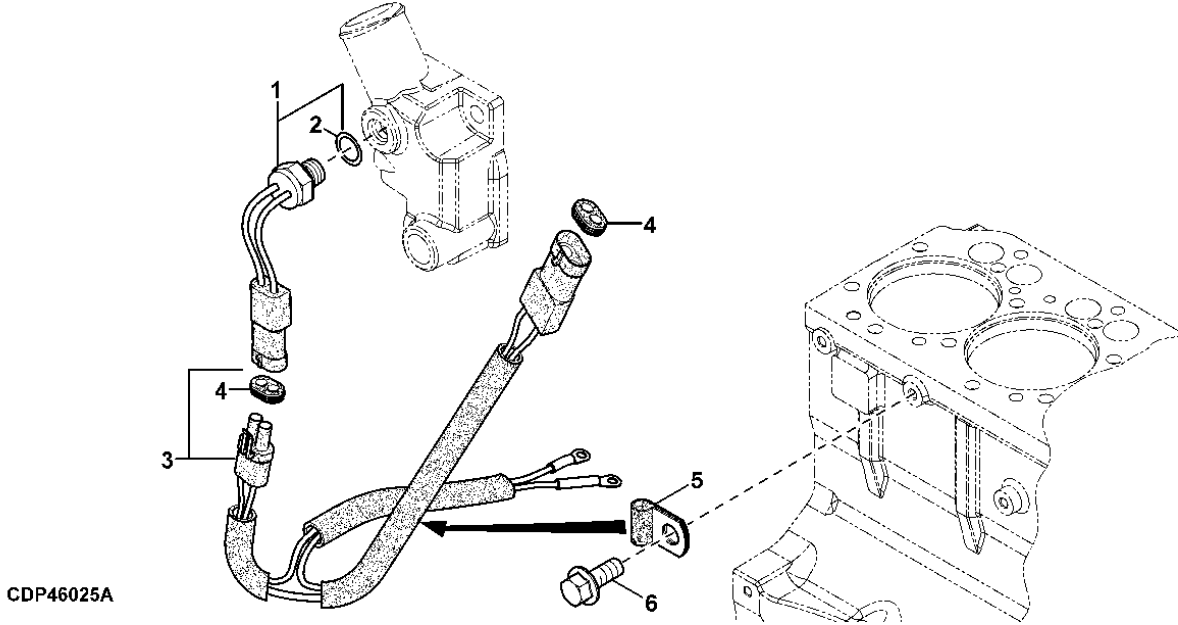
(A) REMANUFACTURED
 ECHANGE STANDARD
 GENERALUEBERHOLT
 REVISIONATO
 REACONDICIONADO
 RENOVERAD

160-57

FUEL INJECTION PUMP

16X6 - CONTINUED
 16X6 - SUITE
 16X6 - FORTSETZUNG
 16X6 - SEGUITO
 16X6 - CONTINUACION
 16X6 - FORTS

CDP46025A -UN-



CDP46025A

KEY	PART NO.	PART NAME	QTY.	ENGINE SERIAL NO.	REMARKS
1	RE503242	SENSOR WIRING HARNESS	1	X	
2	51M7041	O-RING	1	X	11.300 X 2.200 MM
3	RE66560	WIRING HARNESS	1	X	
4	R78048	ELEC. CONNECTOR ACCESSORY	1	X	
5	T74410	CLAMP	1	X	
6	19M7783	SCREW	1	X	M10 X 16

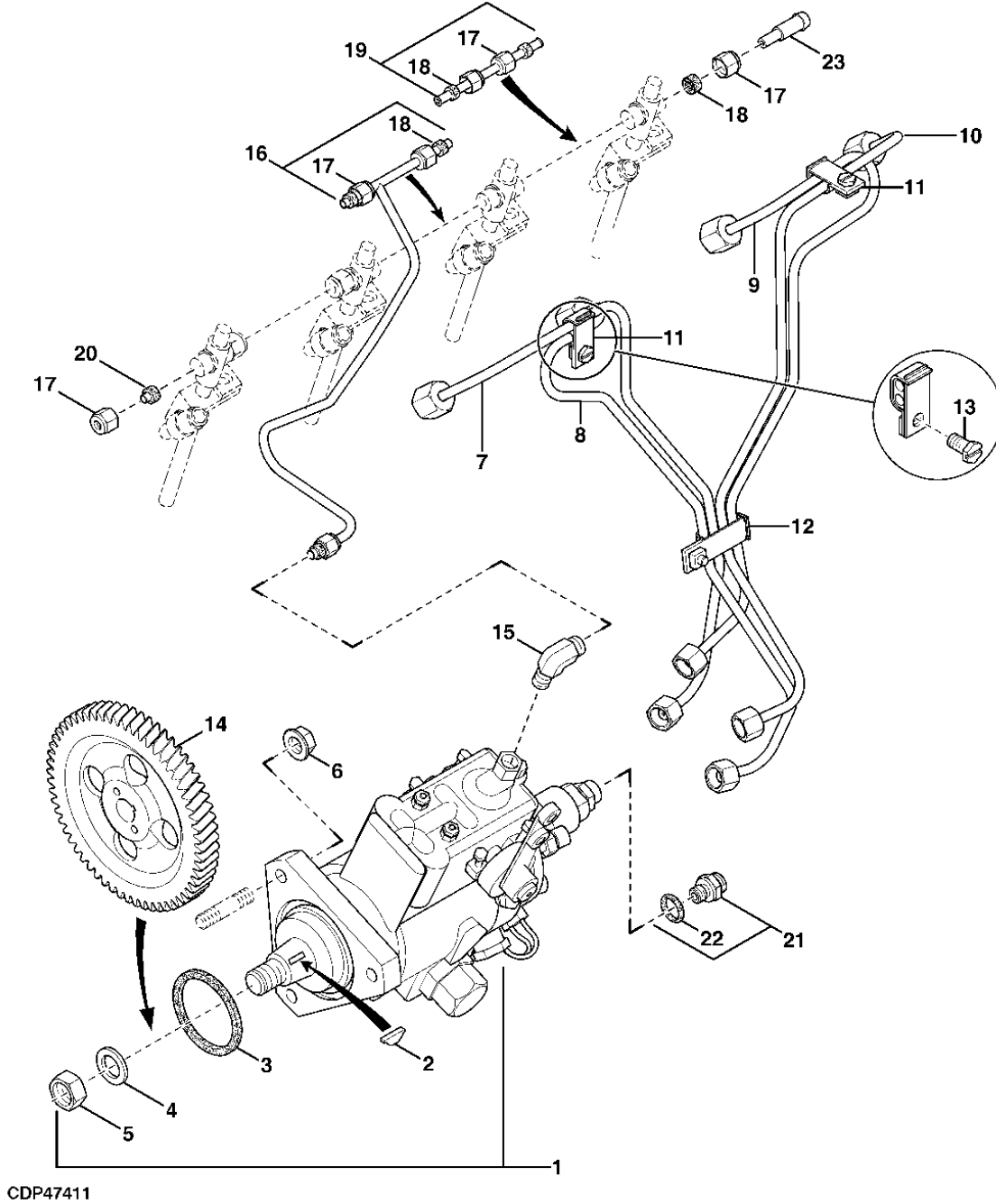
3
0
2
9
T

160-58

FUEL INJECTION PUMP

CDP47411 -UN-

16X7
16X7
16X7
16X7
16X7
16X7



160-59

FUEL INJECTION PUMP

KEY	PART NO.	PART NAME	QTY.	ENGINE SERIAL NO.	4 0 4 5 D	REMARKS
1	RE519023	FUEL INJECTION PUMP	1		X	(A) STANADYNE- DB4-5854, 50KW-1800MIN-1 - 12V
2	R56131	SHAFT KEY	1		X	
3	R502076	O-RING	1		X	
4	R132874	WASHER	1		X	
5	R91360	NUT	1		X	M14
6	14M7298	FLANGE NUT	3		X	M8
7	RE59447	FUEL LINE	1		X	N01
8	RE59448	FUEL LINE	1		X	N02
9	RE59449	FUEL LINE	1		X	N03
10	RE59450	FUEL LINE	1		X	N04
11	RE19797	CLAMP	2		X	
12	RE19799	CLAMP	1		X	
13	19M7923	CAP SCREW	1		X	M6 X 12 (10.9) , (USE WITH RE19797 AND RE19799)
14	R132267	GEAR	1		X	Z= 60
15	R67364	ELBOW FITTING	1		X	1/8"-27NPT X 1/2"-24UNS
16	RE70848	FUEL LINE	1		X	
17	R123593	TUBE NUT	AR		X	1/2"-24UN
18	R51936	SEALING WASHER	AR		X	5.560 X 10.500 X 5.410 MM
19	RE68748	TUBE	2		X	
20	AR85519	PLUG	1		X	
21	RE60029	ADAPTER FITTING	1		X	M12 X 1.5 X 9/16"-24UNEF
22	51M7040	O-RING	1		X	9.300 X 2.200 MM
23	R500731	HOSE FITTING	1		X	

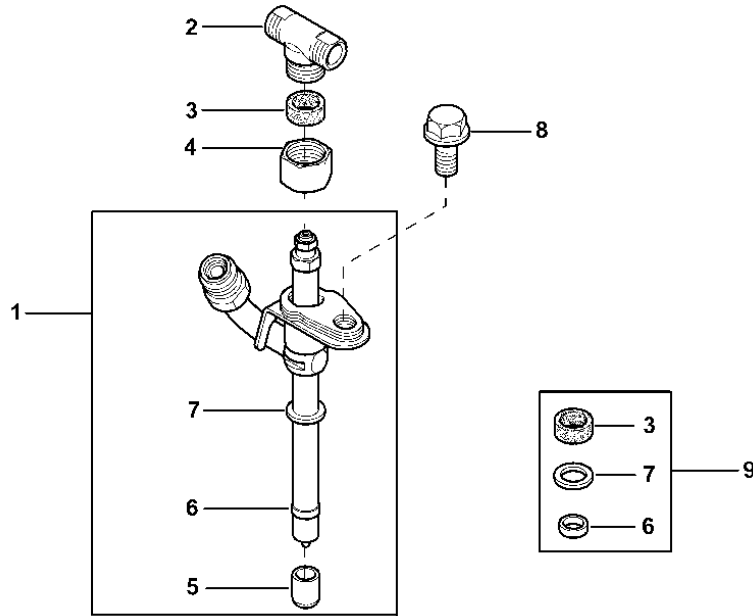
(A) SEE YOUR AUTHORIZED PUMP REPAIR STATION FOR PARTS NOT LISTED
 CONSULTER LE REPARATEUR AGREE DE POMPES POUR LES PIECES NON LISTEES
 NICHT GEZIGTE TEILE VON EINSPRITZPUMPE VETRETER BEZIEHEN
 CONSULTARE IL CONCESSIONARIO AUTORIZZATO DELLE POMPE D'INIEZIONE PER PARTI NON ELENCATI
 CONSULTE CON SU ESTACION AUTORIZADA DE REPARACIONES DE BOMBA
 KONSULTERIAS INSPRUTNINGSPOMPENS ATERFORSALJARE FOR DELAR EJ VISADE

160-60

FUEL INJECTION PUMP

16X7 - CONTINUED
 16X7 - SUITE
 16X7 - FORTSETZUNG
 16X7 - SEGUILO
 16X7 - CONTINUACION
 16X7 - FORTS

CDP45007A -UN-



CDP45007A

4
0
4
5
D

KEY	PART NO.	PART NAME	QTY.	ENGINE SERIAL NO.	REMARKS
1	RE519569	INJECTION NOZZLE	4		X
	SE501180	INJECTION NOZZLE	1		X (A) (PKG 4)
	SE501179	INJECTION NOZZLE	AR		X (A) (PKG 1)
2	R71963	TEE FITTING	1		X
3	PACKING	1		X NSEP, (ORDER RE64292)
4	R79604	TUBE NUT	1		X
5	PLUG	1		X
6	SEAL	1		X NSEP, (ORDER RE64292)
7	PACKING	1		X NSEP, (ORDER RE64292)
8	R116366	SCREW	4		X
9	RE64292	KIT	AR		X

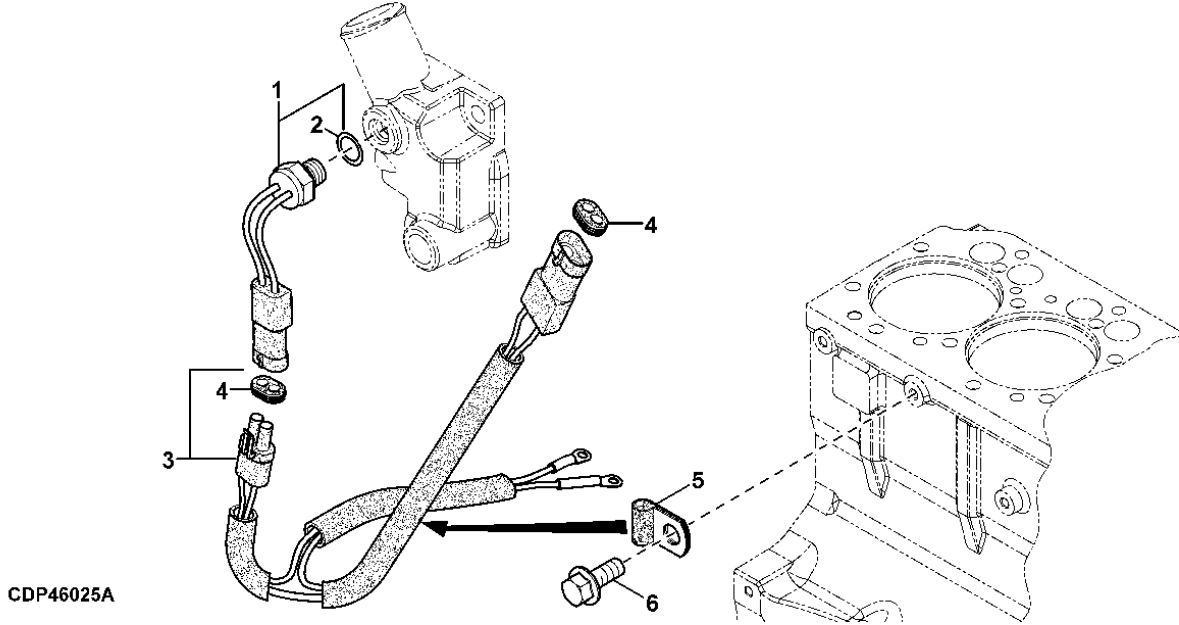
(A) REMANUFACTURED
 ECHANGE STANDARD
 GENERALUEBERHOLT
 REVISIONATO
 REACONDICIONADO
 RENOVERAD

160-61

FUEL INJECTION PUMP

16X7 - CONTINUED
 16X7 - SUITE
 16X7 - FORTSETZUNG
 16X7 - SEGUITO
 16X7 - CONTINUACION
 16X7 - FORTS

CDP46025A -UN-



KEY	PART NO.	PART NAME	QTY.	ENGINE SERIAL NO.	REMARKS
1	RE503242	SENSOR WIRING HARNESS	1	X	
2	51M7041	O-RING	1	X	11.300 X 2.200 MM
3	RE66560	WIRING HARNESS	1	X	
4	R78048	ELEC. CONNECTOR ACCESSORY	1	X	
5	T74410	CLAMP	1	X	
6	19M7783	SCREW	1	X	M10 X 16

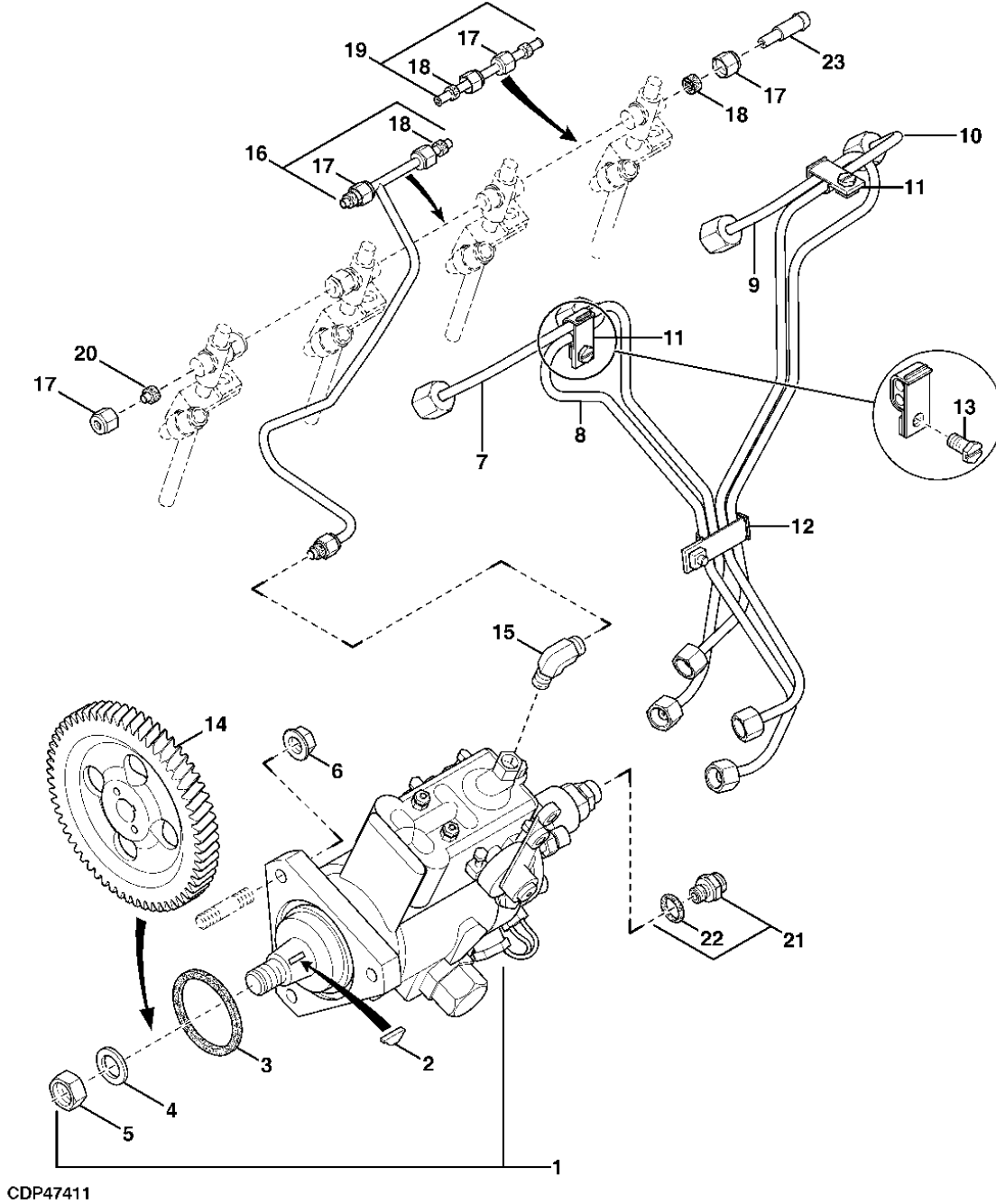
4
0
4
5
D

160-62

FUEL INJECTION PUMP

16X8
16X8
16X8
16X8
16X8
16X8

CDP47411 -UN-



160-63

FUEL INJECTION PUMP

KEY	PART NO.	PART NAME	QTY.	ENGINE SERIAL NO.	4 0 4 5 D	REMARKS
1	RE519024	FUEL INJECTION PUMP	1		X	(A) STANADYNE- DB4-5858, 50KW-1800MIN-1 - 24V
2	R56131	SHAFT KEY	1		X	
3	R502076	O-RING	1		X	
4	R132874	WASHER	1		X	
5	R91360	NUT	1		X	M14
6	14M7298	FLANGE NUT	3		X	M8
7	RE59447	FUEL LINE	1		X	N01
8	RE59448	FUEL LINE	1		X	N02
9	RE59449	FUEL LINE	1		X	N03
10	RE59450	FUEL LINE	1		X	N04
11	RE19797	CLAMP	2		X	
12	RE19799	CLAMP	1		X	
13	19M7923	CAP SCREW	1		X	M6 X 12 (10.9) , (USE WITH RE19797 AND RE19799)
14	R132267	GEAR	1		X	Z= 60
15	R67364	ELBOW FITTING	1		X	1/8"-27NPT X 1/2"-24UNS
16	RE70848	FUEL LINE	1		X	
17	R123593	TUBE NUT	AR		X	1/2"-24UN
18	R51936	SEALING WASHER	AR		X	5.560 X 10.500 X 5.410 MM
19	RE68748	TUBE	2		X	
20	AR85519	PLUG	1		X	
21	RE60029	ADAPTER FITTING	1		X	M12 X 1.5 X 9/16"-24UNEF
22	51M7040	O-RING	1		X	9.300 X 2.200 MM
23	R500731	HOSE FITTING	1		X	

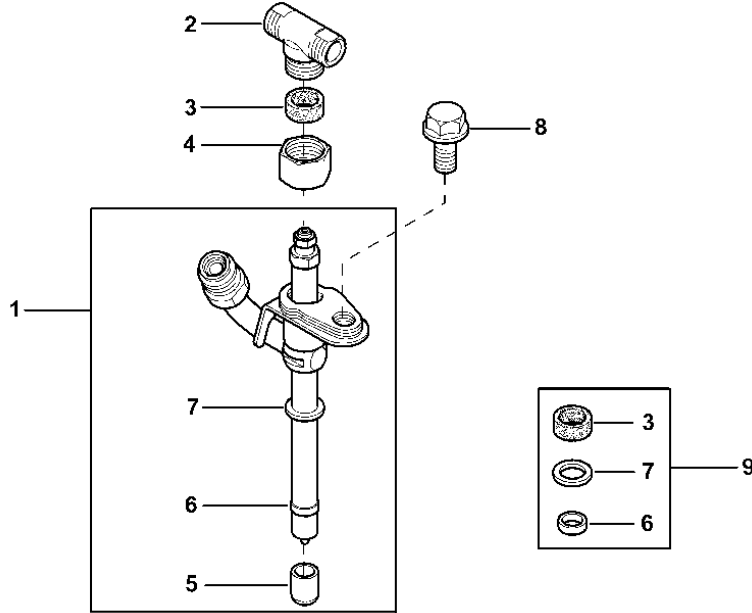
(A) SEE YOUR AUTHORIZED PUMP REPAIR STATION FOR PARTS NOT LISTED
 CONSULTER LE REPARATEUR AGREE DE POMPES POUR LES PIECES NON LISTEES
 NICHT GEZIGTE TEILE VON EINSPRITZPUMPE VETRETER BEZIEHEN
 CONSULTARE IL CONCESSIONARIO AUTORIZZATO DELLE POMPE D'INIEZIONE PER PARTI NON ELENCATI
 CONSULTE CON SU ESTACION AUTORIZADA DE REPARACIONES DE BOMBA
 KONSULTERIAS INSPRUTNINGSPOMPENS ATERFORSALJARE FOR DELAR EJ VISADE

160-64

FUEL INJECTION PUMP

16X8 - CONTINUED
 16X8 - SUITE
 16X8 - FORTSETZUNG
 16X8 - SEGUI TO
 16X8 - CONTINUACION
 16X8 - FORTS

CDP45007A -UN-



CDP45007A

KEY	PART NO.	PART NAME	QTY.	ENGINE SERIAL NO.	4 0 4 5 D	REMARKS
1	RE519569	INJECTION NOZZLE	4		X	
	SE501180	INJECTION NOZZLE	1		X (A) (PKG 4)	
	SE501179	INJECTION NOZZLE	AR		X (A) (PKG 1)	
2	R71963	TEE FITTING	1		X	
3	PACKING	1		X	NSEP, (ORDER RE64292)
4	R79604	TUBE NUT	1		X	
5	PLUG	1		X	
6	SEAL	1		X	NSEP, (ORDER RE64292)
7	PACKING	1		X	NSEP, (ORDER RE64292)
8	PLUG	1		X	
9	R116366	SCREW	4		X	
10	RE64292	KIT	AR		X	

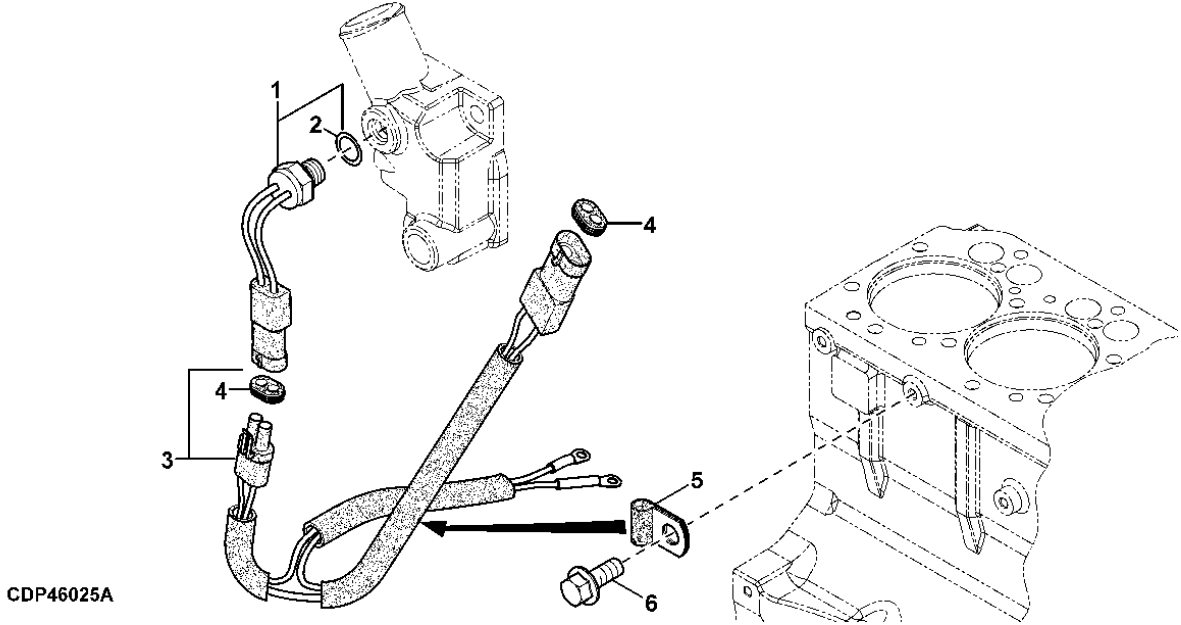
(A) REMANUFACTURED
 ECHANGE STANDARD
 GENERALUEBERHOLT
 REVISIONATO
 REACONDICIONADO
 RENOVERAD

160-65

FUEL INJECTION PUMP

16X8 - CONTINUED
 16X8 - SUITE
 16X8 - FORTSETZUNG
 16X8 - SEGUITO
 16X8 - CONTINUACION
 16X8 - FORTS

CDP46025A -UN-



CDP46025A

KEY	PART NO.	PART NAME	QTY.	ENGINE SERIAL NO.	REMARKS
1	RE503242	SENSOR WIRING HARNESS	1	X	
2	51M7041	O-RING	1	X	11.300 X 2.200 MM
3	RE66560	WIRING HARNESS	1	X	
4	R78048	ELEC. CONNECTOR ACCESSORY	1	X	
5	T74410	CLAMP	1	X	
6	19M7783	SCREW	1	X	M10 X 16

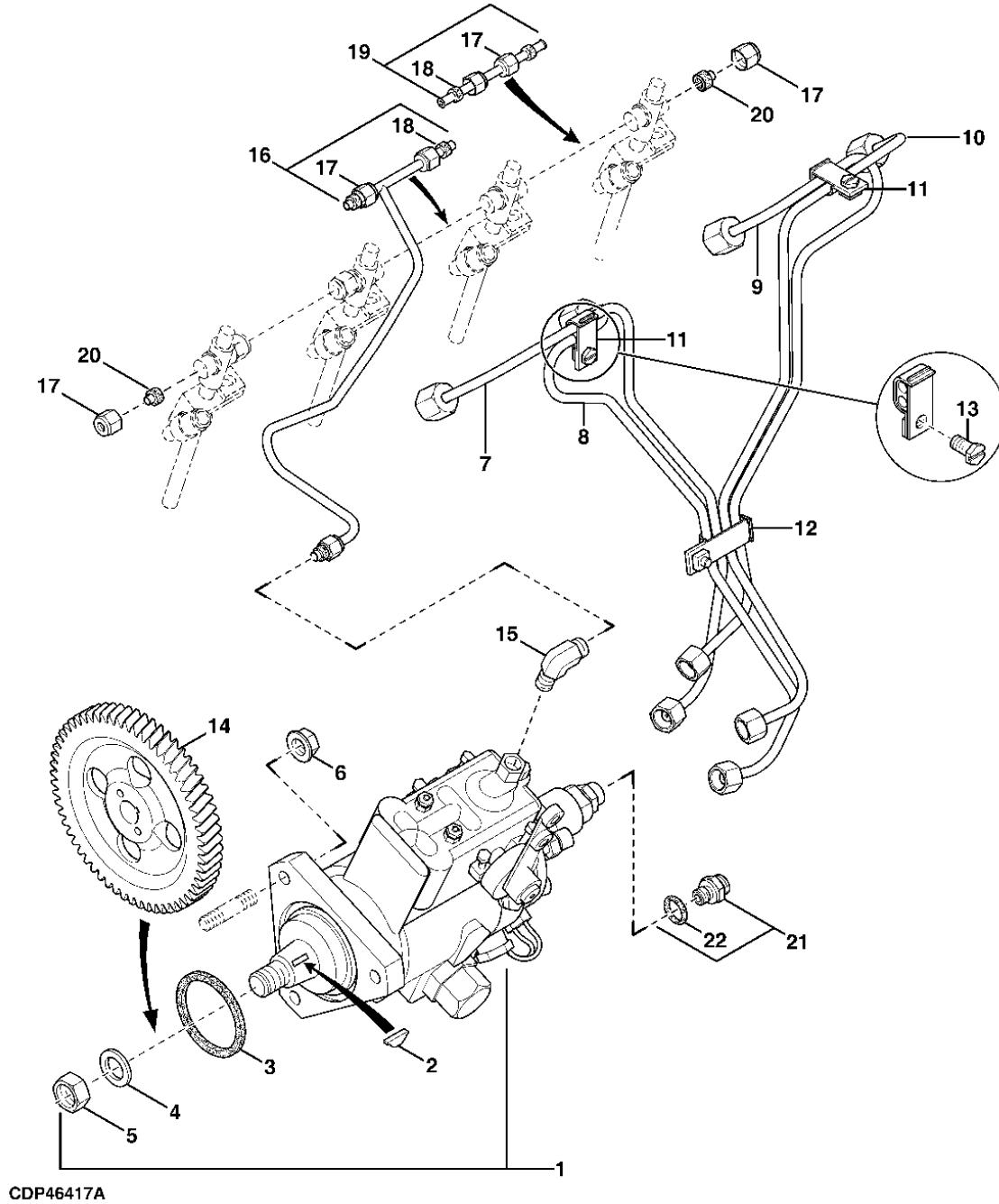
4
0
4
5
D

160-66

FUEL INJECTION PUMP

CDP46417A -UN-

16X9
16X9
16X9
16X9
16X9
16X9



CDP46417A

160-67

FUEL INJECTION PUMP

KEY	PART NO.	PART NAME	QTY.	ENGINE SERIAL NO.	4 0 4 5 T	REMARKS
1	RE519069	FUEL INJECTION PUMP	1		X	(A) STANADYNE- DB4-5829, 74KW-1800MIN-1 - 12V
2	R56131	SHAFT KEY	1		X	
3	R502076	O-RING	1		X	
4	R132874	WASHER	1		X	
5	R91360	NUT	1		X	M14
6	14M7298	FLANGE NUT	3		X	M8
7	RE59447	FUEL LINE	1		X	N01
8	RE59448	FUEL LINE	1		X	N02
9	RE59449	FUEL LINE	1		X	N03
10	RE59450	FUEL LINE	1		X	N04
11	RE19797	CLAMP	2		X	
12	RE19799	CLAMP	1		X	
13	19M7923	CAP SCREW	1		X	M6 X 12, (10.9) , (USE WITH RE19797 AND RE19799)
14	R132267	GEAR	1		X	Z= 60
15	R67364	ELBOW FITTING	1		X	1/8"-27NPT X 1/2"-24UNS
16	RE70848	FUEL LINE	1		X	
17	R123593	TUBE NUT	AR		X	1/2"-24UN
18	R51936	SEALING WASHER	AR		X	5.560 X 10.500 X 5.410 MM
19	RE68748	TUBE	2		X	
20	AR85519	PLUG	1		X	
21	RE60029	ADAPTER FITTING	1		X	M12 X 1.5 X 9/16"-24UNEF
22	51M7040	O-RING	1		X	9.300 X 2.200 MM
23	R500731	HOSE FITTING	1		X	

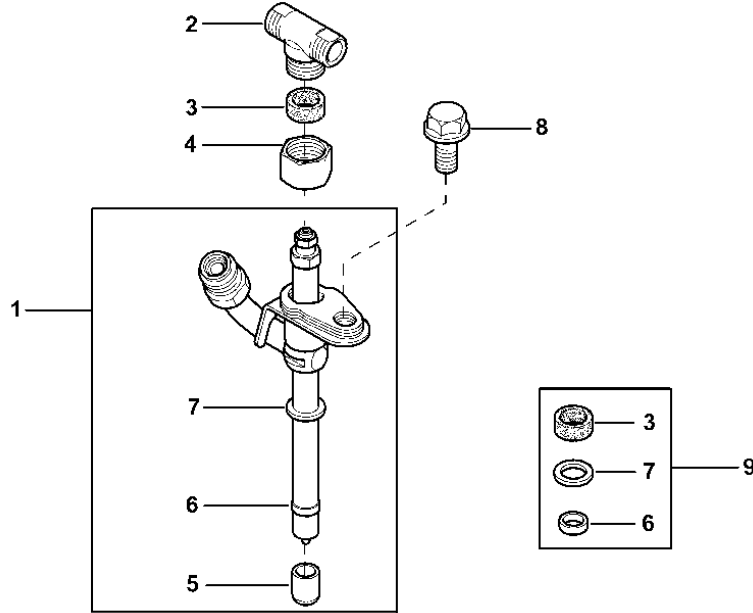
(A) SEE YOUR AUTHORIZED PUMP REPAIR STATION FOR PARTS NOT LISTED
 CONSULTER LE REPARATEUR AGREE DE POMPES POUR LES PIECES NON LISTEES
 NICHT GEZIGTE TEILE VON EINSPRITZPUMPE VETRETER BEZIEHEN
 CONSULTARE IL CONCESSIONARIO AUTORIZZATO DELLE POMPE D'INIEZIONE PER PARTI NON ELENCATI
 CONSULTE CON SU ESTACION AUTORIZADA DE REPARACIONES DE BOMBA
 KONSULTERIAS INSPRUTNINGSPOMPENS ATERFORSALJARE FOR DELAR EJ VISADE

160-68

FUEL INJECTION PUMP

16X9 - CONTINUED
 16X9 - SUITE
 16X9 - FORTSETZUNG
 16X9 - SEGUI TO
 16X9 - CONTINUACION
 16X9 - FORTS

CDP45007A -UN-



CDP45007A

KEY	PART NO.	PART NAME	QTY.	ENGINE SERIAL NO.	4 0 4 5 T	REMARKS
1	RE48786	INJECTION NOZZLE	4		X	
	SE500826	INJECTION NOZZLE	1		X (A) (PKG 4)	
	SE501101	INJECTION NOZZLE	AR		X (A) (PKG 1)	
2	R71963	TEE FITTING	1		X	
3	PACKING	1		X	NSEP, (ORDER RE64292)
4	R79604	TUBE NUT	1		X	
5	PLUG	1		X	
6	SEAL	1		X	NSEP, (ORDER RE64292)
7	PACKING	1		X	NSEP, (ORDER RE64292)
8	R116366	SCREW	4		X	
9	RE64292	KIT	AR		X	

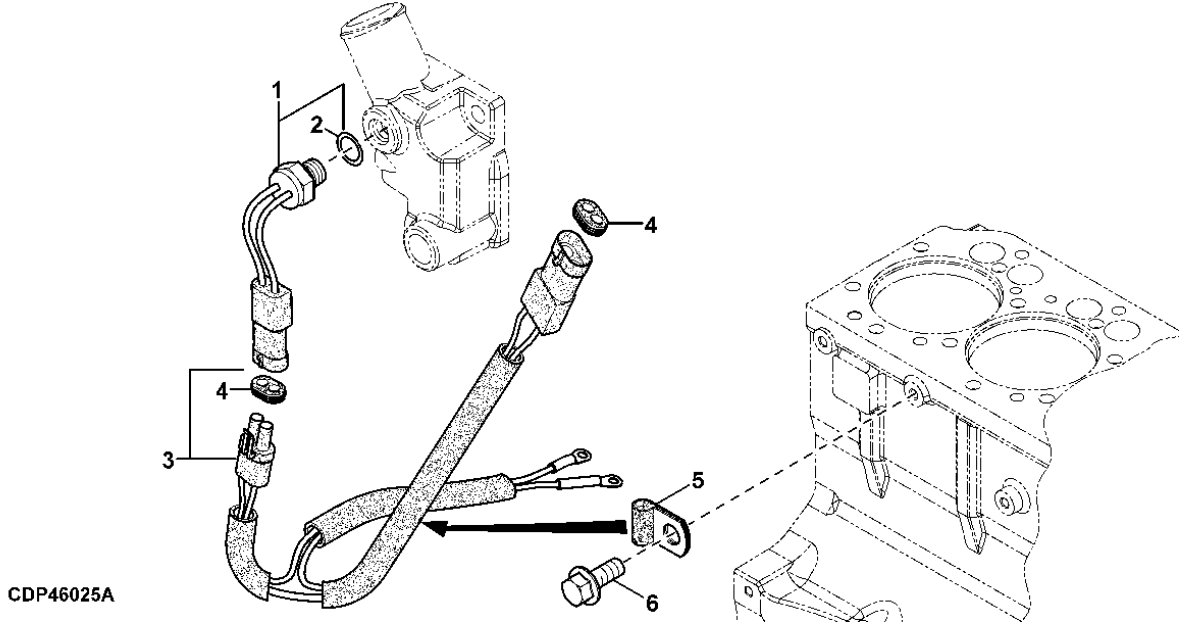
(A) REMANUFACTURED
 ECHANGE STANDARD
 GENERALUEBERHOLT
 REVISIONATO
 REACONDICIONADO
 RENOVERAD

160-69

FUEL INJECTION PUMP

16X9 - CONTINUED
 16X9 - SUITE
 16X9 - FORTSETZUNG
 16X9 - SEGUITO
 16X9 - CONTINUACION
 16X9 - FORTS

CDP46025A -UN-



KEY	PART NO.	PART NAME	QTY.	ENGINE SERIAL NO.	REMARKS
1	RE503242	SENSOR WIRING HARNESS	1	X	
2	51M7041	O-RING	1	X	11.300 X 2.200 MM
3	RE66560	WIRING HARNESS	1	X	
4	R78048	ELEC. CONNECTOR ACCESSORY	1	X	
5	T74410	CLAMP	1	X	
6	19M7783	SCREW	1	X	M10 X 16

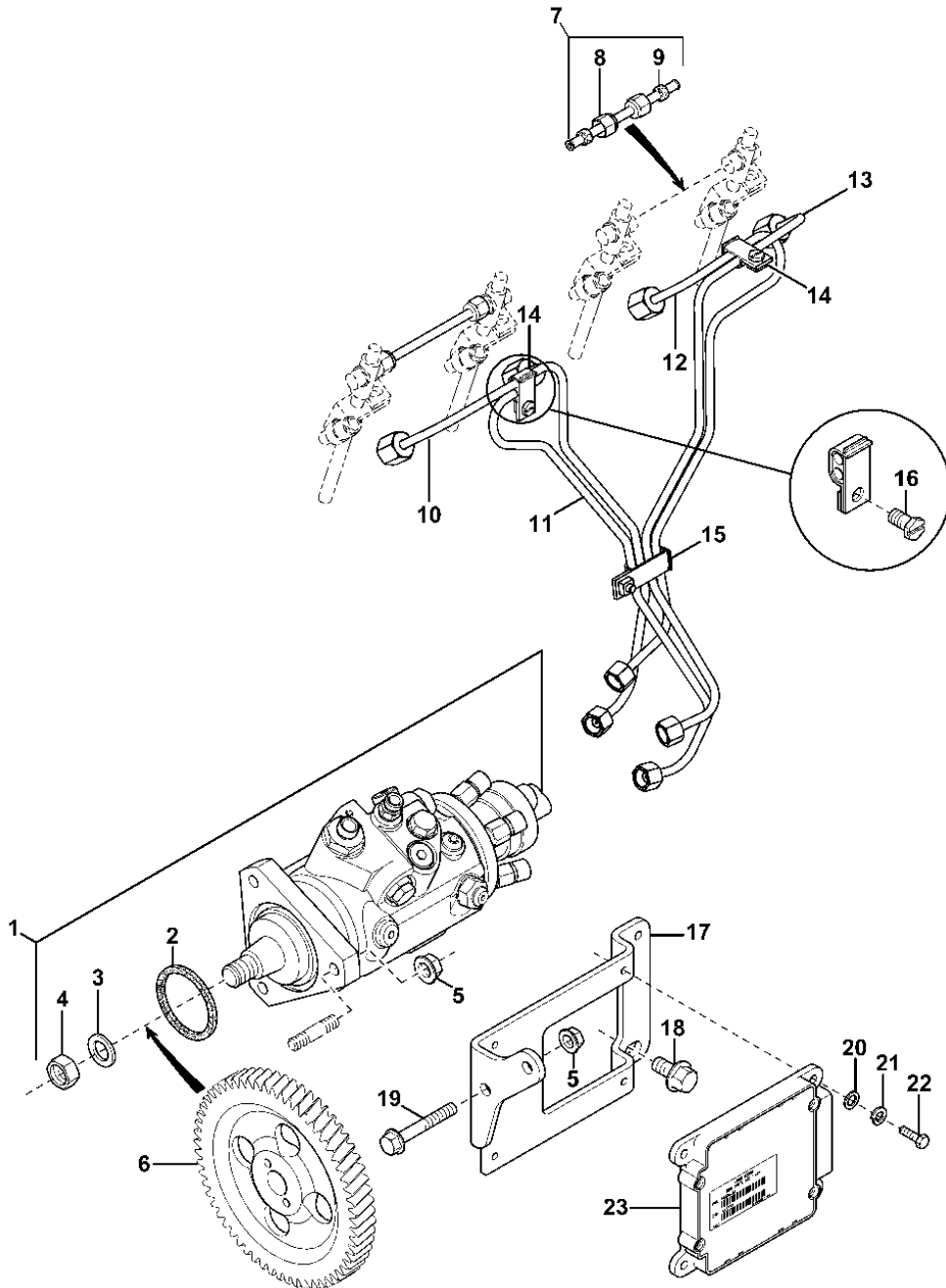
4
0
4
5
T

160-70

FUEL INJECTION PUMP

161K
161K
161K
161K
161K
161K

CDP46606 -UN-



CDP46606

160-71

FUEL INJECTION PUMP

KEY	PART NO.	PART NAME	QTY.	ENGINE SERIAL NO.	4 0 4 5 T	REMARKS
1	RE518087	FUEL INJECTION PUMP	1		X	(A) STANADYNE - DE10
	SE501235	FUEL INJECTION PUMP	1		X	(C)
2	R502076	O-RING	1		X	
3	R54228	WASHER	1		X	
4	14M7289	NUT	1		X	M16
5	14M7298	FLANGE NUT	5		X	M8
6	R505472	GEAR	1		X	
7	RE68748	TUBE	2		X	
8	R123593	TUBE NUT	2		X	
9	R51936	SEALING WASHER	2		X	5.560 X 10.500 X 5.410 MM
10	RE507646	FUEL LINE	1		X	(NO 1)
11	RE507647	FUEL LINE	1		X	(NO 2)
12	RE507648	FUEL LINE	1		X	(NO 3)
13	RE507649	FUEL LINE	1		X	(NO 4)
14	RE19797	CLAMP	2		X	
15	RE19799	CLAMP	1		X	
16	19M6614	CAP SCREW	1		X	M6 X 12 (10.9) , (USE WITH RE19797 AND RE19799)
17	R503520	BRACKET	1		X	
19	19M7979	SCREW	2		X	M8 X 55, (10.9)
20	24M7027	WASHER	4		X	5.300 X 10 X 1 MM
21	12H316	LOCK WASHER	4		X	5.486 MM
22	19M7640	CAP SCREW	4		X	M5 X 12
23	RE532627	ENGINE CONTROLLER	1		X	(B) (12V) (SUB FOR RE518176 AND RE522527)

(A) SEE YOUR AUTHORIZED PUMP REPAIR STATION FOR PARTS NOT LISTED
 CONSULTER LE REPARATEUR AGREE DE POMPES POUR LES PIECES NON LISTEES
 NICHT GEZEIGTE TEILE VON EINSPRITZPUMPE VETRETER BEZIEHEN
 CONSULTARE IL CONCESSIONARIO AUTORIZZATO DELLE POMPE D'INIEZIONE PER PARTI NON ELENCATI
 CONSULTE CON SU ESTACION AUTORIZADA DE REPARACIONES DE BOMBA
 KONSULTERAS INSPRUTNINGSPOMPENS ATERFORSALJARE FOR DELAR EJ VISADE

(B) THIS PART MUST BE ORDERED WITH ENGINE SERIAL NUMBER
 CETTE PIECE DOIT ETRE COMMANDEE AVEC LE NUMERO DE SERIE DU MOTEUR
 DIESES TEIL MUSS MIT ANGABE DER MOTORSERIENNUMMER BESTELT WERDEN
 QUESTO PEZZO DEVE ESSERE ORDINATO INDICANDO IL NUMERO DI SERIE DEL MOTORE
 INDICAR EL NO. DE SERIE DEL MOTOR AL PEDIR ESTA PIEZA
 MOTORSERIENNUMMER MASTE ANGES VID BESTALLING AV DENNA DELEN

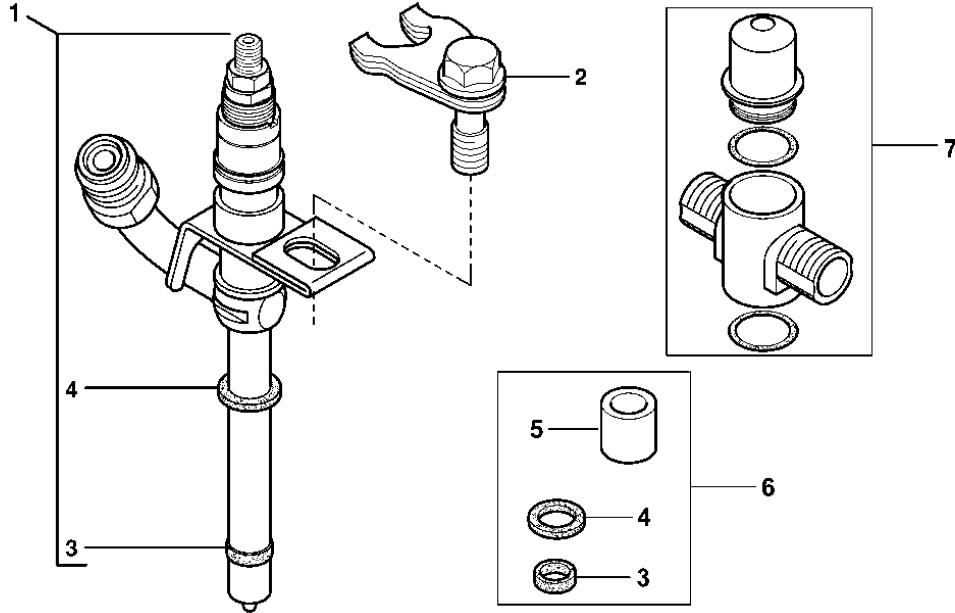
(C) REMANUFACTURED
 ECHANGE STANDARD
 GENERALUEBERHOLT
 REVISIONATO
 REACONDICIONADO
 RENOVERAD

160-72

FUEL INJECTION PUMP

161K - CONTINUED
 161K - SUITE
 161K - FORTSETZUNG
 161K - SEGUITO
 161K - CONTINUACION
 161K - FORTS

CDP45118C -UN-



CDP45118C

KEY	PART NO.	PART NAME	QTY.	ENGINE SERIAL NO.	REMARKS
1	RE531436	NOZZLE	4	X	(SUB FOR RE507766)
	SE500830	INJECTION NOZZLE	1	X	(B) (PKG 4)
	SE501103	INJECTION NOZZLE	AR	X	(B) (PKG 1)
2	RE508716	CLAMP	4	X	
3	SEAL	1	X	NSEP, (ORDER RE32011)
4	PACKING	1	X	NSEP, (ORDER RE32011)
5	SPACER	1	X	(A)
6	RE32011	O-RING KIT	AR	X	
7	RE531438	KIT	AR	X	(SUB FOR RE531116)

4
0
4
5
T

(A) SPACER NOT USED WITH THIS APPLICATION
 ENTRETOISE NON UTILISEE ICI
 DISTANZSTUECK WIRD HIER NICHT VERWENDET
 DISTANZIATORE NON USATO CON QUESTA APPLICAZIONE
 ESPACIADOR NO NECESARIO PARA ESTA APLICACION
 DISTANSSTYCKE ANVAENDS INTE HAER

(B) REMANUFACTURED
 ECHANGE STANDARD
 GENERALUEBERHOLT
 REVISIONATO
 REACONDICIONADO
 RENOVERAD

160-73

FUEL INJECTION PUMP

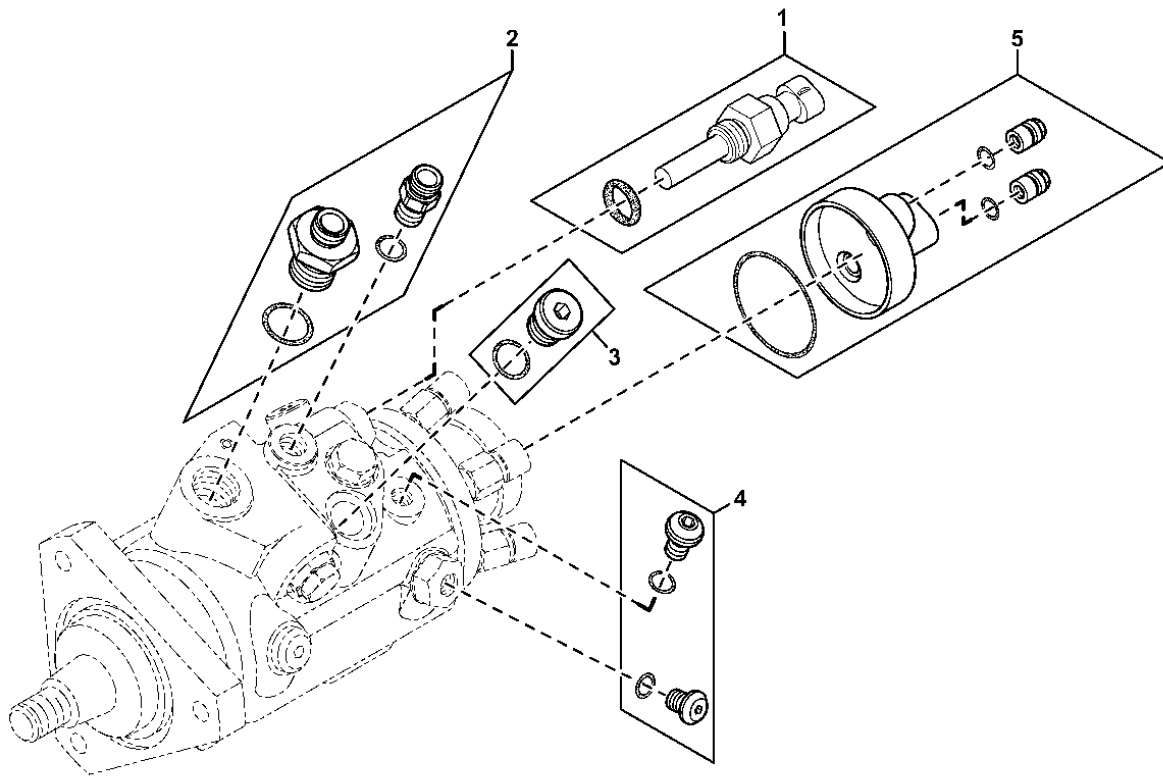
MEMORANDA
MEMORANDA
MEMORANDA
MEMORANDA
MEMORANDA
MEMORANDA

160-74

FUEL INJECTION PUMP

161K - CONTINUED
161K - SUITE
161K - FORTSETZUNG
161K - SEGUITO
161K - CONTINUACION
161K - FORTS

CDP45922 -UN-



CDP45922

160-75

FUEL INJECTION PUMP

KEY	PART NO.	PART NAME	QTY.	ENGINE SERIAL NO.	4 0 4 5 T	REMARKS
1	RE521822	FUEL TEMPERATURE SENSOR	1		X (A)	
2	RE521823	KIT	1		X (B)	
3	RE521824	KIT	1		X (C)	
4	RE521825	KIT	1		X (D)	
5	RE522109	KIT	1		X (E)	

(A) FUEL TEMPERATURE SENSOR
 CAPTEUR DE TEMPERATURE DU COMBUSTIBLE
 SENSOR FUER KRAFTSTOFFTEMPERATUR
 SENSORE TEMPERATURA COMBUSTIBILE
 SENSOR DE TEMPERATURA DE COMBUSTIBLE
 BRAENSLETEMPERATURGIVARE

(B) PRESSURE REGULATOR AND FUEL INLET CONNECTOR
 REGULATEUR DE PRESSION ET RACCORD D'ADMISSION DU COMBUSTIBLE
 DRUCKREGLER UND EINLASSANSCHLUSS FUER KRAFTSTOFF
 REGOLATORE PRESSIONE E RACCORDO INGRESSO COMBUSTIBILE
 REGULADOR DE PRESION Y CONEXION DE ADMISION DE COMBUSTIBLE
 TRYCKREGULATOR OCH BRAENSLEINLOPPSANSLUTNING

(C) TIMING PIN HOLE PLUG
 BOUCHON DE L'ORIFICE DE REGLAGE
 STOPFEN FUER EINSTELLOEFFNUNG
 TAPPO FORO SPINA DI FASATURA
 TAPON PARA AGUJERO DE SINCRONIZACION
 PLUGG FOER INSTAELLNINGSHALL

(D) TRANSFER PUMP TAP SCREW AND VENT WIRE ACCESS SCREW
 VIS DE LA POMPE D'ALIMENTATION ET VIS DE PURGE
 FOERDERPUMPENSCHRAUBE UND SCHRAUBE AN ENTLUEFTUNG
 VITE POMPA DI ALIMENTAZIONE E VITE ACCESSO FILO PER VENTILAZIONE
 TORNILLO DEL TAPON DE LA BOMBA DE ALIMENTACION Y TORNILLO DE PURGA
 MATARPUMPSSKRUV OCH LUFTSKRUV

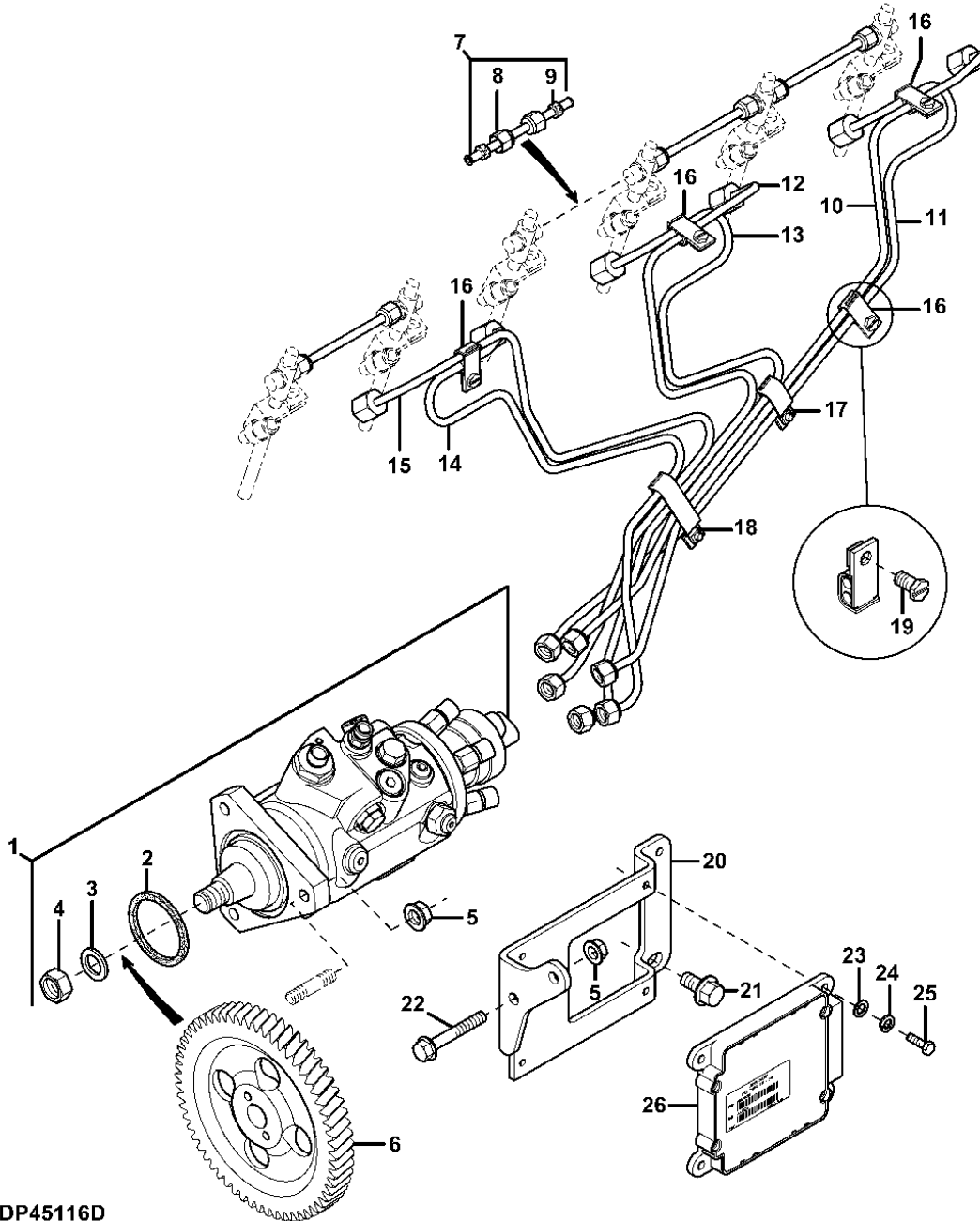
(E) SOLENOID CONNECTOR ASSEMBLY
 RACCORD D'ELECTROVANNE COMPLET
 MAGNETVENTILANSCHLUSS
 GRUPPO CONNETTORE SOLENOIDE
 CONJUNTO PARA LA INSTALACION DE LA ELECTROVALVULA
 SOLENOIDVENTILANSLUTNING

160-76

FUEL INJECTION PUMP

161N
161N
161N
161N
161N
161N

CDP45116D -UN-



CDP45116D

THIS PARTS LISTING IS CONTINUED

160-77

FUEL INJECTION PUMP

KEY	PART NO.	PART NAME	QTY.	ENGINE SERIAL NO.	6 0 6 8 H	REMARKS
1	RE518088	FUEL INJECTION PUMP	1		X	(A) STANADYNE - DE10
	SE501236	FUEL INJECTION PUMP	1		X	(C)
2	R502076	O-RING	1		X	
3	R54228	WASHER	1		X	
4	14M7289	NUT	1		X	M16
5	14M7298	FLANGE NUT	5		X	M8
6	R505472	GEAR	1		X	
7	RE68748	TUBE	4		X	
8	R123593	TUBE NUT	2		X	
9	R51936	SEALING WASHER	2		X	5.560 X 10.500 X 5.410 MM
10	RE515233	FUEL LINE	1		X	(NO 6)
11	RE515232	FUEL LINE	1		X	(NO 5)
12	RE515231	FUEL LINE	1		X	(NO 4)
13	RE515230	FUEL LINE	1		X	(NO 3)
14	RE515229	FUEL LINE	1		X	(NO 2)
15	RE515228	FUEL LINE	1		X	(NO 1)
16	RE19797	CLAMP	4		X	
17	RE20901	CLAMP	1		X	
18	RE19800	CLAMP	1		X	
19	19M7923	CAP SCREW	1		X	M6 X 12, (USE WITH RE19797, RE20901 AND RE19800)
20	R503520	BRACKET	1		X	
21	19M7784	SCREW	1		X	M10 X 20
22	19M7979	SCREW	2		X	M8 X 55 (10.9)
23	24M7027	WASHER	4		X	5.300 X 10 X 1 MM
24	12H316	LOCK WASHER	4		X	0.216"
25	19M7640	CAP SCREW	4		X	M5 X 12
26	RE522537	WIRING HARNESS	1		X	(B) (SUB FOR RE518176) (12V)

(A) SEE YOUR AUTHORIZED PUMP REPAIR STATION FOR PARTS NOT LISTED
 CONSULTER LE REPARATEUR AGREE DE POMPES POUR LES PIECES NON LISTEES
 NICHT GEZEIGTE TEILE VON EINSPRITZPUMPE VETRETER BEZIEHEN
 CONSULTARE IL CONCESSIONARIO AUTORIZZATO DELLE POMPE D'INIEZIONE PER PARTI NON ELENCATI
 CONSULTE CON SU ESTACION AUTORIZADA DE REPARACIONES DE BOMBA
 KONSULTERAS INSPRUTNINGSPOMPENS ATERFORSALJARE FOR DELAR EJ VISADE

(B) THIS PART MUST BE ORDERED WITH ENGINE SERIAL NUMBER
 CETTE PIECE DOIT ETRE COMMANDEE AVEC LE NUMERO DE SERIE DU MOTEUR
 DIESES TEIL MUSS MIT ANGABE DER MOTORSERIENNUMMER BESTELLT WERDEN
 QUESTO PEZZO DEVE ESSERE ORDINATO INDICANDO IL NUMERO DI SERIE DEL MOTORE
 INDICAR EL NO. DE SERIE DEL MOTOR AL PEDIR ESTA PIEZA
 MOTORSERIENNUMMER MASTE ANGES VID BESTALLING AV DENNA DELEN

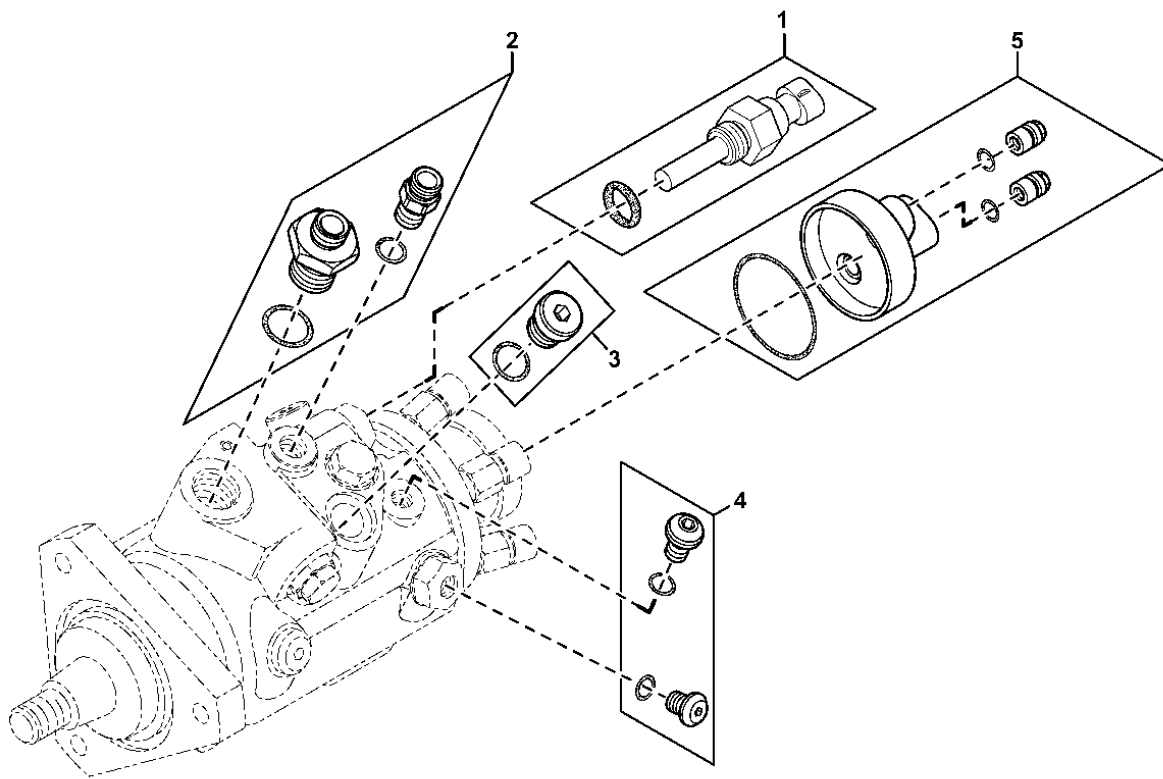
(C) REMANUFACTURED
 ECHANGE STANDARD
 GENERALUEBERHOLT
 REVISIONATO
 REACONDICIONADO
 RENOVERAD

160-78

FUEL INJECTION PUMP

161N - CONTINUED
161N - SUITE
161N - FORTSETZUNG
161N - SEGUITO
161N - CONTINUACION
161N - FORTS

CDP45922 -UN-



CDP45922

160-79

FUEL INJECTION PUMP

KEY	PART NO.	PART NAME	QTY.	ENGINE SERIAL NO.	6 0 6 8 H	REMARKS
1	RE521822	FUEL TEMPERATURE SENSOR	1		X (A)	
2	RE521823	KIT	1		X (B)	
3	RE521824	KIT	1		X (C)	
4	RE521825	KIT	1		X (D)	
5	RE522109	KIT	1		X (E)	

(A) FUEL TEMPERATURE SENSOR
 CAPTEUR DE TEMPERATURE DU COMBUSTIBLE
 SENSOR FUER KRAFTSTOFFTEMPERATUR
 SENSORE TEMPERATURA COMBUSTIBILE
 SENSOR DE TEMPERATURA DE COMBUSTIBLE
 BRAENSLETEMPERATURGIVARE

(B) PRESSURE REGULATOR AND FUEL INLET CONNECTOR
 REGULATEUR DE PRESSION ET RACCORD D'ADMISSION DU COMBUSTIBLE
 DRUCKREGLER UND EINLASSANSCHLUSS FUER KRAFTSTOFF
 REGOLATORE PRESSIONE E RACCORDO INGRESSO COMBUSTIBILE
 REGULADOR DE PRESION Y CONEXION DE ADMISION DE COMBUSTIBLE
 TRYCKREGULATOR OCH BRAENSLEINLOPPSANSLUTNING

(C) TIMING PIN HOLE PLUG
 BOUCHON DE L'ORIFICE DE REGLAGE
 STOPFEN FUER EINSTELLOEFFNUNG
 TAPPO FORO SPINA DI FASATURA
 TAPON PARA AGUJERO DE SINCRONIZACION
 PLUGG FOER INSTAELLNINGSHALL

(D) TRANSFER PUMP TAP SCREW AND VENT WIRE ACCESS SCREW
 VIS DE LA POMPE D'ALIMENTATION ET VIS DE PURGE
 FOERDERPUMPENSCHRAUBE UND SCHRAUBE AN ENTLUEFTUNG
 VITE POMPA DI ALIMENTAZIONE E VITE ACCESSO FILO PER VENTILAZIONE
 TORNILLO DEL TAPON DE LA BOMBA DE ALIMENTACION Y TORNILLO DE PURGA
 MATARPUMPSSKRUV OCH LUFTSKRUV

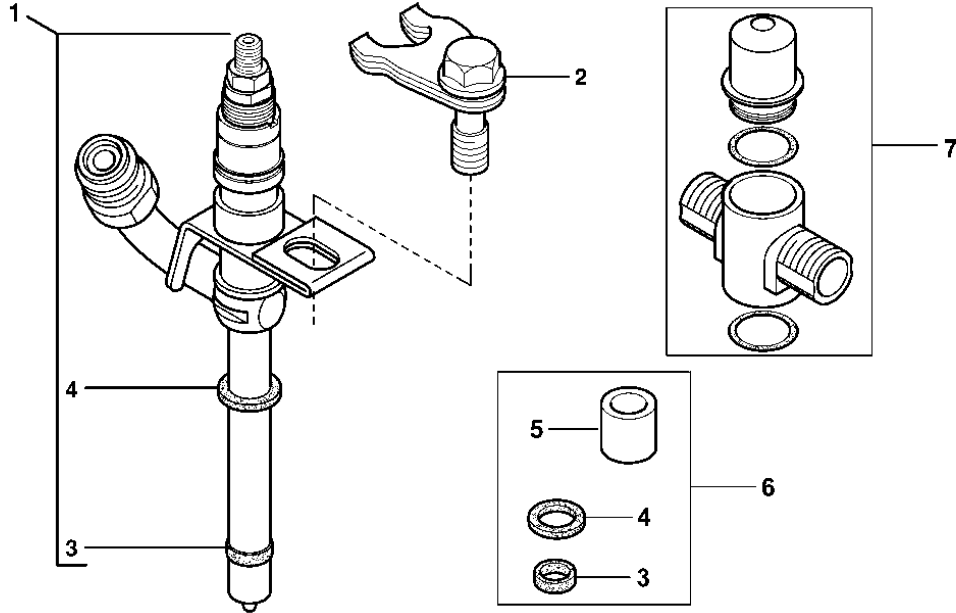
(E) SOLENOID CONNECTOR ASSEMBLY
 RACCORD D'ELECTROVANNE COMPLET
 MAGNETVENTILANSCHLUSS
 GRUPPO CONNETTORE SOLENOIDE
 CONJUNTO PARA LA INSTALACION DE LA ELECTROVALVULA
 SOLENOIDVENTILANSLUTNING

160-80

FUEL INJECTION PUMP

161N - CONTINUED
 161N - SUITE
 161N - FORTSETZUNG
 161N - SEGUITO
 161N - CONTINUACION
 161N - FORTS

CDP45118C -UN-



CDP45118C

6
0
6
8
H

KEY	PART NO.	PART NAME	QTY.	ENGINE SERIAL NO.	REMARKS
1	RE531436	NOZZLE	6		X (SUB FOR RE507766)
	SE500831	INJECTION NOZZLE	1		X (B) (PKG 6)
	SE501103	INJECTION NOZZLE	AR		X (B) (PKG 1)
2	RE508716	CLAMP	6		X
3	SEAL	1		X NSEP, (ORDER RE32011)
4	PACKING	1		X NSEP, (ORDER RE32011)
5	SPACER	1		X (A)
6	RE32011	O-RING KIT	AR		X
7	RE531438	KIT	AR		X (SUB FOR RE531116)

(A) SPACER NOT USED WITH THIS APPLICATION
 ENTRETOISE NON UTILISEE ICI
 DISTANZSTUECK WIRD HIER NICHT VERWENDET
 DISTANZIATORE NON USATO CON QUESTA APPLICAZIONE
 ESPACIADOR NO NECESARIO PARA ESTA APLICACION
 DISTANSSTYCKE ANVAENDS INTE HAER

(B) REMANUFACTURED
 ECHANGE STANDARD
 GENERALUEBERHOLT
 REVISIONATO
 REACONDICIONADO
 RENOVERAD

160-81

FUEL INJECTION PUMP

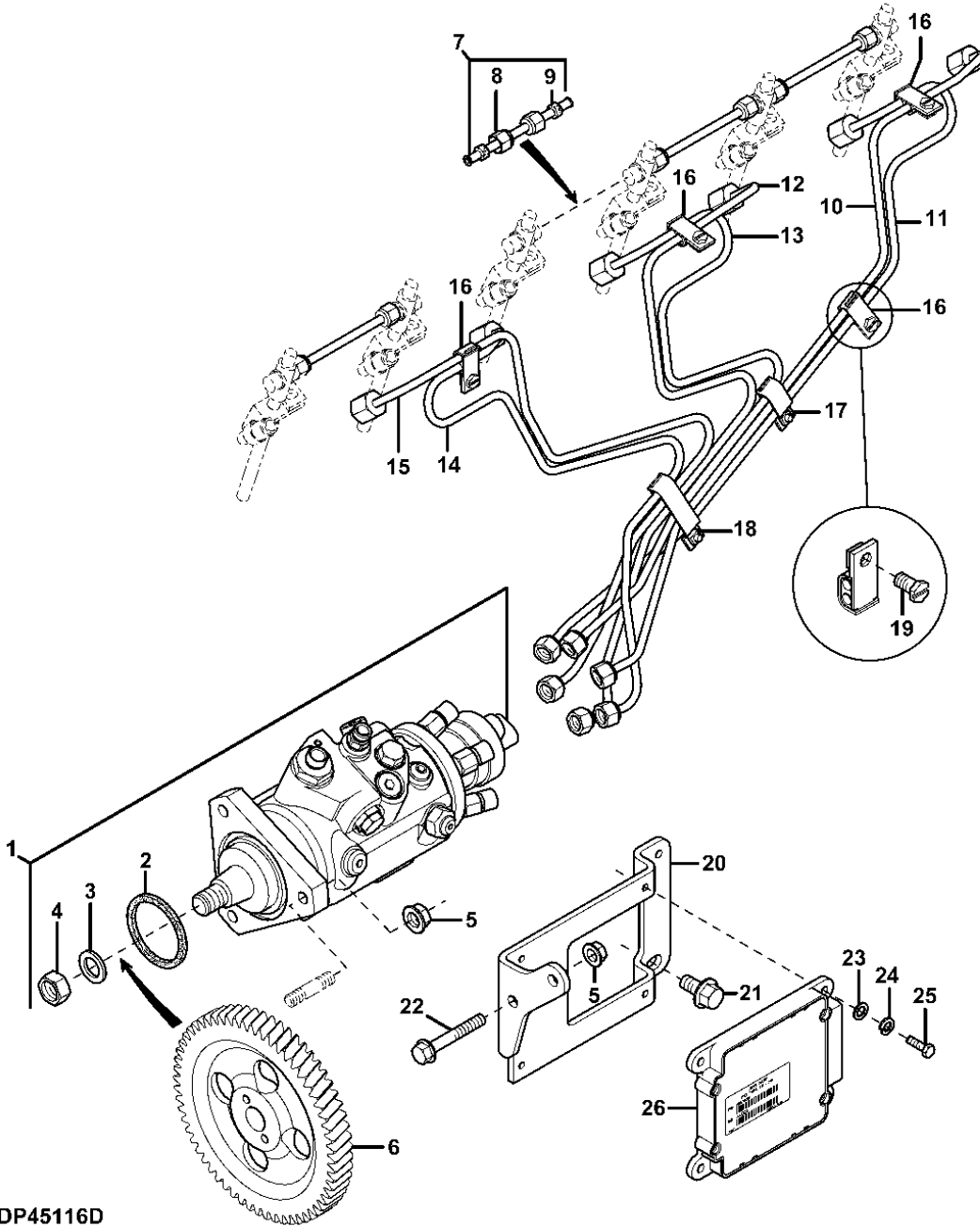
MEMORANDA
MEMORANDA
MEMORANDA
MEMORANDA
MEMORANDA
MEMORANDA

160-82

FUEL INJECTION PUMP

CDP45116D -UN-

- 161Q
- 161Q
- 161Q
- 161Q
- 161Q
- 161Q



CDP45116D

THIS PARTS LISTING IS CONTINUED

160-83

FUEL INJECTION PUMP

KEY	PART NO.	PART NAME	QTY.	ENGINE SERIAL NO.	6 0 6 8 H	REMARKS
1	RE518088	FUEL INJECTION PUMP	1		X	(A) STANADYNE - DE10
	SE501236	FUEL INJECTION PUMP	1		X	(C)
2	R502076	O-RING	1		X	
3	R54228	WASHER	1		X	
4	14M7289	NUT	1		X	M16
5	14M7298	FLANGE NUT	5		X	M8
6	R505472	GEAR	1		X	
7	RE68748	TUBE	4		X	
8	R123593	TUBE NUT	2		X	
9	R51936	SEALING WASHER	2		X	5.560 X 10.500 X 5.410 MM
10	RE515233	FUEL LINE	1		X	(NO 6)
11	RE515232	FUEL LINE	1		X	(NO 5)
12	RE515231	FUEL LINE	1		X	(NO 4)
13	RE515230	FUEL LINE	1		X	(NO 3)
14	RE515229	FUEL LINE	1		X	(NO 2)
15	RE515228	FUEL LINE	1		X	(NO 1)
16	RE19797	CLAMP	4		X	
17	RE20901	CLAMP	1		X	
18	RE19800	CLAMP	1		X	
19	19M7923	CAP SCREW	1		X	M6 X 12, (USE WITH RE19797, RE20901 AND RE19800)
20	R503520	BRACKET	1		X	
22	19M7979	SCREW	2		X	M8 X 55 (10.9)
23	24M7027	WASHER	4		X	5.300 X 10 X 1 MM
24	12H316	LOCK WASHER	4		X	0.216"
25	19M7640	CAP SCREW	4		X	M5 X 12
26	RE532629	ENGINE CONTROLLER	1		X	(B) (SUB FOR RE519775 AND RE522529) (24V)

(A) SEE YOUR AUTHORIZED PUMP REPAIR STATION FOR PARTS NOT LISTED
 CONSULTER LE REPARATEUR AGREE DE POMPES POUR LES PIECES NON LISTEES
 NICHT GEZEIGTE TEILE VON EINSPRITZPUMPE VETRETER BEZIEHEN
 CONSULTARE IL CONCESSIONARIO AUTORIZZATO DELLE POMPE D'INIEZIONE PER PARTI NON ELENCATI
 CONSULTE CON SU ESTACION AUTORIZADA DE REPARACIONES DE BOMBA
 KONSULTERAS INSPRUTNINGSPOMPENS ATERFORSALJARE FOR DELAR EJ VISADE

(B) THIS PART MUST BE ORDERED WITH ENGINE SERIAL NUMBER
 CETTE PIECE DOIT ETRE COMMANDEE AVEC LE NUMERO DE SERIE DU MOTEUR
 DIESES TEIL MUSS MIT ANGABE DER MOTORSERIENNUMMER BESTELT WERDEN
 QUESTO PEZZO DEVE ESSERE ORDINATO INDICANDO IL NUMERO DI SERIE DEL MOTORE
 INDICAR EL NO. DE SERIE DEL MOTOR AL PEDIR ESTA PIEZA
 MOTORSERIENNUMMER MASTE ANGES VID BESTALLING AV DENNA DELEN

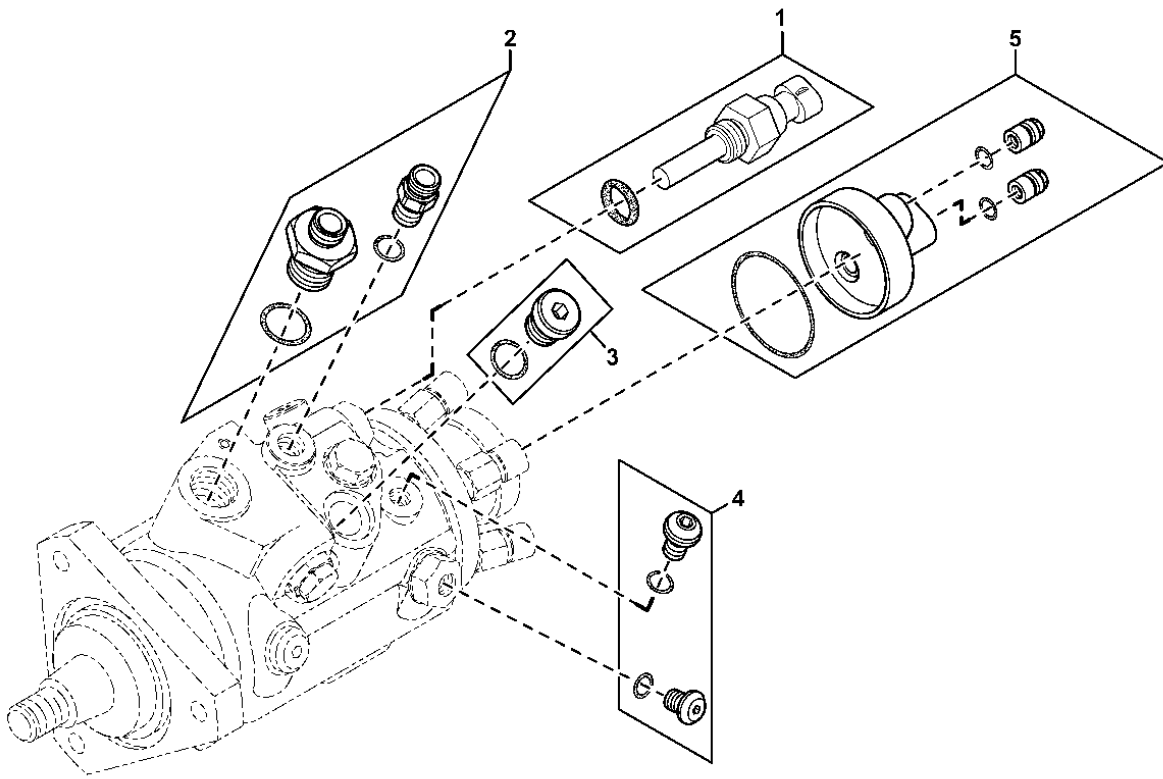
(C) REMANUFACTURED
 ECHANGE STANDARD
 GENERALUEBERHOLT
 REVISIONATO
 REACONDICIONADO
 RENOVERAD

160-84

FUEL INJECTION PUMP

161Q - CONTINUED
161Q - SUITE
161Q - FORTSETZUNG
161Q - SEGUI TO
161Q - CONTINUACION
161Q - FORTS

CDP45922 -UN-



CDP45922

160-85

FUEL INJECTION PUMP

KEY	PART NO.	PART NAME	QTY.	ENGINE SERIAL NO.	6 0 6 8 H	REMARKS
1	RE521822	FUEL TEMPERATURE SENSOR	1		X (A)	
2	RE521823	KIT	1		X (B)	
3	RE521824	KIT	1		X (C)	
4	RE521825	KIT	1		X (D)	
5	RE522109	KIT	1		X (E)	

(A) FUEL TEMPERATURE SENSOR
 CAPTEUR DE TEMPERATURE DU COMBUSTIBLE
 SENSOR FUER KRAFTSTOFFTEMPERATUR
 SENSORE TEMPERATURA COMBUSTIBILE
 SENSOR DE TEMPERATURA DE COMBUSTIBLE
 BRAENSLETEMPERATURGIVARE

(B) PRESSURE REGULATOR AND FUEL INLET CONNECTOR
 REGULATEUR DE PRESSION ET RACCORD D'ADMISSION DU COMBUSTIBLE
 DRUCKREGLER UND EINLASSANSCHLUSS FUER KRAFTSTOFF
 REGOLATORE PRESSIONE E RACCORDO INGRESSO COMBUSTIBILE
 REGULADOR DE PRESION Y CONEXION DE ADMISION DE COMBUSTIBLE
 TRYCKREGULATOR OCH BRAENSLEINLOPPSANSLUTNING

(C) TIMING PIN HOLE PLUG
 BOUCHON DE L'ORIFICE DE REGLAGE
 STOPFEN FUER EINSTELLOEFFNUNG
 TAPPO FORO SPINA DI FASATURA
 TAPON PARA AGUJERO DE SINCRONIZACION
 PLUGG FOER INSTAELLNINGSHALL

(D) TRANSFER PUMP TAP SCREW AND VENT WIRE ACCESS SCREW
 VIS DE LA POMPE D'ALIMENTATION ET VIS DE PURGE
 FOERDERPUMPENSCHRAUBE UND SCHRAUBE AN ENTLUEFTUNG
 VITE POMPA DI ALIMENTAZIONE E VITE ACCESSO FILO PER VENTILAZIONE
 TORNILLO DEL TAPON DE LA BOMBA DE ALIMENTACION Y TORNILLO DE PURGA
 MATARPUMPSSKRUV OCH LUFTSKRUV

(E) SOLENOID CONNECTOR ASSEMBLY
 RACCORD D'ELECTROVANNE COMPLET
 MAGNETVENTILANSCHLUSS
 GRUPPO CONNETTORE SOLENOIDE
 CONJUNTO PARA LA INSTALACION DE LA ELECTROVALVULA
 SOLENOIDVENTILANSLUTNING

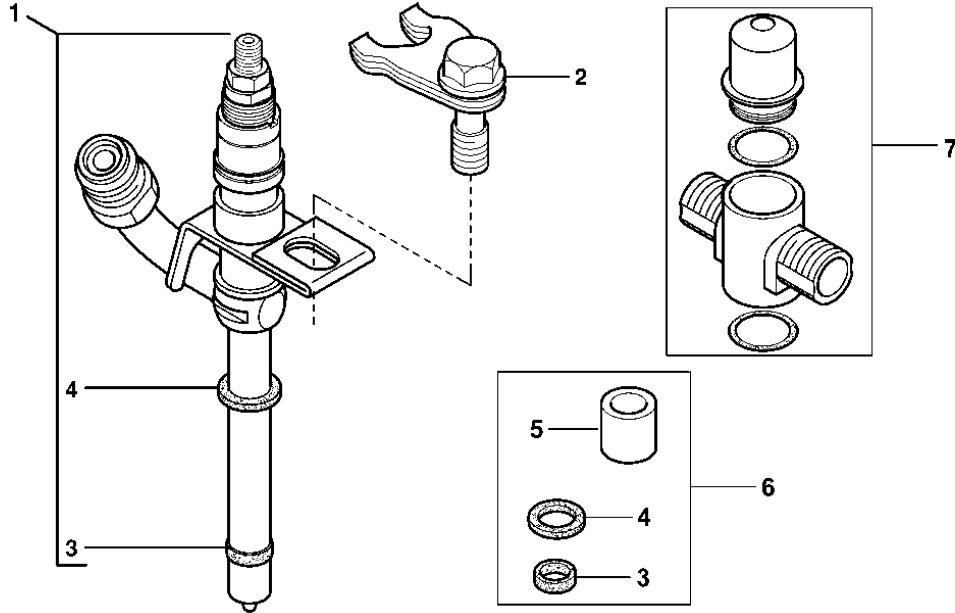
160-86

FUEL INJECTION PUMP

161Q - CONTINUED
 161Q - SUITE
 161Q - FORTSETZUNG
 161Q - SEGUITO
 161Q - CONTINUACION
 161Q - FORTS

CDP45118C -UN-

CDP45118C



KEY	PART NO.	PART NAME	QTY.	ENGINE SERIAL NO.	REMARKS
1	RE531436	NOZZLE	6		X (SUB FOR RE507766)
	SE500831	INJECTION NOZZLE	1		X (B) (PKG 6)
	SE501103	INJECTION NOZZLE	AR		X (B) (PKG 1)
2	RE508716	CLAMP	6		X
3	SEAL	1		X NSEP, (ORDER RE32011)
4	PACKING	1		X NSEP, (ORDER RE32011)
5	SPACER	1		X (A)
6	RE32011	O-RING KIT	AR		X
7	RE531438	KIT	AR		X (SUB FOR RE531116)

(A) SPACER NOT USED WITH THIS APPLICATION
 ENTRETOISE NON UTILISEE ICI
 DISTANZSTUECK WIRD HIER NICHT VERWENDET
 DISTANZIATORE NON USATO CON QUESTA APPLICAZIONE
 ESPACIADOR NO NECESARIO PARA ESTA APLICACION
 DISTANSSTYCKE ANVAENDS INTE HAER

(B) REMANUFACTURED
 ECHANGE STANDARD
 GENERALUEBERHOLT
 REVISIONATO
 REACONDICIONADO
 RENOVERAD

160-87

FUEL INJECTION PUMP

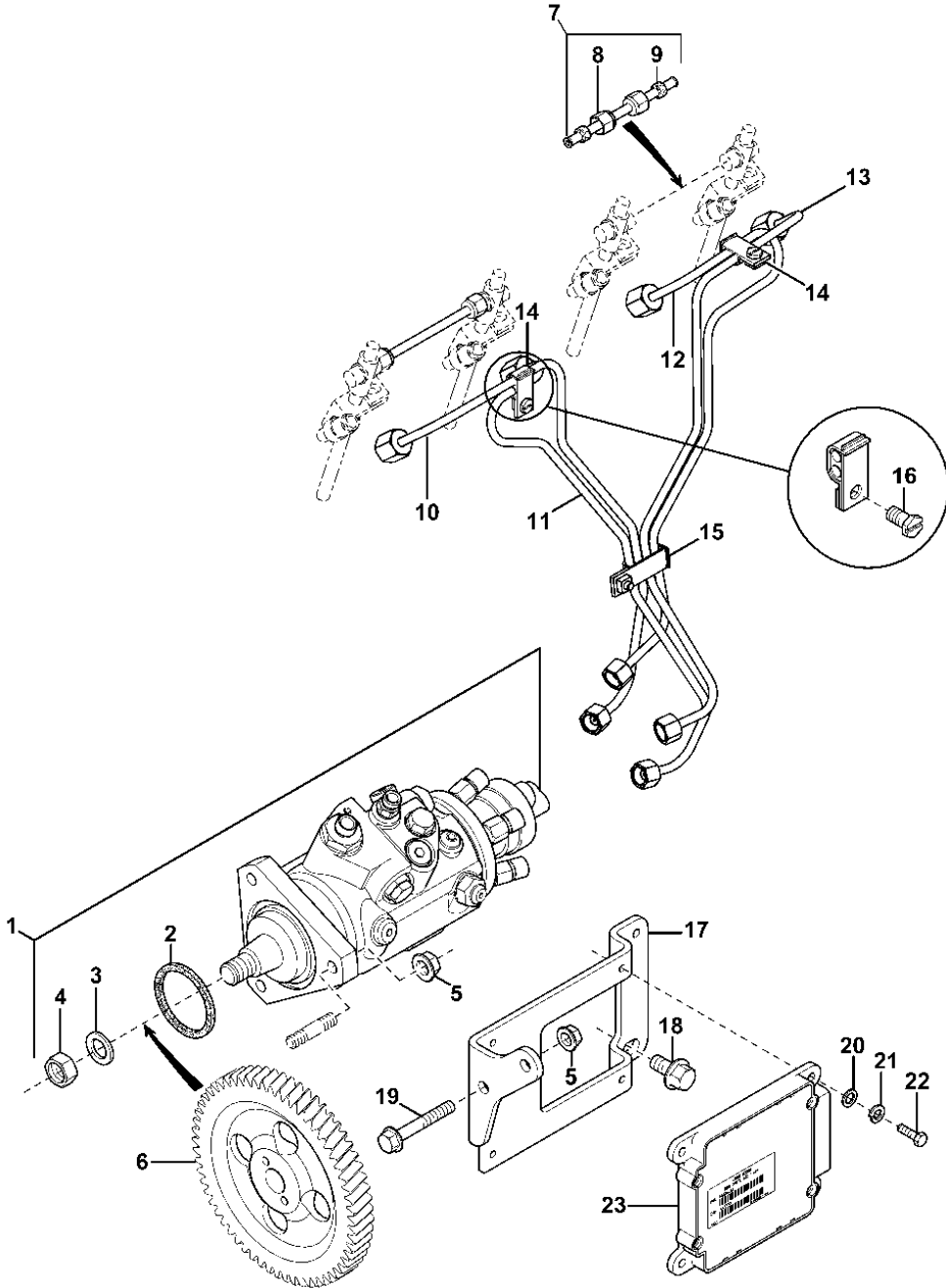
MEMORANDA
MEMORANDA
MEMORANDA
MEMORANDA
MEMORANDA
MEMORANDA

160-88

FUEL INJECTION PUMP

- 163L
- 163L
- 163L
- 163L
- 163L
- 161K

CDP46606 -UN-



CDP46606

160-89

FUEL INJECTION PUMP

KEY	PART NO.	PART NAME	QTY.	ENGINE SERIAL NO.	4 0 4 5 T	REMARKS
1	RE518087	FUEL INJECTION PUMP	1		X	(A) STANADYNE - DE10
	SE501235	FUEL INJECTION PUMP	1		X	(C)
2	R502076	O-RING	1		X	
3	R54228	WASHER	1		X	
4	14M7289	NUT	1		X	M16
5	14M7298	FLANGE NUT	5		X	M8
6	R505472	GEAR	1		X	
7	RE68748	TUBE	2		X	
8	R123593	TUBE NUT	2		X	
9	R51936	SEALING WASHER	2		X	5.560 X 10.500 X 5.410 MM
10	RE507646	FUEL LINE	1		X	(NO 1)
11	RE507647	FUEL LINE	1		X	(NO 2)
12	RE507648	FUEL LINE	1		X	(NO 3)
13	RE507649	FUEL LINE	1		X	(NO 4)
14	RE19797	CLAMP	2		X	
15	RE19799	CLAMP	1		X	
16	19M6614	CAP SCREW	1		X	M6 X 12 (10.9) , (USE WITH RE19797 AND RE19799)
17	R503520	BRACKET	1		X	
19	19M7979	SCREW	2		X	M8 X 55, (10.9)
20	24M7027	WASHER	4		X	5.300 X 10 X 1 MM
21	12H316	LOCK WASHER	4		X	5.486 MM
22	19M7640	CAP SCREW	4		X	M5 X 12
23	RE532629	ENGINE CONTROLLER	1		X	(B) (SUB FOR RE519775 AND RE522529) (24V)

(A) SEE YOUR AUTHORIZED PUMP REPAIR STATION FOR PARTS NOT LISTED
 CONSULTER LE REPARATEUR AGREE DE POMPES POUR LES PIECES NON LISTEES
 NICHT GEZEIGTE TEILE VON EINSPRITZPUMPE VETRETER BEZIEHEN
 CONSULTARE IL CONCESSIONARIO AUTORIZZATO DELLE POMPE D'INIEZIONE PER PARTI NON ELENCATI
 CONSULTE CON SU ESTACION AUTORIZADA DE REPARACIONES DE BOMBA
 KONSULTERAS INSPRUTNINGSPOMPENS ATERFORSALJARE FOR DELAR EJ VISADE

(B) THIS PART MUST BE ORDERED WITH ENGINE SERIAL NUMBER
 CETTE PIECE DOIT ETRE COMMANDEE AVEC LE NUMERO DE SERIE DU MOTEUR
 DIESES TEIL MUSS MIT ANGABE DER MOTORSERIENNUMMER BESTELT WERDEN
 QUESTO PEZZO DEVE ESSERE ORDINATO INDICANDO IL NUMERO DI SERIE DEL MOTORE
 INDICAR EL NO. DE SERIE DEL MOTOR AL PEDIR ESTA PIEZA
 MOTORSERIENNUMMER MASTE ANGES VID BESTALLING AV DENNA DELEN

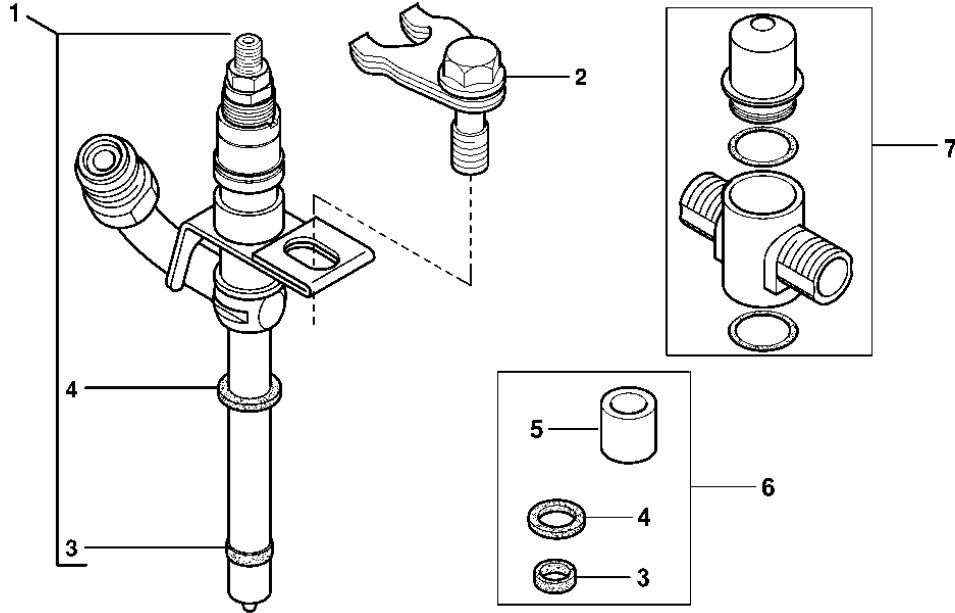
(C) REMANUFACTURED
 ECHANGE STANDARD
 GENERALUEBERHOLT
 REVISIONATO
 REACONDICIONADO
 RENOVERAD

160-90

FUEL INJECTION PUMP

163L - CONTINUED
 163L - SUITE
 163L - FORTSETZUNG
 163L - SEGUITO
 163L - CONTINUACION
 163L - FORTS

CDP45118C -UN-



CDP45118C

KEY	PART NO.	PART NAME	QTY.	ENGINE SERIAL NO.	REMARKS
1	RE531436	NOZZLE	4		X (SUB FOR RE507766)
	SE500830	INJECTION NOZZLE	1		X (B) (PKG 4)
	SE501103	INJECTION NOZZLE	AR		X (B) (PKG 1)
2	RE508716	CLAMP	4		X
3	SEAL	1		X NSEP, (ORDER RE32011)
4	PACKING	1		X NSEP, (ORDER RE32011)
5	SPACER	1		X (A)
6	RE32011	O-RING KIT	AR		X
7	RE531438	KIT	AR		X (SUB FOR RE531116)

4
0
4
5
T

(A) SPACER NOT USED WITH THIS APPLICATION
 ENTRETOISE NON UTILISEE ICI
 DISTANZSTUECK WIRD HIER NICHT VERWENDET
 DISTANZIATORE NON USATO CON QUESTA APPLICAZIONE
 ESPACIADOR NO NECESARIO PARA ESTA APLICACION
 DISTANSSTYCKE ANVAENDS INTE HAER

(B) REMANUFACTURED
 ECHANGE STANDARD
 GENERALUEBERHOLT
 REVISIONATO
 REACONDICIONADO
 RENOVERAD

160-91

FUEL INJECTION PUMP

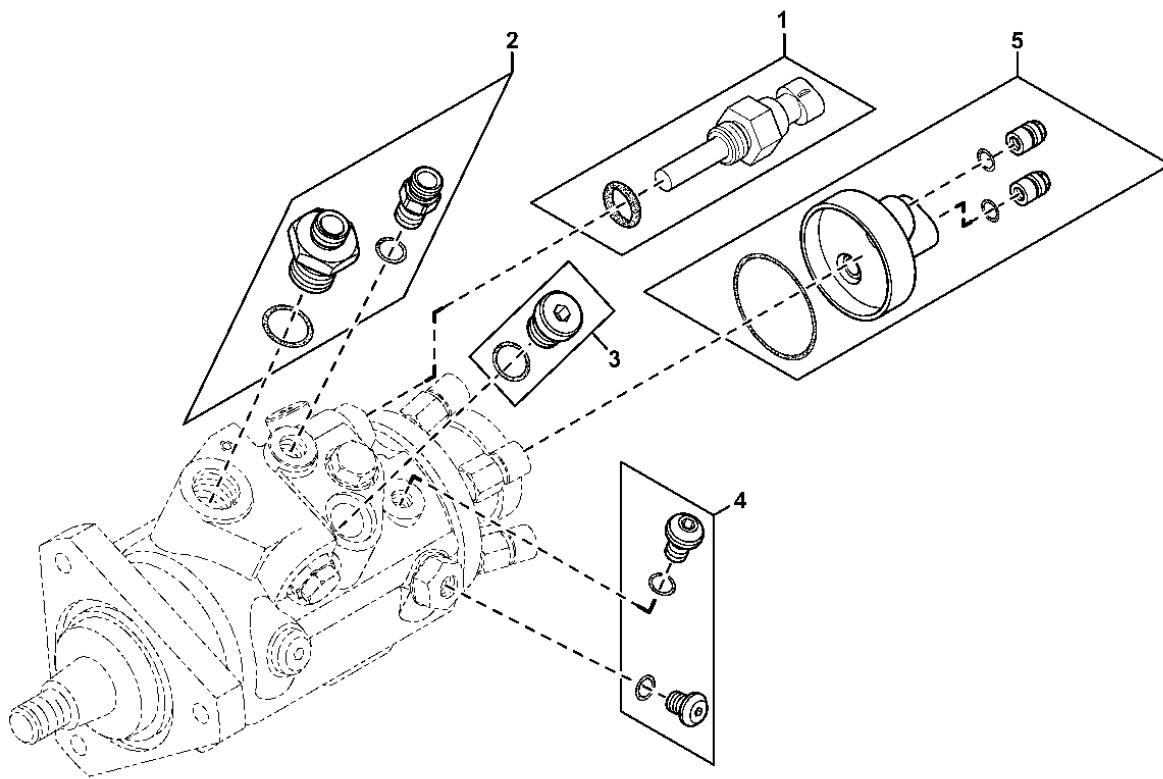
MEMORANDA
MEMORANDA
MEMORANDA
MEMORANDA
MEMORANDA
MEMORANDA

160-92

FUEL INJECTION PUMP

163L - CONTINUED
163L - SUITE
163L - FORTSETZUNG
163L - SEGUITO
163L - CONTINUATION
163L - FORTS

CDP45922 -UN-



CDP45922

160-93

FUEL INJECTION PUMP

KEY	PART NO.	PART NAME	QTY.	ENGINE SERIAL NO.	4 0 4 5 T	REMARKS
1	RE521822	FUEL TEMPERATURE SENSOR	1		X (A)	
2	RE521823	KIT	1		X (B)	
3	RE521824	KIT	1		X (C)	
4	RE521825	KIT	1		X (D)	
5	RE522109	KIT	1		X (E)	

(A) FUEL TEMPERATURE SENSOR
 CAPTEUR DE TEMPERATURE DU COMBUSTIBLE
 SENSOR FUER KRAFTSTOFFTEMPERATUR
 SENSORE TEMPERATURA COMBUSTIBILE
 SENSOR DE TEMPERATURA DE COMBUSTIBLE
 BRAENSLETEMPERATURGIVARE

(B) PRESSURE REGULATOR AND FUEL INLET CONNECTOR
 REGULATEUR DE PRESSION ET RACCORD D'ADMISSION DU COMBUSTIBLE
 DRUCKREGLER UND EINLASSANSCHLUSS FUER KRAFTSTOFF
 REGOLATORE PRESSIONE E RACCORDO INGRESSO COMBUSTIBILE
 REGULADOR DE PRESION Y CONEXION DE ADMISION DE COMBUSTIBLE
 TRYCKREGULATOR OCH BRAENSLEINLOPPSANSLUTNING

(C) TIMING PIN HOLE PLUG
 BOUCHON DE L'ORIFICE DE REGLAGE
 STOPFEN FUER EINSTELLOEFFNUNG
 TAPPO FORO SPINA DI FASATURA
 TAPON PARA AGUJERO DE SINCRONIZACION
 PLUGG FOER INSTAELLNINGSHALL

(D) TRANSFER PUMP TAP SCREW AND VENT WIRE ACCESS SCREW
 VIS DE LA POMPE D'ALIMENTATION ET VIS DE PURGE
 FOERDERPUMPENSCHRAUBE UND SCHRAUBE AN ENTLUEFTUNG
 VITE POMPA DI ALIMENTAZIONE E VITE ACCESSO FILO PER VENTILAZIONE
 TORNILLO DEL TAPON DE LA BOMBA DE ALIMENTACION Y TORNILLO DE PURGA
 MATARPUMPSSKRUV OCH LUFTSKRUV

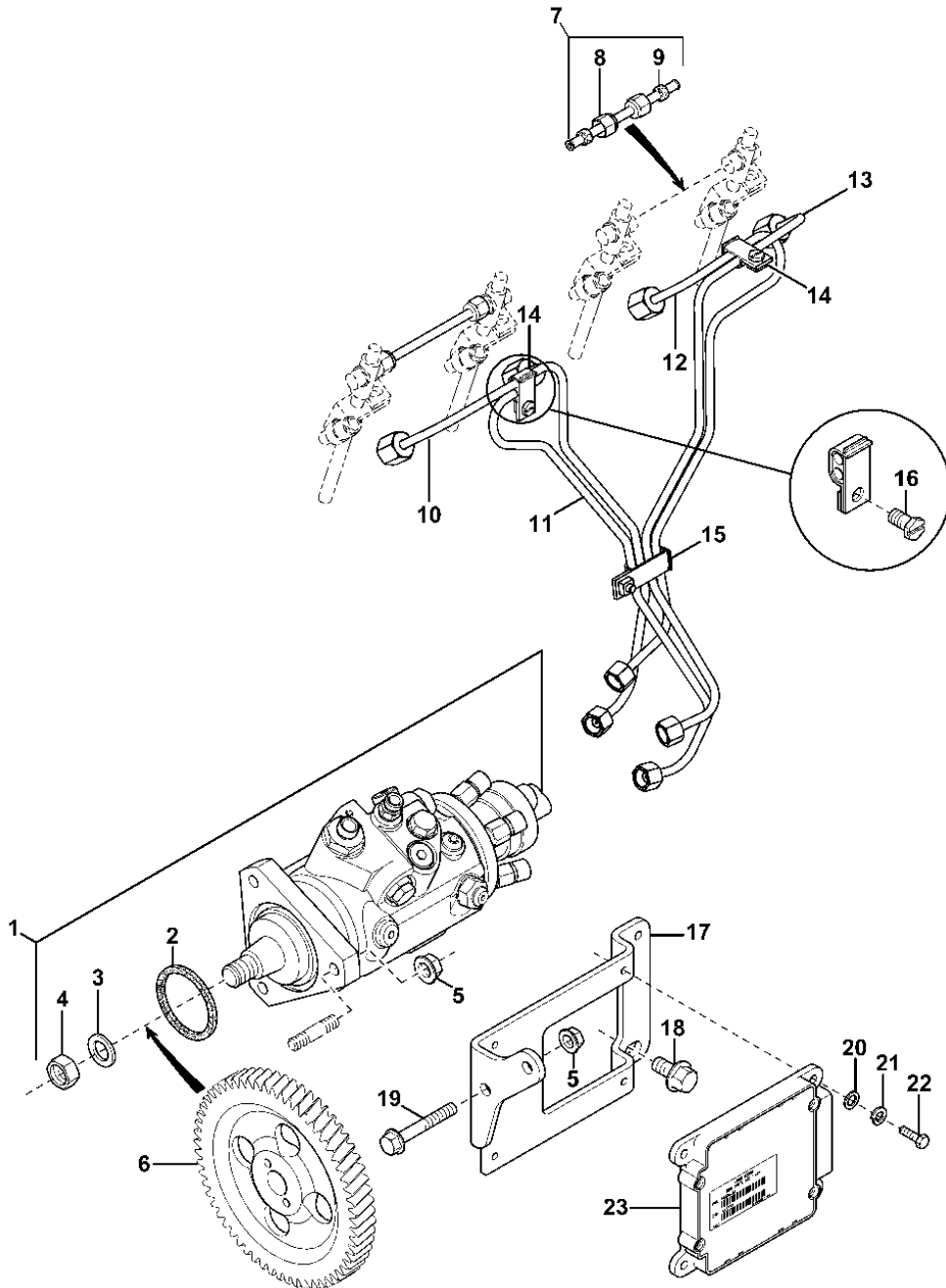
(E) SOLENOID CONNECTOR ASSEMBLY
 RACCORD D'ELECTROVANNE COMPLET
 MAGNETVENTILANSCHLUSS
 GRUPPO CONNETTORE SOLENOIDE
 CONJUNTO PARA LA INSTALACION DE LA ELECTROVALVULA
 SOLENOIDVENTILANSLUTNING

160-94

FUEL INJECTION PUMP

163U
163U
163U
163U
163U
163U

CDP46606 -UN-



CDP46606

160-95

FUEL INJECTION PUMP

KEY	PART NO.	PART NAME	QTY.	ENGINE SERIAL NO.	4 0 4 5 H	REMARKS
1	RE518086	FUEL INJECTION PUMP	1		X	(A) STANADYNE - DE10
	SE501234	FUEL INJECTION PUMP	1		X	(C)
2	R502076	O-RING	1		X	
3	R54228	WASHER	1		X	
4	14M7289	NUT	1		X	M16
5	14M7298	FLANGE NUT	5		X	M8
6	R505472	GEAR	1		X	
7	RE68748	TUBE	2		X	
8	R123593	TUBE NUT	2		X	
9	R51936	SEALING WASHER	2		X	5.560 X 10.500 X 5.410 MM
10	RE507646	FUEL LINE	1		X	(NO 1)
11	RE507647	FUEL LINE	1		X	(NO 2)
12	RE507648	FUEL LINE	1		X	(NO 3)
13	RE507649	FUEL LINE	1		X	(NO 4)
14	RE19797	CLAMP	2		X	
15	RE19799	CLAMP	1		X	
16	19M6614	CAP SCREW	1		X	M6 X 12 (10.9) , (USE WITH RE19797 AND RE19799)
17	R503520	BRACKET	1		X	
19	19M7979	SCREW	2		X	M8 X 55, (10.9)
20	24M7027	WASHER	4		X	5.300 X 10 X 1 MM
21	12H316	LOCK WASHER	4		X	5.486 MM
22	19M7640	CAP SCREW	4		X	M5 X 12
23	RE532627	ENGINE CONTROLLER	1		X	(B) (12V) (SUB FOR RE518176 AND RE522527)

(A) SEE YOUR AUTHORIZED PUMP REPAIR STATION FOR PARTS NOT LISTED
 CONSULTER LE REPARATEUR AGREE DE POMPES POUR LES PIECES NON LISTEES
 NICHT GEZEIGTE TEILE VON EINSPRITZPUMPE VETRETER BEZIEHEN
 CONSULTARE IL CONCESSIONARIO AUTORIZZATO DELLE POMPE D'INIEZIONE PER PARTI NON ELENCATI
 CONSULTE CON SU ESTACION AUTORIZADA DE REPARACIONES DE BOMBA
 KONSULTERAS INSPRUTNINGSPOMPENS ATERFORSALJARE FOR DELAR EJ VISADE

(B) THIS PART MUST BE ORDERED WITH ENGINE SERIAL NUMBER
 CETTE PIECE DOIT ETRE COMMANDEE AVEC LE NUMERO DE SERIE DU MOTEUR
 DIESES TEIL MUSS MIT ANGABE DER MOTORSERIENNUMMER BESTELT WERDEN
 QUESTO PEZZO DEVE ESSERE ORDINATO INDICANDO IL NUMERO DI SERIE DEL MOTORE
 INDICAR EL NO. DE SERIE DEL MOTOR AL PEDIR ESTA PIEZA
 MOTORSERIENNUMMER MASTE ANGES VID BESTALLING AV DENNA DELEN

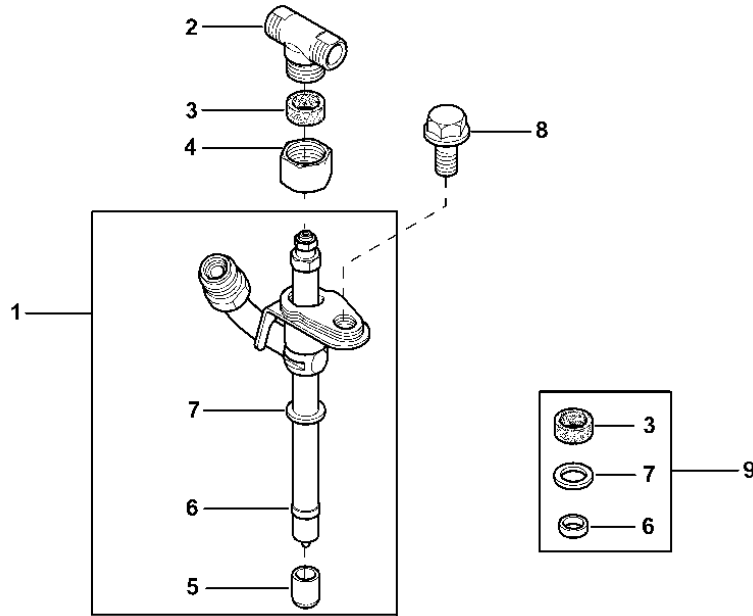
(C) REMANUFACTURED
 ECHANGE STANDARD
 GENERALUEBERHOLT
 REVISIONATO
 REACONDICIONADO
 RENOVERAD

160-96

FUEL INJECTION PUMP

163U - CONTINUED
 163U - SUITE
 163U - FORTSETZUNG
 163U - SEGUI TO
 163U - CONTINUACION
 163U - FORTS

CDP45007A -UN-



CDP45007A

KEY	PART NO.	PART NAME	QTY.	ENGINE SERIAL NO.	4 0 4 5 H	REMARKS
1	RE48786	INJECTION NOZZLE	4		X	
	SE500826	INJECTION NOZZLE	1		X (A) (PKG 4)	
	SE501101	INJECTION NOZZLE	AR		X (A) (PKG 1)	
2	R71963	TEE FITTING	1		X	
3	PACKING	1		X	NSEP, (ORDER RE64292)
4	R79604	TUBE NUT	1		X	
5	PLUG	1		X	
6	SEAL	1		X	NSEP, (ORDER RE64292)
7	PACKING	1		X	NSEP, (ORDER RE64292)
8	R116366	SCREW	4		X	
9	RE64292	KIT	AR		X	

(A) REMANUFACTURED
 ECHANGE STANDARD
 GENERALUEBERHOLT
 REVISIONATO
 REACONDICIONADO
 RENOVERAD

160-97

FUEL INJECTION PUMP

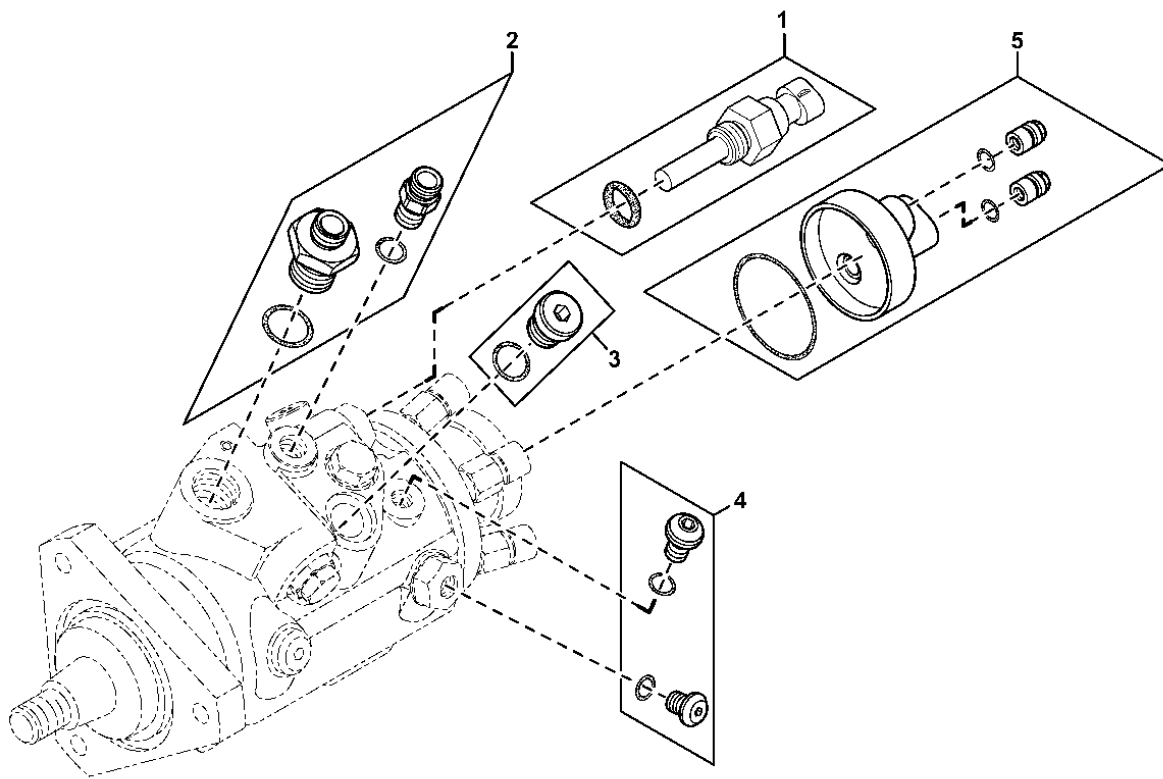
MEMORANDA
MEMORANDA
MEMORANDA
MEMORANDA
MEMORANDA
MEMORANDA

160-98

FUEL INJECTION PUMP

163U - CONTINUED
163U - SUITE
163U - FORTSETZUNG
163U - SEGUI TO
163U - CONTINUACION
163U - FORTS

CDP45922 -UN-



CDP45922

160-99

FUEL INJECTION PUMP

KEY	PART NO.	PART NAME	QTY.	ENGINE SERIAL NO.	4 0 4 5 H	REMARKS
1	RE521822	FUEL TEMPERATURE SENSOR	1		X (A)	
2	RE521823	KIT	1		X (B)	
3	RE521824	KIT	1		X (C)	
4	RE521825	KIT	1		X (D)	
5	RE522109	KIT	1		X (E)	

(A) FUEL TEMPERATURE SENSOR
 CAPTEUR DE TEMPERATURE DU COMBUSTIBLE
 SENSOR FUER KRAFTSTOFFTEMPERATUR
 SENSORE TEMPERATURA COMBUSTIBILE
 SENSOR DE TEMPERATURA DE COMBUSTIBLE
 BRAENSLETEMPERATURGIVARE

(B) PRESSURE REGULATOR AND FUEL INLET CONNECTOR
 REGULATEUR DE PRESSION ET RACCORD D'ADMISSION DU COMBUSTIBLE
 DRUCKREGLER UND EINLASSANSCHLUSS FUER KRAFTSTOFF
 REGOLATORE PRESSIONE E RACCORDO INGRESSO COMBUSTIBILE
 REGULADOR DE PRESION Y CONEXION DE ADMISION DE COMBUSTIBLE
 TRYCKREGULATOR OCH BRAENSLEINLOPPSANSLUTNING

(C) TIMING PIN HOLE PLUG
 BOUCHON DE L'ORIFICE DE REGLAGE
 STOPFEN FUER EINSTELLOEFFNUNG
 TAPPO FORO SPINA DI FASATURA
 TAPON PARA AGUJERO DE SINCRONIZACION
 PLUGG FOER INSTAELLNINGSHALL

(D) TRANSFER PUMP TAP SCREW AND VENT WIRE ACCESS SCREW
 VIS DE LA POMPE D'ALIMENTATION ET VIS DE PURGE
 FOERDERPUMPENSCHRAUBE UND SCHRAUBE AN ENTLUEFTUNG
 VITE POMPA DI ALIMENTAZIONE E VITE ACCESSO FILO PER VENTILAZIONE
 TORNILLO DEL TAPON DE LA BOMBA DE ALIMENTACION Y TORNILLO DE PURGA
 MATARPUMPSSKRUV OCH LUFTSKRUV

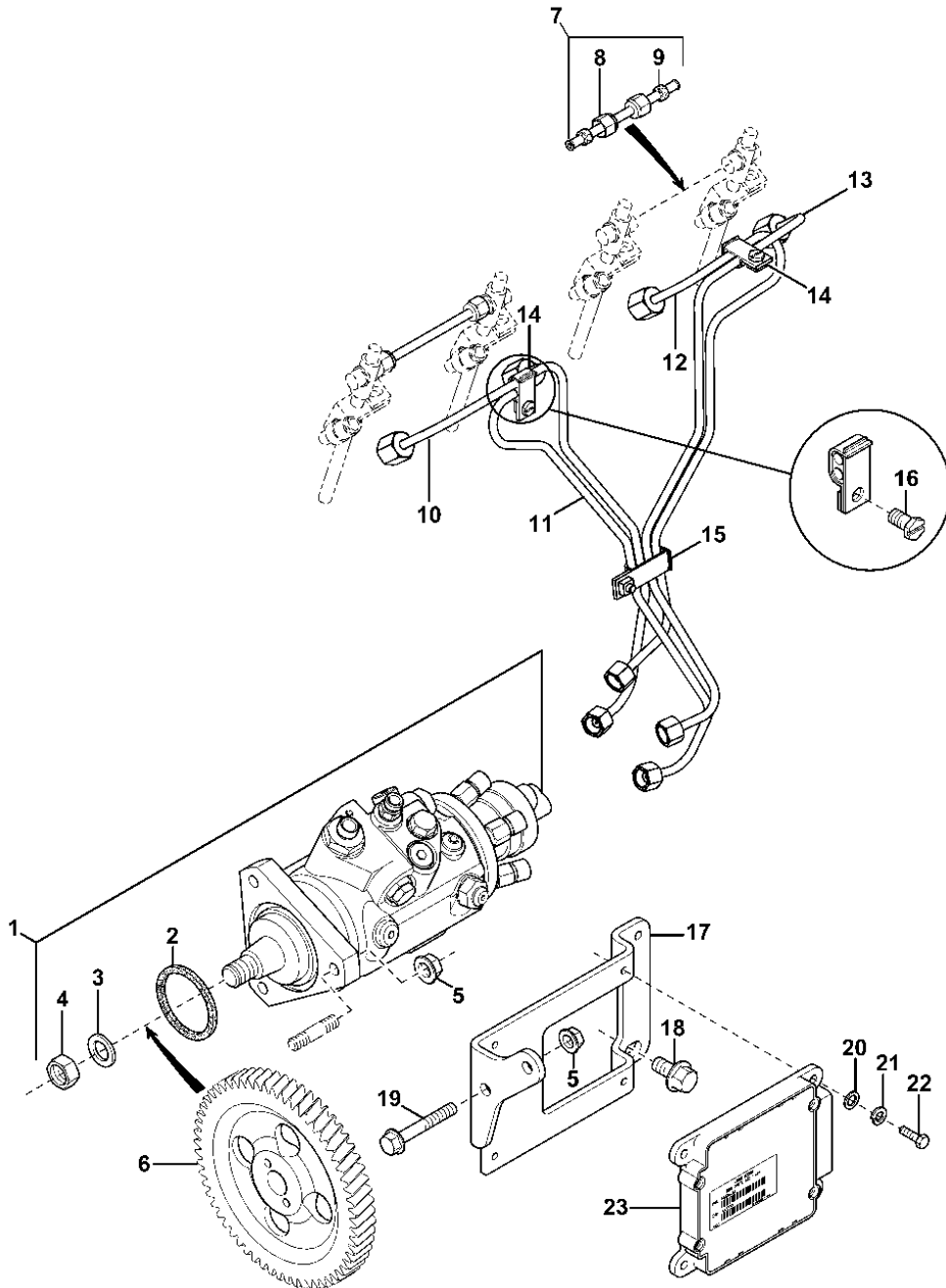
(E) SOLENOID CONNECTOR ASSEMBLY
 RACCORD D'ELECTROVANNE COMPLET
 MAGNETVENTILANSCHLUSS
 GRUPPO CONNETTORE SOLENOIDE
 CONJUNTO PARA LA INSTALACION DE LA ELECTROVALVULA
 SOLENOIDVENTILANSLUTNING

160-100

FUEL INJECTION PUMP

163V
163V
163V
163V
163V
163V

CDP46606 -UN-



CDP46606

160-101

FUEL INJECTION PUMP

KEY	PART NO.	PART NAME	QTY.	ENGINE SERIAL NO.	4 0 4 5 H	REMARKS
1	RE518086	FUEL INJECTION PUMP	1		X	(A) STANADYNE - DE10
	SE501234	FUEL INJECTION PUMP	1		X	(C)
2	R502076	O-RING	1		X	
3	R54228	WASHER	1		X	
4	14M7289	NUT	1		X	M16
5	14M7298	FLANGE NUT	5		X	M8
6	R505472	GEAR	1		X	
7	RE68748	TUBE	2		X	
8	R123593	TUBE NUT	2		X	
9	R51936	SEALING WASHER	2		X	5.560 X 10.500 X 5.410 MM
10	RE507646	FUEL LINE	1		X	(NO 1)
11	RE507647	FUEL LINE	1		X	(NO 2)
12	RE507648	FUEL LINE	1		X	(NO 3)
13	RE507649	FUEL LINE	1		X	(NO 4)
14	RE19797	CLAMP	2		X	
15	RE19799	CLAMP	1		X	
16	19M6614	CAP SCREW	1		X	M6 X 12, (10.9) , (USE WITH RE19797 AND RE19799)
17	R503520	BRACKET	1		X	
19	19M7979	SCREW	2		X	M8 X 55, (10.9)
20	24M7027	WASHER	4		X	5.300 X 10 X 1 MM
21	12H316	LOCK WASHER	4		X	5.486 MM
22	19M7640	CAP SCREW	4		X	M5 X 12
23	RE532629	ENGINE CONTROLLER	1		X	(B) (24V) (SUB FOR RE519775 AND RE522529)

(A) SEE YOUR AUTHORIZED PUMP REPAIR STATION FOR PARTS NOT LISTED
 CONSULTER LE REPARATEUR AGREE DE POMPES POUR LES PIECES NON LISTEES
 NICHT GEZEIGTE TEILE VON EINSPRITZPUMPE VETRETER BEZIEHEN
 CONSULTARE IL CONCESSIONARIO AUTORIZZATO DELLE POMPE D'INIEZIONE PER PARTI NON ELENCATI
 CONSULTE CON SU ESTACION AUTORIZADA DE REPARACIONES DE BOMBA
 KONSULTERAS INSPRUTNINGSPOMPENS ATERFORSALJARE FOR DELAR EJ VISADE

(B) THIS PART MUST BE ORDERED WITH ENGINE SERIAL NUMBER
 CETTE PIECE DOIT ETRE COMMANDEE AVEC LE NUMERO DE SERIE DU MOTEUR
 DIESES TEIL MUSS MIT ANGABE DER MOTORSERIENNUMMER BESTELT WERDEN
 QUESTO PEZZO DEVE ESSERE ORDINATO INDICANDO IL NUMERO DI SERIE DEL MOTORE
 INDICAR EL NO. DE SERIE DEL MOTOR AL PEDIR ESTA PIEZA
 MOTORSERIENNUMMER MASTE ANGES VID BESTALLING AV DENNA DELEN

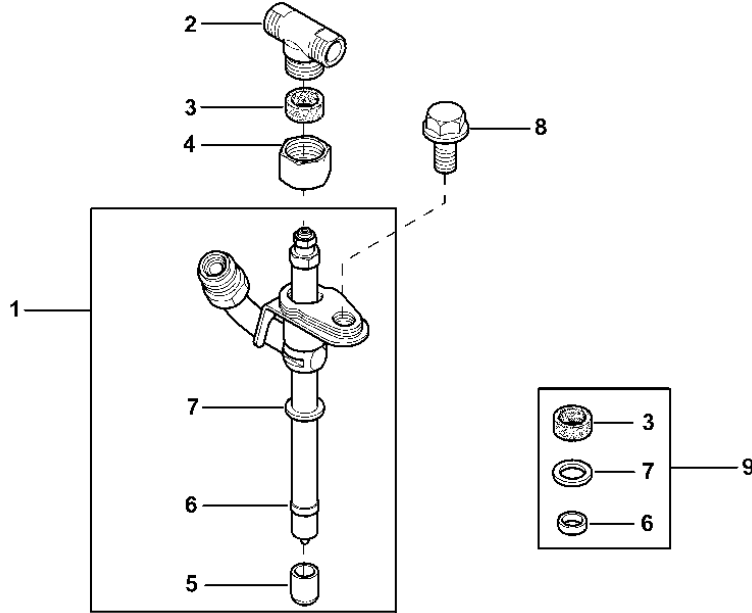
(C) REMANUFACTURED
 ECHANGE STANDARD
 GENERALUEBERHOLT
 REVISIONATO
 REACONDICIONADO
 RENOVERAD

160-102

FUEL INJECTION PUMP

163V - CONTINUED
 163V - SUITE
 163V - FORTSETZUNG
 163V - SEGUIITO
 163V - CONTINUACION
 163V - FORTS

CDP45007A -UN-



CDP45007A

KEY	PART NO.	PART NAME	QTY.	ENGINE SERIAL NO.	4 0 4 5 H	REMARKS
1	RE48786	INJECTION NOZZLE	4		X	
	SE500826	INJECTION NOZZLE	1		X (A) (PKG 4)	
	SE501101	INJECTION NOZZLE	AR		X (A) (PKG 1)	
2	R71963	TEE FITTING	1		X	
3	PACKING	1		X	NSEP, (ORDER RE64292)
4	R79604	TUBE NUT	1		X	
5	PLUG	1		X	
6	SEAL	1		X	NSEP, (ORDER RE64292)
7	PACKING	1		X	NSEP, (ORDER RE64292)
8	R116366	SCREW	4		X	
9	RE64292	KIT	AR		X	

(A) REMANUFACTURED
 ECHANGE STANDARD
 GENERALUEBERHOLT
 REVISIONATO
 REACONDICIONADO
 RENOVERAD

160-103

FUEL INJECTION PUMP

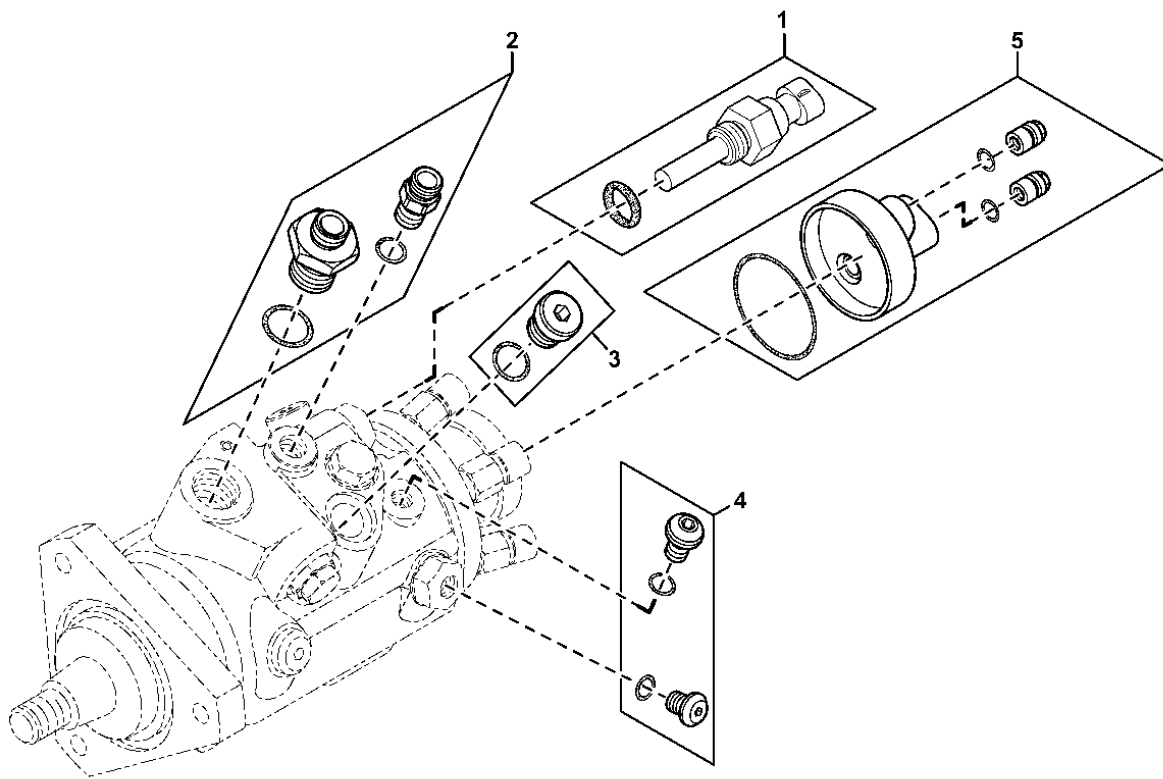
MEMORANDA
MEMORANDA
MEMORANDA
MEMORANDA
MEMORANDA
MEMORANDA

160-104

FUEL INJECTION PUMP

163V - CONTINUED
163V - SUITE
163V - FORTSETZUNG
163V - SEGUI TO
163V - CONTINUACION
163V - FORTS

CDP45922 -UN-



CDP45922

160-105

FUEL INJECTION PUMP

KEY	PART NO.	PART NAME	QTY.	ENGINE SERIAL NO.	4 0 4 5 H	REMARKS
1	RE521822	FUEL TEMPERATURE SENSOR	1		X (A)	
2	RE521823	KIT	1		X (B)	
3	RE521824	KIT	1		X (C)	
4	RE521825	KIT	1		X (D)	
5	RE522109	KIT	1		X (E)	

(A) FUEL TEMPERATURE SENSOR
 CAPTEUR DE TEMPERATURE DU COMBUSTIBLE
 SENSOR FUER KRAFTSTOFFTEMPERATUR
 SENSORE TEMPERATURA COMBUSTIBILE
 SENSOR DE TEMPERATURA DE COMBUSTIBLE
 BRAENSLETEMPERATURGIVARE

(B) PRESSURE REGULATOR AND FUEL INLET CONNECTOR
 REGULATEUR DE PRESSION ET RACCORD D'ADMISSION DU COMBUSTIBLE
 DRUCKREGLER UND EINLASSANSCHLUSS FUER KRAFTSTOFF
 REGOLATORE PRESSIONE E RACCORDO INGRESSO COMBUSTIBILE
 REGULADOR DE PRESION Y CONEXION DE ADMISION DE COMBUSTIBLE
 TRYCKREGULATOR OCH BRAENSLEINLOPPSANSLUTNING

(C) TIMING PIN HOLE PLUG
 BOUCHON DE L'ORIFICE DE REGLAGE
 STOPFEN FUER EINSTELLOEFFNUNG
 TAPPO FORO SPINA DI FASATURA
 TAPON PARA AGUJERO DE SINCRONIZACION
 PLUGG FOER INSTAELLNINGSHALL

(D) TRANSFER PUMP TAP SCREW AND VENT WIRE ACCESS SCREW
 VIS DE LA POMPE D'ALIMENTATION ET VIS DE PURGE
 FOERDERPUMPENSCHRAUBE UND SCHRAUBE AN ENTLUEFTUNG
 VITE POMPA DI ALIMENTAZIONE E VITE ACCESSO FILO PER VENTILAZIONE
 TORNILLO DEL TAPON DE LA BOMBA DE ALIMENTACION Y TORNILLO DE PURGA
 MATARPUMPSSKRUV OCH LUFTSKRUV

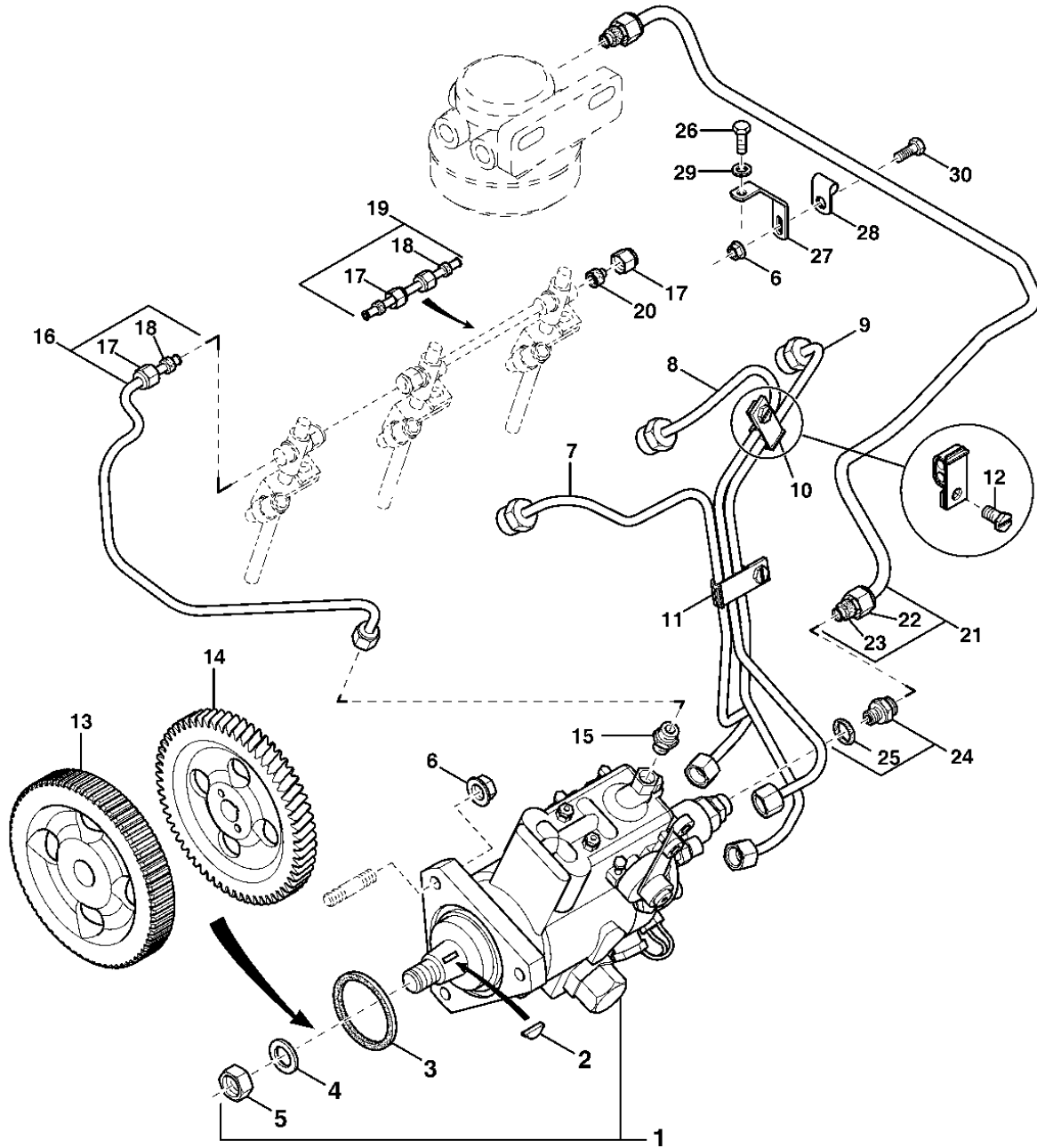
(E) SOLENOID CONNECTOR ASSEMBLY
 RACCORD D'ELECTROVANNE COMPLET
 MAGNETVENTILANSCHLUSS
 GRUPPO CONNETTORE SOLENOIDE
 CONJUNTO PARA LA INSTALACION DE LA ELECTROVALVULA
 SOLENOIDVENTILANSLUTNING

160-106

FUEL INJECTION PUMP

164H
164H
164H
164H
164H

CDP45524D -UN-



CDP46380A

160-107

FUEL INJECTION PUMP

KEY	PART NO.	PART NAME	QTY.	ENGINE SERIAL NO.	3 0 2 9 T	REMARKS
1	RE519015	FUEL INJECTION PUMP	1		X	(A) STANADYNE DB4-5828, 48KW-1800MIN-1, 12V
2	R56131	SHAFT KEY	1		X	
3	R502076	O-RING	1		X	
4	R132874	WASHER	1		X	
5	R91360	NUT	1		X	M14
6	A22698	NUT	3		X	7.925 MM
7	RE20898	FUEL LINE	1		X	NO1
8	RE20899	FUEL LINE	1		X	NO2
9	RE20900	FUEL LINE	1		X	NO3
10	RE19797	CLAMP	1		X	
11	RE20901	CLAMP	1		X	
12	19M6614	CAP SCREW	1		X	M6 X 12
13	R500551	SPUR GEAR	NA		X	(B) Z = 48
14	R104907	HELICAL GEAR	1		X	(C) Z = 48
15	R63604	FITTING	1		X	1/8"-27NPT X 1/2"-24UNS
16	RE71145	FUEL LINE	1		X	
17	R123593	TUBE NUT	AR		X	
18	R51936	SEALING WASHER	AR		X	5.560 X 10.500 X 5.410 MM
19	RE68748	TUBE	2		X	
20	AR85519	PLUG	1		X	
21	RE509283	FUEL LINE	1		X	
22	R123594	TUBE NUT	AR		X	9/16"-24UNEF
23	R74012	SEALING WASHER	AR		X	7.140 X 12.300 X 6.400 MM
24	RE60029	ADAPTER FITTING	1		X	M12X1.5 X 9/16"-24UNEF
25	51M7040	O-RING	1		X	9.300 X 2.200 MM
26	19H2284	CAP SCREW	1		X	3/8" X 7/8"
27	R520931	BRACKET	1		X	
28	T13914	CLAMP	1		X	
29	24M7096	WASHER	1		X	10.500 X 18 X 1.600 MM
30	19H2664	CAP SCREW	1		X	5/16" X 3/4"

(A) SEE YOUR AUTHORIZED PUMP REPAIR STATION FOR PARTS NOT LISTED
 CONSULTER LE REPARATEUR AGREE DE POMPES POUR LES PIECES NON LISTEES
 NICHT GEZIGTE TEILE VON EINSPRITZPUMPE VETRETER BEZIEHEN
 CONSULTARE IL CONCESSIONARIO AUTORIZZATO DELLE POMPE D'INIEZIONE PER PARTI NON ELENCATI
 CONSULTE CON SU ESTACION AUTORIZADA DE REPARACIONES DE BOMBA
 KONSULTERIAS INSPRUTNINGSPOMPENS ATERFORSALJARE FOR DELAR EJ VISADE

(B) WITH POWER TAKE-OFF
 AVEC PRISE DE FORCE
 MIT ZAPFWELLE
 CON PREZA DI FORZA
 CON TOMA DE FUERGA
 VID KRAFTUTTAG

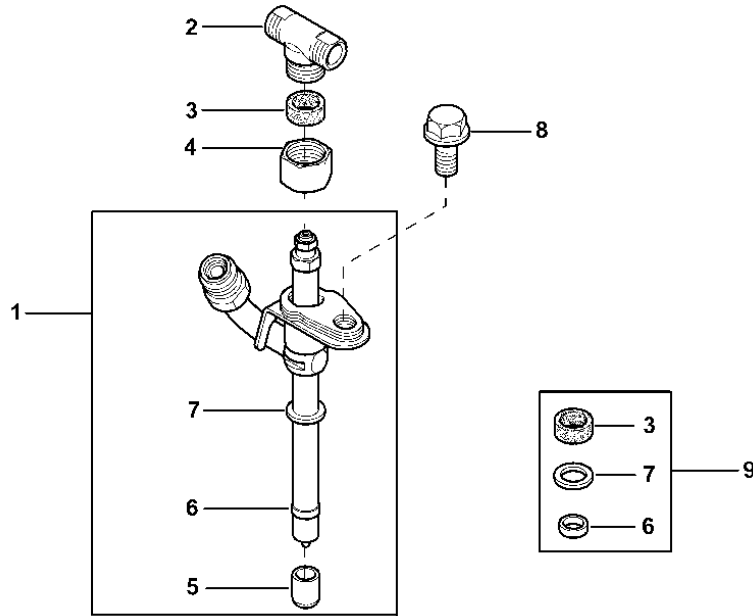
(C) WITHOUT POWER TAKE-OFF
 SANS PRISE DE FORCE
 OHNE ZAPFWELLE
 SENZA PRESA DI FORZA
 SIN TOMA DE FUERGA
 UTAN KRAFTUTTAG

160-108

FUEL INJECTION PUMP

164H - CONTINUED
 164H - SUITE
 164H - FORTSETZUNG
 164H - SEGUITO
 164H - CONTINUACION
 164H - FORTS

CDP45007A -UN-



CDP45007A

KEY	PART NO.	PART NAME	QTY.	ENGINE SERIAL NO.	3 0 2 9 T	REMARKS
1	RE48786	INJECTION NOZZLE	3		X	
	SE501101	INJECTION NOZZLE	AR		X	(A) (PKG 1)
2	R71963	TEE FITTING	3		X	
3	PACKING	1		X	NSEP, (ORDER RE64292)
4	R79604	TUBE NUT	1		X	
5	PLUG	1		X	
6	SEAL	1		X	NSEP, (ORDER RE64292)
7	PACKING	1		X	NSEP, TK= 1.9MM, (ORDER RE64292)
8	R101201	CAP SCREW	3		X	5/16" X 3/4" -18UNC
9	RE64292	KIT	AR		X	

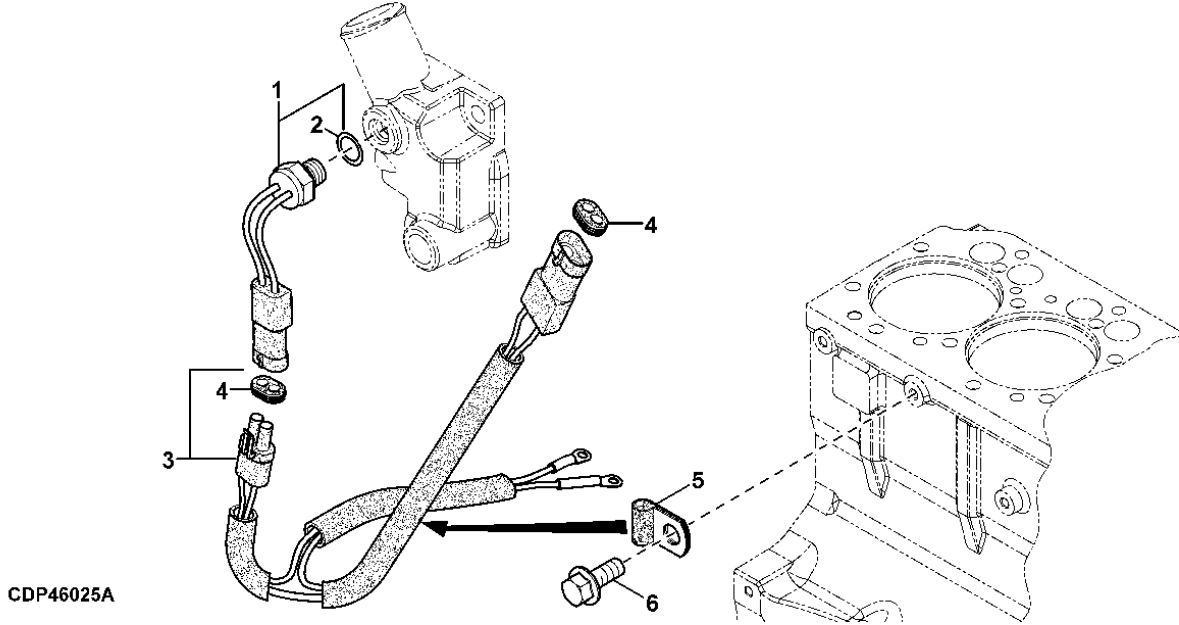
(A) REMANUFACTURED
 ECHANGE STANDARD
 GENERALUEBERHOLT
 REVISIONATO
 REACONDICIONADO
 RENOVERAD

160-109

FUEL INJECTION PUMP

164H - CONTINUED
 164H - SUITE
 164H - FORTSETZUNG
 164H - SEGUI TO
 164H - CONTINUACION
 164H - FORTS

CDP46025A -UN-



CDP46025A

KEY	PART NO.	PART NAME	QTY.	ENGINE SERIAL NO.	REMARKS
1	RE503242	SENSOR WIRING HARNESS	1	X	
2	51M7041	O-RING	1	X	11.300 X 2.200 MM
3	RE66560	WIRING HARNESS	1	X	
4	R78048	ELEC. CONNECTOR ACCESSORY	1	X	
5	T74410	CLAMP	1	X	
6	19M7783	SCREW	1	X	M10 X 16

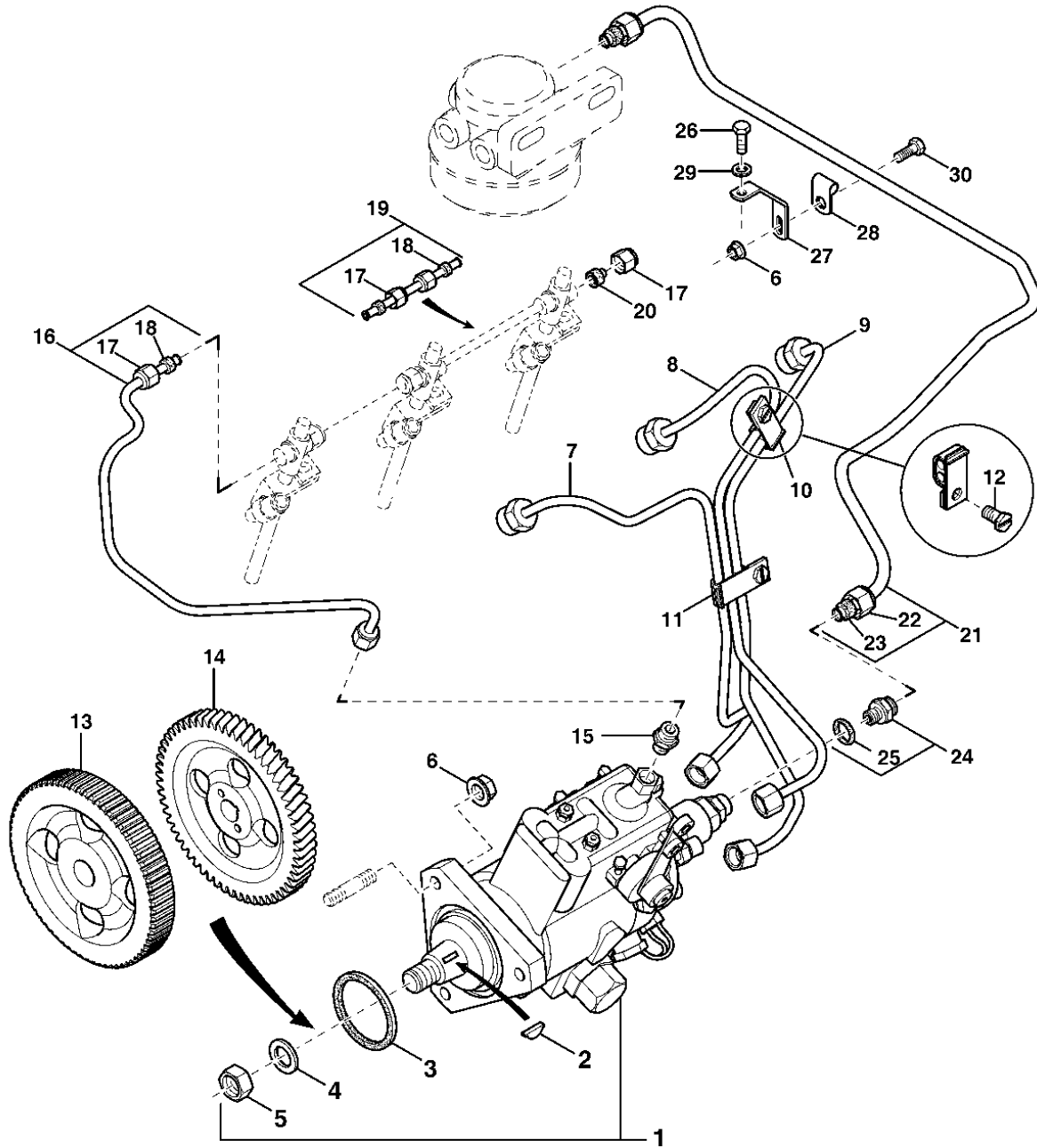
3
0
2
9
T

160-110

FUEL INJECTION PUMP

CDP45524D -UN-

164I
164I
164I
164I
164I
164I



CDP46380A

THIS PARTS LISTING IS CONTINUED

160-111

FUEL INJECTION PUMP

KEY	PART NO.	PART NAME	QTY.	ENGINE SERIAL NO.	3 0 2 9 T	REMARKS
1	RE519016	FUEL INJECTION PUMP	1		X	(A) STANADYNE DB4-5846, 48KW-1800MIN-1, 24V
2	R56131	SHAFT KEY	1		X	
3	R502076	O-RING	1		X	
4	R132874	WASHER	1		X	
5	R91360	NUT	1		X	M14
6	A22698	NUT	3		X	7.925 MM
7	RE20898	FUEL LINE	1		X	NO1
8	RE20899	FUEL LINE	1		X	NO2
9	RE20900	FUEL LINE	1		X	NO3
10	RE19797	CLAMP	1		X	
11	RE20901	CLAMP	1		X	
12	19M6614	CAP SCREW	1		X	M6 X 12
13	R500551	SPUR GEAR	NA		X	(B) Z = 48
14	R104907	HELICAL GEAR	1		X	(C) Z = 48
15	R63604	FITTING	1		X	1/8"-27NPT X 1/2"-24UNS
16	RE71145	FUEL LINE	1		X	
17	R123593	TUBE NUT	AR		X	
18	R51936	SEALING WASHER	AR		X	5.560 X 10.500 X 5.410 MM
19	RE68748	TUBE	2		X	
20	AR85519	PLUG	1		X	
21	RE509283	FUEL LINE	1		X	
22	R123594	TUBE NUT	AR		X	9/16"-24UNEF
23	R74012	SEALING WASHER	AR		X	7.140 X 12.300 X 6.400 MM
24	RE60029	ADAPTER FITTING	1		X	M12X1.5 X 9/16"-24UNEF
25	51M7040	O-RING	1		X	9.300 X 2.200 MM
26	19H2284	CAP SCREW	1		X	3/8" X 7/8"
27	R520931	BRACKET	1		X	
28	T13914	CLAMP	1		X	
29	24M7096	WASHER	1		X	10.500 X 18 X 1.600 MM
30	19H2664	CAP SCREW	1		X	5/16" X 3/4"

(A) SEE YOUR AUTHORIZED PUMP REPAIR STATION FOR PARTS NOT LISTED
 CONSULTER LE REPARATEUR AGREE DE POMPES POUR LES PIECES NON LISTEES
 NICHT GEZIGTE TEILE VON EINSPRITZPUMPE VETRETER BEZIEHEN
 CONSULTARE IL CONCESSIONARIO AUTORIZZATO DELLE POMPE D'INIEZIONE PER PARTI NON ELENCATI
 CONSULTE CON SU ESTACION AUTORIZADA DE REPARACIONES DE BOMBA
 KONSULTERIAS INSPRUTNINGSPOMPENS ATERFORSALJARE FOR DELAR EJ VISADE

(B) WITH POWER TAKE-OFF
 AVEC PRISE DE FORCE
 MIT ZAPFWELLE
 CON PREZA DI FORZA
 CON TOMA DE FUERGA
 VID KRAFTUTTAG

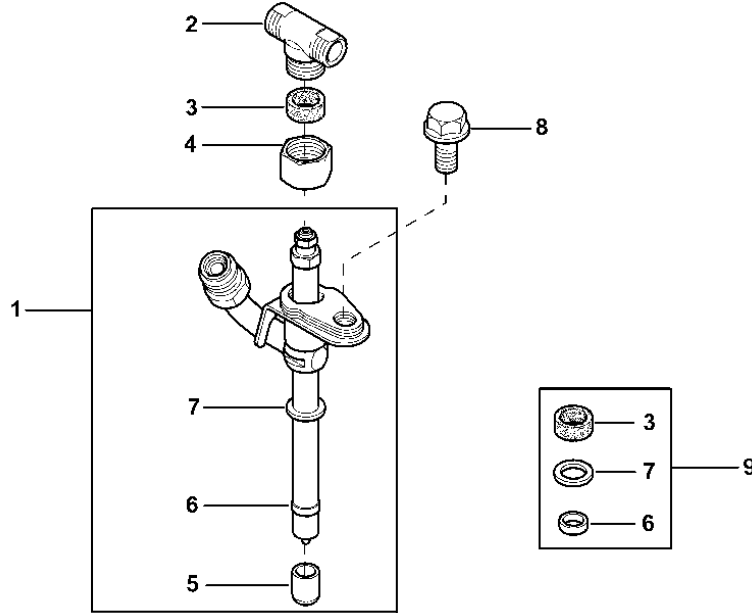
(C) WITHOUT POWER TAKE-OFF
 SANS PRISE DE FORCE
 OHNE ZAPFWELLE
 SENZA PRESA DI FORZA
 SIN TOMA DE FUERGA
 UTAN KRAFTUTTAG

160-112

FUEL INJECTION PUMP

164I - CONTINUED
 164I - SUITE
 164I - FORTSETZUNG
 164I - SEGUI TO
 164I - CONTINUACION
 164I - FORTS

CDP45007A -UN-



CDP45007A

KEY	PART NO.	PART NAME	QTY.	ENGINE SERIAL NO.	3 0 2 9 T	REMARKS
1	RE48786	INJECTION NOZZLE	3		X	
	SE501101	INJECTION NOZZLE	AR		X (A) (PKG 1)	
2	R71963	TEE FITTING	3		X	
3	PACKING	1		X	NSEP, (ORDER RE64292)
4	R79604	TUBE NUT	1		X	
5	PLUG	1		X	
6	SEAL	1		X	NSEP, (ORDER RE64292)
7	PACKING	1		X	NSEP, TK= 1.9MM, (ORDER RE64292)
8	R101201	CAP SCREW	3		X	5/16" X 3/4" -18UNC
9	RE64292	KIT	AR		X	

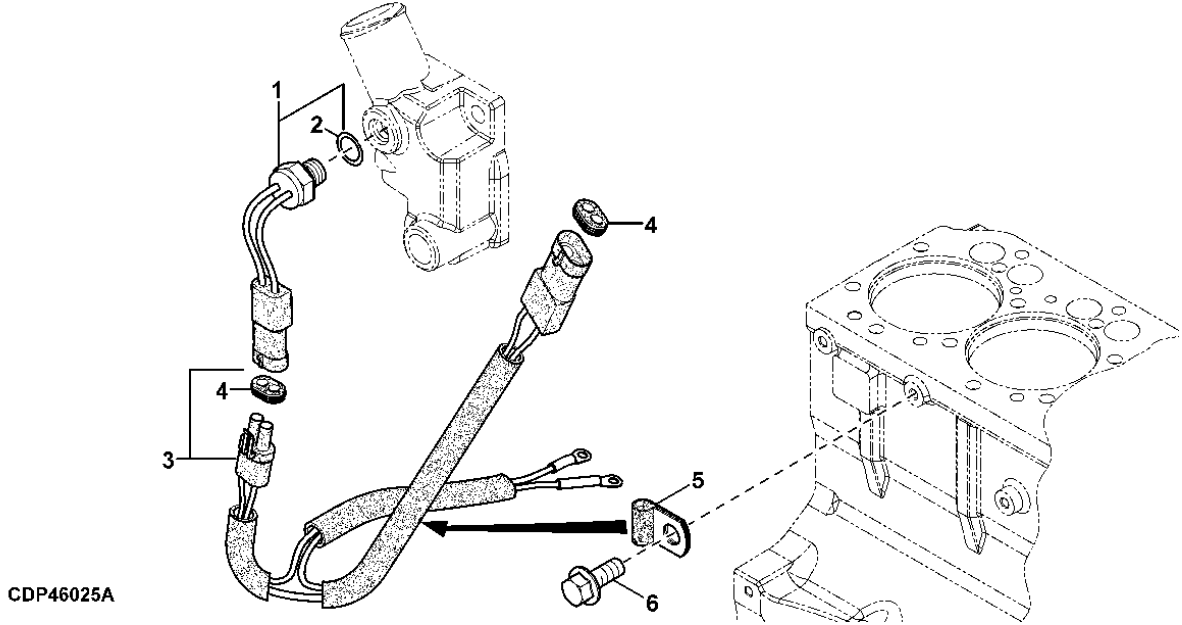
(A) REMANUFACTURED
 ECHANGE STANDARD
 GENERALUEBERHOLT
 REVISIONATO
 REACONDICIONADO
 RENOVERAD

160-113

FUEL INJECTION PUMP

164I - CONTINUED
 164I - SUITE
 164I - FORTSETZUNG
 164I - SEGUI TO
 164I - CONTINUACION
 164I - FORTS

CDP46025A -UN-



CDP46025A

KEY	PART NO.	PART NAME	QTY.	ENGINE SERIAL NO.	REMARKS
1	RE503242	SENSOR WIRING HARNESS	1	X	
2	51M7041	O-RING	1	X	11.300 X 2.200 MM
3	RE66560	WIRING HARNESS	1	X	
4	R78048	ELEC. CONNECTOR ACCESSORY	1	X	
5	T74410	CLAMP	1	X	
6	19M7783	SCREW	1	X	M10 X 16

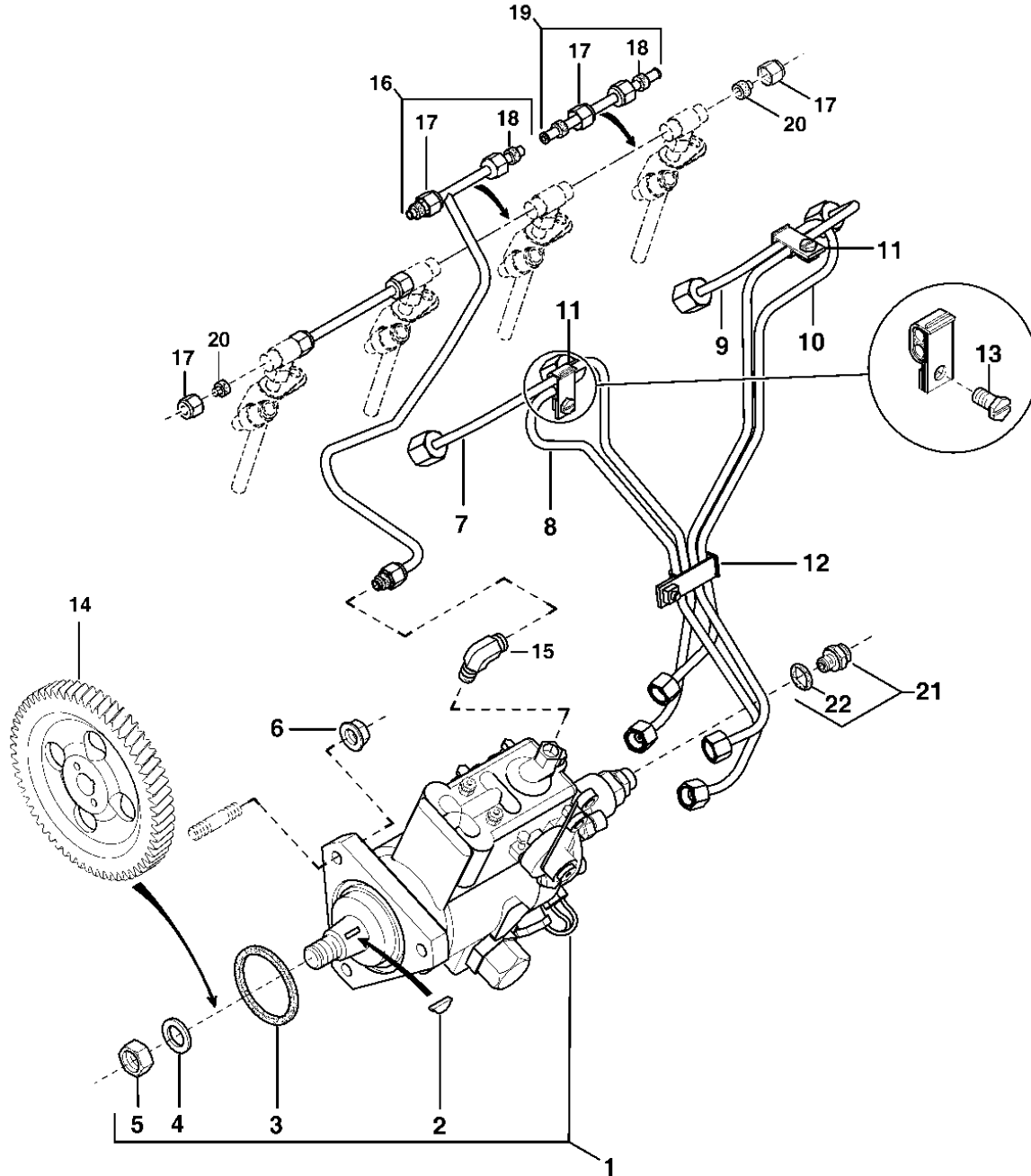
3
0
2
9
T

160-114

FUEL INJECTION PUMP

CDP46026 -UN-

164P
164P
164P
164P
164P
164P



CDP46026

160-115

FUEL INJECTION PUMP

KEY	PART NO.	PART NAME	QTY.	ENGINE SERIAL NO.	4 0 4 5 D	REMARKS
1	RE519023	FUEL INJECTION PUMP	1		X	(A) STANADYNE- DB4-5854, 50KW-1800MIN-1 - 12V
2	R56131	SHAFT KEY	1		X	
3	R502076	O-RING	1		X	
4	R132874	WASHER	1		X	
5	R91360	NUT	1		X	M14
6	14M7298	FLANGE NUT	3		X	M8
7	RE59447	FUEL LINE	1		X	N01
8	RE59448	FUEL LINE	1		X	N02
9	RE59449	FUEL LINE	1		X	N03
10	RE59450	FUEL LINE	1		X	N04
11	RE19797	CLAMP	2		X	
12	RE19799	CLAMP	1		X	
13	19M7923	CAP SCREW	1		X	M6 X 12 (10.9) , (USE WITH RE19797 AND RE19799)
14	R132267	GEAR	1		X	Z= 60
15	R67364	ELBOW FITTING	1		X	1/8"-27NPT X 1/2"-24UNS
16	RE70848	FUEL LINE	1		X	
17	R123593	TUBE NUT	AR		X	1/2"-24UN
18	R51936	SEALING WASHER	AR		X	5.560 X 10.500 X 5.410 MM
19	RE68748	TUBE	2		X	
20	AR85519	PLUG	2		X	
21	RE60029	ADAPTER FITTING	1		X	M12 X 1.5 X 9/16"-24UNEF
22	51M7040	O-RING	1		X	9.300 X 2.200 MM

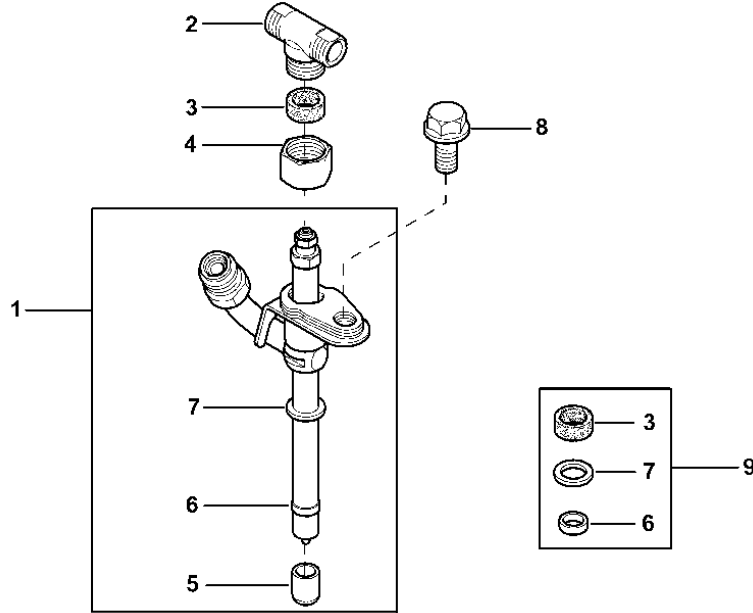
(A) SEE YOUR AUTHORIZED PUMP REPAIR STATION FOR PARTS NOT LISTED
 CONSULTER LE REPARATEUR AGREE DE POMPES POUR LES PIECES NON LISTEES
 NICHT GEZIGTE TEILE VON EINSPRITZPUMPE VETRETER BEZIEHEN
 CONSULTARE IL CONCESSIONARIO AUTORIZZATO DELLE POMPE D'INIEZIONE PER PARTI NON ELENCATI
 CONSULTE CON SU ESTACION AUTORIZADA DE REPARACIONES DE BOMBA
 KONSULTERIAS INSPRUTNINGSPOMPENS ATERFORSALJARE FOR DELAR EJ VISADE

160-116

FUEL INJECTION PUMP

164P - CONTINUED
 164P - SUITE
 164P - FORTSETZUNG
 164P - SEGUILO
 164P - CONTINUACION
 164P - FORTS

CDP45007A -UN-



CDP45007A

4
0
4
5
D

KEY	PART NO.	PART NAME	QTY.	ENGINE SERIAL NO.	REMARKS
1	RE519569	INJECTION NOZZLE	4		X
	SE501180	INJECTION NOZZLE	1		X (A) (PKG 4)
	SE501179	INJECTION NOZZLE	AR		X (A) (PKG 1)
2	R71963	TEE FITTING	1		X
3	PACKING	1		X NSEP, (ORDER RE64292)
4	R79604	TUBE NUT	1		X
5	PLUG	1		X
6	SEAL	1		X NSEP, (ORDER RE64292)
7	PACKING	1		X NSEP, (ORDER RE64292)
8	R116366	SCREW	4		X
9	RE64292	KIT	AR		X

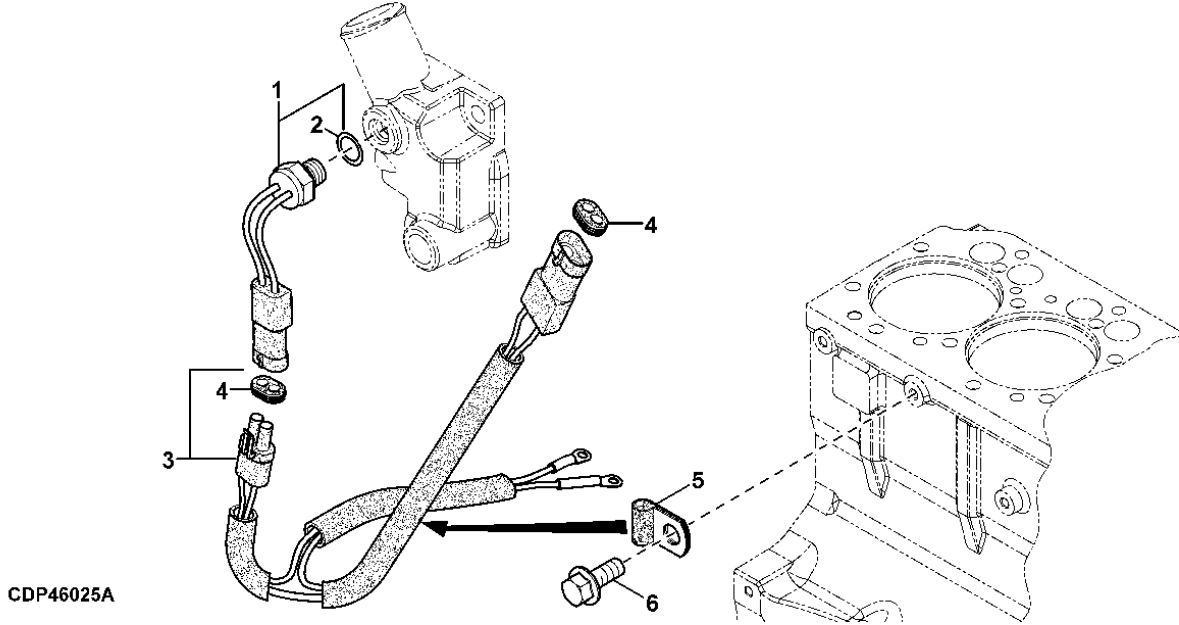
(A) REMANUFACTURED
 ECHANGE STANDARD
 GENERALUEBERHOLT
 REVISIONATO
 REACONDICIONADO
 RENOVERAD

160-117

FUEL INJECTION PUMP

164P - CONTINUED
 164P - SUITE
 164P - FORTSETZUNG
 164P - SEGUITO
 164P - CONTINUACION
 164P - FORTS

CDP46025A -UN-



KEY	PART NO.	PART NAME	QTY.	ENGINE SERIAL NO.	REMARKS
1	RE503242	SENSOR WIRING HARNESS	1	X	
2	51M7041	O-RING	1	X	11.300 X 2.200 MM
3	RE66560	WIRING HARNESS	1	X	
4	R78048	ELEC. CONNECTOR ACCESSORY	1	X	
5	T74410	CLAMP	1	X	
6	19M7783	SCREW	1	X	M10 X 16

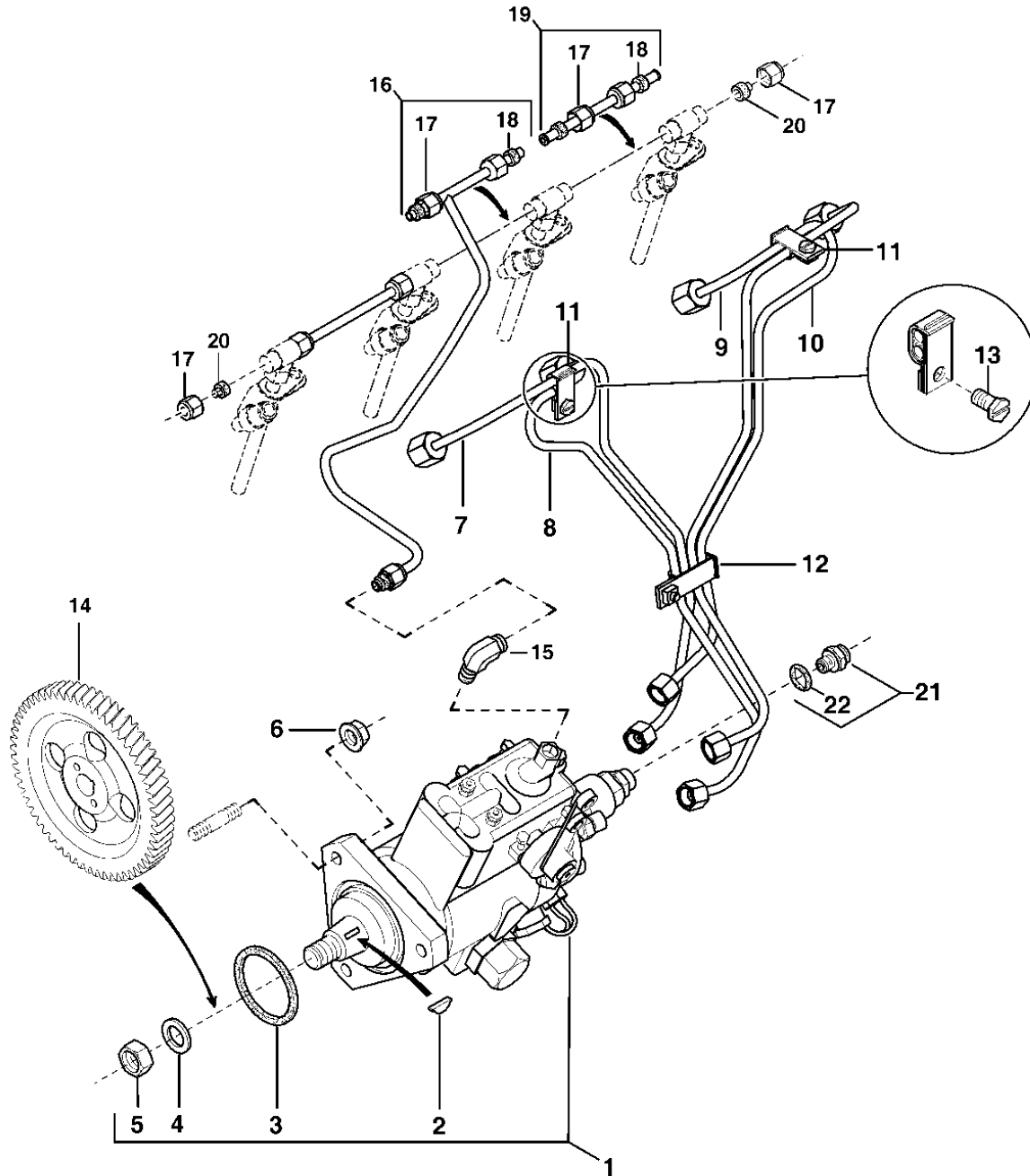
4
0
4
5
D

160-118

FUEL INJECTION PUMP

CDP46026 -UN-

164Q
164Q
164Q
164Q
164Q
164Q



CDP46026

160-119

FUEL INJECTION PUMP

KEY	PART NO.	PART NAME	QTY.	ENGINE SERIAL NO.	4 0 4 5 D	REMARKS
1	RE519024	FUEL INJECTION PUMP	1		X	(A) STANADYNE- DB4-5858, 50KW-1800MIN-1 - 24V
2	R56131	SHAFT KEY	1		X	
3	R502076	O-RING	1		X	
4	R132874	WASHER	1		X	
5	R91360	NUT	1		X	M14
6	14M7298	FLANGE NUT	3		X	M8
7	RE59447	FUEL LINE	1		X	N01
8	RE59448	FUEL LINE	1		X	N02
9	RE59449	FUEL LINE	1		X	N03
10	RE59450	FUEL LINE	1		X	N04
11	RE19797	CLAMP	2		X	
12	RE19799	CLAMP	1		X	
13	19M7923	CAP SCREW	1		X	M6 X 12 (10.9) , (USE WITH RE19797 AND RE19799)
14	R132267	GEAR	1		X	Z= 60
15	R67364	ELBOW FITTING	1		X	1/8"-27NPT X 1/2"-24UNS
16	RE70848	FUEL LINE	1		X	
17	R123593	TUBE NUT	AR		X	1/2"-24UN
18	R51936	SEALING WASHER	AR		X	5.560 X 10.500 X 5.410 MM
19	RE68748	TUBE	2		X	
20	AR85519	PLUG	2		X	
21	RE60029	ADAPTER FITTING	1		X	M12 X 1.5 X 9/16"-24UNEF
22	51M7040	O-RING	1		X	9.300 X 2.200 MM

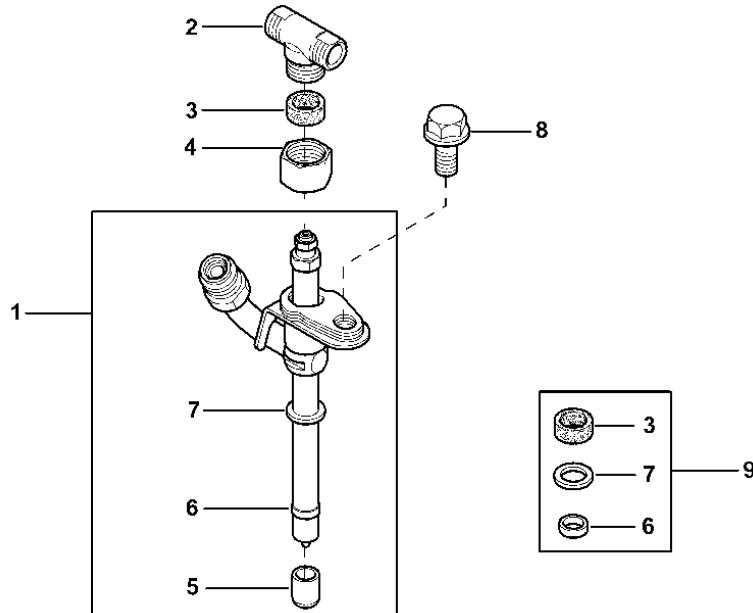
(A) SEE YOUR AUTHORIZED PUMP REPAIR STATION FOR PARTS NOT LISTED
 CONSULTER LE REPARATEUR AGREE DE POMPES POUR LES PIECES NON LISTEES
 NICHT GEZIGTE TEILE VON EINSPRITZPUMPE VETRETER BEZIEHEN
 CONSULTARE IL CONCESSIONARIO AUTORIZZATO DELLE POMPE D'INIEZIONE PER PARTI NON ELENCATI
 CONSULTE CON SU ESTACION AUTORIZADA DE REPARACIONES DE BOMBA
 KONSULTERIAS INSPRUTNINGSPOMPENS ATERFORSALJARE FOR DELAR EJ VISADE

160-120

FUEL INJECTION PUMP

164Q - CONTINUED
 164Q - SUITE
 164Q - FORTSETZUNG
 164Q - SEGUIITO
 164Q - CONTINUACION
 164Q - FORTS

CDP45007A -UN-



CDP45007A

4
0
4
5
D

KEY	PART NO.	PART NAME	QTY.	ENGINE SERIAL NO.	REMARKS
1	RE519569	INJECTION NOZZLE	4		X
	SE501180	INJECTION NOZZLE	1		X (A) (PKG 4)
	SE501179	INJECTION NOZZLE	AR		X (A) (PKG 1)
2	R71963	TEE FITTING	1		X
3	PACKING	1		X NSEP, (ORDER RE64292)
4	R79604	TUBE NUT	1		X
5	PLUG	1		X
6	SEAL	1		X NSEP, (ORDER RE64292)
7	PACKING	1		X NSEP, (ORDER RE64292)
8	PLUG	1		X
9	R116366	SCREW	4		X
10	RE64292	KIT	AR		X

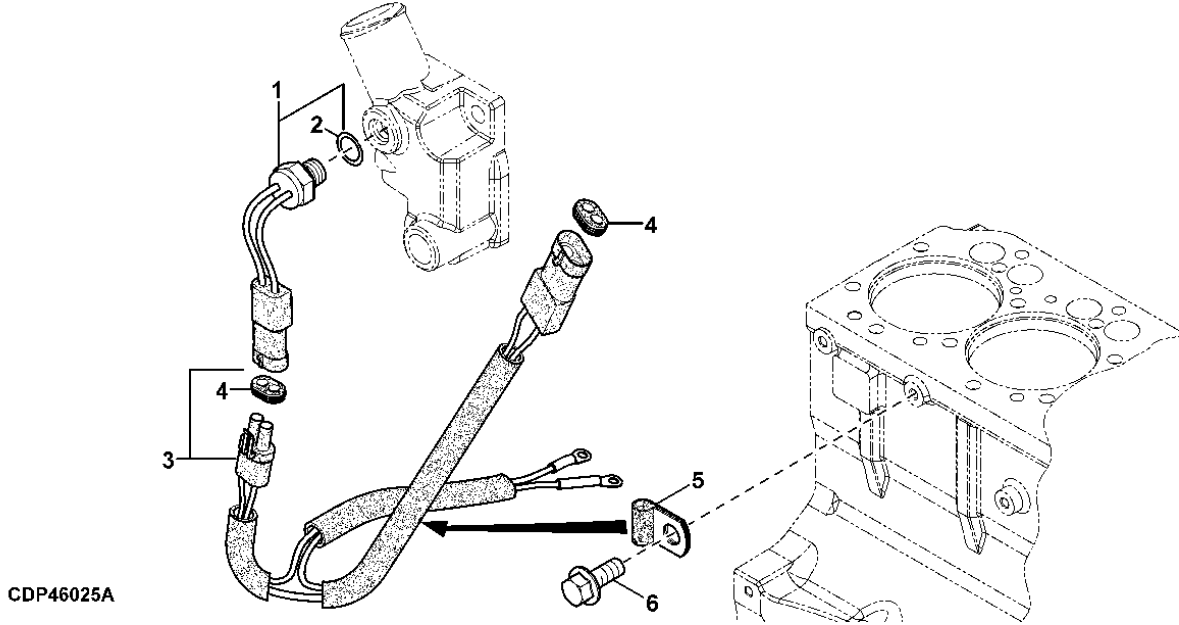
(A) REMANUFACTURED
 ECHANGE STANDARD
 GENERALUEBERHOLT
 REVISIONATO
 REACONDICIONADO
 RENOVERAD

160-121

FUEL INJECTION PUMP

164Q - CONTINUED
 164Q - SUITE
 164Q - FORTSETZUNG
 164Q - SEGUI TO
 164Q - CONTINUACION
 164Q - FORTS

CDP46025A -UN-



CDP46025A

KEY	PART NO.	PART NAME	QTY.	ENGINE SERIAL NO.	REMARKS
1	RE503242	SENSOR WIRING HARNESS	1	X	
2	51M7041	O-RING	1	X	11.300 X 2.200 MM
3	RE66560	WIRING HARNESS	1	X	
4	R78048	ELEC. CONNECTOR ACCESSORY	1	X	
5	T74410	CLAMP	1	X	
6	19M7783	SCREW	1	X	M10 X 16

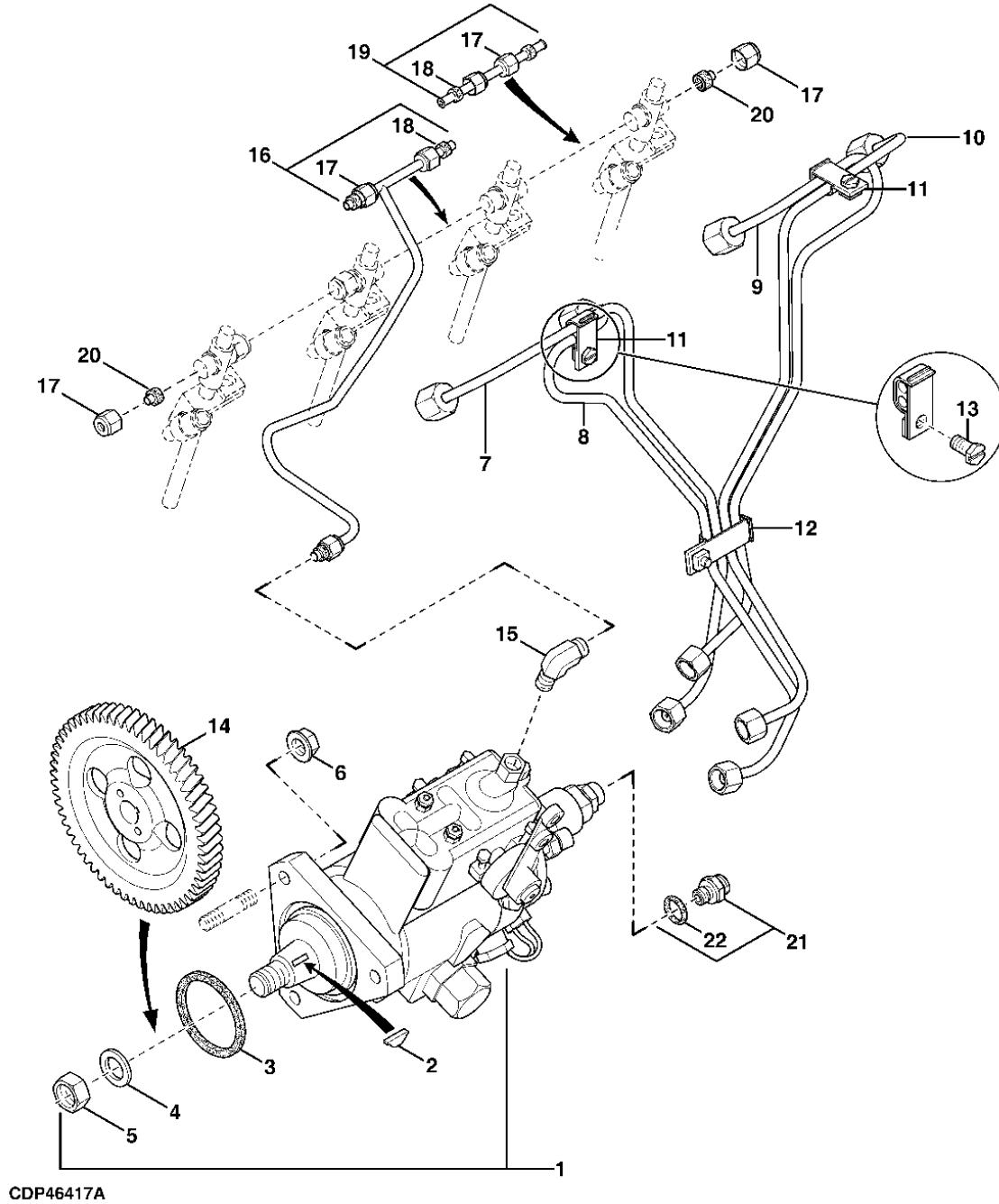
4
0
4
5
D

160-122

FUEL INJECTION PUMP

CDP46417A -UN-

164X
164X
164X
164X
164X
164X



160-123

FUEL INJECTION PUMP

KEY	PART NO.	PART NAME	QTY.	ENGINE SERIAL NO.	4 0 4 5 T	REMARKS
1	RE519069	FUEL INJECTION PUMP	1		X	(A) STANADYNE- DB4-5829, 74KW-1800MIN-1 - 12V
2	R56131	SHAFT KEY	1		X	
3	R502076	O-RING	1		X	
4	R132874	WASHER	1		X	
5	R91360	NUT	1		X	M14
6	14M7298	FLANGE NUT	3		X	M8
7	RE59447	FUEL LINE	1		X	N01
8	RE59448	FUEL LINE	1		X	N02
9	RE59449	FUEL LINE	1		X	N03
10	RE59450	FUEL LINE	1		X	N04
11	RE19797	CLAMP	2		X	
12	RE19799	CLAMP	1		X	
13	19M7923	CAP SCREW	1		X	M6 X 12, (10.9) , (USE WITH RE19797 AND RE19799)
14	R132267	GEAR	1		X	Z= 60
15	R67364	ELBOW FITTING	1		X	1/8"-27NPT X 1/2"-24UNS
16	RE70848	FUEL LINE	1		X	
17	R123593	TUBE NUT	AR		X	1/2"-24UN
18	R51936	SEALING WASHER	AR		X	5.560 X 10.500 X 5.410 MM
19	RE68748	TUBE	2		X	
20	AR85519	PLUG	2		X	
21	RE60029	ADAPTER FITTING	1		X	M12 X 1.5 X 9/16"-24UNEF
22	51M7040	O-RING	1		X	9.300 X 2.200 MM

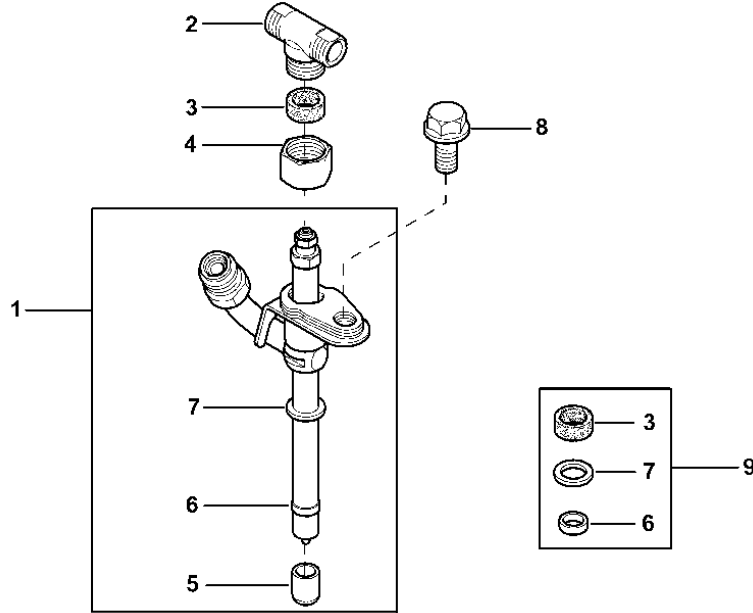
(A) SEE YOUR AUTHORIZED PUMP REPAIR STATION FOR PARTS NOT LISTED
 CONSULTER LE REPARATEUR AGREE DE POMPES POUR LES PIECES NON LISTEES
 NICHT GEZIGTE TEILE VON EINSPRITZPUMPE VETRETER BEZIEHEN
 CONSULTARE IL CONCESSIONARIO AUTORIZZATO DELLE POMPE D'INIEZIONE PER PARTI NON ELENCATI
 CONSULTE CON SU ESTACION AUTORIZADA DE REPARACIONES DE BOMBA
 KONSULTERIAS INSPRUTNINGSPOMPENS ATERFORSALJARE FOR DELAR EJ VISADE

160-124

FUEL INJECTION PUMP

164X - CONTINUED
 164X - SUITE
 164X - FORTSETZUNG
 164X - SEGUILO
 164X - CONTINUACION
 164X - FORTS

CDP45007A -UN-



CDP45007A

KEY	PART NO.	PART NAME	QTY.	ENGINE SERIAL NO.	4 0 4 5 T	REMARKS
1	RE48786	INJECTION NOZZLE	4		X	
	SE500826	INJECTION NOZZLE	1		X (A) (PKG 4)	
	SE501101	INJECTION NOZZLE	AR		X (A) (PKG 1)	
2	R71963	TEE FITTING	1		X	
3	PACKING	1		X	NSEP, (ORDER RE64292)
4	R79604	TUBE NUT	1		X	
5	PLUG	1		X	
6	SEAL	1		X	NSEP, (ORDER RE64292)
7	PACKING	1		X	NSEP, (ORDER RE64292)
8	R116366	SCREW	4		X	
9	RE64292	KIT	AR		X	

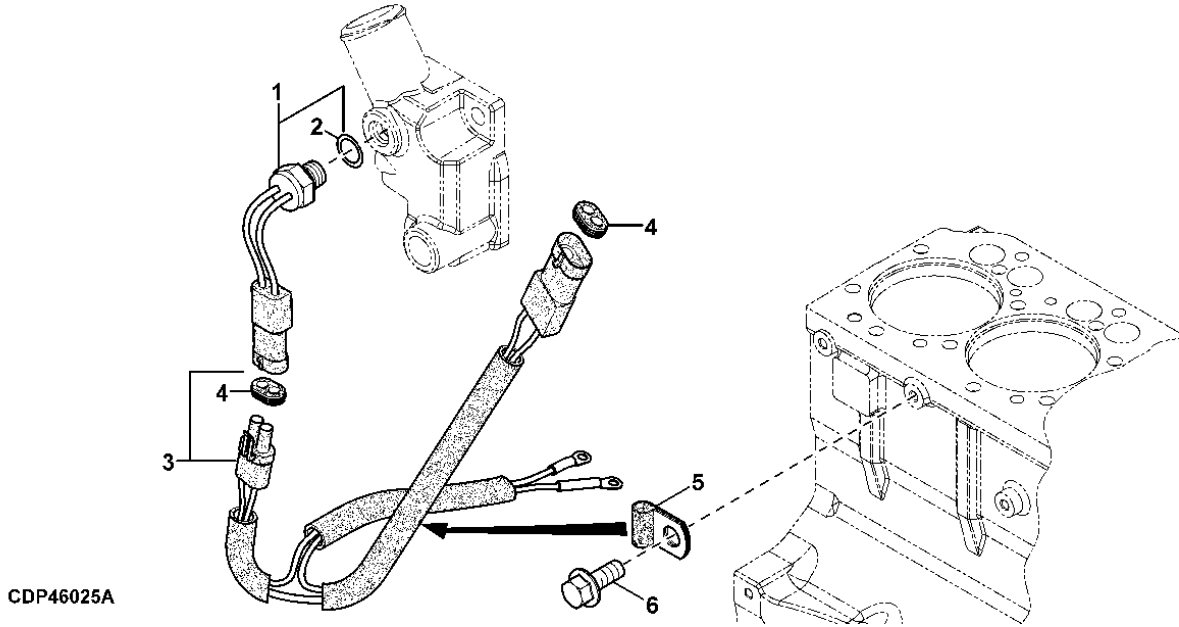
(A) REMANUFACTURED
 ECHANGE STANDARD
 GENERALUEBERHOLT
 REVISIONATO
 REACONDICIONADO
 RENOVERAD

160-125

FUEL INJECTION PUMP

164X - CONTINUED
 164X - SUITE
 164X - FORTSETZUNG
 164X - SEGUITO
 164X - CONTINUACION
 164X - FORTS

CDP46025A -UN-



KEY	PART NO.	PART NAME	QTY.	ENGINE SERIAL NO.	REMARKS
1	RE503242	SENSOR WIRING HARNESS	1	X	
2	51M7041	O-RING	1	X	11.300 X 2.200 MM
3	RE66560	WIRING HARNESS	1	X	
4	R78048	ELEC. CONNECTOR ACCESSORY	1	X	
5	T74410	CLAMP	1	X	
6	19M7783	SCREW	1	X	M10 X 16

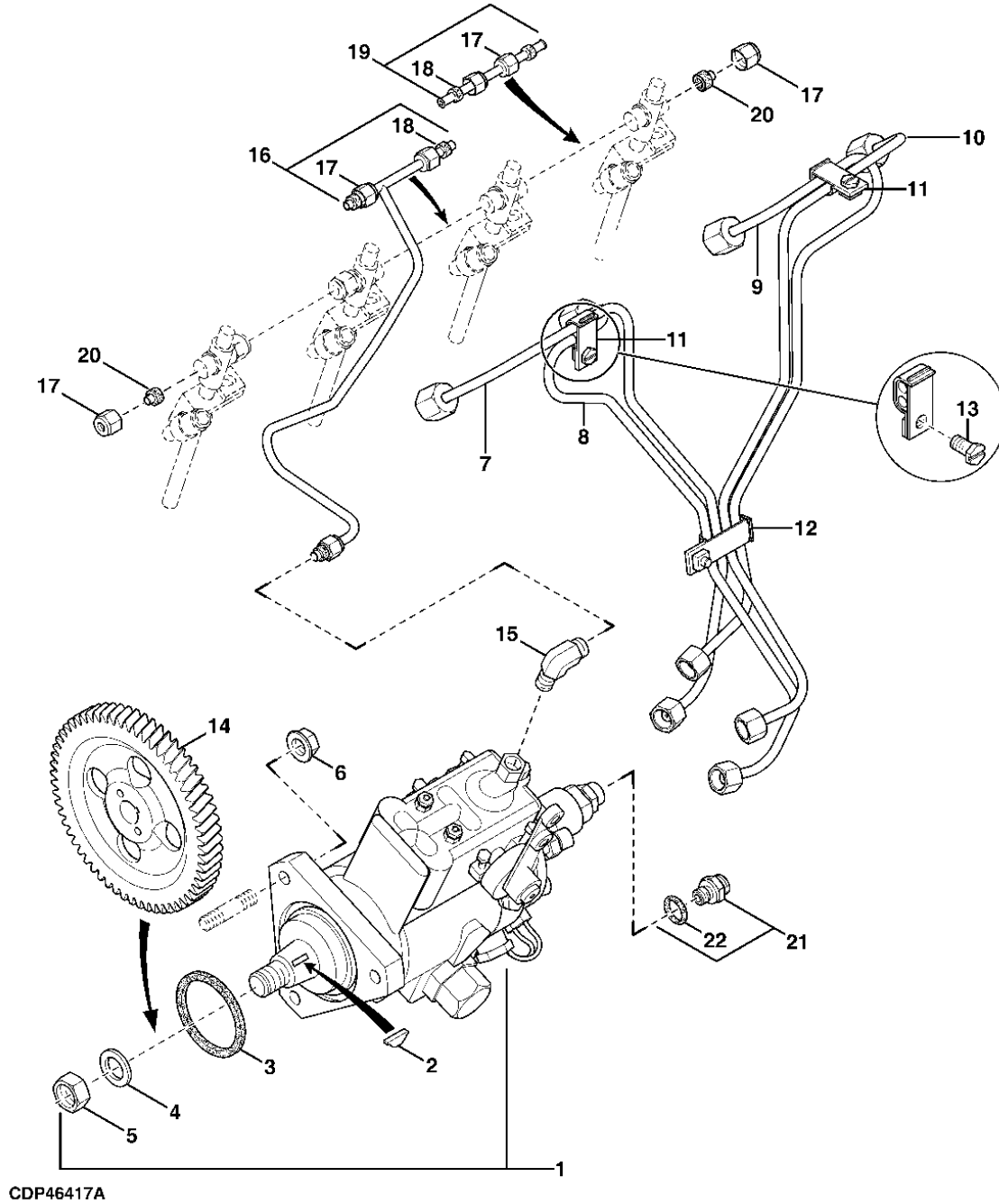
4
0
4
5
T

160-126

FUEL INJECTION PUMP

CDP46417A -UN-

164Y
164Y
164Y
164Y
164Y
164Y



160-127

FUEL INJECTION PUMP

KEY	PART NO.	PART NAME	QTY.	ENGINE SERIAL NO.	4 0 4 5 T	REMARKS
1	RE519070	FUEL INJECTION PUMP	1		X	(A) STANADYNE- DB4-5844, 74KW-1800MIN-1 - 24V
2	R56131	SHAFT KEY	1		X	
3	R502076	O-RING	1		X	
4	R132874	WASHER	1		X	
5	R91360	NUT	1		X	M14
6	14M7298	FLANGE NUT	3		X	M8
7	RE59447	FUEL LINE	1		X	N01
8	RE59448	FUEL LINE	1		X	N02
9	RE59449	FUEL LINE	1		X	N03
10	RE59450	FUEL LINE	1		X	N04
11	RE19797	CLAMP	2		X	
12	RE19799	CLAMP	1		X	
13	19M7923	CAP SCREW	1		X	M6 X 12, (10.9) , (USE WITH RE19797 AND RE19799)
14	R132267	GEAR	1		X	Z= 60
15	R67364	ELBOW FITTING	1		X	1/8"-27NPT X 1/2"-24UNS
16	RE70848	FUEL LINE	1		X	
17	R123593	TUBE NUT	AR		X	1/2"-24UN
18	R51936	SEALING WASHER	AR		X	5.560 X 10.500 X 5.410 MM
19	RE68748	TUBE	2		X	
20	AR85519	PLUG	2		X	
21	RE60029	ADAPTER FITTING	1		X	M12 X 1.5 X 9/16"-24UNEF
22	51M7040	O-RING	1		X	9.300 X 2.200 MM

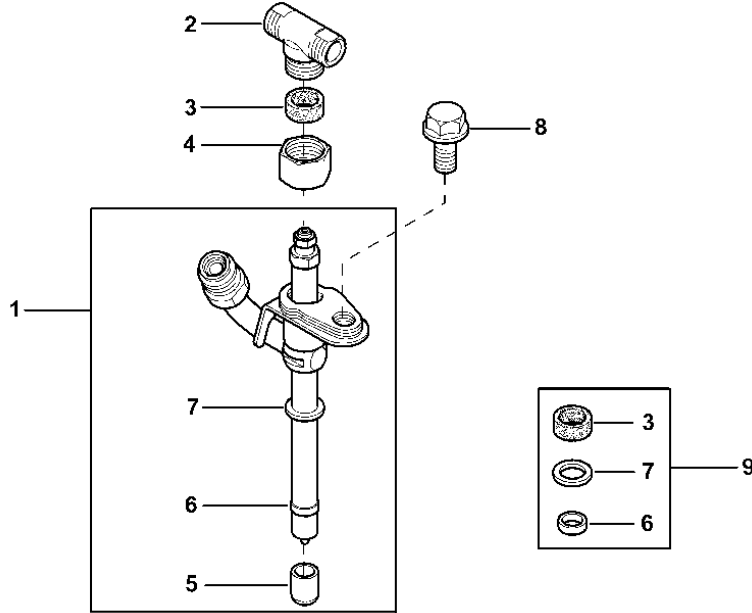
(A) SEE YOUR AUTHORIZED PUMP REPAIR STATION FOR PARTS NOT LISTED
 CONSULTER LE REPARATEUR AGREE DE POMPES POUR LES PIECES NON LISTEES
 NICHT GEZIGTE TEILE VON EINSPRITZPUMPE VETRETER BEZIEHEN
 CONSULTARE IL CONCESSIONARIO AUTORIZZATO DELLE POMPE D'INIEZIONE PER PARTI NON ELENCATI
 CONSULTE CON SU ESTACION AUTORIZADA DE REPARACIONES DE BOMBA
 KONSULTERIAS INSPRUTNINGSPOMPENS ATERFORSALJARE FOR DELAR EJ VISADE

160-128

FUEL INJECTION PUMP

164Y - CONTINUED
 164Y - SUITE
 164Y - FORTSETZUNG
 164Y - SEGUIITO
 164Y - CONTINUACION
 164Y - FORTS

CDP45007A -UN-



CDP45007A

KEY	PART NO.	PART NAME	QTY.	ENGINE SERIAL NO.	4 0 4 5 T	REMARKS
1	RE48786	INJECTION NOZZLE	4		X	
	SE500826	INJECTION NOZZLE	1		X (A) (PKG 4)	
	SE501101	INJECTION NOZZLE	AR		X (A) (PKG 1)	
2	R71963	TEE FITTING	1		X	
3	PACKING	1		X	NSEP, (ORDER RE64292)
4	R79604	TUBE NUT	1		X	
5	PLUG	1		X	
6	SEAL	1		X	NSEP, (ORDER RE64292)
7	PACKING	1		X	NSEP, (ORDER RE64292)
8	R116366	SCREW	4		X	
9	RE64292	KIT	AR		X	

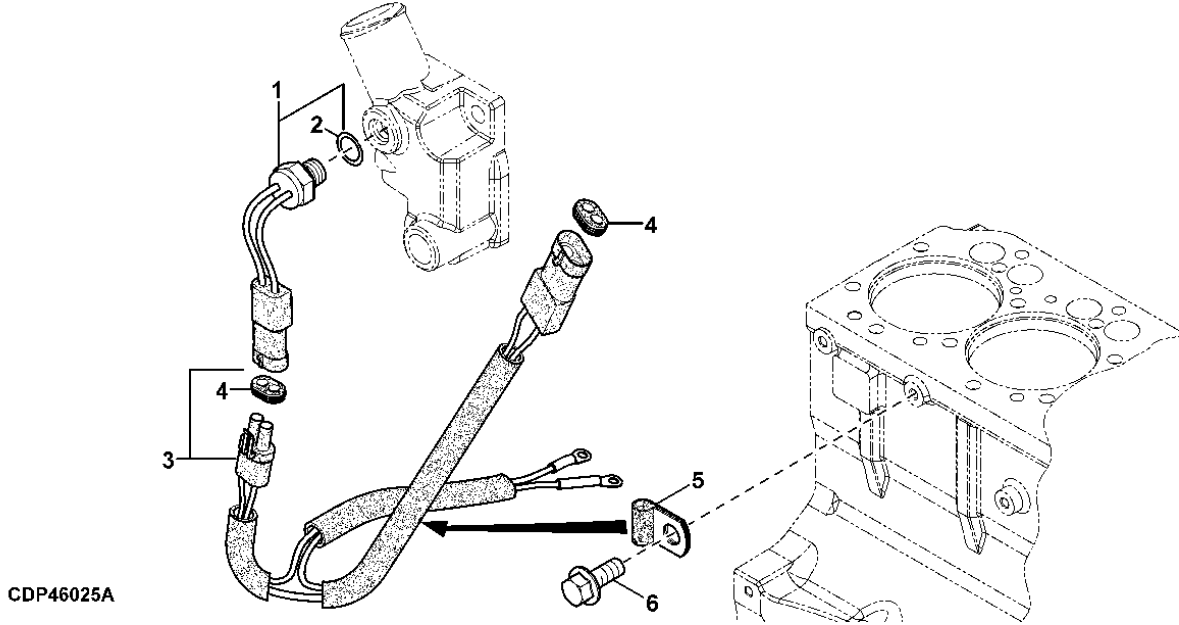
(A) REMANUFACTURED
 ECHANGE STANDARD
 GENERALUEBERHOLT
 REVISIONATO
 REACONDICIONADO
 RENOVERAD

160-129

FUEL INJECTION PUMP

164Y - CONTINUED
 164Y - SUITE
 164Y - FORTSETZUNG
 164Y - SEGUITO
 164Y - CONTINUACION
 164Y - FORTS

CDP46025A -UN-



CDP46025A

KEY	PART NO.	PART NAME	QTY.	ENGINE SERIAL NO.	REMARKS
1	RE503242	SENSOR WIRING HARNESS	1	X	
2	51M7041	O-RING	1	X	11.300 X 2.200 MM
3	RE66560	WIRING HARNESS	1	X	
4	R78048	ELEC. CONNECTOR ACCESSORY	1	X	
5	T74410	CLAMP	1	X	
6	19M7783	SCREW	1	X	M10 X 16

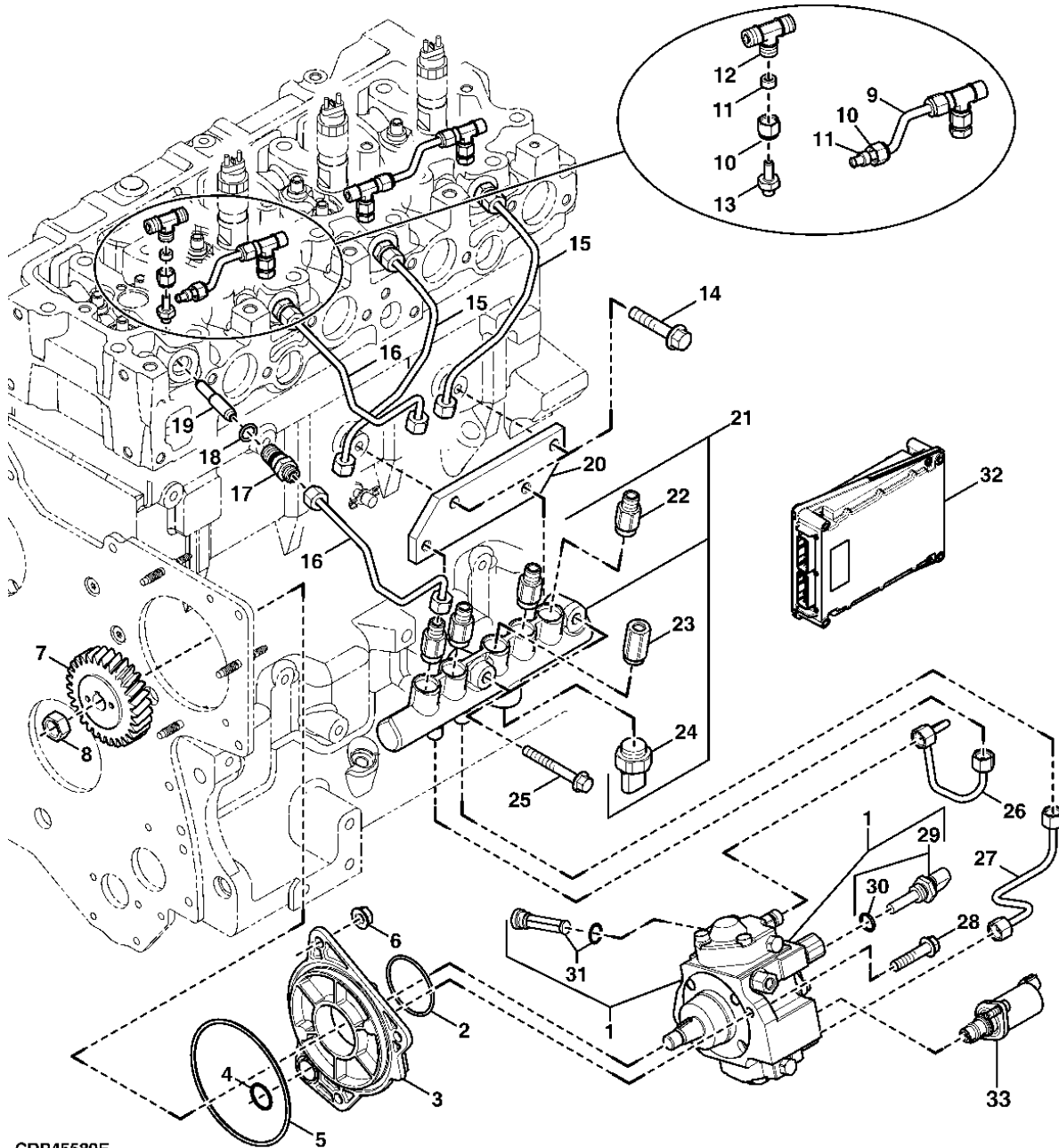
4
0
4
5
T

160-130

FUEL INJECTION PUMP

166K
166K
166K
166K
166K
166K

CDP45589E -UN-



CDP45589E

THIS PARTS LISTING IS CONTINUED

160-131

FUEL INJECTION PUMP

KEY	PART NO.	PART NAME	QTY.	ENGINE SERIAL NO.	4 0 4 5 H	REMARKS
1	RE507959	FUEL INJECTION PUMP	1		X	(A) INCL. KEY 33
2	R516125	O-RING	1		X	53.645 X 2.616 MM
3	R504577	ADAPTER FITTING	1		X	
4	R116031	O-RING	1		X	21.946 X 1.778 MM
5	R55453	O-RING	1		X	117.069 X 3.531 MM
6	14M7298	FLANGE NUT	3		X	M8
7	R502541	GEAR	1		X	Z= 30
8	R91360	NUT	1		X	M14
9	R503307	FUEL LINE	2		X	
10	R123593	TUBE NUT	8		X	1/2"-24UNS
11	R51936	SEALING WASHER	8		X	
12	R97061	TEE FITTING	4		X	1/2"-24UNS
13	R503308	FITTING	4		X	M8 X 1.25 , THREADS WITH PRE-APPLIED SEALANT, FILETS ENDUITS DE PRODUIT D'ETANCHEITE, MIT DICHTMITTEL, CON MATERIALE DI TENUTA, CON SELLADOR, MED TAETNINGSMEDEL OD 6.35MM
14	19M7784	SCREW	2		X	M10 X 20, (10.9)
15	RE507540	FUEL LINE	2		X	NO 3 & 4
16	RE507539	FUEL LINE	2		X	NO 1 & 2
17	R515044	FITTING	4		X	(ALSO ORDER R65397)
18	R65397	O-RING	4		X	12.370 X 2.616 MM
19	RE515986	TUBE	4		X	
20	R504578	BRACKET	1		X	
21	RE520929	RAIL	1		X	(SUB FOR RE507972)
22	RE515636	RESTRICTOR	4		X	
23	RE516335	PRESSURE RELIEF VALVE	1		X	KIT, W/ : O-RING, JOINT TORIQUE, O-RING, ANELLO O-R, ANILLO TORICO, O-RING
24	RE520930	SENSOR	1		X	(SUB FOR RE515635)
25	19M8528	SCREW	2		X	M10 X 55, (10.9)
26	RE507537	LINE	1		X	
27	RE507538	FUEL LINE	1		X	
28	19M7868	SCREW	2		X	M8 X 30, (10.9)
29	RE516336	FUEL TEMPERATURE SENSOR	1		X	
30	R50919	O-RING	1		X	9.804 X 1.905 MM
31	RE516999	SCREEN	1		X	
32	RE522510	ENGINE CONTROLLER	1		X	(SUB FOR RE517223)
33	RE531864	CONTROL VALVE	1		X	KIT

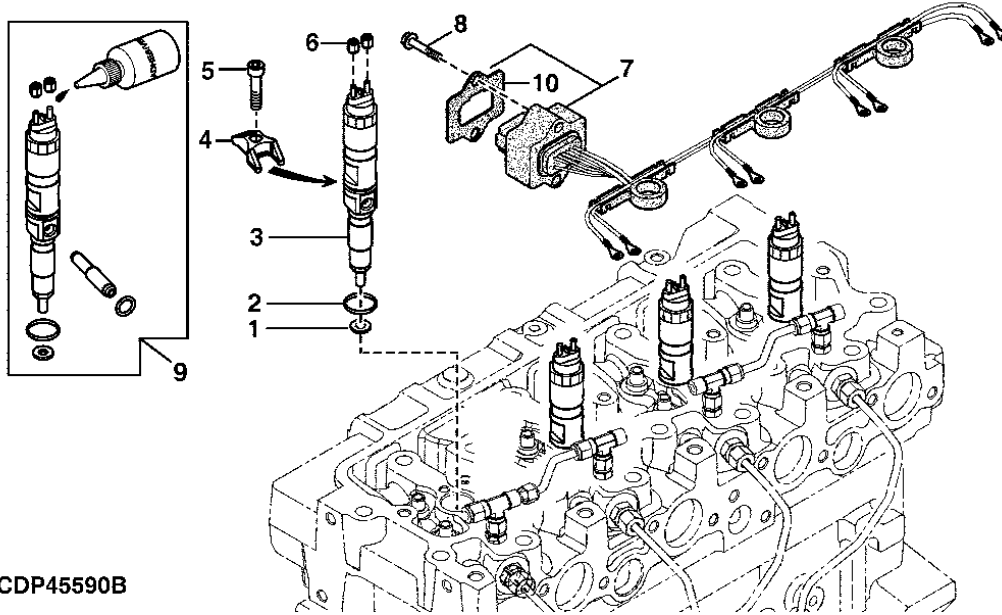
(A) SEE YOUR AUTHORIZED PUMP REPAIR STATION FOR PARTS NOT LISTED
 CONSULTER LE REPARATEUR AGREE DE POMPES POUR LES PIECES NON LISTEES
 NICHT GEZEIGTE TEILE VON EINSPRITZPUMPE VETRETER BEZIEHEN
 CONSULTARE IL CONCESSIONARIO AUTORIZZATO DELLE POMPE D'INIEZIONE PER PARTI NON ELENCATI
 CONSULTE CON SU ESTACION AUTORIZADA DE REPARACIONES DE BOMBA
 KONSULTERAS INSPRUTNINGSPOMPENS ATERFORSALJARE FOR DELAR EJ VISADE

160-132

FUEL INJECTION PUMP

166K - CONTINUED
 166K - SUITE
 166K - FORTSETZUNG
 166K - SEGUITO
 166K - CONTINUACION
 166K - FORTS

CDP45590B -UN-



CDP45590B

KEY	PART NO.	PART NAME	QTY.	SERIAL NO.	H	REMARKS
1	R515535	WASHER	4		X	7.300 X 16 X 2.200 MM
2	R505452	O-RING	4		X	
3	INJECTION NOZZLE	4		X	COLOR MARK BLUE OR RED, MARQUAGE COULEUR BLEUE OU ROUGE, FARBIGE MARKIERUNG BLAU ODER ROT, MARCATURA COLORE BLU O ROSSO, CON MARCA DE COLOR AZUL O ROUJE, FAERGIDENTIFIKATION BLA OR ROD, NSEP, (ORDER RE516540)
4	R518345	CLAMP	4		X	(SUB FOR R504779)
5	R504781	CAP SCREW	4		X	M8 X 35, (12.9)
6	R134920	NUT	8		X	M4
7	RE509112	WIRING HARNESS	1		X	
8	19M7775	SCREW	2		X	M6 X 16, (10.9)
9	RE516540	INJECTION NOZZLE	AR		X	KIT, COLOR MARK BLUE, MARQUAGE COULEUR BLEUE, FARBIGE MARKIERUNG BLAU, MARCATURA COLORE BLU CON MARCA DE COLOR AZUL, FAERGIDENTIFIKATION
10	R520740	GASKET	1		X	

160-133

FUEL INJECTION PUMP

MEMORANDA
MEMORANDA
MEMORANDA
MEMORANDA
MEMORANDA
MEMORANDA

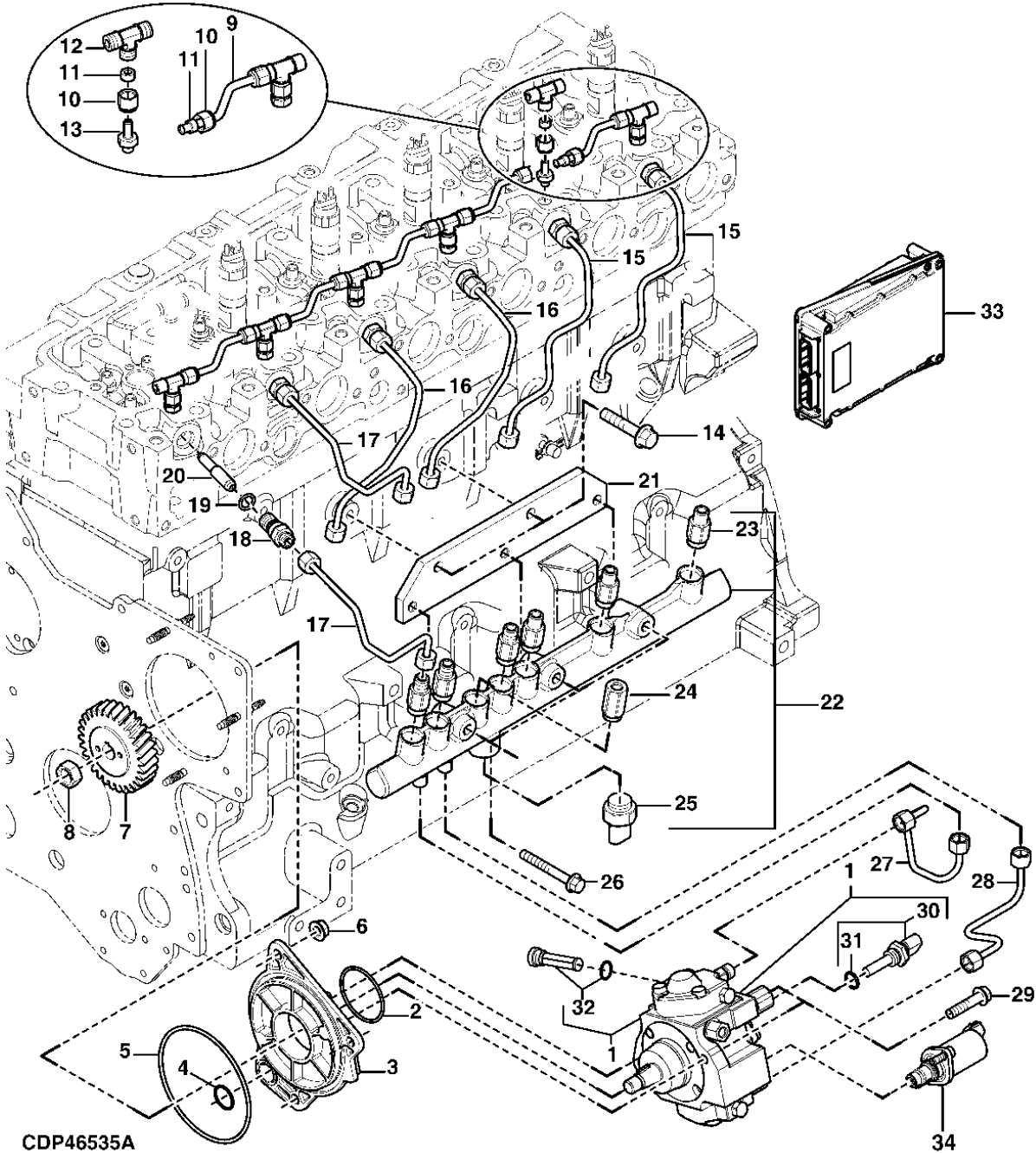
160-134

FUEL INJECTION PUMP

166L
166L
166L
166L
166L
166L

CDP46535A

-UN-



CDP46535A

THIS PARTS LISTING IS CONTINUED

160-135

FUEL INJECTION PUMP

KEY	PART NO.	PART NAME	QTY.	ENGINE SERIAL NO.	6 0 6 8 H	REMARKS
1	RE507959	FUEL INJECTION PUMP	1		X	(A) INCL. KEY 34
2	R516125	O-RING	1		X	53.645 X 2.616 MM
3	R504577	ADAPTER FITTING	1		X	
4	R116031	O-RING	1		X	21.946 X 1.778 MM
5	R55453	O-RING	1		X	117.069 X 3.531 MM
6	14M7298	FLANGE NUT	3		X	M8
7	R502541	GEAR	1		X	Z= 30
8	R91360	NUT	1		X	M14
9	R503307	FUEL LINE	4		X	
10	R123593	TUBE NUT	14		X	1/2"-24UNS
11	R51936	SEALING WASHER	14		X	
12	R97061	TEE FITTING	6		X	1/2"-24UNS
13	R503308	FITTING	6		X	M8 X 1.25 , THREADS WITH PRE-APPLIED SEALANT, FILETS ENDUITS DE PRODUIT D'ETANCHEITE, MIT DICHTMITTEL, CON MATERIALE DI TENUTA, CON SELLADOR, MED TAETNINGSMEDEL, OD 6.35MM
14	19M7784	SCREW	2		X	M10 X 20, (10.9)
15	RE507541	FUEL LINE	2		X	NO 5 & 6
16	RE507540	FUEL LINE	2		X	NO 3 & 4
17	RE507539	FUEL LINE	2		X	NO 1 & 2
18	R515044	FITTING	6		X	(ALSO ORDER R65397)
19	R65397	O-RING	6		X	12.370 X 2.616 MM
20	RE515986	TUBE	6		X	
21	R504239	BRACKET	1		X	
22	RE520928	RAIL	1		X	(SUB FOR RE507863)
23	RE515636	RESTRICTOR	6		X	
24	RE516335	PRESSURE RELIEF VALVE	1		X	KIT, W/ : O-RING, JOINT TORIQUE, O-RING, ANELLO O-R, ANILLO TORICO, O-RING
25	RE520930	SENSOR	1		X	(SUB FOR RE515635)
26	19M8528	SCREW	3		X	M10 X 55, (10.9)
27	RE507537	LINE	1		X	
28	RE507538	FUEL LINE	1		X	
29	19M7868	SCREW	2		X	M8 X 30, (10.9)
30	RE516336	FUEL TEMPERATURE SENSOR	1		X	
31	R50919	O-RING	1		X	9.804 X 1.905 MM
32	RE516999	SCREEN	1		X	
33	RE522510	ENGINE CONTROLLER	1		X	(SUB FOR RE517223)
34	RE531864	CONTROL VALVE	1		X	KIT

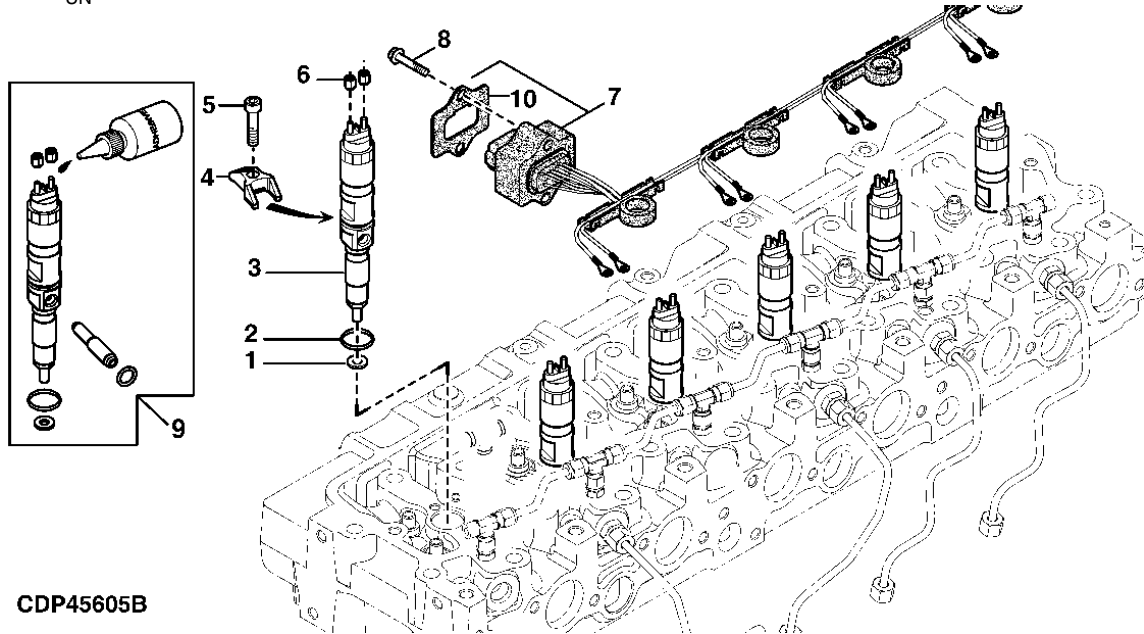
(A) SEE YOUR AUTHORIZED PUMP REPAIR STATION FOR PARTS NOT LISTED
 CONSULTER LE REPARATEUR AGREE DE POMPES POUR LES PIECES NON LISTEES
 NICHT GEZEIGTE TEILE VON EINSPRITZPUMPE VETRETER BEZIEHEN
 CONSULTARE IL CONCESSIONARIO AUTORIZZATO DELLE POMPE D'INIEZIONE PER PARTI NON ELENCATI
 CONSULTE CON SU ESTACION AUTORIZADA DE REPARACIONES DE BOMBA
 KONSULTERAS INSPRUTNINGSPOMPENS ATERFORSALJARE FOR DELAR EJ VISADE

160-136

FUEL INJECTION PUMP

166L - CONTINUED
 166L - SUITE
 166L - FORTSETZUNG
 166L - SEGUITO
 166L - CONTINUACION
 166L - FORTS

CDP45605B -UN-



CDP45605B

KEY	PART NO.	PART NAME	QTY.	SERIAL NO.	6 0 6 8 H	REMARKS
1	R515535	WASHER	6		X	
2	R505452	O-RING	6		X	20.218 X 3.530 MM
3	INJECTION NOZZLE	6		X	COLOR MARK BLUE OR RED, MARQUAGE COULEUR BLEUE OU ROUGE, FARBIGE MARKIERUNG BLAU ODER ROT, MARCATURA COLORE BLU O ROSSO, CON MARCA DE COLOR AZUL O ROUJE, NSEP, (ORDER RE516540)
4	R518345	CLAMP	6		X	(SUB FOR R504779)
5	R504781	CAP SCREW	6		X	
6	R134920	NUT	12		X	
7	RE509093	WIRING HARNESS	1		X	
8	19M7775	SCREW	2		X	M6 X 16, (10.9)
9	RE516540	INJECTION NOZZLE	AR		X	KIT, COLOR MARK BLUE, MARQUAGE COULEUR BLEUE, FARBIGE MARKIERUNG BLAU, MARCATURA COLORE BLU CON MARCA DE COLOR AZUL, FAERGIDENTIFIKATION
10	R520740	GASKET	1		X	

160-137

FUEL INJECTION PUMP

MEMORANDA
MEMORANDA
MEMORANDA
MEMORANDA
MEMORANDA
MEMORANDA

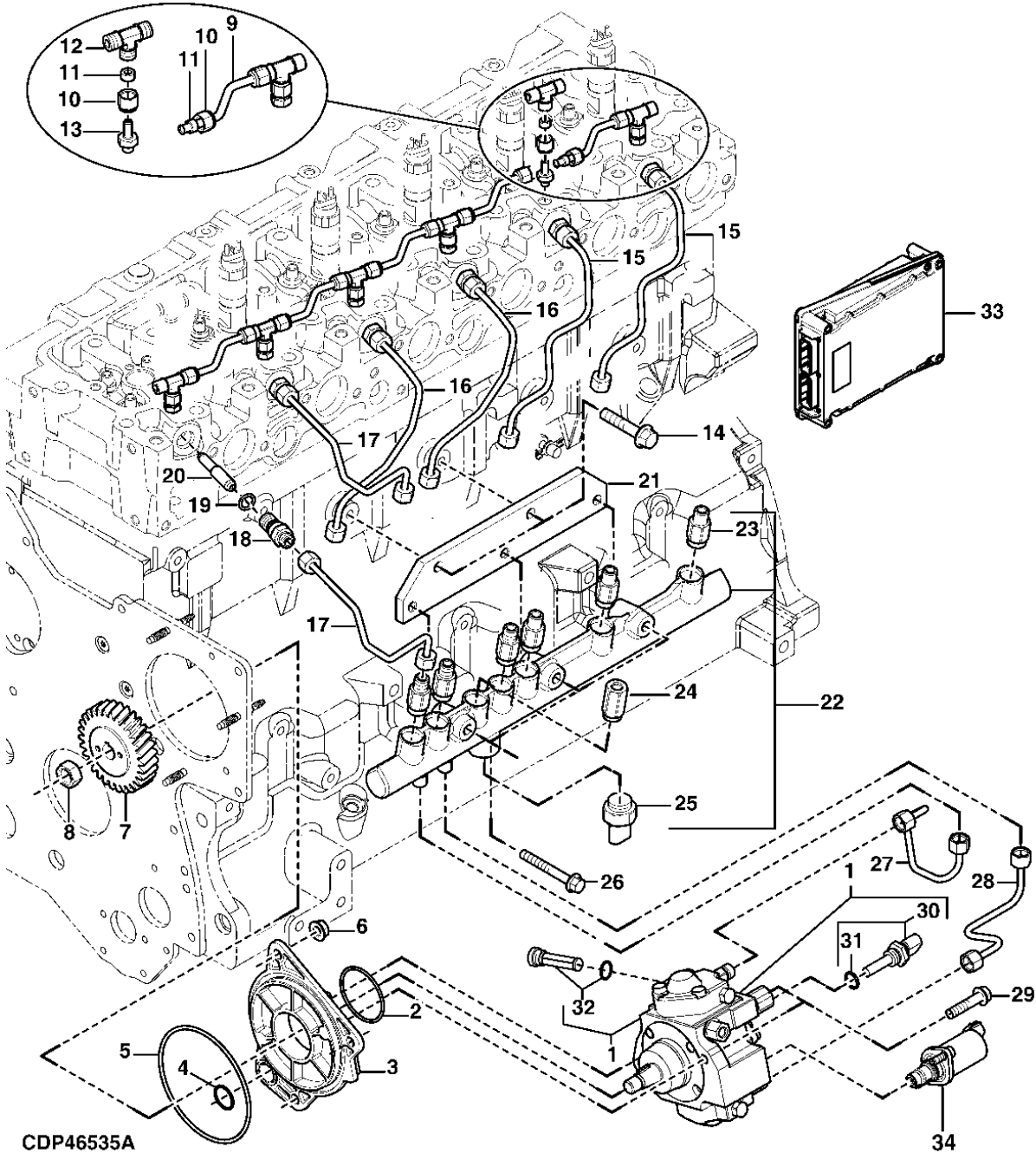
160-138

FUEL INJECTION PUMP

168L
168L
168L
168L
168L
168L

CDP46535A

-UN-



CDP46535A

THIS PARTS LISTING IS CONTINUED

160-139

FUEL INJECTION PUMP

KEY	PART NO.	PART NAME	QTY.	ENGINE SERIAL NO.	6 0 6 8 H	REMARKS
1	RE507959	FUEL INJECTION PUMP	1		X	(A) (12V), INCL. KEY 34
2	R516125	O-RING	1		X	53.645 X 2.616 MM
3	R504577	ADAPTER FITTING	1		X	
4	R116031	O-RING	1		X	21.946 X 1.778 MM
5	R55453	O-RING	1		X	117.069 X 3.531 MM
6	14M7298	FLANGE NUT	3		X	M8
7	R502541	GEAR	1		X	Z= 30
8	R91360	NUT	1		X	M14
9	R503307	FUEL LINE	4		X	
10	R123593	TUBE NUT	14		X	1/2"-24UNS
11	R51936	SEALING WASHER	14		X	
12	R97061	TEE FITTING	6		X	1/2"-24UNS
13	R503308	FITTING	6		X	M8 X 1.25 , THREADS WITH PRE-APPLIED SEALANT, FILETS ENDUITS DE PRODUIT D'ETANCHEITE, MIT DICHTMITTEL, CON MATERIALE DI TENUTA, CON SELLADOR, MED TAETNINGSMEDEL, OD 6.35MM
14	19M7784	SCREW	2		X	M10 X 20, (10.9)
15	RE507541	FUEL LINE	2		X	NO 5 & 6
16	RE507540	FUEL LINE	2		X	NO 3 & 4
17	RE507539	FUEL LINE	2		X	NO 1 & 2
18	R515044	FITTING	6		X	(ALSO ORDER R65397)
19	R65397	O-RING	6		X	12.370 X 2.616 MM
20	RE515986	TUBE	6		X	
21	R504239	BRACKET	1		X	
22	RE520928	RAIL	1		X	(SUB FOR RE507863)
23	RE515636	RESTRICTOR	6		X	
24	RE516335	PRESSURE RELIEF VALVE	1		X	KIT, W/ : O-RING, JOINT TORIQUE, O-RING, ANELLO O-R, ANILLO TORICO, O-RING
25	RE520930	SENSOR	1		X	(SUB FOR RE515635)
26	19M8528	SCREW	3		X	M10 X 55, (10.9)
27	RE507537	LINE	1		X	
28	RE507538	FUEL LINE	1		X	
29	19M7868	SCREW	2		X	M8 X 30, (10.9)
30	RE516336	FUEL TEMPERATURE SENSOR	1		X	
31	R50919	O-RING	1		X	9.804 X 1.905 MM
32	RE516999	SCREEN	1		X	
33	RE522510	ENGINE CONTROLLER	1		X	(SUB FOR RE517223)
34	RE531864	CONTROL VALVE	1		X	KIT

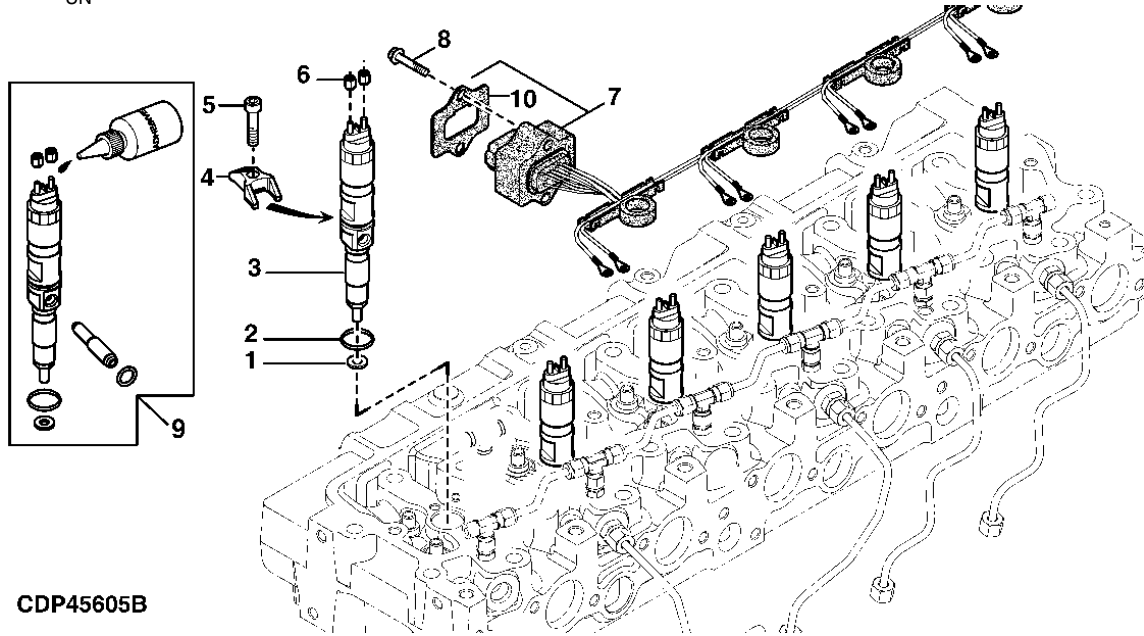
(A) SEE YOUR AUTHORIZED PUMP REPAIR STATION FOR PARTS NOT LISTED
 CONSULTER LE REPARATEUR AGREE DE POMPES POUR LES PIECES NON LISTEES
 NICHT GEZEIGTE TEILE VON EINSPRITZPUMPE VETRETER BEZIEHEN
 CONSULTARE IL CONCESSIONARIO AUTORIZZATO DELLE POMPE D'INIEZIONE PER PARTI NON ELENCATI
 CONSULTE CON SU ESTACION AUTORIZADA DE REPARACIONES DE BOMBA
 KONSULTERAS INSPRUTNINGSPOMPENS ATERFORSALJARE FOR DELAR EJ VISADE

160-140

FUEL INJECTION PUMP

168L - CONTINUED
 168L - SUITE
 168L - FORTSETZUNG
 168L - SEGUITO
 168L - CONTINUACION
 168L - FORTS

CDP45605B -UN-



CDP45605B

KEY	PART NO.	PART NAME	QTY.	SERIAL NO.	6 0 6 8 H	REMARKS
1	R515535	WASHER	6		X	
2	R505452	O-RING	6		X	20.218 X 3.530 MM
3	INJECTION NOZZLE	6		X	COLOR MARK BLUE OR RED, MARQUAGE COULEUR BLEUE OU ROUGE, FARBIGE MARKIERUNG BLAU ODER ROT, MARCATURA COLORE BLU O ROSSO, CON MARCA DE COLOR AZUL O ROUJE, NSEP, (ORDER RE516540)
4	R518345	CLAMP	6		X	(SUB FOR R504779)
5	R504781	CAP SCREW	6		X	
6	R134920	NUT	12		X	
7	RE509093	WIRING HARNESS	1		X	
8	19M7775	SCREW	2		X	M6 X 16, (10.9)
9	RE516540	INJECTION NOZZLE	AR		X	KIT, COLOR MARK BLUE, MARQUAGE COULEUR BLEUE, FARBIGE MARKIERUNG BLAU, MARCATURA COLORE BLU CON MARCA DE COLOR AZUL, FAERGIDENTIFIKATION
10	R520740	GASKET	1		X	

160-141

FUEL INJECTION PUMP

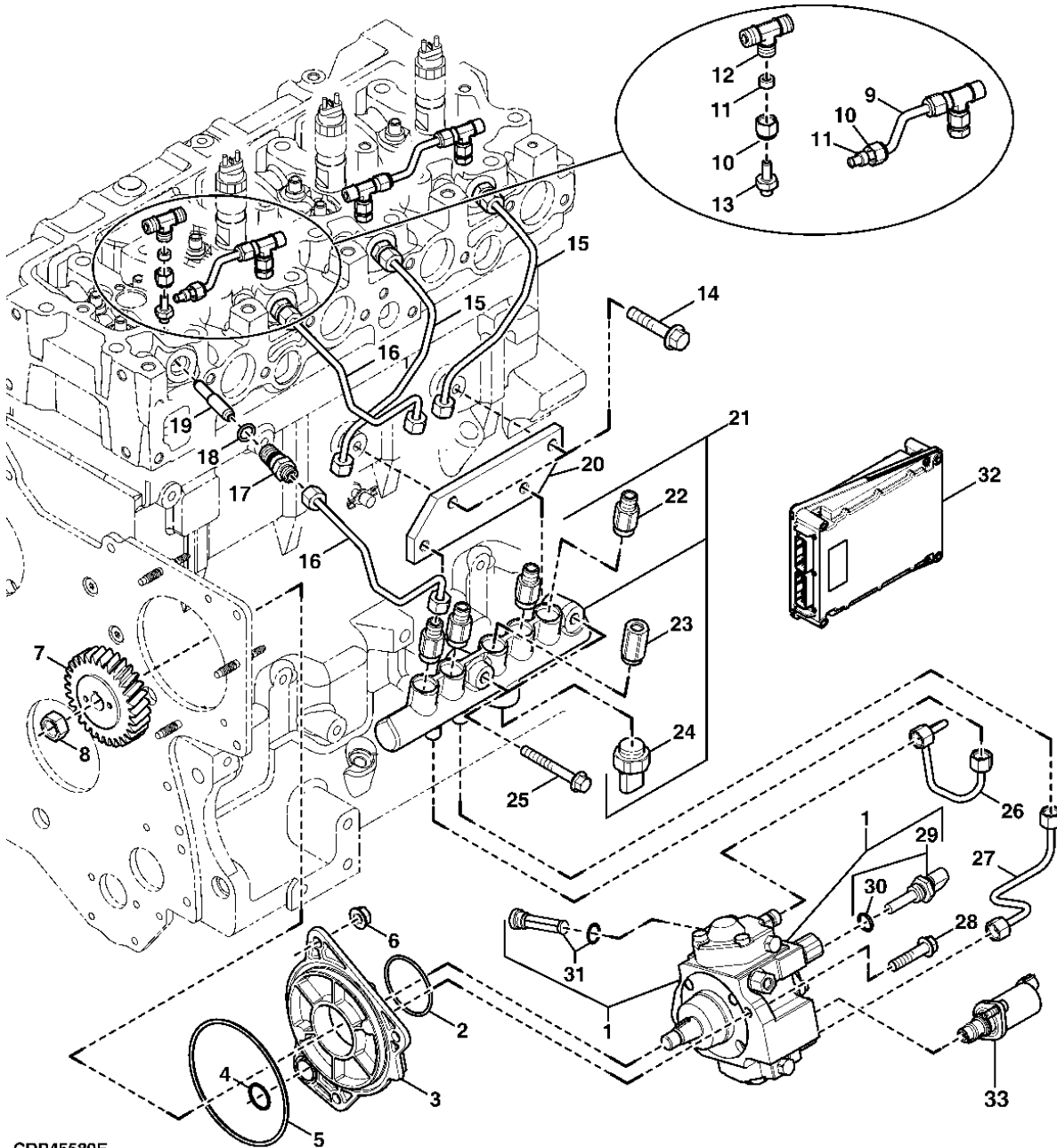
MEMORANDA
MEMORANDA
MEMORANDA
MEMORANDA
MEMORANDA
MEMORANDA

160-142

FUEL INJECTION PUMP

168M
168M
168M
168M
168M
168M

CDP45589E -UN-



CDP45589E

THIS PARTS LISTING IS CONTINUED

160-143

FUEL INJECTION PUMP

KEY	PART NO.	PART NAME	QTY.	ENGINE SERIAL NO.	4 0 4 5 H	REMARKS
1	RE507959	FUEL INJECTION PUMP	1		X	(A) INCL. KEY 33
2	R516125	O-RING	1		X	53.645 X 2.616 MM
3	R504577	ADAPTER FITTING	1		X	
4	R116031	O-RING	1		X	21.946 X 1.778 MM
5	R55453	O-RING	1		X	117.069 X 3.531 MM
6	14M7298	FLANGE NUT	3		X	M8
7	R502541	GEAR	1		X	Z= 30
8	R91360	NUT	1		X	M14
9	R503307	FUEL LINE	2		X	
10	R123593	TUBE NUT	8		X	1/2"-24UNS
11	R51936	SEALING WASHER	8		X	
12	R97061	TEE FITTING	4		X	1/2"-24UNS
13	R503308	FITTING	4		X	M8 X 1.25 , THREADS WITH PRE-APPLIED SEALANT, FILETS ENDUITS DE PRODUIT D'ETANCHEITE, MIT DICHTMITTEL, CON MATERIALE DI TENUTA, CON SELLADOR, MED TAETNINGSMEDEL OD 6.35MM
14	19M7784	SCREW	2		X	M10 X 20, (10.9)
15	RE507540	FUEL LINE	2		X	NO 3 & 4
16	RE507539	FUEL LINE	2		X	NO 1 & 2
17	R515044	FITTING	4		X	(ALSO ORDER R65397)
18	R65397	O-RING	4		X	12.370 X 2.616 MM
19	RE515986	TUBE	4		X	
20	R504578	BRACKET	1		X	
21	RE520929	RAIL	1		X	(SUB FOR RE507972)
22	RE515636	RESTRICTOR	4		X	
23	RE516335	PRESSURE RELIEF VALVE	1		X	KIT, W/ : O-RING, JOINT TORIQUE, O-RING, ANELLO O-R, ANILLO TORICO, O-RING
24	RE520930	SENSOR	1		X	(SUB FOR RE515635)
25	19M8528	SCREW	2		X	M10 X 55, (10.9)
26	RE507537	LINE	1		X	
27	RE507538	FUEL LINE	1		X	
28	19M7868	SCREW	2		X	M8 X 30, (10.9)
29	RE516336	FUEL TEMPERATURE SENSOR	1		X	
30	R50919	O-RING	1		X	9.804 X 1.905 MM
31	RE516999	SCREEN	1		X	
32	RE522510	ENGINE CONTROLLER	1		X	(SUB FOR RE517223)
33	RE531864	CONTROL VALVE	1		X	KIT

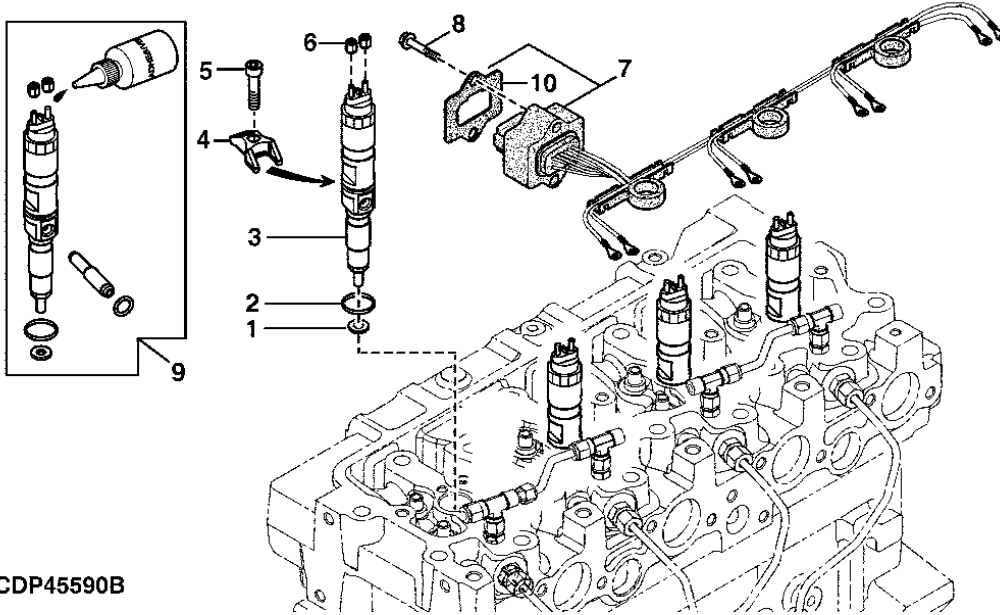
(A) SEE YOUR AUTHORIZED PUMP REPAIR STATION FOR PARTS NOT LISTED
 CONSULTER LE REPARATEUR AGREE DE POMPES POUR LES PIECES NON LISTEES
 NICHT GEZEIGTE TEILE VON EINSPRITZPUMPE VETRETER BEZIEHEN
 CONSULTARE IL CONCESSIONARIO AUTORIZZATO DELLE POMPE D'INIEZIONE PER PARTI NON ELENCATI
 CONSULTE CON SU ESTACION AUTORIZADA DE REPARACIONES DE BOMBA
 KONSULTERAS INSPRUTNINGSPOMPENS ATERFORSALJARE FOR DELAR EJ VISADE

160-144

FUEL INJECTION PUMP

168M - CONTINUED
 168M - SUITE
 168M - FORTSETZUNG
 168M - SEGUITO
 168M - CONTINUACION
 168M - FORTS

CDP45590B -UN-



CDP45590B

KEY	PART NO.	PART NAME	QTY.	SERIAL NO.	H	REMARKS
1	R515535	WASHER	4		X	7.300 X 16 X 2.200 MM
2	R505452	O-RING	4		X	
3	INJECTION NOZZLE	4		X	COLOR MARK BLUE OR RED, MARQUAGE COULEUR BLEUE OU ROUGE, FARBIGE MARKIERUNG BLAU ODER ROT, MARCATURA COLORE BLU O ROSSO, CON MARCA DE COLOR AZUL O ROUJE, FAERGIDENTIFIKATION BLA OR ROD, NSEP, (ORDER RE516540)
4	R518345	CLAMP	4		X	(SUB FOR R504779)
5	R504781	CAP SCREW	4		X	M8 X 35, (12.9)
6	R134920	NUT	8		X	M4
7	RE509112	WIRING HARNESS	1		X	
8	19M7775	SCREW	2		X	M6 X 16, (10.9)
9	RE516540	INJECTION NOZZLE	AR		X	KIT, COLOR MARK BLUE, MARQUAGE COULEUR BLEUE, FARBIGE MARKIERUNG BLAU, MARCATURA COLORE BLU CON MARCA DE COLOR AZUL, FAERGIDENTIFIKATION
10	R520740	GASKET	1		X	

170-A01

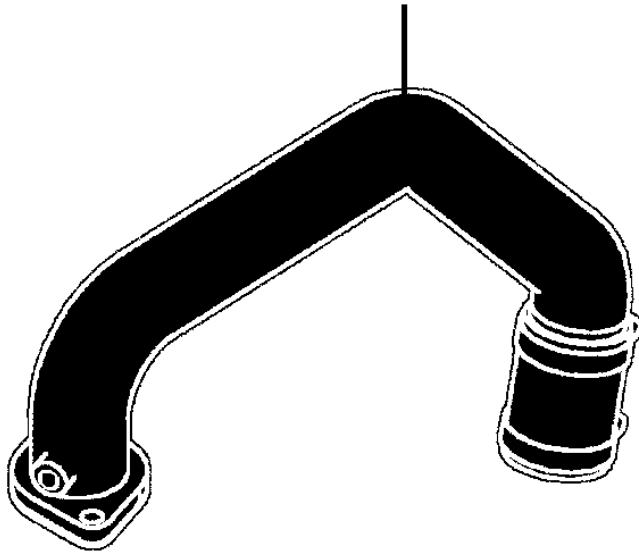
INTAKE MANIFOLD

SECTIONAL INDEX
INDEX DE SECTION
GRUPPENINDEX
INDICE DELLA SEZIONE
INDICE DE SECCION
GRUPPSFORTECKNING

CDP46764A -UN-

1711-	4
1756-	5

1711 (3029T)
1756 (3029T)



CDP46764A

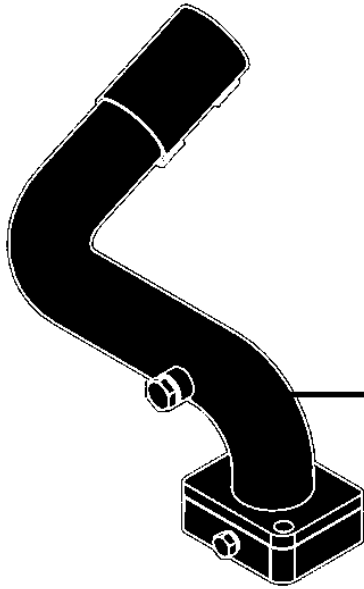
170-A02

INTAKE MANIFOLD

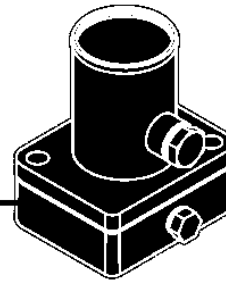
SECTIONAL INDEX
INDEX DE SECTION
GRUPPENINDEX
INDICE DELLA SEZIONE
INDICE DE SECCION
GRUPPSFORTECKNING

CDP46765A -UN-

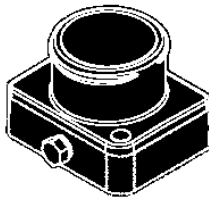
17AV-	2
1705-	3
1783-	6
1791-	7



17AV (4045T)
1791 (4045T)



1783 (4045H-2V)
(6068H-2V)



1705 (4045D)

CDP46764A

170-A03

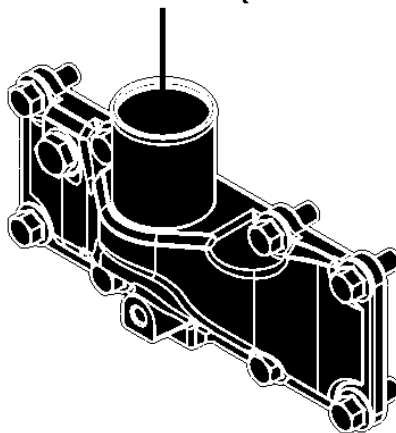
INTAKE MANIFOLD

SECTIONAL INDEX
INDEX DE SECTION
GRUPPENINDEX
INDICE DELLA SEZIONE
INDICE DE SECCION
GRUPPSFORTECKNING

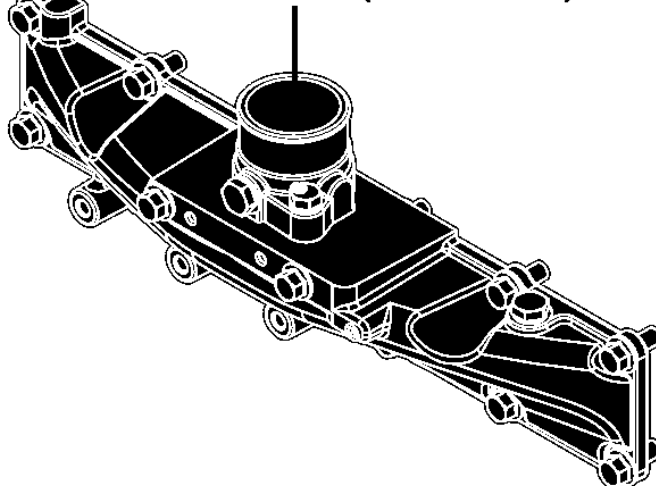
CDP46766A -UN-

17AC-	1
1797-	8

17AC (4045H-4V)



1797 (6068H-4V)



CDP46766A

170-A04

INTAKE MANIFOLD

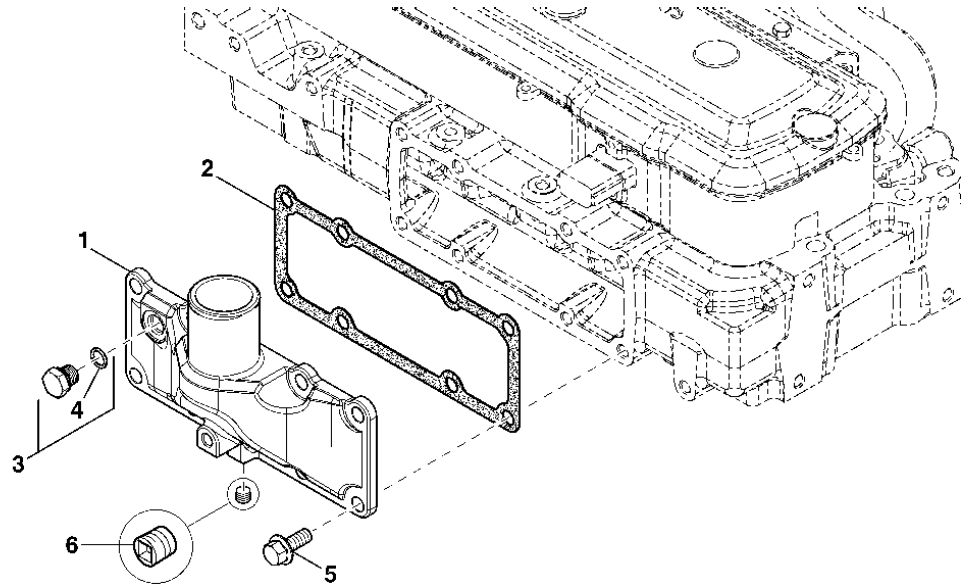
MEMORANDA
MEMORANDA
MEMORANDA
MEMORANDA
MEMORANDA
MEMORANDA

170-1

INTAKE MANIFOLD

CDP45567 -UN-

17AC
17AC
17AC
17AC
17AC
17AC



CDP45567

KEY	PART NO.	PART NAME	QTY.	ENGINE SERIAL NO.	REMARKS
1	R516666	INTAKE MANIFOLD	1		
2	R502916	GASKET	1		
3	RE46684	FITTING PLUG	1		
4	51M7041	O-RING	1		
5	19M7785	SCREW	8		
6	RE42713	PIPE PLUG	1		

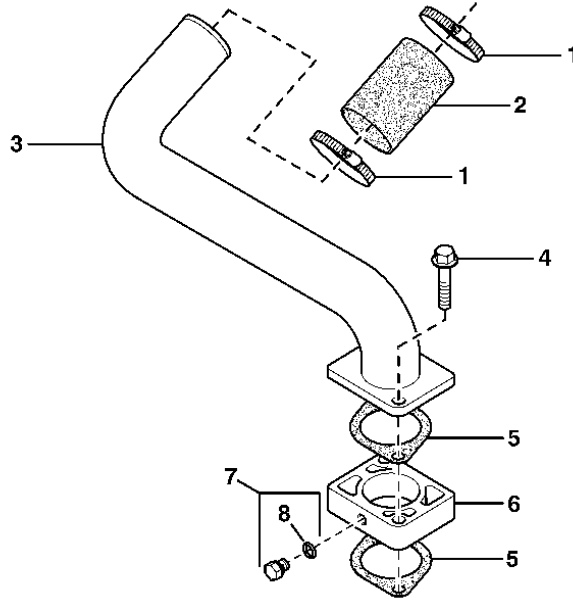
4
0
4
5
H

170-2

INTAKE MANIFOLD

CDP45514 -UN-

17AV
17AV
17AV
17AV
17AV
17AV



CDP45514

KEY	PART NO.	PART NAME	QTY.	ENGINE SERIAL NO.	REMARKS
1	TY22470	CLAMP	2		X
2	R504902	HOSE	1		X
3	RE500791	AIR DUCT	1		X
4	19M8292	SCREW	2		X M10 X 50 (10.9)
5	R81275	GASKET	2		X
6	R501472	SPACER	1		X (4399) NO STARTING AID
7	RE60071	FITTING	1		X (SUB FOR RE502903)
8	51M7039	O-RING	1		X 8.100 X 1.600 MM

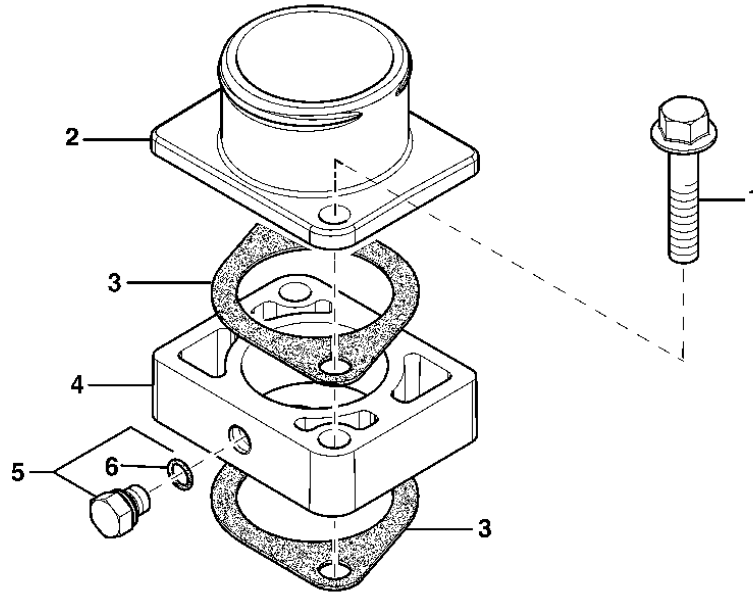
4
0
4
5
T

170-3

INTAKE MANIFOLD

1705
1705
1705
1705
1705
1705

CDP45747 -UN-



CDP45747

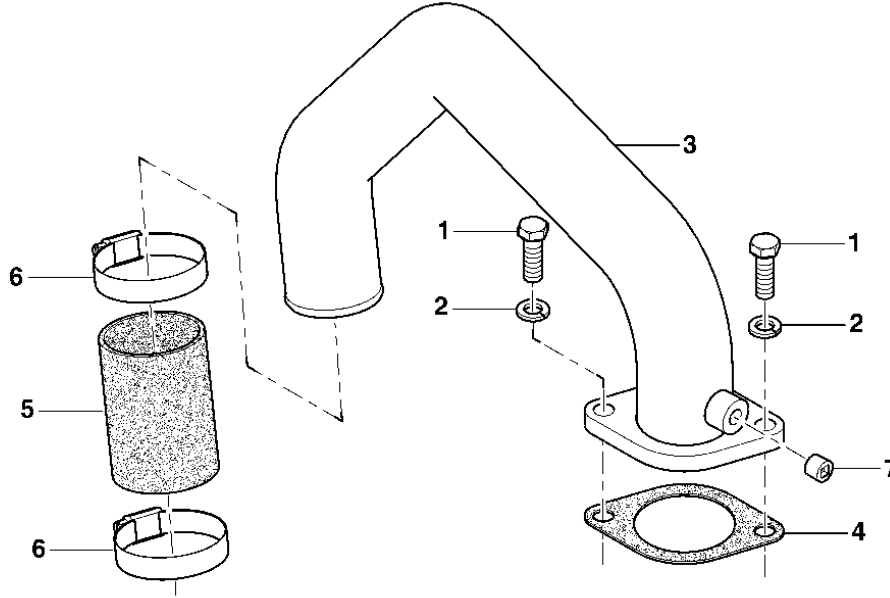
KEY	PART NO.	PART NAME	QTY.	ENGINE SERIAL NO.	REMARKS
				4	
				0	
				4	
				5	
				D	
1	19M8292	SCREW	2	X	M10 X 50, (10.9)
2	R504620	INTAKE MANIFOLD	1	X	
3	R81275	GASKET	2	X	
4	R501472	SPACER	1	X	(4399) NO STARTING AID
5	RE60071	FITTING	1	X	(SUB FOR RE502903)
6	51M7039	O-RING	1	X	8.100 X 1.600 MM

170-4

INTAKE MANIFOLD

1711
1711
1711
1711
1711
1711

CD40603A -UN-



CD40603A

3
0
2
9
T

KEY	PART NO.	PART NAME	QTY.	ENGINE SERIAL NO.	REMARKS
1	19H2552	CAP SCREW	2	X	3/8" X 1-1/8", (SAE 8)
2	12H304	LOCK WASHER	2	X	3/8"
3	RE64252	AIR DUCT	1	X	
4	R81275	GASKET	1	X	
5	R518276	HOSE	1	X	
6	TY22470	CLAMP	2	X	
7	RE42713	PIPE PLUG	AR	X	1/8"-27NPTF, (SUB FOR R104592)

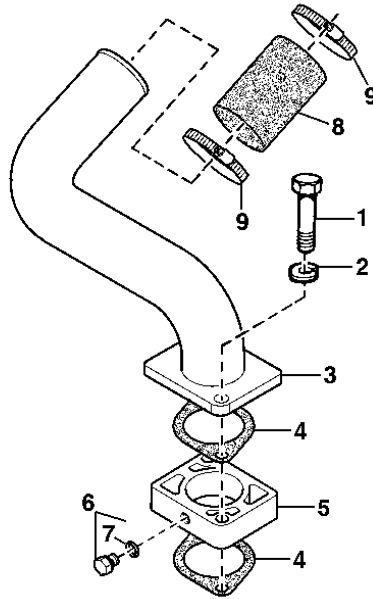
170-5

INTAKE MANIFOLD

CD41126A -UN-

1756
1756
1756
1756
1756
1756

CD41126A



3
0
2
9
T

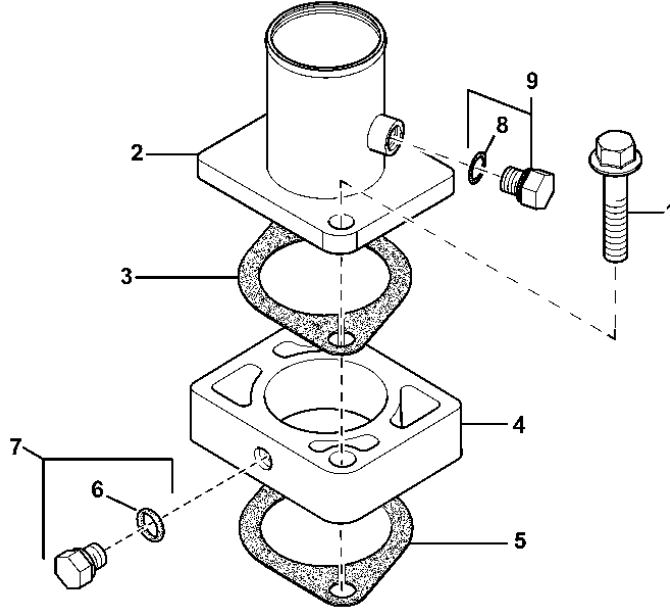
KEY	PART NO.	PART NAME	QTY.	ENGINE SERIAL NO.	REMARKS
1	19H3065	CAP SCREW	2		X 3/8" X 2", (SAE 8)
2	12H304	LOCK WASHER	2		X 3/8"
3	RE503250	INTAKE MANIFOLD	1		X
4	R81275	GASKET	2		X
5	R501472	SPACER	1		X
6	RE60071	FITTING	1		X M10 X 1
7	51M7039	O-RING	1		X 8.100 X 1.600 MM
8	R500596	HOSE	1		X
9	TY22470	CLAMP	2		X

170-6

INTAKE MANIFOLD

1783
1783
1783
1783
1783

CDP45571A -UN-



CDP45571A

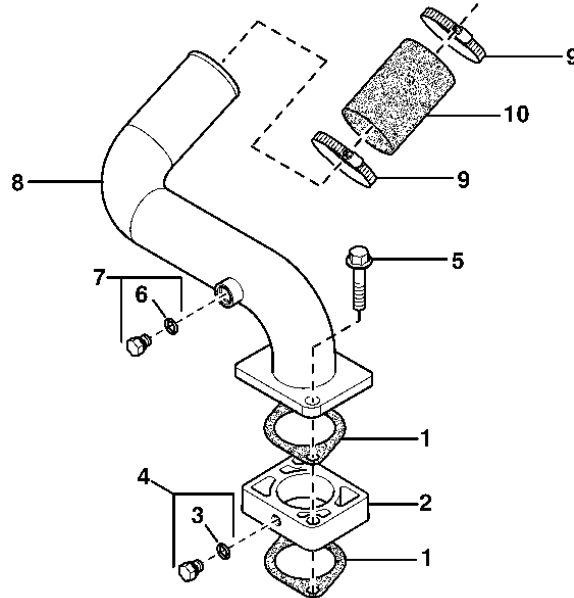
KEY	PART NO.	PART NAME	QTY.	ENGINE SERIAL NO.	REMARKS
1	19M8292	SCREW	2	4 6 0 0 4 6 5 8	X X M10 X 50 (10.9)
2	RE508742	INTAKE MANIFOLD	1	H H	X X
3	R81275	GASKET	1		X X
4	R501472	SPACER	1		X X
5	R81275	GASKET	1		X X
6	51M7039	O-RING	1		X X 8.100 X 1.600 MM
7	RE60071	FITTING	1		X X
8	51M7041	O-RING	1		X X 11.300 X 2.200 MM
9	RE46684	FITTING PLUG	1		X X M14 X 1.5

170-7

INTAKE MANIFOLD

1791
1791
1791
1791
1791
1791

CDP45570 -UN-



CDP45570

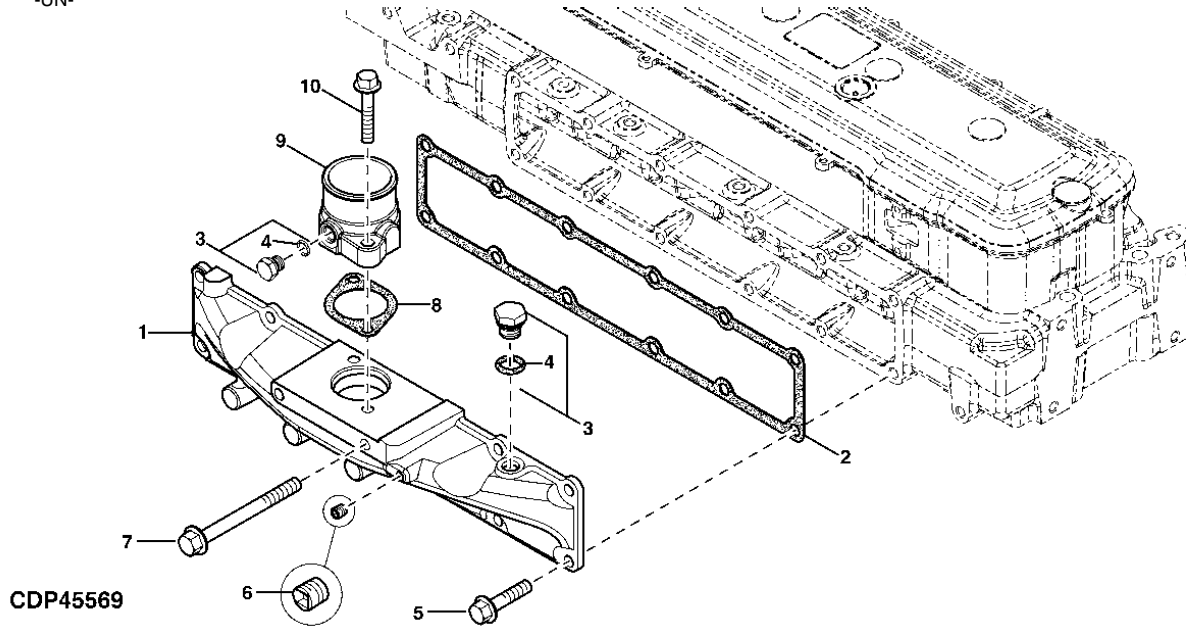
KEY	PART NO.	PART NAME	QTY.	ENGINE SERIAL NO.	REMARKS
				4	
				0	
				4	
				5	
				T	
1	R81275	GASKET	2		X
2	R501472	SPACER	1		X
3	51M7039	O-RING	1		X 8.100 X 1.600 MM
4	RE60071	FITTING	1		X
5	19M8292	SCREW	2		X M10 X 50 (10.9)
6	51M7041	O-RING	1		X 11.300 X 2.200 MM
7	RE46684	FITTING PLUG	1		X M14 X 1.5
8	RE515581	INTAKE MANIFOLD	1		X
9	R110531	CLAMP	2		X
10	R500596	HOSE	1		X

170-8

INTAKE MANIFOLD

1797
1797
1797
1797
1797
1797

CDP45569 -UN-



KEY	PART NO.	PART NAME	QTY.	ENGINE SERIAL NO.	REMARKS
1	R515029	COVER	1		X
2	R515030	GASKET	1		X
3	RE46684	FITTING PLUG	AR		X M14 X 1.5
4	51M7041	O-RING	AR		X 11.300 X 2.200 MM
5	19M7785	SCREW	10		X M10 X 25, (10.9)
6	RE42713	PIPE PLUG	1		X (SUB FOR R104592)
7	19M7812	SCREW	2		X M10 X 100 (10.9)
8	R81275	GASKET	1		X
9	R505166	AIR DUCT	1		X
10	R500394	SCREW	2		X M10 X 1.5, (SUB FOR 19M7835, THIS APPLICATION)

6
0
6
8
H

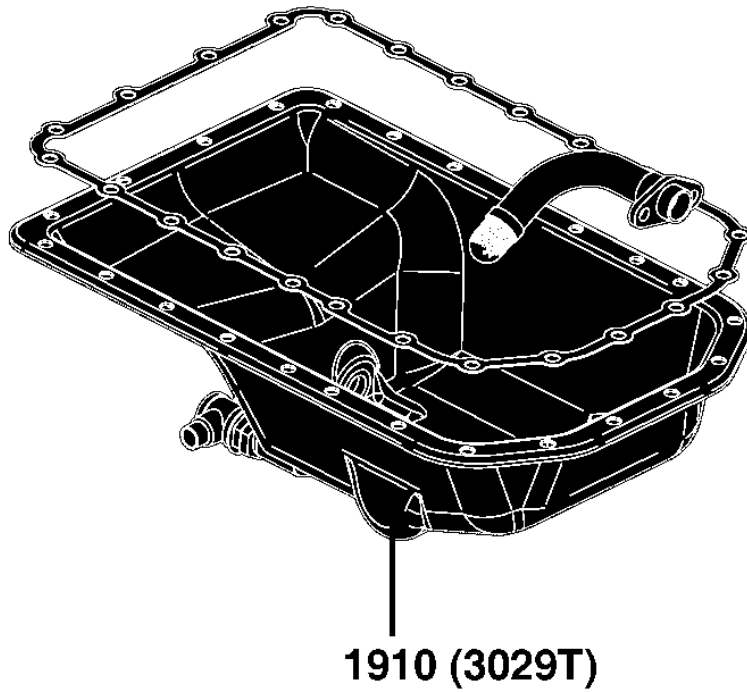
190-A01

OIL PAN

SECTIONAL INDEX
INDEX DE SECTION
GRUPPENINDEX
INDICE DELLA SEZIONE
INDICE DE SECCION
GRUPPSFORTECKNING

1910- 2

CDP46771A -UN-



CDP46771A

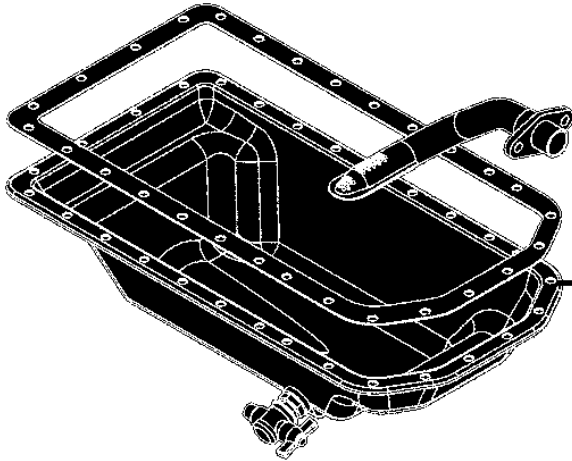
190-A02

OIL PAN

SECTIONAL INDEX
INDEX DE SECTION
GRUPPENINDEX
INDICE DELLA SEZIONE
INDICE DE SECCION
GRUPPSFORTECKNING

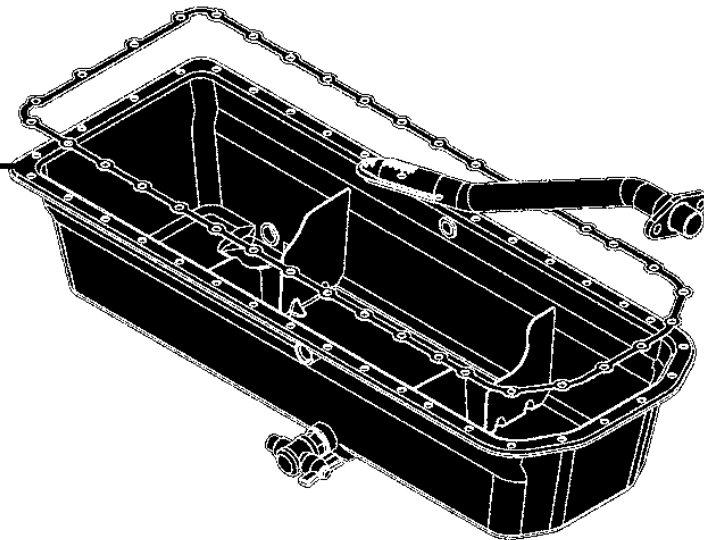
CDP46772B -UN-

1949-	3
1968A-	4
1968B-	5
1972-	8



1949 (4045D,T,H-2V)
1972 (4045H-2V)

1968A (6068H-2V)
1968B (6068H-2V)



CDP46772B

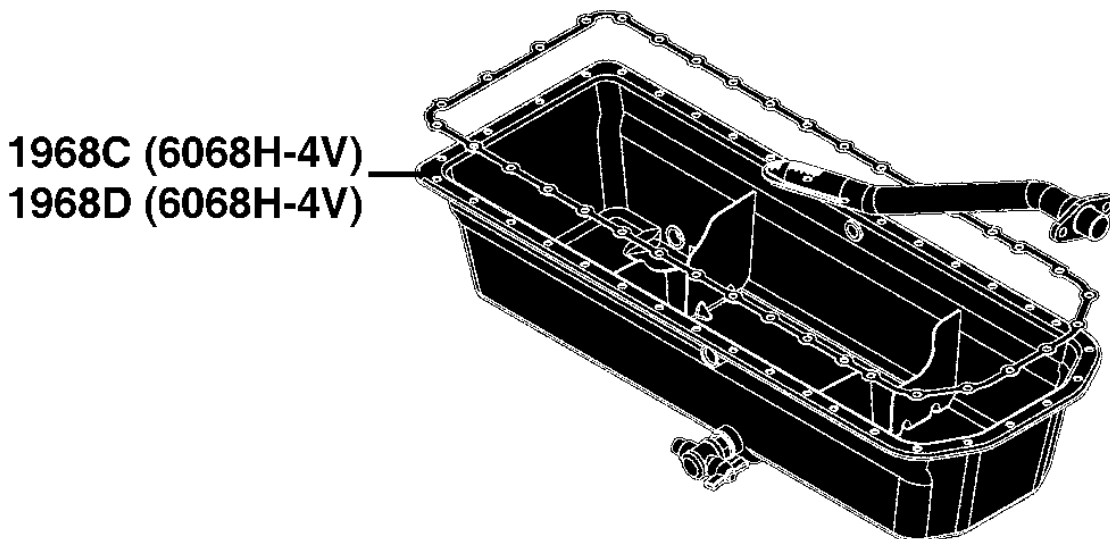
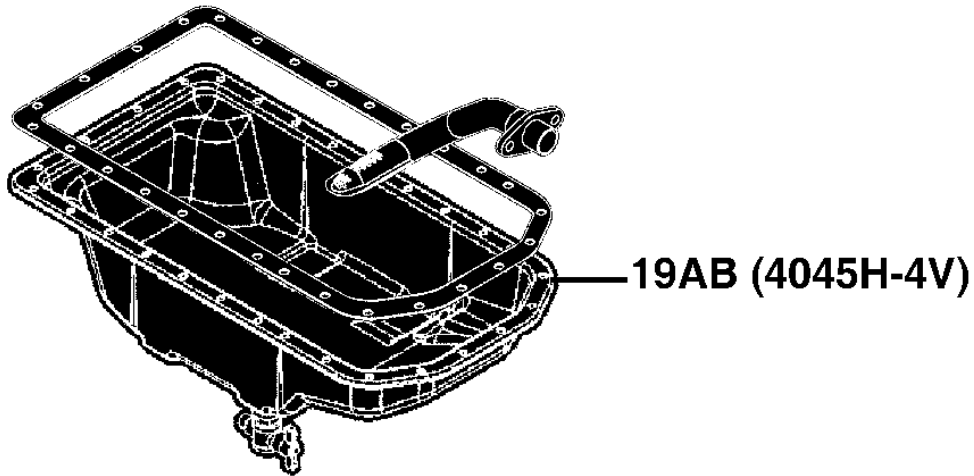
190-A03

OIL PAN

SECTIONAL INDEX
INDEX DE SECTION
GRUPPENINDEX
INDICE DELLA SEZIONE
INDICE DE SECCION
GRUPPSFORTECKNING

CDP46773A -UN-

19AB-	1
1968C-	6
1968D-	7



CDP46773A

190-A04

OIL PAN

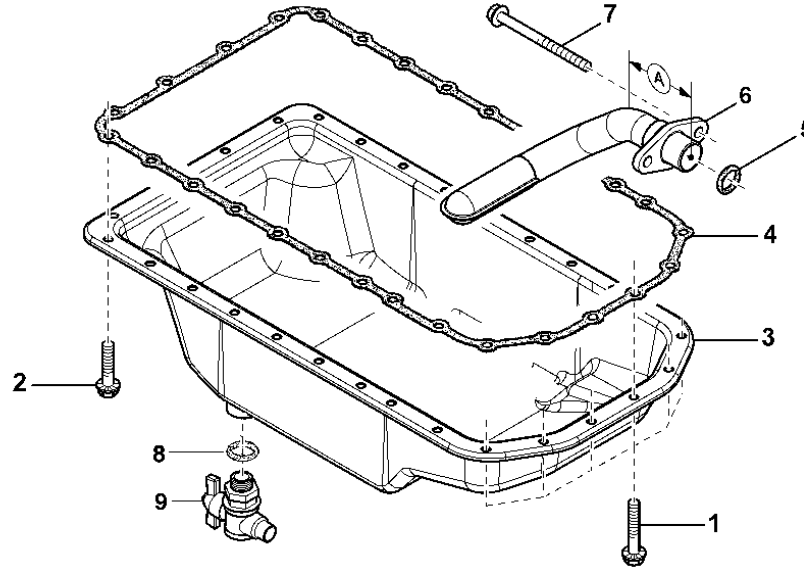
MEMORANDA
MEMORANDA
MEMORANDA
MEMORANDA
MEMORANDA
MEMORANDA

190-1

OIL PAN

19AB
19AB
19AB
19AB
19AB
19AB

CDP45573C -UN-



CDP45573C

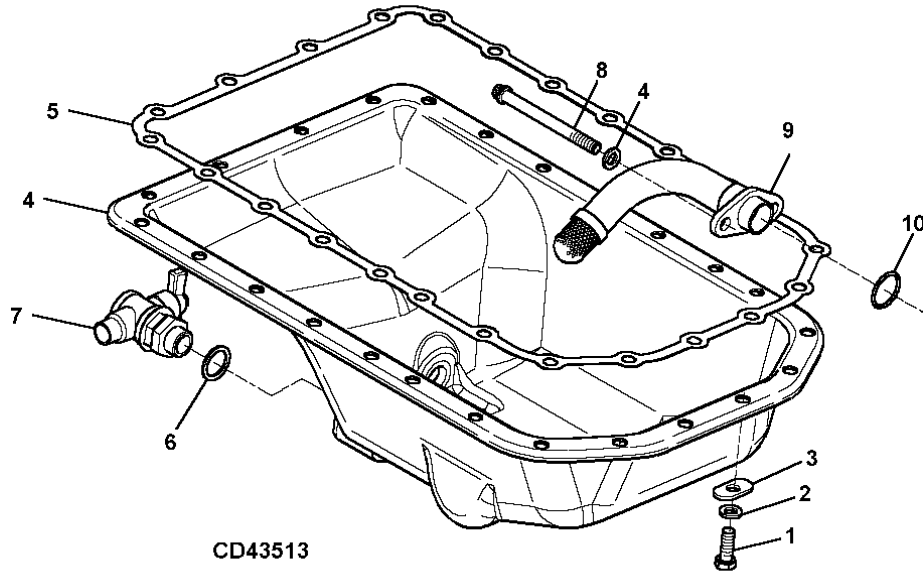
KEY	PART NO.	PART NAME	QTY.	ENGINE SERIAL NO.	REMARKS
1	19M8062	SCREW	6		X M8 X 20, (12.9), ONE TIME USAGE, USAGE UNIQUE, NUR EINMAL VERWENDBAR, PER USO UNICO, SOLO UTILIZAR UNA VEZ, ENGANGSBRUK
2	19M7902	SCREW	22		X M8 X 16, (10.9), ONE TIME USAGE, USAGE UNIQUE, NUR EINMAL VERWENDBAR, PER USO UNICO, SOLO UTILIZAR UNA VEZ, ENGANGSBRUK
3	RE518744	OIL PAN	1		X
4	R521493	GASKET	1		X (SUB FOR R123352, THIS APPLICATION)
5	R61871	O-RING	1		X M22 X 1.5, SQUARE, CARRE, VIERKANT, QUADRO, CUADRADILLO, FYRKANT = 13MM
6	RE57619	OIL PUMP INTAKE	1		X A=67MM
7	19M8986	SCREW	2		X M8 X 100, (10.9)
8	R120247	RING	1		X 22 X 29 X 2 COPPER, CUIVRE, KUPFER, RAME, COBRE, KOPPAR
9	RE506656	MANUAL HYDRAULIC VALVE	1		X M22

190-2

OIL PAN

1910
1910
1910
1910
1910
1910

CD43513 -UN-



CD43513

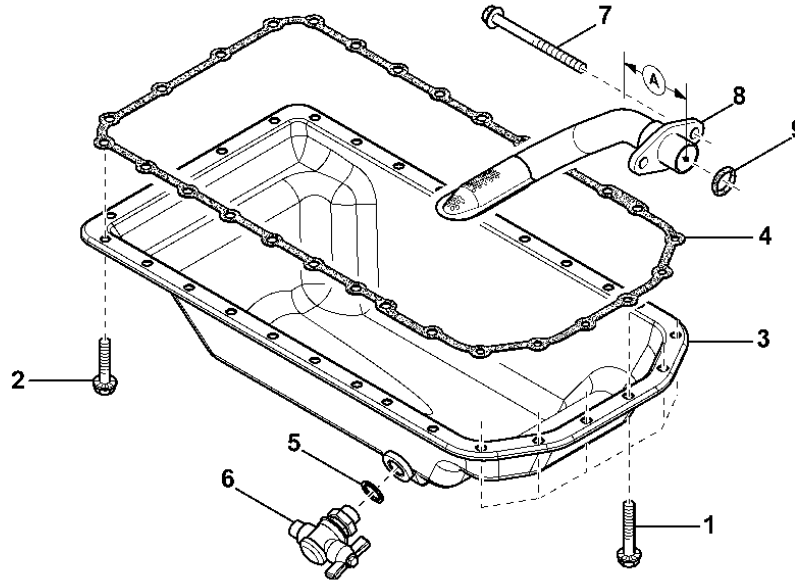
KEY	PART NO.	PART NAME	QTY.	ENGINE SERIAL NO.	REMARKS
				3	
				0	
				2	
				9	
				T	
1	19H2676	CAP SCREW	24		X 3/8" X 1"
2	12H304	LOCK WASHER	24		X 3/8"
3	T30726	STRAP	24		X
4	RE59241	OIL PAN	1		X SHEET METAL, TOLE, BLECH, CHAPA, LAMERIA, PLAAT
5	R119359	GASKET	1		X
6	R120247	RING	1		X COPPER, CUIVRE, KUPFER, RAME, COBRE, KOPPAR
7	RE506656	MANUAL HYDRAULIC VALVE	1		X M22 X 1.5MM -1/2"-14NPT
8	R59409	CAP SCREW	1		X 3/8" X 4.016"
9	RE40473	OIL PUMP INTAKE	1		X
10	R61871	O-RING	1		X 24.990 X 3.530 MM

190-3

OIL PAN

1949
1949
1949
1949
1949
1949

CDP45574A -UN-



CDP45574A

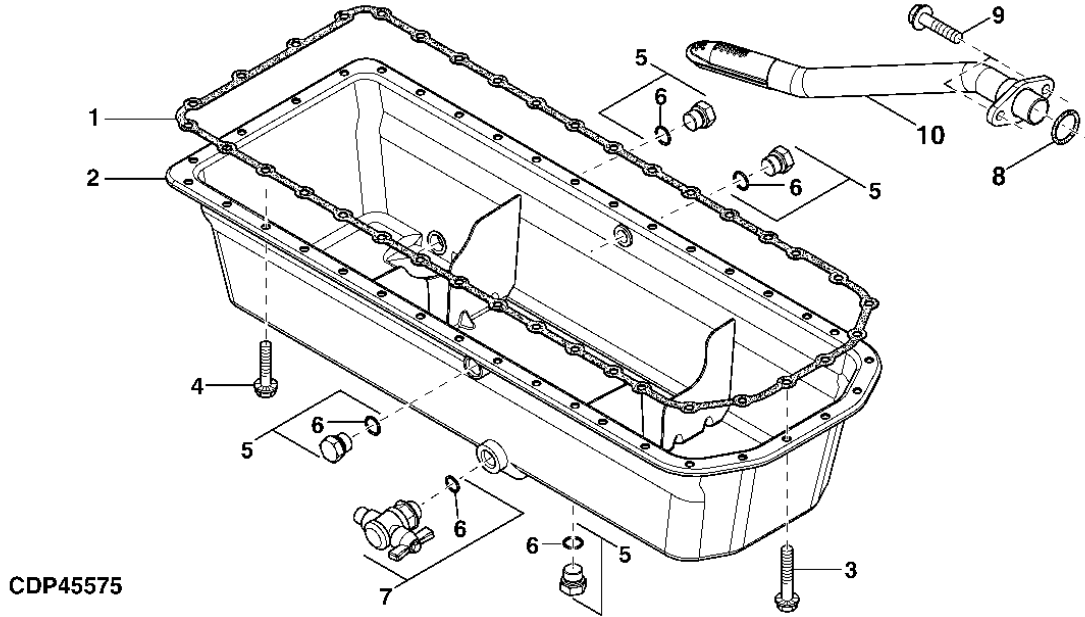
KEY	PART NO.	PART NAME	QTY.	ENGINE SERIAL NO.	REMARKS
				4 4 4	
				0 0 0	
				4 4 4	
				5 5 5	
				D H T	
1	19M8062	SCREW	6	X X X	M8 X 20, (10.9), ONE TIME USAGE, USAGE UNIQUE, NUR EINMAL VERWENDBAR, PER USO UNICO, SOLO UTILIZAR UNA VEZ, ENGANGSBRUK
2	19M7902	SCREW	22	X X X	M8 X 16, (12.9), ONE TIME USAGE, USAGE UNIQUE, NUR EINMAL VERWENDBAR, PER USO UNICO, SOLO UTILIZAR UNA VEZ, ENGANGSBRUK
3	RE57482	OIL PAN	1	X X X	
4	R521493	GASKET	1	X X X	(SUB FOR R123352, THIS APPLICATION)
5	R120247	RING	1	X X X	22 X 29 X 2 COPPER,CUIVRE,KUPFER, RAME,COBRE,KOPPAR
6	RE506656	MANUAL HYDRAULIC VALVE	1	X X X	M22 X 1.5MM
7	19M8986	SCREW	2	X X X	M8 X 100, (10.9)
8	RE57619	OIL PUMP INTAKE	1	X X X	A = 67MM, INCL. INSTRUCTIONS
9	R61871	O-RING	1	X X X	24.990 X 3.530 MM

190-4

OIL PAN

1968
1968
1968
1968
1968
1968

CDP45575 -UN-



CDP45575

6
0
6
8
H

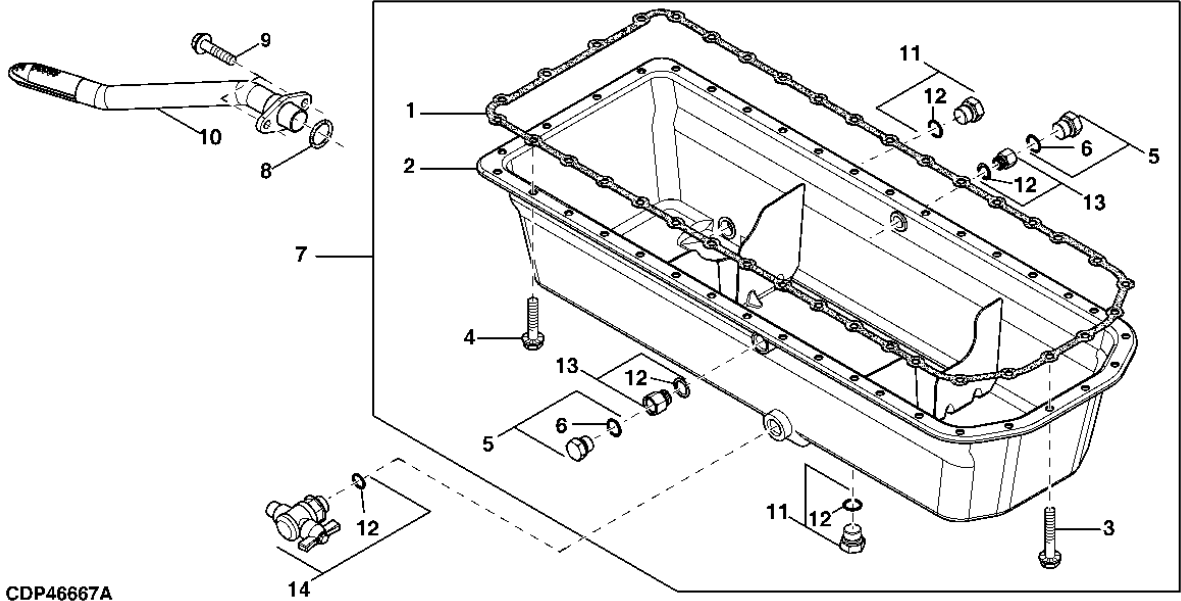
KEY	PART NO.	PART NAME	QTY.	ENGINE SERIAL NO.	REMARKS
1	R521498	GASKET	1	-917660	X (SUB FOR R500349)
2	RE509666	OIL PAN	1	-917660	X (ORDER RE523409 AND RE526515)
3	19M8062	SCREW	6	-917660	X M8 X 20
4	19M7902	SCREW	30	-917660	X M8 X 16
5	RE46687	DRAIN PLUG	4	-917660	X M22 X 1.5
6	51M7045	O-RING	1	-917660	X 19.300 X 2.200 MM
7	RE506655	MANUAL HYDRAULIC VALVE	1	-917660	X M22 X 1.5
8	R61871	O-RING	1	-917660	X 24.990 X 3.530 MM
9	19M8986	SCREW	2	-917600	X M8 X 100. (10.9)
10	RE71143	OIL PUMP INTAKE	1	-917660	X

190-5

OIL PAN

1968 - CONTINUED
 1968 - SUITE
 1968 - FORTSETZUNG
 1968 - SEGUITO
 1968 - CONTINUACION
 1968 - FORTS

CDP46667A -UN-



CDP46667A

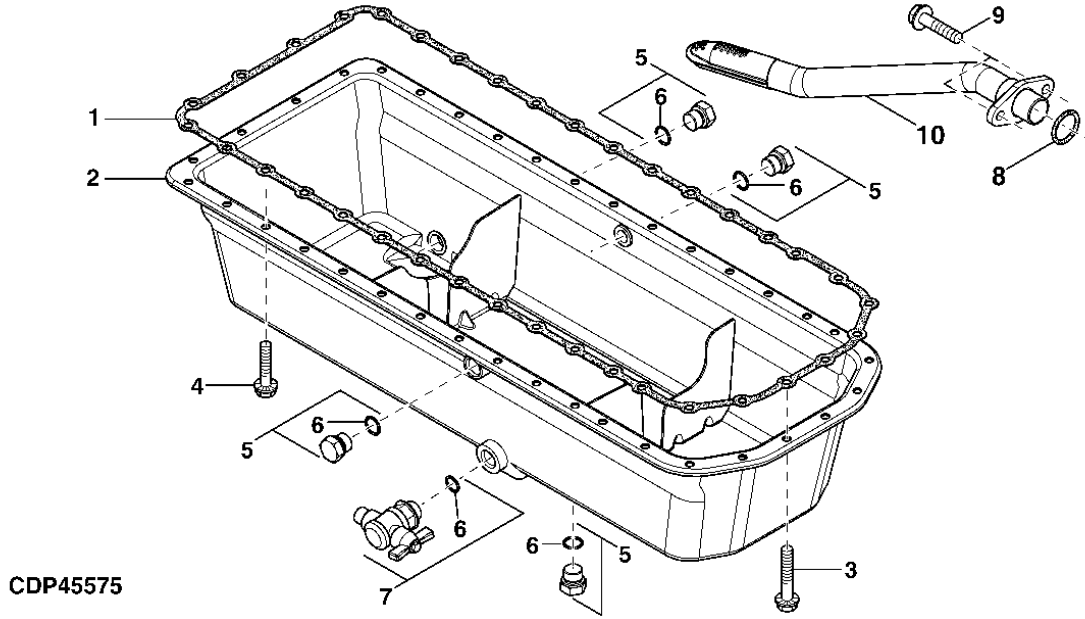
KEY	PART NO.	PART NAME	QTY.	ENGINE SERIAL NO.	6 0 6 8 H	REMARKS
1	R521498	GASKET	1	917661-	X	(SUB FOR R500349)
2	RE523256	OIL PAN	1	917661-	X	SHEET METAL, TOLE, BLECH, CHAPA, LAMERIA, PLAAT
3	19M7866	SCREW	6	917661-	X	M8 X 20
4	19M7902	SCREW	30	917661-	X	M8 X 16
5	RE46687	DRAIN PLUG	2	917661-	X	M22 X 1.5MM
6	51M7045	O-RING	1	917661-	X	19.300 X 2.200 MM
7	RE523409	OIL PAN	1		X	KIT INCL. INSTRUCTION, ANLEITUNG, ISTRUZIONI, INSTRUCCIONES, ANVISNINGAR
8	R61871	O-RING	1	917661-	X	24.990 X 3.530 MM
9	19M8986	SCREW	2	917661-	X	M8 X 100. (10.9)
10	RE71143	OIL PUMP INTAKE	1	917661-	X	
11	RE523251	PLUG AND SEAL KIT BUSHING	2	917661-	X	M22 X 1.5
12	R519742	SEAL	1	917661-	X	
13	RE523253	ADAPTER	2	917661-	X	
14	RE526515	DRAIN VALVE	1	917661-	X	M22 X 1.5

190-6

OIL PAN

1968
1968
1968
1968
1968
1968

CDP45575 -UN-



CDP45575

6
0
6
8
H

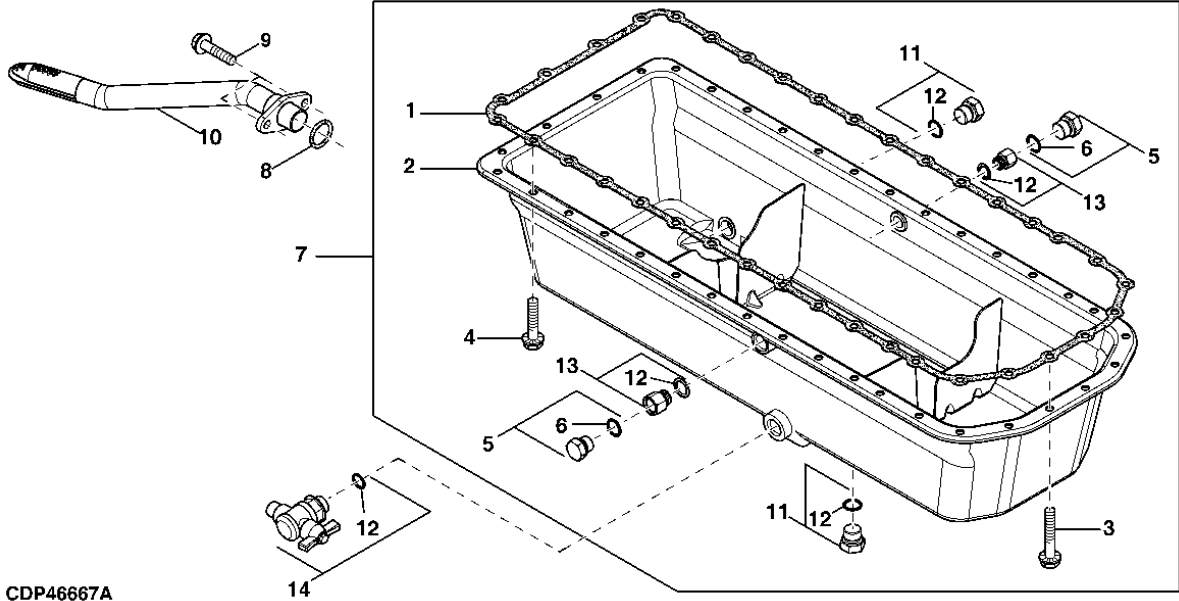
KEY	PART NO.	PART NAME	QTY.	ENGINE SERIAL NO.	REMARKS
1	R521498	GASKET	1	-917660	X (SUB FOR R500349)
2	RE509666	OIL PAN	1	-917660	X (ORDER RE523409 AND RE526515)
3	19M8062	SCREW	6	-917660	X M8 X 20
4	19M7902	SCREW	30	-917660	X M8 X 16
5	RE46687	DRAIN PLUG	4	-917660	X M22 X 1.5
6	51M7045	O-RING	1	-917660	X 19.300 X 2.200 MM
7	RE506655	MANUAL HYDRAULIC VALVE	1	-917660	X M22 X 1.5
8	R61871	O-RING	1	-917660	X 24.990 X 3.530 MM
9	19M8986	SCREW	2	-917660	X M8 X 100. (10.9)
10	RE71143	OIL PUMP INTAKE	1	-917660	X

190-7

OIL PAN

1968 - CONTINUED
 1968 - SUITE
 1968 - FORTSETZUNG
 1968 - SEGUITO
 1968 - CONTINUACION
 1968 - FORTS

CDP46667A -UN-



CDP46667A

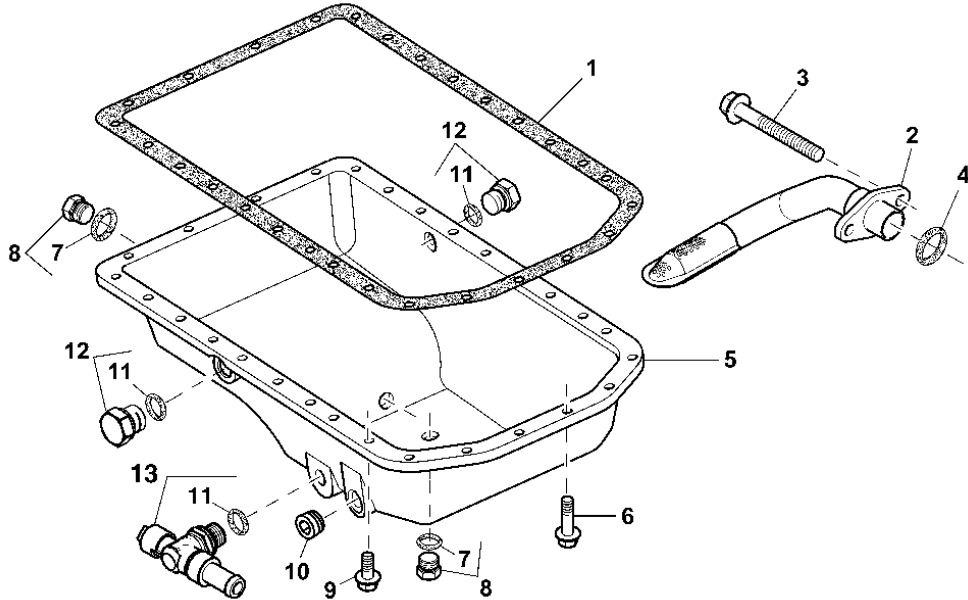
KEY	PART NO.	PART NAME	QTY.	ENGINE SERIAL NO.	6 0 6 8 H	REMARKS
1	R521498	GASKET	1	917661-	X	(SUB FOR R500349)
2	RE523256	OIL PAN	1	917661-	X	SHEET METAL, TOLE, BLECH, CHAPA, LAMERIA, PLAAT
3	19M7866	SCREW	6	917661-	X	M8 X 20
4	19M7902	SCREW	30	917661-	X	M8 X 16
5	RE46687	DRAIN PLUG	2	917661-	X	M22 X 1.5MM
6	51M7045	O-RING	1	917661-	X	19.300 X 2.200 MM
7	RE523409	OIL PAN	1	917661-	X	KIT INCL. INSTRUCTION, ANLEITUNG, ISTRUZIONI, INSTRUCCIONES, ANVISNINGAR
8	R61871	O-RING	1	917661-	X	24.990 X 3.530 MM
9	19M8986	SCREW	2	917661-	X	M8 X 100. (10.9)
10	RE71143	OIL PUMP INTAKE	1	917661-	X	
11	RE523251	PLUG AND SEAL KIT BUSHING	2	917661-	X	M22 X 1.5
12	R519742	SEAL	1	917661-	X	
13	RE523253	ADAPTER	2	917661-	X	
14	RE526515	DRAIN VALVE	1	917661-	X	M22 X 1.5

190-8

OIL PAN

1972
1972
1972
1972
1972
1972

CDP47870 -UN-



CDP47870

KEY	PART NO.	PART NAME	QTY.	ENGINE SERIAL NO.	4 0 4 5 H	REMARKS
1	R521493	GASKET	1		X	
2	RE57619	OIL PUMP INTAKE	1		X	
3	19M8986	SCREW	2		X	M8 X 100 (10.9)
4	R61871	O-RING	1		X	24.990 X 3.530 MM
5	RE520147	OIL PAN	1		X	SHEET METAL, TOLE, BLECH, LAMIERA, DE CHAPA, BLECK
6	19M8062	SCREW	6		X	M8 X 20, (12.9)
7	51M7043	O-RING	1		X	15.300 X 2.200 MM
8	RE46685	FITTING PLUG	2		X	M18 X 1.5
9	19M8163	BOLT	22		X	M8 X 16, (10.9)
10	15H690	PIPE PLUG	1		X	3/4"
11	51M7045	O-RING	1		X	19.300 X 2.200 MM
12	RE46687	DRAIN PLUG	2		X	M22 X 1.5
13	RE507952	DRAIN VALVE	1		X	

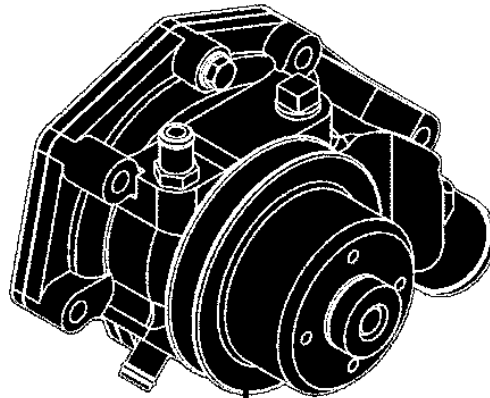
200-A01

WATER PUMP

SECTIONAL INDEX
INDEX DE SECTION
GRUPPENINDEX
INDICE DELLA SEZIONE
INDICE DE SECCION
GRUPPSFORTECKNING

2020- 4

CDP46776A -UN-



2020 (3029T)

CDP46776A

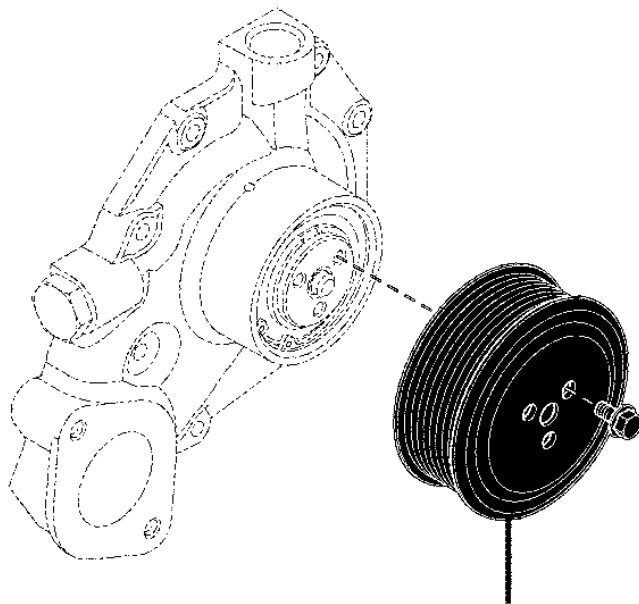
200-A02

WATER PUMP

SECTIONAL INDEX
INDEX DE SECTION
GRUPPENINDEX
INDICE DELLA SEZIONE
INDICE DE SECCION
GRUPPSFORTECKNING

CDP46777B -UN-

2001A-	1
2002-	3



**2001A (4045T, H-2V)
(6068H-2V)
2002 (4045D,T,H-2V)**

CDP46777B

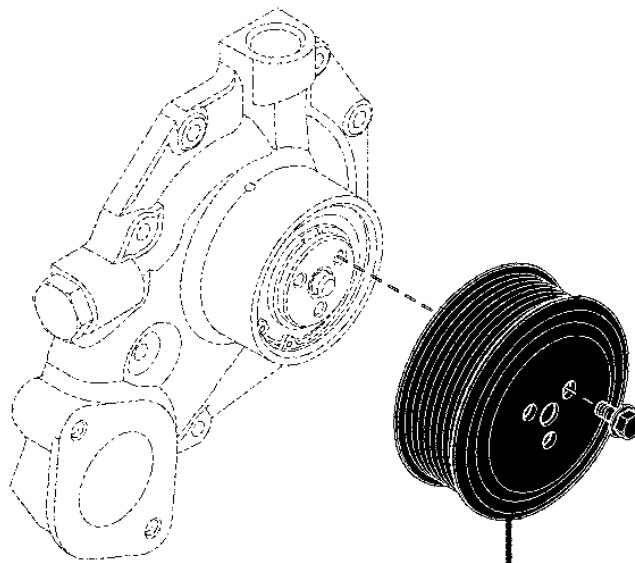
200-A03

WATER PUMP

SECTIONAL INDEX
INDEX DE SECTION
GRUPPENINDEX
INDICE DELLA SEZIONE
INDICE DE SECCION
GRUPPSFORTECKNING

2001B- 2

CDP46778A -UN-



2001B (4045H-4V)
(6068H-4V)

CDP46778A

200-A04

WATER PUMP

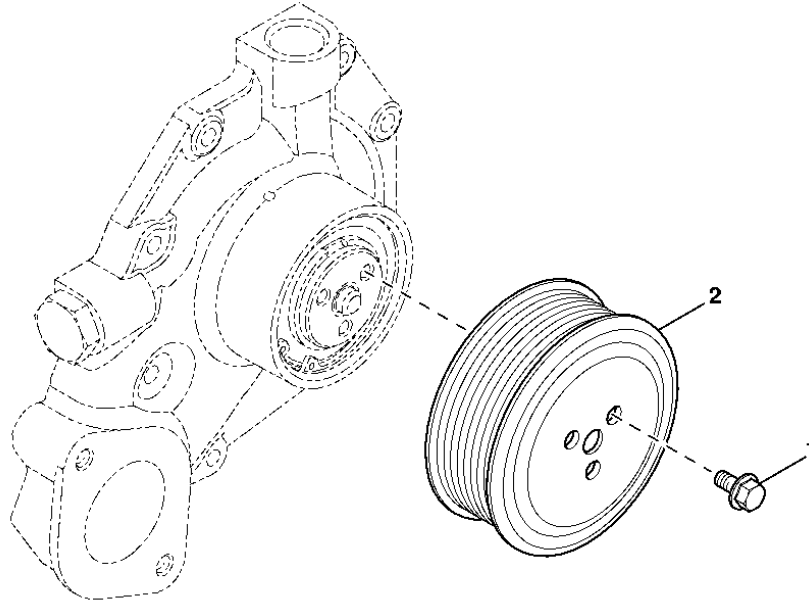
MEMORANDA
MEMORANDA
MEMORANDA
MEMORANDA
MEMORANDA
MEMORANDA

200-1

WATER PUMP

2001
2001
2001
2001
2001
2001

CDP46337 -UN-



CDP46337

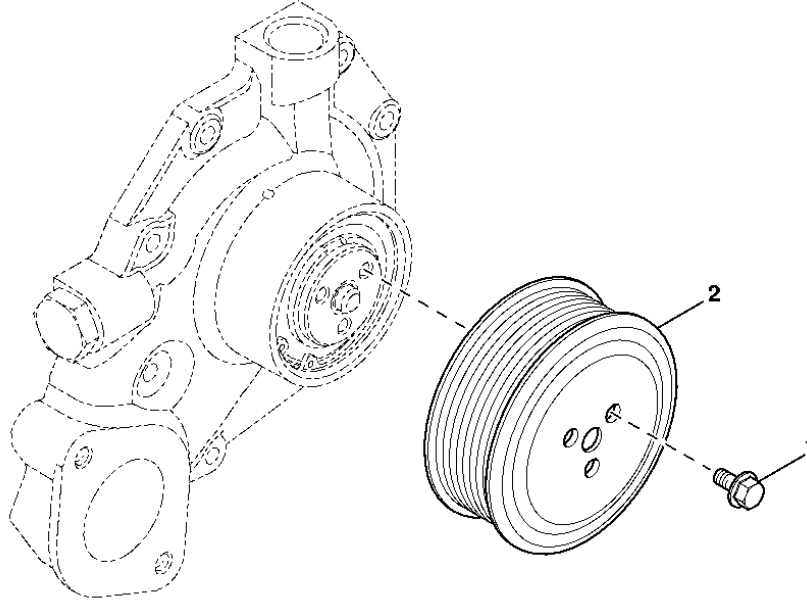
KEY	PART NO.	PART NAME	QTY.	ENGINE SERIAL NO.	REMARKS
1	19M7774	SCREW	3	4 6 0 0 4 6 5 8 H H	X X M6 X 12, (10.9)
2	R115250	PULLEY	1		X X OD= 98MM

200-2

WATER PUMP

2001 - CONTINUED
 2001 - SUITE
 2001 - FORTSETZUNG
 2001 - SEGUI TO
 2001 - CONTINUACTION
 2001 - FORTS

CDP46337 -UN-



CDP46337

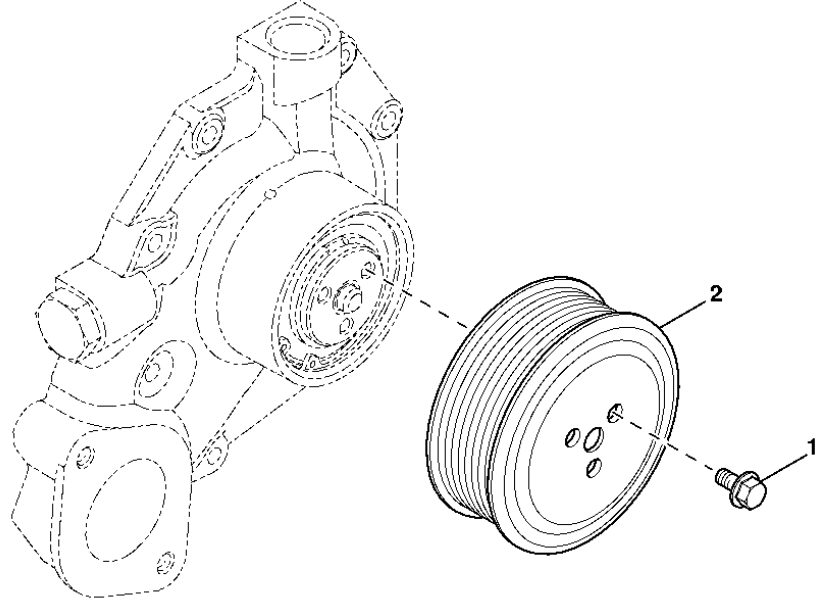
KEY	PART NO.	PART NAME	QTY.	ENGINE SERIAL NO.	REMARKS
1	19M7774	SCREW	3	4 6 0 0 4 6 5 8 H H	X X M6 X 12, (10.9)
2	R115250	PULLEY	1		X X OD= 98MM

200-3

WATER PUMP

2002
2002
2002
2002
2002
2002

CDP46337 -UN-



CDP46337

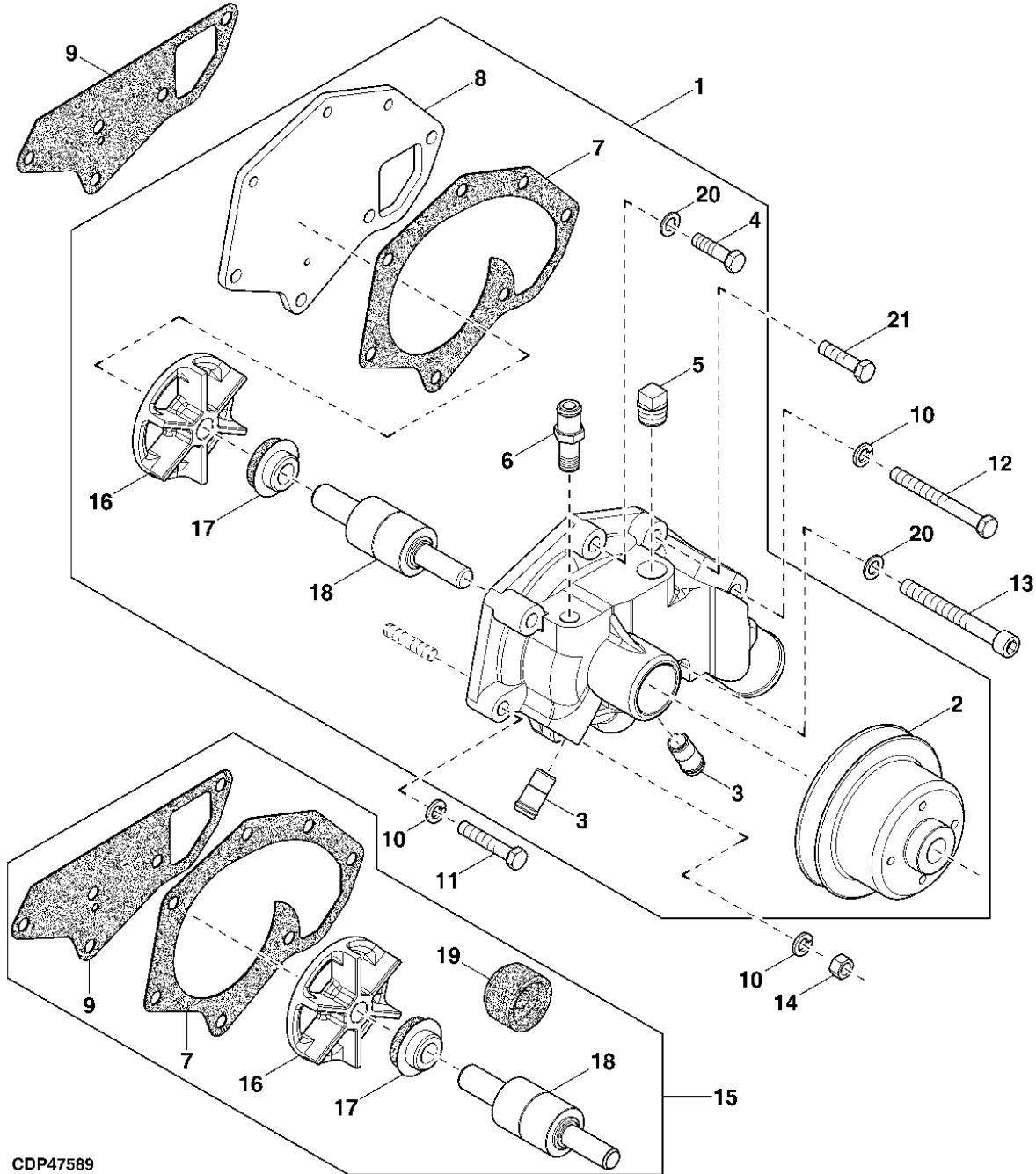
KEY	PART NO.	PART NAME	QTY.	ENGINE SERIAL NO.	REMARKS
1	19M7774	SCREW	3	4 4 4 0 0 0 4 4 4 5 5 5	
2	R121038	PULLEY	1	D H T	X X X M6 X 12, (10.9) X X X OD= 117MM

200-4

WATER PUMP

2020
2020
2020
2020
2020
2020

CDP47589 -UN-



CDP47589

THIS PARTS LISTING IS CONTINUED

200-5

WATER PUMP

KEY	PART NO.	PART NAME	QTY.	ENGINE SERIAL NO.	3 0 2 9 T	REMARKS
1	RE64077	WATER PUMP	1		X	(MARKED R73604)
2	T23628	PULLEY	1		X	OD= 126MM
3	R48993	TUBE	2		X	ID= 16MM
4	19H3219	CAP SCREW	1		X	3/8" X 1-3/8"
5	15H584	PIPE PLUG	1		X	12.700 MM
6	L30291	UNION FITTING	1		X	1/4"-18NPT, LGTH= 54MM
7	R97455	GASKET	1		X	
8	R102901	COVER	1		X	TK= 6MM
9	T20243	GASKET	1		X	
10	12H304	LOCK WASHER	3		X	3/8"
11	19H3065	CAP SCREW	1		X	3/8" X 2"
12	19H1912	CAP SCREW	1		X	3/8" X 3-1/2"
13	19H3581	SCREW	1		X	3/8" X 3-1/4"
14	14H1076	NUT	1		X	3/8" -16UNC
15	RE62658	KIT	AR		X	
16	IMPELLER	1		X	CAST IRON, FONTE, GUSS, FUSO, HIERRO COLADO, GJUTJARM, (ORDER RE62658)
17	SEAL	1		X	(ORDER RE62658)
18	BALL BEARING	1		X	(ORDER RE62658)
19	R518805	TOOL	1		X	(SUB FOR R134742)
20	24M7096	WASHER	2		X	10.500 X 18 X 1.600 MM
21	19H2633	CAP SCREW	1		X	3/8" X 1-1/2"

200-6

WATER PUMP

MEMORANDA
MEMORANDA
MEMORANDA
MEMORANDA
MEMORANDA
MEMORANDA

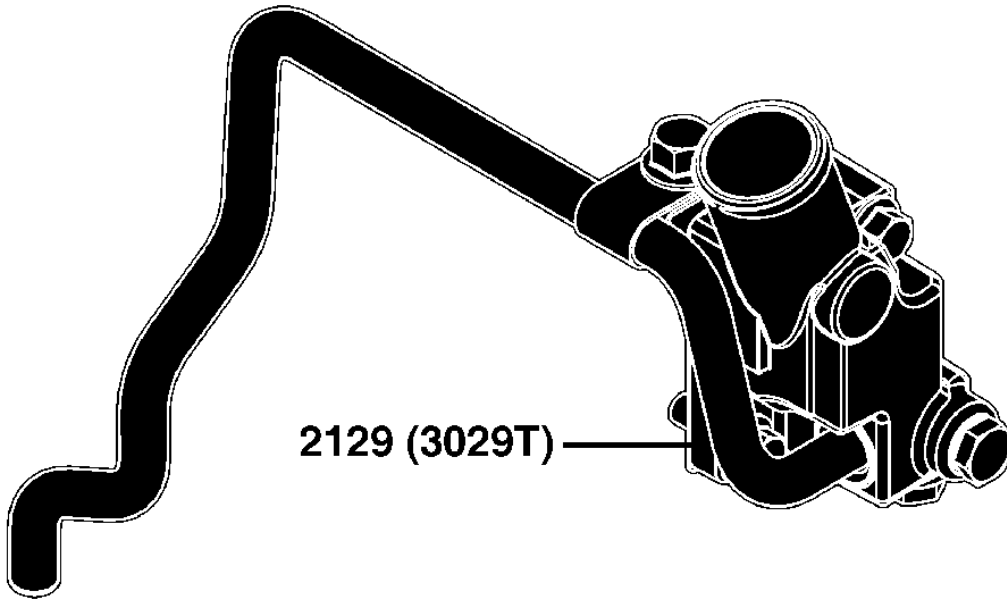
210-A01

THERMOSTAT COVER

SECTIONAL INDEX
INDEX DE SECTION
GRUPPENINDEX
INDICE DELLA SEZIONE
INDICE DE SECCION
GRUPPSFORTECKNING

2129- 3

CDP46782A -UN-



CDP46782A

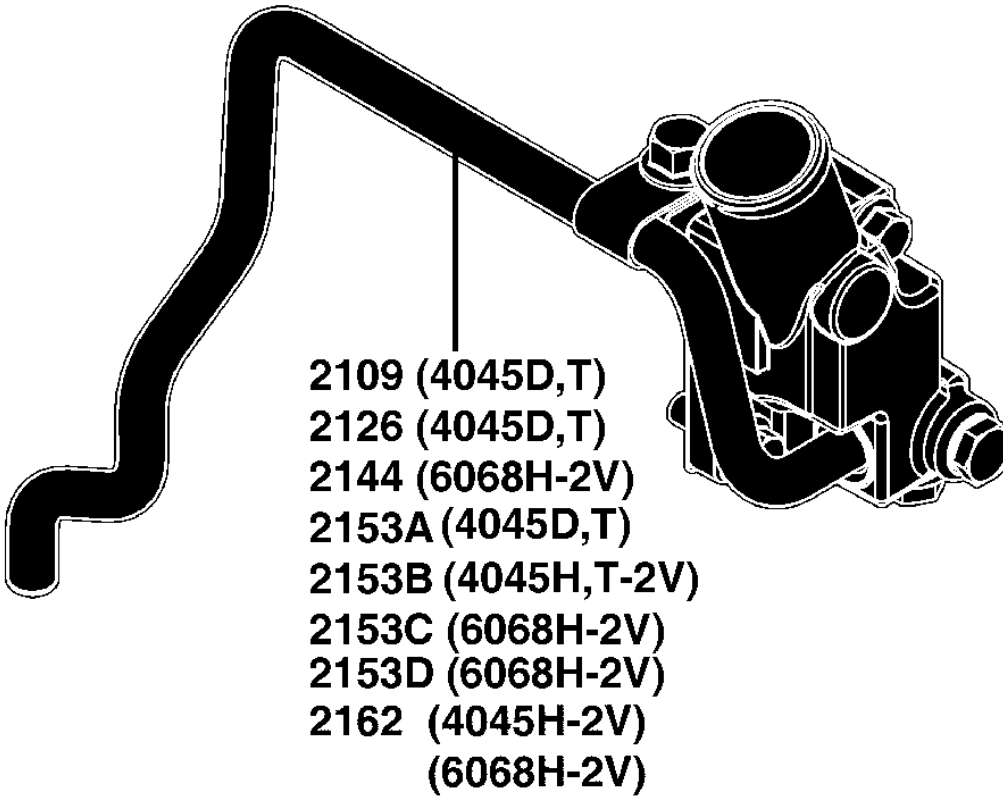
210-A02

THERMOSTAT COVER

SECTIONAL INDEX
INDEX DE SECTION
GRUPPENINDEX
INDICE DELLA SEZIONE
INDICE DE SECCION
GRUPPSFORTECKNING

CDP46783C -UN-

2109-	1
2126-	2
2144-	5
2153A-	6
2153B-	7
2153C-	8
2153D-	9
2162-	10



CDP46783C

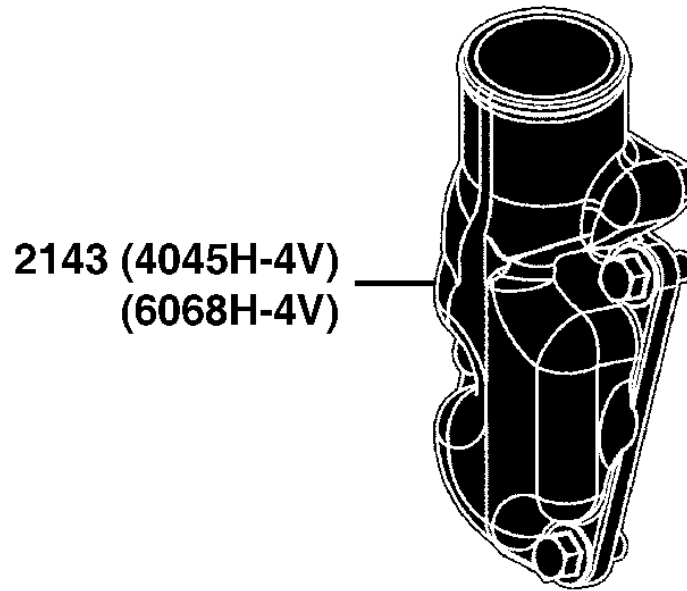
210-A03

THERMOSTAT COVER

SECTIONAL INDEX
INDEX DE SECTION
GRUPPENINDEX
INDICE DELLA SEZIONE
INDICE DE SECCION
GRUPPSFORTECKNING

2143- 4

CDP46784A -UN-



CDP46784A

210-A04

THERMOSTAT COVER

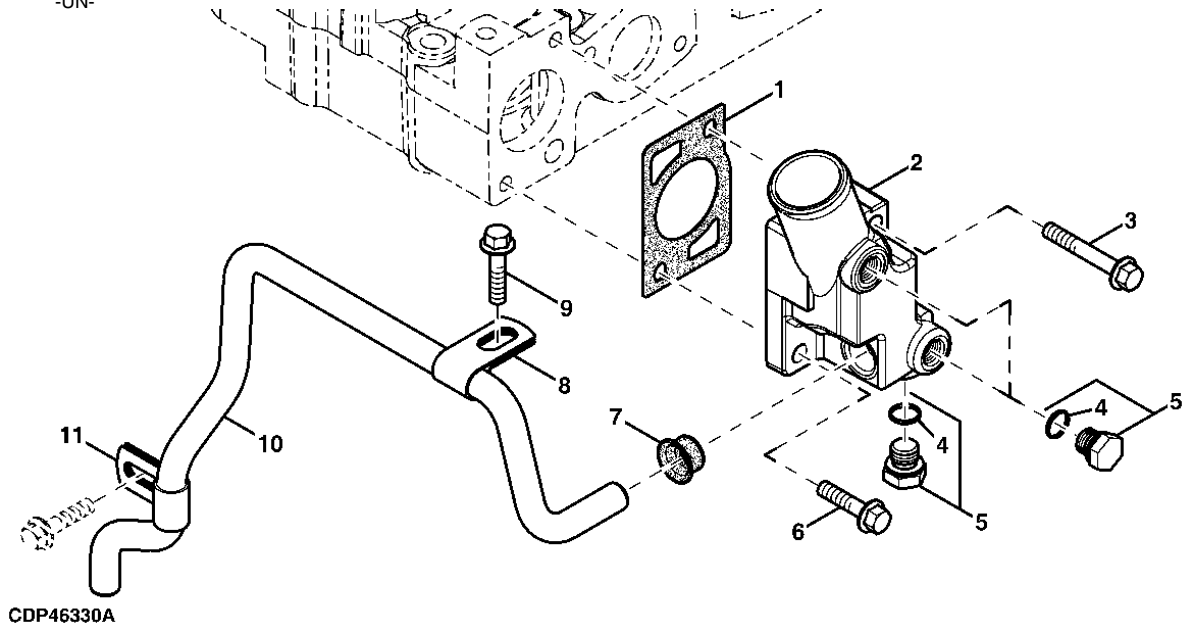
MEMORANDA
MEMORANDA
MEMORANDA
MEMORANDA
MEMORANDA
MEMORANDA

210-1

TERMOSTAT COVER

2109
2109
2109
2109
2109
2109

CDP46330A -UN-



CDP46330A

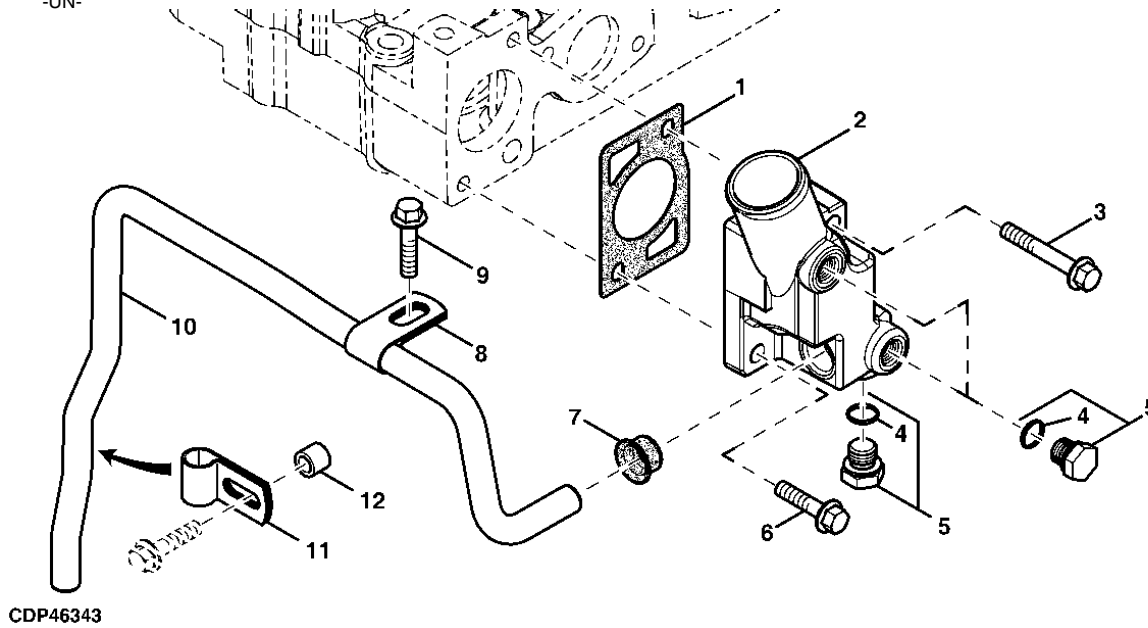
KEY	PART NO.	PART NAME	QTY.	ENGINE SERIAL NO.	D T	REMARKS
1	R502814	GASKET	1	-921416	X X	
2	COVER	1	-921416	X X	(MARKED R131016) (ORDER R501130, RE46684 AND (2) R123226)
	R501130	COVER	1	-921416	X X	(ALSO ORDER (2) R123226)
3	19M8292	SCREW	1	-921416	X X	M10 X 50 (10.9)
4	51M7041	O-RING	AR	-921416	X X	11.300 X 2.200 MM
5	RE46684	FITTING PLUG	AR	-921416	X X	M14 X 1.5
6	19M7786	SCREW	1	-921416	X X	M10 X 30 (10.9)
7	R123226	GASKET	1	-921416	X X	
8	R123323	CLAMP	1	-921416	X X	
9	19M7788	SCREW	1	-921416	X X	M12 X 25 (10.9)
10	R135179	TUBE	1	-921416	X X	
11	R123324	CLAMP	1	-921416	X X	

210-2

TERMOSTAT COVER

2126
2126
2126
2126
2126
2126

CDP46343 -UN-



CDP46343

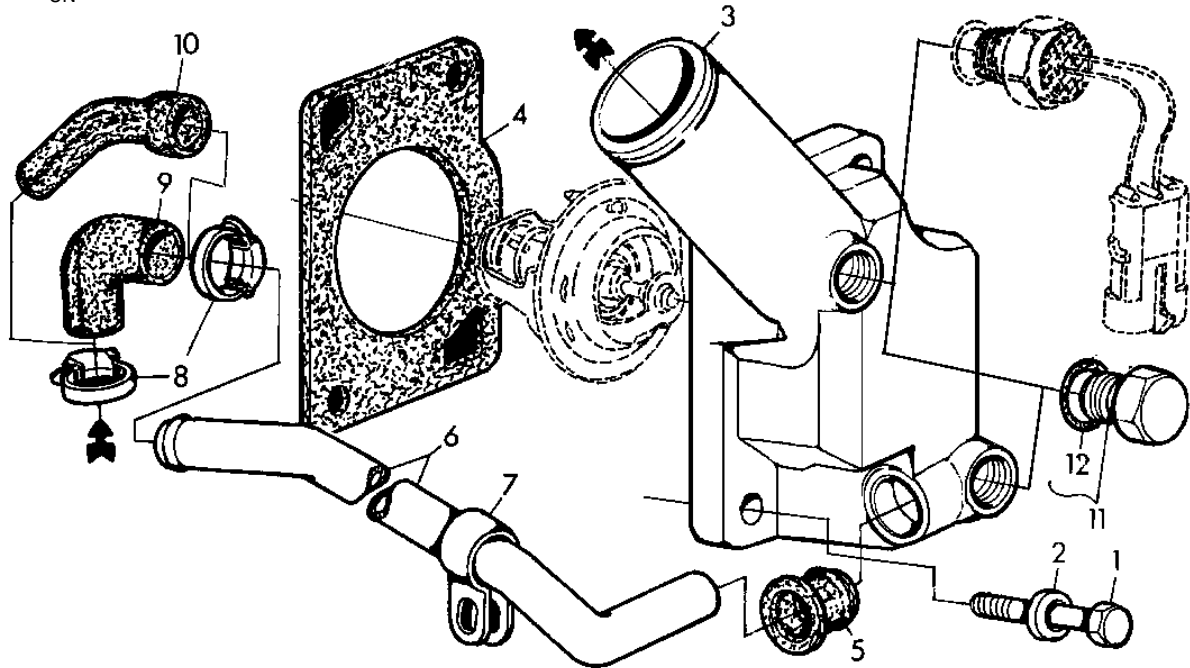
KEY	PART NO.	PART NAME	QTY.	ENGINE SERIAL NO.	D T	REMARKS
					4 4	
					0 0	
					4 4	
					5 5	
					D T	
1	R502814	GASKET	1	921417-080958	X X	
2	R501130	COVER	1	921417-080958	X X	(ALSO ORDER (2) R123226)
3	19M8292	SCREW	1	921417-080958	X X	M10 X 50 (10.9)
4	51M7041	O-RING	AR	921417-080958	X X	11.300 X 2.200 MM
5	RE46684	FITTING PLUG	AR	921427-080958	X X	M14 X 1.5
6	19M7786	SCREW	1	921417-080958	X X	M10 X 30 (10.9)
7	R123226	GASKET	1	921417-080958	X X	
8	R123323	CLAMP	1	921417-080958	X X	
9	19M7788	SCREW	1	921417-080958	X X	M12 X 25 (10.9)
10	R135179	TUBE	1	921417-080958	X X	
11	R123324	CLAMP	1	921417-080958	X X	
12	28H860	WASHER	1	921417-080958	X X	10.744 X 17.145 X 9.525 MM

210-3

THERMOSTAT COVER

2129
2129
2129
2129
2129
2129

CD42172A -UN-



CD42172A

KEY	PART NO.	PART NAME	QTY.	ENGINE SERIAL NO.	REMARKS
1	19H2676	CAP SCREW	1		X 3/8" X 1", (SAE 8), UP
	19H3483	CAP SCREW	1		X 3/8" X 1-1/8" (SAE 8), LOW
2	24M7106	WASHER	2		X 10 X 18 X 2.500 MM
3	R515767	COVER	1		X (ALSO ORDER (2) R46684 AND R123226) (SUB FOR R501120)
4	R502814	GASKET	1		X
5	R123226	GASKET	1		X
6	R125407	LINE	1		X OD= 16MM, (ALSO ORDER R123226)
7	R73384	CLAMP	1		X (SUB FOR R128415)
8	TY22465	HOSE CLAMP	2		X (SUB FOR AR21837)
9	R99254	HOSE	1		X
10	HOSE	NA		X
11	RE46684	FITTING PLUG	AR		X M14 X 1.5
12	51M7041	O-RING	1		X 11.300 X 2.200 MM

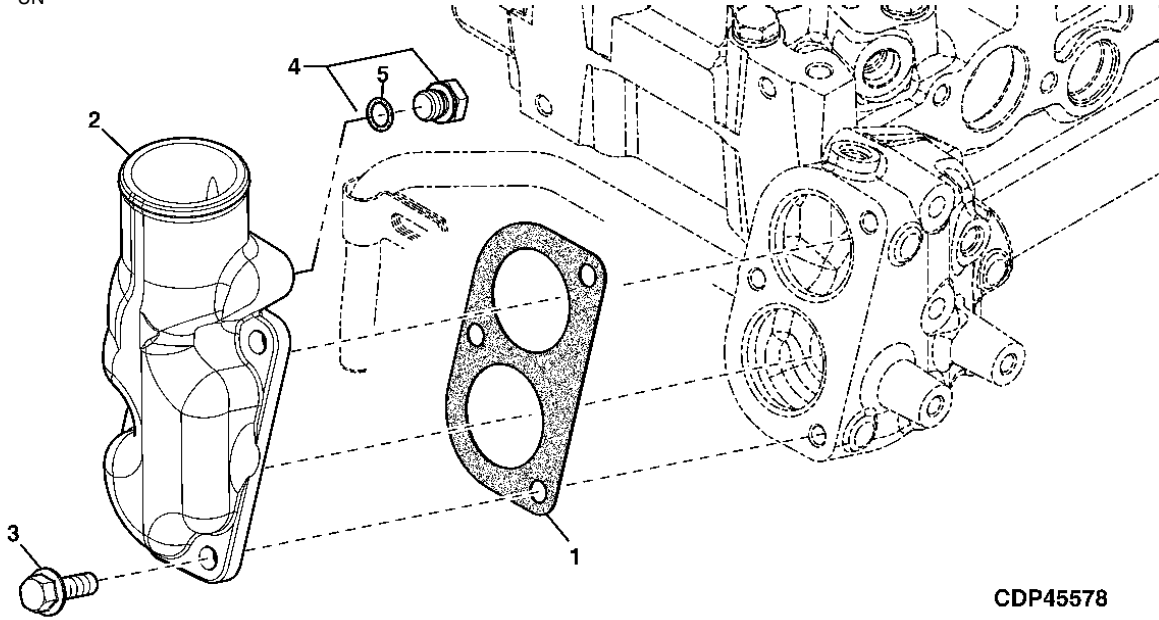
3
0
2
9
T

210-4

THERMOSTAT COVER

2143
2143
2143
2143
2143
2143

CDP45578 -UN-



CDP45578

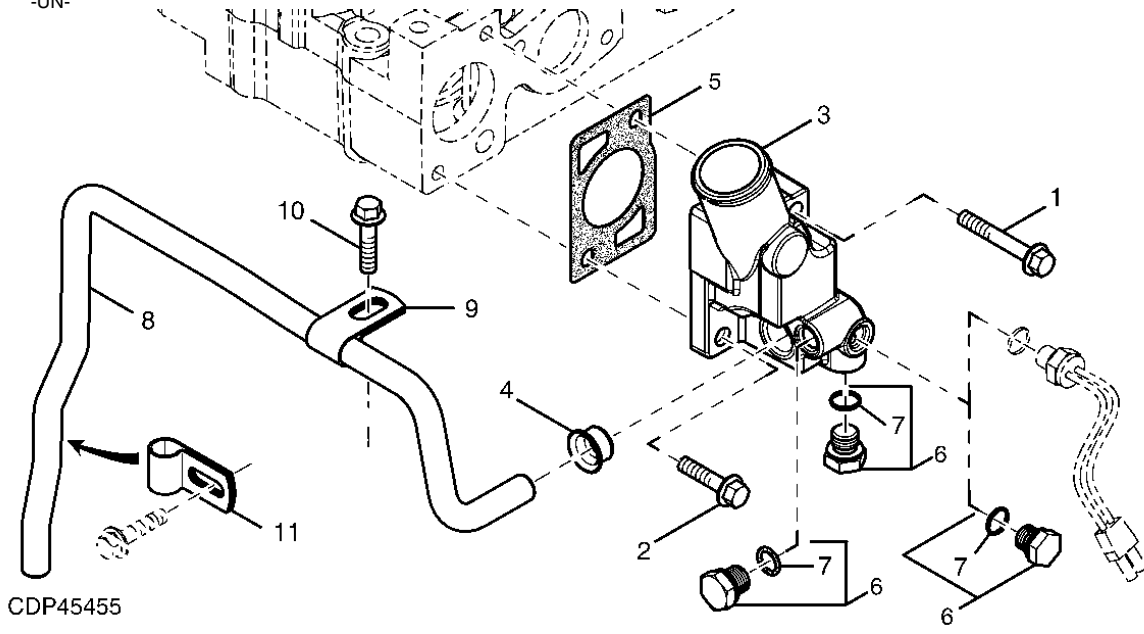
KEY	PART NO.	PART NAME	QTY.	ENGINE SERIAL NO.	REMARKS
1	R124607	GASKET	1	4 6 0 0 4 6 5 8 H H	
2	R515581	COVER	1	X X	
3	19M7785	SCREW	3	X X	M10 X 25
4	RE46684	FITTING PLUG	AR	X X	M14 X 1.5
5	51M7041	O-RING	1	X X	11.300 X 2.200 MM

210-5

THERMOSTAT COVER

2144
2144
2144
2144
2144
2144

CDP45455 -UN-



KEY	PART NO.	PART NAME	QTY.	ENGINE SERIAL NO.	H	REMARKS
1	19M8292	SCREW	1	-885422	X	M10 X 50 (10.9)
2	19M7786	SCREW	1	-885422	X	M10 X 30 (10.9)
3	R516175	COVER	1	-885422	X	(ALSO ORDER (2) R123226)
4	R123226	GASKET	1	-885422	X	
5	R502814	GASKET	1	-885422	X	
6	RE46684	FITTING PLUG	4	-885422	X	M14 X 1.5 (LOW)
7	51M7041	O-RING	4	-885422	X	11.300 X 2.200 MM
8	R516283	TUBE	1	-885422	X	
9	R123323	CLAMP	1	-885422	X	
10	19M7788	SCREW	1	-885422	X	M12 X 25 (10.9)
11	R123324	CLAMP	1	-885422	X	

6
0
6
8
H

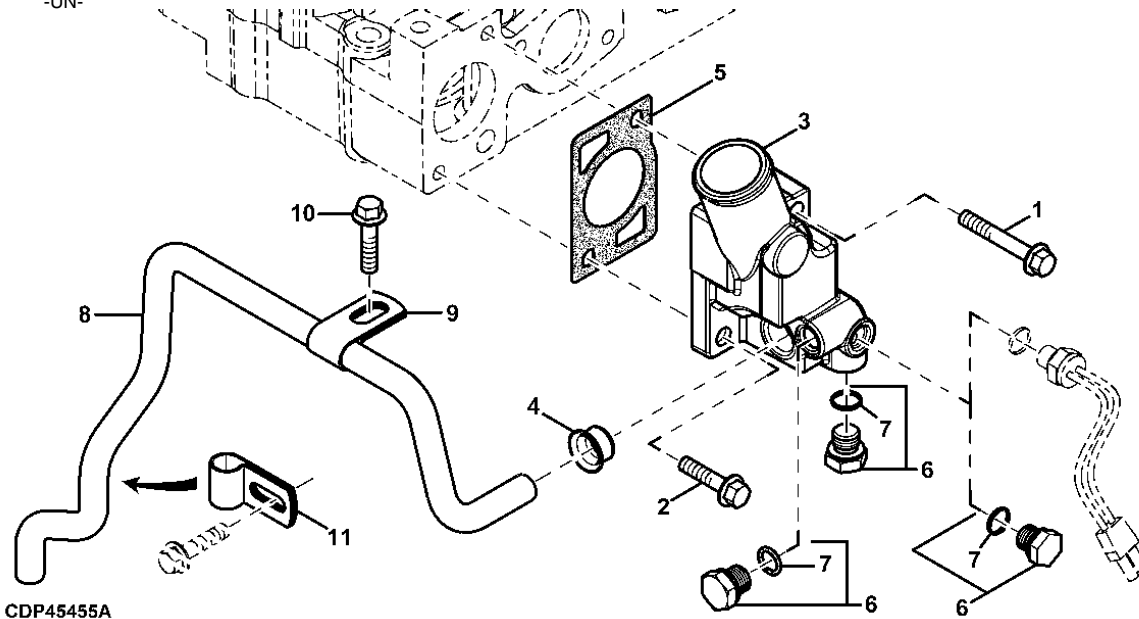
210-6

THERMOSTAT COVER

2153
2153
2153
2153
2153

CDP45455A

-UN-



4 4
0 0
4 4
5 5
D T

KEY	PART NO.	PART NAME	QTY.	ENGINE SERIAL NO.	REMARKS
1	19M8292	SCREW	1	095311-	X X (A) M10 X 50, (10.9)
2	19M7786	SCREW	1	095311-	X X (A) M10 X 30, (10.9)
3	R516175	COVER	1	095311-	X X (A) (ALSO ORDER (2) R123226)
4	R123226	GASKET	1	095311-	X X (A)
5	R502814	GASKET	1	095311-	X X (A)
6	RE46684	FITTING PLUG	4	095311-	X X (A) M14 X 1.5
7	51M7041	O-RING	4	095311-	X X (A) 11.300 X 2.200 MM
8	R135179	TUBE	1	095311-	X X (A)
9	R123323	CLAMP	1	095311-	X X (A)
10	19M7788	SCREW	1	095311-	X X (A) M12 X 25, (10.9)
11	R123324	CLAMP	1	095311-	X X (A)

(A) FOR DD21096, DD21097, DD21098, DD21099
 POUR DD21096, DD21097, DD21098, DD21099
 FUER DD21096, DD21097, DD21098, DD21099
 PER DD21096, DD21097, DD21098, DD21099
 PARA DD21096, DD21097, DD21098, DD21099
 FOER DD21096, DD21097, DD21098, DD21099

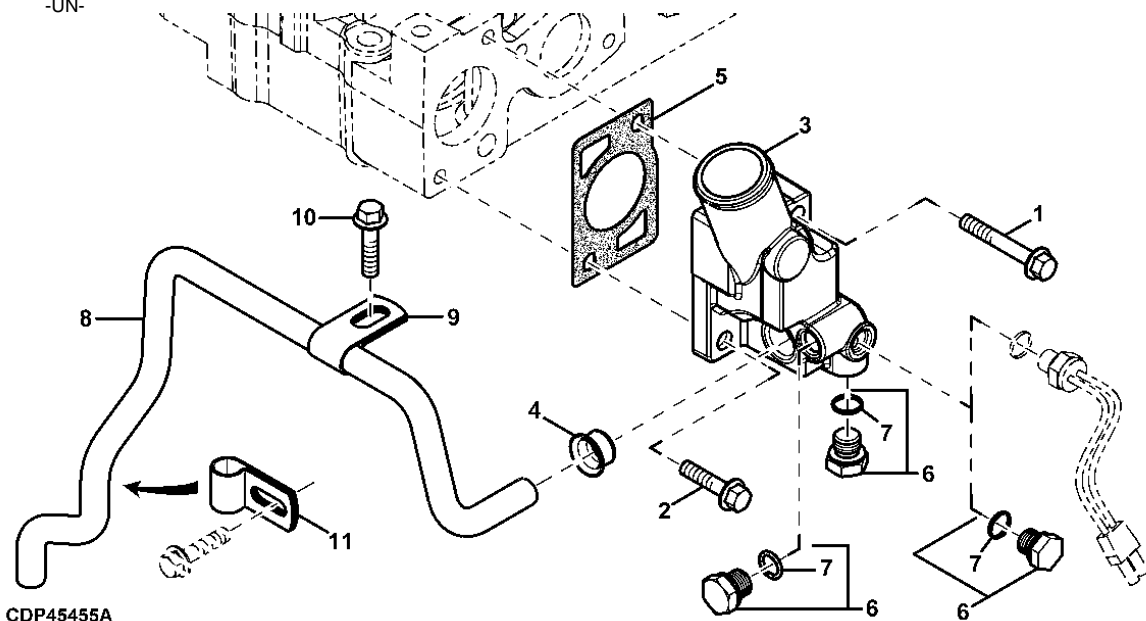
210-7

THERMOSTAT COVER

2153 - CONTINUED
 2153 - SUITE
 2153 - FORTSETZUNG
 2153 - SEGUITO
 2153 - CONTINUACION
 2153 - FORTS

CDP45455A

-UN-



CDP45455A

4 4
 0 0
 4 4
 5 5
 H T

KEY	PART NO.	PART NAME	QTY.	ENGINE SERIAL NO.	REMARKS
1	19M8292	SCREW	1	X X (A)	M10 X 50, (10.9)
2	19M7786	SCREW	1	X X (A)	M10 X 30, (10.9)
3	R516175	COVER	1	X X (A)	(ALSO ORDER (2) R123226)
4	R123226	GASKET	1	X X (A)	
5	R502814	GASKET	1	X X (A)	
6	RE46684	FITTING PLUG	4	X X (A)	(M14 X 1.5)
7	51M7041	O-RING	4	X X (A)	11.300 X 2.200 MM
8	R135179	TUBE	1	X X (A)	
9	R123323	CLAMP	1	X X (A)	
10	19M7788	SCREW	1	X X (A)	M12 X 25, (10.9)
11	R123324	CLAMP	1	X X (A)	

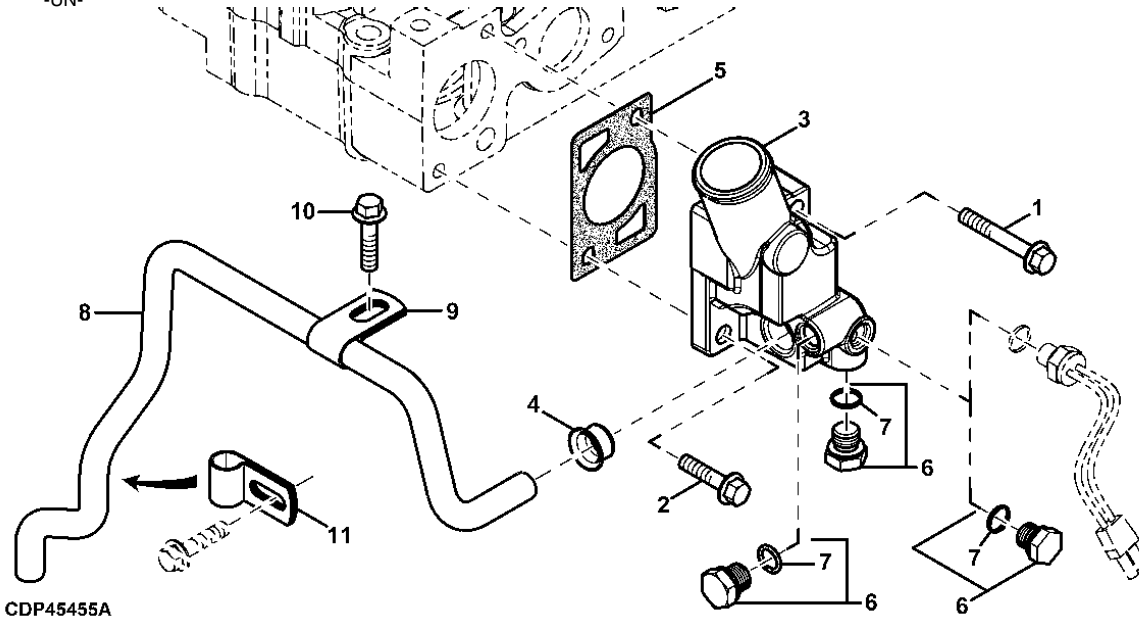
(A) FOR DD20619, DD20620
 POUR DD20619, DD20620
 FUER DD20619, DD20620
 PER DD20619, DD20620
 PARA DD20619, DD20620
 FOER DD20619, DD20620

210-8

THERMOSTAT COVER

2153 - CONTINUED
 2153 - SUITE
 2153 - FORTSETZUNG
 2153 - SEGUITO
 2153 - CONTINUACION
 2153 - FORTS

CDP45455A -UN-



6
0
6
8
H

KEY	PART NO.	PART NAME	QTY.	ENGINE SERIAL NO.	REMARKS
1	19M8292	SCREW	1	X (A)	M10 X 50, (10.9)
2	19M7786	SCREW	1	X (A)	M10 X 30, (10.9)
3	R516175	COVER	1	X (A)	(ALSO ORDER (2) R123226)
4	R123226	GASKET	1	X (A)	
5	R502814	GASKET	1	X (A)	
6	RE46684	FITTING PLUG	4	X (A)	(M14 X 1.5)
7	51M7041	O-RING	4	X (A)	11.300 X 2.200 MM
8	R135179	TUBE	1	X (A)	
9	R123323	CLAMP	1	X (A)	
10	19M7788	SCREW	1	X (A)	M12 X 25, (10.9)
11	R123324	CLAMP	1	X (A)	

(A) FOR DD20644, DD20645
 POUR DD20644, DD20645
 FUER DD20644, DD20645
 PER DD20644, DD20645
 PARA DD20644, DD20645
 FOER DD20644, DD20645

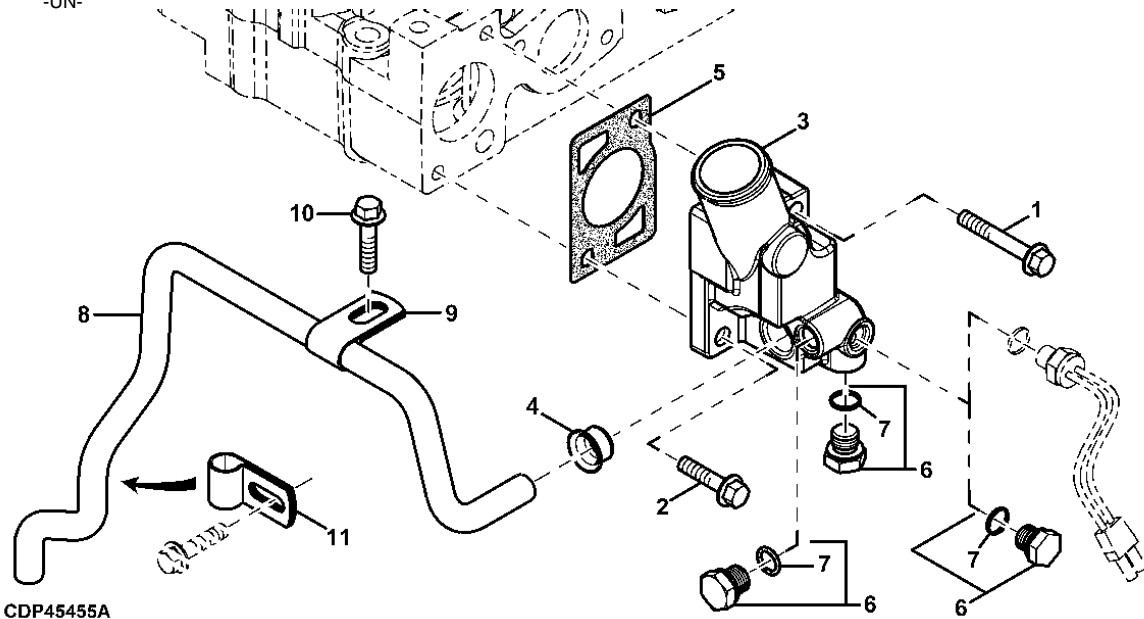
210-9

THERMOSTAT COVER

2153 - CONTINUED
 2153 - SUITE
 2153 - FORTSETZUNG
 2153 - SEGUITO
 2153 - CONTINUACION
 2153 - FORTS

CDP45455A

-UN-



CDP45455A

6
0
6
8
H

KEY	PART NO.	PART NAME	QTY.	ENGINE SERIAL NO.	H	REMARKS
1	19M8292	SCREW	1	885423-	X (A)	M10 X 50, (10.9)
2	19M7786	SCREW	1	885423-	X (A)	M10 X 30, (10.9)
3	R516175	COVER	1	885423-	X (A)	(ALSO ORDER (2) R123226)
4	R123226	GASKET	1	885423-	X (A)	
5	R502814	GASKET	1	885423-	X (A)	
6	RE46684	FITTING PLUG	4	885423-	X (A)	M14 X 1.5
7	51M7041	O-RING	4	885423-	X (A)	11.300 X 2.200 MM
8	R135179	TUBE	1	885423-	X (A)	
9	R123323	CLAMP	1	885423-	X (A)	
10	19M7788	SCREW	1	885423-	X (A)	M12 X 25, (10.9)
11	R123324	CLAMP	1	885423-	X (A)	

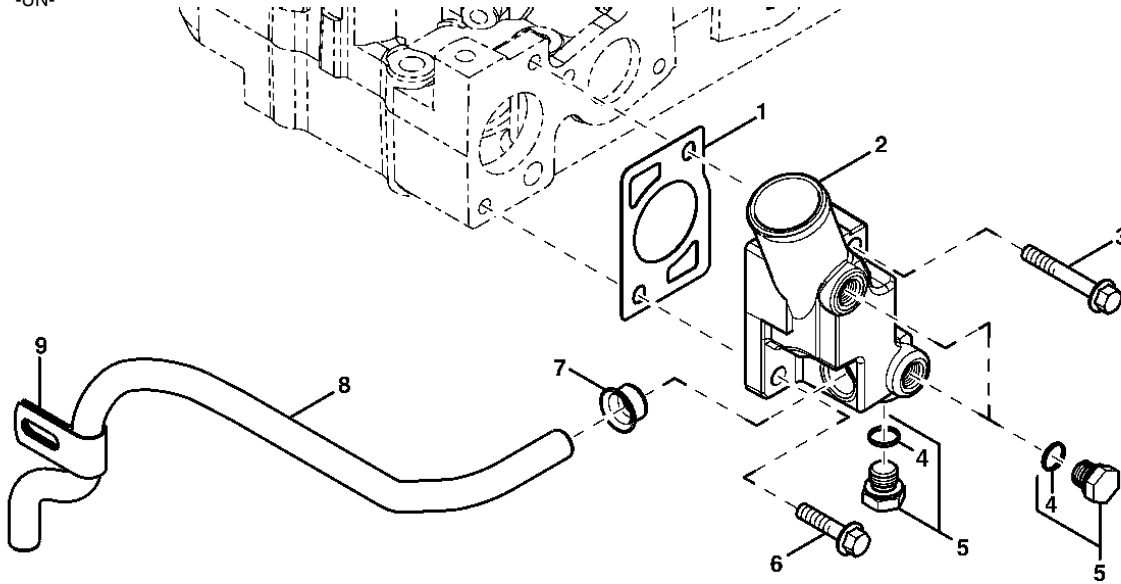
(A) FOR DD20792, DD20793
 POUR DD20792, DD20793
 FUER DD20792, DD20793
 PER DD20792, DD20793
 PARA DD20792, DD20793
 FOER DD20792, DD20793

210-10

THERMOSTAT COVER

2162
2162
2162
2162
2162

CDP47710 -UN-



CDP47710

KEY	PART NO.	PART NAME	QTY.	ENGINE SERIAL NO.	REMARKS
				4 6	
				0 0	
				4 6	
				5 8	
				H H	
1	R502814	GASKET	1	X X	
2	R501130	COVER	1	X X	(ALSO ORDER (2) R123226)
3	19M8292	SCREW	1	X X	M10 X 50
4	51M7041	O-RING	AR	X X	11.300 X 2.200 MM
5	RE46684	FITTING PLUG	AR	X X	
6	19M7786	SCREW	1	X X	M10 X 30
7	R123226	GASKET	1	X X	
8	R525837	TUBE	1	X X	
9	R123324	CLAMP	1	X X	

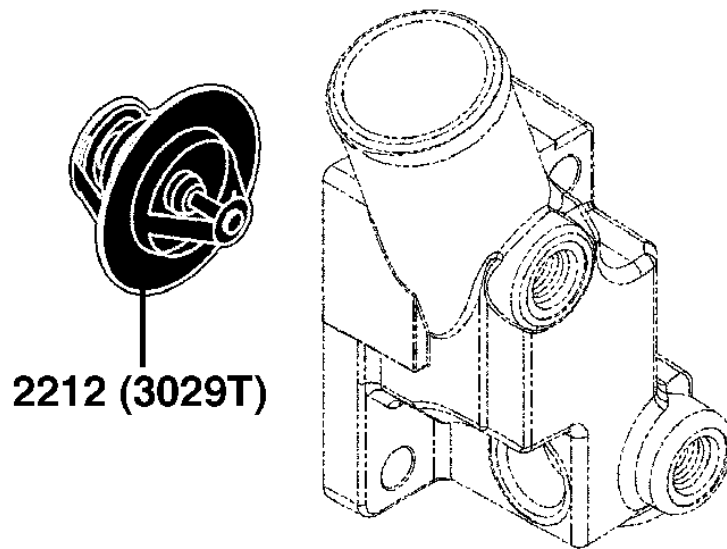
220-A01

THERMOSTAT

SECTIONAL INDEX
INDEX DE SECTION
GRUPPENINDEX
INDICE DELLA SEZIONE
INDICE DE SECCION
GRUPPSFORTECKNING

2212- 5

CDP46787A -UN-



CDP46787A

220-A02

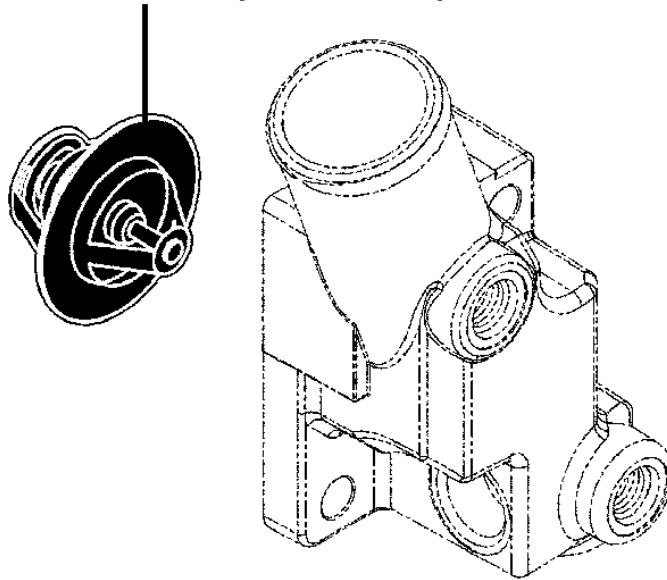
THERMOSTAT

SECTIONAL INDEX
INDEX DE SECTION
GRUPPENINDEX
INDICE DELLA SEZIONE
INDICE DE SECCION
GRUPPSFORTECKNING

CDP46788B -UN-

2201-	1
2204A-	3
2204B-	4

2201 (4045H-2V)
(6068H-2V)
2204A (4045D,T,H-2V)
2204B (6068H-2V)



CDP46788B

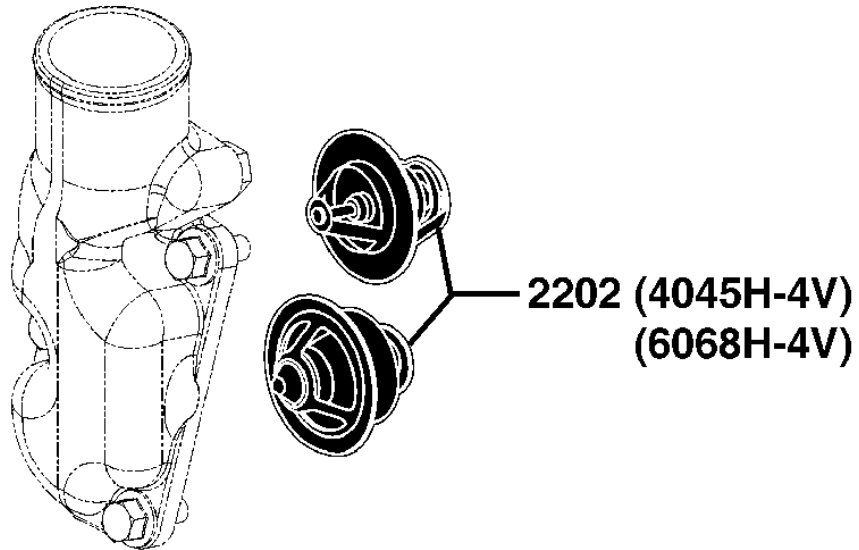
220-A03

THERMOSTAT

SECTIONAL INDEX
INDEX DE SECTION
GRUPPENINDEX
INDICE DELLA SEZIONE
INDICE DE SECCION
GRUPPSFORTECKNING

2202- 2

CDP46789A -UN-



CDP46789A

220-A04

THERMOSTAT

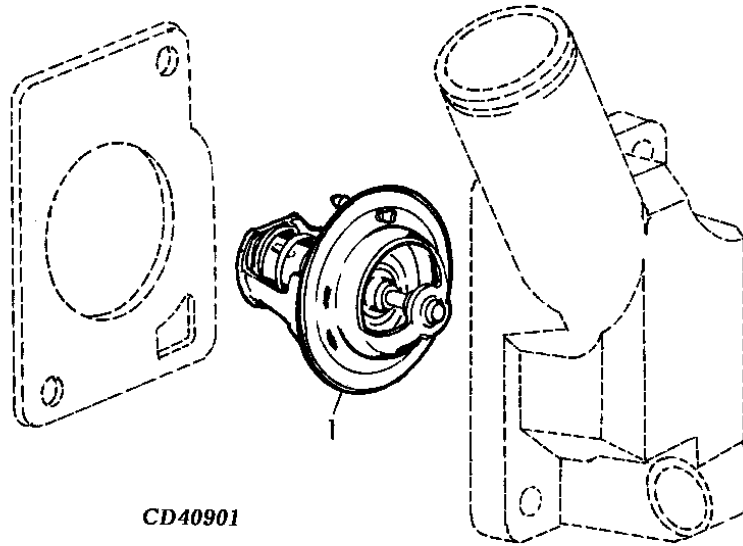
MEMORANDA
MEMORANDA
MEMORANDA
MEMORANDA
MEMORANDA
MEMORANDA

220-1

THERMOSTAT

2201
2201
2201
2201
2201
2201

CD40901 -UN-



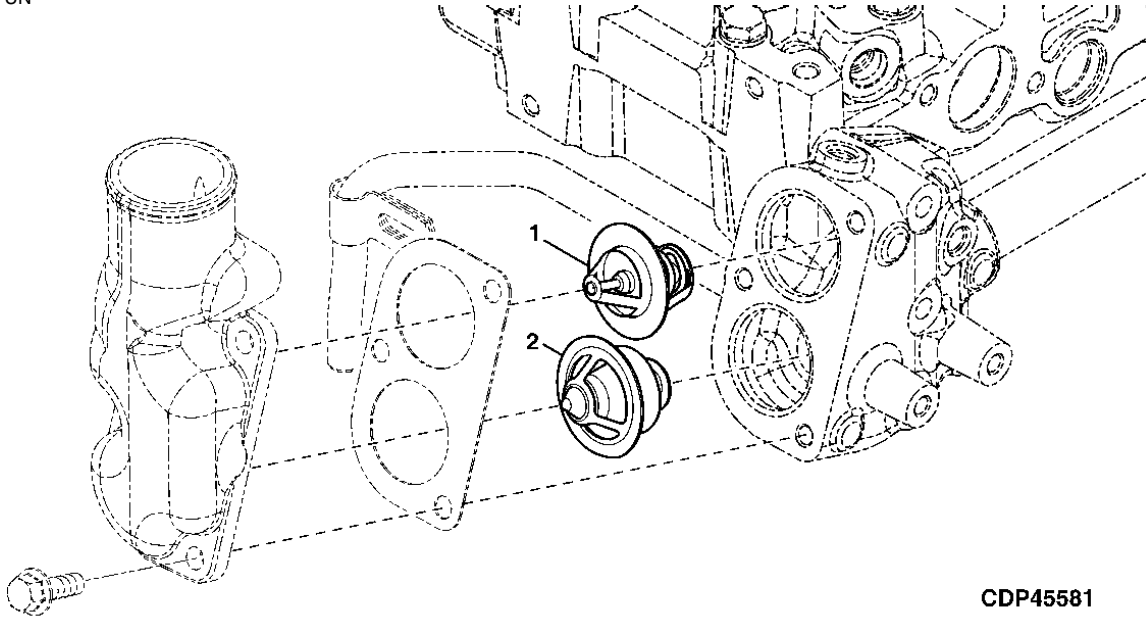
KEY	PART NO.	PART NAME	QTY.	ENGINE SERIAL NO.	REMARKS
1	RE522076	THERMOSTAT	1	4 6 0 0 4 6 5 8 H H	X X 82° C / 180° F

220-2

THERMOSTAT

2202
2202
2202
2202
2202
2202

CDP45581 -UN-



CDP45581

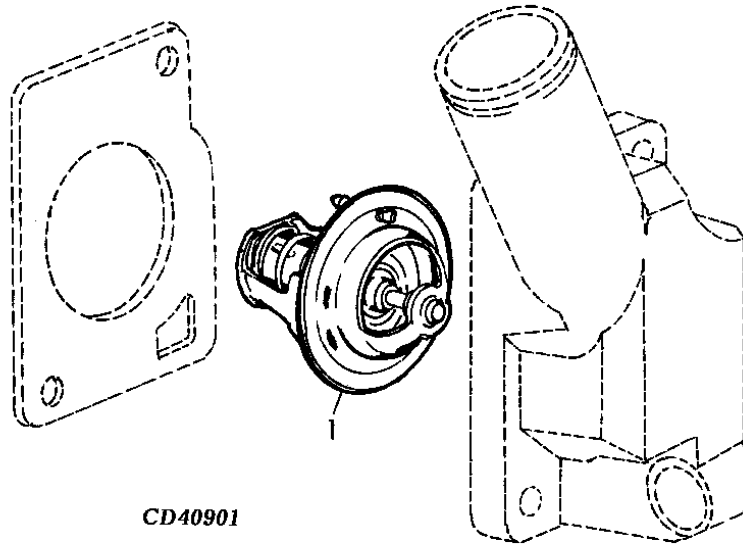
KEY	PART NO.	PART NAME	QTY.	ENGINE SERIAL NO.	REMARKS
1	RE33705	THERMOSTAT	1	4 6 0 0 4 6 5 8 H H	X X 82°C
2	RE524562	THERMOSTAT	1		X X 82°C, WITH CHECK VALVE, AVEC CLAPET DE RETENUE, MIT RUECKSCHLAGVENTIL, CON VALVOLA DI RITEGNO, CON VALVULA DE RETENCION, MED BASKVENTIL, (SUB FOR AR48675, THIS APPLICATION)

220-3

THERMOSTAT

2204
2204
2204
2204
2204
2204

CD40901 -UN-



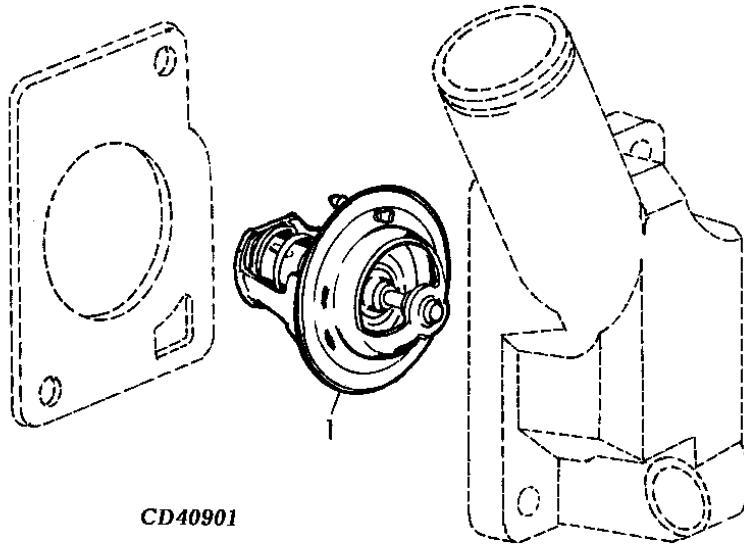
KEY	PART NO.	PART NAME	QTY.	ENGINE SERIAL NO.	D H T	REMARKS
1	RE64354	THERMOSTAT	1	4 4 4 0 0 0 4 4 4 5 5 5		X X X 82°C (180°F)

220-4

THERMOSTAT

2204
2204
2204
2204
2204
2204

CD40901 -UN-



CD40901

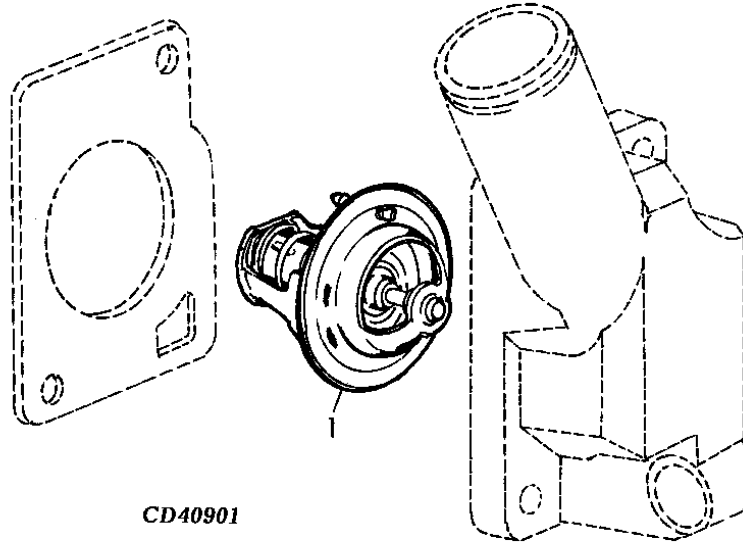
KEY	PART NO.	PART NAME	QTY.	ENGINE SERIAL NO.	REMARKS
1	RE64354	THERMOSTAT	1	6068H	X 82°C (180°F)

220-5

THERMOSTAT

2212
2212
2212
2212
2212
2212

CD40901 -UN-



KEY	PART NO.	PART NAME	QTY.	ENGINE SERIAL NO.	3 0 2 9 T	REMARKS
1	RE64354	THERMOSTAT	1		X	82° C (180° F)

220-6

THERMOSTAT

MEMORANDA
MEMORANDA
MEMORANDA
MEMORANDA
MEMORANDA
MEMORANDA

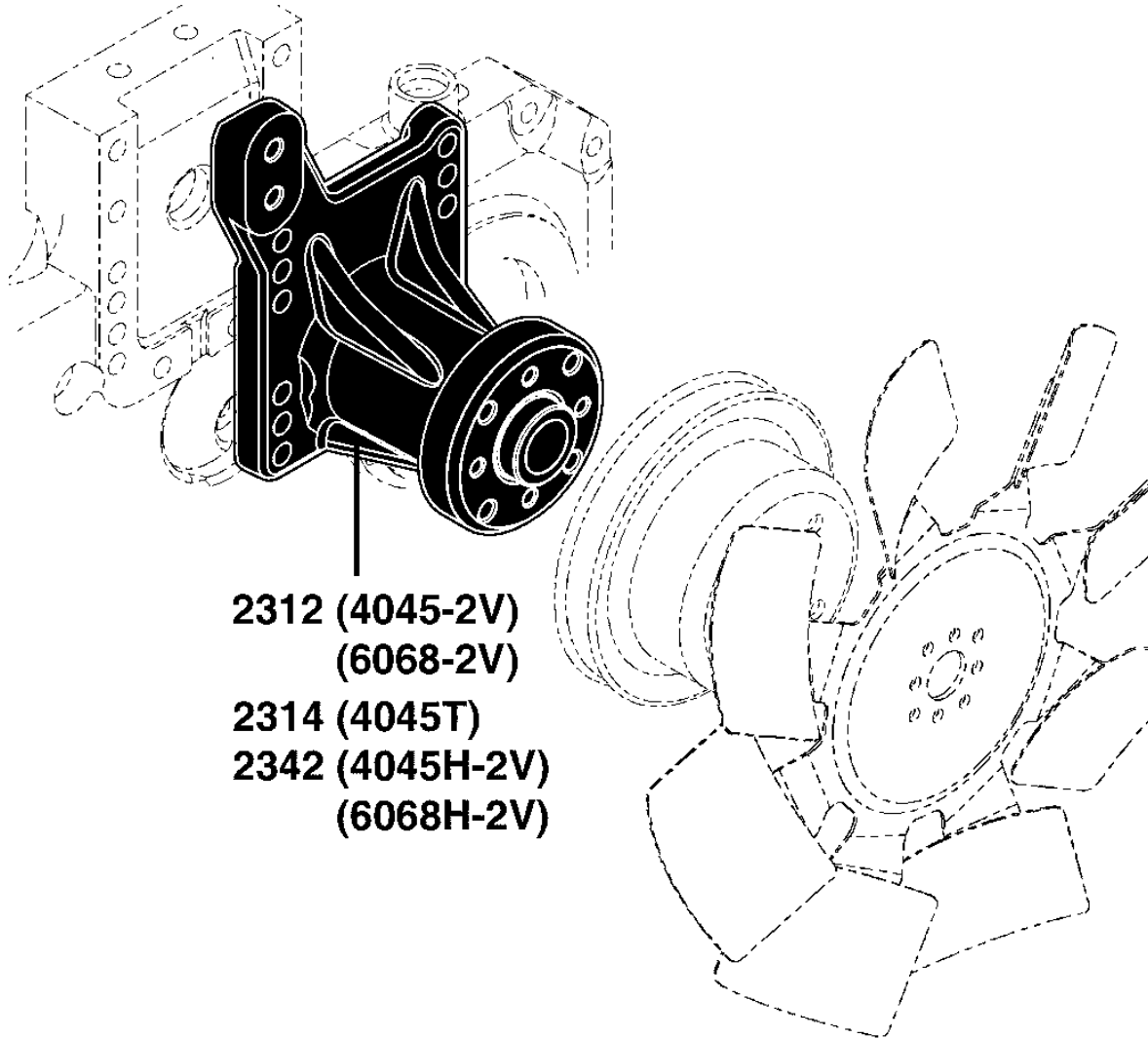
230-A01

FAN DRIVE

SECTIONAL INDEX
INDEX DE SECTION
GRUPPENINDEX
INDICE DELLA SEZIONE
INDICE DE SECCION
GRUPPSFORTECKNING

CDP46804B -UN-

2312-	1
2314-	3
2342-	4



CDP46804B

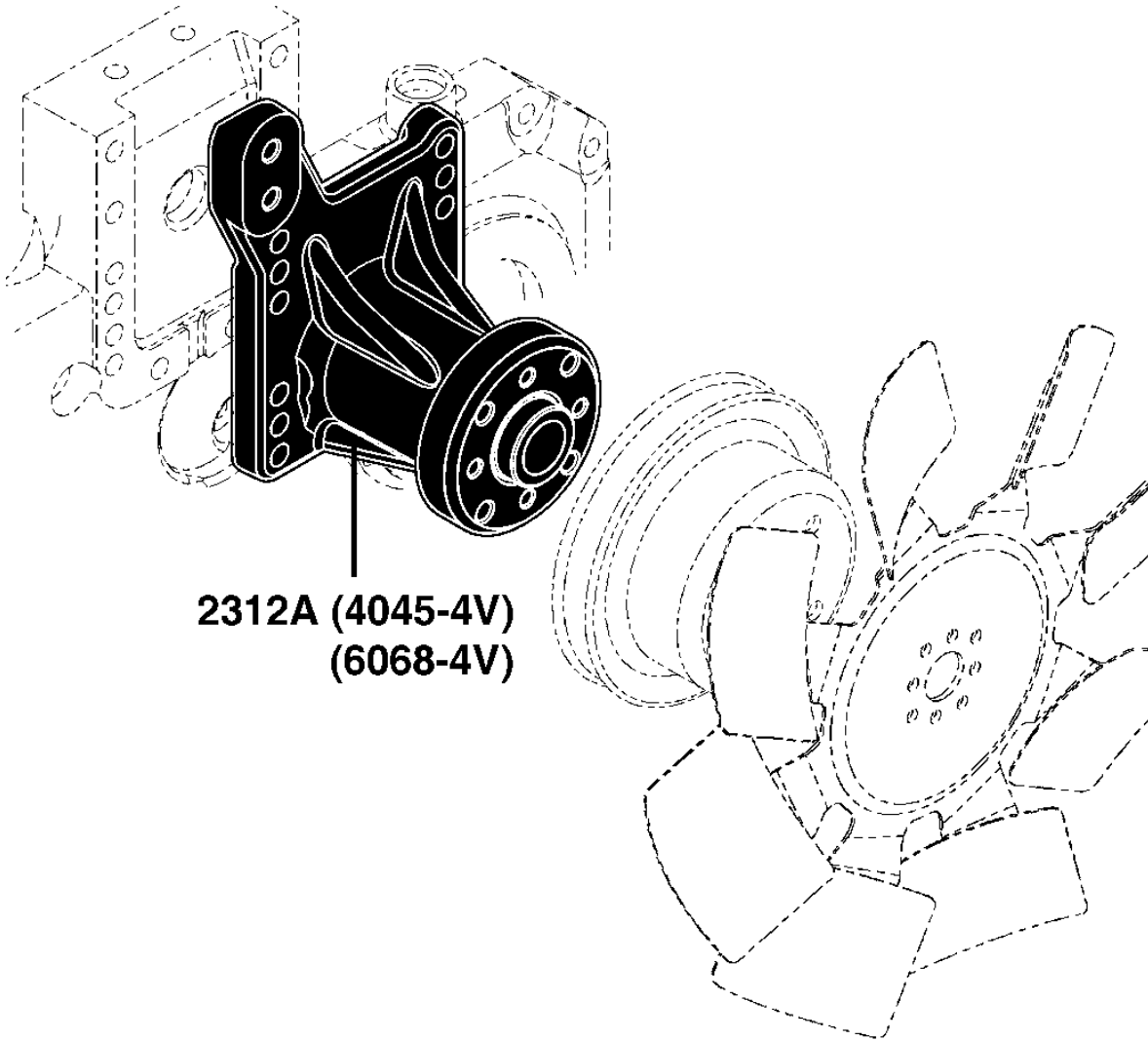
230-A02

FAN DRIVE

SECTIONAL INDEX
INDEX DE SECTION
GRUPPENINDEX
INDICE DELLA SEZIONE
INDICE DE SECCION
GRUPPSFORTECKNING

2312A- 2

CDP46805A -UN-



**2312A (4045-4V)
(6068-4V)**

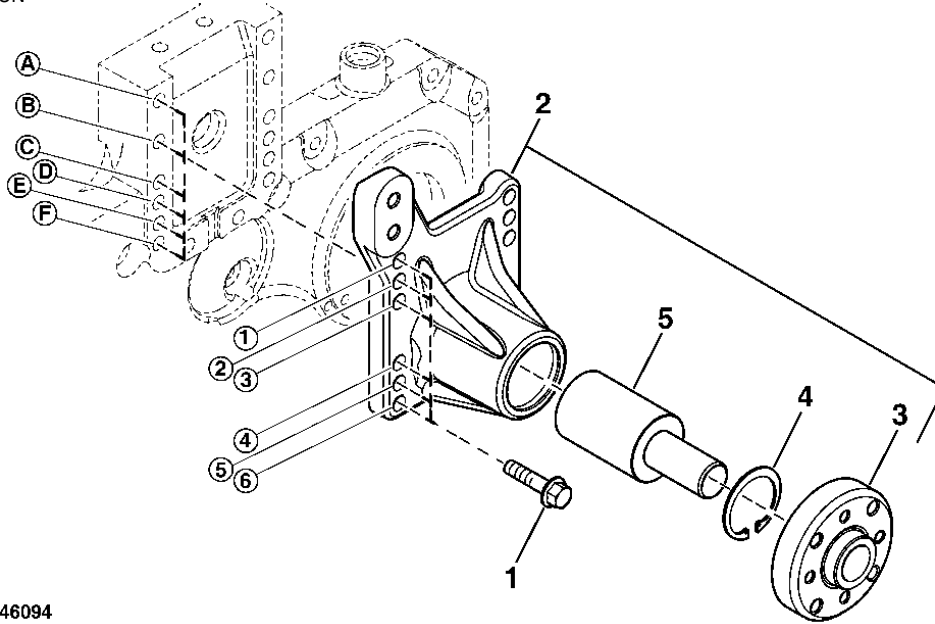
CDP46805A

230-1

FAN DRIVE

2312
2312
2312
2312
2312
2312

CDP46094 -UN-



CDP46094

KEY	PART NO.	PART NAME	QTY.	ENGINE SERIAL NO.	REMARKS
1	19M7835	SCREW	4		X X M10 X 35, (10.9) (POSITIONING HOLES B2 + E4)
2	RE503664	SUPPORT	1		X X (MARKED R502014)
3	HUB	1		X X (ORDER RE503664)
4	E1343FN	SNAP RING	1		X X
5	BALL BEARING	1		X X (ORDER RE503664)

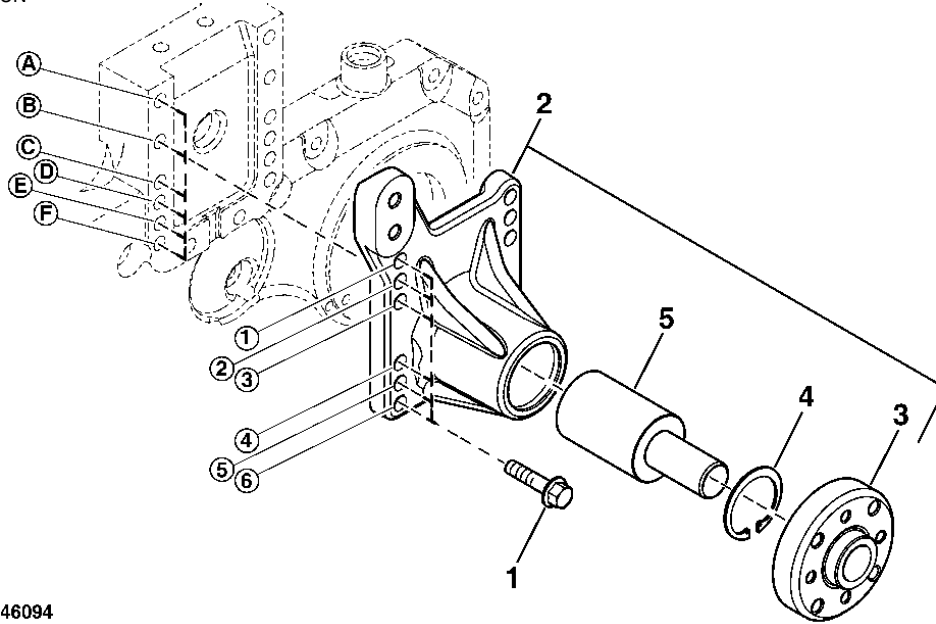
4 6
0 0
4 6
5 8

230-2

FAN DRIVE

2312
2312
2312
2312
2312
2312

CDP46094 -UN-



CDP46094

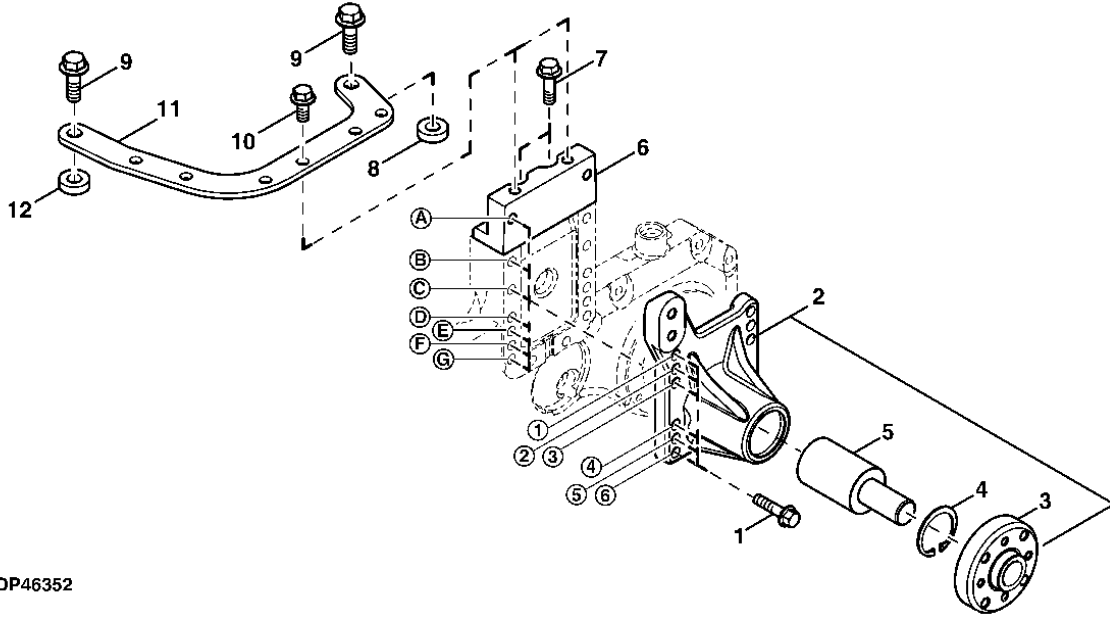
KEY	PART NO.	PART NAME	QTY.	ENGINE SERIAL NO.	REMARKS
1	19M7835	SCREW	4	4 6 0 0 4 6 5 8	X X M10 X 35, (10.9) (POSITIONING HOLES B2 + E4)
2	RE503664	SUPPORT HUB	1		X X (MARKED R502014)
3	HUB	1		X X (ORDER RE503664)
4	E1343FN	SNAP RING	1		X X
5	BALL BEARING	1		X X (ORDER RE503664)

230-3

FAN DRIVE

2314
2314
2314
2314
2314
2314

CDP46352 -UN-



CDP46352

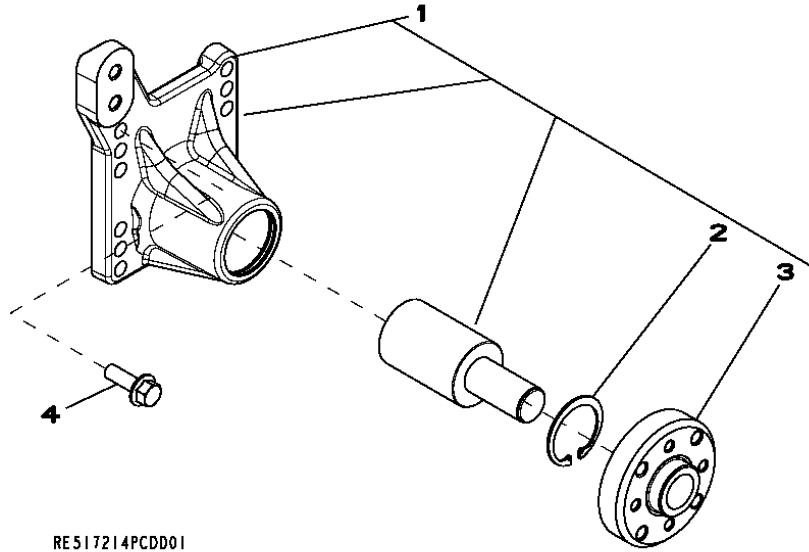
KEY	PART NO.	PART NAME	QTY.	ENGINE SERIAL NO.	REMARKS
1	19M7835	SCREW	4		X M10 X 35, (10.9) POSITIONING HOLES C2 + F4, TROUS DE POSITIONNEMENT C2 + F4
2	RE503664	SUPPORT	1		X
3	HUB	1		X (ORDER RE503664)
4	E1343FN	SNAP RING	1		X
5	BALL BEARING	1		X (ORDER RE503664)
6	R134890	SPACER	1		X
7	19M7786	SCREW	2		X M10 X 30, (10.9)
8	T151858	WASHER	1		X TK= 6MM
9	19M7790	SCREW	2		X M12 X 35 (10.9)
10	19M7784	SCREW	2		X M10 X 20 (10.9)
11	R134891	BRACKET	1		X
12	H98792	WASHER	1		X TK= 9MM

230-4

FAN DRIVE

2342
2342
2342
2342
2342
2342

RE517214PCDD01 -UN-



RE517214PCDD01

4 6
0 0
4 6
5 8
H H

KEY	PART NO.	PART NAME	QTY.	ENGINE SERIAL NO.	REMARKS
1	RE503664	SUPPORT	1		X X (MARKED R502014)
2	E1343FN	SNAP RING	1		X X
3	HUB	1		X X (ORDER RE503664)
4	19M7786	SCREW	4		X X M10 X 30

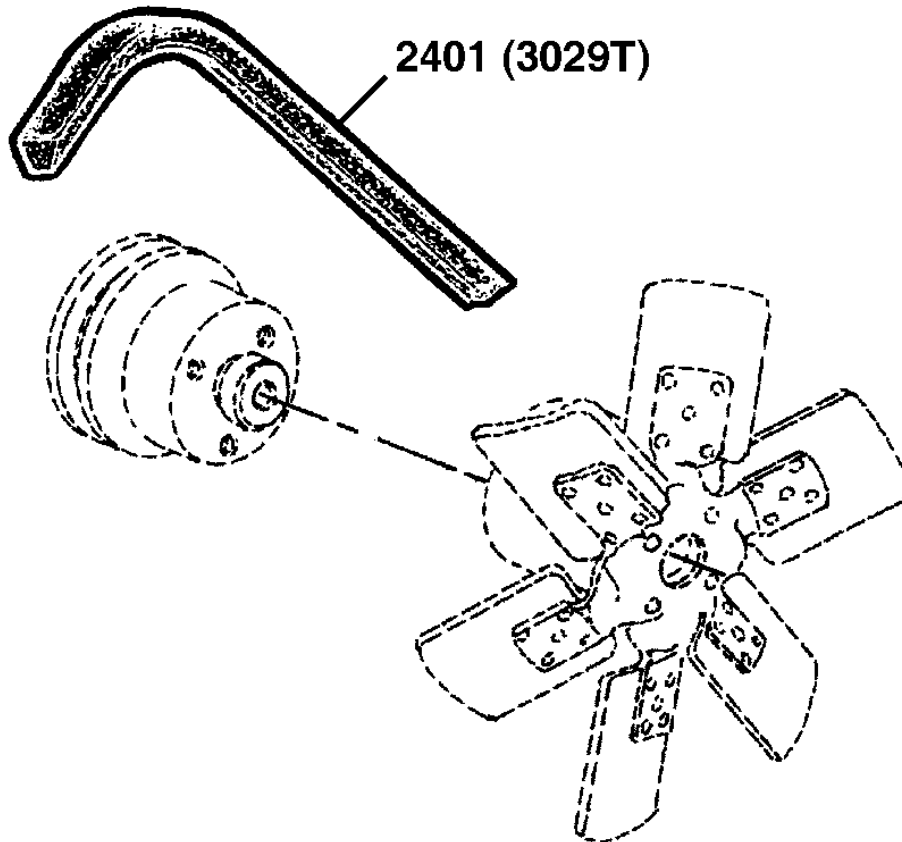
240-A01

DRIVE BELT

SECTIONAL INDEX
INDEX DE SECTION
GRUPPENINDEX
INDICE DELLA SEZIONE
INDICE DE SECCION
GRUPPSFORTECKNING

2401- 8

CDP46808A -UN-



CDP46808A

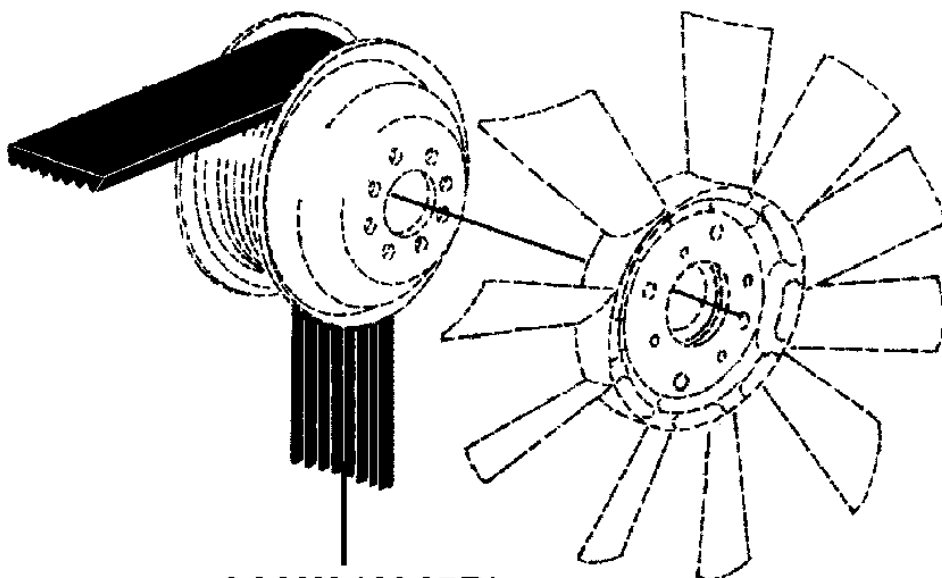
240-A02

DRIVE BELT

SECTIONAL INDEX
INDEX DE SECTION
GRUPPENINDEX
INDICE DELLA SEZIONE
INDICE DE SECCION
GRUPPSFORTECKNING

CDP46809B -UN-

24AW-	1
24BK-	2
240A-	4
240B-	5
240DA-	6
240DB-	7



24AW (4045D)
240A (6068H-2V)
240B (4045T,H)
240DA (4045H-2V)
240DB (6068H-2V)
24BK (6068H-2V)

CDP46809B

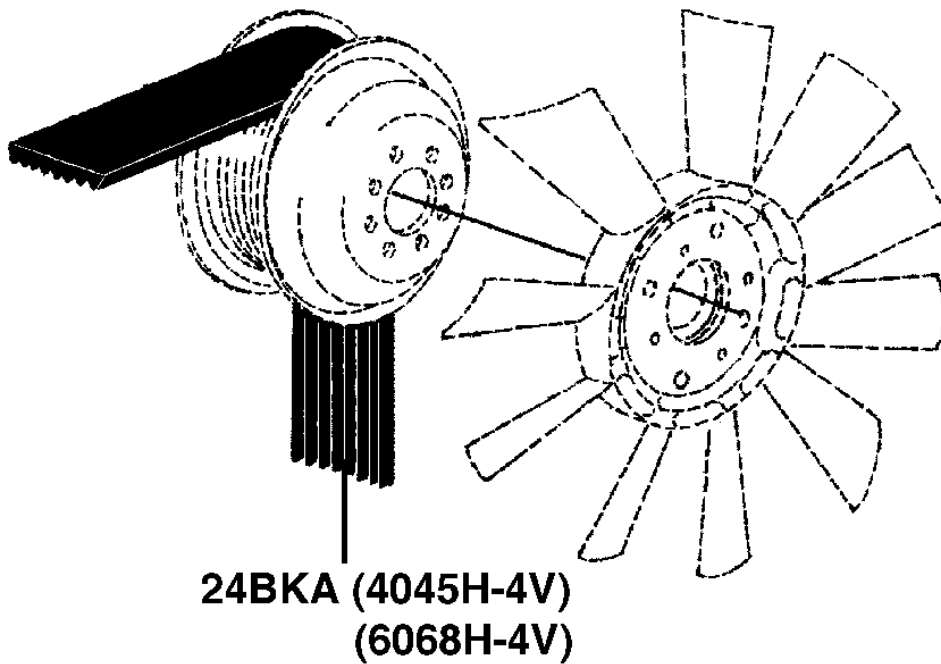
240-A03

DRIVE BELT

SECTIONAL INDEX
INDEX DE SECTION
GRUPPENINDEX
INDICE DELLA SEZIONE
INDICE DE SECCION
GRUPPSFORTECKNING

24BKA- 3

CDP46810A -UN-



CDP46810A

240-A04

DRIVE BELT

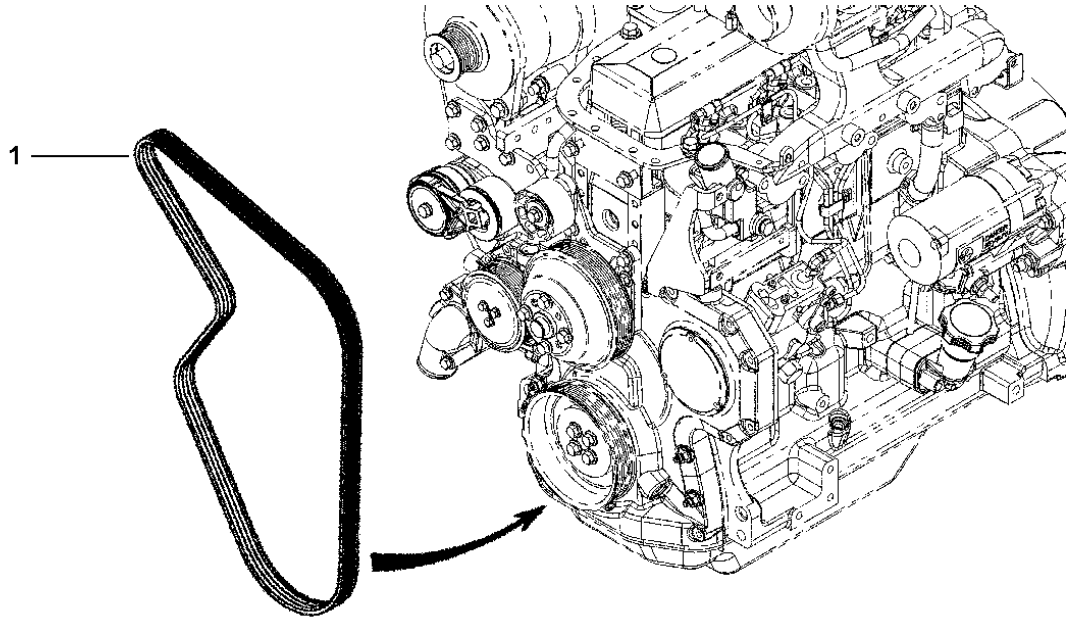
MEMORANDA
MEMORANDA
MEMORANDA
MEMORANDA
MEMORANDA
MEMORANDA

240-1

DRIVE BELT

24AW
24AW
24AW
24AW
24AW

CDP45890 -UN-



CDP45890

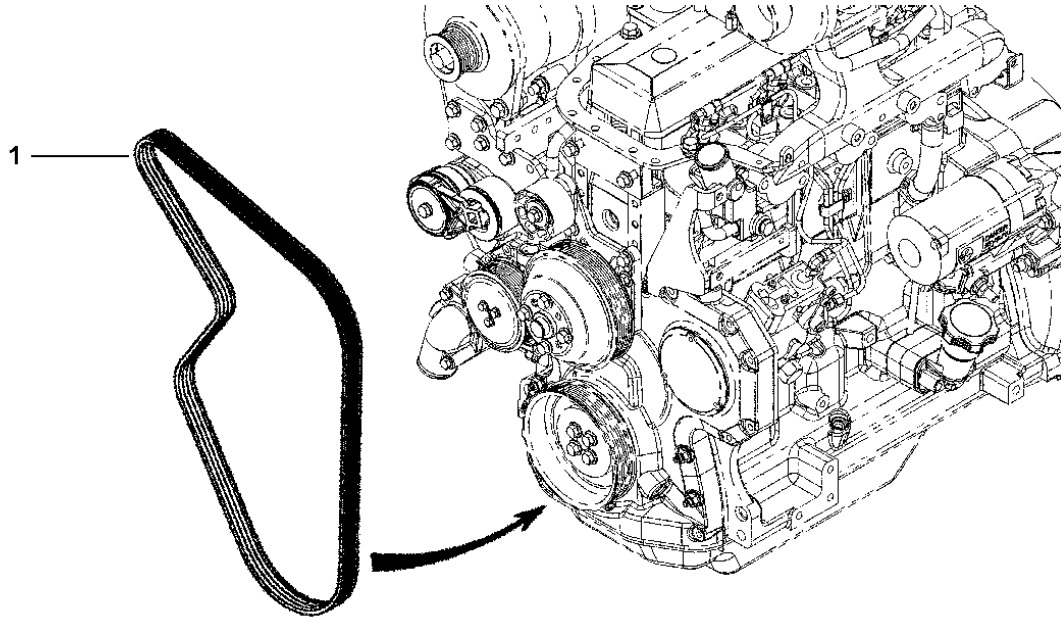
KEY	PART NO.	PART NAME	QTY.	ENGINE SERIAL NO.	REMARKS
1	R123432	V-BELT	1	4045D	X LGTH= 1555MM

240-2

DRIVE BELT

24BK
24BK
24BK
24BK
24BK
24BK

CDP45890 -UN-



CDP45890

KEY	PART NO.	PART NAME	QTY.	ENGINE SERIAL NO.	6 0 6 8 H	REMARKS
1	R123439	V-BELT	1		X	(A) LGTH= 1530MM
	R123439	V-BELT	1	885423-	X	(B) LGTH= 1530MM

(A) FOR DD20644, DD20645
POUR DD20644, DD20645
FUER DD20644, DD20645
PER DD20644, DD20645
PARA DD20644, DD20645
FOER DD20644, DD20645

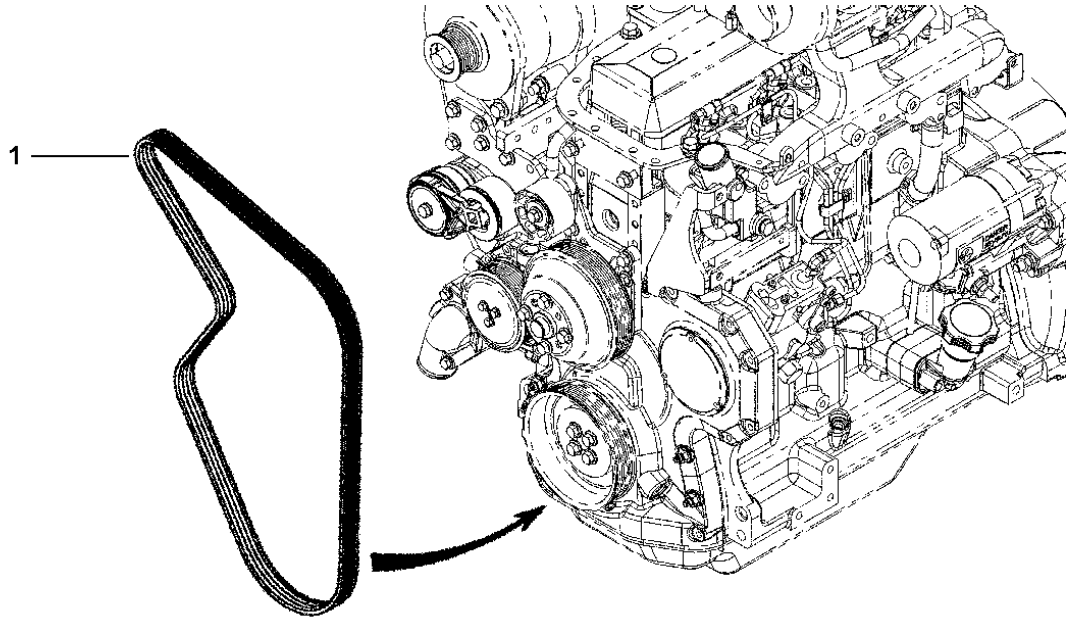
(B) FOR DD20792, DD20793
POUR DD20792, DD20793
FUER DD20792, DD20793
PER DD20792, DD20793
PER DD20792, DD20793
FOER DD20792, DD20793

240-3

DRIVE BELT

24BK - CONTINUED
 24BK - SUITE
 24BK - FORTSETZUNG
 24BK - SEGUIITO
 24BK - CONTINUACTION
 24BK - FORTS

CDP45890 -UN-



CDP45890

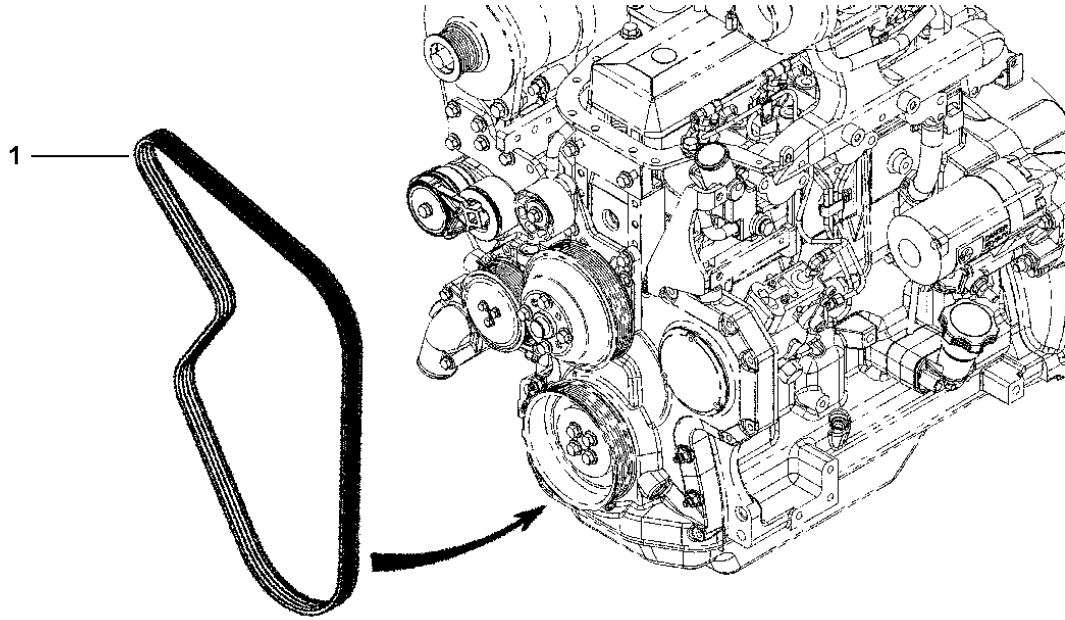
KEY	PART NO.	PART NAME	QTY.	ENGINE SERIAL NO.	REMARKS
1	R123439	V-BELT	1	4 6 0 0 4 6 5 8 H H	X X LGTH= 1530MM

240-4

DRIVE BELT

240A
240A
240A
240A
240A

CDP45890 -UN-



CDP45890

4 6
0 0
4 6
5 8
H H

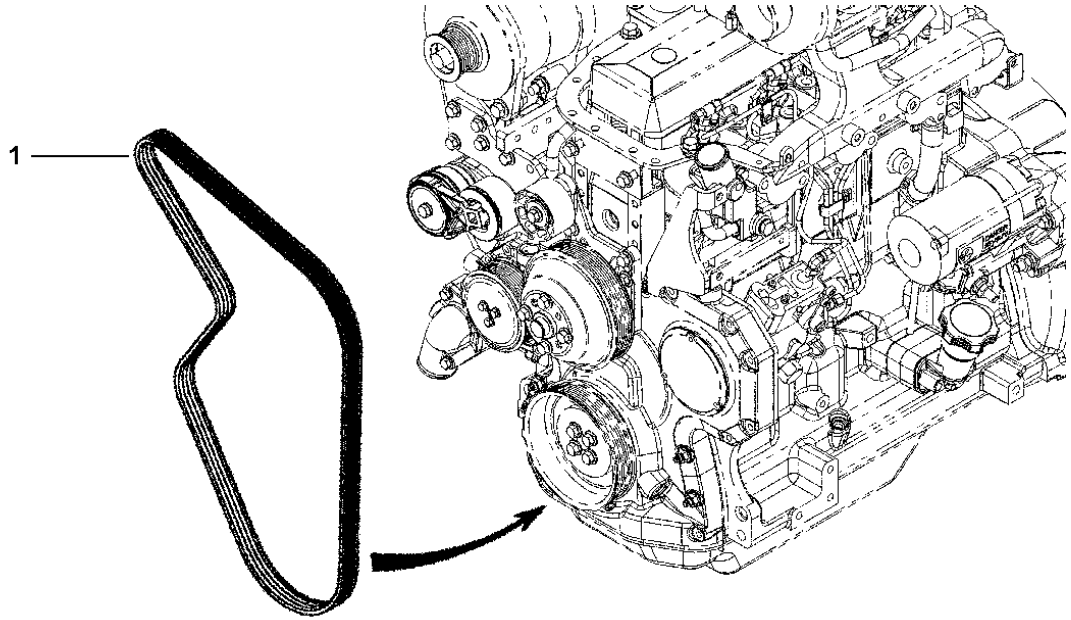
KEY	PART NO.	PART NAME	QTY.	ENGINE SERIAL NO.	REMARKS
1	R501007	BELT	1	X X LGTH= 1490MM	

240-5

DRIVE BELT

240B
240B
240B
240B
240B
240B

CDP45890 -UN-



CDP45890

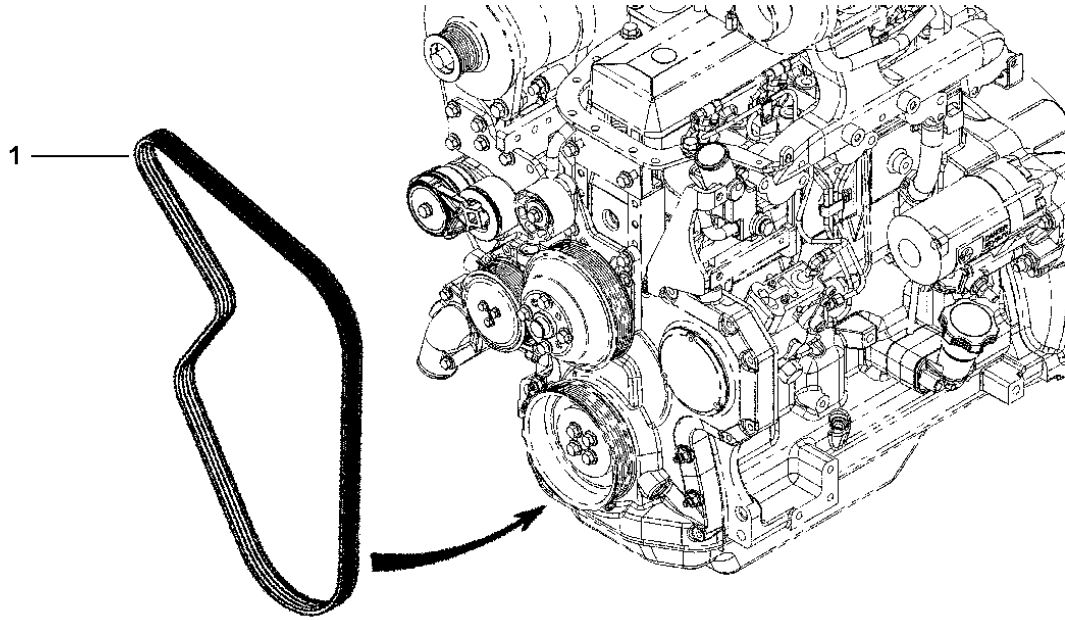
KEY	PART NO.	PART NAME	QTY.	ENGINE SERIAL NO.	REMARKS
1	R123307	BELT	1	4 4 0 0 4 4 5 5 H T	X X LGTH= 1515MM

240-6

DRIVE BELT

240D
240D
240D
240D
240D

CDP45890 -UN-



CDP45890

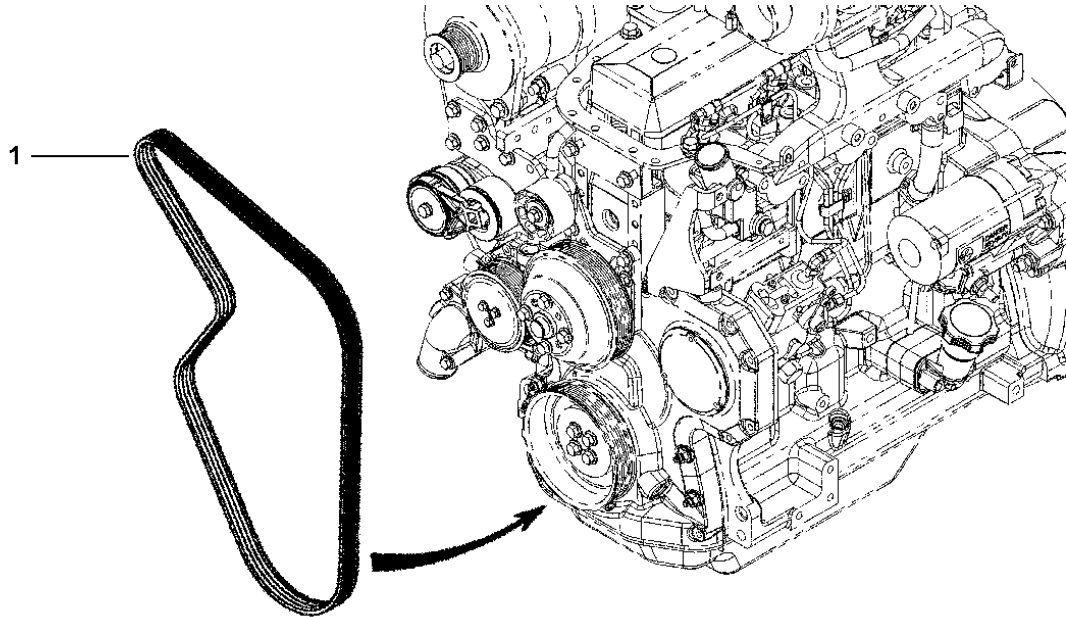
KEY	PART NO.	PART NAME	QTY.	ENGINE SERIAL NO.	REMARKS
1	R123437	V-BELT	1	4045H	X LGTH= 1545MM

240-7

DRIVE BELT

240D - CONTINUED
 240D - SUITE
 240D - FORSETZUNG
 240D - SEGUITO
 240D - CONTINUACION
 240D - FORTS

CDP45890 -UN-



CDP45890

KEY	PART NO.	PART NAME	QTY.	ENGINE SERIAL NO.	6 0 6 8 H	REMARKS
1	R123437	V-BELT	1		X (A)	LGTH= 1545MM
	R123437	V-BELT	1	-885422	X (B)	LGTH= 1545MM

(A) FOR DD20644, DD20645
 POUR DD20644, DD20645
 FUER DD20644, DD20645
 PER DD20644, DD20645
 PARA DD20644, DD20645
 FOER DD20644, DD20645

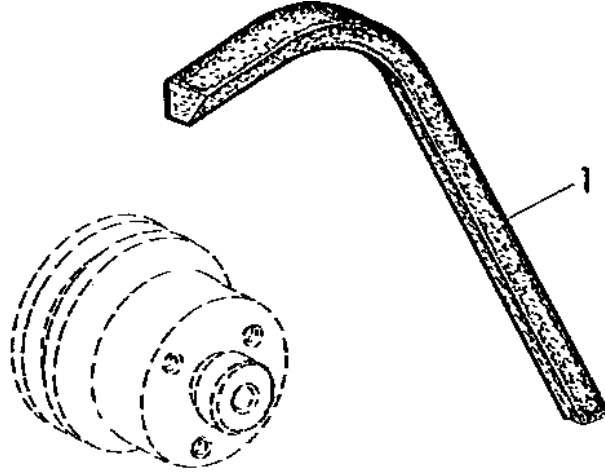
(B) FOR DD20792, DD20793
 POUR DD20792, DD20793
 FUER DD20792, DD20793
 PER DD20792, DD20793
 PARA DD20792, DD20793
 FOER DD20792, DD20793

240-8

DRIVE BELT

2401
2401
2401
2401
2401

CD35109 -UN-



CD 35109

KEY	PART NO.	PART NAME	QTY.	ENGINE SERIAL NO.	3 0 2 9 T	REMARKS
1	T23526	V-BELT	1			X LGTH= 1257MM

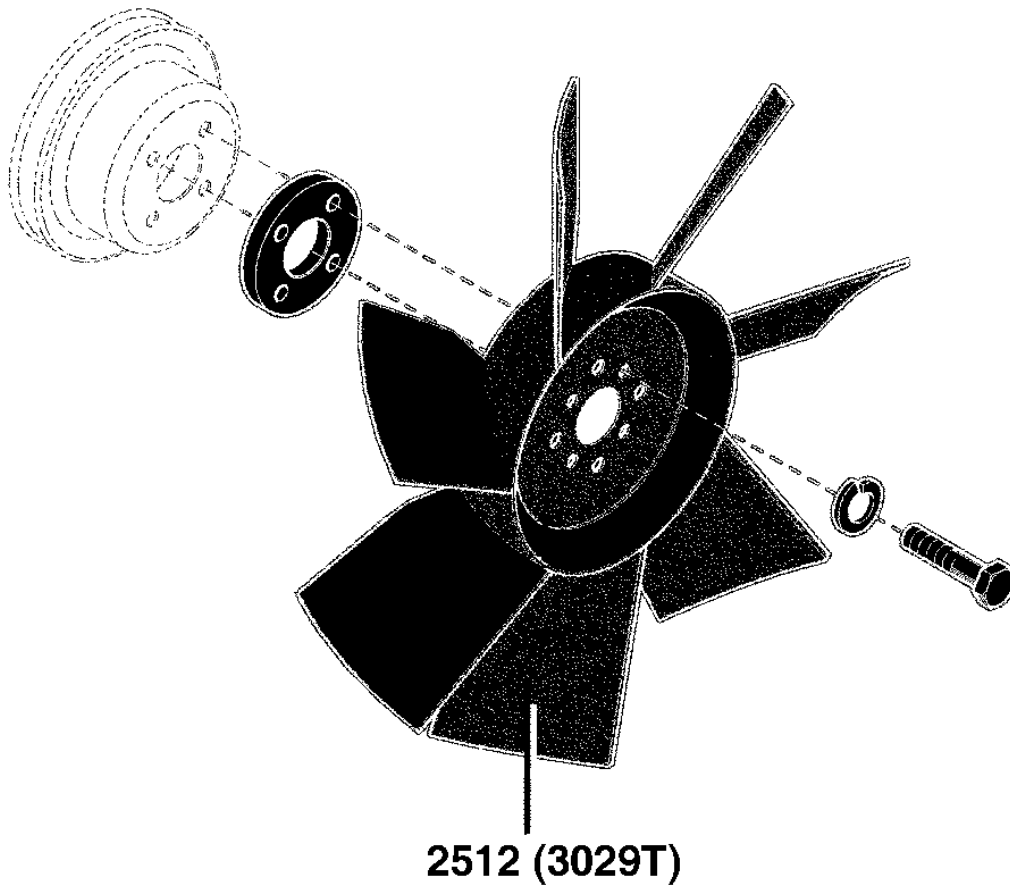
250-A01

FAN

SECTIONAL INDEX
INDEX DE SECTION
GRUPPENINDEX
INDICE DELLA SEZIONE
INDICE DE SECCION
GRUPPSFORTECKNING

2512- 1

CDP46813A -UN-



CDP46813A

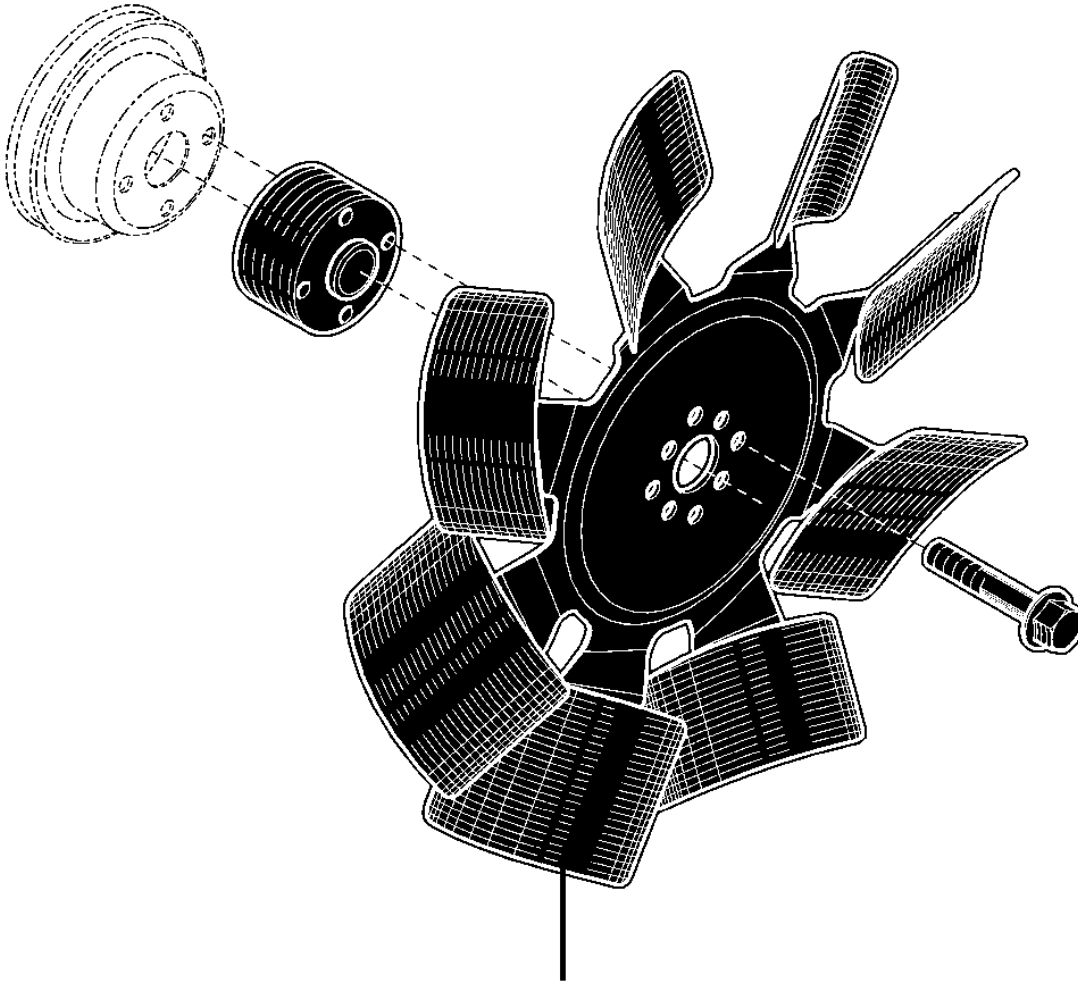
250-A02

FAN

SECTIONAL INDEX
INDEX DE SECTION
GRUPPENINDEX
INDICE DELLA SEZIONE
INDICE DE SECCION
GRUPPSFORTECKNING

CDP46814A -UN-

2535-	2
2536A-	3
2542-	5
2553A-	6



2535 (4045D,T)
2536A (6068H-2V)
2542 (4045H-2V)
2553A (6068H-2V)

CDP46814A

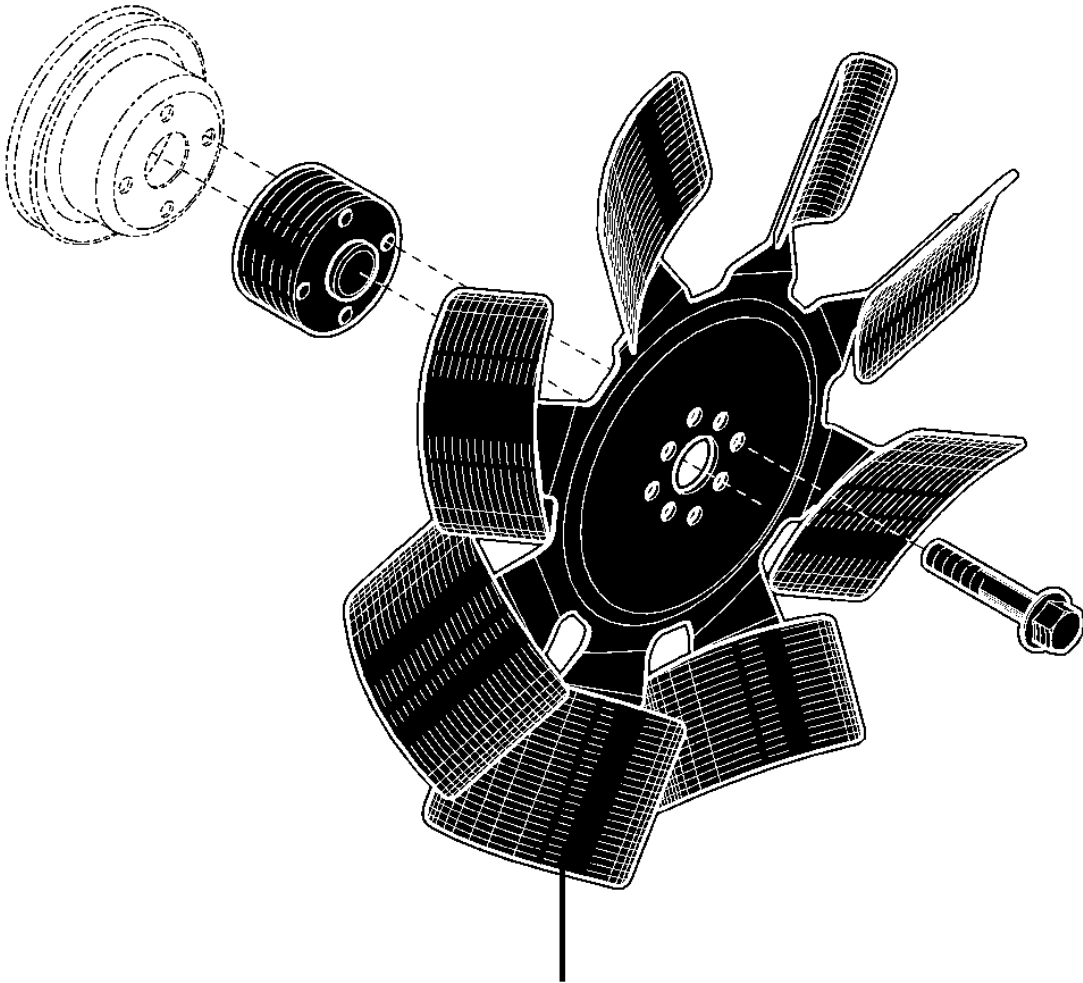
250-A03

FAN

SECTIONAL INDEX
INDEX DE SECTION
GRUPPENINDEX
INDICE DELLA SEZIONE
INDICE DE SECCION
GRUPPSFORTECKNING

CDP46815A -UN-

2536B-	4
2553B-	7
2556-	8



2536B (4045H-4V)
2553B (6068H-4V)
2556 (6068H-4V)

CDP46815A

250-A04

FAN

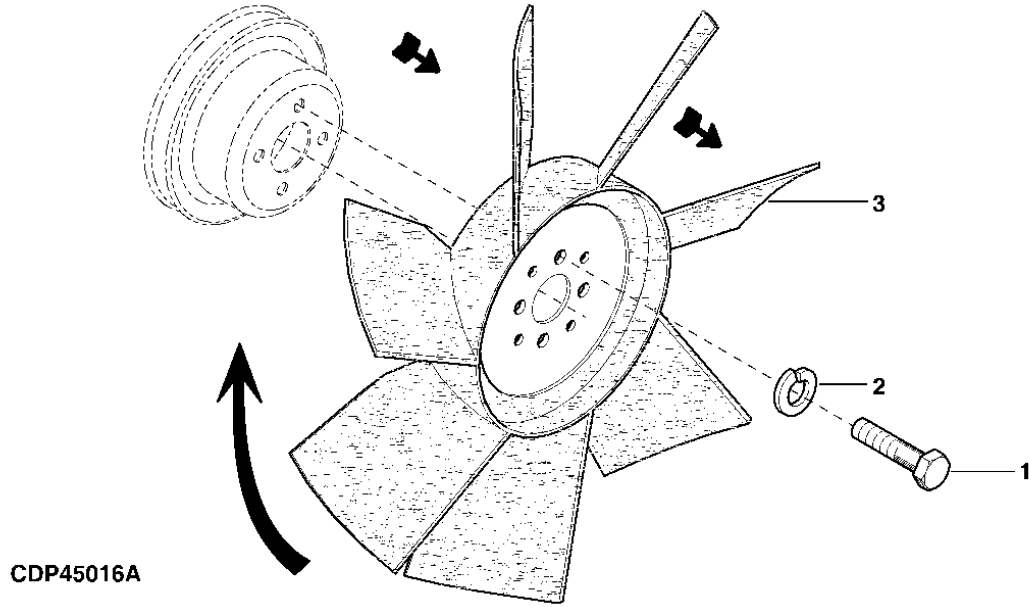
MEMORANDA
MEMORANDA
MEMORANDA
MEMORANDA
MEMORANDA
MEMORANDA

250-1

FAN

2512
2512
2512
2512
2512
2512

CDP45016A -UN-



KEY	PART NO.	PART NAME	QTY.	ENGINE SERIAL NO.	REMARKS
1	19H2117	CAP SCREW	4		X 5/16" X 1-1/8"
2	12M7056	LOCK WASHER	4		X 8 MM
3	RE47519	BLOWER FAN	1		X OD= 457MM (18")

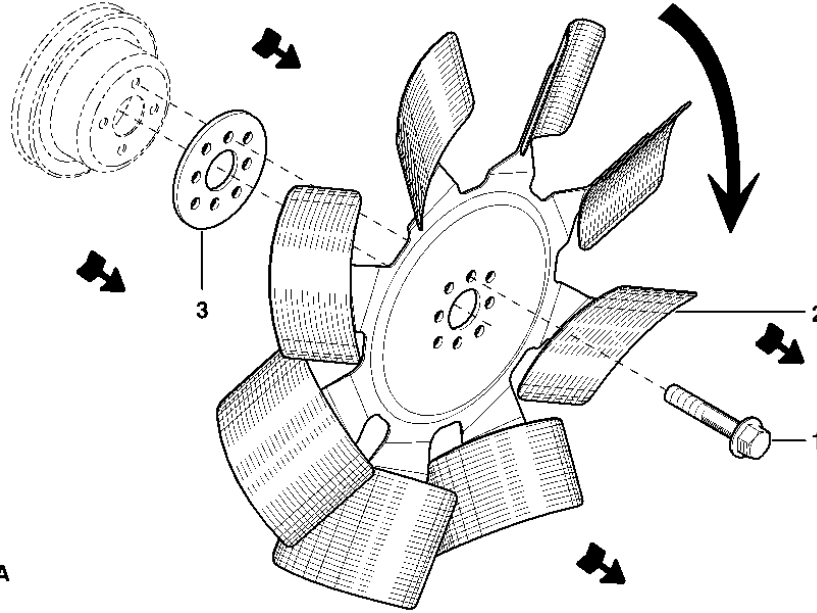
3
0
2
9
T

250-2

FAN

2535
2535
2535
2535
2535
2535

CDP45018A -UN-



CDP45018A

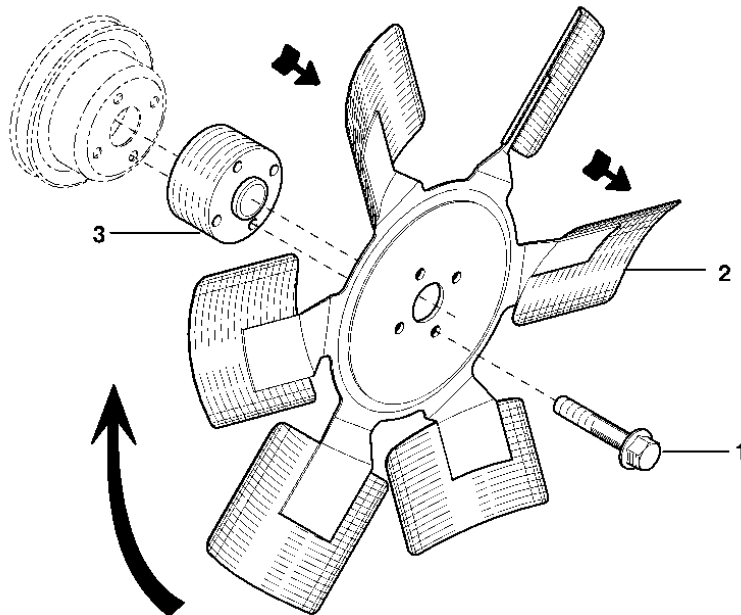
KEY	PART NO.	PART NAME	QTY.	ENGINE SERIAL NO.	REMARKS
1	19M7835	SCREW	4	4 4 0 0 4 4 5 5	X X M10 X 35 (10.9)
2	RE508115	FAN	1	D T	X X
3	R136180	SPACER	1		X X

250-3

FAN

2536
2536
2536
2536
2536
2536

CDP45019A -UN-



CDP45019A

KEY	PART NO.	PART NAME	QTY.	ENGINE SERIAL NO.	6 0 6 8 H	REMARKS
1	19M7810	SCREW	4	-885422	X	M10 X 80 (A) (10.9)
	19M7810	SCREW	4		X	M10 X 80 (B) (10.9)
2	RE508299	BLOWER FAN	1	-885422	X	(A)
	RE508299	BLOWER FAN	1		X	(B)
3	R501642	HUB	1	-885422	X	(A) TK X OD= 50 X 90MM
	R501642	HUB	1		X	(B) TK X OD= 50 X 90MM

(A) FOR DD20792, DD20793
POUR DD20792, DD20793
FUER DD20792, DD20793
PER DD20792, DD20793
PARA DD20792, DD20793
FOER DD20792, DD20793

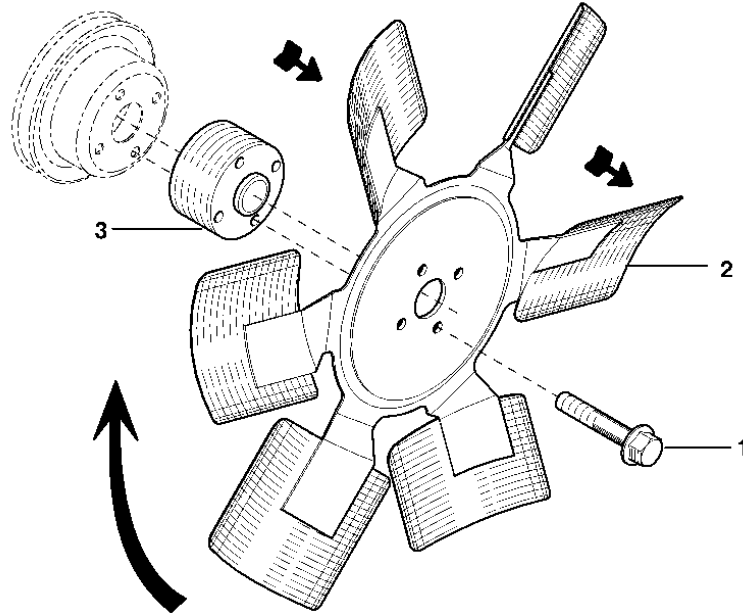
(B) FOR DD21554
POUR DD21554
FUER DD21554
PER DD21554
PARA DD21554
FOER DD21554

250-4

FAN

2536 - CONTINUED
 2536 - SUITE
 2536 - FORTSETZUNG
 2536 - SEGUILO
 2536 - CONTINUACION
 2536 - FORTS

CDP45019A -UN-



CDP45019A

KEY	PART NO.	PART NAME	QTY.	ENGINE SERIAL NO.	REMARKS
1	19M7810	SCREW	4	X	M10 X 80, (10.9)
2	RE508299	BLOWER FAN	1	X	
3	R501642	HUB	1	X	TK X OD= 50 X 90MM

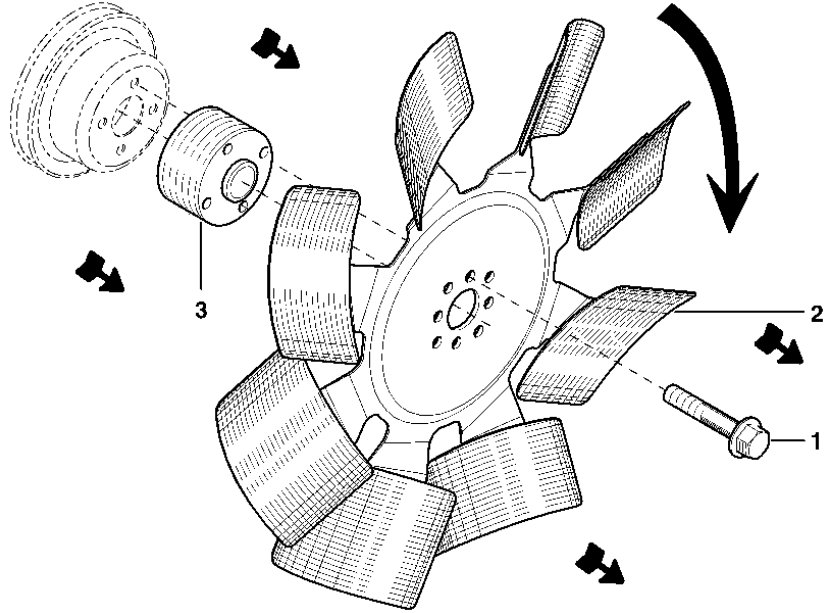
4
0
4
5
H

250-5

FAN

2542
2542
2542
2542
2542
2542

CDP46099 -UN-



CDP46099

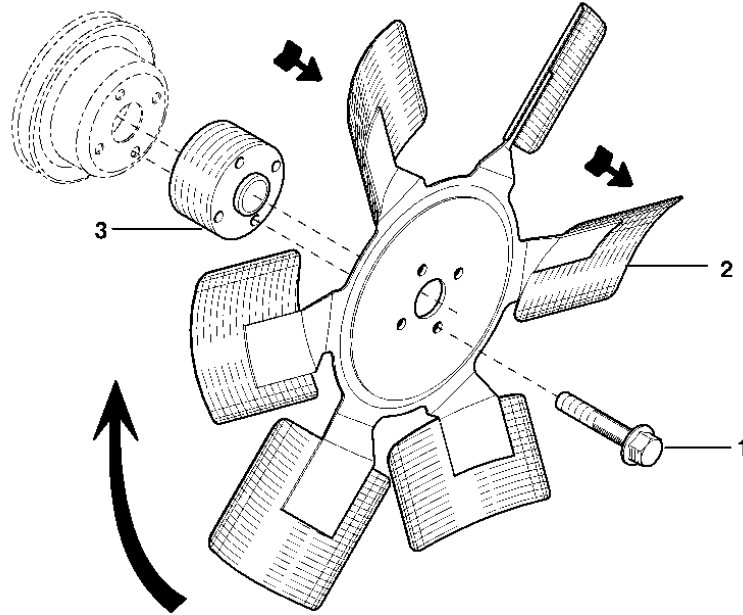
KEY	PART NO.	PART NAME	QTY.	ENGINE SERIAL NO.	REMARKS
1	19M7810	SCREW	4	4 0 4 5 H	X M10 X 80 (10.9)
2	RE508115	FAN	1		X
3	R501642	HUB	1		X TK X OD= 50 X 90MM

250-6

FAN

2553
2553
2553
2553
2553
2553

CDP45019A -UN-



CDP45019A

KEY	PART NO.	PART NAME	QTY.	ENGINE SERIAL NO.	6 0 6 8 H	REMARKS
1	19M7810	SCREW	4		X (A)	M10 X 80, (10.9)
	19M7810	SCREW	4	885423-	X (B)	M10 X 80, (10.9)
2	RE516289	BLOWER FAN	1		X (A)	
	RE516289	BLOWER FAN	1	885423-	X (B)	
3	R501642	HUB	1		X (A)	TK X OD 50 X 90MM
	R501642	HUB	1	885423-	X (B)	TK X OD= 50 X 90MM

(A) FOR DD20644, DD20645, DD21563
POUR DD20644, DD20645, DD21563
FUER DD20644, DD20645, DD21563
PER DD20644, DD20645, DD21563
PARA DD20644, DD20645, DD21563
FOER DD20644, DD20645, DD21563

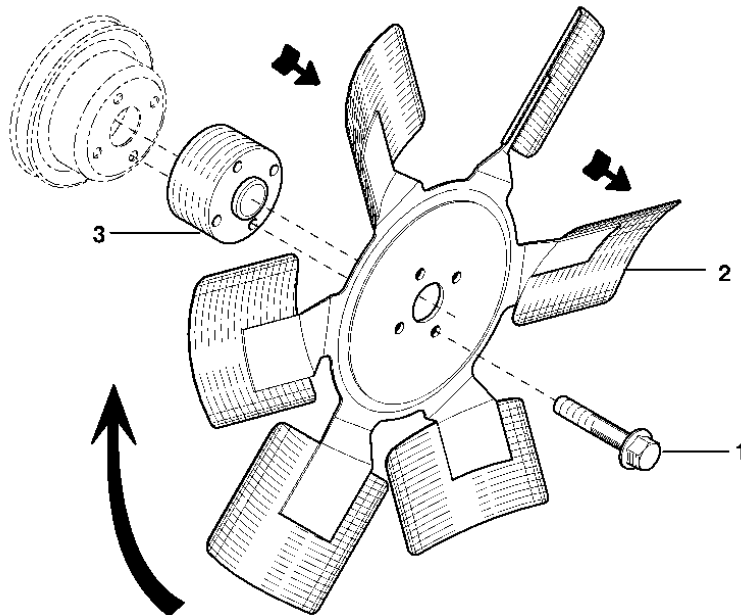
(B) FOR DD20792, DD20793
POUR DD20792, DD20793
FUER DD20792, DD20793
PER DD20792, DD20793
PARA DD20792, DD20793
FOER DD20792, DD20793

250-7

FAN

2553 - CONTINUED
 2553 - SUITE
 2553 - FORTSETZUNG
 2553 - SEGUITO
 2553 - CONTINUACION
 2553 - FORTS

CDP45019A -UN-



CDP45019A

KEY	PART NO.	PART NAME	QTY.	ENGINE SERIAL NO.	6 0 6 8 H	REMARKS
1	19M7810	SCREW	4		X (A)	M10 X 80, (10.9)
	19M7810	SCREW	4	862219-	X (B)	M10 X 80, (10.9)
2	RE516289	BLOWER FAN	1		X (A)	
	RE516289	BLOWER FAN	1	862219-	X (B)	
3	R501642	HUB	1		X (A)	TK X OD= 50 X 90MM
	R501642	HUB	1	862219-	X (B)	TK X OD= 50 X 90MM

(A) FOR DD21221, DD21222
 POUR DD21221, DD21222
 FUER DD21221, DD21222
 PER DD22221, DD21222
 PARA DD21221, DD21222
 FOER DD21221, DD21222

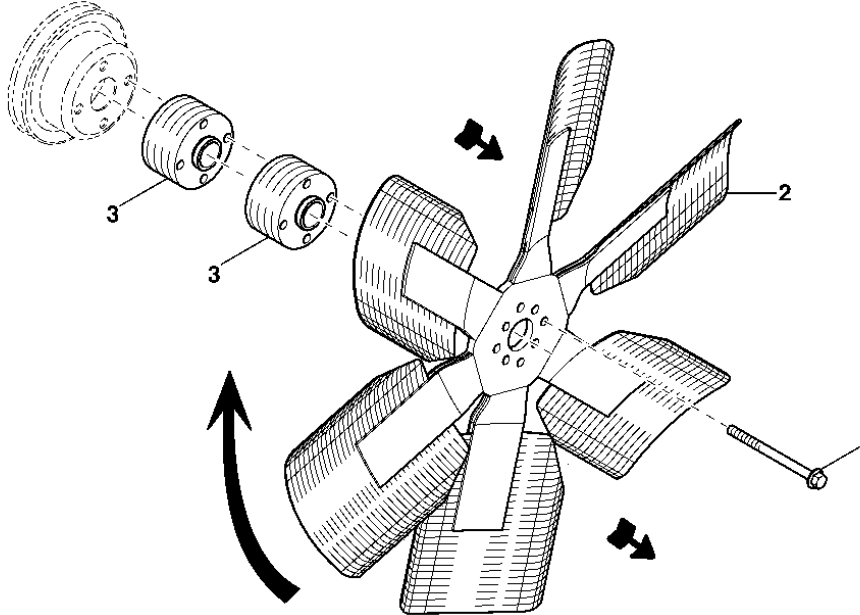
(B) FOR DD20650, DD20825, DD20748, DD20826
 POUR DD20650, DD20825, DD20748, DD20826
 FUER DD20650, DD20825, DD20748, DD20826
 PER DD20650, DD20825, DD20748, DD20826
 PARA DD20650, DD20825, DD20748, DD20826
 FOER DD20650, DD20825, DD20748, DD20826

250-8

FAN

2556
2556
2556
2556
2556
2556

CDP45710 -UN-



CDP45710

6
0
6
8
H

KEY	PART NO.	PART NAME	QTY.	ENGINE SERIAL NO.	REMARKS
1	19M7898	SCREW	4	-862218	X M10 X 130, (10.9)
2	RE516289	BLOWER FAN	1	-862218	X
3	R501642	HUB	2	-862218	X TK X OD 50 X 90MM

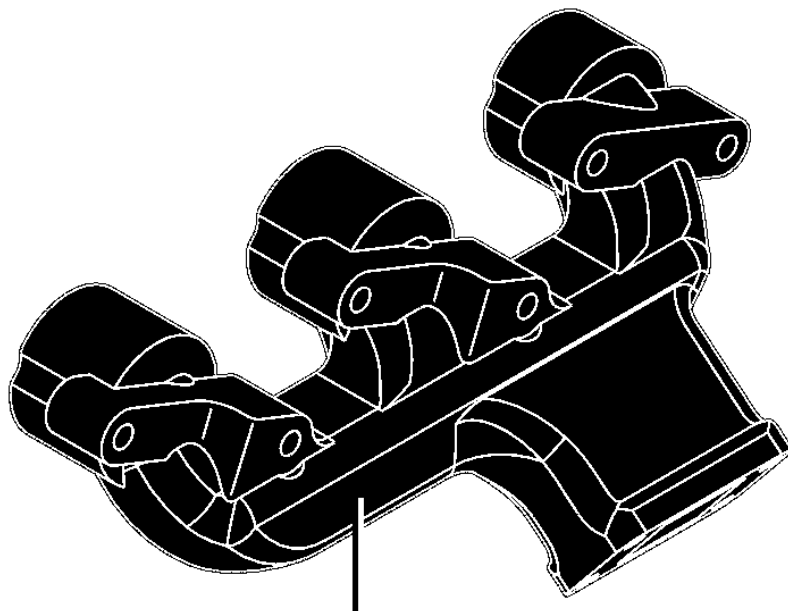
280-A01

EXHAUST MANIFOLD

SECTIONAL INDEX
INDEX DE SECTION
GRUPPENINDEX
INDICE DELLA SEZIONE
INDICE DE SECCION
GRUPPSFORTECKNING

CDP46816A -UN-

2810-	4
2823-	5



2810 (3029T)
2823 (3029T)

CDP46816A

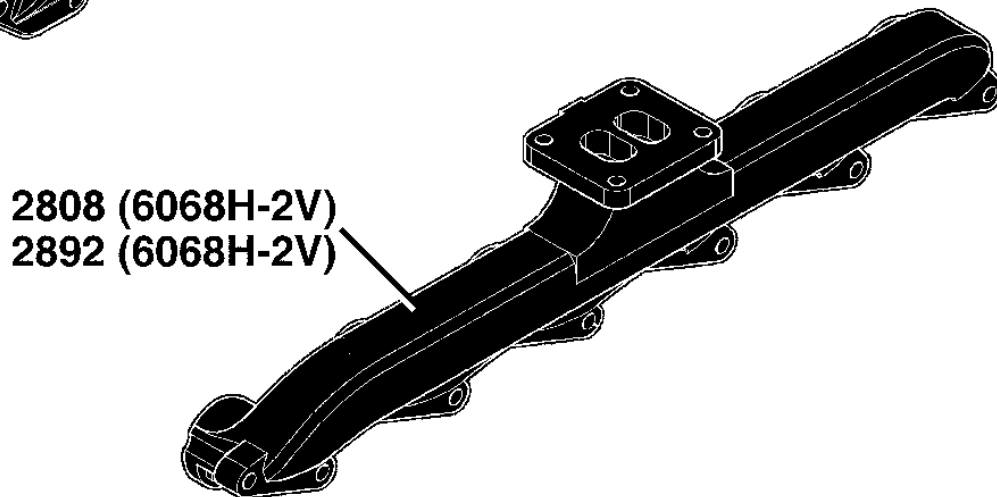
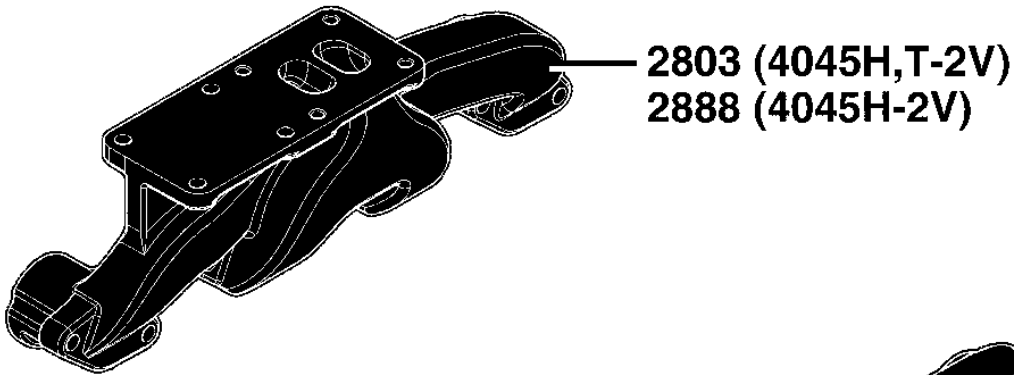
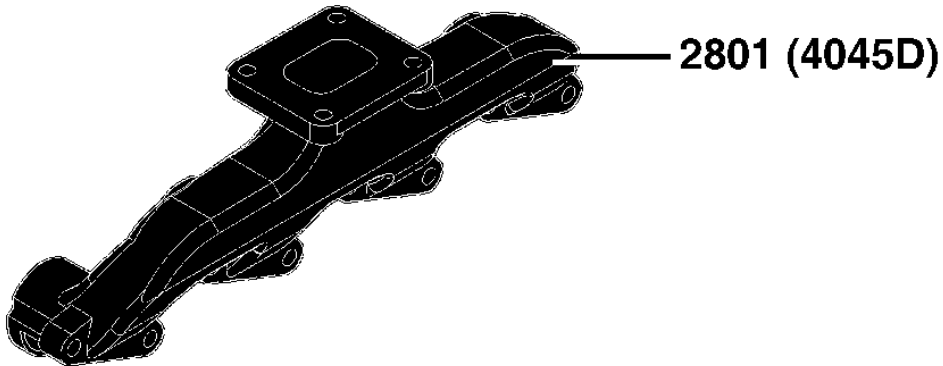
280-A02

EXHAUST MANIFOLD

SECTIONAL INDEX
INDEX DE SECTION
GRUPPENINDEX
INDICE DELLA SEZIONE
INDICE DE SECCION
GRUPPSFORTECKNING

CDP46817B -UN-

2801-	1
2803-	2
2808-	3
2888-	8
2892-	9



CDP46817B

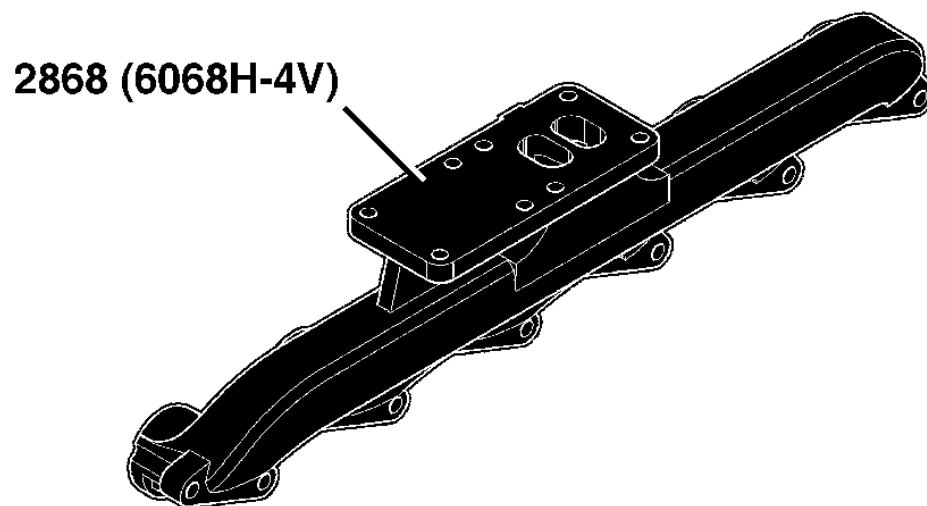
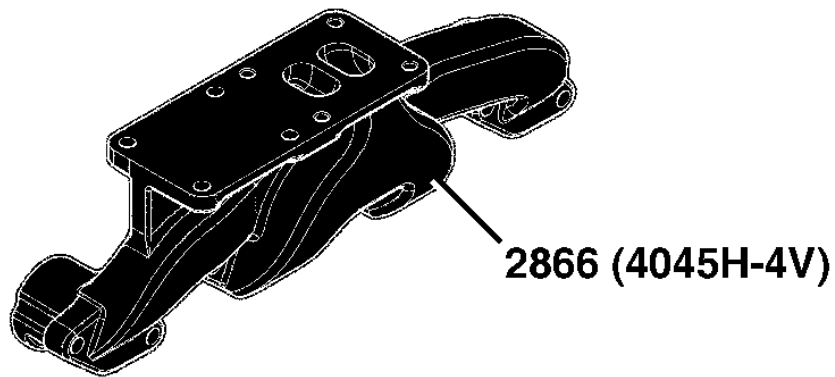
280-A03

EXHAUST MANIFOLD

SECTIONAL INDEX
INDEX DE SECTION
GRUPPENINDEX
INDICE DELLA SEZIONE
INDICE DE SECCION
GRUPPSFORTECKNING

CDP46818A -UN-

2866-	6
2868-	7



CDP46818A

280-A04

EXHAUST MANIFOLD

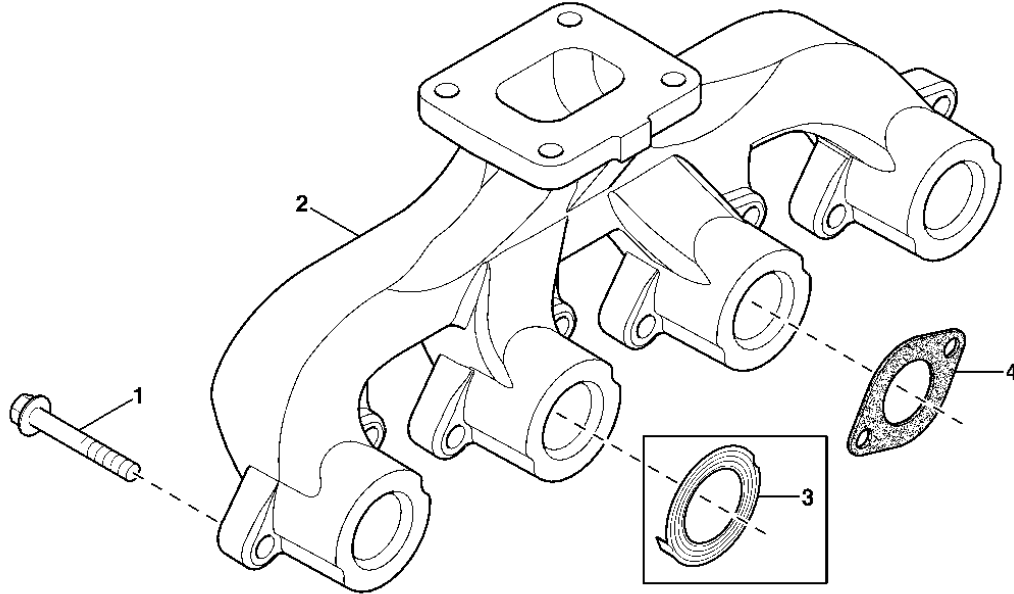
MEMORANDA
MEMORANDA
MEMORANDA
MEMORANDA
MEMORANDA
MEMORANDA

280-1

EXHAUST MANIFOLD

2801
2801
2801
2801
2801
2801

CDP46553 -UN-



CDP46553

KEY	PART NO.	PART NAME	QTY.	ENGINE SERIAL NO.	REMARKS
1	19M7810	SCREW	8		X M10 X 80, (10.9)
2	R132260	EXHAUST MANIFOLD	1		X
3	R119395	GASKET	4		X NLA. (ORDER R521439)
4	R521439	GASKET	4		X

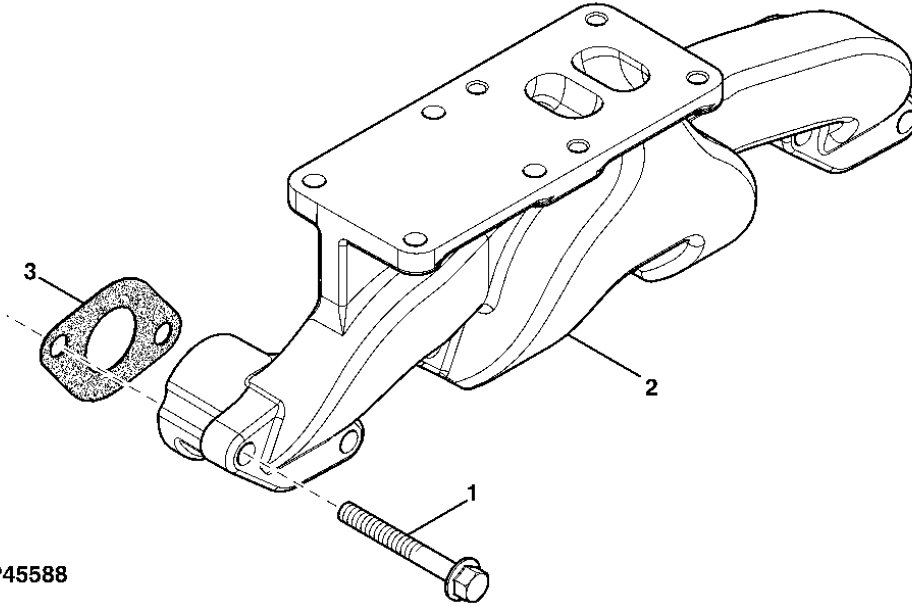
4
0
4
5
D

280-2

EXHAUST MANIFOLD

2803
2803
2803
2803
2803
2803

CDP45588 -UN-



CDP45588

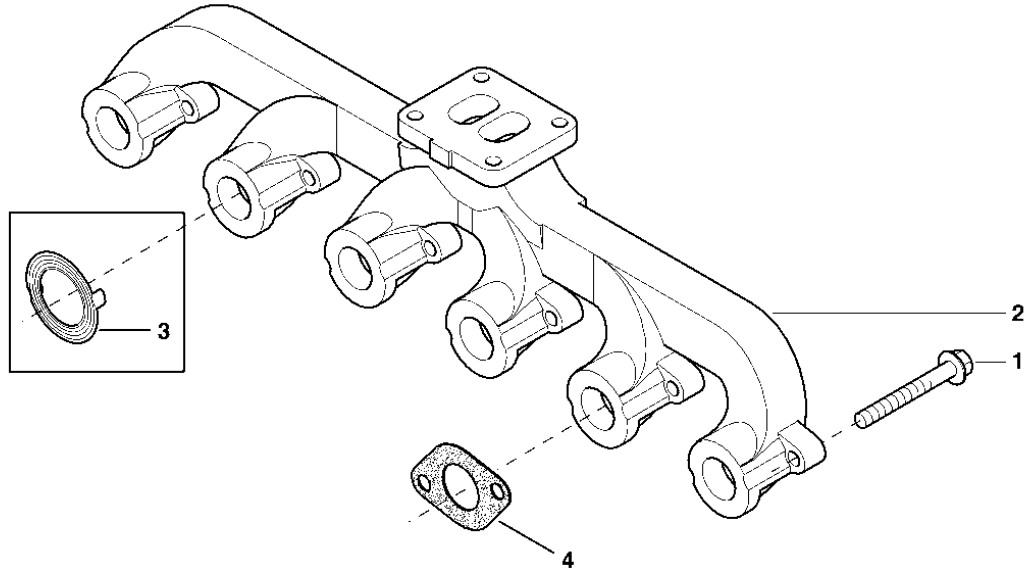
KEY	PART NO.	PART NAME	QTY.	ENGINE SERIAL NO.	H T	REMARKS
1	19M7810	SCREW	8		4 4	
2	R517017	EXHAUST MANIFOLD	1		0 0	
3	R109985	GASKET	4		4 4	
					5 5	
					X X	M10 X 80, (10.9)
					X X	(OR ORDER R521439)

280-3

EXHAUST MANIFOLD

2808
2808
2808
2808
2808
2808

CD42732B -UN-



CD42732B

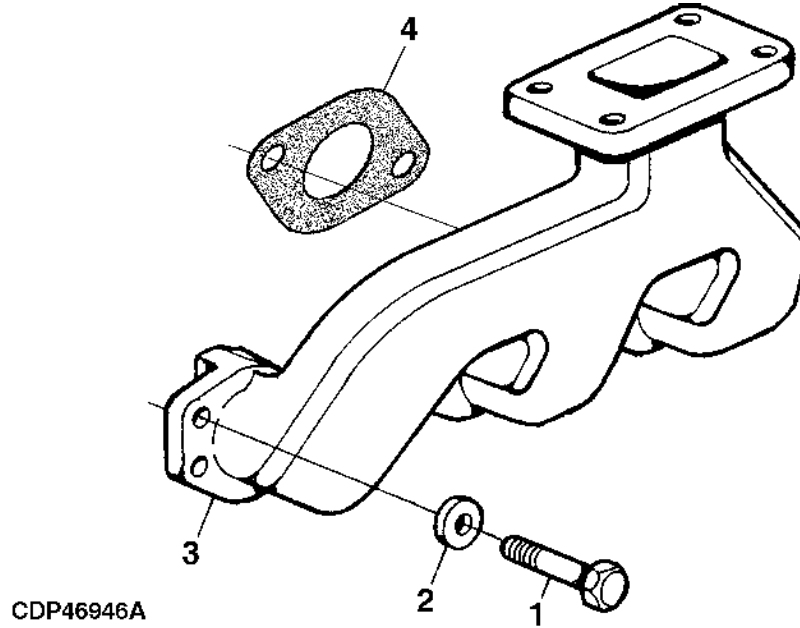
KEY	PART NO.	PART NAME	QTY.	ENGINE SERIAL NO.	REMARKS
1	19M7810	SCREW	12	6068H	X M10 X 80, (10.9)
2	R132203	EXHAUST MANIFOLD	1		X
3	R109985	GASKET	6		X (OR ORDER R521439)
	R521439	GASKET	6		X
4	R119395	GASKET	6		X NLA, (ORDER R521439 OR R109985)

280-4

EXHAUST MANIFOLD

CDP46946A -UN-

2810
2810
2810
2810
2810
2810



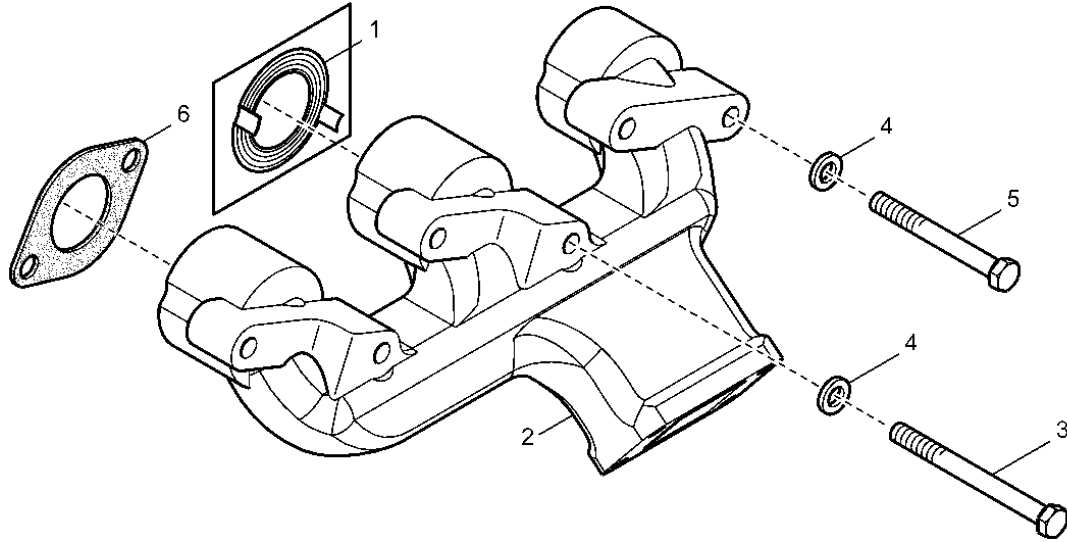
KEY	PART NO.	PART NAME	QTY.	ENGINE SERIAL NO.	3 0 2 9 T	REMARKS
1	19H1726	CAP SCREW	6		X	3/8" X 2-1/4"
2	24M7106	WASHER	6		X	10 X 18 X 2.500 MM
3	R104542	EXHAUST MANIFOLD	1		X	
4	R521439	GASKET	3		X	

280-5

EXHAUST MANIFOLD

2823
2823
2823
2823
2823
2823

CD40404B -UN-



CD40404B

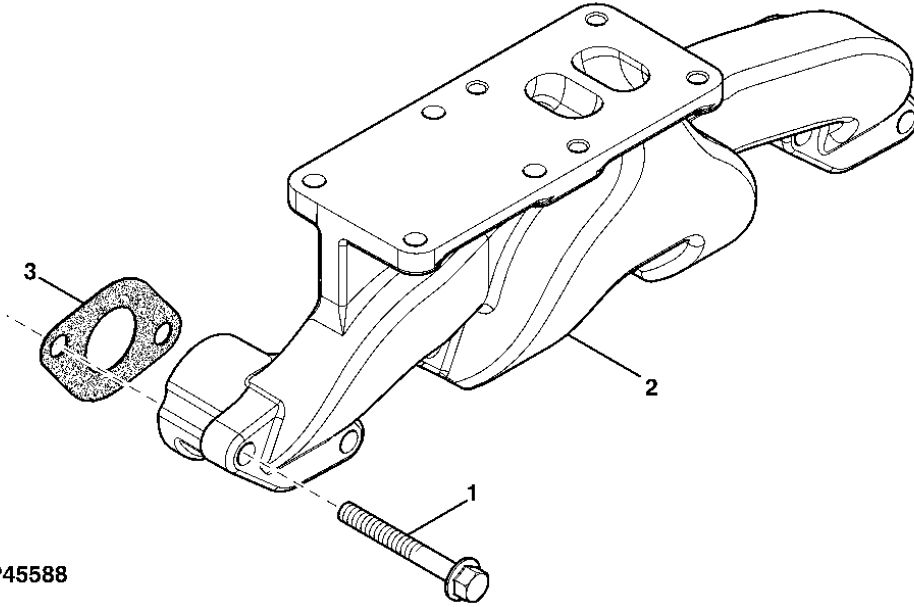
KEY	PART NO.	PART NAME	QTY.	ENGINE SERIAL NO.	3 0 2 9 T	REMARKS
1	R119395	GASKET	3		X	NLA, (ORDER R521439)
2	R91852	EXHAUST MANIFOLD	1		X	
3	19H3404	CAP SCREW	2		X	3/8" X 4"
4	24M7106	WASHER	6		X	10 X 18 X 2.500 MM
5	19H2023	CAP SCREW	4		X	3/8" X 3-1/4"
6	R521439	GASKET	3		X	(SUB FOR R119395)

280-6

EXHAUST MANIFOLD

2866
2866
2866
2866
2866
2866

CDP45588 -UN-



CDP45588

KEY	PART NO.	PART NAME	QTY.	ENGINE SERIAL NO.	REMARKS
1	19M7810	SCREW	8		X M10 X 80, (10.9)
2	R517017	EXHAUST MANIFOLD	1		X
3	R109985	GASKET	4		X (OR ORDER R521439)
	R521439	GASKET	4		X

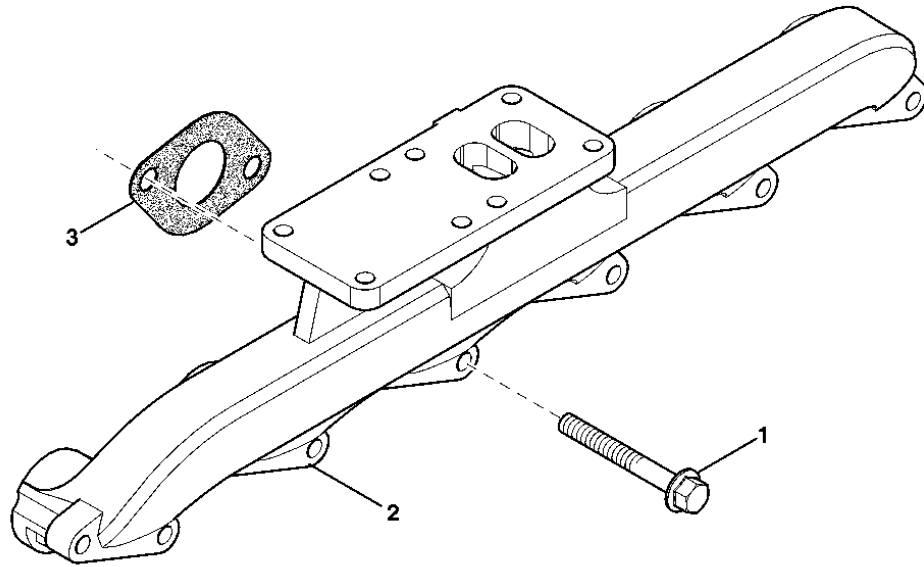
4
0
4
5
H

280-7

EXHAUST MANIFOLD

2868
2868
2868
2868
2868
2868

CDP45595 -UN-



CDP45595

KEY	PART NO.	PART NAME	QTY.	ENGINE SERIAL NO.	REMARKS
1	19M7810	SCREW	12		X M10 X 80, (10.9)
2	R132262	EXHAUST MANIFOLD	1		X
3	R109985	GASKET	6		X (OR ORDER R521439)
	R521439	GASKET	6		X

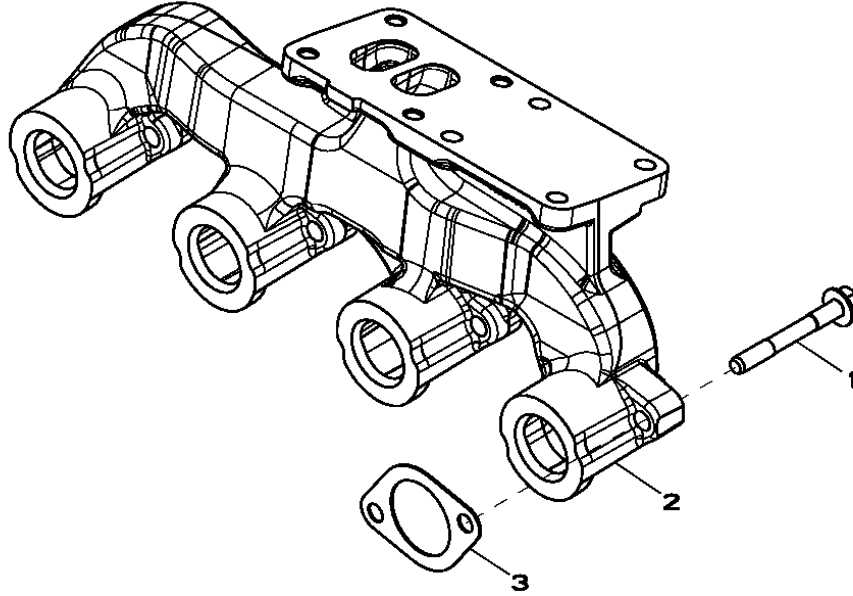
6
0
6
8
H

280-8

EXHAUST MANIFOLD

2888
2888
2888
2888
2888

RE529090PCDB02 -UN-



RE529090PCDB02

KEY	PART NO.	PART NAME	QTY.	ENGINE SERIAL NO.	REMARKS
1	R522554	CAP SCREW	8		X M10 X 80
2	R524029	EXHAUST MANIFOLD	1		X
3	R521439	GASKET	4		X

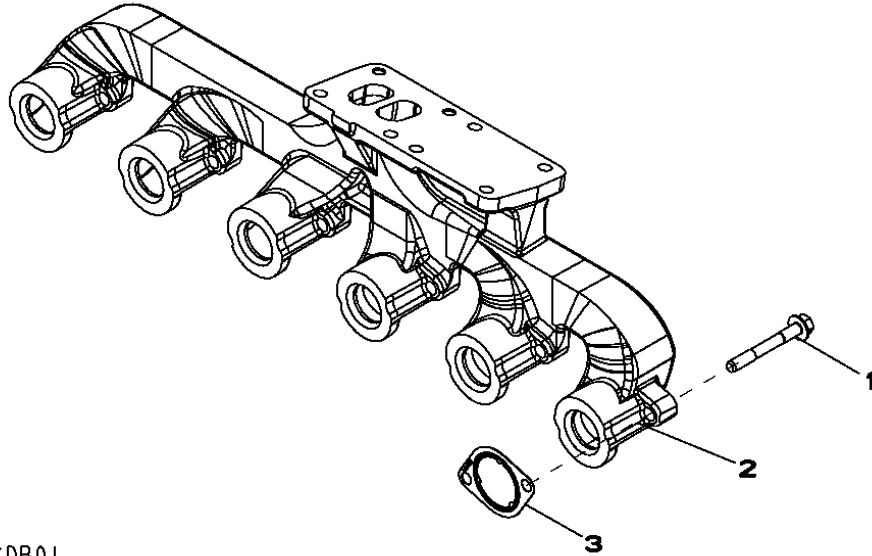
4
0
4
5
H

280-9

EXHAUST MANIFOLD

2892
2892
2892
2892
2892
2892

RE529990PCDB01 -UN-



RE529990PCDB01

KEY	PART NO.	PART NAME	QTY.	ENGINE SERIAL NO.	REMARKS
1	R522554	CAP SCREW	12	6068H	X M10 X 80
2	R524146	EXHAUST MANIFOLD	1		X
3	R519488	GASKET	6		X

280-10

EXHAUST MANIFOLD

MEMORANDA
MEMORANDA
MEMORANDA
MEMORANDA
MEMORANDA
MEMORANDA

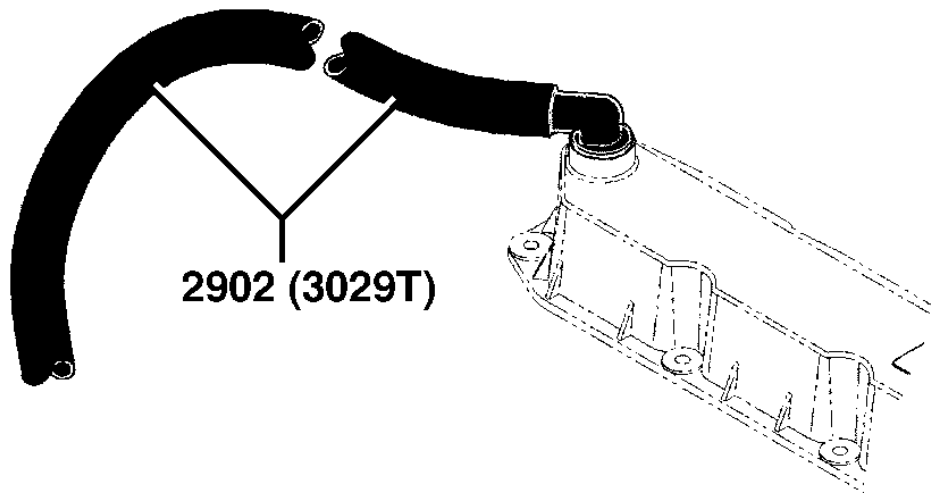
290-A01

BREATHER

SECTIONAL INDEX
INDEX DE SECTION
GRUPPENINDEX
INDICE DELLA SEZIONE
INDICE DE SECCION
GRUPPSFORTECKNING

2902- 1

CDP46819A -UN-



CDP46819A

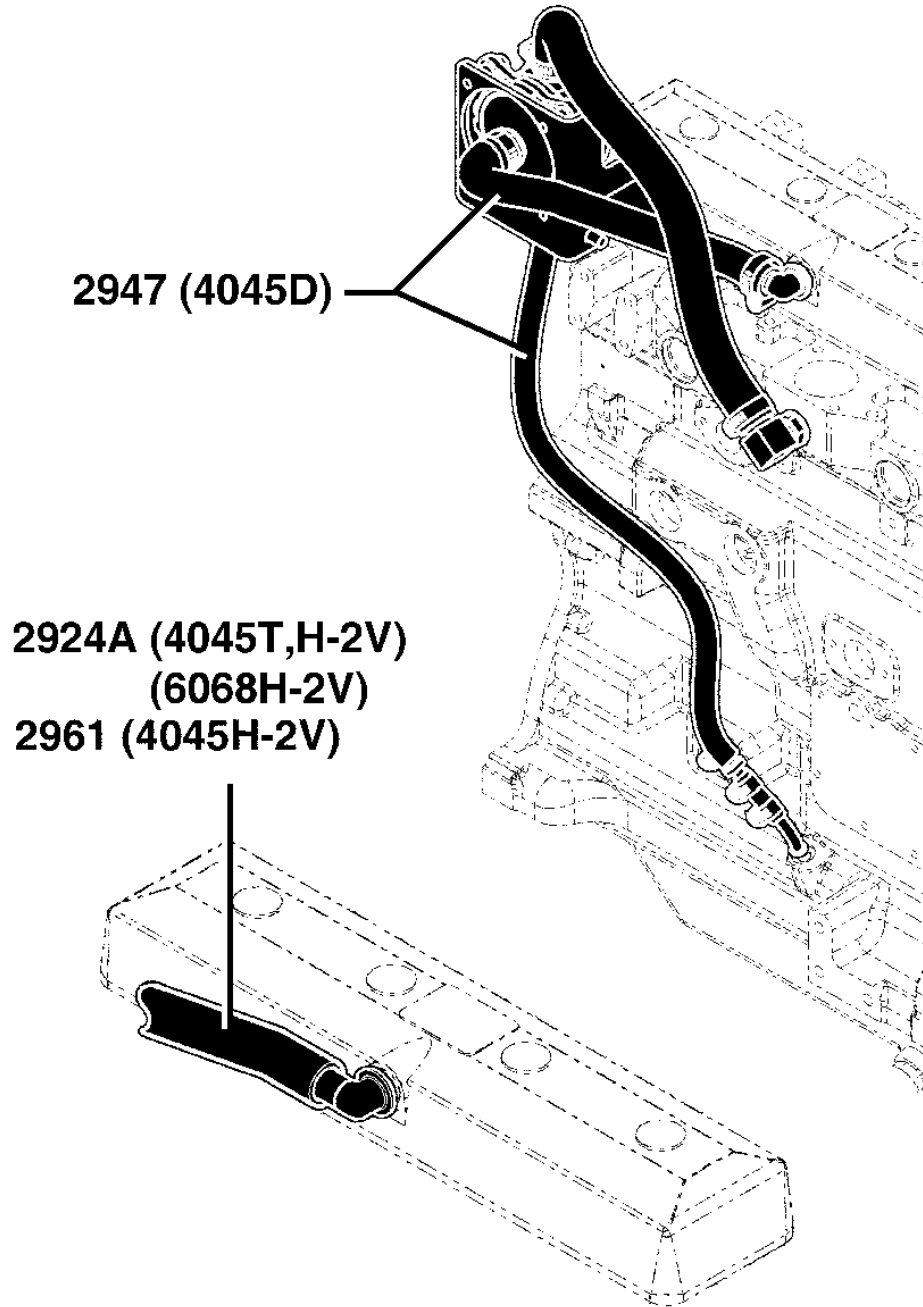
290-A02

BREATHER

SECTIONAL INDEX
INDEX DE SECTION
GRUPPENINDEX
INDICE DELLA SEZIONE
INDICE DE SECCION
GRUPPSFORTECKNING

CDP46820B -UN-

2924A-	3
2947-	6
2961-	8



CDP46820B

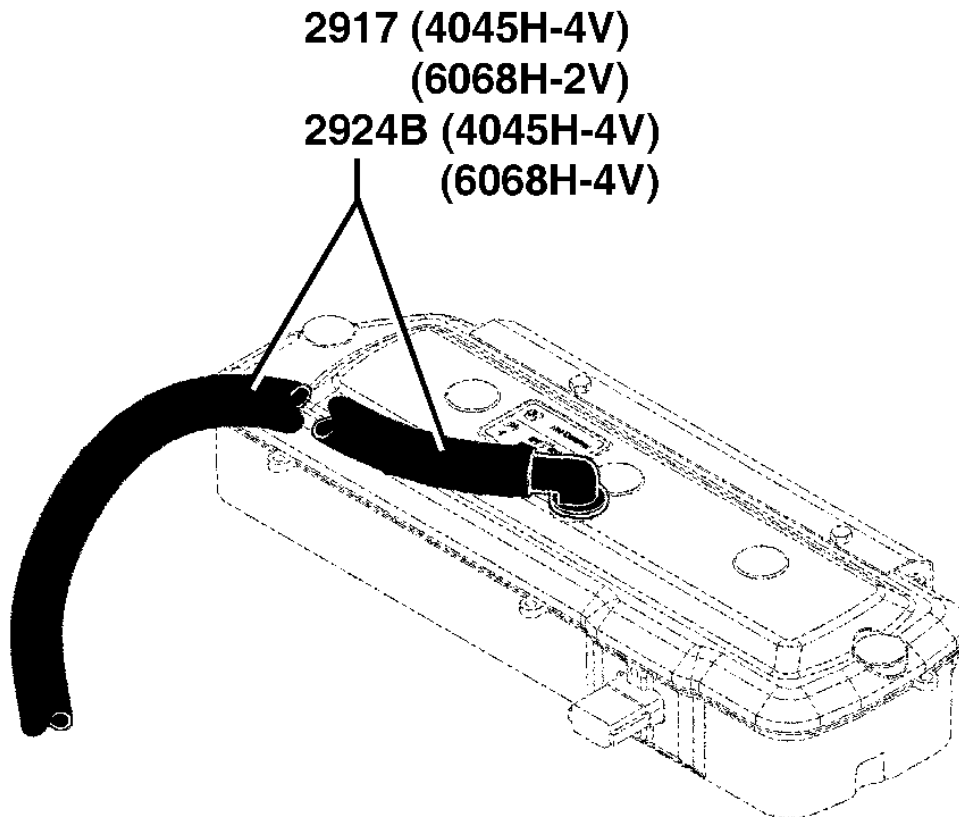
290-A03

BREATHER

SECTIONAL INDEX
INDEX DE SECTION
GRUPPENINDEX
INDICE DELLA SEZIONE
INDICE DE SECCION
GRUPPSFORTECKNING

CDP46821A -UN-

2917-	2
2924B-	5



CDP46821A

290-A04

BREATHER

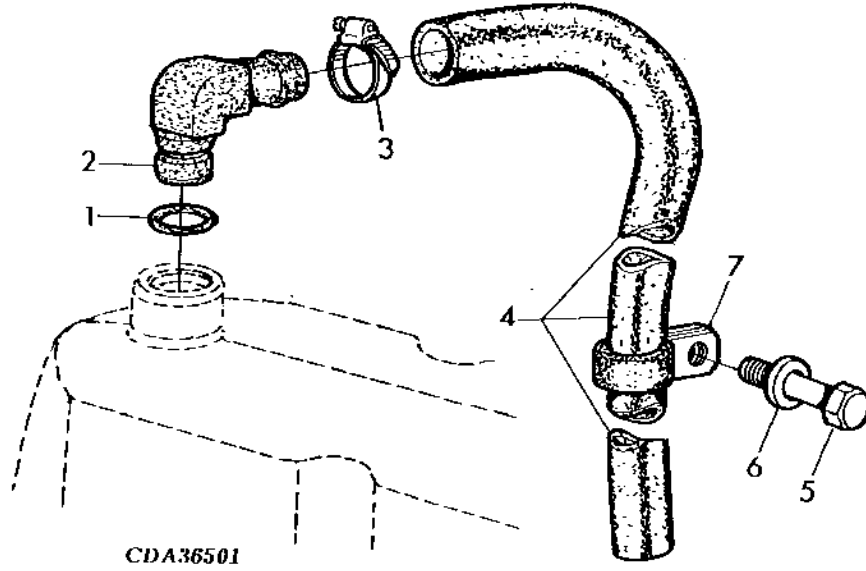
MEMORANDA
MEMORANDA
MEMORANDA
MEMORANDA
MEMORANDA
MEMORANDA

290-1

BREATHER

2902
2902
2902
2902
2902
2902

CDA36501 -UN-



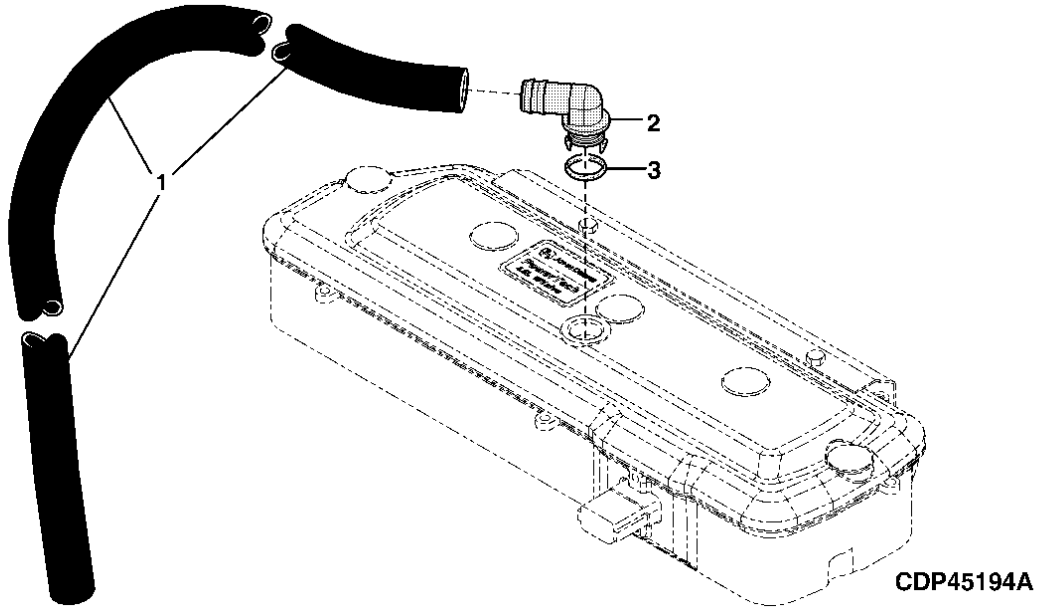
KEY	PART NO.	PART NAME	QTY.	ENGINE SERIAL NO.	3 0 2 9 T	REMARKS
1	R56463	O-RING	1		X	21.819 X 3.531 MM
2	R92154	ELBOW FITTING	1		X	
3	AT18904	CLAMP	1		X	
4	R122401	HOSE	1		X	LGTH 1290MM, CUT TO LENGTH, COUPER A LONGUEUR, ABLAENGEN, TAGLIARE SU MISURE, CORTAR A LONGITUD, AVSKARE EFTER MATT
5	19H2020	CAP SCREW	1		X	5/16" X 1/2"
6	24M7055	WASHER	1		X	8.400 X 16 X 1.600 MM
7	T35699	CLAMP	1		X	

290-2

BREATHER

2917
2917
2917
2917
2917
2917

CDP45194A -UN-



KEY	PART NO.	PART NAME	QTY.	ENGINE SERIAL NO.	REMARKS
1	TY22505	HOSE	1	-862218	X X LGTH= 1290MM, CUT TO LENGTH, COUPER A LONGUEUR, ABLAENGEN, TAGLIARE SU MISURE, CORTAR A LONGITUD, AVSKARE EFTER MATT
2	R120467	ELBOW FITTING	1	-862218	X X 90°
3	R72328	O-RING	1	-862218	X X 18.720 X 2.616 MM

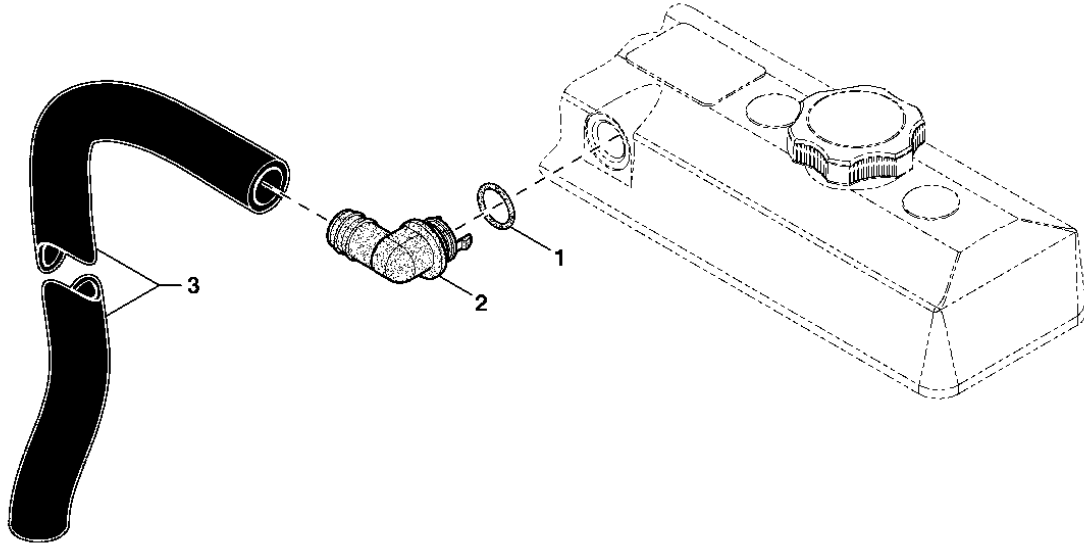
4 6
0 0
4 6
5 8
H H

290-3

BREATHER

2924
2924
2924
2924
2924
2924

CDP46345 -UN-



CDP46345

KEY	PART NO.	PART NAME	QTY.	ENGINE SERIAL NO.	REMARKS
				4 4 6	
				0 0 0	
				4 4 6	
				5 5 8	
				H T H	
1	R72328	O-RING	1		X X X 18.720 X 2.616 MM
2	R120467	ELBOW FITTING	1		X X X 90°
3	TY24401	BULK HOSE	1		X X X LGTH= 3048MM, CUT TO LENGTH, COUPER A LONGUEUR, ABLAENGEN, TAGLIARE SU MISURE, CORTAR A LONGITUD, AVSKARE EFTER MATT

290-4

BREATHER

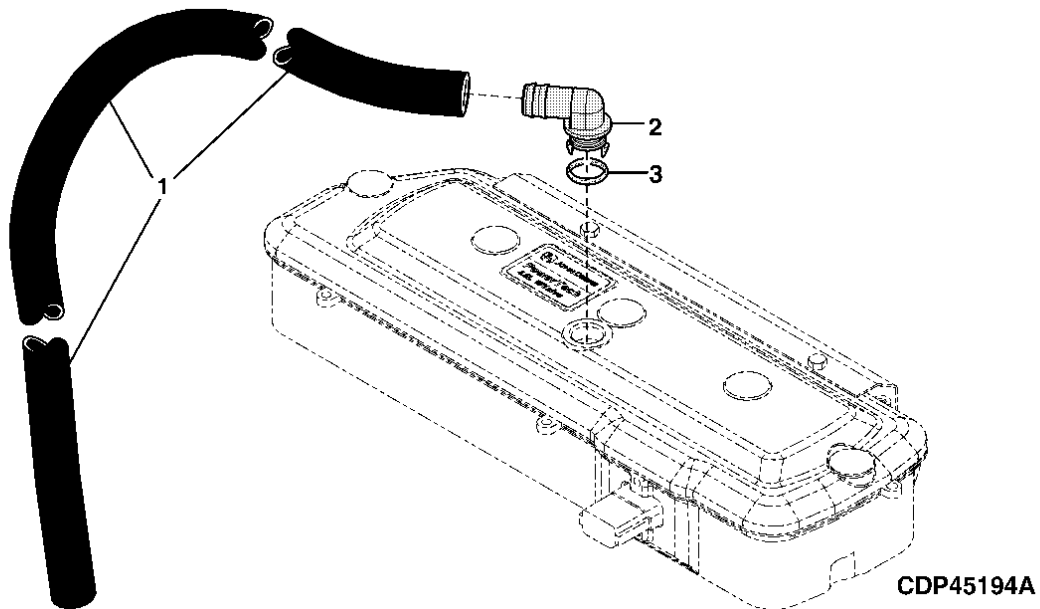
MEMORANDA
MEMORANDA
MEMORANDA
MEMORANDA
MEMORANDA
MEMORANDA

290-5

BREATHER

2924 - CONTINUED
 2924 - SUITE
 2924 - FORTSETZUNG
 2924 - SEGUITO
 2924 - CONTINUACION
 2924 - FORTS

CDP45194A -UN-



KEY	PART NO.	PART NAME	QTY.	ENGINE SERIAL NO.	4 6 0 0 4 6 5 8 H H	REMARKS
1	TY24401	BULK HOSE	1	862219-	X X	LGTH= 3048MM, CUT TO LENGTH, COUPER A LONGEUR, ABLAENGEN, TAGLIARE SU MISURE, CORTAR A LONGITUD, AVSKARE EFTER MATT
	TY24401	BULK HOSE	1		X	(A) LGTH= 3048MM, CUT TO LENGTH, COUPER A LONGEUR, ABLAENGEN, TAGLIARE SU MISURE, CORTAR A LONGITUD, AVSKARE EFTER MATT
2	R120467	ELBOW FITTING	1	862219-	X X	90°
	R120467	ELBOW FITTING	1		X	(A) 90°
3	R72328	O-RING	1	862219-	X X	18.720 X 2.616 MM
	R72328	O-RING	1		X	(A) 18.720 X 2.616 MM

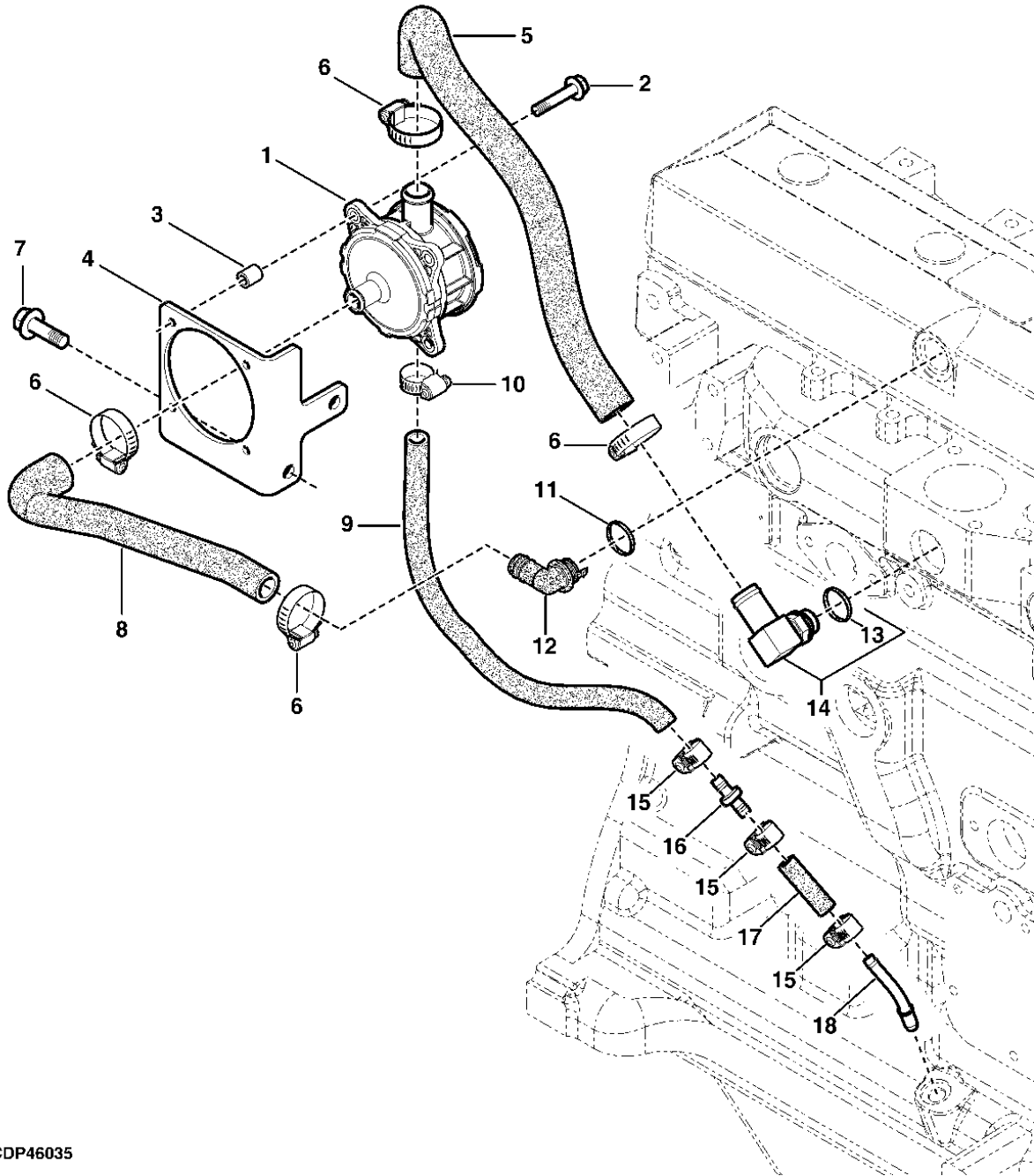
(A) FOR DD21221, DD21222
 POUR DD21221, DD21222
 FUER DD21221, DD21222
 PER DD21221, DD21222
 PARA DD21221, DD21222
 FOER DD21221, DD21222

290-6

BREATHER

2947
2947
2947
2947
2947
2947

CDP46035 -UN-



CDP46035

290-7

BREATHER

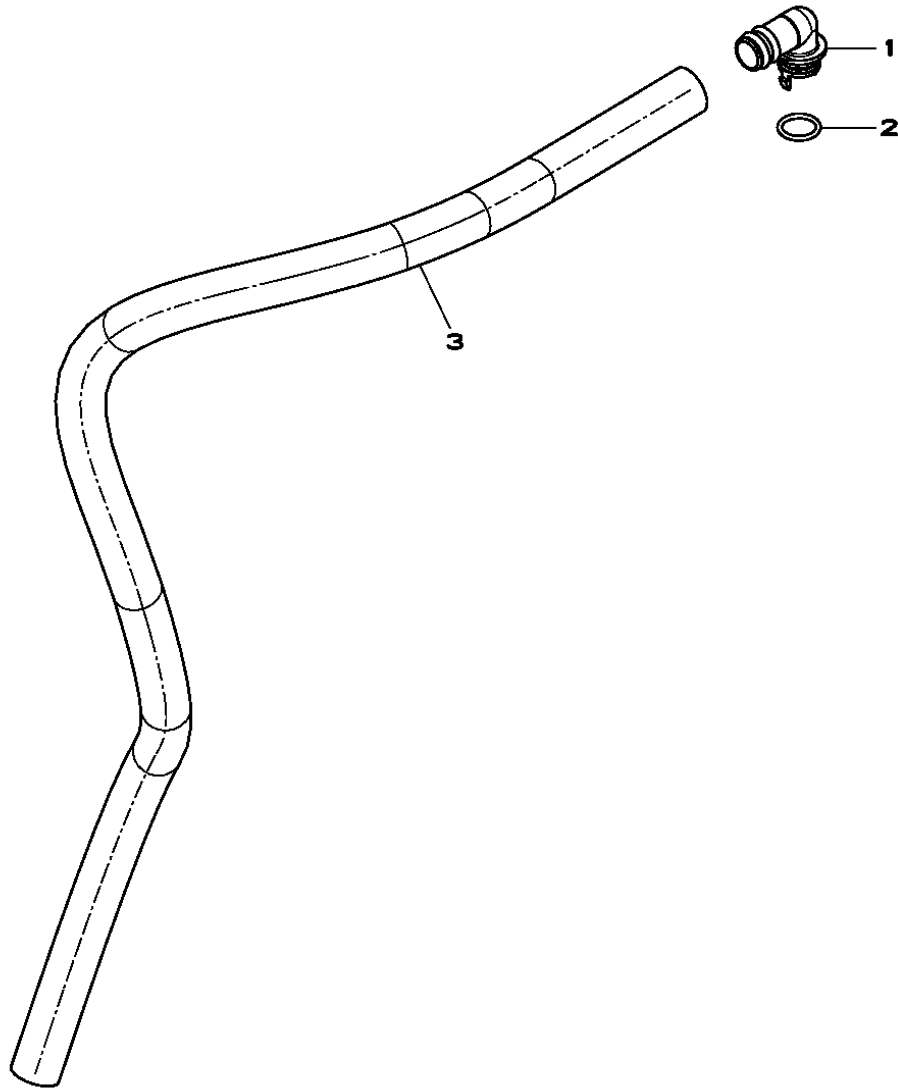
KEY	PART NO.	PART NAME	QTY.	ENGINE SERIAL NO.	4 0 4 5 D	REMARKS
1	RE522766	IMPACTOR	1		X	
2	19M8291	SCREW	4		X	M8 X 35 (10.9)
3	28H3379	SPACER	4		X	12.522 X 17.145 X 39.675 MM
4	R519400	BRACKET	1		X	
5	R519368	HOSE	1		X	
6	AR21839	CLAMP	4		X	
7	19M7784	SCREW	2		X	M10 X 20 (10.9)
8	R519367	HOSE	1		X	
9	R519371	HOSE	1		X	
10	RE65978	CLAMP	1		X	
11	R72328	O-RING	1		X	18.720 X 2.616 MM
12	R120467	ELBOW FITTING	1		X	
13	R26906	O-RING	1		X	19.177 X 2.464 MM
14	AT196258	ELBOW FITTING	1		X	
15	TY22464	CLAMP	3		X	
16	RE522079	CHECK VALVE	1		X	
17	R519286	HOSE	1		X	
18	R519401	TUBE	1		X	

290-8

BREATHER

2961
2961
2961
2961
2961
2961

RE529330PCDA01 -UN-



RE529330PCDA01

290-9

BREATHER

KEY	PART NO.	PART NAME	QTY.	ENGINE SERIAL NO.	4 0 4 5 H	REMARKS
1	R120467	ELBOW FITTING	1		X	90°
2	R72328	O-RING	1		X	18.720 X 2.616 MM
3	TY22450	BULK HOSE	1		X	CUT TO LENGTH, COUPER A LONGUEUR, ABLAENGEN, TAGLIARE SU MISURE, CORTAR A LONGITUD, AVSKARE EFTER MATT

290-10

BREATHER

MEMORANDA
MEMORANDA
MEMORANDA
MEMORANDA
MEMORANDA
MEMORANDA

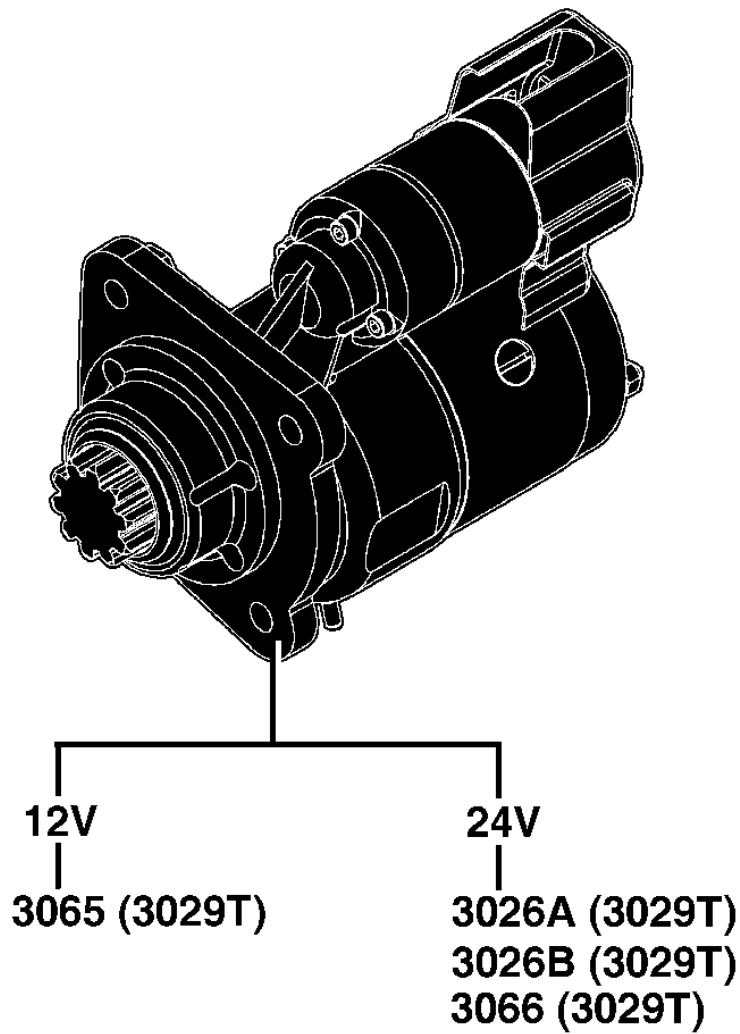
300-A01

STARTER

SECTIONAL INDEX
INDEX DE SECTION
GRUPPENINDEX
INDICE DELLA SEZIONE
INDICE DE SECCION
GRUPPSFORTECKNING

CDP46824A -UN-

3026A-	1
3026B-	2
3065-	12
3066-	13



CDP46824A

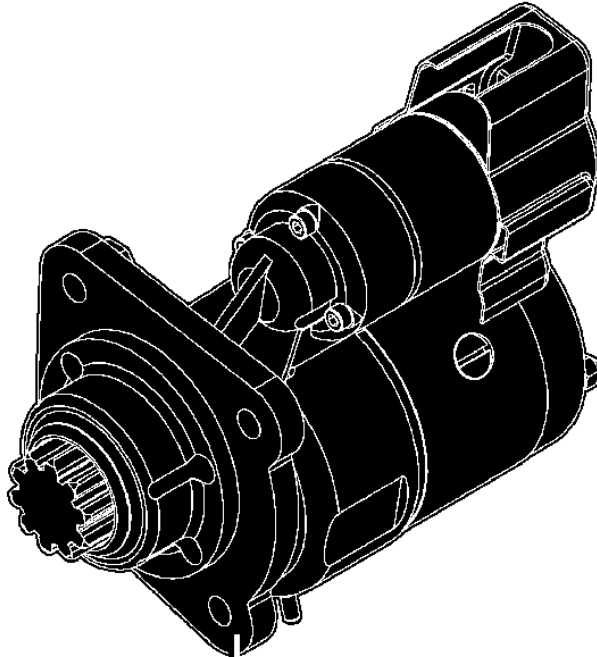
300-A02

STARTER

SECTIONAL INDEX
INDEX DE SECTION
GRUPPENINDEX
INDICE DELLA SEZIONE
INDICE DE SECCION
GRUPPSFORTECKNING

CDP46825A -UN-

3054A-	3
3054B-	4
3054C-	5
3054D-	6
3062A-	9
3062B-	10
3067A-	14
3067B-	15



12V

24V

3062A (4045D,H,T-2V)
3062B (6068H-2V)

3054A (4045D,H,T-2V)
3054B (4045D,H,T-2V)
3054C (6068H-2V)
3054D (6068H-2V)
3067A (4045D,H,T-2V)
3067B (6068H-2V)

CDP46825A

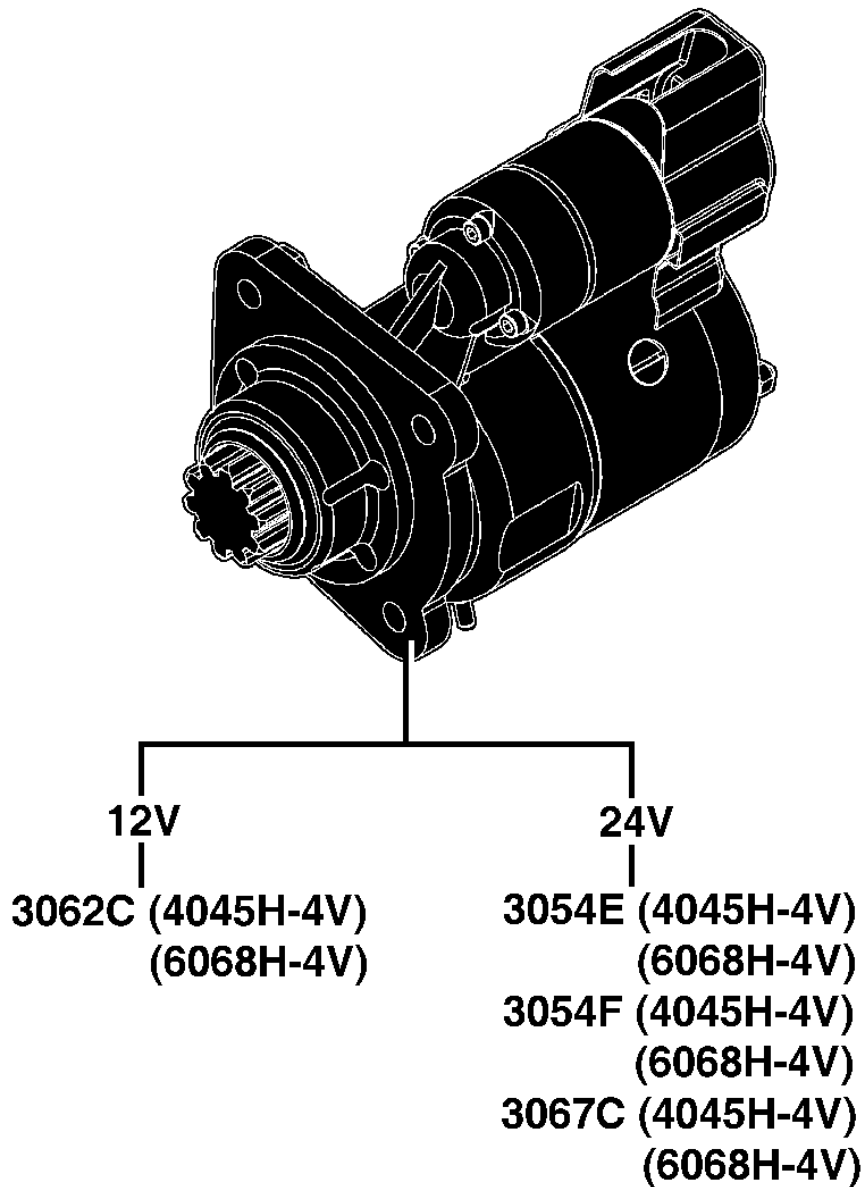
300-A03

STARTER

SECTIONAL INDEX
INDEX DE SECTION
GRUPPENINDEX
INDICE DELLA SEZIONE
INDICE DE SECCION
GRUPPSFORTECKNING

CDP46826A -UN-

3054E-	7
3054F-	8
3062C-	11
3067C-	16



CDP46826A

300-A04

STARTER

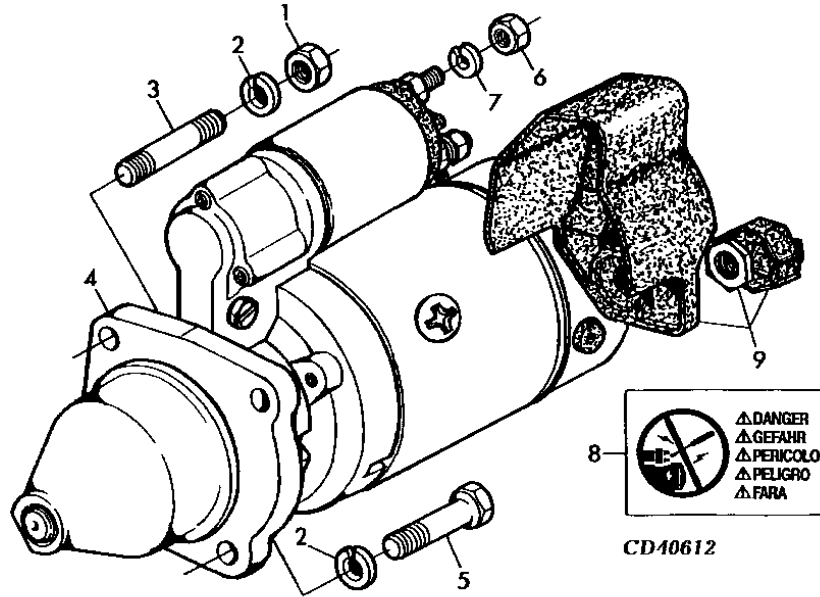
MEMORANDA
MEMORANDA
MEMORANDA
MEMORANDA
MEMORANDA
MEMORANDA

300-1

STARTER

3026
3026
3026
3026
3026
3026

CD40612 -UN-



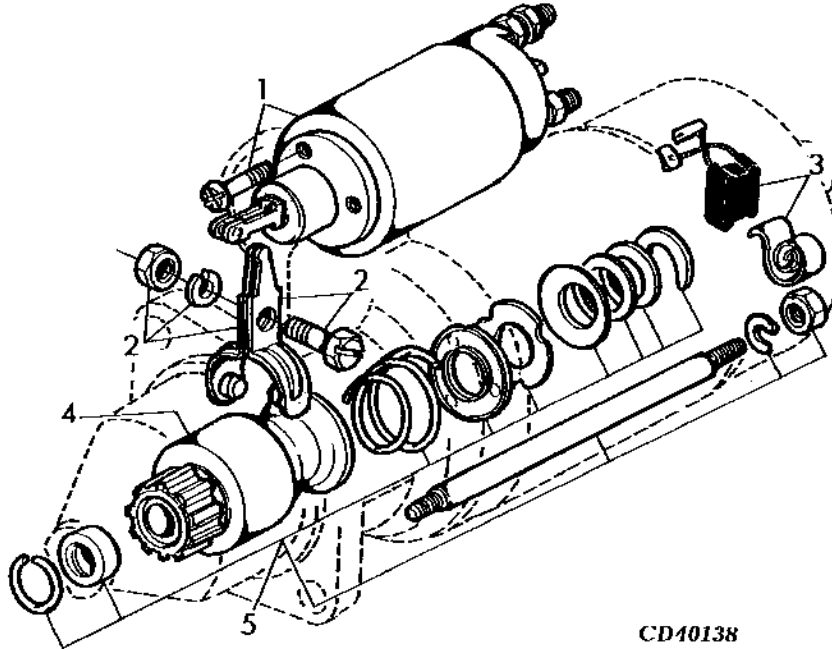
KEY	PART NO.	PART NAME	QTY.	ENGINE SERIAL NO.	REMARKS
1	14H812	NUT	1		X 3/8"
2	12H304	LOCK WASHER	3		X 3/8"
3	L39334	STUD	1		X 3/8" X LGTH 43MM
4	RE503119	STARTER MOTOR	1		X (ISKRA AZJ 3225, 24V - 4KW), NLA, (ORDER RE528929)
5	19H1732	CAP SCREW	2		X 3/8" X 1-1/4", (SAE 8)
6	14H812	NUT	1		X 3/8"
7	12H304	LOCK WASHER	1		X 3/8"
8	R116617	LABEL	1		X BYPASS START, DEMARRAGE COURT-CIRCUITE, ANLASS-SICHERHEITSCHALTER, ACCENSIONE IN FOLLE, ARRANQUE POR DERIVACION, STARTSPEAR
9	RT7700040288	COVER	1		X

300-2

STARTER

3026 - CONTINUED
 3026 - SUITE
 3026 - FORTSETZUNG
 3026 - SEGUITO
 3026 - CONTINUACION
 3026 - FORTS

CD40138 -UN-



KEY	PART NO.	PART NAME	QTY.	ENGINE SERIAL NO.	REMARKS
1	RE503108	SOLENOID	1		
2	RE62666	SHIFTER	1		
3	RE500722	KIT	1		
4	RE62672	STARTER MOTOR DRIVE	1		
5	RE62673	KIT	1		

3
0
2
9
T

X (A)
 X (A)
 X (A) W/ (2) CARBON BRUSH CONDUCTOR, BALAI,
 KOHLEBUERSTE, SPAZZOLE DI CARBONE,
 ESCOBILLA, KOLBORSTE

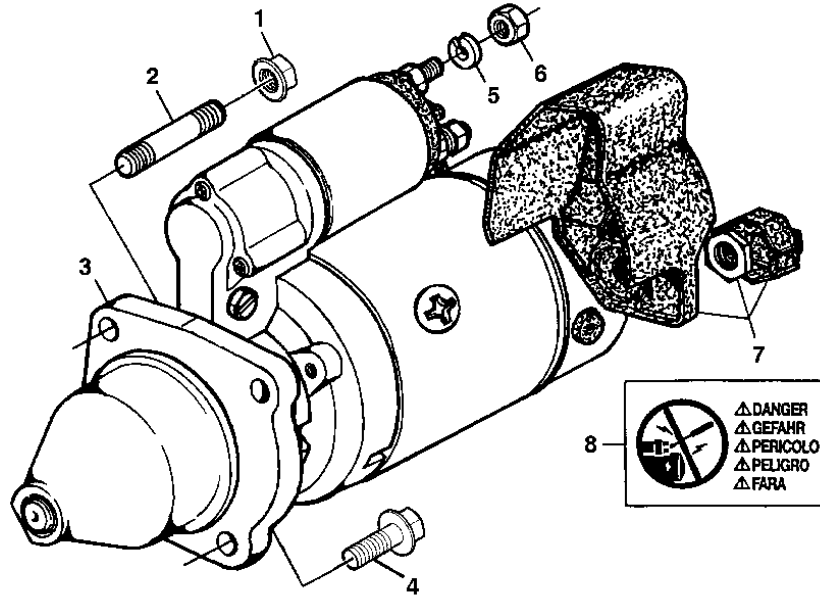
(A) SEE YOUR AUTHORIZED STARTER REPAIR STATION FOR PARTS NOT LISTED
 CONSULTER VOTRE REPARATEUR AGREE DE DEMARREUR POUR LES PIECES NON CATALOGUEES
 NICHT GEZEIGTE TEILE VON STARTER VETRETER BEZIEHEN
 PER LE PARTI NON ELENCAE, RIVOLGETEVI AL CENTRO AUTORIZZATO DI REPARAZIONE MOTORINO D'AVVIAM.
 CONSULTE CON SU ESTACION AUTORIZADA DE REPARACIONES DE MOTOR DE ARRANQUE
 RAADGOER MED EN AUTORISERAD SERVICEVERKSTAD BETRAFFANDE EJ UPPTAGNA

300-3

STARTER

3054
3054
3054
3054
3054
3054

CDP45816 -UN-



CDP45816

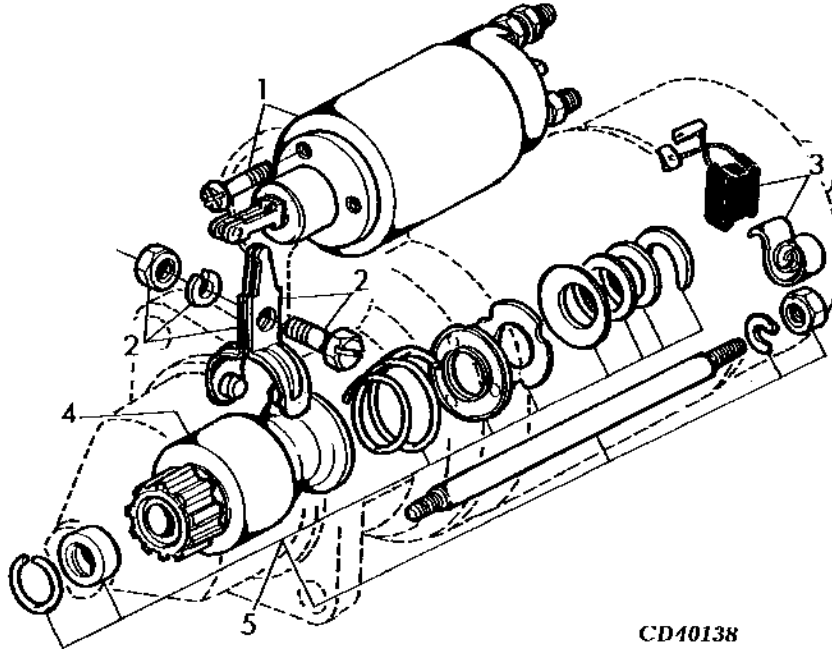
KEY	PART NO.	PART NAME	QTY.	ENGINE SERIAL NO.	REMARKS
				4 4 4	
				0 0 0	
				4 4 4	
				5 5 5	
				D H T	
1	14M7296	FLANGE NUT	1	X X X	M10
2	42M7058	STUD	1	X X X	M10 X 30
3	RE503119	STARTER MOTOR	1	X X X	(ISKRA, 24V - 4KW), NLA, (ORDER RE528929)
4	19M7786	SCREW	2	X X X	M10 X 30, (10.9)
5	12M7135	LOCK WASHER	1	X X X	10 MM
6	14M7274	NUT	1	X X X	M10
7	RT7700040288	COVER	1	X X X	
8	R116617	LABEL	1	X X X	BYPASS START,DEMARRAGE COURT-CIRCUITE, ANLASS-SICHERHEITSCHALTER,ACCENSIONE IN FOLLE,ARRANQUE POR DERIVACION,STARTSPEAR

300-4

STARTER

3054 - CONTINUED
 3054 - SUITE
 3054 - FORTSETZUNG
 3054 - SEGUITO
 3054 - CONTINUACION
 3054 - FORTS

CD40138 -UN-



CD40138

KEY	PART NO.	PART NAME	QTY.	ENGINE SERIAL NO.	D H T	REMARKS
1	RE503108	SOLENOID	1	4 4 4		
2	RE62666	SHIFTER	1	0 0 0		
3	RE500722	KIT	1	4 4 4		
				5 5 5		
4	RE62672	STARTER MOTOR DRIVE	1	X X X (A)		
5	RE62673	KIT	1	X X X (A)		

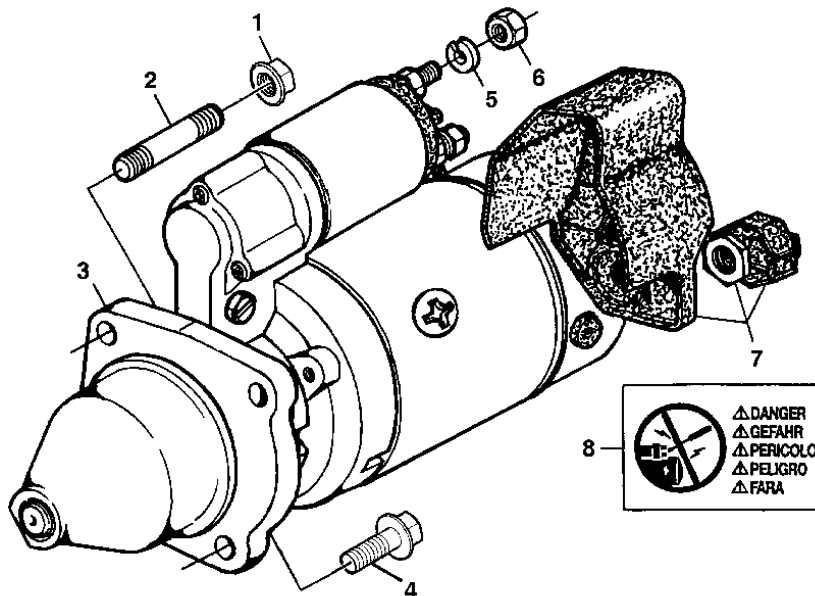
(A) SEE YOUR AUTHORIZED STARTER REPAIR STATION FOR PARTS NOT LISTED
 CONSULTER VOTRE REPARATEUR AGREE DE DEMARREUR POUR LES PIECES NON CATALOGUEES
 NICHT GEZEIGTE TEILE VON STARTER VETRETER BEZIEHEN
 PER LE PARTI NON ELENCAE, RIVOLGETEVI AL CENTRO AUTORIZZATO DI REPARAZIONE MOTORINO D'AVVIAM.
 CONSULTE CON SU ESTACION AUTORIZADA DE REPARACIONES DE MOTOR DE ARRANQUE
 RAADGOER MED EN AUTORISERAD SERVICEVERKSTAD BETRAFFANDE EJ UPPTAGNA

300-5

STARTER

3054
3054
3054
3054
3054
3054

CDP45816 -UN-



CDP45816

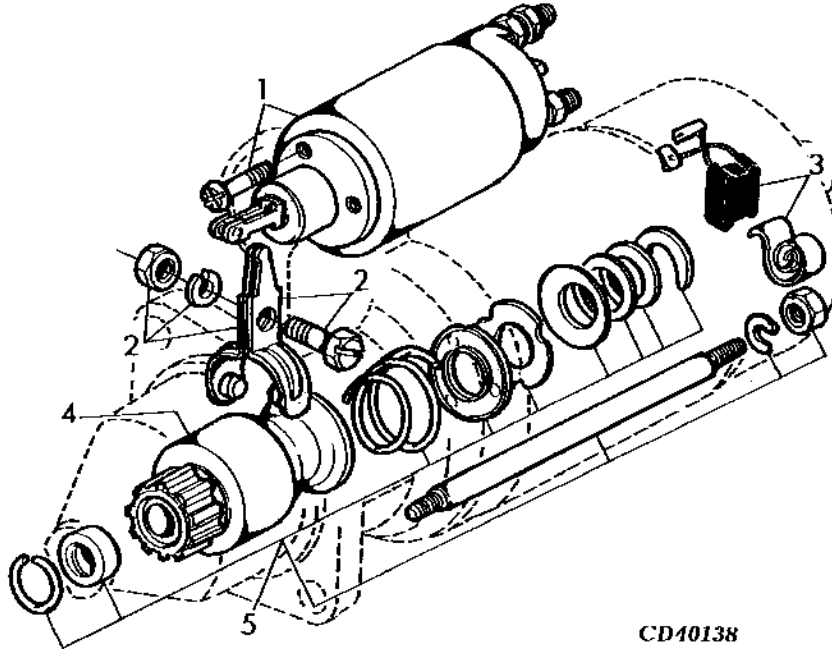
KEY	PART NO.	PART NAME	QTY.	ENGINE SERIAL NO.	REMARKS
1	14M7296	FLANGE NUT	1		X M10
2	42M7058	STUD	1		X M10 X 30
3	RE503119	STARTER MOTOR	1		X (ISKRA, 24V - 4KW), NLA. (ORDER RE528929)
4	19M7786	SCREW	2		X M10 X 30, (10.9)
5	12M7135	LOCK WASHER	1		X 10 MM
6	14M7274	NUT	1		X M10
7	RT7700040288	COVER	1		X
8	R116617	LABEL	1		X BYPASS START,DEMARRAGE COURT-CIRCUITE, ANLASS-SICHERHEITSCHALTER,ACCENSIONE IN FOLLE,ARRANQUE POR DERIVACION,STARTSPEAR

300-6

STARTER

3054 - CONTINUED
 3054 - SUITE
 3054 - FORTSETZUNG
 3054 - SEGUITO
 3054 - CONTINUACION
 3054 - FORTS

CD40138 -UN-



KEY	PART NO.	PART NAME	QTY.	ENGINE SERIAL NO.	REMARKS
1	RE503108	SOLENOID	1		X (A)
2	RE62666	SHIFTER	1		X (A)
3	RE500722	KIT	1		X (A) W/ (2) CARBON BRUSH CONDUCTOR, BALAI, KOHLEBUERSTE, SPAZZOLE DI CARBONE, ESCOBILLA, KOLBORSTE
4	RE62672	STARTER MOTOR DRIVE	1		X (A)
5	RE62673	KIT	1		X (A)

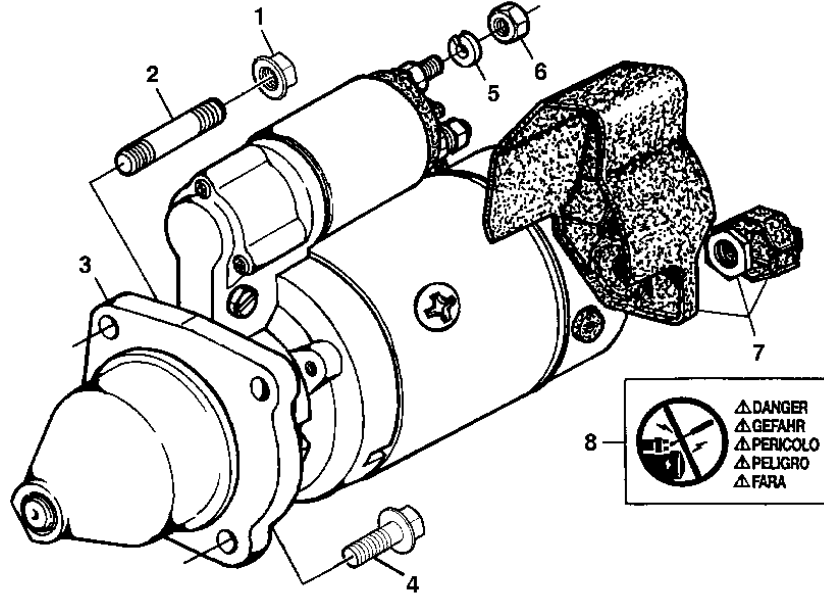
(A) SEE YOUR AUTHORIZED STARTER REPAIR STATION FOR PARTS NOT LISTED
 CONSULTER VOTRE REPARATEUR AGREE DE DEMARREUR POUR LES PIECES NON CATALOGUEES
 NICHT GEZEIGTE TEILE VON STARTER VETRETER BEZIEHEN
 PER LE PARTI NON ELENCAE, RIVOLGETEVI AL CENTRO AUTORIZZATO DI REPARAZIONE MOTORINO D'AVVIAM.
 CONSULTE CON SU ESTACION AUTORIZADA DE REPARACIONES DE MOTOR DE ARRANQUE
 RAADGOER MED EN AUTORISERAD SERVICEVERKSTAD BETRAFFANDE EJ UPPTAGNA

300-7

STARTER

3054
3054
3054
3054
3054
3054

CDP45816 -UN-



CDP45816

KEY	PART NO.	PART NAME	QTY.	ENGINE SERIAL NO.	REMARKS
1	14M7296	FLANGE NUT	1		
2	42M7058	STUD	1		
3	RE503119	STARTER MOTOR	1		
4	19M7786	SCREW	2		
5	12M7135	LOCK WASHER	1		
6	14M7274	NUT	1		
7	RT7700040288	COVER	1		
8	R116617	LABEL	1		

4 6
0 0
4 6
5 8
H H

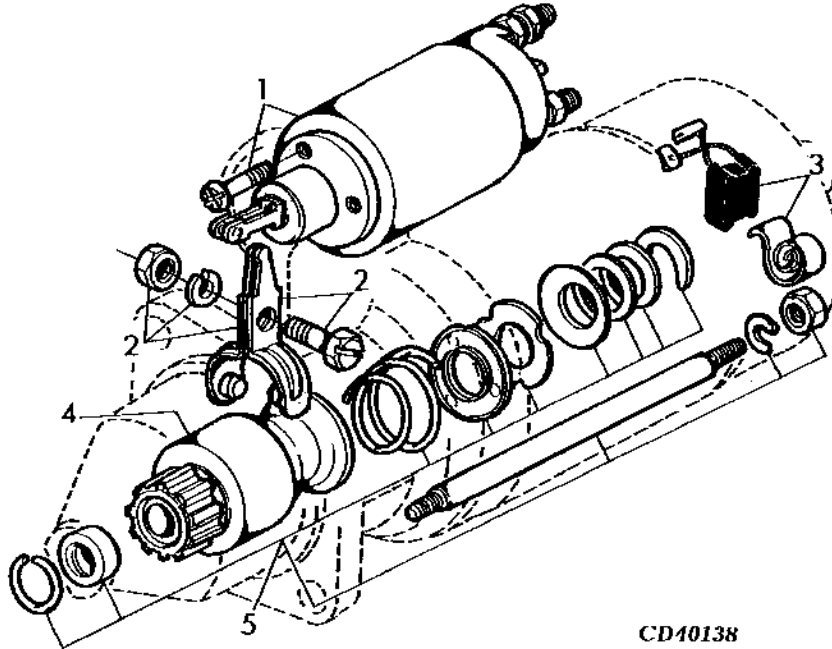
X X M10
X X M10 X 30
X X (ISKRA, 24V - 4KW), NLA, (ORDER RE528929)
X X M10 X 30, (10.9)
X X 10 MM
X X M10
X X
X X BYPASS START,DEMARRAGE COURT-CIRCUITE,
ANLASS-SICHERHEITSCHALTER,ACCENSIONE IN
FOLLE,ARRANQUE POR
DERIVACION,STARTSPEAR

300-8

STARTER

3054 - CONTINUED
 3054 - SUITE
 3054 - FORTSETZUNG
 3054 - SEGUITO
 3054 - CONTINUACION
 3054 - FORTS

CD40138 -UN-



CD40138

KEY	PART NO.	PART NAME	QTY.	ENGINE SERIAL NO.	REMARKS
				4 6	
				0 0	
				4 6	
				5 8	
				H H	
1	RE503108	SOLENOID	1		X X (A)
2	RE62666	SHIFTER	1		X X (A)
3	RE500722	KIT	1		X X (A) W/ (2) CARBON BRUSH CONDUCTOR, BALAI, KOHLEBUERSTE, SPAZZOLE DI CARBONE, ESCOBILLA, KOLBORSTE
4	RE62672	STARTER MOTOR DRIVE	1		X X (A)
5	RE62673	KIT	1		X X (A)

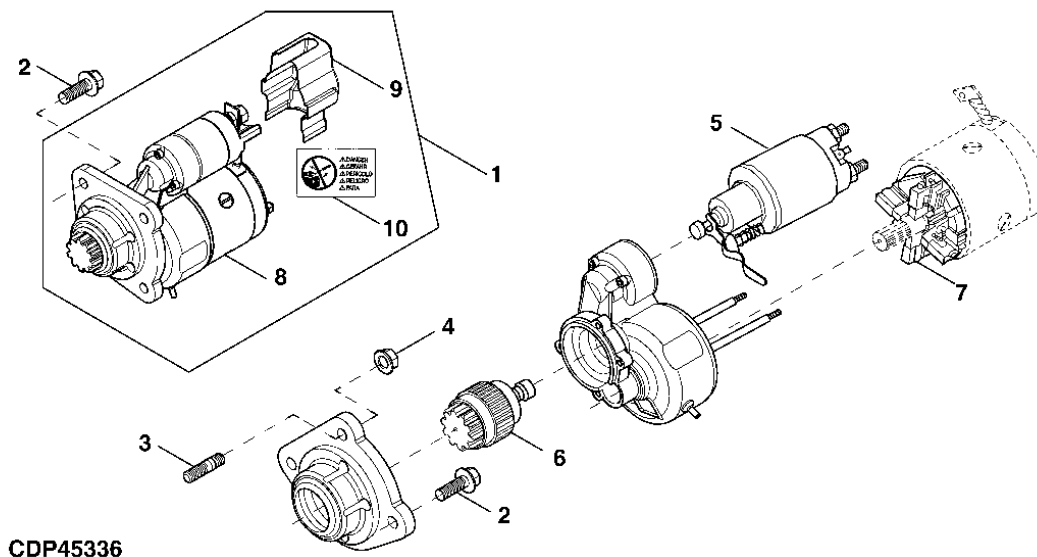
(A) SEE YOUR AUTHORIZED STARTER REPAIR STATION FOR PARTS NOT LISTED
 CONSULTER VOTRE REPARATEUR AGREE DE DEMARREUR POUR LES PIECES NON CATALOGUEES
 NICHT GEZEIGTE TEILE VON STARTER VETRETER BEZIEHEN
 PER LE PARTI NON ELENCAE, RIVOLGETEVI AL CENTRO AUTORIZZATO DI REPARAZIONE MOTORINO D'AVVIAM.
 CONSULTE CON SU ESTACION AUTORIZADA DE REPARACIONES DE MOTOR DE ARRANQUE
 RAADGOER MED EN AUTORISERAD SERVICEVERKSTAD BETRAFFANDE EJ UPPTAGNA

300-9

STARTER

3062
3062
3062
3062
3062

CDP45336 -UN-



KEY	PART NO.	PART NAME	QTY.	ENGINE SERIAL NO.	D H T	REMARKS
1	RE523502	STARTER MOTOR KIT	1			
2	19M7786	SCREW	2			
3	42M7058	STUD	1			
4	14M7296	FLANGE NUT	1			
5	RE508168	SOLENOID	1			
6	RE508169	STARTER MOTOR DRIVE	1			
7	RE516567	BRUSH	1			
8	STARTER MOTOR	1			
9	R516169	COVER	1			(ORDER RE523502)
10	R116617	LABEL	1			

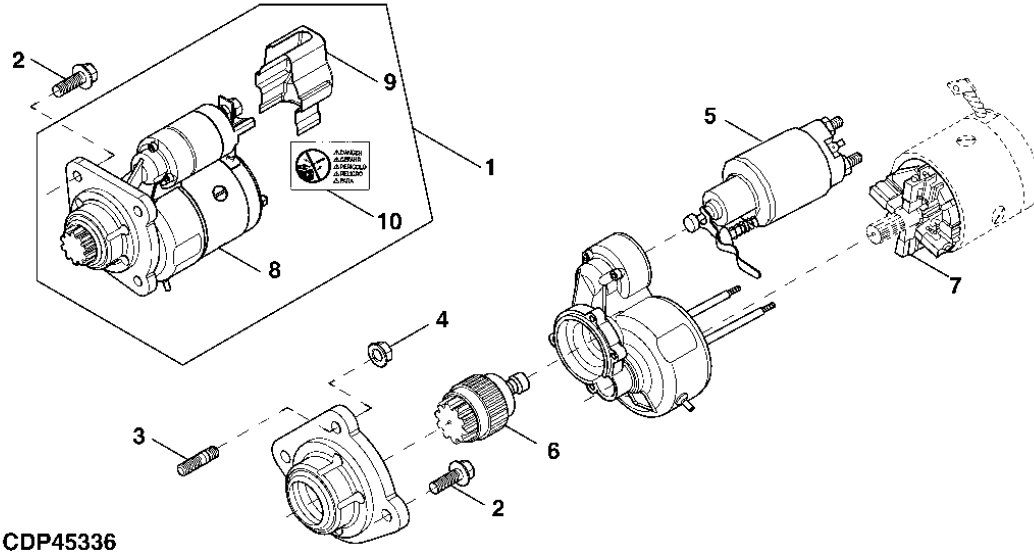
4 4 4
0 0 0
4 4 4
5 5 5

300-10

STARTER

3062 - CONTINUED
 3062 - SUITE
 3062 - FORTSETZUNG
 3062 - SEGUITO
 3062 - CONTINUACION
 3062 - FORTS

CDP45336 -UN-



CDP45336

KEY	PART NO.	PART NAME	QTY.	ENGINE SERIAL NO.	REMARKS
1	RE523502	STARTER MOTOR KIT	1		X 12V - 3KW, (SUB FOR RE518112)
2	19M7786	SCREW	2		X M10 X 30 (10.9)
3	42M7058	STUD	1		X LGTH 43MM X 3/8"-16UNC
4	14M7296	FLANGE NUT	1		X M10
5	RE508168	SOLENOID	1		X
6	RE508169	STARTER MOTOR DRIVE	1		X
7	RE516567	BRUSH	1		X
8	STARTER MOTOR	1		X (ORDER RE523502)
9	R516169	COVER	1		X
10	R116617	LABEL	1		X

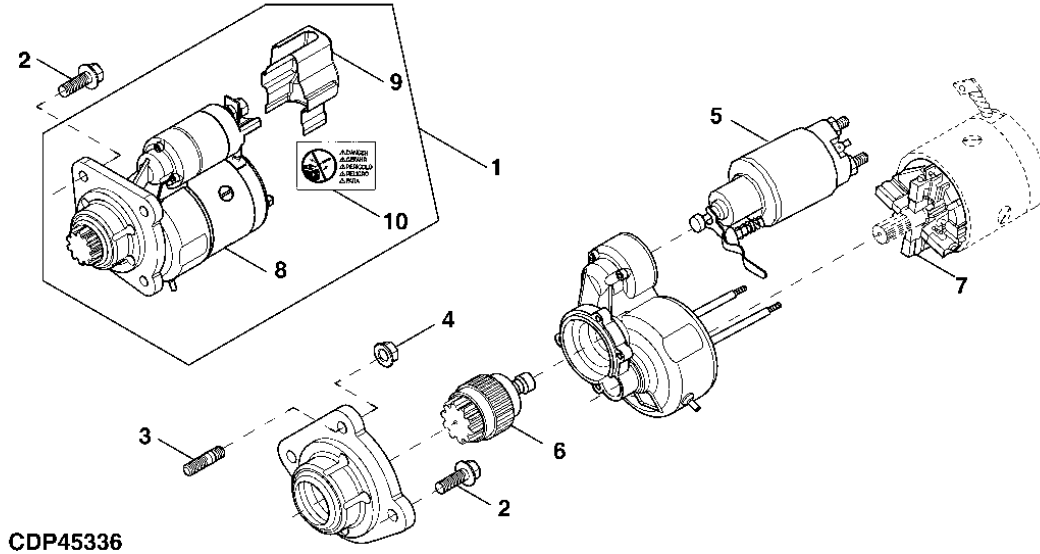
6
0
6
8
H

300-11

STARTER

3062 - CONTINUED
 3062 - SUITE
 3062 - FORTSETZUNG
 3062 - SEGUITO
 3062 - CONTINUACION
 3062 - FORTS

CDP45336 -UN-



CDP45336

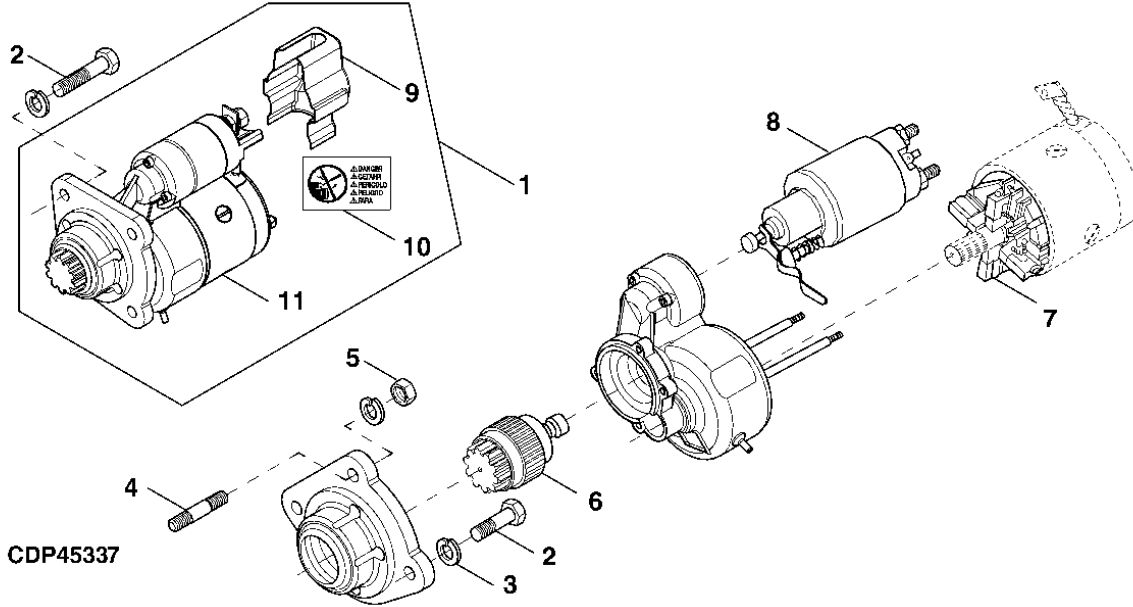
KEY	PART NO.	PART NAME	QTY.	ENGINE SERIAL NO.	REMARKS
1	RE523502	STARTER MOTOR KIT	1	4 6 0 0 4 6 5 8	X X 12V - 3KW, (SUB FOR RE518112)
2	19M7786	SCREW	2		X X M10 X 30 (10.9)
3	42M7058	STUD	1		X X LGTH 43MM X 3/8"-16UNC
4	14M7296	FLANGE NUT	1		X X M10
5	RE508168	SOLENOID	1		X X
6	RE508169	STARTER MOTOR DRIVE	1		X X
7	RE516567	BRUSH	1		X X
8	STARTER MOTOR	1		X X (ORDER RE523502)
9	R516169	COVER	1		X X
10	R116617	LABEL	1		X X

300-12

STARTER

3065
3065
3065
3065
3065
3065

CDP45337 -UN-



KEY	PART NO.	PART NAME	QTY.	ENGINE SERIAL NO.	REMARKS
1	RE523502	STARTER MOTOR KIT	1	X	(ISKRA, 12V - 3.1KW) (SUB FOR RE523502)
2	19H1732	CAP SCREW	2	X	9.525 X 31.750 MM
3	12H304	LOCK WASHER	3	X	9.525 MM LGTH 43MM X 3/8"-16UNC
4	L39334	STUD	1	X	
5	14H812	NUT	1	X	9.525 MM
6	RE508169	STARTER MOTOR DRIVE	1	X	
7	RE516567	BRUSH	1	X	
8	RE508168	SOLENOID	1	X	
9	R516169	COVER	1	X	
10	R116617	LABEL	1	X	
11	STARTER MOTOR	1	X	(ORDER RE523502)

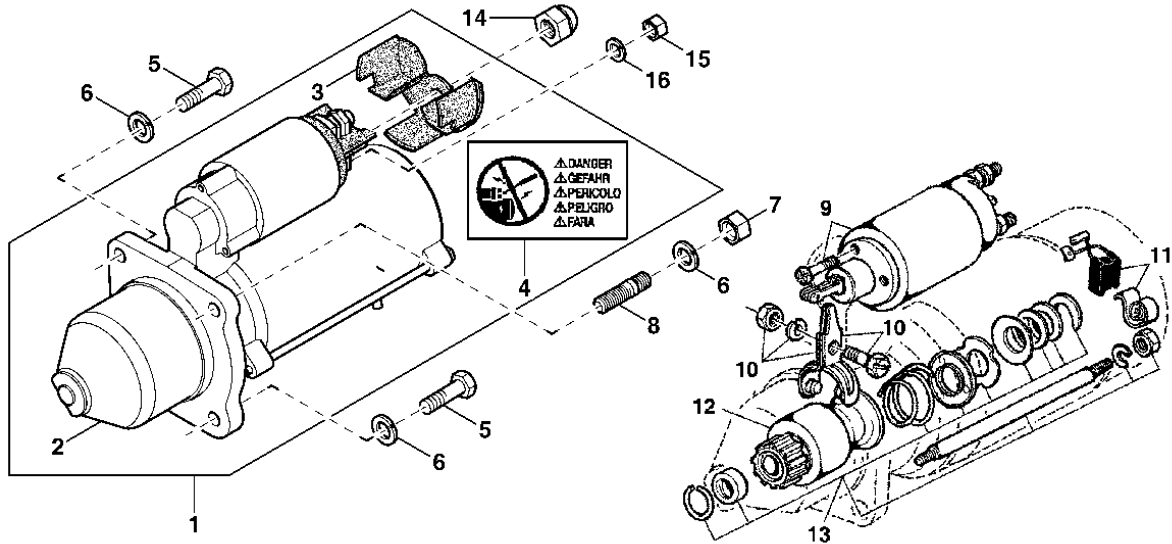
3
0
2
9
T

300-13

STARTER

3066
3066
3066
3066
3066
3066

CDP47075 -UN-



CDP47075

KEY	PART NO.	PART NAME	QTY.	ENGINE SERIAL NO.	REMARKS
				3	
				3 0 4	
				0 2 0	
				2 9 4	
				9 T 5	
1	RE528929	STARTER MOTOR KIT	1	X	
2	STARTER MOTOR	1	X	(A) (ISKRA, 24V - 4KW), NSEP, (MARKED RE528532) (ORDER RE528929)
3	R517440	COVER	1	X	
4	R116617	LABEL	1	X	BYPASS START, DEMARRAGE COURT-CIRCUITE, ANLASS-SICHERHEITSCHALTER, ACCENSIONE IN FOLL ARRANQUE POR DERIVACION, STARTSPEAR
5	19H3239	CAP SCREW	2	X	3/8" X 1-1/4"
6	12H304	LOCK WASHER	3	X	3/8"
7	14H1076	NUT	1	X	3/8"
8	L39334	STUD	1	X	LGTH= 43MM
9	RE503108	SOLENOID	1	X	
10	RE62666	SHIFTER	1	X	
11	RE500722	KIT	1	X	W/ (2) CARBON BRUSH CONDUCTOR, BALAI, KOHLEBUERSTE, SPAZZOLE DI CARBONE, ESCOBILLA, KOLBORSTE
12	RE62672	STARTER MOTOR DRIVE	1	X	
13	RE62673	KIT	1	X	
14	R135432	NUT	1	X	M10
15	14M7297	NUT	1	X	M5
16	12M7011	LOCK WASHER	1	X	0.197"

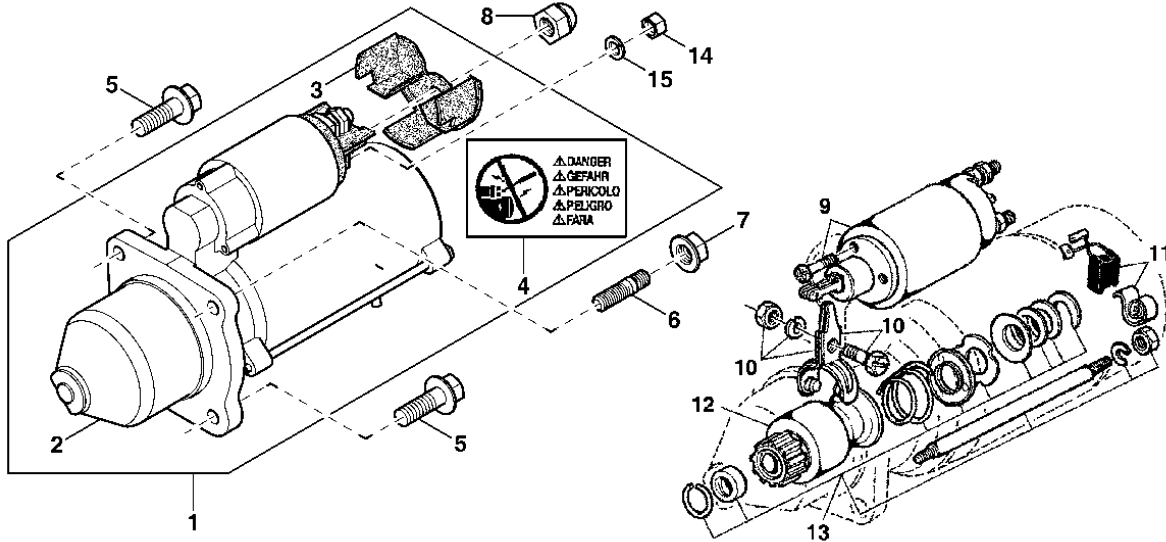
(A) SEE YOUR AUTHORIZED STARTER REPAIR STATION FOR PARTS NOT LISTED
 CONSULTEZ VOTRE REPARATEUR AGREE DE DEMARREUR POUR LES PIECES NON LISTEES
 NICHT GEZEIGTE TEILE VON STARTER VETRETER BEZIEHEN
 PER LE PARTI NON ELENCAATE, RIVOLGETEVI CENTRO AUTORIZZATO DI RIPARAZIONE MOTORINO AVVIAMENTO
 CONSULTE CON SU ESTACION AUTORIZADA DE REPARACIONES DE MOTOR DE ARRANQUE
 RAADGOER MED EN AUTORISERAD STARTMOTORSERVICEVERKSTAD BETRAEFFANDE EJ UPPTAGNA

300-14

STARTER

CDP47076 -UN-

3067
3067
3067
3067
3067
3067



CDP47076

KEY	PART NO.	PART NAME	QTY.	ENGINE SERIAL NO.	D H T	REMARKS
1	RE528929	STARTER MOTOR KIT	1		X X X	
2	STARTER MOTOR	1		X X X	(A) (ISKRA, 24V - 4KW), NSEP, (MARKED RE528532) (ORDER RE528929)
3	R517440	COVER	1		X X X	
4	R116617	LABEL	1		X X X	BYPASS START, DEMARRAGE COURT-CIRCUITE, ANLASS-SICHERHEITSCHALTER, ACCENSIONE IN FOLL ARRANQUE POR DERIVACION, STARTSPEAR
5	19M7786	SCREW	2		X X X	M10 X 30
6	42M7058	STUD	1		X X X	LGTH= 42MM
7	14M7296	FLANGE NUT	1		X X X	M10
8	R135432	NUT	1		X X X	M10
9	RE503108	SOLENOID	1		X X X	
10	RE62666	SHIFTER	1		X X X	
11	RE500722	KIT	1		X X X	W/ (2) CARBON BRUSH CONDUCTOR, BALAI, KOHLEBUEERSTE, SPAZZOLE DI CARBONE, ESCOBILLA, KOLBORSTE
12	RE62672	STARTER MOTOR DRIVE	1		X X X	
13	RE62673	KIT	1		X X X	
14	14M7297	NUT	1		X X X	M5
15	12M7011	LOCK WASHER	1		X X X	5 MM

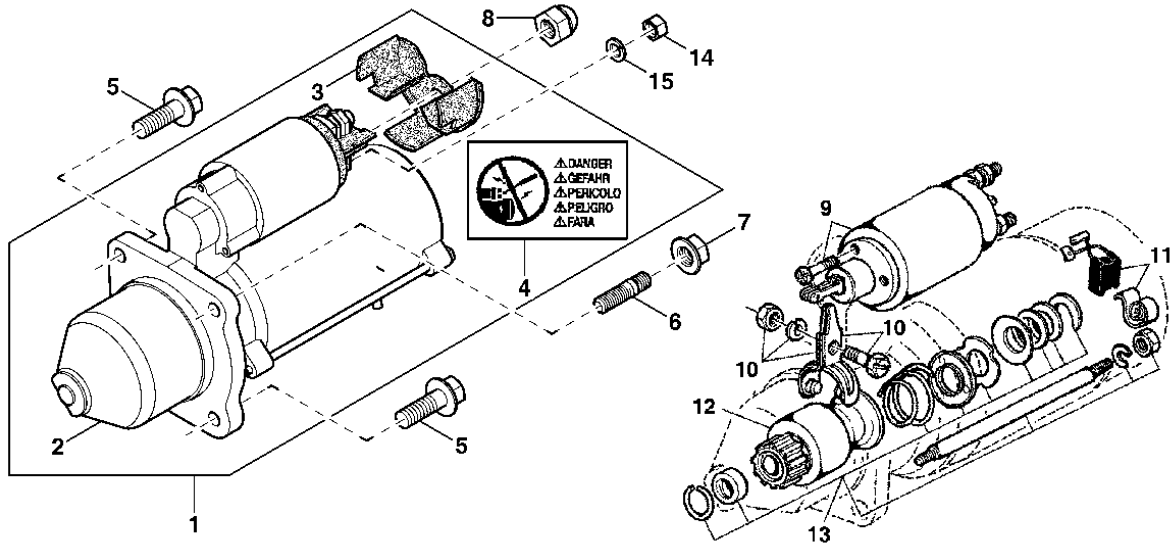
(A) SEE YOUR AUTHORIZED STARTER REPAIR STATION FOR PARTS NOT LISTED
 CONSULTEZ VOTRE REPARATEUR AGREE DE DEMARREUR POUR LES PIECES NON LISTEES
 NICHT GEZEIGTE TEILE VON STARTER VETRETER BEZIEHEN
 PER LE PARTI NON ELENCAE, RIVOLGETEVI CENTRO AUTORIZZATO DI RIPARAZIONE MOTORINO AVVIAMENTO
 CONSULTE CON SU ESTACION AUTORIZADA DE REPARACIONES DE MOTOR DE ARRANQUE
 RAADGOER MED EN AUTORISERAD STARTMOTORSERVICEVERKSTAD BETRAEFFANDE EJ UPPTAGNA

300-15

STARTER

3067
3067
3067
3067
3067
3067

CDP47076 -UN-



CDP47076

KEY	PART NO.	PART NAME	QTY.	ENGINE SERIAL NO.	6 0 6 8 H	REMARKS
1	RE528929	STARTER MOTOR KIT	1		X	
2	STARTER MOTOR	1		X	(A) (ISKRA, 24V - 4KW), NSEP, (MARKED RE528532) (ORDER RE528929)
3	R517440	COVER	1		X	
4	R116617	LABEL	1		X	BYPASS START, DEMARRAGE COURT-CIRCUITE, ANLASS-SICHERHEITSCHALTER, ACCENSIONE IN FOLL ARRANQUE POR DERIVACION, STARTSPEAR
5	19M7786	SCREW	2		X	M10 X 30
6	42M7058	STUD	1		X	LGTH= 42MM
7	14M7296	FLANGE NUT	1		X	M10
8	R135432	NUT	1		X	M10
9	RE503108	SOLENOID	1		X	
10	RE62666	SHIFTER	1		X	
11	RE500722	KIT	1		X	W/ (2) CARBON BRUSH CONDUCTOR, BALAI, KOHLEBUERSTE, SPAZZOLE DI CARBONE, ESCOBILLA, KOLBORSTE
12	RE62672	STARTER MOTOR DRIVE	1		X	
13	RE62673	KIT	1		X	
14	14M7297	NUT	1		X	M5
15	12M7011	LOCK WASHER	1		X	5 MM

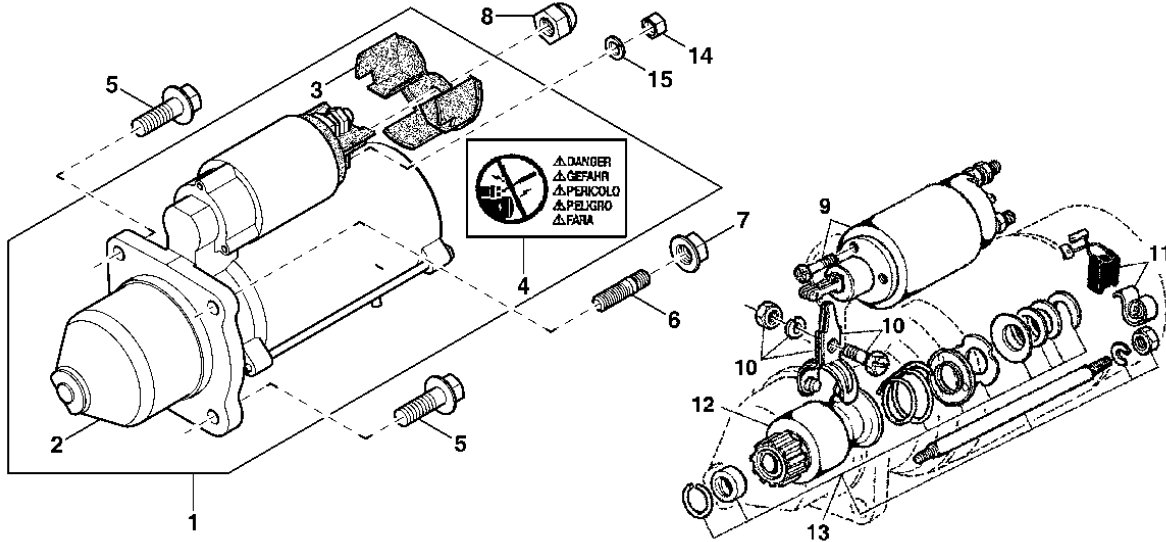
(A) SEE YOUR AUTHORIZED STARTER REPAIR STATION FOR PARTS NOT LISTED
 CONSULTEZ VOTRE REPARATEUR AGREE DE DEMARREUR POUR LES PIECES NON LISTEES
 NICHT GEZEIGTE TEILE VON STARTER VETRETER BEZIEHEN
 PER LE PARTI NON ELENCAATE, RIVOLGETEVI CENTRO AUTORIZZATO DI RIPARAZIONE MOTORINO AVVIAMENTO
 CONSULTE CON SU ESTACION AUTORIZADA DE REPARACIONES DE MOTOR DE ARRANQUE
 RAADGOER MED EN AUTORISERAD STARTMOTORSERVICEVERKSTAD BETRAEFFANDE EJ UPPTAGNA

300-16

STARTER

CDP47076 -UN-

3067
3067
3067
3067
3067
3067



CDP47076

KEY	PART NO.	PART NAME	QTY.	ENGINE SERIAL NO.	REMARKS
1	RE528929	STARTER MOTOR KIT	1		
2	STARTER MOTOR	1		
3	R517440	COVER	1		
4	R116617	LABEL	1		
5	19M7786	SCREW	2		
6	42M7058	STUD	1		
7	14M7296	FLANGE NUT	1		
8	R135432	NUT	1		
9	RE503108	SOLENOID	1		
10	RE62666	SHIFTER	1		
11	RE500722	KIT	1		
12	RE62672	STARTER MOTOR DRIVE	1		
13	RE62673	KIT	1		
14	14M7297	NUT	1		
15	12M7011	LOCK WASHER	1		

4 6
0 0
4 6
5 8
H H

(A) SEE YOUR AUTHORIZED STARTER REPAIR STATION FOR PARTS NOT LISTED
 CONSULTEZ VOTRE REPARATEUR AGREE DE DEMARREUR POUR LES PIECES NON LISTEES
 NICHT GEZEIGTE TEILE VON STARTER VETRETER BEZIEHEN
 PER LE PARTI NON ELENCAE, RIVOLGETEVI CENTRO AUTORIZZATO DI RIPARAZIONE MOTORINO AVVIAMENTO
 CONSULTE CON SU ESTACION AUTORIZADA DE REPARACIONES DE MOTOR DE ARRANQUE
 RAADGOER MED EN AUTORISERAD STARTMOTORSERVICEVERKSTAD BETRAEFFANDE EJ UPPTAGNA

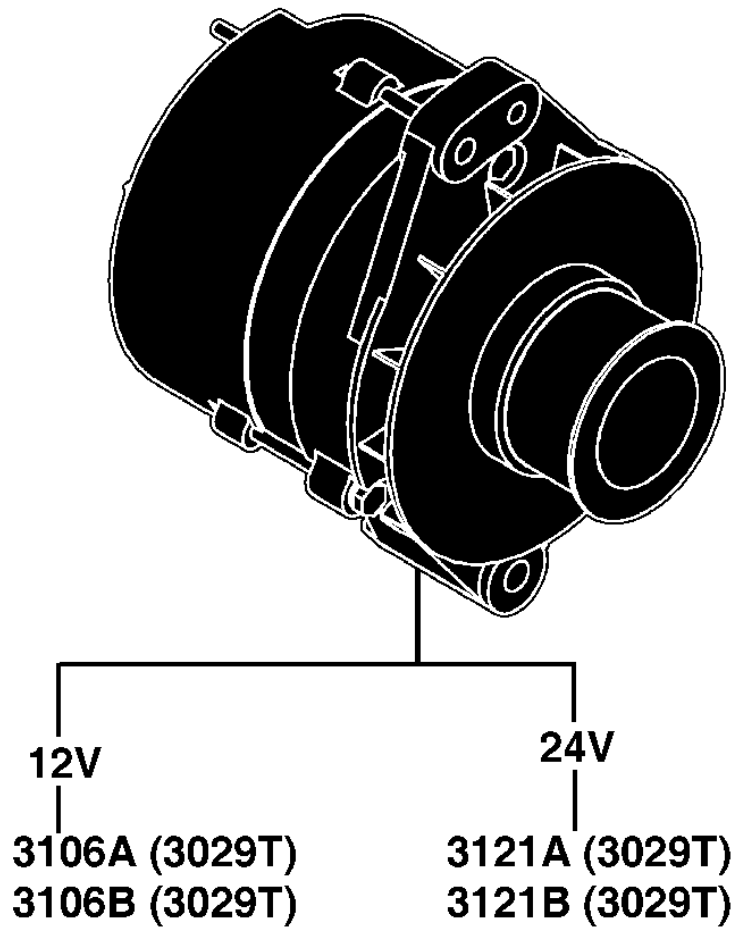
310-A01

ALTERNATOR

SECTIONAL INDEX
INDEX DE SECTION
GRUPPENINDEX
INDICE DELLA SEZIONE
INDICE DE SECCION
GRUPPSFORTECKNING

CDP46827A -UN-

3106A-	1
3106B-	2
3121A-	15
3121B-	16



CDP46827A

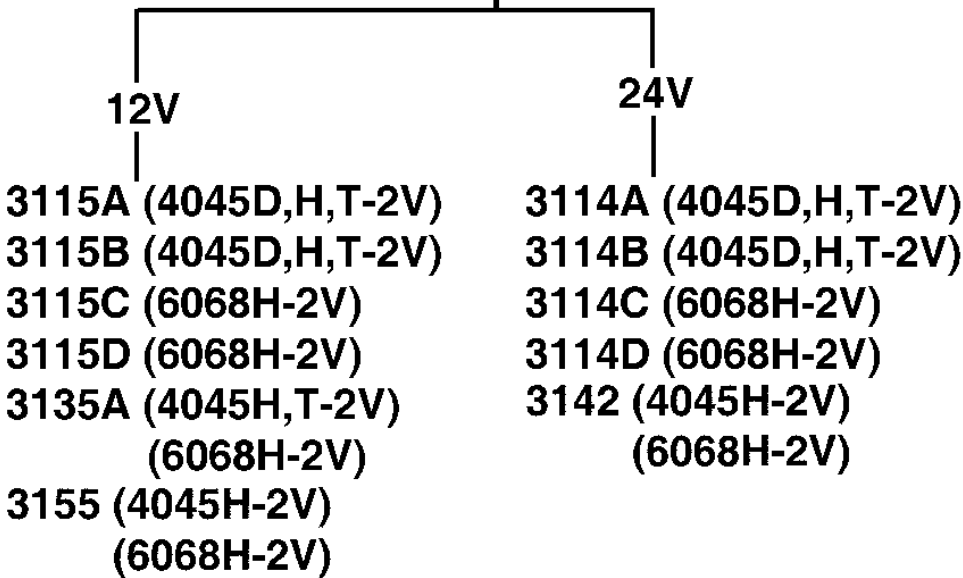
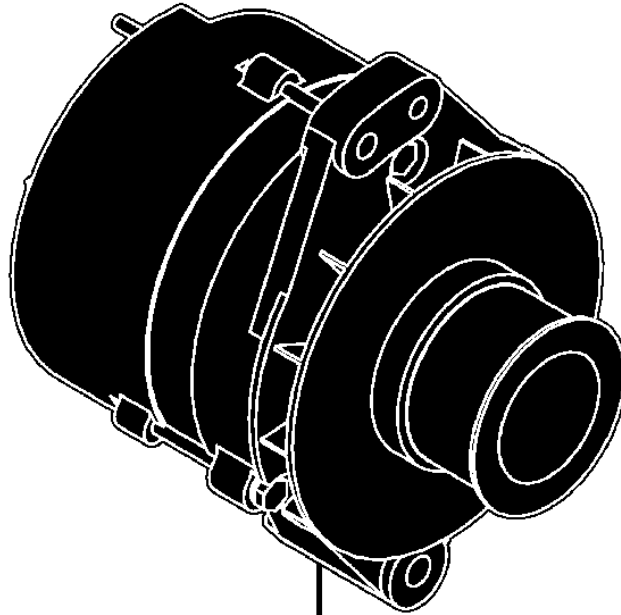
310-A02

ALTERNATOR

SECTIONAL INDEX
INDEX DE SECTION
GRUPPENINDEX
INDICE DELLA SEZIONE
INDICE DE SECCION
GRUPPSFORTECKNING

CDP46828B -UN-

3114A-	3
3114B-	4
3114C-	5
3114D-	6
3115A-	9
3115B-	10
3115C-	11
3115D-	12
3135A-	17
3142-	19
3155-	20



CDP46828B

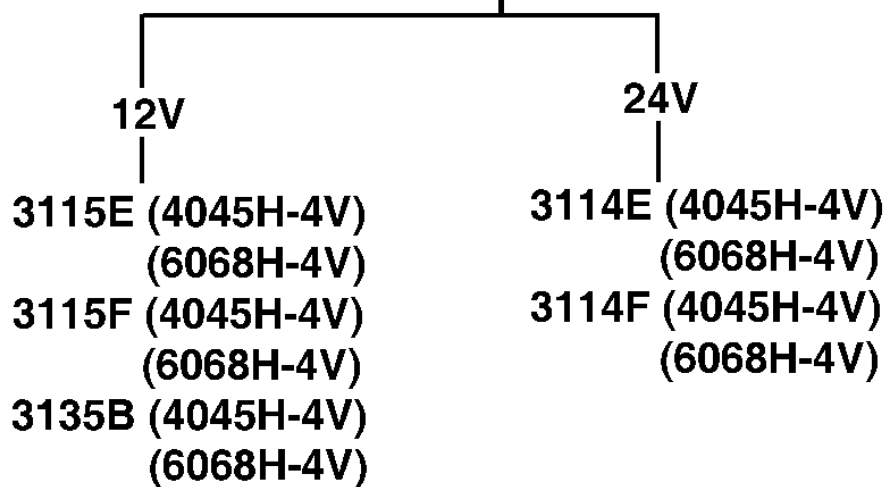
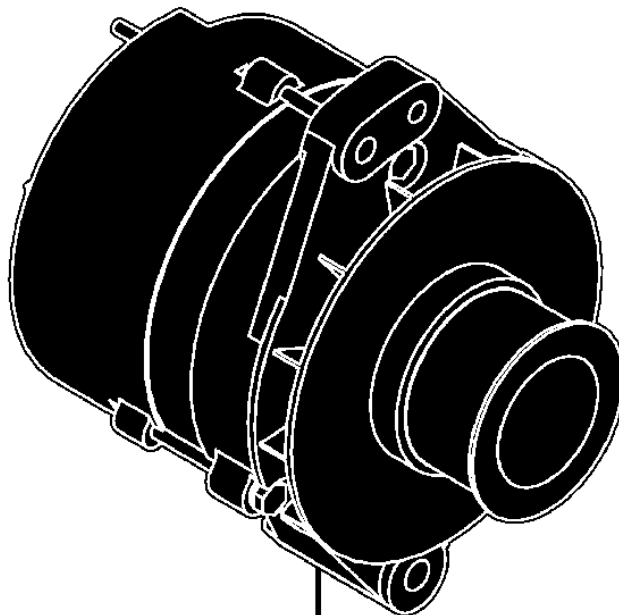
310-A03

ALTERNATOR

SECTIONAL INDEX
INDEX DE SECTION
GRUPPENINDEX
INDICE DELLA SEZIONE
INDICE DE SECCION
GRUPPSFORTECKNING

CDP46829A -UN-

3114E-	7
3114F-	8
3115E-	13
3115F-	14
3135B-	18



CDP46829A

310-A04

ALTERNATOR

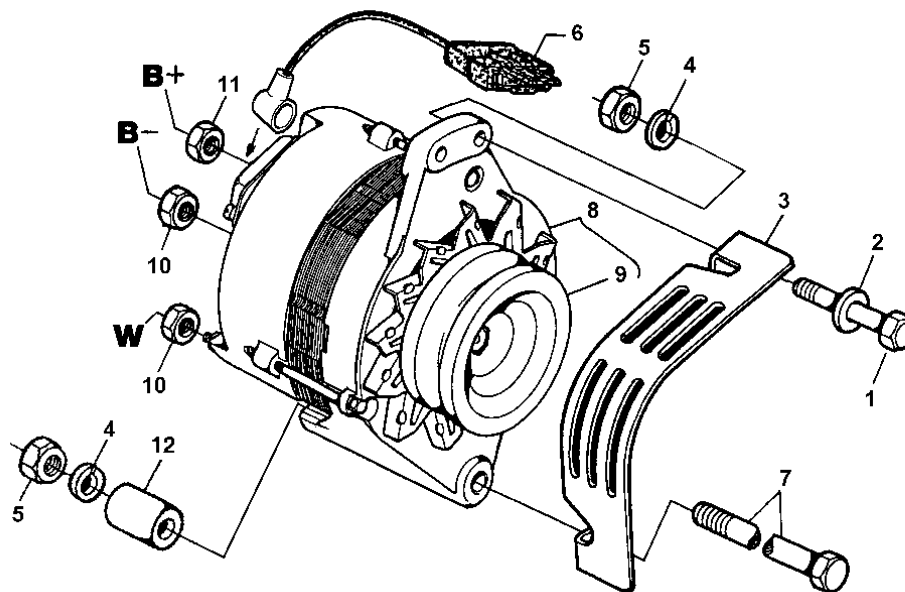
MEMORANDA
MEMORANDA
MEMORANDA
MEMORANDA
MEMORANDA
MEMORANDA

310-1

ALTERNATOR

3106
3106
3106
3106
3106
3106

CDP45917C -UN-



CDP45917C

KEY	PART NO.	PART NAME	QTY.	ENGINE SERIAL NO.	REMARKS
1	19H2569	CAP SCREW	1		X 5/16" X 1-5/8"
2	24H1292	WASHER	1		X 11/32" X 3/4" X 0.120"
3	SHIELD	NA		X
4	T2M7056	LOCK WASHER	2		X 8 MM
5	14H785	NUT	2		X 5/16"
6	RE506322	WIRING HARNESS	1		X 47 OHMS. (SUB FOR RE62627)
7	19H1897	CAP SCREW	1		X 5/16" X 3-3/4"
8	RE506197	ALTERNATOR	1		X (MAGNETON, 12V - 55A) (SUB RE506197) (ALSO ORDER RE506322)
9	R134417	PULLEY	1		X 11/16" X OD 88MM
10	14M7265	LOCK NUT	2		X M5
11	14M7165	LOCK NUT	1		X M6
12	T20280	WASHER	1		X 10.719 X 17.475 X 8.890 MM

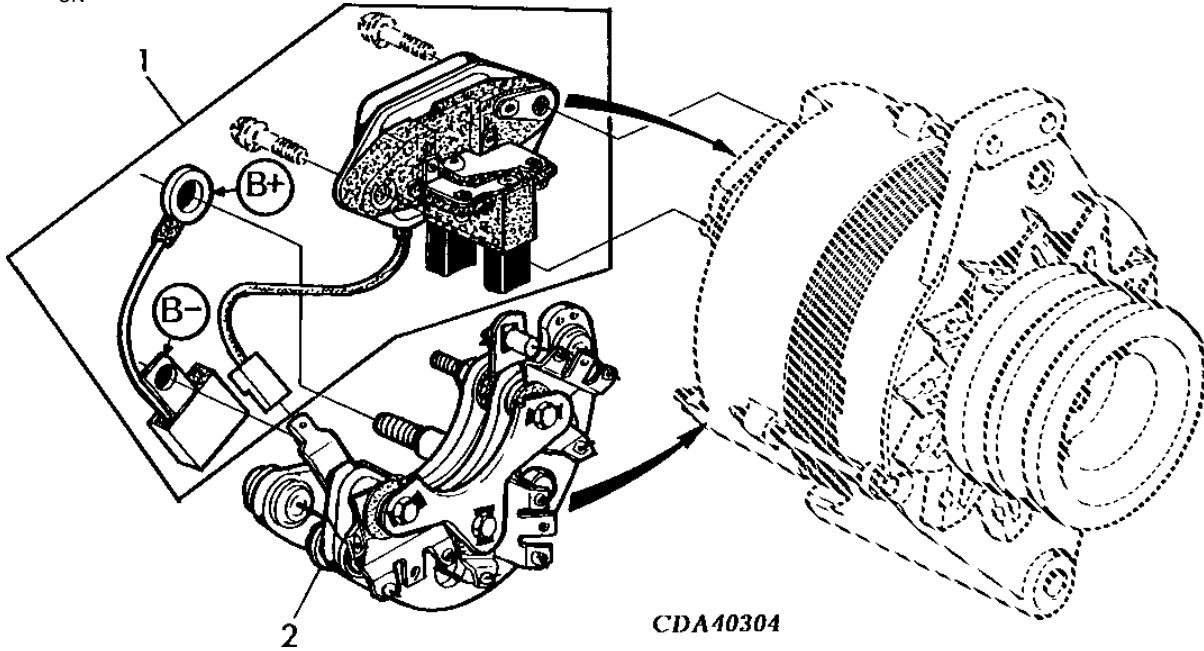
3
0
2
9
T

310-2

ALTERNATOR

3106 - CONTINUED
 3106 - SUITE
 3106 - FORTSETZUNG
 3106 - SEGUITO
 3106 - CONTINUATION
 3106 - FORTS

CDA40304 -UN-



CDA40304

3
0
2
9
T

KEY	PART NO.	PART NAME	QTY.	ENGINE SERIAL NO.	REMARKS
1	RE63497	REGULATOR	1	X (A) STD, 12V	
2	RE58515	DIODE	1	X (A) 12V	

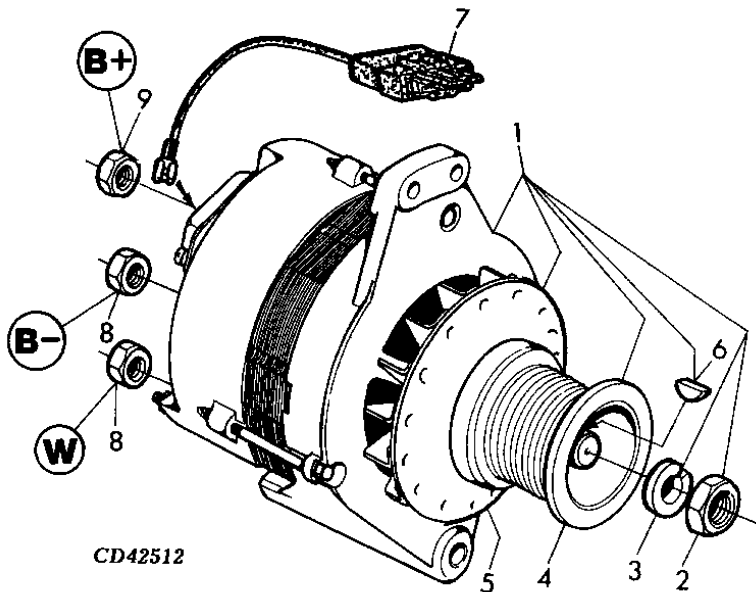
(A) SEE YOUR AUTHORIZED ALTERNATOR REPAIR STATION FOR PARTS NOT LISTED
 CONSULTER VOTRE REPARATEUR AGREE D'ALTERNATEUR POUR LES PIECES NON CATALOGUEES
 NICHT GEZEIGTE TEILE VON DREHSTROMGENERATOR VETRETER BEZIEHEN
 PER LE PARTI NON ELENCAE, RIVOLGETEVI AL CENTRO AUTORIZZATO DI REPARAZIONE ALTERNATORE
 CONSULTE CON SU ESTACION AUTORIDAZA DE REPARACIONES DE MOTOR DE ALTERNADOR
 RAADGOER MED EN AUTORISERAD SERVICEVERKSTAD BETRAEFFANDE EJ UPPTAGNA

310-3

ALTERNATOR

3114
3114
3114
3114
3114
3114

CD42512 -UN-



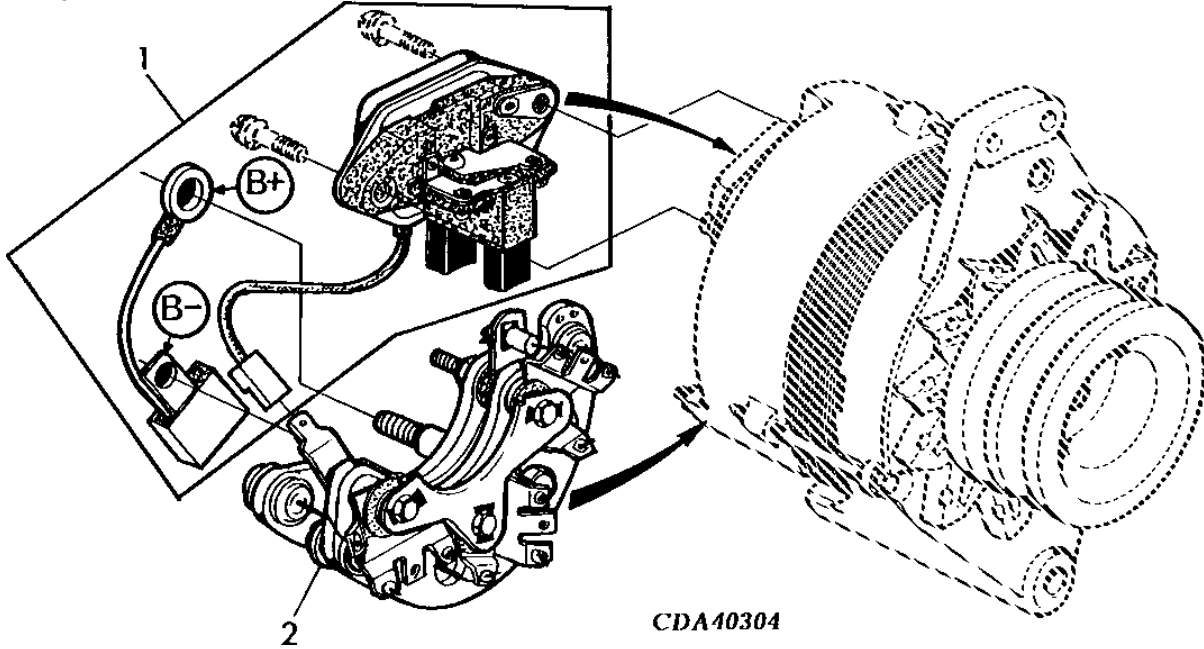
KEY	PART NO.	PART NAME	QTY.	ENGINE SERIAL NO.	D H T	REMARKS
					4 4 4	
					0 0 0	
					4 4 4	
					5 5 5	
1	RE503543	ALTERNATOR	1		X X X	(MAGNETON 443113516971, 24V - 40A)
2	14M7156	NUT	1		X X X	M14
3	12H317	LOCK WASHER	1		X X X	9/16"
4	R501192	PULLEY	1		X X X	
5	T158584	FAN	1		X X X	
6	SHAFT KEY	1		X X X	
7	RE71583	WIRING HARNESS	1		X X X	82 OHMS
8	14M7360	LOCK NUT	2		X X X	M5
9	14M7165	LOCK NUT	1		X X X	M6

310-4

ALTERNATOR

3114 - CONTINUED
 3114 - SUITE
 3114 - FORTSETZUNG
 3114 - SEGUITO
 3114 - CONTINUACION
 3114 - FORTS

CDA40304 -UN-



CDA40304

4 4 4
 0 0 0
 4 4 4
 5 5 5
 D H T

KEY	PART NO.	PART NAME	QTY.	ENGINE SERIAL NO.	REMARKS
1	RE500068	REGULATOR	1	X X X (A) (24V)	
2	RE500066	DIODE	1	X X X (A) (24V)	

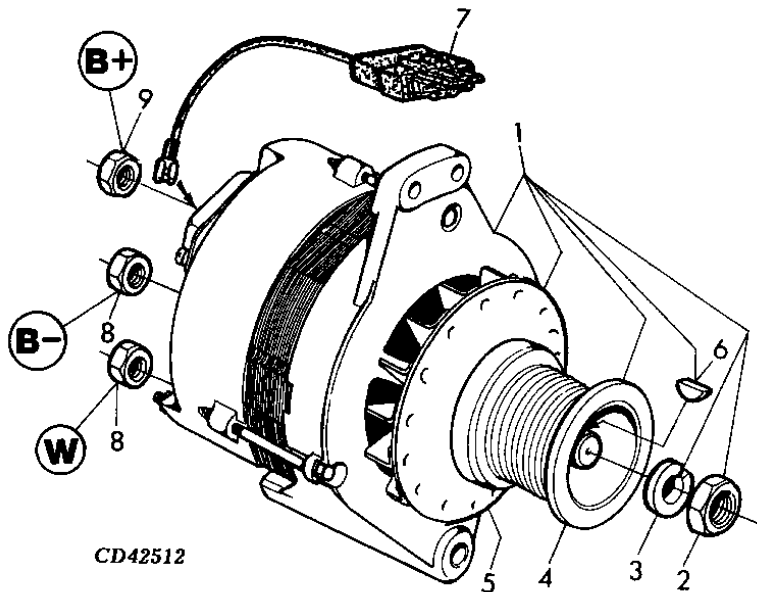
(A) SEE YOUR AUTHORIZED ALTERNATOR REPAIR STATION FOR PARTS NOT LISTED
 CONSULTER VOTRE REPARATEUR AGREE D'ALTERNATEUR POUR LES PIECES NON CATALOGUEES
 NICHT GEZEIGTE TEILE VON DREHSTROMGENERATOR VETRETER BEZIEHEN
 PER LE PARTI NON ELENCAE, RIVOLGETEVI AL CENTRO AUTORIZZATO DI REPARAZIONE ALTERNATORE
 CONSULTE CON SU ESTACION AUTORIDAZA DE REPARACIONES DE ALTERNADOR
 RAADGOER MED EN AUTORISERAD SERVICEVERKSTAD BETRAEFFANDE EJ UPPTAGNA

310-5

ALTERNATOR

3114
3114
3114
3114
3114
3114

CD42512 -UN-



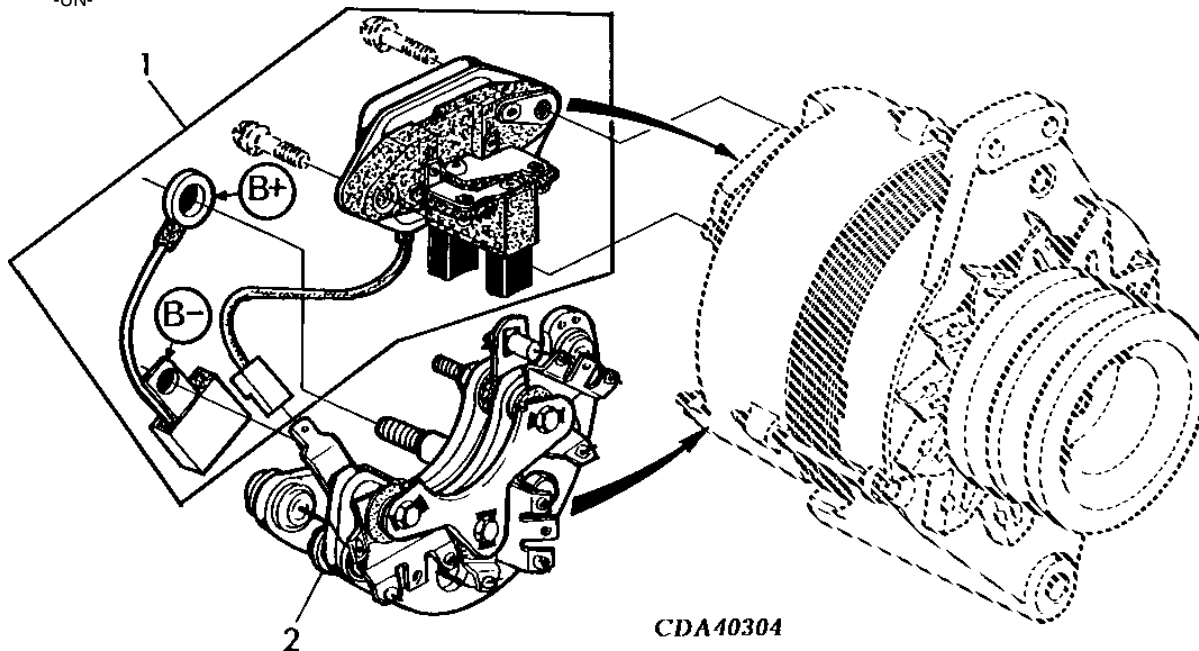
KEY	PART NO.	PART NAME	QTY.	ENGINE SERIAL NO.	6 0 6 8 H	REMARKS
1	RE503543	ALTERNATOR	1		X	(MAGNETON 443113516971, 24V - 40A)
2	14M7156	NUT	1		X	M14
3	12H317	LOCK WASHER	1		X	9/16"
4	R501192	PULLEY	1		X	
5	T158584	FAN	1		X	
6	SHAFT KEY	1		X	
7	RE71583	WIRING HARNESS	1		X	82 OHMS
8	14M7360	LOCK NUT	2		X	M5
9	14M7165	LOCK NUT	1		X	M6

310-6

ALTERNATOR

3114 - CONTINUED
 3114 - SUITE
 3114 - FORTSETZUNG
 3114 - SEGUITO
 3114 - CONTINUACION
 3114 - FORTS

CDA40304 -UN-



CDA40304

6
0
6
8
H

KEY	PART NO.	PART NAME	QTY.	ENGINE SERIAL NO.	REMARKS
1	RE500068	REGULATOR	1	X (A) (24V)	
2	RE500066	DIODE	1	X (A) (24V)	

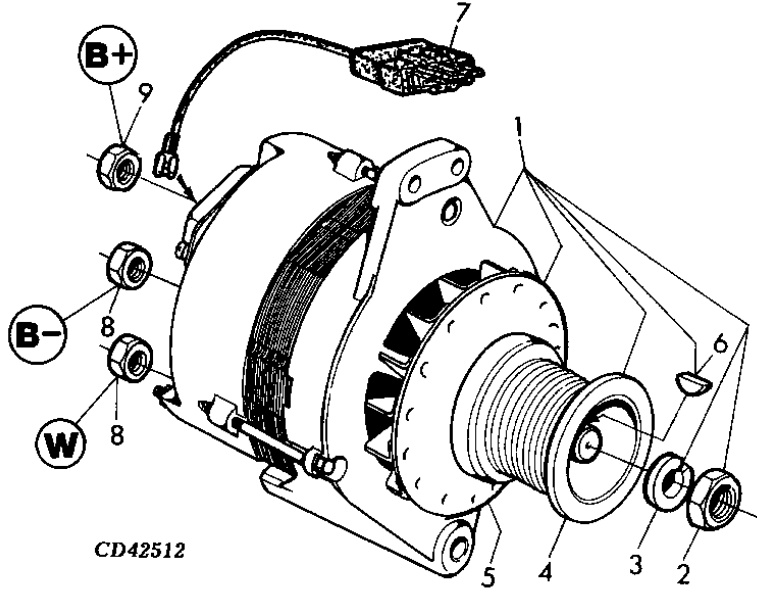
(A) SEE YOUR AUTHORIZED ALTERNATOR REPAIR STATION FOR PARTS NOT LISTED
 CONSULTER VOTRE REPARATEUR AGREE D'ALTERNATEUR POUR LES PIECES NON CATALOGUEES
 NICHT GEZEIGTE TEILE VON DREHSTROMGENERATOR VETRETER BEZIEHEN
 PER LE PARTI NON ELENCAE, RIVOLGETEVI AL CENTRO AUTORIZZATO DI REPARAZIONE ALTERNATORE
 CONSULTE CON SU ESTACION AUTORIDAZA DE REPARACIONES DE ALTERNADOR
 RAADGOER MED EN AUTORISERAD SERVICEVERKSTAD BETRAEFFANDE EJ UPPTAGNA

310-7

ALTERNATOR

3114
3114
3114
3114
3114
3114

CD42512 -UN-



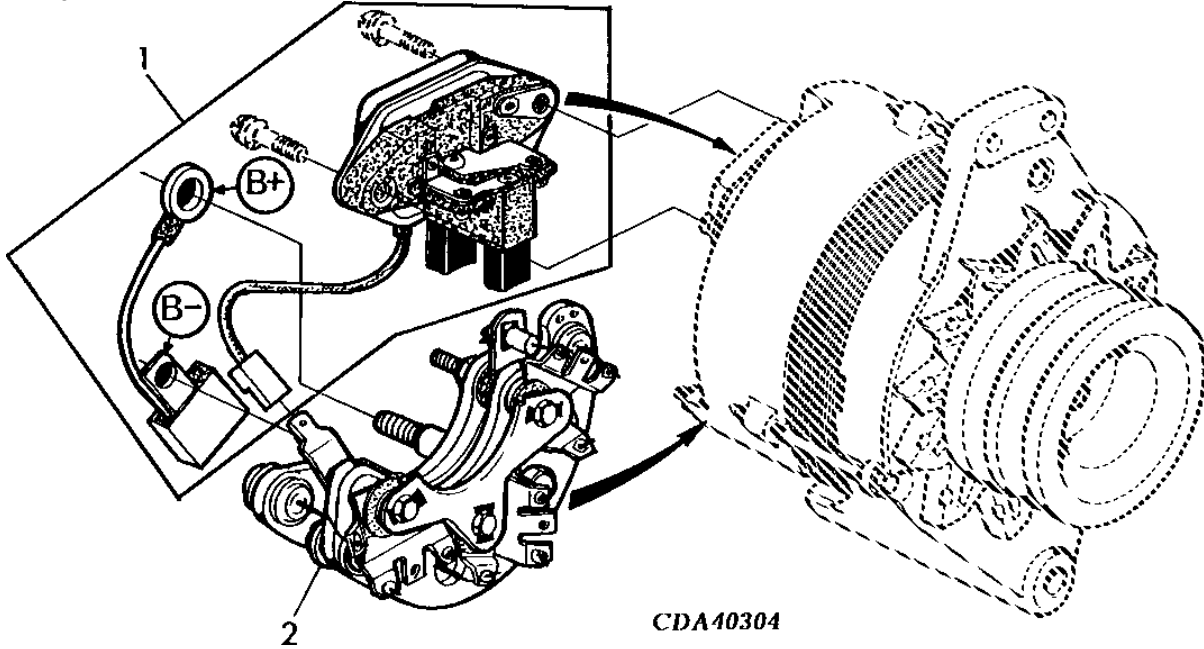
KEY	PART NO.	PART NAME	QTY.	ENGINE SERIAL NO.	REMARKS
				4 6	
				0 0	
				4 6	
				5 8	
				H H	
1	RE503543	ALTERNATOR	1		X X (MAGNETON 443113516971, 24V - 40A)
2	14M7156	NUT	1		X X M14
3	12H317	LOCK WASHER	1		X X 9/16"
4	R501192	PULLEY	1		X X
5	T158584	FAN	1		X X
6	SHAFT KEY	1		X X
7	RE71583	WIRING HARNESS	1		X X 82 OHMS
8	14M7360	LOCK NUT	2		X X M5
9	14M7165	LOCK NUT	1		X X M6

310-8

ALTERNATOR

3114 - CONTINUED
 3114 - SUITE
 3114 - FORTSETZUNG
 3114 - SEGUITO
 3114 - CONTINUACION
 3114 - FORTS

CDA40304 -UN-



CDA40304

4 6
 0 0
 4 6
 5 8
 H H

KEY	PART NO.	PART NAME	QTY.	ENGINE SERIAL NO.	REMARKS
1	RE500068	REGULATOR	1	X X (A) (24V)	
2	RE500066	DIODE	1	X X (A) (24V)	

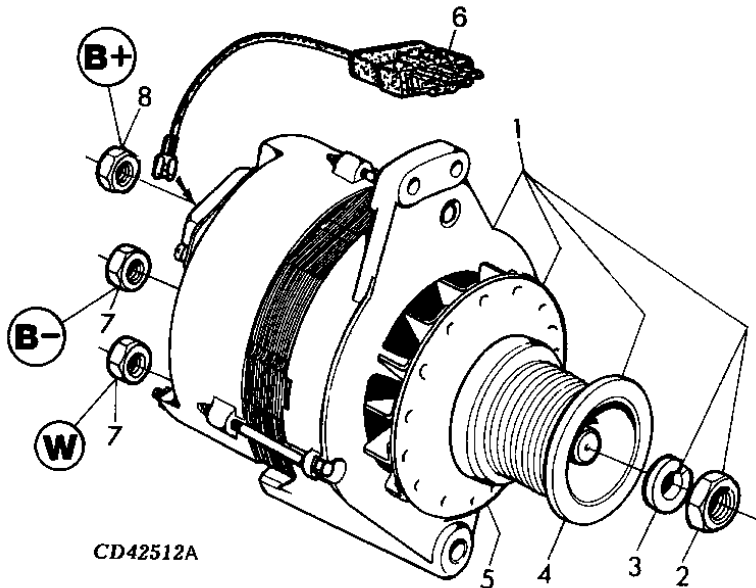
(A) SEE YOUR AUTHORIZED ALTERNATOR REPAIR STATION FOR PARTS NOT LISTED
 CONSULTER VOTRE REPARATEUR AGREE D'ALTERNATEUR POUR LES PIECES NON CATALOGUEES
 NICHT GEZEIGTE TEILE VON DREHSTROMGENERATOR VETRETER BEZIEHEN
 PER LE PARTI NON ELENCAE,RIVOLGETEVI AL CENTRO AUTORIZZATO DI REPARAZIONE ALTERNATORE
 CONSULTE CON SU ESTACION AUTORIDAZA DE REPARACIONES DE ALTERNADOR
 RAADGOER MED EN AUTORISERAD SERVICEVERKSTAD BETRAEFFANDE EJ UPPTAGNA

310-9

ALTERNATOR

3115
3115
3115
3115
3115
3115

CD42512A -UN-



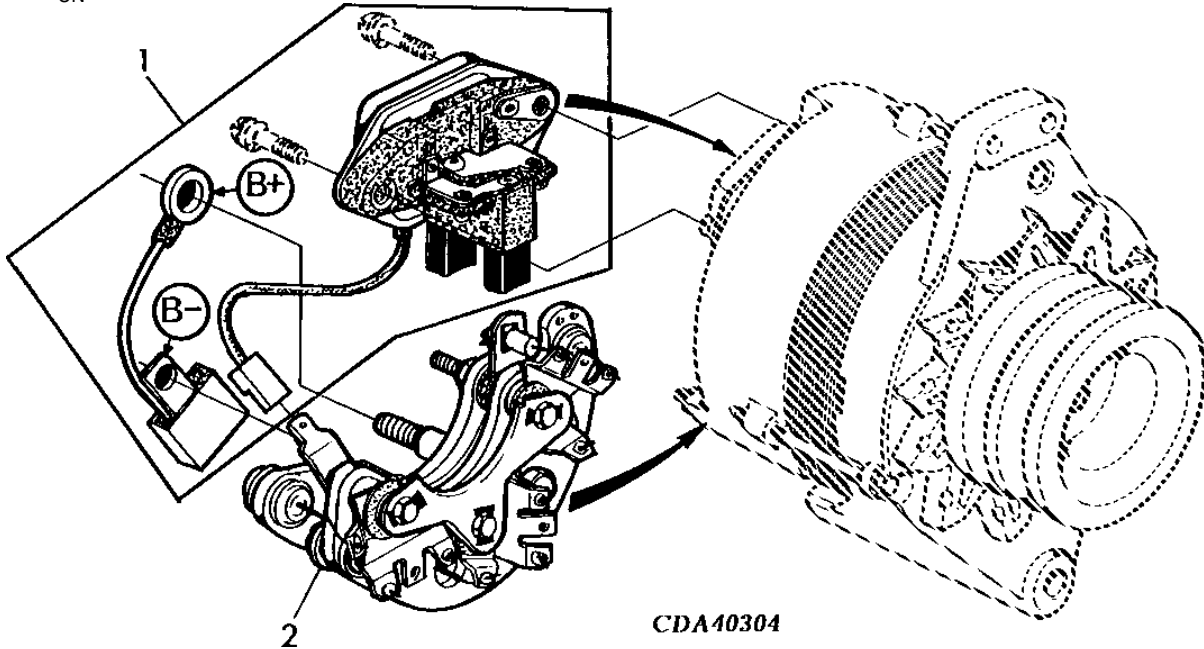
KEY	PART NO.	PART NAME	QTY.	ENGINE SERIAL NO.	D H T	REMARKS
1	RE506196	ALTERNATOR	1		4 4 4 0 0 0 4 4 4 5 5 5	
2	14M7156	NUT	1		X X X	(MAGNETON, 12V - 55A) (ALSO ORDER RE506322)
3	12H317	LOCK WASHER	1		X X X	M14
4	R501192	PULLEY	1		X X X	9/16"
5	T158584	FAN	1		X X X	
6	RE506322	WIRING HARNESS	1		X X X	(USE WITH RE506196) 47 OHMS
7	14M7360	LOCK NUT	1		X X X	M5
8	14M7165	LOCK NUT	1		X X X	M6

310-10

ALTERNATOR

3115 - CONTINUED
 3115 - SUITE
 3115 - FORTSETZUNG
 3115 - SEGUITO
 3115 - CONTINUATION
 3115 - FORTS

CDA40304 -UN-



CDA40304

4 4 4
 0 0 0
 4 4 4
 5 5 5
 D H T

KEY	PART NO.	PART NAME	QTY.	ENGINE SERIAL NO.	REMARKS
1	RE63497	REGULATOR	1		X X X (A) STD, 12V
2	RE58515	DIODE	1		X X X (A) 12V

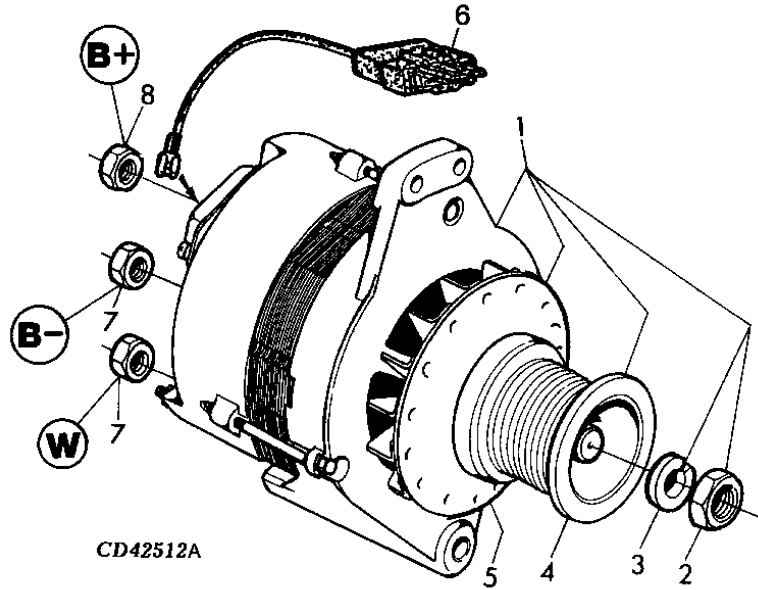
(A) SEE YOUR AUTHORIZED ALTERNATOR REPAIR STATION FOR PARTS NOT LISTED
 CONSULTER VOTRE REPARATEUR AGREE D'ALTERNATEUR POUR LES PIECES NON CATALOGUEES
 NICHT GEZEIGTE TEILE VON DREHSTROMGENERATOR VETRETER BEZIEHEN
 PER LE PARTI NON ELENCAE, RIVOLGETEVI AL CENTRO AUTORIZZATO DI REPARAZIONE ALTERNATORE
 CONSULTE CON SU ESTACION AUTORIDAZA DE REPARACIONES DE MOTOR DE ALTERNADOR
 RAADGOER MED EN AUTORISERAD SERVICEVERKSTAD BETRAEFFANDE EJ UPPTAGNA

310-11

ALTERNATOR

3115
3115
3115
3115
3115
3115

CD42512A -UN-



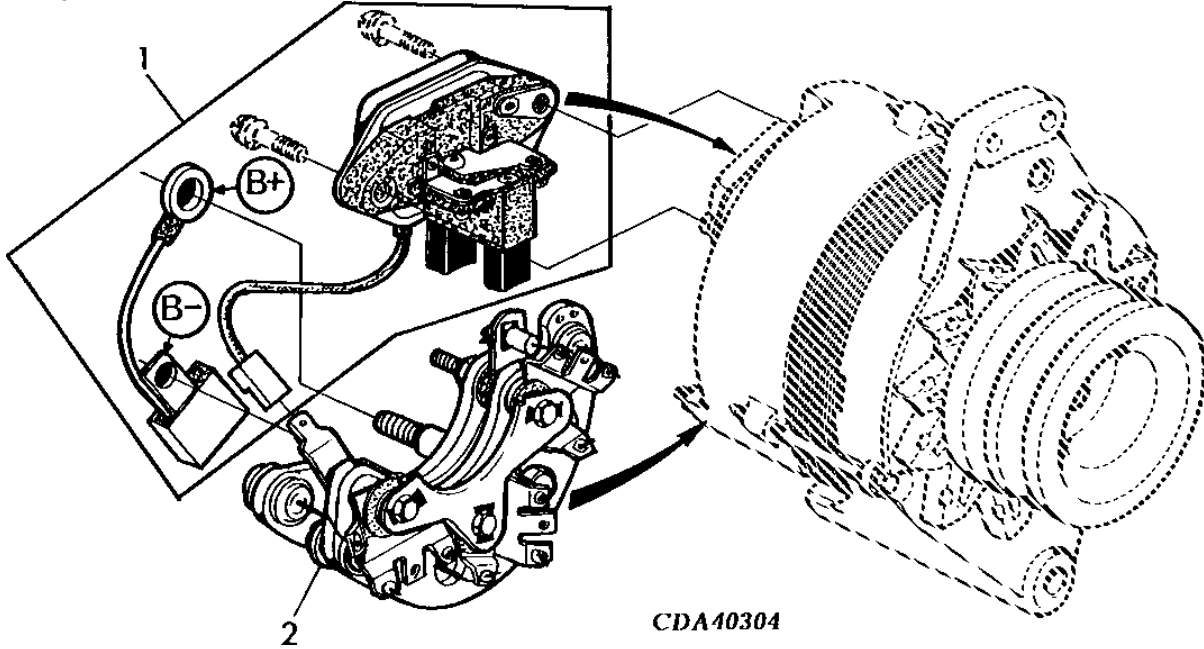
KEY	PART NO.	PART NAME	QTY.	ENGINE SERIAL NO.	6 0 6 8 H	REMARKS
1	RE506196	ALTERNATOR	1		X	(MAGNETON, 12V - 55A) (ALSO ORDER RE506322)
2	14M7156	NUT	1		X	M14
3	12H317	LOCK WASHER	1		X	9/16"
4	R501192	PULLEY	1		X	
5	T158584	FAN	1		X	
6	RE506322	WIRING HARNESS	1		X	(USE WITH RE506196) 47 OHMS
7	14M7360	LOCK NUT	1		X	M5
8	14M7165	LOCK NUT	1		X	M6

310-12

ALTERNATOR

3115 - CONTINUED
 3115 - SUITE
 3115 - FORTSETZUNG
 3115 - SEGUITO
 3115 - CONTINUATION
 3115 - FORTS

CDA40304 -UN-



CDA40304

KEY	PART NO.	PART NAME	QTY.	ENGINE SERIAL NO.	6 0 6 8 H	REMARKS
1	RE63497	REGULATOR	1		X (A) STD, 12V	
2	RE58515	DIODE	1		X (A) 12V	

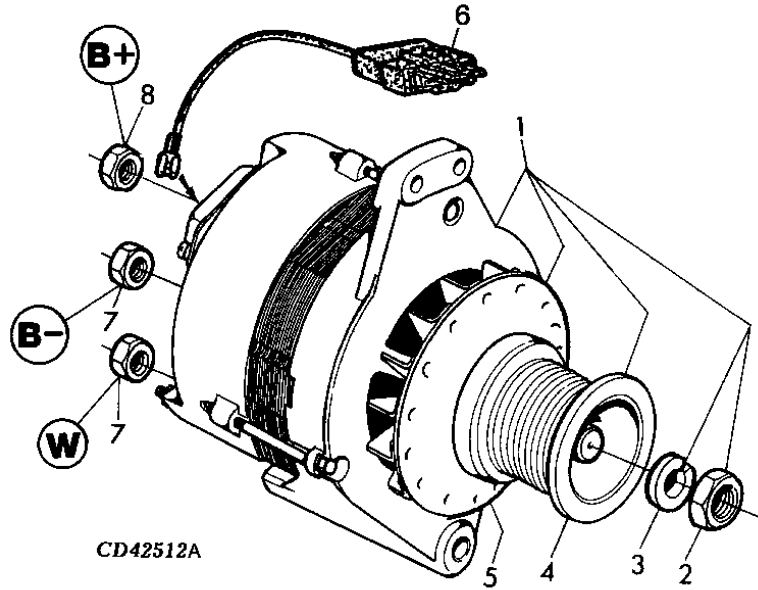
(A) SEE YOUR AUTHORIZED ALTERNATOR REPAIR STATION FOR PARTS NOT LISTED
 CONSULTER VOTRE REPARATEUR AGREE D'ALTERNATEUR POUR LES PIECES NON CATALOGUEES
 NICHT GEZEIGTE TEILE VON DREHSTROMGENERATOR VETRETER BEZIEHEN
 PER LE PARTI NON ELENCAE, RIVOLGETEVI AL CENTRO AUTORIZZATO DI REPARAZIONE ALTERNATORE
 CONSULTE CON SU ESTACION AUTORIDAZA DE REPARACIONES DE MOTOR DE ALTERNADOR
 RAADGOER MED EN AUTORISERAD SERVICEVERKSTAD BETRAEFFANDE EJ UPPTAGNA

310-13

ALTERNATOR

3115
3115
3115
3115
3115
3115

CD42512A -UN-



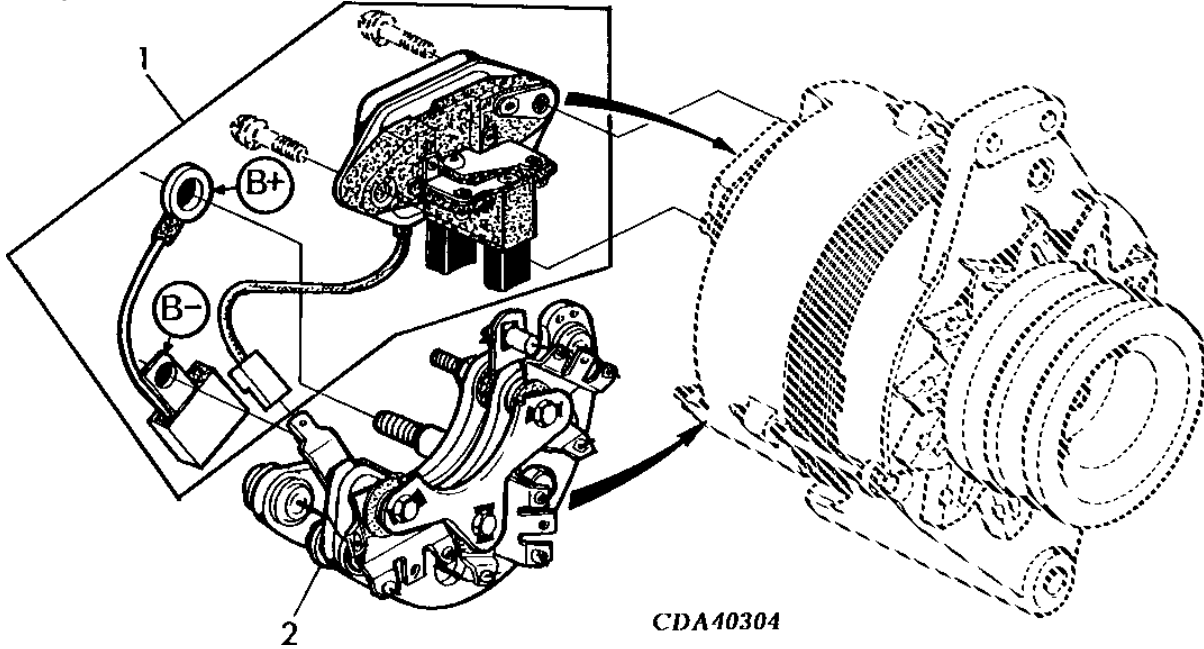
KEY	PART NO.	PART NAME	QTY.	ENGINE SERIAL NO.	REMARKS
				4 6 0 0 4 6 5 8 H H	
1	RE506196	ALTERNATOR	1		X X (MAGNETON, 12V - 55A) (ALSO ORDER RE506322)
2	14M7156	NUT	1		X X M14
3	12H317	LOCK WASHER	1		X X 9/16"
4	R501192	PULLEY	1		X X
5	T158584	FAN	1		X X
6	RE506322	WIRING HARNESS	1		X X (USE WITH RE506196) 47 OHMS
7	14M7360	LOCK NUT	1		X X M5
8	14M7165	LOCK NUT	1		X X M6

310-14

ALTERNATOR

3115 - CONTINUED
 3115 - SUITE
 3115 - FORTSETZUNG
 3115 - SEGUITO
 3115 - CONTINUATION
 3115 - FORTS

CDA40304 -UN-



KEY	PART NO.	PART NAME	QTY.	ENGINE SERIAL NO.	REMARKS
1	RE63497	REGULATOR	1	X X (A) STD, 12V	
2	RE58515	DIODE	1	X X (A) 12V	

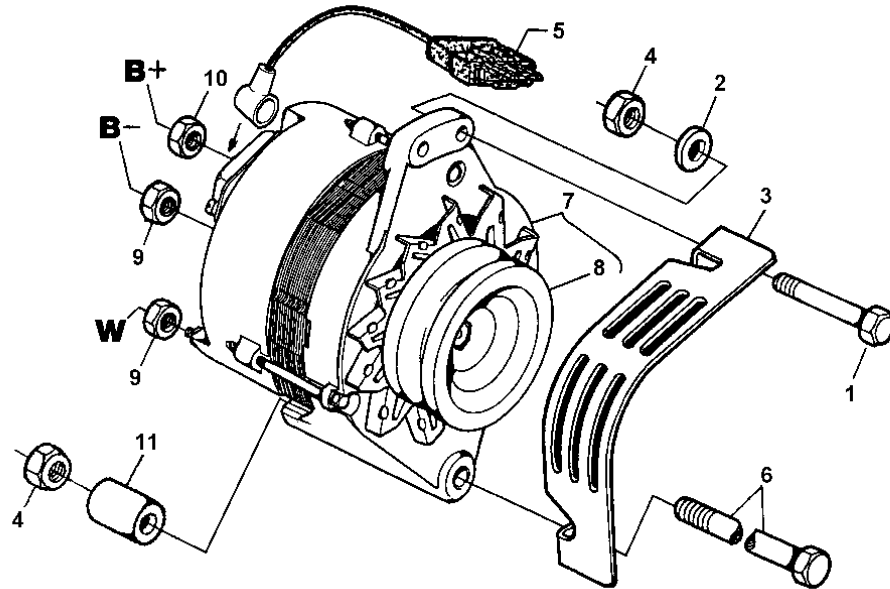
(A) SEE YOUR AUTHORIZED ALTERNATOR REPAIR STATION FOR PARTS NOT LISTED
 CONSULTER VOTRE REPARATEUR AGREE D'ALTERNATEUR POUR LES PIECES NON CATALOGUEES
 NICHT GEZEIGTE TEILE VON DREHSTROMGENERATOR VETRETER BEZIEHEN
 PER LE PARTI NON ELENCAE, RIVOLGETEVI AL CENTRO AUTORIZZATO DI REPARAZIONE ALTERNATORE
 CONSULTE CON SU ESTACION AUTORIDAZA DE REPARACIONES DE MOTOR DE ALTERNADOR
 RAADGOER MED EN AUTORISERAD SERVICEVERKSTAD BETRAEFFANDE EJ UPPTAGNA

310-15

ALTERNATOR

3121
3121
3121
3121
3121
3121

CDP45917F -UN-



CDP45917F

KEY	PART NO.	PART NAME	QTY.	ENGINE SERIAL NO.	REMARKS
1	19H2569	CAP SCREW	1		X 5/16" X 1-5/8"
2	24H1292	WASHER	1		X 11/32" X 3/4" X 0.120"
3	R121008	SHIELD	1		X
4	14H785	NUT	2		X 5/16"
5	RE71583	WIRING HARNESS	1		X 82 OHMS
6	19H1897	CAP SCREW	1		X 5/16" X 3-3/4"
7	RE70779	ALTERNATOR	1		X (MAGNETON 443113516760, 24V - 40A)
8	R134417	PULLEY	1		X 11/16" X OD 88MM
9	14M7265	LOCK NUT	2		X M5
10	14M7165	LOCK NUT	1		X M6
11	T20280	WASHER	1		X 10.719 X 17.475 X 8.890 MM

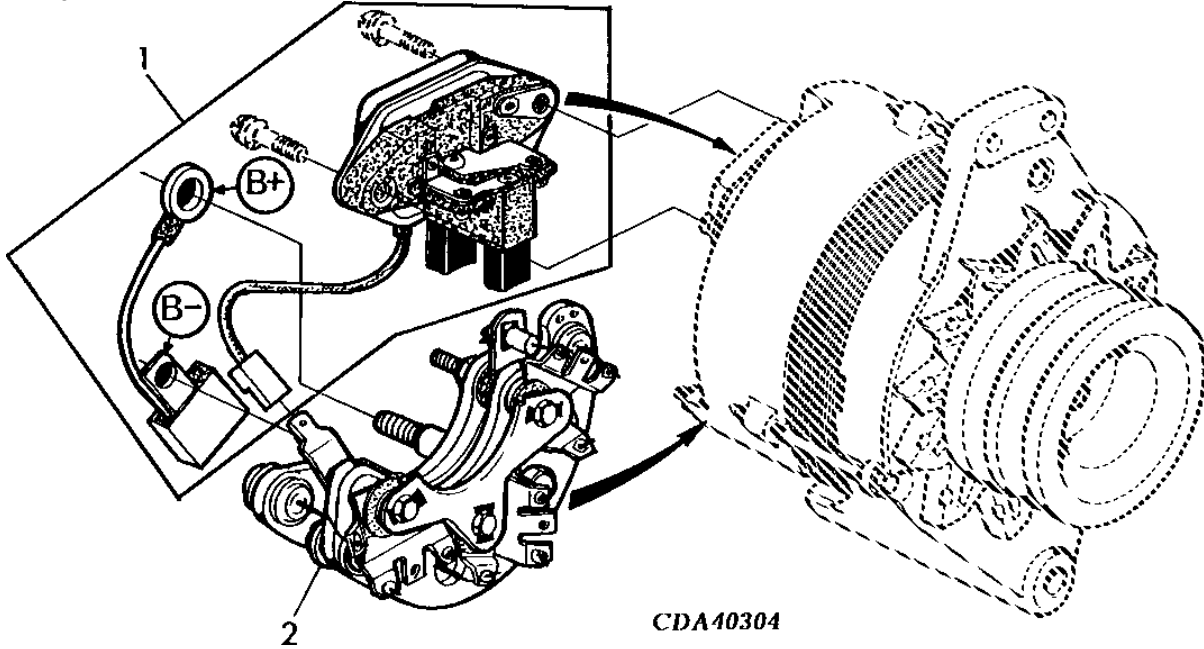
3
0
2
9
T

310-16

ALTERNATOR

3121 - CONTINUED
 3121 - SUITE
 3121 - FORTSETZUNG
 3121 - SEGUITO
 3121 - CONTINUACION
 3121 - FORTS

CDA40304 -UN-



CDA40304

3
0
2
9
T

KEY	PART NO.	PART NAME	QTY.	ENGINE SERIAL NO.	REMARKS
1	RE500068	REGULATOR	1	X (A) STD, 24V	
2	RE500066	DIODE	1	X (A) 24V	

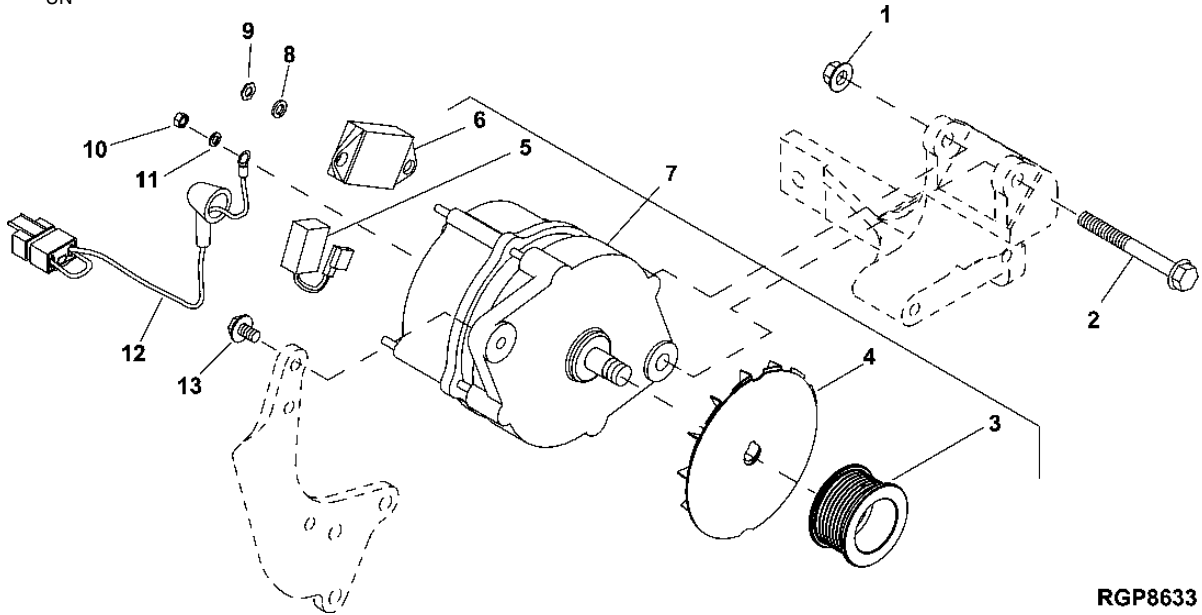
(A) SEE YOUR AUTHORIZED ALTERNATOR REPAIR STATION FOR PARTS NOT LISTED
 CONSULTER VOTRE REPARATEUR AGREE D'ALTERNATEUR POUR LES PIECES NON CATALOGUEES
 NICHT GEZEIGTE TEILE VON DREHSTROMGENERATOR VETRETER BEZIEHEN
 PER LE PARTI NON ELENCAE, RIVOLGETEVI AL CENTRO AUTORIZZATO DI REPARAZIONE ALTERNATORE
 CONSULTE CON SU ESTACION AUTORIDAZA DE REPARACIONES DE ALTERNADOR
 RAADGOER MED EN AUTORISERAD SERVICEVERKSTAD BETRAEFFANDE EJ UPPTAGNA

310-17

ALTERNATOR

3135
3135
3135
3135
3135
3135

RGP8633 -UN-



RGP8633

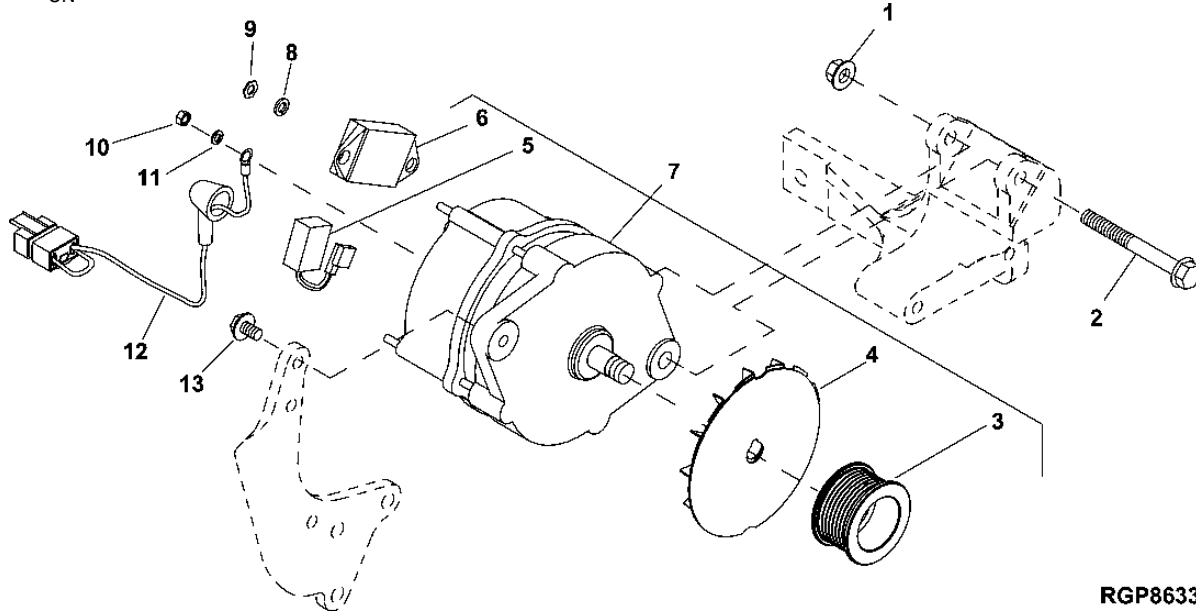
KEY	PART NO.	PART NAME	QTY.	ENGINE SERIAL NO.	REMARKS
				4 4 6	
				0 0 0	
				4 4 6	
				5 5 8	
				H T H	
1	14M7296	FLANGE NUT	1		X X X M10
2	19M7812	SCREW	1		X X X M10 X 100
3	RE516489	PULLEY	1		X X X
4	R505711	FAN	1		X X X
5	RE517304	CAPACITOR	1		X X X
6	RE509777	REGULATOR	1		X X X
7	RE505895	ALTERNATOR	1		X X X (ISKRA, 12V - 75 AMP)
8	12M7065	LOCK WASHER	2		X X X 8 MM, B+
9	14M7297	NUT	2		X X X M5, D+/B-
10	14M7273	NUT	1		X X X M8, B+
11	12M7065	LOCK WASHER	1		X X X 8 MM, B+
12	RE506322	WIRING HARNESS	1		X X X
13	19M7868	SCREW	1		X X X M8 X 30

310-18

ALTERNATOR

3135
3135
3135
3135
3135
3135

RGP8633 -UN-



RGP8633

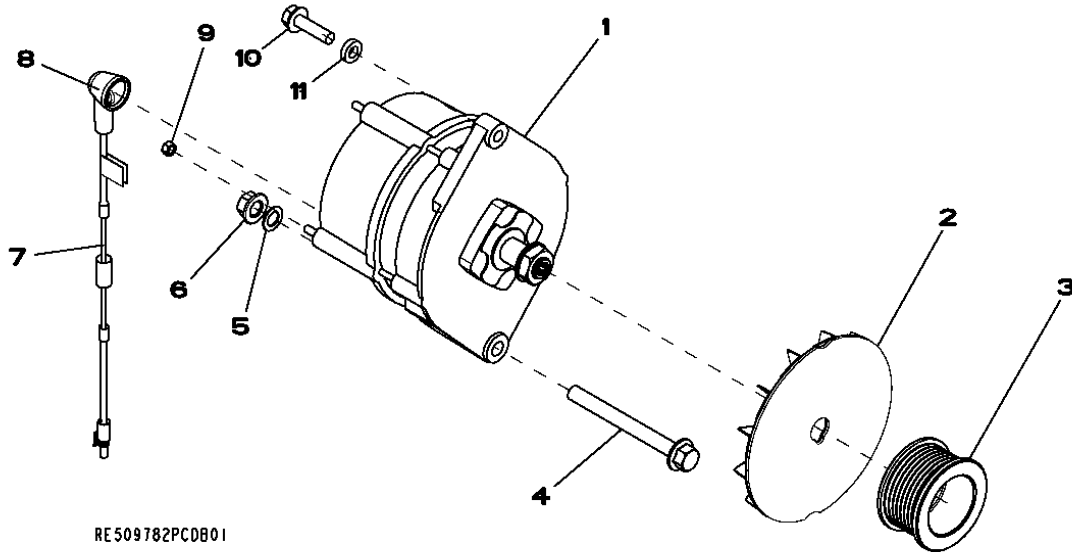
KEY	PART NO.	PART NAME	QTY.	ENGINE SERIAL NO.	REMARKS
1	14M7296	FLANGE NUT	1	4 6	X X M10
2	19M7812	SCREW	1	0 0	X X M10 X 100
3	RE516489	PULLEY	1	4 6	X X
4	R505711	FAN	1	5 8	X X
5	RE517304	CAPACITOR	1	H H	X X
6	RE509777	REGULATOR	1		X X
7	RE505895	ALTERNATOR	1		X X (ISKRA, 12V - 75 AMP)
8	12M7065	LOCK WASHER	2		X X 8 MM, B+
9	14M7297	NUT	2		X X M5, D+/B-
10	14M7273	NUT	1		X X M8, B+
11	12M7065	LOCK WASHER	1		X X 8 MM, B+
12	RE506322	WIRING HARNESS	1		X X
13	19M7868	SCREW	1		X X M8 X 30

310-19

ALTERNATOR

3142
3142
3142
3142
3142
3142

RE509782PCDB01 -UN-



RE509782PCD001

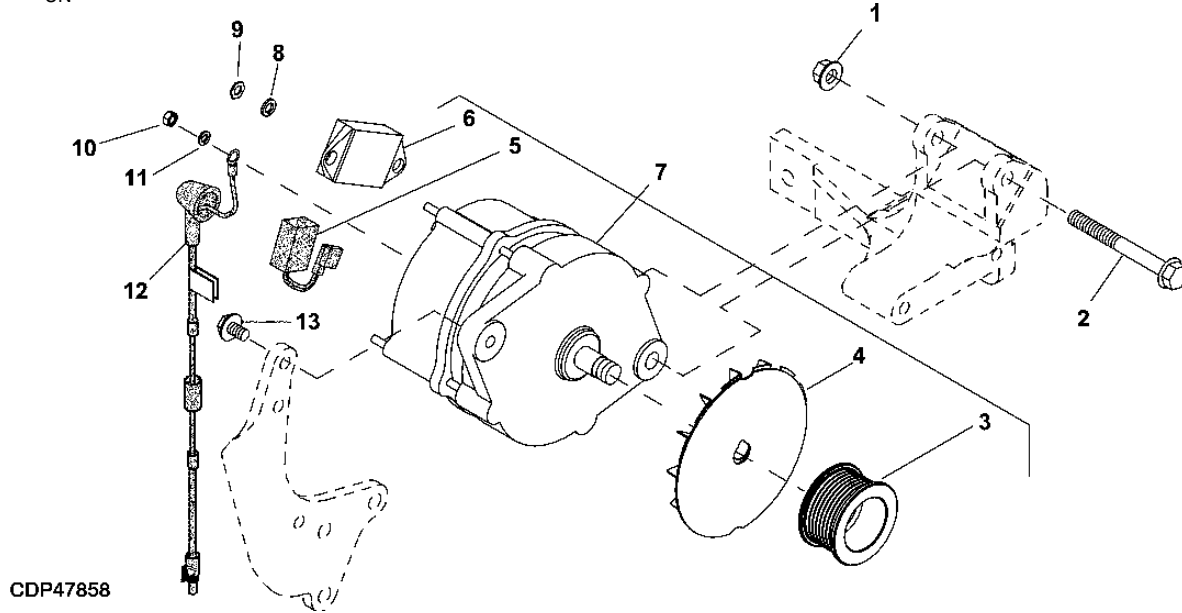
KEY	PART NO.	PART NAME	QTY.	ENGINE SERIAL NO.	REMARKS
1	AT161324 TY24485	ALTERNATOR ALTERNATOR	1 1		X X (BOSCH 24V - 45AMP) X X (BOSCH 24V - 45AMP) REMANUFACTURED, ECHANGE STANDART, GENERAUEBERHOLT, RIGATTO, REFABRECADO POR, RENOVERAD
2	T158584	FAN	1		X X
3	R501486	PULLEY	1		X X
4	19M7812	SCREW	1		X X M10 X 100
5	R64525	THRUST WASHER	1		X X 10.310 X 17.480 X 0.910 MM
6	14M7296	FLANGE NUT	1		X X M10
7	RE505489	WIRING HARNESS	1		X X
8	R74993	BOOT	1		X X
9	14M7297	NUT	1		X X M5, (USE WITH RE505489)
10	19M7868	SCREW	1		X X M8 X 30
11	R48808	WASHER	1		X X 8.128 X 15.748 X 3.937 MM
..	H144095	CAPACITOR	1		X X
..	AT163156	VOLTAGE REGULATOR	1		X X

310-20

ALTERNATOR

3155
3155
3155
3155
3155
3155

CDP47858 -UN-



CDP47858

KEY	PART NO.	PART NAME	QTY.	ENGINE SERIAL NO.	REMARKS
				4 6	
				0 0	
				4 6	
				5 8	
				H H	
1	14M7296	FLANGE NUT	1		X X M10
2	19M7812	SCREW	1		X X M10 X 100
3	RE516489	PULLEY	1		X X
4	R505711	FAN	1		X X
5	RE517304	CAPACITOR	1		X X
6	RE509777	REGULATOR	1		X X
7	RE505895	ALTERNATOR	1		X X (ISKRA, 12V - 75 AMP)
8	12M7065	LOCK WASHER	2		X X 8 MM, B+
9	14M7297	NUT	2		X X M5, D+/B-
10	14M7273	NUT	1		X X M8, B+
11	12M7065	LOCK WASHER	1		X X 8 MM, B+
12	RE505489	WIRING HARNESS	1		X X
13	19M7868	SCREW	1		X X M8 X 30

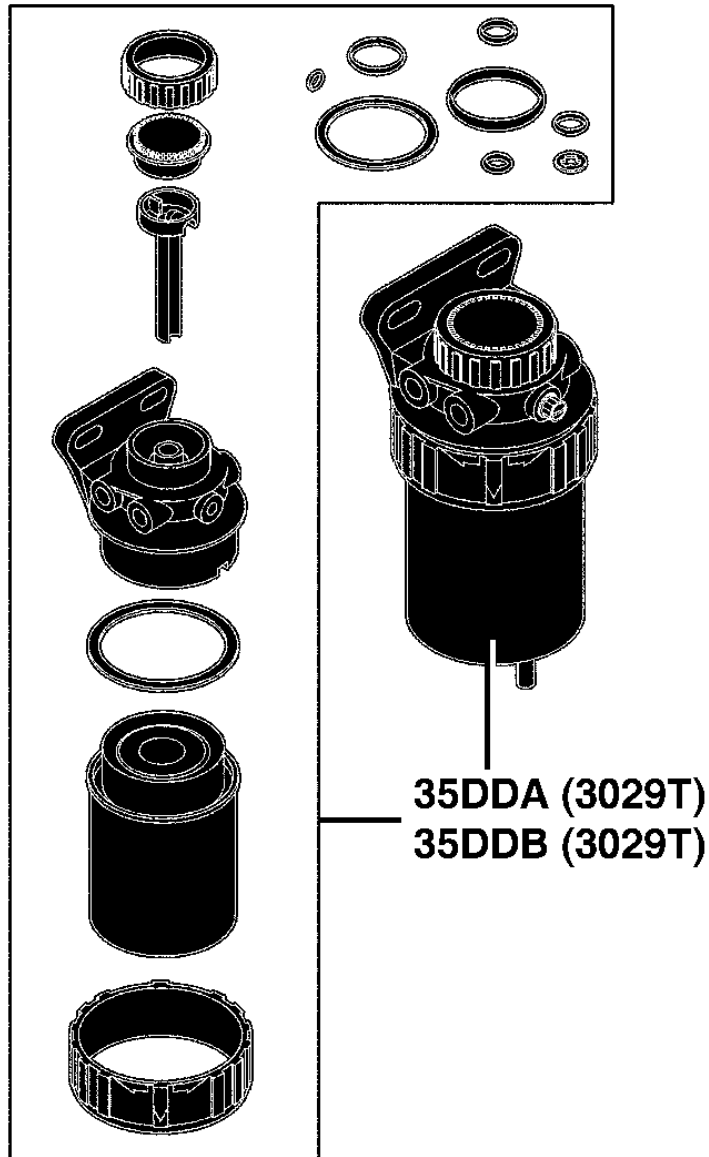
350-A01

FUEL FILTER

SECTIONAL INDEX
INDEX DE SECTION
GRUPPENINDEX
INDICE DELLA SEZIONE
INDICE DE SECCION
GRUPPSFORTECKNING

CDP46830A -UN-

35DDA-	22
35DDB-	24



CDP46830A

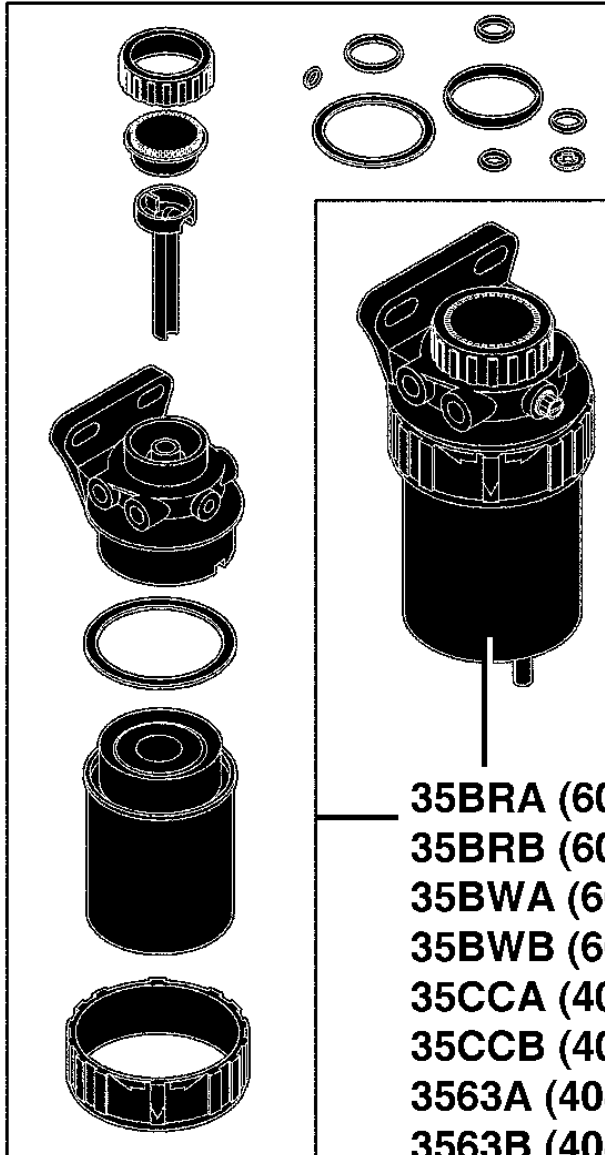
350-A02

FUEL FILTER

SECTIONAL INDEX
 INDEX DE SECTION
 GRUPPENINDEX
 INDICE DELLA SEZIONE
 INDICE DE SECCION
 GRUPPSFORTECKNING

CDP46831B -UN-

35BRA-	2
35BRB-	4
35BWA-	6
35BWB-	8
35CCA-	10
35CCB-	12
35ED-	26
3563A-	28
3563B-	30



- 35BRA (6068H-2V)
- 35BRB (6068H-2V)
- 35BWA (6068H-2V)
- 35BWB (6068H-2V)
- 35CCA (4045H,T-2V)
- 35CCB (4045H,T-2V)
- 3563A (4045D,T-2V)
- 3563B (4045D,T-2V)
- 35ED (4045H-2V)
- (6068H-2V)

CDP46831B

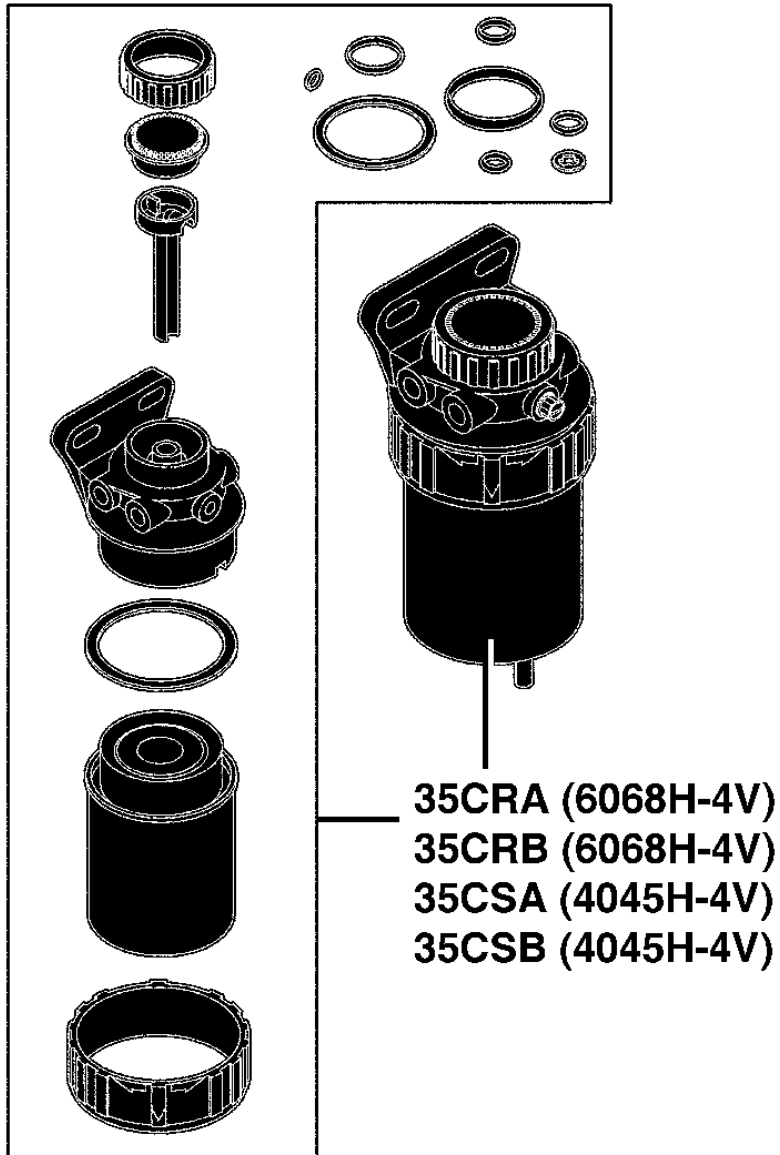
350-A03

FUEL FILTER

SECTIONAL INDEX
INDEX DE SECTION
GRUPPENINDEX
INDICE DELLA SEZIONE
INDICE DE SECCION
GRUPPSFORTECKNING

CDP46832A -UN-

35CRA-	14
35CRB-	16
35CSA-	18
35CSB-	20



CDP46832A

350-A04

FUEL FILTER

MEMORANDA
MEMORANDA
MEMORANDA
MEMORANDA
MEMORANDA
MEMORANDA

350-1

FUEL FILTER

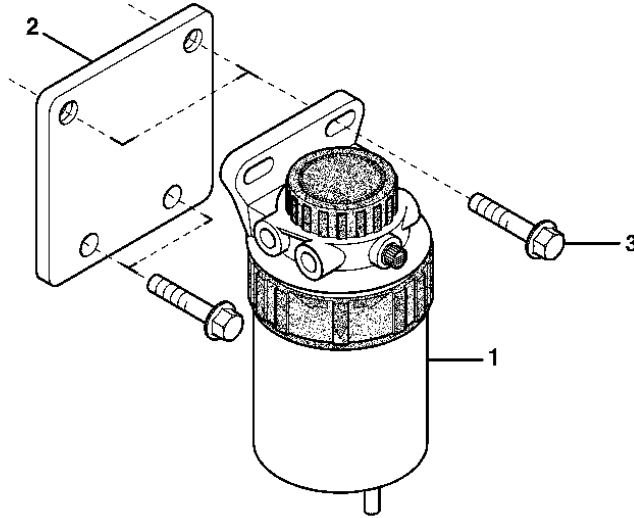
MEMORANDA
MEMORANDA
MEMORANDA
MEMORANDA
MEMORANDA
MEMORANDA

350-2

FUEL FILTER

35BR
35BR
35BR
35BR
35BR
35BR

CDP45120 -UN-



CDP45120

KEY	PART NO.	PART NAME	QTY.	ENGINE SERIAL NO.	REMARKS
1	FUEL FILTER	1	6 0 6 8 H	X NSEP, (ORDER RE508985 + COMPONENTS) (ORDER RE508985)
2	R505601	BRACKET	1	X	
3	19M7784	SCREW	4	X	M10 X 20

350-3

FUEL FILTER

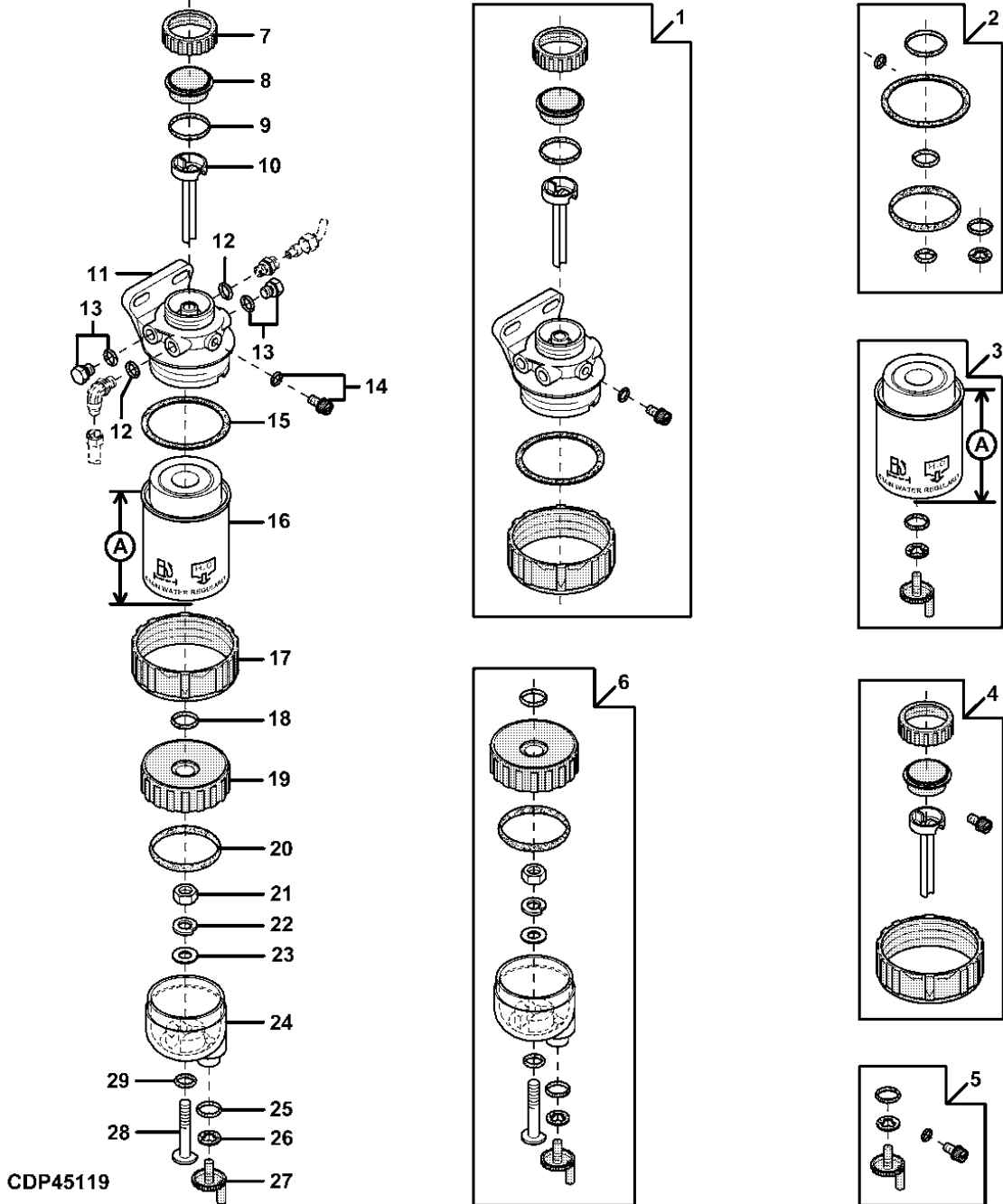
MEMORANDA
MEMORANDA
MEMORANDA
MEMORANDA
MEMORANDA
MEMORANDA

350-4

FUEL FILTER

35BR - CONTINUED
 35BR - SUITE
 35BR - FORTSETZUNG
 35BR - SEGUIITO
 35BR - CONTINUACION
 35BR - FORTS

CDP45119 -UN-



CDP45119

350-5

FUEL FILTER

KEY	PART NO.	PART NAME	QTY.	ENGINE SERIAL NO.	6 0 6 8 H	REMARKS
1	RE508985	KIT	AR		X	
2	RE516553	SEAL KIT	AR		X	
3	RE67901	FILTER ELEMENT	1		X	A = 151MM (6") (ALSO ORDER R113565)
4	RE526834	SEAL KIT	AR		X	(SUB FOR RE51649) INCL. INSTRUCTIONS, ANLEITUNG, ISTRUZIONI, INSTRUCCIONES, ANVISNINGAR
5	RE60854	DRAIN VALVE	AR		X	
6	RE51650	SEDIMENT BOWL	AR		X	(A) KIT, INCL. INSTRUCTIONS, ANLEITUNG, ISTRUZIONI, INSTRUCCIONES, ANVISNINGAR
7	RETAINER	1		X	NSEP, (ORDER RE526834 OR RE508985)
8	RETAINER	1		X	NSEP, (ORDER RE526834 OR RE508985)
9	RE516512	O-RING KIT	AR		X	(PKG 10)
10	RETAINER	1		X	NSEP, (ORDER RE526834 OR RE508985)
11	FILTER HEAD	1		X	M12 X 1.5 PORTS, NSEP, (ORDER RE508985)
12	51M7040	O-RING	AR		X	9.300 X 2.200 MM
13	RE46686	FITTING PLUG	AR		X	M12 X 1.5
14	DRAIN PLUG	1		X	NSEP, (ORDER RE508985 OR RE526834 OR RE60854)
15	R113565	O-RING	1		X	
16	FILTER ELEMENT	1		X	A=151MM, NSEP, (ORDER RE67901 AND R113565)
17	RETAINER	1		X	NSEP, (ORDER RE508985 OR RE526834)
18	O-RING	1		X	NSEP, (ORDER RE516553 OR RE51650)
19	RETAINER	1		X	NSEP, (ORDER RE51650)
20	O-RING	1		X	NSEP, (ORDER RE51650 OR RE516553)
21	NUT	1		X	NSEP, (ORDER RE51650)
22	LOCK WASHER	1		X	NSEP, (ORDER RE51650)
23	WASHER	1		X	NSEP, (ORDER RE51650)
24	SEDIMENT BOWL	1		X	NSEP, (ORDER RE51650)
25	O-RING	1		X	NSEP, (ORDER RE51650 OR RE516553 OR RE60854)
26	GASKET	1		X	NSEP, (ORDER RE51650 OR RE516553 OR RE60854)
27	DRAIN PLUG	1		X	NSEP, (ORDER RE51650 OR RE60854)
28	SCREW	1		X	NSEP, (ORDER RE51650)
29	O-RING	1		X	NSEP, (ORDER RE51650 OR RE516553)

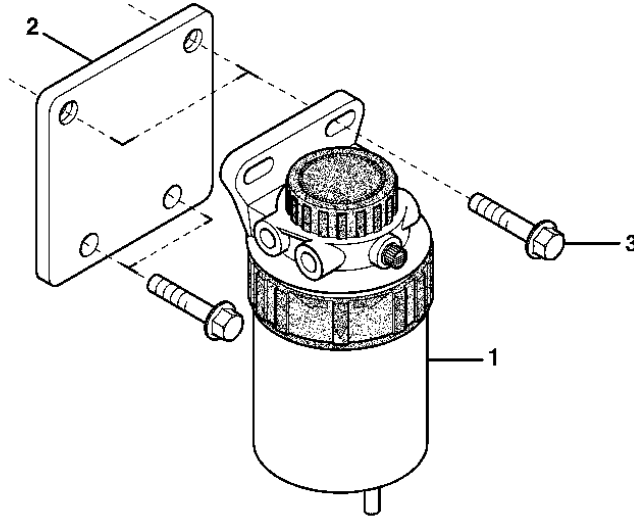
(A) ACCESSORY
ACCESSOIRE
ZUBEHOER
ACCESSORI
ACCESSORIO
TILLBEHOER

350-6

FUEL FILTER

35BW
35BW
35BW
35BW
35BW

CDP45120 -UN-



CDP45120

KEY	PART NO.	PART NAME	QTY.	ENGINE SERIAL NO.	REMARKS
1	FUEL FILTER	1	6068H	X NSEP, (ORDER RE509794 + COMPONENTS)
2	R505601	BRACKET	1		X
3	19M7784	SCREW	4		X M10 X 20

350-7

FUEL FILTER

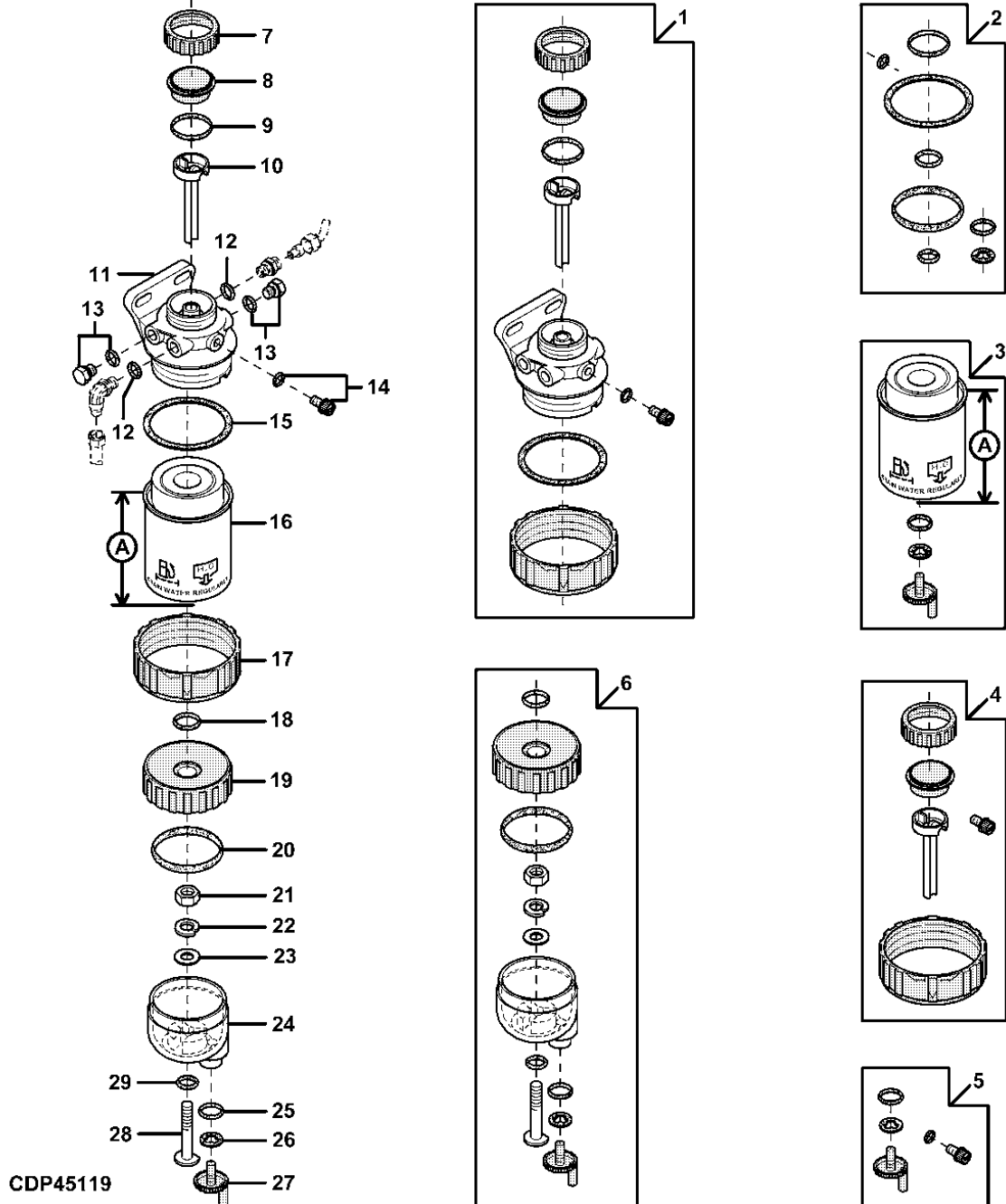
MEMORANDA
MEMORANDA
MEMORANDA
MEMORANDA
MEMORANDA
MEMORANDA

350-8

FUEL FILTER

35BW - CONTINUED
35BW - SUITE
35BW - FORTSETZUNG
35BW - SEGUITO
35BW - CONTINUACION
35BW - FORTS

CDP45119 -UN-



CDP45119

350-9

FUEL FILTER

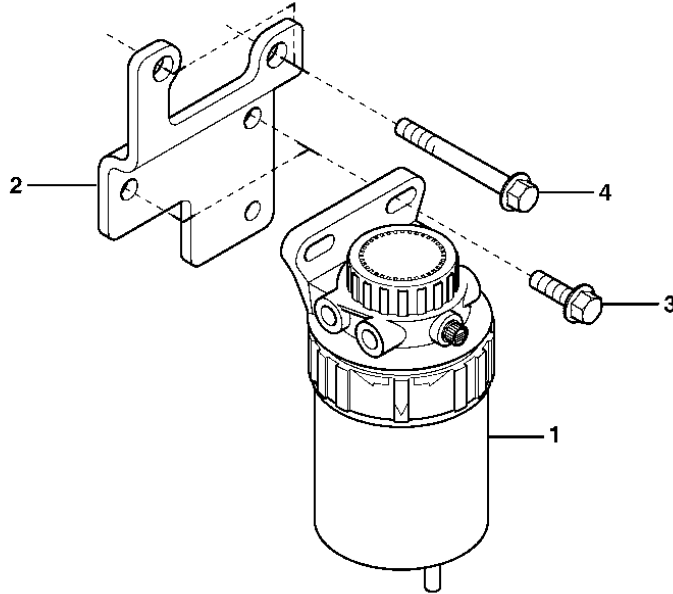
KEY	PART NO.	PART NAME	QTY.	ENGINE SERIAL NO.	6 0 6 8 H	REMARKS
1	RE509794	FILTER HEAD	1		X	
2	RE516553	SEAL KIT	AR		X	
3	RE509031	FILTER ELEMENT	1		X	A= 109MM
4	RE526834	SEAL KIT	AR		X	(SUB FOR RE51649) INCL. INSTRUCTIONS, ANLEITUNG, ISTRUZIONI, INSTRUCCIONES, ANVISNINGAR
5	RE60854	DRAIN VALVE	AR		X	
6	RE51650	SEDIMENT BOWL	NA		X	APPL
7	RETAINER	1		X	NSEP, (ORDER RE526834 OR RE509794)
8	RETAINER	1		X	NSEP, (ORDER RE526834 OR RE509794)
9	RE516512	O-RING KIT	1		X	(PACKG 10 R113742)
10	RETAINER	1		X	NSEP, (ORDER RE526834 OR RE509794)
11	FILTER HEAD	1		X	NSEP, (ORDER RE509794)
12	51M7040	O-RING	AR		X	9.300 X 2.200 MM
13	RE46686	FITTING PLUG	2		X	M12 X 1.5
14	DRAIN PLUG	NA		X	APPL
15	R113565	O-RING	1		X	
16	FILTER ELEMENT	1		X	A= 109MM, NSEP, (ORDER RE509031)
17	RETAINER	1		X	NSEP, (ORDER RE526834 OR RE509794)
18	O-RING	NA		X	
19	WING NUT	NA		X	
20	O-RING	NA		X	
21	NUT	NA		X	
22	LOCK WASHER	NA		X	
23	WASHER	NA		X	
24	SEDIMENT BOWL	NA		X	
25	O-RING	1		X	NSEP, (ORDER RE60854 OR RE516553 OR RE509031)
26	GASKET	1		X	NSEP, (ORDER RE60854 OR RE516553 OR RE509031)
27	DRAIN PLUG	1		X	NSEP, (ORDER RE60854 OR RE509031)
28	SCREW	NA		X	
29	O-RING	NA		X	

350-10

FUEL FILTER

35CC
35CC
35CC
35CC
35CC
35CC

CDP45213 -UN-



CDP45213

KEY	PART NO.	PART NAME	QTY.	ENGINE SERIAL NO.	REMARKS
1	FUEL FILTER	1		
2	R123621	BRACKET	1		
3	19M7784	SCREW	2		
4	19M8977	SCREW	2		

4 4
0 0
4 4
5 5
H T

350-11

FUEL FILTER

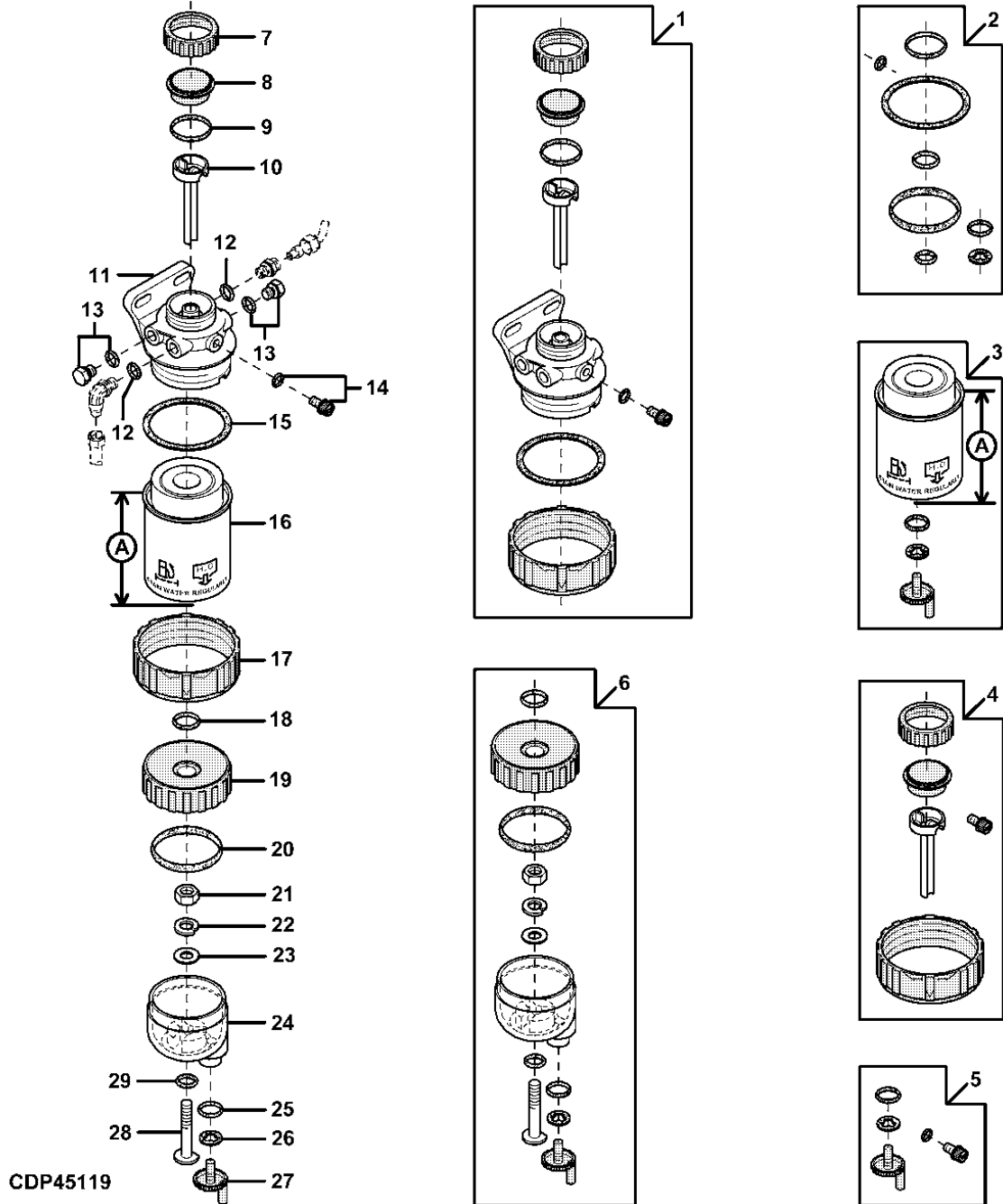
MEMORANDA
MEMORANDA
MEMORANDA
MEMORANDA
MEMORANDA
MEMORANDA

350-12

FUEL FILTER

35CC - CONTINUED
 35CC - SUITE
 35CC - FORTSETZUNG
 35CC - SEGUIITO
 35CC - CONTINUACION
 35CC - FORTS

CDP45119 -UN-



CDP45119

350-13

FUEL FILTER

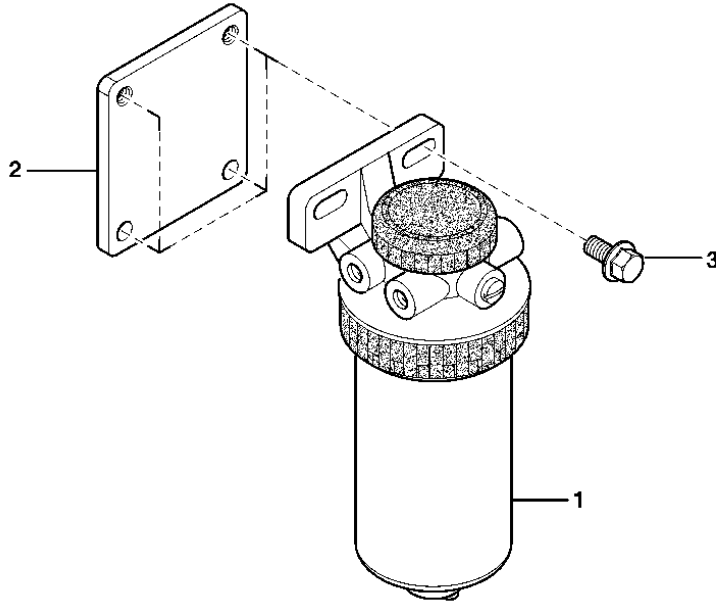
KEY	PART NO.	PART NAME	QTY.	ENGINE SERIAL NO.	REMARKS
				4 4	
				0 0	
				4 4	
				5 5	
				H T	
1	RE509794	FILTER HEAD	1		X X
2	RE516553	SEAL KIT	AR		X X
3	RE509031	FILTER ELEMENT	1		X X A= 109MM
4	RE526834	SEAL KIT	AR		X X (SUB FOR RE51649) INCL. INSTRUCTIONS, ANLEITUNG, ISTRUZIONI, INSTRUCCIONES, ANVISNINGAR
5	RE60854	DRAIN VALVE	AR		X X
6	RE51650	SEDIMENT BOWL	NA		X X APPL
7	RETAINER	1		X X NSEP, (ORDER RE526834 OR RE509794)
8	RETAINER	1		X X NSEP, (ORDER RE526834 OR RE509794)
9	RE516512	O-RING KIT	1		X X (PACKG 10 R113742)
10	RETAINER	1		X X NSEP, (ORDER RE526834 OR RE509794)
11	FILTER HEAD	1		X X NSEP, (ORDER RE509794)
12	51M7040	O-RING	AR		X X 9,300 X 2,200 MM
13	RE46686	FITTING PLUG	2		X X M12 X 1.5
14	DRAIN PLUG	NA		X X APPL
15	R113565	O-RING	1		X X
16	FILTER ELEMENT	1		X X A= 109MM, NSEP, (ORDER RE509031)
17	RETAINER	1		X X NSEP, (ORDER RE526834 OR RE509794)
18	O-RING	NA		X X
19	WING NUT	NA		X X
20	O-RING	NA		X X
21	NUT	NA		X X
22	LOCK WASHER	NA		X X
23	WASHER	NA		X X
24	SEDIMENT BOWL	NA		X X
25	O-RING	1		X X NSEP, (ORDER RE60854 OR RE516553 OR RE509031)
26	GASKET	1		X X NSEP, (ORDER RE60854 OR RE516553 OR RE509031)
27	DRAIN PLUG	1		X X NSEP, (ORDER RE60854 OR RE509031)
28	SCREW	NA		X X
29	O-RING	NA		X X

350-14

FUEL FILTER

35CR
35CR
35CR
35CR
35CR
35CR

CDP45603 -UN-



CDP45603

KEY	PART NO.	PART NAME	QTY.	ENGINE SERIAL NO.	REMARKS
1	FUEL FILTER	1	6 0 6 8 H	X NSEP, (ORDER RE509794 + COMPONENTS)
2	R516437	BRACKET	1		X
3	19M7784	SCREW	4		X M10 X 20

350-15

FUEL FILTER

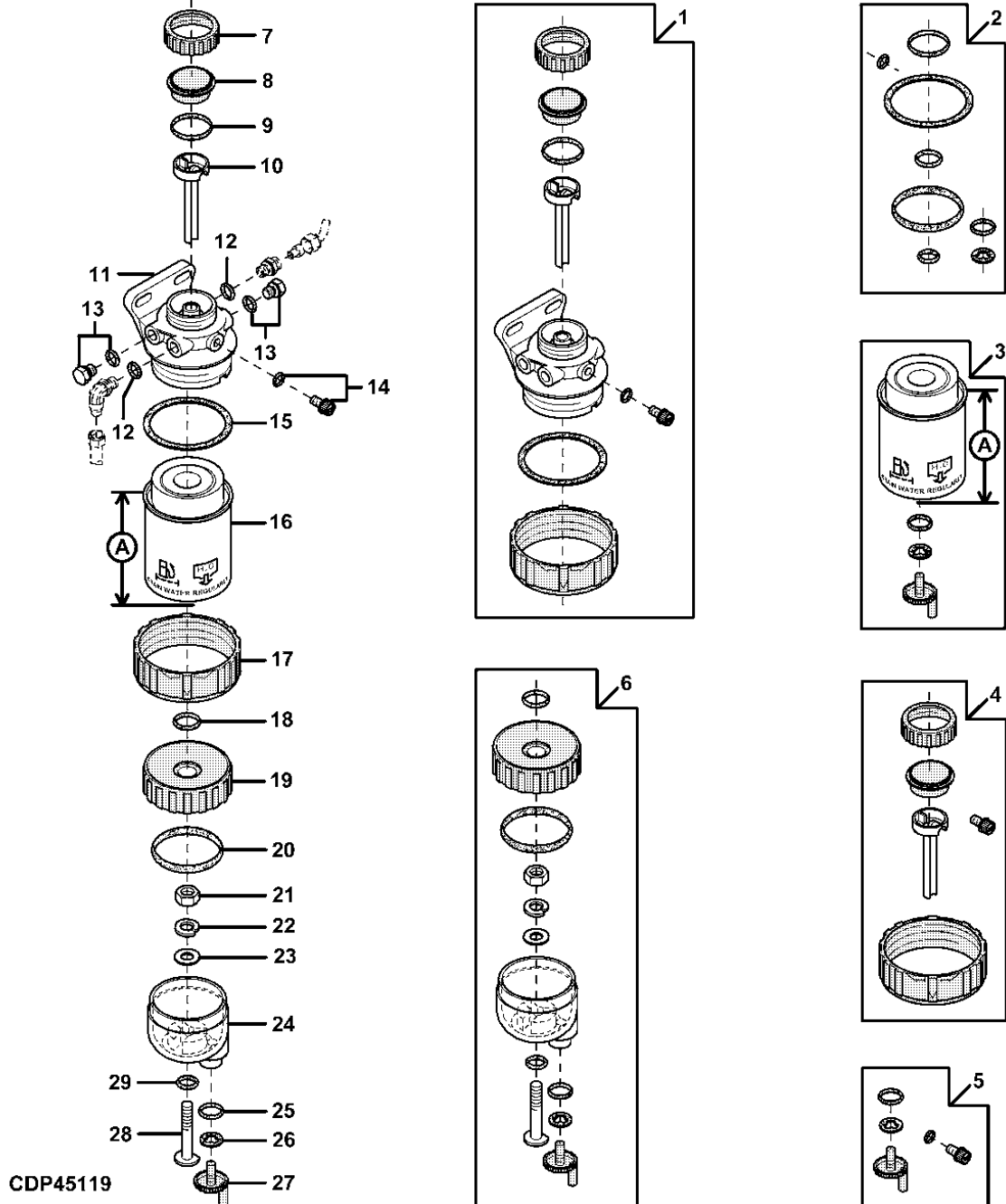
MEMORANDA
MEMORANDA
MEMORANDA
MEMORANDA
MEMORANDA
MEMORANDA

350-16

FUEL FILTER

35CR - CONTINUED
 35CR - SUITE
 35CR - FORTSETZUNG
 35CR - SEGUIITO
 35CR - CONTINUACION
 35CR - FORTS

CDP45119 -UN-



CDP45119

350-17

FUEL FILTER

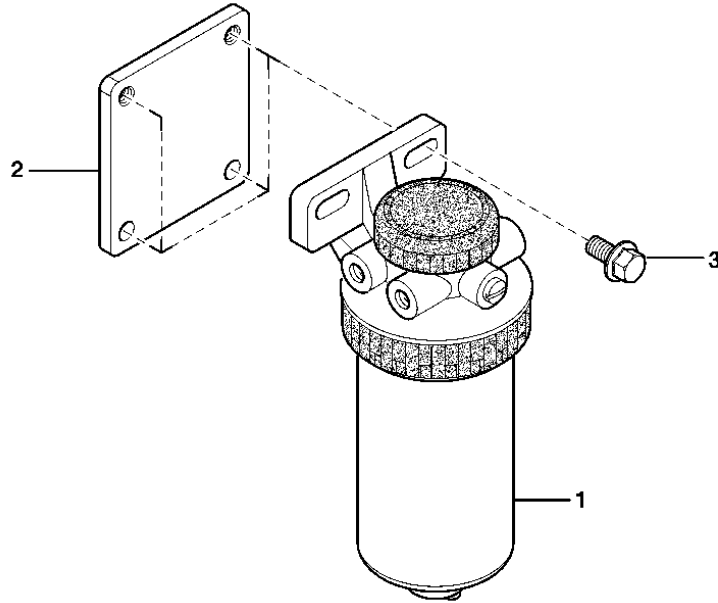
KEY	PART NO.	PART NAME	QTY.	ENGINE SERIAL NO.	6 0 6 8 H	REMARKS
1	RE509794	FILTER HEAD	1		X	
2	RE516553	SEAL KIT	AR		X	
3	RE509032	FILTER ELEMENT	1		X	A= 151MM
4	RE526834	SEAL KIT	AR		X	(SUB FOR RE51649) INCL. INSTRUCTIONS, ANLEITUNG, ISTRUZIONI, INSTRUCCIONES, ANVISNINGAR
5	RE60854	DRAIN VALVE	AR		X	
6	RE51650	SEDIMENT BOWL	NA		X	APPL
7	RETAINER	1		X	NSEP, (ORDER RE526834 OR RE509794)
8	RETAINER	1		X	NSEP, (ORDER RE526834 OR RE509794)
9	RE516512	O-RING KIT	1		X	(PACKG 10 R113742)
10	RETAINER	1		X	NSEP, (ORDER RE526834 OR RE509794)
11	FILTER HEAD	1		X	NSEP, (ORDER RE509794)
12	51M7040	O-RING	AR		X	9.300 X 2.200 MM
13	RE46686	FITTING PLUG	2		X	M12 X 1.5
14	DRAIN PLUG	NA		X	APPL
15	R113565	O-RING	1		X	
16	FILTER ELEMENT	1		X	A= 151MM, NSEP, (ORDER RE509032)
17	RETAINER	1		X	NSEP, (ORDER RE526834 OR RE509794)
18	O-RING	NA		X	
19	WING NUT	NA		X	
20	O-RING	NA		X	
21	NUT	NA		X	
22	LOCK WASHER	NA		X	
23	WASHER	NA		X	
24	SEDIMENT BOWL	NA		X	
25	O-RING	1		X	NSEP, (ORDER RE60854 OR RE516553 OR RE509032)
26	GASKET	1		X	NSEP, (ORDER RE60854 OR RE516553 OR RE509032)
27	DRAIN PLUG	1		X	NSEP, (ORDER RE60854 OR RE509032)
28	SCREW	NA		X	
29	O-RING	NA		X	

350-18

FUEL FILTER

35CS
35CS
35CS
35CS
35CS
35CS

CDP45603 -UN-



CDP45603

KEY	PART NO.	PART NAME	QTY.	ENGINE SERIAL NO.	REMARKS
1	FUEL FILTER	1	4 0 4 5 H	X NSEP, (ORDER RE509794 + COMPONENTS)
2	R516437	BRACKET	1		X
3	19M7784	SCREW	4		X M10 X 20

350-19

FUEL FILTER

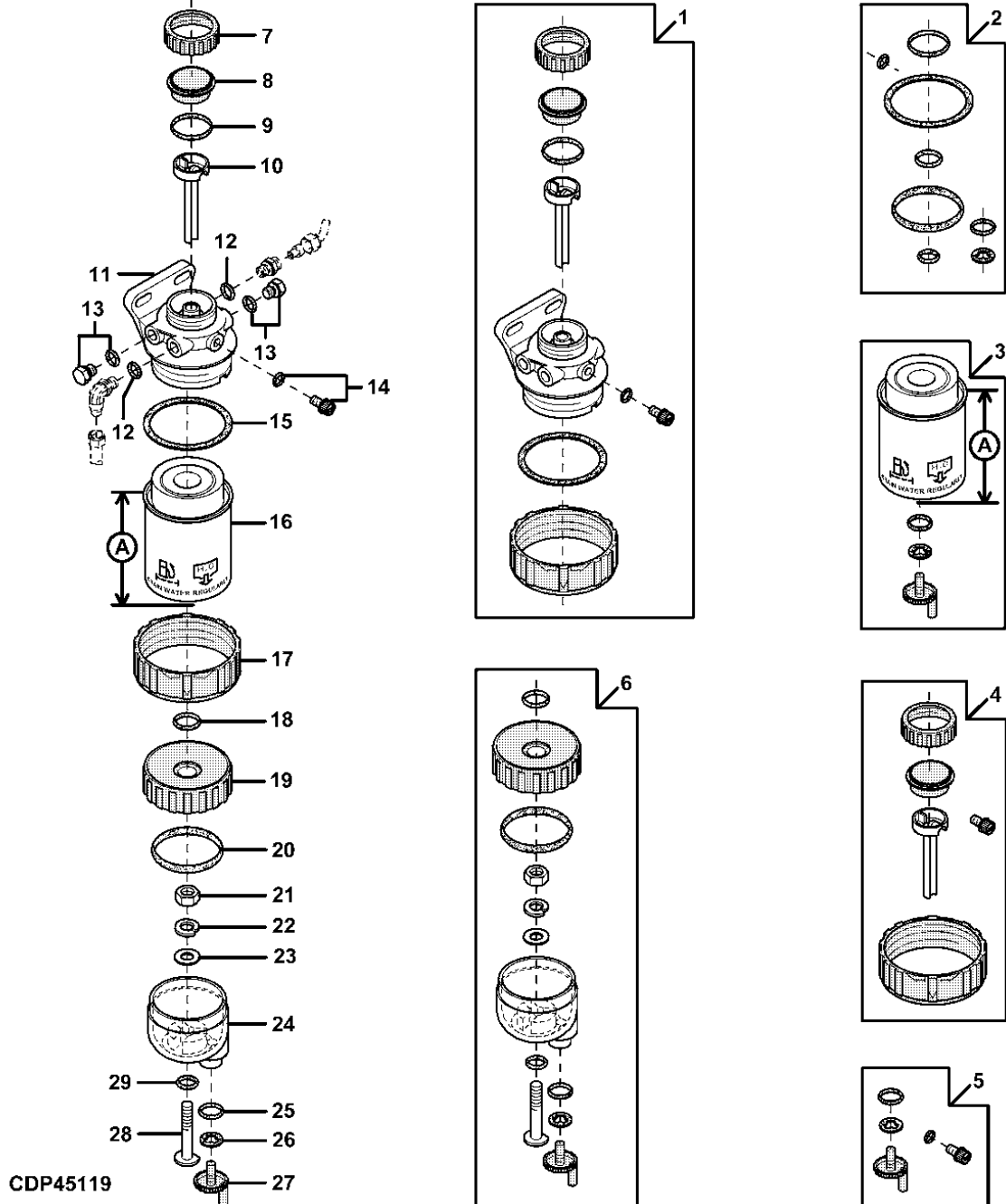
MEMORANDA
MEMORANDA
MEMORANDA
MEMORANDA
MEMORANDA
MEMORANDA

350-20

FUEL FILTER

35CS - CONTINUED
 35CS - SUITE
 35CS - FORTSETZUNG
 35CS - SEGUITO
 35CS - CONTINUACION
 35CS - FORTS

CDP45119 -UN-



CDP45119

350-21

FUEL FILTER

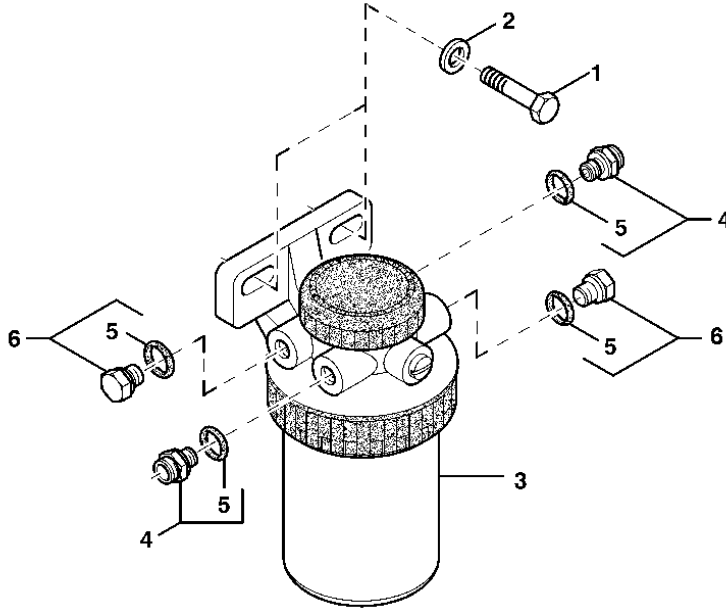
KEY	PART NO.	PART NAME	QTY.	ENGINE SERIAL NO.	4 0 4 5 H	REMARKS
1	RE509794	FILTER HEAD	1		X	
2	RE516553	SEAL KIT	AR		X	
3	RE509031	FILTER ELEMENT	1		X	A= 109MM
4	RE526834	SEAL KIT	AR		X	(SUB FOR RE51649) INCL. INSTRUCTIONS, ANLEITUNG, ISTRUZIONI, INSTRUCCIONES, ANVISNINGAR
5	RE60854	DRAIN VALVE	AR		X	
6	RE51650	SEDIMENT BOWL	NA		X	APPL
7	RETAINER	1		X	NSEP, (ORDER RE526834 OR RE509794)
8	RETAINER	1		X	NSEP, (ORDER RE526834 OR RE509794)
9	RE516512	O-RING KIT	1		X	(PACKG 10 R113742)
10	RETAINER	1		X	NSEP, (ORDER RE526834 OR RE509794)
11	FILTER HEAD	1		X	NSEP, (ORDER RE509794)
12	51M7040	O-RING	AR		X	9.300 X 2.200 MM
13	RE46686	FITTING PLUG	2		X	M12 X 1.5
14	DRAIN PLUG	NA		X	APPL
15	R113565	O-RING	1		X	
16	FILTER ELEMENT	1		X	A= 109MM, NSEP, (ORDER RE509031)
17	RETAINER	1		X	NSEP, (ORDER RE526834 OR RE509794)
18	O-RING	NA		X	
19	WING NUT	NA		X	
20	O-RING	NA		X	
21	NUT	NA		X	
22	LOCK WASHER	NA		X	
23	WASHER	NA		X	
24	SEDIMENT BOWL	NA		X	
25	O-RING	1		X	NSEP, (ORDER RE60854 OR RE516553 OR RE509031)
26	GASKET	1		X	NSEP, (ORDER RE60854 OR RE516553 OR RE509031)
27	DRAIN PLUG	1		X	NSEP, (ORDER RE60854 OR RE509031)
28	SCREW	NA		X	
29	O-RING	NA		X	

350-22

FUEL FILTER

CDP45918 -UN-

35DD
35DD
35DD
35DD
35DD
35DD



CDP45918

3
0
2
9
T

KEY	PART NO.	PART NAME	QTY.	ENGINE SERIAL NO.	REMARKS
1	19H2676	CAP SCREW	2		X 3/8" X 1"
2	24M7106	WASHER	2		X 10 X 18 X 2.500 MM
3	FUEL FILTER	2		X NSEP. (ORDER RE70358 + COMPONENTS)
4	RE60029	ADAPTER FITTING	2		X M12 X 1.5 X 9/16"-24UNEF
5	51M7040	O-RING	1		X 9.300 X 2.200 MM
6	RE46686	FITTING PLUG	2		X M12 X 1.5

350-23

FUEL FILTER

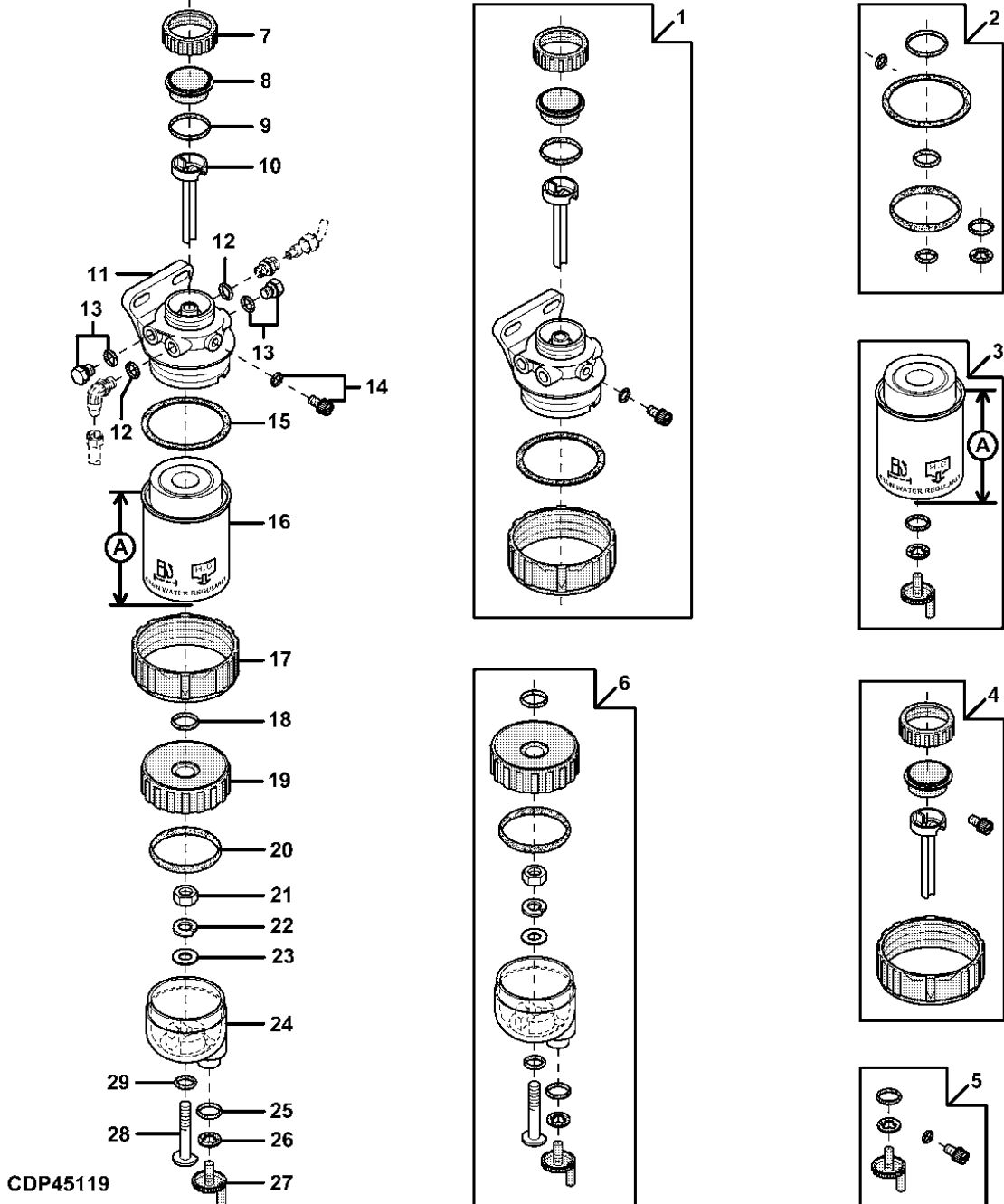
MEMORANDA
MEMORANDA
MEMORANDA
MEMORANDA
MEMORANDA
MEMORANDA

350-24

FUEL FILTER

35DD - CONTINUED
 35DD - SUITE
 35DD - FORTSETZUNG
 35DD - SEGUITO
 35DD - CONTINUACION
 35DD - FORTS

CDP45119 -UN-



CDP45119

THIS PARTS LISTING IS CONTINUED

350-25

FUEL FILTER

KEY	PART NO.	PART NAME	QTY.	ENGINE SERIAL NO.	3 0 2 9 T	REMARKS
1	RE70358	FILTER HEAD	AR		X	
2	RE516553	SEAL KIT	AR		X	
3	RE62419	FILTER ELEMENT	1		X	A = 109MM. (ALSO ORDER R113565)
4	RE526834	SEAL KIT	AR		X	(SUB FOR RE51649) INCL. INSTRUCTIONS, ANLEITUNG, ISTRUZIONI, INSTRUCCIONES, ANVISNINGAR
5	RE60854	DRAIN VALVE	AR		X	
6	RE51650	SEDIMENT BOWL	AR		X	(A) KIT, INCL. INSTRUCTIONS, ANLEITUNG, ISTRUZIONI, INSTRUCCIONES, ANVISNINGAR
7	RETAINER	1		X	NSEP, (ORDER RE526834 OR RE70358)
8	RETAINER	1		X	NSEP, (ORDER RE526834 OR RE70358)
9	RE516512	O-RING KIT	1		X	(PKG 10)
10	RETAINER	1		X	NSEP, (ORDER RE526834 OR RE70358)
11	FILTER HEAD	1		X	M12 X 1.5 PORTS, NSEP, (ORDER RE70358)
12	51M7040	O-RING	AR		X	
13	RE46686	FITTING PLUG	AR		X	
14	DRAIN PLUG	1		X	NSEP, (ORDER RE70358 OR RE526834 OR RE60854)
15	R113565	O-RING	1		X	
16	FILTER ELEMENT	1		X	A=109MM, NSEP, (ORDER RE62419 AND R113565)
17	RETAINER	1		X	NSEP, (ORDER RE526834 OR RE70358)
18	O-RING	1		X	NSEP, (ORDER RE516553 OR RE51650)
19	WING NUT	1		X	NSEP, (ORDER RE51650)
20	O-RING	1		X	NSEP, (ORDER RE51650 OR RE516553)
21	NUT	1		X	NSEP, (ORDER RE51650)
22	LOCK WASHER	1		X	NSEP, (ORDER RE51650)
23	WASHER	1		X	NSEP, (ORDER RE51650)
24	SEDIMENT BOWL	1		X	NSEP, (ORDER RE51650)
25	O-RING	1		X	NSEP, (ORDER RE51650 OR RE516553 OR RE60854)
26	GASKET	1		X	NSEP, (ORDER RE51650 OR RE516553 OR RE60854)
27	DRAIN PLUG	1		X	NSEP, (ORDER RE51650 OR RE60854)
28	SCREW	1		X	NSEP, (ORDER RE51650)
29	O-RING	1		X	NSEP, (ORDER RE51650 OR RE516553 OR RE60854)

(A) ACCESSORY
ACCESSOIRE
ZUBEHOER
ACCESSORI
ACCESSORIO
TILLBEHOER

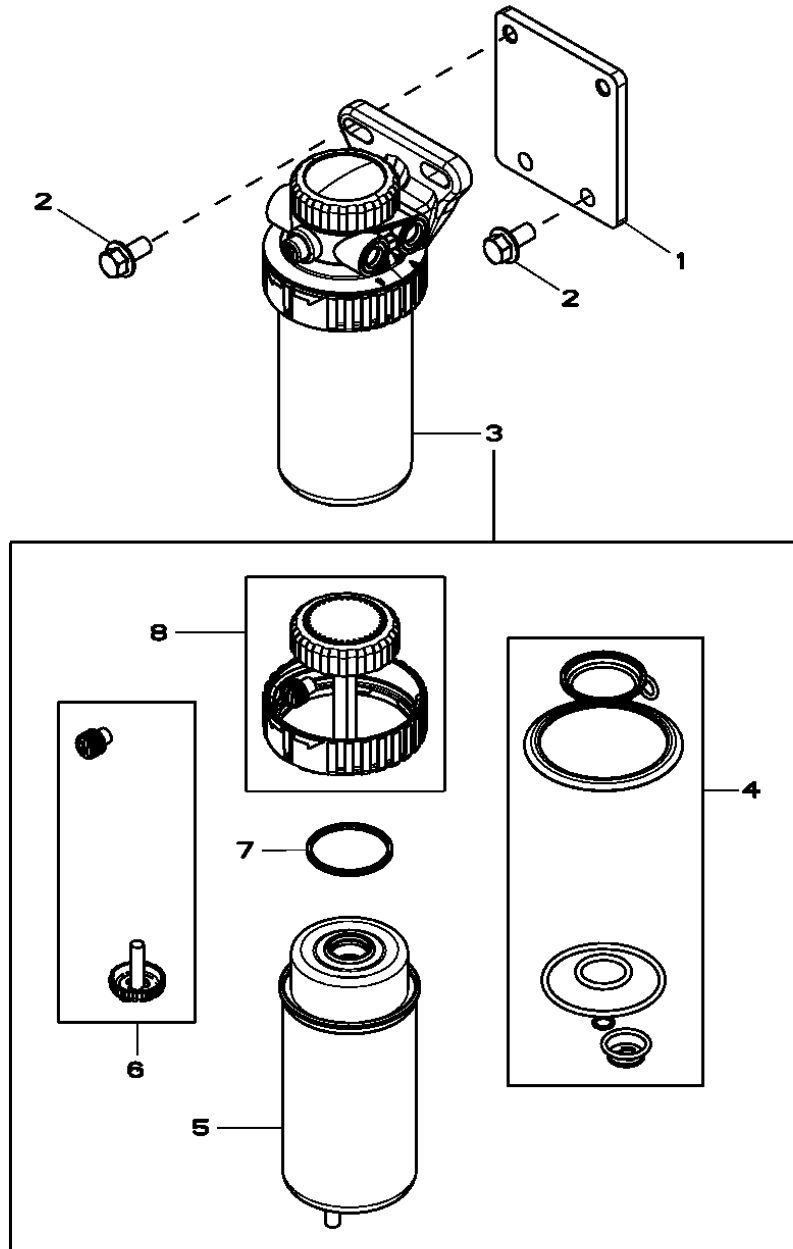
350-26

FUEL FILTER

RE526225PCDA01

-UN-

35ED
35ED
35ED
35ED
35ED



RE526225PCDA01

350-27

FUEL FILTER

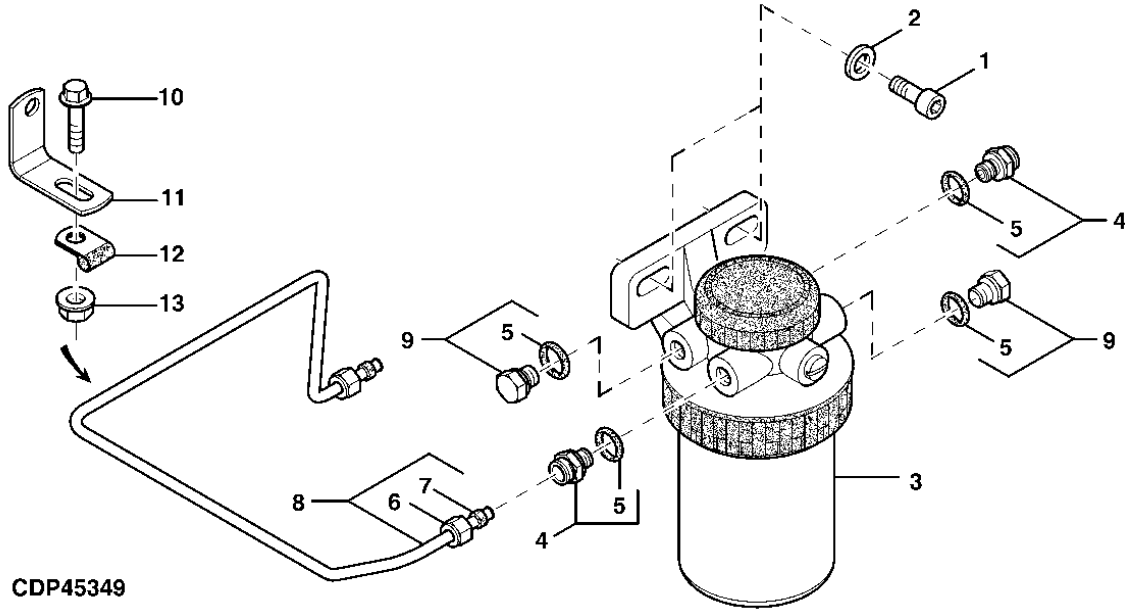
KEY	PART NO.	PART NAME	QTY.	ENGINE SERIAL NO.	4 6 0 0 4 6 5 8 H H	REMARKS
1	R505601	BRACKET	1		X X	
2	19M7784	SCREW	4		X X	M10 X 20
3	RE524723	FILTER	1		X X	
4	RE516553	SEAL KIT	1		X X	
5	RE522878	FILTER ELEMENT	1		X X	(ALSO ORDER R113565)
6	RE60854	DRAIN VALVE	1		X X	
7	RE516512	O-RING KIT	1		X X	(PKG 10)
8	RE526834	SEAL KIT	1		X X	

350-28

FUEL FILTER

3563
3563
3563
3563
3563

CDP45349 -UN-



4 4
0 0
4 4
5 5
D T

KEY	PART NO.	PART NAME	QTY.	ENGINE SERIAL NO.	REMARKS
1	19M8328	SCREW	2		X X M10 X 25, (10.9)
2	24M7096	WASHER	5		X X 10.500 X 18 X 1.600 MM
3	FILTER HEAD	1		X X ASSY. (ORDER RE70358 + COMPONENTS)
4	RE60029	ADAPTER FITTING	2		X X M12 X 1.5 X 9/16"-24UNEF
5	51M7040	O-RING	1		X X 9.300 X 2.200 MM 9.300 X 2.200 MM
6	R123594	TUBE NUT	2		X X 9/16"-24UNEF
7	R74012	SEALING WASHER	2		X X 7.140 X 12.300 X 6.400 MM
8	RE60025	FUEL LINE	1		X X
9	RE46686	FITTING PLUG	2		X X M12 X 1.5. (SUB FOR RE500565)
10	19M7865	SCREW	1		X X M8 X 16, (10.9)
11	R116116	BRACKET	1		X X
12	R109872	CLAMP	1		X X (SUB FOR T14050, THIS APPLICATION)
13	14M7298	FLANGE NUT	1		X X M8, (10)

350-29

FUEL FILTER

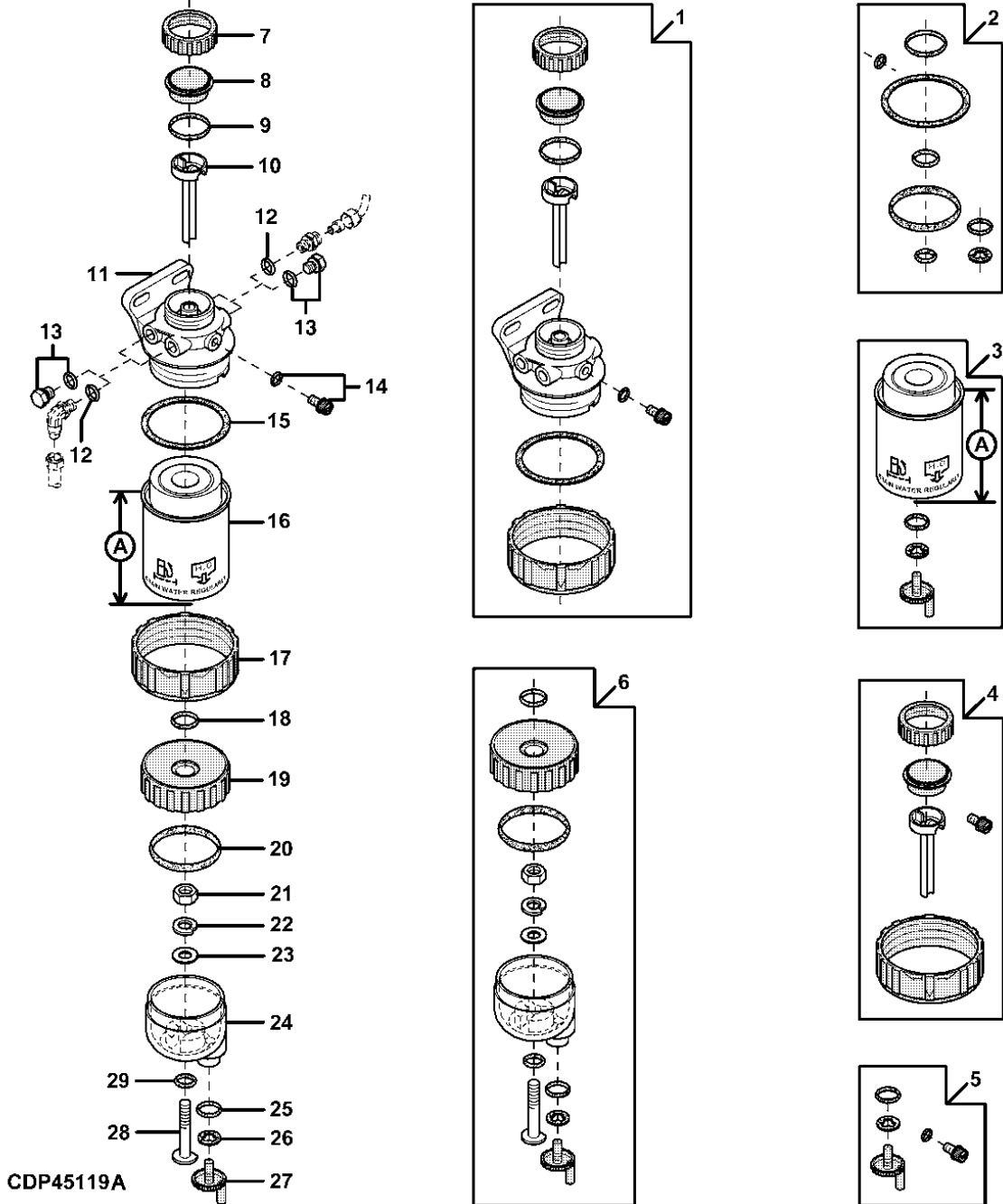
MEMORANDA
MEMORANDA
MEMORANDA
MEMORANDA
MEMORANDA
MEMORANDA

350-30

FUEL FILTER

3563 - CONTINUED
 3563 - SUITE
 3563 - FORTSETZUNG
 3563 - SEGUITO
 3563 - CONTINUACION
 3563 - FORTS

CDP45119A -UN-



350-31

FUEL FILTER

KEY	PART NO.	PART NAME	QTY.	ENGINE SERIAL NO.	REMARKS
					4 4
					0 0
					4 4
					5 5
					D T
1	RE70358	FILTER HEAD	AR		X X
2	RE516553	SEAL KIT	AR		X X
3	RE62419	FILTER ELEMENT	1		X X A = 109MM. (ALSO ORDER R113565)
4	RE526834	SEAL KIT	AR		X X INSTRUCCIONES, ANVISNINGAR, (SUB FOR RE51649) INCL. INSTRUCTIONS, ANLEITUNG, ISTRUZIONI,
5	RE60854	DRAIN VALVE	AR		X X
6	RE51650	SEDIMENT BOWL	AR		X X (A) KIT, INCL. INSTRUCTIONS, ANLEITUNG, ISTRUZIONI, INSTRUCCIONES, ANVISNINGAR
7	RETAINER	1		X X NSEP, (ORDER RE526834 OR RE70358)
8	RETAINER	1		X X NSEP, (ORDER RE526834 OR RE70358)
9	RE516512	O-RING KIT	1		X X (PKG 10)
10	RETAINER	1		X X NSEP, (ORDER RE526834 OR RE70358)
11	FILTER HEAD	1		X X M12 X 1.5 PORTS, NSEP, (ORDER RE70358)
12	51M7040	O-RING	AR		X X
13	RE46686	FITTING PLUG	AR		X X
14	DRAIN PLUG	1		X X NSEP, (ORDER RE70358 OR RE526834 OR RE60854)
15	R113565	O-RING	1		X X
16	FILTER ELEMENT	1		X X A=109MM, NSEP, (ORDER RE62419 AND R113565)
17	RETAINER	1		X X NSEP, (ORDER RE526834 OR RE70358)
18	O-RING	1		X X NSEP, (ORDER RE516553 OR RE51650)
19	WING NUT	1		X X NSEP, (ORDER RE51650)
20	O-RING	1		X X NSEP, (ORDER RE51650 OR RE516553)
21	NUT	1		X X NSEP, (ORDER RE51650)
22	LOCK WASHER	1		X X NSEP, (ORDER RE51650)
23	WASHER	1		X X NSEP, (ORDER RE51650)
24	SEDIMENT BOWL	1		X X NSEP, (ORDER RE51650)
25	O-RING	1		X X NSEP, (ORDER RE51650 OR RE516553 OR RE60854)
26	GASKET	1		X X NSEP, (ORDER RE51650 OR RE516553 OR RE60854)
27	DRAIN PLUG	1		X X NSEP, (ORDER RE51650 OR RE60854)
28	SCREW	1		X X NSEP, (ORDER RE51650)
29	O-RING	1		X X NSEP, (ORDER RE51650 OR RE516553 OR RE60854)

(A) ACCESSORY
 ACCESSOIRE
 ZUBEHOER
 ACCESSORI
 ACCESSORIO
 TILLBEHOER

350-32

FUEL FILTER

MEMORANDA
MEMORANDA
MEMORANDA
MEMORANDA
MEMORANDA
MEMORANDA

360-A01

FRONT PLATE

SECTIONAL INDEX
INDEX DE SECTION
GRUPPENINDEX
INDICE DELLA SEZIONE
INDICE DE SECCION
GRUPPSFORTECKNING

3622- 6

CDP46835A -UN-



CDP46835A

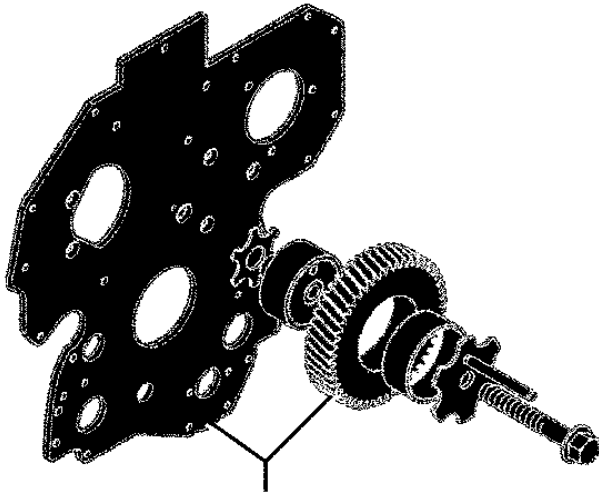
360-A02

FRONT PLATE

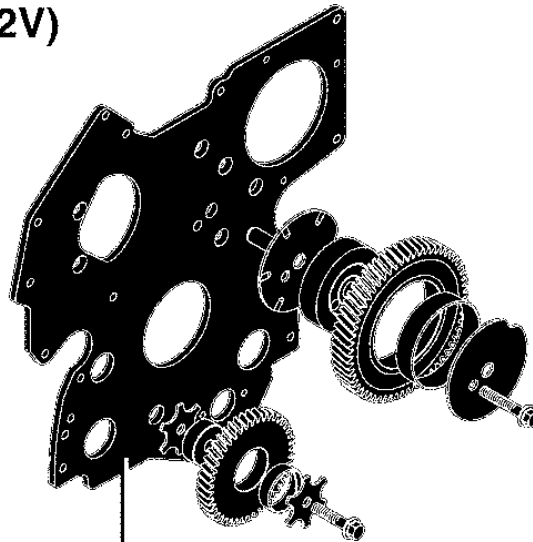
SECTIONAL INDEX
INDEX DE SECTION
GRUPPENINDEX
INDICE DELLA SEZIONE
INDICE DE SECCION
GRUPPSFORTECKNING

CDP47876 -UN-

3612A-	1
3616-	3
3618A-	4
3618B-	5



3616 (6068H-2V)
3618A (4045D,H,T-2V)
3618B (6068H-2V)



3612A (4045H-2V)
(6068H-2V)

CDP47876

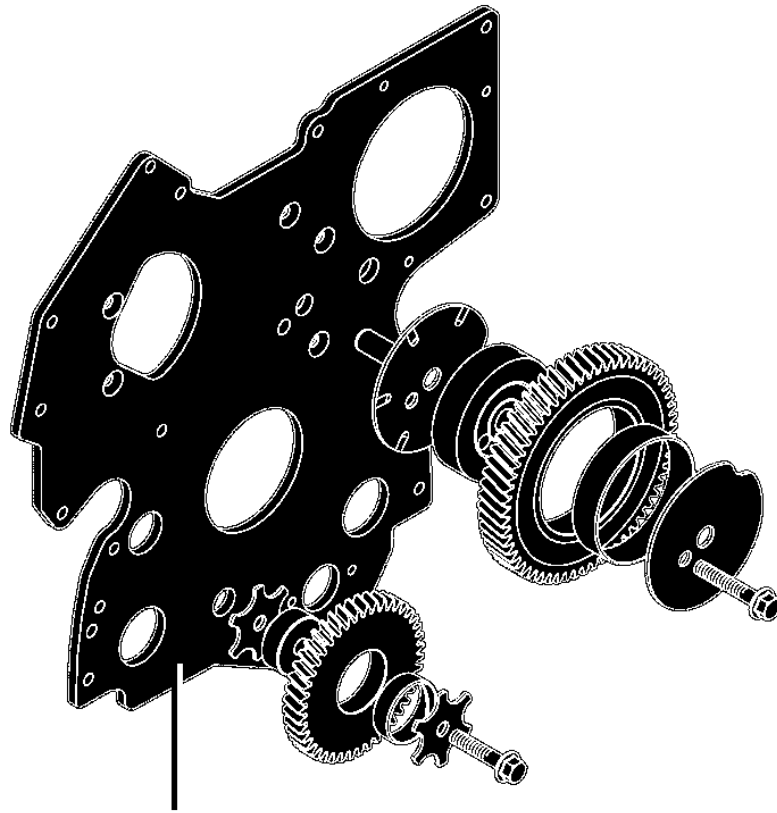
360-A03

FRONT PLATE

SECTIONAL INDEX
INDEX DE SECTION
GRUPPENINDEX
INDICE DELLA SEZIONE
INDICE DE SECCION
GRUPPSFORTECKNING

3612B- 2

CDP46837B -UN-



**3612B (4045H-4V)
(6068H-4V)**

CDP46837B

360-A04

FRONT PLATE

MEMORANDA
MEMORANDA
MEMORANDA
MEMORANDA
MEMORANDA
MEMORANDA

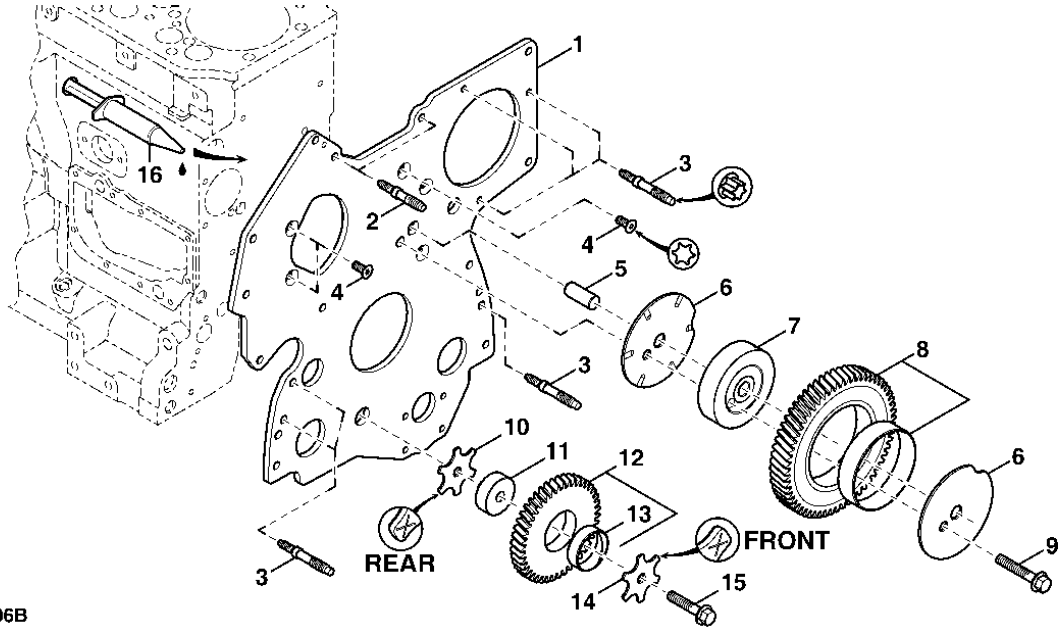
360-1

FRONT PLATE

3612
3612
3612
3612
3612
3612

CDP45206B

-UN-



CDP45206B

KEY	PART NO.	PART NAME	QTY.	ENGINE SERIAL NO.	REMARKS
				4 6	
				0 0	
				4 6	
				5 8	
				H H	
1	R504576	PLATE	1		X X
2	R134518	STUD	2		X X LGTH= 68MM
3	R520139	STUD	7		X X (SUB FOR R123584, THIS APPLICATION) LGTH= 84MM.
4	R136475	SCREW	5		X X
5	R515408	DOWEL PIN	1		X X
6	R515494	LOCK WASHER	2		X X
7	R504843	SHAFT	1		X X
8	RE508489	GEAR	1		X X Z= 60, (MARKED R504614)
9	19M8844	SCREW	1		X X M10 X 60, (10.9)
10	R101225	THRUST WASHER	1		X X
11	R114194	SHAFT	1		X X
12	RE56369	GEAR	1		X X Z= 43, (MARKED R120636)
13	R114193	BUSHING	1		X X
14	R131283	THRUST WASHER	1		X X
15	19M8966	SCREW	1		X X M10 X 50, (10.9)
16	DD15664	SEALANT	1		X X

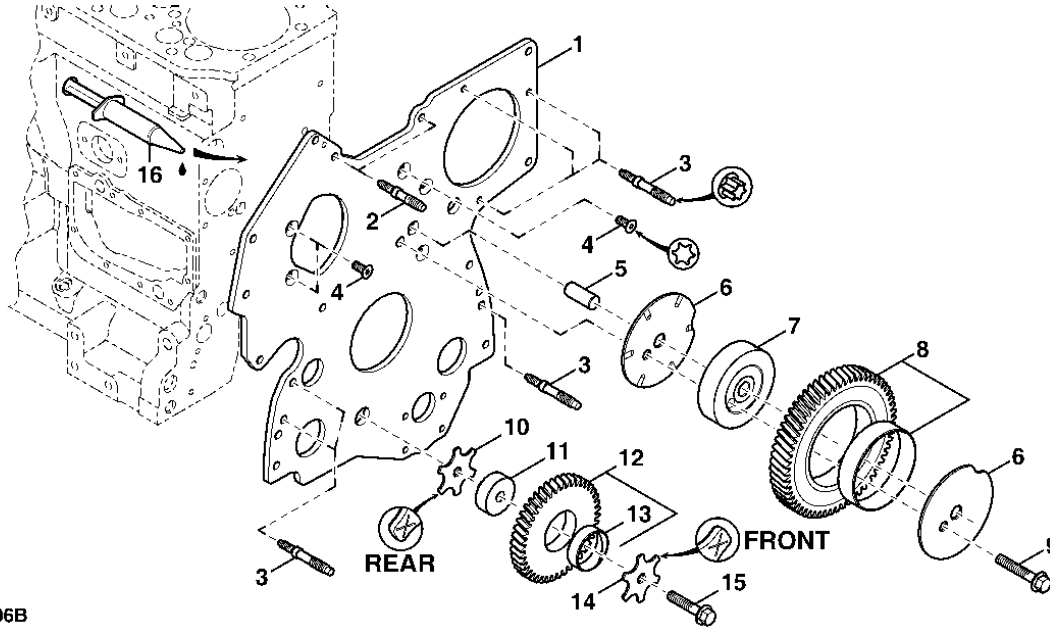
360-2

FRONT PLATE

3612
3612
3612
3612
3612

CDP45206B

-UN-



CDP45206B

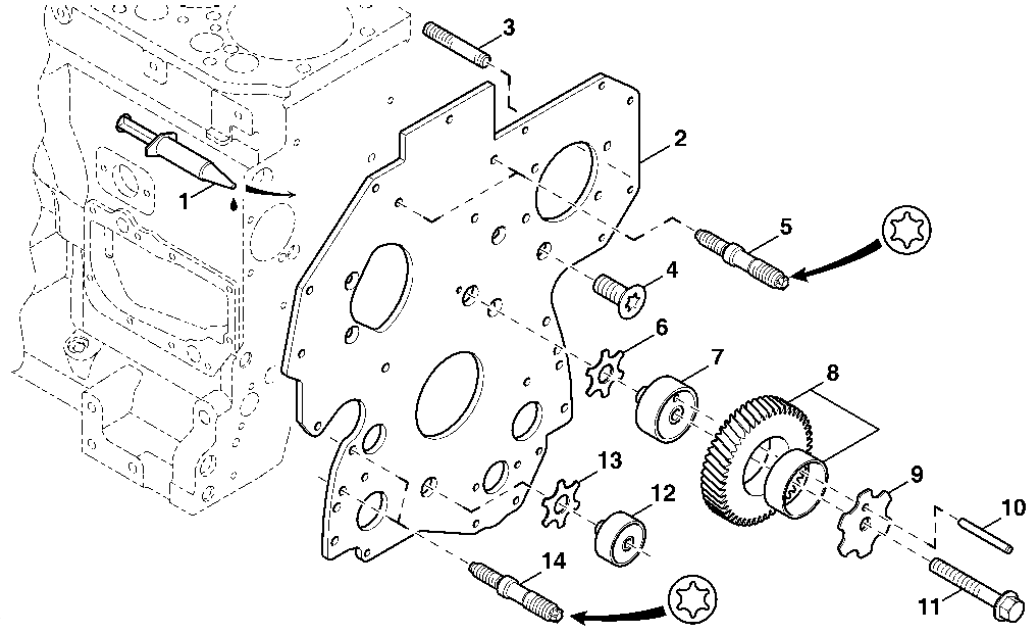
KEY	PART NO.	PART NAME	QTY.	ENGINE SERIAL NO.	REMARKS
				4 6	
				0 0	
				4 6	
				5 8	
1	R504576	PLATE	1	X X	
2	R134518	STUD	2	X X	LGTH= 68MM
3	R520139	STUD	7	X X	(SUB FOR R123584, THIS APPLICATION) LGTH= 84MM.
4	R136475	SCREW	5	X X	
5	R515408	DOWEL PIN	1	X X	
6	R515494	LOCK WASHER	2	X X	
7	R504843	SHAFT	1	X X	
8	RE508489	GEAR	1	X X	Z= 60, (MARKED R504614)
9	19M8844	SCREW	1	X X	M10 X 60, (10.9)
10	R101225	THRUST WASHER	1	X X	
11	R114194	SHAFT	1	X X	
12	RE56369	GEAR	1	X X	Z= 43, (MARKED R120636)
13	R114193	BUSHING	1	X X	
14	R131283	THRUST WASHER	1	X X	
15	19M8966	SCREW	1	X X	M10 X 50, (10.9)
16	DD15664	SEALANT	1	X X	

360-3

FRONT PLATE

3616
3616
3616
3616
3616
3616

CD43921A -UN-



CD43921A

KEY	PART NO.	PART NAME	QTY.	ENGINE SERIAL NO.	6 0 6 8 H	REMARKS
1	DD15664	SEALANT	1		X	
2	R500711	PLATE	1		X	
3	R134212	STUD	4		X	M10 X LGTH= 60MM
4	R136475	SCREW	4		X	
5	R134518	STUD	2		X	LGTH= 68MM
6	R123174	THRUST WASHER	1		X	
7	R120641	SHAFT	1		X	OD= 69.8MM, TK= 30MM
8	RE508932	GEAR	1		X	Z= 49
9	R131206	THRUST WASHER	1		X	
10	34H288	SPRING PIN	1		X	4.775 X 44.450 MM
	34M7036	SPRING PIN	1		X	5 X 45 MM
11	19M8997	SCREW	1		X	M10 X 65 (10.9) (SUB FOR 19M7808, THIS APPLICATION)
12	R114194	SHAFT	1		X	OD= 44.5MM, TK= 16MM
13	R101225	THRUST WASHER	1		X	
14	R123584	STUD	4		X	LGTH= 79MM

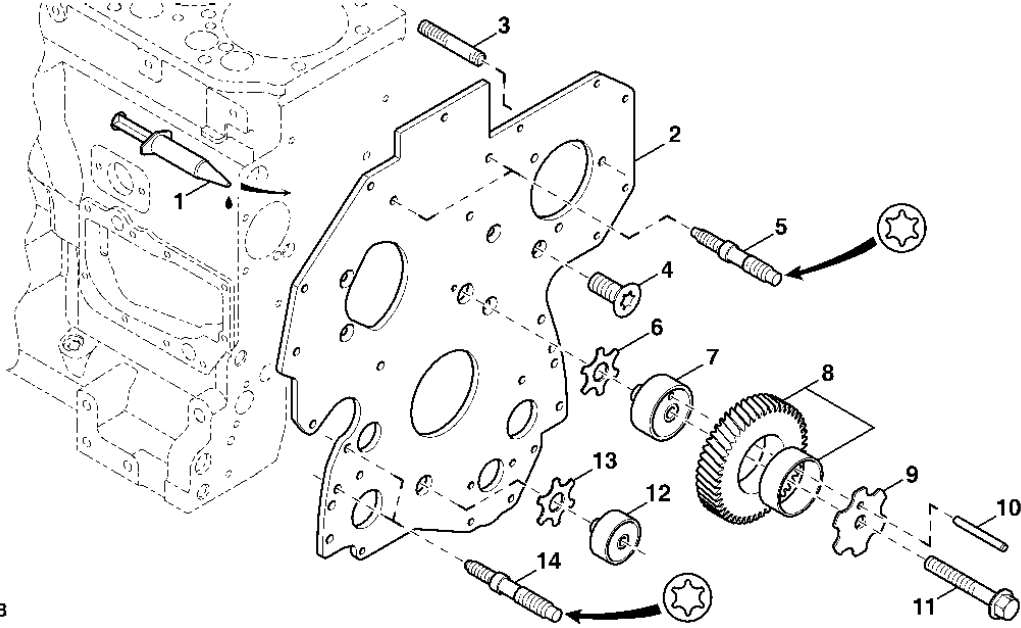
360-4

FRONT PLATE

3618
3618
3618
3618
3618
3618

CDP45163B

-UN-



CDP45163B

4 4 4
0 0 0
4 4 4
5 5 5

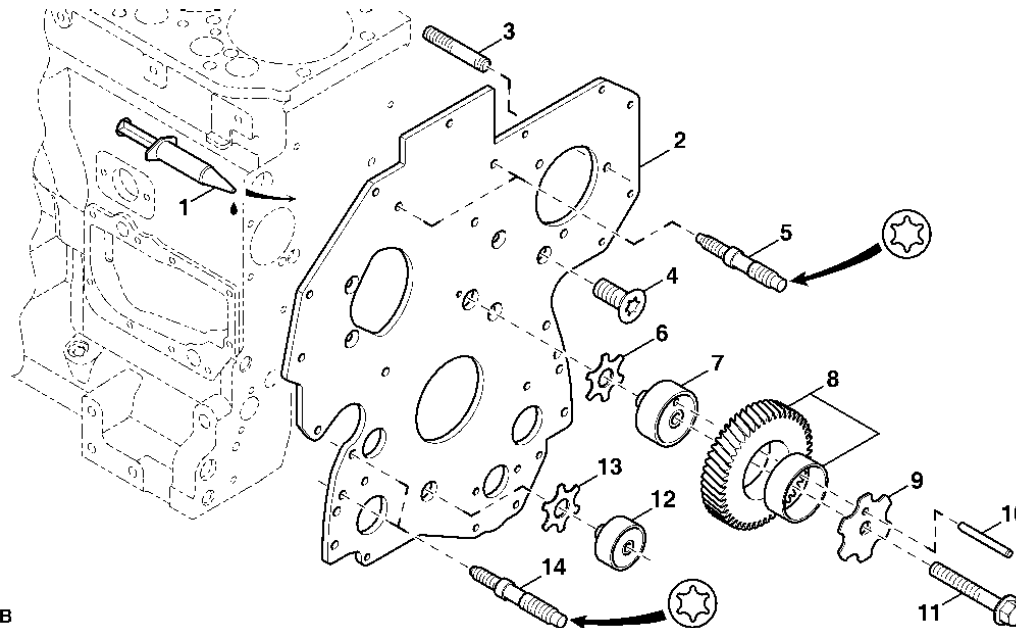
KEY	PART NO.	PART NAME	QTY.	ENGINE SERIAL NO.	D H T	REMARKS
1	DD15664	SEALANT	1		X X X	
2	R134527	PLATE	1		X X X	
3	R116386	STUD	3		X X X	M10 X LGTH= 37MM
4	R136475	SCREW	4		X X X	
5	R134518	STUD	2		X X X	LGTH= 68MM
6	R123174	THRUST WASHER	1		X X X	
7	R120641	SHAFT	1		X X X	OD= 69.8MM, TK= 30MM
8	RE508932	GEAR	1		X X X	Z= 49, (MARKED R505121)
9	R131206	THRUST WASHER	1		X X X	
10	34H288	SPRING PIN	1		X X X	4.775 X 44.450 MM
	34M7036	SPRING PIN	1		X X X	5 X 45 MM
11	19M8997	SCREW	1		X X X	M10 X 65. (10.9)
12	R114194	SHAFT	1		X X X	OD= 44.5MM, TK= 16MM
13	R101225	THRUST WASHER	1		X X X	
14	R123584	STUD	4		X X X	LGTH= 79MM

360-5

FRONT PLATE

3618 - CONTINUED
 3618 - SUITE
 3618 - FORTSETZUNG
 3618 - SEGUITO
 3618 - CONTINUACION
 3618 - FORTS

CDP45163B -UN-



CDP45163B

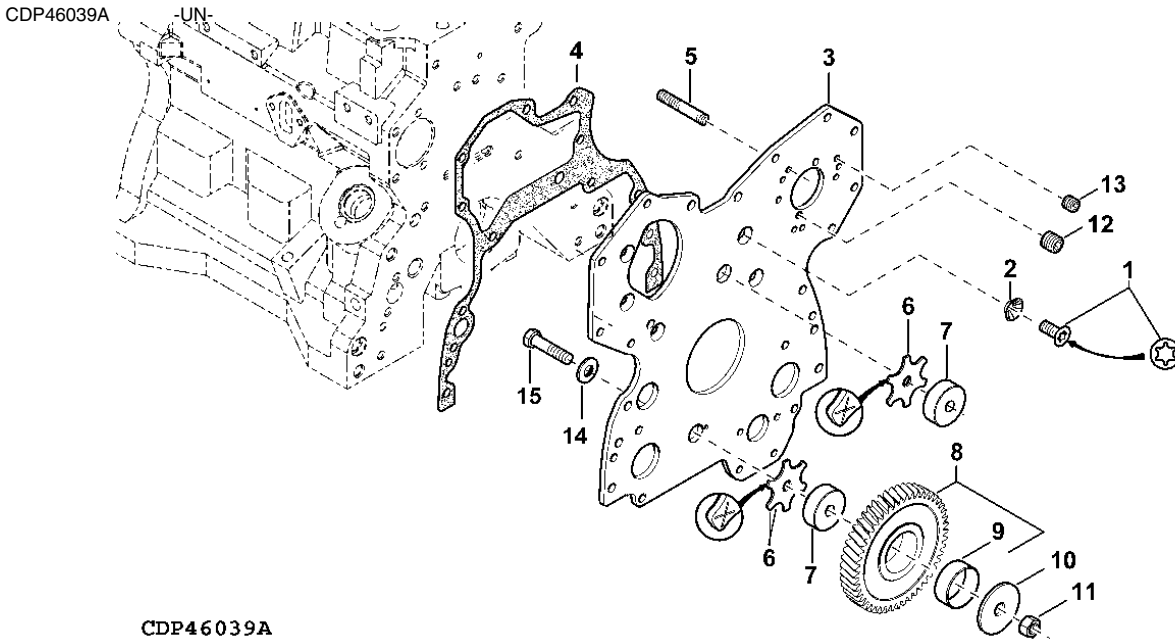
KEY	PART NO.	PART NAME	QTY.	ENGINE SERIAL NO.	REMARKS
1	DD15664	SEALANT	1		X
2	R134527	PLATE	1		X
3	R116386	STUD	3		X M10 X LGTH= 37MM
4	R136475	SCREW	4		X
5	R134518	STUD	2		X LGTH= 68MM
6	R123174	THRUST WASHER	1		X
7	R120641	SHAFT	1		X OD= 69.8MM, TK= 30MM
8	RE508932	GEAR	1		X Z= 49, (MARKED R505121)
9	R131206	THRUST WASHER	1		X
10	34H288	SPRING PIN	1		X 4.775 X 44.450 MM
	34M7036	SPRING PIN	1		X 5 X 45 MM
11	19M8997	SCREW	1		X M10 X 65. (10.9)
12	R114194	SHAFT	1		X OD= 44.5MM, TK= 16MM
13	R101225	THRUST WASHER	1		X
14	R123584	STUD	4		X LGTH= 79MM

6
0
6
8
H

360-6

FRONT PLATE

3622
3622
3622
3622
3622



CDP46039A

3
0
2
9
T

KEY	PART NO.	PART NAME	QTY.	ENGINE SERIAL NO.	REMARKS
1	R501068	BOLT	5		X
2	12H324	WASHER	5		X 3/8"
3	R79863	PLATE	1		X
4	R131794	GASKET	1		X (ALSO ORDER (8) AT21191 AND (2) AT22919)
5	T23442	STUD	3		X OD X ID 50MM X 46MM
6	R101225	THRUST WASHER	2		X
7	R109863	SHAFT	2		X
8	AT24252	GEAR	1		X LGTH 36.6MM X 5/16"-24NS X 5/16"-18UNC
9	T26321	BUSHING	1		X 5/16"-18UNC
10	R101227	THRUST WASHER	1		X
11	14H865	NUT	1		X 1/2"
12	AT22919	SET SCREW	2		X 3/8" X 0.380"
13	AT21191	SET SCREW	8		X 5/16" X 0.380"
14	R100105	WASHER	1		X 13.500 X 30 X 3 MM
15	19H3011	CAP SCREW	1		X 12.700 X 53.975 MM

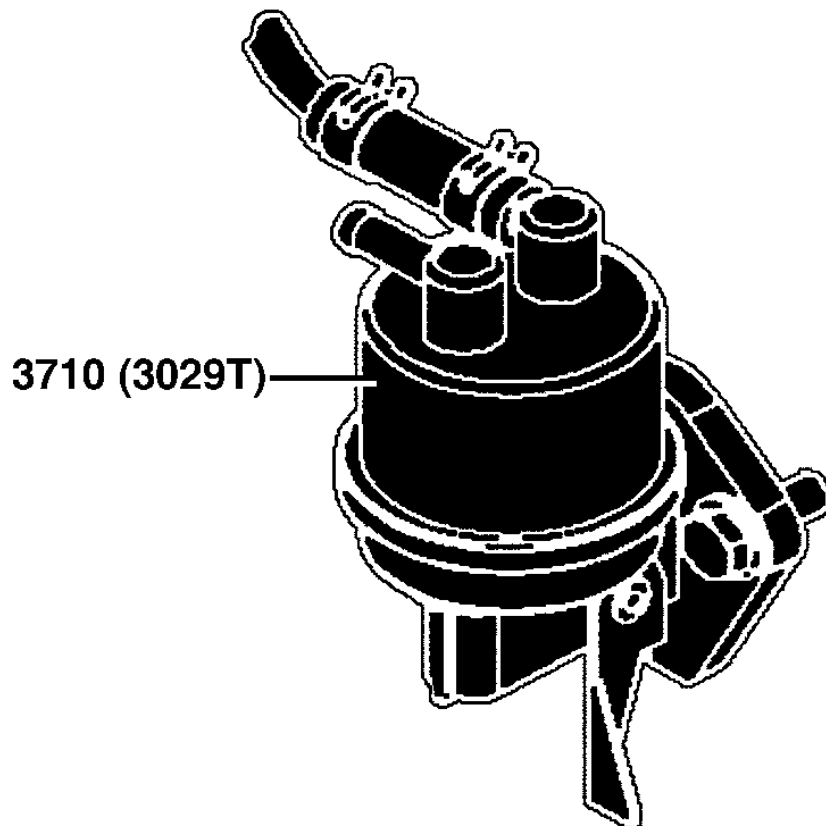
370-A01

FUEL PUMP

SECTIONAL INDEX
INDEX DE SECTION
GRUPPENINDEX
INDICE DELLA SEZIONE
INDICE DE SECCION
GRUPPSFORTECKNING

3710- 4

CDP46848A -UN-



CDP46848A

370-A02

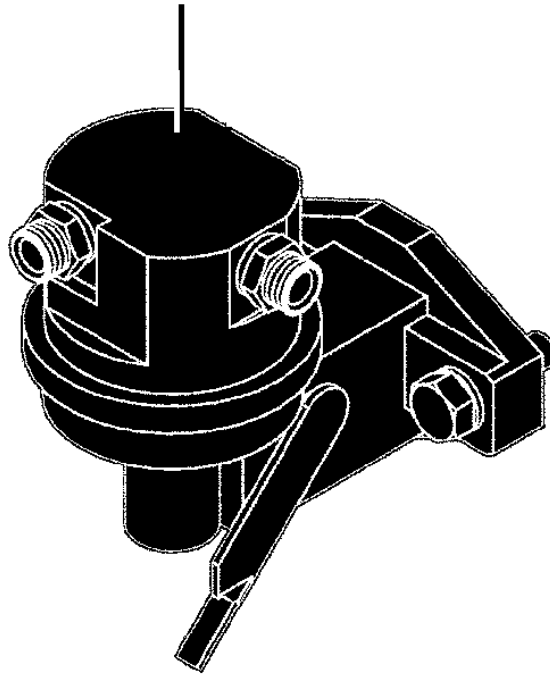
FUEL PUMP

SECTIONAL INDEX
INDEX DE SECTION
GRUPPENINDEX
INDICE DELLA SEZIONE
INDICE DE SECCION
GRUPPSFORTECKNING

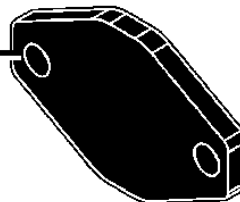
CDP46849B -UN-

3701-	1
3702-	2
3706-	3
3713A-	5
3715-	7
3799-	8

3701 (6068H-2V)
3702 (4045D,T-2V)
3706 (4045H,T-2V)
3713A (4045H-2V)
(6068H-2V)
3715 (4045H,T-2V)



3799 (6068H-2V)



CDP46849B

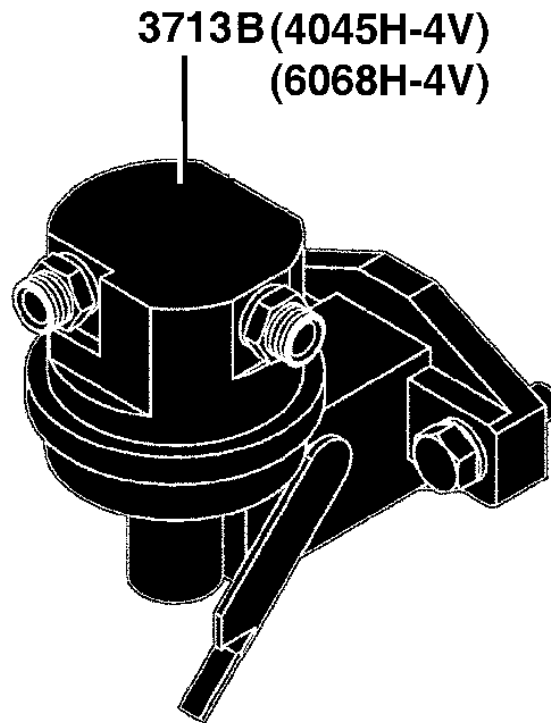
370-A03

FUEL PUMP

SECTIONAL INDEX
INDEX DE SECTION
GRUPPENINDEX
INDICE DELLA SEZIONE
INDICE DE SECCION
GRUPPSFORTECKNING

3713B- 6

CDP46850B -UN-



CDP46850B

370-A04

FUEL PUMP

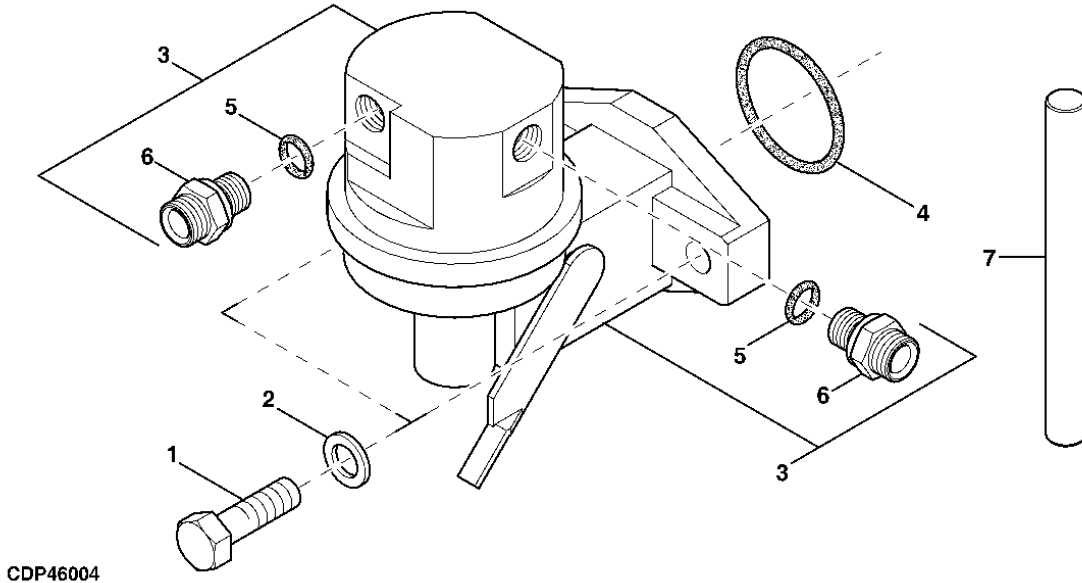
MEMORANDA
MEMORANDA
MEMORANDA
MEMORANDA
MEMORANDA
MEMORANDA

370-1

FUEL PUMP

3701
3701
3701
3701
3701
3701

CDP46004 -UN-



CDP46004

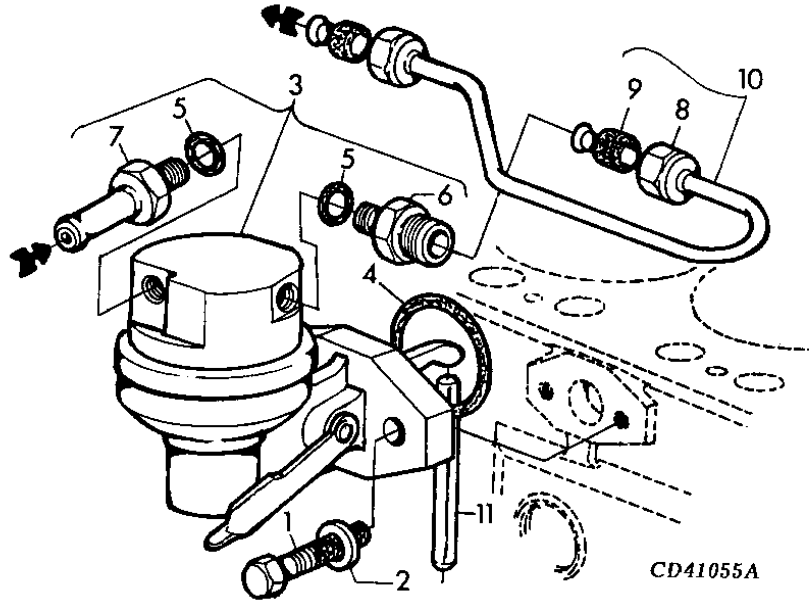
KEY	PART NO.	PART NAME	QTY.	ENGINE SERIAL NO.	REMARKS
1	RE66298	CAP SCREW	2		X M8 X 30, (10.9), THREADS WITH PRE-APPLIED SEALANT, FILETS ENDUITS DE PRODUIT D'ETANCHEITE, MIT DICHTMITTEL, CON MATERIALE DI TENUTA, CON SELLADOR, MED TAETNINGSMEDEL
2	24M7055	WASHER	2		X 8.400 X 16 X 1.600 MM
3	RE66153	FUEL PUMP	1		X ASSY, INCL KEYS 4-6
4	R123273	O-RING	1		X 31.420 X 2.616 MM
5	R500271	O-RING	2		X 10.100 X 1.600 MM
6	R500270	FITTING	2		X M10 X 9/16"-24UNEF. (ALSO ORDER R500271)
7	R133405	PIN	1		X

370-2

FUEL PUMP

3702
3702
3702
3702
3702
3702

CD41055A -UN-



KEY	PART NO.	PART NAME	QTY.	ENGINE SERIAL NO.	REMARKS
1	RE66298	CAP SCREW	2		
2	24M7055	WASHER	2		
3	RE68345	FUEL PUMP	1		
4	R123273	O-RING	1		
5	R500271	O-RING	2		
6	R500270	FITTING	1		
7	R500269	FITTING	1		
8	R123594	TUBE NUT	2		
9	R74012	SEALING WASHER	2		
10	RE60037	FUEL LINE	1		
11	R133405	PIN	1		

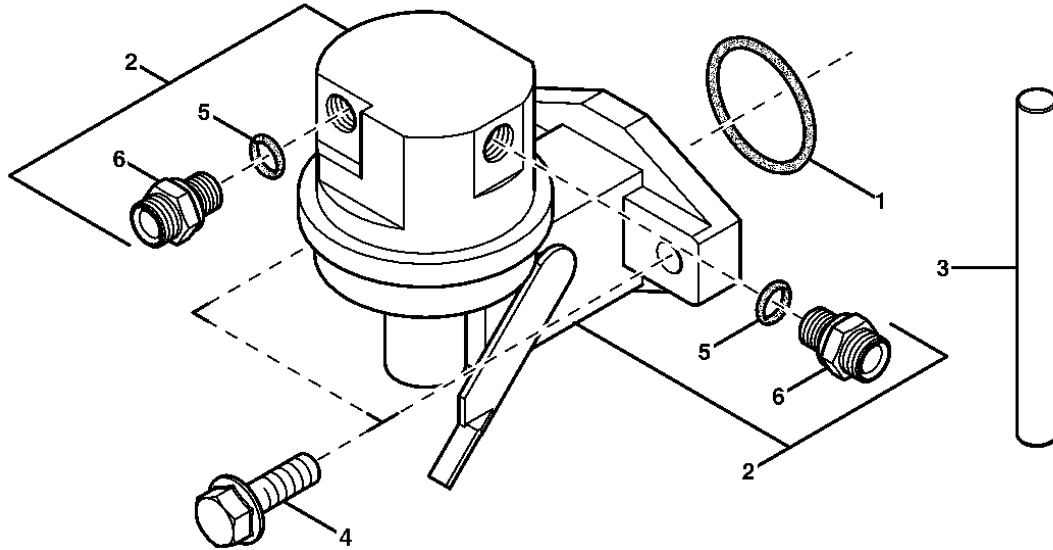
4 4
0 0
4 4
5 5
D T

370-3

FUEL PUMP

3706
3706
3706
3706
3706
3706

CDP46468 -UN-



CDP46468

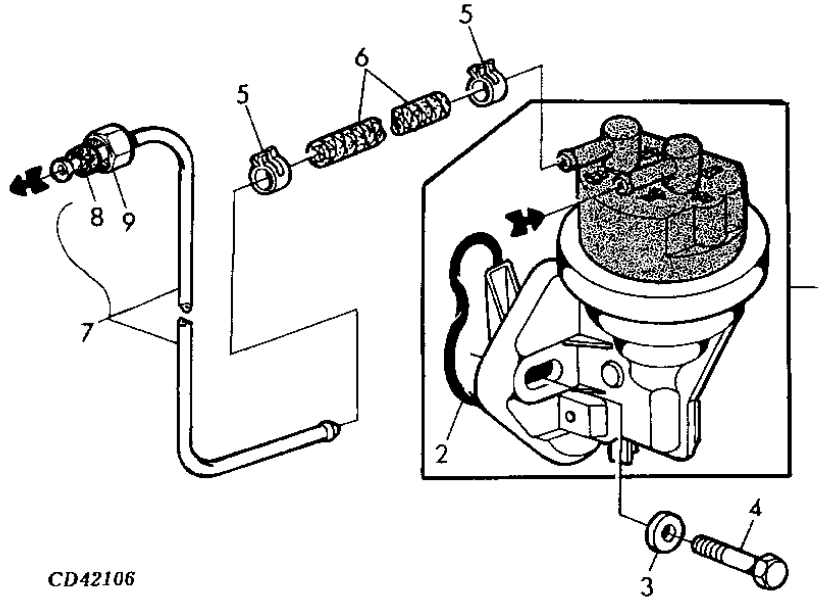
KEY	PART NO.	PART NAME	QTY.	ENGINE SERIAL NO.	REMARKS	
					H	T
					4	4
					0	0
					4	4
					5	5
					X	X
1	R123273	O-RING	1		X	X 31.420 X 2.616 MM
2	RE507581	FUEL PUMP	1		X	X
3	R133405	PIN	1		X	X
4	RE504233	CAP SCREW	2		X	X M8 X 30 (10.9)
5	R500271	O-RING	1		X	X 10.100 X 1.600 MM
6	R500270	FITTING	1		X	X M10 X 9/16"

370-4

FUEL PUMP

3710
3710
3710
3710
3710
3710

CD42106 -UN-



CD42106

KEY	PART NO.	PART NAME	QTY.	ENGINE SERIAL NO.	REMARKS
1	RE38009	FUEL PUMP	1		X 80 L/H-15 KPA (0.15 BAR) 2500 MIN-1 (21 GPH-2.1 PSI/2500 MIN-1)
2	T16318	O-RING	1		X
3	24M7055	WASHER	2		X 0.331" X 0.630" X 0.063", (SUB FOR 24H1136, THIS APPLICATION)
4	19H2127	CAP SCREW	2		X 5/16" X 7/8"
5	R56101	CLIP	2		X
6	L65382	HYDRAULIC HOSE	1		X LGTH 1M, CUT TO LENGTH, COUPER A LONGUEUR, ABLAENGEN, TAGLIARE SU MISURE, CORTAR A LONGITUD, AVSKARE EFTER MATT, (SUB FOR UN4660)
7	RE501214	FUEL LINE	1		X
8	R74012	SEALING WASHER	1		X 7.140 X 12.300 X 6.400 MM
9	R123594	TUBE NUT	1		X 9/16" - 24UNF

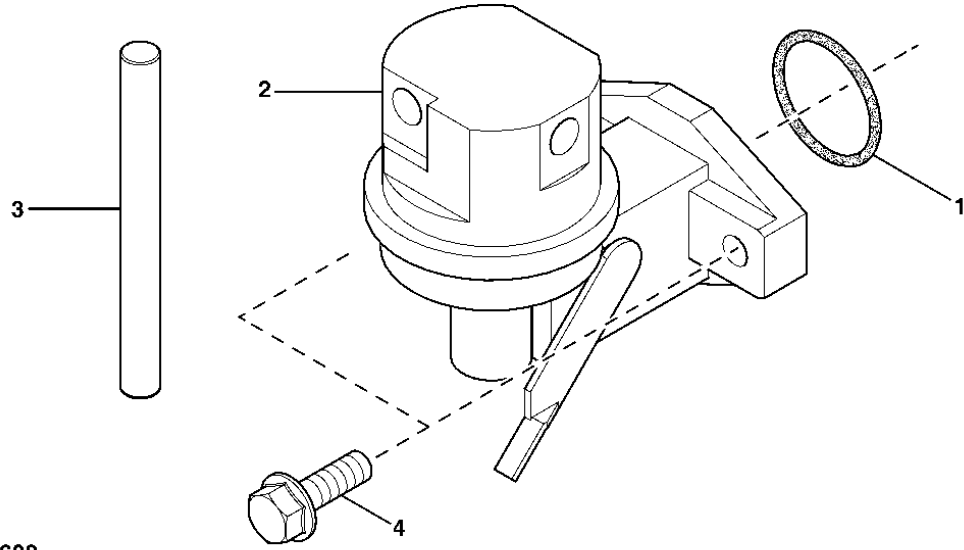
3
0
2
9
T

370-5

FUEL PUMP

3713
3713
3713
3713
3713
3713

CDP45608 -UN-



CDP45608

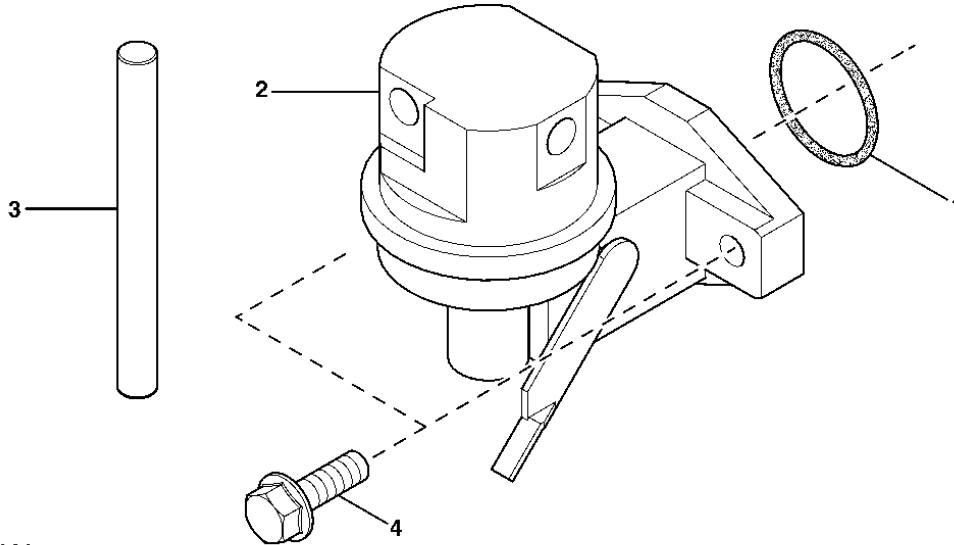
KEY	PART NO.	PART NAME	QTY.	ENGINE SERIAL NO.	REMARKS
1	R123273	O-RING	1	4 6 0 0 4 6 5 8 H H	31.420 X 2.616 MM
2	RE517230	FUEL PUMP	1	X X	
3	R133405	PIN	1	X X	
4	RE504233	CAP SCREW	2	X X	

370-6

FUEL PUMP

3713
3713
3713
3713
3713

CDP45608 -UN-



CDP45608

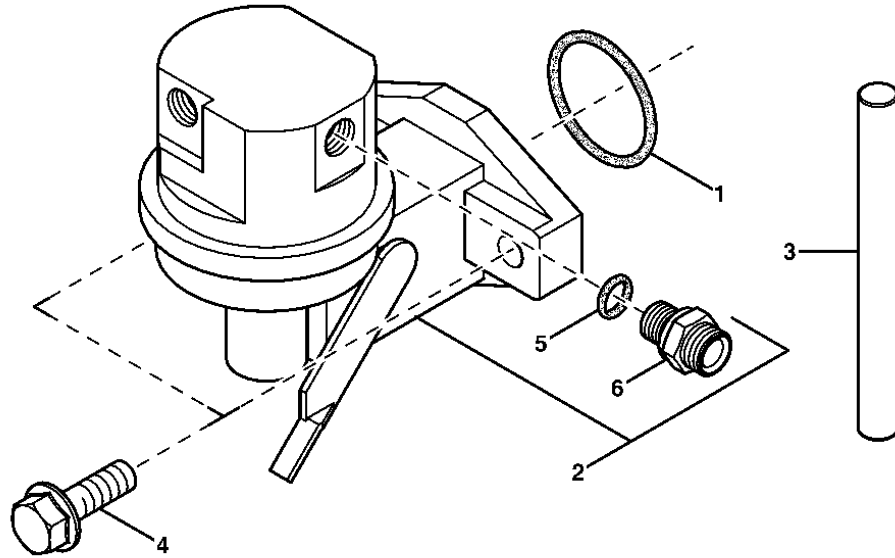
KEY	PART NO.	PART NAME	QTY.	ENGINE SERIAL NO.	REMARKS
1	R123273	O-RING	1	4 6 0 0 4 6 5 8 H H	X X 31.420 X 2.616 MM
2	RE517230	FUEL PUMP	1		X X
3	R133405	PIN	1		X X
4	RE504233	CAP SCREW	2		X X

370-7

FUEL PUMP

3715
3715
3715
3715
3715
3715

CDP46467 -UN-



CDP46467

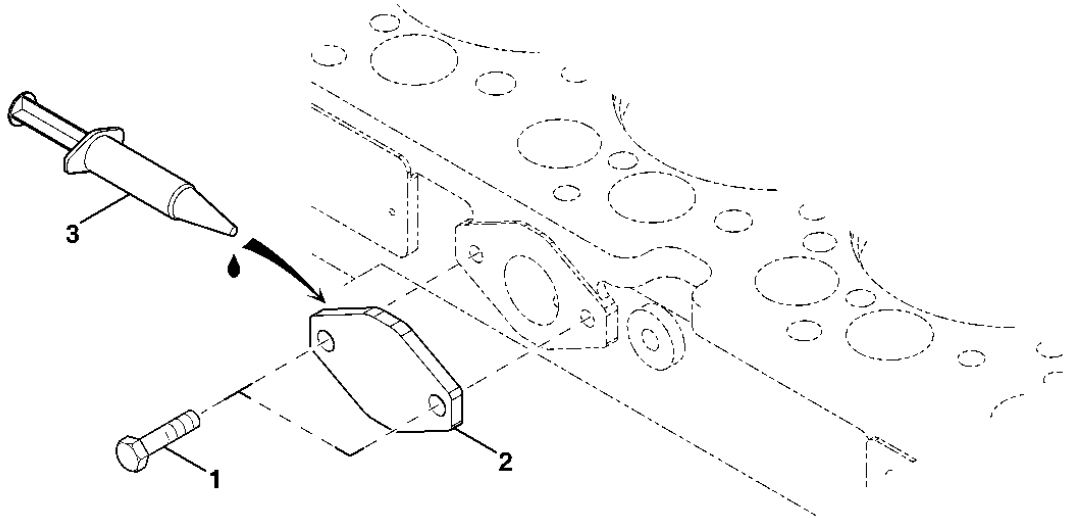
KEY	PART NO.	PART NAME	QTY.	ENGINE SERIAL NO.	H T	REMARKS
					4 4	
					0 0	
					4 4	
					5 5	
					4 4	
1	R123273	O-RING	1		X X	31.420 X 2.616 MM
2	RE507581	FUEL PUMP	1		X X	
3	R133405	PIN	1		X X	
4	RE504233	CAP SCREW	2		X X	M8 X 30 (10.9)
5	R500271	O-RING	1		X X	10.100 X 1.600 MM
6	R500270	FITTING	1		X X	M10 X 9/16"

370-8

FUEL PUMP

3799
3799
3799
3799
3799

CDP45273 -UN-



CDP45273

KEY	PART NO.	PART NAME	QTY.	ENGINE SERIAL NO.	REMARKS
1	RE66334	CAP SCREW	2		
2	R123396	COVER	1		
3	DD15664	SEALANT	1		

6
0
6
8
H

X M8 X 16, (10.9) THREADS WITH PRE-APPLIED SEALANT, FILETS ENDUITS DE PRODUIT D'ETANCHEITE, MIT DICHTMITTEL, CON MATERIALE DI TENUTA, CON SELLADOR, MED TAETNINGSMEDEL

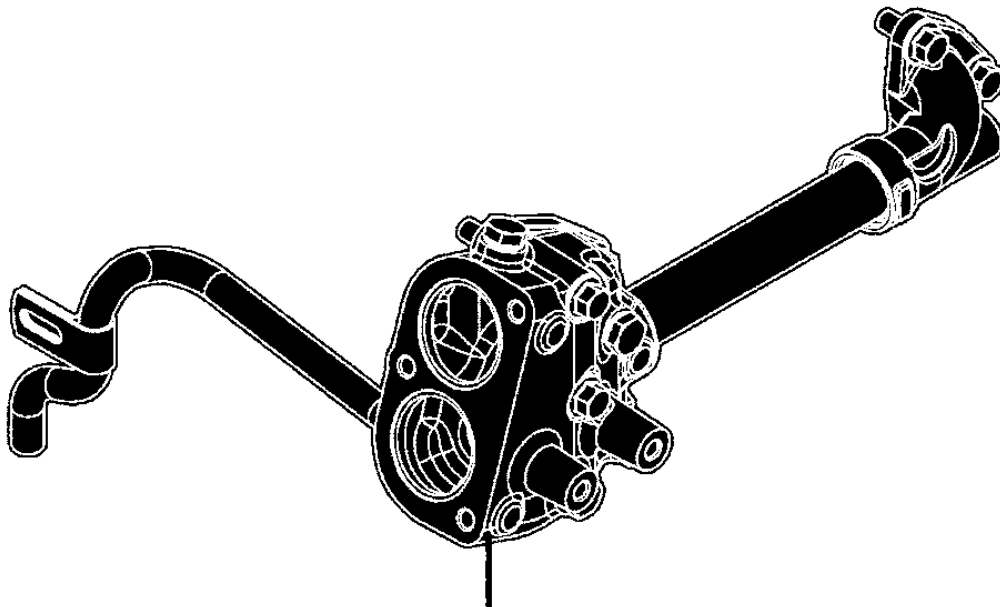
390-A01

THERMOSTAT HOUSING

SECTIONAL INDEX
INDEX DE SECTION
GRUPPENINDEX
INDICE DELLA SEZIONE
INDICE DE SECCION
GRUPPSFORTECKNING

CDP45610B -UN-

3915-	1
3916-	2



3915 (4045H-4V)
3916 (6068H-4V)

CDP45610B

390-A02

TERMOSTAT HOUSING

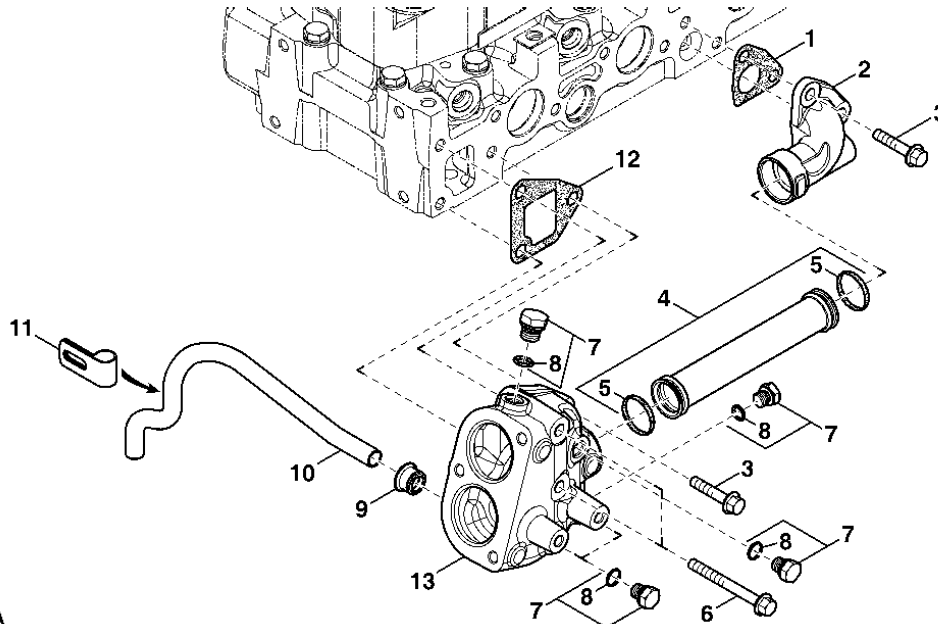
MEMORANDA
MEMORANDA
MEMORANDA
MEMORANDA
MEMORANDA
MEMORANDA

390-1

THERMOSTAT HOUSING

3915
3915
3915
3915
3915
3915

CDP45251A -UN-



CDP45251A

4
0
4
5
H

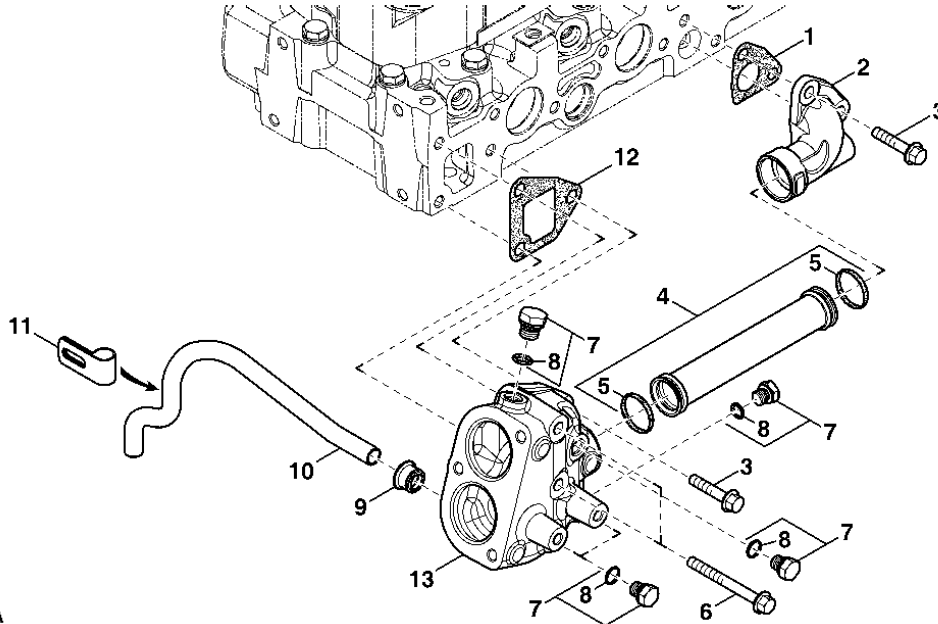
KEY	PART NO.	PART NAME	QTY.	ENGINE SERIAL NO.	REMARKS
1	R505480	GASKET	1		X
2	R504754	MANIFOLD	1		X
3	19M7785	SCREW	3		X M10 X 25
4	RE516026	TUBE	1		X
5	R63185	O-RING	2		X 29.743 X 3.531 MM
6	19M7810	SCREW	2		X M10 X 80, (10.9)
7	RE46684	FITTING PLUG	5		X M14 X 1.5
8	51M7041	O-RING	1		X 11.300 X 2.200 MM
9	R123226	GASKET	1		X
10	R518393	TUBE	1		X
11	R123324	CLAMP	1		X
12	R505479	GASKET	1		X
13	RE517057	HOUSING	1		X

390-2

THERMOSTAT HOUSING

3916
3916
3916
3916
3916

CDP45251A -UN-



CDP45251A

KEY	PART NO.	PART NAME	QTY.	ENGINE SERIAL NO.	REMARKS
1	R505480	GASKET	1		X
2	R504754	MANIFOLD	1		X
3	19M7785	SCREW	3		M10 X 25
4	RE516027	TUBE	1		X
5	R63185	O-RING	2		X 29.743 X 3.531 MM
6	19M7810	SCREW	2		X M10 X 80, (10.9)
7	RE46684	FITTING PLUG	5		X M14 X 1.5
8	51M7041	O-RING	1		X 11.300 X 2.200 MM
9	R123226	GASKET	1		X
10	R518393	TUBE	1		X
11	R123324	CLAMP	1		X
12	R505479	GASKET	1		X
13	RE517057	HOUSING	1		X

6
0
6
8
H

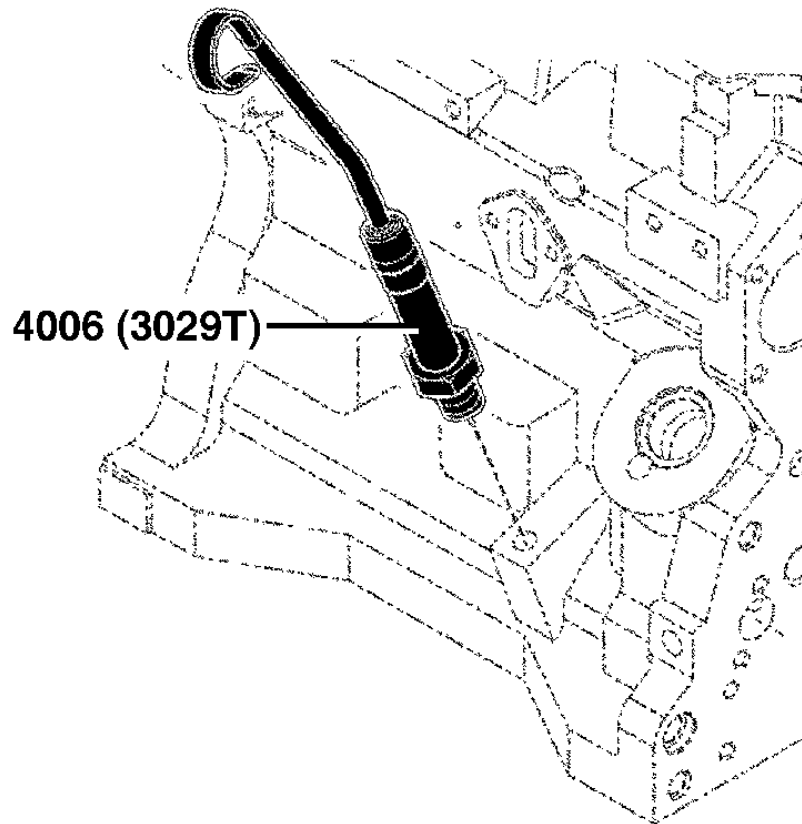
400-A01

OIL DIPSTICK

SECTIONAL INDEX
INDEX DE SECTION
GRUPPENINDEX
INDICE DELLA SEZIONE
INDICE DE SECCION
GRUPPSFORTECKNING

4006- 4

CDP46853A -UN-



CDP46853A

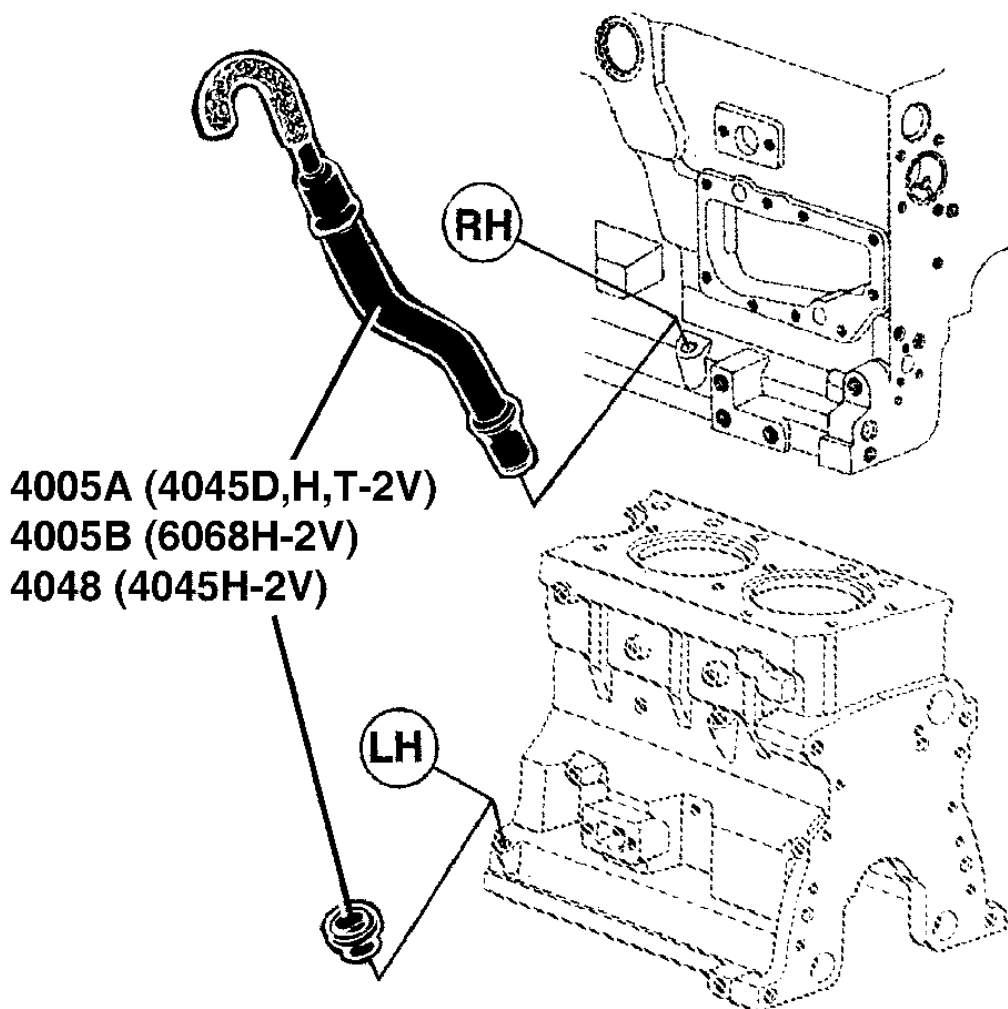
400-A02

OIL DIPSTICK

SECTIONAL INDEX
INDEX DE SECTION
GRUPPENINDEX
INDICE DELLA SEZIONE
INDICE DE SECCION
GRUPPSFORTECKNING

CDP46854B -UN-

4005A-	1
4005B-	2
4048-	5



CDP46854B

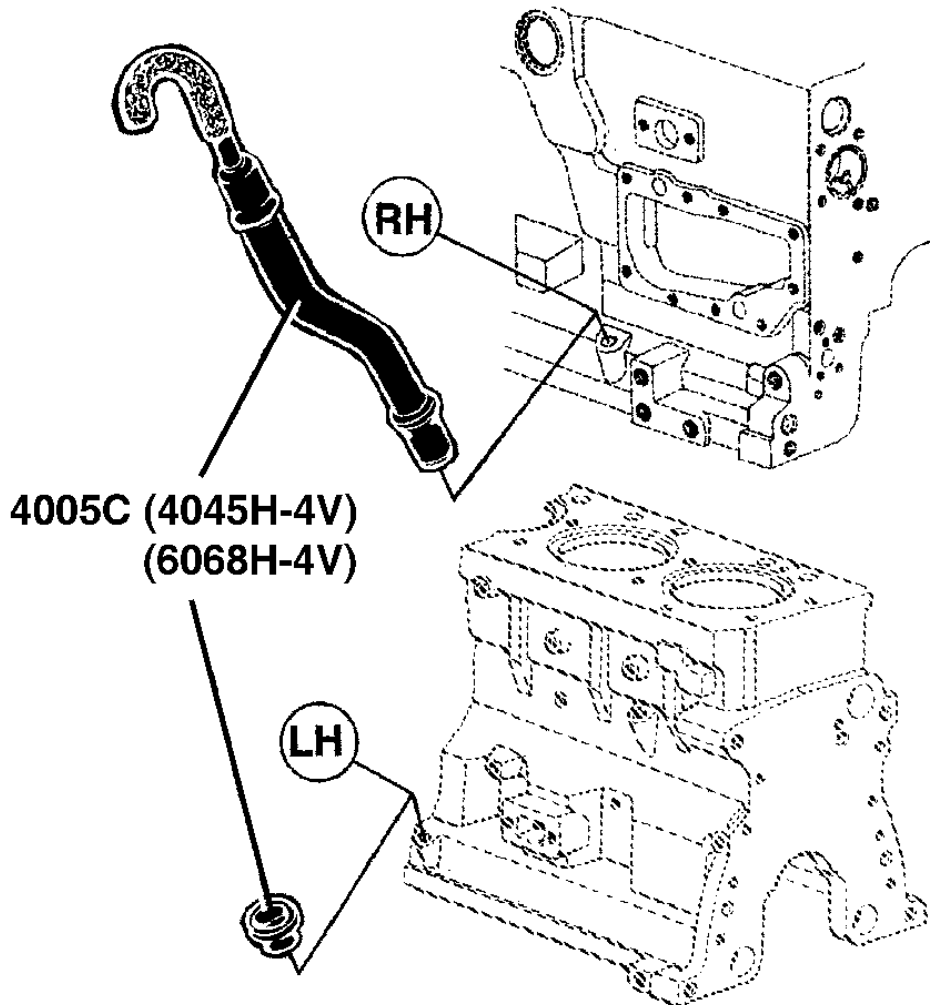
400-A03

OIL DIPSTICK

SECTIONAL INDEX
INDEX DE SECTION
GRUPPENINDEX
INDICE DELLA SEZIONE
INDICE DE SECCION
GRUPPSFORTECKNING

4005C- 3

CDP46855A -UN-



CDP46855A

400-A04

OIL DIPSTICK

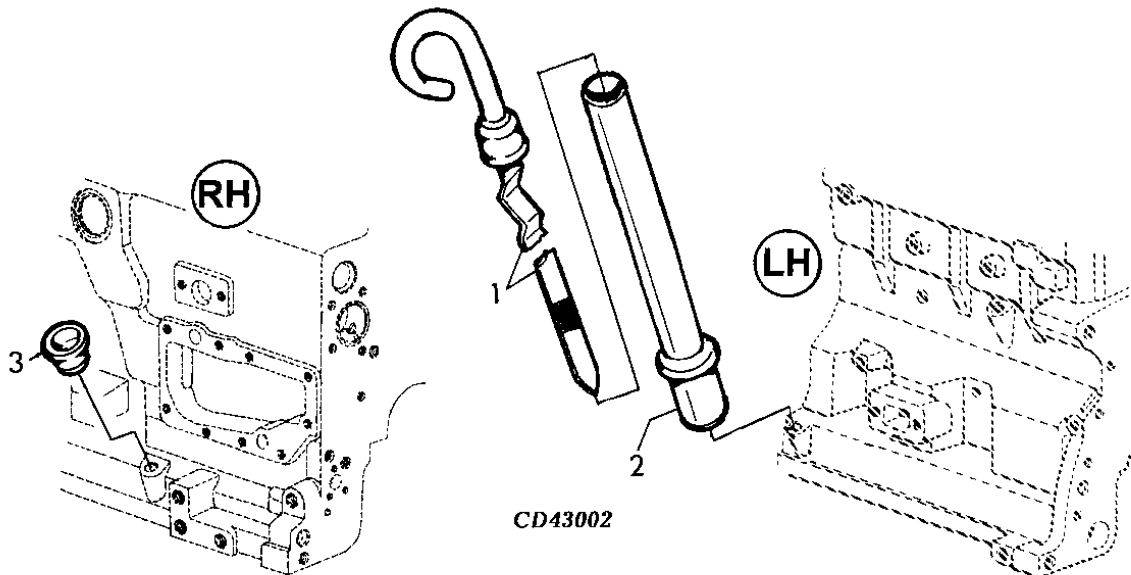
MEMORANDA
MEMORANDA
MEMORANDA
MEMORANDA
MEMORANDA
MEMORANDA

400-1

OIL DIPSTICK

4005
4005
4005
4005
4005
4005

CD43002 -UN-



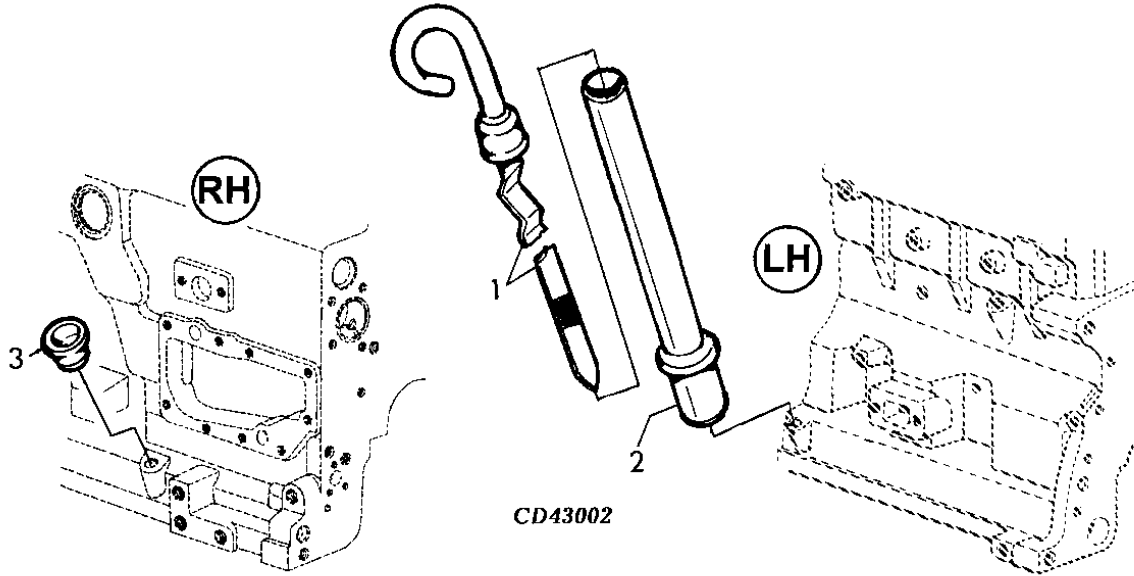
KEY	PART NO.	PART NAME	QTY.	ENGINE SERIAL NO.	D H T	REMARKS
1	RE502740	DIPSTICK	1		X X X	LGTH= 162MM
2	R501178	GUIDE	1		X X X	
3	R502725	PLUG	1		X X X	

400-2

OIL DIPSTICK

4005 - CONTINUED
 4005 - SUITE
 4005 - FORTSETZUNG
 4005 - SEGUITO
 4005 - CONTINUACION
 4005 - FORTS

CD43002 -UN-



KEY	PART NO.	PART NAME	QTY.	ENGINE SERIAL NO.	REMARKS
1	RE502740	DIPSTICK	1		X LGTH= 162MM
2	R501178	GUIDE	1		X
3	R502725	PLUG	1		X

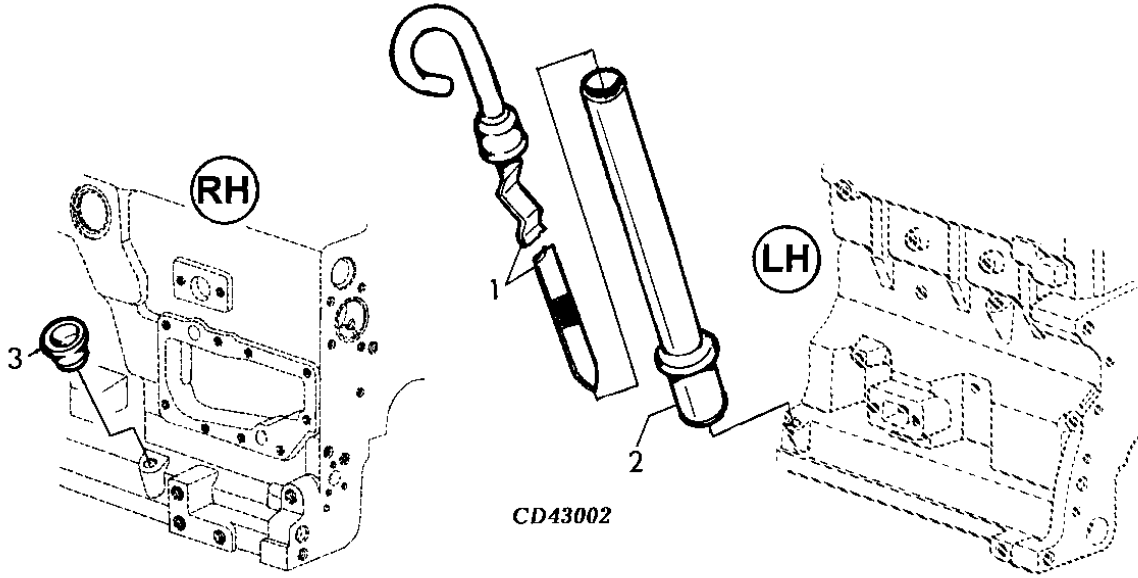
6
0
6
8
H

400-3

OIL DIPSTICK

4005 - CONTINUED
 4005 - SUITE
 4005 - FORTSETZUNG
 4005 - SEGUI TO
 4005 - CONTINUACION
 4005 - FORTS

CD43002 -UN-



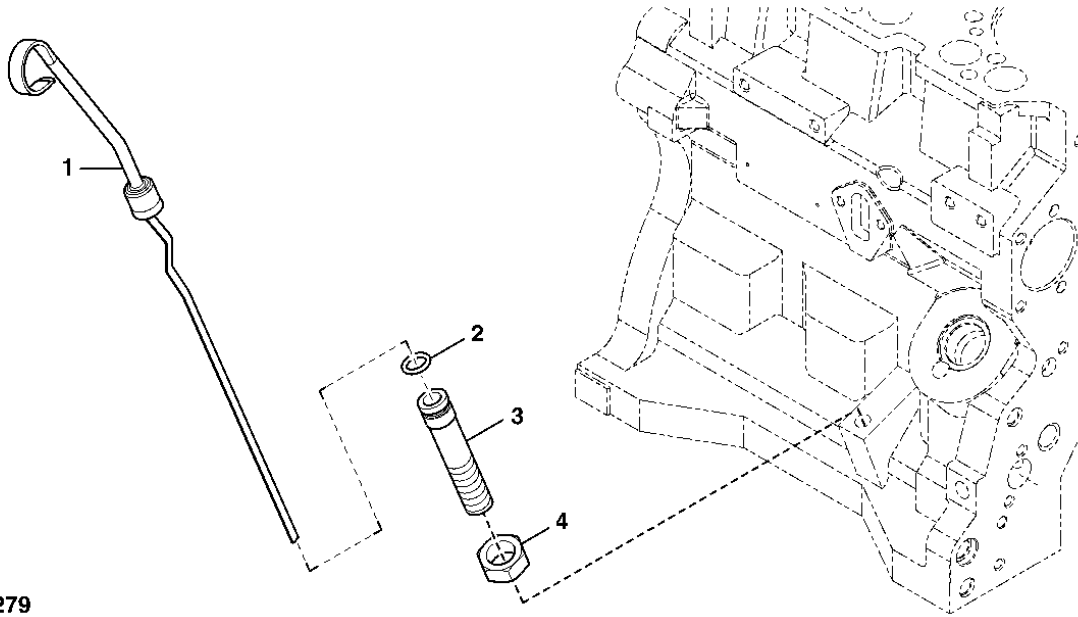
KEY	PART NO.	PART NAME	QTY.	ENGINE SERIAL NO.	REMARKS
1	RE502740	DIPSTICK	1	4 6 0 0 4 6 5 8 H H	X X LGTH= 162MM
2	R501178	GUIDE	1		X X
3	R502725	PLUG	1		X X

400-4

OIL DIPSTICK

4006
4006
4006
4006
4006
4006

CDP46279 -UN-



CDP46279

KEY	PART NO.	PART NAME	QTY.	ENGINE SERIAL NO.	REMARKS
1	AT21535	DIPSTICK	1		X LGTH= 270MM
2	R10093	O-RING	1		X 7.645 X 1.778 MM
3	R114102	GUIDE	1		X LGTH= 155MM
4	14H826	NUT	1		X 1/2"

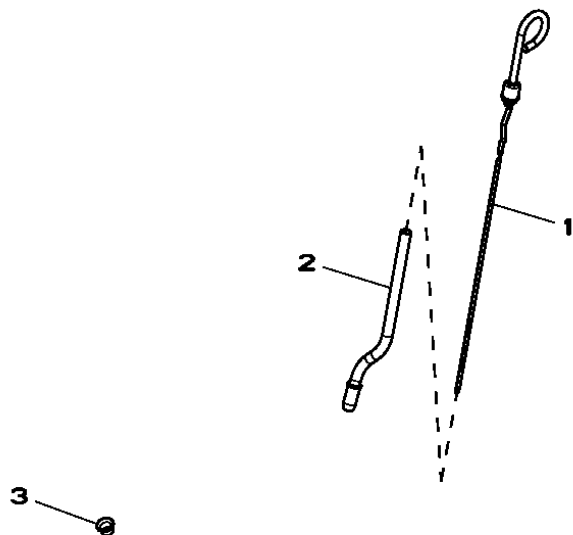
3
0
2
9
T

400-5

OIL DIPSTICK

4048
4048
4048
4048
4048

RE506798PCDD01 -UN-



RE506798PCDD01

KEY	PART NO.	PART NAME	QTY.	ENGINE SERIAL NO.	REMARKS
				4 0 4 5 H	
1	RE69243	DIPSTICK	1		X LH
2	R130055	DIPSTICK TUBE	1		X LH
3	R502725	PLUG	1		X RH

400-6

OIL DIPSTICK

MEMORANDA
MEMORANDA
MEMORANDA
MEMORANDA
MEMORANDA
MEMORANDA

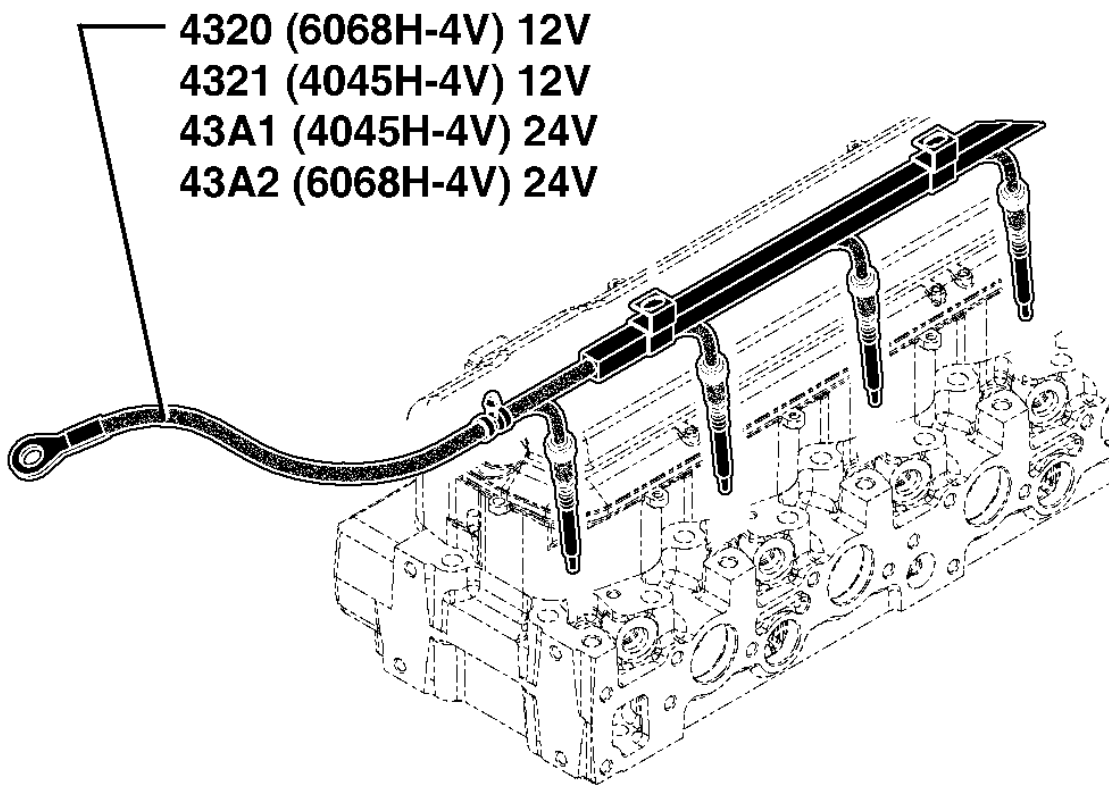
430-A01

STARTING AID

SECTIONAL INDEX
INDEX DE SECTION
GRUPPENINDEX
INDICE DELLA SEZIONE
INDICE DE SECCION
GRUPPSFORTECKNING

CDP46856A -UN-

43A1-	1
43A2-	2
4320-	3
4321-	4



CDP46856A

430-A02

STARTING AID

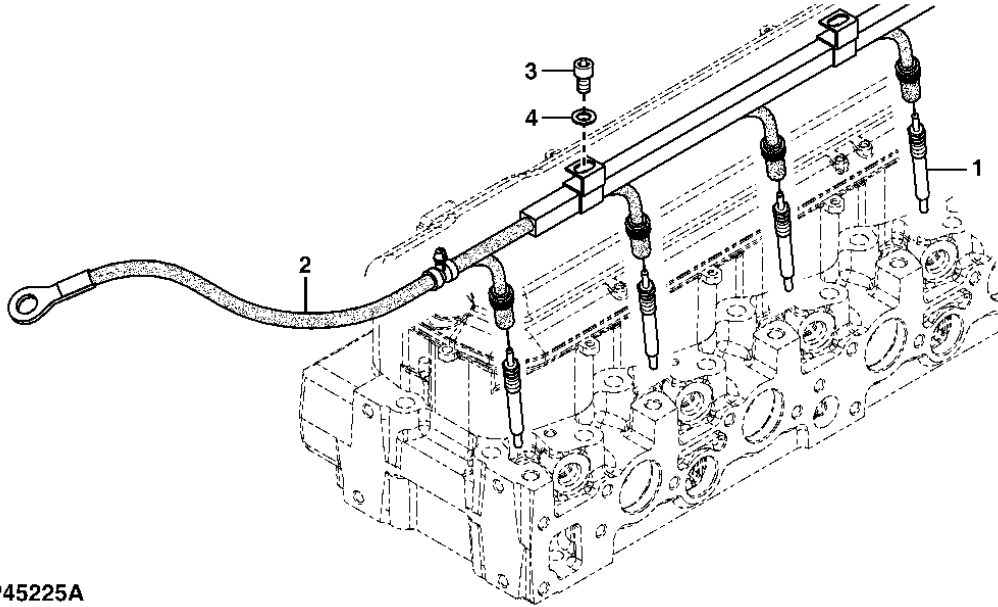
MEMORANDA
MEMORANDA
MEMORANDA
MEMORANDA
MEMORANDA
MEMORANDA

430-1

STARTING AID

43A1
43A1
43A1
43A1
43A1
43A1

CDP45225A -UN-



CDP45225A

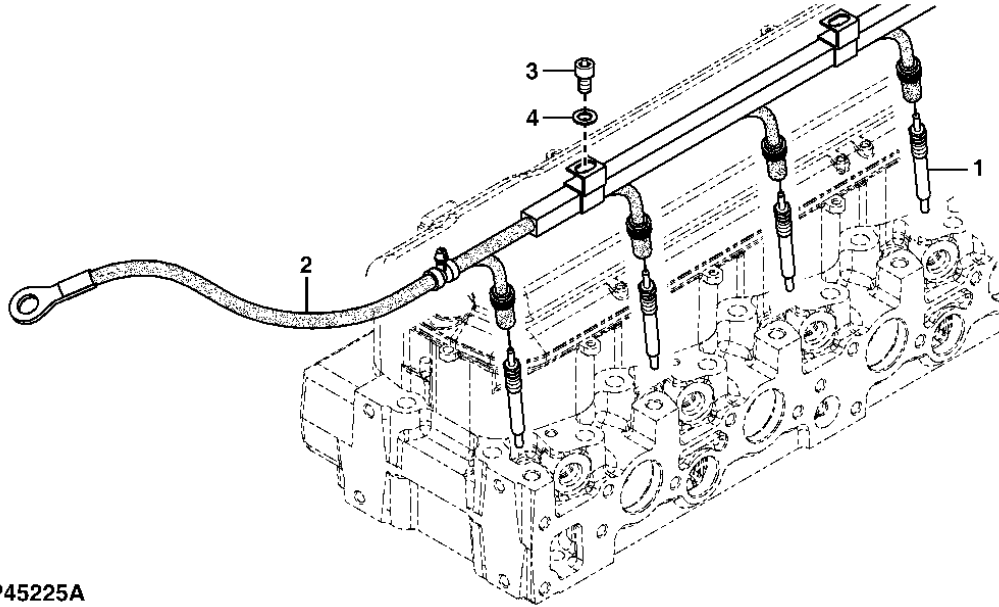
KEY	PART NO.	PART NAME	QTY.	SERIAL NO.	4 0 4 5 H	REMARKS
1	RE515622	GLOW PLUG	6		X	(24V)
2	RE515773	WIRING HARNESS	1		X	
3	19M8618	SCREW	2		X	M6 X 12
4	24M7088	WASHER	2		X	6.600 X 12 X 1.600 MM

430-2

STARTING AID

43A2
43A2
43A2
43A2
43A2

CDP45225A -UN-



CDP45225A

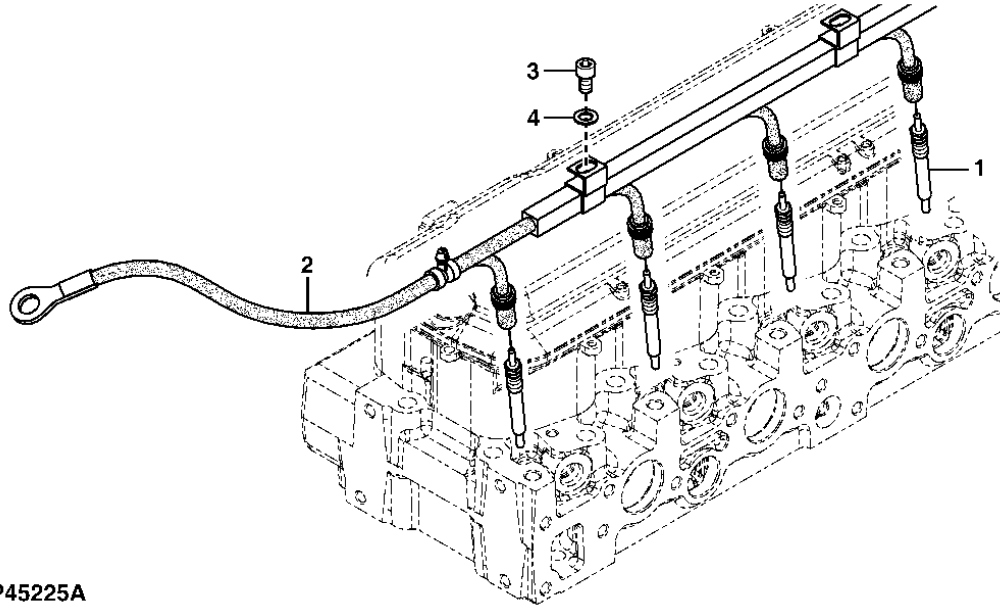
KEY	PART NO.	PART NAME	QTY.	SERIAL NO.	6 0 6 8 H	REMARKS
1	RE515622	GLOW PLUG	6		X	(24V)
2	RE515772	WIRING HARNESS	1		X	
3	19M8618	SCREW	3		X	M6 X 12
4	24M7088	WASHER	3		X	6.600 X 12 X 1.600 MM

430-3

STARTING AID

4320
4320
4320
4320
4320
4320

CDP45225A -UN-



CDP45225A

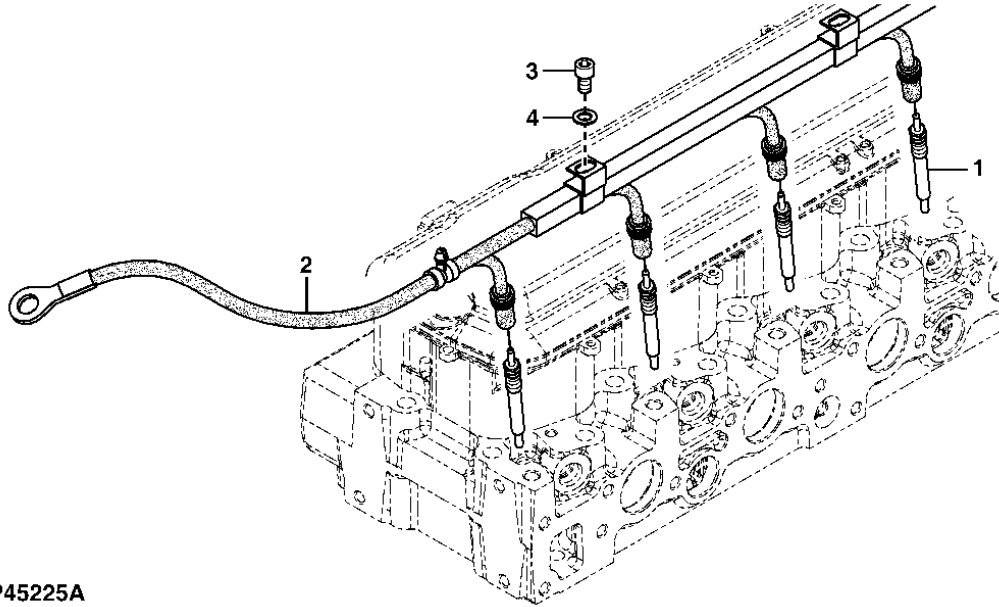
KEY	PART NO.	PART NAME	QTY.	SERIAL NO.	6 0 6 8 H	REMARKS
1	RE504580	GLOW PLUG	6		X	(12V)
2	RE515772	WIRING HARNESS	1		X	
3	19M8618	SCREW	3		X	M6 X 12
4	24M7088	WASHER	3		X	6.600 X 12 X 1.600 MM

430-4

STARTING AID

4321
4321
4321
4321
4321
4321

CDP45225A -UN-



CDP45225A

KEY	PART NO.	PART NAME	QTY.	SERIAL NO.	4 0 4 5 H	REMARKS
1	RE504580	GLOW PLUG	6		X	(12V)
2	RE515773	WIRING HARNESS	1		X	
3	19M8618	SCREW	2		X	M6 X 12
4	24M7088	WASHER	2		X	6.600 X 12 X 1.600 MM

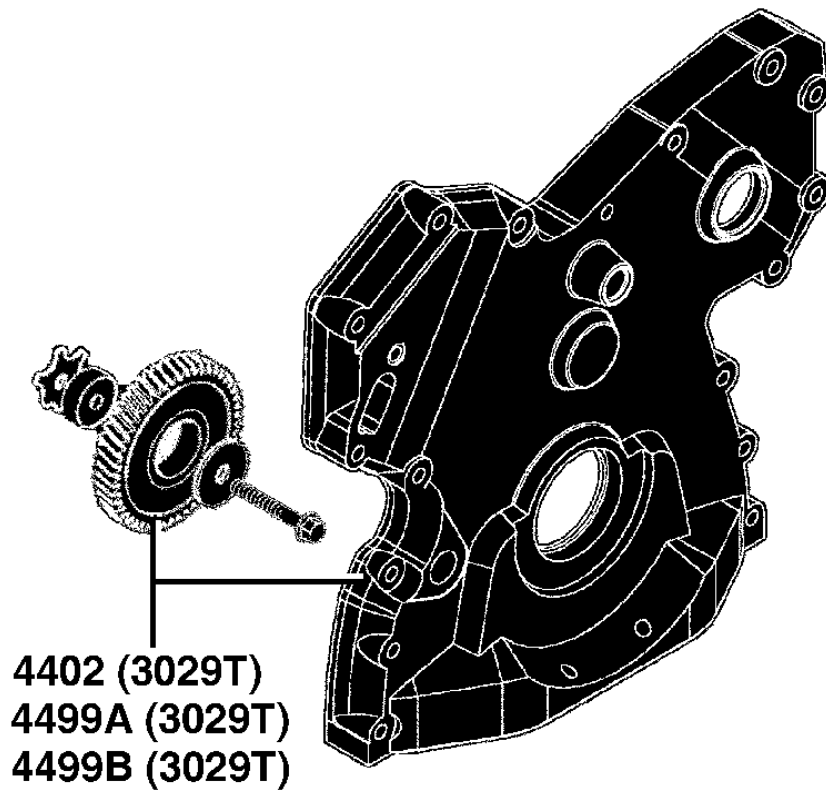
440-A01

TIMING GEAR COVER

SECTIONAL INDEX
INDEX DE SECTION
GRUPPENINDEX
INDICE DELLA SEZIONE
INDICE DE SECCION
GRUPPSFORTECKNING

CDP46857B -UN-

4402-	2
4499A-	16
4499B-	18



4402 (3029T)
4499A (3029T)
4499B (3029T)

CDP46857B

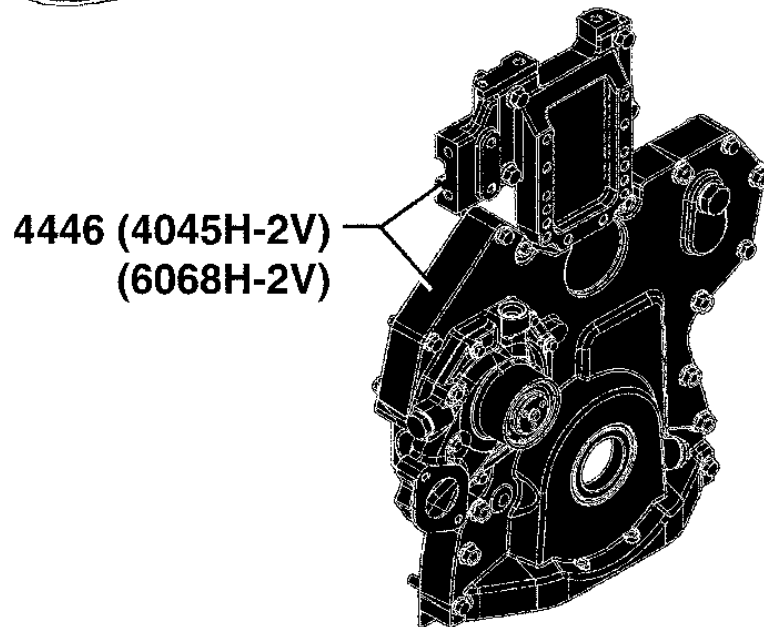
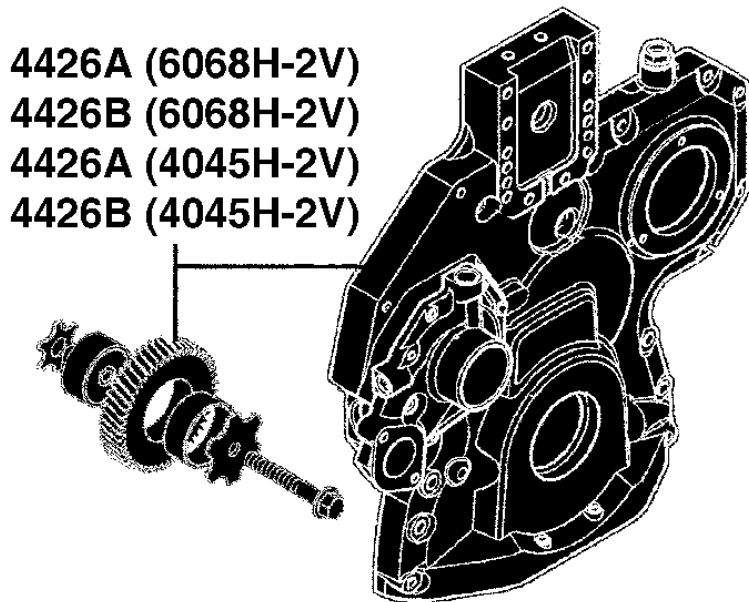
440-A02

TIMING GEAR COVER

SECTIONAL INDEX
INDEX DE SECTION
GRUPPENINDEX
INDICE DELLA SEZIONE
INDICE DE SECCION
GRUPPSFORTECKNING

CDP47875A -UN-

4426A-	4
4426B-	6
4429A-	8
4429B-	10
4446-	14



CDP47875A

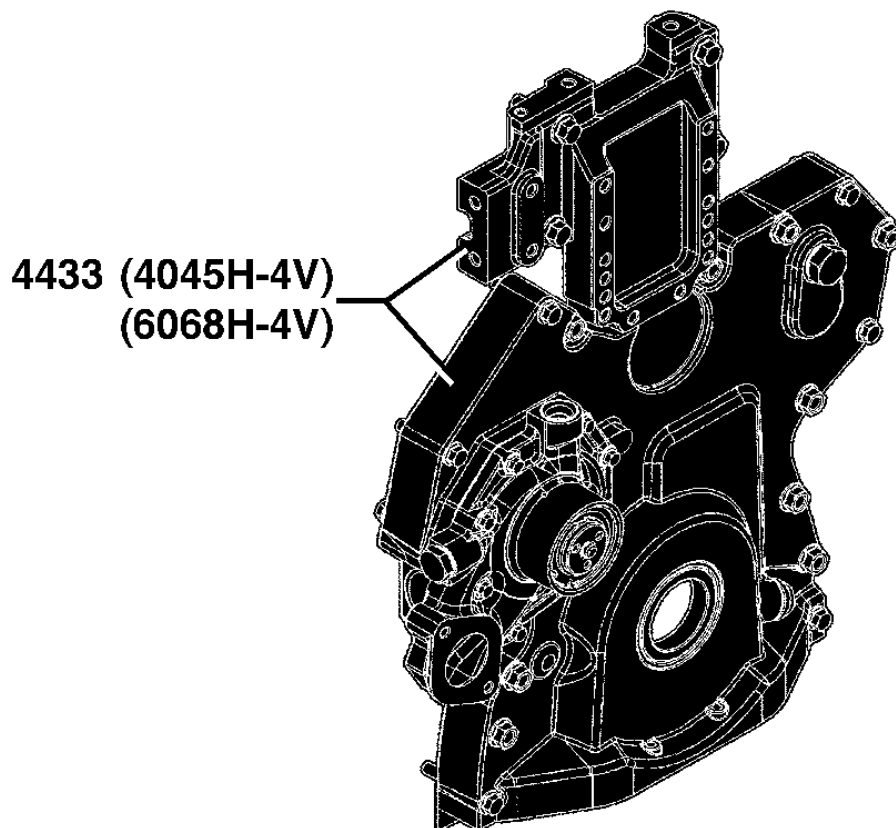
440-A03

TIMING GEAR COVER

SECTIONAL INDEX
INDEX DE SECTION
GRUPPENINDEX
INDICE DELLA SEZIONE
INDICE DE SECCION
GRUPPSFORTECKNING

4433- 12

CDP46859A -UN-



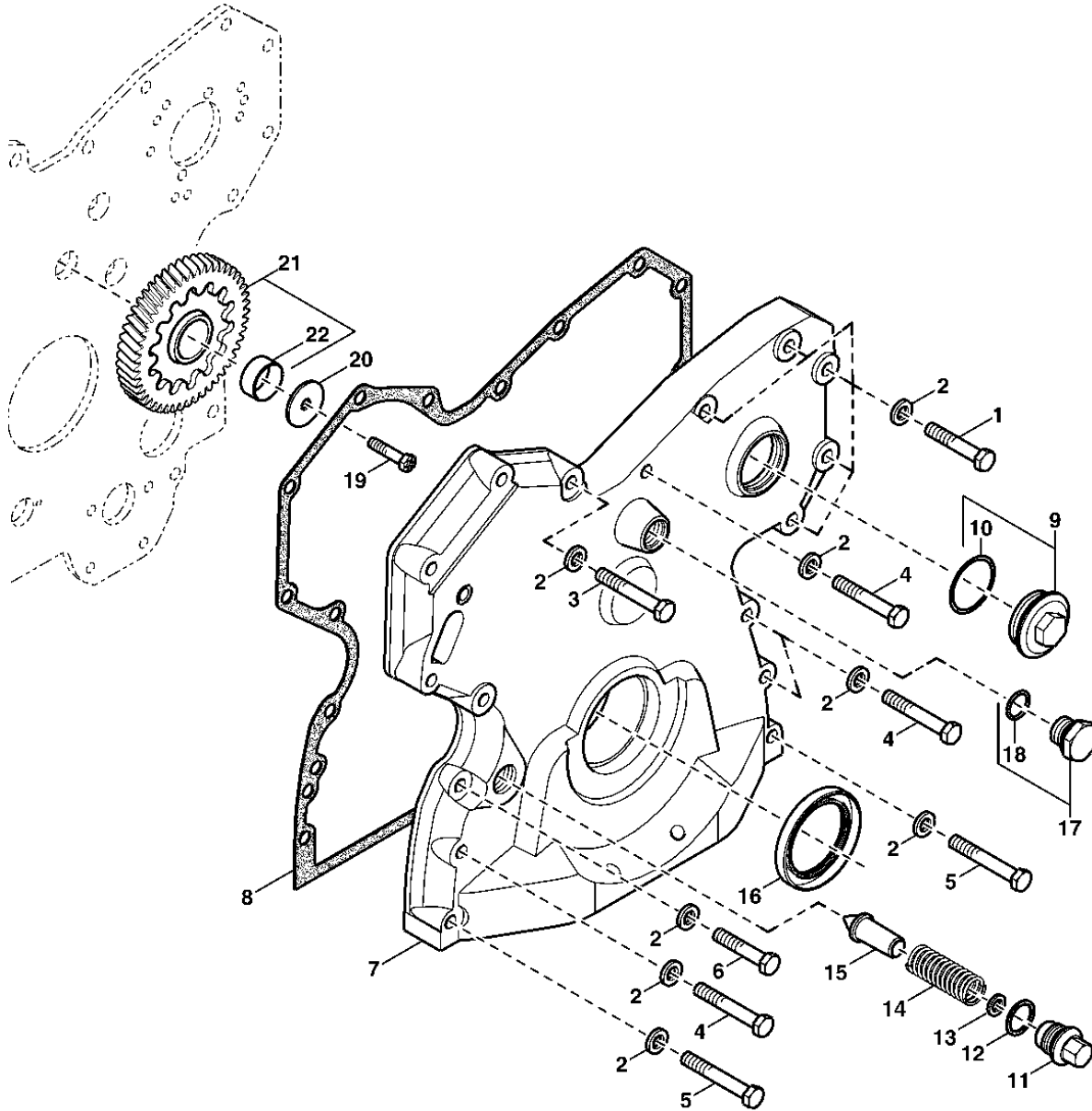
CDP46859A

440-2

TIMING GEAR COVER

4402
4402
4402
4402
4402

CDP46469 -UN-



CDP46469

440-3

TIMING GEAR COVER

KEY	PART NO.	PART NAME	QTY.	ENGINE SERIAL NO.	3 0 2 9 T	REMARKS
1	19H3065	CAP SCREW	5		X	3/8" X 2", (SAE 8)
2	24M7106	WASHER	13		X	10 X 18 X 2.500 MM
3	19H1726	CAP SCREW	1		X	3/8" X 2-1/4"
4	19H2733	CAP SCREW	4		X	3/8" X 2-3/8", (SAE 8)
5	19H3031	CAP SCREW	2		X	3/8" X 2-1/2", (SAE 8)
6	19H2549	CAP SCREW	1		X	3/8" X 1-7/8"
7	R114217	COVER	1		X	ALUMINIUM, ALLUMINIO, ALUMINIO, ALUMINIUM (OR ORDER RE51527)
8	R97454	GASKET	1		X	
9	RE522656	FITTING	1		X	M42 X 2
10	51M7049	O-RING	1		X	38.600 X 2.900 MM
11	R91692	PLUG	1		X	1"-16UNC
12	A4827R	WASHER	1		X	
13	24H1290	WASHER	AR		X	21/64" X 3/4" X 0.035"
14	T27658	SPRING	1		X	
15	R83169	VALVE	1		X	
16	AR67942	SEAL	1		X	
17	RE517370	FITTING	1		X	M20 X 1.5
18	51M7044	O-RING	1		X	17.300 X 2.200 MM
19	T26327	SCREW	1		X	1/2" X 2.244"
20	R101227	THRUST WASHER	1		X	14.700 X 57.900 X 4 MM, FRONT
21	AR91660	GEAR	1		X	Z= 55, (MARKED R70182)
22	T20034	BUSHING	1		X	

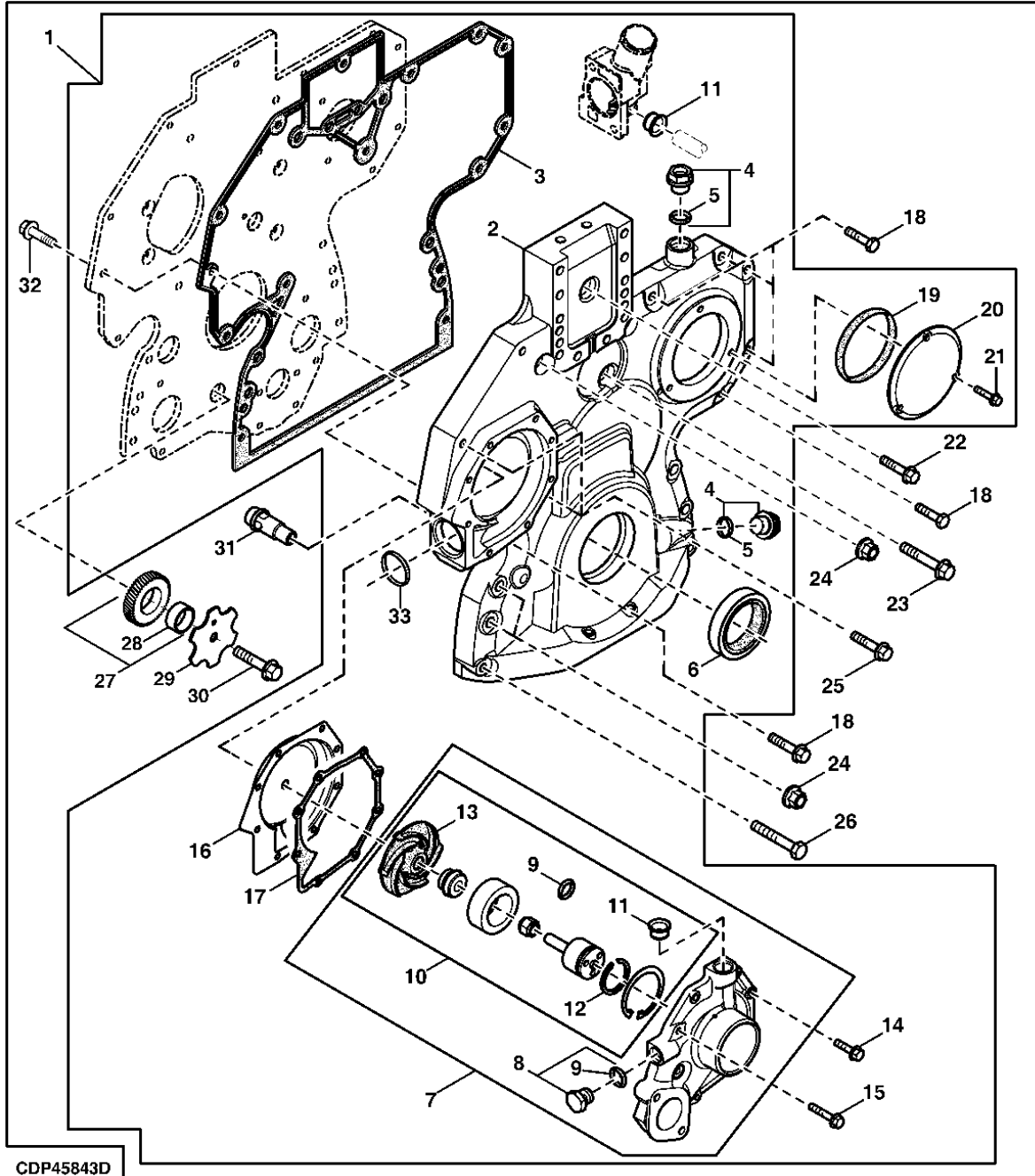
440-4

TIMING GEAR COVER

4426
4426
4426
4426
4426

CDP45843D

-UN-



CDP45843D

440-5

TIMING GEAR COVER

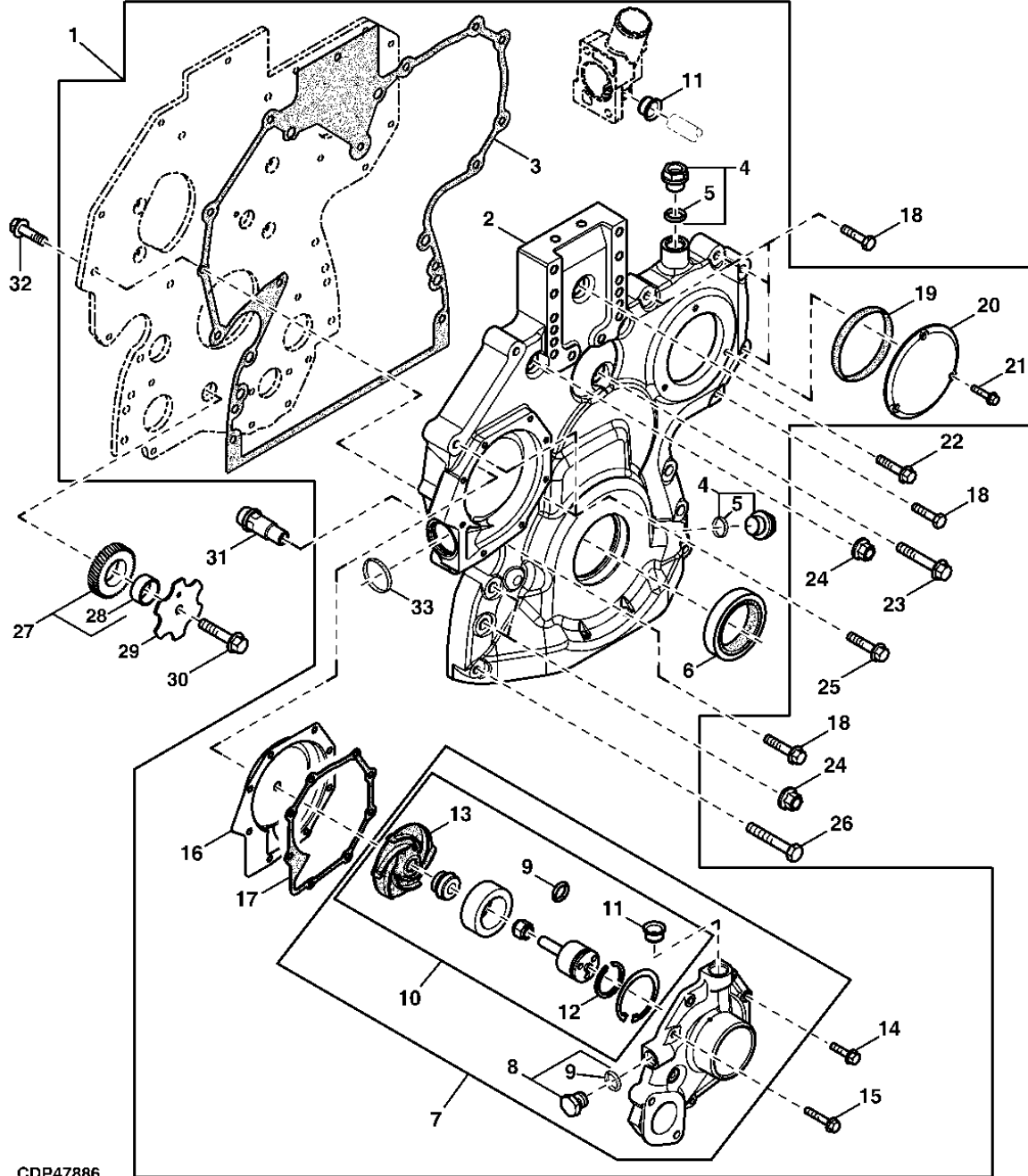
KEY	PART NO.	PART NAME	QTY.	ENGINE SERIAL NO.	6 0 6 8 H	REMARKS
1	RE516582	KIT	1	-XXXXXX	X	NLA, (ORDER RE532939)
2	COVER	1	-XXXXXX	X	(MARKED R504725) (ORDER RE532939)
3	R523183	GASKET	1	-XXXXXX	X	(SUB FOR R136516)
4	RE517370	FITTING	1		X	M20 X 1.5
5	51M7044	O-RING	1		X	17.300 X 2.200 MM
6	RE516340	SEAL	1		X	(SUB FOR RE59810)
7	RE505980	WATER PUMP	1		X	(ALSO ORDER R123417 AND R123226)
8	RE46685	FITTING PLUG	1		X	M18 X 1.5
9	51M7043	O-RING	1		X	15.300 X 2.200 MM
10	RE509813	KIT	1		X	INCL. INSTRUCTIONS, ANLEITUNG, ISTRUZIONI, INSTRUCCIONES, ANVISNINGAR, (ALSO ORDER R123417 AND (2) R123226)
11	R123226	GASKET	1		X	
12	A364R	SNAP RING	1		X	
13	IMPELLER	1		X	NSEP, (MARKED R123395) (ORDER RE70962)
14	19M7863	SCREW	5		X	M6 X 25, (10.9)
15	19M7796	SCREW	3		X	M6 X 30, (10.9)
16	RE508566	INSERT	1		X	KIT , INCL. INSTRUCTIONS, ANLEITUNG, ISTRUZIONI, INSTRUCCIONES, ANVISNINGAR
17	R123417	GASKET	1		X	
18	19M8317	SCREW	6		X	M8 X 40, (10.9)
19	R121424	O-RING	1		X	91.669 X 3.531 MM
20	R121411	COVER	1		X	
21	19M7775	SCREW	3		X	M6 X 16, (10.9)
22	19M8291	SCREW	1		X	M8 X 35, (10.9)
23	RE67239	SCREW	1		X	M8 X 45, (10.9) THREADS WITH PRE-APPLIED SEALANT, FILETS ENDUITS DE PRODUIT D'ETANCHEITE, MIT DICHTMITTEL, CON MATERIALE DI TENUTA, CON SELLADOR, MED TAETNINGSMEDEL
24	14M7296	FLANGE NUT	6		X	M10, (10)
25	19M7801	SCREW	2		X	M8 X 60, (10.9)
26	19M7979	SCREW	2		X	M8 X 55, (10.9)
27	RE56369	GEAR	1		X	Z= 43, (MARKED R120636)
28	R114193	BUSHING	1		X	
29	R131283	THRUST WASHER	1		X	11 X 60 X 3 MM
30	19M8966	SCREW	1		X	M10 X 50, (10.9)
31	RE505501	BLEED VALVE	1		X	
32	19M7867	SCREW	1		X	M8 X 25
33	R504734	O-RING	1		X	37.694 X 3.531 MM

440-6

TIMING GEAR COVER

4426 - CONTINUED
4426 - SUITE
4426 - FORTSETZUNG
4426 - SEGUITO
4426 - FORTS
4426 - CONTINUATION

CDP47886 -UN-



CDP47886

440-7

TIMING GEAR COVER

KEY	PART NO.	PART NAME	QTY.	ENGINE SERIAL NO.	6 0 6 8 H	REMARKS
1	RE532939	KIT	1	XXXXXX-	X	INCL. INSTRUCTIONS, ANLEITUNG, ISTRUZIONI, INSTRUCCIONES, ANVISNINGAR, (SUB FOR RE516582)
2	COVER	1	XXXXXX-	X	NSEP, (MARKED R520130) (ORDER RE532939)
3	R520132	GASKET	1	XXXXXX-	X	
4	RE517370	FITTING	1		X	M20 X 1.5
5	51M7044	O-RING	1		X	17.300 X 2.200 MM
6	RE516340	SEAL	1		X	(SUB FOR RE59810)
7	RE505980	WATER PUMP	1		X	(ALSO ORDER R123417 AND R123226)
8	RE46685	FITTING PLUG	1		X	M18 X 1.5
9	51M7043	O-RING	1		X	15.300 X 2.200 MM
10	RE509813	KIT	1		X	INCL. INSTRUCTIONS, ANLEITUNG, ISTRUZIONI, INSTRUCCIONES, ANVISNINGAR, (ALSO ORDER R123417 AND (2) R123226)
11	R123226	GASKET	1		X	
12	A364R	SNAP RING	1		X	
13	IMPELLER	1		X	NSEP, (MARKED R123395) (ORDER RE70962)
14	19M7863	SCREW	5		X	M6 X 25, (10.9)
15	19M7796	SCREW	3		X	M6 X 30, (10.9)
16	RE508566	INSERT	1		X	KIT , INCL. INSTRUCTIONS, ANLEITUNG, ISTRUZIONI, INSTRUCCIONES, ANVISNINGAR
17	R123417	GASKET	1		X	
18	19M8317	SCREW	6		X	M8 X 40, (10.9)
19	R121424	O-RING	1		X	91.669 X 3.531 MM
20	R121411	COVER	1		X	
21	19M7775	SCREW	3		X	M6 X 16, (10.9)
22	19M8291	SCREW	1		X	M8 X 35, (10.9)
23	RE67239	SCREW	1		X	M8 X 45, (10.9) THREADS WITH PRE-APPLIED SEALANT, FILETS ENDUITS DE PRODUIT D'ETANCHEITE, MIT DICHTMITTEL, CON MATERIALE DI TENUTA, CON SELLADOR, MED TAETNINGSMEDEL
24	14M7296	FLANGE NUT	6		X	M10, (10)
25	19M7801	SCREW	2		X	M8 X 60, (10.9)
26	19M7979	SCREW	2		X	M8 X 55, (10.9)
27	RE56369	GEAR	1		X	Z= 43, (MARKED R120636)
28	R114193	BUSHING	1		X	
29	R131283	THRUST WASHER	1		X	11 X 60 X 3 MM
30	19M8966	SCREW	1		X	M10 X 50, (10.9)
31	RE505501	BLEED VALVE	1		X	
32	19M7867	SCREW	1		X	M8 X 25
33	R504734	O-RING	1		X	37.694 X 3.531 MM

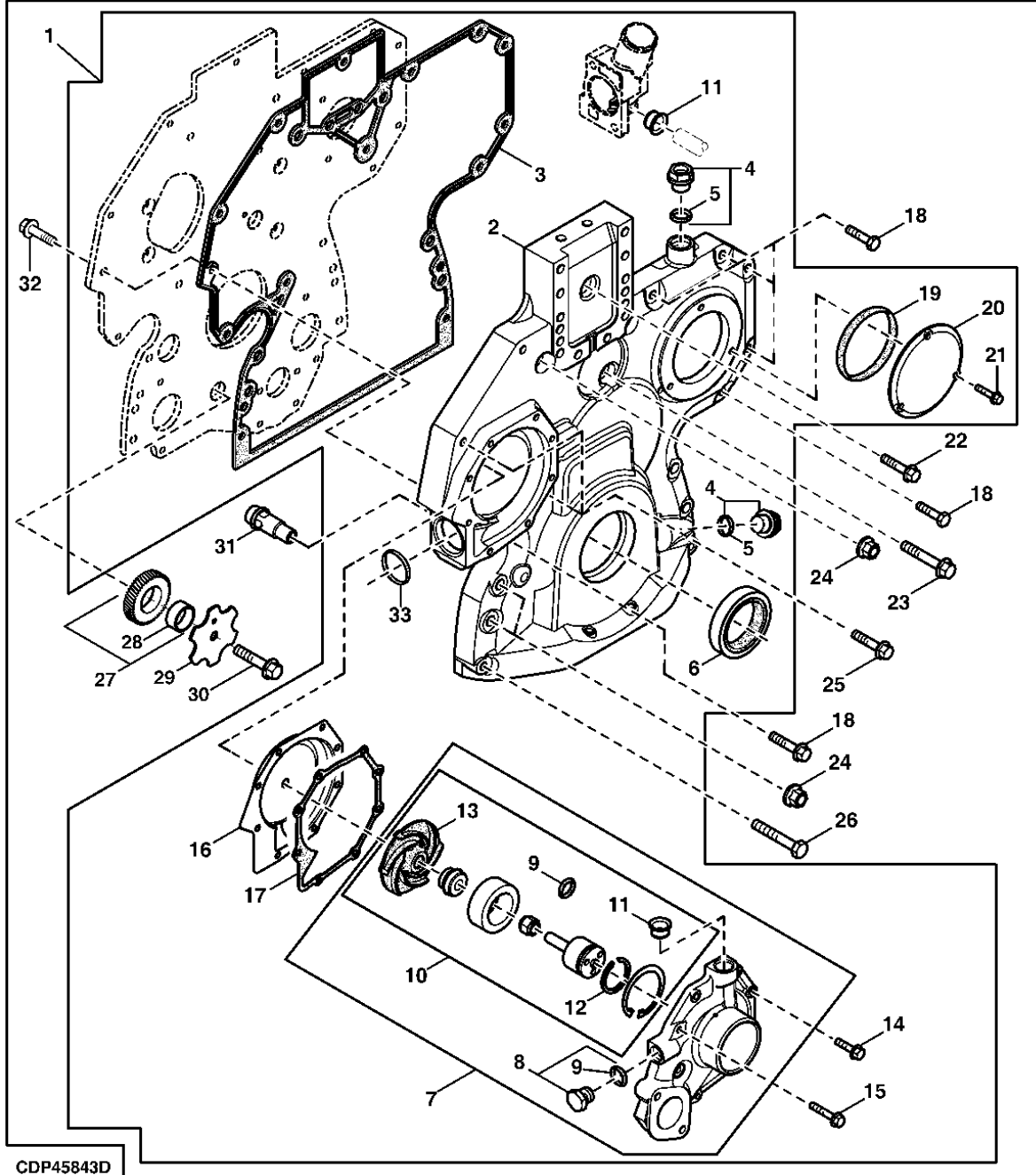
440-8

TIMING GEAR COVER

4429
4429
4429
4429
4429

CDP45843D

-UN-



CDP45843D

THIS PARTS LISTING IS CONTINUED

440-9

TIMING GEAR COVER

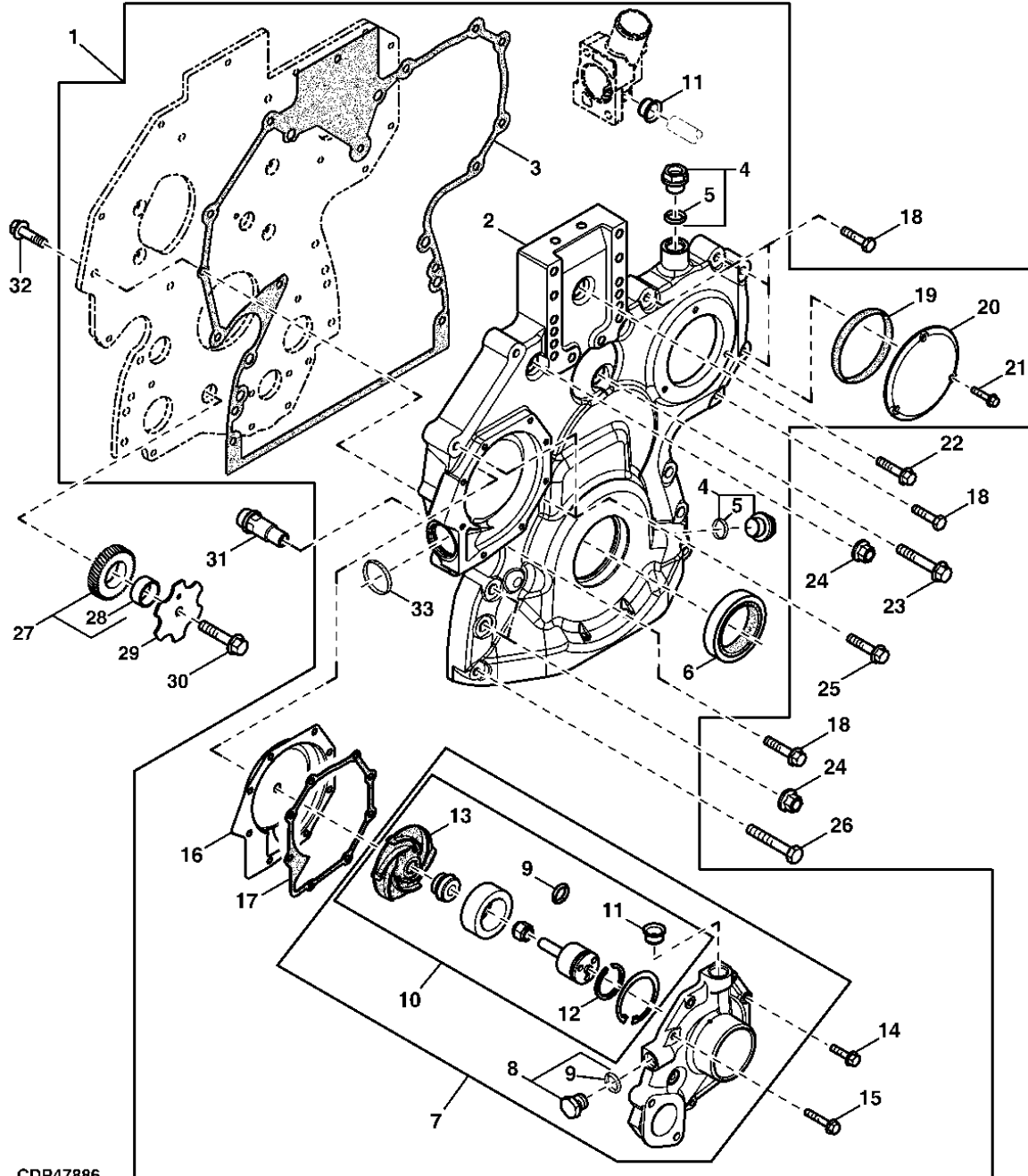
KEY	PART NO.	PART NAME	QTY.	ENGINE SERIAL NO.	4 4 4 0 0 0 4 4 4 5 5 5			REMARKS
					D	H	T	
1	RE516674	KIT	1	-XXXXXX	X	X	X	NLA, (ORDER RE532938)
2	COVER	1	-XXXXXX	X	X	X	(MARKED R504725) (ORDER RE532938)
3	R523183	GASKET	1	-XXXXXX	X	X	X	(SUB FOR R136516)
4	RE517370	FITTING	1		X	X	X	M20 X 1.5
5	51M7044	O-RING	1		X	X	X	17.300 X 2.200 MM
6	RE516340	SEAL	1		X	X	X	(SUB FOR RE59810)
7	RE505981	WATER PUMP	1		X	X	X	(ALSO ORDER R123417 AND R123226)
8	RE46685	FITTING PLUG	1		X	X	X	M18 X 1.5
9	51M7043	O-RING	1		X	X	X	15.300 X 2.200 MM
10	RE515314	KIT	1		X	X	X	INCL. INSTRUCTIONS, ANLEITUNG, ISTRUZIONI, INSTRUCCIONES, ANVISNINGAR, (ALSO ORDER R123417 AND (2) R123226)
11	R123226	GASKET	1		X	X	X	
12	A364R	SNAP RING	1		X	X	X	
13	IMPELLER	1		X	X	X	NSEP, (MARKED R121036) (ORDER RE515314)
14	19M7863	SCREW	5		X	X	X	M6 X 25, (10.9)
15	19M7796	SCREW	3		X	X	X	M6 X 30, (10.9)
16	RE508566	INSERT	1		X	X	X	KIT , INCL. INSTRUCTIONS, ANLEITUNG, ISTRUZIONI, INSTRUCCIONES, ANVISNINGAR
17	R123417	GASKET	1		X	X	X	
18	19M8317	SCREW	6		X	X	X	M8 X 40, (10.9)
19	R121424	O-RING	1		X	X	X	91.669 X 3.531 MM
20	R121411	COVER	1		X	X	X	
21	19M7775	SCREW	3		X	X	X	M6 X 16, (10.9)
22	19M8291	SCREW	1		X	X	X	M8 X 35, (10.9)
23	RE67239	SCREW	1		X	X	X	M8 X 45, (10.9) THREADS WITH PRE-APPLIED SEALANT, FILETS ENDUITS DE PRODUIT D'ETANCHEITE, MIT DICHTMITTEL, CON MATERIALE DI TENUTA, CON SELLADOR, MED TÆTningsMEDEL
24	14M7296	FLANGE NUT	6		X	X	X	M10, (10)
25	19M7801	SCREW	2		X	X	X	M8 X 60, (10.9)
26	19M7979	SCREW	2		X	X	X	M8 X 55, (10.9)
27	RE56369	GEAR	1		X	X	X	Z= 43, (MARKED R120636)
28	R114193	BUSHING	1		X	X	X	
29	R131283	THRUST WASHER	1		X	X	X	11 X 60 X 3 MM
30	19M8966	SCREW	1		X	X	X	M10 X 50, (10.9)
31	RE505501	BLEED VALVE	1		X	X	X	
32	19M7867	SCREW	1		X	X	X	M8 X 25, (10.9)
33	R504734	O-RING	1		X	X	X	37.694 X 3.531 MM

440-10

TIMING GEAR COVER

4429 - CONTINUED
4429 - SUITE
4429 - FORTSETZUNG
4429 - SEGUITO
4429 - CONTINUACION
4429 - FORTS

CDP47886 -UN-



CDP47886

440-11

TIMING GEAR COVER

KEY	PART NO.	PART NAME	QTY.	ENGINE SERIAL NO.	4 4 4 0 0 0 4 4 4 5 5 5 D H T	REMARKS
1	RE532938	KIT	1	XXXXXX-	X X X	INCL. INSTRUCTIONS, ANLEITUNG, ISTRUZIONI, INSTRUCCIONES, ANVISNINGAR, (SUB FOR RE532938)
2	COVER	1	XXXXXX-	X X X	NSEP, (MARKED R520130) (ORDER RE532938)
3	R520132	GASKET	1	XXXXXX-	X X X	
4	RE517370	FITTING	1		X X X	M20 X 1.5
5	51M7044	O-RING	1		X X X	17.300 X 2.200 MM
6	RE516340	SEAL	1		X X X	(SUB FOR RE59810)
7	RE505981	WATER PUMP	1		X X X	(ALSO ORDER R123417 AND R123226)
8	RE46685	FITTING PLUG	1		X X X	M18 X 1.5
9	51M7043	O-RING	1		X X X	15.300 X 2.200 MM
10	RE515314	KIT	1		X X X	INCL. INSTRUCTIONS, ANLEITUNG, ISTRUZIONI, INSTRUCCIONES, ANVISNINGAR, (ALSO ORDER R123417 AND (2) R123226)
11	R123226	GASKET	1		X X X	
12	A364R	SNAP RING	1		X X X	
13	IMPELLER	1		X X X	NSEP, (MARKED R121036) (ORDER RE515314)
14	19M7863	SCREW	5		X X X	M6 X 25, (10.9)
15	19M7796	SCREW	3		X X X	M6 X 30, (10.9)
16	RE508566	INSERT	1		X X X	KIT, INCL. INSTRUCTIONS, ANLEITUNG, ISTRUZIONI, INSTRUCCIONES, ANVISNINGAR
17	R123417	GASKET	1		X X X	
18	19M8317	SCREW	6		X X X	M8 X 40, (10.9)
19	R121424	O-RING	1		X X X	91.669 X 3.531 MM
20	R121411	COVER	1		X X X	
21	19M7775	SCREW	3		X X X	M6 X 16, (10.9)
22	19M8291	SCREW	1		X X X	M8 X 35, (10.9)
23	RE67239	SCREW	1		X X X	M8 X 45, (10.9) THREADS WITH PRE-APPLIED SEALANT, FILETS ENDUITS DE PRODUIT D'ETANCHEITE, MIT DICHTMITTEL, CON MATERIALE DI TENUTA, CON SELLADOR, MED TAETNINGSMEDEL
24	14M7296	FLANGE NUT	6		X X X	M10, (10)
25	19M7801	SCREW	2		X X X	M8 X 60, (10.9)
26	19M7979	SCREW	2		X X X	M8 X 55, (10.9)
27	RE56369	GEAR	1		X X X	Z= 43, (MARKED R120636)
28	R114193	BUSHING	1		X X X	
29	R131283	THRUST WASHER	1		X X X	11 X 60 X 3 MM
30	19M8966	SCREW	1		X X X	M10 X 50, (10.9)
31	RE505501	BLEED VALVE	1		X X X	
32	19M7867	SCREW	1		X X X	M8 X 25, (10.9)
33	R504734	O-RING	1		X X X	37.694 X 3.531 MM

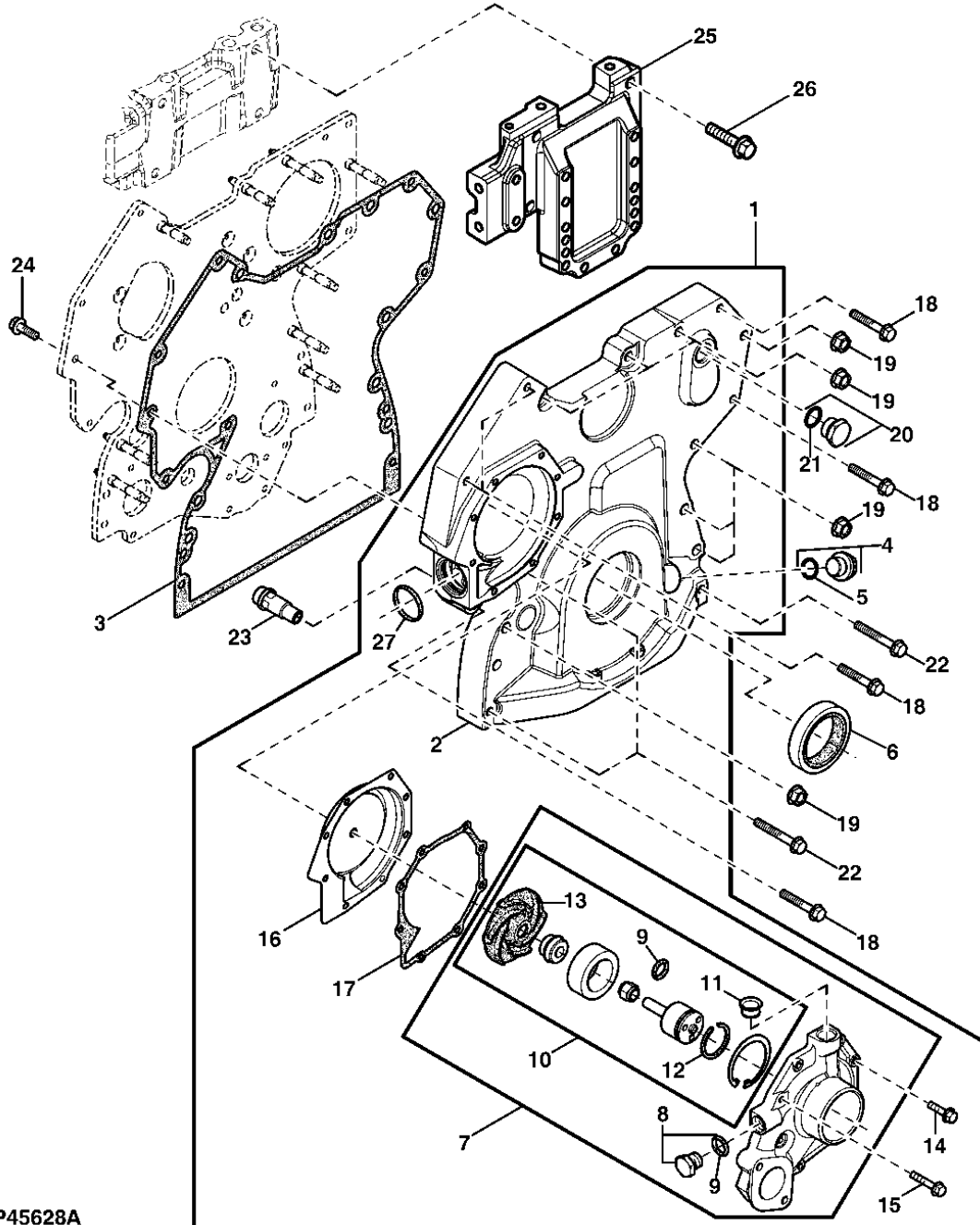
440-12

TIMING GEAR COVER

4433
4433
4433
4433
4433

CDP45628A

-UN-



CDP45628A

THIS PARTS LISTING IS CONTINUED

440-13

TIMING GEAR COVER

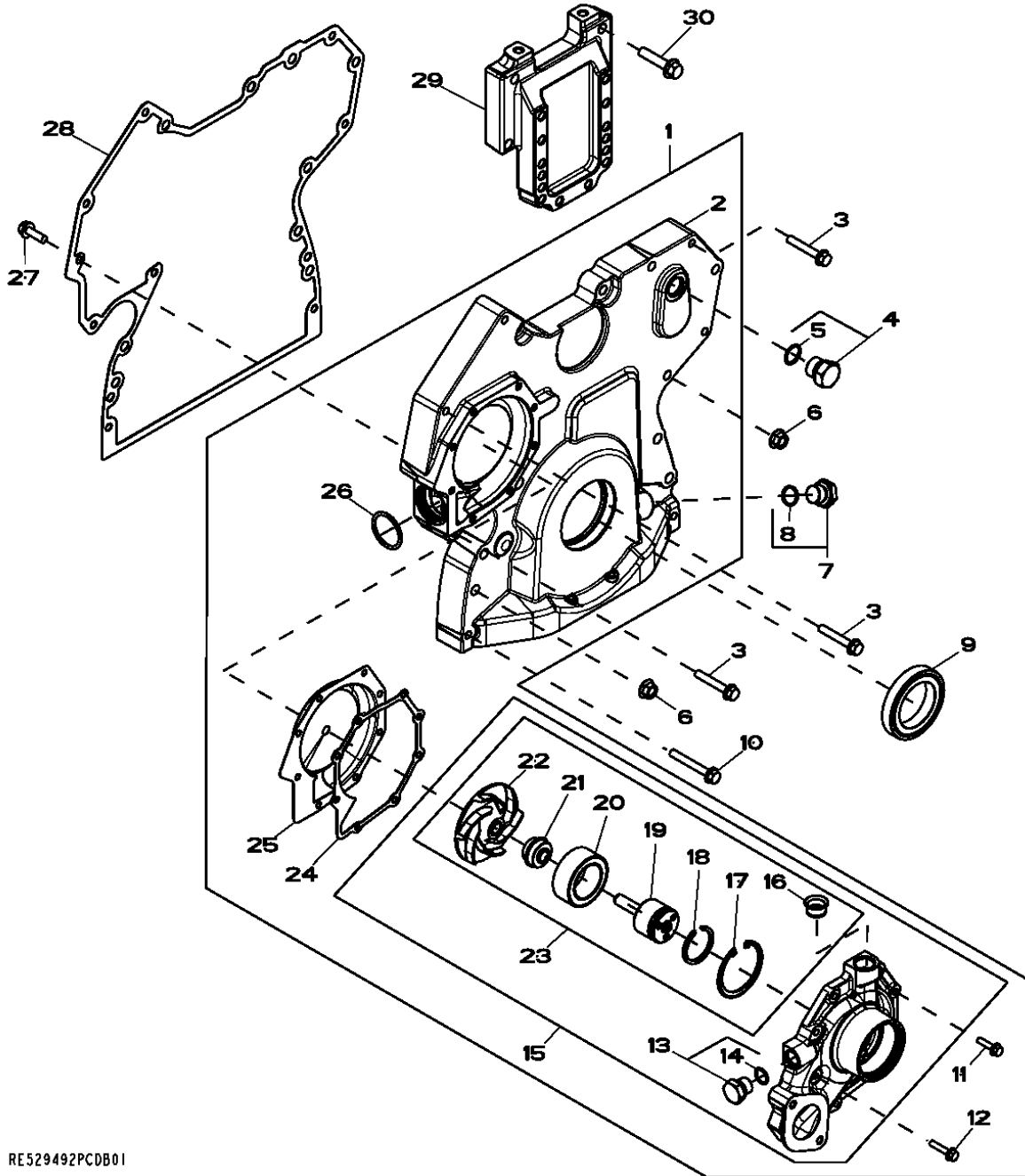
KEY	PART NO.	PART NAME	QTY.	ENGINE SERIAL NO.	4 6 0 0 4 6 5 8 H H	REMARKS
1	RE505840	COVER	1		X X	
2	COVER	1		X X	NSEP, (MARKED R503769) (ORDER RE505840)
3	R523185	GASKET	1		X X	(SUB FOR R519656 OR R502954)
4	RE517370	FITTING	NA		X X	M20 X 1.5
5	51M7044	O-RING	1		X X	17.300 X 2.200 MM
6	RE516340	SEAL	1		X X	(SUB FOR RE59810)
7	RE505980	WATER PUMP	1		X X	(ALSO ORDER R123417 AND R123226)
8	RE46685	FITTING PLUG	1		X X	M18 X 1.5
9	51M7043	O-RING	1		X X	15.300 X 2.200 MM
10	RE509813	KIT	1		X X	INCL. INSTRUCTIONS, ANLEITUNG, ISTRUZIONI, INSTRUCCIONES, ANVISNINGAR- W/O KEY 11, (ALSO ORDER R123417 AND (2) R123226)
11	R123226	GASKET	1		X X	
12	A364R	SNAP RING	1		X X	
13	IMPELLER	1		X X	NSEP, (MARKED R123395) (ORDER RE509813)
14	19M7863	SCREW	5		X X	M6 X 25, (10.9)
15	19M7796	SCREW	3		X X	M6 X 30, (10.9)
16	RE508566	INSERT	1		X X	KIT , INCL. INSTRUCTIONS, ANLEITUNG, ISTRUZIONI, INSTRUCCIONES, ANVISNINGAR
17	R123417	GASKET	1		X X	
18	19M7800	SCREW	5		X X	M8 X 50, (10.9)
19	14M7296	FLANGE NUT	9		X X	M10
20	RE46687	DRAIN PLUG	1		X X	M22 X 1.5
21	51M7045	O-RING	1		X X	19.300 X 2.200 MM
22	19M7801	SCREW	3		X X	M8 X 60, (10.9)
23	RE505501	BLEED VALVE	1		X X	
24	19M7867	SCREW	1		X X	M8 X 25, (10.9)
25	R516557	ADAPTER FITTING	1		X X	
26	19M7805	SCREW	4		X X	M10 X 45
27	R504734	O-RING	1		X X	37.694 X 3.531 MM

440-14

TIMING GEAR COVER

4446
4446
4446
4446
4446
4446

RE529492PCDB01 -UN-



RE529492PCDB01

440-15

TIMING GEAR COVER

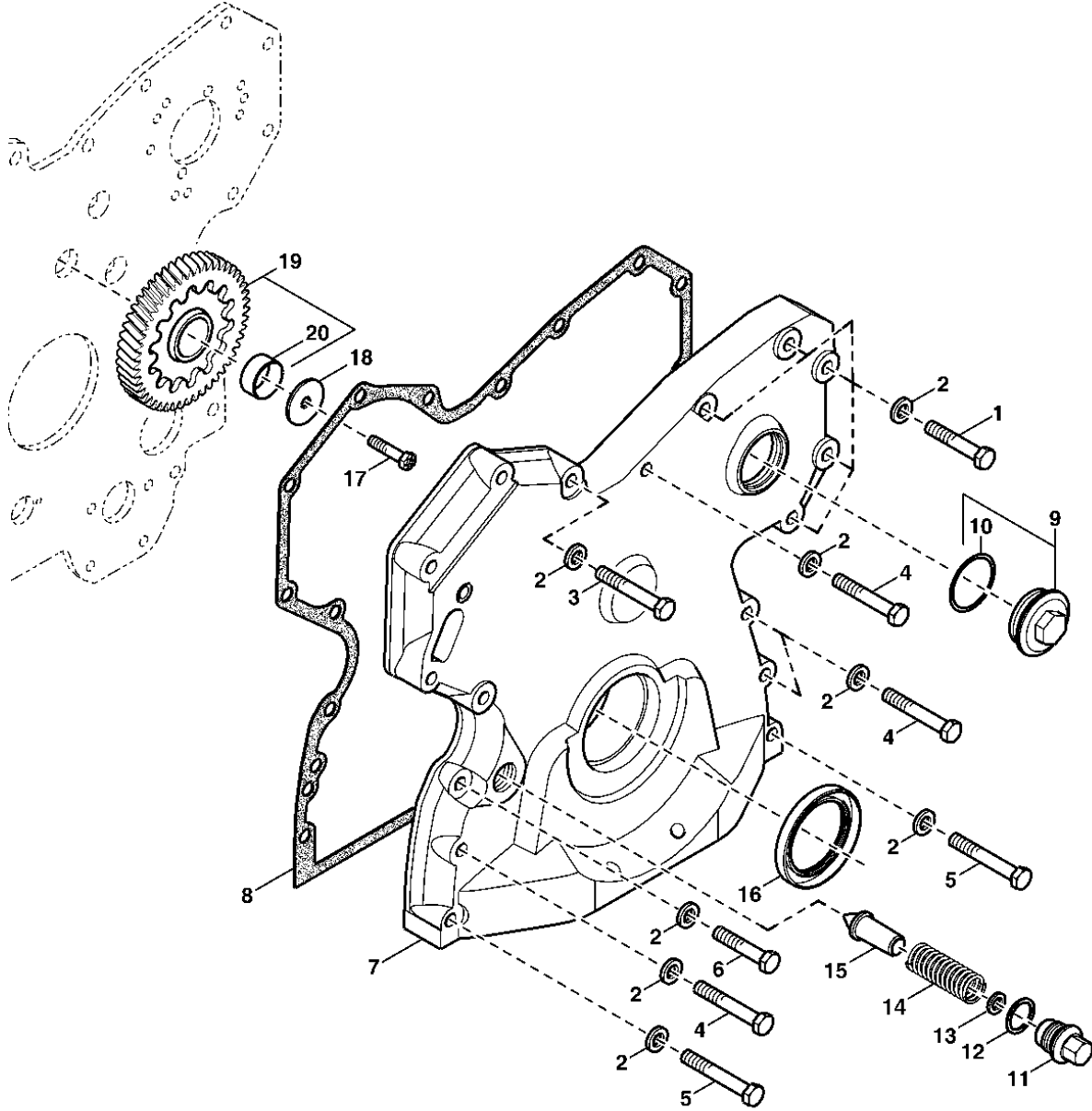
KEY	PART NO.	PART NAME	QTY.	ENGINE SERIAL NO.	4 6 0 0 4 6 5 8 H H	REMARKS
1	RE505840	COVER	1		X X	KIT
2	COVER	1		X X	NSEP, (MARKED R503769) (ORDER RE505840)
3	19M7800	SCREW	5		X X	M8 X 50
4	RE46687	DRAIN PLUG	1		X X	M22 X 1.5
5	51M7045	O-RING	1		X X	19.300 X 2.200 MM
6	14M7296	FLANGE NUT	9		X X	M10
7	RE517370	FITTING	1		X X	M20 X 1.5
8	51M7044	O-RING	1		X X	17.300 X 2.200 MM
9	RE516340	SEAL	1		X X	
10	19M7801	SCREW	3		X X	M8 X 60
11	19M7863	SCREW	5		X X	M6 X 25
12	19M7796	SCREW	3		X X	M6 X 30
13	RE46685	FITTING PLUG	1		X X	M18 X 1.5
14	51M7043	O-RING	1		X X	15.300 X 2.200 MM
15	RE505980	WATER PUMP	1		X X	(ALSO ORDER R123417 AND R123226)
16	R123226	GASKET	2		X X	
17	R71228	RING	1		X X	
18	A364R	SNAP RING	1		X X	
19	SHAFT	1		X X	NSEP, (ORDER RE509813)
20	BALL BEARING	1		X X	NSEP, (ORDER RE509813)
21	SEAL	1		X X	NSEP, (ORDER RE509813)
22	IMPELLER	1		X X	NSEP, (MARKED R123395) (ORDER RE509813)
23	RE509813	KIT	1		X X	INCL. INSTRUCTION, ANLEITUNG, ISTRUZIONI, ISTRUCCIONES, ANVISNINGAR, (ALSO ORDER R123417, (2) R123226)
24	R123417	GASKET	1		X X	
25	RE508566	INSERT	1		X X	KIT, INCL. INSTRUCTION, ANLEITUNG, ISTRUZIONI, ISTRUCCIONES, ANVISNINGAR
26	R504734	O-RING	1		X X	37.694 X 3.531 MM
27	19M7867	SCREW	1		X X	M8 X 25
28	R523185	GASKET	1		X X	
29	R522907	SUPPORT	1		X X	
30	19M7805	SCREW	4		X X	M10 X 45

440-16

TIMING GEAR COVER

4499
4499
4499
4499
4499

CDP46524 -UN-



CDP46524

440-17

TIMING GEAR COVER

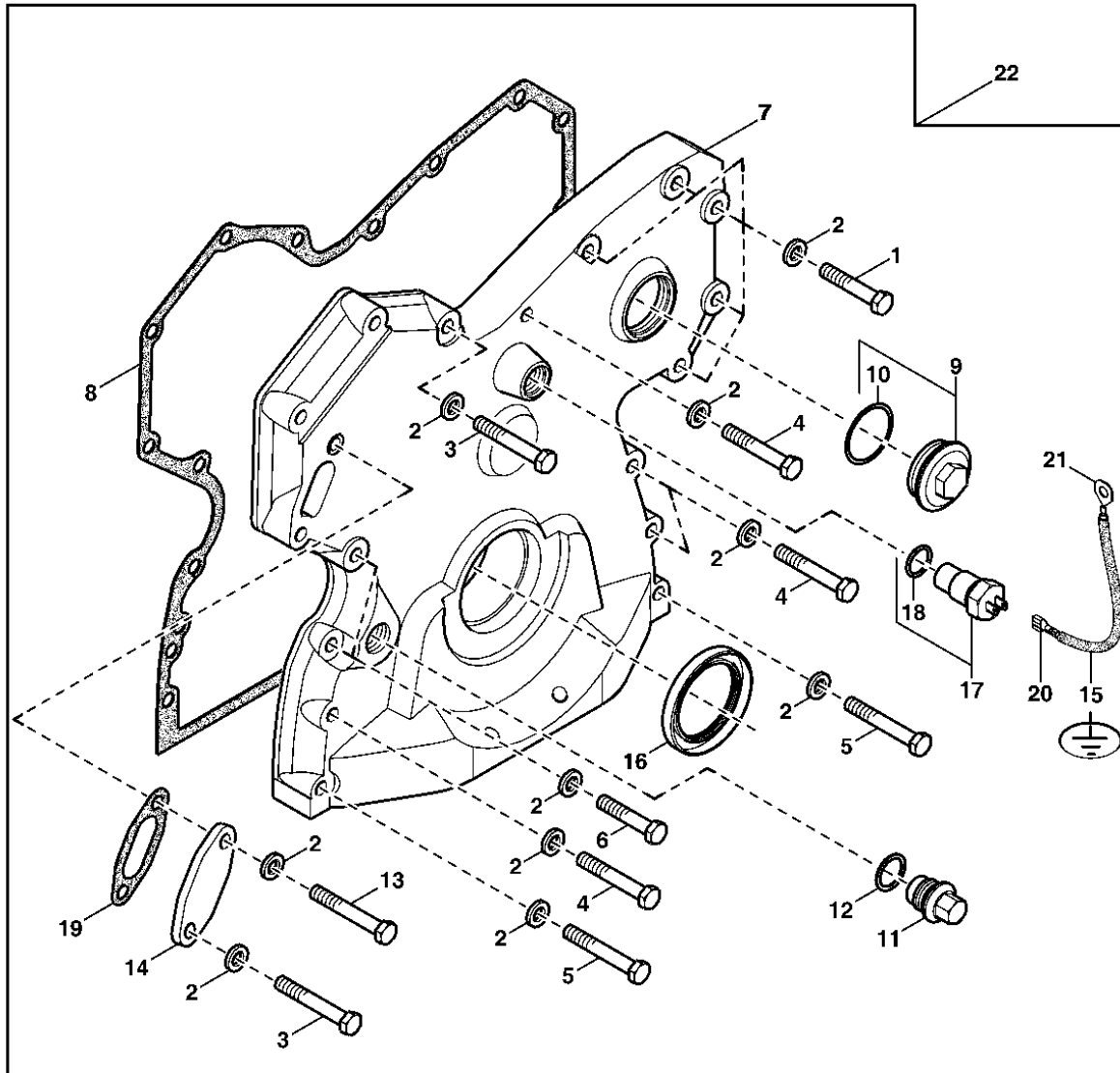
KEY	PART NO.	PART NAME	QTY.	ENGINE SERIAL NO.	3 0 2 9 T	REMARKS
1	19H3065	CAP SCREW	5		X	3/8" X 2", (SAE 8)
2	24M7106	WASHER	13		X	10 X 18 X 2.500 MM
3	19H1726	CAP SCREW	1		X	3/8" X 2-1/4"
4	19H2733	CAP SCREW	4		X	3/8" X 2-3/8", (SAE 8)
5	19H3031	CAP SCREW	2		X	3/8" X 2-1/2", (SAE 8)
6	19H2549	CAP SCREW	1		X	3/8" X 1-7/8"
7	COVER	1		X	ALUMINIUM, ALLUMINIO, ALUMINIO, ALUMINIUM, (MARKED R122417) (ORDER RE51527)
8	R97454	GASKET	1		X	
9	RE522656	FITTING	1		X	M42 X 2
10	51M7049	O-RING	1		X	38.600 X 2.900 MM
11	R91692	PLUG	1		X	1"-16UNC
12	A4827R	WASHER	1		X	25.400 X 31.700 X 1.500 MM
13	24H1290	WASHER	AR		X	21/64" X 3/4" X 0.035"
14	T27658	SPRING	1		X	
15	R83169	VALVE	1		X	
16	AR67942	SEAL	1		X	
17	T26327	SCREW	1		X	1/2" X 2.244"
18	R101227	THRUST WASHER	1		X	14.700 X 57.900 X 4 MM, FRONT
19	AR91660	GEAR	1		X	Z= 55, (MARKED R70182)
20	T20034	BUSHING	1		X	

440-18

TIMING GEAR COVER

4499 - CONTINUED
4499 - SUITE
4499 - FORTSETZUNG
4499 - SEGUITO
4499 - CONTINUACION
4499 - FORTS

CDP46526 -UN-



CDP46526

440-19

TIMING GEAR COVER

KEY	PART NO.	PART NAME	QTY.	ENGINE SERIAL NO.	3 0 2 9 T	REMARKS
1	19H3065	CAP SCREW	5		X	3/8" X 2", (SAE 8)
2	24M7106	WASHER	16		X	10 X 18 X 2.500 MM
3	19H1726	CAP SCREW	3		X	3/8" X 2-1/4"
4	19H2733	CAP SCREW	4		X	3/8" X 2-3/8", (SAE 8)
5	19H3031	CAP SCREW	2		X	3/8" X 2-1/2", (SAE 8)
6	19H2549	CAP SCREW	2		X	3/8" X 1-7/8"
7	R114217	COVER	1		X	ALUMINIUM, ALLUMINIO, ALUMINIO, ALUMINIUM (OR ORDER RE51527)
8	R97454	GASKET	1		X	
9	RE522656	FITTING	1		X	M42 X 2
10	51M7049	O-RING	1		X	38.600 X 2.900 MM
11	R91692	PLUG	1		X	1"-16UNC
12	A4827R	WASHER	1		X	25.400 X 31.700 X 1.500 MM
13	19H2284	CAP SCREW	1		X	3/8" X 7/8"
14	T23260	COVER	1		X	
15	TY16086	WIRE	1		X	LGTH= 30.5MM, CUT TO LENGTH, COUPER A LONGUEUR, ABLAENGEN, TAGLIARE SU MISURE, CORTAR A LONGITUD. AVSKARE EFTER MATT
16	AR67942	SEAL	1		X	
17	RE519770	SENSOR	1		X	
18	51M7049	O-RING	1		X	38.600 X 2.900 MM
19	R97352	GASKET	1		X	
20	R65607	ELEC. CONNECTOR TERMINAL	1		X	
21	R77491	ELEC. CONNECTOR TERMINAL	1		X	
22	RE51527	KIT	1		X	

440-20

TIMING GEAR COVER

MEMORANDA
MEMORANDA
MEMORANDA
MEMORANDA
MEMORANDA
MEMORANDA

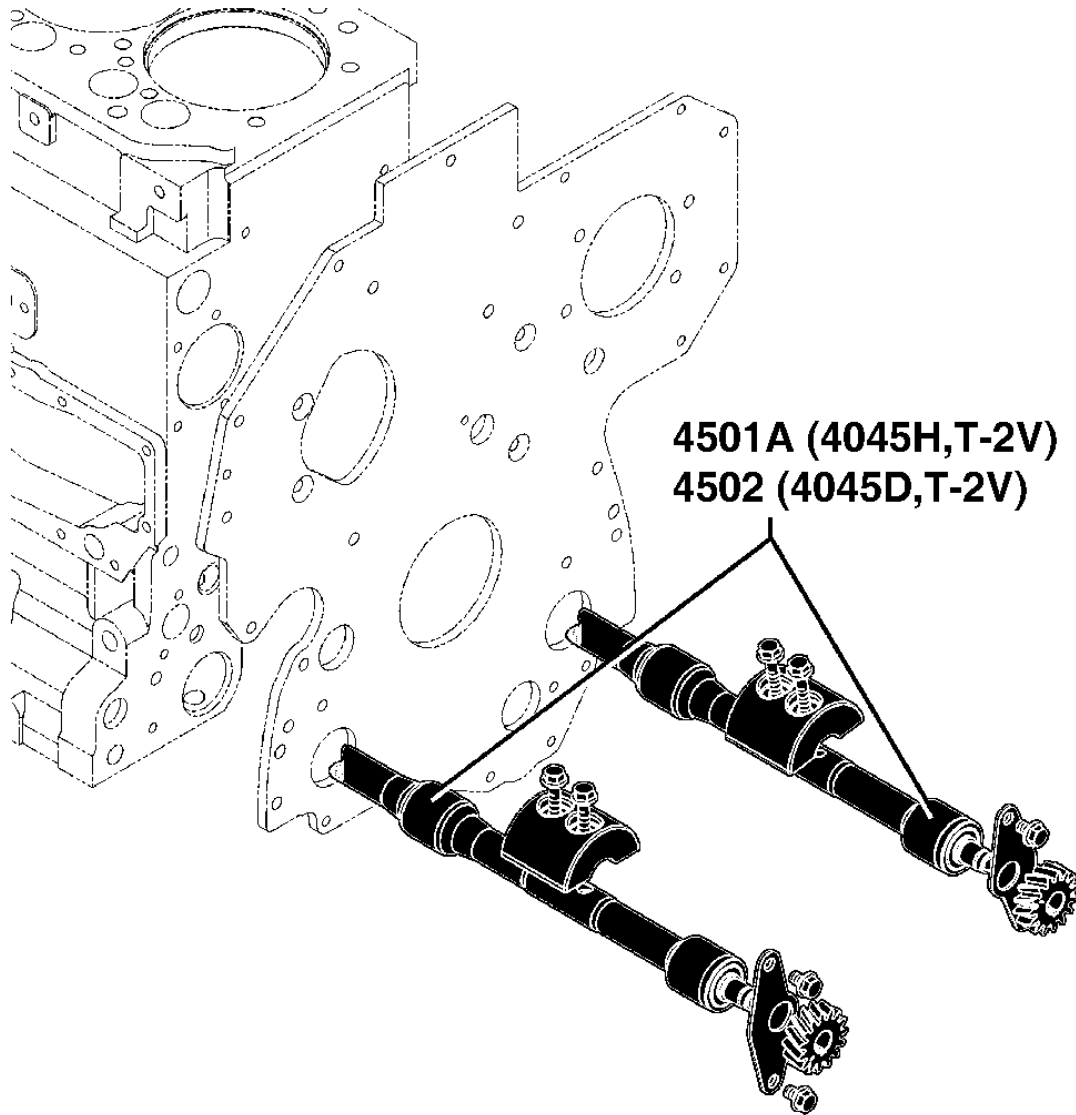
450-A01

BALANCER SHAFT

SECTIONAL INDEX
INDEX DE SECTION
GRUPPENINDEX
INDICE DELLA SEZIONE
INDICE DE SECCION
GRUPPSFORTECKNING

CDP46862A -UN-

4501A-	1
4502-	3



CDP46862A

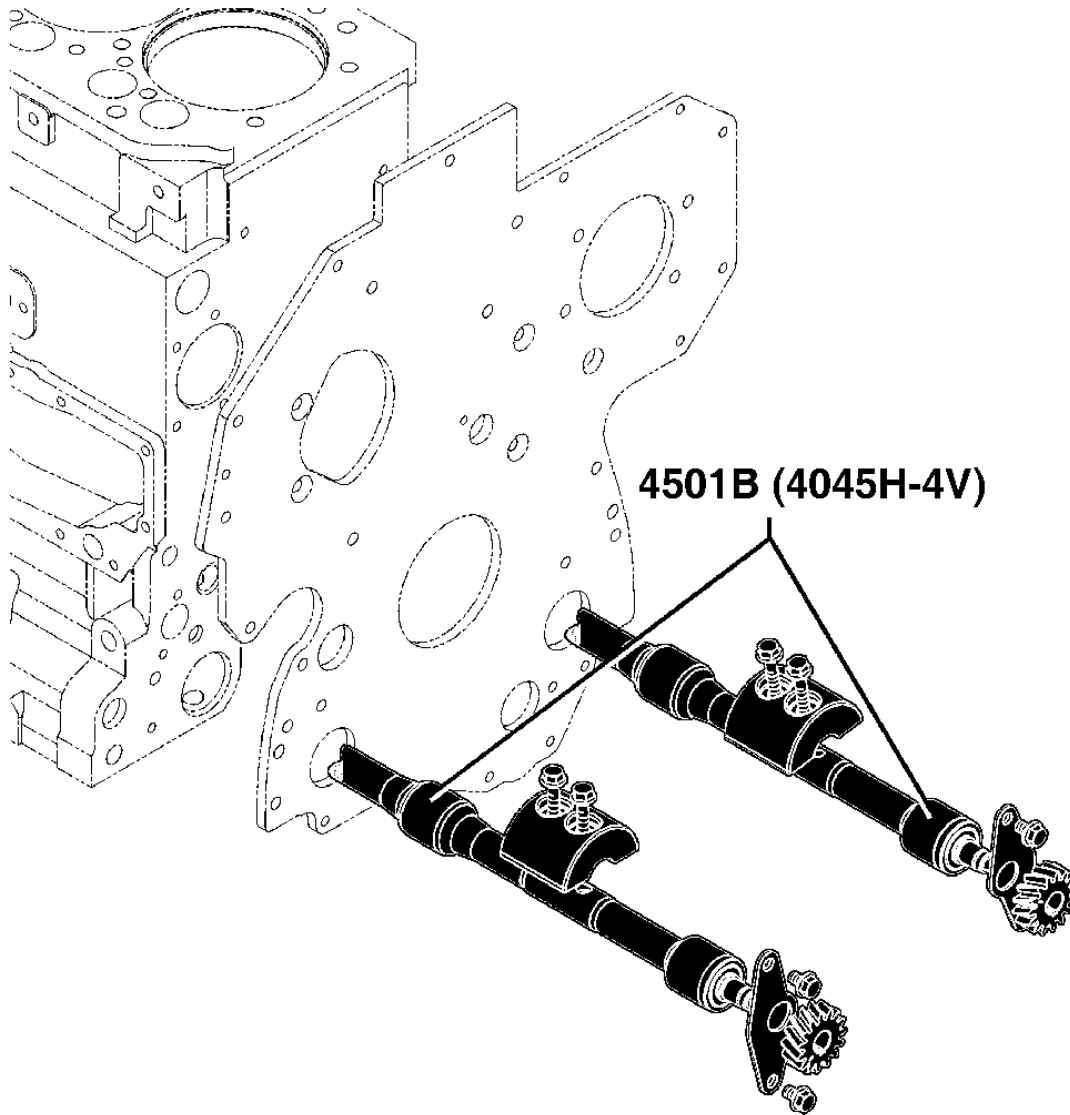
450-A02

BALANCER SHAFT

SECTIONAL INDEX
INDEX DE SECTION
GRUPPENINDEX
INDICE DELLA SEZIONE
INDICE DE SECCION
GRUPPSFORTECKNING

4501B- 2

CDP46863A -UN-



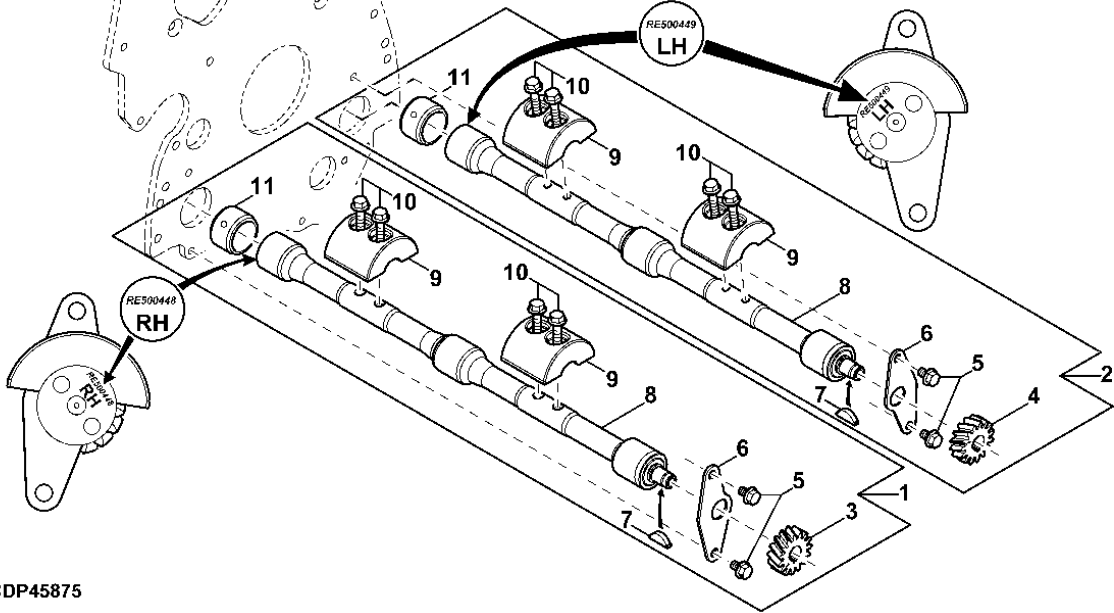
CDP46863A

450-1

BALANCER SHAFT

4501
4501
4501
4501
4501
4501

CDP45875 -UN-



CDP45875

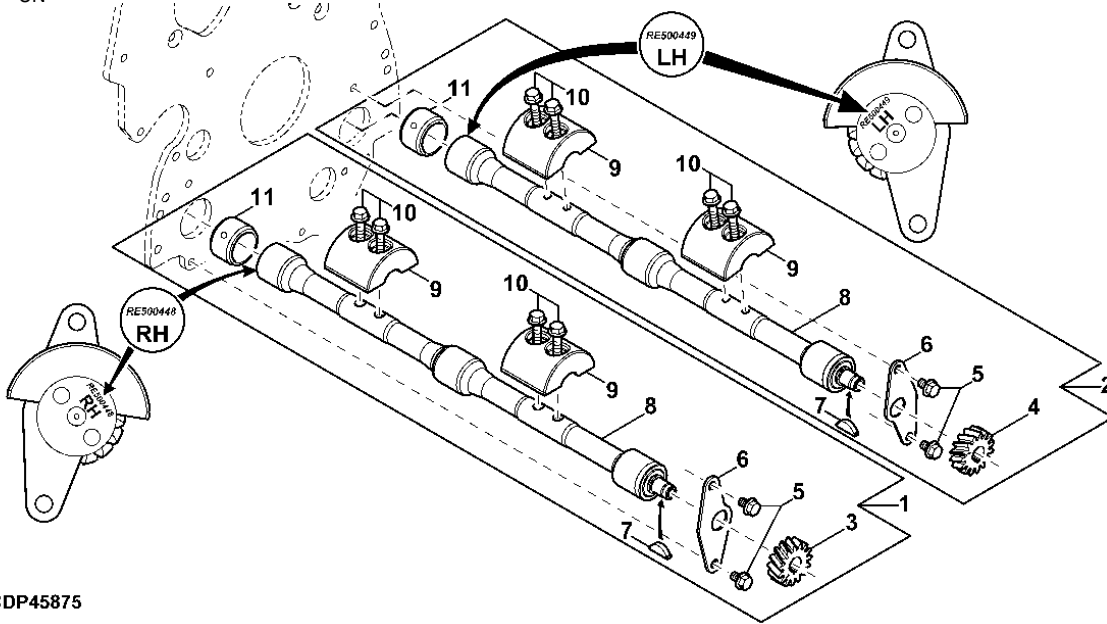
KEY	PART NO.	PART NAME	QTY.	ENGINE SERIAL NO.	REMARKS
				4 4	
				0 0	
				4 4	
				5 5	
				H T	
1	RE502447	GATHERING NUMBER	1		X X WITH INSTALLATION INSTRUCTIONS, RH
2	RE502446	GATHERING NUMBER	1		X X WITH INSTALLATION INSTRUCTIONS, LH
3	R120637	GEAR	1		X X Z = 15, RH
4	R120639	GEAR	1		X X Z = 15, LH
5	19M7864	SCREW	2		X X M8 X 12, (10.9)
6	R116078	PLATE	1		X X
7	R133303	SHAFT KEY	1		X X
8	BALANCER SHAFT	1		X X RH, NSEP, (MARKED RE500448) (ORDER RE502447)
	BALANCER SHAFT	1		X X LH, NSEP, (MARKED RE500449) (ORDER RE502446)
9	R500650	WEIGHT	2		X X
10	19M7798	SCREW	4		X X M8 X 40, (10.9)
11	R115299	BUSHING	3		X X

450-2

BALANCER SHAFT

4501 - CONTINUED
 4501 - SUITE
 4501 - FORTSETZUNG
 4501 - SEGUITO
 4501 - CONTINUACION
 4501 - FORTS

CDP45875 -UN-



CDP45875

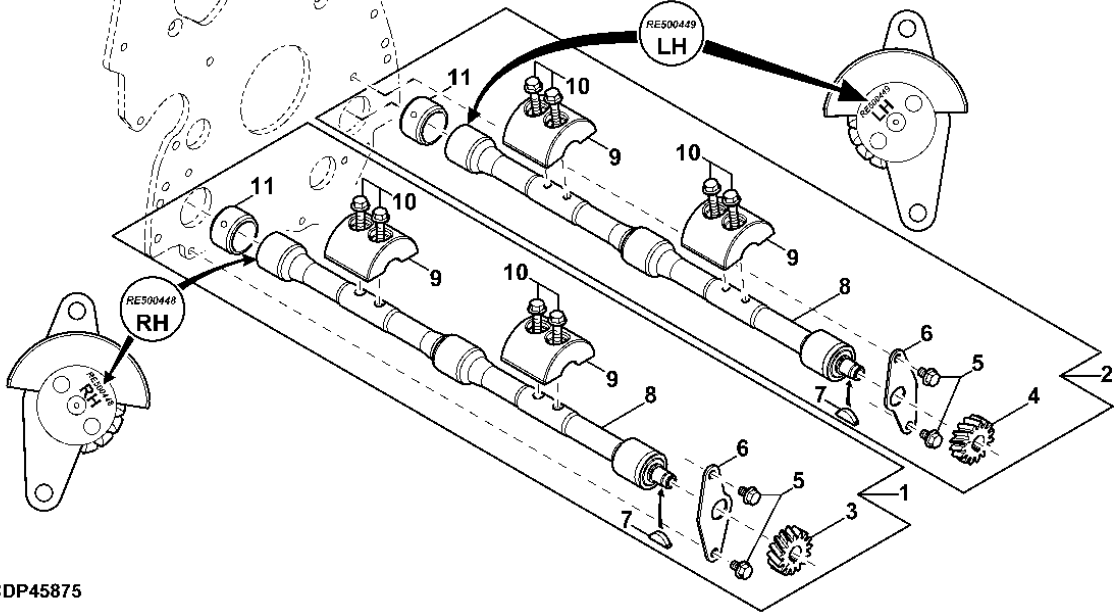
KEY	PART NO.	PART NAME	QTY.	ENGINE SERIAL NO.	REMARKS
				4	
				0	
				4	
				5	
				H	
1	RE502447	GATHERING NUMBER	1		X WITH INSTALLATION INSTRUCTIONS, RH
2	RE502446	GATHERING NUMBER	1		X WITH INSTALLATION INSTRUCTIONS, LH
3	R120637	GEAR	1		X Z = 15, RH
4	R120639	GEAR	1		X Z = 15, LH
5	19M7864	SCREW	2		X M8 X 12, (10.9)
6	R116078	PLATE	1		X
7	R133303	SHAFT KEY	1		X
8	BALANCER SHAFT	1		X RH, NSEP, (MARKED RE500448) (ORDER RE502447)
	BALANCER SHAFT	1		X LH, NSEP, (MARKED RE500449) (ORDER RE502446)
9	R500650	WEIGHT	2		X
10	19M7798	SCREW	4		X M8 X 40, (10.9)
11	R115299	BUSHING	3		X

450-3

BALANCER SHAFT

4502
4502
4502
4502
4502
4502

CDP45875 -UN-



CDP45875

KEY	PART NO.	PART NAME	QTY.	ENGINE SERIAL NO.	REMARKS
				4 4	
				0 0	
				4 4	
				5 5	
				D T	
1	RE502449	KIT	1		X X WITH INSTALLATION INSTRUCTIONS, RH
2	RE502448	KIT	1		X X WITH INSTALLATION INSTRUCTIONS, LH
3	R120637	GEAR	1		X X Z = 15, RH
4	R120639	GEAR	1		X X Z = 15, LH
5	19M7864	SCREW	2		X X M8 X 12, (10.9)
6	R116078	PLATE	1		X X
7	R133303	SHAFT KEY	1		X X
8	BALANCER SHAFT	1		X X RH, NSEP, (MARKED RE500448) (ORDER RE502449)
	BALANCER SHAFT	1		X X LH, NSEP, (MARKED RE500449) (ORDER RE502448)
9	R500265	WEIGHT	2		X X
10	19M7798	SCREW	4		X X M8 X 40, (10.9)
11	R115299	BUSHING	3		X X

450-4

BALANCER SHAFT

MEMORANDA
MEMORANDA
MEMORANDA
MEMORANDA
MEMORANDA
MEMORANDA

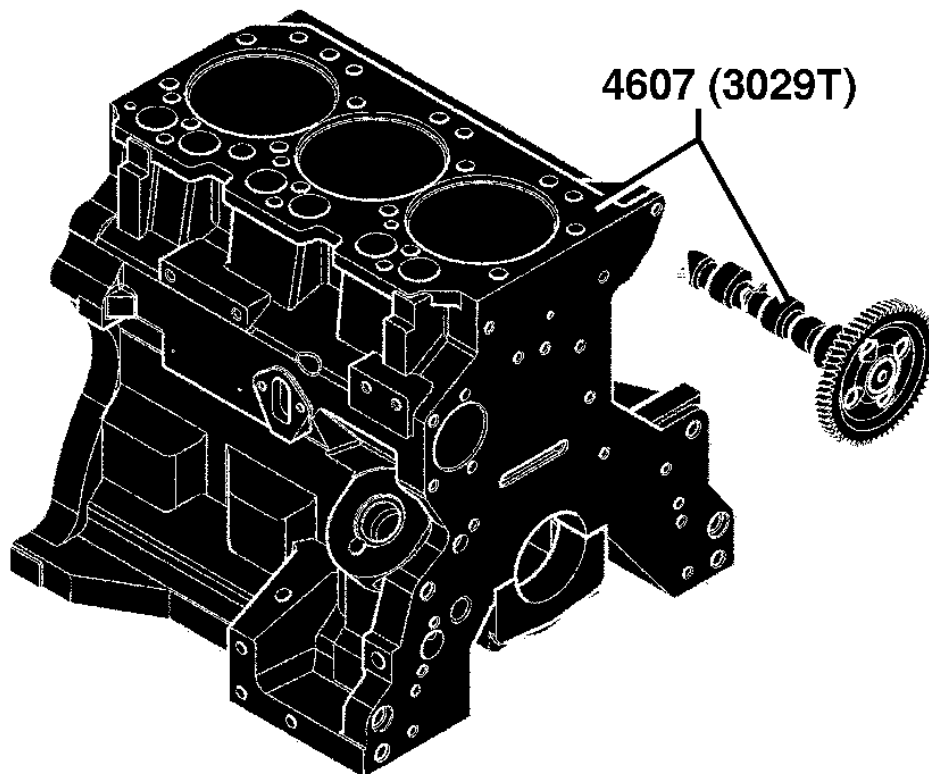
460-A01

CYLINDER BLOCK & CAMSHAFT

SECTIONAL INDEX
INDEX DE SECTION
GRUPPENINDEX
INDICE DELLA SEZIONE
INDICE DE SECCION
GRUPPSFORTECKNING

4607- 4

CDP46864A -UN-



CDP46864A

460-A02

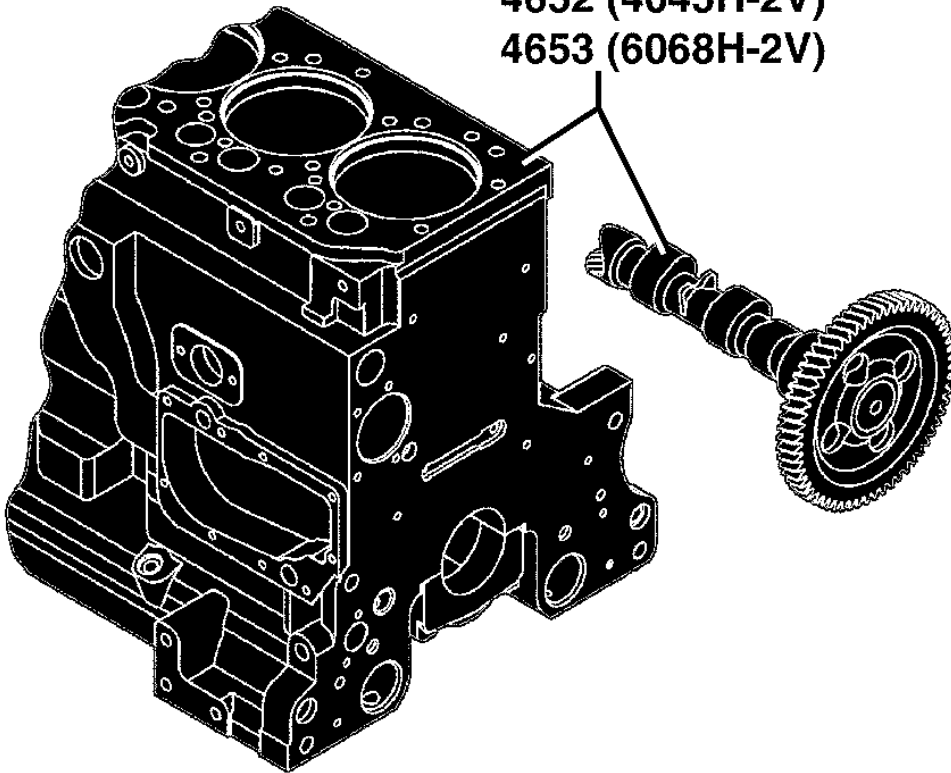
CYLINDER BLOCK & CAMSHAFT

SECTIONAL INDEX
INDEX DE SECTION
GRUPPENINDEX
INDICE DELLA SEZIONE
INDICE DE SECCION
GRUPPSFORTECKNING

CDP46865B -UN-

4601-	2
4614-	8
4616-	12
4621-	14
4625-	16
4652-	18
4653-	20

4601 (4045D-2V)
4614 (6068H-2V)
4616 (4045T)
4621 (4045H,T-2V)
4625 (6068H-2V)
4652 (4045H-2V)
4653 (6068H-2V)



CDP46865B

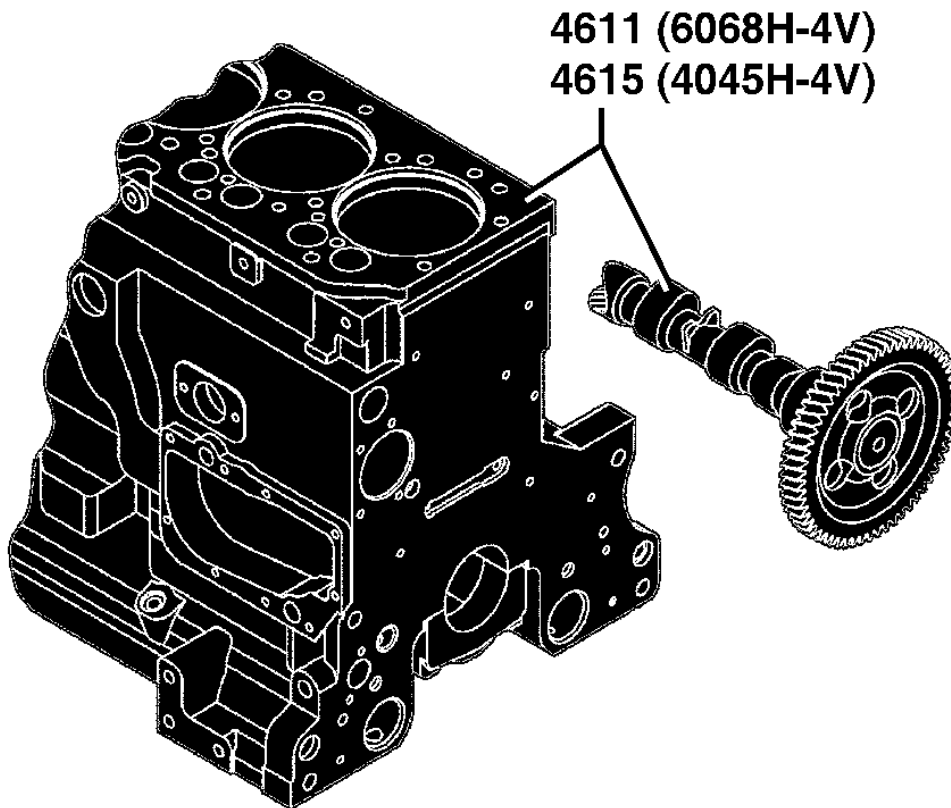
460-A03

CYLINDER BLOCK & CAMSHAFT

SECTIONAL INDEX
INDEX DE SECTION
GRUPPENINDEX
INDICE DELLA SEZIONE
INDICE DE SECCION
GRUPPSFORTECKNING

CDP46866A -UN-

4611-	6
4615-	10



CDP46866A

460-A04

CYLINDER BLOCK & CAMSHAFT

MEMORANDA
MEMORANDA
MEMORANDA
MEMORANDA
MEMORANDA
MEMORANDA

460-1

CYLINDER BLOCK & CAMSHAFT

MEMORANDA
MEMORANDA
MEMORANDA
MEMORANDA
MEMORANDA
MEMORANDA

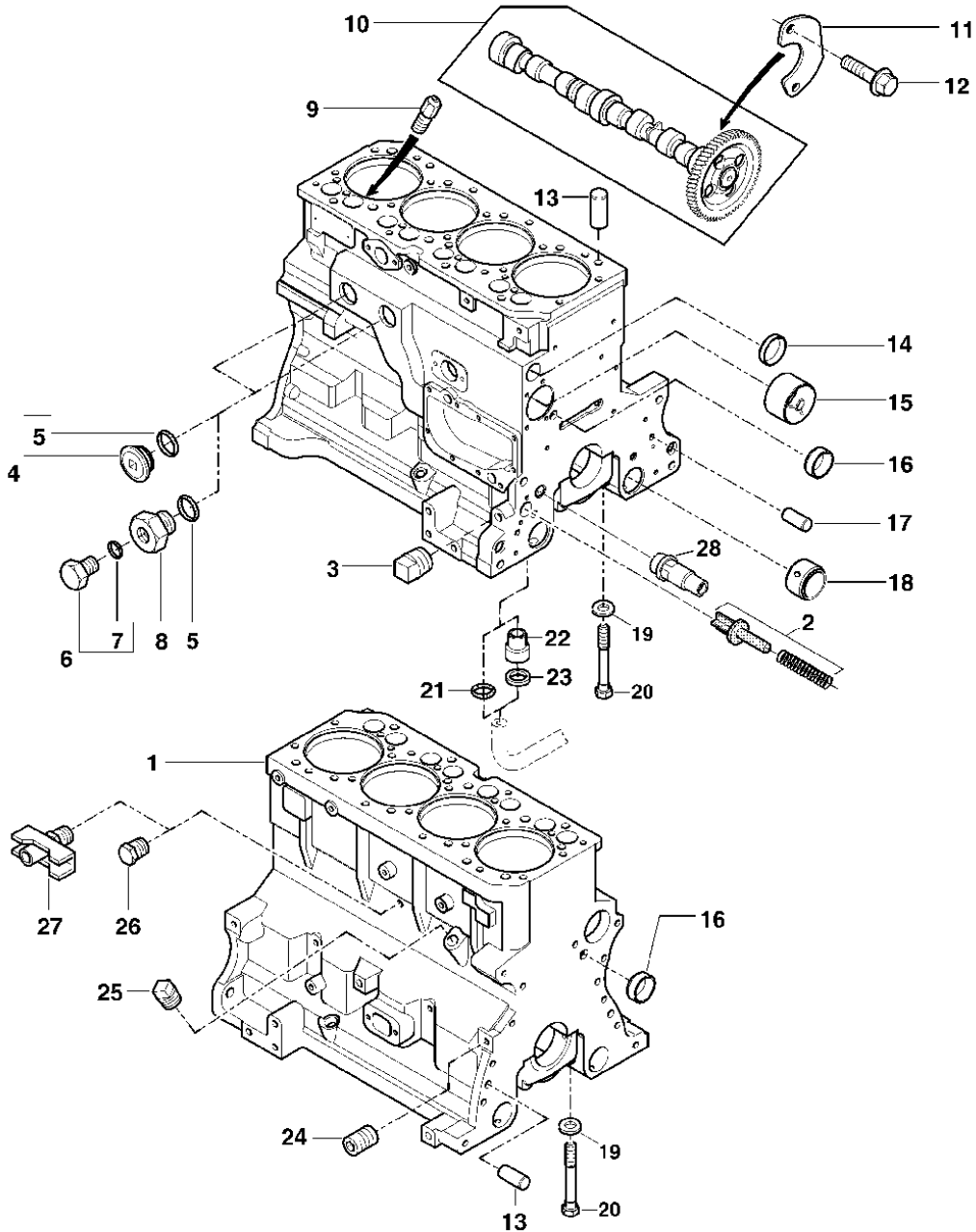
460-2

CYLINDER BLOCK & CAMSHAFT

4601
4601
4601
4601
4601
4601

CDP45556A

-UN-



CDP45556A

460-3

CYLINDER BLOCK & CAMSHAFT

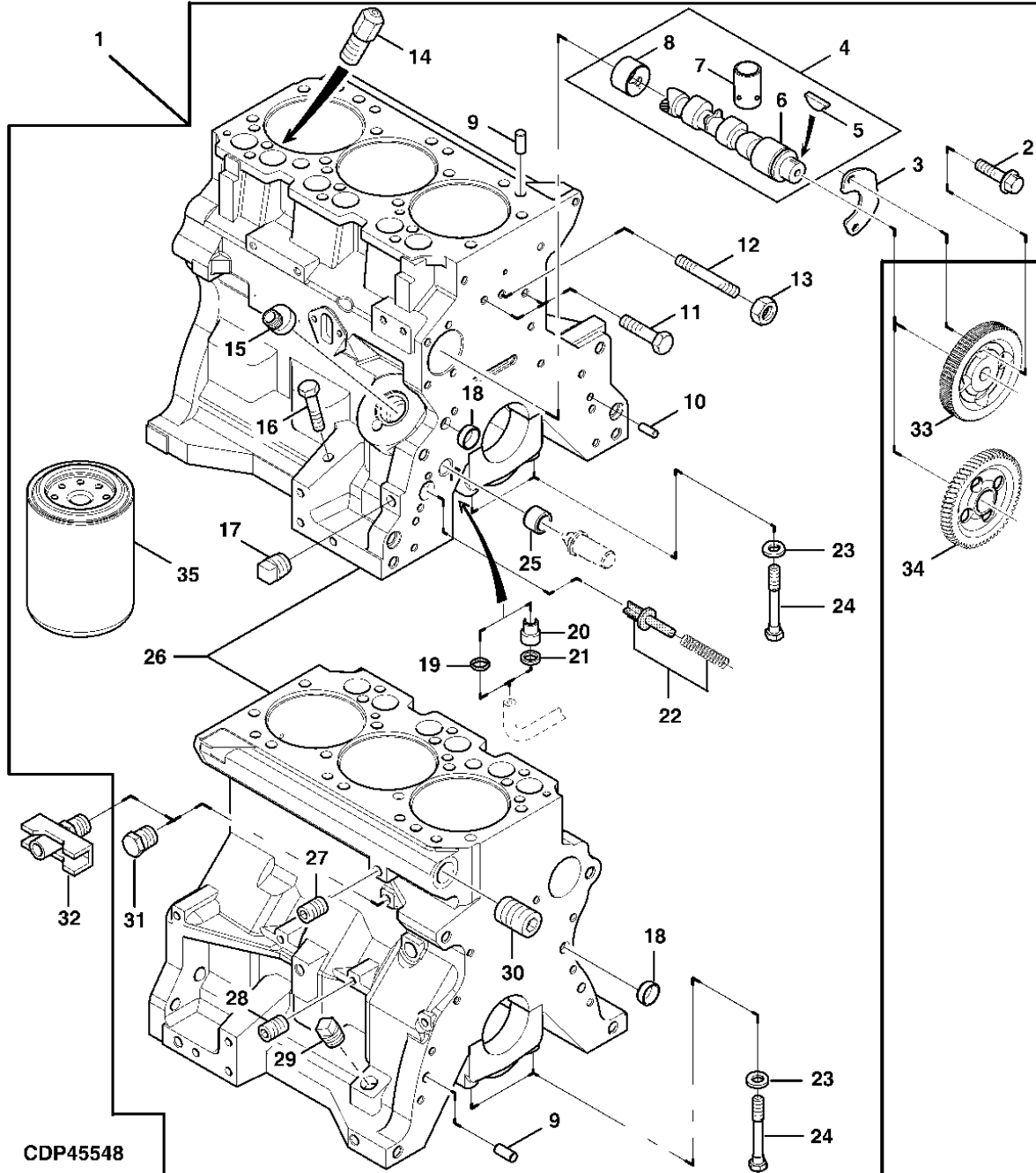
KEY	PART NO.	PART NAME	QTY.	ENGINE SERIAL NO.	4 0 4 5 D	REMARKS
1	CYLINDER BLOCK	1		X	(MARKED R504849) (ORDER RE521840)
2	RE63674	VALVE	1		X	KIT
3	15H695	PIPE PLUG	1		X	3/8"
4	RE508185	FITTING	2		X	1-5/8"-12UN
5	U13639	O-RING	2		X	37.465 X 2.997 MM
6	RE46685	FITTING PLUG	AR		X	M18 X 1.5
7	51M7043	O-RING	1		X	15.300 X 2.200 MM
8	R123616	PLUG	NA		X	
9	R131182	ORIFICE	4		X	
10	RE56375	KIT	1		X	(MARKED R135439)
11	R132518	PLATE	1		X	
12	19M7867	SCREW	2		X	M8 X 25 (10.9)
13	R48685	DOWEL PIN	4		X	
14	R116466	PLUG	1		X	
15	R119874	BUSHING	1		X	(ALSO ORDER TY6333)
16	T18891	PLUG	2		X	OD 16 MM
17	R26650	DOWEL PIN	2		X	9.525 X 25.400 MM
18	R115299	BUSHING	6		X	
19	T20168	WASHER	10		X	13.106 X 21.996 X 2.286 MM
20	T23474	CAP SCREW	10		X	12.700 X 95.250 MM
21	R97185	O-RING	1		X	15.469 X 3.531 MM
22	R115390	BUSHING	1		X	16.260 X 21.612 X 36 MM, (USE WITH R75892)
23	R75892	O-RING	1		X	14.884 X 4.064 MM, (USE WITH R115390)
24	RE42713	PIPE PLUG	5		X	1/8"-27NPT, (SUB FOR R104592)
25	15H584	PIPE PLUG	1		X	1/2", -27NPT, (SUB FOR 15H624)
26	RE507807	PIPE PLUG	1		X	1/4"-18NPT, THREADS WITH PRE-APPLIED SEALANT, FILETS ENDUITS DE PRODUIT D'ETANCHEITE, MIT DICHTMITTEL, CON MATERIALE DI TENUTA, CON SELLADOR, MED TAETNINGSMEDEL
27	AT13740	DRAIN VALVE	AR		X	1/4"-18NPT
28	RE505501	BLEED VALVE	1		X	

460-4

CYLINDER BLOCK & CAMSHAFT

4607
4607
4607
4607
4607

CDP45548 -UN-



460-5

CYLINDER BLOCK & CAMSHAFT

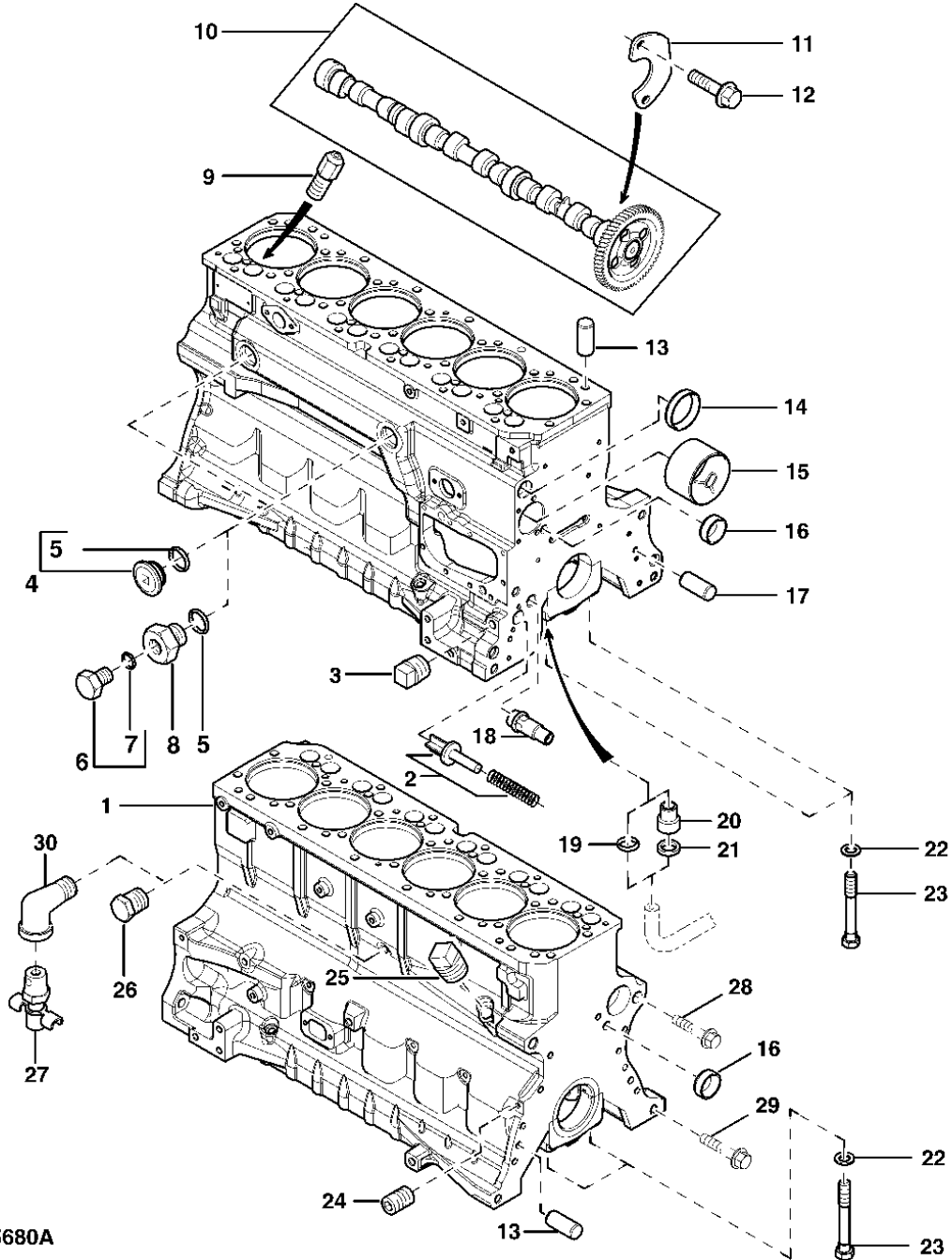
KEY	PART NO.	PART NAME	QTY.	ENGINE SERIAL NO.	3 0 2 9 T	REMARKS
1	RE65358	KIT	1		X	OR ORDER RE507828
2	19H2676	CAP SCREW	2		X	3/8" X 1" (SAE 8)
3	T20072	PLATE	1		X	
4	RE55900	CAMSHAFT	1		X	
5	T28041	SHAFT KEY	1		X	1/8" X 21/32", (SUB FOR 26H72)
6	CAMSHAFT	1		X	NSEP. (MARKED R106957) (ORDER RE55900)
7	T20073	TAPPET	6		X	
8	R119874	BUSHING	1		X	(ALSO ORDER TY6333)
9	R48685	DOWEL PIN	4		X	UP REAR
10	R26650	DOWEL PIN	2		X	9.525 X 25.400 MM, FRONT
11	19H1726	CAP SCREW	2		X	3/8" X 2-1/4"
12	T25701	STUD	1		X	LGTH= 55,5MM 3/8"-16UN X 3/8"-16UNC, (SUB FOR R130883)
13	14H1076	NUT	1		X	3/8" -16UNC
14	R54802	ORIFICE	3		X	
15	T23435	THREADED NIPPLE	1		X	
16	19H2351	CAP SCREW	1		X	1/2" X 1/2"
17	15H695	PIPE PLUG	1		X	3/8" -18NPT
18	T18891	PLUG	AR		X	OD= 16MM
19	R97185	O-RING	1		X	15.469 X 3.531 MM
20	R115390	BUSHING	1		X	16.260 X 21.612 X 36 MM, (USE WITH R75892)
21	R75892	O-RING	1		X	14.884 X 4.064 MM, (USE WITH R115390)
22	RE63674	VALVE	AR		X	KIT
23	T20168	WASHER	8		X	13.106 X 21.996 X 2.286 MM
24	T23474	CAP SCREW	8		X	1/2" X 3-3/4"
25	R26493	BUSHING	1		X	14.224 X 16.891 X 12.700 MM
26	CYLINDER BLOCK	1		X	(MARKED R129432) (ORDER RE65358 OR RE507828)
27	15H685	PIPE PLUG	1		X	1/4" -18NPT
28	RE42713	PIPE PLUG	4		X	1/8", (SUB FOR R104592) THREADS WITH PRE-APPLIED SEALANT, FILETS ENDUITS DE PRODUIT D'ETANCHEITE, MIT DICHTMITTEL, CON MATERIALE DI TENUTA, CON SELLADOR, MED TAETNINGSMEDEL
29	15H584	PIPE PLUG	1		X	1/2" -14NPT
30	15H562	PIPE PLUG	1		X	1" -11.5NPT
31	RE507807	PIPE PLUG	1		X	1/4"-18NPT, THREADS WITH PRE-APPLIED SEALANT, FILETS ENDUITS DE PRODUIT D'ETANCHEITE, MIT DICHTMITTEL, CON MATERIALE DI TENUTA, CON SELLADOR, MED TAETNINGSMEDEL
32	AT13740	DRAIN VALVE	AR		X	
33	SPUR GEAR	NA		X	
34	T20070	HELICAL GEAR	1		X	
35	T19044	OIL FILTER	1		X	

460-6

CYLINDER BLOCK & CAMSHAFT

4611
4611
4611
4611
4611
4611

CDP45680A -UN-



CDP45680A

460-7

CYLINDER BLOCK & CAMSHAFT

KEY	PART NO.	PART NAME	QTY.	ENGINE SERIAL NO.	6 0 6 8 H	REMARKS
1	CYLINDER BLOCK	1		X	(MARKED R504850) (ORDER RE520387)
2	RE63674	VALVE	1		X	KIT
3	15H695	PIPE PLUG	1		X	3/8"-18NPT
4	RE508185	FITTING	AR		X	1-5/8"-12UN
5	U13639	O-RING	1		X	
6	RE46685	FITTING PLUG	AR		X	M18 X 1.5
7	51M7043	O-RING	1		X	15.300 X 2.200 MM
8	R123616	PLUG	AR		X	1-5/8"-12UN X M18 X 1.5
9	R131182	ORIFICE	6		X	
10	RE515611	CAMSHAFT	1		X	(MARKED R515245)
11	R132518	PLATE	1		X	
12	19M7867	SCREW	2		X	M8 X 25, (10.9)
13	R48685	DOWEL PIN	4		X	
14	R116466	PLUG	1		X	
15	R119874	BUSHING	1		X	(ALSO ORDER TY6333)
16	T18891	PLUG	2		X	OD= 16MM
17	R26650	DOWEL PIN	2		X	9.525 X 25.400 MM
18	RE505501	BLEED VALVE	1		X	
19	R97185	O-RING	1		X	15.469 X 3.531 MM
20	R115390	BUSHING	1		X	16.260 X 21.612 X 36 MM, (USE WITH R75892)
21	R75892	O-RING	1		X	14.884 X 4.064 MM, (USE WITH R115390)
22	T20168	WASHER	14		X	13.106 X 21.996 X 2.286 MM
23	T23474	CAP SCREW	14		X	12.700 X 95.250 MM
24	RE42713	PIPE PLUG	7		X	(SUB FOR R104592) 1/8"-27NPT
25	15H584	PIPE PLUG	AR		X	1/2"-14NPT
26	RE507807	PIPE PLUG	1		X	1/4"-18NPT , THREADS WITH PRE-APPLIED SEALANT, FILETS ENDUITS DE PRODUIT D'ETANCHEITE, MIT DICHTMITTEL, CON MATERIALE DI TENUTA, CON SELLADOR, MED TAETNINGSMEDEL
27	AT3740	DRAIN PLUG	AR		X	1/4"-18NPT
28	SCREW	AR		X	M12
29	SCREW	AR		X	M12
30	15H613	ELBOW FITTING	1		X	

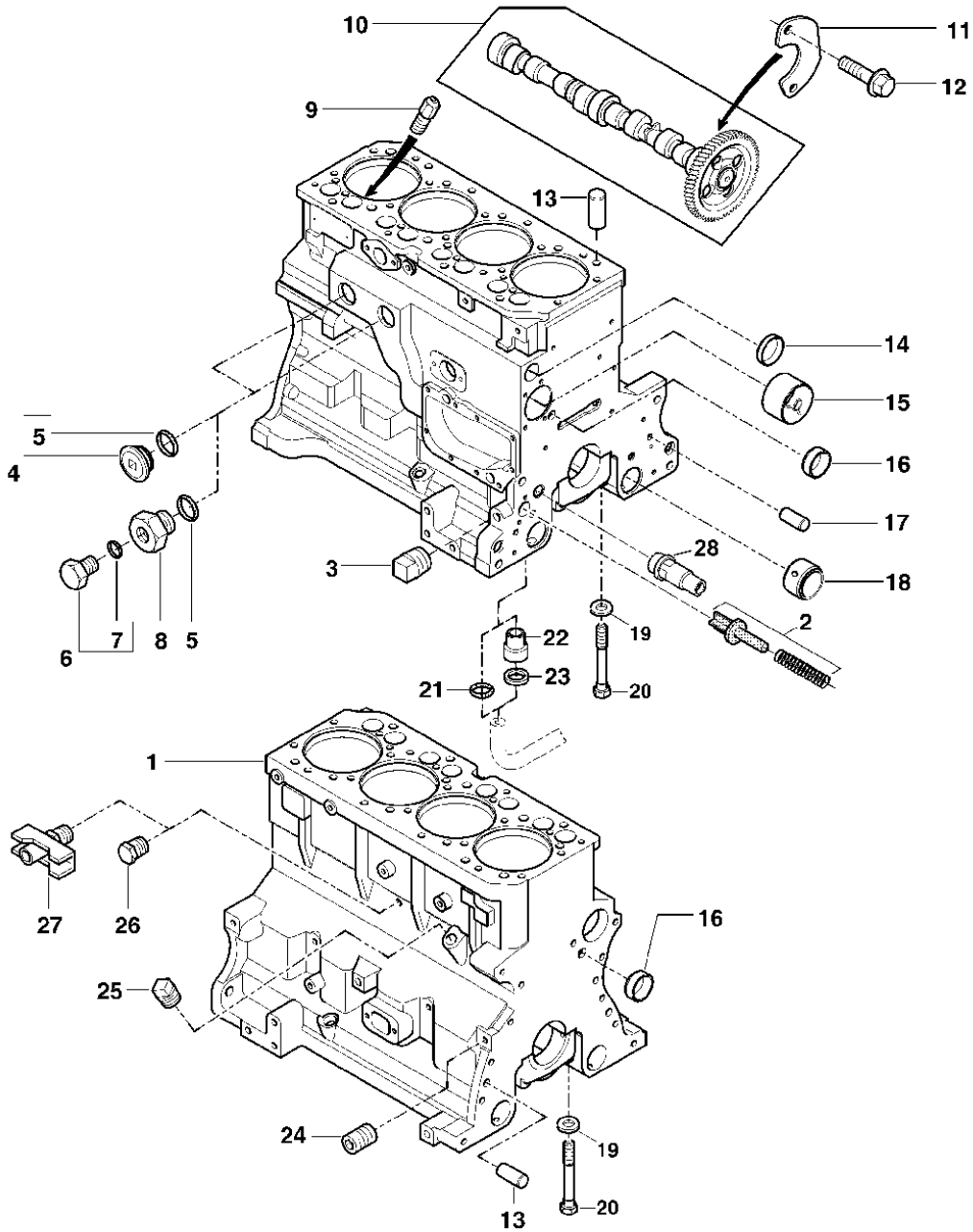
460-8

CYLINDER BLOCK & CAMSHAFT

4614
4614
4614
4614
4614
4614

CDP45556A

-UN-



CDP45556A

460-9

CYLINDER BLOCK & CAMSHAFT

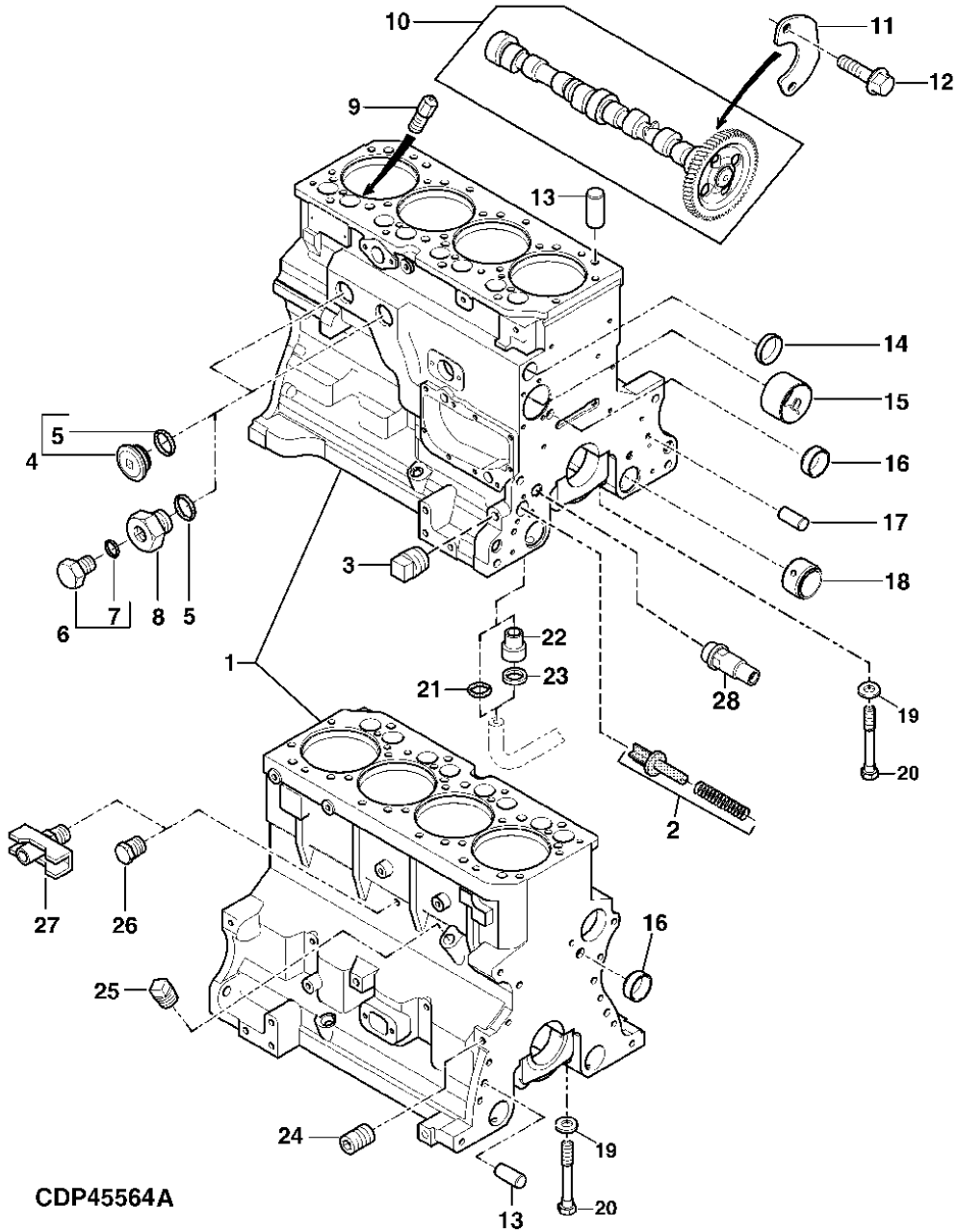
KEY	PART NO.	PART NAME	QTY.	ENGINE SERIAL NO.	4 0 4 5 T	REMARKS
1	CYLINDER BLOCK	1		X	(MARKED R504849) (ORDER RE520376)
2	RE63674	VALVE	1		X	KIT
3	15H623	PIPE PLUG	1		X	3/8"-18NPT
4	RE508185	FITTING	AR		X	1-5/8"-12UN
5	U13639	O-RING	2		X	37.465 X 2.997 MM
6	RE46685	FITTING PLUG	AR		X	M18 X 1.5
7	51M7043	O-RING	1		X	15.300 X 2.200 MM
8	R123616	PLUG	AR		X	1-5/8"-12UN X M18 X 1.5
9	R131182	ORIFICE	4		X	
10	RE507595	CAMSHAFT	1		X	(MARKED R504534)
11	R132518	PLATE	1		X	
12	19M7867	SCREW	2		X	M8 X 25, (10.9)
13	R48685	DOWEL PIN	4		X	
14	R116466	PLUG	1		X	
15	R119874	BUSHING	1		X	(ALSO ORDER TY6333)
16	T18891	PLUG	2		X	OD= 16MM
17	R26650	DOWEL PIN	2		X	9.525 X 25.400 MM
18	R115299	BUSHING	6		X	
19	T20168	WASHER	10		X	13.106 X 21.996 X 2.286 MM
20	T23474	CAP SCREW	10		X	12.700 X 95.250 MM
21	R97185	O-RING	AR		X	15.469 X 3.531 MM
22	R115390	BUSHING	1		X	16.260 X 21.612 X 36 MM, (USE WITH R75892)
23	R75892	O-RING	1		X	14.884 X 4.064 MM, (USE WITH R115390)
24	RE42713	PIPE PLUG	4		X	(SUB FOR R104592) 1/8"-27NPT
25	15H584	PIPE PLUG	AR		X	1/2"-14NPT
26	RE507807	PIPE PLUG	AR		X	1/4"-18NPT , THREADS WITH PRE-APPLIED SEALANT, FILETS ENDUITS DE PRODUIT D'ETANCHEITE, MIT DICHTMITTEL, CON MATERIALE DI TENUTA, CON SELLADOR, MED TAETNINGSMEDEL
27	AT13740	DRAIN VALVE	1		X	1/4"-18NPT
28	RE505501	BLEED VALVE	1		X	

460-10

CYLINDER BLOCK & CAMSHAFT

4615
4615
4615
4615
4615

CDP45564A -UN-



460-11

CYLINDER BLOCK & CAMSHAFT

KEY	PART NO.	PART NAME	QTY.	ENGINE SERIAL NO.	4 0 4 5 H	REMARKS
1	CYLINDER BLOCK	1		X	(MARKED R504849) (ORDER RE520380)
2	RE63674	VALVE	1		X	KIT
3	15H695	PIPE PLUG	1		X	3/8"-18NPT
4	RE508185	FITTING	2		X	1-5/8"-12UN
5	U13639	O-RING	2		X	37.465 X 2.997 MM
6	RE46685	FITTING PLUG	AR		X	M18 X 1.5
7	51M7043	O-RING	AR		X	15.300 X 2.200 MM
8	R123616	PLUG	NA		X	1-5/8"-12UN X M18 X 1.5
9	R131182	ORIFICE	4		X	
10	RE515612	CAMSHAFT	1		X	(MARKED R515247)
11	R132518	PLATE	1		X	
12	19M7867	SCREW	2		X	M8 X 25 (10.9)
13	R48685	DOWEL PIN	4		X	
14	R116466	PLUG	1		X	
15	R119874	BUSHING	1		X	(ALSO ORDER TY6333)
16	T18891	PLUG	2		X	OD= 16 MM
17	R26650	DOWEL PIN	2		X	9.525 X 25.400 MM
18	R115299	BUSHING	6		X	
19	T20168	WASHER	10		X	13.106 X 21.996 X 2.286 MM
20	T23474	CAP SCREW	10		X	12.700 X 95.250 MM
21	R97185	O-RING	AR		X	15.469 X 3.531 MM
22	R115390	BUSHING	1		X	16.260 X 21.612 X 36 MM, (USE WITH R75892)
23	R75892	O-RING	1		X	14.884 X 4.064 MM, (USE WITH R115390)
24	RE42713	PIPE PLUG	5		X	(SUB FOR R104592) 1/8"-27NPT
25	15H584	PIPE PLUG	1		X	(SUB FOR 15H624) 1/2"-14NPT
26	RE507807	PIPE PLUG	1		X	1/4"-18NPT, THREADS WITH PRE-APPLIED SEALANT, FILETS ENDUITS DE PRODUIT D'ETANCHEITE, MIT DICHTMITTEL, CON MATERIALE DI TENUTA, CON SELLADOR, MED TAETNINGSMEDEL
27	AT13740	DRAIN VALVE	NA		X	1/4"-18NPT
28	RE505501	BLEED VALVE	1		X	

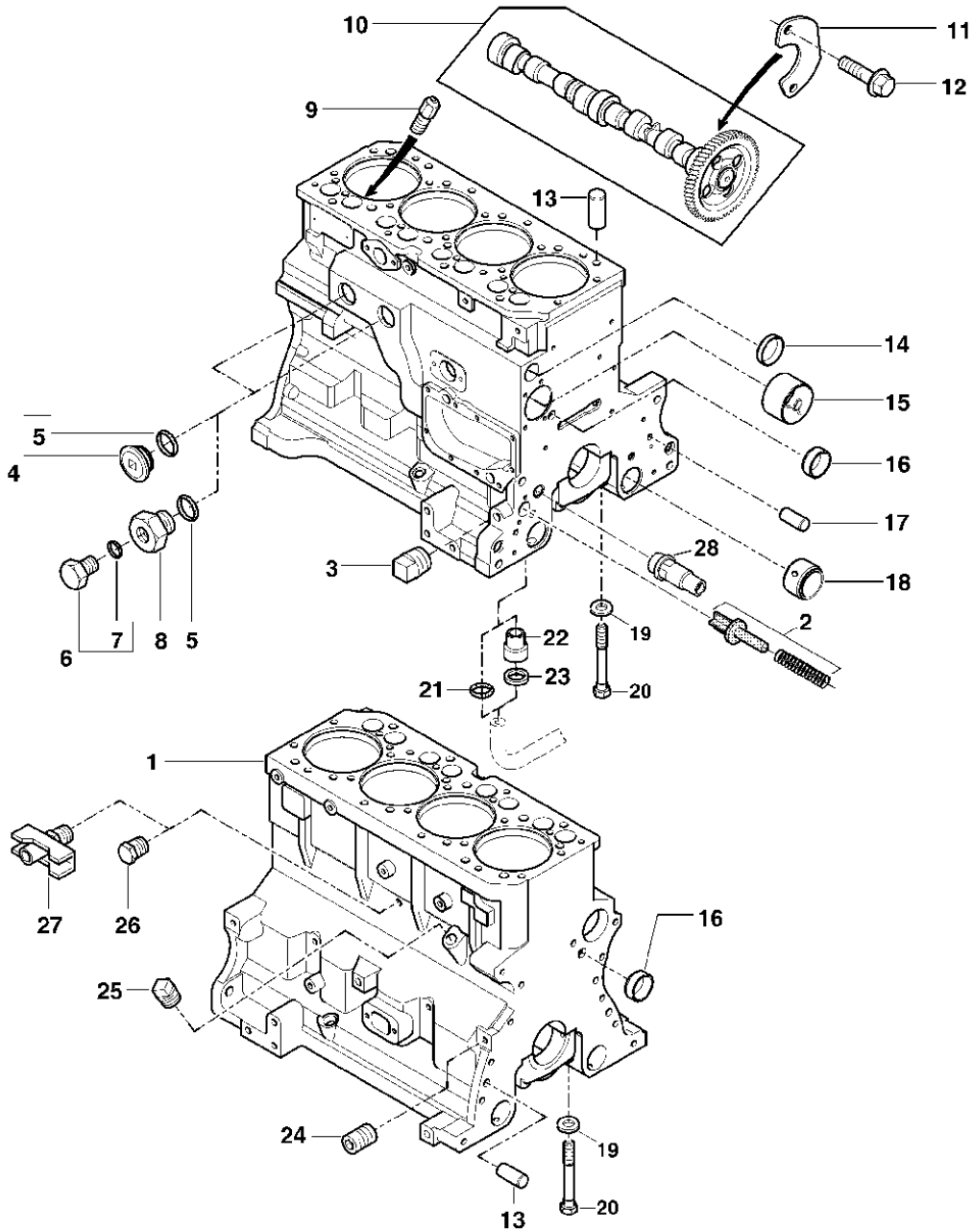
460-12

CYLINDER BLOCK & CAMSHAFT

4616
4616
4616
4616
4616
4616

CDP45556A

-UN-



CDP45556A

THIS PARTS LISTING IS CONTINUED

460-13

CYLINDER BLOCK & CAMSHAFT

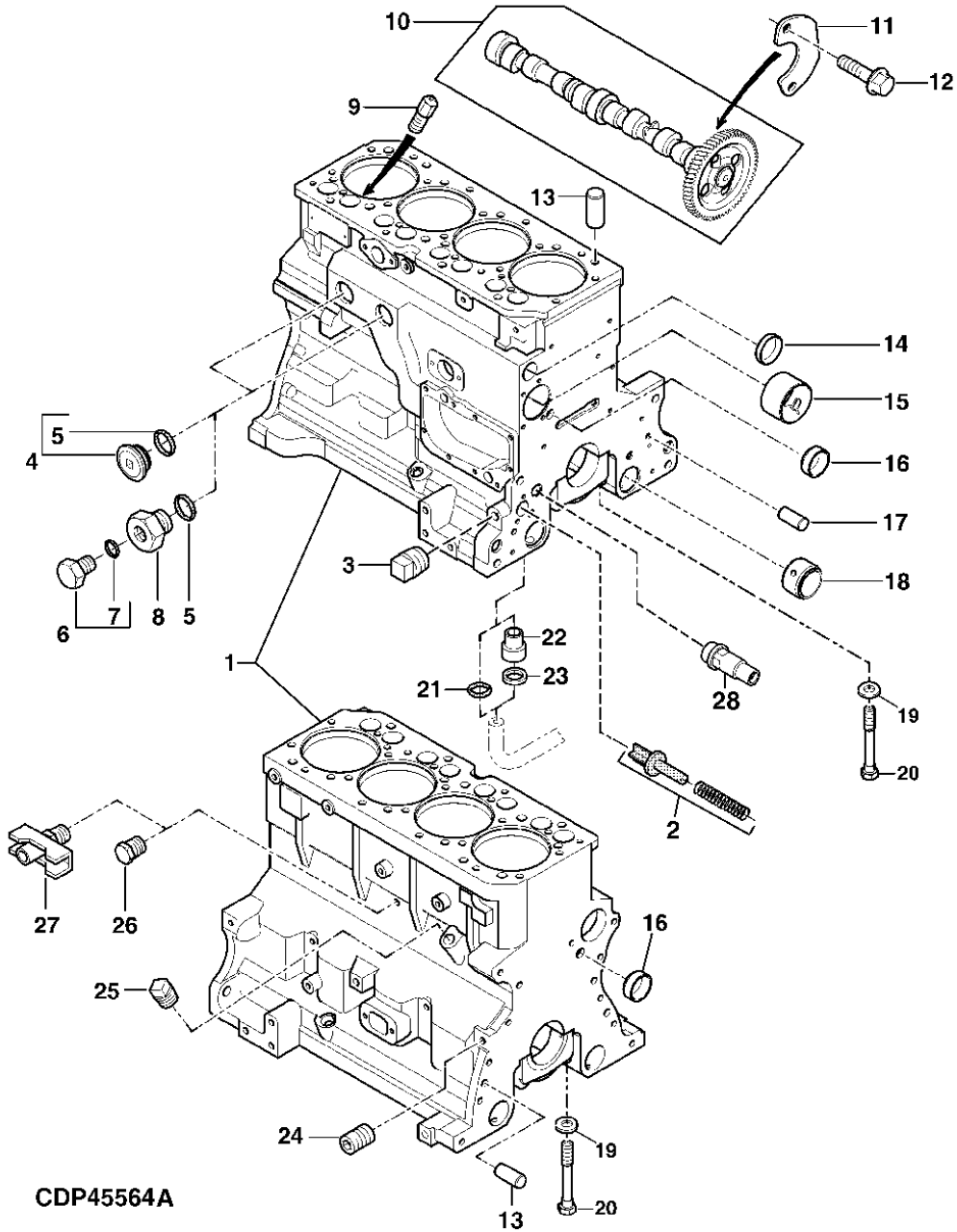
KEY	PART NO.	PART NAME	QTY.	ENGINE SERIAL NO.	4 0 4 5 T	REMARKS
1	CYLINDER BLOCK	1		X	(MARKED R504849) (ORDER RE520374)
2	RE63674	VALVE	1		X	KIT
3	15H623	PIPE PLUG	1		X	3/8"-18NPT
4	RE508185	FITTING	AR		X	1-5/8"-12UN
5	U13639	O-RING	2		X	37.465 X 2.997 MM
6	RE46685	FITTING PLUG	AR		X	M18 X 1.5
7	51M7043	O-RING	1		X	15.300 X 2.200 MM
8	R123616	PLUG	AR		X	1-5/8"-12UN X M18 X 1.5
9	R131182	ORIFICE	4		X	
10	RE507595	CAMSHAFT	1		X	(MARKED R504534)
11	R132518	PLATE	1		X	
12	19M7867	SCREW	2		X	M8 X 25, (10.9)
13	R48685	DOWEL PIN	4		X	
14	R116466	PLUG	1		X	
15	R119874	BUSHING	1		X	(ALSO ORDER TY6333)
16	T18891	PLUG	2		X	OD= 16MM
17	R26650	DOWEL PIN	2		X	9.525 X 25.400 MM
18	R115299	BUSHING	6		X	
19	T20168	WASHER	10		X	13.106 X 21.996 X 2.286 MM
20	T23474	CAP SCREW	10		X	12.700 X 95.250 MM
21	R97185	O-RING	AR		X	15.469 X 3.531 MM
22	R115390	BUSHING	1		X	16.260 X 21.612 X 36 MM, (USE WITH R75892)
23	R75892	O-RING	1		X	14.884 X 4.064 MM, (USE WITH R115390)
24	RE42713	PIPE PLUG	4		X	(SUB FOR R104592) 1/8"-27NPT
25	15H584	PIPE PLUG	AR		X	1/2"-14NPT
26	RE507807	PIPE PLUG	AR		X	1/4"-18NPT , THREADS WITH PRE-APPLIED SEALANT, FILETS ENDUITS DE PRODUIT D'ETANCHEITE, MIT DICHTMITTEL, CON MATERIALE DI TENUTA, CON SELLADOR, MED TAETNINGSMEDEL
27	AT13740	DRAIN VALVE	1		X	1/4"-18NPT
28	RE505501	BLEED VALVE	1		X	

460-14

CYLINDER BLOCK & CAMSHAFT

4621
4621
4621
4621
4621
4621

CDP45564A -UN-



460-15

CYLINDER BLOCK & CAMSHAFT

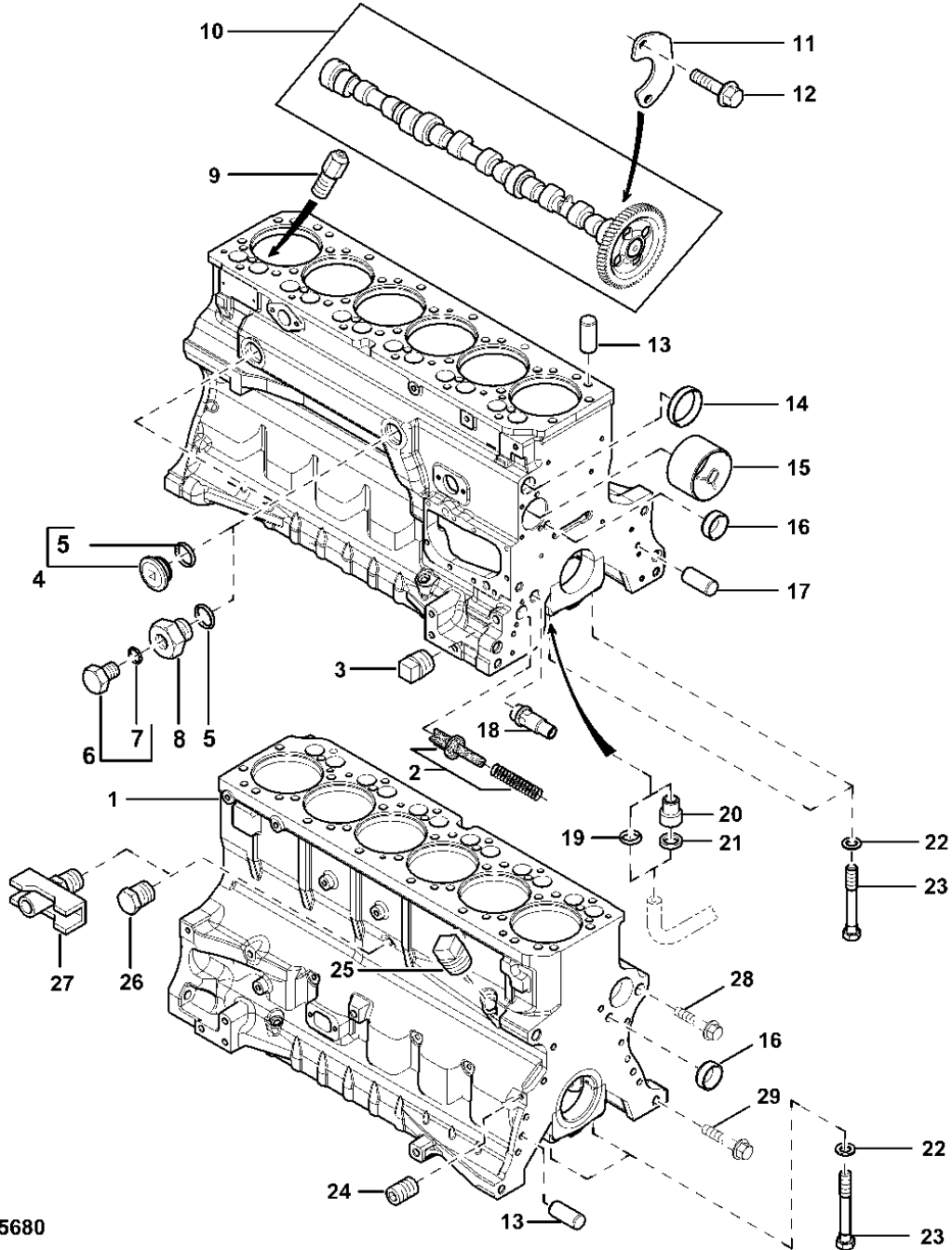
KEY	PART NO.	PART NAME	QTY.	ENGINE SERIAL NO.	4 0 4 5 H T	REMARKS
1	CYLINDER BLOCK	1		X X	(MARKED R504849) (ORDER RE520378)
2	RE63674	VALVE	1		X X	KIT
3	15H695	PIPE PLUG	1		X X	3/8"-18NPT
4	RE508185	FITTING	2		X X	1-5/8"-12UN
5	U13639	O-RING	2		X X	37.465 X 2.997 MM
6	RE46685	FITTING PLUG	AR		X X	M18 X 1.5
7	51M7043	O-RING	AR		X X	15.300 X 2.200 MM
8	R123616	PLUG	NA		X X	1-5/8"-12UN M18 X 1.5
9	R131182	ORIFICE	4		X X	
10	RE507595	CAMSHAFT	1		X X	(MARKED R504534)
11	R132518	PLATE	1		X X	
12	19M7867	SCREW	2		X X	M8 X 25 (10.9)
13	R48685	DOWEL PIN	4		X X	
14	R116466	PLUG	1		X X	
15	R119874	BUSHING	1		X X	(ALSO ORDER TY6333)
16	T18891	PLUG	2		X X	OD= 16 MM
17	R26650	DOWEL PIN	2		X X	9.525 X 25.400 MM
18	R115299	BUSHING	6		X X	
19	T20168	WASHER	10		X X	13.106 X 21.996 X 2.286 MM
20	T23474	CAP SCREW	10		X X	12.700 X 95.250 MM
21	R97185	O-RING	AR		X X	15.469 X 3.531 MM
22	R115390	BUSHING	1		X X	16.260 X 21.612 X 36 MM, (USE WITH R75892)
23	R75892	O-RING	1		X X	14.884 X 4.064 MM, (USE WITH R155390)
24	RE42713	PIPE PLUG	5		X X	1/8"-27NPT, (SUB FOR R104592)
25	15H584	PIPE PLUG	1		X X	12.700 MM 1/2"-14NPT, (SUB FOR 15H624)
26	RE507807	PIPE PLUG	1		X X	1/4"-18NPT THREADS WITH PRE-APPLIED SEALANT, FILETS ENDUITS DE PRODUIT D'ETANCHEITE, MIT DICHTMITTEL, CON MATERIALE DI TENUTA, CON SELLADOR, MED TAETNINGSMEDEL
27	AT13740	DRAIN VALVE	NA		X X	1/4"-18NPT
28	RE505501	BLEED VALVE	1		X X	

460-16

CYLINDER BLOCK & CAMSHAFT

4625
4625
4625
4625
4625
4625

CDP45680 -UN-



CDP45680

460-17

CYLINDER BLOCK & CAMSHAFT

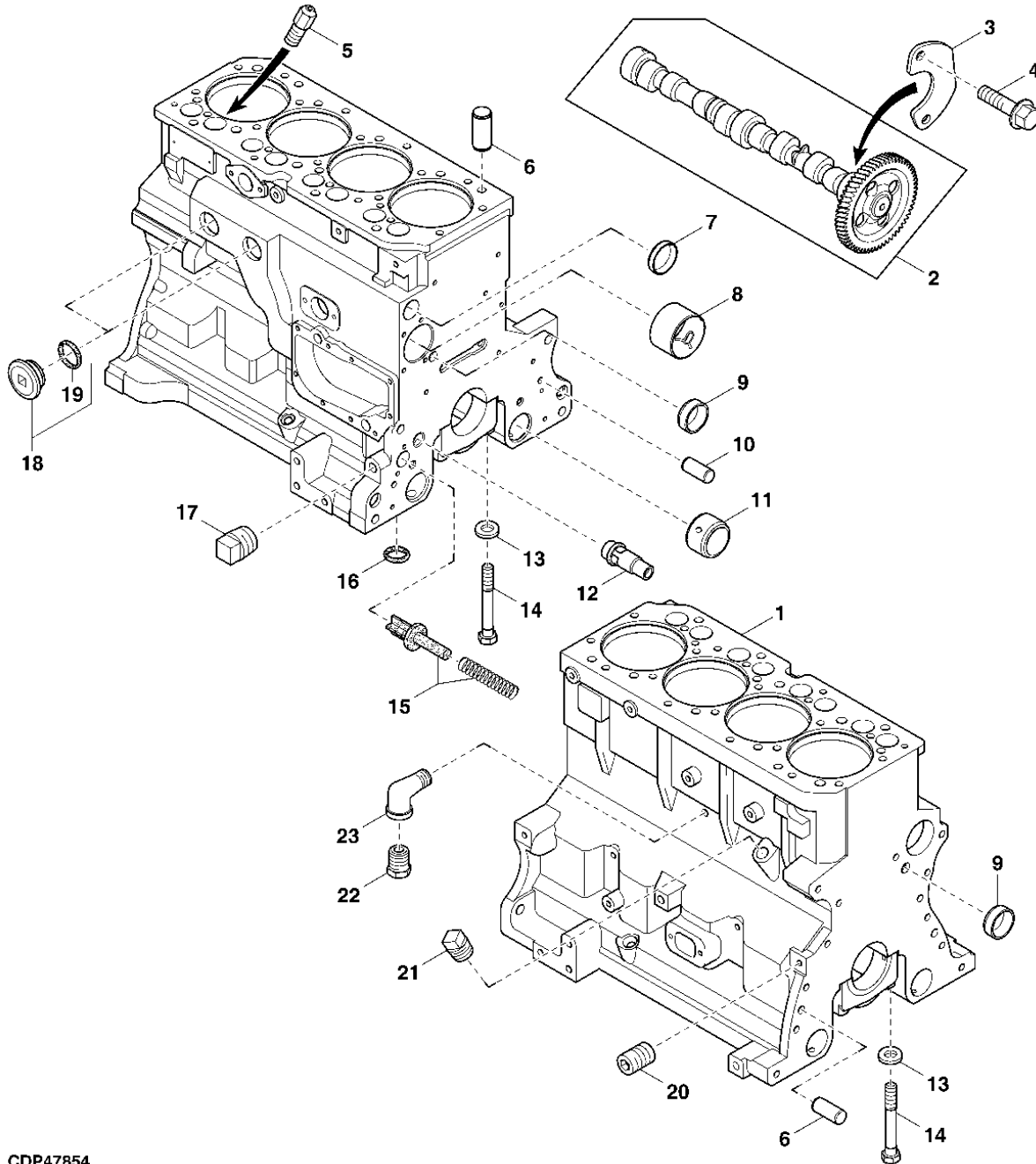
KEY	PART NO.	PART NAME	QTY.	ENGINE SERIAL NO.	6 0 6 8 H	REMARKS
1	CYLINDER BLOCK	1		X	(MARKED R504850) (ORDER RE520385)
2	RE63674	VALVE	1		X	KIT
3	15H695	PIPE PLUG	1		X	3/8"-18NPT
4	RE508185	FITTING	AR		X	1-5/8"-12UN
5	U13639	O-RING	2		X	37.465 X 2.997 MM
6	RE46685	FITTING PLUG	AR		X	M18 X 1.5
7	51M7043	O-RING	1		X	15.300 X 2.200 MM
8	R123616	PLUG	AR		X	1-5/8"-12UN X M18 X 1.5
9	R131182	ORIFICE	6		X	
10	RE507149	CAMSHAFT	1		X	(MARKED R504535)
11	R132518	PLATE	1		X	
12	19M7867	SCREW	2		X	M8 X 25, (10.9)
13	R48685	DOWEL PIN	4		X	
14	R116466	PLUG	1		X	
15	R119874	BUSHING	1		X	(ALSO ORDER TY6333)
16	T18891	PLUG	2		X	OD= 16MM
17	R26650	DOWEL PIN	2		X	9.525 X 25.400 MM
18	RE505501	BLEED VALVE	1		X	
19	R97185	O-RING	1		X	15.469 X 3.531 MM
20	R115390	BUSHING	1		X	16.260 X 21.612 X 36 MM, (USE WITH R75892)
21	R75892	O-RING	1		X	14.884 X 4.064 MM, (USE WITH R115390)
22	T20168	WASHER	14		X	13.106 X 21.996 X 2.286 MM
23	T23474	CAP SCREW	14		X	12.700 X 95.250 MM
24	RE42713	PIPE PLUG	7		X	(SUB FOR R104592) 1/8"-27NPT
25	15H584	PIPE PLUG	AR		X	1/2"-14NPT
26	RE507807	PIPE PLUG	1		X	1/4"-18NPT , THREADS WITH PRE-APPLIED SEALANT, FILETS ENDUITS DE PRODUIT D'ETANCHEITE, MIT DICHTMITTEL, CON MATERIALE DI TENUTA, COM SELLADOR, MED TAETNINGSMEDEL
27	AT13740	DRAIN VALVE	AR		X	1/4"-18NPT
28	SCREW	AR		X	M12
29	SCREW	AR		X	M12

460-18

CYLINDER BLOCK & CAMSHAFT

4652
4652
4652
4652
4652

CDP47854 -UN-



CDP47854

THIS PARTS LISTING IS CONTINUED

460-19

CYLINDER BLOCK & CAMSHAFT

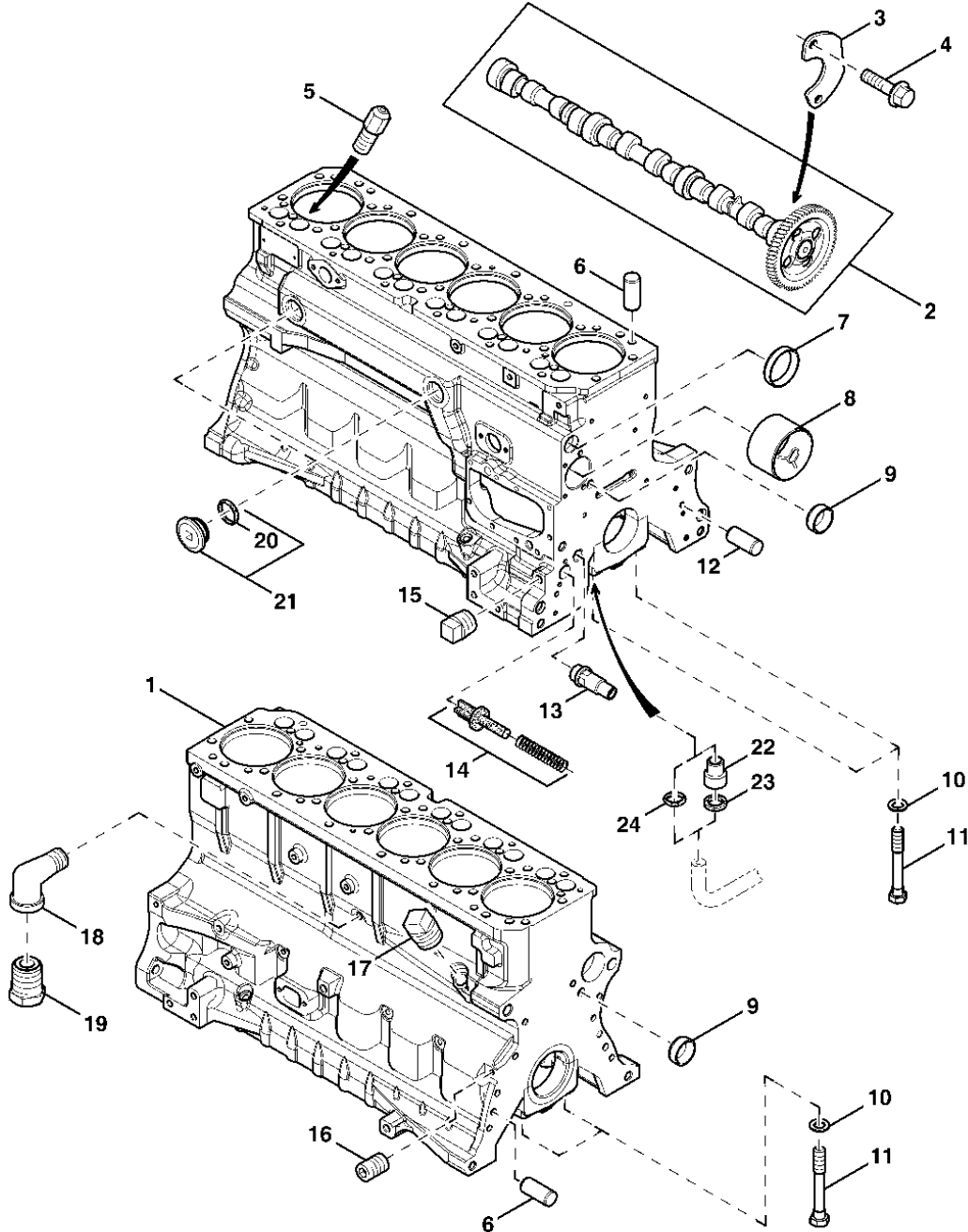
KEY	PART NO.	PART NAME	QTY.	ENGINE SERIAL NO.	4 0 4 5 H	REMARKS
1	CYLINDER BLOCK	1		X	(MARKED R504849) (ORDER REXXXXXX)
2	RE507595	CAMSHAFT	1		X	(MARKED R504534)
3	R132518	PLATE	1		X	
4	19M8999	SCREW	2		X	M8 X 25
5	R131182	ORIFICE	4		X	
6	R48685	DOWEL PIN	4		X	
7	R116466	PLUG	1		X	OD= 32MM
8	R119874	BUSHING	1		X	(ALSO ORDER TY6333)
9	T18891	PLUG	2		X	OD= 16MM
10	R26650	DOWEL PIN	2		X	9.525 X 25.400 MM
11	R115299	BUSHING	6		X	
12	RE505501	BLEED VALVE	1		X	
13	T20168	WASHER	10		X	13.106 X 21.996 X 2.286 MM
14	T23474	CAP SCREW	10		X	12.700 X 95.250 MM
15	RE63674	VALVE	1		X	KIT
16	R97185	O-RING	1		X	15.469 X 3.531 MM
17	15H695	PIPE PLUG	1		X	3/8"-18NPT
18	RE508185	FITTING	AR		X	1-5/8"-12UN
19	U13639	O-RING	1		X	37.465 X 2.997 MM
20	RE42713	PIPE PLUG	5		X	1/8"-27NPT
21	15H584	PIPE PLUG	AR		X	1/2"-14NPT
22	RE507807	PIPE PLUG	1		X	1/4"-18NPT, FILETS ENDUITS DE PRODUIT D'ETANCHEITE
23	15H613	ELBOW FITTING	1		X	1/4" X 1/4"

460-20

CYLINDER BLOCK & CAMSHAFT

4653
4653
4653
4653
4653

CDP47304 -UN-



CDP47304

460-21

CYLINDER BLOCK & CAMSHAFT

KEY	PART NO.	PART NAME	QTY.	ENGINE SERIAL NO.	6 0 6 8 H	REMARKS
1	CYLINDER BLOCK	1		X	(MARKED R504850) (ORDER REXXXXXX)
2	RE507149	CAMSHAFT	1		X	(MARKED R504535)
3	R132518	PLATE	1		X	
4	19M8999	SCREW	2		X	M8 X 25
5	R131182	ORIFICE	6		X	
6	R48685	DOWEL PIN	4		X	
7	R116466	PLUG	1		X	OD= 32MM
8	R119874	BUSHING	1		X	(ALSO ORDER TY6333)
9	T18891	PLUG	2		X	OD= 16MM
10	T20168	WASHER	14		X	13.106 X 21.996 X 2.286 MM
11	T23474	CAP SCREW	14		X	12.700 X 95.250 MM
12	R26650	DOWEL PIN	2		X	9.525 X 25.400 MM
13	RE505501	BLEED VALVE	1		X	
14	RE63674	VALVE	1		X	KIT
15	15H695	PIPE PLUG	1		X	3/8"-18NPT
16	RE42713	PIPE PLUG	7		X	1/8"-27NPT
17	15H584	PIPE PLUG	AR		X	1/2"-14NPT
18	15H613	ELBOW FITTING	1		X	1/4" X 1/4"
19	RE507807	PIPE PLUG	1		X	1/4"-18NPT, FILETS ENDUITS DE PRODUIT D'ETANCHEITE
20	U13639	O-RING	1		X	37.465 X 2.997 MM
21	RE508185	FITTING	AR		X	1-5/8"-12UN
22	R115390	BUSHING	1		X	16.260 X 21.612 X 36 MM, (USE WITH R75892)
23	R75892	O-RING	1		X	14.884 X 4.064 MM, (USE WITH R115390)
24	R97185	O-RING	1		X	15.469 X 3.531 MM

460-22

CYLINDER BLOCK & CAMSHAFT

MEMORANDA
MEMORANDA
MEMORANDA
MEMORANDA
MEMORANDA
MEMORANDA

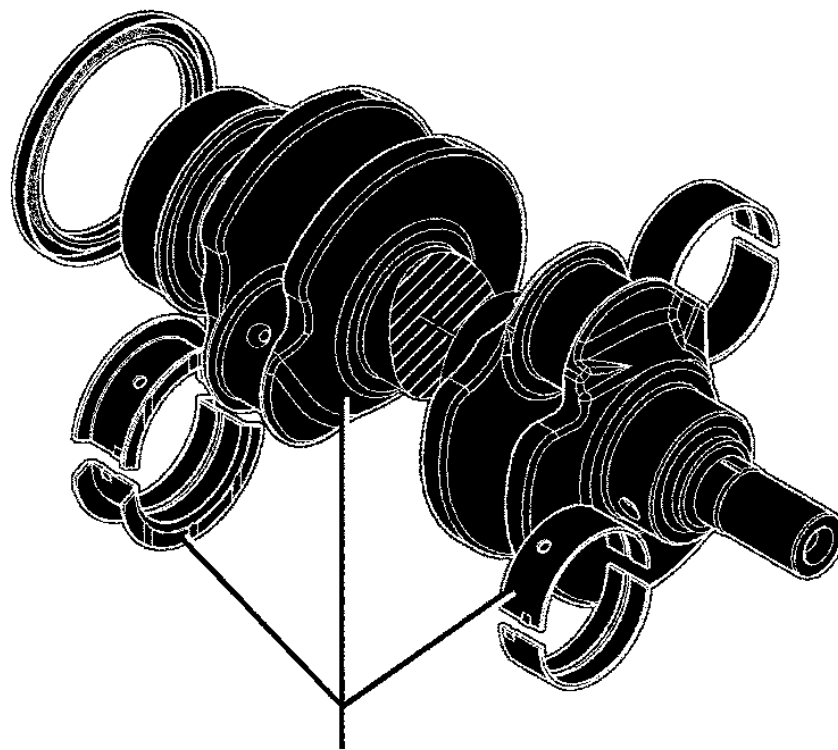
470-A01

CRANKSHAFT & BEARINGS

SECTIONAL INDEX
INDEX DE SECTION
GRUPPENINDEX
INDICE DELLA SEZIONE
INDICE DE SECCION
GRUPPSFORTECKNING

CDP46867A -UN-

4710A-	1
4710B-	2



4710A (3029T)
4710B (3029T)

CDP46867A

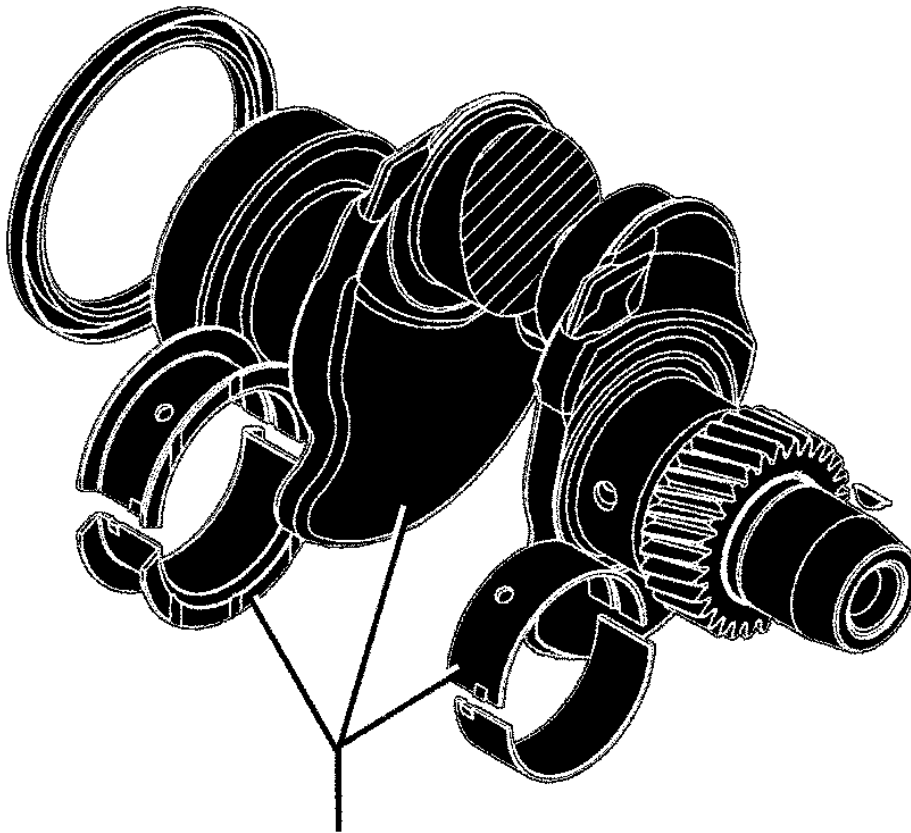
470-A02

CRANKSHAFT & BEARINGS

SECTIONAL INDEX
INDEX DE SECTION
GRUPPENINDEX
INDICE DELLA SEZIONE
INDICE DE SECCION
GRUPPSFORTECKNING

CDP46868A -UN-

4712A-	3
4715A-	5



4712A (6068H-2V)
4715A (4045D,H,T-2V)

CDP46868A

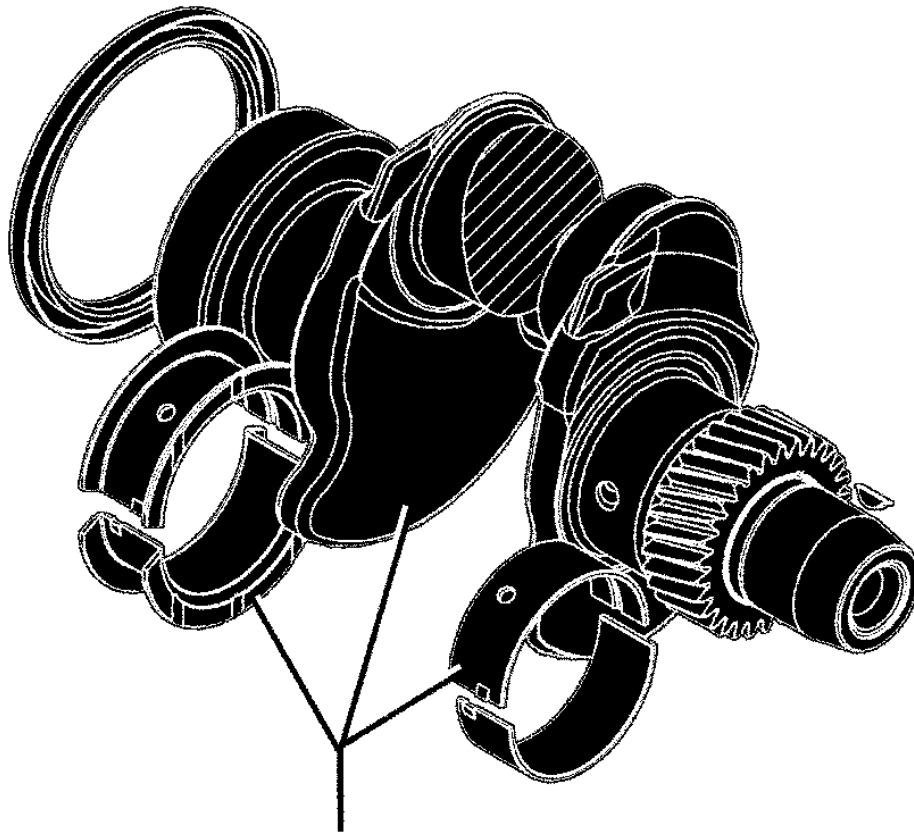
470-A03

CRANKSHAFT & BEARINGS

SECTIONAL INDEX
INDEX DE SECTION
GRUPPENINDEX
INDICE DELLA SEZIONE
INDICE DE SECCION
GRUPPSFORTECKNING

CDP46869A -UN-

4712B-	4
4715B-	6



4712B (6068H-4V)
4715B (4045H-4V)

CDP46869A

470-A04

CRANKSHAFT & BEARINGS

MEMORANDA
MEMORANDA
MEMORANDA
MEMORANDA
MEMORANDA
MEMORANDA

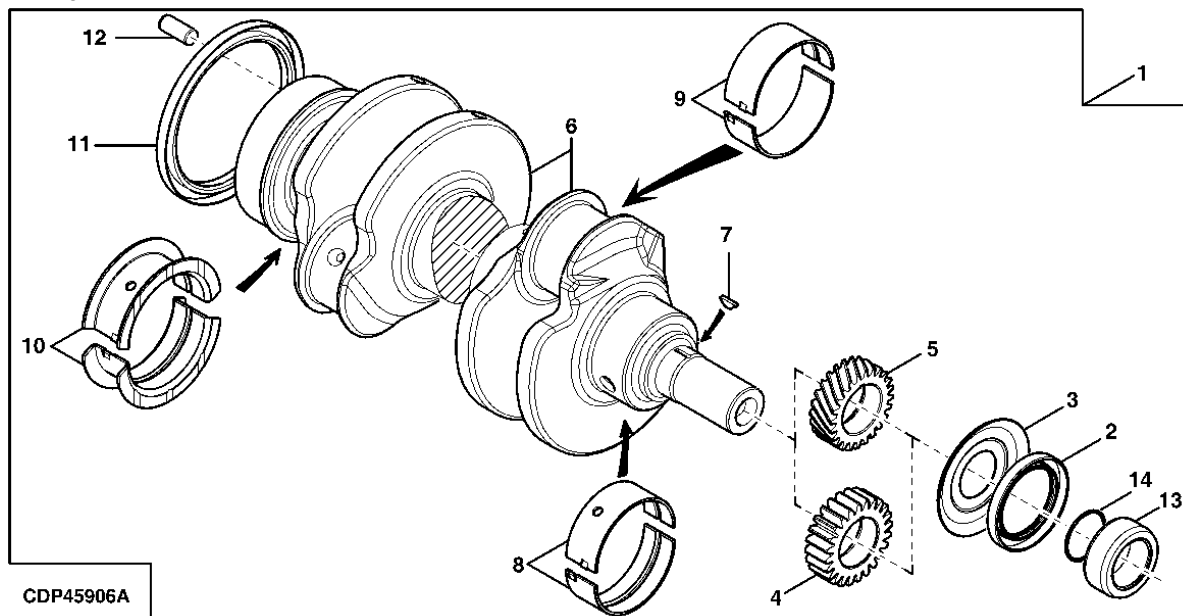
470-1

CRANKSHAFT & BEARINGS

4710
4710
4710
4710
4710
4710

CDP45906A

-UN-



CDP45906A

3
0
2
9
T

KEY	PART NO.	PART NAME	QTY.	ENGINE SERIAL NO.	REMARKS
1	RE521348	CRANKSHAFT	1		X KIT
2	AR67942	SEAL	1		X FRONT
3	T20046	OIL SLINGER	1		X
4	R100850	GEAR	1		X Z= 24
5	T20094	HELICAL GEAR	1		X Z= 24
6	CRANKSHAFT	1		X (A) (MARKED R517369) (ORDER RE521348)
7	T28041	SHAFT KEY	1		X 1/8" X 21/32", (SUB FOR 26H72)
8	RE27352	BEARING KIT	3		X ID STD, (KIT (2) R100808)
9	RE27348	BEARING KIT	3		X ID STD, (KIT (2) R83379)
10	RE521350	BEARING	1		X ID STD, (KIT (2) R123563)
11	RE44574	SEAL	1		X REAR
12	R48685	DOWEL PIN	1		X
13	R81989	SLEEVE	1		X
14	H35244	O-RING	1		X 37.821 X 1.778 MM

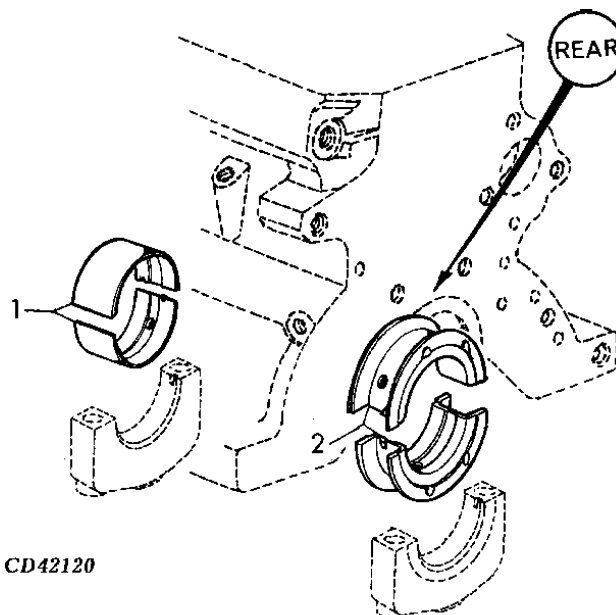
(A) GRINDING GUIDELINES : SEE CTM125
 DIRECTIVES DE RECTIFICATION : VOIR CTM127
 HINWEISE ZUM SCHLEIFEN : SIEHE CTM128
 ISTRUZIONI RIGUARDO RETTIFICA : VEDERE CTM129
 INSTRUCCIONES REFERENTE AL RECTIFICADO : VER CTM126
 RIKTLINJER FOER SLIPNING: SE CTM125 (ENDAST ENGELSK)

470-2

CRANKSHAFT & BEARINGS

4710 - CONTINUED
 4710 - SUITE
 4710 - FORTSETZUNG
 4710 - SEGUITO
 4710 - CONTINUACION
 4710 - FORTS

CD42120 -UN-



CD42120

KEY	PART NO.	PART NAME	QTY.	ENGINE SERIAL NO.	REMARKS
1	RE27352	BEARING KIT	4		X (KIT (2) R100808) ID STD
	RE27353	BEARING KIT	AR		X (A) (KIT (2) R87750) ID -0.254MM,
2	RE521350	BEARING	1		X ID STD. (KIT (2) R123563)
	RE526754	THRUST BEARING	AR		X (A) ID -0.254MM, (KIT (2) R130574)

3
0
2
9
T

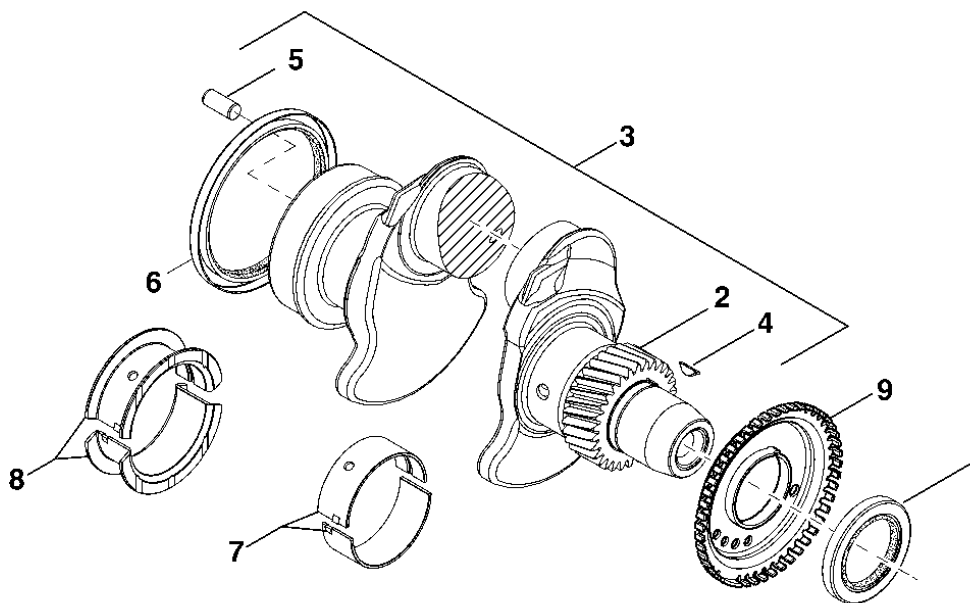
(A) GRINDING GUIDELINES : SEE CTM3274
 DIRECTIVES DE RECTIFICATION : VOIR CTM127
 HINWEISE ZUM SCHLEIFEN : SIEHE CTM128
 ISTRUZIONI RIGUARDO RETTFICA : VEDERE CTM129
 INSTRUC.REFERENTE AL RECTIFIC. : VER CTM126
 FOR ANVISNINGAR BETRAFF. OMSLIPNING : SE CTM125

470-3

CRANKSHAFT & BEARINGS

4712
4712
4712
4712
4712
4712

CD43900B -UN-



CD43900B

KEY	PART NO.	PART NAME	QTY.	ENGINE SERIAL NO.	REMARKS
1	RE516340	SEAL	1		X FRONT, (SUB FOR RE59810)
2	R120631	GEAR	1		X Z= 30
3	RE505921	CRANKSHAFT	1		X (A) ASSY, INCL KEYS 2, 4, 5. (ALSO ORDER RE516340 AND RE44574)
4	R505609	SHAFT KEY	1		X LGTH= 18.5MM
5	R48685	DOWEL PIN	1		X
6	RE44574	SEAL	1		X REAR
7	RE65165	BEARING KIT	4		X STD, (KIT R123561 AND R123562)
	RE65911	BEARING	AR		X (A) ID-0.254MM, (KIT R130576 AND R130577)
8	RE65168	BEARING KIT	1		X STD, (KIT R123563 AND R123564)
	RE65912	THRUST BEARING	AR		X (A) ID-0.254MM, (KIT R130574 AND R130575)
9	R517471	WHEEL	1		X (SUB FOR R501489)

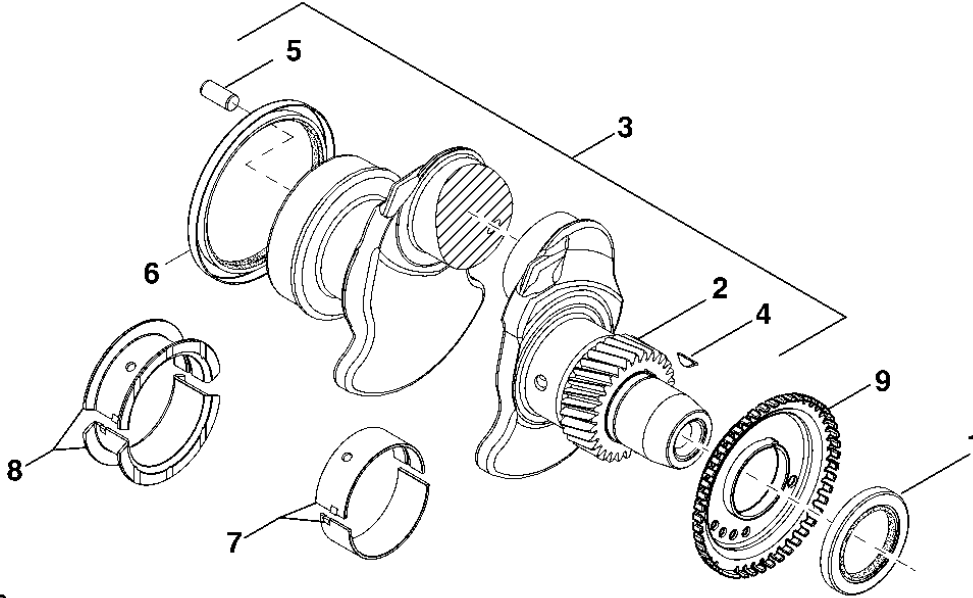
(A) GRINDING GUIDELINES : SEE CTM104
 DIRECTIVES DE RECTIFICATION : VOIR CTM105
 HINWEISE ZUM SCHLEIFEN : SIEHE CTM106
 ISTRUZIONI RIGUARDO RETTIFICA : VEDERE CTM116
 INSTRUCCIONES REFERENTE AL RECTIFICADO : VER CTM107
 ANVISNINGAR BETRAFF. OMSLIPNING : SE CTM108

470-4

CRANKSHAFT & BEARINGS

4712 - CONTINUED
 4712 - SUITE
 4712 - FORTSETZUNG
 4712 - SEGUITO
 4712 - CONTINUATION
 4712 - FORTS

CD43900B -UN-



CD43900B

KEY	PART NO.	PART NAME	QTY.	ENGINE SERIAL NO.	6 0 6 8 H	REMARKS
1	RE516340	SEAL	1		X	FRONT, (SUB FOR RE59810)
2	R120631	GEAR	1		X	Z= 30
3	RE505921	CRANKSHAFT	1		X	(A) ASSY, INCL KEYS 2, 4, 5. (ALSO ORDER RE516340 AND RE44574)
4	R505609	SHAFT KEY	1		X	LGTH= 18.5MM
5	R48685	DOWEL PIN	1		X	
6	RE44574	SEAL	1		X	REAR
7	RE65165	BEARING KIT	4		X	STD, (KIT R123561 AND R123562)
	RE65911	BEARING	AR		X	(A) ID-0.254MM, (KIT R130576 AND R130577)
8	RE65168	BEARING KIT	1		X	STD, (KIT R123563 AND R123564)
	RE65912	THRUST BEARING	AR		X	(A) ID-0.254MM, (KIT R130574 AND R130575)
9	R517471	WHEEL	1		X	(SUB FOR R501489)

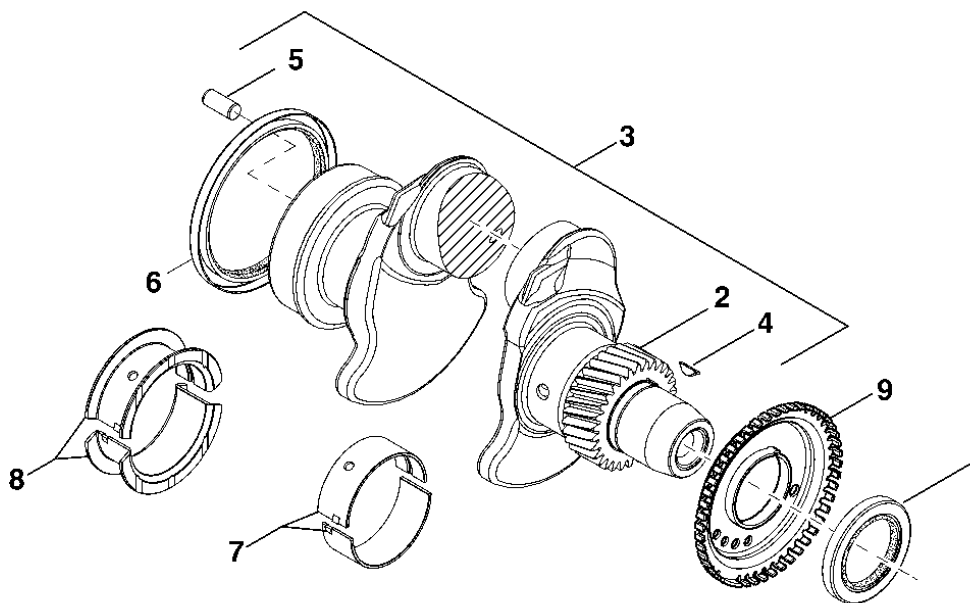
(A) GRINDING GUIDELINES : SEE CTM104
 DIRECTIVES DE RECTIFICATION : VOIR CTM105
 HINWEISE ZUM SCHLEIFEN : SIEHE CTM106
 ISTRUZIONI RIGUARDO RETTIFICA : VEDERE CTM116
 INSTRUCCIONES REFERENTE AL RECTIFICADO : VER CTM107
 ANVISNINGAR BETRAFF. OMSLIPNING : SE CTM108

470-5

CRANKSHAFT & BEARINGS

4715
4715
4715
4715
4715
4715

CD43900B -UN-



CD43900B

KEY	PART NO.	PART NAME	QTY.	ENGINE SERIAL NO.	D H T	REMARKS
					4 4 4	
					0 0 0	
					4 4 4	
					5 5 5	
1	RE516340	SEAL	1		X X X	FRONT, (SUB FOR RE59810)
2	R120631	GEAR	1		X X X	Z= 30
3	RE506195	CRANKSHAFT	1		X X X	(A) ASSY, INCL KEYS 2, 4, 5. (ALSO ORDER RE516340 AND RE44574)
4	R505609	SHAFT KEY	1		X X X	LGTH= 18.5MM
5	R48685	DOWEL PIN	1		X X X	
6	RE44574	SEAL	1		X X X	REAR
7	RE65165	BEARING KIT	4		X X X	STD, (KIT R123561 AND R123562)
	RE65911	BEARING	AR		X X X	(A) ID-0.254MM, (KIT R130576 AND R130577)
8	RE65168	BEARING KIT	1		X X X	STD, (KIT R123563 AND R123564)
	RE65912	THRUST BEARING	AR		X X X	(A) ID-0.254MM, (KIT R130574 AND R130575)
9	R517471	WHEEL	1		X X X	(SUB FOR R501489)

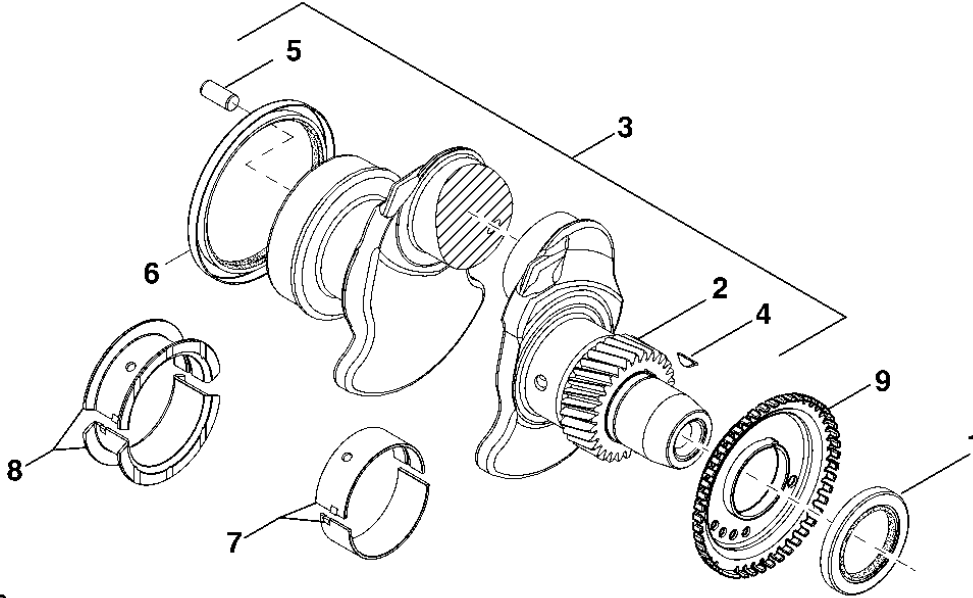
(A) GRINDING GUIDELINES : SEE CTM104
 DIRECTIVES DE RECTIFICATION : VOIR CTM105
 HINWEISE ZUM SCHLEIFEN : SIEHE CTM106
 ISTRUZIONI RIGUARDO RETTIFICA : VEDERE CTM116
 INSTRUCCIONES REFERENTE AL RECTIFICADO : VER CTM107
 ANVISNINGAR BETRÄFF. OMSLIPNING : SE CTM108

470-6

CRANKSHAFT & BEARINGS

4715 - CONTINUED
 4715 - SUITE
 4715 - FORTSETZUNG
 4715 - SEGUITO
 4715 - CONTINUATION
 4715 - FORTS

CD43900B -UN-



CD43900B

KEY	PART NO.	PART NAME	QTY.	ENGINE SERIAL NO.	REMARKS
1	RE516340	SEAL	1		X FRONT, (SUB FOR RE59810)
2	R120631	GEAR	1		X Z= 30
3	RE506195	CRANKSHAFT	1		X (A) ASSY, INCL KEYS 2, 4, 5. (ALSO ORDER RE516340 AND RE44574)
4	R505609	SHAFT KEY	1		X LGTH= 18.5MM
5	R48685	DOWEL PIN	1		X
6	RE44574	SEAL	1		X REAR
7	RE65165	BEARING KIT	4		X STD, (KIT R123561 AND R123562)
	RE65911	BEARING	AR		X (A) ID-0.254MM, (KIT R130576 AND R130577)
8	RE65168	BEARING KIT	1		X STD, (KIT R123563 AND R123564)
	RE65912	THRUST BEARING	AR		X (A) ID-0.254MM, (KIT R130574 AND R130575)
9	R517471	WHEEL	1		X (SUB FOR R501489)

(A) GRINDING GUIDELINES : SEE CTM104
 DIRECTIVES DE RECTIFICATION : VOIR CTM105
 HINWEISE ZUM SCHLEIFEN : SIEHE CTM106
 ISTRUZIONI RIGUARDO RETTIFICA : VEDERE CTM116
 INSTRUCCIONES REFERENTE AL RECTIFICADO : VER CTM107
 ANVISNINGAR BETRAFF. OMSLIPNING : SE CTM108

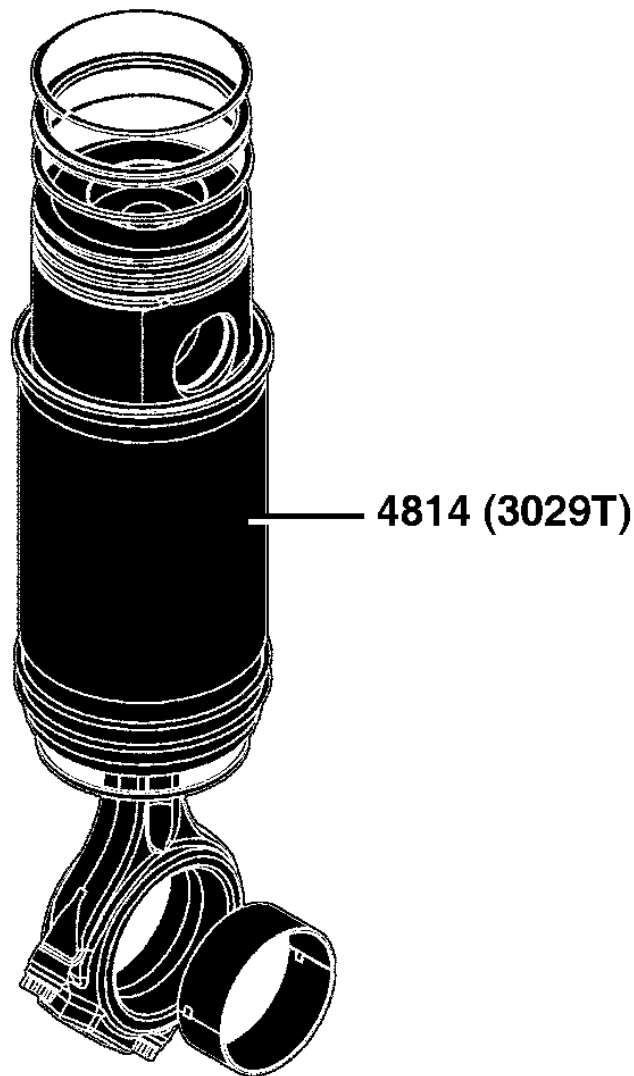
480-A01

CONNECTING ROD & PISTON

SECTIONAL INDEX
INDEX DE SECTION
GRUPPENINDEX
INDICE DELLA SEZIONE
INDICE DE SECCION
GRUPPSFORTECKNING

4814- 1

CDP46870A -UN-



CDP46870A

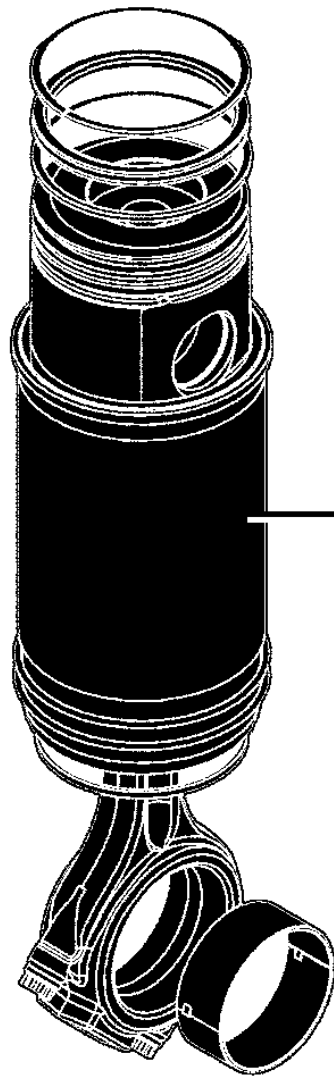
480-A02

CONNECTING ROD & PISTON

SECTIONAL INDEX
INDEX DE SECTION
GRUPPENINDEX
INDICE DELLA SEZIONE
INDICE DE SECCION
GRUPPSFORTECKNING

CDP46871B -UN-

4820-	3
4822-	4
4823-	5
4833-	7
4838-	8
4839-	10



- 4820 (6068H-2V)
- 4822 (4045H,T-2V)
- 4823 (4045T)
- 4833 (4045D)
- 4838 (4045H-2V)
- 4839 (6068H-2V)

CDP46871B

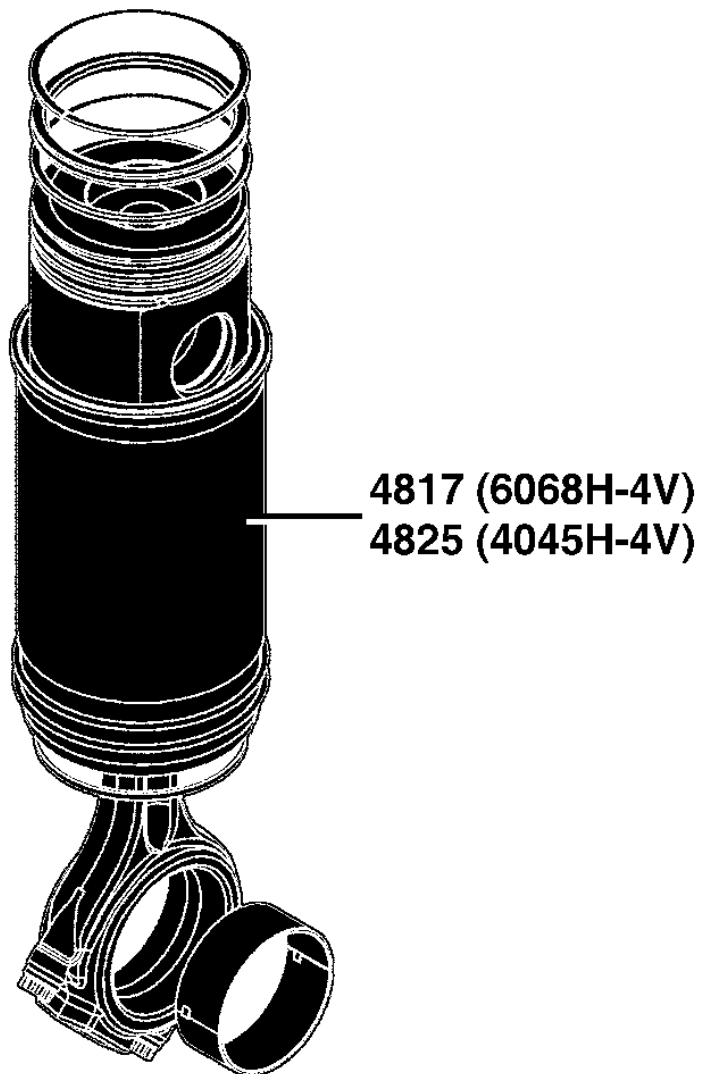
480-A03

CONNECTING ROD & PISTON

SECTIONAL INDEX
INDEX DE SECTION
GRUPPENINDEX
INDICE DELLA SEZIONE
INDICE DE SECCION
GRUPPSFORTECKNING

CDP46872A -UN-

4817-	2
4825-	6



CDP46872A

480-A04

CONNECTING ROD & PISTON

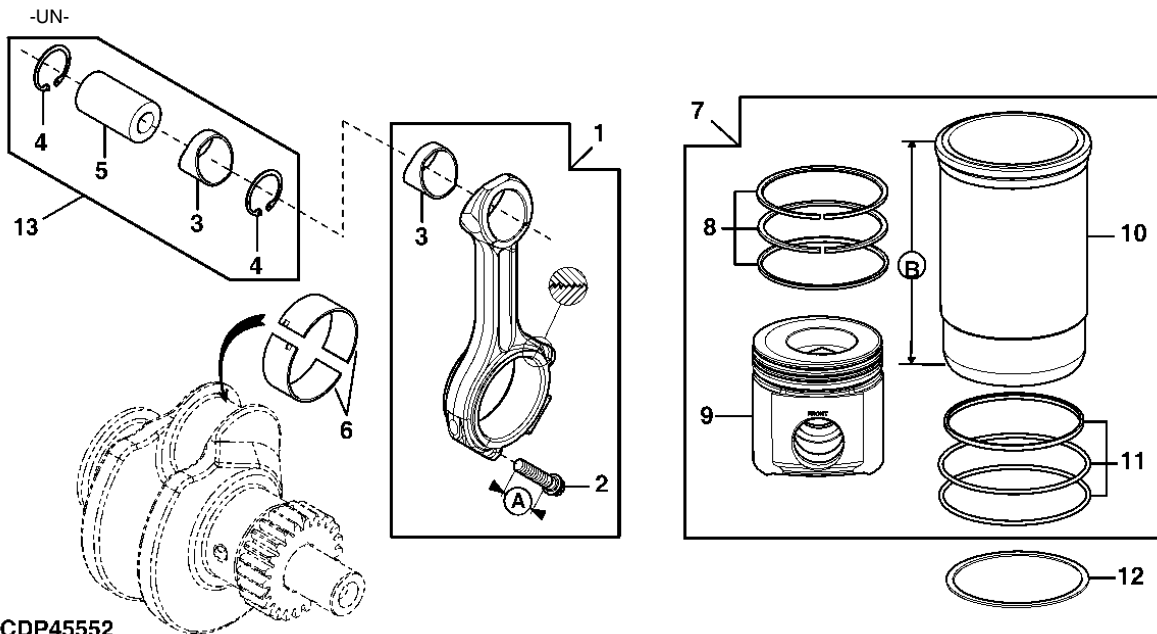
MEMORANDA
MEMORANDA
MEMORANDA
MEMORANDA
MEMORANDA
MEMORANDA

480-1

CONNECTING ROD & PISTON

4814
4814
4814
4814
4814
4814

CDP45552



CDP45552

KEY	PART NO.	PART NAME	QTY.	ENGINE SERIAL NO.	REMARKS
1	RE501675	CONNECTING ROD	3		X (MARKED R501073)
2	R501124	SCREW	2		X A= 61MM, M12
3	BUSHING	1		X (ORDER RE63915)
4	R54114	SNAP RING	2		X
5	PISTON PIN	1		X OD= 41MM, LGTH= 72MM, (ORDER RE63915)
6	RE27348	BEARING KIT	3		X ID STD, (KIT (2) R83379)
7	RE27349	KIT	AR		X (A) ID - 0.254MM, (KIT (2) R87748)
8	RE500673	PISTON-LINER KIT	3		X
9	RE66271	PISTON RING KIT	1		X PACKG (3)
10	PISTON	1		X NSEP, (MARKED RE500211) (ORDER RE500673)
11	CYLINDER LINER	1		X B= 196MM, NSEP, (MARKED R131575) (ORDER RE500673)
12	AR65507	O-RING KIT	1		X PACKG (3)
13	CD15466	SHIM	AR		X TK= 0.05MM
	R65833	SHIM	AR		X TK= 0.10MM
	RE63915	PIN & BUSHING KIT	3		X

3
0
2
9
T

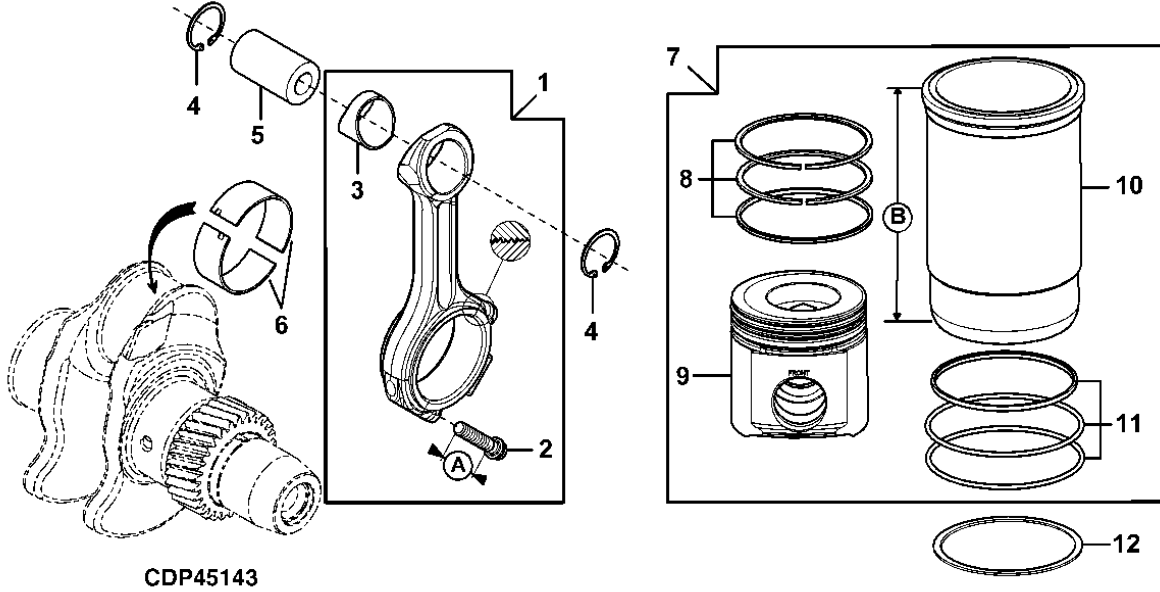
(A) GRINDING GUIDELINES : SEE CTM104
DIRECTIVES DE RECTIFICATION : VOIR CTM105
HINWEISE ZUM SCHLEIFEN : SIEHE CTM106
ISTRUZIONI RIGUARDO RETTIFICA : VEDERE CTM116
INSTRUCCIONES REFERENTE AL RECTIFICADO : VER CTM107
ANVISNINGAR BETRÄFF. OMSLIPNING : SE CTM108

480-2

CONNECTING ROD & PISTON

4817
4817
4817
4817
4817

CDP45143 -UN-



KEY	PART NO.	PART NAME	QTY.	ENGINE SERIAL NO.	REMARKS
1	RE500608	CONNECTING ROD	6		X (MARKED R500335)
2	R501124	SCREW	2		X A= 61MM, M12
3	R114082	BUSHING	1		X
4	R54114	SNAP RING	12		X
5	R502755	PISTON PIN	6		X OD= 41MM, LGTH= 77MM
6	RE65908	BEARING	6		X STD. (KIT (2) R113698)
7	RE65909	BEARING	AR		X (A) ID -0.254MM, (KIT (2) R130578)
8	RE516228	PISTON-LINER KIT	6		X
9	RE516268	KIT	1		X PACKG (3)
10	PISTON	1		X NSEP, (MARKED RE507758) (ORDER RE516228)
11	CYLINDER LINER	1		X B= 218MM, NSEP, (ORDER RE516228)
12	AR65507	O-RING KIT	1		X PACKG (3)
	CD15466	SHIM	AR		X TK= 0.05MM
	R65833	SHIM	AR		X TK= 0.10MM

(A) GRINDING GUIDELINES : SEE CTM104
 DIRECTIVES DE RECTIFICATION : VOIR CTM105
 HINWEISE ZUM SCHLEIFEN : SIEHE CTM106
 ISTRUZIONI RIGUARDO RETTIFICA : VEDERE CTM116
 INSTRUCCIONES REFERENTE AL RECTIFICADO : VER CTM107
 ANVISNINGAR BETRÄFF. OMSLIPNING : SE CTM108

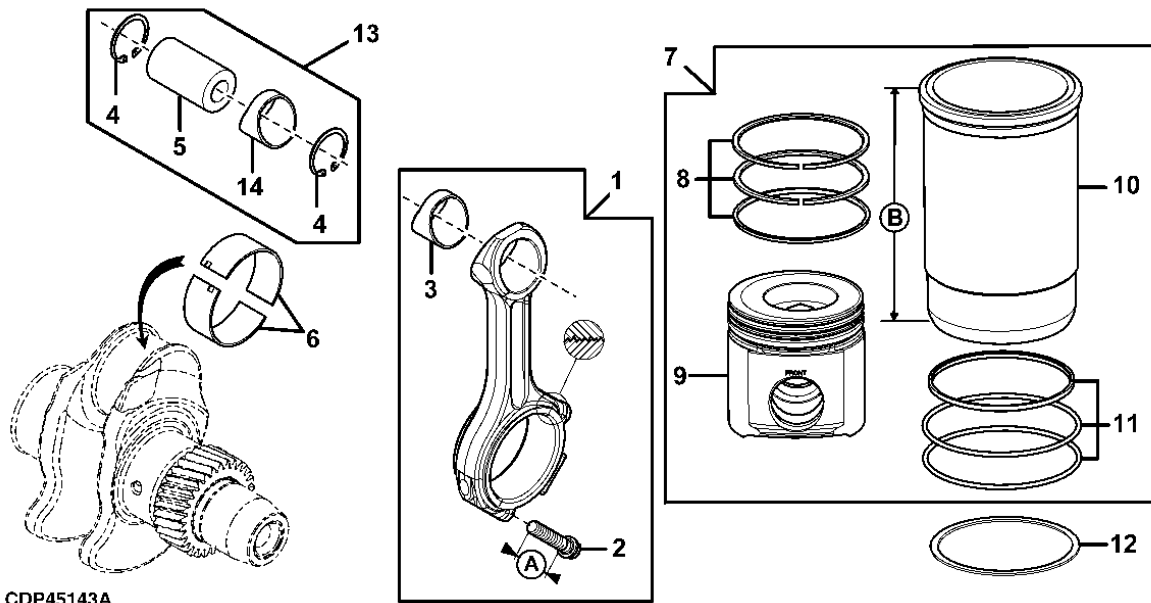
480-3

CONNECTING ROD & PISTON

4820
4820
4820
4820
4820
4820

CDP45143A

-UN-



CDP45143A

KEY	PART NO.	PART NAME	QTY.	ENGINE SERIAL NO.	6 0 6 8 H	REMARKS
1	RE500608	CONNECTING ROD	6		X	(MARKED R500335)
2	R501124	SCREW	2		X	A= 61MM, M12
3	R114082	BUSHING	1		X	
4	R54114	SNAP RING	12		X	
5	R123177	PISTON PIN	6		X	OD= 41MM, LGTH= 72MM, NSEP, (ORDER RE63915)
6	RE65908	BEARING	6		X	STD, (KIT (2) R113698)
	RE65909	BEARING	AR		X	(A) ID -0.254MM, (KIT (2) R130578)
7	RE507850	PISTON-LINER KIT	6		X	
8	RE507852	PISTON RING KIT	1		X	PACKG (3)
9	PISTON	1		X	NSEP, (MARKED RE509540) (ORDER RE507850)
10	CYLINDER LINER	1		X	B= 218MM, NSEP, (ORDER RE507850)
11	AR65507	O-RING KIT	1		X	PACKG (3)
12	CD15466	SHIM	AR		X	TK= 0.05MM
	R65833	SHIM	AR		X	TK= 0.10MM
13	RE63915	PIN & BUSHING KIT	AR		X	INCL. INSTRUCTIONS
14	BUSHING	1		X	SEE INSTRUCTIONS, VOIR INSTRUCTIONS

(A) GRINDING GUIDELINES : SEE CTM104
 DIRECTIVES DE RECTIFICATION : VOIR CTM105
 HINWEISE ZUM SCHLEIFEN : SIEHE CTM106
 ISTRUZIONI RIGUARDO RETTIFICA : VEDERE CTM116
 INSTRUCCIONES REFERENTE AL RECTIFICADO : VER CTM107
 ANVISNINGAR BETRÄFF. OMSLIPNING : SE CTM108

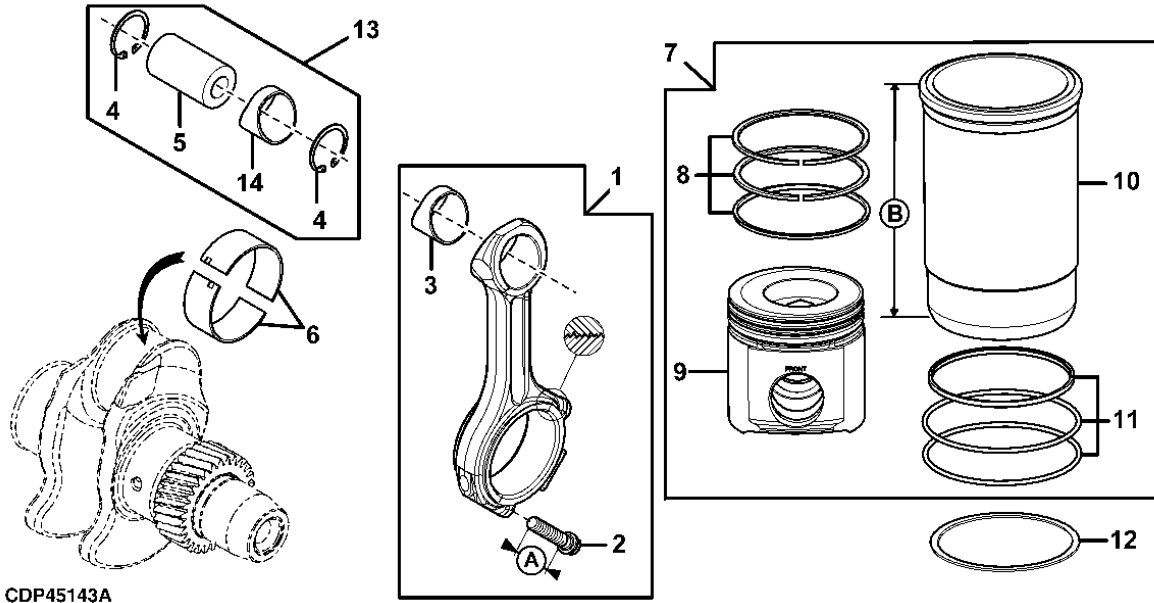
480-4

CONNECTING ROD & PISTON

4822
4822
4822
4822
4822

CDP45143A

-UN-



CDP45143A

KEY	PART NO.	PART NAME	QTY.	ENGINE SERIAL NO.	H T	REMARKS
1	RE500608	CONNECTING ROD	4		X X	(MARKED R500335)
2	R501124	SCREW	2		X X	A= 61MM, M12
3	R114082	BUSHING	1		X X	
4	R54114	SNAP RING	8		X X	
5	R123177	PISTON PIN	4		X X	OD= 41MM, LGTH= 72MM, NSEP, (ORDER RE63915)
6	RE65908	BEARING	4		X X	STD, (KIT (2) R113698)
	RE65909	BEARING	AR		X X	(A) ID -0.254MM, (KIT (2) R130578)
7	RE507850	PISTON-LINER KIT	4		X X	
8	RE507852	PISTON RING KIT	1		X X	PACKG (3)
9	PISTON	1		X X	NSEP, (MARKED RE509540) (ORDER RE507850)
10	CYLINDER LINER	1		X X	B= 218MM, NSEP, (ORDER RE507850)
11	AR65507	O-RING KIT	1		X X	PACKG (3)
12	CD15466	SHIM	AR		X X	TK= 0.05MM
	R65833	SHIM	AR		X X	TK= 0.10MM
13	RE63915	PIN & BUSHING KIT	AR		X X	INCL. INSTRUCTIONS
14	BUSHING	1		X X	SEE INSTRUCTIONS, VOIR INSTRUCTIONS

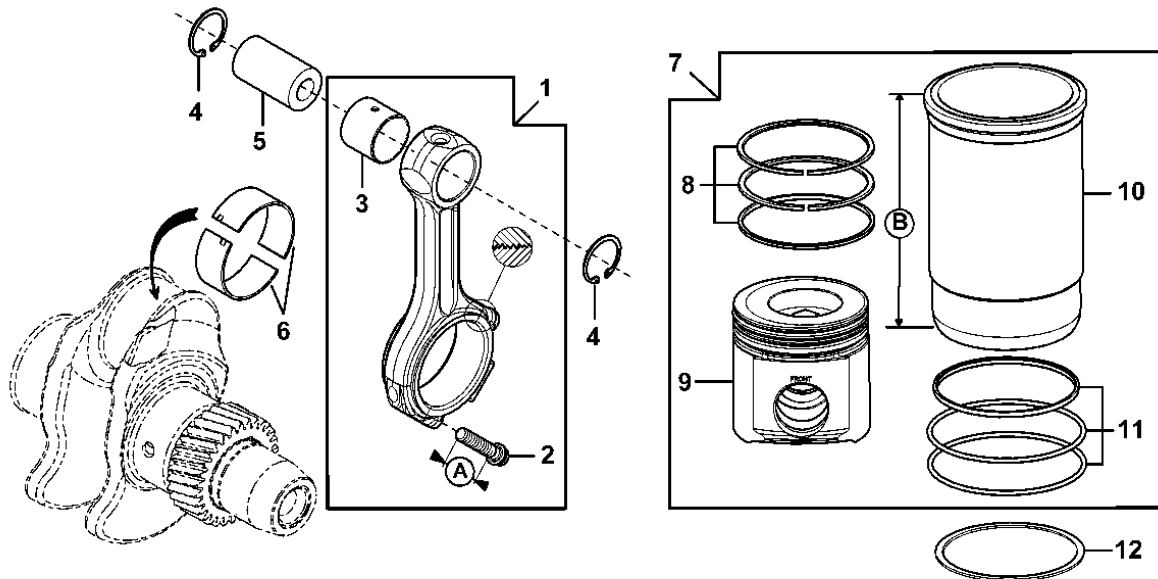
(A) GRINDING GUIDELINES : SEE CTM104
 DIRECTIVES DE RECTIFICATION : VOIR CTM105
 HINWEISE ZUM SCHLEIFEN : SIEHE CTM106
 ISTRUZIONI RIGUARDO RETTIFICA : VEDERE CTM116
 INSTRUCCIONES REFERENTE AL RECTIFICADO : VER CTM107
 ANVISNINGAR BETRAFF. OMSLIPNING : SE CTM108

480-5

CONNECTING ROD & PISTON

4823
4823
4823
4823
4823

CDP45376 -UN-



CDP45376

KEY	PART NO.	PART NAME	QTY.	ENGINE SERIAL NO.	REMARKS
1	RE500002	CONNECTING ROD	4		X (MARKED R500000)
2	R501124	SCREW	2		X A = 61MM, M12
3	R123960	BUSHING	1		X
4	M41029	SNAP RING	8		X
5	R123178	PISTON PIN	4		X OD= 35MM, LGTH= 72MM
6	RE65908	BEARING	4		X STD. (KIT (2) R113698)
7	RE65909	BEARING	AR		X (A) US -0.254MM, (KIT (2) R130578)
8	RE507920	PISTON-LINER KIT	4		X
9	RE507852	PISTON RING KIT	1		X PACKG (3)
10	PISTON	1		X NSEP, (MARKED RE515372) (ORDER RE507920)
11	CYLINDER LINER	1		X B= 218MM , NSEP, (ORDER RE507920)
12	AR65507	O-RING KIT	1		X PACKG (3)
	CD15466	SHIM	AR		X TK 0.05MM
	R65833	SHIM	AR		X TK 0.10MM

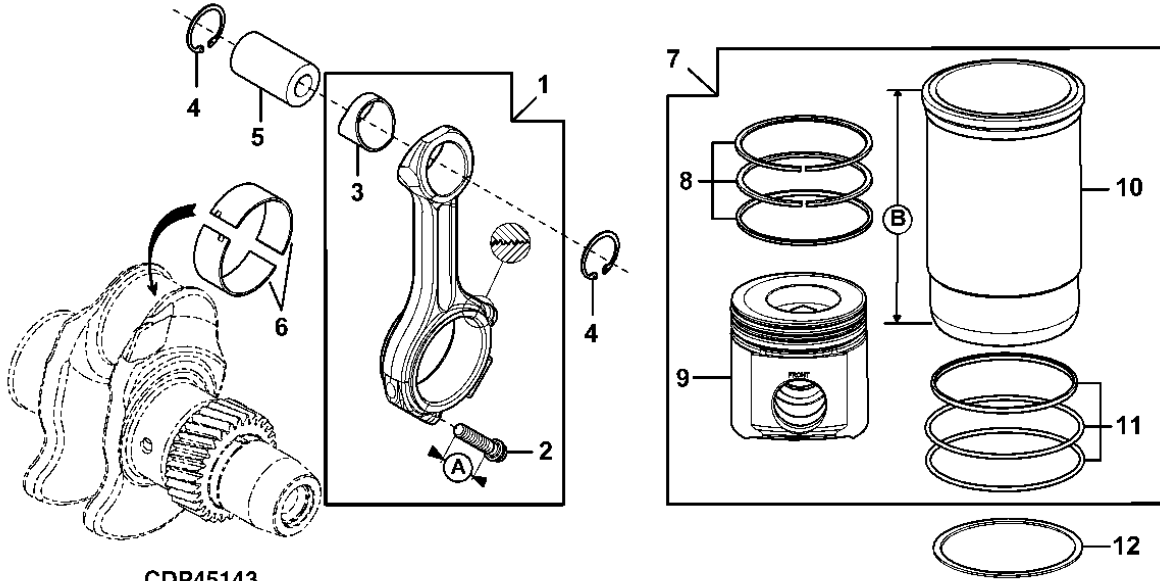
(A) GRINDING GUIDELINES : SEE CTM104
 DIRECTIVES DE RECTIFICATION : VOIR CTM105
 HINWEISE ZUM SCHLEIFEN : SEIHE CTM106
 ISTRUZIONI RIGUARDO RETTIFICA : VEDERE CTM116
 INTRUC.REFERER.RECTIF. : VER CTM107
 ANVISNINGAR BETRAFF.OMSLIPNING : SE CTM108

480-6

CONNECTING ROD & PISTON

4825
4825
4825
4825
4825

CDP45143 -UN-



CDP45143

KEY	PART NO.	PART NAME	QTY.	ENGINE SERIAL NO.	REMARKS
1	RE500608	CONNECTING ROD	4		X (MARKED R500335)
2	R501124	SCREW	2		X A= 61MM, M12
3	R114082	BUSHING	1		X
4	R54114	SNAP RING	8		X
5	R502755	PISTON PIN	4		X OD= 41MM, LGTH= 77MM
6	RE65908	BEARING	4		X STD. (KIT (2) R113698)
7	RE65909	BEARING	AR		X (A) ID -0.254MM, (KIT (2) R130578)
8	RE516228	PISTON-LINER KIT	4		X
9	RE516268	KIT	1		X PACKG (3)
10	PISTON	1		X NSEP, (MARKED RE507758) (ORDER RE516228)
11	CYLINDER LINER	1		X B= 218MM, NSEP, (ORDER RE516228)
12	AR65507	O-RING KIT	1		X PACKG (3)
	CD15466	SHIM	AR		X TK= 0.05MM
	R65833	SHIM	AR		X TK= 0.10MM

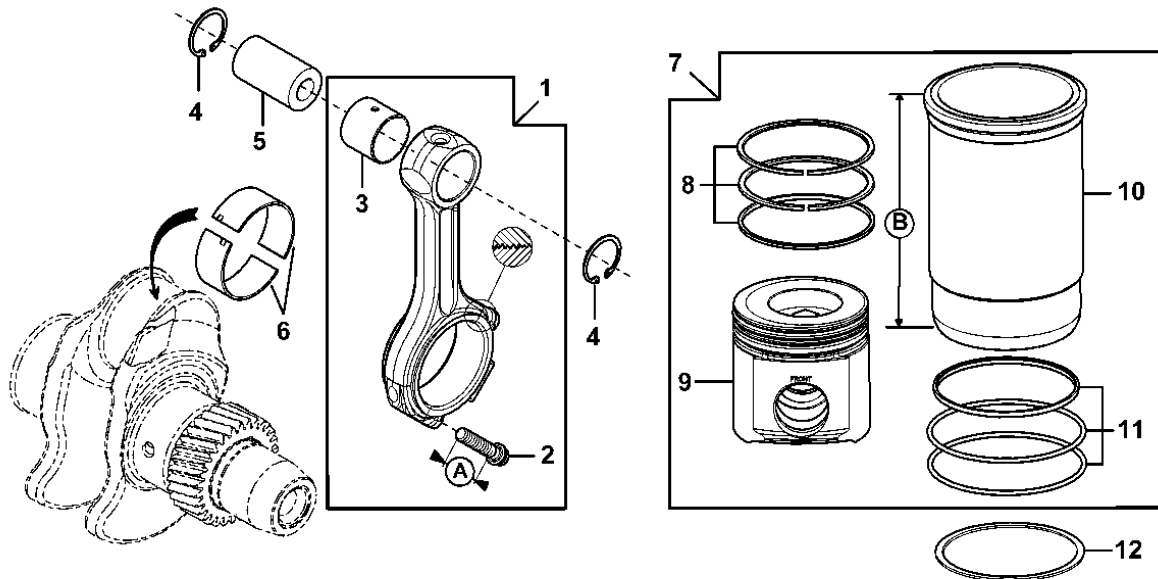
(A) GRINDING GUIDELINES : SEE CTM104
 DIRECTIVES DE RECTIFICATION : VOIR CTM105
 HINWEISE ZUM SCHLEIFEN : SIEHE CTM106
 ISTRUZIONI RIGUARDO RETTIFICA : VEDERE CTM116
 INSTRUCCIONES REFERENTE AL RECTIFICADO : VER CTM107
 ANVISNINGAR BETRÄFF. OMSLIPNING : SE CTM108

480-7

CONNECTING ROD & PISTON

4833
4833
4833
4833
4833

CDP45376 -UN-



CDP45376

KEY	PART NO.	PART NAME	QTY.	ENGINE SERIAL NO.	REMARKS
1	RE500002	CONNECTING ROD	4		X (MARKED R500000)
2	R501124	SCREW	2		X A= 61MM, M12
3	R123960	BUSHING	1		X
4	M41029	SNAP RING	8		X
5	R123178	PISTON PIN	4		X OD= 35MM, LGTH= 72MM
6	RE65908	BEARING	4		X STD. (KIT (2) R113698)
7	RE65909	BEARING	AR		X (A) ID -0.254MM, (KIT (2) R130578)
8	RE520835	PISTON-LINER KIT	4		X
9	RE66271	PISTON RING KIT	1		X PACKG (3)
10	PISTON	1		X NSEP, (MARKED RE520589) (ORDER RE520835)
11	CYLINDER LINER	1		X B= 218MM, NSEP, (ORDER RE520835)
12	AR65507	O-RING KIT	1		X PACKG (3)
	CD15466	SHIM	AR		X TK= 0.05MM
	R65833	SHIM	AR		X TK= 0.10MM

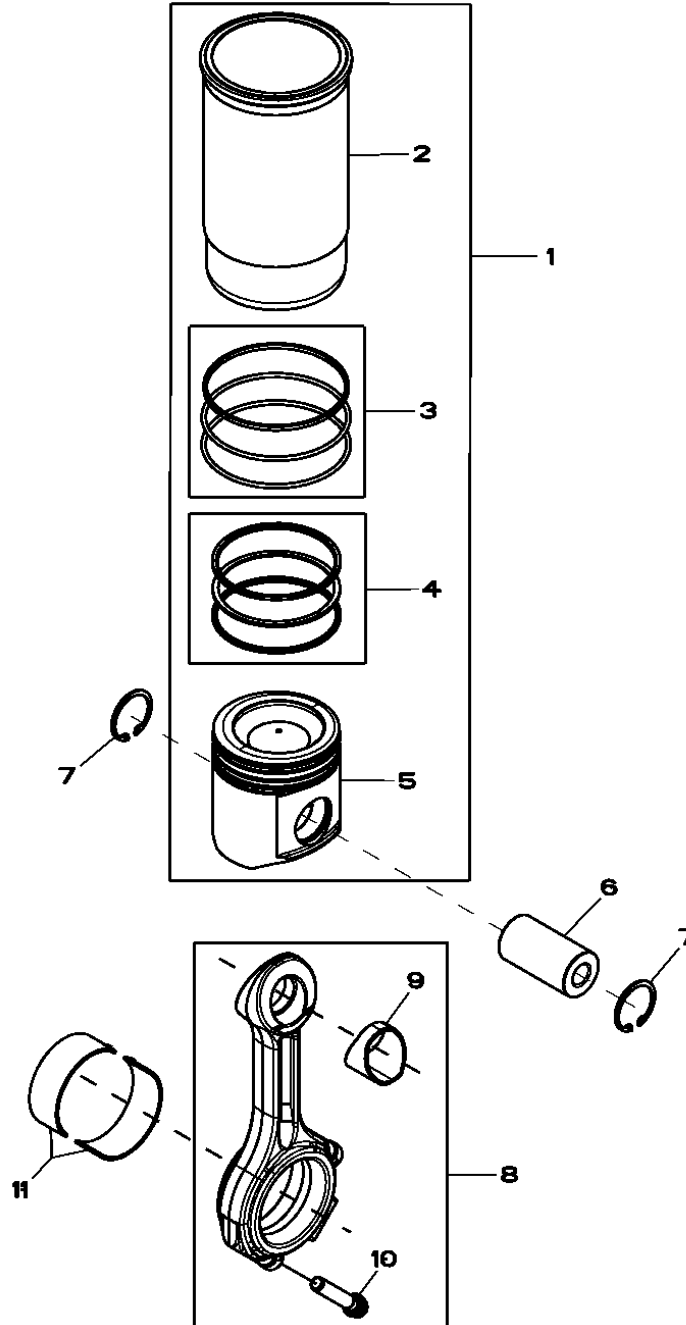
(A) GRINDING GUIDELINES : SEE CTM104
 DIRECTIVES DE RECTIFICATION : VOIR CTM105
 HINWEISE ZUM SCHLEIFEN : SIEHE CTM106
 ISTRUZIONI RIGUARDO RETTIFICA : VEDERE CTM116
 INSTRUCCIONES REFERENTE AL RECTIFICADO : VER CTM107
 ANVISNINGAR BETRAFF. OMSLIPNING : SE CTM108

480-8

CONNECTING ROD & PISTON

4838
4838
4838
4838
4838

RE525600PCDB01 -UN-



RE525600PCDB01

480-9

CONNECTING ROD & PISTON

KEY	PART NO.	PART NAME	QTY.	ENGINE SERIAL NO.	4 0 4 5 H	REMARKS
1	RE527843	PISTON-LINER KIT	4		X	
2	CYLINDER LINER	1		X	NSEP, (ORDER RE527843)
3	AR65507	O-RING KIT	1		X	PACKG (3)
4	RE527844	PISTON RING KIT	1		X	PACKG (3)
5	PISTON	1		X	NSEP, (MARKED RE527039) (ORDER RE527843)
6	R502755	PISTON PIN	4		X	OD= 41MM, LGTH= 77MM
7	R54114	SNAP RING	8		X	
8	RE500608	CONNECTING ROD	4		X	(MARKED R500335)
9	R114082	BUSHING	1		X	
10	R501124	SCREW	2		X	A= 61MM, M12
11	RE65908	BEARING	4		X	STD, (KIT (2) R113698)
	RE65909	BEARING	AR		X	(A) ID -0.254MM, (KIT (2) R130578)

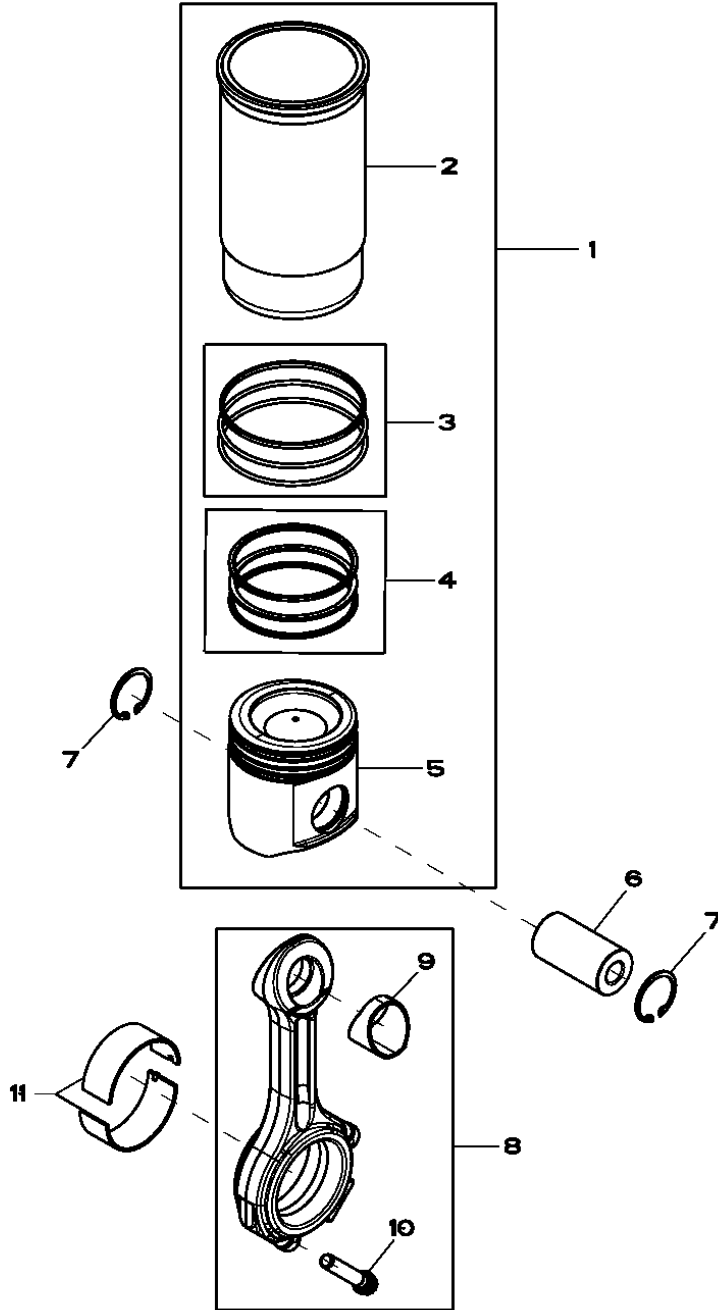
(A) GRINDING GUIDELINES : SEE CTM104
 DIRECTIVES DE RECTIFICATION : VOIR CTM105
 HINWEISE ZUM SCHLEIFEN : SIEHE CTM106
 ISTRUZIONI RIGUARDO RETTIFICA : VEDERE CTM116
 INSTRUCCIONES REFERENTE AL RECTIFICADO : VER CTM107
 ANVISNINGAR BETRAFF. OMSLIPNING : SE CTM108

480-10

CONNECTING ROD & PISTON

4839
4839
4839
4839
4839

RE525601PCDA02 -UN-



RE525601PCDA02

480-11

CONNECTING ROD & PISTON

KEY	PART NO.	PART NAME	QTY.	ENGINE SERIAL NO.	6 0 6 8 H	REMARKS
1	RE527843	PISTON-LINER KIT	6		X	
2	CYLINDER LINER	1		X	NSEP, (ORDER RE527843)
3	AR65507	O-RING KIT	1		X	PACKG (3)
4	RE524453	PISTON RING KIT	1		X	PACKG (3)
5	PISTON	1		X	NSEP, (MARKED RE527039) (ORDER RE527843)
6	R502755	PISTON PIN	6		X	OD= 41MM, LGTH= 77MM
7	R54114	SNAP RING	12		X	
8	RE500608	CONNECTING ROD	6		X	(MARKED R500335)
9	R114082	BUSHING	1		X	
10	R501124	SCREW	2		X	A= 61MM, M12
11	RE65908	BEARING	6		X	STD, (KIT (2) R113698)
	RE65909	BEARING	AR		X	(A) ID -0.254MM, (KIT (2) R130578)

(A) GRINDING GUIDELINES : SEE CTM104
 DIRECTIVES DE RECTIFICATION : VOIR CTM105
 HINWEISE ZUM SCHLEIFEN : SIEHE CTM106
 ISTRUZIONI RIGUARDO RETTIFICA : VEDERE CTM116
 INSTRUCCIONES REFERENTE AL RECTIFICADO : VER CTM107
 ANVISNINGAR BETRAFF. OMSLIPNING : SE CTM108

480-12

CONNECTING ROD & PISTON

MEMORANDA
MEMORANDA
MEMORANDA
MEMORANDA
MEMORANDA
MEMORANDA

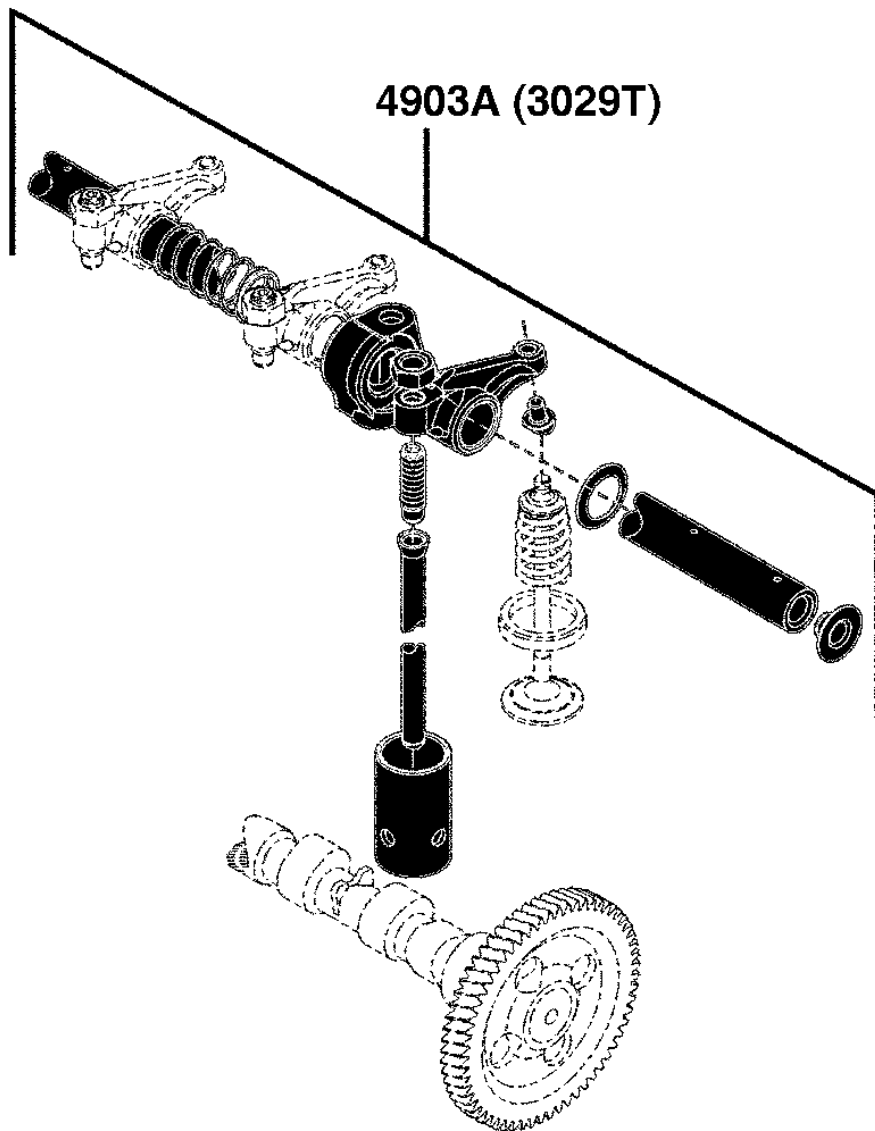
490-A01

VALVE ACTUATING

SECTIONAL INDEX
INDEX DE SECTION
GRUPPENINDEX
INDICE DELLA SEZIONE
INDICE DE SECCION
GRUPPSFORTECKNING

4903A- 3

CDP46873A -UN-



CDP46873A

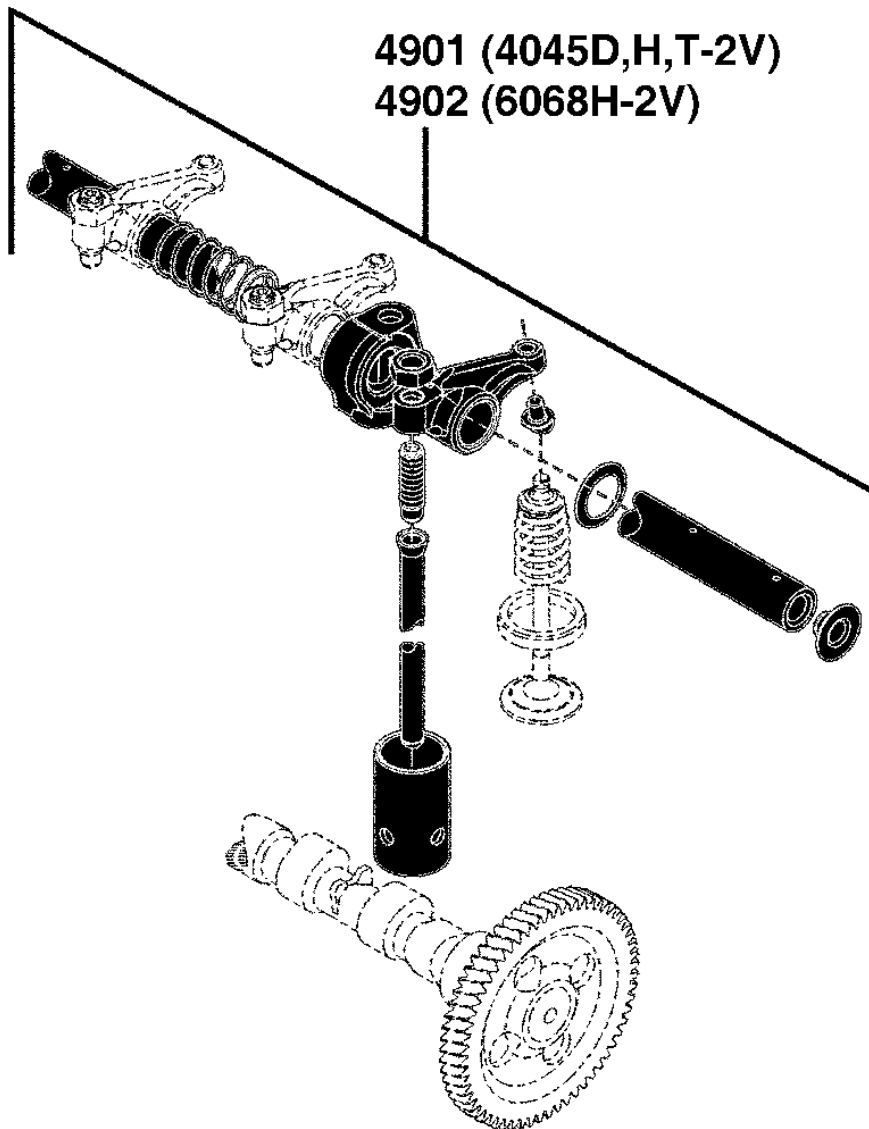
490-A02

VALVE ACTUATING

SECTIONAL INDEX
INDEX DE SECTION
GRUPPENINDEX
INDICE DELLA SEZIONE
INDICE DE SECCION
GRUPPSFORTECKNING

CDP46874A -UN-

4901-	1
4902-	2



CDP46874A

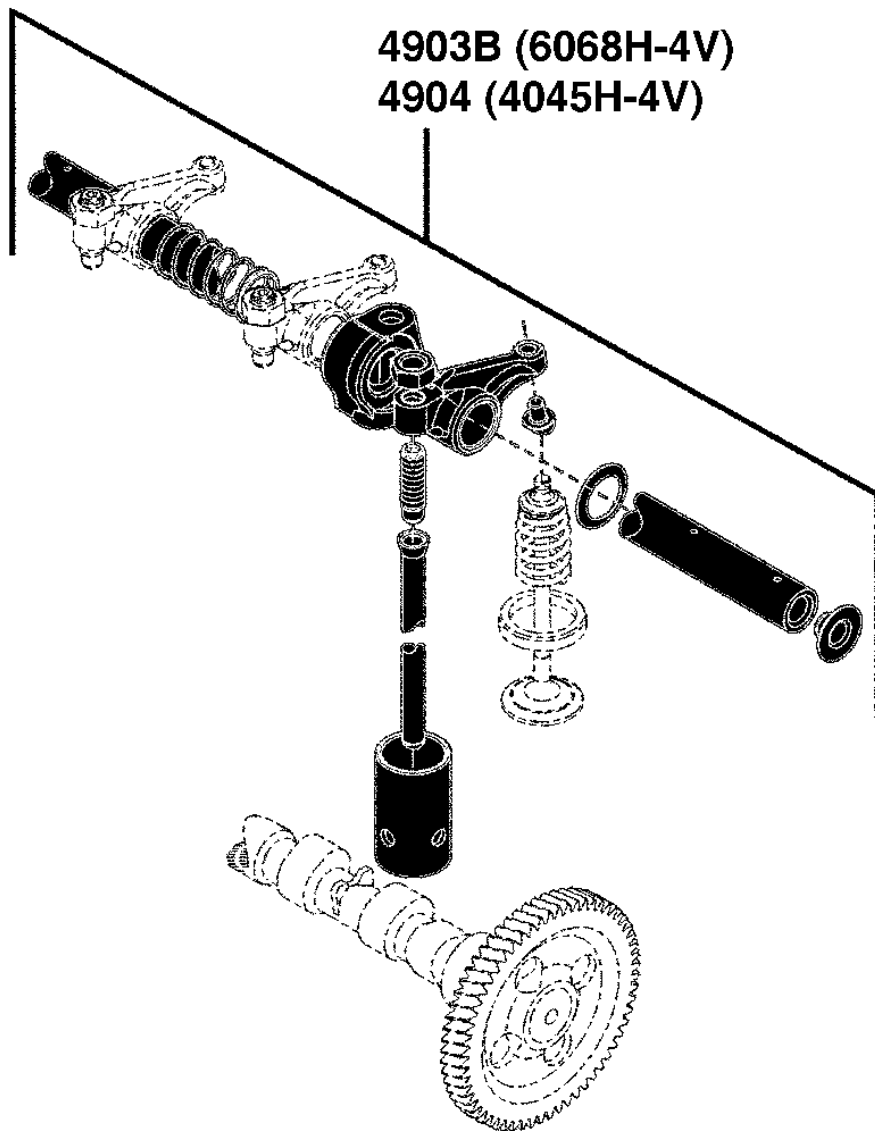
490-A03

VALVE ACTUATING

SECTIONAL INDEX
INDEX DE SECTION
GRUPPENINDEX
INDICE DELLA SEZIONE
INDICE DE SECCION
GRUPPSFORTECKNING

CDP46875A -UN-

4903B-	4
4904-	6



CDP46875A

490-A04

VALVE ACTUATING

MEMORANDA
MEMORANDA
MEMORANDA
MEMORANDA
MEMORANDA
MEMORANDA

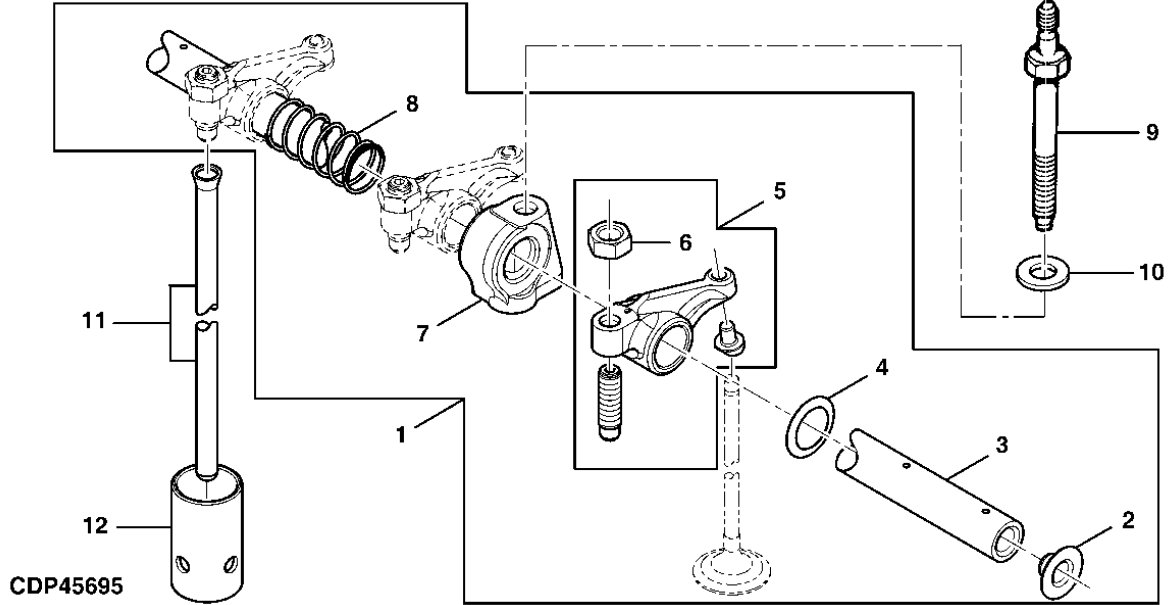
490-1

VALVE ACTUATING

4901
4901
4901
4901
4901
4901

CDP45695

-UN-



4 4 4
0 0 0
4 4 4
5 5 5

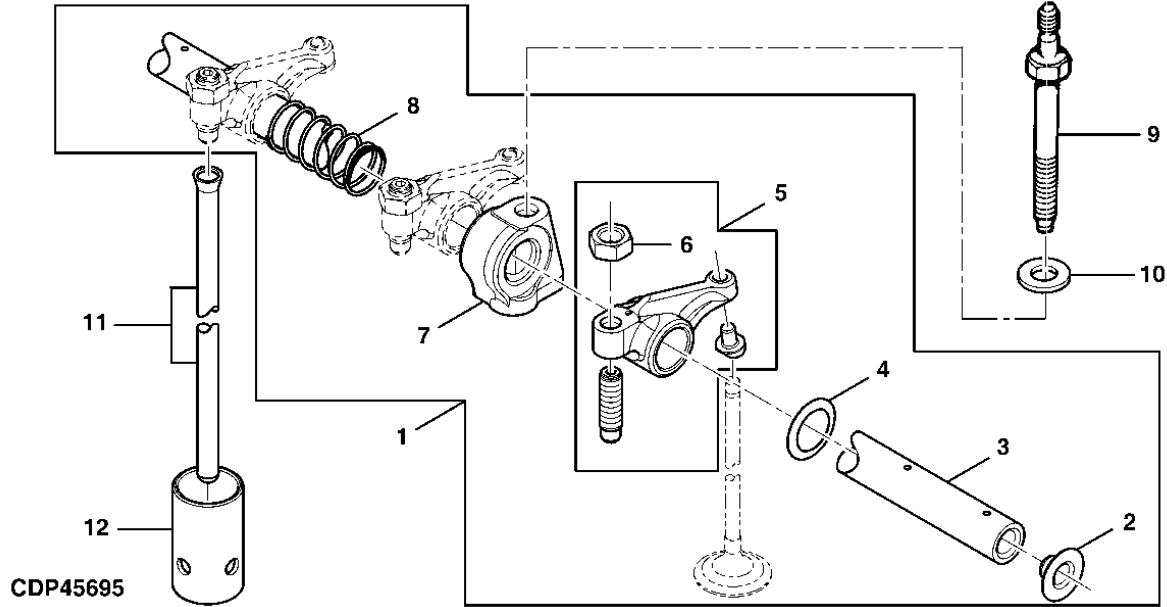
KEY	PART NO.	PART NAME	QTY.	ENGINE SERIAL NO.	D H T	REMARKS
1	RE519736	KIT	1		X X X	
2	R54565	PLUG	2		X X X	
3	R123513	ROCKER ARM SHAFT	1		X X X	
4	T20316	WASHER	2		X X X	20.650 X 29.460 X 0.500 MM
5	RE508317	ROCKER ARM	8		X X X	(SUB FOR RE68695)
6	14M7148	NUT	1		X X X	M10
7	R123161	SUPPORT	4		X X X	
8	T20314	SPRING	3		X X X	
9	R123271	STUD	4		X X X	
10	24M7346	WASHER	4		X X X	11 X 20 X 2 MM, (SUB FOR R42729, THIS APPLICATION)
11	R107731	PUSH ROD	8		X X X	LGTH= 265 MM (10.43")
12	R123565	CAM FOLLOWER	8		X X X	

490-2

VALVE ACTUATING

4902
4902
4902
4902
4902
4902

CDP45695 -UN-



CDP45695

6
0
6
8
H

KEY	PART NO.	PART NAME	QTY.	ENGINE SERIAL NO.	REMARKS
1	RE519737	ROCKER ARM SHAFT	1	X	
2	R54565	PLUG	2	X	
3	R123514	ROCKER ARM SHAFT	1	X	
4	T20316	WASHER	2	X	20.650 X 29.460 X 0.500 MM
5	RE508317	ROCKER ARM	12	X	(SUB FOR RE68695)
6	14M7148	NUT	1	X	M10
7	R123161	SUPPORT	6	X	
8	T20314	SPRING	5	X	
9	R123271	STUD	6	X	
10	24M7346	WASHER	6	X	11 X 20 X 2 MM, (SUB FOR R42729, THIS APPLICATION)
11	R107731	PUSH ROD	12	X	LGTH= 265 MM (10.43")
12	R123565	CAM FOLLOWER	12	X	

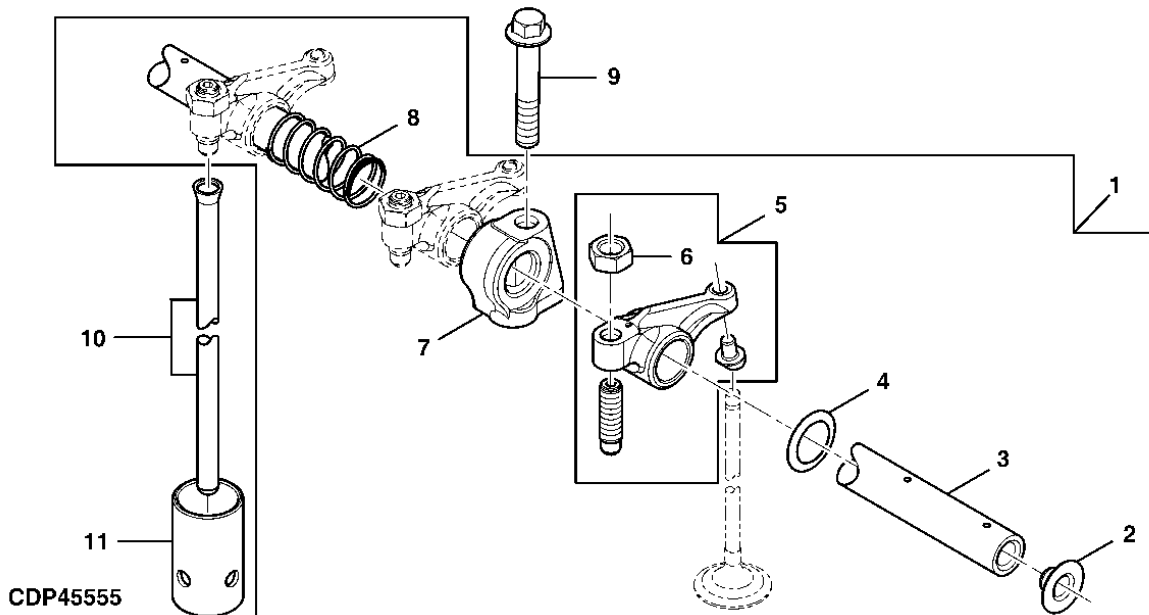
490-3

VALVE ACTUATING

4903
4903
4903
4903
4903
4903

CDP45555

-UN-



CDP45555

3
0
2
9
T

KEY	PART NO.	PART NAME	QTY.	ENGINE SERIAL NO.	REMARKS
1	RE519735	ROCKER ARM SHAFT	1		X
2	R54565	PLUG	2		X
3	R501532	SHAFT	1		X
4	T20316	WASHER	2		X 20.650 X 29.460 X 0.500 MM
5	RE508317	ROCKER ARM	6		X
6	14M7148	NUT	6		X M10
7	R123161	SUPPORT	3		X
8	T20314	SPRING	2		X
9	R504813	SELF-LOCKING SCREW	3		X 3/8"-16UN
10	R515095	PUSH ROD	6		X LGTH 229MM
11	T20073	TAPPET	6		X

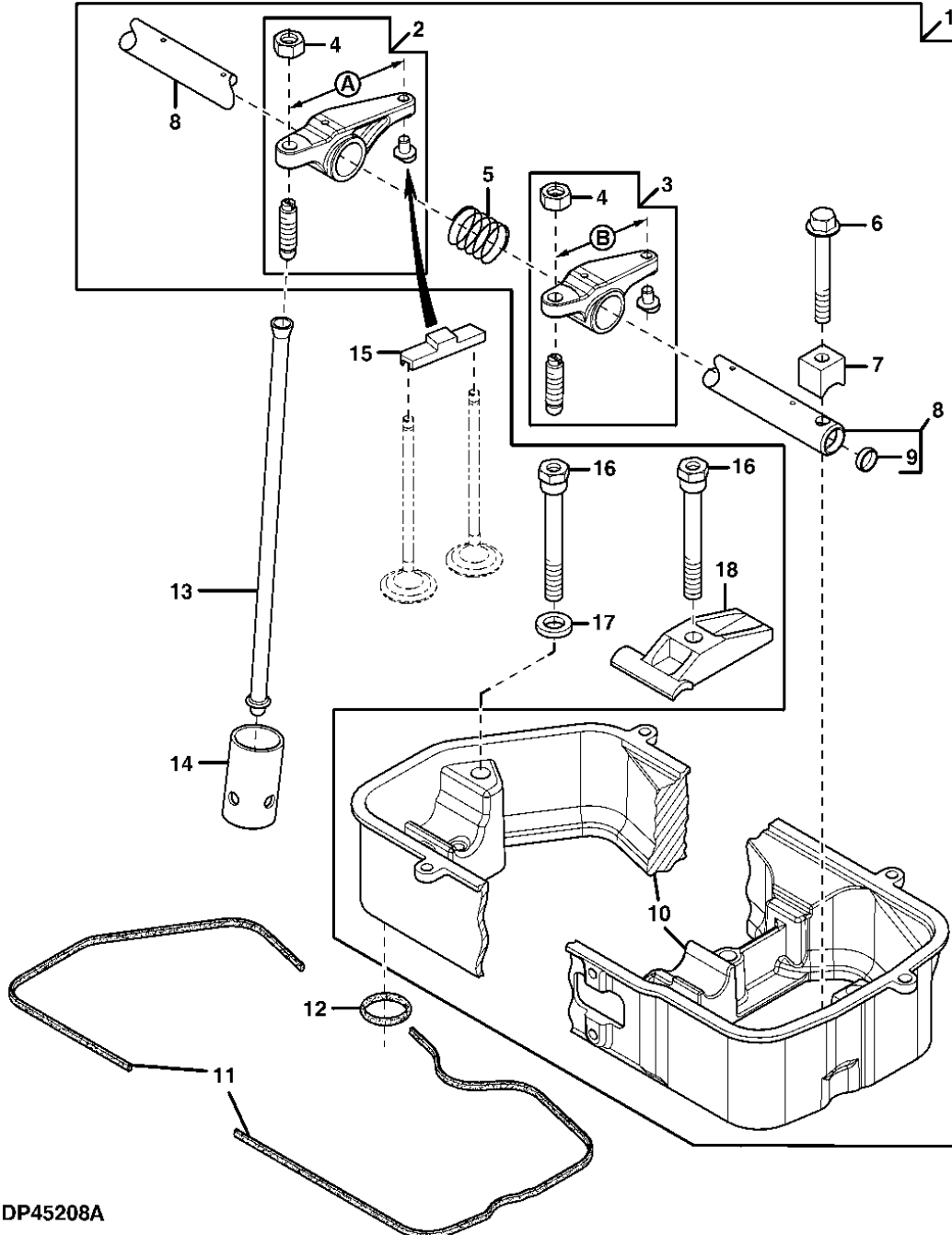
490-4

VALVE ACTUATING

4903
4903
4903
4903
4903

CDP45208A

-UN-



CDP45208A

THIS PARTS LISTING IS CONTINUED

490-5

VALVE ACTUATING

KEY	PART NO.	PART NAME	QTY.	ENGINE SERIAL NO.	6 0 6 8 H	REMARKS
1	RE519895	ROCKER ARM SHAFT	1		X	
2	RE504210	ROCKER ARM SHAFT	6		X	A= 84.5MM, EXHAUST, ECHAPPEMENT, AUSLASS, SCARICO, ESCAPE, AVGAS
3	RE523023	ROCKER ARM	6		X	(SUB FOR RE504209) B= 68MM, INTAKE, ADMISSION, EINLASS, ASPIRAZIONE, ADMISION, INSUGS
4	14M7148	NUT	1		X	M10
5	R505543	SPRING	6		X	
6	19M9170	SCREW	2		X	M8 X 50, (10.9)
7	R504631	CLAMP	2		X	
8	RE516491	ROCKER ARM SHAFT	1		X	(MARKED R504782)
9	30M7004	PLUG	2		X	
10	HOUSING	1		X	NSEP, (MARKED R504624) (ORDER RE519895)
11	R504882	GASKET	1		X	
12	R47154	O-RING	1	-843820	X	25.070 X 2.616 MM
	R72328	O-RING	1	843821-	X	18.720 X 2.616 MM
13	R504209	PUSH ROD	12		X	
14	R123565	CAM FOLLOWER	12		X	
15	R502341	VALVE	12		X	
16	R519292	SCREW	7		X	M10 X 79 (10.9) (SUB FOR R504636)
17	24M7096	WASHER	2		X	10.500 X 18 X 1.600 MM
18	R516140	STRAP	5		X	

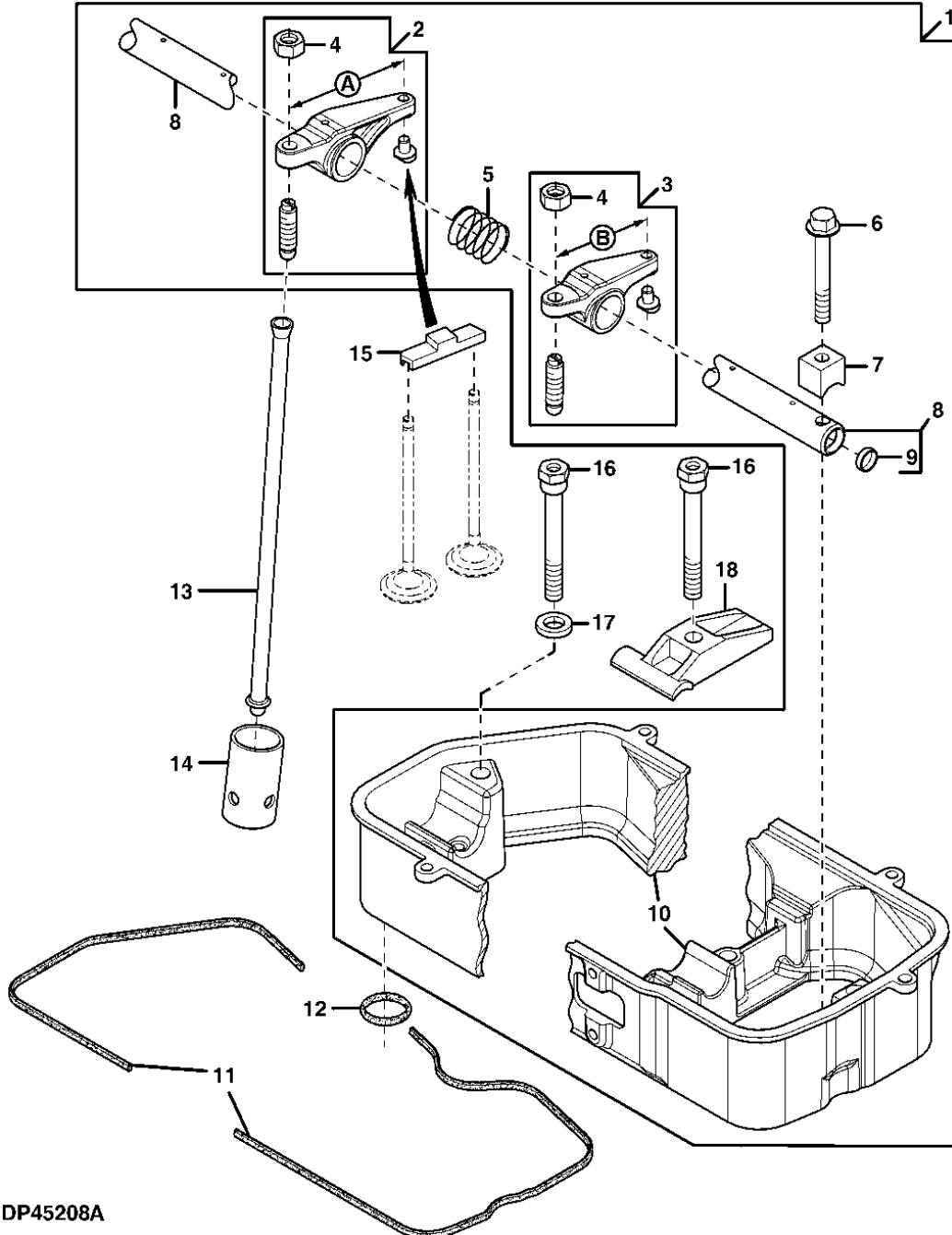
490-6

VALVE ACTUATING

4904
4904
4904
4904
4904

CDP45208A

-UN-



CDP45208A

490-7

VALVE ACTUATING

KEY	PART NO.	PART NAME	QTY.	ENGINE SERIAL NO.	4 0 4 5 H	REMARKS
1	RE519896	KIT	1		X	
2	RE504210	ROCKER ARM SHAFT	4		X	A= 84.5MM, EXHAUST, ECHAPPEMENT, AUSLASS, SCARICO, ESCAPE, AVGAS
3	RE523023	ROCKER ARM	4		X	(SUB FOR RE504209) B= 68MM, INTAKE, ADMISSION, EINLASS, ASPIRAZIONE, ADMISION, INSUGS
4	14M7148	NUT	8		X	M10
5	R505543	SPRING	4		X	
6	19M9170	SCREW	2		X	M8 X 50, (10.9)
7	R504631	CLAMP	2		X	
8	RE516490	ROCKER ARM SHAFT	1		X	(MARKED R505150)
9	30M7004	PLUG	2		X	
10	HOUSING	1		X	NSEP, (ORDER RE519896)
11	R505174	GASKET	1		X	
12	R47154	O-RING	1	-843820	X	25.070 X 2.616 MM
	R72328	O-RING	1	843821-	X	18.720 X 2.616 MM
13	R504209	PUSH ROD	8		X	
14	R123565	CAM FOLLOWER	8		X	
15	R502341	VALVE	8		X	
16	R519292	SCREW	5		X	M10 X 79, (SUB FOR R504636)
17	24M7096	WASHER	2		X	10.500 X 18 X 1.600 MM
18	R516140	STRAP	3		X	

490-8

VALVE ACTUATING

MEMORANDA
MEMORANDA
MEMORANDA
MEMORANDA
MEMORANDA
MEMORANDA

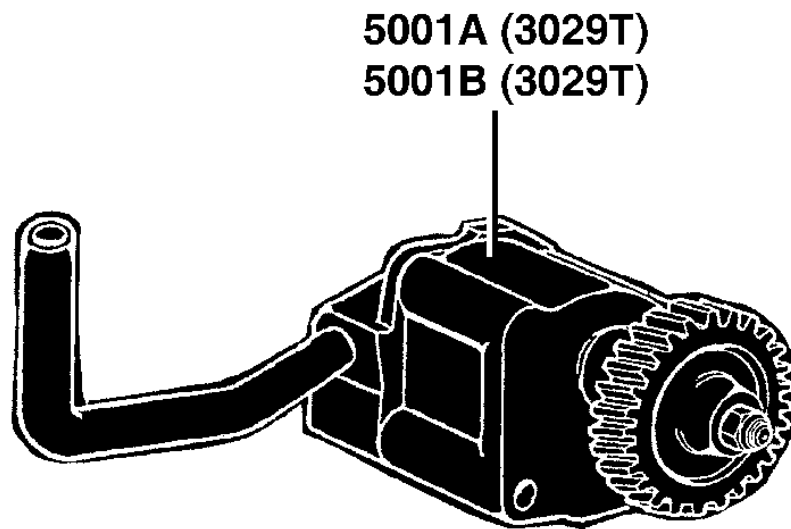
500-A01

OIL PUMP

SECTIONAL INDEX
INDEX DE SECTION
GRUPPENINDEX
INDICE DELLA SEZIONE
INDICE DE SECCION
GRUPPSFORTECKNING

CDP46876A -UN-

5001A-	1
5001B-	2



CDP46876A

500-A02

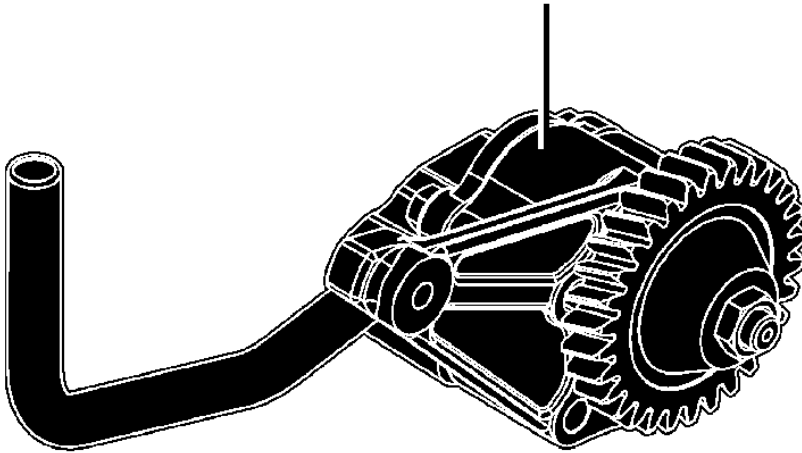
OIL PUMP

SECTIONAL INDEX
INDEX DE SECTION
GRUPPENINDEX
INDICE DELLA SEZIONE
INDICE DE SECCION
GRUPPSFORTECKNING

CDP46877A -UN-

5001C-	3
5001D-	4

5001C (4045D,H,T-2V)
5001D (6068H-2V)



CDP46877A

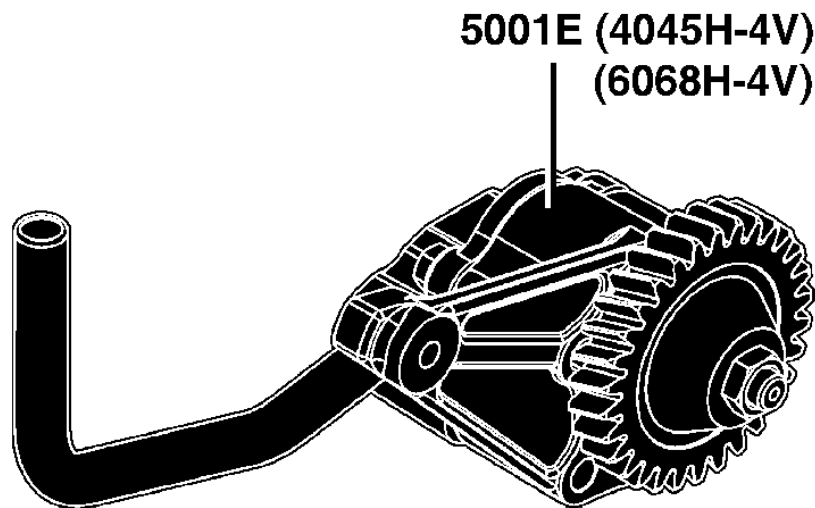
500-A03

OIL PUMP

SECTIONAL INDEX
INDEX DE SECTION
GRUPPENINDEX
INDICE DELLA SEZIONE
INDICE DE SECCION
GRUPPSFORTECKNING

5001E- 5

CDP46878A -UN-



CDP46878A

500-A04

OIL PUMP

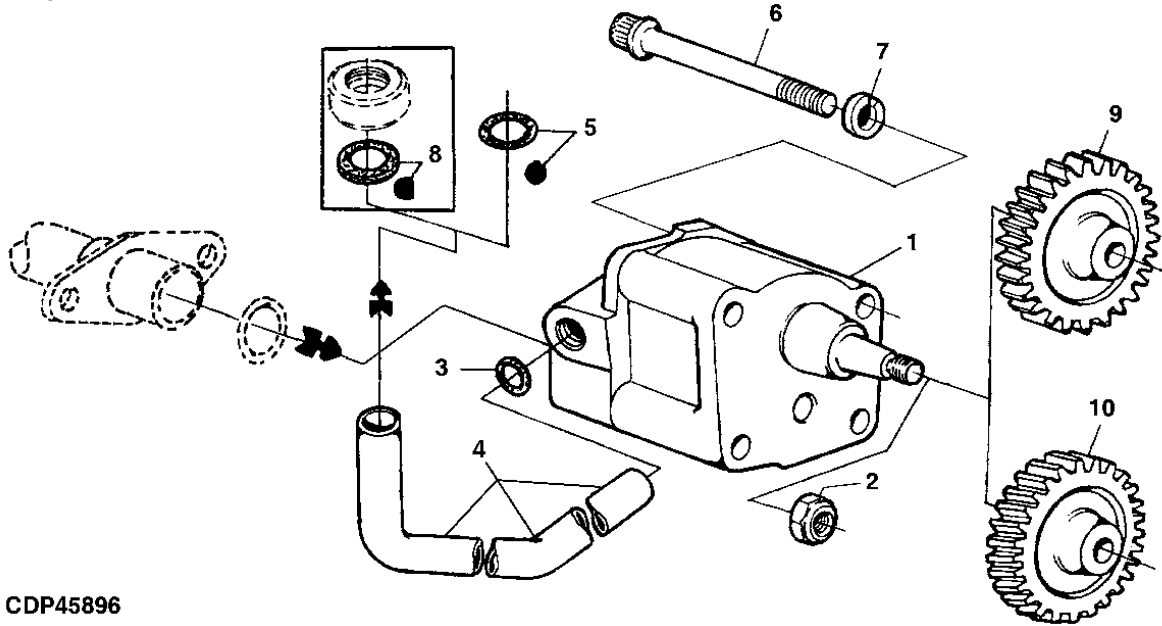
MEMORANDA
MEMORANDA
MEMORANDA
MEMORANDA
MEMORANDA
MEMORANDA

500-1

OIL PUMP

5001
5001
5001
5001
5001
5001

CDP45896 -UN-



CDP45896

KEY	PART NO.	PART NAME	QTY.	ENGINE SERIAL NO.	REMARKS
1	OIL PUMP	1		X (MARKED RE515323) (ORDER RE52020)
2	14H826	NUT	1		X 1/2" -13UNC
3	R61871	O-RING	1		X 24.990 X 3.530 MM
4	R115280	OIL TUBE	1		X APPL
5	R97185	O-RING	AR		X 15.469 X 3.531 MM
6	R516728	CAP SCREW	1		X 3/8"-16UNC, LGTH= 58MM, (USE WITH PUMP MARKED RE515323)
	R125586	CAP SCREW	1		X 3/8"-16UNC, LGTH= 73MM, (USE WITH PUMP MARKED R54615)
7	12H304	LOCK WASHER	3		X 3/8"
8	R75892	O-RING	AR		X 14.884 X 4.064 MM
9	SPUR GEAR	NA		X Z = 33
10	T20298	GEAR	1		X Z = 33

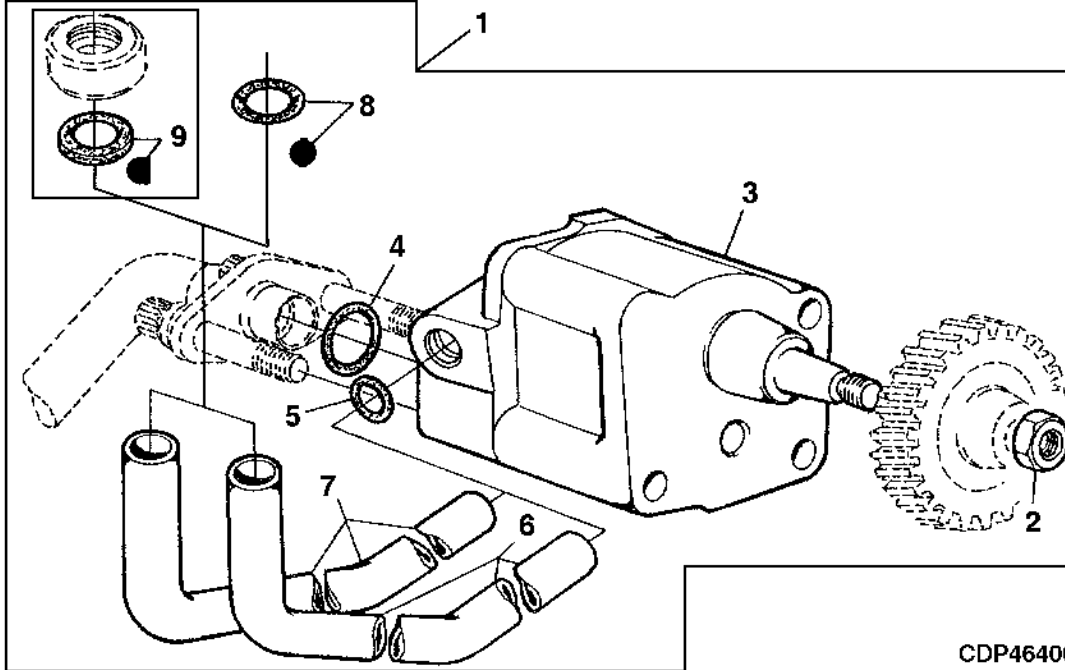
3
0
2
9
T

500-2

OIL PUMP

5001 - CONTINUED
 5001 - SUITE
 5001 - FORTSETZUNG
 5001 - SEGUITO
 5001 - CONTINUACION
 5001 - FORTS

CDP46400 -UN-



CDP46400

3
0
2
9
T

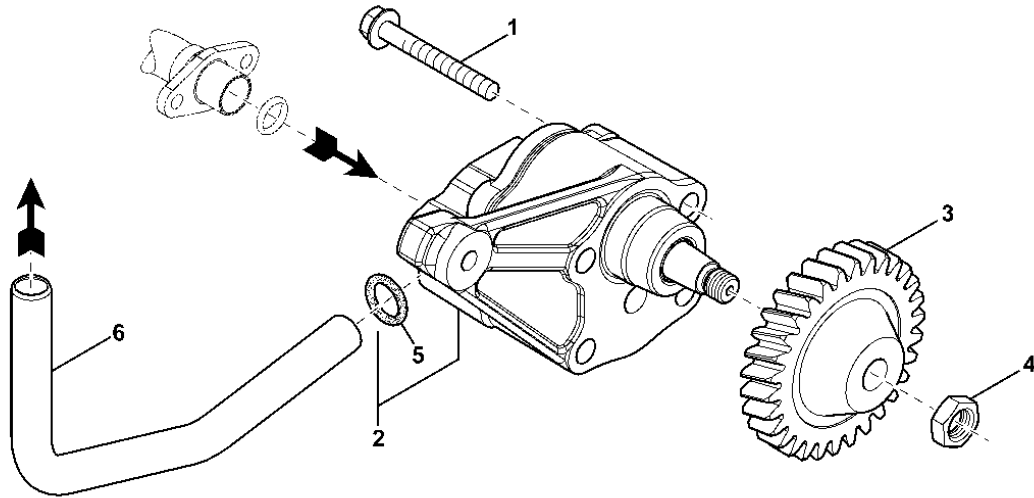
KEY	PART NO.	PART NAME	QTY.	ENGINE SERIAL NO.	REMARKS
1	RE52020	KIT	1	X	
2	14H826	NUT	1	X	1/2" -13UNC
3	OIL PUMP	1	X	(MARKED R54615) (ORDER RE52020)
4	R61871	O-RING	1	X	24.990 X 3.530 MM
5	R74354	O-RING	1	X	15.590 X 1.780 MM
6	R113752	OIL TUBE	NA	X	W/ COLOR MARK
7	R115280	OIL TUBE	1	X	APPL
8	R97185	O-RING	1	X	15.469 X 3.531 MM
9	R75892	O-RING	NA	X	14.884 X 4.064 MM

500-3

OIL PUMP

5001
5001
5001
5001
5001
5001

CDP45272A -UN-



CDP45272A

KEY	PART NO.	PART NAME	QTY.	ENGINE SERIAL NO.	REMARKS
1	19M8987	SCREW	2		
2	RE504914	OIL PUMP	1		
3	R120638	GEAR	1		
4	14M7066	NUT	1		
5	R97185	O-RING	1		
6	R121376	TUBE	1		

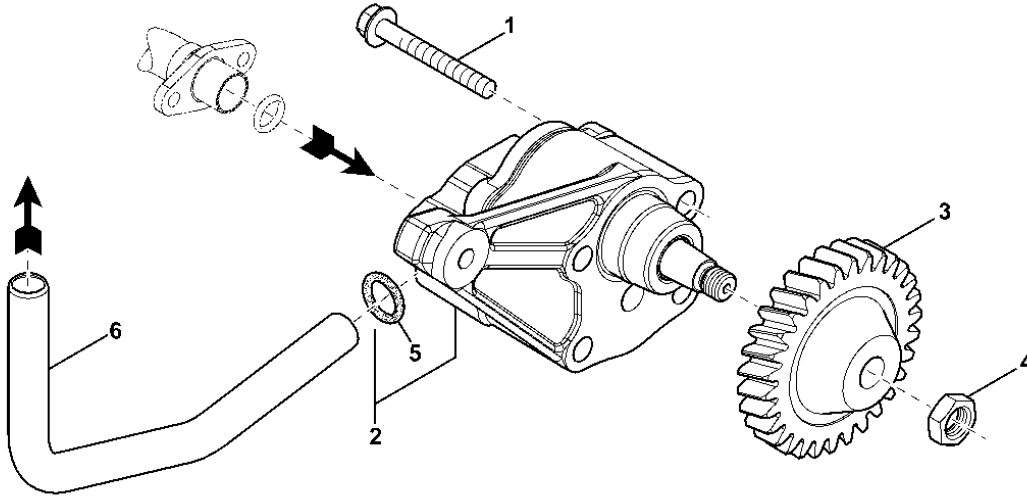
4 4 4
0 0 0
4 4 4
5 5 5
D H T

500-4

OIL PUMP

5001
5001
5001
5001
5001

CDP45272A -UN-



CDP45272A

KEY	PART NO.	PART NAME	QTY.	ENGINE SERIAL NO.	REMARKS
1	19M8987	SCREW	2		X M8 X 65, (10.9)
2	RE504914	OIL PUMP	1		X ASSY, INCL KEY 5
3	R120638	GEAR	1		X Z = 30
4	14M7066	NUT	1		X M12 X 1.25
5	R97185	O-RING	1		X 15.469 X 3.531 MM
6	R121376	TUBE	1		X

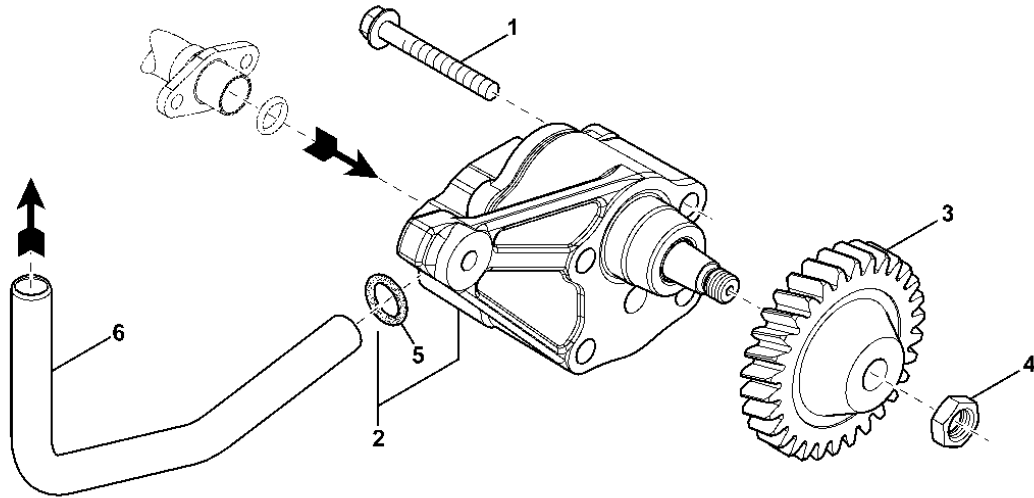
6
0
6
8
H

500-5

OIL PUMP

5001
5001
5001
5001
5001
5001

CDP45272A -UN-



CDP45272A

KEY	PART NO.	PART NAME	QTY.	ENGINE SERIAL NO.	REMARKS
1	19M8987	SCREW	2		
2	RE504914	OIL PUMP	1		
3	R120638	GEAR	1		
4	14M7066	NUT	1		
5	R97185	O-RING	1		
6	R121376	TUBE	1		

4 6
0 0
4 6
5 8
H H

500-6

OIL PUMP

MEMORANDA
MEMORANDA
MEMORANDA
MEMORANDA
MEMORANDA
MEMORANDA

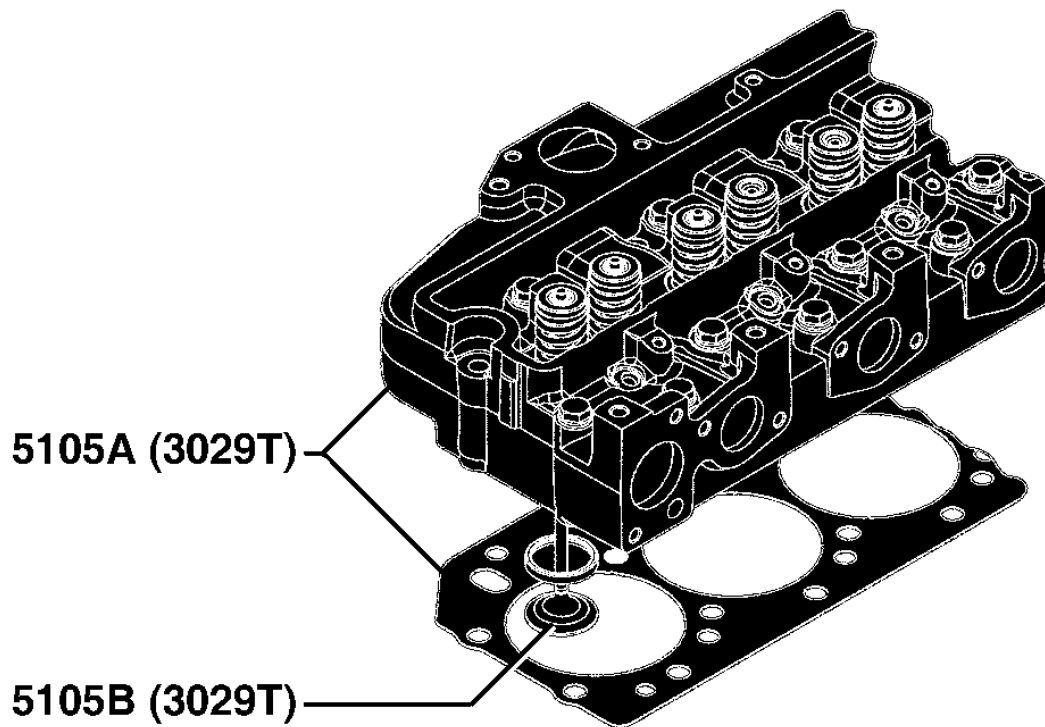
510-A01

CYLINDER HEAD

SECTIONAL INDEX
INDEX DE SECTION
GRUPPENINDEX
INDICE DELLA SEZIONE
INDICE DE SECCION
GRUPPSFORTECKNING

CDP46879B -UN-

5105A-	3
5105B-	4



CDP46879B

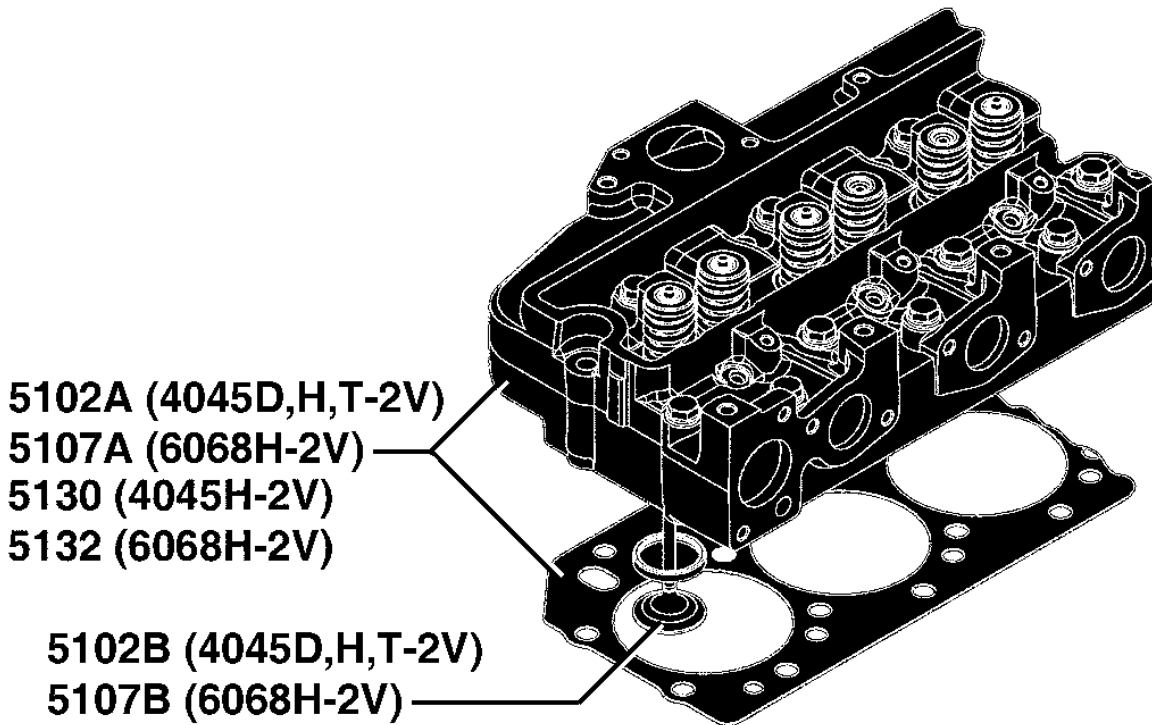
510-A02

CYLINDER HEAD

SECTIONAL INDEX
INDEX DE SECTION
GRUPPENINDEX
INDICE DELLA SEZIONE
INDICE DE SECCION
GRUPPSFORTECKNING

CDP46880B -UN-

5102A-	1
5102B-	2
5107A-	5
5107B-	6
5130-	12
5132-	14



CDP46880B

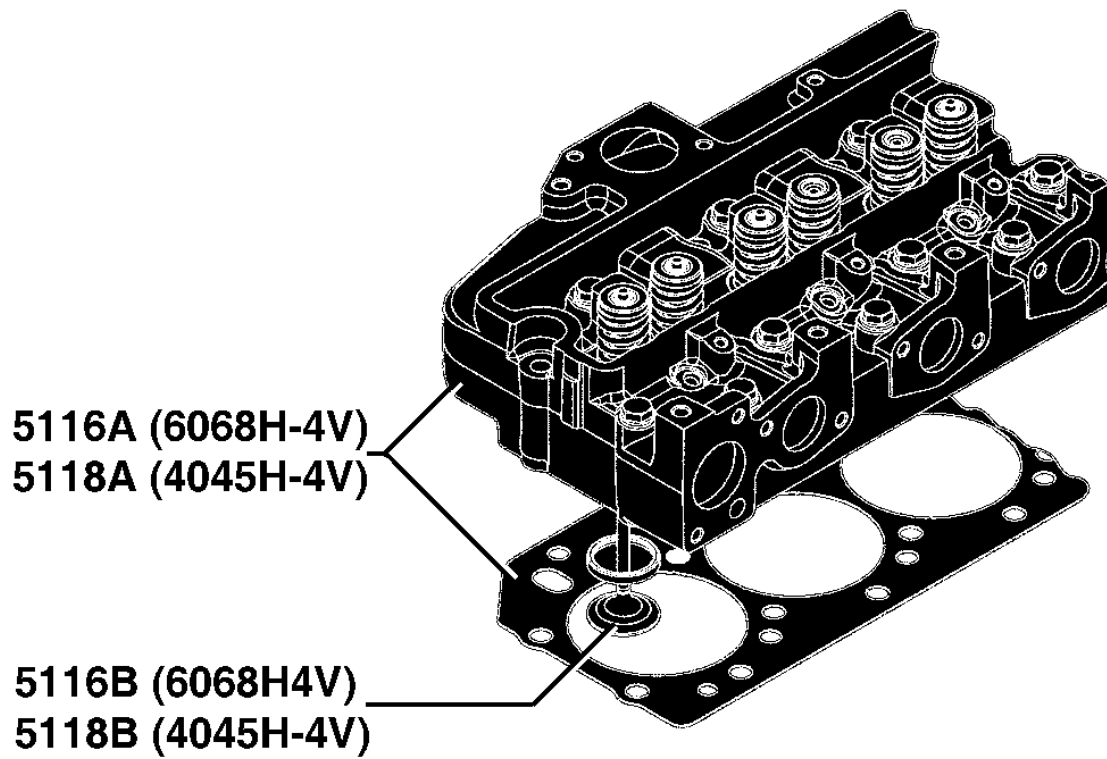
510-A03

CYLINDER HEAD

SECTIONAL INDEX
INDEX DE SECTION
GRUPPENINDEX
INDICE DELLA SEZIONE
INDICE DE SECCION
GRUPPSFORTECKNING

CDP46881A -UN-

5116A-	7
5116B-	8
5118A-	9
5118B-	10



CDP46881A

510-A04

CYLINDER HEAD

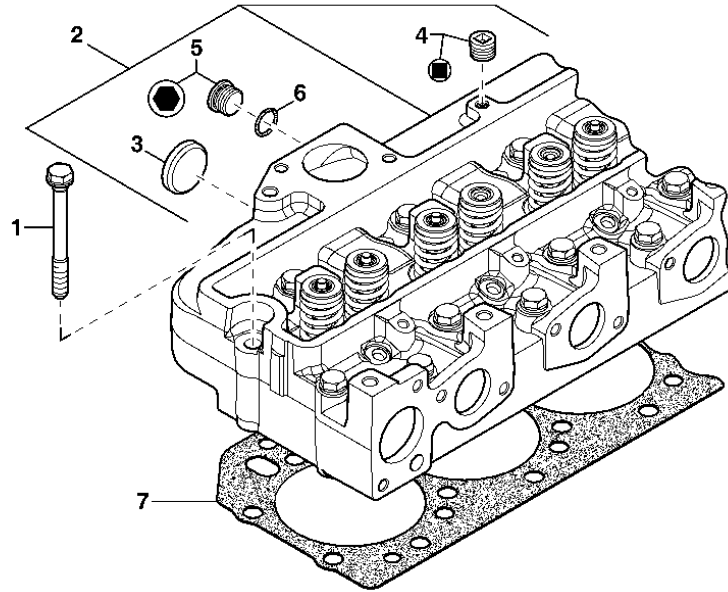
MEMORANDA
MEMORANDA
MEMORANDA
MEMORANDA
MEMORANDA
MEMORANDA

510-1

CYLINDER HEAD

5102
5102
5102
5102
5102
5102

CDP46151A -UN-



CDP46151A

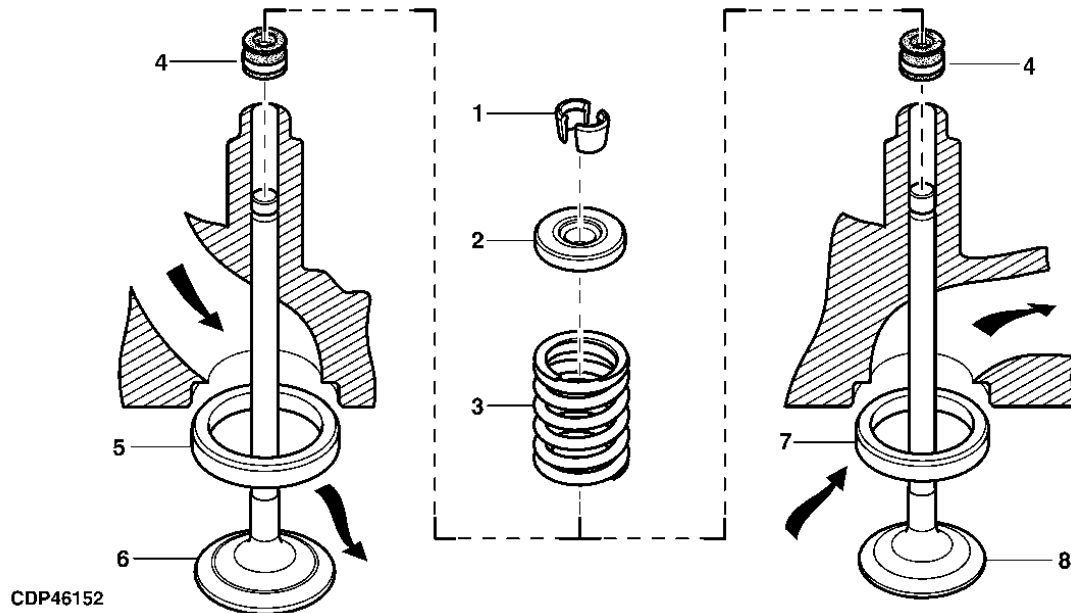
KEY	PART NO.	PART NAME	QTY.	ENGINE SERIAL NO.	D H T	REMARKS
					4 4 4	
					0 0 0	
					4 4 4	
					5 5 5	
1	R85363	CAP SCREW	18		X X X	12.7MM X 112MM
2	RE57234	CYLINDER HEAD	1		X X X	(MARKED R121402) ASSY, INCL KEYS 3,4,5,6. HIGH SWIRL, HAUTE TURBULENCE, HOHE WIRBELSTROEMUNG, ALTA TURBOLENZA, ALTA TURBULENCIA, HOEG VIRVELSTROEMMING
3	CD16284	PLUG	1		X X X	OD= 32.6MM, REAR
	R43409	PLUG	3		X X X	OD= 43.3MM
4	RE42713	PIPE PLUG	AR		X X X	1/8"-27NPT, (SUB FOR R104592)
5	T58477	FITTING	1		X X X	7/8"-14UNF, (ALSO ORDER R26906) APPL
6	R26906	O-RING	1		X X X	19.177 X 2.464 MM
7	R116515	ENGINE CYLINDER HEAD GASKET	1		X X X	

510-2

CYLINDER HEAD

5102 - CONTINUED
 5102 - SUITE
 5102 - FORTSETZUNG
 5102 - SEGUITO
 5102 - CONTINUATION
 5102 - FORTS

CDP46152 -UN-



CDP46152

4 4 4
 0 0 0
 4 4 4
 5 5 5
 D H T

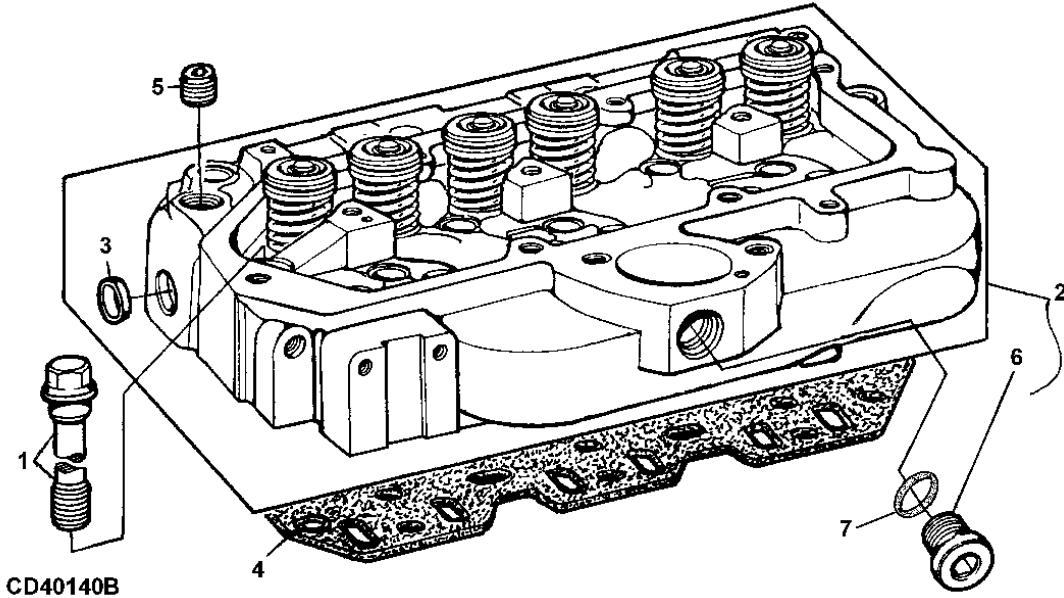
KEY	PART NO.	PART NAME	QTY.	ENGINE SERIAL NO.	REMARKS
1	R91889	RETAINER	16		X X X
2	RE60005	ROTATOR	8		X X X
3	R26125	SPRING	8		X X X
4	RE31617	SEAL	8		X X X STD
5	R106831	VALVE SEAT INSERT	4		X X X
6	R98062	INTAKE VALVE	4		X X X STD
	R97490	INTAKE VALVE	AR		X X X OD +0.381MM
	R97491	INTAKE VALVE	AR		X X X OD +0.762MM
7	R106829	VALVE SEAT INSERT	4		X X X
8	R90692	EXHAUST VALVE	4		X X X STD
	R97492	EXHAUST VALVE	AR		X X X OD +0.381MM
	R97493	EXHAUST VALVE	AR		X X X OD +0.762MM

510-3

CYLINDER HEAD

5105
5105
5105
5105
5105
5105

CD40140B -UN-



KEY	PART NO.	PART NAME	QTY.	ENGINE SERIAL NO.	REMARKS
1	R85363	CAP SCREW	14		X 12.7MM X 112MM
2	RE65214	CYLINDER HEAD	1		X (MARKED R129305)
3	CD16284	PLUG	2		X OD= 32.6MM
4	R515273	ENGINE CYLINDER HEAD GASKET	1		X
5	15H584	PIPE PLUG	AR		X 1/2"-14NPTF
6	T58477	FITTING	1		X (ALSO ORDER R26906)
7	R26906	O-RING	1		X 19.177 X 2.464 MM

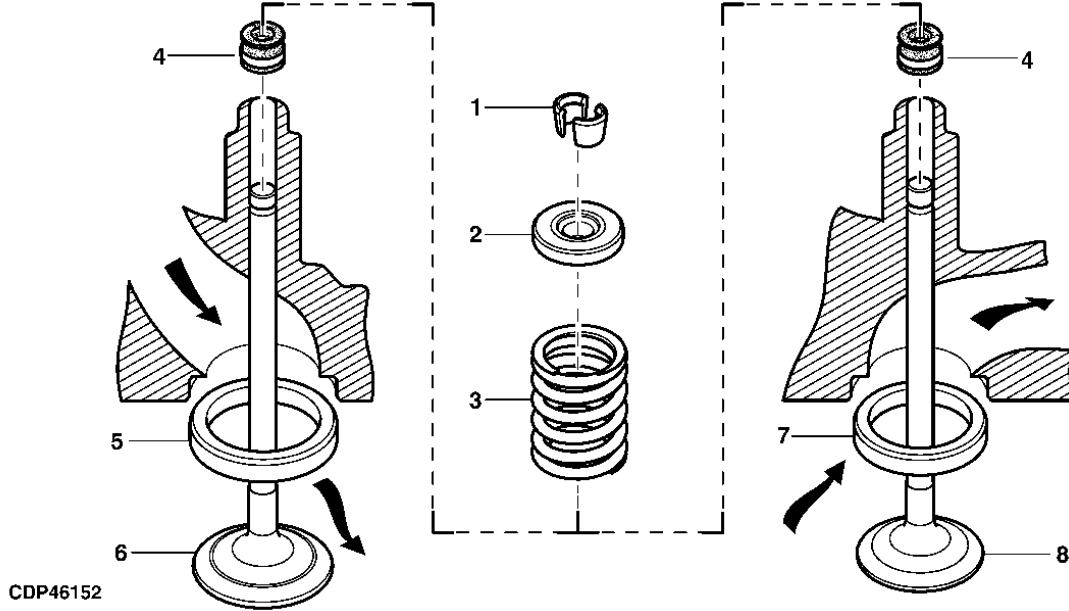
3
0
2
9
T

510-4

CYLINDER HEAD

5105 - CONTINUED
 5105 - SUITE
 5105 - FORTSETZUNG
 5105 - SEGUITO
 5105 - CONTINUACION
 5105 - FORTS

CDP46152 -UN-



CDP46152

3
0
2
9
T

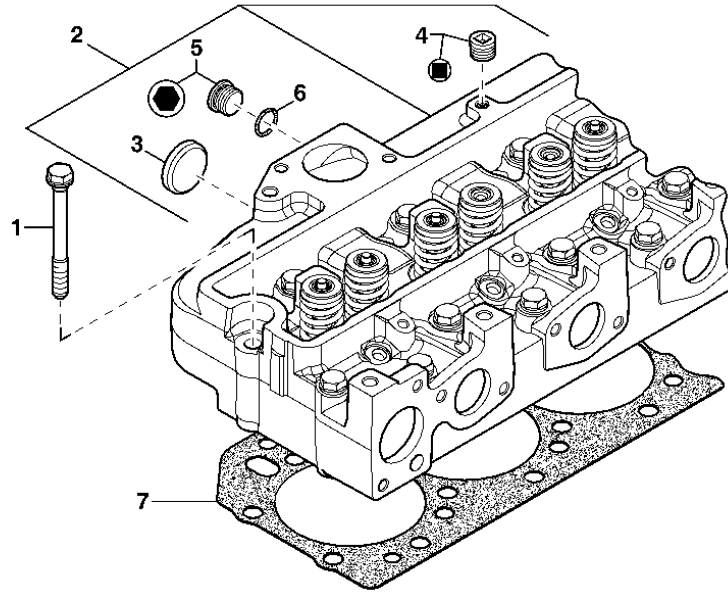
KEY	PART NO.	PART NAME	QTY.	ENGINE SERIAL NO.	REMARKS
1	R91889	RETAINER	12	X	OD= 11.7MM
2	RE60005	ROTATOR	6	X	
3	R26125	SPRING	6	X	
4	RE31617	SEAL	6	X	
5	R106831	VALVE SEAT INSERT	6	X	OD= 47.2MM, INTAKE, ADMISSION, EINLASS, ASPIRAZIONE, ADMISION, INSUG
6	R98062	INTAKE VALVE	3	X	OD STD
	R97490	INTAKE VALVE	AR	X	OS +0.381MM
	R97491	INTAKE VALVE	AR	X	OS +0.762MM
7	R106829	VALVE SEAT INSERT	3	X	OD= 43.1MM, EXHAUST, ECHAPPEMENT, AUSLASS, SCARICO, ESCAPE, AVGAS
8	R90692	EXHAUST VALVE	3	X	OD STD
	R97492	EXHAUST VALVE	AR	X	OS +0.381MM
	R97493	EXHAUST VALVE	AR	X	OS +0.762MM

510-5

CYLINDER HEAD

5107
5107
5107
5107
5107
5107

CDP46151A -UN-



CDP46151A

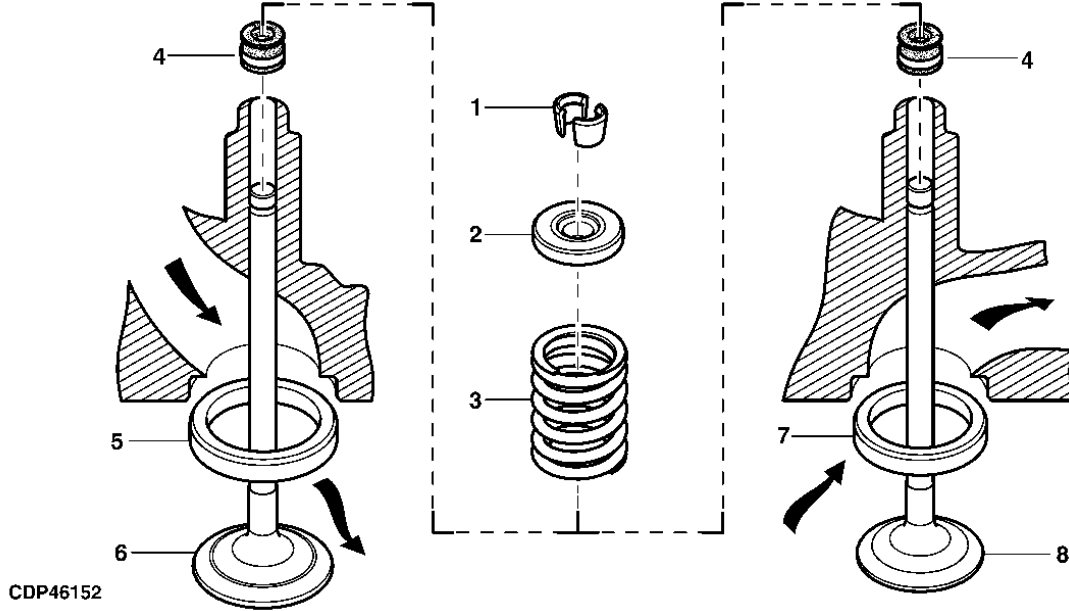
KEY	PART NO.	PART NAME	QTY.	ENGINE SERIAL NO.	6 0 6 8 H	REMARKS
1	R85363	CAP SCREW	26		X	12.7MM X 112MM
2	RE57489	CYLINDER HEAD	1		X	(MARKED R121608) ASSY, INCL KEYS 3,4,5,6 .
3	CD16284	PLUG	1		X	OD= 32.6MM, REAR
	R43409	PLUG	3		X	OD= 43.3MM
4	RE42713	PIPE PLUG	AR		X	1/8"-27NPT, (SUB FOR R104592)
5	T58477	FITTING	1		X	7/8"-14UNF. (ALSO ORDER R26906) APPL
6	R26906	O-RING	1		X	19.177 X 2.464 MM
7	R116516	ENGINE CYLINDER HEAD GASKET	1		X	

510-6

CYLINDER HEAD

5107 - CONTINUED
 5107 - SUITE
 5107 - FORTSETZUNG
 5107 - SEGUITO
 5107 - CONTINUACION
 5107 - FORTS

CDP46152 -UN-



CDP46152

6
0
6
8
H

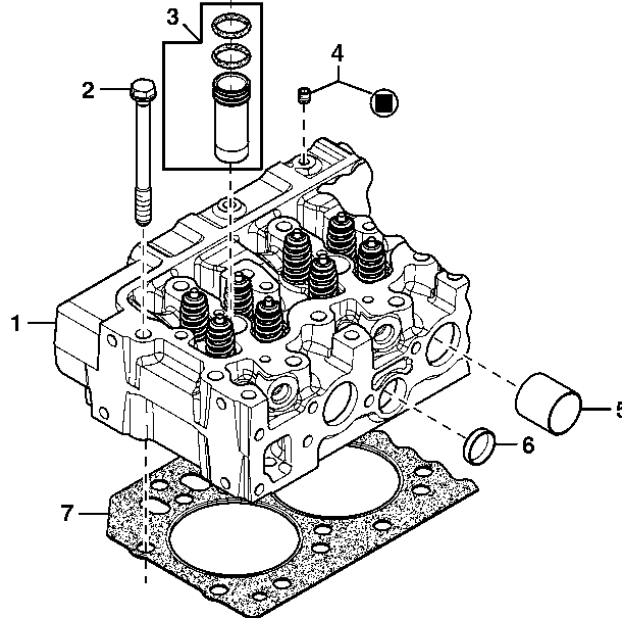
KEY	PART NO.	PART NAME	QTY.	ENGINE SERIAL NO.	REMARKS
1	R91889	RETAINER	24		X
2	RE60005	ROTATOR	12		X
3	R26125	SPRING	12		X
4	RE31617	SEAL	12		X STD
5	R106831	VALVE SEAT INSERT	6		X
6	R98062	INTAKE VALVE	6		X STD
	R97490	INTAKE VALVE	AR		X OD +0.381MM
	R97491	INTAKE VALVE	AR		X OD +0.762MM
7	R106829	VALVE SEAT INSERT	6		X
8	R90692	EXHAUST VALVE	6		X STD
	R97492	EXHAUST VALVE	AR		X OD +0.381MM
	R97493	EXHAUST VALVE	AR		X OD +0.762MM

510-7

CYLINDER HEAD

CDP45205 -UN-

5116
5116
5116
5116
5116
5116



CDP45205

KEY	PART NO.	PART NAME	QTY.	ENGINE SERIAL NO.	REMARKS
1	RE507777	CYLINDER HEAD	1		X ASSY, INCL KEYS 3, 4, 6 (MARKED R502547)
2	R502511	CAP SCREW	26		X
3	RE517435	O-RING	6		X KIT
4	RE42713	PIPE PLUG	1		X 1/8"-27NPT, (SUB FOR R104592)
5	R502512	SLEEVE	6		X
6	CD16284	PLUG	5		X OD= 32.6MM
7	R116516	ENGINE CYLINDER HEAD GASKET	1		X

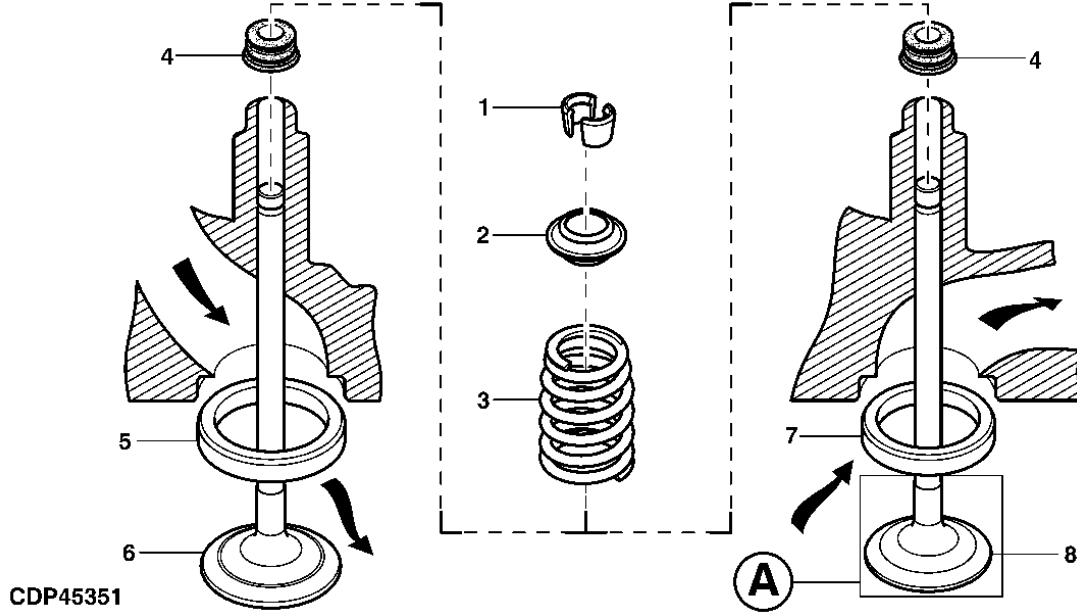
6
0
6
8
H

510-8

CYLINDER HEAD

5116 - CONTINUED
 5116 - SUITE
 5116 - FORTSETZUNG
 5116 - SEGUIITO
 5116 - CONTINUATION
 5116 - FORTS

CDP45351 -UN-



6
0
6
8
H

KEY	PART NO.	PART NAME	QTY.	ENGINE SERIAL NO.	REMARKS
1	R502371	RETAINER	48		X
2	R502367	CAP	24		X
3	RE516486	SPRING	12		X PACKG (2)
4	RE519115	SEAL	24		X
5	RE518082	VALVE SEAT INSERT	6		X (KIT (2) R504969)
6	RE518080	INTAKE VALVE	12		X (KIT (2) R502369)
7	RE518083	VALVE SEAT INSERT	6		X (KIT (2) R504968)
8	RE518081	EXHAUST VALVE	6		X (A) (KIT (2) R502370)

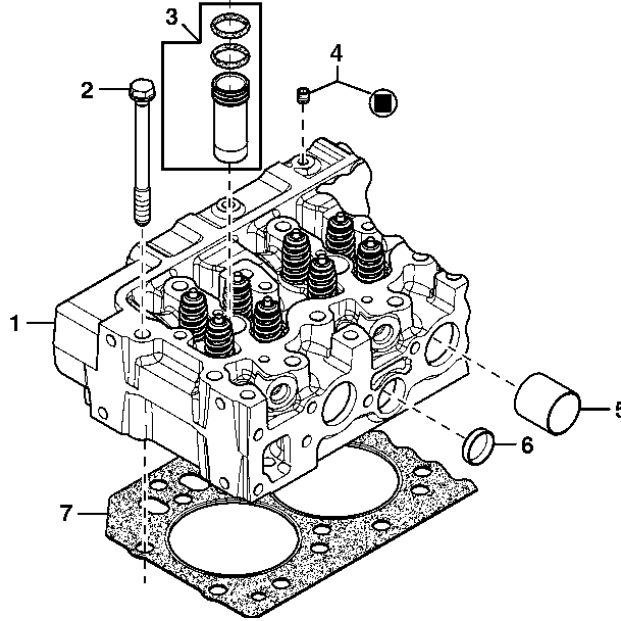
(A) NO MAGNETIC
 NON MAGNETIQUE
 NICHT MAGNETISCH
 NON MAGNETICO
 NO MAGNETICO
 EJ MAGNETISK

510-9

CYLINDER HEAD

5118
5118
5118
5118
5118
5118

CDP45205 -UN-



CDP45205

KEY	PART NO.	PART NAME	QTY.	ENGINE SERIAL NO.	REMARKS
1	RE509803	CYLINDER HEAD	1		X (MARKED R503381) ASSY, INCL KEYS 3, 4 AND 6
2	R502511	CAP SCREW	18		X 12.700 X 138 MM
3	RE517435	O-RING	4		X KIT
4	RE42713	PIPE PLUG	1		X 1/8"-27NPT, (SUB FOR R104592)
5	R502512	SLEEVE	4		X
6	CD16284	PLUG	3		X OD= 32.6MM
7	R116515	ENGINE CYLINDER HEAD GASKET	1		X

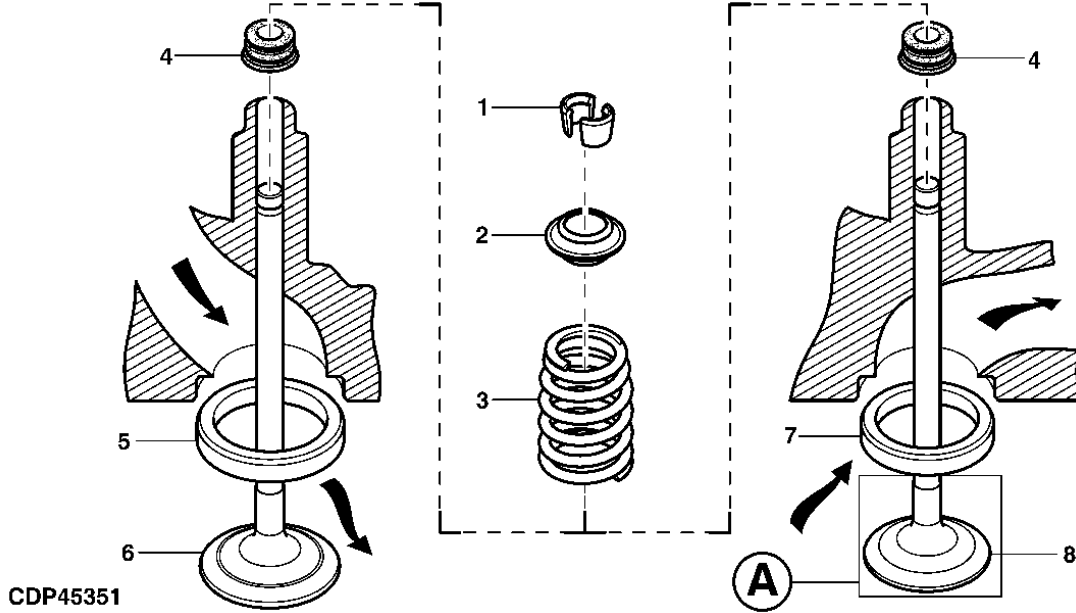
4
0
4
5
H

510-10

CYLINDER HEAD

5118 - CONTINUED
 5118 - SUITE
 5118 - FORTSETZUNG
 5118 - SEGUITO
 5118 - CONTINUATION
 5118 - FORTS

CDP45351 -UN-



4
0
4
5
H

KEY	PART NO.	PART NAME	QTY.	ENGINE SERIAL NO.	REMARKS
1	R502371	RETAINER	32	X	
2	R502367	CAP	16	X	
3	RE516486	SPRING	8	X	PACKG (2)
4	RE519115	SEAL	16	X	
5	RE518082	VALVE SEAT INSERT	4	X	(KIT (2) R504969)
6	RE518080	INTAKE VALVE	8	X	(KIT (2) R502369)
7	RE518083	VALVE SEAT INSERT	4	X	(KIT (2) R504968)
8	RE518081	EXHAUST VALVE	8	X	(A) (KIT (2) R502370)

(A) NO MAGNETIC
 NON MAGNETIQUE
 NICHT MAGNETISCH
 NON MAGNETICO
 NO MAGNETICO
 EJ MAGNETISK

510-11

CYLINDER HEAD

MEMORANDA
MEMORANDA
MEMORANDA
MEMORANDA
MEMORANDA
MEMORANDA

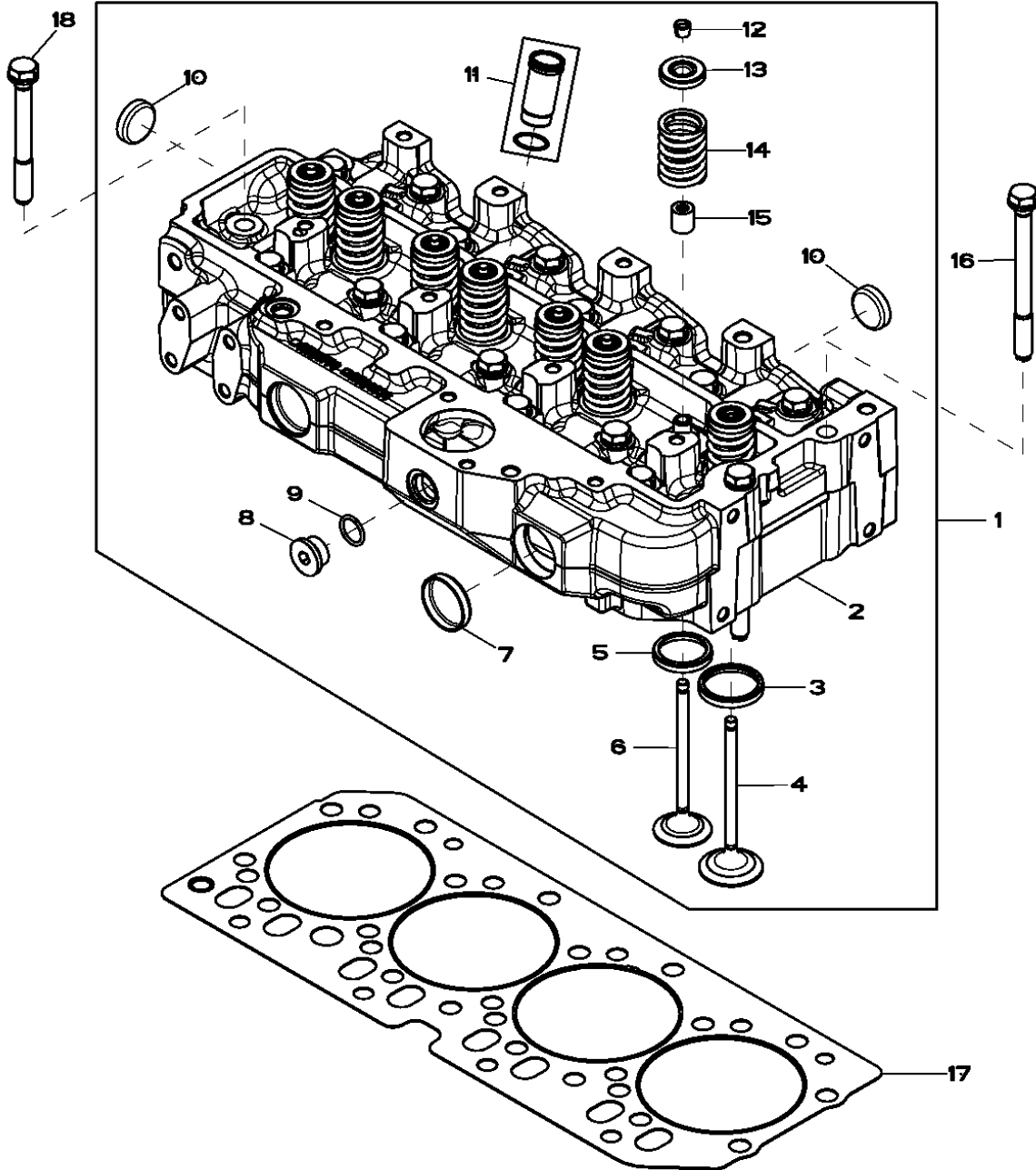
510-12

CYLINDER HEAD

5130
5130
5130
5130
5130
5130

RE532329PCDA01

-UN-



RE532329PCDA01

THIS PARTS LISTING IS CONTINUED

510-13

CYLINDER HEAD

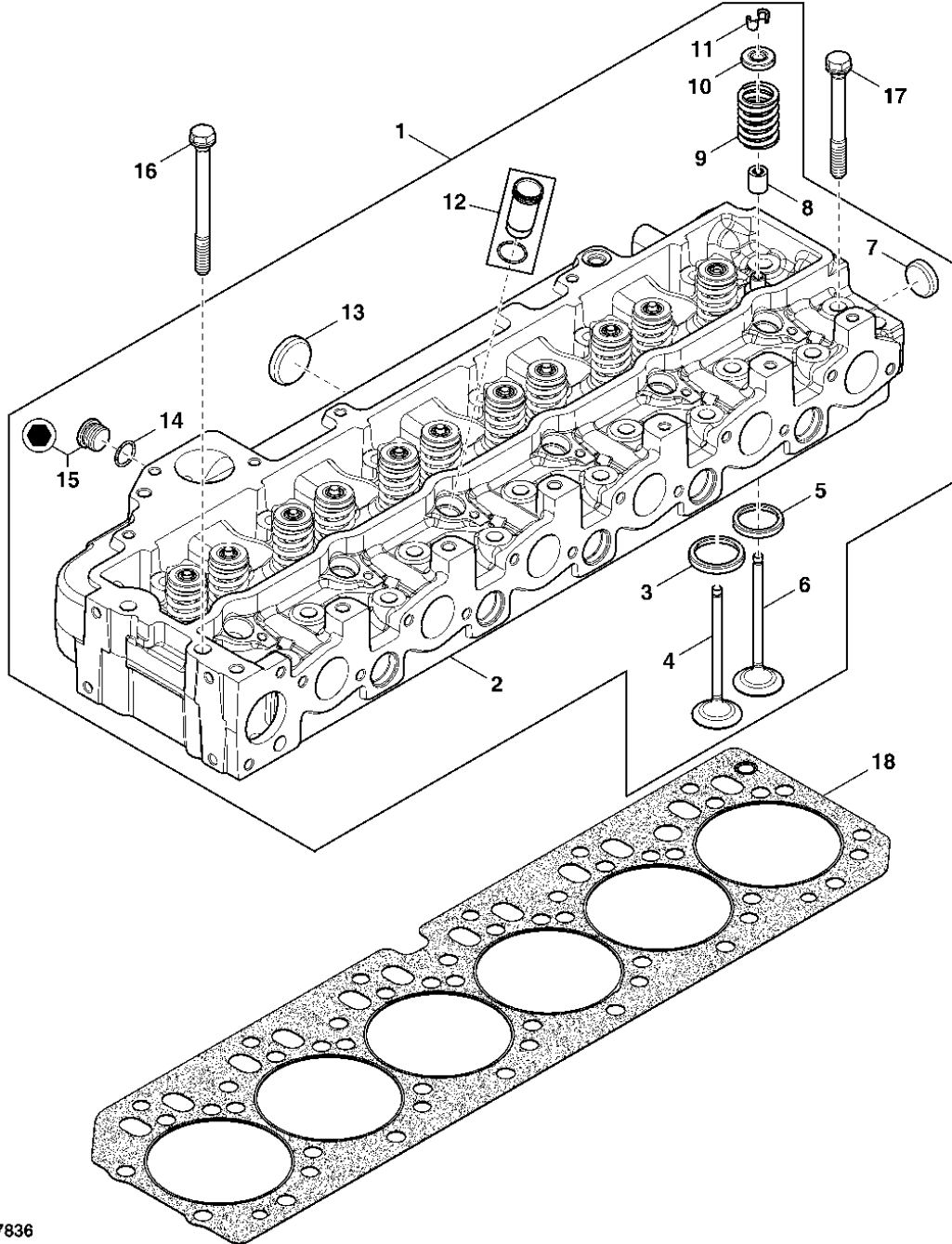
KEY	PART NO.	PART NAME	QTY.	ENGINE SERIAL NO.	4 0 4 5 H	REMARKS
1	RE532328	CYLINDER HEAD	1		X	KIT
2	CYLINDER HEAD	1		X	NSEP, (MARKED R524836) (ORDER RE532328)
3	R98063	VALVE SEAT INSERT	4		X	OD= 39.4MM, INTAKE, ADMISSION
4	R98062	INTAKE VALVE	4		X	OD STD
	R97490	INTAKE VALVE	AR		X	OS +0.381MM
	R97491	INTAKE VALVE	AR		X	OS +0.762MM
5	R85687	VALVE SEAT INSERT	4		X	OD= 34.2MM, EXHAUST, ECHAPPEMENT
6	R90692	EXHAUST VALVE	4		X	OD STD
	R97492	EXHAUST VALVE	AR		X	OS +0.381MM
	R97493	EXHAUST VALVE	AR		X	OS +0.762MM
7	R43409	PLUG	3		X	OD= 43.3MM
8	T58477	FITTING	1		X	7/8"-14UNF. (ALSO ORDER R26906) APPL
9	R26906	O-RING	1		X	19.177 X 2.464 MM
10	CD16284	PLUG	1		X	OD= 32.6MM, REAR
11	RE527456	SLEEVE	4		X	KIT
12	R91889	RETAINER	16		X	OD= 11.7MM
13	RE60005	ROTATOR	8		X	
14	R26125	SPRING	8		X	
15	RE529811	SEAL	8		X	
16	R502511	CAP SCREW	2		X	12.700 X 138 MM
17	R116515	ENGINE CYLINDER HEAD GASKET	1		X	
18	R85363	CAP SCREW	26		X	12.7MM X 112MM

510-14

CYLINDER HEAD

5132
5132
5132
5132
5132

CDP47836 -UN-



CDP47836

510-15

CYLINDER HEAD

KEY	PART NO.	PART NAME	QTY.	ENGINE SERIAL NO.	6 0 6 8 H	REMARKS
1	RE533345	CYLINDER HEAD	1		X	KIT
2	CYLINDER HEAD	1		X	NSEP, (MARKED R520301) (ORDER RE533345)
3	R106829	VALVE SEAT INSERT	6		X	OD= 43.1MM, ECHAPPEMENT
4	R90692	EXHAUST VALVE	6		X	OD STD
	R97492	EXHAUST VALVE	AR		X	OS +0.381MM
	R97493	EXHAUST VALVE	AR		X	OS +0.762MM
5	R106831	VALVE SEAT INSERT	6		X	OD= 47.2MM, ADMISSION
6	R98062	INTAKE VALVE	6		X	OD STD
	R97490	INTAKE VALVE	AR		X	OS +0.381MM
	R97491	INTAKE VALVE	AR		X	OS +0.762MM
7	CD16284	PLUG	6		X	OD= 32.6MM, REAR
8	RE529811	SEAL	12		X	
9	R26125	SPRING	12		X	
10	RE60005	ROTATOR	12		X	
11	R91889	RETAINER	24		X	OD= 11.7MM
12	RE527456	SLEEVE	6		X	KIT
13	R43409	PLUG	3		X	OD= 43.3MM
14	R26906	O-RING	1		X	19.177 X 2.464 MM
15	T58477	FITTING	1		X	7/8"-14UNF, (ALSO ORDER R26906) APPL
16	R502511	CAP SCREW	2		X	12.700 X 138 MM
17	R85363	CAP SCREW	24		X	12.7MM X 112MM
18	R116515	ENGINE CYLINDER HEAD GASKET	1		X	

510-16

CYLINDER HEAD

MEMORANDA
MEMORANDA
MEMORANDA
MEMORANDA
MEMORANDA
MEMORANDA

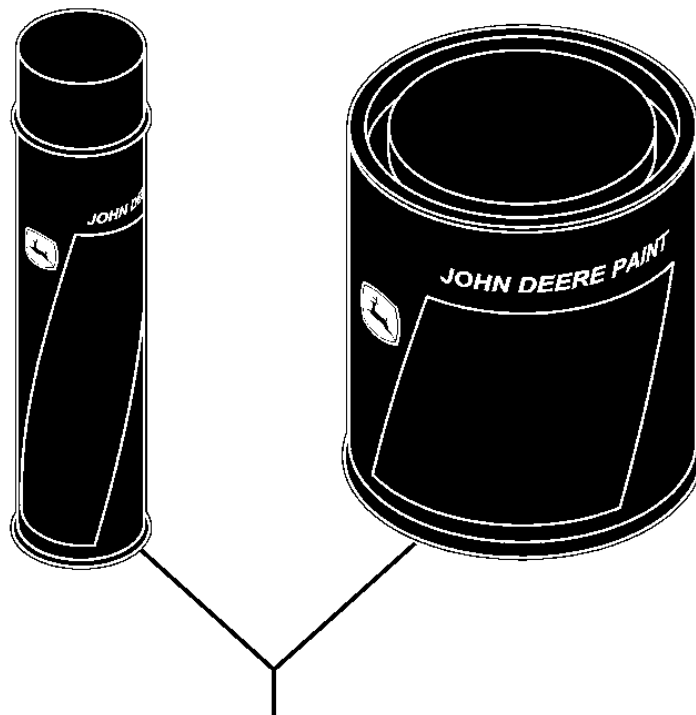
560-A01

PAINT

SECTIONAL INDEX
INDEX DE SECTION
GRUPPENINDEX
INDICE DELLA SEZIONE
INDICE DE SECCION
GRUPPSFORTECKNING

5907- 1

CDP45694A -UN-



5607 (all models)

CDP45694A

560-A02

PAINT

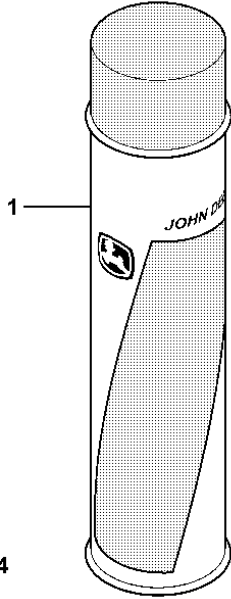
MEMORANDA
MEMORANDA
MEMORANDA
MEMORANDA
MEMORANDA
MEMORANDA

560-1

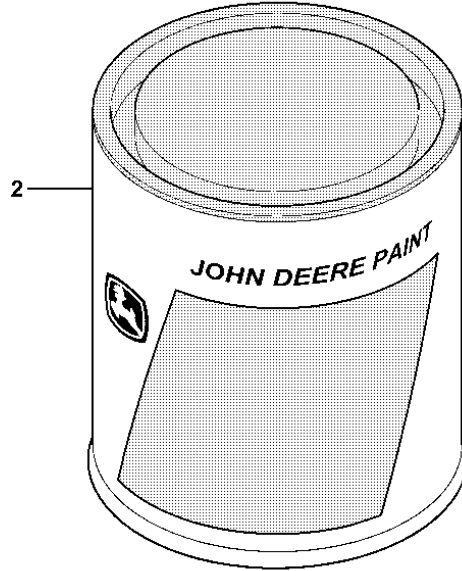
PAINT

5607
5607
5607
5607
5607

CDP45114 -UN-



CDP45114



KEY	PART NO.	PART NAME	QTY.	ENGINE SERIAL NO.	A L L	REMARKS
1	PAINT	NA		X	
2	VFLK7685	BLACK PAINT	AR		X	MATT BLACK, NOIR MAT, SCHWARZ MATT, NERO OPACO, NEGRO MATE, MATT SVART, 0.7L (0.73QT)

560-2

PAINT

MEMORANDA
MEMORANDA
MEMORANDA
MEMORANDA
MEMORANDA
MEMORANDA

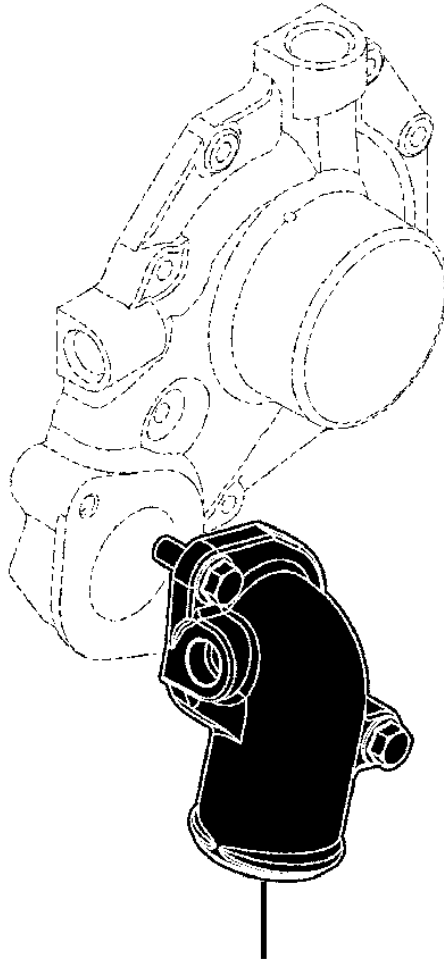
570-A01

WATER PUMP INLET

SECTIONAL INDEX
INDEX DE SECTION
GRUPPENINDEX
INDICE DELLA SEZIONE
INDICE DE SECCION
GRUPPSFORTECKNING

CDP46882A -UN-

5702-	1
5722A-	2



5702 (4045H,T-2V)
(6068H-2V)
5722A (4045D,T-2V)

CDP46882A

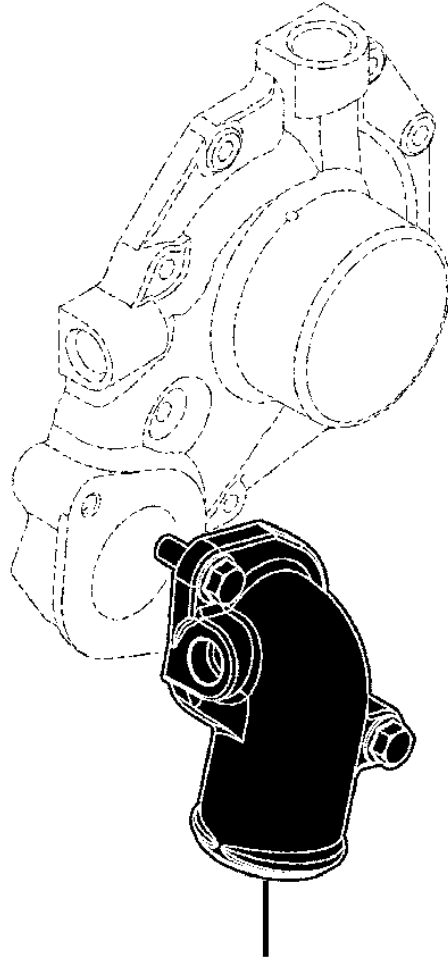
570-A02

WATER PUMP INLET

SECTIONAL INDEX
INDEX DE SECTION
GRUPPENINDEX
INDICE DELLA SEZIONE
INDICE DE SECCION
GRUPPSFORTECKNING

5722B- 3

CDP46883A -UN-



5722B (4045H-4V)
(6068H-4V)

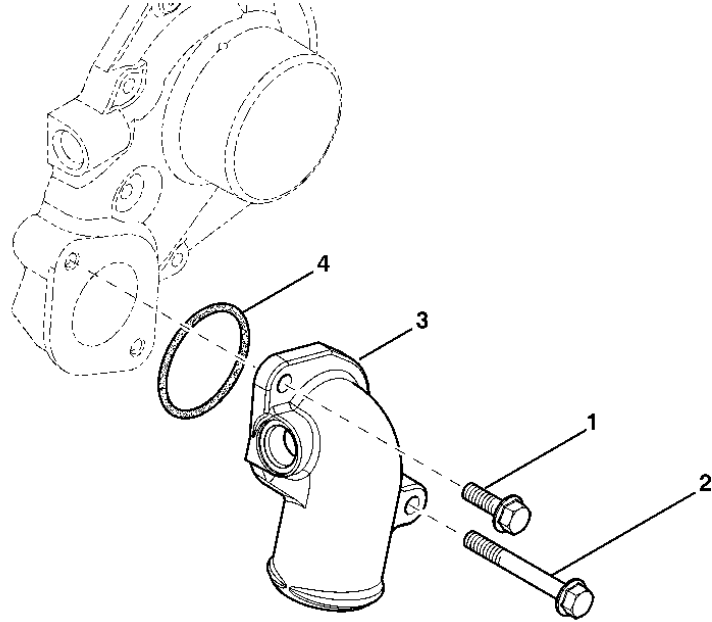
CDP46883A

570-1

WATER PUMP INLET

5702
5702
5702
5702
5702
5702

CDP45671 -UN-



CDP45671

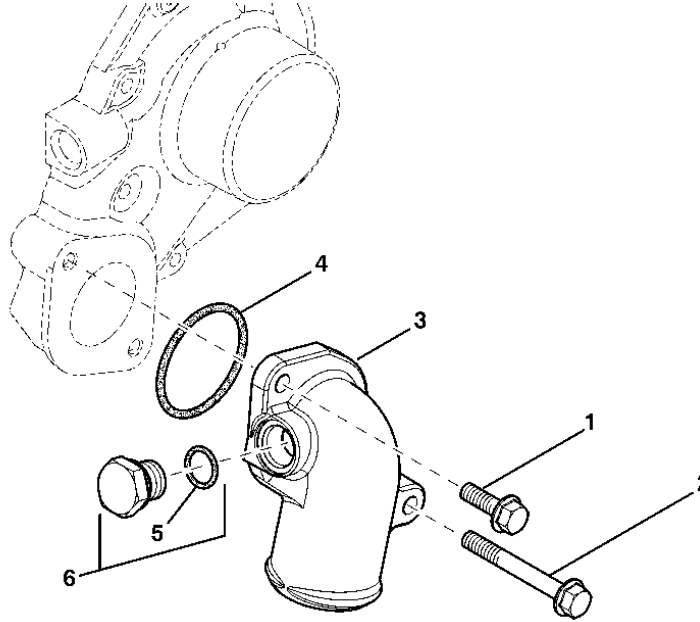
KEY	PART NO.	PART NAME	QTY.	ENGINE SERIAL NO.	REMARKS
				4 4 6	
				0 0 0	
				4 4 6	
				5 5 8	
				H T H	
1	19M7867	SCREW	1	X X X	M8 X 25, (10.9)
2	19M7802	SCREW	1	X X X	M8 X 65, (10.9)
3	R121635	ELBOW FITTING	1	X X X	
4	R89944	O-RING	1	X X X	50.394 X 3.531 MM

570-2

WATER PUMP INLET

5722
5722
5722
5722
5722

CDP45670 -UN-



CDP45670

KEY	PART NO.	PART NAME	QTY.	ENGINE SERIAL NO.	D T	REMARKS
1	19M7867	SCREW	1		X X	M8 X 25, (10.9)
2	19M7802	SCREW	1		X X	M8 X 65, (10.9)
3	R502983	WATER PUMP CONNECTION	1		X X	
4	R89944	O-RING	1		X X	50.394 X 3.531 MM
5	51M7043	O-RING	1		X X	15.300 X 2.200 MM
6	RE46685	FITTING PLUG	1		X X	M18 X 1.5

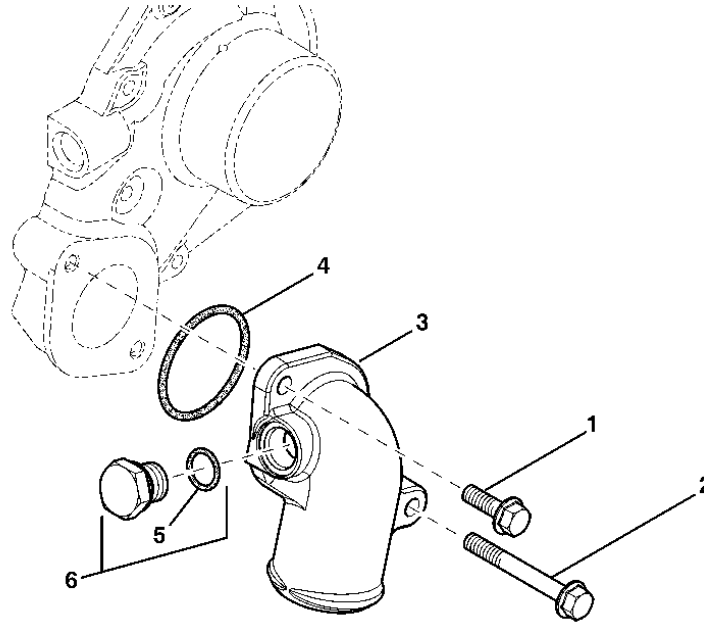
4 4
0 0
4 4
5 5

570-3

WATER PUMP INLET

5722
5722
5722
5722
5722
5722

CDP45670 -UN-



CDP45670

KEY	PART NO.	PART NAME	QTY.	ENGINE SERIAL NO.	REMARKS
				4 6	
				0 0	
				4 6	
				5 8	
				H H	
1	19M7867	SCREW	1		X X M8 X 25, (10.9)
2	19M7802	SCREW	1		X X M8 X 65, (10.9)
3	R502983	WATER PUMP CONNECTION	1		X X
4	R89944	O-RING	1		X X 50.394 X 3.531 MM
5	51M7043	O-RING	1		X X 15.300 X 2.200 MM
6	RE46685	FITTING PLUG	1		X X M18 X 1.5

570-4

WATER PUMP INLET

MEMORANDA
MEMORANDA
MEMORANDA
MEMORANDA
MEMORANDA
MEMORANDA

590-A01

OIL COOLER

SECTIONAL INDEX
INDEX DE SECTION
GRUPPENINDEX
INDICE DELLA SEZIONE
INDICE DE SECCION
GRUPPSFORTECKNING

5939- 14

CDP46884A -UN-



CDP46884A

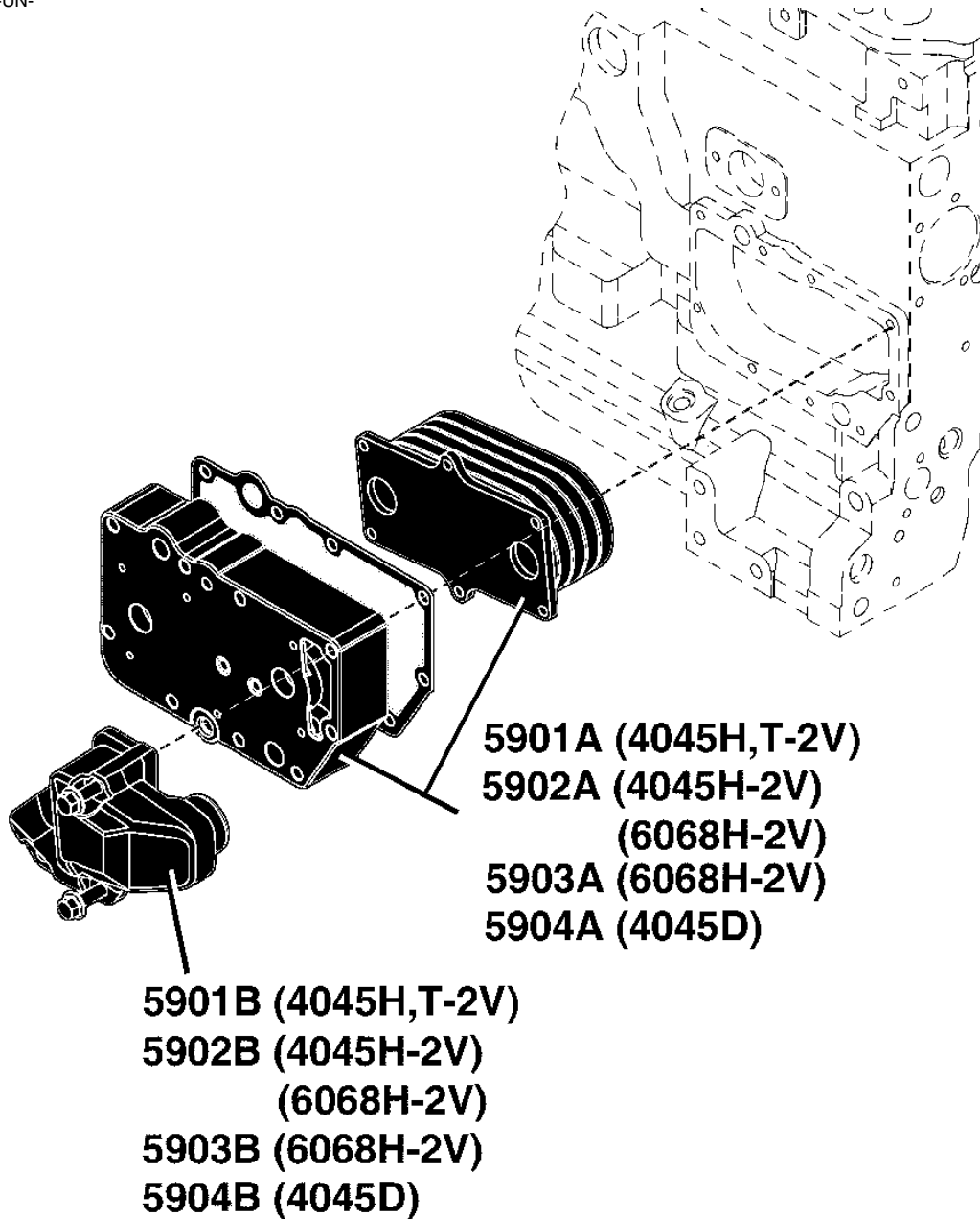
590-A02

OIL COOLER

SECTIONAL INDEX
INDEX DE SECTION
GRUPPENINDEX
INDICE DELLA SEZIONE
INDICE DE SECCION
GRUPPSFORTECKNING

CDP46885B -UN-

5901A-	2
5901B-	3
5902A-	4
5902B-	5
5903A-	8
5903B-	9
5904A-	12
5904B-	13



CDP46885B

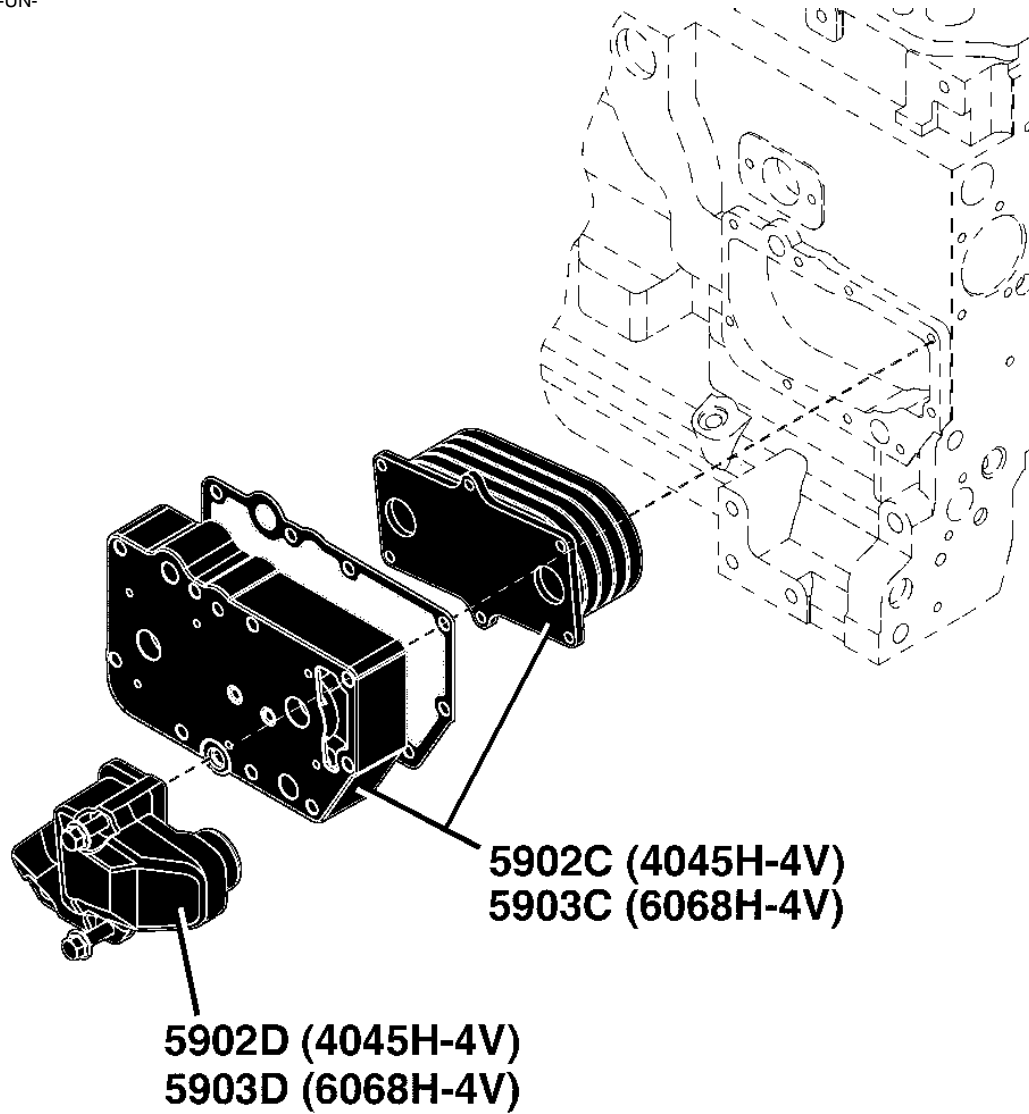
590-A03

OIL COOLER

SECTIONAL INDEX
INDEX DE SECTION
GRUPPENINDEX
INDICE DELLA SEZIONE
INDICE DE SECCION
GRUPPSFORTECKNING

CDP46886B -UN-

5902C-	6
5902D-	7
5903C-	10
5903D-	11



CDP469886B

590-A04

OIL COOLER

MEMORANDA
MEMORANDA
MEMORANDA
MEMORANDA
MEMORANDA
MEMORANDA

590-1

OIL COOLER

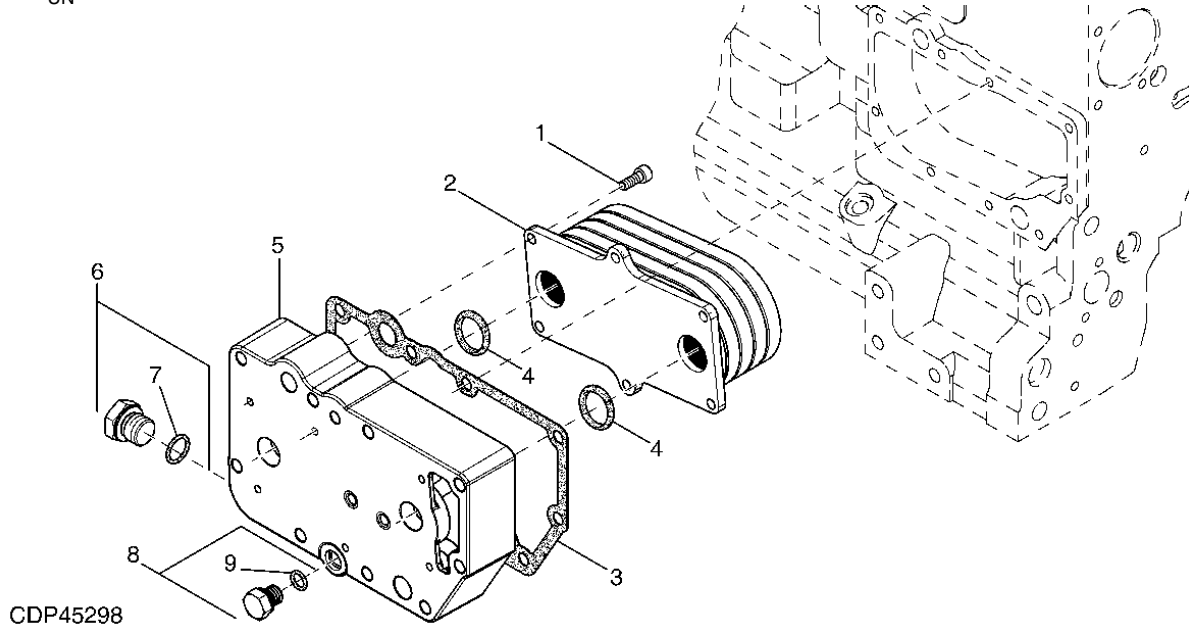
MEMORANDA
MEMORANDA
MEMORANDA
MEMORANDA
MEMORANDA
MEMORANDA

590-2

OIL COOLER

5901
5901
5901
5901
5901
5901

CDP45298 -UN-



CDP45298

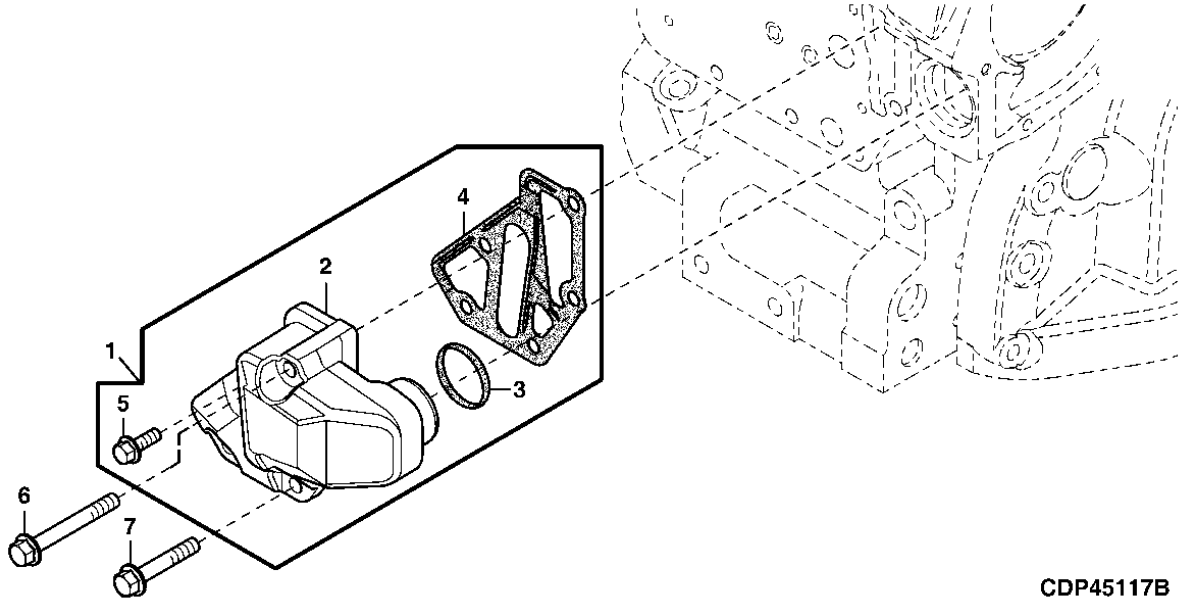
KEY	PART NO.	PART NAME	QTY.	ENGINE SERIAL NO.	REMARKS
1	RE67231	SCREW	6	4 4 0 0 4 4 5 5 H T	X X M6 X 16 (12.9), THREADS WITH PRE-APPLIED SEALANT, FILETS ENDUITS DE PRODUIT D'ETANCHEITE, MIT DICHTMITTEL, CON MATERIALE DI TENUTA, CON SELLADOR, MED TAETNINGSMEDEL
2	RE59296	OIL COOLER	1	X X	5 PLATES, PLAQUES, KUEHLPLATTEN, PIASTRE, PLACAS, PLATTOR
3	R123501	GASKET	1	X X	
4	T122075	O-RING	2	X X	29.820 X 2.616 MM
5	R123471	HOUSING	1	X X	
6	RE46685	FITTING PLUG	1	X X	M18 X 1.5
7	51M7043	O-RING	1	X X	15.300 X 2.200 MM
8	RE46686	FITTING PLUG	1	X X	M12 X 1.5
9	51M7040	O-RING	1	X X	9.300 X 2.200 MM

590-3

OIL COOLER

5901 - CONTINUED
 5901 - SUITE
 5901 - FORTSETZUNG
 5901 - SEGUITO
 5901 - CONTINUACION
 5901 - FORTS

CDP45117B -UN-



CDP45117B

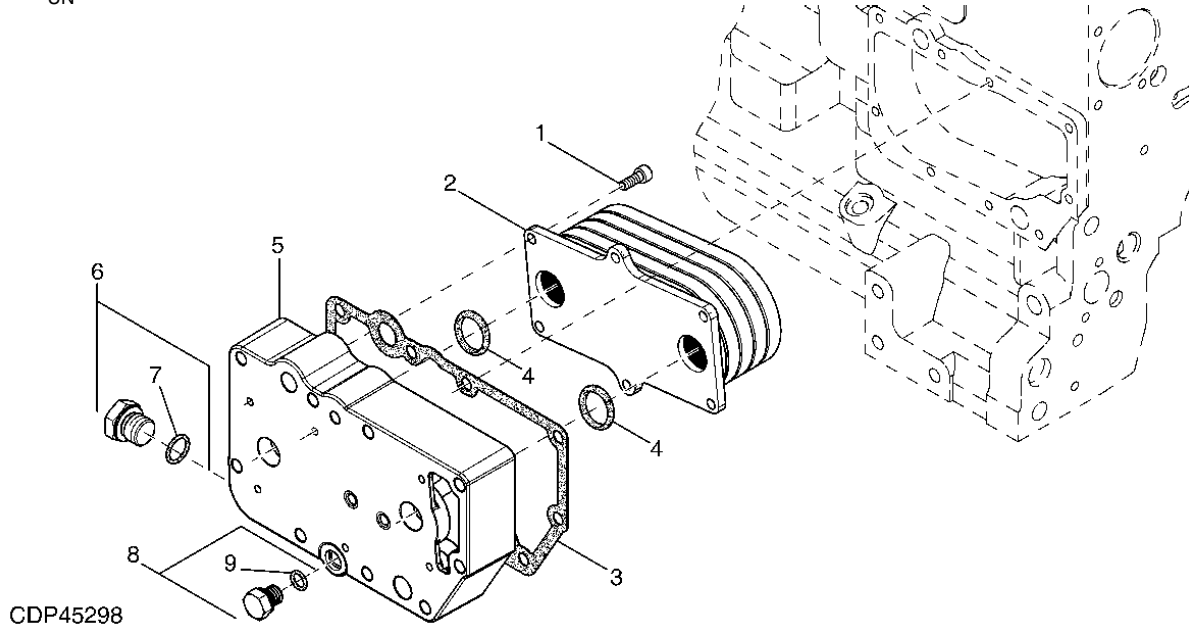
KEY	PART NO.	PART NAME	QTY.	ENGINE SERIAL NO.	REMARKS
					4 4
					0 0
					4 4
					5 5
					H T
1	RE508599	ADAPTER FITTING	1		X X KIT, INCL. KEYS 2, 3, 4 & 5
2	INTERMEDIATE HOUSING	1		X X (MARKED R502811) (ORDER RE508599)
3	R504734	O-RING	1		X X 37.694 X 3.531 MM
4	R501428	GASKET	1		X X
5	RE67238	SCREW	1		X X M8 X 20 (10.9) THREADS WITH PRE-APPLIED SEALANT, FILETS ENDUITS DE PRODUIT D'ETANCHEITE, MIT DICHTMITTEL, CON MATERIALE DI TENUTA, CON SELLADOR, MED TAETNINGSMEDEL
6	19M7970	SCREW	2		X X M8 X 100, (10.9)
7	19M7802	SCREW	2		X X M8 X 65, (10.9)

590-4

OIL COOLER

5902
5902
5902
5902
5902

CDP45298 -UN-



CDP45298

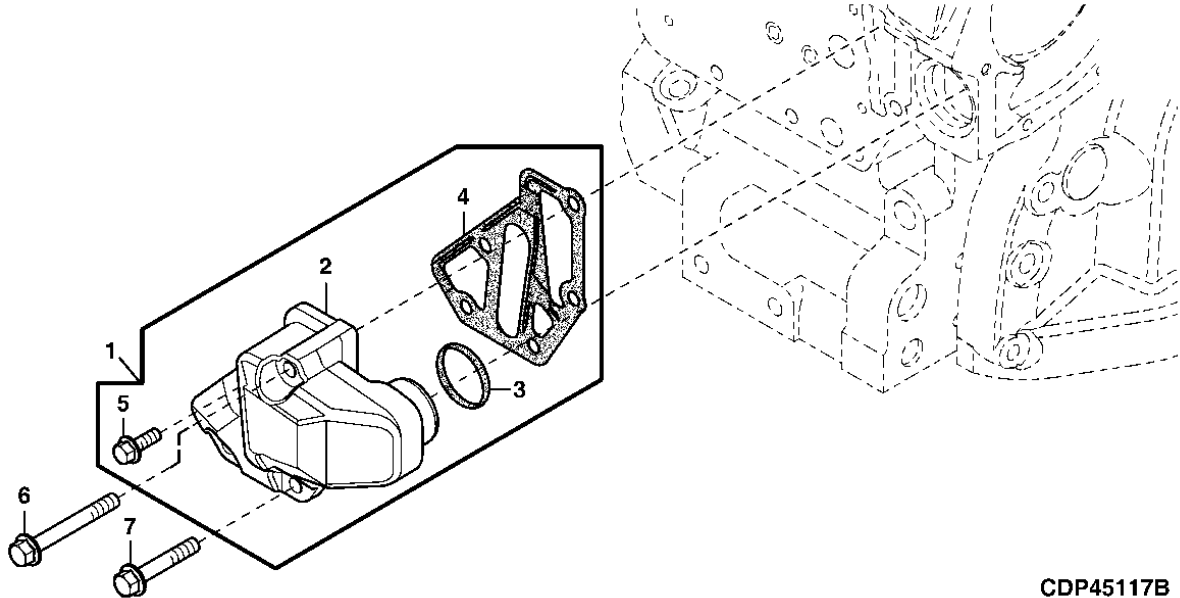
KEY	PART NO.	PART NAME	QTY.	ENGINE SERIAL NO.	REMARKS
1	RE67231	SCREW	6	4 6 0 0 4 6 5 8 H H	X X M6 X 16, (12.9) THREADS WITH PRE-APPLIED SEALANT, FILETS ENDUITS DE PRODUIT D'ETANCHEITE, MIT DICHTMITTEL, CON MATERIALE DI TENUTA, CON SELLADOR, MED TAETNINGSMEDEL
2	RE56690	OIL COOLER	1		X X 7 PLATES, PLAQUES, KUEHLPLATTEN, PIASTRE, PLACAS, PLATTOR
3	R123501	GASKET	1		X X
4	T122075	O-RING	2		X X 29.820 X 2.616 MM
5	R123471	HOUSING	1		X X
6	RE46685	FITTING PLUG	1		X X M18 X 1.5
7	51M7043	O-RING	1		X X 15.300 X 2.200 MM
8	RE46686	FITTING PLUG	1		X X M12 X 1.5
9	51M7040	O-RING	1		X X 9.300 X 2.200 MM

590-5

OIL COOLER

5902 - CONTINUED
 5902 - SUITE
 5902 - FORTSETZUNG
 5902 - SEGUITO
 5902 - CONTINUACION
 5902 - FORTS

CDP45117B -UN-



CDP45117B

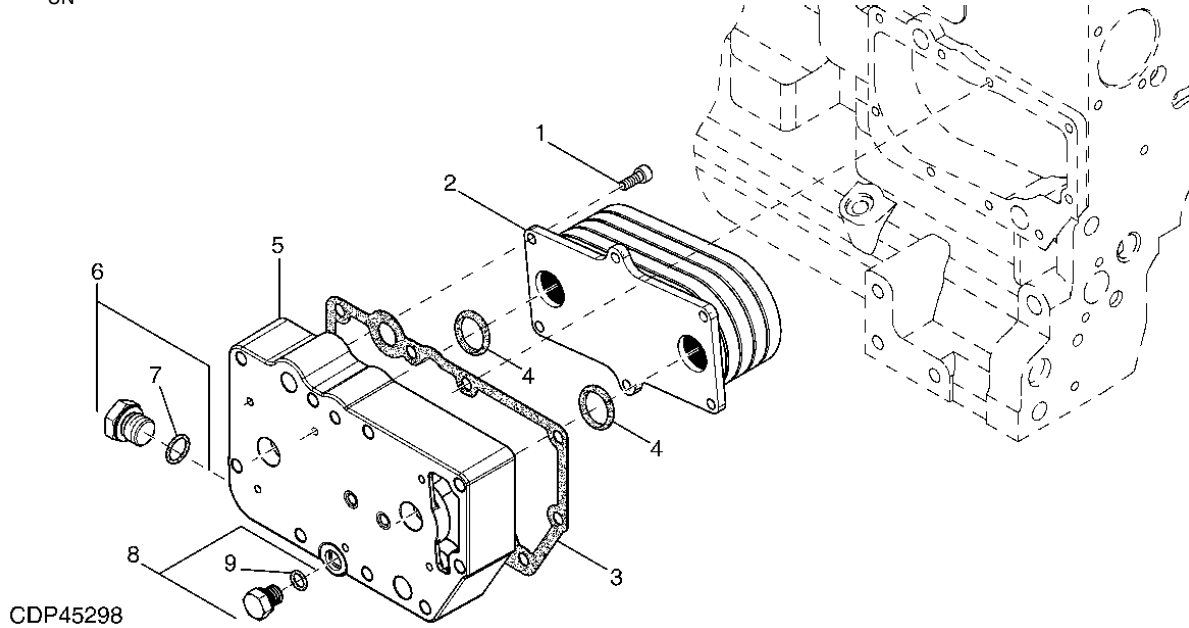
KEY	PART NO.	PART NAME	QTY.	ENGINE SERIAL NO.	REMARKS
				4 6	
				0 0	
				4 6	
				5 8	
				H H	
1	RE508599	ADAPTER FITTING	1	X X	KIT, INCL. KEYS 2, 3, 4 & 5
2	INTERMEDIATE HOUSING	1	X X	(MARKED R502811) (ORDER RE508599)
3	R504734	O-RING	1	X X	37.694 X 3.531 MM
4	R501428	GASKET	1	X X	
5	RE67238	SCREW	1	X X	M8 X 20 (10.9) THREADS WITH PRE-APPLIED SEALANT, FILETS ENDUITS DE PRODUIT D'ETANCHEITE, MIT DICHTMITTEL, CON MATERIALE DI TENUTA, CON SELLADOR, MED TAETNINGSMEDEL
6	19M7970	SCREW	2	X X	M8 X 100, (10.9)
7	19M7802	SCREW	2	X X	M8 X 65, (10.9)

590-6

OIL COOLER

5902
5902
5902
5902
5902

CDP45298 -UN-



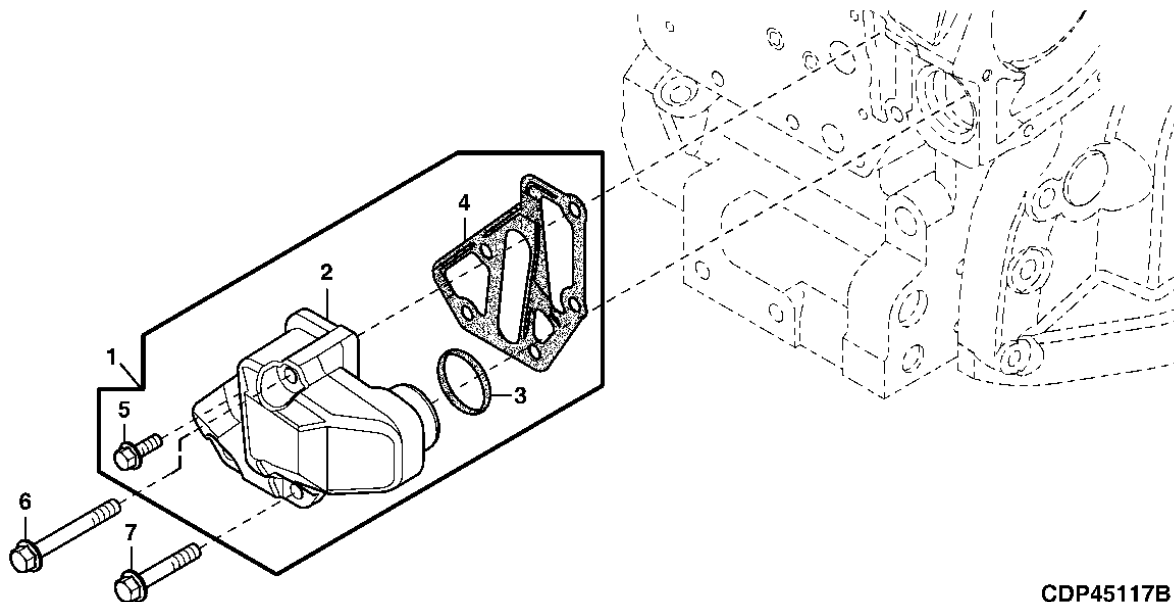
KEY	PART NO.	PART NAME	QTY.	ENGINE SERIAL NO.	REMARKS
1	RE67231	SCREW	6		X M6 X 16, (12.9) THREADS WITH PRE-APPLIED SEALANT, FILETS ENDUITS DE PRODUIT D'ETANCHEITE, MIT DICHTMITTEL, CON MATERIALE DI TENUTA, CON SELLADOR, MED TAETNINGSMEDEL
2	RE56690	OIL COOLER	1		X 7 PLATES, PLAQUES, KUEHLPLATTEN, PIASTRE, PLACAS, PLATTOR
3	R123501	GASKET	1		X
4	T122075	O-RING	2		X 29.820 X 2.616 MM
5	R123471	HOUSING	1		X
6	RE46685	FITTING PLUG	1		X M18 X 1.5
7	51M7043	O-RING	1		X 15.300 X 2.200 MM
8	RE46686	FITTING PLUG	1		X M12 X 1.5
9	51M7040	O-RING	1		X 9.300 X 2.200 MM

590-7

OIL COOLER

5902 - CONTINUED
 5902 - SUITE
 5902 - FORTSETZUNG
 5902 - SEGUITO
 5902 - CONTINUACION
 5902 - FORTS

CDP45117B -UN-



CDP45117B

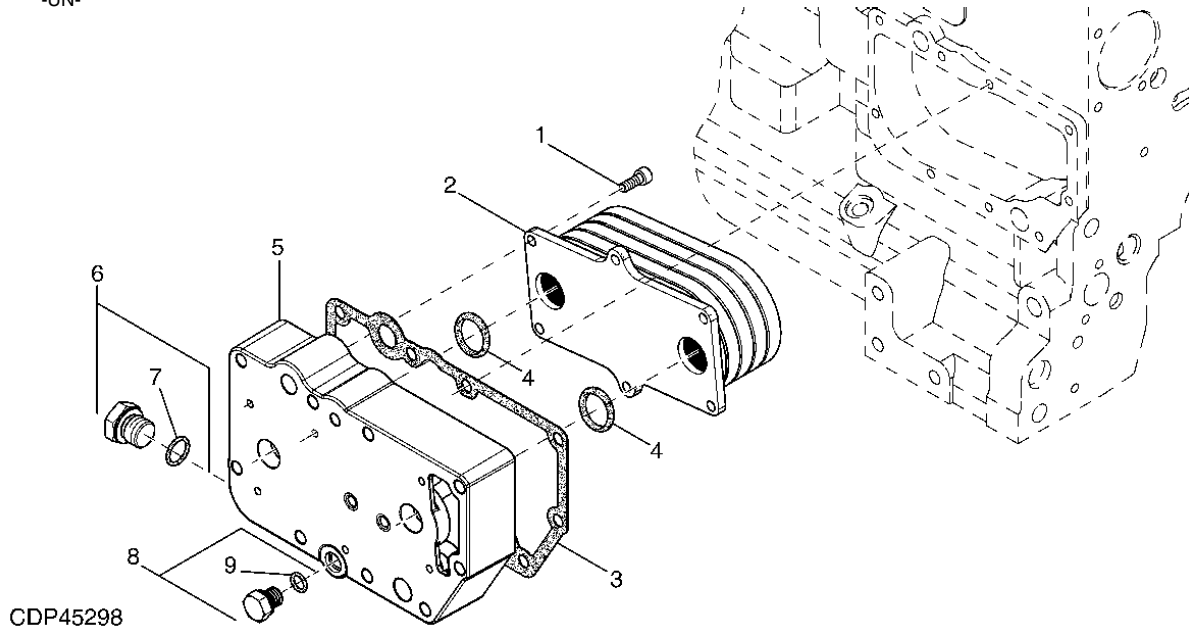
KEY	PART NO.	PART NAME	QTY.	ENGINE SERIAL NO.	REMARKS
1	RE508599	ADAPTER FITTING	1		X KIT, INCL. KEYS 2, 3, 4 & 5
2	INTERMEDIATE HOUSING	1		X (MARKED R502811) (ORDER RE508599)
3	R504734	O-RING	1		X 37.694 X 3.531 MM
4	R501428	GASKET	1		X
5	RE67238	SCREW	1		X M8 X 20 (10.9) THREADS WITH PRE-APPLIED SEALANT, FILETS ENDUITS DE PRODUIT D'ETANCHEITE, MIT DICHTMITTEL, CON MATERIALE DI TENUTA, CON SELLADOR, MED TAETNINGSMEDEL
6	19M7970	SCREW	2		X M8 X 100, (10.9)
7	19M7802	SCREW	2		X M8 X 65, (10.9)

590-8

OIL COOLER

5903
5903
5903
5903
5903

CDP45298 -UN-



KEY	PART NO.	PART NAME	QTY.	ENGINE SERIAL NO.	REMARKS
1	RE67231	SCREW	6		X M6 X 16, (12.9) THREADS WITH PRE-APPLIED SEALANT, FILETS ENDUITS DE PRODUIT D'ETANCHEITE, MIT DICHTMITTEL, CON MATERIALE DI TENUTA, CON SELLADOR, MED TAETNINGSMEDEL
2	RE59298	OIL COOLER	1		X 9 PLATES, PLAQUES, KUEHLPLATTEN, PIASTRE, PLACAS, PLATTOR
3	R123501	GASKET	1		X
4	T122075	O-RING	2		X 29.820 X 2.616 MM
5	R123471	HOUSING	1		X
6	RE46685	FITTING PLUG	1		X M18 X 1.5
7	51M7043	O-RING	1		X 15.300 X 2.200 MM
8	RE46686	FITTING PLUG	1		X M12 X 1.5
9	51M7040	O-RING	1		X 9.3X2.2MM

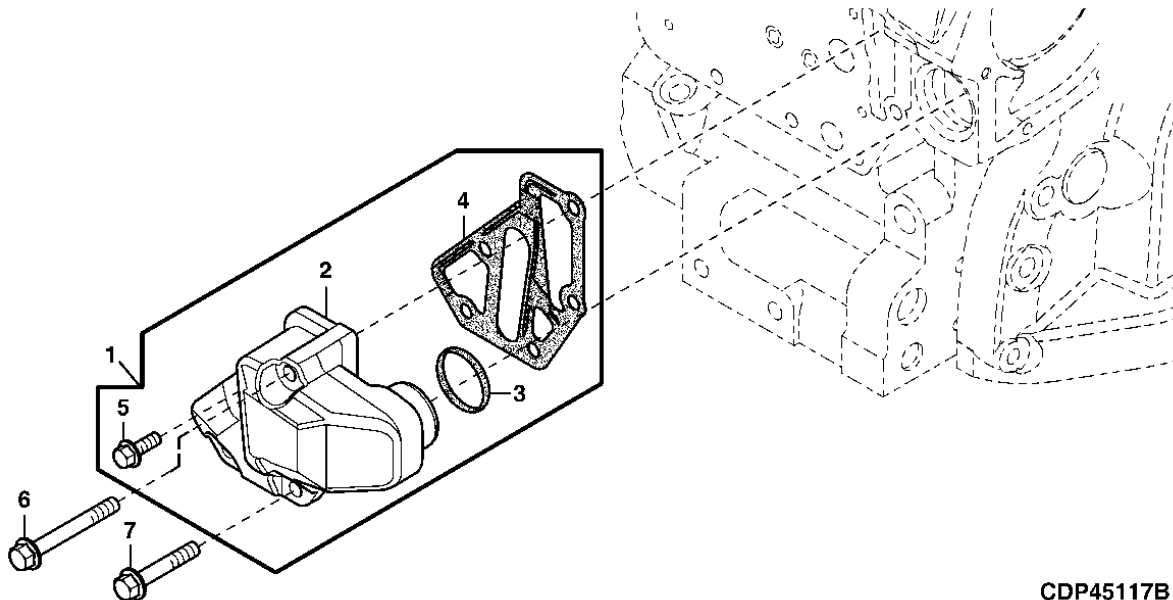
6
0
6
8
H

590-9

OIL COOLER

5903 - CONTINUED
 5903 - SUITE
 5903 - FORTSETZUNG
 5903 - SEGUITO
 5903 - CONTINUACION
 5903 - FORTS

CDP45117B -UN-



CDP45117B

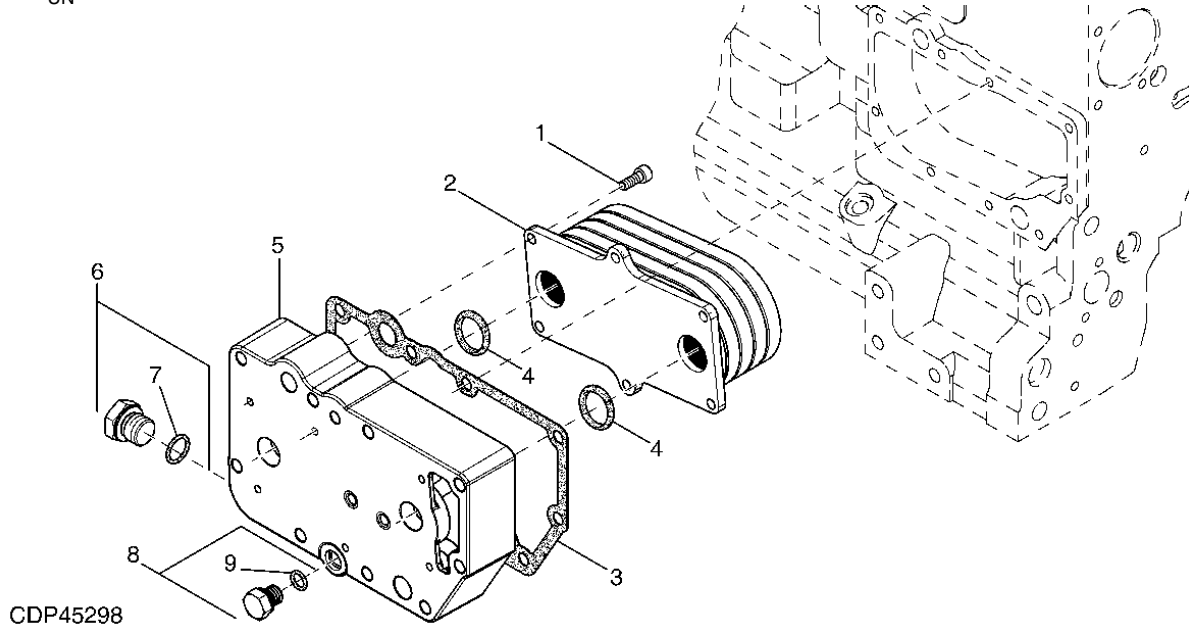
KEY	PART NO.	PART NAME	QTY.	ENGINE SERIAL NO.	REMARKS
1	RE508599	ADAPTER FITTING	1		X KIT, INCL. KEYS 2, 3, 4 & 5
2	INTERMEDIATE HOUSING	1		X (MARKED R502811) (ORDER RE508599)
3	R504734	O-RING	1		X 37.694 X 3.531 MM
4	R501428	GASKET	1		X
5	RE67238	SCREW	1		X M8 X 20 (10.9) THREADS WITH PRE-APPLIED SEALANT, FILETS ENDUITS DE PRODUIT D'ETANCHEITE, MIT DICHTMITTEL, CON MATERIALE DI TENUTA, CON SELLADOR, MED TAETNINGSMEDEL
6	19M7970	SCREW	2		X M8 X 100, (10.9)
7	19M7802	SCREW	2		X M8 X 65, (10.9)

590-10

OIL COOLER

5903
5903
5903
5903
5903

CDP45298 -UN-



KEY	PART NO.	PART NAME	QTY.	ENGINE SERIAL NO.	REMARKS
1	RE67231	SCREW	6		X M6 X 16, (12.9) THREADS WITH PRE-APPLIED SEALANT, FILETS ENDUITS DE PRODUIT D'ETANCHEITE, MIT DICHTMITTEL, CON MATERIALE DI TENUTA, CON SELLADOR, MED TAETNINGSMEDEL
2	RE59298	OIL COOLER	1		X 9 PLATES, PLAQUES, KUEHLPLATTEN, PIASTRE, PLACAS, PLATTOR
3	R123501	GASKET	1		X
4	T122075	O-RING	2		X 29.820 X 2.616 MM
5	R123471	HOUSING	1		X
6	RE46685	FITTING PLUG	1		X M18 X 1.5
7	51M7043	O-RING	1		X 15.300 X 2.200 MM
8	RE46686	FITTING PLUG	1		X M12 X 1.5
9	51M7040	O-RING	1		X 9.3X2.2MM

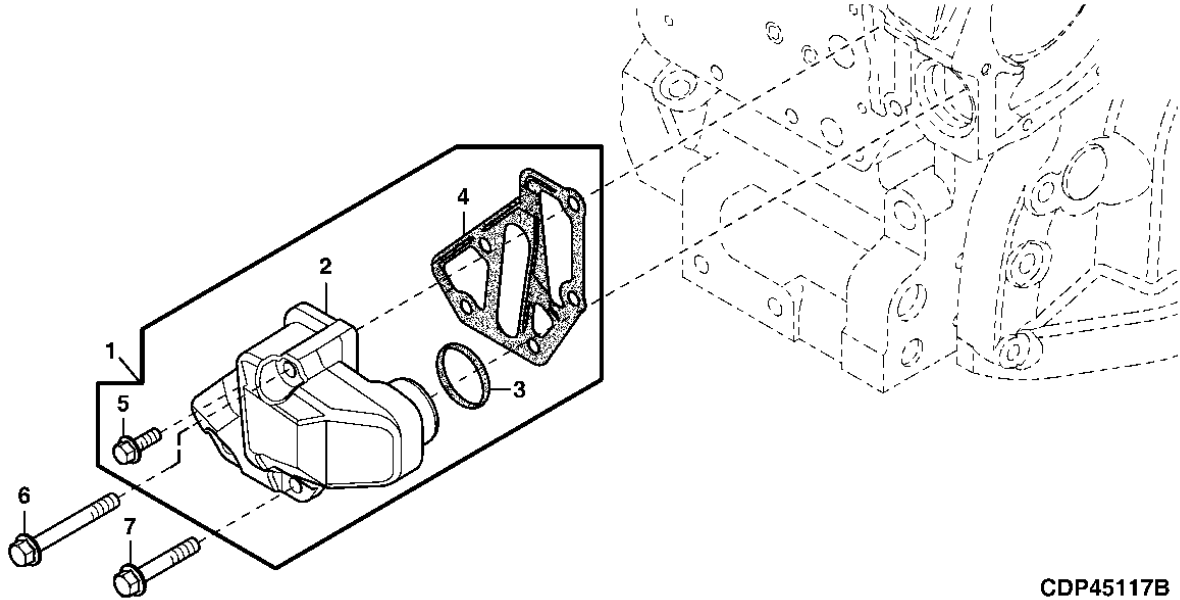
6
0
6
8
H

590-11

OIL COOLER

5903 - CONTINUED
 5903 - SUITE
 5903 - FORTSETZUNG
 5903 - SEGUIITO
 5903 - CONTINUACION
 5903 - FORTS

CDP45117B -UN-



CDP45117B

KEY	PART NO.	PART NAME	QTY.	ENGINE SERIAL NO.	REMARKS
1	RE508599	ADAPTER FITTING	1		X KIT, INCL. KEYS 2, 3, 4 & 5
2	INTERMEDIATE HOUSING	1		X (MARKED R502811) (ORDER RE508599)
3	R504734	O-RING	1		X 37.694 X 3.531 MM
4	R501428	GASKET	1		X
5	RE67238	SCREW	1		X M8 X 20 (10.9) THREADS WITH PRE-APPLIED SEALANT, FILETS ENDUITS DE PRODUIT D'ETANCHEITE, MIT DICHTMITTEL, CON MATERIALE DI TENUTA, CON SELLADOR, MED TAETNINGSMEDEL
6	19M7970	SCREW	2		X M8 X 100, (10.9)
7	19M7802	SCREW	2		X M8 X 65, (10.9)

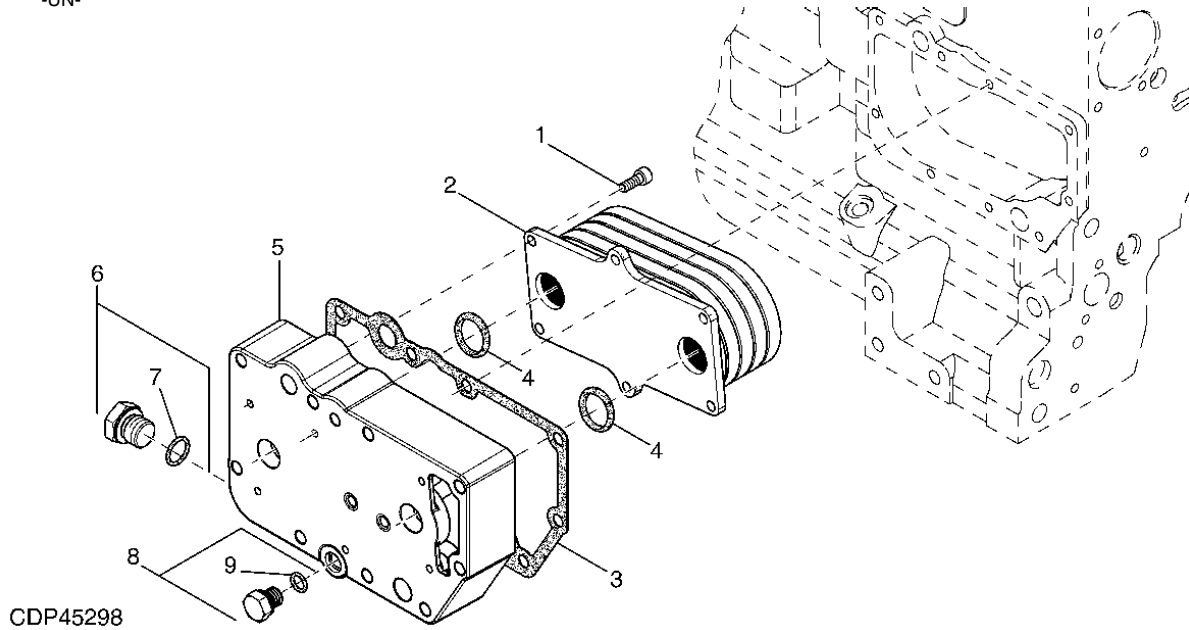
6
0
6
8
H

590-12

OIL COOLER

5904
5904
5904
5904
5904

CDP45298 -UN-



CDP45298

KEY	PART NO.	PART NAME	QTY.	ENGINE SERIAL NO.	REMARKS
1	RE67231	SCREW	6		X M6 X 16, (12.9) THREADS WITH PRE-APPLIED SEALANT, FILETS ENDUITS DE PRODUIT D'ETANCHEITE, MED TAETNINGSMEDEL MIT DICHTMITTEL, CON MATERIALE DI TENUTA, CON SELLADOR.
2	RE59812	OIL COOLER	1		X 3 PLATES, PLAQUES, KUEHLPLATTEN, PIASTRE, PLACAS, PLATTOR
3	R123501	GASKET	1		X
4	T122075	O-RING	2		X 29.820 X 2.616 MM
5	R123471	HOUSING	1		X
6	RE46685	FITTING PLUG	1		X M18 X 1.5
7	51M7043	O-RING	1		X 15.300 X 2.200 MM
8	RE46686	FITTING PLUG	1		X M12 X 1.5
9	51M7040	O-RING	1		X 9.3X2.2MM

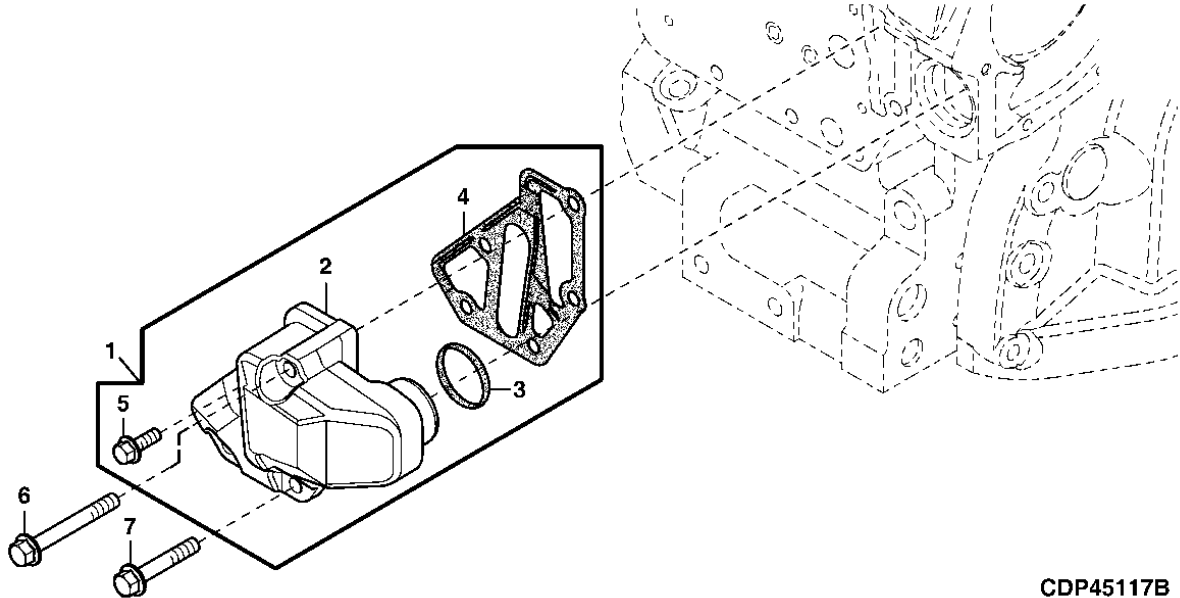
4
0
4
5
D

590-13

OIL COOLER

5904 - CONTINUED
 5904 - SUITE
 5904 - FORTSETZUNG
 5904 - SEGUITO
 5904 - CONTINUACION
 5904 - FORTS

CDP45117B -UN-



CDP45117B

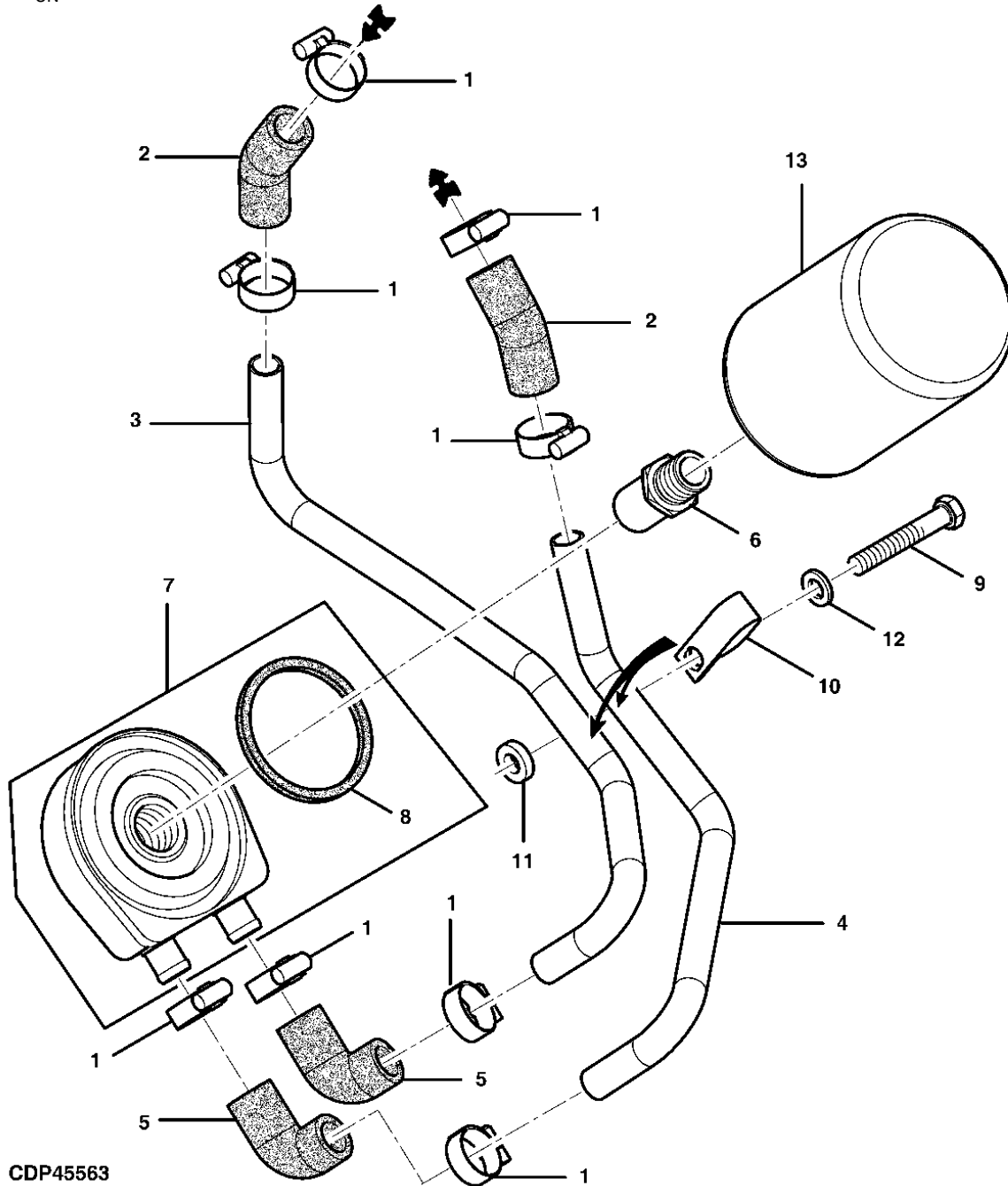
KEY	PART NO.	PART NAME	QTY.	ENGINE SERIAL NO.	REMARKS
1	RE508599	ADAPTER FITTING	1		X KIT, INCL. KEYS 2, 3, 4 & 5
2	INTERMEDIATE HOUSING	1		X (MARKED R502811) (ORDER RE508599)
3	R504734	O-RING	1		X 37.694 X 3.531 MM
4	R501428	GASKET	1		X
5	RE67238	SCREW	1		X M8 X 20 (10.9) THREADS WITH PRE-APPLIED SEALANT, FILETS ENDUITS DE PRODUIT D'ETANCHEITE, MIT DICHTMITTEL, CON MATERIALE DI TENUTA, CON SELLADOR, MED TAETNINGSMEDEL
6	19M7970	SCREW	2		X M8 X 100, (10.9)
7	19M7802	SCREW	2		X M8 X 65, (10.9)

590-14

OIL COOLER

5939
5939
5939
5939
5939

CDP45563 -UN-



CDP45563

590-15

OIL COOLER

KEY	PART NO.	PART NAME	QTY.	ENGINE SERIAL NO.	3 0 2 9 T	REMARKS
1	TY22465	HOSE CLAMP	8		X	(SUB FOR AR21837)
2	R83063	BULK HOSE	2		X	LGTH= 2370MM, CUT TO LENGTH, COUPER A LONGEUR, ABLAENGEN, TAGLIARE SU MISURE, CORTAR A LONGITUD, AVSKARE EFTER MATT
3	R99259	LINE	1		X	OD= 16MM
4	R99258	LINE	1		X	OD= 16MM
5	R99254	HOSE	2		X	
6	R517245	ADAPTER FITTING	1		X	M24 X 1.5 X LGTH 54MM
7	RE61767	OIL COOLER	1		X	
8	R125508	PACKING	1		X	67MM X 74.4MM X 3.6MM
9	19H2733	CAP SCREW	1		X	3/8" X 2-3/8", (SAE 8)
10	R53524	CLAMP	1		X	
11	R99257	SPACER	1		X	10 X 20 X 5 MM
12	24M7106	WASHER	1		X	10 X 18 X 2.500 MM
13	RE519626	OIL FILTER	1		X	

590-16

OIL COOLER

MEMORANDA
MEMORANDA
MEMORANDA
MEMORANDA
MEMORANDA
MEMORANDA

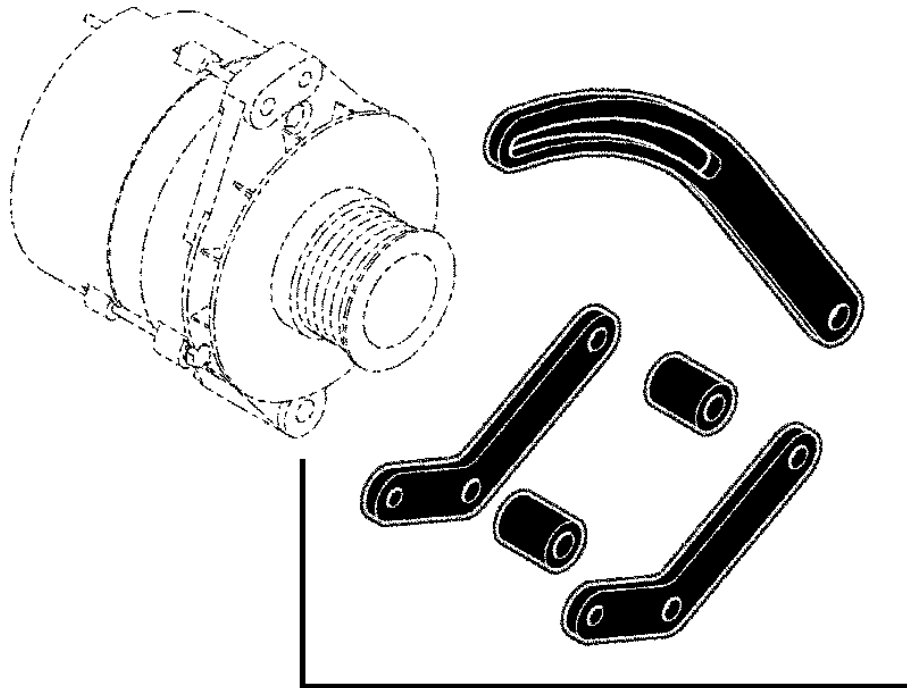
620-A01

ALTERNATOR BRACKETS

SECTIONAL INDEX
INDEX DE SECTION
GRUPPENINDEX
INDICE DELLA SEZIONE
INDICE DE SECCION
GRUPPSFORTECKNING

6218- 3

CDP46887A -UN-



6218 (3029T)

CDP46887A

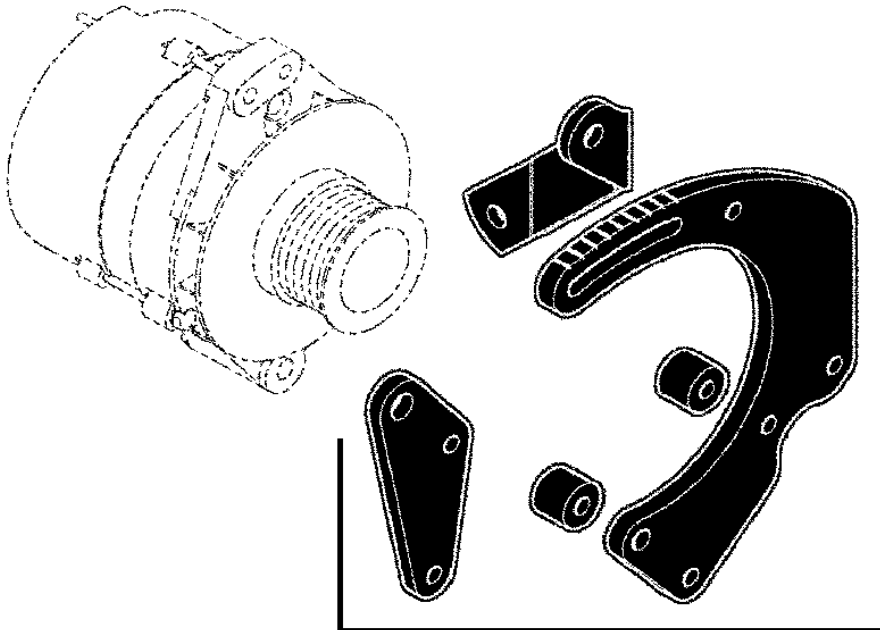
620-A02

ALTERNATOR BRACKETS

SECTIONAL INDEX
INDEX DE SECTION
GRUPPENINDEX
INDICE DELLA SEZIONE
INDICE DE SECCION
GRUPPSFORTECKNING

CDP46888A -UN-

6211A-	1
6211B-	2



6211A (4045D,H,T-2V)
6211B (6068H-2V)

CDP46888A

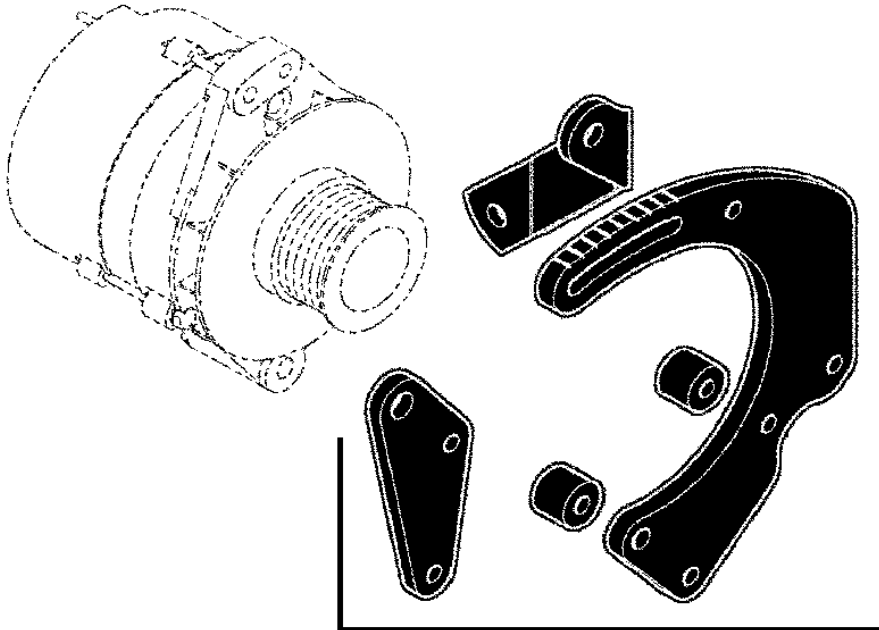
620-A03

ALTERNATOR BRACKETS

SECTIONAL INDEX
INDEX DE SECTION
GRUPPENINDEX
INDICE DELLA SEZIONE
INDICE DE SECCION
GRUPPSFORTECKNING

6261- 4

CDP46889A -UN-



6261 (4045H-4V)
(6068H-4V)

CDP46889A

620-A04

ALTERNATOR BRACKETS

MEMORANDA
MEMORANDA
MEMORANDA
MEMORANDA
MEMORANDA
MEMORANDA

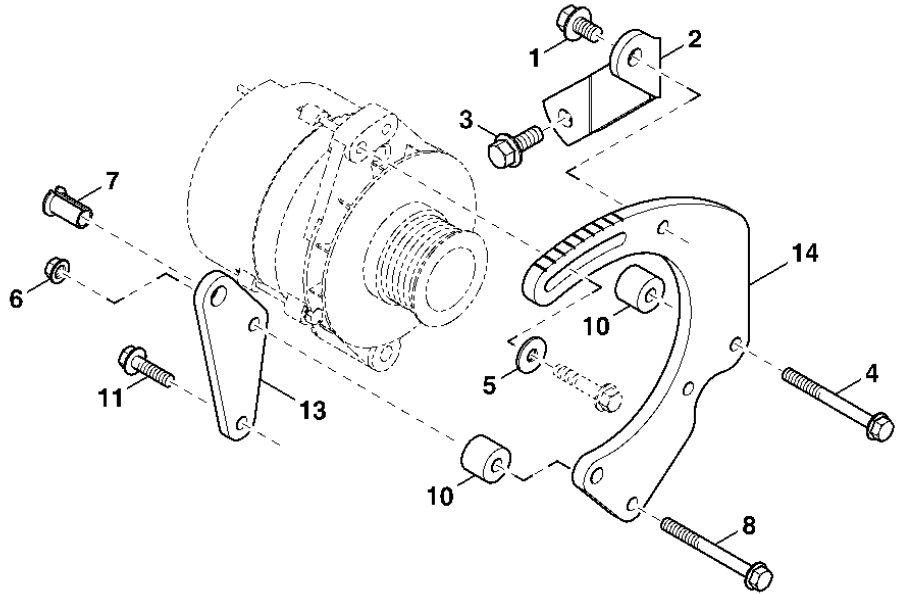
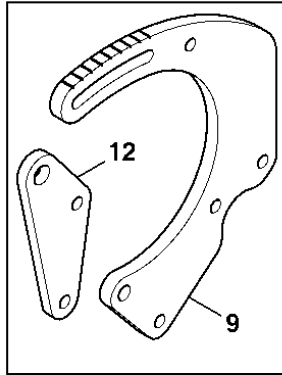
620-1

ALTERNATOR BRACKETS

6211
6211
6211
6211
6211
6211

CDP45675B

-UN-



CDP45675B

KEY	PART NO.	PART NAME	QTY.	ENGINE SERIAL NO.	D H T	REMARKS
					4 4 4	
					0 0 0	
					4 4 4	
					5 5 5	
1	19M7783	SCREW	1		X X X	M10 X 16 (10.9)
2	R500333	BRACKET	1		X X X	
3	19M7785	SCREW	1		X X X	M10 X 25
4	19M8039	SCREW	1		X X X	M8 X 80 (10.9)
5	24M7207	WASHER	1		X X X	8.400 X 24 X 2 MM
6	14M7298	FLANGE NUT	1		X X X	M8
7	R501018	BUSHING	1		X X X	
8	19M9028	SCREW	1		X X X	M8 X 100 (10.9)
9	R504526	BRACKET	1		X X X	(W/O MARKED) (ORDER R522047 AND R522048)
10	R500078	SPACER	2		X X X	
11	19M7868	SCREW	2		X X X	M8 X 30 (10.9)
12	R500080	BRACKET	1		X X X	(W/O MARKED) (ORDER R522047 AND R522048)
13	R522047	BRACKET	1		X X X	(MARKED R522047) (USE WITH R522048)
14	R522048	BRACKET	1		X X X	(MARKED R522048) (USE WITH R522047)

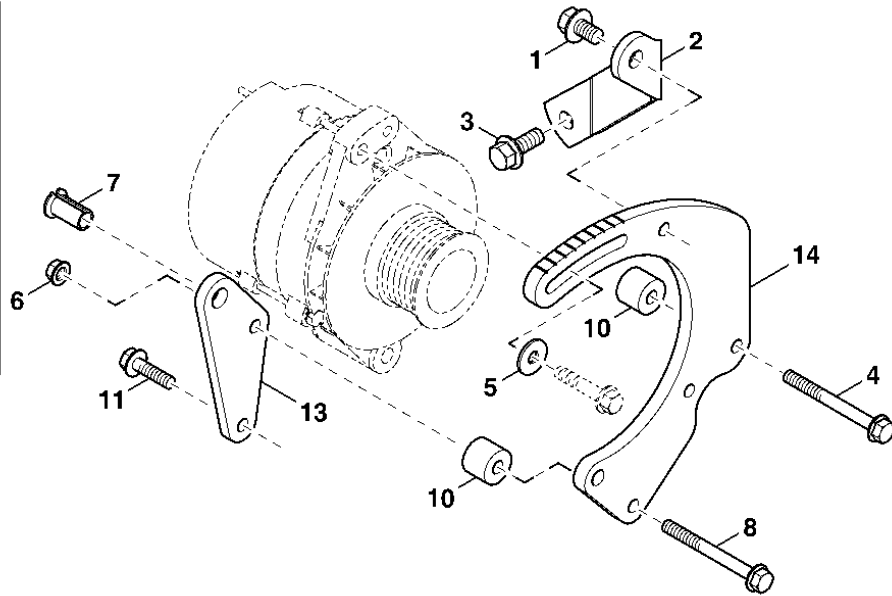
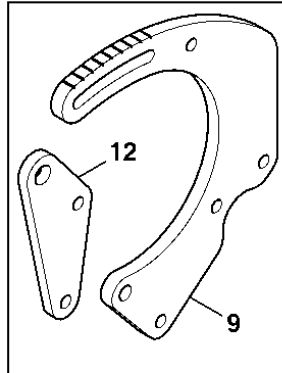
620-2

ALTERNATOR BRACKETS

6211 - CONTINUED
 6211 - SUITE
 6211 - FORTSETZUNG
 6211 - SEGUI TO
 6211 - CONTINUATION
 6211 - FORTS

CDP45675B

-UN-



CDP45675B

KEY	PART NO.	PART NAME	QTY.	ENGINE SERIAL NO.	REMARKS
				6	
				0	
				6	
				8	
				H	
1	19M7783	SCREW	1	X	M10 X 16 (10.9)
2	R500333	BRACKET	1	X	
3	19M7785	SCREW	1	X	M10 X 25
4	19M8039	SCREW	1	X	M8 X 80 (10.9)
5	24M7207	WASHER	1	X	8.400 X 24 X 2 MM
6	14M7298	FLANGE NUT	1	X	M8
7	R501018	BUSHING	1	X	
8	19M9028	SCREW	1	X	M8 X 100 (10.9)
9	R504526	BRACKET	1	X	(ORDER R522047 AND R522048)
10	R500078	SPACER	2	X	
11	19M7868	SCREW	2	X	M8 X 30 (10.9)
12	R500080	BRACKET	1	X	(ORDER R522047 AND R522048)
13	R522047	BRACKET	1	X	(MARKED R522047) (USE WITH R522048)
14	R522048	BRACKET	1	X	(MARKED R522048) (USE WITH R522047)

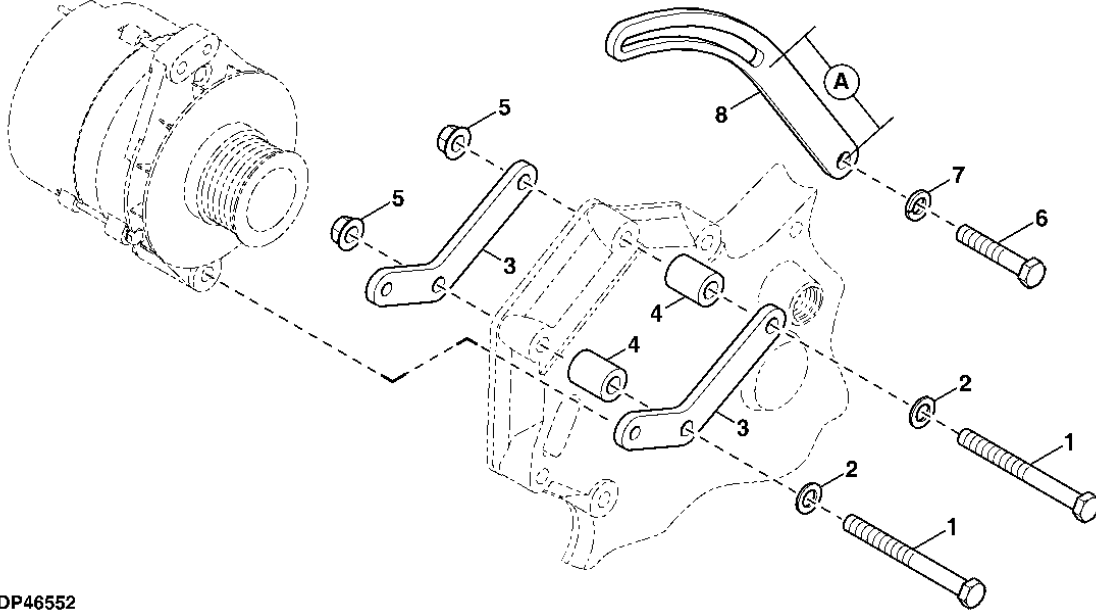
620-3

ALTERNATOR BRACKETS

6218
6218
6218
6218
6218
6218

CDP46552

-UN-



CDP46552

KEY	PART NO.	PART NAME	QTY.	ENGINE SERIAL NO.	REMARKS
1	19H3175	CAP SCREW	2		X 3/8" X 3-5/8"
2	24M7096	WASHER	2		X 10.500 X 18 X 1.600 MM
3	R126389	BRACKET	2		X
4	R64449	SPACER	2		X 10.250 X 20 X 25.400 MM
5	N10215	LOCK NUT	2		X 3/8"
6	19H3065	CAP SCREW	1		X 3/8" X 2"
7	12H304	LOCK WASHER	1		X 3/8"
8	T32853	STRAP	1		X A = 104MM

3
0
2
9
T

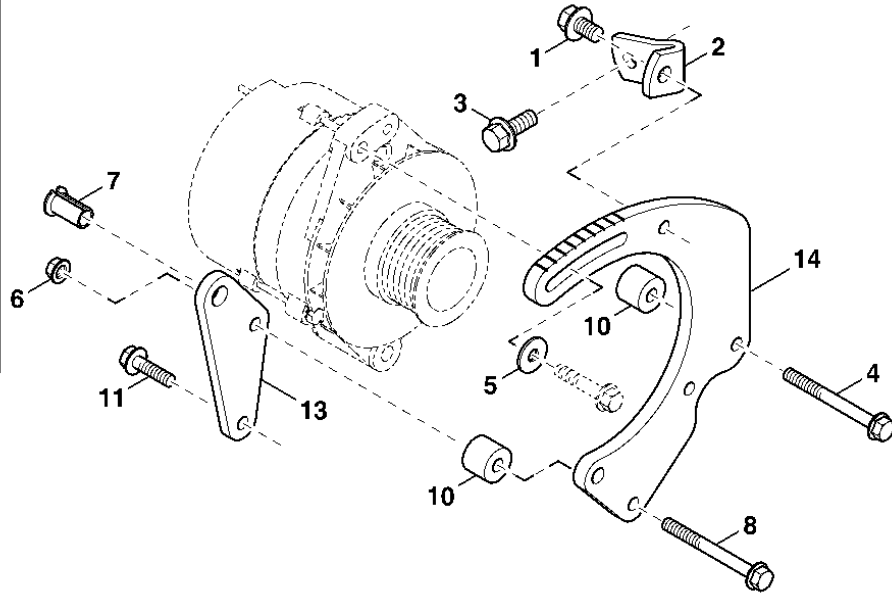
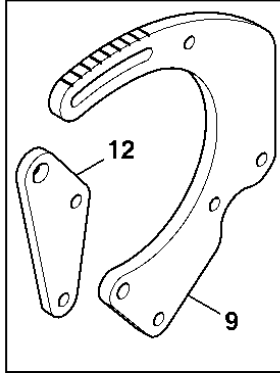
620-4

ALTERNATOR BRACKETS

6261
6261
6261
6261
6261

CDP45674A

-UN-



CDP45674A

KEY	PART NO.	PART NAME	QTY.	ENGINE SERIAL NO.	REMARKS
				4 6	
				0 0	
				4 6	
				5 8	
				H H	
1	19M7783	SCREW	1	X X	M10 X 16 (10.9)
2	R518391	BRACKET	1	X X	
3	19M7785	SCREW	1	X X	M10 X 25
4	19M8039	SCREW	1	X X	M8 X 80 (10.9)
5	24M7207	WASHER	1	X X	
6	14M7298	FLANGE NUT	1	X X	M8
7	R501018	BUSHING	1	X X	
8	19M9028	SCREW	1	X X	M8 X 100 (10.9)
9	R504526	BRACKET	1	X X	(W/O MARKED) (ORDER R522047 AND R522048)
10	R500078	SPACER	2	X X	
11	19M7868	SCREW	2	X X	M8 X 30 (10.9)
12	R500080	BRACKET	1	X X	(W/O MARKED) (ORDER R522047 AND R522048)
13	R522047	BRACKET	1		(MARKED R522047) (USE WITH R522048)
14	R522048	BRACKET	1		(MARKED R522048) (USE WITH R522047)

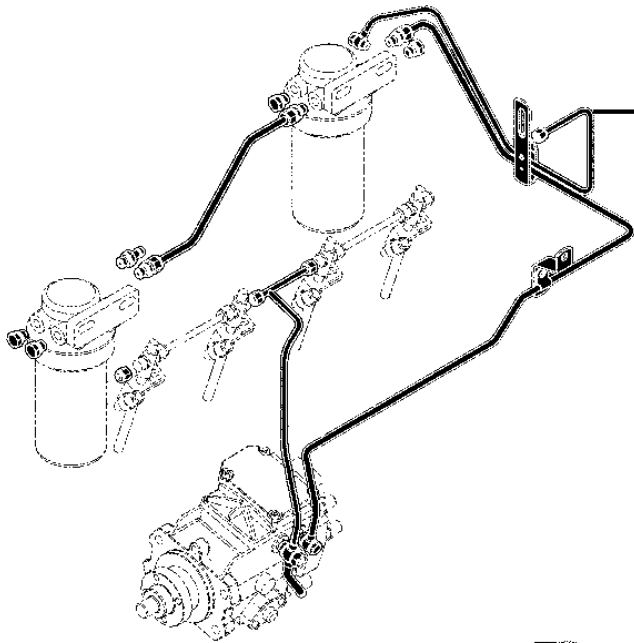
630-A01

LOW PRESSURE LINES

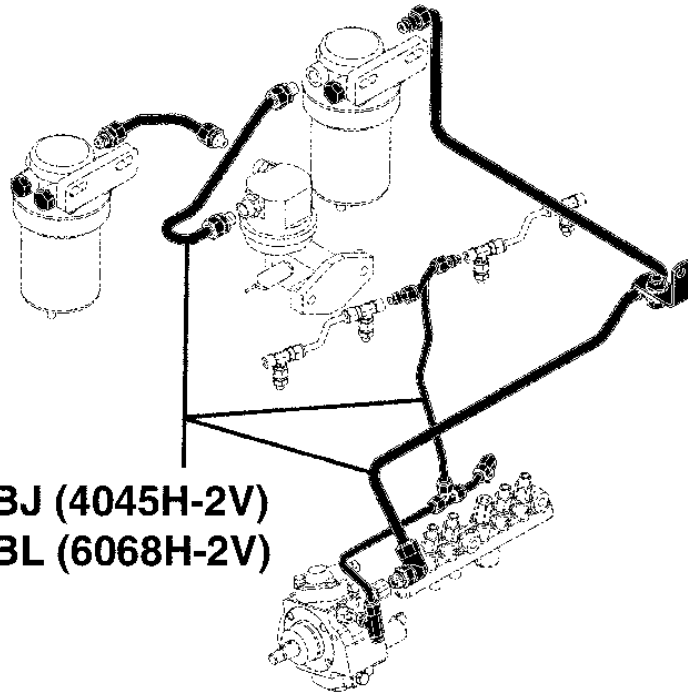
SECTIONAL INDEX
INDEX DE SECTION
GRUPPENINDEX
INDICE DELLA SEZIONE
INDICE DE SECCION
GRUPPSFORTECKNING

CDP47877A -UN-

63BJ-	2
63BL-	4
63BT-	6
63X3-	12
63X4-	14
63X5-	16
6306-	18
6316-	20
6318-	22
6361-	28



- 63BT (4045H-2V)
- 63X3 (6068H-2V)
- 63X4 (6068H-2V)
- 63X5 (6068H-2V)
- 6306 (6068H-2V)
- 6316 (6068H-2V)
- 6318 (6068H-2V)
- 6361 (4045H,T-2V)



- 63BJ (4045H-2V)
- 63BL (6068H-2V)

CDP47877A

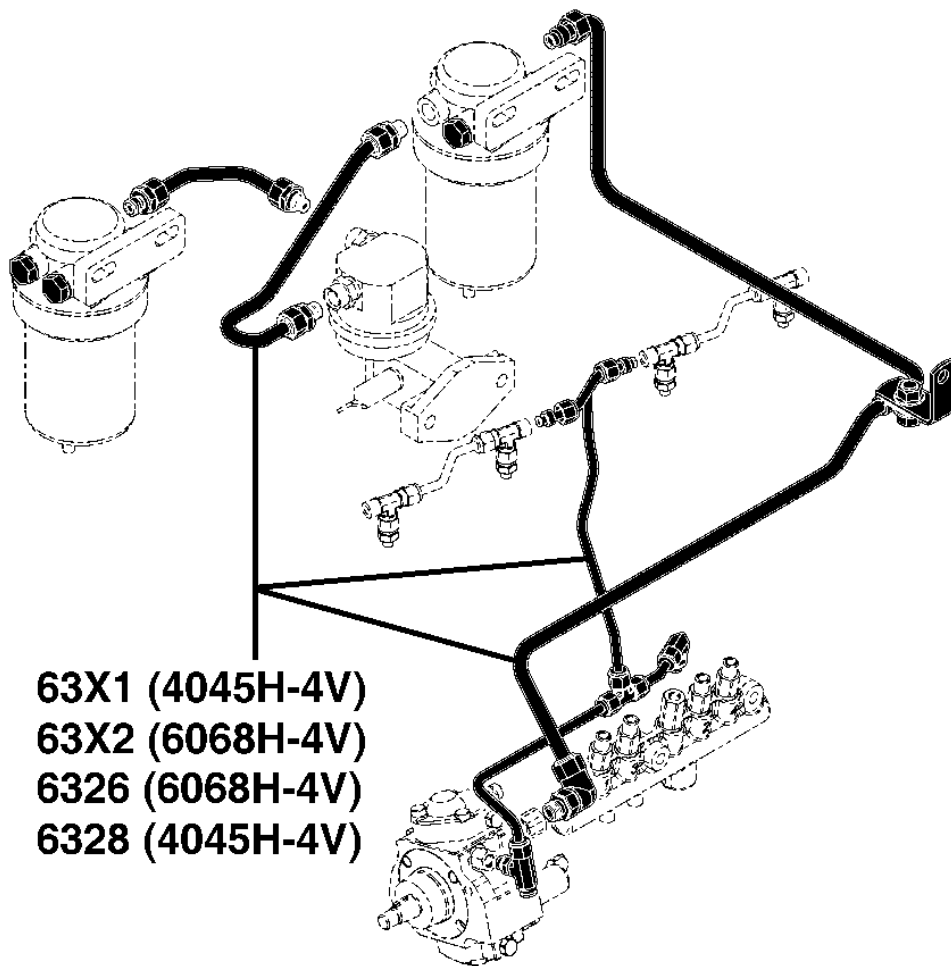
630-A02

LOW PRESSURE LINES

SECTIONAL INDEX
INDEX DE SECTION
GRUPPENINDEX
INDICE DELLA SEZIONE
INDICE DE SECCION
GRUPPSFORTECKNING

CDP46891A -UN-

63X1-	8
63X2-	10
6326-	24
6328-	26



CDP46891A

630-1

LOW PRESSURE LINES

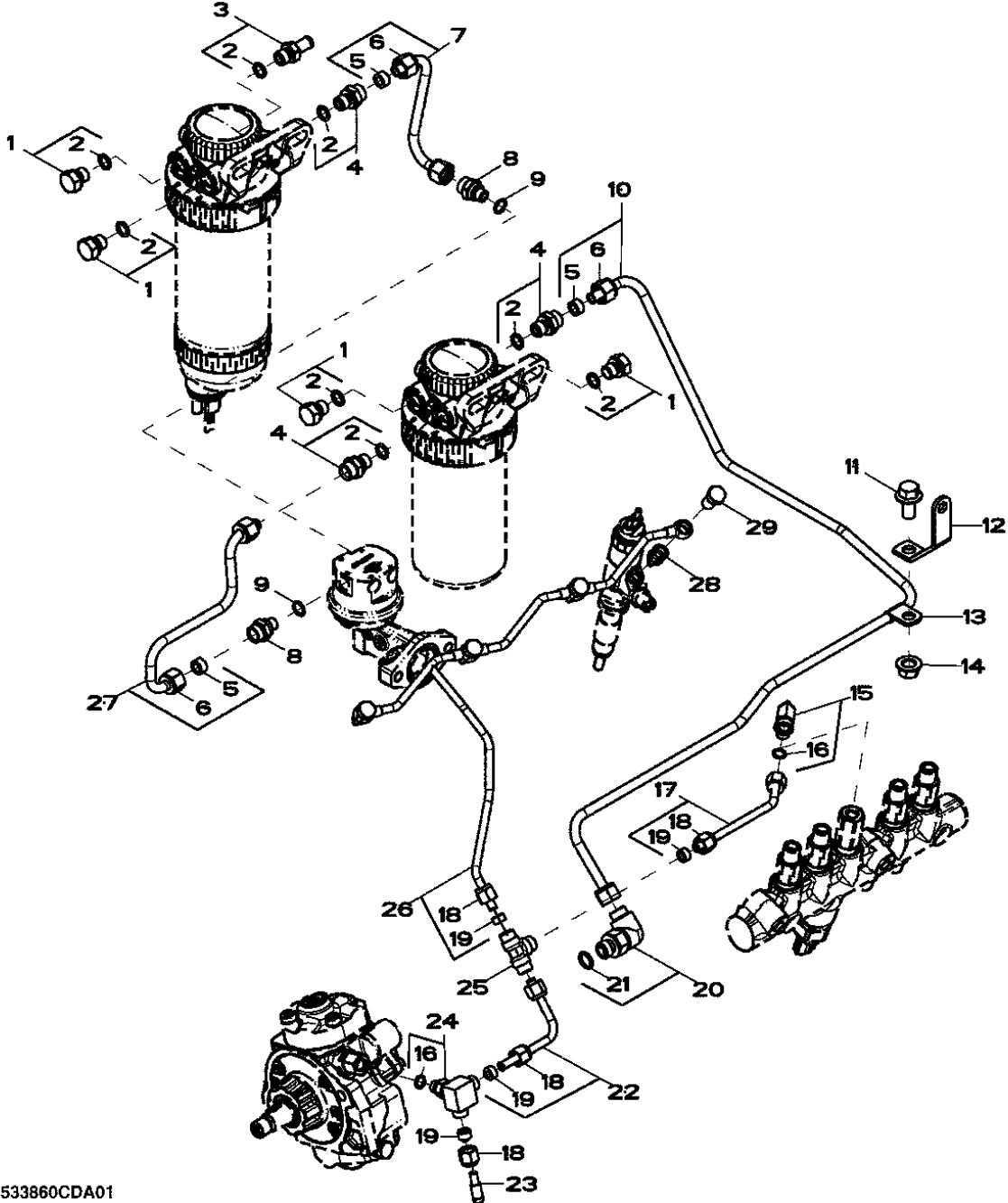
MEMORANDA
MEMORANDA
MEMORANDA
MEMORANDA
MEMORANDA
MEMORANDA

630-2

LOW PRESSURE LINES

63BJ
63BJ
63BJ
63BJ
63BJ

RE533860CDA01 -UN-



RE533860CDA01

THIS PARTS LISTING IS CONTINUED

630-3

LOW PRESSURE LINES

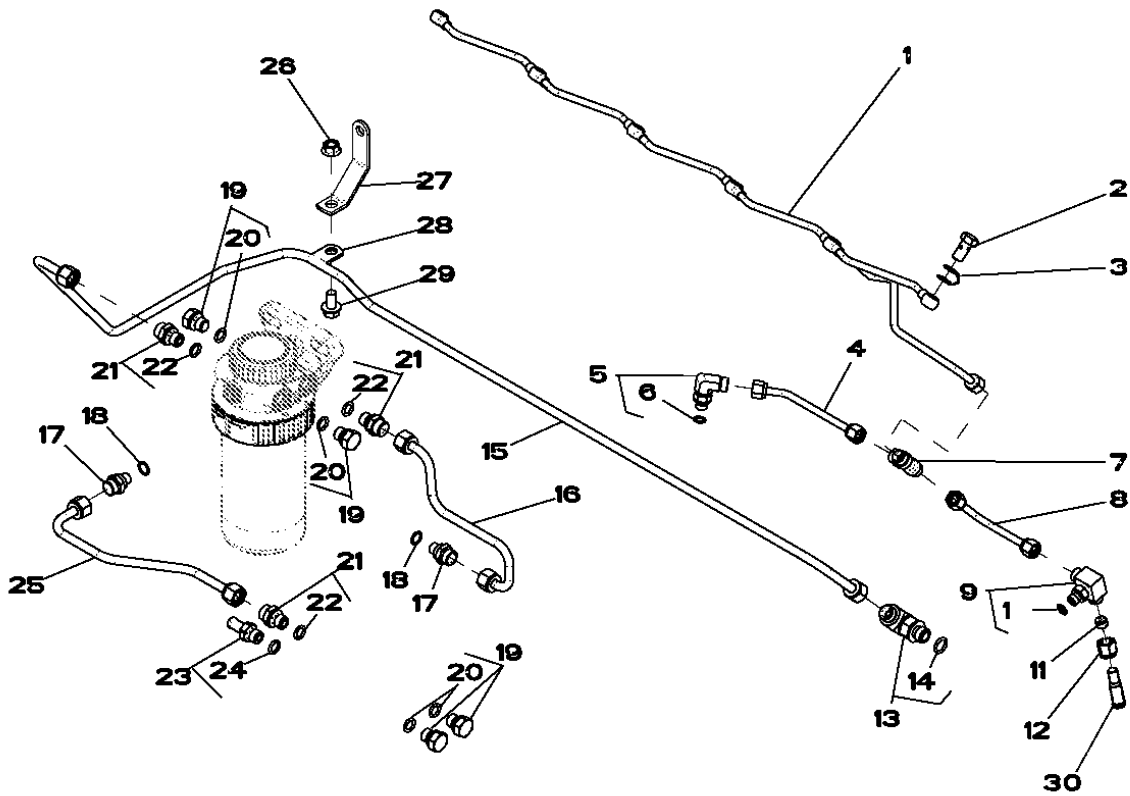
KEY	PART NO.	PART NAME	QTY.	ENGINE SERIAL NO.	4 0 4 5 H	REMARKS
1	RE46686	FITTING PLUG	4		X	M12 X 1.5
2	51M7040	O-RING	1		X	9.300 X 2.200 MM
3	RE500576	FITTING	1		X	M12 X 1.5
4	RE60029	ADAPTER FITTING	3		X	M14 X 1.5 X 5/8"-24UNEF
5	R74012	SEALING WASHER	1		X	7.140 X 12.300 X 6.400 MM
6	R123594	TUBE NUT	1		X	
7	RE530620	FUEL LINE	1		X	
8	R500270	FITTING	2		X	M10 X 1 X 9/16"-24UNEF
9	R500271	O-RING	2		X	10.100 X 1.600 MM
10	RE525786	FUEL LINE	1		X	
11	19M7784	SCREW	1		X	M10 X 20
12	R502287	BRACKET	1		X	
13	T14050	CLAMP	1		X	
14	14M7296	FLANGE NUT	1		X	M10
15	RE502173	FITTING	1		X	90°, M10 X 1 X 1/2"-24UNS
16	51M7039	O-RING	1		X	8.100 X 1.600 MM
17	RE523464	FUEL LINE	1		X	
18	R123593	TUBE NUT	7		X	1/2"-24UNS
19	R51936	SEALING WASHER	7		X	5.560 X 10.500 X 5.410 MM
20	RE525782	ELBOW FITTING	1		X	M14 X 1.5 X 9/16"-24UNEF
21	51M7041	O-RING	1		X	11.300 X 2.200 MM
22	RE529916	FUEL LINE	1		X	
23	R500731	HOSE FITTING	1		X	
24	RE524220	FITTING	1		X	
25	R97061	TEE FITTING	1		X	
26	RE529914	FUEL LINE	1		X	
27	RE515360	FUEL LINE	1		X	
28	R522899	SEALING WASHER	4		X	
29	38M7009	HOLLOW SCREW	4		X	

630-4

LOW PRESSURE LINES

63BL
63BL
63BL
63BL
63BL

CDP47849 -UN-



CDP47849

THIS PARTS LISTING IS CONTINUED

630-5

LOW PRESSURE LINES

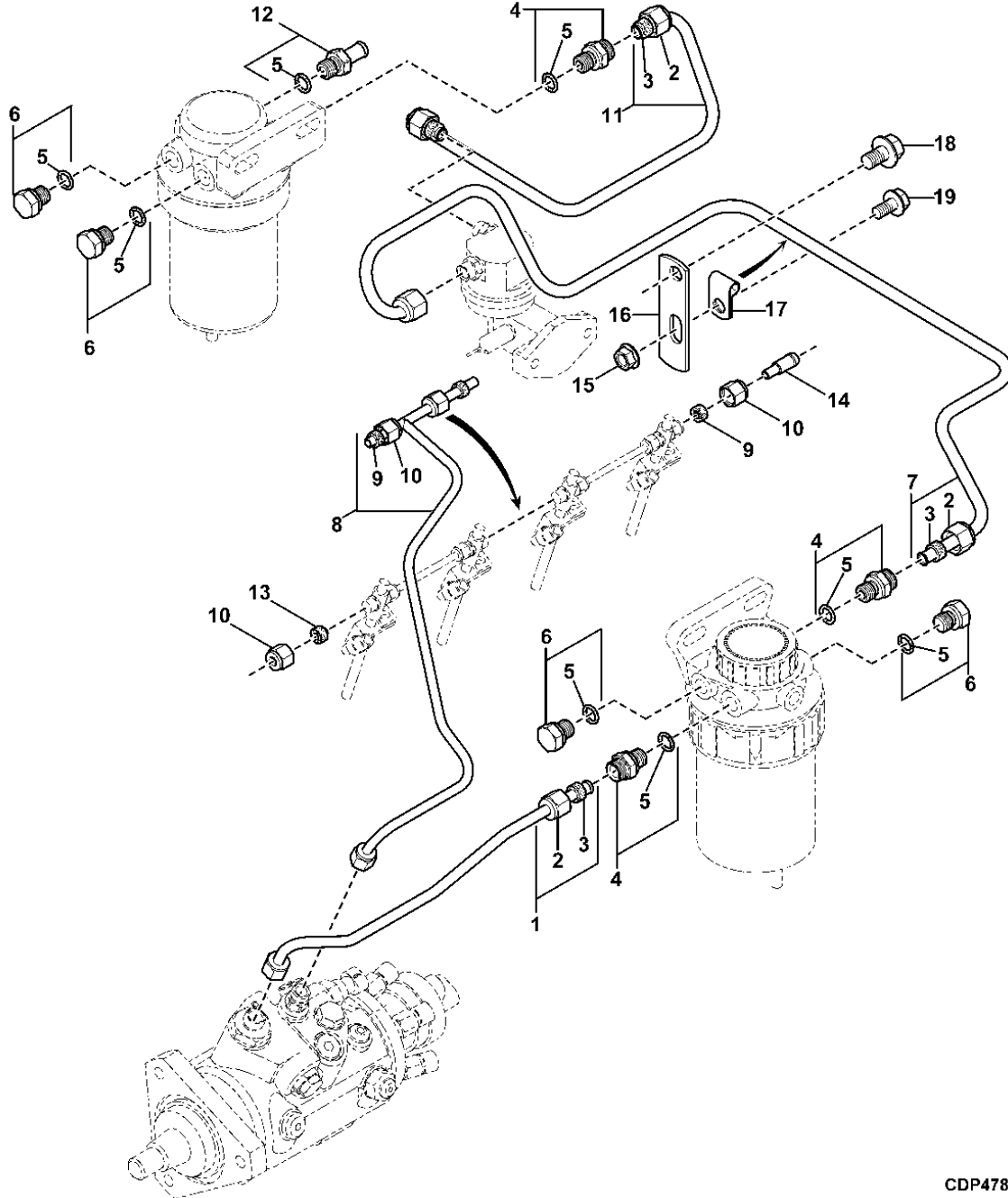
KEY	PART NO.	PART NAME	QTY.	ENGINE SERIAL NO.	6 0 6 8 H	REMARKS
1	RE529915	FUEL LINE	1		X	
2	38M7009	HOLLOW SCREW	6		X	
3	R522899	SEALING WASHER	6		X	
4	RE523464	FUEL LINE	1		X	
5	RE502173	FITTING	1		X	
6	51M7039	O-RING	1		X	
7	R97061	TEE FITTING	1		X	
8	RE529916	FUEL LINE	1		X	
9	RE524220	FITTING	1		X	
10	51M7039	O-RING	1		X	
11	R51936	SEALING WASHER	1		X	
12	R123593	TUBE NUT	1		X	
13	RE525782	ELBOW FITTING	1		X	
14	51M7041	O-RING	1		X	
15	RE525839	FUEL LINE	1		X	
16	RE515360	FUEL LINE	1		X	
17	R500270	FITTING	2		X	
18	R500271	O-RING	2		X	
19	RE46686	FITTING PLUG	4		X	
20	51M7040	O-RING	1		X	
21	RE60029	ADAPTER FITTING	3		X	
22	51M7040	O-RING	1		X	
23	RE500576	FITTING	1		X	
24	51M7040	O-RING	1		X	
25	RE515512	FUEL LINE	1		X	
26	14M7298	FLANGE NUT	1		X	
27	R502287	BRACKET	1		X	
28	T14050	CLAMP	1		X	
29	19M7865	SCREW	1		X	
30	R500731	HOSE FITTING	1		X	

630-6

LOW PRESSURE LINES

CDP47873 -UN-

63BT
63BT
63BT
63BT
63BT



CDP47873

630-7

LOW PRESSURE LINES

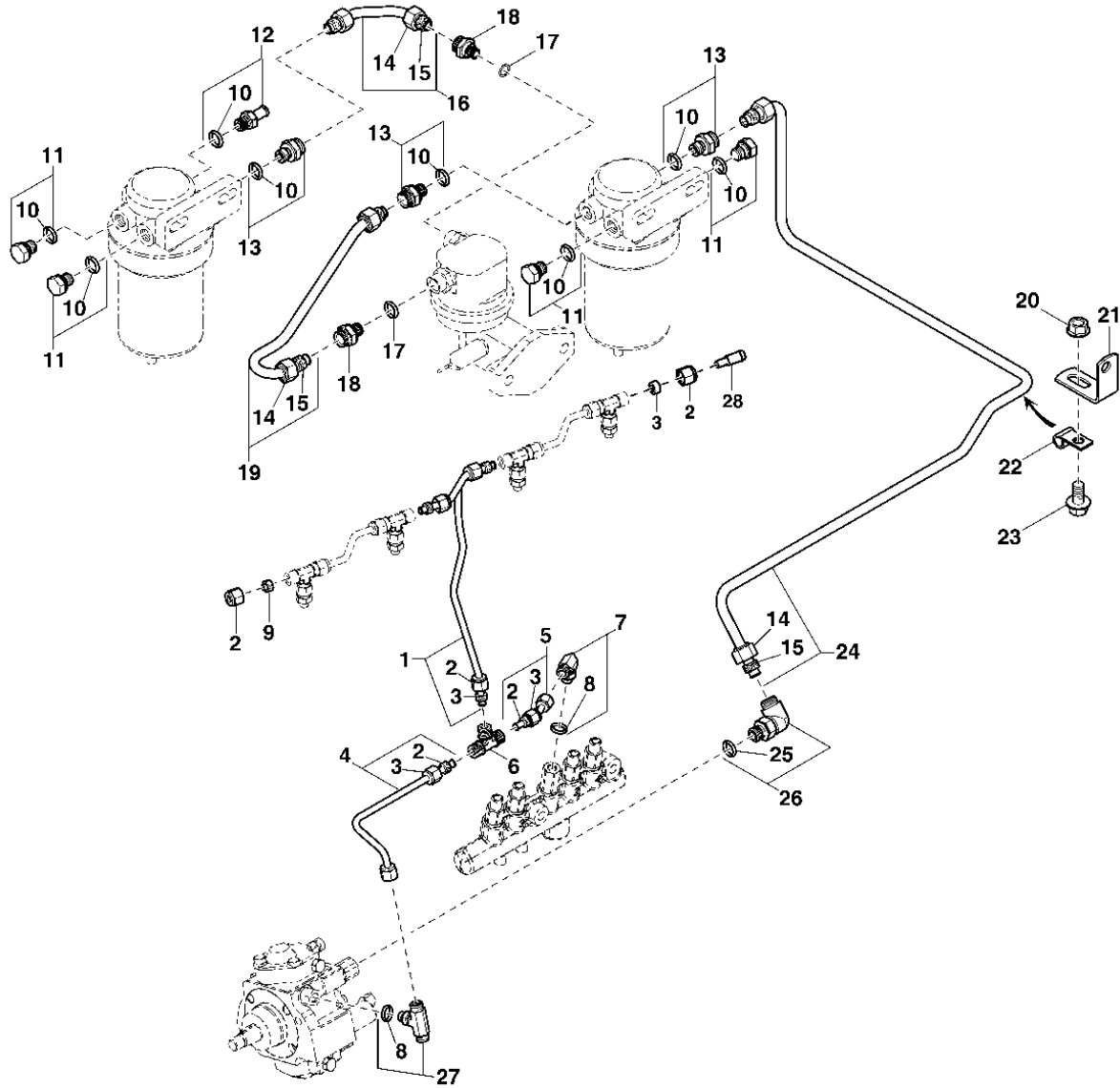
KEY	PART NO.	PART NAME	QTY.	ENGINE SERIAL NO.	4 0 4 5 H	REMARKS
1	RE515693	FUEL LINE	1		X	
2	R123594	TUBE NUT	AR		X	
3	R74012	SEALING WASHER	AR		X	7.140 X 12.300 X 6.400 MM
4	RE60029	ADAPTER FITTING	3		X	
5	51M7040	O-RING	AR		X	9.300 X 2.200 MM
6	RE46686	FITTING PLUG	4		X	M12 X 1.5
7	RE515706	FUEL LINE	1		X	
8	RE507598	FUEL LINE	1		X	
9	R51936	SEALING WASHER	AR		X	5.560 X 10.500 X 5.410 MM
10	R123593	TUBE NUT	AR		X	
11	RE520138	FUEL LINE	1		X	
12	RE500576	FITTING	1		X	M12 X 1.5 X OD= 9MM
13	AR85519	PLUG	1		X	
14	R500731	HOSE FITTING	1		X	OD= 9MM, LGTH= 28MM
15	14M7298	FLANGE NUT	1		X	M8
16	R56588	STRAP	1		X	
17	T14050	CLAMP	1		X	
18	19M7783	SCREW	1		X	M10 X 16, (10.9)
19	19M7865	SCREW	1		X	M8 X 16, (10.9)

630-8

LOW PRESSURE LINES

63X1
63X1
63X1
63X1
63X1
63X1

CDP47415 -UN-



CDP47415

630-9

LOW PRESSURE LINES

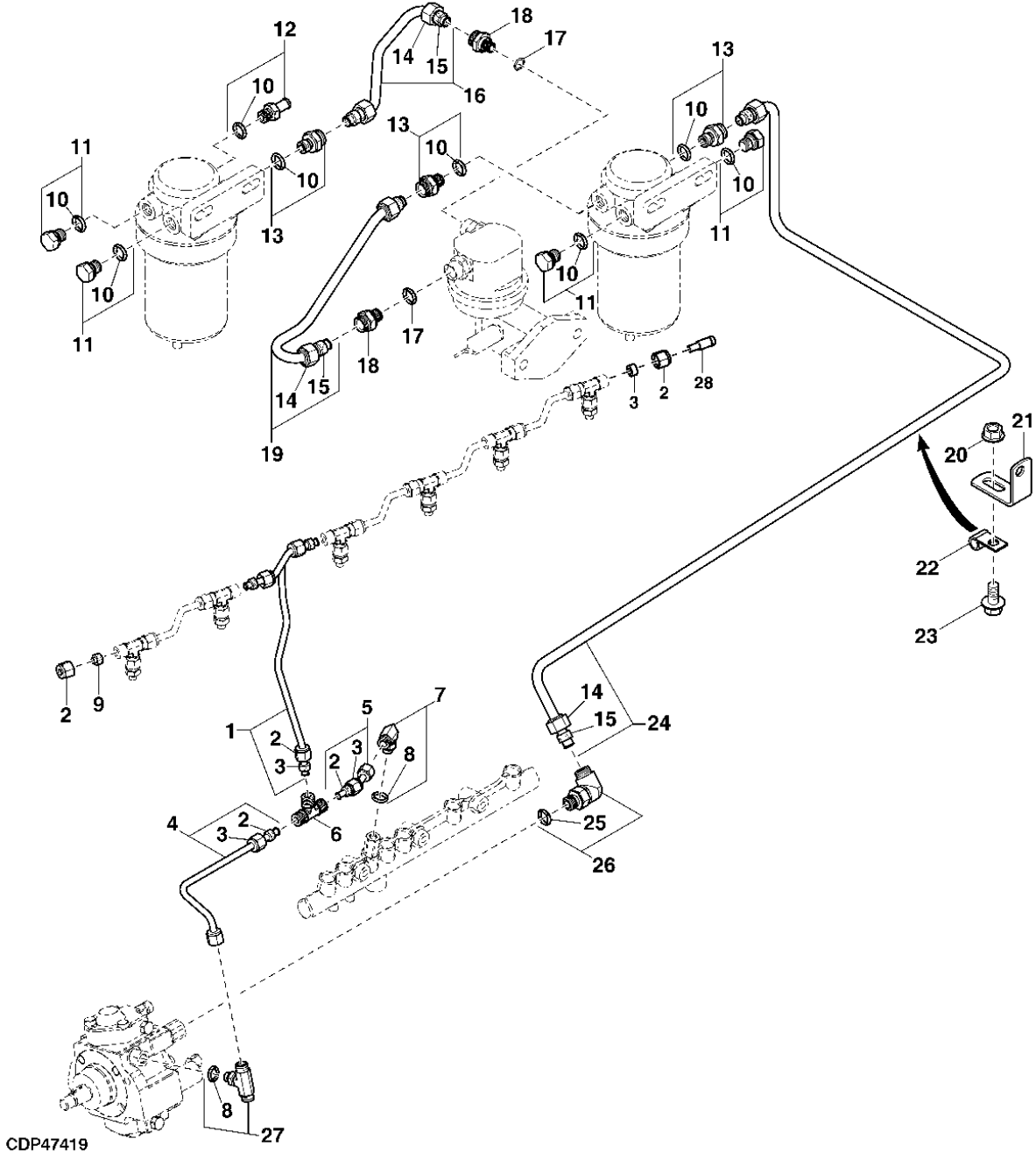
KEY	PART NO.	PART NAME	QTY.	ENGINE SERIAL NO.	4 0 4 5 H	REMARKS
1	RE508892	FUEL LINE	1		X	
2	R123593	TUBE NUT	8		X	1/2"-24UNS
3	R51936	SEALING WASHER	7		X	5.560 X 10.500 X 5.410 MM
4	RE508893	FUEL LINE	1		X	
5	RE515560	FUEL LINE	1		X	
6	R97061	TEE FITTING	1		X	1/2"-24UNS
7	RE502173	FITTING	1		X	M10 X 1 X 1/2"-24UNS
8	51M7039	O-RING	2		X	8.100 X 1.600 MM
9	AR85519	PLUG	1		X	
10	51M7040	O-RING	8		X	9.300 X 2.200 MM
11	RE46686	FITTING PLUG	4		X	M12 X 1.5
12	RE500576	FITTING	1		X	M12 X 1.5
13	RE60030	FITTING	3		X	M12 X 1.5 X 5/8"-24UNEF
14	R49672	FITTING	6		X	5/8"-24UNEF
15	R67092	SEALING WASHER	6		X	
16	RE517234	FUEL LINE	1		X	
17	R500271	O-RING	2		X	10.100 X 1.600 MM
18	R516453	FITTING	2		X	M10 X 1 X 5/8"-24UNEF
19	RE517245	FUEL LINE	1		X	
20	14M7334	FLANGE NUT	1		X	M10
21	R116116	BRACKET	1		X	
22	T13814	CLAMP	1		X	
23	19M7784	SCREW	1		X	M10 X 20, (10.9)
24	RE517246	FUEL LINE	1		X	
25	51M7041	O-RING	1		X	11.300 X 2.200 MM
26	RE502174	ELBOW FITTING	1		X	M14 X 1.5 X 5/8"-24UNEF
27	RE502175	FITTING	1		X	M10 X 1 X 1/2"-24UNS
28	R500731	HOSE FITTING	1		X	

630-10

LOW PRESSURE LINES

63X2
63X2
63X2
63X2
63X2

CDP47419 -UN-



CDP47419

THIS PARTS LISTING IS CONTINUED

630-11

LOW PRESSURE LINES

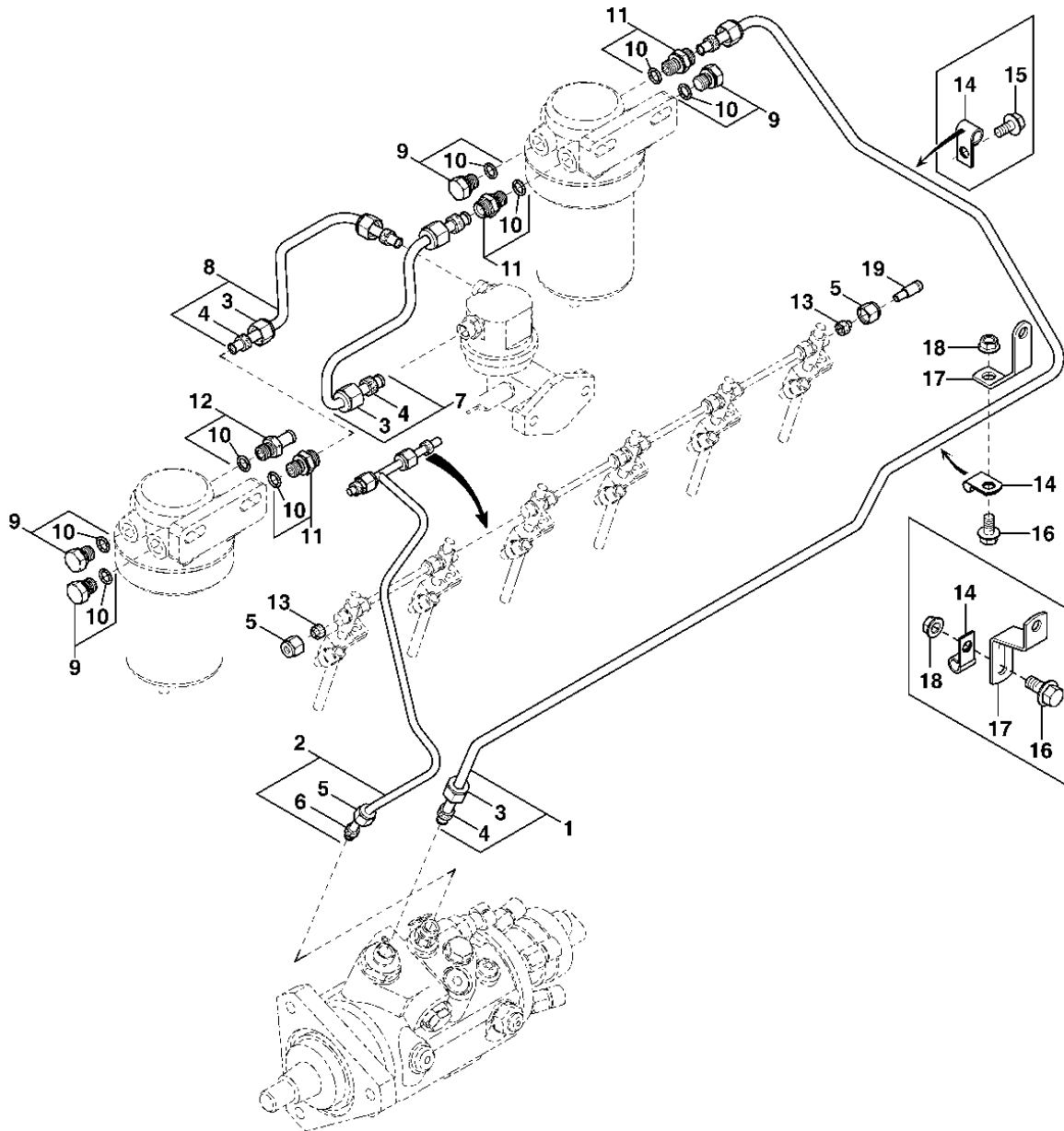
KEY	PART NO.	PART NAME	QTY.	ENGINE SERIAL NO.	6 0 6 8 H	REMARKS
1	RE508892	FUEL LINE	1		X	
2	R123593	TUBE NUT	8		X	1/2"-24UNS
3	R51936	SEALING WASHER	7		X	5.560 X 10.500 X 5.410 MM
4	RE508893	FUEL LINE	1		X	
5	RE515560	FUEL LINE	1		X	
6	R97061	TEE FITTING	1		X	1/2"-24UNS
7	RE502173	FITTING	1		X	M10 X 1 X 1/2"-24UNS
8	51M7039	O-RING	2		X	8.100 X 1.600 MM
9	AR85519	PLUG	1		X	
10	51M7040	O-RING	8		X	9.300 X 2.200 MM
11	RE46686	FITTING PLUG	4		X	M12 X 1.5
12	RE500576	FITTING	1		X	M12 X 1.5
13	RE60030	FITTING	3		X	M12 X 1.5 X 5/8"-24UNEF
14	R49672	FITTING	6		X	5/8"-24UNEF
15	R67092	SEALING WASHER	6		X	
16	RE517219	FUEL LINE	1		X	
17	R500271	O-RING	2		X	10.100 X 1.600 MM
18	R516453	FITTING	2		X	M10 X 1 X 5/8"-24UNEF
19	RE517245	FUEL LINE	1		X	
20	14M7334	FLANGE NUT	1		X	M10
21	R116116	BRACKET	1		X	
22	T13814	CLAMP	1		X	
23	19M7784	SCREW	1		X	M10 X 20, (10.9)
24	RE522827	FUEL LINE	1		X	(SUB FOR RE517221)
26	RE502174	ELBOW FITTING	1		X	M14 X 1.5 X 5/8"-24UNEF
27	RE502175	FITTING	1		X	M10 X 1 X 1/2"-24UNS
28	R500731	HOSE FITTING	1		X	

630-12

LOW PRESSURE LINES

63X3
63X3
63X3
63X3
63X3
63X3

CDP47416A -UN-



CDP47416A

630-13

LOW PRESSURE LINES

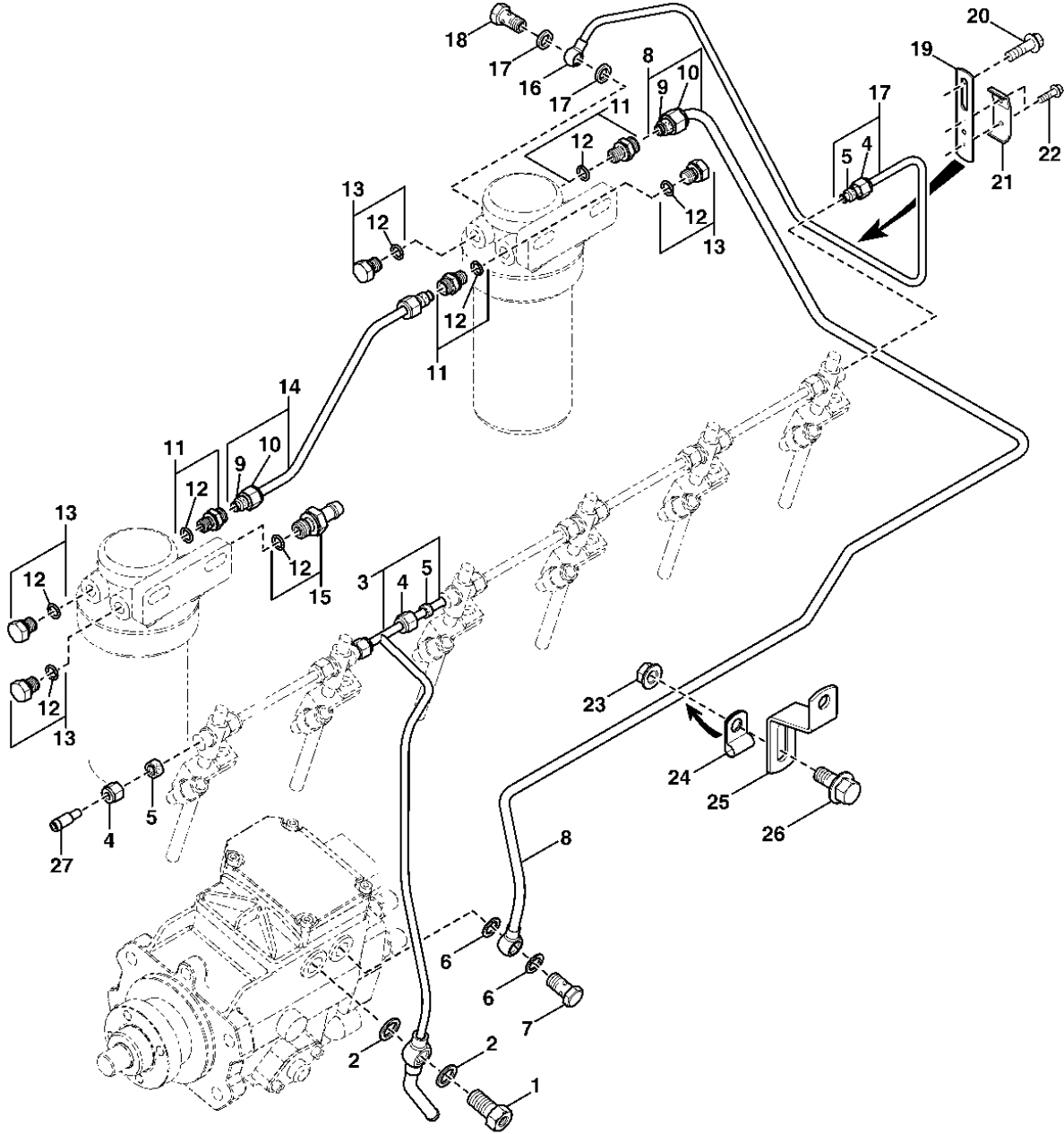
KEY	PART NO.	PART NAME	QTY.	ENGINE SERIAL NO.	6 0 6 8 H	REMARKS
1	RE515236	FUEL LINE	1	-049557	X	(ORDER RE520909 AND R502287)
	RE520909	FUEL LINE	1	049958-	X	(SUB FOR RE515236)
2	RE507598	FUEL LINE	1		X	
3	R123594	TUBE NUT	AR		X	9/16"-24UNEF
4	R74012	SEALING WASHER	AR		X	7.140 X 12.300 X 6.400 MM
5	R123593	TUBE NUT	AR		X	
6	R51936	SEALING WASHER	AR		X	5.560 X 10.500 X 5.410 MM
7	RE515360	FUEL LINE	1		X	
8	RE515512	FUEL LINE	1		X	
9	RE46686	FITTING PLUG	4		X	M12 X 1.5
10	51M7040	O-RING	AR		X	9.300 X 2.200 MM
11	RE60029	ADAPTER FITTING	3		X	M12 X 1.5 X 9/16"-24UN
12	RE500576	FITTING	1		X	M12 X 1.5
13	AR85519	PLUG	1		X	
14	T14050	CLAMP	2	-049557	X	(SUB FOR T13814)
	T14050	CLAMP	1	049558-	X	
15	19M7784	SCREW	1	-049557	X	M10 X 20, (10.9)
16	19M7865	SCREW	1		X	M8 X 16 (10.9)
17	R504859	BRACKET	1	-049557	X	(USE WITH RE515236)
	R502287	BRACKET	1	049558-	X	(SUB FOR R504859, THIS APPLICATION) (USE WITH RE520909)
18	14M7298	FLANGE NUT	1		X	M8
19	R500731	HOSE FITTING	1		X	

630-14

LOW PRESSURE LINES

CDP47417 -UN-

63X4
63X4
63X4
63X4
63X4
63X4



CDP47417

630-15

LOW PRESSURE LINES

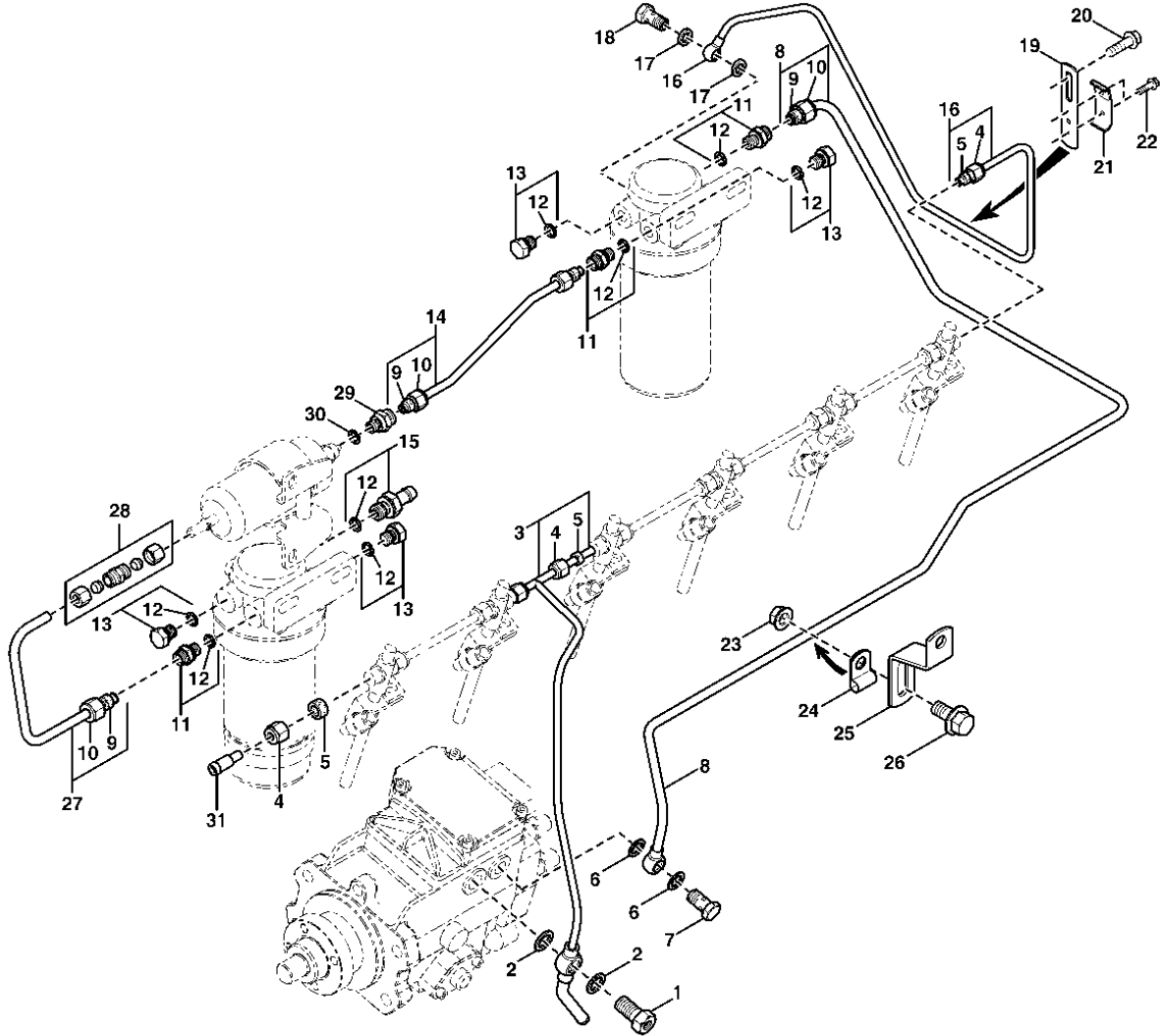
KEY	PART NO.	PART NAME	QTY.	ENGINE SERIAL NO.	6 0 6 8 H	REMARKS
1	RE505227	OVERFLOW	1		X	
2	R64857	WASHER	2		X	14.199 X 20.777 X 1.981 MM
3	RE506118	FUEL LINE	1		X	
4	R123593	TUBE NUT	AR		X	1/2"-24UNS
5	R51936	SEALING WASHER	AR		X	5.560 X 10.500 X 5.410 MM
6	R504067	WASHER	2		X	12.200 X 17.900 X 1.500 MM
7	38M6640	HOLLOW SCREW	1		X	
8	RE509638	FUEL LINE	1		X	
9	R74012	SEALING WASHER	AR		X	7.140 X 12.300 X 6.400 MM
10	R123594	TUBE NUT	AR		X	
11	RE60029	ADAPTER FITTING	3		X	M12 X 1.5 X 9/16"-24UN
12	51M7040	O-RING	6		X	9.300 X 2.200 MM
13	RE46686	FITTING PLUG	4		X	M12 X 1.5
14	RE509637	FUEL LINE	1		X	
15	RE500576	FITTING	1		X	M12 X 1.5
16	RE509639	FUEL LINE	1		X	
17	R62107	WASHER	2		X	10.200 X 13.400 X 1 MM, COPPER,CUIVRE,KUPFER,RAME,COBRE, KOPPAR - ONE TIME USAGE,USAGE UNIQUE,NUR EINMAL VERWENDBAR,PER USO UNICO,SOLO UTILIZAR UNA VEZ, ENGANGDBRUK
18	38M7009	HOLLOW SCREW	1		X	
19	R504730	BRACKET	1		X	
20	19M7783	SCREW	1		X	M10 X 16 (10.9)
21	R136082	CLAMP	2		X	
22	19M7752	CAP SCREW	2		X	M4 X 20 (8.8)
23	14M7334	FLANGE NUT	1		X	M10
24	T14050	CLAMP	1		X	
25	R504859	BRACKET	1		X	
26	19M7784	SCREW	1		X	M10 X 20, (10.9)
27	R500731	HOSE FITTING	1		X	

630-16

LOW PRESSURE LINES

63X5
63X5
63X5
63X5
63X5
63X5

CDP47418 -UN-



CDP47418

630-17

LOW PRESSURE LINES

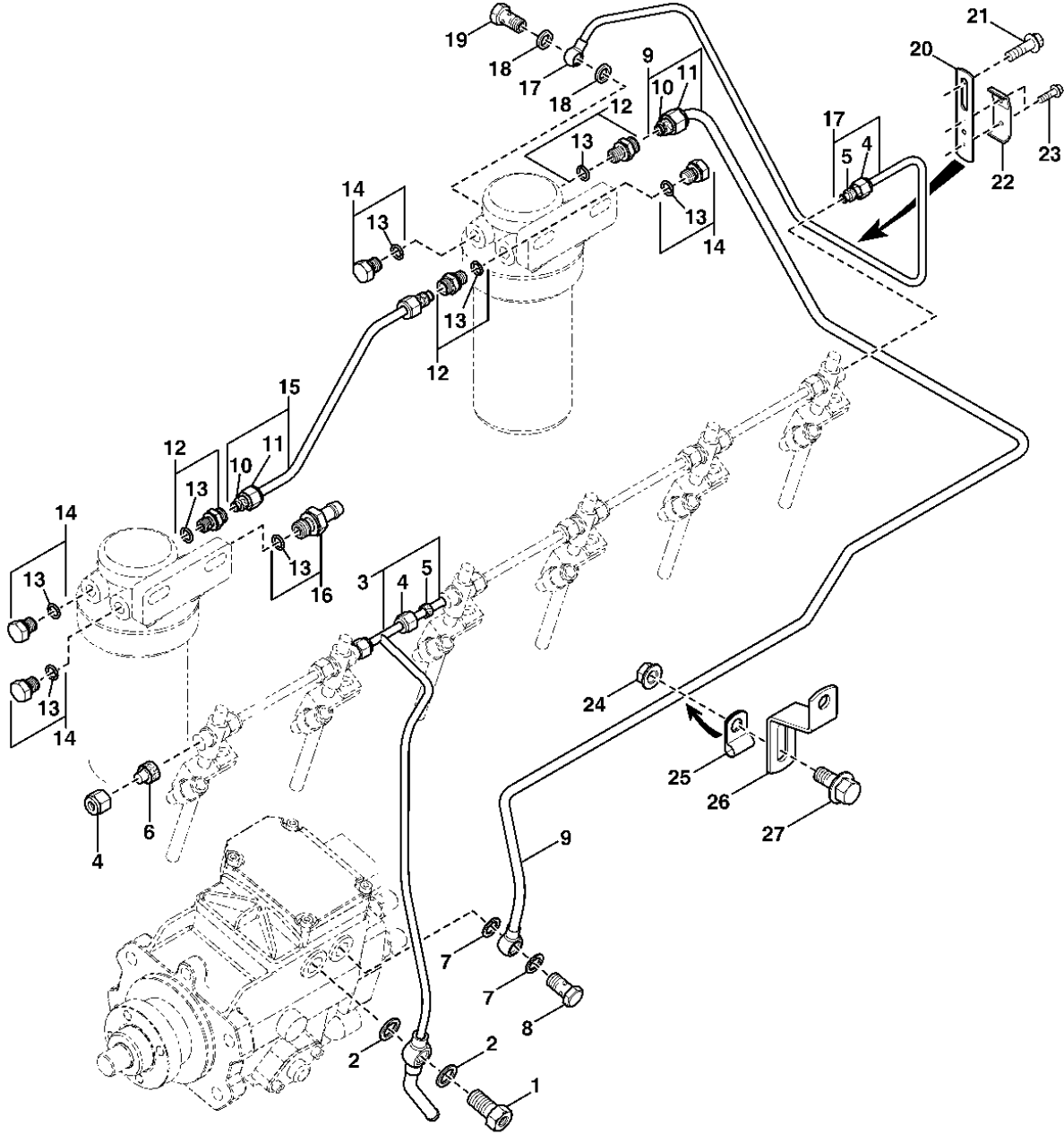
KEY	PART NO.	PART NAME	QTY.	ENGINE SERIAL NO.	6 0 6 8 H	REMARKS
1	RE505227	OVERFLOW	1		X	
2	R64857	WASHER	2		X	14.199 X 20.777 X 1.981 MM
3	RE506118	FUEL LINE	1		X	
4	R123593	TUBE NUT	AR		X	1/2"-24UNS
5	R51936	SEALING WASHER	AR		X	5.560 X 10.500 X 5.410 MM
6	R504067	WASHER	2		X	12.200 X 17.900 X 1.500 MM
7	38M6640	HOLLOW SCREW	1		X	
8	RE509638	FUEL LINE	1		X	
9	R74012	SEALING WASHER	AR		X	7.140 X 12.300 X 6.400 MM
10	R123594	TUBE NUT	AR		X	
11	RE60029	ADAPTER FITTING	3		X	M12 X 1.5 X 9/16"-24UN
12	51M7040	O-RING	6		X	9.300 X 2.200 MM
13	RE46686	FITTING PLUG	4		X	M12 X 1.5
14	RE516683	FUEL LINE	1		X	
15	RE500576	FITTING	1		X	M12 X 1.5
16	RE509639	FUEL LINE	1		X	
17	R62107	WASHER	2		X	10.200 X 13.400 X 1 MM, COPPER,CUIVRE,KUPFER,RAME,COBRE, KOPPAR - ONE TIME USAGE,USAGE UNIQUE,NUR EINMAL VERWENDBAR,PER USO UNICO,SOLO UTILIZAR UNA VEZ, ENGANGDBRUK
18	38M7009	HOLLOW SCREW	1		X	
19	R504730	BRACKET	1		X	
20	19M7783	SCREW	1		X	M10 X 16 (10.9)
21	R136082	CLAMP	2		X	
22	19M7752	CAP SCREW	2		X	M4 X 20 (8.8)
23	14M7334	FLANGE NUT	1		X	M10
24	T14050	CLAMP	1		X	
25	R504859	BRACKET	1		X	
26	19M7784	SCREW	1		X	M10 X 20, (10.9)
27	RE518729	FUEL LINE	1		X	
28	RE518732	UNION FITTING	1		X	
29	R500270	FITTING	1		X	M10 X 1 X 9/16"-24UN
30	R500271	O-RING	1		X	10.100 X 1.600 MM
31	R500731	HOSE FITTING	1		X	

630-18

LOW PRESSURE LINES

6306
6306
6306
6306
6306
6306

CDP45676A -UN-



CDP45676A

630-19

LOW PRESSURE LINES

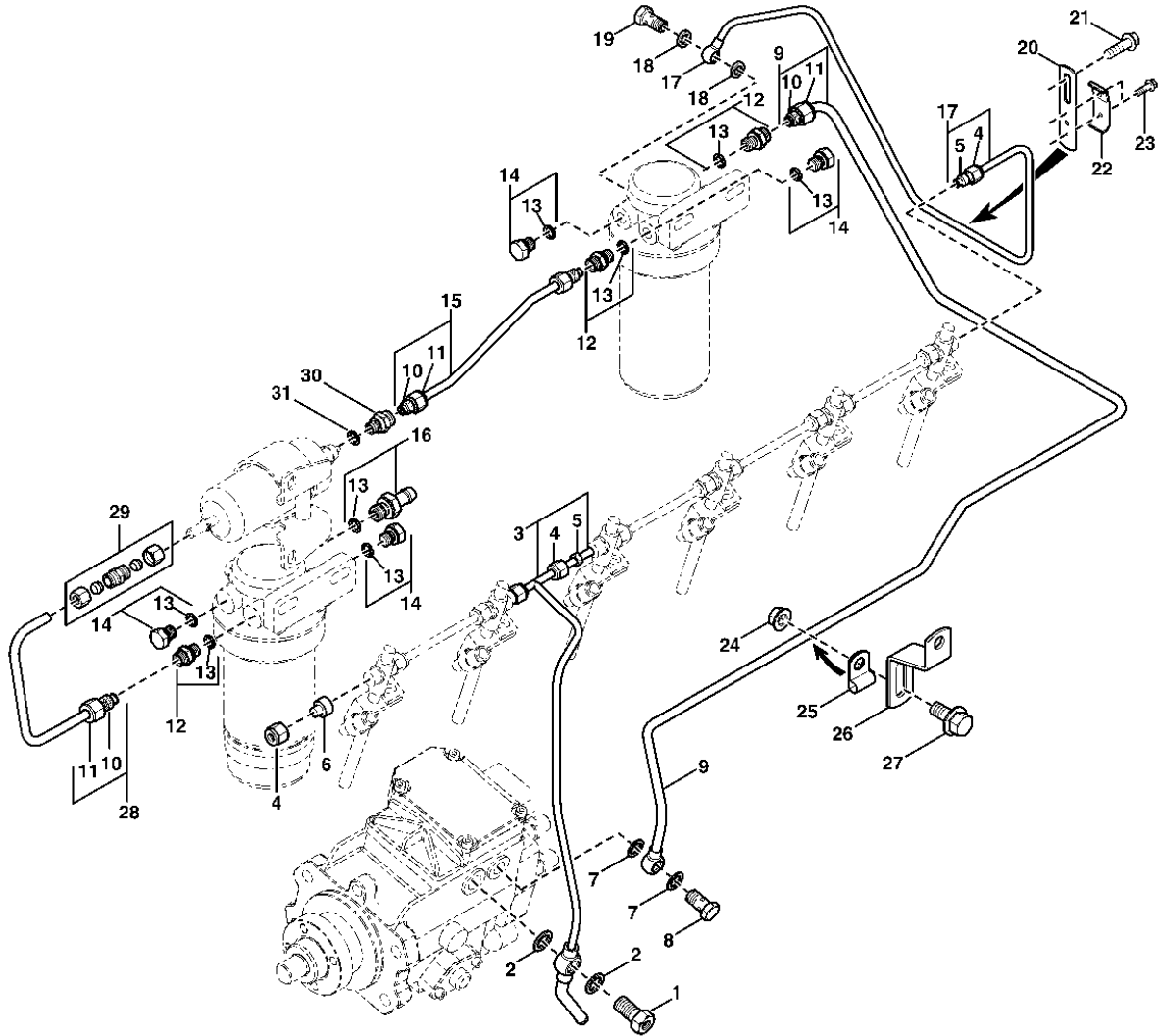
KEY	PART NO.	PART NAME	QTY.	ENGINE SERIAL NO.	6 0 6 8 H	REMARKS
1	RE505227	OVERFLOW	1		X	
2	R64857	WASHER	2		X	14.199 X 20.777 X 1.981 MM
3	RE506118	FUEL LINE	1		X	
4	R123593	TUBE NUT	AR		X	1/2"-24UNS
5	R51936	SEALING WASHER	AR		X	5.560 X 10.500 X 5.410 MM
6	AR85519	PLUG	1		X	
7	R504067	WASHER	2		X	12.200 X 17.900 X 1.500 MM
8	38M6640	HOLLOW SCREW	1		X	
9	RE509638	FUEL LINE	1		X	
10	R74012	SEALING WASHER	AR		X	7.140 X 12.300 X 6.400 MM
11	R123594	TUBE NUT	AR		X	
12	RE60029	ADAPTER FITTING	3		X	M12 X 1.5 X 9/16"-24UN
13	51M7040	O-RING	6		X	9.300 X 2.200 MM
14	RE46686	FITTING PLUG	4		X	M12 X 1.5
15	RE509637	FUEL LINE	1		X	
16	RE500576	FITTING	1		X	M12 X 1.5
17	RE509639	FUEL LINE	1		X	
18	R62107	WASHER	2		X	10.200 X 13.400 X 1 MM, COPPER,CUIVRE,KUPFER,RAME,COBRE, KOPPAR - ONE TIME USAGE,USAGE UNIQUE,NUR EINMAL VERWENDBAR,PER USO UNICO,SOLO UTILIZAR UNA VEZ, ENGANGDBRUK
19	38M7009	HOLLOW SCREW	1		X	
20	R504730	BRACKET	1		X	
21	19M7783	SCREW	1		X	M10 X 16 (10.9)
22	R136082	CLAMP	2		X	
23	19M7752	CAP SCREW	2		X	M4 X 20 (8.8)
24	14M7334	FLANGE NUT	1		X	M10
25	T14050	CLAMP	1		X	
26	R504859	BRACKET	1		X	
27	19M7784	SCREW	1		X	M10 X 20, (10.9)

630-20

LOW PRESSURE LINES

6316
6316
6316
6316
6316
6316

CDP46106 -UN-



CDP46106

630-21

LOW PRESSURE LINES

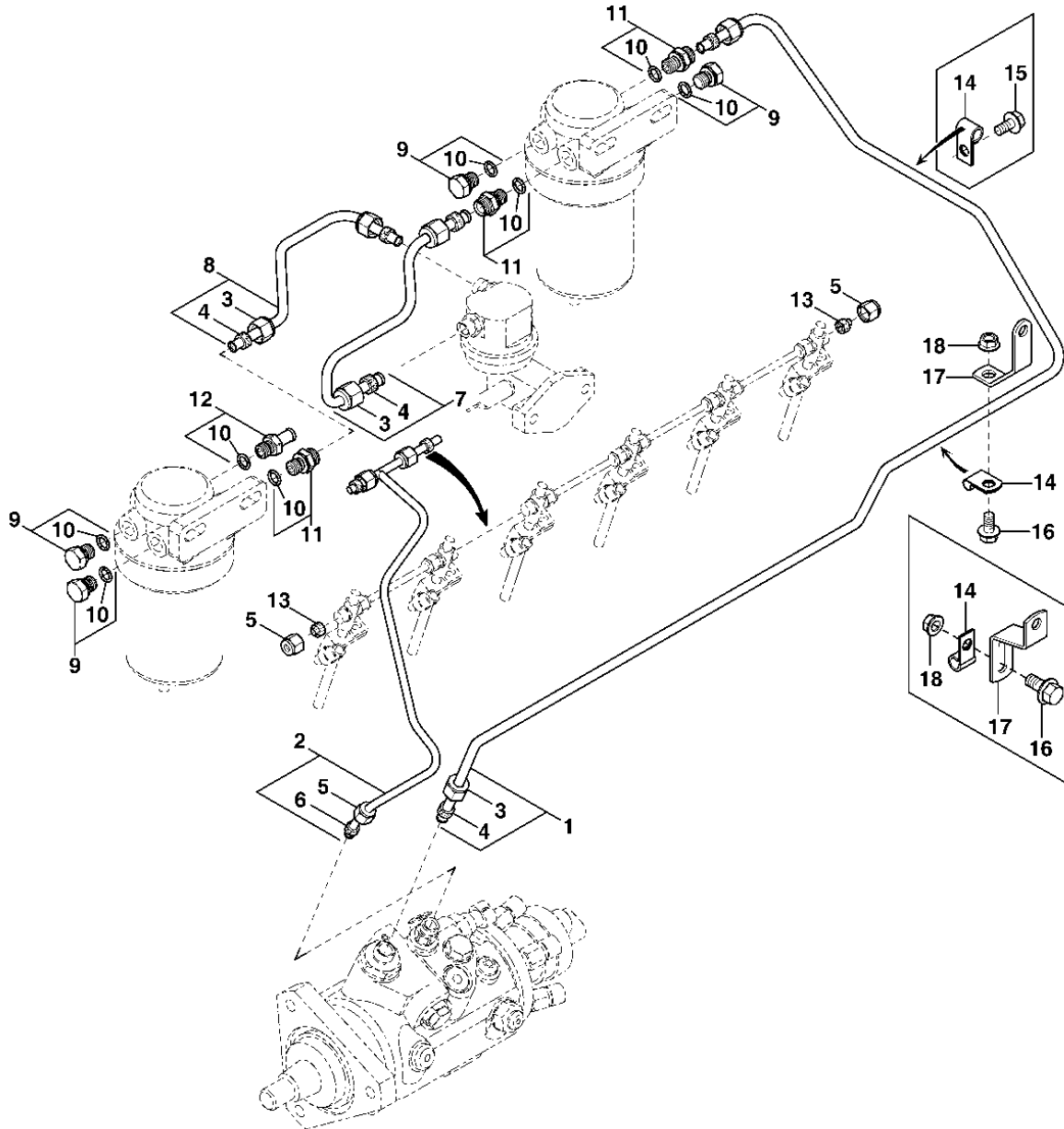
KEY	PART NO.	PART NAME	QTY.	ENGINE SERIAL NO.	6 0 6 8 H	REMARKS
1	RE505227	OVERFLOW	1		X	
2	R64857	WASHER	2		X	14.199 X 20.777 X 1.981 MM
3	RE506118	FUEL LINE	1		X	
4	R123593	TUBE NUT	AR		X	1/2"-24UNS
5	R51936	SEALING WASHER	AR		X	5.560 X 10.500 X 5.410 MM
6	AR85519	PLUG	1		X	
7	R504067	WASHER	2		X	12.200 X 17.900 X 1.500 MM
8	38M6640	HOLLOW SCREW	1		X	
9	RE509638	FUEL LINE	1		X	
10	R74012	SEALING WASHER	AR		X	7.140 X 12.300 X 6.400 MM
11	R123594	TUBE NUT	AR		X	
12	RE60029	ADAPTER FITTING	3		X	M12 X 1.5 X 9/16"-24UN
13	51M7040	O-RING	6		X	9.300 X 2.200 MM
14	RE46686	FITTING PLUG	4		X	M12 X 1.5
15	RE516683	FUEL LINE	1		X	
16	RE500576	FITTING	1		X	M12 X 1.5
17	RE509639	FUEL LINE	1		X	
18	R62107	WASHER	2		X	10.200 X 13.400 X 1 MM, COPPER,CUIVRE,KUPFER,RAME,COBRE, KOPPAR - ONE TIME USAGE,USAGE UNIQUE,NUR EINMAL VERWENDBAR,PER USO UNICO,SOLO UTILIZAR UNA VEZ, ENGANGDBRUK
19	38M7009	HOLLOW SCREW	1		X	
20	R504730	BRACKET	1		X	
21	19M7783	SCREW	1		X	M10 X 16 (10.9)
22	R136082	CLAMP	2		X	
23	19M7752	CAP SCREW	2		X	M4 X 20 (8.8)
24	14M7334	FLANGE NUT	1		X	M10
25	T14050	CLAMP	1		X	
26	R504859	BRACKET	1		X	
27	19M7784	SCREW	1		X	M10 X 20, (10.9)
28	RE518729	FUEL LINE	1		X	
29	RE518732	UNION FITTING	1		X	
30	R500270	FITTING	1		X	M10 X 1 X 9/16"-24UN
31	R500271	O-RING	1		X	10.100 X 1.600 MM

630-22

LOW PRESSURE LINES

6318
6318
6318
6318
6318
6318

CDP45154C -UN-



CDP45154C

630-23

LOW PRESSURE LINES

KEY	PART NO.	PART NAME	QTY.	ENGINE SERIAL NO.	6 0 6 8 H	REMARKS
1	RE515236	FUEL LINE	1	-049557	X	(ORDER RE520909 AND R502287)
	RE520909	FUEL LINE	1	049558-	X	(SUB FOR RE515236)
2	RE507598	FUEL LINE	1		X	
3	R123594	TUBE NUT	AR		X	9/16"-24UNEF
4	R74012	SEALING WASHER	AR		X	7.140 X 12.300 X 6.400 MM
5	R123593	TUBE NUT	AR		X	
6	R51936	SEALING WASHER	AR		X	5.560 X 10.500 X 5.410 MM
7	RE515360	FUEL LINE	1		X	
8	RE515512	FUEL LINE	1		X	
9	RE46686	FITTING PLUG	4		X	M12 X 1.5
10	51M7040	O-RING	AR		X	9.300 X 2.200 MM
11	RE60029	ADAPTER FITTING	3		X	M12 X 1.5 X 9/16"-24UN
12	RE500576	FITTING	1		X	M12 X 1.5
13	AR85519	PLUG	1		X	
14	T14050	CLAMP	1	049558-	X	
	T14050	CLAMP	2	-049557	X	(SUB FOR T13814)
15	19M7784	SCREW	1	-049557	X	M10 X 20, (10.9)
16	19M7865	SCREW	1		X	M8 X 16 (10.9)
17	R504859	BRACKET	1	-049557	X	(USE WITH RE515236)
	R502287	BRACKET	1	049558-	X	(SUB FOR R504859, THIS APPLICATION) (USE WITH RE520909)
18	14M7298	FLANGE NUT	1		X	M8

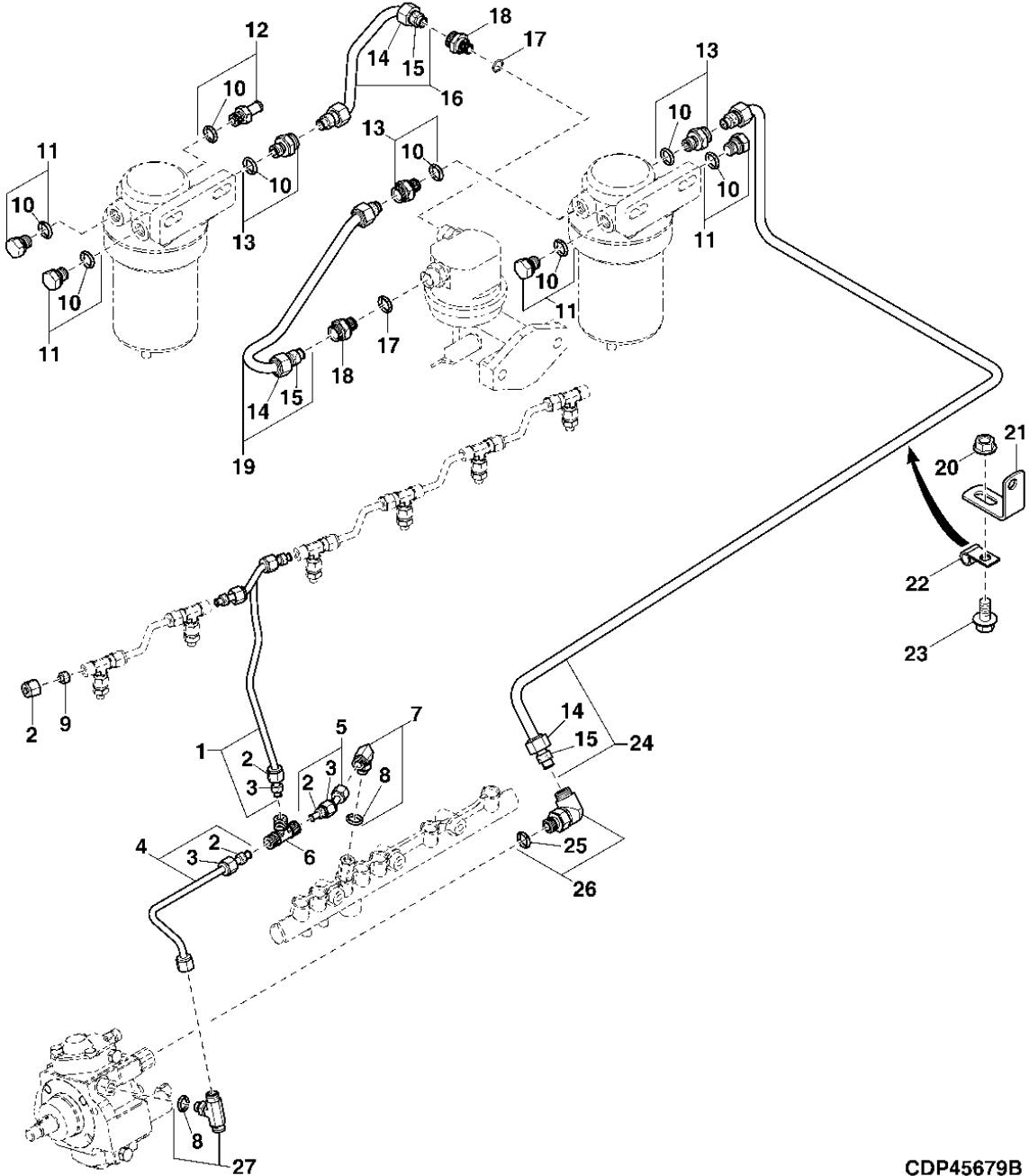
630-24

LOW PRESSURE LINES

6326
6326
6326
6326
6326
6326

CDP45679B

-UN-



CDP45679B

630-25

LOW PRESSURE LINES

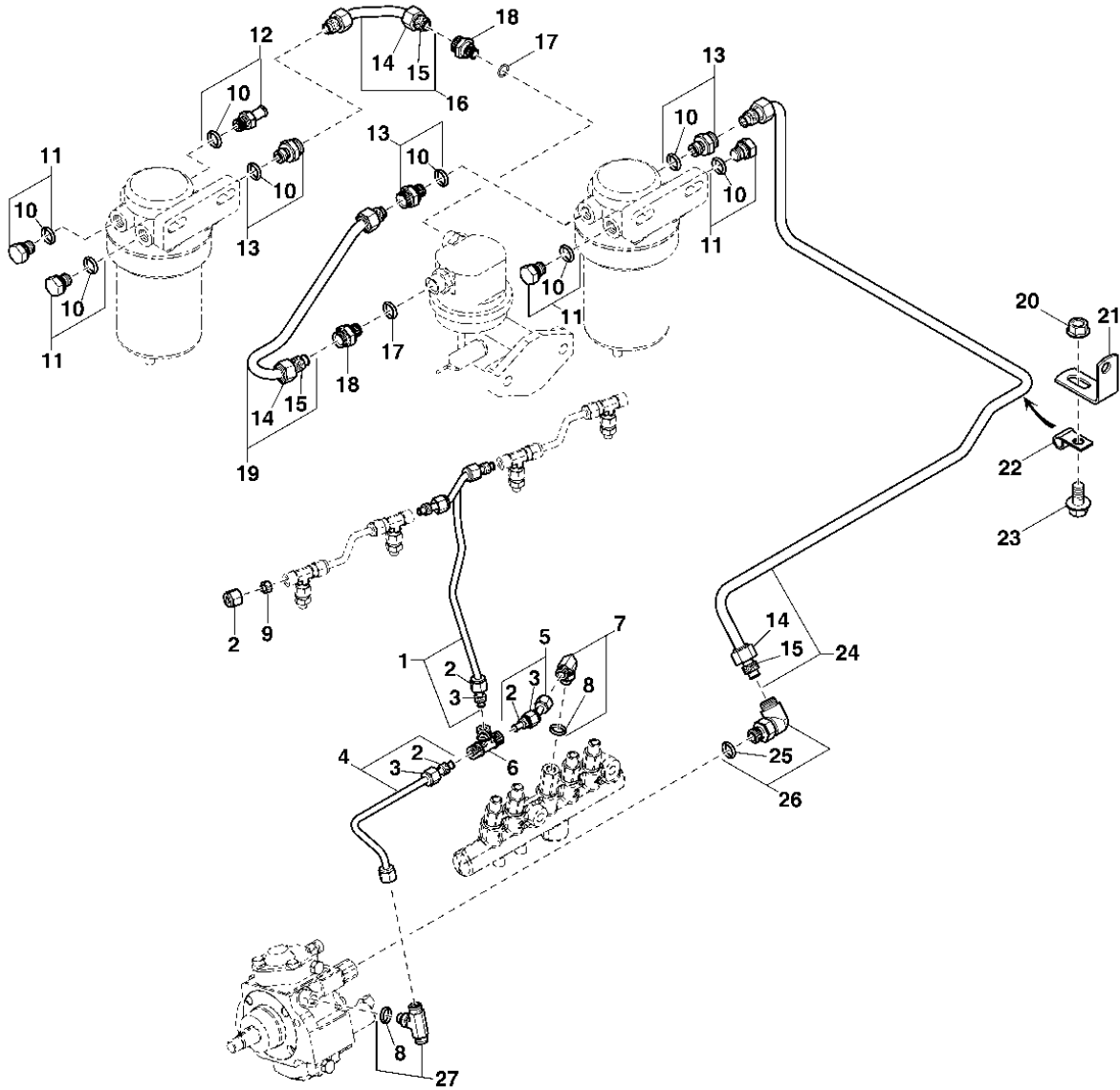
KEY	PART NO.	PART NAME	QTY.	ENGINE SERIAL NO.	6 0 6 8 H	REMARKS
1	RE508892	FUEL LINE	1		X	
2	R123593	TUBE NUT	8		X	1/2"-24UNS
3	R51936	SEALING WASHER	7		X	5.560 X 10.500 X 5.410 MM
4	RE508893	FUEL LINE	1		X	
5	RE515560	FUEL LINE	1		X	
6	R97061	TEE FITTING	1		X	1/2"-24UNS
7	RE502173	FITTING	1		X	M10 X 1 X 1/2"-24UNS
8	51M7039	O-RING	2		X	8.100 X 1.600 MM
9	AR85519	PLUG	2		X	
10	51M7040	O-RING	8		X	9.300 X 2.200 MM
11	RE46686	FITTING PLUG	4		X	M12 X 1.5
12	RE500576	FITTING	1		X	M12 X 1.5
13	RE60030	FITTING	3		X	M12 X 1.5 X 5/8"-24UNEF
14	R49672	FITTING	6		X	5/8"-24UNEF
15	R67092	SEALING WASHER	6		X	
16	RE517219	FUEL LINE	1		X	
17	R500271	O-RING	2		X	10.100 X 1.600 MM
18	R516453	FITTING	2		X	M10 X 1 X 5/8"-24UNEF
19	RE517245	FUEL LINE	1		X	
20	14M7334	FLANGE NUT	1		X	M10
21	R116116	BRACKET	1		X	
22	T13814	CLAMP	1		X	
23	19M7784	SCREW	1		X	M10 X 20, (10.9)
24	RE522827	FUEL LINE	1		X	(SUB FOR RE517221)
26	RE502174	ELBOW FITTING	1		X	M14 X 1.5 X 5/8"-24UNEF
27	RE502175	FITTING	1		X	M10 X 1 X 1/2"-24UNS

630-26

LOW PRESSURE LINES

6328
6328
6328
6328
6328
6328

CDP45681A -UN-



CDP45681A

630-27

LOW PRESSURE LINES

KEY	PART NO.	PART NAME	QTY.	ENGINE SERIAL NO.	4 0 4 5 H	REMARKS
1	RE508892	FUEL LINE	1		X	
2	R123593	TUBE NUT	8		X	1/2"-24UNS
3	R51936	SEALING WASHER	7		X	5.560 X 10.500 X 5.410 MM
4	RE508893	FUEL LINE	1		X	
5	RE515560	FUEL LINE	1		X	
6	R97061	TEE FITTING	1		X	1/2"-24UNS
7	RE502173	FITTING	1		X	M10 X 1 X 1/2"-24UNS
8	51M7039	O-RING	2		X	8.100 X 1.600 MM
9	AR85519	PLUG	2		X	
10	51M7040	O-RING	8		X	9.300 X 2.200 MM
11	RE46686	FITTING PLUG	4		X	M12 X 1.5
12	RE500576	FITTING	1		X	M12 X 1.5
13	RE60030	FITTING	3		X	M12 X 1.5 X 5/8"-24UNEF
14	R49672	FITTING	6		X	5/8"-24UNEF
15	R67092	SEALING WASHER	6		X	
16	RE517234	FUEL LINE	1		X	
17	R500271	O-RING	2		X	10.100 X 1.600 MM
18	R516453	FITTING	2		X	M10 X 1 X 5/8"-24UNEF
19	RE517245	FUEL LINE	1		X	
20	14M7334	FLANGE NUT	1		X	M10
21	R116116	BRACKET	1		X	
22	T13814	CLAMP	1		X	
23	19M7784	SCREW	1		X	M10 X 20, (10.9)
24	RE517246	FUEL LINE	1		X	
25	51M7041	O-RING	1		X	11.300 X 2.200 MM
26	RE502174	ELBOW FITTING	1		X	M14 X 1.5 X 5/8"-24UNEF
27	RE502175	FITTING	1		X	M10 X 1 X 1/2"-24UNS

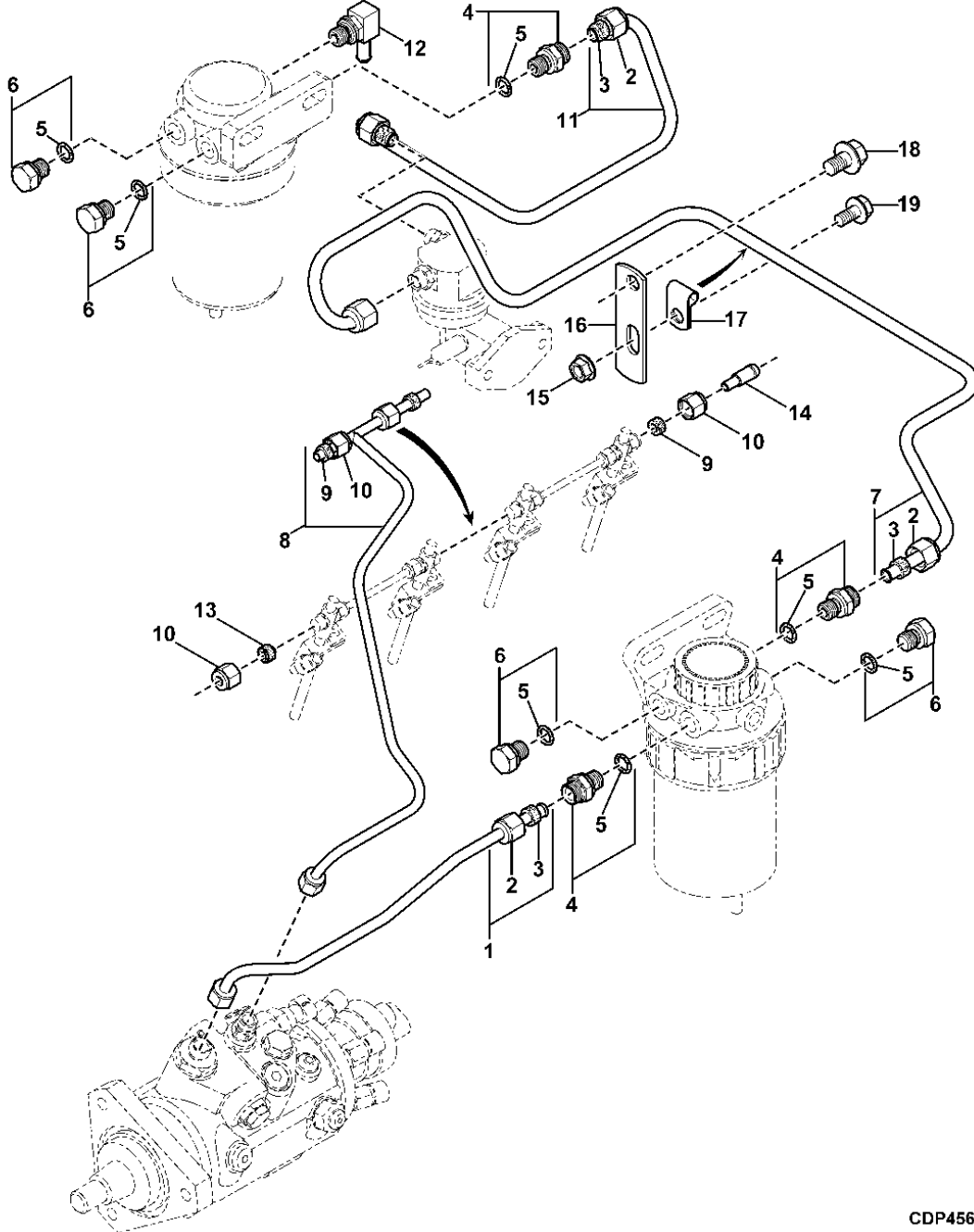
630-28

LOW PRESSURE LINES

6361
6361
6361
6361
6361

CDP45678A

-UN-



CDP45678A

630-29

LOW PRESSURE LINES

KEY	PART NO.	PART NAME	QTY.	ENGINE SERIAL NO.	4	4	REMARKS
					0	0	
					4	4	
					0	0	
					4	4	
					5	5	
					H	T	
1	RE515693	FUEL LINE	1		X	X	
2	R123594	TUBE NUT	AR		X	X	
3	R74012	SEALING WASHER	AR		X	X	7.140 X 12.300 X 6.400 MM
4	RE60029	ADAPTER FITTING	3		X	X	
5	51M7040	O-RING	AR		X	X	9.300 X 2.200 MM
6	RE46686	FITTING PLUG	4		X	X	M12 X 1.5
7	RE515706	FUEL LINE	1		X	X	
8	RE507598	FUEL LINE	1		X	X	
9	R51936	SEALING WASHER	AR		X	X	5.560 X 10.500 X 5.410 MM
10	R123593	TUBE NUT	AR		X	X	
11	RE520138	FUEL LINE	1		X	X	
12	RE500044	HOSE FITTING	1		X	X	M12 X 1.5 X OD= 8MM
13	AR85519	PLUG	1		X	X	
14	R500731	HOSE FITTING	1		X	X	OD= 9MM, LGTH= 28MM
15	14M7298	FLANGE NUT	1		X	X	M8
16	R56588	STRAP	1		X	X	
17	T14050	CLAMP	1		X	X	
18	19M7783	SCREW	1		X	X	M10 X 16, (10.9)
19	19M7865	SCREW	1		X	X	M8 X 16, (10.9)

630-30

LOW PRESSURE LINES

MEMORANDA
MEMORANDA
MEMORANDA
MEMORANDA
MEMORANDA
MEMORANDA

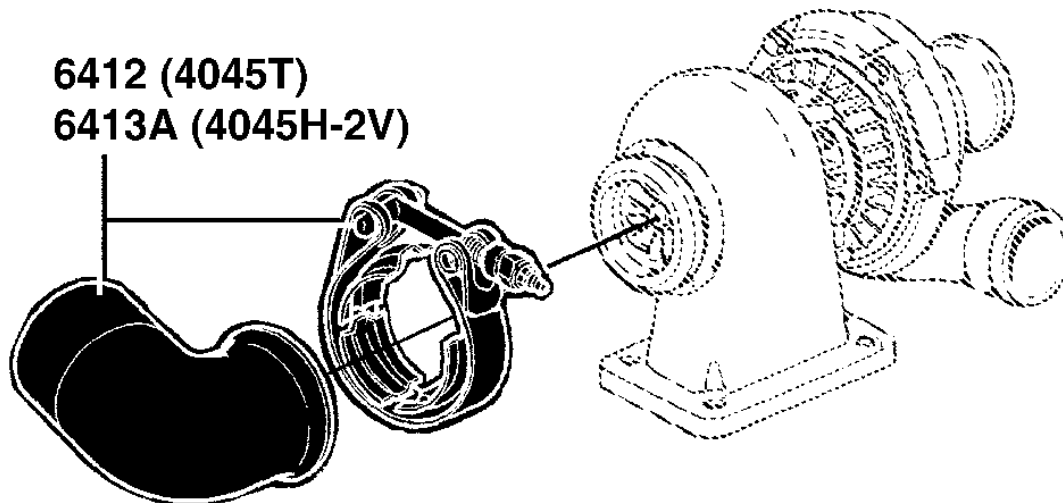
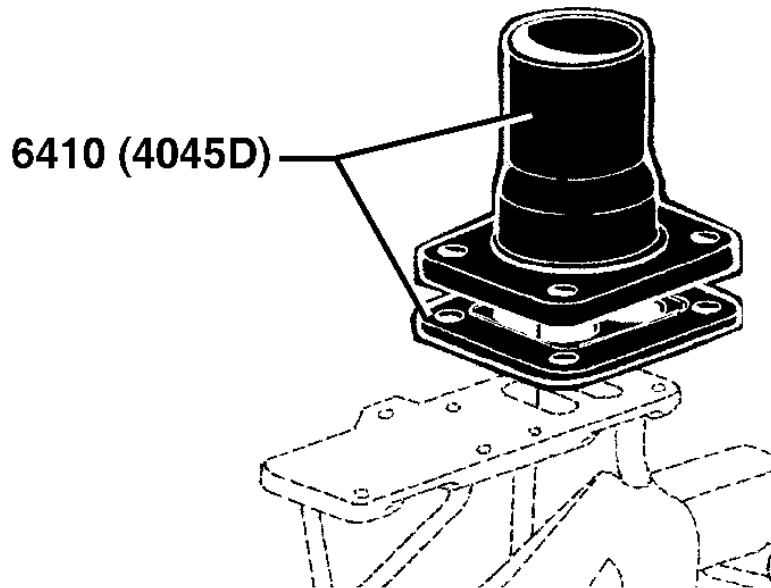
640-A01

EXHAUST ADAPTER

SECTIONAL INDEX
INDEX DE SECTION
GRUPPENINDEX
INDICE DELLA SEZIONE
INDICE DE SECCION
GRUPPSFORTECKNING

CDP46892A -UN-

6410-	1
6412-	2
6413A-	3



CDP46892A

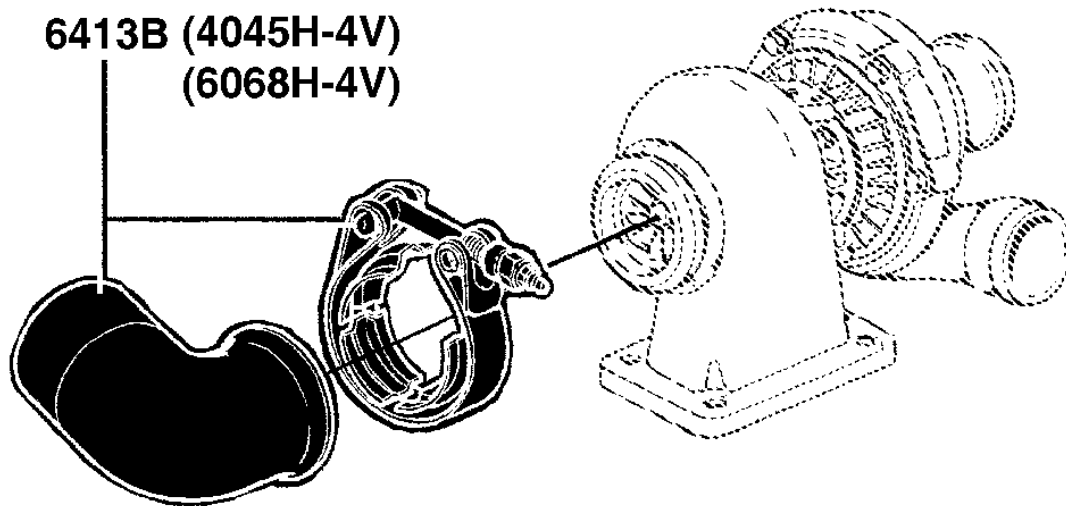
640-A02

EXHAUST ADAPTER

SECTIONAL INDEX
INDEX DE SECTION
GRUPPENINDEX
INDICE DELLA SEZIONE
INDICE DE SECCION
GRUPPSFORTECKNING

6413B- 4

CDP47874 -UN-



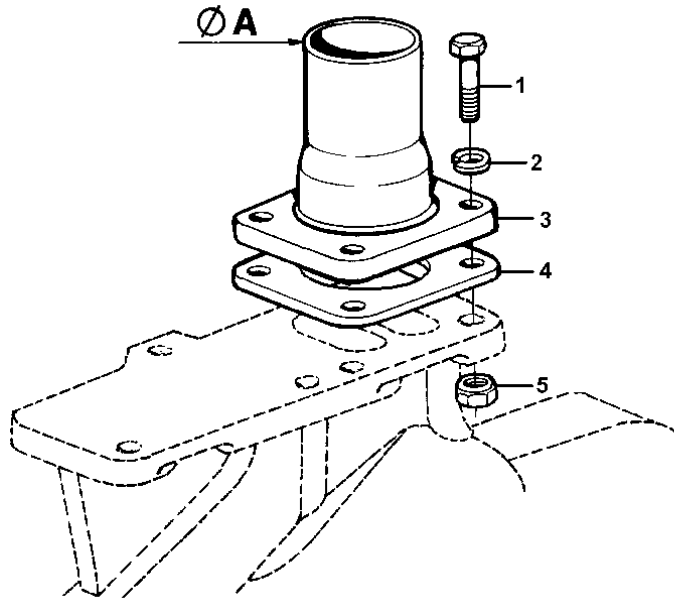
CDP47874

640-1

EXHAUST ADAPTER

6410
6410
6410
6410
6410
6410

CD42754A -UN-



CD42754A

KEY	PART NO.	PART NAME	QTY.	ENGINE SERIAL NO.	REMARKS
1	19H2633	CAP SCREW	4		X 3/8" X 1-1/2"
2	12H304	LOCK WASHER	4		X 3/8"
3	RE503300	ADAPTER FITTING	1		X
4	R502662	GASKET	1		X A= 60MM
5	14H812	NUT	4		X 3/8"

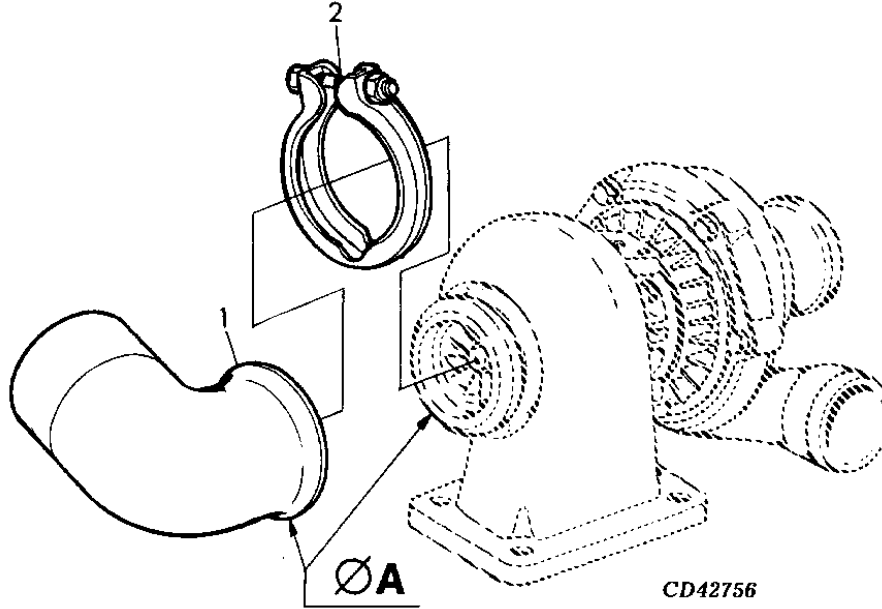
4
0
4
5
D

640-2

EXHAUST ADAPTER

6412
6412
6412
6412
6412

CD42756 -UN-



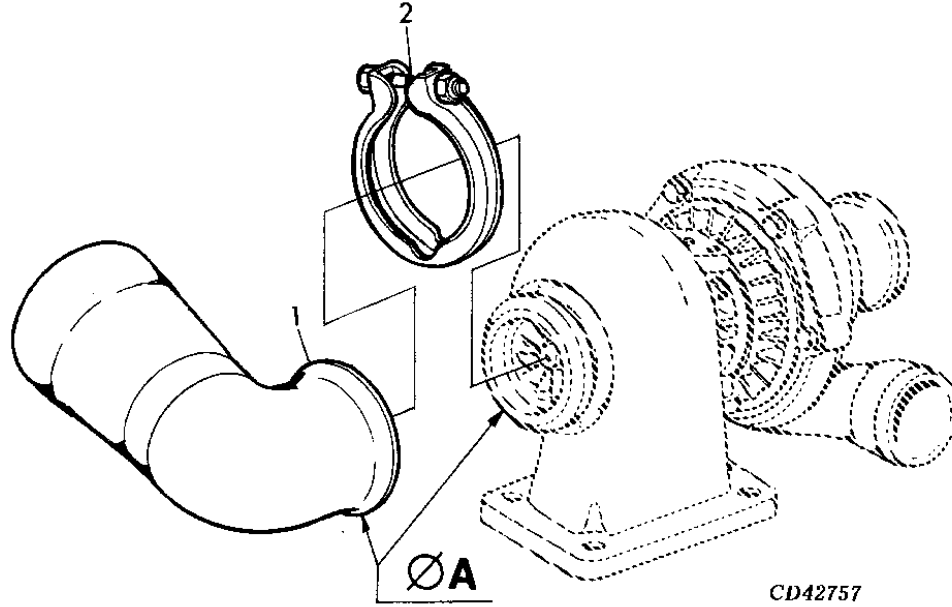
KEY	PART NO.	PART NAME	QTY.	ENGINE SERIAL NO.	REMARKS
1	R502008	ADAPTER FITTING	1	4 0 4 5 T	X A = 107MM
2	RE40048	CLAMP	1		X

640-3

EXHAUST ADAPTER

6413
6413
6413
6413
6413

CD42757 -UN-



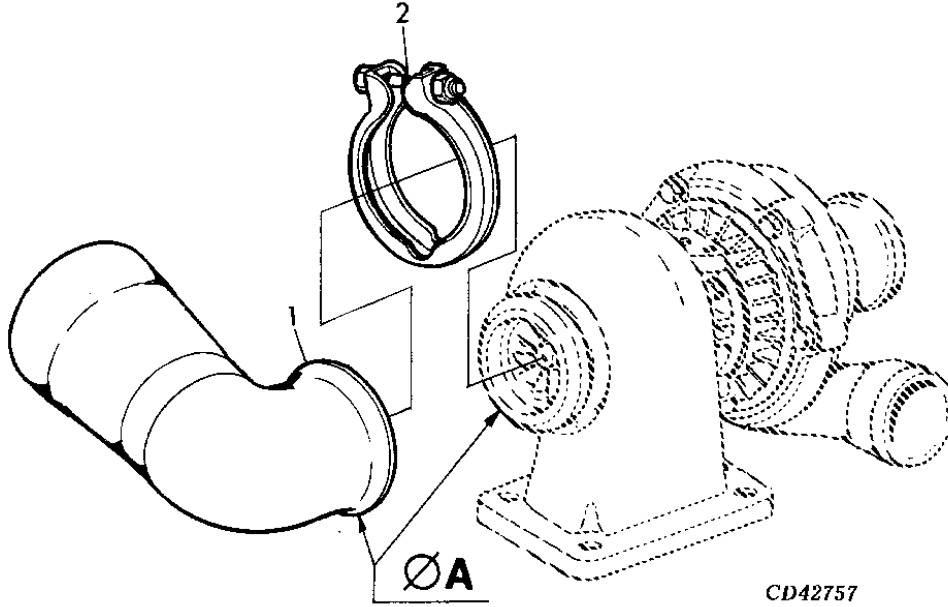
KEY	PART NO.	PART NAME	QTY.	ENGINE SERIAL NO.	REMARKS
1	R502009	ADAPTER FITTING	1	4 6 0 0 4 6 5 8 H H	X X A = 107MM
2	RE40048	CLAMP	1		X X

640-4

EXHAUST ADAPTER

6413 - CONTINUED
 6413 - SUITE
 6413 - FORTSETZUNG
 6413 - SEGUITO
 6413 - CONTINUACION
 6413 - FORTS

CD42757 -UN-



KEY	PART NO.	PART NAME	QTY.	ENGINE SERIAL NO.	6 0 6 8 H	REMARKS
1	R502009	ADAPTER FITTING	1		X	A = 107MM
2	RE40048	CLAMP	1		X	

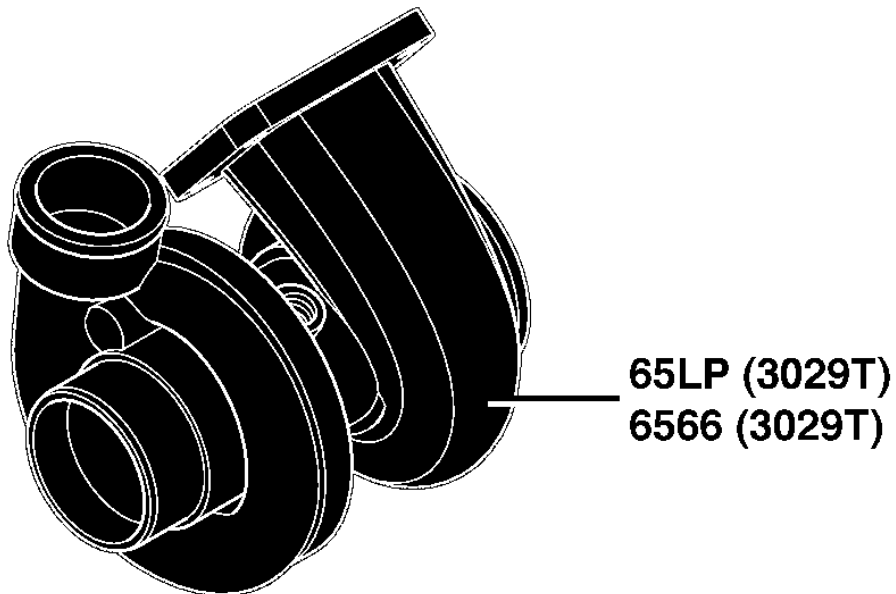
650-A01

TURBOCHARGER

SECTIONAL INDEX
INDEX DE SECTION
GRUPPENINDEX
INDICE DELLA SEZIONE
INDICE DE SECCION
GRUPPSFORTECKNING

CDP46896A -UN-

65LP-	22
6566-	34



CDP46896A

650-A02

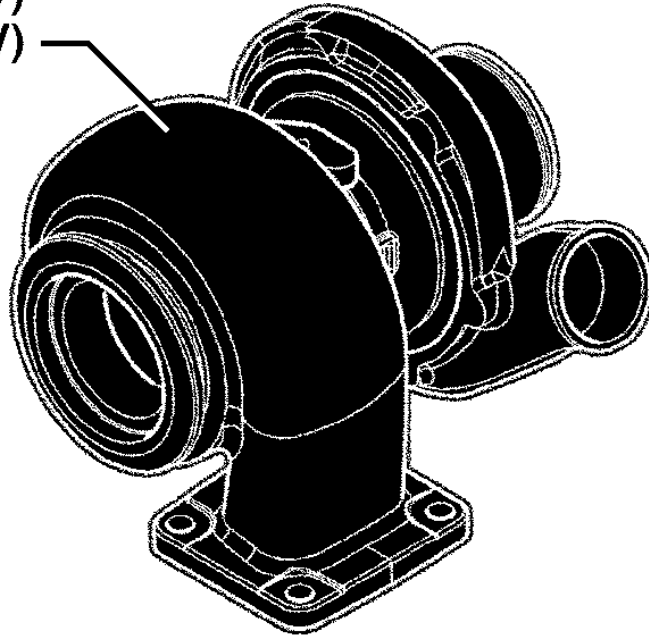
TURBOCHARGER

SECTIONAL INDEX
INDEX DE SECTION
GRUPPENINDEX
INDICE DELLA SEZIONE
INDICE DE SECCION
GRUPPSFORTECKNING

CDP46897B -UN-

65CN (4045H-2V)
65CR (4045T)
65DY (6068H-2V)
65EC (6068H-2V)
65GS (6068H-2V)
65HCA (4045H,T-2V)
65HCB (4045T)
65TN (4045T)
65UB (4045H-2V)
65UC (6068H-2V)

65CN-	2
65CR-	4
65DY-	6
65EC-	8
65GS-	10
65HCA-	12
65HCB-	14
65TN-	28
65UB-	30
65UC-	32



CDP46897B

650-A03

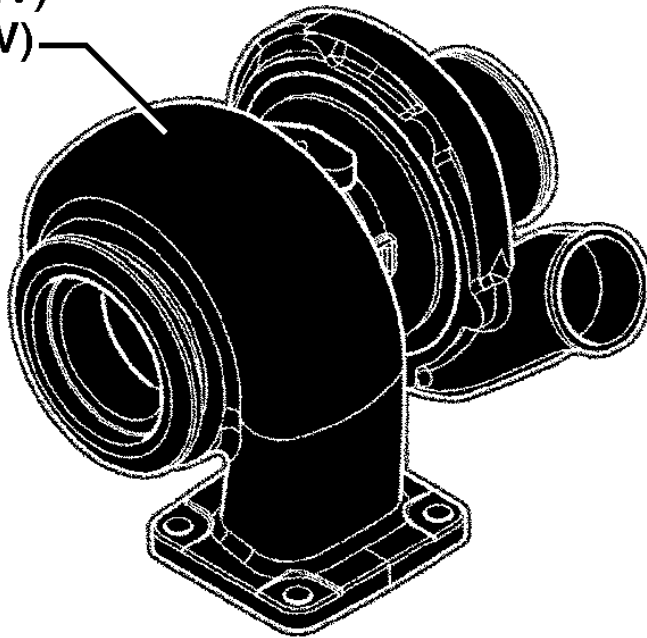
TURBOCHARGER

SECTIONAL INDEX
INDEX DE SECTION
GRUPPENINDEX
INDICE DELLA SEZIONE
INDICE DE SECCION
GRUPPSFORTECKNING

CDP46898A -UN-

65HQ-	16
65HW-	18
65JA-	20
65MQ-	24
65NJ-	26

65HQ (6068H-4V)
65HW (4045H-4V)
65JA (4045H-4V)
65MQ (6068H-4V)
65NJ (6068H-4V)



CDP46898A

650-A04

TURBOCHARGER

MEMORANDA
MEMORANDA
MEMORANDA
MEMORANDA
MEMORANDA
MEMORANDA

650-1

TURBOCHARGER

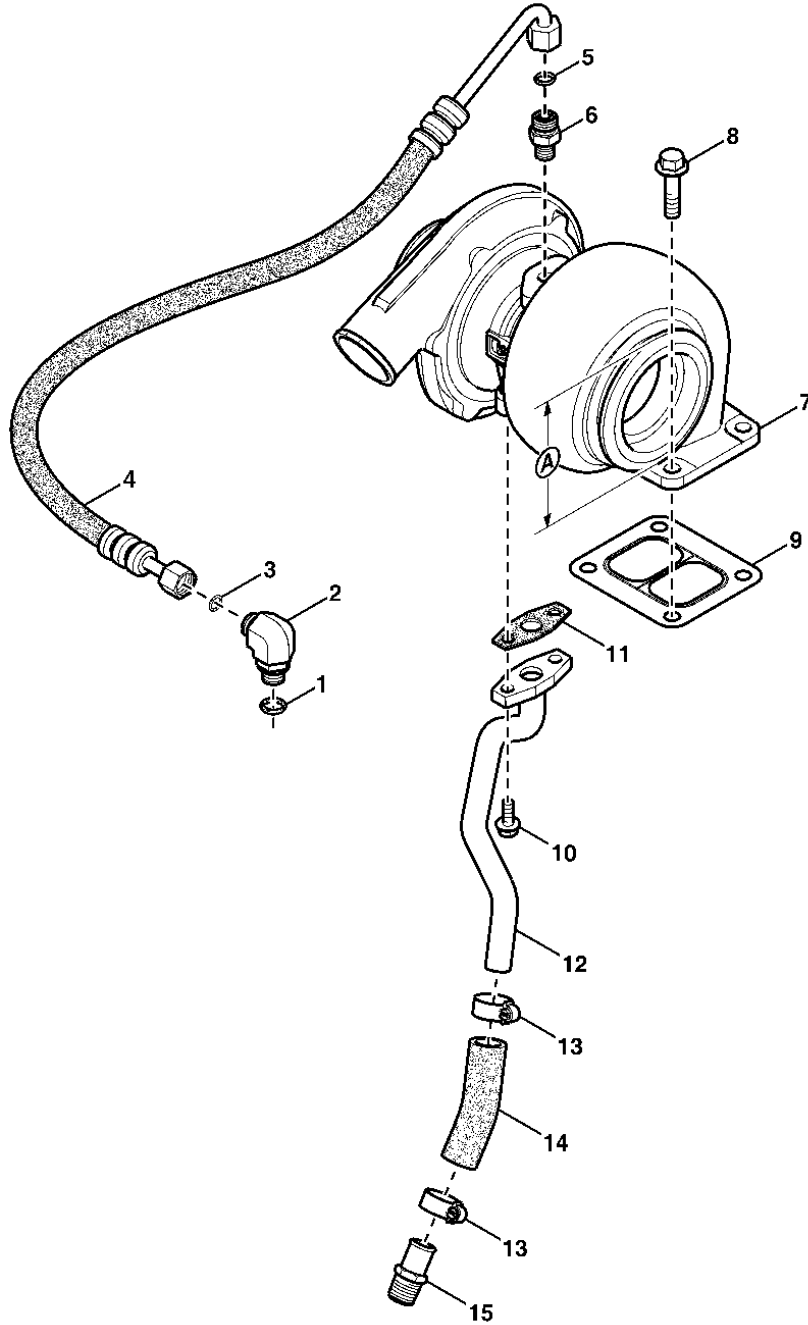
MEMORANDA
MEMORANDA
MEMORANDA
MEMORANDA
MEMORANDA
MEMORANDA

650-2

TURBOCHARGER

65CN
65CN
65CN
65CN
65CN
65CN

CDP46480B -UN-



CDP46480B

650-3

TURBOCHARGER

KEY	PART NO.	PART NAME	QTY.	ENGINE SERIAL NO.	4 0 4 5 H	REMARKS
1	51M7042	O-RING	1		X	13.300 X 2.200 MM
2	38H5035	ELBOW FITTING	1		X	M16 X 1.5 X 11/16"-16UN, (ALSO ORDER T77613 AND 51M7042)
3	T77613	O-RING	1		X	9.246 X 1.778 MM
4	RE503208	HYDRAULIC HOSE	1		X	
5	R63548	O-RING	1		X	9.246 X 1.778 MM
6	M87733	ADAPTER FITTING	1		X	1/4"-18NPT X 11/16"-16UN, (ALSO ORDER R63548)
7	RE508971	TURBOCHARGER	1		X	(A) A= 107MM, (BORG WARNER)
	RE509818	TURBOCHARGER	1		X	(B) A= 107MM, (BORG WARNER) , FOR USA , POUR USA , FUER USA , PER USA , PARA USA , MED USA
8	19M7785	SCREW	4		X	M10 X 25, (10.9)
9	R123572	GASKET	1		X	
10	19M7866	SCREW	2		X	M8 X 20, (10.9)
11	R123570	GASKET	1		X	
12	RE59547	OIL LINE	1		X	
13	RE65978	CLAMP	2		X	
14	R115138	HOSE	1		X	LGTH= 95MM,
15	RE54885	HOSE FITTING	1		X	1/2"-14NPTF, LGTH= 48MM, THREADS WITH PRE-APPLIED SEALANT, MIT DICHI MITTEL, CON MATERIALE DI TENUTA, CON SELLADOR, MED TAETNINGSMEDEL

(A) NEW
NOUVEAU
NEU
NUOVO
NUEVO
NY

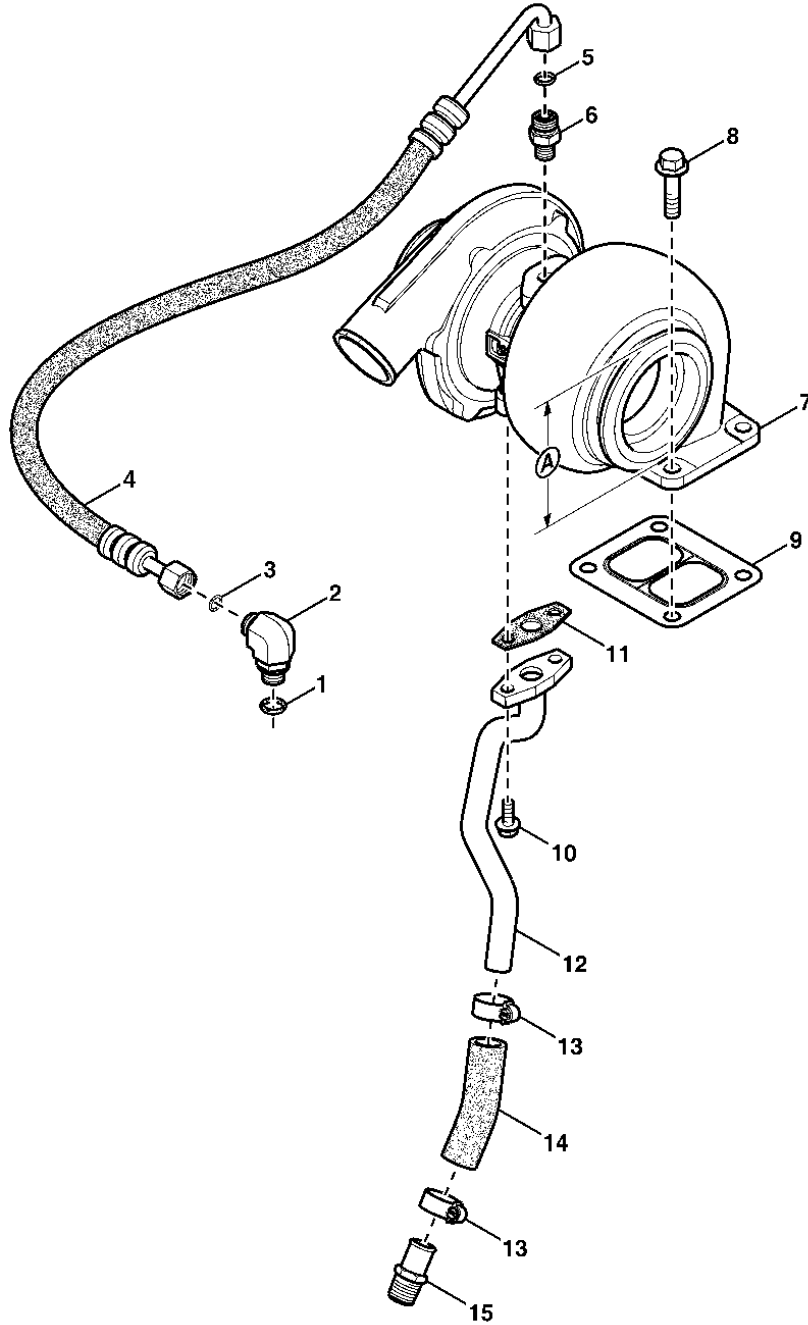
(B) REMANUFACTURED
RECONDITIONNE
GENERALUEBERHOLT
RICOSTRUITO
REACONDICIONADO
OMBEARBETNING

650-4

TURBOCHARGER

65CR
65CR
65CR
65CR
65CR
65CR

CDP46480B -UN-



CDP46480B

650-5

TURBOCHARGER

KEY	PART NO.	PART NAME	QTY.	ENGINE SERIAL NO.	4 0 4 5 T	REMARKS
1	51M7042	O-RING	1	-896188	X	13.300 X 2.200 MM
2	38H5035	ELBOW FITTING	1	-896188	X	(ALSO ORDER T77613 AND 51M7042) M16 X 1.5 X 11/16"-16UN
3	T77613	O-RING	1	-896188	X	9.246 X 1.778 MM
4	RE503208	HYDRAULIC HOSE	1	-896188	X	
5	R63548	O-RING	1	-896188	X	9.246 X 1.778 MM
6	M87733	ADAPTER FITTING	1	-896188	X	(ALSO ORDER R63548) 1/4"-18NPT X 11/16"-16UN
7	RE508973	TURBOCHARGER	1	-896188	X	(A) A= 107MM (BORG WARNER)
	RE509817	TURBOCHARGER	1	-896188	X	(B) A= 107MM (BORG WARNER) FOR USA ONLY
8	19M7785	SCREW	4	-896188	X	M10 X 25. (10.9)
9	R123572	GASKET	1	-896188	X	
10	19M7866	SCREW	2	-896188	X	M8 X 20 (10.9)
11	R123570	GASKET	1	-896188	X	
12	RE59547	OIL LINE	1	-896188	X	
13	RE65978	CLAMP	2	-896188	X	
14	R120013	HOSE	1	-896188	X	LGTH= 915MM, CUT TO LENGTH, COUPER A LONGEUR, ABLAENGEN, TAGLIARE SU MISURE, CORTAR A LONGITUD. AVSKARE EFTER MATT
15	RE54885	HOSE FITTING	1	-896188	X	1/2"-14NPTF X LGTH= 48MM, THREADS WITH PRE-APPLIED SEALANT. FILETS ENDUITS DE PRODUIT D'ETANCHEITE, MIT DICHTMITTEL, CON MATERIALE DI TENUTA, CON SELLADOR, MED TAETNINGSMEDEL

(A) REMANUFACTURED
ECHANGE STANDARD
GENERALUEBERHOLT
REVISIONATO
REACONDICIONADO
RENOVERAD

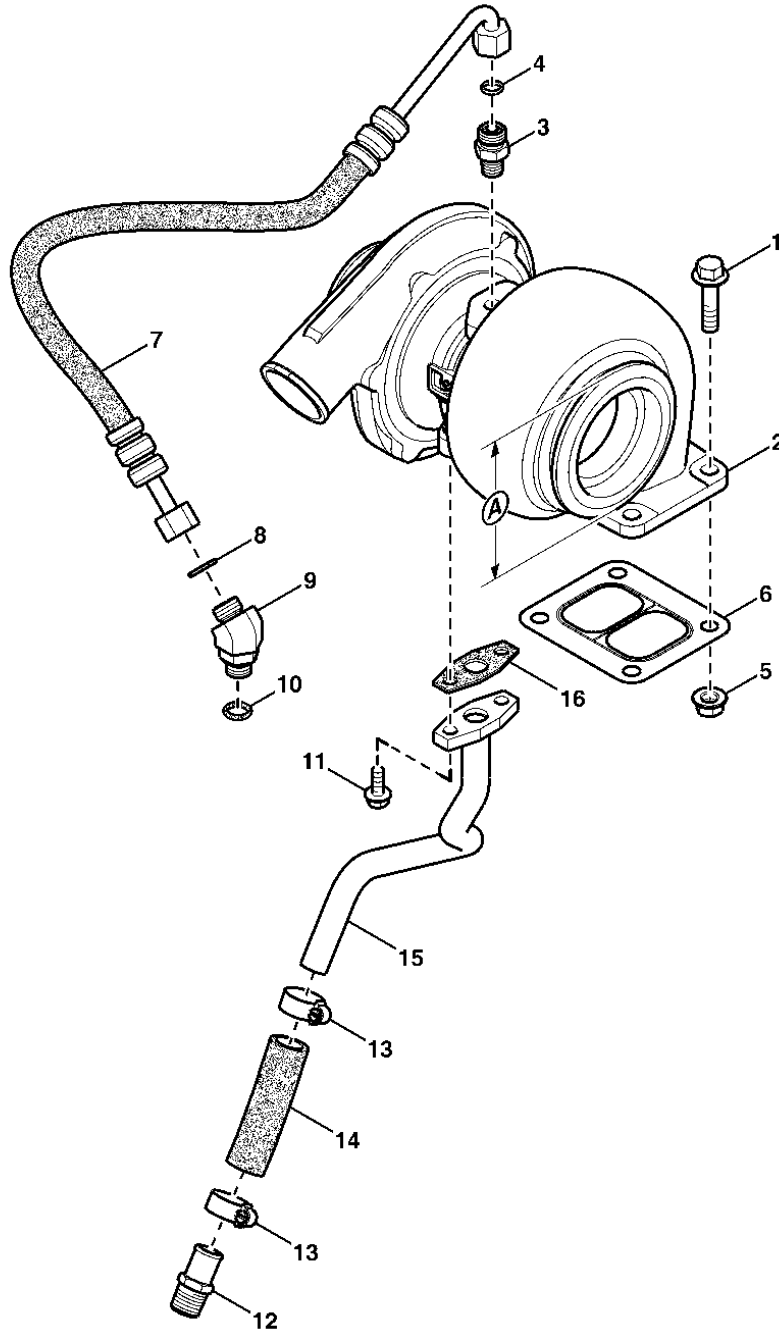
(B) REMANUFACTURED
ECHANGE STANDARD
GENERALUEBERHOLT
REVISIONATO
REACONDICIONADO
RENOVERAD

650-6

TURBOCHARGER

65DY
65DY
65DY
65DY
65DY
65DY

CDP46481C -UN-



CDP46481C

650-7

TURBOCHARGER

KEY	PART NO.	PART NAME	QTY.	ENGINE SERIAL NO.	6 0 6 8 H	REMARKS
1	19M8162	SCREW	4		X	M10 X 40 (10.9)
2	RE509807	TURBOCHARGER	1		X	(A) A= 107MM (BORG WARNER)
	RE509809	TURBOCHARGER	1		X	(B) A= 107MM (BORG WARNER) FOR USA ONLY
3	M87733	ADAPTER FITTING	1		X	(ALSO ORDER R63548) 1/4"-18NPT X 11/16"-16UN
4	R63548	O-RING	1		X	9.246 X 1.778 MM
5	14M7296	FLANGE NUT	4		X	M10
6	R123572	GASKET	1		X	
7	RE503208	HYDRAULIC HOSE	1		X	
8	T77613	O-RING	1		X	9.246 X 1.778 MM
9	38H5154	ELBOW FITTING	1		X	(ALSO ORDER T77613 AND 51M7042) 45°, M16 X 1.5 X 11/16"-16UN
10	51M7042	O-RING	2		X	13.300 X 2.200 MM
11	19M7866	SCREW	2		X	M8 X 20 (10.9)
12	RE54885	HOSE FITTING	1		X	1/2"-14NPTF X LGTH= 48MM, THREADS WITH PRE-APPLIED SEALANT, FILETS ENDUITS DE PRODUIT D'ETANCHEITE, MIT DICHTMITTEL, CON MATERIALE DI TENUTA, CON SELLADOR, MED TAETNINGSMEDEL
13	RE65978	CLAMP	2		X	
14	R120013	HOSE	1		X	LGTH= 915MM, CUT TO LENGTH, COUPER A LONGUEUR, ABLAENGEN, TAGLIARE SU MISURE, CORTAR A LONGITUD. AVSKARE EFTER MATT
15	RE59438	OIL LINE	1		X	
16	R123570	GASKET	1		X	

(A) NEW
NOUVEAU
NEU
NUOVO
NUEVO
NY

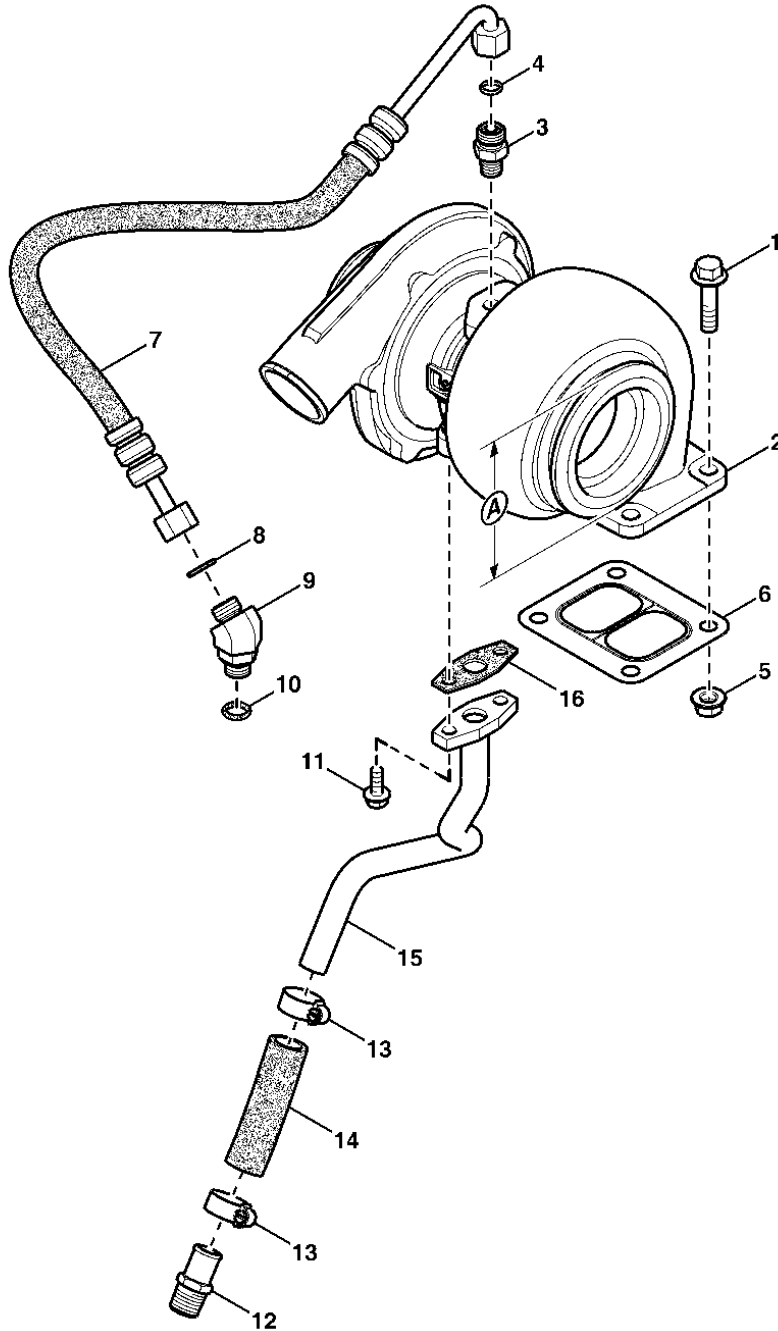
(B) REMANUFACTURED
ECHANGE STANDARD
GENERALUEBERHOLT
REVISIONATO
REACONDICIONADO
RENOVERAD

650-8

TURBOCHARGER

65EC
65EC
65EC
65EC
65EC
65EC

CDP46481C -UN-



CDP46481C

650-9

TURBOCHARGER

KEY	PART NO.	PART NAME	QTY.	ENGINE SERIAL NO.	6 0 6 8 H	REMARKS
1	19M8162	SCREW	4		X	M10 X 40 (10.9)
2	RE509435	TURBOCHARGER	1		X	(A) A= 107MM, (BORG WARNER)
	RE509535	TURBOCHARGER	1		X	(B) A= 107MM, (BORG WARNER), FOR USA, POUR USA, FUER USA, PER USA, PARA USA, MED USA
3	M87733	ADAPTER FITTING	1		X	1/4"-18NPT X 11/16"-16UN, (ALSO ORDER R63548)
4	R63548	O-RING	1		X	9.246 X 1.778 MM
5	14M7296	FLANGE NUT	4		X	M10
6	R123572	GASKET	1		X	
7	RE503208	HYDRAULIC HOSE	1		X	
8	T77613	O-RING	1		X	9.246 X 1.778 MM
9	38H5154	ELBOW FITTING	1		X	M16 X 1.5 X 11/16"-16UN, (ALSO ORDER T77613 AND 51M7042)
10	51M7042	O-RING	1		X	13.300 X 2.200 MM
11	19M7866	SCREW	2		X	M8 X 20 (10.9)
12	RE54885	HOSE FITTING	1		X	1/2"-14NPTF, LGTH= 48MM, THREADS WITH PRE-APPLIED SEALANT, FILETS ENDUITS DE PRODUIT D ETANCHEITE, MIT DICHTMITTEL, CON MATERIALE DI TENUTA, CON SELLADOR, MED TAETNINGSMEDEL
13	RE65978	CLAMP	2		X	
14	R515467	BULK HOSE	1		X	CUT TO LENGTH, COUPER A LONGUEUR, ABLAENGEN, TAGLIARE SU MISURE, CORTAR A LONGITUD, AVSKARE EFTER MATT
15	RE59438	OIL LINE	1		X	
16	R123570	GASKET	1		X	

(A) NEW
NOUVEAU
NEU
NUOVO
NUEVO
NY

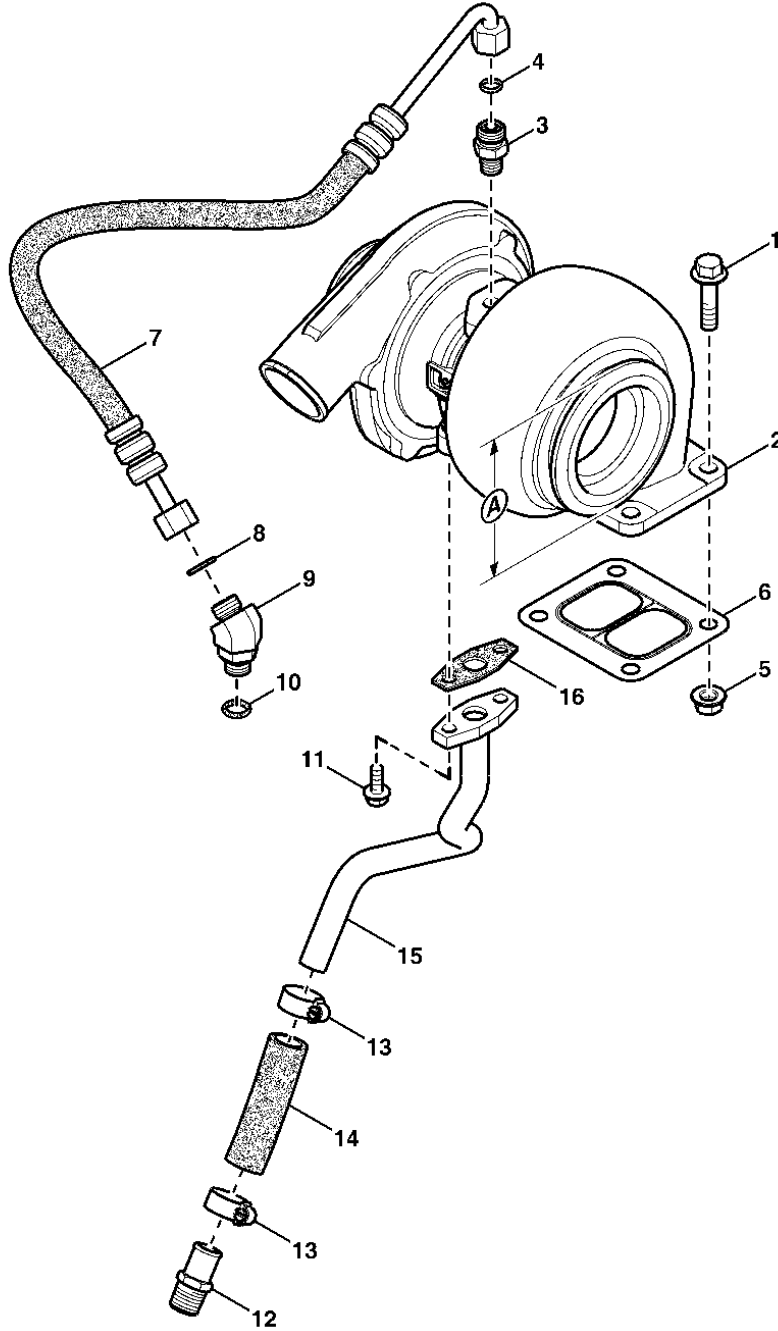
(B) REMANUFACTURED
ECHANGE STANDARD
GENERALUEBERHOLT
REVISIONATO
REACONDICIONADO
RENOVERAD

650-10

TURBOCHARGER

65GS
65GS
65GS
65GS
65GS
65GS

CDP46481C -UN-



CDP46481C

650-11

TURBOCHARGER

KEY	PART NO.	PART NAME	QTY.	ENGINE SERIAL NO.	6 0 6 8 H	REMARKS
1	19M8162	SCREW	4		X	M10 X 40 (10.9)
2	RE516653	TURBOCHARGER	1		X	(A) A= 107MM (BORG WARNER)
	RE516654	TURBOCHARGER	1		X	(B) A= 107MM (BORG WARNER) FOR USA ONLY
3	M87733	ADAPTER FITTING	1		X	1/4"-18NPT X 11/16"-16UN, (ALSO ORDER R63548)
4	R63548	O-RING	1		X	9.246 X 1.778 MM
5	14M7296	FLANGE NUT	4		X	M10
6	R123572	GASKET	1		X	
7	RE503208	HYDRAULIC HOSE	1		X	
8	T77613	O-RING	1		X	9.246 X 1.778 MM
9	38H5154	ELBOW FITTING	1		X	45°, M16 X 1.5 X 11/16"-16UN, (ALSO ORDER T77613 AND 51M7042)
10	51M7042	O-RING	2		X	13.300 X 2.200 MM
11	19M7866	SCREW	2		X	M8 X 20 (10.9)
12	RE54885	HOSE FITTING	1		X	1/2"-14NPTF X LGTH= 48MM, THREADS WITH PRE-APPLIED SEALANT, FILETS ENDUITS DE PRODUIT D'ETANCHEITE, MIT DICHTMITTEL, CON MATERIALE DI TENUTA, CON SELLADOR, MED TAETNINGSMEDEL
13	RE65978	CLAMP	2		X	
14	R120013	HOSE	1		X	LGTH= 915MM, CUT TO LENGTH, COUPER A LONGUEUR, ABLAENGEN, TAGLIARE SU MISURE, CORTAR A LONGITUD. AVSKARE EFTER MATT
15	RE59438	OIL LINE	1		X	
16	R123570	GASKET	1		X	

(A) NEW
NOUVEAU
NEU
NUOVO
NUEVO
NY

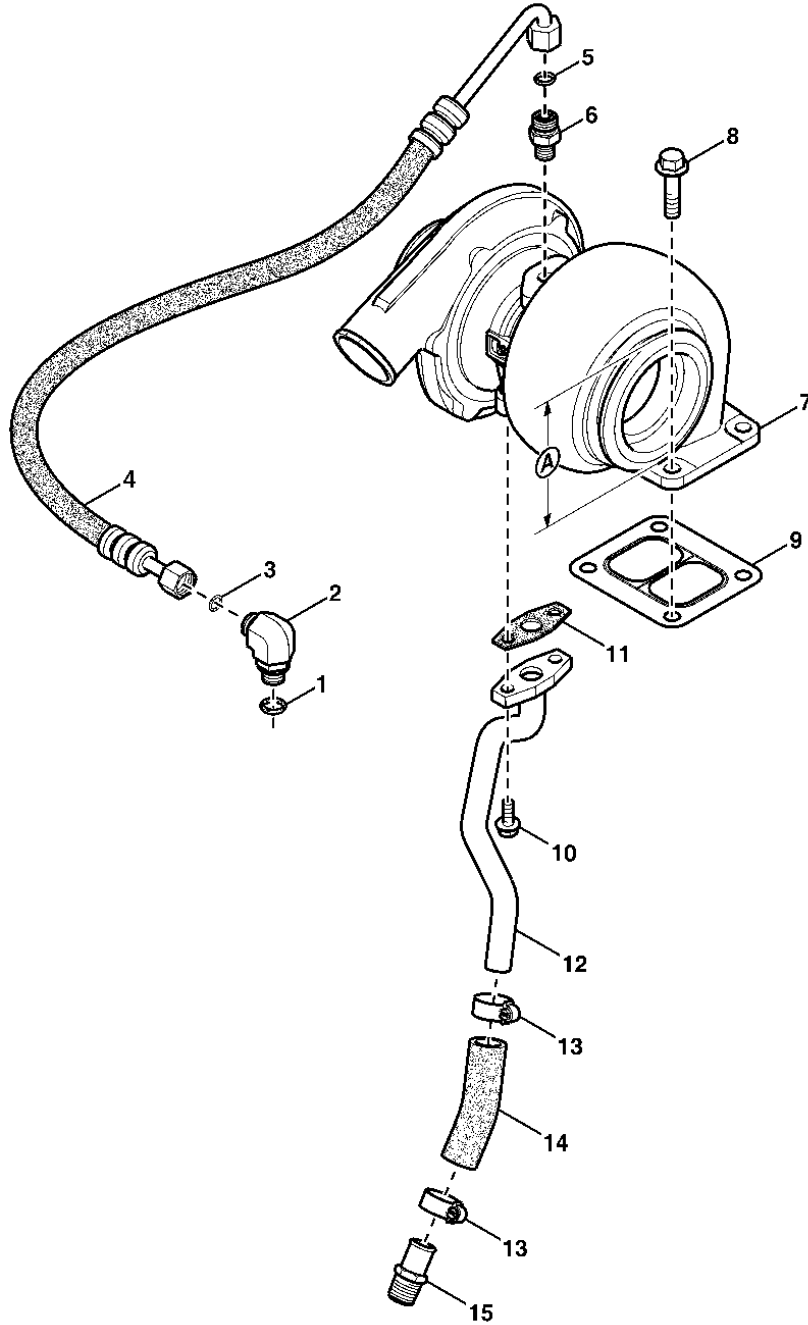
(B) REMANUFACTURED
ECHANGE STANDARD
GENERALUEBERHOLT
REVISIONATO
REACONDICIONADO
RENOVERAD

650-12

TURBOCHARGER

65HC
65HC
65HC
65HC
65HC
65HC

CDP46480B -UN-



CDP46480B

650-13

TURBOCHARGER

KEY	PART NO.	PART NAME	QTY.	ENGINE SERIAL NO.	4 4 0 0 4 4 5 5 H T	REMARKS
1	51M7042	O-RING	1		X X	13.300 X 2.200 MM
2	38H5035	ELBOW FITTING	1		X X	(ALSO ORDER T77613 AND 51M7042) 90°, M16 X 1.5 X 11/16"-16UN
3	T77613	O-RING	1		X X	9.246 X 1.778 MM
4	RE503208	HYDRAULIC HOSE	1		X X	
5	R63548	O-RING	1		X X	9.246 X 1.778 MM
6	M87733	ADAPTER FITTING	1		X X	(ALSO ORDER R63548) 1/4"-18NPT X 11/16"-16UN
7	RE516783	TURBOCHARGER	1		X X	(A) A= 107MM (BORG WARNER)
	RE516784	TURBOCHARGER	1		X X	(B) A= 107MM (BORG WARNER) FOR USA ONLY
8	19M7785	SCREW	4		X X	M10 X 25, (10.9)
9	R123572	GASKET	1		X X	
10	19M7866	SCREW	2		X X	M8 X 20 (10.9)
11	R123570	GASKET	1		X X	
12	RE59547	OIL LINE	1		X X	
13	RE65978	CLAMP	2		X X	
14	R120013	HOSE	1		X X	LGTH= 915MM, CUT TO LENGTH, COUPER A LONGEUR, ABLAENGEN, TAGLIARE SU MISURE, CORTAR A LONGITUD, AVSKARE EFTER MATT
15	RE54885	HOSE FITTING	1		X X	1/2"-14NPTF X LGTH= 48MM, THREADS WITH PRE-APPLIED SEALANT, FILETS ENDUITS DE PRODUIT D'ETANCHEITE, MIT DICHTMITTEL, CON MATERIALE DI TENUTA, CON SELLADOR, MED TAETNINGSMEDEL

(A) NEW
NOUVEAU
NEU
NUOVO
NUEVO
NY

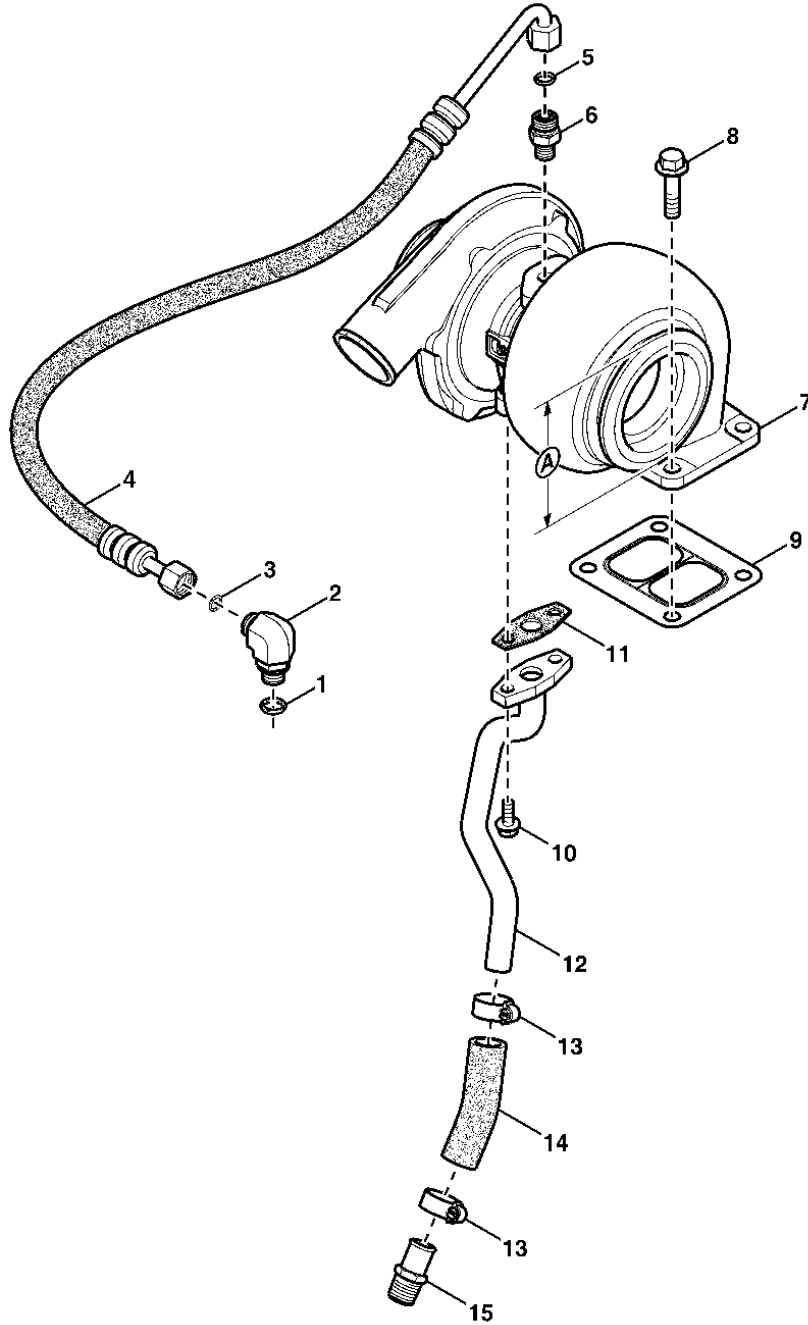
(B) REMANUFACTURED
ECHANGE STANDARD
GENERALUEBERHOLT
REVISIONATO
REACONDICIONADO
RENOVERAD

650-14

TURBOCHARGER

65HC - CONTINUED
65HC - SUITE
65HC - FORTSETZUNG
65HC - SEGUIITO
65HC - CONTINUACION
65HC - FORTS

CDP46480B -UN-



CDP46480B

650-15

TURBOCHARGER

KEY	PART NO.	PART NAME	QTY.	ENGINE SERIAL NO.	4 0 4 5 T	REMARKS
1	51M7042	O-RING	1	896189-	X (A)	13.300 X 2.200 MM
2	38H5035	ELBOW FITTING	1	896189-	X (A)	(ALSO ORDER T77613) M16 X 1.5 X 1 1/16"-16UN
3	T77613	O-RING	1	896189-	X (A)	9.246 X 1.778 MM
4	RE503208	HYDRAULIC HOSE	1	896189-	X (A)	
5	R63548	O-RING	1	896189-	X (A)	9.246 X 1.778 MM
6	M87733	ADAPTER FITTING	1	896189-	X (A)	(ALSO ORDER R63548) 1/4"-18NPT X 1 1/16"-16UN
7	RE516783	TURBOCHARGER	1	896189-	X (A)	(B) A= 107MM (BORG WARNER)
	RE516784	TURBOCHARGER	1	896189-	X (A)	(C) A= 107MM (BORG WARNER) FOR USA ONLY
8	19M7785	SCREW	4	896189-	X (A)	M10 X 25, (10.9)
9	R123572	GASKET	1	896189-	X (A)	
10	19M7866	SCREW	2	896189-	X (A)	M8 X 20, (10.9)
11	R123570	GASKET	1	896189-	X (A)	
12	RE59547	OIL LINE	1	896189-	X (A)	
13	RE65978	CLAMP	2	896189-	X (A)	
14	R120013	HOSE	1	896189-	X (A)	LGTH= 915MM, CUT TO LENGTH, COUPER A LONGEUR, ABLAENGEN, TAGLIARE SU MISURE, CORTAR A LONGITUD. AVSKARE EFTER MATT
15	RE54885	HOSE FITTING	1	896189-	X (A)	1/2"-14NPTF X LGTH= 48MM, THREADS WITH PRE-APPLIED SEALANT. FILETS ENDUITS DE PRODUIT D'ETANCHEITE, MIT DICHTMITTEL, CON MATERIALE DI TENUTA, CON SELLADOR, MED TAETNINGSMEDEL

(A) FOR DD21098
 POUR DD21098
 FUER DD21098
 PER DD21098
 PARA DD21098
 FOER DD21098

(B) NEW
 NOUVEAU
 NEU
 NUOVO
 NUEVO
 NY

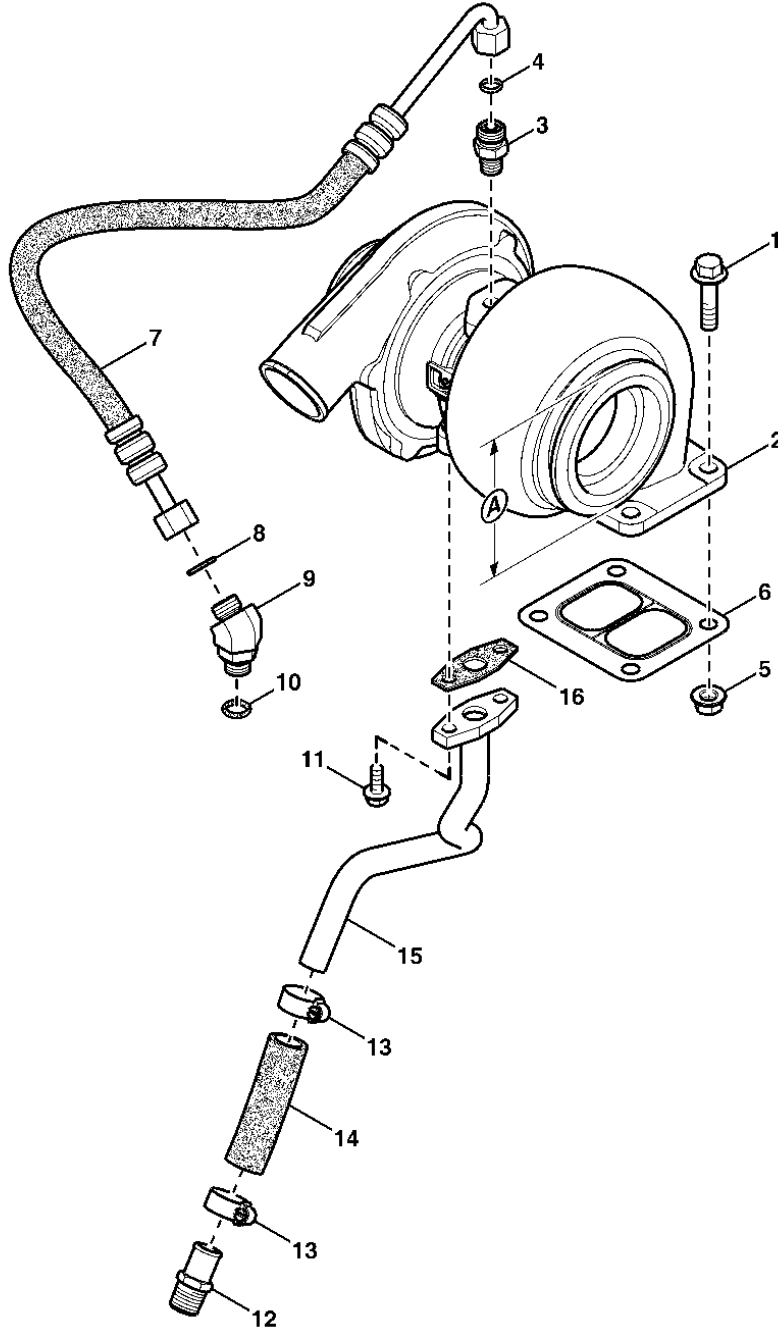
(C) REMANUFACTURED
 ECHANGE STANDARD
 GENERALUEBERHOLT
 REVISIONATO
 REACONDICIONADO
 RENOVERAD

650-16

TURBOCHARGER

65HQ
65HQ
65HQ
65HQ
65HQ
65HQ

CDP46481C -UN-



CDP46481C

650-17

TURBOCHARGER

KEY	PART NO.	PART NAME	QTY.	ENGINE SERIAL NO.	6 0 6 8 H	REMARKS
1	19M8162	SCREW	4		X	M10 X 40 (10.9)
2	RE517239	TURBOCHARGER	1		X	(A) A= 107MM (BORG WARNER)
	RE516661	TURBOCHARGER	1		X	(B) A= 107MM (BORG WARNER) FOR USA ONLY
3	M87733	ADAPTER FITTING	1		X	1/4"-18NPT X 11/16"-16UN, (ALSO ORDER R63548)
4	R63548	O-RING	1		X	9.246 X 1.778 MM
5	14M7296	FLANGE NUT	4		X	M10
6	R123572	GASKET	1		X	
7	RE503211	HYDRAULIC HOSE	1		X	(SUB FOR RE503212, THIS APPLICATION)
8	T77613	O-RING	1		X	9.246 X 1.778 MM
9	38H5154	ELBOW FITTING	1		X	(ALSO ORDER T77613 AND 51M7042) 45°, M16 X 1.5 X 11/16"-16UN
10	51M7042	O-RING	1		X	13.300 X 2.200 MM
11	19M7866	SCREW	2		X	M8 X 20 (10.9)
12	RE54885	HOSE FITTING	1		X	1/2"-14NPTF X LGTH= 48MM, THREADS WITH PRE-APPLIED SEALANT, FILETS ENDUITS DE PRODUIT D'ETANCHEITE, MIT DICHTMITTEL, CON MATERIALE DI TENUTA, CON SELLADOR, MED TAETNINGSMEDEL
13	RE65978	CLAMP	2		X	
14	R120013	HOSE	1		X	LGTH= 915MM, CUT TO LENGTH, COUPER A LONGEUR, ABLAENGEN, TAGLIARE SU MISURE, CORTAR A LONGITUD. AVSKARE EFTER MATT
15	RE515896	OIL LINE	1		X	
16	R123570	GASKET	1		X	

(A) NEW
NOUVEAU
NEU
NUOVO
NUEVO
NY

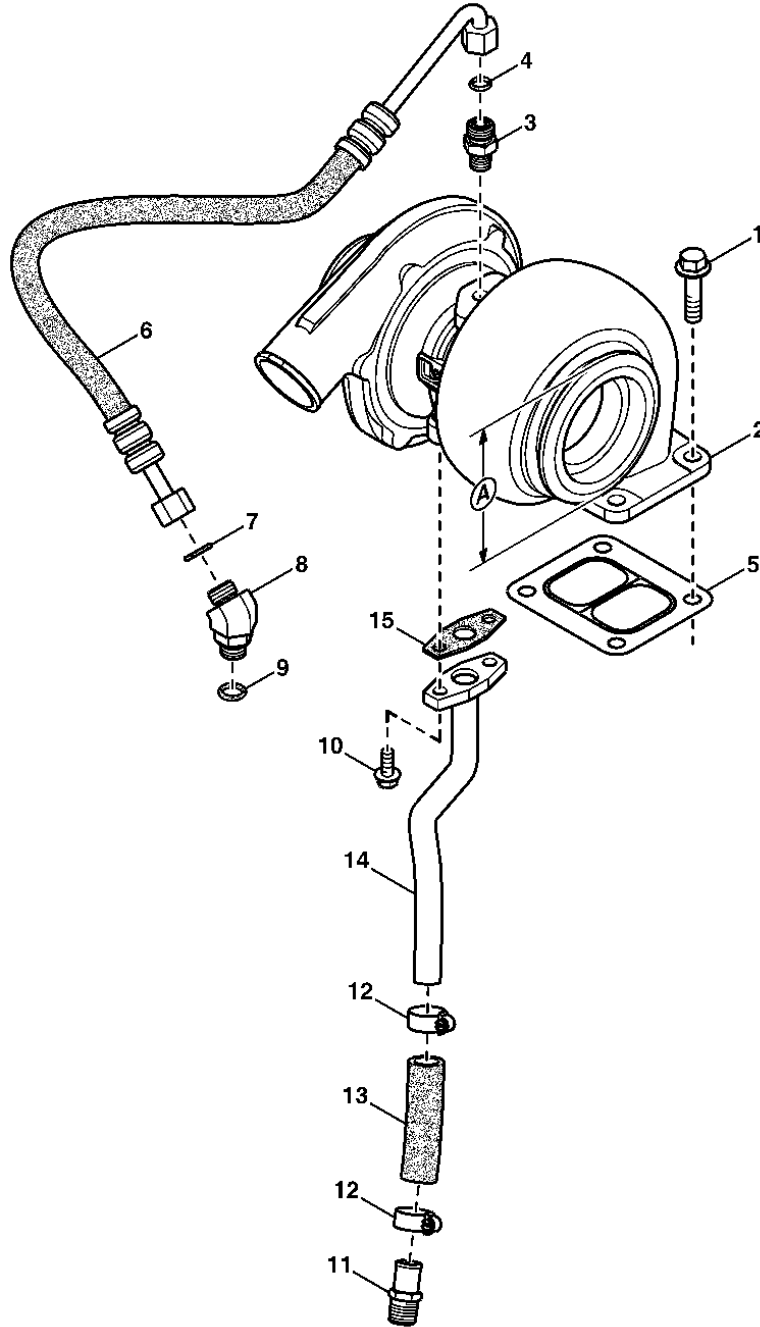
(B) REMANUFACTURED
ECHANGE STANDARD
GENERALUEBERHOLT
REVISIONATO
REACONDICIONADO
RENOVERAD

650-18

TURBOCHARGER

65HW
65HW
65HW
65HW
65HW
65HW

CDP46563A -UN-



CDP46563A

650-19

TURBOCHARGER

KEY	PART NO.	PART NAME	QTY.	ENGINE SERIAL NO.	4 0 4 5 H	REMARKS
1	19M7785	SCREW	4		X	M10 X 25, (10.9)
2	RE517236	TURBOCHARGER	1		X	(A) A= 107MM (BORG WARNER)
	RE517248	TURBOCHARGER	1		X	(B) A= 107MM (BORG WARNER) FOR USA ONLY
3	M87733	ADAPTER FITTING	1		X	1/4"-18NPT X 11/16"-16UN, (ALSO ORDER R63548)
4	R63548	O-RING	1		X	9.246 X 1.778 MM
5	R123572	GASKET	1		X	
6	RE503212	OIL LINE	1		X	
7	T77613	O-RING	1		X	9.246 X 1.778 MM
8	38H5154	ELBOW FITTING	1		X	45°, M16 X 1.5 X 11/16"-16UN, (ALSO ORDER T77613 AND 51M7042)
9	51M7042	O-RING	1		X	13.300 X 2.200 MM
10	19M7866	SCREW	2		X	M8 X 20 (10.9)
11	RE54885	HOSE FITTING	1		X	1/2"-14NPTF X LGTH= 48MM, THREADS WITH PRE-APPLIED SEALANT, FILETS ENDUITS DE PRODUIT D'ETANCHEITE, MIT DICHTMITTEL, CON MATERIALE DI TENUTA, CON SELLADOR, MED TAETNINGSMEDEL
12	RE65978	CLAMP	2		X	
13	R120013	HOSE	1		X	LGTH= 915MM, CUT TO LENGTH, COUPER A LONGUEUR, ABLAENGEN, TAGLIARE SU MISURE, CORTAR A LONGITUD, AVSKARE EFTER MATT
14	RE516008	OIL LINE	1		X	
15	R123570	GASKET	1		X	

(A) NEW
NOUVEAU
NEU
NUOVO
NUEVO
NY

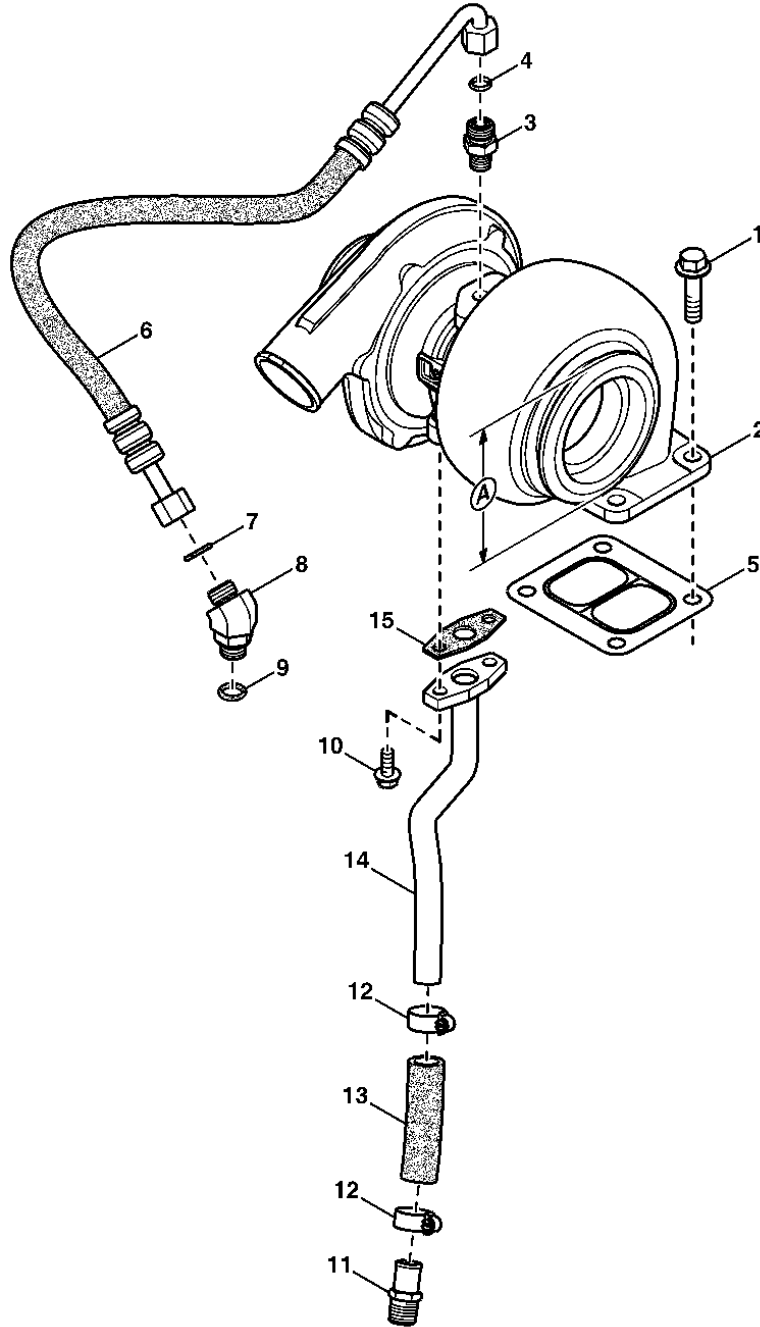
(B) REMANUFACTURED
ECHANGE STANDARD
GENERALUEBERHOLT
REVISIONATO
REACONDICIONADO
RENOVERAD

650-20

TURBOCHARGER

65JA
65JA
65JA
65JA
65JA
65JA

CDP46563A -UN-



CDP46563A

650-21

TURBOCHARGER

KEY	PART NO.	PART NAME	QTY.	ENGINE SERIAL NO.	4 0 4 5 H	REMARKS
1	19M7785	SCREW	4		X	M10 X 25, (10.9)
2	RE517799	TURBOCHARGER	1		X	(A) A= 107MM (BORG WARNER)
	RE516784	TURBOCHARGER	1		X	(B) A= 107MM (BORG WARNER) FOR USA ONLY
3	M87733	ADAPTER FITTING	1		X	1/4"-18NPT X 11/16"-16UN, (ALSO ORDER R63548)
4	R63548	O-RING	1		X	9.246 X 1.778 MM
5	R123572	GASKET	1		X	
6	RE503212	OIL LINE	1		X	
7	T77613	O-RING	1		X	9.246 X 1.778 MM
8	38H5154	ELBOW FITTING	1		X	45°, M16 X 1.5 X 11/16"-16UN, (ALSO ORDER T77613 AND 51M7042)
9	51M7042	O-RING	1		X	13.300 X 2.200 MM
10	19M7866	SCREW	2		X	M8 X 20 (10.9)
11	RE54885	HOSE FITTING	1		X	1/2"-14NPTF X LGTH= 48MM, THREADS WITH PRE-APPLIED SEALANT, FILETS ENDUITS DE PRODUIT D'ETANCHEITE, MIT DICHTMITTEL, CON MATERIALE DI TENUTA, CON SELLADOR, MED TAETNINGSMEDEL
12	RE65978	CLAMP	2		X	
13	R120013	HOSE	1		X	LGTH= 915MM, CUT TO LENGTH, COUPER A LONGUEUR, ABLAENGEN, TAGLIARE SU MISURE, CORTAR A LONGITUD, AVSKARE EFTER MATT
14	RE516008	OIL LINE	1		X	
15	R123570	GASKET	1		X	

(A) NEW
NOUVEAU
NEU
NUOVO
NUEVO
NY

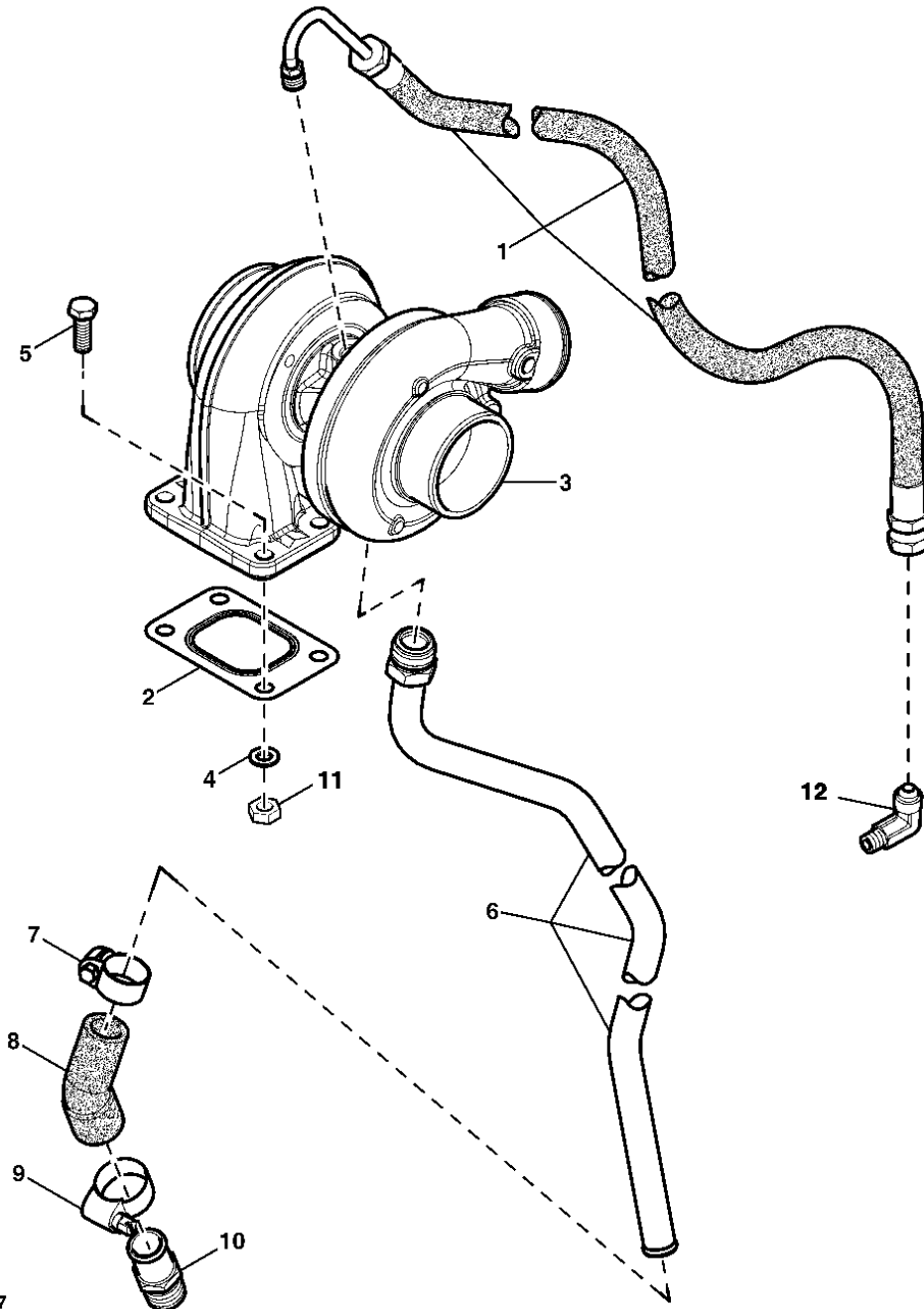
(B) REMANUFACTURED
ECHANGE STANDARD
GENERALUEBERHOLT
REVISIONATO
REACONDICIONADO
RENOVERAD

650-22

TURBOCHARGER

65LP
65LP
65LP
65LP
65LP
65LP

CDP47077 -UN-



CDP47077

650-23

TURBOCHARGER

KEY	PART NO.	PART NAME	QTY.	ENGINE SERIAL NO.	3 0 2 9 T	REMARKS
1	RE31285	HYDRAULIC HOSE	1		X	LGTH= 730MM
2	R90737	GASKET	1		X	
3	RE70036	TURBOCHARGER	1		X	(A) (BORG WARNER)
	RE500784	TURBOCHARGER	1		X	(B) (BORG WARNER), FOR USA, ONLY USA
4	12M7056	LOCK WASHER	4		X	8 MM
5	19H2661	CAP SCREW	4		X	5/16" X 1-3/8"
6	RE65182	OIL LINE	1		X	
7	TY22465	HOSE CLAMP	1		X	
8	R129647	HOSE	1		X	
9	TY22466	CLAMP	1		X	
10	RE54885	HOSE FITTING	1		X	1/2"-14NPTF, THREADS WITH PRE-APPLIED SEALANT, FILETS ENDUITS DE PRODUIT D ETANCHEITE, MIT DICHTMITTEL, CON MATERIALE DI TENUTA, CON SELLADOR, MED TEATNINGSMEDEL
11	14H785	NUT	4		X	5/16"
12	RE522473	FITTING	1		X	1/8"-27NPT X 1/2"-20UNF, (SUB FOR R519376)

(A) NEW
NOUVEAU
NEU
NUOVO
NUEVO
NY

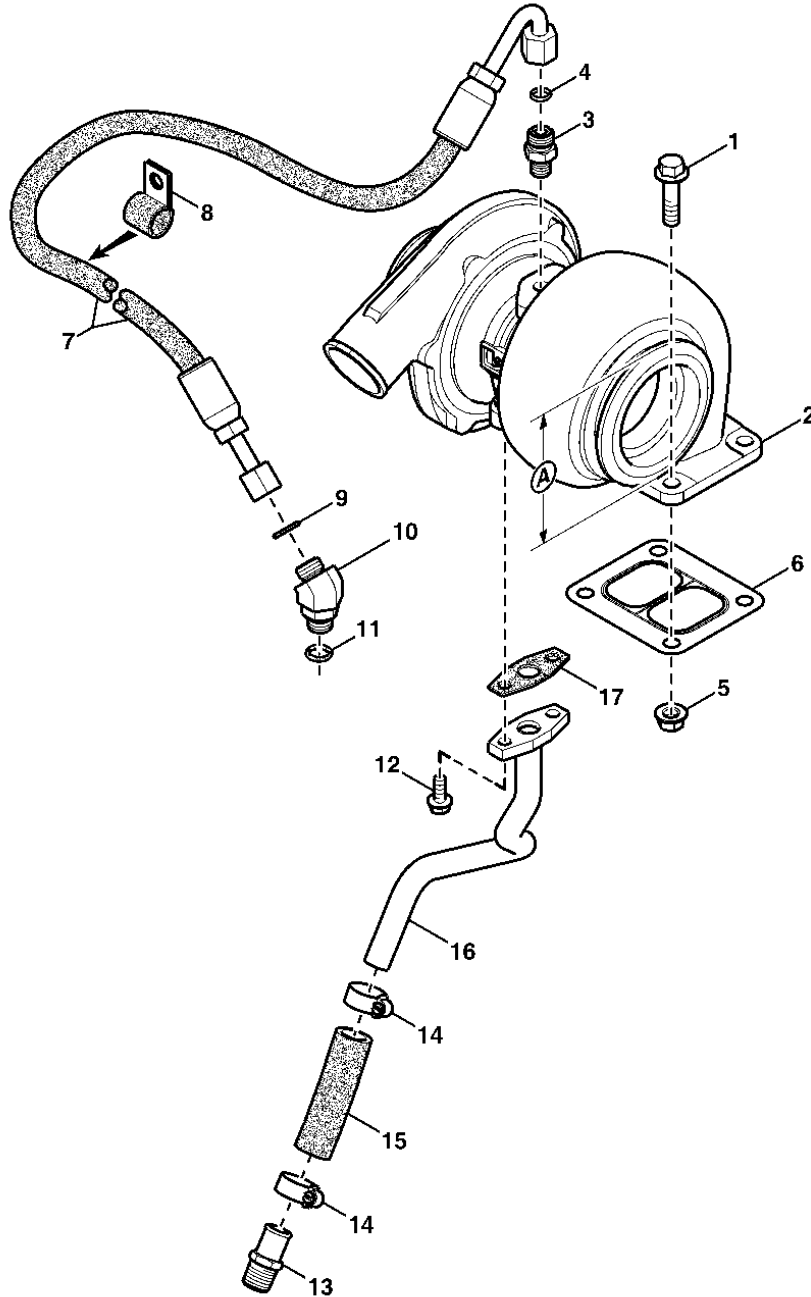
(B) REMANUFACTURED
ECHANGE STANDARD
GENERALUEBERHOLT
REVISIONATO
REACONDICIONADO
RENOVERAD

650-24

TURBOCHARGER

65MQ
65MQ
65MQ
65MQ
65MQ
65MQ

CDP46487A -UN-



CDP46487A

650-25

TURBOCHARGER

KEY	PART NO.	PART NAME	QTY.	ENGINE SERIAL NO.	6 0 6 8 H	REMARKS
1	19M8162	SCREW	4		X	M10 X 40 (10.9)
2	RE515733	TURBOCHARGER	1		X	(A) A= 107MM (BORG WARNER) INCL. INSTRUCTION, ANLEITUNG, ISTRUZIONI, INSTRUCCIONES, ANVISNINGAR
	RE509809	TURBOCHARGER	1		X	(B) A= 107MM (BORG WARNER) FOR USA ONLY
3	M87733	ADAPTER FITTING	1		X	1/4"-18NPT X 11/16"-16UN, (ALSO ORDER R63548)
4	R63548	O-RING	1		X	9.246 X 1.778 MM
5	14M7296	FLANGE NUT	4		X	M10
6	R123572	GASKET	1		X	
7	RE503212	OIL LINE	1	-853316	X	
	RE503211	HYDRAULIC HOSE	1	853317-	X	(SUB FOR RE503039, THIS APPLICATION)
8	R46414	CLAMP	AR	853317-	X	
9	T77613	O-RING	1		X	9.246 X 1.778 MM
10	38H5154	ELBOW FITTING	1		X	45°, M16 X 1.5 X 11/16"-16UN, (ALSO ORDER T77613 AND 51M7042)
11	51M7042	O-RING	1		X	13.300 X 2.200 MM
12	19M7866	SCREW	2		X	M8 X 20 (10.9)
13	RE54885	HOSE FITTING	1		X	1/2"-14NPTF X LGTH= 48MM, THREADS WITH PRE-APPLIED SEALANT, FILETS ENDUITS DE PRODUIT D'ETANCHEITE, MIT DICHTMITTEL, CON MATERIALE DI TENUTA, CON SELLADOR, MED TAETNINGSMEDEL
14	RE65978	CLAMP	2		X	
15	R120013	HOSE	1		X	LGTH= 915MM, CUT TO LENGTH, COUPER A LONGEUR, ABLAENGEN, TAGLIARE SU MISURE, CORTAR A LONGITUD, AVSKARE EFTER MATT
16	RE515896	OIL LINE	1		X	
17	R123570	GASKET	1		X	

(A) NEW
NOUVEAU
NEU
NUOVO
NUEVO
NY

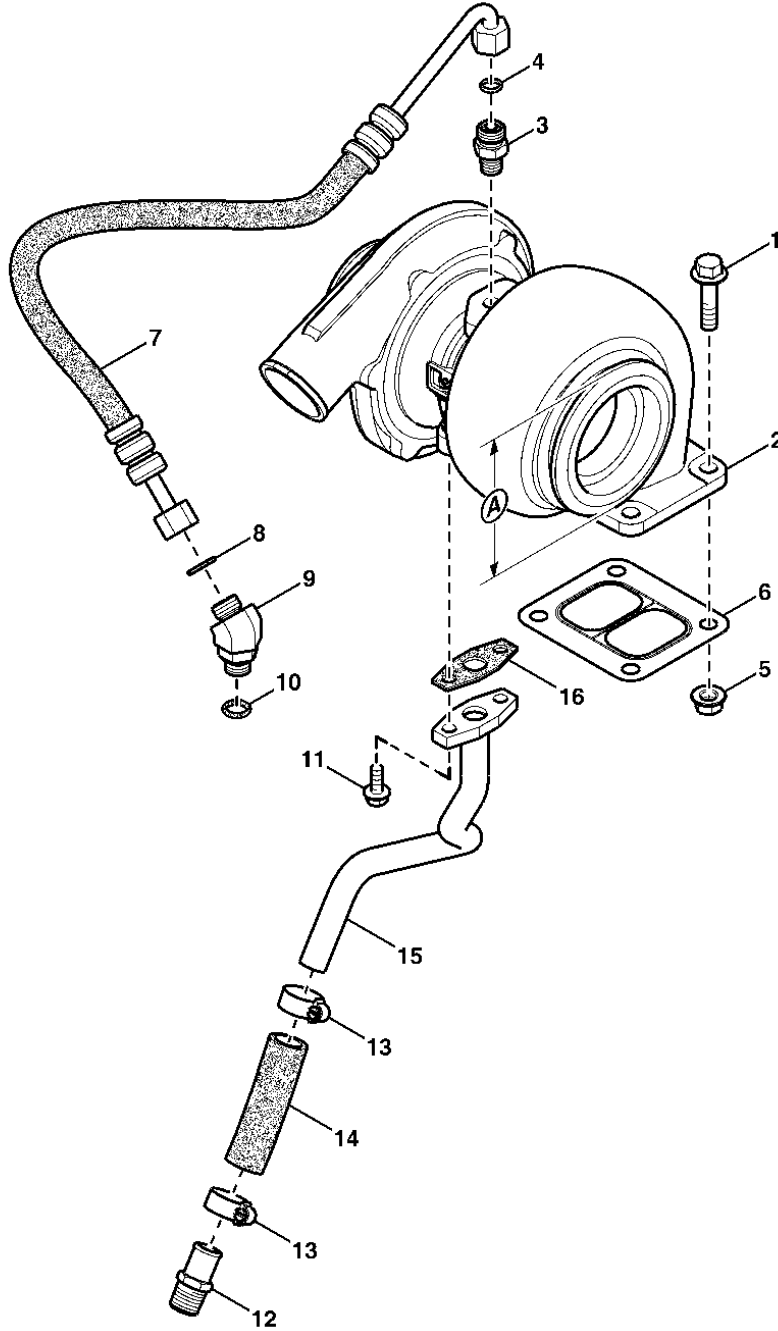
(B) REMANUFACTURED
ECHANGE STANDARD
GENERALUEBERHOLT
REVISIONATO
REACONDICIONADO
RENOVERAD

650-26

TURBOCHARGER

65NJ
65NJ
65NJ
65NJ
65NJ
65NJ

CDP46481C -UN-



CDP46481C

650-27

TURBOCHARGER

KEY	PART NO.	PART NAME	QTY.	ENGINE SERIAL NO.	6 0 6 8 H	REMARKS
1	19M8162	SCREW	4		X	M10 X 40 (10.9)
2	RE516653	TURBOCHARGER	1		X	(A) A= 107MM (BORG WARNER)
	RE516654	TURBOCHARGER	1		X	(B) A= 107MM (BORG WARNER) FOR USA ONLY
3	M87733	ADAPTER FITTING	1		X	1/4"-18NPT X 11/16"-16UN, (ALSO ORDER R63548)
4	R63548	O-RING	1		X	9.246 X 1.778 MM
5	14M7296	FLANGE NUT	4		X	M10
6	R123572	GASKET	1		X	
7	RE503211	HYDRAULIC HOSE	1		X	
8	T77613	O-RING	1		X	9.246 X 1.778 MM
9	38H5154	ELBOW FITTING	1		X	45°, M16 X 1.5 X 11/16"-16UN, (ALSO ORDER T77613 AND 51M7042)
10	51M7042	O-RING	2		X	13.300 X 2.200 MM
11	19M7866	SCREW	2		X	M8 X 20 (10.9)
12	RE54885	HOSE FITTING	1		X	1/2"-14NPTF X LGTH= 48MM, THREADS WITH PRE-APPLIED SEALANT, FILETS ENDUITS DE PRODUIT D'ETANCHEITE, MIT DICHTMITTEL, CON MATERIALE DI TENUTA, CON SELLADOR, MED TAETNINGSMEDEL
13	RE65978	CLAMP	2		X	
14	R120013	HOSE	1		X	LGTH= 915MM, CUT TO LENGTH, COUPER A LONGUEUR, ABLAENGEN, TAGLIARE SU MISURE, CORTAR A LONGITUD. AVSKARE EFTER MATT
15	RE515896	OIL LINE	1		X	
16	R123570	GASKET	1		X	

(A) NEW
NOUVEAU
NEU
NUOVO
NUEVO
NY

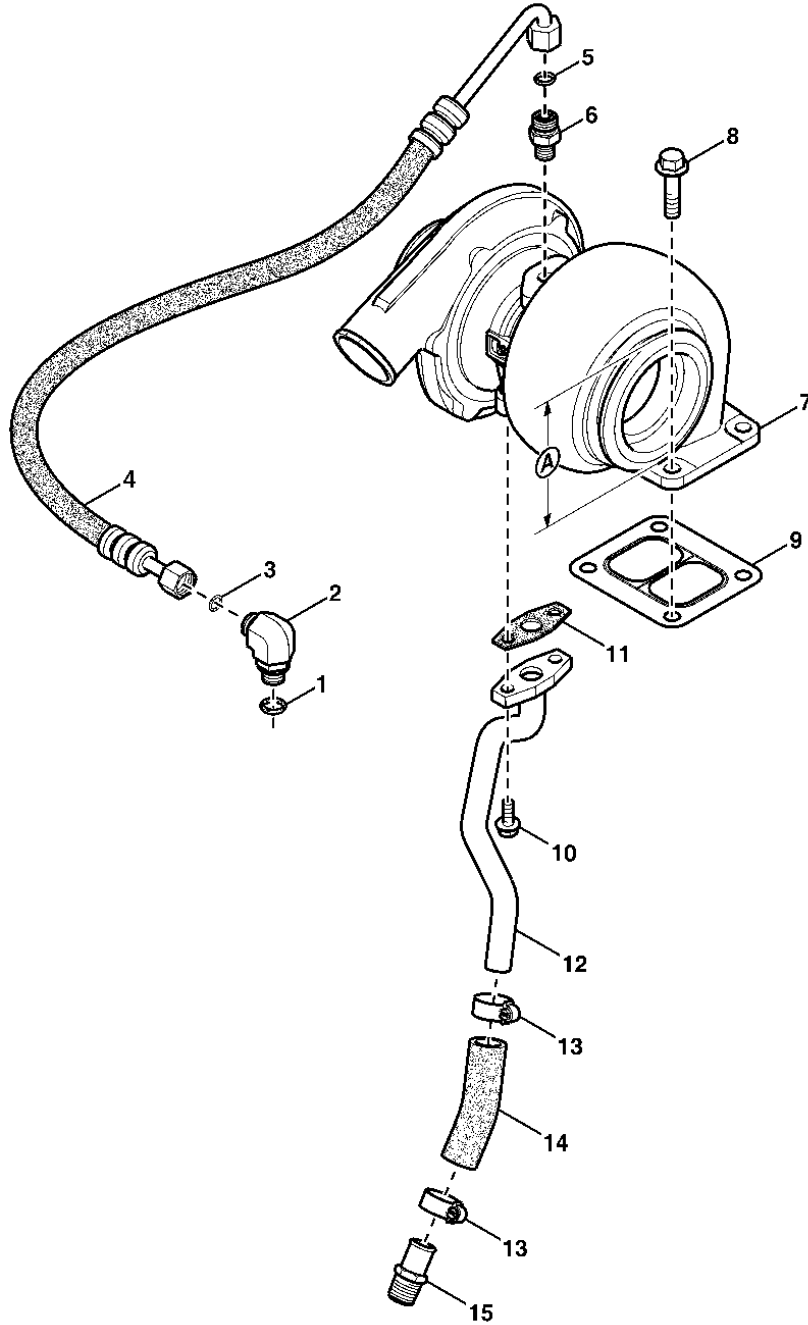
(B) REMANUFACTURED
ECHANGE STANDARD
GENERALUEBERHOLT
REVISIONATO
REACONDICIONADO
RENOVERAD

650-28

TURBOCHARGER

65TN
65TN
65TN
65TN
65TN

CDP46480B -UN-



CDP46480B

650-29

TURBOCHARGER

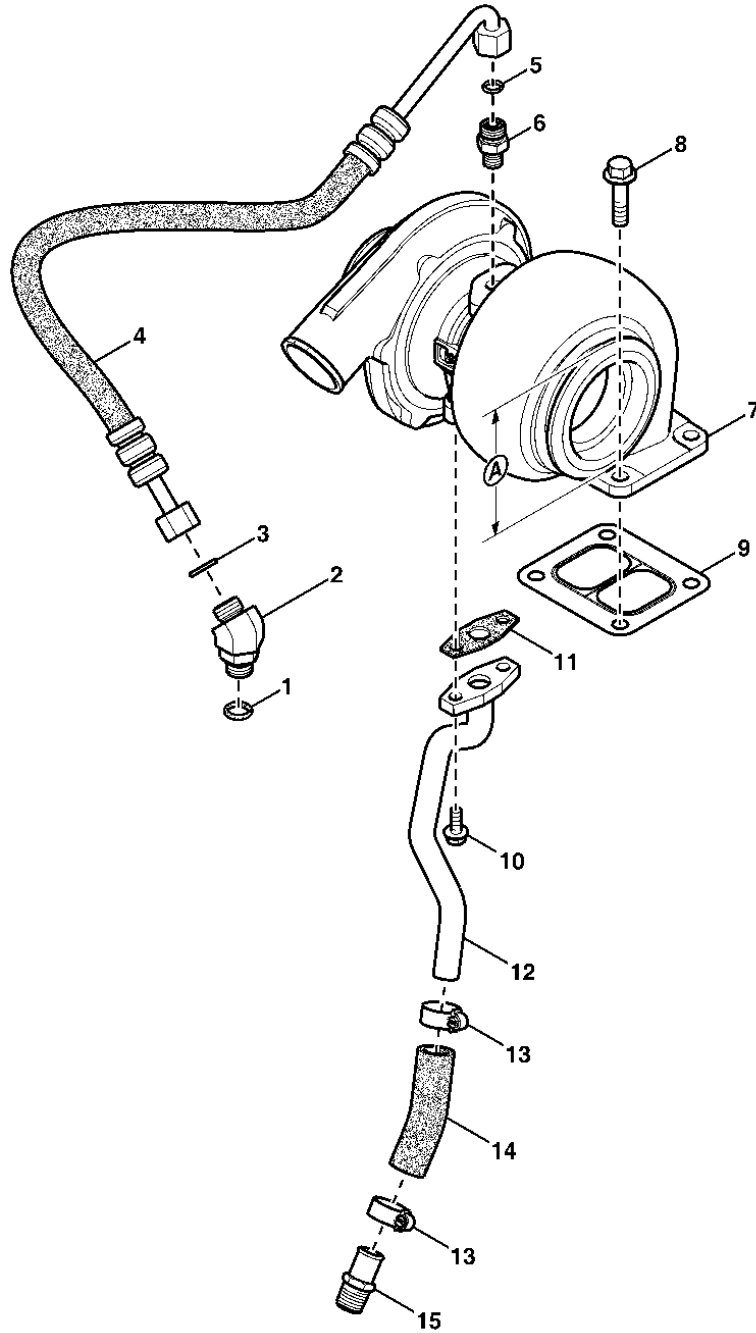
KEY	PART NO.	PART NAME	QTY.	ENGINE SERIAL NO.	4 0 4 5 T	REMARKS
1	51M7042	O-RING	1		X	13.300 X 2.200 MM
2	38H5035	ELBOW FITTING	1		X	(ALSO ORDER T77613 AND 51M7042) 90°, M16 X 1.5 X 11/16"-16UN
3	T77613	O-RING	1		X	9.246 X 1.778 MM
4	RE503208	HYDRAULIC HOSE	1		X	
5	R63548	O-RING	1		X	9.246 X 1.778 MM
6	M87733	ADAPTER FITTING	1		X	(ALSO ORDER R63548) 1/4"-18NPT X 11/16"-16UN
7	RE508973	TURBOCHARGER	1		X	A= 107MM (BORG WARNER)
8	19M7785	SCREW	4		X	M10 X 25, (10.9)
9	R123572	GASKET	1		X	
10	19M7866	SCREW	2		X	M8 X 20 (10.9)
11	R123570	GASKET	1		X	
12	RE59547	OIL LINE	1		X	
13	RE65978	CLAMP	2		X	
14	R120013	HOSE	1		X	LGTH= 915MM, CUT TO LENGTH, COUPER A LONGEUR, ABLAENGEN, TAGLIARE SU MISURE, CORTAR A LONGITUD, AVSKARE EFTER MATT
15	RE54885	HOSE FITTING	1		X	1/2"-14NPTF X LGTH= 48MM, THREADS WITH PRE-APPLIED SEALANT, FILETS ENDUITS DE PRODUIT D'ETANCHEITE, MIT DICHTMITTEL, CON MATERIALE DI TENUTA, CON SELLADOR, MED TAETNINGSMEDEL

650-30

TURBOCHARGER

65UB
65UB
65UB
65UB
65UB
65UB

CDP46558A -UN-



CDP46558A

650-31

TURBOCHARGER

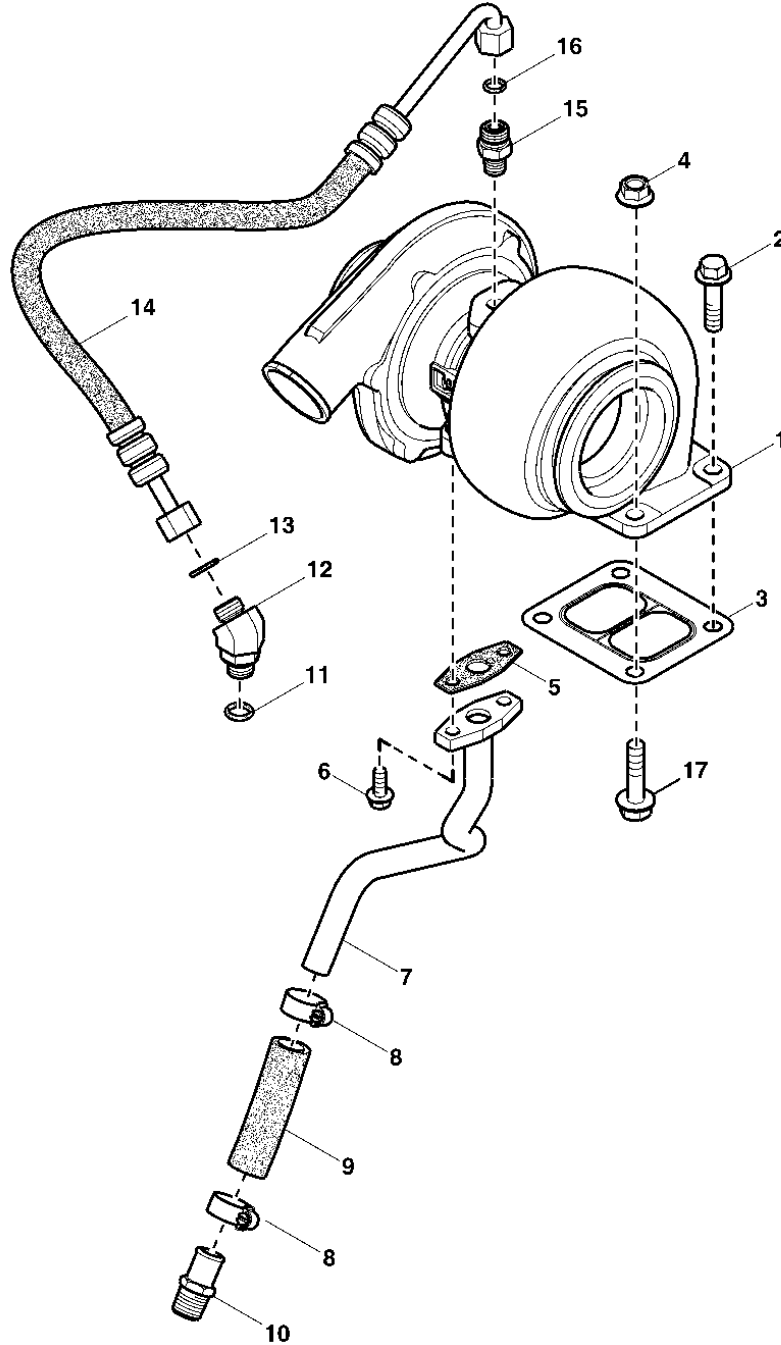
KEY	PART NO.	PART NAME	QTY.	ENGINE SERIAL NO.	4 0 4 5 H	REMARKS
1	51M7042	O-RING	1		X	13.300 X 2.200 MM
2	38H5154	ELBOW FITTING	1		X	M16 X 1.5 X 11/16"-16UN, (ALSO ORDER T77613 AND R63548)
3	T77613	O-RING	1		X	9.246 X 1.778 MM
4	RE503212	HYDRAULIC HOSE	1		X	
5	R63548	O-RING	1		X	9.246 X 1.778 MM
6	M87733	ADAPTER FITTING	1		X	1/4"-18NPT X 11/16"-16UN, (ALSO ORDER R63548)
7	RE533787	TURBOCHARGER	1		X	(ORDER RE531074) A= 107MM, (CZ)
8	R522679	CAP SCREW	4		X	M10 X 25
9	R123572	GASKET	1		X	
10	19M8062	SCREW	2		X	M8 X 20, (12.9)
11	R123570	GASKET	1		X	
12	RE530682	OIL LINE	1		X	
13	RE65978	CLAMP	2		X	
14	R523372	HOSE	1		X	LGTH= 95MM, CUT TO LENGTH, COUPER A LONGUEUR, ABLAENGEN, TAGLIARE SU MISURE, CORTAR A LONGITUD, AVSKARE EFTER MATT
15	RE54885	HOSE FITTING	1		X	1/2"-14NPTF, LGTH= 48MM, THREADS WITH PRE-APPLIED SEALANT, FILETS ENDUITS DE PRODUIT D' ETANCHEITE, MIT DICHTMITTEL, CON MATERIALE DI TENUTA, CON SELLADOR, MED TAETNINGSMEDEL

650-32

TURBOCHARGER

65UC
65UC
65UC
65UC
65UC
65UC

CDP47865A -UN-



CDP47865A

650-33

TURBOCHARGER

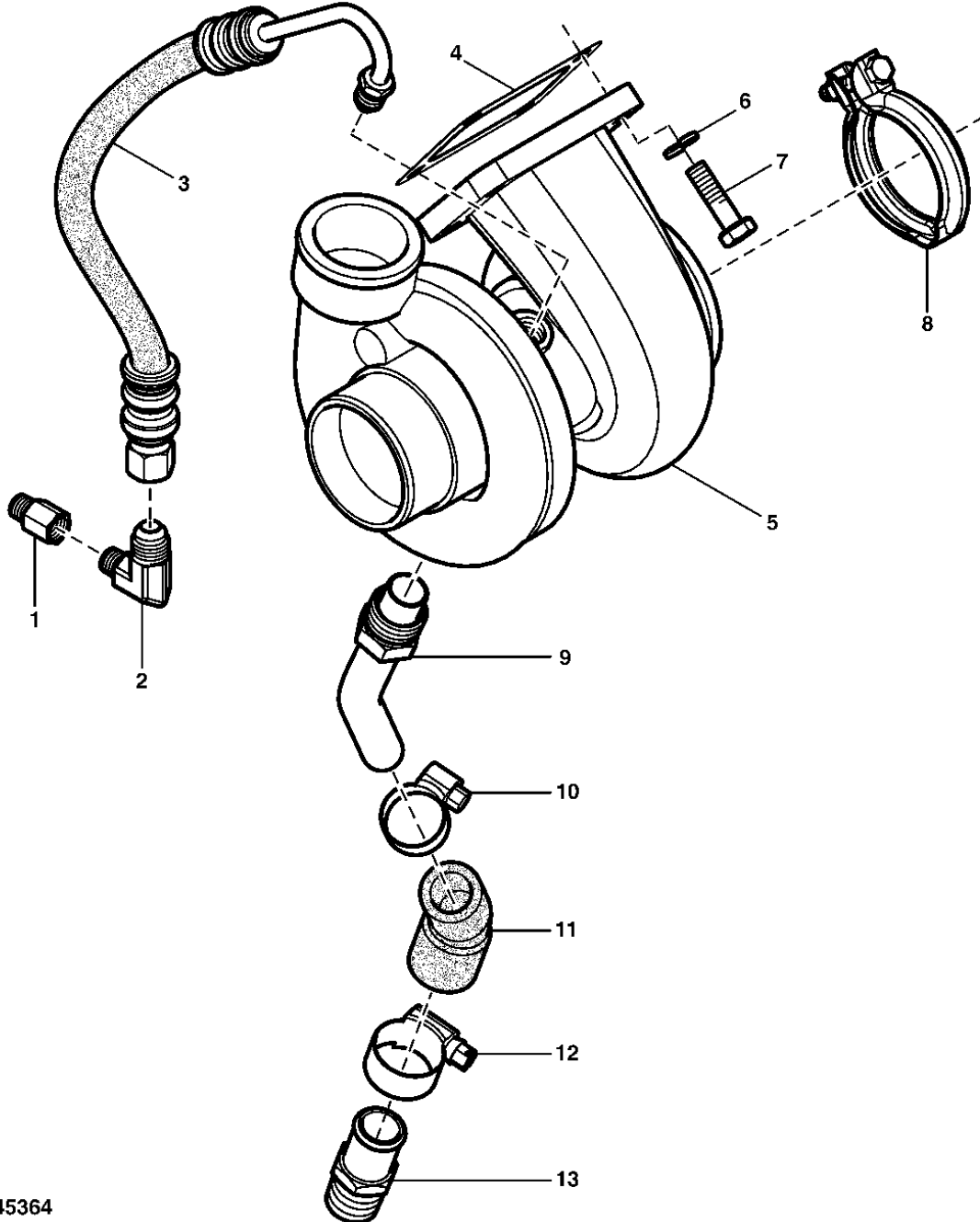
KEY	PART NO.	PART NAME	QTY.	ENGINE SERIAL NO.	6 0 6 8 H	REMARKS
1	RE528770	TURBOCHARGER	1		X	(ORDER RE528770)
2	R522679	CAP SCREW	2		X	M10 X 25
3	R123572	GASKET	1		X	
4	14M7296	FLANGE NUT	2		X	
5	R123570	GASKET	1		X	
6	19M8062	SCREW	2		X	
7	RE530680	LINE	1		X	
8	RE65978	CLAMP	2		X	
9	R523372	HOSE	1		X	
10	RE54885	HOSE FITTING	1		X	
11	51M7042	O-RING	1		X	
12	38H5154	ELBOW FITTING	3		X	(ALSO ORDER 51M7042 AND T77613)
13	T77613	O-RING	1		X	
14	RE503208	HYDRAULIC HOSE	3		X	
15	M87733	ADAPTER FITTING	1		X	(ALSO ORDER R63548)
16	R63548	O-RING	1		X	
17	R519484	CAP SCREW	2		X	M10 X 45

650-34

TURBOCHARGER

6566
6566
6566
6566
6566
6566

CDP45364 -UN-



CDP45364

650-35

TURBOCHARGER

KEY	PART NO.	PART NAME	QTY.	ENGINE SERIAL NO.	3 0 2 9 T	REMARKS
1	P40098	ADAPTER FITTING	1		X	1/8"-27NPT
2	T28860	ELBOW FITTING	1		X	1/8"-27NPTF X 9/16"-18UNF
3	RE71348	OIL LINE	1		X	
4	R90737	GASKET	1		X	
5	RE70036	TURBOCHARGER	1		X	(A)
6	12M7056	LOCK WASHER	4		X	8 MM
7	19H2117	CAP SCREW	4		X	5/16" X 1-1/8"
8	RE520493	CLAMP	1		X	
9	RE65183	OIL LINE	1		X	
10	AR21837	CLAMP	1		X	
11	R129647	HOSE	1		X	
12	AT18904	CLAMP	1		X	
13	RE54885	HOSE FITTING	1		X	1/2"-14NPTF X LGTH= 48MM, THREADS WITH PRE-APPLIED SEALANT, FILETS ENDUITS DE PRODUIT D'ETANCHEITE, MIT DICHTMITTEL, CON MATERIALE DI TENUTA, CON SELLADOR, MED TAETNINGSMEDEL

(A) SEE YOUR AUTHORIZED TURBOCHARGER REPAIR STATION FOR PARTS NOT LISTED
 CONSULTER LE REPARATEUR AGREE DE TURBOCOMPRESSEURS POUR LES PIECES NON LISTEES
 NICHT GEZIGTE TEILE VON TURBOLADER VETRETER BEZIEHEN
 CONSULTARE IL CONCESSIONARIO AUTORIZZATO DI TURBO-SOVRALIMENTATORE PER LE PARTI NON ELENCATI
 CONSULTE CON SU ESTACION AUTORIZADA DE REPARACIONES DE TURBOCARGADOR
 KONSULTERIAS INSPRUTNINGSTURBOAGGREGAT ATERFORSALJARE FOR DELAR EJ VISADE

650-36

TURBOCHARGER

MEMORANDA
MEMORANDA
MEMORANDA
MEMORANDA
MEMORANDA
MEMORANDA

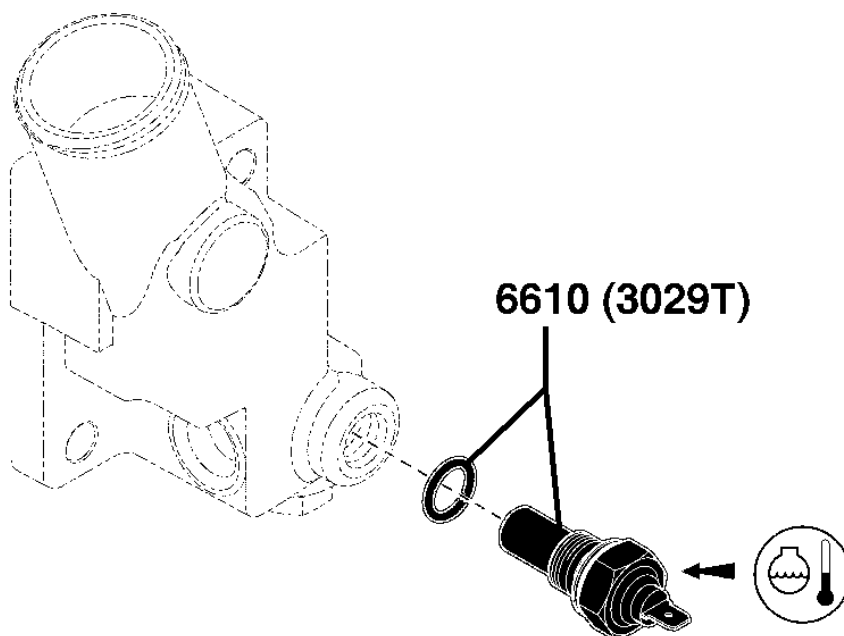
660-A01

SENSOR (WATER)

SECTIONAL INDEX
INDEX DE SECTION
GRUPPENINDEX
INDICE DELLA SEZIONE
INDICE DE SECCION
GRUPPSFORTECKNING

6610- 2

CDP46899A -UN-



CDP46899A

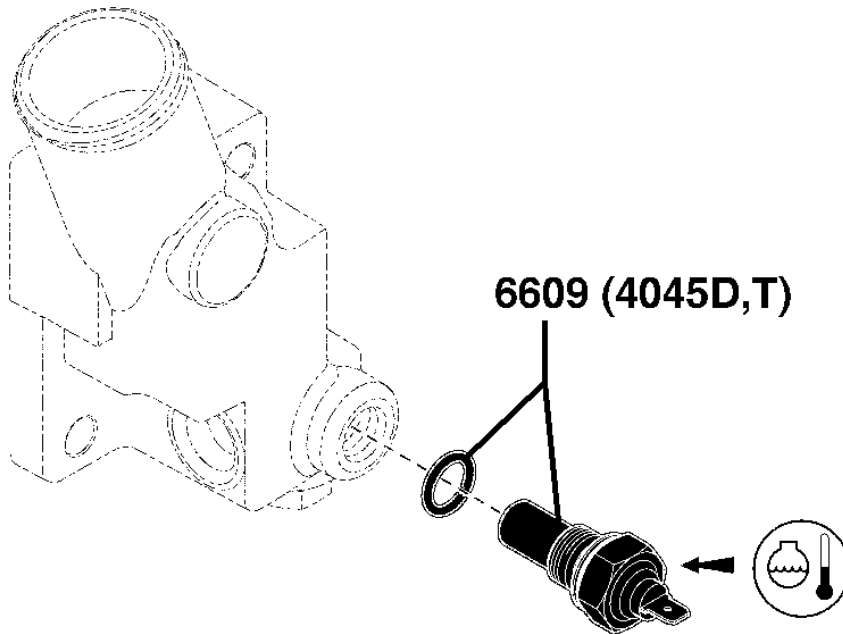
660-A02

SENSOR (WATER)

SECTIONAL INDEX
INDEX DE SECTION
GRUPPENINDEX
INDICE DELLA SEZIONE
INDICE DE SECCION
GRUPPSFORTECKNING

CDP46900A -UN-

6609- 1



CDP46900A

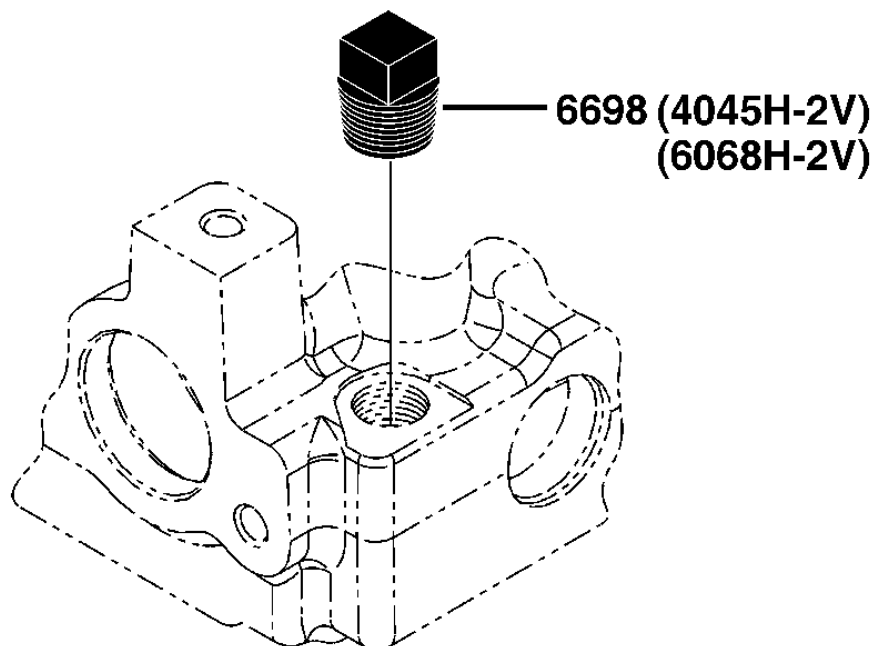
660-A03

SENSOR (WATER)

SECTIONAL INDEX
INDEX DE SECTION
GRUPPENINDEX
INDICE DELLA SEZIONE
INDICE DE SECCION
GRUPPSFORTECKNING

6698- 3

CDP47593B -UN-



CDP47593B

660-A04

SENSOR (WATER)

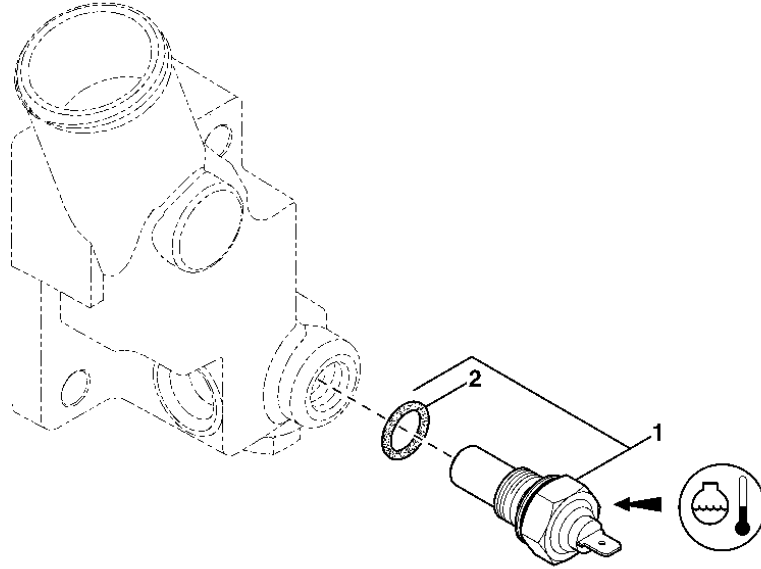
MEMORANDA
MEMORANDA
MEMORANDA
MEMORANDA
MEMORANDA
MEMORANDA

660-1

SENSOR (WATER)

6609
6609
6609
6609
6609

CD42763B -UN-



CD42763B

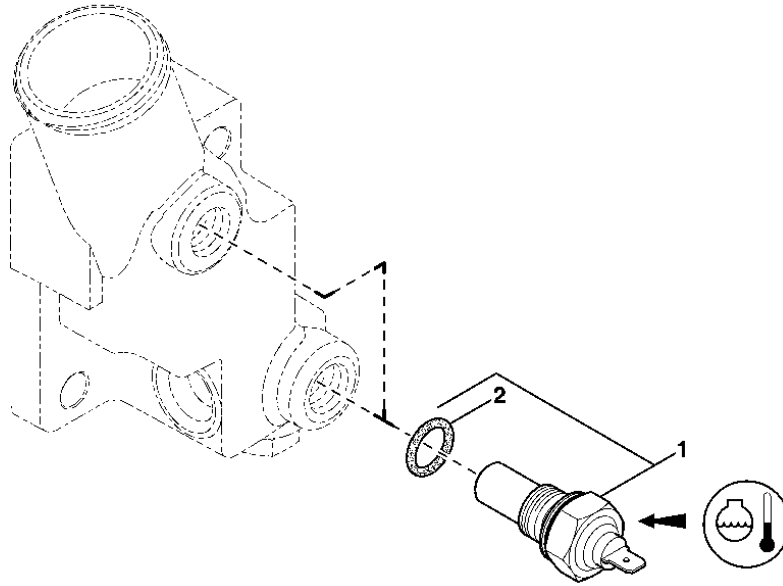
KEY	PART NO.	PART NAME	QTY.	ENGINE SERIAL NO.	REMARKS
1	RE503883	SENSOR	1	4 4 0 0 4 4 5 5	X X M14 X 1.5
2	51M7041	O-RING	1	D T	X X 11.300 X 2.200 MM

660-2

SENSOR (WATER)

6610
6610
6610
6610
6610
6610

CD42763C -UN-



CD42763C

KEY	PART NO.	PART NAME	QTY.	ENGINE SERIAL NO.	REMARKS
1	RE503883	SENSOR	1		X M14 X 1.5
2	51M7041	O-RING	1		X 11.300 X 2.200 MM

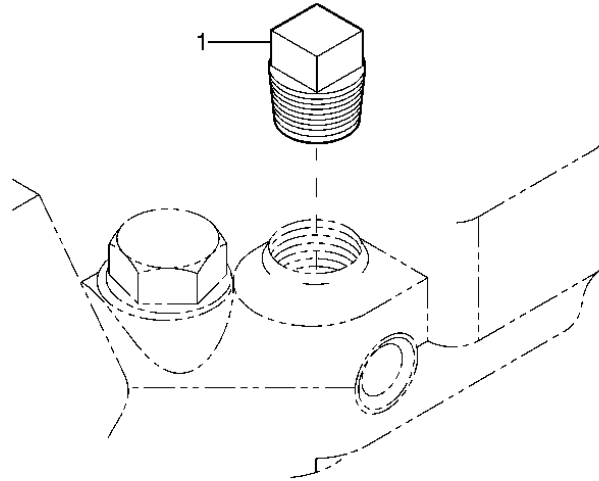
3
0
2
9
T

660-3

SENSOR (WATER)

6698
6698
6698
6698
6698
6698

CDP45245 -UN-



CDP45245

KEY	PART NO.	PART NAME	QTY.	ENGINE SERIAL NO.	REMARKS
1	15H584	PIPE PLUG	1	4 6 0 0 4 6 5 8 H H	X X 1/2"-14NPTF

660-4

SENSOR (WATER)

MEMORANDA
MEMORANDA
MEMORANDA
MEMORANDA
MEMORANDA
MEMORANDA

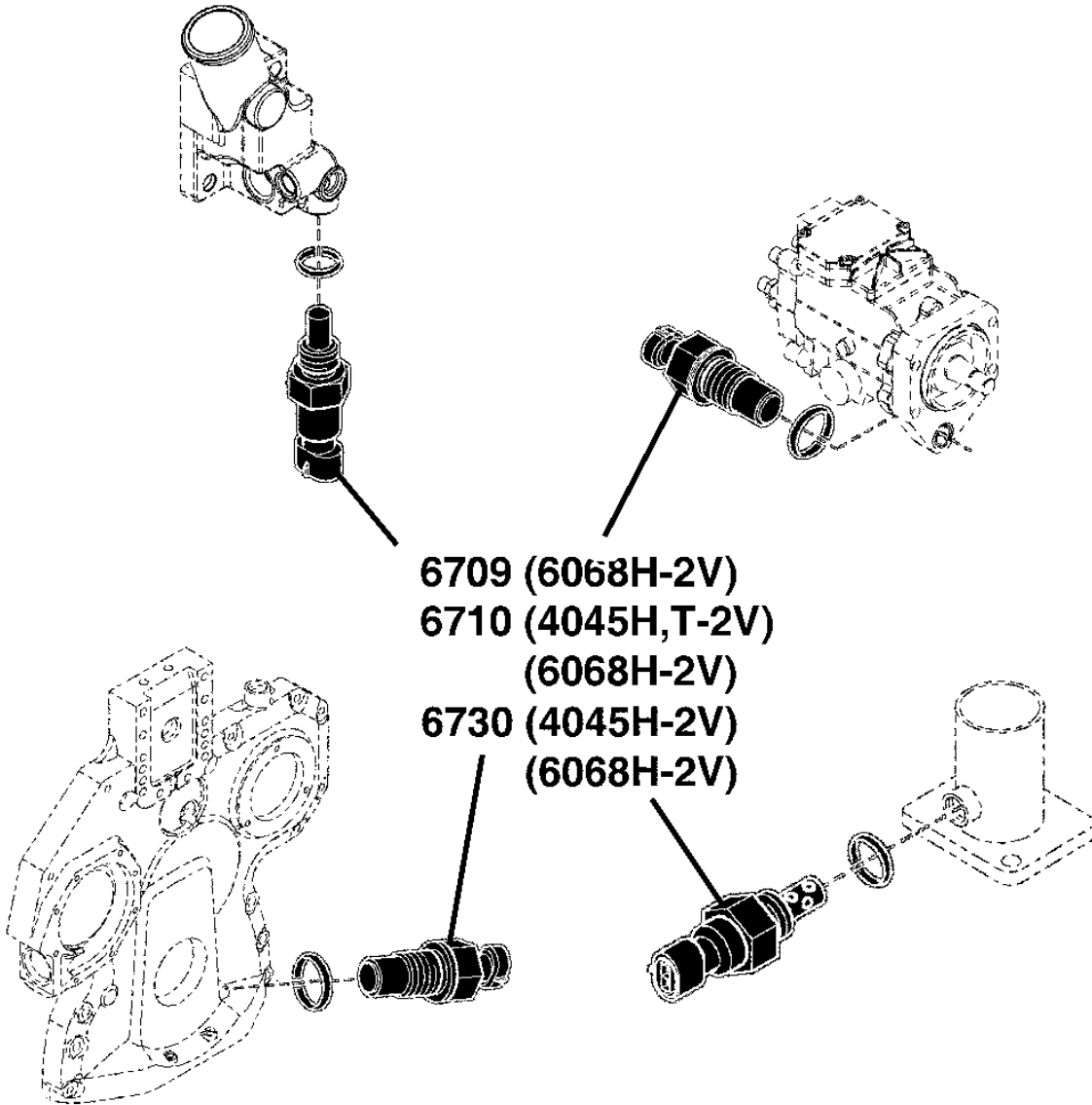
670-A01

ENGINE SENSORS

SECTIONAL INDEX
INDEX DE SECTION
GRUPPENINDEX
INDICE DELLA SEZIONE
INDICE DE SECCION
GRUPPSFORTECKNING

CDP46903B -UN-

6709-	1
6710-	2
6730-	4



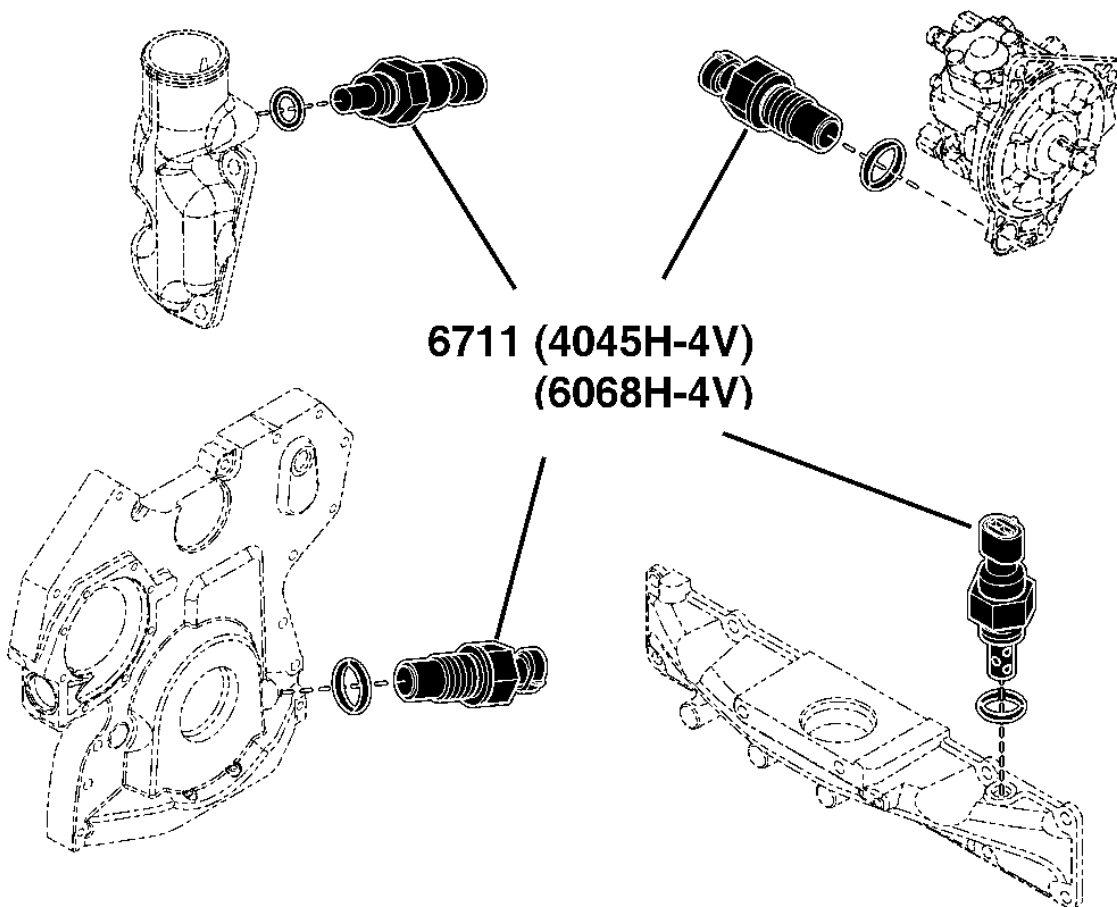
CDP46903B

670-A02

SECTIONAL INDEX
INDEX DE SECTION
GRUPPENINDEX
INDICE DELLA SEZIONE
INDICE DE SECCION
GRUPPSFORTECKNING

CDP46904A -UN-

6711- 3



CDP46904A

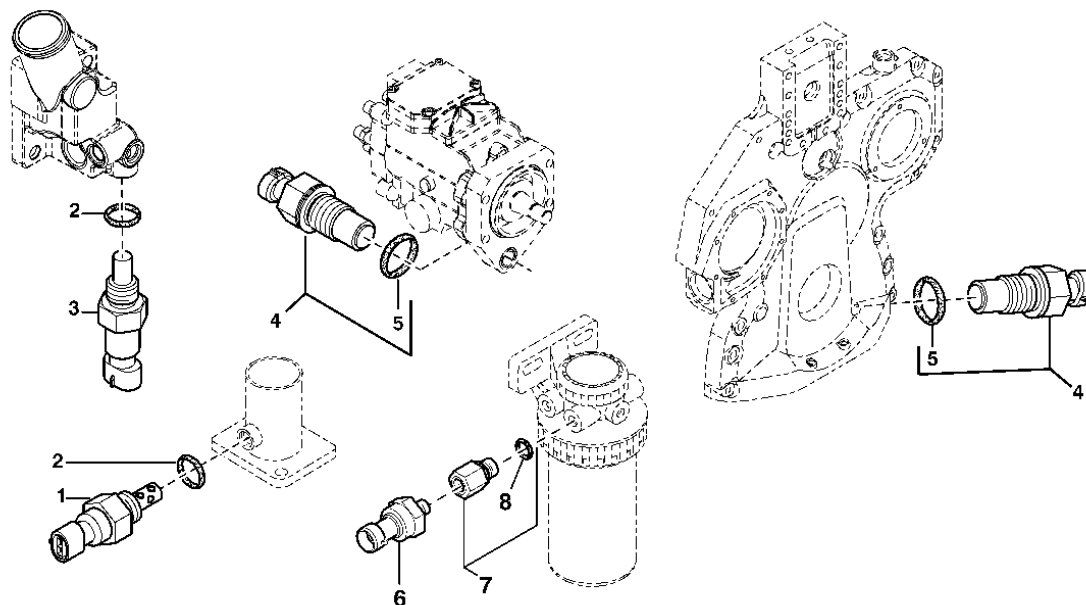
670-1

ENGINE SENSORS

6709
6709
6709
6709
6709

CDP45684A

-UN-



CDP45684A

KEY	PART NO.	PART NAME	QTY.	ENGINE SERIAL NO.	REMARKS
1	RE61812	SENSOR	1		X (A) M14 X 1.5, (ALSO ORDER 51M7041)
2	51M7041	O-RING	2		X 11.300 X 2.200 MM
3	RE52722	COOLANT TEMPERATURE SENSOR	1		X (B) M14 X 1.5, (ALSO ORDER 51M7041)
4	RE519144	SENSOR	2		X (C) M20 X 1.5
5	51M7044	O-RING	2		X 17.300 X 2.200 MM
6	RE167207	PRESSURE SENSOR	1		X (D)
7	RE507487	FITTING	1		X
8	51M7040	O-RING	1		X 9.300 X 2.200 MM

(A) AIR TEMPERATURE
TEMPERATURE D'AIR
LUFTEMPERATUR
ARIA TEMPERATURA
AIRE TEMPERATURA
LUFT TEMPERATUR

(B) COOLANT TEMPERATURE
TEMPERATURE D'EAU
WASSERTEMPERATUR
ACQUA TEMPERATURA
AGUA TEMPERATURA
WATTEN TEMPERATUR

(C) ENGINE SPEED SENSOR
CAPTEUR MAGNETIQUE DU REGIME MOTEUR
MOTOR-DREHZAHLMESSER
SENSORE VELOCITA' MOTORE
SENSOR VELOCIDAD DEL MOTOR
MOTORHASTIGHETSGIVARE

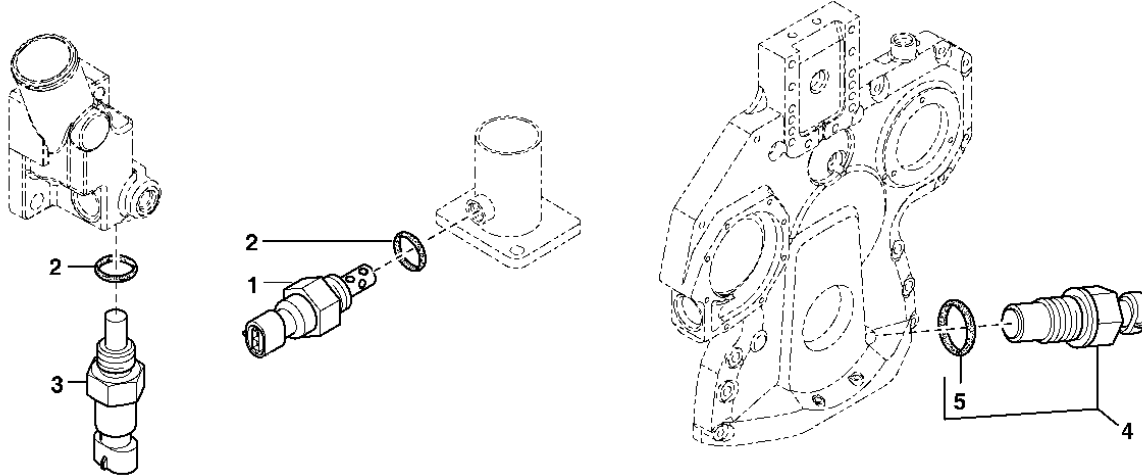
(D) SWITCH PRESSURE
CONTACTEUR DE PRESSION
DRUCKSCHALTER
MANOCONTATTO
INTERRUPTOR DE PRESSION
TRYCKKONTAKT

670-2

ENGINE SENSORS

6710
6710
6710
6710
6710

CDP45686A -UN-



CDP45686A

KEY	PART NO.	PART NAME	QTY.	ENGINE SERIAL NO.	REMARKS
				4 4 6	
				0 0 0	
				4 4 6	
				5 5 8	
				H T H	
1	RE61812	SENSOR	1	X X X (A) M14 X 1.5.	(ALSO ORDER 51M7041)
2	51M7041	O-RING	2	X X X	11.300 X 2.200 MM
3	RE52722	COOLANT TEMPERATURE SENSOR	1	X X X (B) M14 X 1.5.	(ALSO ORDER 51M7041)
4	RE519144	SENSOR	1	X X X (C) M20 X 1.5	
5	51M7044	O-RING	1	X X X	17.300 X 2.200 MM

(A) AIR TEMPERATURE
TEMPERATURE D'AIR
LUFTTEMPERATUR
ARIA TEMPERATURA
AIRE TEMPERATURA
LUFT TEMPERATUR

(B) COOLANT TEMPERATURE
TEMPERATURE D'EAU
WASSERTEMPERATUR
ACQUA TEMPERATURA
AGUA TEMPERATURA
WATTEN TEMPERATUR

(C) ENGINE SPEED SENSOR
CAPTEUR MAGNETIQUE DU REGIME MOTEUR
MOTOR-DREHZAHLMESSER
SENSORE VELOCITA' MOTORE
SENSOR VELOCIDAD DEL MOTOR
MOTORHASTIGHETSGIVARE

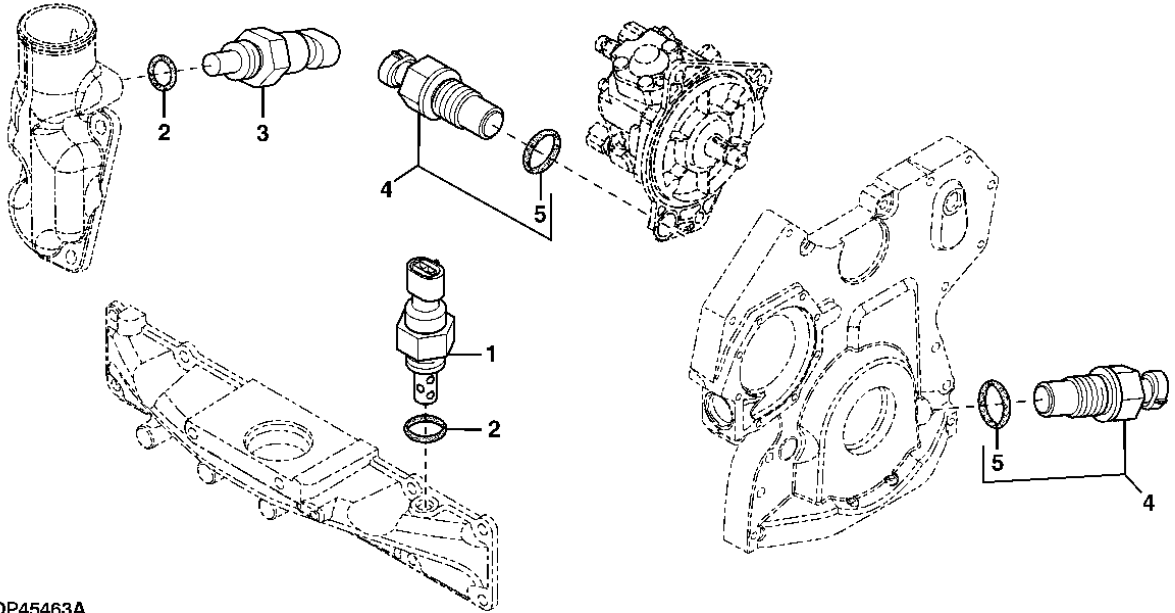
670-3

ENGINE SENSORS

6711
6711
6711
6711
6711
6711

CDP45463A

-UN-



CDP45463A

KEY	PART NO.	PART NAME	QTY.	ENGINE SERIAL NO.	REMARKS
1	RE61812	SENSOR	1	4 6 0 0 4 6 5 8	X X (A) M14 X 1.5, (ALSO ORDER 51M7041)
2	51M7041	O-RING	2		X X 11.300 X 2.200 MM
3	RE52722	COOLANT TEMPERATURE SENSOR	1		X X (B) M14 X 1.5, (ALSO ORDER 51M7041)
4	RE519144	SENSOR	2		X X (C) M20 X 1.5
5	51M7044	O-RING	2		X X 17.300 X 2.200 MM

(A) AIR TEMPERATURE
TEMPERATURE D'AIR
LUFTEMPERATUR
ARIA TEMPERATURA
AIRE TEMPERATURA
LUFT TEMPERATUR

(B) COOLANT TEMPERATURE
TEMPERATURE D'EAU
WASSERTEMPERATUR
ACQUA TEMPERATURA
AGUA TEMPERATURA
WATTEN TEMPERATUR

(C) ENGINE SPEED SENSOR
CAPTEUR MAGNETIQUE DU REGIME MOTEUR
MOTOR-DREHZAHLMESSER
SENSORE VELOCITA' MOTORE
SENSOR VELOCIDAD DEL MOTOR
MOTORHASTIGHETSGIVARE

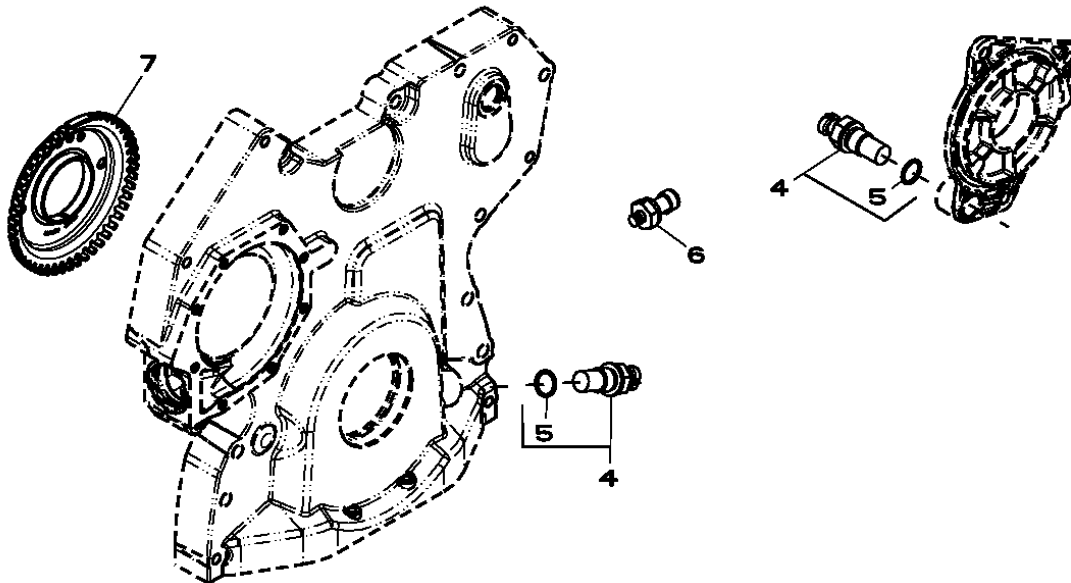
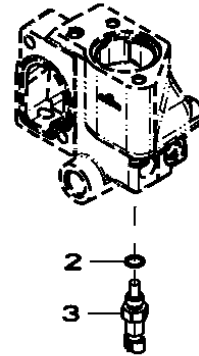
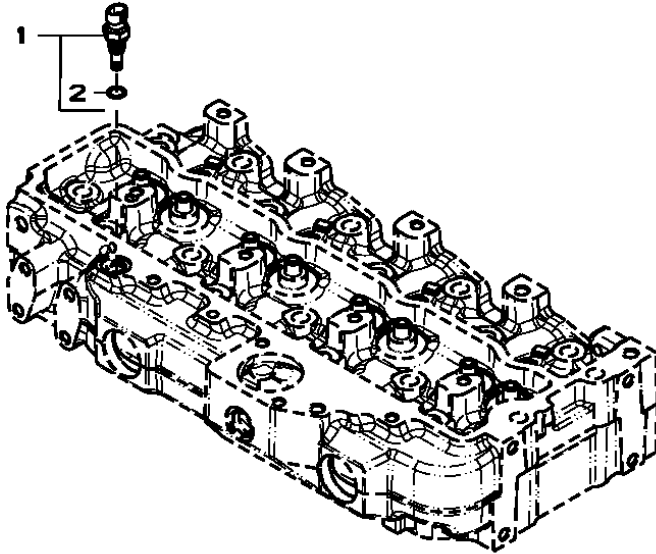
670-4

ENGINE SENSORS

6730
6730
6730
6730
6730
6730

RE527631PCDA01

-UN-



RE527631PCDA01

THIS PARTS LISTING IS CONTINUED

670-5

ENGINE SENSORS

KEY	PART NO.	PART NAME	QTY.	ENGINE SERIAL NO.	REMARKS
				4 6	
				0 0	
				4 6	
				5 8	
				H H	
1	RE525016	THERMOCOUPLE	1		X X (A)
2	51M7041	O-RING	1		X X 11.300 X 2.200 MM
3	RE52722	COOLANT TEMPERATURE SENSOR	1		X X (B) (ALSO ORDER 51M7044)
4	RE519144	SENSOR	2		X X (C)
5	51M7044	O-RING	2		X X 17.300 X 2.200 MM
6	RE167207	PRESSURE SENSOR	1		X X (D) ON CYLINDER BLOCK, SUR BLOC-CYLINDRE, AUF ZYLINDERBLOCK, SU MONOBLOCCO, SOBRE BLOQUE DE CILINCROS, PA MOTORBLOCK
7	R517471	WHEEL	1		X X

(A) AIR TEMPERATURE
TEMPERATURE D'AIR
LUFTTEMPERATUR
ARIA TEMPERATURA
AIRE TEMPERATURA
LUFT TEMPERATUR

(B) COOLANT TEMPERATURE
TEMPERATURE D'EAU
WASSERTEMPERATUR
ACQUA TEMPERATURA
AGUA TEMPERATURA
WATTEN TEMPERATUR

(C) ENGINE SPEED SENSOR
CAPTEUR MAGNETIQUE DU REGIME MOTEUR
MOTOR-DREHZAHLMESSER
SENSORE VELOCITA' MOTORE
SENSOR VELOCIDAD DEL MOTOR
MOTORHASTIGHETSGIVARE

(D) SWITCH, OIL PRESSURE
CONTACTEUR DE PRESSION D'HUILE
DRUCKSCHALTER, OEL
MANOCONTATTO, OLIO
INTERRUPTOR DE PRESION, ACEITE
TRYCKKONTAKT, OLJA

670-6

ENGINE SENSORS

MEMORANDA
MEMORANDA
MEMORANDA
MEMORANDA
MEMORANDA
MEMORANDA

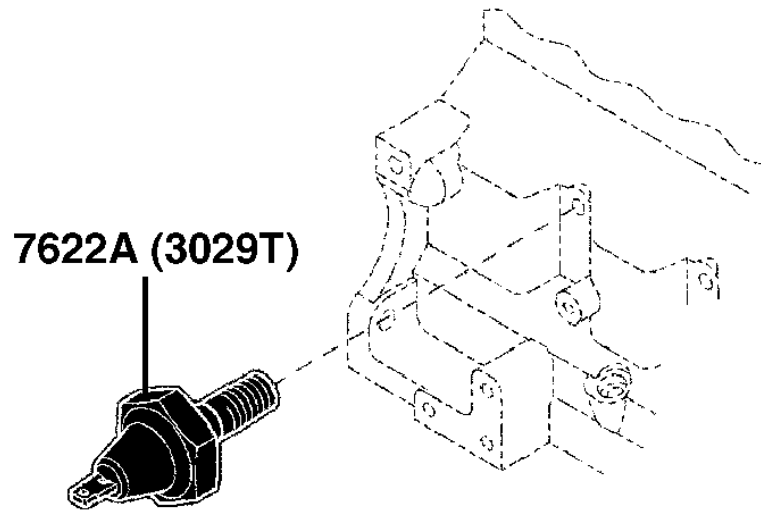
760-A01

SWITCH (OIL)

SECTIONAL INDEX
INDEX DE SECTION
GRUPPENINDEX
INDICE DELLA SEZIONE
INDICE DE SECCION
GRUPPSFORTECKNING

7622A- 1

CDP46906A -UN-



CDP46906A

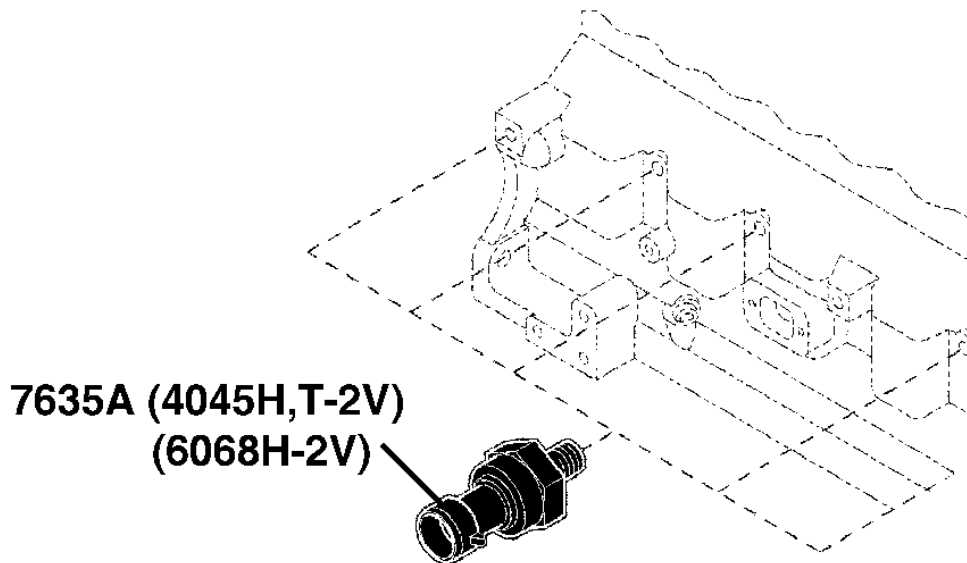
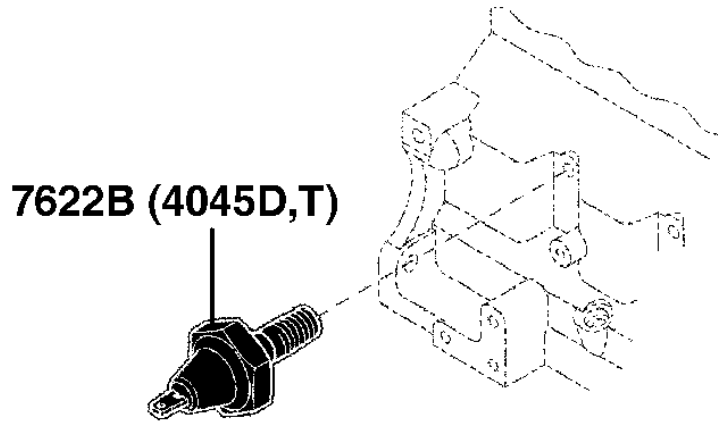
760-A02

SWITCH (OIL)

SECTIONAL INDEX
INDEX DE SECTION
GRUPPENINDEX
INDICE DELLA SEZIONE
INDICE DE SECCION
GRUPPSFORTECKNING

CDP46907A -UN-

7622B-	2
7635A-	3



CDP46907A

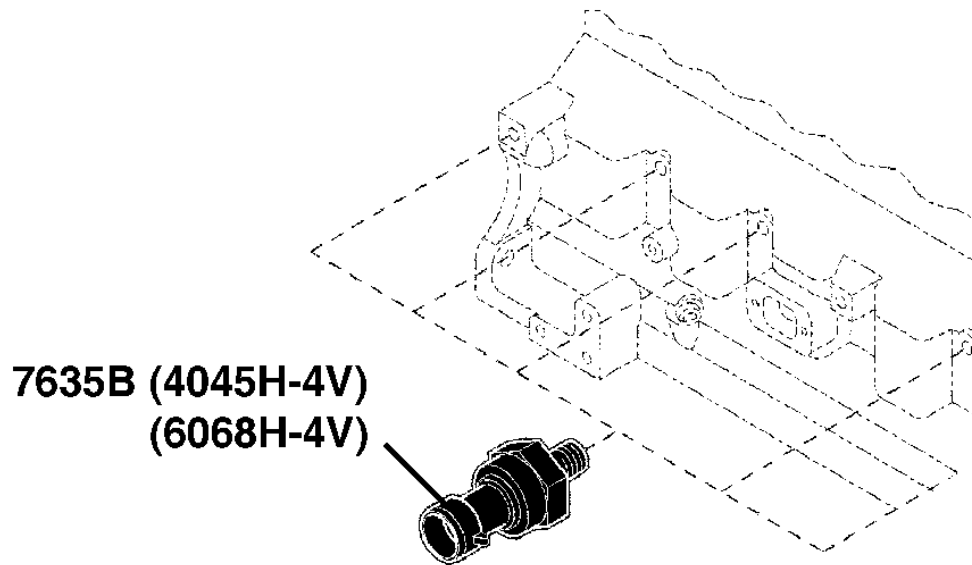
760-A03

SWITCH (OIL)

SECTIONAL INDEX
INDEX DE SECTION
GRUPPENINDEX
INDICE DELLA SEZIONE
INDICE DE SECCION
GRUPPSFORTECKNING

7635B- 4

CDP46908A -UN-



CDP46908A

760-A04

SWITCH (OIL)

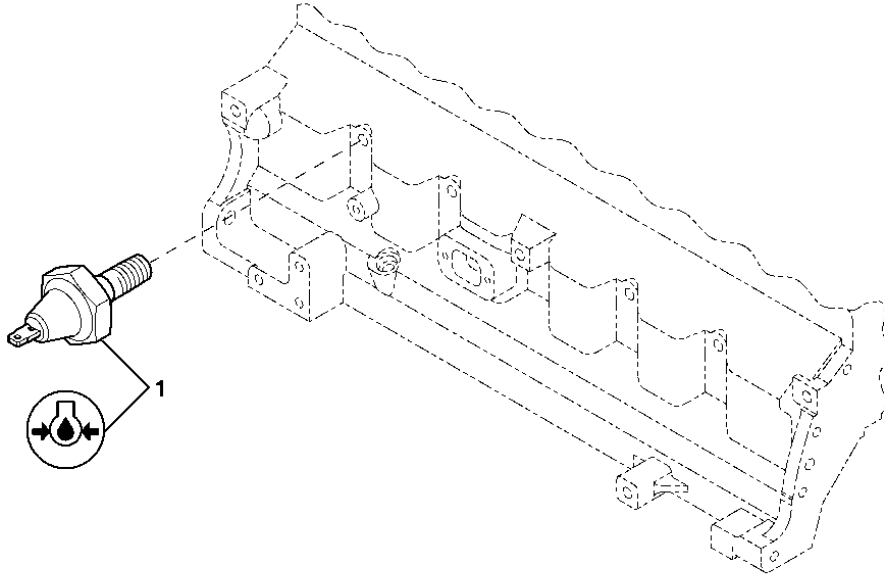
MEMORANDA
MEMORANDA
MEMORANDA
MEMORANDA
MEMORANDA
MEMORANDA

760-1

SWITCH (OIL)

7622
7622
7622
7622
7622
7622

CDP45113A -UN-



CDP45113A

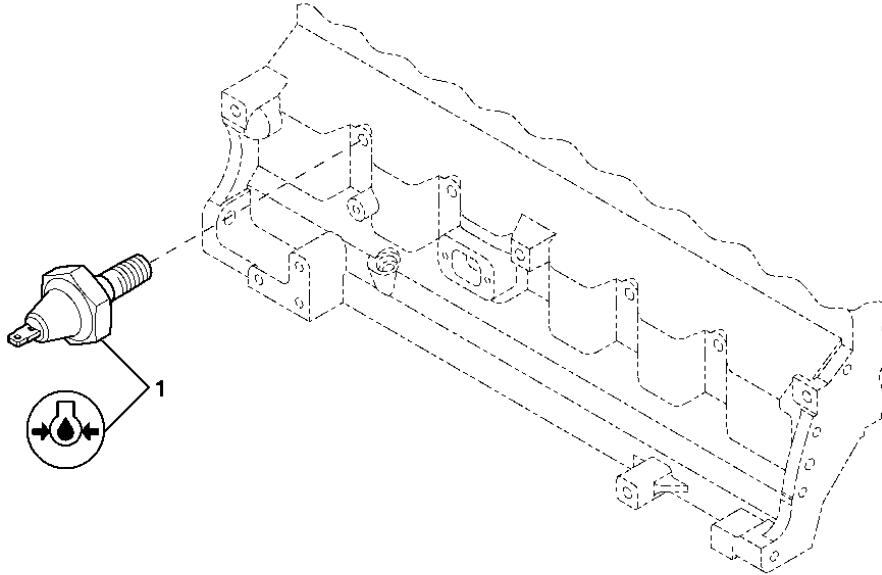
KEY	PART NO.	PART NAME	QTY.	ENGINE SERIAL NO.	REMARKS
1	RE503867	TOUCH SWITCH	1	3029T	X 1/8"-27NPT , 12V - 24V

760-2

SWITCH (OIL)

7622 - CONTINUED
 7622 - SUITE
 7622 - FORTSETZUNG
 7622 - SEGUITO
 7622 - CONTINUACION
 7622 - FORTS

CDP45113A -UN-



CDP45113A

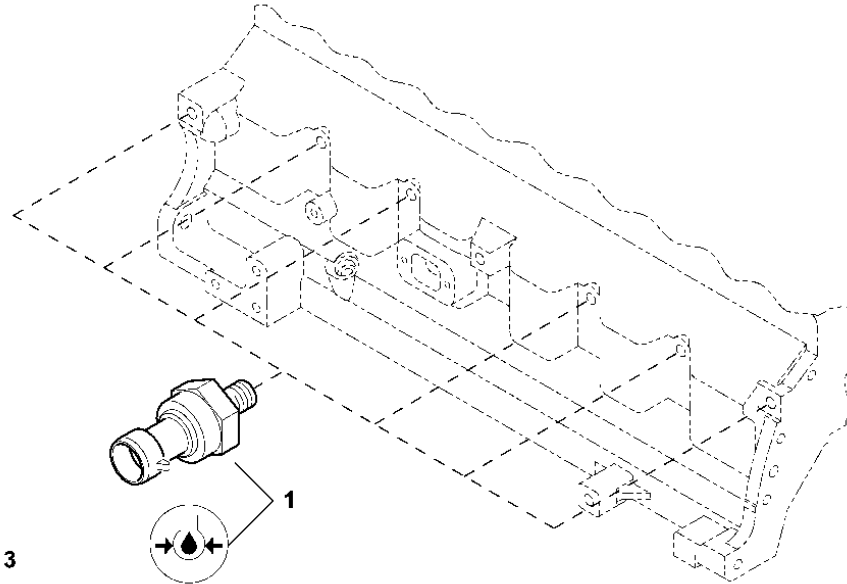
KEY	PART NO.	PART NAME	QTY.	ENGINE SERIAL NO.	REMARKS
1	RE503867	TOUCH SWITCH	1	4 4 0 0 4 4 5 5 D T	X X 1/8"-27NPT , 12V - 24V

760-3

SWITCH (OIL)

7635
7635
7635
7635
7635
7635

CD43913 -UN-



CD43913

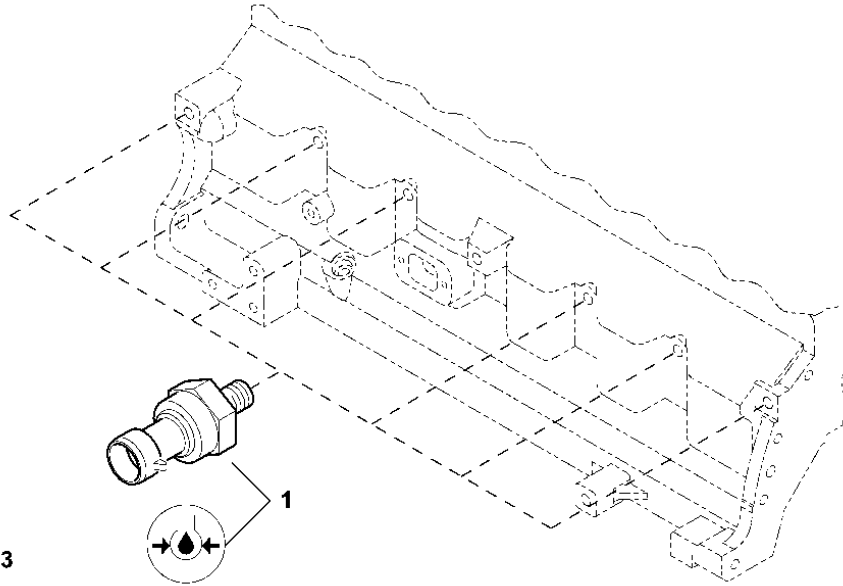
KEY	PART NO.	PART NAME	QTY.	ENGINE SERIAL NO.	REMARKS
1	RE167207	PRESSURE SENSOR	1	4 4 6 0 0 0 4 4 6 5 5 8 H T H	X X X 1/8"-27NPT , 12V

760-4

SWITCH (OIL)

7635 - CONTINUED
 7635 - SUITE
 7635 - FORTSETZUNG
 7635 - SEGUIDO
 7635 - CONTINUACION
 7635 - FORTS

CD43913 -UN-



CD43913

KEY	PART NO.	PART NAME	QTY.	ENGINE SERIAL NO.	REMARKS
1	RE167207	PRESSURE SENSOR	1	4 6 0 0 4 6 5 8 H H	X X 1/8"-27NPT , 12V

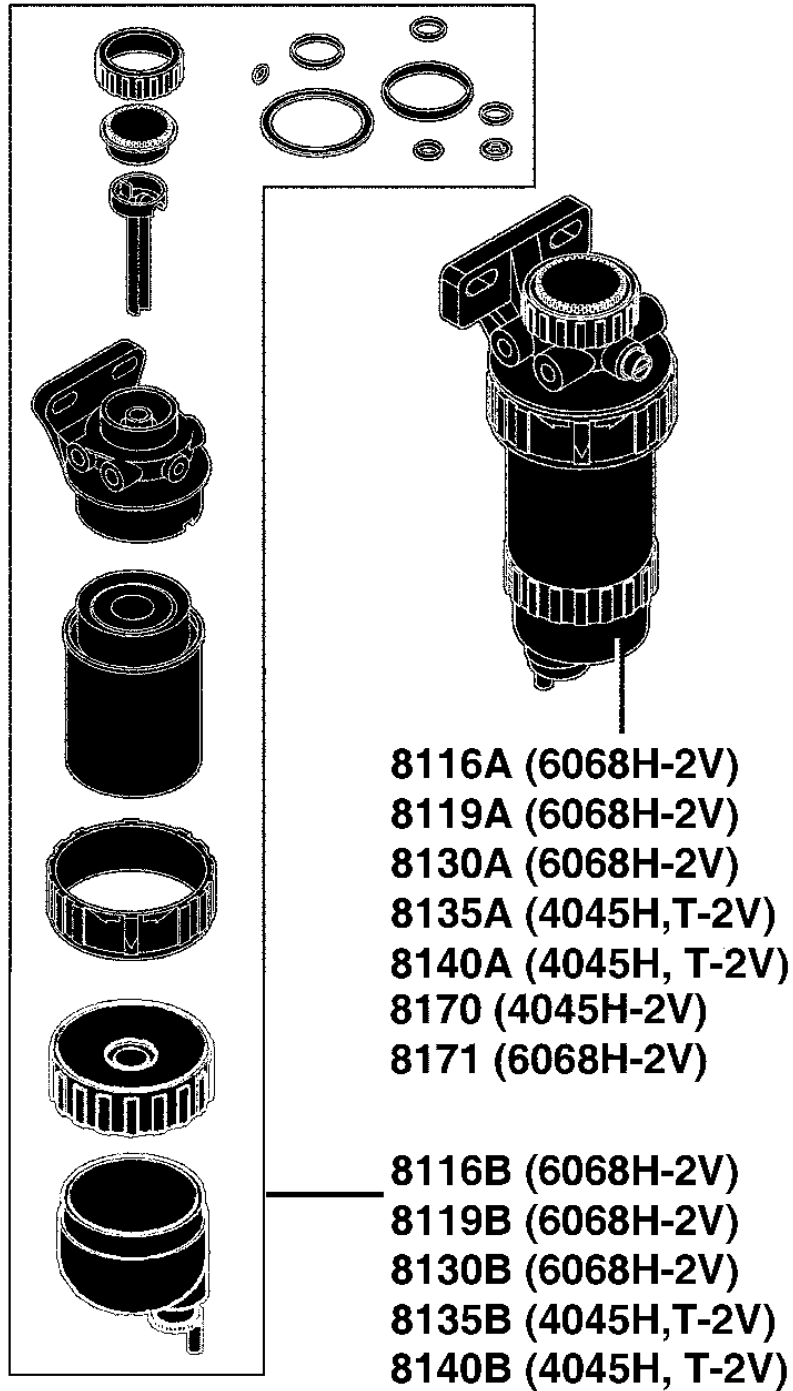
810-A01

PRIMARY FUEL FILTER

SECTIONAL INDEX
INDEX DE SECTION
GRUPPENINDEX
INDICE DELLA SEZIONE
INDICE DE SECCION
GRUPPSFORTECKNING

CDP46911C -UN-

8116A-	1
8116B-	2
8119A-	5
8119B-	6
8130A-	9
8130B-	10
8135A-	13
8135B-	14
8140A-	25
8140B-	26
8170-	28
8171-	30



CDP46911C

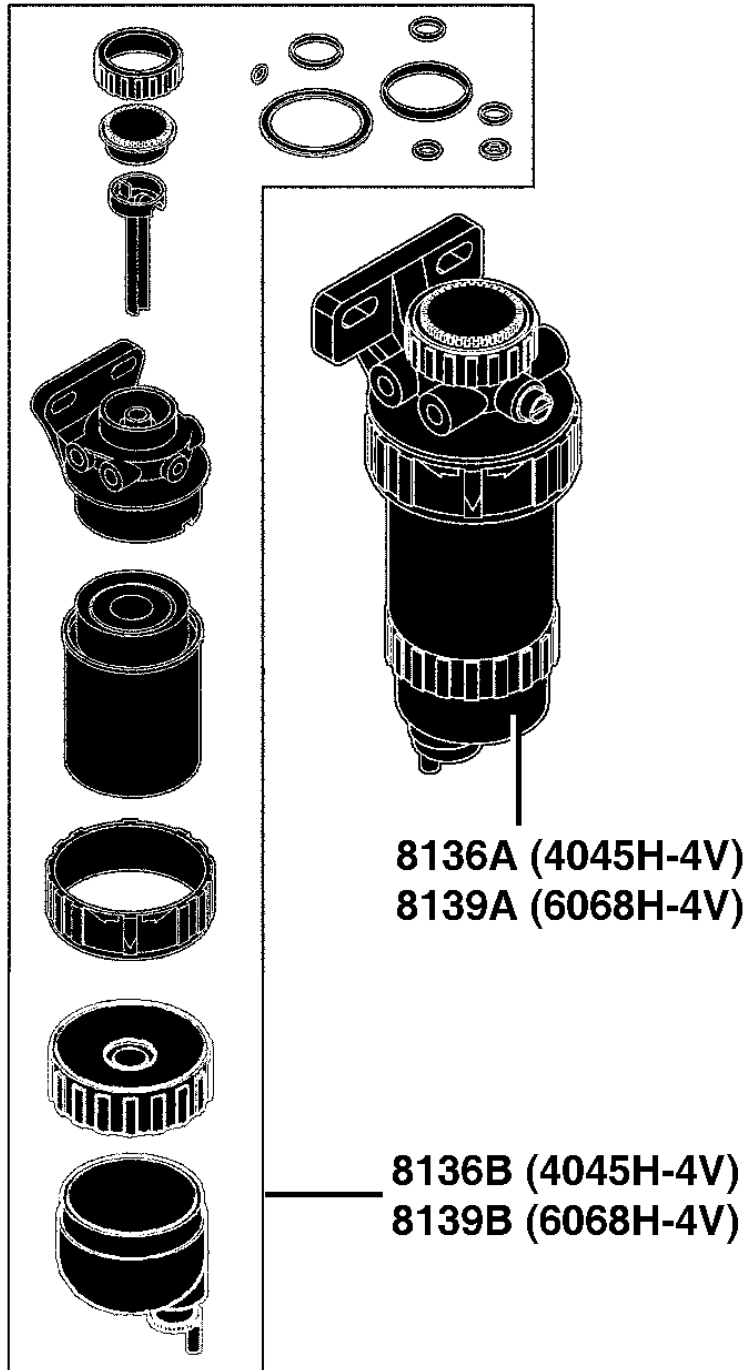
810-A02

PRIMARY FUEL FILTER

SECTIONAL INDEX
INDEX DE SECTION
GRUPPENINDEX
INDICE DELLA SEZIONE
INDICE DE SECCION
GRUPPSFORTECKNING

CDP46912A -UN-

8136A-	17
8136B-	18
8139A-	21
8139B-	22



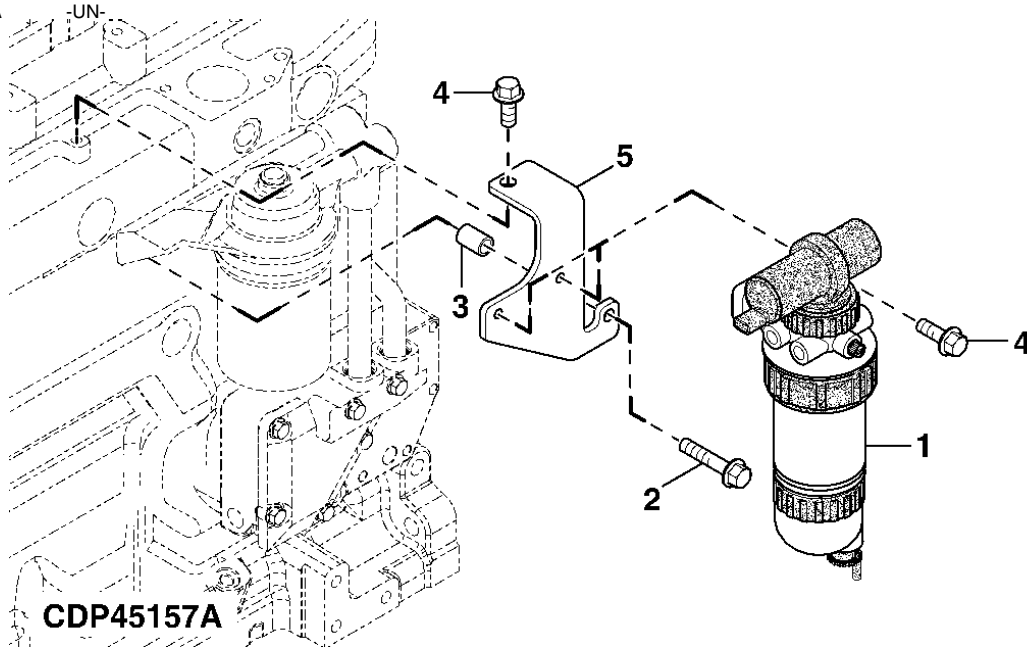
CDP46912A

810-1

PRIMARY FUEL FILTER

8116
8116
8116
8116
8116
8116

CDP45157A



KEY	PART NO.	PART NAME	QTY.	ENGINE SERIAL NO.	REMARKS
1	FUEL FILTER	1		X NSEP, (ORDER RE508847 + COMPONENTS)
2	19M7808	SCREW	1		X M10 X 65 (10.9)
3	28H1497	BUSHING	1		X 12.522 X 17.145 X 38.100 MM
4	19M7784	SCREW	3		X M10 X 20, (10.9)
5	R505143	BRACKET	1		X

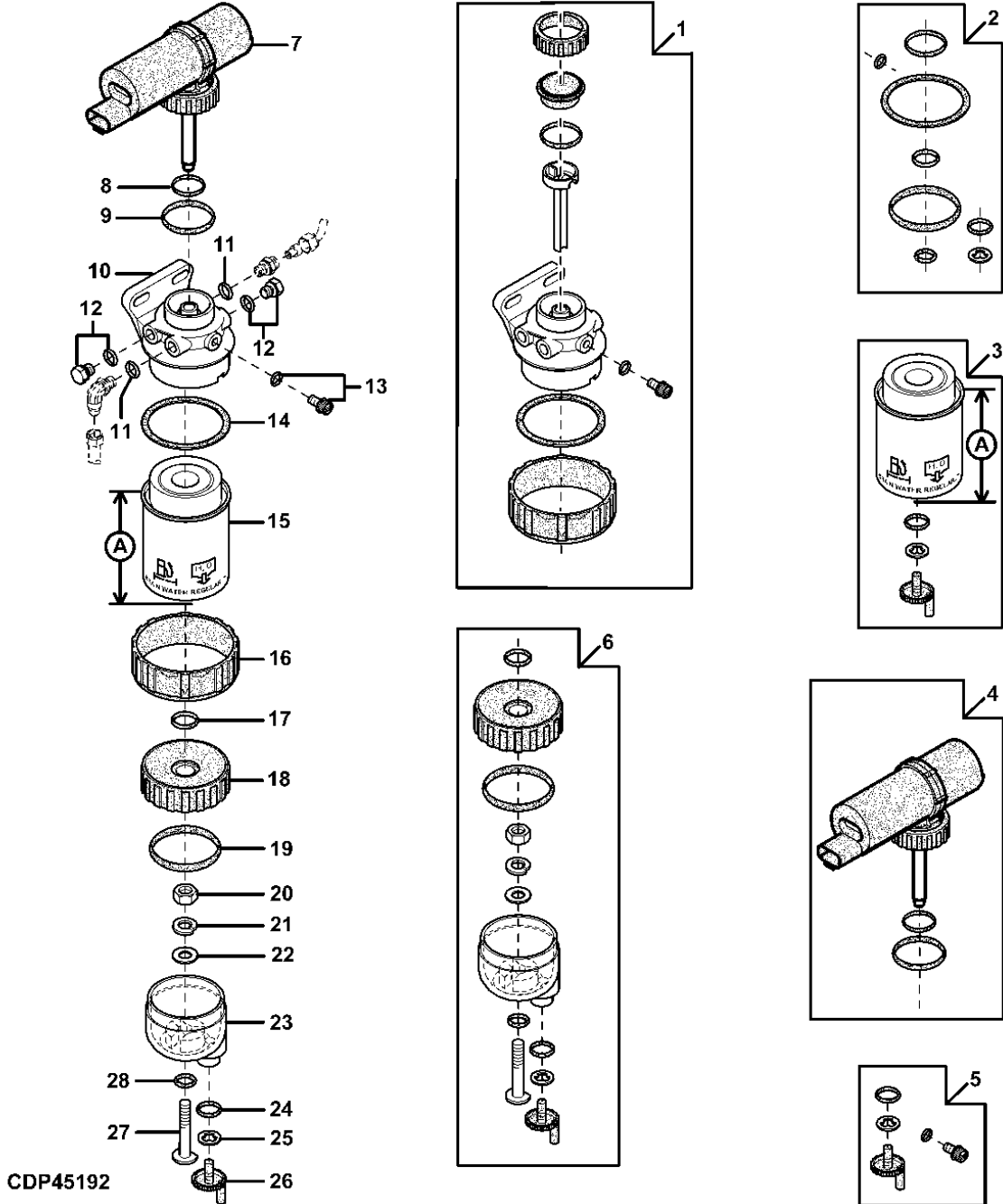
6
0
6
8
H

810-2

PRIMARY FUEL FILTER

8116 - CONTINUED
 8116 - SUITE
 8116 - FORTSETZUNG
 8116 - SEGUITO
 8116 - CONTINUACION
 8116 - FORTS

CDP45192A -UN-



THIS PARTS LISTING IS CONTINUED

810-3

PRIMARY FUEL FILTER

KEY	PART NO.	PART NAME	QTY.	ENGINE SERIAL NO.	6 0 6 8 H	REMARKS
1	RE508847	KIT	1		X	
2	RE516553	SEAL KIT	AR		X	
3	RE509208	FILTER ELEMENT	1		X	A = 109MM (4.3") (SUB FOR RE517181) (ALSO ORDER R113565)
4	RE509033	ENGINE KIT	1		X	(12V) INCL. INSTRUCTIONS, ANLEITUNG, ISTRUZIONI, INSTRUCCIONES, ANVISNINGAR
5	RE60854	DRAIN VALVE	AR		X	
6	RE51650	SEDIMENT BOWL	1		X	KIT, INCL. INSTRUCTIONS, ANLEITUNG, ISTRUZIONI, INSTRUCCIONES, ANVISNINGAR
7	PUMP	1		X	NSEP, (ORDER RE509033)
8	R504007	O-RING	1		X	
9	RE516512	O-RING KIT	AR		X	(PKG 10)
10	FILTER HEAD	1		X	M12 X 1.5 PORTS, NSEP, (ORDER RE508847)
11	51M7040	O-RING	AR		X	9.300 X 2.200 MM
12	RE46686	FITTING PLUG	AR		X	M12 X 1.5
13	DRAIN PLUG	1		X	NSEP, (ORDER RE508847 OR RE60854)
14	R113565	O-RING	1		X	
15	FILTER ELEMENT	1		X	A=109MM, NSEP, (ORDER RE509208 AND R113565)
16	RETAINER	1		X	NSEP, (ORDER RE508847)
17	O-RING	1		X	NSEP, (ORDER RE516553 OR RE51650)
18	RETAINER	1		X	NSEP, (ORDER RE51650)
19	O-RING	1		X	NSEP, (ORDER RE51650 OR RE516553)
20	NUT	1		X	NSEP, (ORDER RE51650)
21	LOCK WASHER	1		X	NSEP, (ORDER RE51650)
22	WASHER	1		X	NSEP, (ORDER RE51650)
23	SEDIMENT BOWL	1		X	NSEP, (ORDER RE51650)
24	O-RING	1		X	NSEP, (ORDER RE51650 OR RE516553 OR RE60854 OR RE509208)
25	GASKET	1		X	NSEP, (ORDER RE51650 OR RE516553 OR RE60854 OR RE509208)
26	DRAIN PLUG	1		X	NSEP, (ORDER RE51650 OR RE60854 OR RE509208)
27	SCREW	1		X	NSEP, (ORDER RE51650)
28	O-RING	1		X	NSEP, (ORDER RE51650 OR RE516553)

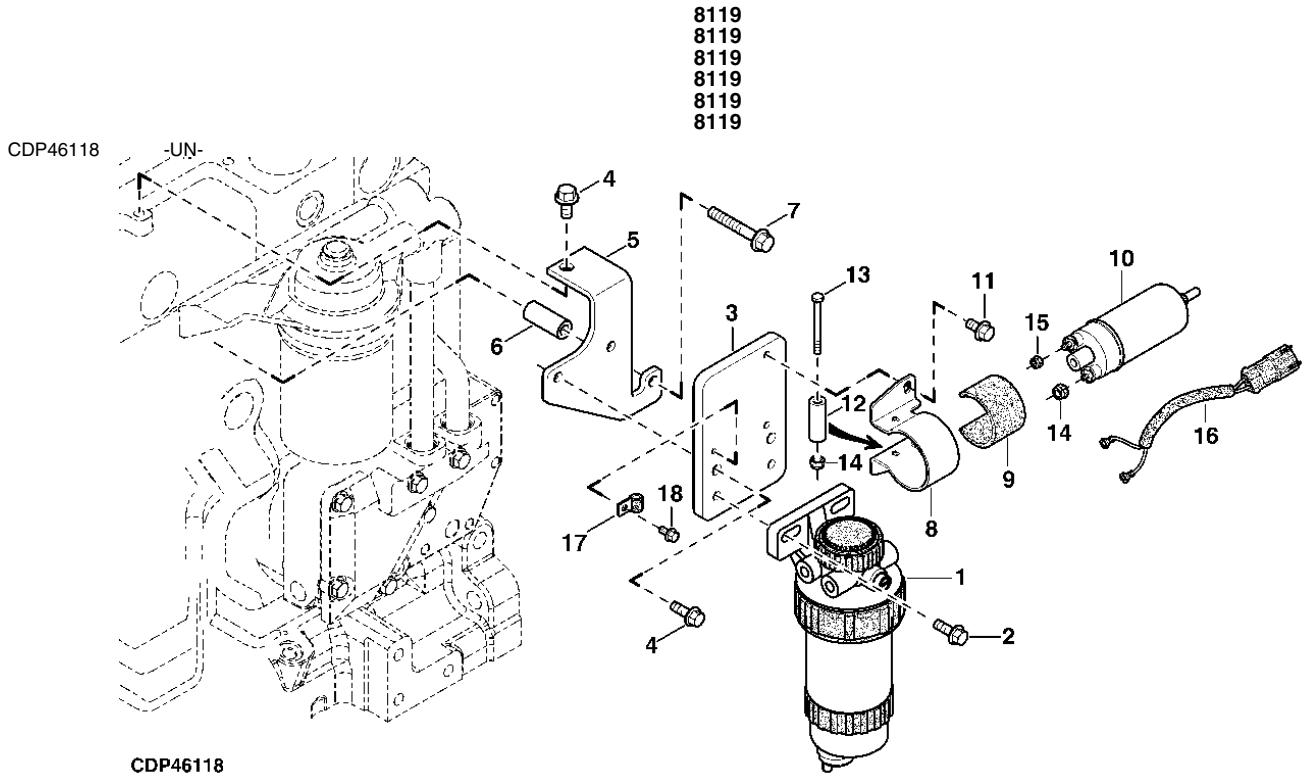
810-4

PRIMARY FUEL FILTER

MEMORANDA
MEMORANDA
MEMORANDA
MEMORANDA
MEMORANDA
MEMORANDA

810-5

PRIMARY FUEL FILTER



8119
8119
8119
8119
8119
8119

CDP46118

KEY	PART NO.	PART NAME	QTY.	ENGINE SERIAL NO.	REMARKS
1	FUEL FILTER	1		X NSEP, (ORDER RE508847 + COMPONENTS)
2	19M7402	CAP SCREW	2		X M10 X 25 (10.9)
3	R515101	SUPPORT	1		X
4	19M7784	SCREW	3		X M10 X 20, (10.9)
5	R505143	BRACKET	1		X
6	28H1497	BUSHING	1		X 12.522 X 17.145 X 38.100 MM
7	19M7808	SCREW	1		X M10 X 65 (10.9)
8	R515460	BRACKET	1		X
9	R515461	ISOLATOR	1		X
10	RE515718	FUEL PUMP	1		X (INCLUDES R500270 AND R500271) (24V) (BOSCH)
11	19M7864	SCREW	2		X M8 X 12 (10.9)
12	R515736	SPACER	1		X 6.475 X 12.700 X 35 MM
13	19M7986	CAP SCREW	1		X M5 X 50 (8.8)
14	14M7265	LOCK NUT	2		X M5
15	14M7264	LOCK NUT	1		X M4
16	RE515326	WIRING HARNESS	1		X
17	AH76671	CLIP	1		X ID= 6.35
18	19M7774	SCREW	1		X M6 X 12 (10.9)

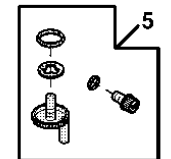
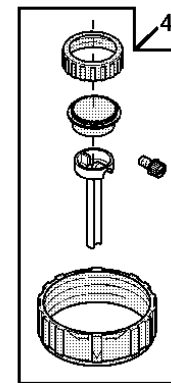
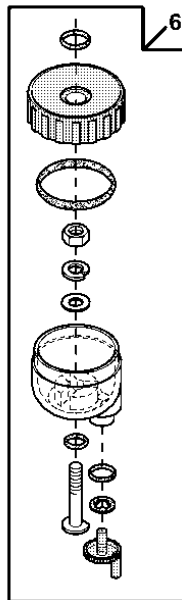
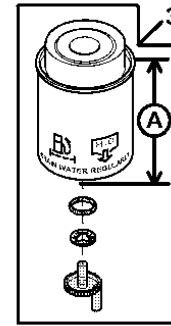
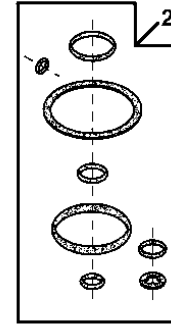
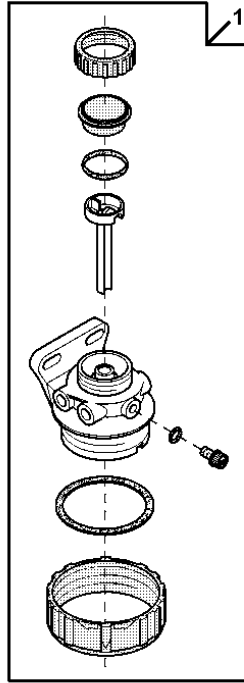
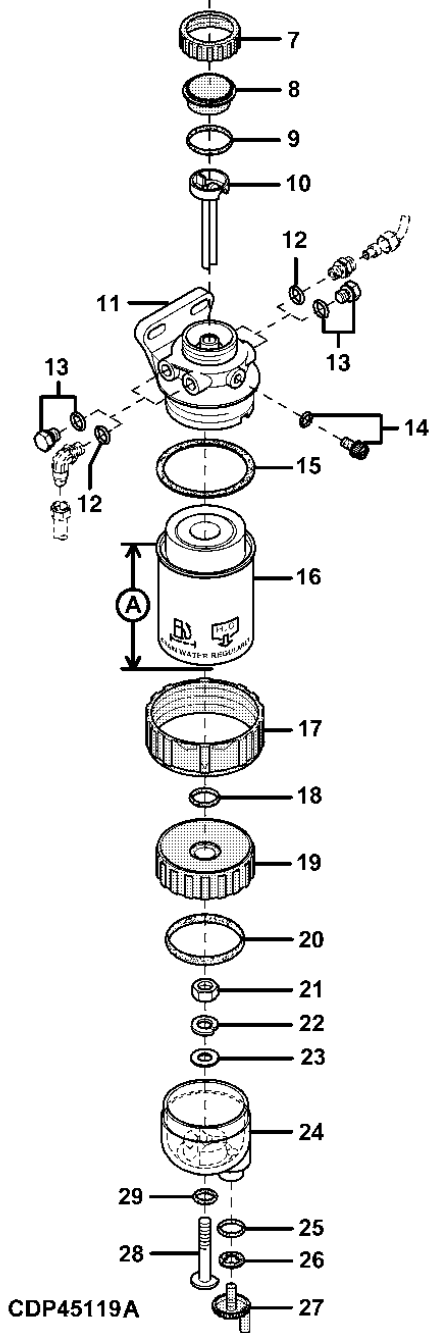
6
0
6
8
H

810-6

PRIMARY FUEL FILTER

8119 - CONTINUED
 8119 - SUITE
 8119 - FORTSETZUNG
 8119 - SEGUITO
 8119 - CONTINUACION
 8119 - FORTS

CDP45119A -UN-



810-7

PRIMARY FUEL FILTER

KEY	PART NO.	PART NAME	QTY.	ENGINE SERIAL NO.	6 0 6 8 H	REMARKS
1	RE508847	KIT	1		X	
2	RE516553	SEAL KIT	AR		X	
3	RE509208	FILTER ELEMENT	1		X	A= 109MM, (4.3") (SUB FOR RE517181) (ALSO ORDER R113565)
4	RE526834	SEAL KIT	AR		X	(SUB FOR RE51649) INCL. INSTRUCTIONS, ANLEITUNG, ISTRUZIONI, INSTRUCCIONES, ANVISNINGAR
5	RE60854	DRAIN VALVE	AR		X	
6	RE51650	SEDIMENT BOWL	1		X	KIT, INCL. INSTRUCTIONS, ANLEITUNG, ISTRUZIONI, INSTRUCCIONES, ANVISNINGAR
7	RETAINER	1		X	NSEP, (ORDER RE526834 OR RE508847)
8	RETAINER	1		X	NSEP, (ORDER RE526834 OR RE508847)
9	RE516512	O-RING KIT	AR		X	(PKG 10)
10	RETAINER	1		X	NSEP, (ORDER RE526834 OR RE508847)
11	FILTER HEAD	1		X	NSEP, (ORDER RE508847)
12	51M7040	O-RING	AR		X	9.300 X 2.200 MM
13	RE46686	FITTING PLUG	AR		X	M12 X 1.5
14	DRAIN PLUG	1		X	NSEP, (ORDER RE508847 OR RE526834 OR RE60854)
15	R113565	O-RING	1		X	
16	FILTER ELEMENT	1		X	A= 109MM, NSEP, (ORDER RE509208 AND R113565)
17	RETAINER	1		X	NSEP, (ORDER RE526834 OR RE508847)
18	O-RING	1		X	NSEP, (ORDER RE516553 OR RE51650)
19	WING NUT	1		X	NSEP, (ORDER RE51650)
20	O-RING	1		X	NSEP, (ORDER RE51650 OR RE516553)
21	NUT	1		X	NSEP, (ORDER RE51650)
22	LOCK WASHER	1		X	NSEP, (ORDER RE51650)
23	WASHER	1		X	NSEP, (ORDER RE51650)
24	SEDIMENT BOWL	1		X	NSEP, (ORDER RE51650)
25	O-RING	1		X	NSEP, (ORDER RE51650 OR RE516553 OR RE509208 OR RE60854)
26	GASKET	1		X	NSEP, (ORDER RE51650 OR RE516553 OR RE509208 OR RE60854)
27	DRAIN PLUG	1		X	NSEP, (ORDER RE51650 OR RE509208 OR RE60854)
28	SCREW	1		X	NSEP, (ORDER RE51650)
29	O-RING	1		X	NSEP, (ORDER RE51650 OR RE516553)

810-8

PRIMARY FUEL FILTER

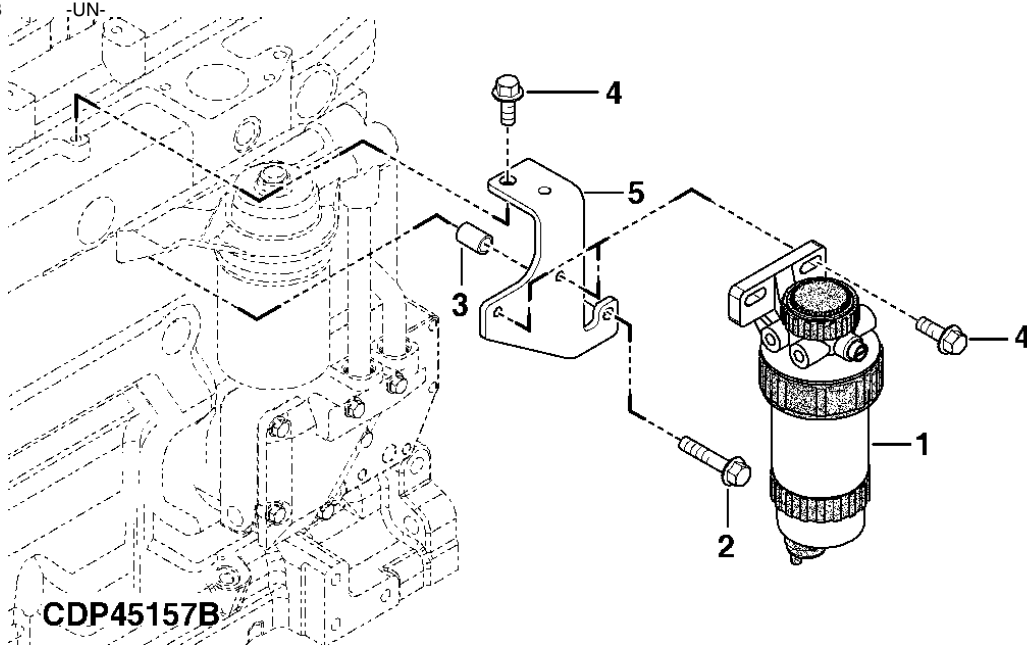
MEMORANDA
MEMORANDA
MEMORANDA
MEMORANDA
MEMORANDA
MEMORANDA

810-9

PRIMARY FUEL FILTER

8130
8130
8130
8130
8130
8130

CDP45157B



KEY	PART NO.	PART NAME	QTY.	ENGINE SERIAL NO.	REMARKS
1	FUEL FILTER	1		X NSEP, (ORDER RE508847 + COMPONENTS)
2	19M7808	SCREW	1		X M10 X 65 (10.9)
3	28H1497	BUSHING	1		X 12.522 X 17.145 X 38.100 MM
4	19M7784	SCREW	3		X M10 X 20
5	R505143	BRACKET	1		X

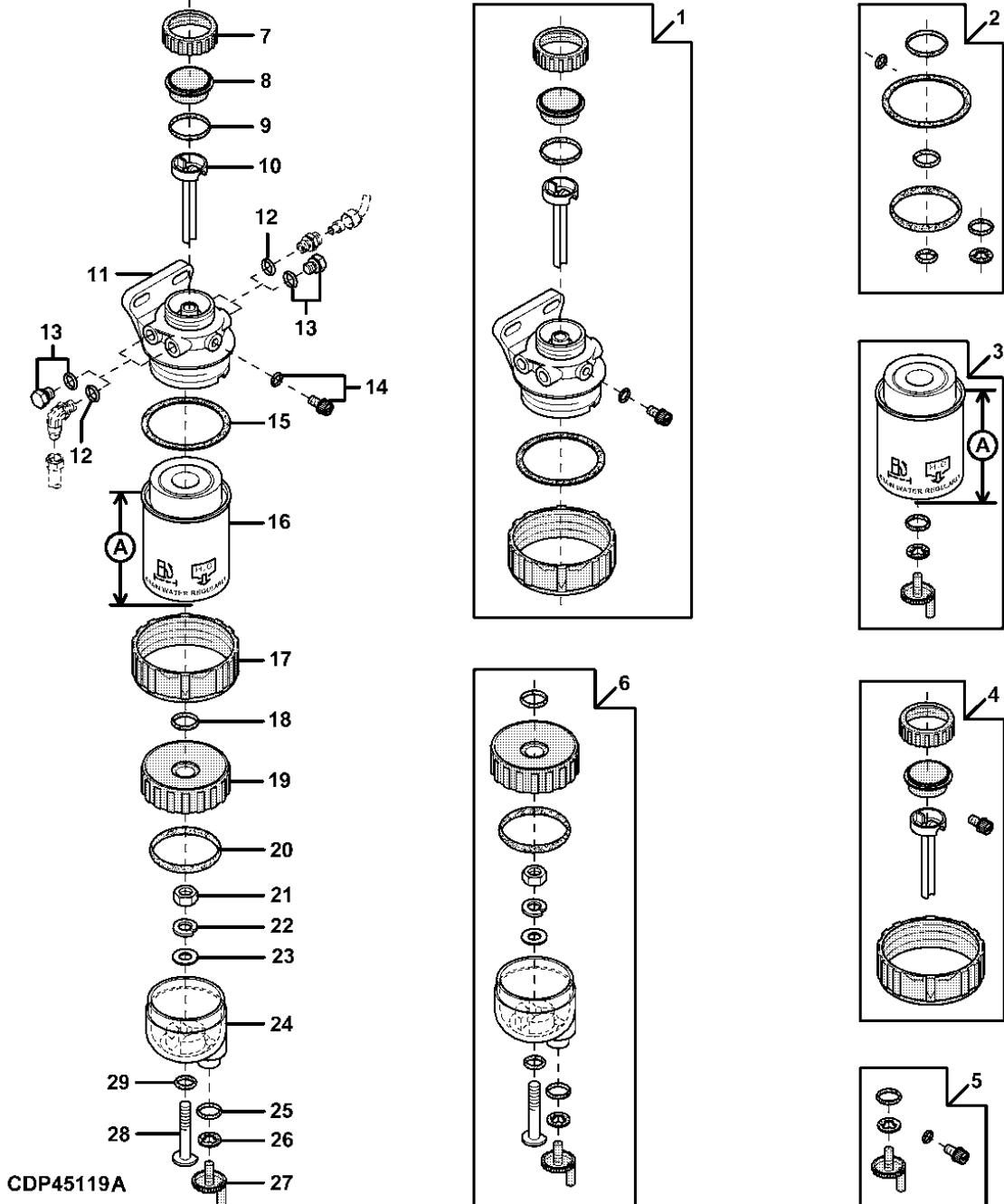
6
0
6
8
H

810-10

PRIMARY FUEL FILTER

8130 - CONTINUED
 8130 - SUITE
 8130 - FORTSETZUNG
 8130 - SEGUITO
 8130 - CONTINUACION
 8130 - FORTS

CDP45119A -UN-



CDP45119A

THIS PARTS LISTING IS CONTINUED

810-11

PRIMARY FUEL FILTER

KEY	PART NO.	PART NAME	QTY.	ENGINE SERIAL NO.	6 0 6 8 H	REMARKS
1	RE508847	KIT	1		X	
2	RE516553	SEAL KIT	AR		X	
3	RE509208	FILTER ELEMENT	1		X	A= 109MM, (4.3") (SUB FOR RE517181) (ALSO ORDER R113565)
4	RE526834	SEAL KIT	AR		X	(SUB FOR RE51649) INCL. INSTRUCTIONS, ANLEITUNG, ISTRUZIONI, INSTRUCCIONES, ANVISNINGAR
5	RE60854	DRAIN VALVE	AR		X	
6	RE51650	SEDIMENT BOWL	1		X	KIT, INCL. INSTRUCTIONS, ANLEITUNG, ISTRUZIONI, INSTRUCCIONES, ANVISNINGAR
7	RETAINER	1		X	NSEP, (ORDER RE526834 OR RE508847)
8	RETAINER	1		X	NSEP, (ORDER RE526834 OR RE508847)
9	RE516512	O-RING KIT	AR		X	(PKG 10)
10	RETAINER	1		X	NSEP, (ORDER RE526834 OR RE508847)
11	FILTER HEAD	1		X	NSEP, (ORDER RE508847)
12	51M7040	O-RING	AR		X	9.300 X 2.200 MM
13	RE46686	FITTING PLUG	AR		X	M12 X 1.5
14	DRAIN PLUG	1		X	NSEP, (ORDER RE508847 OR RE526834 OR RE60854)
15	R113565	O-RING	1		X	
16	FILTER ELEMENT	1		X	A= 109MM, NSEP, (ORDER RE509208 AND R113565)
17	RETAINER	1		X	NSEP, (ORDER RE526834 OR RE508847)
18	O-RING	1		X	NSEP, (ORDER RE516553 OR RE51650)
19	WING NUT	1		X	NSEP, (ORDER RE51650)
20	O-RING	1		X	NSEP, (ORDER RE51650 OR RE516553)
21	NUT	1		X	NSEP, (ORDER RE51650)
22	LOCK WASHER	1		X	NSEP, (ORDER RE51650)
23	WASHER	1		X	NSEP, (ORDER RE51650)
24	SEDIMENT BOWL	1		X	NSEP, (ORDER RE51650)
25	O-RING	1		X	NSEP, (ORDER RE51650 OR RE516553 OR RE509208 OR RE60854)
26	GASKET	1		X	NSEP, (ORDER RE51650 OR RE516553 OR RE509208 OR RE60854)
27	DRAIN PLUG	1		X	NSEP, (ORDER RE51650 OR RE509208 OR RE60854)
28	SCREW	1		X	NSEP, (ORDER RE51650)
29	O-RING	1		X	NSEP, (ORDER RE51650 OR RE516553)

810-12

PRIMARY FUEL FILTER

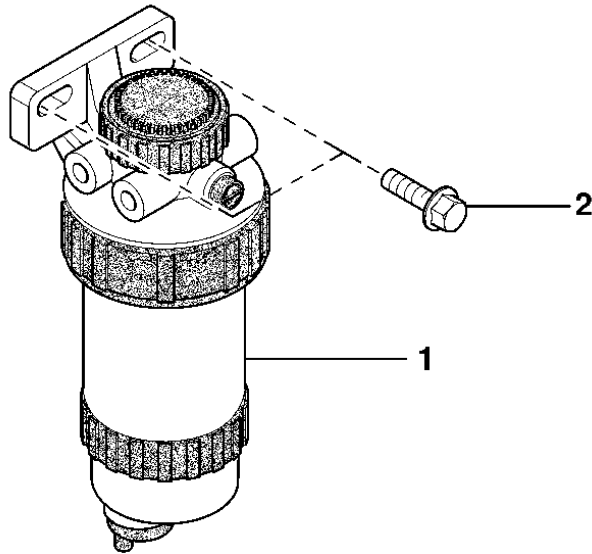
MEMORANDA
MEMORANDA
MEMORANDA
MEMORANDA
MEMORANDA
MEMORANDA

810-13

PRIMARY FUEL FILTER

8135
8135
8135
8135
8135
8135

CDP45367A -UN-



CDP45367A

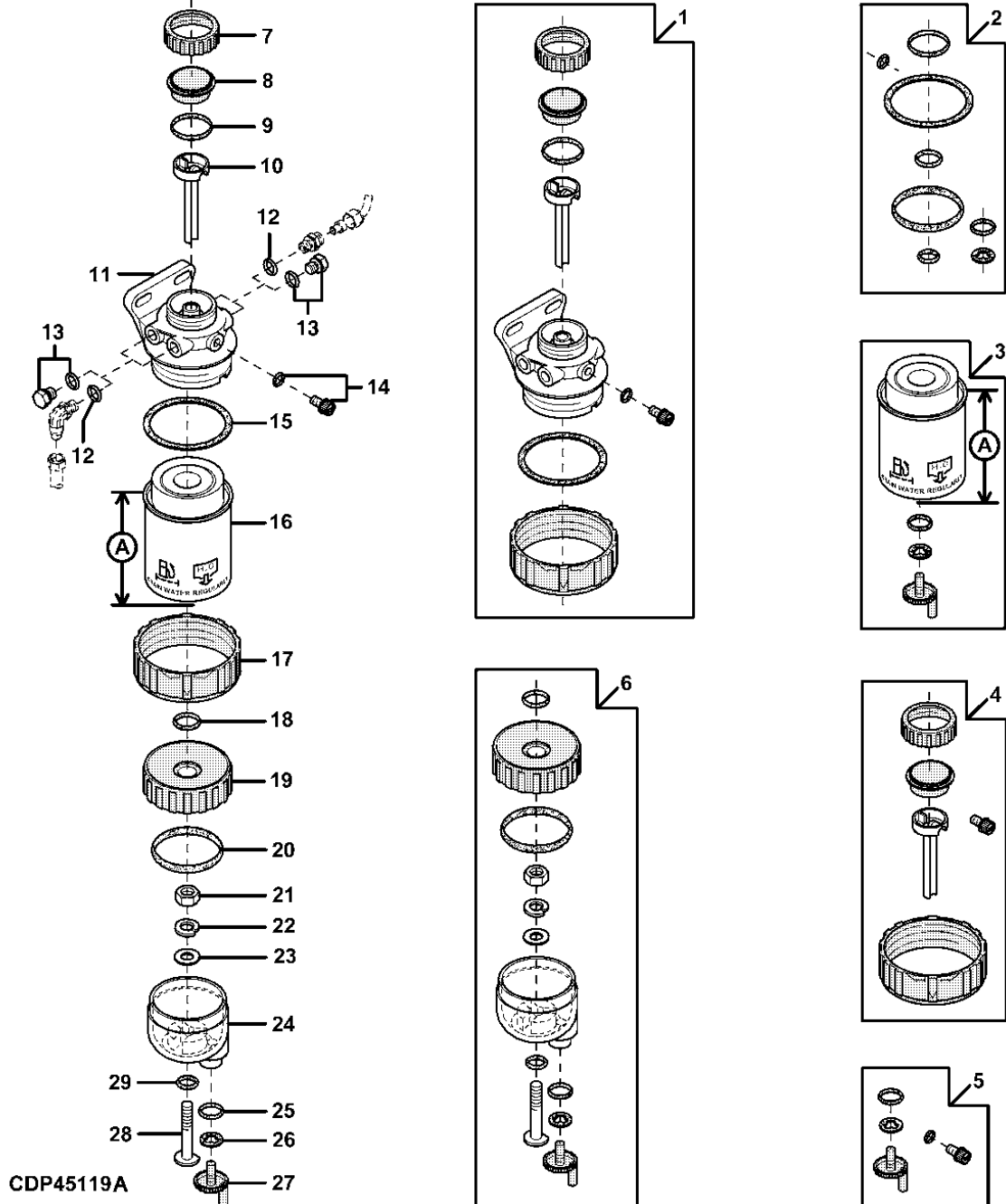
KEY	PART NO.	PART NAME	QTY.	ENGINE SERIAL NO.	REMARKS
1	FUEL FILTER	1	4 4 0 0 4 4 5 5 H T	X X NSEP, (ORDER RE508847 + COMPONENTS) X X M10 X 20, (10.9)
2	19M7784	SCREW	2		

810-14

PRIMARY FUEL FILTER

8135 - CONTINUED
 8135 - SUITE
 8135 - FORTSETZUNG
 8135 - SEGUITO
 8135 - CONTINUACION
 8135 - FORTS

CDP45119A -UN-



810-15

PRIMARY FUEL FILTER

KEY	PART NO.	PART NAME	QTY.	ENGINE SERIAL NO.	4 4 0 0 4 4 5 5 H T	REMARKS
1	RE508847	KIT	1		X X	
2	RE516553	SEAL KIT	AR		X X	
3	RE509208	FILTER ELEMENT	1		X X	A= 109MM, (4.3") (SUB FOR RE517181) (ALSO ORDER R113565)
4	RE526834	SEAL KIT	AR		X X	(SUB FOR RE51649) INCL. INSTRUCTIONS, ANLEITUNG, ISTRUZIONI, INSTRUCCIONES, ANVISNINGAR
5	RE60854	DRAIN VALVE	AR		X X	
6	RE51650	SEDIMENT BOWL	1		X X	KIT, INCL. INSTRUCTIONS, ANLEITUNG, ISTRUZIONI, INSTRUCCIONES, ANVISNINGAR
7	RETAINER	1		X X	NSEP, (ORDER RE526834 OR RE508847)
8	RETAINER	1		X X	NSEP, (ORDER RE526834 OR RE508857)
9	RE516512	O-RING KIT	AR		X X	(PKG 10)
10	RETAINER	1		X X	NSEP, (ORDER RE526834 OR RE508847)
11	FILTER HEAD	1		X X	NSEP, (ORDER RE508847)
12	51M7040	O-RING	AR		X X	9.300 X 2.200 MM
13	RE46686	FITTING PLUG	AR		X X	M12 X 1.5
14	DRAIN PLUG	1		X X	NSEP, (ORDER RE508847 OR RE526834 OR RE60854)
15	R113565	O-RING	1		X X	
16	FILTER ELEMENT	1		X X	A= 109MM, NSEP, (ORDER RE509208 AND R113565)
17	RETAINER	1		X X	NSEP, (ORDER RE526834 OR RE508847)
18	O-RING	1		X X	NSEP, (ORDER RE516553 OR RE51650)
19	WING NUT	1		X X	NSEP, (ORDER RE51650)
20	O-RING	1		X X	NSEP, (ORDER RE51650 OR RE516553)
21	NUT	1		X X	NSEP, (ORDER RE51650)
22	LOCK WASHER	1		X X	NSEP, (ORDER RE51650)
23	WASHER	1		X X	NSEP, (ORDER RE51650)
24	SEDIMENT BOWL	1		X X	NSEP, (ORDER RE51650)
25	O-RING	1		X X	NSEP, (ORDER RE51650 OR RE516553 OR RE509208 OR RE60854)
26	GASKET	1		X X	NSEP, (ORDER RE51650 OR RE516553 OR RE509208 OR RE60854)
27	DRAIN PLUG	1		X X	NSEP, (ORDER RE51650 OR RE509208 OR RE60854)
28	SCREW	1		X X	NSEP, (ORDER RE51650)
29	O-RING	1		X X	NSEP, (ORDER RE51650 OR RE516553)

810-16

PRIMARY FUEL FILTER

MEMORANDA
MEMORANDA
MEMORANDA
MEMORANDA
MEMORANDA
MEMORANDA

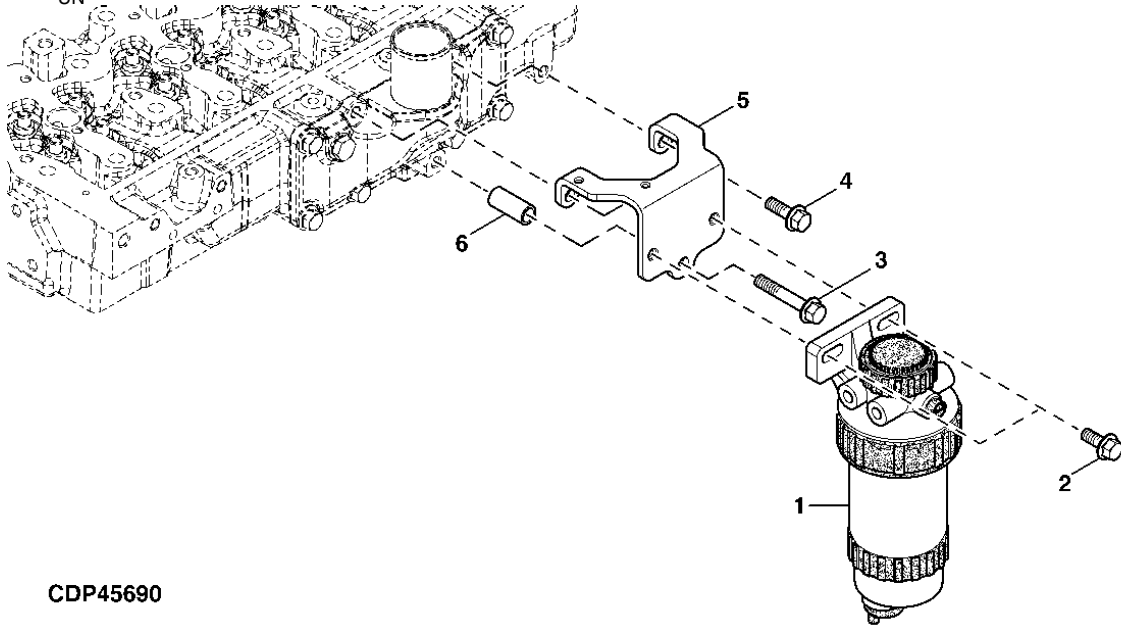
810-17

PRIMARY FUEL FILTER

8136
8136
8136
8136
8136
8136

CDP45690

-UN-



CDP45690

KEY	PART NO.	PART NAME	QTY.	ENGINE SERIAL NO.	REMARKS
1	FUEL FILTER	1		X NSEP, (ORDER RE508847 + COMPONENTS)
2	19M7785	SCREW	2		X M10 X 25, (10.9)
3	19M8844	SCREW	1		X M10 X 60 (10.9)
4	19M7786	SCREW	2		X M10 X 30 (10.9)
5	R516532	BRACKET	1		X
6	28H1497	BUSHING	1		X 12.522 X 17.145 X 38.100 MM

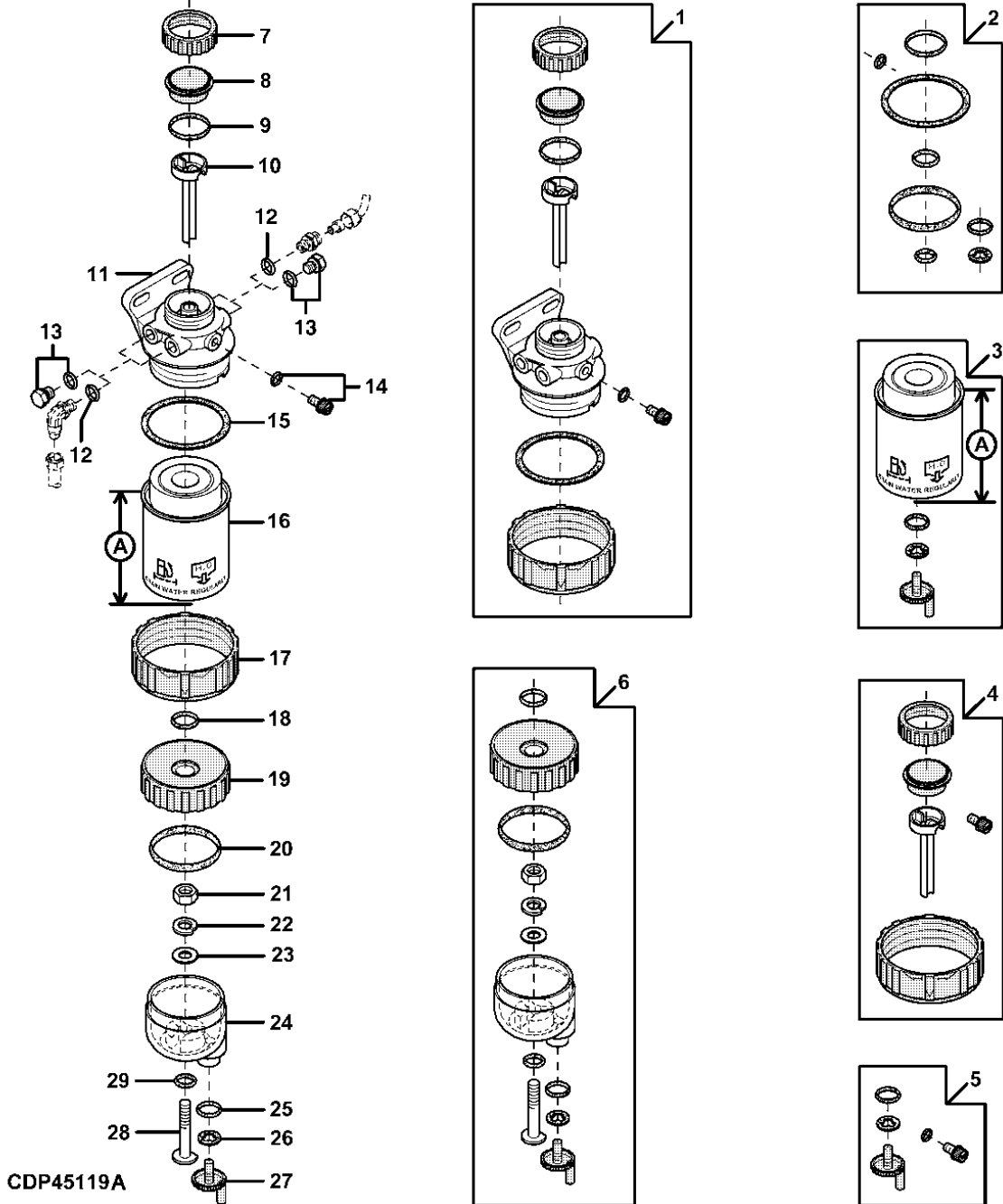
4
0
4
5
H

810-18

PRIMARY FUEL FILTER

8136 - CONTINUED
 8136 - SUITE
 8136 - FORTSETZUNG
 8136 - SEGUITO
 8136 - CONTINUACION
 8136 - FORTS

CDP45119A -UN-



810-19

PRIMARY FUEL FILTER

KEY	PART NO.	PART NAME	QTY.	ENGINE SERIAL NO.	4 0 4 5 H	REMARKS
1	RE508847	KIT	1		X	
2	RE516553	SEAL KIT	AR		X	
3	RE509208	FILTER ELEMENT	1		X	A= 109MM, (4.3") (SUB FOR RE517181) (ALSO ORDER R113565)
4	RE526834	SEAL KIT	AR		X	(SUB FOR RE51649) INCL. INSTRUCTIONS, ANLEITUNG, ISTRUZIONI, INSTRUCCIONES, ANVISNINGAR
5	RE60854	DRAIN VALVE	AR		X	
6	RE51650	SEDIMENT BOWL	1		X	KIT, INCL. INSTRUCTIONS, ANLEITUNG, ISTRUZIONI, INSTRUCCIONES, ANVISNINGAR
7	RETAINER	1		X	NSEP, (ORDER RE526834 OR RE508847)
8	RETAINER	1		X	NSEP, (ORDER RE526834 OR RE508847)
9	RE516512	O-RING KIT	AR		X	(PKG 10)
10	RETAINER	1		X	NSEP, (ORDER RE526834 OR RE508847)
11	FILTER HEAD	1		X	NSEP, (ORDER RE508847)
12	51M7040	O-RING	AR		X	9.300 X 2.200 MM
13	RE46686	FITTING PLUG	AR		X	M12 X 1.5
14	DRAIN PLUG	1		X	NSEP, (ORDER RE508847 OR RE526834 OR RE60854)
15	R113565	O-RING	1		X	
16	FILTER ELEMENT	1		X	A= 109MM, NSEP, (ORDER RE509208 AND R113565)
17	RETAINER	1		X	NSEP, (ORDER RE526834 OR RE508847)
18	O-RING	1		X	NSEP, (ORDER RE516553 OR RE51650)
19	WING NUT	1		X	NSEP, (ORDER RE51650)
20	O-RING	1		X	NSEP, (ORDER RE51650 OR RE516553)
21	NUT	1		X	NSEP, (ORDER RE51650)
22	LOCK WASHER	1		X	NSEP, (ORDER RE51650)
23	WASHER	1		X	NSEP, (ORDER RE51650)
24	SEDIMENT BOWL	1		X	NSEP, (ORDER RE51650)
25	O-RING	1		X	NSEP, (ORDER RE51650 OR RE516553 OR RE509208 OR RE60854)
26	GASKET	1		X	NSEP, (ORDER RE51650 OR RE516553 OR RE509208 OR RE60854)
27	DRAIN PLUG	1		X	NSEP, (ORDER RE51650 OR RE509208 OR RE60854)
28	SCREW	1		X	NSEP, (ORDER RE51650)
29	O-RING	1		X	NSEP, (ORDER RE51650 OR RE516553)

810-20

PRIMARY FUEL FILTER

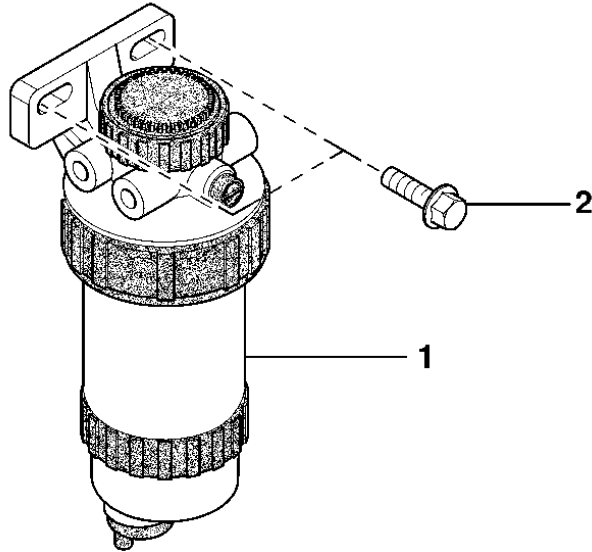
MEMORANDA
MEMORANDA
MEMORANDA
MEMORANDA
MEMORANDA
MEMORANDA

810-21

PRIMARY FUEL FILTER

8139
8139
8139
8139
8139
8139

CDP45367A -UN-



CDP45367A

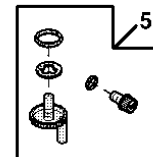
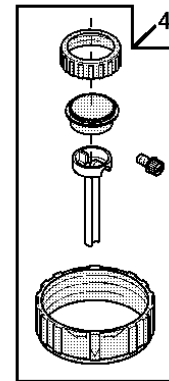
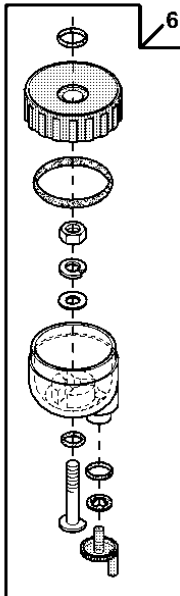
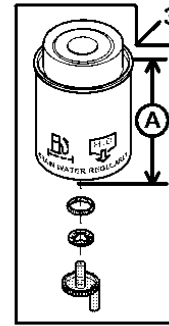
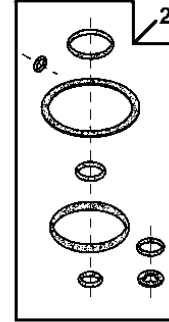
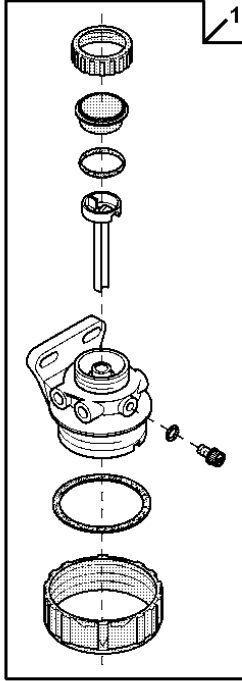
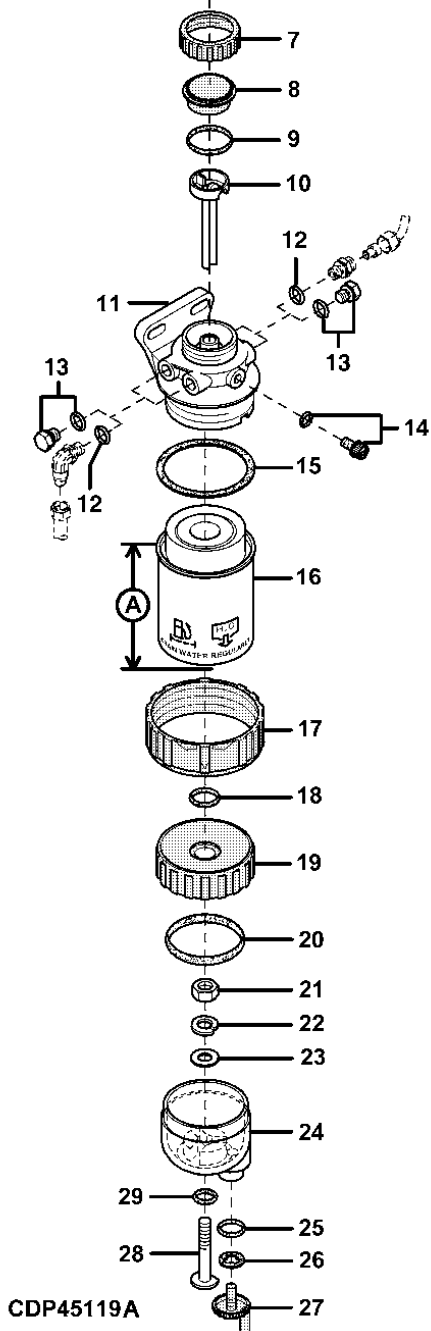
KEY	PART NO.	PART NAME	QTY.	ENGINE SERIAL NO.	REMARKS
1	FUEL FILTER	1	6 0 6 8 H	X NSEP, (ORDER RE508847 + COMPONENTS)
2	19M7835	SCREW	2		X M10 X 35 (10.9)

810-22

PRIMARY FUEL FILTER

8139 - CONTINUED
8139 - SUITE
8139 - FORTSETZUNG
8139 - SEGUITO
8139 - CONTINUACION
8139 - FORTS

CDP45119A -UN-



810-23

PRIMARY FUEL FILTER

KEY	PART NO.	PART NAME	QTY.	ENGINE SERIAL NO.	6 0 6 8 H	REMARKS
1	RE508847	KIT	1		X	
2	RE516553	SEAL KIT	AR		X	
3	RE509036	FUEL FILTER	1		X	A= 152MM, (6") (SUB FOR RE517180) (ALSO ORDER R113565)
4	RE526834	SEAL KIT	AR		X	(SUB FOR RE51649) INCL. INSTRUCTIONS, ANLEITUNG, ISTRUZIONI, INSTRUCCIONES, ANVISNINGAR
5	RE60854	DRAIN VALVE	AR		X	
6	RE51650	SEDIMENT BOWL	1		X	KIT, INCL. INSTRUCTIONS, ANLEITUNG, ISTRUZIONI, INSTRUCCIONES, ANVISNINGAR
7	RETAINER	1		X	NSEP, (ORDER RE526834 OR RE508847)
8	RETAINER	1		X	NSEP, (ORDER RE526834 OR RE508847)
9	RE516512	O-RING KIT	AR		X	(PKG 10)
10	RETAINER	1		X	NSEP, (ORDER RE526834 OR RE508847)
11	FILTER HEAD	1		X	NSEP, (ORDER RE508847)
12	51M7040	O-RING	AR		X	9.300 X 2.200 MM
13	RE46686	FITTING PLUG	AR		X	M12 X 1.5
14	DRAIN PLUG	1		X	NSEP, (ORDER RE508847 OR RE526834 OR RE60854)
15	R113565	O-RING	1		X	
16	FILTER ELEMENT	1		X	A= 152MM (6"), NSEP, (ORDER RE509036 AND R113565)
17	RETAINER	1		X	NSEP, (ORDER RE526834 OR RE508847)
18	O-RING	1		X	NSEP, (ORDER RE516553 OR RE51650)
19	WING NUT	1		X	NSEP, (ORDER RE51650)
20	O-RING	1		X	NSEP, (ORDER RE51650 OR RE516553)
21	NUT	1		X	NSEP, (ORDER RE51650)
22	LOCK WASHER	1		X	NSEP, (ORDER RE51650)
23	WASHER	1		X	NSEP, (ORDER RE51650)
24	SEDIMENT BOWL	1		X	NSEP, (ORDER RE51650)
25	O-RING	1		X	NSEP, (ORDER RE51650 OR RE516553 OR RE509036 OR RE60854)
26	GASKET	1		X	NSEP, (ORDER RE51650 OR RE516553 OR RE509036 OR RE60854)
27	DRAIN PLUG	1		X	NSEP, (ORDER RE51650 OR RE509036 OR RE60854)
28	SCREW	1		X	NSEP, (ORDER RE51650)
29	O-RING	1		X	NSEP, (ORDER RE51650 OR RE516553)

810-24

PRIMARY FUEL FILTER

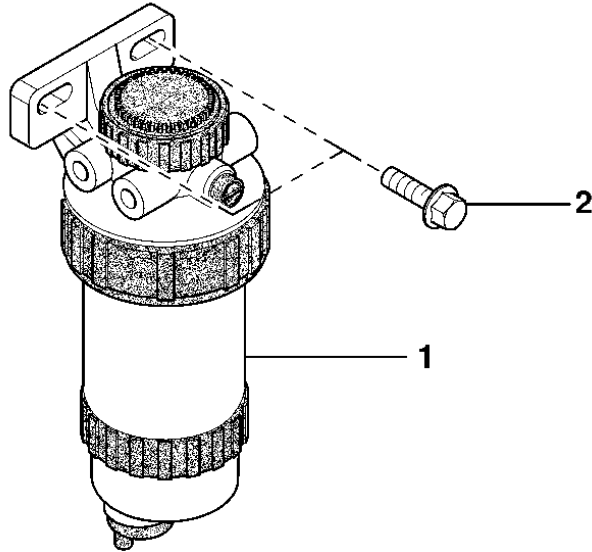
MEMORANDA
MEMORANDA
MEMORANDA
MEMORANDA
MEMORANDA
MEMORANDA

810-25

PRIMARY FUEL FILTER

8140
8140
8140
8140
8140
8140

CDP45367A -UN-



CDP45367A

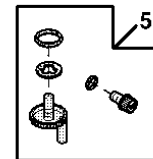
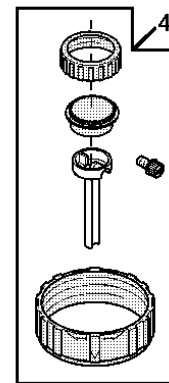
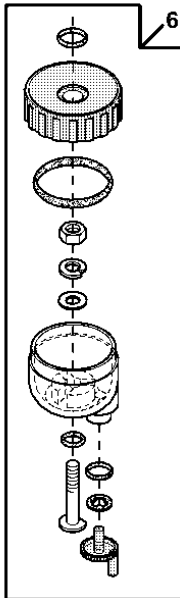
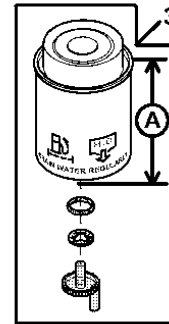
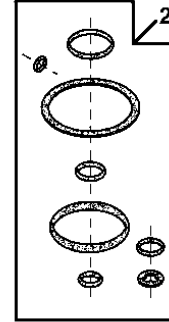
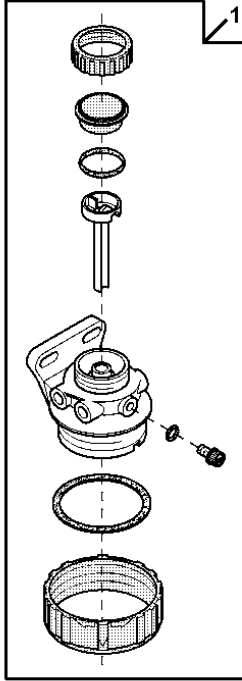
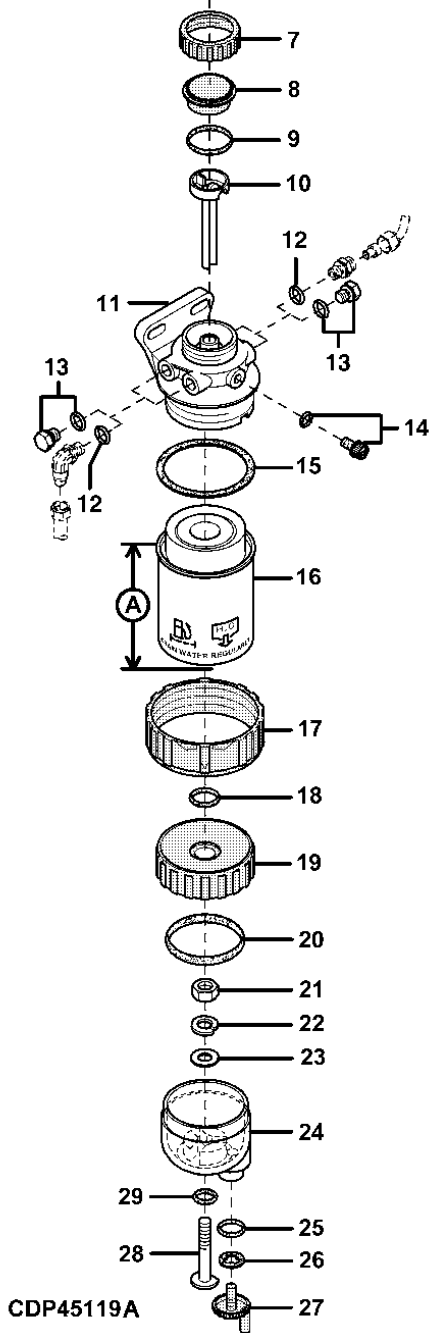
KEY	PART NO.	PART NAME	QTY.	ENGINE SERIAL NO.	REMARKS
1	FUEL FILTER	1	4 4 0 0 4 4 5 5 H T	X X NSEP, (ORDER RE508847 + COMPONENTS) X X M10 X 20, (10.9)
2	19M7784	SCREW	2		

810-26

PRIMARY FUEL FILTER

8140 - CONTINUED
 8140 - SUITE
 8140 - FORTSETZUNG
 8140 - SEGUITO
 8140 - CONTINUACION
 8140 - FORTS

CDP45119A -UN-



810-27

PRIMARY FUEL FILTER

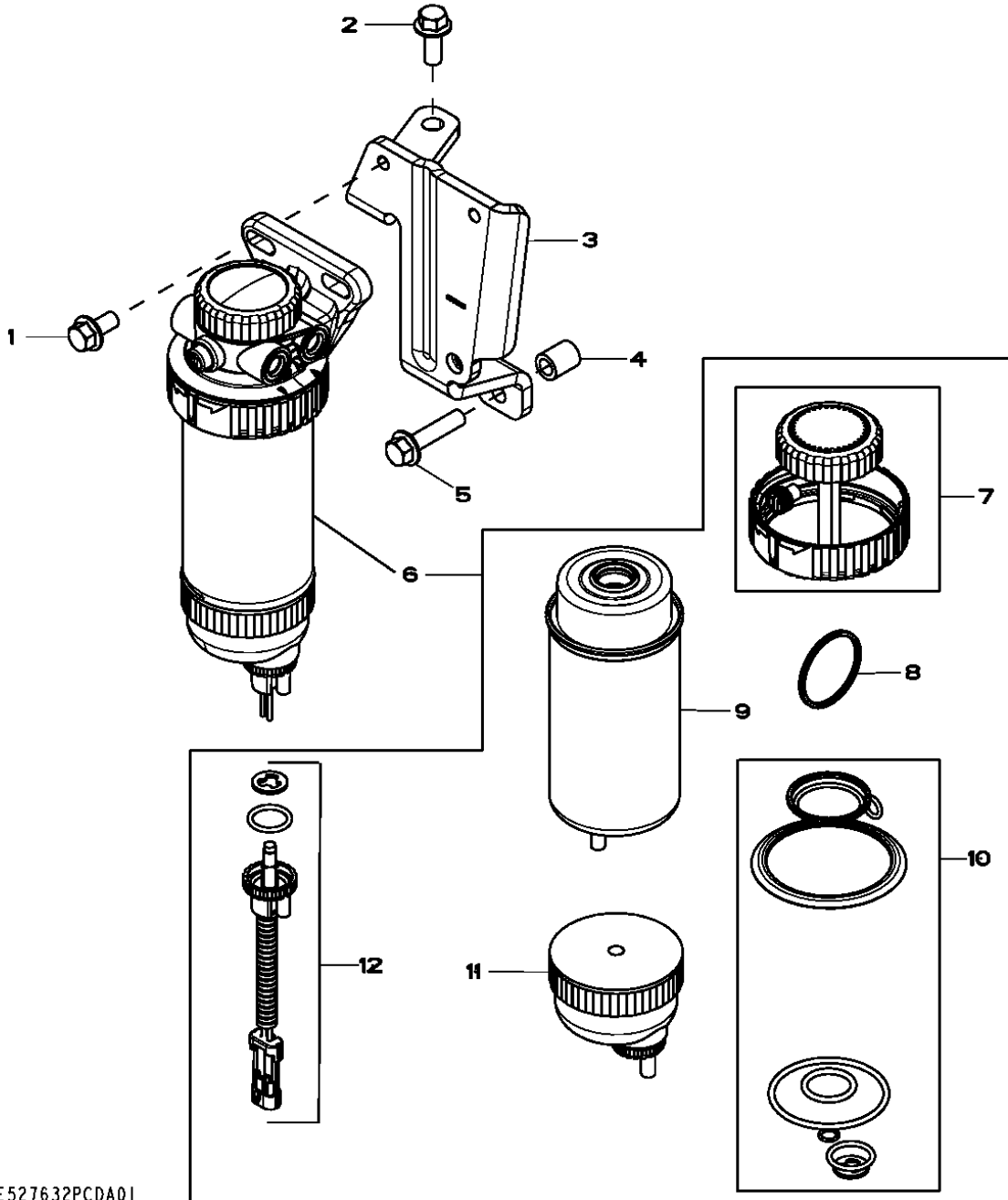
KEY	PART NO.	PART NAME	QTY.	ENGINE SERIAL NO.	4 4 0 0 4 4 5 5 H T	REMARKS
1	RE508847	KIT	1		X X	
2	RE516553	SEAL KIT	AR		X X	
3	RE509208	FILTER ELEMENT	1		X X	A= 109MM, (4.3") (ALSO ORDER R113565)
4	RE526834	SEAL KIT	AR		X X	INCL. INSTRUCTIONS, ANLEITUNG, ISTRUZIONI, INSTRUCCIONES, ANVISNINGAR
5	RE60854	DRAIN VALVE	AR		X X	
6	RE51650	SEDIMENT BOWL	1		X X	KIT, INCL. INSTRUCTIONS, ANLEITUNG, ISTRUZIONI, INSTRUCCIONES, ANVISNINGAR
7	RETAINER	1		X X	NSEP, (ORDER RE526834 OR RE508847)
8	RETAINER	1		X X	NSEP, (ORDER RE526834 OR RE508847)
9	RE516512	O-RING KIT	AR		X X	(PKG 10)
10	RETAINER	1		X X	NSEP, (ORDER RE526834 OR RE508847)
11	FILTER HEAD	1		X X	NSEP, (ORDER RE508847)
12	51M7040	O-RING	AR		X X	9,300 X 2,200 MM
13	RE46686	FITTING PLUG	AR		X X	M12 X 1.5
14	DRAIN PLUG	1		X X	NSEP, (ORDER RE508847 OR RE526834 OR RE60854)
15	R113565	O-RING	1		X X	
16	FILTER ELEMENT	1		X X	A= 109MM, NSEP, (ORDER RE509208 AND R113565)
17	RETAINER	1		X X	NSEP, (ORDER RE526834 OR RE508847)
18	O-RING	1		X X	NSEP, (ORDER RE516553 OR RE51650)
19	WING NUT	1		X X	NSEP, (ORDER RE51650)
20	O-RING	1		X X	NSEP, (ORDER RE51650 OR RE516553)
21	NUT	1		X X	NSEP, (ORDER RE51650)
22	LOCK WASHER	1		X X	NSEP, (ORDER RE51650)
23	WASHER	1		X X	NSEP, (ORDER RE51650)
24	SEDIMENT BOWL	1		X X	NSEP, (ORDER RE51650)
25	O-RING	1		X X	NSEP, (ORDER RE51650 OR RE516553 OR RE509208 OR RE60854)
26	GASKET	1		X X	NSEP, (ORDER RE51650 OR RE516553 OR RE509208 OR RE60854)
27	DRAIN PLUG	1		X X	NSEP, (ORDER RE51650 OR RE509208 OR RE60854)
28	SCREW	1		X X	NSEP, (ORDER RE51650)
29	O-RING	1		X X	NSEP, (ORDER RE51650 OR RE516553)

810-28

PRIMARY FUEL FILTER

8170
8170
8170
8170
8170

RE527632PCDA01 -UN-



RE527632PCDA01

810-29

PRIMARY FUEL FILTER

KEY	PART NO.	PART NAME	QTY.	ENGINE SERIAL NO.	4 0 4 5 H	REMARKS
1	19M7784	SCREW	2		X	M10 X 20
2	19M7785	SCREW	1		X	M10 X 25
3	R523930	BRACKET	1		X	
4	28H2522	SPACER	1		X	10.744 X 17.145 X 20.625 MM
5	19M7805	SCREW	1		X	M10 X 45
6	RE529641	FILTER	1		X	
7	RE526834	SEAL KIT	1		X	
8	RE516512	O-RING KIT	1		X	PACKG (10)
9	RE529643	FILTER ELEMENT	1		X	(ALSO ORDER R113565)
10	RE516553	SEAL KIT	1		X	
11	RE51650	SEDIMENT BOWL	1		X	
12	RE519696	WIRING HARNESS	1		X	

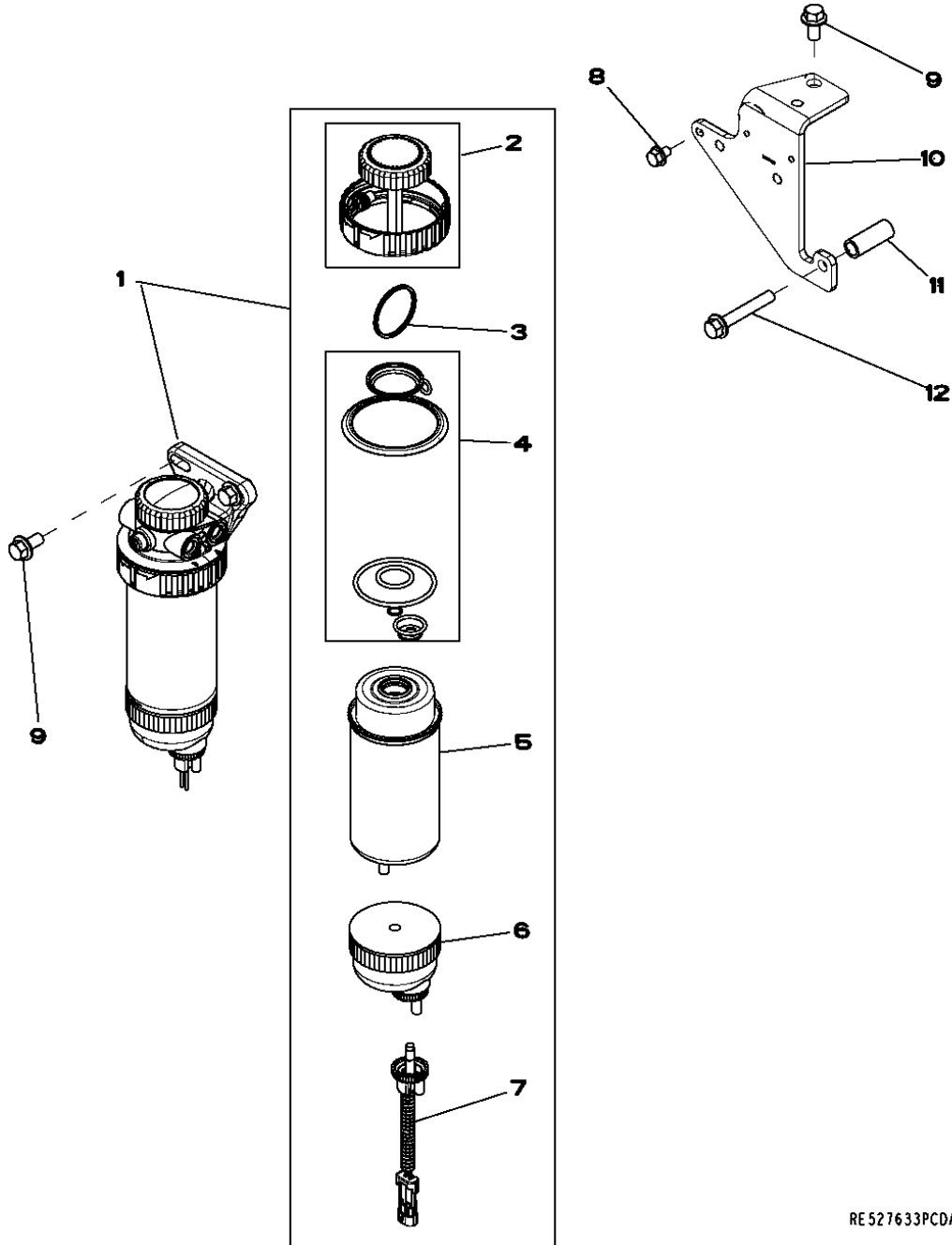
810-30

PRIMARY FUEL FILTER

8171
8171
8171
8171
8171
8171

RE527633PCDA01

-UN-



RE 527633PCDA01

810-31

PRIMARY FUEL FILTER

KEY	PART NO.	PART NAME	QTY.	ENGINE SERIAL NO.	4 0 4 5 H	REMARKS
1	RE529641	FILTER	1		X	
2	RE526834	SEAL KIT	1		X	
3	RE516512	O-RING KIT	1		X	
4	RE516553	SEAL KIT	1		X	
5	RE529643	FILTER ELEMENT	1		X	
6	RE51650	SEDIMENT BOWL	1		X	
7	RE519696	WIRING HARNESS	1		X	
8	RE524730	CAP SCREW	1		X	
9	19M7784	SCREW	3		X	M10 X 20
10	R522900	BRACKET	1		X	
11	28H1529	BUSHING	1		X	
12	19M7808	SCREW	1		X	M10 X 65

810-32

PRIMARY FUEL FILTER

MEMORANDA
MEMORANDA
MEMORANDA
MEMORANDA
MEMORANDA
MEMORANDA

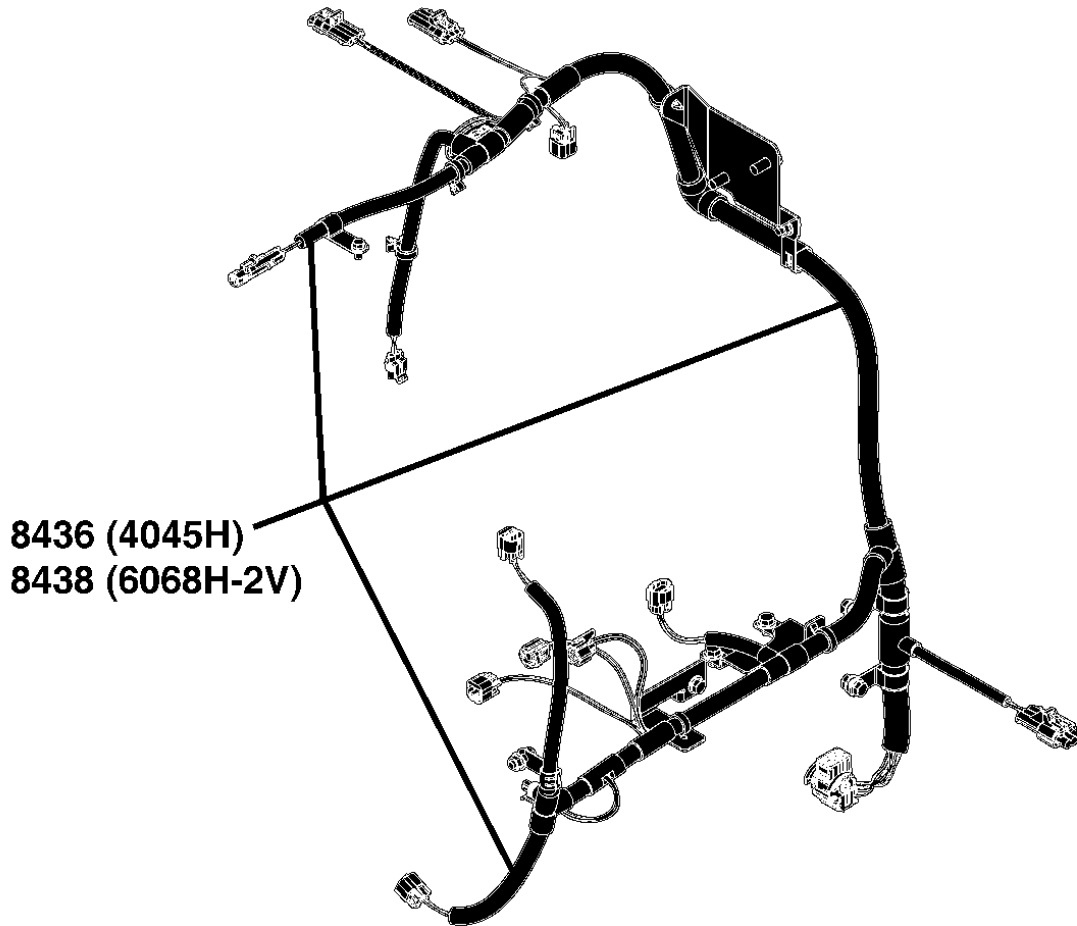
840-A01

ENGINE WIRING HARNESS

SECTIONAL INDEX
INDEX DE SECTION
GRUPPENINDEX
INDICE DELLA SEZIONE
INDICE DE GRUPOS
GRUPPSFORTECKNING

CDP47753A -UN-

8436-	2
8438-	4



CDP47753A

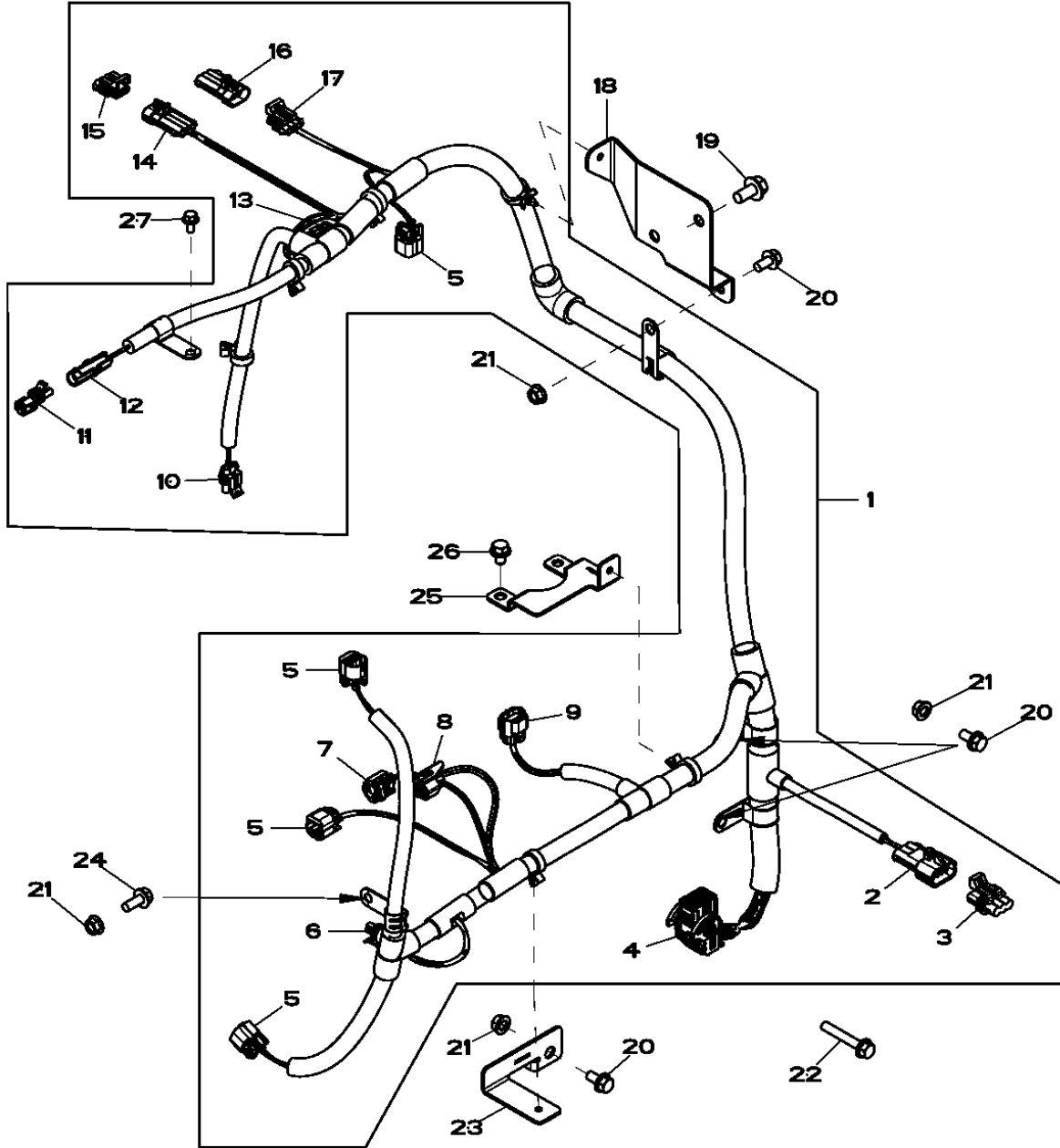
840-2

ENGINE WIRING HARNESS

8436
8436
8436
8436
8436

RE527627PCDA01

-UN-



RE527627PCDA01

THIS PARTS LISTING IS CONTINUED

840-3

ENGINE WIRING HARNESS

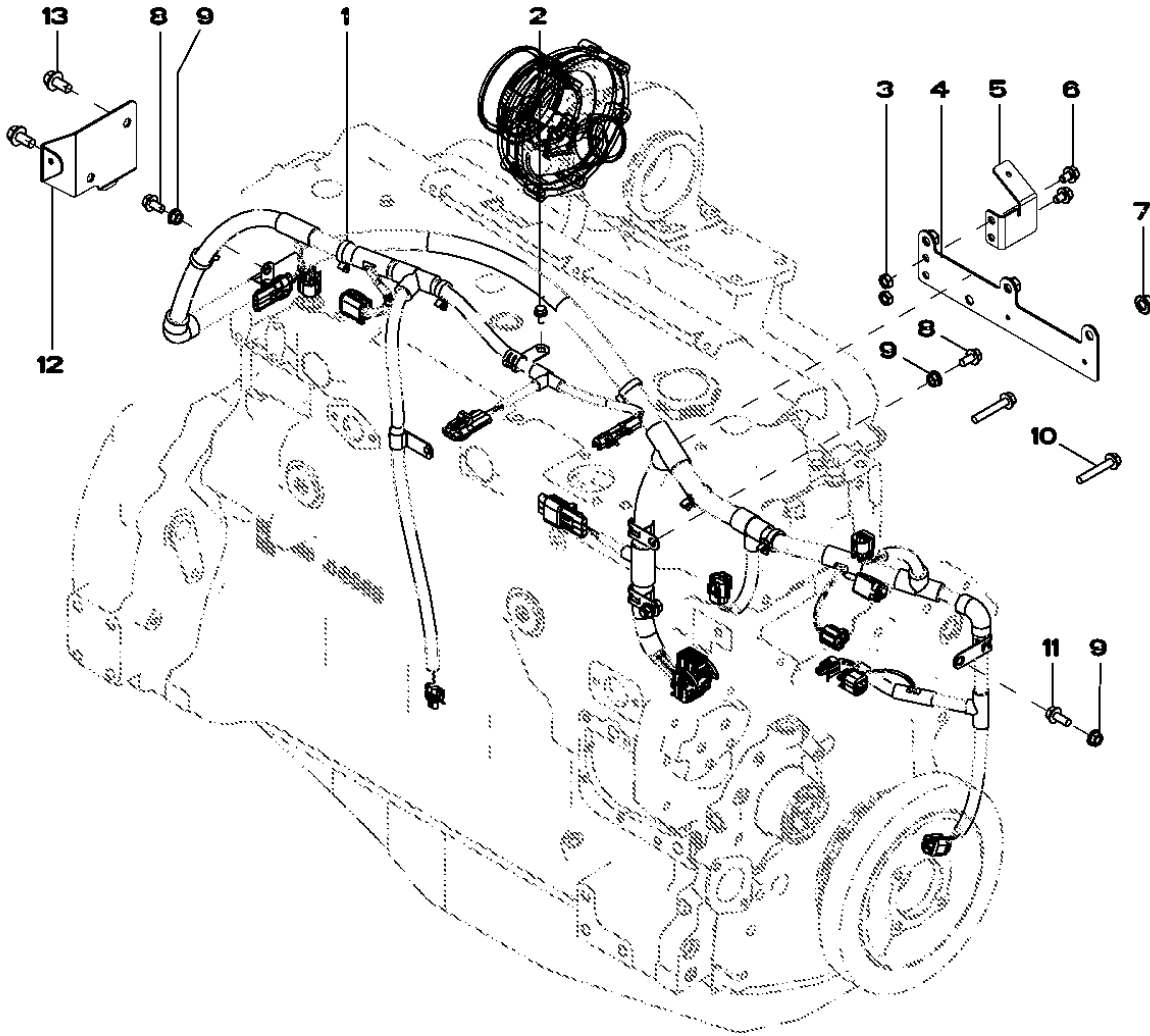
KEY	PART NO.	PART NAME	QTY.	ENGINE SERIAL NO.	4 0 4 5 H	REMARKS
1	RE529501	WIRING HARNESS	1		X	
2	57M7305	ELECTRICAL CONNECTOR ASSY	1		X	(ALSO ORDER (2) 57M7285, 57M7307, R78064 AND (2) R78059)
3	57M7280	ELECTRICAL CONNECTOR ASSY	1		X	PKG (4) (ALSO ORDER 57M7274, (3) R78064) (USE WITH 57M7305)
4	57M8518	ELEC. CONNECTOR HOUSING	1		X	PKG (2) (ALSO ORDER (21) 57M8530, (5) 57M8531, 57M8528, (3) 57M8605 AND (3) 57M8604)
5	57M8601	ELEC. CONNECTOR HOUSING	4		X	(ALSO ORDER (2) 57M8560, 57M8633 AND (2) 57M8566)
6	57M9005	ELEC. CONNECTOR HOUSING	1		X	(ALSO ORDER (3) R104701)
7	57M8400	ELECTRICAL CONNECTOR ASSY	1		X	PKG (3) (ALSO ORDER (2) 57M8559 AND (2) 57M8568)
8	57M8403	ELEC. CONNECTOR TERMINAL	1		X	PKG (5) (ALSO ORDER (2) 57M8404 AND (2) 57M8406)
9	57M8407	ELEC. CONNECTOR TERMINAL	1		X	PKG (4) (ALSO ORDER (3) 57M8135, 57M8417 AND (3) 57M8568)
10	57M7254	ELECTRICAL CONNECTOR ASSY	1		X	PKG (2) (ALSO ORDER (2) 57M7494, 57M7289 AND (2) 57M7493)
11	RE12362	ELECTRICAL CONNECTOR ASSY	1		X	PKG (18) (ALSO ORDER R78064) (USE WITH R78052)
12	R78052	ELECTRICAL CONNECTOR ASSY	1		X	PKG (20) (ALSO ORDER R78061 AND R78059)
13	57M8746	ELEC. CONNECTOR HOUSING	1		X	(ALSO ORDER (6) 57M7546, 57M8011 AND (2) R78069)
14	57M7257	ELEC. CONNECTOR HOUSING	1		X	PKG (2) (ALSO ORDER (3) R104919, 57M7289, (2) 57M7258 AND 57M7493)
15	57M7255	ELEC. CONNECTOR TERMINAL	1		X	(ALSO ORDER 57M7290 AND (3) 57M7259) (USE WITH 57M7257)
16	57M7257	ELEC. CONNECTOR HOUSING	1		X	PKG (2) (ALSO ORDER 57M7290 AND (3) 57M7259) (USE WITH 57M7255)
17	57M7255	ELEC. CONNECTOR TERMINAL	1		X	(ALSO ORDER (3) 57M7494, 57M7290 AND (3) 57M7493)
18	R522834	BRACKET	1		X	
19	19M7784	SCREW	2		X	M10 X 20
20	19M7865	SCREW	4		X	M8 X 16
21	14M7298	FLANGE NUT	5		X	M8
22	19M8319	SCREW	3		X	M8 X 50
23	R523353	BRACKET	1		X	
24	19M7866	SCREW	1		X	M8 X 20
25	R522575	BRACKET	1		X	
26	RE524730	CAP SCREW	2		X	M8 X 12
27	RE527858	SCREW	1		X	M6 X 12

840-4

ENGINE WIRING HARNESS

8438
8438
8438
8438
8438

RE527629PCDA01 -UN-



RE527629PCDA01

840-5

ENGINE WIRING HARNESS

KEY	PART NO.	PART NAME	QTY.	ENGINE SERIAL NO.	6 0 6 8 H	REMARKS
1	RE528509	WIRING HARNESS	1		X	
2	RE527858	SCREW	1		X	(19M7774 - NO SEALANT) M6 X 12
3	WELD NUT	NA		X	M8
4	RE529804	BRACKET	1		X	
5	R521540	BRACKET	1		X	
6	RE524730	CAP SCREW	2		X	(R520881 - NO SEALANT)
7	14M7296	FLANGE NUT	3		X	M10
8	19M7865	SCREW	3		X	M8 X 16
9	14M7298	FLANGE NUT	4		X	M8
10	19M8319	SCREW	2		X	M8 X 50
11	19M7866	SCREW	1		X	M8 X 20
12	R522834	BRACKET	1		X	M10 X 20
13	19M7784	SCREW	2		X	

840-6

ENGINE WIRING HARNESS

MEMORANDA
MEMORANDA
MEMORANDA
MEMORANDA
MEMORANDA
MEMORANDA

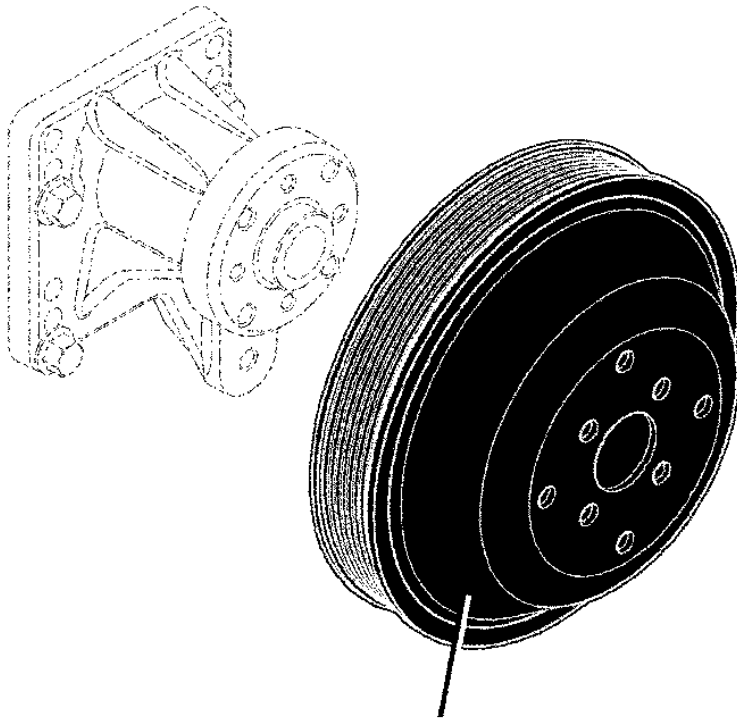
860-A01

FAN SHEAVE

SECTIONAL INDEX
INDEX DE SECTION
GRUPPENINDEX
INDICE DELLA SEZIONE
INDICE DE SECCION
GRUPPSFORTECKNING

CDP46913C -UN-

8604-	1
8605A-	2
8606-	4
8652-	5



**8604 (4045H-2V)
(6068H-2V)**

**8605A (4045H,T-2V)
(6068H-2V)**

8606 (4045D)

8652 (6068H-2V)

CDP46913C

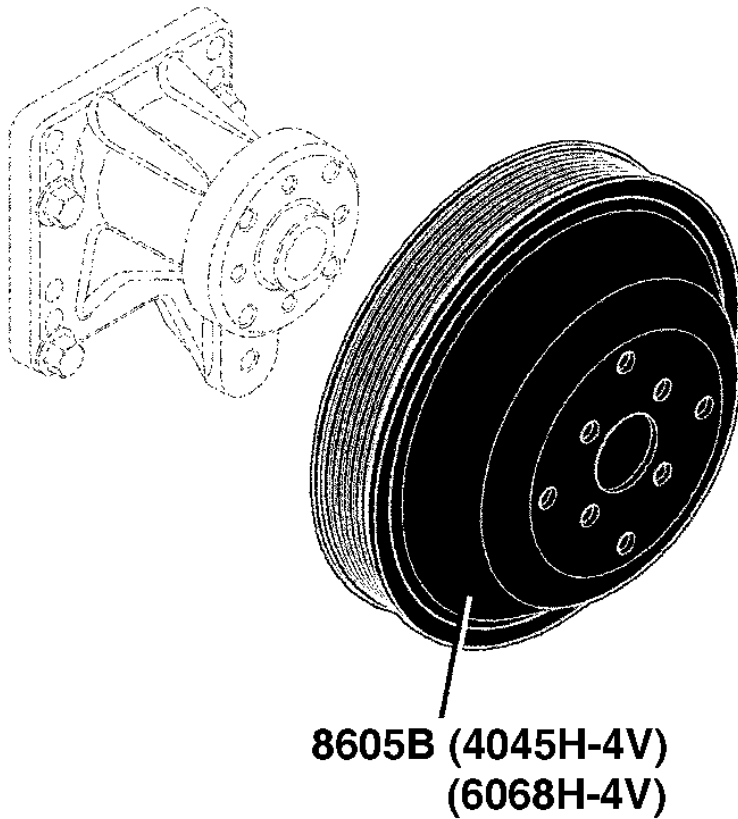
860-A02

FAN SHEAVE

SECTIONAL INDEX
INDEX DE SECTION
GRUPPENINDEX
INDICE DELLA SEZIONE
INDICE DE SECCION
GRUPPSFORTECKNING

8605B- 3

CDP46914A -UN-



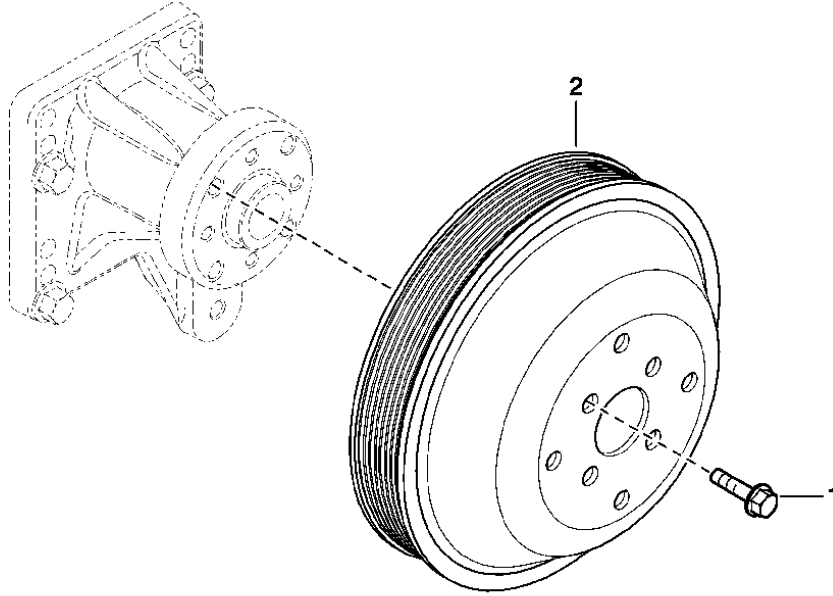
CDP46914A

860-1

FAN SHEAVE

8604
8604
8604
8604
8604
8604

CD42768A -UN-



CD42768A

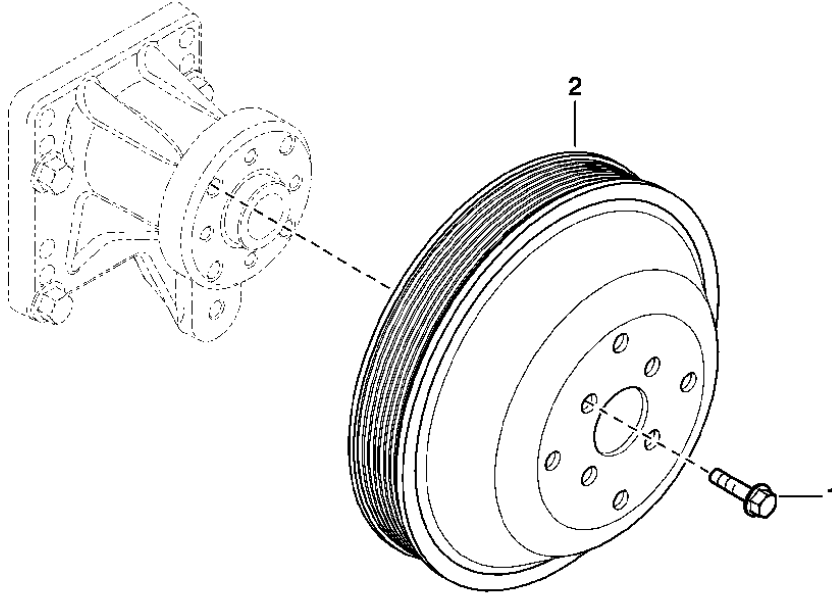
KEY	PART NO.	PART NAME	QTY.	ENGINE SERIAL NO.	REMARKS
1	19M7784	SCREW	4	4 6 0 0 4 6 5 8 H H	X X M10 X 20
2	R128658	PULLEY	1		X X OD= 140MM

860-2

FAN SHEAVE

8605
8605
8605
8605
8605
8605

CD42768A -UN-



CD42768A

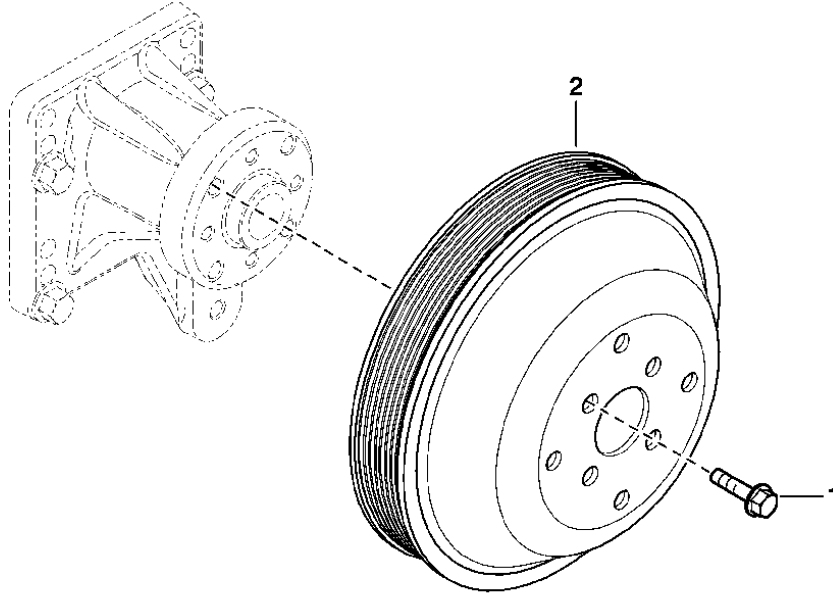
KEY	PART NO.	PART NAME	QTY.	ENGINE SERIAL NO.	REMARKS
1	19M7784	SCREW	4	4 4 6 0 0 0 4 4 6 5 5 8 H T H	X X X M10 X 20
2	R128660	PULLEY	1		X X X OD= 168MM

860-3

FAN SHEAVE

8605
8605
8605
8605
8605
8605

CD42768A -UN-



CD42768A

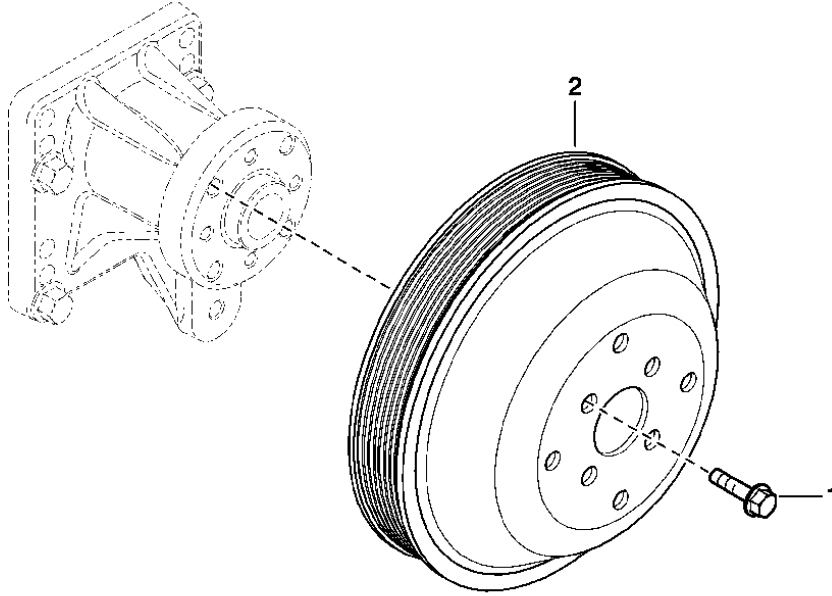
KEY	PART NO.	PART NAME	QTY.	ENGINE SERIAL NO.	REMARKS
1	19M7784	SCREW	4	4 6 0 0 4 6 5 8 H H	X X M10 X 20
2	R128660	PULLEY	1		X X OD= 168MM

860-4

FAN SHEAVE

8606
8606
8606
8606
8606
8606

CD42768A -UN-



CD42768A

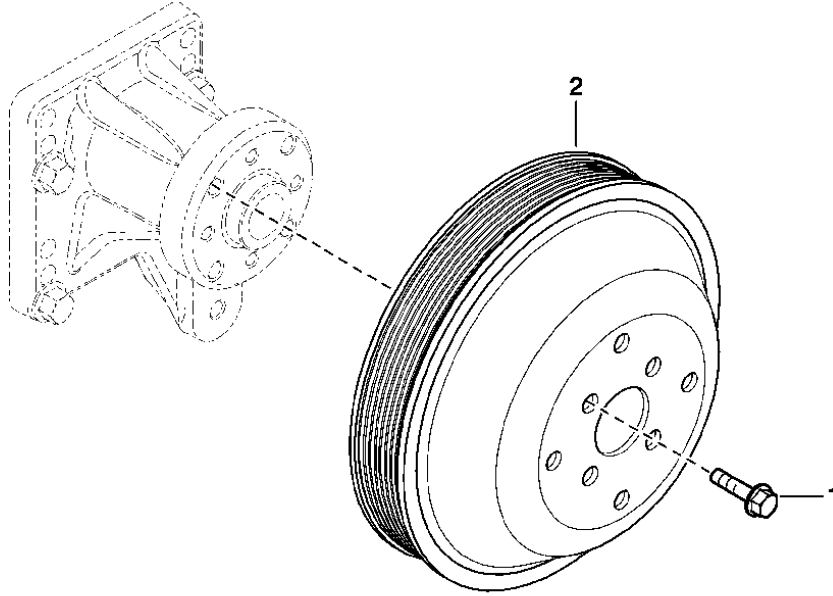
KEY	PART NO.	PART NAME	QTY.	ENGINE SERIAL NO.	REMARKS
1	19M7784	SCREW	4	4 0 4 5 D	X M10 X 20
2	R128662	PULLEY	1		X OD= 203MM

860-5

FAN SHEAVE

8652
8652
8652
8652
8652

CD42768A -UN-



CD42768A

KEY	PART NO.	PART NAME	QTY.	ENGINE SERIAL NO.	REMARKS
1	R128659	PULLEY	1	6 0 6 8 H	X OD= 159MM
2	19M7784	SCREW	4		X M10 X 20

860-6

FAN SHEAVE

MEMORANDA
MEMORANDA
MEMORANDA
MEMORANDA
MEMORANDA
MEMORANDA

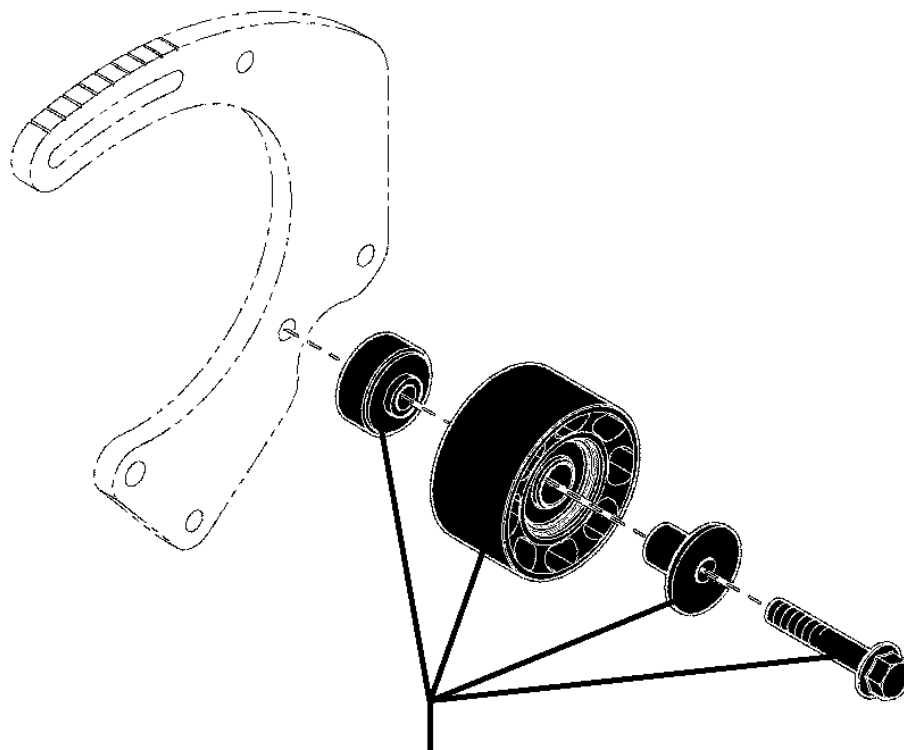
870-A01

BELT TENSIONER

SECTIONAL INDEX
INDEX DE SECTION
GRUPPENINDEX
INDICE DELLA SEZIONE
INDICE DE SECCION
GRUPPSFORTECKNING

CDP46917A -UN-

8711A-	1
8711B-	2



8711A (4045D,H,T-2V)
8711B (6068H-2V)

CDP46917A

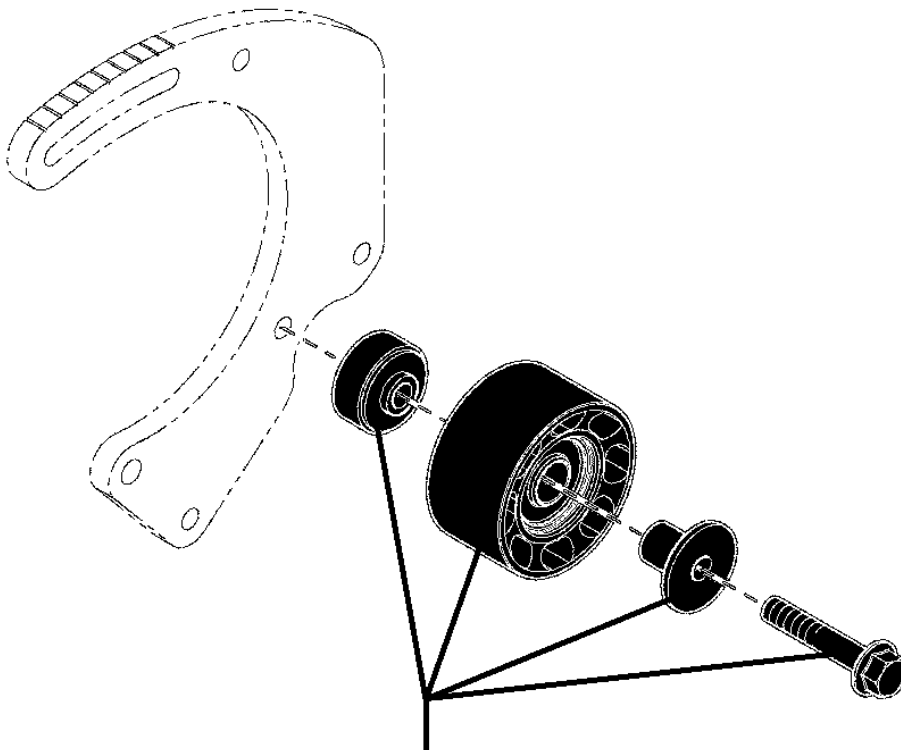
870-A02

BELT TENSIONER

SECTIONAL INDEX
INDEX DE SECTION
GRUPPENINDEX
INDICE DELLA SEZIONE
INDICE DE SECCION
GRUPPSFORTECKNING

8711C- 3

CDP46918A -UN-



**8711C (4045H-4V)
(6068H-4V)**

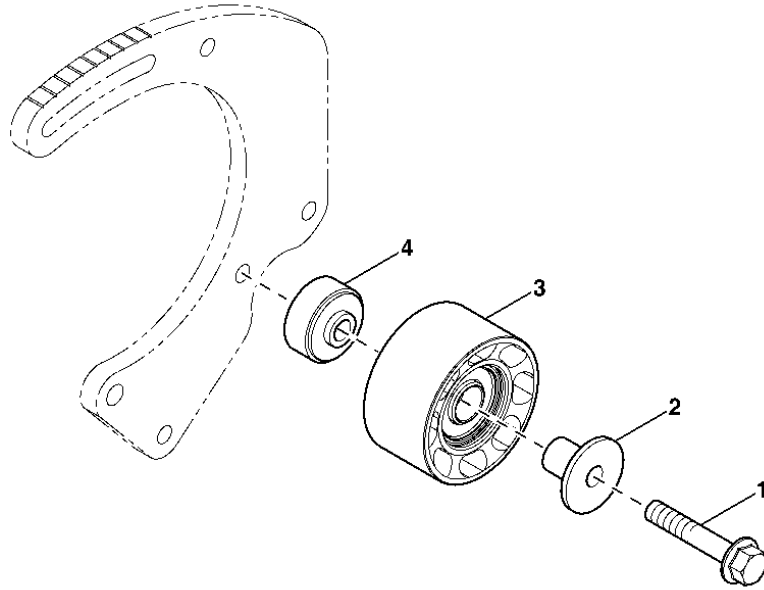
CDP46918A

870-1

BELT TENSIONER

8711
8711
8711
8711
8711
8711

CDP46566 -UN-



CDP46566

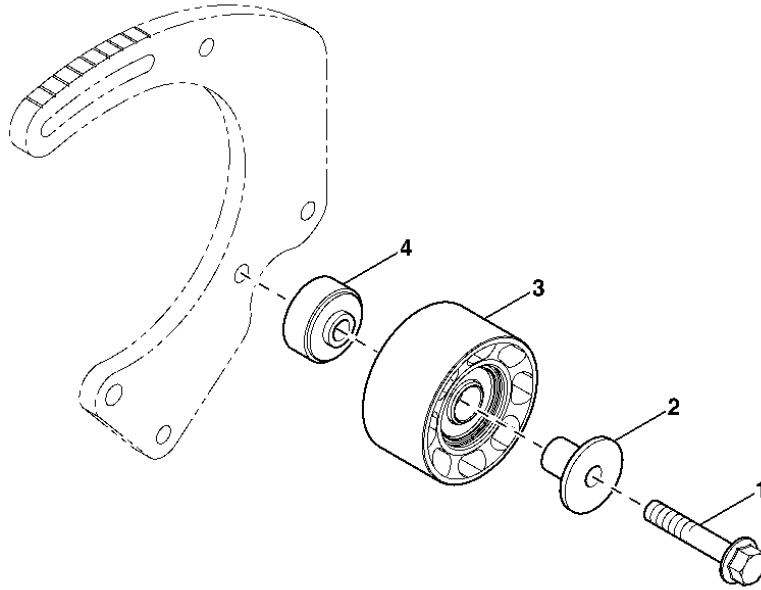
KEY	PART NO.	PART NAME	QTY.	ENGINE SERIAL NO.	D H T	REMARKS
1	19M7807	SCREW	1		X X X	M10 X 60 (10.9)
2	R502079	SLEEVE	1		X X X	
3	RE505264	PULLEY	1		X X X	
4	R500320	SPACER	1		X X X	

870-2

BELT TENSIONER

8711 - CONTINUED
 8711 - SUITE
 8711 - FORTSETZUNG
 8711 - SEGUIITO
 8711 - CONTINUACION
 8711 - FORTS

CDP46566 -UN-



CDP46566

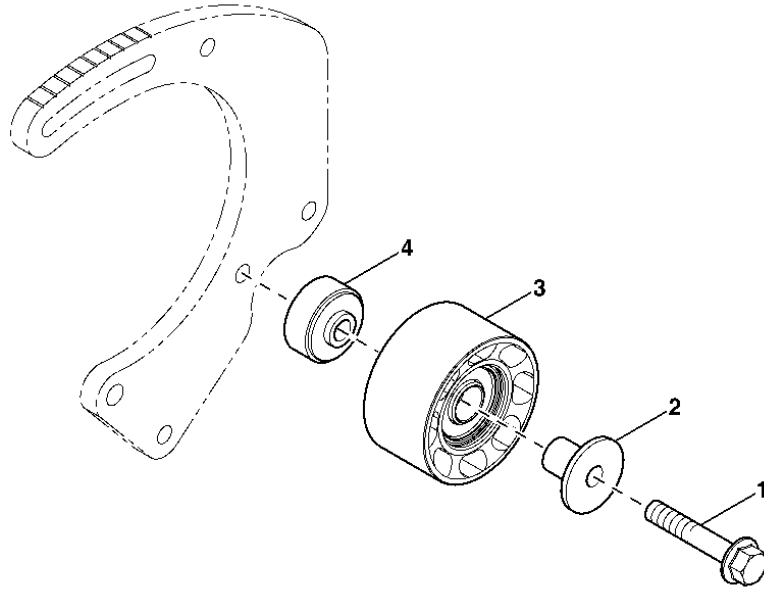
KEY	PART NO.	PART NAME	QTY.	ENGINE SERIAL NO.	6 0 6 8 H	REMARKS
1	19M7807	SCREW	1		X	M10 X 60 (10.9)
2	R502079	SLEEVE	1		X	
3	RE505264	PULLEY	1		X	
4	R500320	SPACER	1		X	

870-3

BELT TENSIONER

8711 - CONTINUED
 8711 - SUITE
 8711 - FORTSETZUNG
 8711 - SEGUITO
 8711 - CONTINUACION
 8711 - FORTS

CDP46566 -UN-



CDP46566

KEY	PART NO.	PART NAME	QTY.	ENGINE SERIAL NO.	REMARKS
				4 6	
				0 0	
				4 6	
				5 8	
				H H	
1	19M7807	SCREW	1	X X	M10 X 60 (10.9)
2	R502079	SLEEVE	1	X X	
3	RE505264	PULLEY	1	X X	
4	R500320	SPACER	1	X X	

870-4

BELT TENSIONER

MEMORANDA
MEMORANDA
MEMORANDA
MEMORANDA
MEMORANDA
MEMORANDA

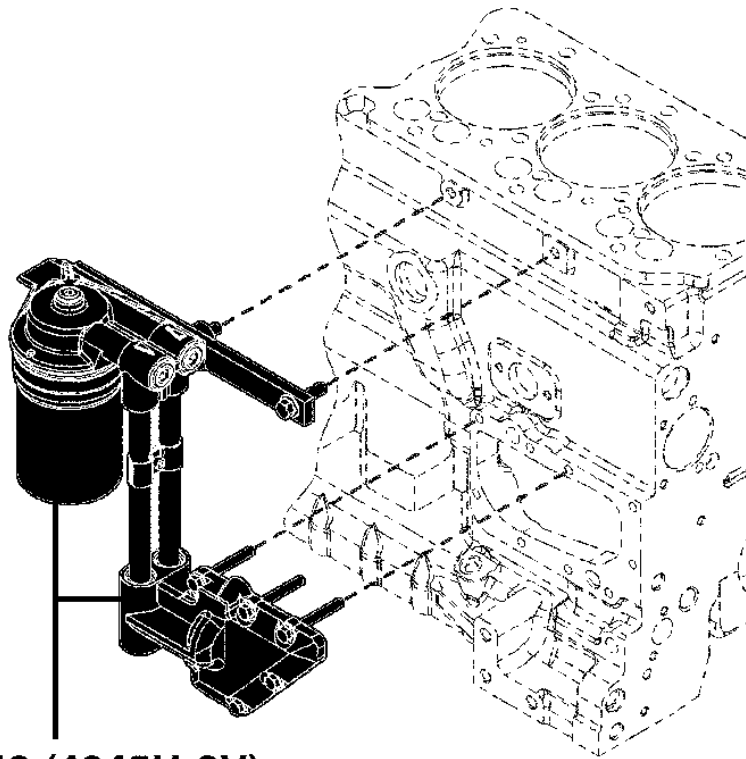
880-A01

OIL FILTER AND BRACKET

SECTIONAL INDEX
INDEX DE SECTION
GRUPPENINDEX
INDICE DELLA SEZIONE
INDICE DE SECCION
GRUPPSFORTECKNING

CDP46919B -UN-

8843-	2
8844A-	4
8844B-	6



8843 (4045H-2V)
8844A (4045D,H,T-2V)
8844B (6068H-2V)

CDP46919B

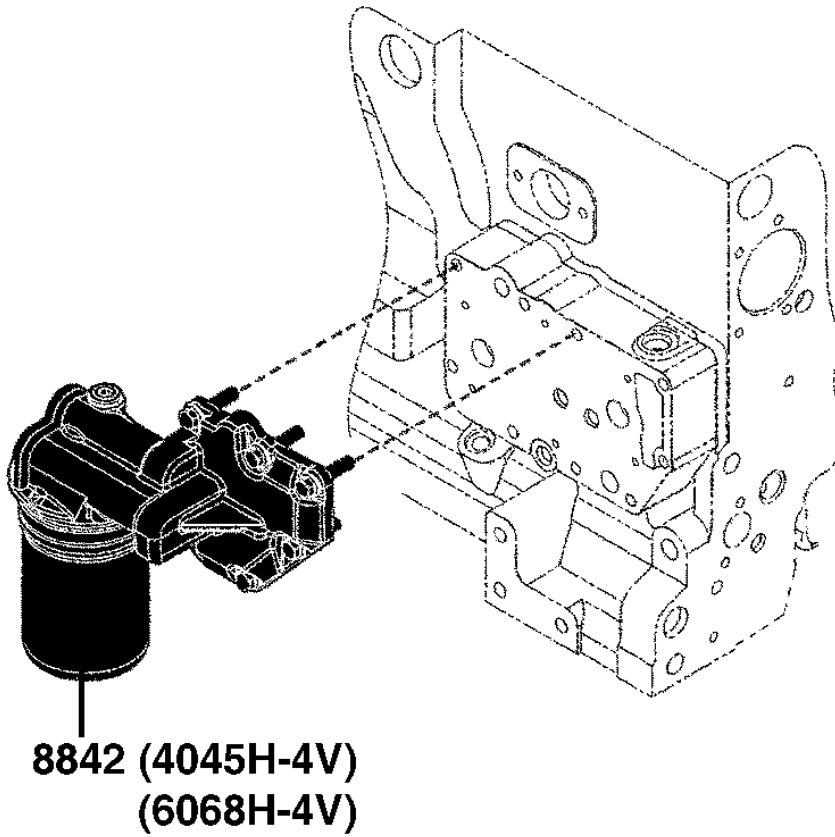
880-A02

OIL FILTER AND BRACKET

SECTIONAL INDEX
INDEX DE SECTION
GRUPPENINDEX
INDICE DELLA SEZIONE
INDICE DE SECCION
GRUPPSFORTECKNING

CDP46920A -UN-

8842- 1



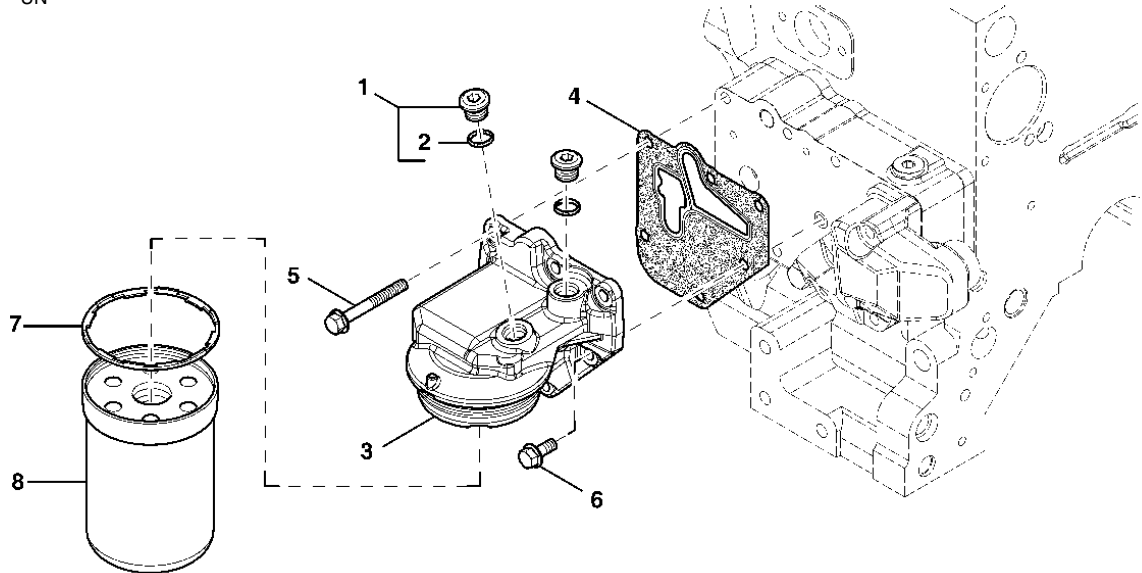
CDP46920A

880-1

OIL FILTER AND BRACKET

8842
8842
8842
8842
8842
8842

CDP45386A -UN-



CDP45386

KEY	PART NO.	PART NAME	QTY.	ENGINE SERIAL NO.	REMARKS
					4 6 0 0 4 6 5 8 H H
1	RE52242	DRAIN PLUG	2		X X M16 X 1.5
2	51M7042	O-RING	2		X X 13.300 X 2.200 MM
3	RE504562	FILTER HEAD	1		X X
4	R501484	GASKET	1		X X
5	19M7802	SCREW	5		X X M8 X 65 (10.9)
6	RE67238	SCREW	1		X X M8 X 20, (10.9) THREADS WITH PRE-APPLIED SEALANT, FILETS ENDUITS DE PRODUIT D'ETANCHEITE, MIT DICHTMITTEL, CON MATERIALE DI TENUTA, CON SELLADOR, MED TAETNINGSMEDEL
7	R502513	SEAL	1		X X
8	RE504836	OIL FILTER	1		X X

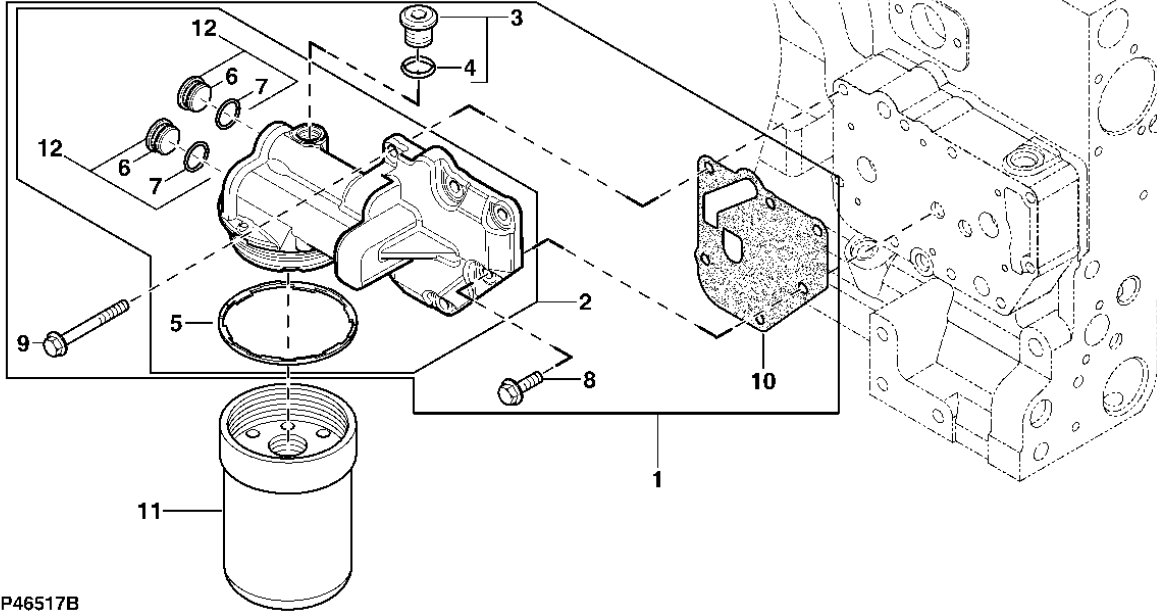
880-2

OIL FILTER AND BRACKET

8843
8843
8843
8843
8843
8843

CDP46517B

-UN-



CDP46517B

880-3

OIL FILTER AND BRACKET

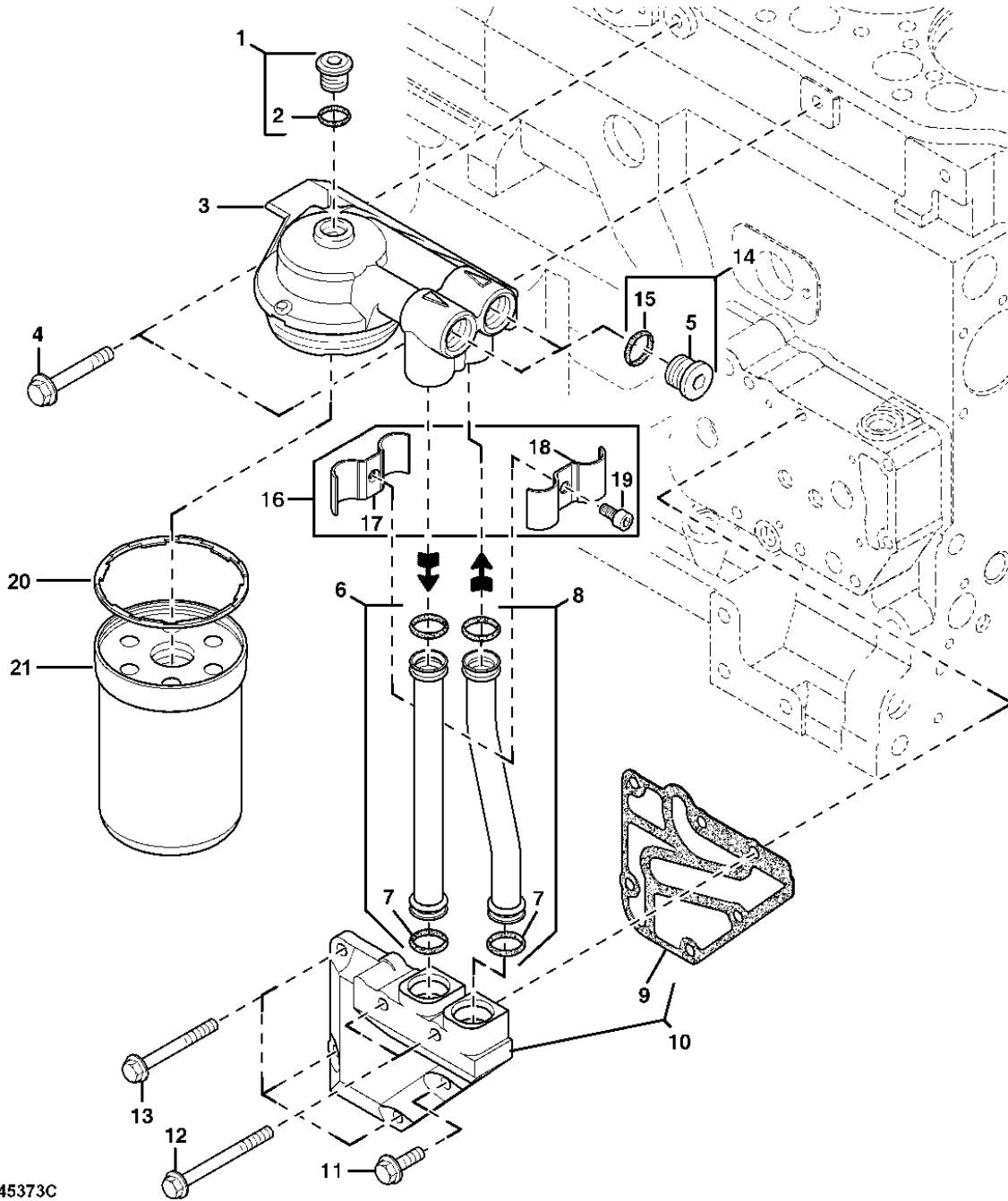
KEY	PART NO.	PART NAME	QTY.	ENGINE SERIAL NO.	4 0 4 5 H	REMARKS
1	RE508987	FILTER HEAD	1		X	
2	RE504564	FILTER HEAD	1		X	(MARKED R502505)
3	RE52242	DRAIN PLUG	1		X	
4	51M7042	O-RING	1		X	13.300 X 2.200 MM
5	R502513	SEAL	1		X	
6	R116115	FITTING	2		X	
7	51M7045	O-RING	1		X	19.300 X 2.200 MM
8	RE67238	SCREW	1		X	M8 X 20 THREADS WITH PRE-APPLIED SEALANT , FILETS ENDUITS DE PRODUIT D'ETANCHEITE , MIT CON MATERIALE DE TENUTA , CON SELLADOR , MED TAETNINGSMEDEL
9	19M7802	SCREW	5		X	M8 X 65
10	R500374	GASKET	1		X	
11	RE504836	OIL FILTER	1		X	(INCLUDES R502513)
12	RE505232	DRAIN PLUG	2		X	
13	RE504836	OIL FILTER	1		X	(PKG 8)

880-4

OIL FILTER AND BRACKET

8844
8844
8844
8844
8844
8844

CDP45373C -UN-



CDP45373C

880-5

OIL FILTER AND BRACKET

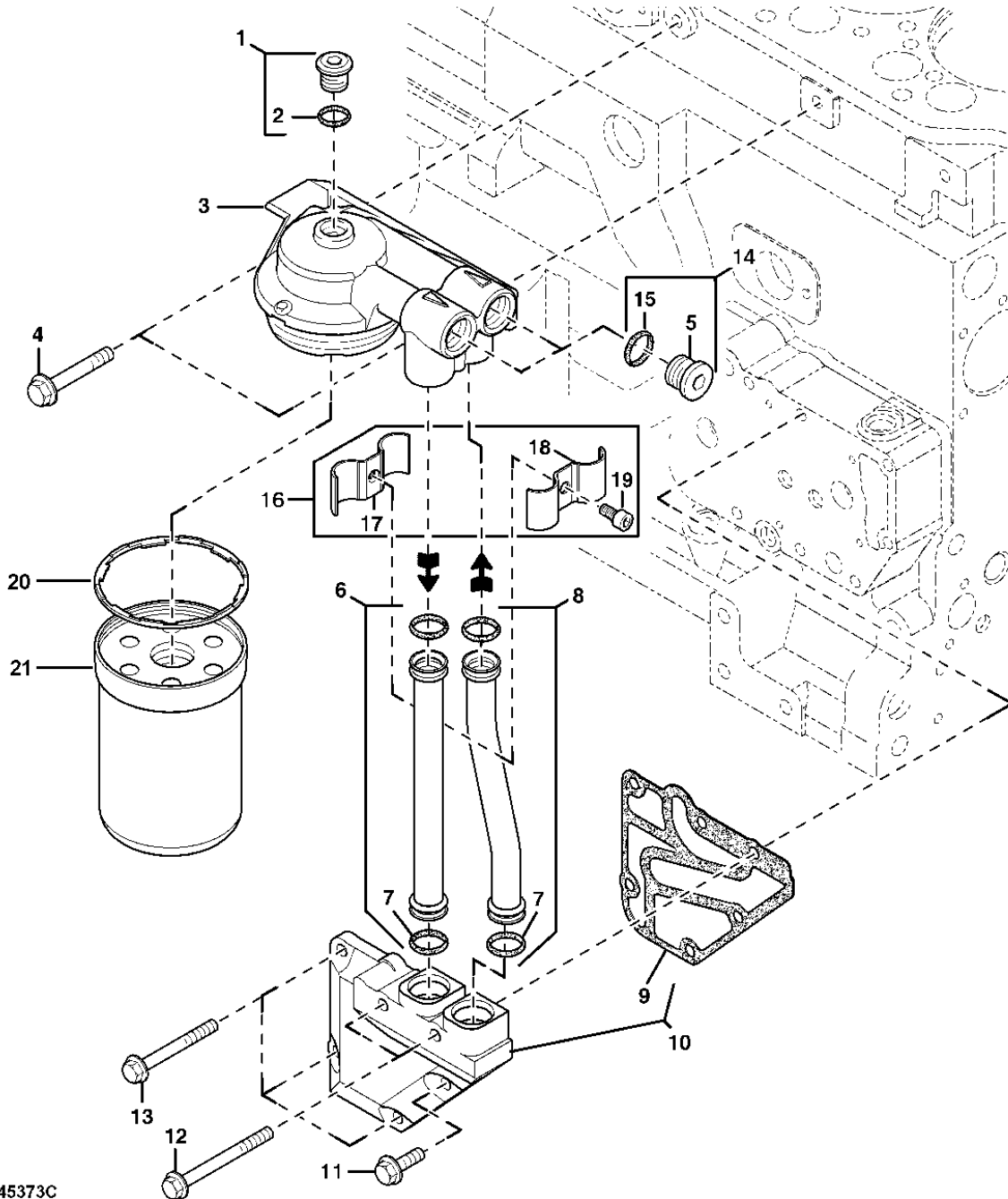
KEY	PART NO.	PART NAME	QTY.	ENGINE SERIAL NO.	4 4 4	REMARKS
					D H T	
1	RE52242	DRAIN PLUG	AR		X X X	M16 X 1.5
2	51M7042	O-RING	1		X X X	13.300 X 2.200 MM
3	RE504563	FILTER HEAD	1		X X X	(MARKED R502504)
4	19M7784	SCREW	2		X X X	M10 X 20, (10.9)
5	R116115	FITTING	AR		X X X	KIT
6	RE519740	TUBE	1		X X X	LGTH= 199.5MM
7	R518507	O-RING	2		X X X	19.790 X 3.580 MM, YELLOW, JAUNE, GELB, GIALLO, AMARILLO, GUL, (SUB FOR R517488)
8	RE519741	TUBE	1		X X X	LGTH= 199.5MM
9	R502864	GASKET	1		X X X	
10	RE519885	ADAPTER FITTING	1		X X X	KIT, (MARKED R501436)
11	RE67238	SCREW	1		X X X	M8 X 20 (10.9) THREADS WITH PRE-APPLIED SEALANT, FILETS ENDUITS DE PRODUIT D'ETANCHEITE, MIT DICHTMITTEL, CON MARETIALE DI TENUTA, CON SELLADOR, MED TAETNINGSMEDEL
12	19M7913	SCREW	2		X X X	M8 X 90, (10.9)
13	19M7802	SCREW	3		X X X	M8 X 65, (10.9)
14	RE505232	DRAIN PLUG	2		X X X	M22 X 1.5 (OR ORD R116115 + 51M7045)
15	51M7045	O-RING	1		X X X	19.300 X 2.200 MM
16	RE520368	HALF CLAMP	1		X X X	INCL. KEYS 17 + 18 + 19
17	HALF CLAMP	1		X X X	NSEP, (ORDER RE520368)
18	HALF CLAMP	1		X X X	NSEP, (ORDER RE520368)
19	19M8618	SCREW	1		X X X	M6 X 12
20	R502513	SEAL	1		X X X	M22 X 1.5
21	RE504836	OIL FILTER	1		X X X	

880-6

OIL FILTER AND BRACKET

8844 - CONTINUED
8844 - SUITE
8844 - FORTSETZUNG
8844 - SEGUITO
8844 - CONTINUACION
8844 - FORTS

CDP45373C -UN-



CDP45373C

880-7

OIL FILTER AND BRACKET

KEY	PART NO.	PART NAME	QTY.	ENGINE SERIAL NO.	6 0 6 8 H	REMARKS
1	RE52242	DRAIN PLUG	AR		X	M16 X 1.5
2	51M7042	O-RING	1		X	13.300 X 2.200 MM
3	RE504563	FILTER HEAD	1		X	(MARKED R502504)
4	19M7784	SCREW	2		X	M10 X 20, (10.9)
5	R116115	FITTING	AR		X	KIT
6	RE519740	TUBE	1		X	LGTH= 199.5MM
7	R518507	O-RING	2		X	19.790 X 3.580 MM, YELLOW, JAUNE, GELB, GIALLO, AMARILLO, GUL, (SUB FOR R517488)
8	RE519741	TUBE	1		X	LGTH= 199.5MM
9	R502864	GASKET	1		X	
10	RE519885	ADAPTER FITTING	1		X	KIT, (MARKED R501436)
11	RE67238	SCREW	1		X	M8 X 20 (10.9) THREADS WITH PRE-APPLIED SEALANT, FILETS ENDUITS DE PRODUIT D'ETANCHEITE, MIT DICHTMITTEL, CON MARETIALE DI TENUTA, CON SELLADOR, MED TAETNINGSMEDEL
12	19M7913	SCREW	2		X	M8 X 90, (10.9)
13	19M7802	SCREW	3		X	M8 X 65, (10.9)
14	RE505232	DRAIN PLUG	2		X	M22 X 1.5 (OR ORD R116115 + 51M7045)
15	51M7045	O-RING	1		X	19.300 X 2.200 MM
16	RE520368	HALF CLAMP	1		X	INCL. KEYS 17 + 18 + 19
17	HALF CLAMP	1		X	NSEP, (ORDER RE520368)
18	HALF CLAMP	1		X	NSEP, (ORDER RE520368)
19	19M8618	SCREW	1		X	M6 X 12
20	R502513	SEAL	1		X	M22 X 1.5
21	RE504836	OIL FILTER	1		X	

880-8

OIL FILTER AND BRACKET

MEMORANDA
MEMORANDA
MEMORANDA
MEMORANDA
MEMORANDA
MEMORANDA

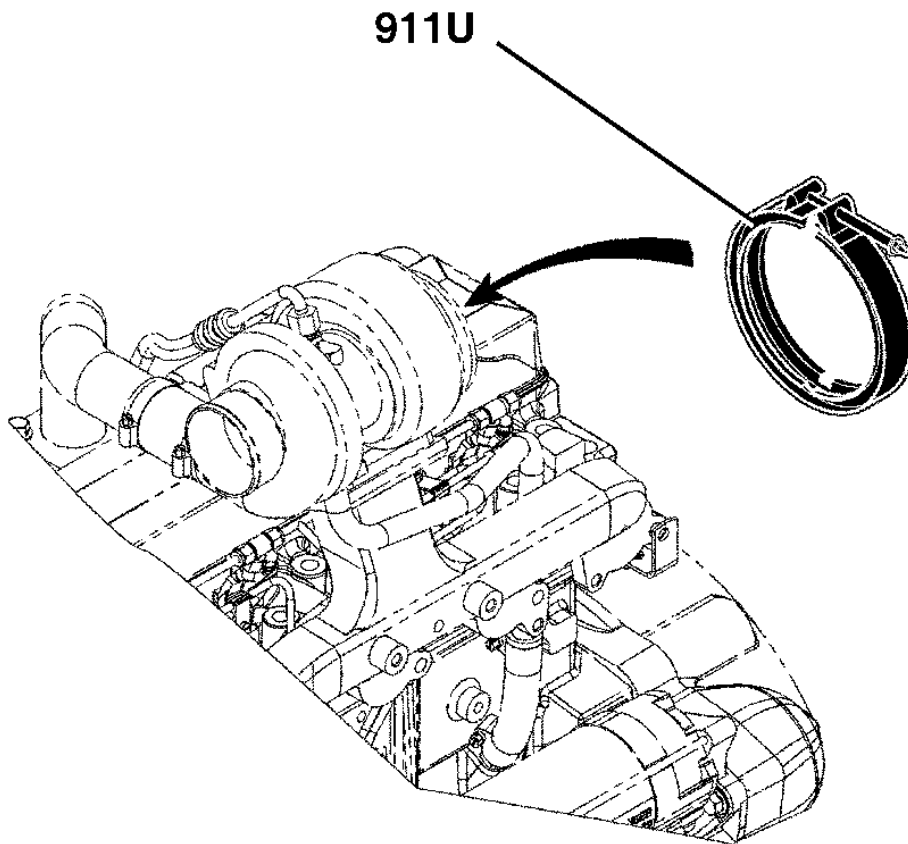
910-A01

KIT

SECTIONAL INDEX
INDEX DE SECTION
GRUPPENINDEX
INDICE DELLA SEZIONE
INDICE DE SECCION
GRUPPSFORTECKNING

911U- 1

CDP47199 -UN-



CDP47199

910-A02

KIT

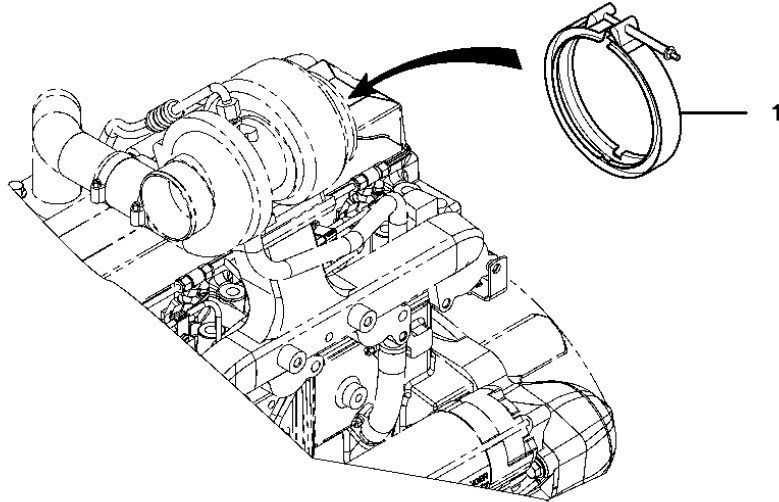
MEMORANDA
MEMORANDA
MEMORANDA
MEMORANDA
MEMORANDA
MEMORANDA

910-1

KIT

911U
911U
911U
911U
911U
911U

CDP46489 -UN-



CDP46489

KEY	PART NO.	PART NAME	QTY.	ENGINE SERIAL NO.	3 0 2 9 T	REMARKS
1	RE520493	CLAMP	1		X	

910-2

KIT

MEMORANDA
MEMORANDA
MEMORANDA
MEMORANDA
MEMORANDA
MEMORANDA

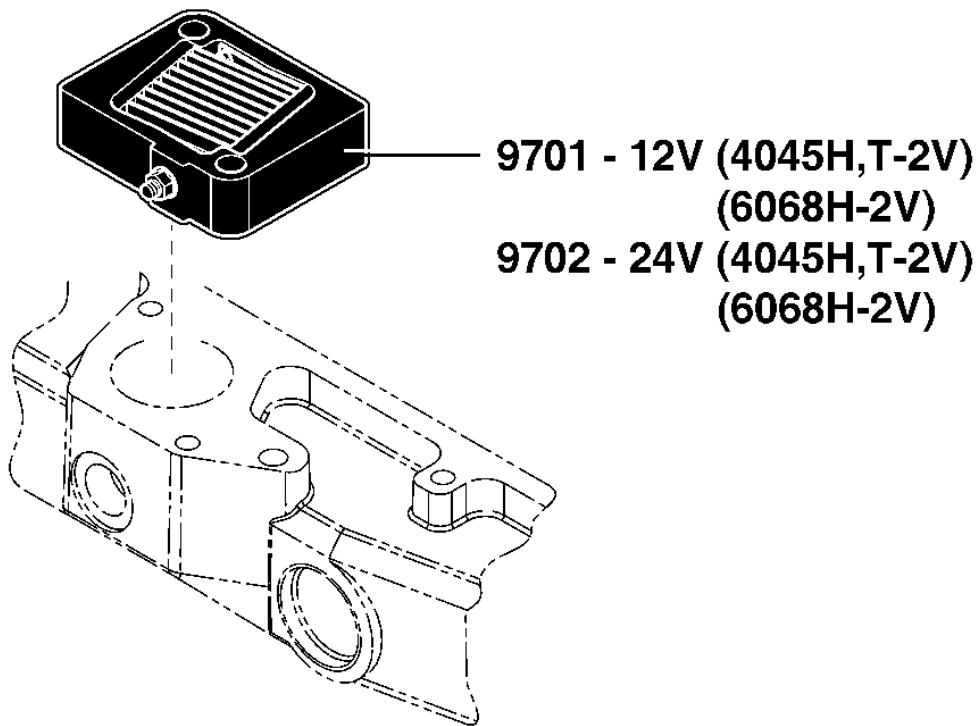
970-A01

ENGINE ACCESSORIES

SECTIONAL INDEX
INDEX DE SECTION
GRUPPENINDEX
INDICE DELLA SEZIONE
INDICE DE SECCION
GRUPPSFORTECKNING

CDP46922A -UN-

9701-	1
9702-	2



CDP46922A

970-A02

ENGINE ACCESSORIES

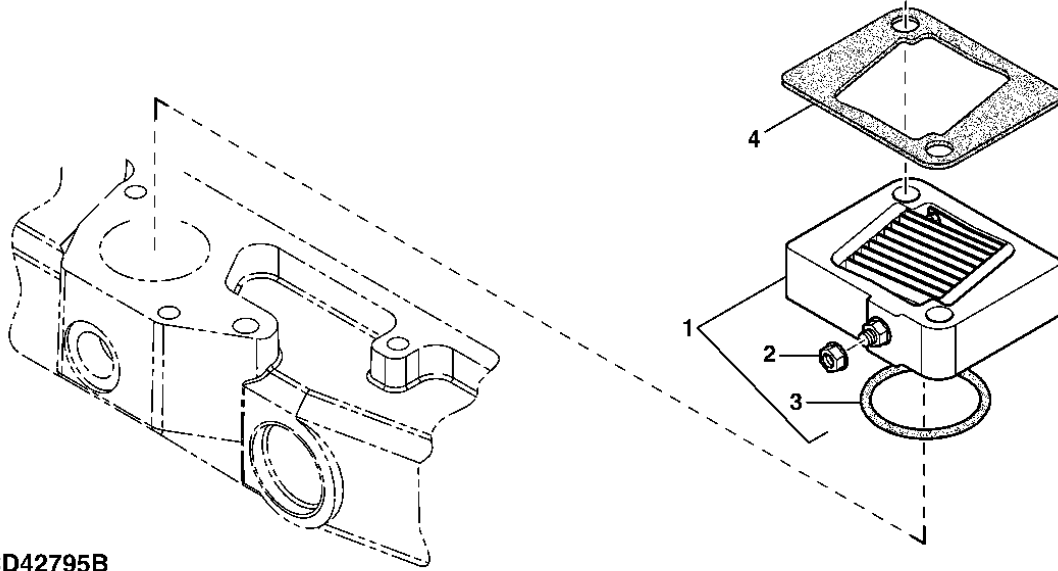
MEMORANDA
MEMORANDA
MEMORANDA
MEMORANDA
MEMORANDA
MEMORANDA

970-1

ENGINE ACCESSORIES

9701
9701
9701
9701
9701
9701

CD42795B -UN-



CD42795B

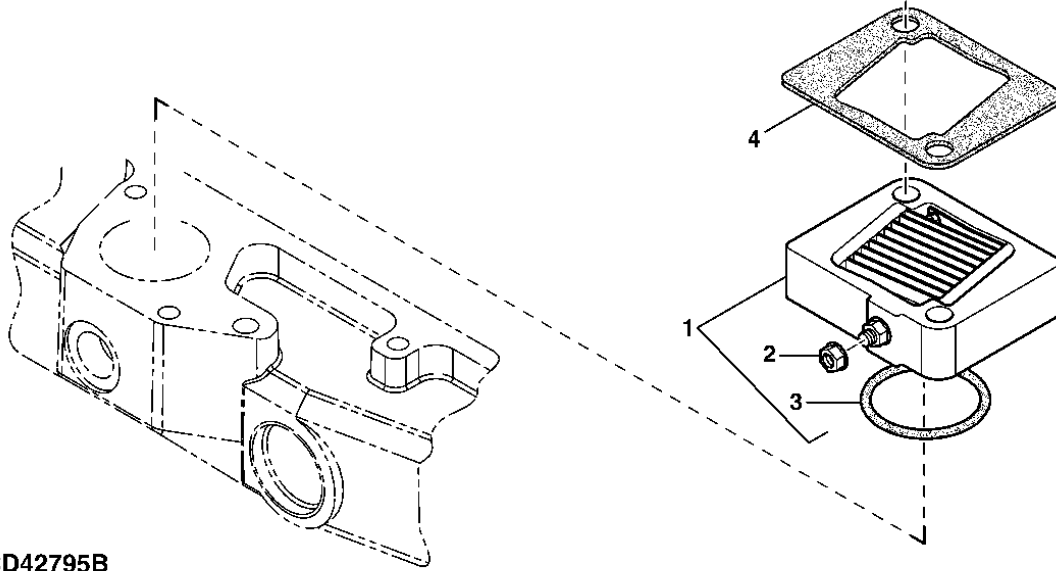
KEY	PART NO.	PART NAME	QTY.	ENGINE SERIAL NO.	REMARKS
				4 4 6	
				0 0 0	
				4 4 6	
				5 5 8	
				H T H	
1	RE502668	HEATER	1	X X X	12 VOLT, 1200 WATT
2	14M7165	LOCK NUT	1	X X X	M6
3	R501459	O-RING	1	X X X	58.420 X 2.616 MM
4	R133893	GASKET	1	X X X	

970-2

ENGINE ACCESSORIES

9702
9702
9702
9702
9702

CD42795B -UN-



CD42795B

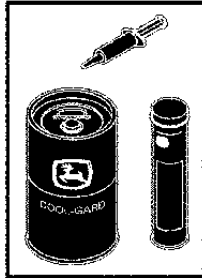
KEY	PART NO.	PART NAME	QTY.	ENGINE SERIAL NO.	REMARKS
1	RE502657	HEATER	1	4 4 6 0 0 0 4 4 6 5 5 8	X X X 24 VOLT, 850 WATT
2	14M7165	LOCK NUT	1	H T H	X X X M6
3	R501459	O-RING	1		X X X 58.420 X 2.616 MM
4	R133893	GASKET	1		X X X

990-A01

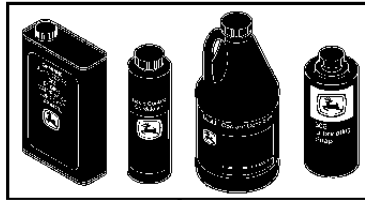
SECTIONAL INDEX
 INDEX DE SECTION
 GRUPPENINDEX
 INDICE DELLA SEZIONE
 INDICE DE SECCION
 GRUPPSFORTECKNING

CDP46924A -UN-

9901-	2
9902-	4
9903-	6
9904-	8
9905-	10
9906-	12
9907-	14
9908-	16
9909-	18
9910-	20
9911-	22
9912-	24
9913-	26
9914-	28
9915-	30
9916-	32
9917-	34
9918-	36
9919-	38
9920-	39

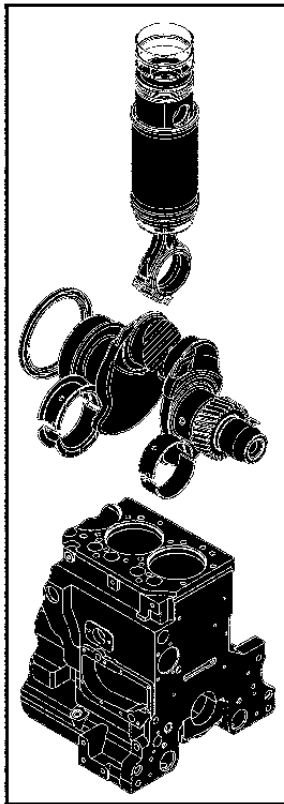
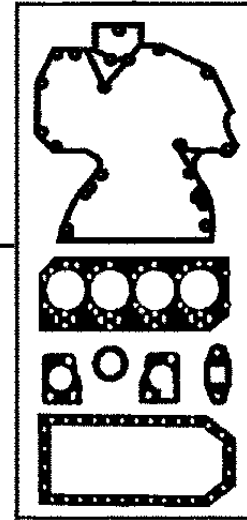


9919 (ALL)



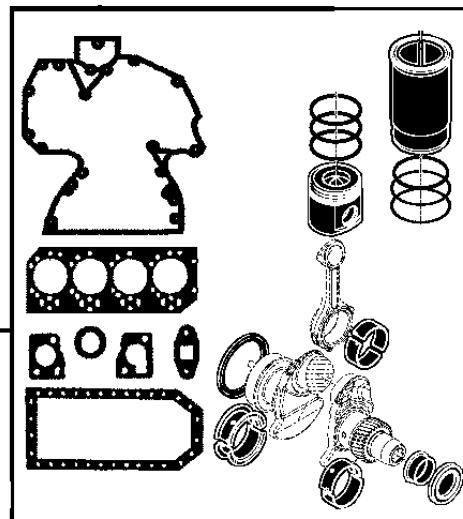
9920 (ALL)

- 9914 (3029T)
- 9915 (4045D,H,T-2V)
- 9916 (4045H-4V)
- 9917 (6068H-2V)
- 9918 (6068H-4V)



- 9901 (3029T)
- 9902 (4045D)
- 9903 (4045T)
- 9904 (4045H,T-2V)
- 9905 (4045H-4V)
- 9906 (6068H-2V)
- 9907 (6068H-4V)

- 9908 (4045D)
- 9909 (4045T)
- 9910 (4045H,T-2V)
- 9911 (4045H-4V)
- 9912 (6068H-2V)
- 9913 (6068H-4V)



CDP46924A

990-A02

MAINTENANCE PARTS

MEMORANDA
MEMORANDA
MEMORANDA
MEMORANDA
MEMORANDA
MEMORANDA

990-1

MAINTENANCE PARTS

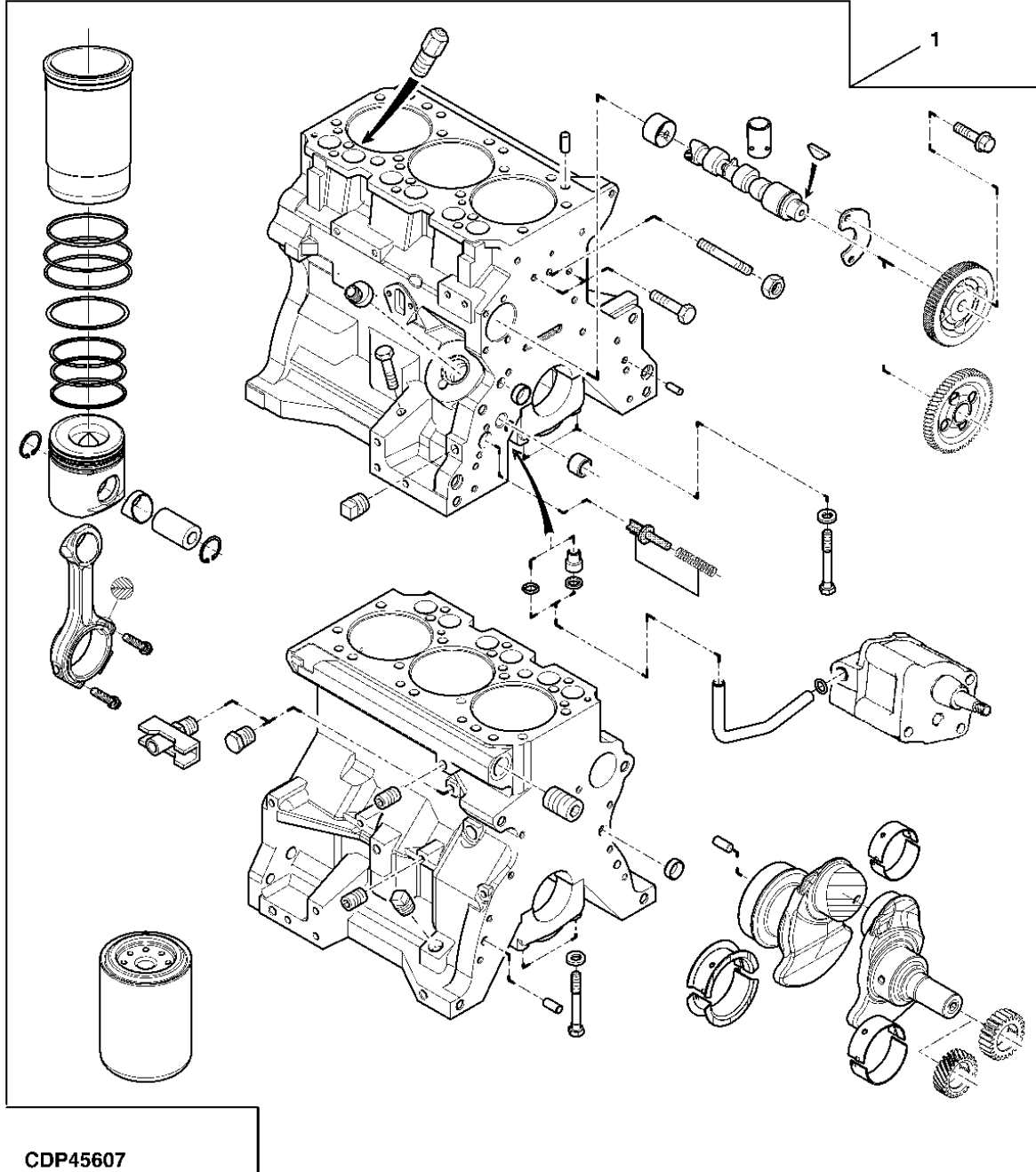
MEMORANDA
MEMORANDA
MEMORANDA
MEMORANDA
MEMORANDA
MEMORANDA

990-2

MAINTENANCE PARTS

9901 - SHORT BLOCK ASSEMBLY
9901 - BLOC-CYLINDRES AVEC EQUIPAGE MOBILE
9901 - RUMPFMOTOR
9901 - MONOBLOCCO PREASSEMBLATO
9901 - BLOQUE DE CILINDROS CON PIEZAS MOVILES
9901 - KORTBLOCK

CDP45607 -UN-



CDP45607

THIS PARTS LISTING IS CONTINUED

990-3

MAINTENANCE PARTS

KEY	PART NO.	PART NAME	QTY.	ENGINE SERIAL NO.	3 0 2 9 T	REMARKS
1	RE507828	SHORT BLOCK ASSEMBLY	AR		X (A) (ALSO ORDER RE64294 AND DD15664)	

(A) WITH SIDE MOUNTS
AVEC BOSSAGES LATERAUX
MIT SEITLICHEN BEFESTIGUNGEN
CON AMMORTIZZATORI LATERALI
CON FIJACIONES LATERALES
MED SIDOFASTEN

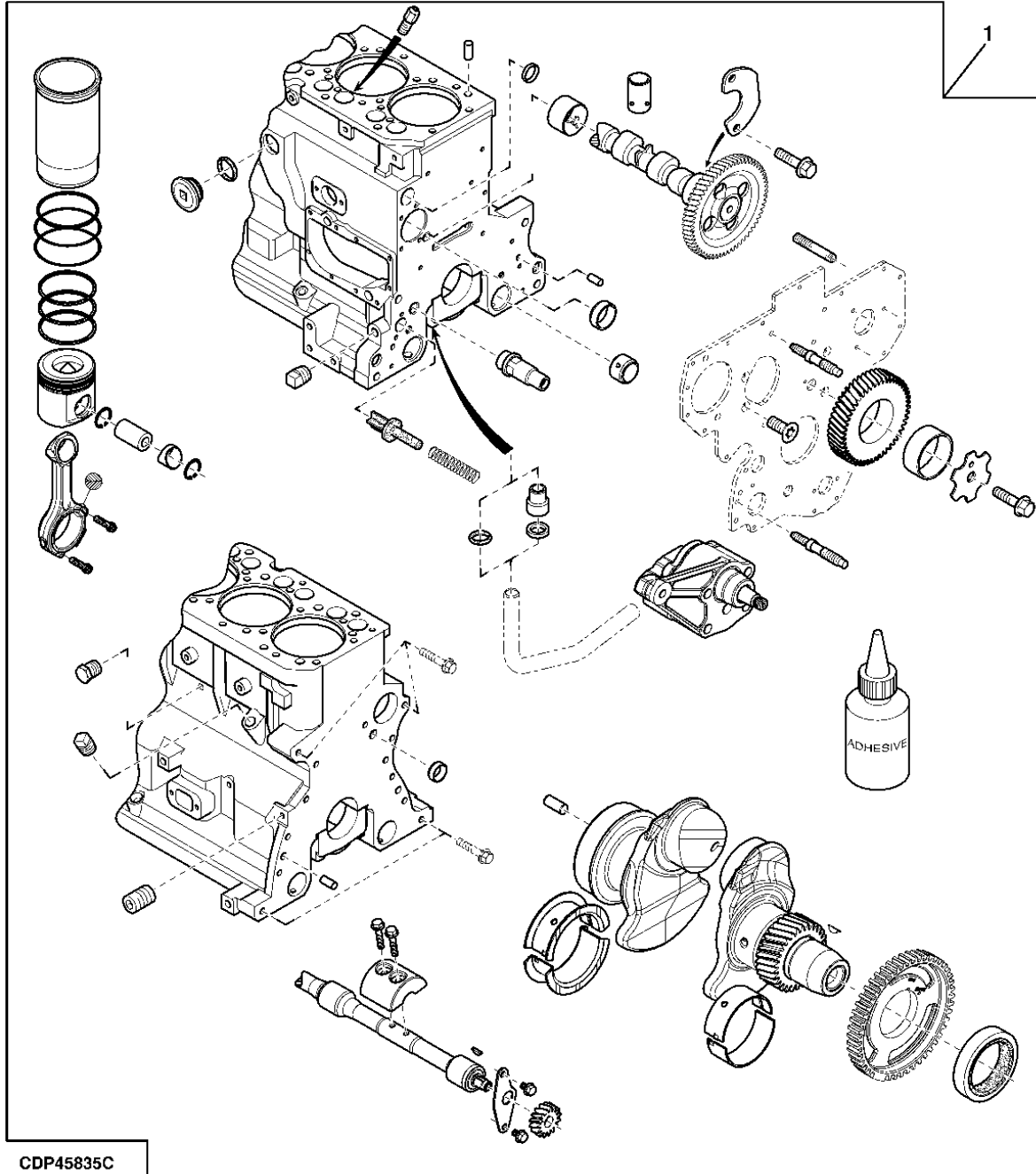
990-4

MAINTENANCE PARTS

9902 - SHORT BLOCK ASSEMBLY
9902 - BLOC-CYLINDRES AVEC EQUIPAGE MOBILE
9902 - RUMPFMOTOR
9902 - MONOBLOCCO PREASSEMBLATO
9902 - BLOQUE DE CILINDROS CON PIEZAS MOVILES
9902 - KORTBLOCK

CDP45835C

-UN-



CDP45835C

THIS PARTS LISTING IS CONTINUED

990-5

MAINTENANCE PARTS

KEY	PART NO.	PART NAME	QTY.	ENGINE SERIAL NO.	4 0 4 5 D	REMARKS
1	RE521840	SHORT BLOCK ASSEMBLY	1		X	(ALSO ORDER RE527042 AND DD15664)

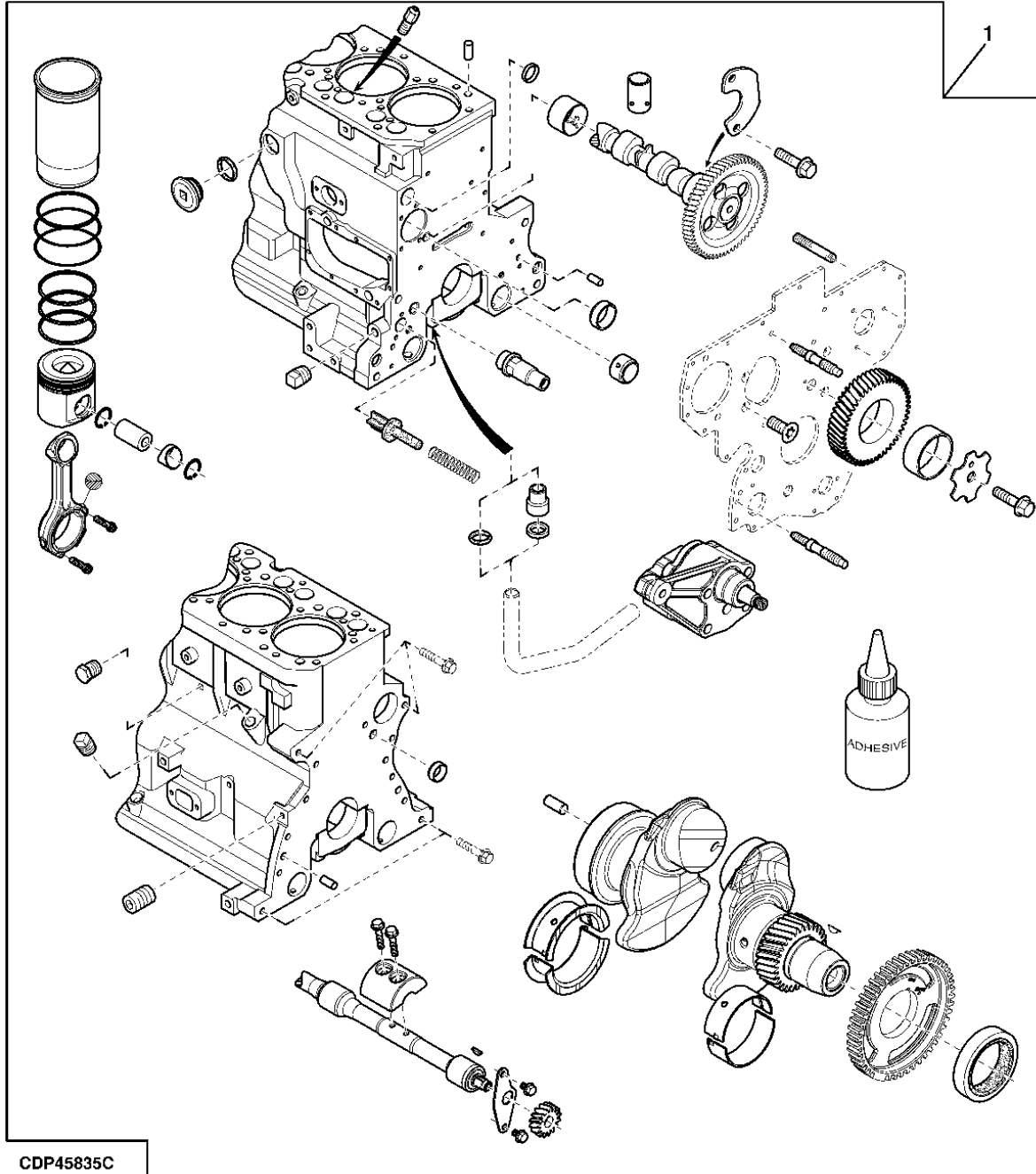
990-6

MAINTENANCE PARTS

9903 - SHORT BLOCK ASSEMBLY
9903 - BLOC-CYLINDRES AVEC EQUIPAGE MOBILE
9903 - RUMPFMOTOR
9903 - MONOBLOCCO PREASSEMBLATO
9903 - BLOQUE DE CILINDROS CON PIEZAS MOVILES
9903 - KORTBLOCK

CDP45835C

-UN-



CDP45835C

THIS PARTS LISTING IS CONTINUED

990-7

MAINTENANCE PARTS

KEY	PART NO.	PART NAME	QTY.	ENGINE SERIAL NO.	4 0 4 5 T	REMARKS
1	RE520376	SHORT BLOCK ASSEMBLY	1		X	(ALSO ORDER RE527042 AND DD15664) (USE WITH 4823)

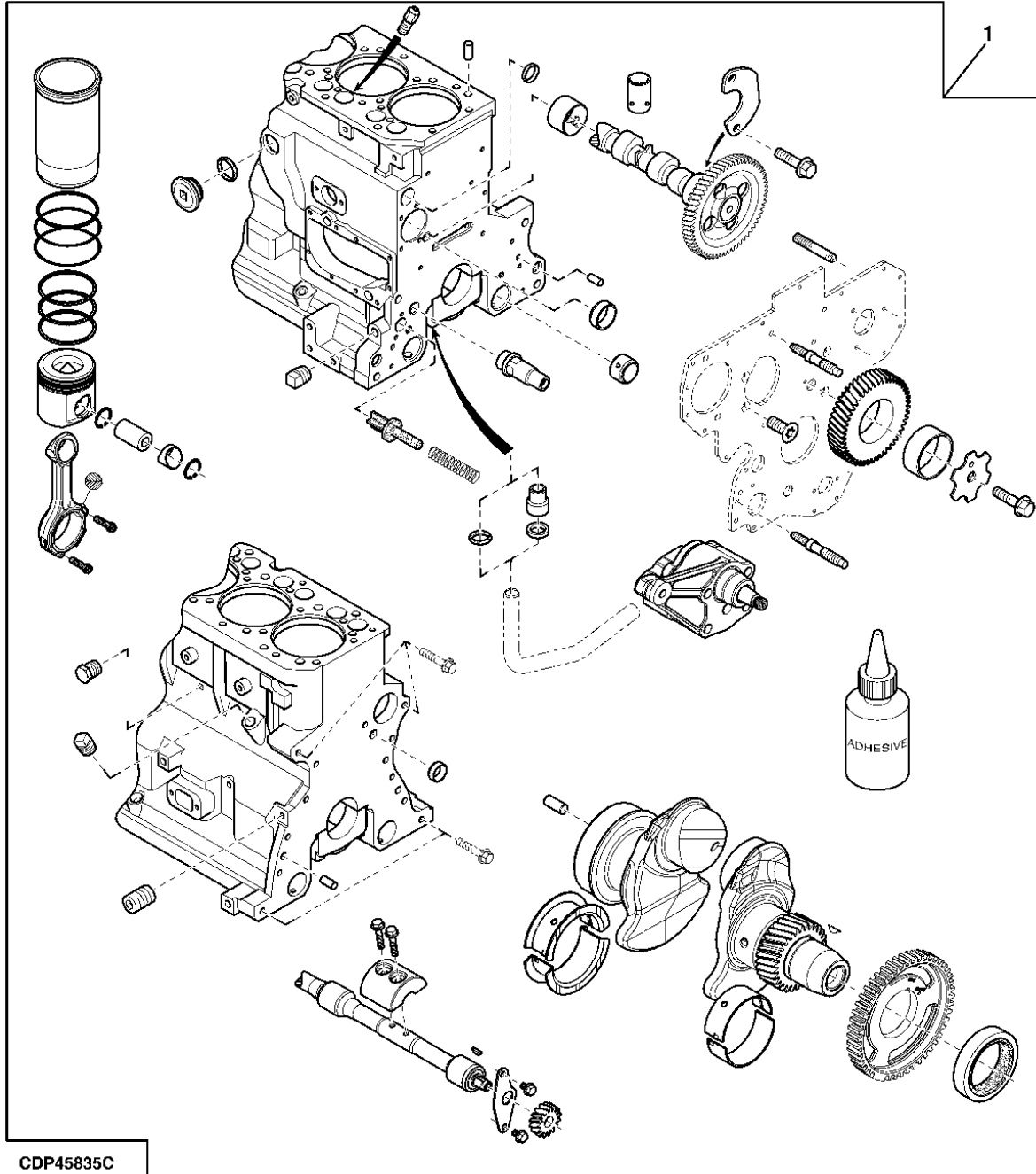
990-8

MAINTENANCE PARTS

9904 - SHORT BLOCK ASSEMBLY
9904 - BLOC-CYLINDRES AVEC EQUIPAGE MOBILE
9904 - RUMPFMOTOR
9904 - MONOBLOCCO PREASSEMBLATO
9904 - BLOQUE DE CILINDROS CON PIEZAS MOVILES
9904 - KORTBLOCK

CDP45835C

-UN-



CDP45835C

THIS PARTS LISTING IS CONTINUED

990-9

MAINTENANCE PARTS

KEY	PART NO.	PART NAME	QTY.	ENGINE SERIAL NO.	REMARKS
1	RE520378	SHORT BLOCK ASSEMBLY	1	4 4 0 0 4 4 5 5 H T	X X (ALSO ORDER RE527042 AND DD15664) (USE WITH 4822)

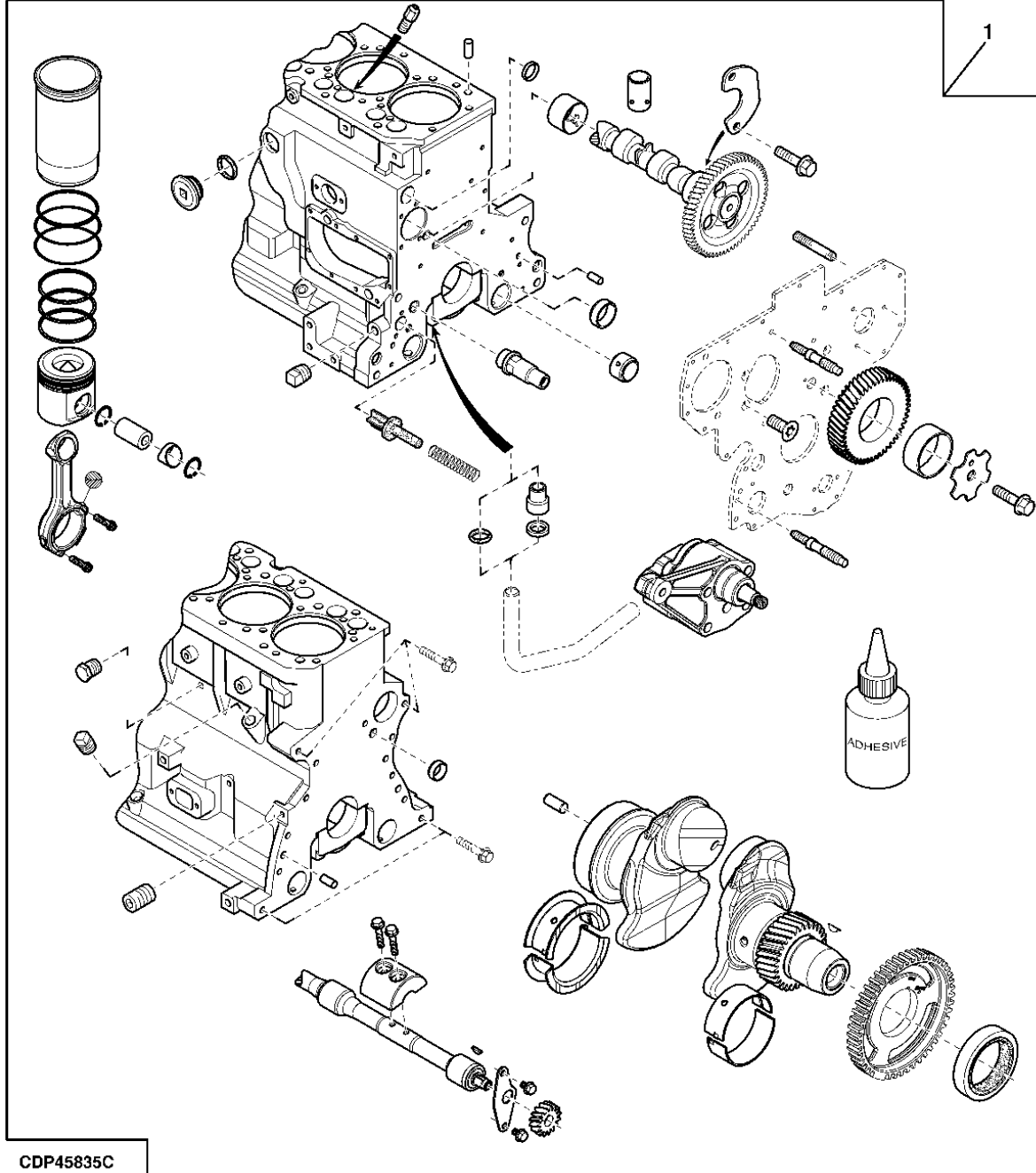
990-10

MAINTENANCE PARTS

9905 - SHORT BLOCK ASSEMBLY
9905 - BLOC-CYLINDRES AVEC EQUIPAGE MOBILE
9905 - RUMPFMOTOR
9905 - MONOBLOCCO PREASSEMBLATO
9905 - BLOQUE DE CILINDROS CON PIEZAS MOVILES
9905 - KORTBLOCK

CDP45835C

-UN-



CDP45835C

THIS PARTS LISTING IS CONTINUED

990-11

MAINTENANCE PARTS

KEY	PART NO.	PART NAME	QTY.	ENGINE SERIAL NO.	4 0 4 5 H	REMARKS
1	RE520380	SHORT BLOCK ASSEMBLY	1			X (USE WITH 4825) (ALSO ORDER RE527010 AND DD15664)

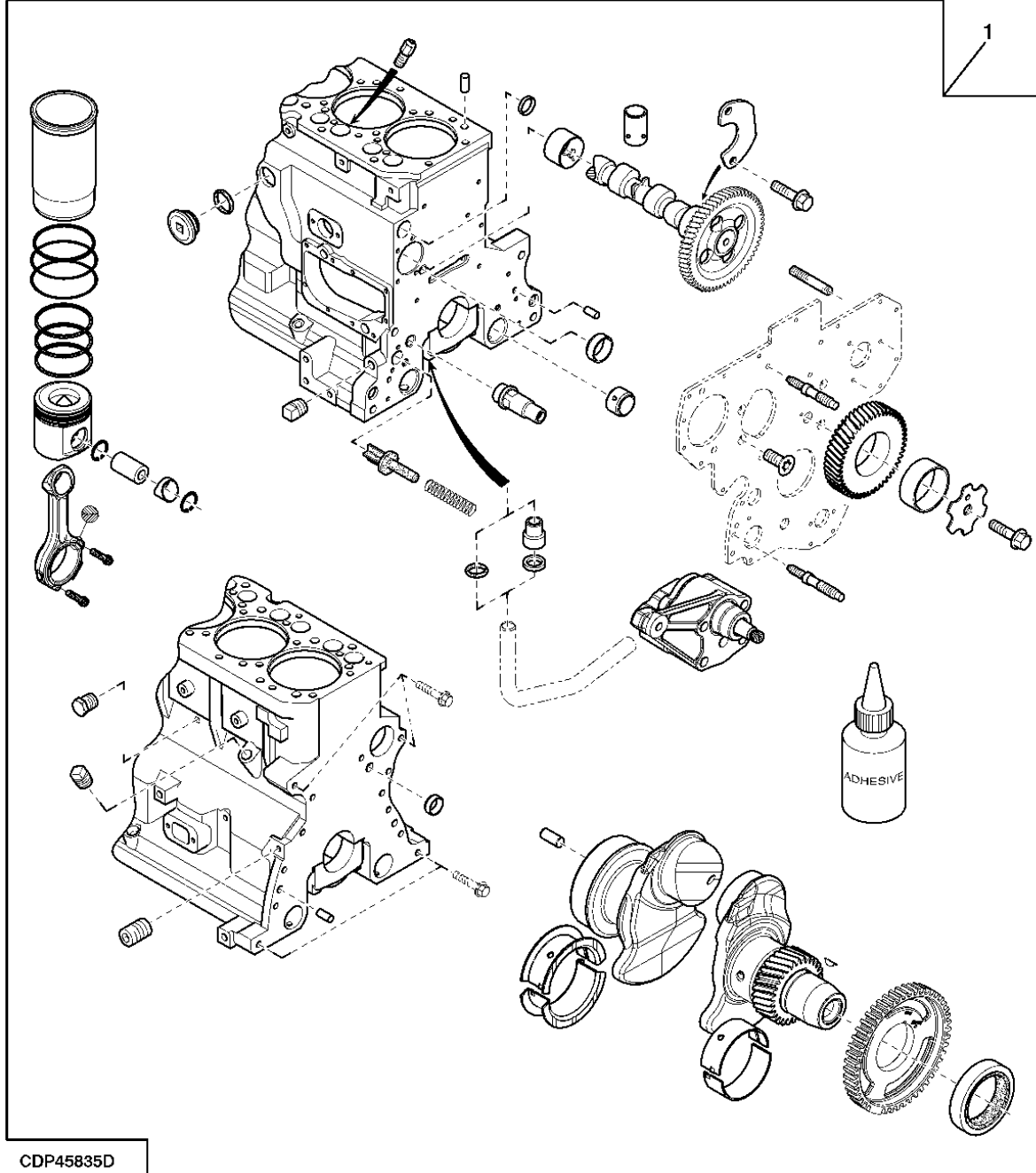
990-12

MAINTENANCE PARTS

9906 - SHORT BLOCK ASSEMBLY
9906 - BLOC-CYLINDRES AVEC EQUIPAGE MOBILE
9906 - RUMPFMOTOR
9906 - MONOBLOCCO PREASSEMBLATO
9906 - BLOQUE DE CILINDROS CON PIEZAS MOVILES
9906 - KORTBLOCK

CDP45835D

-UN-



CDP45835D

990-13

MAINTENANCE PARTS

KEY	PART NO.	PART NAME	QTY.	ENGINE SERIAL NO.	6 0 6 8 H	REMARKS
1	RE520385	SHORT BLOCK ASSEMBLY	1		X	(ALSO ORDER RE526965 AND DD15664) (USE WITH 4820) (6068HF275)

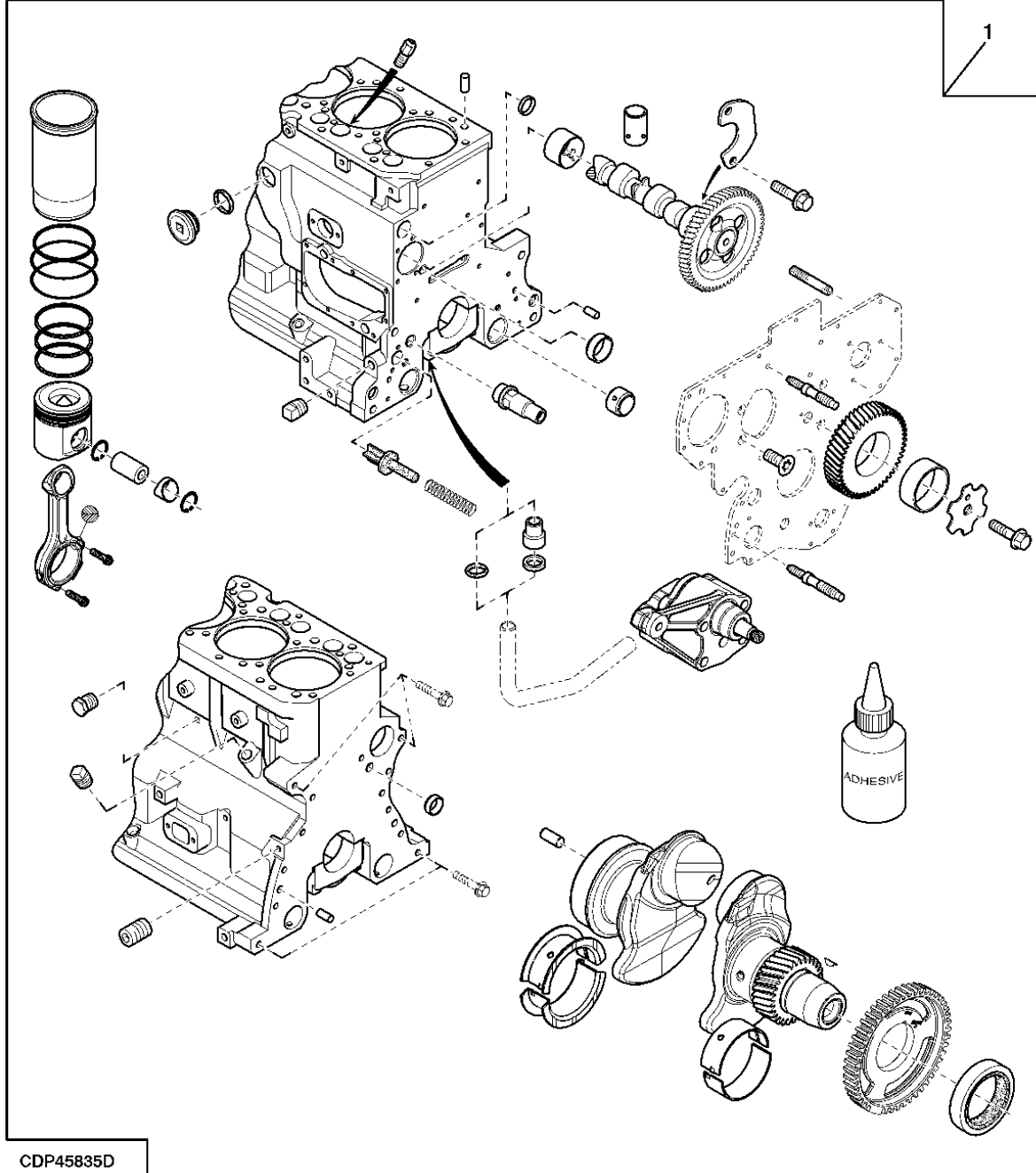
990-14

MAINTENANCE PARTS

9907 - SHORT BLOCK ASSEMBLY
9907 - BLOC-CYLINDRES AVEC EQUIPAGE MOBILE
9907 - RUMPFMOTOR
9907 - MONOBLOCCO PREASSEMBLATO
9907 - BLOQUE DE CILINDROS CON PIEZAS MOVILES
9907 - KORTBLOCK

CDP45835D

-UN-



CDP45835D

990-15

MAINTENANCE PARTS

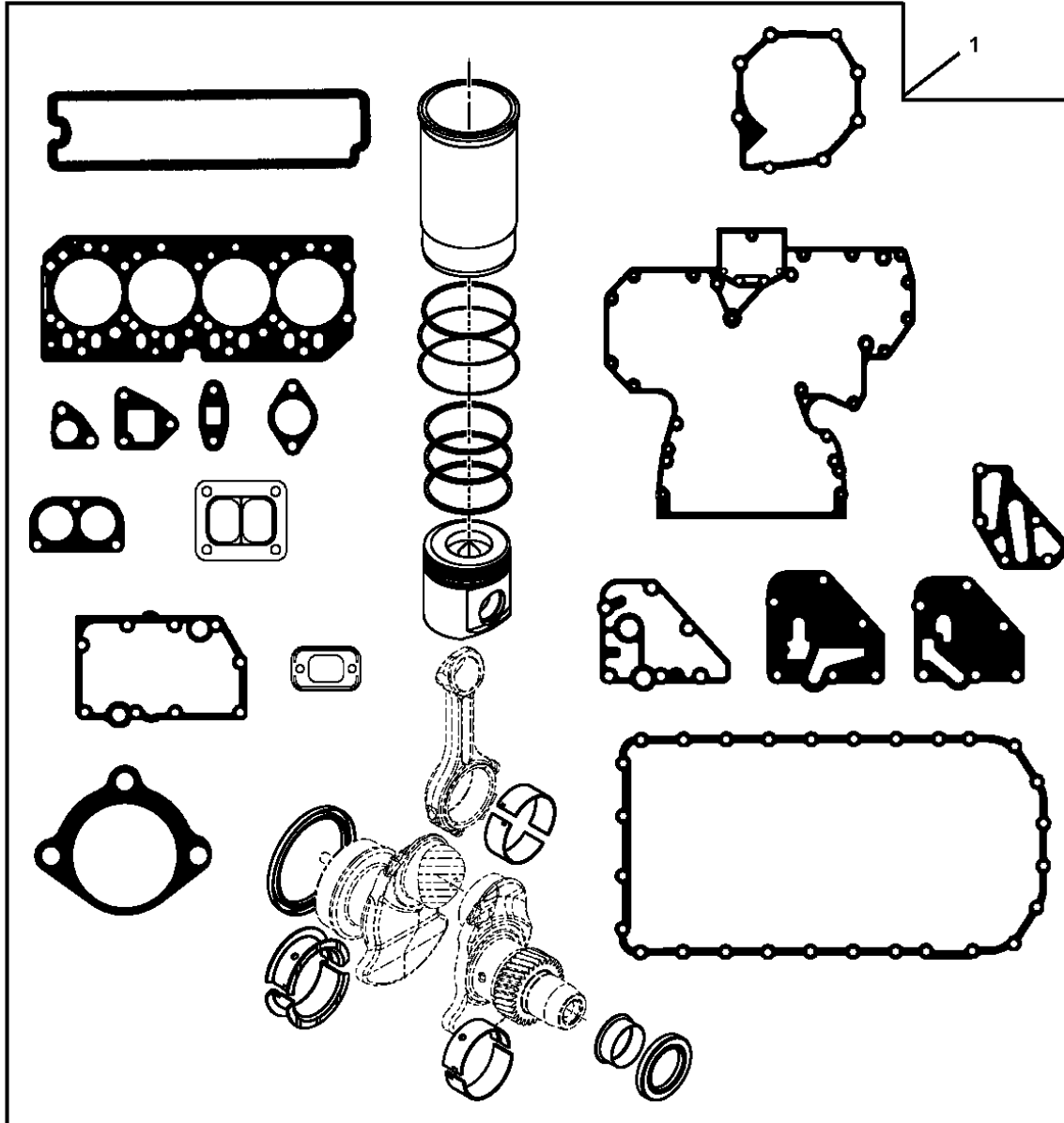
KEY	PART NO.	PART NAME	QTY.	ENGINE SERIAL NO.	6 0 6 8 H	REMARKS
1	RE520387	SHORT BLOCK ASSEMBLY	1		X	(ALSO ORDER RE527015 AND DD15664) (USE WITH 4817) (6068HF475)

990-16

MAINTENANCE PARTS

9908 - ENGINE OVERHAUL KIT
9908 - JEU DE REMISE EN ETAT MOTEUR
9908 - MOTOR-REPARATURSATZ
9908 - KIT RIPARAZIONE MOTORE
9908 - CONJUNTO REPARACION MOTOR
9908 - RENOVERINGSSATS MOTOR

CDP45848 -UN-



CDP45848

990-17

MAINTENANCE PARTS

KEY	PART NO.	PART NAME	QTY.	ENGINE SERIAL NO.	4 0 4 5 D	REMARKS
1	RE526992	ENGINE OVERHAUL KIT	1			X (A) (ALSO ORDER (8) R501124) (SUB FOR RE521765)

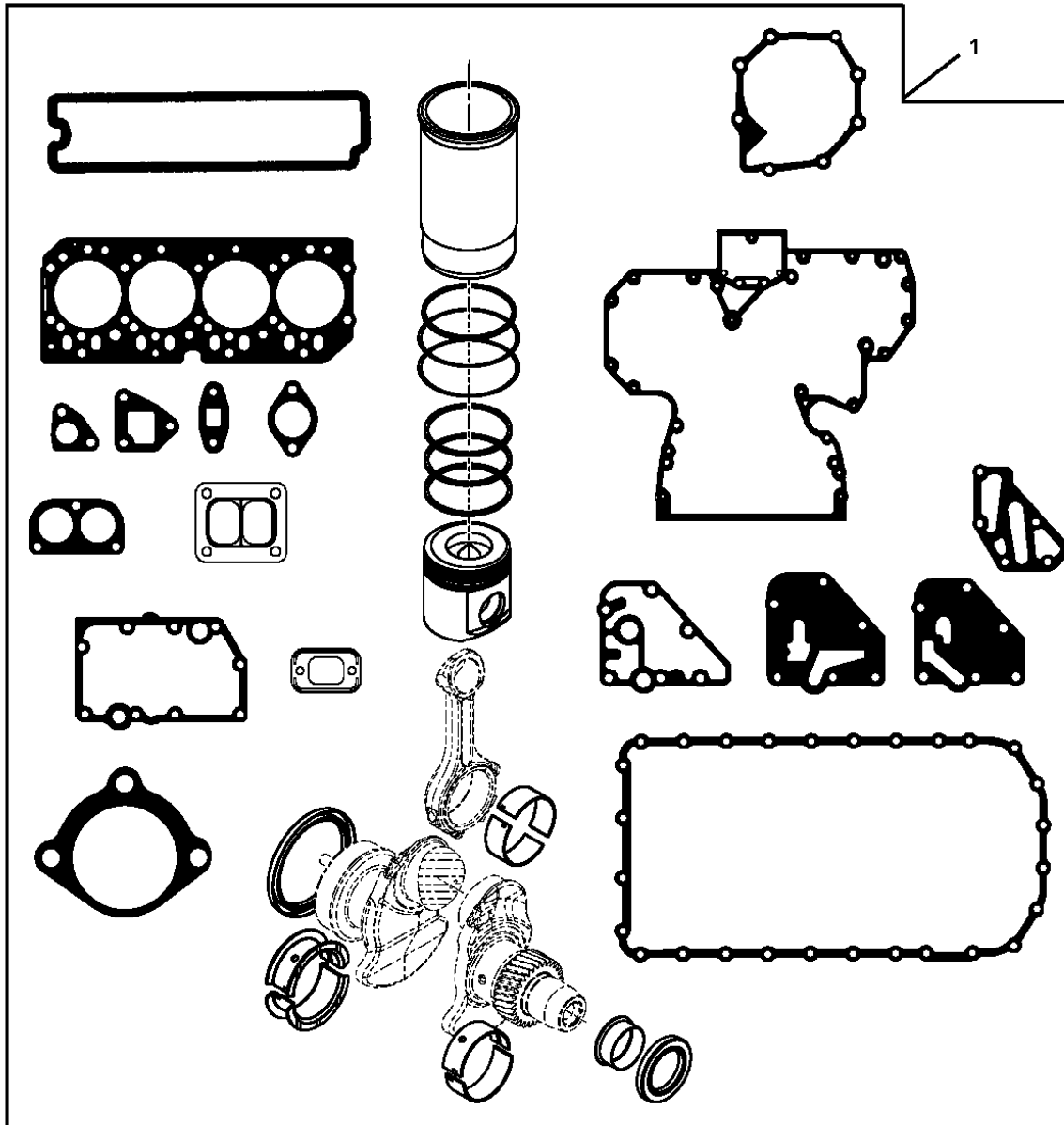
(A) INCLUDES PISTON/LINER KIT/BEARINGS/ENGINE GASKET SET
COMPRED PISTON/CHEMISE - JEU DE PIECE/COUSSINETS/JEU DE JOINTS MOTEUR
EINSCHLIESSLICH KOLBEN/BUECHSEN - TEILESATZ/LAGER/MOTOR DICHTUNGSSATZ
INCLUDE PISTONE/CAMICA MOTORE - SERIE PEZZI/CUSCINETTO/SERIE GUARNIZIONI MOTORE
INCLUYE PISTON/CAMISA DE CILINDRO - JUEGO/COJINETE/JUEGO DE JUNTAS DEL MOTOR
INKL. KOLV/CYLINDERFODER - FODERSATS/LAGER/PACKNINGSSATS FOER MOTOR

990-18

MAINTENANCE PARTS

9909 - ENGINE OVERHAUL KIT
9909 - JEU DE REMISE EN ETAT MOTEUR
9909 - MOTOR-REPARATURSATZ
9909 - KIT RIPARAZIONE MOTORE
9909 - CONJUNTO REPARACION MOTOR
9909 - RENOVERINGSSATS MOTOR

CDP45848 -UN-



CDP45848

990-19

MAINTENANCE PARTS

KEY	PART NO.	PART NAME	QTY.	ENGINE SERIAL NO.	4 0 4 5 T	REMARKS
1	RE527299	ENGINE OVERHAUL KIT	1			X (A) (ALSO ORDER (8) R501124) (SUB FOR RE66093) (USE WITH 4823)

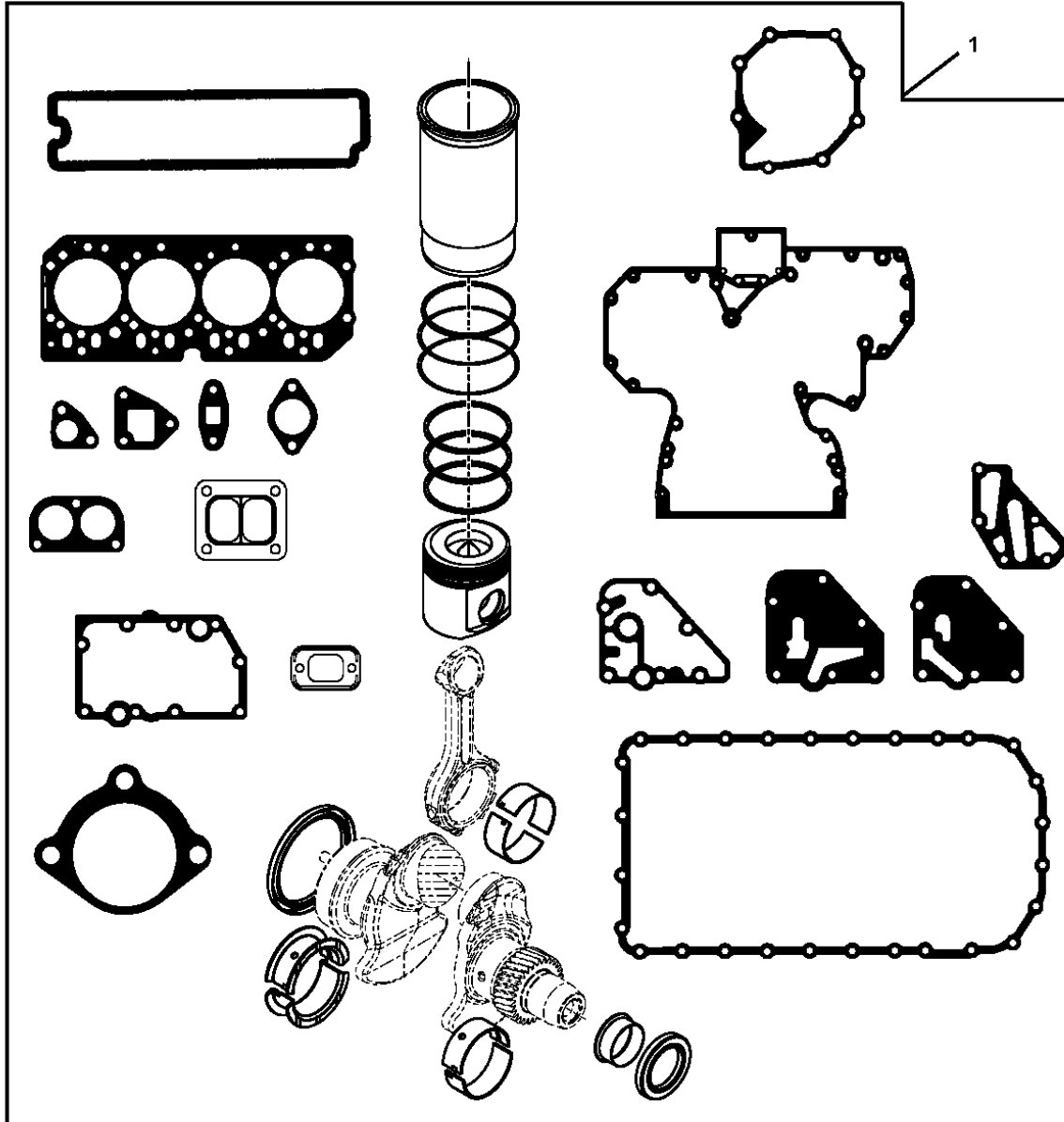
(A) INCLUDES PISTON/LINER KIT/BEARINGS/ENGINE GASKET SET
COMPRED PISTON/CHEMISE - JEU DE PIECE/COUSSINETS/JEU DE JOINTS MOTEUR
EINSCHLIESSLICH KOLBEN/BUECHSEN - TEILESATZ/LAGER/MOTOR DICHTUNGSSATZ
INCLUDE PISTONE/CAMICA MOTORE - SERIE PEZZI/CUSCINETTO/SERIE GUARNIZIONI MOTORE
INCLUYE PISTON/CAMISA DE CILINDRO - JUEGO/COJINETE/JUEGO DE JUNTAS DEL MOTOR
INKL. KOLV/CYLINDERFODER - FODERSATS/LAGER/PACKNINGSSATS FOER MOTOR

990-20

MAINTENANCE PARTS

9910 - ENGINE OVERHAUL KIT
9910 - JEU DE REMISE EN ETAT MOTEUR
9910 - MOTOR-REPARATURSATZ
9910 - KIT RIPARAZIONE MOTORE
9910 - CONJUNTO REPARACION MOTOR
9910 - RENOVERINGSSATS MOTOR

CDP45848 -UN-



CDP45848

990-21

MAINTENANCE PARTS

KEY	PART NO.	PART NAME	QTY.	ENGINE SERIAL NO.	REMARKS
1	RE526971	ENGINE OVERHAUL KIT	1	4 4 0 0 4 4 5 5 H T	X X (A) (ALSO ORDER (8) R501124) (SUB FOR RE515660) (USE WITH 4822)

(A) INCLUDES PISTON/LINER KIT/BEARINGS/ENGINE GASKET SET
COMPRED PISTON/CHEMISE - JEU DE PIECE/COUSSINETS/JEU DE JOINTS MOTEUR
EINSCHLIESSLICH KOLBEN/BUECHSEN - TEILESATZ/LAGER/MOTOR DICHTUNGSSATZ
INCLUDE PISTONE/CAMICA MOTORE - SERIE PEZZI/CUSCINETTO/SERIE GUARNIZIONI MOTORE
INCLUYE PISTON/CAMISA DE CILINDRO - JUEGO/COJINETE/JUEGO DE JUNTAS DEL MOTOR
INKL. KOLV/CYLINDERFODER - FODERSATS/LAGER/PACKNINGSSATS FOER MOTOR

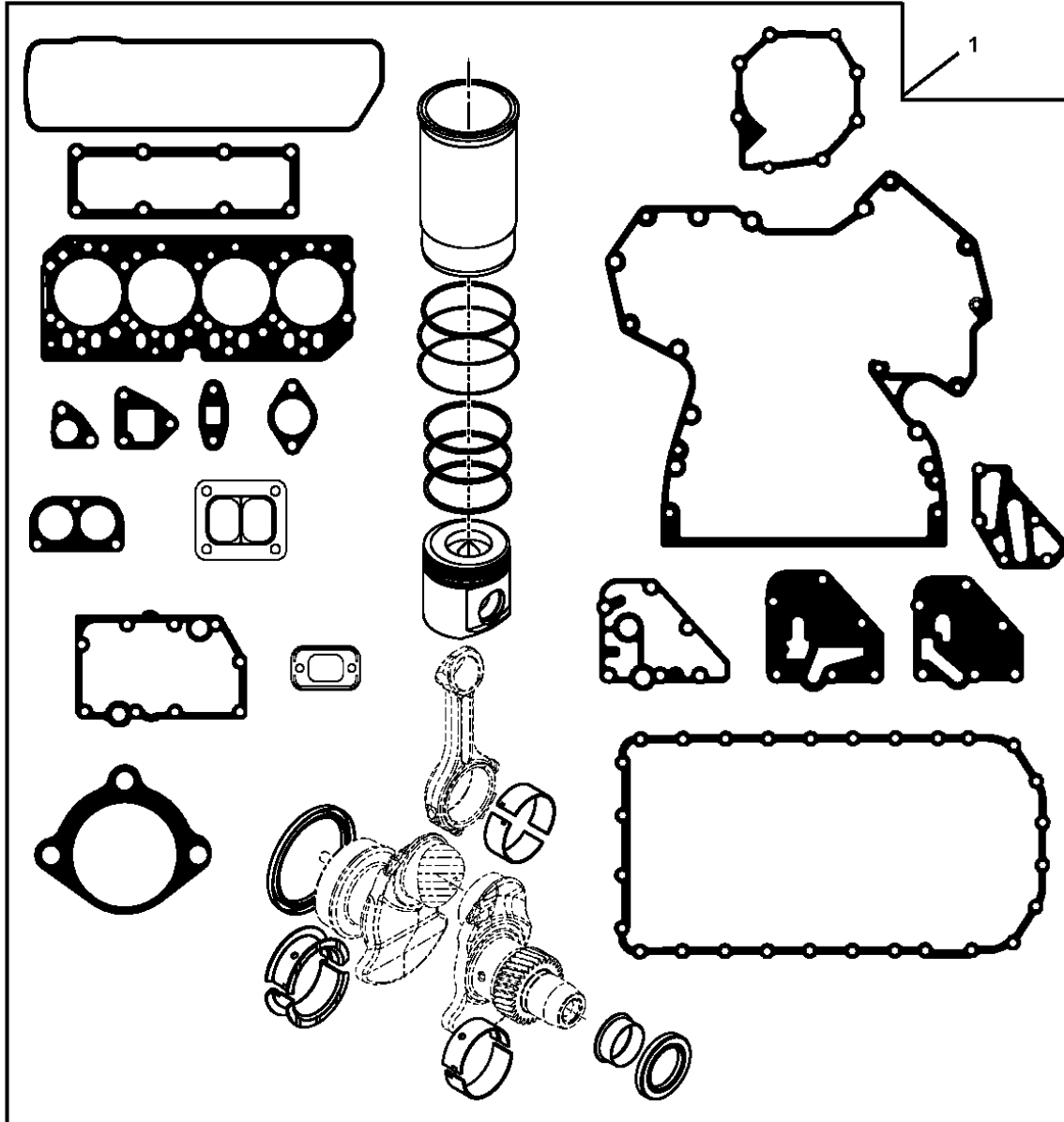
990-22

MAINTENANCE PARTS

9911 - ENGINE OVERHAUL KIT
9911 - JEU DE REMISE EN ETAT MOTEUR
9911 - MOTOR-REPARATURSATZ
9911 - KIT RIPARAZIONE MOTORE
9911 - CONJUNTO REPARACION MOTOR
9911 - RENOVERINGSSATS MOTOR

CDP45698A

-UN-



CDP45698A

990-23

MAINTENANCE PARTS

KEY	PART NO.	PART NAME	QTY.	ENGINE SERIAL NO.	4 0 4 5 H	REMARKS
1	RE526973	ENGINE OVERHAUL KIT	1			X (A) (ALSO ORDER (8) R501124) (SUB FOR RE516230)

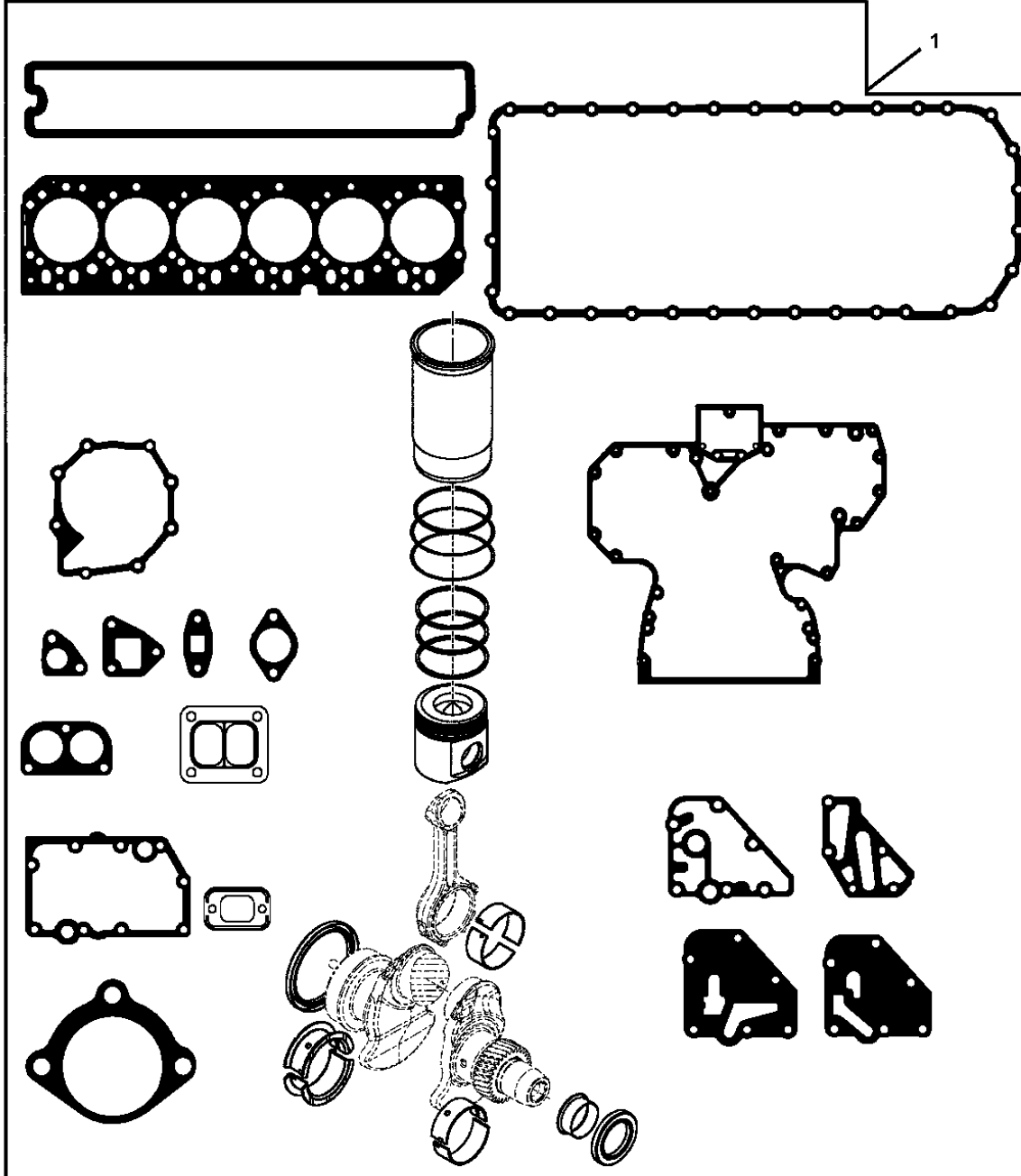
(A) INCLUDES PISTON/LINER KIT/BEARINGS/ENGINE GASKET SET
COMPRED PISTON/CHEMISE - JEU DE PIECE/COUSSINETS/JEU DE JOINTS MOTEUR
EINSCHLIESSLICH KOLBEN/BUECHSEN - TEILESATZ/LAGER/MOTOR DICHTUNGSSATZ
INCLUDE PISTONE/CAMICA MOTORE - SERIE PEZZI/CUSCINETTO/SERIE GUARNIZIONI MOTORE
INCLUYE PISTON/CAMISA DE CILINDRO - JUEGO/COJINETE/JUEGO DE JUNTAS DEL MOTOR
INKL. KOLV/CYLINDERFODER - FODERSATS/LAGER/PACKNINGSSATS FOER MOTOR

990-24

MAINTENANCE PARTS

9912 - ENGINE OVERHAUL KIT
9912 - JEU DE REMISE EN ETAT MOTEUR
9912 - MOTOR-REPARATURSATZ
9912 - KIT RIPARAZIONE MOTORE
9912 - CONJUNTO REPARACION MOTOR
9912 - RENOVERINGSSATS MOTOR

CDP45849 -UN-



CDP45849

990-25

MAINTENANCE PARTS

KEY	PART NO.	PART NAME	QTY.	ENGINE SERIAL NO.	6 0 6 8 H	REMARKS
1	RE526966	ENGINE OVERHAUL KIT	1			X (A) (ALSO ORDER (12) R501124) (SUB FOR RE509837)

(A) INCLUDES PISTON/LINER KIT/BEARINGS/ENGINE GASKET SET
COMPRED PISTON/CHEMISE - JEU DE PIECE/COUSSINETS/JEU DE JOINTS MOTEUR
EINSCHLIESSLICH KOLBEN/BUECHSEN - TEILESATZ/LAGER/MOTOR DICHTUNGSSATZ
INCLUDE PISTONE/CAMICA MOTORE - SERIE PEZZI/CUSCINETTO/SERIE GUARNIZIONI MOTORE
INCLUYE PISTON/CAMISA DE CILINDRO - JUEGO/COJINETE/JUEGO DE JUNTAS DEL MOTOR
INKL. KOLV/CYLINDERFODER - FODERSATS/LAGER/PACKNINGSSATS FOER MOTOR

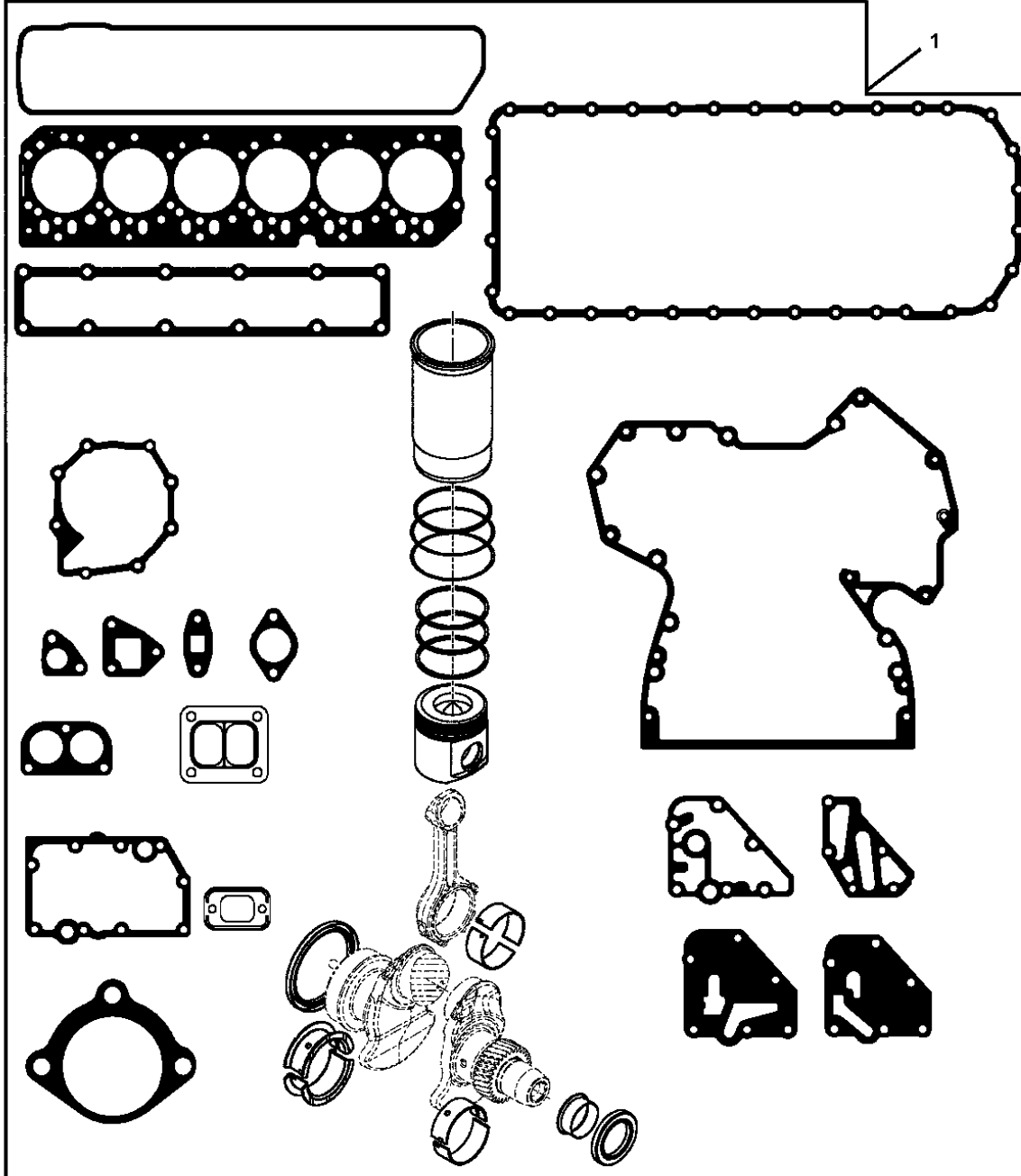
990-26

MAINTENANCE PARTS

9913 - ENGINE OVERHAUL KIT
9913 - JEU DE REMISE EN ETAT MOTEUR
9913 - MOTOR-REPARATURSATZ
9913 - KIT RIPARAZIONE MOTORE
9913 - CONJUNTO REPARACION MOTOR
9913 - RENOVERINGSSATS MOTOR

CDP45699A

-UN-



CDP45699A

990-27

MAINTENANCE PARTS

KEY	PART NO.	PART NAME	QTY.	ENGINE SERIAL NO.	6 0 6 8 H	REMARKS
1	RE526975	ENGINE OVERHAUL KIT	1			X (A) (ALSO ORDER (12) R501124) (SUB FOR RE516266)

(A) INCLUDES PISTON/LINER KIT/BEARINGS/ENGINE GASKET SET
COMPRED PISTON/CHEMISE - JEU DE PIECE/COUSSINETS/JEU DE JOINTS MOTEUR
EINSCHLIESSLICH KOLBEN/BUECHSEN - TEILESATZ/LAGER/MOTOR DICHTUNGSSATZ
INCLUDE PISTONE/CAMICA MOTORE - SERIE PEZZI/CUSCINETTO/SERIE GUARNIZIONI MOTORE
INCLUYE PISTON/CAMISA DE CILINDRO - JUEGO/COJINETE/JUEGO DE JUNTAS DEL MOTOR
INKL. KOLV/CYLINDERFODER - FODERSATS/LAGER/PACKNINGSSATS FOER MOTOR

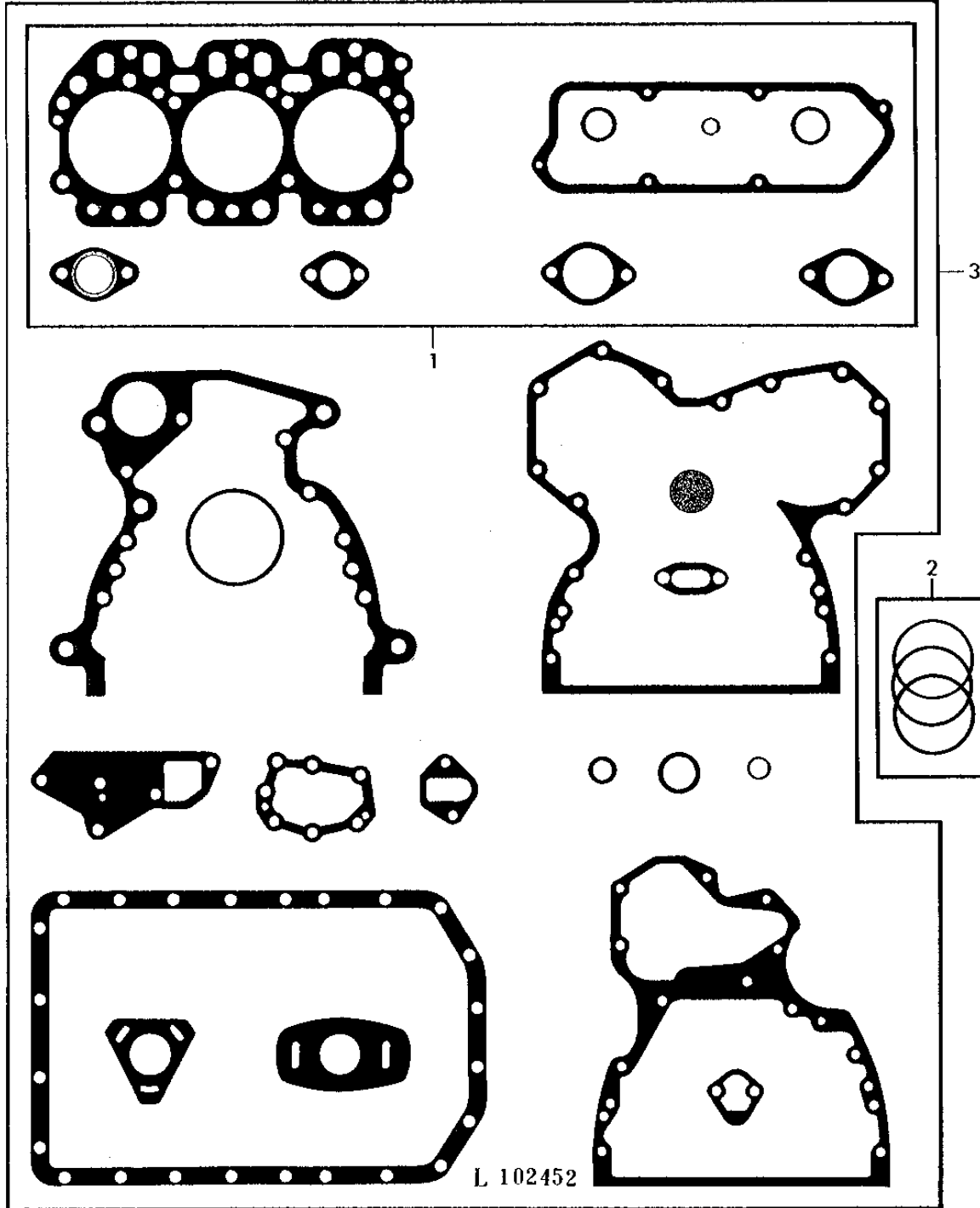
990-28

MAINTENANCE PARTS

9914 - ENGINE GASKET SET
9914 - JEU DE JOINTS MOTEUR
9914 - MOTOR-DICHTUNGSSATZ
9914 - SERIE GUARNIZIONI MOTORE
9914 - JUEGO DE JUNTAS DEL MOTO
9914 - PACKNINGSSATS FOER MOTOR

L102452

-UN-



990-29

MAINTENANCE PARTS

KEY	PART NO.	PART NAME	QTY.	ENGINE SERIAL NO.	3 0 2 9 T	REMARKS
1	RE64293	GASKET KIT	1		X (A)	
2	AR65507	O-RING KIT	3		X PACKG (3)	
3	RE64294	GASKET KIT	1		X (B)	

(A) TUNE-UP
RODAGE SOUPAPES
VENTILEINSCHLEIFEN
RODAGGIO DELLA VALVOLE
RODAGE DE LAS VALVULAS
MOTORTRIMMING

(B) OVERHAUL
REFECTION MOTEUR
MOTORUEBERHOLUNG
RIPARAZIONE MOTORE
RECONSTRUCCION DEL MOTOR
MOTORRENOVERING

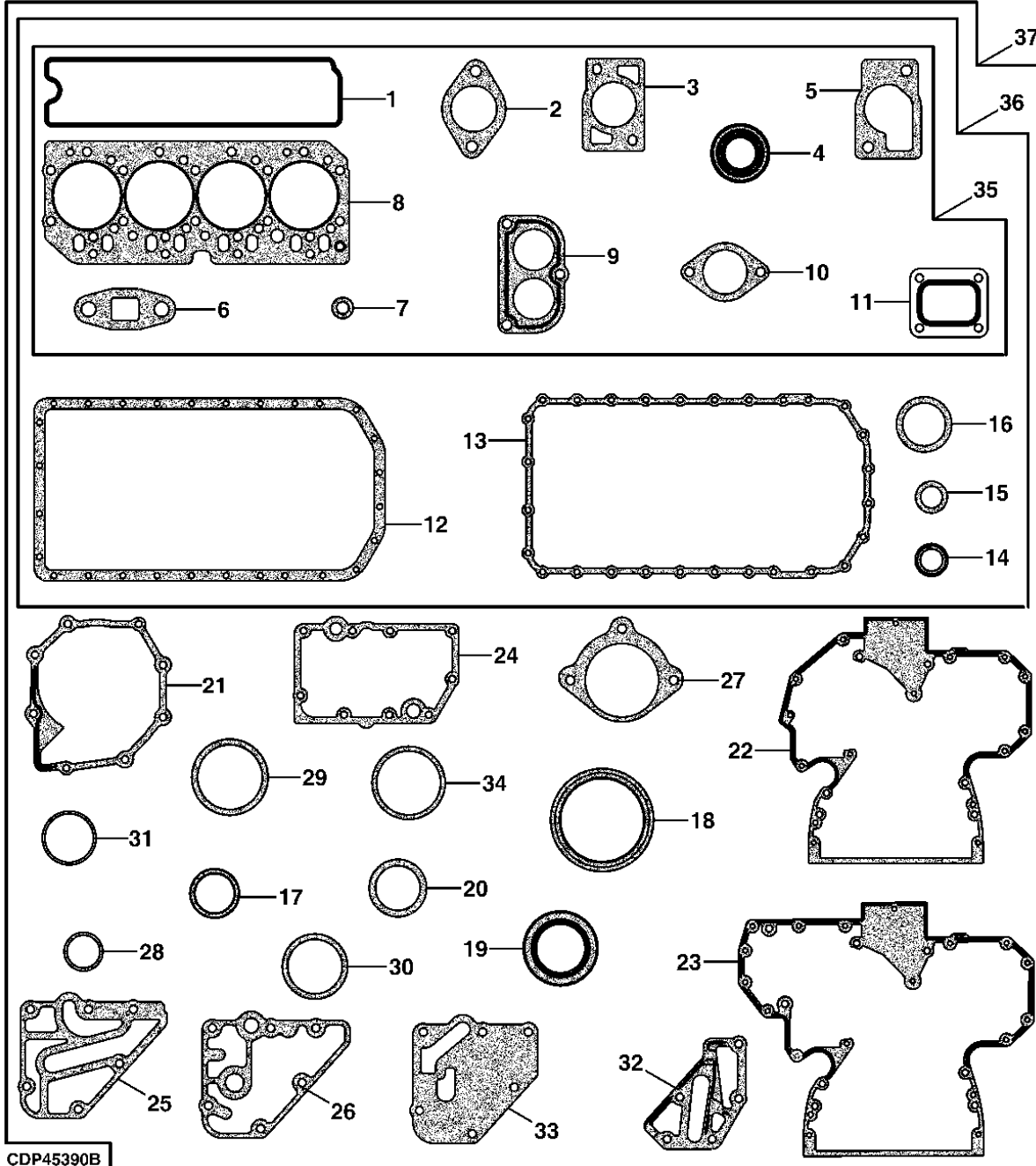
990-30

MAINTENANCE PARTS

9915 - ENGINE GASKET SET
9915 - JEU DE JOINTS MOTEUR
9915 - MOTOR-DICHTUNGSSATZ
9915 - SERIE GUARNIZIONI MOTORE
9915 - JUEGO DE JUNTAS DEL MOTO
9915 - PACKNINGSSATS FOER MOTOR

CDP45390B

-UN-



CDP45390B

THIS PARTS LISTING IS CONTINUED

990-31

MAINTENANCE PARTS

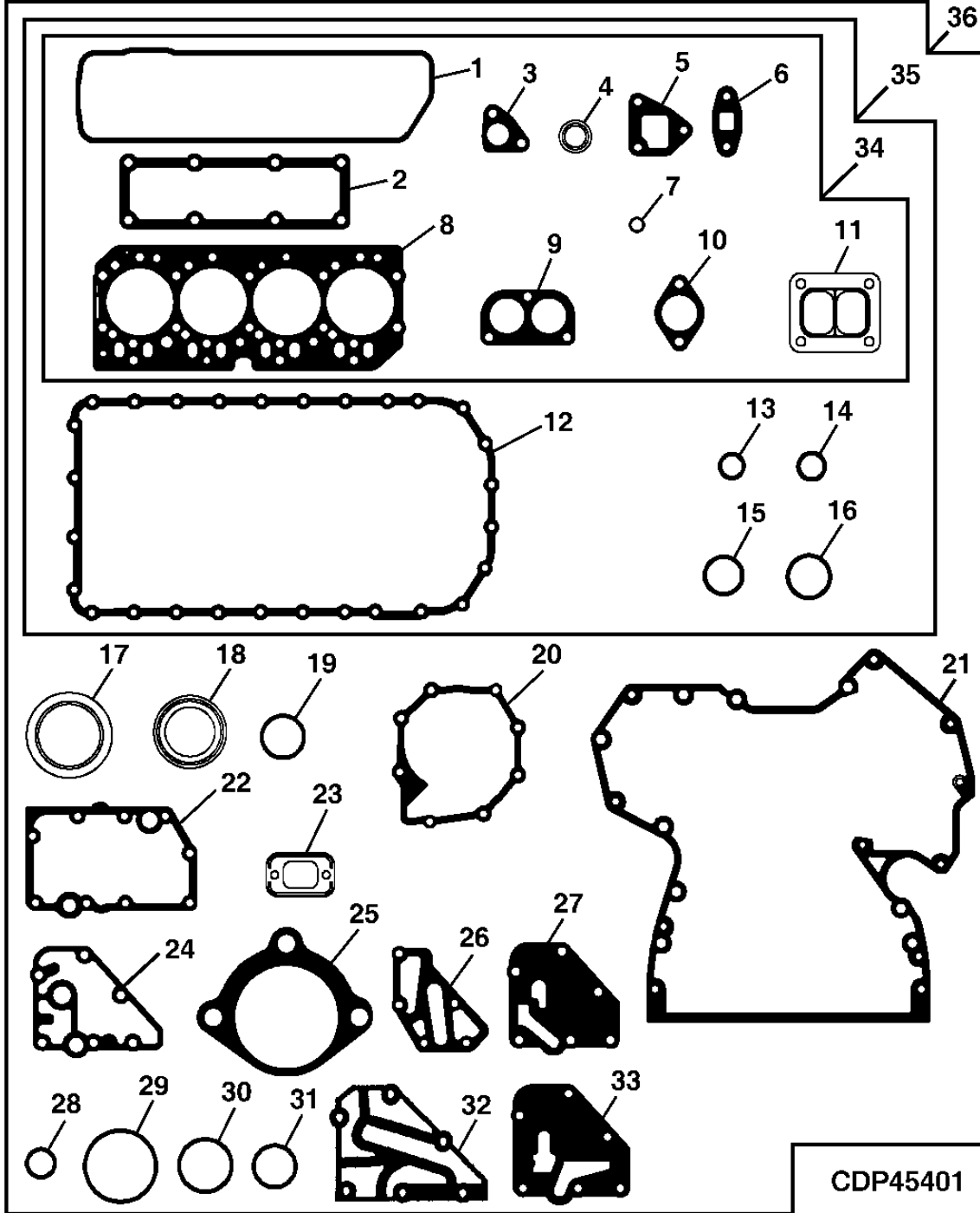
KEY	PART NO.	PART NAME	QTY.	ENGINE SERIAL NO.	4 4 4 0 0 0 4 4 4 5 5 5 D H T	REMARKS
1	R123542	GASKET	1		X X X	
2	R521439	GASKET	4		X X X	
3	R502814	GASKET	1		X X X	
4	R123226	GASKET	2		X X X	
5	R123345	GASKET	1		X X X	
6	R105346	GASKET	1		X X X	
7	R123575	O-RING	4		X X X	7.595 X 2.616 MM
8	R116515	ENGINE CYLINDER HEAD GASKET	1		X X X	
9	R501373	GASKET	1		X X X	
10	R81275	GASKET	1		X X X	
11	R92097	GASKET	1		X X X	
12	R123353	GASKET	1		X X X	
13	R522030	GASKET	1		X X X	
14	R75892	O-RING	1		X X X	14.884 X 4.064 MM
15	R97185	O-RING	1		X X X	15.469 X 3.531 MM
16	R61871	O-RING	1		X X X	24.990 X 3.530 MM
17	A4827R	WASHER	1		X X X	
18	RE44574	SEAL	1		X X X	
19	RE516340	SEAL	1		X X X	
20	R123273	O-RING	1		X X X	31.420 X 2.616 MM
21	R123417	GASKET	1		X X X	
22	R523183	GASKET	1		X X X	(SUB FOR R136516)
23	R523182	GASKET	1		X X X	(SUB FOR R136515)
24	R123501	GASKET	1		X X X	
25	R502864	GASKET	1		X X X	
26	R123525	GASKET	1		X X X	
27	R53108	GASKET	1		X X X	
28	R72328	O-RING	4		X X X	18.720 X 2.616 MM
29	R89944	O-RING	1		X X X	50.394 X 3.531 MM
30	R504734	O-RING	2		X X X	37.694 X 3.531 MM
31	T122075	O-RING	2		X X X	
32	R501428	GASKET	1		X X X	
33	R500374	GASKET	1		X X X	
34	R502076	O-RING	1		X X X	
35	RE526670	GASKET KIT	1		X X X	(SUB FOR RE66082)
36	RE526671	GASKET KIT	1		X X X	(SUB FOR RE66084)
37	RE527042	GASKET KIT	1		X X X	(ALSO ORDER R133893, R501459, (4) AR65507 AND DD15664) (SUB FOR RE501455)

990-32

MAINTENANCE PARTS

9916 - ENGINE GASKET SET
9916 - JEU DE JOINTS MOTEUR
9916 - MOTOR-DICHTUNGSSATZ
9916 - SERIE GUARNIZIONI MOTORE
9916 - JUEGO DE JUNTAS DEL MOTO
9916 - PACKNINGSSATS FOER MOTOR

CDP45401 -UN-



990-33

MAINTENANCE PARTS

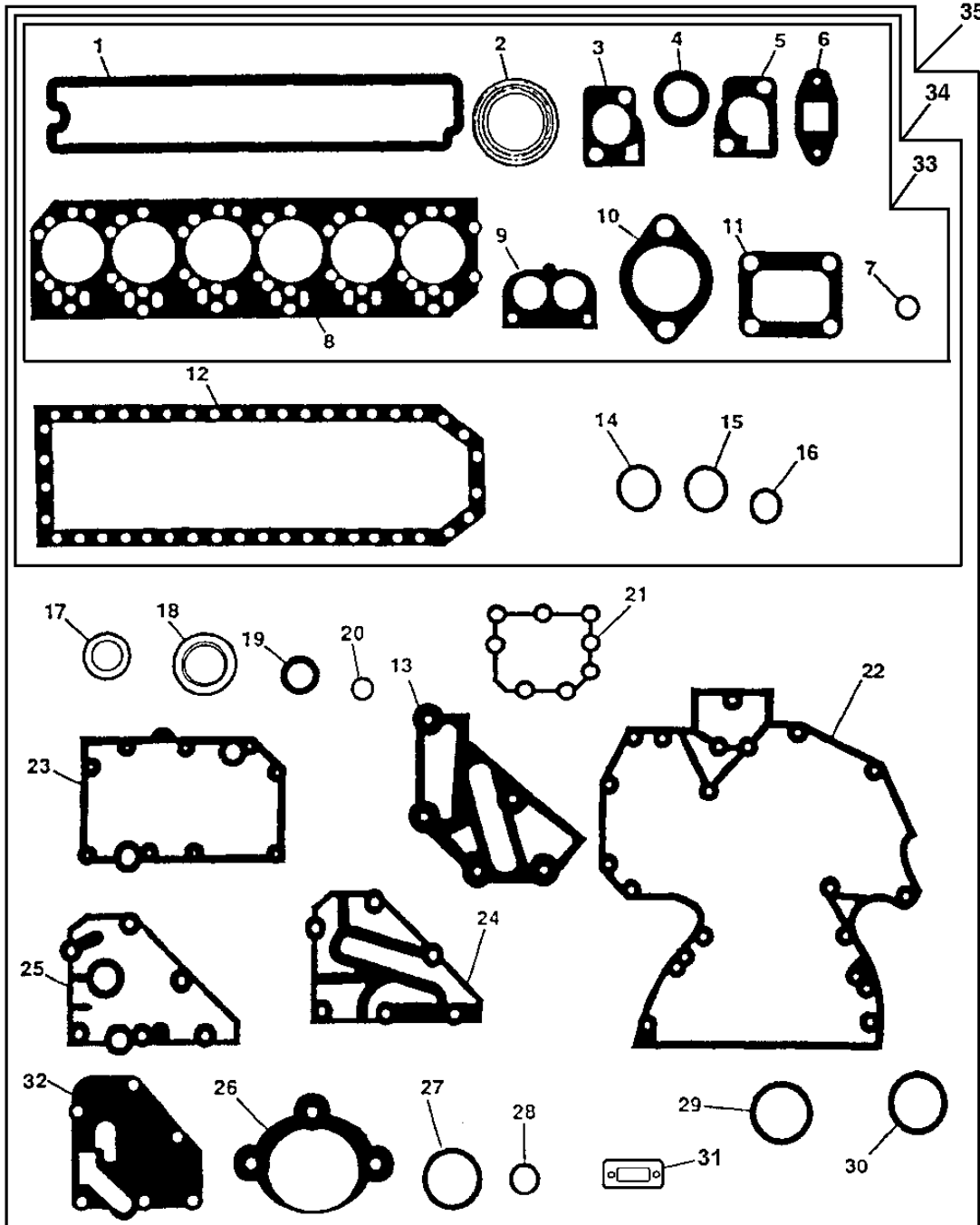
KEY	PART NO.	PART NAME	QTY.	ENGINE SERIAL NO.	4 0 4 5 H	REMARKS
1	R505174	GASKET	1		X	
2	R502916	GASKET	1		X	
3	R505480	GASKET	1		X	
4	R123226	GASKET	2		X	
5	R505479	GASKET	1		X	
6	R123570	GASKET	1		X	
7	R516158	O-RING	5		X	5.232 X 2.616 MM
8	R116515	ENGINE CYLINDER HEAD GASKET	1		X	
9	R124607	GASKET	1		X	(ORDER R501373)
10	R521439	GASKET	4		X	(SUB FOR R90658)
11	R123572	GASKET	1		X	
12	R123353	GASKET	1		X	(ORDER R123352) APPL
13	R75892	O-RING	1		X	14.884 X 4.064 MM
14	R97185	O-RING	2		X	15.469 X 3.531 MM
15	R61871	O-RING	1		X	24.990 X 3.530 MM
16	R63185	O-RING	2		X	29.743 X 3.531 MM
17	RE44574	SEAL	1		X	
18	RE516340	SEAL	1		X	(SUB FOR RE59810)
19	R123273	O-RING	1		X	31.420 X 2.616 MM
20	R123417	GASKET	1		X	
21	R502954	GASKET	1		X	
	R503597	GASKET	1		X	
22	R123501	GASKET	1		X	
23	R136495	GASKET	1		X	
24	R123525	GASKET	1		X	
25	R53108	GASKET	1		X	
26	R501428	GASKET	1		X	
27	R500374	GASKET	1		X	
28	R72328	O-RING	4		X	18.720 X 2.616 MM
29	R89944	O-RING	1		X	50.394 X 3.531 MM
30	R504734	O-RING	2		X	37.694 X 3.531 MM, (SUB FOR R61105)
31	T122075	O-RING	2		X	29.820 X 2.616 MM
32	R502864	GASKET	1		X	
33	R501484	GASKET	1		X	
34	RE527008	GASKET KIT	1		X	(ALSO ORDER R501373) (SUB FOR RE518200)
35	RE527009	GASKET KIT	1		X	(ALSO ORDER R501373 AND R123352) (SUB FOR RE518199)
36	RE527010	GASKET KIT	1		X	(ALSO ORDER R501373 AND R123352) (SUB FOR RE518198)

990-34

MAINTENANCE PARTS

9917 - ENGINE GASKET SET
9917 - JEU DE JOINTS MOTEUR
9917 - MOTOR-DICHTUNGSSATZ
9917 - SERIE GUARNIZIONI MOTORE
9917 - JUEGO DE JUNTAS DEL MOTO
9917 - PACKNINGSSATS FOER MOTOR

CDP46141 -UN-



CDP46141

990-35

MAINTENANCE PARTS

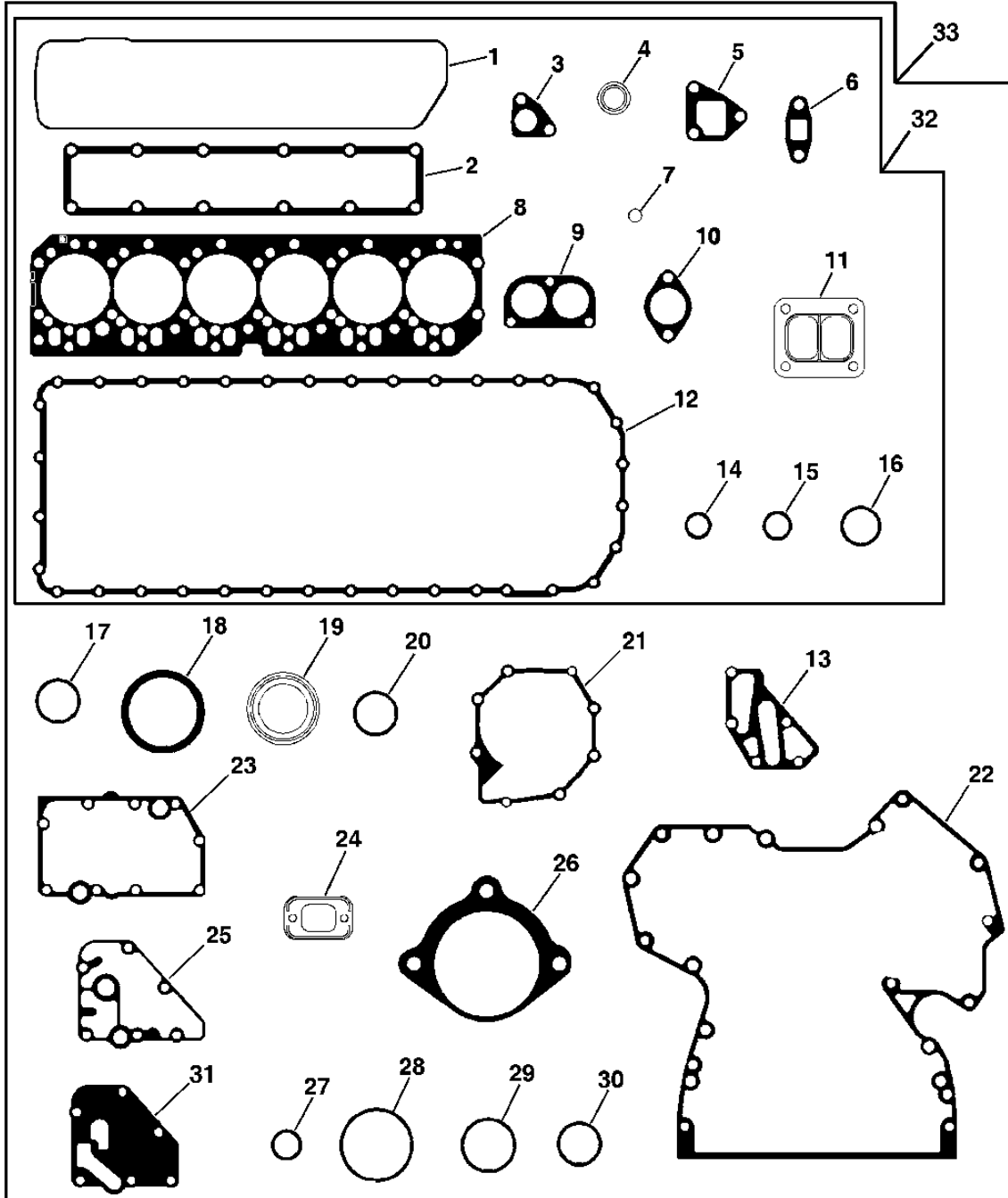
KEY	PART NO.	PART NAME	QTY.	ENGINE SERIAL NO.	6 0 6 8 H	REMARKS
1	R123543	GASKET	1		X	
2	R521439	GASKET	6		X	
3	R502814	GASKET	1		X	
4	R123226	GASKET	2		X	
5	R123345	GASKET	1		X	
6	R123570	GASKET	1		X	
7	R123575	O-RING	4		X	7.595 X 2.616 MM
8	R116516	ENGINE CYLINDER HEAD GASKET	1		X	
9	R501373	GASKET	1		X	
10	R81275	GASKET	1		X	
11	R123572	GASKET	1		X	
12	R123354	GASKET	1		X	(ORD R521498) APPL
13	R501428	GASKET	1		X	
14	R75892	O-RING	1		X	14.884 X 4.064 MM
15	R97185	O-RING	2		X	15.469 X 3.531 MM
16	R61871	O-RING	1		X	24.990 X 3.530 MM
17	A4827R	WASHER	1		X	
18	RE44574	SEAL	1		X	
19	RE516340	SEAL	1		X	(SUB FOR RE59810)
20	R123273	O-RING	1		X	31.420 X 2.616 MM
21	R123417	GASKET	1		X	
22	R523183	GASKET	1		X	(SUB FOR R136516)
	R523182	GASKET	1		X	(SUB FOR R136515)
23	R123501	GASKET	1		X	
24	R502864	GASKET	1		X	
	R500374	GASKET	1		X	
25	R123525	GASKET	1		X	
26	R53108	GASKET	1		X	
27	R72328	O-RING	4		X	18.720 X 2.616 MM
28	R89944	O-RING	1		X	50.394 X 3.531 MM
29	R504734	O-RING	2		X	37.694 X 3.531 MM, (SUB FOR R61105)
30	T122075	O-RING	2		X	29.820 X 2.616 MM
31	R136495	GASKET	1		X	
32	R500374	GASKET	1		X	
33	RE526672	GASKET KIT	1		X	(SUB FOR RE66083)
34	RE526673	GASKET KIT	1		X	(SUB FOR RE66085)
35	RE526965	GASKET KIT	1		X	(ALSO ORD R133893, R501459, (6) AR65507, DD15664 AND R521498) (SUB FOR RE501456)

990-36

MAINTENANCE PARTS

9918 - ENGINE GASKET SET
9918 - JEU DE JOINTS MOTEUR
9918 - MOTOR-DICHTUNGSSATZ
9918 - SERIE GUARNIZIONI MOTORE
9918 - JUEGO DE JUNTAS DEL MOTO
9918 - PACKNINGSSATS FOER MOTOR

CDP46600 -UN-



CDP46143A

990-37

MAINTENANCE PARTS

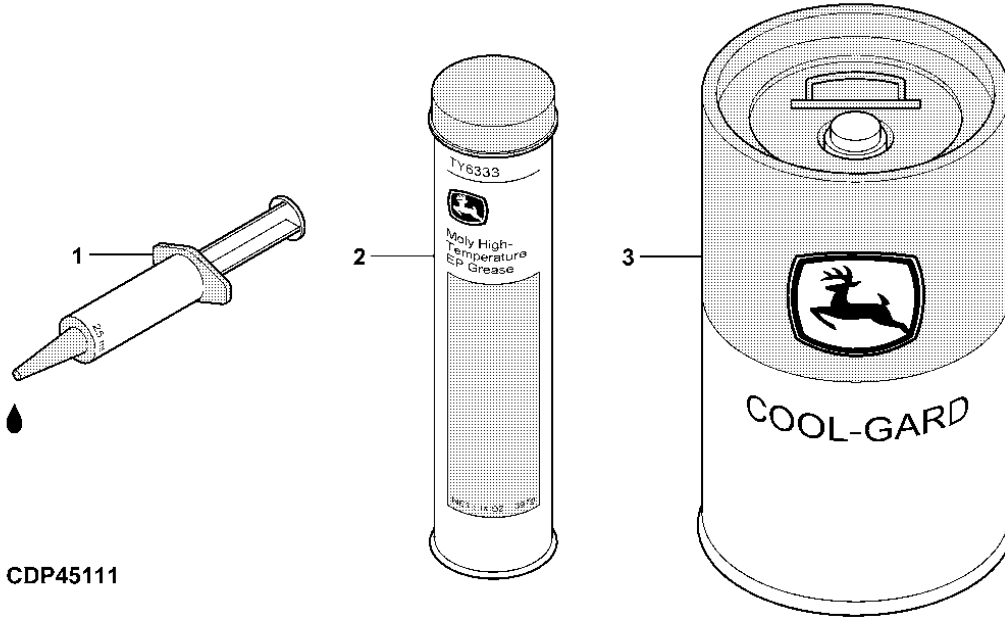
KEY	PART NO.	PART NAME	QTY.	ENGINE SERIAL NO.	6 0 6 8 H	REMARKS
1	R123543	GASKET	1		X	
2	R515030	GASKET	1		X	
3	R505480	GASKET	1		X	
4	R123226	GASKET	2		X	
5	R505479	GASKET	1		X	
6	R123570	GASKET	1		X	
7	R516158	O-RING	7		X	5.232 X 2.616 MM
8	R116516	ENGINE CYLINDER HEAD GASKET	1		X	
9	R124607	GASKET	1		X	(ORDER R501373) APPL
10	R521439	GASKET	6		X	(SUB FOR R90658)
11	R123572	GASKET	1		X	
12	R123354	GASKET	1		X	(ORDER R521498) APPL
13	R501428	GASKET	1		X	
14	R75892	O-RING	1		X	14.884 X 4.064 MM
15	R97185	O-RING	2		X	15.469 X 3.531 MM
16	R61871	O-RING	1		X	24.990 X 3.530 MM
17	R63185	O-RING	2		X	29.743 X 3.531 MM
18	RE44574	SEAL	1		X	
19	RE516340	SEAL	1		X	(SUB FOR RE59810)
20	R123273	O-RING	1		X	31.420 X 2.616 MM
21	R123417	GASKET	1		X	
22	R502954	GASKET	1		X	
23	R123501	GASKET	1		X	
24	R136495	GASKET	2		X	
25	R123525	GASKET	1		X	
26	R53108	GASKET	1		X	
27	R72328	O-RING	4		X	18.720 X 2.616 MM
28	R89944	O-RING	1		X	50.394 X 3.531 MM
29	R504734	O-RING	2		X	37.694 X 3.531 MM, (SUB FOR R61105)
30	T122075	O-RING	2		X	29.820 X 2.616 MM
31	R500374	GASKET	1		X	
32	RE527014	GASKET KIT	1		X	(SUB FOR RE518152 AND RE518154)
33	RE527015	GASKET KIT	1		X	(ALSO ORDER R501373 AND R521498) (SUB FOR RE527015)

990-38

MAINTENANCE PARTS

9919 - LIQUID GASKET, GREASE FOR CAMSHAFT BUSHING, COOLANT
 9919 - JOINT LIQUIDE, GRAISSE POUR BAGUE D'ARBRE A CAMES, LIQUIDE DE REFRROIDISSEMENT
 9919 - FLUESSIGE DICHTUNG, FETT FUER NOCKENWELLELAGER, KUEHLFLUESSIGKEIT
 9919 - GUARNIZIONE LIQUIDA, GRASSO PER BOCCOLA DEL'ALBERO A CAMMA, LIQUIDO DI RAFFREDDAMENTO
 9919 - JUNTA LIQUIDA, GRASA PARA CASQUILLO DEL ARBOL DE LEVAS, REFRIGERANTE
 9919 - OEVERSAETTN.EJ TILLGAENGLIG, FETT FOER KAMAXEL BUSSNING, KYLVAETSKA

CDP45111 -UN-



CDP45111

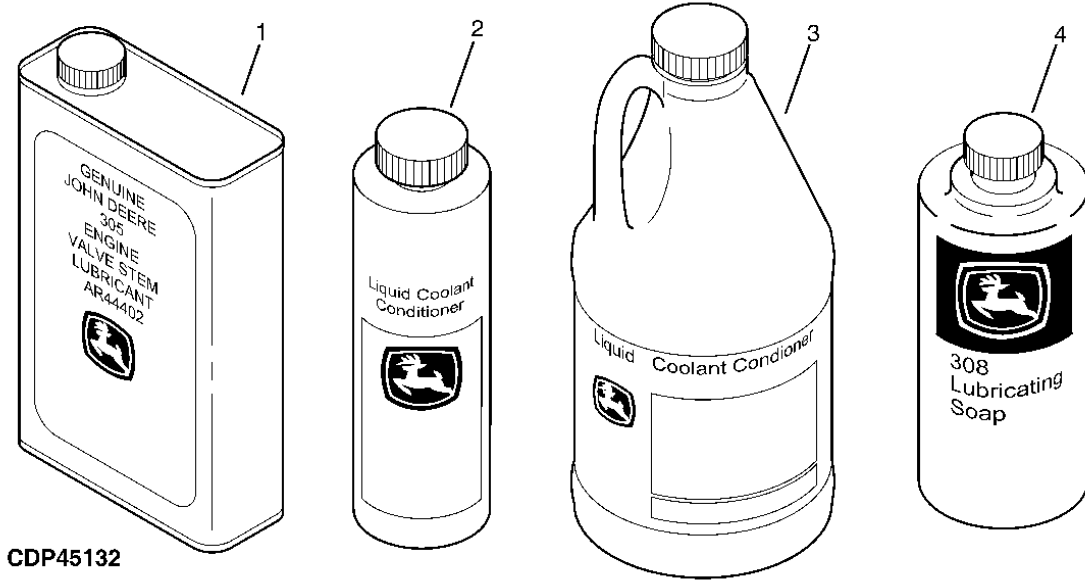
KEY	PART NO.	PART NAME	QTY.	ENGINE SERIAL NO.	A L L	REMARKS
1	DD15664	SEALANT	AR		X	LIQUID GASKET, JOINT LIQUIDE, FLUESSIGE DICHTUNG, GUARNIZIONE LIQUIDA, JUNTA LIQUIDA, OEVERSAETTN.EJ TILLGAENGLIG
2	TY6333	GREASE	AR		X	GREASE FOR CAMSHAFT BUSHING, GRAISSE POUR BAGUE D'ARBRE A CAMES, FETT FUER NOCKENWELLELAGER, GRASSO PER BOCCOLA DEL'ALBERO A CAMMA, GRASA PARA CASQUILLO DEL ARBOL DE LEVAS, FETT FOER KAMAXEL BUSSNING,
3	EPH76215-005	COOL-GARD TM	AR		X	5L
	EPH76215-020	COOL-GARD TM	AR		X	20L
	EPH76215-200	COOL-GARD TM	AR		X	200L, COOLANT, LIQUIDE DE REFRROIDISSEMENT, KUEHLFLUESSIGKEIT, LIQUIDO DI RAFFREDDAMENTO, REFRIGERANTE, KYLVAETSKA

990-39

MAINTENANCE PARTS

9920 - LUBRICANTS
 9920 - LUBRIFIANTS
 9920 - SCHMIERMITTEL
 9920 - LUBRIFICANTI
 9920 - LUBRICANTES
 9920 - SMOERJMEDEL

CDP45132 -UN-



KEY	PART NO.	PART NAME	QTY.	ENGINE SERIAL NO.	A L L	REMARKS
1	AR44402	FLUID	1		X	0.9L (1 QT.)
2	TY16004	ENGINE COOLANT CONDITIONER	1		X	0.473L (16 OZ.)
3	TY16005	ENGINE COOLANT CONDITIONER	1		X	3.8L (1 GAL.)
4	AR54749	LUBRICANT	1		X	0.9L (1 QT.)

990-40

MAINTENANCE PARTS

MEMORANDA
MEMORANDA
MEMORANDA
MEMORANDA
MEMORANDA
MEMORANDA

995-1

ENGINES FOR GENSETS (3029, 4045 & 6068 TIER2 - 2 & 4 VALVE)

NUMERICAL INDEX

PART NO.	KEY	PAGE	PART NO.	KEY	PAGE	PART NO.	KEY	PAGE
AH76671	17	810-5	A22698	6	160-51	L39334	3	300-1
AR21837	8	210-3	A22698	6	160-55	L39334	4	300-12
AR21837	1	590-15	A22698	6	160-107	L39334	8	300-13
AR21837	10	650-35	A22698	6	160-111	L65382	6	370-4
AR21839	6	290-7	A364R	12	440-5	M41029	4	480-5
AR44402	1	990-39	A364R	12	440-7	M41029	4	480-7
AR48675	2	220-2	A364R	12	440-9	M87733	6	650-3
AR54749	4	990-39	A364R	12	440-11	M87733	6	650-5
AR65507	11	480-1	A364R	12	440-13	M87733	3	650-7
AR65507	11	480-2	A364R	18	440-15	M87733	3	650-9
AR65507	11	480-3	A4827R	12	440-3	M87733	3	650-11
AR65507	11	480-4	A4827R	12	440-17	M87733	6	650-13
AR65507	11	480-5	A4827R	12	440-19	M87733	6	650-15
AR65507	11	480-6	A4827R	17	990-31	M87733	3	650-17
AR65507	11	480-7	A4827R	17	990-35	M87733	3	650-19
AR65507	3	480-9	CD15466	12	480-1	M87733	3	650-21
AR65507	3	480-11	CD15466	12	480-2	M87733	3	650-25
AR65507	2	990-29	CD15466	12	480-3	M87733	3	650-27
AR65507	37	990-31	CD15466	12	480-4	M87733	6	650-29
AR65507	35	990-35	CD15466	12	480-5	M87733	6	650-31
AR67942	16	440-3	CD15466	12	480-6	M87733	15	650-33
AR67942	16	440-17	CD15466	12	480-7	N10215	5	620-3
AR67942	16	440-19	CD16284	3	510-1	P40098	1	650-35
AR67942	2	470-1	CD16284	3	510-3	REXXXXXX	1	460-19
AR85519	20	160-7	CD16284	3	510-5	REXXXXXX	1	460-21
AR85519	20	160-11	CD16284	6	510-7	RE12362	11	840-3
AR85519	20	160-39	CD16284	6	510-9	RE167207	6	670-1
AR85519	20	160-59	CD16284	10	510-13	RE167207	6	670-5
AR85519	20	160-63	CD16284	7	510-15	RE167207	1	760-3
AR85519	20	160-67	DD15664	6	140-2	RE167207	1	760-4
AR85519	20	160-107	DD15664	6	140-3	RE19797	11	160-7
AR85519	20	160-111	DD15664	6	140-4	RE19797	13	160-7
AR85519	20	160-115	DD15664	6	140-5	RE19797	11	160-11
AR85519	20	160-119	DD15664	16	360-1	RE19797	13	160-11
AR85519	20	160-123	DD15664	16	360-2	RE19797	14	160-15
AR85519	20	160-127	DD15664	1	360-3	RE19797	16	160-15
AR85519	13	630-7	DD15664	1	360-4	RE19797	14	160-21
AR85519	9	630-9	DD15664	1	360-5	RE19797	16	160-21
AR85519	9	630-11	DD15664	3	370-8	RE19797	16	160-27
AR85519	13	630-13	DD15664	1	990-3	RE19797	19	160-27
AR85519	6	630-19	DD15664	1	990-5	RE19797	16	160-33
AR85519	6	630-21	DD15664	1	990-7	RE19797	19	160-33
AR85519	13	630-23	DD15664	1	990-9	RE19797	11	160-39
AR85519	9	630-25	DD15664	1	990-11	RE19797	13	160-39
AR85519	9	630-27	DD15664	1	990-13	RE19797	21	160-43
AR85519	13	630-29	DD15664	1	990-15	RE19797	21	160-47
AR91660	21	440-3	DD15664	37	990-31	RE19797	10	160-51
AR91660	19	440-17	DD15664	1	990-38	RE19797	10	160-55
AT13740	27	460-3	EPH76215-005	3	990-38	RE19797	11	160-59
AT13740	32	460-5	EPH76215-020	3	990-38	RE19797	13	160-59
AT13740	27	460-9	EPH76215-200	3	990-38	RE19797	11	160-63
AT13740	27	460-11	E1343FN	4	230-1	RE19797	13	160-63
AT13740	27	460-13	E1343FN	4	230-2	RE19797	11	160-67
AT13740	27	460-15	E1343FN	4	230-3	RE19797	13	160-67
AT13740	27	460-17	E1343FN	2	230-4	RE19797	14	160-71
AT161324	1	310-19	H144095	..	310-19	RE19797	16	160-71
AT163156	..	310-19	H23125	1	110-1	RE19797	16	160-77
AT18904	3	290-1	H23125	1	110-2	RE19797	19	160-77
AT18904	12	650-35	H23125	1	110-4	RE19797	16	160-83
AT196258	14	290-7	H23125	1	110-5	RE19797	19	160-83
AT21191	4	360-6	H23125	1	110-6	RE19797	14	160-89
AT21191	13	360-6	H23125	7	110-7	RE19797	16	160-89
AT21535	1	400-4	H23125	3	110-9	RE19797	14	160-95
AT22919	4	360-6	H23125	4	110-11	RE19797	16	160-95
AT22919	12	360-6	H35244	14	470-1	RE19797	14	160-101
AT24252	8	360-6	H98792	12	230-3	RE19797	16	160-101
AT3740	27	460-7	L30291	6	200-5	RE19797	10	160-107

995-2

ENGINES FOR GENSETS (3029, 4045 & 6068 TIER2 - 2 & 4 VALVE)

NUMERICAL INDEX - CONTINUED

PART NO.	KEY	PAGE	PART NO.	KEY	PAGE	PART NO.	KEY	PAGE
RE19797	10	160-111	RE20901	22	160-43	RE44574	3	470-4
RE19797	11	160-115	RE20901	22	160-47	RE44574	6	470-4
RE19797	13	160-115	RE20901	11	160-51	RE44574	3	470-5
RE19797	11	160-119	RE20901	11	160-55	RE44574	6	470-5
RE19797	13	160-119	RE20901	17	160-77	RE44574	3	470-6
RE19797	11	160-123	RE20901	19	160-77	RE44574	6	470-6
RE19797	13	160-123	RE20901	17	160-83	RE44574	18	990-31
RE19797	11	160-127	RE20901	19	160-83	RE44574	17	990-33
RE19797	13	160-127	RE20901	11	160-107	RE44574	18	990-35
RE19799	12	160-7	RE20901	11	160-111	RE44574	18	990-37
RE19799	13	160-7	RE27348	9	470-1	RE46684	3	170-1
RE19799	12	160-11	RE27348	6	480-1	RE46684	9	170-6
RE19799	13	160-11	RE27349	6	480-1	RE46684	7	170-7
RE19799	15	160-15	RE27352	8	470-1	RE46684	3	170-8
RE19799	16	160-15	RE27352	1	470-2	RE46684	2	210-1
RE19799	15	160-21	RE27353	1	470-2	RE46684	5	210-1
RE19799	16	160-21	RE31285	1	650-23	RE46684	5	210-2
RE19799	12	160-39	RE31617	4	510-2	RE46684	11	210-3
RE19799	13	160-39	RE31617	4	510-4	RE46684	4	210-4
RE19799	12	160-59	RE31617	4	510-6	RE46684	6	210-5
RE19799	13	160-59	RE32011	3	160-72	RE46684	6	210-6
RE19799	12	160-63	RE32011	4	160-72	RE46684	6	210-7
RE19799	13	160-63	RE32011	6	160-72	RE46684	6	210-8
RE19799	12	160-67	RE32011	3	160-80	RE46684	6	210-9
RE19799	13	160-67	RE32011	4	160-80	RE46684	5	210-10
RE19799	15	160-71	RE32011	6	160-80	RE46684	7	390-1
RE19799	16	160-71	RE32011	3	160-86	RE46684	7	390-2
RE19799	15	160-89	RE32011	4	160-86	RE46685	8	190-8
RE19799	16	160-89	RE32011	6	160-86	RE46685	8	440-5
RE19799	15	160-95	RE32011	3	160-90	RE46685	8	440-7
RE19799	16	160-95	RE32011	4	160-90	RE46685	8	440-9
RE19799	15	160-101	RE32011	6	160-90	RE46685	8	440-11
RE19799	16	160-101	RE32140	2	110-3	RE46685	8	440-13
RE19799	12	160-115	RE33705	1	220-2	RE46685	13	440-15
RE19799	13	160-115	RE38009	1	370-4	RE46685	6	460-3
RE19799	12	160-119	RE40048	2	640-2	RE46685	6	460-7
RE19799	13	160-119	RE40048	2	640-3	RE46685	6	460-9
RE19799	12	160-123	RE40048	2	640-4	RE46685	6	460-11
RE19799	13	160-123	RE40473	9	190-2	RE46685	6	460-13
RE19799	12	160-127	RE42713	2	140-1	RE46685	6	460-15
RE19799	13	160-127	RE42713	6	170-1	RE46685	6	460-17
RE19800	18	160-27	RE42713	7	170-4	RE46685	6	570-2
RE19800	19	160-27	RE42713	6	170-8	RE46685	6	570-3
RE19800	18	160-33	RE42713	24	460-3	RE46685	6	590-2
RE19800	19	160-33	RE42713	28	460-5	RE46685	6	590-4
RE19800	23	160-43	RE42713	24	460-7	RE46685	6	590-6
RE19800	23	160-47	RE42713	24	460-9	RE46685	6	590-8
RE19800	18	160-77	RE42713	24	460-11	RE46685	6	590-10
RE19800	19	160-77	RE42713	24	460-13	RE46685	6	590-12
RE19800	18	160-83	RE42713	24	460-15	RE46686	13	350-5
RE19800	19	160-83	RE42713	24	460-17	RE46686	13	350-9
RE20898	7	160-51	RE42713	20	460-19	RE46686	13	350-13
RE20898	7	160-55	RE42713	16	460-21	RE46686	13	350-17
RE20898	7	160-107	RE42713	4	510-1	RE46686	13	350-21
RE20898	7	160-111	RE42713	4	510-5	RE46686	6	350-22
RE20899	8	160-51	RE42713	4	510-7	RE46686	13	350-25
RE20899	8	160-55	RE42713	4	510-9	RE46686	9	350-28
RE20899	8	160-107	RE44199	1	120-1	RE46686	13	350-31
RE20899	8	160-111	RE44202	3	110-3	RE46686	8	590-2
RE20900	9	160-51	RE44574	9	140-1	RE46686	8	590-4
RE20900	9	160-55	RE44574	8	140-2	RE46686	8	590-6
RE20900	9	160-107	RE44574	8	140-3	RE46686	8	590-8
RE20900	9	160-111	RE44574	8	140-4	RE46686	8	590-10
RE20901	17	160-27	RE44574	8	140-5	RE46686	8	590-12
RE20901	19	160-27	RE44574	11	470-1	RE46686	1	630-3
RE20901	17	160-33	RE44574	3	470-3	RE46686	19	630-5
RE20901	19	160-33	RE44574	6	470-3	RE46686	6	630-7

995-3

ENGINES FOR GENSETS (3029, 4045 & 6068 TIER2 - 2 & 4 VALVE)

NUMERICAL INDEX - CONTINUED

PART NO.	KEY	PAGE	PART NO.	KEY	PAGE	PART NO.	KEY	PAGE
RE46686	11	630-9	RE500576	12	630-9	RE502987	4	110-4
RE46686	11	630-11	RE500576	12	630-11	RE502987	4	110-5
RE46686	9	630-13	RE500576	12	630-13	RE503039	7	650-25
RE46686	13	630-15	RE500576	15	630-15	RE503108	1	300-2
RE46686	13	630-17	RE500576	15	630-17	RE503108	1	300-4
RE46686	14	630-19	RE500576	16	630-19	RE503108	1	300-6
RE46686	14	630-21	RE500576	16	630-21	RE503108	1	300-8
RE46686	9	630-23	RE500576	12	630-23	RE503108	9	300-13
RE46686	11	630-25	RE500576	12	630-25	RE503108	9	300-14
RE46686	11	630-27	RE500576	12	630-27	RE503108	9	300-15
RE46686	6	630-29	RE500608	1	480-2	RE503108	9	300-16
RE46686	12	810-3	RE500608	1	480-3	RE503119	4	300-1
RE46686	13	810-7	RE500608	1	480-4	RE503119	3	300-3
RE46686	13	810-11	RE500608	1	480-6	RE503119	3	300-5
RE46686	13	810-15	RE500608	8	480-9	RE503119	3	300-7
RE46686	13	810-19	RE500608	8	480-11	RE503208	4	650-3
RE46686	13	810-23	RE500673	7	480-1	RE503208	4	650-5
RE46686	13	810-27	RE500673	9	480-1	RE503208	7	650-7
RE46687	5	190-4	RE500673	10	480-1	RE503208	7	650-9
RE46687	5	190-5	RE500722	3	300-2	RE503208	7	650-11
RE46687	5	190-6	RE500722	3	300-4	RE503208	4	650-13
RE46687	5	190-7	RE500722	3	300-6	RE503208	4	650-15
RE46687	12	190-8	RE500722	3	300-8	RE503208	4	650-29
RE46687	20	440-13	RE500722	11	300-13	RE503208	14	650-33
RE46687	4	440-15	RE500722	11	300-14	RE503211	7	650-17
RE47519	3	250-1	RE500722	11	300-15	RE503211	7	650-25
RE48786	1	160-8	RE500722	11	300-16	RE503211	7	650-27
RE48786	1	160-12	RE500784	3	650-23	RE503212	7	650-17
RE48786	1	160-30	RE500791	3	170-2	RE503212	6	650-19
RE48786	1	160-36	RE501214	7	370-4	RE503212	6	650-21
RE48786	1	160-40	RE501455	37	990-31	RE503212	7	650-25
RE48786	1	160-52	RE501456	35	990-35	RE503212	4	650-31
RE48786	1	160-56	RE501675	1	480-1	RE503242	1	160-9
RE48786	1	160-68	RE502095	1	150-5	RE503242	1	160-13
RE48786	1	160-96	RE502173	15	630-3	RE503242	1	160-41
RE48786	1	160-102	RE502173	5	630-5	RE503242	1	160-53
RE48786	1	160-108	RE502173	7	630-9	RE503242	1	160-57
RE48786	1	160-112	RE502173	7	630-11	RE503242	1	160-61
RE48786	1	160-124	RE502173	7	630-25	RE503242	1	160-65
RE48786	1	160-128	RE502173	7	630-27	RE503242	1	160-69
RE500002	1	480-5	RE502174	26	630-9	RE503242	1	160-109
RE500002	1	480-7	RE502174	26	630-11	RE503242	1	160-113
RE500044	12	630-29	RE502174	26	630-25	RE503242	1	160-117
RE500066	2	310-4	RE502174	26	630-27	RE503242	1	160-121
RE500066	2	310-6	RE502175	27	630-9	RE503242	1	160-125
RE500066	2	310-8	RE502175	27	630-11	RE503242	1	160-129
RE500066	2	310-16	RE502175	27	630-25	RE503250	3	170-5
RE500068	1	310-4	RE502175	27	630-27	RE503300	3	640-1
RE500068	1	310-6	RE502446	2	450-1	RE503543	1	310-3
RE500068	1	310-8	RE502446	8	450-1	RE503543	1	310-5
RE500068	1	310-16	RE502446	2	450-2	RE503543	1	310-7
RE500211	9	480-1	RE502446	8	450-2	RE503664	2	230-1
RE500250	2	120-5	RE502447	1	450-1	RE503664	3	230-1
RE500398	1	150-1	RE502447	8	450-1	RE503664	5	230-1
RE500398	1	150-2	RE502447	1	450-2	RE503664	2	230-2
RE500398	1	150-3	RE502447	8	450-2	RE503664	3	230-2
RE500398	1	150-4	RE502448	2	450-3	RE503664	5	230-2
RE500448	8	450-1	RE502448	8	450-3	RE503664	2	230-3
RE500448	8	450-2	RE502449	1	450-3	RE503664	3	230-3
RE500448	8	450-3	RE502449	8	450-3	RE503664	5	230-3
RE500449	8	450-1	RE502657	1	970-2	RE503664	1	230-4
RE500449	8	450-2	RE502668	1	970-1	RE503664	3	230-4
RE500449	8	450-3	RE502740	1	400-1	RE503867	1	760-1
RE500565	9	350-28	RE502740	1	400-2	RE503867	1	760-2
RE500576	3	630-3	RE502740	1	400-3	RE503883	1	660-1
RE500576	23	630-5	RE502903	7	170-2	RE503883	1	660-2
RE500576	12	630-7	RE502903	5	170-3	RE504209	3	490-5

995-4

ENGINES FOR GENSETS (3029, 4045 & 6068 TIER2 - 2 & 4 VALVE)

NUMERICAL INDEX - CONTINUED

PART NO.	KEY	PAGE	PART NO.	KEY	PAGE	PART NO.	KEY	PAGE
RE504209	3	490-7	RE506118	3	630-15	RE507541	15	160-135
RE504210	2	490-5	RE506118	3	630-17	RE507541	15	160-139
RE504210	2	490-7	RE506118	3	630-19	RE507581	2	370-3
RE504233	4	370-3	RE506118	3	630-21	RE507581	2	370-7
RE504233	4	370-5	RE506195	3	470-5	RE507595	10	460-9
RE504233	4	370-6	RE506195	3	470-6	RE507595	10	460-13
RE504233	4	370-7	RE506196	1	310-9	RE507595	10	460-15
RE504562	3	880-1	RE506196	6	310-9	RE507595	2	460-19
RE504563	3	880-5	RE506196	1	310-11	RE507598	8	630-7
RE504563	3	880-7	RE506196	6	310-11	RE507598	2	630-13
RE504564	2	880-3	RE506196	1	310-13	RE507598	2	630-23
RE504580	1	430-3	RE506196	6	310-13	RE507598	8	630-29
RE504580	1	430-4	RE506197	8	310-1	RE507646	10	160-15
RE504836	8	880-1	RE506322	6	310-1	RE507646	10	160-21
RE504836	11	880-3	RE506322	8	310-1	RE507646	10	160-71
RE504836	13	880-3	RE506322	1	310-9	RE507646	10	160-89
RE504836	21	880-5	RE506322	6	310-9	RE507646	10	160-95
RE504836	21	880-7	RE506322	1	310-11	RE507646	10	160-101
RE504914	2	500-3	RE506322	6	310-11	RE507647	11	160-15
RE504914	2	500-4	RE506322	1	310-13	RE507647	11	160-21
RE504914	2	500-5	RE506322	6	310-13	RE507647	11	160-71
RE505227	2	160-43	RE506322	12	310-17	RE507647	11	160-89
RE505227	2	160-47	RE506322	12	310-18	RE507647	11	160-95
RE505227	1	630-15	RE506655	7	190-4	RE507647	11	160-101
RE505227	1	630-17	RE506655	7	190-6	RE507648	12	160-15
RE505227	1	630-19	RE506656	9	190-1	RE507648	12	160-21
RE505227	1	630-21	RE506656	7	190-2	RE507648	12	160-71
RE505232	12	880-3	RE506656	6	190-3	RE507648	12	160-89
RE505232	14	880-5	RE506664	1	160-45	RE507648	12	160-95
RE505232	14	880-7	RE506665	1	160-49	RE507648	12	160-101
RE505264	3	870-1	RE506680	1	160-43	RE507649	13	160-15
RE505264	3	870-2	RE506681	1	160-47	RE507649	13	160-21
RE505264	3	870-3	RE506688	1	160-44	RE507649	13	160-71
RE505489	7	310-19	RE506688	1	160-48	RE507649	13	160-89
RE505489	9	310-19	RE507149	10	460-17	RE507649	13	160-95
RE505489	12	310-20	RE507149	2	460-21	RE507649	13	160-101
RE505501	31	440-5	RE507163	14	160-43	RE507653	14	160-43
RE505501	31	440-7	RE507163	15	160-43	RE507653	14	160-47
RE505501	31	440-9	RE507163	16	160-43	RE507654	14	160-43
RE505501	31	440-11	RE507163	17	160-43	RE507654	14	160-47
RE505501	23	440-13	RE507163	18	160-43	RE507655	14	160-43
RE505501	28	460-3	RE507163	19	160-43	RE507655	14	160-47
RE505501	18	460-7	RE507163	20	160-43	RE507656	14	160-43
RE505501	28	460-9	RE507163	14	160-47	RE507656	14	160-47
RE505501	28	460-11	RE507163	15	160-47	RE507657	14	160-43
RE505501	28	460-13	RE507163	16	160-47	RE507657	14	160-47
RE505501	28	460-15	RE507163	17	160-47	RE507658	14	160-43
RE505501	18	460-17	RE507163	18	160-47	RE507658	14	160-47
RE505501	12	460-19	RE507163	19	160-47	RE507758	9	480-2
RE505501	13	460-21	RE507163	20	160-47	RE507758	9	480-6
RE505840	1	440-13	RE507487	7	670-1	RE507766	1	160-72
RE505840	2	440-13	RE507537	26	160-131	RE507766	1	160-80
RE505840	1	440-15	RE507537	27	160-135	RE507766	1	160-86
RE505840	2	440-15	RE507537	27	160-139	RE507766	1	160-90
RE505881	3	130-4	RE507537	26	160-143	RE507777	1	510-7
RE505895	7	310-17	RE507538	27	160-131	RE507807	26	460-3
RE505895	7	310-18	RE507538	28	160-135	RE507807	31	460-5
RE505895	7	310-20	RE507538	28	160-139	RE507807	26	460-7
RE505921	3	470-3	RE507538	27	160-143	RE507807	26	460-9
RE505921	3	470-4	RE507539	16	160-131	RE507807	26	460-11
RE505939	3	130-3	RE507539	17	160-135	RE507807	26	460-13
RE505980	7	440-5	RE507539	17	160-139	RE507807	26	460-15
RE505980	7	440-7	RE507539	16	160-143	RE507807	26	460-17
RE505980	7	440-13	RE507540	15	160-131	RE507807	22	460-19
RE505980	15	440-15	RE507540	16	160-135	RE507807	19	460-21
RE505981	7	440-9	RE507540	16	160-139	RE507828	1	460-5
RE505981	7	440-11	RE507540	15	160-143	RE507828	26	460-5

995-5

ENGINES FOR GENSETS (3029, 4045 & 6068 TIER2 - 2 & 4 VALVE)

NUMERICAL INDEX - CONTINUED

PART NO.	KEY	PAGE	PART NO.	KEY	PAGE	PART NO.	KEY	PAGE
RE507828	1	990-3	RE508599	2	590-13	RE508973	7	650-29
RE507850	7	480-3	RE508716	8	160-18	RE508985	1	350-2
RE507850	9	480-3	RE508716	8	160-24	RE508985	1	350-5
RE507850	10	480-3	RE508716	2	160-72	RE508985	7	350-5
RE507850	7	480-4	RE508716	2	160-80	RE508985	8	350-5
RE507850	9	480-4	RE508716	2	160-86	RE508985	10	350-5
RE507850	10	480-4	RE508716	2	160-90	RE508985	11	350-5
RE507852	8	480-3	RE508742	2	170-6	RE508985	14	350-5
RE507852	8	480-4	RE508847	1	810-3	RE508985	17	350-5
RE507852	8	480-5	RE508847	10	810-3	RE508987	1	880-3
RE507863	22	160-135	RE508847	13	810-3	RE509031	3	350-9
RE507863	22	160-139	RE508847	16	810-3	RE509031	16	350-9
RE507920	7	480-5	RE508847	1	810-7	RE509031	25	350-9
RE507920	9	480-5	RE508847	7	810-7	RE509031	26	350-9
RE507920	10	480-5	RE508847	10	810-7	RE509031	27	350-9
RE507952	13	190-8	RE508847	11	810-7	RE509031	3	350-13
RE507959	1	160-131	RE508847	14	810-7	RE509031	16	350-13
RE507959	1	160-135	RE508847	17	810-7	RE509031	25	350-13
RE507959	1	160-139	RE508847	1	810-11	RE509031	26	350-13
RE507959	1	160-143	RE508847	7	810-11	RE509031	27	350-13
RE507972	21	160-131	RE508847	10	810-11	RE509031	3	350-21
RE507972	21	160-143	RE508847	11	810-11	RE509031	16	350-21
RE508115	2	250-2	RE508847	14	810-11	RE509031	25	350-21
RE508115	2	250-5	RE508847	17	810-11	RE509031	26	350-21
RE508168	5	300-9	RE508847	1	810-15	RE509031	27	350-21
RE508168	5	300-10	RE508847	7	810-15	RE509032	3	350-17
RE508168	5	300-11	RE508847	10	810-15	RE509032	16	350-17
RE508168	8	300-12	RE508847	11	810-15	RE509032	25	350-17
RE508169	6	300-9	RE508847	14	810-15	RE509032	26	350-17
RE508169	6	300-10	RE508847	17	810-15	RE509032	27	350-17
RE508169	6	300-11	RE508847	1	810-19	RE509033	4	810-3
RE508169	6	300-12	RE508847	7	810-19	RE509033	7	810-3
RE508185	4	460-3	RE508847	10	810-19	RE509036	3	810-23
RE508185	4	460-7	RE508847	11	810-19	RE509036	16	810-23
RE508185	4	460-9	RE508847	14	810-19	RE509036	25	810-23
RE508185	4	460-11	RE508847	17	810-19	RE509036	26	810-23
RE508185	4	460-13	RE508847	1	810-23	RE509036	27	810-23
RE508185	4	460-15	RE508847	7	810-23	RE509093	7	160-136
RE508185	4	460-17	RE508847	10	810-23	RE509093	7	160-140
RE508185	18	460-19	RE508847	11	810-23	RE509112	7	160-132
RE508185	21	460-21	RE508847	14	810-23	RE509112	7	160-144
RE508299	2	250-3	RE508847	17	810-23	RE509208	3	810-3
RE508299	2	250-4	RE508847	1	810-27	RE509208	15	810-3
RE508317	5	490-1	RE508847	7	810-27	RE509208	24	810-3
RE508317	5	490-2	RE508847	8	810-27	RE509208	25	810-3
RE508317	5	490-3	RE508847	10	810-27	RE509208	26	810-3
RE508489	8	360-1	RE508847	11	810-27	RE509208	3	810-7
RE508489	8	360-2	RE508847	14	810-27	RE509208	16	810-7
RE508566	16	440-5	RE508847	17	810-27	RE509208	25	810-7
RE508566	16	440-7	RE508857	8	810-7	RE509208	26	810-7
RE508566	16	440-9	RE508857	8	810-11	RE509208	27	810-7
RE508566	16	440-11	RE508857	8	810-15	RE509208	3	810-11
RE508566	16	440-13	RE508857	8	810-19	RE509208	16	810-11
RE508566	25	440-15	RE508857	8	810-23	RE509208	25	810-11
RE508578	3	130-1	RE508892	1	630-9	RE509208	26	810-11
RE508578	3	130-2	RE508892	1	630-11	RE509208	27	810-11
RE508599	1	590-3	RE508892	1	630-25	RE509208	3	810-15
RE508599	2	590-3	RE508892	1	630-27	RE509208	16	810-15
RE508599	1	590-5	RE508893	4	630-9	RE509208	25	810-15
RE508599	2	590-5	RE508893	4	630-11	RE509208	26	810-15
RE508599	1	590-7	RE508893	4	630-25	RE509208	27	810-15
RE508599	2	590-7	RE508893	4	630-27	RE509208	3	810-19
RE508599	1	590-9	RE508932	8	360-3	RE509208	16	810-19
RE508599	2	590-9	RE508932	8	360-4	RE509208	25	810-19
RE508599	1	590-11	RE508932	8	360-5	RE509208	26	810-19
RE508599	2	590-11	RE508971	7	650-3	RE509208	27	810-19
RE508599	1	590-13	RE508973	7	650-5	RE509208	3	810-27

995-6

ENGINES FOR GENSETS (3029, 4045 & 6068 TIER2 - 2 & 4 VALVE)

NUMERICAL INDEX - CONTINUED

PART NO.	KEY	PAGE	PART NO.	KEY	PAGE	PART NO.	KEY	PAGE
RE509208	16	810-27	RE515228	15	160-27	RE515693	1	630-29
RE509208	25	810-27	RE515228	15	160-33	RE515706	7	630-7
RE509208	26	810-27	RE515228	15	160-77	RE515706	7	630-29
RE509208	27	810-27	RE515228	15	160-83	RE515718	10	810-5
RE509283	21	160-51	RE515229	14	160-27	RE515733	2	650-25
RE509283	21	160-55	RE515229	14	160-33	RE515772	2	430-2
RE509283	21	160-107	RE515229	14	160-77	RE515772	2	430-3
RE509283	21	160-111	RE515229	14	160-83	RE515773	2	430-1
RE509435	2	650-9	RE515230	13	160-27	RE515773	2	430-4
RE509535	2	650-9	RE515230	13	160-33	RE515896	15	650-17
RE509540	9	480-3	RE515230	13	160-77	RE515896	16	650-25
RE509540	9	480-4	RE515230	13	160-83	RE515896	15	650-27
RE509637	14	630-15	RE515231	12	160-27	RE515986	19	160-131
RE509637	15	630-19	RE515231	12	160-33	RE515986	20	160-135
RE509638	8	630-15	RE515231	12	160-77	RE515986	20	160-139
RE509638	8	630-17	RE515231	12	160-83	RE515986	19	160-143
RE509638	9	630-19	RE515232	11	160-27	RE516008	14	650-19
RE509638	9	630-21	RE515232	11	160-33	RE516008	14	650-21
RE509639	16	630-15	RE515232	11	160-77	RE516026	4	390-1
RE509639	16	630-17	RE515232	11	160-83	RE516027	4	390-2
RE509639	17	630-19	RE515233	10	160-27	RE516228	7	480-2
RE509639	17	630-21	RE515233	10	160-33	RE516228	9	480-2
RE509666	2	190-4	RE515233	10	160-77	RE516228	10	480-2
RE509666	2	190-6	RE515233	10	160-83	RE516228	7	480-6
RE509777	6	310-17	RE515236	1	630-13	RE516228	9	480-6
RE509777	6	310-18	RE515236	17	630-13	RE516228	10	480-6
RE509777	6	310-20	RE515236	1	630-23	RE516230	1	990-23
RE509794	1	350-9	RE515236	17	630-23	RE516266	1	990-27
RE509794	7	350-9	RE51527	7	440-3	RE516268	8	480-2
RE509794	8	350-9	RE51527	7	440-17	RE516268	8	480-6
RE509794	10	350-9	RE51527	22	440-19	RE516289	2	250-6
RE509794	11	350-9	RE515314	10	440-9	RE516289	2	250-7
RE509794	17	350-9	RE515314	13	440-9	RE516289	2	250-8
RE509794	1	350-13	RE515314	10	440-11	RE516335	40	160-3
RE509794	7	350-13	RE515314	13	440-11	RE516335	16	160-5
RE509794	8	350-13	RE515323	1	500-1	RE516335	23	160-131
RE509794	10	350-13	RE515323	6	500-1	RE516335	24	160-135
RE509794	11	350-13	RE515326	16	810-5	RE516335	24	160-139
RE509794	17	350-13	RE515360	27	630-3	RE516335	23	160-143
RE509794	1	350-17	RE515360	16	630-5	RE516336	31	160-3
RE509794	7	350-17	RE515360	7	630-13	RE516336	33	160-5
RE509794	8	350-17	RE515360	7	630-23	RE516336	29	160-131
RE509794	10	350-17	RE515372	9	480-5	RE516336	30	160-135
RE509794	11	350-17	RE515512	25	630-5	RE516336	30	160-139
RE509794	17	350-17	RE515512	8	630-13	RE516336	29	160-143
RE509794	1	350-21	RE515512	8	630-23	RE516340	6	440-5
RE509794	7	350-21	RE515560	5	630-9	RE516340	6	440-7
RE509794	8	350-21	RE515560	5	630-11	RE516340	6	440-9
RE509794	10	350-21	RE515560	5	630-25	RE516340	6	440-11
RE509794	11	350-21	RE515560	5	630-27	RE516340	6	440-13
RE509794	17	350-21	RE515581	8	170-7	RE516340	9	440-15
RE509803	1	510-9	RE515611	10	460-7	RE516340	1	470-3
RE509807	2	650-7	RE515612	10	460-11	RE516340	3	470-3
RE509809	2	650-7	RE515622	1	430-1	RE516340	1	470-4
RE509809	2	650-25	RE515622	1	430-2	RE516340	3	470-4
RE509813	10	440-5	RE515635	24	160-131	RE516340	1	470-5
RE509813	10	440-7	RE515635	25	160-135	RE516340	3	470-5
RE509813	10	440-13	RE515635	25	160-139	RE516340	1	470-6
RE509813	13	440-13	RE515635	24	160-143	RE516340	3	470-6
RE509813	19	440-15	RE515636	39	160-3	RE516340	19	990-31
RE509813	20	440-15	RE515636	19	160-5	RE516340	18	990-33
RE509813	21	440-15	RE515636	22	160-131	RE516340	19	990-35
RE509813	22	440-15	RE515636	23	160-135	RE516340	19	990-37
RE509813	23	440-15	RE515636	23	160-139	RE516486	3	510-8
RE509817	7	650-5	RE515636	22	160-143	RE516486	3	510-10
RE509818	7	650-3	RE515660	1	990-21	RE516489	3	310-17
RE509837	1	990-25	RE515693	1	630-7	RE516489	3	310-18

995-7

ENGINES FOR GENSETS (3029, 4045 & 6068 TIER2 - 2 & 4 VALVE)

NUMERICAL INDEX - CONTINUED

PART NO.	KEY	PAGE	PART NO.	KEY	PAGE	PART NO.	KEY	PAGE
RE516489	3	310-20	RE51650	25	810-3	RE51650	28	810-23
RE51649	4	350-5	RE51650	26	810-3	RE51650	29	810-23
RE51649	4	350-9	RE51650	27	810-3	RE51650	6	810-27
RE51649	4	350-13	RE51650	28	810-3	RE51650	18	810-27
RE51649	4	350-17	RE51650	6	810-7	RE51650	19	810-27
RE51649	4	350-21	RE51650	18	810-7	RE51650	20	810-27
RE51649	4	350-25	RE51650	19	810-7	RE51650	21	810-27
RE51649	4	350-31	RE51650	20	810-7	RE51650	22	810-27
RE51649	4	810-7	RE51650	21	810-7	RE51650	23	810-27
RE51649	4	810-11	RE51650	22	810-7	RE51650	24	810-27
RE51649	4	810-15	RE51650	23	810-7	RE51650	25	810-27
RE51649	4	810-19	RE51650	24	810-7	RE51650	26	810-27
RE51649	4	810-23	RE51650	25	810-7	RE51650	27	810-27
RE516490	8	490-7	RE51650	26	810-7	RE51650	28	810-27
RE516491	8	490-5	RE51650	27	810-7	RE51650	29	810-27
RE51650	6	350-5	RE51650	28	810-7	RE51650	11	810-29
RE51650	18	350-5	RE51650	29	810-7	RE51650	6	810-31
RE51650	19	350-5	RE51650	6	810-11	RE516512	9	350-5
RE51650	20	350-5	RE51650	18	810-11	RE516512	9	350-9
RE51650	21	350-5	RE51650	19	810-11	RE516512	9	350-13
RE51650	22	350-5	RE51650	20	810-11	RE516512	9	350-17
RE51650	23	350-5	RE51650	21	810-11	RE516512	9	350-21
RE51650	24	350-5	RE51650	22	810-11	RE516512	9	350-25
RE51650	25	350-5	RE51650	23	810-11	RE516512	7	350-27
RE51650	26	350-5	RE51650	24	810-11	RE516512	9	350-31
RE51650	27	350-5	RE51650	25	810-11	RE516512	9	810-3
RE51650	28	350-5	RE51650	26	810-11	RE516512	9	810-7
RE51650	29	350-5	RE51650	27	810-11	RE516512	9	810-11
RE51650	6	350-9	RE51650	28	810-11	RE516512	9	810-15
RE51650	6	350-13	RE51650	29	810-11	RE516512	9	810-19
RE51650	6	350-17	RE51650	6	810-15	RE516512	9	810-23
RE51650	6	350-21	RE51650	18	810-15	RE516512	9	810-27
RE51650	6	350-25	RE51650	19	810-15	RE516512	8	810-29
RE51650	18	350-25	RE51650	20	810-15	RE516512	3	810-31
RE51650	19	350-25	RE51650	21	810-15	RE516540	3	160-132
RE51650	20	350-25	RE51650	22	810-15	RE516540	9	160-132
RE51650	21	350-25	RE51650	23	810-15	RE516540	3	160-136
RE51650	22	350-25	RE51650	24	810-15	RE516540	9	160-136
RE51650	23	350-25	RE51650	25	810-15	RE516540	3	160-140
RE51650	24	350-25	RE51650	26	810-15	RE516540	9	160-140
RE51650	25	350-25	RE51650	27	810-15	RE516540	3	160-144
RE51650	26	350-25	RE51650	28	810-15	RE516540	9	160-144
RE51650	27	350-25	RE51650	29	810-15	RE516553	2	350-5
RE51650	28	350-25	RE51650	6	810-19	RE516553	18	350-5
RE51650	29	350-25	RE51650	18	810-19	RE516553	20	350-5
RE51650	6	350-31	RE51650	19	810-19	RE516553	25	350-5
RE51650	18	350-31	RE51650	20	810-19	RE516553	26	350-5
RE51650	19	350-31	RE51650	21	810-19	RE516553	29	350-5
RE51650	20	350-31	RE51650	22	810-19	RE516553	2	350-9
RE51650	21	350-31	RE51650	23	810-19	RE516553	25	350-9
RE51650	22	350-31	RE51650	24	810-19	RE516553	26	350-9
RE51650	23	350-31	RE51650	25	810-19	RE516553	2	350-13
RE51650	24	350-31	RE51650	26	810-19	RE516553	25	350-13
RE51650	25	350-31	RE51650	27	810-19	RE516553	26	350-13
RE51650	26	350-31	RE51650	28	810-19	RE516553	2	350-17
RE51650	27	350-31	RE51650	29	810-19	RE516553	25	350-17
RE51650	28	350-31	RE51650	6	810-23	RE516553	26	350-17
RE51650	29	350-31	RE51650	18	810-23	RE516553	2	350-21
RE51650	6	810-3	RE51650	19	810-23	RE516553	25	350-21
RE51650	17	810-3	RE51650	20	810-23	RE516553	26	350-21
RE51650	18	810-3	RE51650	21	810-23	RE516553	2	350-25
RE51650	19	810-3	RE51650	22	810-23	RE516553	18	350-25
RE51650	20	810-3	RE51650	23	810-23	RE516553	20	350-25
RE51650	21	810-3	RE51650	24	810-23	RE516553	25	350-25
RE51650	22	810-3	RE51650	25	810-23	RE516553	26	350-25
RE51650	23	810-3	RE51650	26	810-23	RE516553	29	350-25
RE51650	24	810-3	RE51650	27	810-23	RE516553	4	350-27

995-8

ENGINES FOR GENSETS (3029, 4045 & 6068 TIER2 - 2 & 4 VALVE)

NUMERICAL INDEX - CONTINUED

PART NO.	KEY	PAGE	PART NO.	KEY	PAGE	PART NO.	KEY	PAGE
RE516553	2	350-31	RE516784	7	650-15	RE518088	1	160-77
RE516553	18	350-31	RE516784	2	650-21	RE518088	1	160-83
RE516553	20	350-31	RE516999	31	160-131	RE518112	1	300-9
RE516553	25	350-31	RE516999	32	160-135	RE518112	1	300-10
RE516553	26	350-31	RE516999	32	160-139	RE518112	1	300-11
RE516553	29	350-31	RE516999	31	160-143	RE518152	32	990-37
RE516553	2	810-3	RE517057	13	390-1	RE518154	32	990-37
RE516553	17	810-3	RE517057	13	390-2	RE518167	1	160-15
RE516553	19	810-3	RE517180	3	810-23	RE518167	1	160-21
RE516553	24	810-3	RE517181	3	810-3	RE518176	23	160-71
RE516553	25	810-3	RE517181	3	810-7	RE518176	26	160-77
RE516553	28	810-3	RE517181	3	810-11	RE518176	23	160-95
RE516553	2	810-7	RE517181	3	810-15	RE518198	36	990-33
RE516553	18	810-7	RE517181	3	810-19	RE518199	35	990-33
RE516553	20	810-7	RE517219	16	630-11	RE518200	34	990-33
RE516553	25	810-7	RE517219	16	630-25	RE518729	27	630-17
RE516553	26	810-7	RE517221	24	630-11	RE518729	28	630-21
RE516553	29	810-7	RE517221	24	630-25	RE518732	28	630-17
RE516553	2	810-11	RE517223	32	160-131	RE518732	29	630-21
RE516553	18	810-11	RE517223	33	160-135	RE518744	3	190-1
RE516553	20	810-11	RE517223	33	160-139	RE519015	1	160-51
RE516553	25	810-11	RE517223	32	160-143	RE519015	1	160-107
RE516553	26	810-11	RE517230	2	370-5	RE519016	1	160-55
RE516553	29	810-11	RE517230	2	370-6	RE519016	1	160-111
RE516553	2	810-15	RE517234	16	630-9	RE519023	1	160-59
RE516553	18	810-15	RE517234	16	630-27	RE519023	1	160-115
RE516553	20	810-15	RE517236	2	650-19	RE519024	1	160-63
RE516553	25	810-15	RE517239	2	650-17	RE519024	1	160-119
RE516553	26	810-15	RE517245	19	630-9	RE519069	1	160-67
RE516553	29	810-15	RE517245	19	630-11	RE519069	1	160-123
RE516553	2	810-19	RE517245	19	630-25	RE519070	1	160-39
RE516553	18	810-19	RE517245	19	630-27	RE519070	1	160-127
RE516553	20	810-19	RE517246	24	630-9	RE519115	4	510-8
RE516553	25	810-19	RE517246	24	630-27	RE519115	4	510-10
RE516553	26	810-19	RE517248	2	650-19	RE519144	4	670-1
RE516553	29	810-19	RE517304	5	310-17	RE519144	4	670-2
RE516553	2	810-23	RE517304	5	310-18	RE519144	4	670-3
RE516553	18	810-23	RE517304	5	310-20	RE519144	4	670-5
RE516553	20	810-23	RE517370	30	160-3	RE519569	1	160-60
RE516553	25	810-23	RE517370	30	160-5	RE519569	1	160-64
RE516553	26	810-23	RE517370	17	440-3	RE519569	1	160-116
RE516553	29	810-23	RE517370	4	440-5	RE519569	1	160-120
RE516553	2	810-27	RE517370	4	440-7	RE519626	13	590-15
RE516553	18	810-27	RE517370	4	440-9	RE519696	12	810-29
RE516553	20	810-27	RE517370	4	440-11	RE519696	7	810-31
RE516553	25	810-27	RE517370	4	440-13	RE519735	1	490-3
RE516553	26	810-27	RE517370	7	440-15	RE519736	1	490-1
RE516553	29	810-27	RE517435	39	160-5	RE519737	1	490-2
RE516553	10	810-29	RE517435	3	510-7	RE519740	6	880-5
RE516553	4	810-31	RE517435	3	510-9	RE519740	6	880-7
RE516567	7	300-9	RE517799	2	650-21	RE519741	8	880-5
RE516567	7	300-10	RE518080	6	510-8	RE519741	8	880-7
RE516567	7	300-11	RE518080	6	510-10	RE519770	17	440-19
RE516567	7	300-12	RE518081	8	510-8	RE519775	26	160-83
RE516582	1	440-5	RE518081	8	510-10	RE519775	23	160-89
RE516582	1	440-7	RE518082	5	510-8	RE519775	23	160-101
RE516653	2	650-11	RE518082	5	510-10	RE519885	10	880-5
RE516653	2	650-27	RE518083	7	510-8	RE519885	10	880-7
RE516654	2	650-11	RE518083	7	510-10	RE519895	1	490-5
RE516654	2	650-27	RE518086	1	160-15	RE519895	10	490-5
RE516661	2	650-17	RE518086	1	160-21	RE519896	1	490-7
RE516674	1	440-9	RE518086	1	160-95	RE519896	10	490-7
RE516683	14	630-17	RE518086	1	160-101	RE520138	11	630-7
RE516683	15	630-21	RE518087	1	160-71	RE520138	11	630-29
RE516783	7	650-13	RE518087	1	160-89	RE520147	5	190-8
RE516783	7	650-15	RE518088	1	160-27	RE52020	1	500-1
RE516784	7	650-13	RE518088	1	160-33	RE52020	1	500-2

995-9

ENGINES FOR GENSETS (3029, 4045 & 6068 TIER2 - 2 & 4 VALVE)

NUMERICAL INDEX - CONTINUED

PART NO.	KEY	PAGE	PART NO.	KEY	PAGE	PART NO.	KEY	PAGE
RE52020	3	500-2	RE521824	3	160-17	RE523409	2	190-4
RE520368	16	880-5	RE521824	3	160-23	RE523409	7	190-5
RE520368	17	880-5	RE521824	3	160-29	RE523409	2	190-6
RE520368	18	880-5	RE521824	3	160-35	RE523409	7	190-7
RE520368	16	880-7	RE521824	3	160-75	RE523464	17	630-3
RE520368	17	880-7	RE521824	3	160-79	RE523464	4	630-5
RE520368	18	880-7	RE521824	3	160-85	RE523502	1	300-9
RE520374	1	460-13	RE521824	3	160-93	RE523502	8	300-9
RE520376	1	460-9	RE521824	3	160-99	RE523502	1	300-10
RE520376	1	990-7	RE521824	3	160-105	RE523502	8	300-10
RE520378	1	460-15	RE521825	4	160-17	RE523502	1	300-11
RE520378	1	990-9	RE521825	4	160-23	RE523502	8	300-11
RE520380	1	460-11	RE521825	4	160-29	RE523502	1	300-12
RE520380	1	990-11	RE521825	4	160-35	RE523502	11	300-12
RE520385	1	460-17	RE521825	4	160-75	RE524220	24	630-3
RE520385	1	990-13	RE521825	4	160-79	RE524220	9	630-5
RE520387	1	460-7	RE521825	4	160-85	RE524453	4	480-11
RE520387	1	990-15	RE521825	4	160-93	RE524562	2	220-2
RE520493	8	650-35	RE521825	4	160-99	RE524723	3	350-27
RE520493	1	910-1	RE521825	4	160-105	RE524730	1	160-3
RE520539	5	110-1	RE521840	1	460-3	RE524730	7	160-5
RE520539	5	110-2	RE521840	1	990-5	RE524730	8	810-31
RE520540	5	110-4	RE522076	1	220-1	RE524730	26	840-3
RE520540	5	110-5	RE522079	16	290-7	RE524730	6	840-5
RE520589	9	480-7	RE522109	5	160-17	RE525016	1	670-5
RE520835	7	480-7	RE522109	5	160-23	RE525782	20	630-3
RE520835	9	480-7	RE522109	5	160-29	RE525782	13	630-5
RE520835	10	480-7	RE522109	5	160-35	RE525786	10	630-3
RE520909	1	630-13	RE522109	5	160-75	RE525839	15	630-5
RE520909	17	630-13	RE522109	5	160-79	RE526515	2	190-4
RE520909	1	630-23	RE522109	5	160-85	RE526515	14	190-5
RE520909	17	630-23	RE522109	5	160-93	RE526515	2	190-6
RE520928	22	160-135	RE522109	5	160-99	RE526515	14	190-7
RE520928	22	160-139	RE522109	5	160-105	RE526588	17	160-3
RE520929	21	160-131	RE52242	1	880-1	RE526588	46	160-5
RE520929	21	160-143	RE52242	3	880-3	RE526670	35	990-31
RE520930	36	160-3	RE52242	1	880-5	RE526671	36	990-31
RE520930	18	160-5	RE52242	1	880-7	RE526672	33	990-35
RE520930	24	160-131	RE522473	12	650-23	RE526673	34	990-35
RE520930	25	160-135	RE522510	32	160-131	RE526692	42	160-3
RE520930	25	160-139	RE522510	33	160-135	RE526692	14	160-5
RE520930	24	160-143	RE522510	33	160-139	RE526693	41	160-3
RE521348	1	470-1	RE522510	32	160-143	RE526693	13	160-5
RE521348	6	470-1	RE522527	23	160-71	RE526694	12	160-5
RE521350	10	470-1	RE522527	23	160-95	RE526754	2	470-2
RE521350	2	470-2	RE522529	26	160-83	RE526834	4	350-5
RE521765	1	990-17	RE522529	23	160-89	RE526834	7	350-5
RE521822	1	160-17	RE522529	23	160-101	RE526834	8	350-5
RE521822	1	160-23	RE522537	26	160-77	RE526834	10	350-5
RE521822	1	160-29	RE522596	15	160-5	RE526834	14	350-5
RE521822	1	160-35	RE522656	9	440-3	RE526834	17	350-5
RE521822	1	160-75	RE522656	9	440-17	RE526834	4	350-9
RE521822	1	160-79	RE522656	9	440-19	RE526834	7	350-9
RE521822	1	160-85	RE522766	1	290-7	RE526834	8	350-9
RE521822	1	160-93	RE522826	1	160-47	RE526834	10	350-9
RE521822	1	160-99	RE522827	24	630-11	RE526834	17	350-9
RE521822	1	160-105	RE522827	24	630-25	RE526834	4	350-13
RE521823	2	160-17	RE522878	5	350-27	RE526834	7	350-13
RE521823	2	160-23	RE522992	35	160-3	RE526834	8	350-13
RE521823	2	160-29	RE523023	3	490-5	RE526834	10	350-13
RE521823	2	160-35	RE523023	3	490-7	RE526834	17	350-13
RE521823	2	160-75	RE523251	11	190-5	RE526834	4	350-17
RE521823	2	160-79	RE523251	11	190-7	RE526834	7	350-17
RE521823	2	160-85	RE523253	13	190-5	RE526834	8	350-17
RE521823	2	160-93	RE523253	13	190-7	RE526834	10	350-17
RE521823	2	160-99	RE523256	2	190-5	RE526834	17	350-17
RE521823	2	160-105	RE523256	2	190-7	RE526834	4	350-21

995-10

ENGINES FOR GENSETS (3029, 4045 & 6068 TIER2 - 2 & 4 VALVE)

NUMERICAL INDEX - CONTINUED

PART NO.	KEY	PAGE	PART NO.	KEY	PAGE	PART NO.	KEY	PAGE
RE526834	7	350-21	RE527015	1	990-15	RE529643	5	810-31
RE526834	8	350-21	RE527015	33	990-37	RE529804	4	840-5
RE526834	10	350-21	RE527039	5	480-9	RE529811	15	510-13
RE526834	17	350-21	RE527039	5	480-11	RE529811	8	510-15
RE526834	4	350-25	RE527042	1	990-5	RE529914	26	630-3
RE526834	7	350-25	RE527042	1	990-7	RE529915	1	630-5
RE526834	8	350-25	RE527042	1	990-9	RE529916	22	630-3
RE526834	10	350-25	RE527042	37	990-31	RE529916	8	630-5
RE526834	14	350-25	RE527054	19	160-3	RE530620	7	630-3
RE526834	17	350-25	RE527054	36	160-5	RE530680	7	650-33
RE526834	8	350-27	RE527055	34	160-3	RE530682	12	650-31
RE526834	4	350-31	RE527055	37	160-5	RE531074	7	650-31
RE526834	7	350-31	RE527222	3	670-1	RE531116	7	160-72
RE526834	8	350-31	RE527222	3	670-2	RE531116	7	160-80
RE526834	10	350-31	RE527222	3	670-3	RE531116	7	160-86
RE526834	14	350-31	RE527222	3	670-5	RE531116	7	160-90
RE526834	17	350-31	RE527299	1	990-19	RE531209	11	160-3
RE526834	4	810-7	RE527456	11	510-13	RE531209	14	160-3
RE526834	7	810-7	RE527456	12	510-15	RE531209	40	160-5
RE526834	8	810-7	RE527528	21	160-3	RE531436	1	160-72
RE526834	10	810-7	RE527528	32	160-5	RE531436	1	160-80
RE526834	14	810-7	RE527581	5	120-5	RE531436	1	160-86
RE526834	17	810-7	RE527843	1	480-9	RE531436	1	160-90
RE526834	4	810-11	RE527843	2	480-9	RE531438	7	160-72
RE526834	7	810-11	RE527843	5	480-9	RE531438	7	160-80
RE526834	8	810-11	RE527843	1	480-11	RE531438	7	160-86
RE526834	10	810-11	RE527843	2	480-11	RE531438	7	160-90
RE526834	14	810-11	RE527843	5	480-11	RE531864	33	160-131
RE526834	17	810-11	RE527844	4	480-9	RE531864	34	160-135
RE526834	4	810-15	RE527858	1	110-9	RE531864	34	160-139
RE526834	7	810-15	RE527858	2	110-11	RE531864	33	160-143
RE526834	8	810-15	RE527858	3	160-3	RE532250	20	160-3
RE526834	10	810-15	RE527858	6	160-5	RE532250	35	160-5
RE526834	14	810-15	RE527858	27	840-3	RE532328	1	510-13
RE526834	17	810-15	RE527858	2	840-5	RE532328	2	510-13
RE526834	4	810-19	RE528096	16	160-3	RE532608	1	160-18
RE526834	7	810-19	RE528096	44	160-5	RE532608	1	160-24
RE526834	8	810-19	RE528509	1	840-5	RE532627	23	160-15
RE526834	10	810-19	RE528532	2	300-13	RE532627	23	160-71
RE526834	14	810-19	RE528532	2	300-14	RE532627	23	160-95
RE526834	17	810-19	RE528532	2	300-15	RE532628	26	160-27
RE526834	4	810-23	RE528532	2	300-16	RE532629	23	160-21
RE526834	7	810-23	RE528588	7	160-3	RE532629	26	160-33
RE526834	8	810-23	RE528588	10	160-5	RE532629	26	160-83
RE526834	10	810-23	RE528590	5	160-3	RE532629	23	160-89
RE526834	14	810-23	RE528609	1	160-5	RE532629	23	160-101
RE526834	17	810-23	RE528649	1	120-5	RE532938	1	440-9
RE526834	4	810-27	RE528742	8	110-9	RE532938	2	440-9
RE526834	7	810-27	RE528742	9	110-11	RE532938	1	440-11
RE526834	8	810-27	RE528770	1	650-33	RE532938	2	440-11
RE526834	10	810-27	RE528929	4	300-1	RE532939	1	440-5
RE526834	14	810-27	RE528929	3	300-3	RE532939	2	440-5
RE526834	17	810-27	RE528929	3	300-5	RE532939	1	440-7
RE526834	7	810-29	RE528929	3	300-7	RE532939	2	440-7
RE526834	2	810-31	RE528929	1	300-13	RE532961	1	160-7
RE526965	1	990-13	RE528929	2	300-13	RE533220	1	160-11
RE526965	35	990-35	RE528929	1	300-14	RE533345	1	510-15
RE526966	1	990-25	RE528929	2	300-14	RE533345	2	510-15
RE526971	1	990-21	RE528929	1	300-15	RE533787	7	650-31
RE526973	1	990-23	RE528929	2	300-15	RE54885	15	650-3
RE526975	1	990-27	RE528929	1	300-16	RE54885	15	650-5
RE526992	1	990-17	RE528929	2	300-16	RE54885	12	650-7
RE527008	34	990-33	RE529501	1	840-3	RE54885	12	650-9
RE527009	35	990-33	RE529619	3	120-5	RE54885	12	650-11
RE527010	1	990-11	RE529641	6	810-29	RE54885	15	650-13
RE527010	36	990-33	RE529641	1	810-31	RE54885	15	650-15
RE527014	32	990-37	RE529643	9	810-29	RE54885	12	650-17

995-11

ENGINES FOR GENSETS (3029, 4045 & 6068 TIER2 - 2 & 4 VALVE)

NUMERICAL INDEX - CONTINUED

PART NO.	KEY	PAGE	PART NO.	KEY	PAGE	PART NO.	KEY	PAGE
RE54885	11	650-19	RE59450	10	160-7	RE60030	13	630-27
RE54885	11	650-21	RE59450	10	160-11	RE60037	10	370-2
RE54885	10	650-23	RE59450	10	160-39	RE60071	7	170-2
RE54885	13	650-25	RE59450	10	160-59	RE60071	5	170-3
RE54885	12	650-27	RE59450	10	160-63	RE60071	6	170-5
RE54885	15	650-29	RE59450	10	160-67	RE60071	7	170-6
RE54885	15	650-31	RE59450	10	160-115	RE60071	4	170-7
RE54885	10	650-33	RE59450	10	160-119	RE60854	5	350-5
RE54885	13	650-35	RE59450	10	160-123	RE60854	14	350-5
RE55900	4	460-5	RE59450	10	160-127	RE60854	25	350-5
RE55900	6	460-5	RE59547	12	650-3	RE60854	26	350-5
RE56369	12	360-1	RE59547	12	650-5	RE60854	27	350-5
RE56369	12	360-2	RE59547	12	650-13	RE60854	5	350-9
RE56369	27	440-5	RE59547	12	650-15	RE60854	25	350-9
RE56369	27	440-7	RE59547	12	650-29	RE60854	26	350-9
RE56369	27	440-9	RE59801	4	110-1	RE60854	27	350-9
RE56369	27	440-11	RE59801	6	110-2	RE60854	5	350-13
RE56375	10	460-3	RE59801	4	110-4	RE60854	25	350-13
RE56690	2	590-4	RE59801	6	110-5	RE60854	26	350-13
RE56690	2	590-6	RE59810	6	440-5	RE60854	27	350-13
RE57234	2	510-1	RE59810	6	440-7	RE60854	5	350-17
RE57482	3	190-3	RE59810	6	440-9	RE60854	25	350-17
RE57489	2	510-5	RE59810	6	440-11	RE60854	26	350-17
RE57619	6	190-1	RE59810	6	440-13	RE60854	27	350-17
RE57619	8	190-3	RE59810	1	470-3	RE60854	5	350-21
RE57619	2	190-8	RE59810	1	470-4	RE60854	25	350-21
RE58515	2	310-2	RE59810	1	470-5	RE60854	26	350-21
RE58515	2	310-10	RE59810	1	470-6	RE60854	27	350-21
RE58515	2	310-12	RE59810	18	990-33	RE60854	5	350-25
RE58515	2	310-14	RE59810	19	990-35	RE60854	14	350-25
RE59241	4	190-2	RE59810	19	990-37	RE60854	25	350-25
RE59296	2	590-2	RE59812	2	590-12	RE60854	26	350-25
RE59298	2	590-8	RE60005	2	510-2	RE60854	27	350-25
RE59298	2	590-10	RE60005	2	510-4	RE60854	29	350-25
RE59438	15	650-7	RE60005	2	510-6	RE60854	6	350-27
RE59438	15	650-9	RE60005	13	510-13	RE60854	5	350-31
RE59438	15	650-11	RE60005	10	510-15	RE60854	14	350-31
RE59447	7	160-7	RE60025	8	350-28	RE60854	25	350-31
RE59447	7	160-11	RE60029	21	160-7	RE60854	26	350-31
RE59447	7	160-39	RE60029	21	160-11	RE60854	27	350-31
RE59447	7	160-59	RE60029	21	160-39	RE60854	29	350-31
RE59447	7	160-63	RE60029	24	160-51	RE60854	5	810-3
RE59447	7	160-67	RE60029	24	160-55	RE60854	13	810-3
RE59447	7	160-115	RE60029	21	160-59	RE60854	24	810-3
RE59447	7	160-119	RE60029	21	160-63	RE60854	25	810-3
RE59447	7	160-123	RE60029	21	160-67	RE60854	26	810-3
RE59447	7	160-127	RE60029	24	160-107	RE60854	5	810-7
RE59448	8	160-7	RE60029	24	160-111	RE60854	14	810-7
RE59448	8	160-11	RE60029	21	160-115	RE60854	25	810-7
RE59448	8	160-39	RE60029	21	160-119	RE60854	26	810-7
RE59448	8	160-59	RE60029	21	160-123	RE60854	27	810-7
RE59448	8	160-63	RE60029	21	160-127	RE60854	5	810-11
RE59448	8	160-67	RE60029	4	350-22	RE60854	14	810-11
RE59448	8	160-115	RE60029	4	350-28	RE60854	25	810-11
RE59448	8	160-119	RE60029	4	630-3	RE60854	26	810-11
RE59448	8	160-123	RE60029	21	630-5	RE60854	27	810-11
RE59448	8	160-127	RE60029	4	630-7	RE60854	5	810-15
RE59449	9	160-7	RE60029	11	630-13	RE60854	14	810-15
RE59449	9	160-11	RE60029	11	630-15	RE60854	25	810-15
RE59449	9	160-39	RE60029	11	630-17	RE60854	26	810-15
RE59449	9	160-59	RE60029	12	630-19	RE60854	27	810-15
RE59449	9	160-63	RE60029	12	630-21	RE60854	5	810-19
RE59449	9	160-67	RE60029	11	630-23	RE60854	14	810-19
RE59449	9	160-115	RE60029	4	630-29	RE60854	25	810-19
RE59449	9	160-119	RE60030	13	630-9	RE60854	26	810-19
RE59449	9	160-123	RE60030	13	630-11	RE60854	27	810-19
RE59449	9	160-127	RE60030	13	630-25	RE60854	5	810-23

995-12

ENGINES FOR GENSETS (3029, 4045 & 6068 TIER2 - 2 & 4 VALVE)

NUMERICAL INDEX - CONTINUED

PART NO.	KEY	PAGE	PART NO.	KEY	PAGE	PART NO.	KEY	PAGE
RE60854	14	810-23	RE64077	1	200-5	RE64292	10	160-120
RE60854	25	810-23	RE64252	3	170-4	RE64292	3	160-124
RE60854	26	810-23	RE64292	3	160-8	RE64292	6	160-124
RE60854	27	810-23	RE64292	6	160-8	RE64292	7	160-124
RE60854	5	810-27	RE64292	7	160-8	RE64292	9	160-124
RE60854	14	810-27	RE64292	9	160-8	RE64292	3	160-128
RE60854	25	810-27	RE64292	3	160-12	RE64292	6	160-128
RE60854	26	810-27	RE64292	6	160-12	RE64292	7	160-128
RE60854	27	810-27	RE64292	7	160-12	RE64292	9	160-128
RE61767	7	590-15	RE64292	9	160-12	RE64293	1	990-29
RE61812	1	670-1	RE64292	9	160-30	RE64294	1	990-3
RE61812	1	670-2	RE64292	9	160-36	RE64294	3	990-29
RE61812	1	670-3	RE64292	3	160-40	RE64354	1	220-3
RE62419	3	350-25	RE64292	6	160-40	RE64354	1	220-4
RE62419	16	350-25	RE64292	7	160-40	RE64354	1	220-5
RE62419	3	350-31	RE64292	9	160-40	RE65165	7	470-3
RE62419	16	350-31	RE64292	3	160-44	RE65165	7	470-4
RE62627	6	310-1	RE64292	6	160-44	RE65165	7	470-5
RE62658	15	200-5	RE64292	7	160-44	RE65165	7	470-6
RE62658	16	200-5	RE64292	9	160-44	RE65168	8	470-3
RE62658	17	200-5	RE64292	3	160-48	RE65168	8	470-4
RE62658	18	200-5	RE64292	6	160-48	RE65168	8	470-5
RE62666	2	300-2	RE64292	7	160-48	RE65168	8	470-6
RE62666	2	300-4	RE64292	9	160-48	RE65182	6	650-23
RE62666	2	300-6	RE64292	3	160-52	RE65183	9	650-35
RE62666	2	300-8	RE64292	6	160-52	RE65201	9	160-18
RE62666	10	300-13	RE64292	7	160-52	RE65201	9	160-24
RE62666	10	300-14	RE64292	9	160-52	RE65214	2	510-3
RE62666	10	300-15	RE64292	3	160-56	RE65358	1	460-5
RE62666	10	300-16	RE64292	6	160-56	RE65358	26	460-5
RE62672	4	300-2	RE64292	7	160-56	RE65908	6	480-2
RE62672	4	300-4	RE64292	9	160-56	RE65908	6	480-3
RE62672	4	300-6	RE64292	3	160-60	RE65908	6	480-4
RE62672	4	300-8	RE64292	6	160-60	RE65908	6	480-5
RE62672	12	300-13	RE64292	7	160-60	RE65908	6	480-6
RE62672	12	300-14	RE64292	9	160-60	RE65908	6	480-7
RE62672	12	300-15	RE64292	3	160-64	RE65908	11	480-9
RE62672	12	300-16	RE64292	6	160-64	RE65908	11	480-11
RE62673	5	300-2	RE64292	7	160-64	RE65909	6	480-2
RE62673	5	300-4	RE64292	10	160-64	RE65909	6	480-3
RE62673	5	300-6	RE64292	3	160-68	RE65909	6	480-4
RE62673	5	300-8	RE64292	6	160-68	RE65909	6	480-5
RE62673	13	300-13	RE64292	7	160-68	RE65909	6	480-6
RE62673	13	300-14	RE64292	9	160-68	RE65909	6	480-7
RE62673	13	300-15	RE64292	3	160-96	RE65909	11	480-9
RE62673	13	300-16	RE64292	6	160-96	RE65909	11	480-11
RE63497	1	310-2	RE64292	7	160-96	RE65911	7	470-3
RE63497	1	310-10	RE64292	9	160-96	RE65911	7	470-4
RE63497	1	310-12	RE64292	3	160-102	RE65911	7	470-5
RE63497	1	310-14	RE64292	6	160-102	RE65911	7	470-6
RE63674	2	460-3	RE64292	7	160-102	RE65912	8	470-3
RE63674	22	460-5	RE64292	9	160-102	RE65912	8	470-4
RE63674	2	460-7	RE64292	3	160-108	RE65912	8	470-5
RE63674	2	460-9	RE64292	6	160-108	RE65912	8	470-6
RE63674	2	460-11	RE64292	7	160-108	RE65978	10	290-7
RE63674	2	460-13	RE64292	9	160-108	RE65978	13	650-3
RE63674	2	460-15	RE64292	3	160-112	RE65978	13	650-5
RE63674	2	460-17	RE64292	6	160-112	RE65978	13	650-7
RE63674	15	460-19	RE64292	7	160-112	RE65978	13	650-9
RE63674	14	460-21	RE64292	9	160-112	RE65978	13	650-11
RE63915	3	480-1	RE64292	3	160-116	RE65978	13	650-13
RE63915	5	480-1	RE64292	6	160-116	RE65978	13	650-15
RE63915	13	480-1	RE64292	7	160-116	RE65978	13	650-17
RE63915	5	480-3	RE64292	9	160-116	RE65978	12	650-19
RE63915	13	480-3	RE64292	3	160-120	RE65978	12	650-21
RE63915	5	480-4	RE64292	6	160-120	RE65978	14	650-25
RE63915	13	480-4	RE64292	7	160-120	RE65978	13	650-27

995-13

ENGINES FOR GENSETS (3029, 4045 & 6068 TIER2 - 2 & 4 VALVE)

NUMERICAL INDEX - CONTINUED

PART NO.	KEY	PAGE	PART NO.	KEY	PAGE	PART NO.	KEY	PAGE
RE65978	13	650-29	RE68748	19	160-59	R100850	4	470-1
RE65978	13	650-31	RE68748	19	160-63	R10093	2	400-4
RE65978	8	650-33	RE68748	19	160-67	R101201	8	160-52
RE66082	35	990-31	RE68748	7	160-71	R101201	8	160-56
RE66083	33	990-35	RE68748	7	160-77	R101201	8	160-108
RE66084	36	990-31	RE68748	7	160-83	R101201	8	160-112
RE66085	34	990-35	RE68748	7	160-89	R101225	10	360-1
RE66093	1	990-19	RE68748	7	160-95	R101225	10	360-2
RE66153	3	370-1	RE68748	7	160-101	R101225	13	360-3
RE66271	8	480-1	RE68748	19	160-107	R101225	13	360-4
RE66271	8	480-7	RE68748	19	160-111	R101225	13	360-5
RE66298	1	370-1	RE68748	19	160-115	R101225	6	360-6
RE66298	1	370-2	RE68748	19	160-119	R101227	10	360-6
RE66334	1	370-8	RE68748	19	160-123	R101227	20	440-3
RE66560	3	160-9	RE68748	19	160-127	R101227	18	440-17
RE66560	3	160-13	RE69243	1	400-5	R102901	8	200-5
RE66560	3	160-41	RE70036	3	650-23	R104542	3	280-4
RE66560	3	160-53	RE70036	5	650-35	R104592	2	140-1
RE66560	3	160-57	RE70358	1	350-25	R104592	6	170-1
RE66560	3	160-61	RE70358	7	350-25	R104592	7	170-4
RE66560	3	160-65	RE70358	8	350-25	R104592	6	170-8
RE66560	3	160-69	RE70358	10	350-25	R104592	24	460-3
RE66560	3	160-109	RE70358	11	350-25	R104592	28	460-5
RE66560	3	160-113	RE70358	14	350-25	R104592	24	460-7
RE66560	3	160-117	RE70358	17	350-25	R104592	24	460-9
RE66560	3	160-121	RE70358	1	350-31	R104592	24	460-11
RE66560	3	160-125	RE70358	7	350-31	R104592	24	460-13
RE66560	3	160-129	RE70358	8	350-31	R104592	24	460-15
RE67231	1	590-2	RE70358	10	350-31	R104592	24	460-17
RE67231	1	590-4	RE70358	11	350-31	R104592	4	510-1
RE67231	1	590-6	RE70358	14	350-31	R104592	4	510-5
RE67231	1	590-8	RE70358	17	350-31	R104592	4	510-7
RE67231	1	590-10	RE70401	4	110-1	R104592	4	510-9
RE67231	1	590-12	RE70401	4	110-2	R104701	6	840-3
RE67238	6	120-2	RE70779	7	310-15	R104907	14	160-51
RE67238	6	120-3	RE70848	16	160-7	R104907	14	160-55
RE67238	12	120-5	RE70848	16	160-11	R104907	14	160-107
RE67238	5	590-3	RE70848	16	160-39	R104907	14	160-111
RE67238	5	590-5	RE70848	16	160-59	R104919	14	840-3
RE67238	5	590-7	RE70848	16	160-63	R105346	6	990-31
RE67238	5	590-9	RE70848	16	160-67	R106796	4	110-3
RE67238	5	590-11	RE70848	16	160-115	R106829	7	510-2
RE67238	5	590-13	RE70848	16	160-119	R106829	7	510-4
RE67238	6	880-1	RE70848	16	160-123	R106829	7	510-6
RE67238	8	880-3	RE70848	16	160-127	R106829	3	510-15
RE67238	11	880-5	RE70962	13	440-5	R106831	5	510-2
RE67238	11	880-7	RE70962	13	440-7	R106831	5	510-4
RE67239	23	440-5	RE71143	10	190-4	R106831	5	510-6
RE67239	23	440-7	RE71143	10	190-5	R106831	5	510-15
RE67239	23	440-9	RE71143	10	190-6	R106957	6	460-5
RE67239	23	440-11	RE71143	10	190-7	R107731	11	490-1
RE67901	3	350-5	RE71145	16	160-51	R107731	11	490-2
RE67901	16	350-5	RE71145	16	160-55	R109086	2	130-7
RE68345	3	370-2	RE71145	16	160-107	R109863	7	360-6
RE68695	5	490-1	RE71145	16	160-111	R109872	12	350-28
RE68695	5	490-2	RE71348	3	650-35	R109985	3	280-2
RE68748	19	160-7	RE71583	7	310-3	R109985	3	280-3
RE68748	19	160-11	RE71583	7	310-5	R109985	4	280-3
RE68748	7	160-15	RE71583	7	310-7	R109985	3	280-6
RE68748	7	160-21	RE71583	5	310-15	R109985	3	280-7
RE68748	7	160-27	RT7700040288	9	300-1	R110531	9	170-7
RE68748	7	160-33	RT7700040288	7	300-3	R113565	3	350-5
RE68748	19	160-39	RT7700040288	7	300-5	R113565	15	350-5
RE68748	11	160-43	RT7700040288	7	300-7	R113565	16	350-5
RE68748	11	160-47	R100105	14	360-6	R113565	15	350-9
RE68748	19	160-51	R100808	8	470-1	R113565	15	350-13
RE68748	19	160-55	R100808	1	470-2	R113565	15	350-17

995-14

ENGINES FOR GENSETS (3029, 4045 & 6068 TIER2 - 2 & 4 VALVE)

NUMERICAL INDEX - CONTINUED

PART NO.	KEY	PAGE	PART NO.	KEY	PAGE	PART NO.	KEY	PAGE
R113565	15	350-21	R115299	18	460-3	R116466	14	460-13
R113565	3	350-25	R115299	18	460-9	R116466	14	460-15
R113565	15	350-25	R115299	18	460-11	R116466	14	460-17
R113565	16	350-25	R115299	18	460-13	R116466	7	460-19
R113565	5	350-27	R115299	18	460-15	R116466	7	460-21
R113565	3	350-31	R115299	11	460-19	R116515	7	510-1
R113565	15	350-31	R115390	22	460-3	R116515	7	510-9
R113565	16	350-31	R115390	23	460-3	R116515	17	510-13
R113565	3	810-3	R115390	20	460-5	R116515	18	510-15
R113565	14	810-3	R115390	21	460-5	R116515	8	990-31
R113565	15	810-3	R115390	20	460-7	R116515	8	990-33
R113565	3	810-7	R115390	21	460-7	R116516	7	510-5
R113565	15	810-7	R115390	22	460-9	R116516	7	510-7
R113565	16	810-7	R115390	23	460-9	R116516	8	990-35
R113565	3	810-11	R115390	22	460-11	R116516	8	990-37
R113565	15	810-11	R115390	23	460-11	R116617	8	300-1
R113565	16	810-11	R115390	22	460-13	R116617	8	300-3
R113565	3	810-15	R115390	23	460-13	R116617	8	300-5
R113565	15	810-15	R115390	22	460-15	R116617	8	300-7
R113565	16	810-15	R115390	20	460-17	R116617	10	300-9
R113565	3	810-19	R115390	21	460-17	R116617	10	300-10
R113565	15	810-19	R115390	22	460-21	R116617	10	300-11
R113565	16	810-19	R115390	23	460-21	R116617	10	300-12
R113565	3	810-23	R116031	28	160-3	R116617	4	300-13
R113565	15	810-23	R116031	29	160-5	R116617	4	300-14
R113565	16	810-23	R116031	4	160-131	R116617	4	300-15
R113565	3	810-27	R116031	4	160-135	R116617	4	300-16
R113565	15	810-27	R116031	4	160-139	R117011	3	130-7
R113565	16	810-27	R116031	4	160-143	R119359	5	190-2
R113565	9	810-29	R116078	6	450-1	R119395	3	280-1
R113698	6	480-2	R116078	6	450-2	R119395	4	280-3
R113698	6	480-3	R116078	6	450-3	R119395	1	280-5
R113698	6	480-4	R116115	6	880-3	R119395	6	280-5
R113698	6	480-5	R116115	5	880-5	R119874	15	460-3
R113698	6	480-6	R116115	5	880-7	R119874	8	460-5
R113698	6	480-7	R116116	11	350-28	R119874	15	460-7
R113698	11	480-9	R116116	21	630-9	R119874	15	460-9
R113698	11	480-11	R116116	21	630-11	R119874	15	460-11
R113752	6	500-2	R116116	21	630-25	R119874	15	460-13
R114082	3	480-2	R116116	21	630-27	R119874	15	460-15
R114082	3	480-3	R116296	7	120-2	R119874	15	460-17
R114082	3	480-4	R116296	7	120-3	R119874	8	460-19
R114082	3	480-6	R116296	11	120-5	R119874	8	460-21
R114082	9	480-9	R116324	6	110-1	R120013	14	650-5
R114082	9	480-11	R116324	7	110-2	R120013	14	650-7
R114102	3	400-4	R116366	8	160-8	R120013	14	650-11
R114193	13	360-1	R116366	8	160-12	R120013	14	650-13
R114193	13	360-2	R116366	8	160-30	R120013	14	650-15
R114193	28	440-5	R116366	8	160-36	R120013	14	650-17
R114193	28	440-7	R116366	8	160-40	R120013	13	650-19
R114193	28	440-9	R116366	8	160-44	R120013	13	650-21
R114193	28	440-11	R116366	8	160-48	R120013	15	650-25
R114194	11	360-1	R116366	8	160-60	R120013	14	650-27
R114194	11	360-2	R116366	9	160-64	R120013	14	650-29
R114194	12	360-3	R116366	8	160-68	R120247	8	190-1
R114194	12	360-4	R116366	8	160-96	R120247	6	190-2
R114194	12	360-5	R116366	8	160-102	R120247	5	190-3
R114217	7	440-3	R116366	8	160-116	R120467	2	290-2
R114217	7	440-19	R116366	9	160-120	R120467	2	290-3
R115138	14	650-3	R116366	8	160-124	R120467	2	290-5
R115250	2	200-1	R116366	8	160-128	R120467	12	290-7
R115250	2	200-2	R116386	3	360-4	R120467	1	290-9
R115280	4	500-1	R116386	3	360-5	R120586	1	140-1
R115280	7	500-2	R116466	14	460-3	R120631	2	470-3
R115299	11	450-1	R116466	14	460-7	R120631	2	470-4
R115299	11	450-2	R116466	14	460-9	R120631	2	470-5
R115299	11	450-3	R116466	14	460-11	R120631	2	470-6

995-15

ENGINES FOR GENSETS (3029, 4045 & 6068 TIER2 - 2 & 4 VALVE)

NUMERICAL INDEX - CONTINUED

PART NO.	KEY	PAGE	PART NO.	KEY	PAGE	PART NO.	KEY	PAGE
R120636	12	360-1	R123226	2	210-10	R123354	12	990-37
R120636	12	360-2	R123226	7	210-10	R123395	13	440-5
R120636	27	440-5	R123226	9	390-1	R123395	13	440-7
R120636	27	440-7	R123226	9	390-2	R123395	13	440-13
R120636	27	440-9	R123226	7	440-5	R123395	22	440-15
R120636	27	440-11	R123226	10	440-5	R123396	2	370-8
R120637	3	450-1	R123226	11	440-5	R123417	7	440-5
R120637	3	450-2	R123226	7	440-7	R123417	10	440-5
R120637	3	450-3	R123226	10	440-7	R123417	17	440-5
R120638	3	500-3	R123226	11	440-7	R123417	7	440-7
R120638	3	500-4	R123226	7	440-9	R123417	10	440-7
R120638	3	500-5	R123226	10	440-9	R123417	17	440-7
R120639	4	450-1	R123226	11	440-9	R123417	7	440-9
R120639	4	450-2	R123226	7	440-11	R123417	10	440-9
R120639	4	450-3	R123226	10	440-11	R123417	17	440-9
R120641	7	360-3	R123226	11	440-11	R123417	7	440-11
R120641	7	360-4	R123226	7	440-13	R123417	10	440-11
R120641	7	360-5	R123226	10	440-13	R123417	17	440-11
R121008	3	310-15	R123226	11	440-13	R123417	7	440-13
R121036	13	440-9	R123226	15	440-15	R123417	10	440-13
R121036	13	440-11	R123226	16	440-15	R123417	17	440-13
R121038	2	200-3	R123226	23	440-15	R123417	15	440-15
R121376	6	500-3	R123226	4	990-31	R123417	23	440-15
R121376	6	500-4	R123226	4	990-33	R123417	24	440-15
R121376	6	500-5	R123226	4	990-35	R123417	21	990-31
R121402	2	510-1	R123226	4	990-37	R123417	20	990-33
R121411	20	440-5	R123271	9	490-1	R123417	21	990-35
R121411	20	440-7	R123271	9	490-2	R123417	21	990-37
R121411	20	440-9	R123273	4	370-1	R123432	1	240-1
R121411	20	440-11	R123273	4	370-2	R123437	1	240-6
R121424	19	440-5	R123273	1	370-3	R123437	1	240-7
R121424	19	440-7	R123273	1	370-5	R123439	1	240-2
R121424	19	440-9	R123273	1	370-6	R123439	1	240-3
R121424	19	440-11	R123273	1	370-7	R123471	5	590-2
R121608	2	510-5	R123273	20	990-31	R123471	5	590-4
R121635	3	570-1	R123273	19	990-33	R123471	5	590-6
R121674	6	110-4	R123273	20	990-35	R123471	5	590-8
R121674	7	110-5	R123273	20	990-37	R123471	5	590-10
R122401	4	290-1	R123295	7	160-43	R123471	5	590-12
R122417	7	440-17	R123295	7	160-47	R123501	3	590-2
R123161	7	490-1	R123307	1	240-5	R123501	3	590-4
R123161	7	490-2	R123323	8	210-1	R123501	3	590-6
R123161	7	490-3	R123323	8	210-2	R123501	3	590-8
R123174	6	360-3	R123323	9	210-5	R123501	3	590-10
R123174	6	360-4	R123323	9	210-6	R123501	3	590-12
R123174	6	360-5	R123323	9	210-7	R123501	24	990-31
R123177	5	480-3	R123323	9	210-8	R123501	22	990-33
R123177	5	480-4	R123323	9	210-9	R123501	23	990-35
R123178	5	480-5	R123324	11	210-1	R123501	23	990-37
R123178	5	480-7	R123324	11	210-2	R123513	3	490-1
R123226	2	210-1	R123324	11	210-5	R123514	3	490-2
R123226	7	210-1	R123324	11	210-6	R123525	26	990-31
R123226	2	210-2	R123324	11	210-7	R123525	24	990-33
R123226	7	210-2	R123324	11	210-8	R123525	25	990-35
R123226	3	210-3	R123324	11	210-9	R123525	25	990-37
R123226	5	210-3	R123324	9	210-10	R123542	4	110-1
R123226	6	210-3	R123324	11	390-1	R123542	5	110-1
R123226	3	210-5	R123324	11	390-2	R123542	5	110-2
R123226	4	210-5	R123345	5	990-31	R123542	1	990-31
R123226	3	210-6	R123345	5	990-35	R123543	4	110-4
R123226	4	210-6	R123352	4	190-1	R123543	5	110-4
R123226	3	210-7	R123352	4	190-3	R123543	5	110-5
R123226	4	210-7	R123352	35	990-33	R123543	1	990-35
R123226	3	210-8	R123352	36	990-33	R123543	1	990-37
R123226	4	210-8	R123353	12	990-31	R123561	7	470-3
R123226	3	210-9	R123353	12	990-33	R123561	7	470-4
R123226	4	210-9	R123354	12	990-35	R123561	7	470-5

995-16

ENGINES FOR GENSETS (3029, 4045 & 6068 TIER2 - 2 & 4 VALVE)

NUMERICAL INDEX - CONTINUED

PART NO.	KEY	PAGE	PART NO.	KEY	PAGE	PART NO.	KEY	PAGE
R123561	7	470-6	R123575	7	990-31	R123616	8	460-3
R123562	7	470-3	R123575	7	990-35	R123616	8	460-7
R123562	7	470-4	R123584	3	360-1	R123616	8	460-9
R123562	7	470-5	R123584	3	360-2	R123616	8	460-11
R123562	7	470-6	R123584	14	360-3	R123616	8	460-13
R123563	10	470-1	R123584	14	360-4	R123616	8	460-15
R123563	2	470-2	R123584	14	360-5	R123616	8	460-17
R123563	8	470-3	R123593	17	160-7	R123621	2	350-10
R123563	8	470-4	R123593	17	160-11	R123960	3	480-5
R123563	8	470-5	R123593	8	160-15	R123960	3	480-7
R123563	8	470-6	R123593	8	160-21	R124607	1	210-4
R123564	8	470-3	R123593	8	160-27	R124607	9	990-33
R123564	8	470-4	R123593	8	160-33	R124607	9	990-37
R123564	8	470-5	R123593	17	160-39	R125407	6	210-3
R123564	8	470-6	R123593	12	160-43	R125508	8	590-15
R123565	12	490-1	R123593	12	160-47	R125586	6	500-1
R123565	12	490-2	R123593	17	160-51	R126389	3	620-3
R123565	14	490-5	R123593	17	160-55	R128415	7	210-3
R123565	14	490-7	R123593	17	160-59	R128658	2	860-1
R123570	11	650-3	R123593	17	160-63	R128659	1	860-5
R123570	11	650-5	R123593	17	160-67	R128660	2	860-2
R123570	16	650-7	R123593	8	160-71	R128660	2	860-3
R123570	16	650-9	R123593	8	160-77	R128662	2	860-4
R123570	16	650-11	R123593	8	160-83	R129305	2	510-3
R123570	11	650-13	R123593	8	160-89	R129432	26	460-5
R123570	11	650-15	R123593	8	160-95	R129647	8	650-23
R123570	16	650-17	R123593	8	160-101	R129647	11	650-35
R123570	15	650-19	R123593	17	160-107	R130055	2	400-5
R123570	15	650-21	R123593	17	160-111	R130574	2	470-2
R123570	17	650-25	R123593	17	160-115	R130574	8	470-3
R123570	16	650-27	R123593	17	160-119	R130574	8	470-4
R123570	11	650-29	R123593	17	160-123	R130574	8	470-5
R123570	11	650-31	R123593	17	160-127	R130574	8	470-6
R123570	5	650-33	R123593	10	160-131	R130575	8	470-3
R123570	6	990-33	R123593	10	160-135	R130575	8	470-4
R123570	6	990-35	R123593	10	160-139	R130575	8	470-5
R123570	6	990-37	R123593	10	160-143	R130575	8	470-6
R123572	9	650-3	R123593	18	630-3	R130576	7	470-3
R123572	9	650-5	R123593	12	630-5	R130576	7	470-4
R123572	6	650-7	R123593	10	630-7	R130576	7	470-5
R123572	6	650-9	R123593	2	630-9	R130576	7	470-6
R123572	6	650-11	R123593	2	630-11	R130577	7	470-3
R123572	9	650-13	R123593	5	630-13	R130577	7	470-4
R123572	9	650-15	R123593	4	630-15	R130577	7	470-5
R123572	6	650-17	R123593	4	630-17	R130577	7	470-6
R123572	5	650-19	R123593	4	630-19	R130578	6	480-2
R123572	5	650-21	R123593	4	630-21	R130578	6	480-3
R123572	6	650-25	R123593	5	630-23	R130578	6	480-4
R123572	6	650-27	R123593	2	630-25	R130578	6	480-5
R123572	9	650-29	R123593	2	630-27	R130578	6	480-6
R123572	9	650-31	R123593	10	630-29	R130578	6	480-7
R123572	3	650-33	R123594	22	160-51	R130578	11	480-9
R123572	11	990-33	R123594	22	160-55	R130578	11	480-11
R123572	11	990-35	R123594	22	160-107	R130883	12	460-5
R123572	11	990-37	R123594	22	160-111	R130942	1	110-3
R123574	2	110-1	R123594	6	350-28	R131016	2	210-1
R123574	2	110-2	R123594	8	370-2	R131182	9	460-3
R123574	2	110-4	R123594	9	370-4	R131182	9	460-7
R123574	2	110-5	R123594	6	630-3	R131182	9	460-9
R123574	4	110-9	R123594	2	630-7	R131182	9	460-11
R123574	5	110-11	R123594	3	630-13	R131182	9	460-13
R123575	3	110-1	R123594	10	630-15	R131182	9	460-15
R123575	3	110-2	R123594	10	630-17	R131182	9	460-17
R123575	3	110-4	R123594	11	630-19	R131182	5	460-19
R123575	3	110-5	R123594	11	630-21	R131182	5	460-21
R123575	5	110-9	R123594	3	630-23	R131206	9	360-3
R123575	6	110-11	R123594	2	630-29	R131206	9	360-4

995-17

ENGINES FOR GENSETS (3029, 4045 & 6068 TIER2 - 2 & 4 VALVE)

NUMERICAL INDEX - CONTINUED

PART NO.	KEY	PAGE	PART NO.	KEY	PAGE	PART NO.	KEY	PAGE
R131206	9	360-5	R134518	2	360-2	R26650	10	460-5
R131283	14	360-1	R134518	5	360-3	R26650	17	460-7
R131283	14	360-2	R134518	5	360-4	R26650	17	460-9
R131283	29	440-5	R134518	5	360-5	R26650	17	460-11
R131283	29	440-7	R134527	2	360-4	R26650	17	460-13
R131283	29	440-9	R134527	2	360-5	R26650	17	460-15
R131283	29	440-11	R134742	19	200-5	R26650	17	460-17
R131575	10	480-1	R134890	6	230-3	R26650	10	460-19
R131768	6	140-1	R134891	11	230-3	R26650	12	460-21
R131768	4	140-2	R134920	8	160-3	R26906	13	290-7
R131768	4	140-3	R134920	11	160-5	R26906	5	510-1
R131768	4	140-4	R134920	6	160-132	R26906	6	510-1
R131768	4	140-5	R134920	6	160-136	R26906	6	510-3
R131794	4	360-6	R134920	6	160-140	R26906	7	510-3
R132203	2	280-3	R134920	6	160-144	R26906	5	510-5
R132260	2	280-1	R135179	10	210-1	R26906	6	510-5
R132262	2	280-7	R135179	10	210-2	R26906	8	510-13
R132267	14	160-7	R135179	8	210-6	R26906	9	510-13
R132267	14	160-11	R135179	8	210-7	R26906	14	510-15
R132267	14	160-39	R135179	8	210-8	R26906	15	510-15
R132267	14	160-59	R135179	8	210-9	R28811	2	150-1
R132267	14	160-63	R135360	4	110-5	R28811	2	150-2
R132267	14	160-67	R135361	4	110-2	R28811	2	150-3
R132267	14	160-115	R135432	14	300-13	R28811	2	150-4
R132267	14	160-119	R135432	8	300-14	R28811	2	150-5
R132267	14	160-123	R135432	8	300-15	R39112	7	140-2
R132267	14	160-127	R135432	8	300-16	R39112	7	140-3
R132518	11	460-3	R135439	10	460-3	R39112	7	140-4
R132518	11	460-7	R135918	3	140-2	R39112	7	140-5
R132518	11	460-9	R135918	3	140-3	R42729	10	490-1
R132518	11	460-11	R135918	3	140-4	R42729	10	490-2
R132518	11	460-13	R135918	3	140-5	R43409	3	510-1
R132518	11	460-15	R135918	3	150-1	R43409	3	510-5
R132518	11	460-17	R135918	3	150-2	R43409	7	510-13
R132518	3	460-19	R135918	3	150-3	R43409	13	510-15
R132518	3	460-21	R135918	3	150-4	R46414	8	650-25
R132874	4	160-7	R136082	21	630-15	R46684	3	210-3
R132874	4	160-11	R136082	21	630-17	R47154	12	490-5
R132874	4	160-39	R136082	22	630-19	R47154	12	490-7
R132874	4	160-51	R136082	22	630-21	R48685	13	460-3
R132874	4	160-55	R136180	3	250-2	R48685	9	460-5
R132874	4	160-59	R136475	4	360-1	R48685	13	460-7
R132874	4	160-63	R136475	4	360-2	R48685	13	460-9
R132874	4	160-67	R136475	4	360-3	R48685	13	460-11
R132874	4	160-107	R136475	4	360-4	R48685	13	460-13
R132874	4	160-111	R136475	4	360-5	R48685	13	460-15
R132874	4	160-115	R136495	5	120-2	R48685	13	460-17
R132874	4	160-119	R136495	5	120-3	R48685	6	460-19
R132874	4	160-123	R136495	10	120-5	R48685	6	460-21
R132874	4	160-127	R136495	23	990-33	R48685	12	470-1
R133303	7	450-1	R136495	31	990-35	R48685	5	470-3
R133303	7	450-2	R136495	24	990-37	R48685	5	470-4
R133303	7	450-3	R136515	23	990-31	R48685	5	470-5
R133405	7	370-1	R136515	22	990-35	R48685	5	470-6
R133405	11	370-2	R136516	3	440-5	R48808	11	310-19
R133405	3	370-3	R136516	3	440-9	R48993	3	200-5
R133405	3	370-5	R136516	22	990-31	R49672	14	630-9
R133405	3	370-6	R136516	22	990-35	R49672	14	630-11
R133405	3	370-7	R151097	9	120-5	R49672	14	630-25
R133893	4	970-1	R155390	23	460-15	R49672	14	630-27
R133893	4	970-2	R26125	3	510-2	R500000	1	480-5
R133893	37	990-31	R26125	3	510-4	R500000	1	480-7
R133893	35	990-35	R26125	3	510-6	R500078	10	620-1
R134212	3	360-3	R26125	14	510-13	R500078	10	620-2
R134417	9	310-1	R26125	9	510-15	R500078	10	620-4
R134417	8	310-15	R26493	25	460-5	R500080	12	620-1
R134518	2	360-1	R26650	17	460-3	R500080	12	620-2

995-18

ENGINES FOR GENSETS (3029, 4045 & 6068 TIER2 - 2 & 4 VALVE)

NUMERICAL INDEX - CONTINUED

PART NO.	KEY	PAGE	PART NO.	KEY	PAGE	PART NO.	KEY	PAGE
R500080	12	620-4	R500731	30	630-5	R501459	37	990-31
R500265	9	450-3	R500731	14	630-7	R501472	6	170-2
R500269	7	370-2	R500731	28	630-9	R501472	4	170-3
R500270	6	370-1	R500731	28	630-11	R501472	5	170-5
R500270	6	370-2	R500731	19	630-13	R501472	4	170-6
R500270	6	370-3	R500731	27	630-15	R501472	2	170-7
R500270	6	370-7	R500731	31	630-17	R501484	4	880-1
R500270	8	630-3	R500731	14	630-29	R501484	33	990-33
R500270	17	630-5	R501007	1	240-4	R501486	3	310-19
R500270	29	630-17	R501018	7	620-1	R501489	9	470-3
R500270	30	630-21	R501018	7	620-2	R501489	9	470-4
R500270	10	810-5	R501018	7	620-4	R501489	9	470-5
R500271	5	370-1	R501039	5	160-43	R501489	9	470-6
R500271	6	370-1	R501039	5	160-47	R501532	3	490-3
R500271	5	370-2	R501068	1	360-6	R501608	4	110-4
R500271	7	370-2	R501073	1	480-1	R501642	3	250-3
R500271	5	370-3	R501120	3	210-3	R501642	3	250-4
R500271	5	370-7	R501124	2	480-1	R501642	3	250-5
R500271	9	630-3	R501124	2	480-2	R501642	3	250-6
R500271	18	630-5	R501124	2	480-3	R501642	3	250-7
R500271	17	630-9	R501124	2	480-4	R501642	3	250-8
R500271	17	630-11	R501124	2	480-5	R502008	1	640-2
R500271	30	630-17	R501124	2	480-6	R502009	1	640-3
R500271	31	630-21	R501124	2	480-7	R502009	1	640-4
R500271	17	630-25	R501124	10	480-9	R502014	2	230-1
R500271	17	630-27	R501124	10	480-11	R502014	2	230-2
R500271	10	810-5	R501124	1	990-17	R502014	1	230-4
R500320	4	870-1	R501124	1	990-19	R502076	3	160-7
R500320	4	870-2	R501124	1	990-21	R502076	3	160-11
R500320	4	870-3	R501124	1	990-23	R502076	2	160-15
R500333	2	620-1	R501124	1	990-25	R502076	2	160-21
R500333	2	620-2	R501124	1	990-27	R502076	2	160-27
R500335	1	480-2	R501130	2	210-1	R502076	2	160-33
R500335	1	480-3	R501130	2	210-2	R502076	3	160-39
R500335	1	480-4	R501130	2	210-10	R502076	3	160-51
R500335	1	480-6	R501178	2	400-1	R502076	3	160-55
R500335	8	480-9	R501178	2	400-2	R502076	3	160-59
R500335	8	480-11	R501178	2	400-3	R502076	3	160-63
R500349	1	190-4	R501192	4	310-3	R502076	3	160-67
R500349	1	190-5	R501192	4	310-5	R502076	2	160-71
R500349	1	190-6	R501192	4	310-7	R502076	2	160-77
R500349	1	190-7	R501192	4	310-9	R502076	2	160-83
R500374	10	880-3	R501192	4	310-11	R502076	2	160-89
R500374	33	990-31	R501192	4	310-13	R502076	2	160-95
R500374	27	990-33	R501311	4	110-1	R502076	2	160-101
R500374	24	990-35	R501373	9	990-31	R502076	3	160-107
R500374	32	990-35	R501373	9	990-33	R502076	3	160-111
R500374	31	990-37	R501373	34	990-33	R502076	3	160-115
R500394	10	170-8	R501373	35	990-33	R502076	3	160-119
R500551	13	160-51	R501373	36	990-33	R502076	3	160-123
R500551	13	160-55	R501373	9	990-35	R502076	3	160-127
R500551	13	160-107	R501373	9	990-37	R502076	34	990-31
R500551	13	160-111	R501373	33	990-37	R502079	2	870-1
R500596	8	170-5	R501428	4	590-3	R502079	2	870-2
R500596	10	170-7	R501428	4	590-5	R502079	2	870-3
R500650	9	450-1	R501428	4	590-7	R502287	12	630-3
R500650	9	450-2	R501428	4	590-9	R502287	27	630-5
R500711	2	360-3	R501428	4	590-11	R502287	1	630-13
R500731	23	160-7	R501428	4	590-13	R502287	17	630-13
R500731	23	160-11	R501428	32	990-31	R502287	1	630-23
R500731	23	160-39	R501428	26	990-33	R502287	17	630-23
R500731	20	160-51	R501428	13	990-35	R502341	15	490-5
R500731	20	160-55	R501428	13	990-37	R502341	15	490-7
R500731	23	160-59	R501436	10	880-5	R502367	2	510-8
R500731	23	160-63	R501436	10	880-7	R502367	2	510-10
R500731	23	160-67	R501459	3	970-1	R502369	6	510-8
R500731	23	630-3	R501459	3	970-2	R502369	6	510-10

995-19

ENGINES FOR GENSETS (3029, 4045 & 6068 TIER2 - 2 & 4 VALVE)

NUMERICAL INDEX - CONTINUED

PART NO.	KEY	PAGE	PART NO.	KEY	PAGE	PART NO.	KEY	PAGE
R502370	8	510-8	R503308	13	160-131	R504730	19	630-15
R502370	8	510-10	R503308	13	160-135	R504730	19	630-17
R502371	1	510-8	R503308	13	160-139	R504730	20	630-19
R502371	1	510-10	R503308	13	160-143	R504730	20	630-21
R502504	3	880-5	R503381	1	510-9	R504734	33	440-5
R502504	3	880-7	R503520	17	160-15	R504734	33	440-7
R502505	2	880-3	R503520	17	160-21	R504734	33	440-9
R502511	2	510-7	R503520	20	160-27	R504734	33	440-11
R502511	2	510-9	R503520	20	160-33	R504734	27	440-13
R502511	16	510-13	R503520	17	160-71	R504734	26	440-15
R502511	16	510-15	R503520	20	160-77	R504734	3	590-3
R502512	5	510-7	R503520	20	160-83	R504734	3	590-5
R502512	5	510-9	R503520	17	160-89	R504734	3	590-7
R502513	7	880-1	R503520	17	160-95	R504734	3	590-9
R502513	5	880-3	R503520	17	160-101	R504734	3	590-11
R502513	11	880-3	R503597	21	990-33	R504734	3	590-13
R502513	20	880-5	R503769	2	440-13	R504734	30	990-31
R502513	20	880-7	R503769	2	440-15	R504734	30	990-33
R502541	26	160-3	R503880	1	130-5	R504734	29	990-35
R502541	27	160-5	R504007	8	810-3	R504734	29	990-37
R502541	7	160-131	R504067	6	630-15	R504754	2	390-1
R502541	7	160-135	R504067	6	630-17	R504754	2	390-2
R502541	7	160-139	R504067	7	630-19	R504779	4	160-132
R502541	7	160-143	R504067	7	630-21	R504779	4	160-136
R502547	1	510-7	R504155	2	160-43	R504779	4	160-140
R502662	4	640-1	R504155	3	160-43	R504779	4	160-144
R502725	3	400-1	R504155	2	160-47	R504781	5	160-132
R502725	3	400-2	R504155	3	160-47	R504781	5	160-136
R502725	3	400-3	R504209	13	490-5	R504781	5	160-140
R502725	3	400-5	R504209	13	490-7	R504781	5	160-144
R502755	5	480-2	R504239	41	160-5	R504782	8	490-5
R502755	5	480-6	R504239	21	160-135	R504798	9	160-43
R502755	6	480-9	R504239	21	160-139	R504798	9	160-47
R502755	6	480-11	R504272	1	140-2	R504813	9	490-3
R502811	2	590-3	R504272	1	140-3	R504843	7	360-1
R502811	2	590-5	R504272	1	140-4	R504843	7	360-2
R502811	2	590-7	R504272	1	140-5	R504849	1	460-3
R502811	2	590-9	R504526	9	620-1	R504849	1	460-9
R502811	2	590-11	R504526	9	620-2	R504849	1	460-11
R502811	2	590-13	R504526	9	620-4	R504849	1	460-13
R502814	1	210-1	R504534	10	460-9	R504849	1	460-15
R502814	1	210-2	R504534	10	460-13	R504849	1	460-19
R502814	4	210-3	R504534	10	460-15	R504850	1	460-7
R502814	5	210-5	R504534	2	460-19	R504850	1	460-17
R502814	5	210-6	R504535	10	460-17	R504850	1	460-21
R502814	5	210-7	R504535	2	460-21	R504859	17	630-13
R502814	5	210-8	R504576	1	360-1	R504859	25	630-15
R502814	5	210-9	R504576	1	360-2	R504859	25	630-17
R502814	1	210-10	R504577	24	160-3	R504859	26	630-19
R502814	3	990-31	R504577	25	160-5	R504859	26	630-21
R502814	3	990-35	R504577	3	160-131	R504859	17	630-23
R502864	9	880-5	R504577	3	160-135	R504882	6	110-6
R502864	9	880-7	R504577	3	160-139	R504882	11	490-5
R502864	25	990-31	R504577	3	160-143	R504902	2	170-2
R502864	32	990-33	R504578	20	160-131	R504968	7	510-8
R502864	24	990-35	R504578	20	160-143	R504968	7	510-10
R502916	2	170-1	R504614	8	360-1	R504969	5	510-8
R502916	2	990-33	R504614	8	360-2	R504969	5	510-10
R502954	3	440-13	R504620	2	170-3	R505121	8	360-4
R502954	21	990-33	R504624	10	490-5	R505121	8	360-5
R502954	22	990-37	R504630	5	110-6	R505143	5	810-1
R502983	3	570-2	R504631	7	490-5	R505143	5	810-5
R502983	3	570-3	R504631	7	490-7	R505143	5	810-9
R503307	9	160-131	R504636	16	490-5	R505150	8	490-7
R503307	9	160-135	R504636	16	490-7	R505166	9	170-8
R503307	9	160-139	R504725	2	440-5	R505172	1	110-7
R503307	9	160-143	R504725	2	440-9	R505174	2	110-7

995-20

ENGINES FOR GENSETS (3029, 4045 & 6068 TIER2 - 2 & 4 VALVE)

NUMERICAL INDEX - CONTINUED

PART NO.	KEY	PAGE	PART NO.	KEY	PAGE	PART NO.	KEY	PAGE
R505174	11	490-7	R515494	6	360-2	R517440	3	300-15
R505174	1	990-33	R515535	1	160-132	R517440	3	300-16
R505452	2	160-132	R515535	1	160-136	R517471	9	470-3
R505452	2	160-136	R515535	1	160-140	R517471	9	470-4
R505452	2	160-140	R515535	1	160-144	R517471	9	470-5
R505452	2	160-144	R515555	7	110-6	R517471	9	470-6
R505472	6	160-15	R515555	3	110-7	R517471	7	670-5
R505472	6	160-21	R515581	2	210-4	R517488	7	880-5
R505472	6	160-27	R515736	12	810-5	R517488	7	880-7
R505472	6	160-33	R515767	3	210-3	R518276	5	170-4
R505472	6	160-71	R516125	22	160-3	R518345	4	160-132
R505472	6	160-77	R516125	24	160-5	R518345	4	160-136
R505472	6	160-83	R516125	2	160-131	R518345	4	160-140
R505472	6	160-89	R516125	2	160-135	R518345	4	160-144
R505472	6	160-95	R516125	2	160-139	R518391	2	620-4
R505472	6	160-101	R516125	2	160-143	R518393	10	390-1
R505479	12	390-1	R516137	8	110-7	R518393	10	390-2
R505479	12	390-2	R516138	4	110-6	R518507	7	880-5
R505479	5	990-33	R516140	18	490-5	R518507	7	880-7
R505479	5	990-37	R516140	18	490-7	R518805	19	200-5
R505480	1	390-1	R516158	3	110-6	R519286	17	290-7
R505480	1	390-2	R516158	5	110-7	R519292	16	490-5
R505480	3	990-33	R516158	7	990-33	R519292	16	490-7
R505480	3	990-37	R516158	7	990-37	R51936	18	160-7
R505543	5	490-5	R516169	9	300-9	R51936	18	160-11
R505543	5	490-7	R516169	9	300-10	R51936	9	160-15
R505567	1	130-6	R516169	9	300-11	R51936	9	160-21
R505601	2	350-2	R516169	9	300-12	R51936	9	160-27
R505601	2	350-6	R516174	12	110-6	R51936	9	160-33
R505601	1	350-27	R516175	3	210-5	R51936	18	160-39
R505609	4	470-3	R516175	3	210-6	R51936	13	160-43
R505609	4	470-4	R516175	3	210-7	R51936	13	160-47
R505609	4	470-5	R516175	3	210-8	R51936	18	160-51
R505609	4	470-6	R516175	3	210-9	R51936	18	160-55
R505711	4	310-17	R516181	2	110-6	R51936	18	160-59
R505711	4	310-18	R516181	6	110-7	R51936	18	160-63
R505711	4	310-20	R516283	8	210-5	R51936	18	160-67
R50919	32	160-3	R516437	2	350-14	R51936	9	160-71
R50919	30	160-131	R516437	2	350-18	R51936	9	160-77
R50919	31	160-135	R516453	18	630-9	R51936	9	160-83
R50919	31	160-139	R516453	18	630-11	R51936	9	160-89
R50919	30	160-143	R516453	18	630-25	R51936	9	160-95
R515021	7	140-1	R516453	18	630-27	R51936	9	160-101
R515029	1	170-8	R516532	5	810-17	R51936	18	160-107
R515030	2	170-8	R516557	25	440-13	R51936	18	160-111
R515030	2	990-37	R516647	12	160-3	R51936	18	160-115
R515040	2	130-5	R516648	1	130-1	R51936	18	160-119
R515040	2	130-6	R516648	1	130-2	R51936	18	160-123
R515044	17	160-131	R516648	1	130-3	R51936	18	160-127
R515044	18	160-135	R516648	1	130-4	R51936	11	160-131
R515044	18	160-139	R516648	3	130-5	R51936	11	160-135
R515044	17	160-143	R516648	3	130-6	R51936	11	160-139
R515095	10	490-3	R516666	1	170-1	R51936	11	160-143
R515101	3	810-5	R516708	12	110-7	R51936	19	630-3
R515150	10	160-43	R516728	6	500-1	R51936	11	630-5
R515150	10	160-47	R517017	2	280-2	R51936	9	630-7
R515245	10	460-7	R517017	2	280-6	R51936	3	630-9
R515247	10	460-11	R517237	2	130-1	R51936	3	630-11
R515273	4	510-3	R517237	2	130-2	R51936	6	630-13
R515408	5	360-1	R517237	2	130-3	R51936	5	630-15
R515408	5	360-2	R517237	2	130-4	R51936	5	630-17
R515454	17	160-5	R517245	6	590-15	R51936	5	630-19
R515454	20	160-5	R517353	4	120-2	R51936	5	630-21
R515460	8	810-5	R517353	4	120-3	R51936	6	630-23
R515461	9	810-5	R517369	6	470-1	R51936	3	630-25
R515467	14	650-9	R517440	3	300-13	R51936	3	630-27
R515494	6	360-1	R517440	3	300-14	R51936	9	630-29

995-21

ENGINES FOR GENSETS (3029, 4045 & 6068 TIER2 - 2 & 4 VALVE)

NUMERICAL INDEX - CONTINUED

PART NO.	KEY	PAGE	PART NO.	KEY	PAGE	PART NO.	KEY	PAGE
R519367	8	290-7	R521540	5	840-5	R53108	27	990-31
R519368	5	290-7	R522030	13	990-31	R53108	25	990-33
R519371	9	290-7	R522047	9	620-1	R53108	26	990-35
R519376	12	650-23	R522047	12	620-1	R53108	26	990-37
R519400	4	290-7	R522047	13	620-1	R53524	10	590-15
R519401	18	290-7	R522047	14	620-1	R54114	4	480-1
R519484	17	650-33	R522047	9	620-2	R54114	4	480-2
R519488	3	280-9	R522047	12	620-2	R54114	4	480-3
R519656	3	440-13	R522047	13	620-2	R54114	4	480-4
R519742	12	190-5	R522047	14	620-2	R54114	4	480-6
R519742	12	190-7	R522047	9	620-4	R54114	7	480-9
R519777	4	110-2	R522047	12	620-4	R54114	7	480-11
R519779	4	110-1	R522047	13	620-4	R54228	3	160-15
R519781	4	110-5	R522047	14	620-4	R54228	3	160-21
R519782	4	110-4	R522048	9	620-1	R54228	3	160-27
R520130	2	440-7	R522048	12	620-1	R54228	3	160-33
R520130	2	440-11	R522048	13	620-1	R54228	3	160-71
R520132	3	440-7	R522048	14	620-1	R54228	3	160-77
R520132	3	440-11	R522048	9	620-2	R54228	3	160-83
R520139	3	360-1	R522048	12	620-2	R54228	3	160-89
R520139	3	360-2	R522048	13	620-2	R54228	3	160-95
R520301	2	510-15	R522048	14	620-2	R54228	3	160-101
R520451	5	130-1	R522048	9	620-4	R54565	2	490-1
R520451	5	130-2	R522048	12	620-4	R54565	2	490-2
R520451	5	130-3	R522048	13	620-4	R54565	2	490-3
R520451	5	130-4	R522048	14	620-4	R54615	6	500-1
R520731	10	110-11	R522409	2	110-9	R54615	3	500-2
R520740	10	160-132	R522410	3	110-11	R54802	14	460-5
R520740	10	160-136	R522416	43	160-5	R54873	4	160-43
R520740	10	160-140	R522498	38	160-3	R54873	4	160-47
R520740	10	160-144	R522554	1	280-8	R55453	25	160-3
R520813	15	160-3	R522554	1	280-9	R55453	26	160-5
R520813	45	160-5	R522575	25	840-3	R55453	5	160-131
R520896	6	110-9	R522630	9	160-3	R55453	5	160-135
R520930	43	160-3	R522630	4	160-5	R55453	5	160-139
R520930	2	160-5	R522679	8	650-31	R55453	5	160-143
R520931	27	160-51	R522679	2	650-33	R56101	5	370-4
R520931	27	160-55	R522834	18	840-3	R56131	2	160-7
R520931	27	160-107	R522834	12	840-5	R56131	2	160-11
R520931	27	160-111	R522899	10	160-3	R56131	2	160-39
R521159	21	160-5	R522899	28	630-3	R56131	2	160-51
R521401	10	110-9	R522899	3	630-5	R56131	2	160-55
R521401	1	110-11	R522900	10	810-31	R56131	2	160-59
R521439	3	280-1	R522907	29	440-15	R56131	2	160-63
R521439	4	280-1	R523048	2	160-3	R56131	2	160-67
R521439	3	280-3	R523048	8	160-5	R56131	2	160-107
R521439	4	280-3	R523182	23	990-31	R56131	2	160-111
R521439	4	280-4	R523182	22	990-35	R56131	2	160-115
R521439	1	280-5	R523183	3	440-5	R56131	2	160-119
R521439	6	280-5	R523183	3	440-9	R56131	2	160-123
R521439	3	280-6	R523183	22	990-31	R56131	2	160-127
R521439	3	280-7	R523183	22	990-35	R56463	1	290-1
R521439	3	280-8	R523185	3	440-13	R56588	16	630-7
R521439	2	990-31	R523185	28	440-15	R56588	16	630-29
R521439	10	990-33	R523353	23	840-3	R59409	8	190-2
R521439	2	990-35	R523372	14	650-31	R61105	30	990-33
R521439	10	990-37	R523372	9	650-33	R61105	29	990-35
R521493	4	190-1	R523499	13	160-3	R61105	29	990-37
R521493	4	190-3	R523499	38	160-5	R61467	1	140-2
R521493	1	190-8	R523930	3	810-29	R61467	9	140-2
R521498	1	190-4	R524029	2	280-8	R61467	1	140-3
R521498	1	190-5	R524146	2	280-9	R61467	9	140-3
R521498	1	190-6	R524234	34	160-5	R61467	1	140-4
R521498	1	190-7	R524468	7	110-9	R61467	9	140-4
R521498	12	990-35	R524469	8	110-11	R61467	1	140-5
R521498	12	990-37	R524836	2	510-13	R61467	9	140-5
R521498	33	990-37	R525837	8	210-10	R61871	5	190-1

995-22

ENGINES FOR GENSETS (3029, 4045 & 6068 TIER2 - 2 & 4 VALVE)

NUMERICAL INDEX - CONTINUED

PART NO.	KEY	PAGE	PART NO.	KEY	PAGE	PART NO.	KEY	PAGE
R61871	10	190-2	R65397	19	160-139	R74012	7	350-28
R61871	9	190-3	R65397	17	160-143	R74012	9	370-2
R61871	8	190-4	R65397	18	160-143	R74012	8	370-4
R61871	8	190-5	R65607	20	440-19	R74012	5	630-3
R61871	8	190-6	R65833	12	480-1	R74012	3	630-7
R61871	8	190-7	R65833	12	480-2	R74012	4	630-13
R61871	4	190-8	R65833	12	480-3	R74012	9	630-15
R61871	3	500-1	R65833	12	480-4	R74012	9	630-17
R61871	4	500-2	R65833	12	480-5	R74012	10	630-19
R61871	16	990-31	R65833	12	480-6	R74012	10	630-21
R61871	15	990-33	R65833	12	480-7	R74012	4	630-23
R61871	16	990-35	R67092	15	630-9	R74012	3	630-29
R61871	16	990-37	R67092	15	630-11	R74354	5	500-2
R62107	17	630-15	R67092	15	630-25	R74993	8	310-19
R62107	17	630-17	R67092	15	630-27	R75892	22	460-3
R62107	18	630-19	R67364	15	160-7	R75892	23	460-3
R62107	18	630-21	R67364	15	160-11	R75892	20	460-5
R63185	5	390-1	R67364	15	160-39	R75892	21	460-5
R63185	5	390-2	R67364	15	160-59	R75892	20	460-7
R63185	16	990-33	R67364	15	160-63	R75892	21	460-7
R63185	17	990-37	R67364	15	160-67	R75892	22	460-9
R63548	5	650-3	R67364	15	160-115	R75892	23	460-9
R63548	6	650-3	R67364	15	160-119	R75892	22	460-11
R63548	5	650-5	R67364	15	160-123	R75892	23	460-11
R63548	6	650-5	R67364	15	160-127	R75892	22	460-13
R63548	3	650-7	R70182	21	440-3	R75892	23	460-13
R63548	4	650-7	R70182	19	440-17	R75892	22	460-15
R63548	3	650-9	R71228	17	440-15	R75892	23	460-15
R63548	4	650-9	R71963	2	160-8	R75892	20	460-17
R63548	3	650-11	R71963	2	160-12	R75892	21	460-17
R63548	4	650-11	R71963	2	160-18	R75892	22	460-21
R63548	5	650-13	R71963	2	160-24	R75892	23	460-21
R63548	6	650-13	R71963	2	160-30	R75892	8	500-1
R63548	5	650-15	R71963	2	160-36	R75892	9	500-2
R63548	6	650-15	R71963	2	160-40	R75892	14	990-31
R63548	3	650-17	R71963	2	160-44	R75892	13	990-33
R63548	4	650-17	R71963	2	160-48	R75892	14	990-35
R63548	3	650-19	R71963	2	160-52	R75892	14	990-37
R63548	4	650-19	R71963	2	160-56	R77491	21	440-19
R63548	3	650-21	R71963	2	160-60	R78048	4	160-9
R63548	4	650-21	R71963	2	160-64	R78048	4	160-13
R63548	3	650-25	R71963	2	160-68	R78048	4	160-41
R63548	4	650-25	R71963	2	160-96	R78048	4	160-53
R63548	3	650-27	R71963	2	160-102	R78048	4	160-57
R63548	4	650-27	R71963	2	160-108	R78048	4	160-61
R63548	5	650-29	R71963	2	160-112	R78048	4	160-65
R63548	6	650-29	R71963	2	160-116	R78048	4	160-69
R63548	2	650-31	R71963	2	160-120	R78048	4	160-109
R63548	5	650-31	R71963	2	160-124	R78048	4	160-113
R63548	6	650-31	R71963	2	160-128	R78048	4	160-117
R63548	15	650-33	R72328	3	290-2	R78048	4	160-121
R63548	16	650-33	R72328	1	290-3	R78048	4	160-125
R63604	15	160-51	R72328	3	290-5	R78048	4	160-129
R63604	15	160-55	R72328	11	290-7	R78052	11	840-3
R63604	15	160-107	R72328	2	290-9	R78052	12	840-3
R63604	15	160-111	R72328	12	490-5	R78059	2	840-3
R64449	4	620-3	R72328	12	490-7	R78059	12	840-3
R64525	5	310-19	R72328	28	990-31	R78061	12	840-3
R64857	2	630-15	R72328	28	990-33	R78064	2	840-3
R64857	2	630-17	R72328	27	990-35	R78064	3	840-3
R64857	2	630-19	R72328	27	990-37	R78064	11	840-3
R64857	2	630-21	R73384	7	210-3	R78069	13	840-3
R65397	17	160-131	R73604	1	200-5	R79604	4	160-8
R65397	18	160-131	R74012	23	160-51	R79604	4	160-12
R65397	18	160-135	R74012	23	160-55	R79604	4	160-18
R65397	19	160-135	R74012	23	160-107	R79604	4	160-24
R65397	18	160-139	R74012	23	160-111	R79604	4	160-30

995-23

ENGINES FOR GENSETS (3029, 4045 & 6068 TIER2 - 2 & 4 VALVE)

NUMERICAL INDEX - CONTINUED

PART NO.	KEY	PAGE	PART NO.	KEY	PAGE	PART NO.	KEY	PAGE
R79604	4	160-36	R91360	5	160-11	R97490	6	510-15
R79604	4	160-40	R91360	5	160-39	R97491	6	510-2
R79604	4	160-44	R91360	5	160-51	R97491	6	510-4
R79604	4	160-48	R91360	5	160-55	R97491	6	510-6
R79604	4	160-52	R91360	5	160-59	R97491	4	510-13
R79604	4	160-56	R91360	5	160-63	R97491	6	510-15
R79604	4	160-60	R91360	5	160-67	R97492	8	510-2
R79604	4	160-64	R91360	5	160-107	R97492	8	510-4
R79604	4	160-68	R91360	5	160-111	R97492	8	510-6
R79604	4	160-96	R91360	5	160-115	R97492	6	510-13
R79604	4	160-102	R91360	5	160-119	R97492	4	510-15
R79604	4	160-108	R91360	5	160-123	R97493	8	510-2
R79604	4	160-112	R91360	5	160-127	R97493	8	510-4
R79604	4	160-116	R91360	8	160-131	R97493	8	510-6
R79604	4	160-120	R91360	8	160-135	R97493	6	510-13
R79604	4	160-124	R91360	8	160-139	R97493	4	510-15
R79604	4	160-128	R91360	8	160-143	R98062	6	510-2
R79863	3	360-6	R91692	11	440-3	R98062	6	510-4
R80135	2	120-2	R91692	11	440-17	R98062	6	510-6
R80135	2	120-3	R91692	11	440-19	R98062	4	510-13
R80136	1	120-2	R91852	2	280-5	R98062	6	510-15
R80136	1	120-3	R91889	1	510-2	R98063	3	510-13
R81275	5	170-2	R91889	1	510-4	R99254	9	210-3
R81275	3	170-3	R91889	1	510-6	R99254	5	590-15
R81275	4	170-4	R91889	12	510-13	R99257	11	590-15
R81275	4	170-5	R91889	11	510-15	R99258	4	590-15
R81275	3	170-6	R92097	11	990-31	R99259	3	590-15
R81275	5	170-6	R92154	2	290-1	SE500826	1	160-8
R81275	1	170-7	R97061	12	160-131	SE500826	1	160-12
R81275	8	170-8	R97061	12	160-135	SE500826	1	160-40
R81275	10	990-31	R97061	12	160-139	SE500826	1	160-68
R81275	10	990-35	R97061	12	160-143	SE500826	1	160-96
R81989	13	470-1	R97061	25	630-3	SE500826	1	160-102
R83063	2	590-15	R97061	7	630-5	SE500826	1	160-124
R83169	15	440-3	R97061	6	630-9	SE500826	1	160-128
R83169	15	440-17	R97061	6	630-11	SE500827	1	160-30
R83379	9	470-1	R97061	6	630-25	SE500827	1	160-36
R83379	6	480-1	R97061	6	630-27	SE500830	1	160-72
R85363	1	510-1	R97185	21	460-3	SE500830	1	160-90
R85363	1	510-3	R97185	19	460-5	SE500831	1	160-80
R85363	1	510-5	R97185	19	460-7	SE500831	1	160-86
R85363	18	510-13	R97185	21	460-9	SE500835	1	160-44
R85363	17	510-15	R97185	21	460-11	SE500835	1	160-48
R85687	5	510-13	R97185	21	460-13	SE501101	1	160-8
R87259	4	120-1	R97185	21	460-15	SE501101	1	160-12
R87748	6	480-1	R97185	19	460-17	SE501101	1	160-30
R87750	1	470-2	R97185	16	460-19	SE501101	1	160-36
R89944	4	570-1	R97185	24	460-21	SE501101	1	160-40
R89944	4	570-2	R97185	5	500-1	SE501101	1	160-52
R89944	4	570-3	R97185	8	500-2	SE501101	1	160-56
R89944	29	990-31	R97185	5	500-3	SE501101	1	160-68
R89944	29	990-33	R97185	5	500-4	SE501101	1	160-96
R89944	28	990-35	R97185	5	500-5	SE501101	1	160-102
R89944	28	990-37	R97185	15	990-31	SE501101	1	160-108
R90658	10	990-33	R97185	14	990-33	SE501101	1	160-112
R90658	10	990-37	R97185	15	990-35	SE501101	1	160-124
R90692	8	510-2	R97185	15	990-37	SE501101	1	160-128
R90692	8	510-4	R97351	7	140-1	SE501103	1	160-72
R90692	8	510-6	R97352	19	440-19	SE501103	1	160-80
R90692	6	510-13	R97454	8	440-3	SE501103	1	160-86
R90692	4	510-15	R97454	8	440-17	SE501103	1	160-90
R90737	2	650-23	R97454	8	440-19	SE501105	1	160-44
R90737	4	650-35	R97455	7	200-5	SE501105	1	160-48
R90788	2	120-1	R97490	6	510-2	SE501179	1	160-60
R91360	27	160-3	R97490	6	510-4	SE501179	1	160-64
R91360	28	160-5	R97490	6	510-6	SE501179	1	160-116
R91360	5	160-7	R97490	4	510-13	SE501179	1	160-120

995-24

ENGINES FOR GENSETS (3029, 4045 & 6068 TIER2 - 2 & 4 VALVE)

NUMERICAL INDEX - CONTINUED

PART NO.	KEY	PAGE	PART NO.	KEY	PAGE	PART NO.	KEY	PAGE
SE501180	1	160-60	T14050	24	630-17	T23474	11	460-21
SE501180	1	160-64	T14050	25	630-19	T23526	1	240-8
SE501180	1	160-116	T14050	25	630-21	T23628	2	200-5
SE501180	1	160-120	T14050	14	630-23	T25701	12	460-5
SE501234	1	160-15	T14050	17	630-29	T26321	9	360-6
SE501234	1	160-21	T151858	8	230-3	T26327	19	440-3
SE501234	1	160-95	T158584	5	310-3	T26327	17	440-17
SE501234	1	160-101	T158584	5	310-5	T27658	14	440-3
SE501235	1	160-71	T158584	5	310-7	T27658	14	440-17
SE501235	1	160-89	T158584	5	310-9	T28041	5	460-5
SE501236	1	160-27	T158584	5	310-11	T28041	7	470-1
SE501236	1	160-33	T158584	5	310-13	T28860	2	650-35
SE501236	1	160-77	T158584	2	310-19	T30726	3	190-2
SE501236	1	160-83	T16318	2	370-4	T32853	8	620-3
TY16004	2	990-39	T18891	16	460-3	T35699	7	290-1
TY16005	3	990-39	T18891	18	460-5	T58477	5	510-1
TY16086	15	440-19	T18891	16	460-7	T58477	6	510-3
TY22450	3	290-9	T18891	16	460-9	T58477	5	510-5
TY22464	15	290-7	T18891	16	460-11	T58477	8	510-13
TY22465	8	210-3	T18891	16	460-13	T58477	15	510-15
TY22465	1	590-15	T18891	16	460-15	T74410	5	160-9
TY22465	7	650-23	T18891	16	460-17	T74410	5	160-13
TY22466	9	650-23	T18891	9	460-19	T74410	5	160-41
TY22470	1	170-2	T18891	9	460-21	T74410	5	160-53
TY22470	6	170-4	T19044	35	460-5	T74410	5	160-57
TY22470	9	170-5	T20034	22	440-3	T74410	5	160-61
TY22505	1	290-2	T20034	20	440-17	T74410	5	160-65
TY24401	3	290-3	T20046	3	470-1	T74410	5	160-69
TY24401	1	290-5	T20070	34	460-5	T74410	5	160-109
TY24485	1	310-19	T20072	3	460-5	T74410	5	160-113
TY6333	15	460-3	T20073	7	460-5	T74410	5	160-117
TY6333	8	460-5	T20073	11	490-3	T74410	5	160-121
TY6333	15	460-7	T20094	5	470-1	T74410	5	160-125
TY6333	15	460-9	T20168	19	460-3	T74410	5	160-129
TY6333	15	460-11	T20168	23	460-5	T75197	4	160-3
TY6333	15	460-13	T20168	22	460-7	T75197	5	160-5
TY6333	15	460-15	T20168	19	460-9	T76938	6	160-43
TY6333	15	460-17	T20168	19	460-11	T76938	6	160-47
TY6333	8	460-19	T20168	19	460-13	T77613	2	650-3
TY6333	8	460-21	T20168	19	460-15	T77613	3	650-3
TY6333	2	990-38	T20168	22	460-17	T77613	2	650-5
T122075	4	590-2	T20168	13	460-19	T77613	3	650-5
T122075	4	590-4	T20168	10	460-21	T77613	8	650-7
T122075	4	590-6	T20243	9	200-5	T77613	9	650-7
T122075	4	590-8	T20280	12	310-1	T77613	8	650-9
T122075	4	590-10	T20280	11	310-15	T77613	9	650-9
T122075	4	590-12	T20298	10	500-1	T77613	8	650-11
T122075	31	990-31	T20314	8	490-1	T77613	9	650-11
T122075	31	990-33	T20314	8	490-2	T77613	2	650-13
T122075	30	990-35	T20314	8	490-3	T77613	3	650-13
T122075	30	990-37	T20316	4	490-1	T77613	2	650-15
T13814	22	630-9	T20316	4	490-2	T77613	3	650-15
T13814	22	630-11	T20316	4	490-3	T77613	8	650-17
T13814	14	630-13	T20328	3	120-1	T77613	9	650-17
T13814	14	630-23	T22867	8	140-1	T77613	7	650-19
T13814	22	630-25	T23260	14	440-19	T77613	8	650-19
T13814	22	630-27	T23435	15	460-5	T77613	7	650-21
T13914	28	160-51	T23442	5	360-6	T77613	8	650-21
T13914	28	160-55	T23474	20	460-3	T77613	9	650-25
T13914	28	160-107	T23474	24	460-5	T77613	10	650-25
T13914	28	160-111	T23474	23	460-7	T77613	8	650-27
T14050	12	350-28	T23474	20	460-9	T77613	9	650-27
T14050	13	630-3	T23474	20	460-11	T77613	2	650-29
T14050	28	630-5	T23474	20	460-13	T77613	3	650-29
T14050	17	630-7	T23474	20	460-15	T77613	2	650-31
T14050	14	630-13	T23474	23	460-17	T77613	3	650-31
T14050	24	630-15	T23474	14	460-19	T77613	12	650-33

995-25

ENGINES FOR GENSETS (3029, 4045 & 6068 TIER2 - 2 & 4 VALVE)

NUMERICAL INDEX - CONTINUED

PART NO.	KEY	PAGE	PART NO.	KEY	PAGE	PART NO.	KEY	PAGE
T77613	13	650-33	14H826	4	400-4	14M7296	19	440-13
UN4660	6	370-4	14H826	2	500-1	14M7296	6	440-15
U13639	5	460-3	14H826	2	500-2	14M7296	14	630-3
U13639	5	460-7	14H865	11	360-6	14M7296	5	650-7
U13639	5	460-9	14M7066	4	500-3	14M7296	5	650-9
U13639	5	460-11	14M7066	4	500-4	14M7296	5	650-11
U13639	5	460-13	14M7066	4	500-5	14M7296	5	650-17
U13639	5	460-15	14M7148	6	490-1	14M7296	5	650-25
U13639	5	460-17	14M7148	6	490-2	14M7296	5	650-27
U13639	19	460-19	14M7148	6	490-3	14M7296	4	650-33
U13639	20	460-21	14M7148	4	490-5	14M7296	7	840-5
VFLK7685	2	560-1	14M7148	4	490-7	14M7297	15	300-13
12H304	2	170-4	14M7156	2	310-3	14M7297	14	300-14
12H304	2	170-5	14M7156	2	310-5	14M7297	14	300-15
12H304	2	190-2	14M7156	2	310-7	14M7297	14	300-16
12H304	10	200-5	14M7156	2	310-9	14M7297	9	310-17
12H304	2	300-1	14M7156	2	310-11	14M7297	9	310-18
12H304	7	300-1	14M7156	2	310-13	14M7297	9	310-19
12H304	3	300-12	14M7165	11	310-1	14M7297	9	310-20
12H304	6	300-13	14M7165	9	310-3	14M7298	6	120-5
12H304	7	500-1	14M7165	9	310-5	14M7298	23	160-3
12H304	7	620-3	14M7165	9	310-7	14M7298	23	160-5
12H304	2	640-1	14M7165	8	310-9	14M7298	6	160-7
12H316	21	160-15	14M7165	8	310-11	14M7298	6	160-11
12H316	21	160-21	14M7165	8	310-13	14M7298	5	160-15
12H316	24	160-27	14M7165	10	310-15	14M7298	5	160-21
12H316	24	160-33	14M7165	2	970-1	14M7298	5	160-27
12H316	21	160-71	14M7165	2	970-2	14M7298	5	160-33
12H316	24	160-77	14M7264	15	810-5	14M7298	6	160-39
12H316	24	160-83	14M7265	10	310-1	14M7298	6	160-59
12H316	21	160-89	14M7265	9	310-15	14M7298	6	160-63
12H316	21	160-95	14M7265	14	810-5	14M7298	6	160-67
12H316	21	160-101	14M7273	10	310-17	14M7298	5	160-71
12H317	3	310-3	14M7273	10	310-18	14M7298	5	160-77
12H317	3	310-5	14M7273	10	310-20	14M7298	5	160-83
12H317	3	310-7	14M7274	6	300-3	14M7298	5	160-89
12H317	3	310-9	14M7274	6	300-5	14M7298	5	160-95
12H317	3	310-11	14M7274	6	300-7	14M7298	5	160-101
12H317	3	310-13	14M7289	4	160-15	14M7298	6	160-115
12H324	2	360-6	14M7289	4	160-21	14M7298	6	160-119
12M7011	16	300-13	14M7289	4	160-27	14M7298	6	160-123
12M7011	15	300-14	14M7289	4	160-33	14M7298	6	160-127
12M7011	15	300-15	14M7289	4	160-71	14M7298	6	160-131
12M7011	15	300-16	14M7289	4	160-77	14M7298	6	160-135
12M7056	2	250-1	14M7289	4	160-83	14M7298	6	160-139
12M7056	4	310-1	14M7289	4	160-89	14M7298	6	160-143
12M7056	4	650-23	14M7289	4	160-95	14M7298	13	350-28
12M7056	6	650-35	14M7289	4	160-101	14M7298	6	620-1
12M7065	8	310-17	14M7296	8	160-43	14M7298	6	620-2
12M7065	11	310-17	14M7296	8	160-47	14M7298	6	620-4
12M7065	8	310-18	14M7296	1	300-3	14M7298	26	630-5
12M7065	11	310-18	14M7296	1	300-5	14M7298	15	630-7
12M7065	8	310-20	14M7296	1	300-7	14M7298	18	630-13
12M7065	11	310-20	14M7296	4	300-9	14M7298	18	630-23
12M7135	5	300-3	14M7296	4	300-10	14M7298	15	630-29
12M7135	5	300-5	14M7296	4	300-11	14M7298	21	840-3
12M7135	5	300-7	14M7296	7	300-14	14M7298	9	840-5
14H1076	14	200-5	14M7296	7	300-15	14M7334	20	630-9
14H1076	7	300-13	14M7296	7	300-16	14M7334	20	630-11
14H1076	13	460-5	14M7296	1	310-17	14M7334	23	630-15
14H785	5	310-1	14M7296	1	310-18	14M7334	23	630-17
14H785	4	310-15	14M7296	6	310-19	14M7334	24	630-19
14H785	11	650-23	14M7296	1	310-20	14M7334	24	630-21
14H812	1	300-1	14M7296	24	440-5	14M7334	20	630-25
14H812	6	300-1	14M7296	24	440-7	14M7334	20	630-27
14H812	5	300-12	14M7296	24	440-9	14M7360	8	310-3
14H812	5	640-1	14M7296	24	440-11	14M7360	8	310-5

995-26

ENGINES FOR GENSETS (3029, 4045 & 6068 TIER2 - 2 & 4 VALVE)

NUMERICAL INDEX - CONTINUED

PART NO.	KEY	PAGE	PART NO.	KEY	PAGE	PART NO.	KEY	PAGE
14M7360	8	310-7	19H2549	6	440-19	19M7774	1	200-1
14M7360	7	310-9	19H2552	1	170-4	19M7774	1	200-2
14M7360	7	310-11	19H2569	1	310-1	19M7774	1	200-3
14M7360	7	310-13	19H2569	1	310-15	19M7774	18	810-5
15H562	30	460-5	19H2633	21	200-5	19M7775	8	110-6
15H584	3	140-1	19H2633	1	640-1	19M7775	8	160-132
15H584	5	140-2	19H2661	5	650-23	19M7775	8	160-136
15H584	5	140-3	19H2664	30	160-51	19M7775	8	160-140
15H584	5	140-4	19H2664	30	160-55	19M7775	8	160-144
15H584	5	140-5	19H2664	30	160-107	19M7775	21	440-5
15H584	5	200-5	19H2664	30	160-111	19M7775	21	440-7
15H584	25	460-3	19H2665	5	120-1	19M7775	21	440-9
15H584	29	460-5	19H2676	1	190-2	19M7775	21	440-11
15H584	25	460-7	19H2676	1	210-3	19M7783	6	160-9
15H584	25	460-9	19H2676	1	350-22	19M7783	6	160-13
15H584	25	460-11	19H2676	2	460-5	19M7783	6	160-41
15H584	25	460-13	19H2733	4	440-3	19M7783	6	160-53
15H584	25	460-15	19H2733	4	440-17	19M7783	6	160-57
15H584	25	460-17	19H2733	4	440-19	19M7783	6	160-61
15H584	21	460-19	19H2733	9	590-15	19M7783	6	160-65
15H584	17	460-21	19H2993	3	150-5	19M7783	6	160-69
15H584	5	510-3	19H3011	15	360-6	19M7783	6	160-109
15H584	1	660-3	19H3031	5	440-3	19M7783	6	160-113
15H613	30	460-7	19H3031	5	440-17	19M7783	6	160-117
15H613	23	460-19	19H3031	5	440-19	19M7783	6	160-121
15H613	18	460-21	19H3065	1	170-5	19M7783	6	160-125
15H623	3	460-9	19H3065	11	200-5	19M7783	6	160-129
15H623	3	460-13	19H3065	1	440-3	19M7783	1	620-1
15H624	25	460-3	19H3065	1	440-17	19M7783	1	620-2
15H624	25	460-11	19H3065	1	440-19	19M7783	1	620-4
15H624	25	460-15	19H3065	6	620-3	19M7783	18	630-7
15H685	27	460-5	19H3175	1	620-3	19M7783	20	630-15
15H690	10	190-8	19H3219	4	140-1	19M7783	20	630-17
15H695	3	460-3	19H3219	4	200-5	19M7783	21	630-19
15H695	17	460-5	19H3239	5	300-13	19M7783	21	630-21
15H695	3	460-7	19H3404	3	280-5	19M7783	18	630-29
15H695	3	460-11	19H3483	1	210-3	19M7784	18	160-15
15H695	3	460-15	19H3581	13	200-5	19M7784	18	160-21
15H695	3	460-17	19M6614	24	160-43	19M7784	21	160-27
15H695	17	460-19	19M6614	24	160-47	19M7784	21	160-33
15H695	15	460-21	19M6614	12	160-51	19M7784	21	160-77
19H1726	1	280-4	19M6614	12	160-55	19M7784	14	160-131
19H1726	3	440-3	19M6614	16	160-71	19M7784	14	160-135
19H1726	3	440-17	19M6614	16	160-89	19M7784	14	160-139
19H1726	3	440-19	19M6614	16	160-95	19M7784	14	160-143
19H1726	11	460-5	19M6614	16	160-101	19M7784	10	230-3
19H1732	5	300-1	19M6614	12	160-107	19M7784	7	290-7
19H1732	2	300-12	19M6614	12	160-111	19M7784	3	350-2
19H1847	5	140-1	19M7402	2	810-5	19M7784	3	350-6
19H1897	7	310-1	19M7573	4	120-5	19M7784	3	350-10
19H1897	6	310-15	19M7640	22	160-15	19M7784	3	350-14
19H1912	12	200-5	19M7640	22	160-21	19M7784	3	350-18
19H2020	5	290-1	19M7640	25	160-27	19M7784	2	350-27
19H2023	5	280-5	19M7640	25	160-33	19M7784	11	630-3
19H2117	1	250-1	19M7640	22	160-71	19M7784	23	630-9
19H2117	7	650-35	19M7640	25	160-77	19M7784	23	630-11
19H2127	4	370-4	19M7640	25	160-83	19M7784	15	630-13
19H2284	26	160-51	19M7640	22	160-89	19M7784	26	630-15
19H2284	26	160-55	19M7640	22	160-95	19M7784	26	630-17
19H2284	26	160-107	19M7640	22	160-101	19M7784	27	630-19
19H2284	26	160-111	19M7752	22	630-15	19M7784	27	630-21
19H2284	13	440-19	19M7752	22	630-17	19M7784	15	630-23
19H2351	16	460-5	19M7752	23	630-19	19M7784	23	630-25
19H2458	7	120-1	19M7752	23	630-21	19M7784	23	630-27
19H2473	1	130-7	19M7774	9	110-6	19M7784	4	810-1
19H2549	6	440-3	19M7774	4	110-7	19M7784	4	810-5
19H2549	6	440-17	19M7774	9	110-7	19M7784	4	810-9

995-27

ENGINES FOR GENSETS (3029, 4045 & 6068 TIER2 - 2 & 4 VALVE)

NUMERICAL INDEX - CONTINUED

PART NO.	KEY	PAGE	PART NO.	KEY	PAGE	PART NO.	KEY	PAGE
19M7784	2	810-13	19M7798	10	450-2	19M7864	5	450-1
19M7784	2	810-25	19M7798	10	450-3	19M7864	5	450-2
19M7784	1	810-29	19M7799	3	120-2	19M7864	5	450-3
19M7784	9	810-31	19M7799	3	120-3	19M7864	11	810-5
19M7784	19	840-3	19M7800	18	440-13	19M7865	10	350-28
19M7784	13	840-5	19M7800	3	440-15	19M7865	29	630-5
19M7784	1	860-1	19M7801	25	440-5	19M7865	19	630-7
19M7784	1	860-2	19M7801	25	440-7	19M7865	16	630-13
19M7784	1	860-3	19M7801	25	440-9	19M7865	16	630-23
19M7784	1	860-4	19M7801	25	440-11	19M7865	19	630-29
19M7784	2	860-5	19M7801	22	440-13	19M7865	20	840-3
19M7784	4	880-5	19M7801	10	440-15	19M7865	8	840-5
19M7784	4	880-7	19M7802	2	570-1	19M7866	3	190-5
19M7785	37	160-3	19M7802	2	570-2	19M7866	3	190-7
19M7785	42	160-5	19M7802	2	570-3	19M7866	10	650-3
19M7785	5	170-1	19M7802	7	590-3	19M7866	10	650-5
19M7785	5	170-8	19M7802	7	590-5	19M7866	11	650-7
19M7785	3	210-4	19M7802	7	590-7	19M7866	11	650-9
19M7785	3	390-1	19M7802	7	590-9	19M7866	11	650-11
19M7785	3	390-2	19M7802	7	590-11	19M7866	10	650-13
19M7785	3	620-1	19M7802	7	590-13	19M7866	10	650-15
19M7785	3	620-2	19M7802	5	880-1	19M7866	11	650-17
19M7785	3	620-4	19M7802	9	880-3	19M7866	10	650-19
19M7785	8	650-3	19M7802	13	880-5	19M7866	10	650-21
19M7785	8	650-5	19M7802	13	880-7	19M7866	12	650-25
19M7785	8	650-13	19M7805	26	440-13	19M7866	11	650-27
19M7785	8	650-15	19M7805	30	440-15	19M7866	10	650-29
19M7785	1	650-19	19M7805	5	810-29	19M7866	24	840-3
19M7785	1	650-21	19M7807	1	870-1	19M7866	11	840-5
19M7785	8	650-29	19M7807	1	870-2	19M7867	8	120-5
19M7785	2	810-17	19M7807	1	870-3	19M7867	32	440-5
19M7785	2	810-29	19M7808	11	360-3	19M7867	32	440-7
19M7786	6	210-1	19M7808	2	810-1	19M7867	32	440-9
19M7786	6	210-2	19M7808	7	810-5	19M7867	32	440-11
19M7786	2	210-5	19M7808	2	810-9	19M7867	24	440-13
19M7786	2	210-6	19M7808	12	810-31	19M7867	27	440-15
19M7786	2	210-7	19M7810	1	250-3	19M7867	12	460-3
19M7786	2	210-8	19M7810	1	250-4	19M7867	12	460-7
19M7786	2	210-9	19M7810	1	250-5	19M7867	12	460-9
19M7786	6	210-10	19M7810	1	250-6	19M7867	12	460-11
19M7786	7	230-3	19M7810	1	250-7	19M7867	12	460-13
19M7786	4	230-4	19M7810	1	280-1	19M7867	12	460-15
19M7786	4	300-3	19M7810	1	280-2	19M7867	12	460-17
19M7786	4	300-5	19M7810	1	280-3	19M7867	1	570-1
19M7786	4	300-7	19M7810	1	280-6	19M7867	1	570-2
19M7786	2	300-9	19M7810	1	280-7	19M7867	1	570-3
19M7786	2	300-10	19M7810	6	390-1	19M7868	33	160-3
19M7786	2	300-11	19M7810	6	390-2	19M7868	22	160-5
19M7786	5	300-14	19M7812	7	170-8	19M7868	28	160-131
19M7786	5	300-15	19M7812	2	310-17	19M7868	29	160-135
19M7786	5	300-16	19M7812	2	310-18	19M7868	29	160-139
19M7786	4	810-17	19M7812	4	310-19	19M7868	28	160-143
19M7788	9	210-1	19M7812	2	310-20	19M7868	13	310-17
19M7788	9	210-2	19M7835	10	170-8	19M7868	13	310-18
19M7788	10	210-5	19M7835	1	230-1	19M7868	10	310-19
19M7788	10	210-6	19M7835	1	230-2	19M7868	13	310-20
19M7788	10	210-7	19M7835	1	230-3	19M7868	11	620-1
19M7788	10	210-8	19M7835	1	250-2	19M7868	11	620-2
19M7788	10	210-9	19M7835	2	810-21	19M7868	11	620-4
19M7790	9	230-3	19M7862	9	110-9	19M7898	1	250-8
19M7796	15	440-5	19M7862	7	110-11	19M7902	2	190-1
19M7796	15	440-7	19M7863	14	440-5	19M7902	2	190-3
19M7796	15	440-9	19M7863	14	440-7	19M7902	4	190-4
19M7796	15	440-11	19M7863	14	440-9	19M7902	4	190-5
19M7796	15	440-13	19M7863	14	440-11	19M7902	4	190-6
19M7796	12	440-15	19M7863	14	440-13	19M7902	4	190-7
19M7798	10	450-1	19M7863	11	440-15	19M7913	12	880-5

995-28

ENGINES FOR GENSETS (3029, 4045 & 6068 TIER2 - 2 & 4 VALVE)

NUMERICAL INDEX - CONTINUED

PART NO.	KEY	PAGE	PART NO.	KEY	PAGE	PART NO.	KEY	PAGE
19M7913	12	880-7	19M8292	3	210-2	24M7027	23	160-27
19M7923	13	160-7	19M8292	1	210-5	24M7027	23	160-33
19M7923	13	160-11	19M8292	1	210-6	24M7027	20	160-71
19M7923	16	160-15	19M8292	1	210-7	24M7027	23	160-77
19M7923	16	160-21	19M8292	1	210-8	24M7027	23	160-83
19M7923	19	160-27	19M8292	1	210-9	24M7027	20	160-89
19M7923	19	160-33	19M8292	3	210-10	24M7027	20	160-95
19M7923	13	160-39	19M8306	2	140-2	24M7027	20	160-101
19M7923	13	160-59	19M8306	2	140-3	24M7047	11	110-6
19M7923	13	160-63	19M8306	2	140-4	24M7047	11	110-7
19M7923	13	160-67	19M8306	2	140-5	24M7055	6	290-1
19M7923	19	160-77	19M8317	7	120-5	24M7055	2	370-1
19M7923	19	160-83	19M8317	18	440-5	24M7055	2	370-2
19M7923	13	160-115	19M8317	18	440-7	24M7055	3	370-4
19M7923	13	160-119	19M8317	18	440-9	24M7088	4	430-1
19M7923	13	160-123	19M8317	18	440-11	24M7088	4	430-2
19M7923	13	160-127	19M8319	22	840-3	24M7088	4	430-3
19M7970	6	590-3	19M8319	10	840-5	24M7088	4	430-4
19M7970	6	590-5	19M8320	18	160-3	24M7096	29	160-51
19M7970	6	590-7	19M8328	1	350-28	24M7096	29	160-55
19M7970	6	590-9	19M8528	25	160-131	24M7096	29	160-107
19M7970	6	590-11	19M8528	26	160-135	24M7096	29	160-111
19M7970	6	590-13	19M8528	26	160-139	24M7096	20	200-5
19M7979	19	160-15	19M8528	25	160-143	24M7096	2	350-28
19M7979	19	160-21	19M8618	3	430-1	24M7096	17	490-5
19M7979	22	160-27	19M8618	3	430-2	24M7096	17	490-7
19M7979	22	160-33	19M8618	3	430-3	24M7096	2	620-3
19M7979	19	160-71	19M8618	3	430-4	24M7106	6	120-1
19M7979	22	160-77	19M8618	19	880-5	24M7106	2	210-3
19M7979	22	160-83	19M8618	19	880-7	24M7106	2	280-4
19M7979	19	160-89	19M8844	9	360-1	24M7106	4	280-5
19M7979	19	160-95	19M8844	9	360-2	24M7106	2	350-22
19M7979	19	160-101	19M8844	3	810-17	24M7106	2	440-3
19M7979	26	440-5	19M8966	15	360-1	24M7106	2	440-17
19M7979	26	440-7	19M8966	15	360-2	24M7106	2	440-19
19M7979	26	440-9	19M8966	30	440-5	24M7106	12	590-15
19M7979	26	440-11	19M8966	30	440-7	24M7207	5	620-1
19M7986	13	810-5	19M8966	30	440-9	24M7207	5	620-2
19M8017	10	110-6	19M8966	30	440-11	24M7207	5	620-4
19M8017	10	110-7	19M8977	4	350-10	24M7346	10	490-1
19M8039	4	620-1	19M8986	7	190-1	24M7346	10	490-2
19M8039	4	620-2	19M8986	7	190-3	26H27	4	130-7
19M8039	4	620-4	19M8986	9	190-4	26H72	5	460-5
19M8062	1	190-1	19M8986	9	190-5	26H72	7	470-1
19M8062	1	190-3	19M8986	9	190-6	28H1497	3	810-1
19M8062	3	190-4	19M8986	9	190-7	28H1497	6	810-5
19M8062	3	190-6	19M8986	3	190-8	28H1497	3	810-9
19M8062	6	190-8	19M8987	1	500-3	28H1497	6	810-17
19M8062	10	650-31	19M8987	1	500-4	28H1529	11	810-31
19M8062	6	650-33	19M8987	1	500-5	28H2522	4	810-29
19M8162	1	650-7	19M8997	11	360-3	28H3379	3	290-7
19M8162	1	650-9	19M8997	11	360-4	28H860	12	210-2
19M8162	1	650-11	19M8997	11	360-5	30M7004	9	490-5
19M8162	1	650-17	19M8999	4	460-19	30M7004	9	490-7
19M8162	1	650-25	19M8999	4	460-21	34H288	10	360-3
19M8162	1	650-27	19M9028	8	620-1	34H288	10	360-4
19M8163	9	190-8	19M9028	8	620-2	34H288	10	360-5
19M8291	2	290-7	19M9028	8	620-4	34M7036	10	360-3
19M8291	22	440-5	19M9170	6	490-5	34M7036	10	360-4
19M8291	22	440-7	19M9170	6	490-7	34M7036	10	360-5
19M8291	22	440-9	24H1136	3	370-4	38H5035	2	650-3
19M8291	22	440-11	24H1290	13	440-3	38H5035	2	650-5
19M8292	4	170-2	24H1290	13	440-17	38H5035	2	650-13
19M8292	1	170-3	24H1292	2	310-1	38H5035	2	650-15
19M8292	1	170-6	24H1292	2	310-15	38H5035	2	650-29
19M8292	5	170-7	24M7027	20	160-15	38H5154	9	650-7
19M8292	3	210-1	24M7027	20	160-21	38H5154	9	650-9

995-29

ENGINES FOR GENSETS (3029, 4045 & 6068 TIER2 - 2 & 4 VALVE)

NUMERICAL INDEX - CONTINUED

PART NO.	KEY	PAGE	PART NO.	KEY	PAGE	PART NO.	KEY	PAGE
38H5154	9	650-11	51M7040	9	590-12	51M7041	1	670-3
38H5154	9	650-17	51M7040	2	630-3	51M7041	2	670-3
38H5154	8	650-19	51M7040	20	630-5	51M7041	3	670-3
38H5154	8	650-21	51M7040	22	630-5	51M7041	2	670-5
38H5154	10	650-25	51M7040	24	630-5	51M7042	1	650-3
38H5154	9	650-27	51M7040	5	630-7	51M7042	2	650-3
38H5154	2	650-31	51M7040	10	630-9	51M7042	1	650-5
38H5154	12	650-33	51M7040	10	630-11	51M7042	2	650-5
38M6640	7	630-15	51M7040	10	630-13	51M7042	9	650-7
38M6640	7	630-17	51M7040	12	630-15	51M7042	10	650-7
38M6640	8	630-19	51M7040	12	630-17	51M7042	9	650-9
38M6640	8	630-21	51M7040	13	630-19	51M7042	10	650-9
38M7009	29	630-3	51M7040	13	630-21	51M7042	9	650-11
38M7009	2	630-5	51M7040	10	630-23	51M7042	10	650-11
38M7009	18	630-15	51M7040	10	630-25	51M7042	1	650-13
38M7009	18	630-17	51M7040	10	630-27	51M7042	2	650-13
38M7009	19	630-19	51M7040	5	630-29	51M7042	1	650-15
38M7009	19	630-21	51M7040	8	670-1	51M7042	9	650-17
42M7058	2	300-3	51M7040	11	810-3	51M7042	10	650-17
42M7058	2	300-5	51M7040	12	810-7	51M7042	8	650-19
42M7058	2	300-7	51M7040	12	810-11	51M7042	9	650-19
42M7058	3	300-9	51M7040	12	810-15	51M7042	8	650-21
42M7058	3	300-10	51M7040	12	810-19	51M7042	9	650-21
42M7058	3	300-11	51M7040	12	810-23	51M7042	10	650-25
42M7058	6	300-14	51M7040	12	810-27	51M7042	11	650-25
42M7058	6	300-15	51M7041	2	160-9	51M7042	9	650-27
42M7058	6	300-16	51M7041	2	160-13	51M7042	10	650-27
51M7039	8	170-2	51M7041	2	160-41	51M7042	1	650-29
51M7039	6	170-3	51M7041	2	160-53	51M7042	2	650-29
51M7039	7	170-5	51M7041	2	160-57	51M7042	1	650-31
51M7039	6	170-6	51M7041	2	160-61	51M7042	11	650-33
51M7039	3	170-7	51M7041	2	160-65	51M7042	12	650-33
51M7039	16	630-3	51M7041	2	160-69	51M7042	2	880-1
51M7039	6	630-5	51M7041	2	160-109	51M7042	4	880-3
51M7039	10	630-5	51M7041	2	160-113	51M7042	2	880-5
51M7039	8	630-9	51M7041	2	160-117	51M7042	2	880-7
51M7039	8	630-11	51M7041	2	160-121	51M7043	7	190-8
51M7039	8	630-25	51M7041	2	160-125	51M7043	9	440-5
51M7039	8	630-27	51M7041	2	160-129	51M7043	9	440-7
51M7040	22	160-7	51M7041	4	170-1	51M7043	9	440-9
51M7040	22	160-11	51M7041	8	170-6	51M7043	9	440-11
51M7040	22	160-39	51M7041	6	170-7	51M7043	9	440-13
51M7040	25	160-51	51M7041	4	170-8	51M7043	14	440-15
51M7040	25	160-55	51M7041	4	210-1	51M7043	7	460-3
51M7040	22	160-59	51M7041	4	210-2	51M7043	7	460-7
51M7040	22	160-63	51M7041	12	210-3	51M7043	7	460-9
51M7040	22	160-67	51M7041	5	210-4	51M7043	7	460-11
51M7040	25	160-107	51M7041	7	210-5	51M7043	7	460-13
51M7040	25	160-111	51M7041	7	210-6	51M7043	7	460-15
51M7040	22	160-115	51M7041	7	210-7	51M7043	7	460-17
51M7040	22	160-119	51M7041	7	210-8	51M7043	5	570-2
51M7040	22	160-123	51M7041	7	210-9	51M7043	5	570-3
51M7040	22	160-127	51M7041	4	210-10	51M7043	7	590-2
51M7040	12	350-5	51M7041	8	390-1	51M7043	7	590-4
51M7040	12	350-9	51M7041	8	390-2	51M7043	7	590-6
51M7040	12	350-13	51M7041	21	630-3	51M7043	7	590-8
51M7040	12	350-17	51M7041	14	630-5	51M7043	7	590-10
51M7040	12	350-21	51M7041	25	630-9	51M7043	7	590-12
51M7040	5	350-22	51M7041	25	630-27	51M7044	29	160-3
51M7040	12	350-25	51M7041	2	660-1	51M7044	31	160-5
51M7040	5	350-28	51M7041	2	660-2	51M7044	18	440-3
51M7040	12	350-31	51M7041	1	670-1	51M7044	5	440-5
51M7040	9	590-2	51M7041	2	670-1	51M7044	5	440-7
51M7040	9	590-4	51M7041	3	670-1	51M7044	5	440-9
51M7040	9	590-6	51M7041	1	670-2	51M7044	5	440-11
51M7040	9	590-8	51M7041	2	670-2	51M7044	5	440-13
51M7040	9	590-10	51M7041	3	670-2	51M7044	8	440-15

995-30

ENGINES FOR GENSETS (3029, 4045 & 6068 TIER2 - 2 & 4 VALVE)

NUMERICAL INDEX - CONTINUED

<i>PART NO.</i>	<i>KEY</i>	<i>PAGE</i>	<i>PART NO.</i>	<i>KEY</i>	<i>PAGE</i>	<i>PART NO.</i>	<i>KEY</i>	<i>PAGE</i>
51M7044	5	670-1	57M8746	13	840-3			
51M7044	5	670-2	57M8747	3	160-5			
51M7044	5	670-3	57M9005	6	840-3			
51M7044	3	670-5						
51M7044	5	670-5						
51M7045	6	190-4						
51M7045	6	190-5						
51M7045	6	190-6						
51M7045	6	190-7						
51M7045	11	190-8						
51M7045	21	440-13						
51M7045	5	440-15						
51M7045	7	880-3						
51M7045	15	880-5						
51M7045	15	880-7						
51M7049	10	440-3						
51M7049	10	440-17						
51M7049	10	440-19						
51M7049	18	440-19						
57M7254	10	840-3						
57M7255	15	840-3						
57M7255	16	840-3						
57M7255	17	840-3						
57M7257	14	840-3						
57M7257	15	840-3						
57M7257	16	840-3						
57M7258	14	840-3						
57M7259	15	840-3						
57M7259	16	840-3						
57M7274	3	840-3						
57M7280	3	840-3						
57M7285	2	840-3						
57M7289	10	840-3						
57M7289	14	840-3						
57M7290	15	840-3						
57M7290	16	840-3						
57M7290	17	840-3						
57M7305	2	840-3						
57M7305	3	840-3						
57M7307	2	840-3						
57M7493	10	840-3						
57M7493	14	840-3						
57M7493	17	840-3						
57M7494	10	840-3						
57M7494	17	840-3						
57M7546	13	840-3						
57M8011	13	840-3						
57M8135	9	840-3						
57M8400	7	840-3						
57M8403	8	840-3						
57M8404	8	840-3						
57M8406	8	840-3						
57M8407	9	840-3						
57M8417	9	840-3						
57M8518	4	840-3						
57M8528	4	840-3						
57M8530	4	840-3						
57M8531	4	840-3						
57M8559	7	840-3						
57M8560	5	840-3						
57M8566	5	840-3						
57M8568	7	840-3						
57M8568	9	840-3						
57M8601	5	840-3						
57M8604	4	840-3						
57M8605	4	840-3						
57M8633	5	840-3						