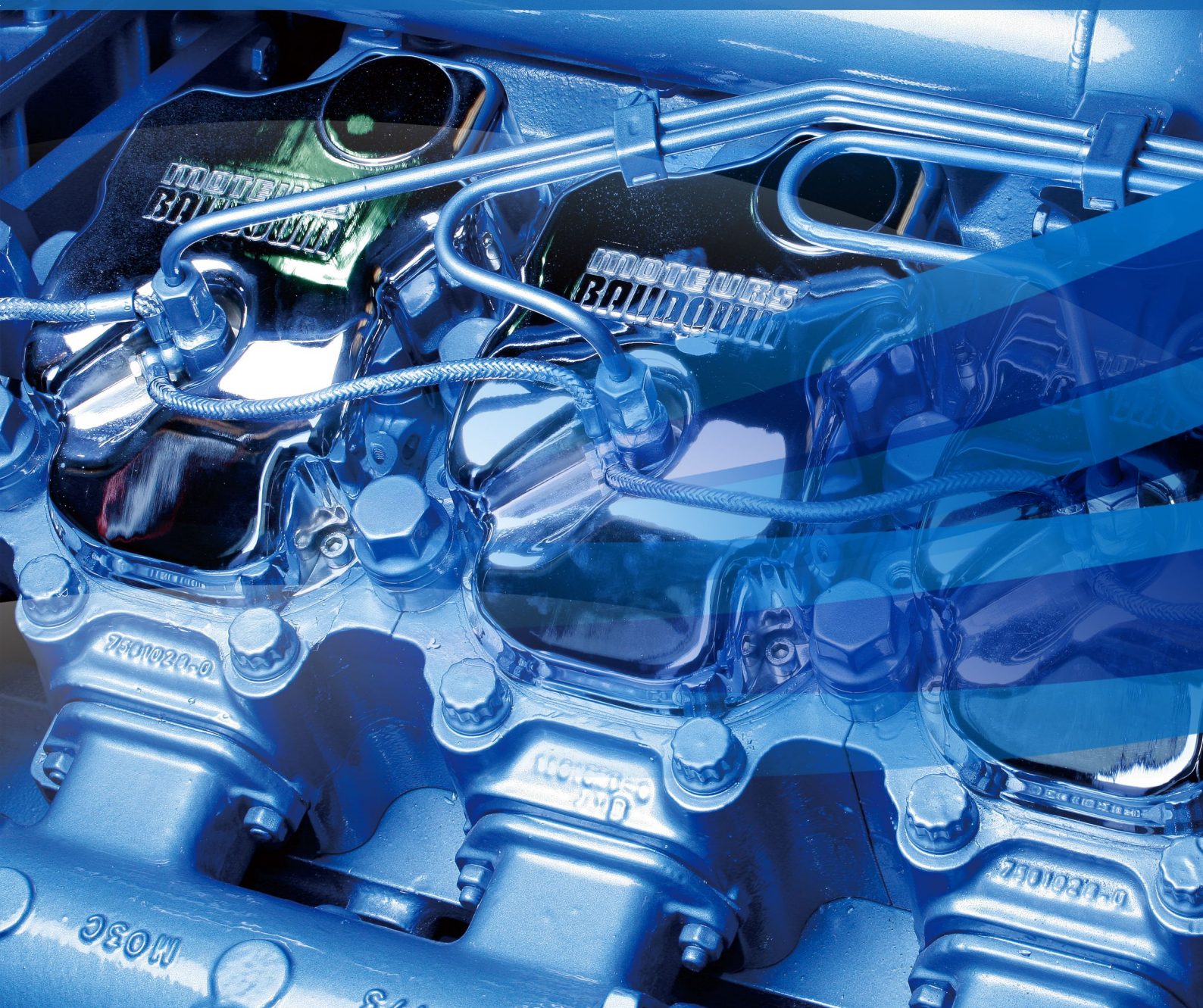


**4M11 博杜安系列柴油机零件图册**  
**4M11 BAUDOIN DIESEL PARTS CATALOGUE**



# 前 言

为使4M11系列柴油机在使用、维护等工作上的方便,特汇编本图册,以供我方与用户在使用中查阅参考。

该图册基本上按组绘出了各个零件的装配关系。图序号、件号、数量、中文名称、英文名称等列于明细表栏内。图册包含发动机详细的装机明细,其中部分零件为不可销售配件,如欲了解配件销售事宜可咨询潍柴备品公司。

随着技术和生产的不断发展,柴油机的变形将增多,故本图册的内容将有所更新。变化不再另行通知,特请用户注意。本产品的售后服务统一授权潍柴动力股份有限公司执行,用户可通过[www.weichai.com](http://www.weichai.com)网站访问获取相关产品信息。

## FOREWORD

This illustrated parts manual is specially prepared for customers to facilitate the use of 4M11 series diesel engine in operation and tenance.

The illustrations are grouped under the heading of each assembly and numbered individually.Part.

No.,Quantity,Model,English designation,Chinese designation and so on are written in the parts list . The parts catalogue include detailed assembling parts list of diesel engine ,some parts can not be sold ,if you want to know selling part matters,please ask weichai power spare part resource CO.,LTD.

With the development of technology and production,the versions of the diesel engine will be increased, so the catalogue will be revised.Please pay attention to our revised edition.After service of this product is authorized to Weichai Power Co.,Ltd ,Consumers can acquire information of this product through [www.weichai.com](http://www.weichai.com).

# 目 录 CONTENTS

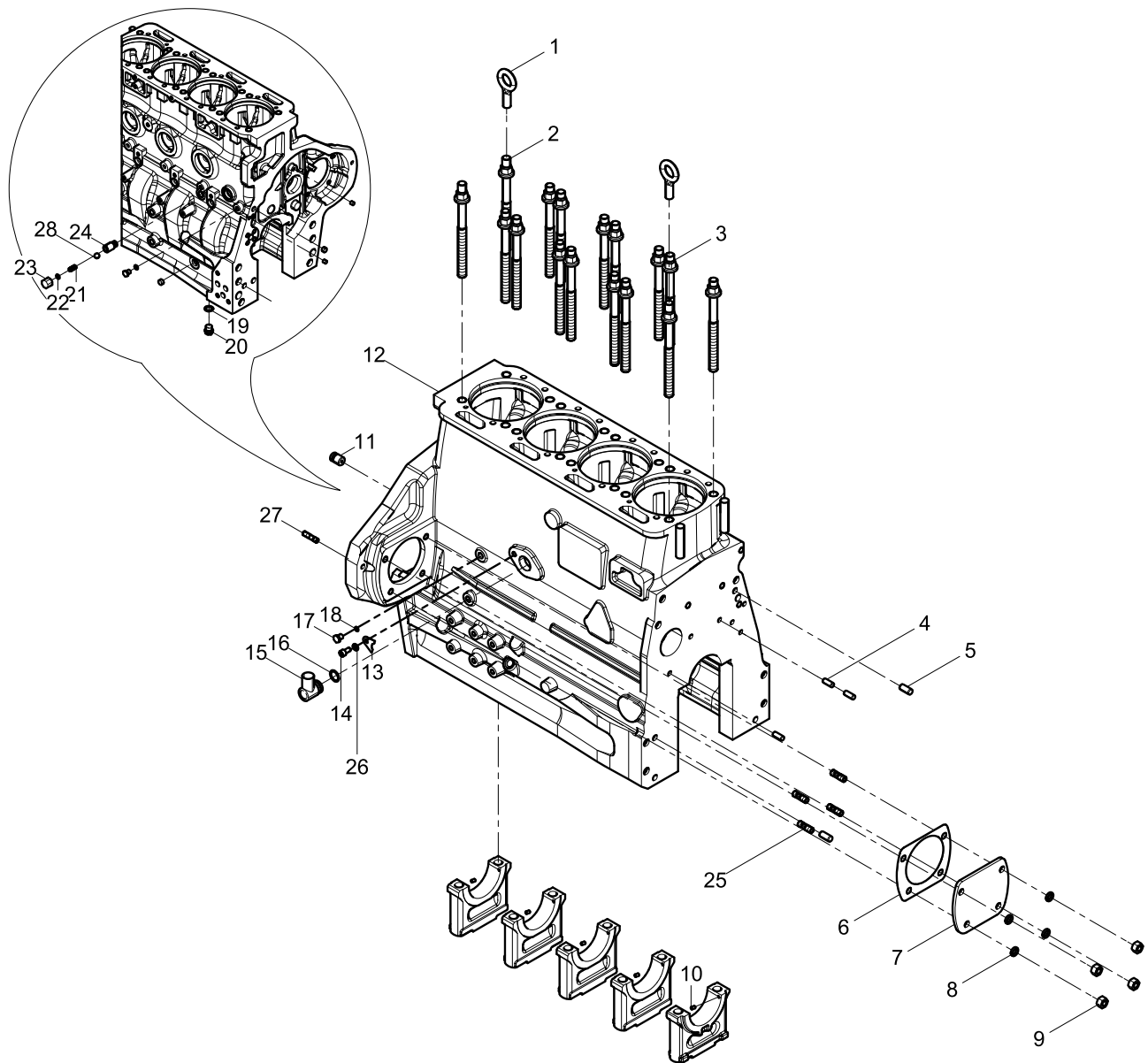
<b>机体结合组(Engine Block Group)</b> .....	<b>1</b>
机体分总成(Engine Block Subassembly).....	5
<b>前端盖结合组(Front cover group)</b> .....	<b>7</b>
正时齿轮室盖组件(Timing Gear Box Cover Assembly) .....	9
中间齿轮总成(Idler Gear Assembly).....	11
<b>油封结合组(Oil Seal Group)</b> .....	<b>13</b>
飞轮端后油封盖组件(Rear Oil Seal Cover Set) .....	15
<b>喷嘴结合组(Spray Nozzle Group)</b> .....	<b>17</b>
<b>油气分离器结合组(Oil-gas Separator Group)</b> .....	<b>19</b>
<b>液压泵盖组件(Hydraulic pump cover assembly)</b> .....	<b>21</b>
<b>曲轴总成(Crankshaft Assembly)</b> .....	<b>23</b>
<b>油底壳结合组(Oil Pan Group)</b> .....	<b>25</b>
油底壳组件(Oil Pan Set) .....	27
<b>二级平衡机构结合组(Second Order Balance Mechanism Group)</b> .....	<b>29</b>
二级平衡机构(Secondary Balance Mechanism) .....	31
二级平衡机构壳体组件(Housing of Mass Balancing System of II Order Set) .....	33
主动轴组件(Driving gear assembly) .....	35
从动轴组件(Gear Shaft Set).....	37
<b>主轴瓦结合组(Main Bearing Group)</b> .....	<b>39</b>
止推主轴瓦组件(Thrust Bearing Set) .....	41
主轴瓦组件(Main Bearing Set) .....	43
<b>止推片结合组(Thrust Plate Group)</b> .....	<b>45</b>
<b>轮毂结合组()</b> .....	<b>47</b>
<b>曲轴皮带轮结合组(Crankshaft Pulley Group)</b> .....	<b>49</b>
<b>活塞连杆结合组(Piston and Connecting Rod Group)</b> .....	<b>51</b>
活塞总成(Piston Assembly) .....	53
活塞组件(Piston Set).....	55
活塞环组件(Piston Ring Set) .....	57
连杆总成(Connecting Rod Assembly) .....	59
连杆瓦组件(Connecting Rod Bearing Set).....	61
<b>散热器结合组(Radiator Group)</b> .....	<b>63</b>

<b>气缸盖总成(Cylinder Head Assembly)</b> .....	<b>65</b>
气缸盖分总成(Cylinder Head Subassembly).....	67
气缸盖分总成(Cylinder Head Subassembly).....	69
气缸盖垫片(Cylinder Head Gasket).....	71
摇臂座总成(Rocker Arm Bracket Assembly) .....	73
摇臂组件(Rocker Arm Set).....	75
<b>气缸盖罩结合组(Cylinder Head Cover Group)</b> .....	<b>77</b>
<b>凸轮轴总成(Camshaft Assembly)</b> .....	<b>79</b>
<b>配气机构结合组(Valve Train Group)</b> .....	<b>81</b>
<b>张紧轮及皮带结合组(Tensioner And Belt Group)</b> .....	<b>83</b>
<b>发动机支架结合组(Engine Bracket Group)</b> .....	<b>85</b>
<b>随机备件结合组(Spare Parts Attached to Engine Group)</b> .....	<b>87</b>
<b>机油泵结合组(Oil Pump Group)</b> .....	<b>89</b>
<b>机油滤清器结合组(Oil Filter Group)</b> .....	<b>91</b>
机油滤清器滤座分总成(Oil filter seat subassembly) .....	93
机油滤清器座组件(Oil Filter Seat Set).....	95
<b>机油冷却器结合组(Oil Cooler Group)</b> .....	<b>97</b>
<b>机油冷却器水管结合组(Oil Cooler Coolant Pipe Group)</b> .....	<b>99</b>
<b>增压器润滑油管结合组(Turbocharger Oil Pipe Group)</b> .....	<b>101</b>
<b>机油集滤器结合组(Oil Strainer Group)</b> .....	<b>103</b>
<b>喷油泵结合组(Fuel Injection Pump Group)</b> .....	<b>105</b>
管接头(Pipe Joint).....	107
<b>喷油器结合组(Fuel Injector Group)</b> .....	<b>109</b>
<b>燃油滤清器结合组(Fuel Filter Group)</b> .....	<b>111</b>
燃油滤清器总成(Fuel Filter Assembly) .....	113
<b>喷油泵润滑油管结合组(Fuel Injection Pump Oil Pipe Group)</b> .....	<b>115</b>
<b>高压油管结合组(High Pressure Fuel Pipe Group)</b> .....	<b>117</b>
<b>进气管结合组(Intake Manifold Group)</b> .....	<b>119</b>
进气管分总成(Intake Manifold Subassembly) .....	121
<b>空气滤清器结合组(Air Filter Group)</b> .....	<b>123</b>
<b>水泵结合组(Water Pump Group)</b> .....	<b>125</b>

中间垫块结合组(Middle Filling Block Group) .....	127
水泵皮带轮总成(Water Pump Pulley Assembly) .....	129
发电机支架结合组(Alternator Bracket Group) .....	131
排气管结合组(Exhaust Manifold Group) .....	133
增压器结合组(Turbocharger Group) .....	135
发电机结合组(Alternator Group) .....	137
起动机结合组(Starter Motor Group) .....	139
飞轮结合组(Flywheel Group) .....	141
飞轮总成(Flywheel Assembly) .....	143
飞轮壳结合组(Flywheel Housing Group) .....	145
水泵进水管结合组(Water Pump Inlet Pipe Group) .....	147
隔音罩结合组(Sound Insulation Cover Group) .....	149
零件箱结合组(Parts Box Group) .....	151



### 机体结合组(Engine Block Group)

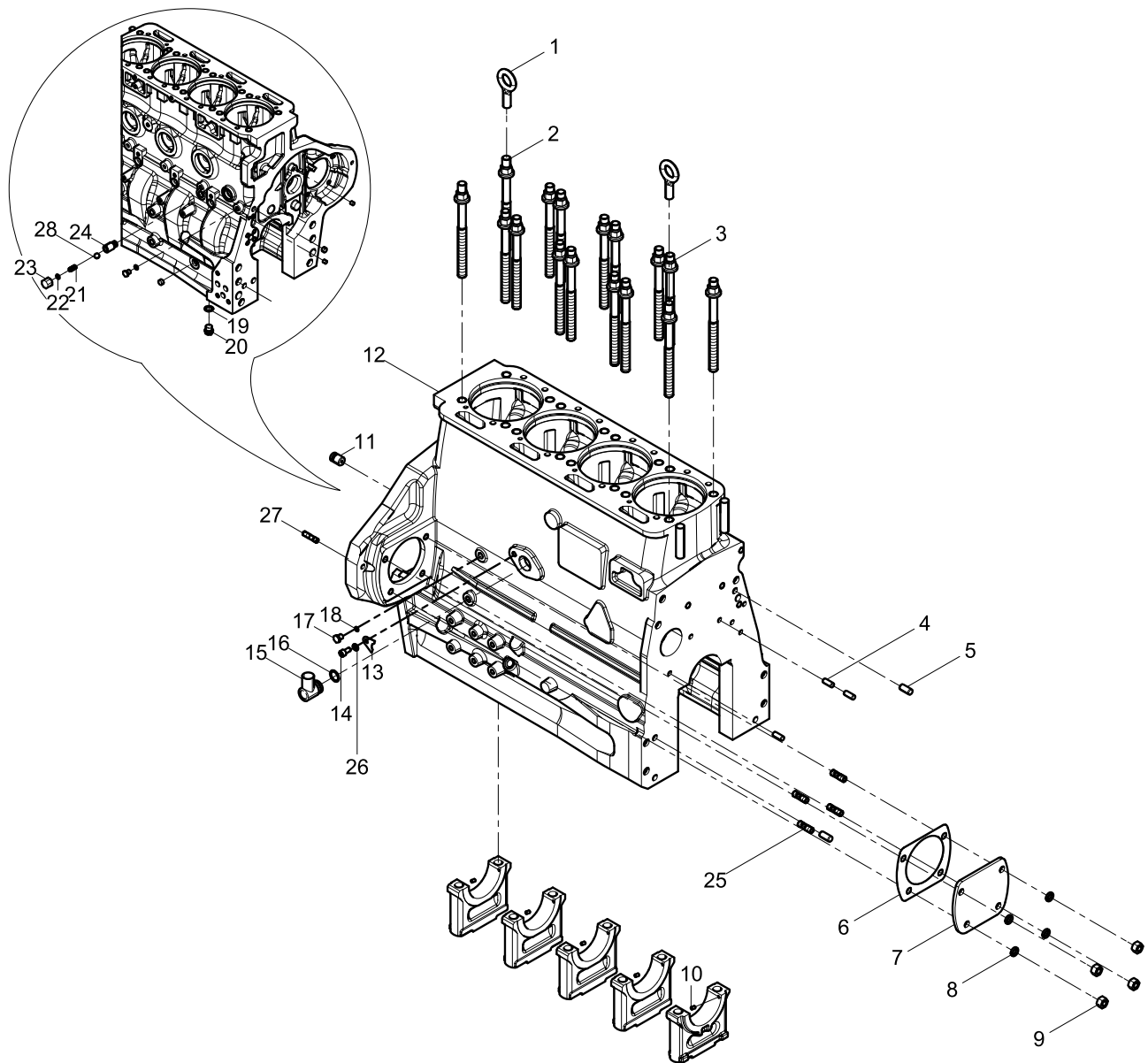


**机体结合组(Engine Block Group)**

图序号 Pos.	件号 Teile.Number	数量 Amount	中文名称 Denomination	英文名称 Designation
1	13020212	2	吊环螺钉	Lifting Screw
2	13068182	5	气缸盖螺栓	Cylinder Head Bolt
3	13037379	11	气缸盖螺栓	Cylinder Head Bolt
4	90003901420	3	圆柱销	Parallel Pin
5	90015210010	2	圆柱销	Parallel Pin
6	13031544	1	垫片	Gasket
7	13025795	1	盖板	Cover
8	90003931122	4	弹簧垫圈	Spring Washer
9	90012700002	4	2型六角螺母	Hexagon Nut, Style 2
10	90015100005	5	弹性圆柱销 直槽重型	Spring-Type Straight Pin, Slotted, Heavy Duty
11	13022330	1	中间齿轮轴	Idler Gear Shaft
12	13034210	1	机体分总成	Engine Block Subassembly
13	12160129	1	板	Plate
14	01151498	1	内六角圆柱头螺钉	Inner Hexagon Socket Head Cap Screw
15	12160117	1	管	Pipe
16	01153869	1	O型密封圈	O-ring
17	01118952	2	六角头螺塞	Hexagon Screw Plug
18	13057039	2	组合密封垫圈	Assembled Sealing Washer
19	01118707	1	密封垫圈	Sealing Washer
20	01151453	1	六角头螺塞	Hexagon Screw Plug
21	01221356	1	复位弹簧	Return Spring
22	13023361	1	组合密封垫圈	Assembled Sealing Washer
23	12167057	1	六角盖形螺母	Acorn Hexagon Nut
24	12167053	1	螺杆	Screw
25	90011620019	4	双头螺柱	Double End Stud
26	90003931102	1	弹簧垫圈	Spring Washer
27	90011520047	1	双头螺柱	Double End Stud

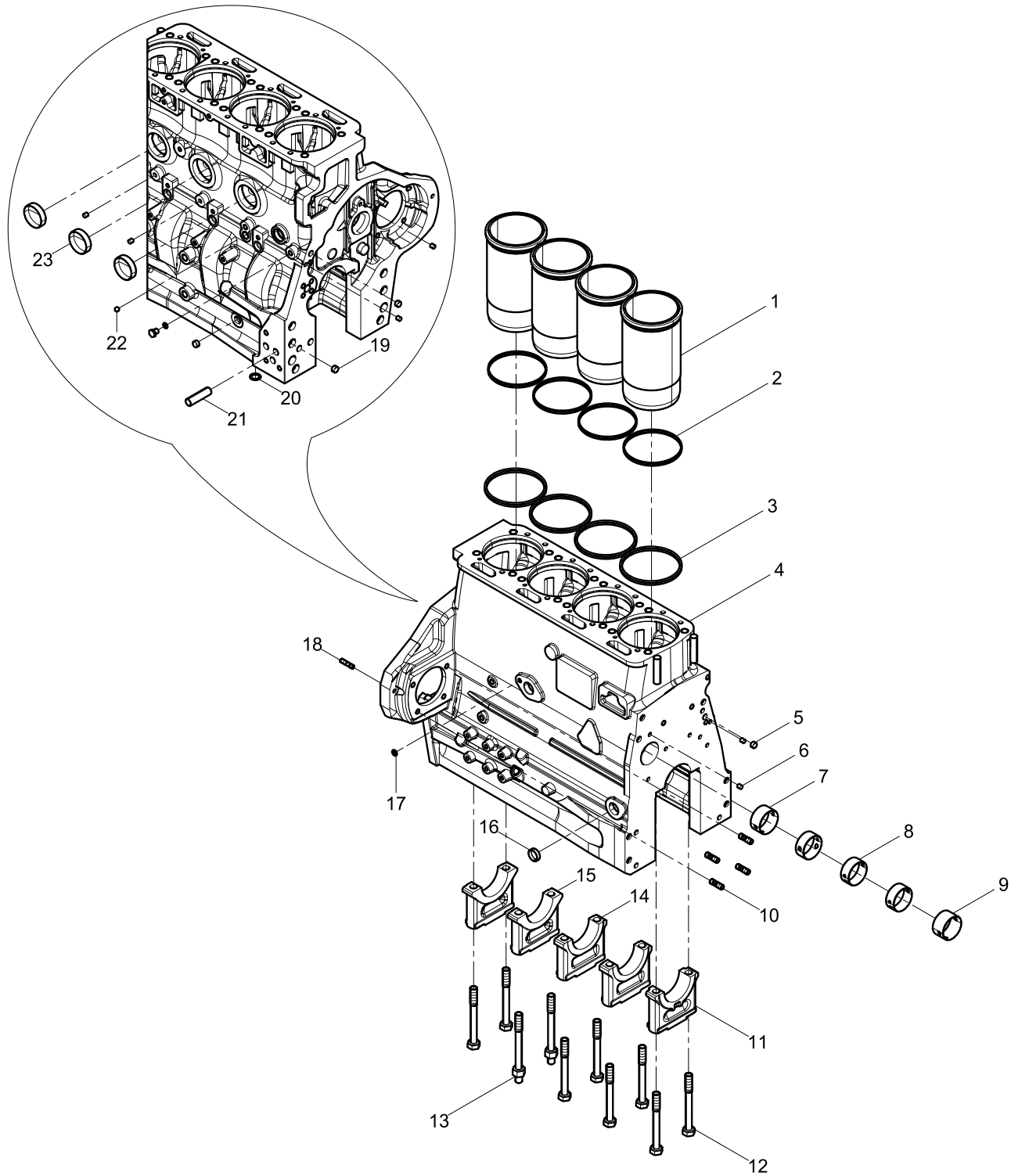


### 机体结合组(Engine Block Group)





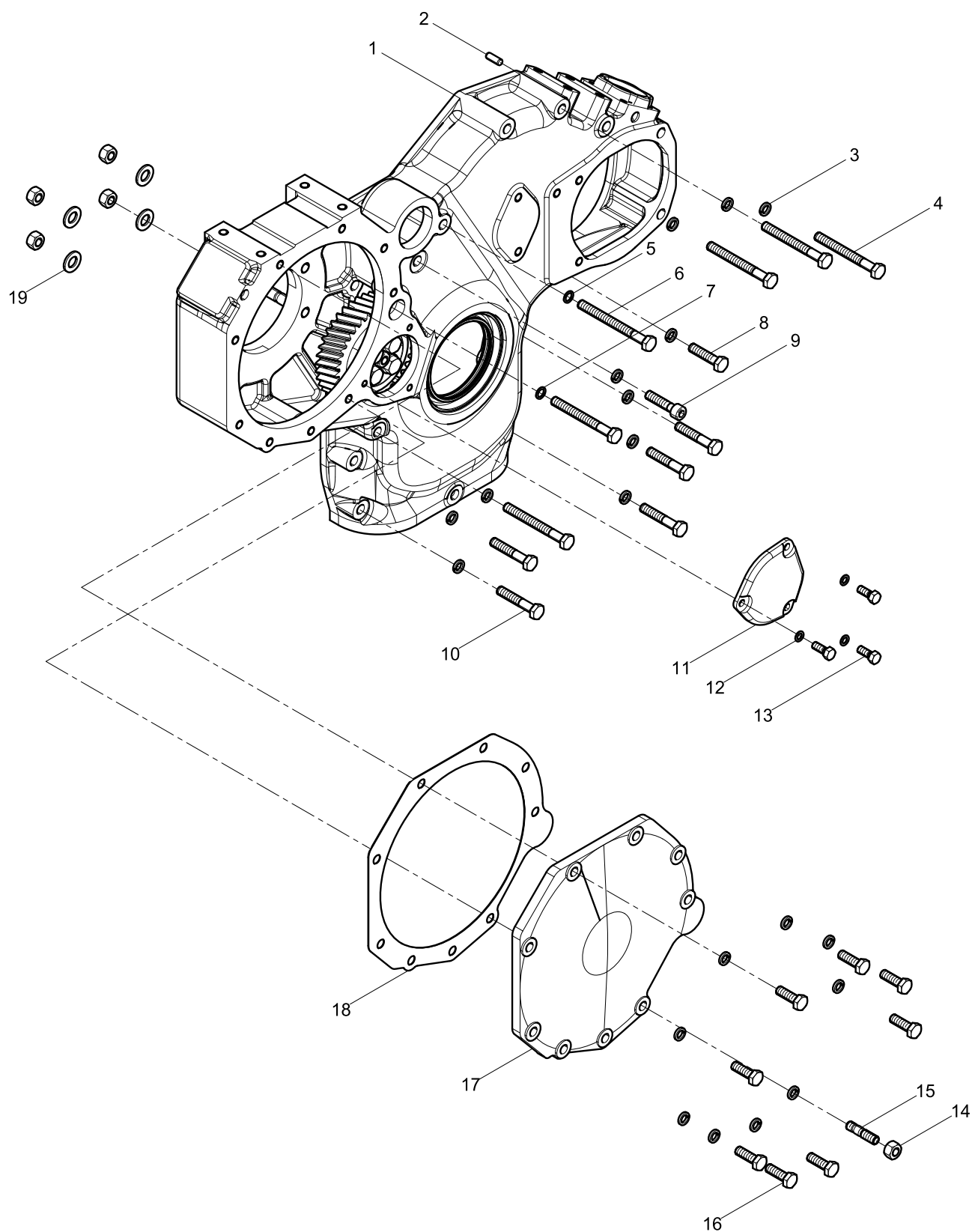
### 机体分总成(Engine Block Subassembly)



**机体分总成(Engine Block Subassembly)**

图序号 Pos.	件号 Teile.Number	数量 Amount	中文名称 Denomination	英文名称 Designation
1	13056682	4	气缸套	Cylinder Liner
2	01153804	8	O型密封圈	O-ring
3	01153805	8	O型密封圈	O-ring
4	13039351	1	机体	Engine Block
5	12273515	2	拉铆钉	Pulling Rivet
6	12151365	7	拉铆钉	Pulling Rivet
7	12159599	1	凸轮轴衬套	Camshaft Bush
8	13032911	3	凸轮轴衬套	Camshaft Bush
9	13032912	1	凸轮轴衬套	Camshaft Bush
10	01152502	4	双头螺柱	Double End Stud
11	12190135	1	预加工止推主轴承盖	Pre-machined Trust Main Bearing Cap
12	13037380	8	主轴承螺栓	Main Bearing Bolt
13	13037381	2	主轴承螺栓	Main Bearing Bolt
14	12271079	2	预加工主轴承盖	Pre-machined Main Bearing Cap
15	12188652	2	预加工主轴承盖	Pre-machined Main Bearing Cap
16	13039690	1	碗形塞	Bowl Plug
17	01177981	1	弹簧垫圈	Spring Washer
18	01153348	1	双头螺柱	Double End Stud
19	12273557	2	螺堵	Screw Plug
20	01118707	1	密封垫圈	Sealing Washer
21	13031278	1	衬管	Screened Pipe
22	01116958	1	球	Ball
23	01152717	3	碗形塞	Bowl Plug

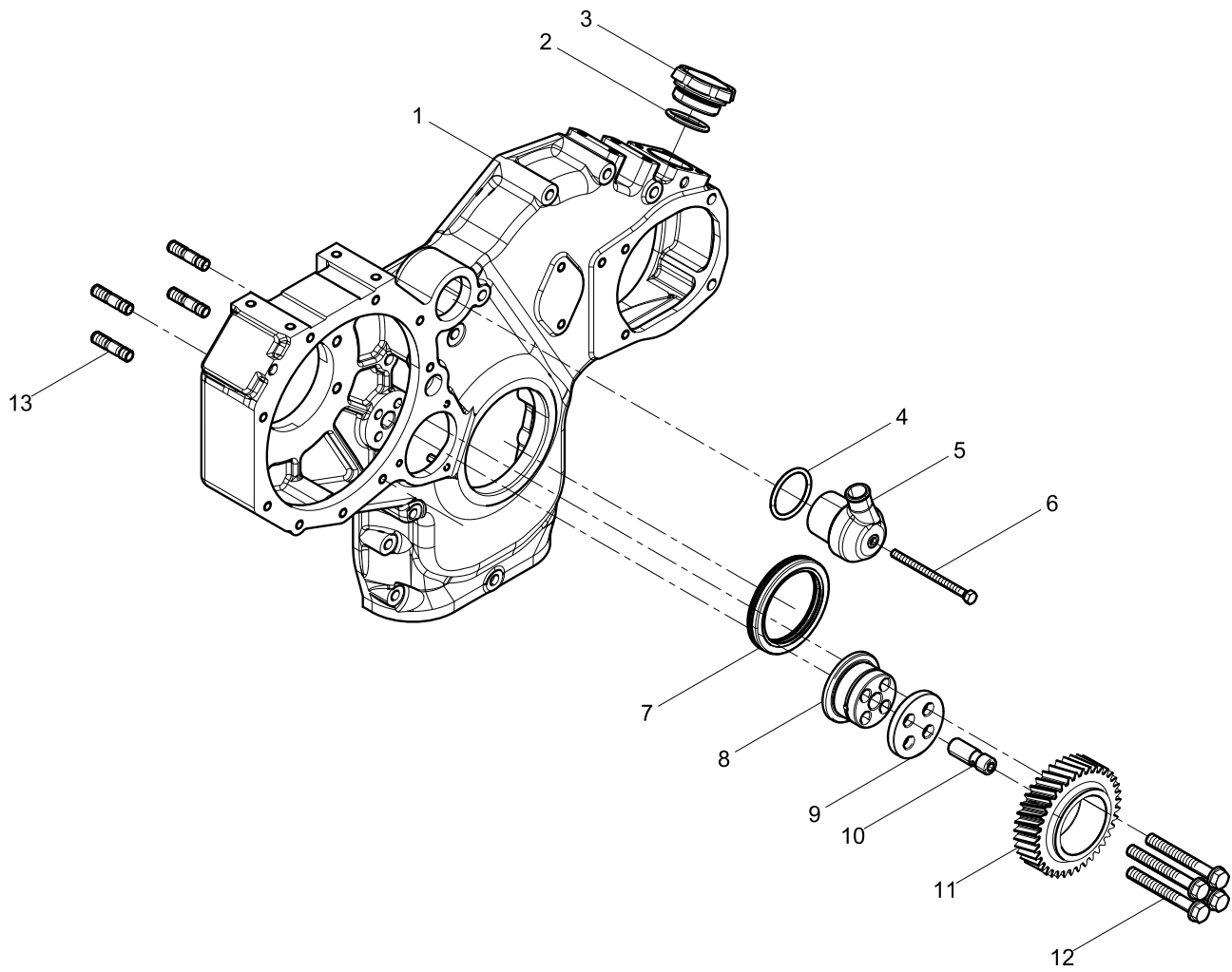
### 前端盖结合组(Front cover group)



**前端盖结合组(Front cover group)**

图序号 Pos.	件号 Teile.Number	数量 Amount	中文名称 Denomination	英文名称 Designation
1	1001066775	1	正时齿轮室盖组件	Timing Gear Box Cover Assembly
2	90015210012	1	圆柱销	Parallel Pin
3	90003931102	20	弹簧垫圈	Spring Washer
4	90003800467	5	六角头螺栓	Hexagon Head Bolt
5	01118647	1	密封垫圈	Sealing Washer
6	90003800472	1	六角头螺栓	Hexagon Head Bolt
7	01118654	1	密封垫圈	Sealing Washer
8	90003800431	1	六角头螺栓	Hexagon Head Bolt
9	13021442	1	内六角圆柱头螺钉	Inner Hexagon Socket Head Cap Screw
10	90003800441	5	六角头螺栓	Hexagon Head Bolt
11	13022340	1	前端盖盖板	Front Cover shield
12	01118641	3	密封垫圈	Sealing Washer
13	90003802321	3	六角头螺栓	Hexagon Head Bolt
14	90012700003	5	2型六角螺母	Hexagon Nut, Style 2
15	90003813434	1	双头螺柱	Double End Stud
16	90003802424	8	六角头螺栓	Hexagon Head Bolt
17	13054661	1	堵盖	Plug
18	13031533	1	垫片	Gasket
19	90014040008	4	平垫圈	Plain Washer

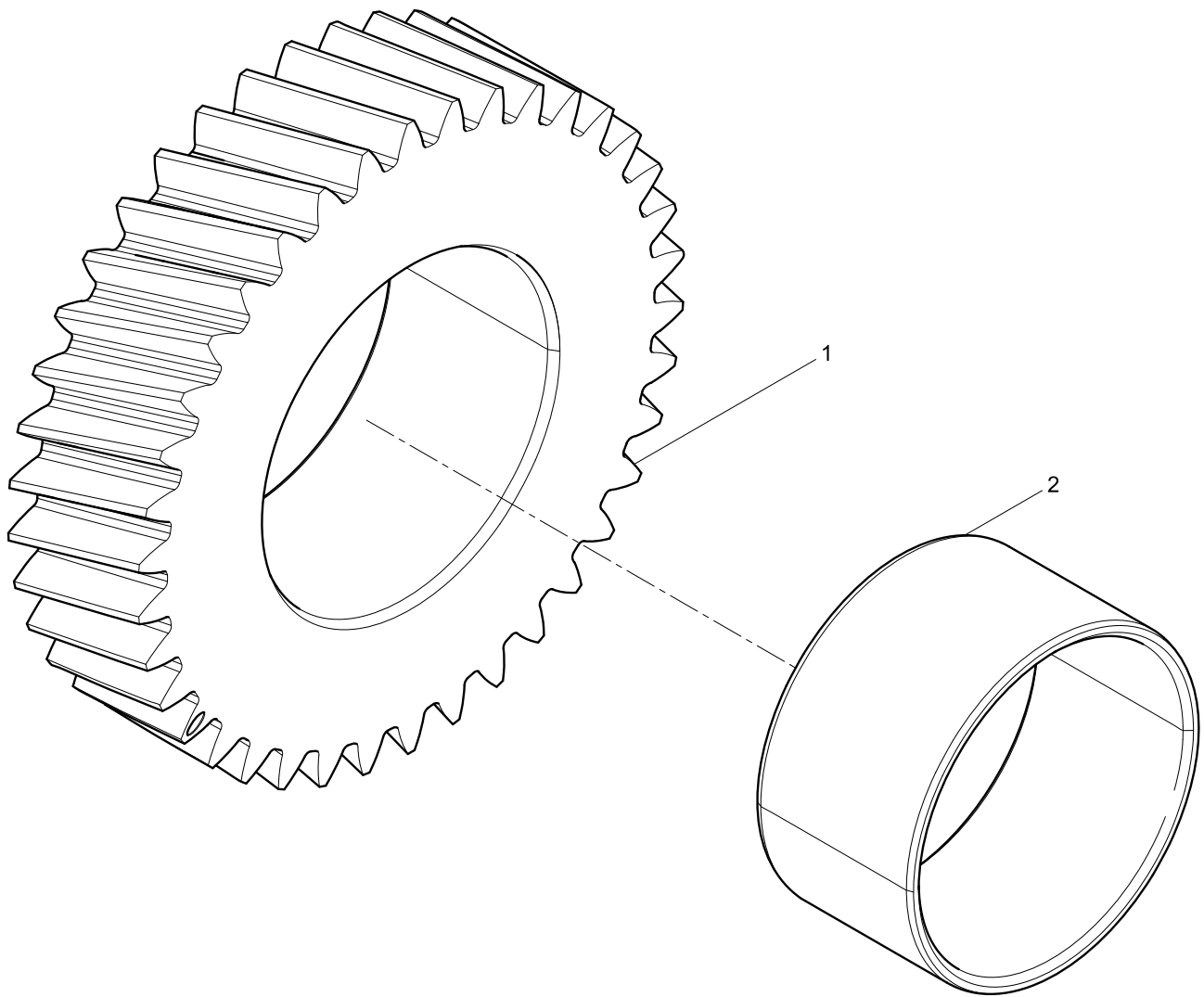
### 正时齿轮室盖组件(Timing Gear Box Cover Assembly)





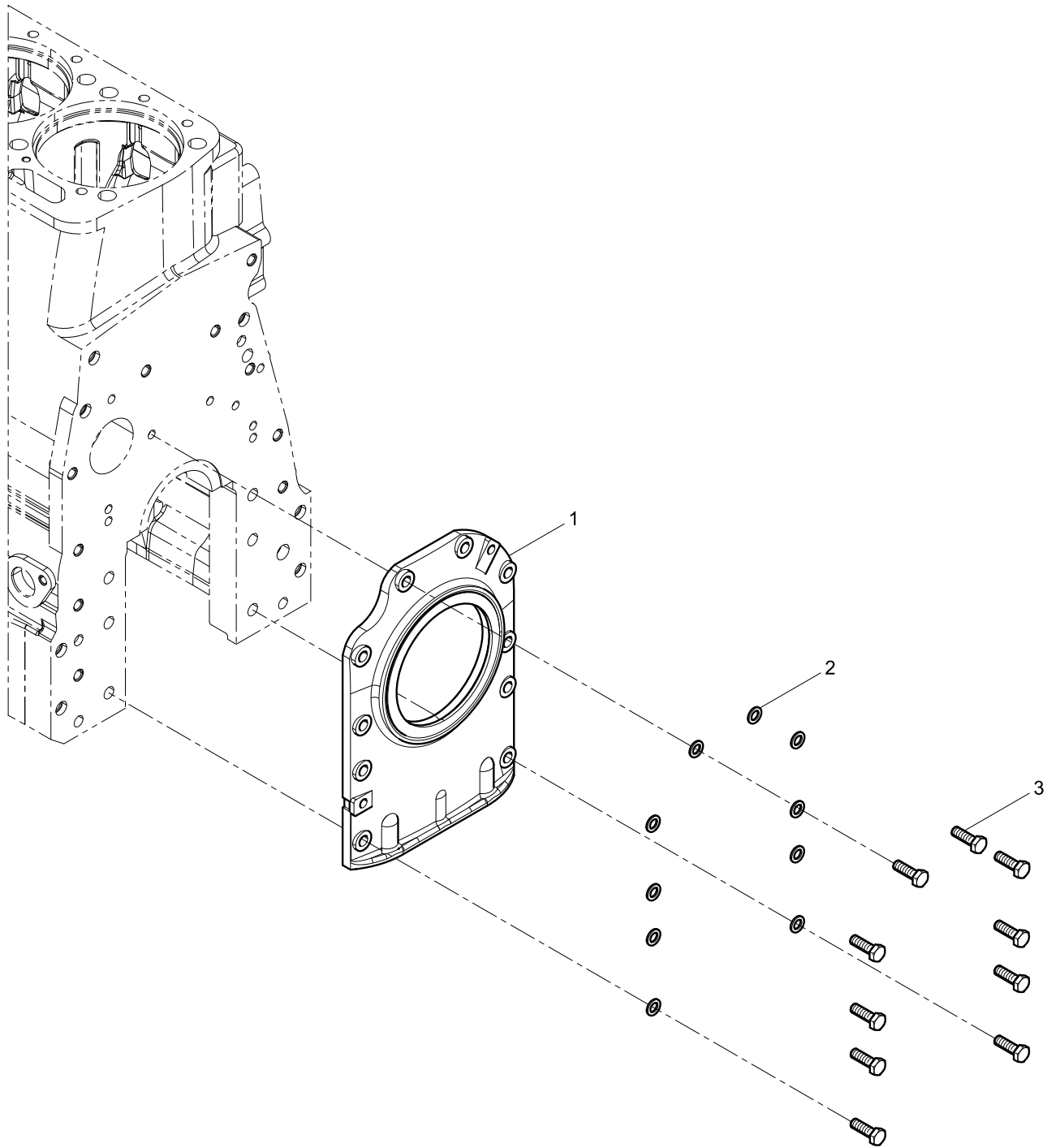


### 中间齿轮总成(Idler Gear Assembly)



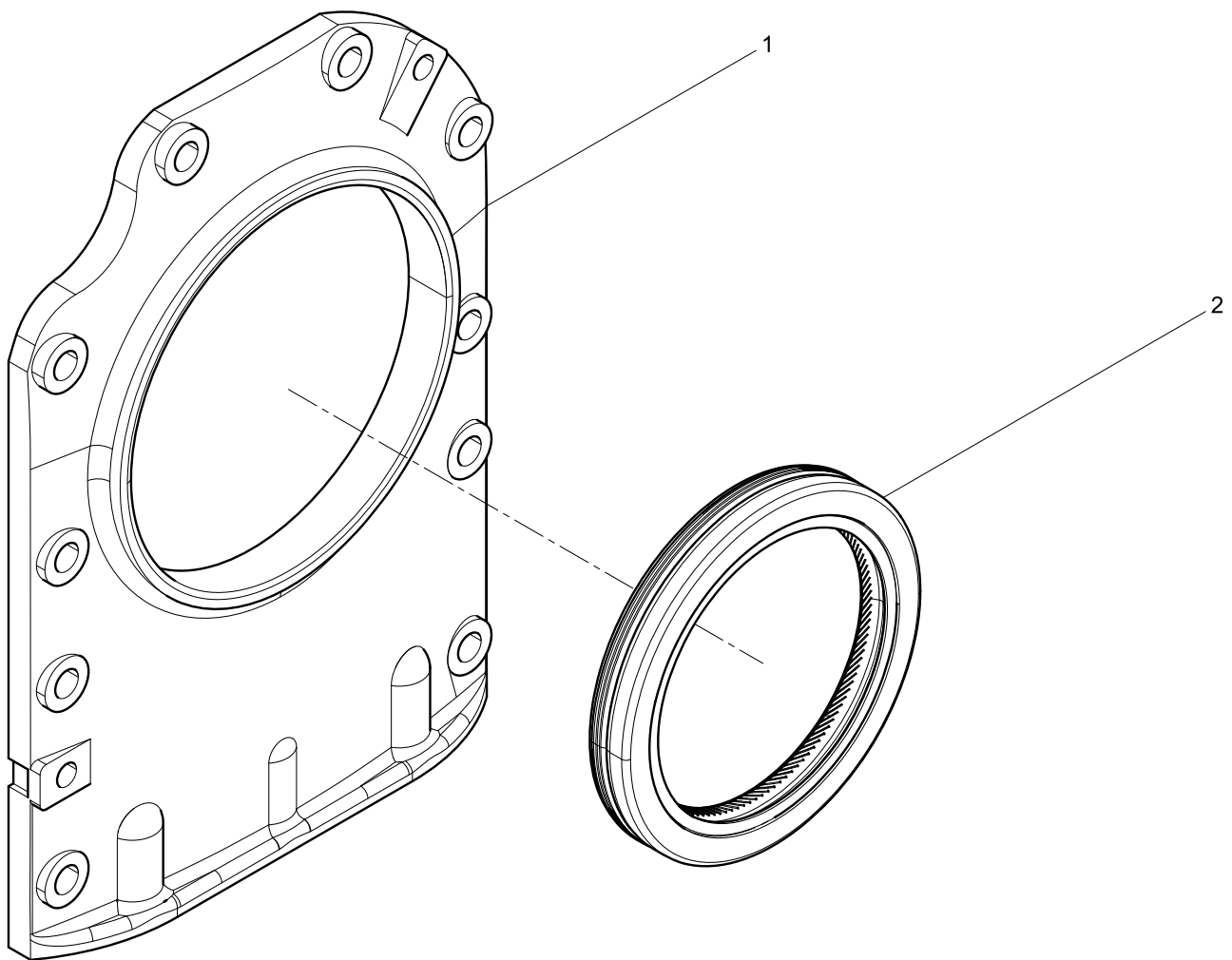


### 油封结合组(Oil Seal Group)



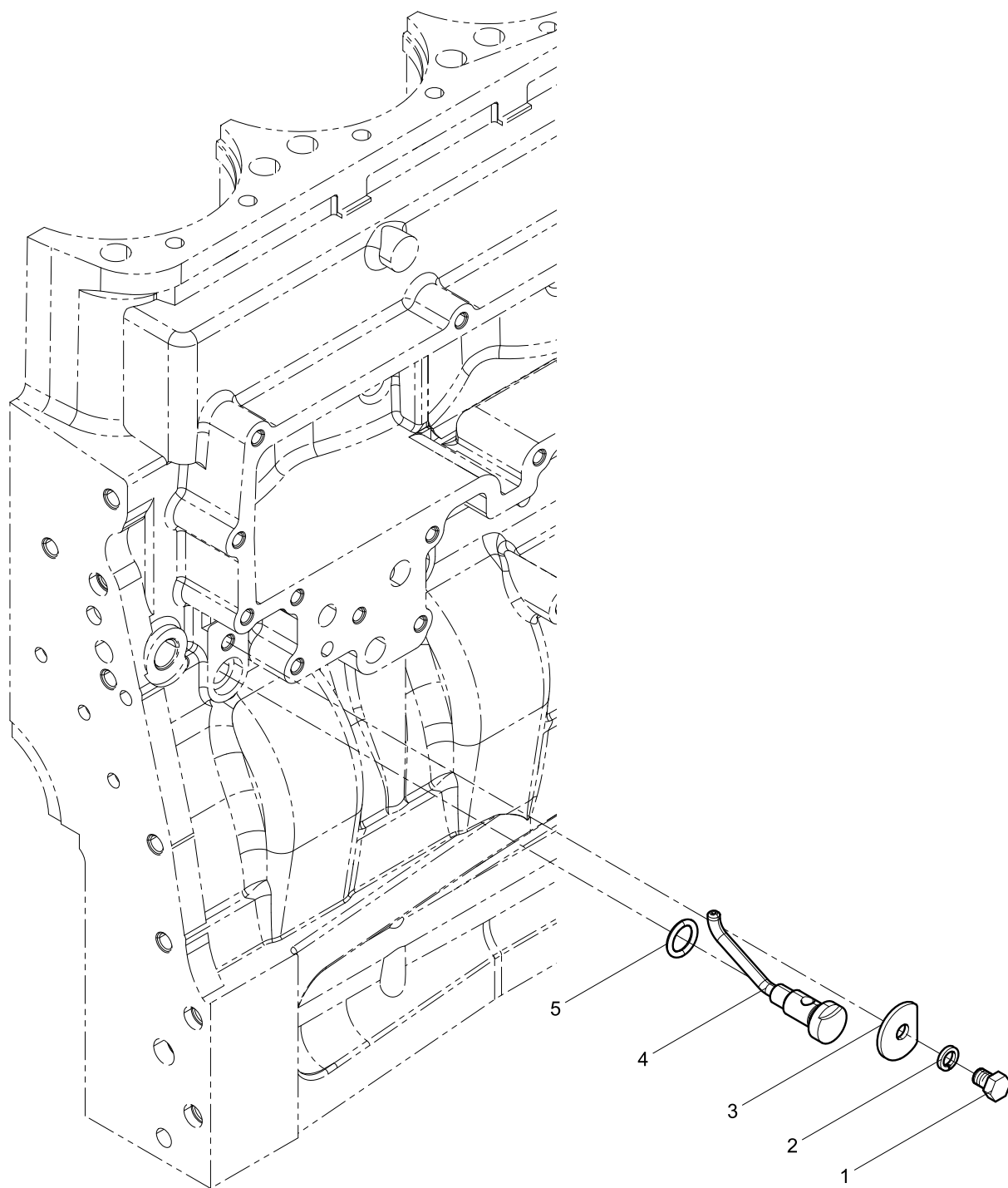


飞轮端后油封盖组件(Rear Oil Seal Cover Set)





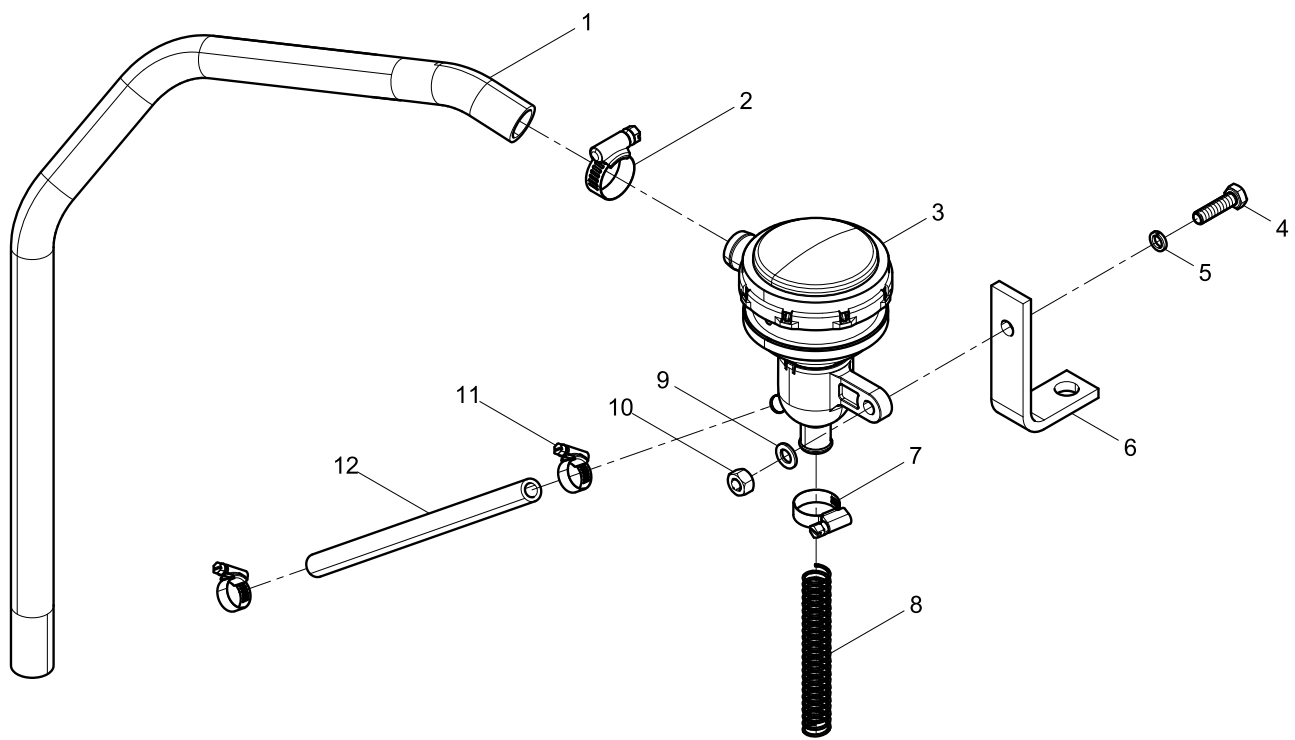
### 喷嘴结合组(Spray Nozzle Group)







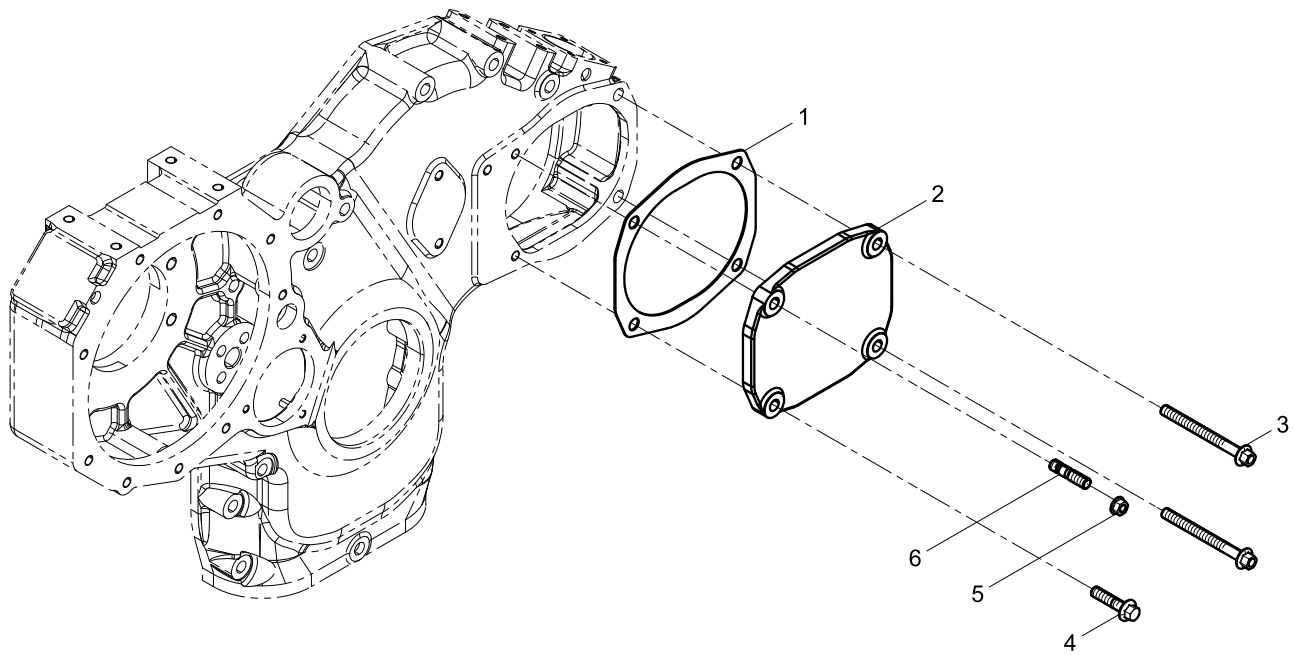
### 油气分离器结合组(Oil-gas Separator Group)



**油气分离器结合组(Oil-gas Separator Group)**

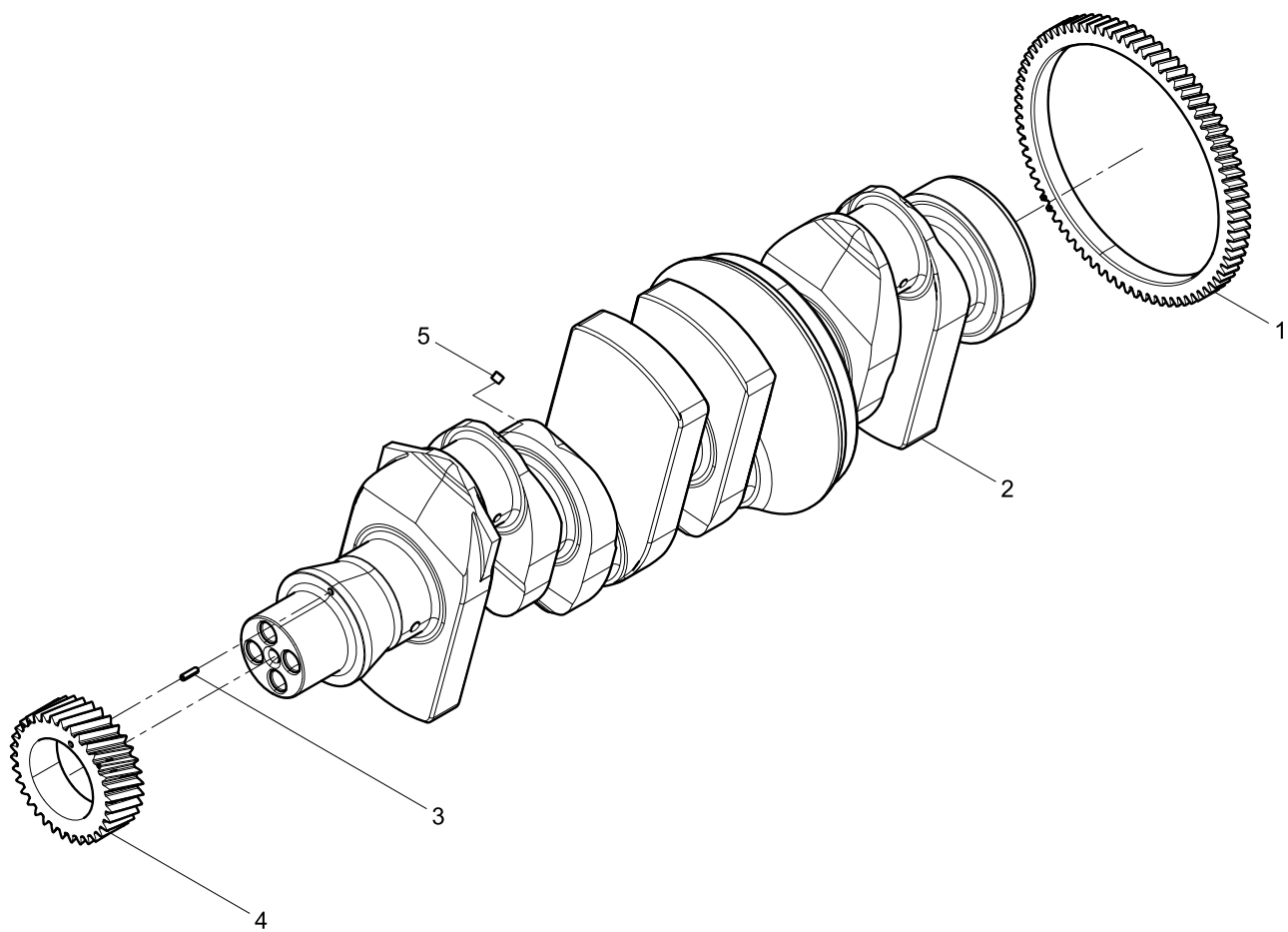
图序号 Pos.	件号 Teile.Number	数量 Amount	中文名称 Denomination	英文名称 Designation
1	1001327399	1	油气分离器出气管	Oil-gas Separator Air-outlet Pipe
2	90003989340	1	卡箍	Clamp
3	13037977	1	油气分离器总成	Oil-gas Separator Assembly
4	90011350026	1	六角头螺栓	Hexagon Head Bolt
5	90014040009	1	平垫圈	Plain Washer
6	1001223553	1	油气分离器支架	Oil-gas Separator Bracket
7	12151665	1	卡箍	Clamp
8	1000495384	1	复位弹簧	Return Spring
9	90014040008	1	平垫圈	Plain Washer
10	90012700003	1	2型六角螺母	Hexagon Nut, Style 2
11	13035645	2	管夹总成	Pipe Clamp Assembly
12	13037574	1	油路连接胶管	Oil Connecting Rubber Pipe

### 液压泵盖组件(Hydraulic pump cover assembly)



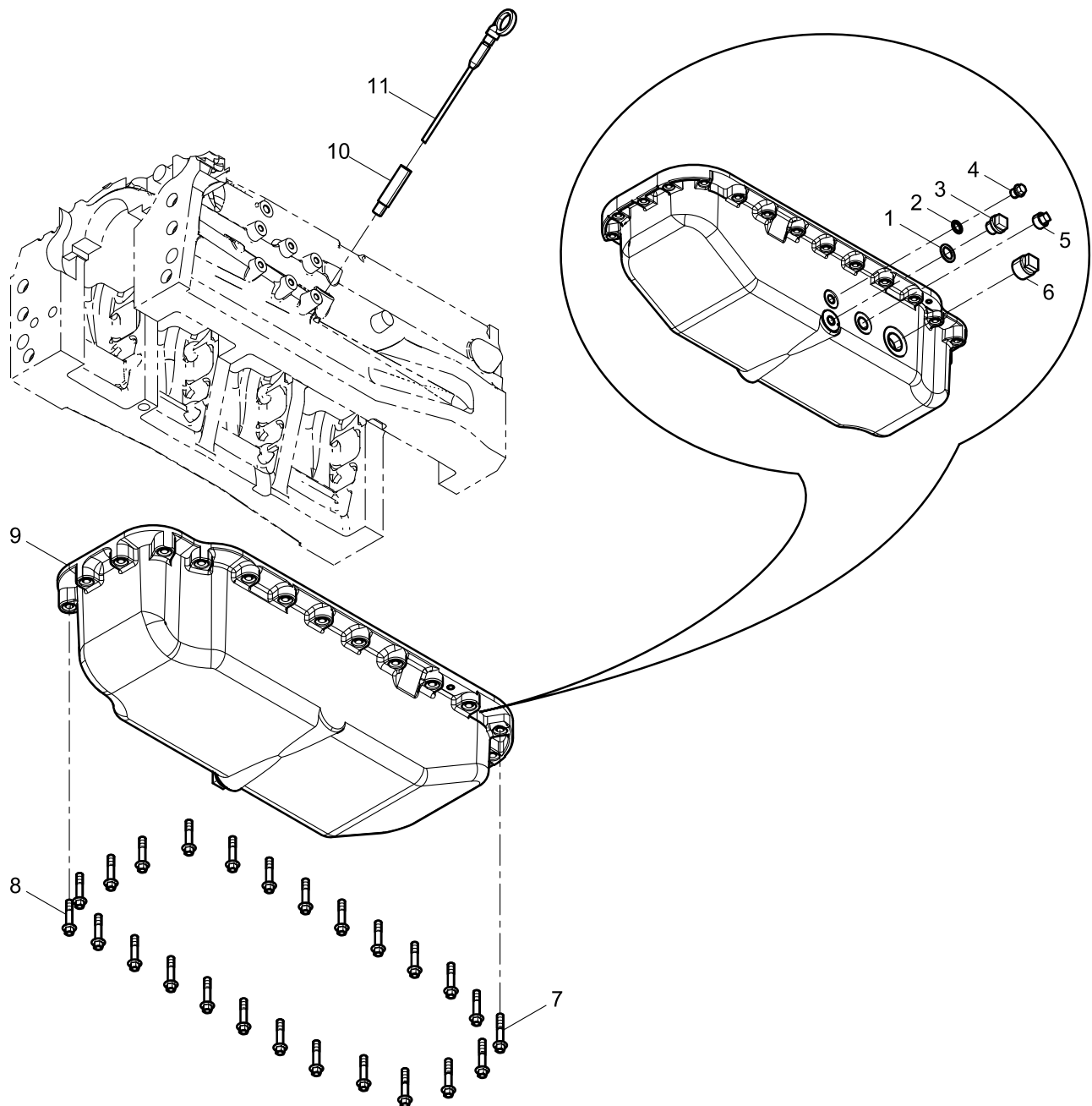


### 曲轴总成(Crankshaft Assembly)





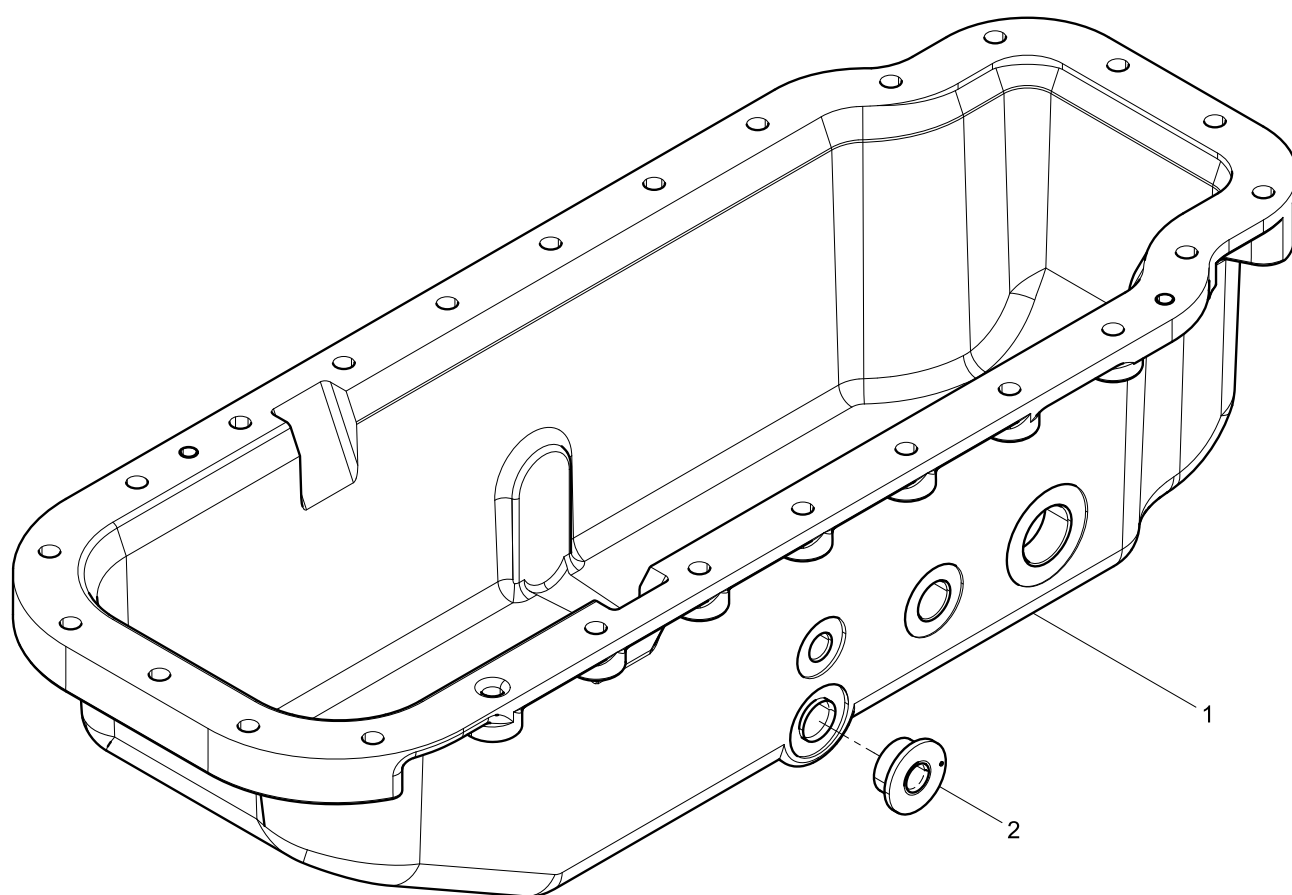
### 油底壳结合组(Oil Pan Group)





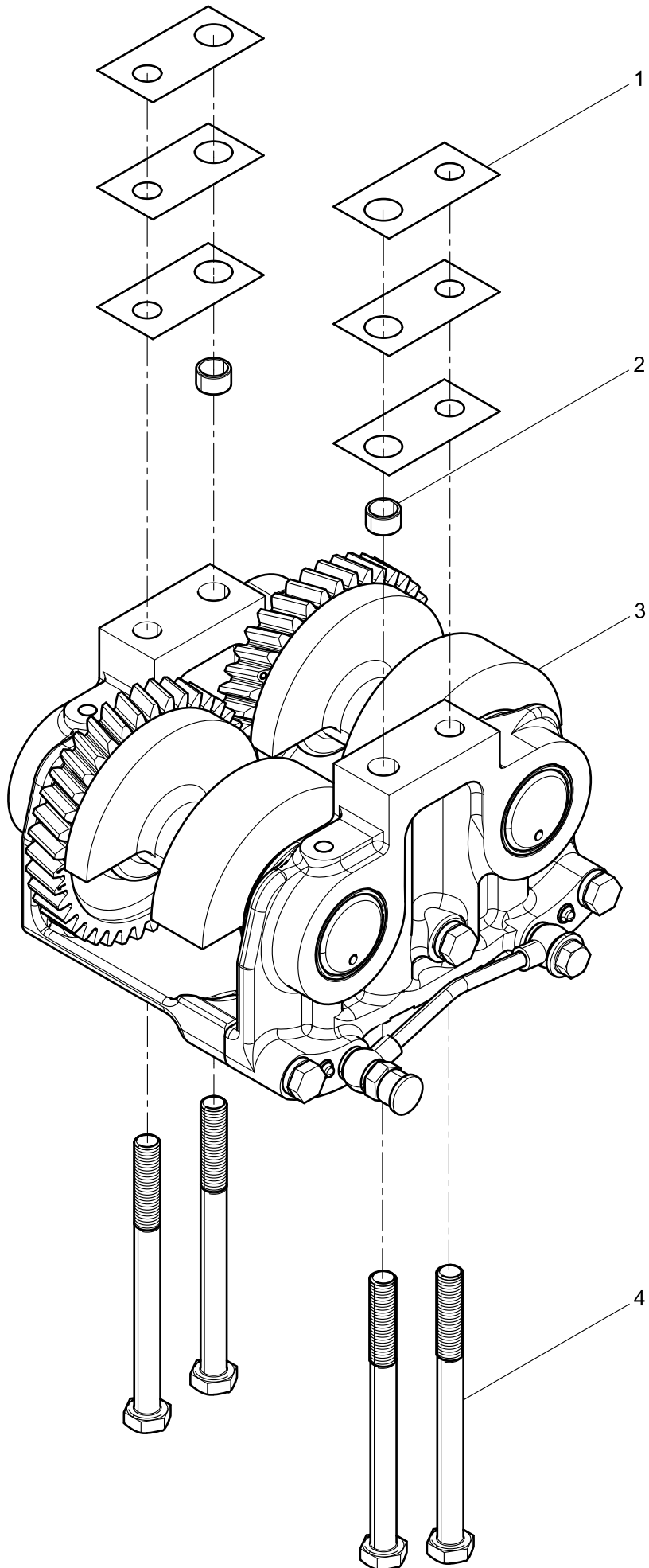


### 油底壳组件(Oil Pan Set)



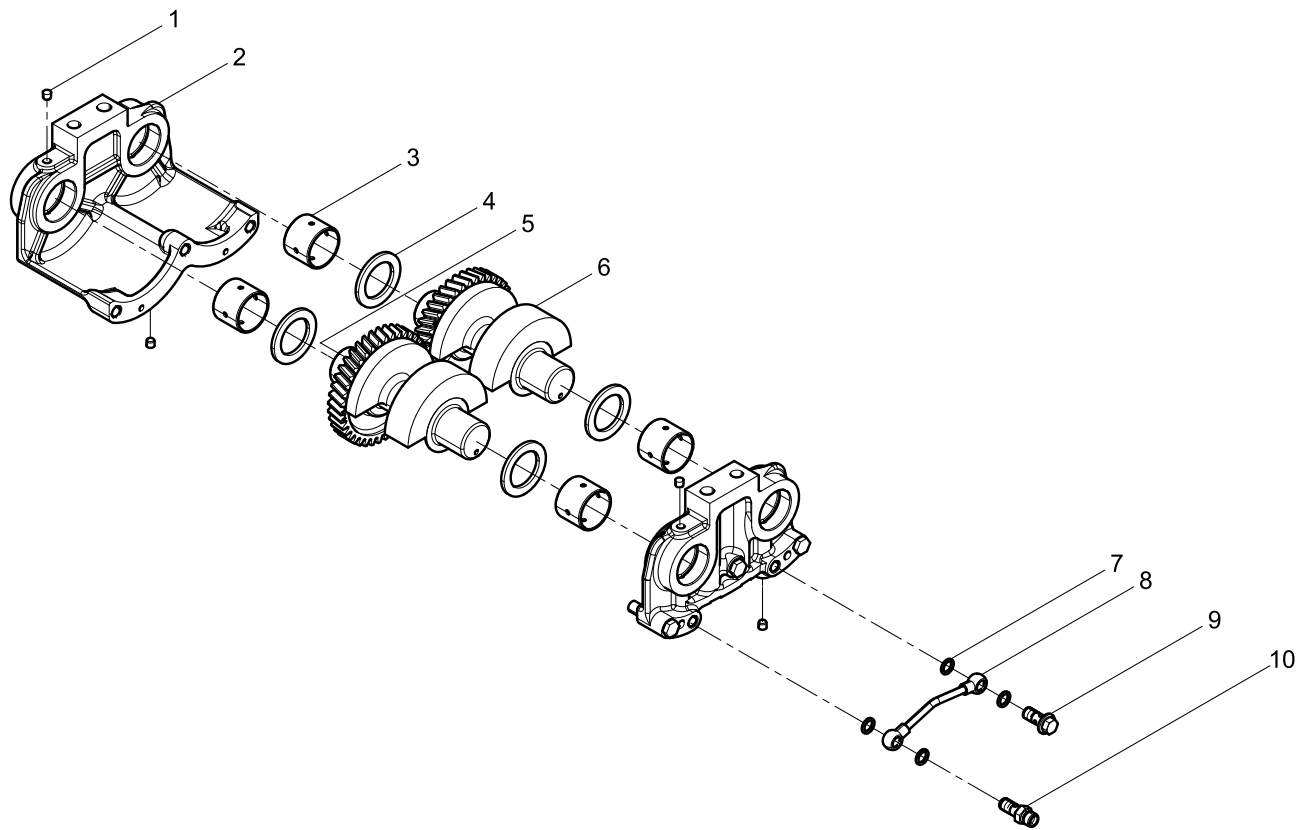


### 二级平衡机构结合组(Second Order Balance Mechanism Group)



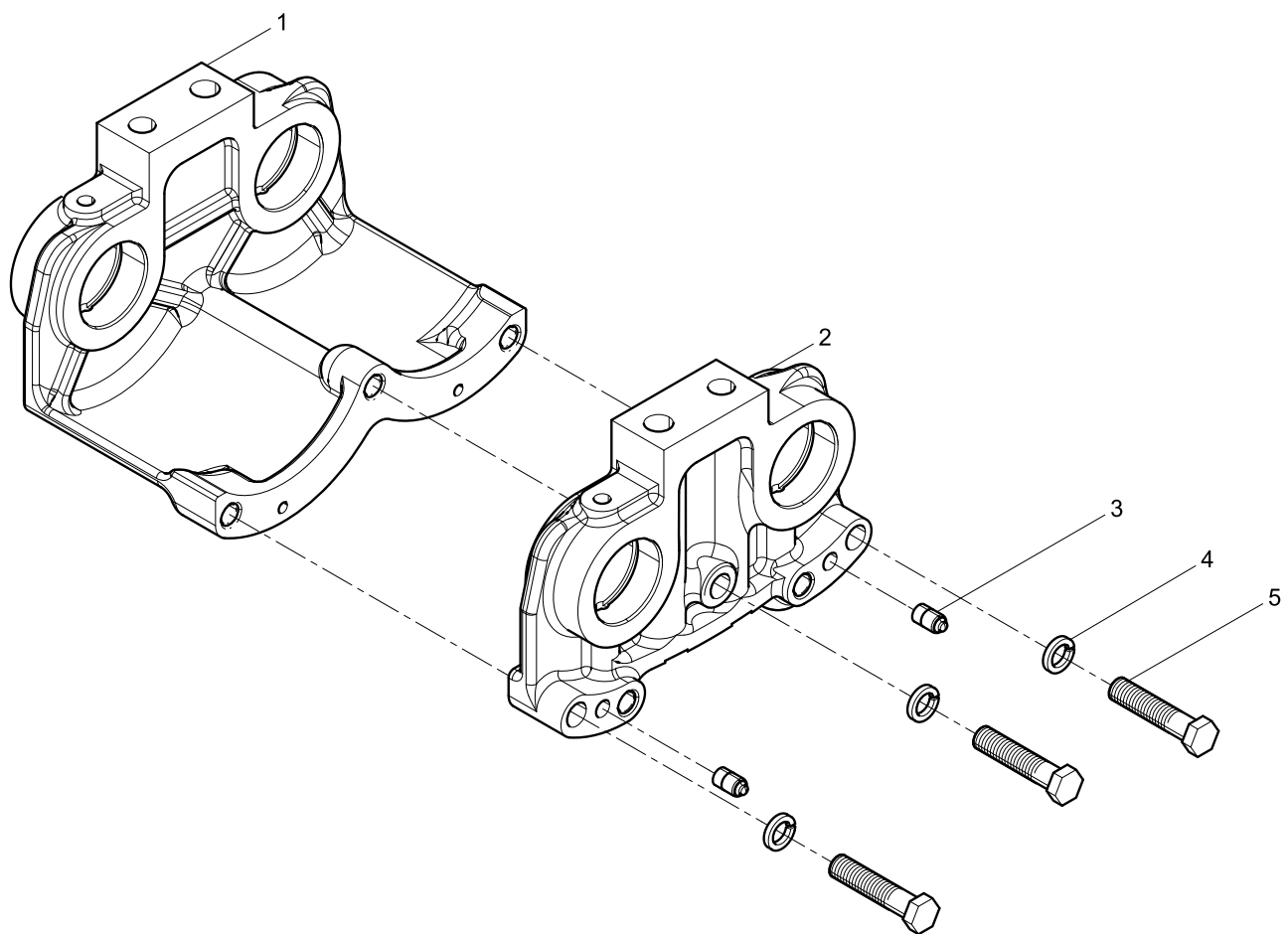


### 二级平衡机构(Secondary Balance Mechanism)





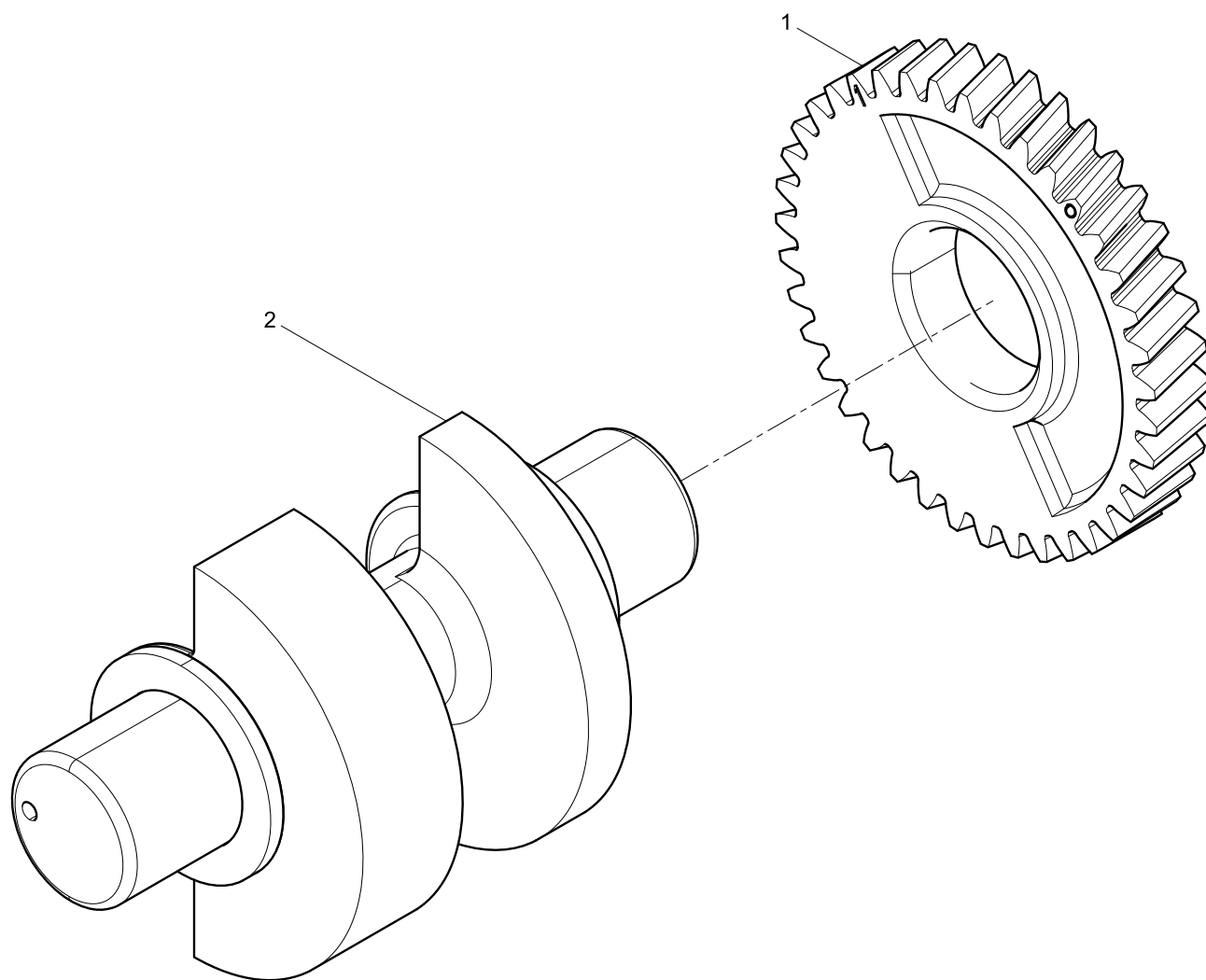
### 二级平衡机构壳体组件(Housing of Mass Balancing System of II Order Set)





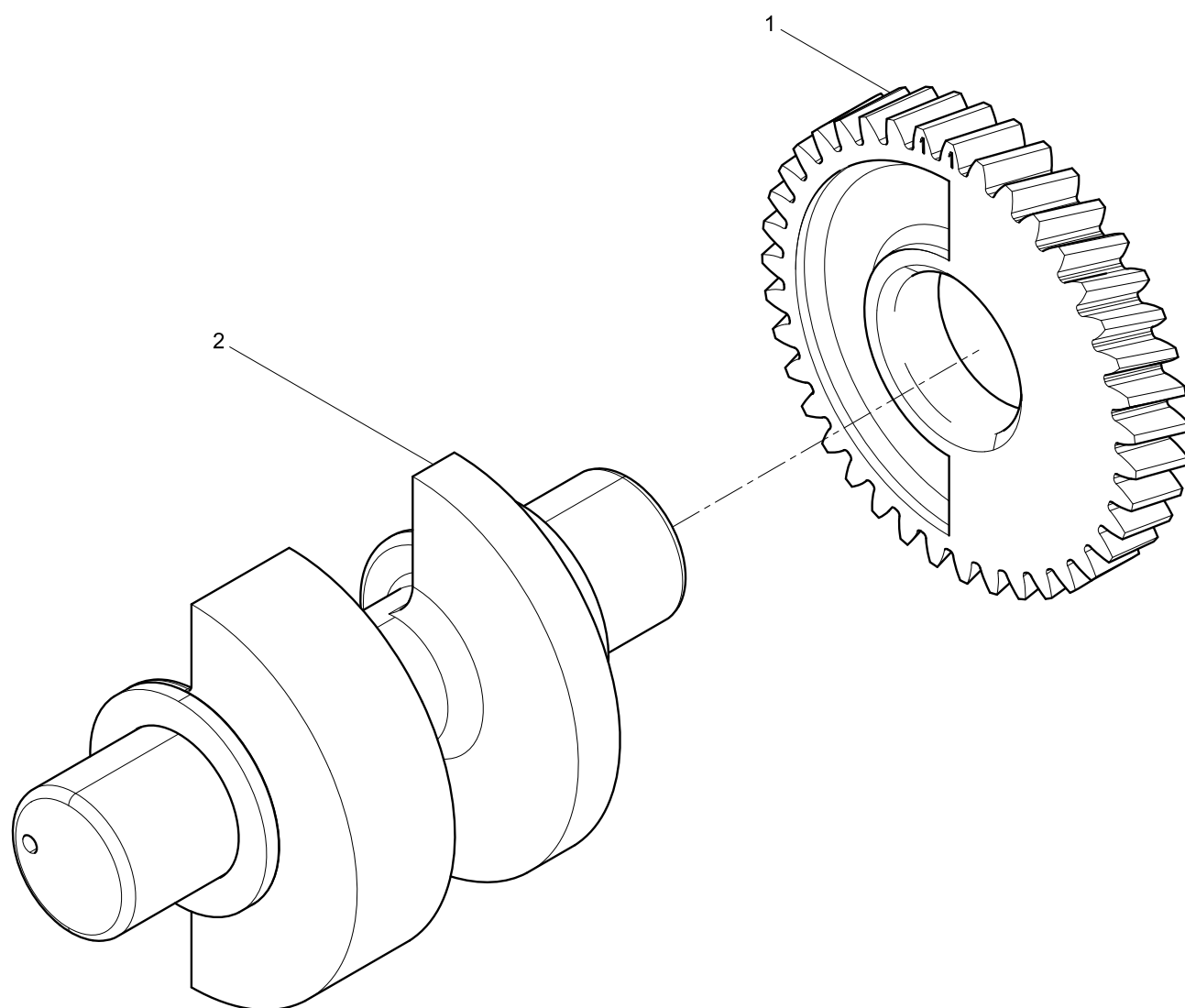


### 主动轴组件(Driving gear assembly)



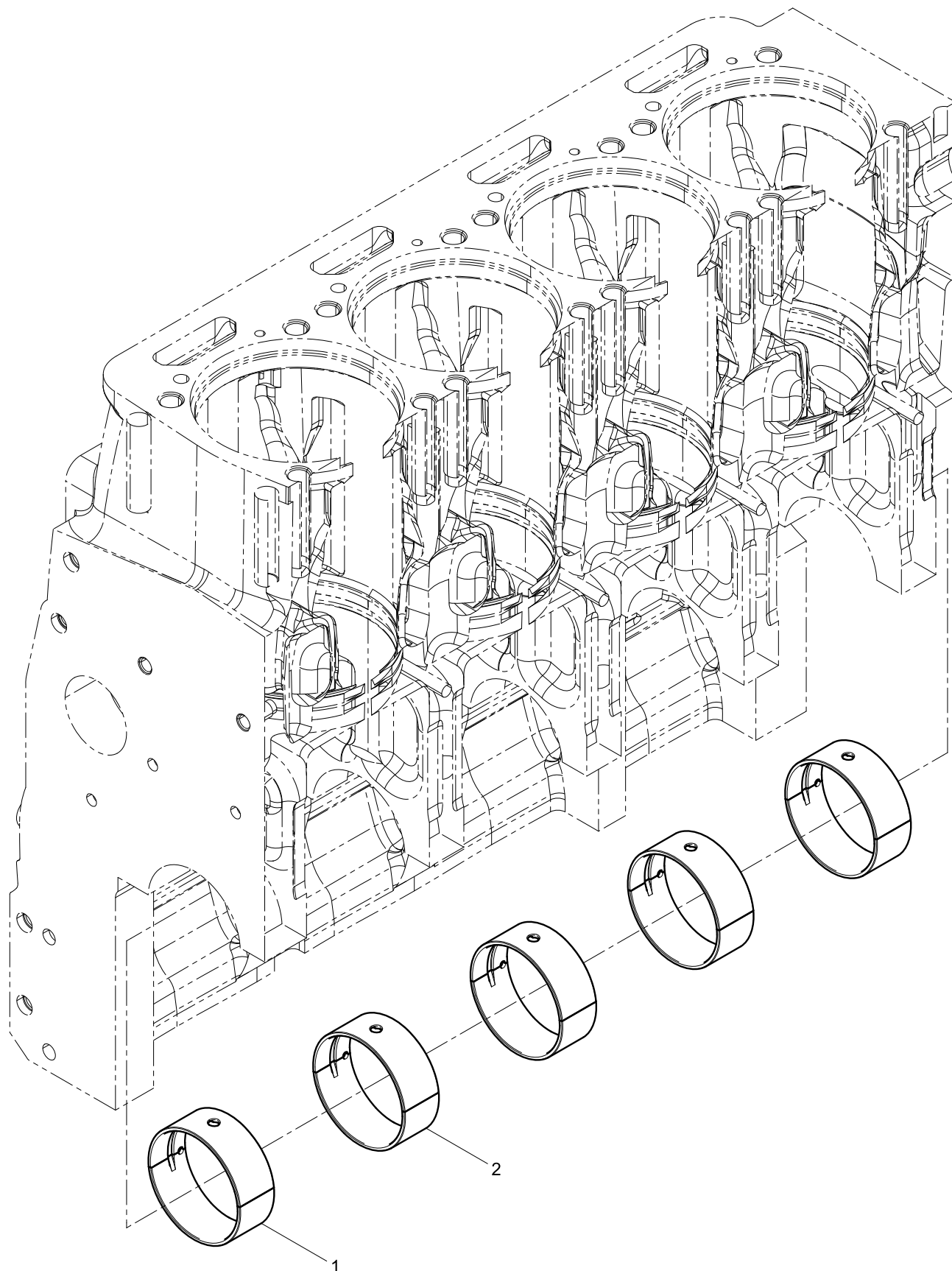


### 从动轴组件(Gear Shaft Set)



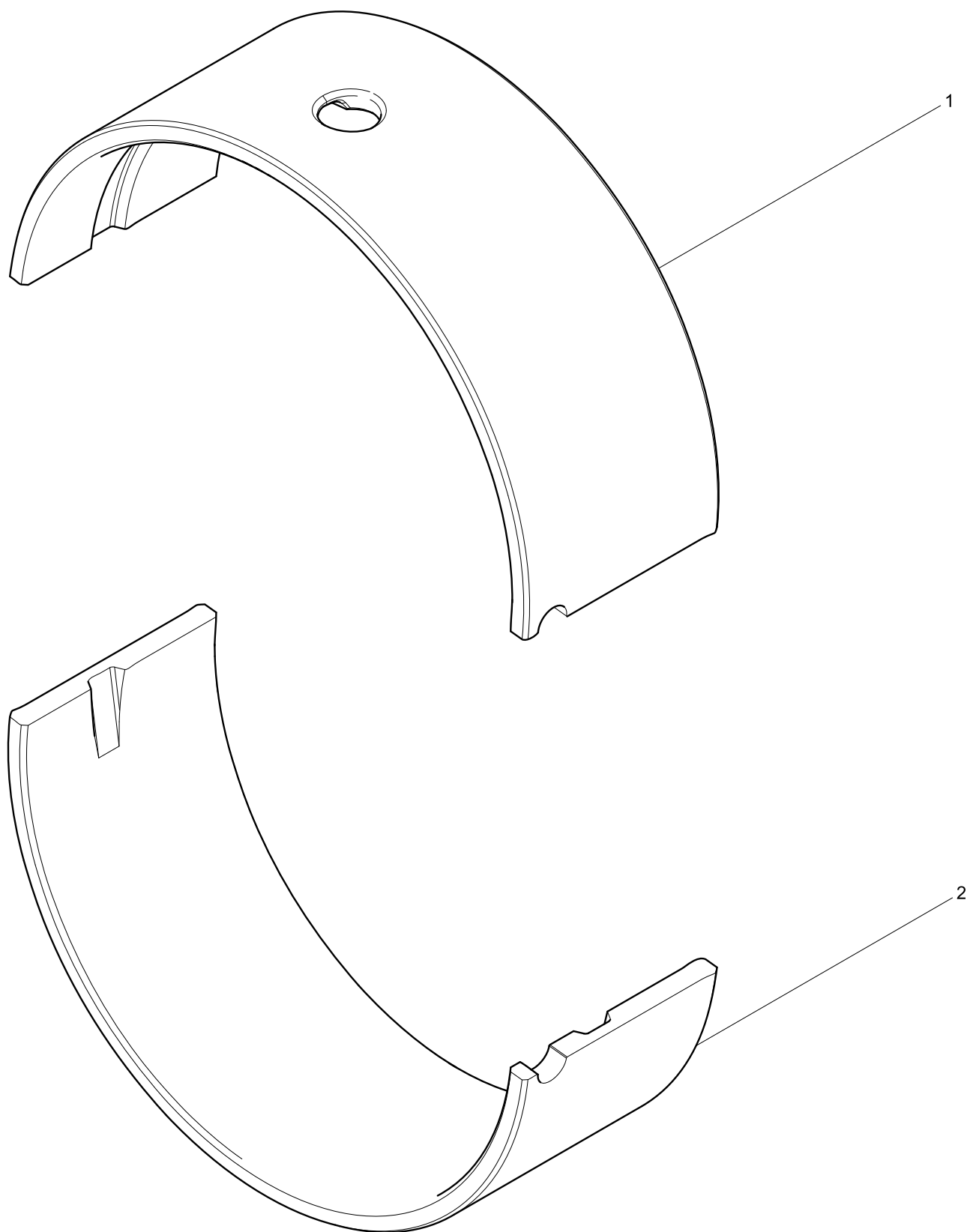


### 主轴瓦结合组(Main Bearing Group)





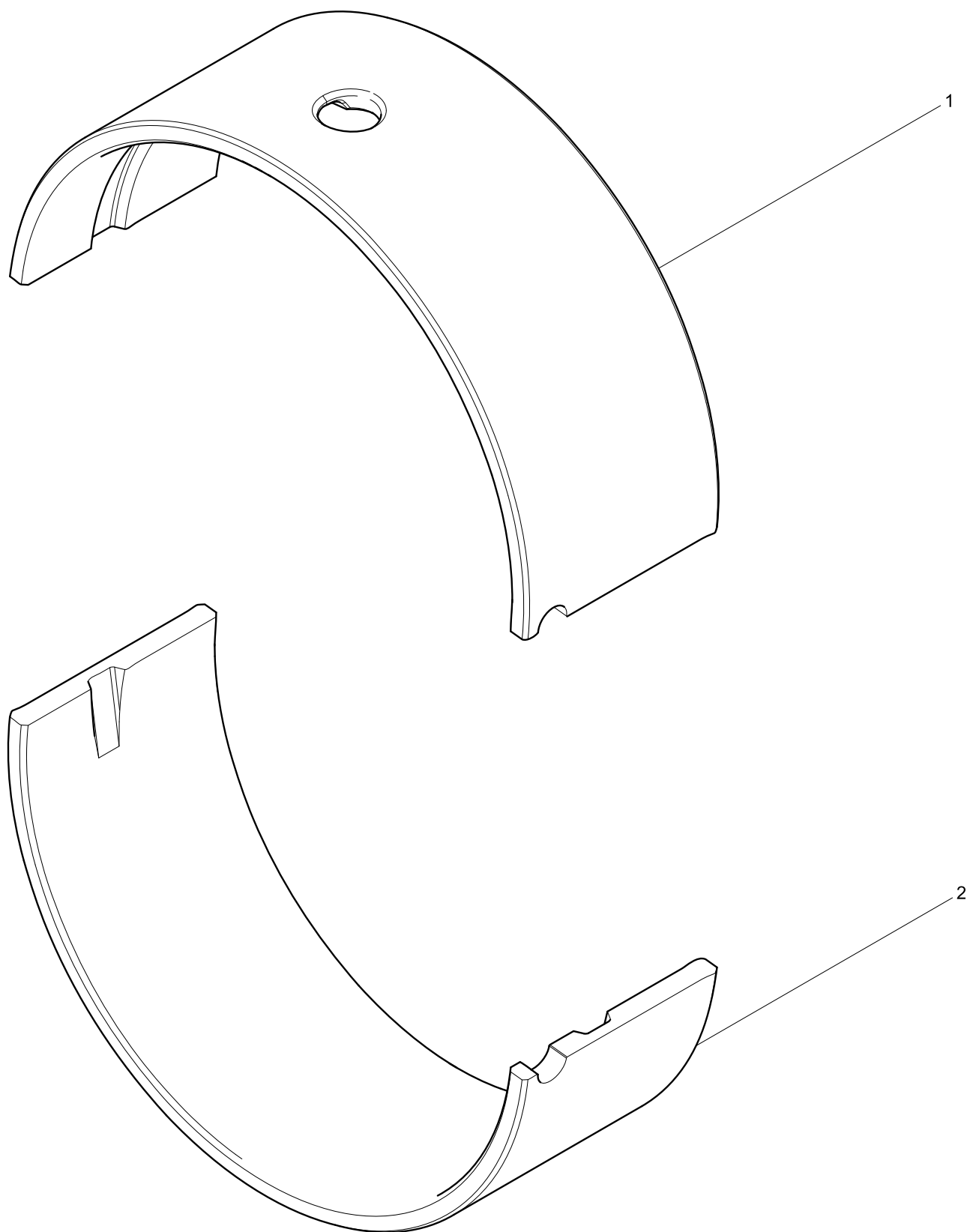
### 止推主轴瓦组件(Thrust Bearing Set)





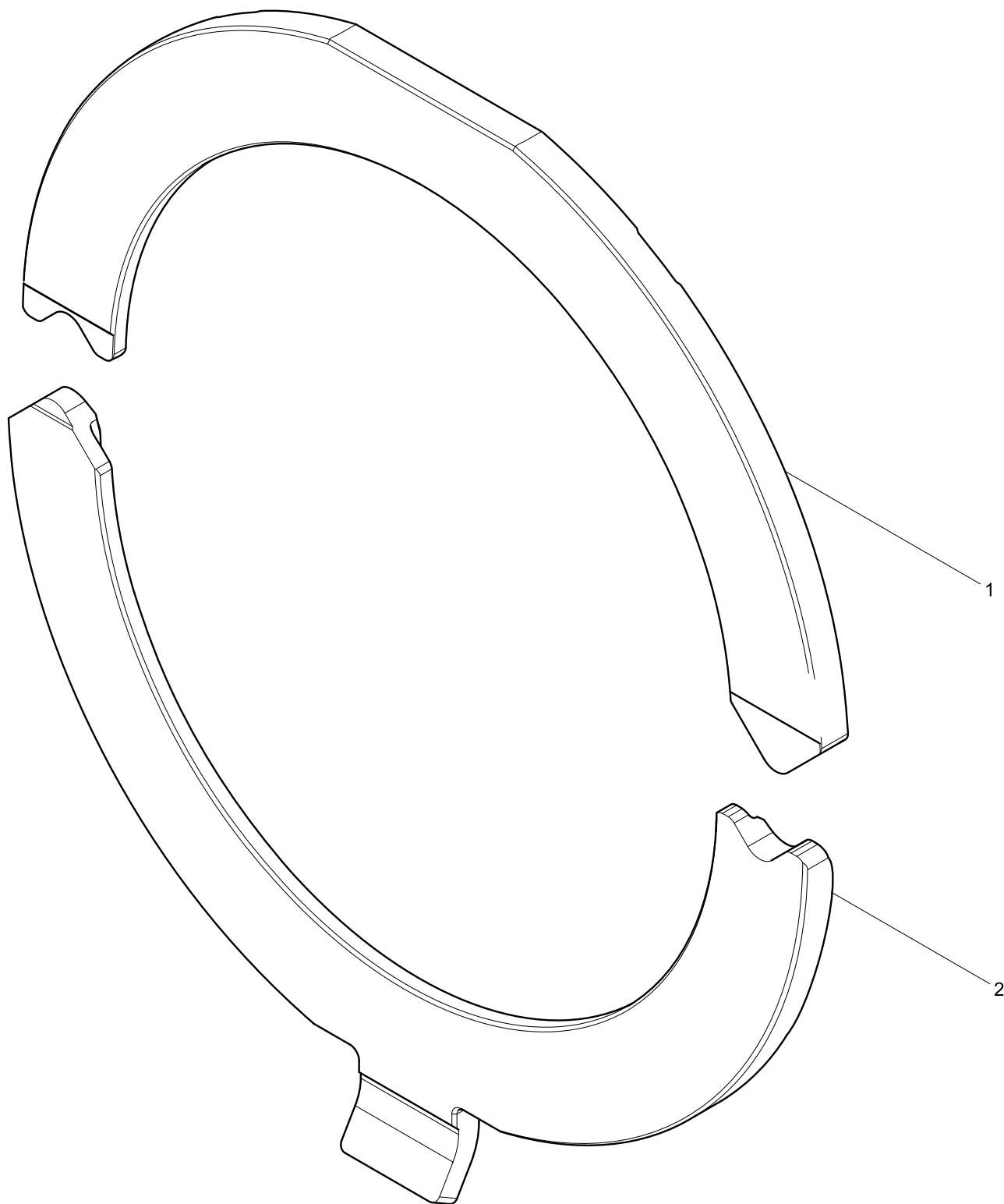


### 主轴瓦组件(Main Bearing Set)



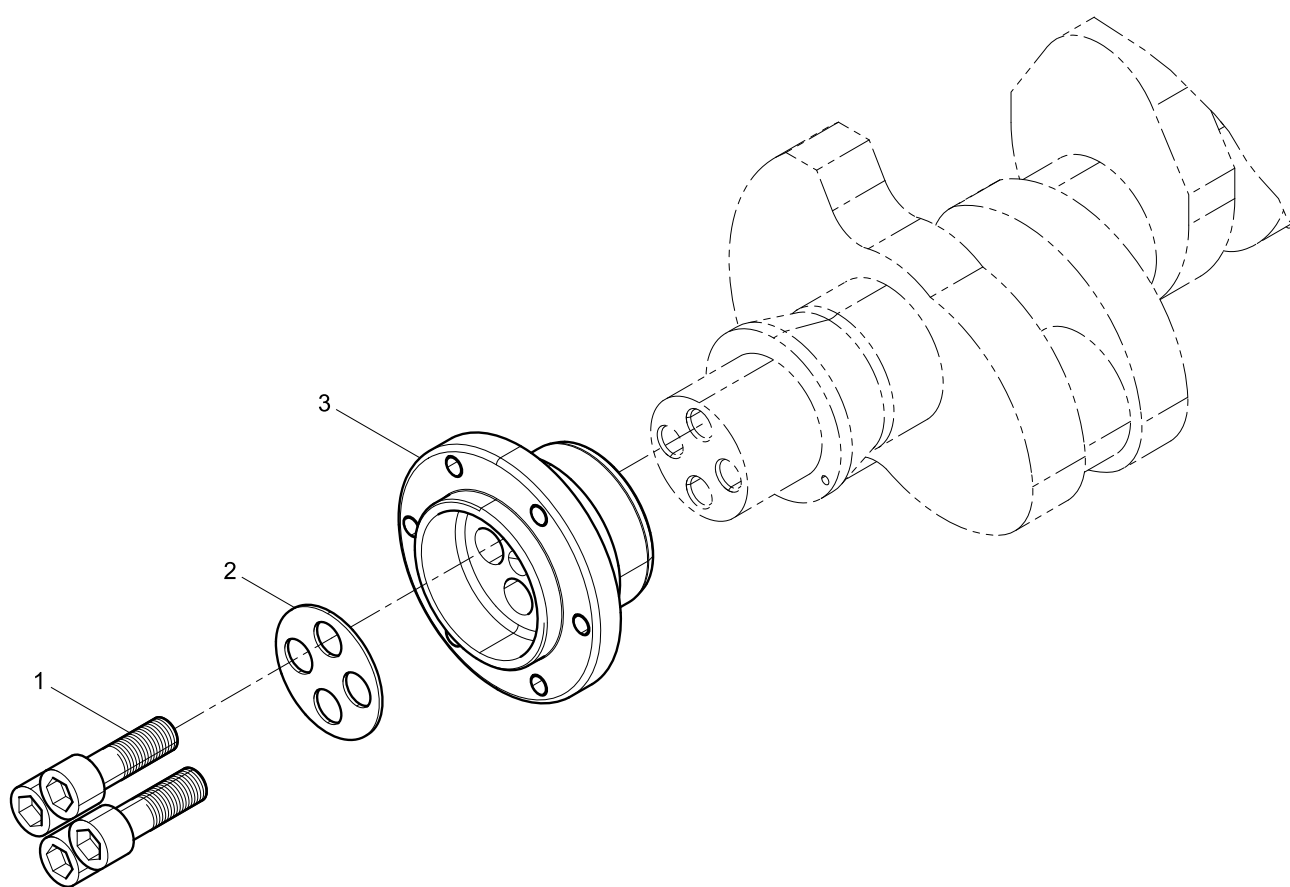


止推片结合组(Thrust Plate Group)



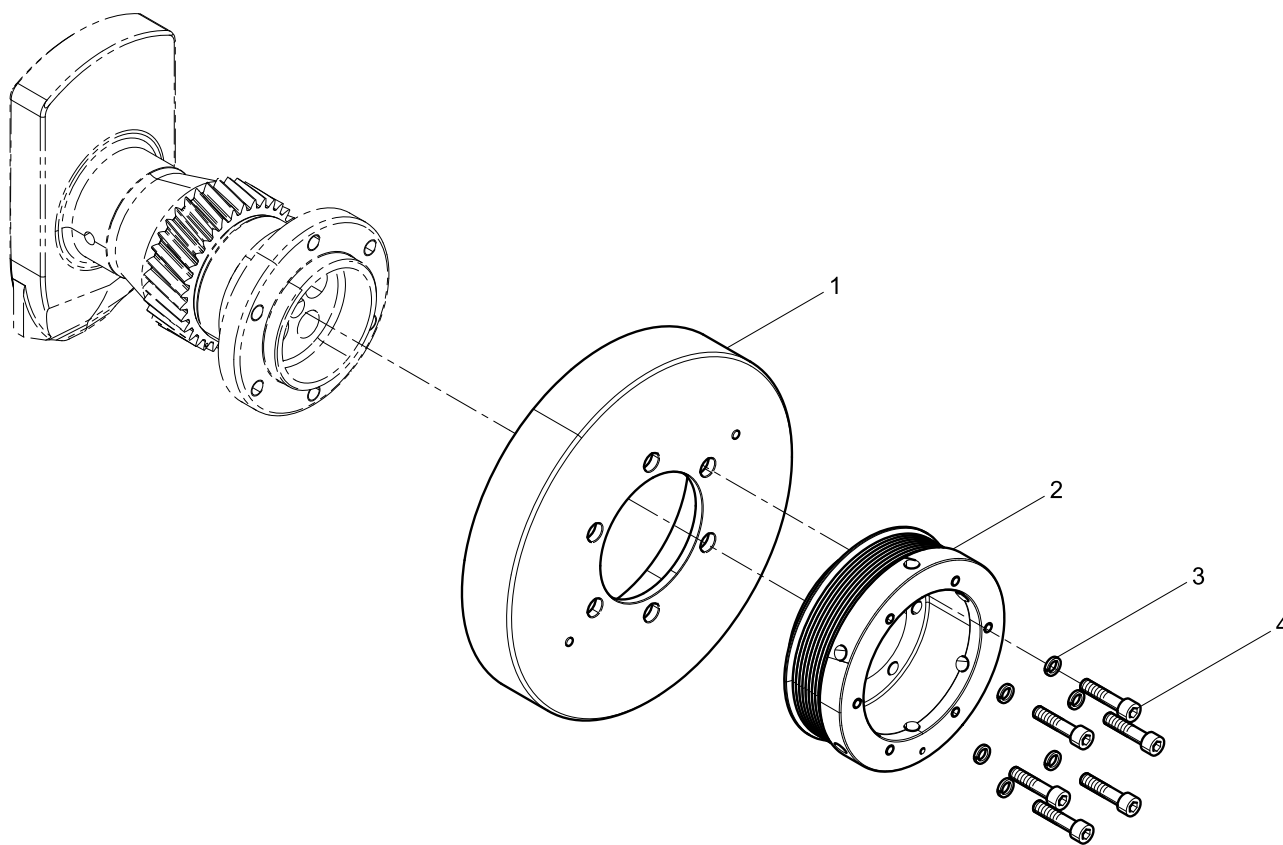


### 轮毂结合组0





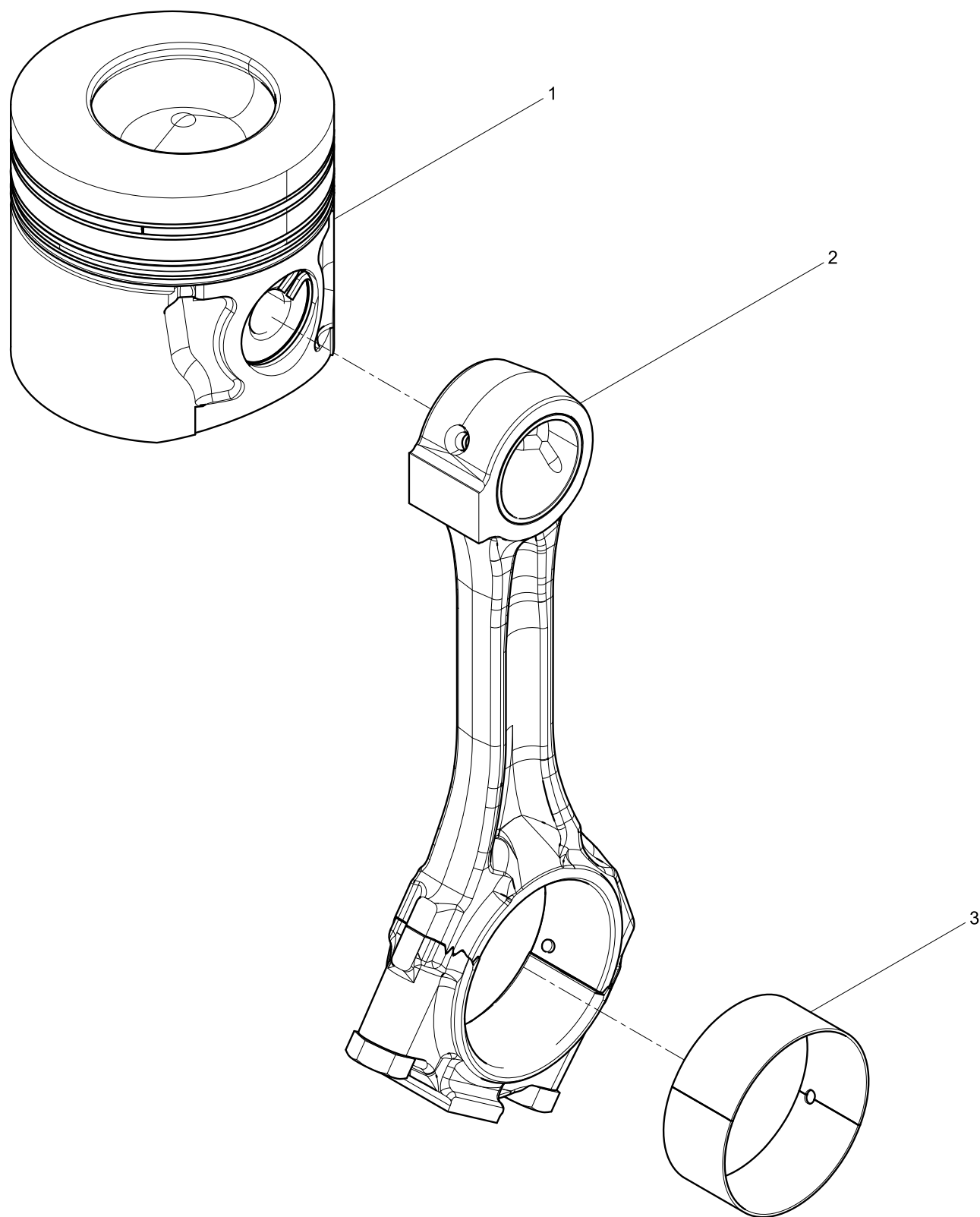
### 曲轴皮带轮结合组(Crankshaft Pulley Group)





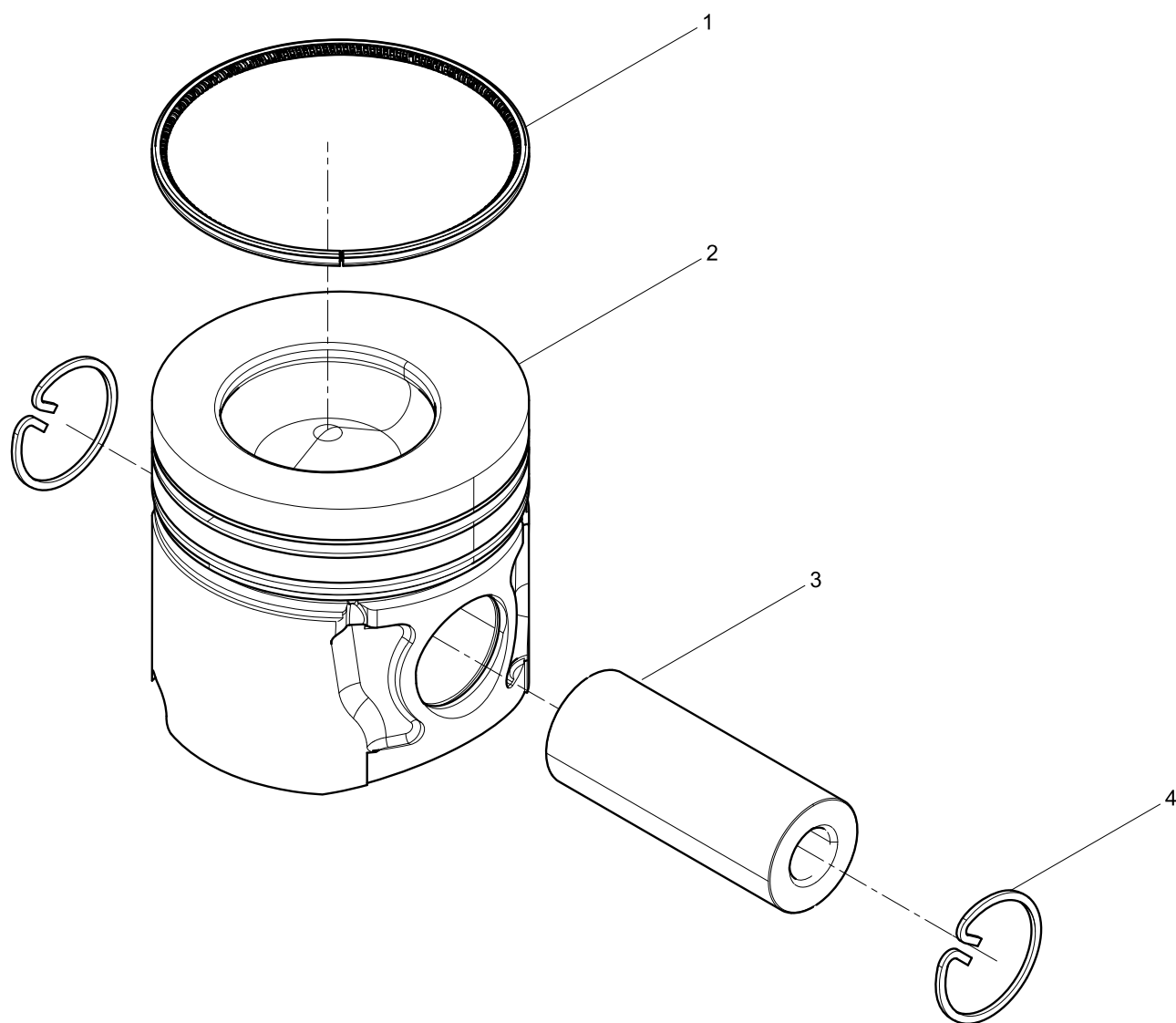


活塞连杆结合组(Piston and Connecting Rod Group)



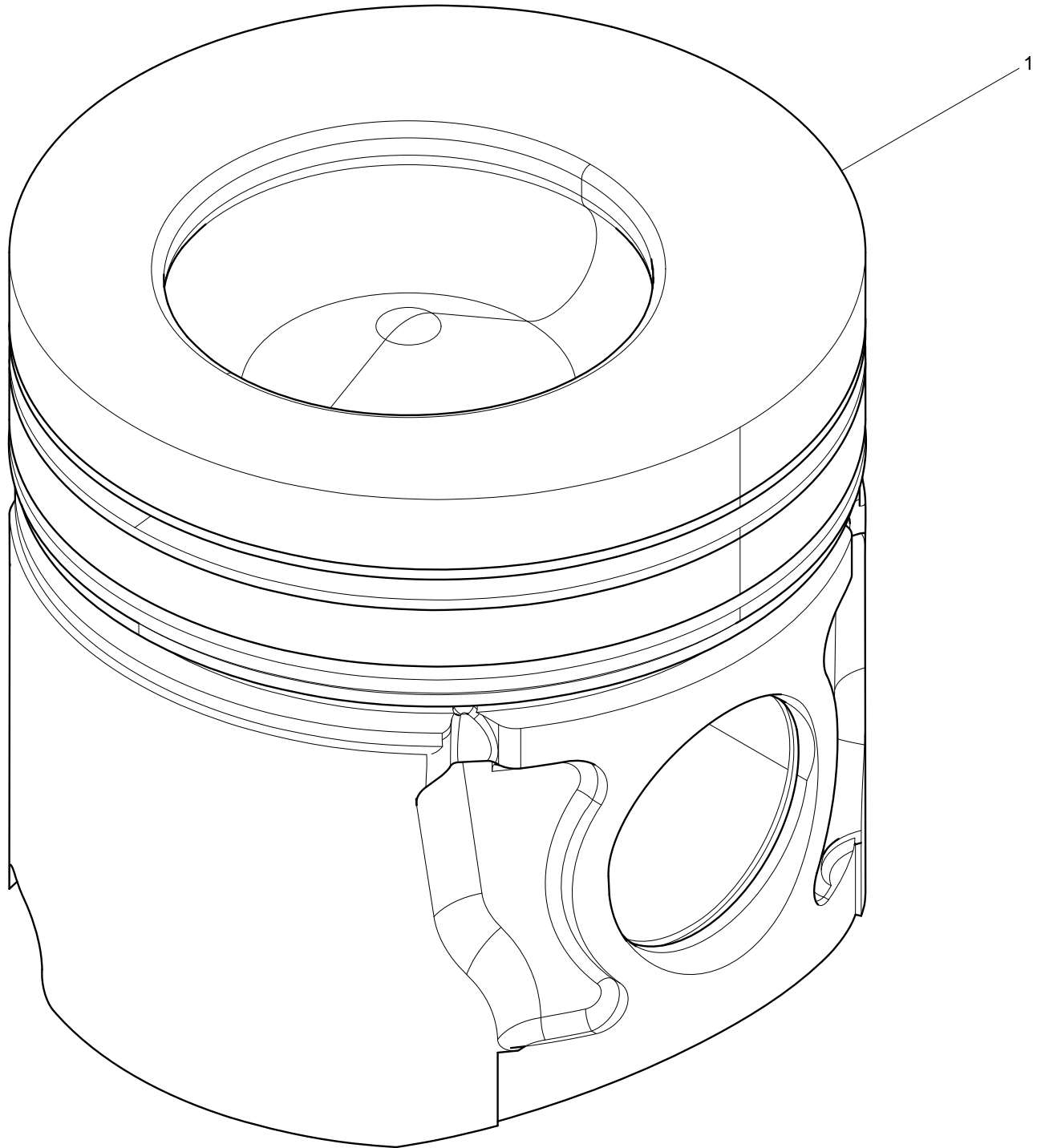


### 活塞总成(Piston Assembly)



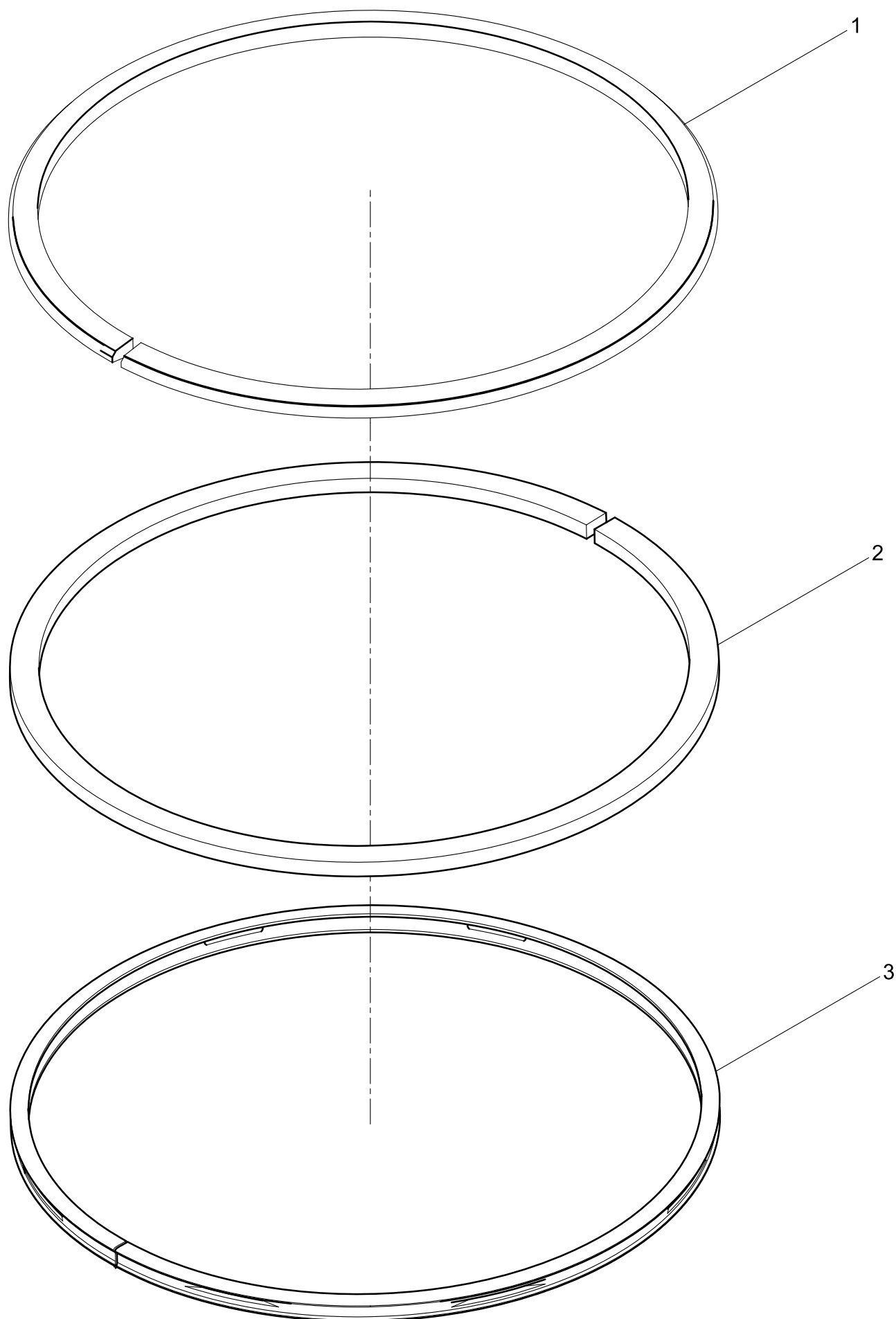


活塞组件 (Piston Set)





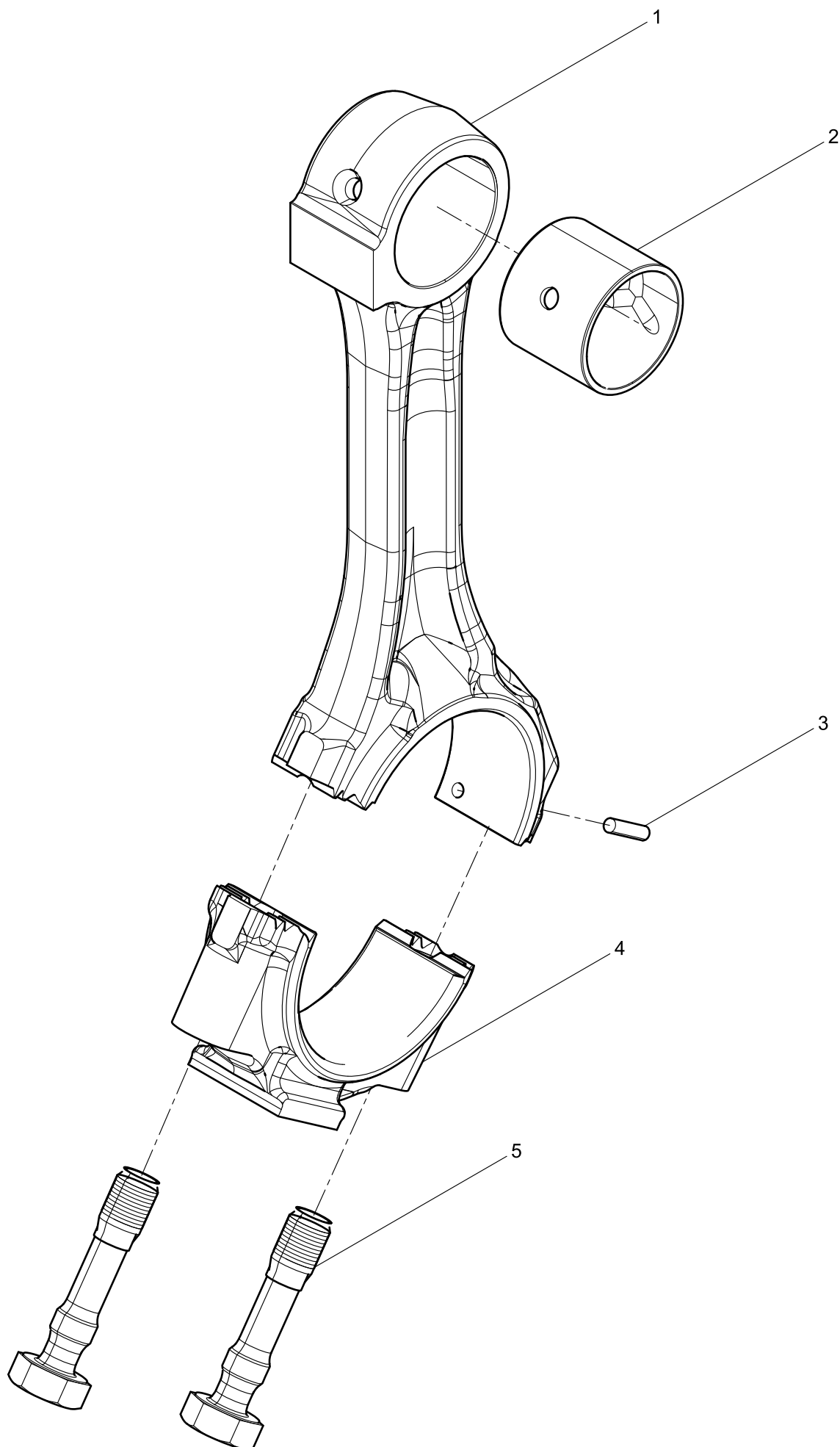
### 活塞环组件(Piston Ring Set)





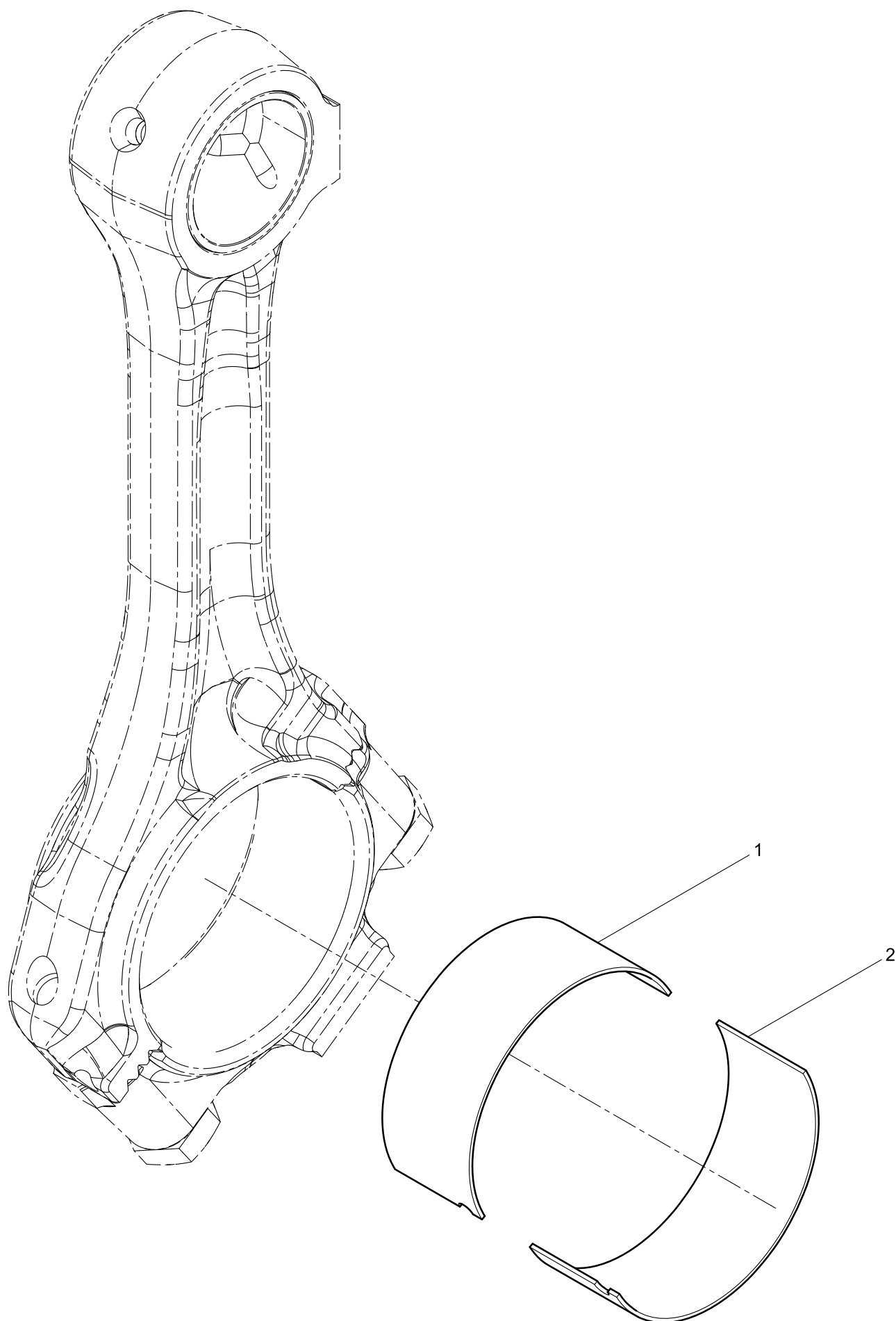


### 连杆总成(Connecting Rod Assembly)



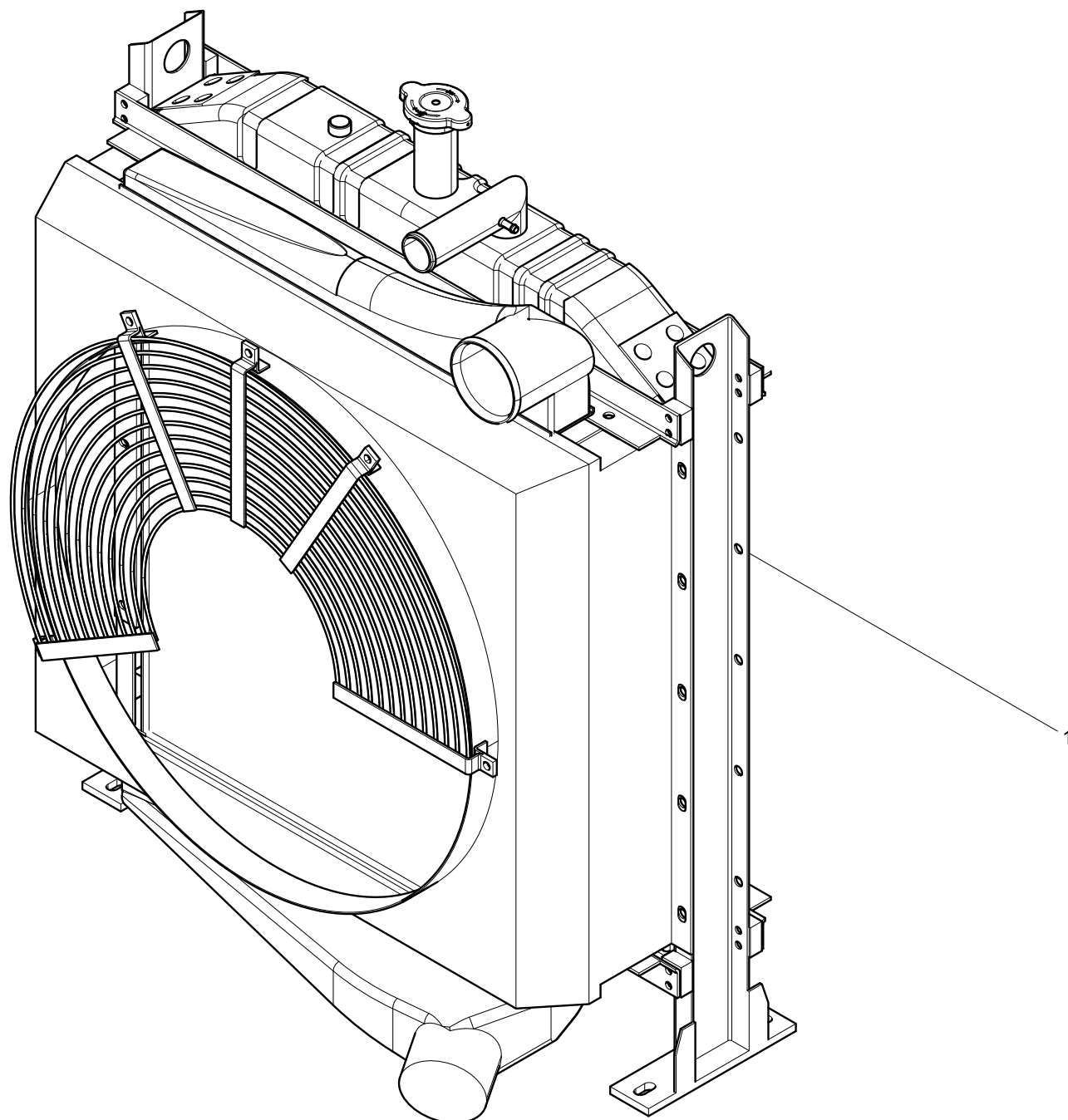


### 连杆瓦组件(Connecting Rod Bearing Set)



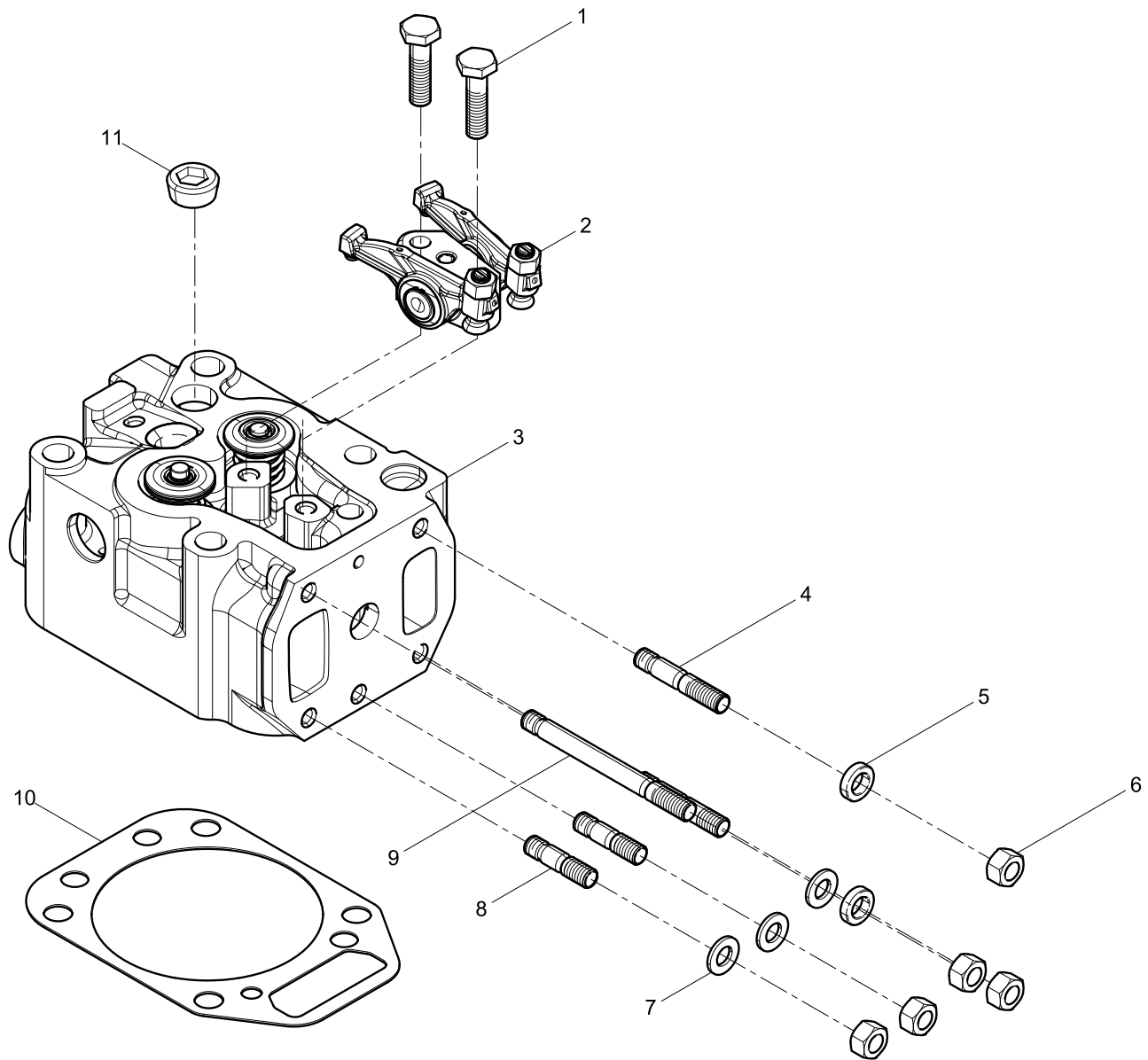


### 散热器结合组(Radiator Group)





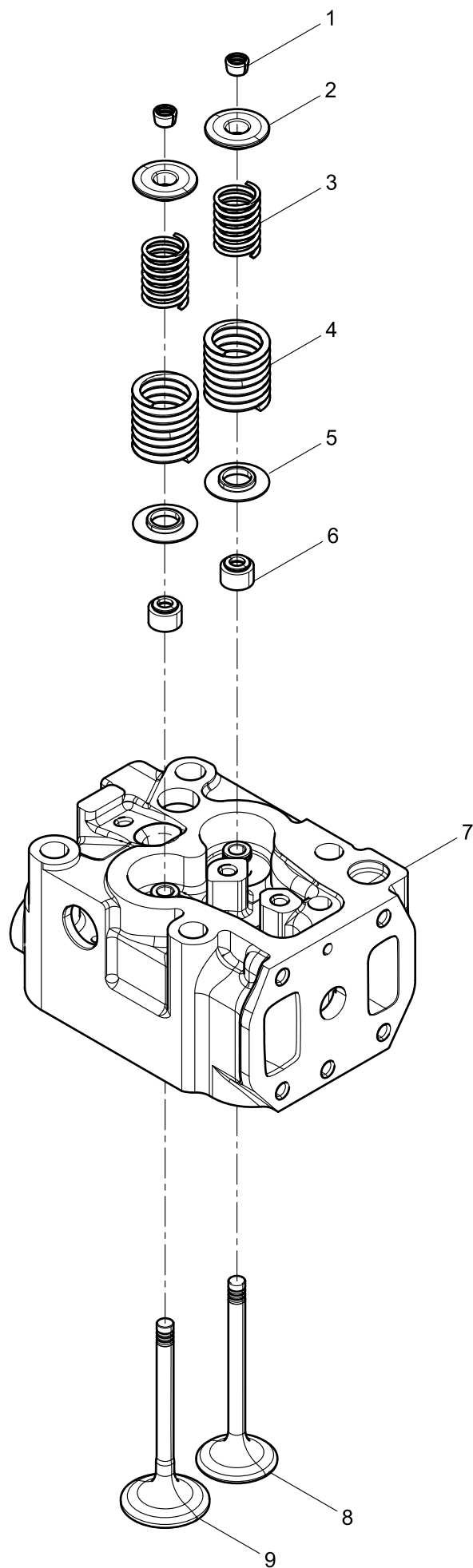
### 气缸盖总成(Cylinder Head Assembly)





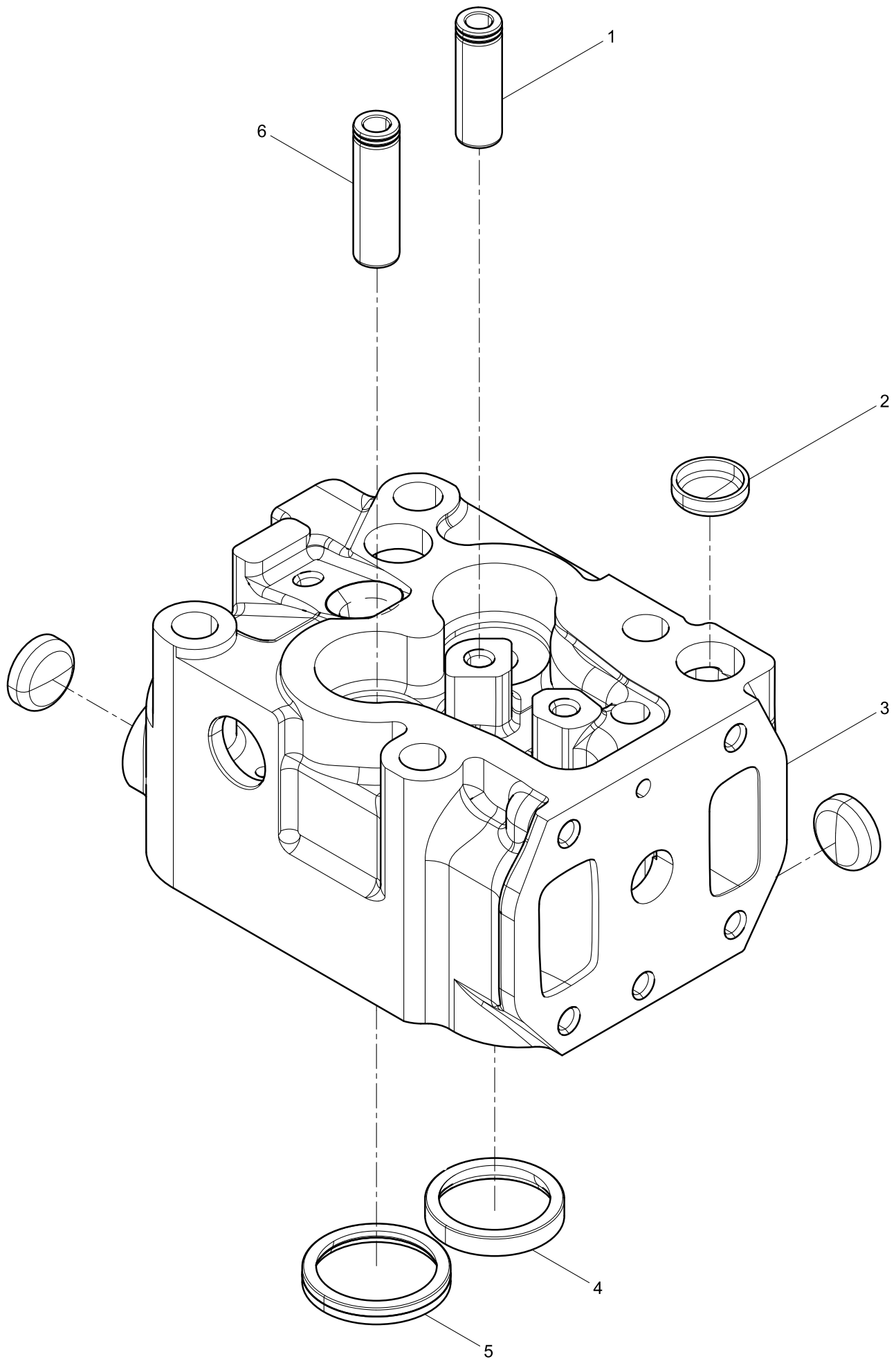


### 气缸盖分总成(Cylinder Head Subassembly)



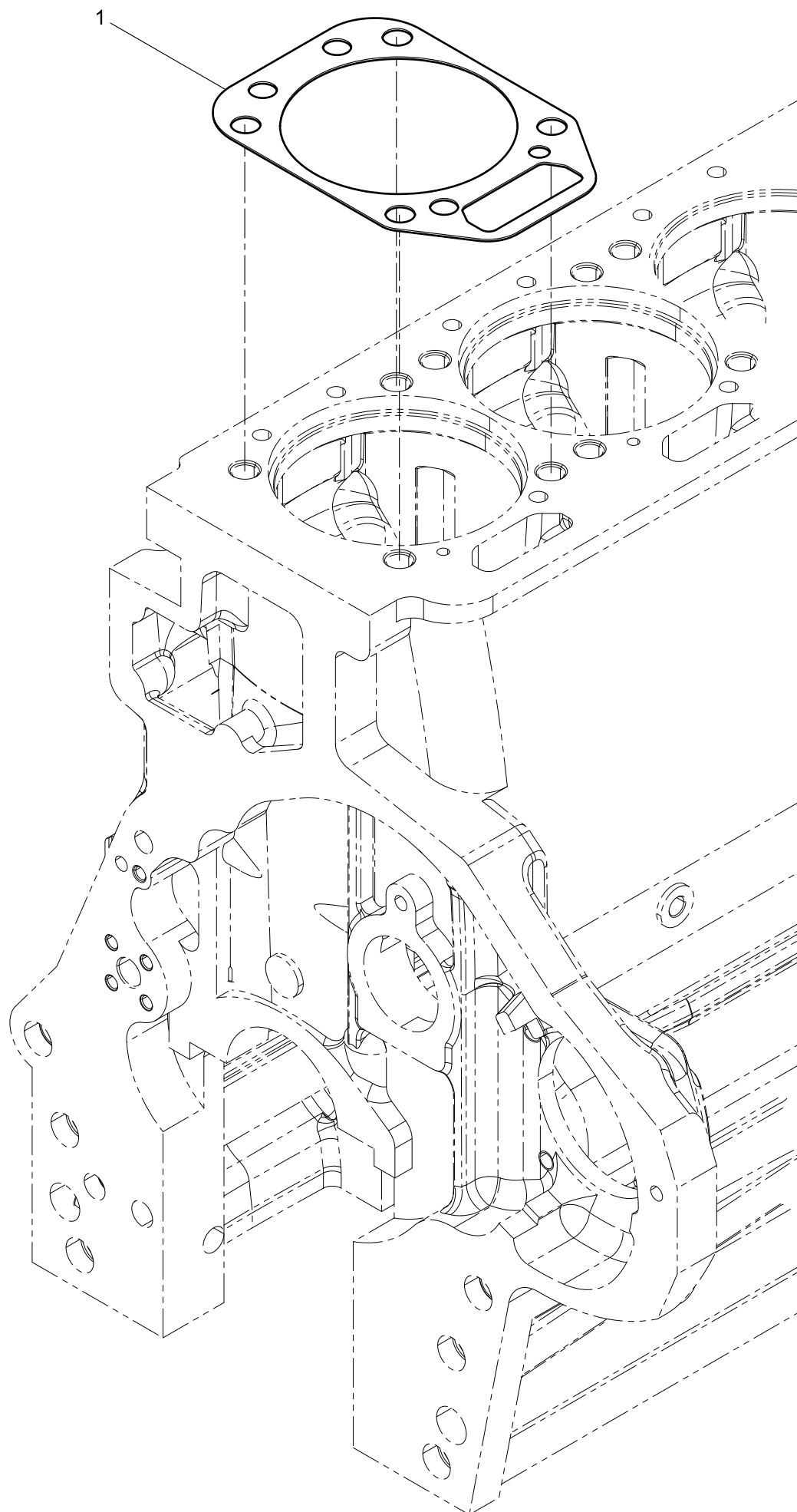


### 气缸盖分总成(Cylinder Head Subassembly)



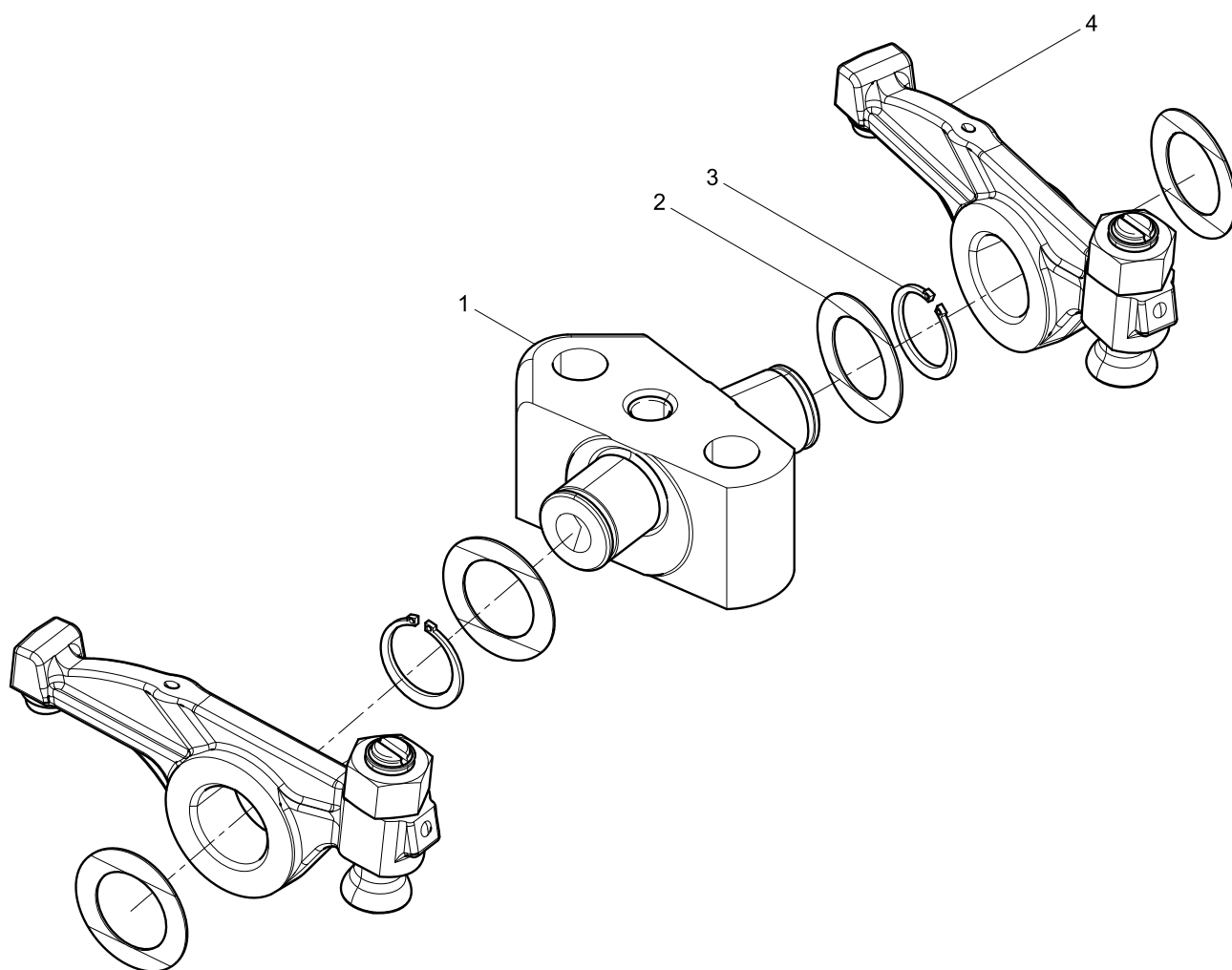


### 气缸盖垫片(Cylinder Head Gasket)





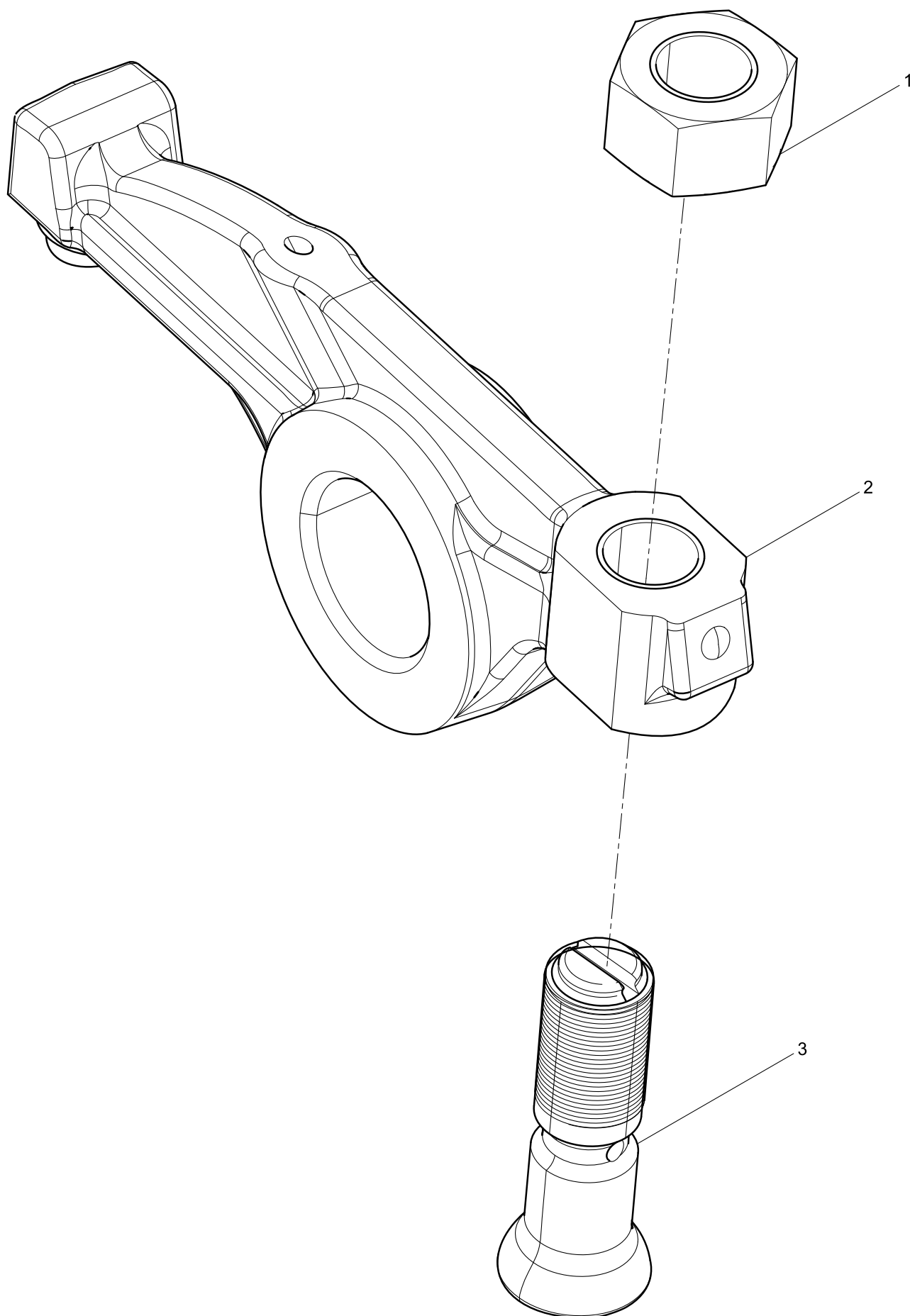
### 摇臂座总成(Rocker Arm Bracket Assembly)





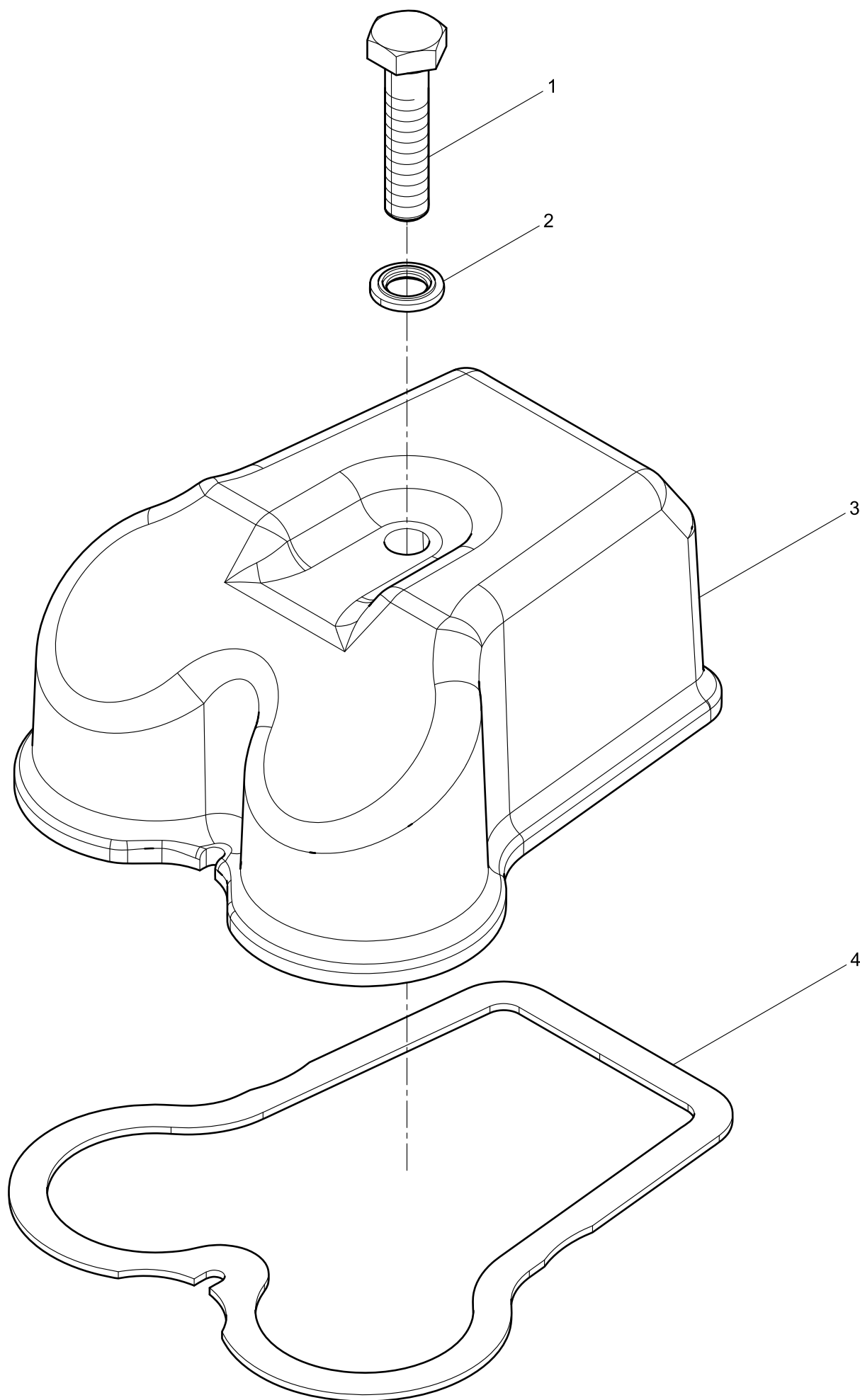


### 摇臂组件(Rocker Arm Set)



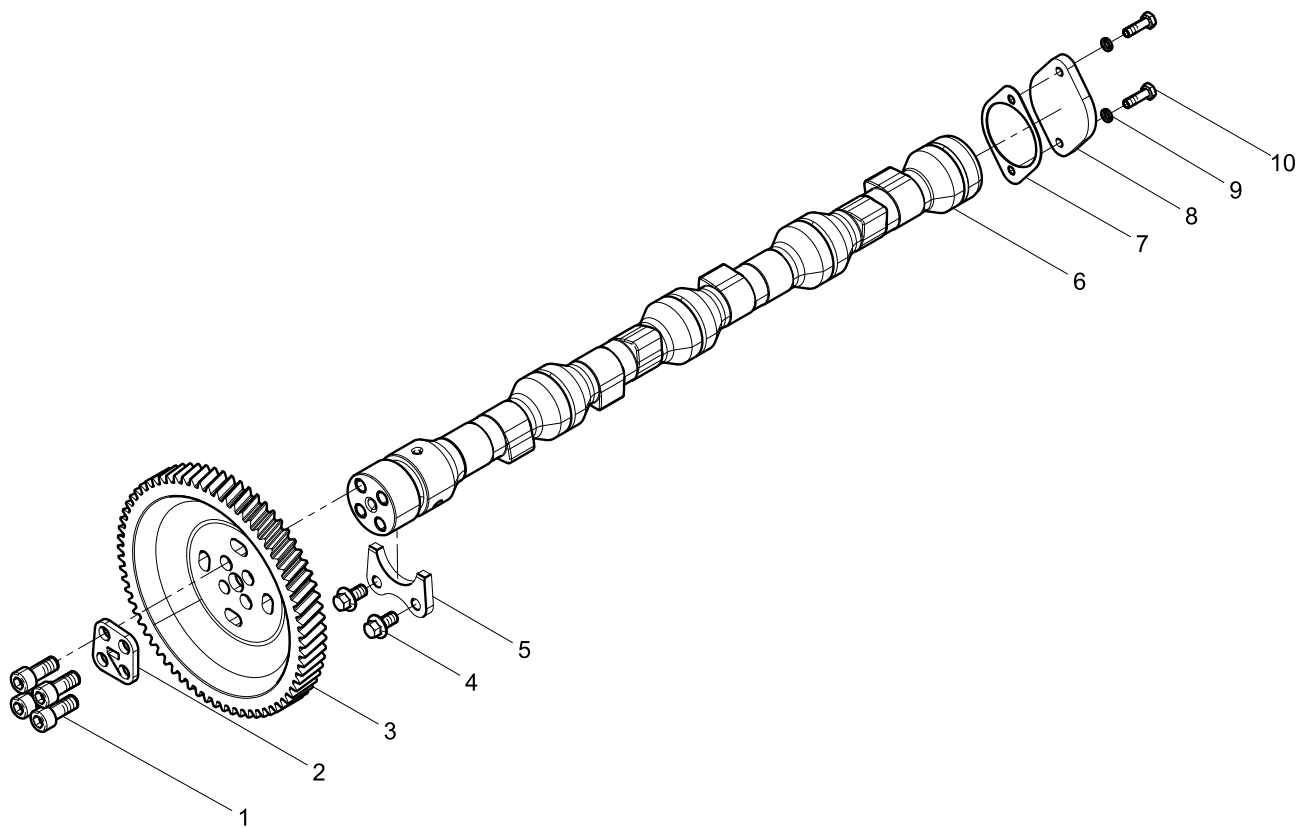


### 气缸盖罩结合组(Cylinder Head Cover Group)



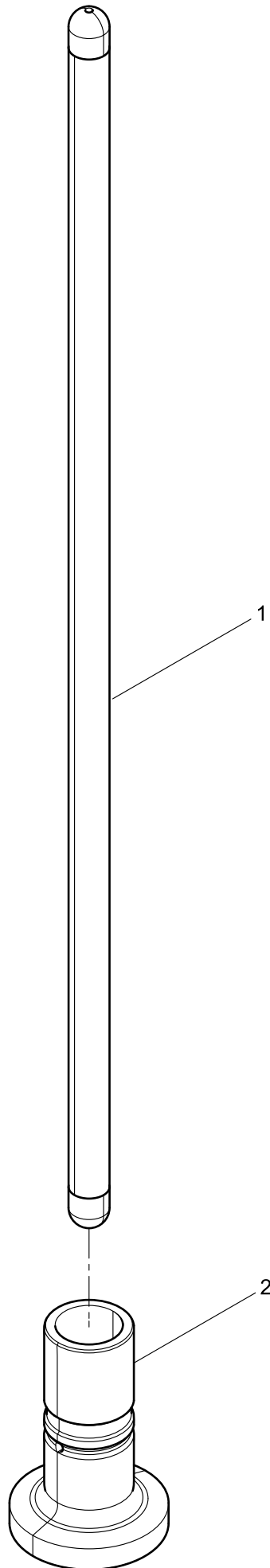


### 凸轮轴总成(Camshaft Assembly)





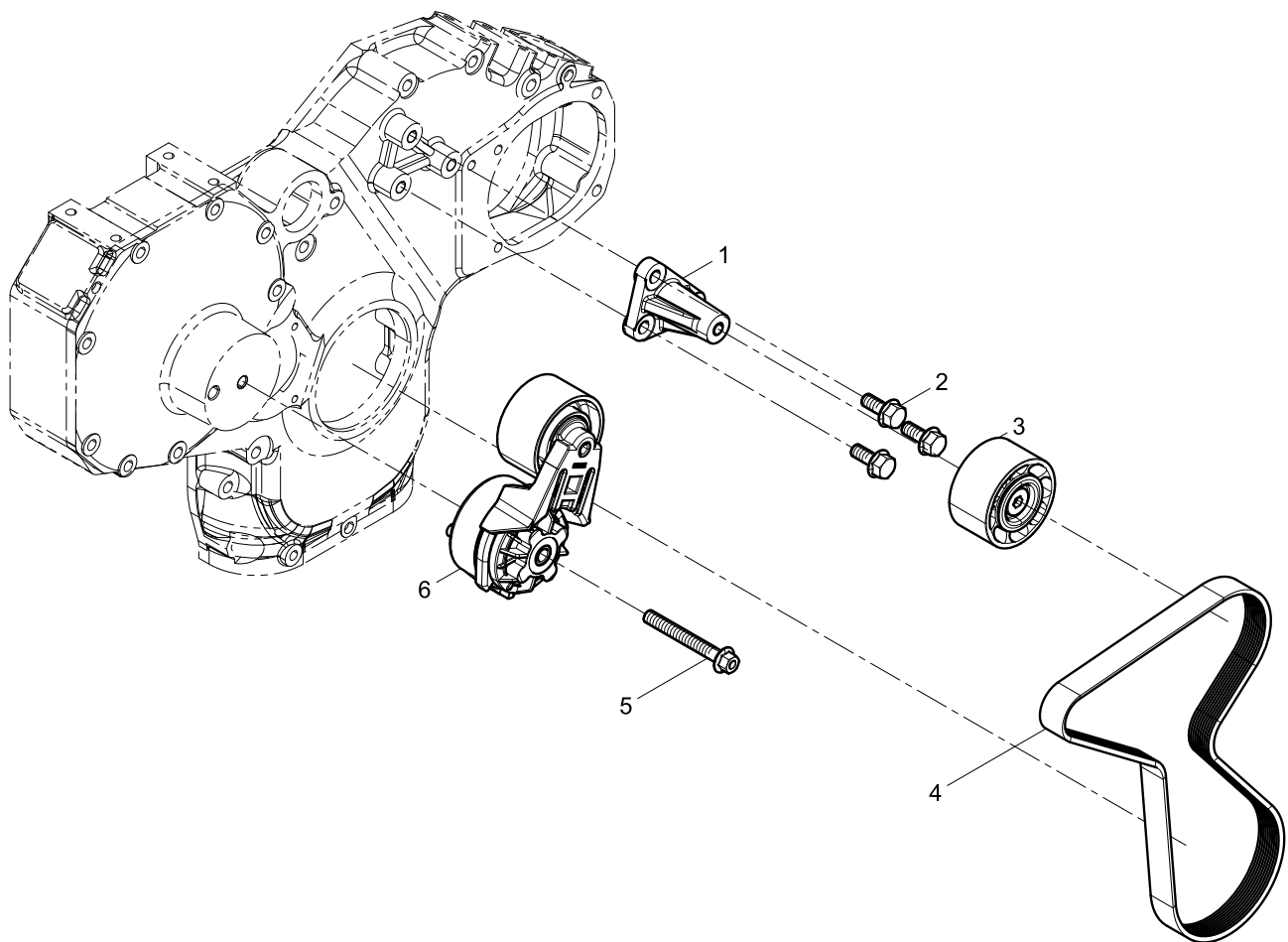
配气机构结合组(Valve Train Group)





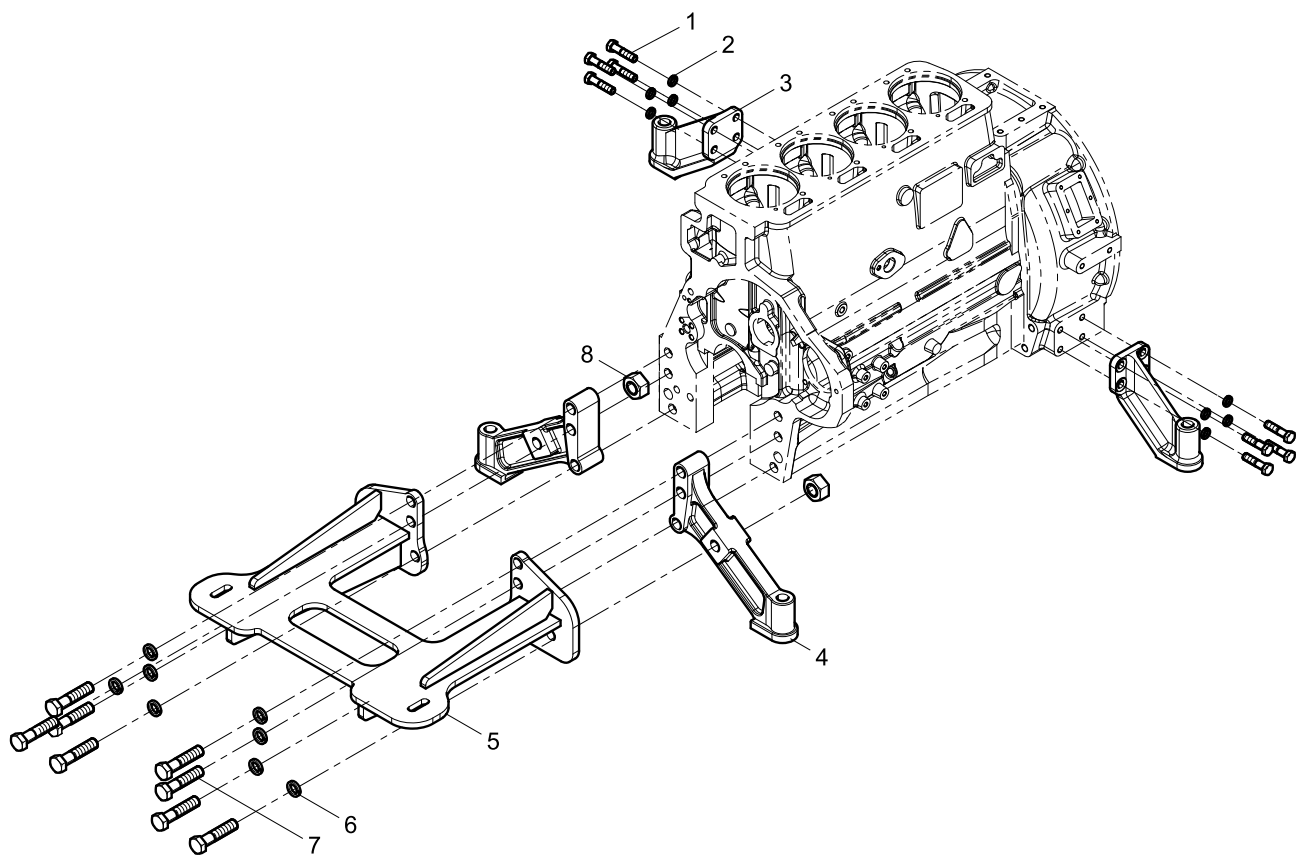


### 张紧轮及皮带结合组(Tensioner And Belt Group)



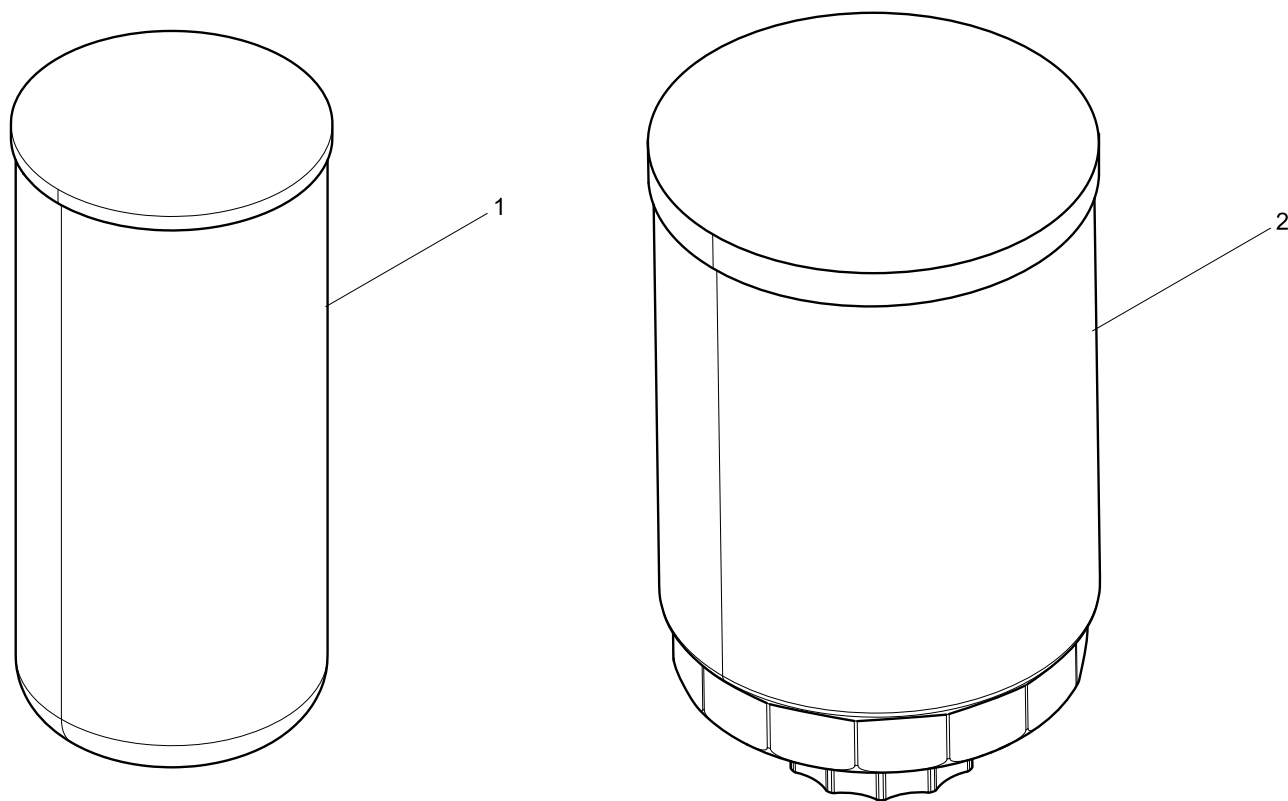


### 发动机支架结合组(Engine Bracket Group)



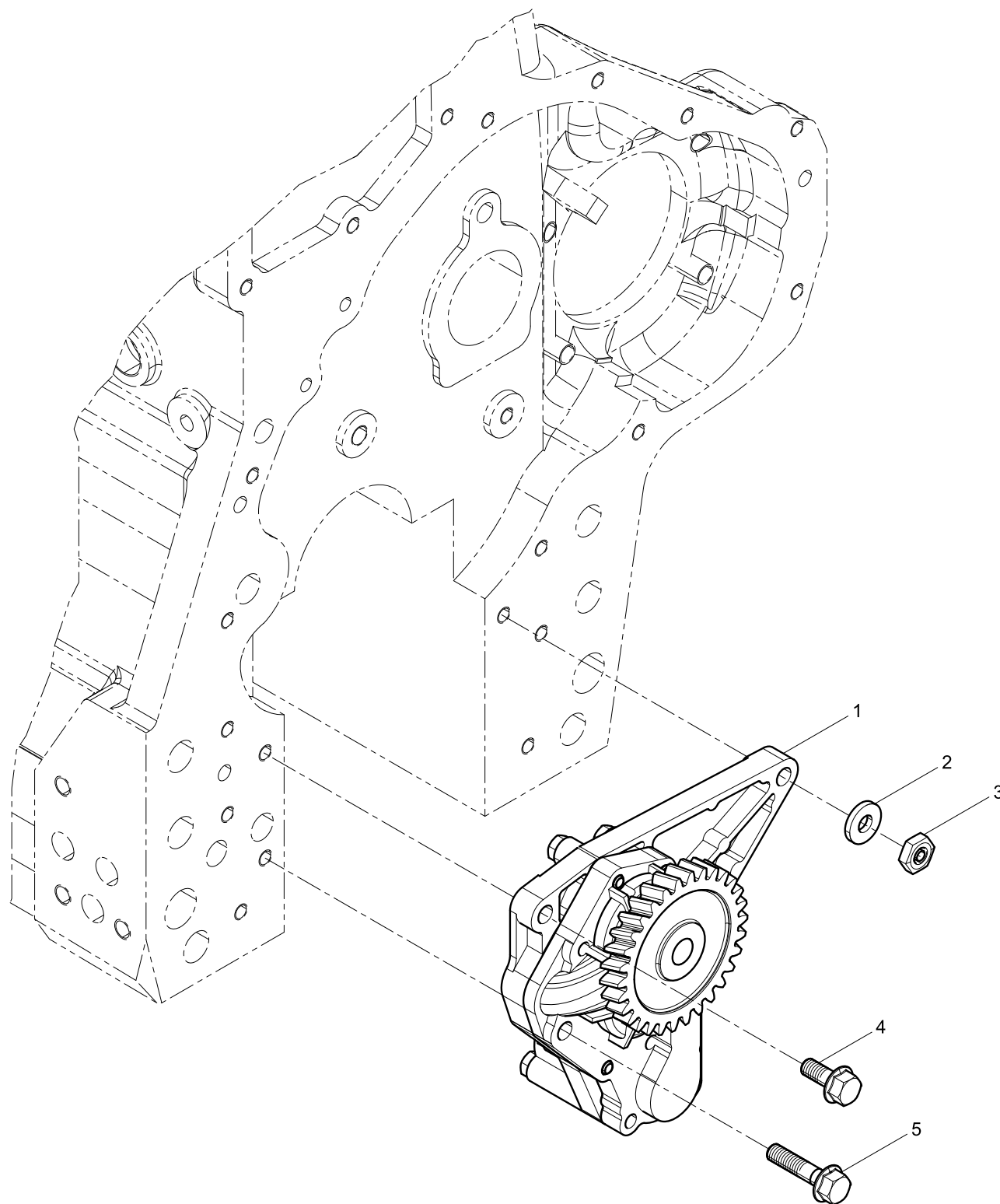


随机备件结合组(Spare Parts Attached to Engine Group)





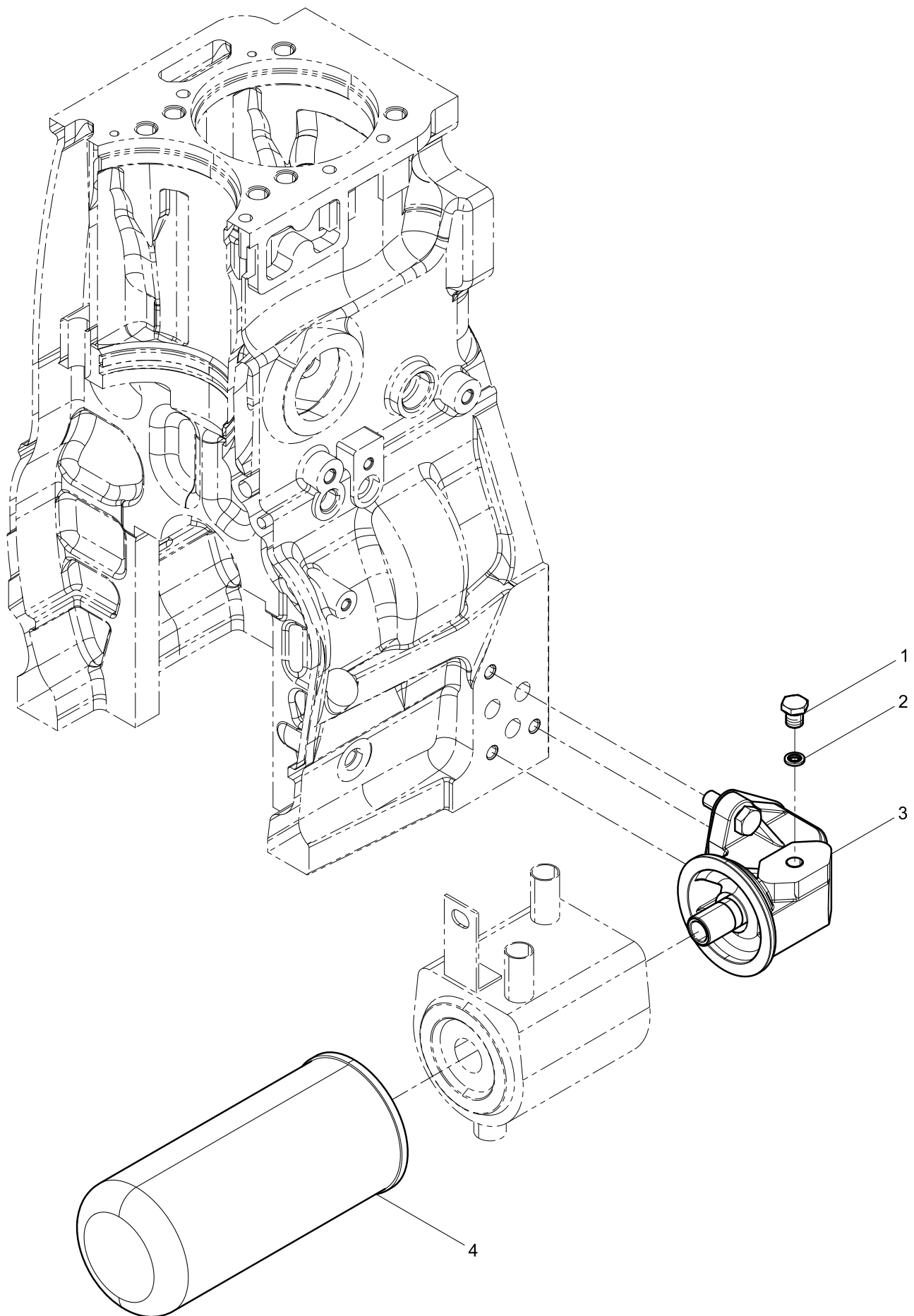
### 机油泵结合组(Oil Pump Group)





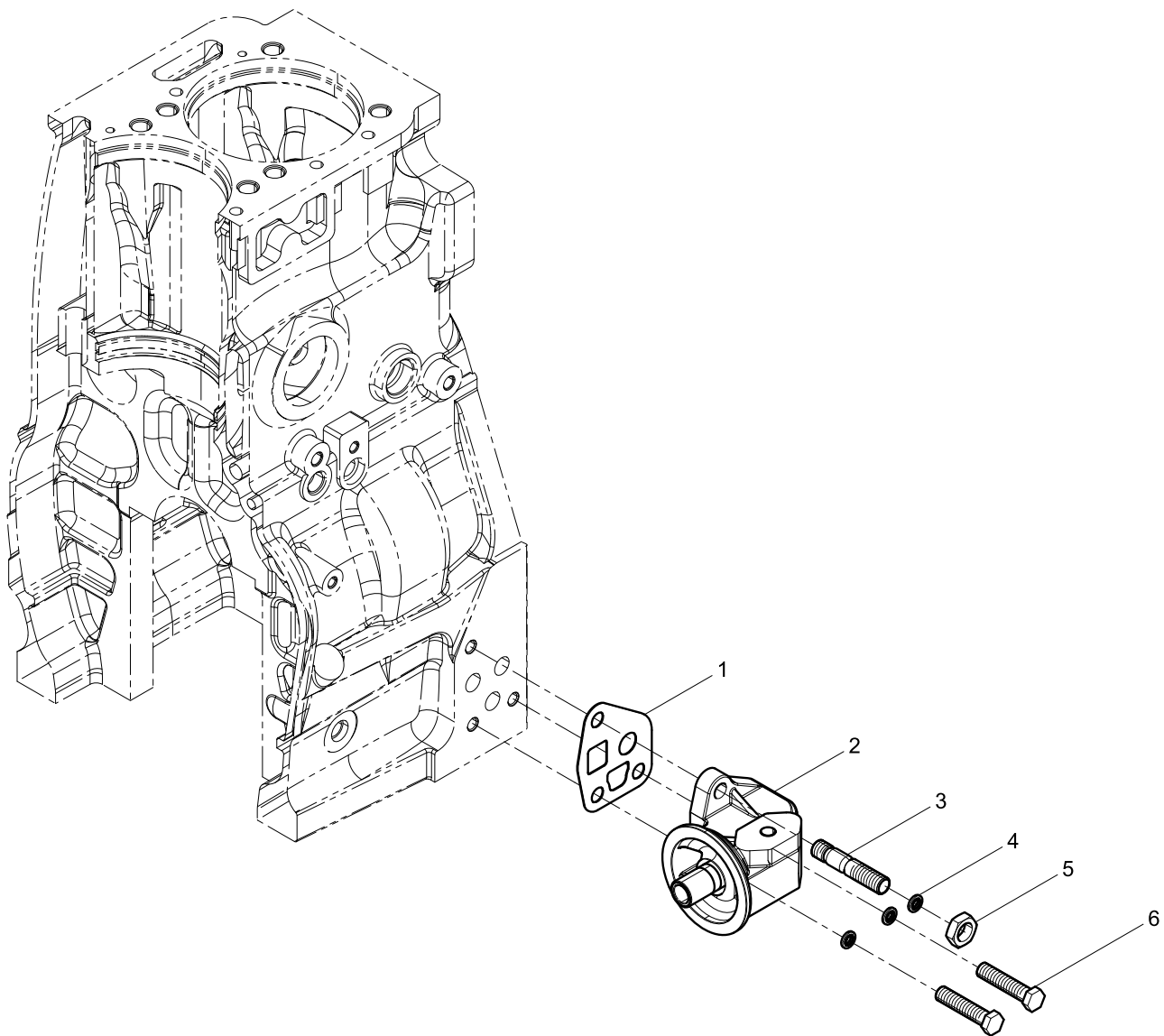


### 机油滤清器结合组(Oil Filter Group)



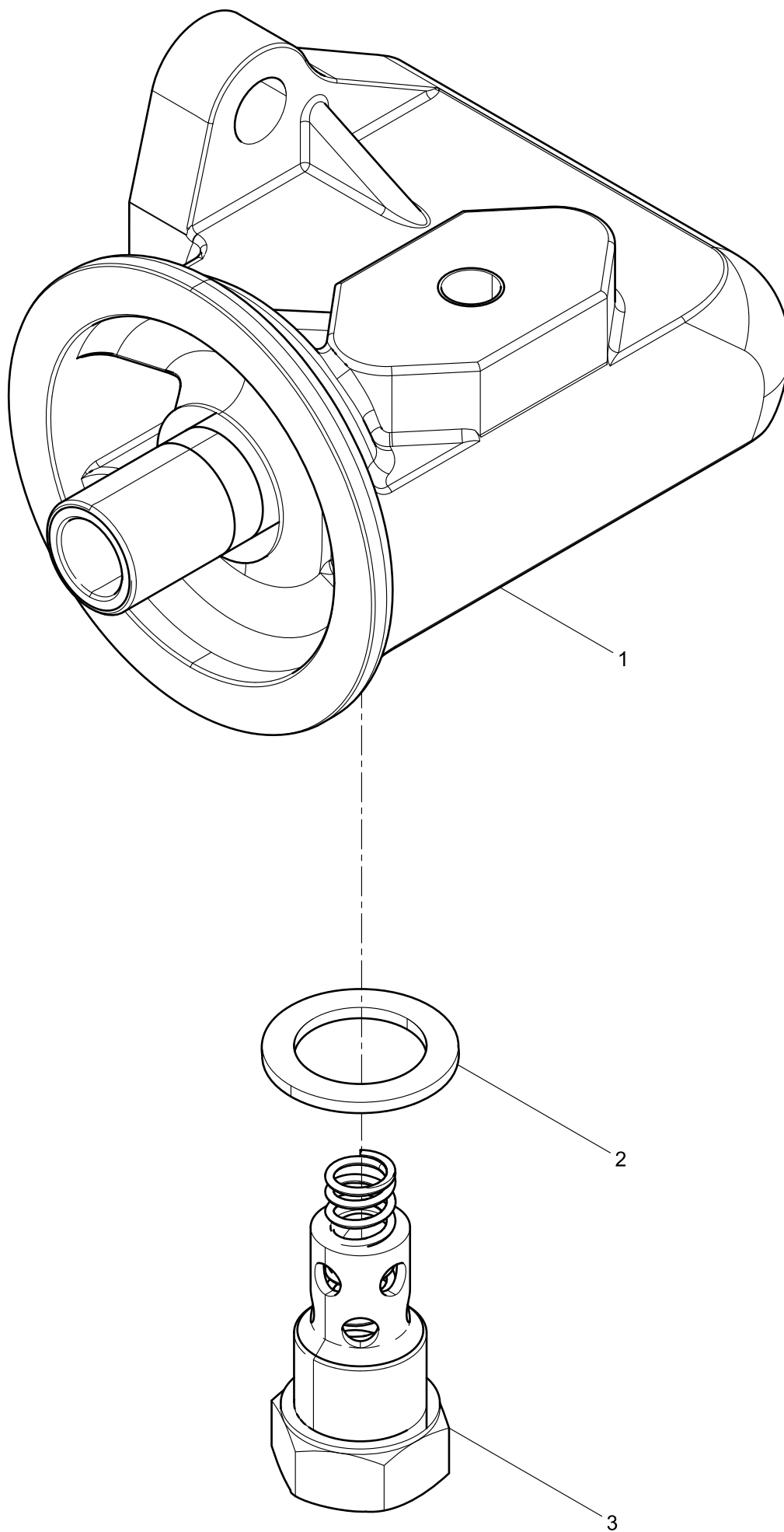


机油滤清器滤座分总成(Oil filter seat subassembly)



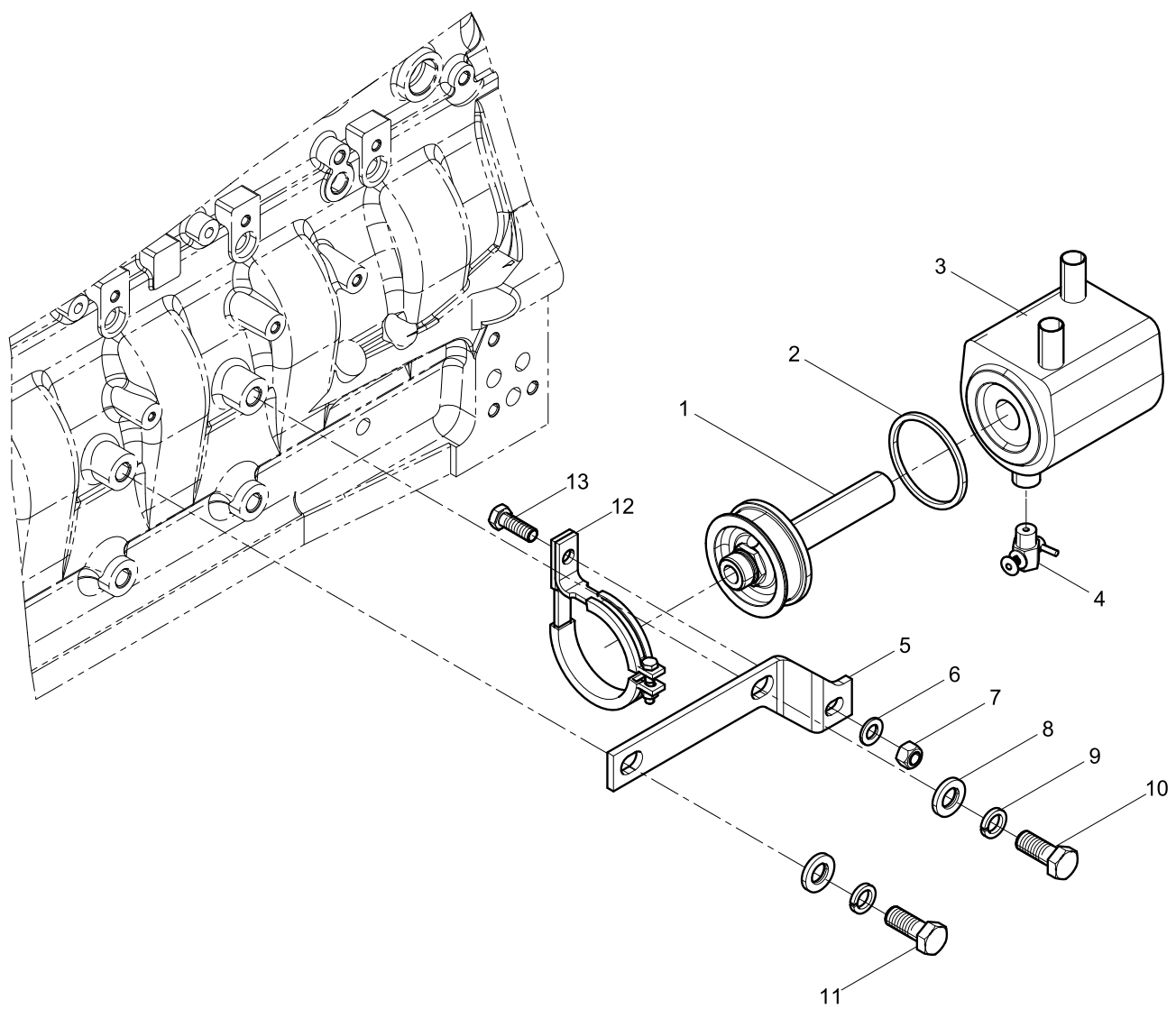


机油滤清器座组件(Oil Filter Seat Set)





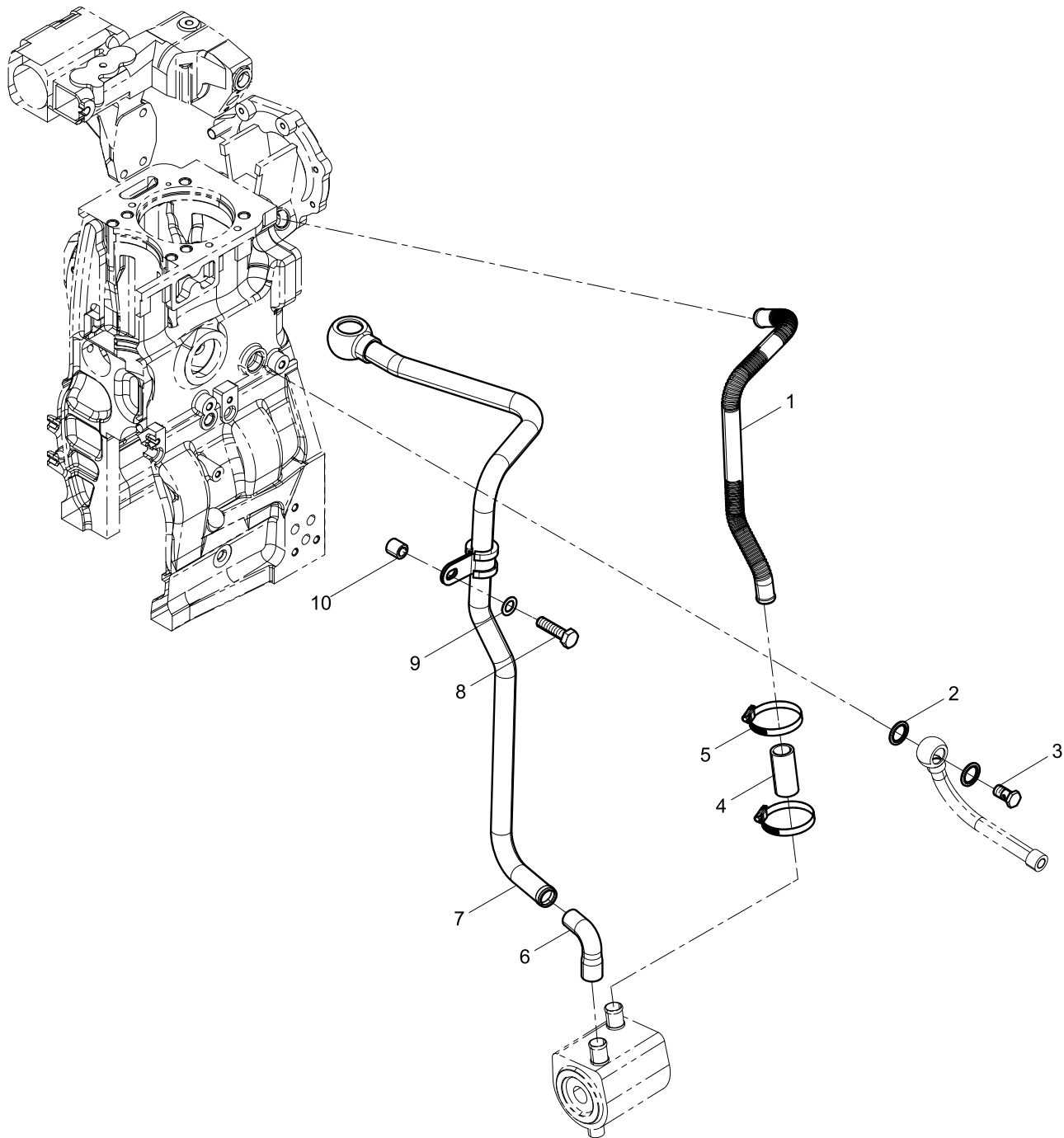
### 机油冷却器结合组(Oil Cooler Group)





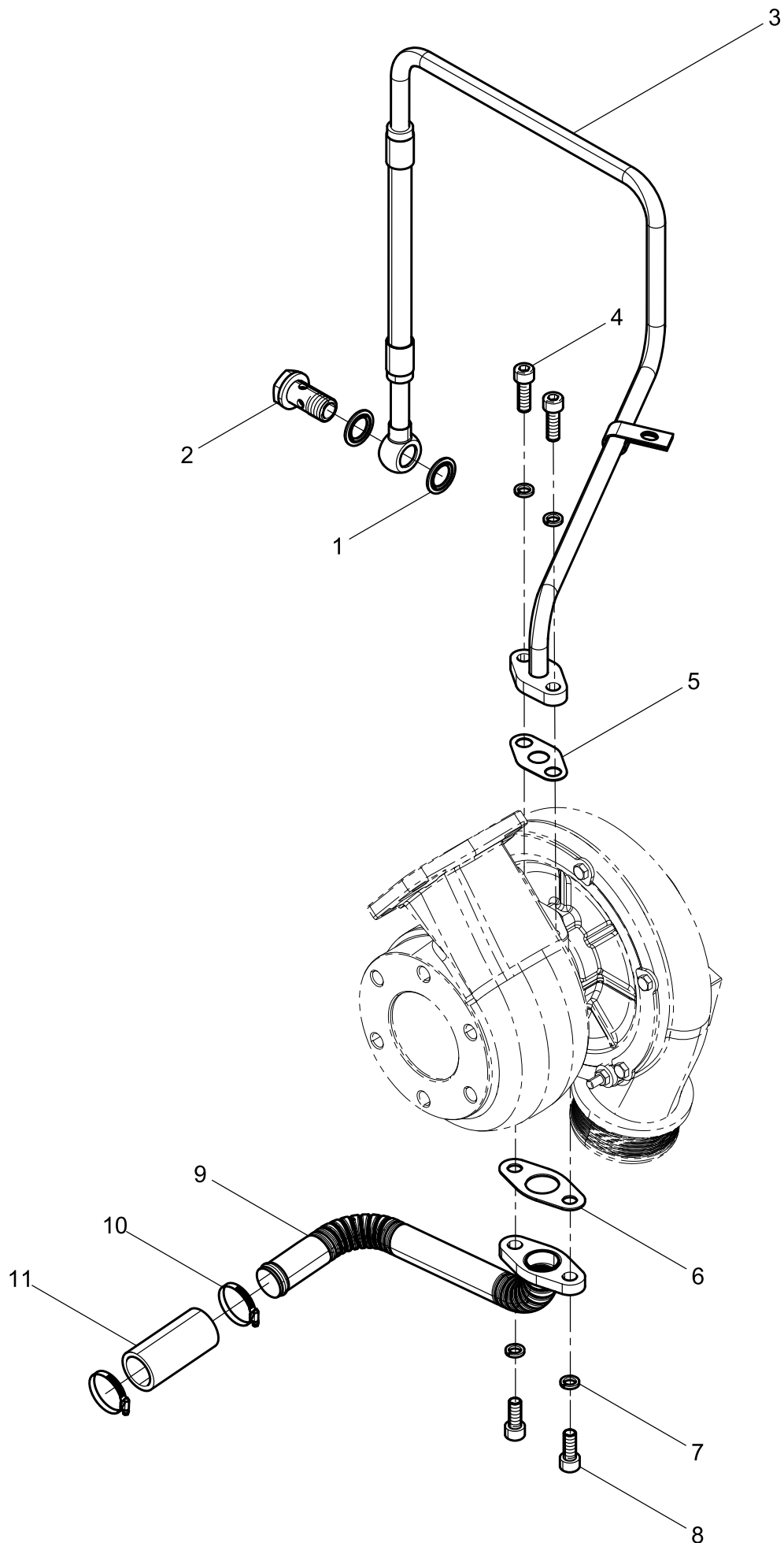


### 机油冷却器水管结合组(Oil Cooler Coolant Pipe Group)



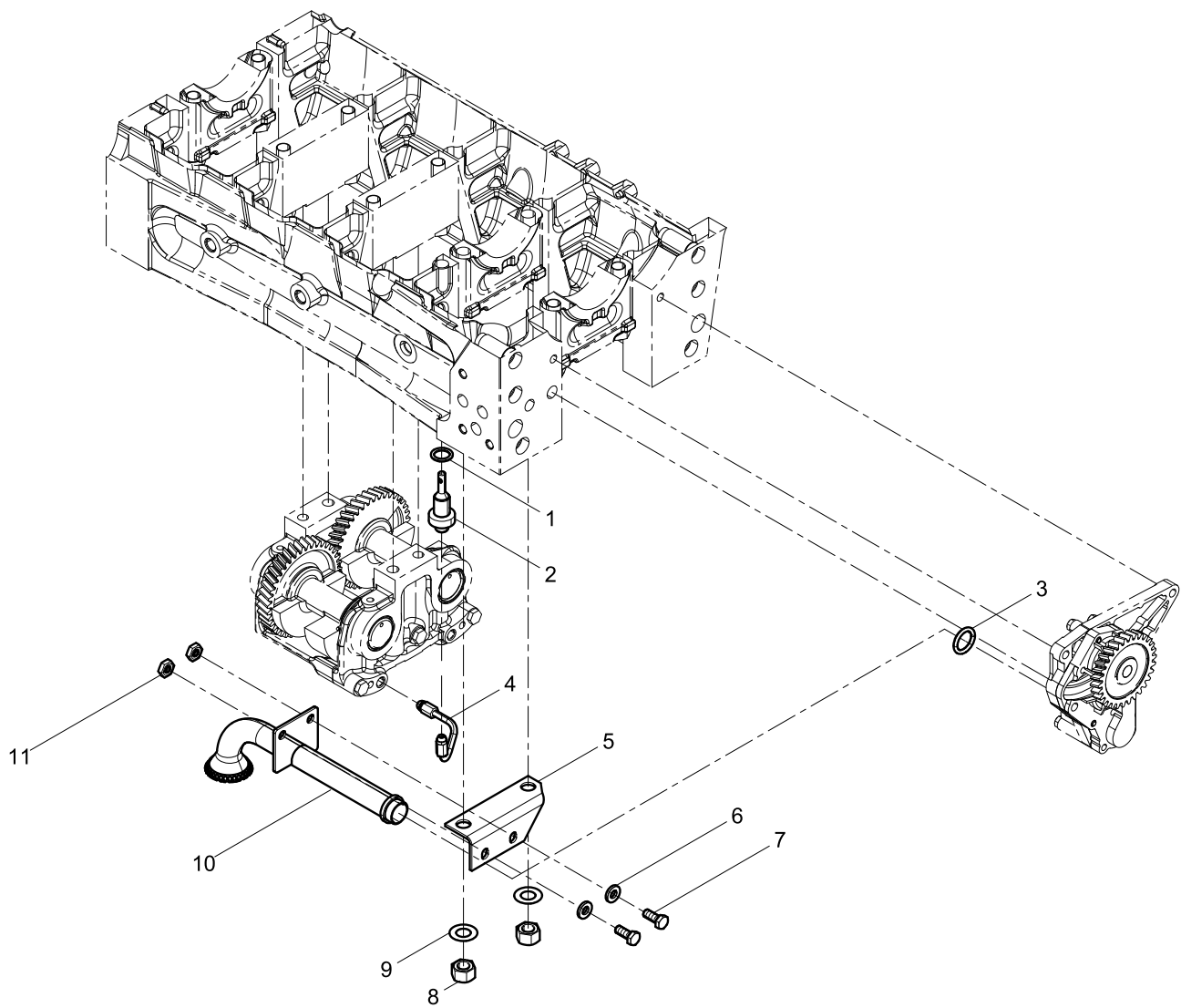


### 增压器润滑油管结合组(Turbocharger Oil Pipe Group)



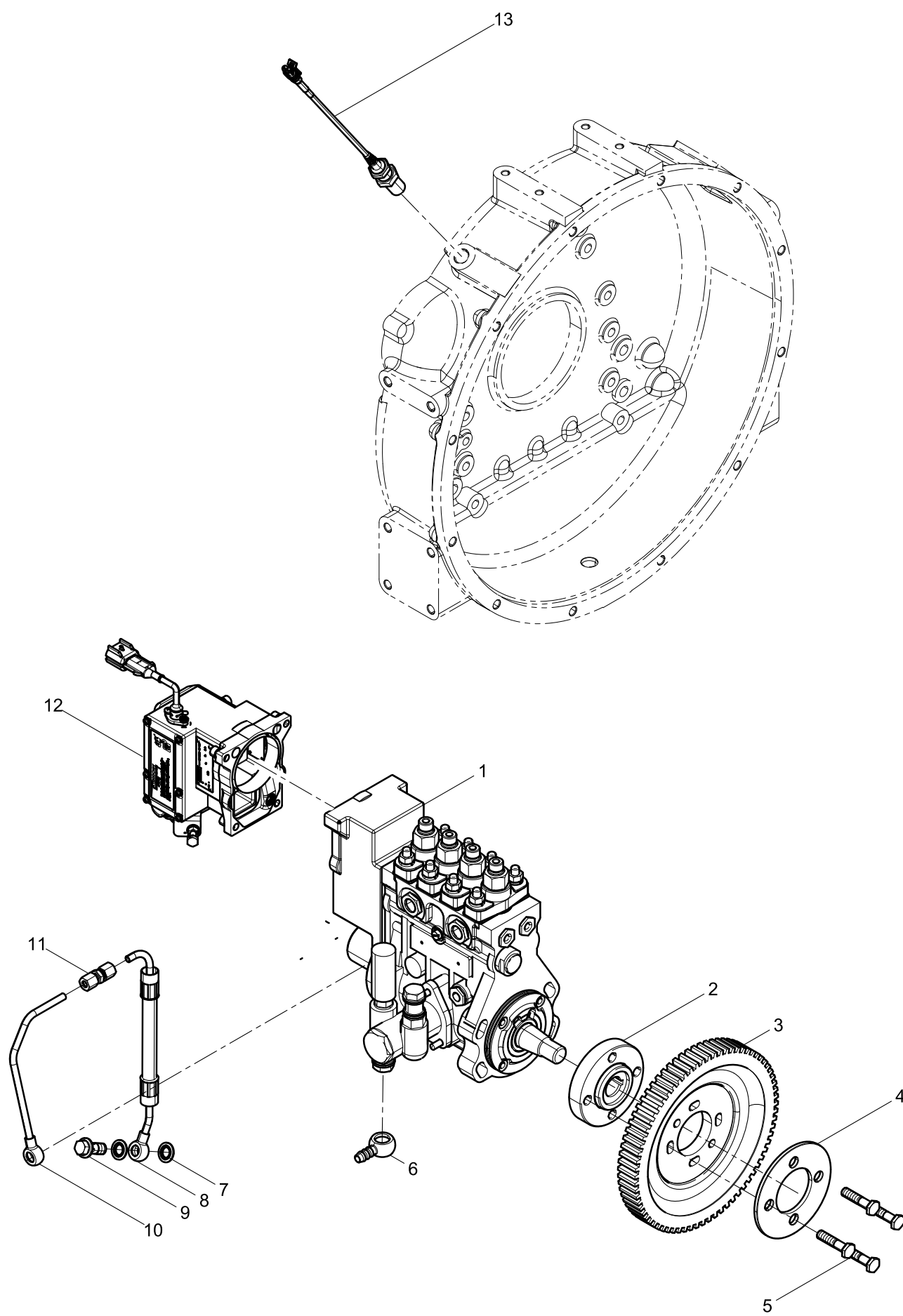


### 机油集滤器结合组(Oil Strainer Group)





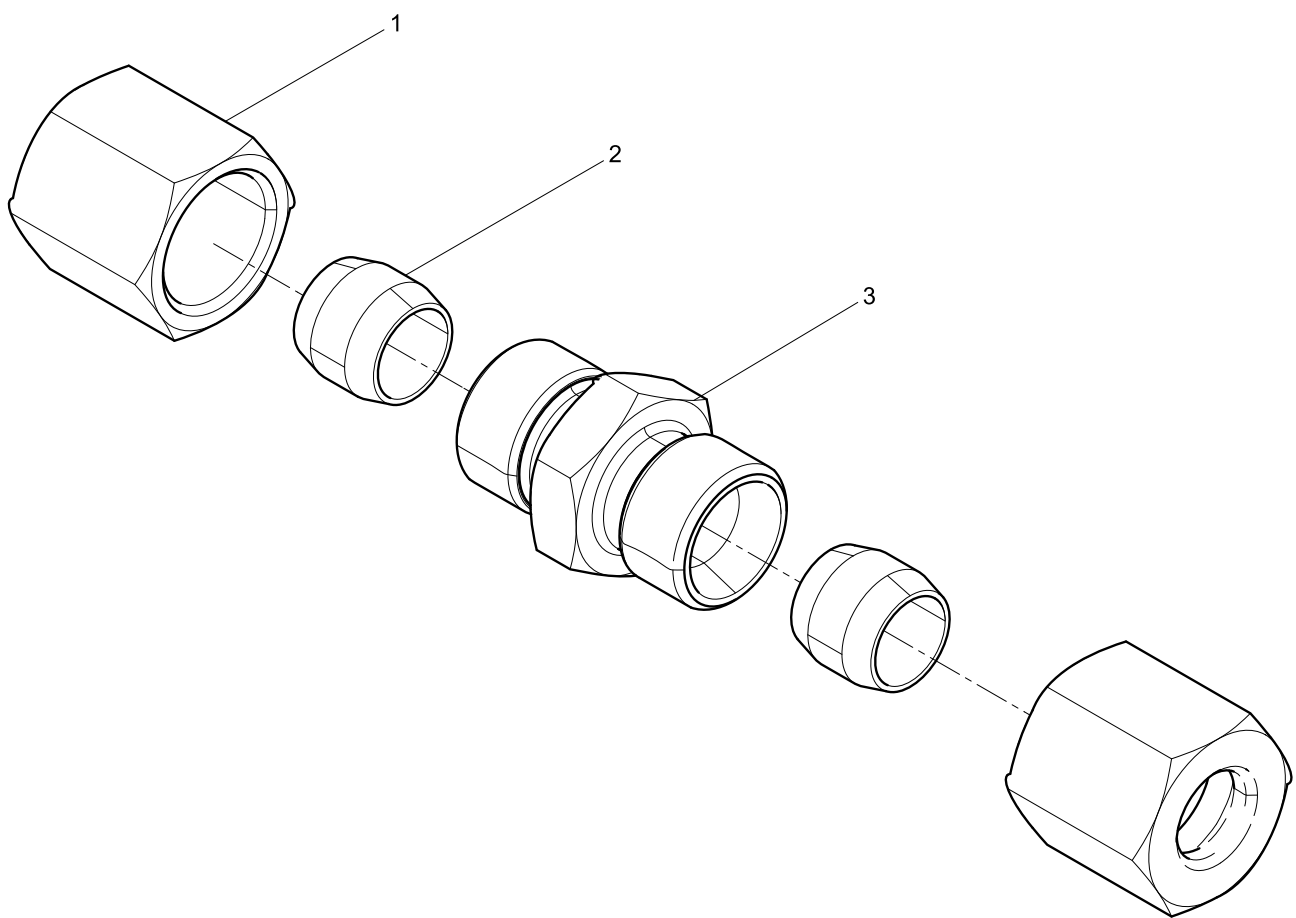
### 喷油泵结合组(Fuel Injection Pump Group)





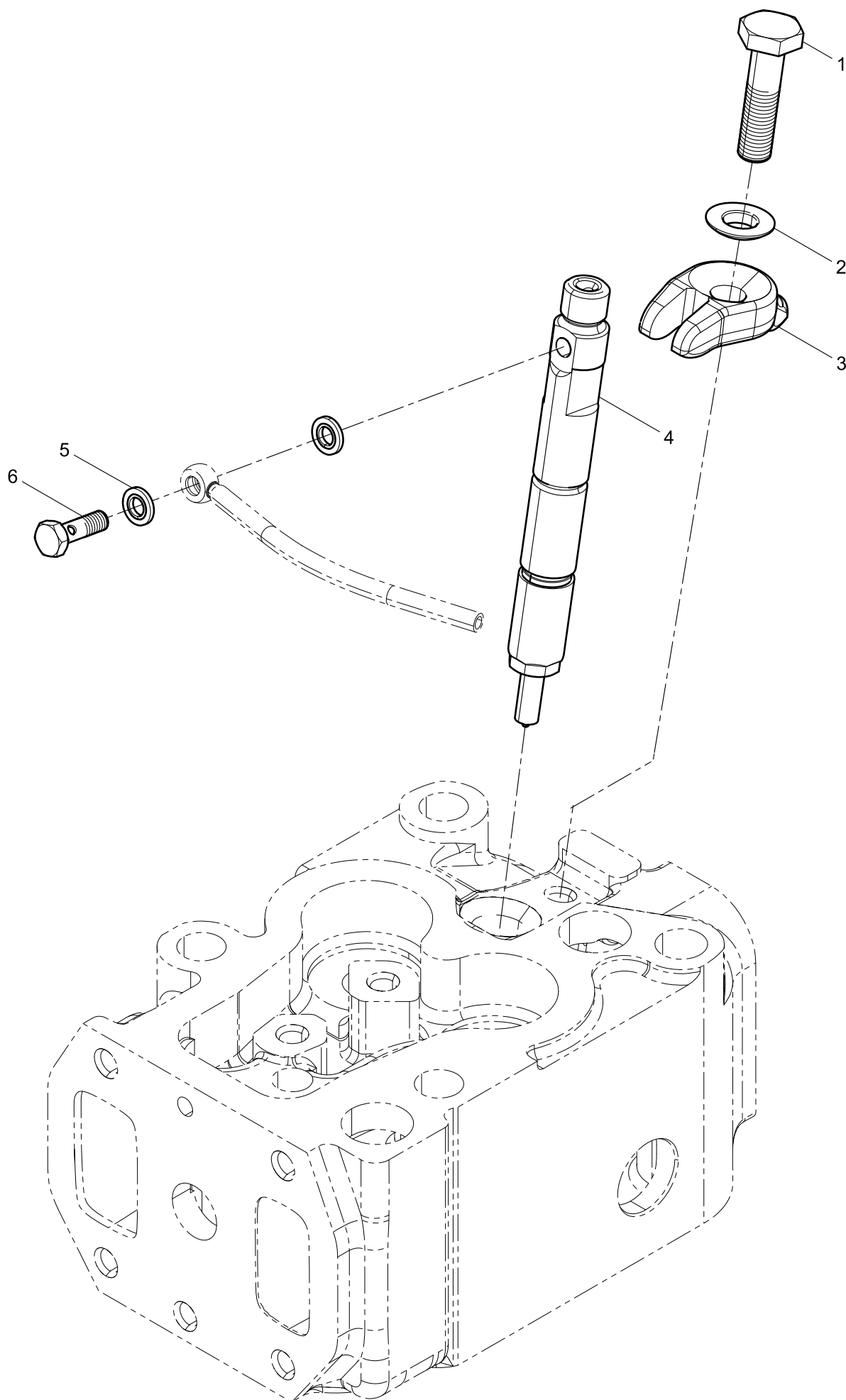


### 管接头(Pipe Joint)



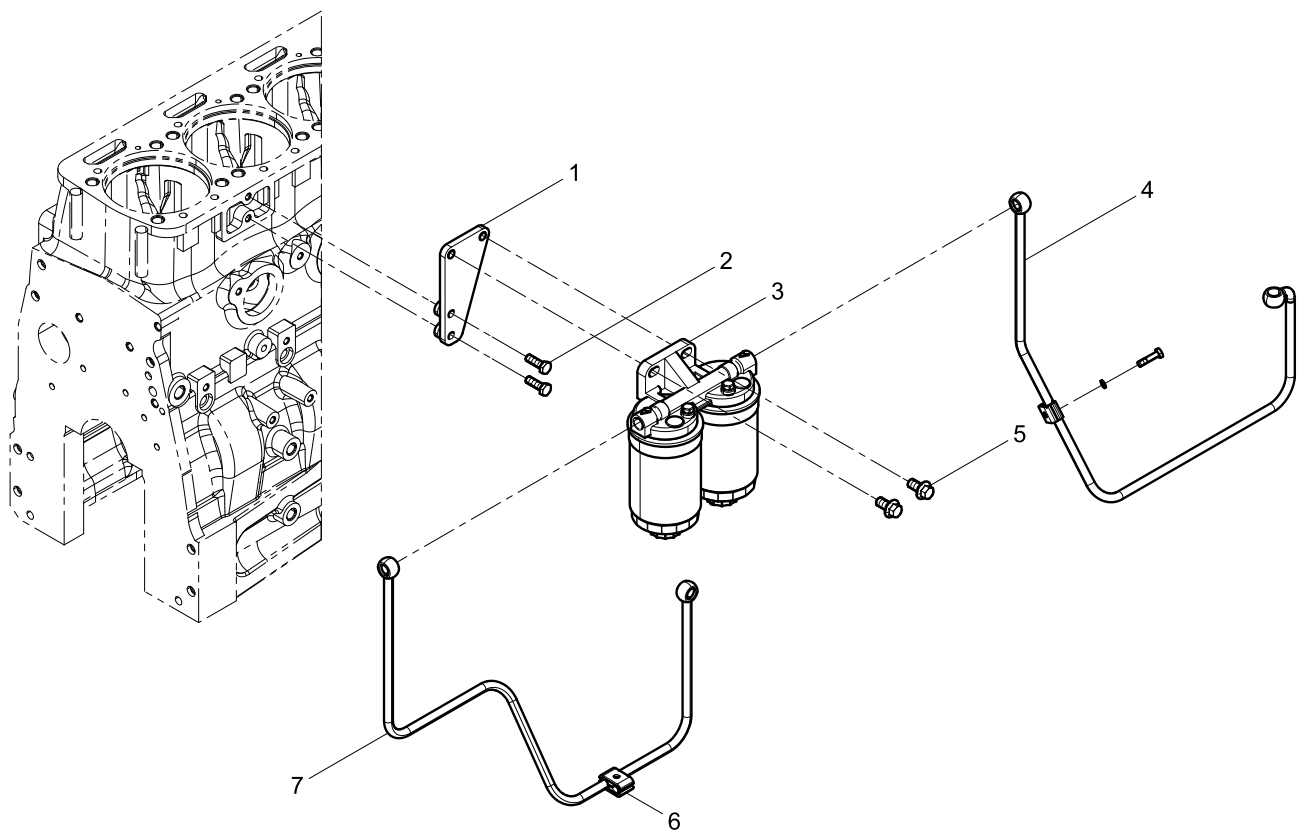


### 喷油器结合组(Fuel Injector Group)



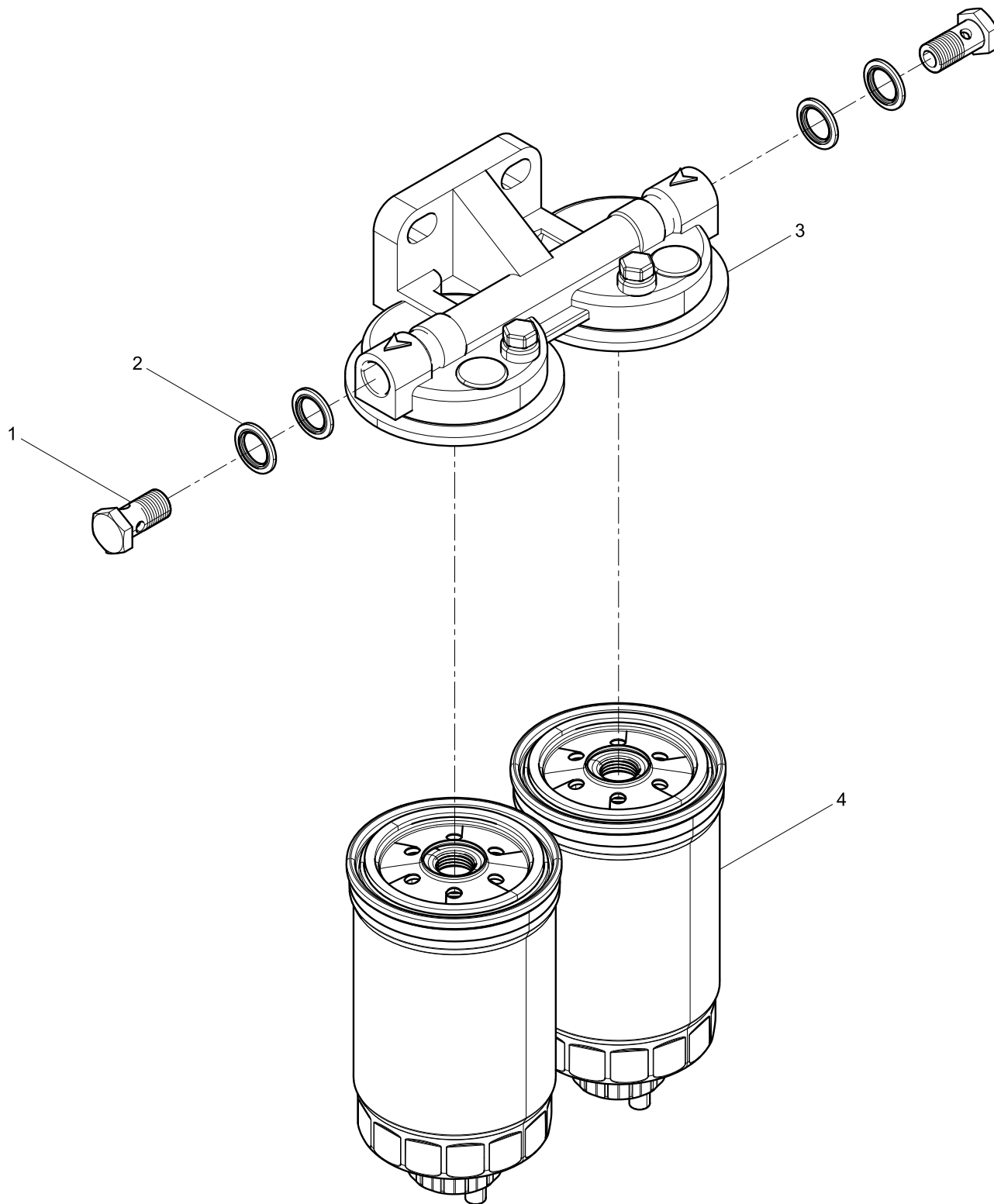


### 燃油滤清器结合组(Fuel Filter Group)





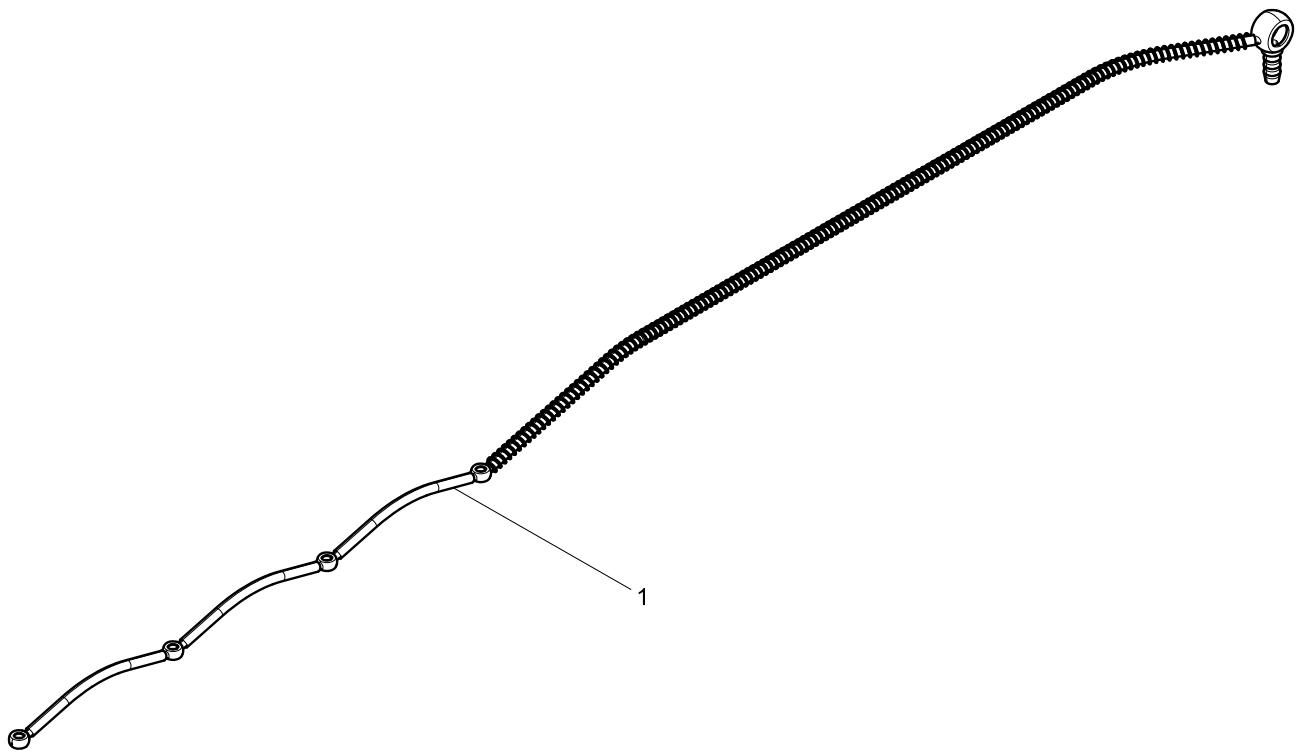
### 燃油滤清器总成(Fuel Filter Assembly)





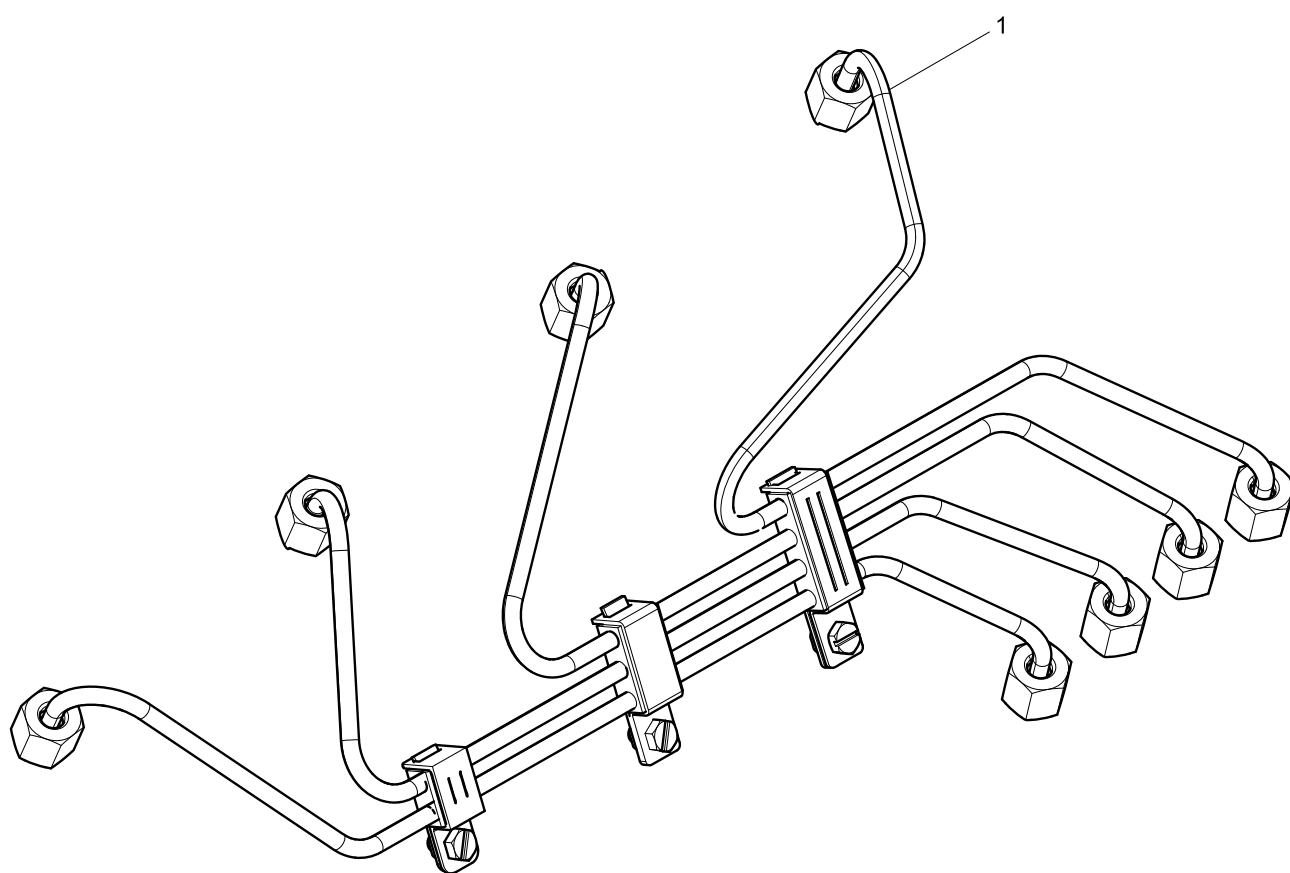


喷油泵润滑油管结合组(Fuel Injection Pump Oil Pipe Group)



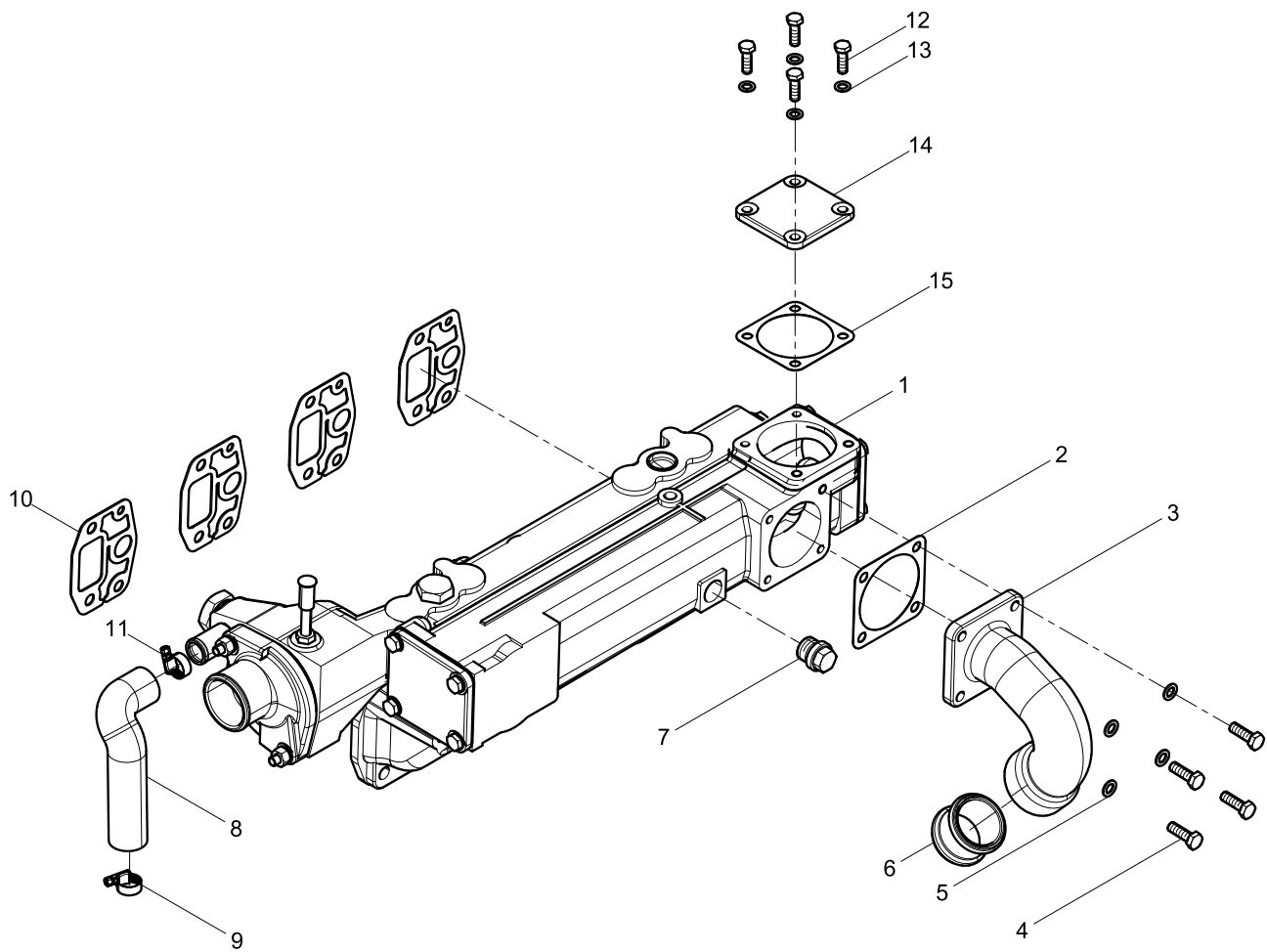


高压油管结合组(High Pressure Fuel Pipe Group)



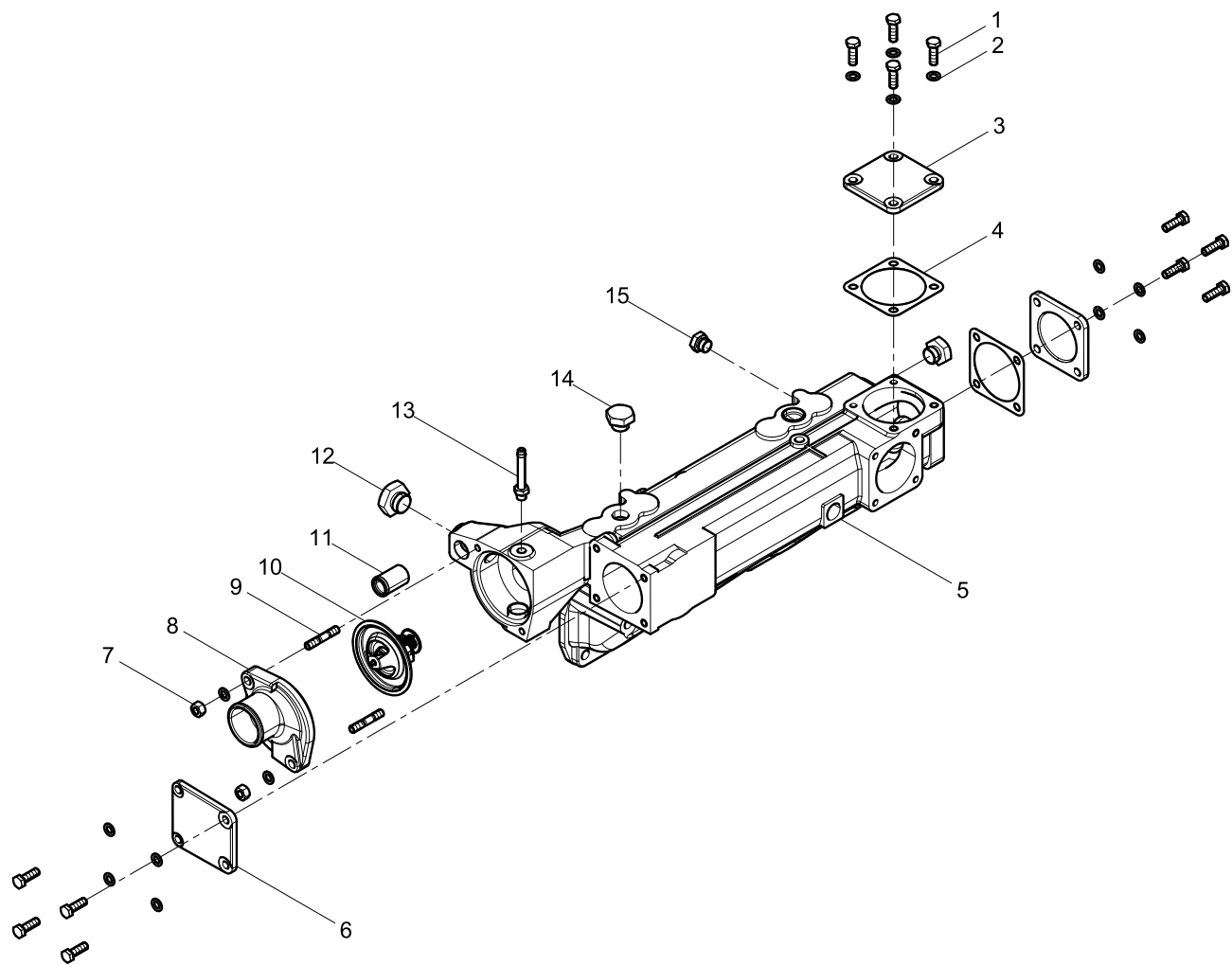


### 进气管结合组(Intake Manifold Group)





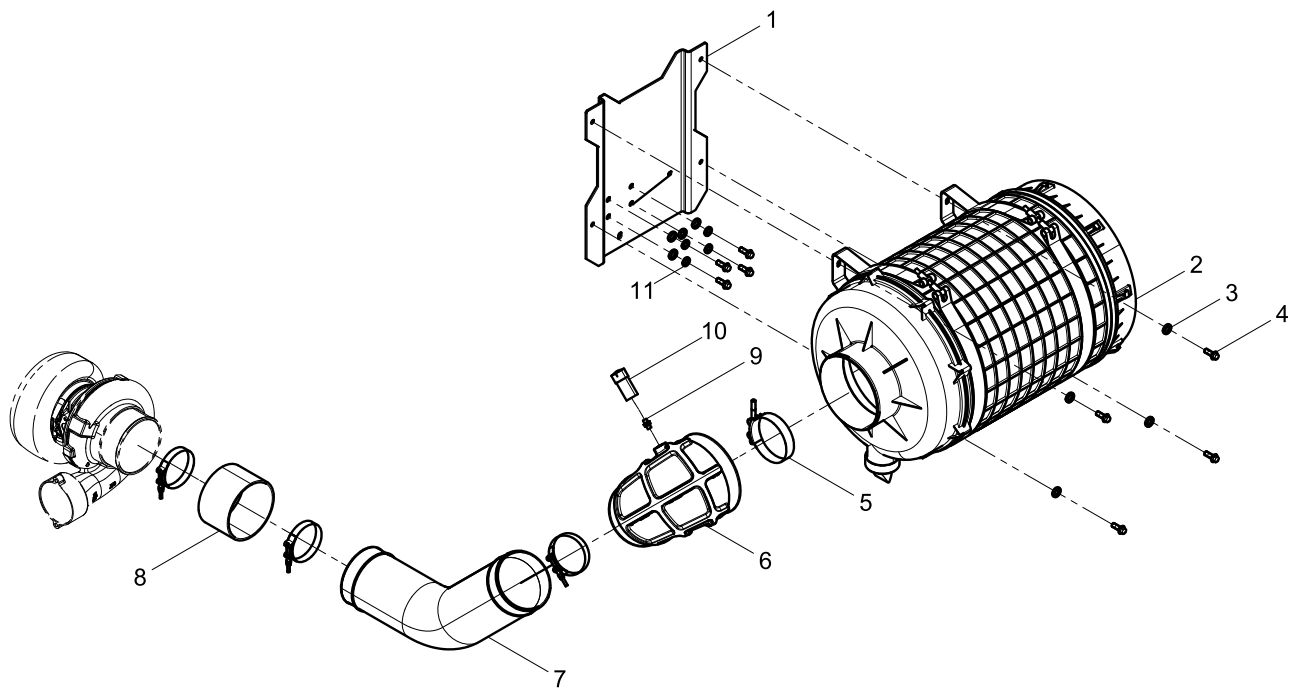
### 进气管分总成(Intake Manifold Subassembly)





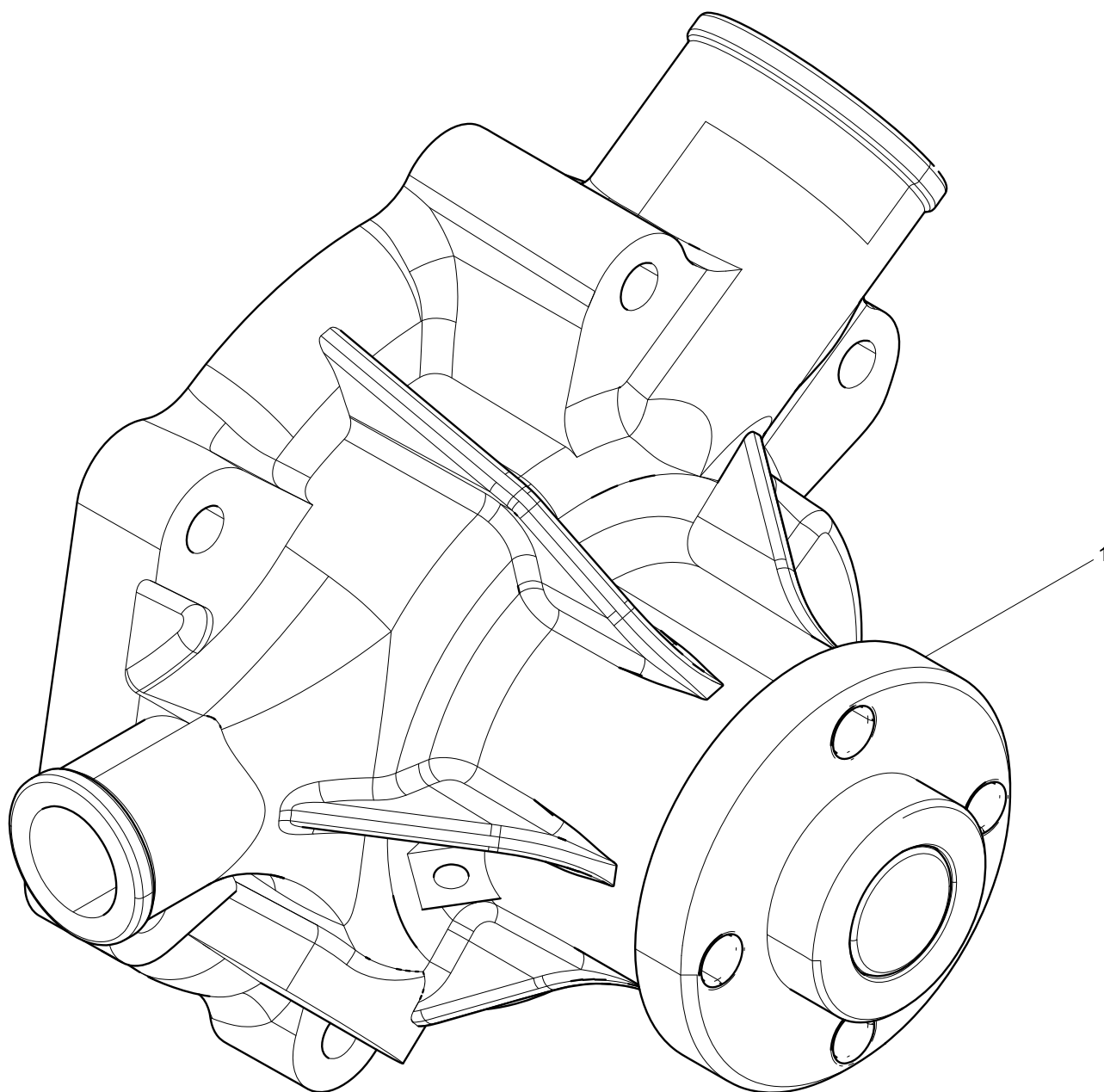


### 空气滤清器结合组(Air Filter Group)



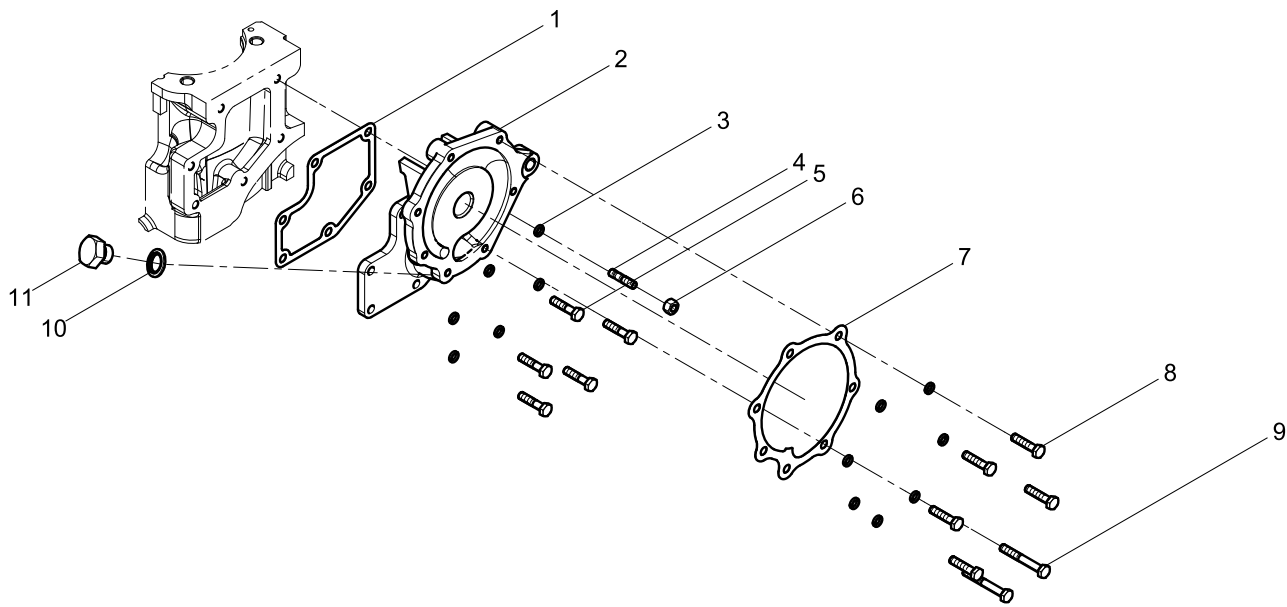


### 水泵结合组(Water Pump Group)



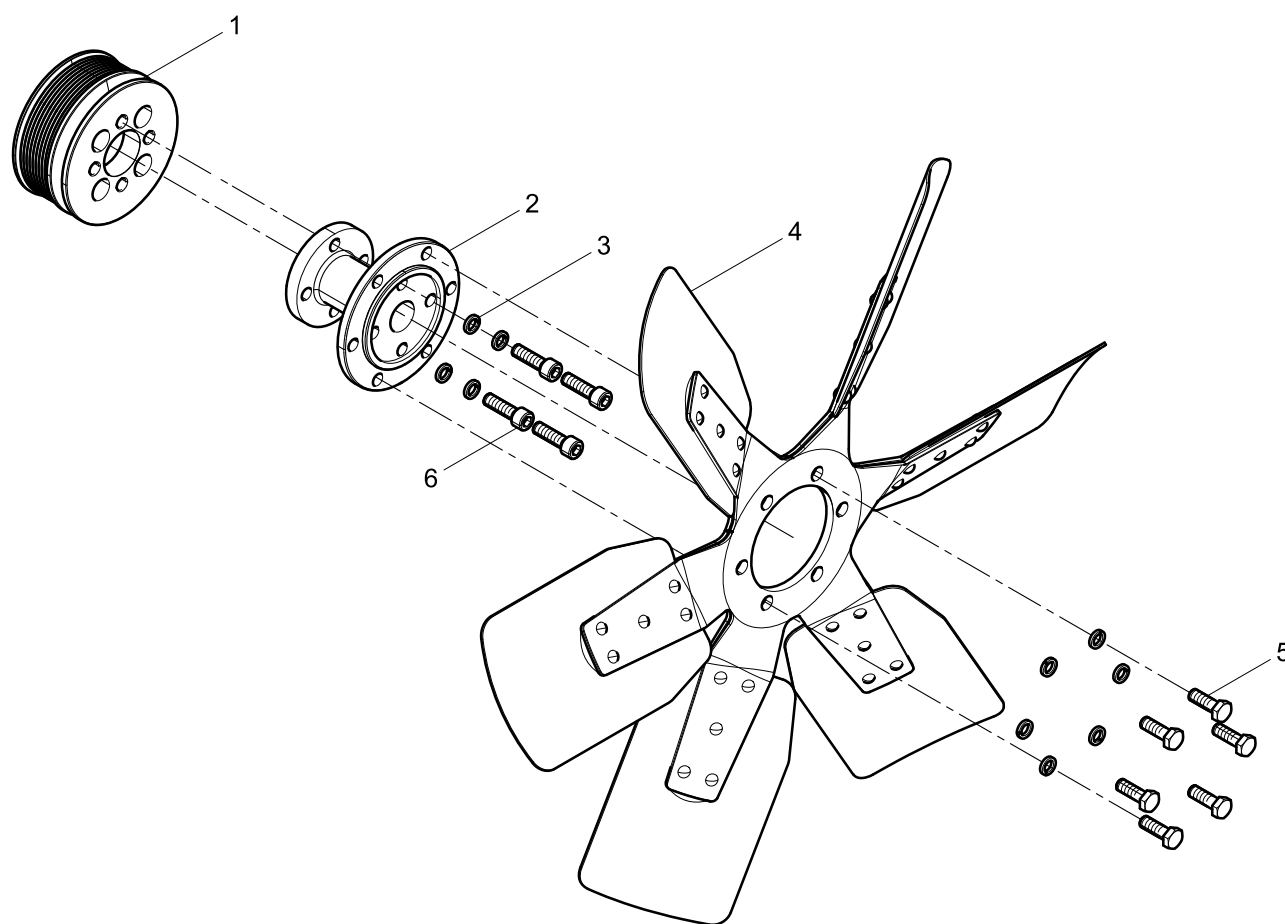


### 中间垫块结合组(Middle Filling Block Group)





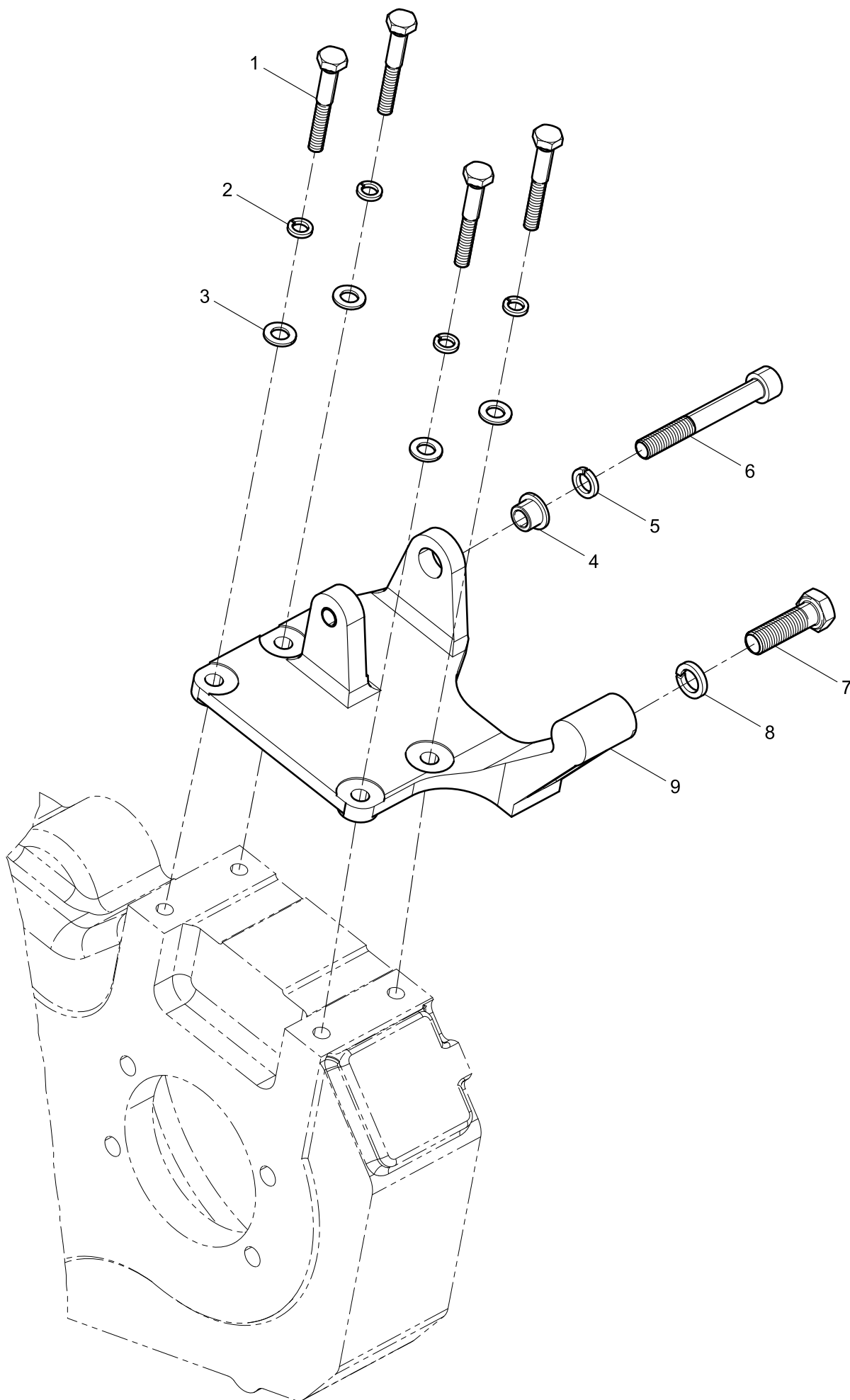
### 水泵皮带轮总成(Water Pump Pulley Assembly)





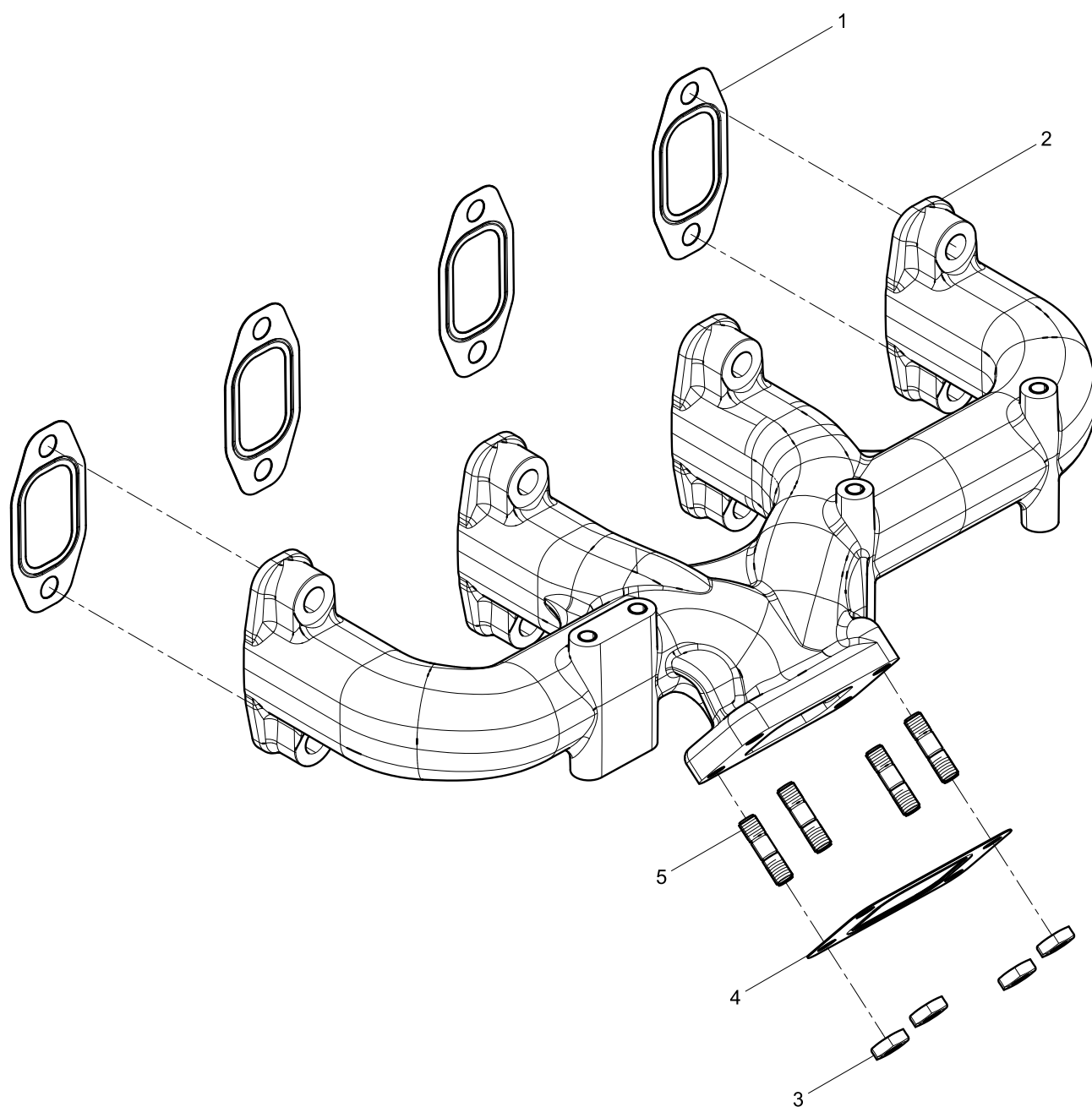


### 发电机支架结合组(Alternator Bracket Group)



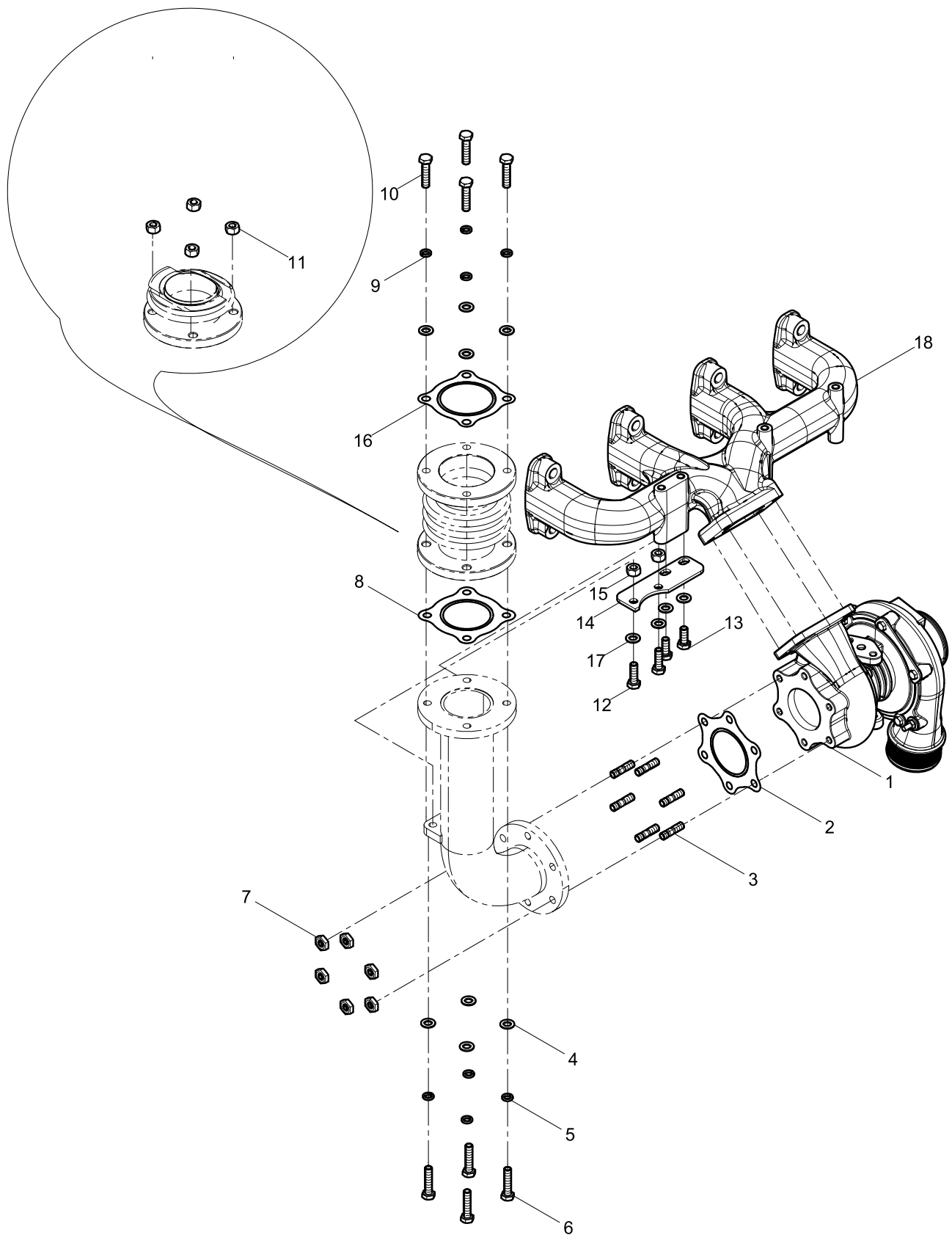


### 排气管结合组(Exhaust Manifold Group)





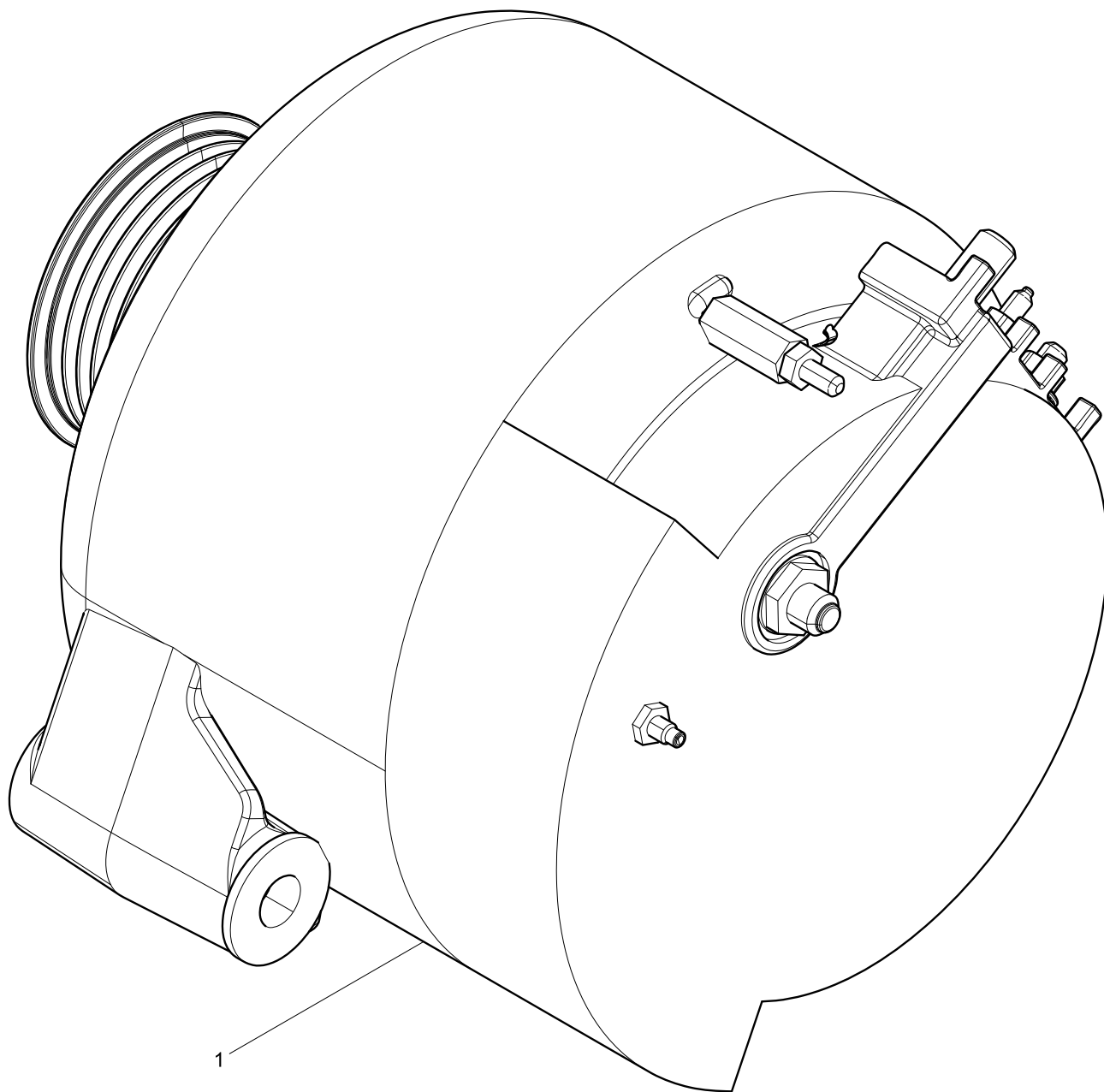
### 增压器结合组(Turbocharger Group)



**增压器结合组(Turbocharger Group)**

图序号 Pos.	件号 Teile.Number	数量 Amount	中文名称 Denomination	英文名称 Designation
1	1001063640	1	增压器组件	Turbocharger set
2	13058310	1	垫片	Gasket
3	13026624	6	双头螺柱	Double End Stud
4	90014040007	8	平垫圈	Plain Washer
5	90003931102	4	弹簧垫圈	Spring Washer
6	90003800431	4	六角头螺栓	Hexagon Head Bolt
7	90012700003	6	2型六角螺母	Hexagon Nut, Style 2
8	13058847	1	垫片	Gasket
9	90003931162	4	弹簧垫圈	Spring Washer
10	13058121	4	螺栓	Bolt
11	01112877	4	六角螺母	Hexagon Nut
12	90003802419	2	六角头螺栓	Hexagon Head Bolt
13	90003802424	2	六角头螺栓	Hexagon Head Bolt
14	13058120	1	固定板	
15	90003888451	2	2型全金属六角锁紧螺母	Prevailing Torque Type All-metal Hexagon Nut,
16	13031526	1	垫片	Gasket
17	12165568	4	垫片	Gasket
18	1000808774	1	排气管隔热罩总成	Exhaust Manifold Heat Shield Assembly

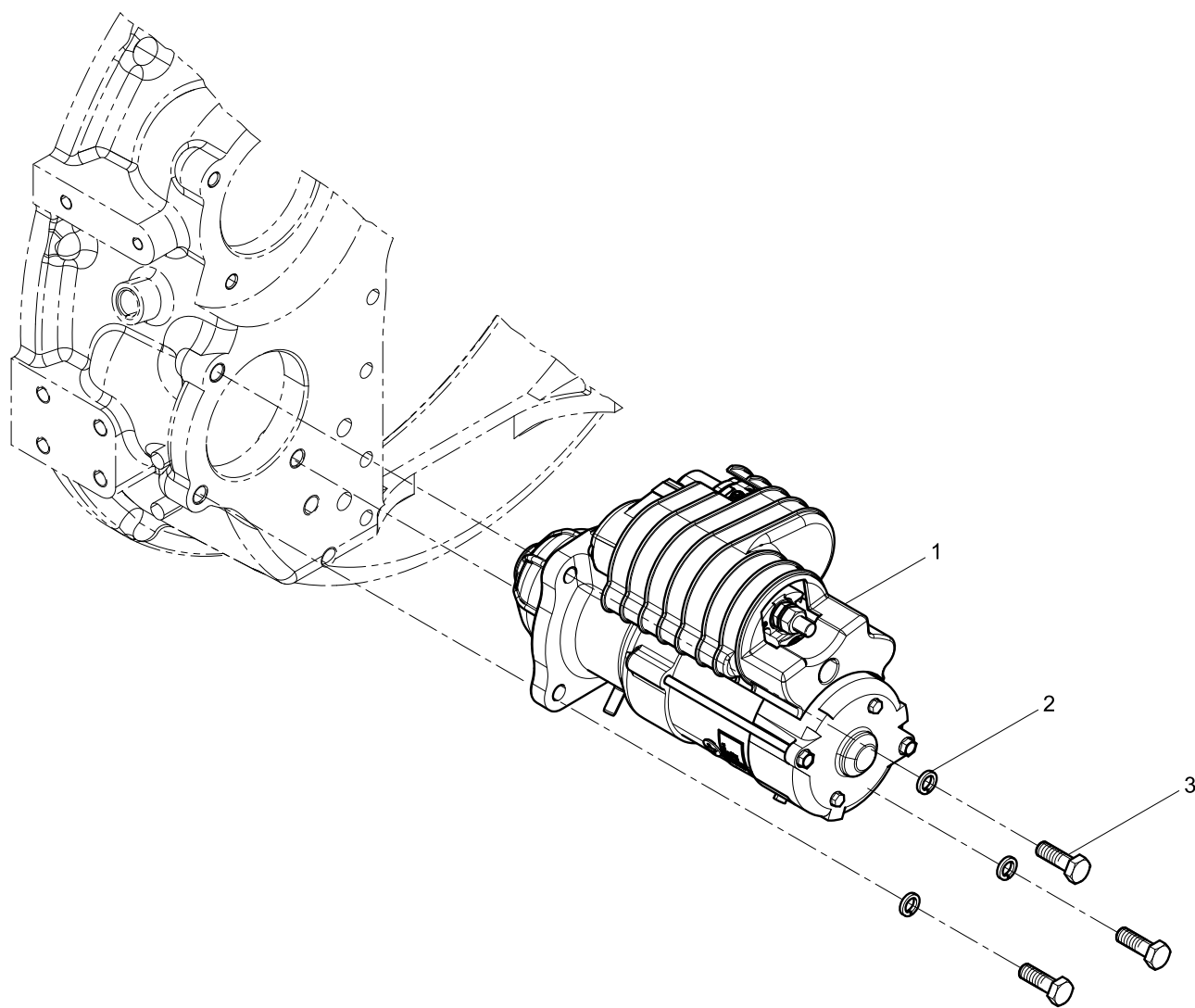
### 发电机结合组(Alternator Group)





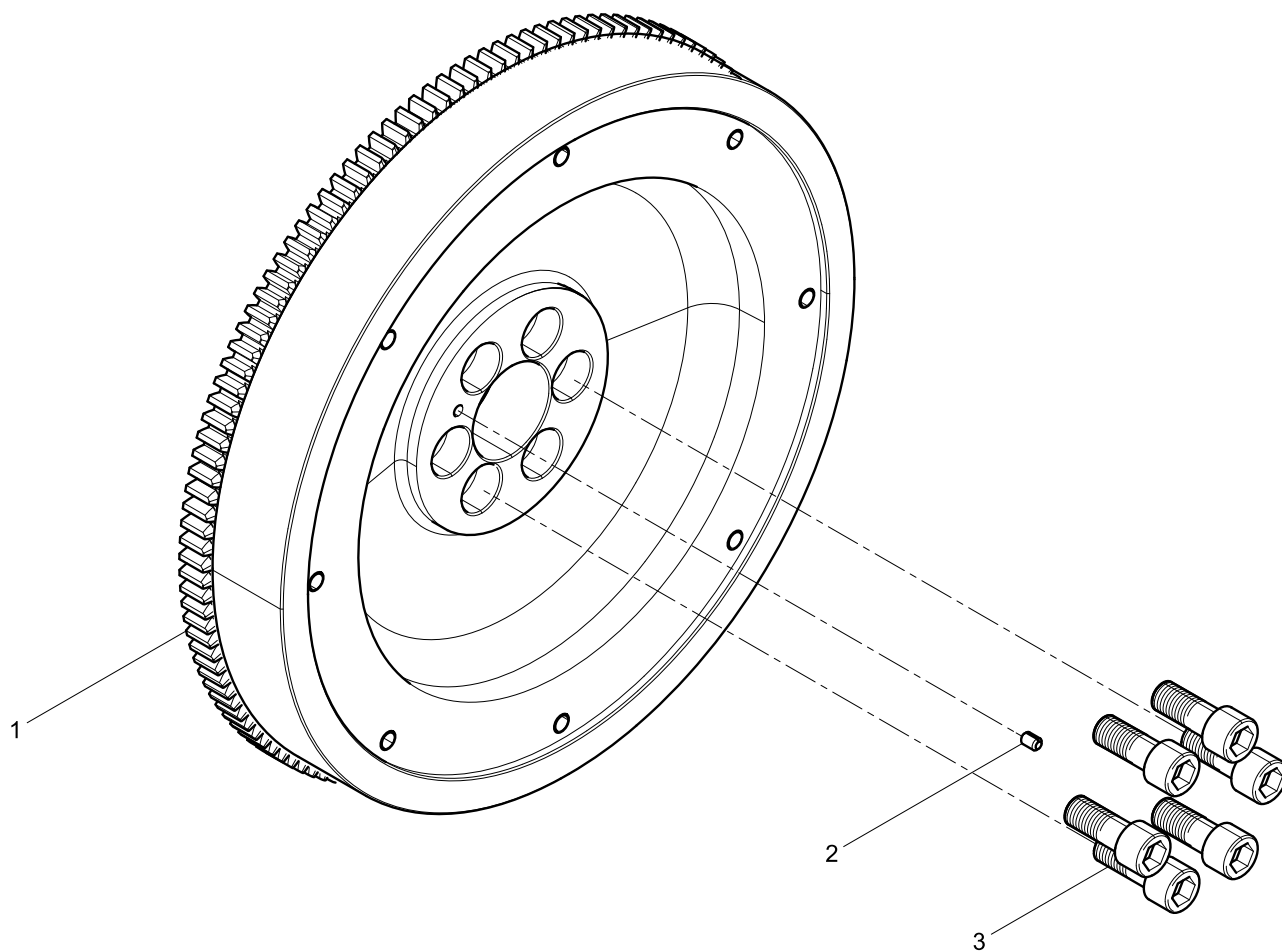


### 起动机结合组(Starter Motor Group)



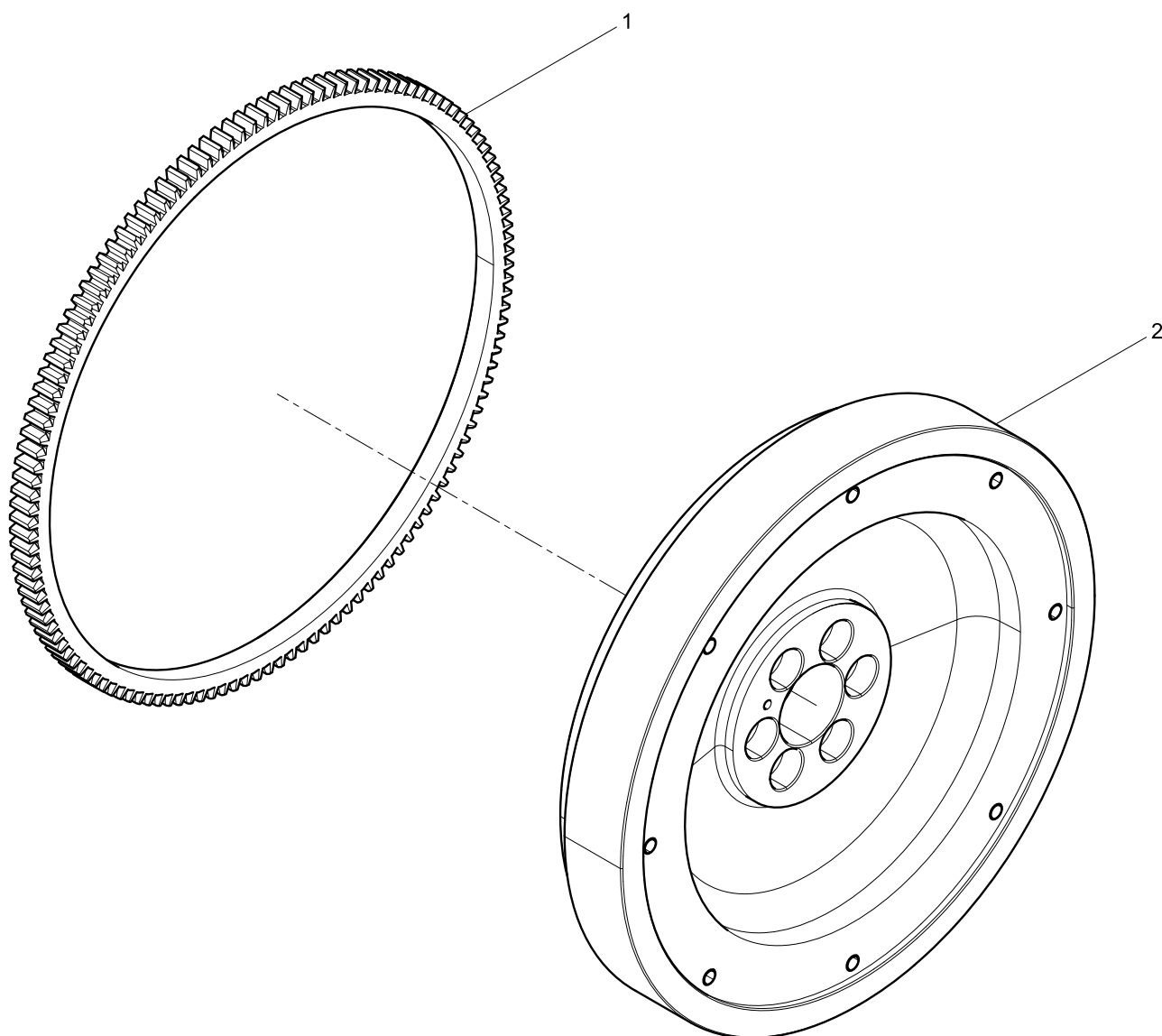


### 飞轮结合组(Flywheel Group)



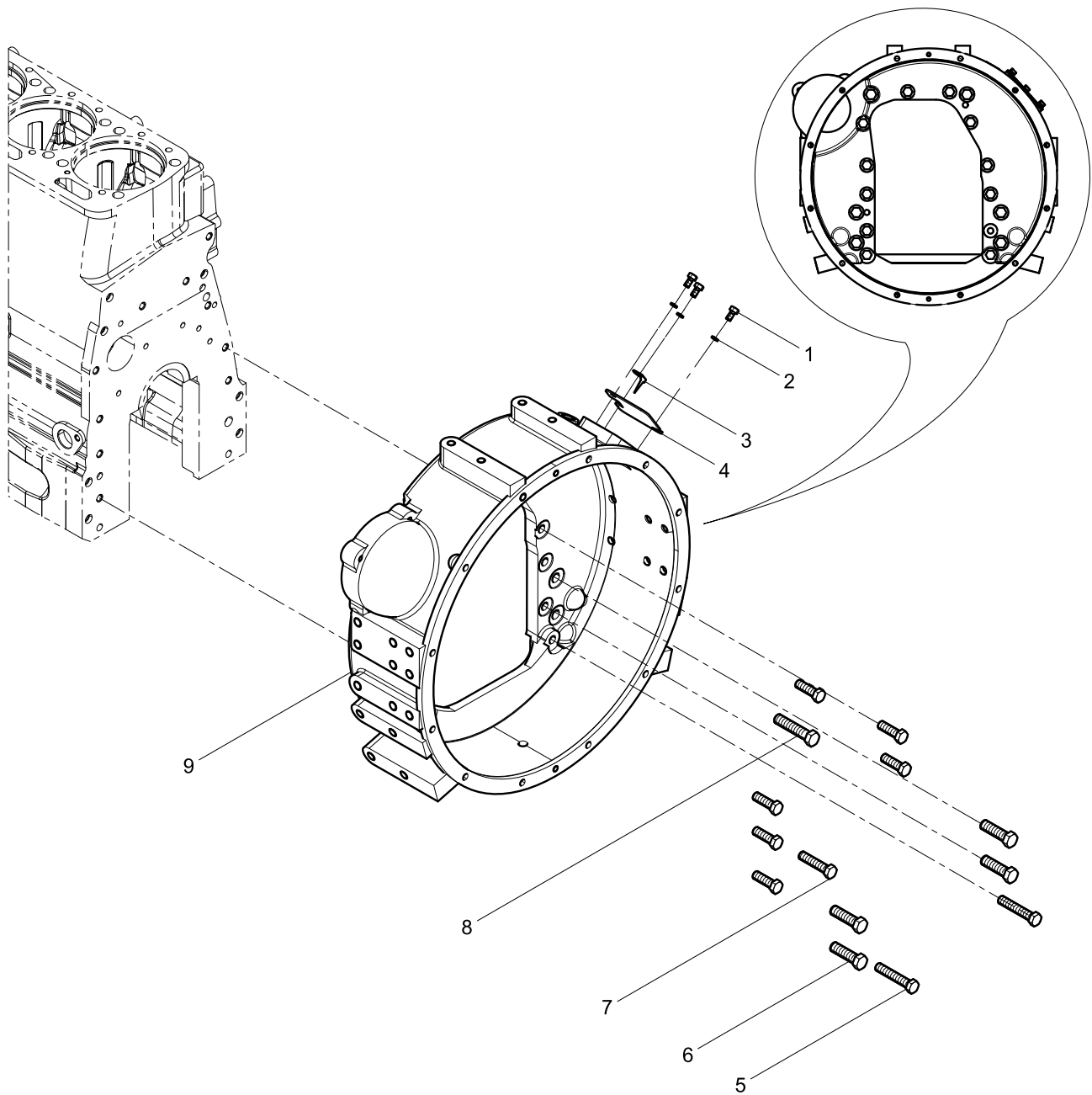


### 飞轮总成(Flywheel Assembly)





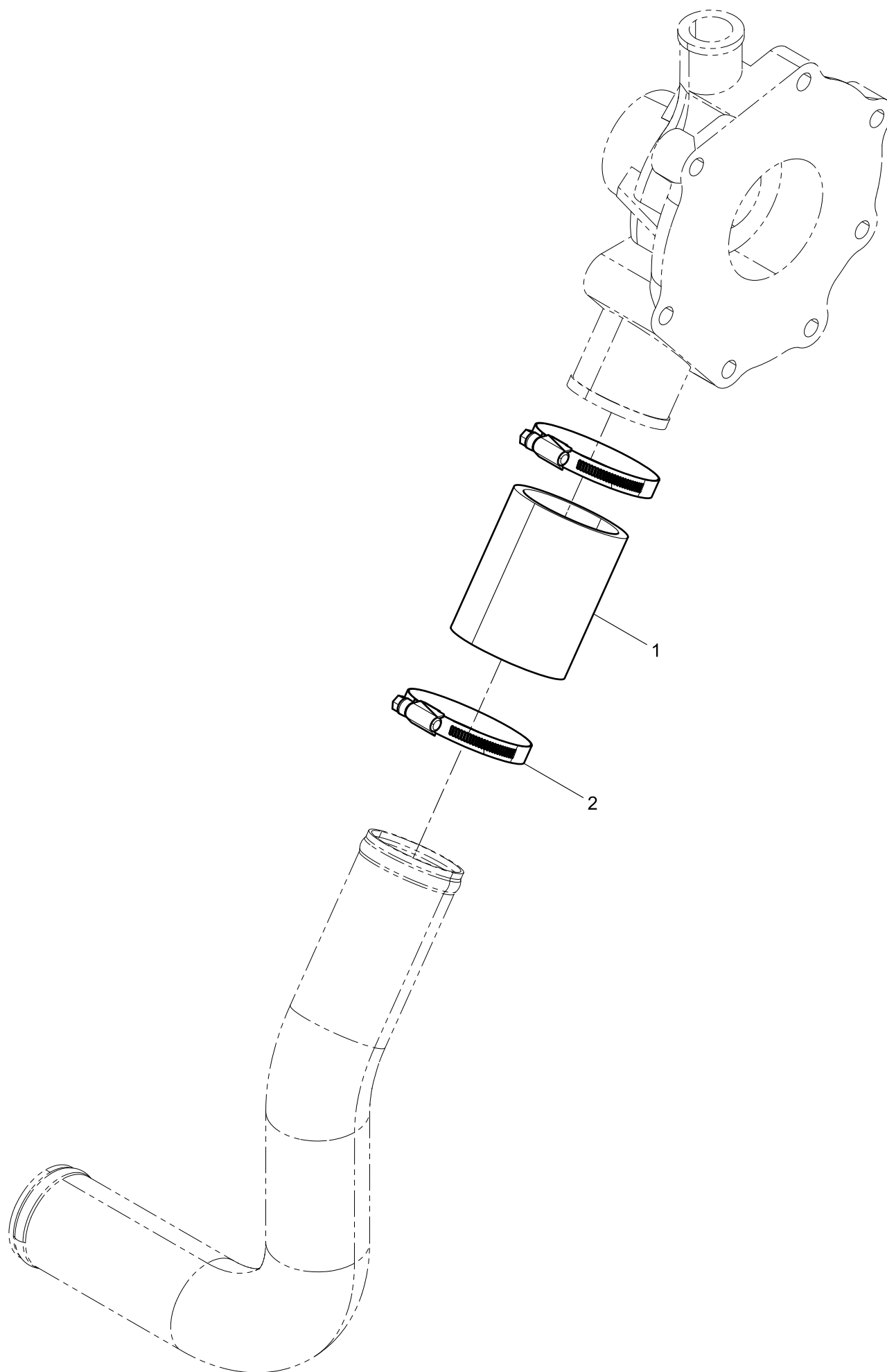
### 飞轮壳结合组(Flywheel Housing Group)





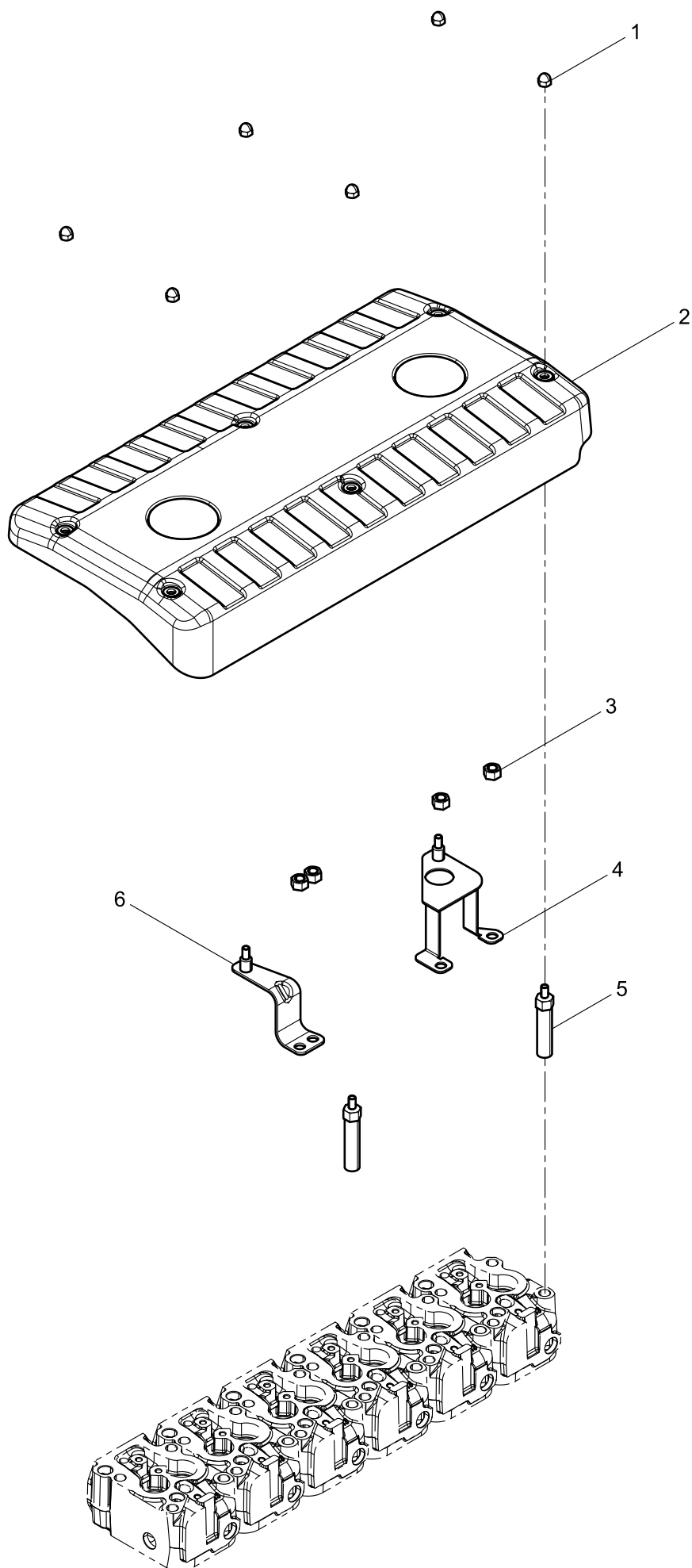


### 水泵进水管结合组(Water Pump Inlet Pipe Group)





### 隔音罩结合组(Sound Insulation Cover Group)





### 零件箱结合组(Parts Box Group)

