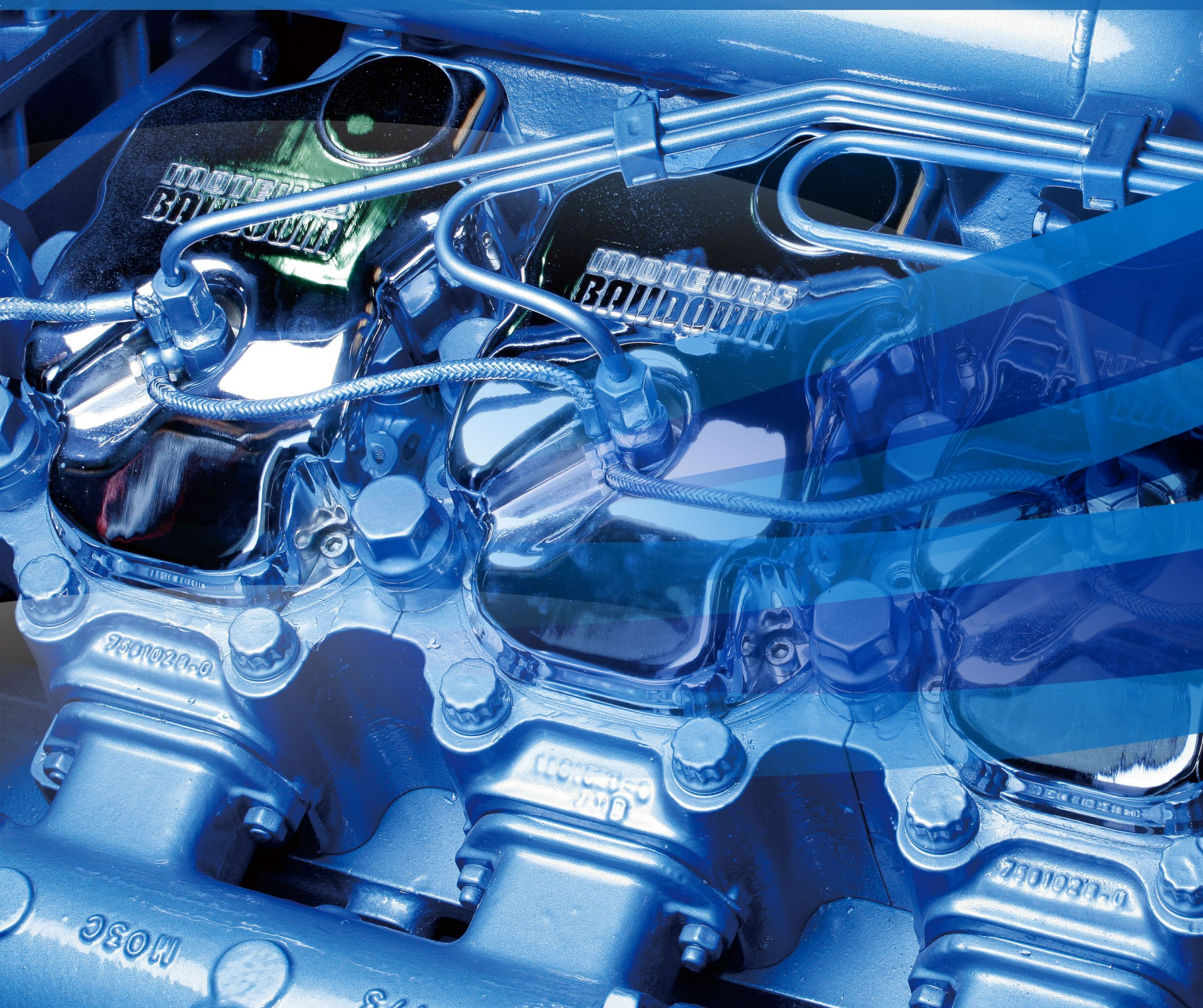


**6M16 BAUDOIN DIESEL PARTS CATALOGUE**





# PREFACE

This illustrated parts manual is specially prepared for customers to facilitate the use of 6M16 series diesel engine in operation and tenance.

The illustrations are grouped under the heading of each assembly and numbered individually.Part.

No.,Quantity,Model,English designation,Chinese designation and so on are written in the parts list .  
The parts catalogue include detailed assembling parts list of diesel engine ,some parts can not be sold ,if you want to know selling part matters,please ask weichai power spare part resource CO.,LTD.

With the development of technology and production,the versions of the diesel engine will be increased, so the catalogue will be revised.Please pay attention to our revised edition.After service of this product is authorized to Weichai Power Co.,Ltd ,Consumers can acquire information of this product through [www.weichai.com](http://www.weichai.com).

# CONTENTS

<b>Engine Block Group</b> .....	<b>1</b>
crankcase assembly .....	3
crankcase pre-assembly .....	5
<b>Oil Seal Set</b> .....	<b>7</b>
<b>Spray Nozzle Group</b> .....	<b>9</b>
<b>Flywheel Housing Group</b> .....	<b>11</b>
<b>Timing Gear Housing Group</b> .....	<b>13</b>
<b>Front cover group</b> .....	<b>15</b>
<b>Crankshaft Group</b> .....	<b>17</b>
Crankshaft Assembly .....	19
Crankshaft Subassembly .....	21
<b>Main Bearing Group</b> .....	<b>23</b>
<b>Thrust Plate Group</b> .....	<b>25</b>
<b>Flywheel Group</b> .....	<b>27</b>
<b>Piston and Connecting Rod Group</b> .....	<b>29</b>
Piston Assembly .....	31
Piston Ring Set .....	33
Connecting Rod Assembly .....	35
<b>Cylinder Head Group</b> .....	<b>37</b>
Cylinder Head Subassembly .....	39
<b>Eye Ring Group</b> .....	<b>41</b>
<b>Cylinder Head Cover Group</b> .....	<b>43</b>
<b>Valve Train Group</b> .....	<b>45</b>
.....	47
Rocker Arm Shaft Set.....	49
Camshaft Assembly.....	51
<b>Gear Drive Group</b> .....	<b>53</b>
Idler Gear Assembly.....	55
Oil Pump Idle Gear Set .....	57
<b>Crankshaft Pulley Group</b> .....	<b>59</b>

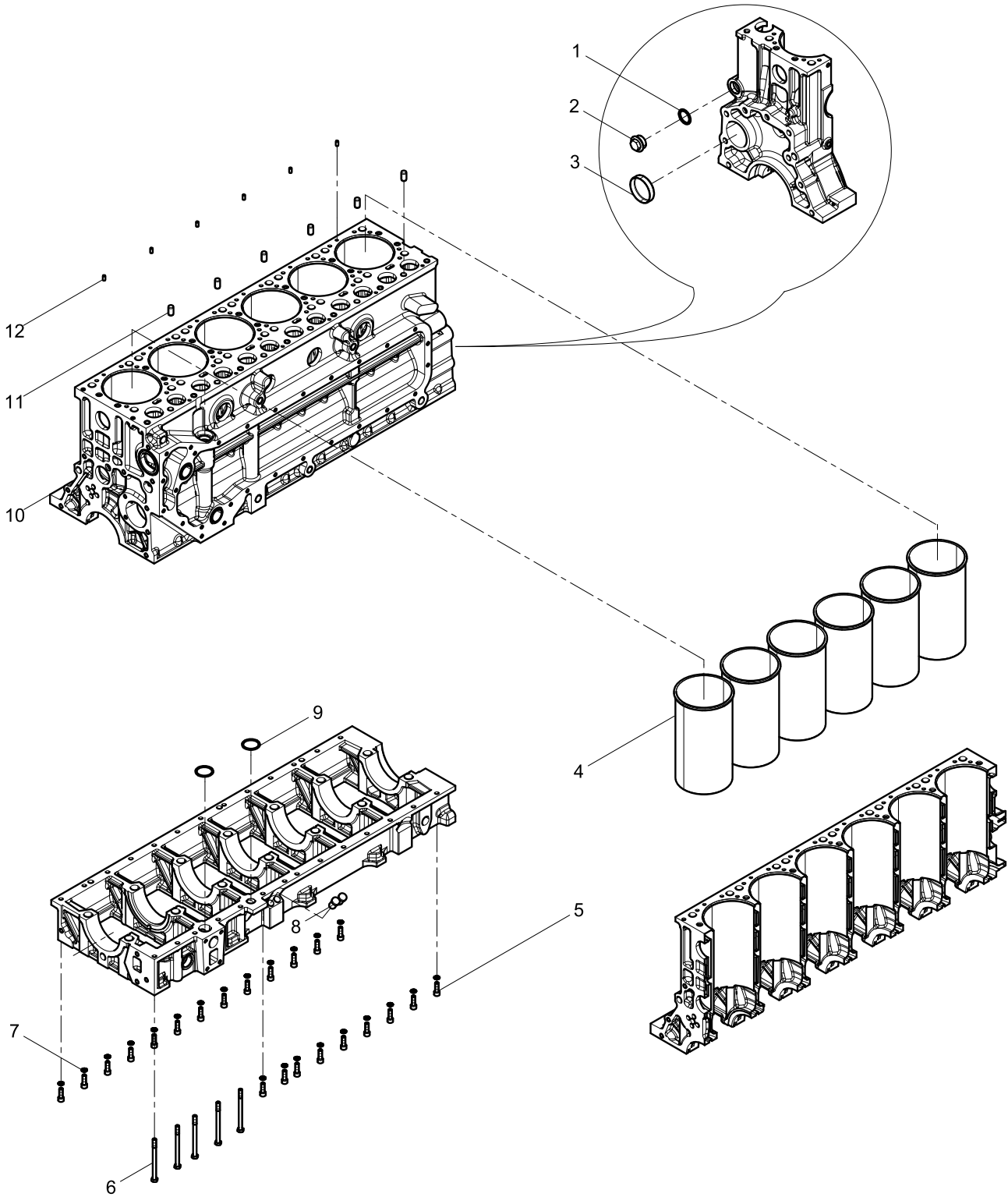
<b>Oil Pan .....</b>	<b>61</b>
Oil Pan Assembly .....	63
<b>Dipstick Group.....</b>	<b>65</b>
<b>Oil Pump Group.....</b>	<b>67</b>
<b>Oil Strainer Group.....</b>	<b>69</b>
<b>Oil Cooler Group .....</b>	<b>71</b>
<b>Oil Filter Group .....</b>	<b>73</b>
Oil Filter .....	75
<b>Oil Filling Tube Group .....</b>	<b>77</b>
<b>Pressure-limiting Valve Group .....</b>	<b>79</b>
<b>Oil-gas Separator Group.....</b>	<b>81</b>
Oil-gas Separator Assembly .....	83
<b>Water Pump Group .....</b>	<b>85</b>
<b>Water Pump Inlet Pipe Group.....</b>	<b>87</b>
<b>Water Outlet Pipe Group .....</b>	<b>89</b>
<b>Thermostat Group .....</b>	<b>91</b>
<b>Intercooler Group .....</b>	<b>93</b>
<b>Fan and Hub Group.....</b>	<b>95</b>
<b>Fuel Injection Pump Group .....</b>	<b>97</b>
<b>Fuel Injection Pump Oil Pipe Group .....</b>	<b>99</b>
<b>Fuel Injector Group.....</b>	<b>101</b>
Adapter of High Pressure Pipe .....	103
<b>Low Pressure Fuel Pipe Group.....</b>	<b>105</b>
<b>Fuel Filter Group .....</b>	<b>107</b>
Fuel Filter .....	109
Fuel Coarse Filter .....	111
<b>High Pressure Fuel Pipe Group.....</b>	<b>113</b>
<b>Intake Manifold Group .....</b>	<b>115</b>
Intake Manifold Assembly .....	117
<b>Turbocharger Group .....</b>	<b>119</b>



<b>Turbocharger Oil Pipe Group .....</b>	<b>121</b>
<b>Air Filter Group .....</b>	<b>123</b>
<b>Exhaust Manifold Group .....</b>	<b>125</b>
<b>Rear Exhaust Manifold Group .....</b>	<b>127</b>
<b>Air Conditioning Compressor Group .....</b>	<b>129</b>
<b>Tensioner And Belt Group .....</b>	<b>131</b>
<b>Starter Motor Group .....</b>	<b>133</b>
<b>Engine Bracket Group.....</b>	<b>135</b>
<b>Packing Box Chassis Parts Group.....</b>	<b>137</b>
Air Filter .....	139
<b>Separate Delivery Parts Group Attached to Engine.....</b>	<b>141</b>
<b>Parts Box Group .....</b>	<b>143</b>
<b>General-use Wire and Sensor Group .....</b>	<b>145</b>
<b>Alternator Group .....</b>	<b>147</b>



### Engine Block Group

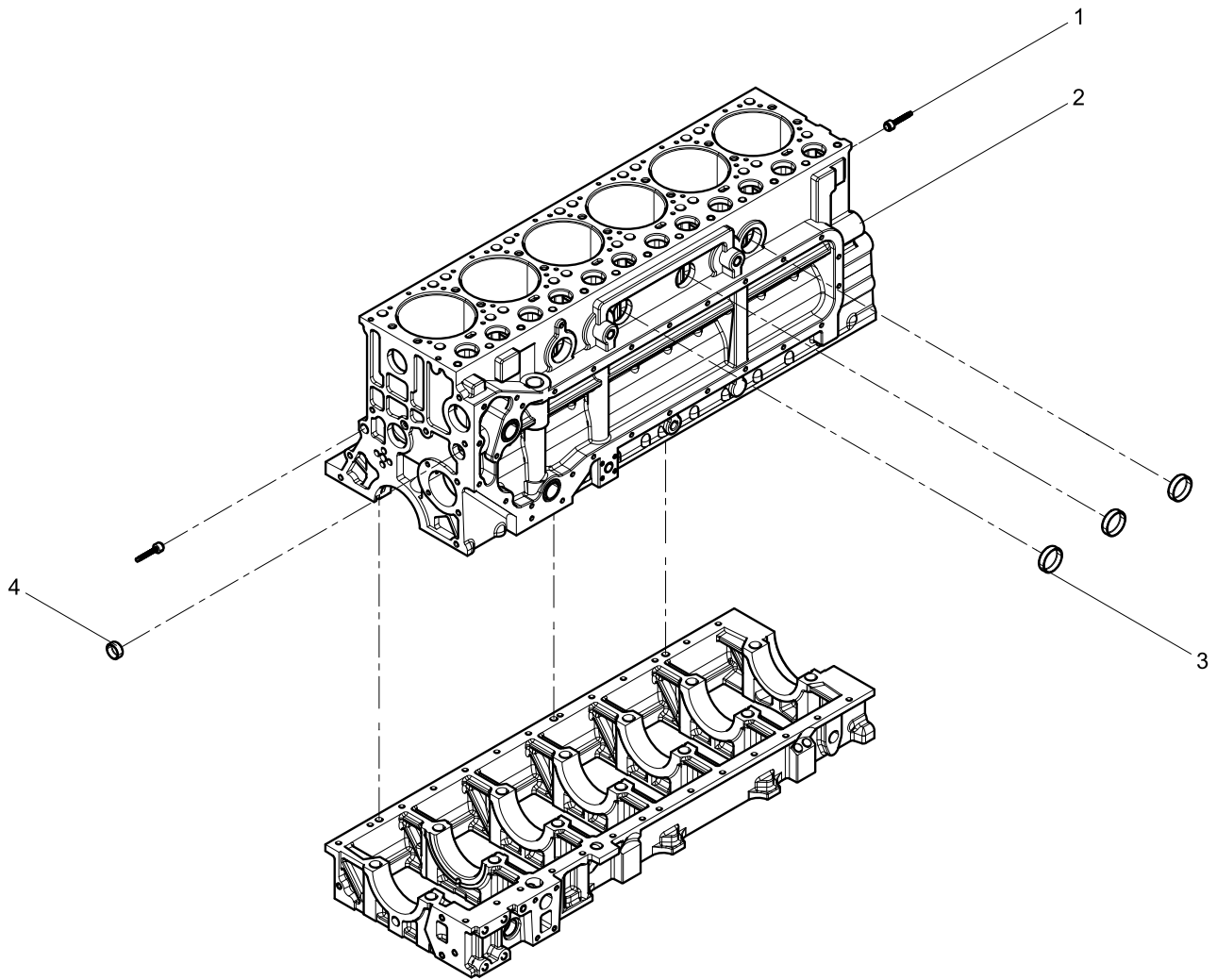




**Engine Block Group**

<b>Pos.</b>	<b>Teile.Number</b>	<b>Amount</b>	<b>Designation</b>
1	612600010735	1	Washer
2	90003962051S	1	Hexagon plug
3	90003989288	1	Bowl Plug
4	612630010015	6	Cylinder Liner
5	90003862428	22	Inner Hexagon Socket Head Cap Screw
6	90003802493	5	Hexagon Head Bolt
7	188250083	22	Washer
8	612600010538A	2	Dipstick Pipe Connector
9	81400010032	2	Seal Ring
10	1000673139	1	crankcase assembly
11	90003901604	6	Parallel Pin
12	90003909626	6	Spring-Type Straight Pin

**crankcase assembly**



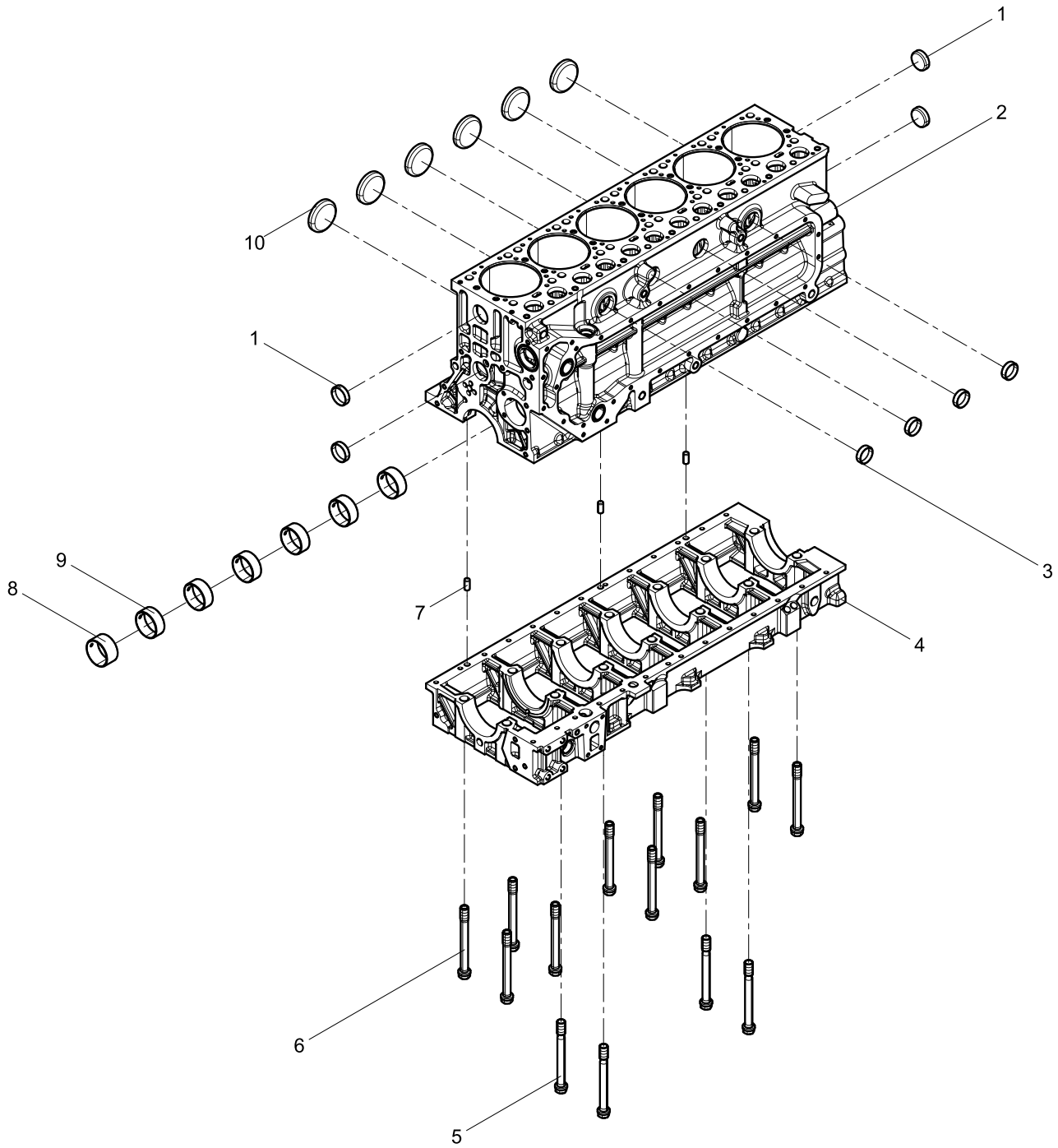
**crankcase assembly**

<b>Pos.</b>	<b>Teile.Number</b>	<b>Amount</b>	<b>Designation</b>
1	612600013437	2	Pulling Rivet
2	1000673140	1	crankcase pre-assembly
3	90003989215	3	Bowl Plug
4	90003989204	1	Bowl Plug

4

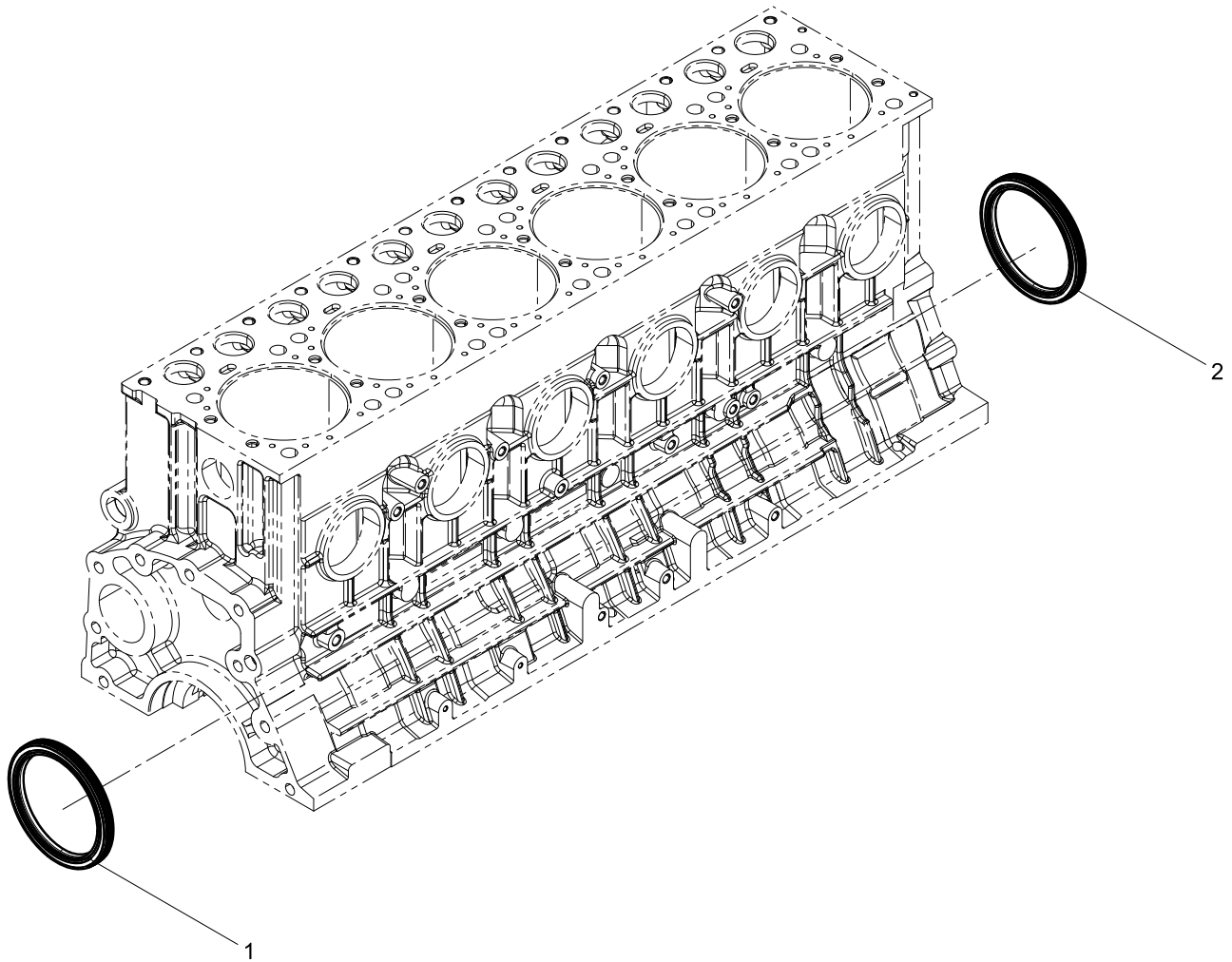


**crankcase pre-assembly**





### Oil Seal Set

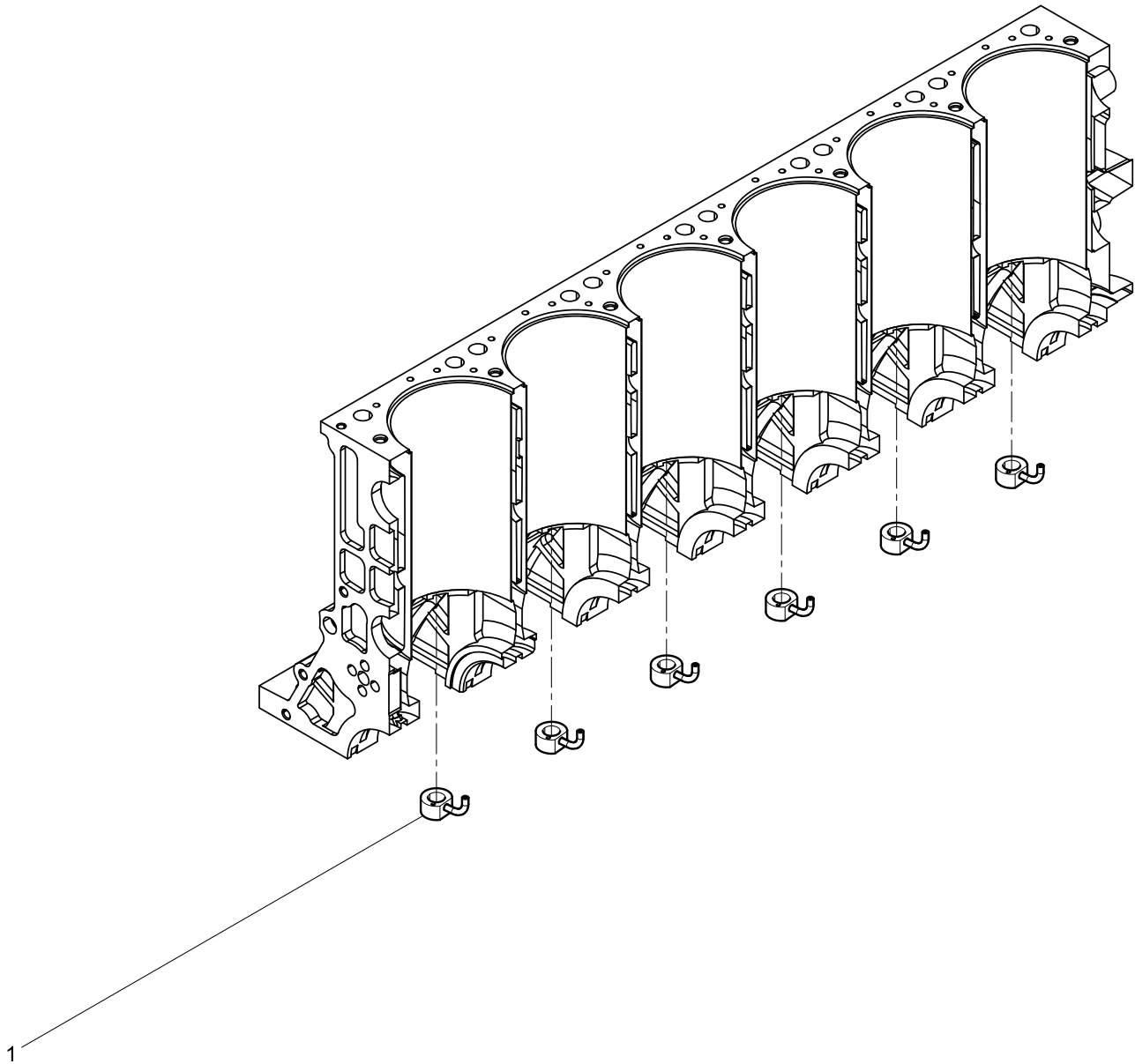




**Oil Seal Set**

<b>Pos.</b>	<b>Teile.Number</b>	<b>Amount</b>	<b>Designation</b>
1	61500010037	1	Front Oil Seal
2	61500010100	1	Rear Oil Seal

### Spray Nozzle Group



**Spray Nozzle Group**

<b>Pos.</b>	<b>Teile.Number</b>	<b>Amount</b>	<b>Designation</b>
1	1000609622	6	Piston Nozzle Set

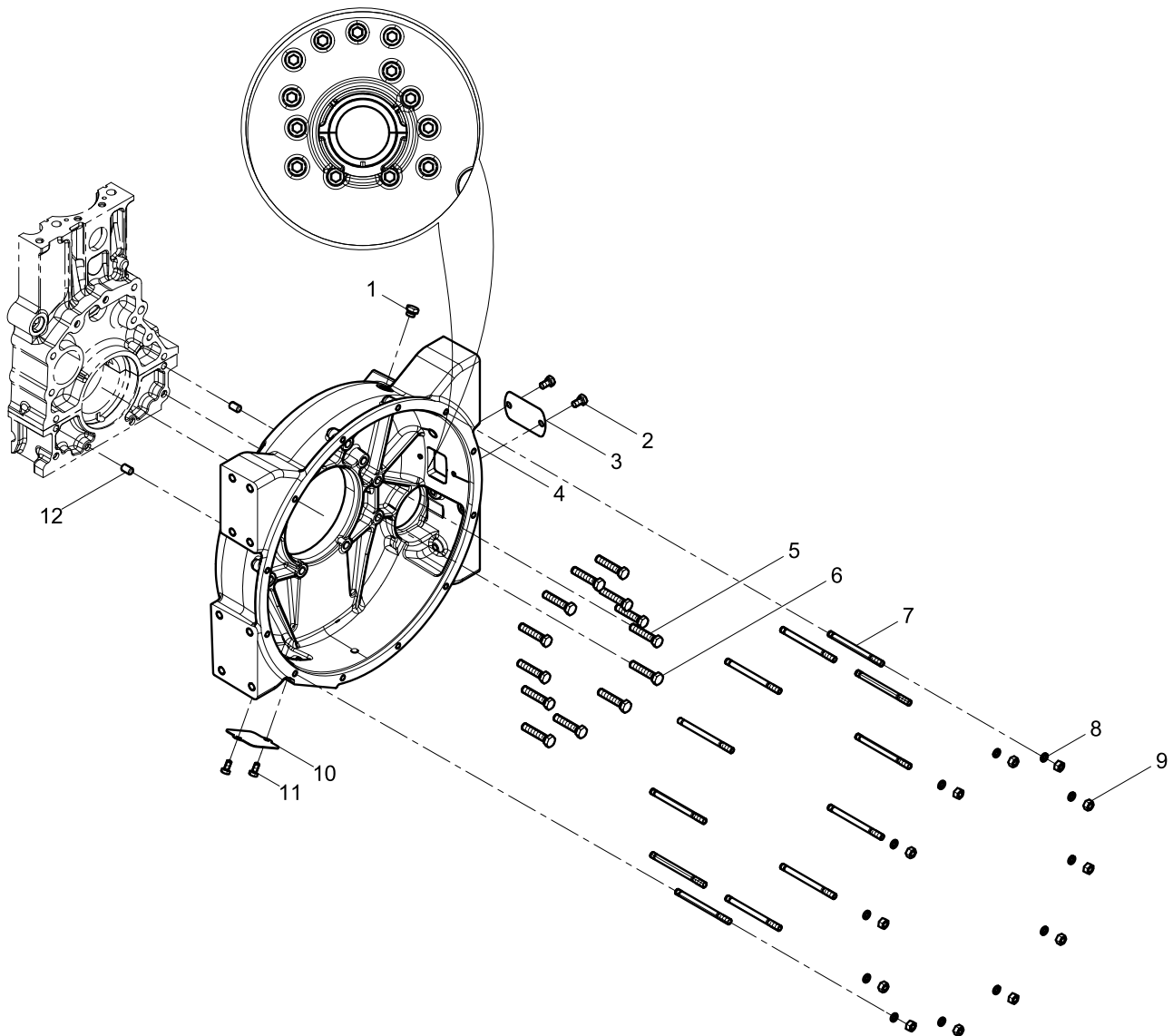
---

---

---

---

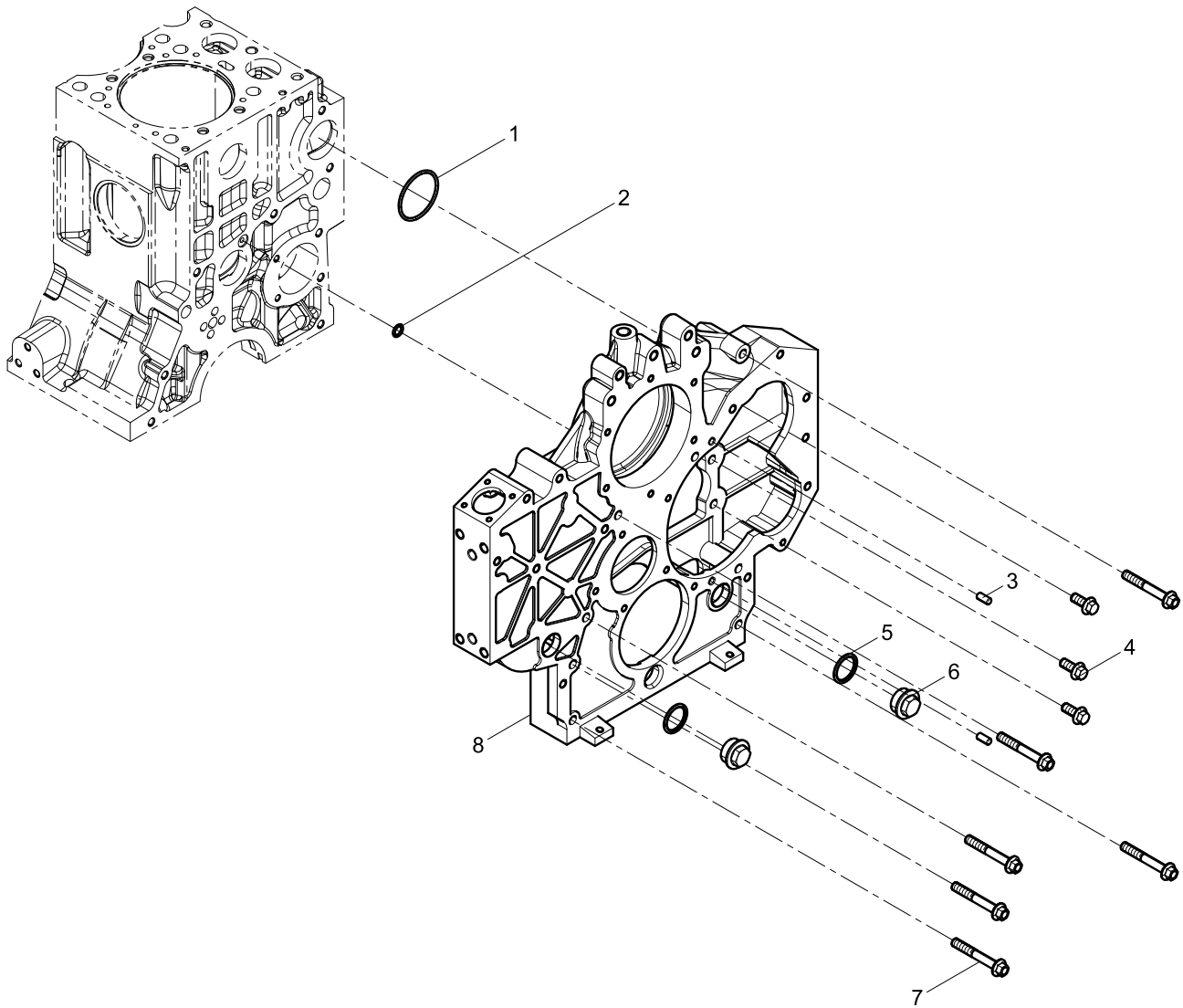
### Flywheel Housing Group



### Flywheel Housing Group

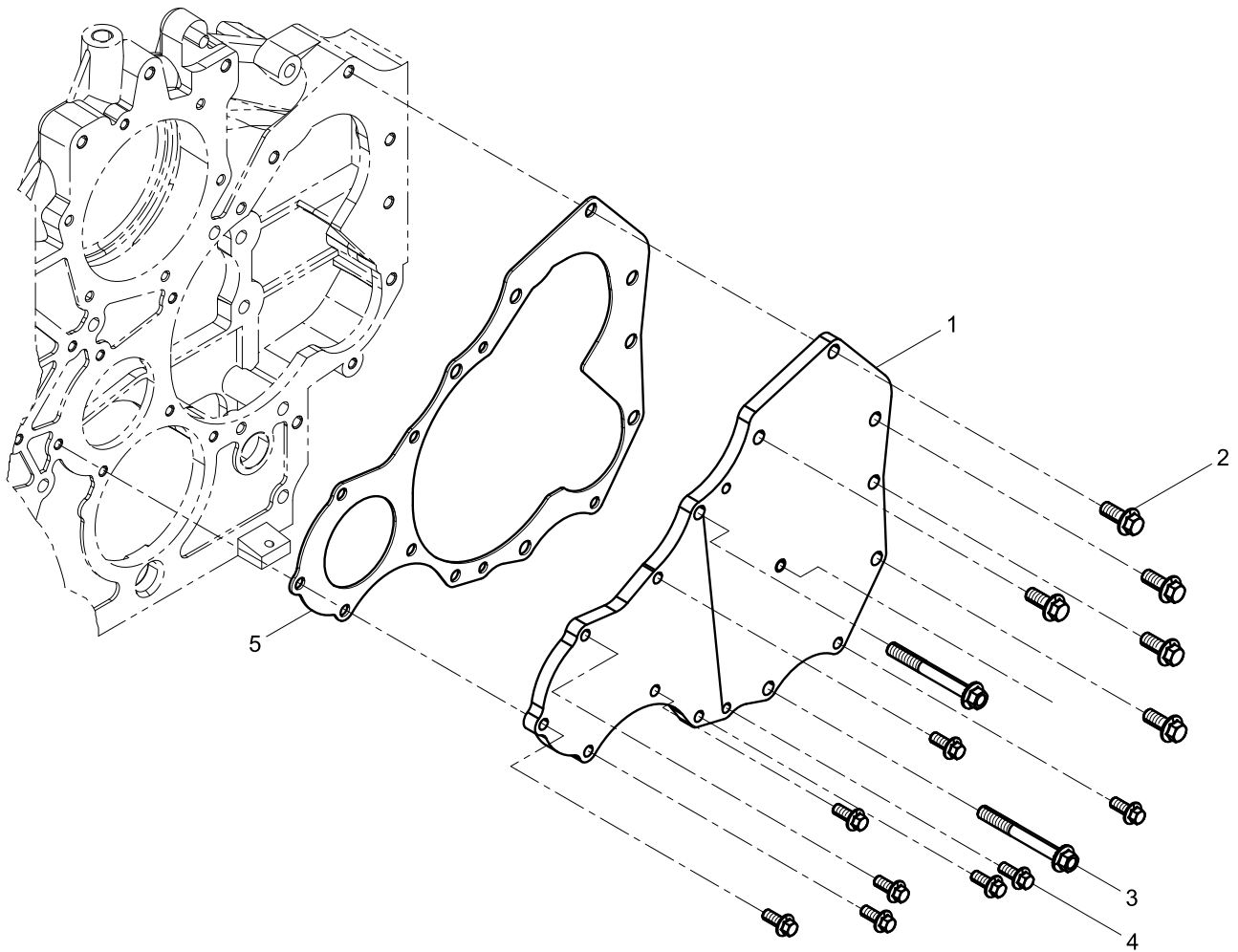
Pos.	Teile.Number	Amount	Designation
1	90003962030	1	Hexagon plug
2	90003802511	2	Hexagon Head Bolt
3	1800210011	1	Handhole Cover
4	612600013588	1	Flywheel Housing
5	61500010062	7	Flywheel Housing Bolt
6	61500010101	6	Flywheel Housing Bolt
7	90003813537	12	Double End Stud
8	90003931122	12	Spring Washer
9	90003871305	12	Hexagon Nuts, Style 1
10	612600010062	1	Handhole Cover
11	90003802411	2	Hexagon Head Bolt
12	90003901604	2	Parallel Pin

### Timing Gear Housing Group





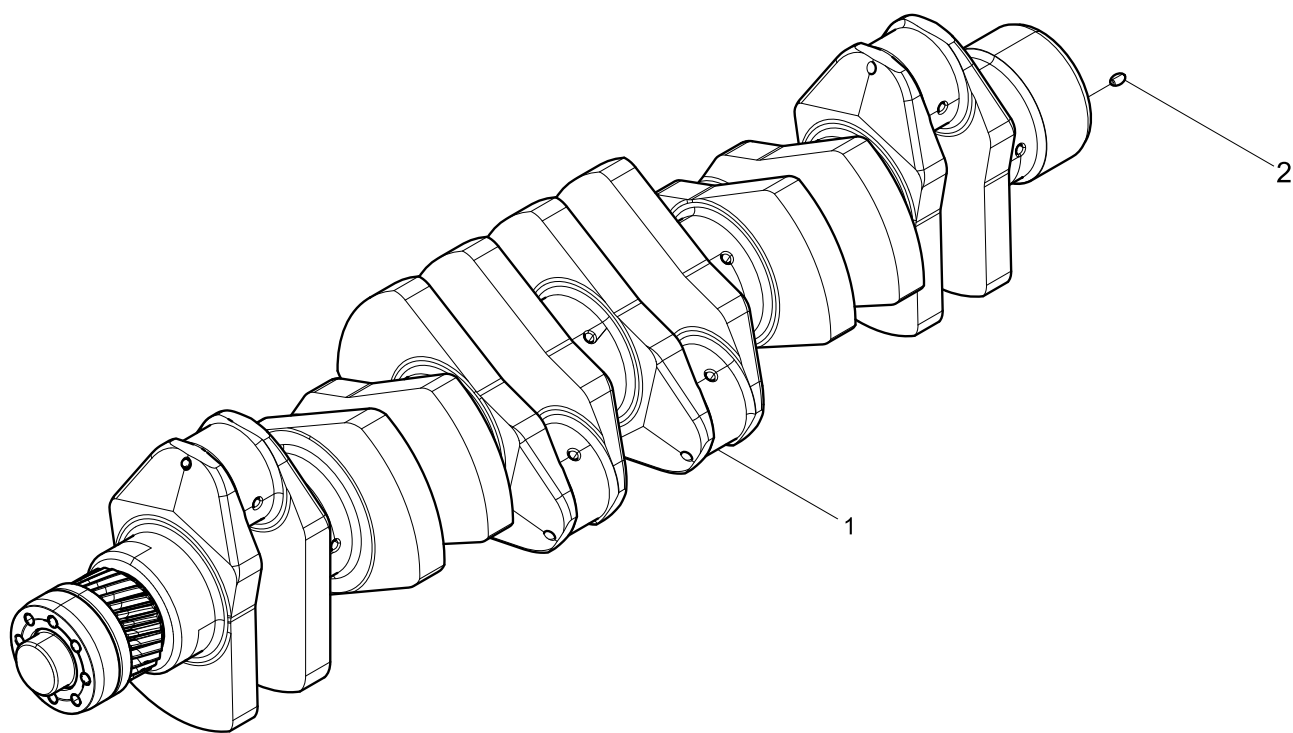
### Front cover group





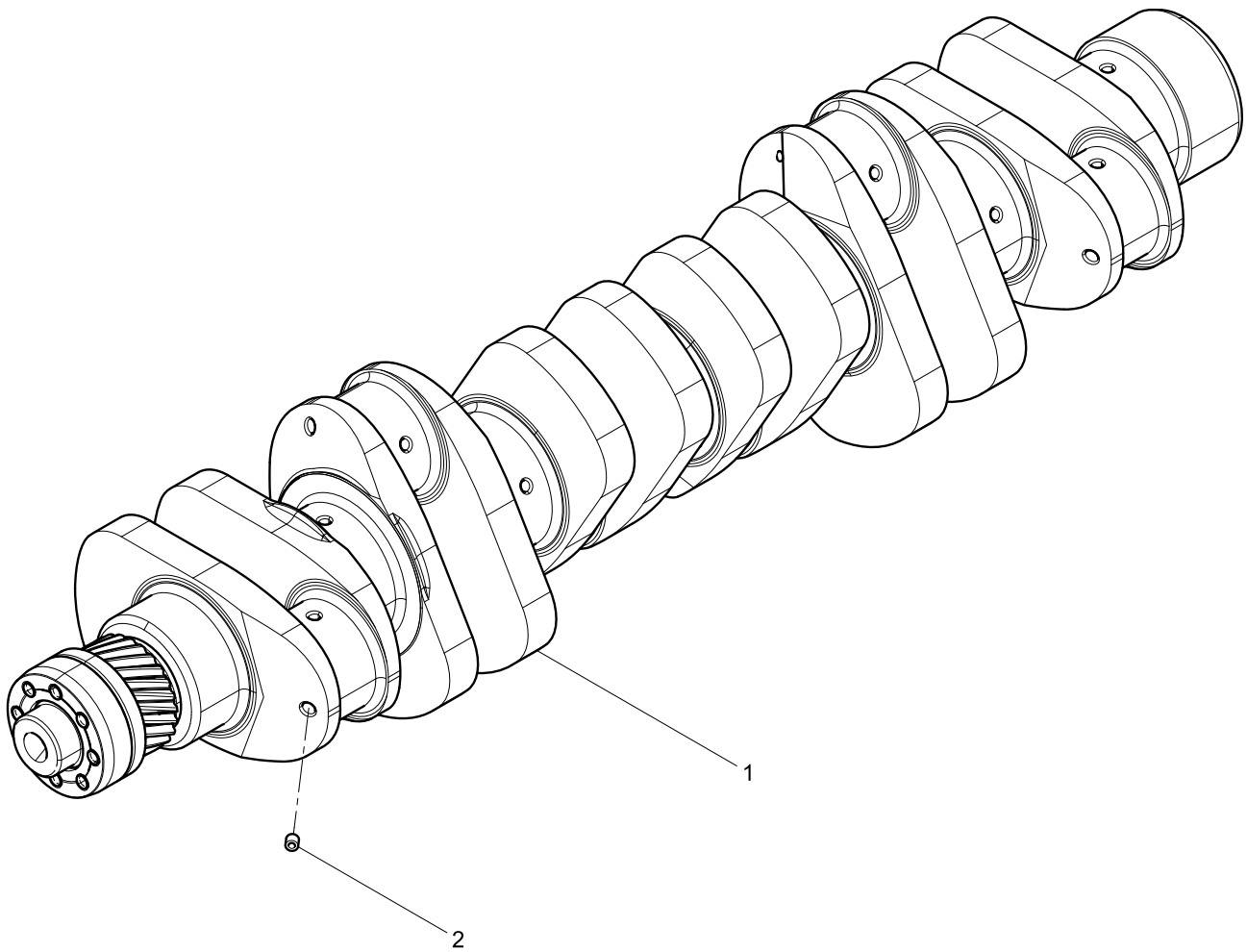


### Crankshaft Group



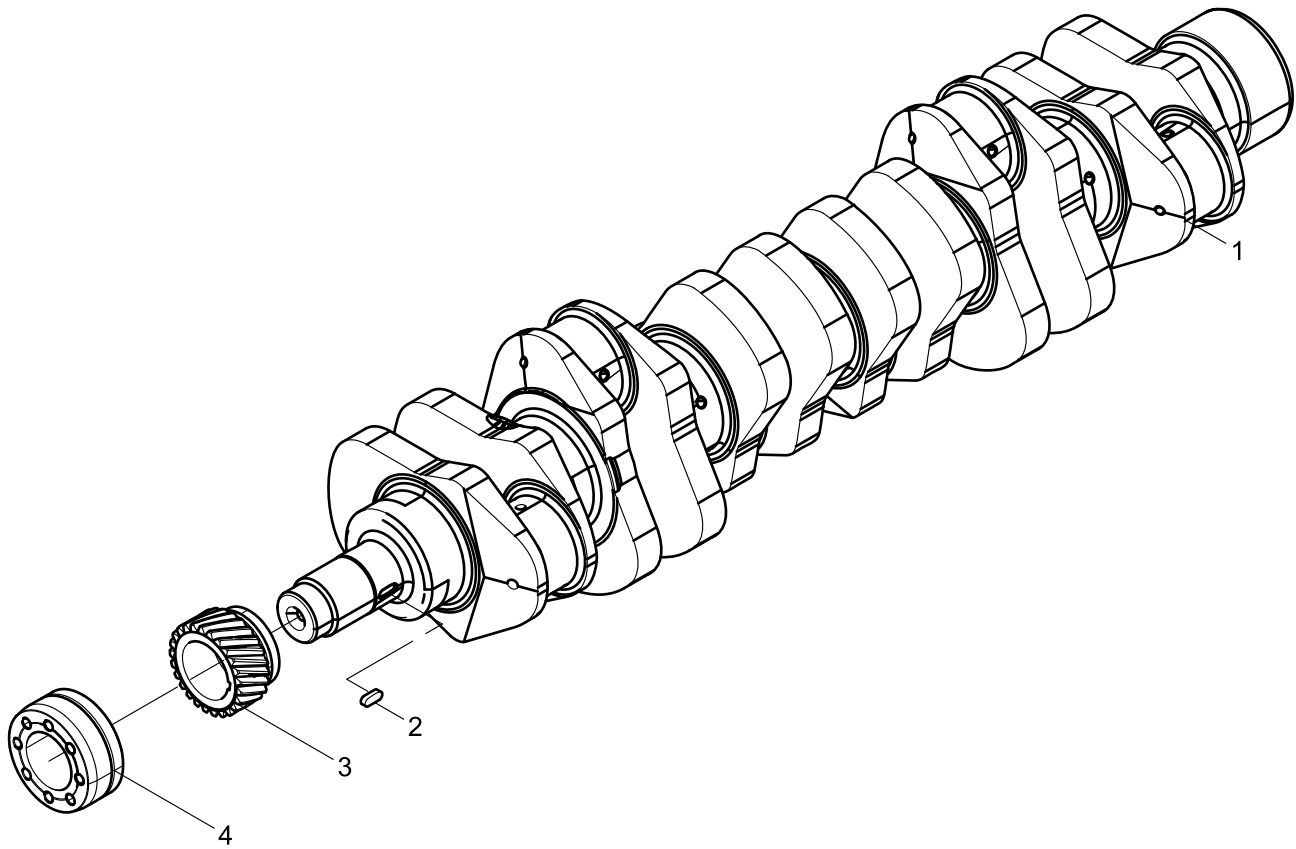


### Crankshaft Assembly





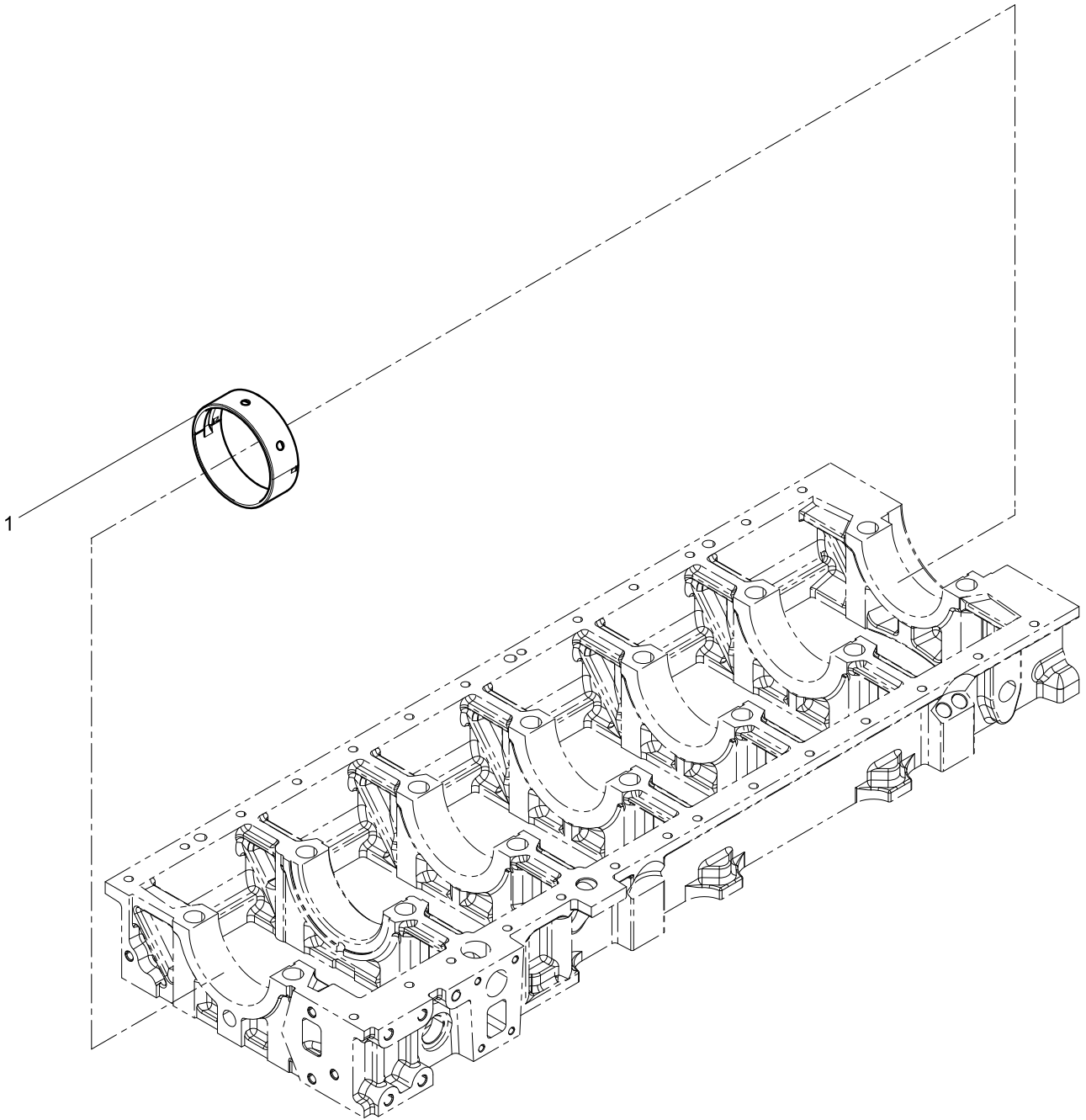
### Crankshaft Subassembly



**Crankshaft Subassembly**

Pos.	Teile.Number	Amount	Designation
1	612600020865	1	Crankshaft
2	612600020040	1	Square and Rectangular Key
3	612600020036	1	Crankshaft Timing Gear
4	612600020335	1	Flange

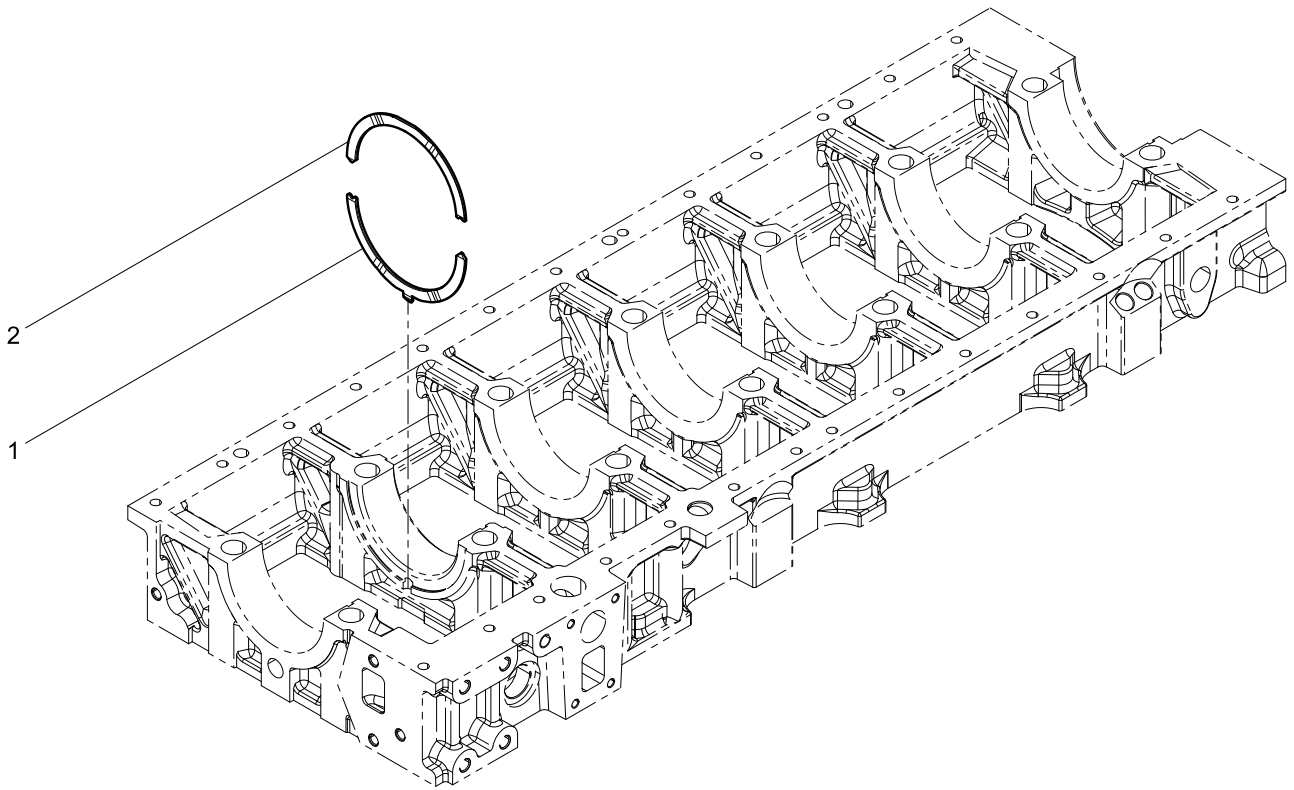
### Main Bearing Group





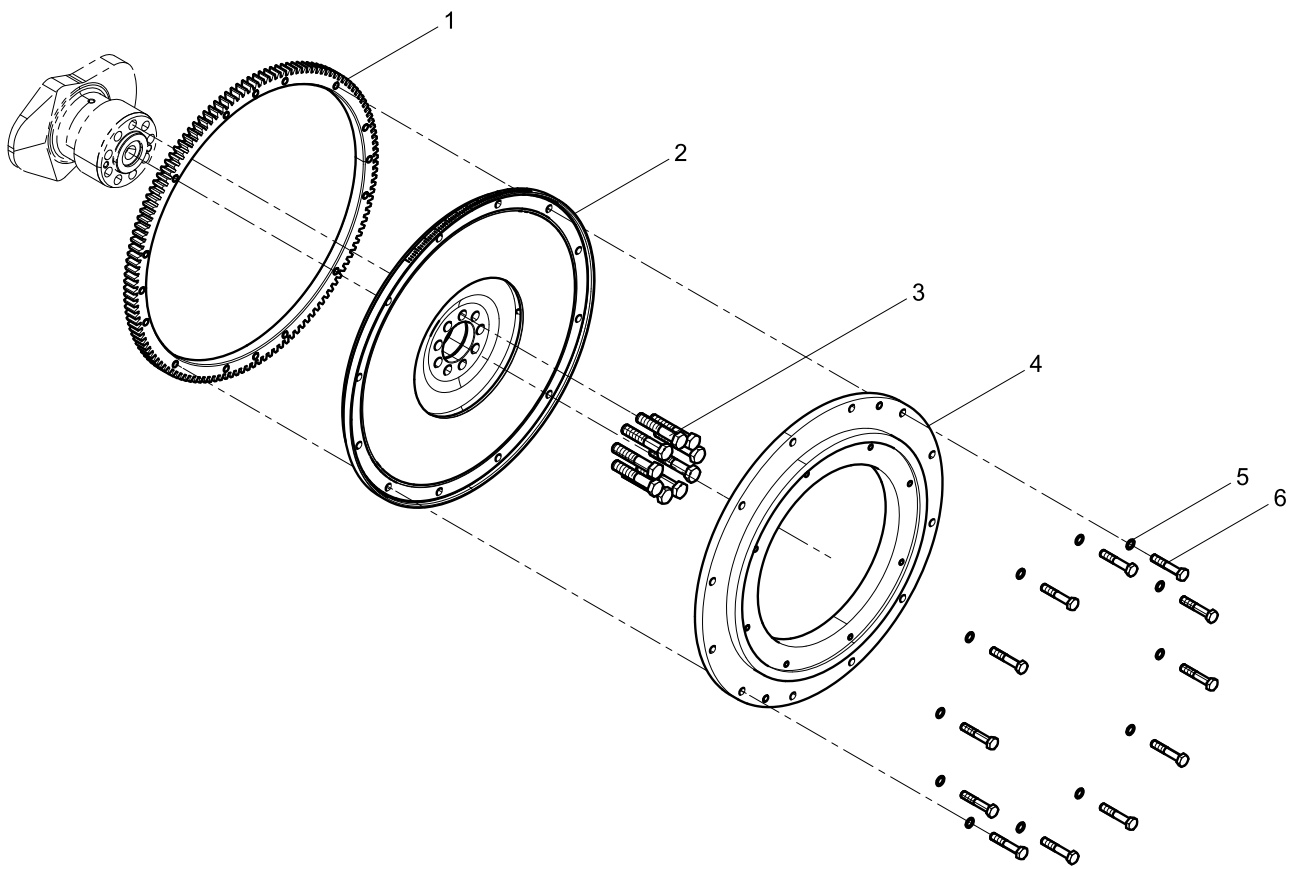


### Thrust Plate Group





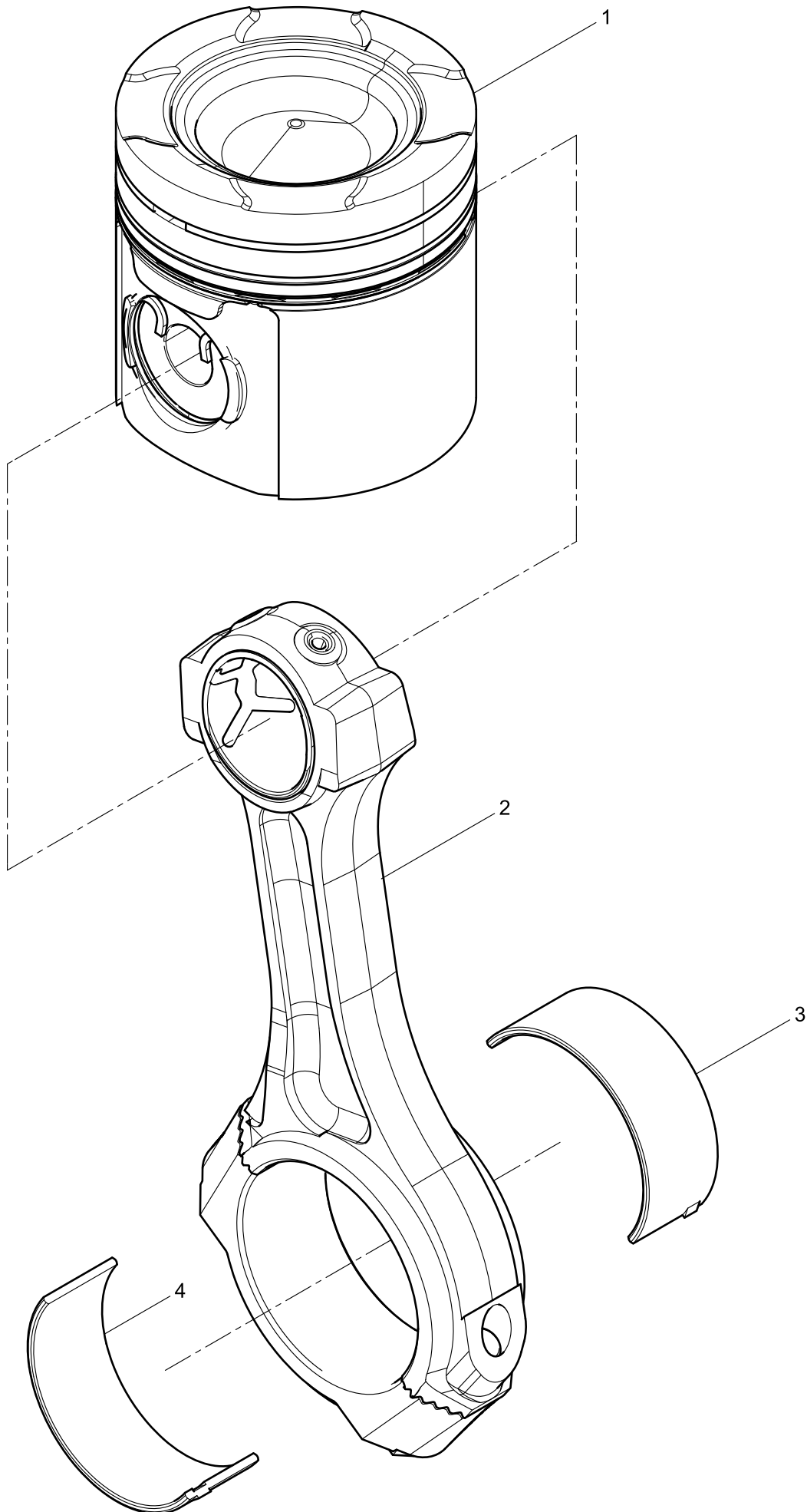
### Flywheel Group



**Flywheel Group**

<b>Pos.</b>	<b>Teile.Number</b>	<b>Amount</b>	<b>Designation</b>
1	612600020208	1	Flywheel Ring Gear
2	612600020041	1	Flywheel
3	61500020046	9	Hexagon Head Bolt
4	120GFZ-6.02	1	Flywheel Connecting Ring
5	90003932024	12	Wave Spring Washer
6	90003800551	12	Hexagon Head Bolt

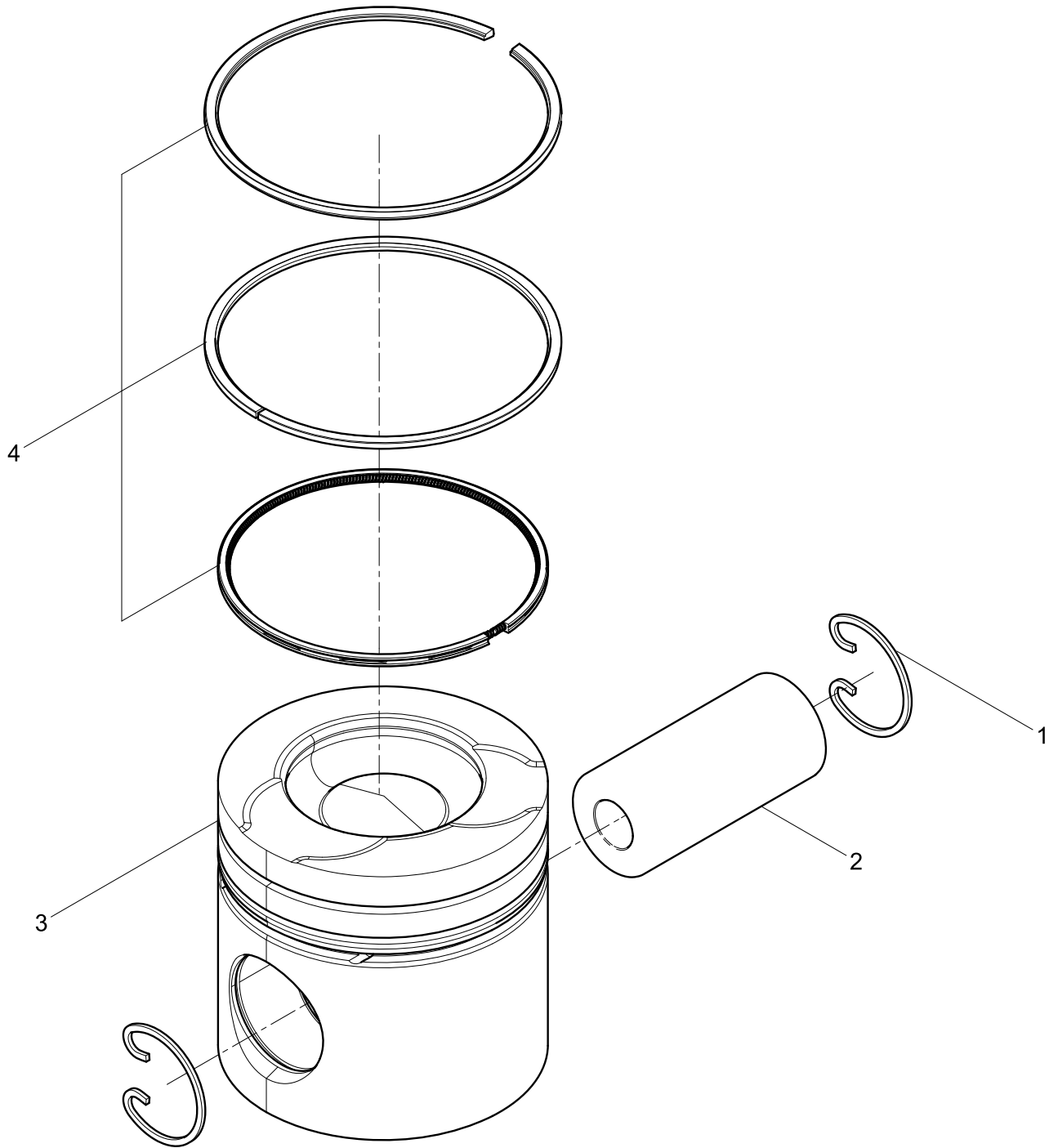
Piston and Connecting Rod Group



**Piston and Connecting Rod Group**

<b>Pos.</b>	<b>Teile.Number</b>	<b>Amount</b>	<b>Designation</b>
1	612650020008	6	Piston Assembly
2	612600030042	6	Connecting Rod Assembly
3	612600030121	6	Connecting Rod Upper Shell
4	612600030045	6	Connecting Rod Lower Shell

### Piston Assembly

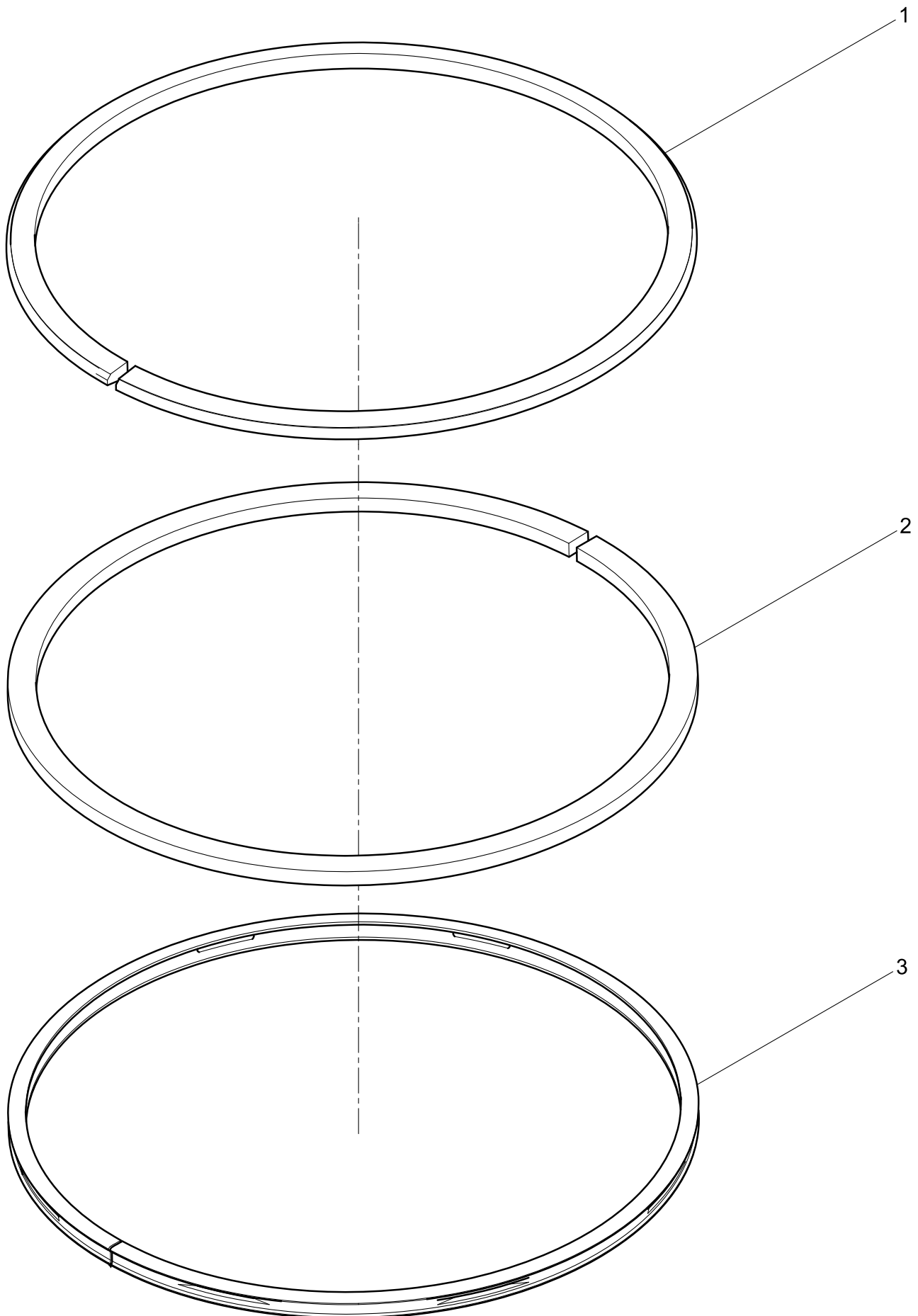




**Piston Assembly**

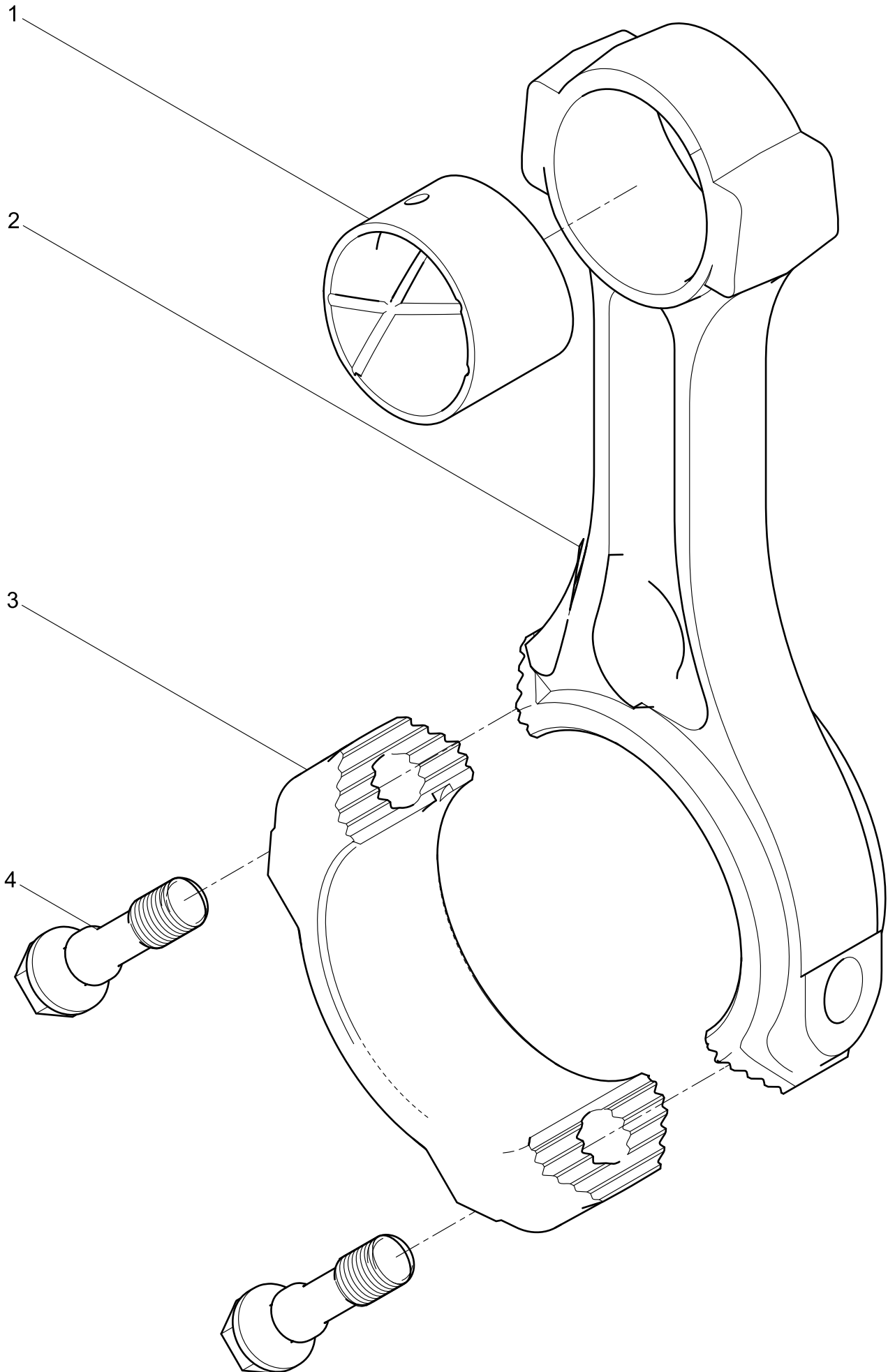
<b>Pos.</b>	<b>Teile.Number</b>	<b>Amount</b>	<b>Designation</b>
1	81560030012	2	Piston Pin Retainer
2	61560030013	1	Piston Pin
3	612650020002	1	Piston
4	612600030053	1	Piston Ring Set

### Piston Ring Set



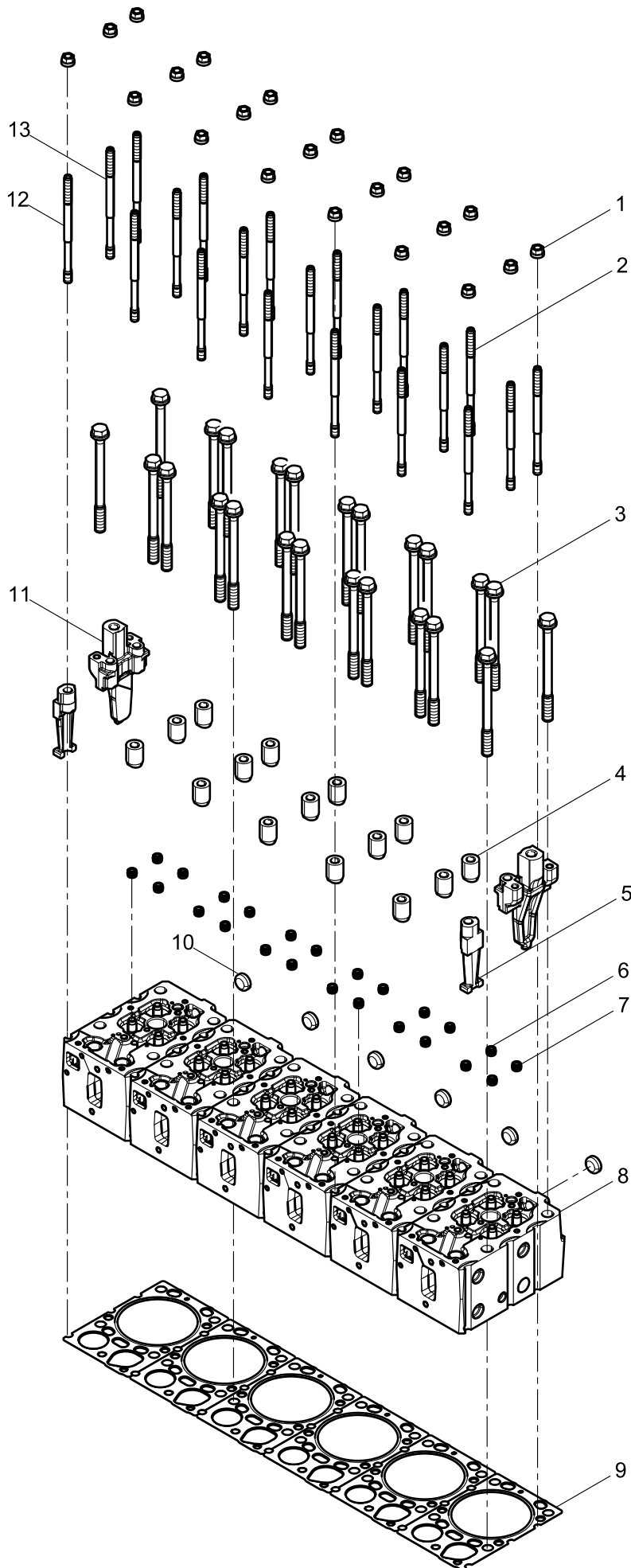


### Connecting Rod Assembly





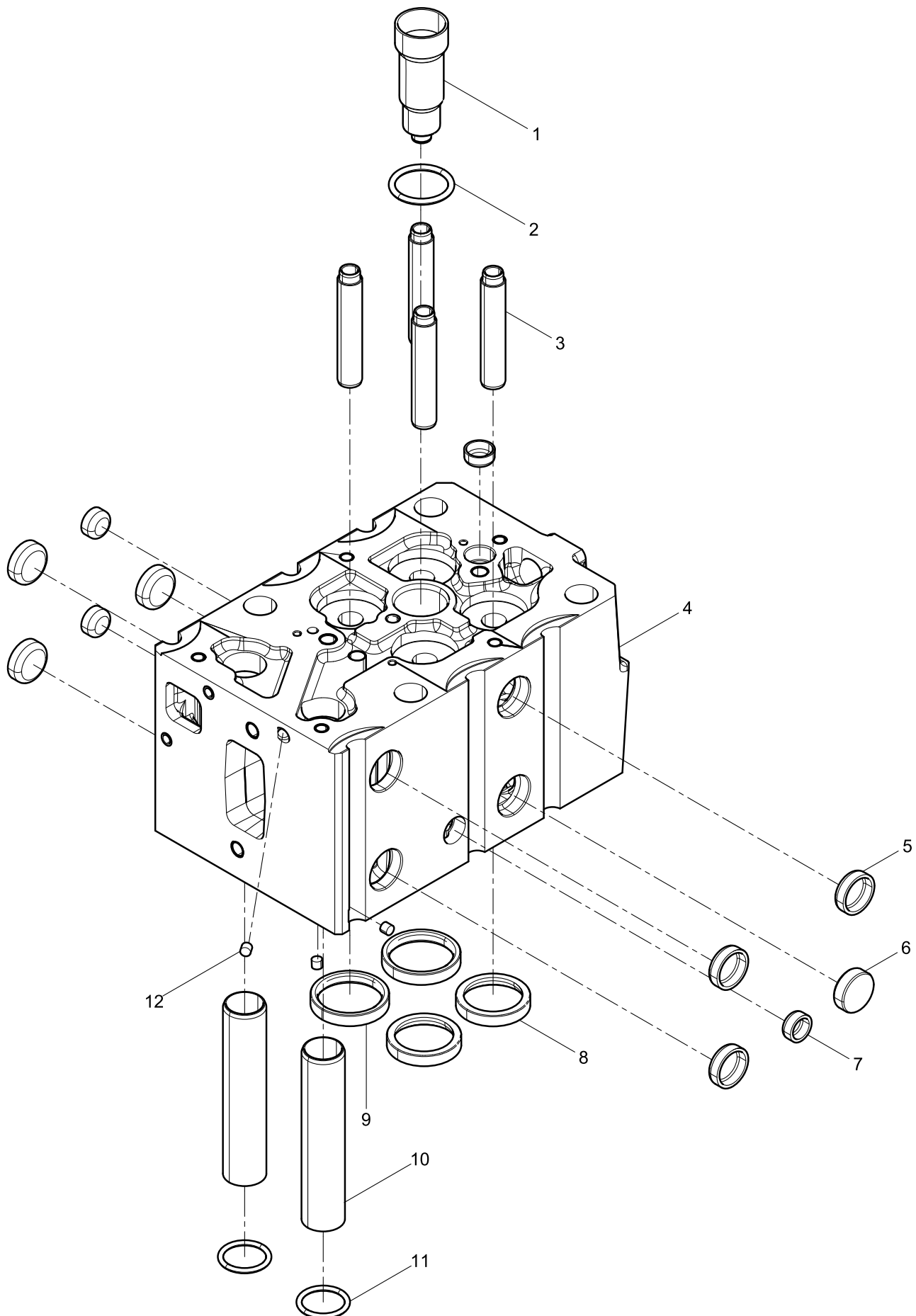
### Cylinder Head Group



### Cylinder Head Group

<b>Pos.</b>	<b>Teile.Number</b>	<b>Amount</b>	<b>Designation</b>
1	61200040034	21	Cylinder Head Nut
2	61500010185S	16	Cylinder Head Bolt
3	612600040452	24	Cylinder Head Main Bolt
4	61200040023	15	Clamp
5	61200040027	2	Clamp
6	1000549569	12	Valve Stem Seal
7	61800050151	12	Valve Stem Seal
8	612650040001	6	Cylinder Head Subassembly
9	612600040646	6	Cylinder Head Gasket
10	612600010718	6	Bowl Plug
11	612650040025	2	Lift Hook Clamp
12	612600014504S	1	Cylinder Head Bolt
13	612600010893S	4	Cylinder Head Bolt

### Cylinder Head Subassembly

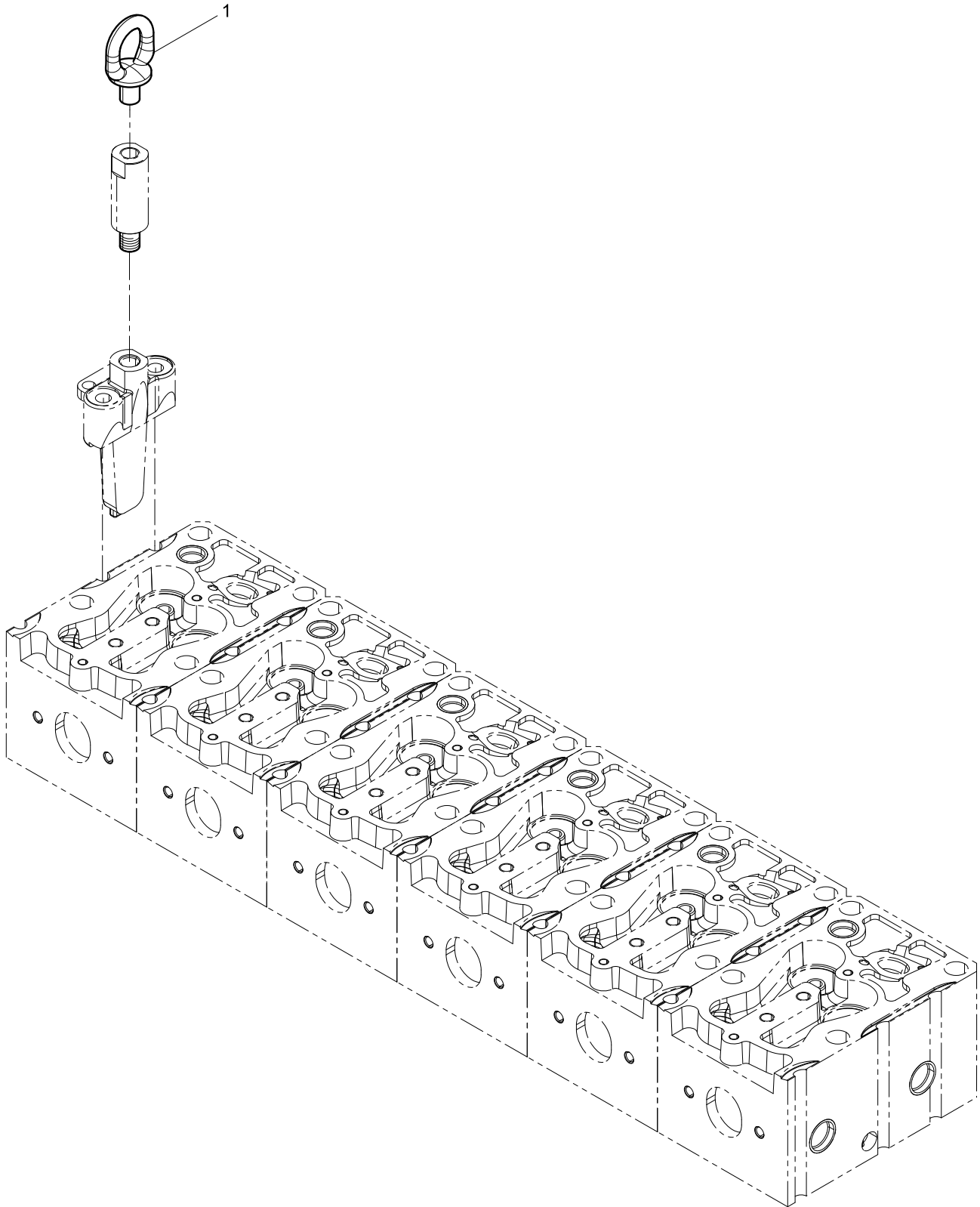




**Cylinder Head Subassembly**

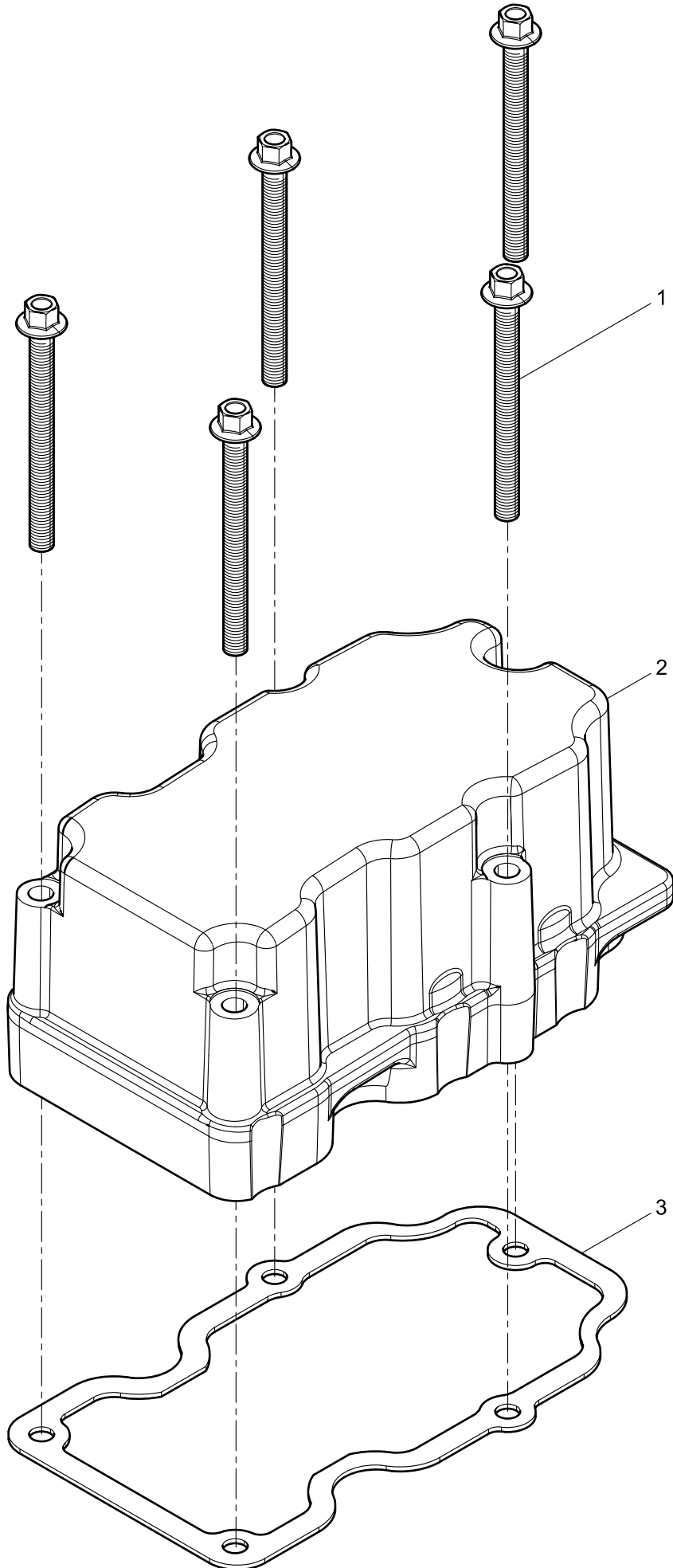
Pos.	Teile.Number	Amount	Designation
1	612630040026	6	Injector Bush
2	612630040029	6	Seal Ring
3	612630040022	24	Valve Guide
4	612650040008	6	Cylinder Head
5	612600040634	36	Bowl Plug
6	612630040072	6	Screw Plug
7	612600040639	24	Bowl Plug
8	612630040076	12	Exhaust Valve Seat
9	612630040075	12	Intake Valve Seat
10	1000129014	12	Push Rod Bush
11	612630040028	12	Seal Ring
12	612600040228	18	Pulling Rivet

### Eye Ring Group





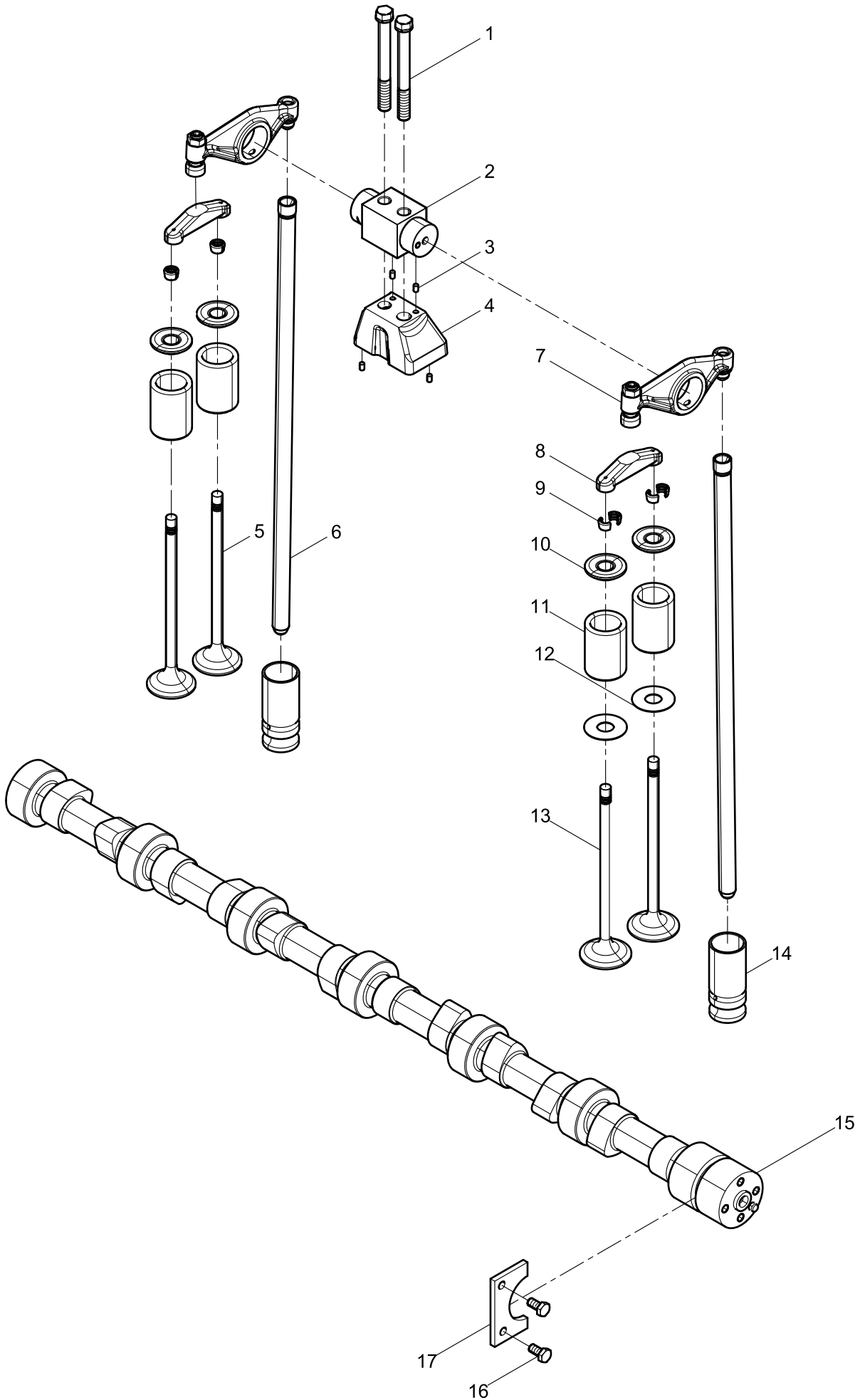
### Cylinder Head Cover Group



### Cylinder Head Cover Group

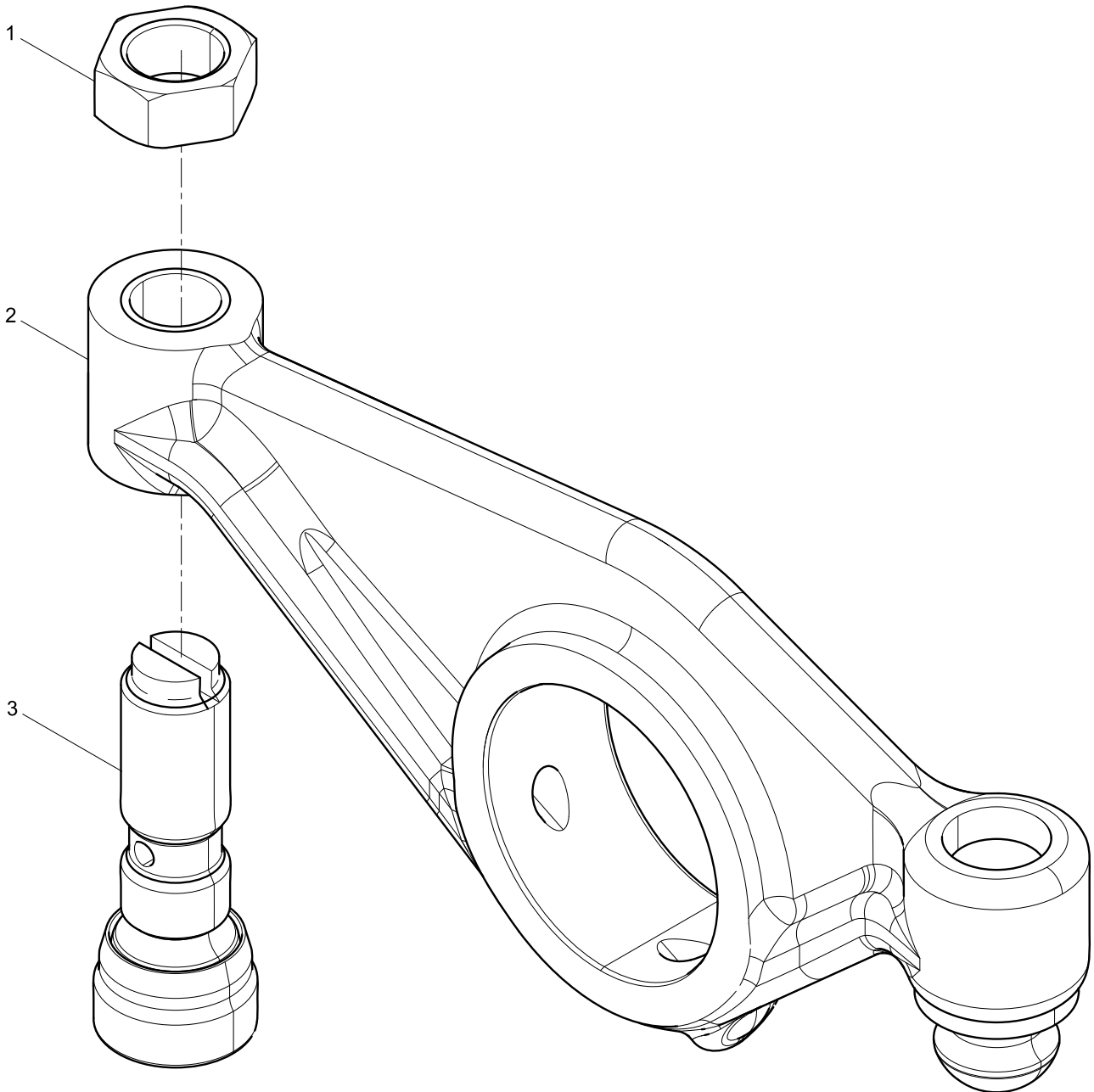
Pos.	Teile.Number	Amount	Designation
1	612630040144	30	Hexagon Flange Bolt
2	1001012516	6	Cylinder Head Cover
3	612650040011	6	Cylinder Head Cover Gasket

### Valve Train Group



**Valve Train Group**

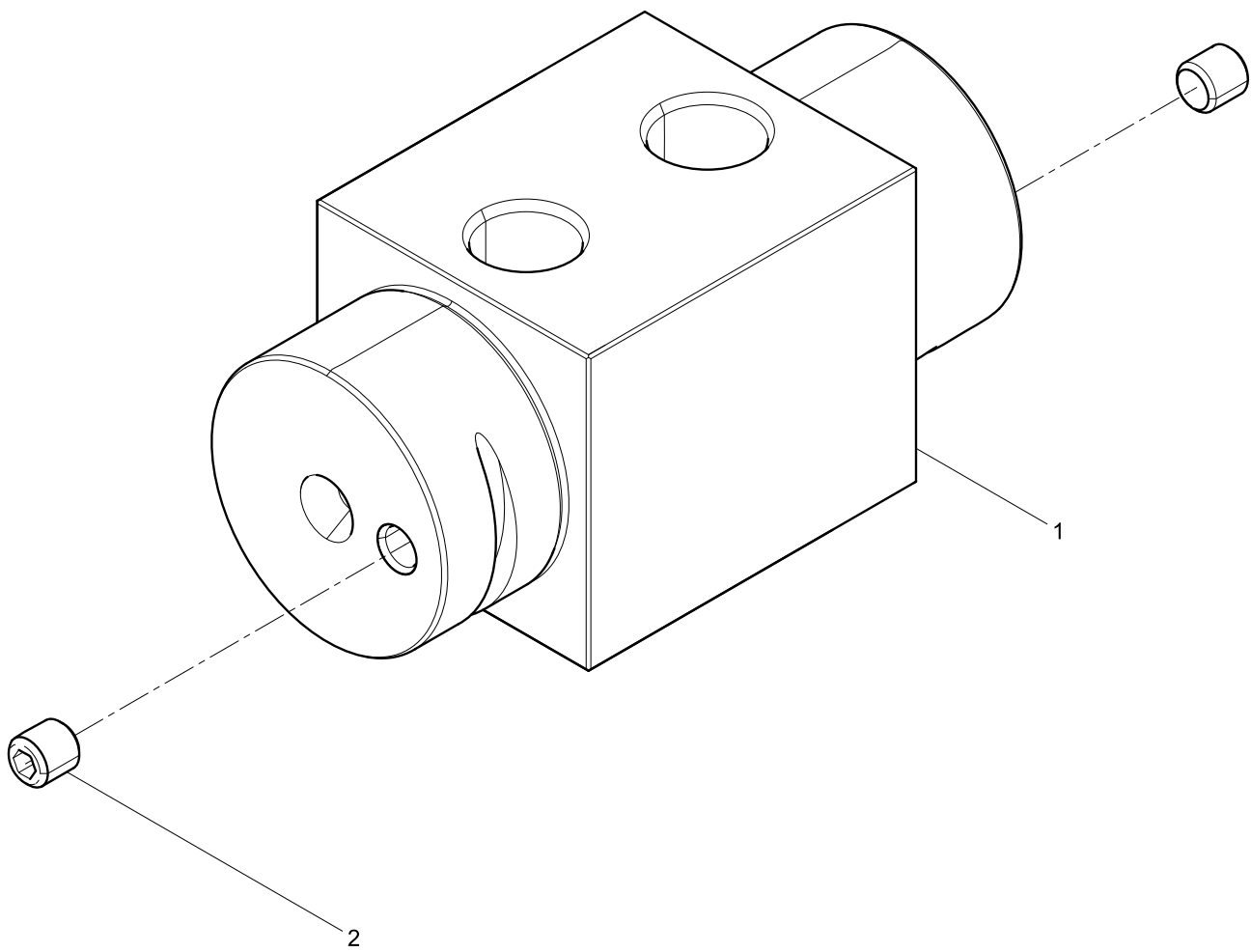
Pos.	Teile.Number	Amount	Designation
1	1000271249	12	Hexagon Head Bolt
2	612630050018	6	Rocker Arm Shaft Set
3	612639000087	12	Parallel Pin
4	612630050013	6	Rocker Arm Bracket Assembly
5	612630050002	12	Exhaust Valve
6	1000495052	12	Push Rod
7	1000495389	12	
8	612630050009	12	Valve Bridge
9	612630050015	48	Valve Collet
10	612630050014	24	Valve Spring Top Retainer
11	612630050005	24	Valve Spring
12	612630050019	12	Valve Spring Bottom Retainer
13	612630050001	12	Intake Valve
14	61500050032	12	Tappet
15	612650050006	1	Camshaft Assembly
16	90003802399S	2	Hexagon Head Bolt
17	614050133	1	Camshaft Thrust Plate







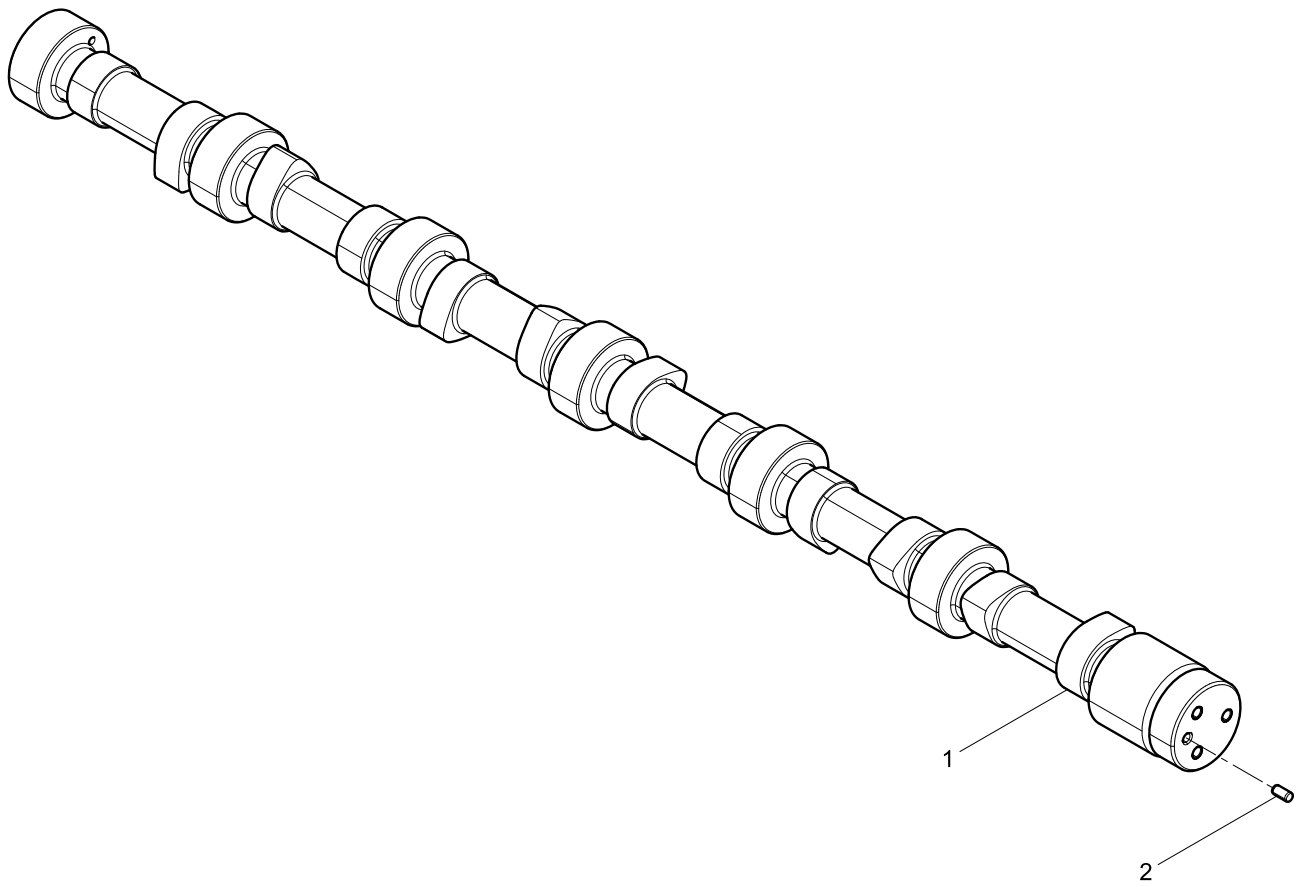
**Rocker Arm Shaft Set**



## Rocker Arm Shaft Set

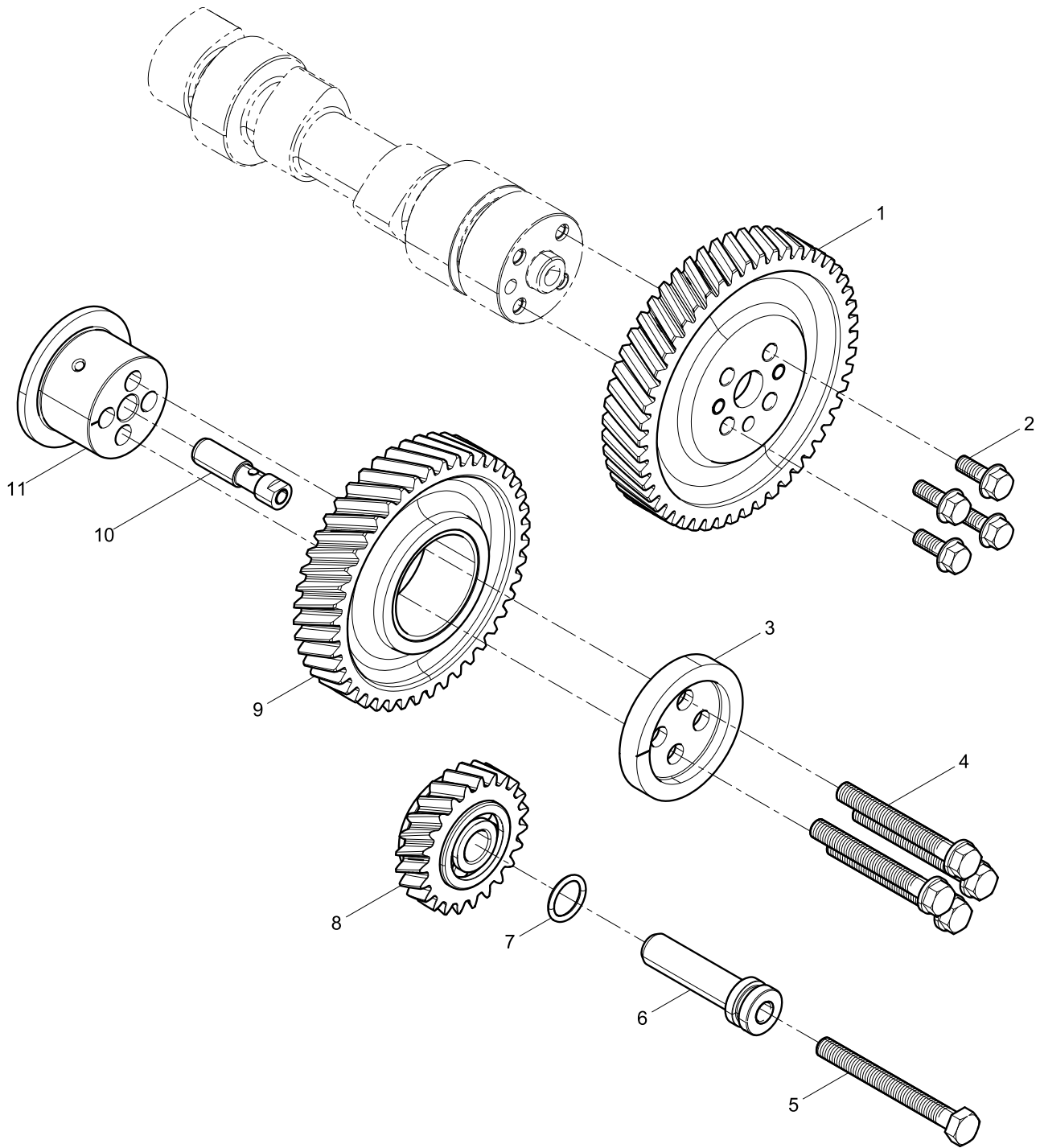
Pos.	Teile.Number	Amount	Designation
1	612630050030	6	Rocker Arm Shaft
2	612639000065S	12	Screw

### Camshaft Assembly





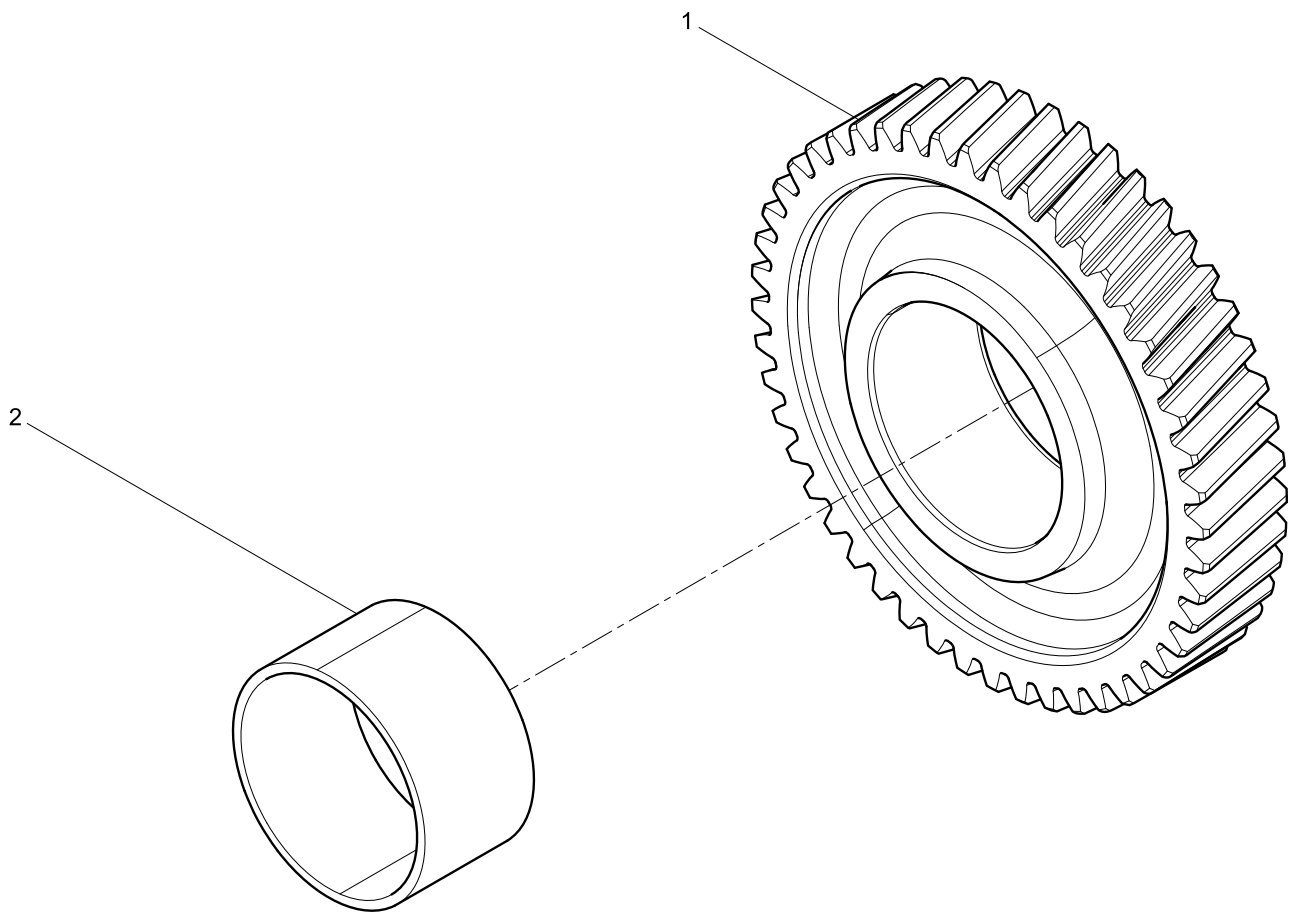
### Gear Drive Group



**Gear Drive Group**

<b>Pos.</b>	<b>Teile.Number</b>	<b>Amount</b>	<b>Designation</b>
1	612600050184	1	Camshaft Timing Gear
2	612600050145S	4	Hexagon Head Bolt
3	61560050045	1	Gasket
4	61560050059S	4	Hexagon Head Bolt
5	90003802578S	1	Hexagon Head Bolt
6	6140756	1	Idler Gear Shaft
7	614070155	1	Seal Ring
8	612600070511	1	Oil Pump Idle Gear Set
9	612600050181	1	Idler Gear Assembly
10	61560050058	1	Idler Gear Shaft
11	61560050044	1	Idler Gear Shaft

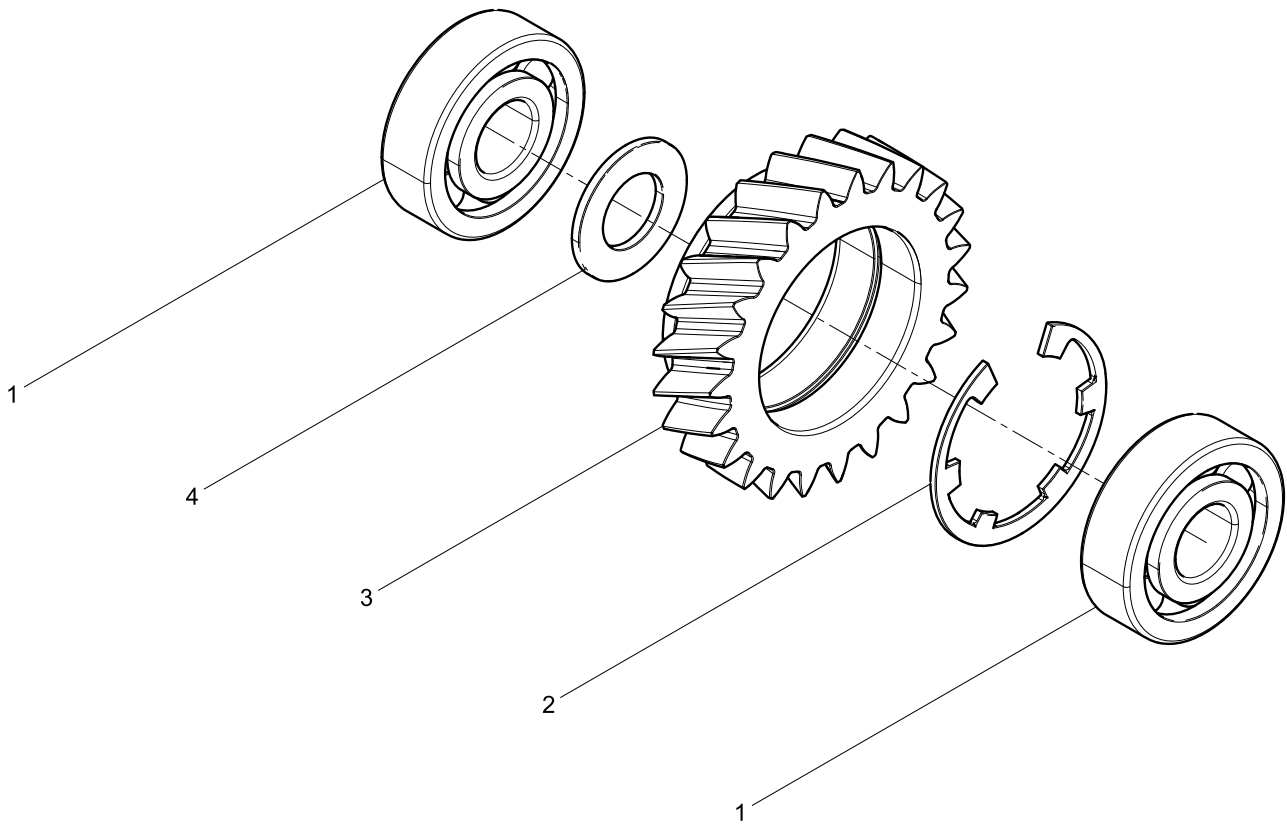
### Idler Gear Assembly







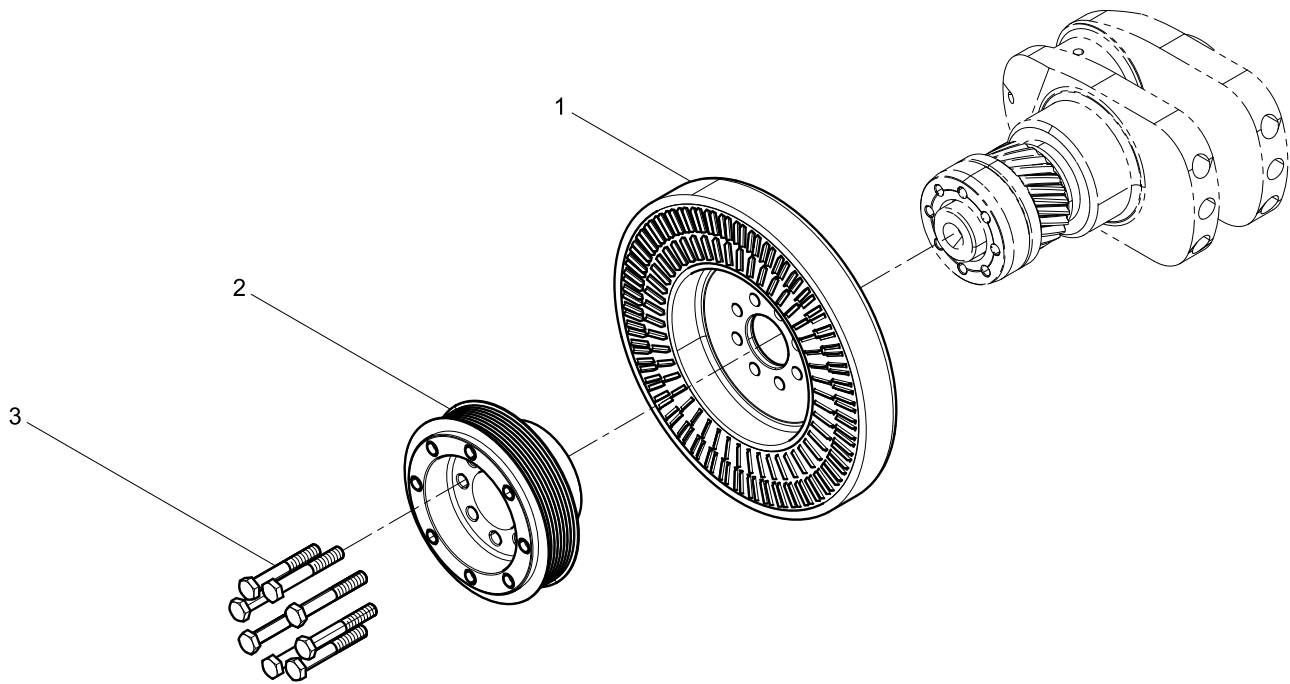
### Oil Pump Idle Gear Set



**Oil Pump Idle Gear Set**

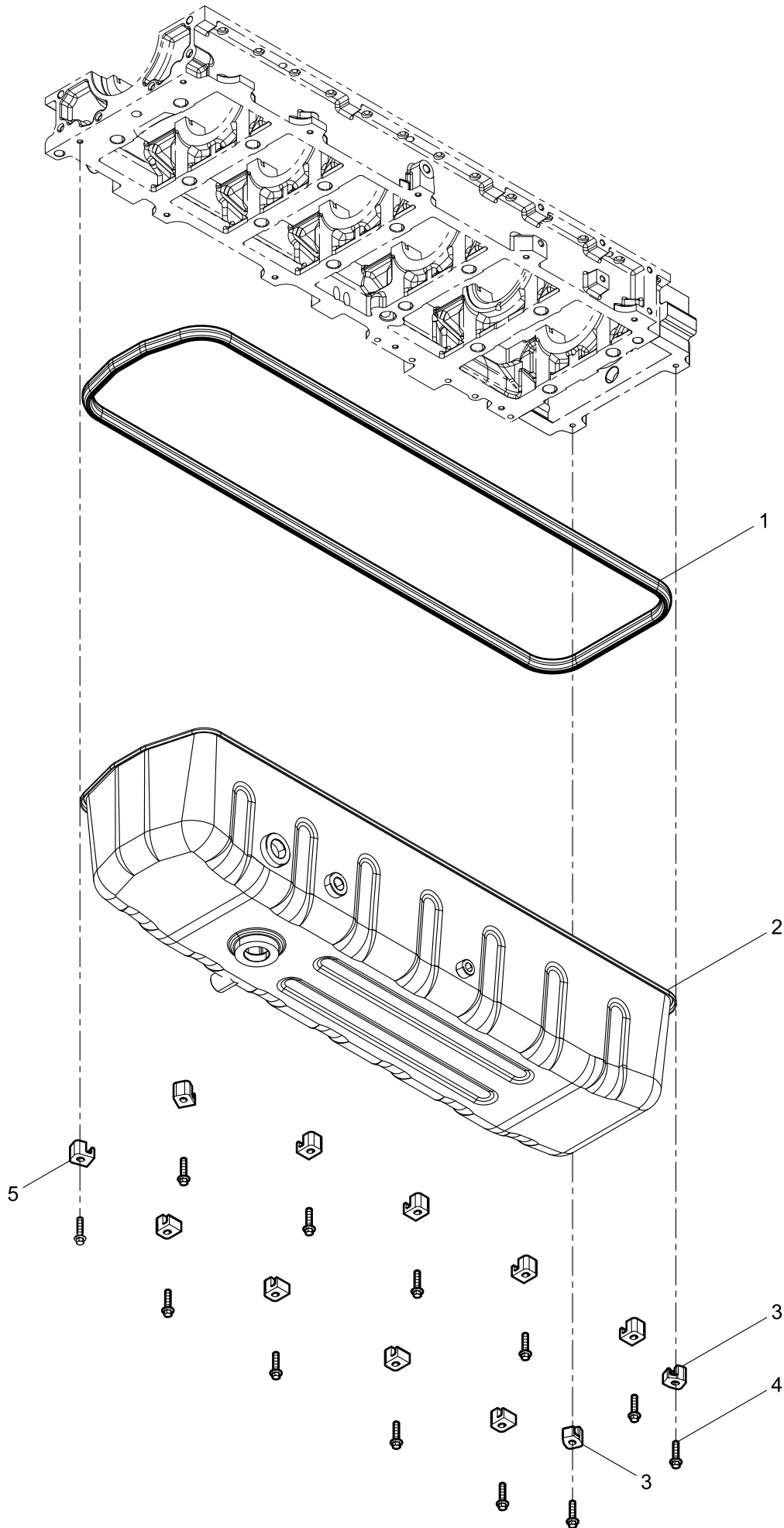
<b>Pos.</b>	<b>Teile.Number</b>	<b>Amount</b>	<b>Designation</b>
1	90003311410	2	Thrust Bearing
2	90003934732	1	Circlip with Teeth for Hole
3	612600070358	1	Idler Gear
4	6140749	1	Washer

### Crankshaft Pulley Group





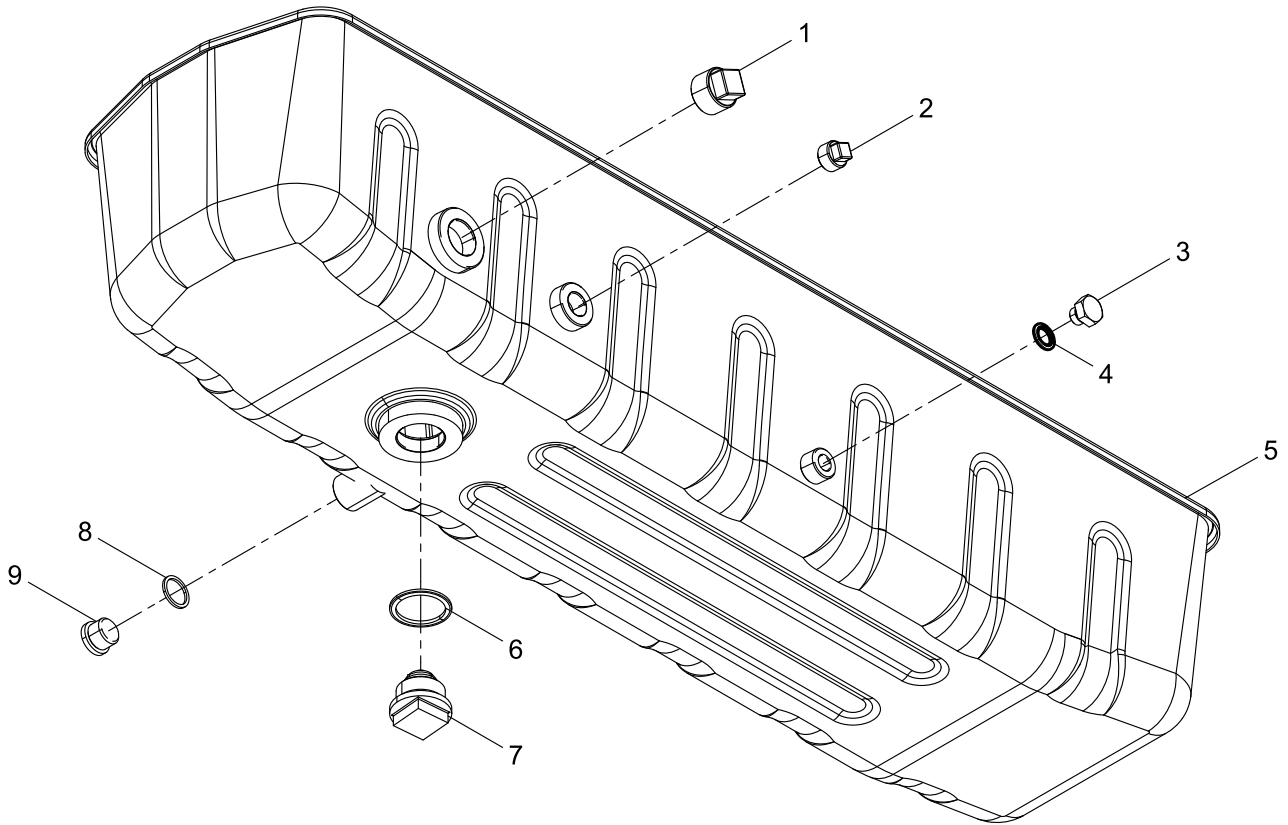
### Oil Pan



**Oil Pan**

Pos.	Teile.Number	Amount	Designation
1	614150004	1	Oil Pan Sealing Gasket
2	612600150369	1	Oil Pan Assembly
3	612600150390	2	Retainer of Oil Pan
4	90011430019	12	Hexagon Flange with Tooth Bolt
5	614150046	10	Retainer of Oil Pan

### Oil Pan Assembly

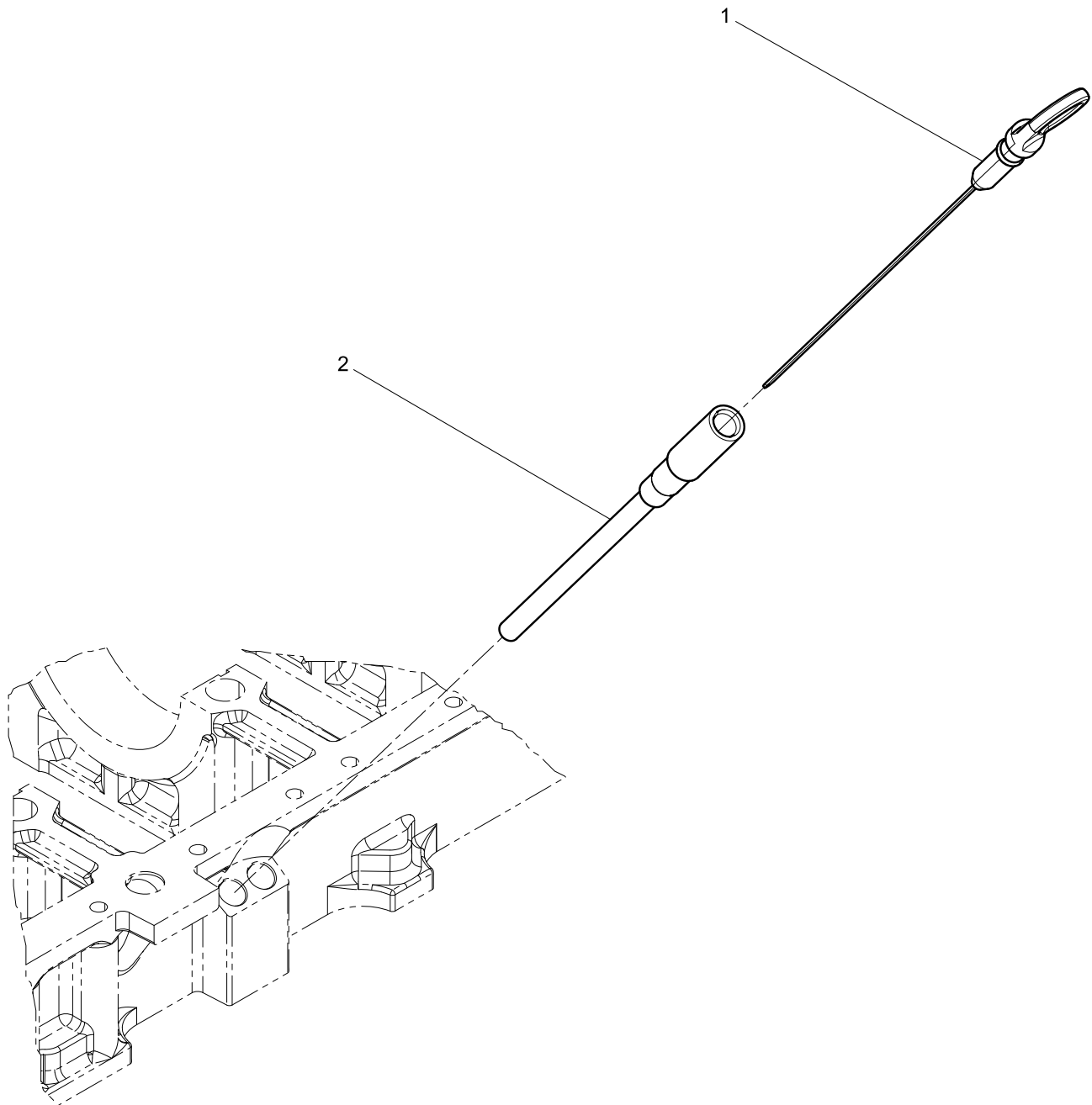




**Oil Pan Assembly**

Pos.	Teile.Number	Amount	Designation
1	612600150274	1	Screw Plug
2	612600150273	1	Screw Plug
3	90003962025	1	Hexagon plug
4	612600080200	1	Washer
5	612600150355	1	Oil Pan Set
6	612600150106	1	Washer
7	612600150251	1	Magnetic Screw Plug Assembly
8	90003098026	1	Sealing Washer
9	90003960005	1	Hexagon Screw Plug

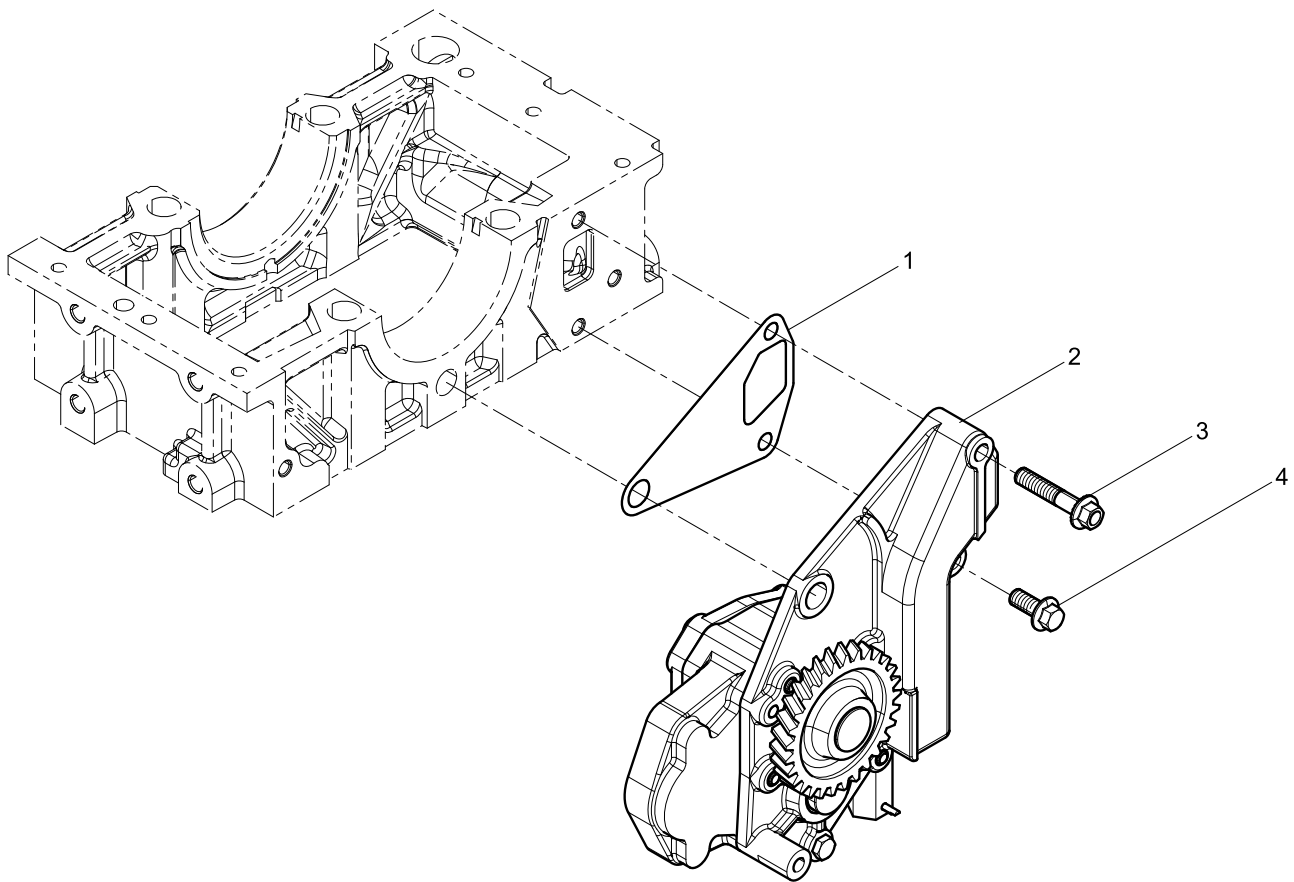
### Dipstick Group



**Dipstick Group**

Pos.	Teile.Number	Amount	Designation
1	612600012725	1	Dipstick
2	612600012722	1	Dipstick Pipe Set

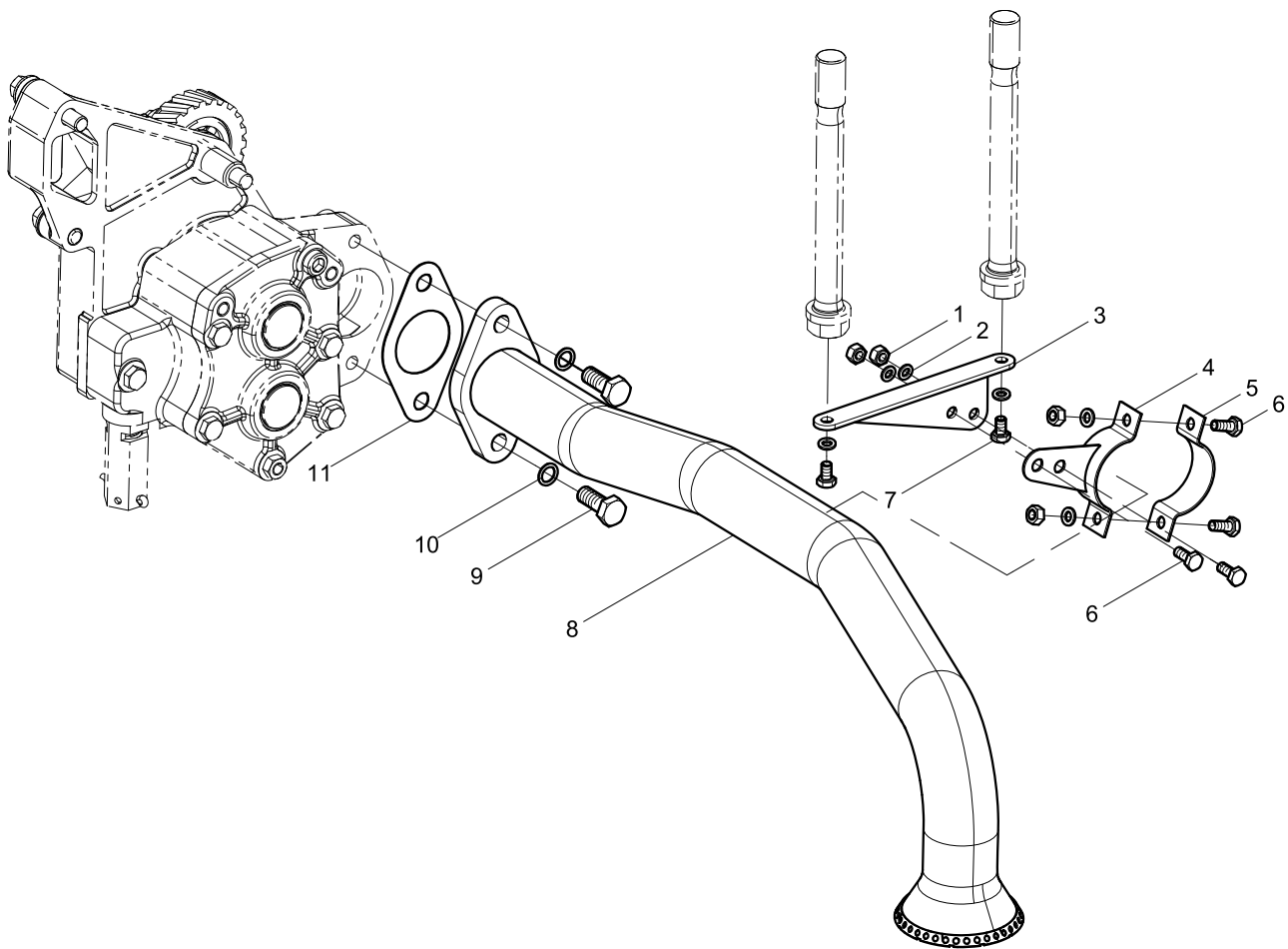
### Oil Pump Group



## Oil Pump Group

Pos.	Teile.Number	Amount	Designation
1	614070055	1	Gasket
2	612600070465	1	Lubricating Oil Pump
3	612600070411	1	Hexagon Flange with Tooth Bolt
4	90011430008	1	Hexagon Flange with Tooth Bolt

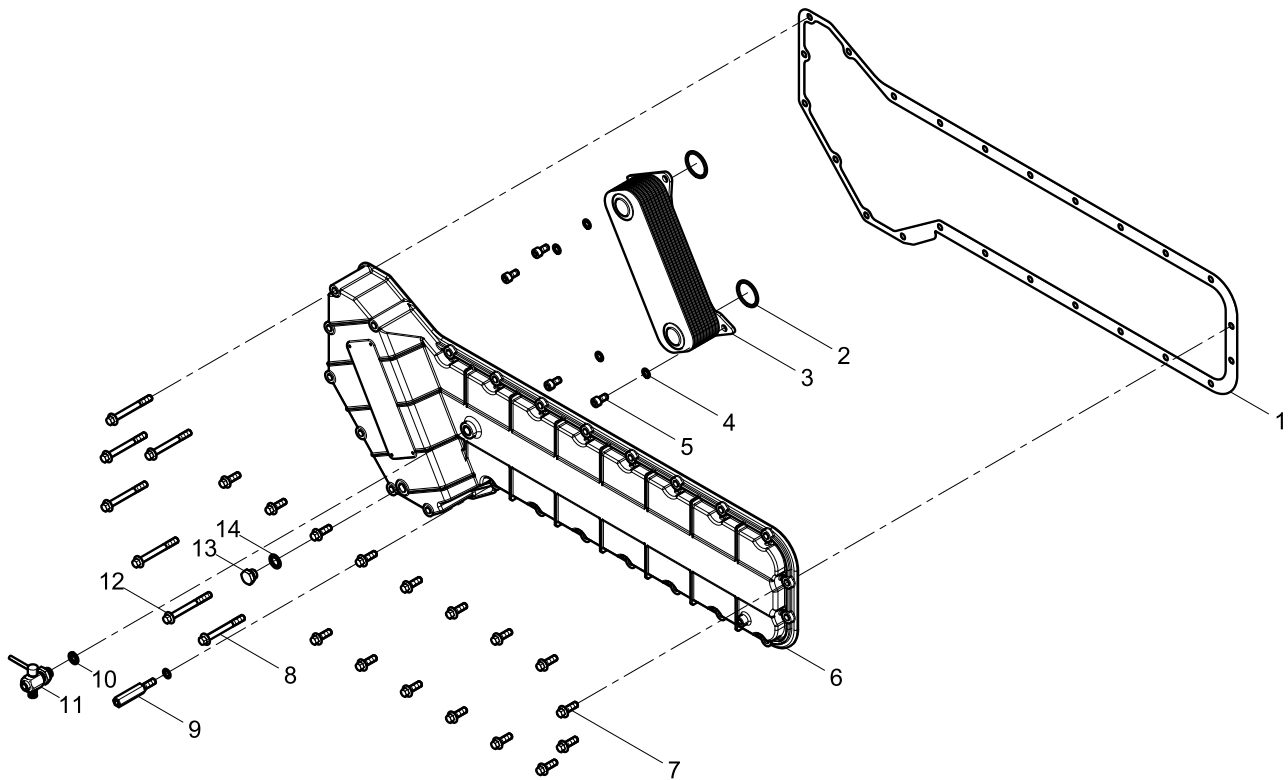
### Oil Strainer Group



**Oil Strainer Group**

<b>Pos.</b>	<b>Teile.Number</b>	<b>Amount</b>	<b>Designation</b>
1	90003871232	4	Hexagon Nuts, Style 1
2	90014040006	6	Plain Washer
3	612600070023	1	Oil Suction Strainer Bracket
4	612600070024	1	Oil Suction Strainer Bracket
5	612600070025	1	Oil Suction Strainer Bracket
6	90011350004	4	Hexagon Head Bolt
7	90003802307	2	Hexagon Head Bolt
8	612600070334	1	Filter Assembly
9	90003802523S	2	Hexagon Head Bolt
10	90014040008	2	Plain Washer
11	612600070355	1	Gasket

### Oil Cooler Group

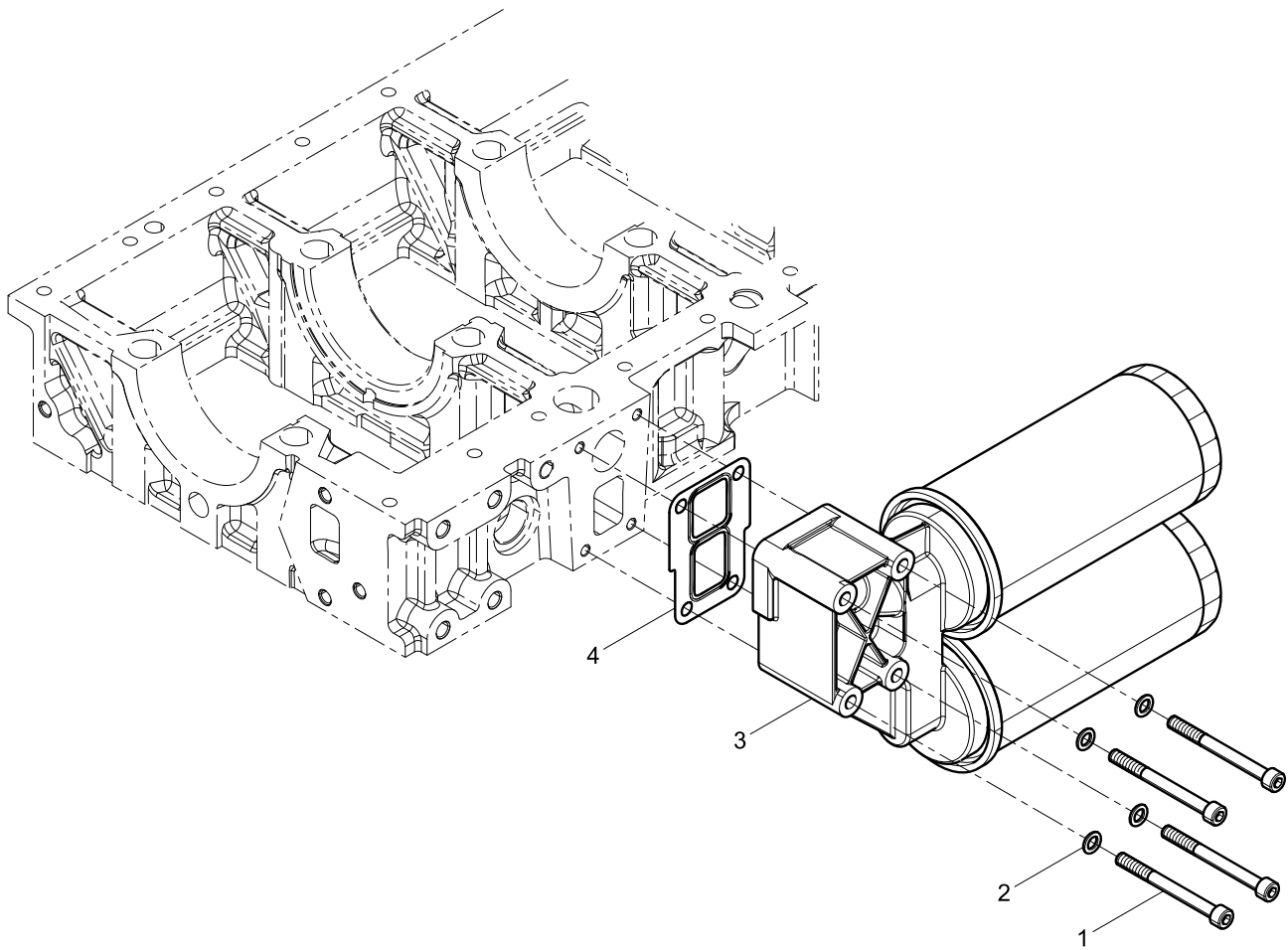




**Oil Cooler Group**

<b>Pos.</b>	<b>Teile.Number</b>	<b>Amount</b>	<b>Designation</b>
1	612600040566	1	Oil Cooler Cap Gasket
2	81400010032	2	Seal Ring
3	61800010113	1	Oil Cooler
4	90003932023	5	Wave Spring Washer
5	90003862419S	4	Inner Hexagon Socket Head Cap Screw
6	1001021160	1	Oil Cooler Cap
7	90011410003	16	Hexagon Flange Bolt
8	90011410009	6	Hexagon Flange Bolt
9	612600112056	1	Back-up Block
10	13023361	1	Assembled Sealing Washer
11	612600010465	1	Water Draining Valve
12	90011410010	1	Hexagon Flange Bolt
13	90017020003	1	Hexagon Screw Plug
14	612600080200	1	Washer

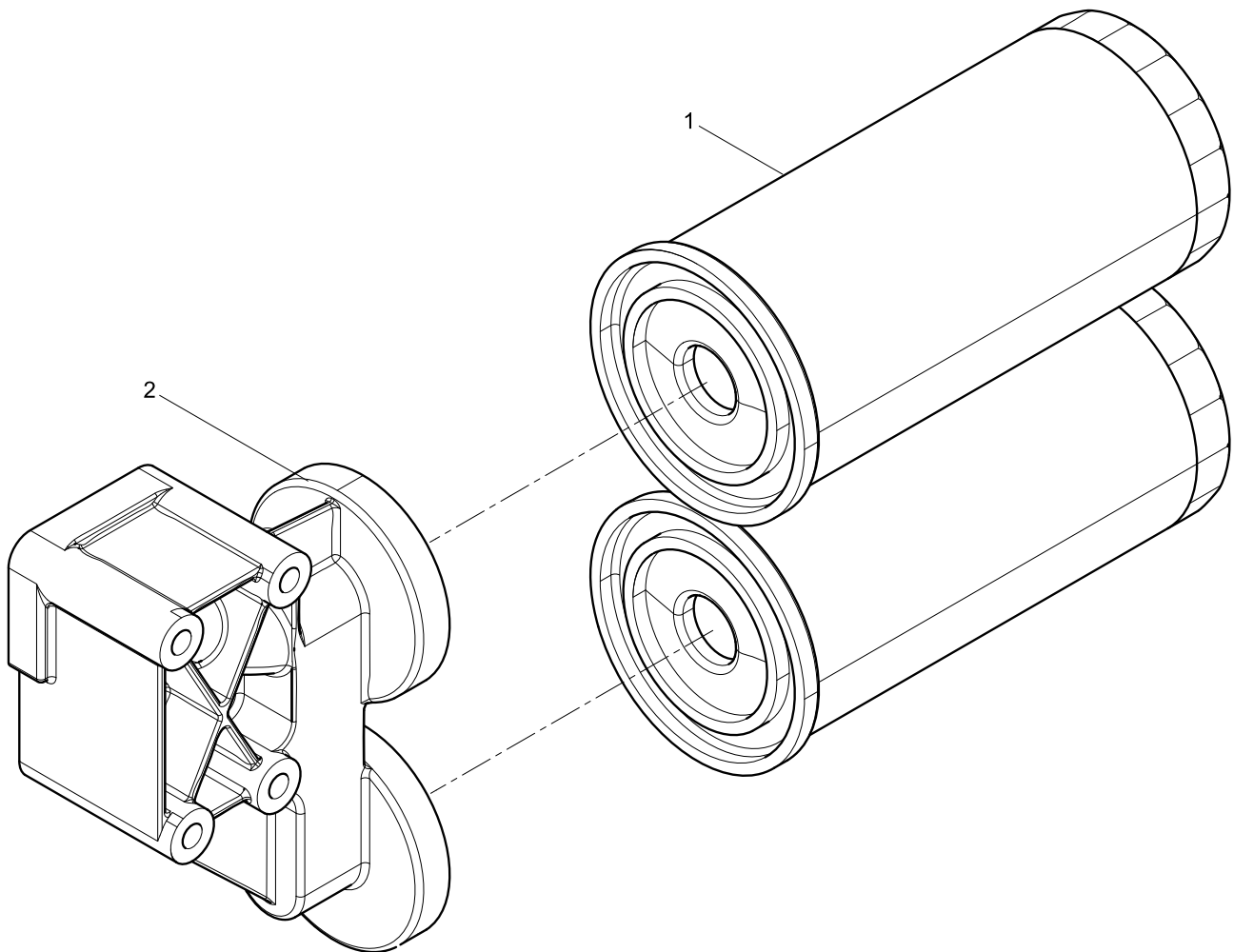
### Oil Filter Group



**Oil Filter Group**

Pos.	Teile.Number	Amount	Designation
1	612600082135	4	Screw
2	90003932023	4	Wave Spring Washer
3	1001047178	1	Oil Filter
4	612600070375	1	Oil Cooler Cap Gasket

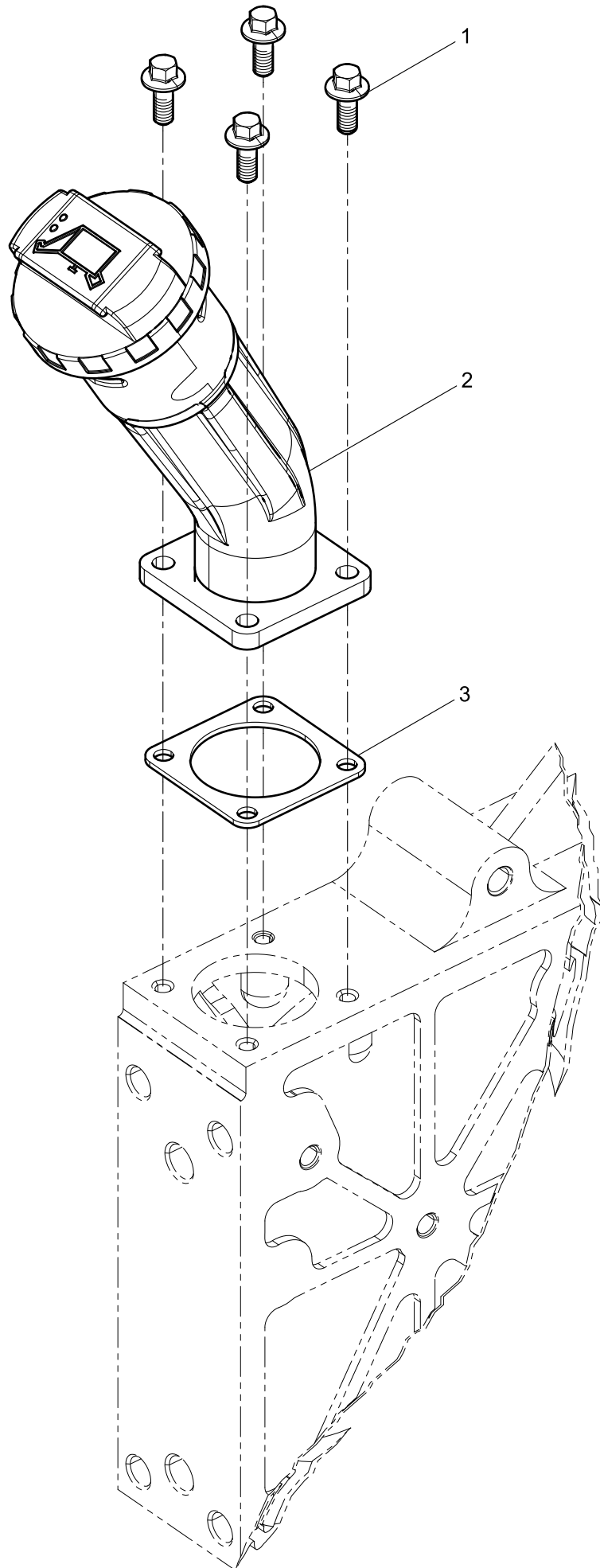
**Oil Filter**



**Oil Filter**

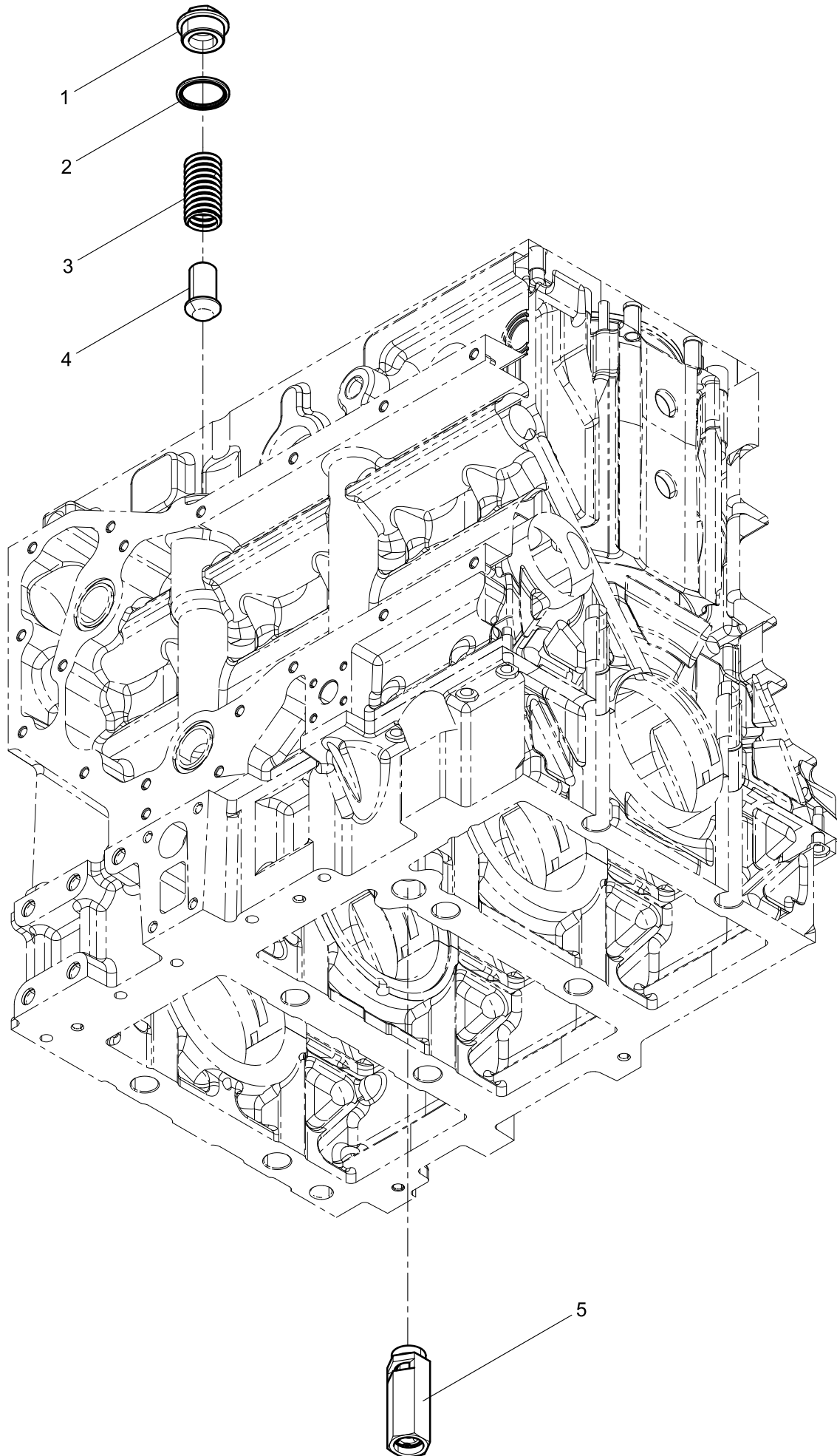
<b>Pos.</b>	<b>Teile.Number</b>	<b>Amount</b>	<b>Designation</b>
1	612600070506	2	Oil Filter Element
2	612600070343	1	Oil Filter Seat

### Oil Filling Tube Group





### Pressure-limiting Valve Group

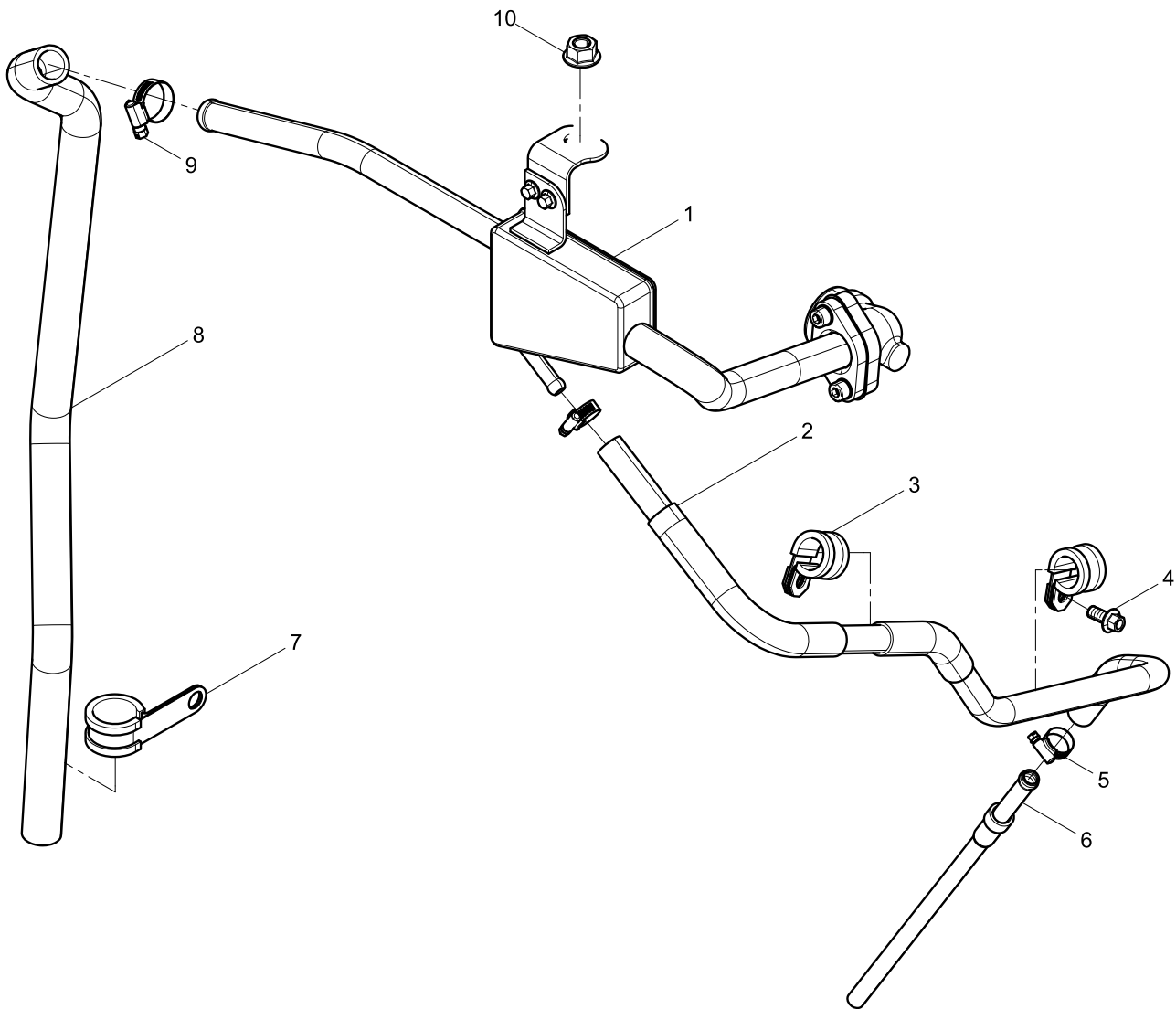




Pressure-limiting Valve Group

Pos.	Teile.Number	Amount	Designation
1	90003962051S	1	Hexagon plug
2	612600010735	1	Washer
3	614070068	1	Oil Pump Safety Valve Spring
4	614070069	1	Oil Pressure Relief Valve
5	AZ1500070097	1	Pressure-limiting valve of the main oil passage

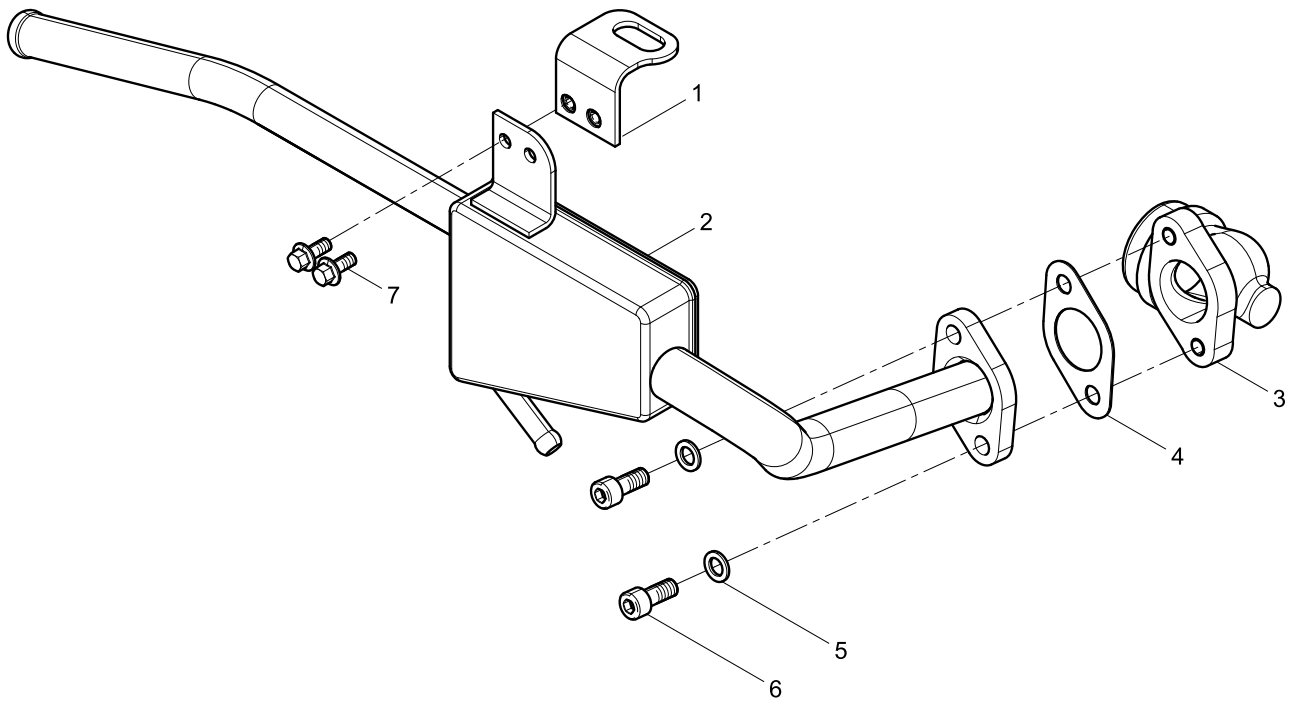
### Oil-gas Separator Group



**Oil-gas Separator Group**

<b>Pos.</b>	<b>Teile.Number</b>	<b>Amount</b>	<b>Designation</b>
1	1000291144	1	Oil-gas Separator Assembly
2	1000293525	1	Oil-gas Separator Oil-return Pipe
3	612600111639	2	Pipe Clamp Assembly
4	9000000078	1	Hexagon Flange Bolt
5	90003989300	2	Clamp
6	612600012595	1	Pipe Joint
7	612600013280	1	Pipe Clamp Assembly
8	612640120061	1	Oil Connecting Rubber Pipe
9	90003989340	1	Clamp
10	90012290003	1	Hexagon Flange Nut

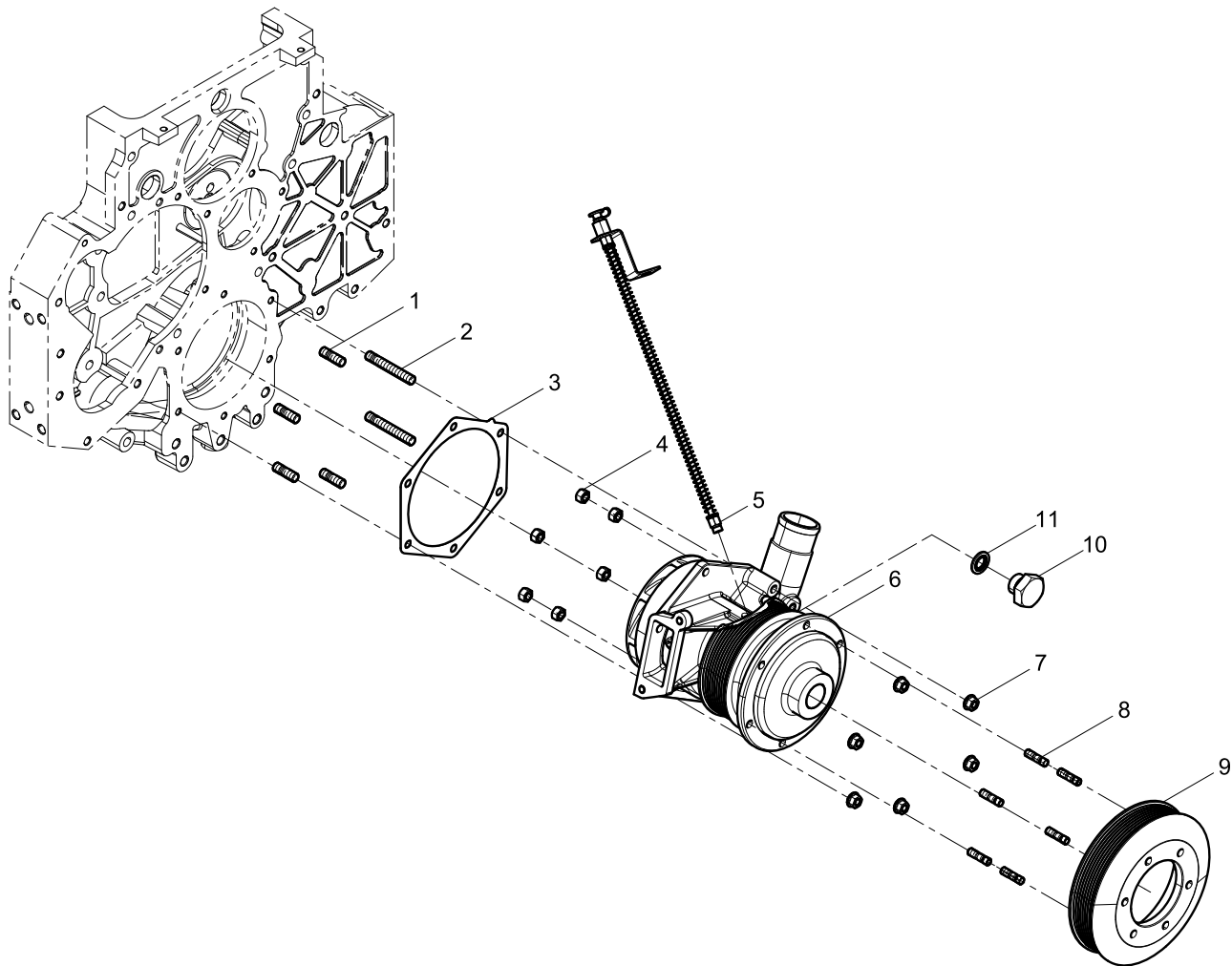
### Oil-gas Separator Assembly



**Oil-gas Separator Assembly**

<b>Pos.</b>	<b>Teile.Number</b>	<b>Amount</b>	<b>Designation</b>
1	1001020130	1	Oil-gas Separator Bracket
2	1000291118	1	Oil-gas Separator
3	612600010150	1	Pipe Joint
4	90003069303	1	Gasket
5	90003932023	2	Wave Spring Washer
6	90003862427	2	Inner Hexagon Socket Head Cap Screw
7	9000000112	2	Hexagon Flange Bolt

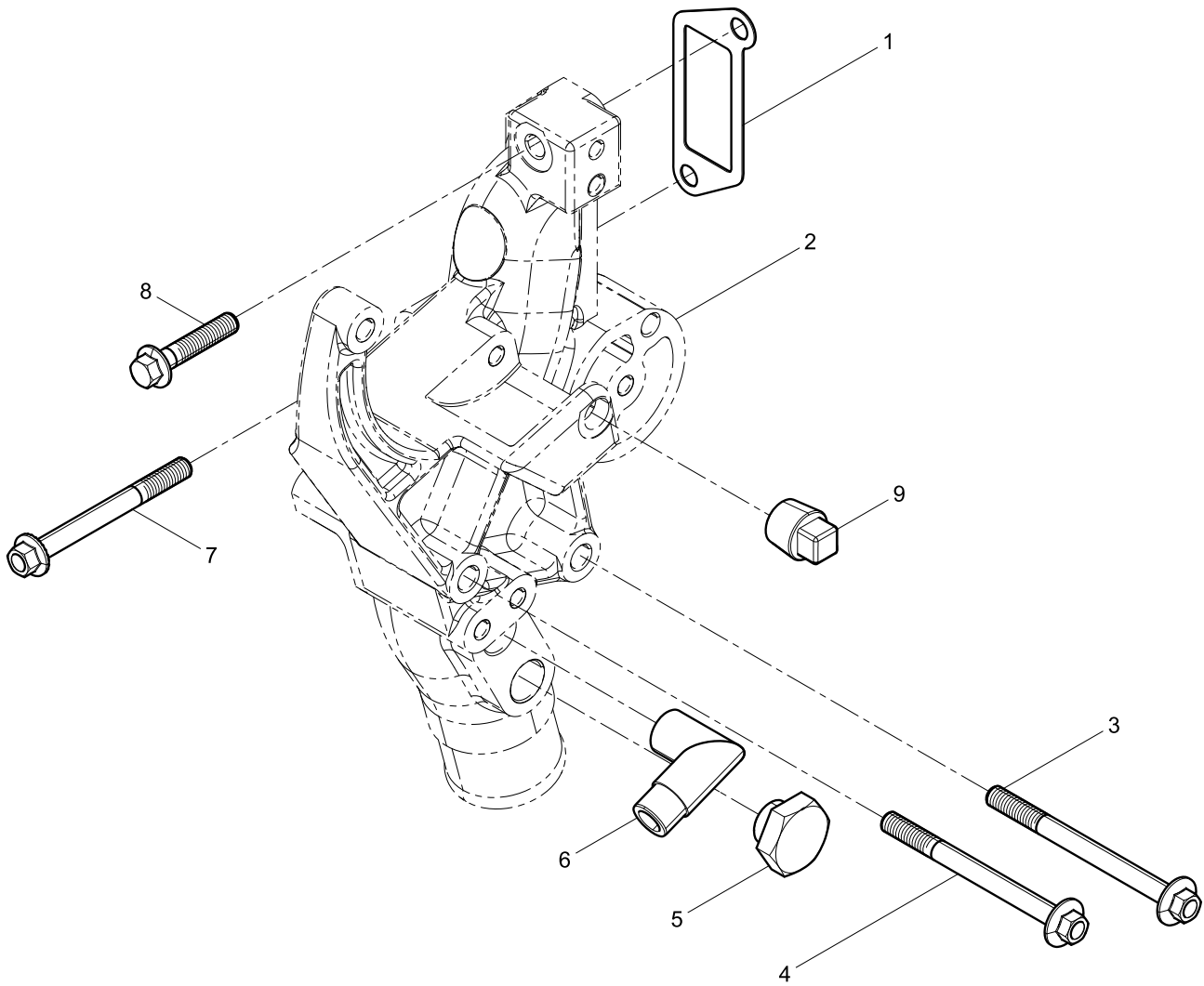
### Water Pump Group



**Water Pump Group**

Pos.	Teile.Number	Amount	Designation
1	90003813429S	4	Double End Stud
2	90003813470S	2	Double End Stud
3	612640060074	1	Water Pump Sealing Gasket
4	90003888451	6	Prevailing Torque Type All-metal Hexagon Nut,
5	612640060147	1	Lubricating Grease
6	1001044546	1	Water Pump
7	612600061719	6	Prevailing Torque Type Hexagon Nut with Flange
8	90003813423S	6	Double End Stud
9	612600061521	1	Fan Pulley
10	90017020003	1	Hexagon Screw Plug
11	13023361	1	Assembled Sealing Washer

### Water Pump Inlet Pipe Group

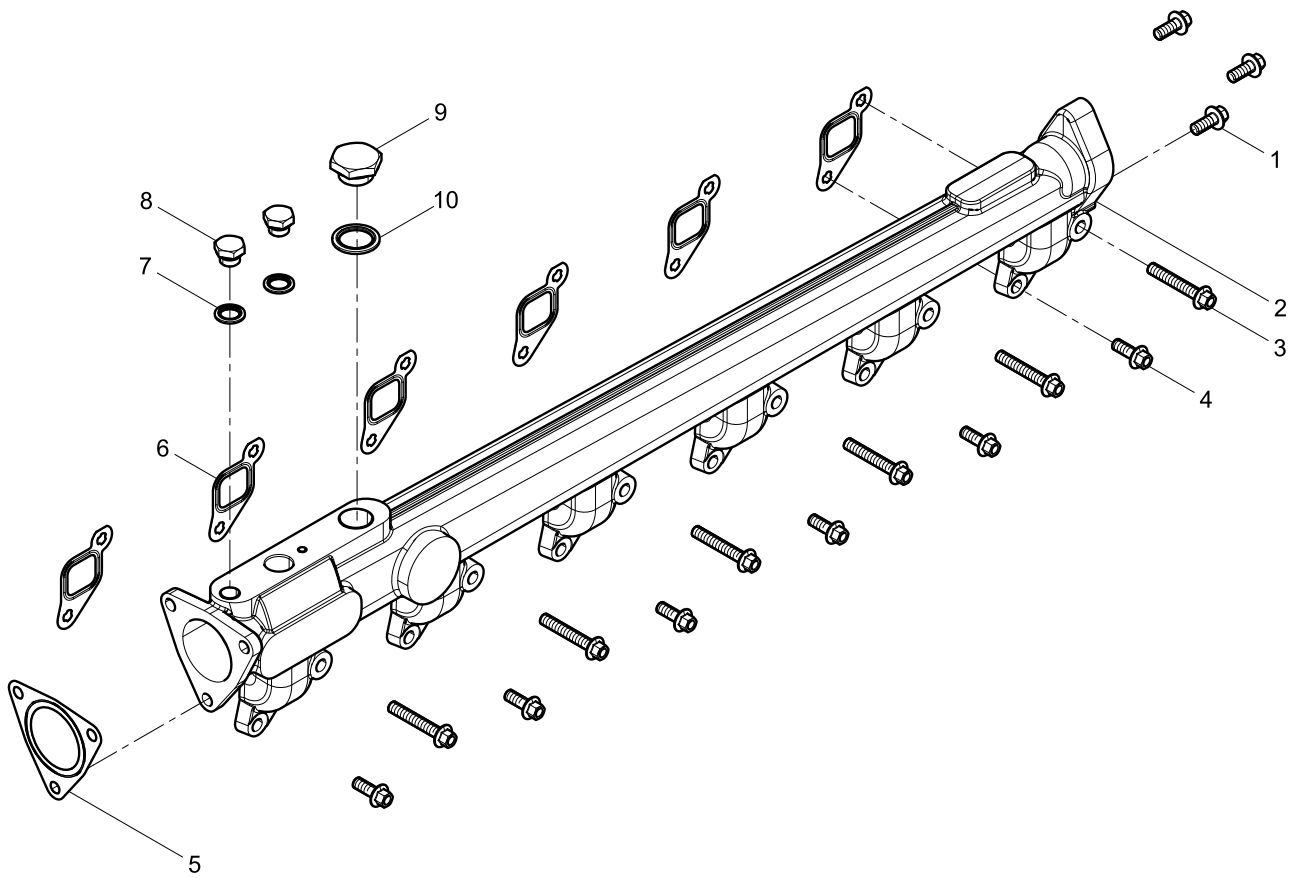




### Water Pump Inlet Pipe Group

<b>Pos.</b>	<b>Teile.Number</b>	<b>Amount</b>	<b>Designation</b>
1	612640060150	1	Intake Manifold Gasket
2	612640060117	1	Water Pump Water Pipe
3	612640060152S	1	Bolt
4	612640060151	1	Hexagon Flange Bolt
5	90017020004	1	Hexagon Screw Plug
6	612600040553	1	Pipe Joint
7	9000000156	1	Hexagon Flange Bolt
8	9000000155	1	Hexagon Flange Bolt
9	90017010003M	1	Square Taper Screw Plug

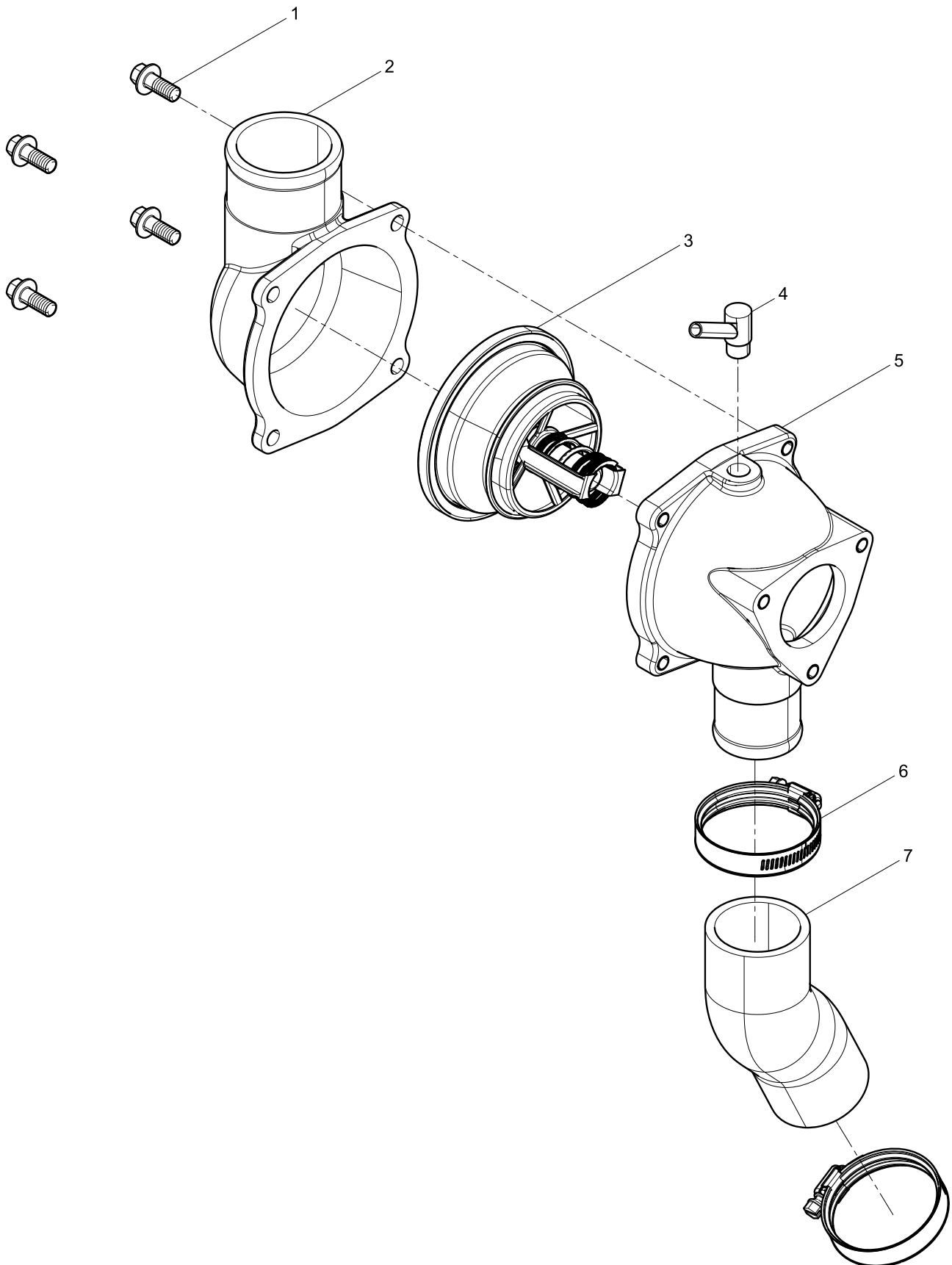
### Water Outlet Pipe Group



**Water Outlet Pipe Group**

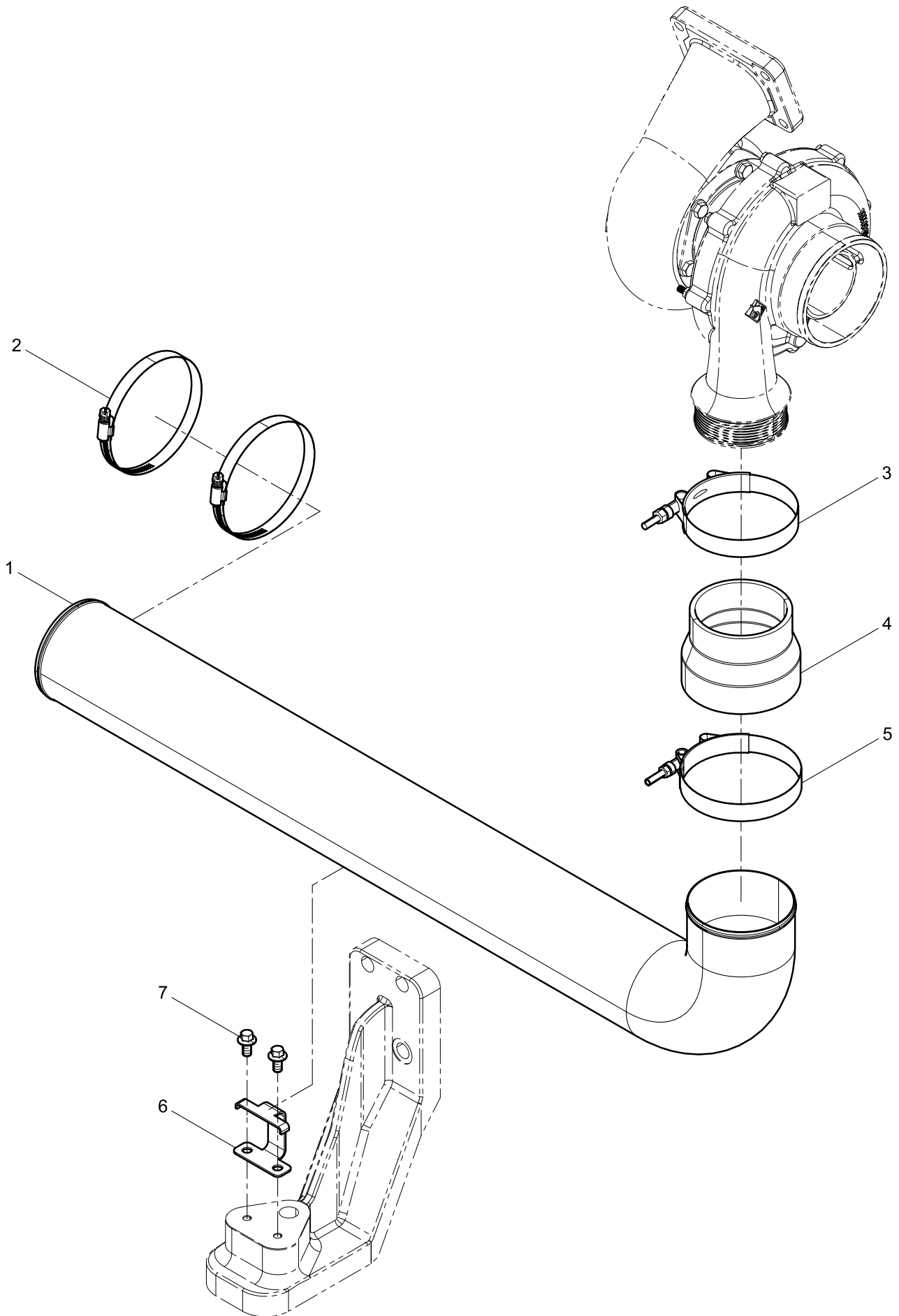
Pos.	Teile.Number	Amount	Designation
1	90011410011	3	Hexagon Flange Bolt
2	1001077403	1	Water-outlet Pipe
3	9000000119	6	Hexagon Flange Bolt
4	9000000602	6	Hexagon Flange Bolt
5	612600062380	1	Water-outlet pipe gasket
6	1000544065	6	Water-outlet pipe gasket
7	612600080200	2	Washer
8	90003962020	2	Hexagon plug
9	14011250V	1	Hexagon Screw Plug
10	13024499	1	Assembled Sealing Washer

**Thermostat Group**



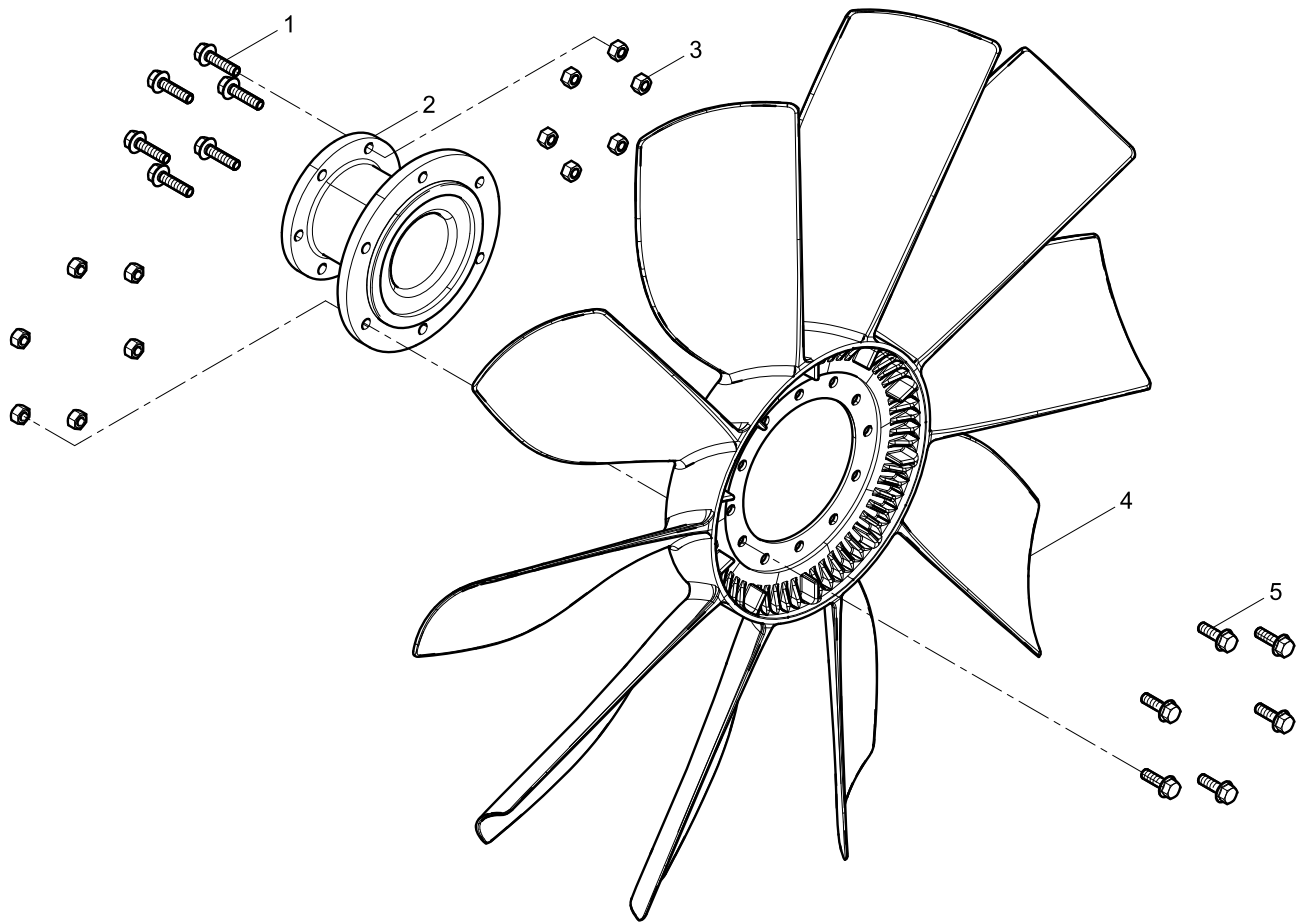


### Intercooler Group





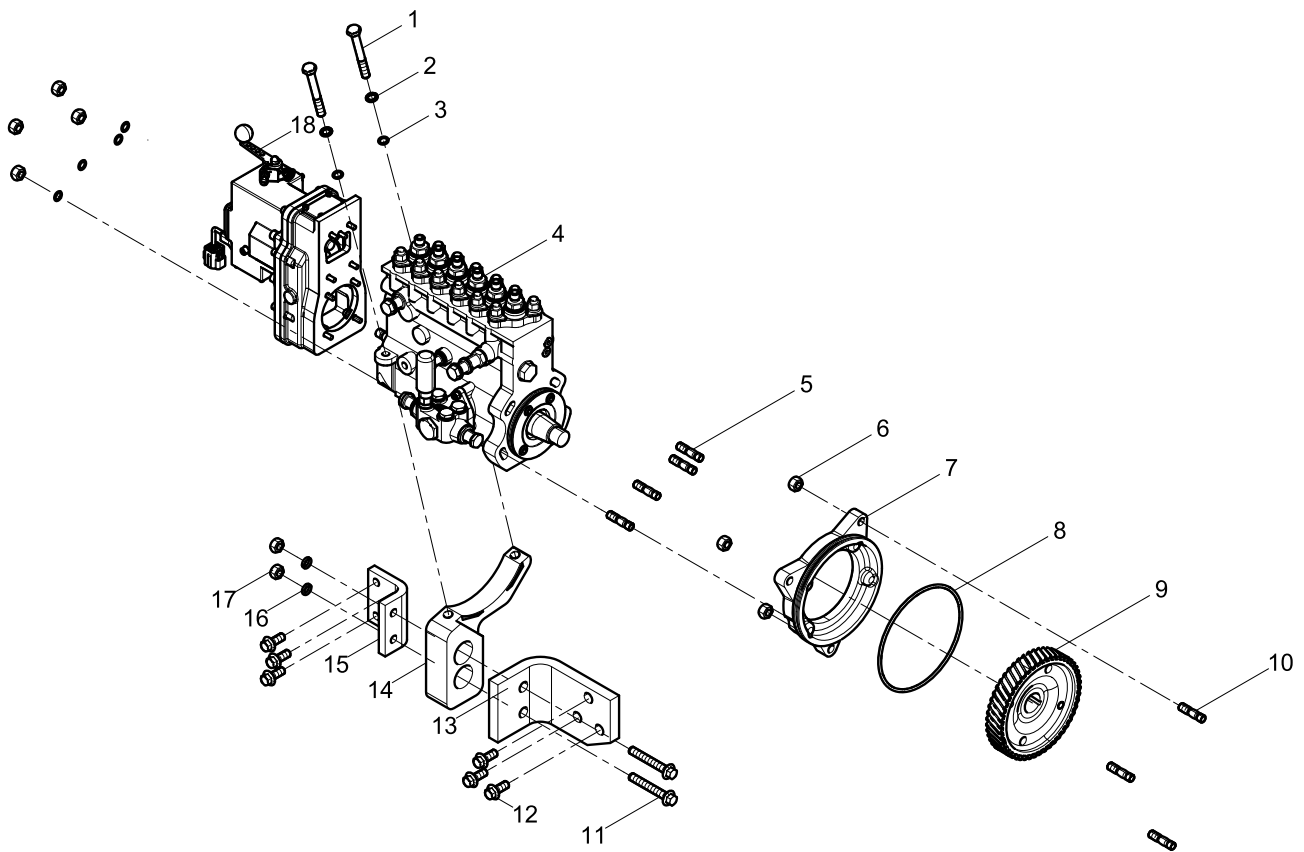
### Fan and Hub Group







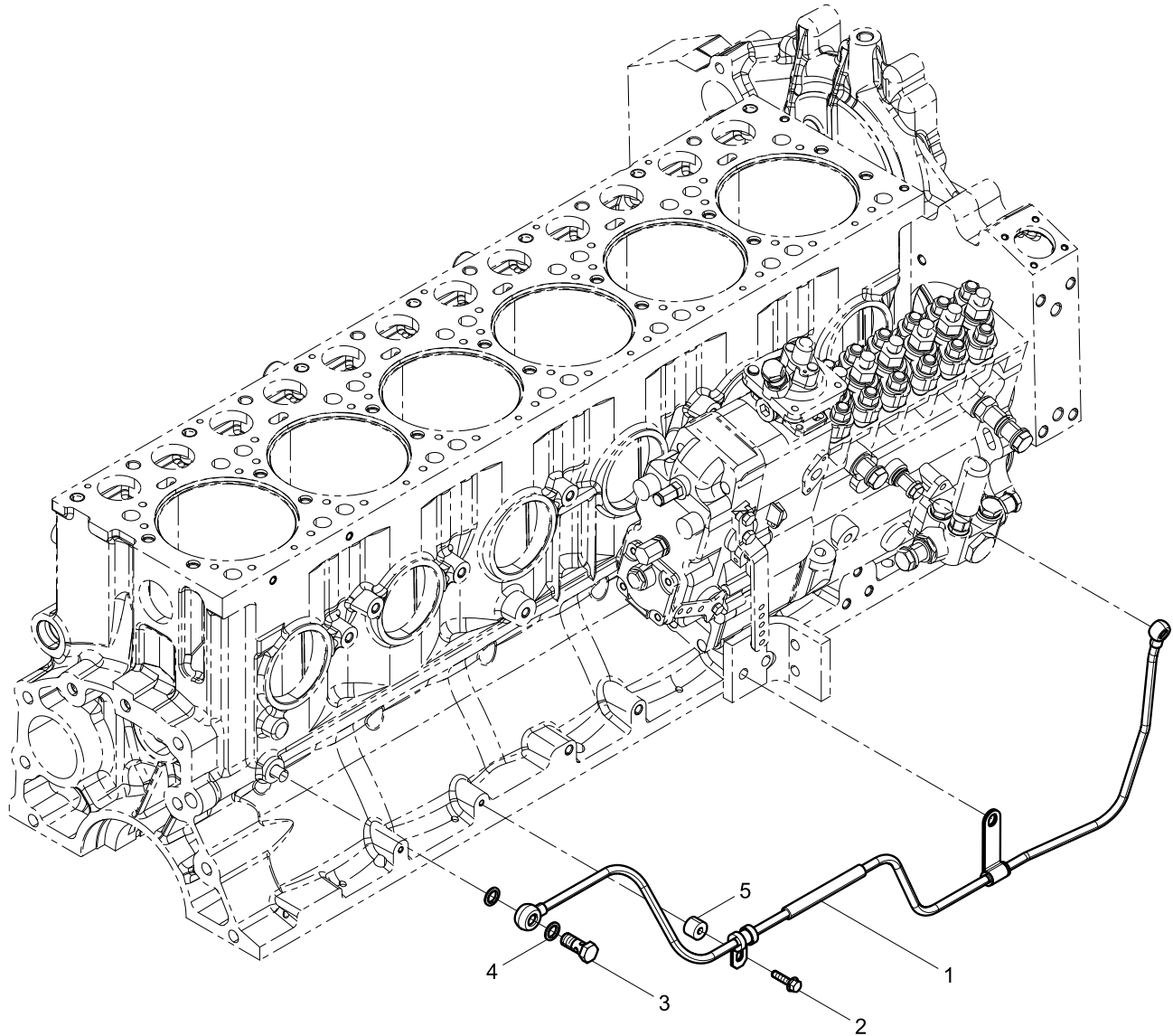
### Fuel Injection Pump Group



**Fuel Injection Pump Group**

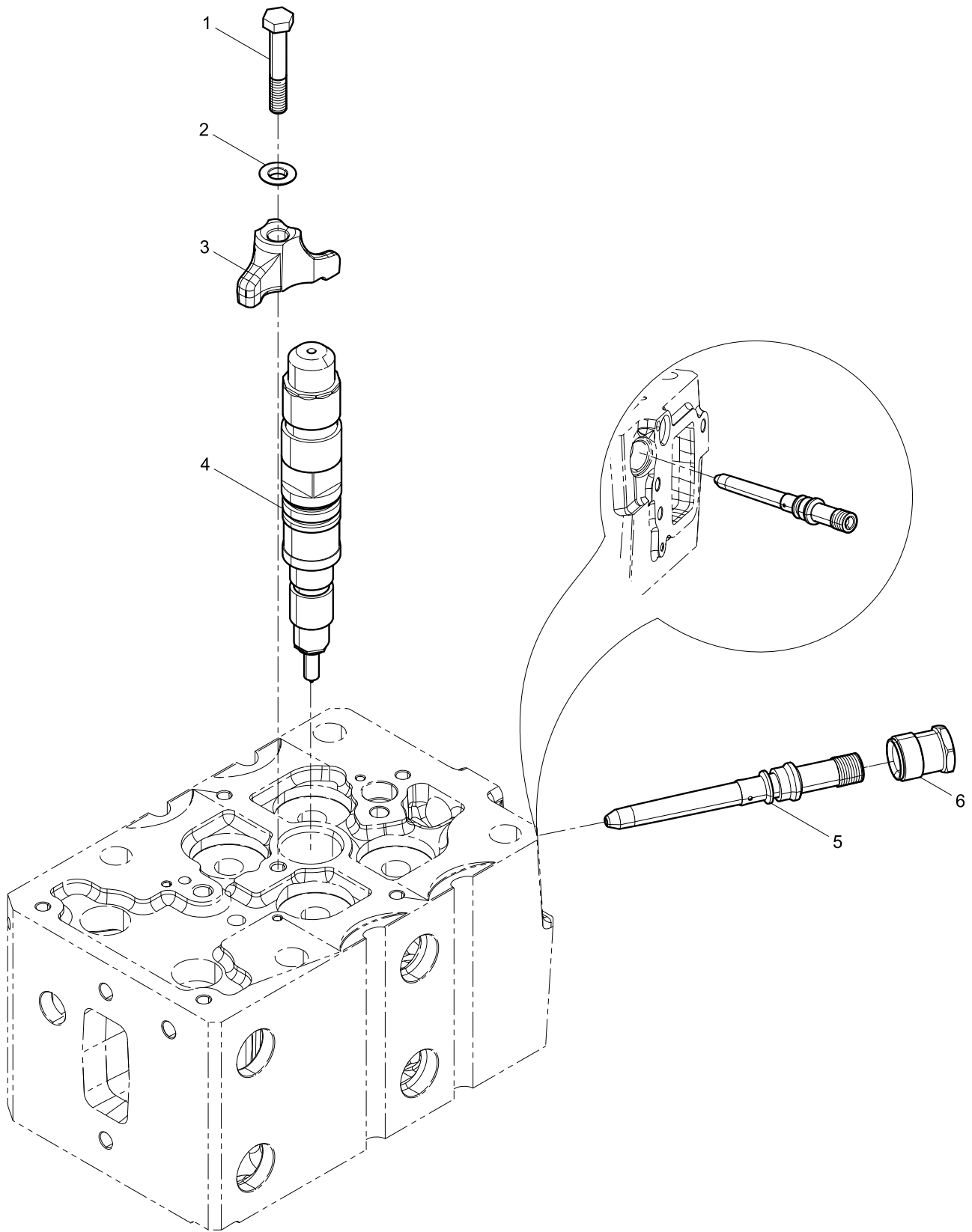
Pos.	Teile.Number	Amount	Designation
1	90003800579	2	Hexagon Head Bolt
2	18872339	2	Washer
3	90014040008	6	Plain Washer
4	1001036477	1	Fuel Injection Pump Assembly
5	90003813537S	4	Double End Stud
6	90003888452	7	Prevailing Torque Type All-metal Hexagon Nut,
7	612600083244	1	Fuel Injection Pump Flange
8	612600083245	1	Seal Ring
9	612600083654	1	Fuel Injection Pump Gear
10	90003813532S	3	Double End Stud
11	90011430013	2	Hexagon Flange with Tooth Bolt
12	90011430008	6	Hexagon Flange with Tooth Bolt
13	612600080966	1	Bracket
14	612600080967	1	Fuel Injection Pump Bracket
15	612600080965	1	Bracket
16	90003931122	2	Spring Washer
17	90003871305	2	Hexagon Nuts, Style 1
18	1000943160	1	Electromagnetic Actuator

### Fuel Injection Pump Oil Pipe Group





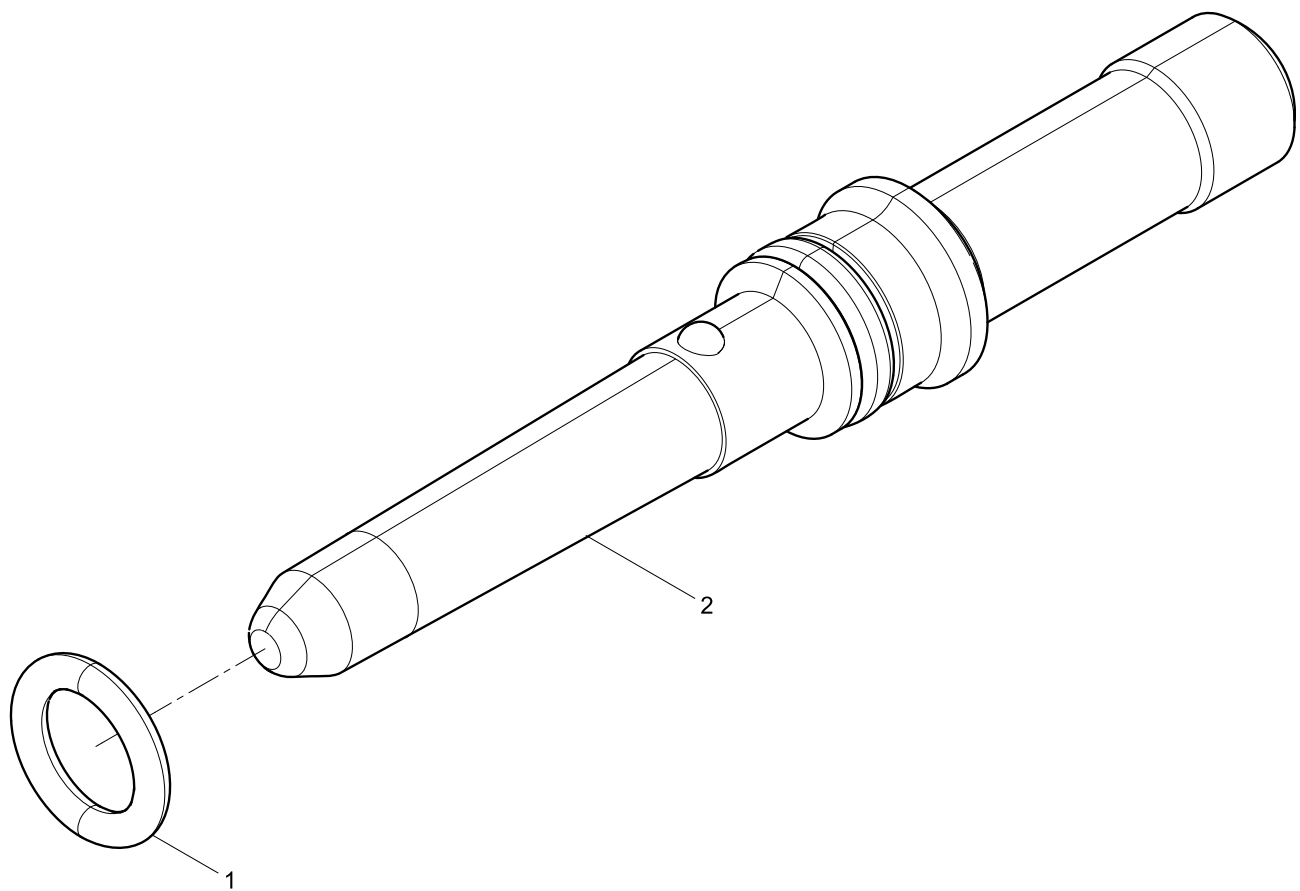
### Fuel Injector Group



**Fuel Injector Group**

<b>Pos.</b>	<b>Teile.Number</b>	<b>Amount</b>	<b>Designation</b>
1	90011350017	6	Hexagon Head Bolt
2	612639000016	6	Ball washer
3	612630090002	6	Tight plate for injector
4	612600083450	6	Fuel Injector
5	612630090004	6	Adapter of High Pressure Pipe
6	612630090006	6	Nut

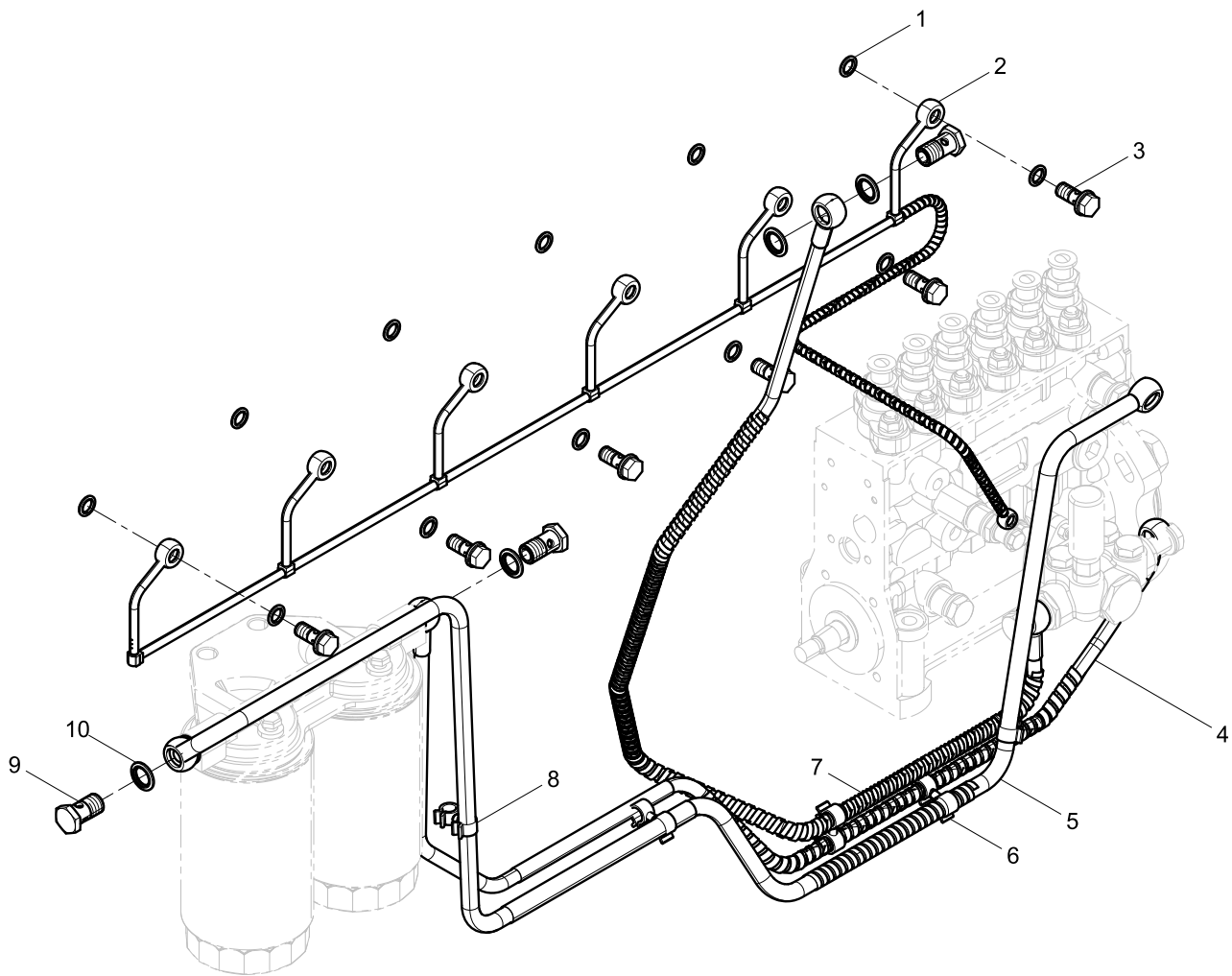
### Adapter of High Pressure Pipe







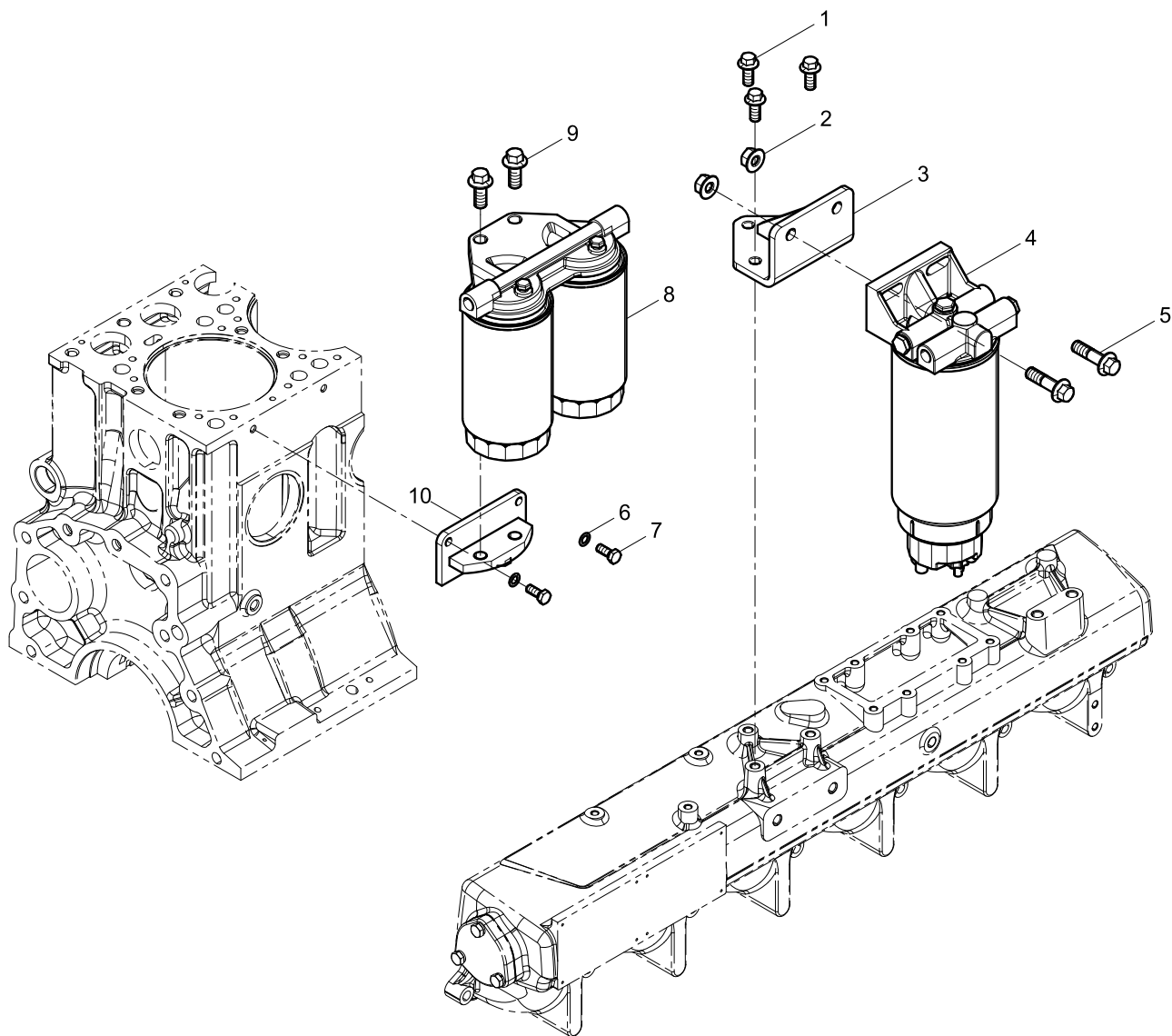
**Low Pressure Fuel Pipe Group**



**Low Pressure Fuel Pipe Group**

<b>Pos.</b>	<b>Teile.Number</b>	<b>Amount</b>	<b>Designation</b>
1	612600080246	12	Washer
2	1000978977	1	Fuel-inlet Pipe Assembly
3	612639000047	6	Bolt
4	1000540543	1	Fuel-inlet Pipe Assembly
5	1000982929	1	Fuel Return Pipe Assembly
6	612600082744	3	Pipe Clamp
7	1000673818	1	Fuel-inlet Pipe Assembly
8	612600082743	1	Pipe Clamp
9	90003962621	3	Hollow screw
10	612600080200	6	Washer

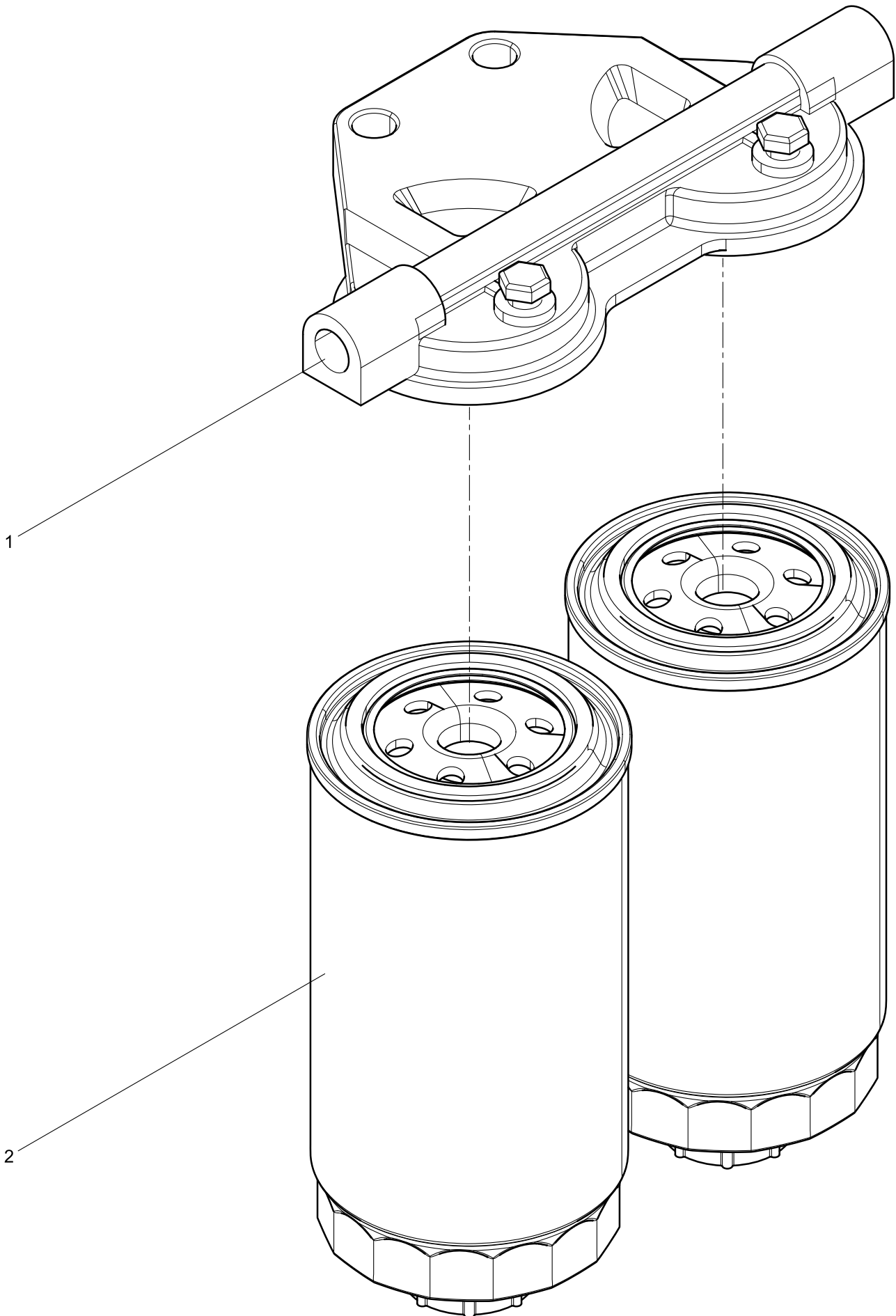
### Fuel Filter Group



**Fuel Filter Group**

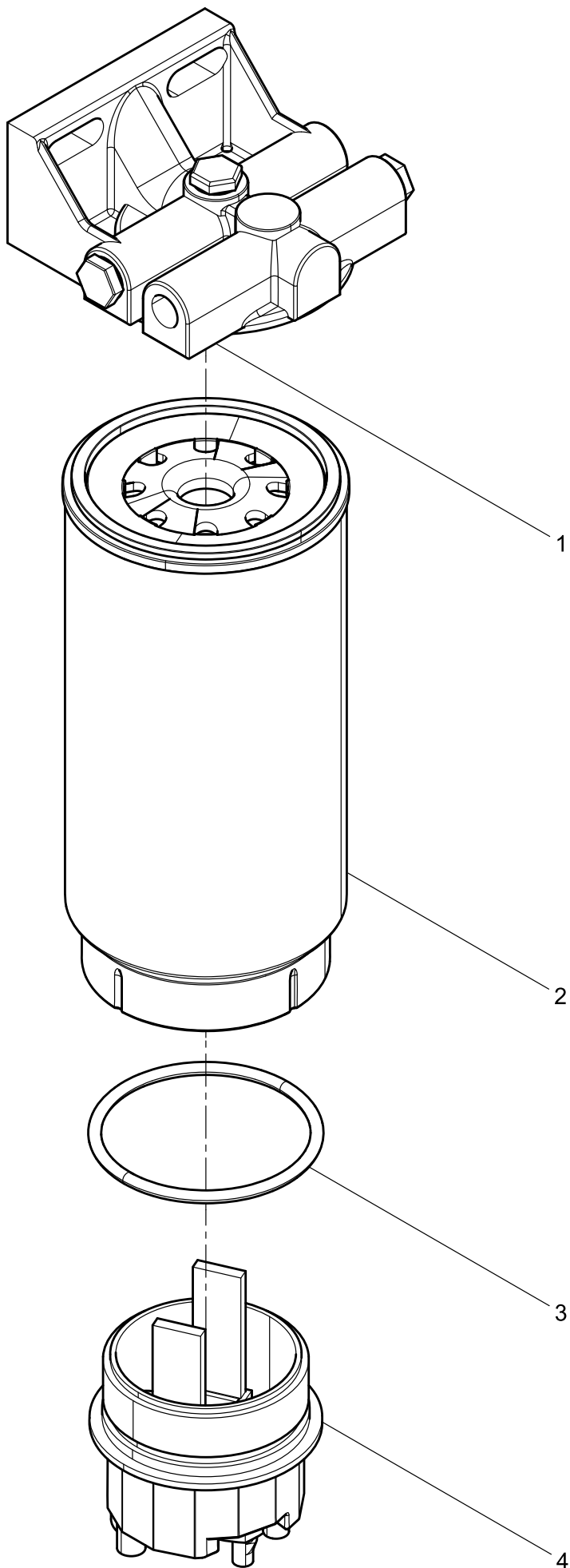
Pos.	Teile.Number	Amount	Designation
1	90011430008	3	Hexagon Flange with Tooth Bolt
2	90012290003	2	Hexagon Flange Nut
3	1000671838	1	Fuel Filter Bracket
4	1001059180	1	Fuel Coarse Filter
5	90011430047	2	Hexagon Flange with Tooth Bolt
6	90003932023	2	Wave Spring Washer
7	90003802419	2	Hexagon Head Bolt
8	1001058618	1	Fuel Filter
9	90011430026	2	Hexagon Flange with Tooth Bolt
10	61800080041	1	Bracket

**Fuel Filter**





### Fuel Coarse Filter

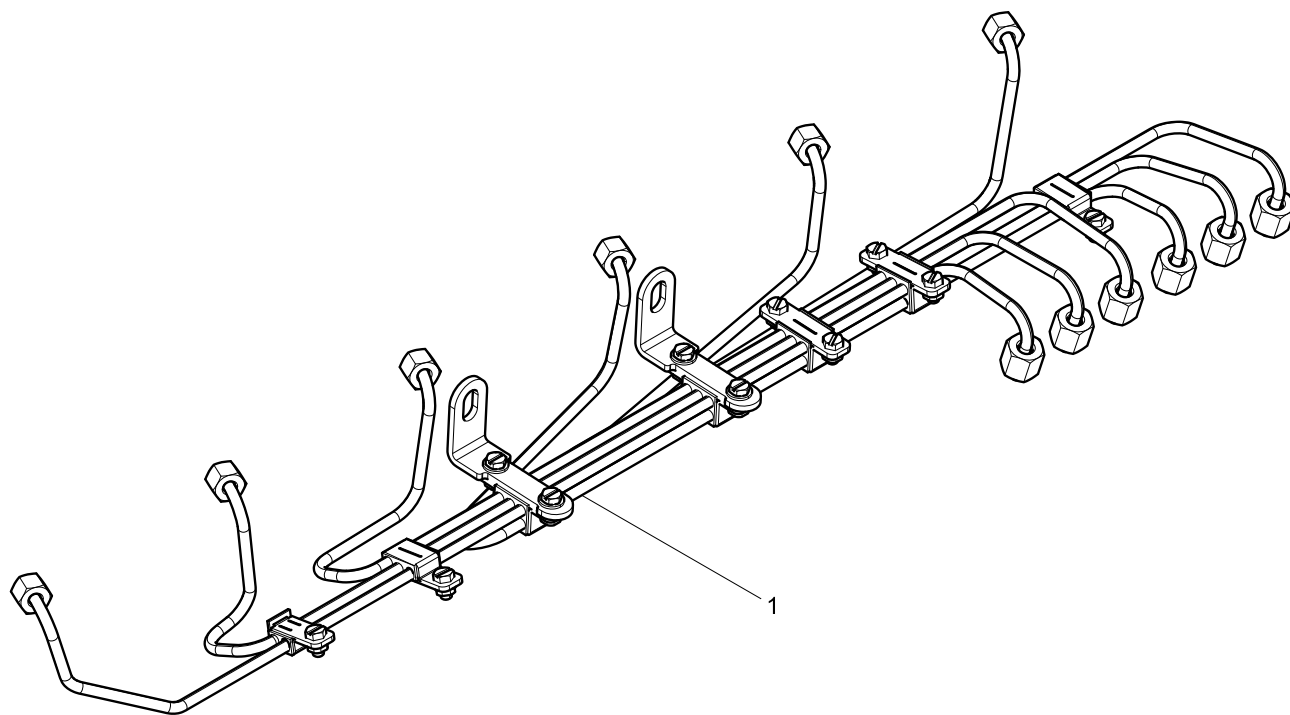




**Fuel Coarse Filter**

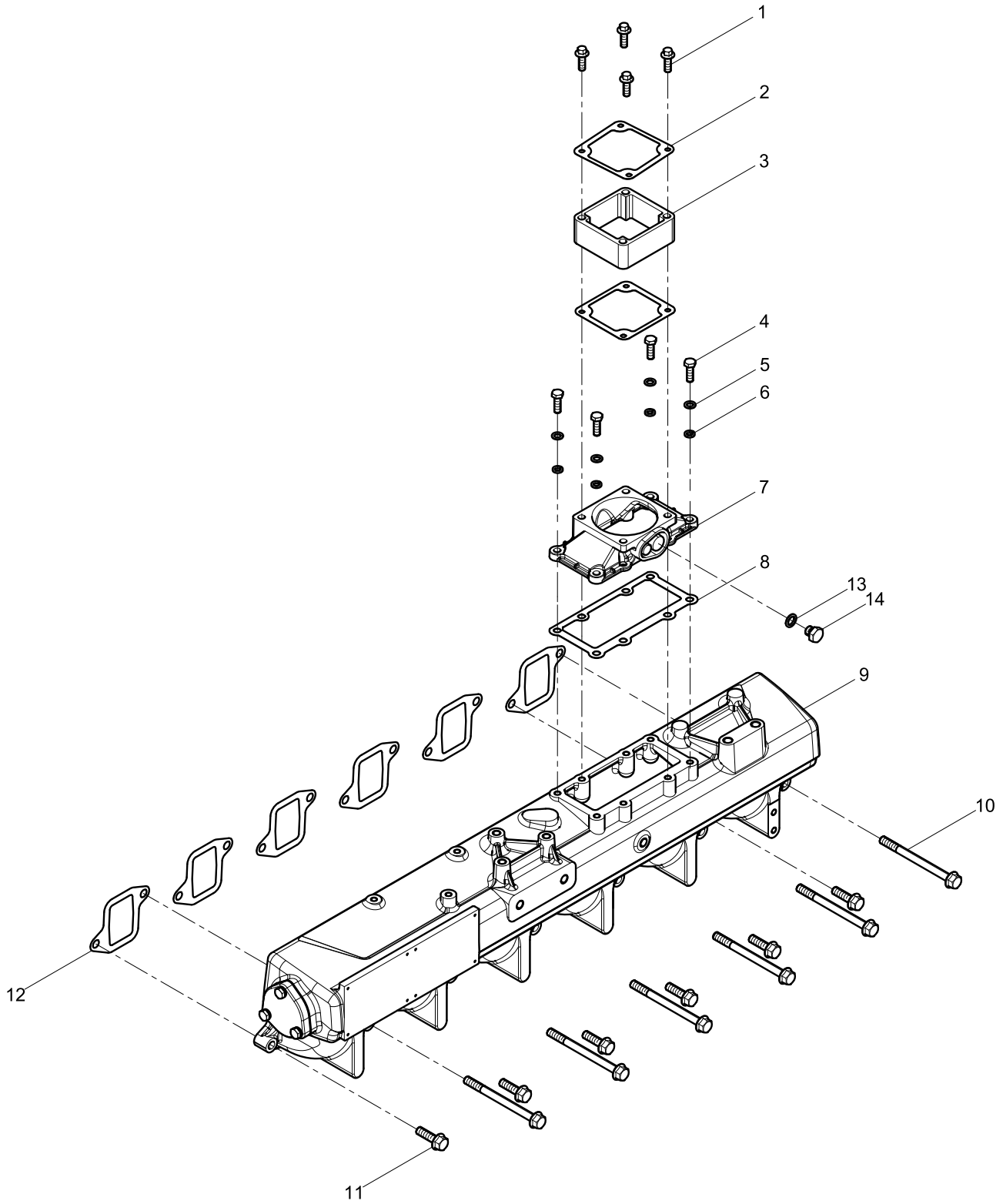
<b>Pos.</b>	<b>Teile.Number</b>	<b>Amount</b>	<b>Designation</b>
1	612600081321	1	Fuel Filter Seat
2	1001044161	1	Fuel Coarse Filter Element
3	612600081327	1	Seal Ring
4	612600081322	1	Water Cup Assembly

### High Pressure Fuel Pipe Group





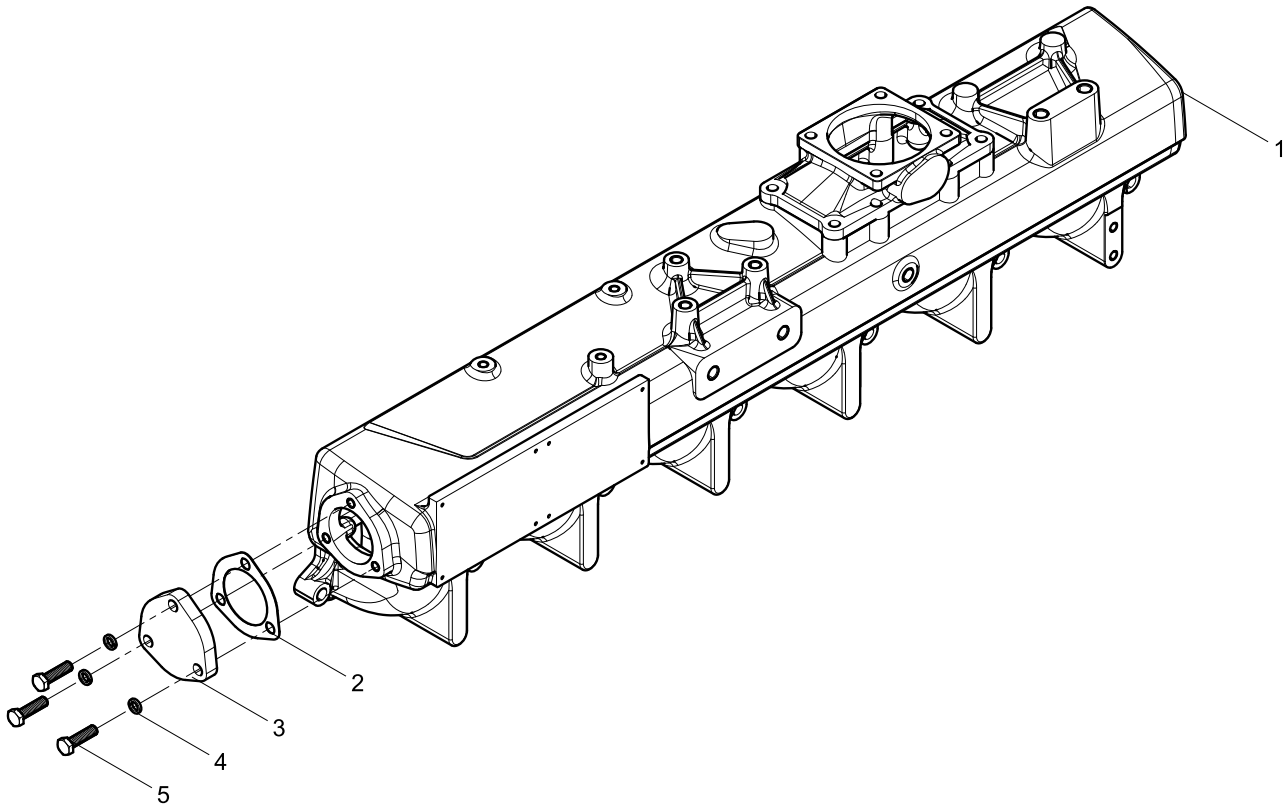
### Intake Manifold Group



**Intake Manifold Group**

Pos.	Teile.Number	Amount	Designation
1	90011410003	4	Hexagon Flange Bolt
2	612630120002	2	Gasket
3	612600113013	1	Flange
4	90011350010	4	Hexagon Head Bolt
5	90014040007	4	Plain Washer
6	90003931102	4	Spring Washer
7	612600111984	1	Intake Connecting Pipe
8	612600111981	1	Gasket
9	612630120392	1	Intake Manifold Assembly
10	612639000003	6	Hexagon Head Bolt
11	612639000002	6	Hexagon Head Bolt
12	612630120005	6	Gasket
13	612600050042	1	Sealing Washer
14	90003962019	1	Hexagon plug

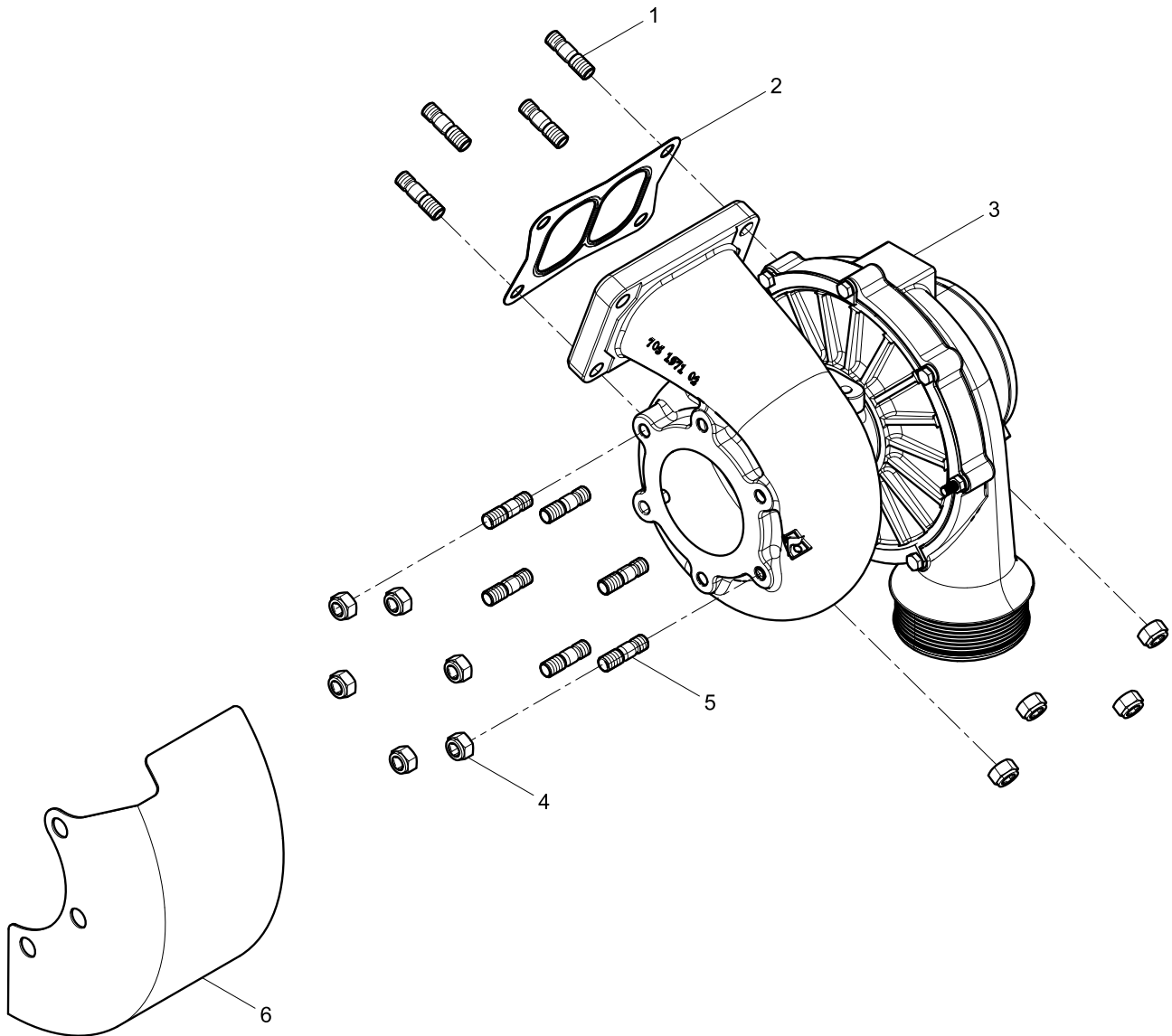
### Intake Manifold Assembly



**Intake Manifold Assembly**

Pos.	Teile.Number	Amount	Designation
1	612630120390	1	Intake Manifold
2	612600110456	1	Gasket
3	612600110455	1	Cover
4	90003931102	3	Spring Washer
5	90011270077	3	Hexagon head bolt

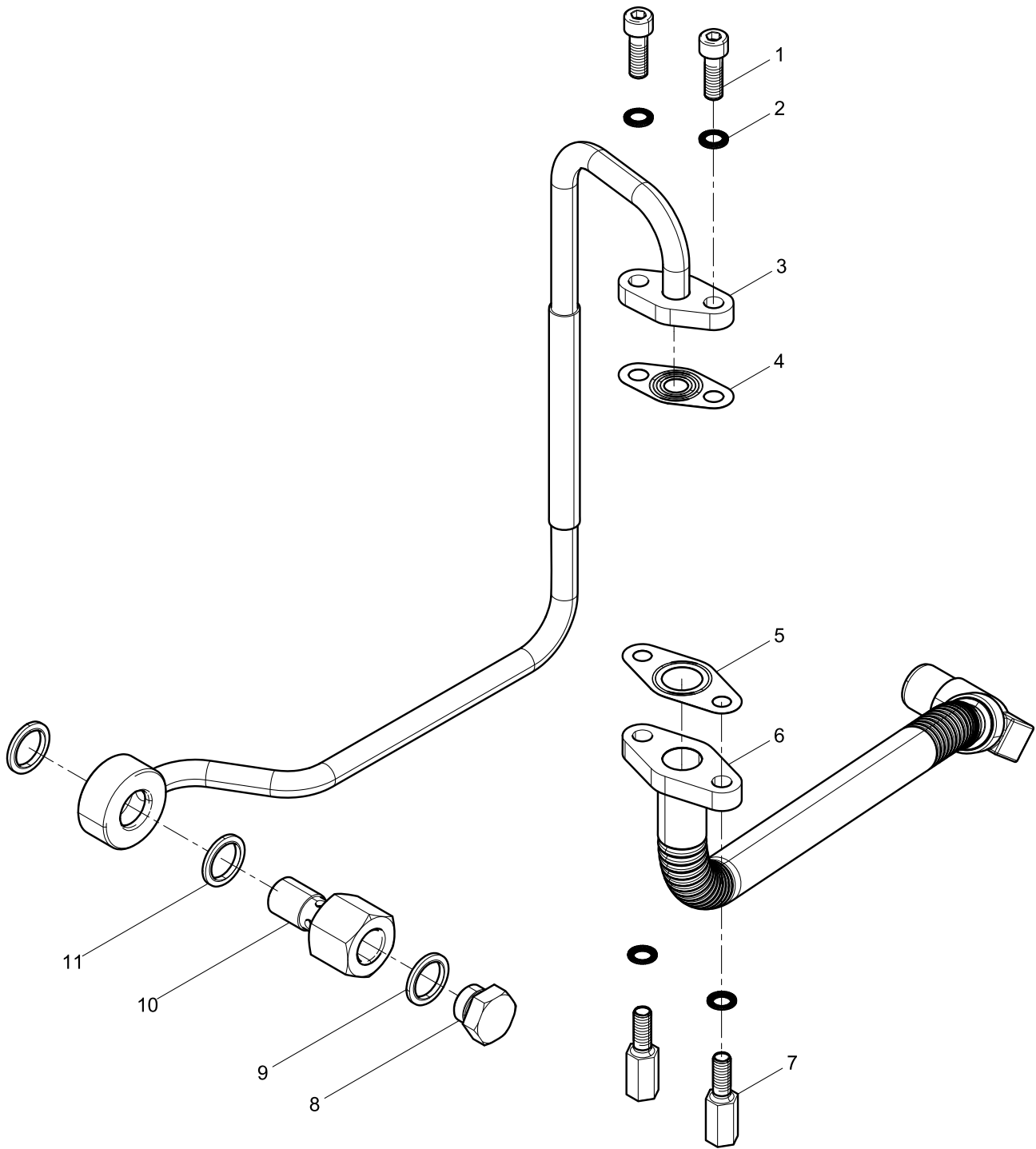
### Turbocharger Group





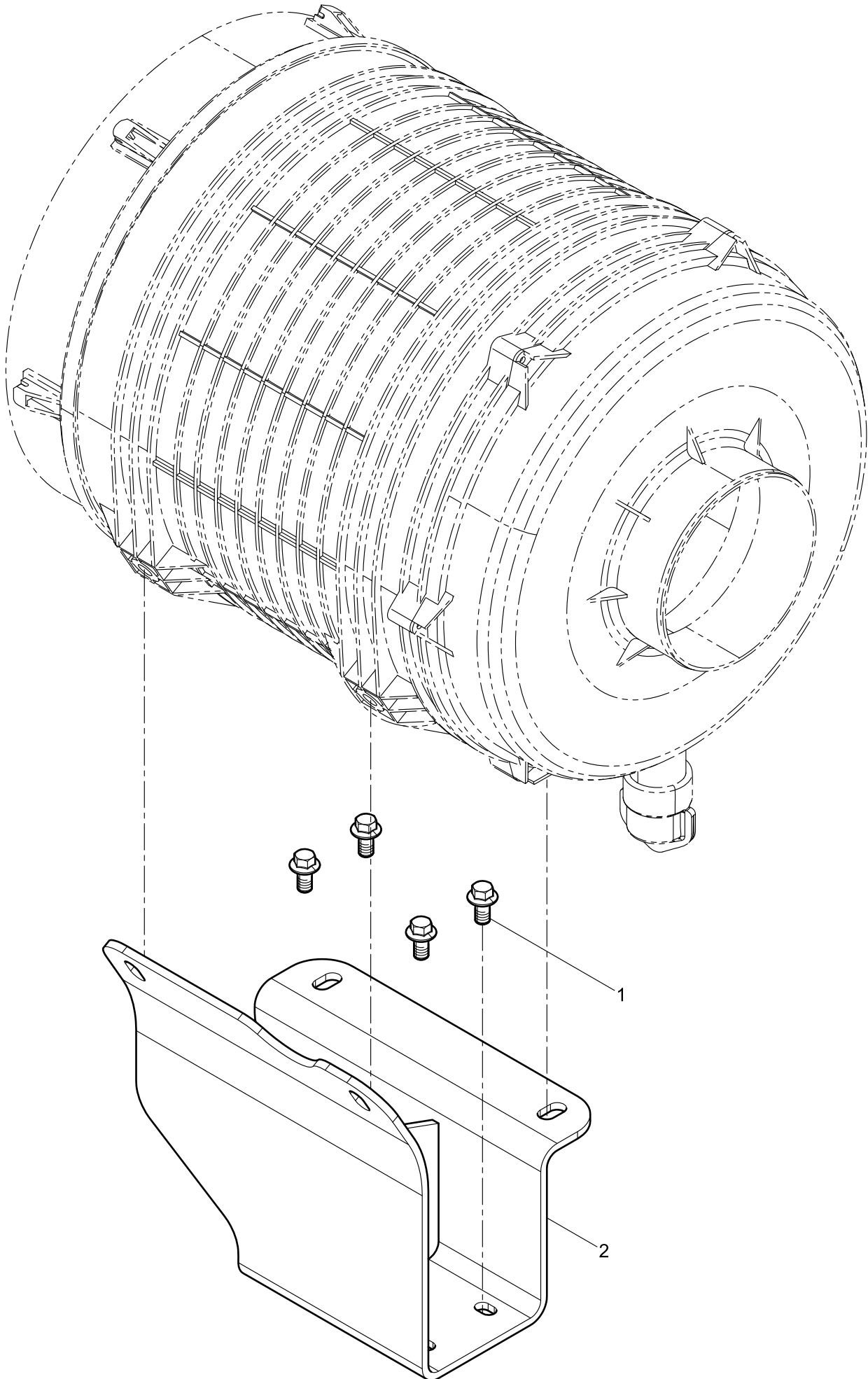


### Turbocharger Oil Pipe Group



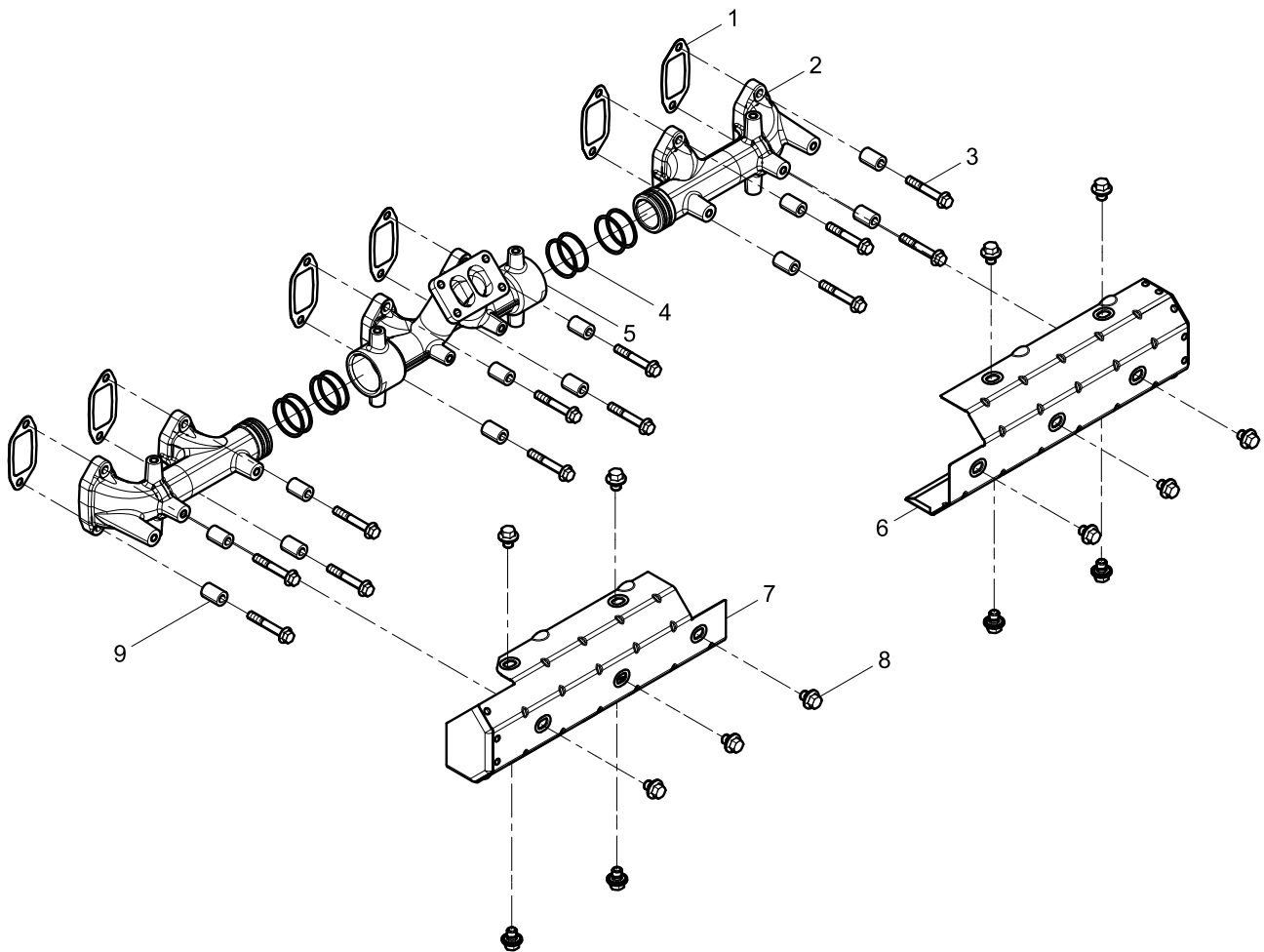


Air Filter Group





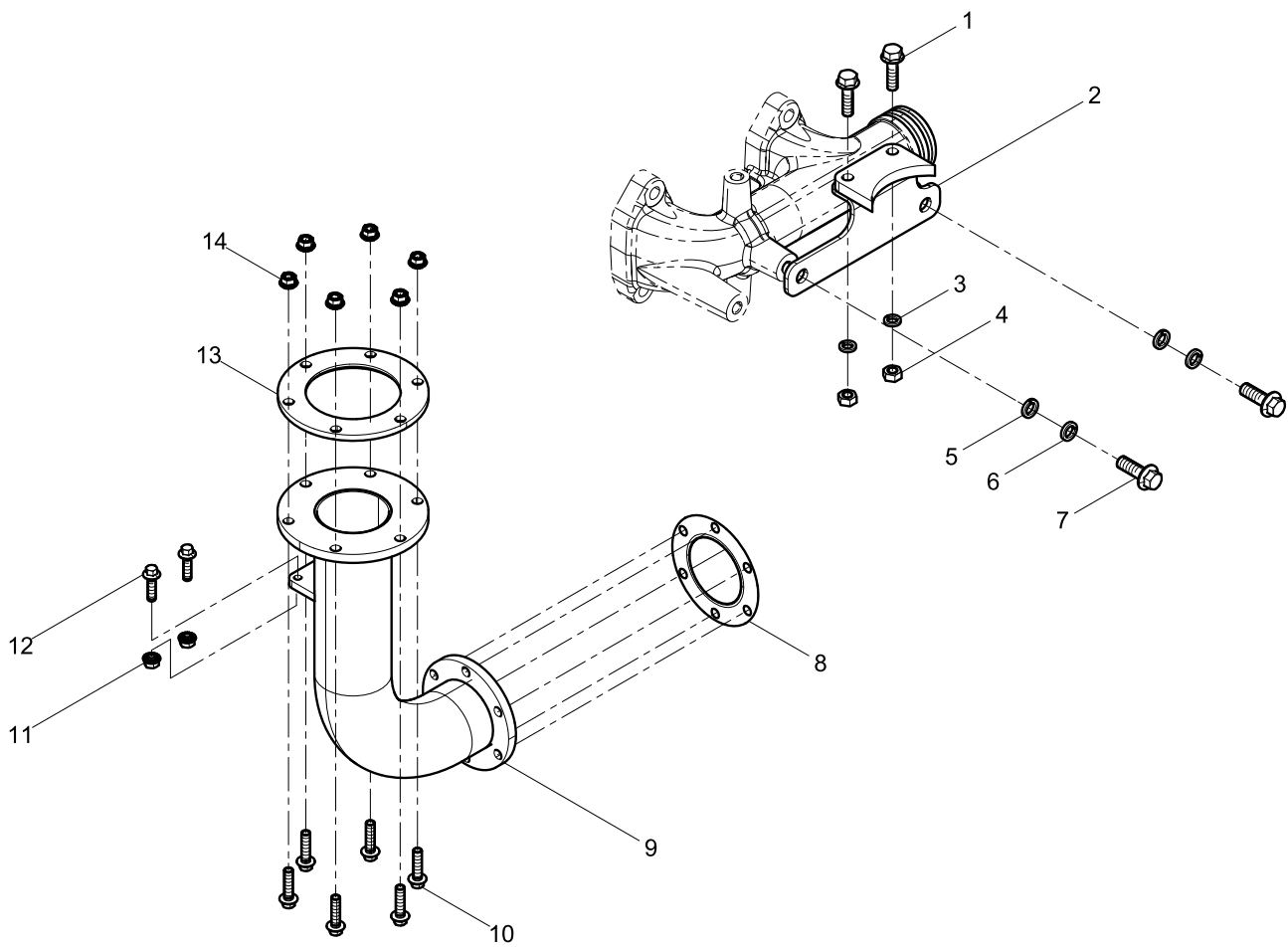
### Exhaust Manifold Group



**Exhaust Manifold Group**

<b>Pos.</b>	<b>Teile.Number</b>	<b>Amount</b>	<b>Designation</b>
1	612650110003	6	Exhasut Manifold Gasket
2	612640110379	2	Exhaust Manifold
3	612630110958	12	Exhaust Manifold Bolt
4	61260110162	8	Exhaust Pipe Sealing Ring
5	1000510222	1	Exhaust Manifold
6	1001223563	1	Exhaust Manifold Heat Shield
7	612630111023	1	Exhaust Manifold Heat Shield
8	612640110398	8	Bolt
9	612630110862	12	Sleeve

### Rear Exhaust Manifold Group

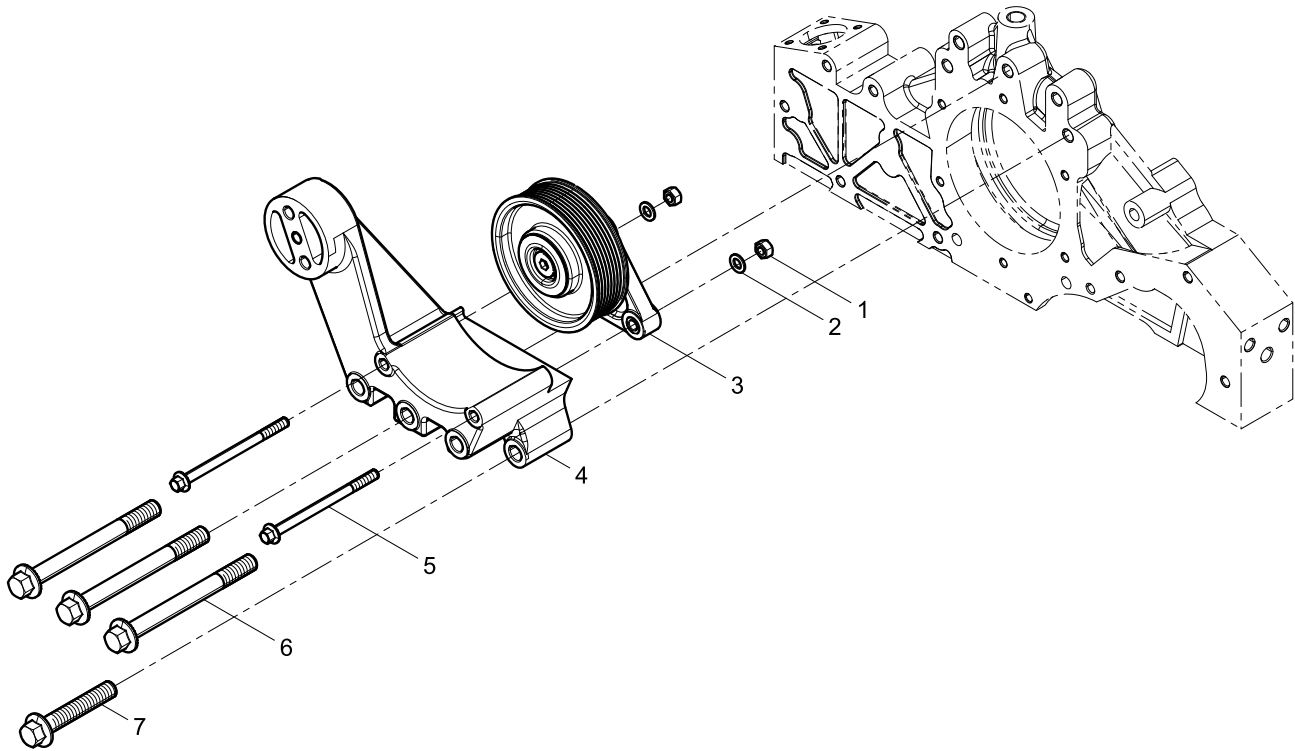




**Rear Exhaust Manifold Group**

<b>Pos.</b>	<b>Teile.Number</b>	<b>Amount</b>	<b>Designation</b>
1	90011400003	2	Hexagon Flange Bolt
2	1001013327	1	Bracket
3	90003931102	2	Spring Washer
4	90003871248	2	Hexagon Nut
5	90003931122	2	Spring Washer
6	612600111852	2	Washer
7	90011430017	2	Hexagon Flange with Tooth Bolt
8	612600115408	1	Gasket
9	612600115335	1	ExhaustConnecting Pipe
10	90011430032	6	Hexagon Flange with Tooth Bolt
11	612600061719	2	Prevailing Torque Type Hexagon Nut with Flange
12	90011430018	2	Hexagon Flange with Tooth Bolt
13	612600110264	1	
14	612600061720	6	Prevailing Torque Type Hexagon Nut with Flange

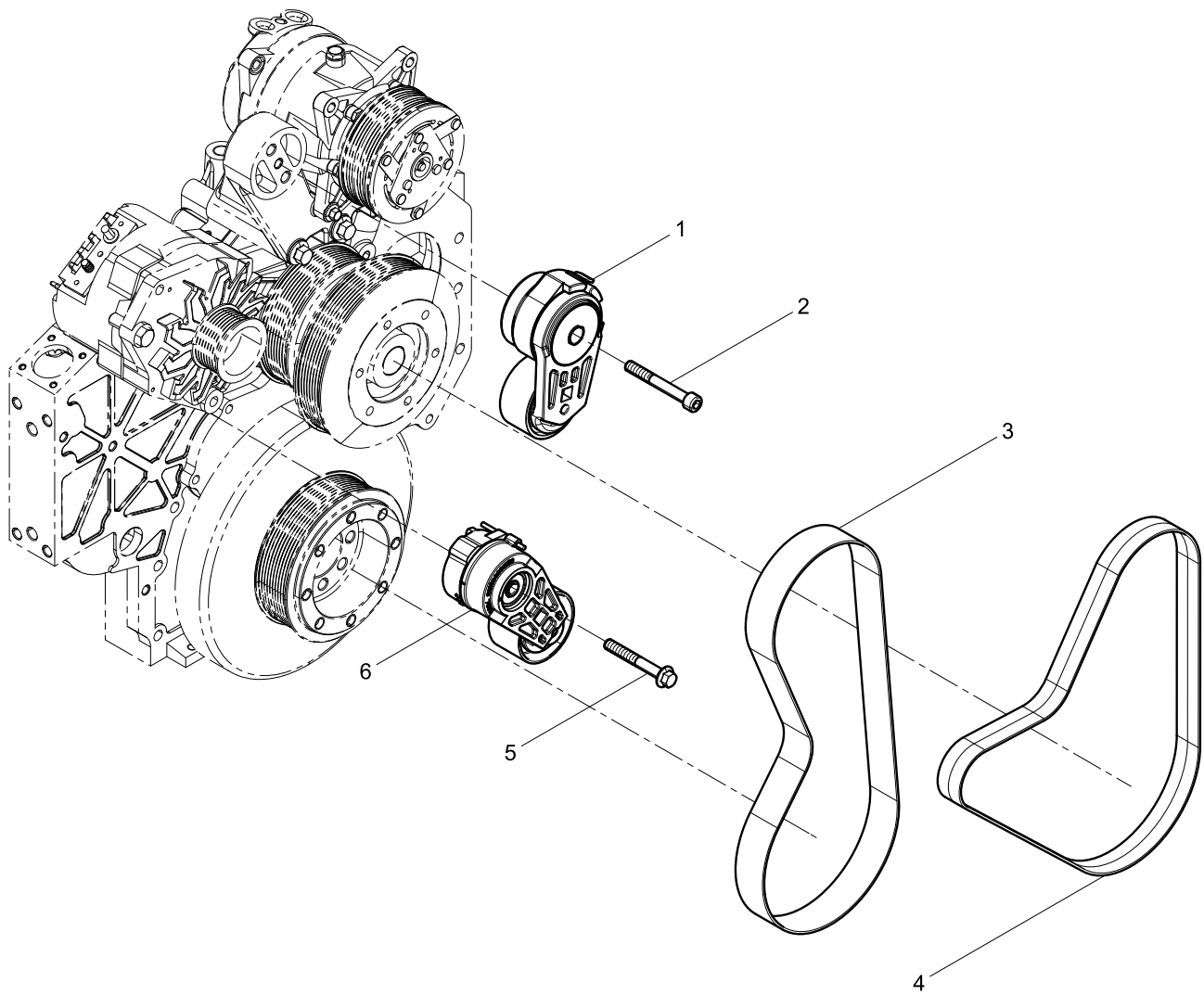
### Air Conditioning Compressor Group



**Air Conditioning Compressor Group**

Pos.	Teile.Number	Amount	Designation
1	90003871252	2	Hexagon Nuts, Style 1
2	90014040007	2	Plain Washer
3	612640060174	1	Idle Wheel
4	612640060110	1	Air Condition Compressor Bracket
5	612640060120	2	Hexagon Flange with Tooth Bolt
6	612640060114	3	Hexagon Flange with Tooth Bolt
7	90011430056	1	Hexagon Flange with Tooth Bolt

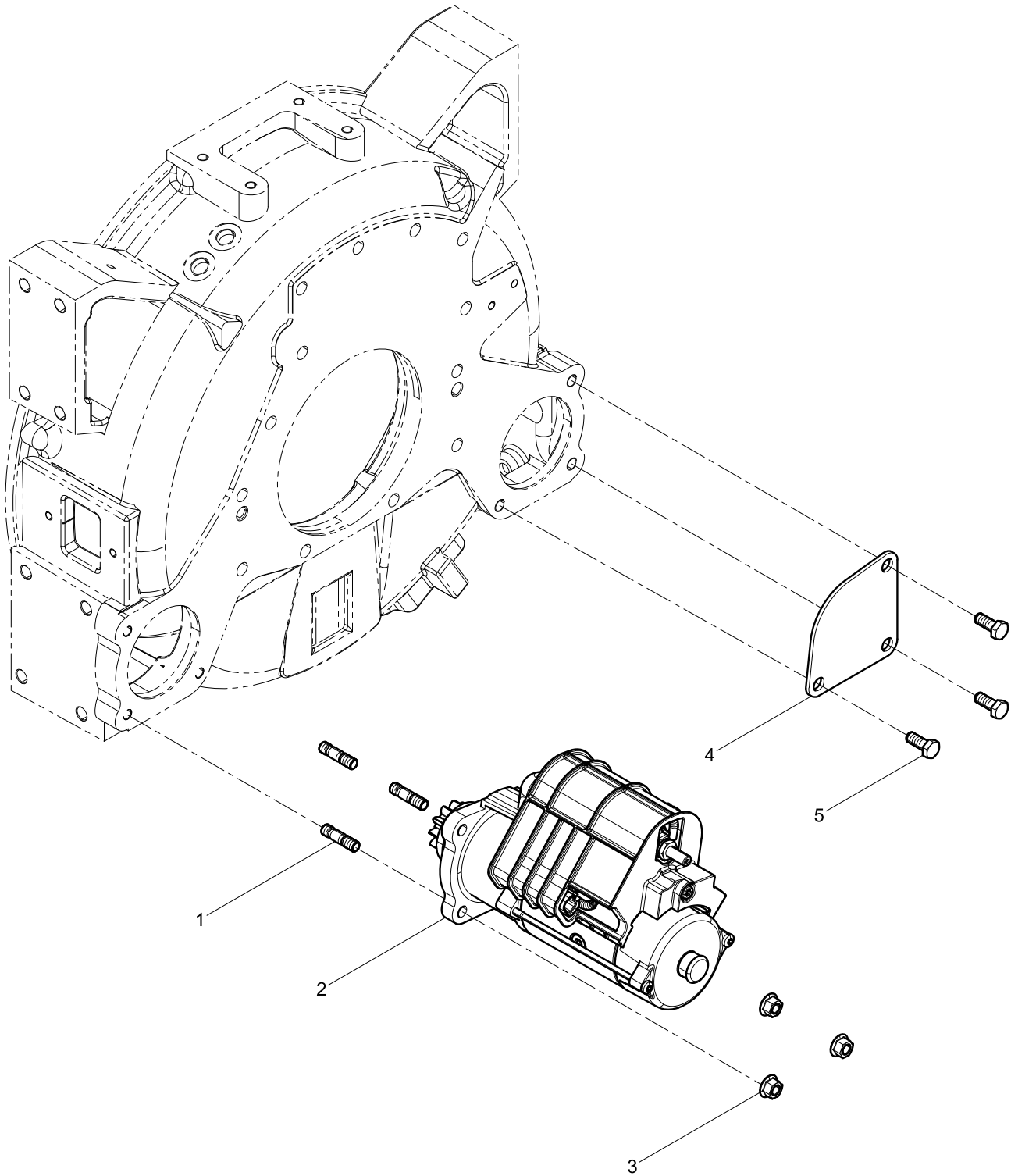
### Tensioner And Belt Group



**Tensioner And Belt Group**

Pos.	Teile.Number	Amount	Designation
1	612640060116	1	Automatic Tensioner
2	90013050183	1	Inner Hexagon Socket Head Cap Screw
3	612600061995	1	Poly V Belt
4	1000943236	1	Poly V Belt
5	9000000361S	1	Hexagon Flange Bolt
6	612600061256	1	Automatic Tensioner

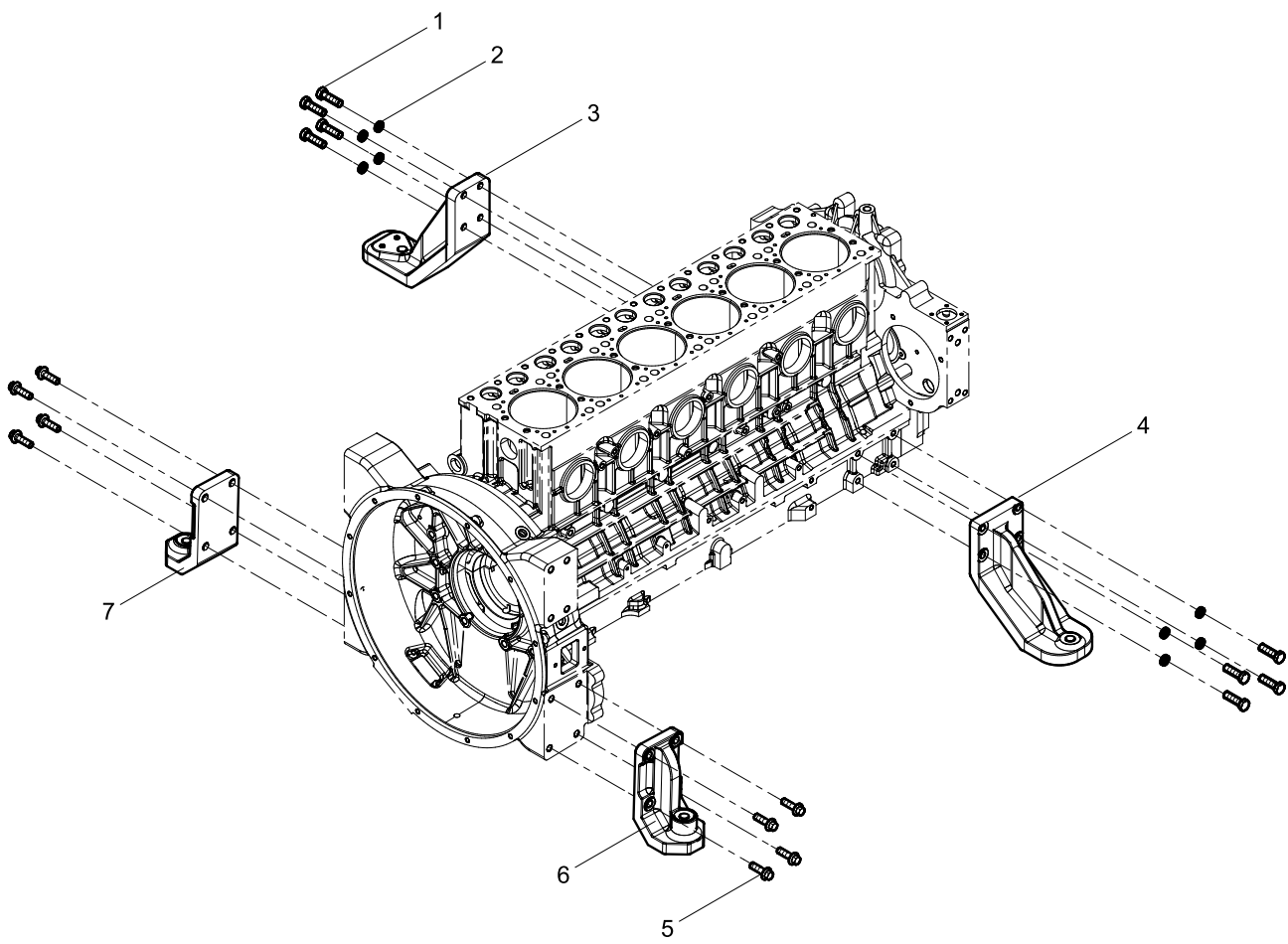
### Starter Motor Group



**Starter Motor Group**

<b>Pos.</b>	<b>Teile.Number</b>	<b>Amount</b>	<b>Designation</b>
1	90003813527	3	Double End Stud
2	612600090494	1	Starter Motor
3	612600013602	3	Hexagon Flange Nut
4	612600090751	1	Cover
5	90011350132	3	Hexagon Head Bolt

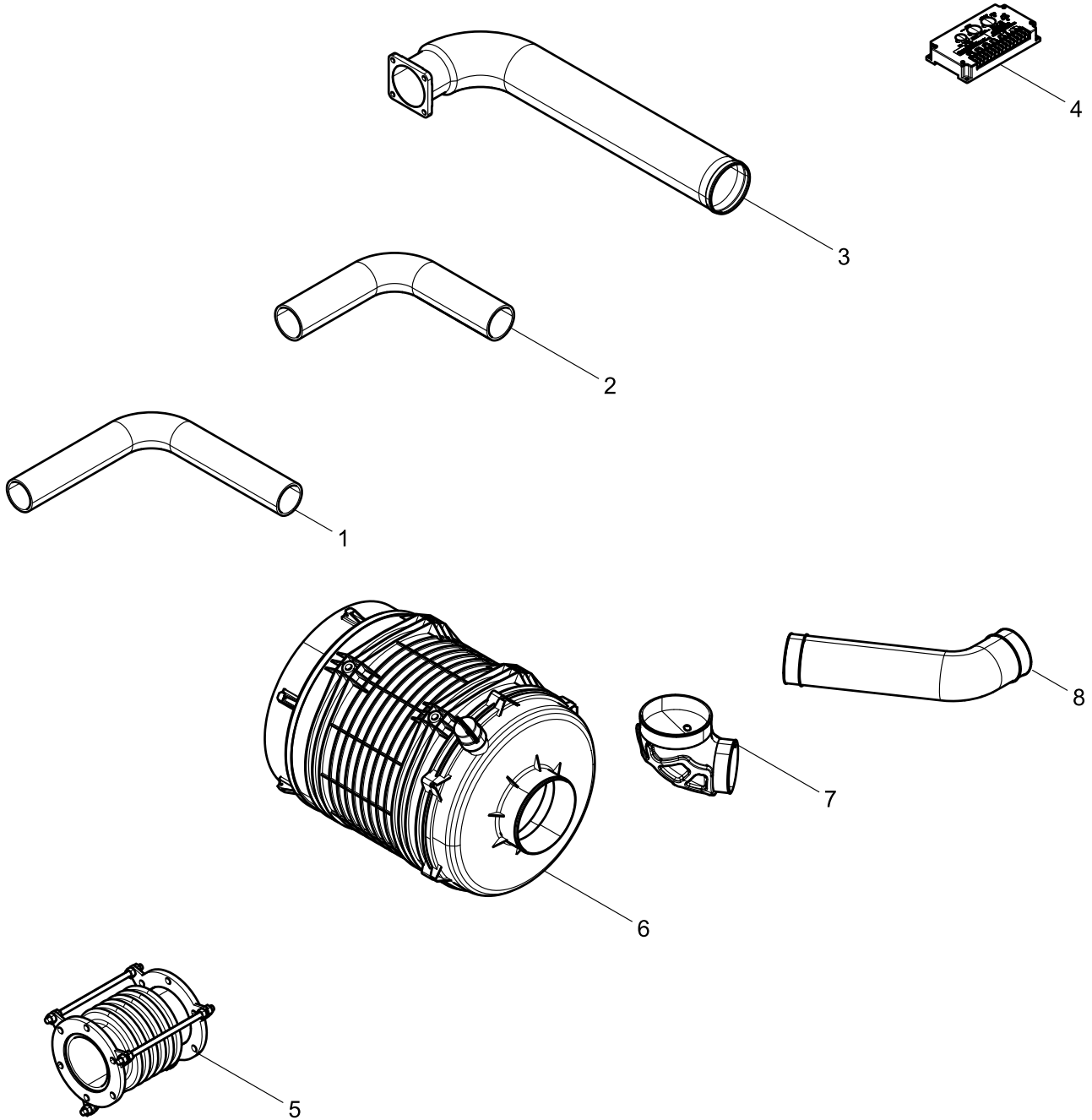
### Engine Bracket Group





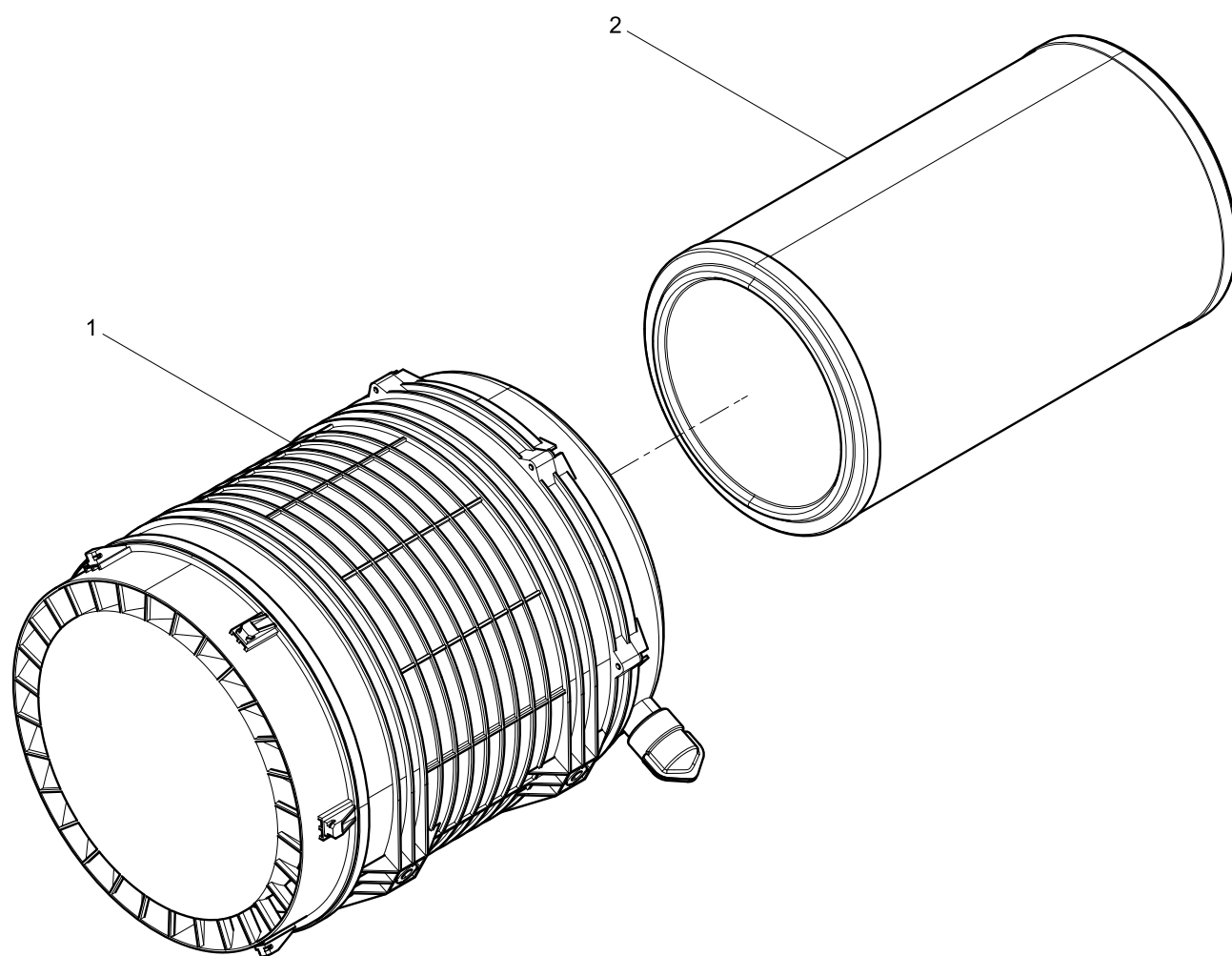


**Packing Box Chassis Parts Group**



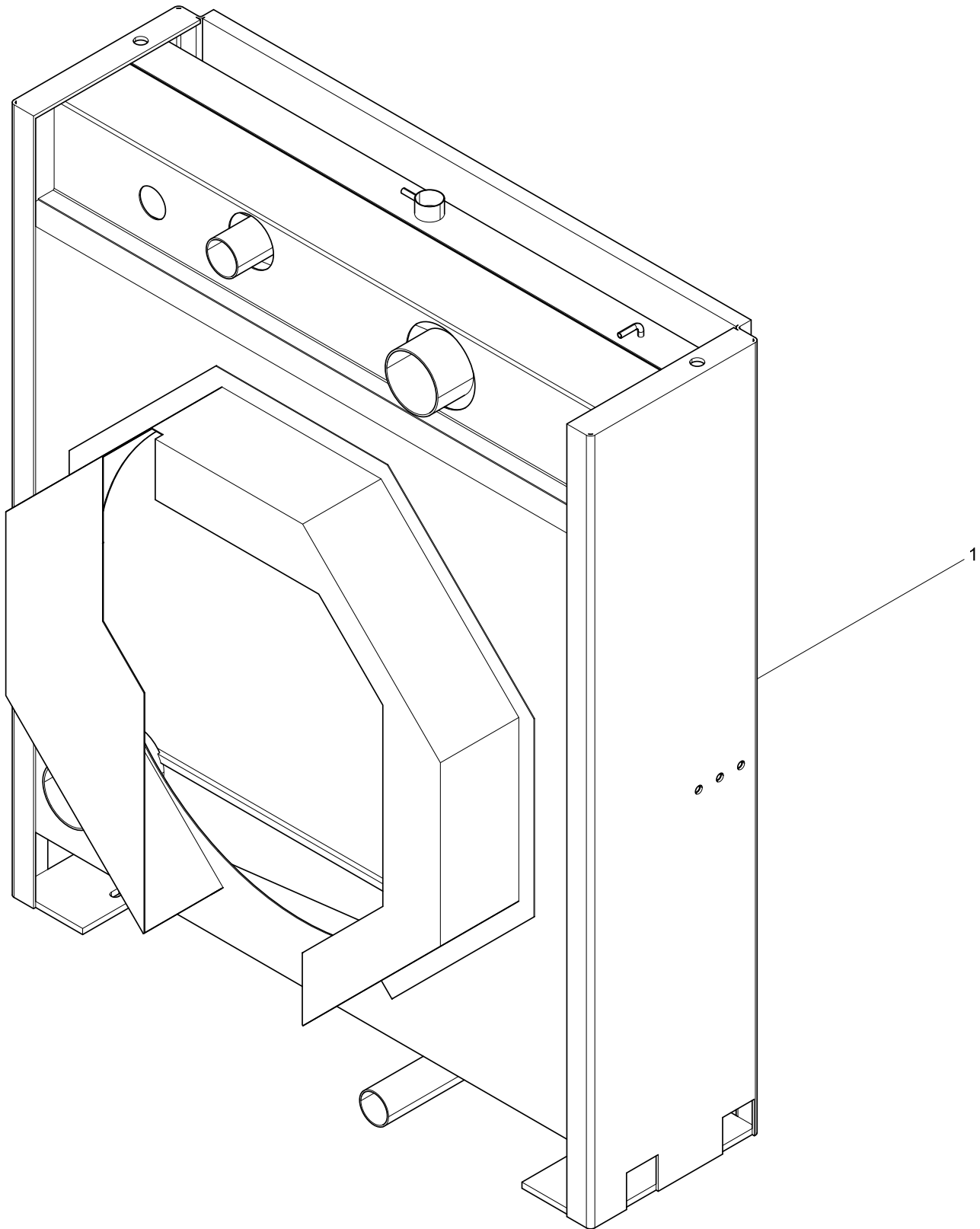


**Air Filter**





**Separate Delivery Parts Group Attached to Engine**





---

**Parts Box Group**

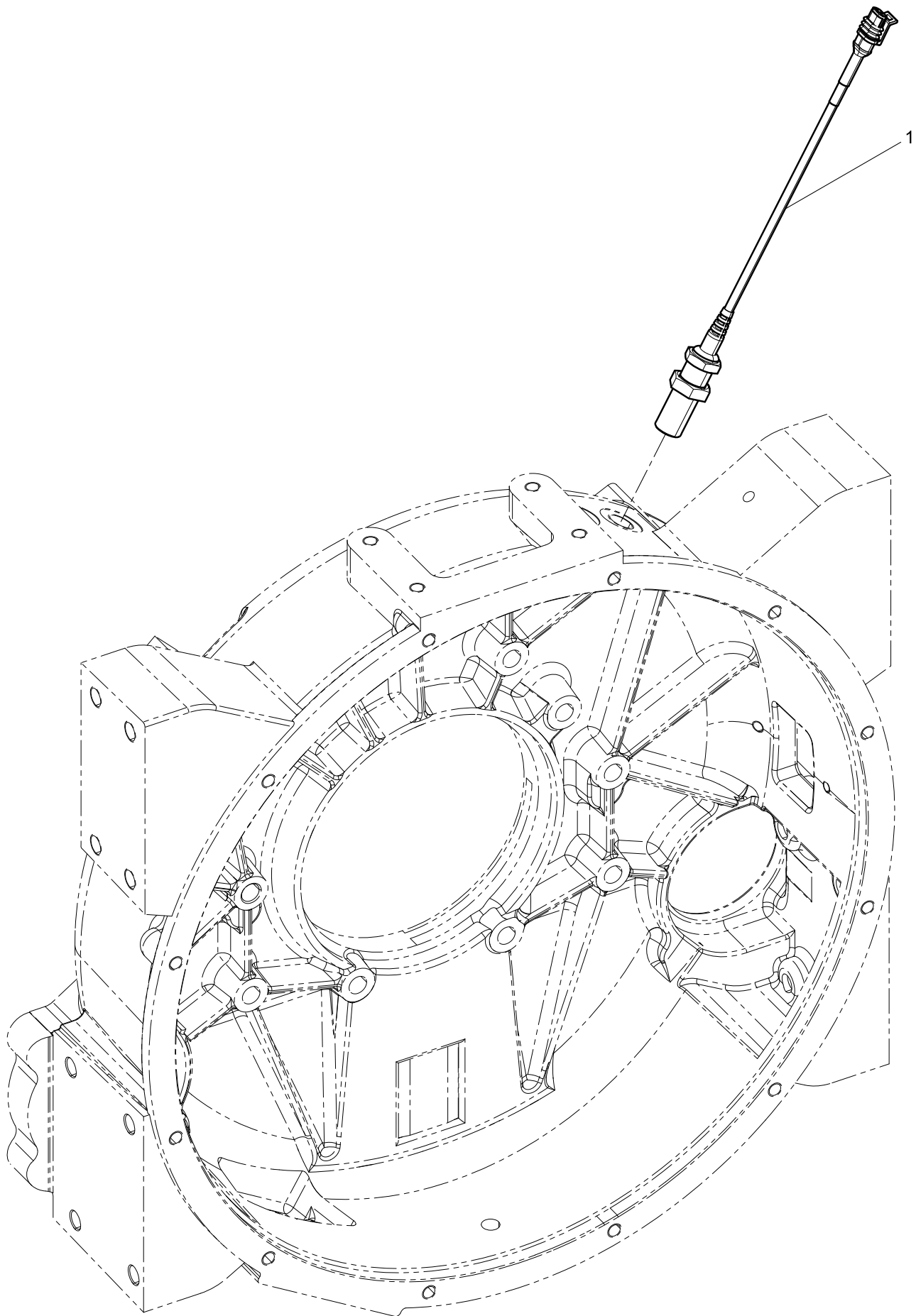
can't find EPC image!



## Parts Box Group

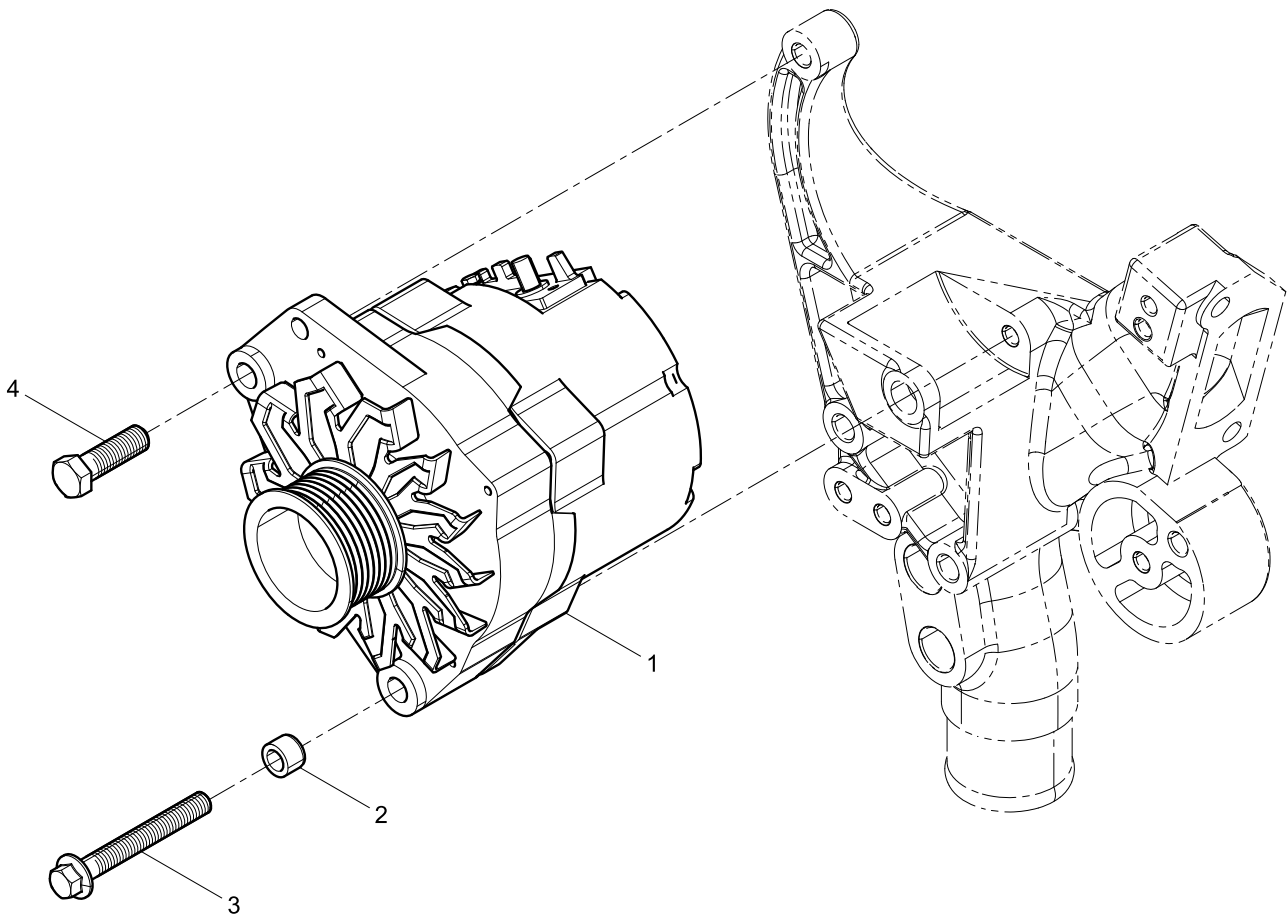
Pos.	Teile.Number	Amount	Designation
	612600113993	2	Air Connecting Rubber Pipe
	612600113794	4	Clamp
	90003989311	4	Clamp
	1001063586	1	Parts Kit
	612600110961	4	Bolt
	90011430032	6	Hexagon Flange with Tooth Bolt
	612600061720	6	Prevailing Torque Type Hexagon Nut with Flange
	612600114278	2	Exhaust elbow gasket
	1000644232	1	Intake Resistance Alarm
	612600113389	3	Clamp
	612600114931	1	Air Connecting Rubber Pipe
	612600114944	1	Clamp
	612600115282	1	Transition joint

**General-use Wire and Sensor Group**





### Alternator Group





This manual is for reference only,  
product parameters are subject to alteration  
without notice,  
whichever is the physical product.