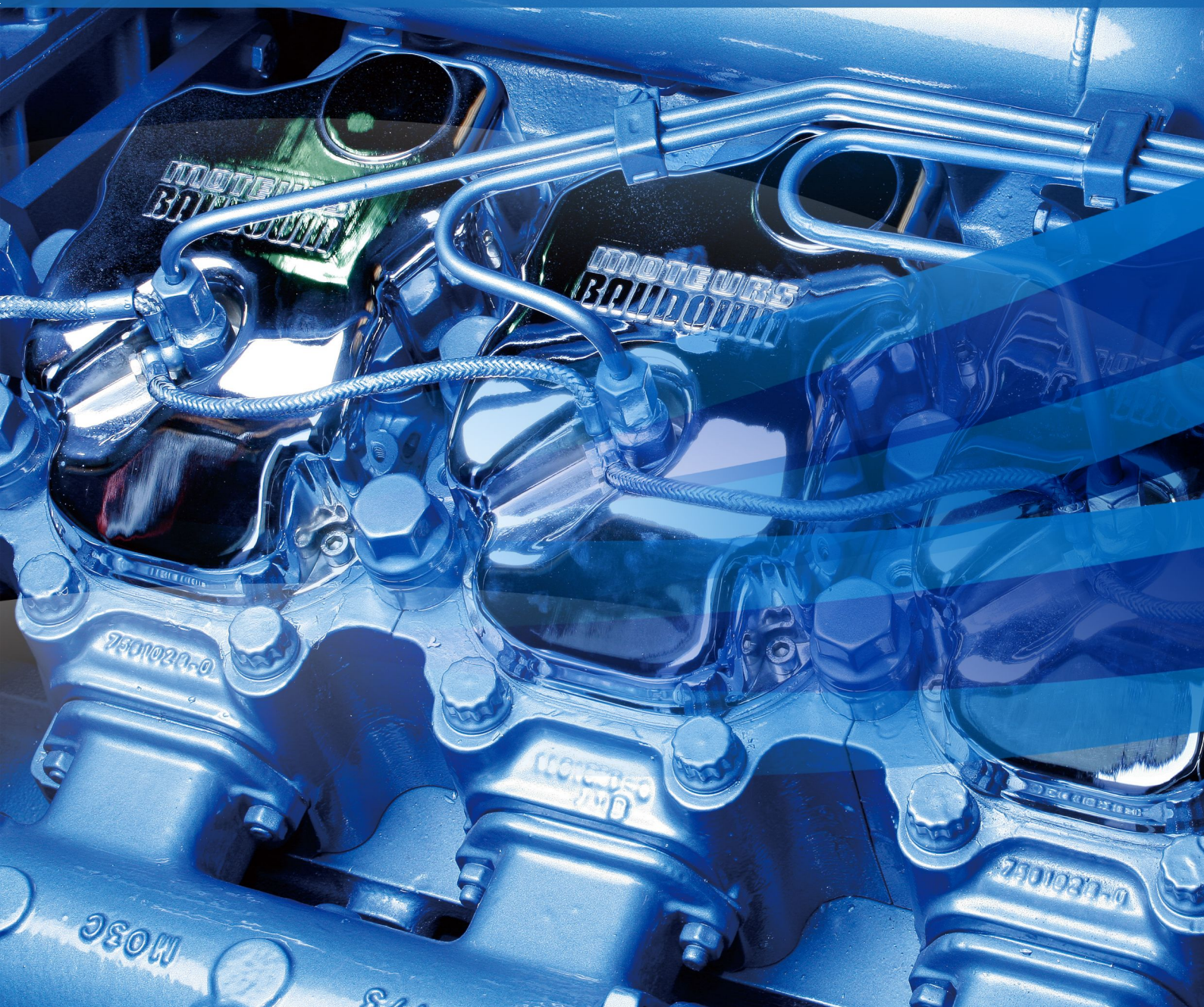


M16 BAUDOIN DIESEL PARTS CATALOGUE



PREFACE

This illustrated parts manual is specially prepared for customers to facilitate the use of M16 series diesel engine in operation and tenance.

The illustrations are grouped under the heading of each assembly and numbered individually.Part.

No.,Quantity,Model,English designation,Chinese designation and so on are written in the parts list .
The parts catalogue include detailed assembling parts list of diesel engine ,some parts can not be sold ,if you want to know selling part matters,please ask weichai power spare part resource CO.,LTD.

With the development of technology and production,the versions of the diesel engine will be increased, so the catalogue will be revised.Please pay attention to our revised edition.After service of this product is authorized to Weichai Power Co.,Ltd ,Consumers can acquire information of this product through www.weichai.com.

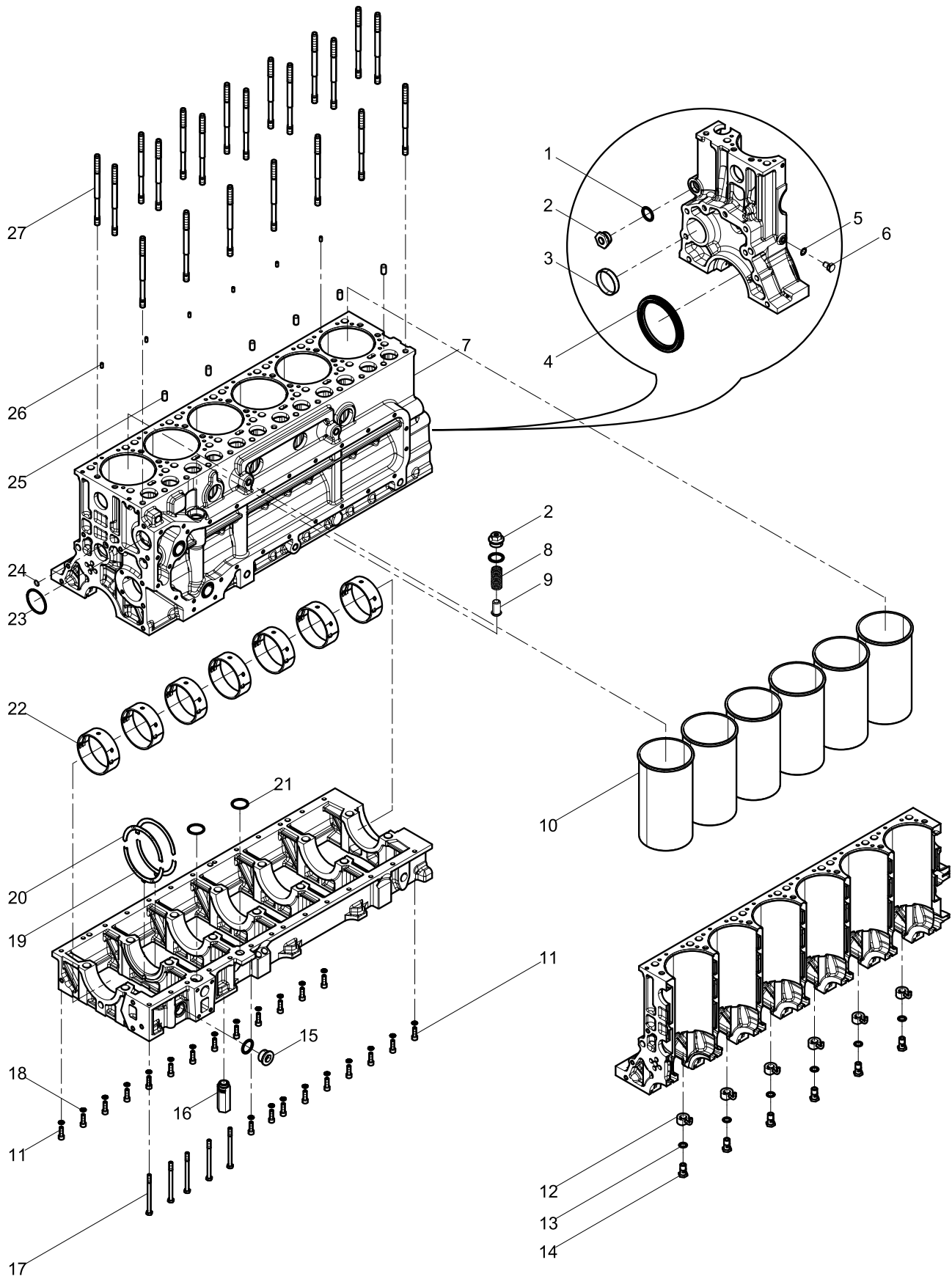
CONTENTS

Engine Block Group	1
crankcase assembly	3
Cylinder Block Preassembly	5
Flywheel Housing Group	7
Timing Gear Housing Group	9
Front cover group	11
Crankshaft Group	13
Crankshaft Assembly	15
Crankshaft Subassembly	17
Flywheel Group	19
Piston and Connecting Rod Group	21
Piston Ring Set	23
Connecting Rod Assembly	25
Cylinder Head Group	27
Cylinder Head Subassembly	29
Cylinder Head Cover Group	31
Valve Train Group	33
Camshaft Assembly	35
Idler Gear Assembly.....	37
Intake Rocker Arm Assembly	39
Exhaust Rocker Arm Set	41
Crankshaft Pulley Group	43
Oil Pan	45
Oil Pan Assembly.....	47
Dipstick Group	49
Oil Pump Group	51
Oil Pump Idle Gear Set	53
Oil Strainer Group	55
Oil Cooler Group	57
Oil Filter Group	59

Oil Filter	61
Oil Filling Tube Group	63
Oil-gas Separator Group	65
Oil-gas Separator Assembly	67
Water Pump Group	69
Water Pipe Connector Group	71
Water Outlet Pipe Group	73
Thermostat Group	75
Intercooler Group	77
Fan and Hub Group.....	79
Fuel Injection Pump Group	81
Fuel Injector Group.....	83
Low Pressure Fuel Pipe Group.....	85
Fuel Filter Group	87
Fuel Filter	89
Fuel Coarse Filter	91
High Pressure Fuel Pipe Group.....	93
High-pressure Fuel Pipe Assembly	95
Intake Manifold Group	97
Intake Manifold Assembly	99
Turbocharger Group	101
Turbocharger Oil Pipe Group	103
Air Filter Group.....	105
Exhaust Manifold Group	107
Rear Exhaust Manifold Group.....	109
Tensioner And Belt Group	111
Starter Motor Group	113
Engine Bracket Group.....	115
Packing Box Chassis Parts Group.....	117
Air Filter	119

Separate Delivery Parts Group Attached to Engine.....	121
Parts Box Group	123
Alternator Group	125
Alternator Bracket Group	127

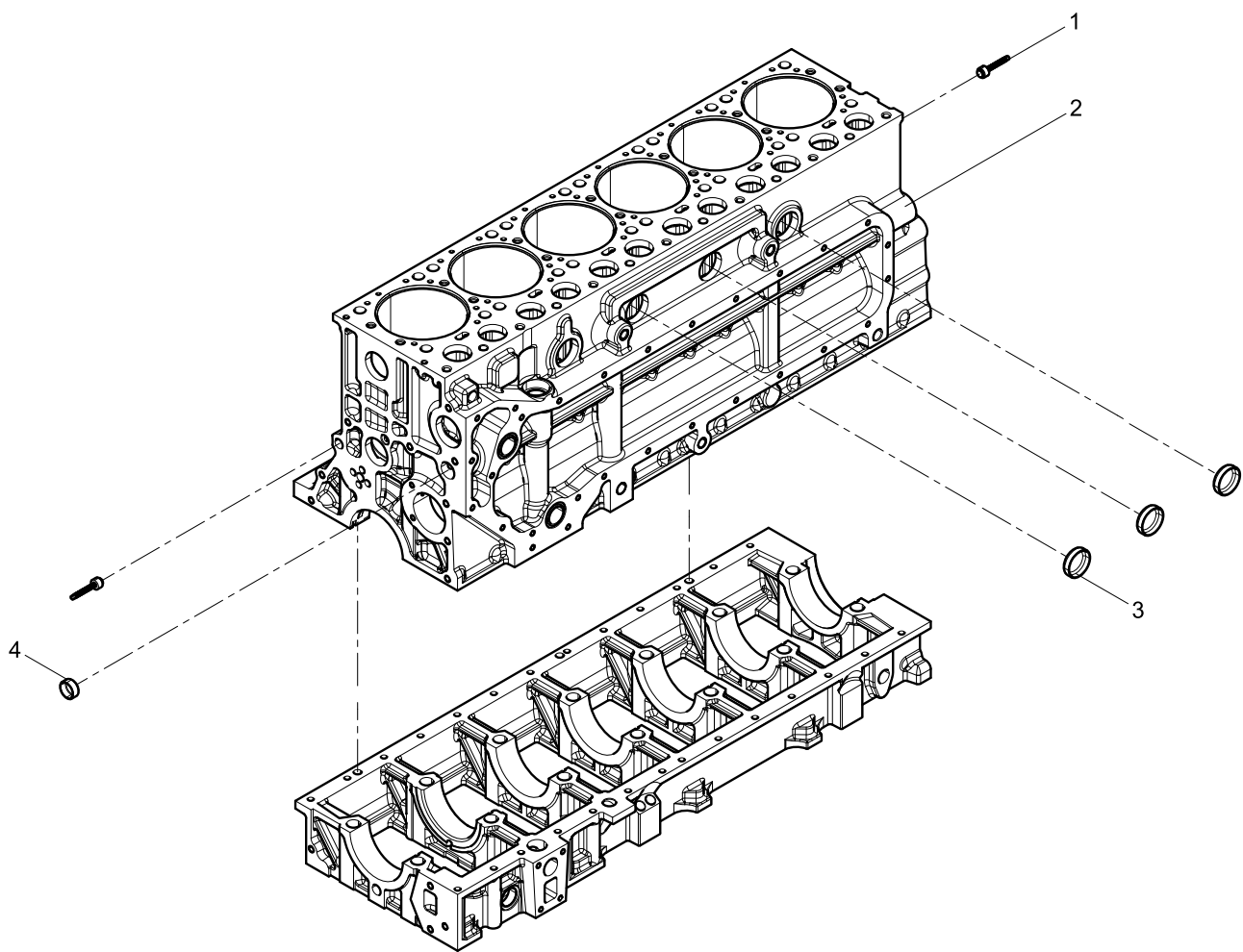
Engine Block Group



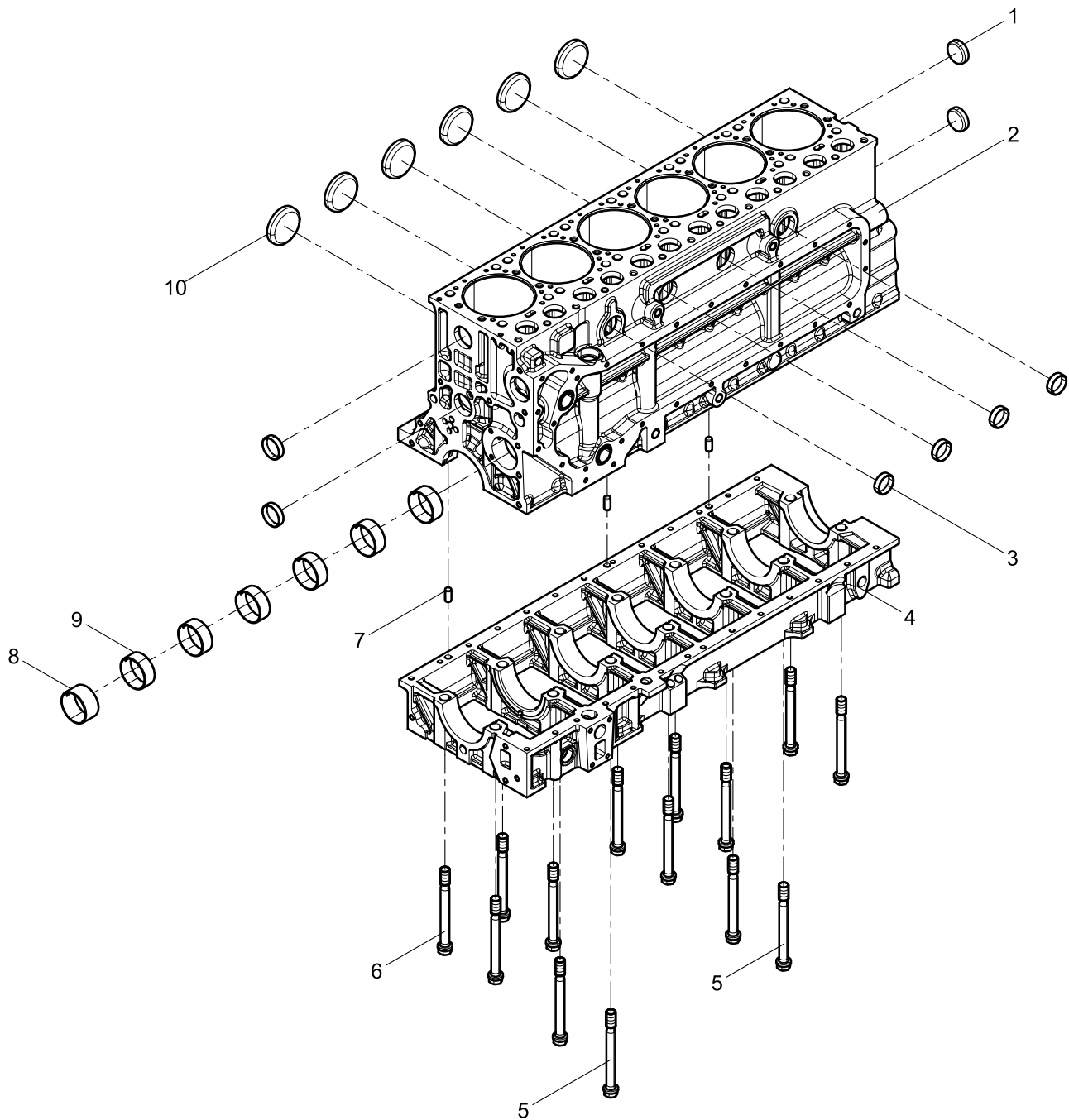
Engine Block Group

Pos.	Teile.Number	Amount	Designation
1	612600010735	3	Washer
2	90003962051	2	Hexagon plug
3	90003989288	1	Bowl Plug
4	61500010100	1	Rear Oil Seal
5	612600050042	1	Sealing Washer
6	612600070216	1	Screw Plug
7	612600900214	1	crankcase assembly
8	614070068	1	Oil Pump Safety Valve Spring
9	614070069	1	Oil Pressure Relief Valve
10	612630010015	6	Cylinder Liner
11	90003862428	22	Inner Hexagon Socket Head Cap Screw
12	612600010659	6	Piston Nozzle Assembly
13	90003098015	6	Sealing Washer
14	90003962621	6	Hollow screw
15	90003962050	1	Hexagon Taper Screw Plug
16	AZ1500070097	1	Pressure-limiting valve of the main oil passage
17	90003802493	5	Hexagon Head Bolt
18	188250083	22	Washer
19	612600013918	2	Lower Thrust Plate
20	612600013917	2	Upper Thrust Plate
21	81400010032	2	Seal Ring
22	81500010046	7	Main Bearing Set
23	61000010134	1	O-ring
24	288730061	1	O-ring
25	90003901604	6	Parallel Pin
26	90003909626	6	Spring-Type Straight Pin
27	61500010185S	21	Cylinder Head Bolt

crankcase assembly



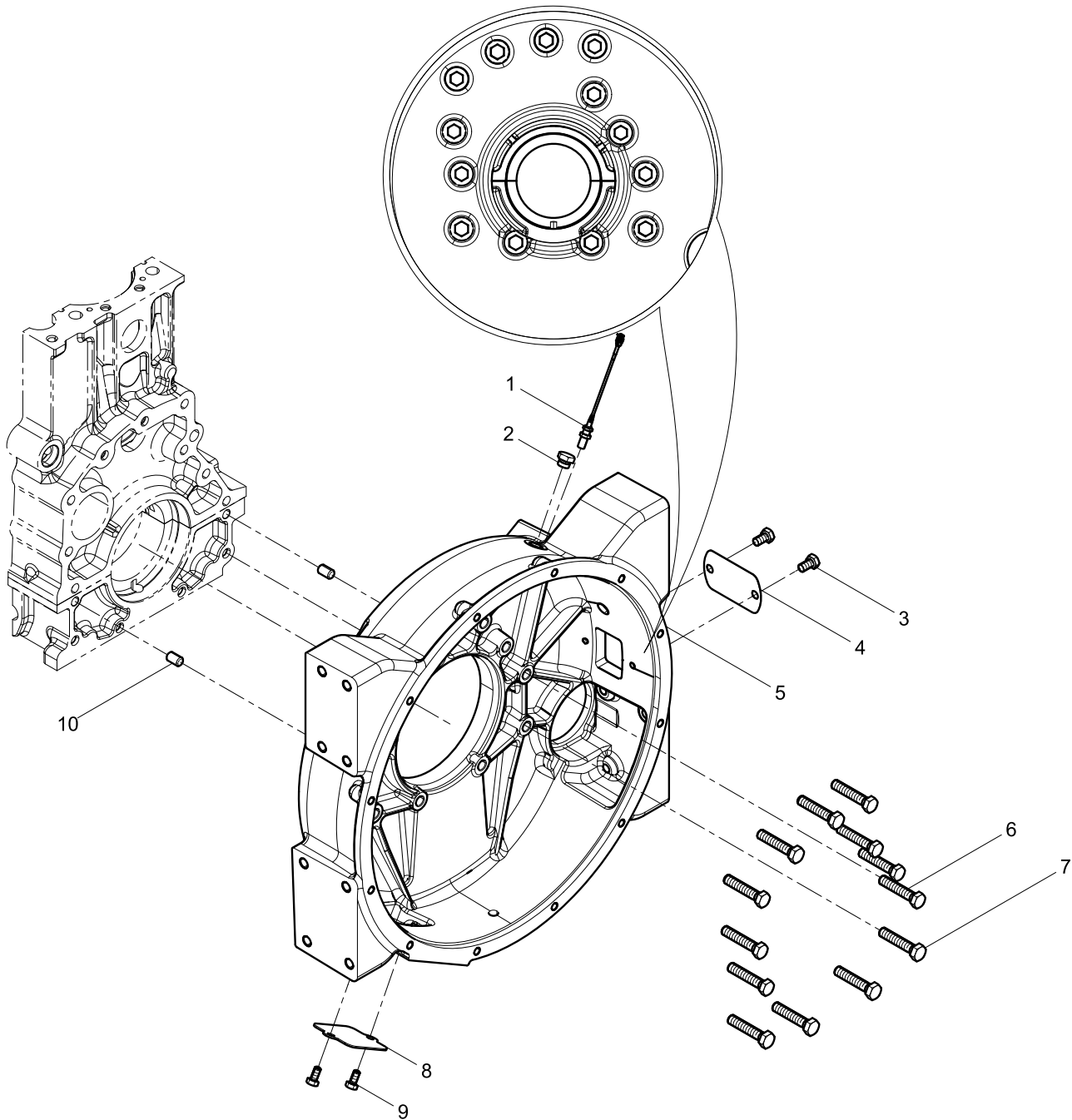
Cylinder Block Preassembly



Cylinder Block Preassembly

Pos.	Teil.Number	Amount	Designation
1	90003982121	4	Bowl Plug
2	612600013705	1	Cylinder Block
3	90003989289	4	Bowl Plug
4	612600013790	1	Crankcase
5	614010217	4	Main Bearing Bolt
6	614010114	10	Main Bearing Bolt
7	90003901604A	3	Parallel Pin
8	612600010990	1	Camshaft Bush
9	61560010029	6	Camshaft Bush
10	90003989210	6	Bowl Plug

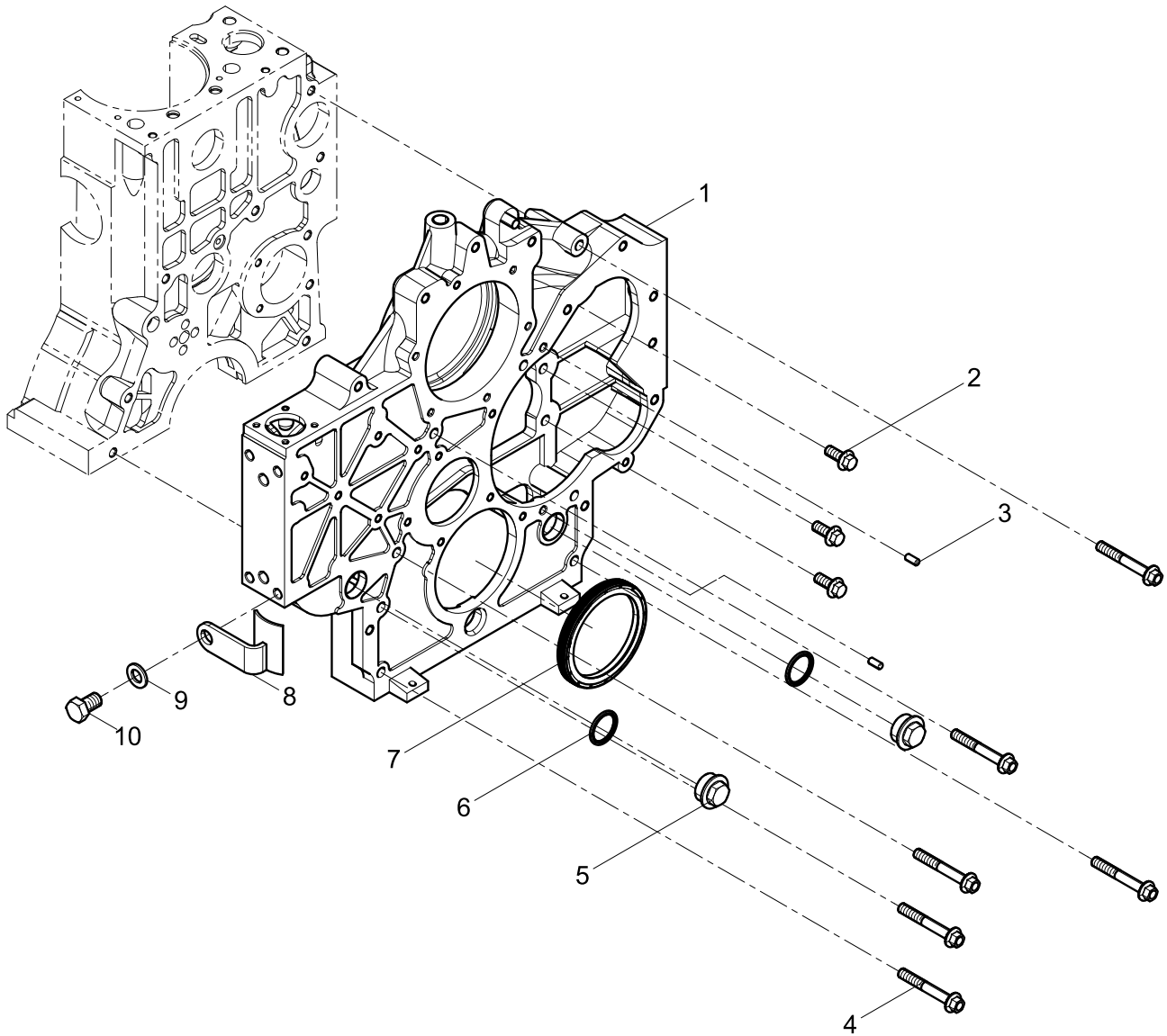
Flywheel Housing Group



Flywheel Housing Group

Pos.	Teile.Number	Amount	Designation
1	612600190113	1	Speed Sensor
2	90003962030	1	Hexagon plug
3	90003802511	2	Hexagon Head Bolt
4	1800210011	1	Handhole Cover
5	612600013588	1	Flywheel Housing
6	61500010062	7	Flywheel Housing Bolt
7	61500010101	6	Flywheel Housing Bolt
8	612600010062	1	Handhole Cover
9	90003802411	2	Hexagon Head Bolt
10	90003901604	2	Parallel Pin

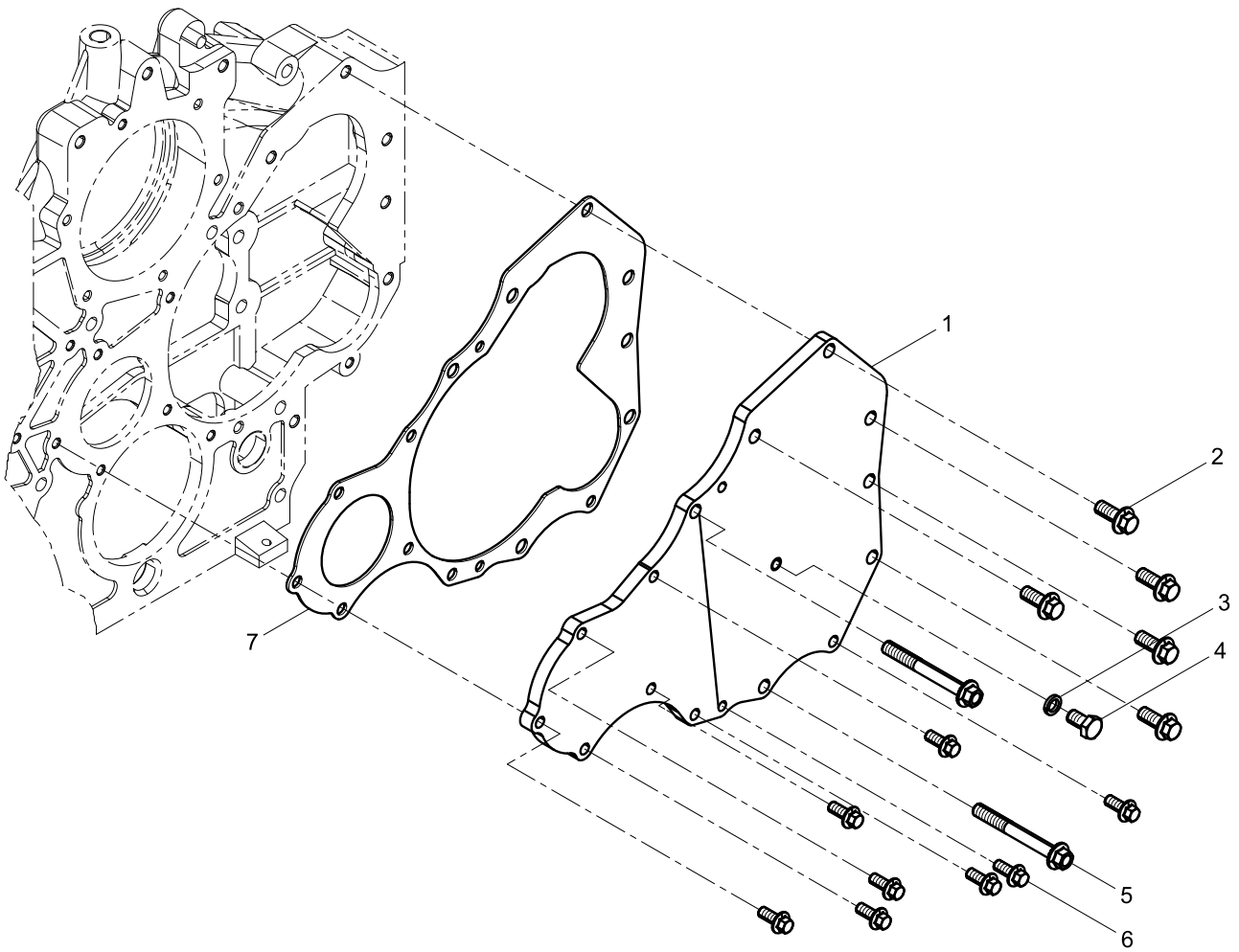
Timing Gear Housing Group



Timing Gear Housing Group

Pos.	Teile.Number	Amount	Designation
1	612600012122	1	Timing Gear Chamber
2	90011430008	3	Hexagon Flange with Tooth Bolt
3	90003901418	2	Parallel Pin
4	612600013483	6	Hexagon Flange with Tooth Bolt
5	90003962051	2	Hexagon plug
6	612600010735	2	Washer
7	61500010037	1	Front Oil Seal
8	612600160159	1	Water Pipe Bracket
9	90014040009	1	Plain Washer
10	90011350132	1	Hexagon Head Bolt

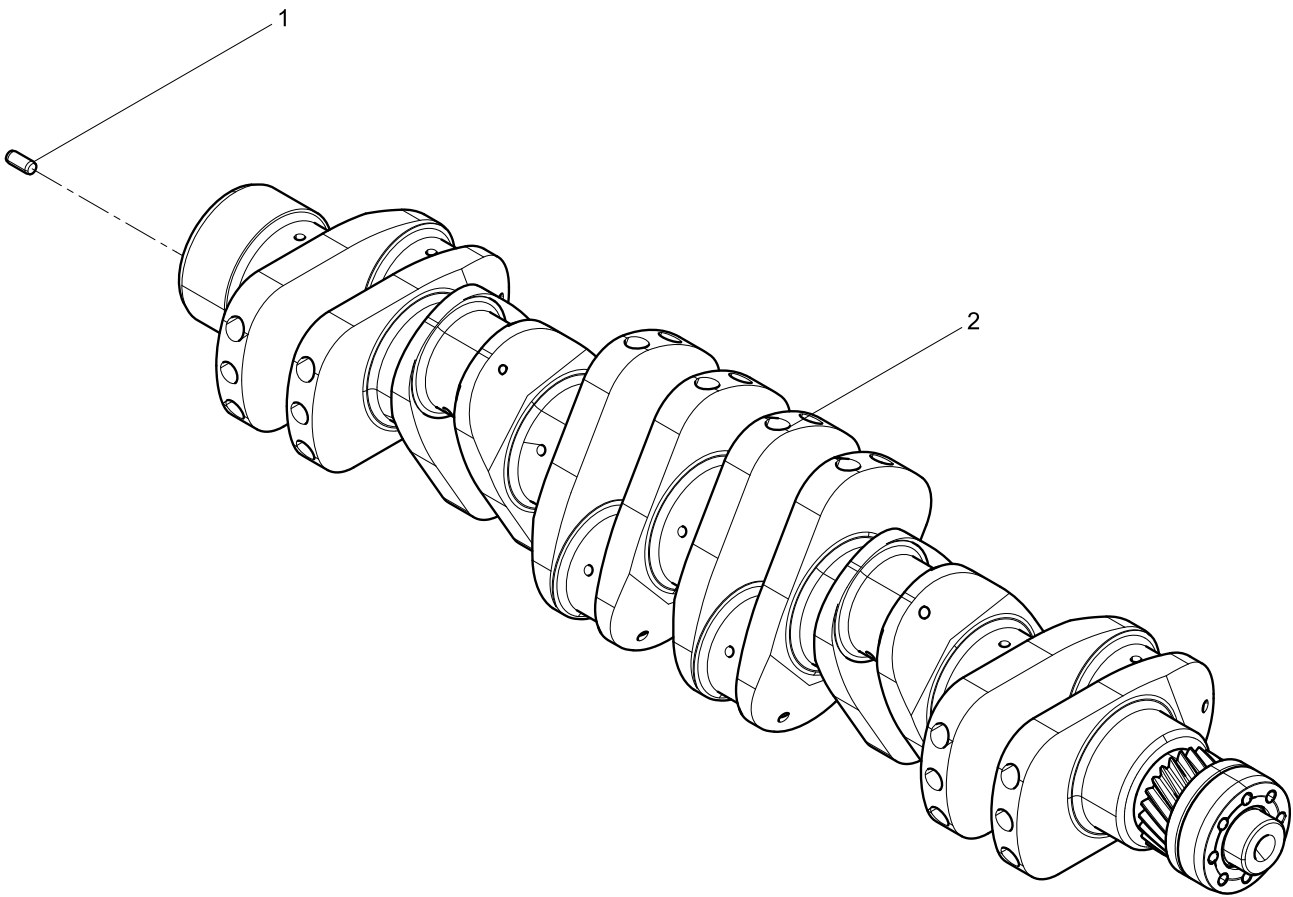
Front cover group



Front cover group

Pos.	Teile.Number	Amount	Designation
1	612600012201	1	Front Cap
2	90011430008	5	Hexagon Flange with Tooth Bolt
3	90003931122	1	Spring Washer
4	90003802513S	1	Hexagon Head Bolt
5	612600061711	2	Hexagon Flange with Tooth Bolt
6	90011430016S	7	Hexagon Flange with Tooth Bolt
7	612600013902	1	Gasket

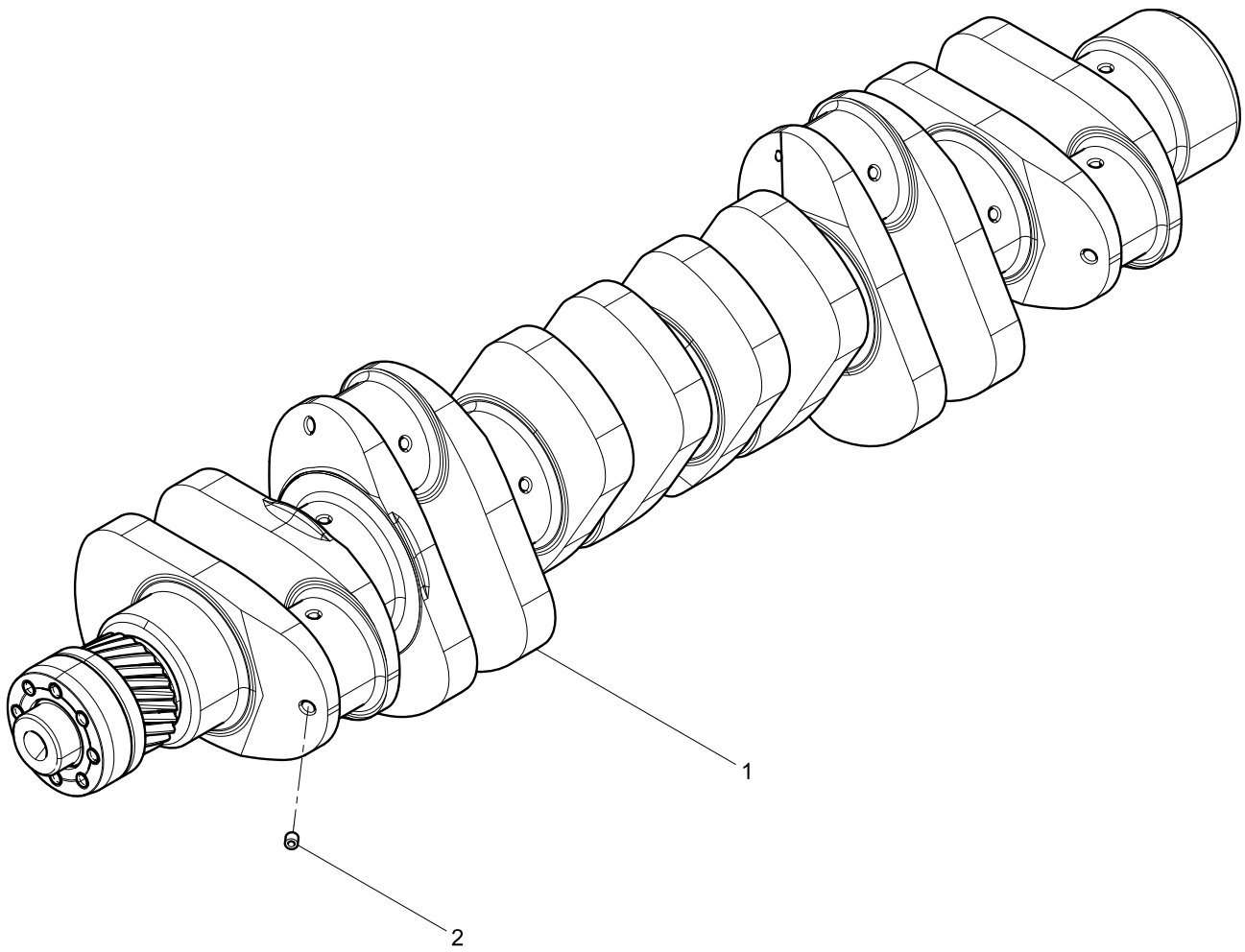
Crankshaft Group



Crankshaft Group

Pos.	Teile.Number	Amount	Designation
1	90003901418	1	Parallel Pin
2	612600020718	1	Crankshaft Assembly

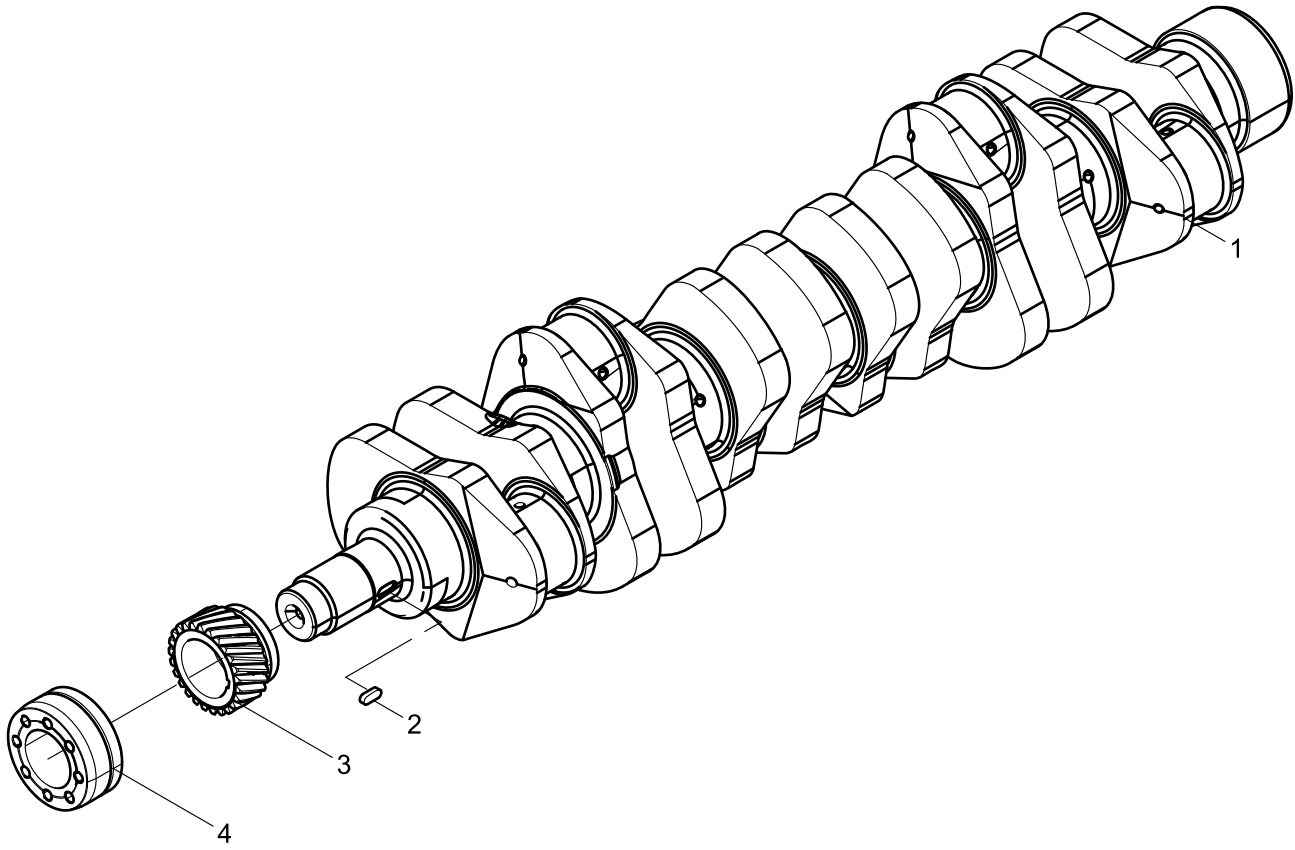
Crankshaft Assembly



Crankshaft Assembly

Pos.	Teile.Number	Amount	Designation
1	1000072541	1	Crankshaft Subassembly
2	612600020311	6	Stem

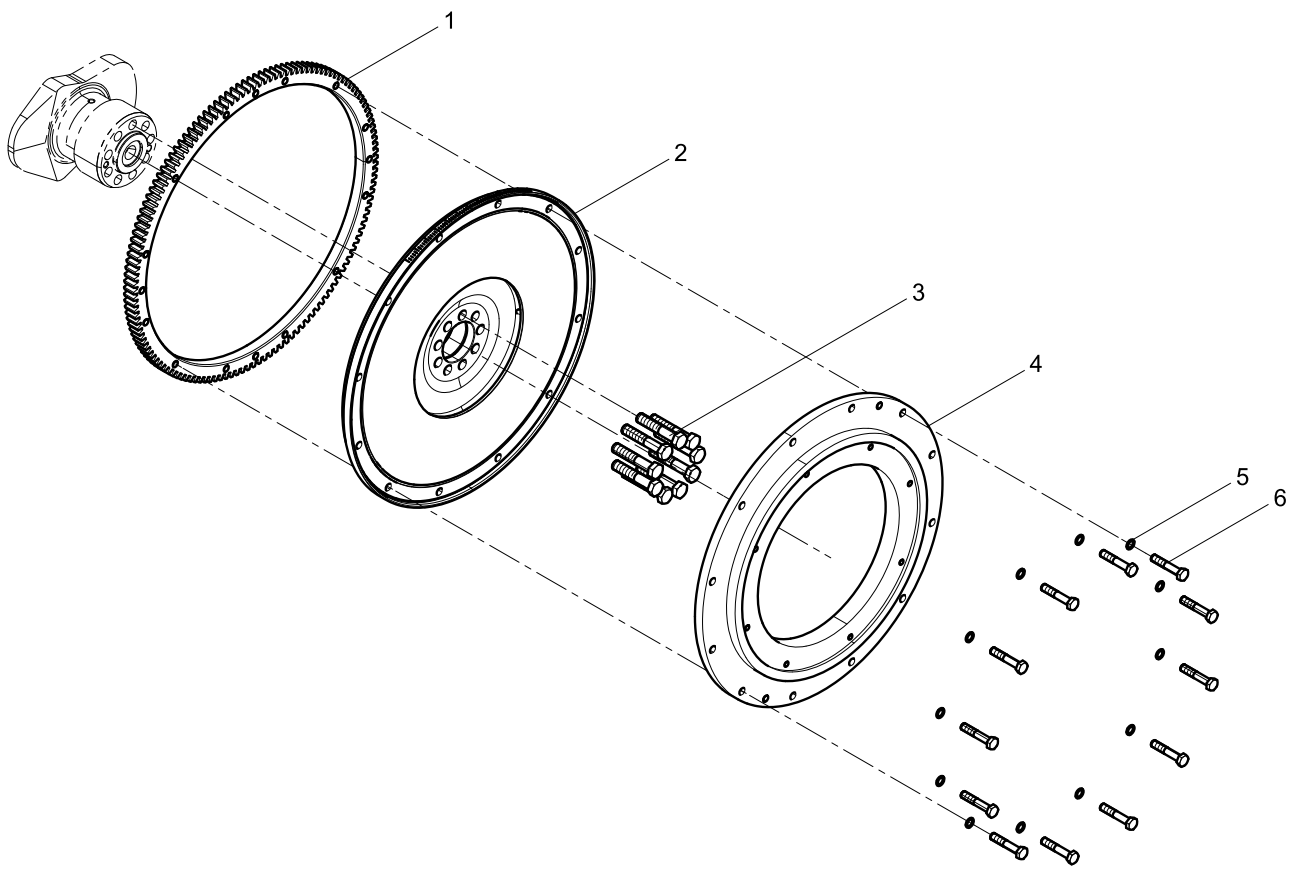
Crankshaft Subassembly



Crankshaft Subassembly

Pos.	Teile.Number	Amount	Designation
1	612600020866	1	Crankshaft
2	612600020040	1	Square and Rectangular Key
3	612600020036	1	Crankshaft Timing Gear
4	612600020335	1	Flange

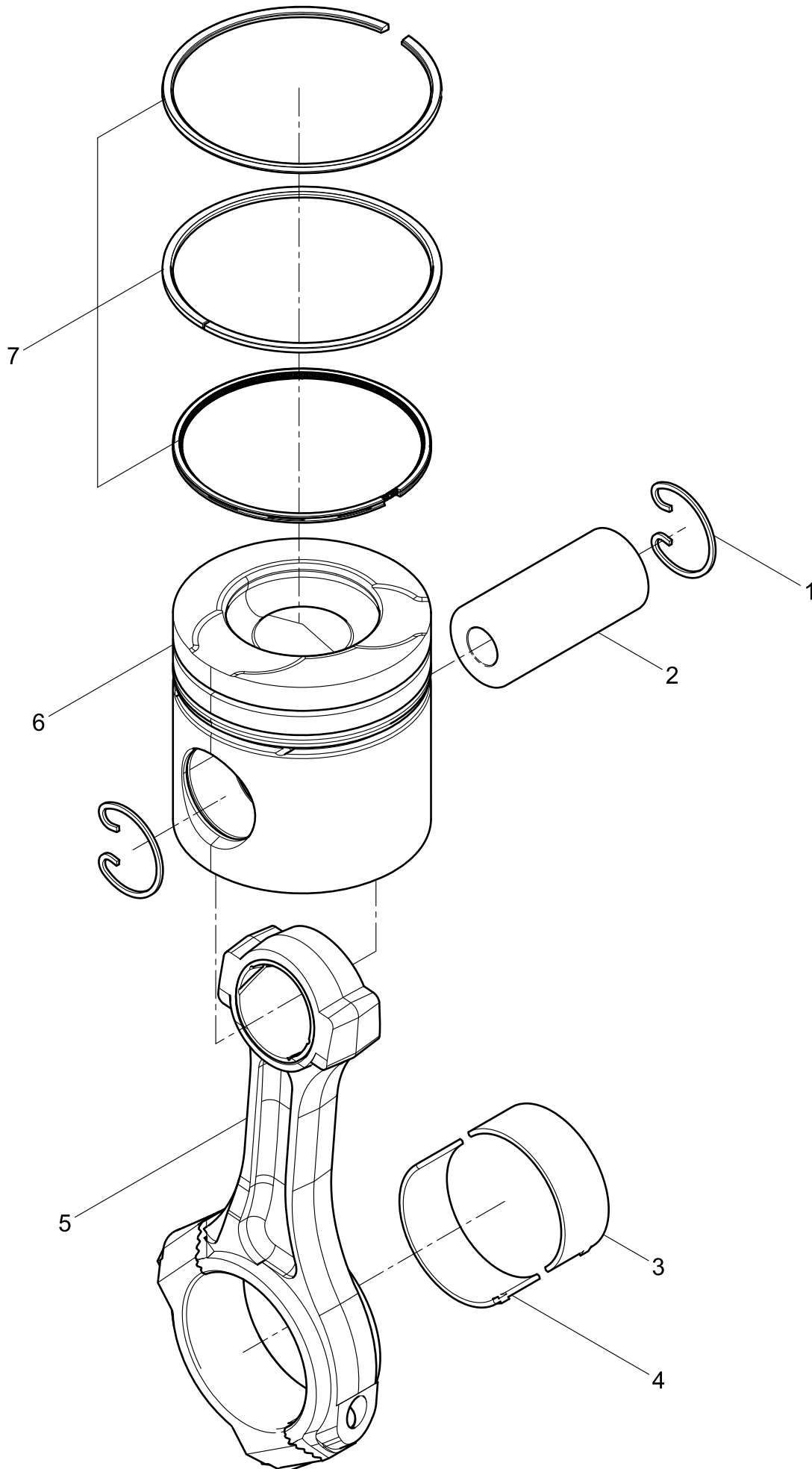
Flywheel Group



Flywheel Group

Pos.	Teile.Number	Amount	Designation
1	612600020208	1	Flywheel Ring Gear
2	612600020041	1	Flywheel
3	61500020046	9	Hexagon Head Bolt
4	120GFZ-6.02	1	Flywheel Connecting Ring
5	90003932024	12	Wave Spring Washer
6	90003800551	12	Hexagon Head Bolt

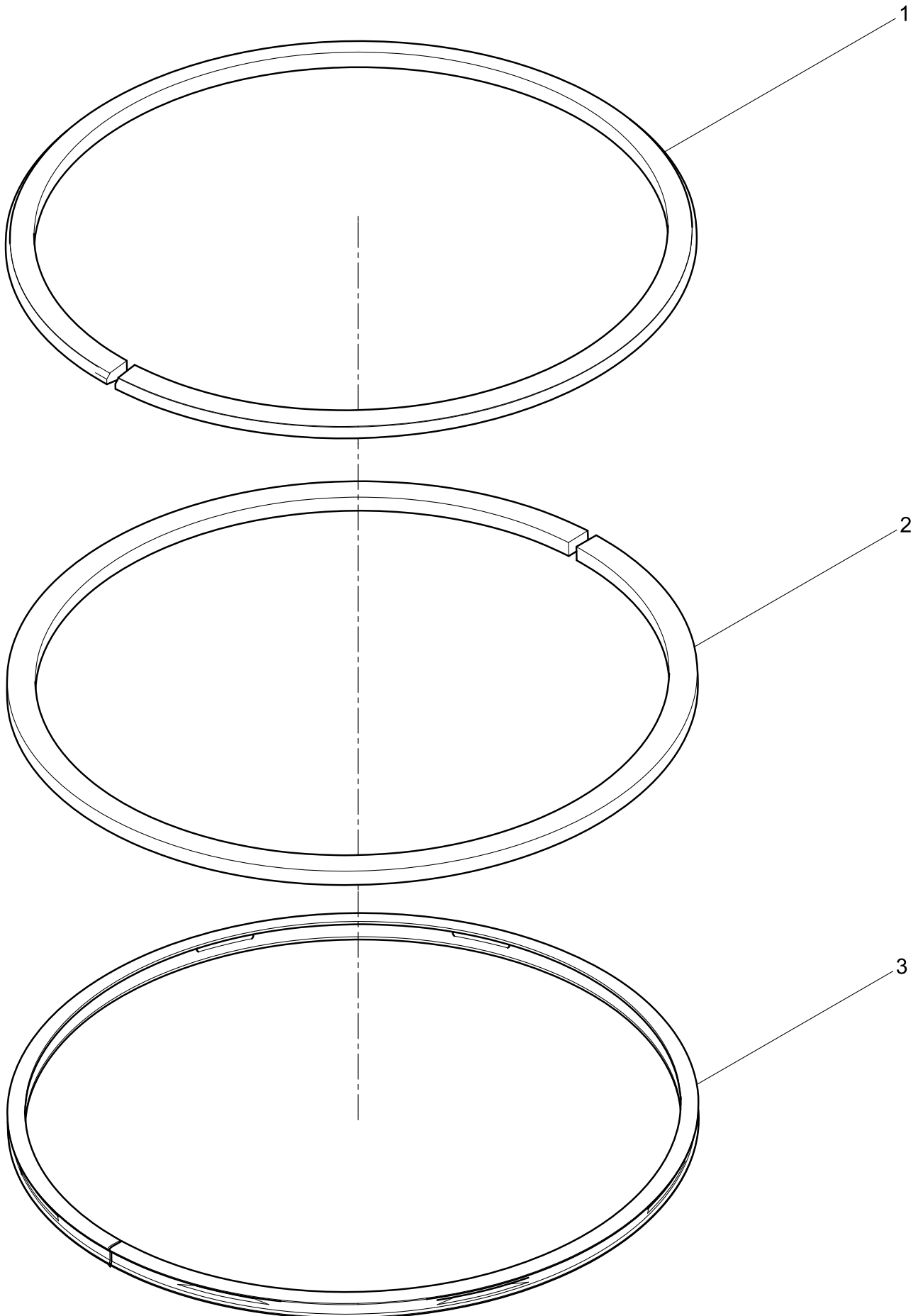
Piston and Connecting Rod Group



Piston and Connecting Rod Group

Pos.	Teile.Number	Amount	Designation
1	81560030012	12	Piston Pin Retainer
2	61560030013	6	Piston Pin
3	612600030020	6	Connecting Rod Upper Shell
4	61560030033	6	Connecting Rod Lower Shell
5	61500030009	6	Connecting Rod Assembly
6	612600030011	6	Piston
7	612600030051	6	Piston Ring Set

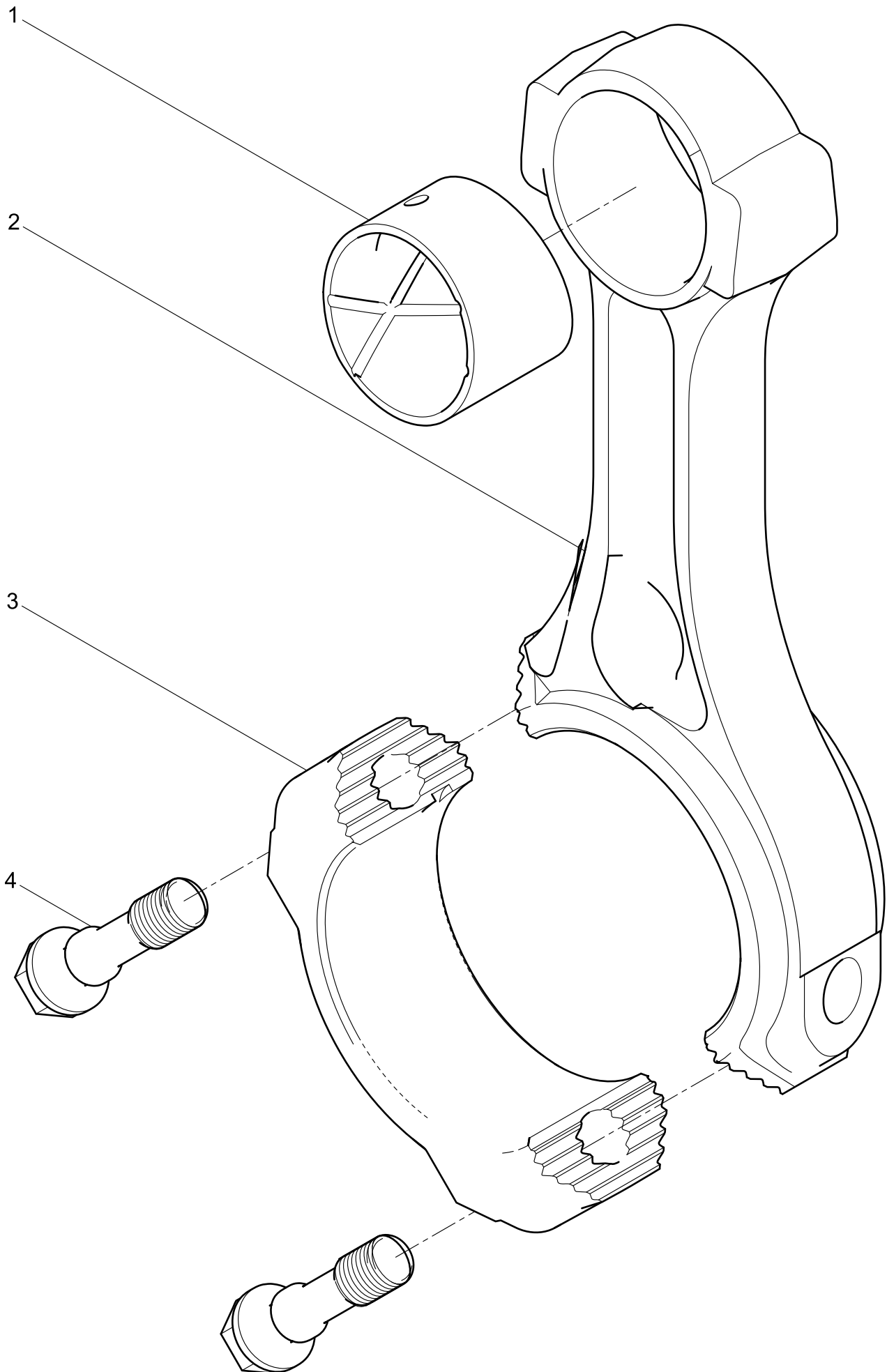
Piston Ring Set



Piston Ring Set

Pos.	Teile.Number	Amount	Designation
1	61560030047	1	Keystone Ring
2	612600030019	1	Twist Taper Ring
3	61560030045	1	Coil Spring Loaded Oil-control Ring

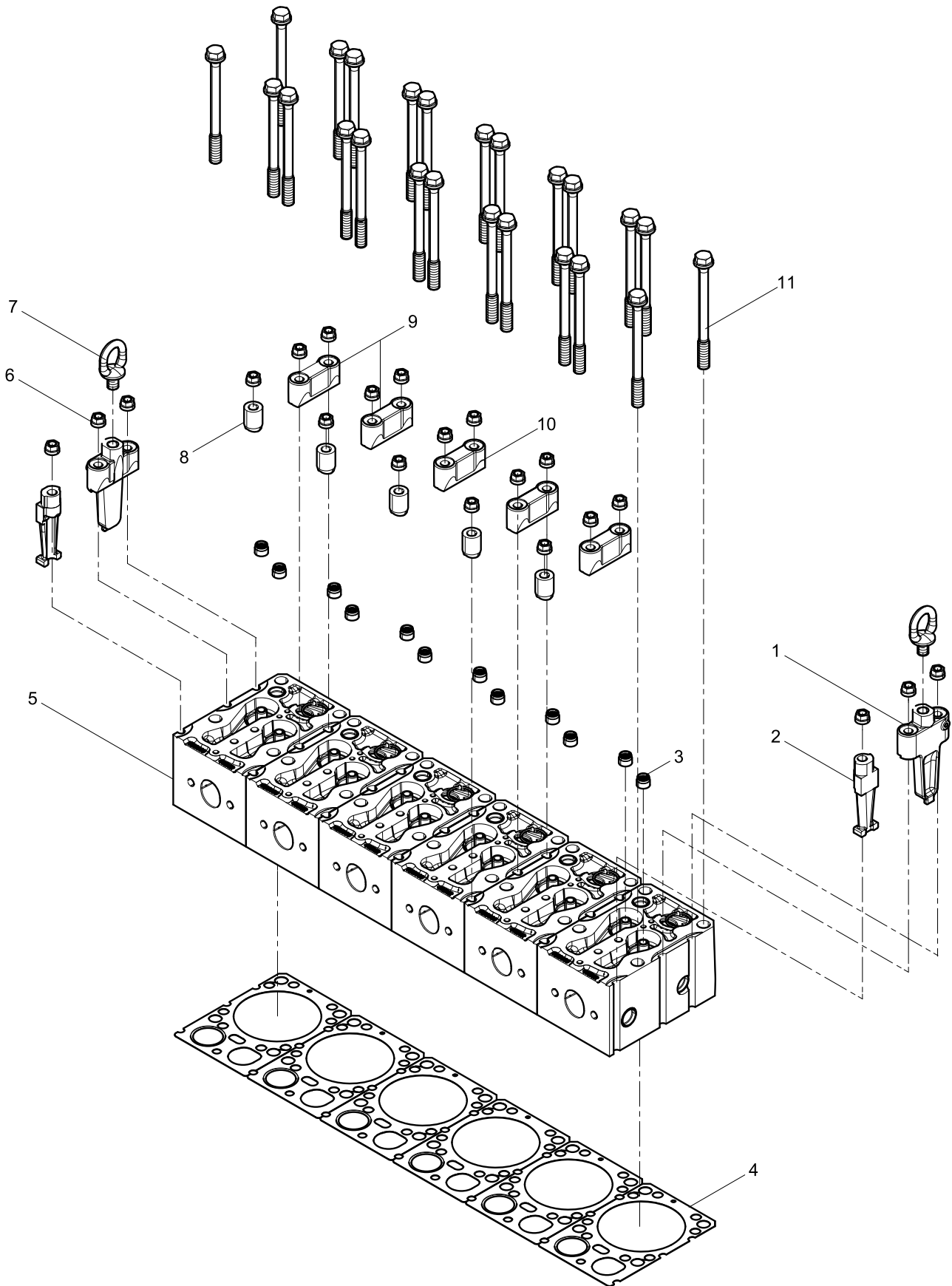
Connecting Rod Assembly



Connecting Rod Assembly

Pos.	Teile.Number	Amount	Designation
1	61500030077	1	Connecting Rod Bush
2	61500030008	1	Connecting Rod Body
3	61500030022	1	Connecting Rod Cover
4	81500030023	2	Connecting Rod Bolt

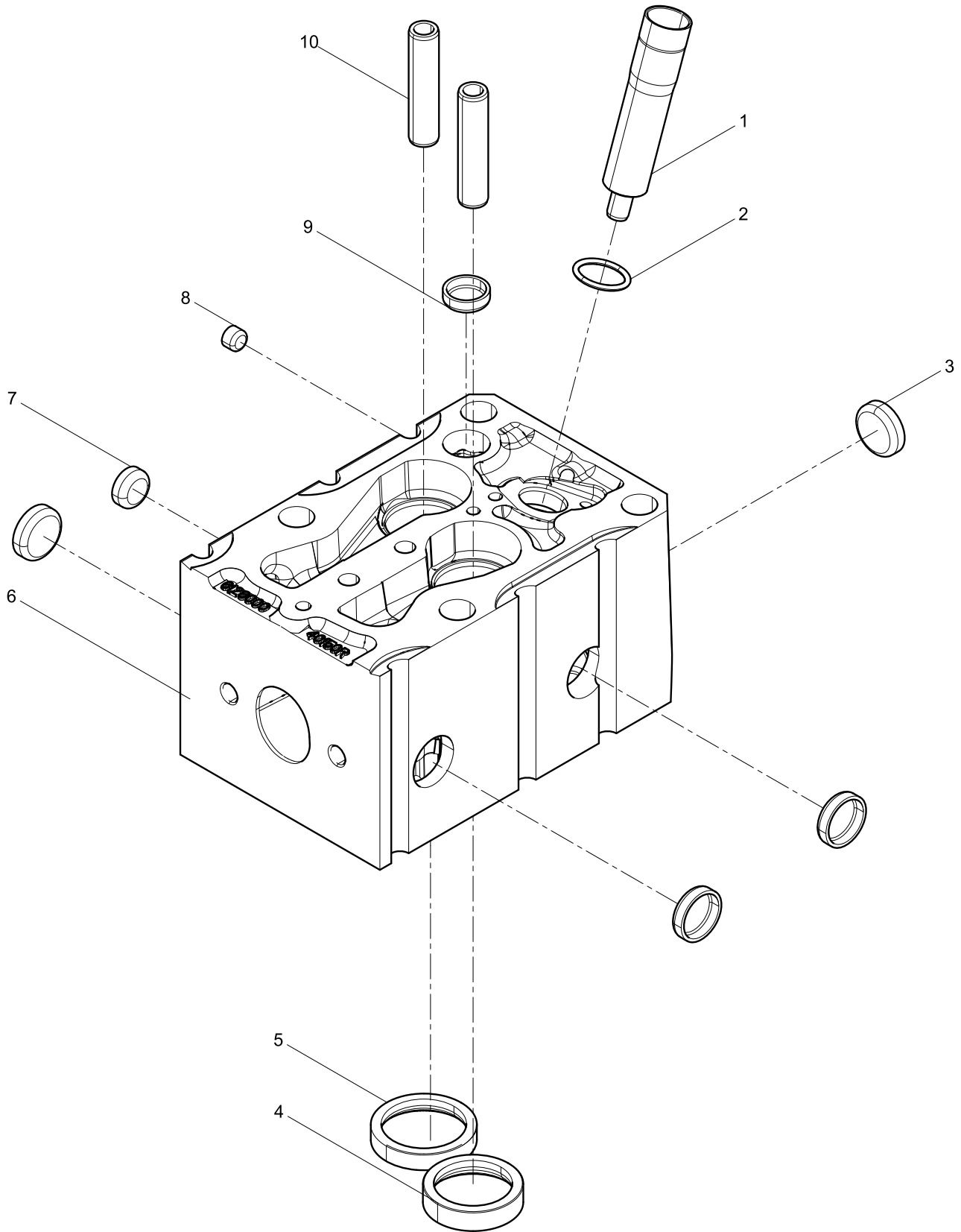
Cylinder Head Group



Cylinder Head Group

Pos.	Teile.Number	Amount	Designation
1	61500040012	2	Lift Hook Clamp
2	61200040027	2	Clamp
3	612600040114	12	Valve Stem Seal
4	612600040355	6	Cylinder Head Gasket
5	61560040040A	6	Cylinder Head Subassembly
6	61200040034	21	Cylinder Head Nut
7	614010388	2	Lifting Screw
8	61200040023	5	Clamp
9	612600040338	2	Clamp
10	61500040009	3	Clamp
11	612600040452	24	Cylinder Head Main Bolt

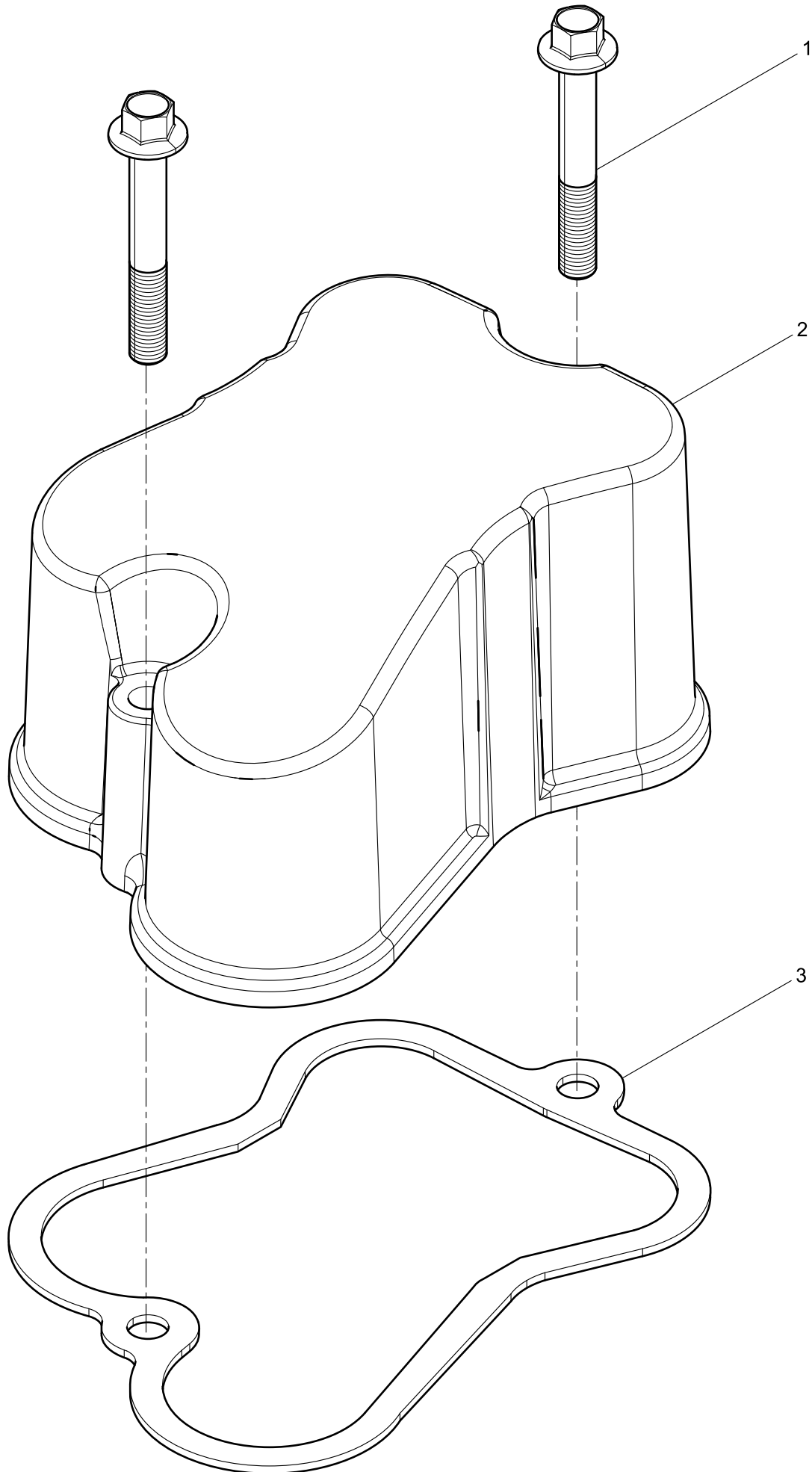
Cylinder Head Subassembly



Cylinder Head Subassembly

Pos.	Teile.Number	Amount	Designation
1	612600040099	6	Injector Bush
2	406060010	6	O-ring
3	90003989294	24	Bowl Plug
4	81560040037	6	Exhaust Valve Seat
5	61560040057	6	Intake Valve Seat
6	61560040040B	6	Cylinder Head
7	90003989721	6	Bowl Type Expansion Plug
8	90003989277	6	Bowl Type Expansion Plug
9	90003989725	6	Bowl Type Expansion Plug
10	612600040113	12	Valve Guide

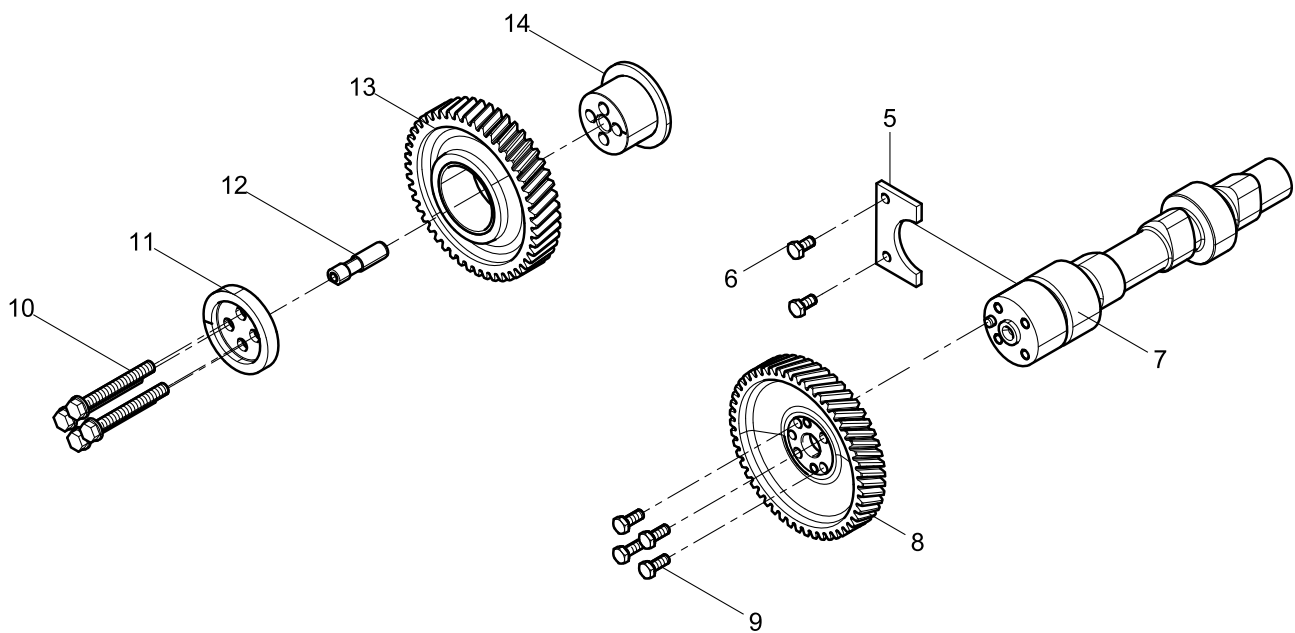
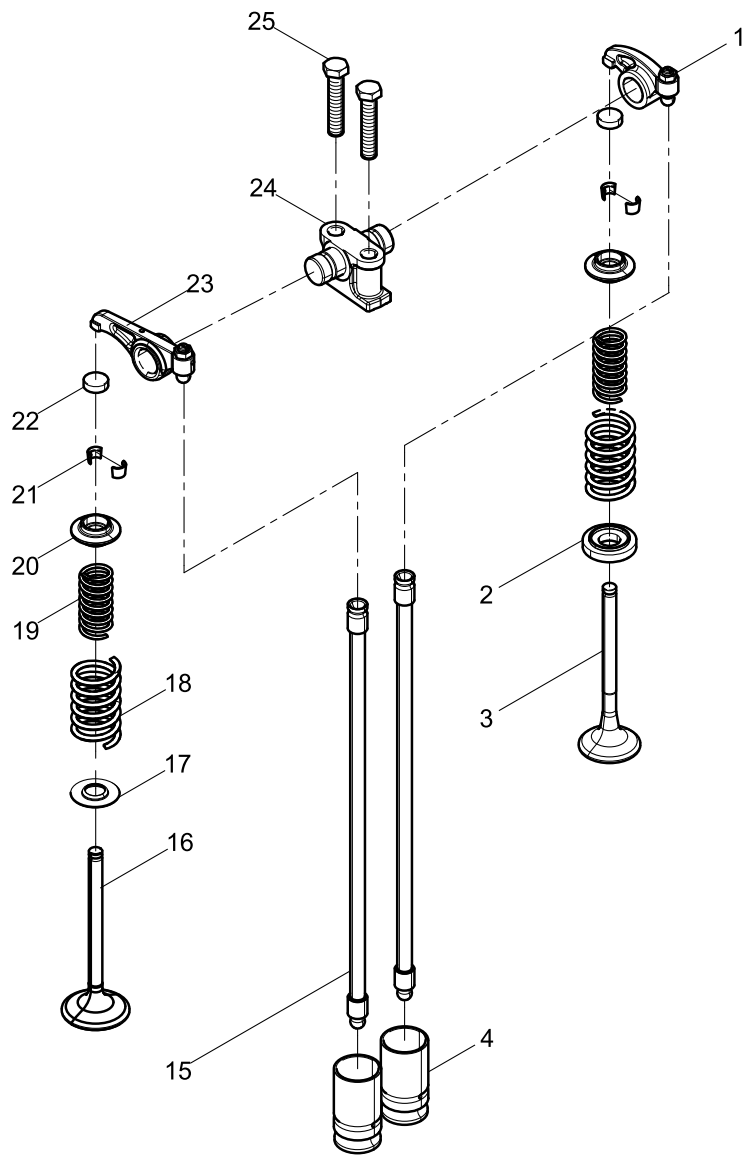
Cylinder Head Cover Group



Cylinder Head Cover Group

Pos.	Teile.Number	Amount	Designation
1	612600040636	12	Hexagon Flange Bolt
2	1001012287	6	Cylinder Head Cover
3	612600040565	6	Cylinder Head Cover Gasket

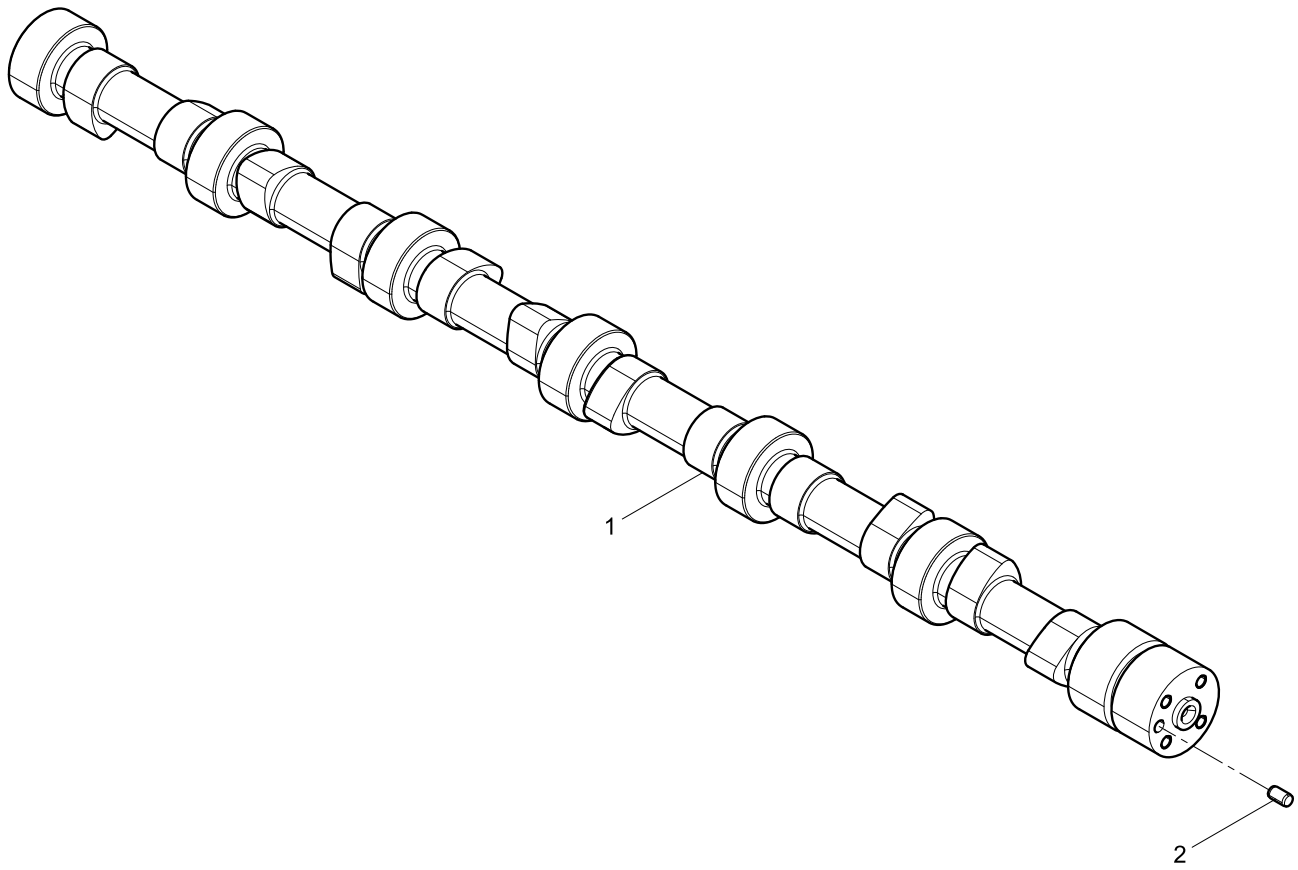
Valve Train Group



Valve Train Group

Pos.	Teile.Number	Amount	Designation
1	612600050178	6	Exhaust Rocker Arm Set
2	61500040014	6	Exhaust Valve Spring Bottom Retainer
3	612600050025	6	Exhaust Valve
4	61500050032	12	Tappet
5	614050133	1	Camshaft Thrust Plate
6	90003802399S	2	Hexagon Head Bolt
7	612600050085	1	Camshaft Assembly
8	614050053	1	Camshaft Timing Gear
9	612600050145S	4	Hexagon Head Bolt
10	61560050059S	4	Hexagon Head Bolt
11	61560050045	1	Gasket
12	61560050058	1	Idler Gear Shaft
13	61560050053	1	Idler Gear Assembly
14	61560050044	1	Idler Gear Shaft
15	612600050272	12	Push Rod
16	612600050073	6	Intake Valve
17	614050017	6	Intake Valve Spring Bottom Retainer
18	61500050002	12	Outer Valve Spring
19	61500050001	12	Inner Valve Spring
20	61500050109	12	Valve Spring Top Retainer
21	61500050025	24	Valve Collet
22	61500050105	12	Valve cap
23	612600050177	6	Intake Rocker Arm Assembly
24	614050119	6	Rocker Arm Bracket Assembly
25	90003802655	12	Hexagon Head Bolt

Camshaft Assembly

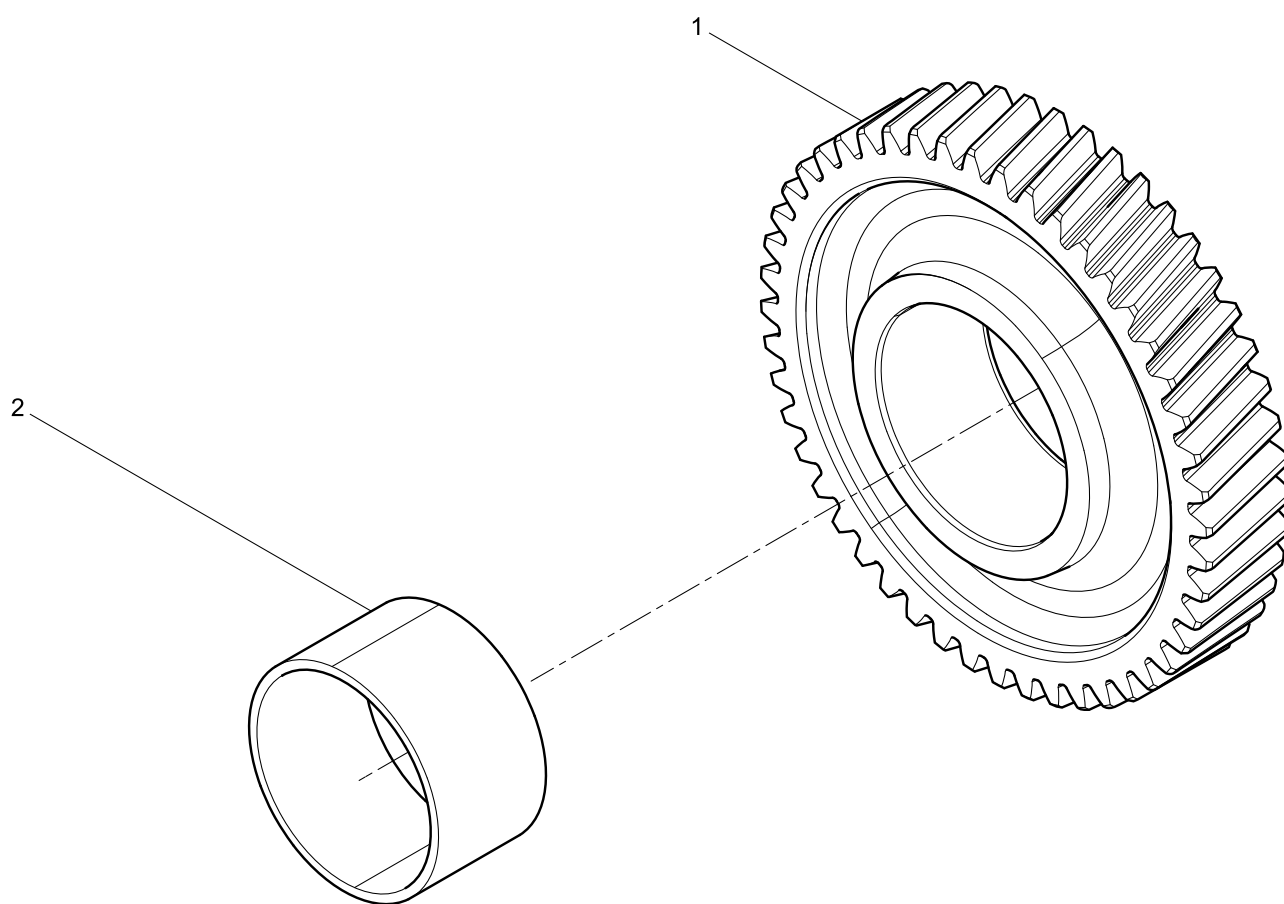


Camshaft Assembly

Pos.	Teile.Number	Amount	Designation
1	61500050096	1	Camshaft
2	90003901409	1	Parallel Pin



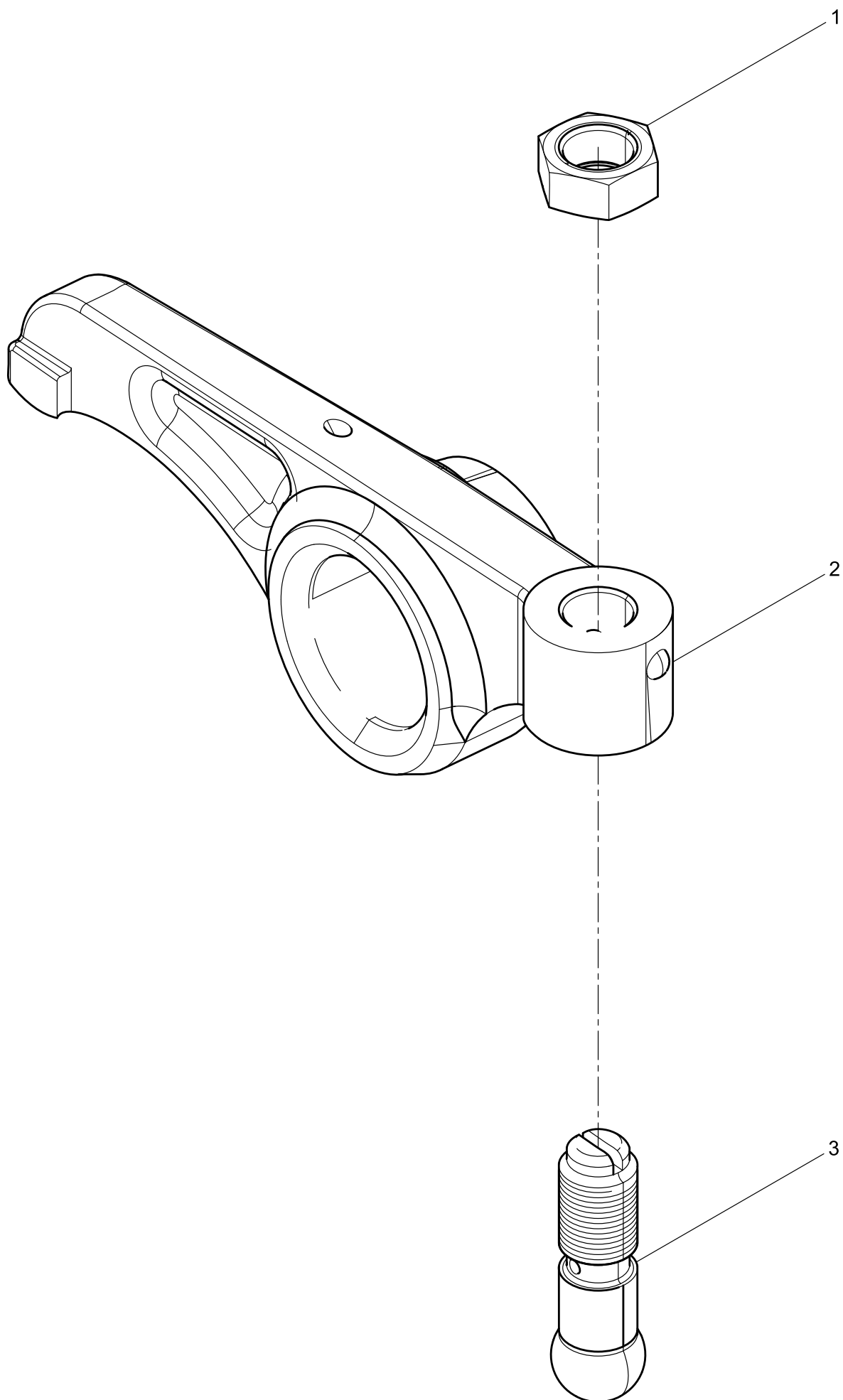
Idler Gear Assembly



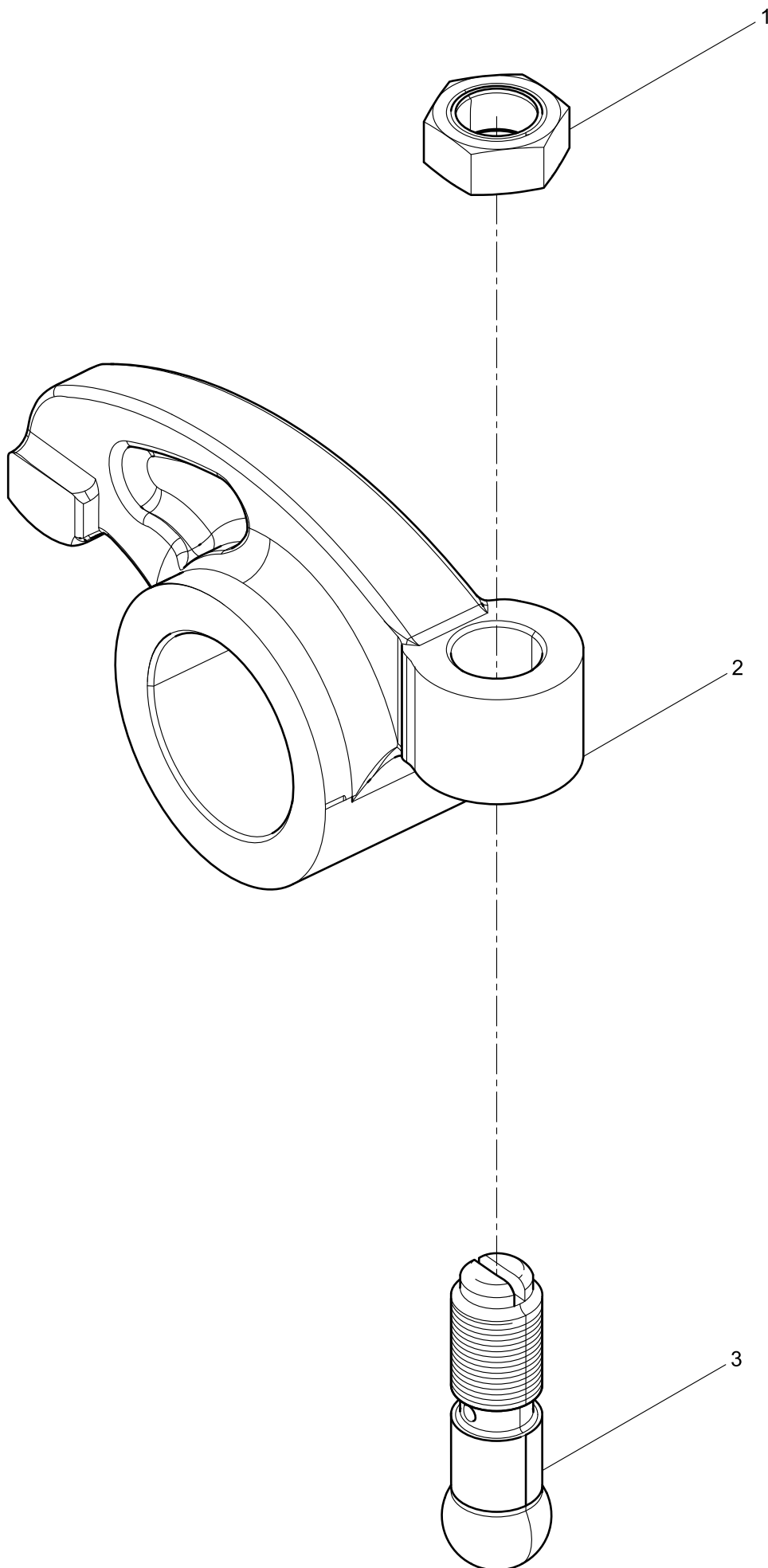
Idler Gear Assembly

Pos.	Teile.Number	Amount	Designation
1	61560050052	1	Idler Gear
2	61560050051	1	Gear Bush

Intake Rocker Arm Assembly



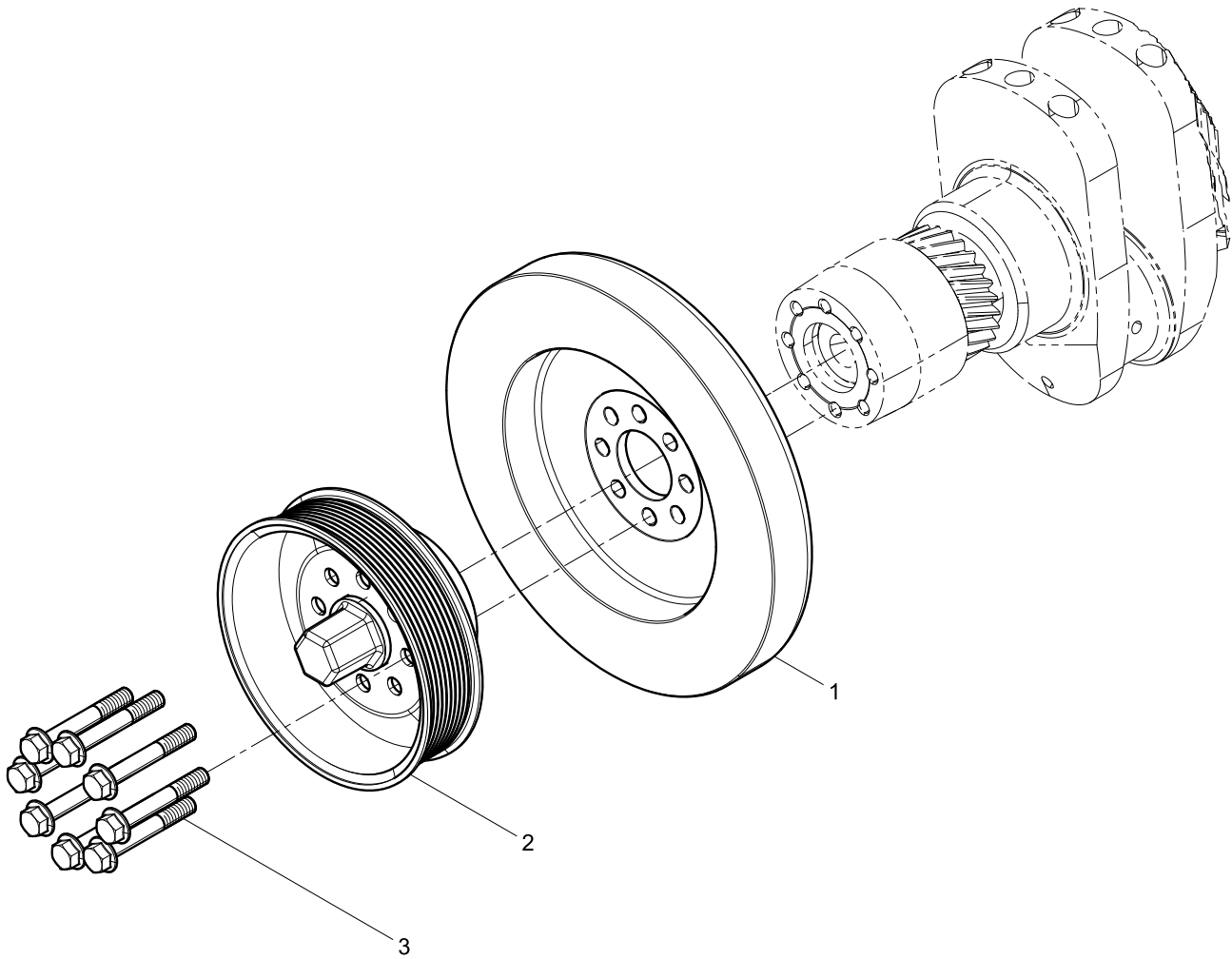
Exhaust Rocker Arm Set



Exhaust Rocker Arm Set

Pos.	Teile.Number	Amount	Designation
1	2130050065	6	Locknut
2	614050049	6	Exhaust Rocker Arm
3	614050010	6	Adjusting Screw

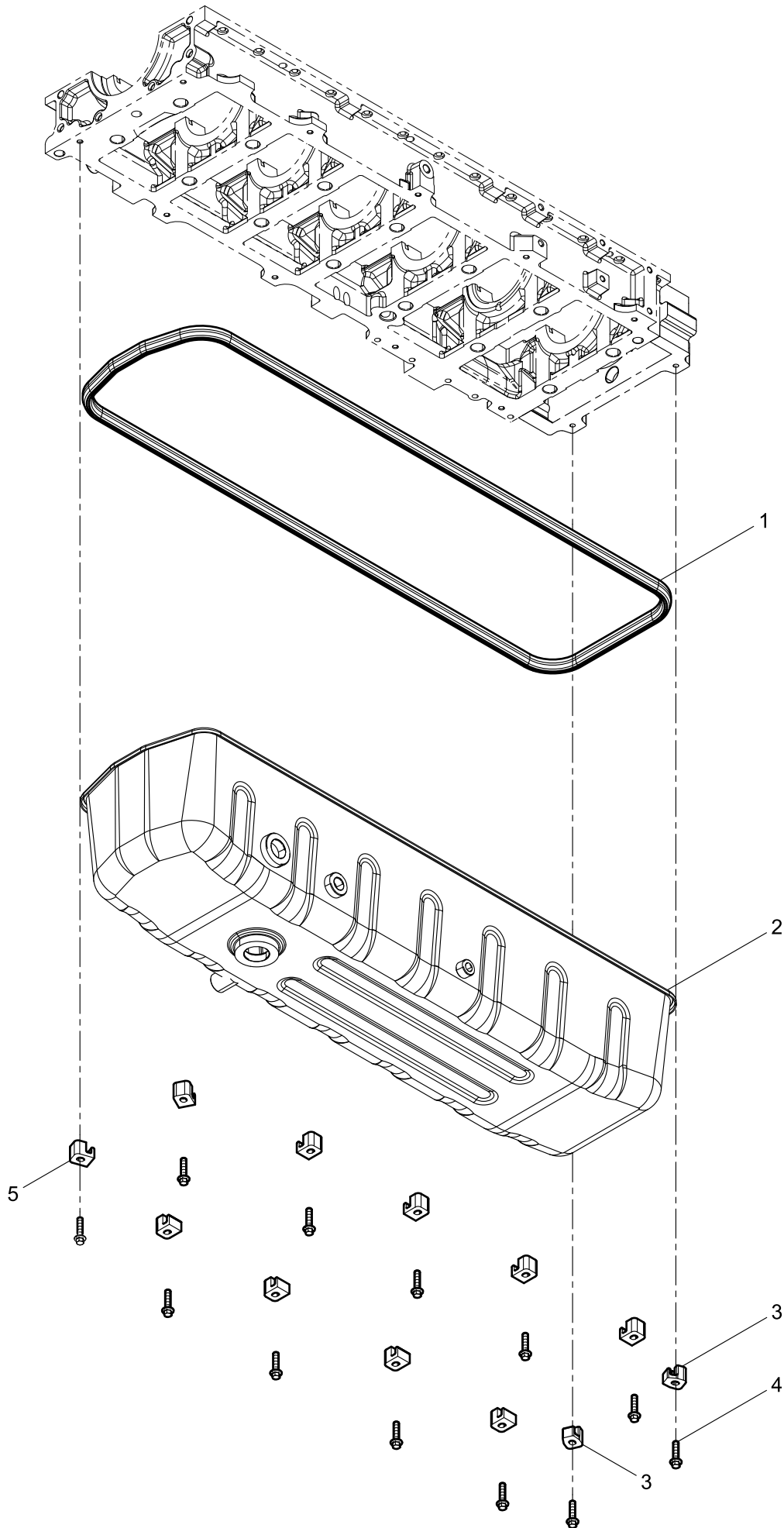
Crankshaft Pulley Group



Crankshaft Pulley Group

Pos.	Teile.Number	Amount	Designation
1	61560020010	1	Torsional Vibration Damper
2	612600020743	1	Crankshaft Pulley
3	90011400043	8	Hexagon flange bolt, heavy series

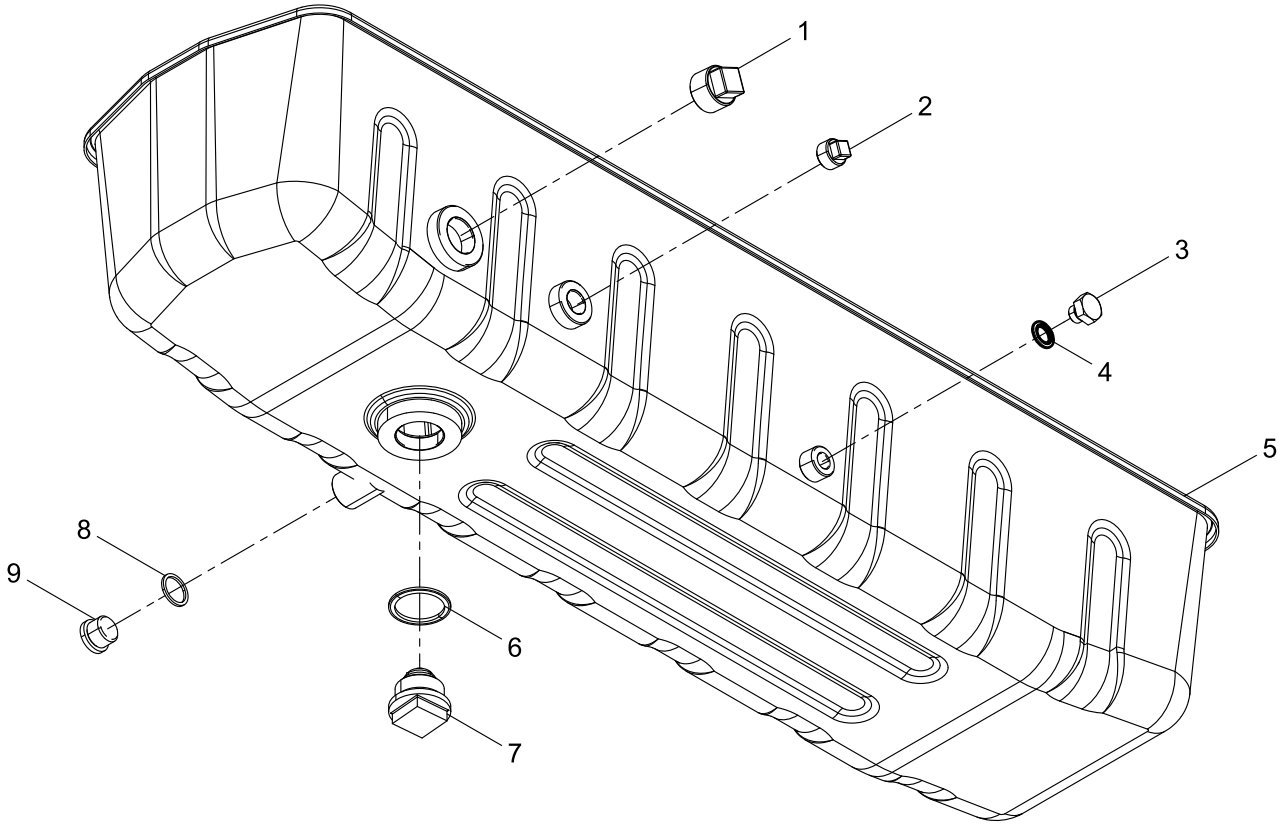
Oil Pan



Oil Pan

Pos.	Teile.Number	Amount	Designation
1	614150004	1	Oil Pan Sealing Gasket
2	612600150369	1	Oil Pan Assembly
3	612600150390	2	Retainer of Oil Pan
4	90011430019	12	Hexagon Flange with Tooth Bolt
5	614150046	10	Retainer of Oil Pan

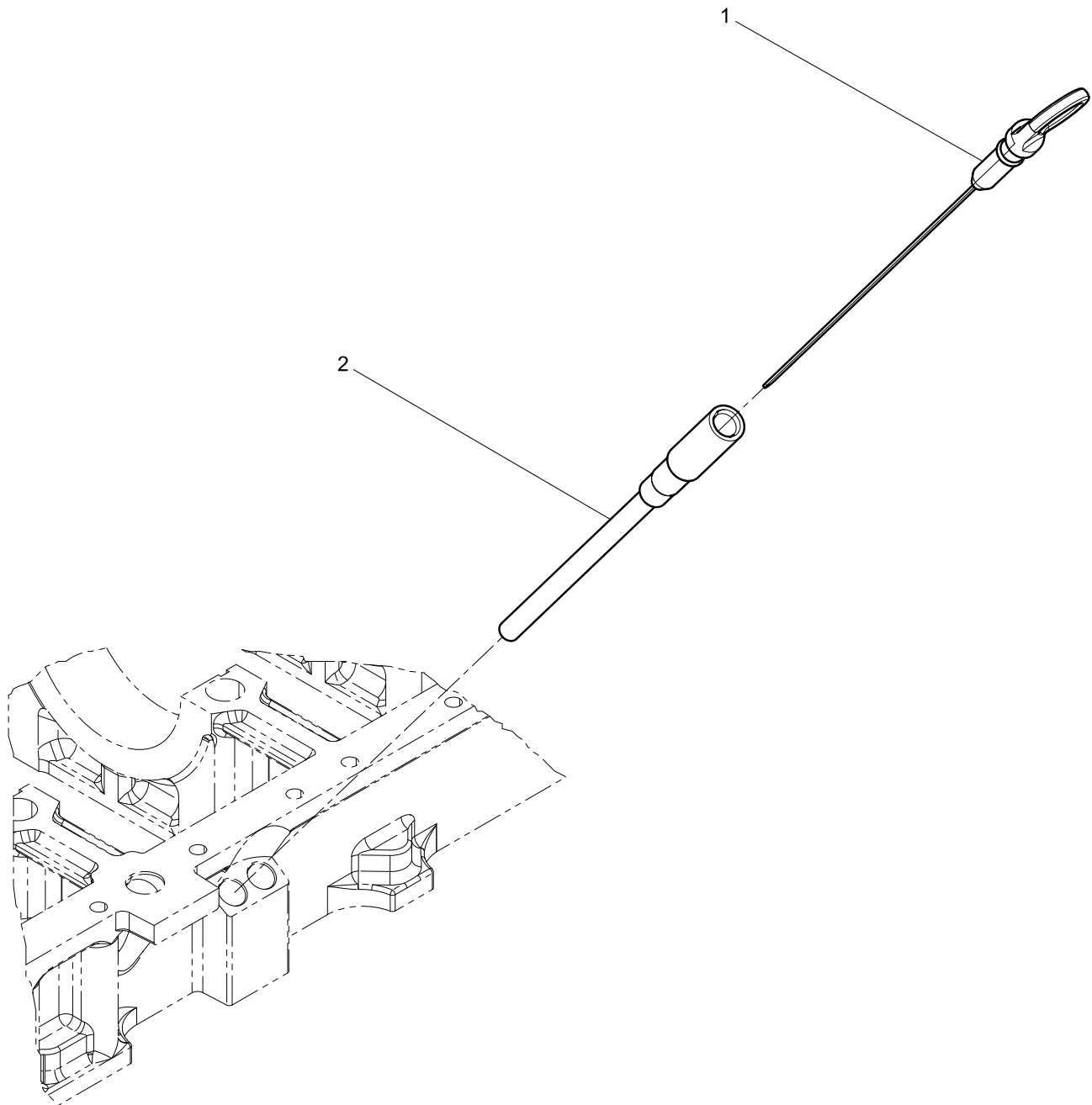
Oil Pan Assembly



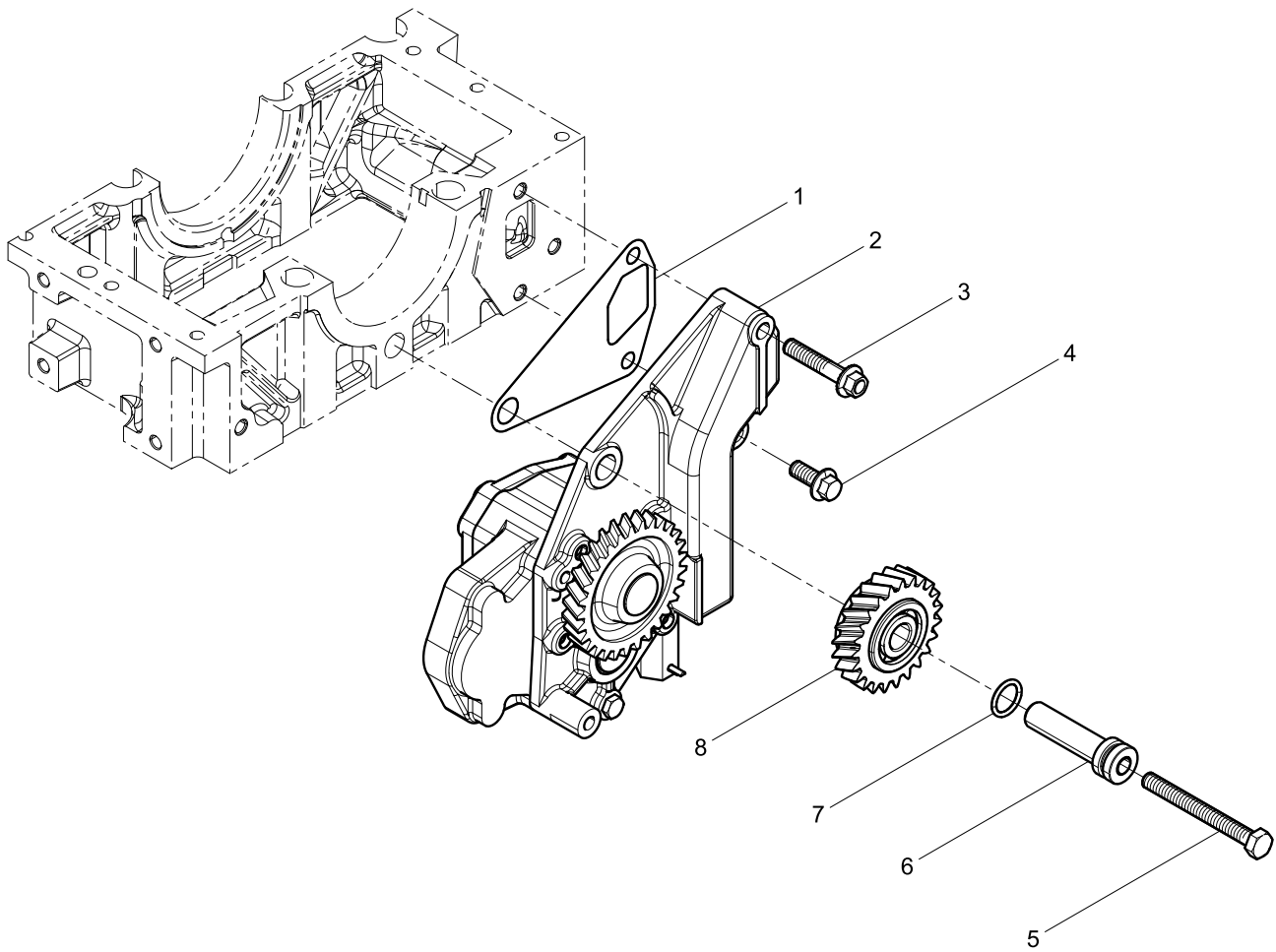
Oil Pan Assembly

Pos.	Teile.Number	Amount	Designation
1	612600150274	1	Screw Plug
2	612600150273	1	Screw Plug
3	90003962025	1	Hexagon plug
4	612600080200	1	Washer
5	612600150355	1	Oil Pan Set
6	612600150106	1	Washer
7	612600150251	1	Magnetic Screw Plug Assembly
8	90003098026	1	Sealing Washer
9	90003960005	1	Hexagon Screw Plug

Dipstick Group



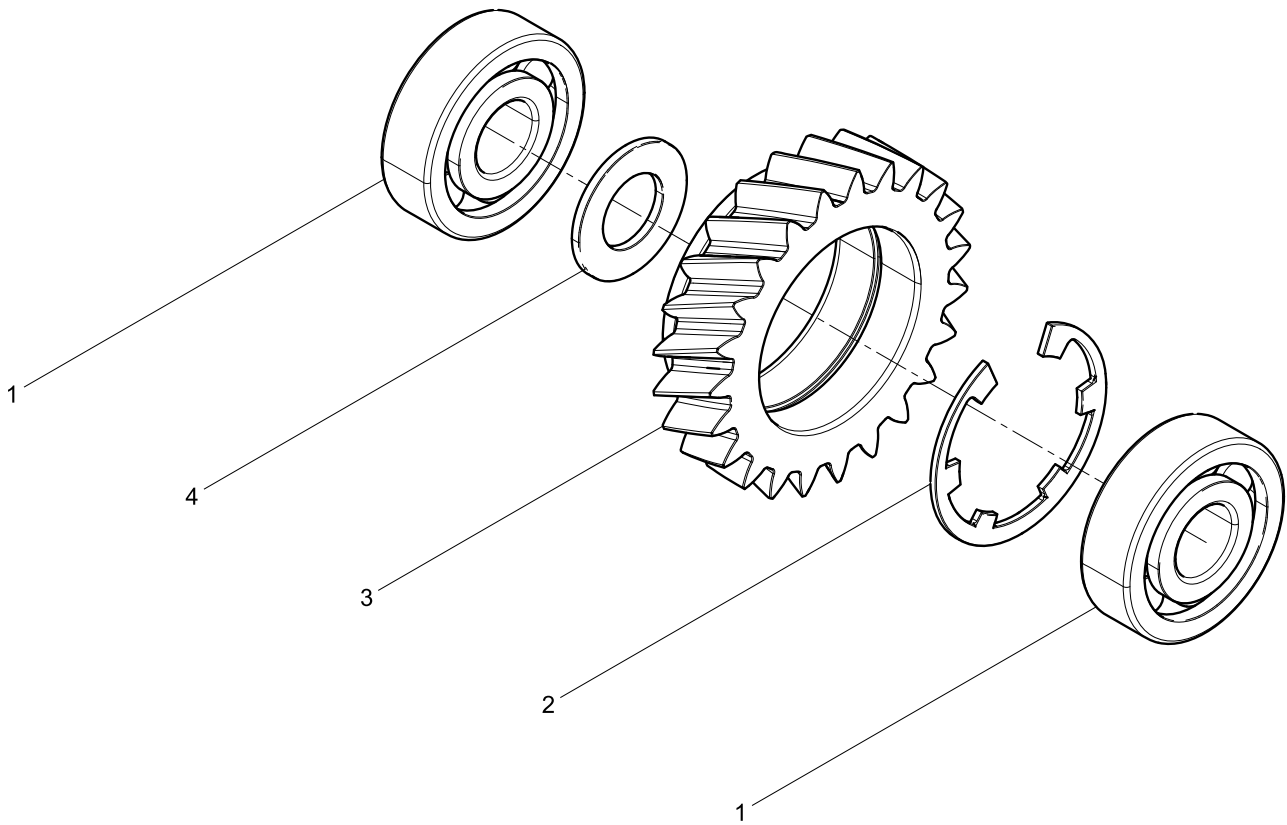
Oil Pump Group



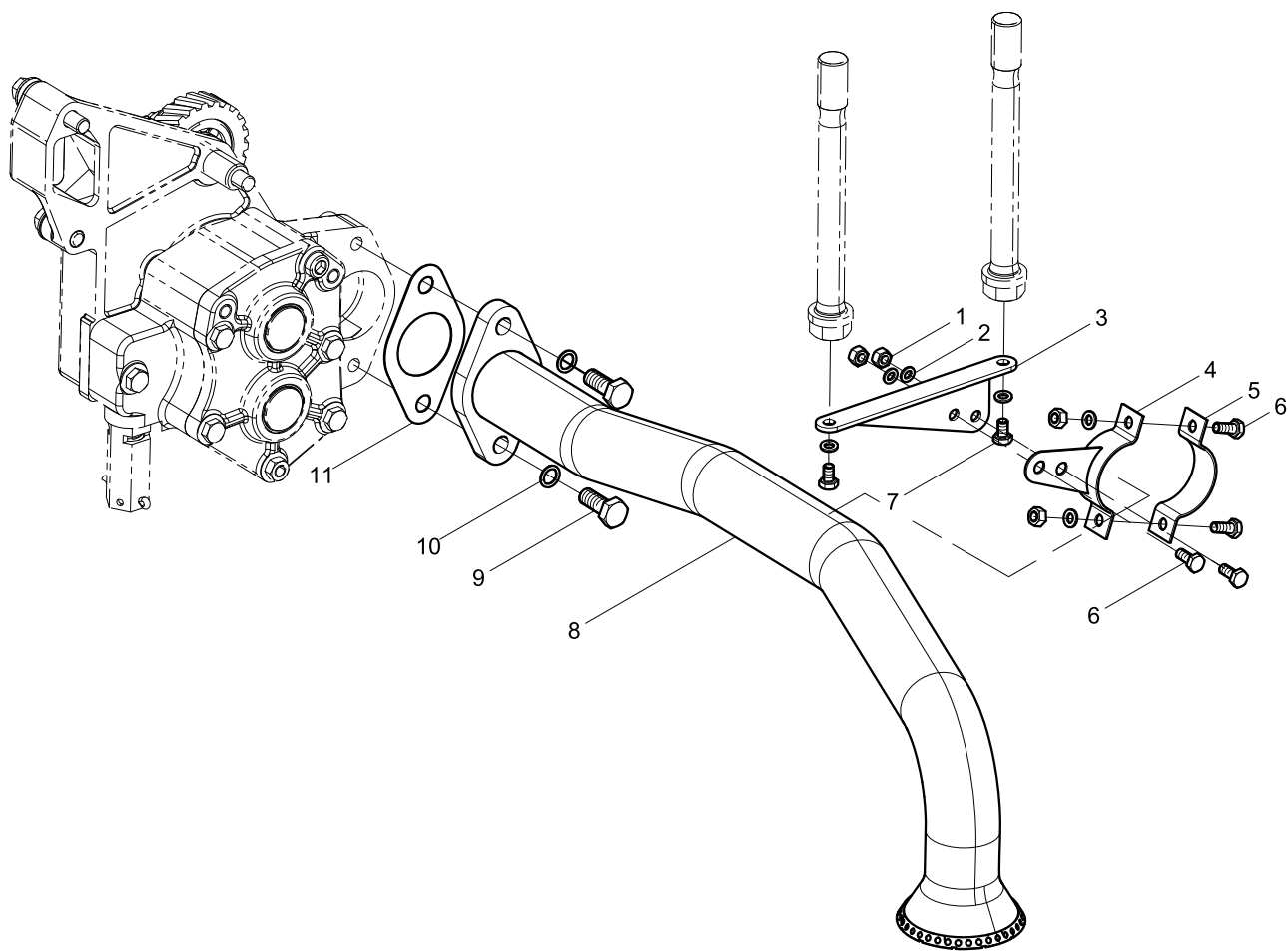
Oil Pump Group

Pos.	Teile.Number	Amount	Designation
1	612600070477	1	Gasket
2	612600070465	1	Lubricating Oil Pump
3	612600070411	1	Hexagon Flange with Tooth Bolt
4	90011430008	1	Hexagon Flange with Tooth Bolt
5	90003802578S	1	Hexagon Head Bolt
6	6140756	1	Idler Gear Shaft
7	614070155	1	Seal Ring
8	612600070364	1	Oil Pump Idle Gear Set

Oil Pump Idle Gear Set



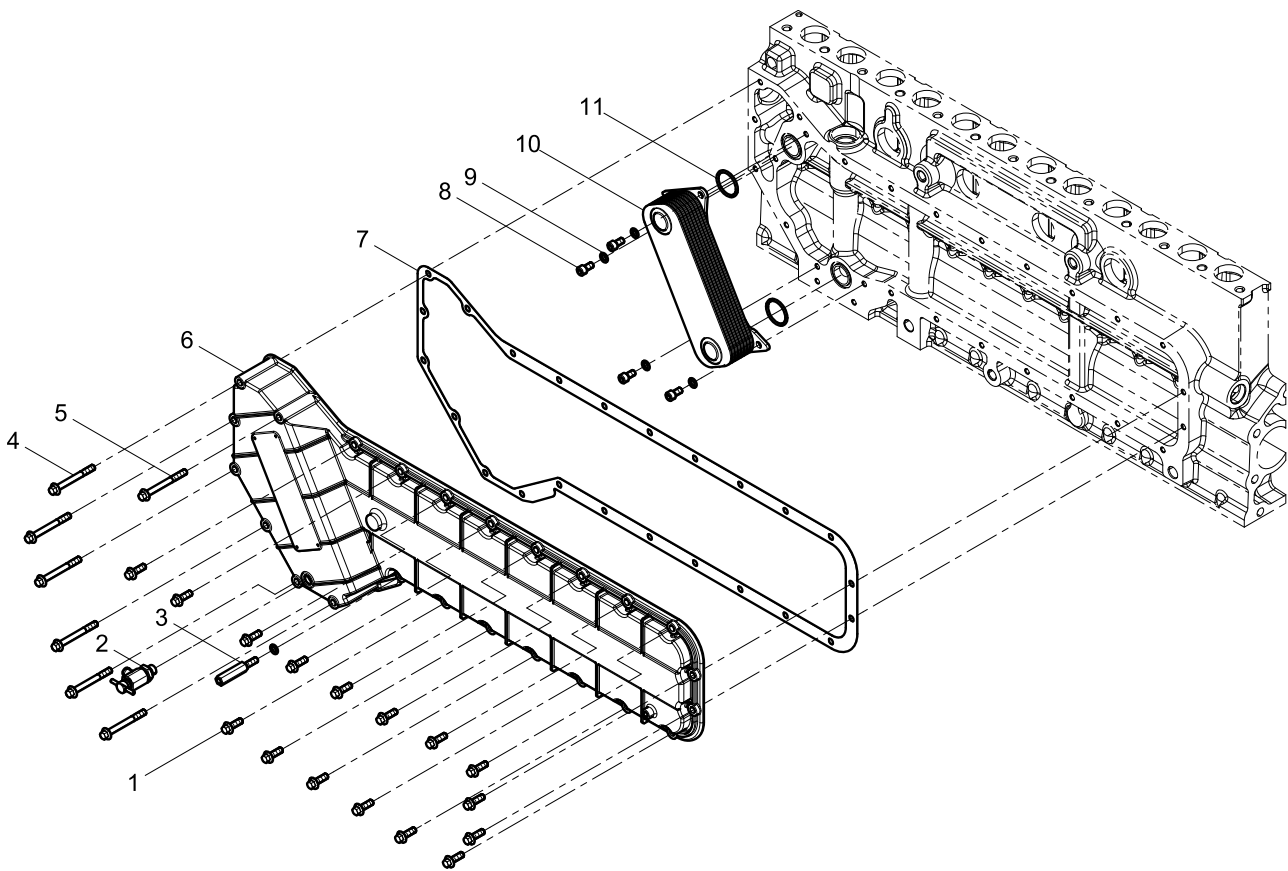
Oil Strainer Group



Oil Strainer Group

Pos.	Teile.Number	Amount	Designation
1	90003871232	4	Hexagon Nuts, Style 1
2	90014040006	6	Plain Washer
3	612600070023	1	Oil Suction Strainer Bracket
4	612600070024	1	Oil Suction Strainer Bracket
5	612600070025	1	Oil Suction Strainer Bracket
6	90011350004	4	Hexagon Head Bolt
7	90003802307	2	Hexagon Head Bolt
8	612600070334	1	Filter Assembly
9	90003802523S	2	Hexagon Head Bolt
10	90014040008	2	Plain Washer
11	612600070355	1	Gasket

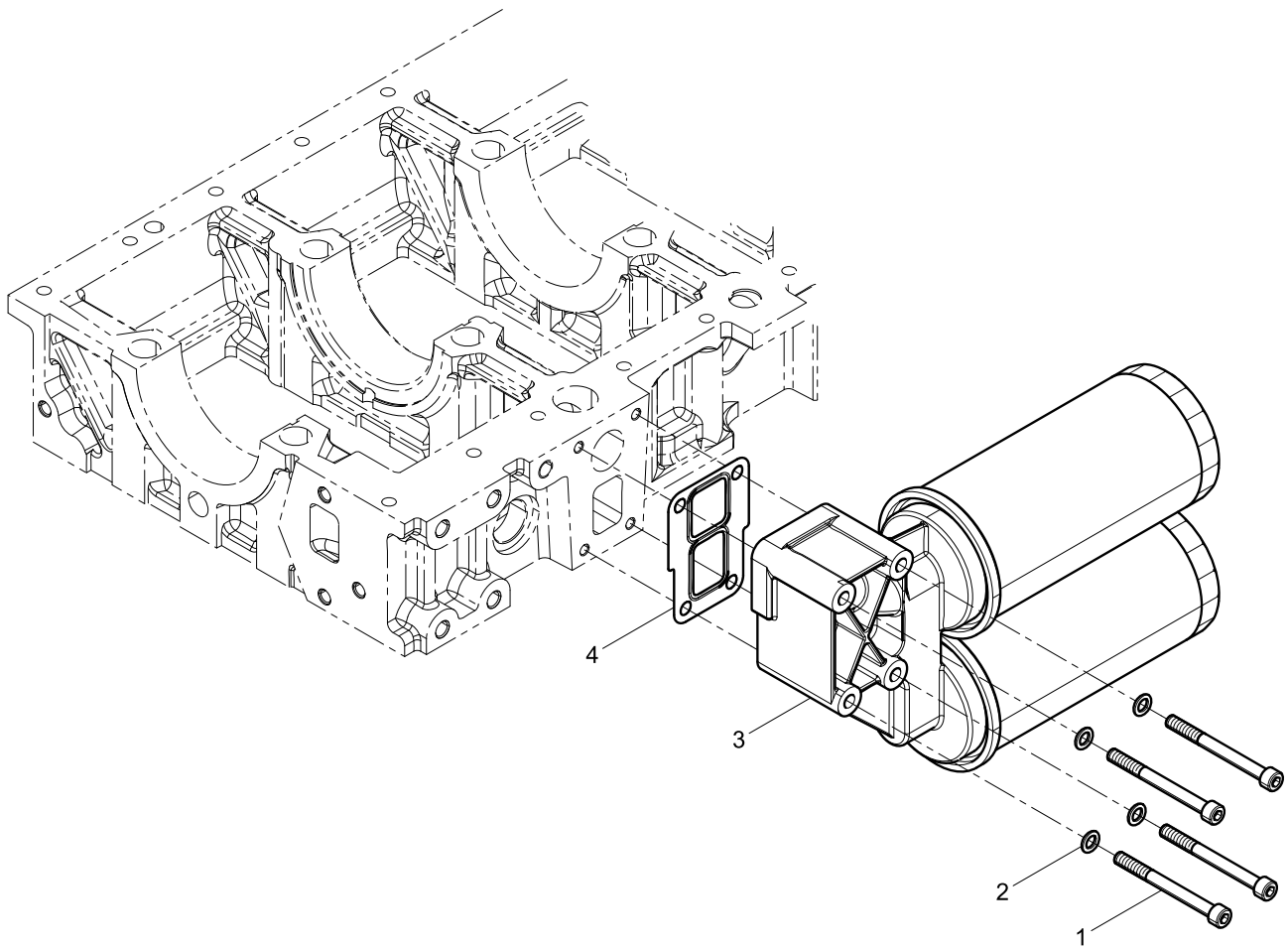
Oil Cooler Group



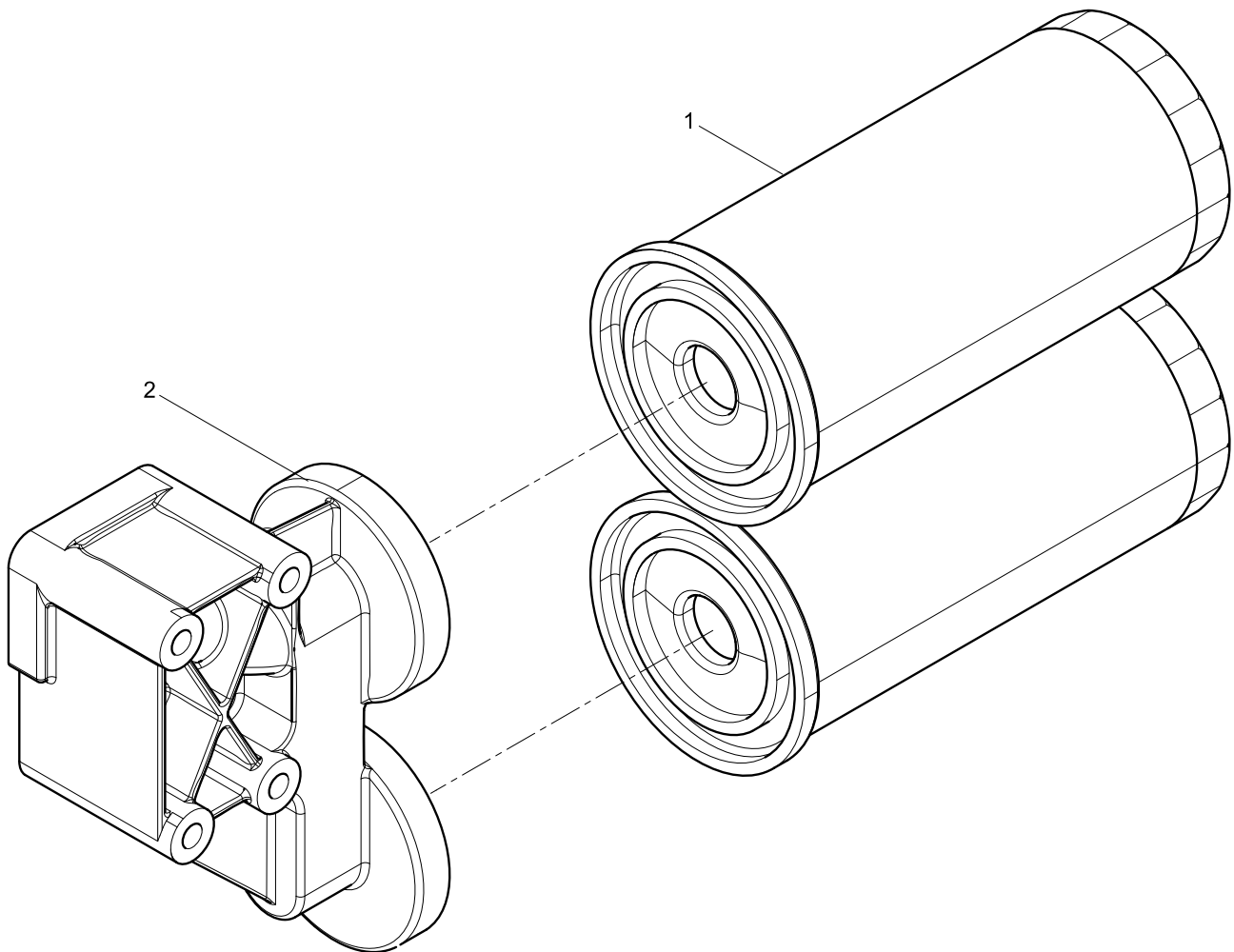
Oil Cooler Group

Pos.	Teile.Number	Amount	Designation
1	90011410003	16	Hexagon Flange Bolt
2	612600012598	1	Water Draining Valve
3	612600112056	1	Back-up Block
4	90011410009	6	Hexagon Flange Bolt
5	90011410010	1	Hexagon Flange Bolt
6	1001021161	1	Oil Cooler Cap
7	612600040566	1	Oil Cooler Cap Gasket
8	90003862419S	4	Inner Hexagon Socket Head Cap Screw
9	90003932023	5	Wave Spring Washer
10	612600070526	1	Oil Cooler
11	81400010032	2	Seal Ring

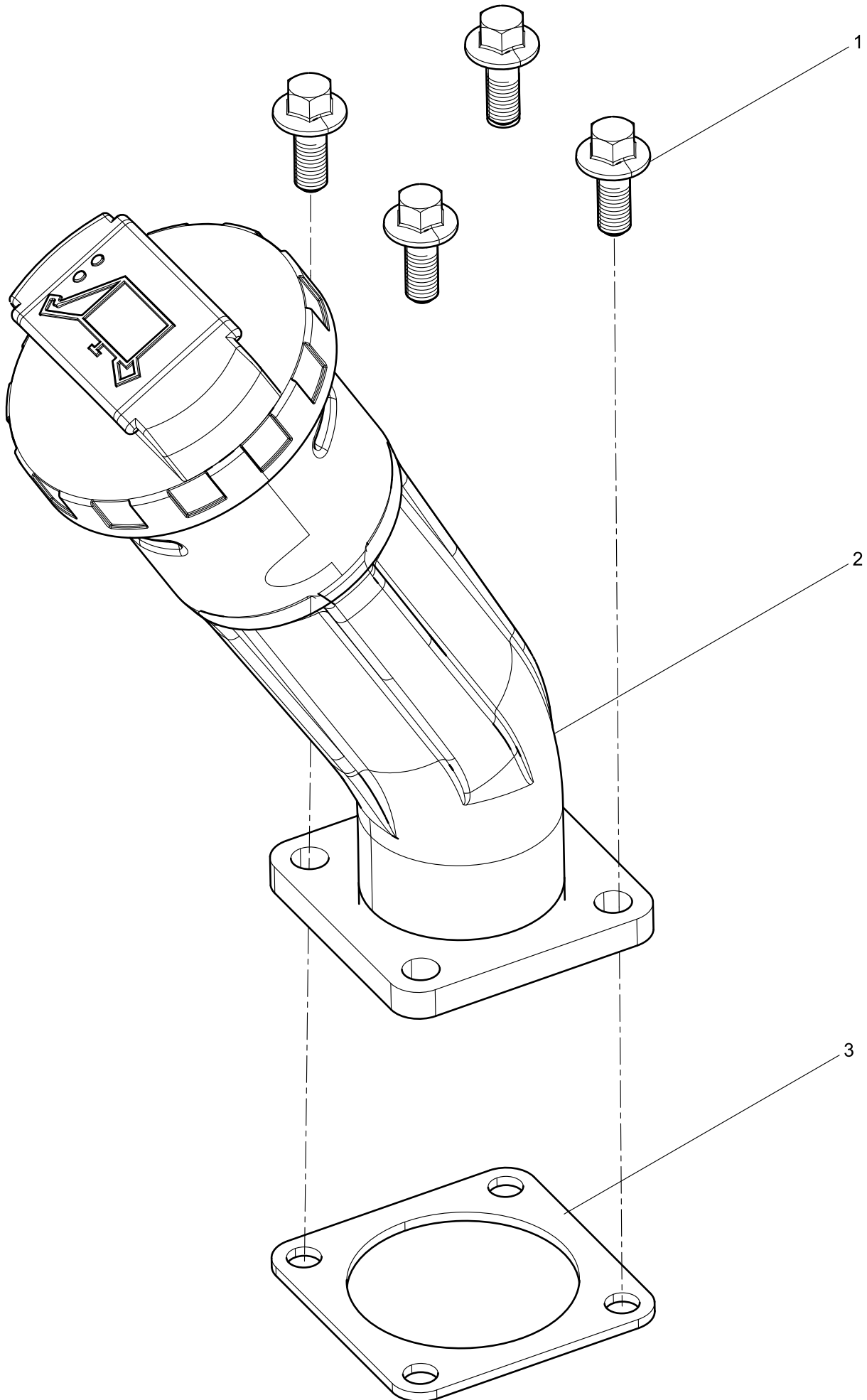
Oil Filter Group



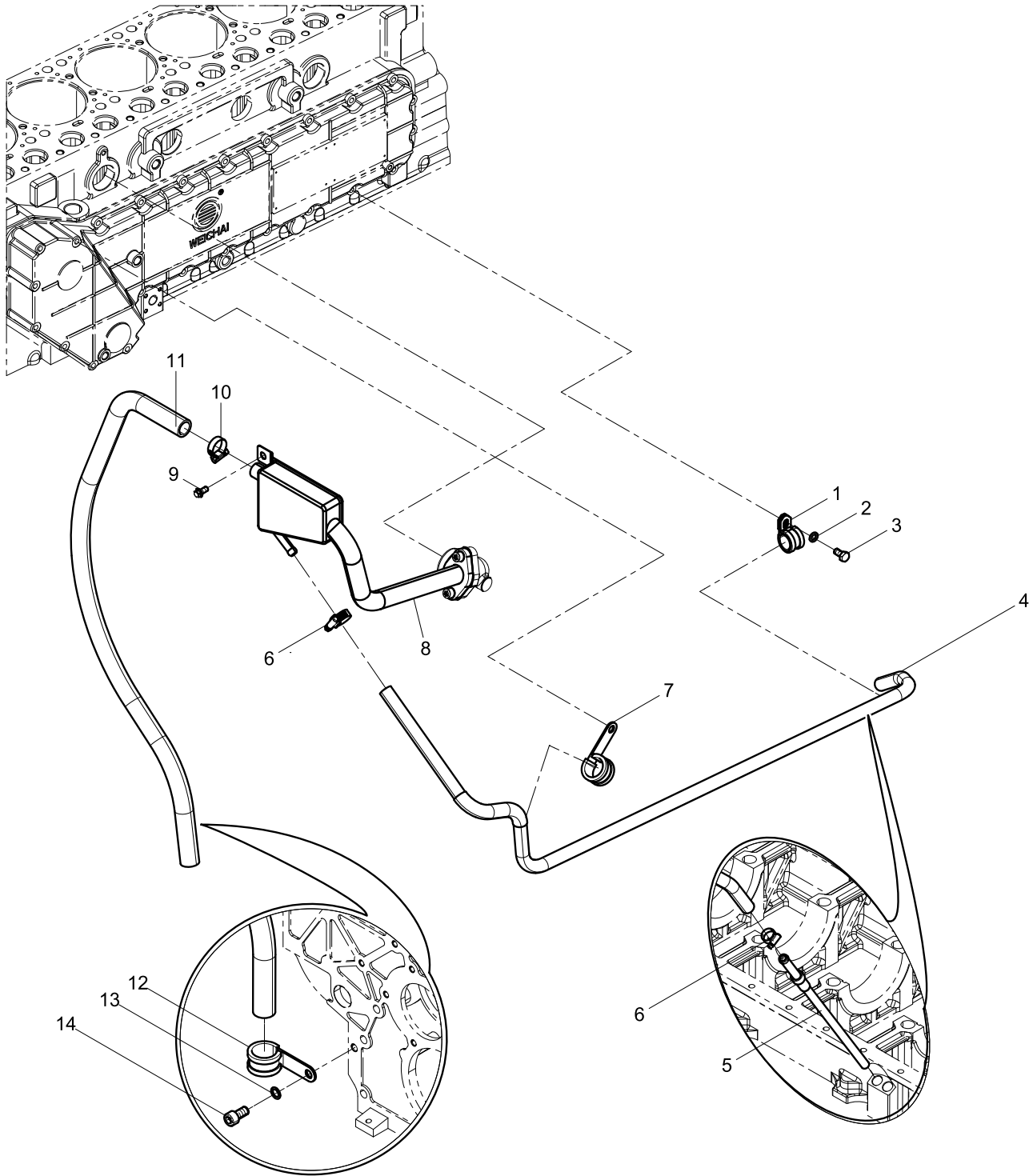
Oil Filter



Oil Filling Tube Group



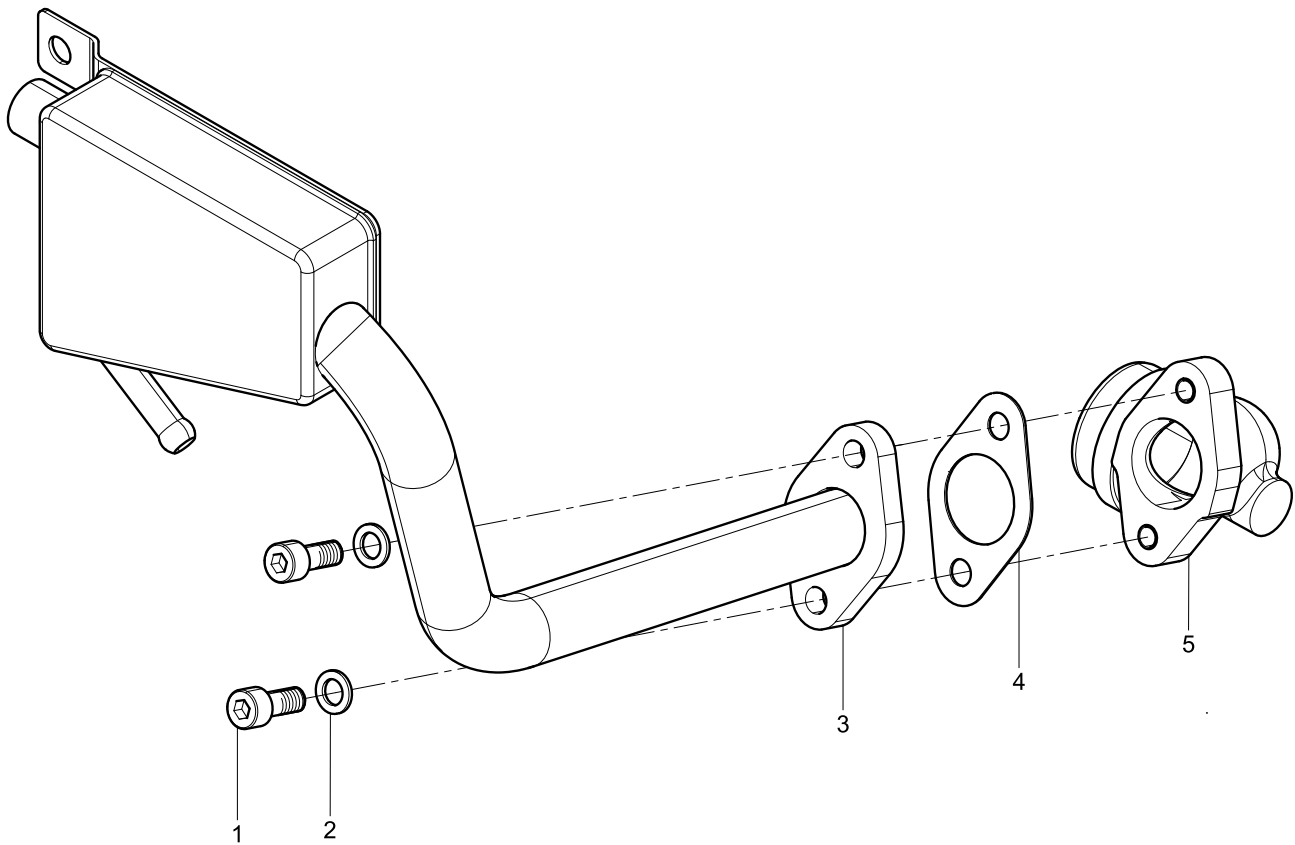
Oil-gas Separator Group



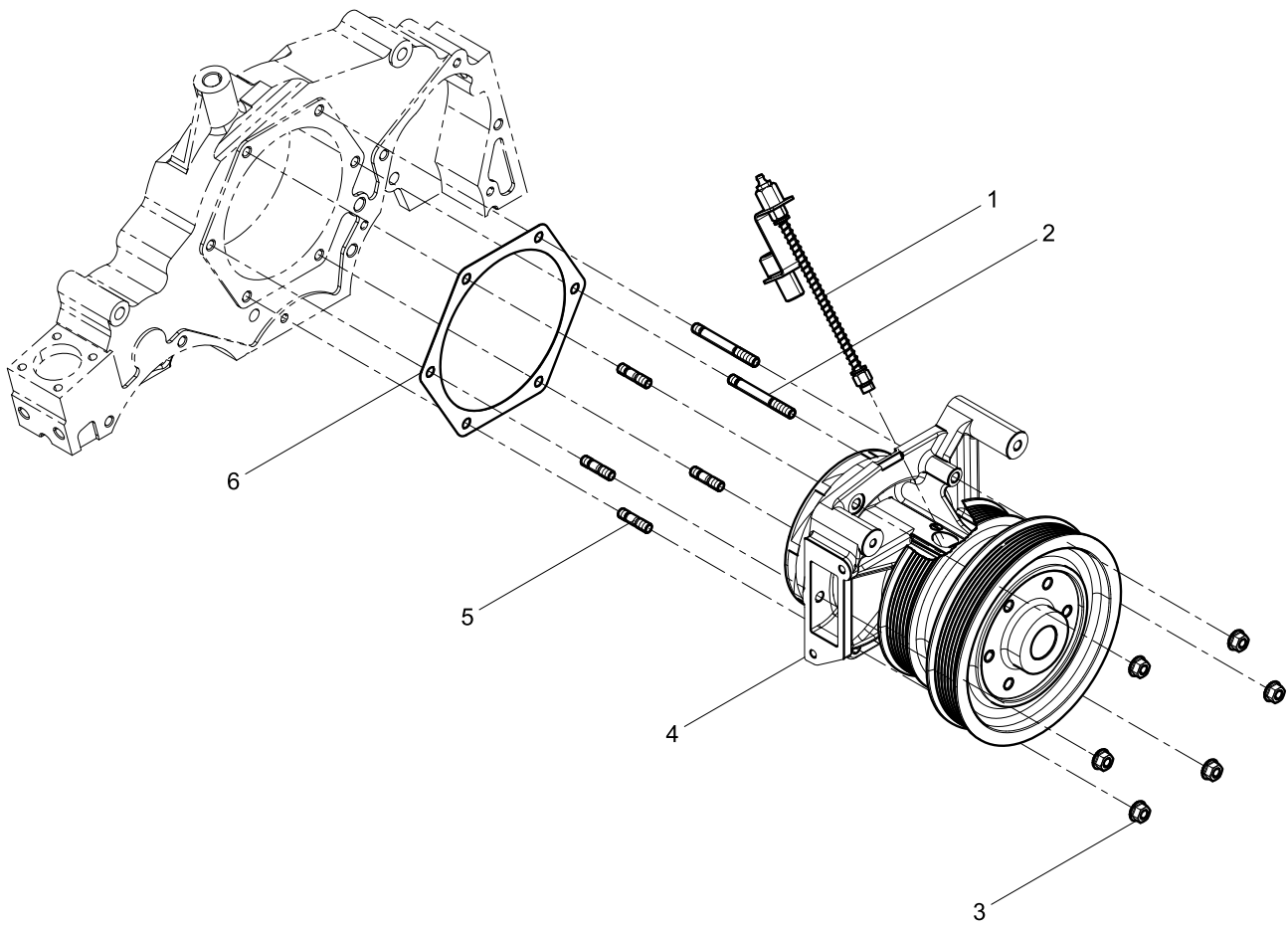
Oil-gas Separator Group

Pos.	Teile.Number	Amount	Designation
1	612600111639	1	Pipe Clamp Assembly
2	90003932023	1	Wave Spring Washer
3	90003802411	1	Hexagon Head Bolt
4	612600012729	1	Oil Connecting Rubber Pipe
5	612600012595	1	Pipe Joint
6	90003989300	2	Clamp
7	612600012280	1	Pipe Clamp Assembly
8	612600014120	1	Oil-gas Separator Assembly
9	90011430021	1	Hexagon Flange with Tooth Bolt
10	90003989340	1	Clamp
11	612600012525	1	Oil Connecting Rubber Pipe
12	612600011361	1	Pipe Clamp Assembly
13	90003931122	1	Spring Washer
14	90011350025	1	Hexagon Head Bolt

Oil-gas Separator Assembly



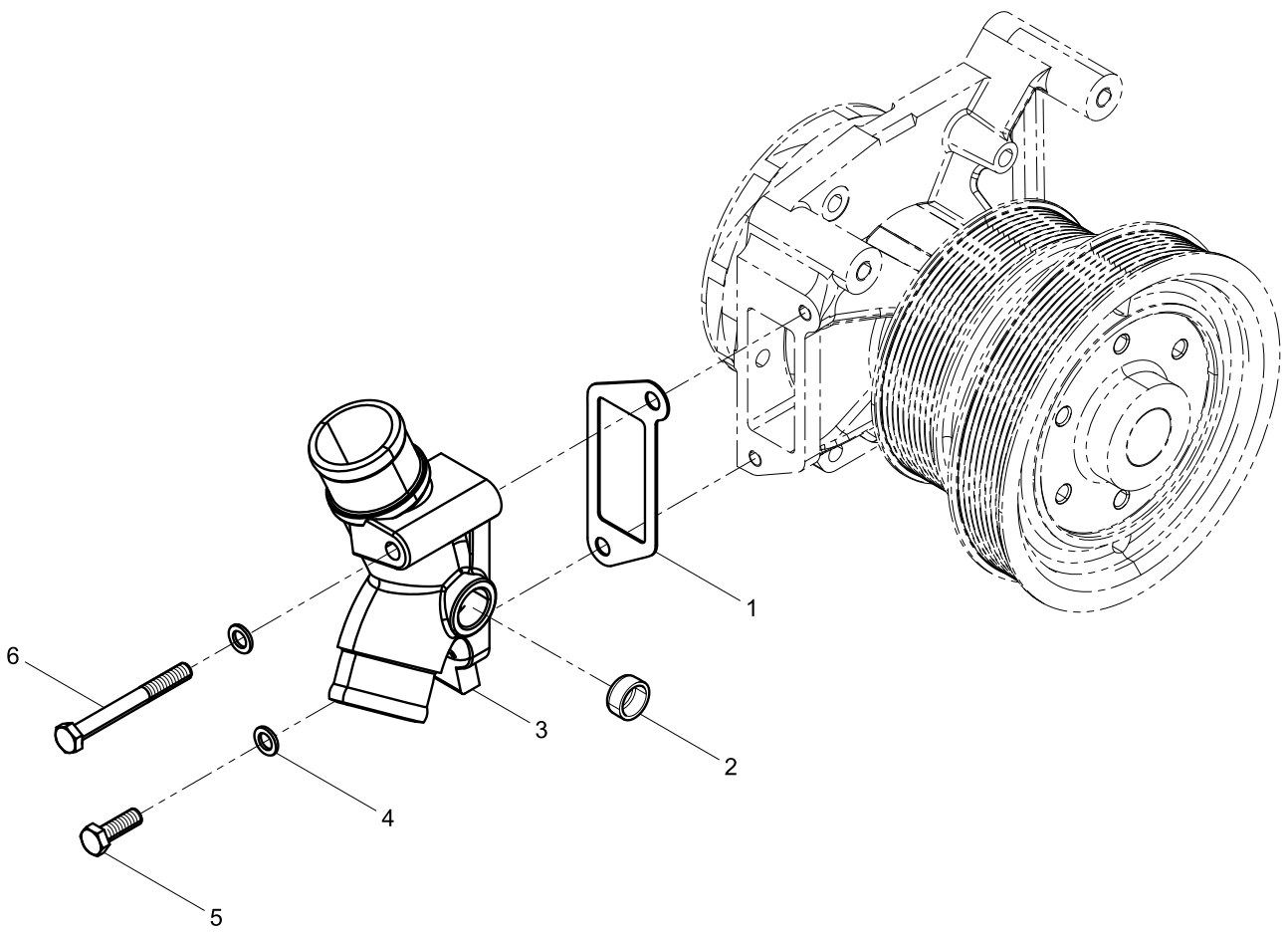
Water Pump Group



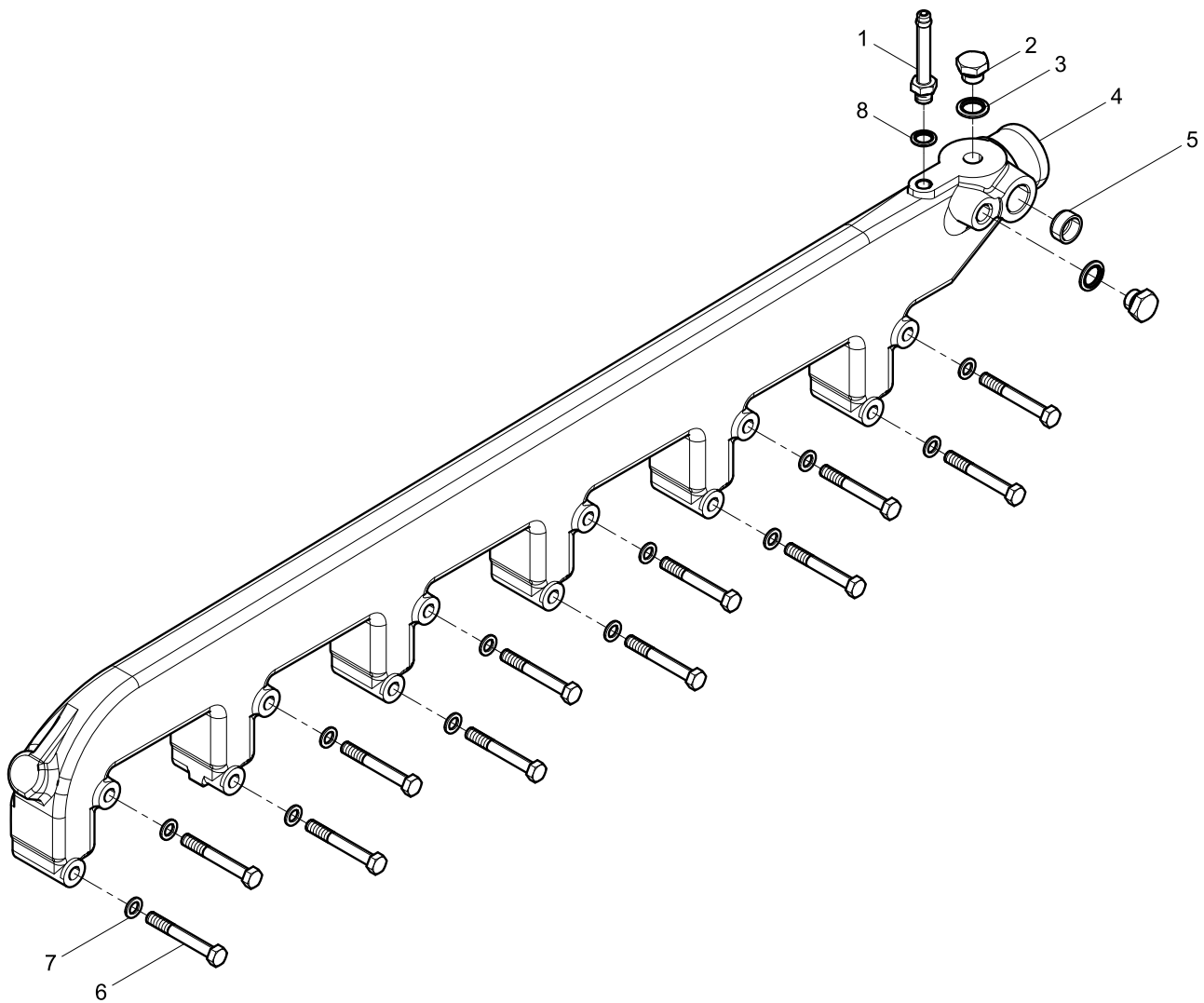
Water Pump Group

Pos.	Teile.Number	Amount	Designation
1	612600060456	1	Lubricating Grease
2	90003813470S	2	Double End Stud
3	612600061719	6	Prevailing Torque Type Hexagon Nut with Flange
4	1001045335	1	Water Pump
5	90003813429S	4	Double End Stud
6	612600061635	1	Water Pump Sealing Gasket

Water Pipe Connector Group



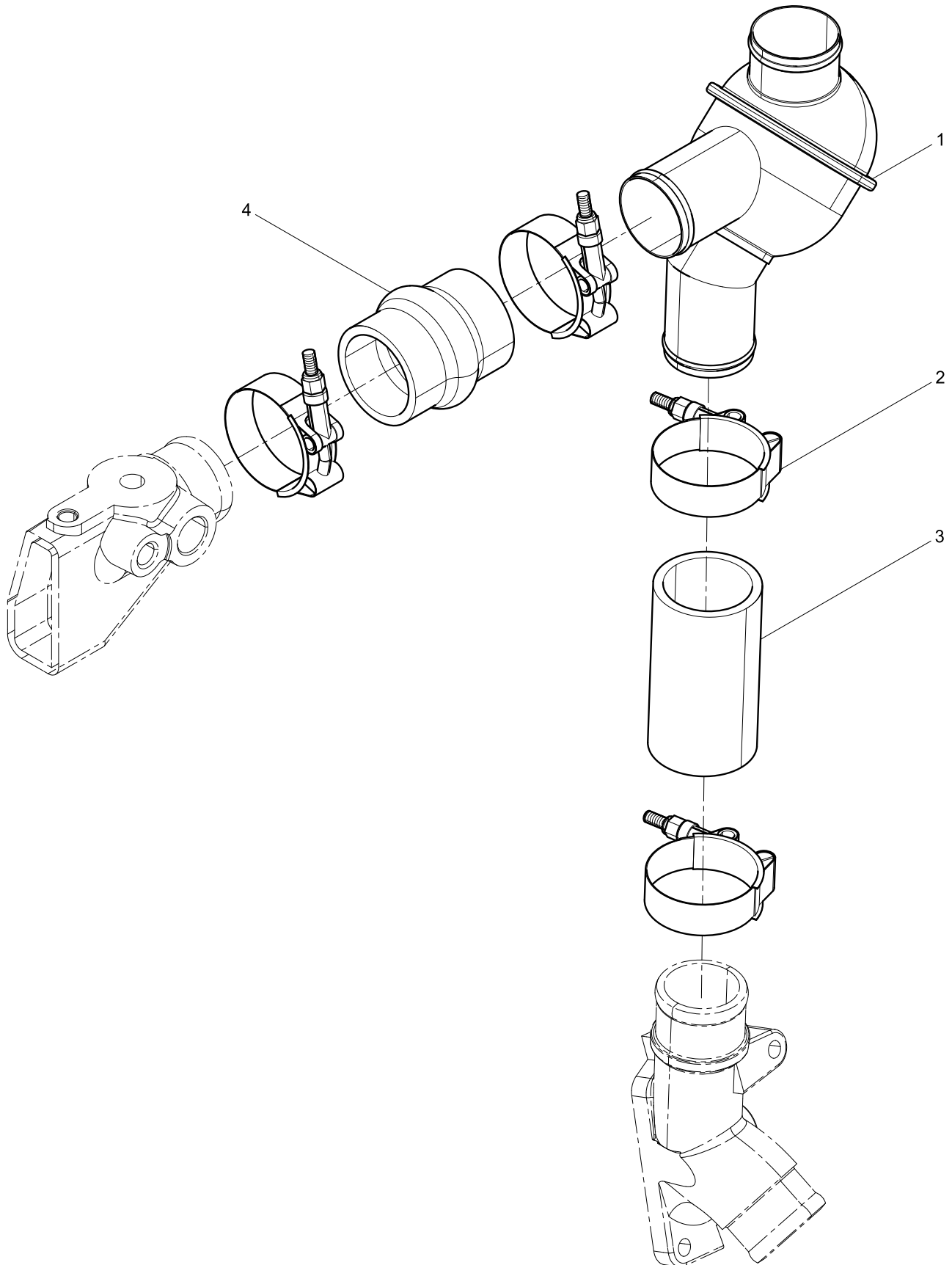
Water Outlet Pipe Group



Water Outlet Pipe Group

Pos.	Teile.Number	Amount	Designation
1	13020659	1	Pipe Joint
2	90003962020	2	Hexagon plug
3	612600080200	2	Washer
4	612600040060	1	Water-outlet Pipe
5	61561D040001	1	Screw Plug
6	90003800466	12	Hexagon Head Bolt
7	90003932023	12	Wave Spring Washer
8	612600080246	1	Washer

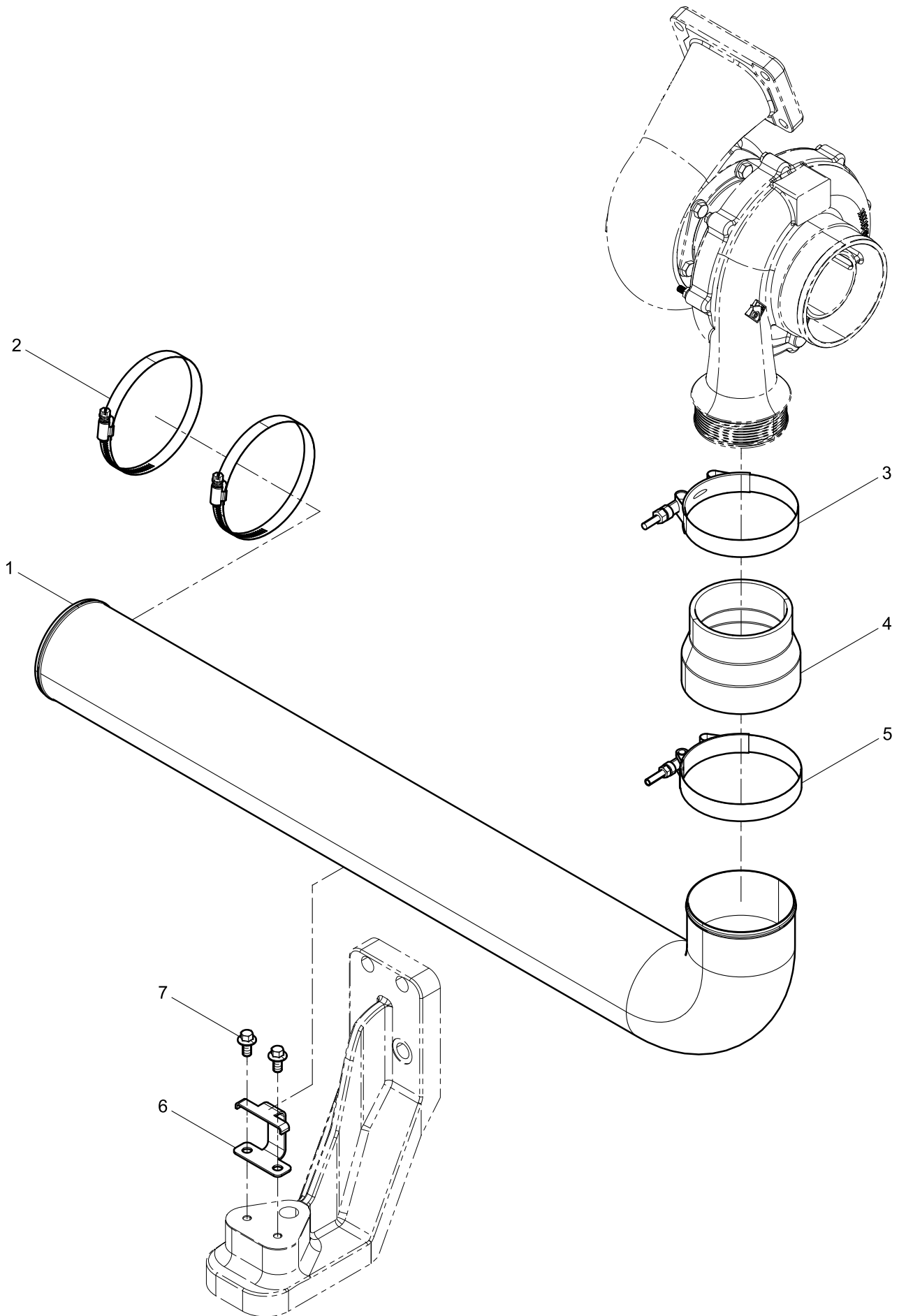
Thermostat Group



Thermostat Group

Pos.	Teile.Number	Amount	Designation
1	615G00060016	1	Thermostat
2	612600160105	4	Clamp
3	612600061623	1	Coolant Connecting Rubber Pipe
4	612600060518	1	Coolant Connecting Rubber Pipe

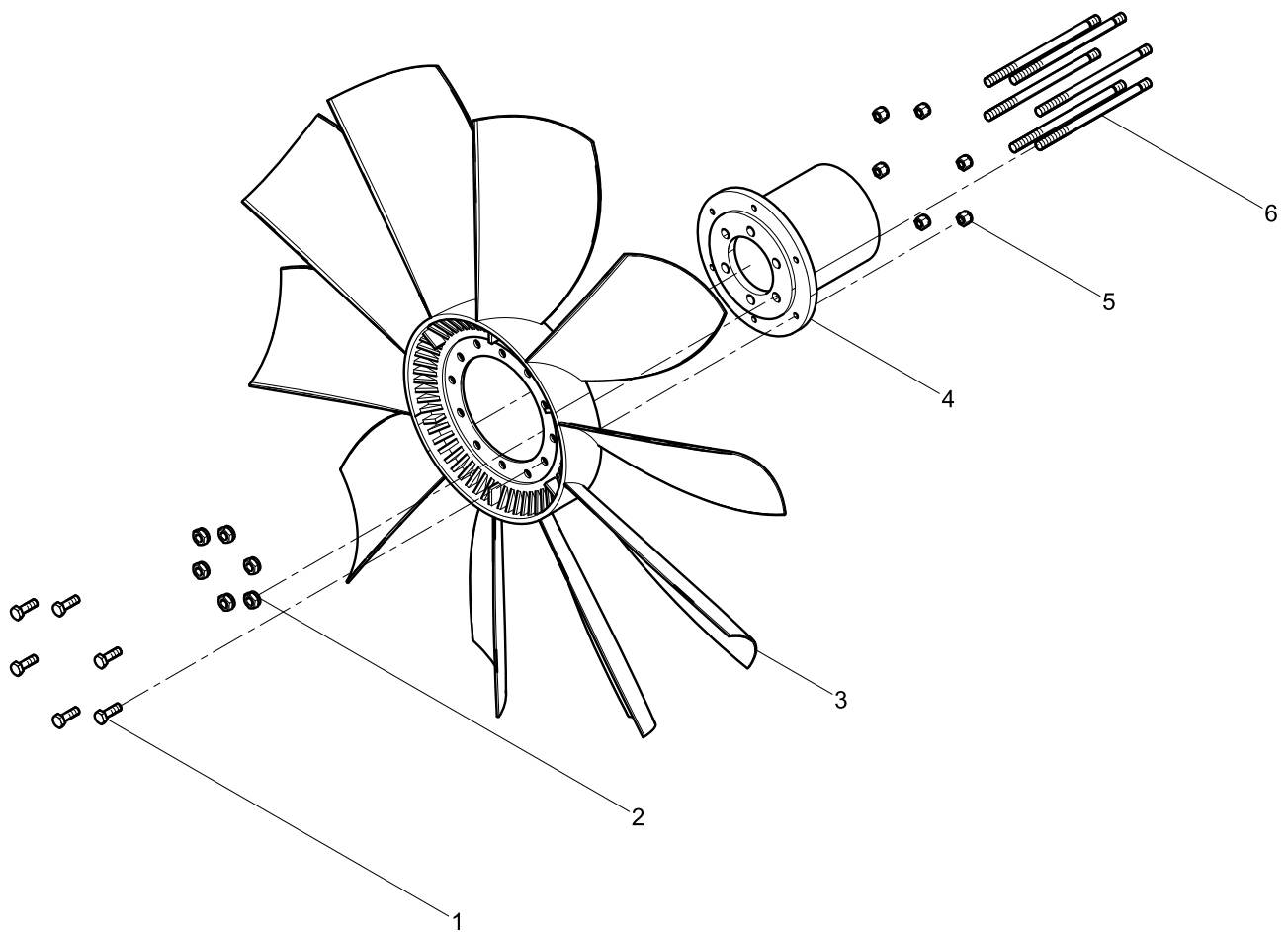
Intercooler Group



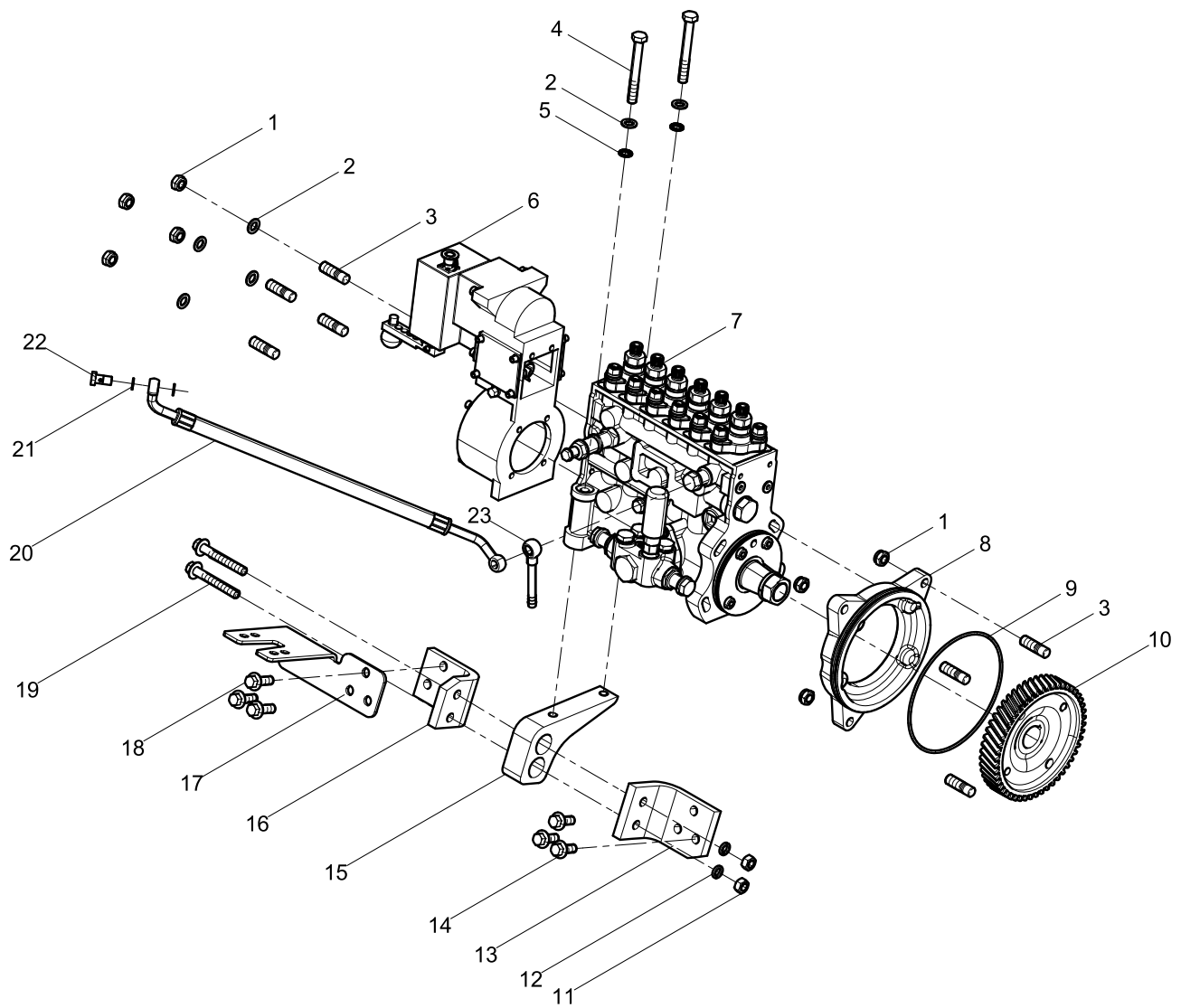
Intercooler Group

Pos.	Teile.Number	Amount	Designation
1	612600114943	1	Inter- cooler Air Pipe
2	90003989315	2	Clamp
3	612600114067	1	Clamp
4	612600114927	1	Air Connecting Rubber Pipe
5	612600113794	1	Clamp
6	612600114938	1	Inter-cool Pipe Bracket
7	90011430040	2	Hexagon Flange with Tooth Bolt

Fan and Hub Group



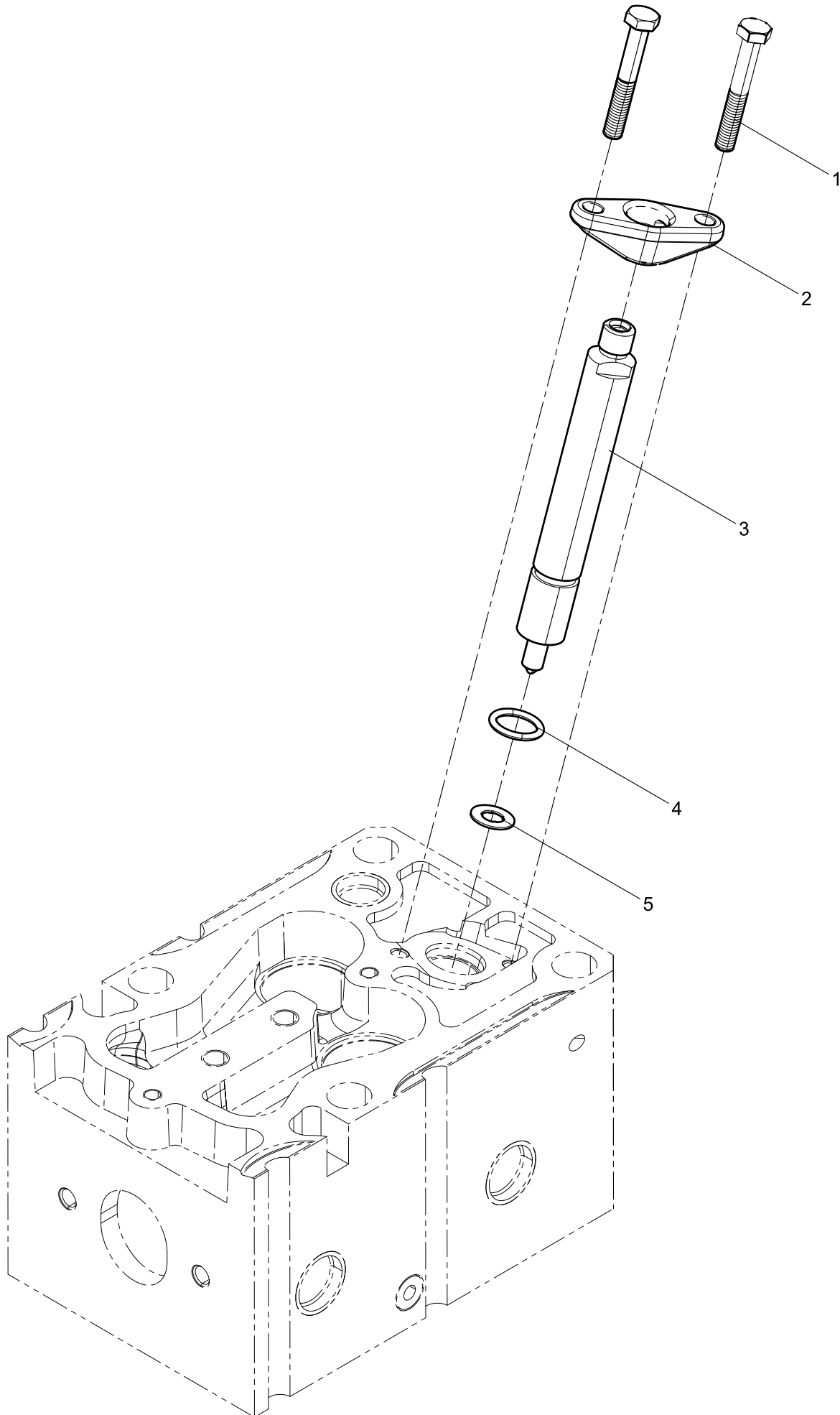
Fuel Injection Pump Group



Fuel Injection Pump Group

Pos.	Teile.Number	Amount	Designation
1	90003888452	7	Prevailing Torque Type All-metal Hexagon Nut,
2	90014040008	6	Plain Washer
3	90003813532S	7	Double End Stud
4	90003800579	2	Hexagon Head Bolt
5	18872339	2	Washer
6	1000942671	1	Electromagnetic Actuator
7	1000943136	1	Fuel Injection Pump Assembly
8	612600083244	1	Fuel Injection Pump Flange
9	612600083245	1	Seal Ring
10	612600081529	1	Fuel Injection Pump Gear
11	90003871305	2	Hexagon Nuts, Style 1
12	90003931122	2	Spring Washer
13	612600080682	1	Fuel Injection Pump Bracket
14	90011430008	3	Hexagon Flange with Tooth Bolt
15	612600080363	1	Fuel Injection Pump Bracket
16	612600080364	1	Fuel Injection Pump Bracket
17	612600082684	1	Fuel Pipe Bracket
18	90011430017	3	Hexagon Flange with Tooth Bolt
19	90011430013	2	Hexagon Flange with Tooth Bolt
20	612600081470	1	Fuel Injection Pump Oil Pipe Assembly
21	612600080246	2	Washer
22	90003962607	1	Hollow screw
23	612600080172	1	Pipe Joint

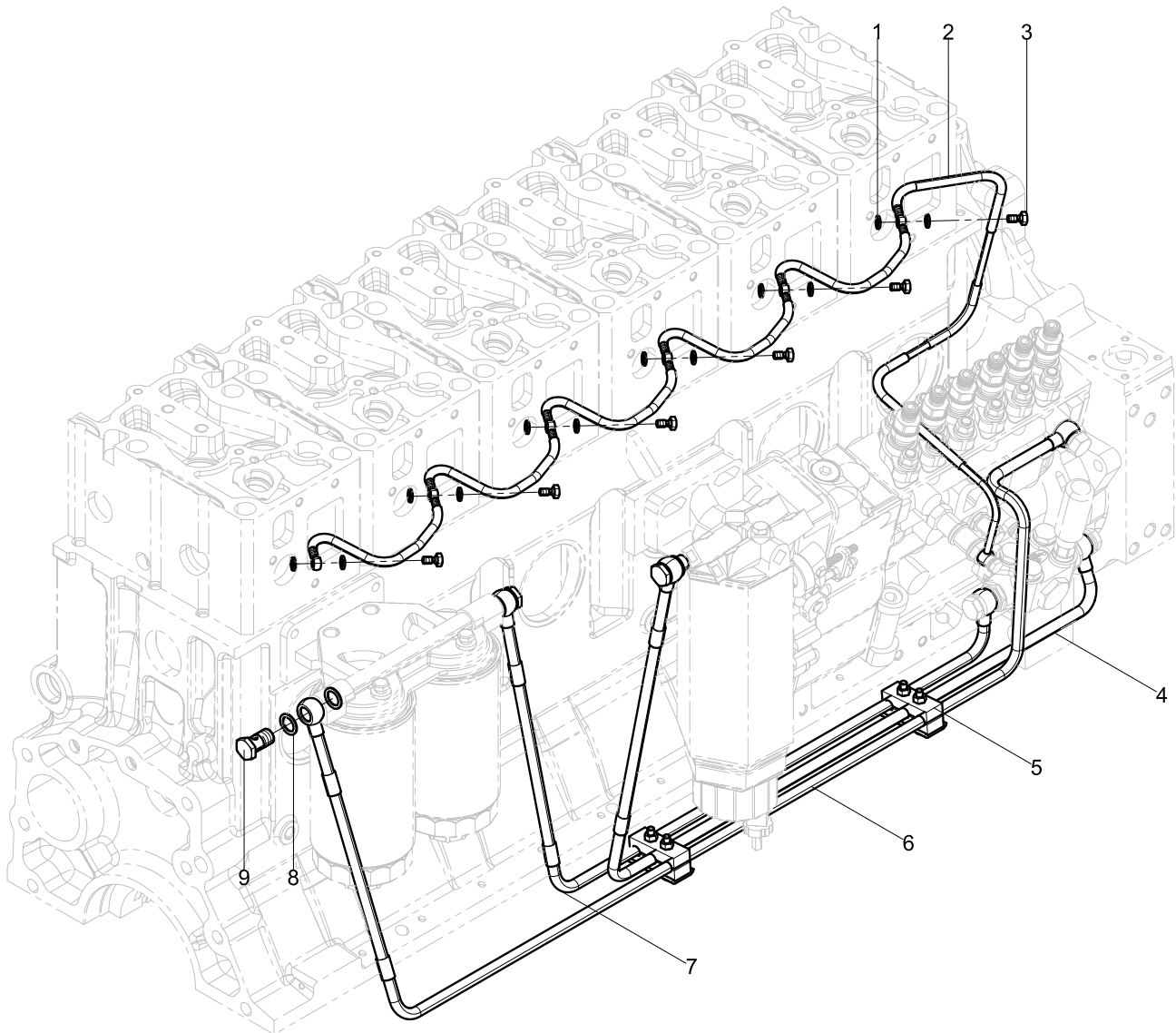
Fuel Injector Group



Fuel Injector Group

Pos.	Teile.Number	Amount	Designation
1	612600083079	12	Bolt
2	61500080094A	6	Clamp plate
3	61560080276	6	Fuel Injector
4	609070080	6	Seal Ring
5	612600081954	6	Washer

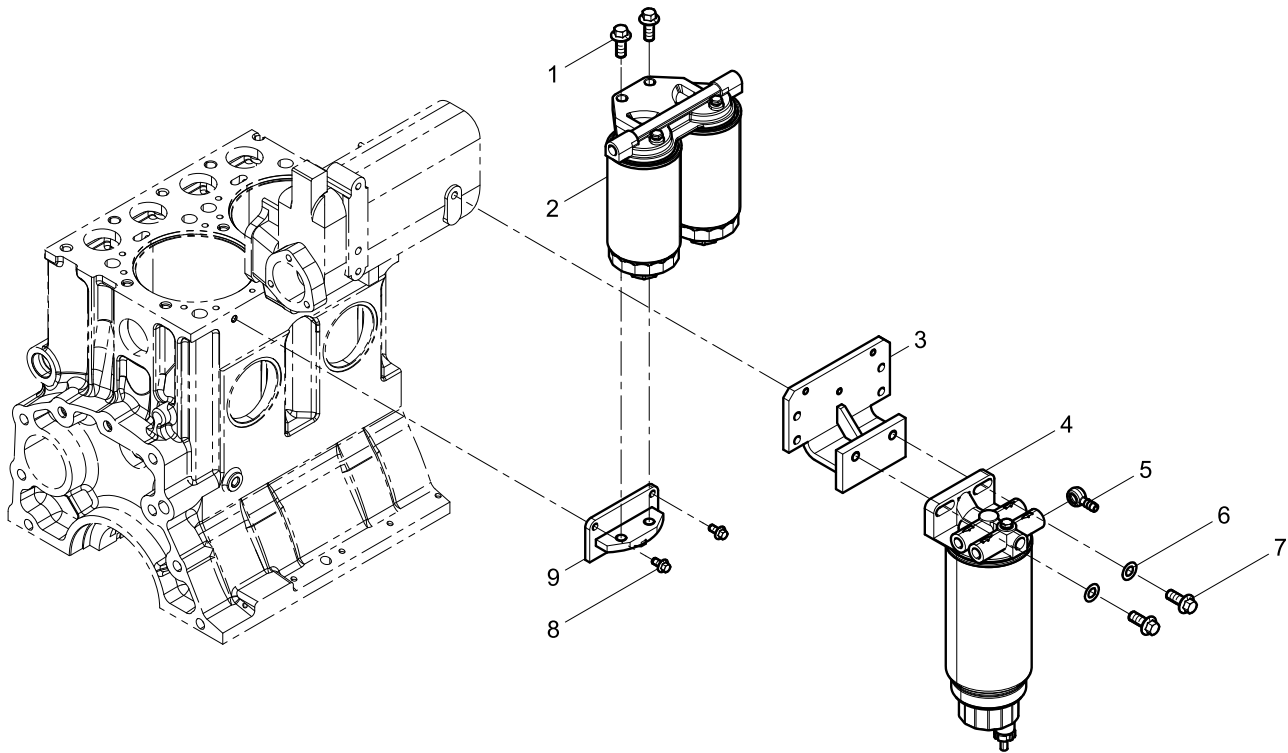
Low Pressure Fuel Pipe Group



Low Pressure Fuel Pipe Group

Pos.	Teile.Number	Amount	Designation
1	612600080688	12	Assembled Sealing Washer
2	612600081329	1	Fuel Return Pipe Assembly
3	61500080090	6	Bolt
4	612600082685	1	Fuel-inlet Pipe Assembly
5	612600082691	2	Pipe Clamp Assembly
6	612600082689	1	Fuel-inlet Pipe Assembly
7	612600082687	1	Fuel-inlet Pipe Assembly
8	90003098015	12	Sealing Washer
9	90003962621	6	Hollow screw

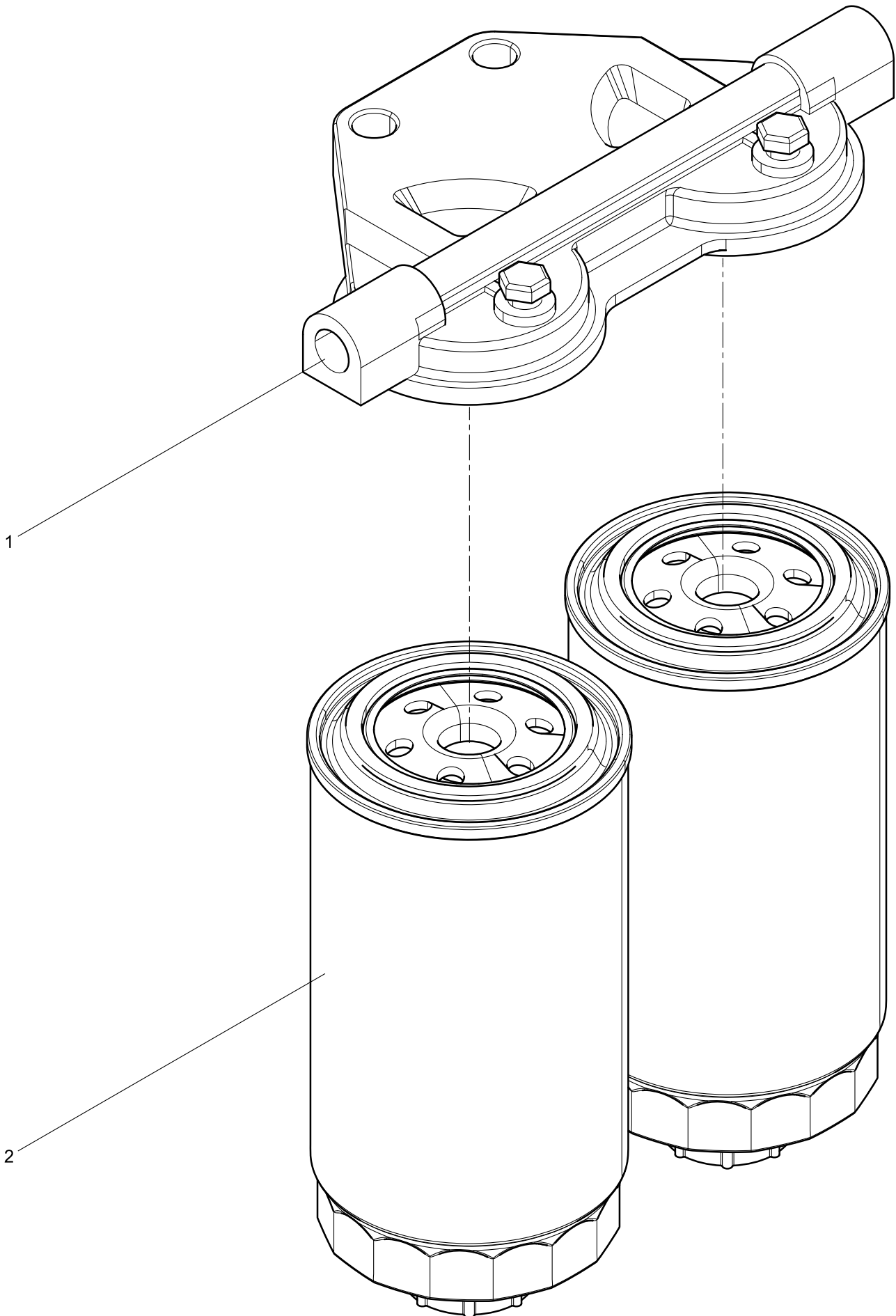
Fuel Filter Group



Fuel Filter Group

Pos.	Teile.Number	Amount	Designation
1	90011430026	2	Hexagon Flange with Tooth Bolt
2	1001059180	1	Fuel Coarse Filter
3	612600081841	1	Fuel filter bracket
4	1001058618	1	Fuel Filter
5	612600080172	1	Pipe Joint
6	90003932016	2	Wave Spring Washer
7	90003802627	2	Hexagon Head Bolt
8	90011430040	2	Hexagon Flange with Tooth Bolt
9	61800080041	1	Bracket

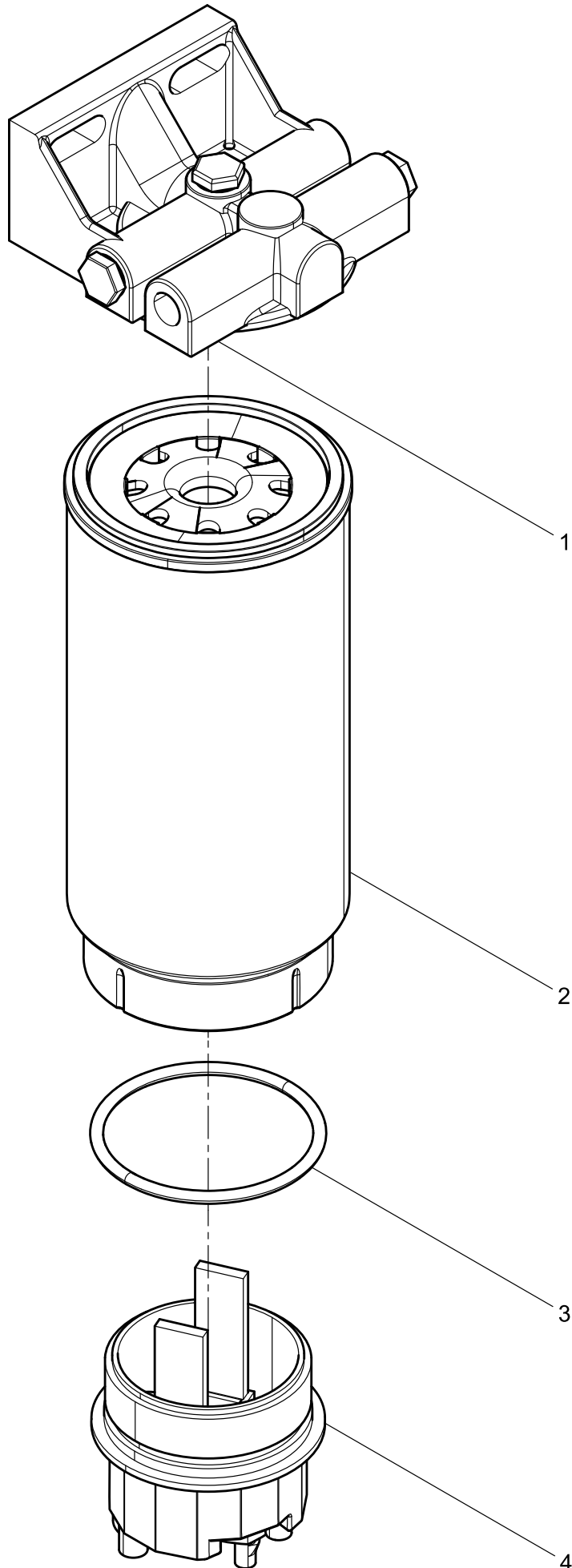
Fuel Filter



Fuel Filter

Pos.	Teile.Number	Amount	Designation
1	612600082597	1	Fuel Filter Seat
2	1001044160	2	Fuel Coarse Filter Element

Fuel Coarse Filter

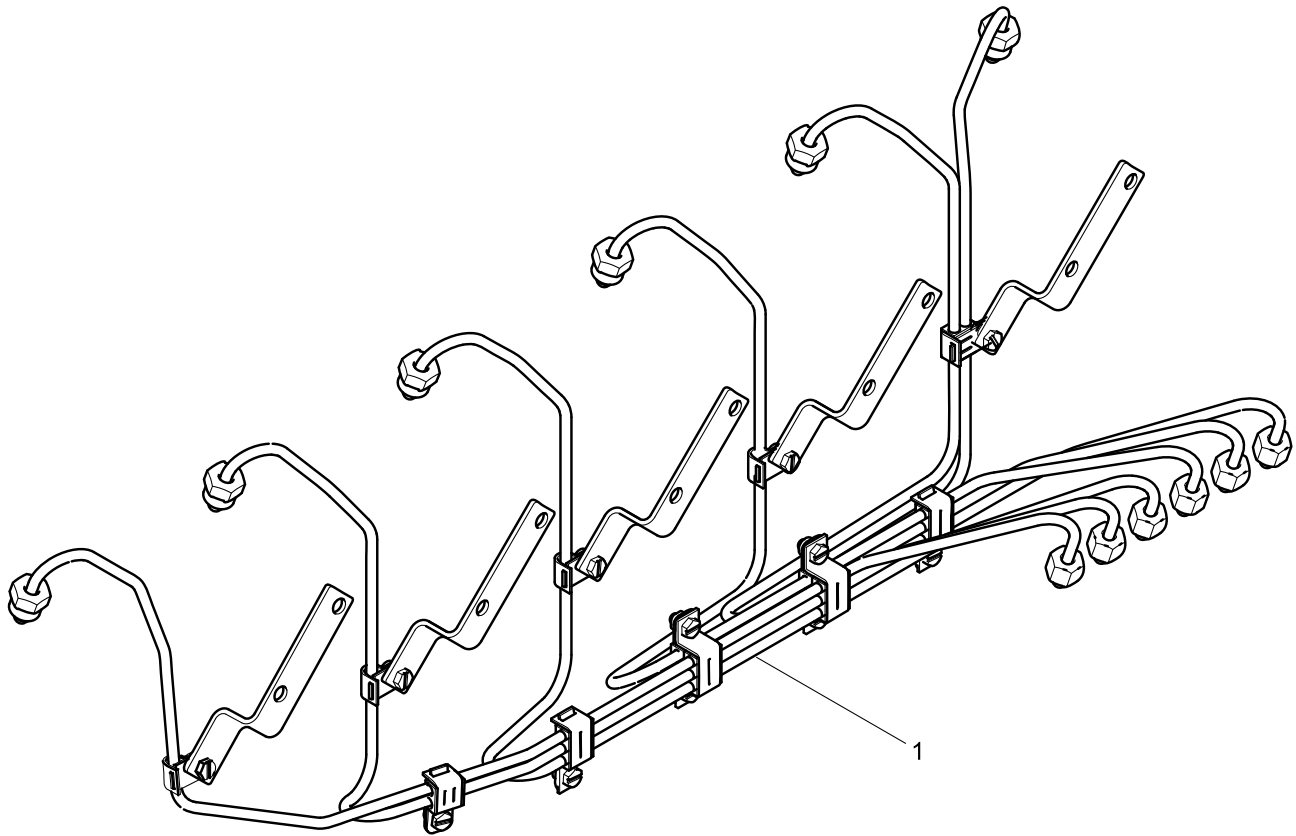


Fuel Coarse Filter

Pos.	Teile.Number	Amount	Designation
1	612600081321	1	Fuel Filter Seat
2	1001044161	1	Fuel Coarse Filter Element
3	612600081327	1	Seal Ring
4	612600081322	1	Water Cup Assembly



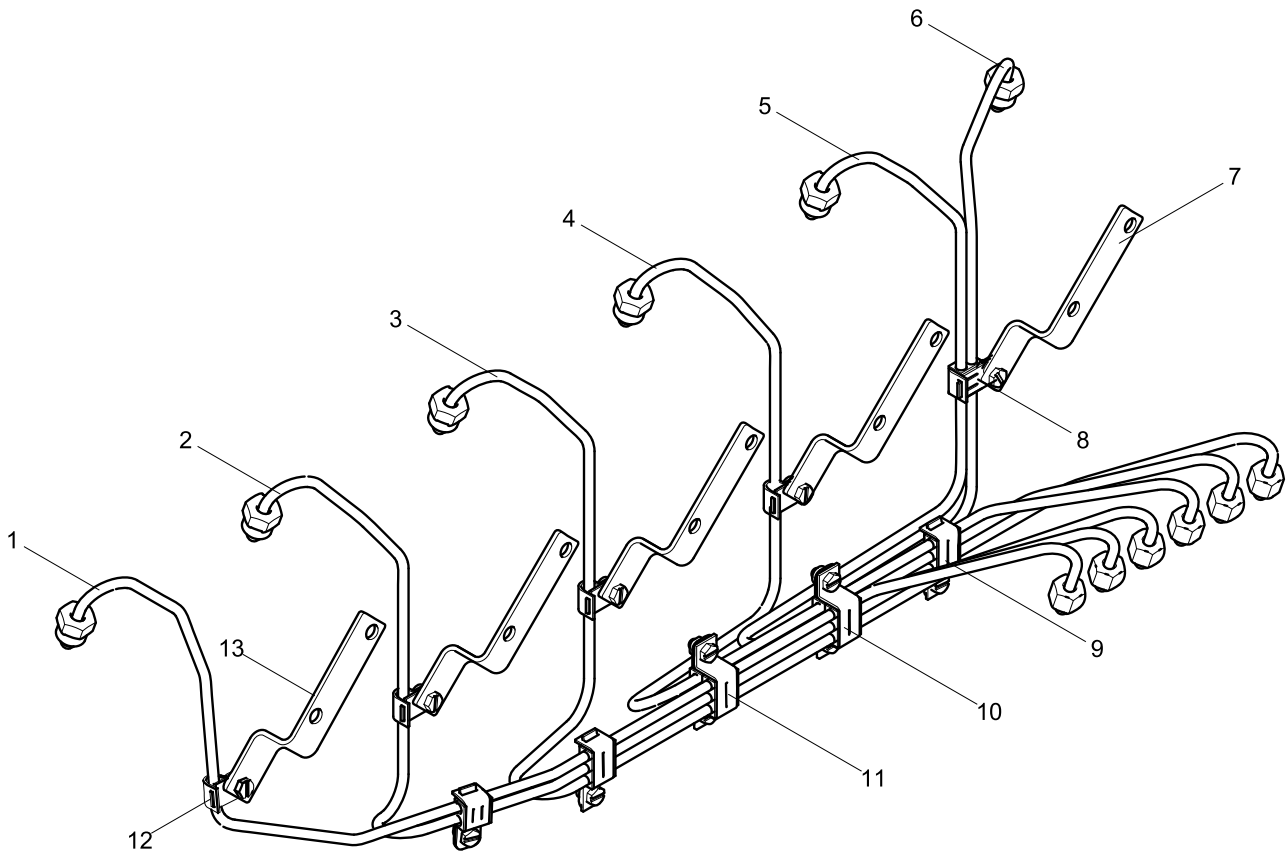
High Pressure Fuel Pipe Group



High Pressure Fuel Pipe Group

Pos.	Teile.Number	Amount	Designation
1	612600082080	1	High-pressure Fuel Pipe Assembly

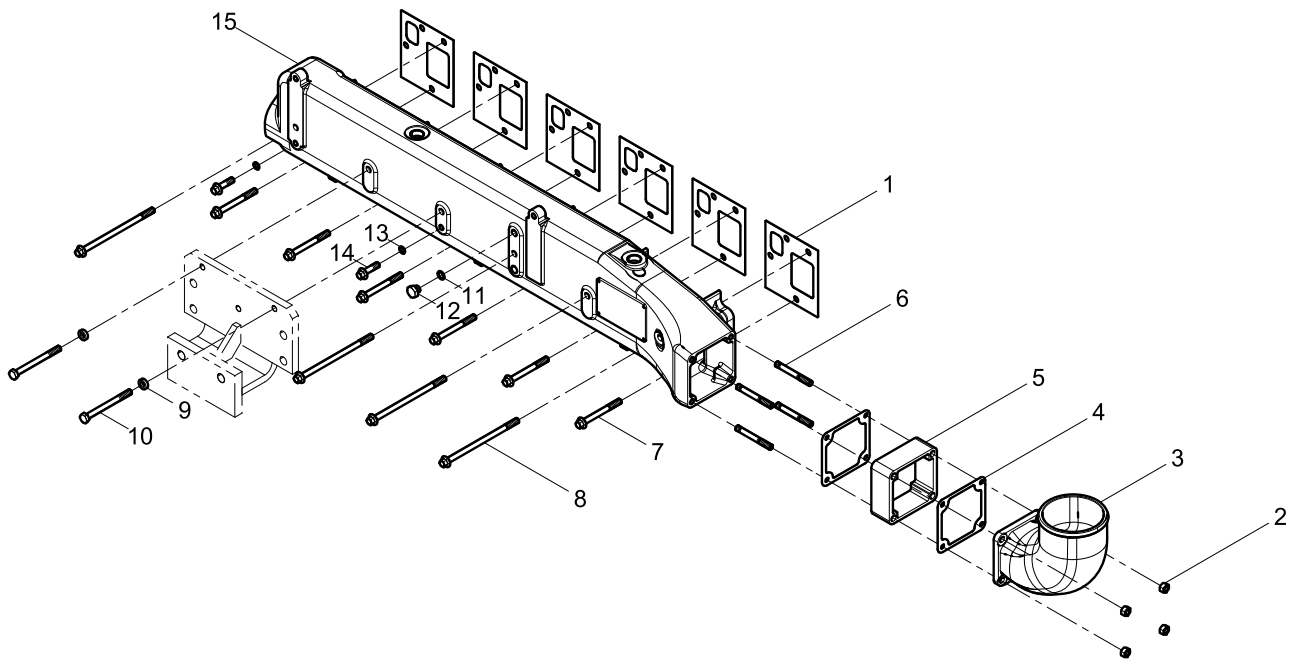
High-pressure Fuel Pipe Assembly



High-pressure Fuel Pipe Assembly

Pos.	Teile.Number	Amount	Designation
1	612600082102	1	High-pressure Fuel Pipe Assembly
2	612600082101	1	High-pressure Fuel Pipe Assembly
3	612600082100	1	High-pressure Fuel Pipe Assembly
4	612600082099	1	High-pressure Fuel Pipe Assembly
5	612600082098	1	High-pressure Fuel Pipe Assembly
6	612600082097	1	High-pressure Fuel Pipe Assembly
7	61560080172	4	Baseplate
8	612600080580	2	Pipe Clamp Assembly
9	612600080576	2	Pipe Clamp Assembly
10	612600081883	1	High-pressure Fuel Pipe Assembly
11	612600081882	1	Pipe Clamp
12	612600080708	4	Pipe Clamp Assembly
13	612600082315	1	Bracket

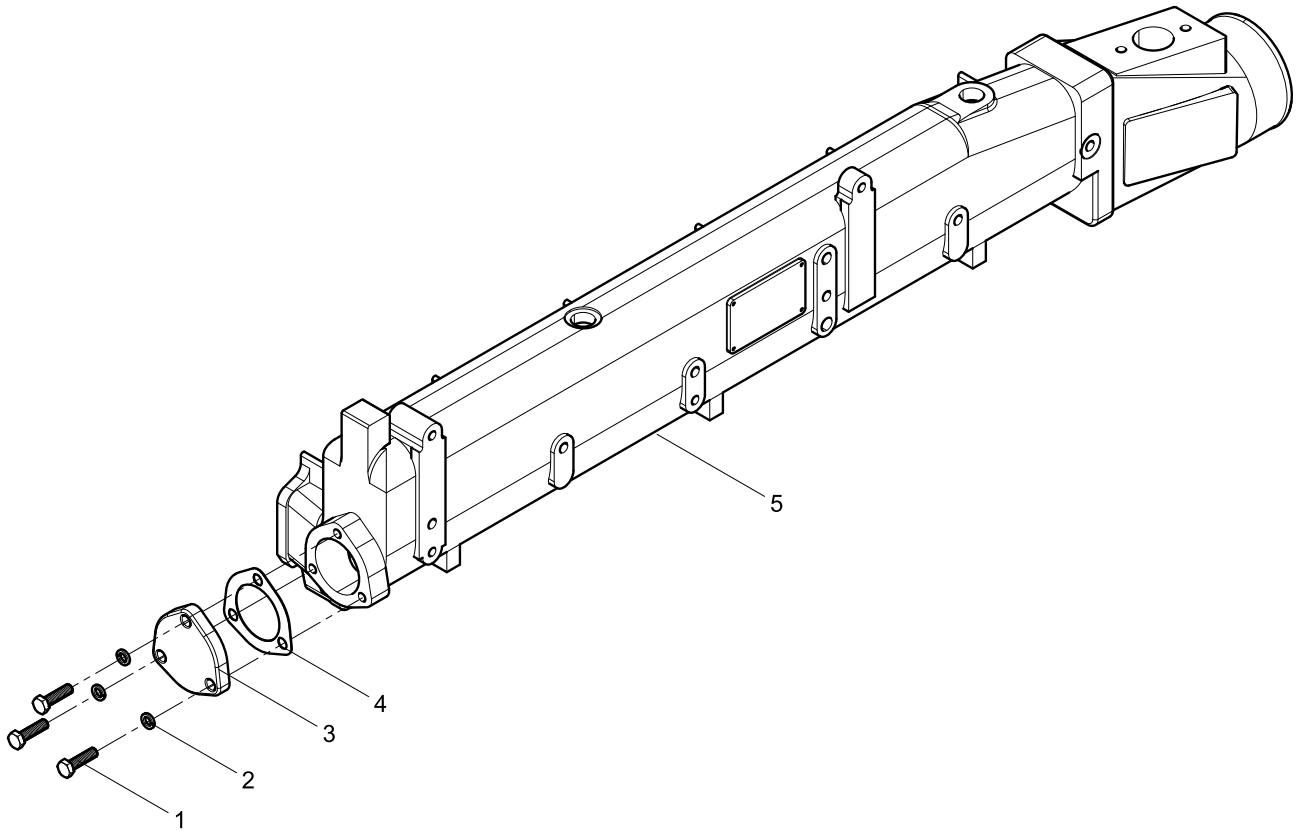
Intake Manifold Group



Intake Manifold Group

Pos.	Teile.Number	Amount	Designation
1	612600114274	6	Intake Manifold Gasket
2	90012290001	4	Hexagon Flange Nut
3	612630120045	1	Intake Connecting Pipe
4	612630120002	2	Gasket
5	612600113013	1	Flange
6	90003813470	4	Double End Stud
7	612600114858	6	Hexagon Flange Bolt
8	612600114467	4	Hexagon Flange Bolt
9	609E110036	2	Adjusting Washer
10	90003802415	2	Hexagon Head Bolt
11	90003098012	1	Sealing Washer
12	90003962019	1	Hexagon plug
13	612600080201	2	Washer
14	612600114468	2	Hexagon Flange Bolt
15	612600115532	1	Intake Manifold Assembly

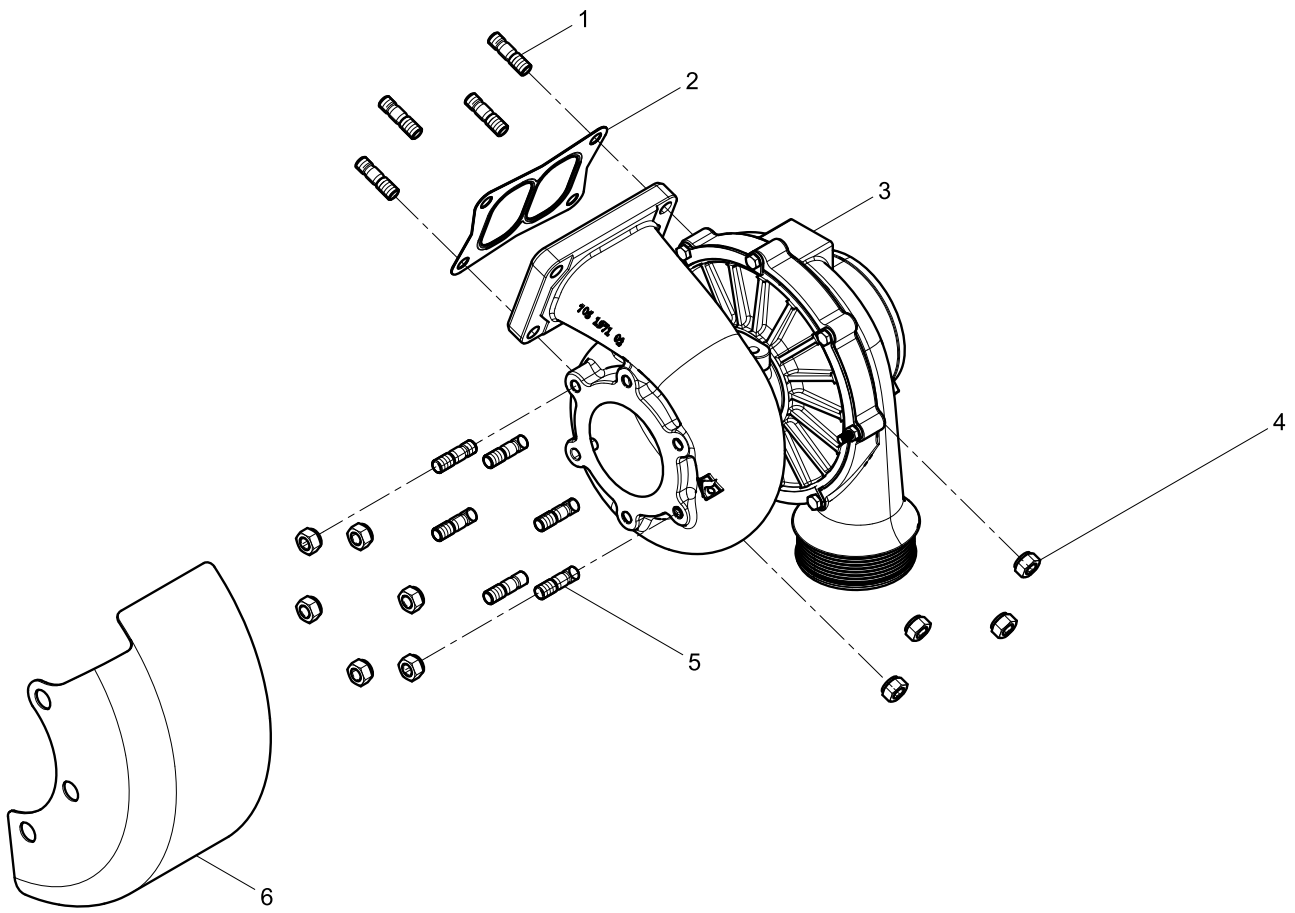
Intake Manifold Assembly



Intake Manifold Assembly

Pos.	Teile.Number	Amount	Designation
1	90003802432	3	Hexagon Head Bolt
2	90003931102	3	Spring Washer
3	612600110455	1	Cover
4	612600114285	1	Gasket
5	612600115525	1	Intake Manifold

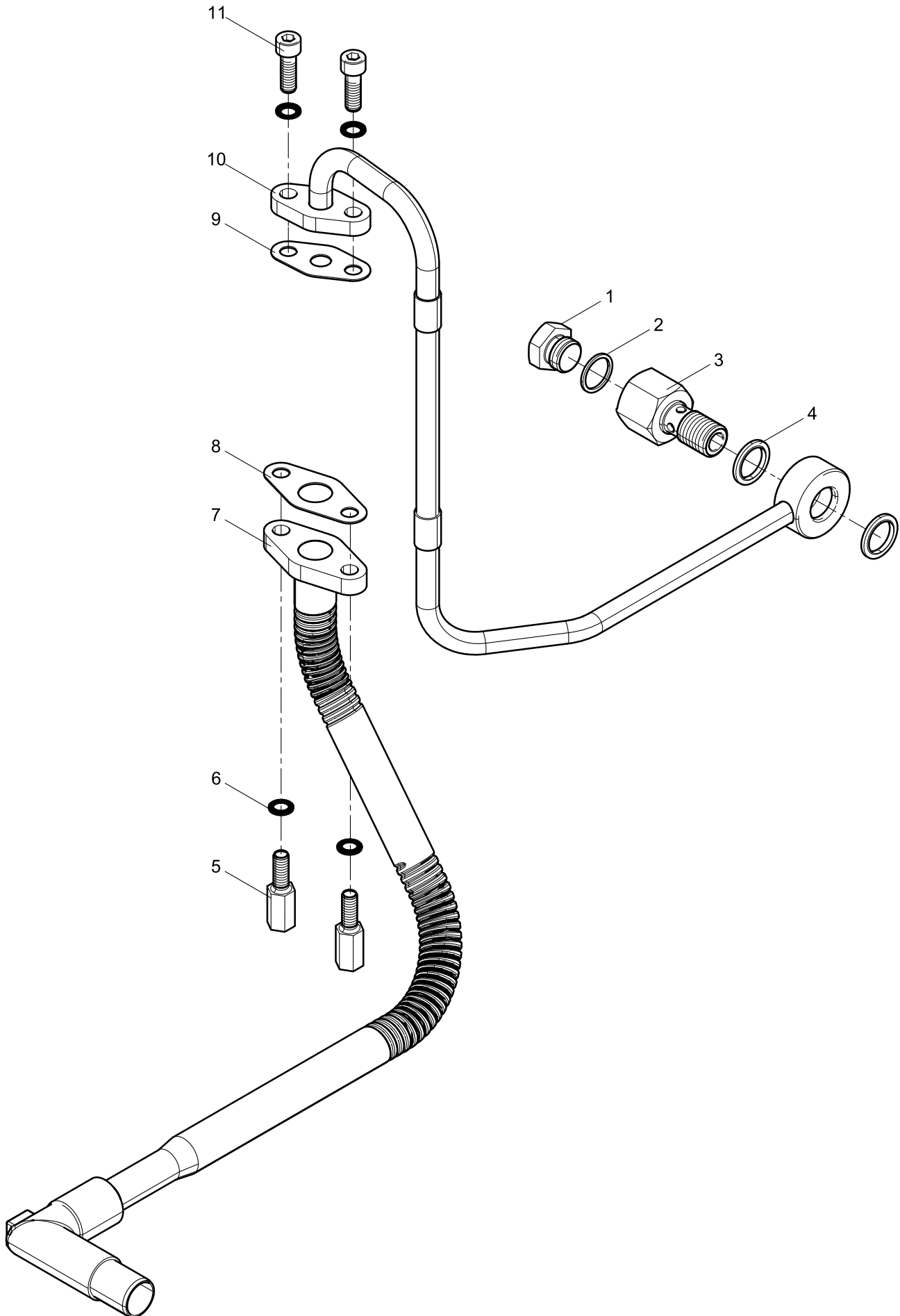
Turbocharger Group



Turbocharger Group

Pos.	Teile.Number	Amount	Designation
1	81560110187	4	Double End Stud
2	61560110210	1	Turbocharger washer
3	1000951730	1	Turbocharger
4	90003888470	10	Prevailing Torque Type All-metal Hexagon Nut,
5	612600110282	6	Double End Stud
6	1000908314	1	Turbocharger Heat Shield

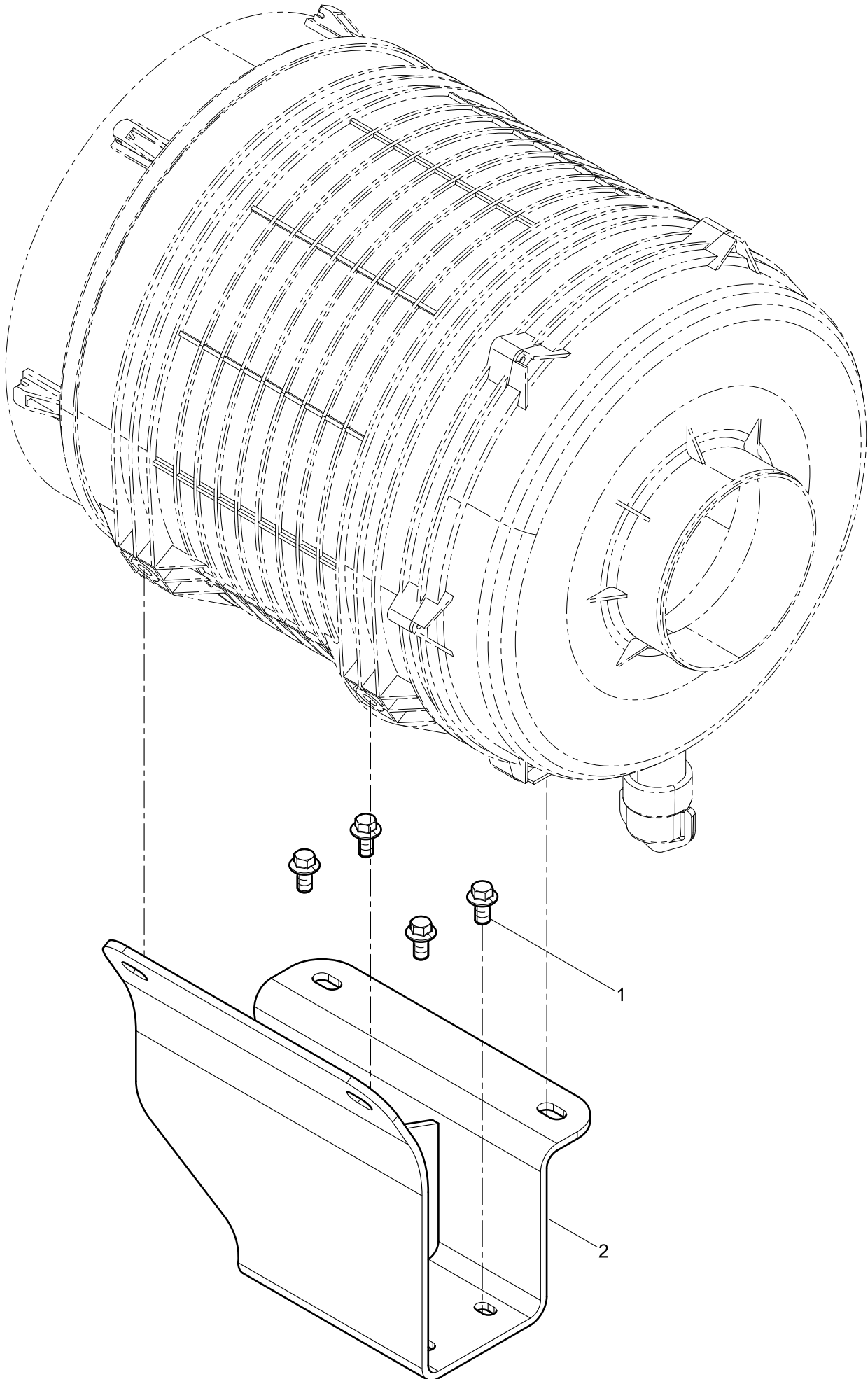
Turbocharger Oil Pipe Group



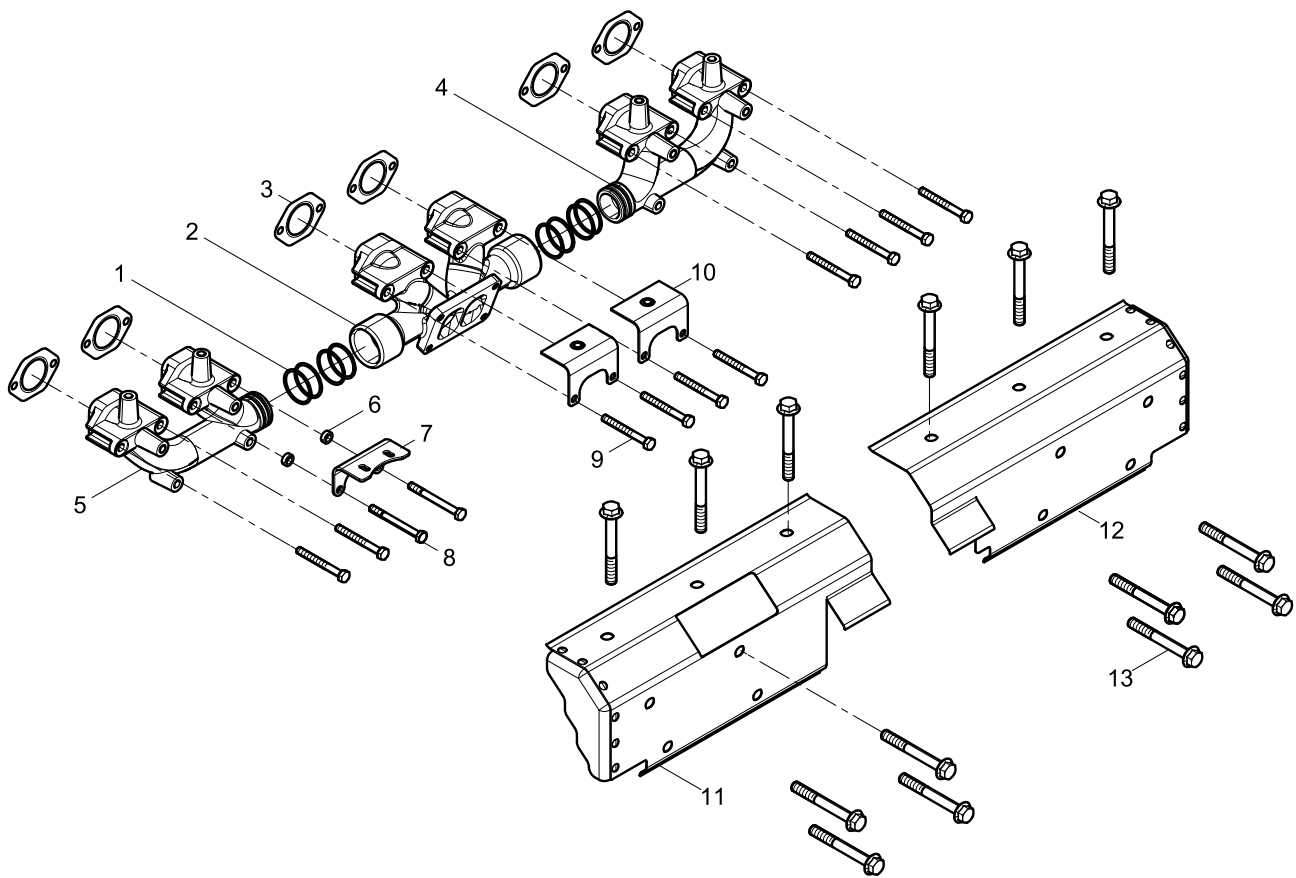
Turbocharger Oil Pipe Group

Pos.	Teile.Number	Amount	Designation
1	90003962030	1	Hexagon plug
2	90003098020	1	Washer
3	612600090391	1	Oil Pressure Sensor Connector
4	612600080275	2	Sealing Washer
5	61460070014	2	Bolt
6	188250083	4	Washer
7	612600114884	1	Turbocharger Oil Pipe Assembly
8	612600115514	1	Gasket
9	612600114275	1	Gasket
10	612600114879	1	Turbocharger Oil Pipe Assembly
11	90003862428	2	Inner Hexagon Socket Head Cap Screw

Air Filter Group



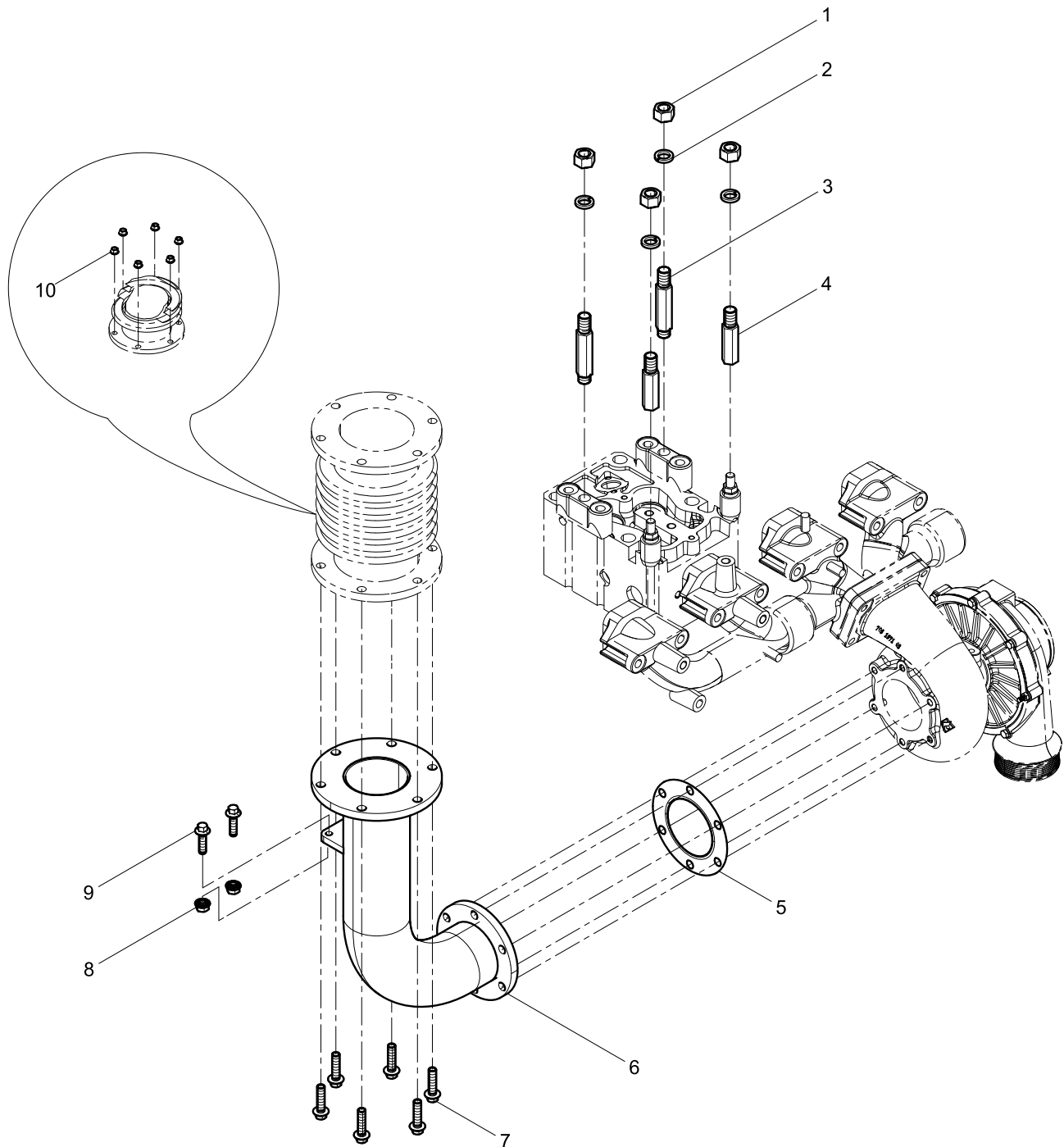
Exhaust Manifold Group



Exhaust Manifold Group

Pos.	Teile.Number	Amount	Designation
1	61260110162	8	Exhaust Pipe Sealing Ring
2	612600114404	1	Exhaust Manifold
3	612600114293	6	Gasket
4	612600117091	1	Exhaust Manifold
5	612600117089	1	Exhaust Manifold
6	609090003	2	Ring
7	612600114905	1	Bracket
8	612600110252	2	Exhaust Manifold Bolt
9	61560110104	10	Tightening bolt of Exhaust Manifold
10	612600114914	2	Bracket
11	1000913868	1	Exhaust Manifold Heat Shield Assembly
12	1000914154	1	Exhaust Manifold Heat Shield Assembly
13	9000000223	14	Hexagon Flange Bolt

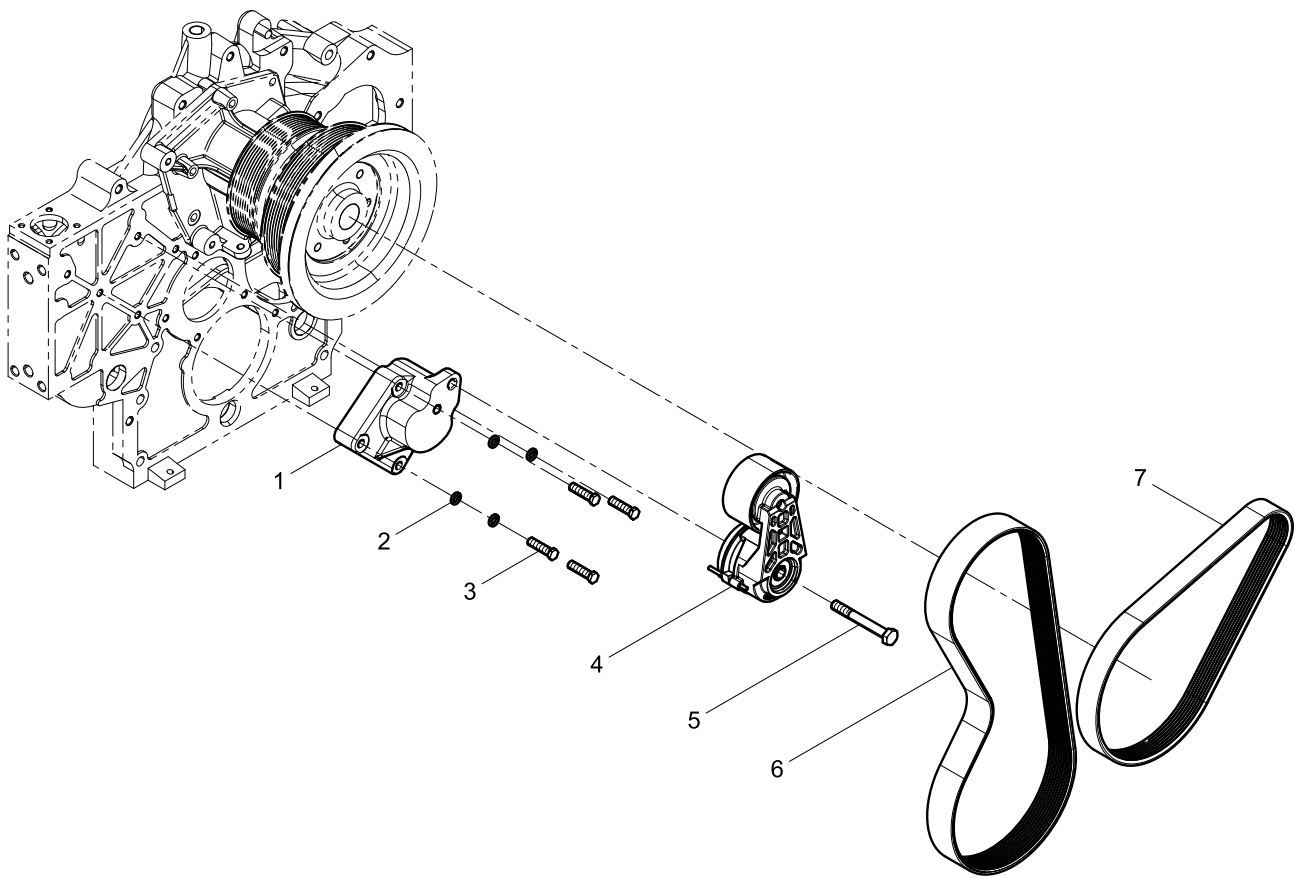
Rear Exhaust Manifold Group



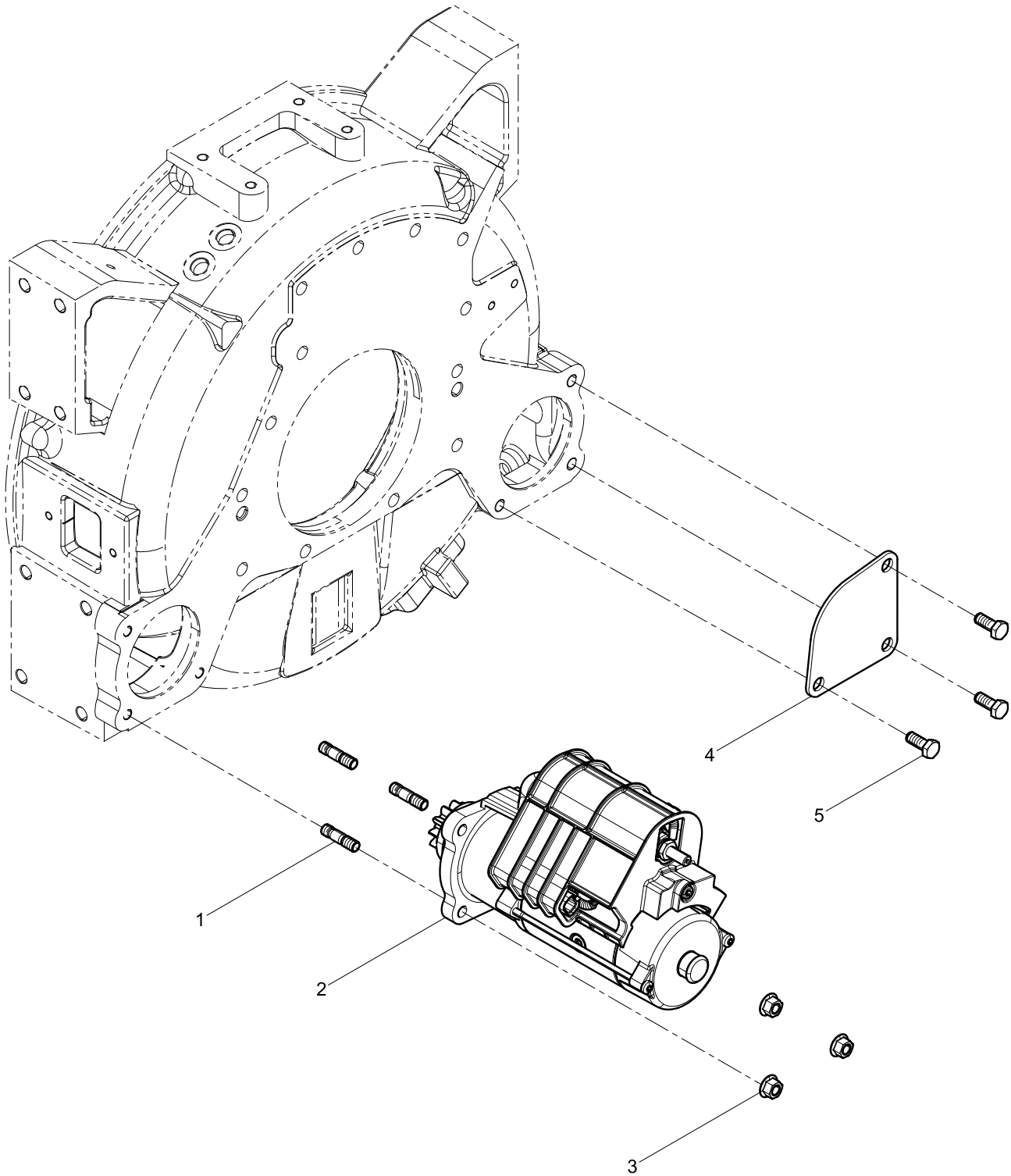
Rear Exhaust Manifold Group

Pos.	Teile.Number	Amount	Designation
1	90012210009	4	Hexagon Nuts, Style 1
2	90014350008	4	Spring Washer
3	612600112485	2	Back-up Block
4	612600114904	2	Screw
5	612600115408	1	Gasket
6	612600115335	1	ExhaustConnecting Pipe
7	90011430032	6	Hexagon Flange with Tooth Bolt
8	612600061719	2	Prevailing Torque Type Hexagon Nut with Flange
9	90011430018	2	Hexagon Flange with Tooth Bolt
10	612600061720	6	Prevailing Torque Type Hexagon Nut with Flange

Tensioner And Belt Group



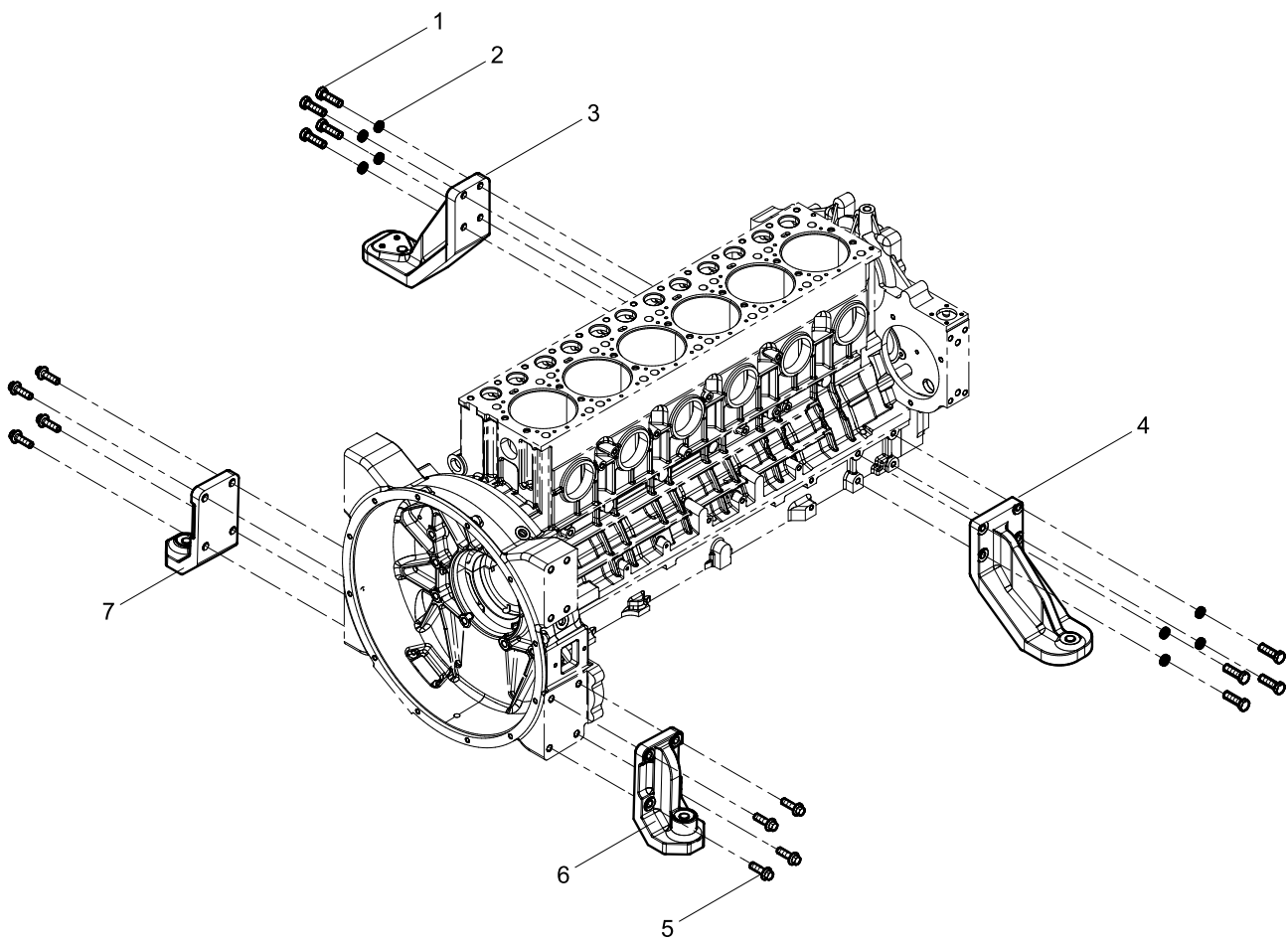
Starter Motor Group



Starter Motor Group

Pos.	Teile.Number	Amount	Designation
1	90003813527	3	Double End Stud
2	612600090494	1	Starter Motor
3	612600013602	3	Hexagon Flange Nut
4	612600090751	1	Cover
5	90011350132	3	Hexagon Head Bolt

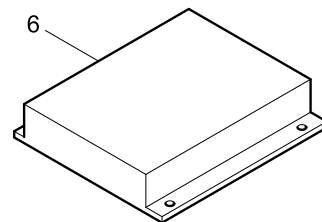
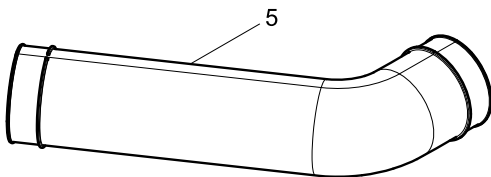
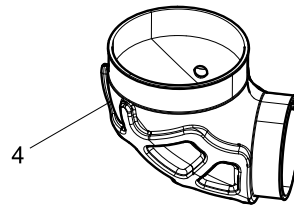
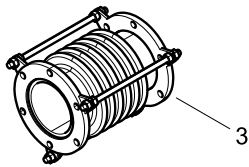
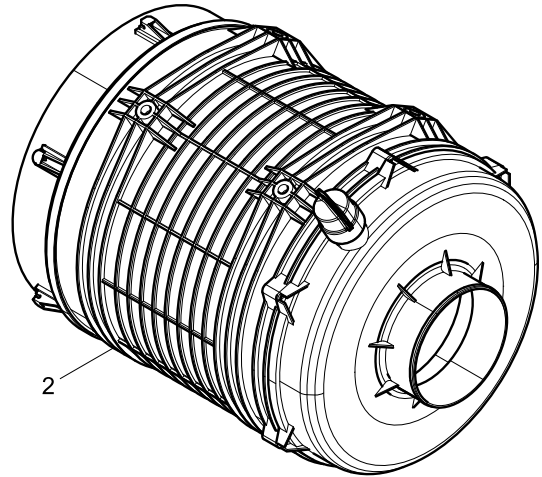
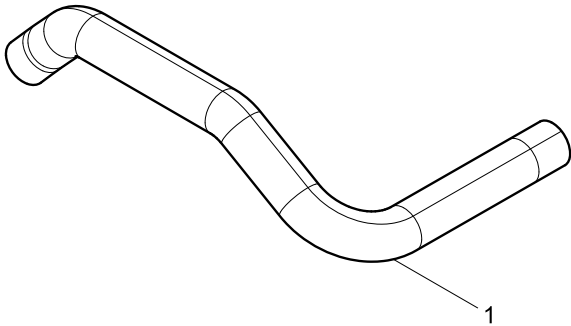
Engine Bracket Group



Engine Bracket Group

Pos.	Teile.Number	Amount	Designation
1	61567C160003	8	Hexagon Head Bolt
2	90003931162	8	Spring Washer
3	612600540227	1	Engine Bracket
4	612600540226	1	Engine Bracket
5	90011430033	8	Hexagon Flange with Tooth Bolt
6	612600540224	1	Engine Bracket
7	612600540225	1	Engine Bracket

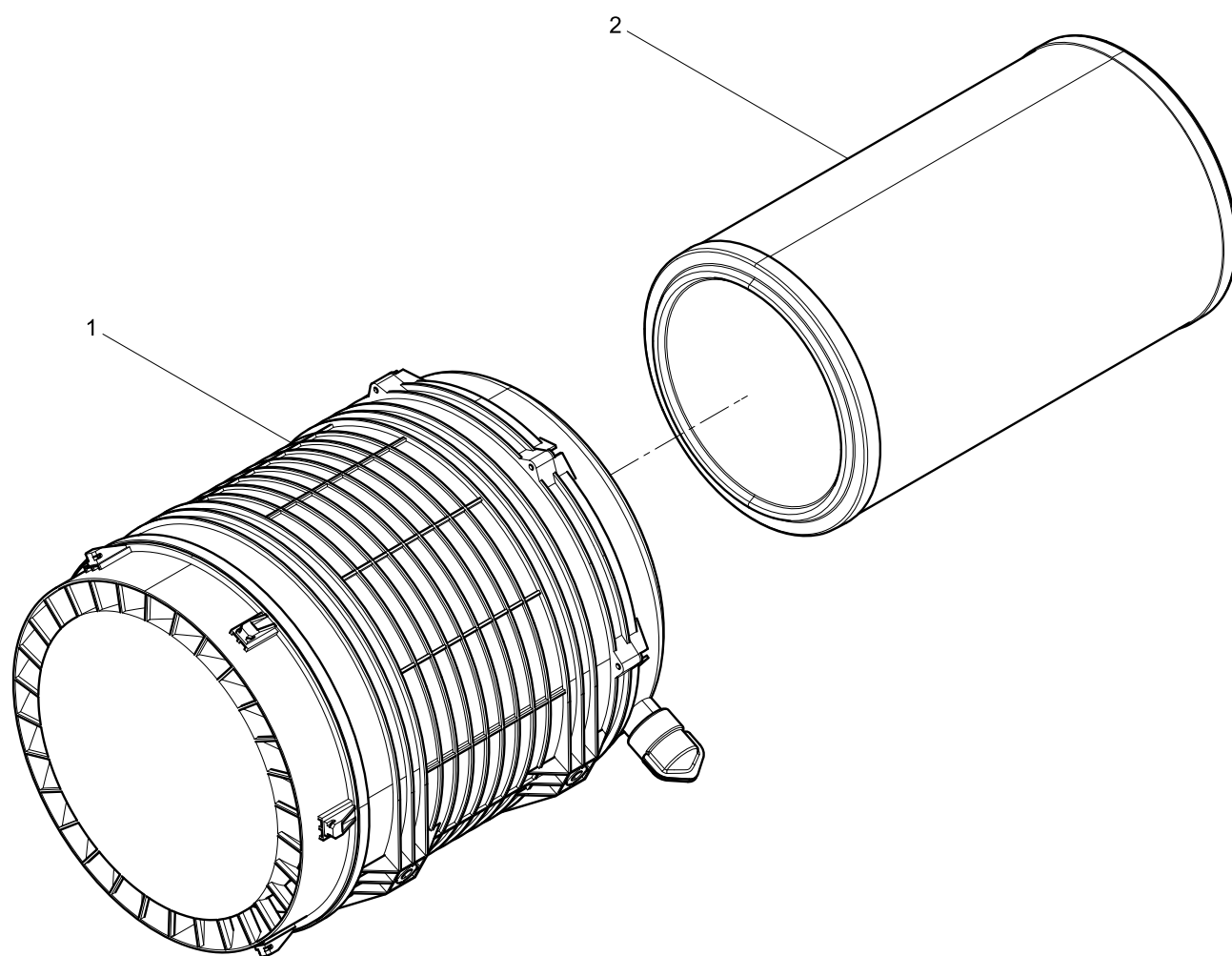
Packing Box Chassis Parts Group



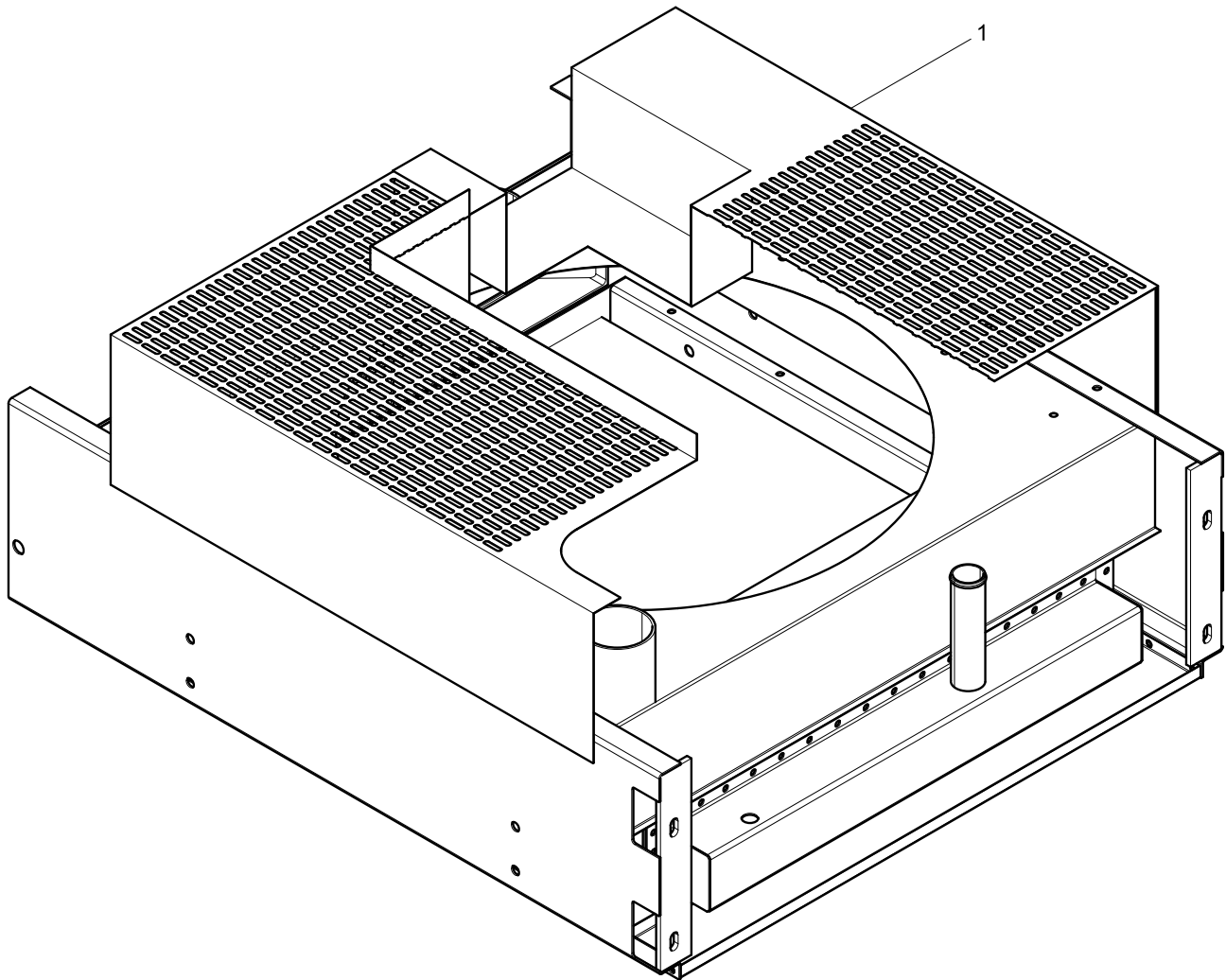
Packing Box Chassis Parts Group

Pos.	Teile.Number	Amount	Designation
1	612600160153	1	Coolant Connecting Rubber Pipe
2	1001050188	1	Air Filter
3	612600110247	1	Expansion Joint
4	612600114929	1	Intake Connecting Pipe
5	612600114930	1	Intake Connecting Pipe
6	1000942675	1	Speed Controller

Air Filter



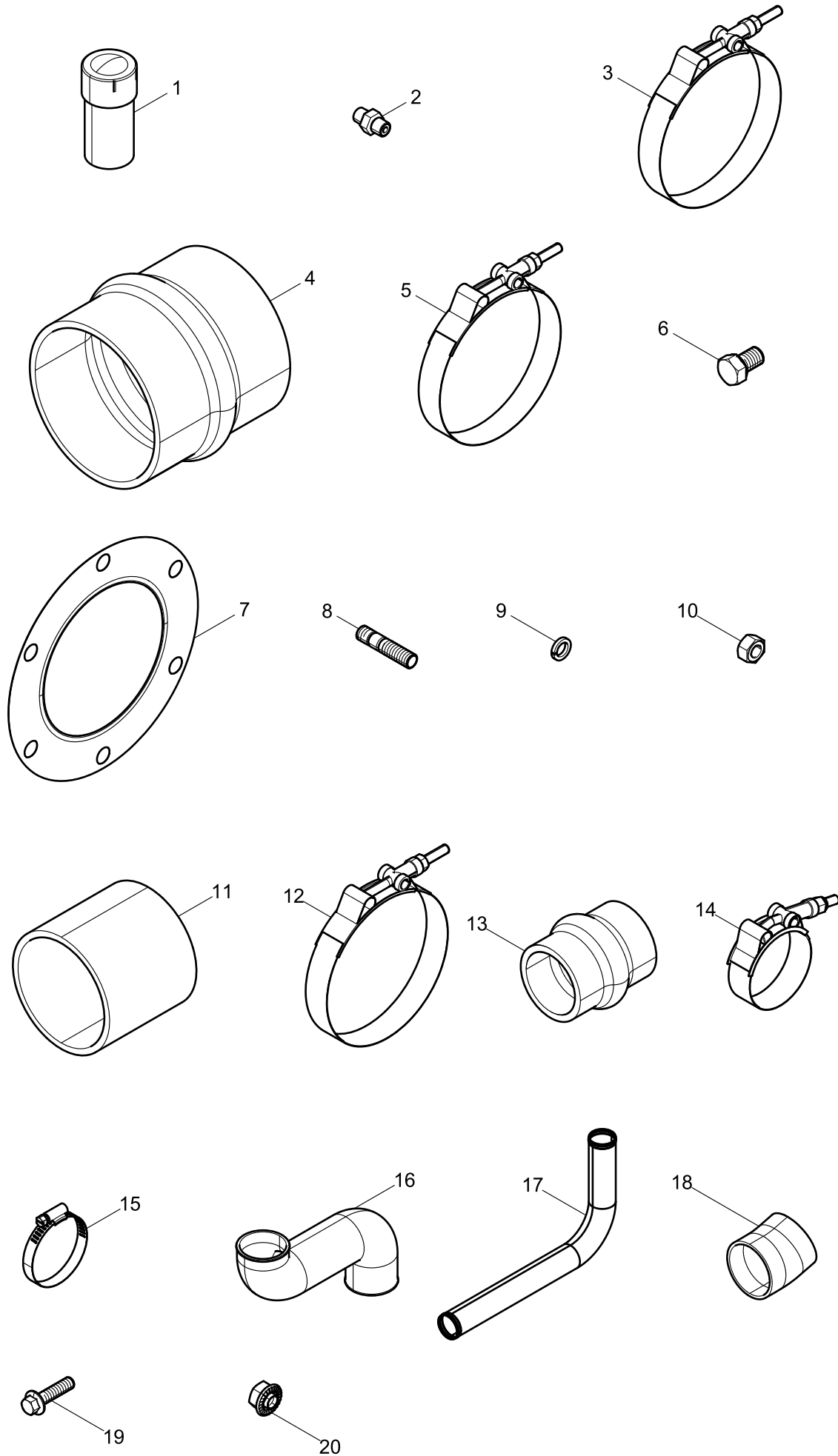
Separate Delivery Parts Group Attached to Engine



Separate Delivery Parts Group Attached to Engine

Pos.	Teile.Number	Amount	Designation
1	1000844050	1	Radiator

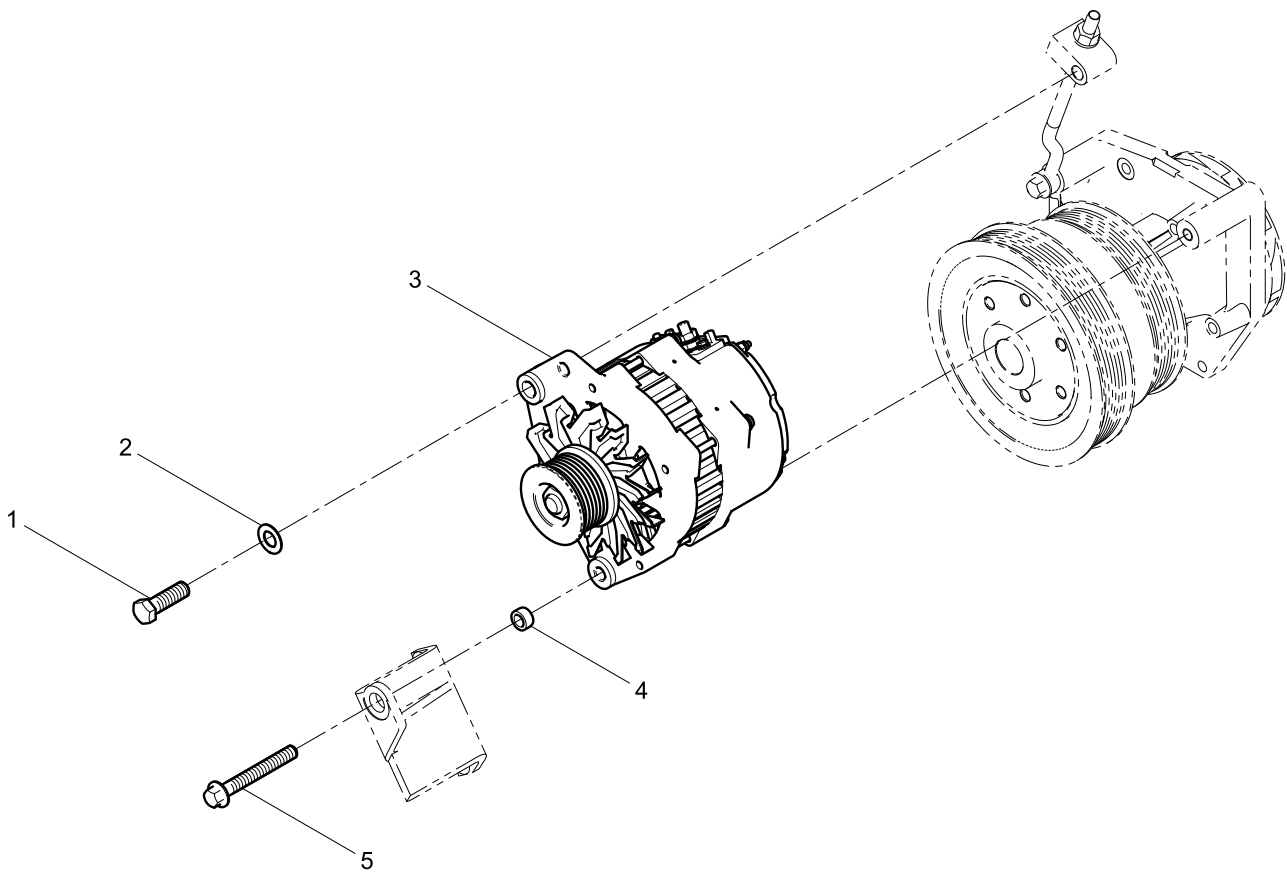
Parts Box Group



Parts Box Group

Pos.	Teile.Number	Amount	Designation
1	1000644232	1	Intake Resistance Alarm
2	612600115282	1	Transition joint
3	612600113389	3	Clamp
4	612600114931	1	Air Connecting Rubber Pipe
5	612600114944	1	Clamp
6	612600110961	4	Bolt
7	612600114278	2	Exhaust elbow gasket
8	90003813537	12	Double End Stud
9	90003931122	12	Spring Washer
10	90003871305	12	Hexagon Nuts, Style 1
11	612600113993	3	Air Connecting Rubber Pipe
12	612600113794	6	Clamp
13	612600060518	2	Coolant Connecting Rubber Pipe
14	612600160105	6	Clamp
15	90003989308	1	Clamp
16	612600120295	1	Inter- cooler Air Pipe
17	612600530074	1	Water Pipe
18	612600115535	2	Air Connecting Rubber Pipe
19	90011430032	6	Hexagon Flange with Tooth Bolt
20	612600061720	6	Prevailing Torque Type Hexagon Nut with Flange

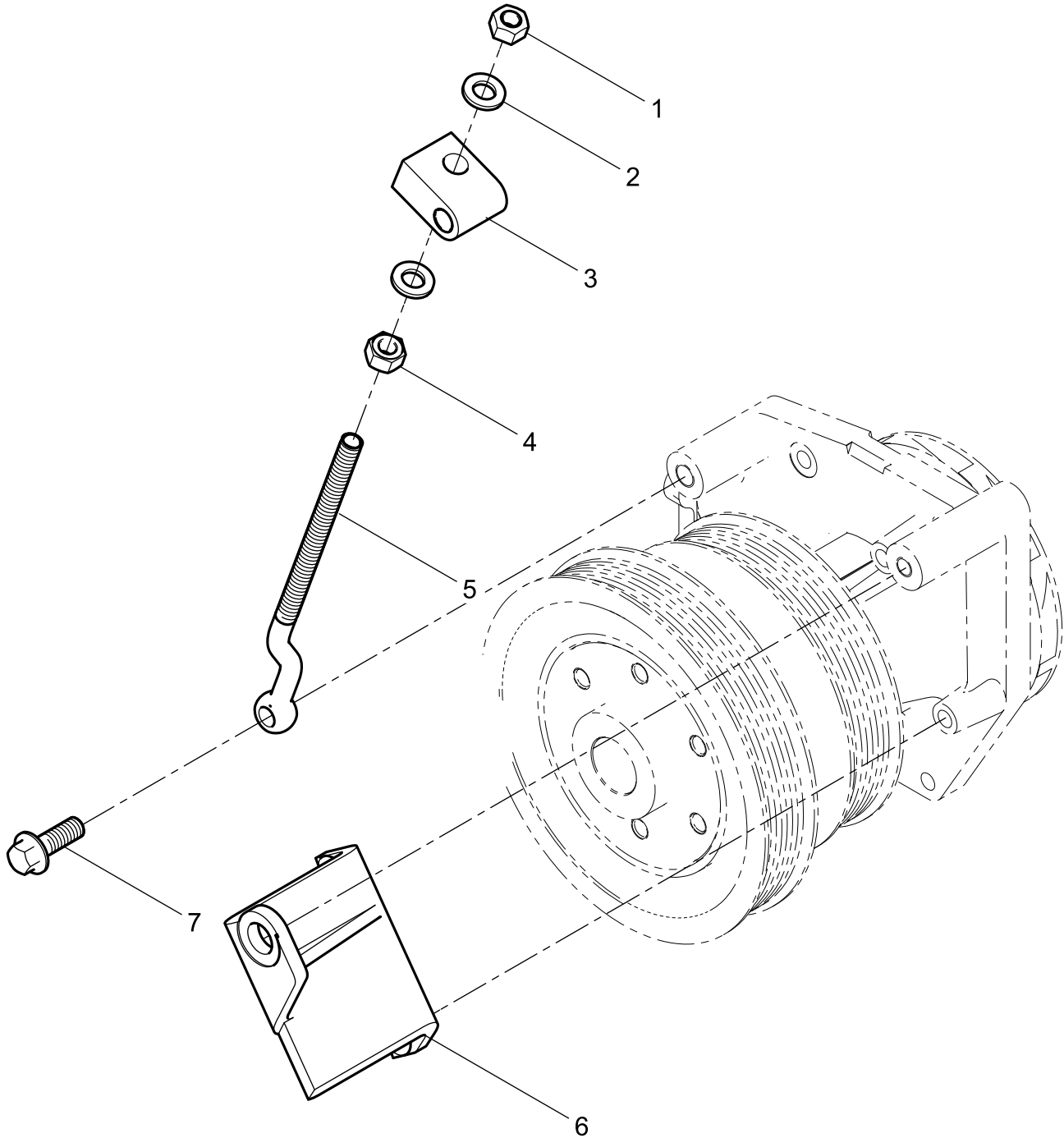
Alternator Group



Alternator Group

Pos.	Teile.Number	Amount	Designation
1	615P00090003	1	Hexagon Head Bolt
2	90003932016	1	Wave Spring Washer
3	1000884944	1	Alternator
4	612600090292	1	Clamping Block
5	90011430014	1	Hexagon Flange with Tooth Bolt

Alternator Bracket Group



This manual is for reference only,
product parameters are subject to alteration
without notice,
whichever is the physical product.