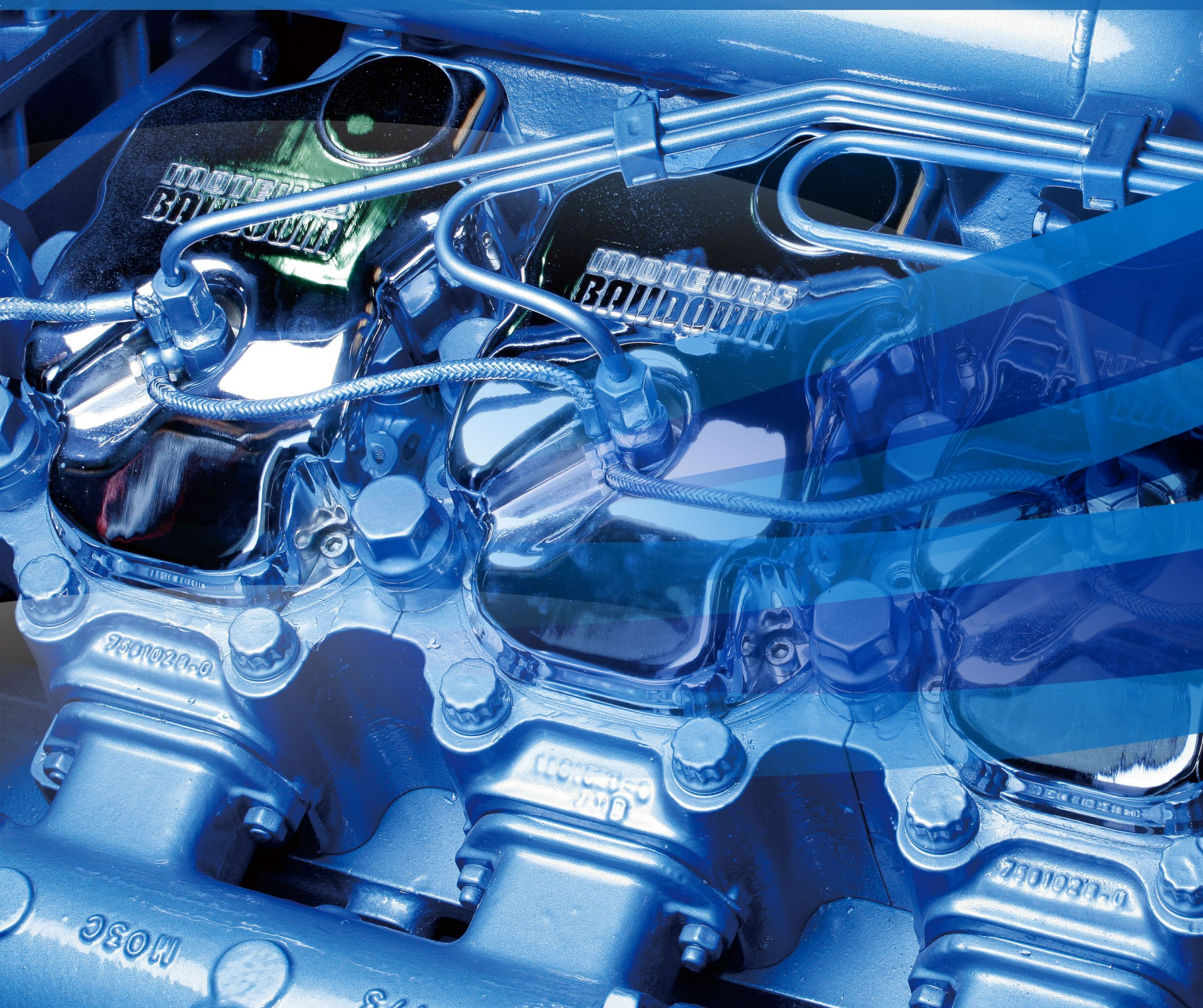


**6M16 BAUDOUIN DIESEL PARTS CATALOGUE**





# PREFACE

This illustrated parts manual is specially prepared for customers to facilitate the use of 6M16 series diesel engine in operation and tenance.

The illustrations are grouped under the heading of each assembly and numbered individually.Part.

No.,Quantity,Model,English designation,Chinese designation and so on are written in the parts list .  
The parts catalogue include detailed assembling parts list of diesel engine ,some parts can not be sold ,if you want to know selling part matters,please ask weichai power spare part resource CO.,LTD.

With the development of technology and production,the versions of the diesel engine will be increased, so the catalogue will be revised.Please pay attention to our revised edition.After service of this product is authorized to Weichai Power Co.,Ltd ,Consumers can acquire information of this product through [www.weichai.com](http://www.weichai.com).

# CONTENTS

<b>Engine Block Group</b> .....	<b>1</b>
crankcase assembly .....	3
Cylinder Block Preassembly .....	5
<b>Flywheel Housing Group</b> .....	<b>7</b>
<b>Timing Gear Housing Group</b> .....	<b>9</b>
<b>Front cover group</b> .....	<b>11</b>
<b>Crankshaft Group</b> .....	<b>13</b>
Crankshaft Assembly .....	15
Crankshaft Subassembly .....	17
<b>Flywheel Group</b> .....	<b>19</b>
<b>Piston and Connecting Rod Group</b> .....	<b>21</b>
Piston Ring Set .....	23
Connecting Rod Assembly .....	25
<b>Cylinder Head Group</b> .....	<b>27</b>
Cylinder Head Subassembly .....	29
<b>Cylinder Head Cover Group</b> .....	<b>31</b>
<b>Valve Train Group</b> .....	<b>33</b>
Camshaft Assembly .....	35
Idler Gear Assembly.....	37
Intake Rocker Arm Assembly .....	39
Exhaust Rocker Arm Set .....	41
<b>Crankshaft Pulley Group</b> .....	<b>43</b>
<b>Oil Pan</b> .....	<b>45</b>
Oil Pan Assembly.....	47
<b>Dipstick Group</b> .....	<b>49</b>
<b>Oil Pump Group</b> .....	<b>51</b>
Oil Pump Idle Gear Set .....	53
<b>Oil Strainer Group</b> .....	<b>55</b>
<b>Oil Cooler Group</b> .....	<b>57</b>
<b>Oil Filter Group</b> .....	<b>59</b>

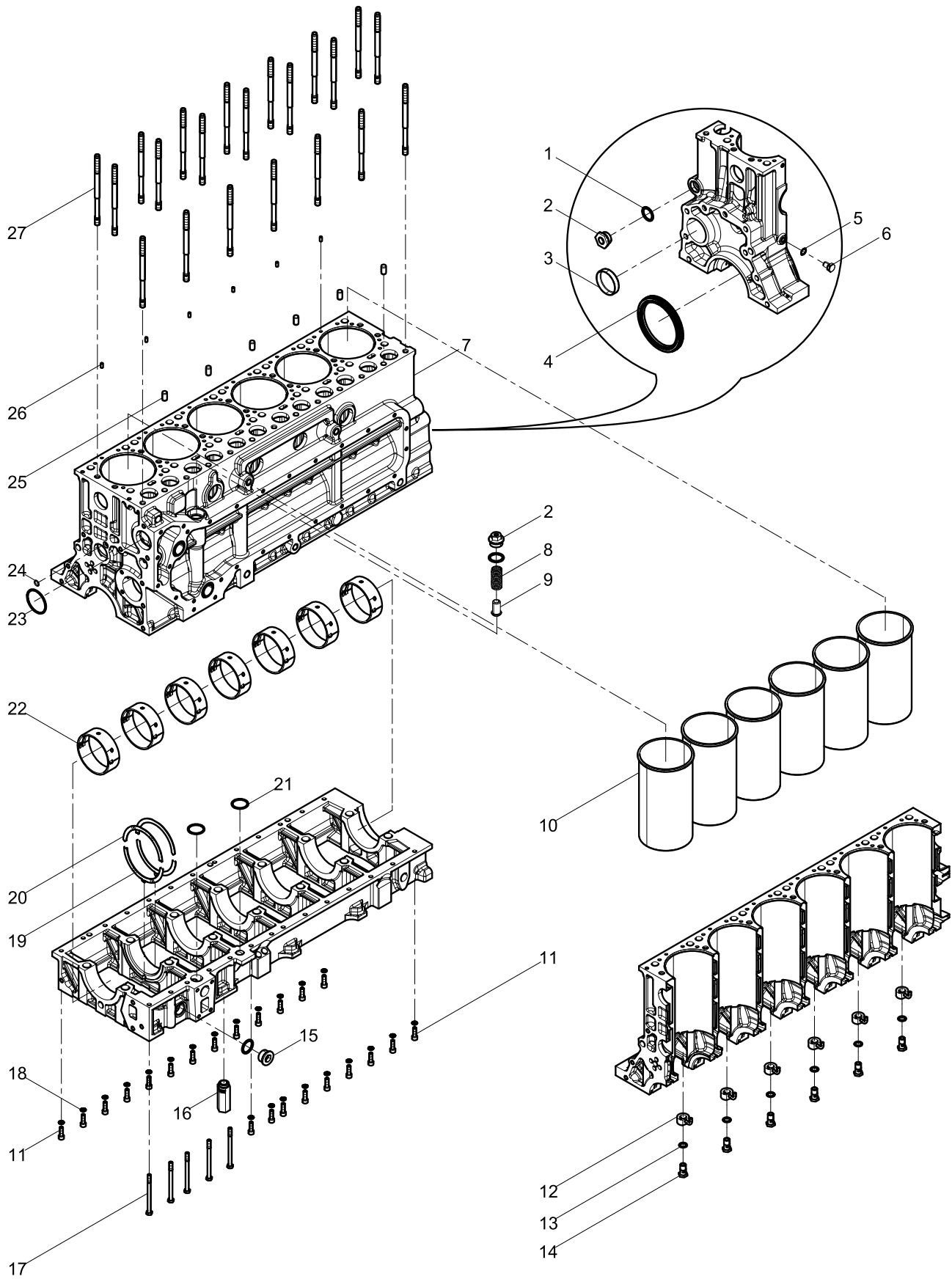
Oil Filter .....	61
<b>Oil Filling Tube Group .....</b>	<b>63</b>
<b>Oil-gas Separator Group .....</b>	<b>65</b>
Oil-gas Separator Assembly .....	67
<b>Water Pump Group .....</b>	<b>69</b>
<b>Water Pipe Connector Group .....</b>	<b>71</b>
<b>Water Outlet Pipe Group .....</b>	<b>73</b>
<b>Thermostat Group .....</b>	<b>75</b>
<b>Intercooler Group .....</b>	<b>77</b>
<b>Fan and Hub Group.....</b>	<b>79</b>
<b>Fuel Injection Pump Group .....</b>	<b>81</b>
<b>Fuel Injector Group.....</b>	<b>83</b>
<b>Low Pressure Fuel Pipe Group.....</b>	<b>85</b>
<b>Fuel Filter Group .....</b>	<b>87</b>
Fuel Filter .....	89
Fuel Coarse Filter .....	91
<b>High Pressure Fuel Pipe Group.....</b>	<b>93</b>
High-pressure Fuel Pipe Assembly .....	95
<b>Intake Manifold Group .....</b>	<b>97</b>
Intake Manifold Assembly .....	99
<b>Turbocharger Group .....</b>	<b>101</b>
<b>Turbocharger Oil Pipe Group .....</b>	<b>103</b>
<b>Air Filter Group.....</b>	<b>105</b>
<b>Exhaust Manifold Group .....</b>	<b>107</b>
<b>Rear Exhaust Manifold Group.....</b>	<b>109</b>
<b>Tensioner And Belt Group .....</b>	<b>111</b>
<b>Starter Motor Group .....</b>	<b>113</b>
<b>Engine Bracket Group.....</b>	<b>115</b>
<b>Packing Box Chassis Parts Group.....</b>	<b>117</b>
Air Filter .....	119



<b>Separate Delivery Parts Group Attached to Engine.....</b>	<b>121</b>
<b>Parts Box Group .....</b>	<b>123</b>
<b>Alternator Group .....</b>	<b>125</b>
<b>Alternator Bracket Group .....</b>	<b>127</b>



### Engine Block Group

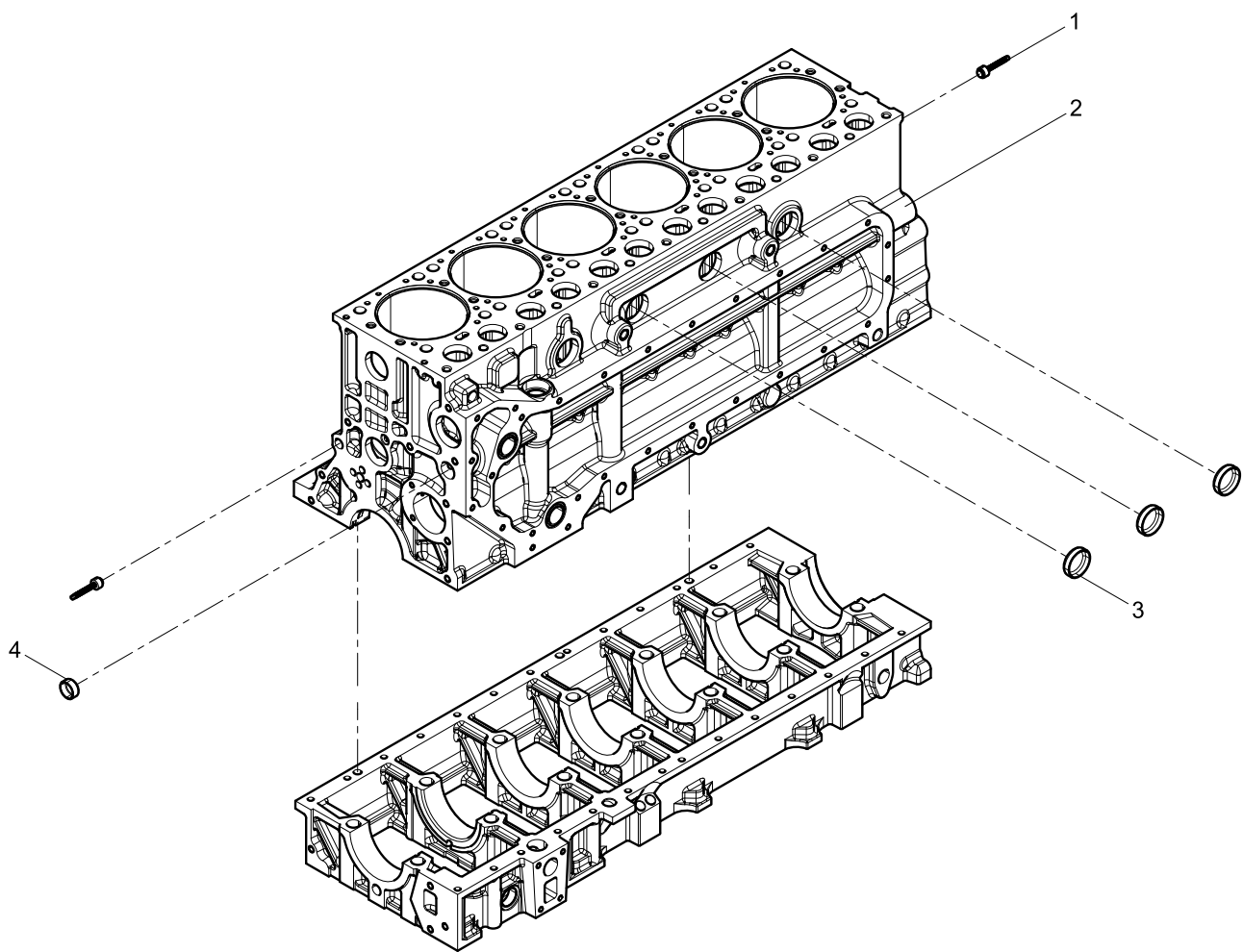




**Engine Block Group**

Pos.	Teile.Number	Amount	Designation
1	612600010735	3	Washer
2	90003962051	2	Hexagon plug
3	90003989288	1	Bowl Plug
4	61500010100	1	Rear Oil Seal
5	612600050042	1	Sealing Washer
6	612600070216	1	Screw Plug
7	612600900214	1	crankcase assembly
8	614070068	1	Oil Pump Safety Valve Spring
9	614070069	1	Oil Pressure Relief Valve
10	612630010015	6	Cylinder Liner
11	90003862428	22	Inner Hexagon Socket Head Cap Screw
12	612600010659	6	Piston Nozzle Assembly
13	90003098015	6	Sealing Washer
14	90003962621	6	Hollow screw
15	90003962050	1	Hexagon Taper Screw Plug
16	AZ1500070097	1	Pressure-limiting valve of the main oil passage
17	90003802493	5	Hexagon Head Bolt
18	188250083	22	Washer
19	612600013918	2	Lower Thrust Plate
20	612600013917	2	Upper Thrust Plate
21	81400010032	2	Seal Ring
22	81500010046	7	Main Bearing Set
23	61000010134	1	O-ring
24	288730061	1	O-ring
25	90003901604	6	Parallel Pin
26	90003909626	6	Spring-Type Straight Pin
27	61500010185S	21	Cylinder Head Bolt

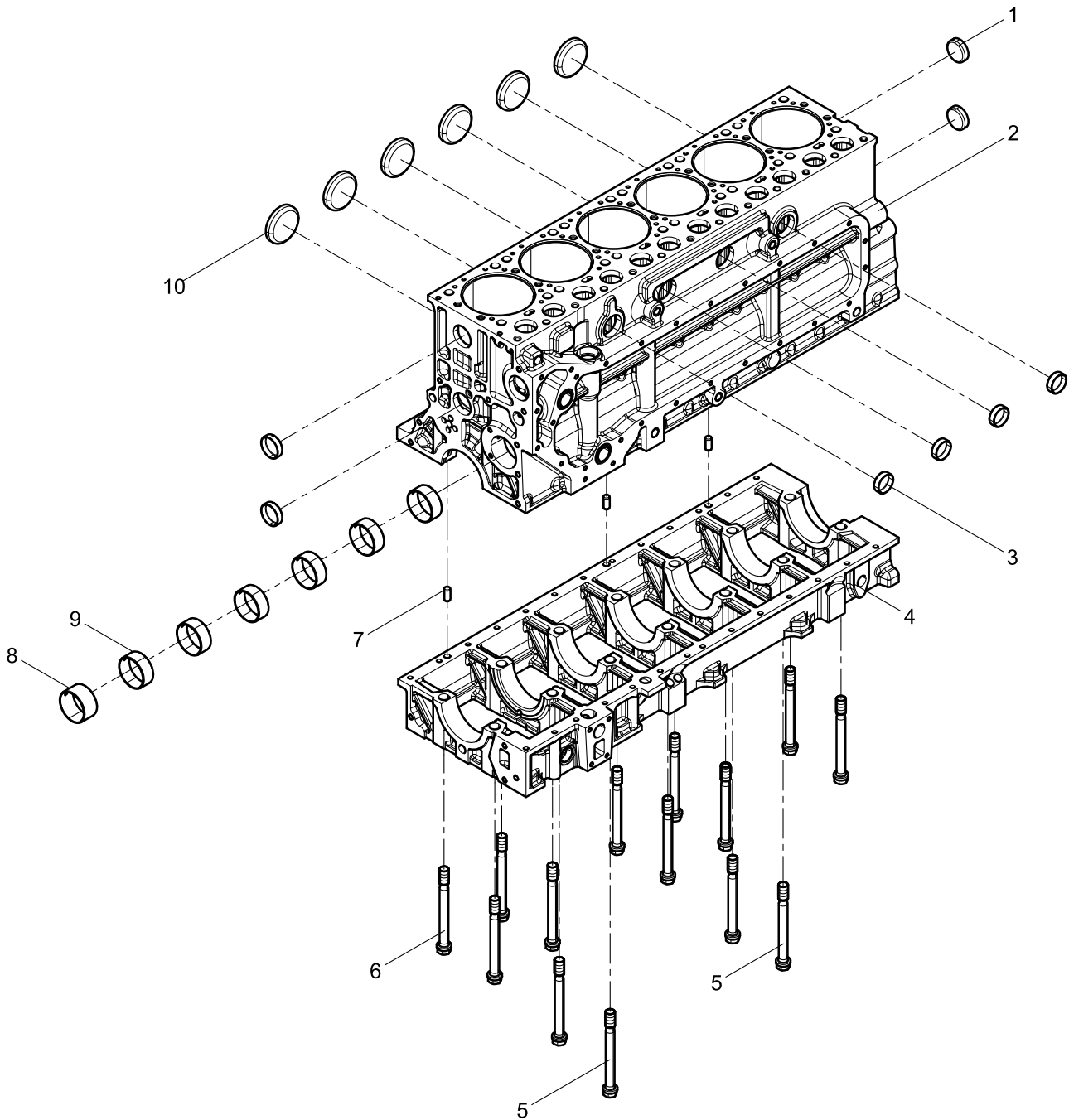
**crankcase assembly**





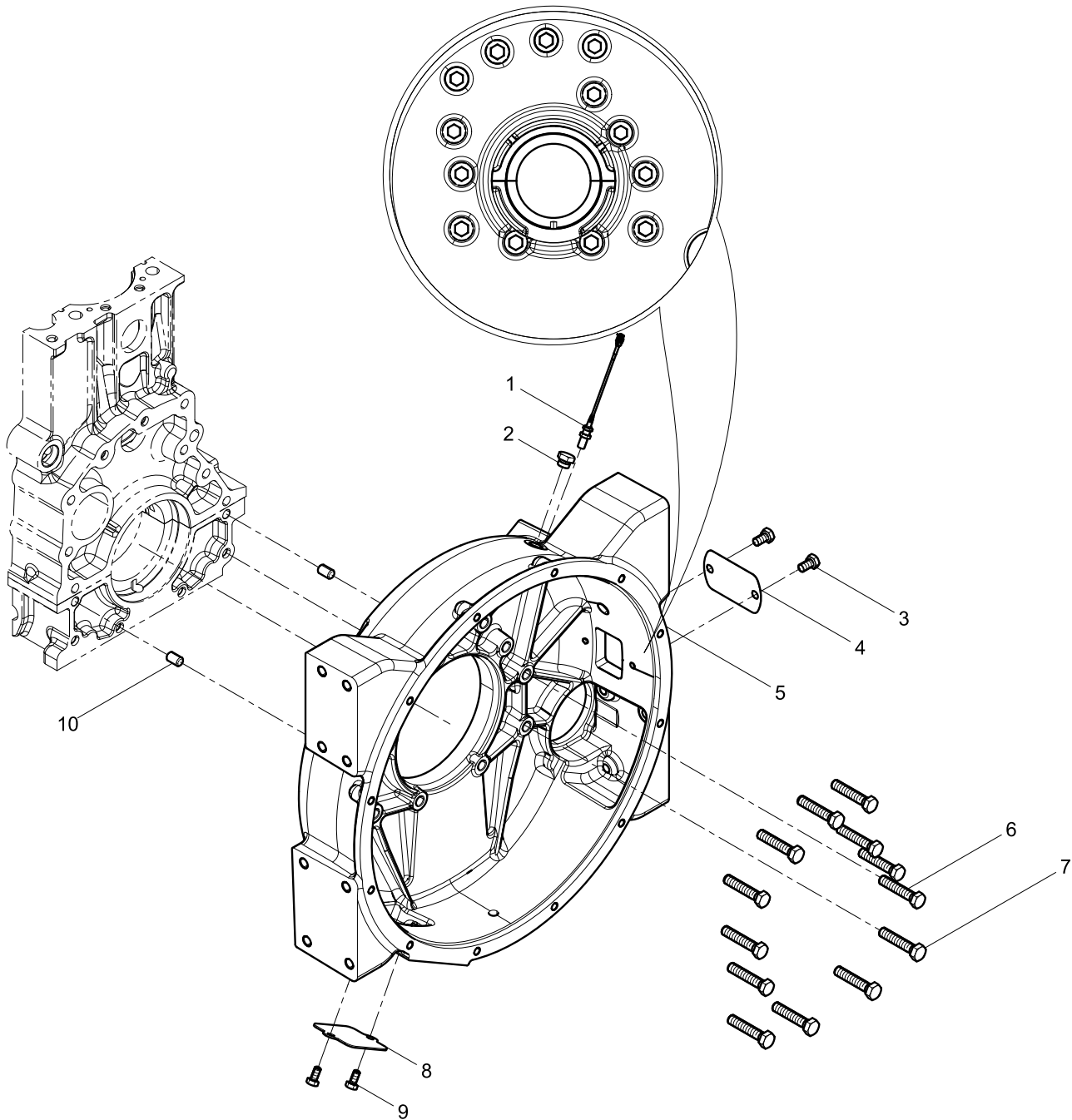


### Cylinder Block Preassembly





### Flywheel Housing Group

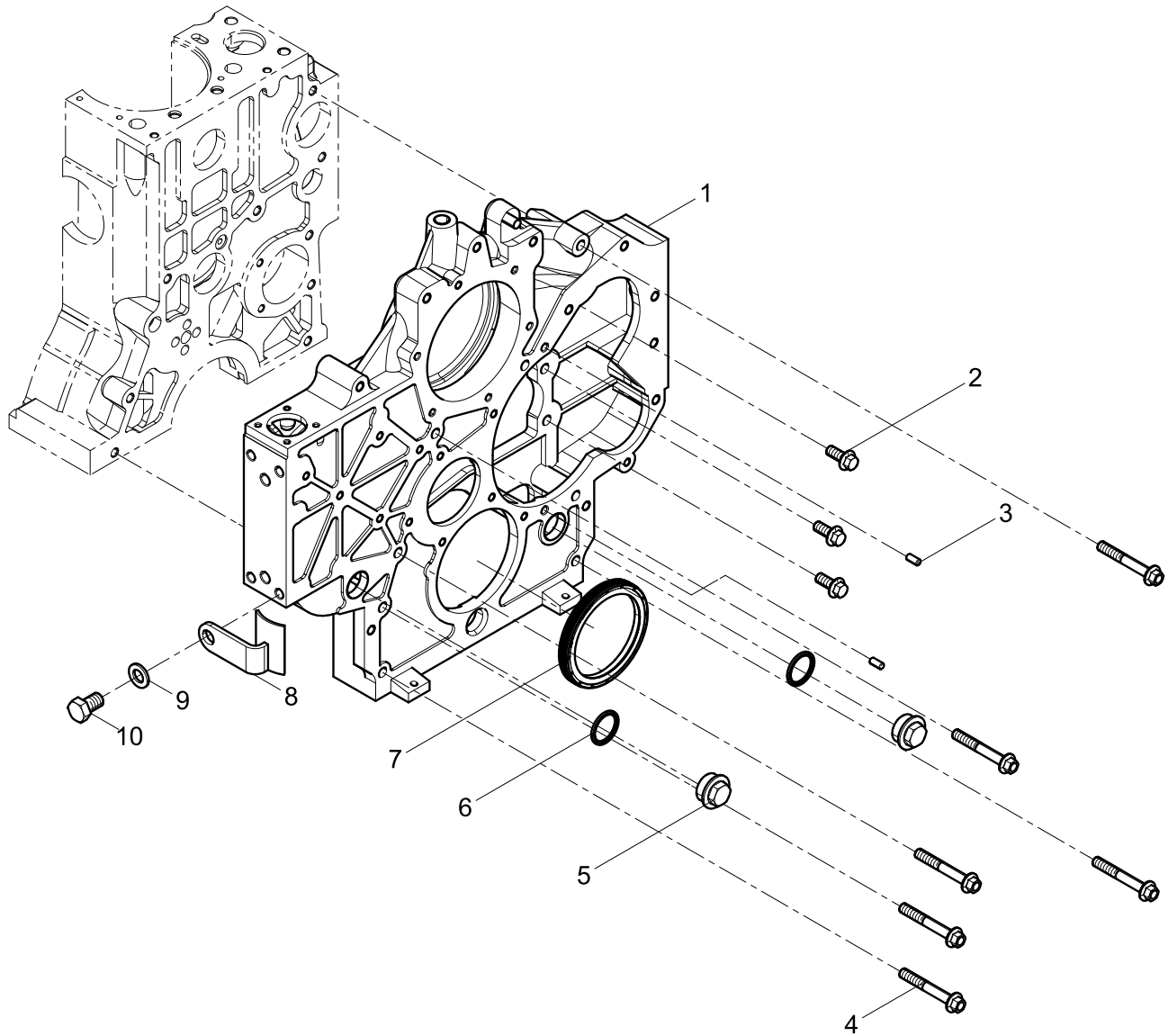




**Flywheel Housing Group**

Pos.	Teile.Number	Amount	Designation
1	612600190113	1	Speed Sensor
2	90003962030	1	Hexagon plug
3	90003802511	2	Hexagon Head Bolt
4	1800210011	1	Handhole Cover
5	612600013588	1	Flywheel Housing
6	61500010062	7	Flywheel Housing Bolt
7	61500010101	6	Flywheel Housing Bolt
8	612600010062	1	Handhole Cover
9	90003802411	2	Hexagon Head Bolt
10	90003901604	2	Parallel Pin

### Timing Gear Housing Group

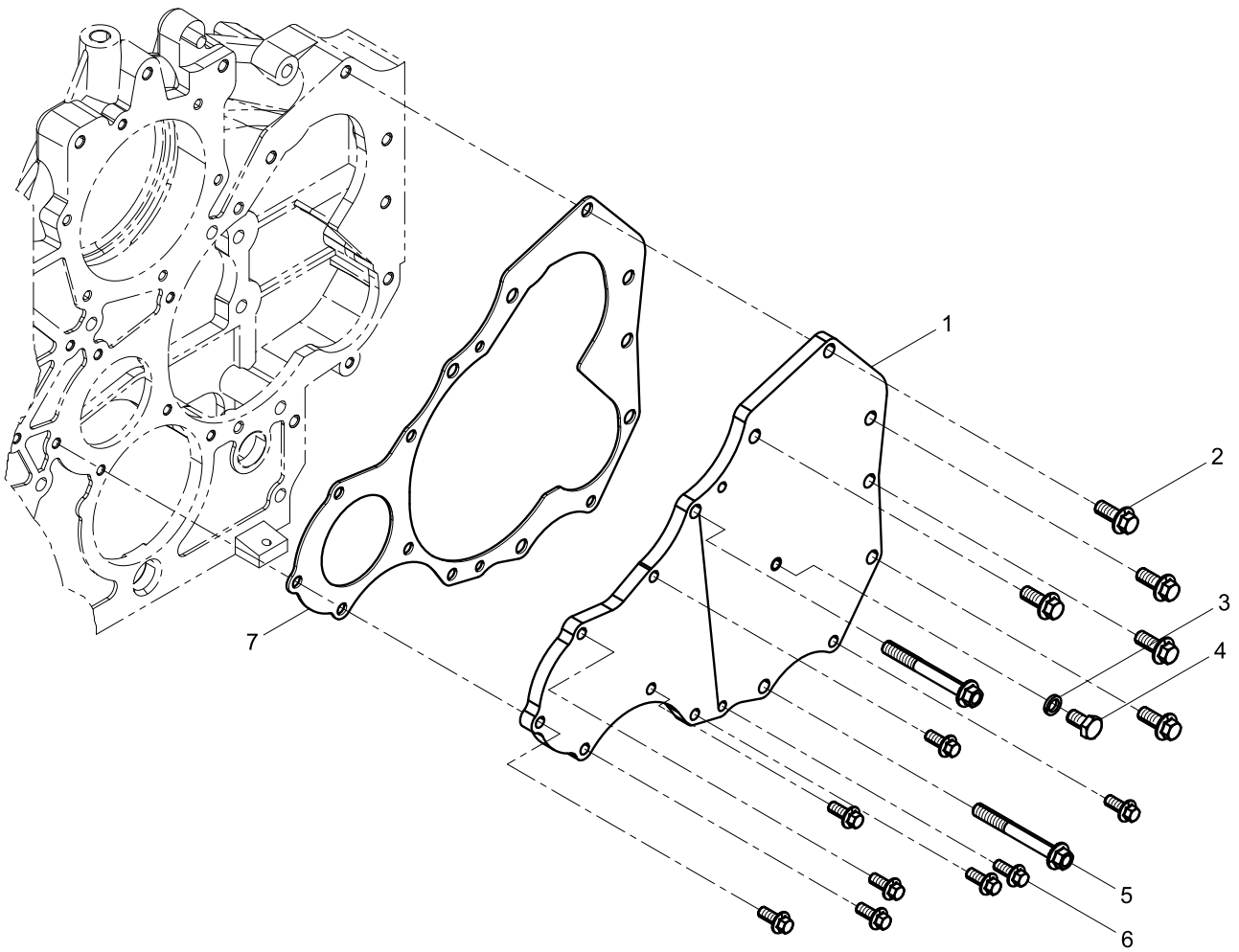


**Timing Gear Housing Group**

Pos.	Teile.Number	Amount	Designation
1	612600012122	1	Timing Gear Chamber
2	90011430008	3	Hexagon Flange with Tooth Bolt
3	90003901418	2	Parallel Pin
4	612600013483	6	Hexagon Flange with Tooth Bolt
5	90003962051	2	Hexagon plug
6	612600010735	2	Washer
7	61500010037	1	Front Oil Seal
8	612600160159	1	Water Pipe Bracket
9	90014040009	1	Plain Washer
10	90011350132	1	Hexagon Head Bolt

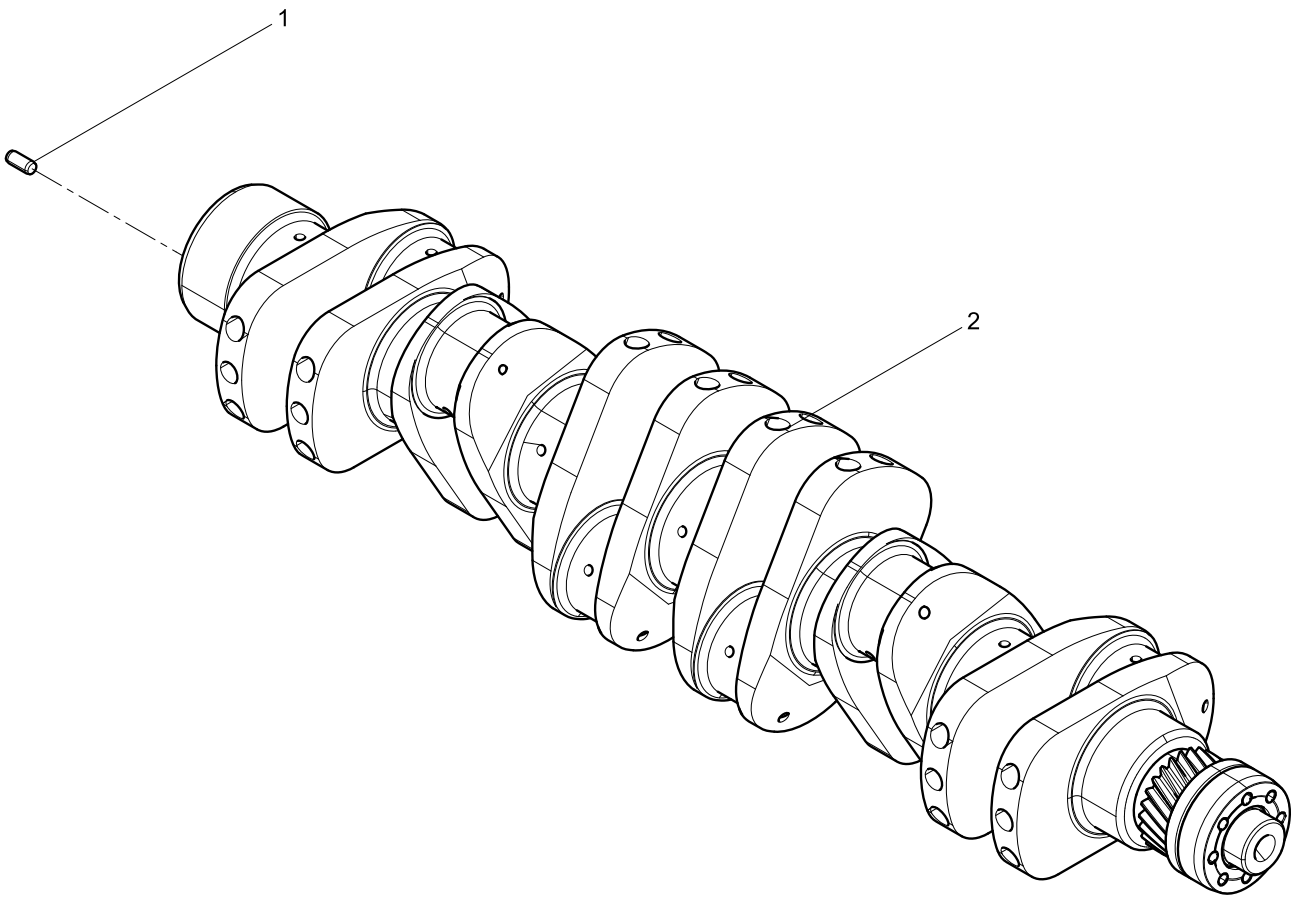
10

**Front cover group**





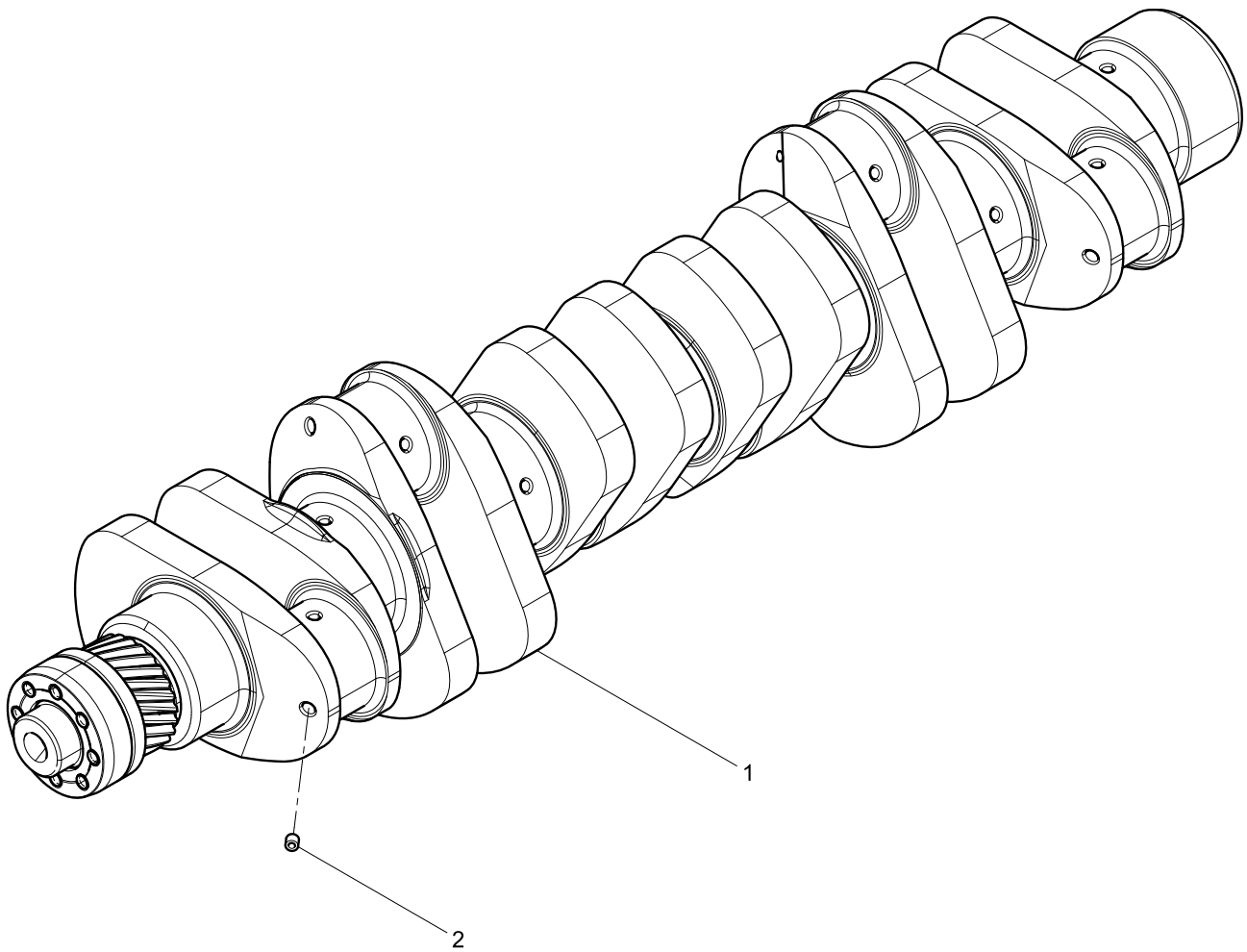
### Crankshaft Group







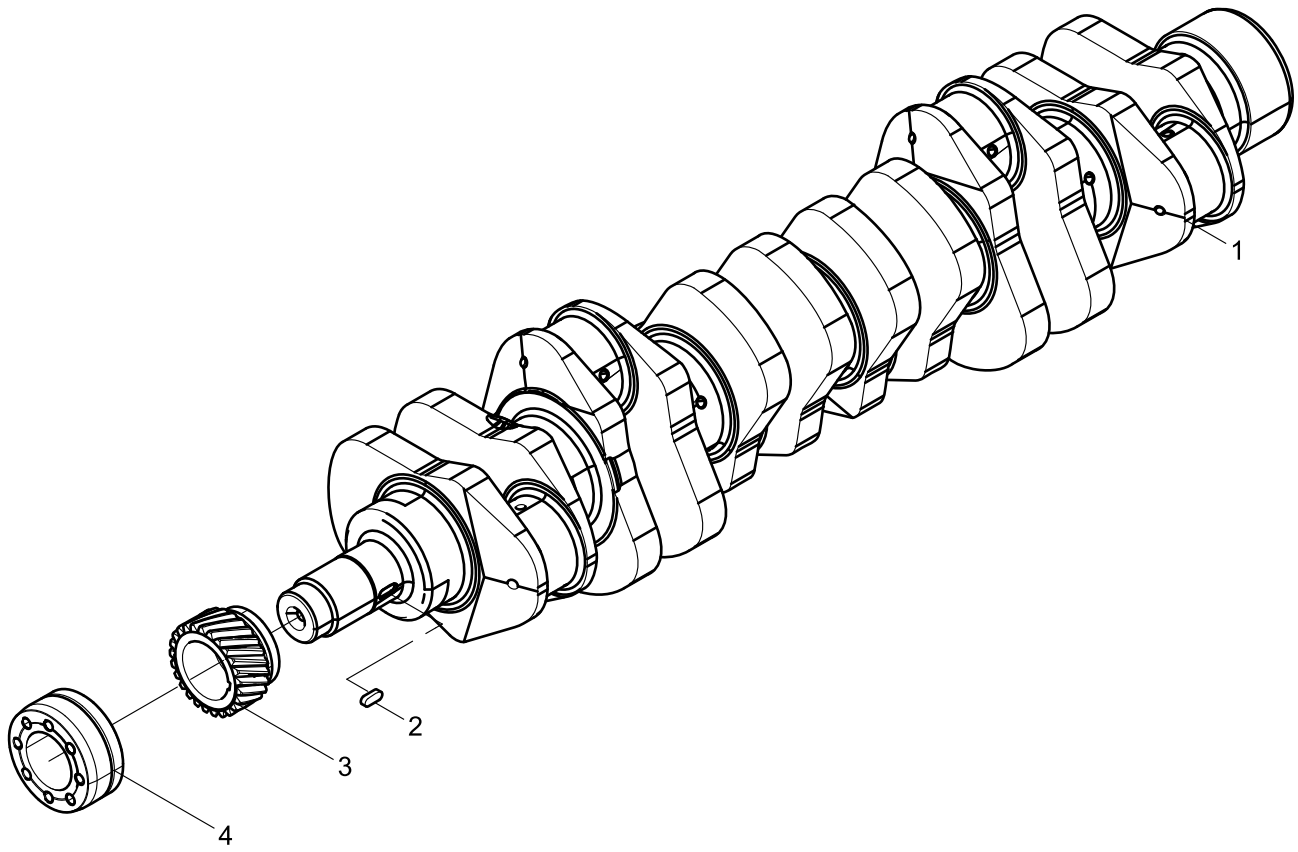
### Crankshaft Assembly



### Crankshaft Assembly

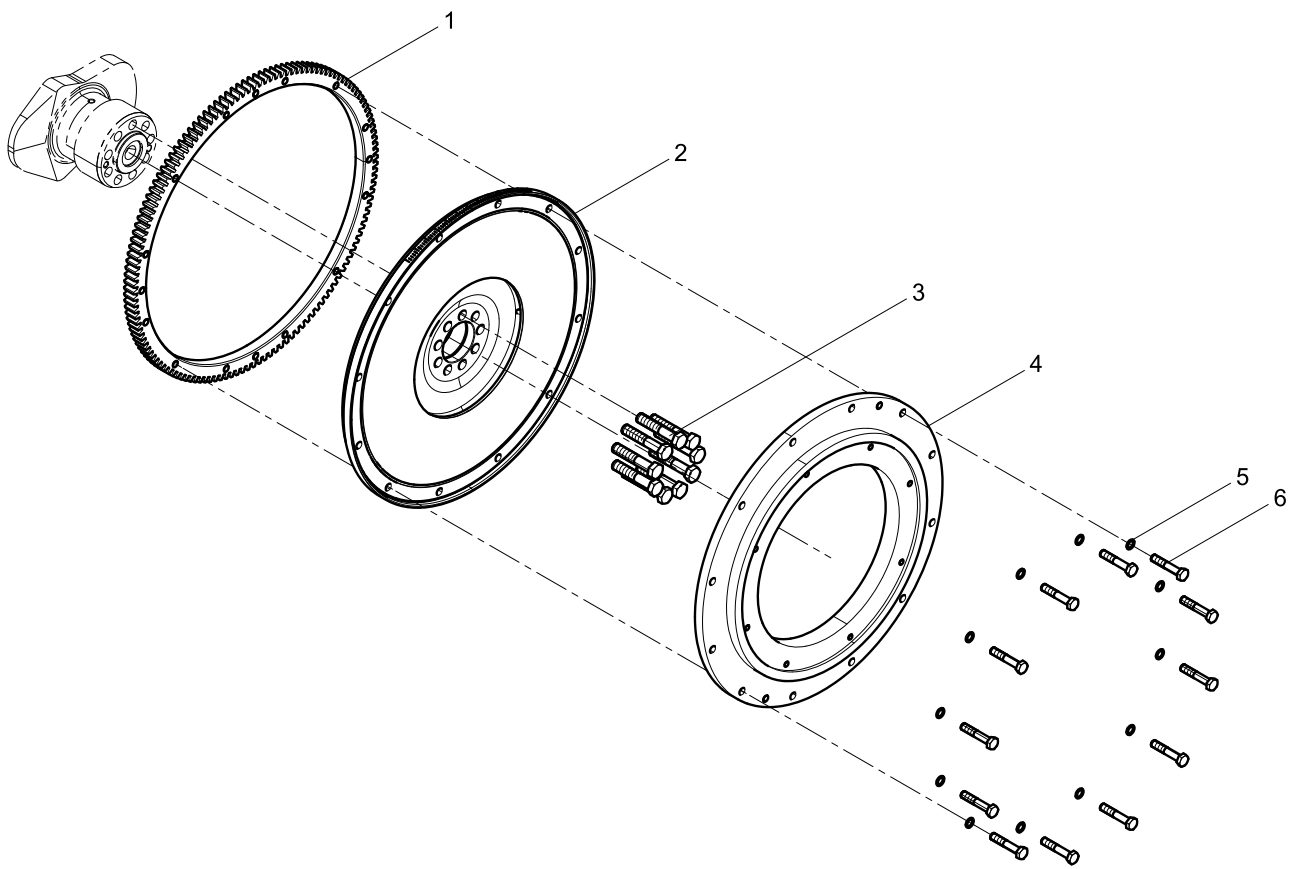
Pos.	Teile.Number	Amount	Designation
1	1000072541	1	Crankshaft Subassembly
2	612600020311	6	Stem

### Crankshaft Subassembly





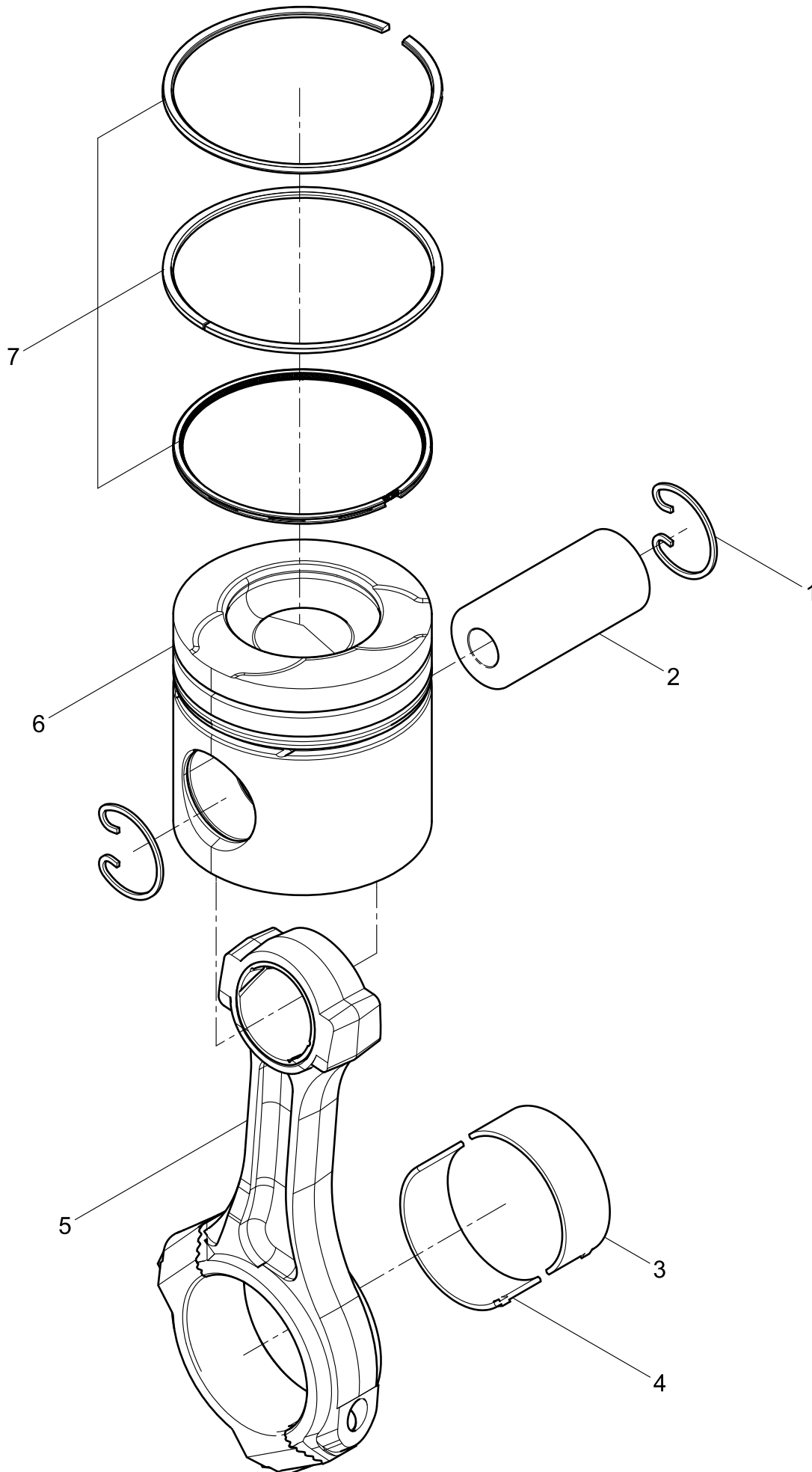
### Flywheel Group



## Flywheel Group

Pos.	Teile.Number	Amount	Designation
1	612600020208	1	Flywheel Ring Gear
2	612600020041	1	Flywheel
3	61500020046	9	Hexagon Head Bolt
4	120GFZ-6.02	1	Flywheel Connecting Ring
5	90003932024	12	Wave Spring Washer
6	90003800551	12	Hexagon Head Bolt

### Piston and Connecting Rod Group

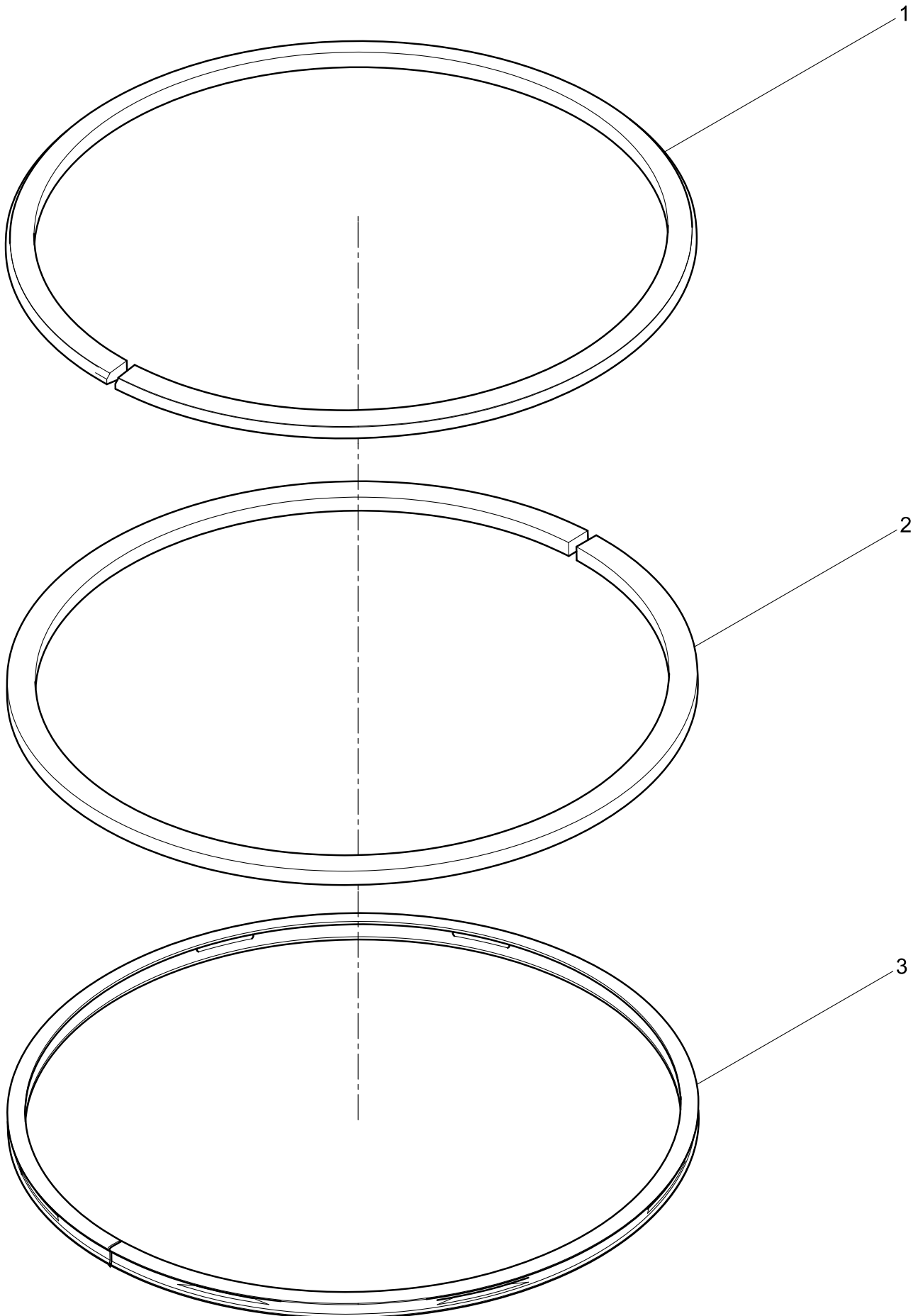




**Piston and Connecting Rod Group**

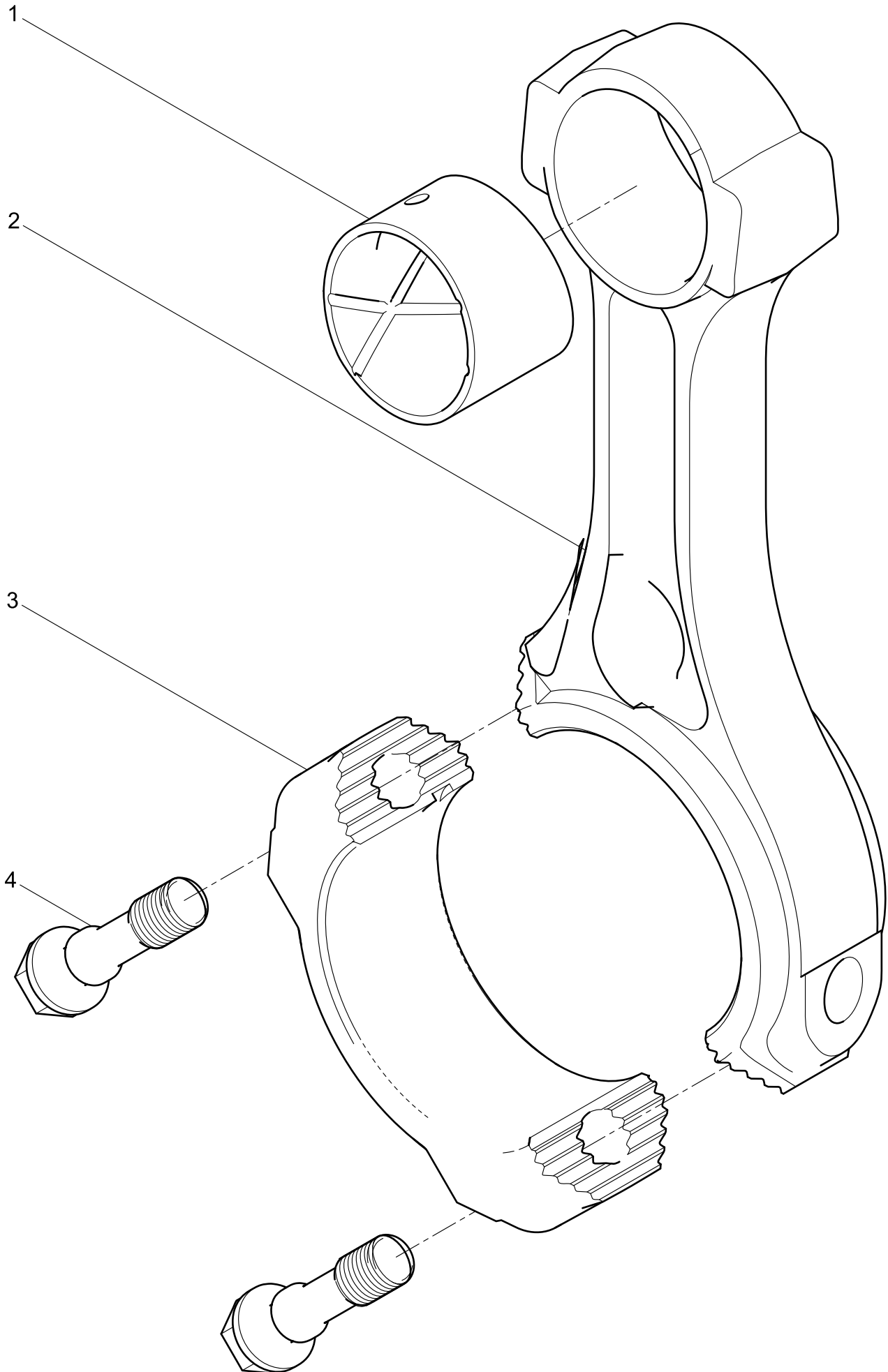
Pos.	Teile.Number	Amount	Designation
1	81560030012	12	Piston Pin Retainer
2	61560030013	6	Piston Pin
3	612600030020	6	Connecting Rod Upper Shell
4	61560030033	6	Connecting Rod Lower Shell
5	61500030009	6	Connecting Rod Assembly
6	612600030011	6	Piston
7	612600030051	6	Piston Ring Set

**Piston Ring Set**





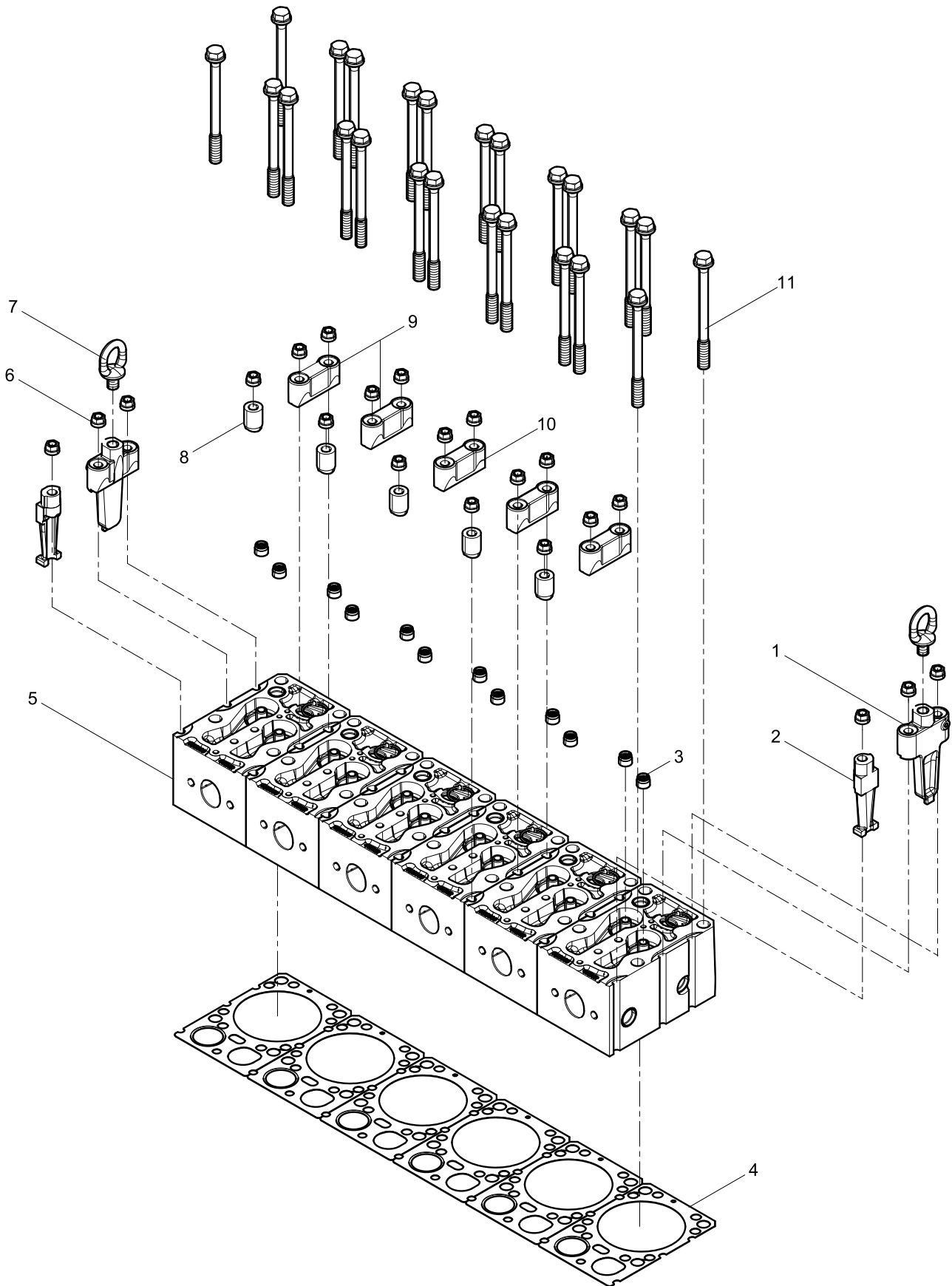
### Connecting Rod Assembly



**Connecting Rod Assembly**

Pos.	Teile.Number	Amount	Designation
1	61500030077	1	Connecting Rod Bush
2	61500030008	1	Connecting Rod Body
3	61500030022	1	Connecting Rod Cover
4	81500030023	2	Connecting Rod Bolt

### Cylinder Head Group

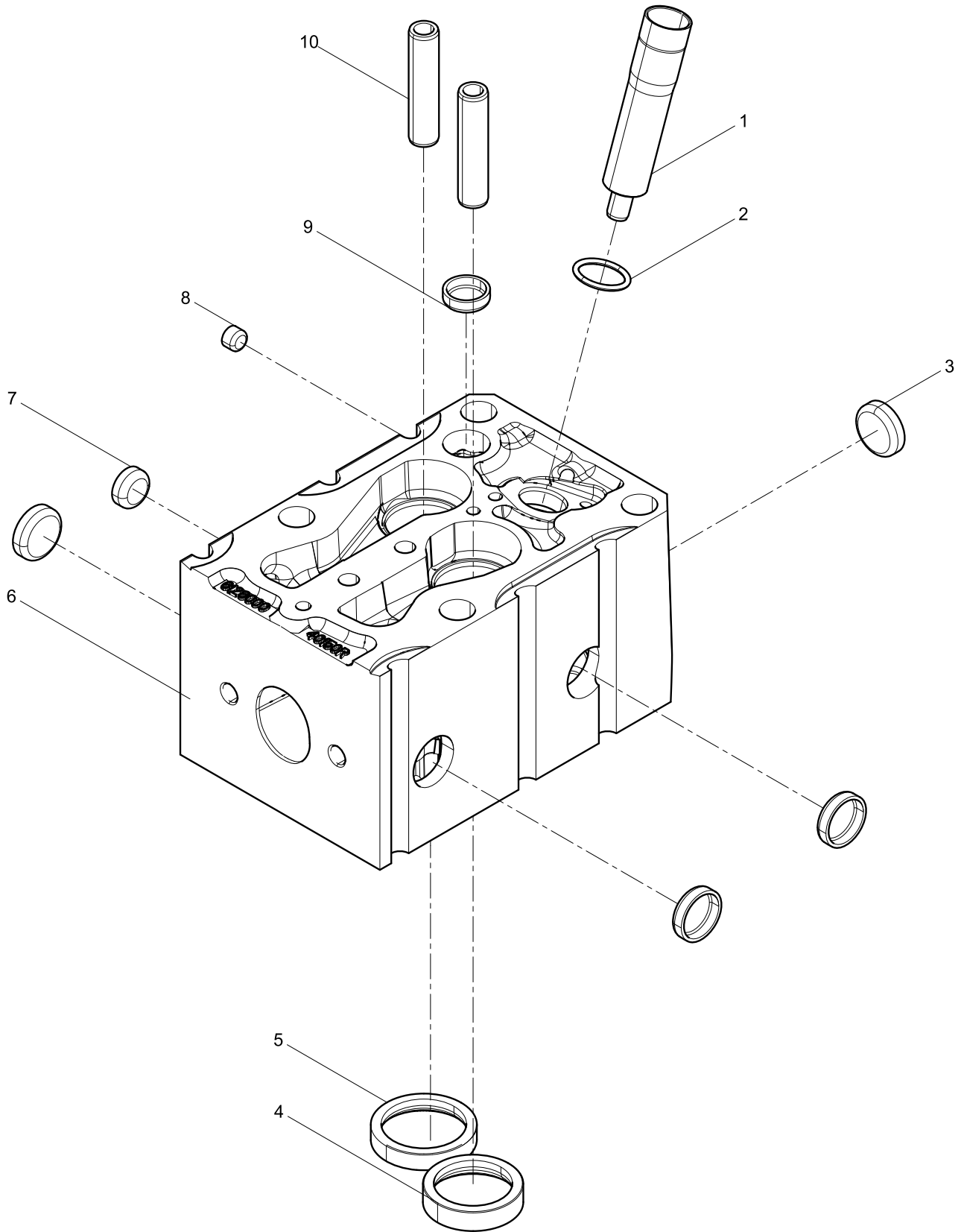


**Cylinder Head Group**

<b>Pos.</b>	<b>Teile.Number</b>	<b>Amount</b>	<b>Designation</b>
1	61500040012	2	Lift Hook Clamp
2	61200040027	2	Clamp
3	612600040114	12	Valve Stem Seal
4	612600040355	6	Cylinder Head Gasket
5	61560040040A	6	Cylinder Head Subassembly
6	61200040034	21	Cylinder Head Nut
7	614010388	2	Lifting Screw
8	61200040023	5	Clamp
9	612600040338	2	Clamp
10	61500040009	3	Clamp
11	612600040452	24	Cylinder Head Main Bolt



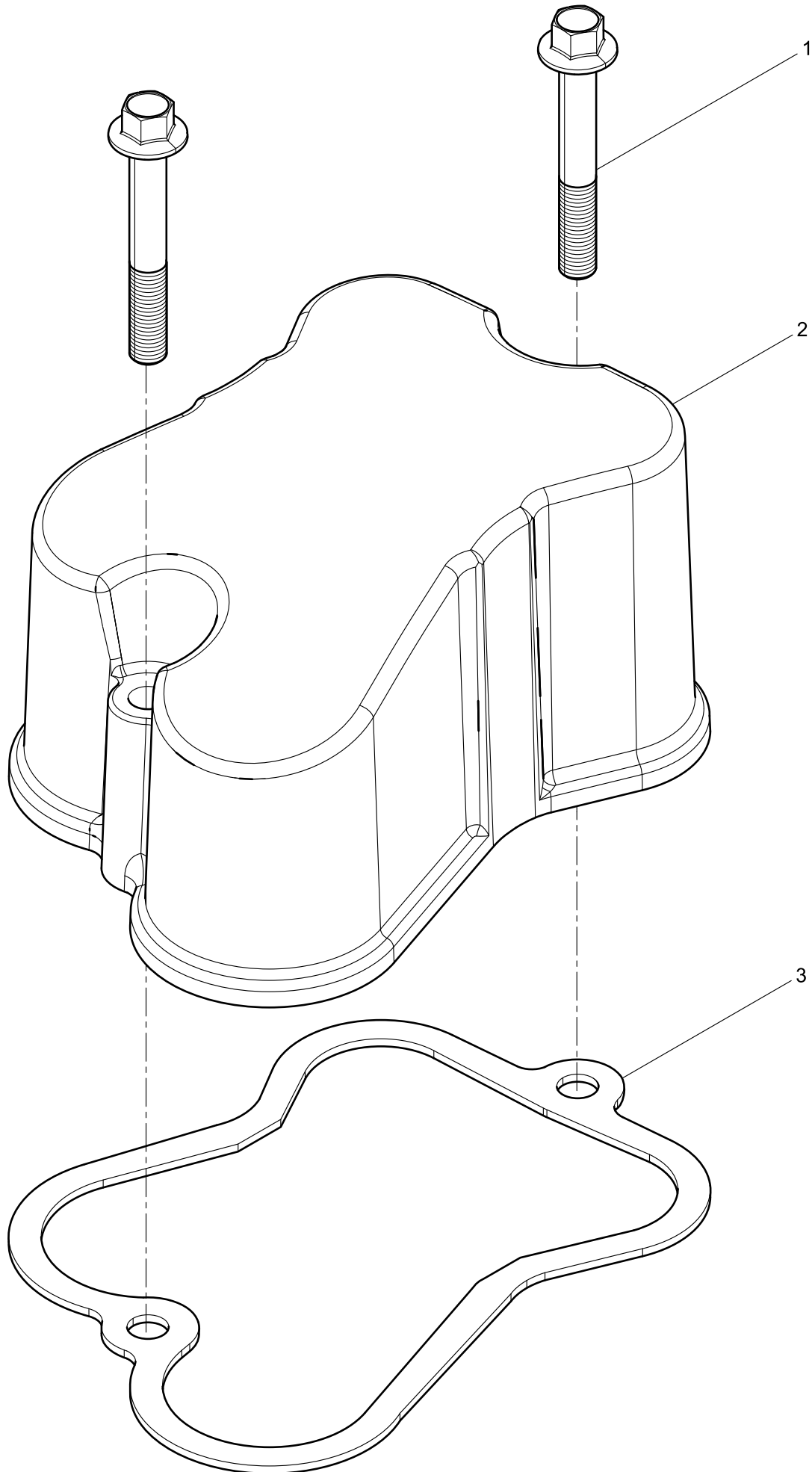
### Cylinder Head Subassembly



**Cylinder Head Subassembly**

<b>Pos.</b>	<b>Teile.Number</b>	<b>Amount</b>	<b>Designation</b>
1	612600040099	6	Injector Bush
2	406060010	6	O-ring
3	90003989294	24	Bowl Plug
4	81560040037	6	Exhaust Valve Seat
5	61560040057	6	Intake Valve Seat
6	61560040040B	6	Cylinder Head
7	90003989721	6	Bowl Type Expansion Plug
8	90003989277	6	Bowl Type Expansion Plug
9	90003989725	6	Bowl Type Expansion Plug
10	612600040113	12	Valve Guide

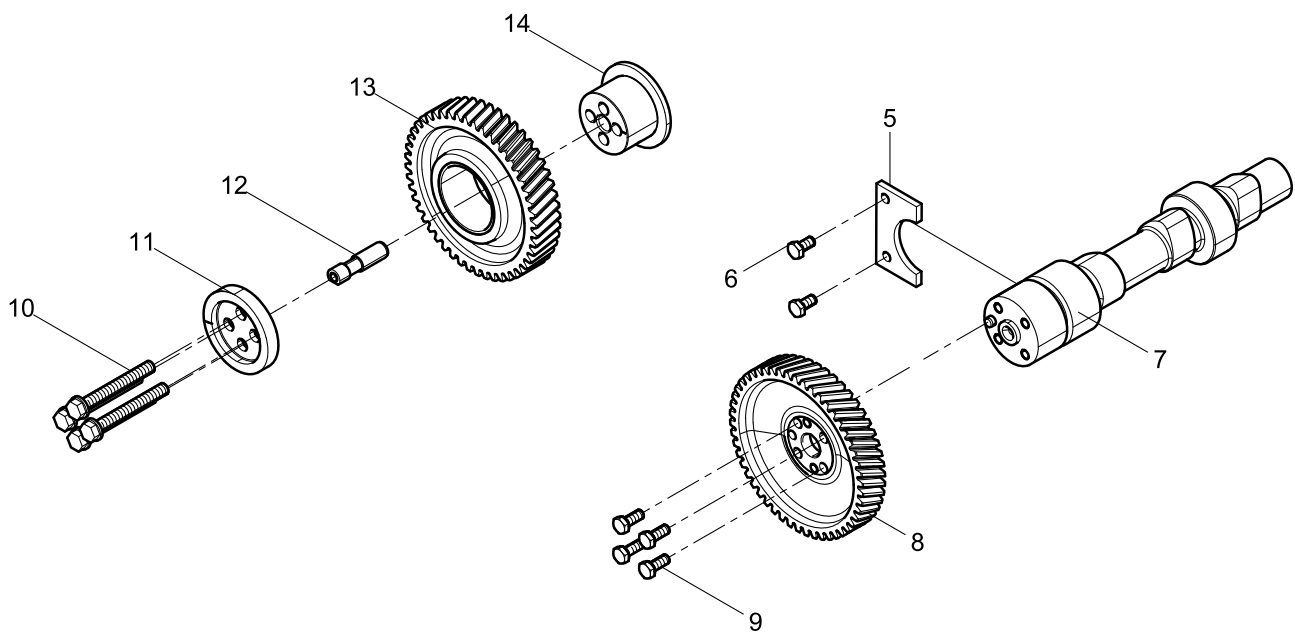
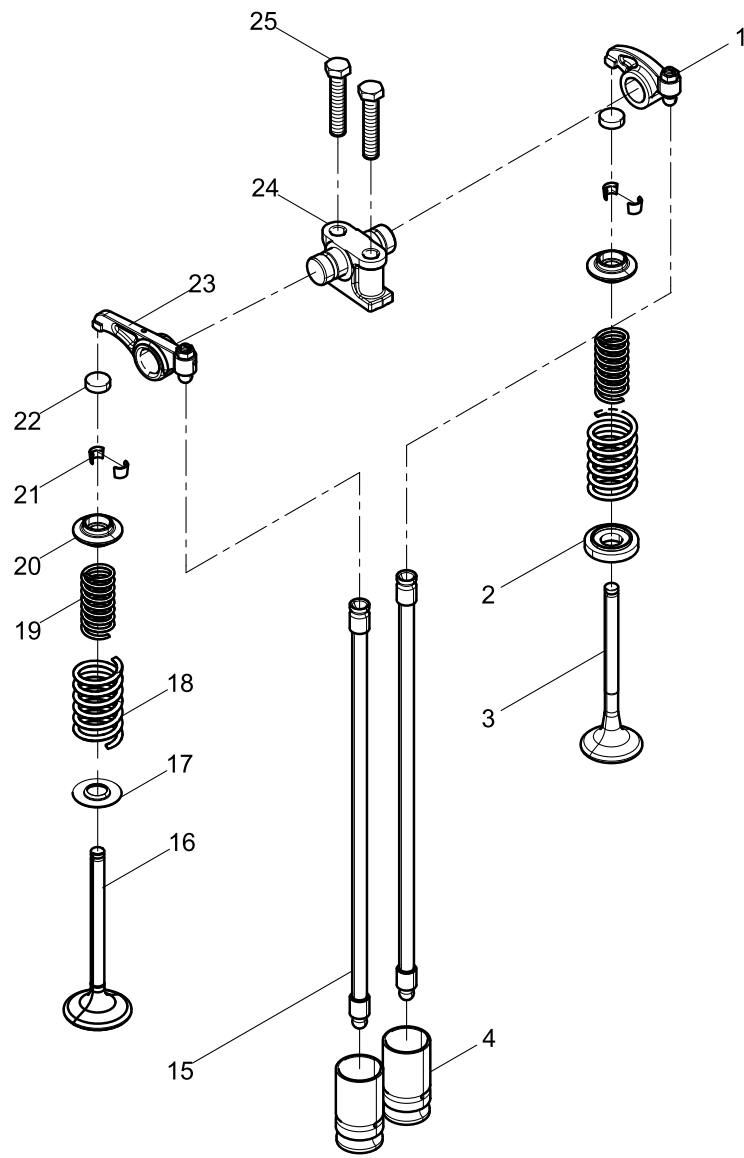
**Cylinder Head Cover Group**



**Cylinder Head Cover Group**

<b>Pos.</b>	<b>Teile.Number</b>	<b>Amount</b>	<b>Designation</b>
1	612600040636	12	Hexagon Flange Bolt
2	1001012287	6	Cylinder Head Cover
3	612600040565	6	Cylinder Head Cover Gasket

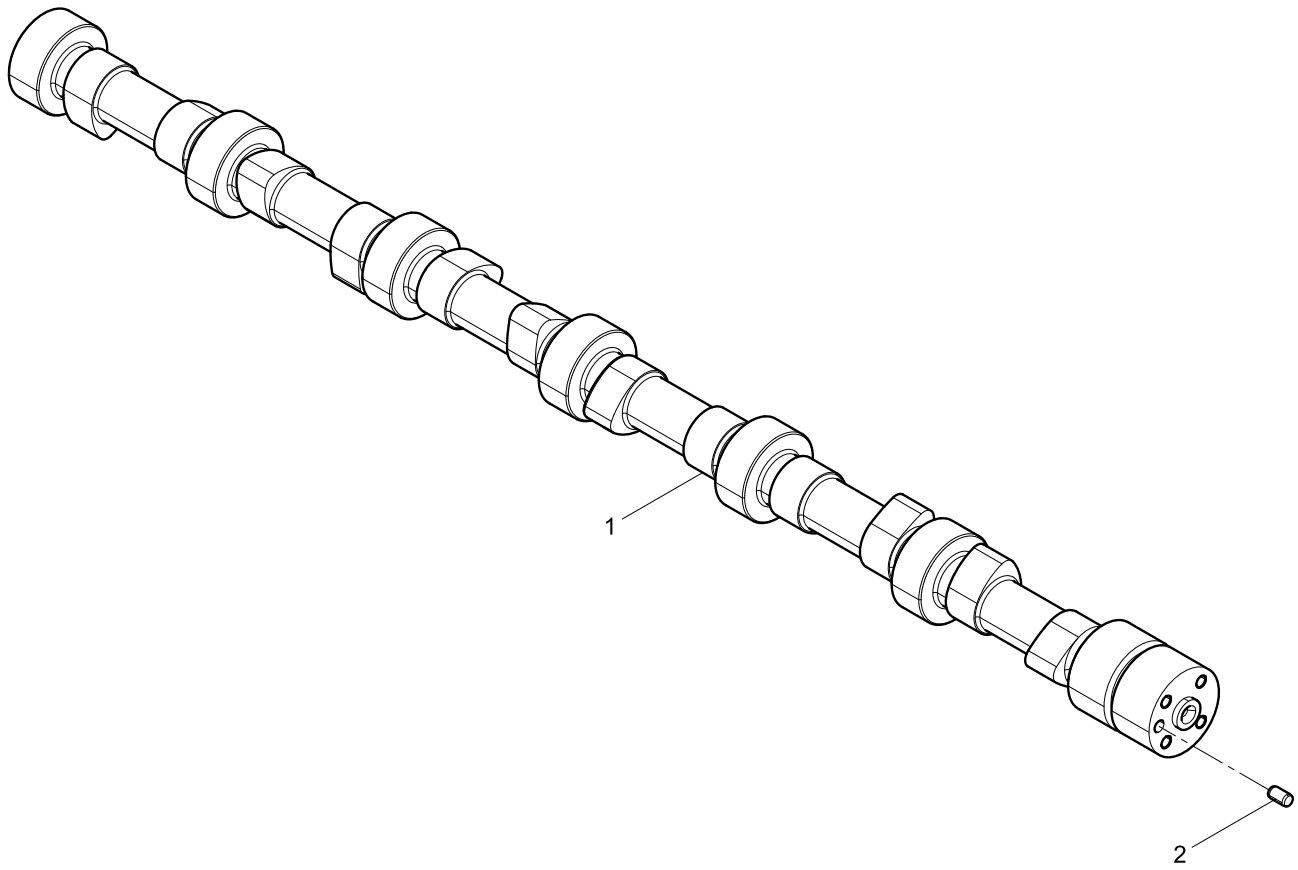
**Valve Train Group**



**Valve Train Group**

Pos.	Teile.Number	Amount	Designation
1	612600050178	6	Exhaust Rocker Arm Set
2	61500040014	6	Exhaust Valve Spring Bottom Retainer
3	612600050025	6	Exhaust Valve
4	61500050032	12	Tappet
5	614050133	1	Camshaft Thrust Plate
6	90003802399S	2	Hexagon Head Bolt
7	612600050085	1	Camshaft Assembly
8	614050053	1	Camshaft Timing Gear
9	612600050145S	4	Hexagon Head Bolt
10	61560050059S	4	Hexagon Head Bolt
11	61560050045	1	Gasket
12	61560050058	1	Idler Gear Shaft
13	61560050053	1	Idler Gear Assembly
14	61560050044	1	Idler Gear Shaft
15	612600050272	12	Push Rod
16	612600050073	6	Intake Valve
17	614050017	6	Intake Valve Spring Bottom Retainer
18	61500050002	12	Outer Valve Spring
19	61500050001	12	Inner Valve Spring
20	61500050109	12	Valve Spring Top Retainer
21	61500050025	24	Valve Collet
22	61500050105	12	Valve cap
23	612600050177	6	Intake Rocker Arm Assembly
24	614050119	6	Rocker Arm Bracket Assembly
25	90003802655	12	Hexagon Head Bolt

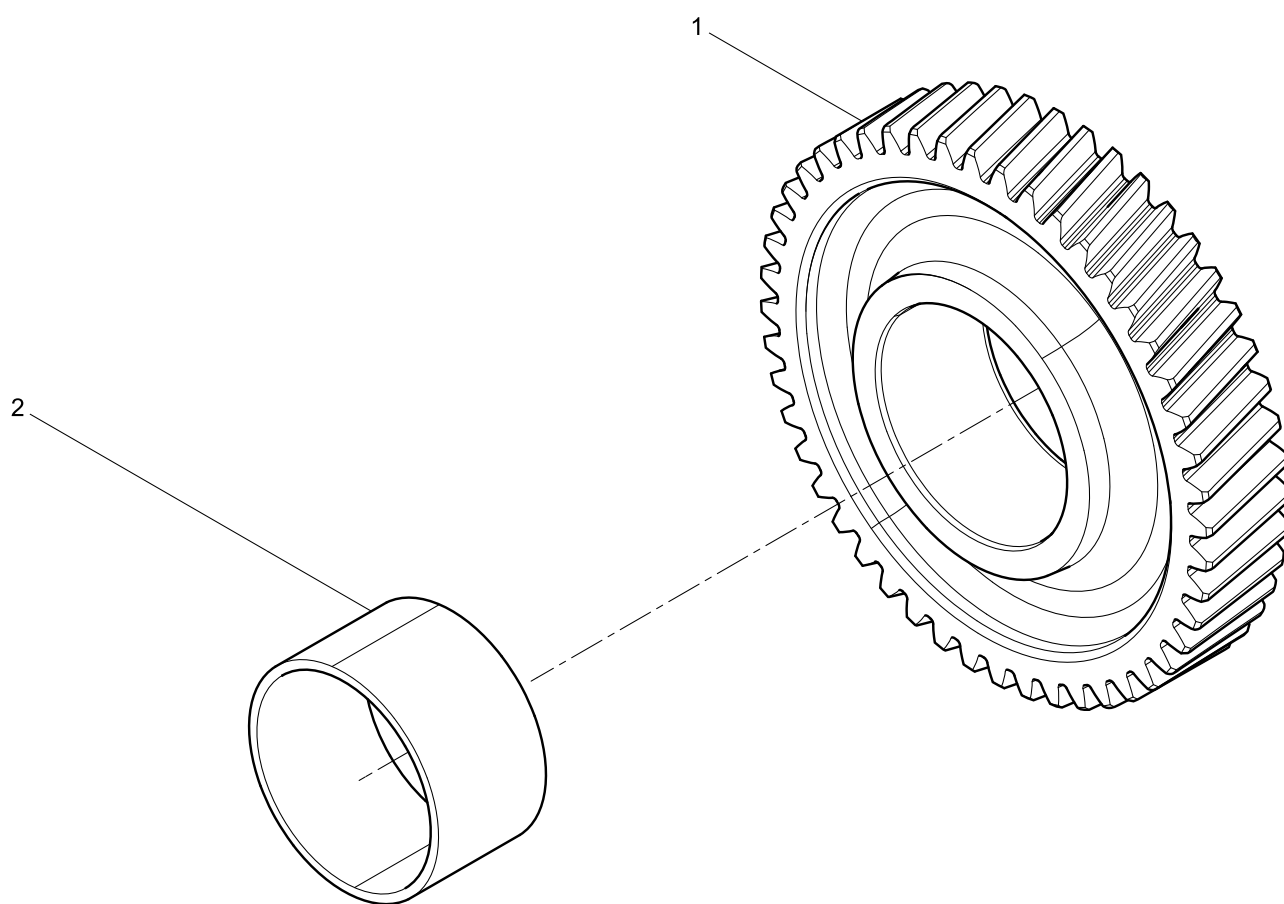
### Camshaft Assembly







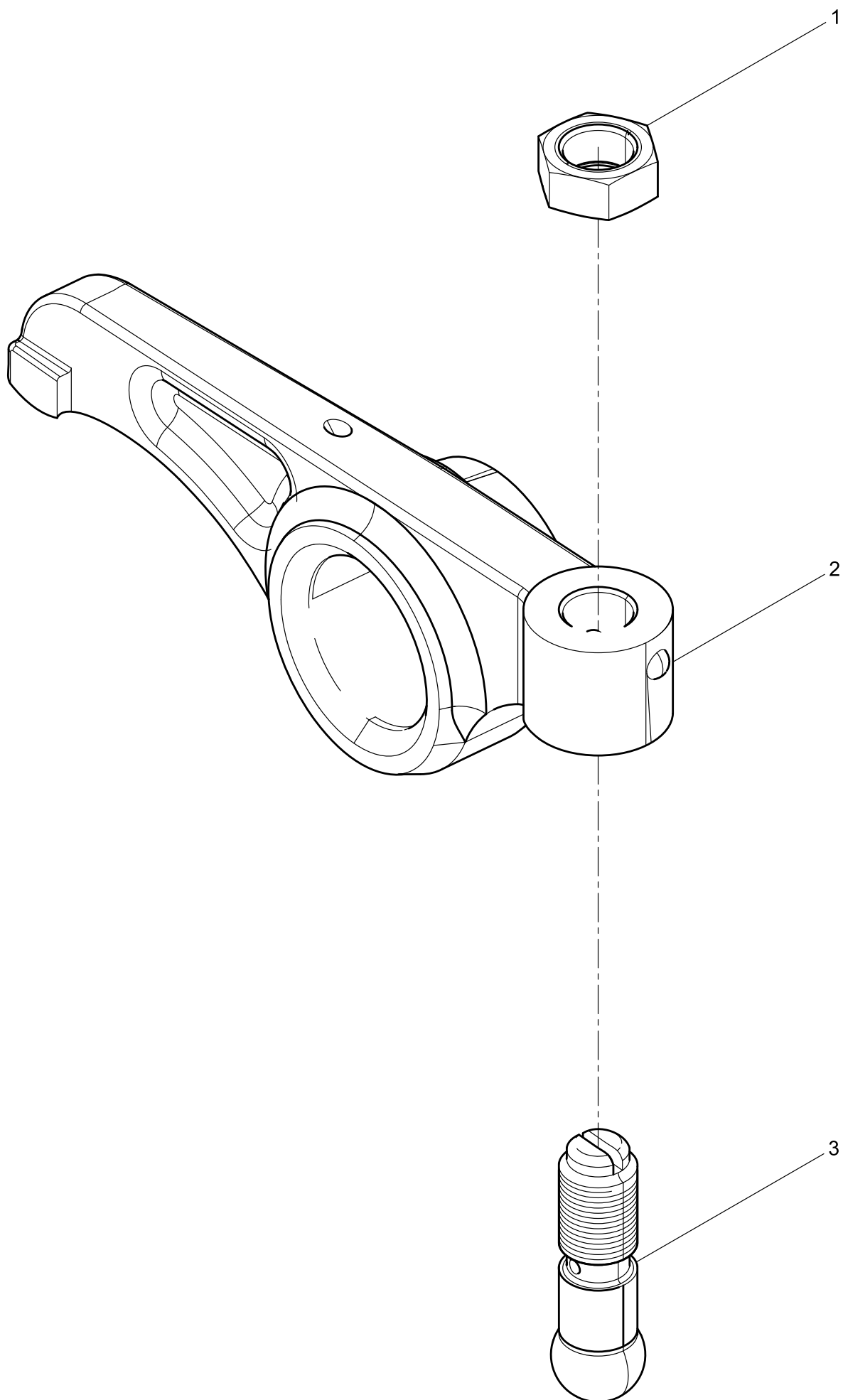
### Idler Gear Assembly



### Idler Gear Assembly

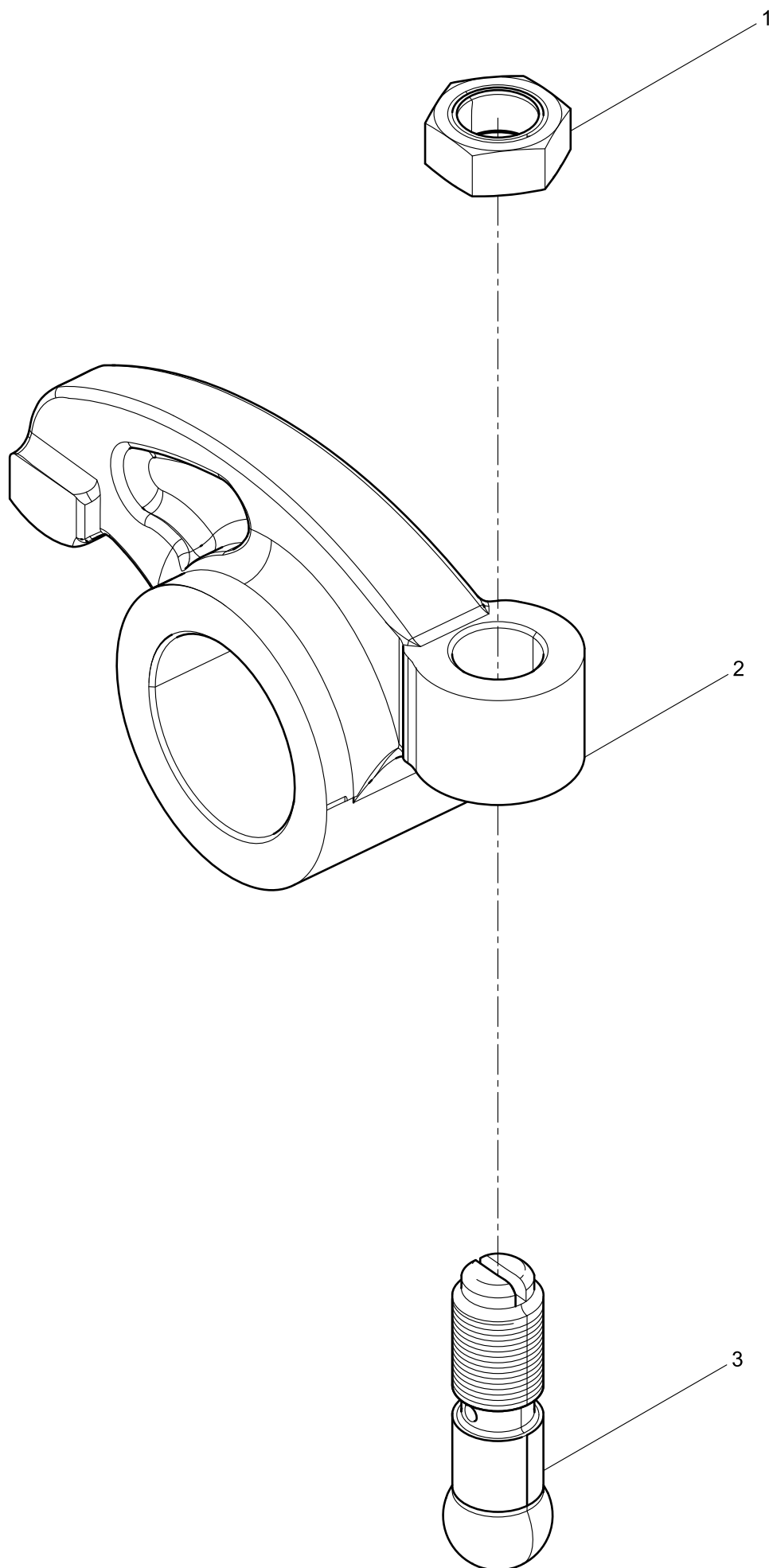
<b>Pos.</b>	<b>Teile.Number</b>	<b>Amount</b>	<b>Designation</b>
1	61560050052	1	Idler Gear
2	61560050051	1	Gear Bush

### Intake Rocker Arm Assembly





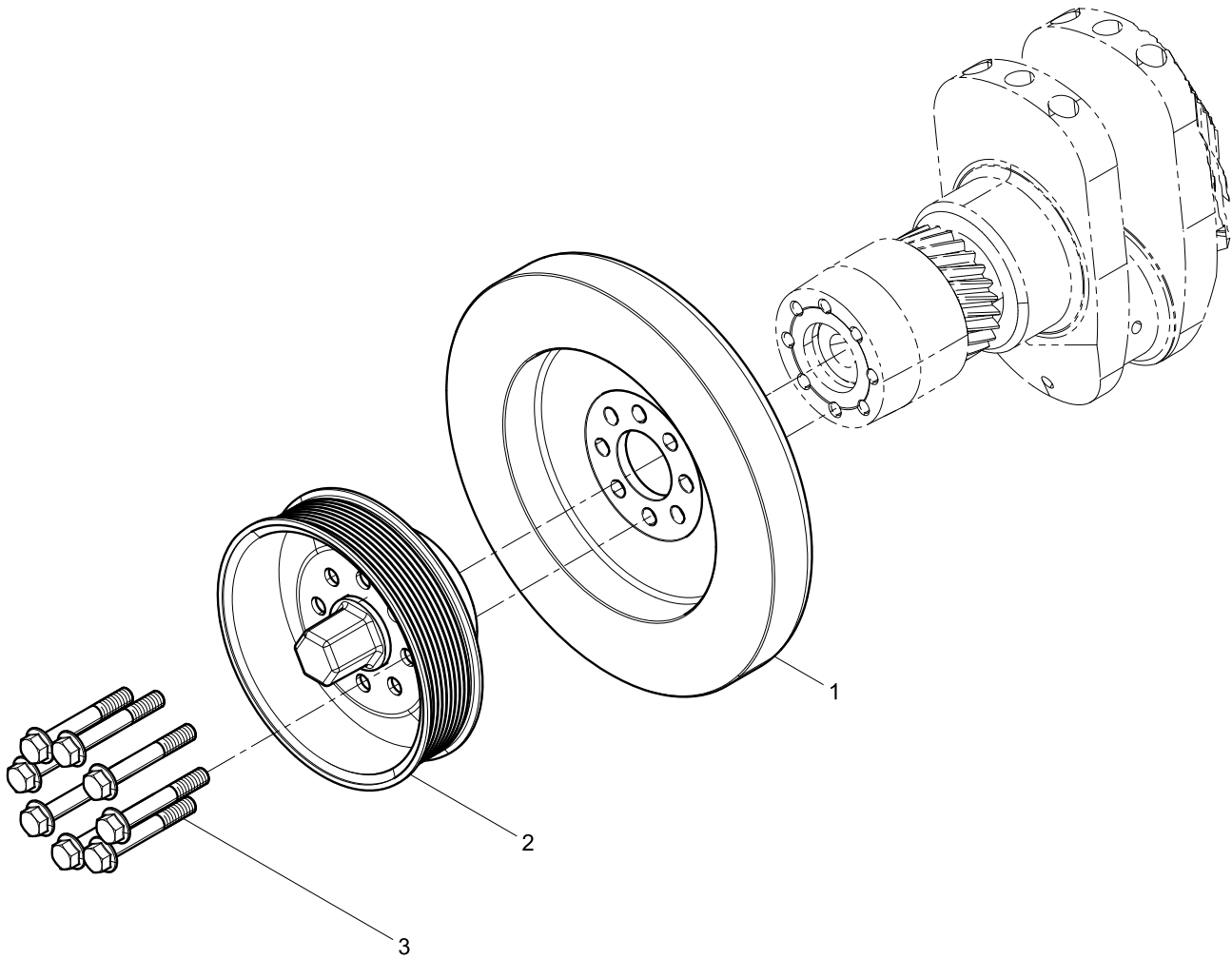
### Exhaust Rocker Arm Set



**Exhaust Rocker Arm Set**

Pos.	Teile.Number	Amount	Designation
1	2130050065	6	Locknut
2	614050049	6	Exhaust Rocker Arm
3	614050010	6	Adjusting Screw

### Crankshaft Pulley Group

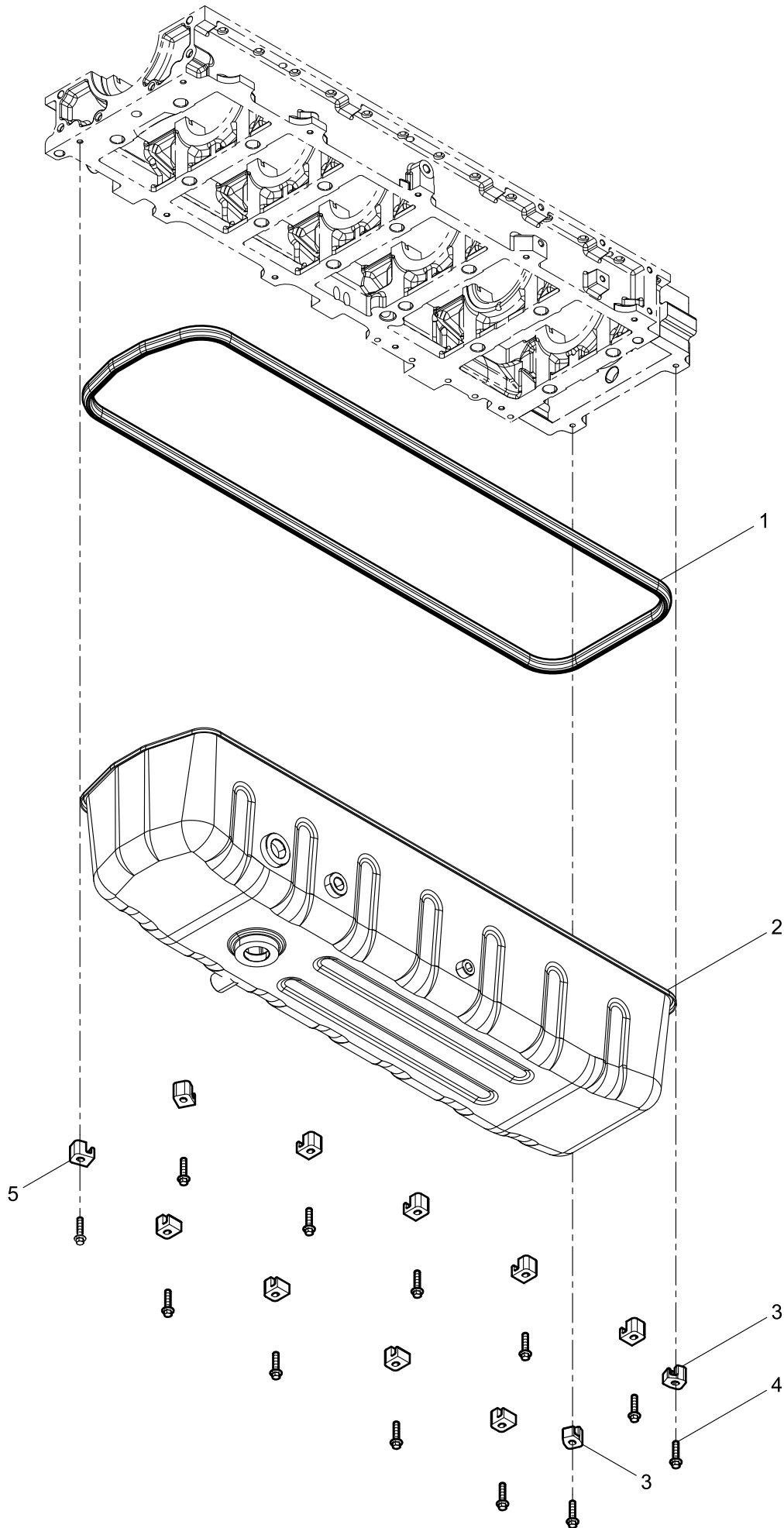




### Crankshaft Pulley Group

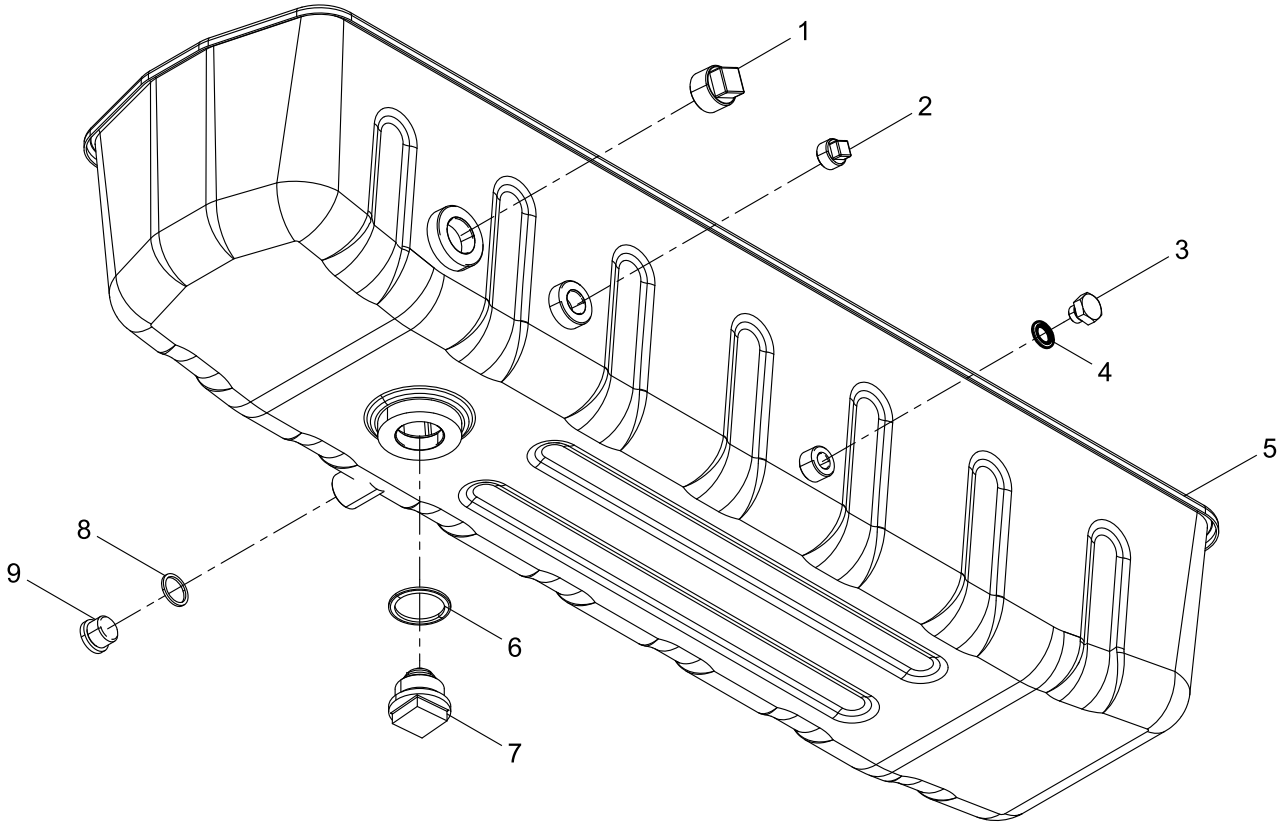
Pos.	Teile.Number	Amount	Designation
1	61560020010	1	Torsional Vibration Damper
2	612600020743	1	Crankshaft Pulley
3	90011400043	8	Hexagon flange bolt, heavy series

### Oil Pan





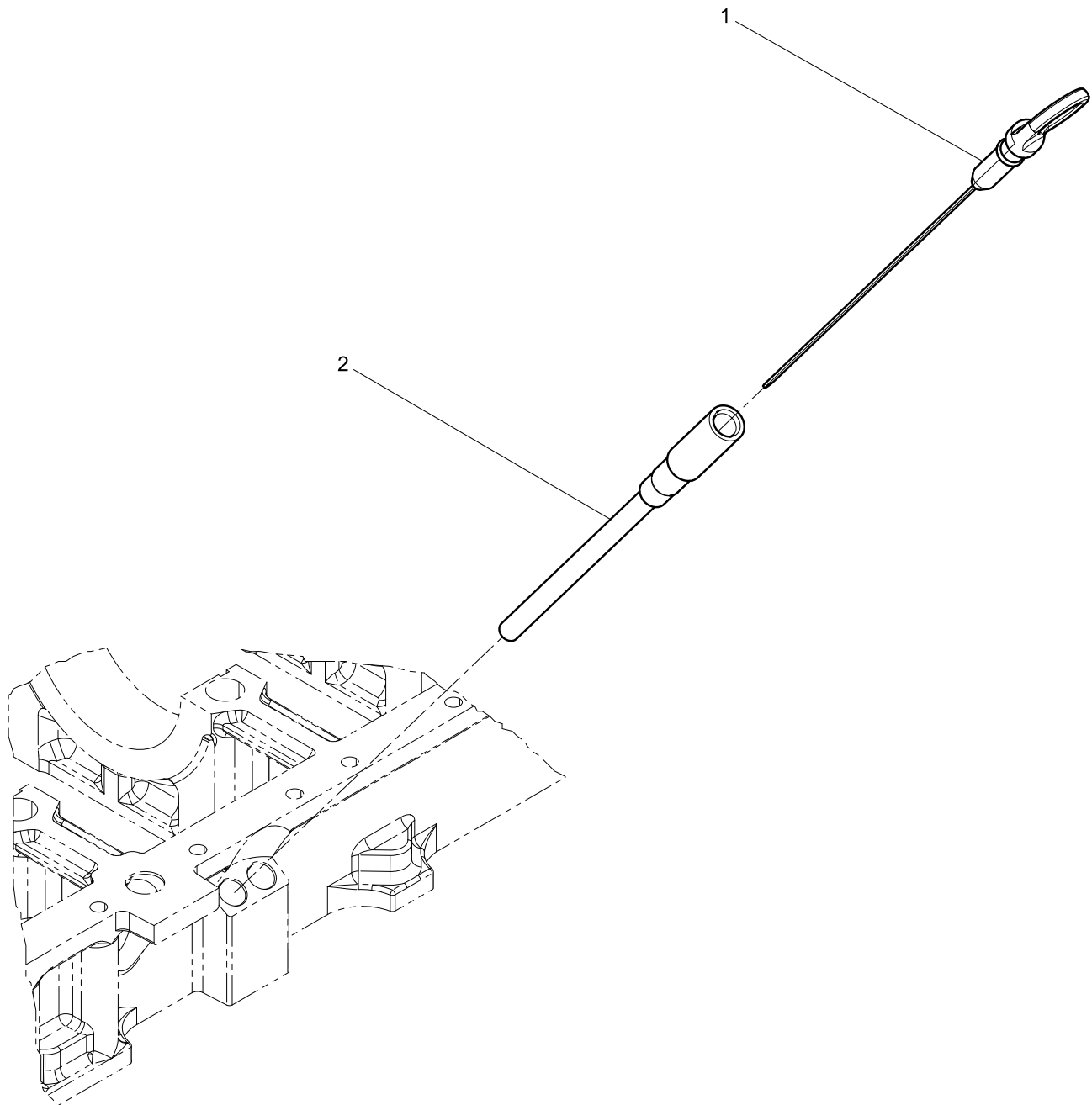
### Oil Pan Assembly



**Oil Pan Assembly**

<b>Pos.</b>	<b>Teile.Number</b>	<b>Amount</b>	<b>Designation</b>
1	612600150274	1	Screw Plug
2	612600150273	1	Screw Plug
3	90003962025	1	Hexagon plug
4	612600080200	1	Washer
5	612600150355	1	Oil Pan Set
6	612600150106	1	Washer
7	612600150251	1	Magnetic Screw Plug Assembly
8	90003098026	1	Sealing Washer
9	90003960005	1	Hexagon Screw Plug

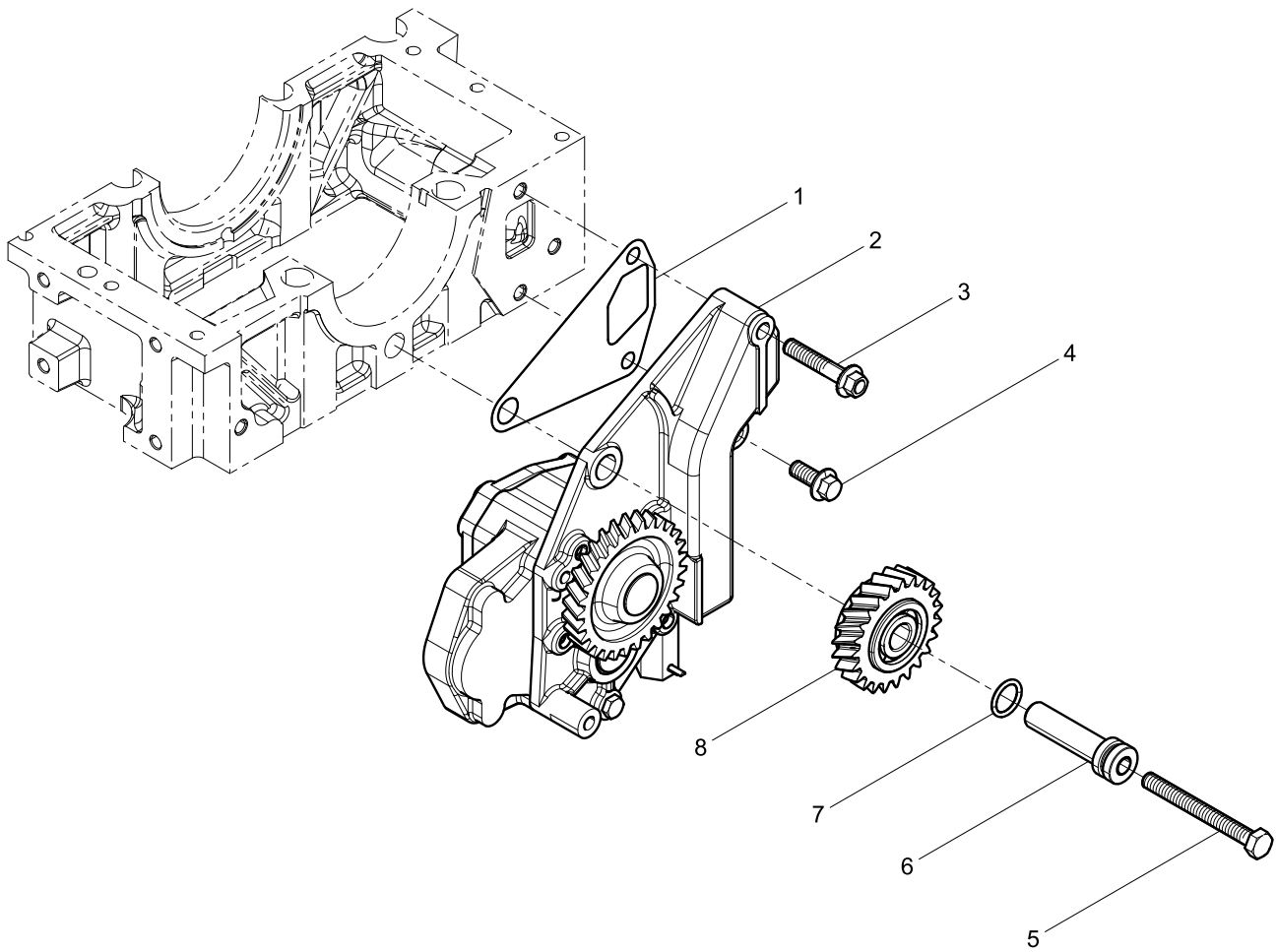
### Dipstick Group



**Dipstick Group**

<b>Pos.</b>	<b>Teile.Number</b>	<b>Amount</b>	<b>Designation</b>
1	612600012725	1	Dipstick
2	612600012722	1	Dipstick Pipe Set

### Oil Pump Group

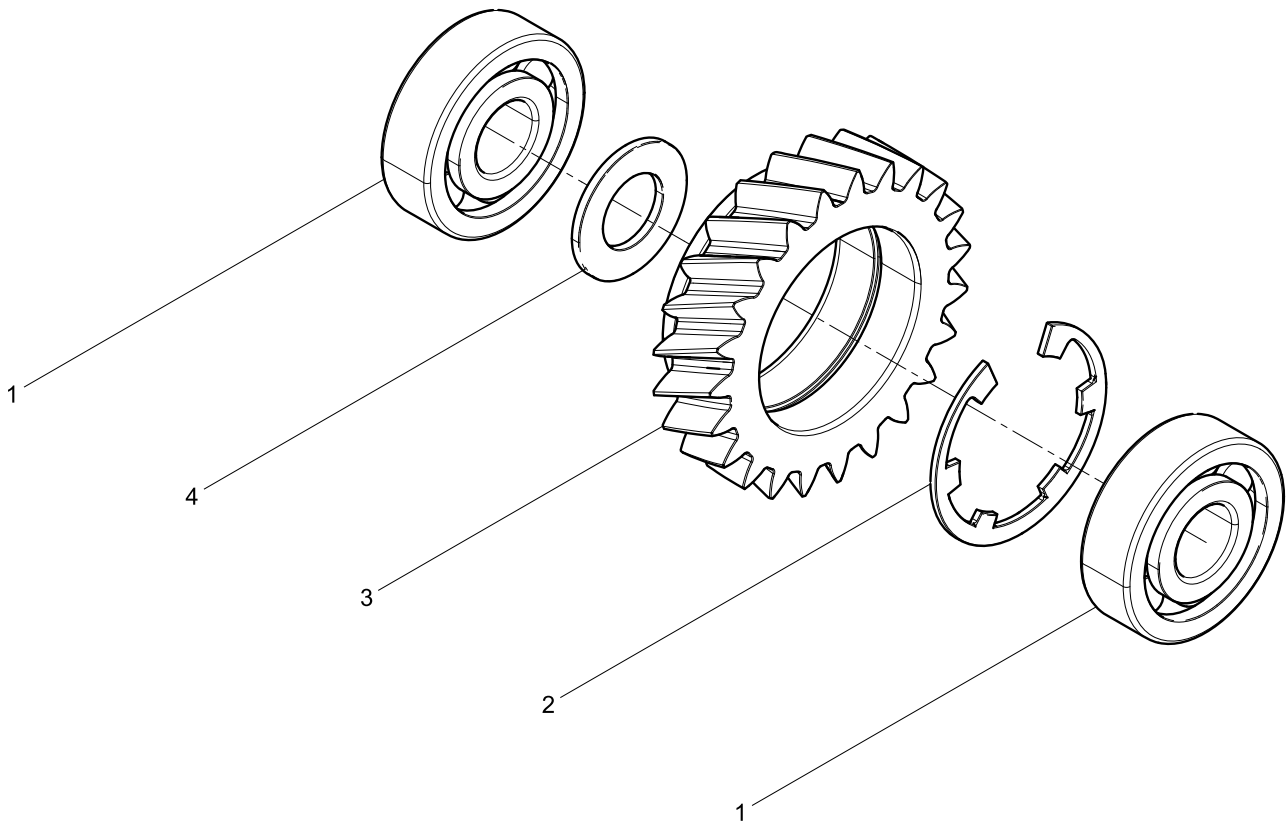




**Oil Pump Group**

Pos.	Teile.Number	Amount	Designation
1	612600070477	1	Gasket
2	612600070465	1	Lubricating Oil Pump
3	612600070411	1	Hexagon Flange with Tooth Bolt
4	90011430008	1	Hexagon Flange with Tooth Bolt
5	90003802578S	1	Hexagon Head Bolt
6	6140756	1	Idler Gear Shaft
7	614070155	1	Seal Ring
8	612600070364	1	Oil Pump Idle Gear Set

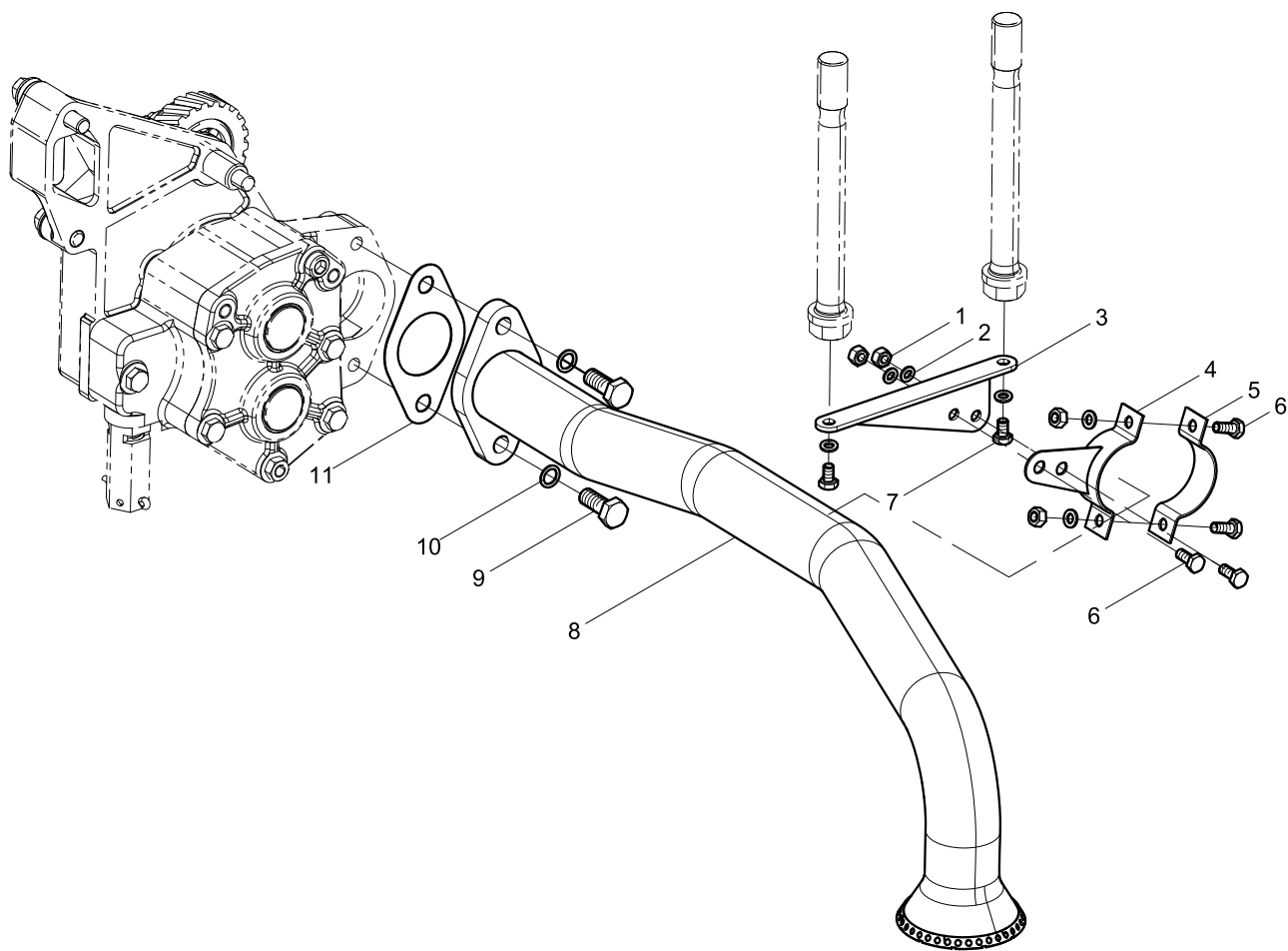
### Oil Pump Idle Gear Set



**Oil Pump Idle Gear Set**

Pos.	Teile.Number	Amount	Designation
1	90003311410	2	Thrust Bearing
2	90003934732	1	Circlip with Teeth for Hole
3	614070061	1	Idler Gear
4	6140749	1	Washer

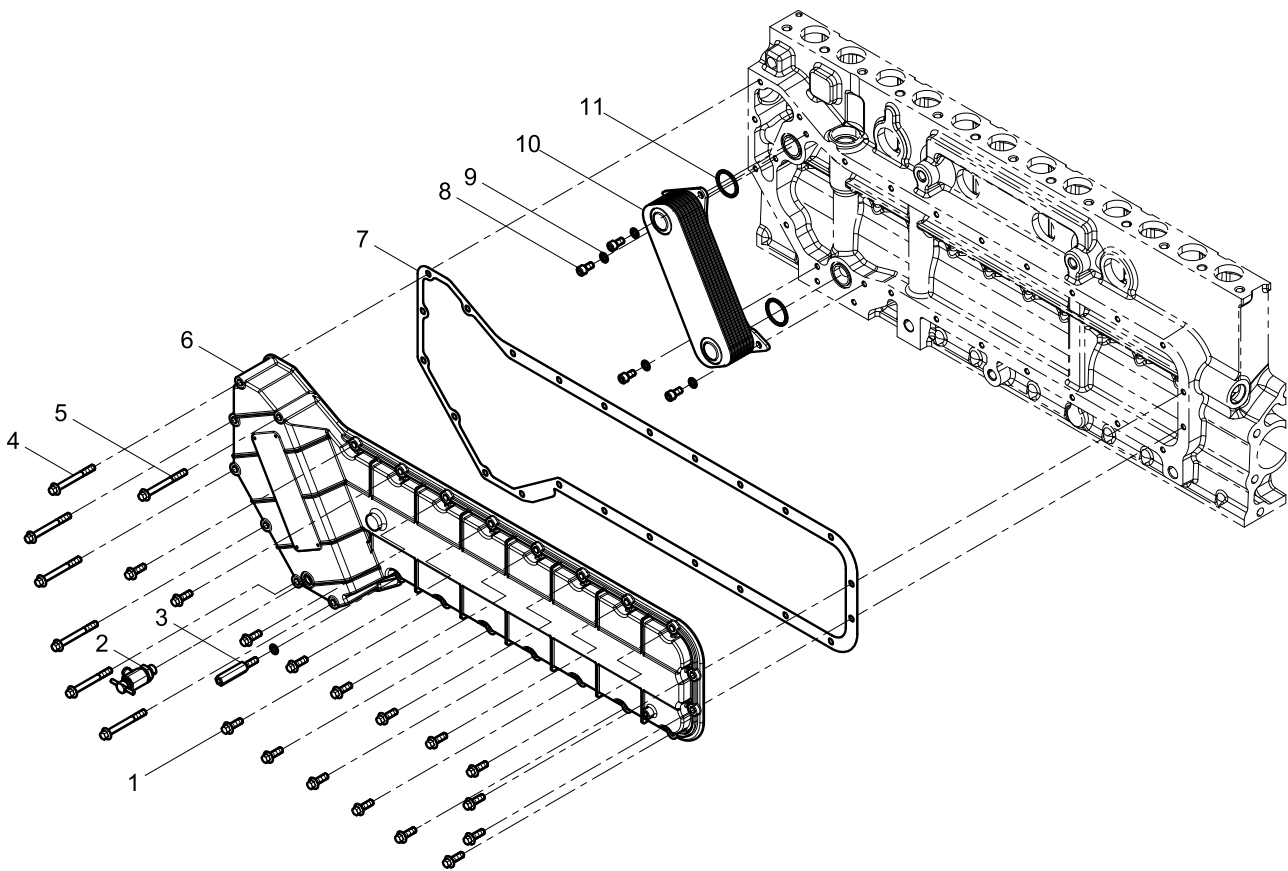
### Oil Strainer Group



**Oil Strainer Group**

<b>Pos.</b>	<b>Teile.Number</b>	<b>Amount</b>	<b>Designation</b>
1	90003871232	4	Hexagon Nuts, Style 1
2	90014040006	6	Plain Washer
3	612600070023	1	Oil Suction Strainer Bracket
4	612600070024	1	Oil Suction Strainer Bracket
5	612600070025	1	Oil Suction Strainer Bracket
6	90011350004	4	Hexagon Head Bolt
7	90003802307	2	Hexagon Head Bolt
8	612600070334	1	Filter Assembly
9	90003802523S	2	Hexagon Head Bolt
10	90014040008	2	Plain Washer
11	612600070355	1	Gasket

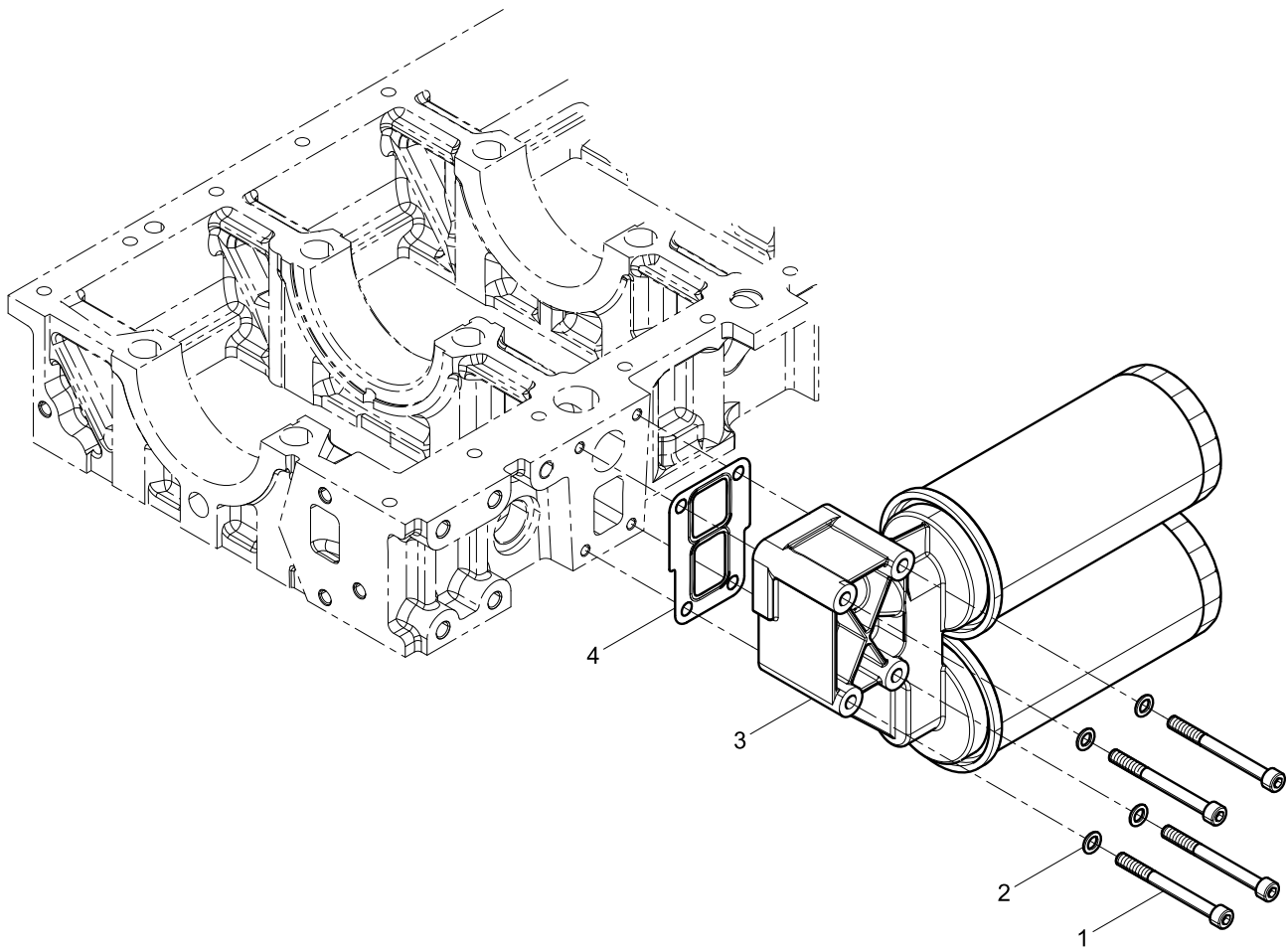
### Oil Cooler Group



**Oil Cooler Group**

<b>Pos.</b>	<b>Teile.Number</b>	<b>Amount</b>	<b>Designation</b>
1	90011410003	16	Hexagon Flange Bolt
2	612600012598	1	Water Draining Valve
3	612600112056	1	Back-up Block
4	90011410009	6	Hexagon Flange Bolt
5	90011410010	1	Hexagon Flange Bolt
6	1001021161	1	Oil Cooler Cap
7	612600040566	1	Oil Cooler Cap Gasket
8	90003862419S	4	Inner Hexagon Socket Head Cap Screw
9	90003932023	5	Wave Spring Washer
10	612600070526	1	Oil Cooler
11	81400010032	2	Seal Ring

### Oil Filter Group

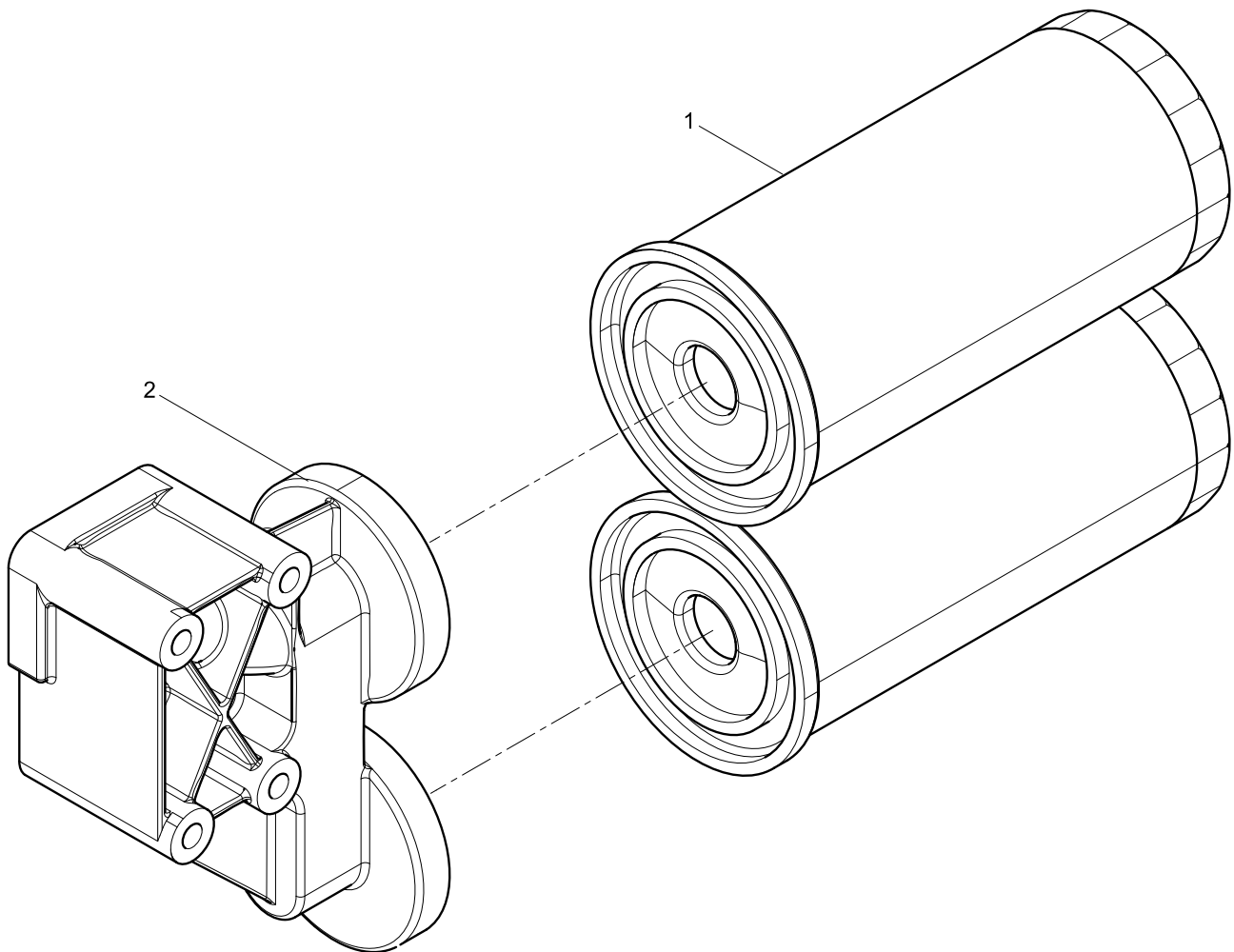




**Oil Filter Group**

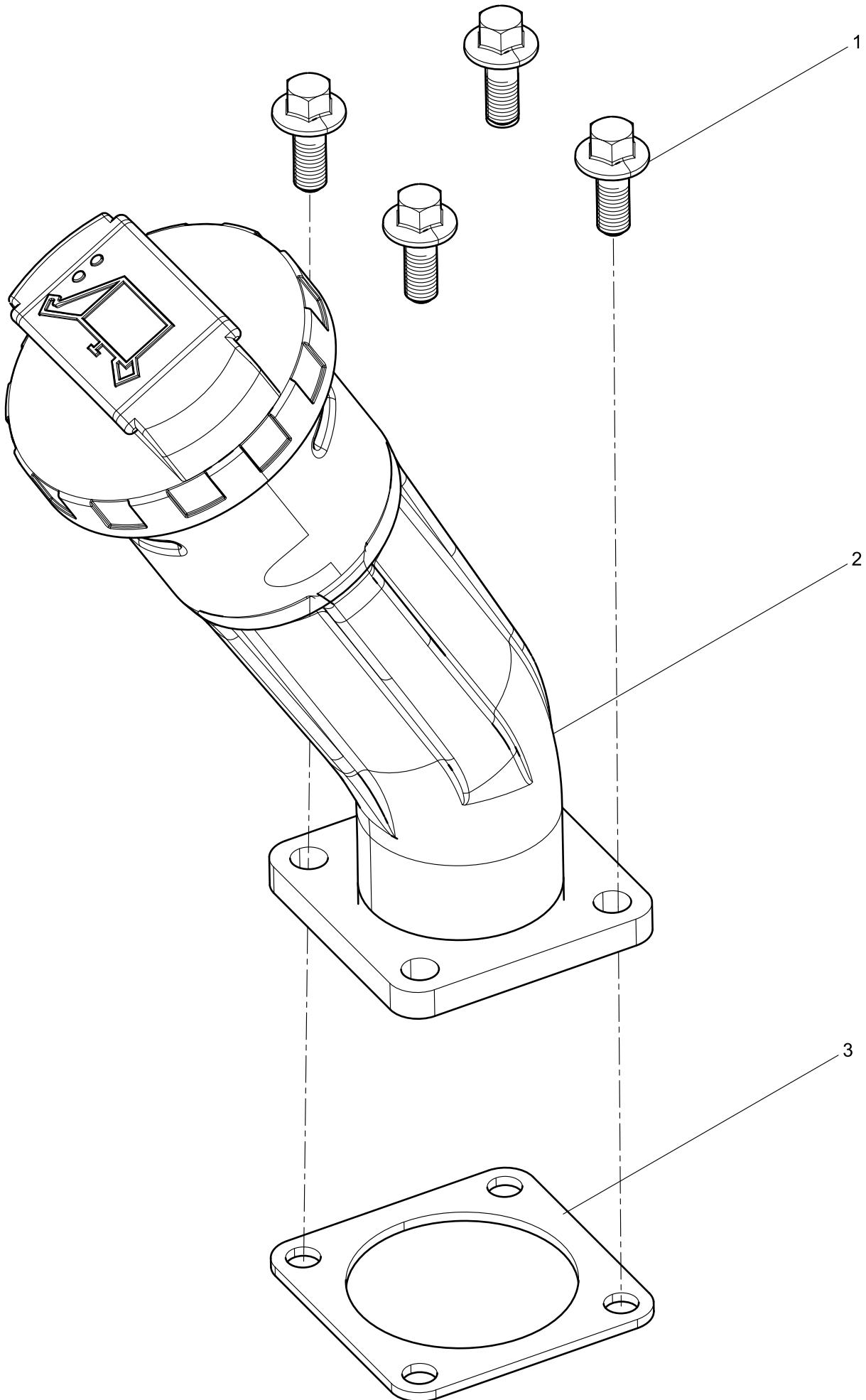
<b>Pos.</b>	<b>Teile.Number</b>	<b>Amount</b>	<b>Designation</b>
1	612600082135	4	Screw
2	90003932023	4	Wave Spring Washer
3	1001047178	1	Oil Filter
4	612600070375	1	Oil Cooler Cap Gasket

**Oil Filter**



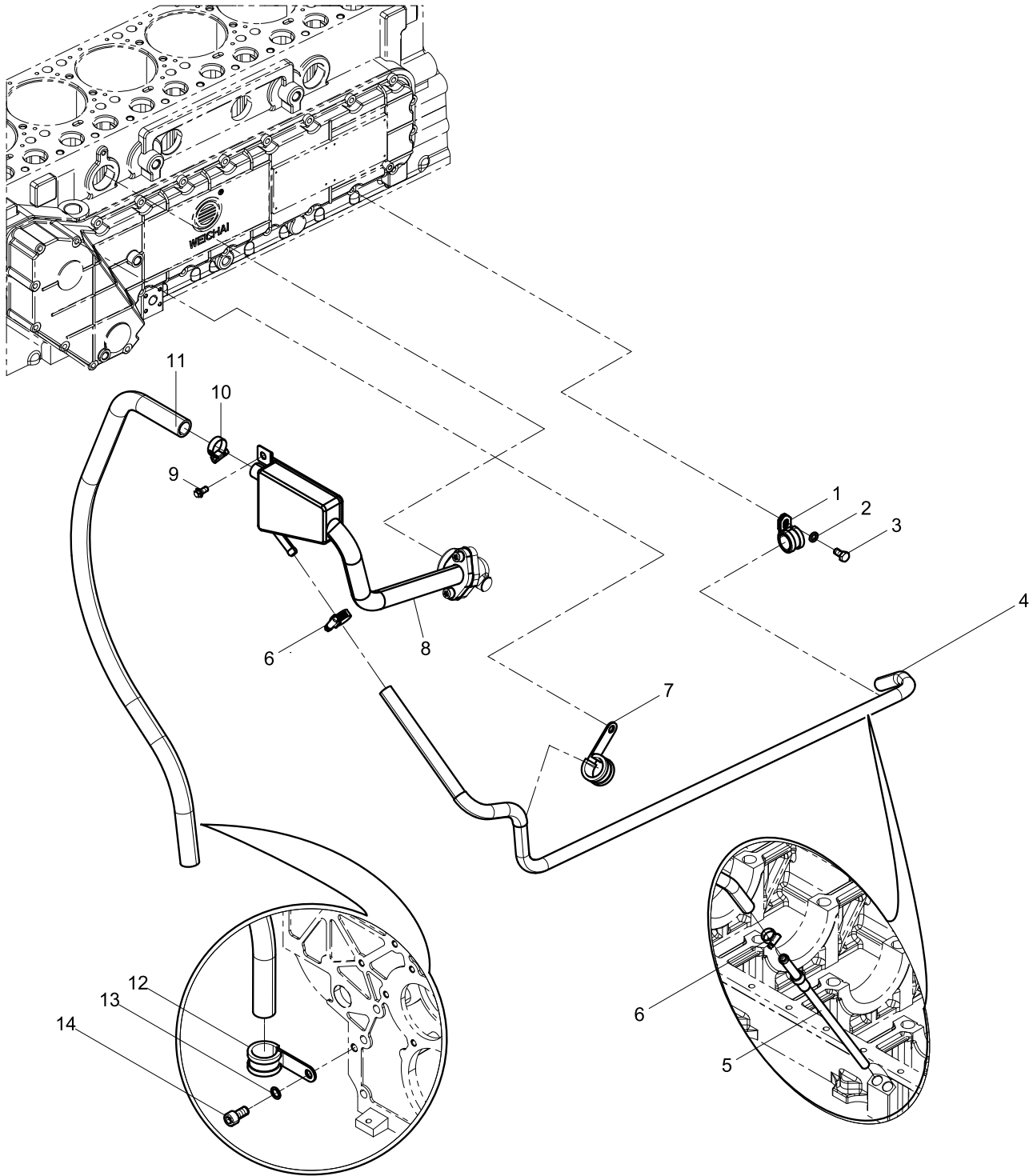


### Oil Filling Tube Group





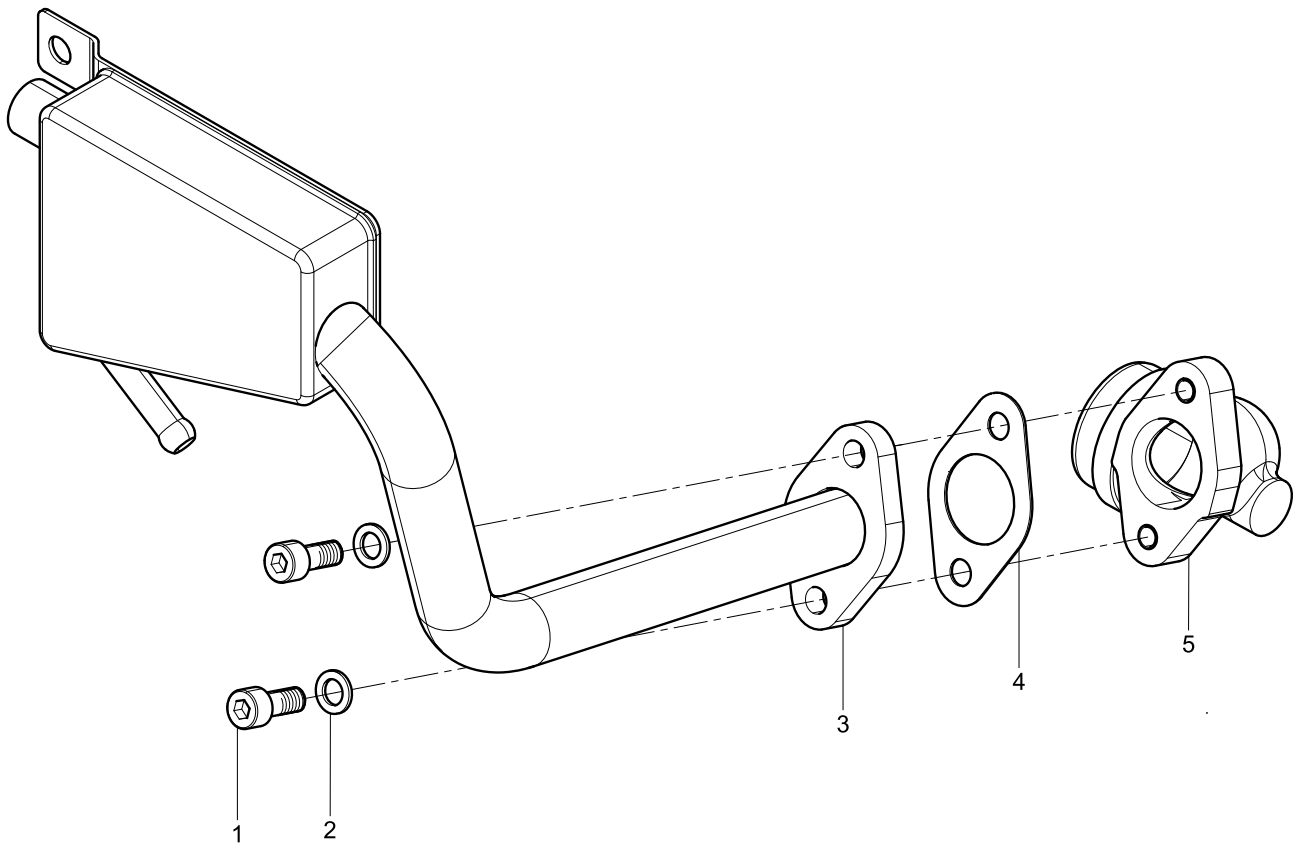
### Oil-gas Separator Group



**Oil-gas Separator Group**

<b>Pos.</b>	<b>Teile.Number</b>	<b>Amount</b>	<b>Designation</b>
1	612600111639	1	Pipe Clamp Assembly
2	90003932023	1	Wave Spring Washer
3	90003802411	1	Hexagon Head Bolt
4	612600012729	1	Oil Connecting Rubber Pipe
5	612600012595	1	Pipe Joint
6	90003989300	2	Clamp
7	612600012280	1	Pipe Clamp Assembly
8	612600014120	1	Oil-gas Separator Assembly
9	90011430021	1	Hexagon Flange with Tooth Bolt
10	90003989340	1	Clamp
11	612600012525	1	Oil Connecting Rubber Pipe
12	612600011361	1	Pipe Clamp Assembly
13	90003931122	1	Spring Washer
14	90011350025	1	Hexagon Head Bolt

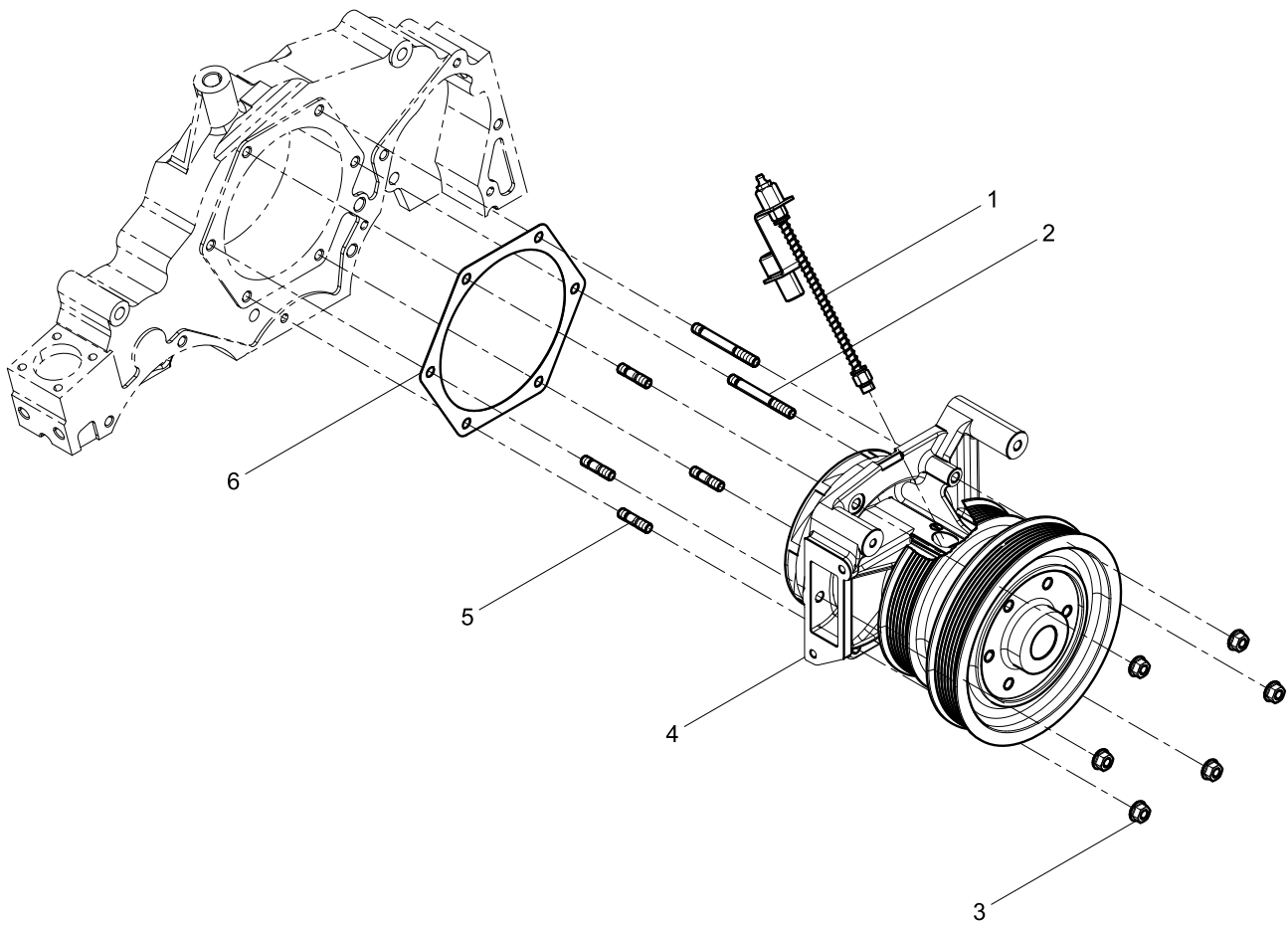
### Oil-gas Separator Assembly





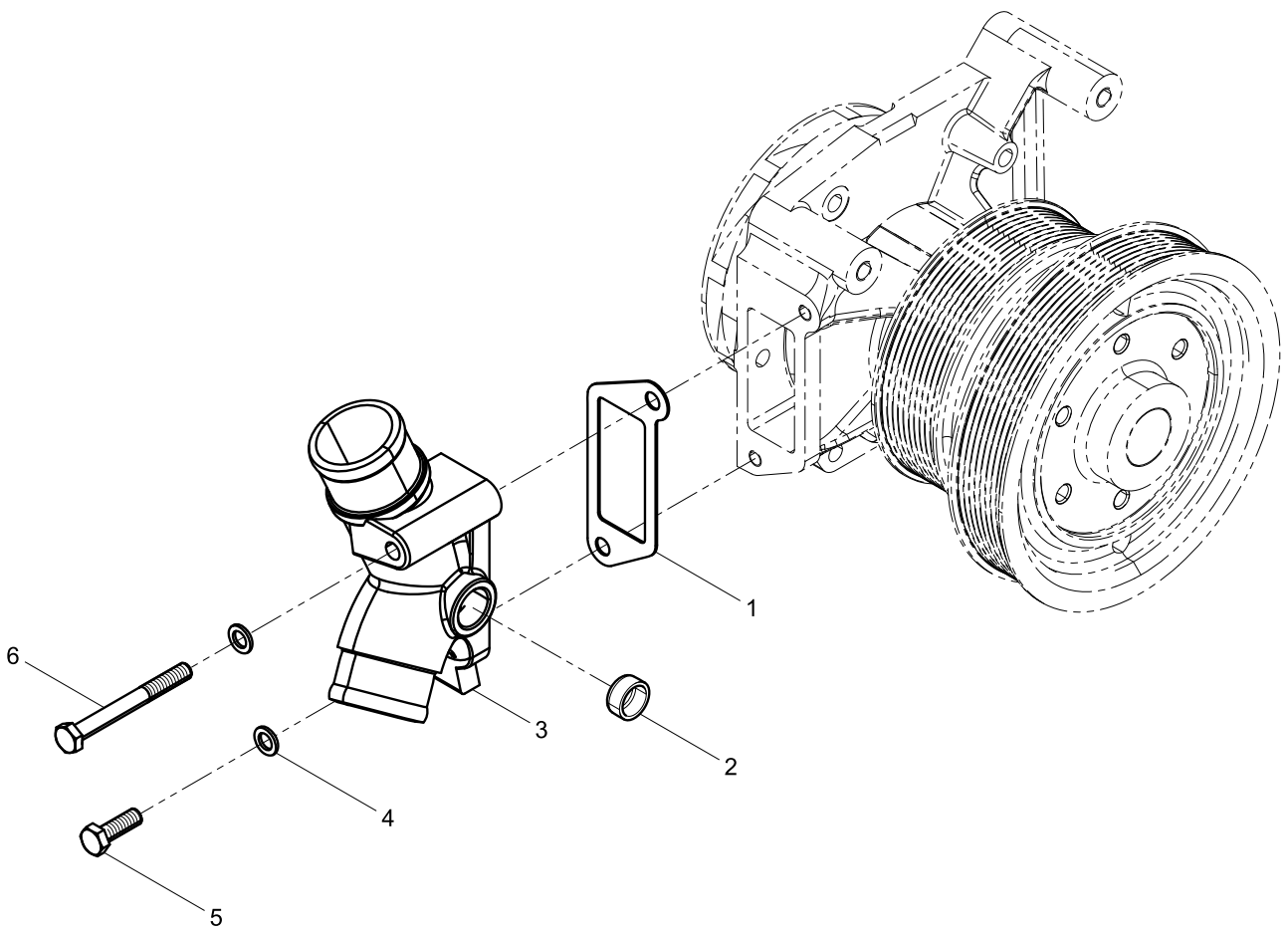


### Water Pump Group





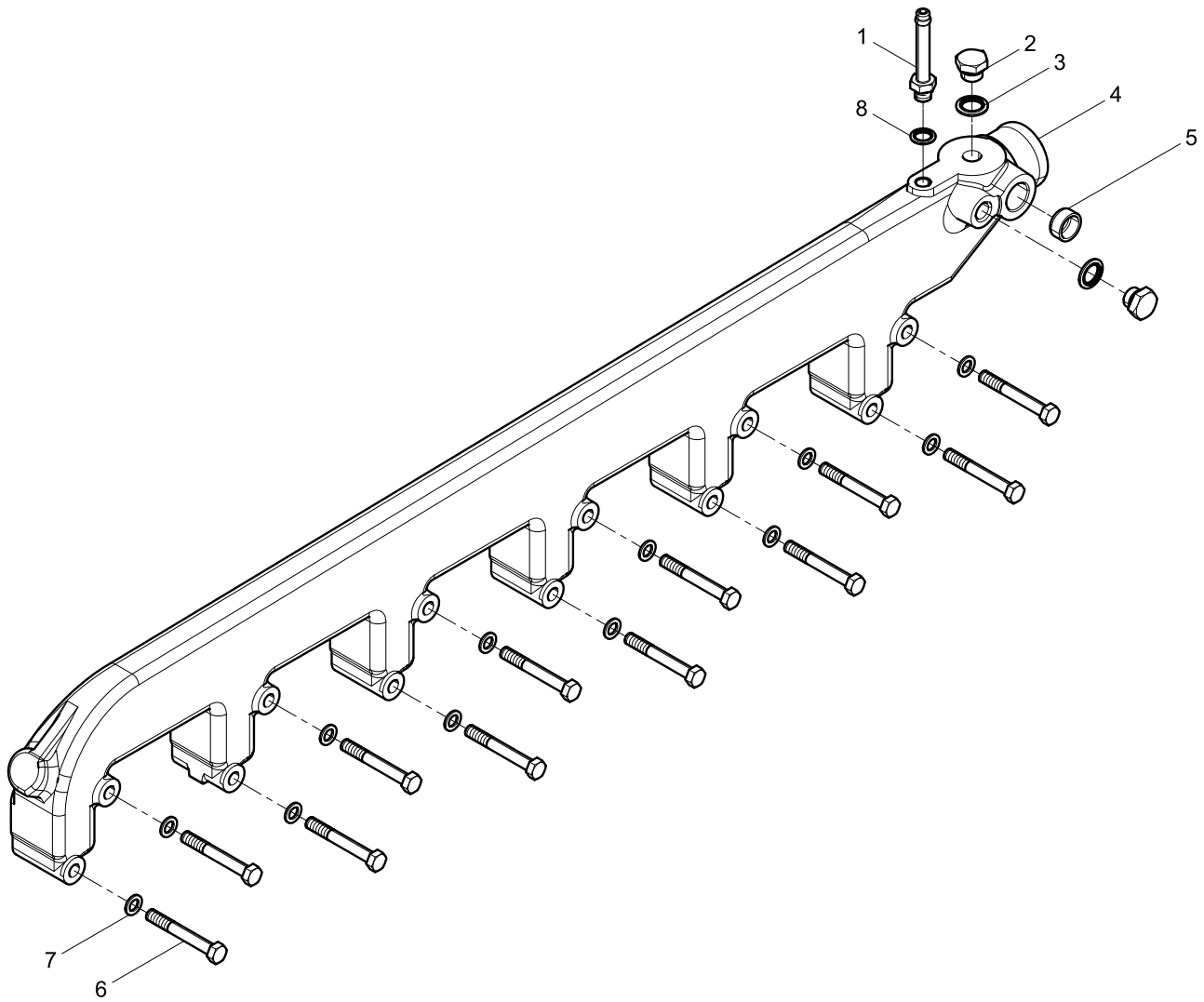
### Water Pipe Connector Group



**Water Pipe Connector Group**

<b>Pos.</b>	<b>Teile.Number</b>	<b>Amount</b>	<b>Designation</b>
1	612600061640	1	Gasket
2	61561D040001	1	Screw Plug
3	614060095	1	Water Pipe Connector
4	90003932023	2	Wave Spring Washer
5	90003802424	1	Hexagon Head Bolt
6	90003800467	1	Hexagon Head Bolt

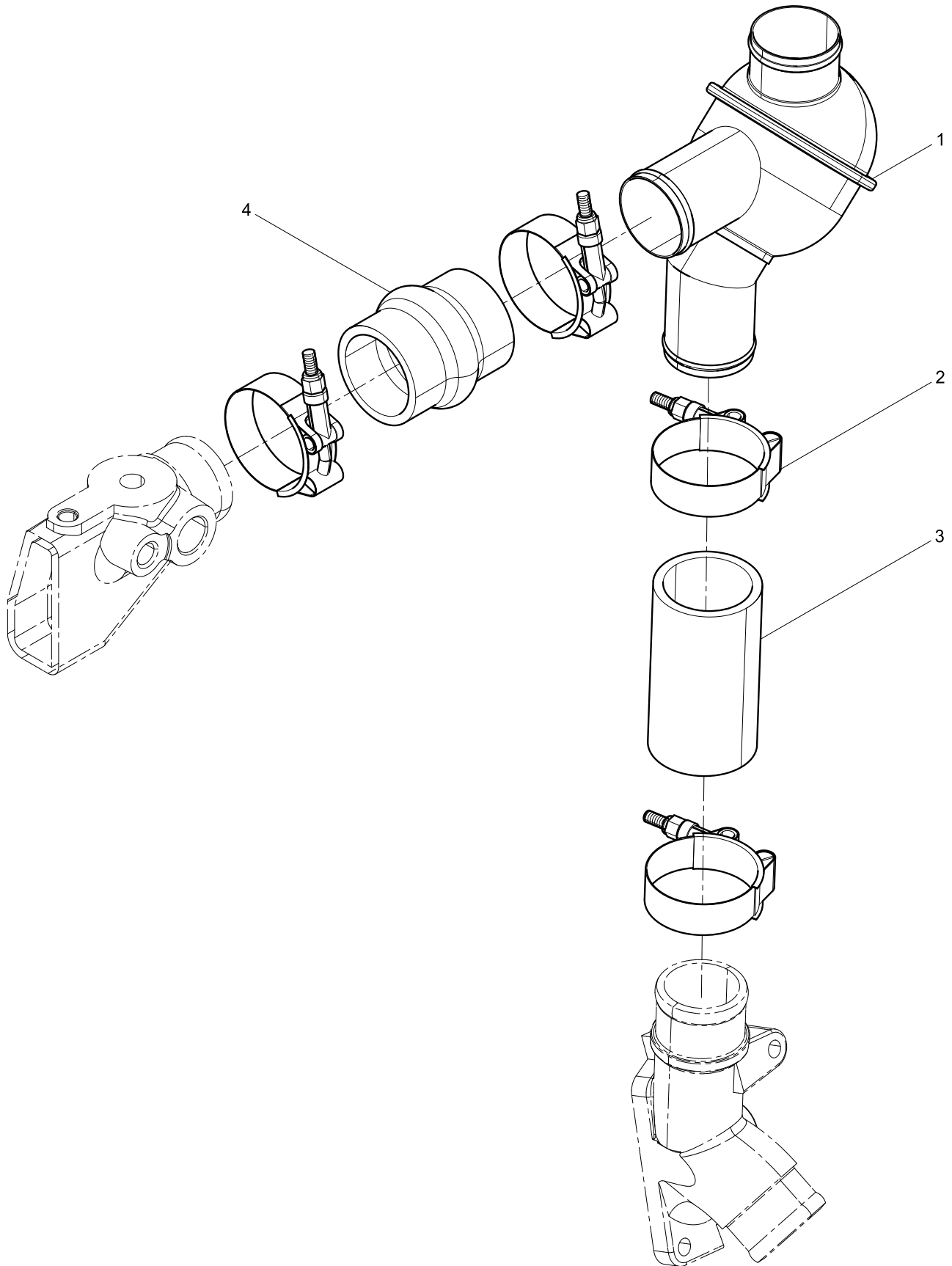
### Water Outlet Pipe Group



**Water Outlet Pipe Group**

<b>Pos.</b>	<b>Teile.Number</b>	<b>Amount</b>	<b>Designation</b>
1	13020659	1	Pipe Joint
2	90003962020	2	Hexagon plug
3	612600080200	2	Washer
4	612600040060	1	Water-outlet Pipe
5	61561D040001	1	Screw Plug
6	90003800466	12	Hexagon Head Bolt
7	90003932023	12	Wave Spring Washer
8	612600080246	1	Washer

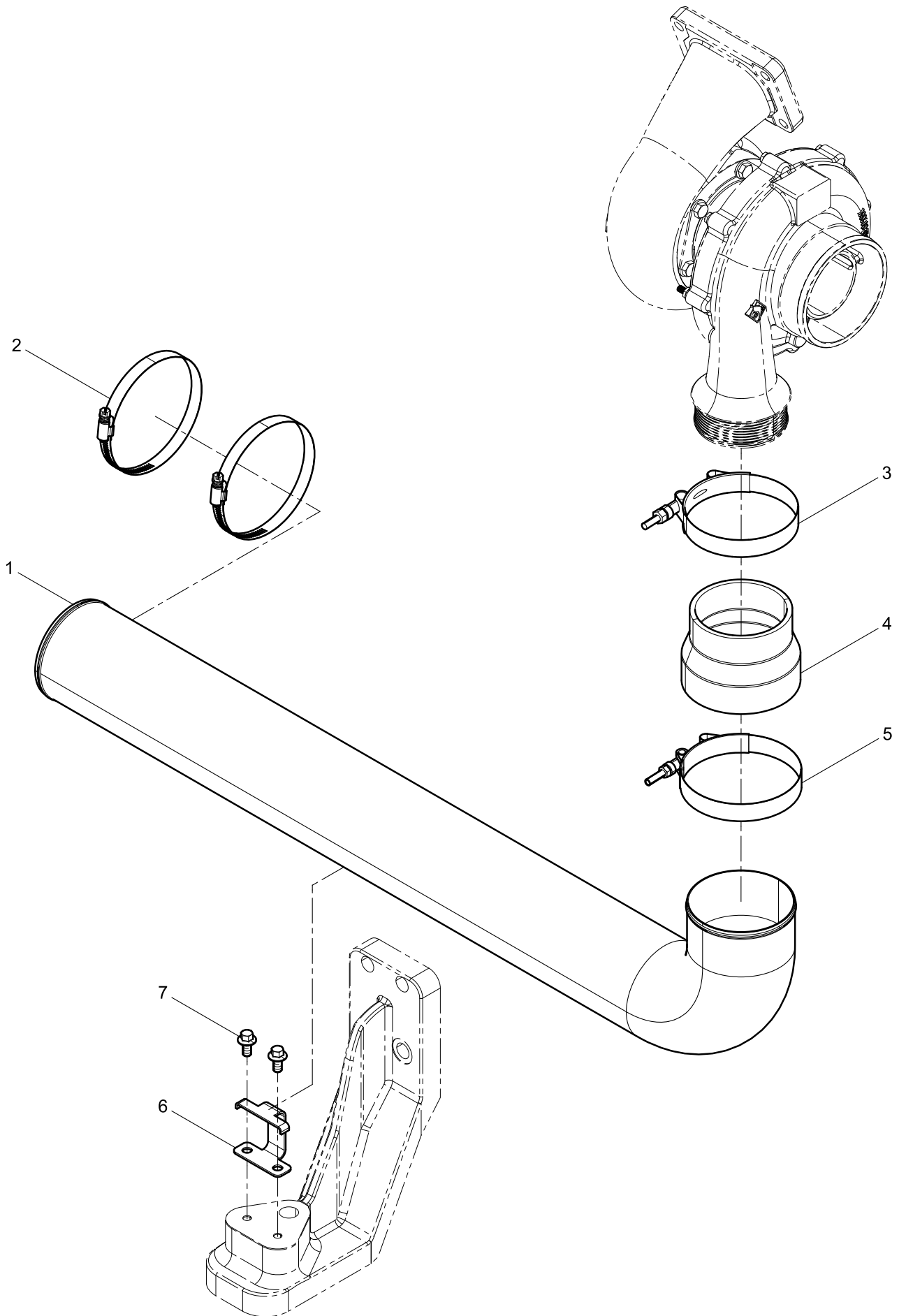
**Thermostat Group**





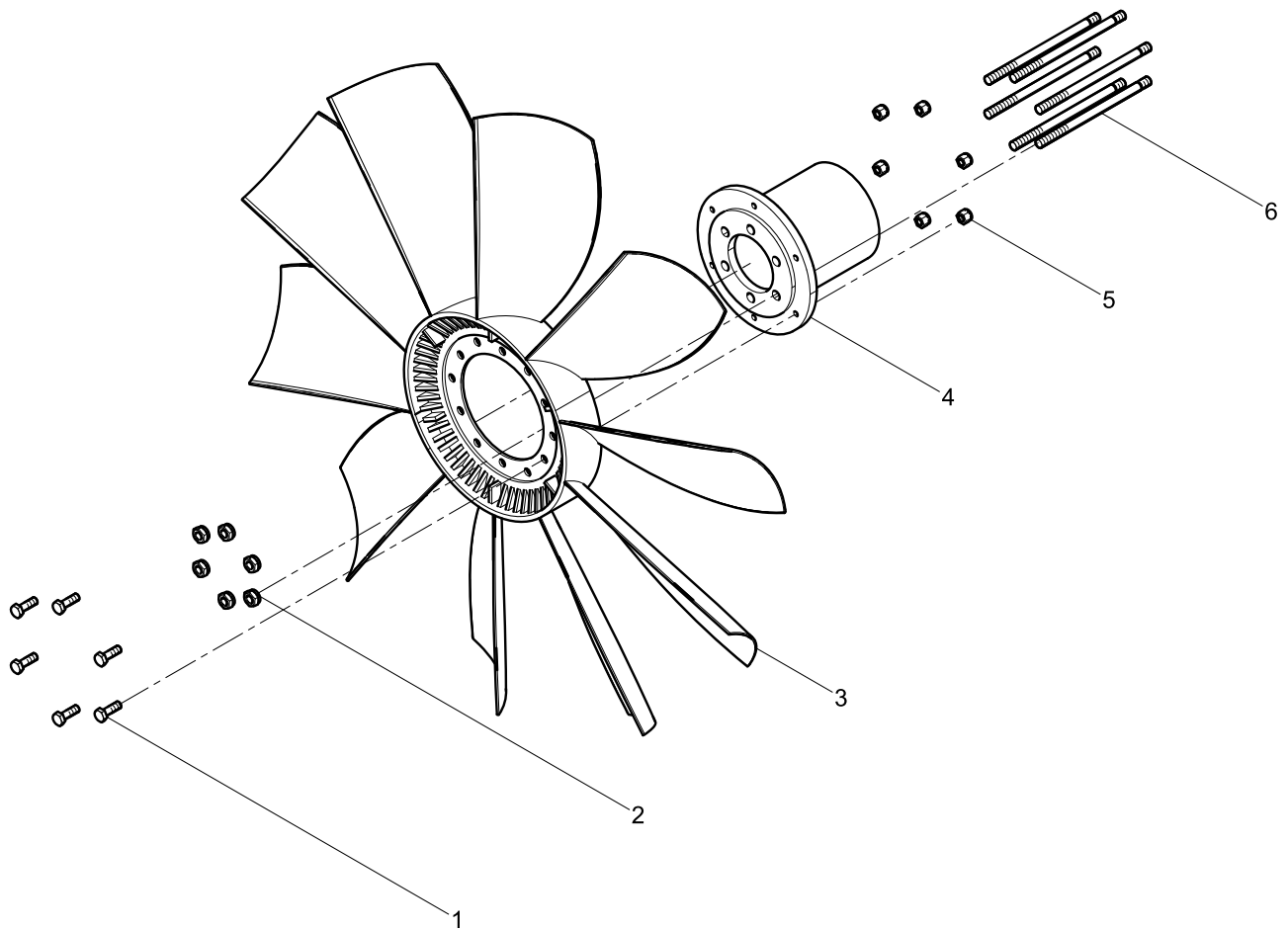


### Intercooler Group





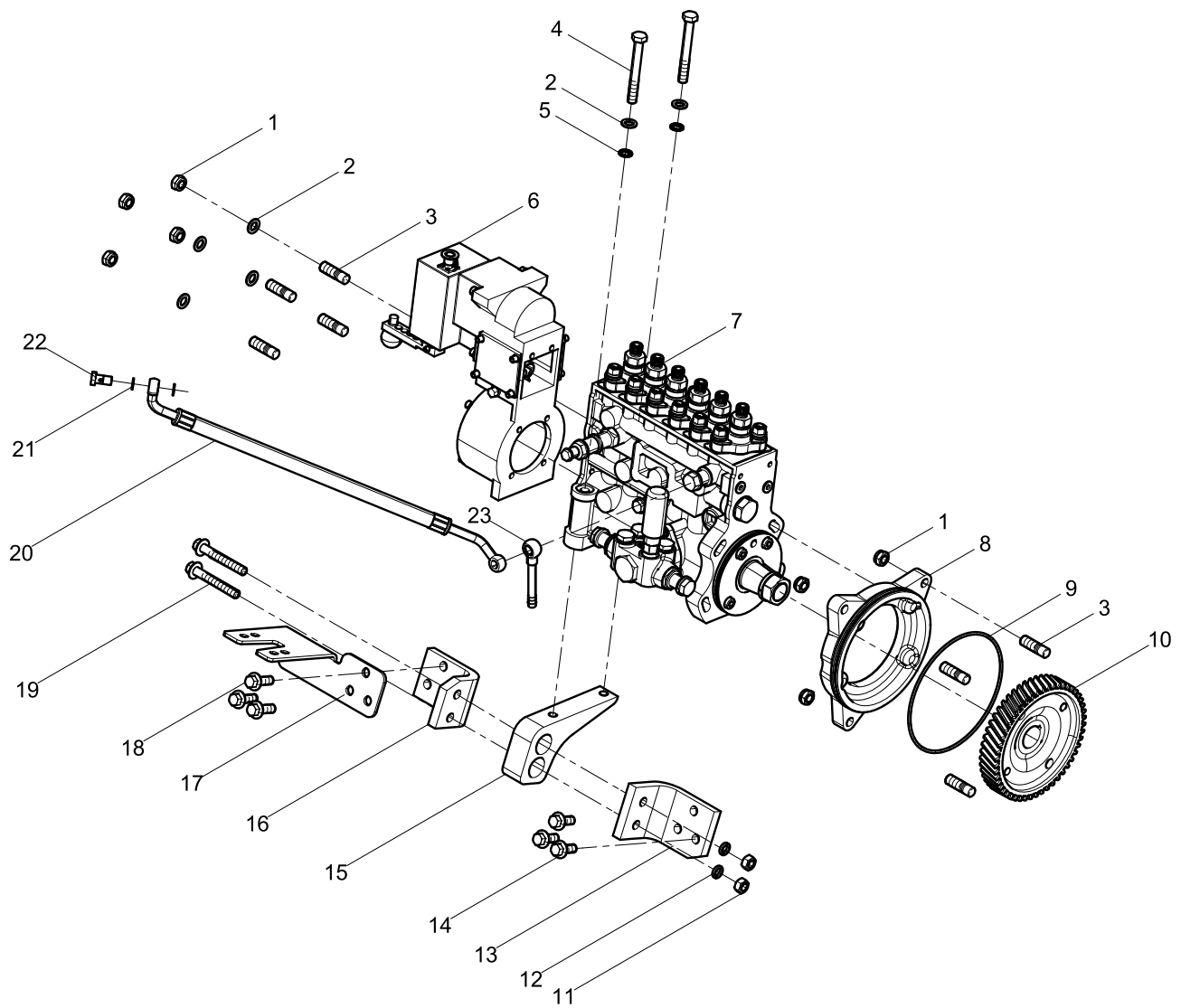
### Fan and Hub Group



## Fan and Hub Group

<b>Pos.</b>	<b>Teile.Number</b>	<b>Amount</b>	<b>Designation</b>
1	90003802424	6	Hexagon Head Bolt
2	90003888452	6	Prevailing Torque Type All-metal Hexagon Nut,
3	612600060121	1	Fan
4	61500060240A	1	Fan Flange
5	90003888451	6	Prevailing Torque Type All-metal Hexagon Nut,
6	90003813148	6	Double End Stud

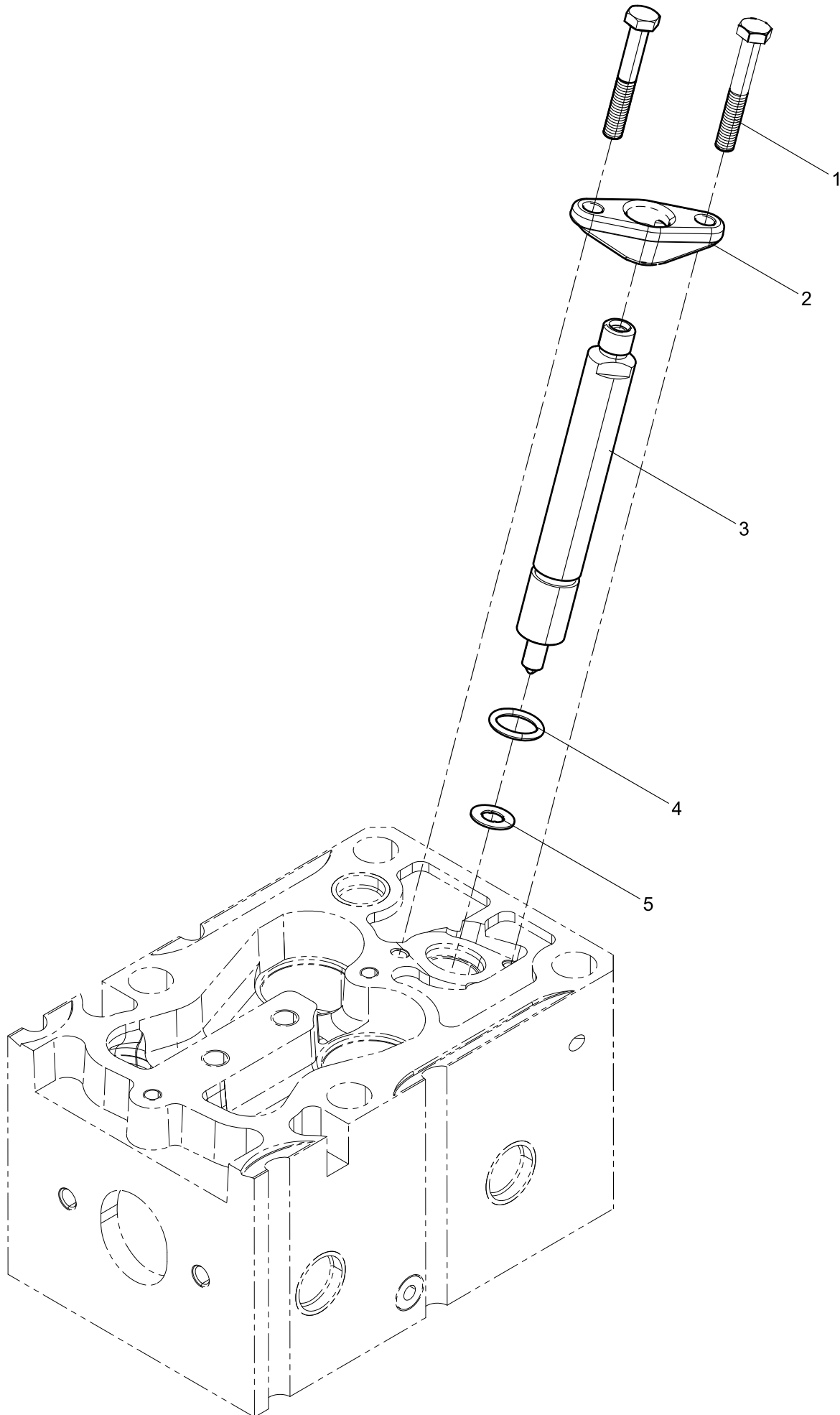
### Fuel Injection Pump Group



**Fuel Injection Pump Group**

Pos.	Teile.Number	Amount	Designation
1	90003888452	7	Prevailing Torque Type All-metal Hexagon Nut,
2	90014040008	6	Plain Washer
3	90003813532S	7	Double End Stud
4	90003800579	2	Hexagon Head Bolt
5	18872339	2	Washer
6	1000942671	1	Electromagnetic Actuator
7	1000943136	1	Fuel Injection Pump Assembly
8	612600083244	1	Fuel Injection Pump Flange
9	612600083245	1	Seal Ring
10	612600081529	1	Fuel Injection Pump Gear
11	90003871305	2	Hexagon Nuts, Style 1
12	90003931122	2	Spring Washer
13	612600080682	1	Fuel Injection Pump Bracket
14	90011430008	3	Hexagon Flange with Tooth Bolt
15	612600080363	1	Fuel Injection Pump Bracket
16	612600080364	1	Fuel Injection Pump Bracket
17	612600082684	1	Fuel Pipe Bracket
18	90011430017	3	Hexagon Flange with Tooth Bolt
19	90011430013	2	Hexagon Flange with Tooth Bolt
20	612600081470	1	Fuel Injection Pump Oil Pipe Assembly
21	612600080246	2	Washer
22	90003962607	1	Hollow screw
23	612600080172	1	Pipe Joint

### Fuel Injector Group

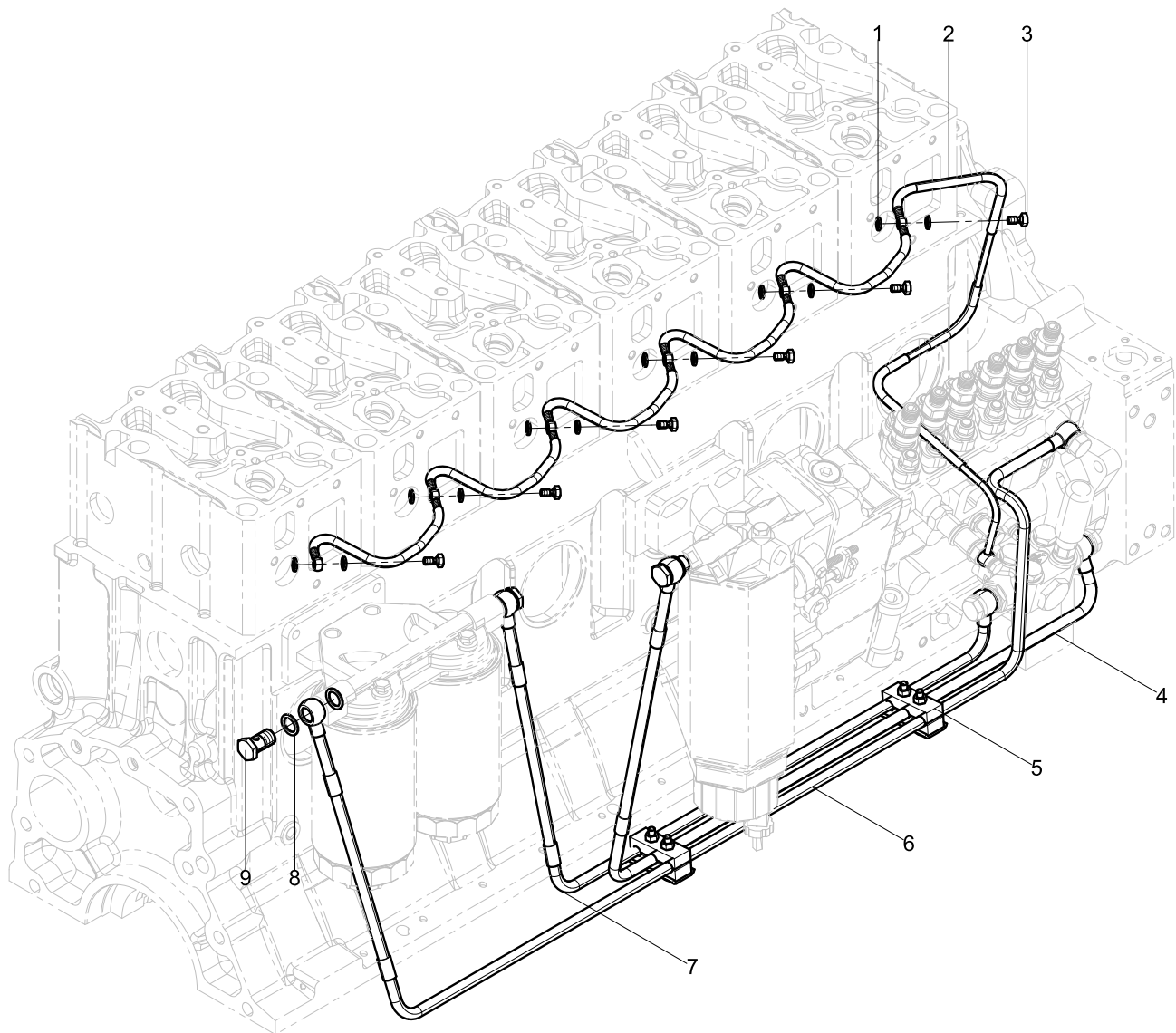




**Fuel Injector Group**

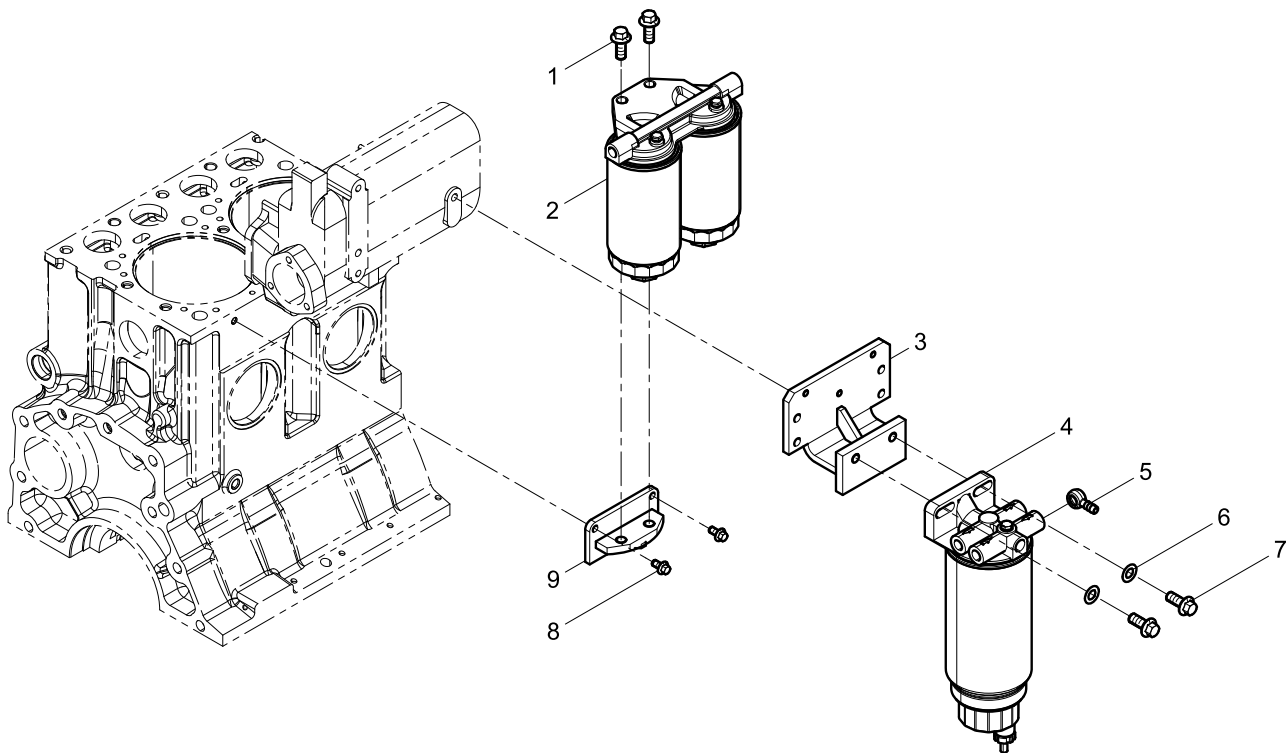
<b>Pos.</b>	<b>Teile.Number</b>	<b>Amount</b>	<b>Designation</b>
1	612600083079	12	Bolt
2	61500080094A	6	Clamp plate
3	61560080276	6	Fuel Injector
4	609070080	6	Seal Ring
5	612600081954	6	Washer

### Low Pressure Fuel Pipe Group



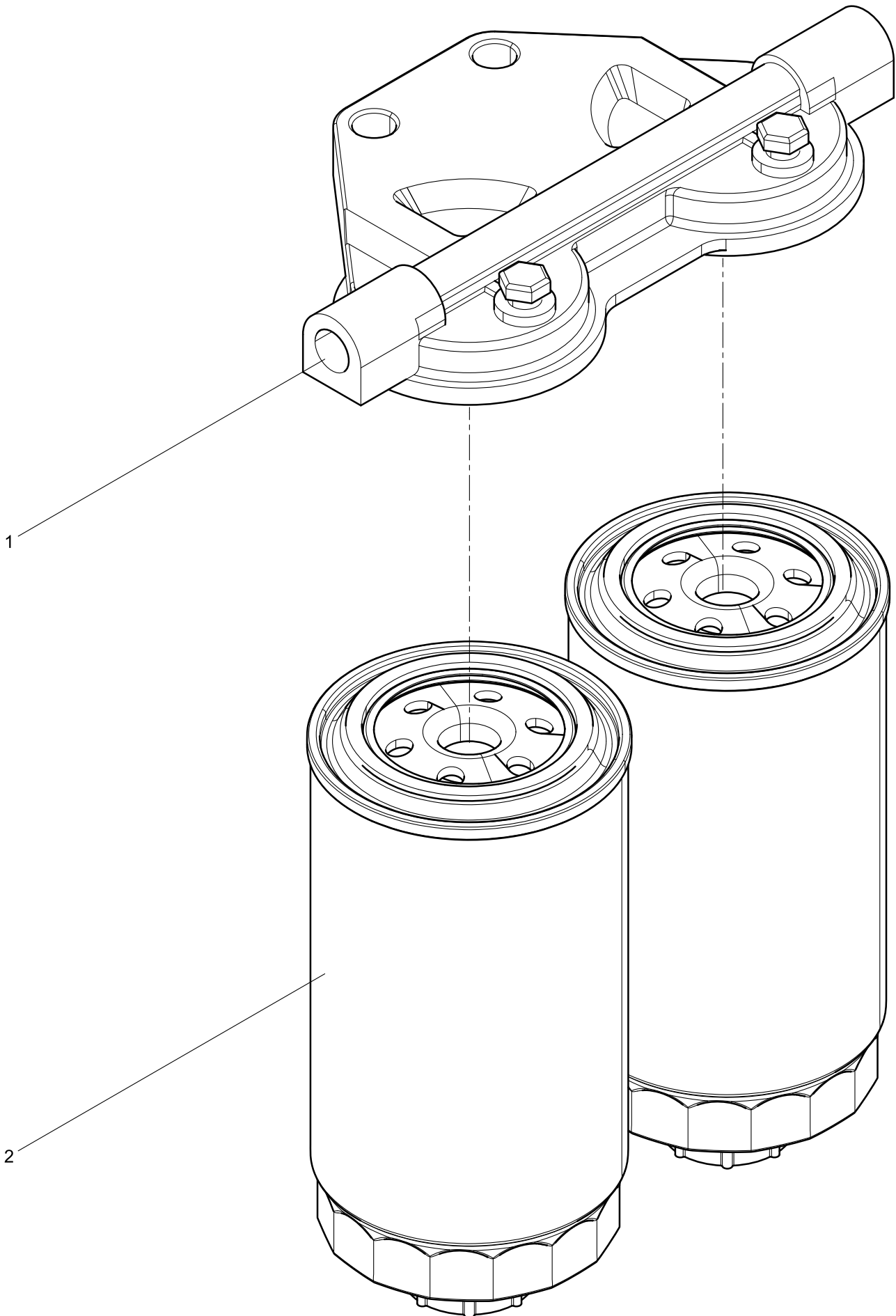


### Fuel Filter Group



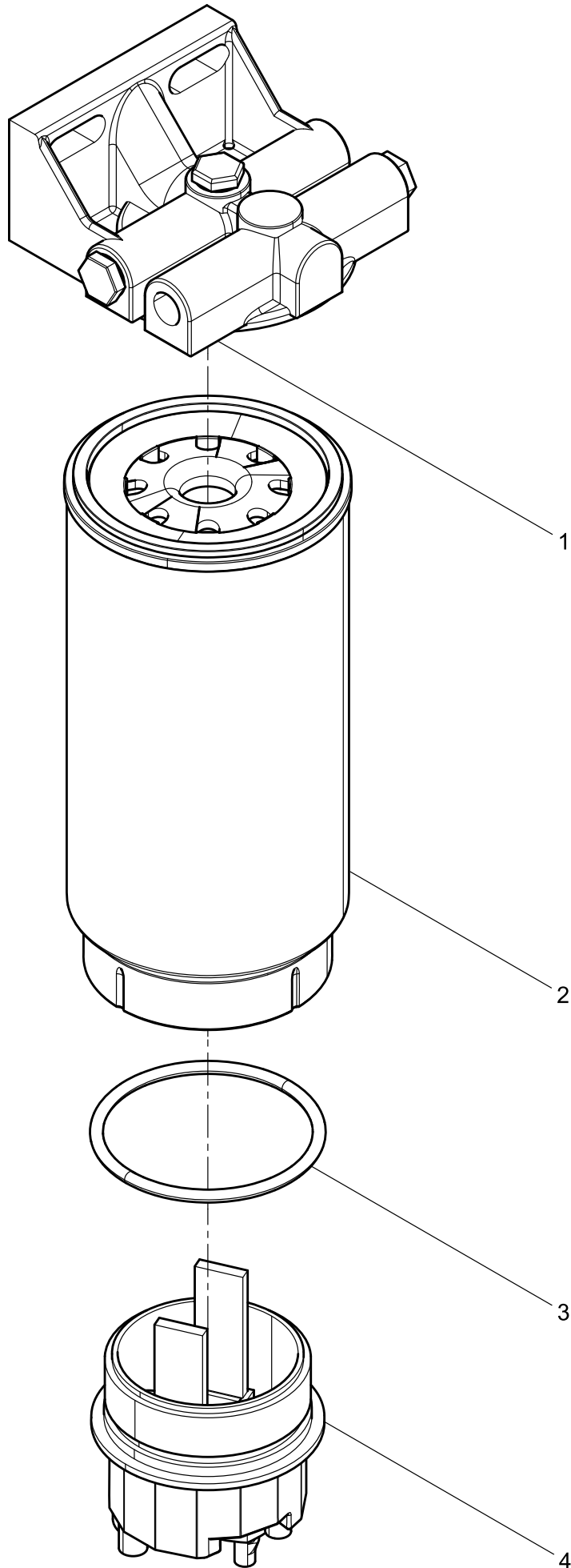


**Fuel Filter**





### Fuel Coarse Filter

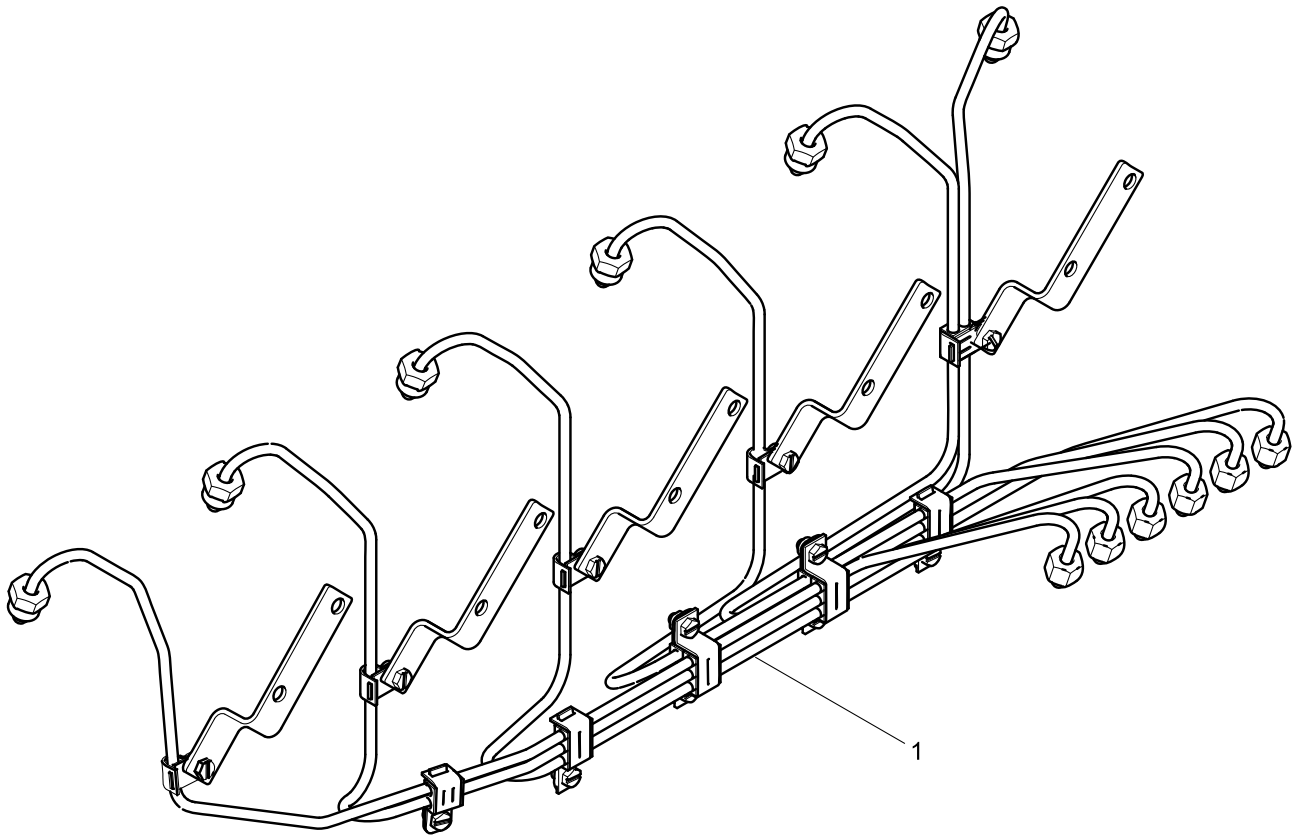




**Fuel Coarse Filter**

<b>Pos.</b>	<b>Teile.Number</b>	<b>Amount</b>	<b>Designation</b>
1	612600081321	1	Fuel Filter Seat
2	1001044161	1	Fuel Coarse Filter Element
3	612600081327	1	Seal Ring
4	612600081322	1	Water Cup Assembly

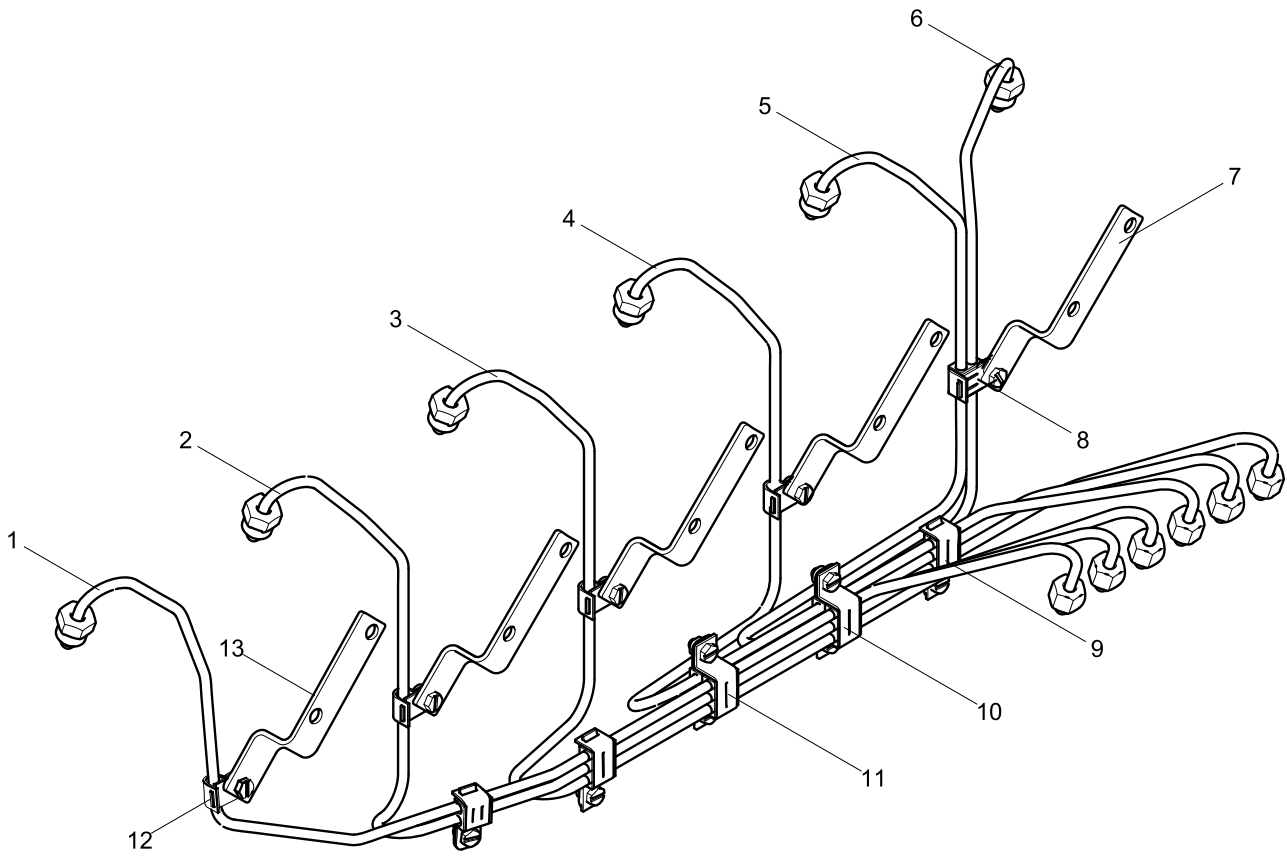
### High Pressure Fuel Pipe Group



**High Pressure Fuel Pipe Group**

<b>Pos.</b>	<b>Teile.Number</b>	<b>Amount</b>	<b>Designation</b>
1	612600082080	1	High-pressure Fuel Pipe Assembly

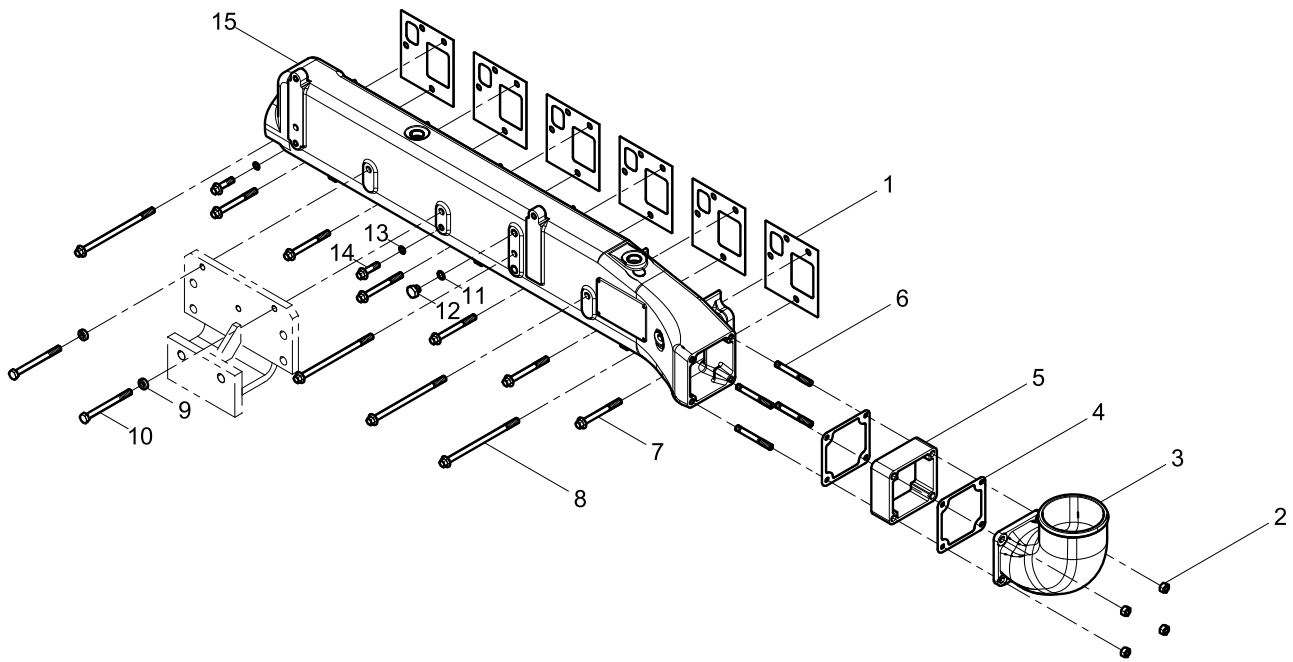
### High-pressure Fuel Pipe Assembly



**High-pressure Fuel Pipe Assembly**

<b>Pos.</b>	<b>Teile.Number</b>	<b>Amount</b>	<b>Designation</b>
1	612600082102	1	High-pressure Fuel Pipe Assembly
2	612600082101	1	High-pressure Fuel Pipe Assembly
3	612600082100	1	High-pressure Fuel Pipe Assembly
4	612600082099	1	High-pressure Fuel Pipe Assembly
5	612600082098	1	High-pressure Fuel Pipe Assembly
6	612600082097	1	High-pressure Fuel Pipe Assembly
7	61560080172	4	Baseplate
8	612600080580	2	Pipe Clamp Assembly
9	612600080576	2	Pipe Clamp Assembly
10	612600081883	1	High-pressure Fuel Pipe Assembly
11	612600081882	1	Pipe Clamp
12	612600080708	4	Pipe Clamp Assembly
13	612600082315	1	Bracket

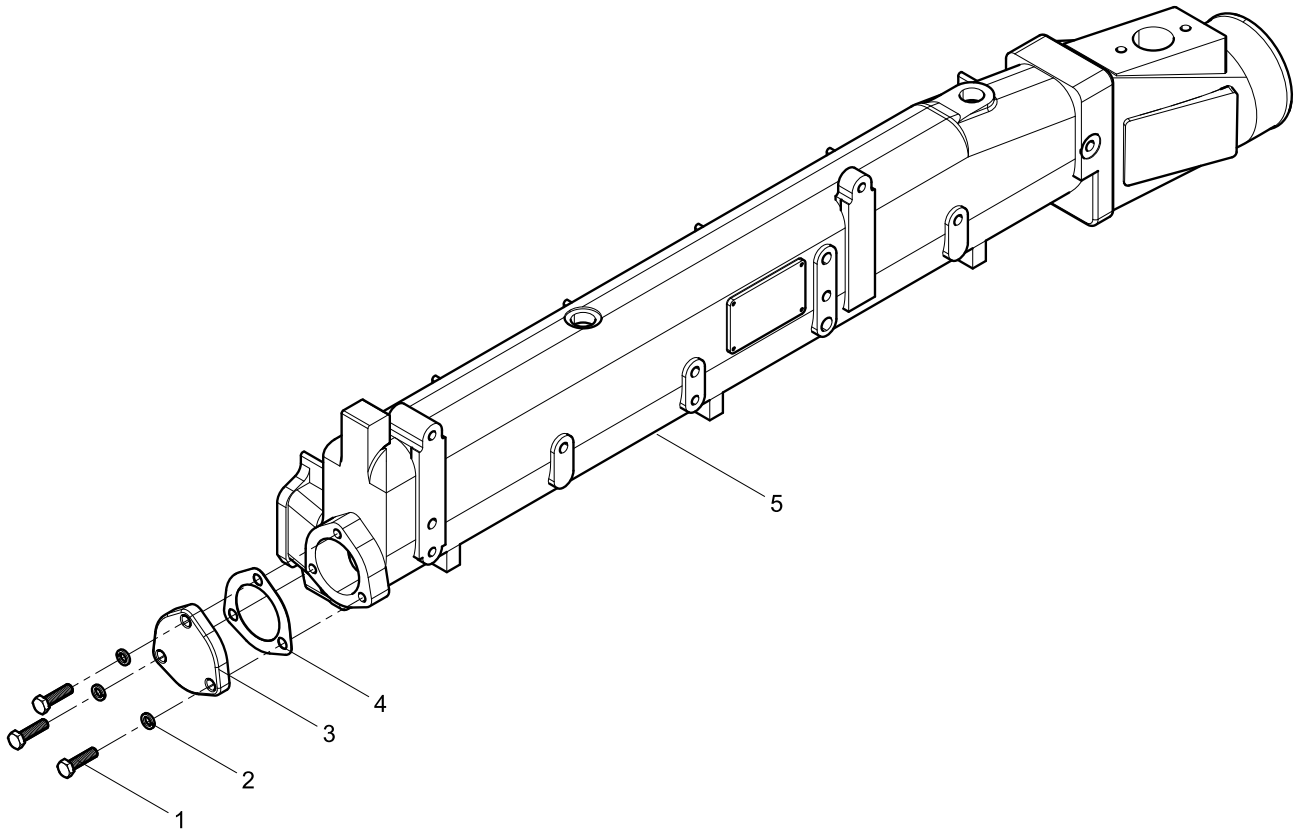
### Intake Manifold Group



**Intake Manifold Group**

Pos.	Teile.Number	Amount	Designation
1	612600114274	6	Intake Manifold Gasket
2	90012290001	4	Hexagon Flange Nut
3	612630120045	1	Intake Connecting Pipe
4	612630120002	2	Gasket
5	612600113013	1	Flange
6	90003813470	4	Double End Stud
7	612600114858	6	Hexagon Flange Bolt
8	612600114467	4	Hexagon Flange Bolt
9	609E110036	2	Adjusting Washer
10	90003802415	2	Hexagon Head Bolt
11	90003098012	1	Sealing Washer
12	90003962019	1	Hexagon plug
13	612600080201	2	Washer
14	612600114468	2	Hexagon Flange Bolt
15	612600115532	1	Intake Manifold Assembly

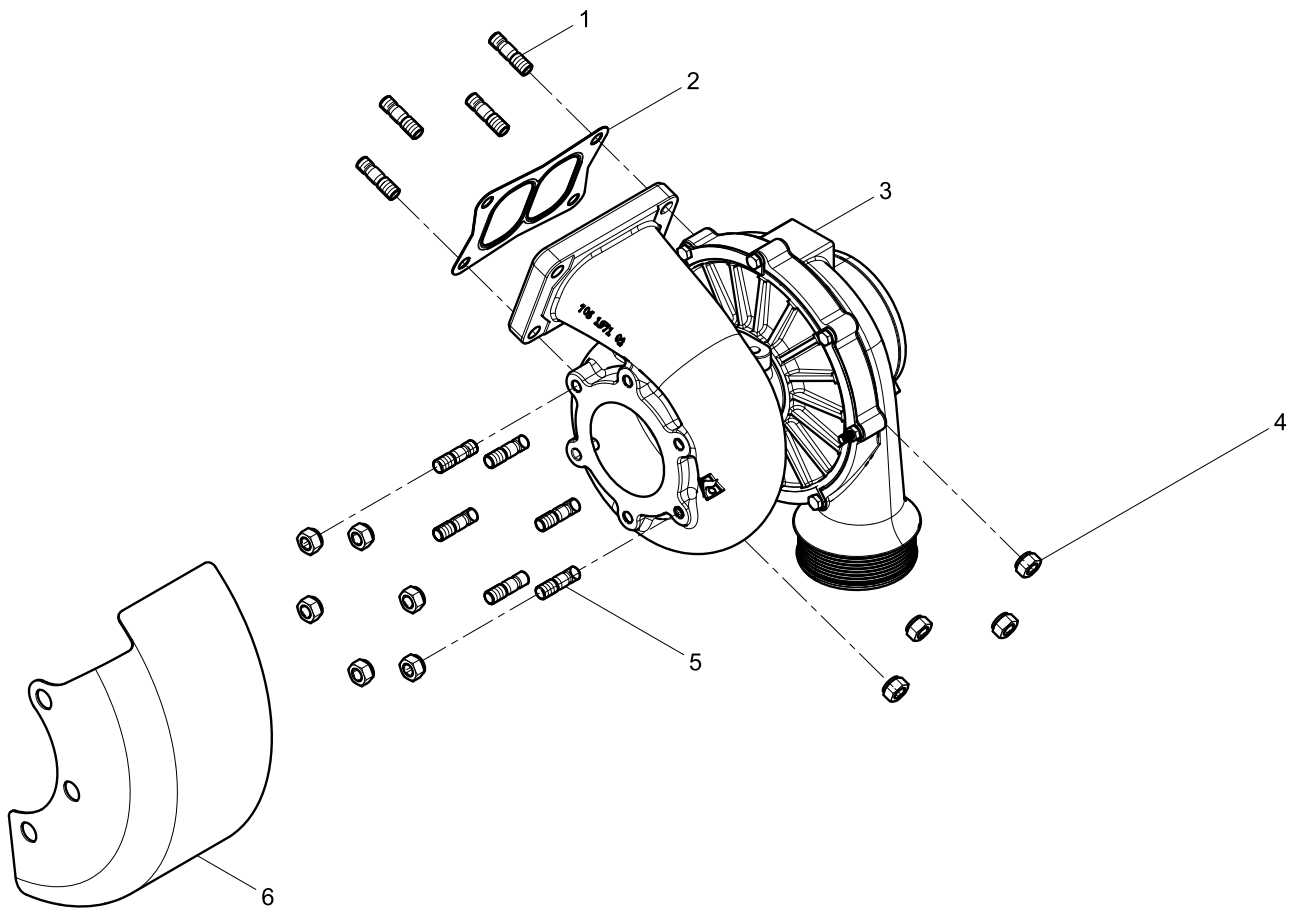
### Intake Manifold Assembly







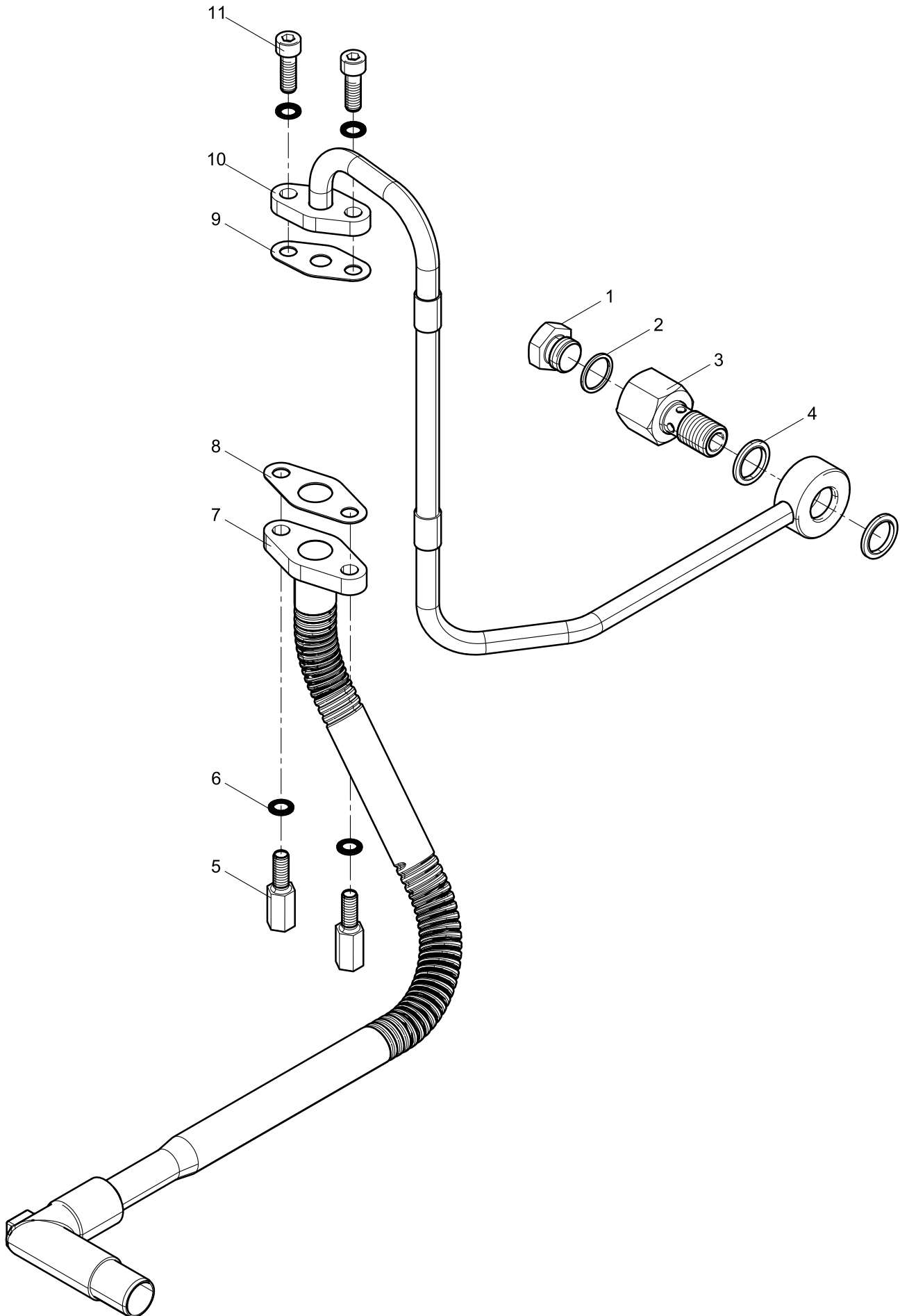
### Turbocharger Group



**Turbocharger Group**

<b>Pos.</b>	<b>Teile.Number</b>	<b>Amount</b>	<b>Designation</b>
1	81560110187	4	Double End Stud
2	61560110210	1	Turbocharger washer
3	1000951730	1	Turbocharger
4	90003888470	10	Prevailing Torque Type All-metal Hexagon Nut,
5	612600110282	6	Double End Stud
6	1000908314	1	Turbocharger Heat Shield

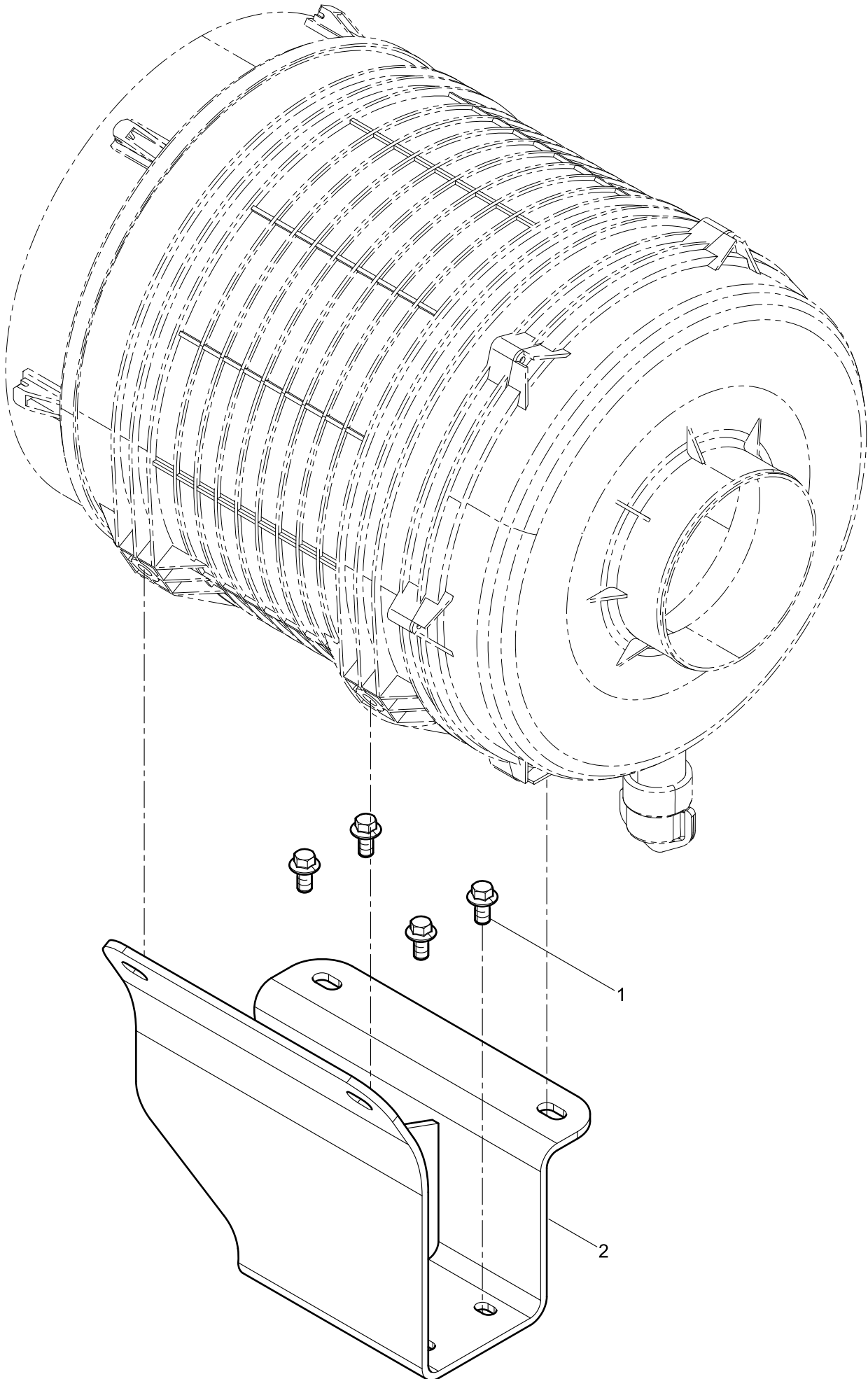
### Turbocharger Oil Pipe Group



**Turbocharger Oil Pipe Group**

Pos.	Teile.Number	Amount	Designation
1	90003962030	1	Hexagon plug
2	90003098020	1	Washer
3	612600090391	1	Oil Pressure Sensor Connector
4	612600080275	2	Sealing Washer
5	61460070014	2	Bolt
6	188250083	4	Washer
7	612600114884	1	Turbocharger Oil Pipe Assembly
8	612600115514	1	Gasket
9	612600114275	1	Gasket
10	612600114879	1	Turbocharger Oil Pipe Assembly
11	90003862428	2	Inner Hexagon Socket Head Cap Screw

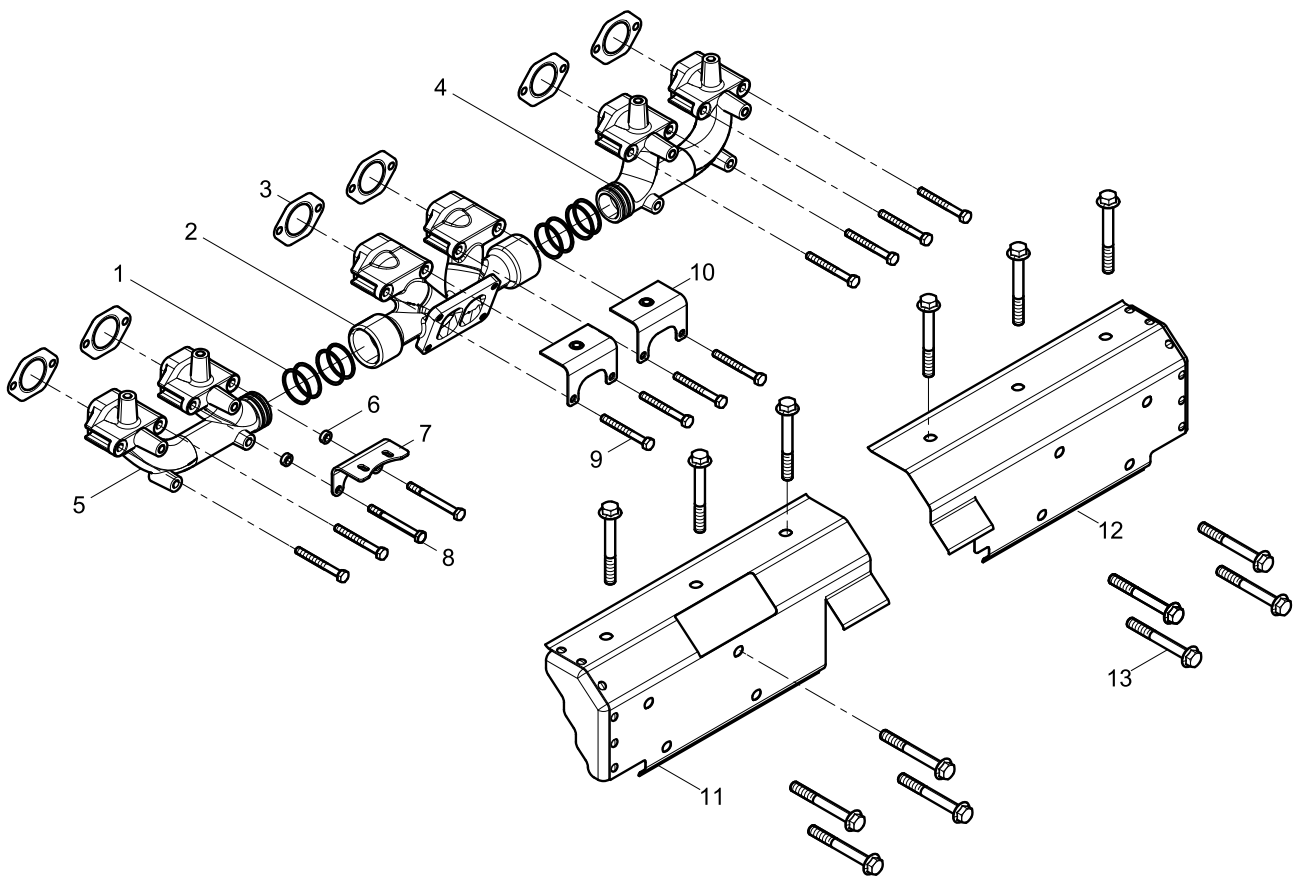
### Air Filter Group



**Air Filter Group**

<b>Pos.</b>	<b>Teile.Number</b>	<b>Amount</b>	<b>Designation</b>
1	90011430007	4	Hexagon Flange with Tooth Bolt
2	612600114878	1	Air Filter bracket

### Exhaust Manifold Group

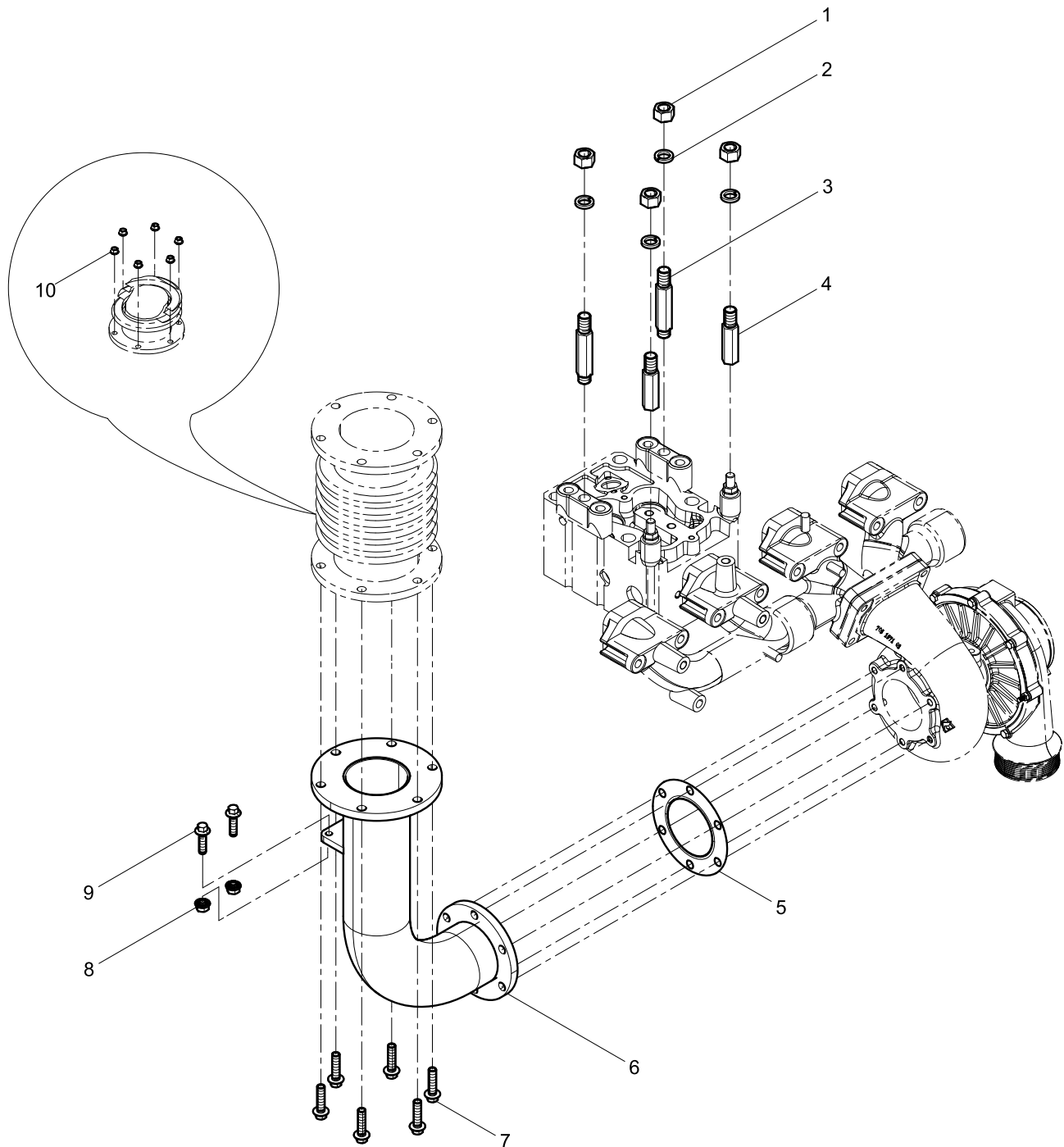




**Exhaust Manifold Group**

<b>Pos.</b>	<b>Teile.Number</b>	<b>Amount</b>	<b>Designation</b>
1	61260110162	8	Exhaust Pipe Sealing Ring
2	612600114404	1	Exhaust Manifold
3	612600114293	6	Gasket
4	612600117091	1	Exhaust Manifold
5	612600117089	1	Exhaust Manifold
6	609090003	2	Ring
7	612600114905	1	Bracket
8	612600110252	2	Exhaust Manifold Bolt
9	61560110104	10	Tightening bolt of Exhaust Manifold
10	612600114914	2	Bracket
11	1000913868	1	Exhaust Manifold Heat Shield Assembly
12	1000914154	1	Exhaust Manifold Heat Shield Assembly
13	9000000223	14	Hexagon Flange Bolt

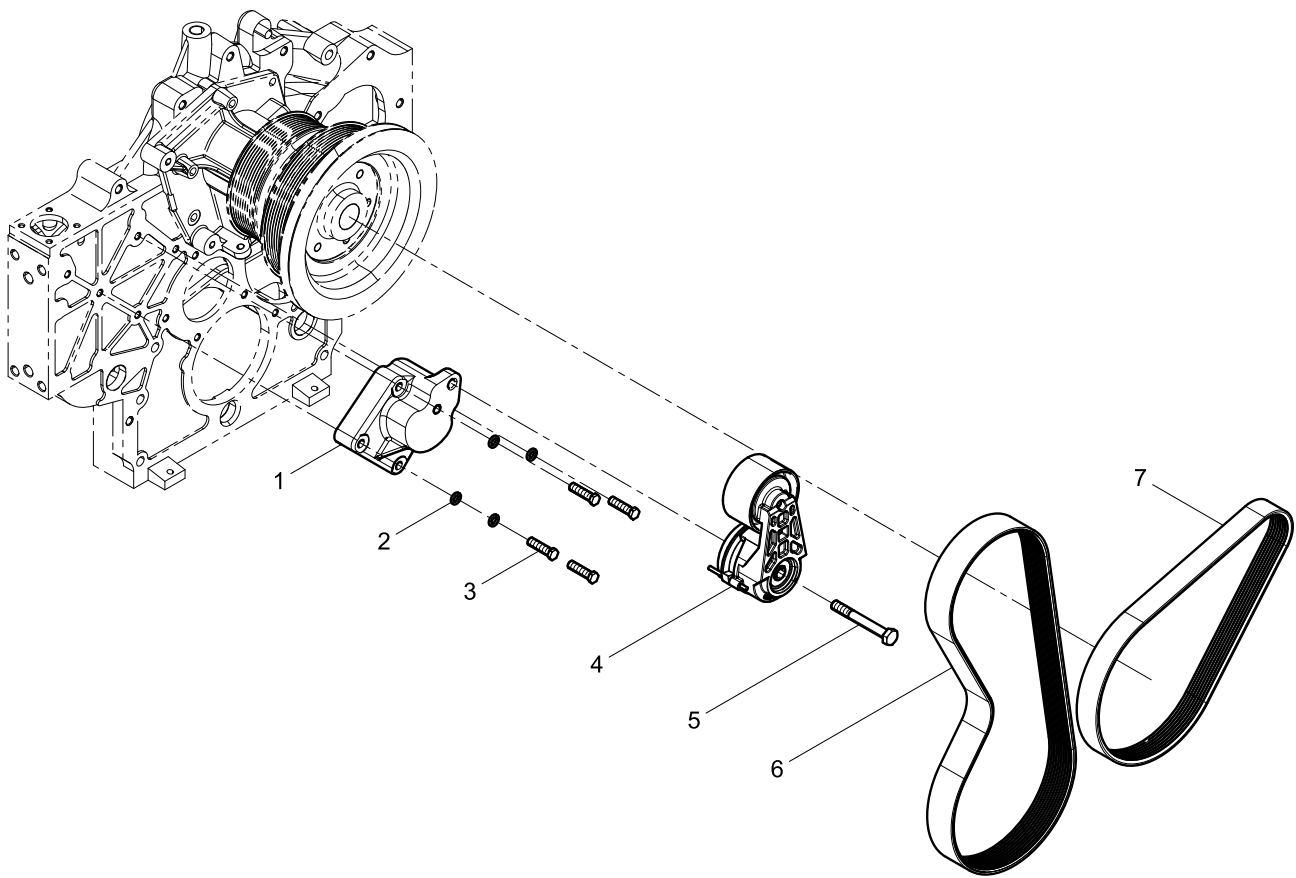
### Rear Exhaust Manifold Group



**Rear Exhaust Manifold Group**

<b>Pos.</b>	<b>Teile.Number</b>	<b>Amount</b>	<b>Designation</b>
1	90012210009	4	Hexagon Nuts, Style 1
2	90014350008	4	Spring Washer
3	612600112485	2	Back-up Block
4	612600114904	2	Screw
5	612600115408	1	Gasket
6	612600115335	1	ExhaustConnecting Pipe
7	90011430032	6	Hexagon Flange with Tooth Bolt
8	612600061719	2	Prevailing Torque Type Hexagon Nut with Flange
9	90011430018	2	Hexagon Flange with Tooth Bolt
10	612600061720	6	Prevailing Torque Type Hexagon Nut with Flange

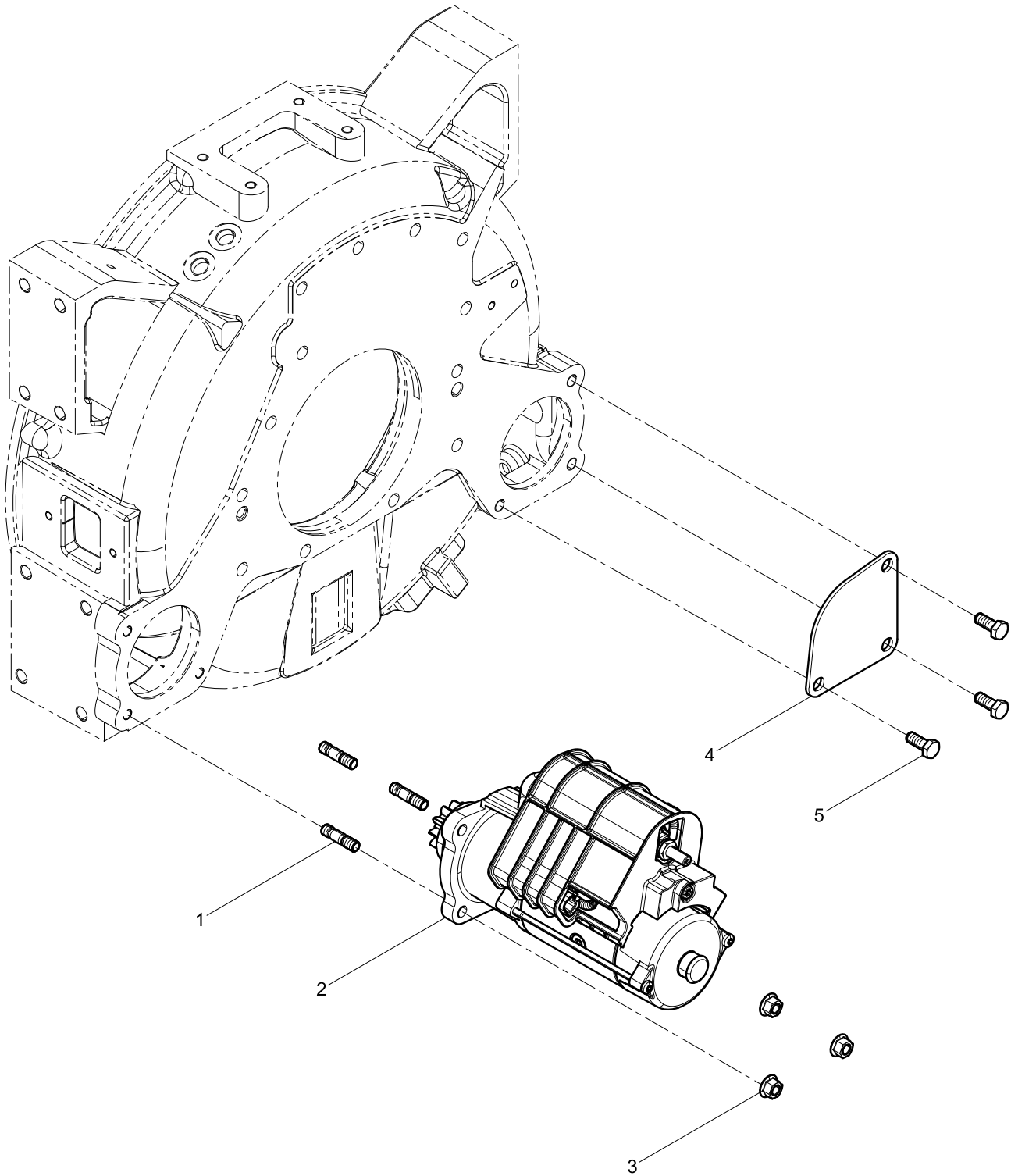
### Tensioner And Belt Group



**Tensioner And Belt Group**

<b>Pos.</b>	<b>Teile.Number</b>	<b>Amount</b>	<b>Designation</b>
1	612600062026	1	Tensioner Bracket
2	90003931102	4	Spring Washer
3	90003802432S	4	Hexagon Head Bolt
4	612600061256	1	Automatic Tensioner
5	9000000361S	1	Hexagon Flange Bolt
6	612600061360	1	Poly V Belt
7	1000943234	1	Poly V Belt

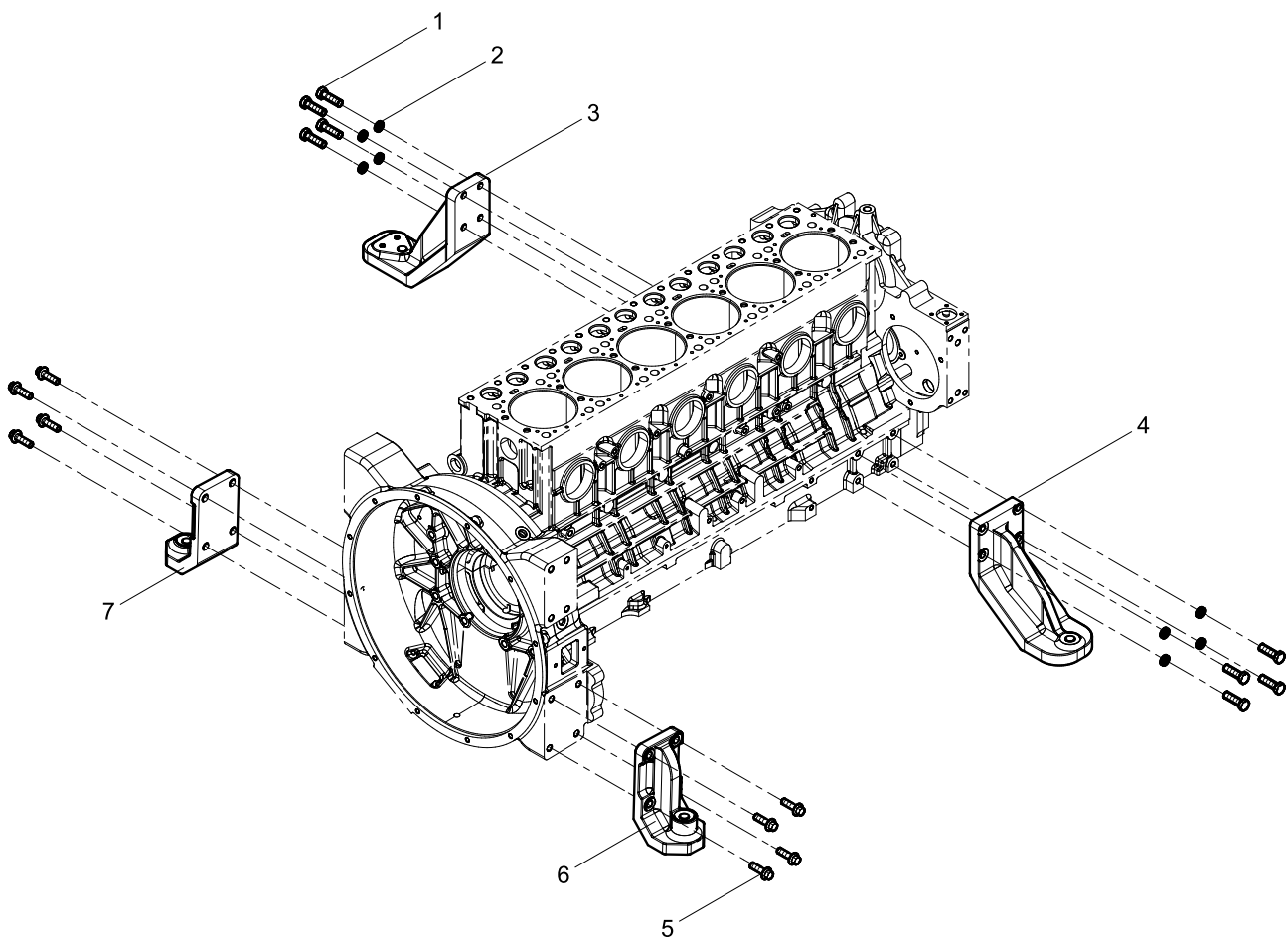
### Starter Motor Group



### Starter Motor Group

Pos.	Teile.Number	Amount	Designation
1	90003813527	3	Double End Stud
2	612600090494	1	Starter Motor
3	612600013602	3	Hexagon Flange Nut
4	612600090751	1	Cover
5	90011350132	3	Hexagon Head Bolt

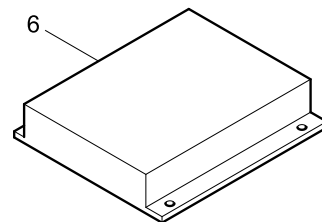
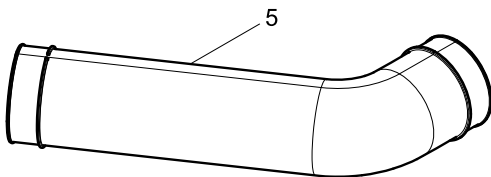
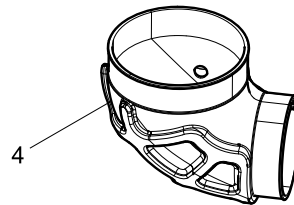
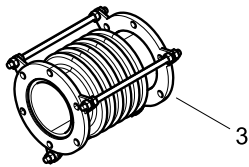
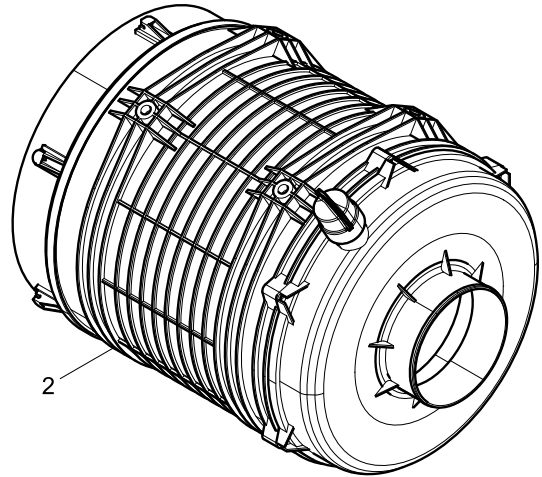
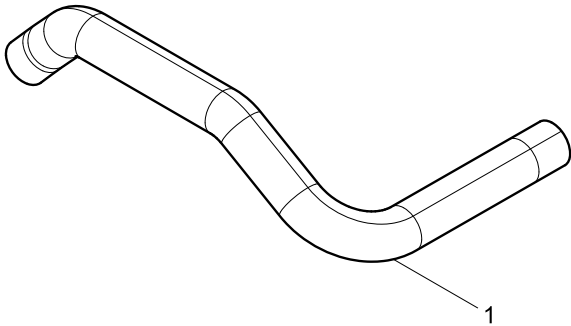
### Engine Bracket Group







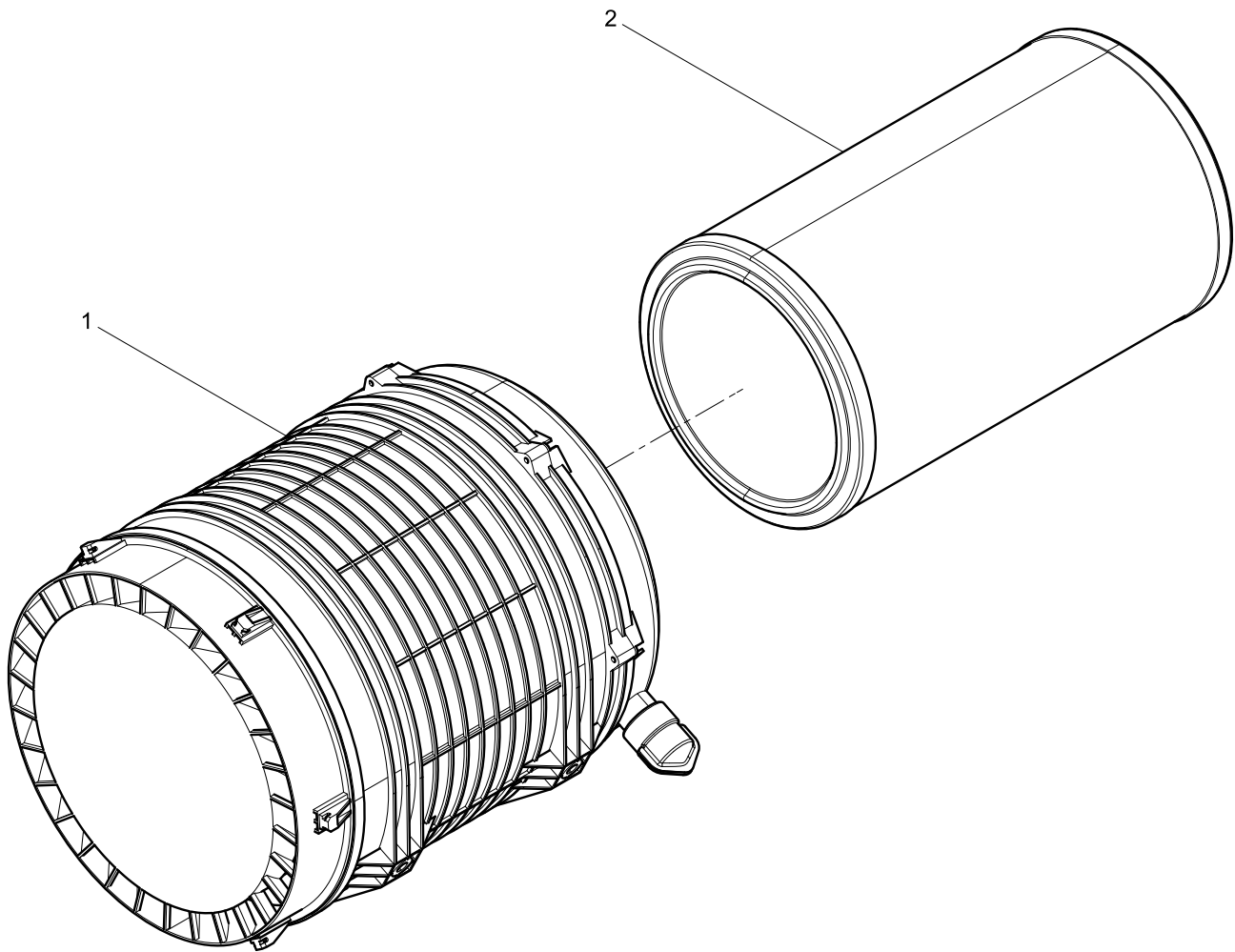
**Packing Box Chassis Parts Group**



**Packing Box Chassis Parts Group**

<b>Pos.</b>	<b>Teile.Number</b>	<b>Amount</b>	<b>Designation</b>
1	612600160153	1	Coolant Connecting Rubber Pipe
2	1001050188	1	Air Filter
3	612600110247	1	Expansion Joint
4	612600114929	1	Intake Connecting Pipe
5	612600114930	1	Intake Connecting Pipe
6	1000942675	1	Speed Controller

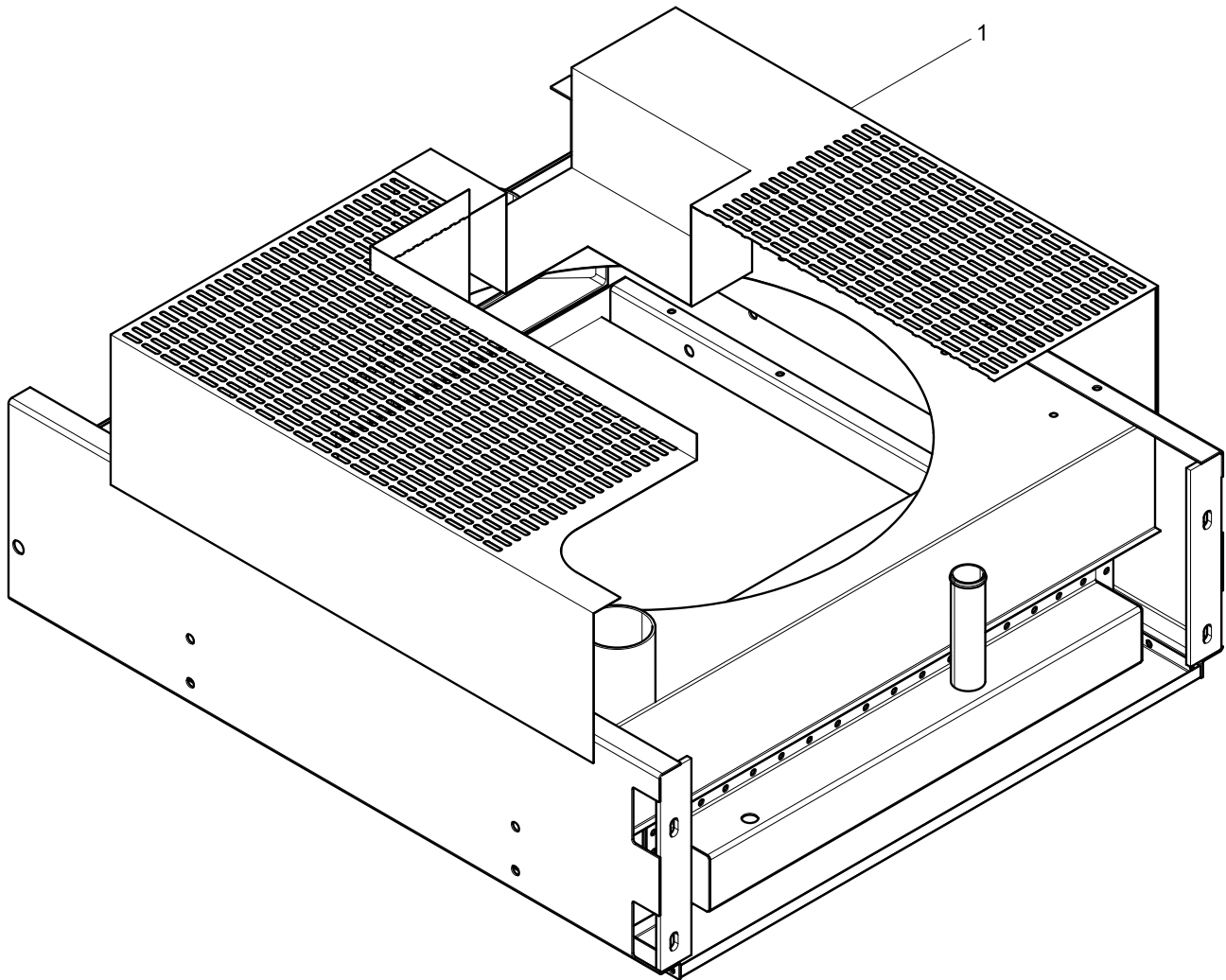
**Air Filter**



**Air Filter**

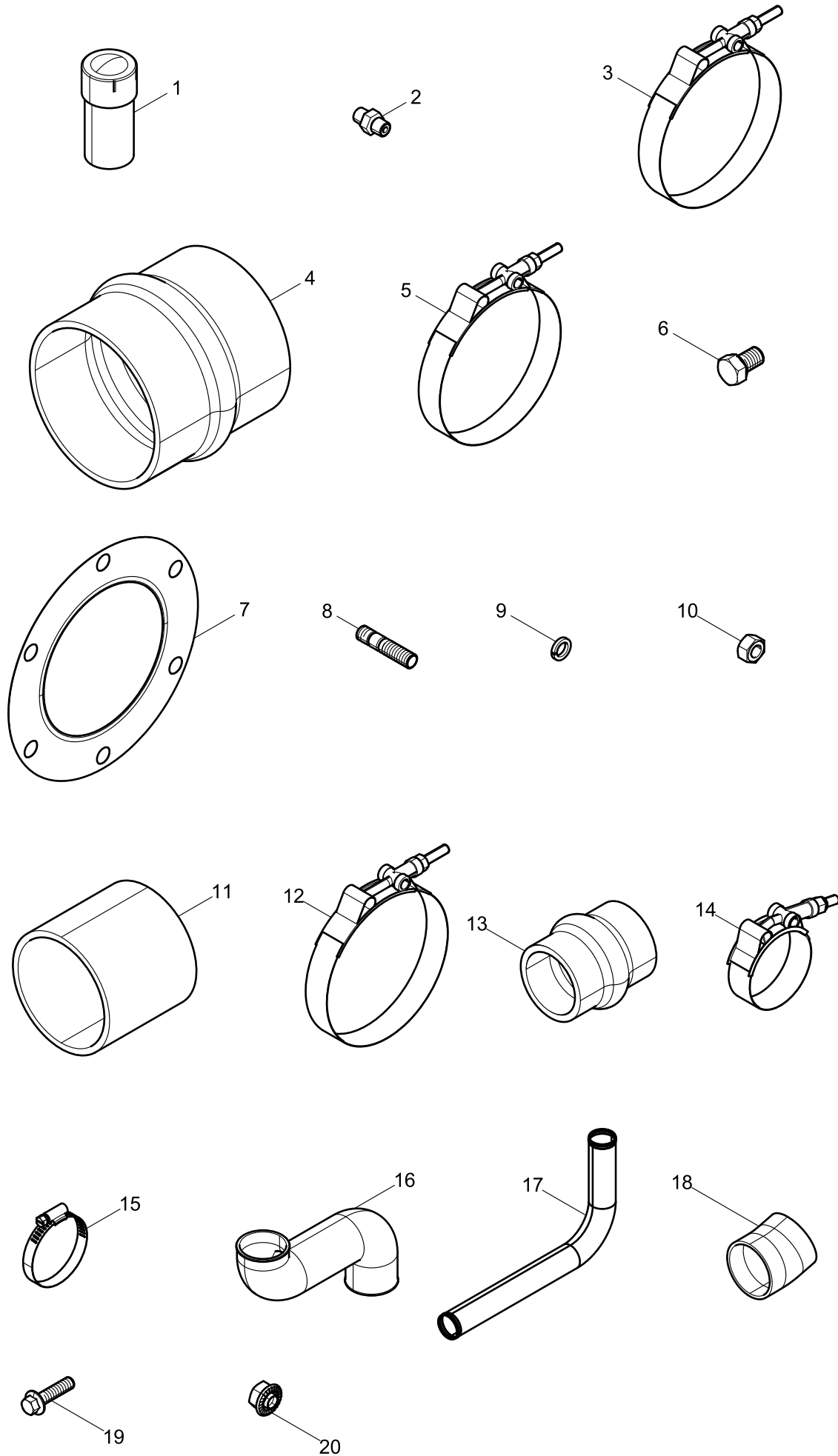
<b>Pos.</b>	<b>Teile.Number</b>	<b>Amount</b>	<b>Designation</b>
1	1001051621	1	Air Filter Housing
2	612600114890	1	Air Filter Element

**Separate Delivery Parts Group Attached to Engine**





**Parts Box Group**

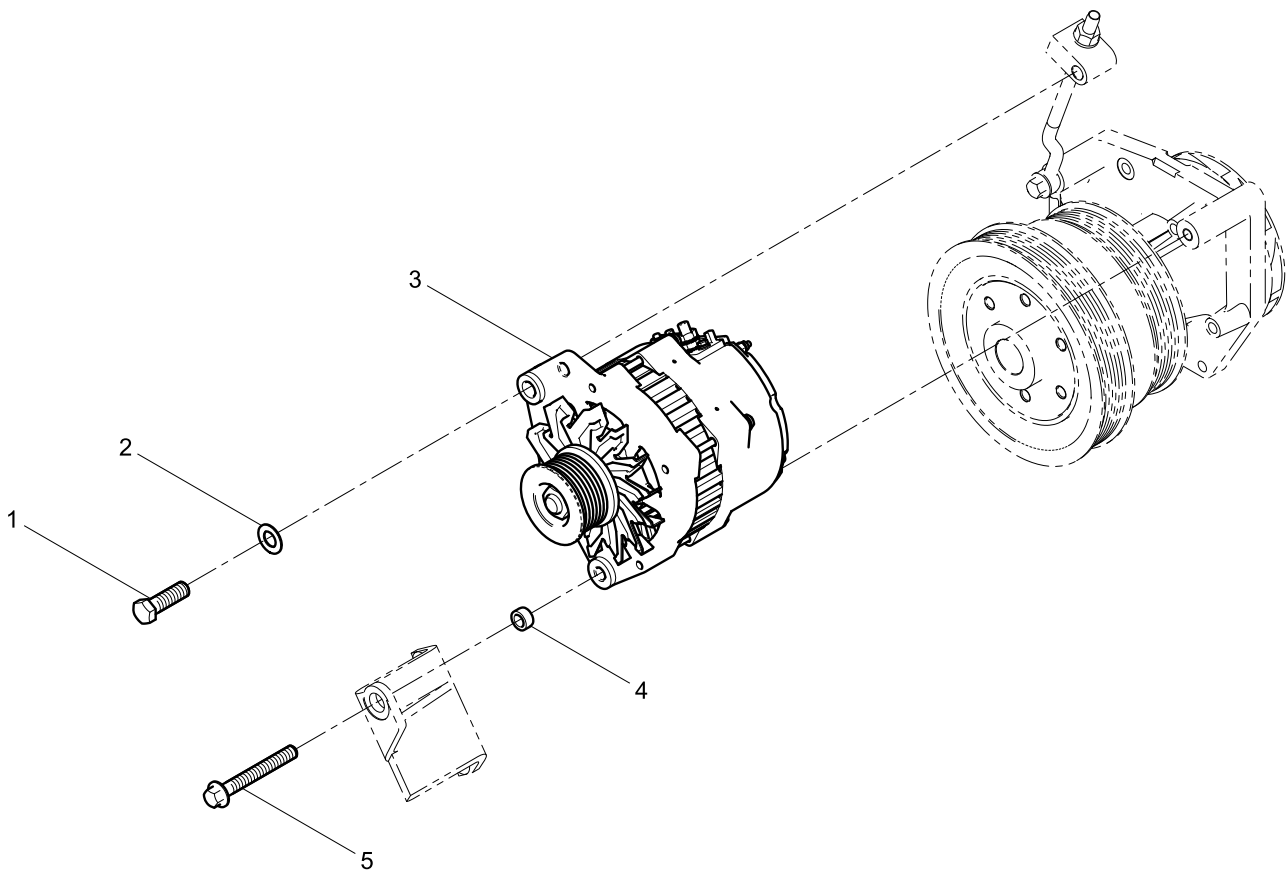




**Parts Box Group**

Pos.	Teile.Number	Amount	Designation
1	1000644232	1	Intake Resistance Alarm
2	612600115282	1	Transition joint
3	612600113389	3	Clamp
4	612600114931	1	Air Connecting Rubber Pipe
5	612600114944	1	Clamp
6	612600110961	4	Bolt
7	612600114278	2	Exhaust elbow gasket
8	90003813537	12	Double End Stud
9	90003931122	12	Spring Washer
10	90003871305	12	Hexagon Nuts, Style 1
11	612600113993	3	Air Connecting Rubber Pipe
12	612600113794	6	Clamp
13	612600060518	2	Coolant Connecting Rubber Pipe
14	612600160105	6	Clamp
15	90003989308	1	Clamp
16	612600120295	1	Inter- cooler Air Pipe
17	612600530074	1	Water Pipe
18	612600115535	2	Air Connecting Rubber Pipe
19	90011430032	6	Hexagon Flange with Tooth Bolt
20	612600061720	6	Prevailing Torque Type Hexagon Nut with Flange

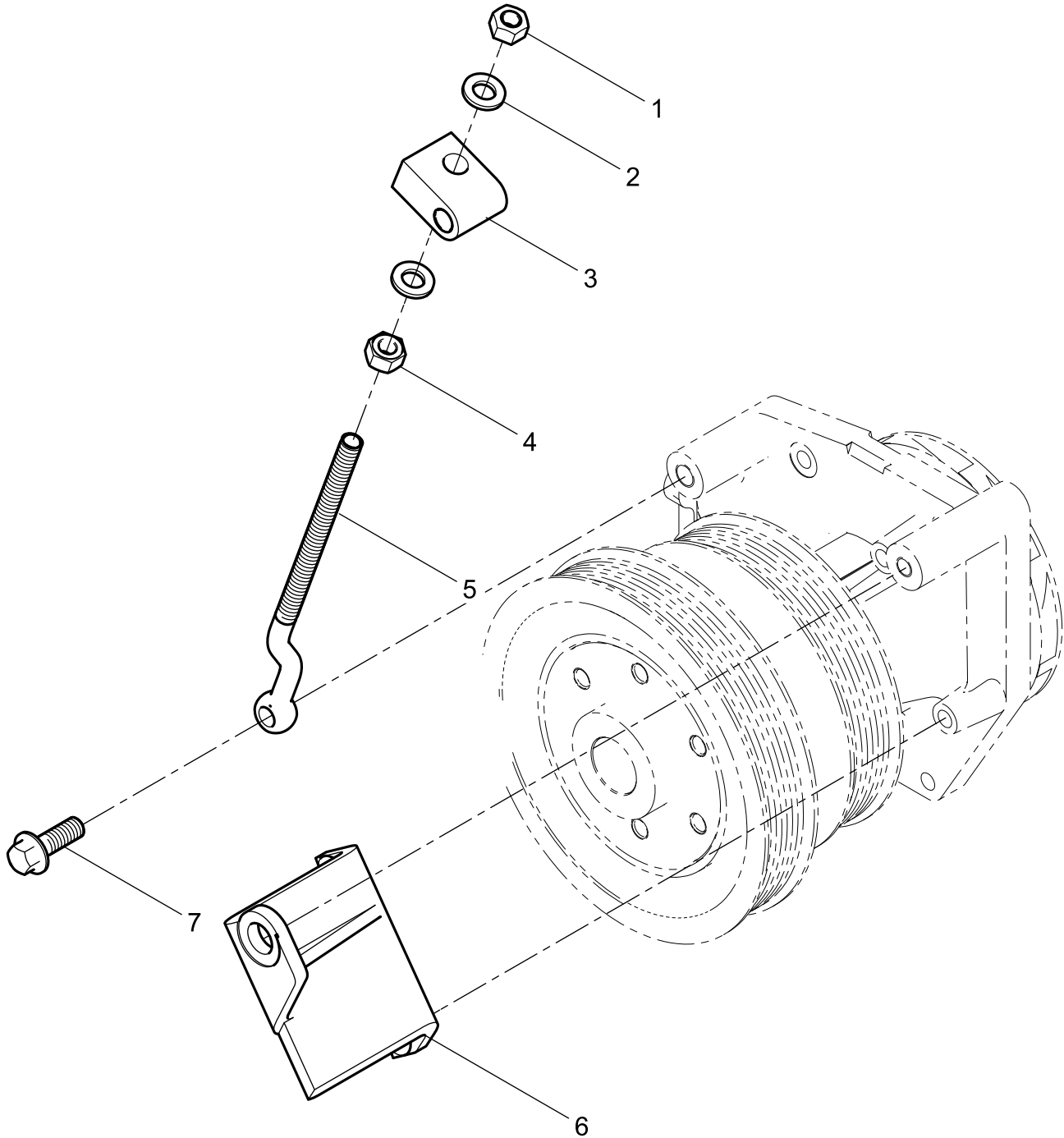
### Alternator Group



**Alternator Group**

Pos.	Teile.Number	Amount	Designation
1	615P00090003	1	Hexagon Head Bolt
2	90003932016	1	Wave Spring Washer
3	1000884944	1	Alternator
4	612600090292	1	Clamping Block
5	90011430014	1	Hexagon Flange with Tooth Bolt

### Alternator Bracket Group



**Alternator Bracket Group**

<b>Pos.</b>	<b>Teile.Number</b>	<b>Amount</b>	<b>Designation</b>
1	90003888452	1	Prevailing Torque Type All-metal Hexagon Nut,
2	90003935125	2	Plain Washer
3	612600090688	1	Pad
4	90003871305	1	Hexagon Nuts, Style 1
5	61500090018	1	Bolt
6	612600090345	1	Plate
7	90011430017	1	Hexagon Flange with Tooth Bolt

This manual is for reference only,  
product parameters are subject to alteration  
without notice,  
whichever is the physical product.