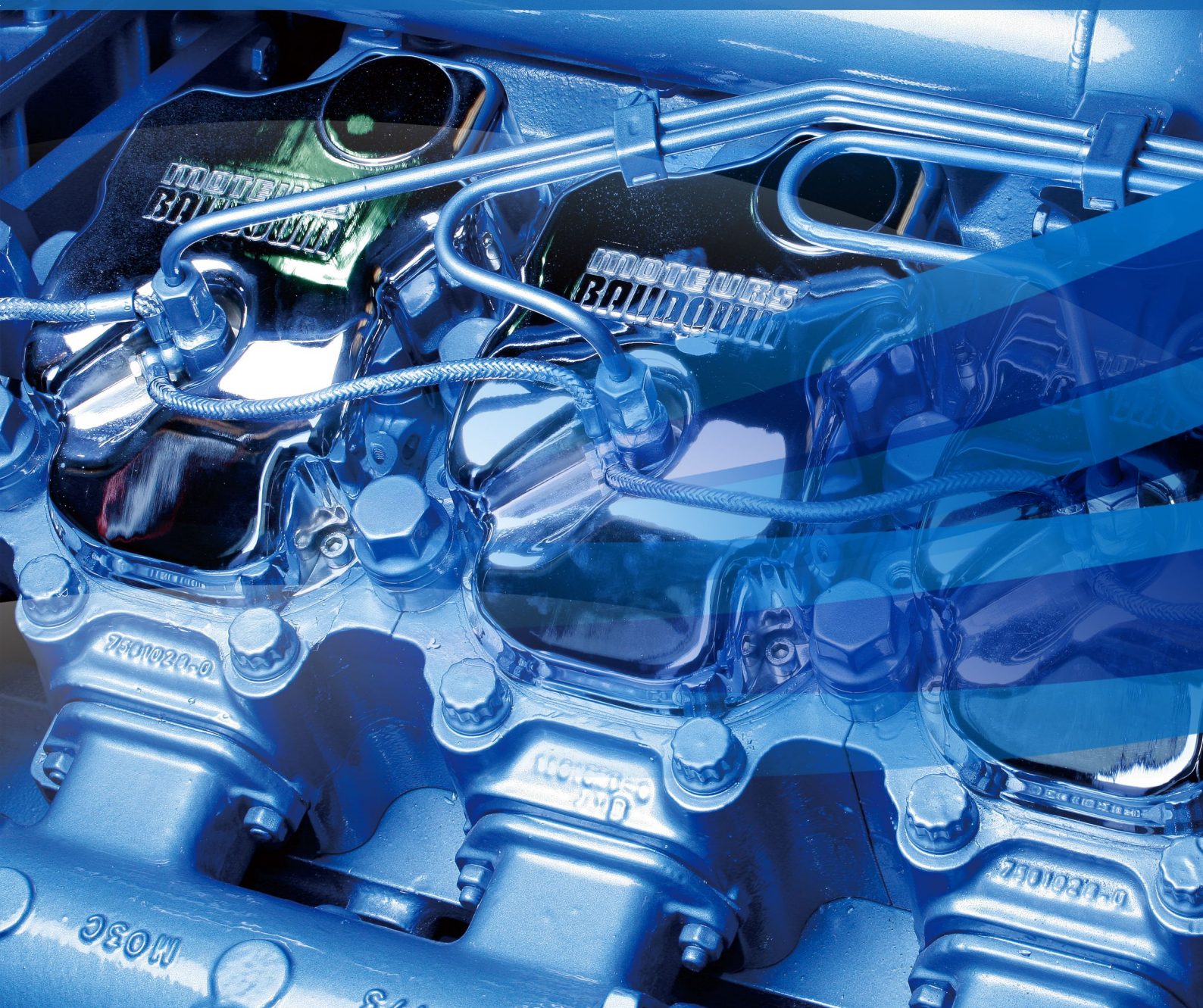


6M21 BAUDOUIN DIESEL PARTS CATALOGUE



PREFACE

This illustrated parts manual is specially prepared for customers to facilitate the use of 6M21 series diesel engine in operation and tenance.

The illustrations are grouped under the heading of each assembly and numbered individually.Part.

No.,Quantity,Model,English designation,Chinese designation and so on are written in the parts list .
The parts catalogue include detailed assembling parts list of diesel engine ,some parts can not be sold ,if you want to know selling part matters,please ask weichai power spare part resource CO.,LTD.

With the development of technology and production,the versions of the diesel engine will be increased, so the catalogue will be revised.Please pay attention to our revised edition.After service of this product is authorized to Weichai Power Co.,Ltd ,Consumers can acquire information of this product through www.weichai.com.

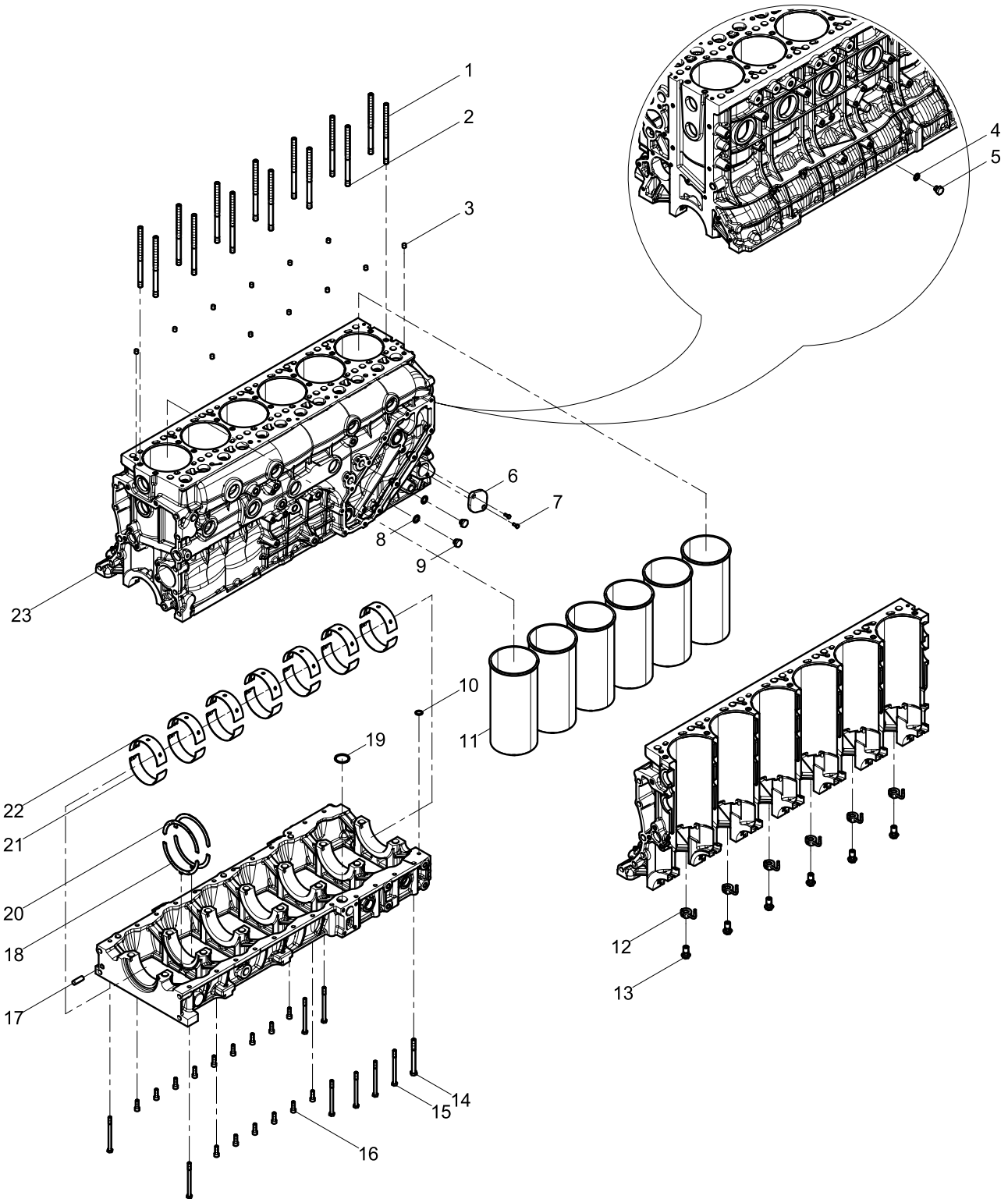
CONTENTS

Engine Block Group	1
Cylinder Block Preassembly	3
Cylinder block front cover Set.....	5
Oil-gas Separator Group.....	7
Dipstick Group	9
Dipstick Pipe Set	11
Oil Filling Tube Group	13
Flywheel Housing Group.....	15
Crankshaft Group.....	17
Crankshaft Assembly	19
Crankshaft Subassembly	21
Flywheel Group.....	23
Flywheel Assembly	25
Crankshaft Pulley Group.....	27
Crankshaft Pulley Assembly	29
Piston and Connecting Rod Group	31
Piston Assembly	33
Connecting Rod Assembly	35
Gear Drive Set.....	37
Idler Gear Assembly.....	39
Idler Gear Set.....	41
Cylinder Head Group	43
Cylinder Head Subassembly	45
Cylinder Head Cover Group.....	47
Valve Train Group	49
.....	51
Rocker Arm Shaft Set.....	53
Camshaft Assembly.....	55
Venting Pipe Group	57
Water Pump Group	59

Fan Bracket Group	61
Fan and Hub Group	63
Tensioner and belt assembly	65
Oil Pump Group	67
Oil Filter Group	69
Oil Filter	71
Oil Strainer Group	73
Oil Cooler Group	75
Oil Cooler Cap Assembly.....	77
Fuel Injector Group	79
Adapter of High Pressure Pipe	81
High Pressure Fuel Pipe Group	83
Fuel Injection Pump Group	85
Fuel Filter Group	89
Fuel Filter	91
Fuel Coarse Filter	93
Low Pressure Fuel Pipe Group	95
Alternator Group	97
Alternator Bracket Group	99
Starter Motor Group	101
General-use Wire and Sensor Group	103
Rear Exhaust Manifold Group	105
Intake Manifold Group	107
Intake Manifold Assembly	109
Air Filter Group	111
Exhaust Manifold Group	113
Turbocharger Group	115
Turbocharger Oil Pipe Group	117
Compressor Pipe Group	119
Separate Delivery Parts Group Attached to Engine	121

Oil Pan Group	123
Oil Pan Assembly	125
Engine Bracket Group.....	127
Packing Box Chassis Parts Group.....	129
Air Filter	131
Parts Box Group	133

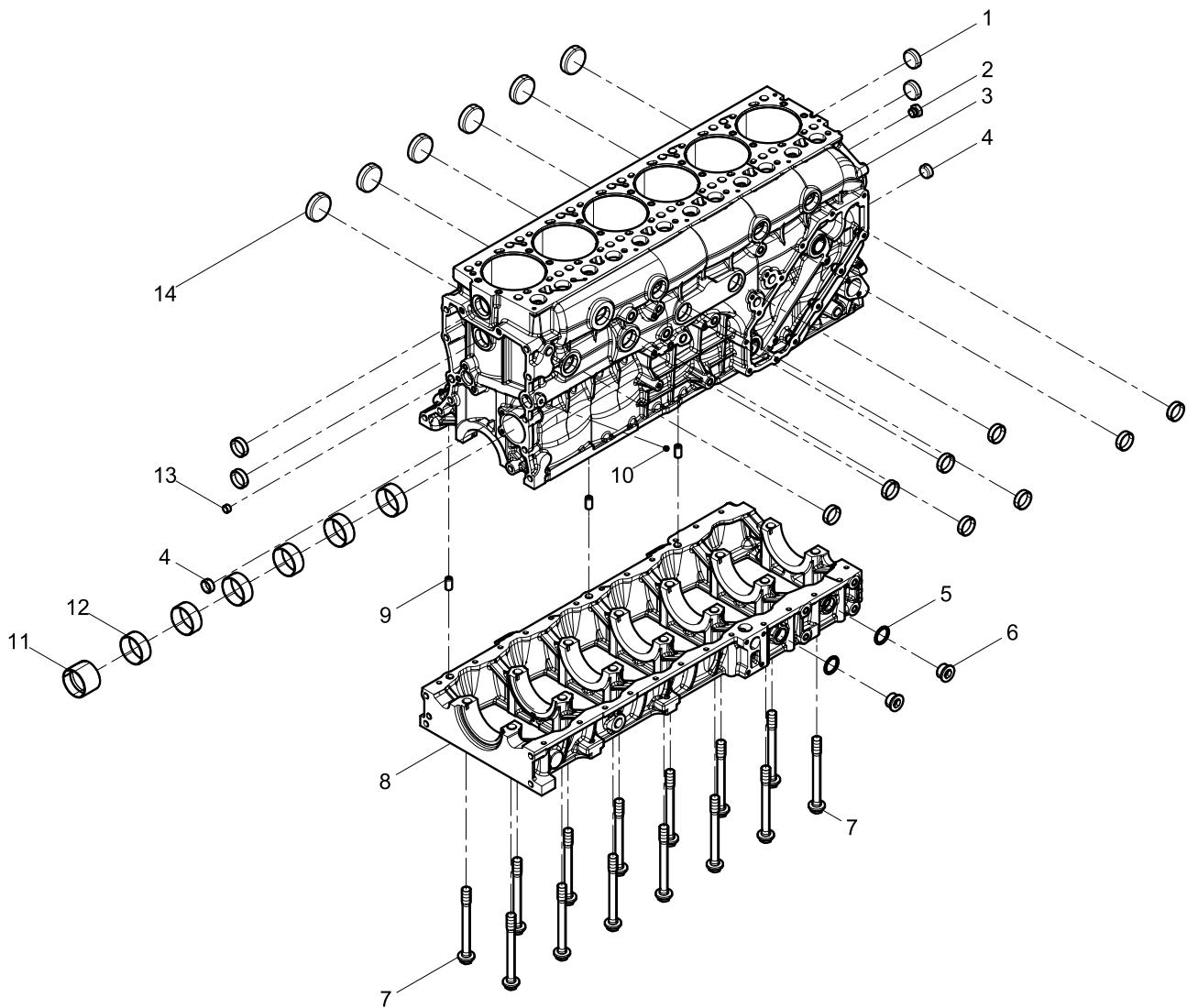
Engine Block Group



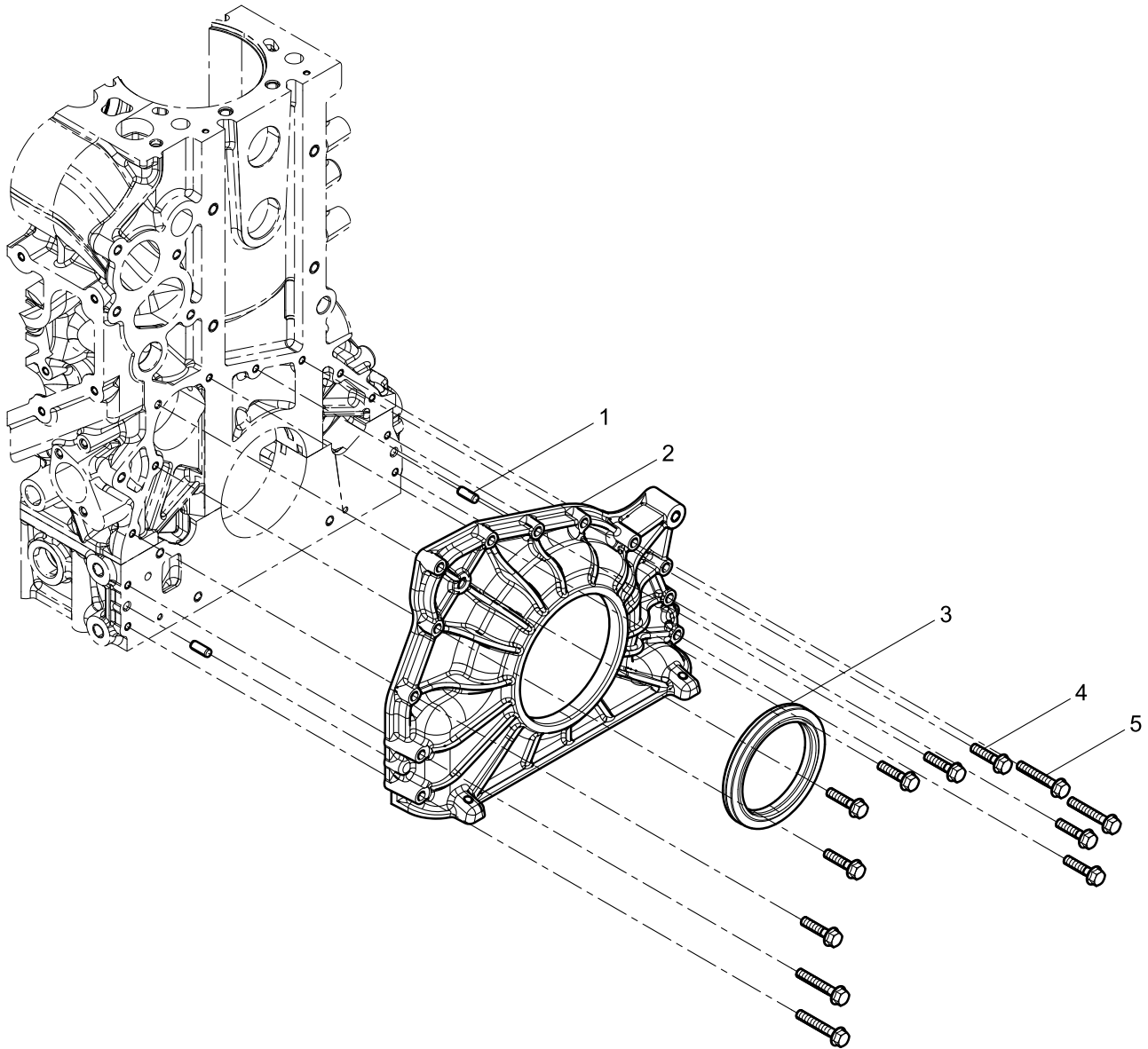
Engine Block Group

Pos.	Teile.Number	Amount	Designation
1	612630010069S	10	Cylinder Head Bolt
2	612700010054S	4	Cylinder Head Bolt
3	612639000089	12	Parallel Pin
4	612600050042	1	Sealing Washer
5	612600160226	1	Oil Drain Plug
6	612630010175	1	Cover
7	90003802419	2	Hexagon Head Bolt
8	90003098016	2	Sealing Washer
9	90017020003	2	Hexagon Screw Plug
10	612639000088	1	
11	612700010010	6	Cylinder Liner
12	612700010048	6	Piston Nozzle Assembly
13	612700010060	6	Bolt
14	90011350082	1	Hexagon Head Bolt
15	90011350085	8	Hexagon Head Bolt
16	90003862428	15	Inner Hexagon Socket Head Cap Screw
17	612639000034	1	Parallel Pin
18	612630010630	2	Lower Thrust Plate
19	612630010107	1	O-ring
20	612630010629	2	Upper Thrust Plate
21	612700010150	7	Main Bearing Lower Shell
22	612630010591	7	Main Bearing Upper Shell
23	612700010037	1	Cylinder Block Preassembly

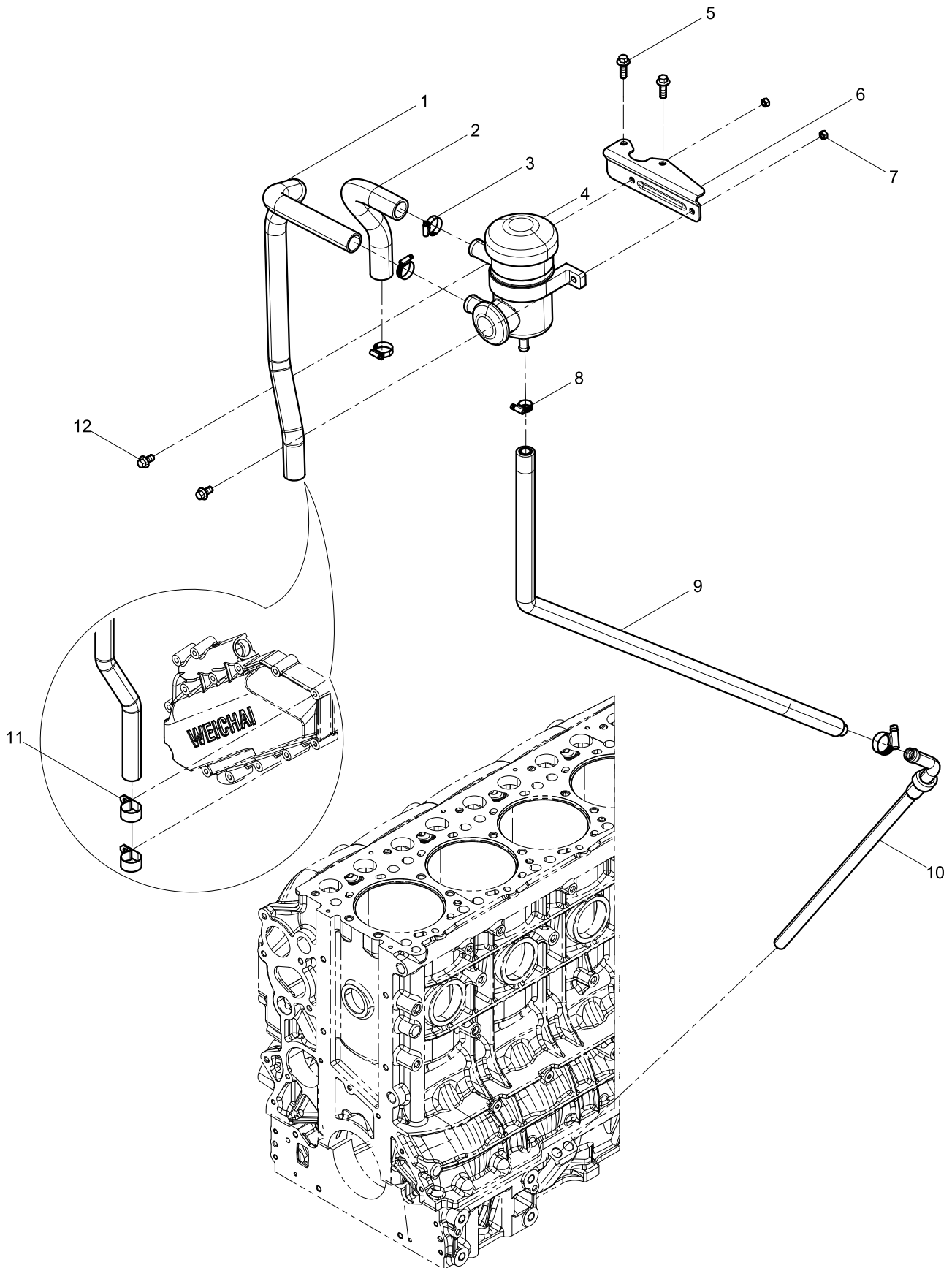
Cylinder Block Preassembly



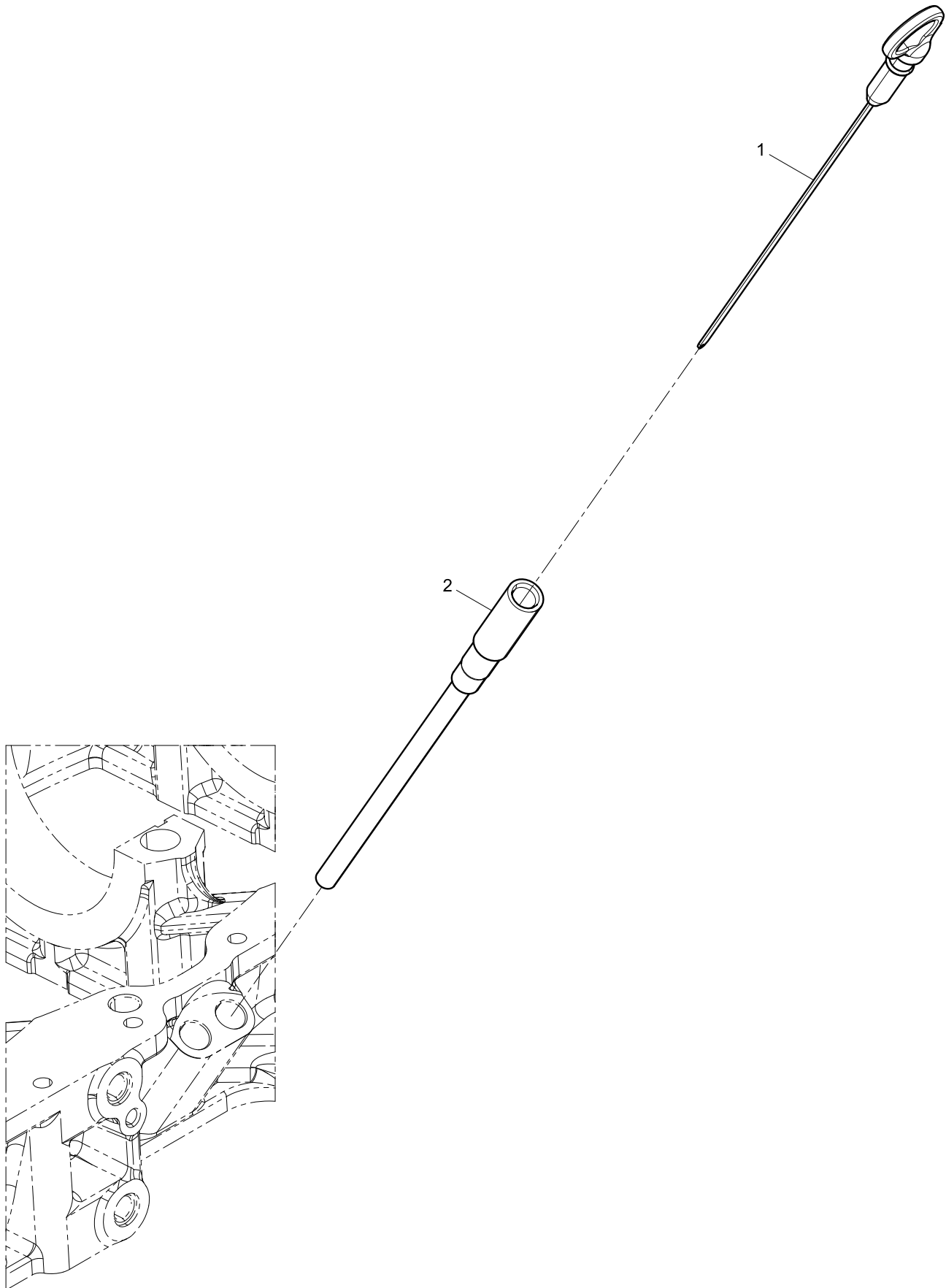
Cylinder block front cover Set



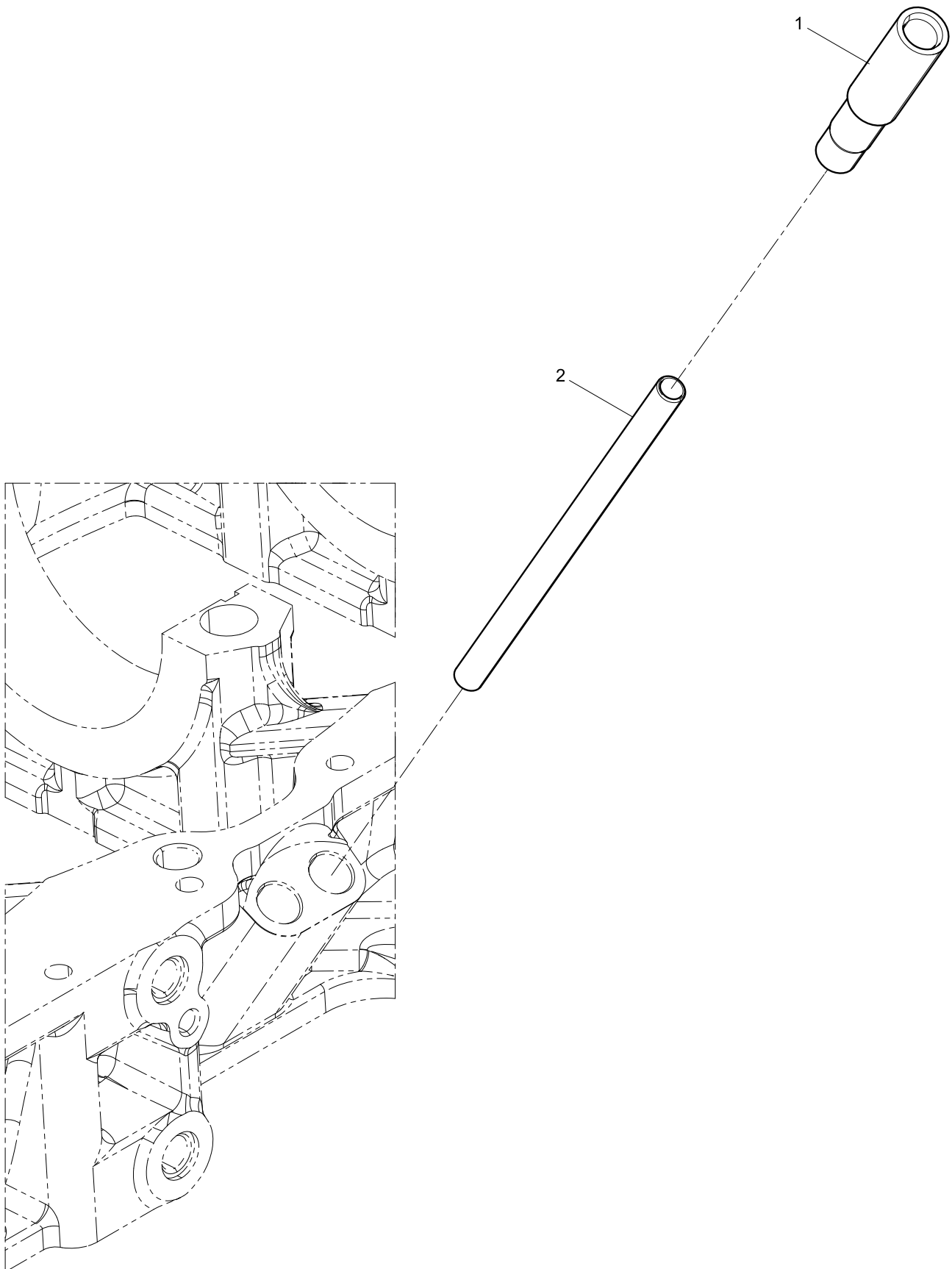
Oil-gas Separator Group



Dipstick Group



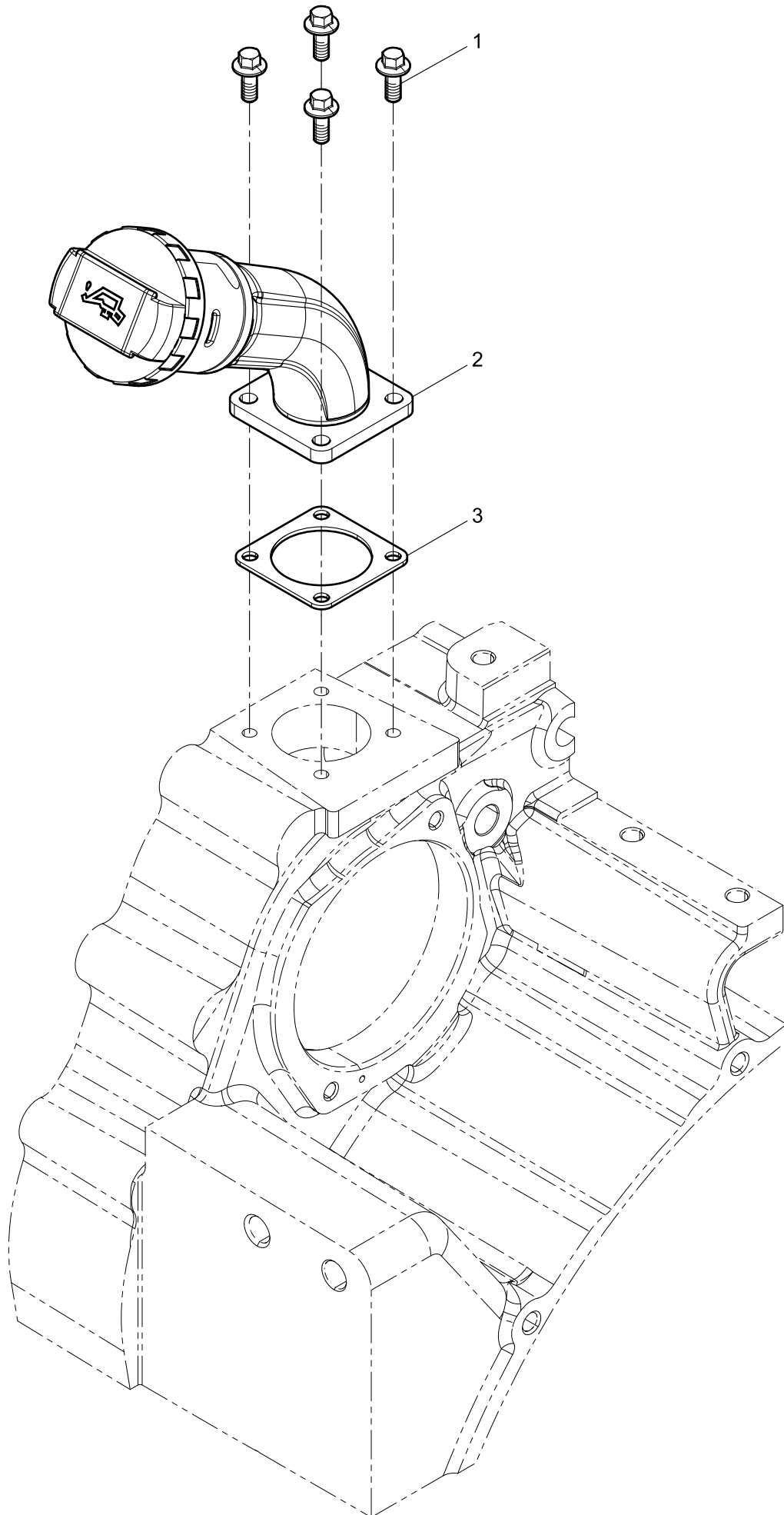
Dipstick Pipe Set



Dipstick Pipe Set

Pos.	Teile.Number	Amount	Designation
1	612630010101	1	Dipstick Pipe Connector
2	612630010102	1	Dipstick Pipe

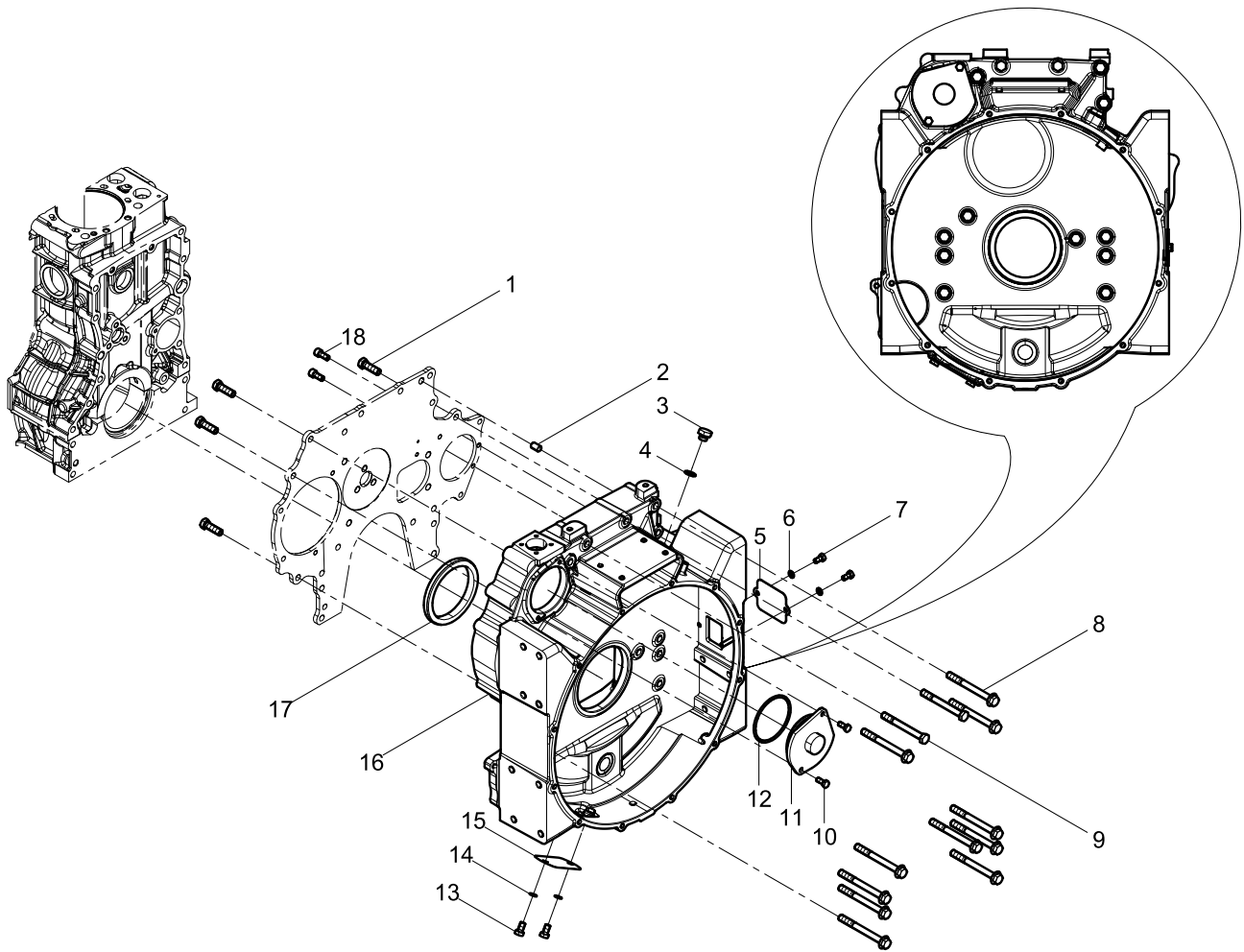
Oil Filling Tube Group



Oil Filling Tube Group

Pos.	Teile.Number	Amount	Designation
1	90011430015	4	Hexagon Flange with Tooth Bolt
2	612630010804	1	Oil Filling Tube set
3	612600013956	1	Gasket

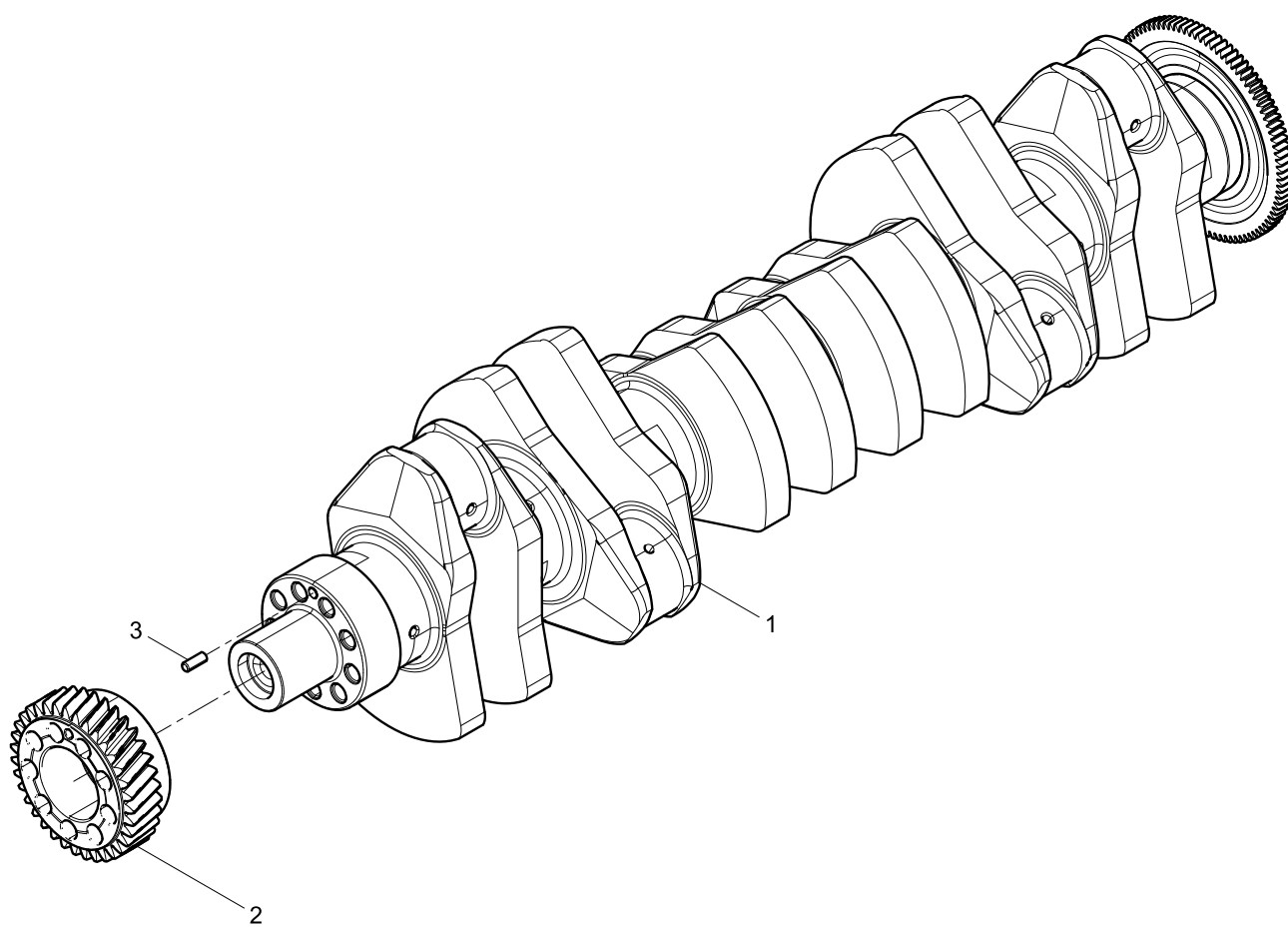
Flywheel Housing Group



Flywheel Housing Group

Pos.	Teile.Number	Amount	Designation
1	90003800619S	4	Hexagon Head Bolt
2	90003901604	1	Parallel Pin
3	612600012319	1	Hexagon Screw Plug
4	90003098016	1	Sealing Washer
5	612600010062	1	Handhole Cover
6	90003932023	2	Wave Spring Washer
7	90003802411	2	Hexagon Head Bolt
8	90011400038S	11	Hexagon Flange Bolt
9	90011260059S	2	Hexagon Head Bolt
10	90003802419	2	Hexagon Head Bolt
11	612630030113	1	Hydraulic Pump Cover
12	612630030045	1	O-ring
13	90003802511	2	Hexagon Head Bolt
14	90003932024	2	Wave Spring Washer
15	1800210011	1	Handhole Cover
16	1000103735	1	Flywheel Housing
17	612630030009	1	Rear Oil Seal
18	90003862427	2	Inner Hexagon Socket Head Cap Screw

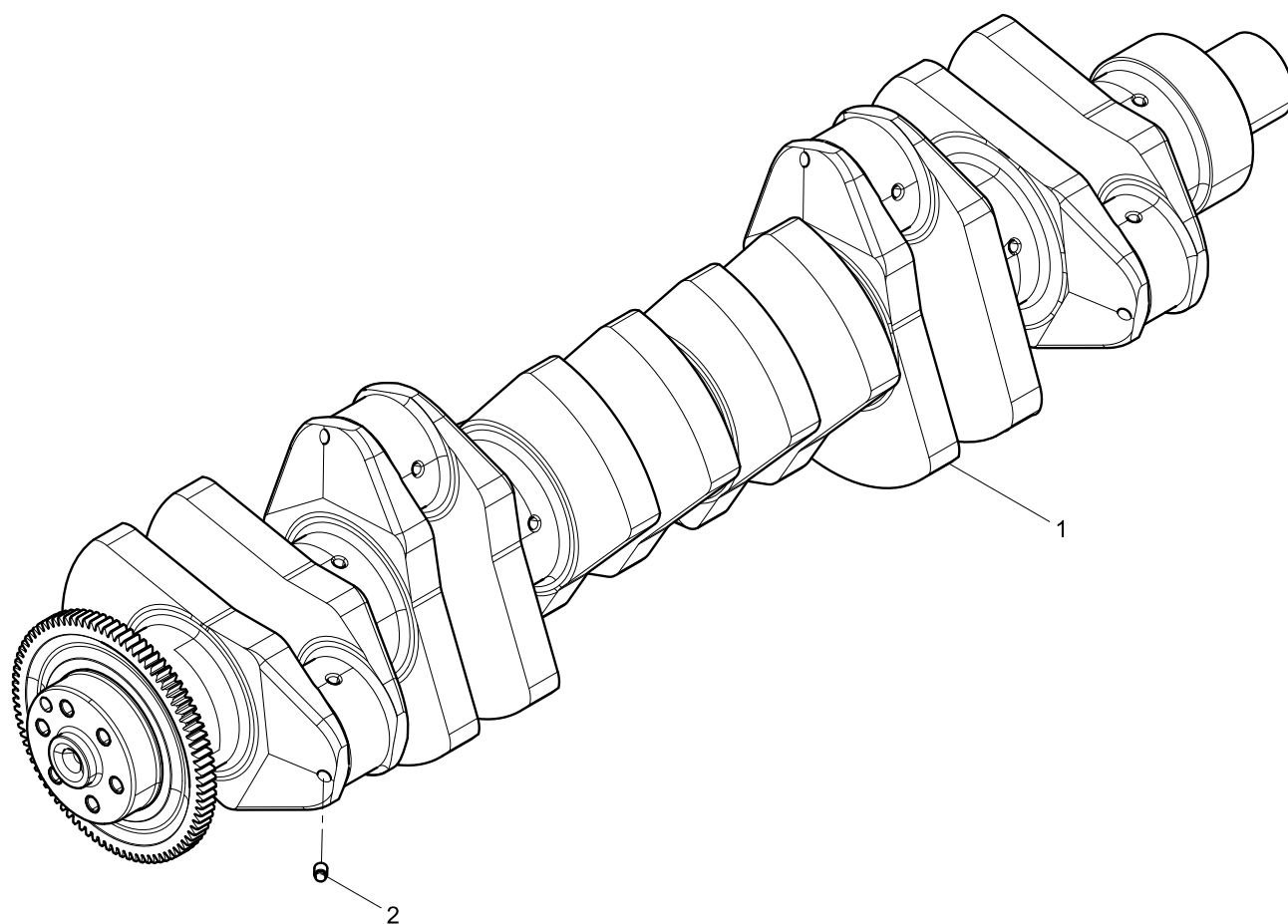
Crankshaft Group



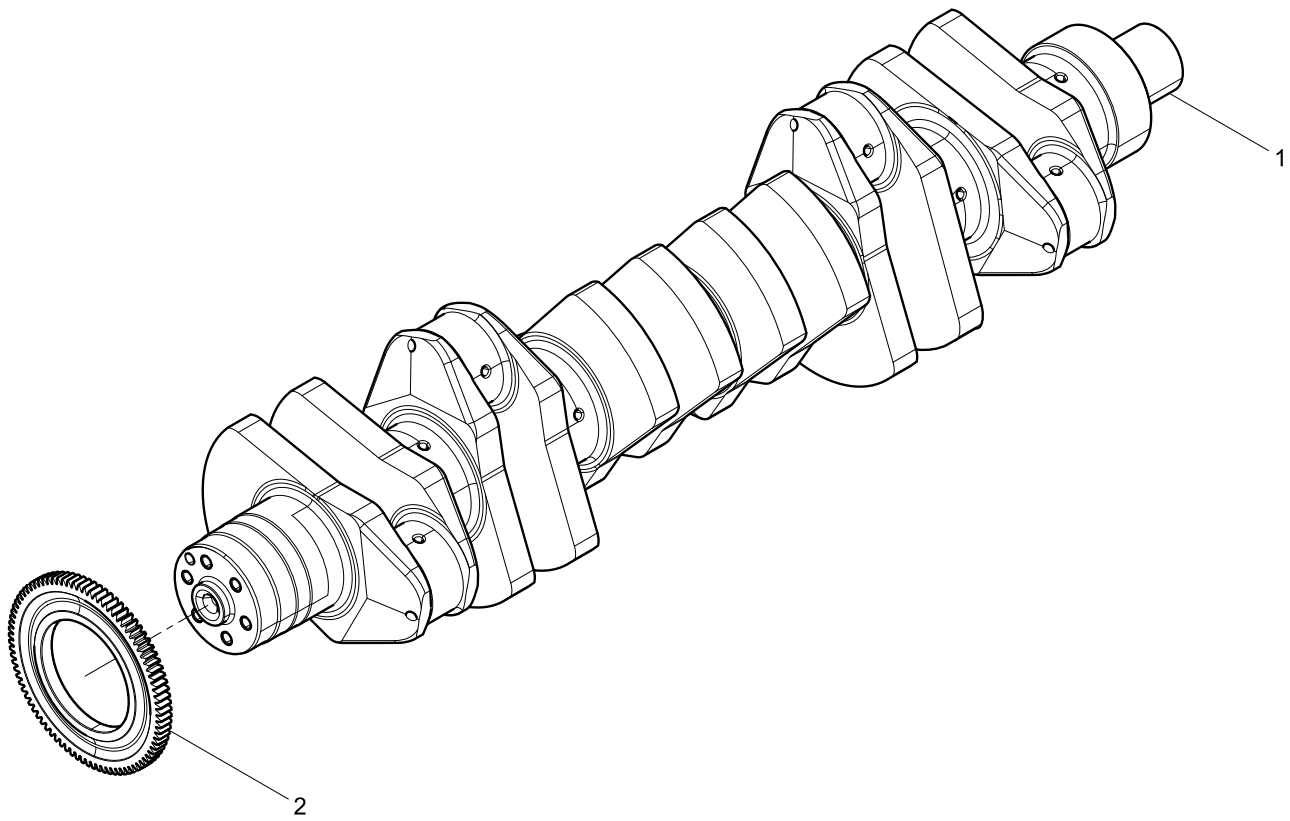
Crankshaft Group

Pos.	Teile.Number	Amount	Designation
1	612700020012	1	Crankshaft Assembly
2	612630020006	1	Crankshaft Timing Gear
3	90003901418	1	Parallel Pin

Crankshaft Assembly



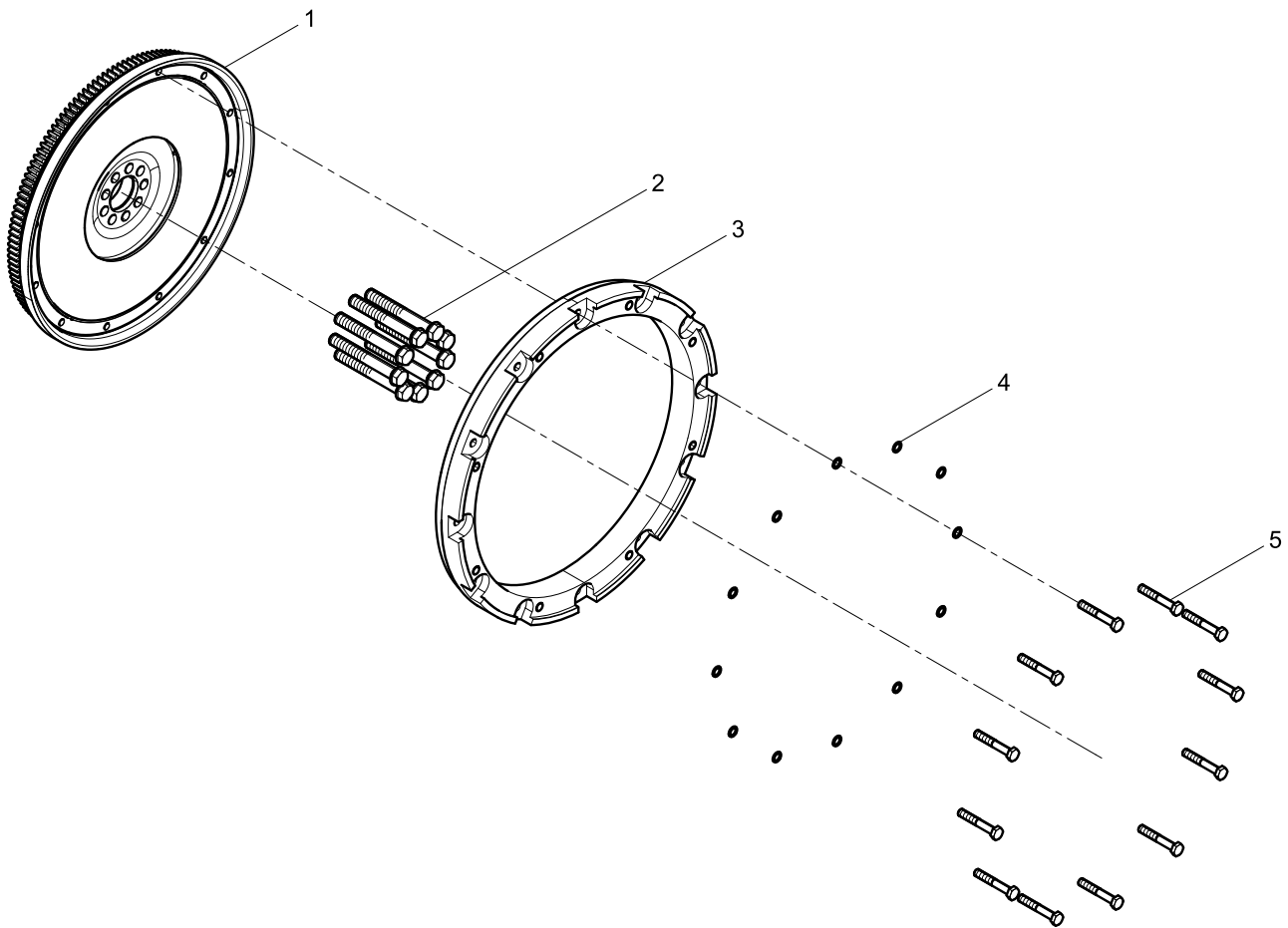
Crankshaft Subassembly



Crankshaft Subassembly

Pos.	Teile.Number	Amount	Designation
1	612700020011	1	Crankshaft
2	612700020002	1	Oil Pump Gear

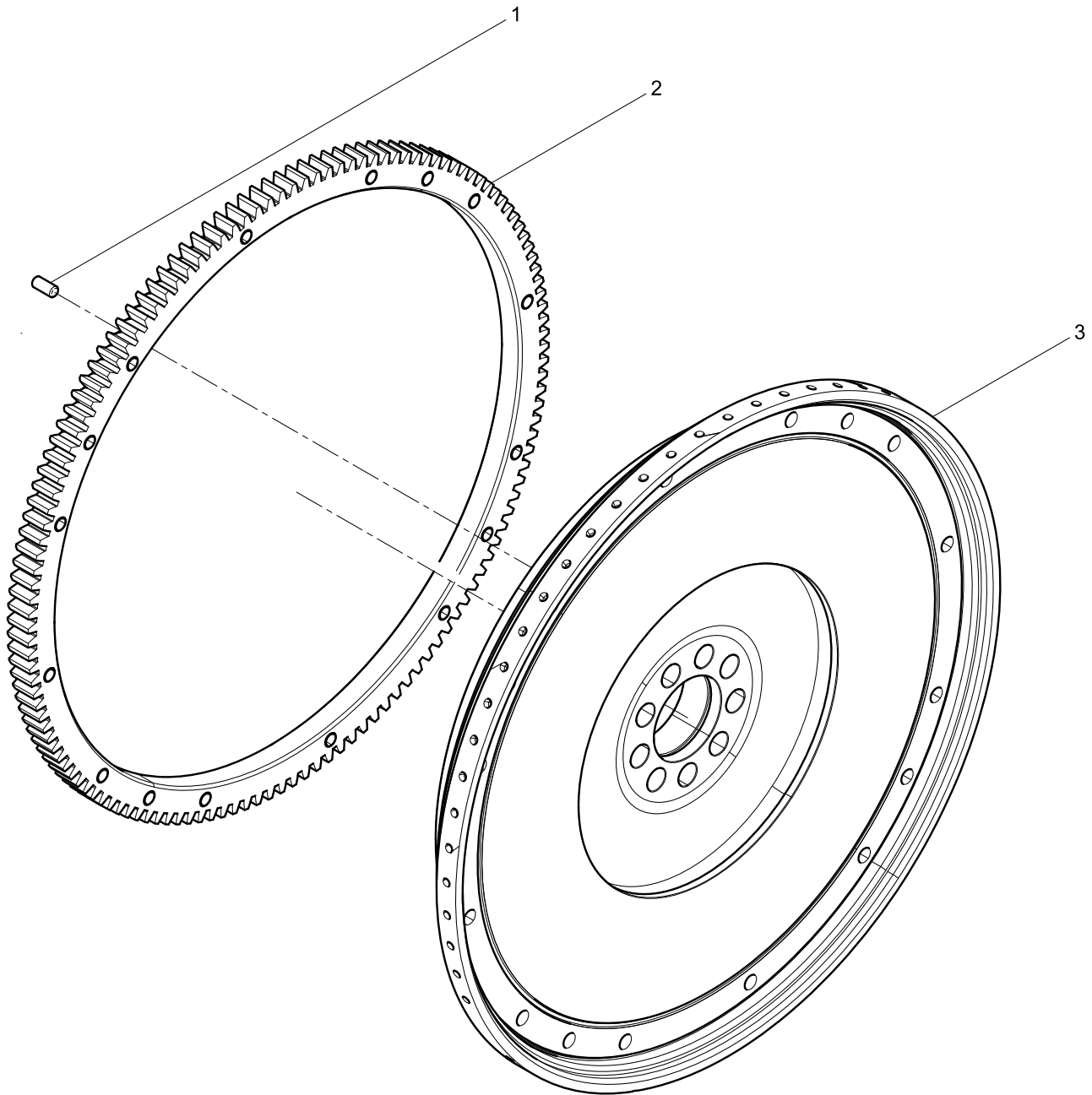
Flywheel Group



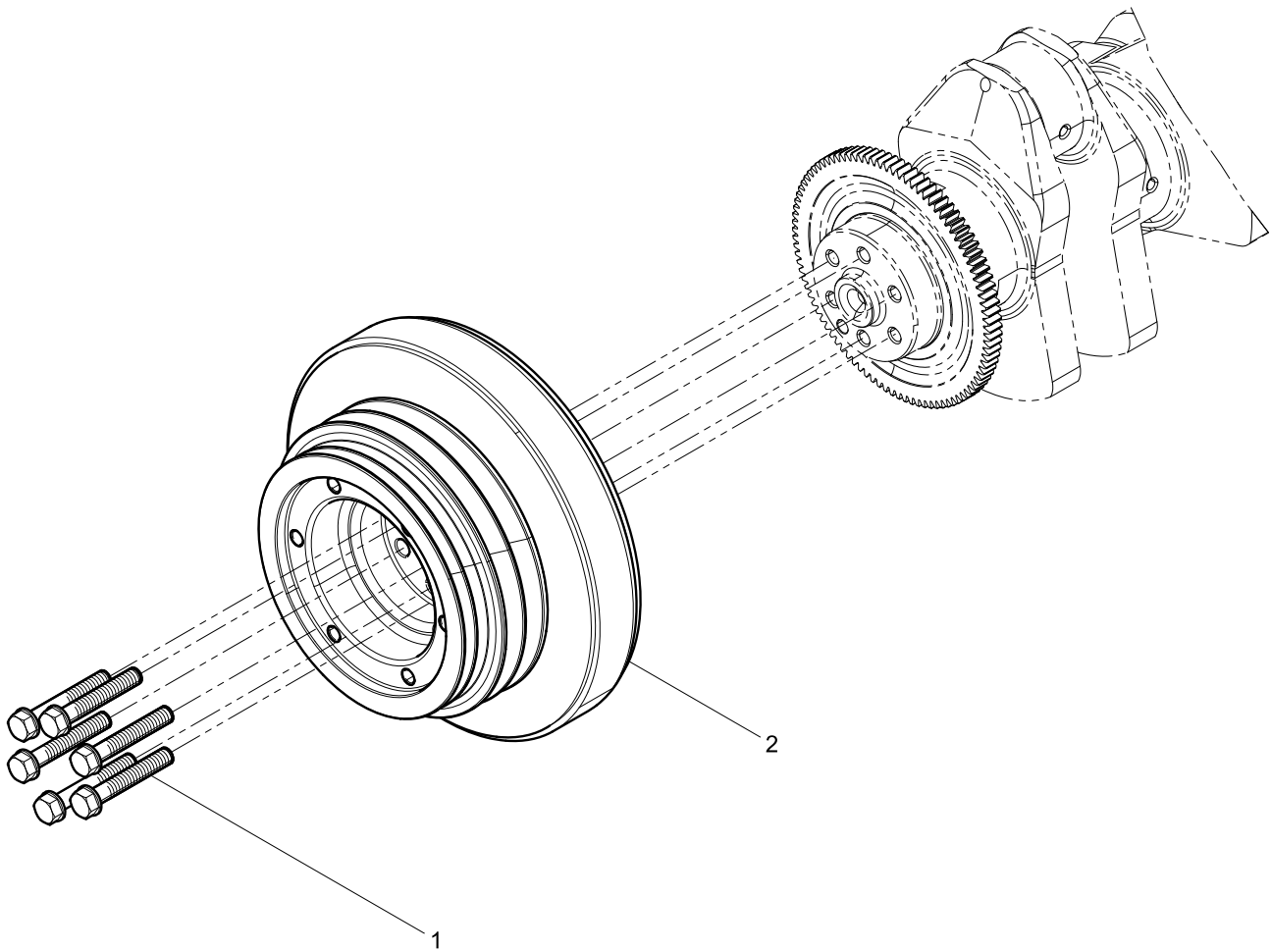
Flywheel Group

Pos.	Teile.Number	Amount	Designation
1	612630020072	1	Flywheel Assembly
2	612630020010	9	Flywheel Bolt
3	612600020760	1	Flywheel Connecting Ring
4	90003932024	12	Wave Spring Washer
5	90003802557	12	Hexagon Head Bolt

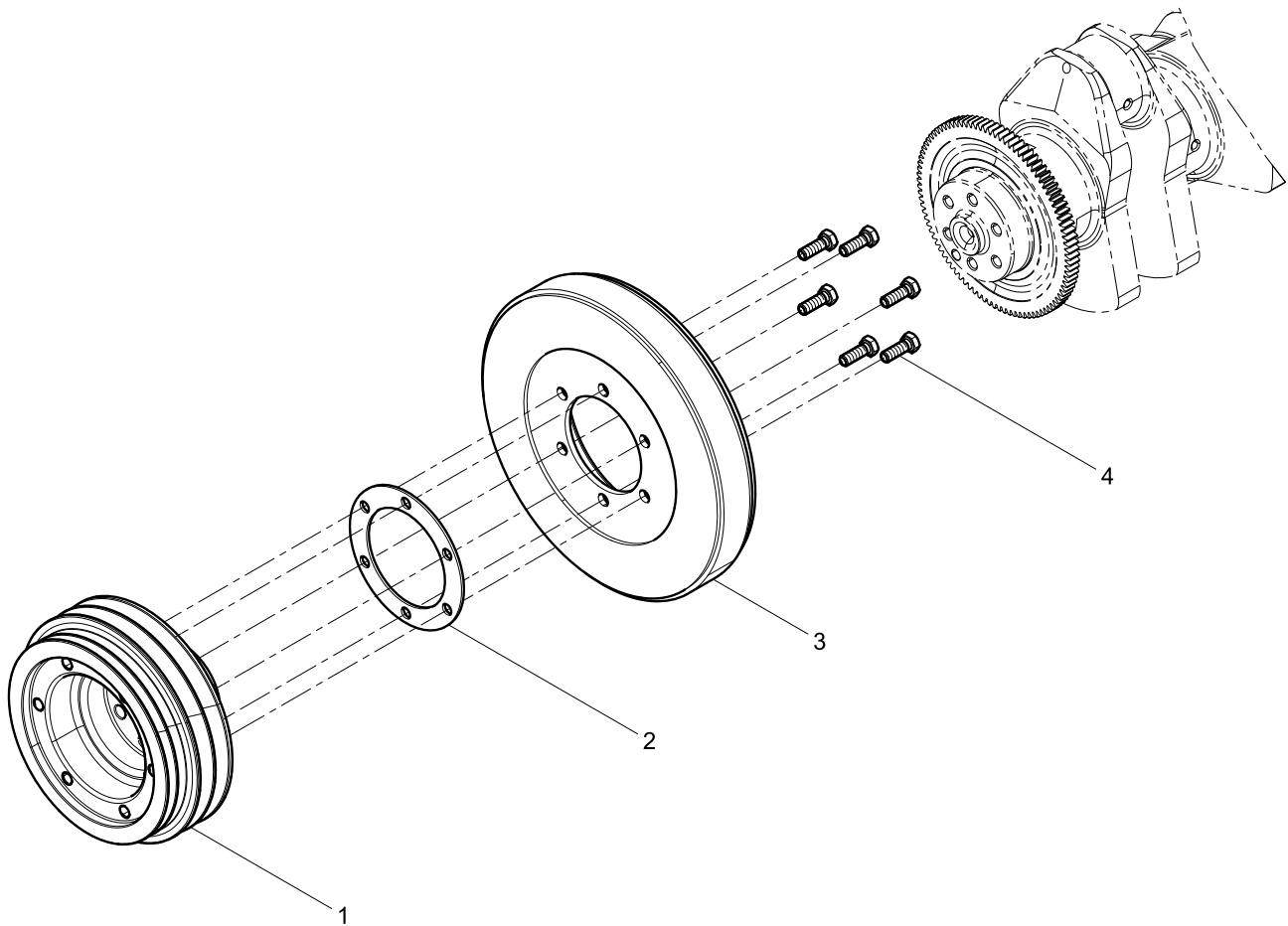
Flywheel Assembly



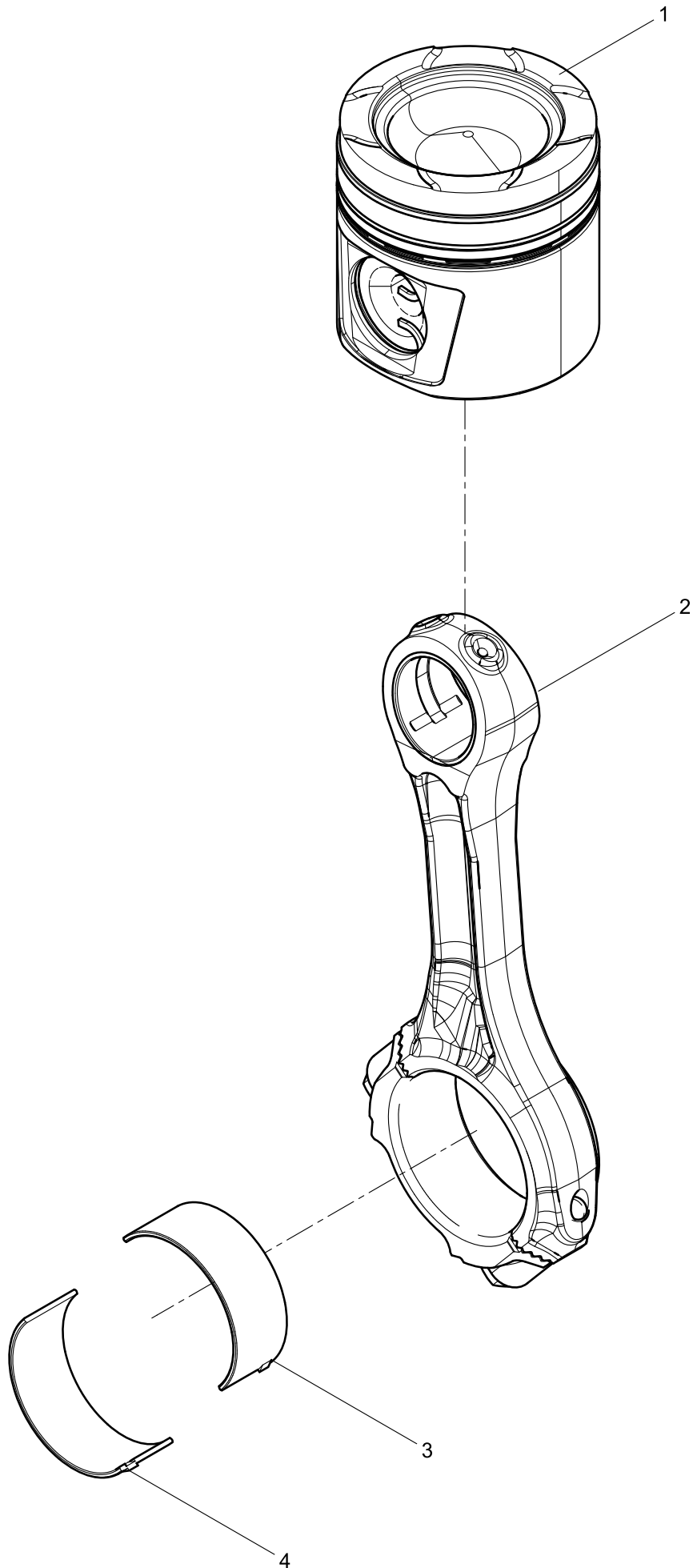
Crankshaft Pulley Group



Crankshaft Pulley Assembly



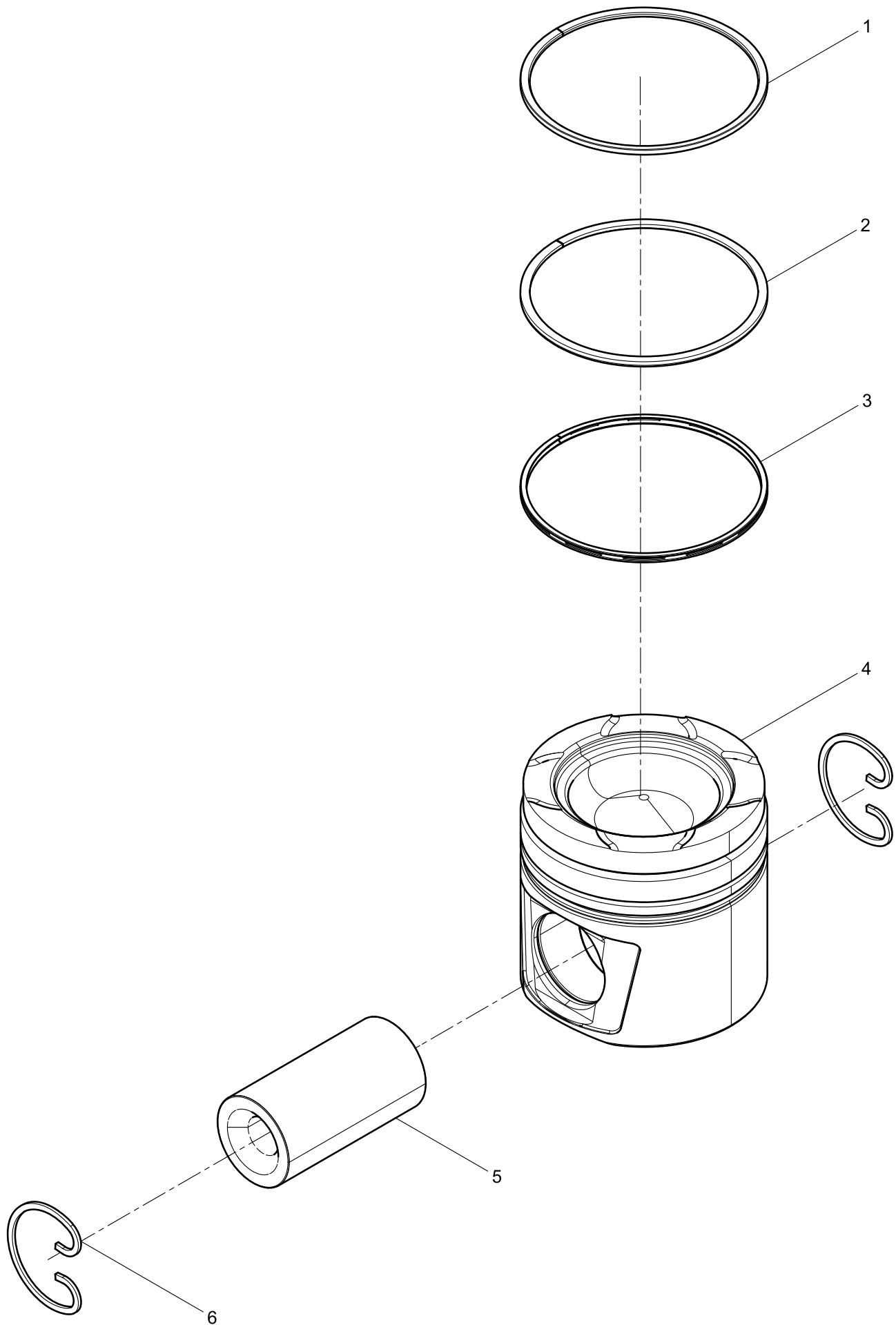
Piston and Connecting Rod Group



Piston and Connecting Rod Group

Pos.	Teile.Number	Amount	Designation
1	612700020059	6	Piston Assembly
2	612630020017	6	Connecting Rod Assembly
3	612600030069	6	Connecting Rod Upper Shell
4	612630020018	6	Connecting Rod Lower Shell

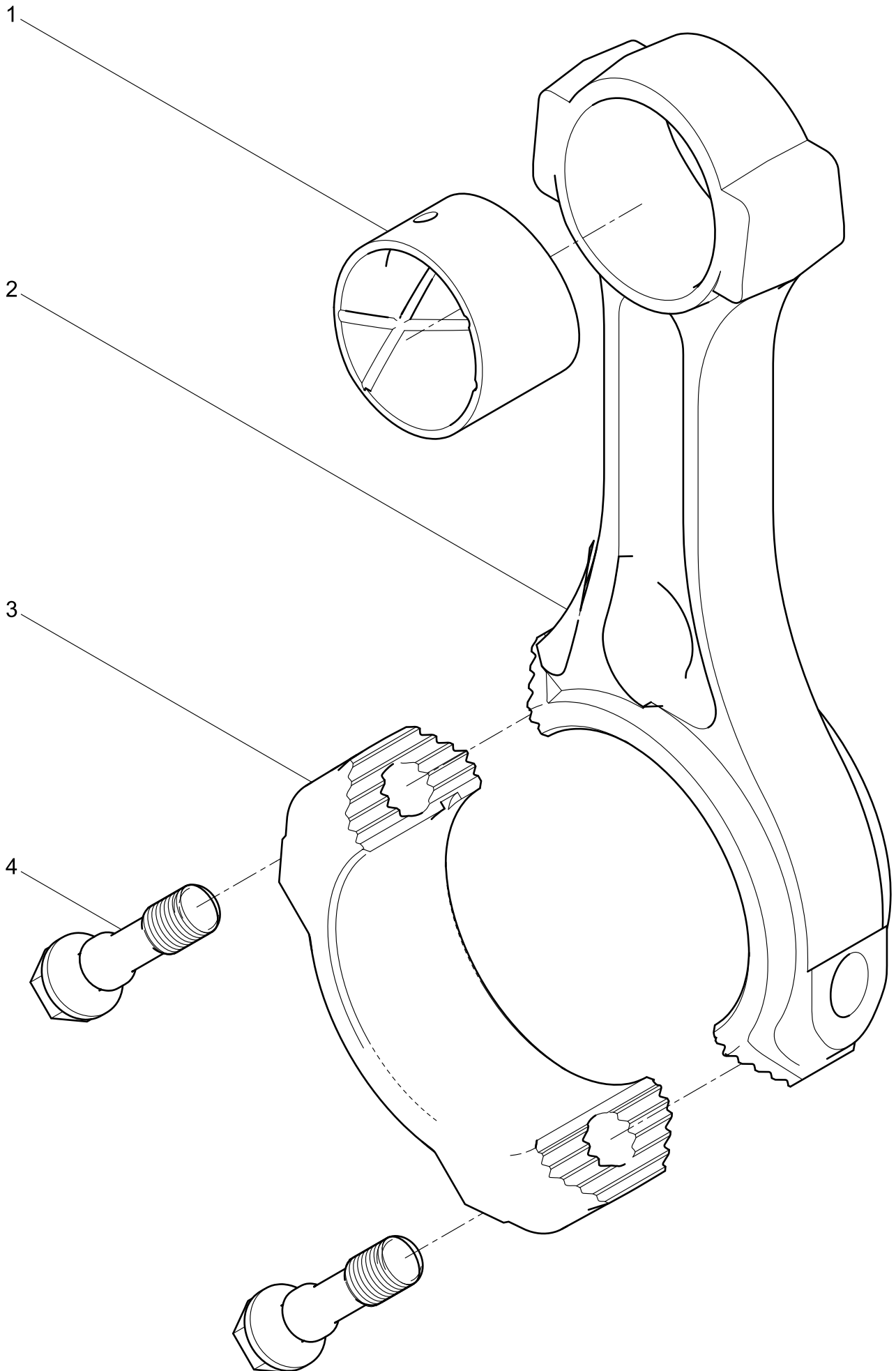
Piston Assembly



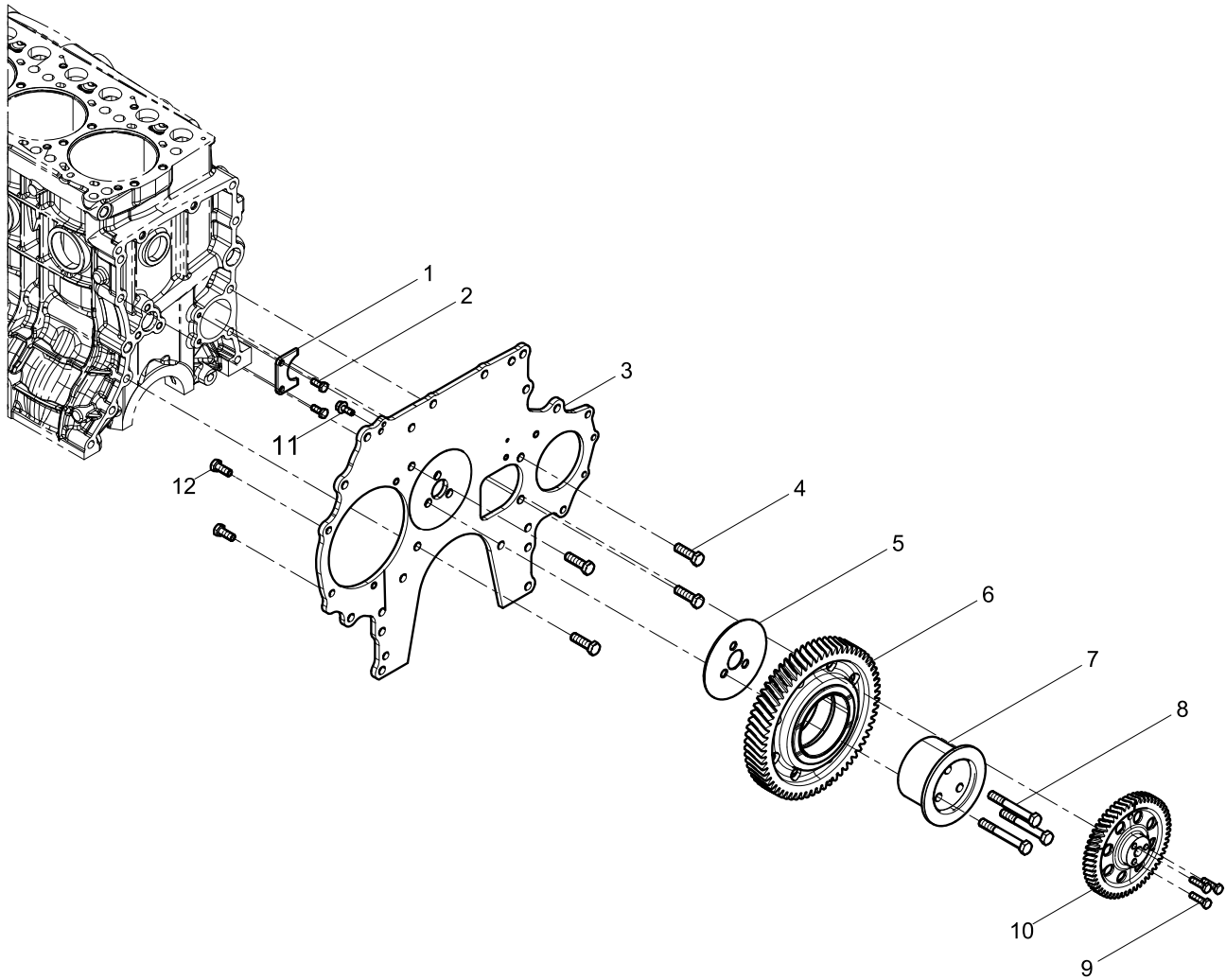
Piston Assembly

Pos.	Teile.Number	Amount	Designation
1	612700020005	1	Keystone Barrel Ring
2	612700020006	1	Twist Taper Ring
3	612700020007	1	Coil Spring Loaded Oil-control Ring
4	612700020049	1	Piston
5	612630020025	1	Piston Pin
6	612630020029	2	Piston Pin Retainer

Connecting Rod Assembly



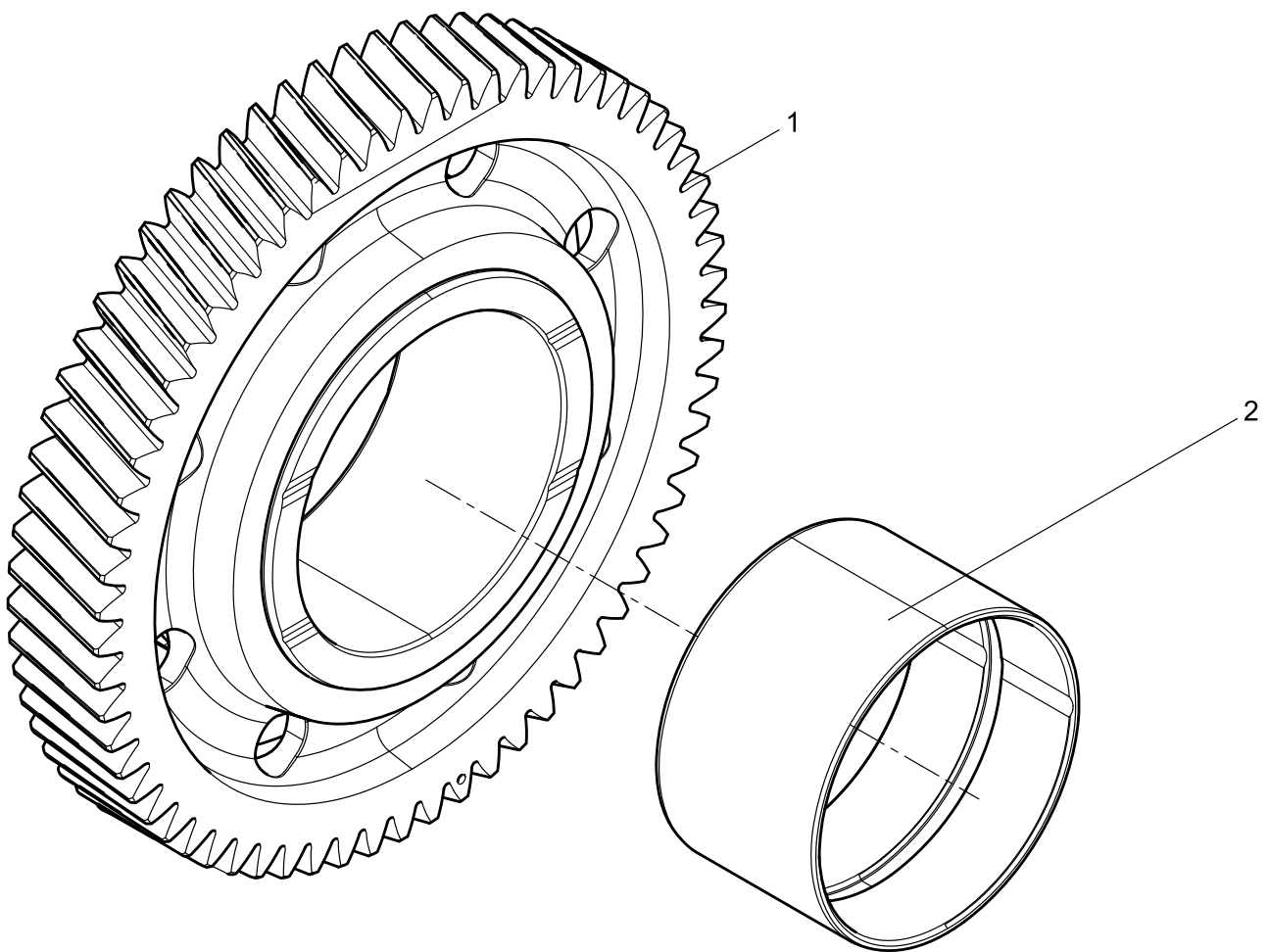
Gear Drive Set



Gear Drive Set

Pos.	Teile.Number	Amount	Designation
1	612630030002	1	Camshaft Thrust Plate
2	90003802443S	2	Hexagon Head Bolt
3	1000434262	1	Flywheel Housing Plate
4	90003800619S	4	Hexagon Head Bolt
5	612630030020	1	Baffle Board
6	612700030015	1	Idler Gear Assembly
7	612630030019	1	Idler Gear Shaft
8	612639000025S	3	Hexagon Head Bolt
9	90011350076S	3	Hexagon Head Bolt
10	612700030002	1	Camshaft Timing Gear
11	90011400012S	1	Hexagon Flange Bolt
12	90003802523S	2	Hexagon Head Bolt

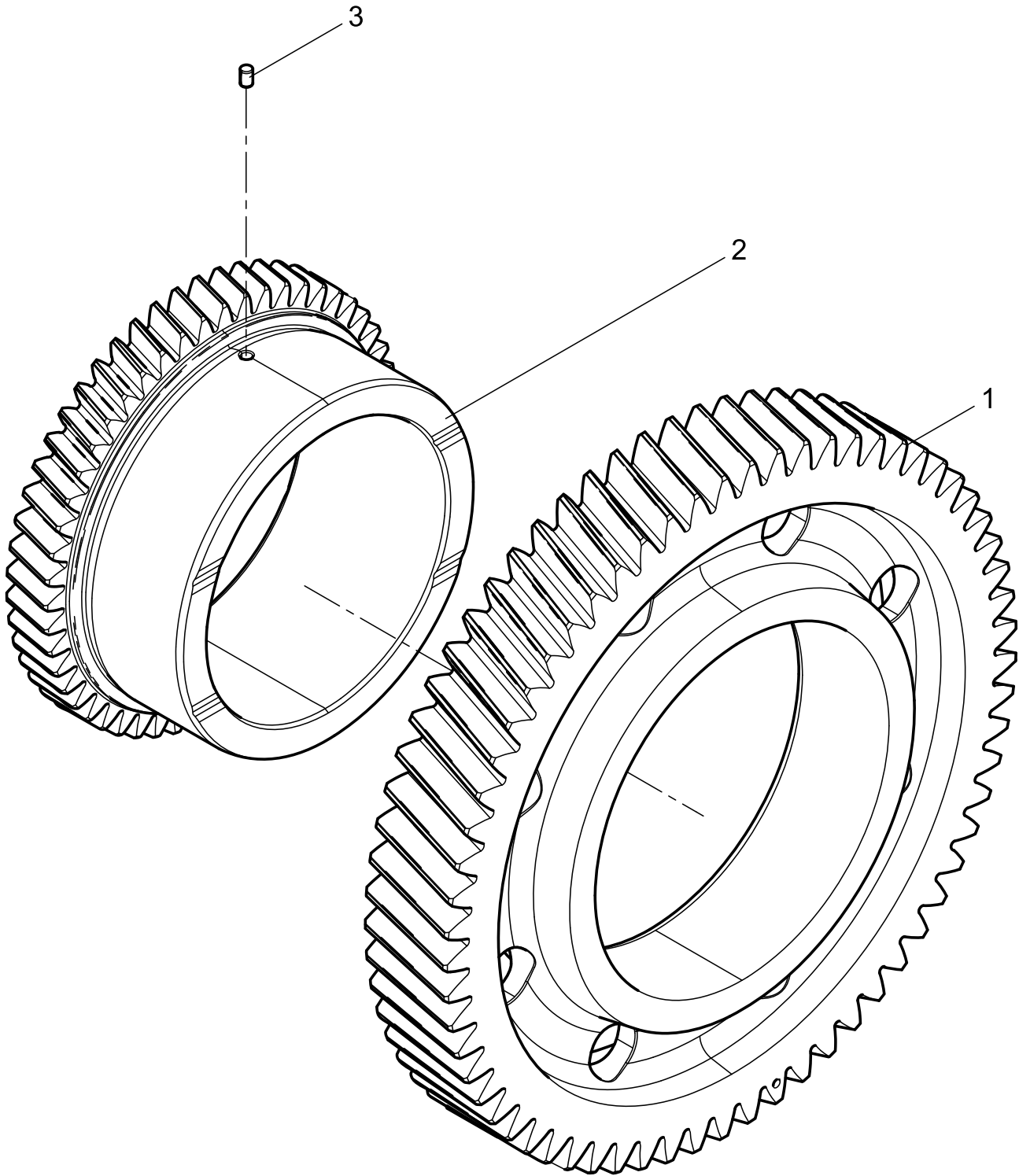
Idler Gear Assembly



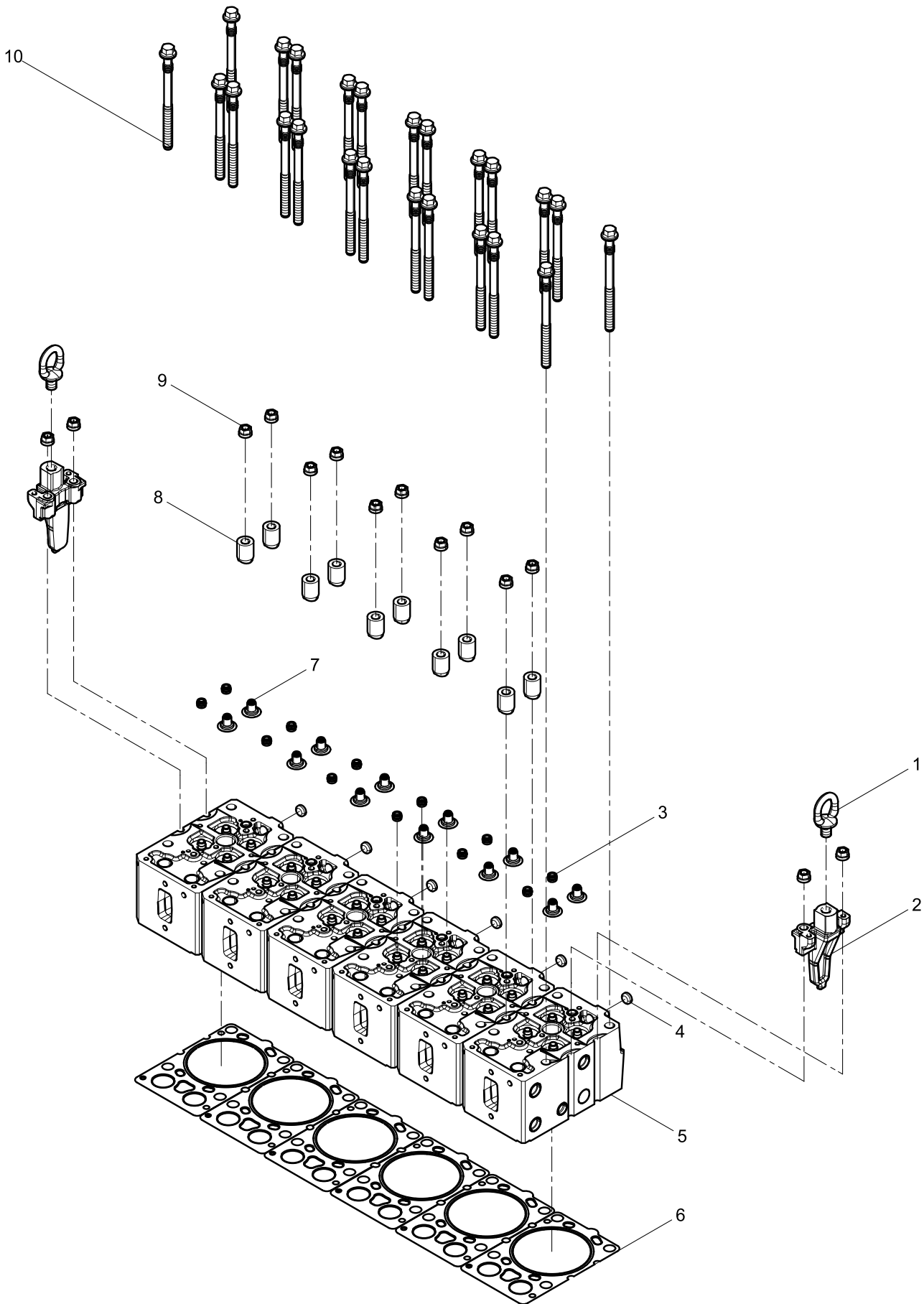
Idler Gear Assembly

Pos.	Teile.Number	Amount	Designation
1	612700030012	1	Idler Gear Set
2	612630030018	1	Gear Bush

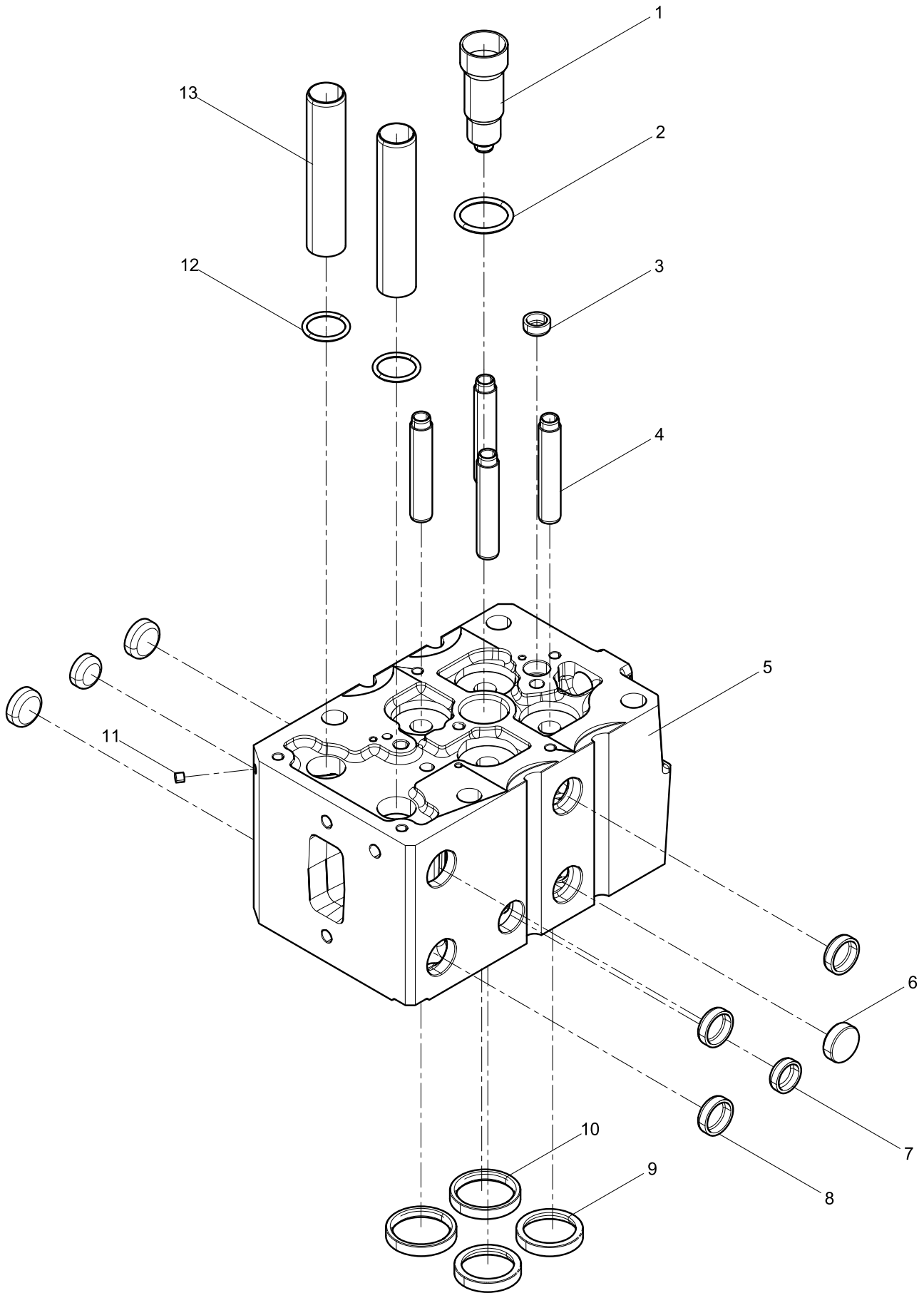
Idler Gear Set



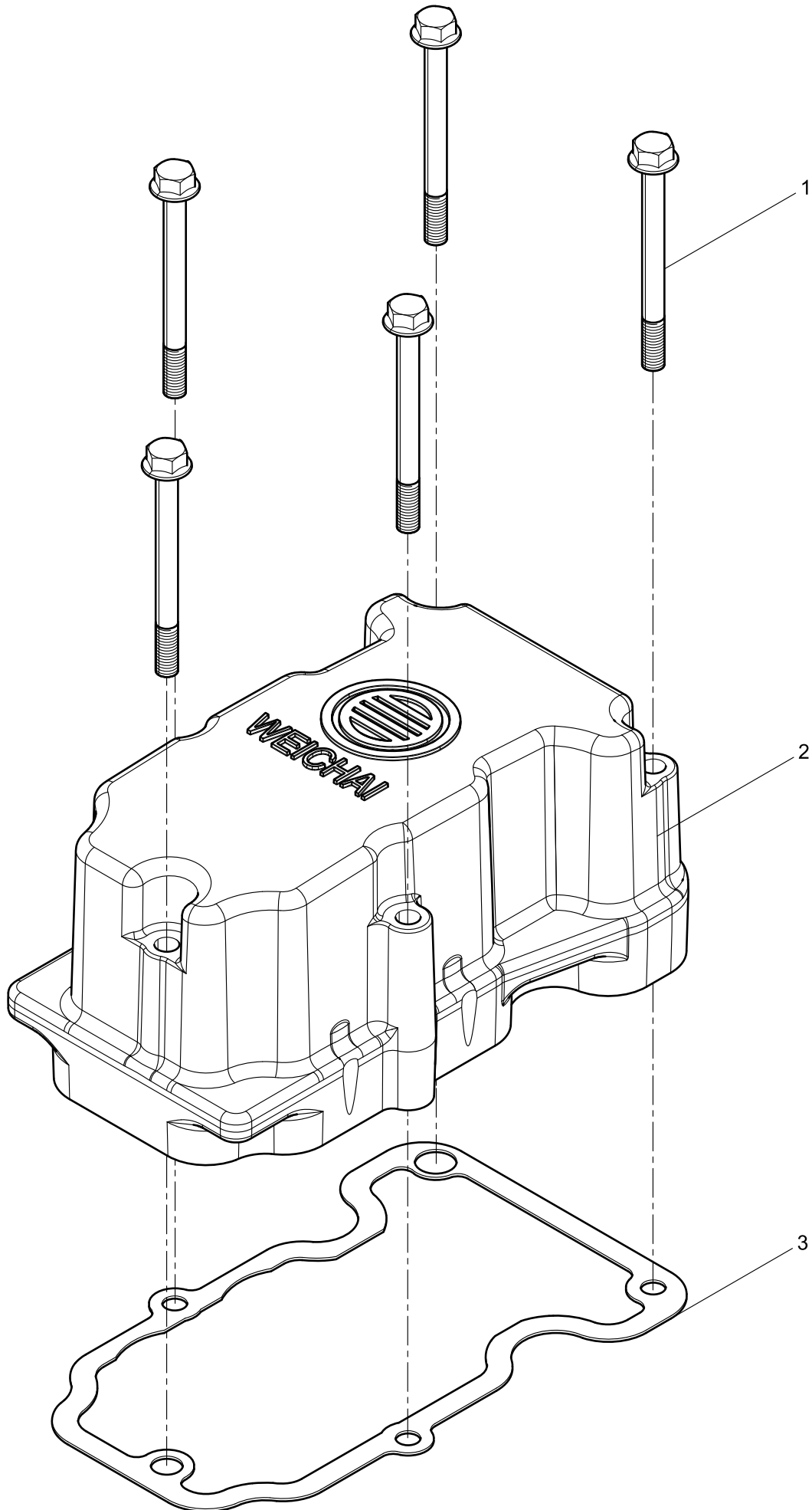
Cylinder Head Group



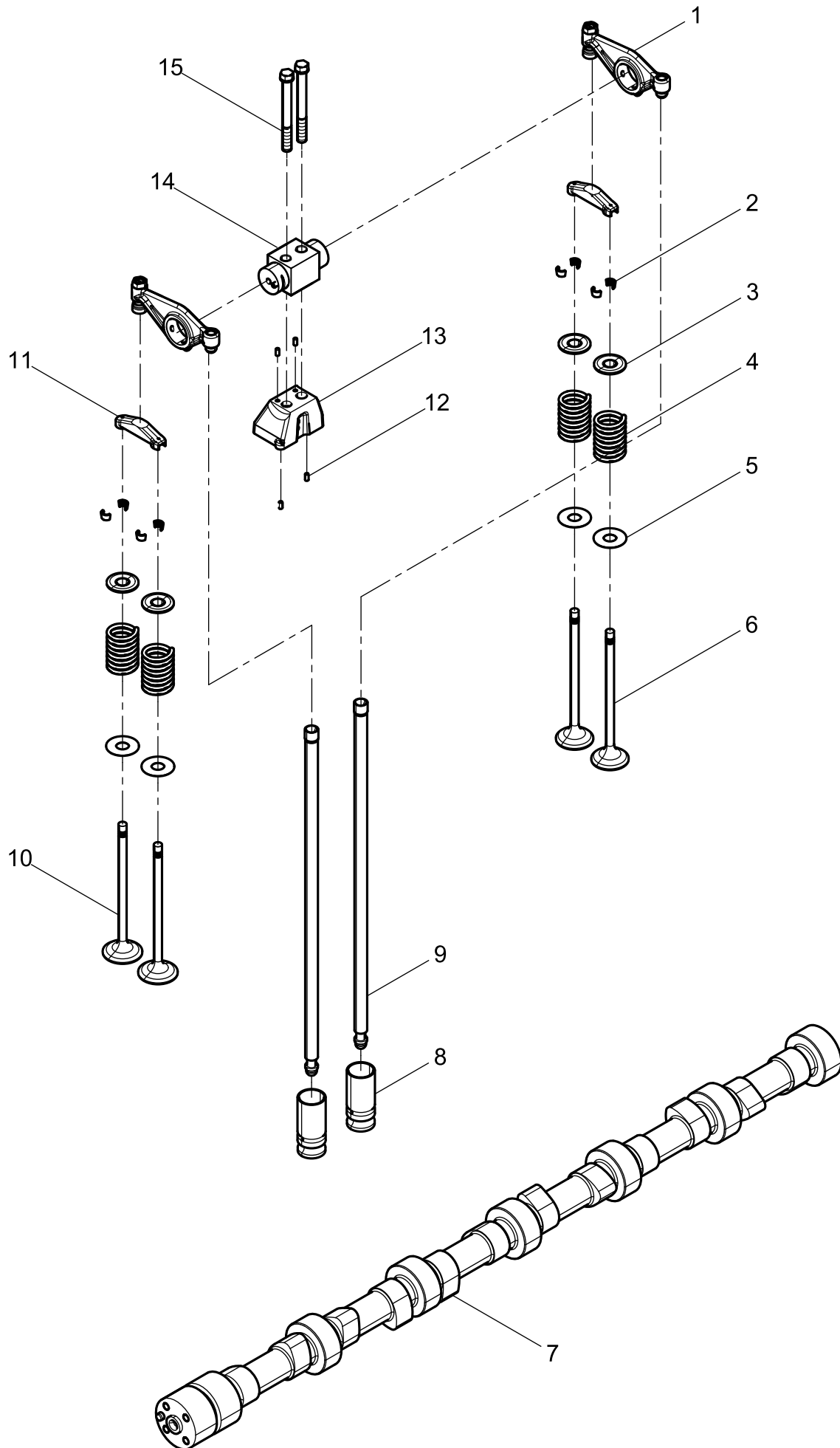
Cylinder Head Subassembly

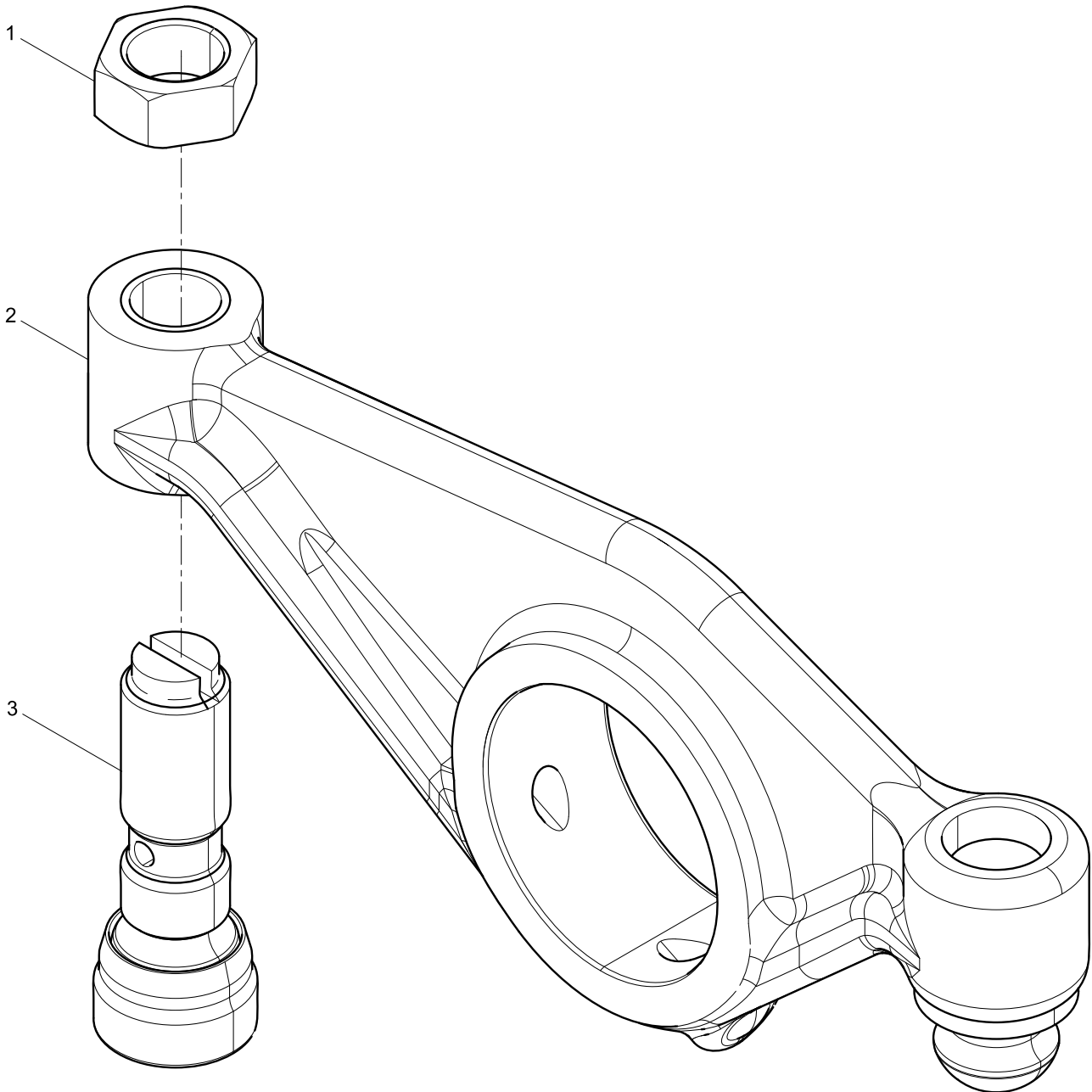


Cylinder Head Cover Group



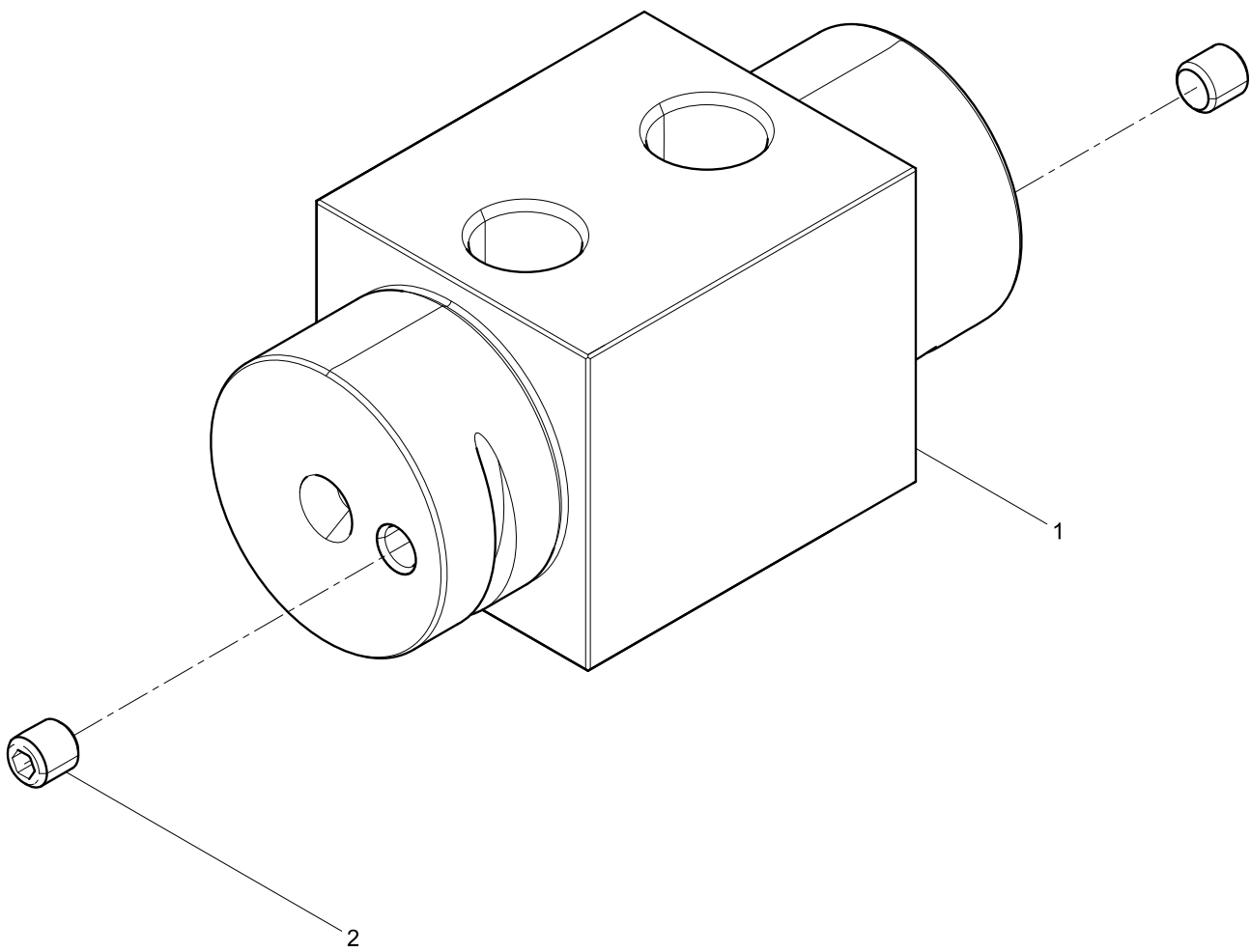
Valve Train Group





Pos.	Teile.Number	Amount	Designation
1	612630050028	12	Hexagon Lock Nut
2	1000495390	12	Rocker arm assembly
3	612630050027	12	Adjusting Screw

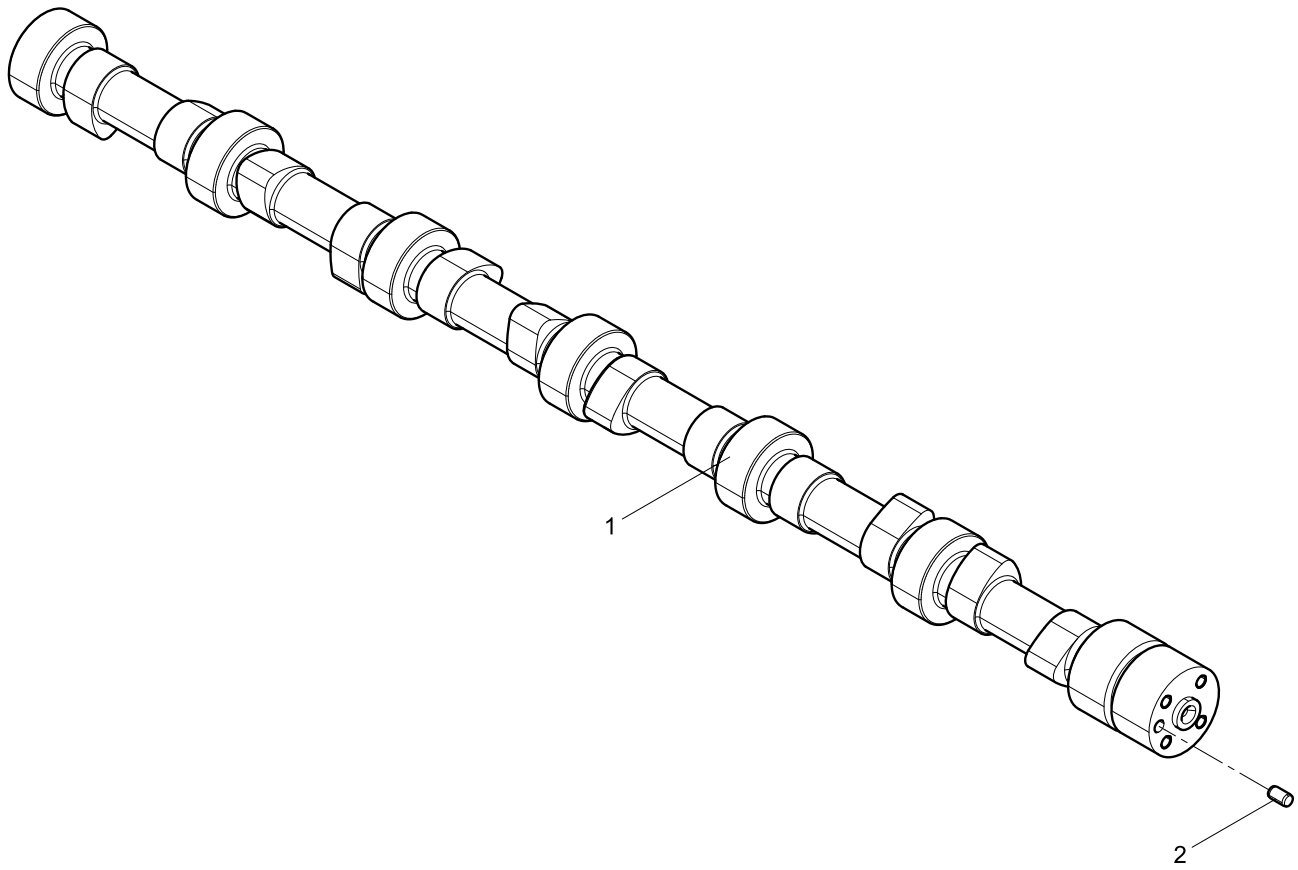
Rocker Arm Shaft Set



Rocker Arm Shaft Set

Pos.	Teile.Number	Amount	Designation
1	612630050030	6	Rocker Arm Shaft
2	612639000065S	12	Screw

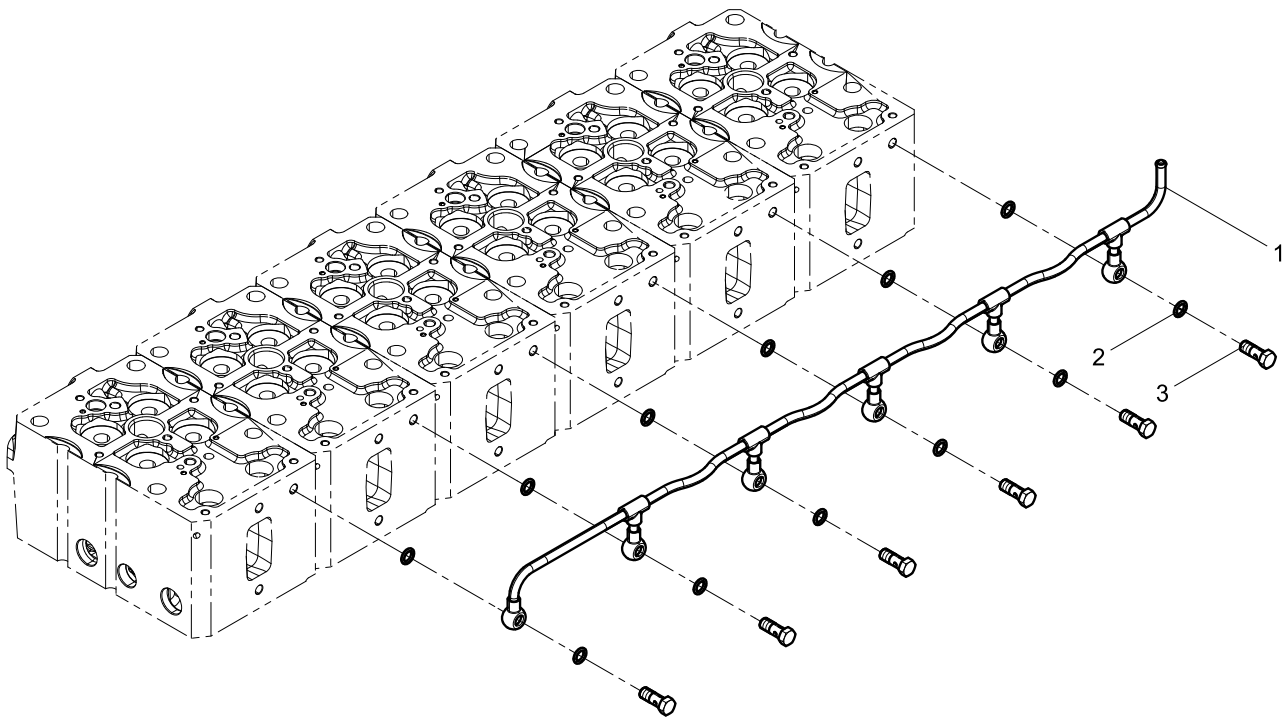
Camshaft Assembly



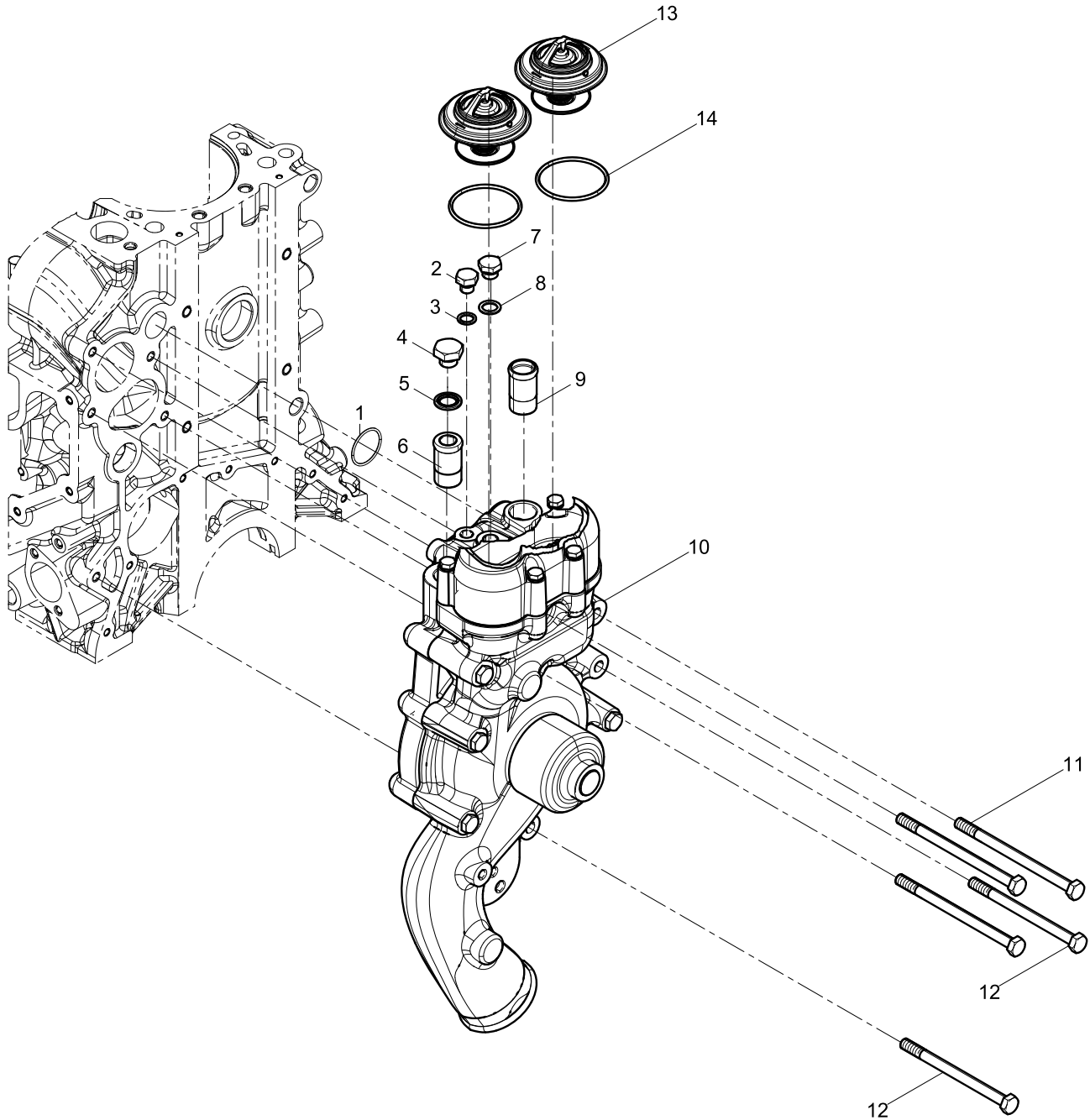
Camshaft Assembly

Pos.	Teile.Number	Amount	Designation
1	612630050051	1	Camshaft
2	612639000061	1	Parallel Pin

Venting Pipe Group



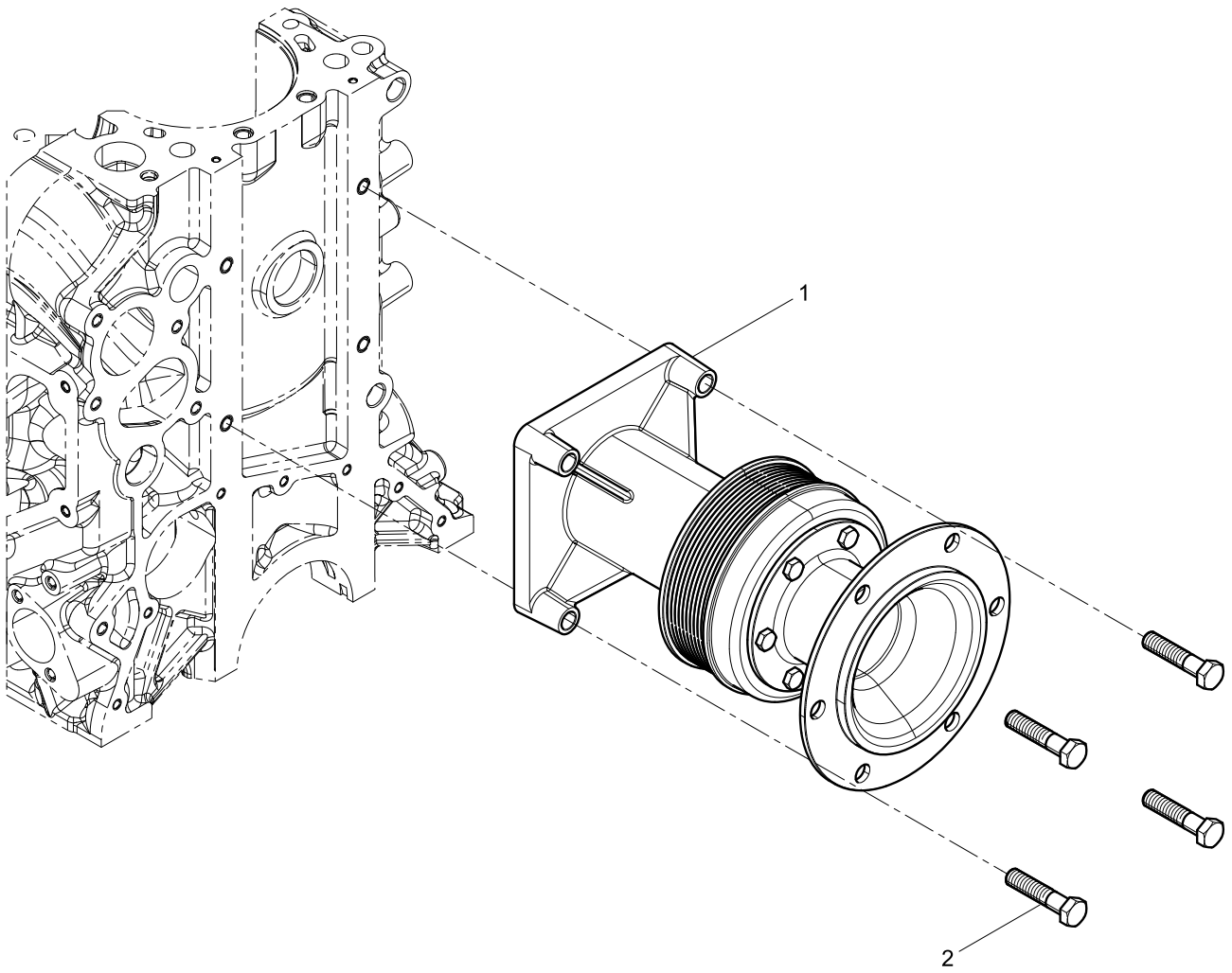
Water Pump Group



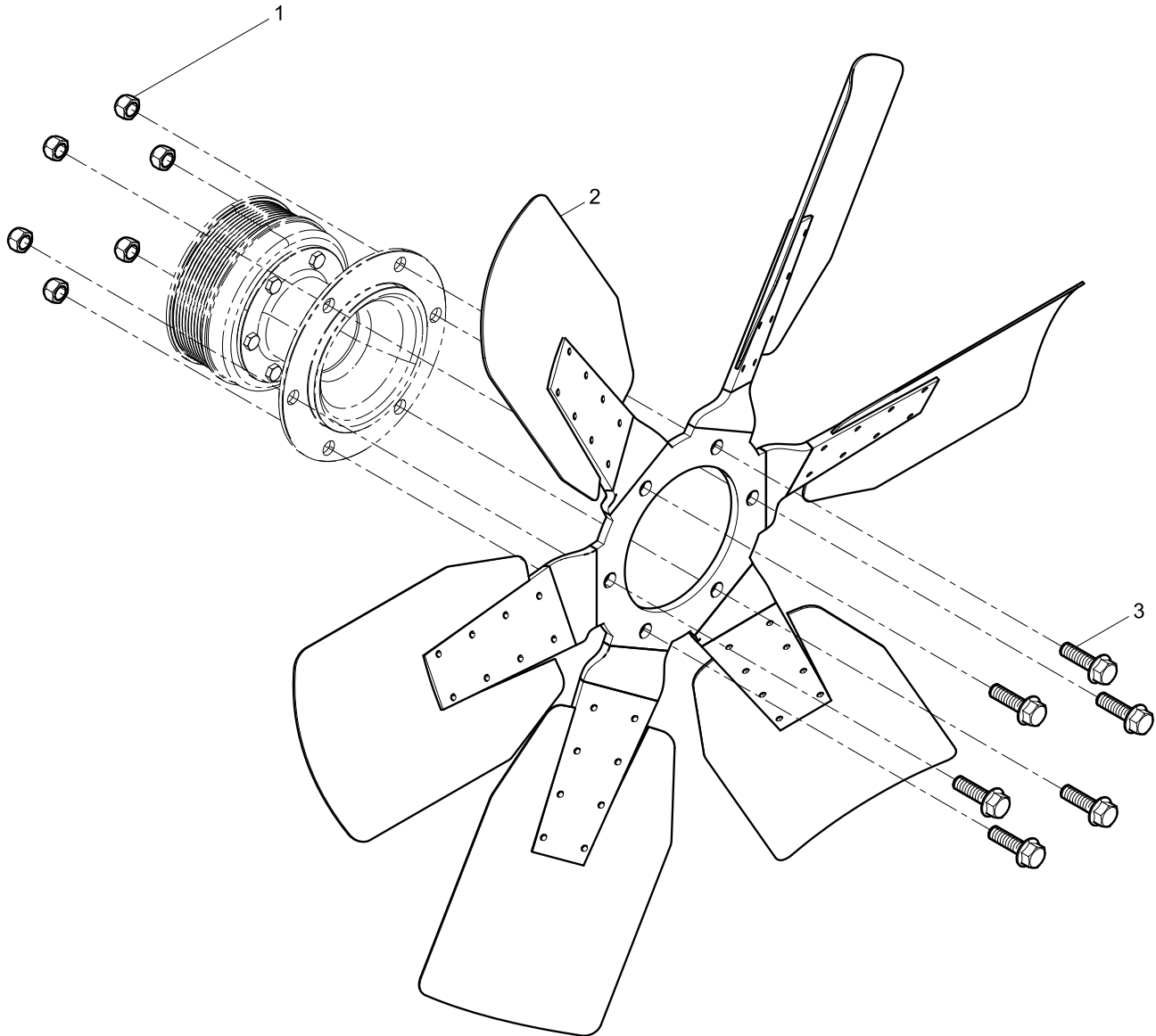
Water Pump Group

Pos.	Teile.Number	Amount	Designation
1	612630060056	1	Seal Ring
2	90003962019	1	Hexagon plug
3	612600050042	1	Sealing Washer
4	90017020003	1	Hexagon Screw Plug
5	13023361	1	Assembled Sealing Washer
6	612630060945	1	Conversion Adapter
7	90003962020	1	Hexagon plug
8	612600080200	1	Washer
9	612630060034	1	Water Pipe Connector
10	1001044631	1	Water Pump
11	90003800569	3	Hexagon Head Bolt
12	612639000035	2	Hexagon Head Bolt
13	612630061126	2	Thermostat
14	612630060067	2	Seal Ring

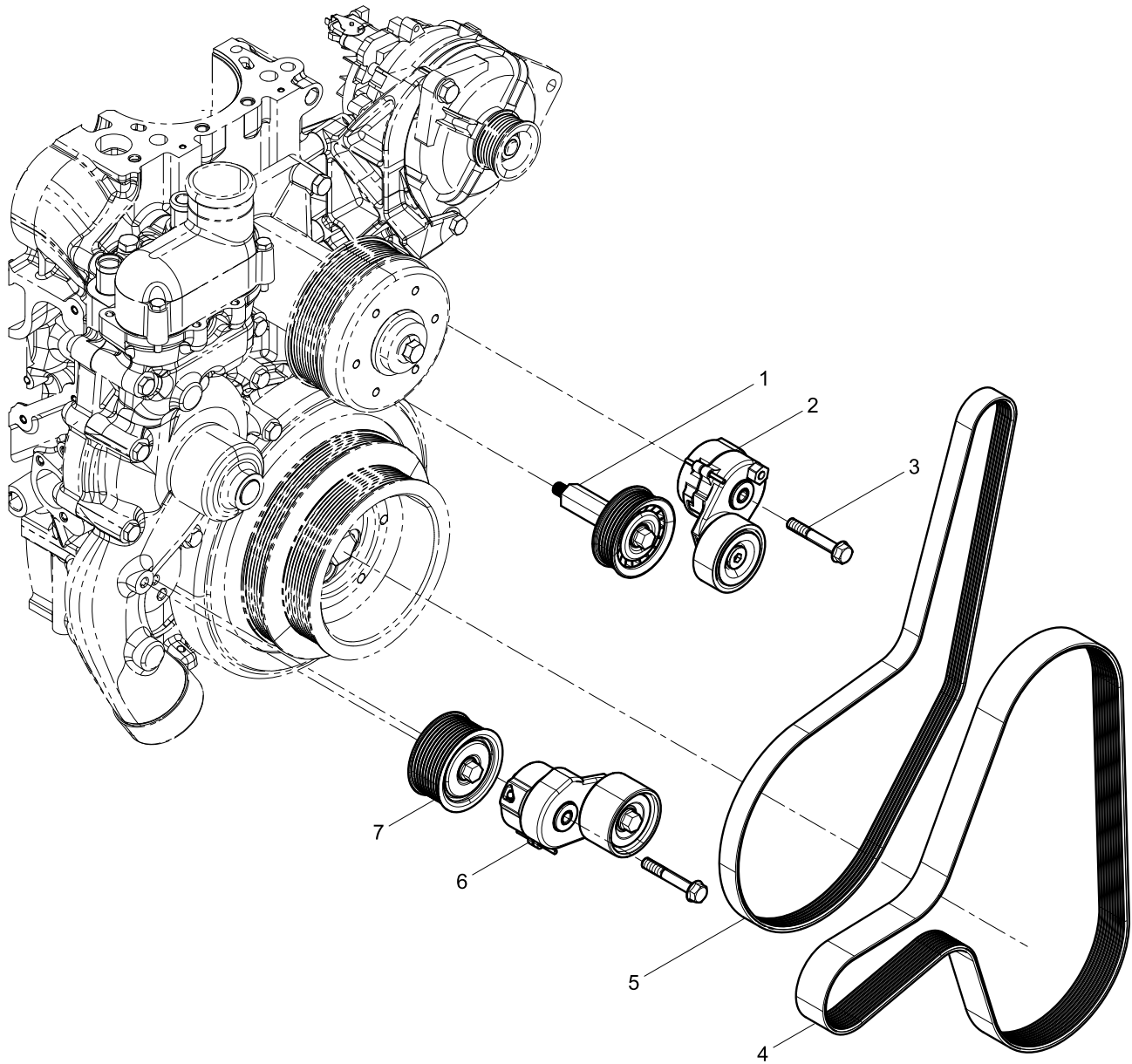
Fan Bracket Group



Fan and Hub Group



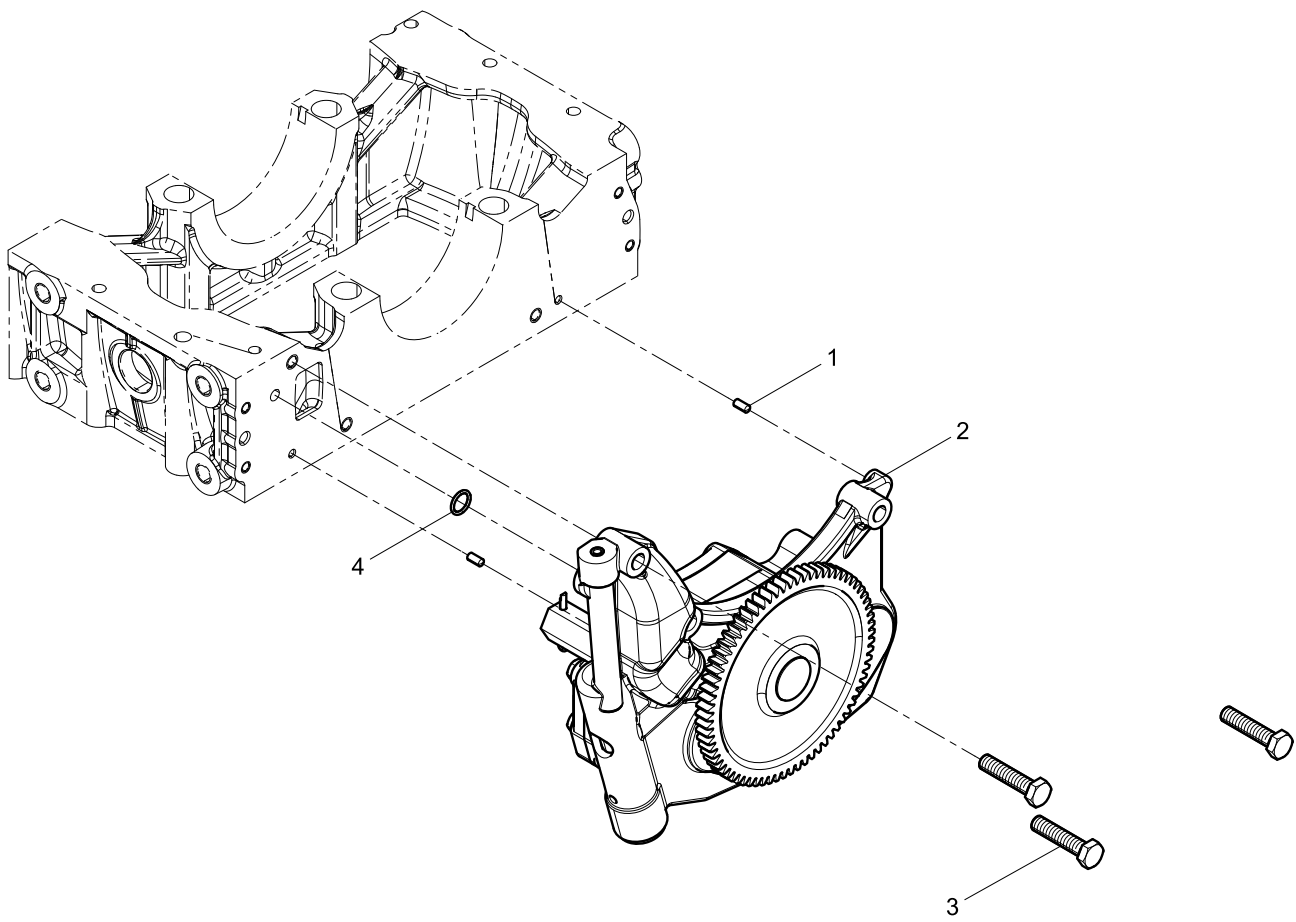
Tensioner and belt assembly



Tensioner and belt assembly

Pos.	Teile.Number	Amount	Designation
1	612630060068	1	Idle Wheel
2	612630060847	1	Automatic Tensioner
3	612639000096	2	Hexagon Head Bolt
4	612630060212	1	Poly V Belt
5	612630060057	1	Poly V Belt
6	612630060837	1	Automatic Tensioner
7	612630060838	1	Idle Wheel

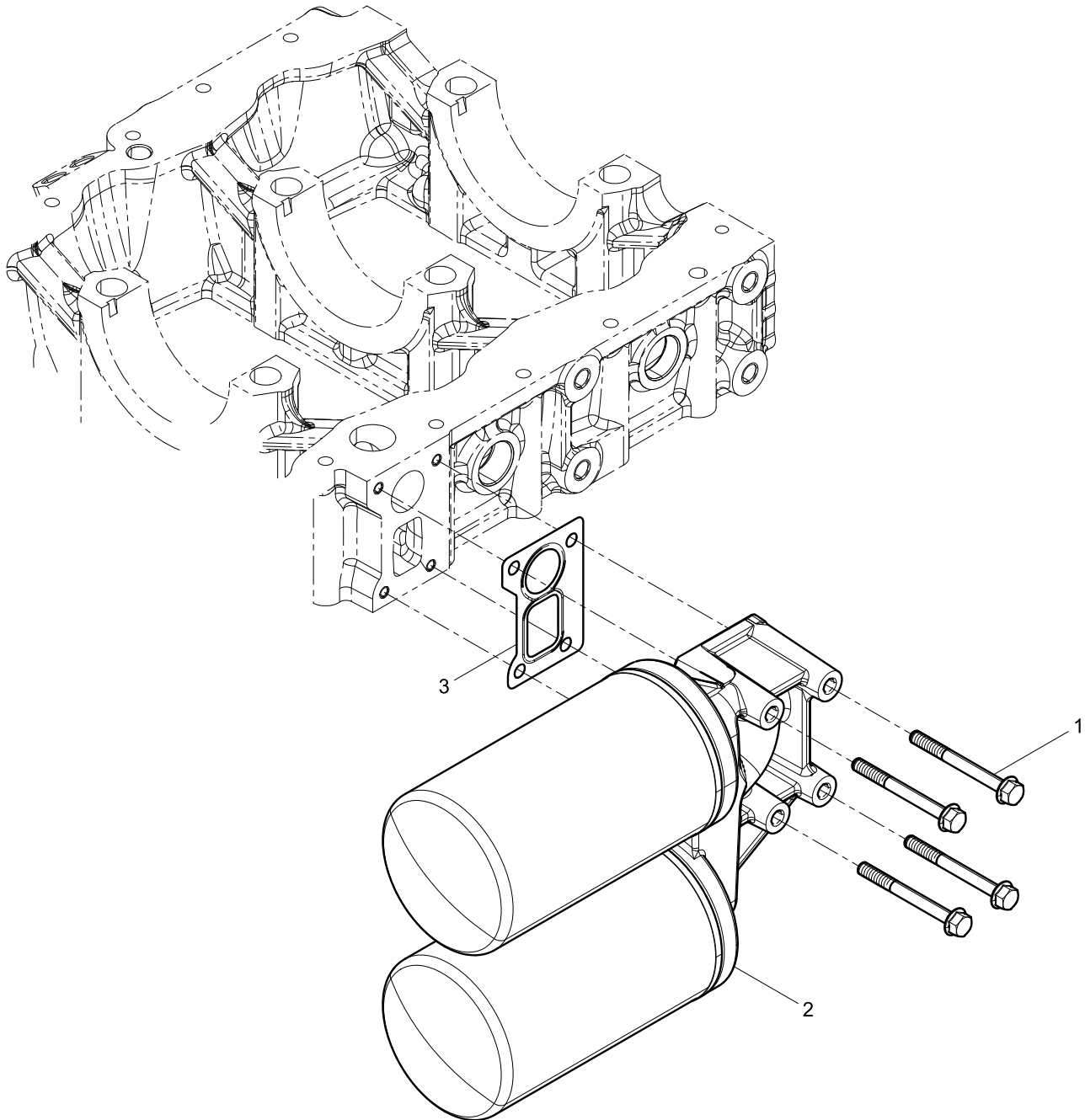
Oil Pump Group



Oil Pump Group

Pos.	Teile.Number	Amount	Designation
1	612639000013	2	Parallel Pin
2	612700010007	1	Lubricating Oil Pump
3	612639000014S	3	Hexagon Head Bolt
4	612639000019	1	O-ring

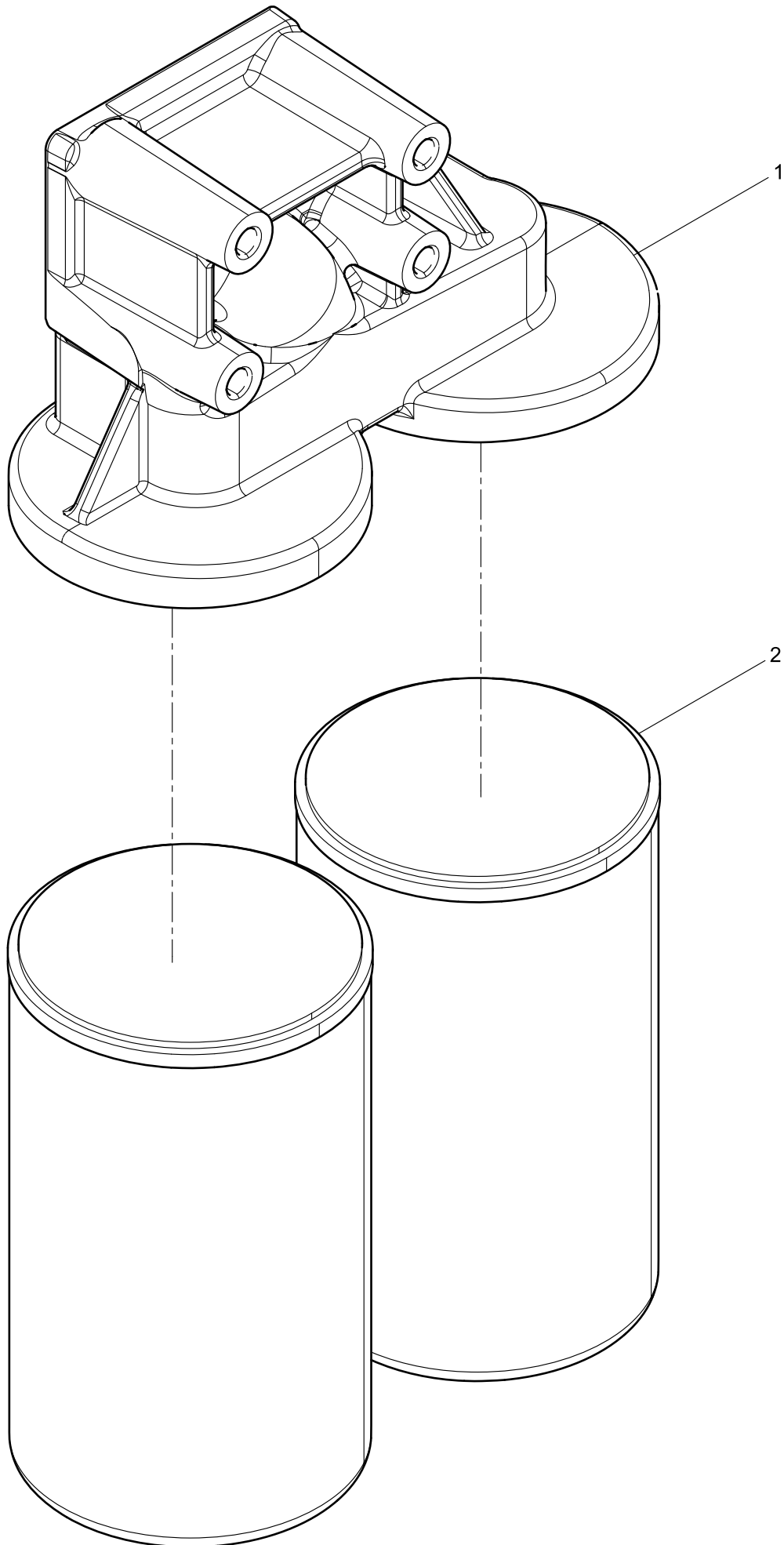
Oil Filter Group



Oil Filter Group

Pos.	Teile.Number	Amount	Designation
1	612639000078S	4	Hexagon Head Bolt
2	1001046569	1	Oil Filter
3	612630010660	1	Oil filter seat gasket

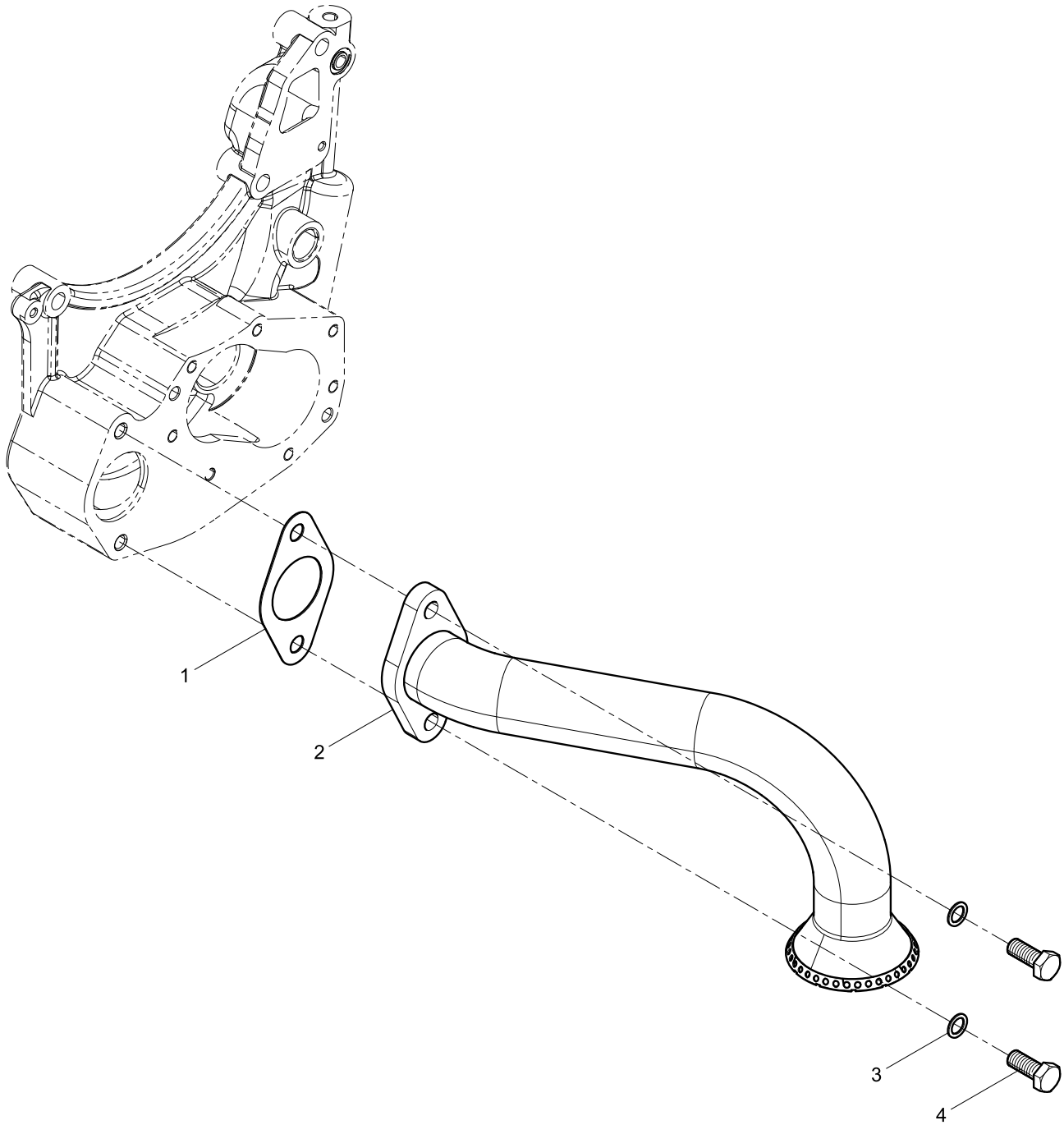
Oil Filter



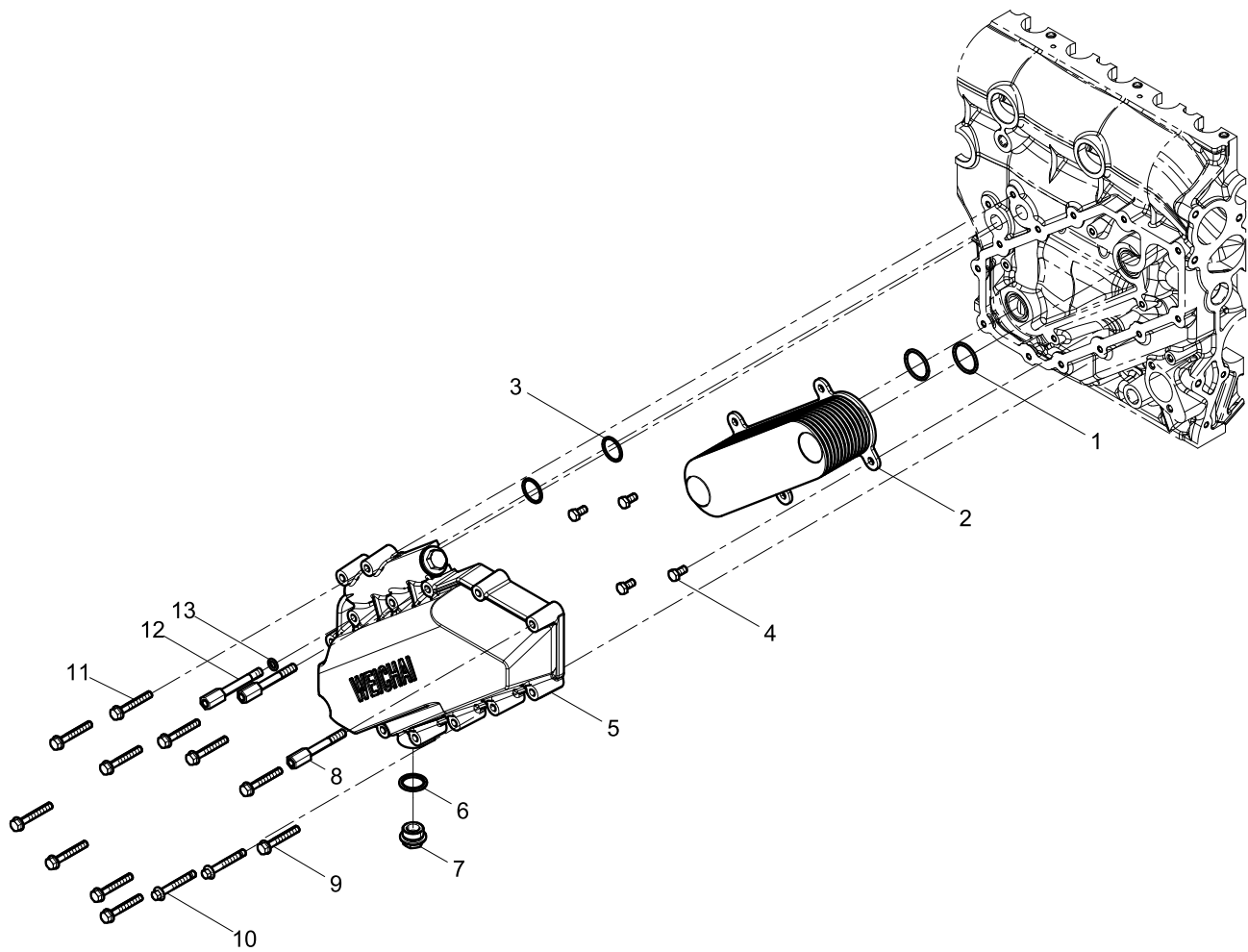
Oil Filter

Pos.	Teile.Number	Amount	Designation
1	612630010056	1	Oil Filter Seat
2	612630010506	2	Oil Filter

Oil Strainer Group



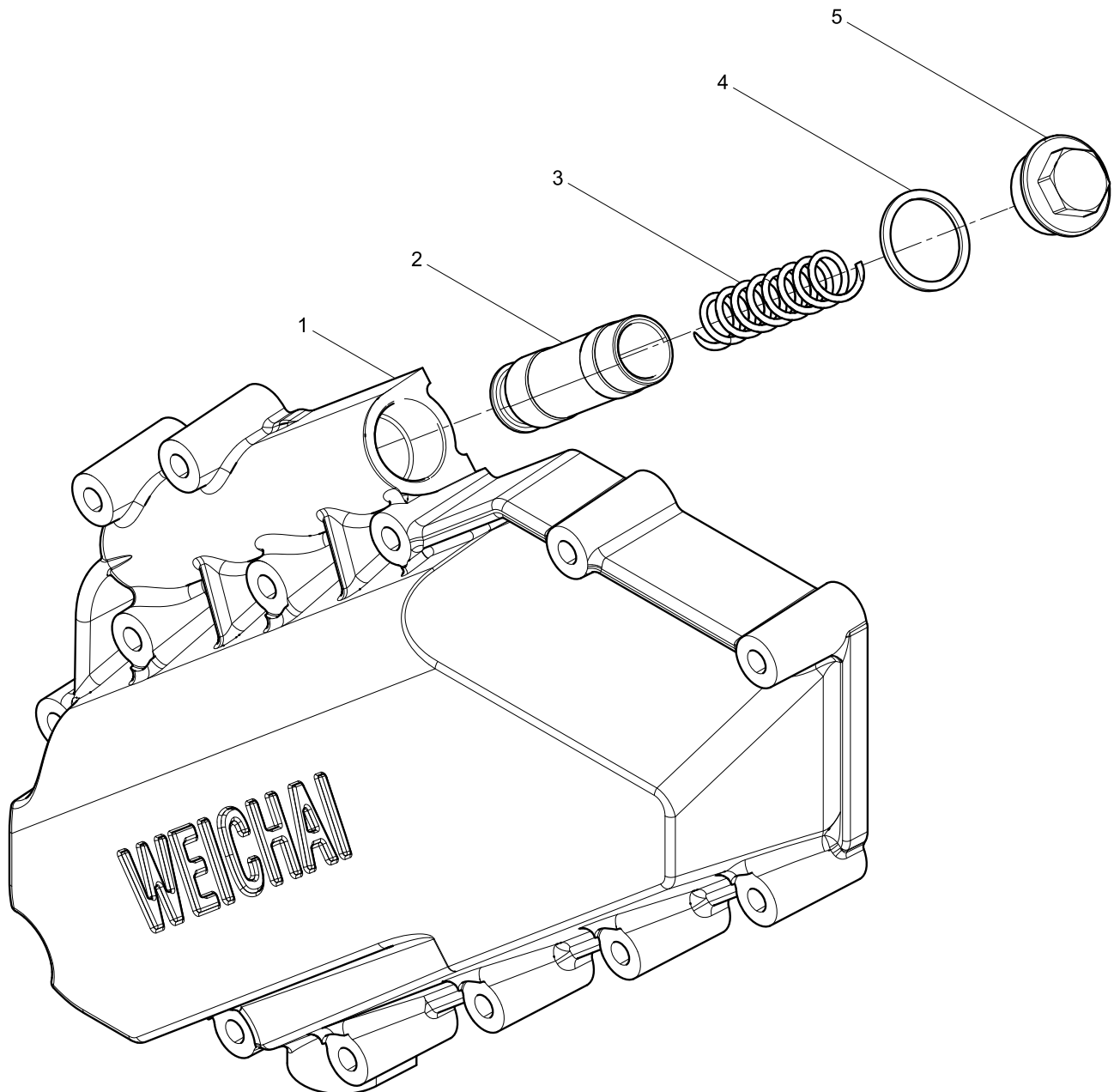
Oil Cooler Group



Oil Cooler Group

Pos.	Teile.Number	Amount	Designation
1	612630010107	2	O-ring
2	612700010021	1	Oil Cooler Assembly
3	612639000072	2	O-ring
4	90003802411S	4	Hexagon Head Bolt
5	1001021162	1	Oil Cooler Cap Assembly
6	612630010382	1	Assembled Sealing Washer
7	612639000067	1	Screw Plug
8	1000181085	2	Back-up Block
9	612639000073	9	Hexagon Head Bolt
10	90011410006	2	Hexagon Flange Bolt
11	90003802402	2	Hexagon Head Bolt
12	612600013554	1	Back-up Block
13	90003932023	1	Wave Spring Washer

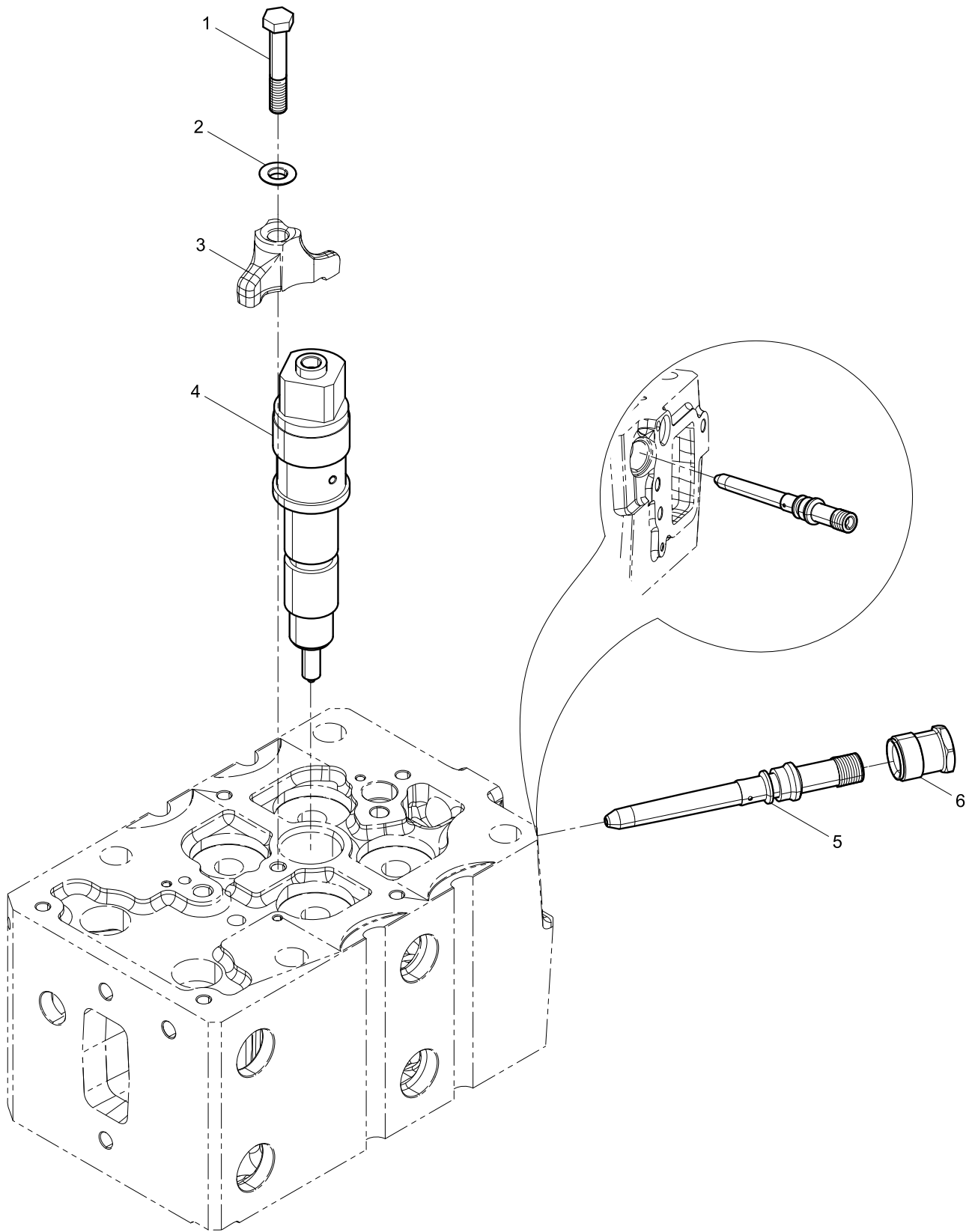
Oil Cooler Cap Assembly



Oil Cooler Cap Assembly

Pos.	Teile.Number	Amount	Designation
1	1001021163	1	Oil Cooler Cap
2	612630010052	1	Valve Body
3	612630010081	1	Return Spring
4	612639000069	1	Washer
5	612639000044	1	Screw Plug

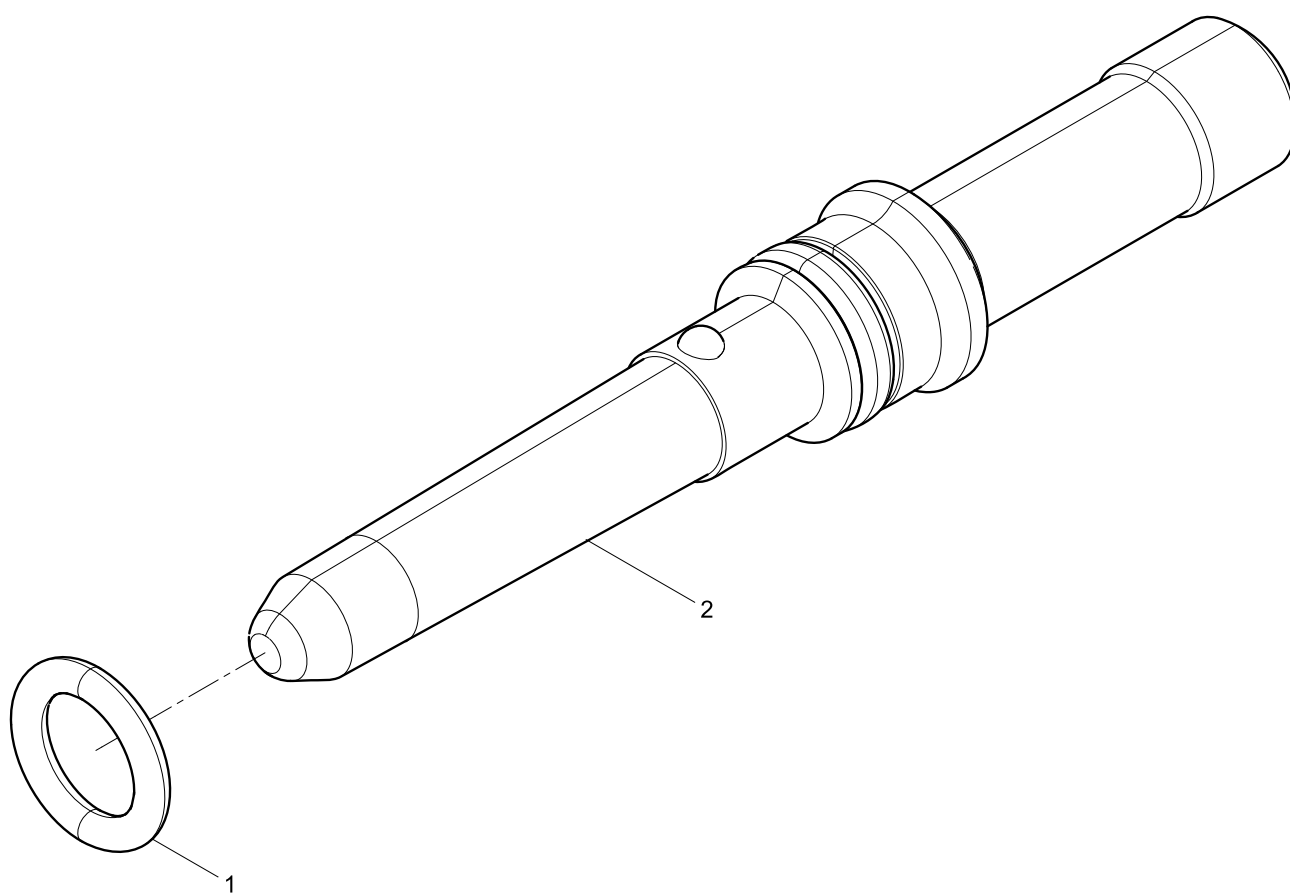
Fuel Injector Group



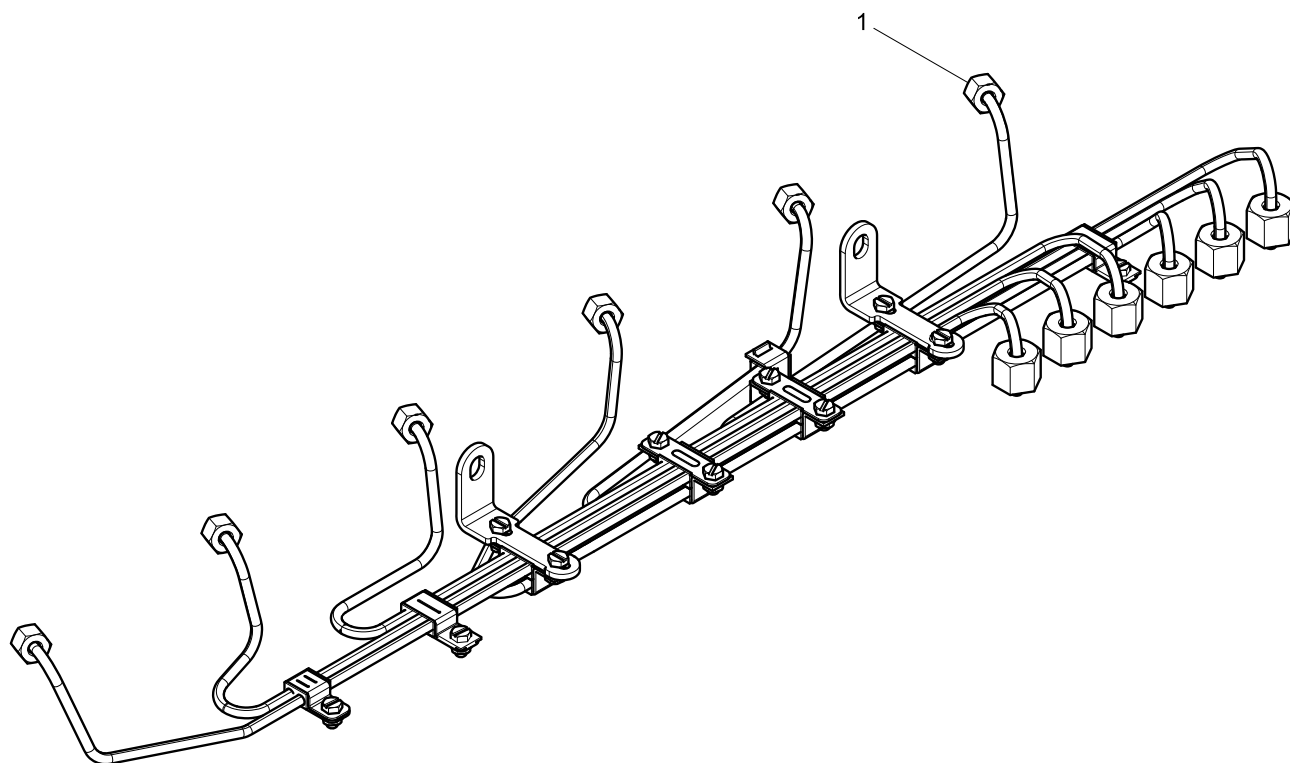
Fuel Injector Group

Pos.	Teile.Number	Amount	Designation
1	90011350017	6	Hexagon Head Bolt
2	612639000016	6	Ball washer
3	612630090002	6	Tight plate for injector
4	612700090016	6	Fuel Injector
5	612630090004	6	Adapter of High Pressure Pipe
6	612630090006	6	Nut

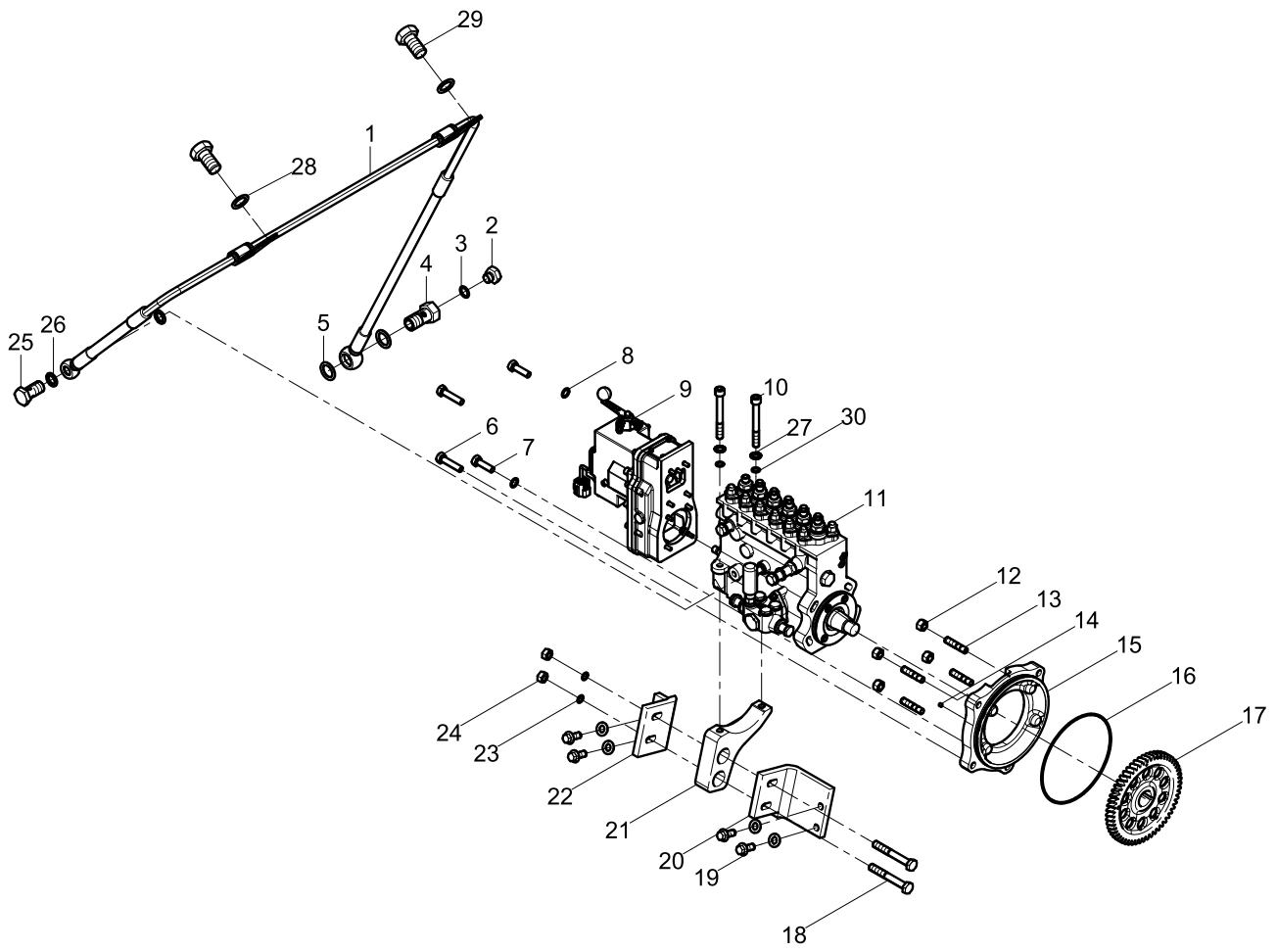
Adapter of High Pressure Pipe



High Pressure Fuel Pipe Group



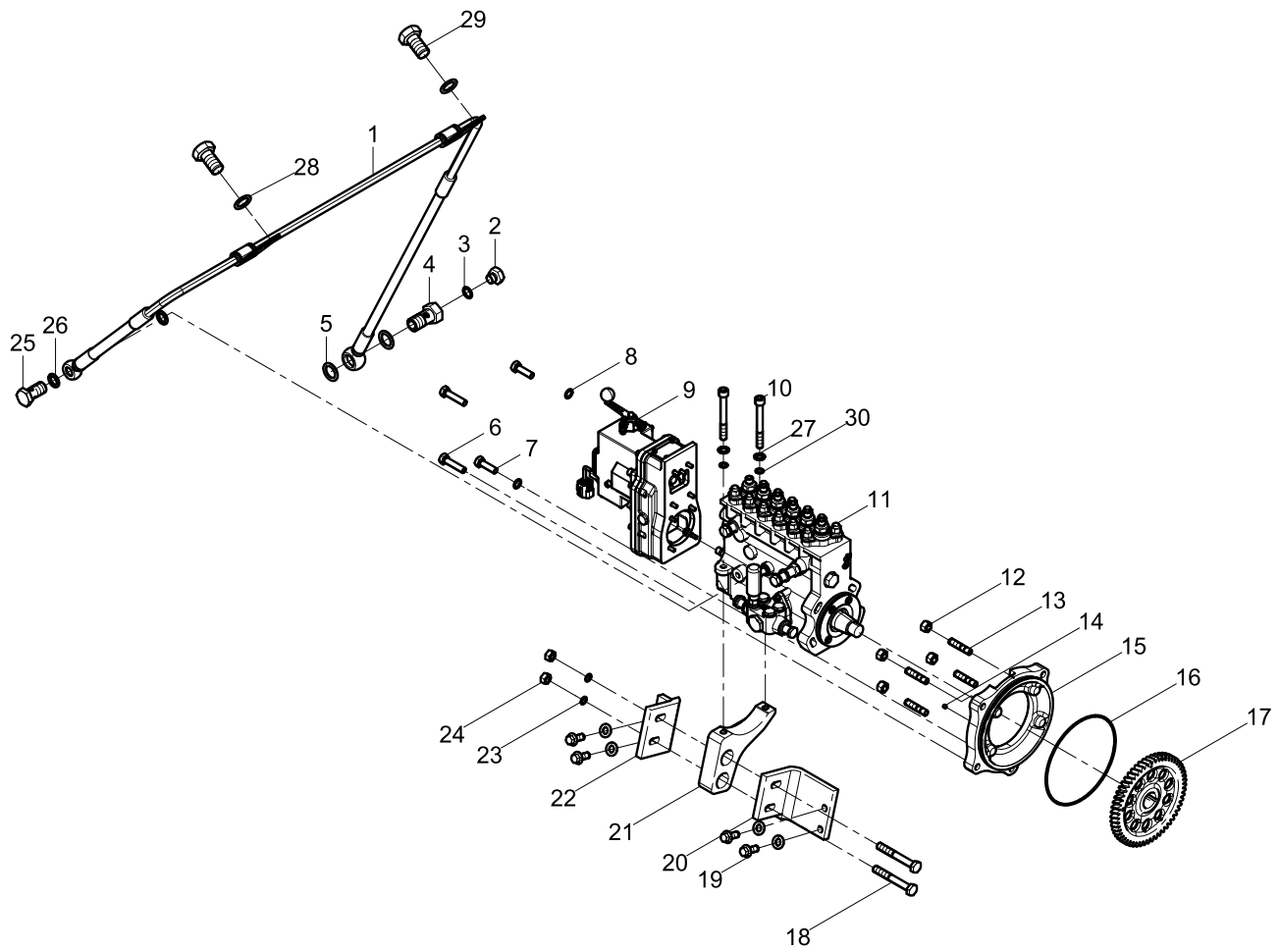
Fuel Injection Pump Group



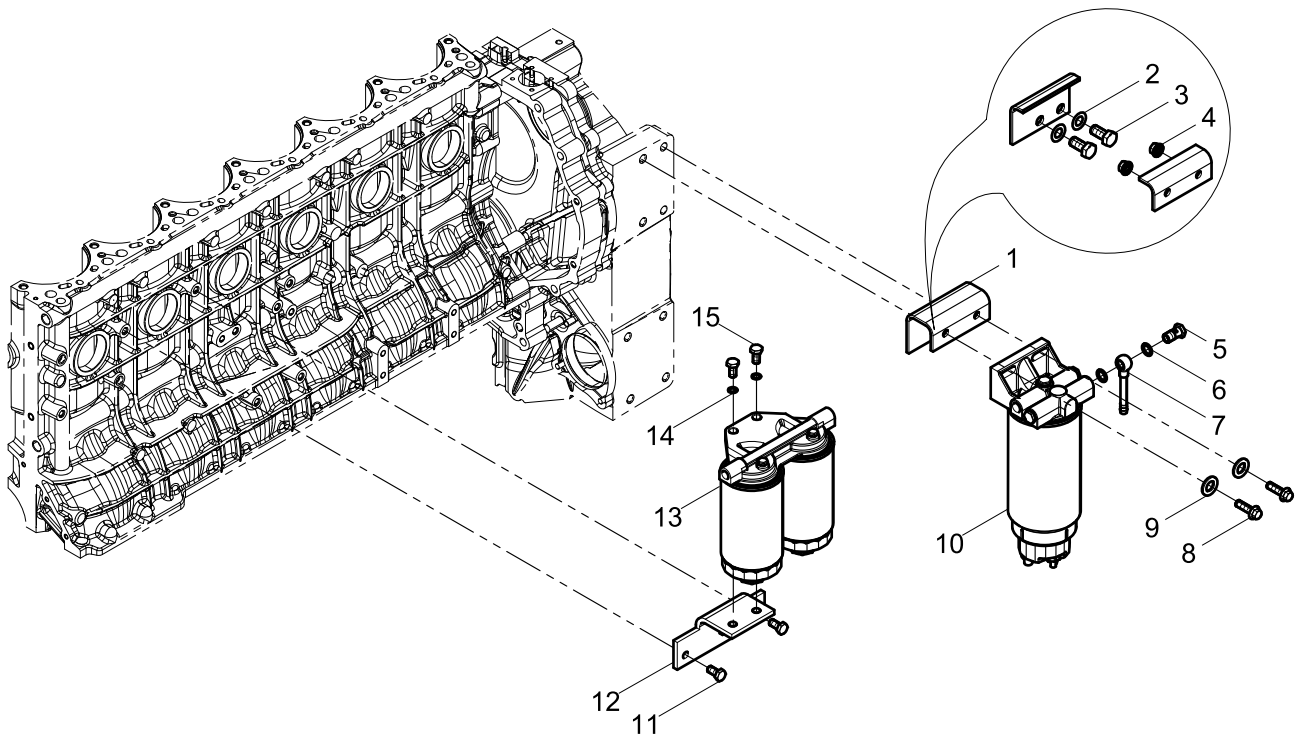
Fuel Injection Pump Group

Pos.	Teile.Number	Amount	Designation
1	612630080249	1	Fuel injection pump Oil pipe assembly
2	90003962014	1	Hexagon plug
3	90003098010	1	Sealing Washer
4	612600083019	1	Bolt
5	90003098015	2	Sealing Washer
6	90003802542S	2	Hexagon Head Bolt
7	90003802532S	2	Hexagon Head Bolt
8	90003931122	2	Spring Washer
9	1000943160	1	Electromagnetic Actuator
10	90013050028	2	Screw
11	1000943171	1	Fuel Injection Pump
12	90003888452	4	Prevailing Torque Type All-metal Hexagon Nut,
13	90003813537S	4	Double End Stud
14	612639000065	1	Screw
15	612700030018	1	Fuel Injection Pump Flange
16	612700030010	1	Fuel Injection Pump Flange Rubber Ring
17	612700030017	1	Fuel Injection Pump Gear
18	90003802561	2	Hexagon Head Bolt
19	90011430008	4	Hexagon Flange with Tooth Bolt
20	612630080180	1	Right bracket
21	612630080179	1	Bracket
22	612630080178	1	Bracket (left)
23	90014040008	8	Plain Washer
24	90003871305	2	Hexagon Nuts, Style 1
25	612630030055	1	Bolt
26	612600080246	2	Washer
27	18872339	2	Washer

Fuel Injection Pump Group



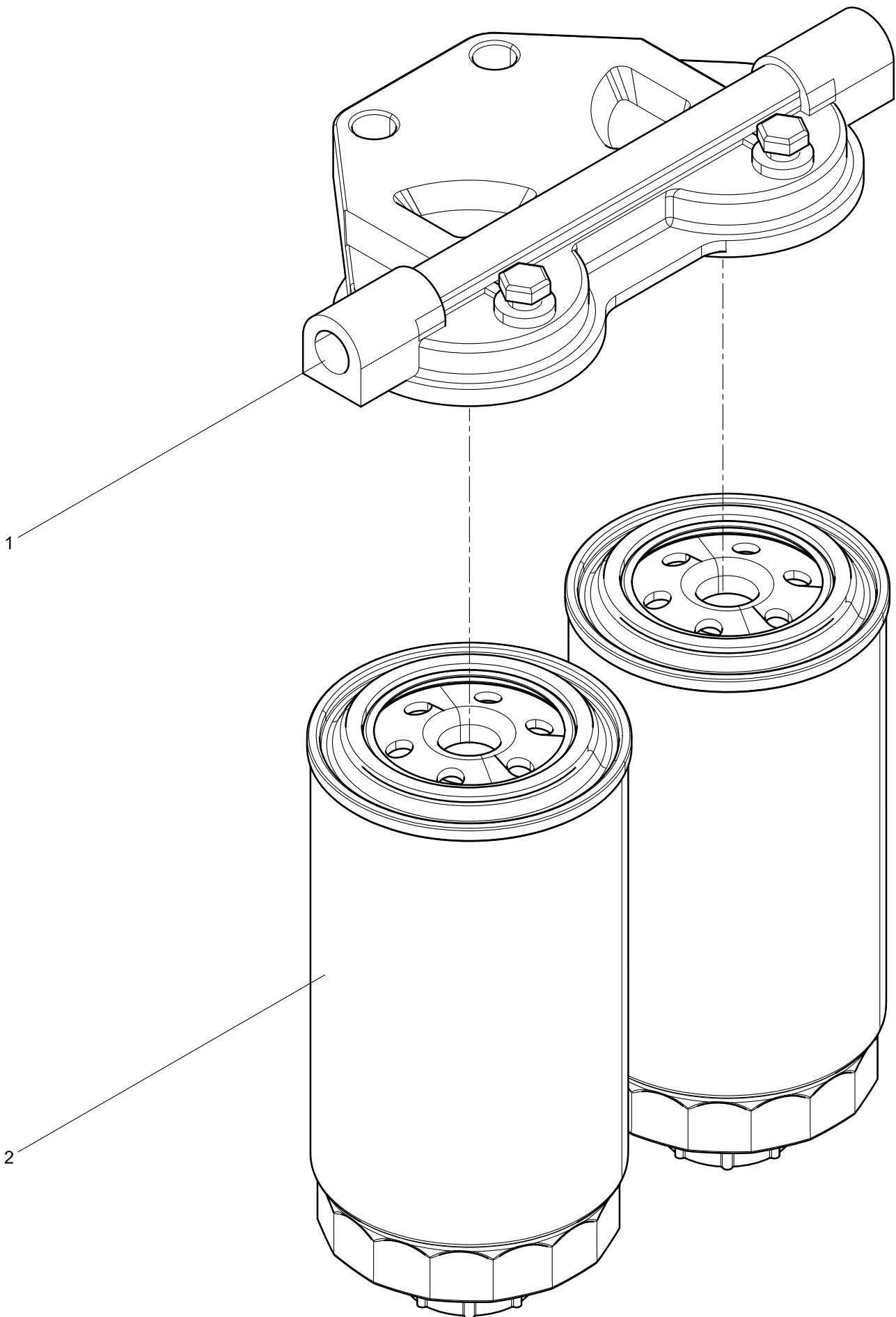
Fuel Filter Group



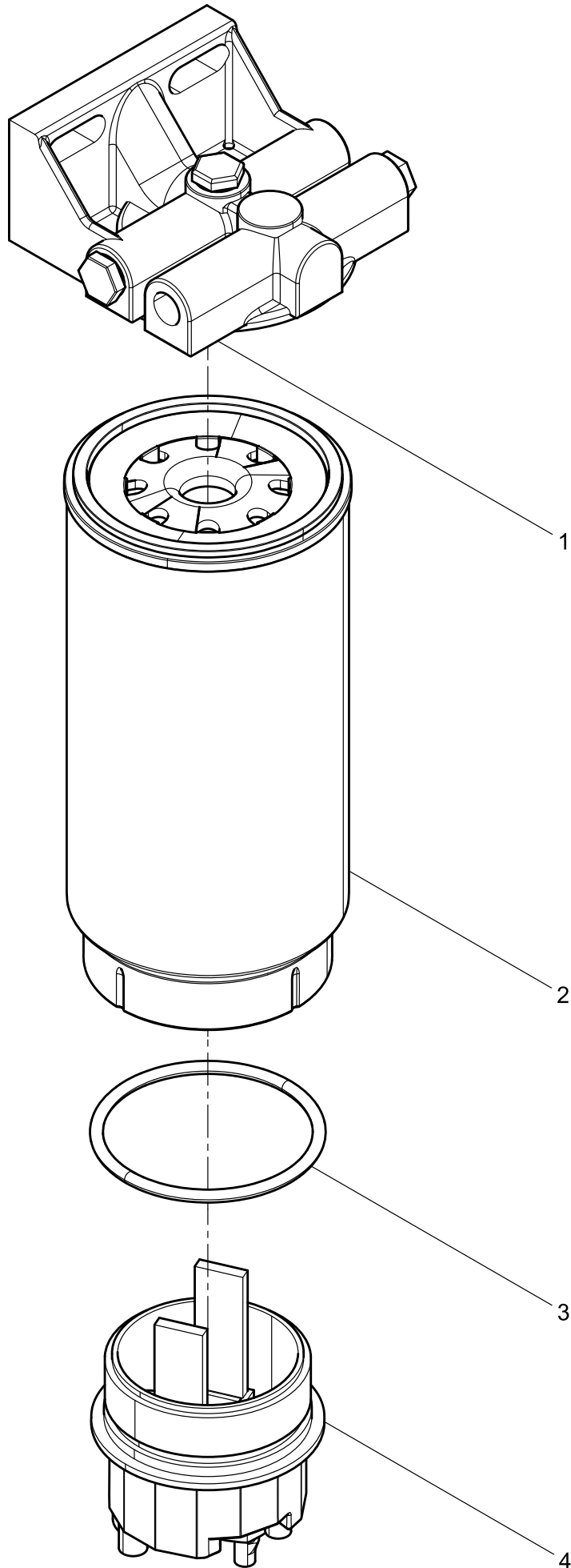
Fuel Filter Group

Pos.	Teile.Number	Amount	Designation
1	612700080020	1	Fuel Filter Bracket
2	90014230004	2	Wave Spring Washer
3	90011360001	2	Hexagon Head Bolt
4	612600061720	2	Prevailing Torque Type Hexagon Nut with Flange
5	90003962621	1	Hollow screw
6	90003098015	2	Sealing Washer
7	612600080172	1	Pipe Joint
8	90011430009	2	Hexagon Flange with Tooth Bolt
9	90014330007	2	Plain Washer
10	1001059180	1	Fuel Coarse Filter
11	90003802519	2	Hexagon Head Bolt
12	612600080521	1	Fuel Filter Group
13	1001058618	1	Fuel Filter
14	90014040008	2	Plain Washer
15	90003802627	2	Hexagon Head Bolt

Fuel Filter



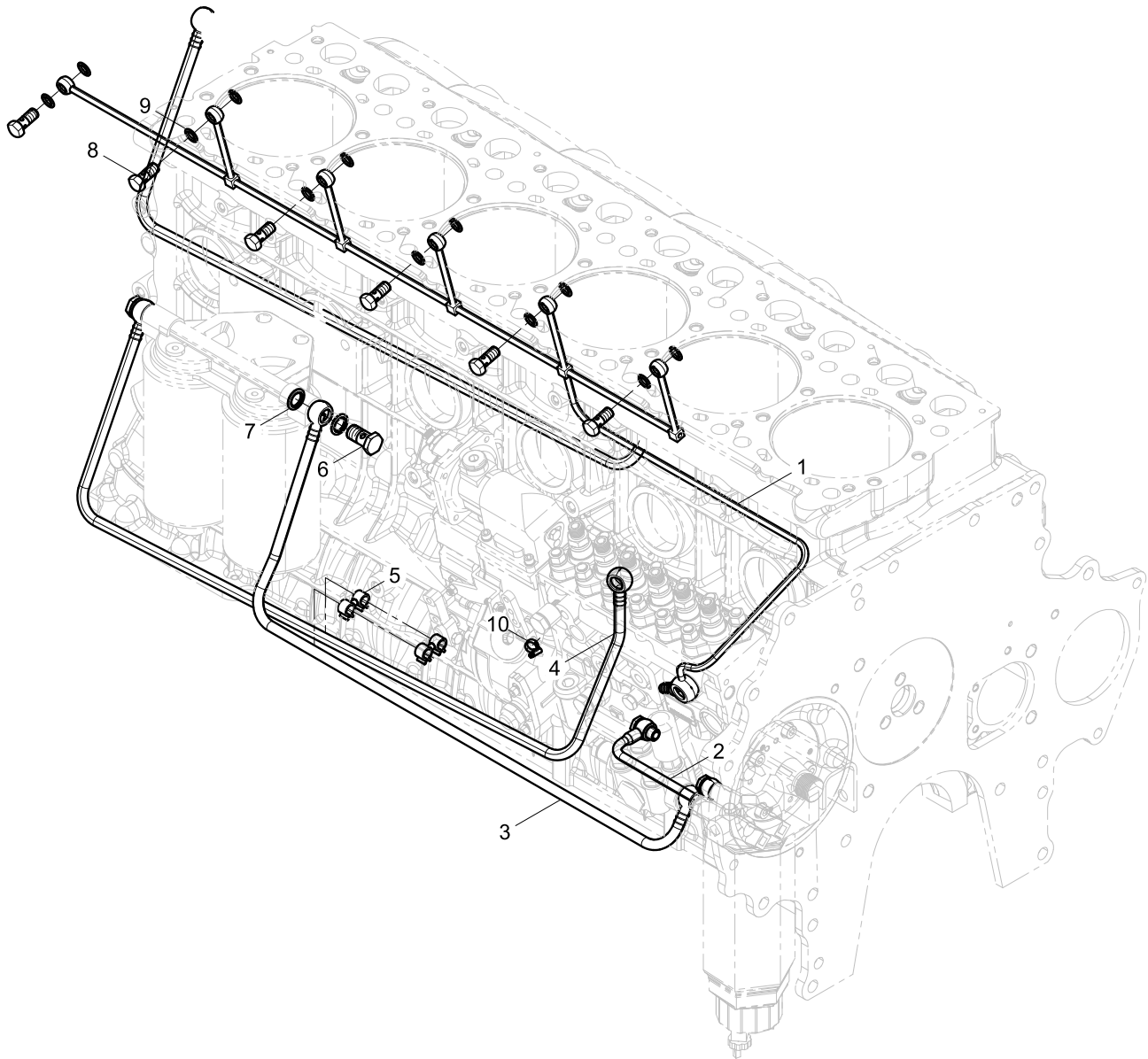
Fuel Coarse Filter



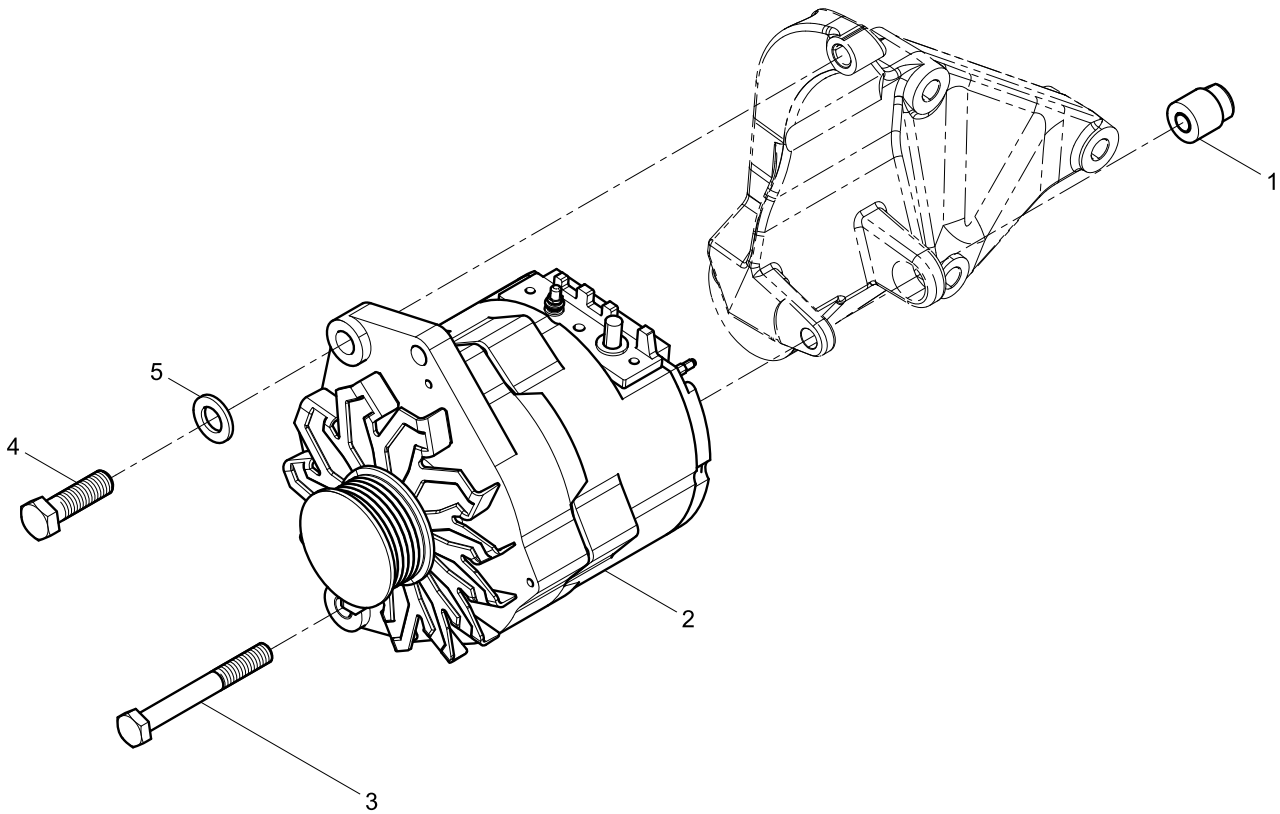
Fuel Coarse Filter

Pos.	Teile.Number	Amount	Designation
1	612600081321	1	Fuel Filter Seat
2	1001044161	1	Fuel Coarse Filter Element
3	612600081327	1	Seal Ring
4	612600081322	1	Water Cup Assembly

Low Pressure Fuel Pipe Group



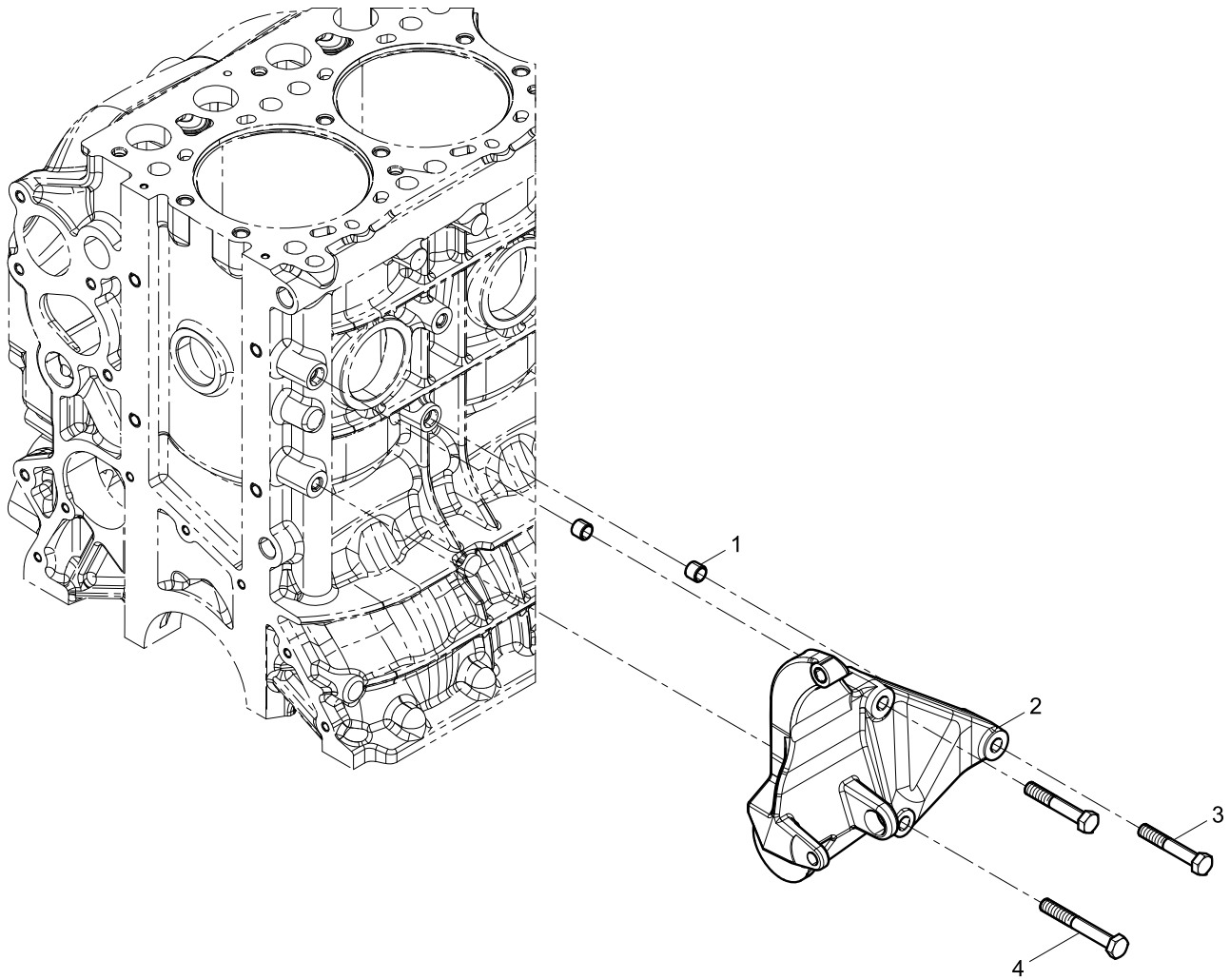
Alternator Group



Alternator Group

Pos.	Teile.Number	Amount	Designation
1	612630060040	1	Nut
2	1000884973	1	Alternator
3	90003800579	1	Hexagon Head Bolt
4	90003800619	1	Hexagon Head Bolt
5	612639000071	1	Washer

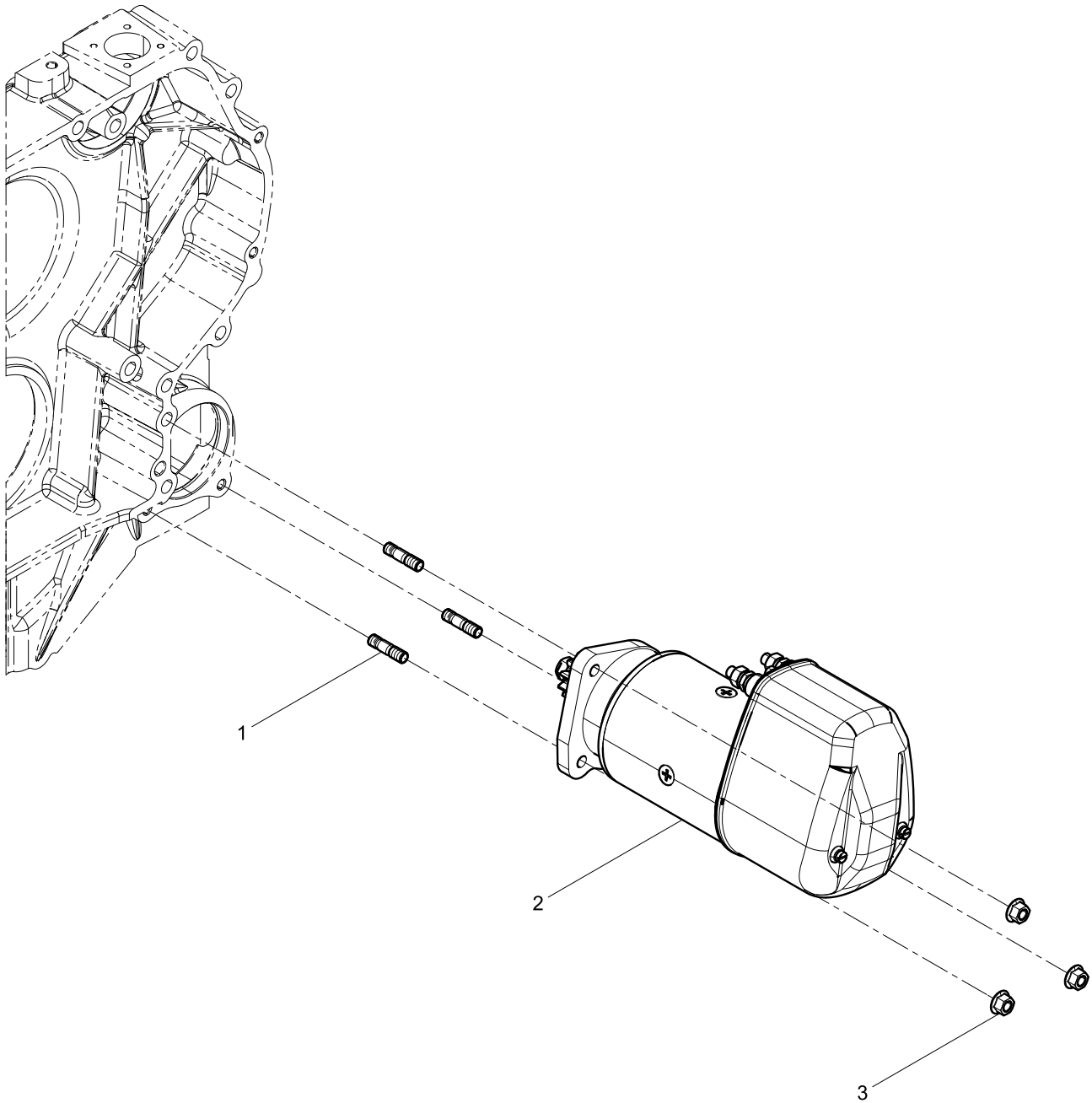
Alternator Bracket Group



Alternator Bracket Group

Pos.	Teile.Number	Amount	Designation
1	612630060041	2	Plastic Insert
2	612630060249	1	Alternator Bracket
3	90011350033	2	Hexagon Head Bolt
4	90003802561	1	Hexagon Head Bolt

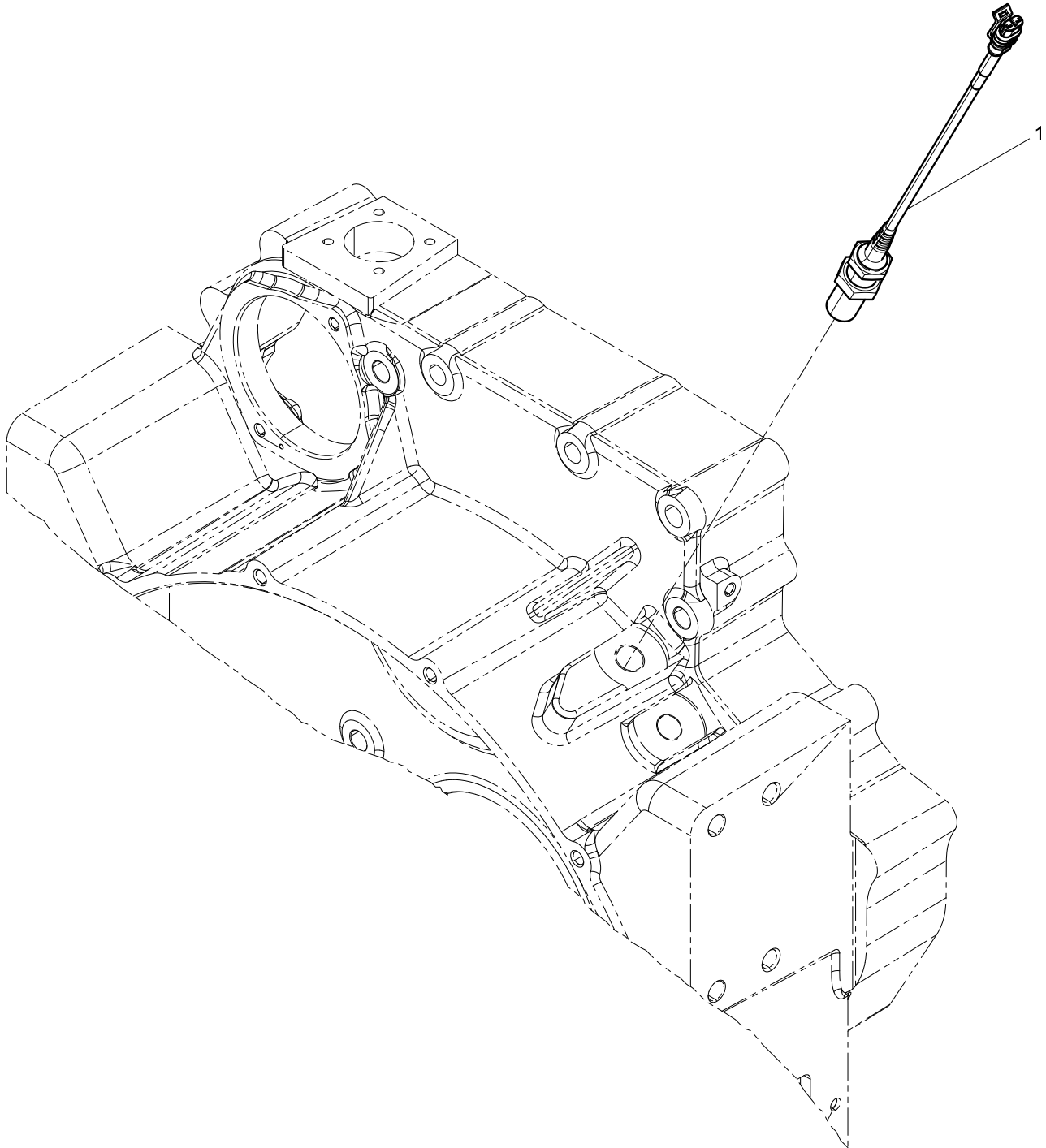
Starter Motor Group



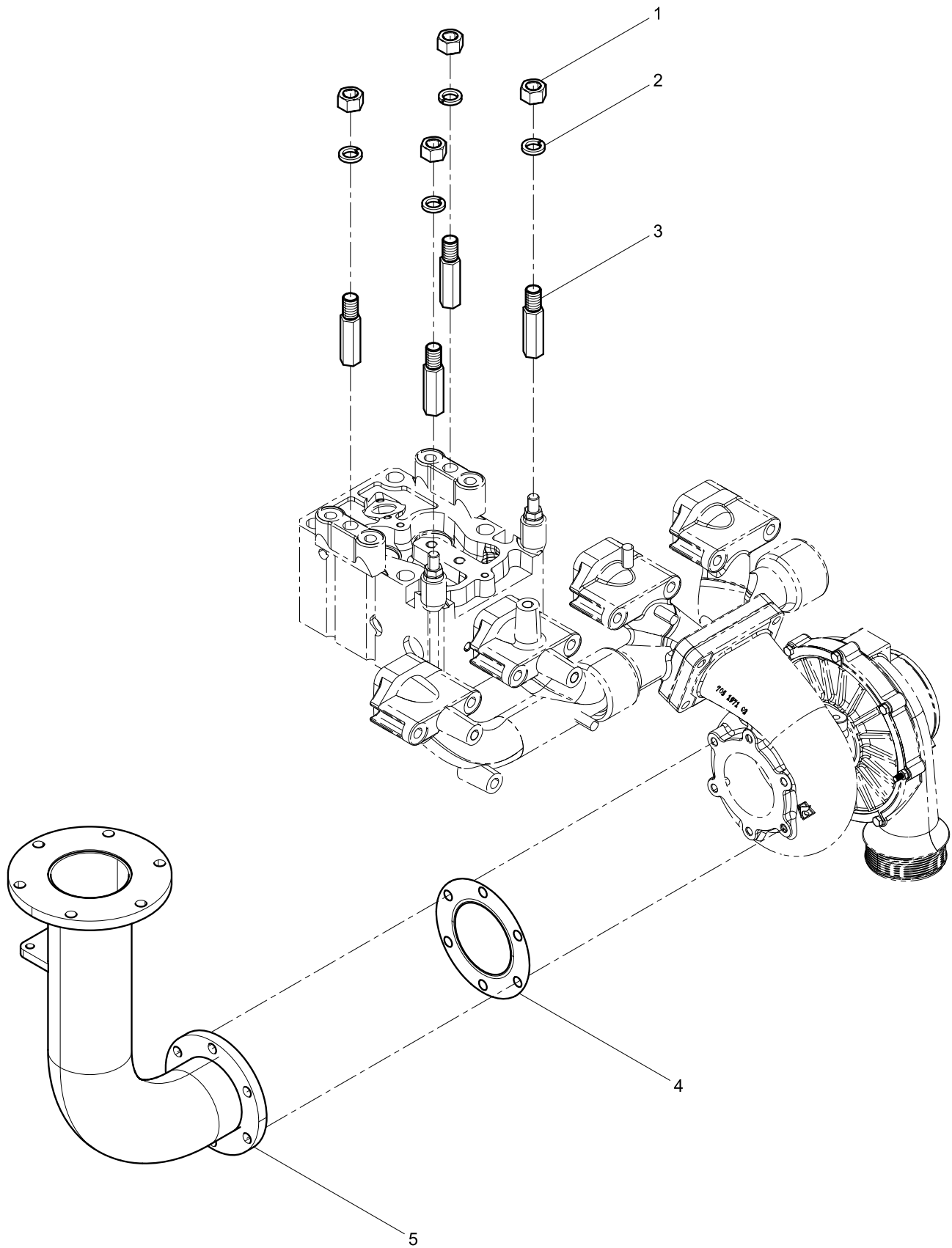
Starter Motor Group

Pos.	Teile.Number	Amount	Designation
1	90003813527	3	Double End Stud
2	612600090494	1	Starter Motor
3	612600013602	3	Hexagon Flange Nut

General-use Wire and Sensor Group



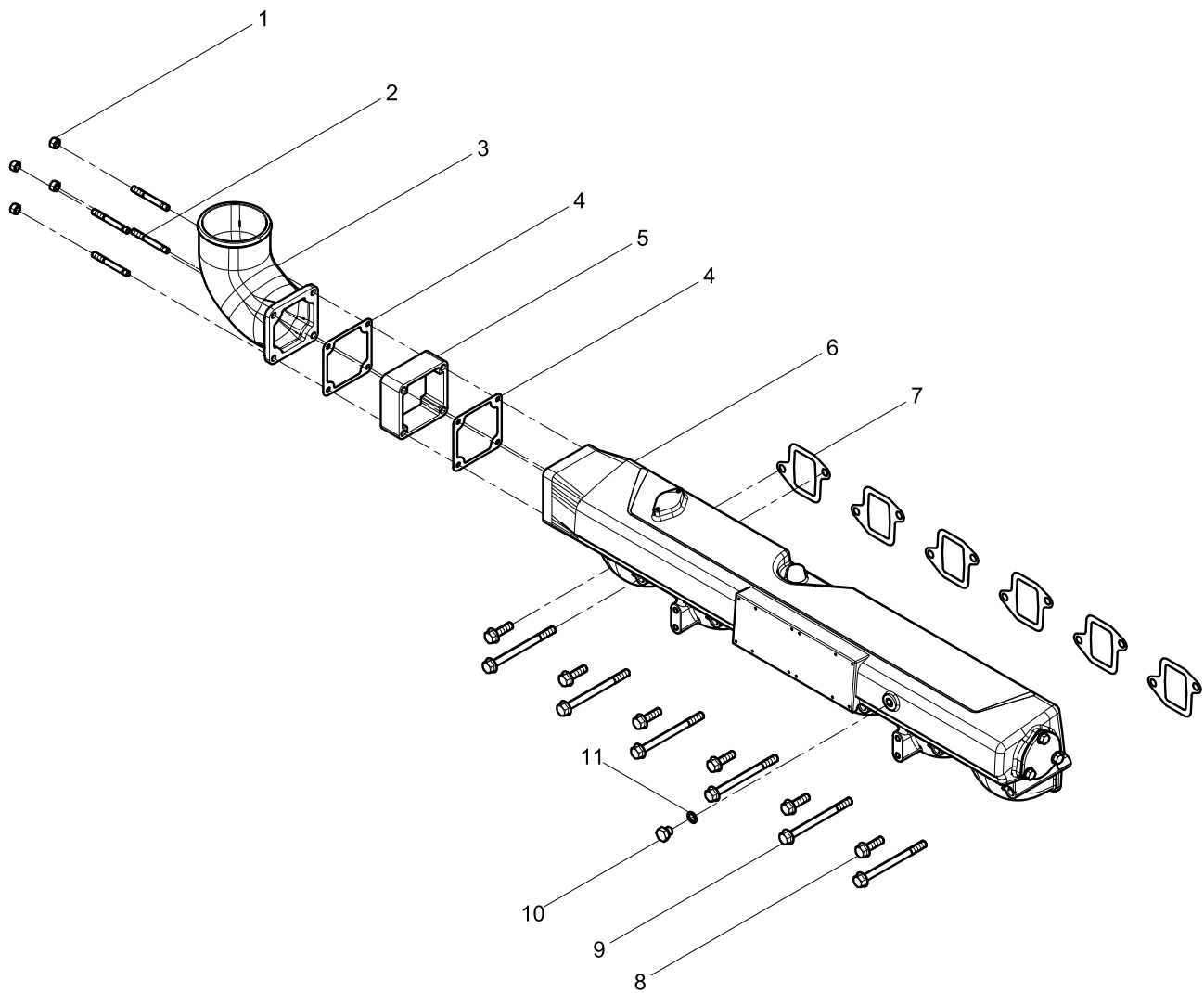
Rear Exhaust Manifold Group



Rear Exhaust Manifold Group

Pos.	Teile.Number	Amount	Designation
1	90012210009	4	Hexagon Nuts, Style 1
2	90014350008	4	Spring Washer
3	612700110010	4	Screw
4	612600115408	1	Gasket
5	612700110006	1	ExhaustConnecting Pipe

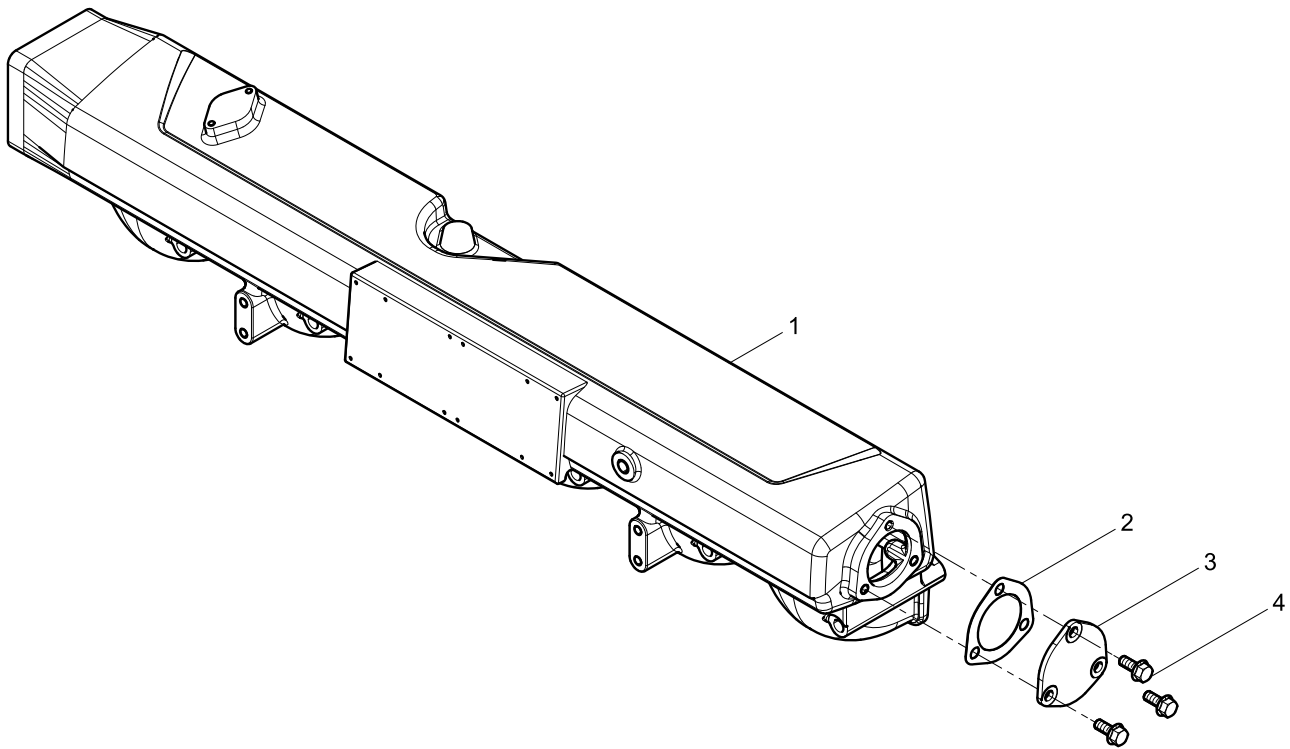
Intake Manifold Group



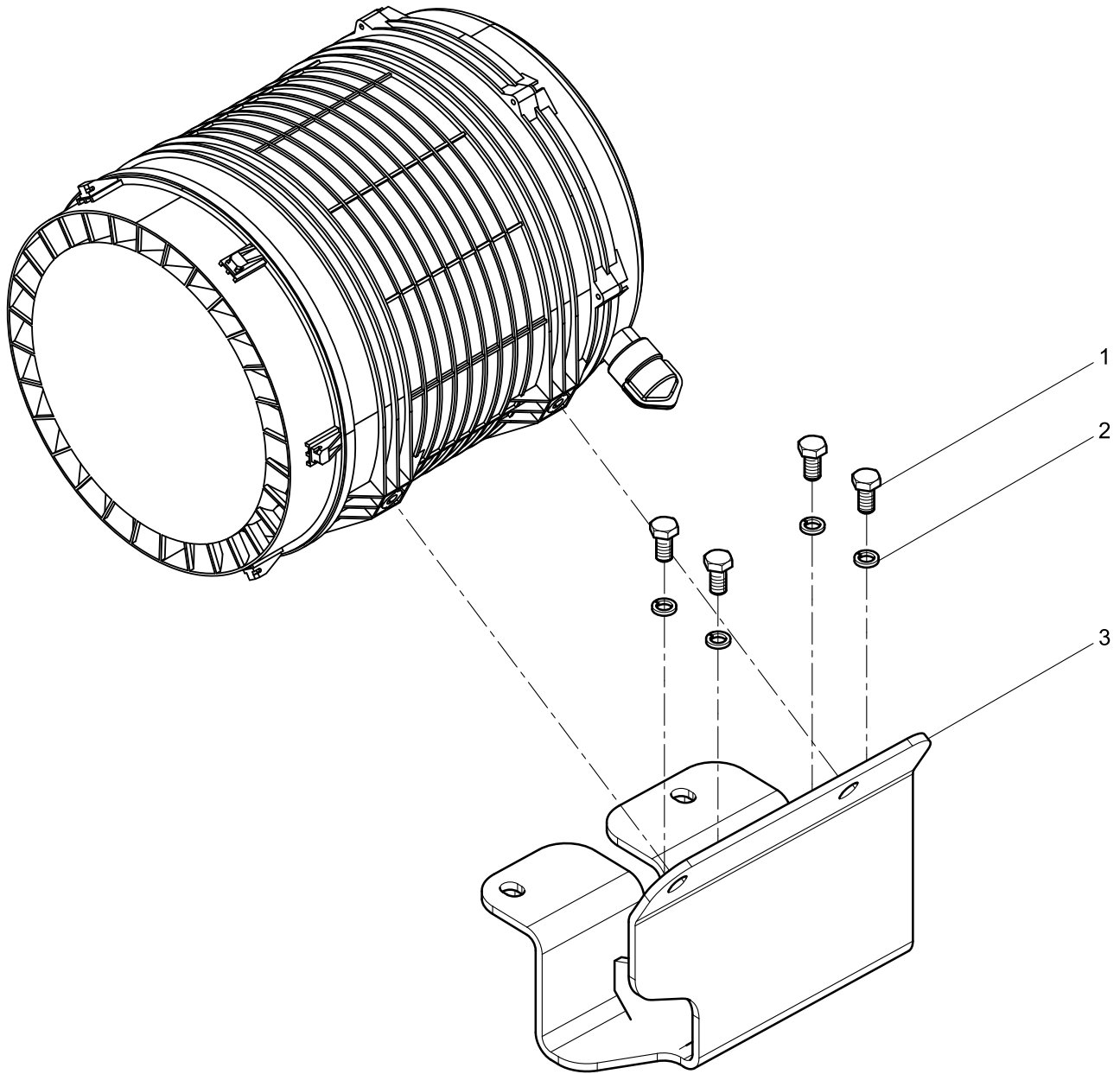
Intake Manifold Group

Pos.	Teile.Number	Amount	Designation
1	90003888451	4	Prevailing Torque Type All-metal Hexagon Nut,
2	90003813470	4	Double End Stud
3	612630120045	1	Intake Connecting Pipe
4	612630120002	2	Gasket
5	612600113013	1	Flange
6	1001047663	1	Intake Manifold Assembly
7	612630120005	6	Gasket
8	612639000002	6	Hexagon Head Bolt
9	612639000003	6	Hexagon Head Bolt
10	90003962019	1	Hexagon plug
11	13023359	1	Assembled Sealing Washer

Intake Manifold Assembly



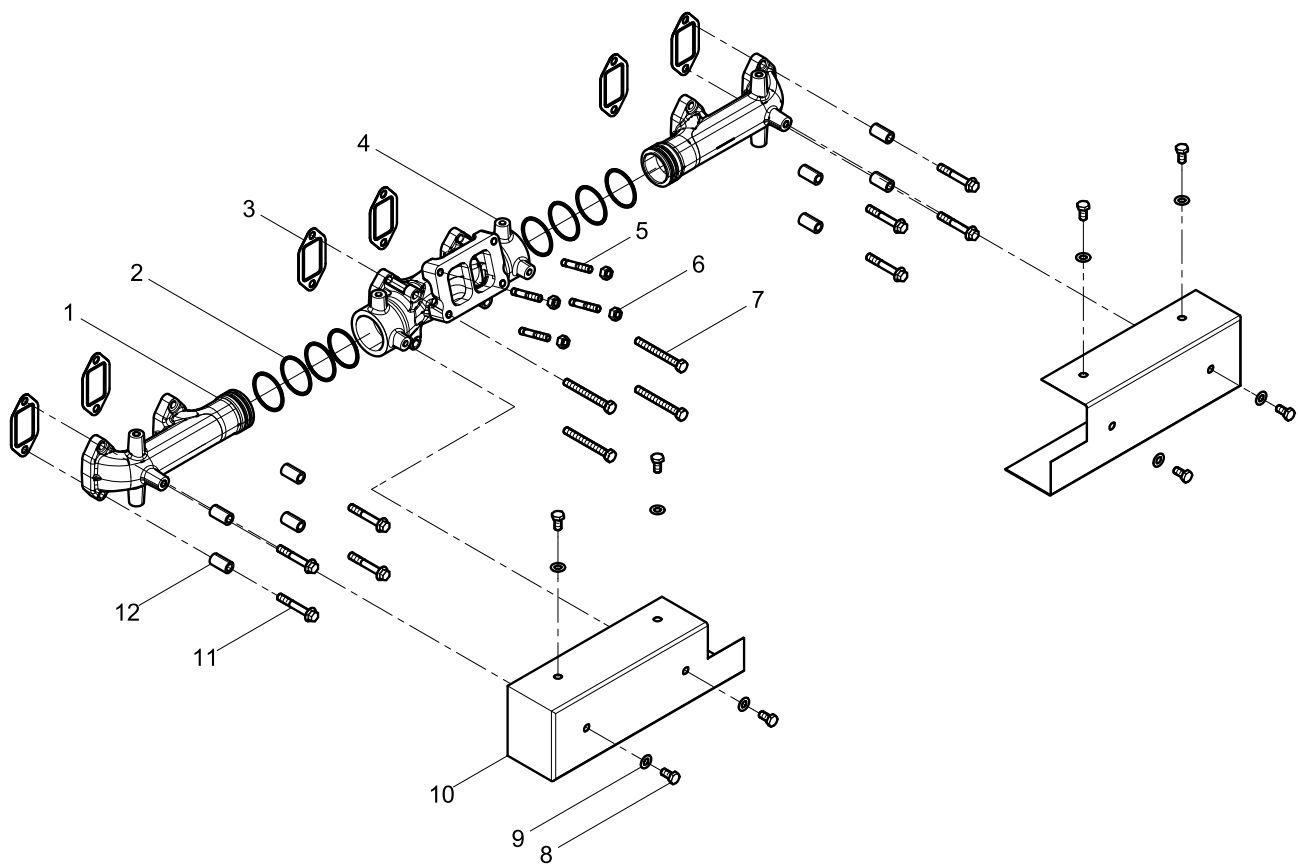
Air Filter Group



Air Filter Group

Pos.	Teile.Number	Amount	Designation
1	90011350026	4	Hexagon Head Bolt
2	90003931122	4	Spring Washer
3	612700120019	1	Air Filter Bracket

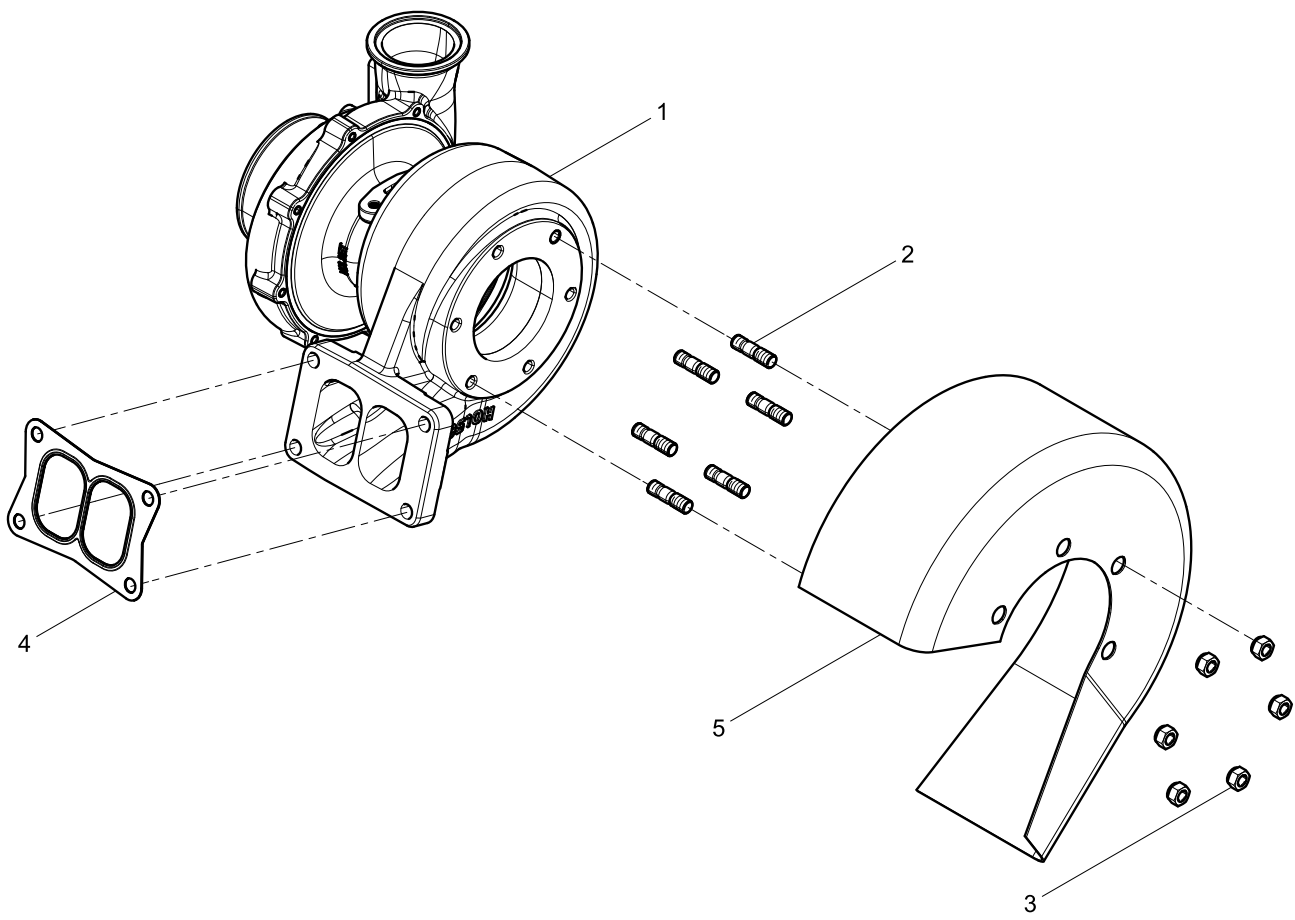
Exhaust Manifold Group



Exhaust Manifold Group

Pos.	Teile.Number	Amount	Designation
1	612630110149	2	Exhaust Manifold
2	612630110024	8	Exhaust Pipe Sealing Ring
3	612630110710	6	Exhasut Manifold Gasket
4	612630110294	1	Exhaust Manifold
5	612630110047	4	Double End Stud
6	612630110043	4	Hexagon Nut
7	61560110104	4	Tightening bolt of Exhaust Manifold
8	90003802511	8	Hexagon Head Bolt
9	90003932024	8	Wave Spring Washer
10	612630110371	1	Exhaust Manifold Heat Shield
11	612630110958	8	Exhaust Manifold Bolt
12	612630110005	8	Sleeve

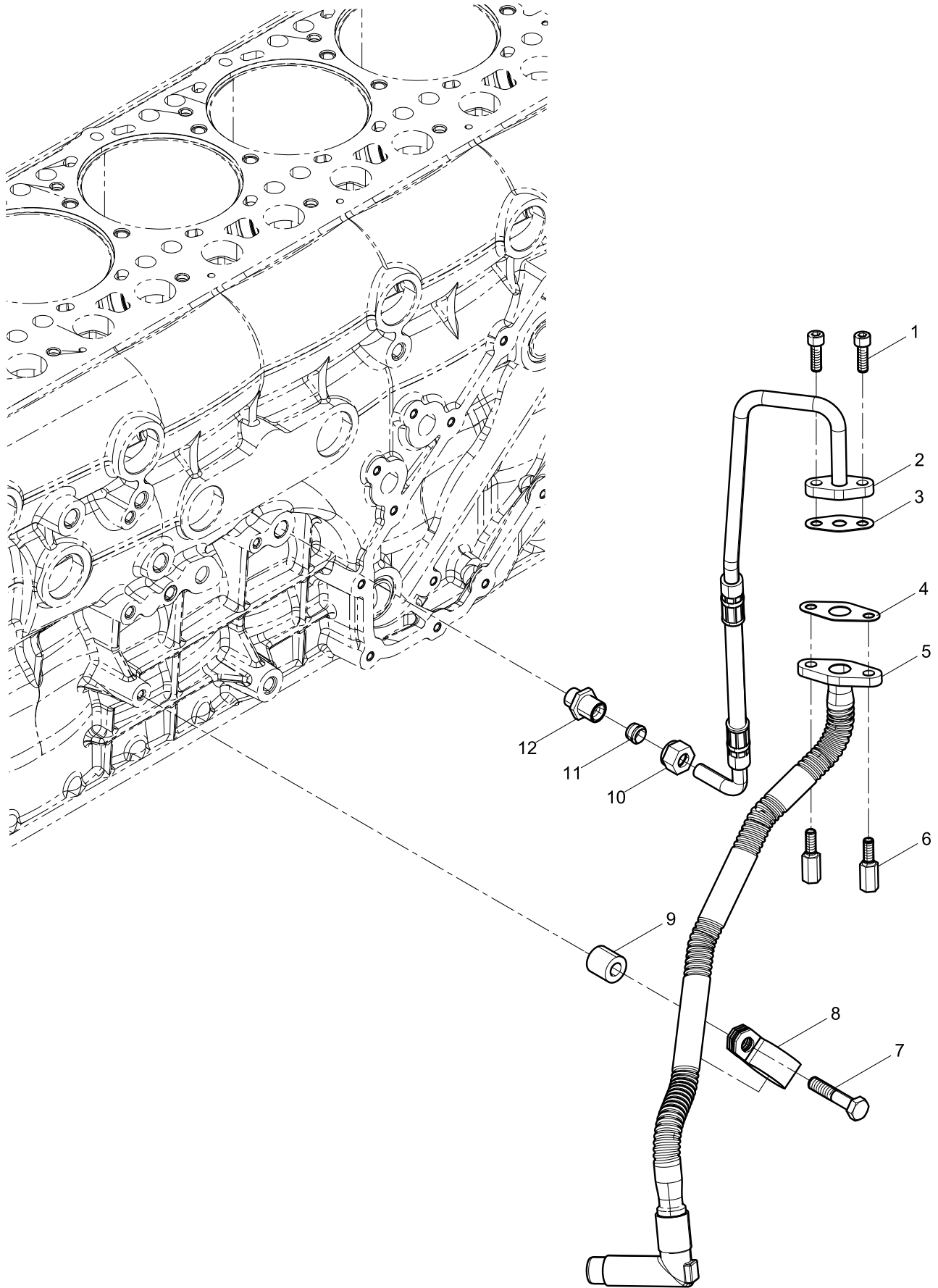
Turbocharger Group



Turbocharger Group

Pos.	Teile.Number	Amount	Designation
1	1000951745	1	Turbocharger
2	81560110187	6	Double End Stud
3	612630110043	6	Hexagon Nut
4	61560110210	1	Turbocharger washer
5	612600110669	1	Turbocharger Heat Shield

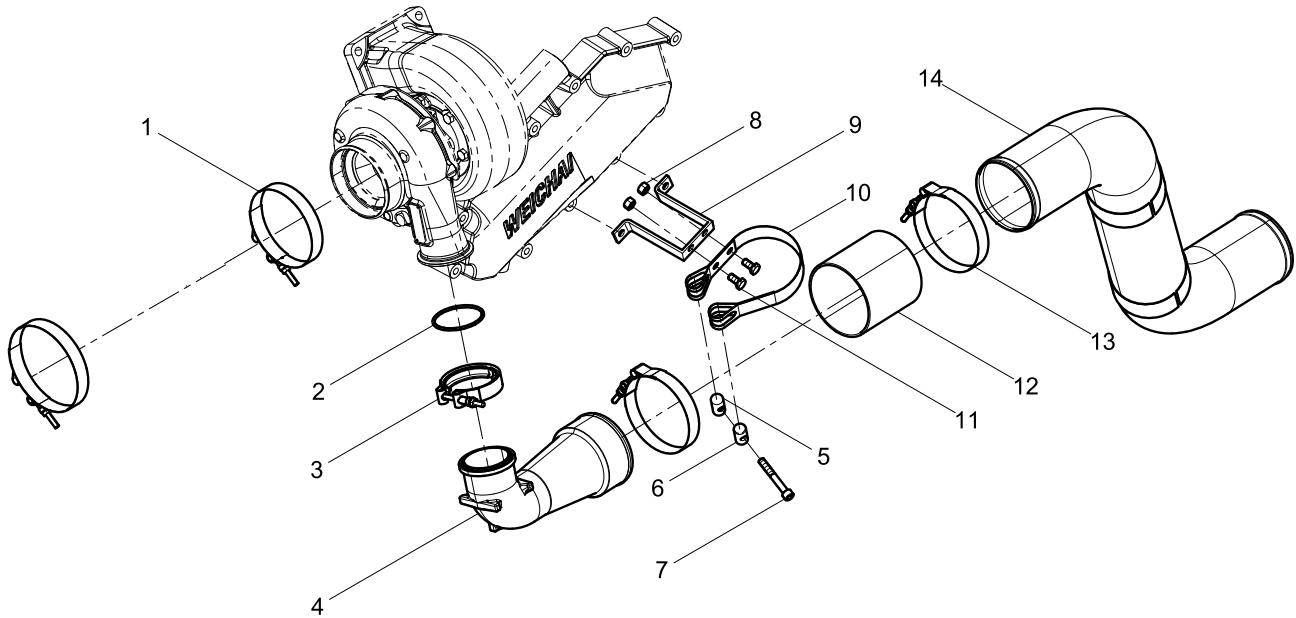
Turbocharger Oil Pipe Group



Turbocharger Oil Pipe Group

Pos.	Teile.Number	Amount	Designation
1	90003862428	2	Inner Hexagon Socket Head Cap Screw
2	1001050679	1	Turbocharger Oil Pipe Assembly
3	612600114275	1	Gasket
4	612600115353	1	Turbocharger Oil Pipe Gasket
5	612630110580	1	Turbocharger Oil Pipe Assembly
6	61460070014	2	Bolt
7	90003802437	1	Hexagon Head Bolt
8	612600111639	1	Pipe Clamp Assembly
9	612630110019	1	Sleeve
10	612639000022	1	Nut
11	1000886100	1	Ferrule
12	1000879941	1	Ferrule Straight Thread Elbow-body

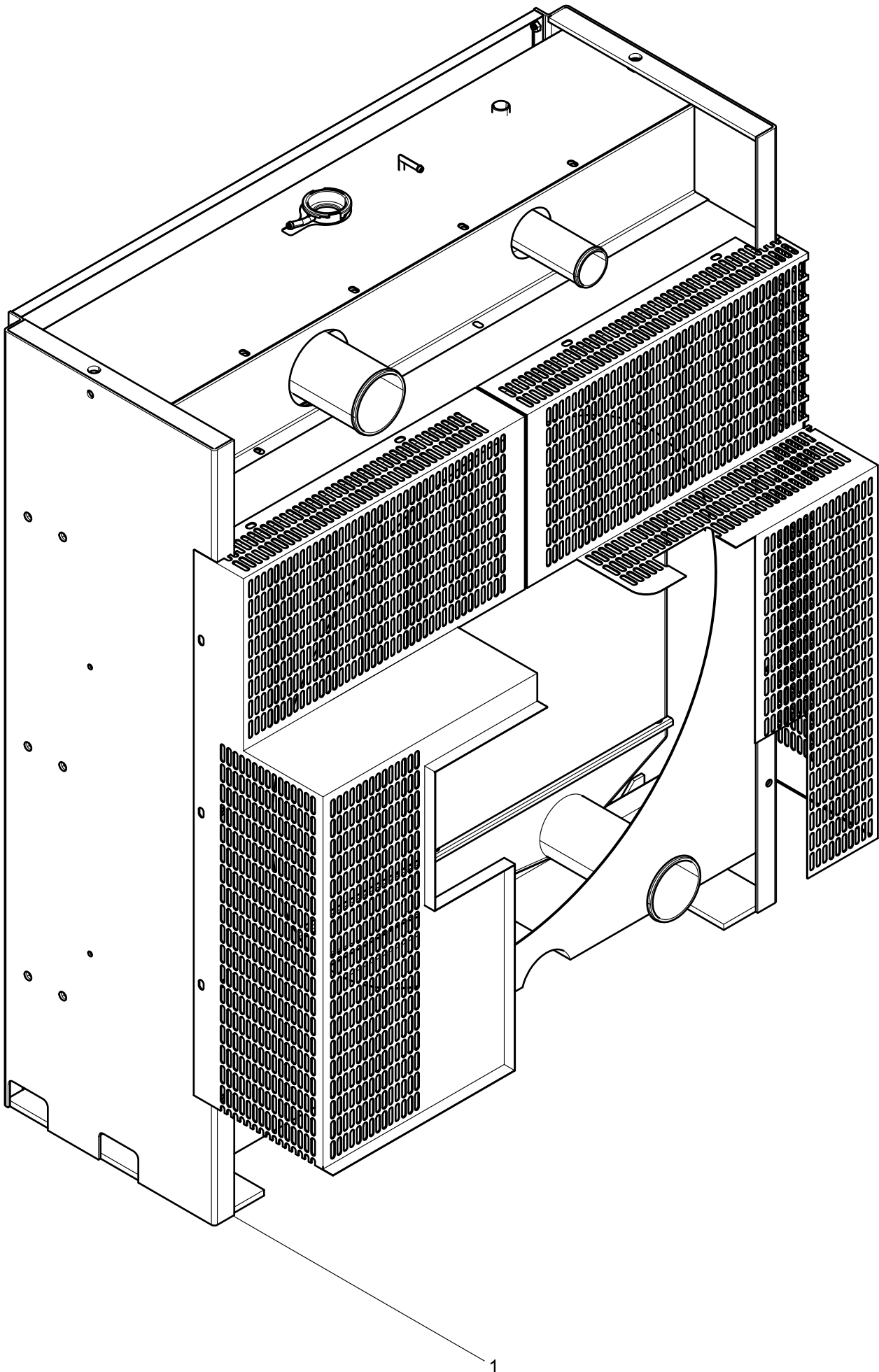
Compressor Pipe Group



Compressor Pipe Group

Pos.	Teile.Number	Amount	Designation
1	612600114944	1	Clamp
3	61560110226	1	Clamp
	190320035	1	Seal Ring
4	612700120001	1	Intake Connecting Pipe
5	1700550013	1	Tension pin
6	209190017	1	Locking Pin
7	90003862462	1	Inner Hexagon Socket Head Cap Screw
8	90003888451	2	Prevailing Torque Type All-metal Hexagon Nut,
9	612700120009	1	Inter-cool Pipe Bracket
10	61560110021	1	Clamp Strip
11	90003802415	2	Hexagon Head Bolt
12	612600111068	1	Air Connecting Rubber Pipe
13	612600112233	2	Clamp
14	612700120004	1	Inter-cooler Air Pipe Assembly

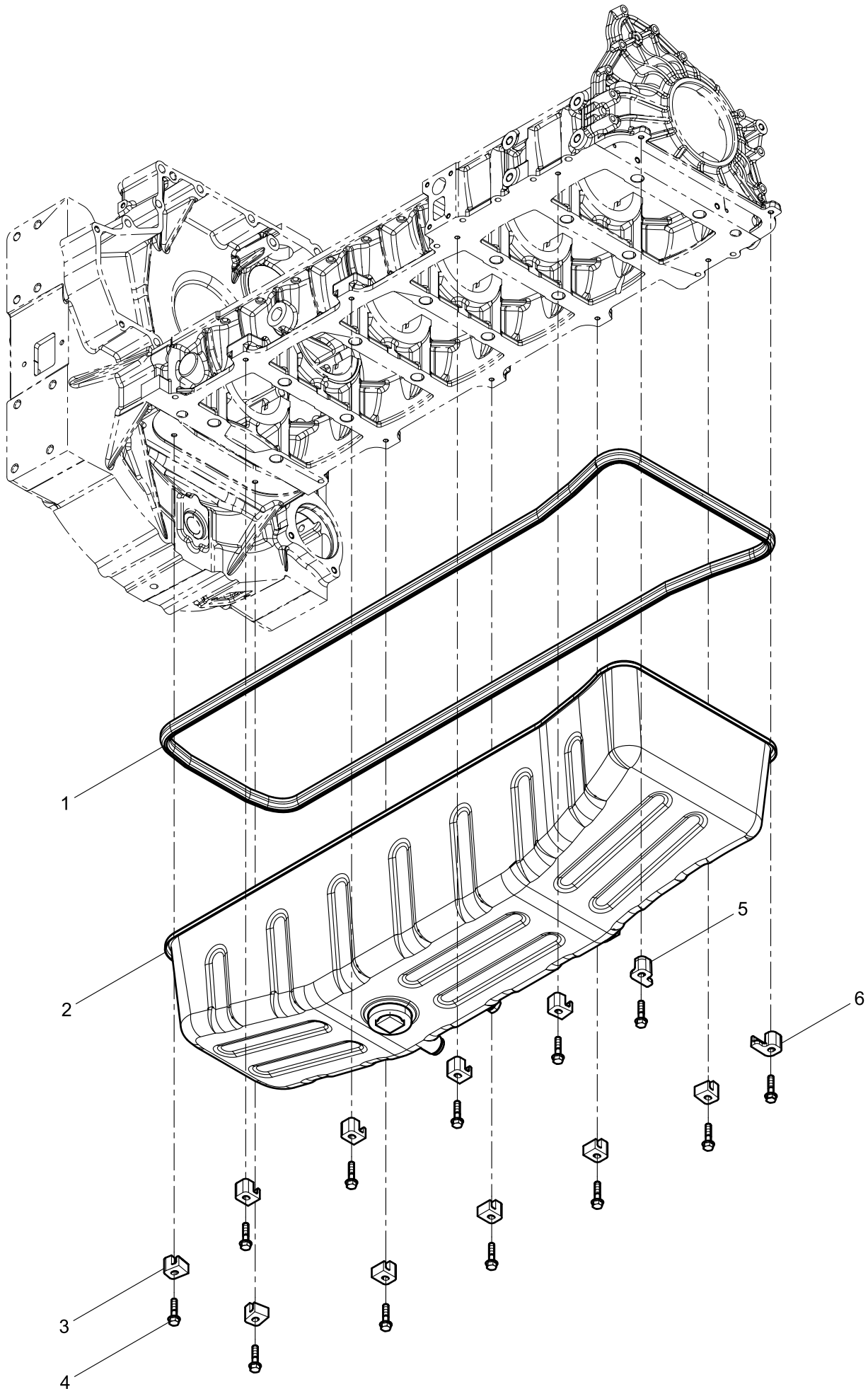
Separate Delivery Parts Group Attached to Engine



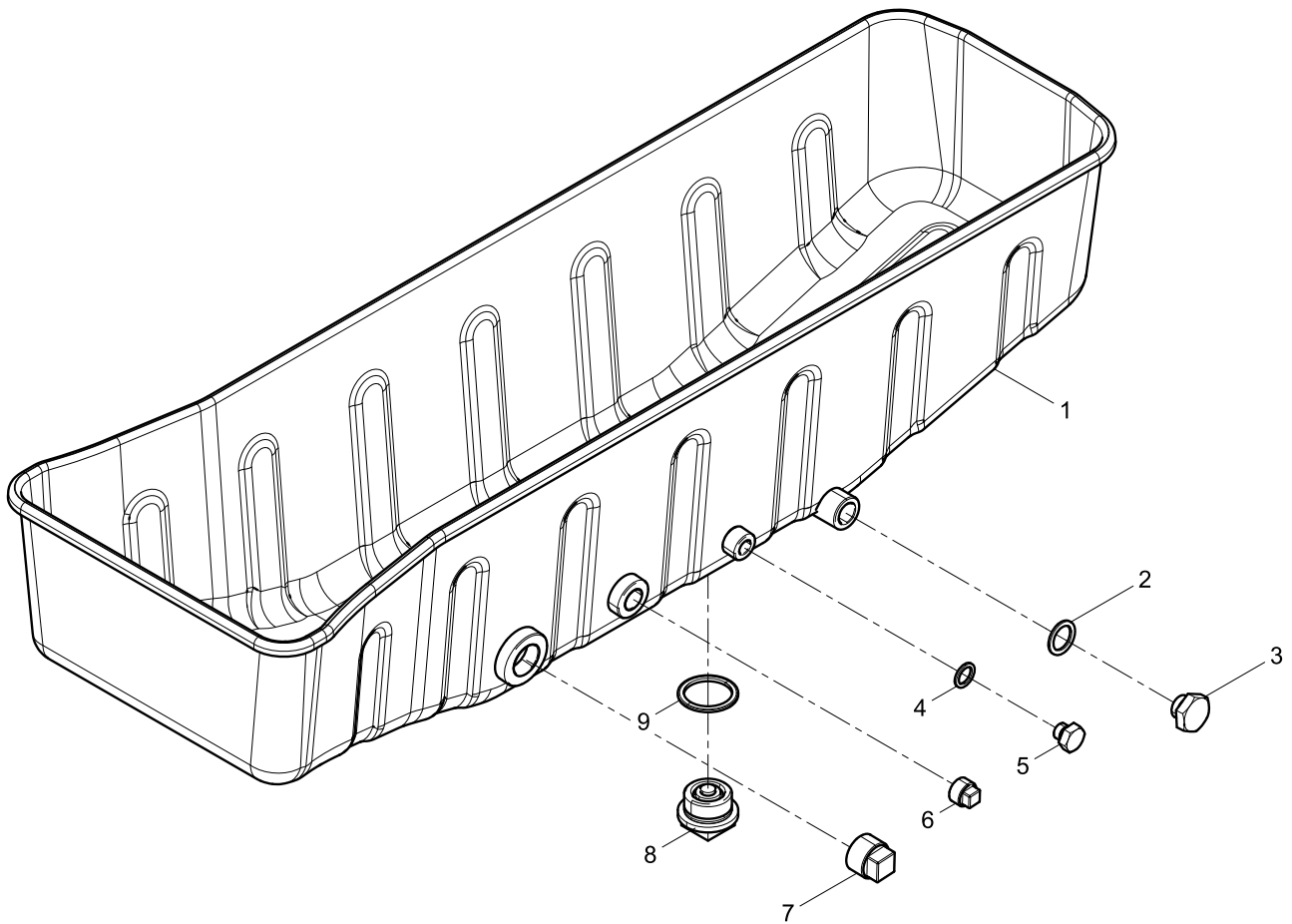
Separate Delivery Parts Group Attached to Engine

Pos.	Teile.Number	Amount	Designation
1	1000844059	1	Radiator

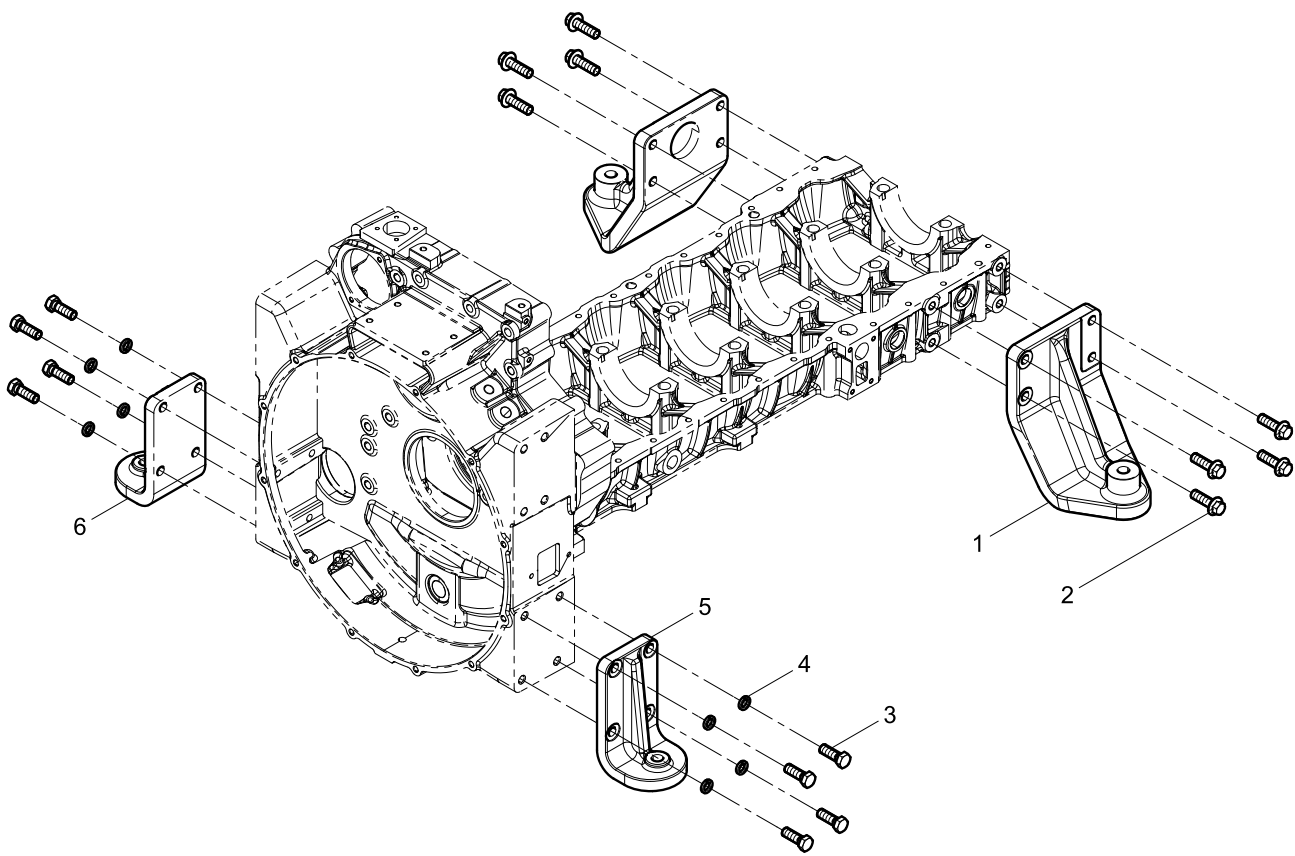
Oil Pan Group



Oil Pan Assembly



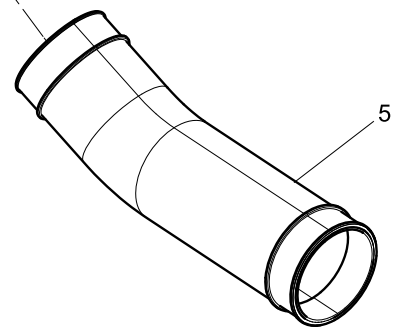
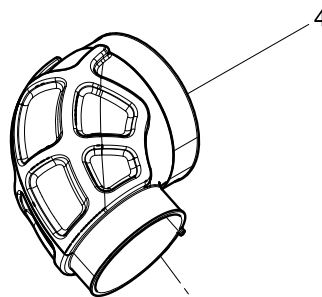
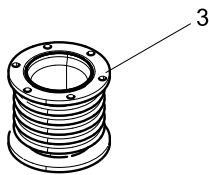
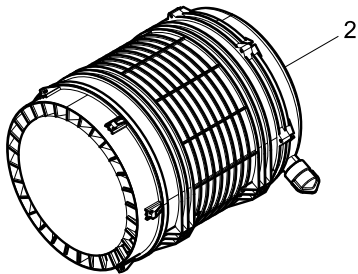
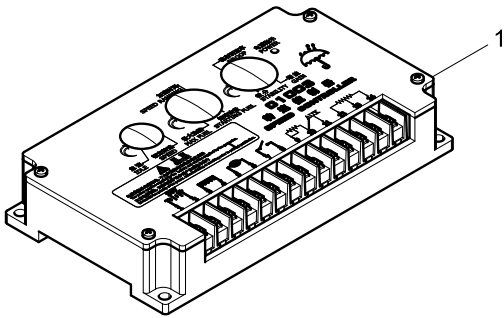
Engine Bracket Group



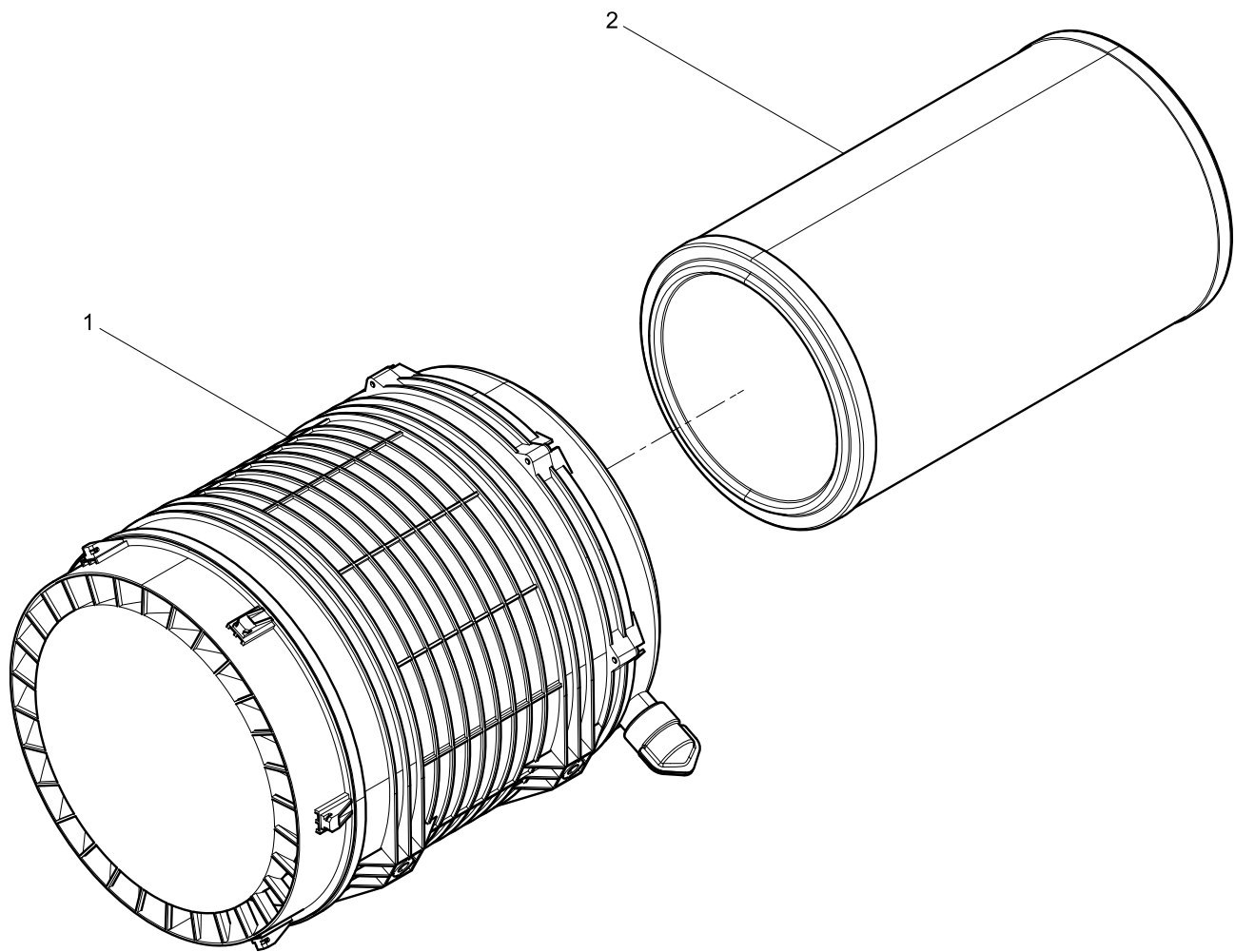
Engine Bracket Group

Pos.	Teile.Number	Amount	Designation
1	612700060007	2	Engine Bracket
2	90011430035	8	Hexagon Flange with Tooth Bolt
3	61567C160004	8	Hexagon Head Bolt
4	90003931162	8	Spring Washer
5	612700060004	1	Engine Bracket
6	612700060003	1	Engine Bracket

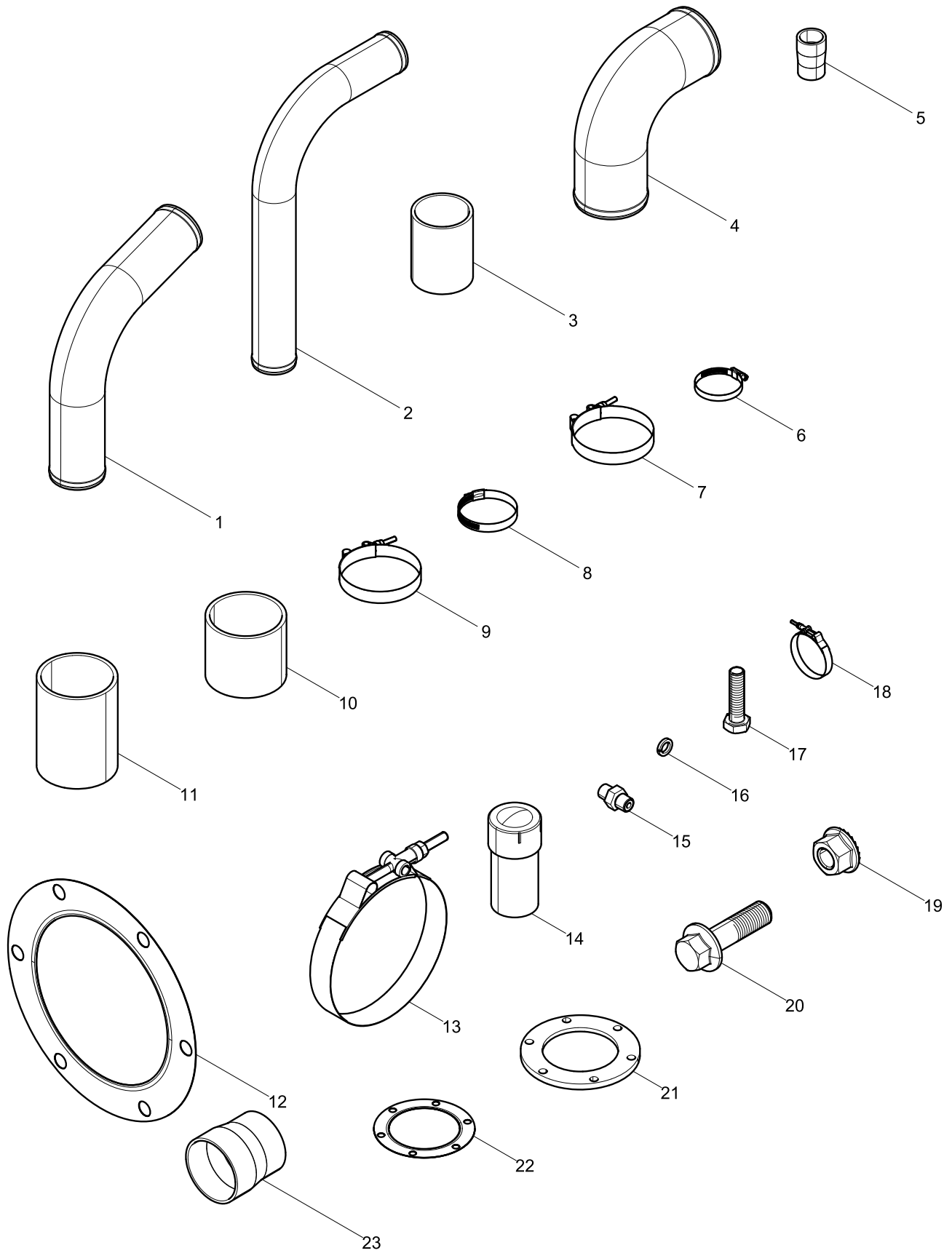
Packing Box Chassis Parts Group



Air Filter



Parts Box Group



Parts Box Group

Pos.	Teile.Number	Amount	Designation
1	612700530001	1	Water Pump Water Pipe
2	612700530004	1	Water-outlet Pipe
3	612600530125	2	Coolant Connecting Rubber Pipe
4	612630530017	1	Inter- cooler Air Pipe
5	612600111068	1	Air Connecting Rubber Pipe
6	90003989311	4	Clamp
7	612600112233	2	Clamp
8	90003989312	4	Clamp
9	612600113794	4	Clamp
10	612600113993	2	Air Connecting Rubber Pipe
11	612630110734	2	Air Connecting Rubber Pipe
12	612700110105	1	Gasket
13	612600114701	1	Clamp
14	1000644232	1	Intake Resistance Alarm
15	612600115282	1	Transition joint
16	90003931142	4	Spring Washer
17	90011350039	4	Hexagon Head Bolt
18	612600113389	2	Clamp
19	612600061720	12	Prevailing Torque Type Hexagon Nut with Flange
20	90011430009	12	Hexagon Flange with Tooth Bolt
21	612700110025	1	Flange
22	612700110029	2	Gasket
23	612700120029	1	Air Connecting Rubber Pipe

This manual is for reference only,
product parameters are subject to alteration
without notice,
whichever is the physical product.