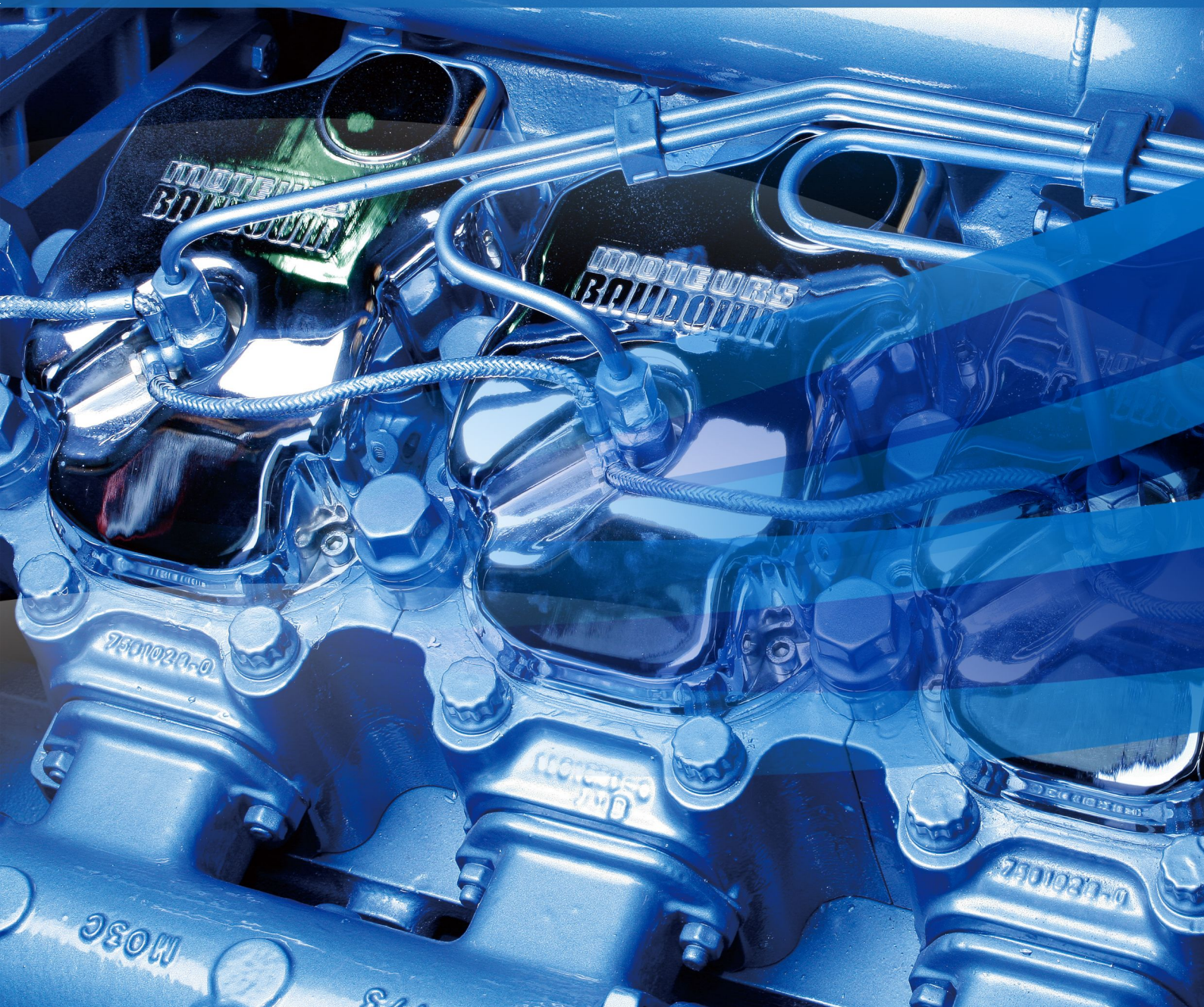


6M21 BAUDOIN DIESEL PARTS CATALOGUE



PREFACE

This illustrated parts manual is specially prepared for customers to facilitate the use of 6M21 series diesel engine in operation and tenance.

The illustrations are grouped under the heading of each assembly and numbered individually.Part.

No.,Quantity,Model,English designation,Chinese designation and so on are written in the parts list .
The parts catalogue include detailed assembling parts list of diesel engine ,some parts can not be sold ,if you want to know selling part matters,please ask weichai power spare part resource CO.,LTD.

With the development of technology and production,the versions of the diesel engine will be increased, so the catalogue will be revised.Please pay attention to our revised edition.After service of this product is authorized to Weichai Power Co.,Ltd ,Consumers can acquire information of this product through www.weichai.com.

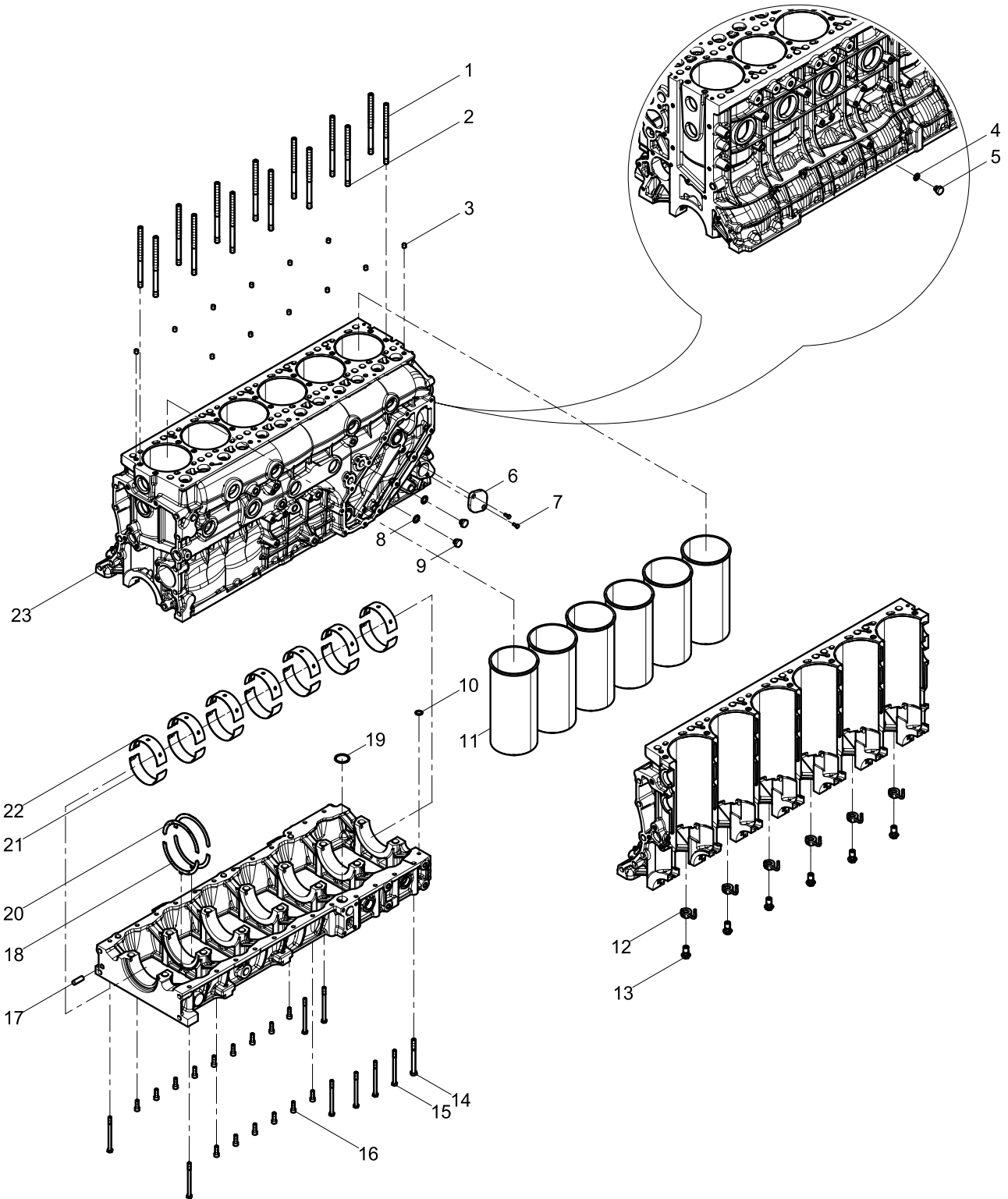
CONTENTS

Engine Block Group	1
Cylinder Block Preassembly	3
Flywheel Housing Group	5
Compressor Pipe Group	7
Cylinder block front cover Set	9
Crankshaft Group	11
Crankshaft Assembly	13
Crankshaft Subassembly	15
Flywheel Group	17
Flywheel Assembly	19
Piston and Connecting Rod Group	21
Piston Assembly	23
Connecting Rod Assembly	25
Cylinder Head Group	27
Cylinder Head Subassembly	29
Cylinder Head Cover Group	31
Valve Train Group	33
.....	35
Rocker Arm Shaft Set.....	37
Camshaft Assembly.....	39
Gear Drive Set	41
Idle Gear Assembly.....	43
Idle Gear Set.....	45
Crankshaft Pulley Group	47
Crankshaft Pulley Assembly	49
Oil Pan Group	51
Oil Pan Assembly	53
Dipstick Group	55
Dipstick Pipe Set	57
Oil Pump Group	59

Oil Strainer Group	61
Oil Cooler Group	63
Oil Cooler Cap Assembly.....	65
Oil Filter Group	67
Oil Filter	69
Oil Filling Tube Group	71
Oil-gas Separator Group	73
Water Pump Group	75
Venting Pipe Group	77
Fan Bracket Group	79
Fan and Hub Group	81
Fuel Injection Pump Group	83
Fuel Injector Group	87
Adapter of High Pressure Pipe	89
Low Pressure Fuel Pipe Group	91
Fuel Filter Group	93
Fuel Filter	95
Fuel Coarse Filter	97
High Pressure Fuel Pipe Group	99
Intake Manifold Group	101
Intake Manifold Assembly	103
Turbocharger Group	105
Turbocharger Oil Pipe Group	107
Air Filter Group	109
Exhaust Manifold Group	111
Rear Exhaust Manifold Group	113
Tensioner and belt assembly	115
Starter Motor Group	117
Engine Bracket Group	119
Packing Box Chassis Parts Group	121

Air Filter	123
Separate Delivery Parts Group Attached to Engine.....	125
Parts Box Group	127
Alternator Group	129
Alternator Bracket Group	131
General-use Wire and Sensor Group	133

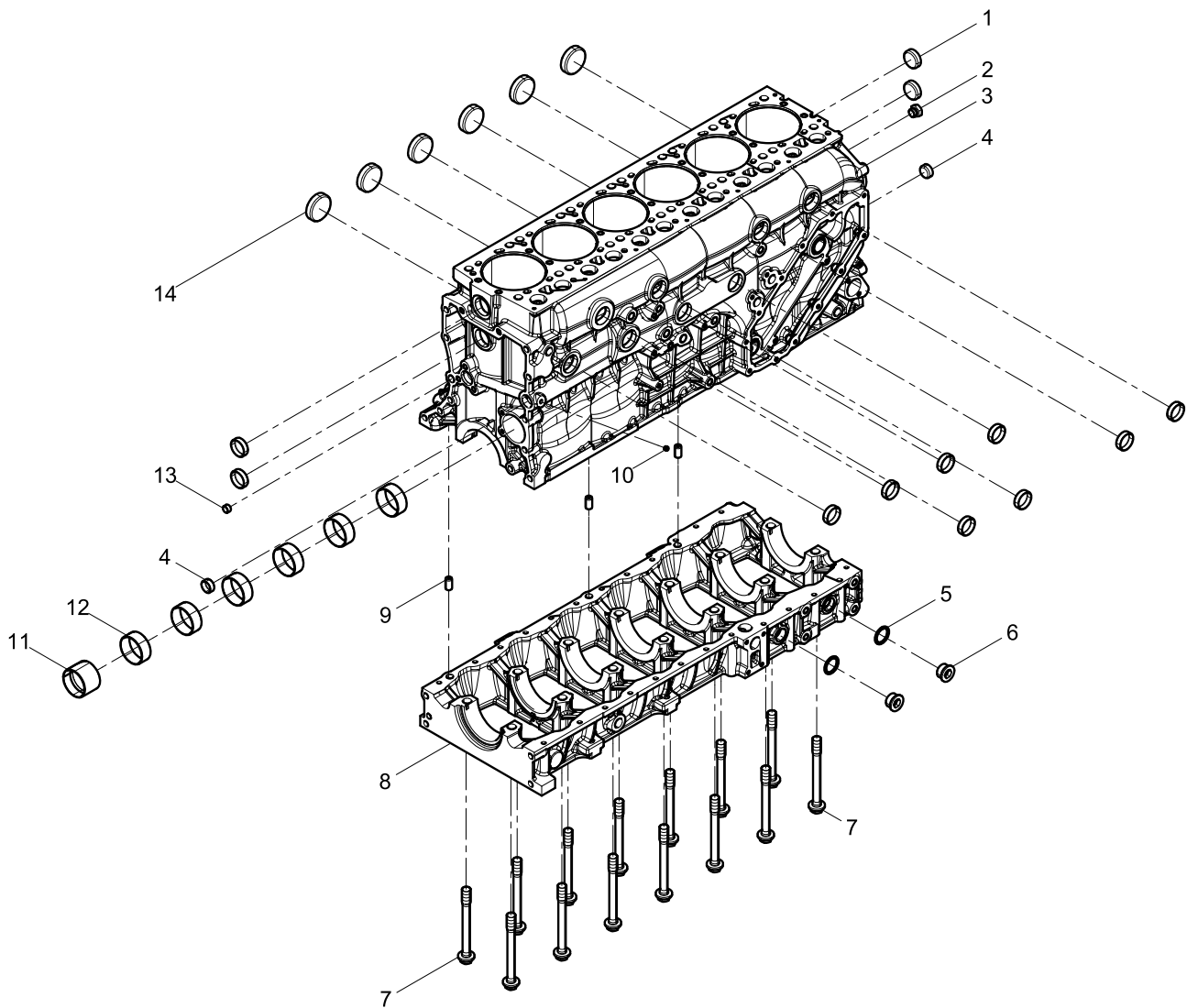
Engine Block Group



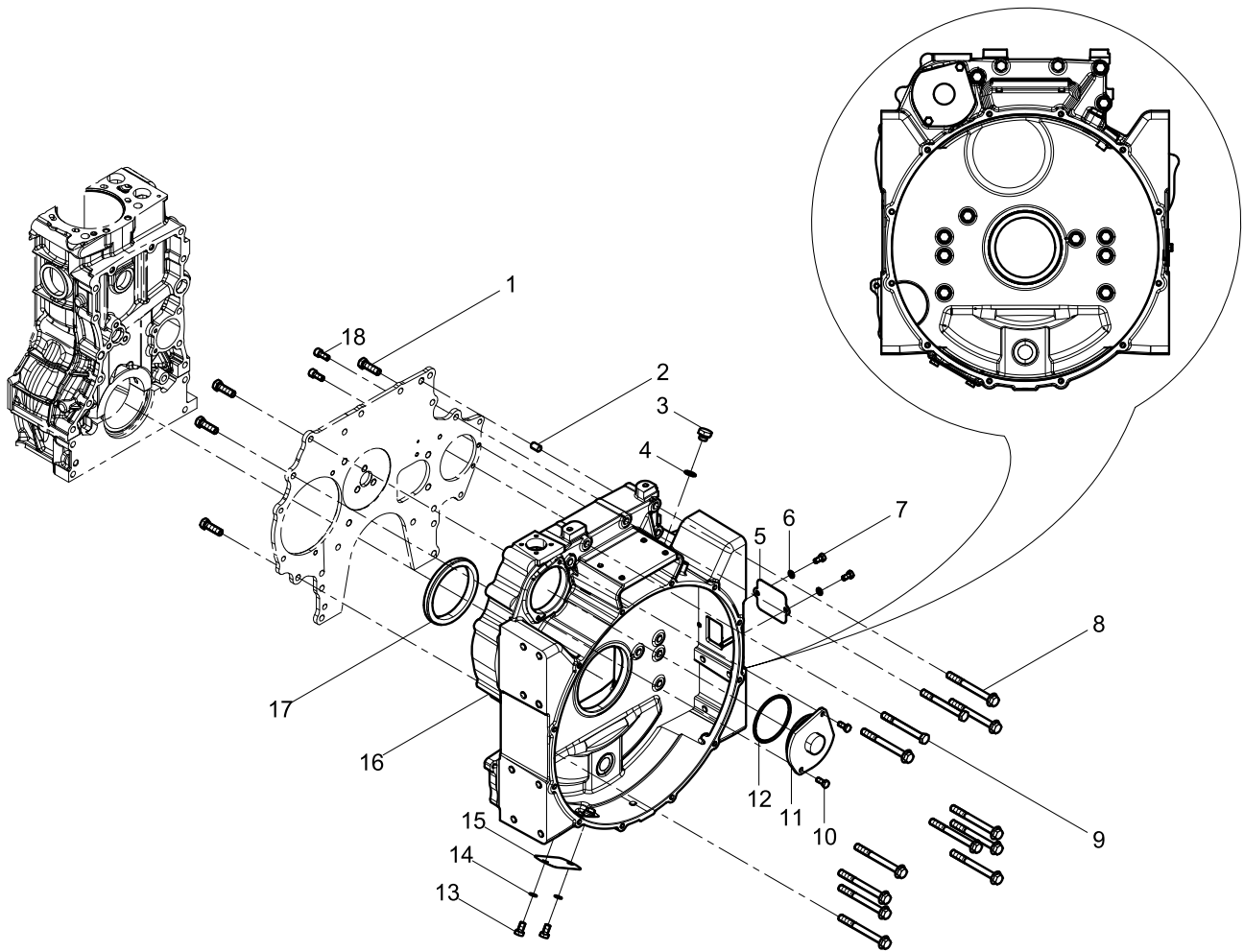
Engine Block Group

Pos.	Teile.Number	Amount	Designation
1	612630010069S	10	Cylinder Head Bolt
2	612700010054S	4	Cylinder Head Bolt
3	612639000089	12	Parallel Pin
4	612600050042	1	Sealing Washer
5	612600160226	1	Oil Drain Plug
6	612630010175	1	Cover
7	90003802419	2	Hexagon Head Bolt
8	90003098016	2	Sealing Washer
9	90017020003	2	Hexagon Screw Plug
10	612639000088	1	
11	612700010010	6	Cylinder Liner
12	612700010048	6	Piston Nozzle Assembly
13	612700010060	6	Bolt
14	90011350082	1	Hexagon Head Bolt
15	90011350085	8	Hexagon Head Bolt
16	90003862428	15	Inner Hexagon Socket Head Cap Screw
17	612639000034	1	Parallel Pin
18	612630010630	2	Lower Thrust Plate
19	612630010107	1	O-ring
20	612630010629	2	Upper Thrust Plate
21	612700010150	7	Main Bearing Lower Shell
22	612630010591	7	Main Bearing Upper Shell
23	612700010037	1	Cylinder Block Preassembly

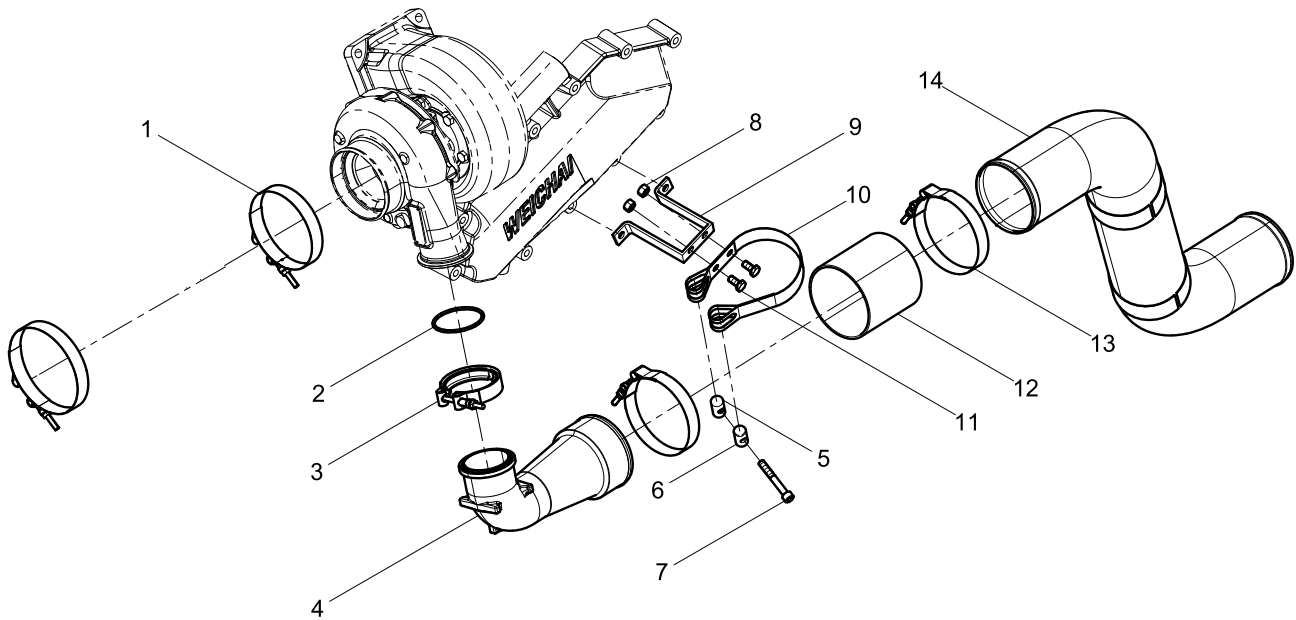
Cylinder Block Preassembly



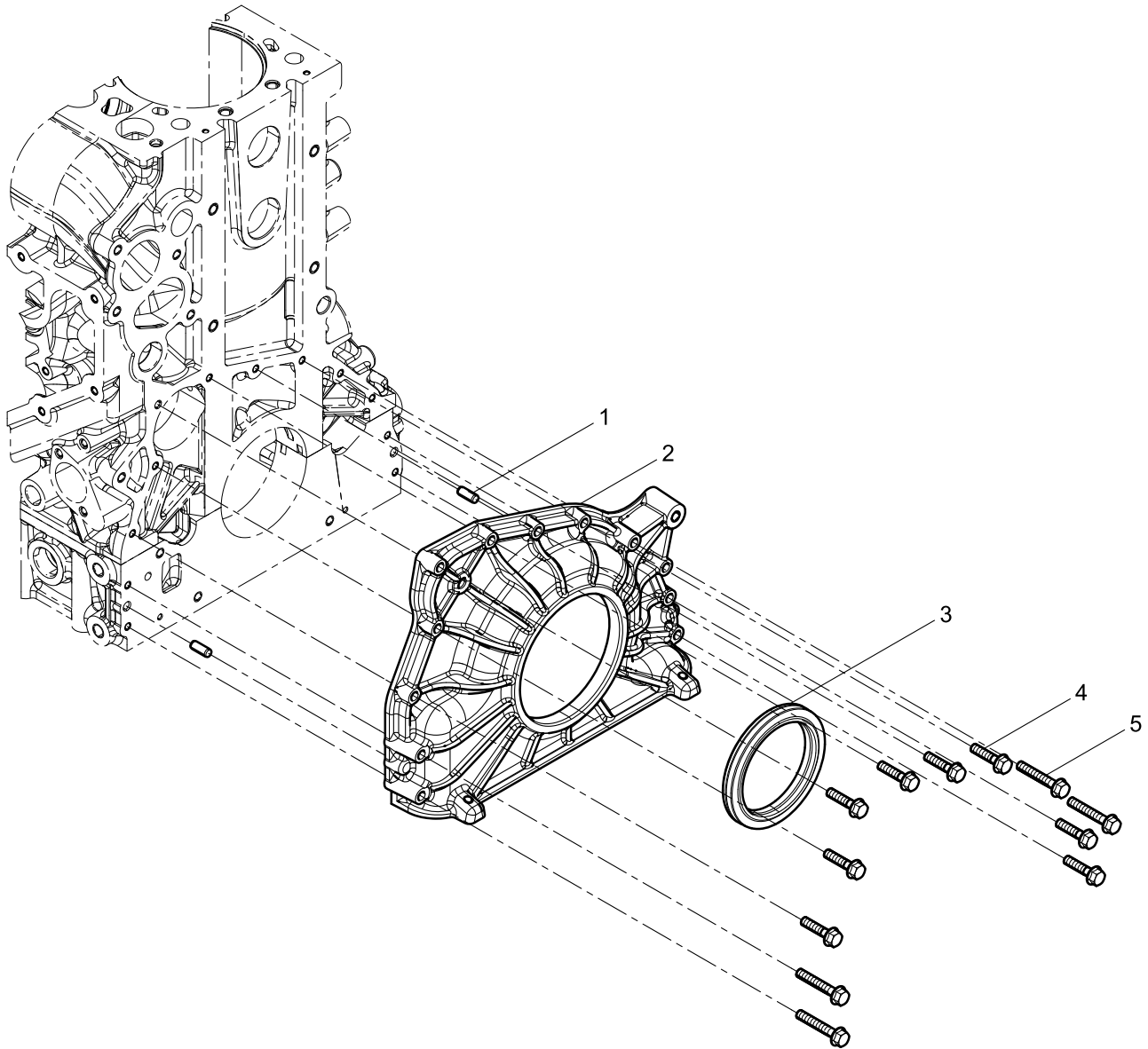
Flywheel Housing Group



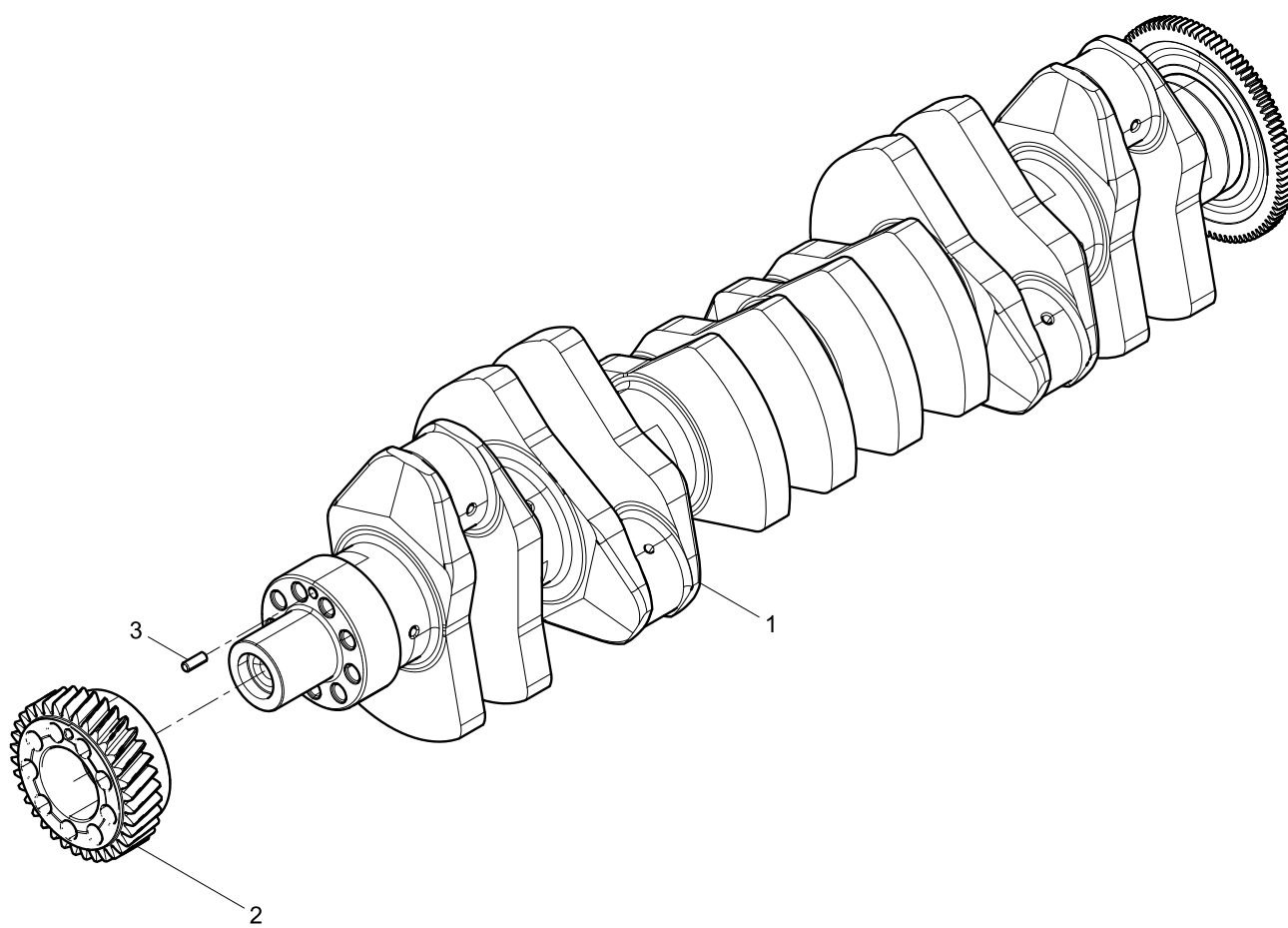
Compressor Pipe Group



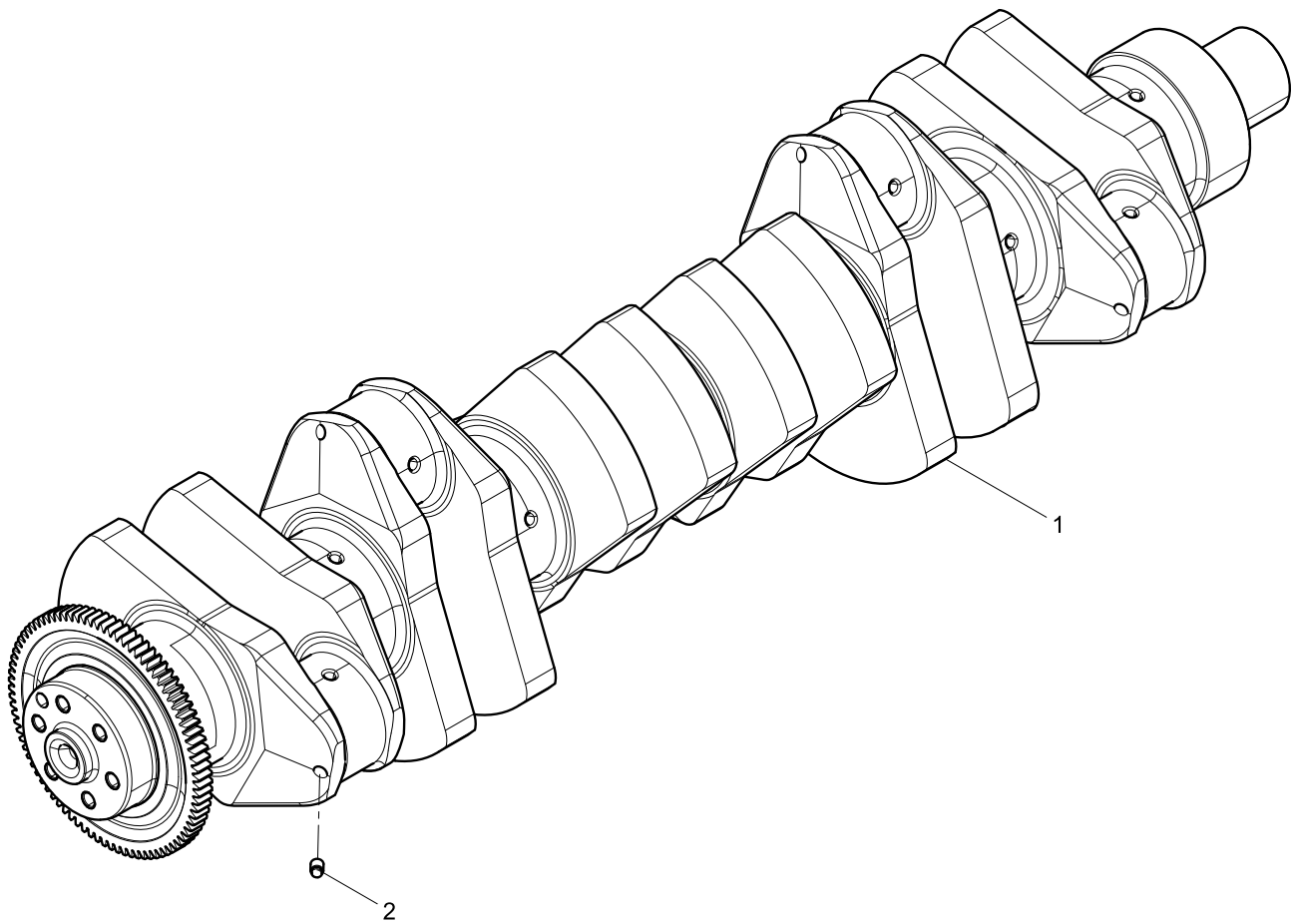
Cylinder block front cover Set



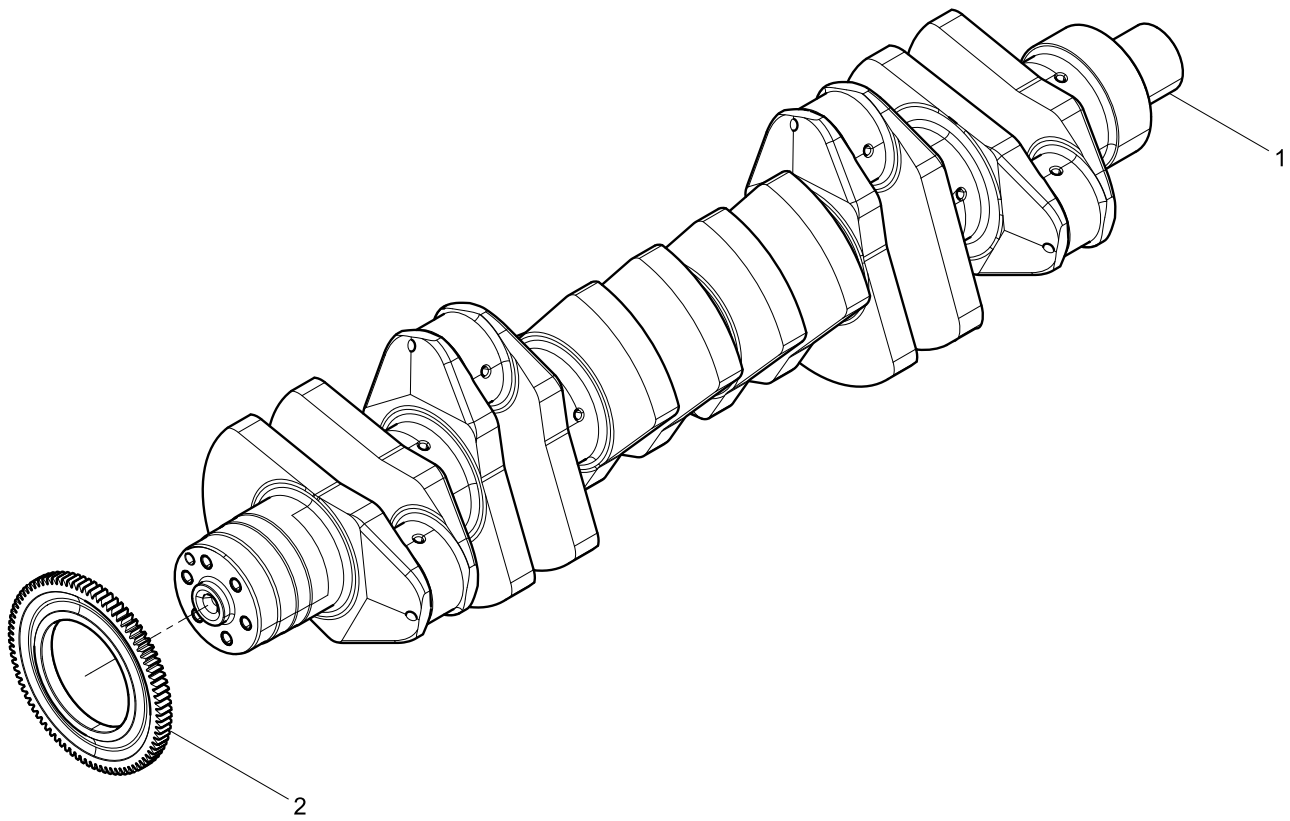
Crankshaft Group



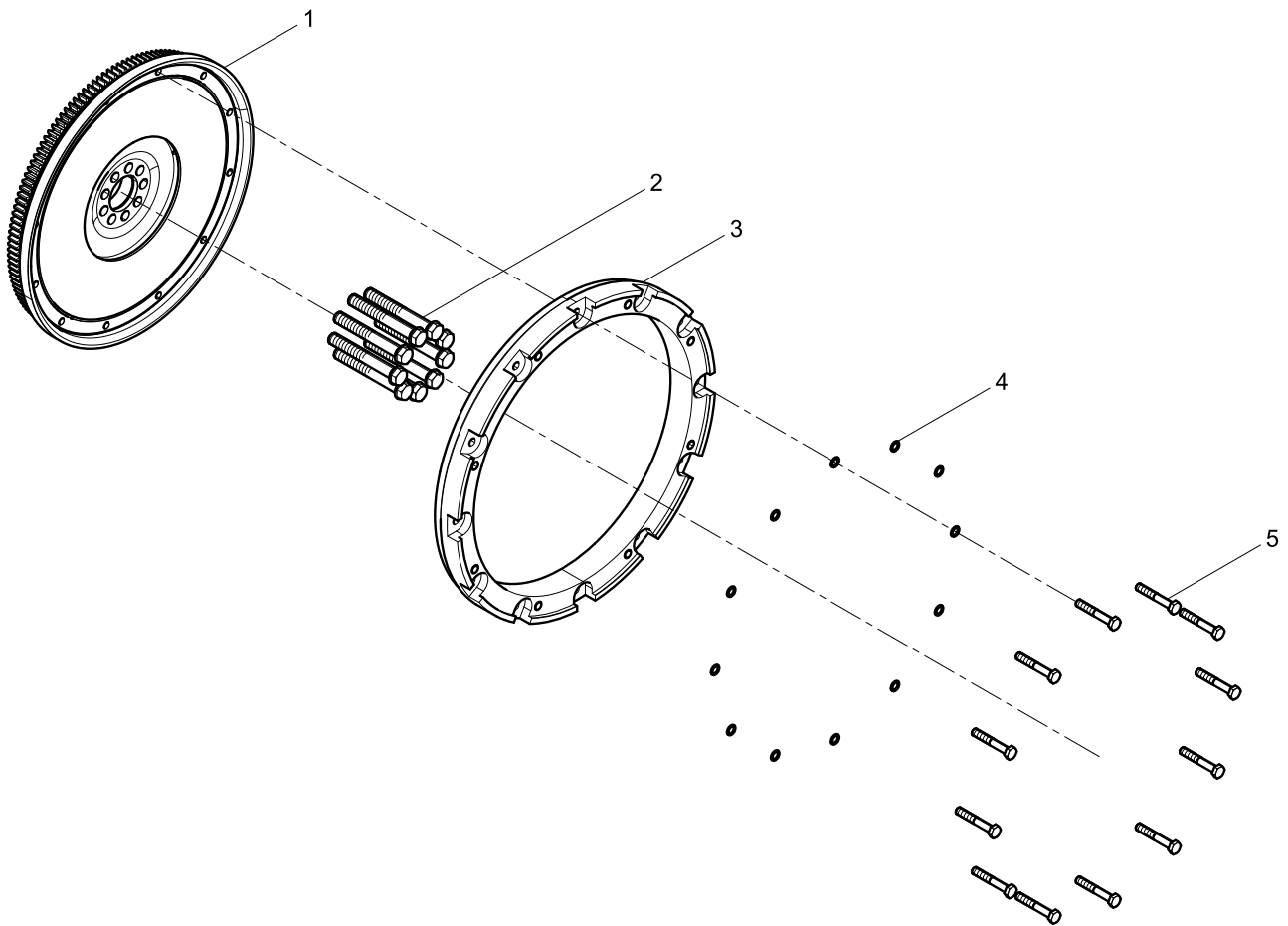
Crankshaft Assembly



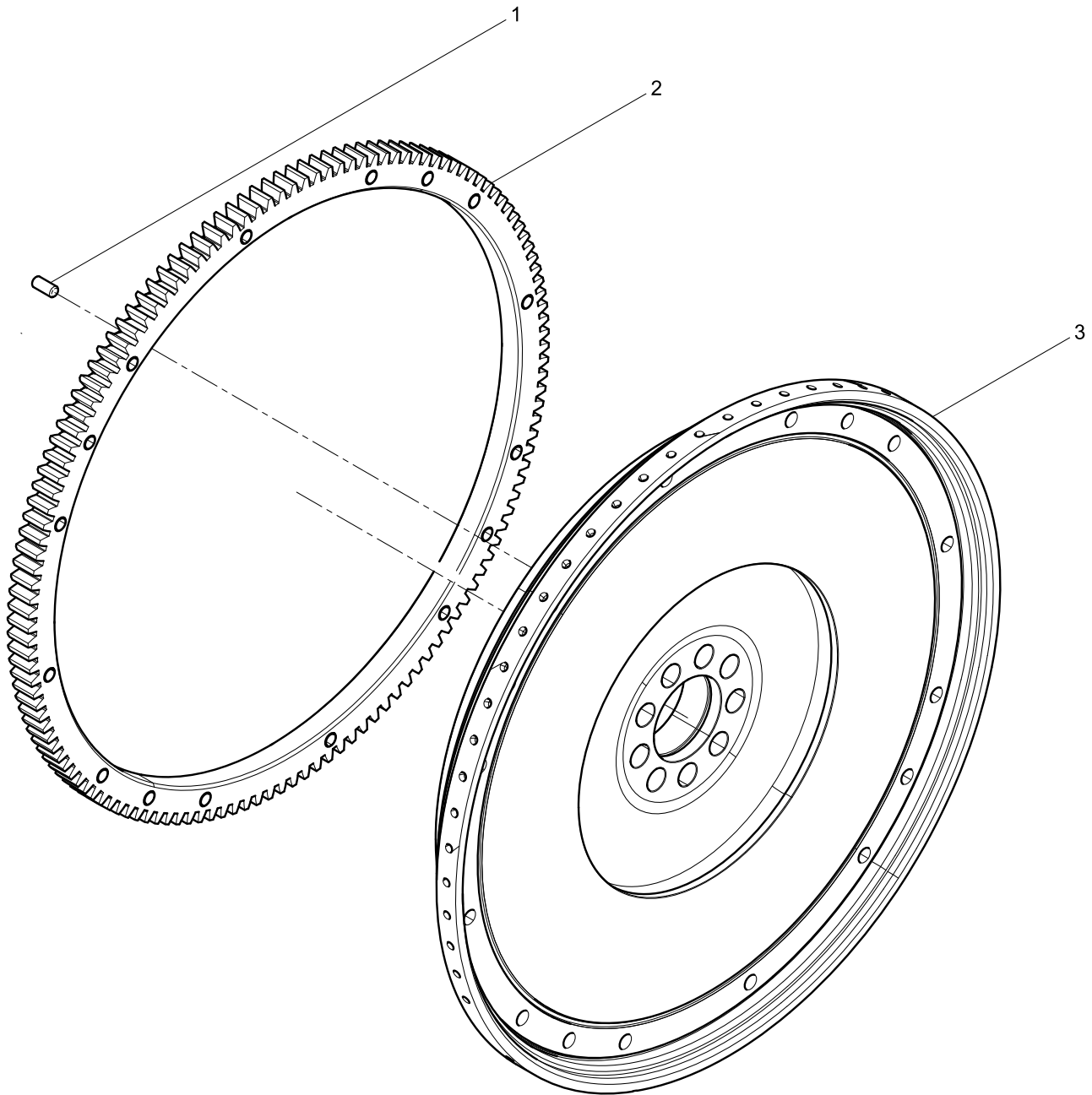
Crankshaft Subassembly



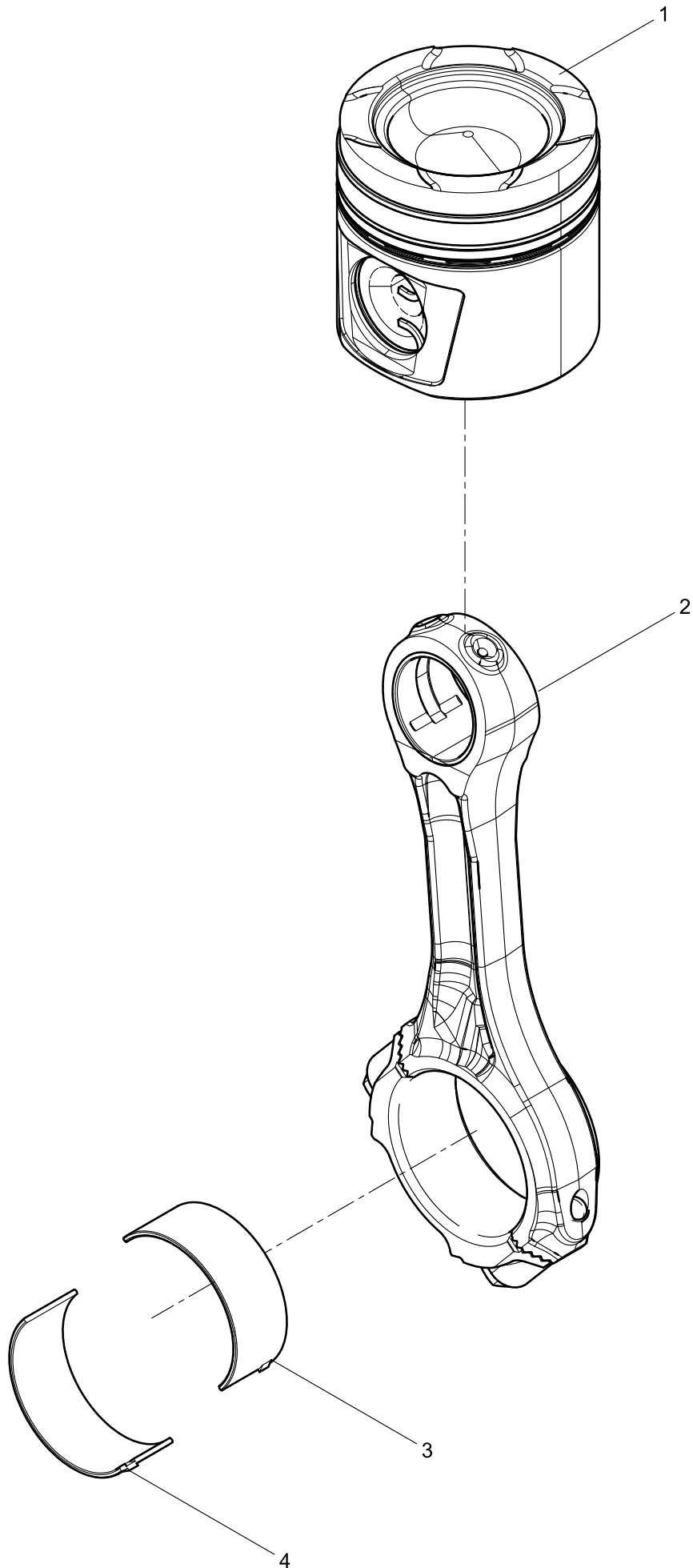
Flywheel Group



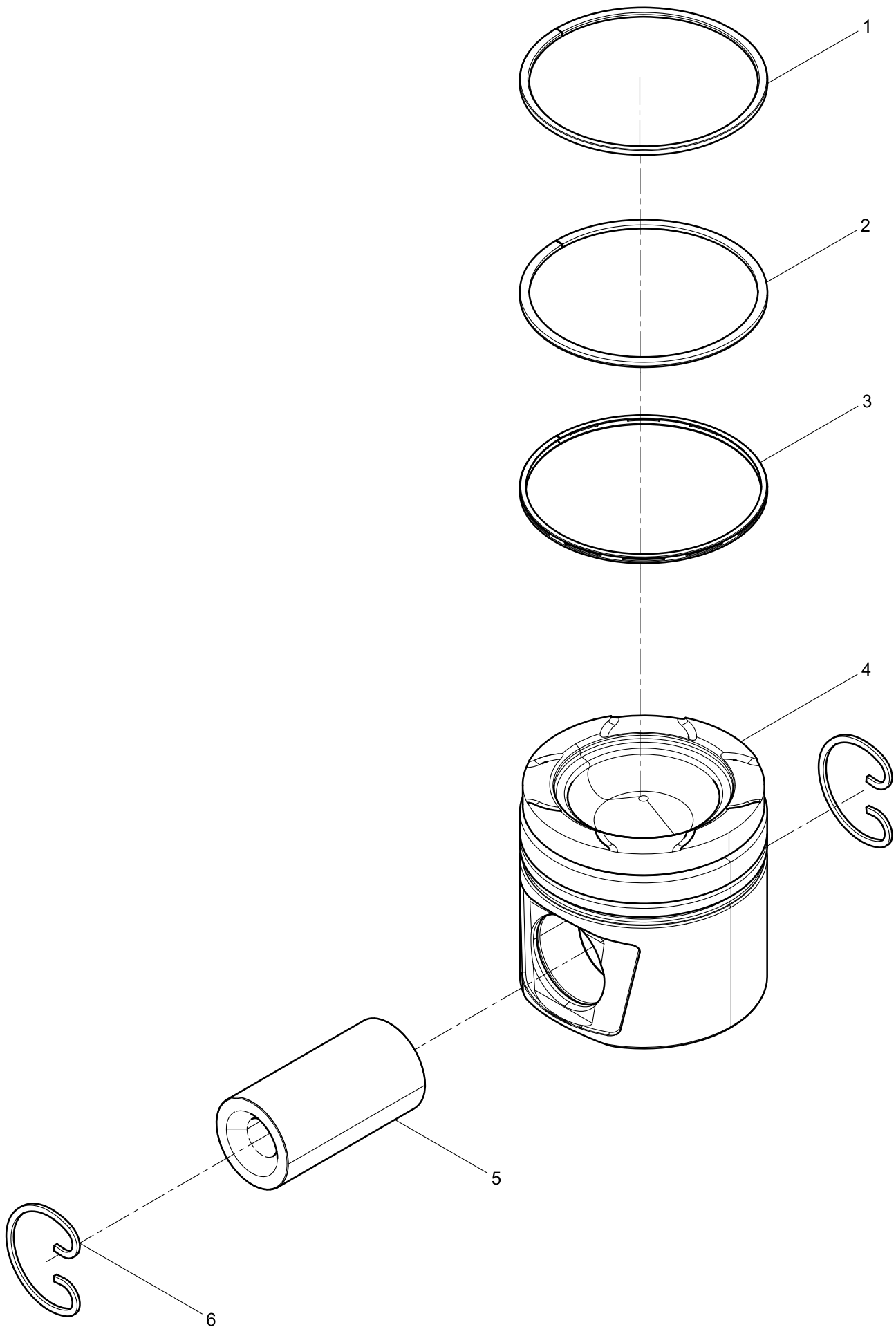
Flywheel Assembly



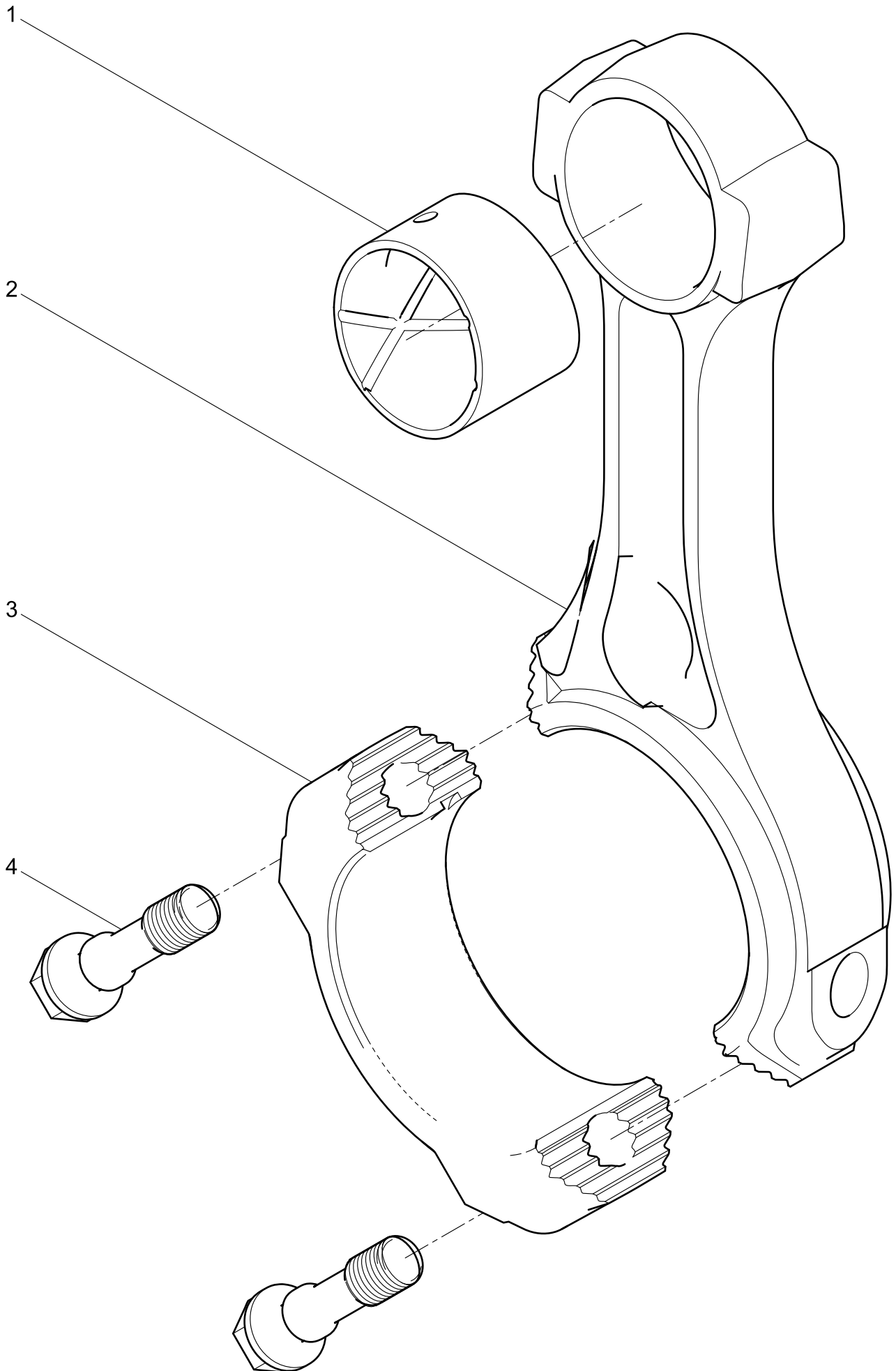
Piston and Connecting Rod Group



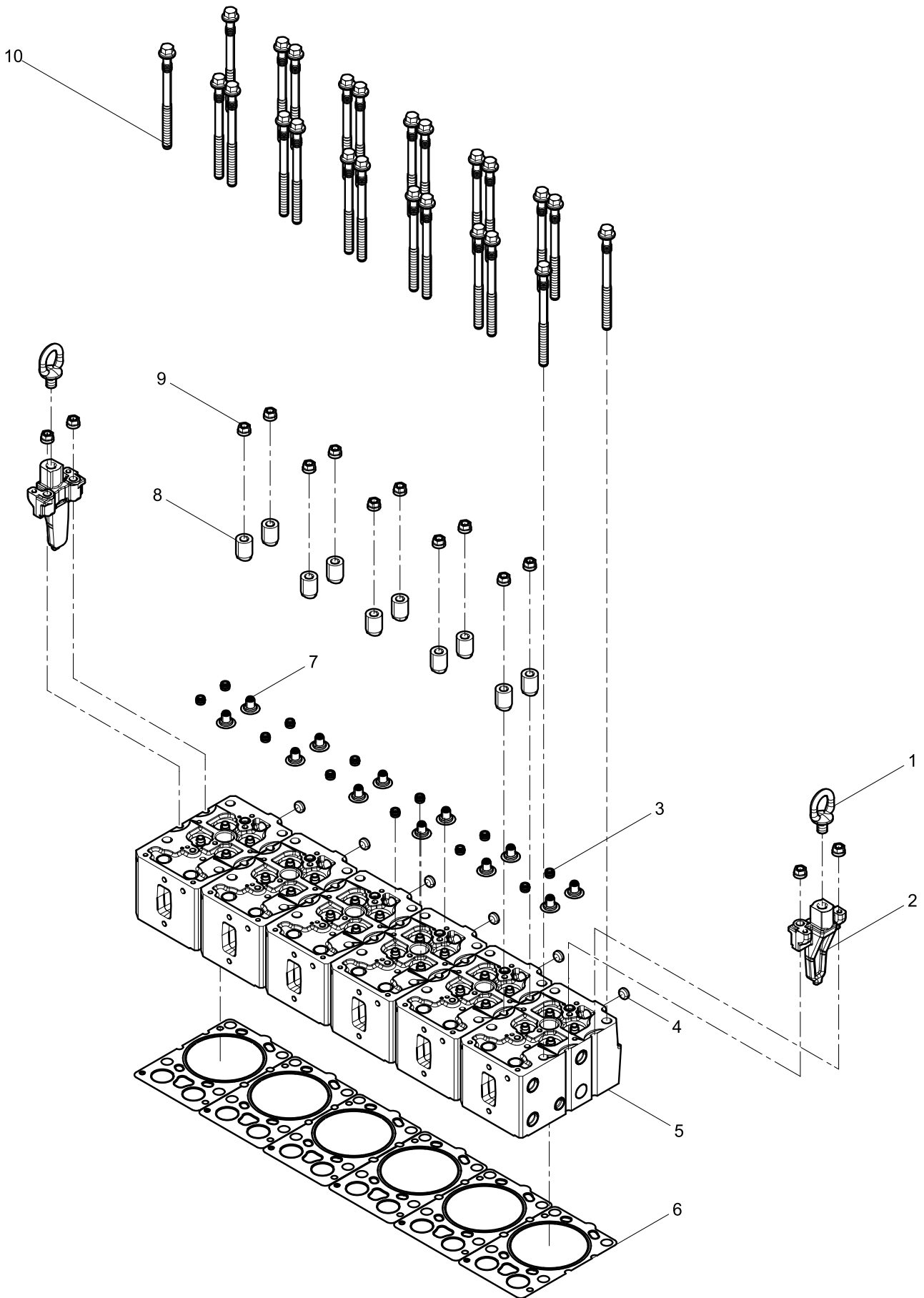
Piston Assembly



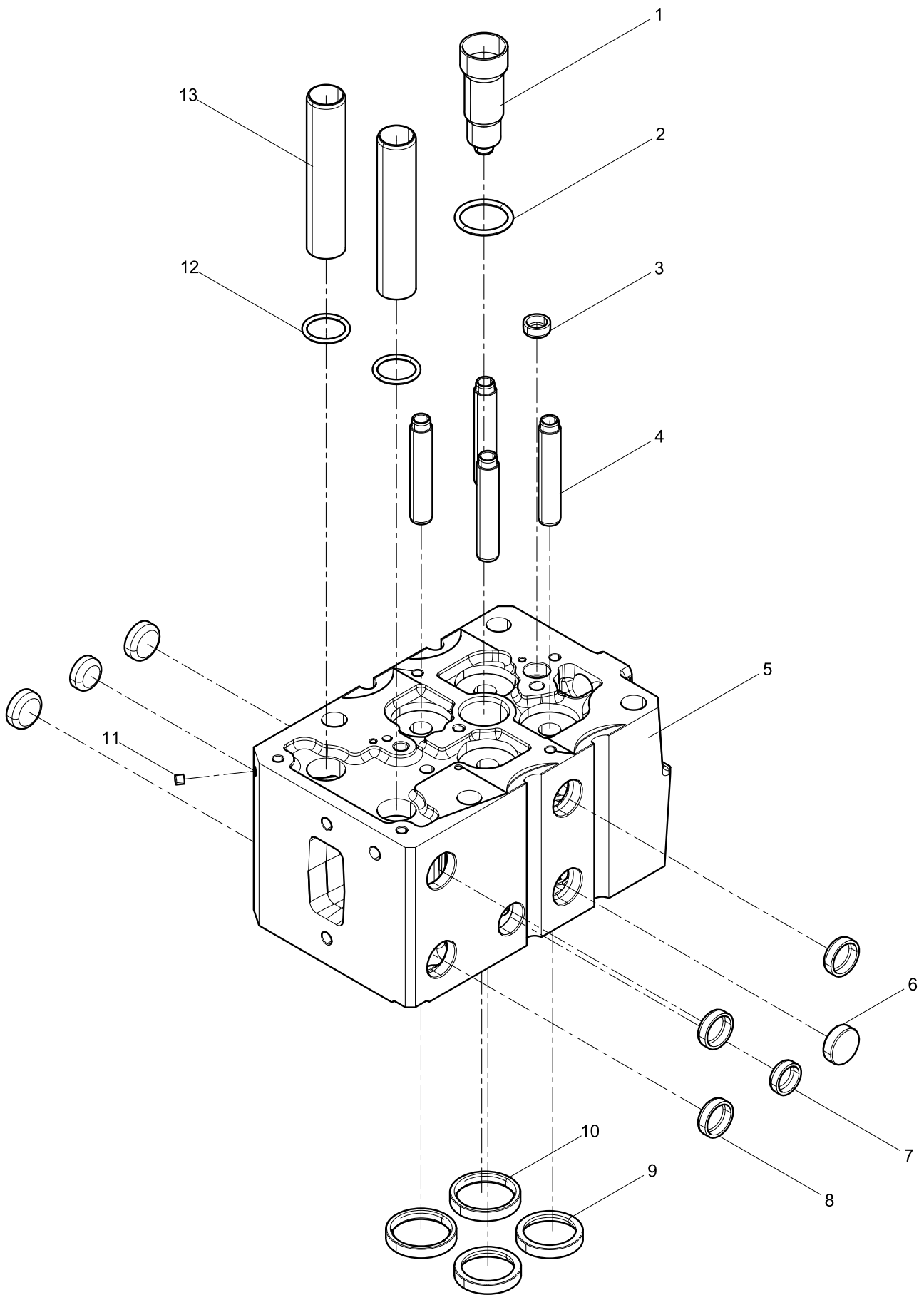
Connecting Rod Assembly



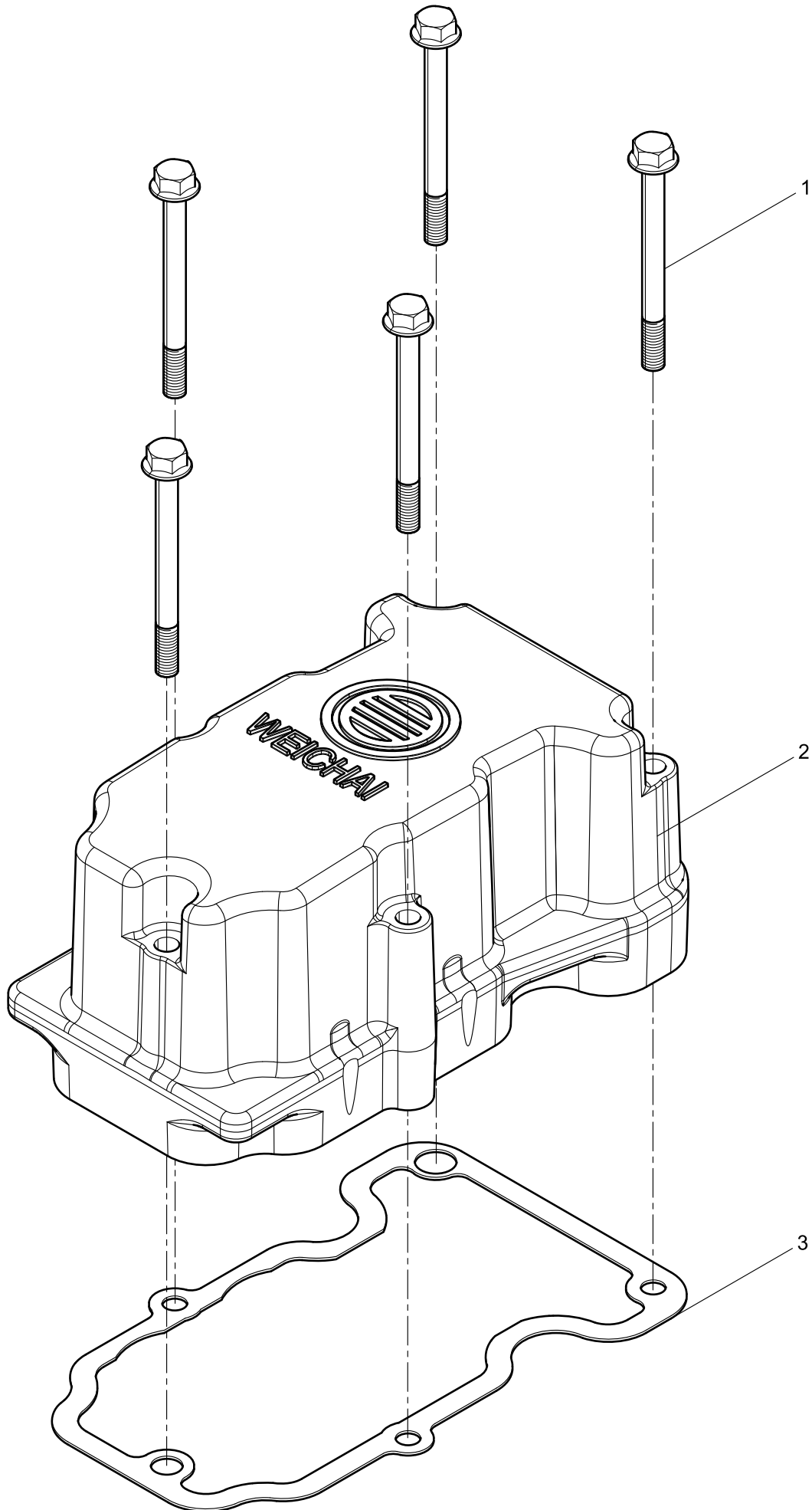
Cylinder Head Group



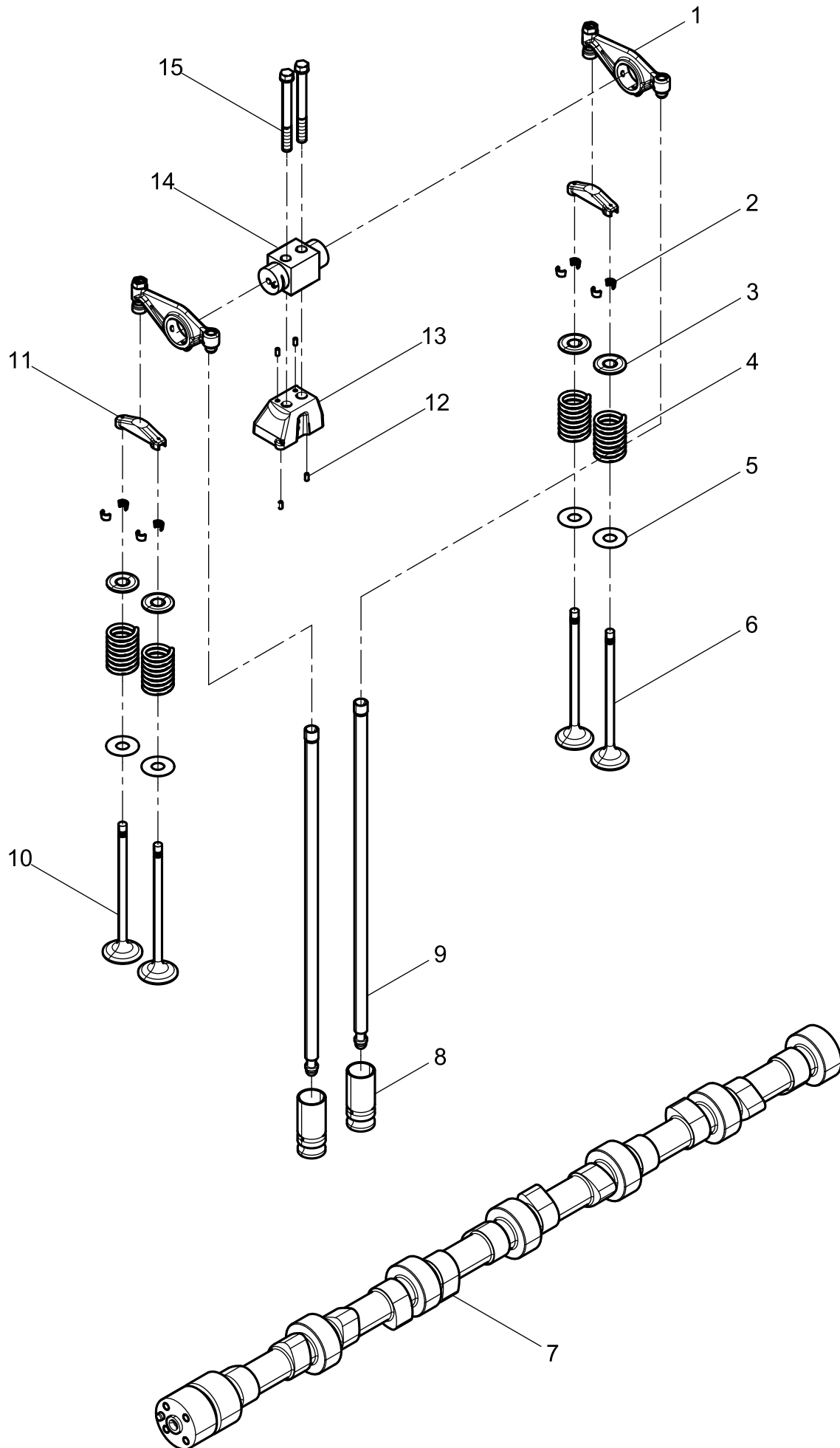
Cylinder Head Subassembly

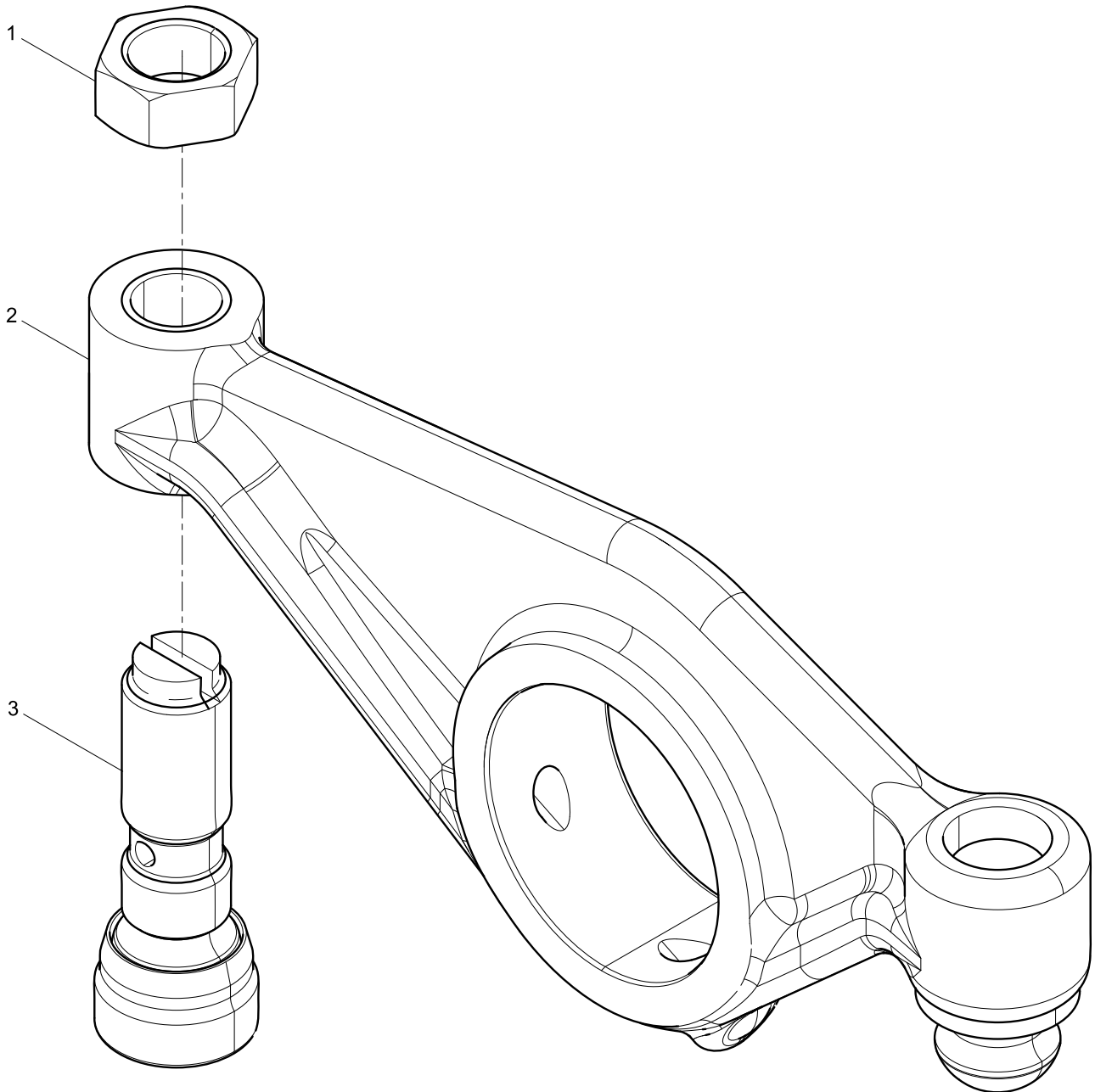


Cylinder Head Cover Group

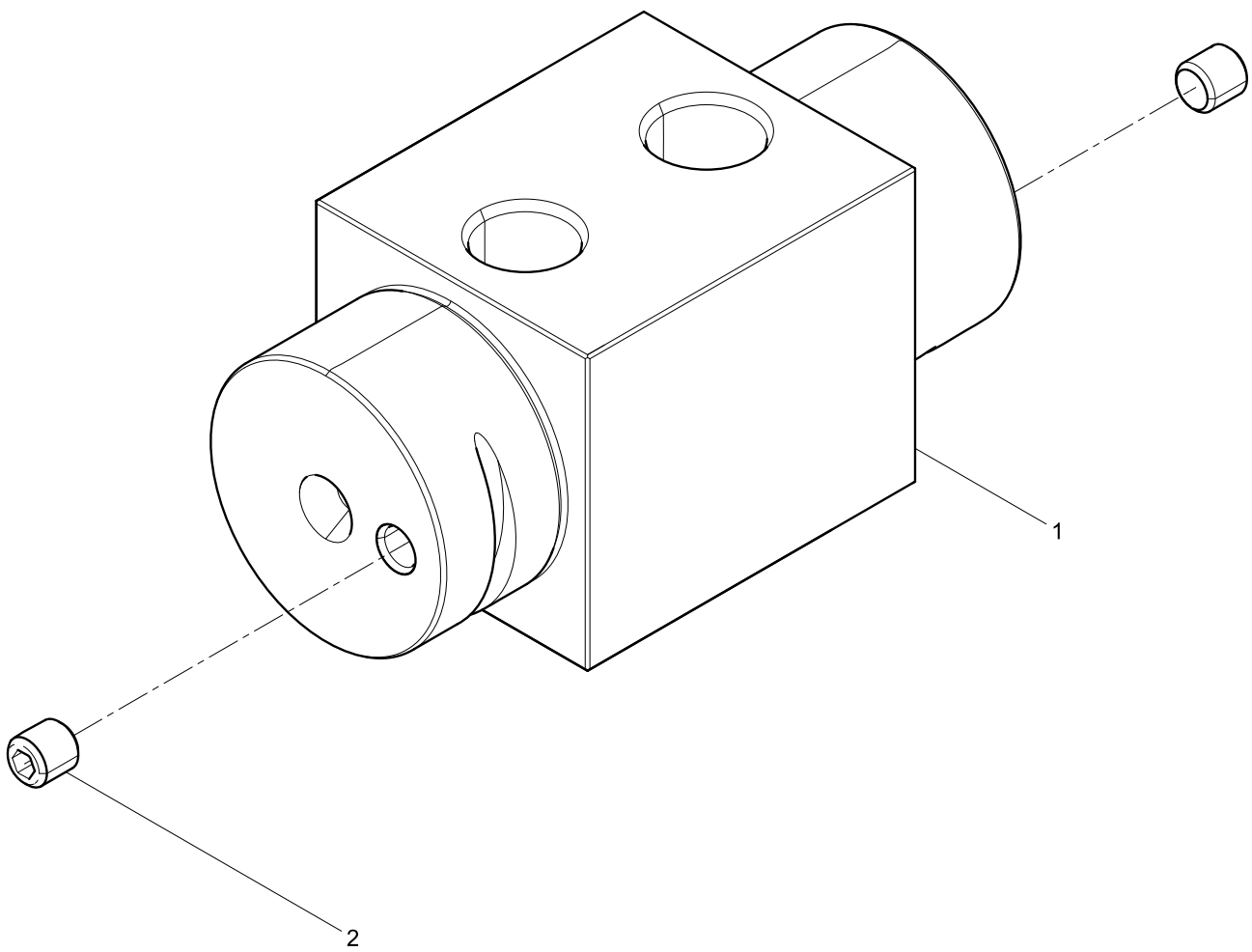


Valve Train Group

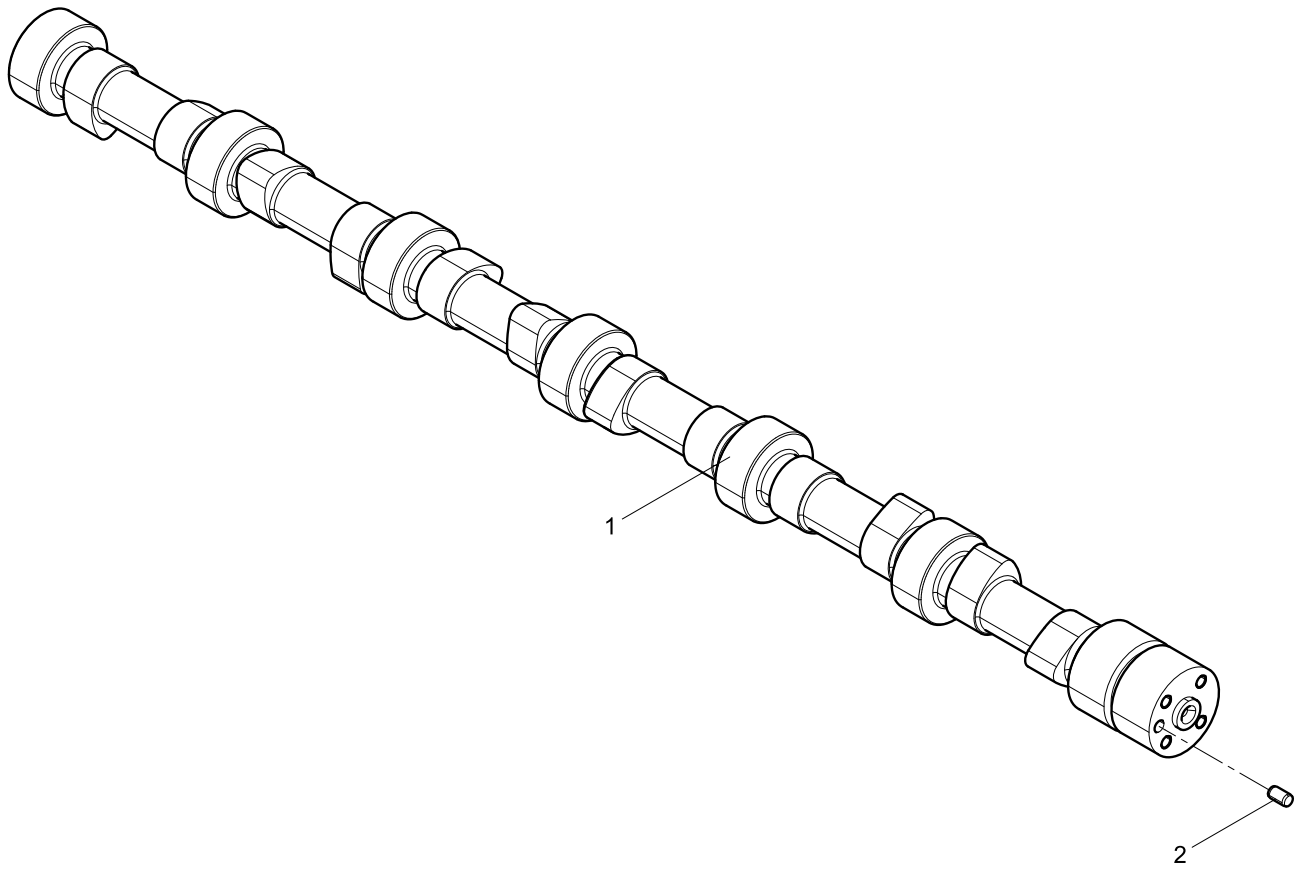




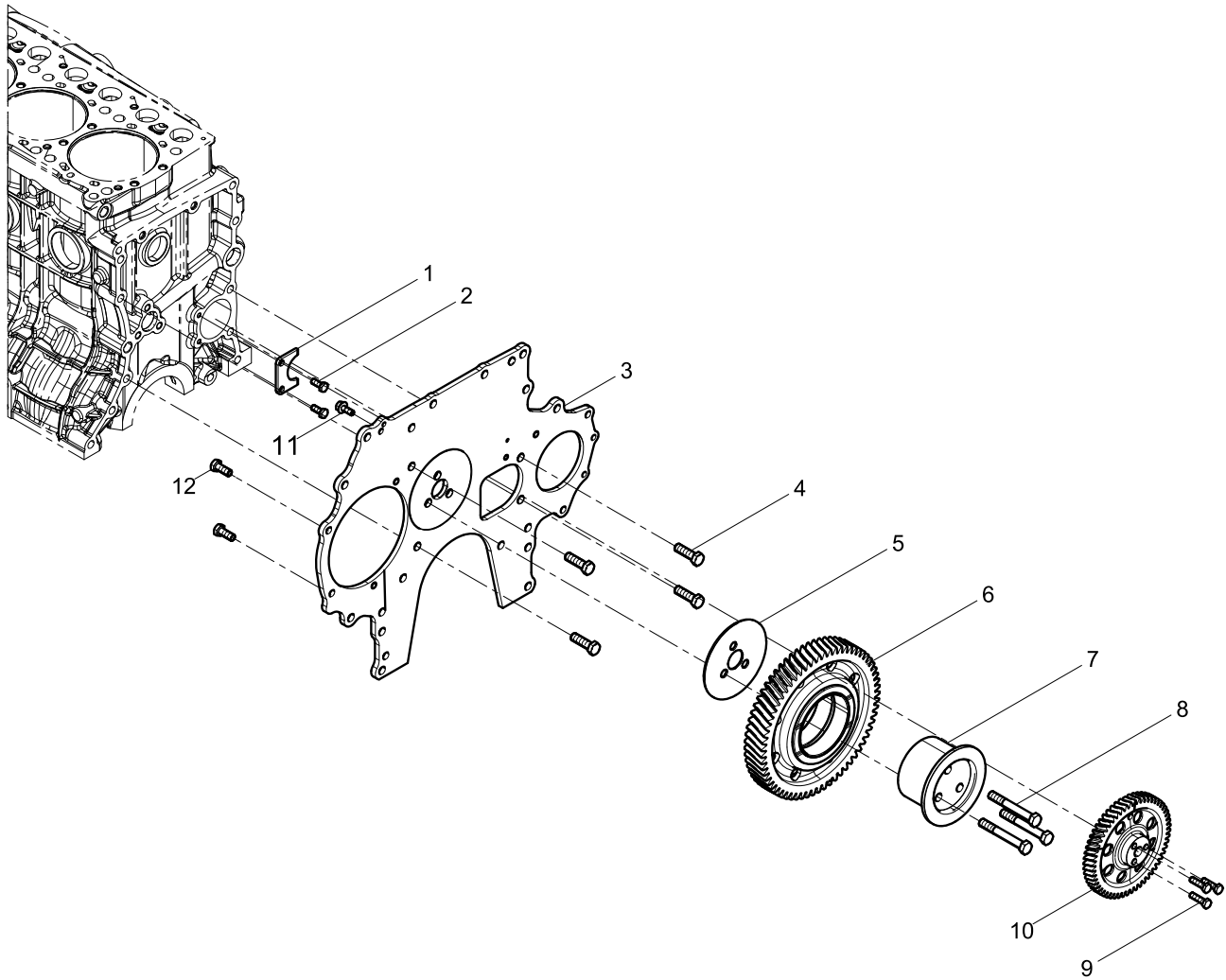
Rocker Arm Shaft Set



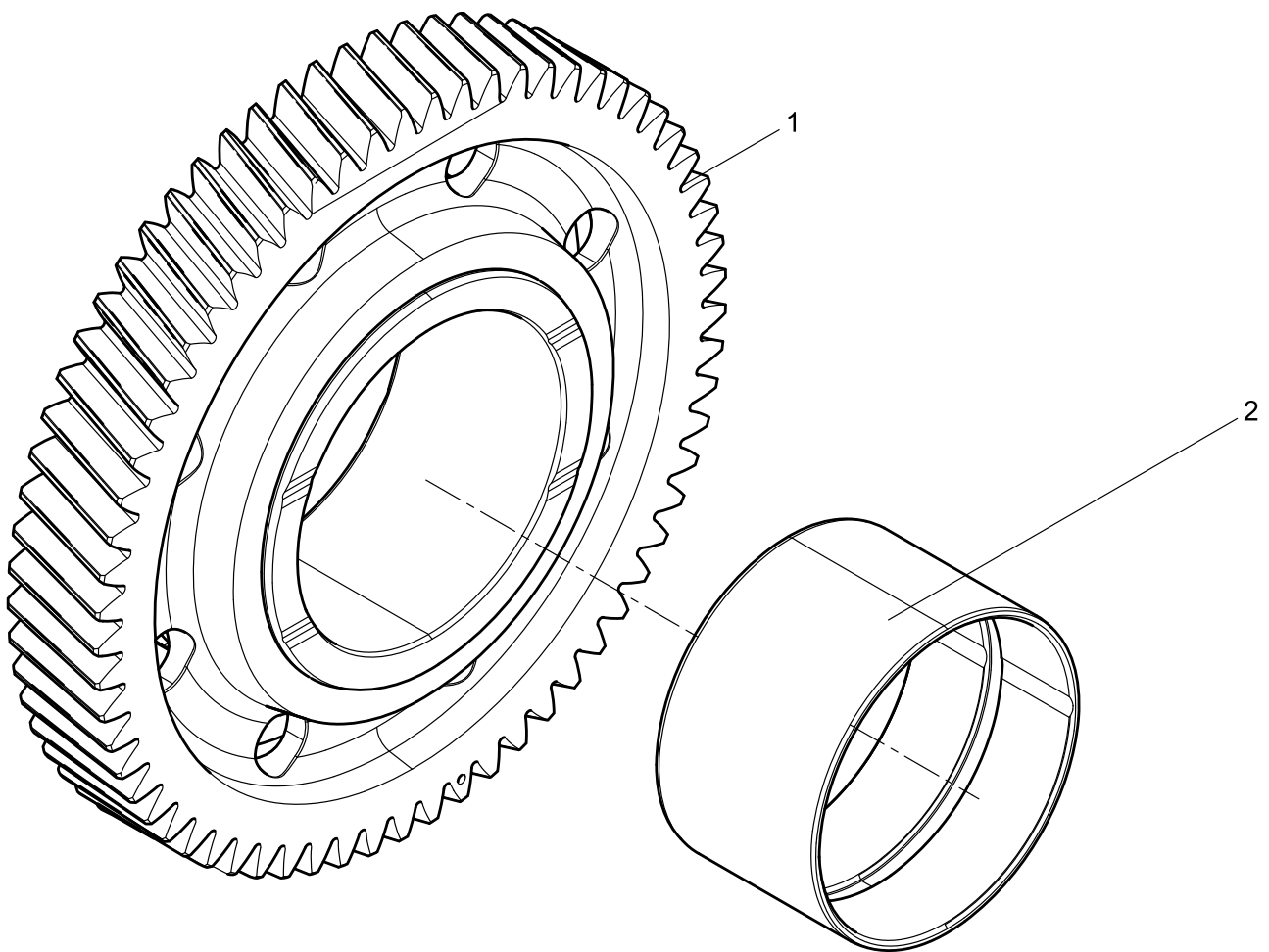
Camshaft Assembly



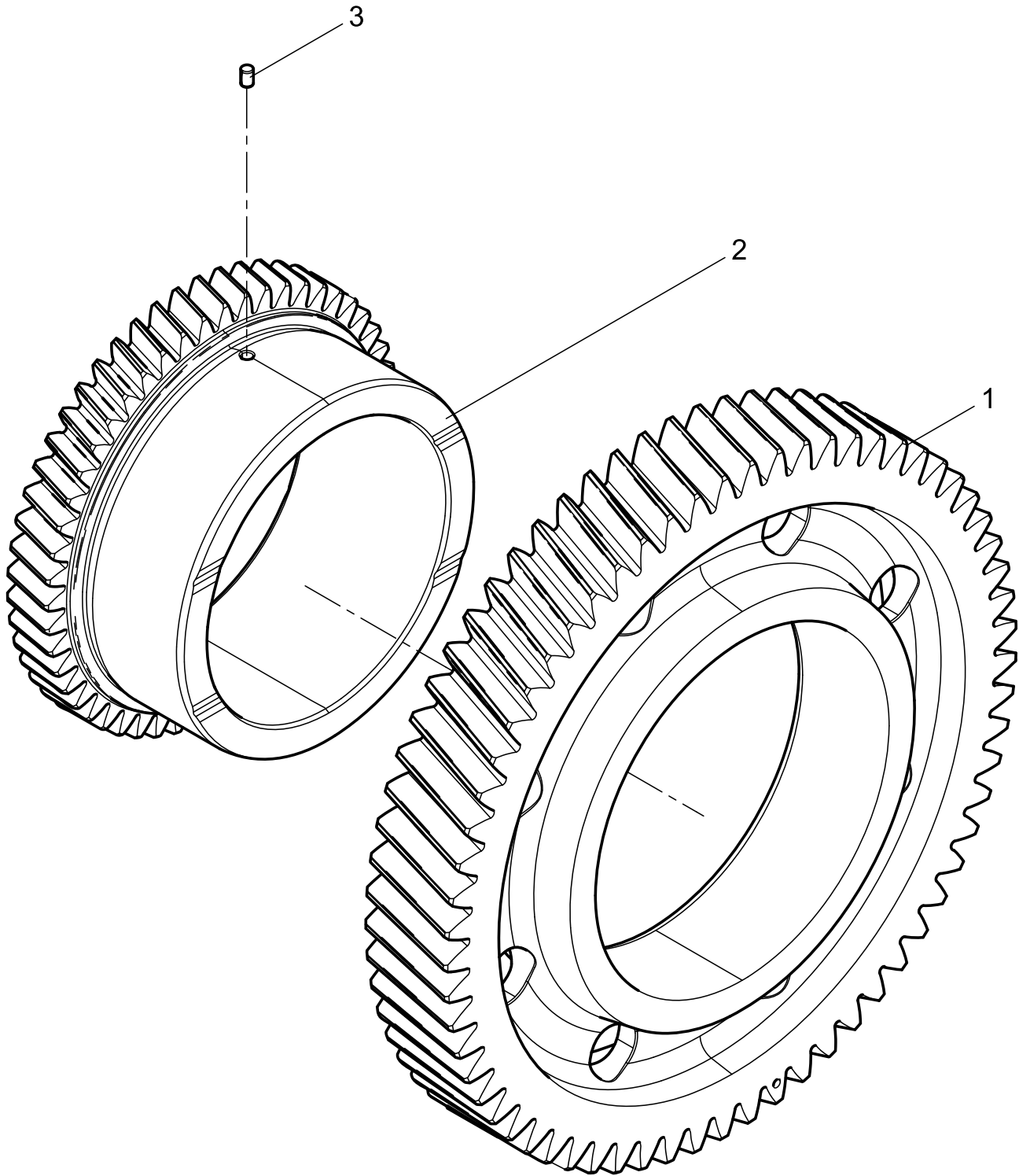
Gear Drive Set



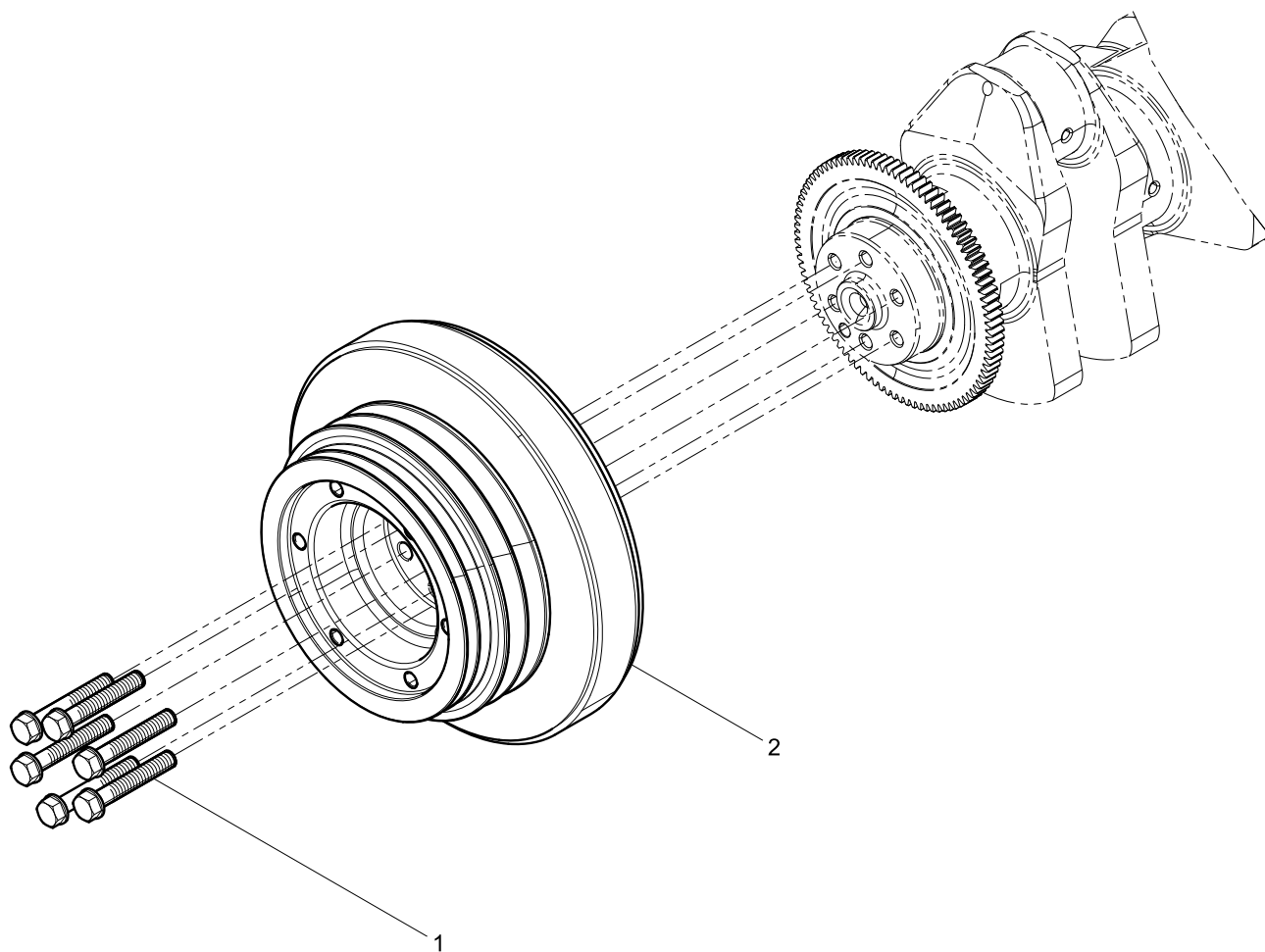
Idler Gear Assembly



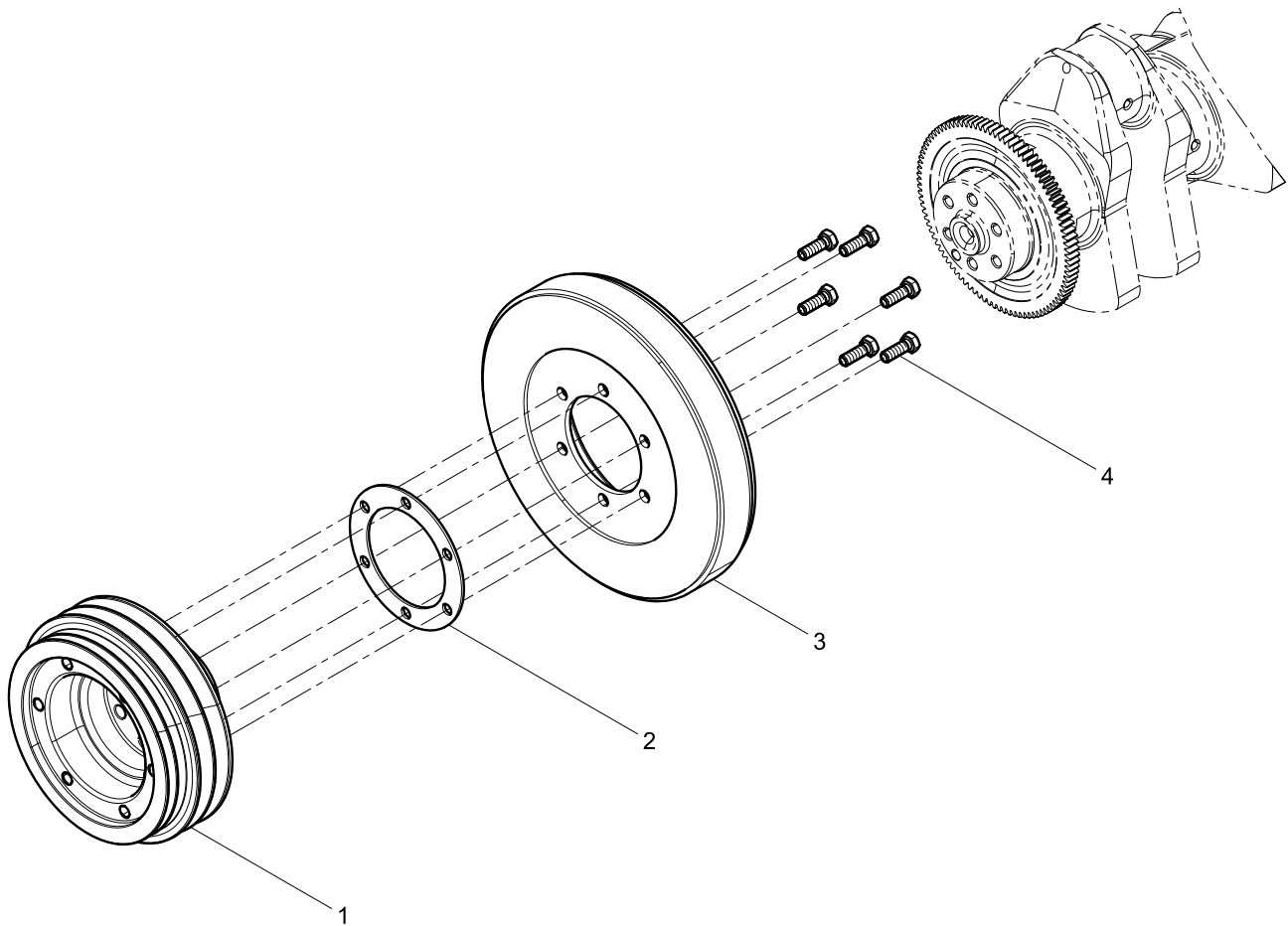
Idler Gear Set



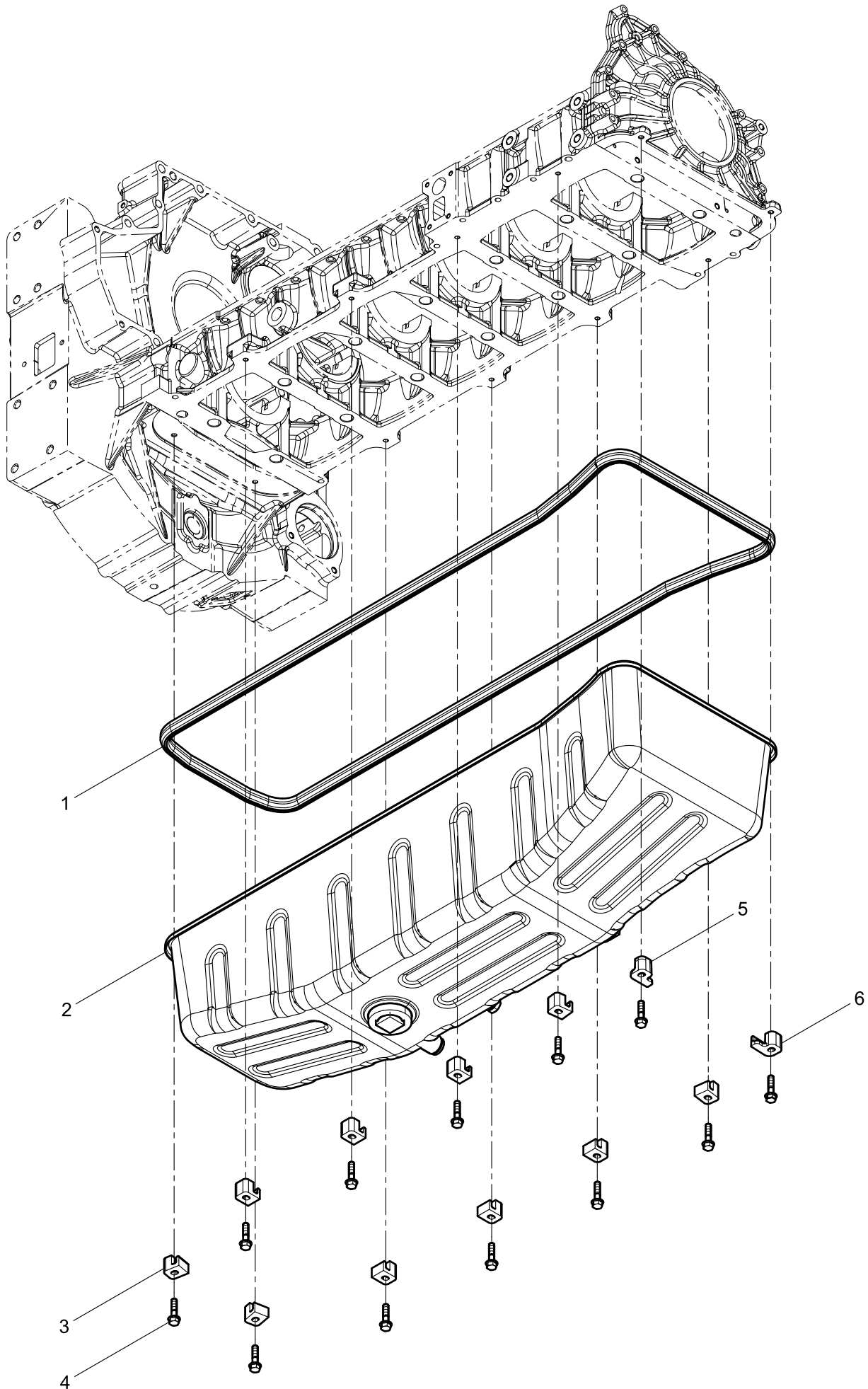
Crankshaft Pulley Group



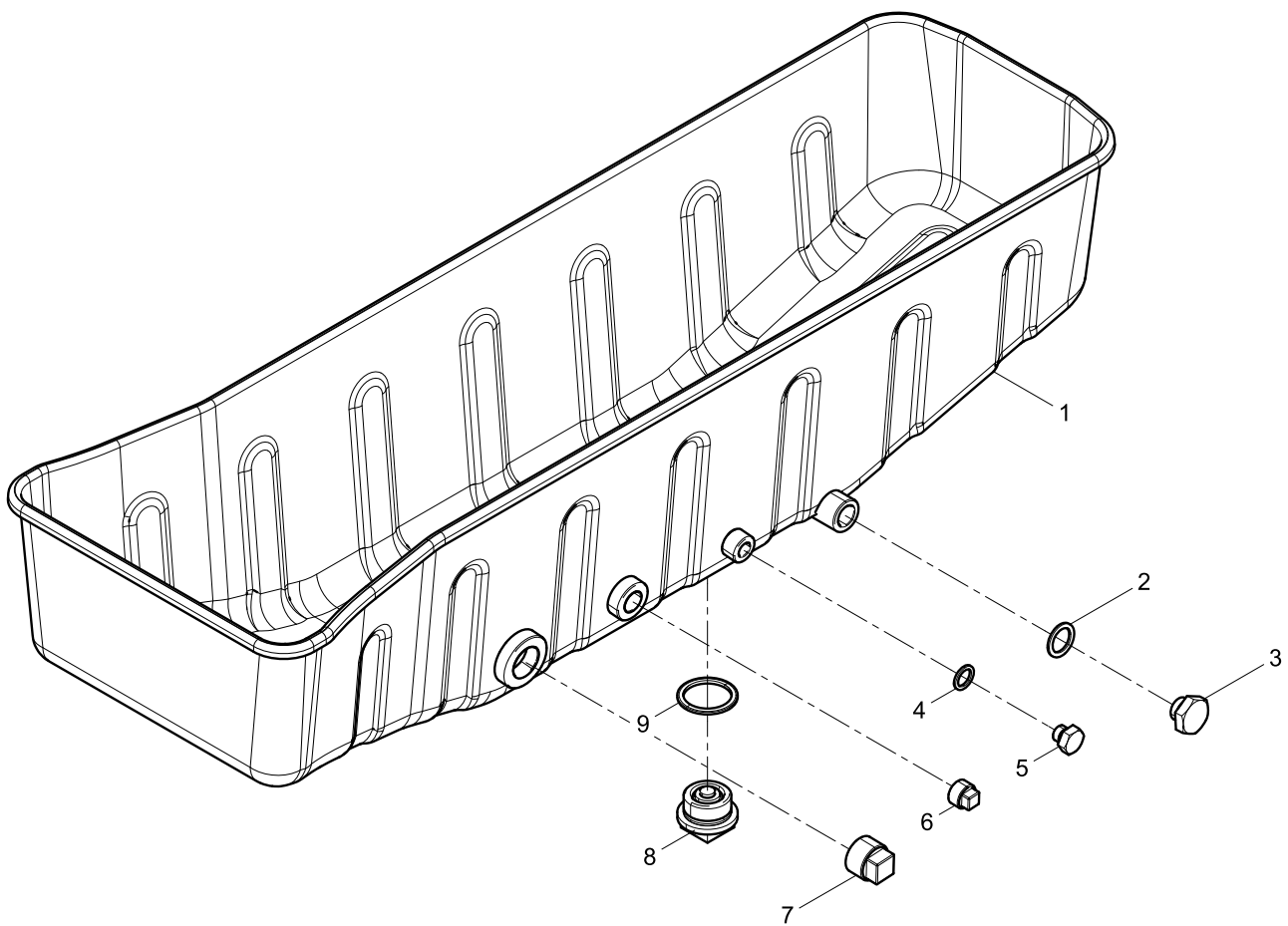
Crankshaft Pulley Assembly



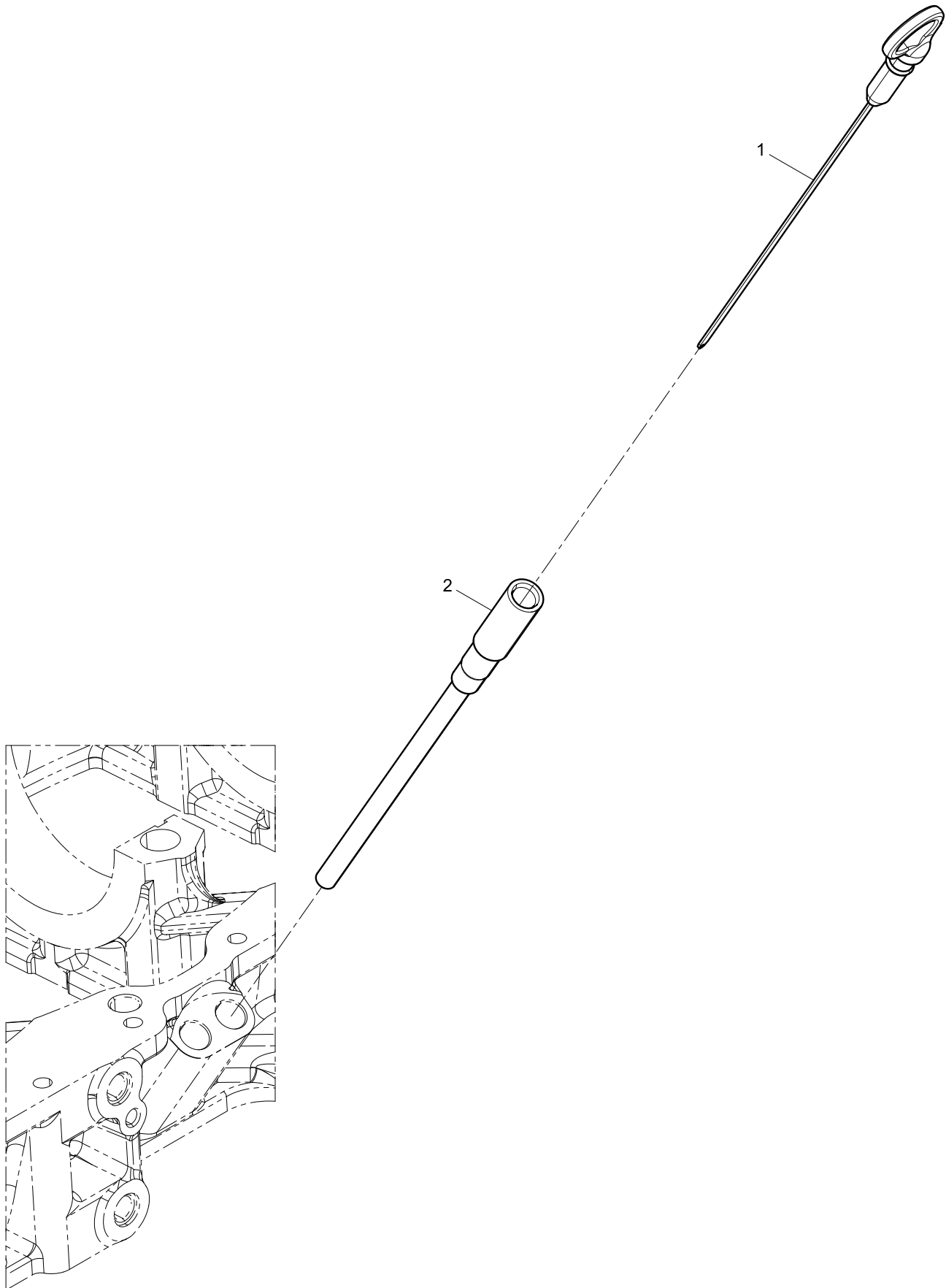
Oil Pan Group



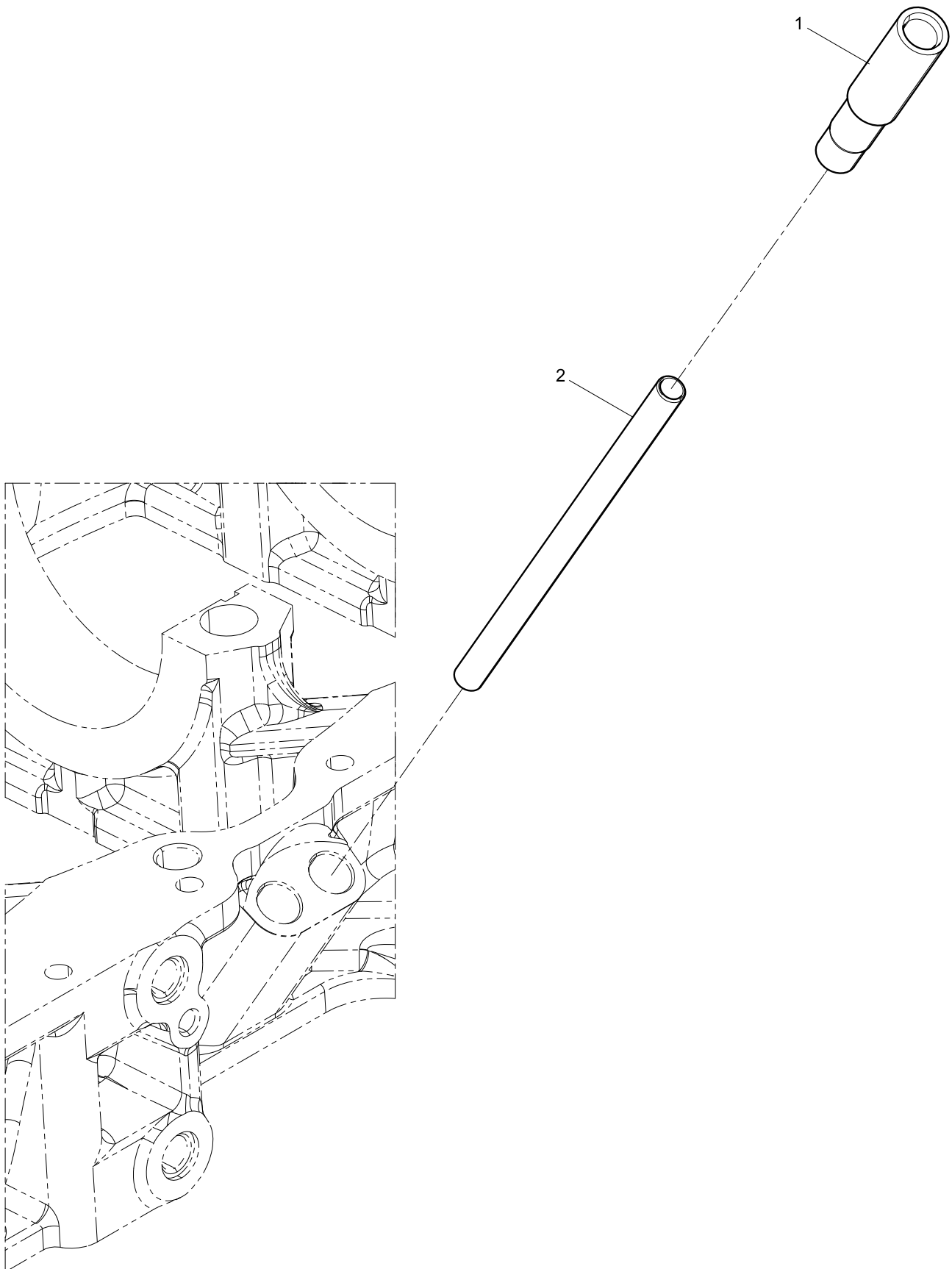
Oil Pan Assembly



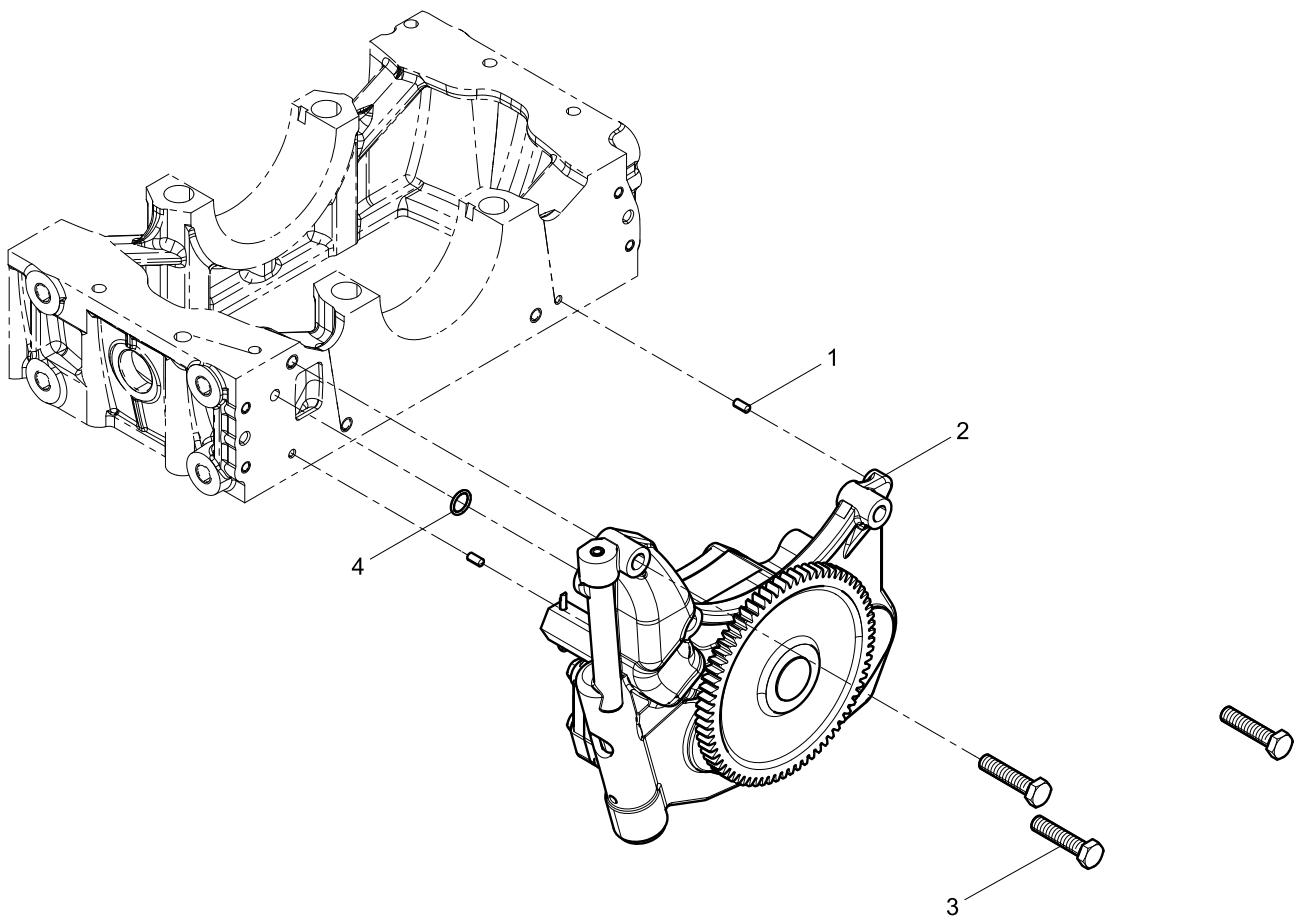
Dipstick Group



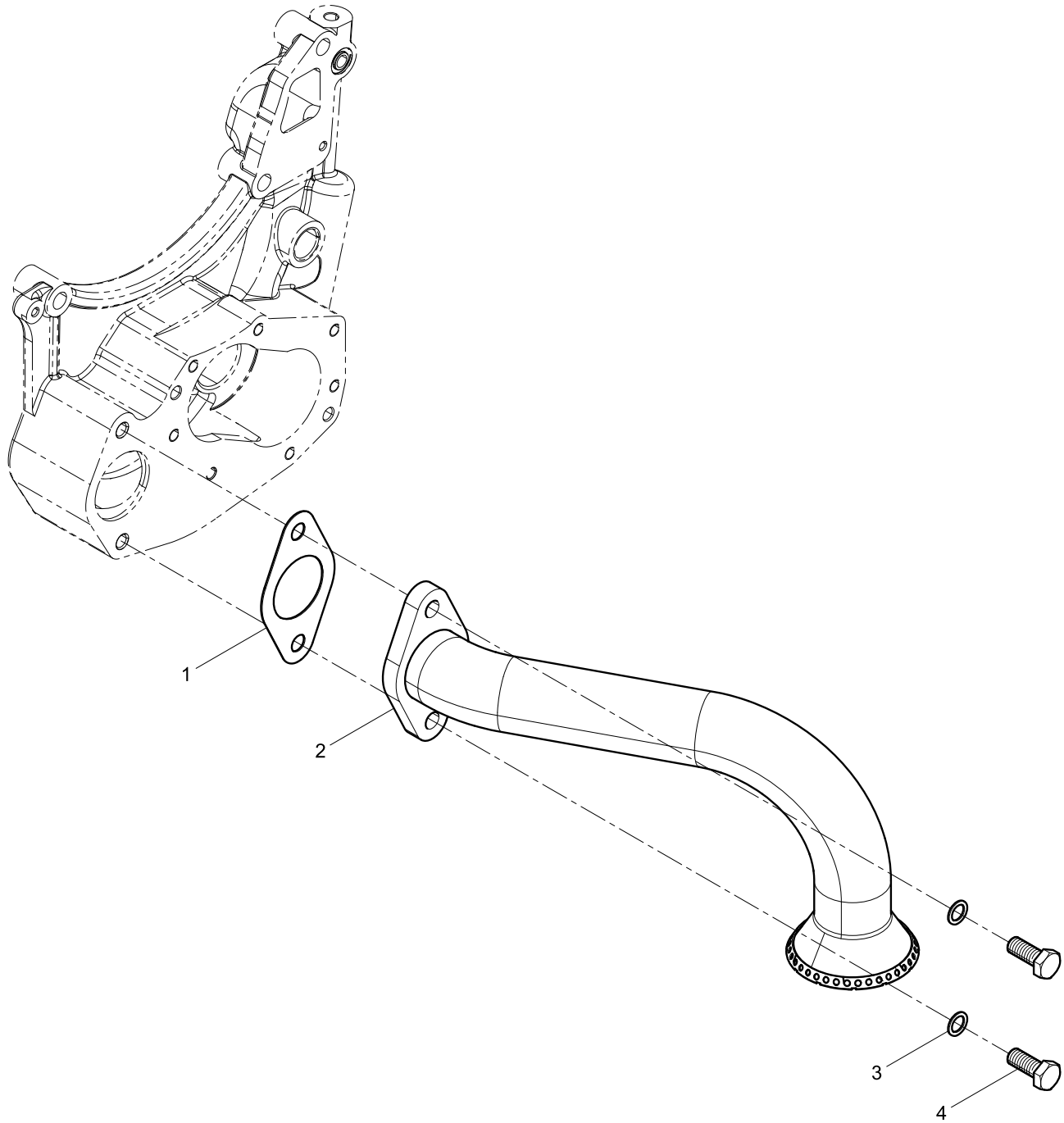
Dipstick Pipe Set



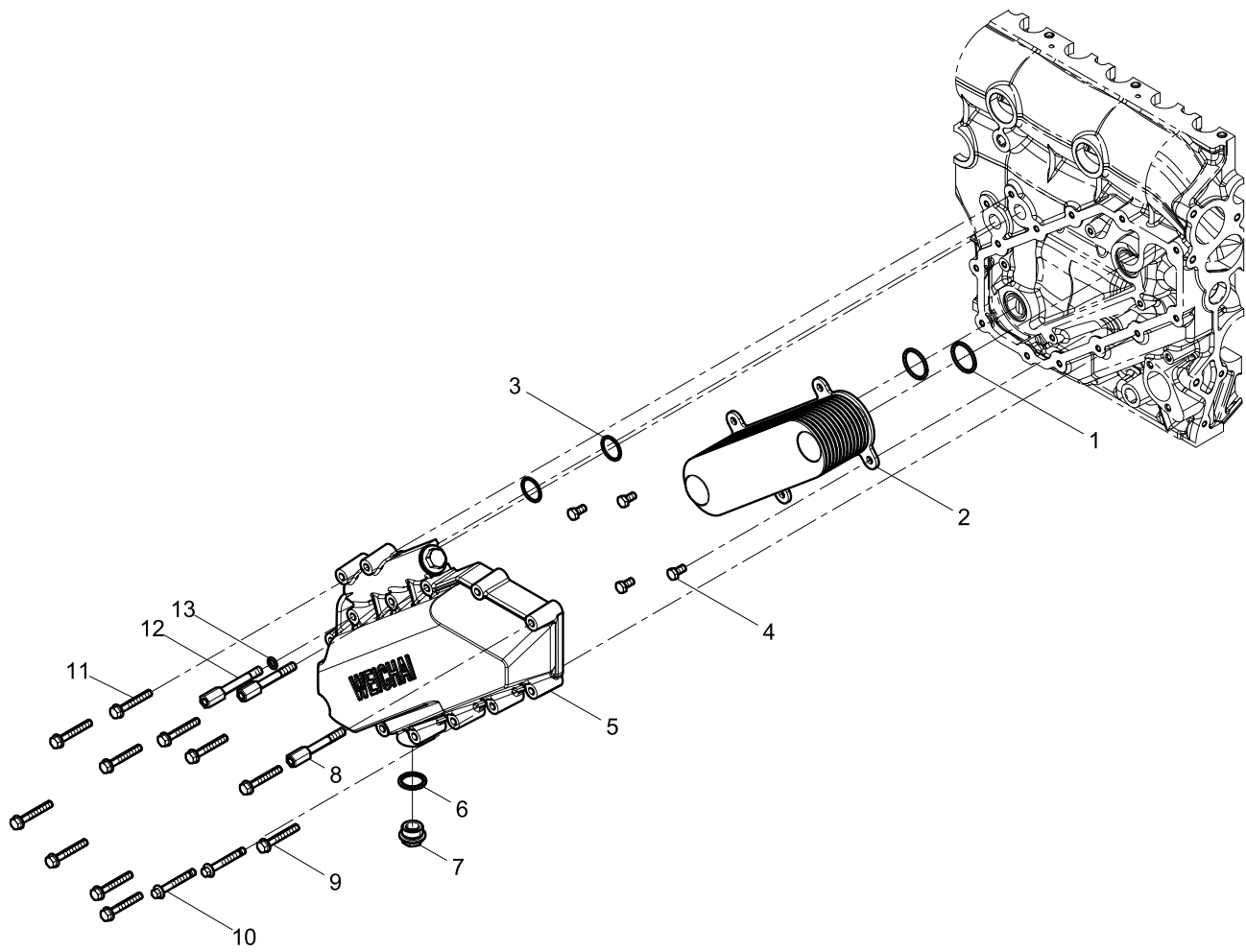
Oil Pump Group



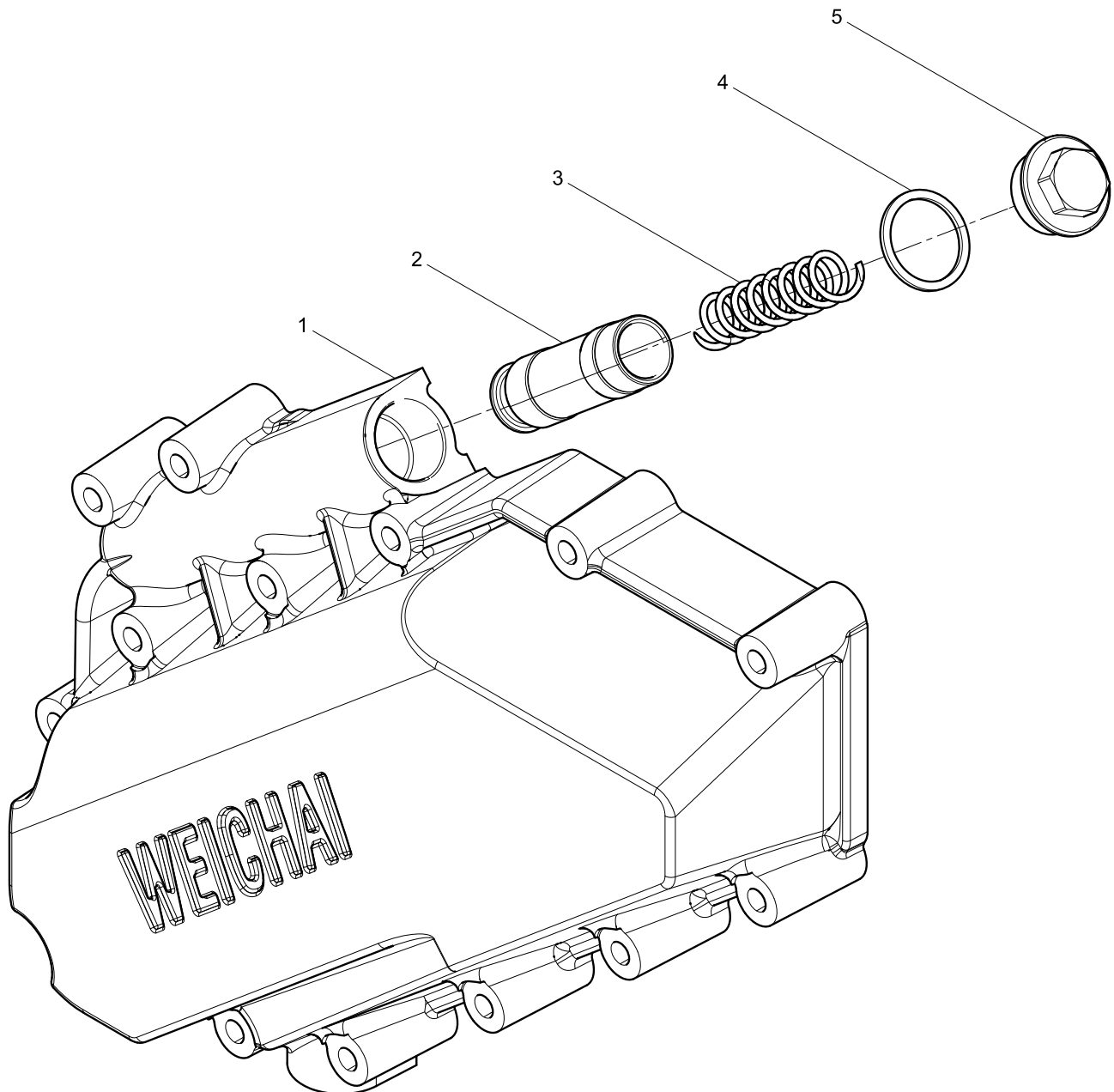
Oil Strainer Group



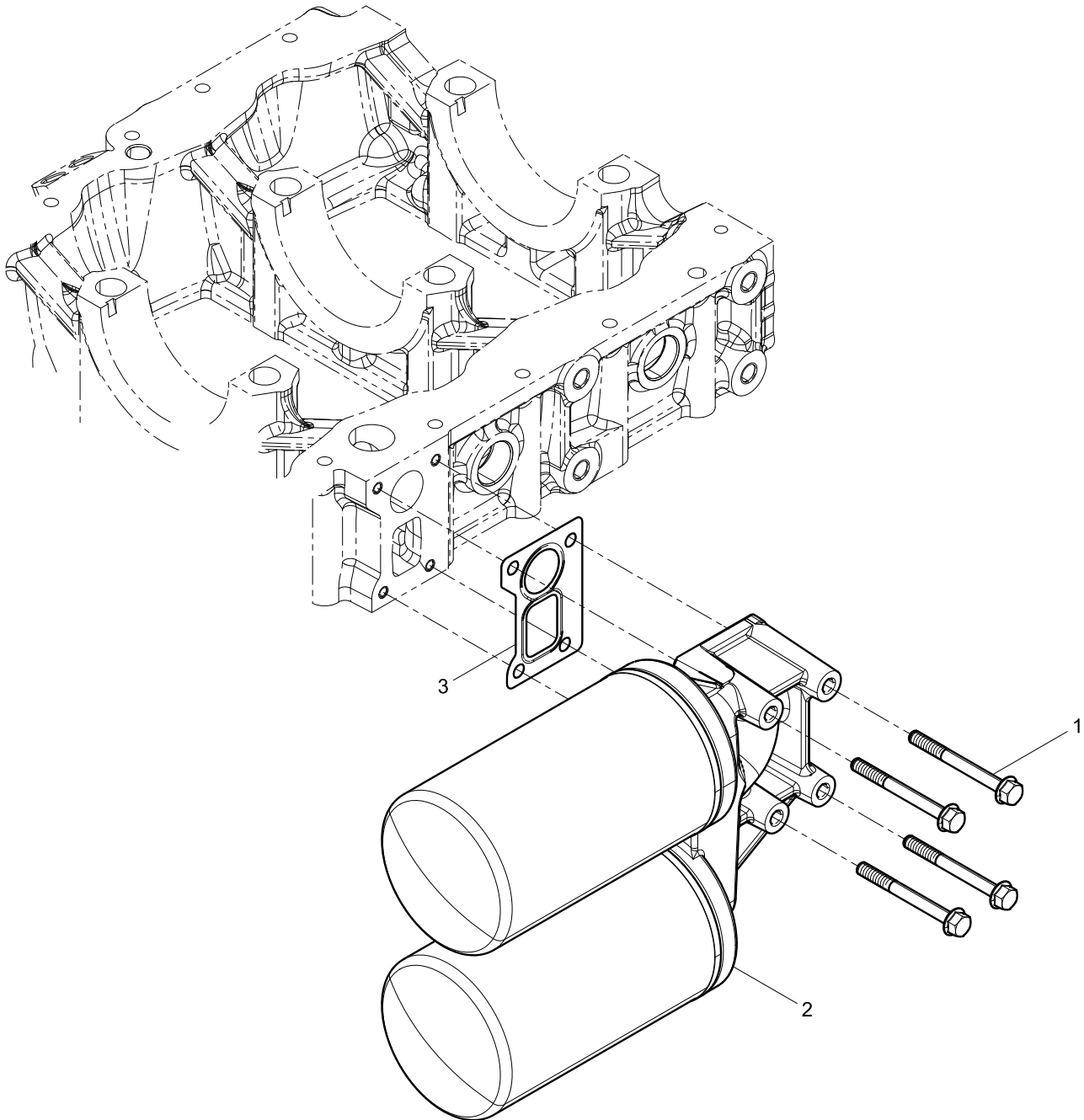
Oil Cooler Group



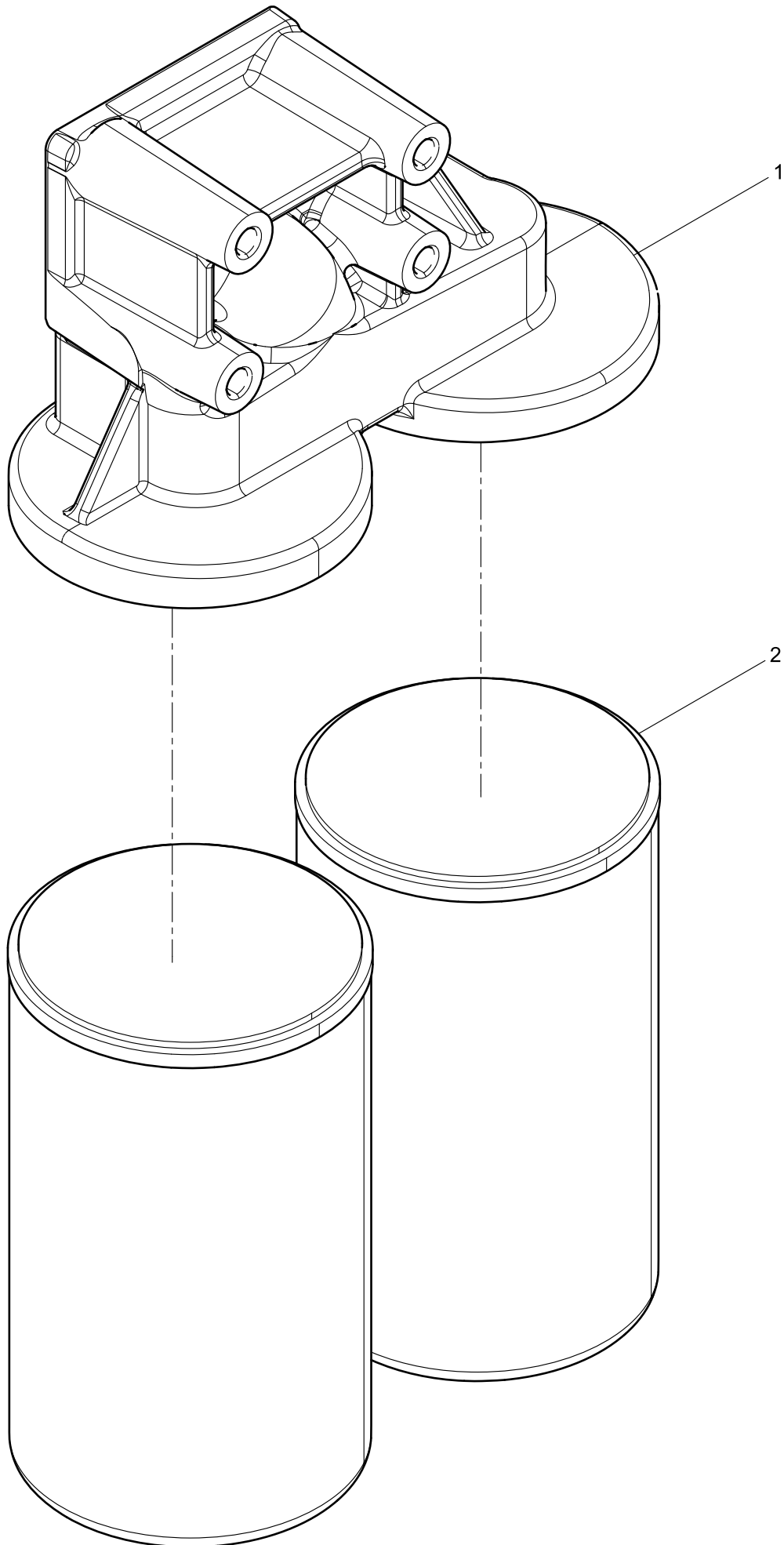
Oil Cooler Cap Assembly



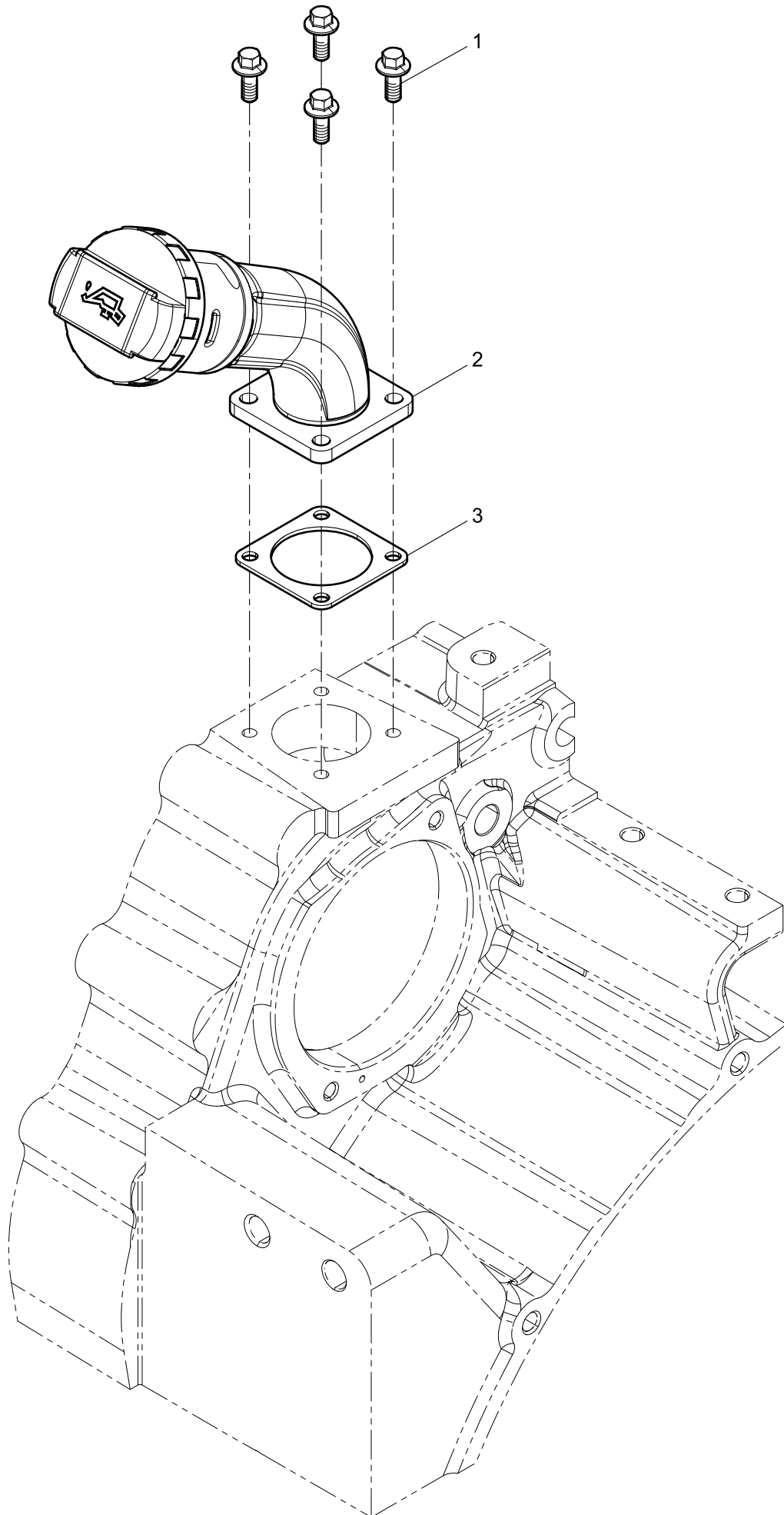
Oil Filter Group



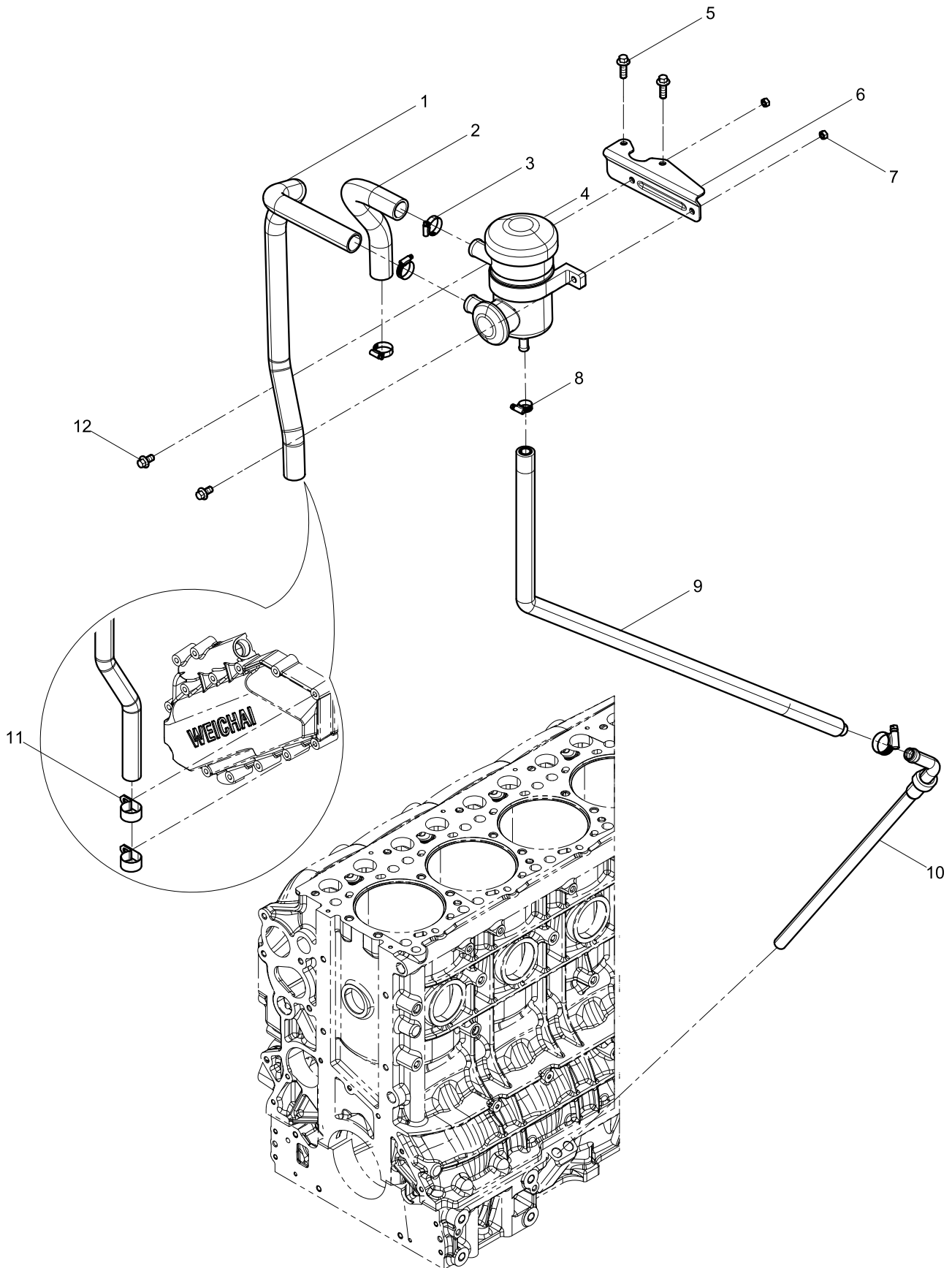
Oil Filter



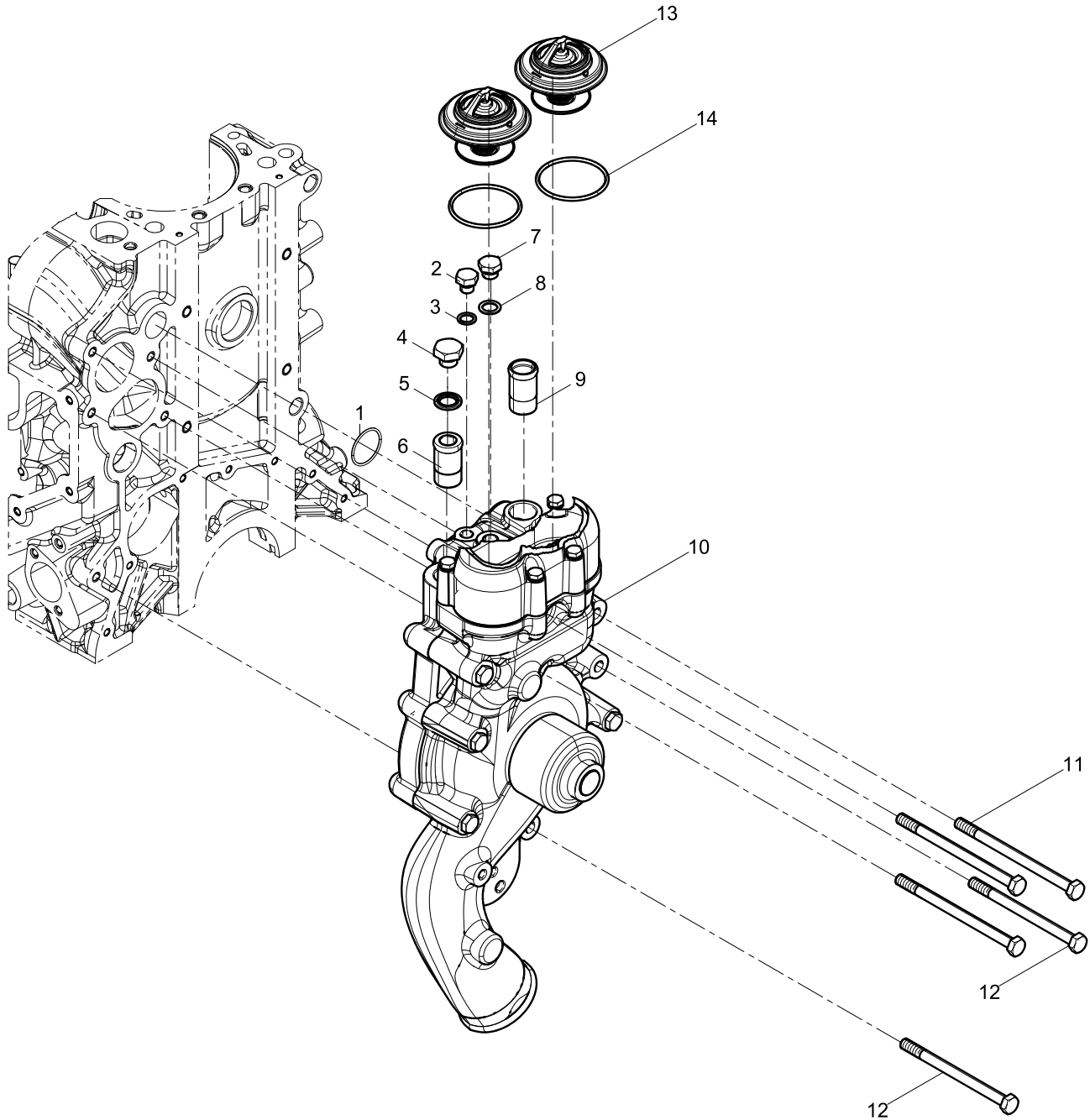
Oil Filling Tube Group



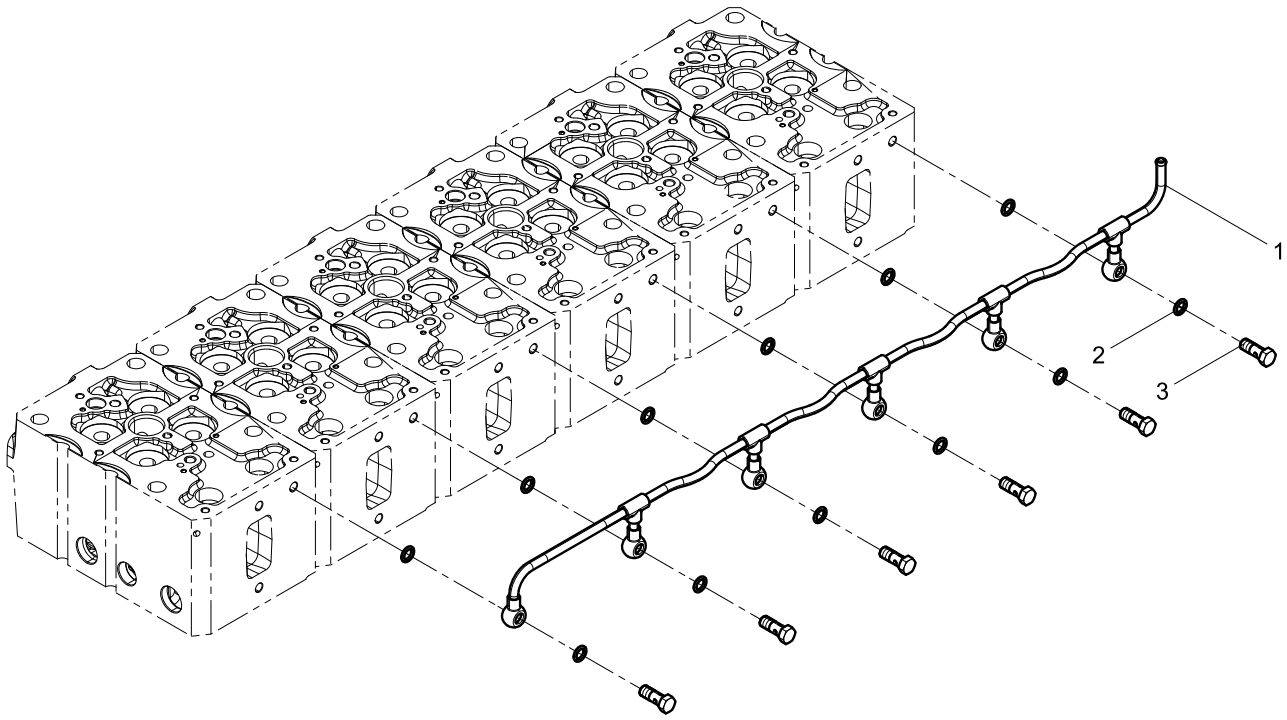
Oil-gas Separator Group



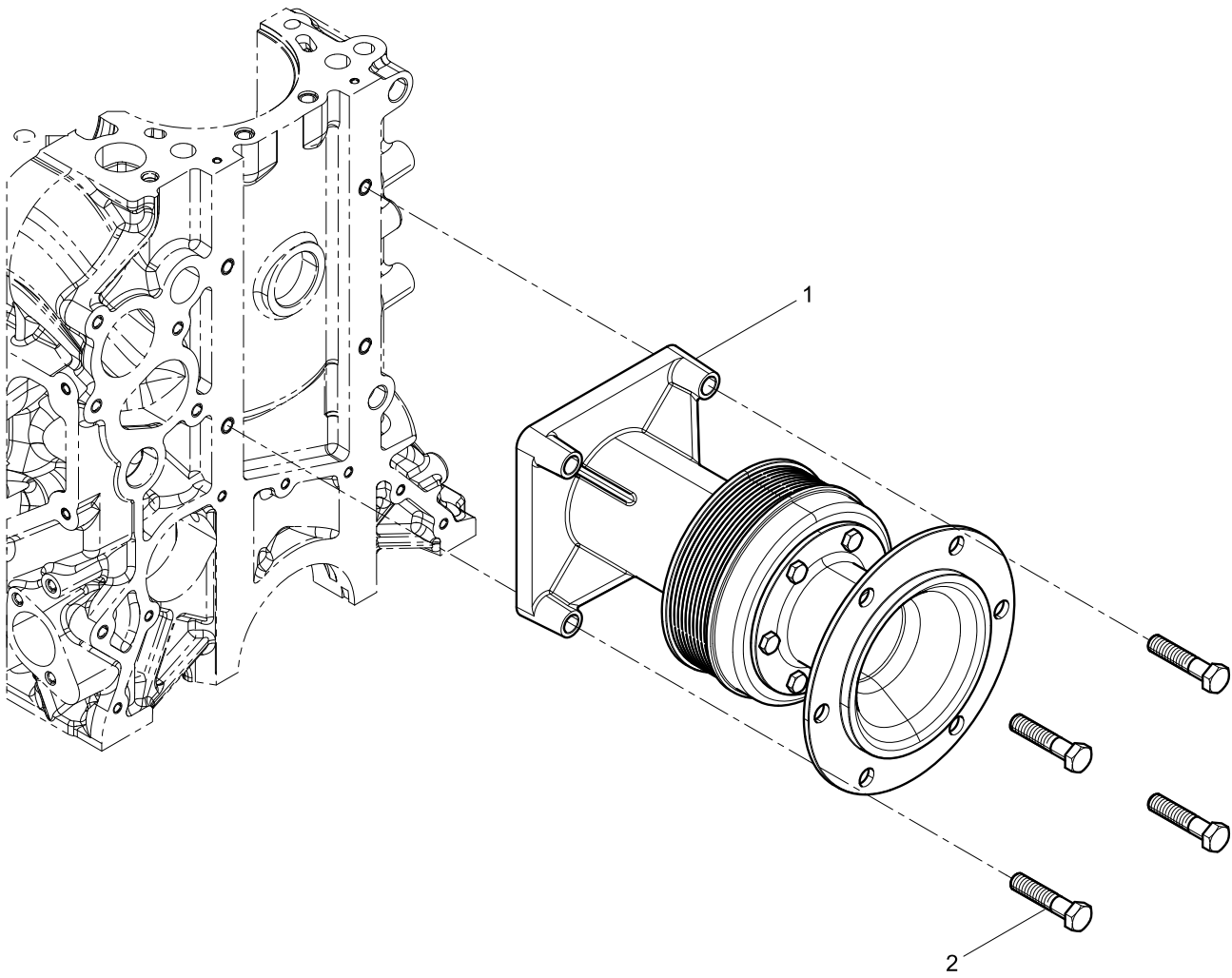
Water Pump Group



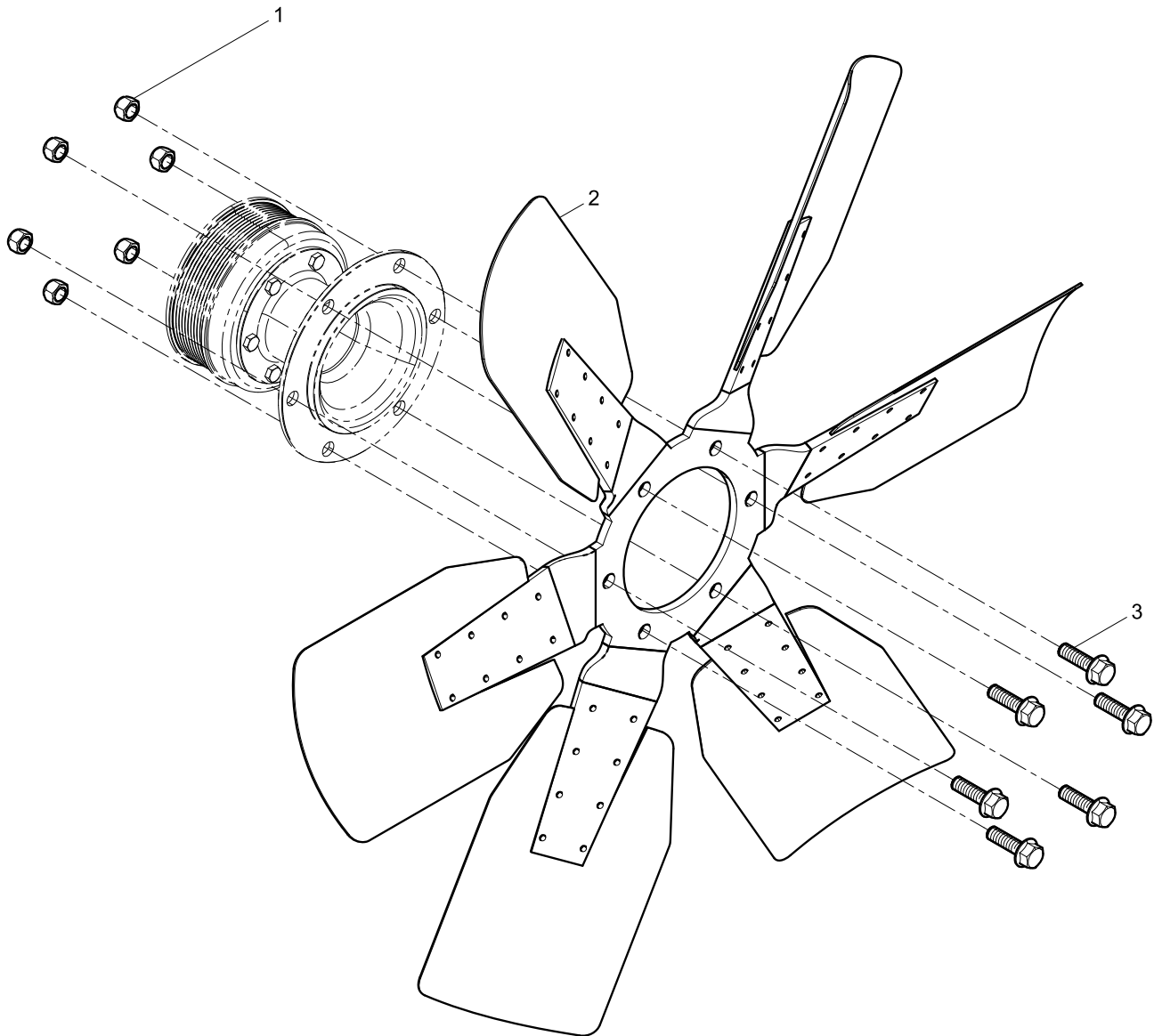
Venting Pipe Group



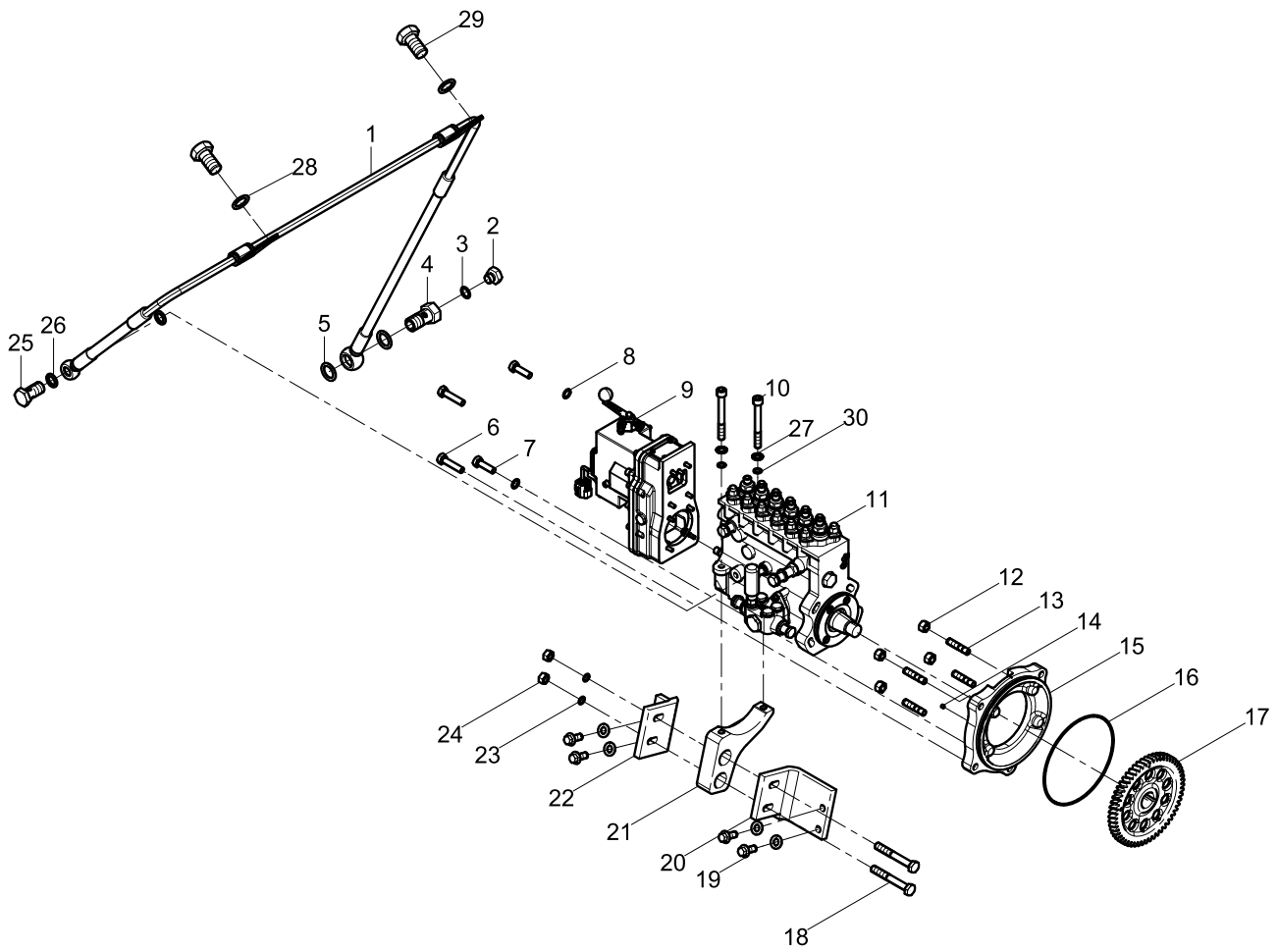
Fan Bracket Group



Fan and Hub Group



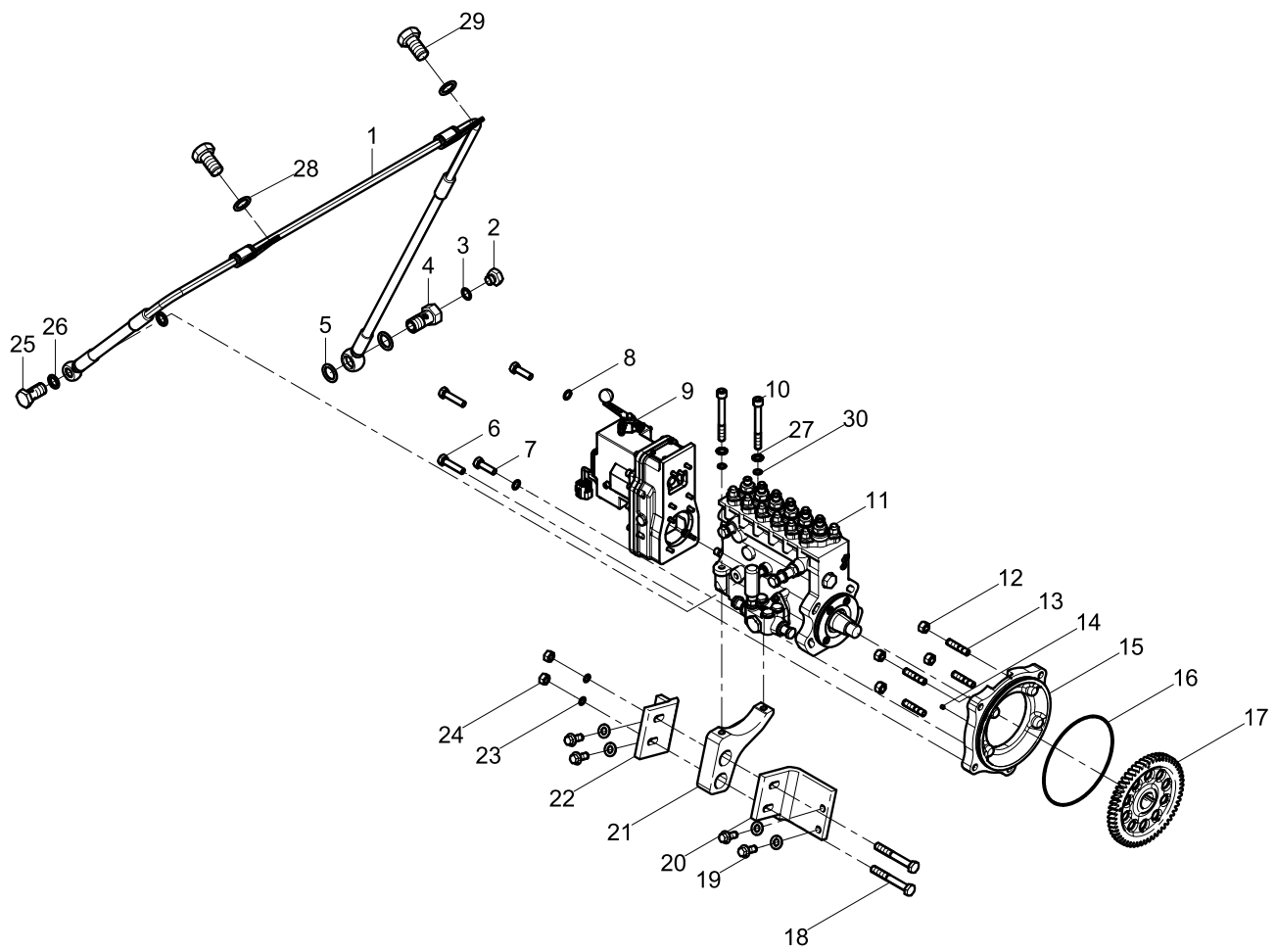
Fuel Injection Pump Group



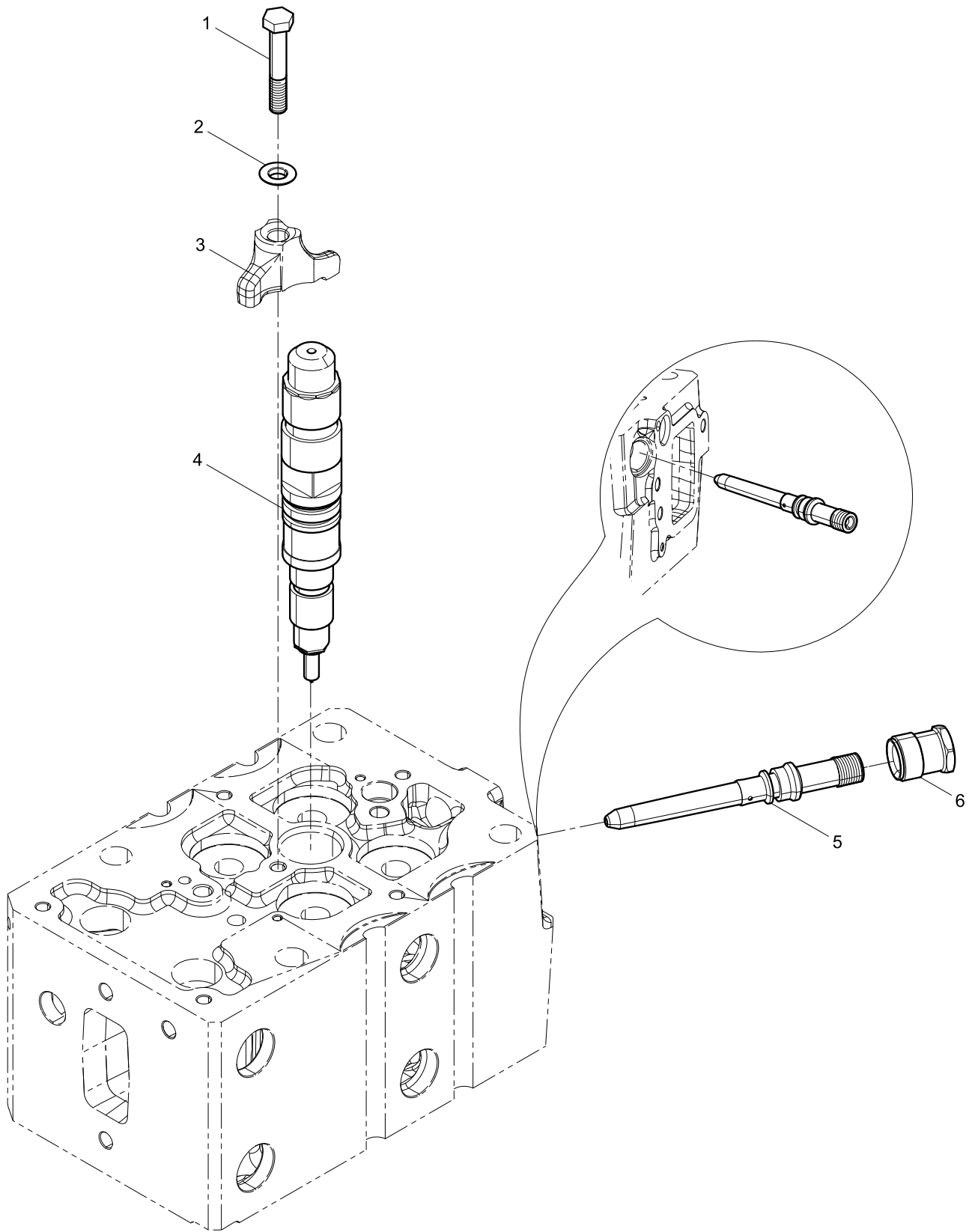
Fuel Injection Pump Group

Pos.	Teile.Number	Amount	Designation
1	612630080249	1	Fuel injection pump Oil pipe assembly
2	90003962014	1	Hexagon plug
3	90003098010	1	Sealing Washer
4	612600083019	1	Bolt
5	90003098015	2	Sealing Washer
6	90003802542S	2	Hexagon Head Bolt
7	90003802532S	2	Hexagon Head Bolt
8	90003931122	2	Spring Washer
9	1000943160	1	Electromagnetic Actuator
10	90013050028	2	Screw
11	1000943171	1	Fuel Injection Pump
12	90003888452	4	Prevailing Torque Type All-metal Hexagon Nut,
13	90003813537S	4	Double End Stud
14	612639000065	1	Screw
15	612700030018	1	Fuel Injection Pump Flange
16	612700030010	1	Fuel Injection Pump Flange Rubber Ring
17	612700030017	1	Fuel Injection Pump Gear
18	90003802561	2	Hexagon Head Bolt
19	90011430008	4	Hexagon Flange with Tooth Bolt
20	612630080180	1	Right bracket
21	612630080179	1	Bracket
22	612630080178	1	Bracket (left)
23	90014040008	8	Plain Washer
24	90003871305	2	Hexagon Nuts, Style 1
25	612630030055	1	Bolt
26	612600080246	2	Washer
27	18872339	2	Washer

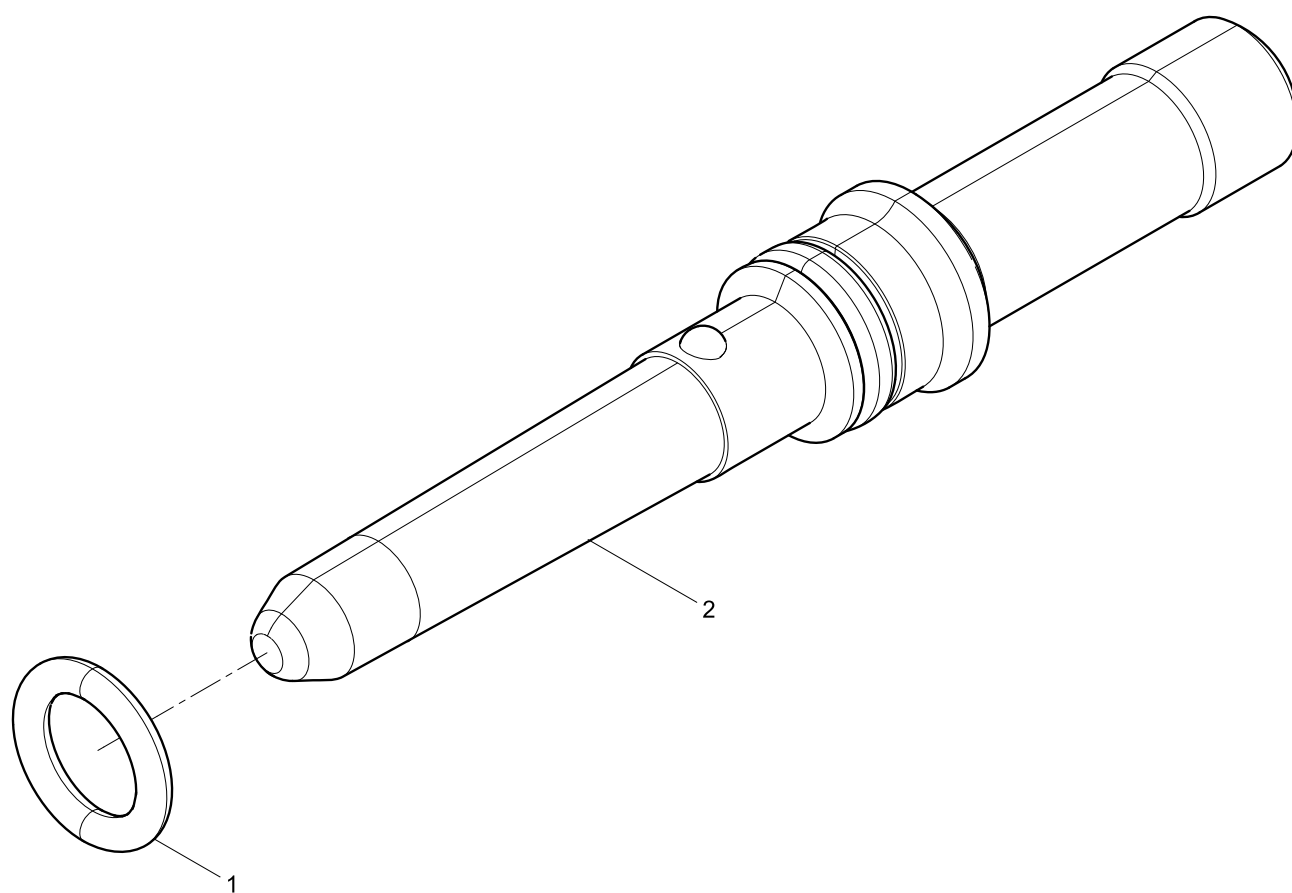
Fuel Injection Pump Group



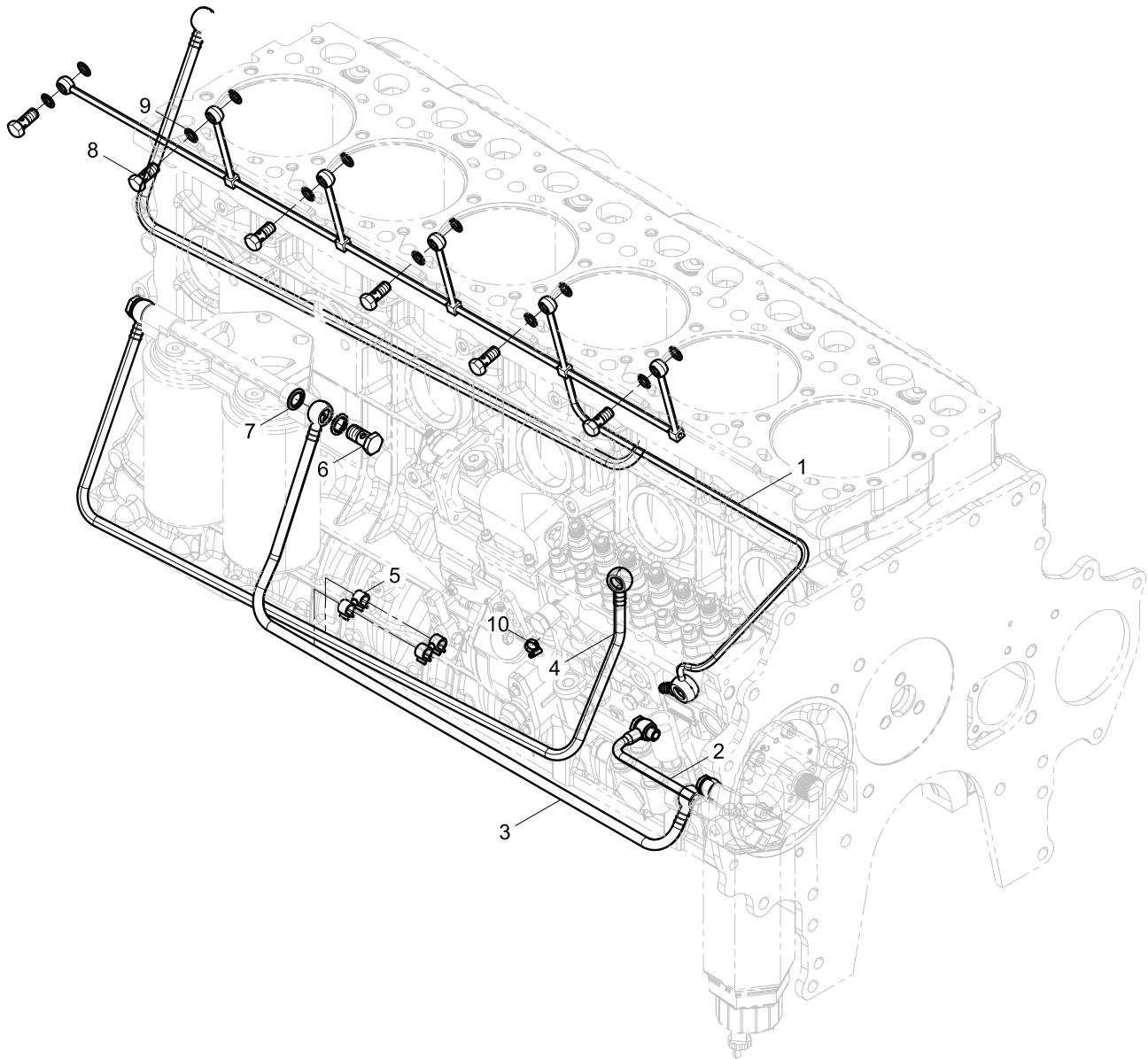
Fuel Injector Group



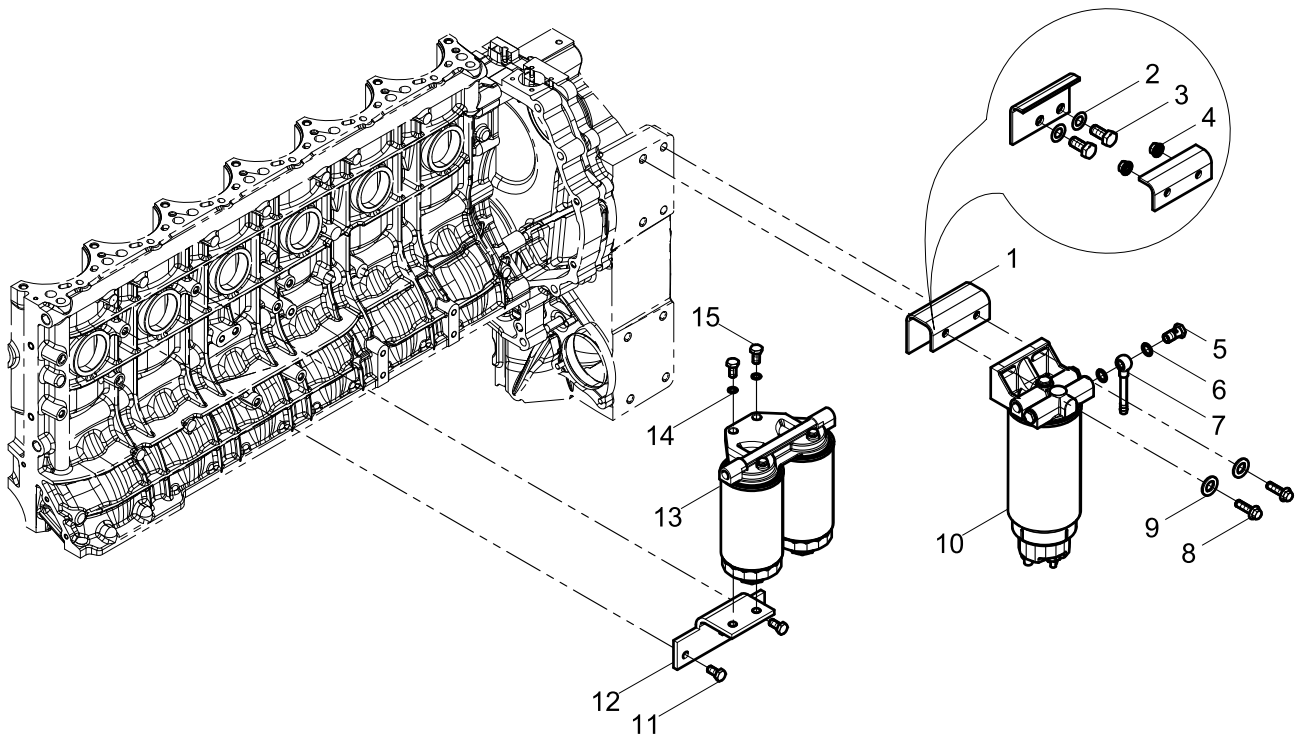
Adapter of High Pressure Pipe



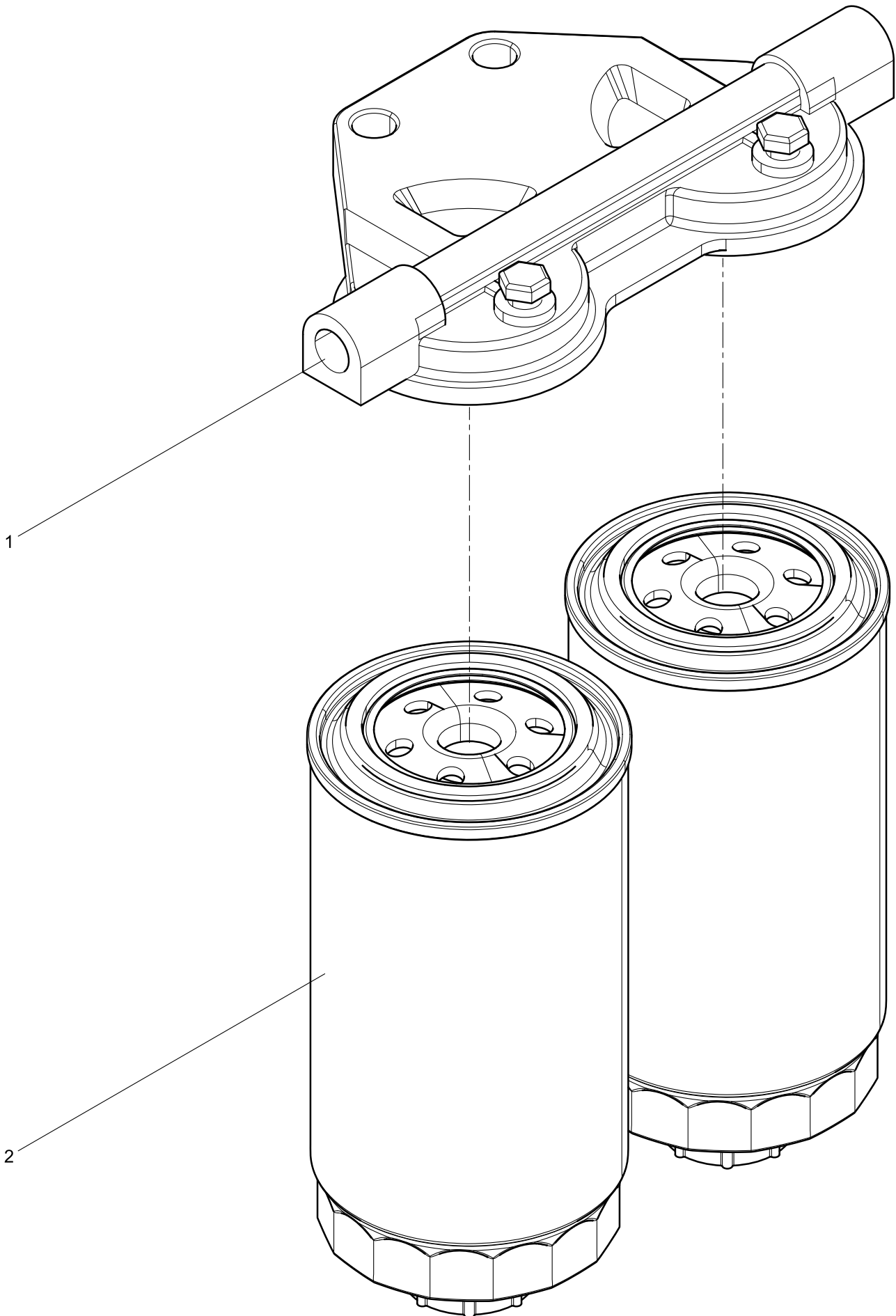
Low Pressure Fuel Pipe Group



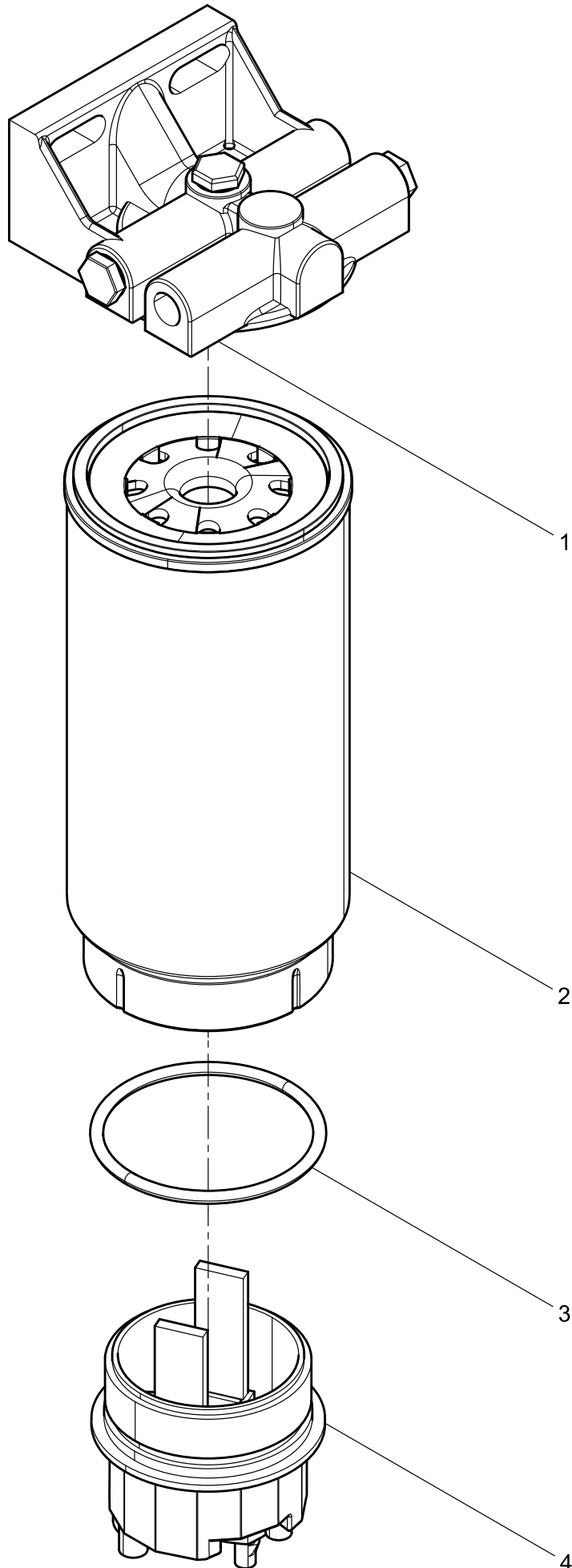
Fuel Filter Group



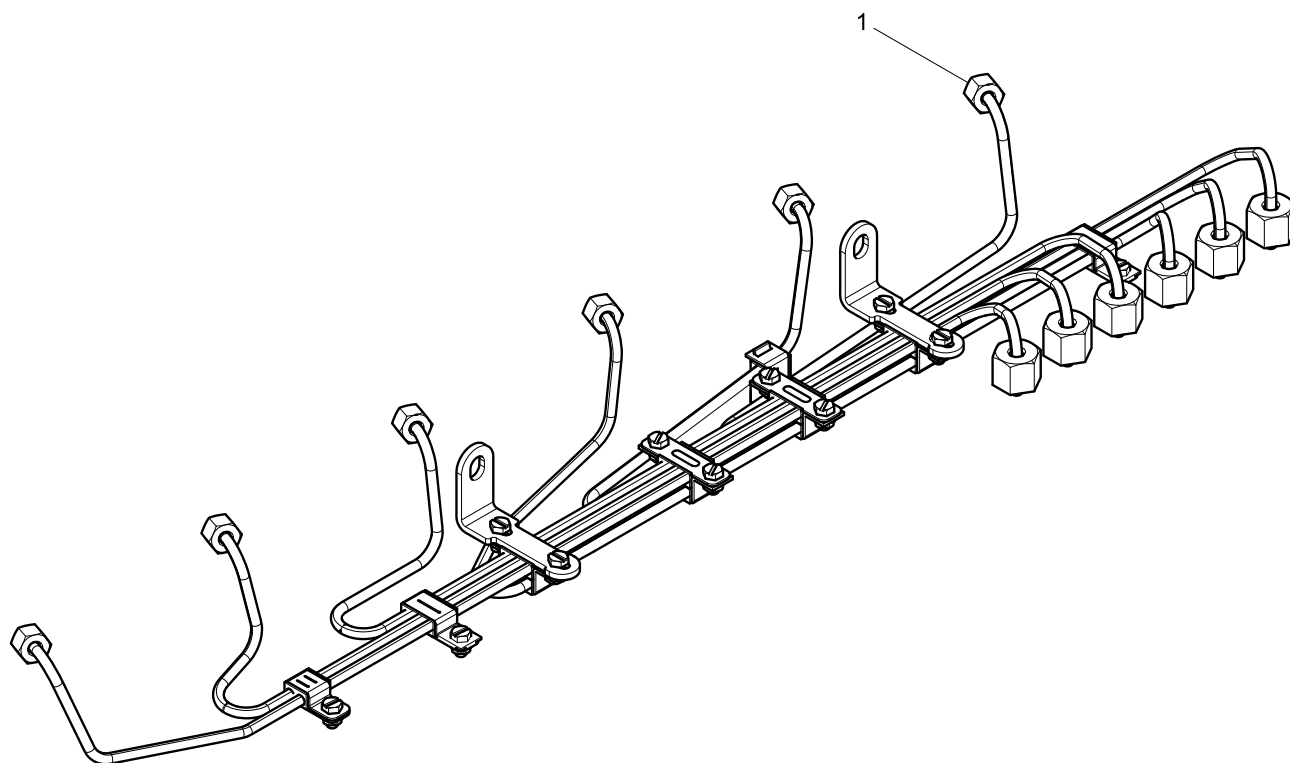
Fuel Filter



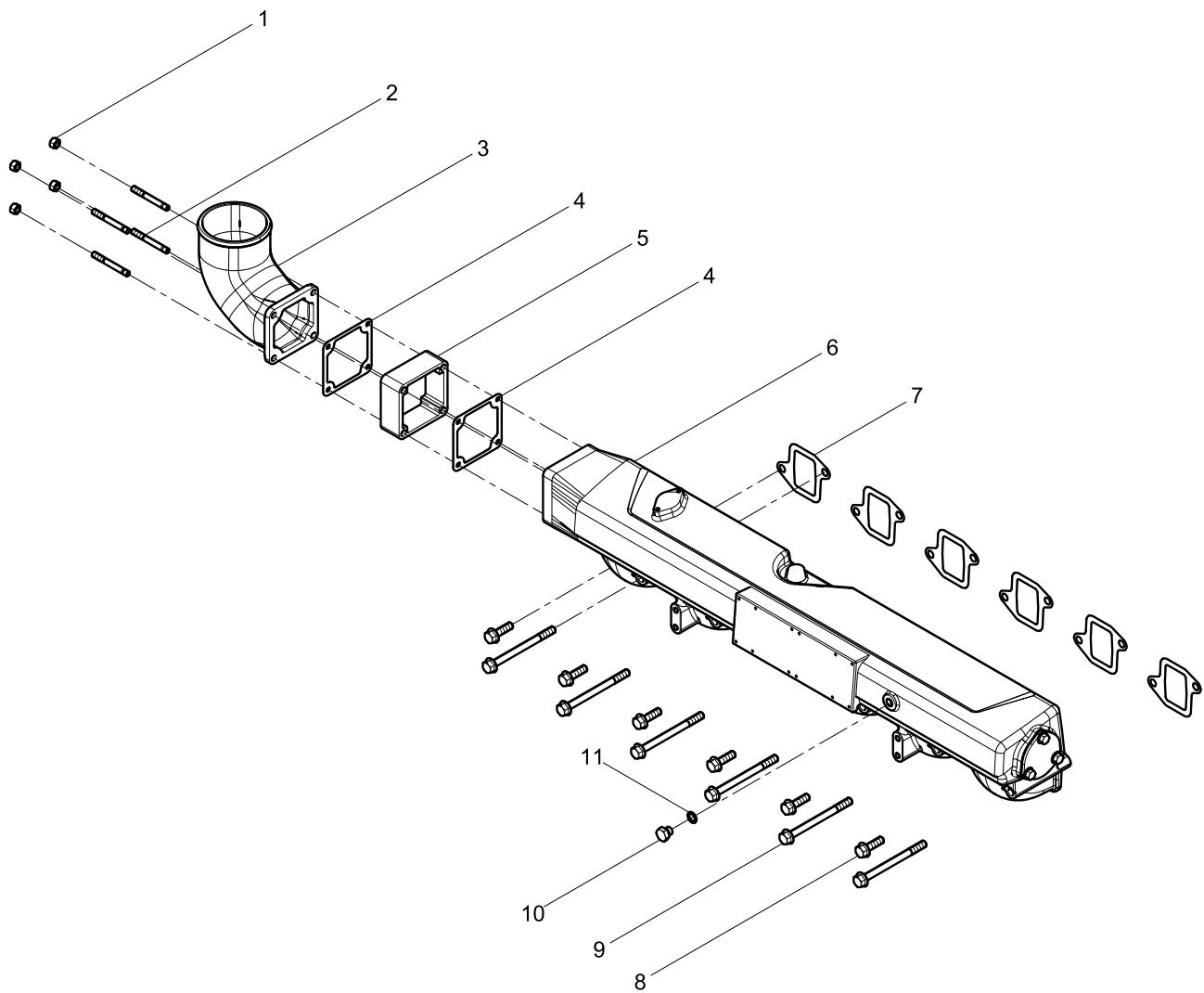
Fuel Coarse Filter



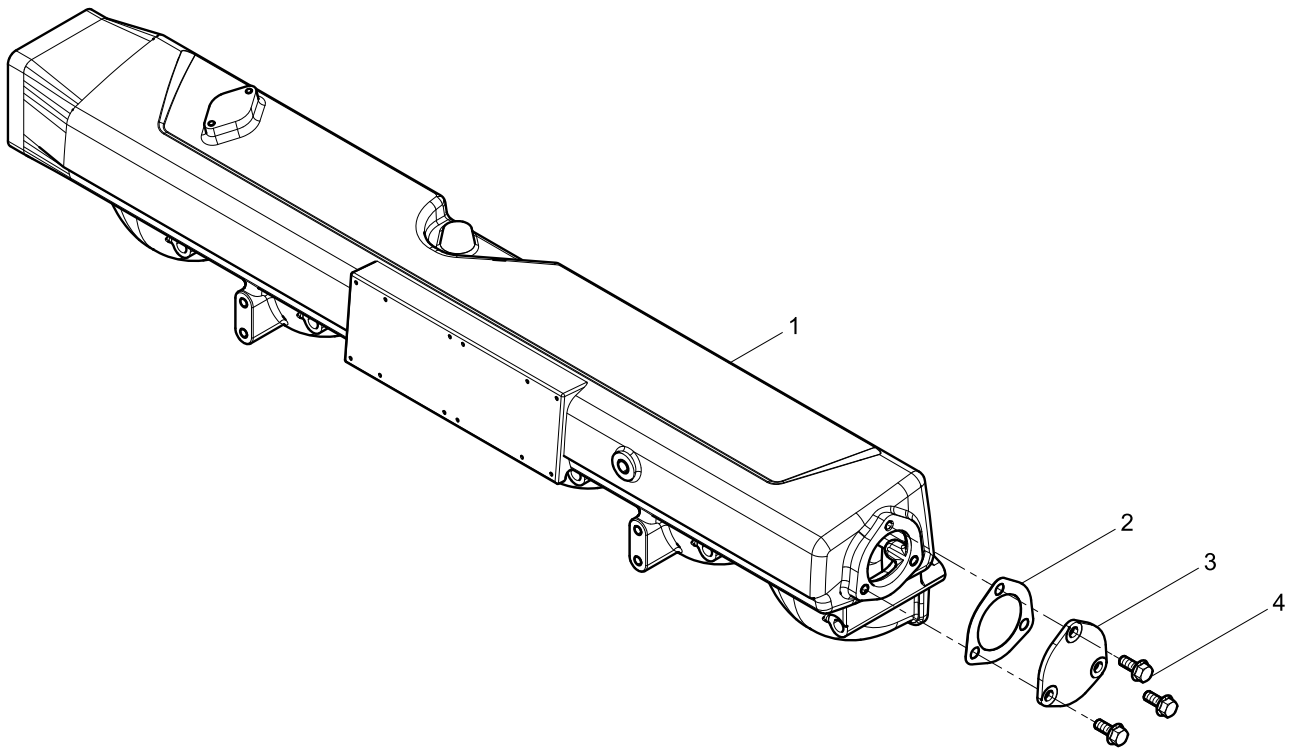
High Pressure Fuel Pipe Group



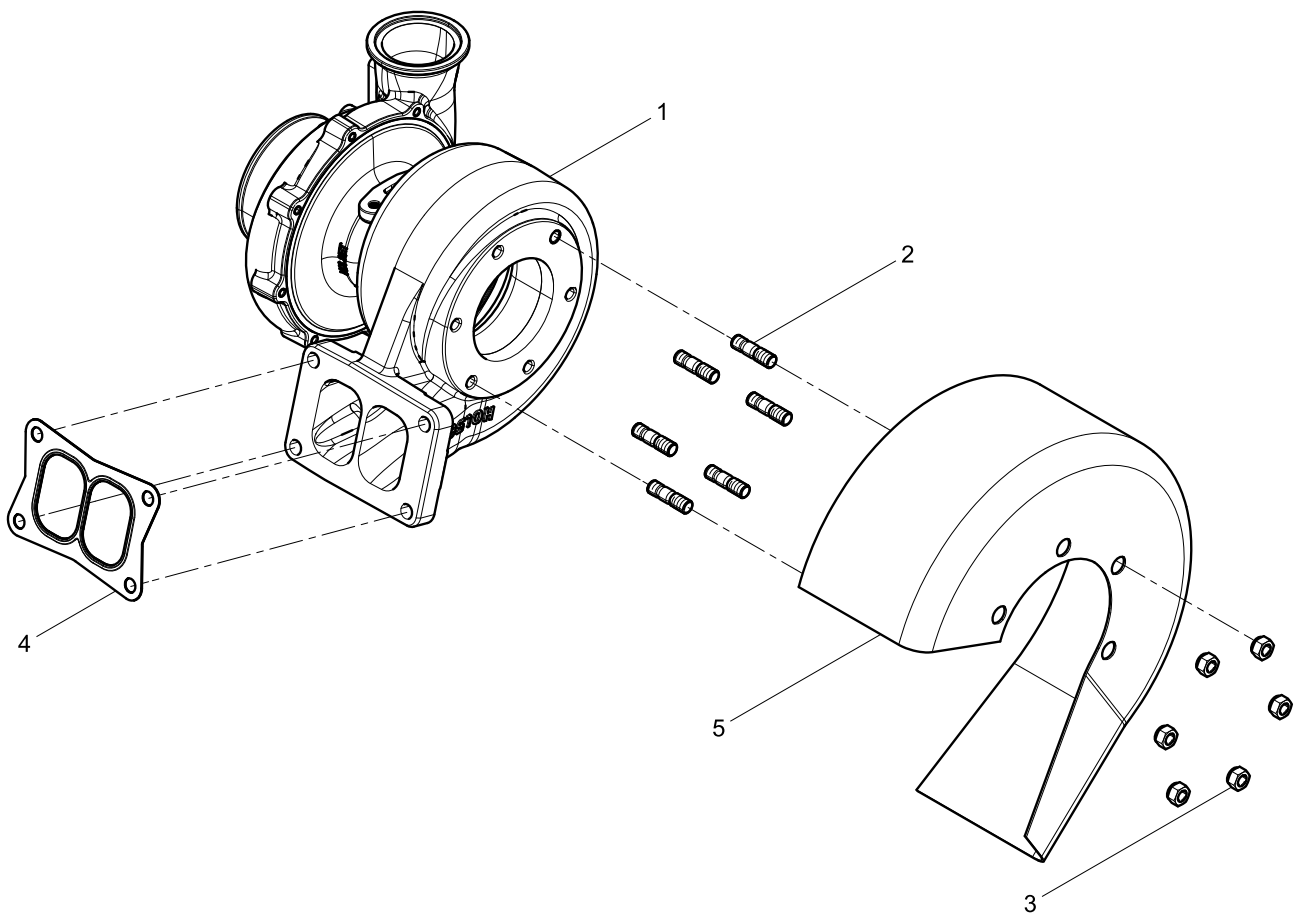
Intake Manifold Group



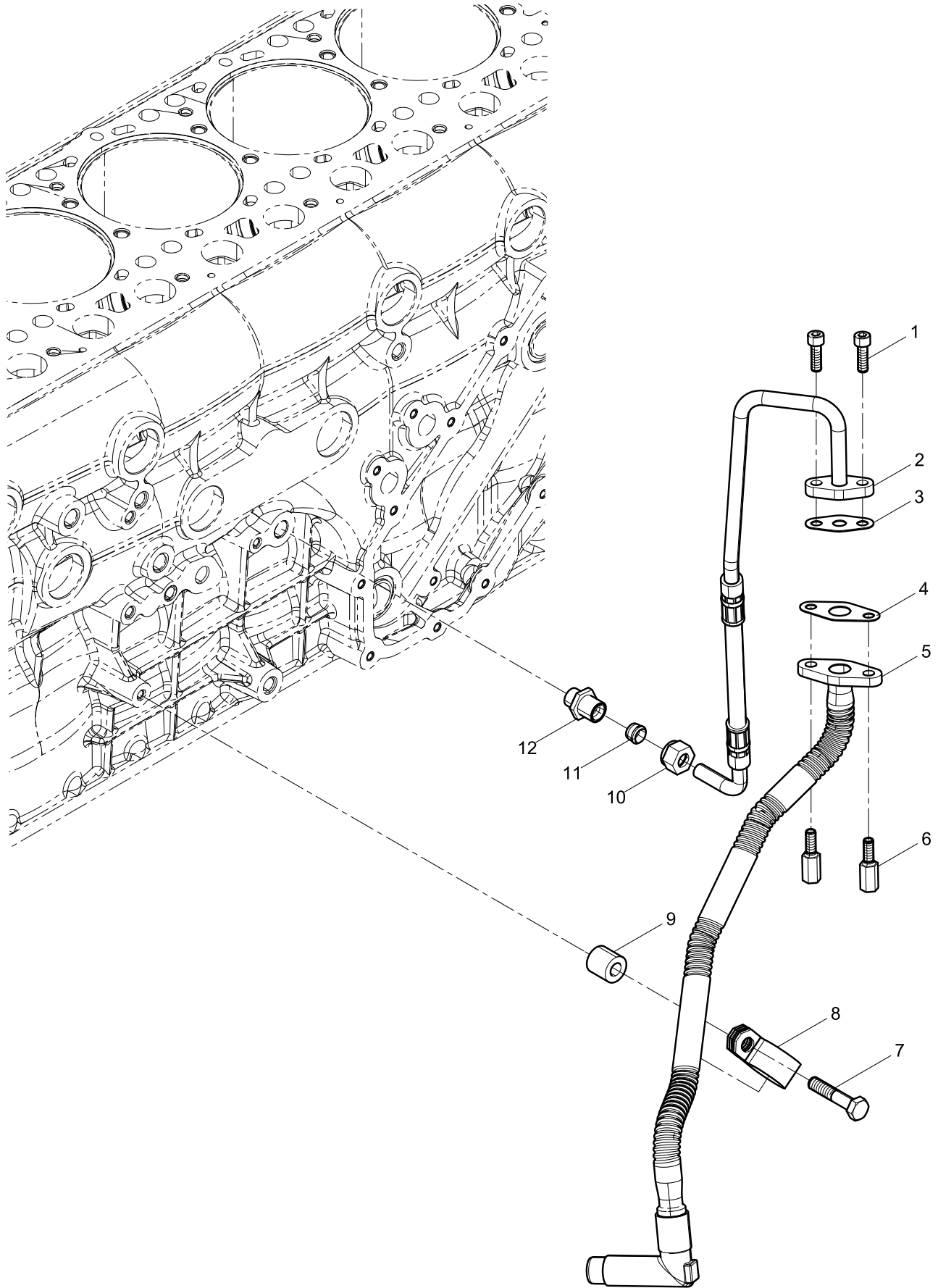
Intake Manifold Assembly



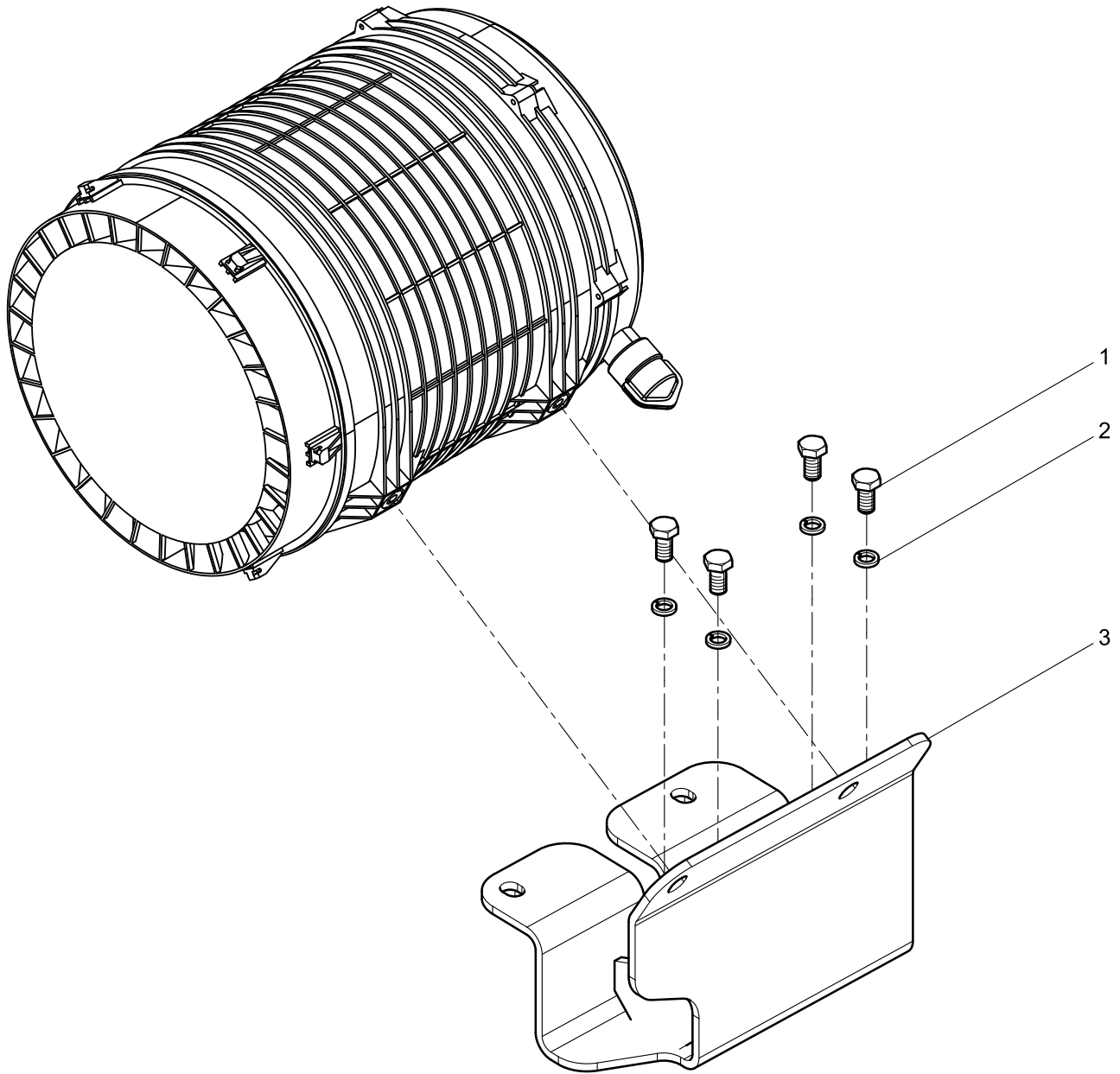
Turbocharger Group



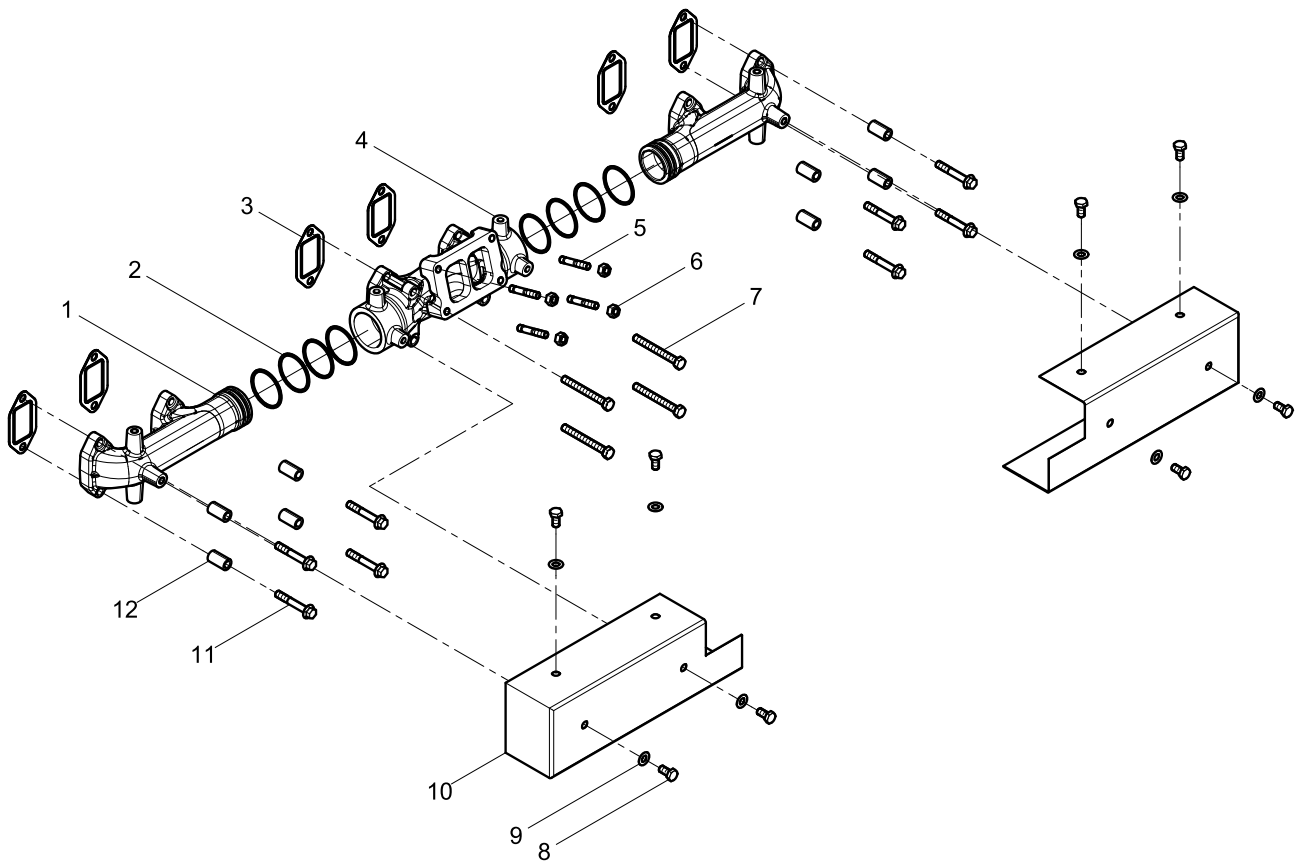
Turbocharger Oil Pipe Group



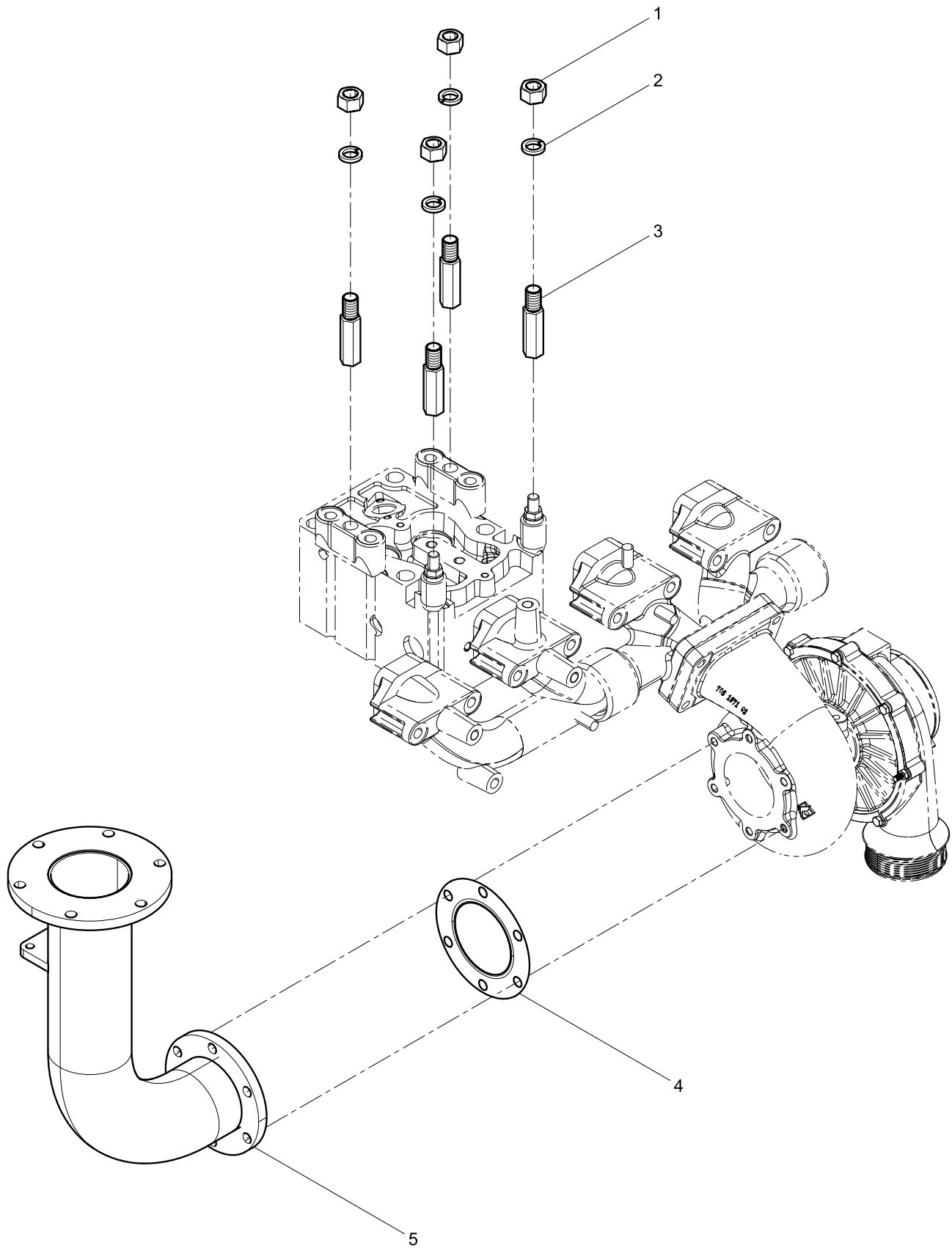
Air Filter Group



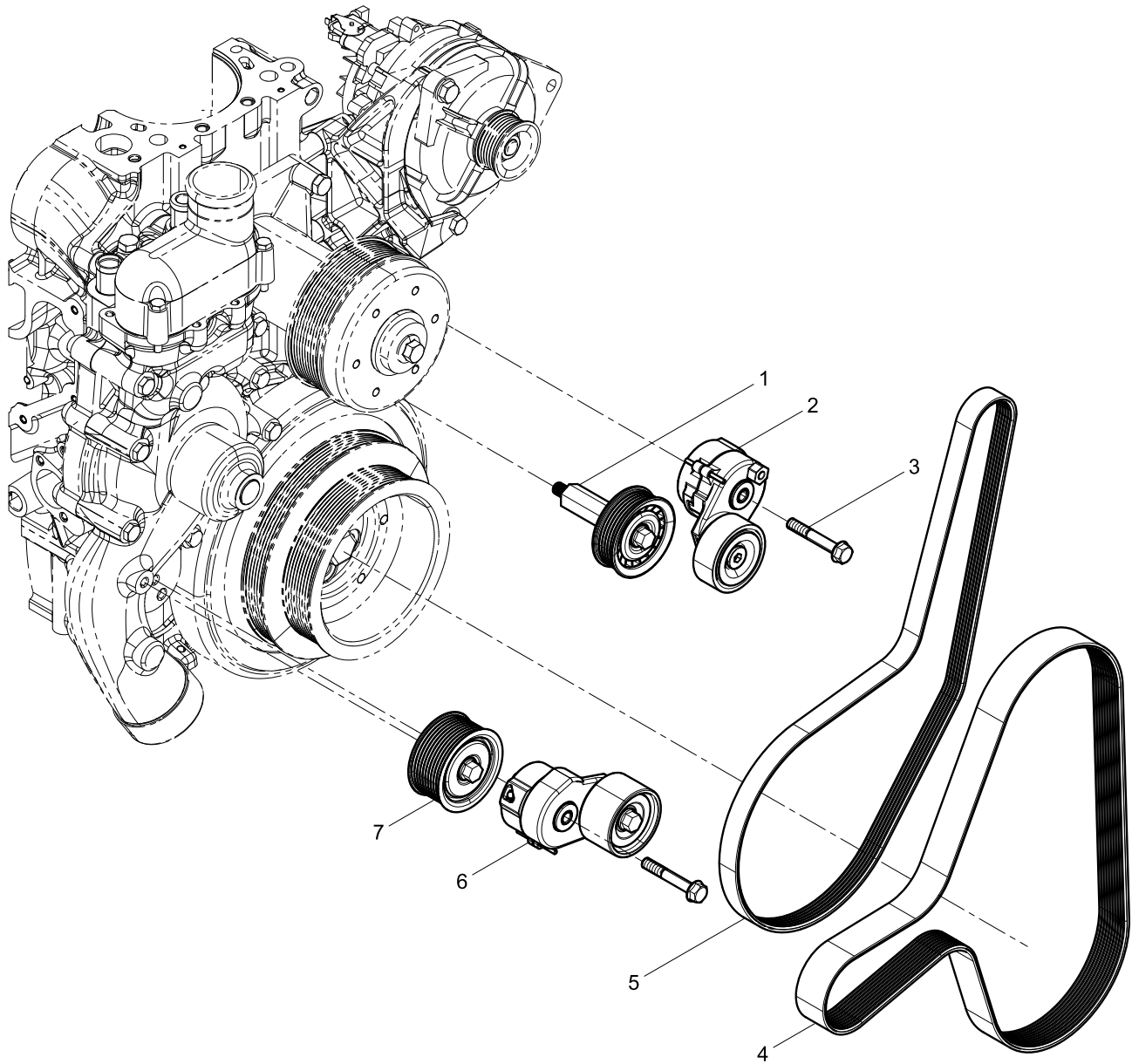
Exhaust Manifold Group



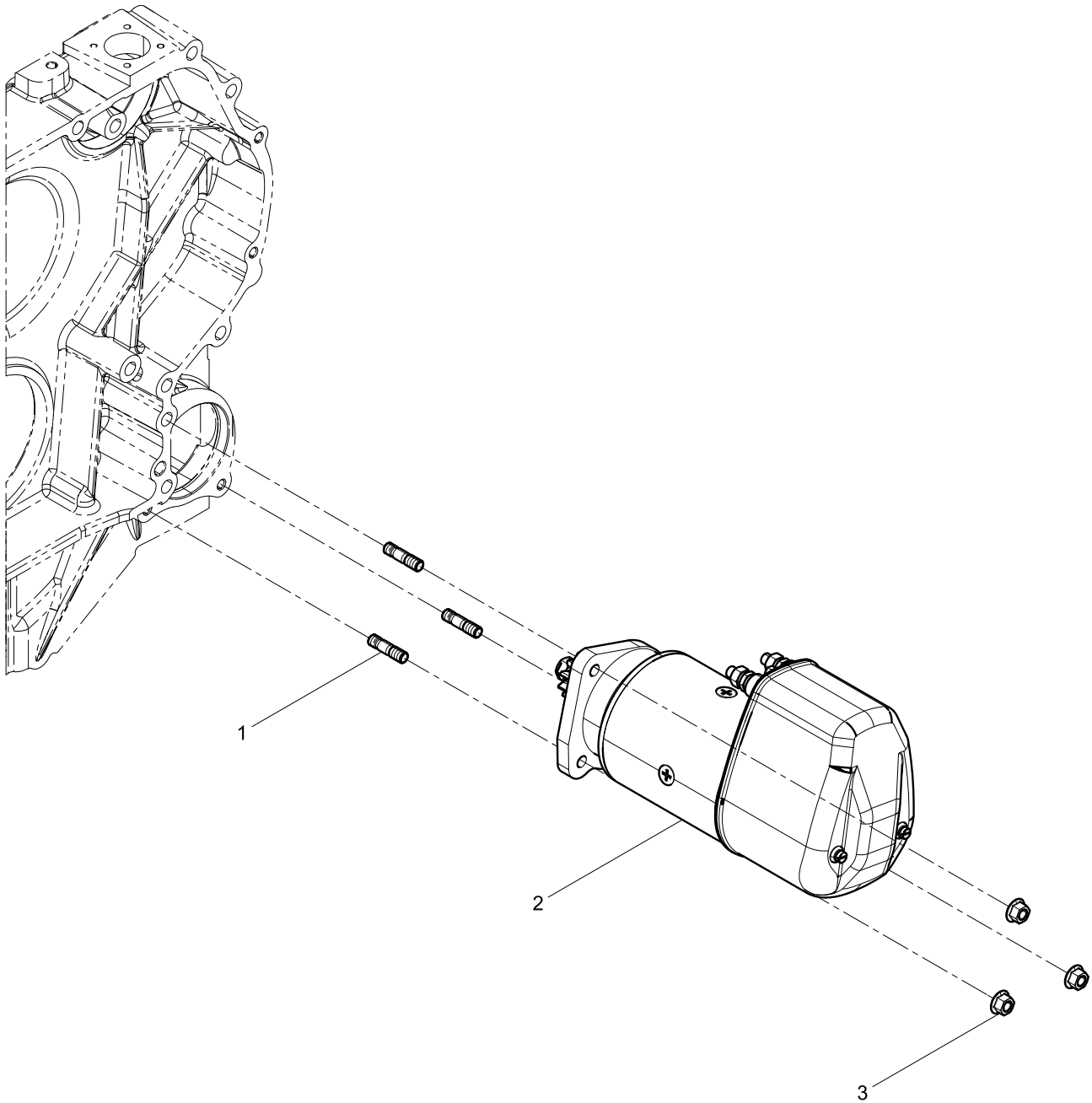
Rear Exhaust Manifold Group



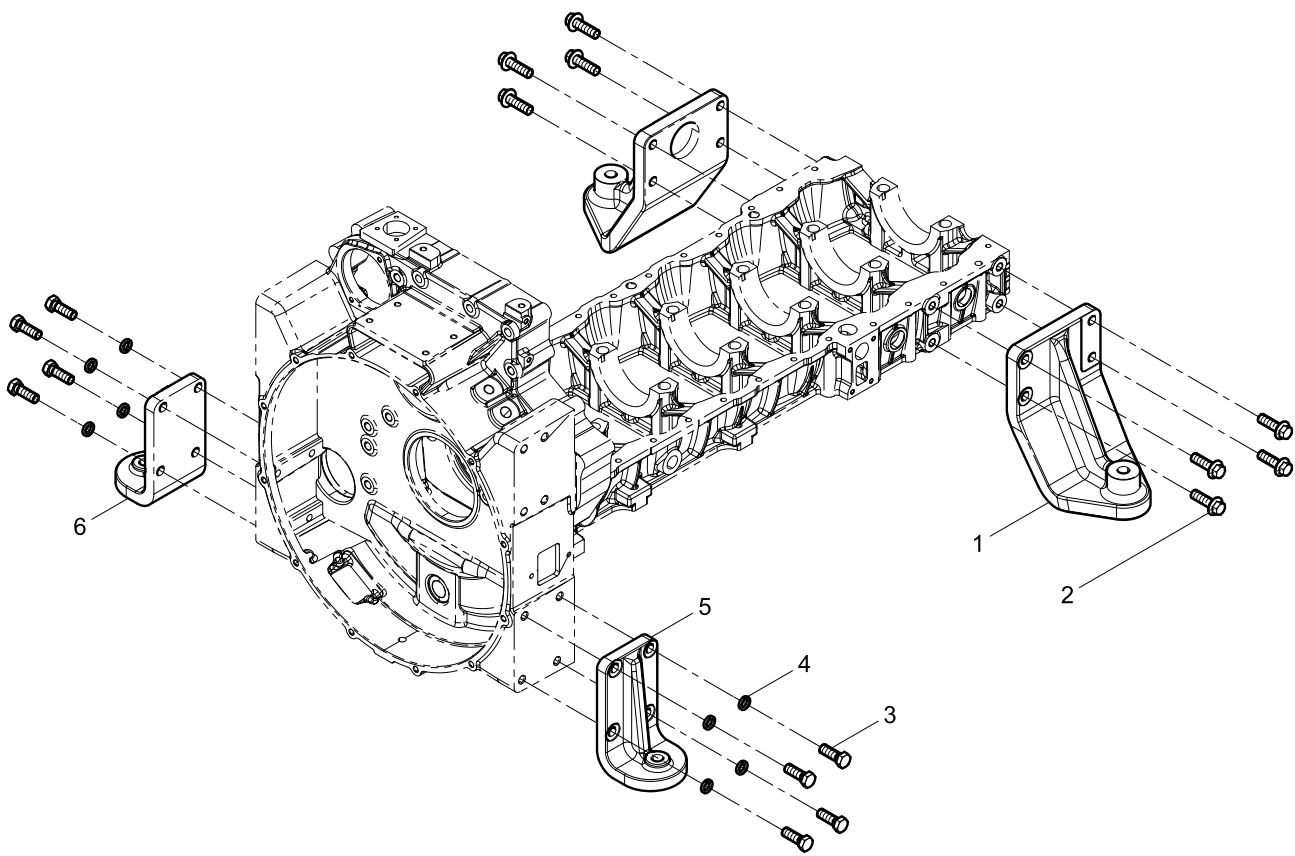
Tensioner and belt assembly



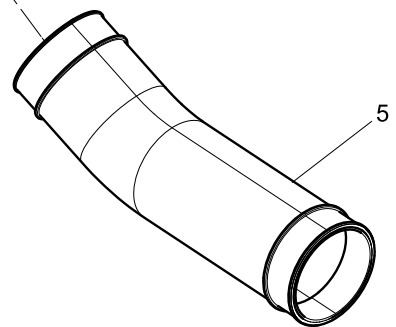
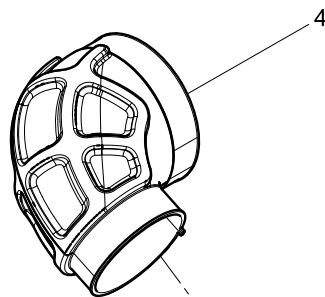
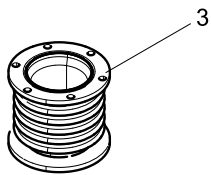
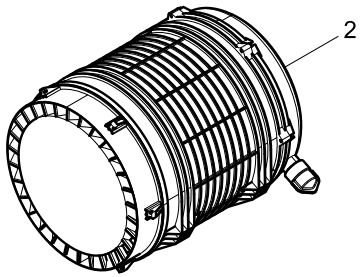
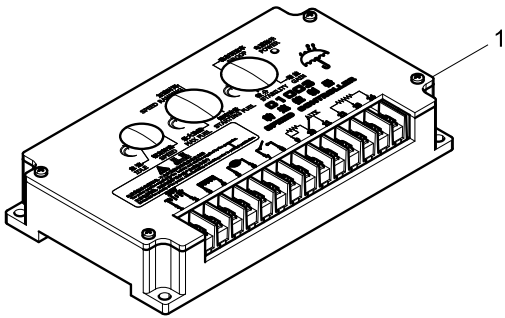
Starter Motor Group



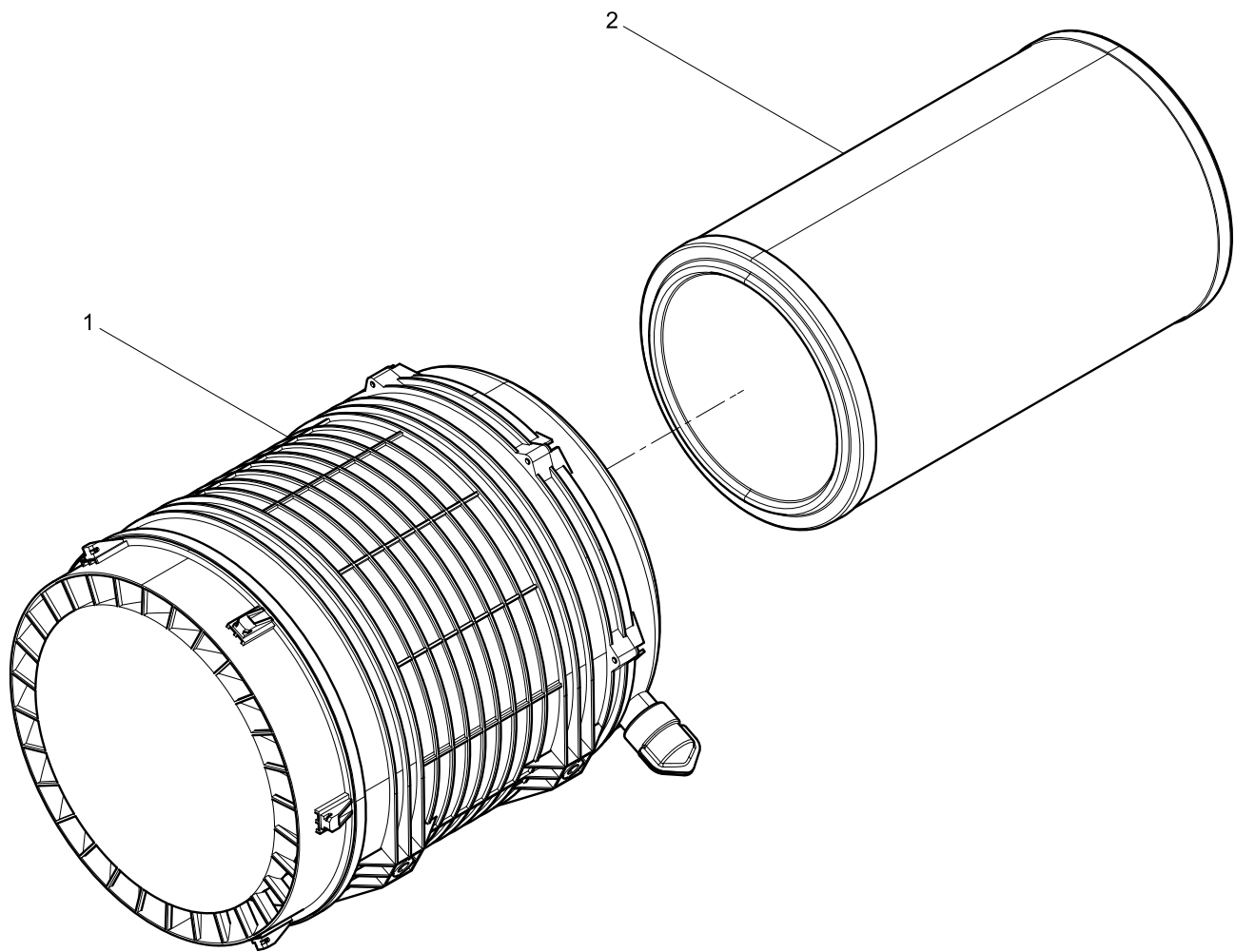
Engine Bracket Group



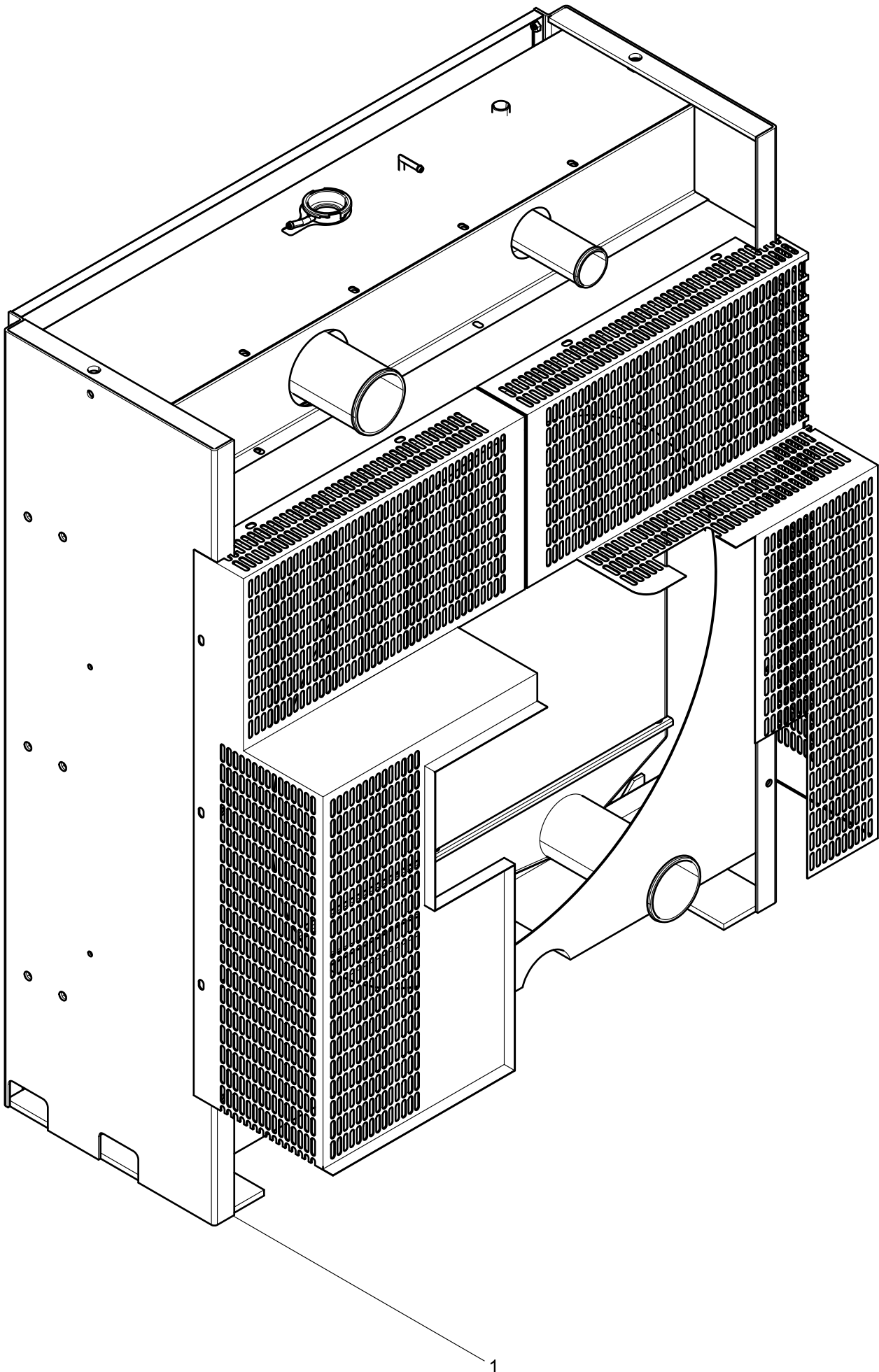
Packing Box Chassis Parts Group



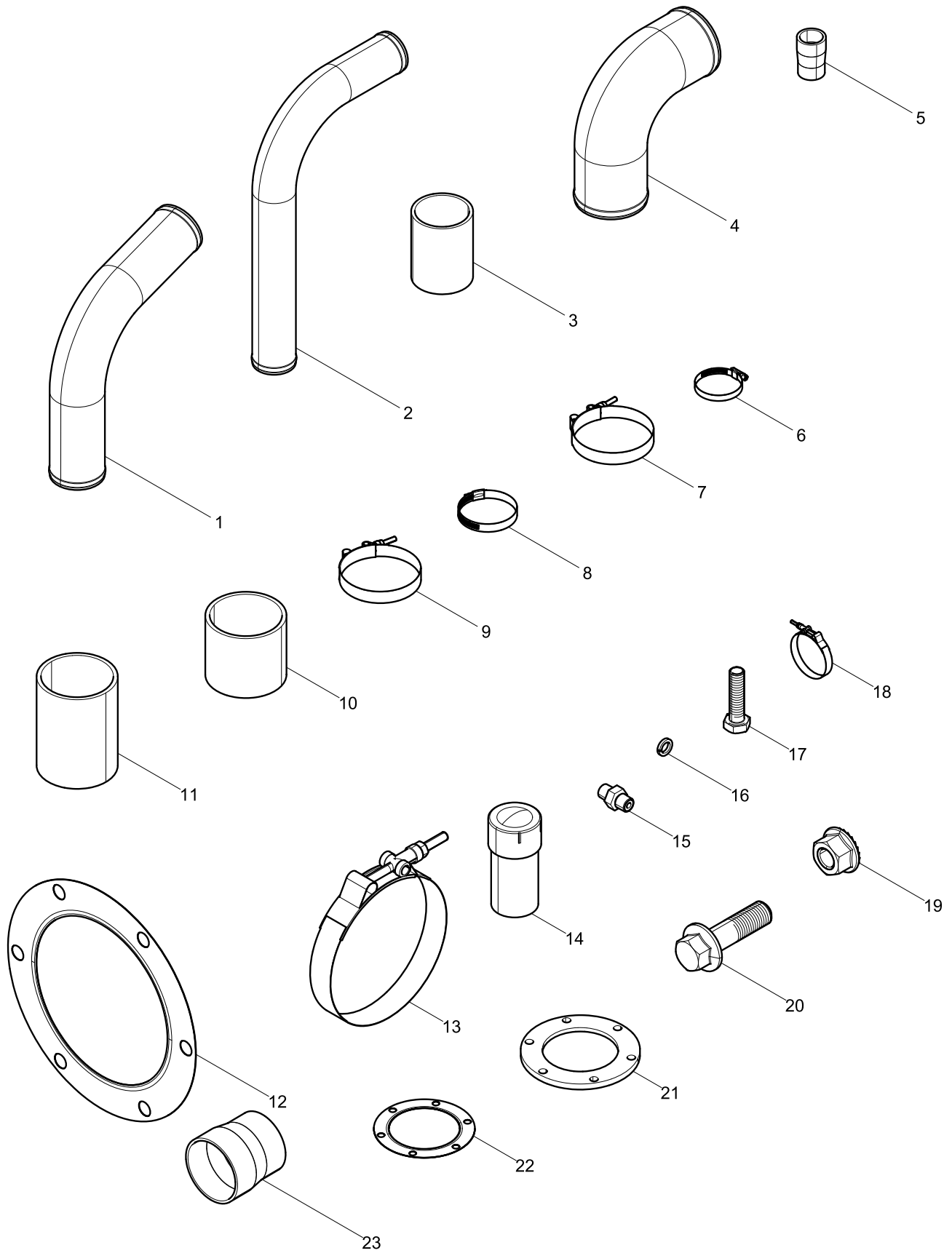
Air Filter



Separate Delivery Parts Group Attached to Engine



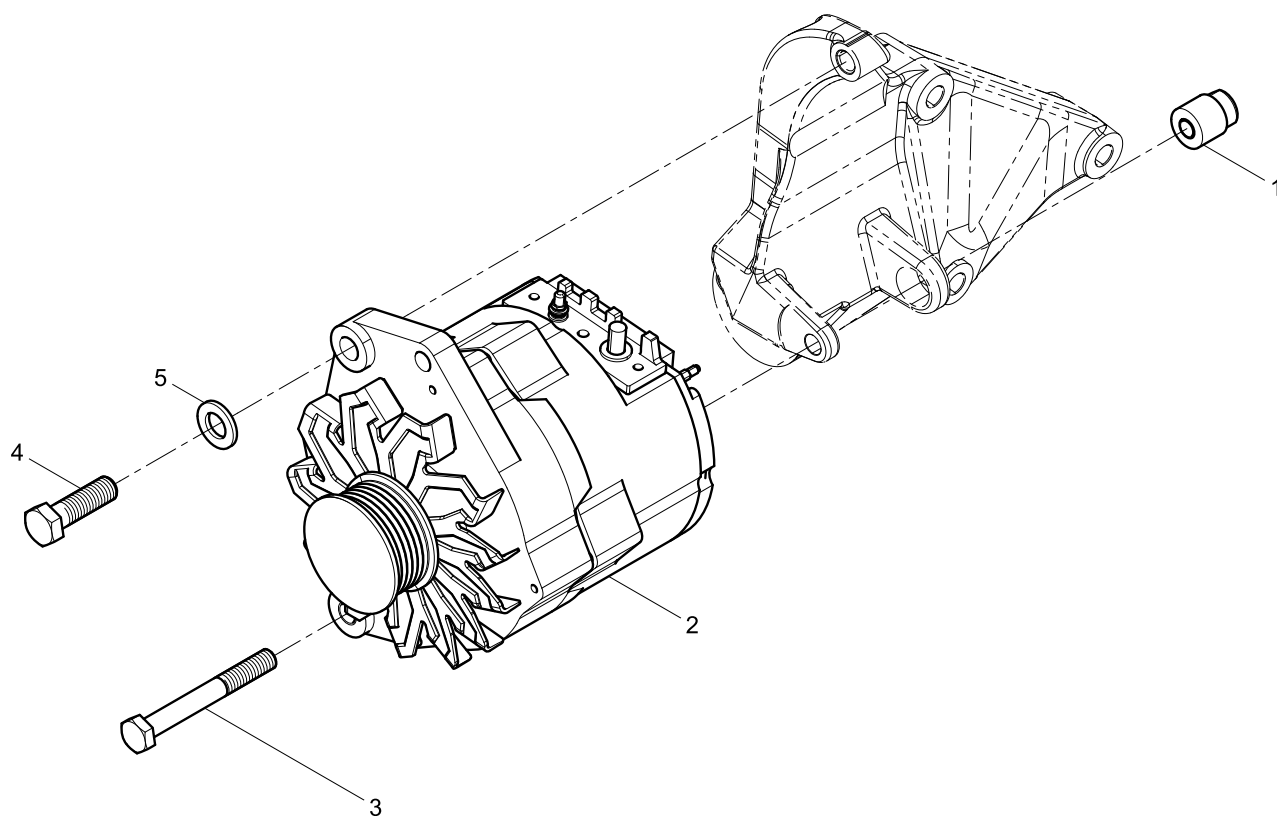
Parts Box Group



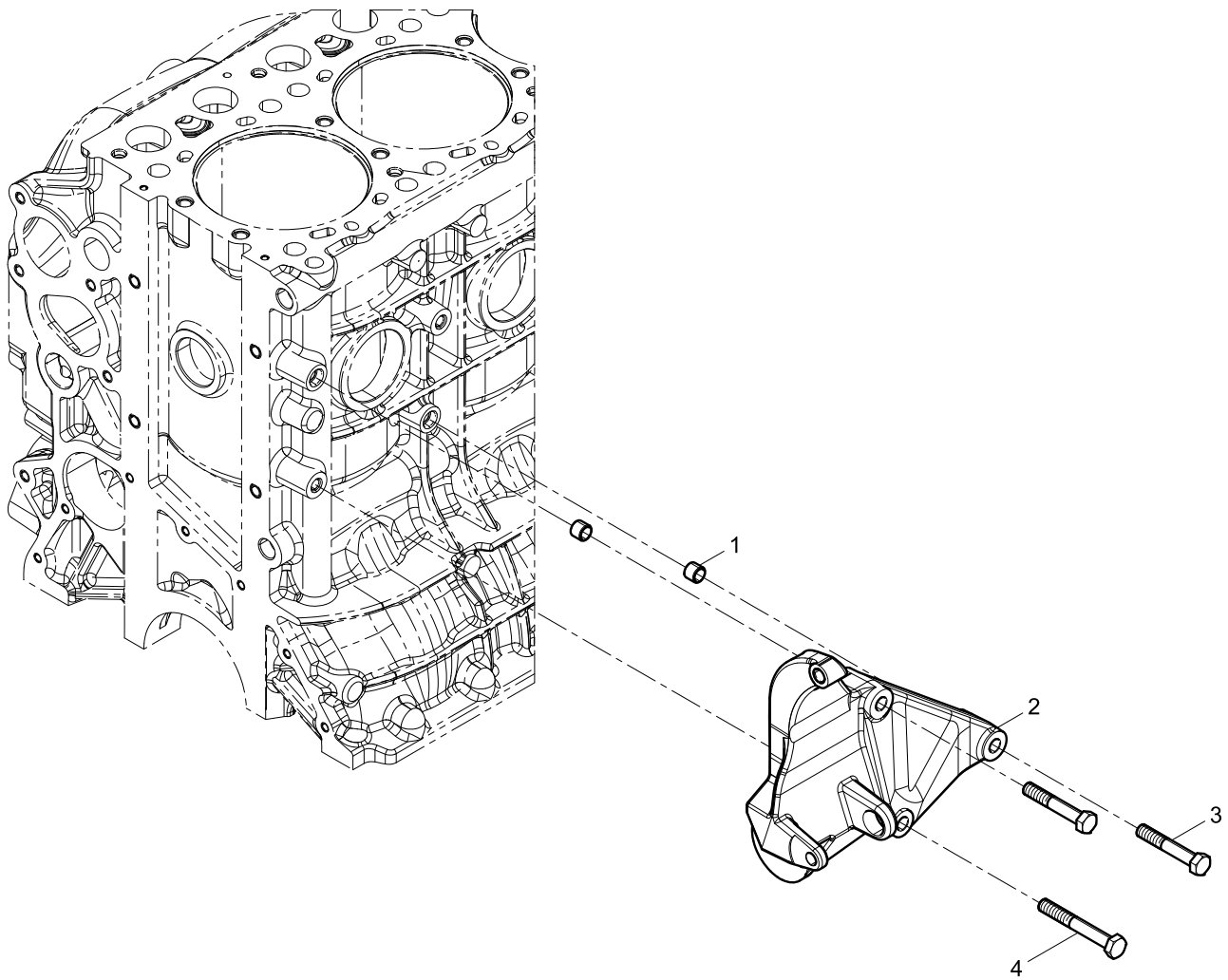
Parts Box Group

Pos.	Teile.Number	Amount	Designation
1	612700530001	1	Water Pump Water Pipe
2	612700530004	1	Water-outlet Pipe
3	612600530125	2	Coolant Connecting Rubber Pipe
4	612630530017	1	Inter- cooler Air Pipe
5	612600111068	1	Air Connecting Rubber Pipe
6	90003989311	4	Clamp
7	612600112233	2	Clamp
8	90003989312	4	Clamp
9	612600113794	4	Clamp
10	612600113993	2	Air Connecting Rubber Pipe
11	612630110734	2	Air Connecting Rubber Pipe
12	612700110105	1	Gasket
13	612600114701	1	Clamp
14	1000644232	1	Intake Resistance Alarm
15	612600115282	1	Transition joint
16	90003931142	4	Spring Washer
17	90011350039	4	Hexagon Head Bolt
18	612600113389	2	Clamp
19	612600061720	12	Prevailing Torque Type Hexagon Nut with Flange
20	90011430009	12	Hexagon Flange with Tooth Bolt
21	612700110025	1	Flange
22	612700110029	2	Gasket
23	612700120029	1	Air Connecting Rubber Pipe

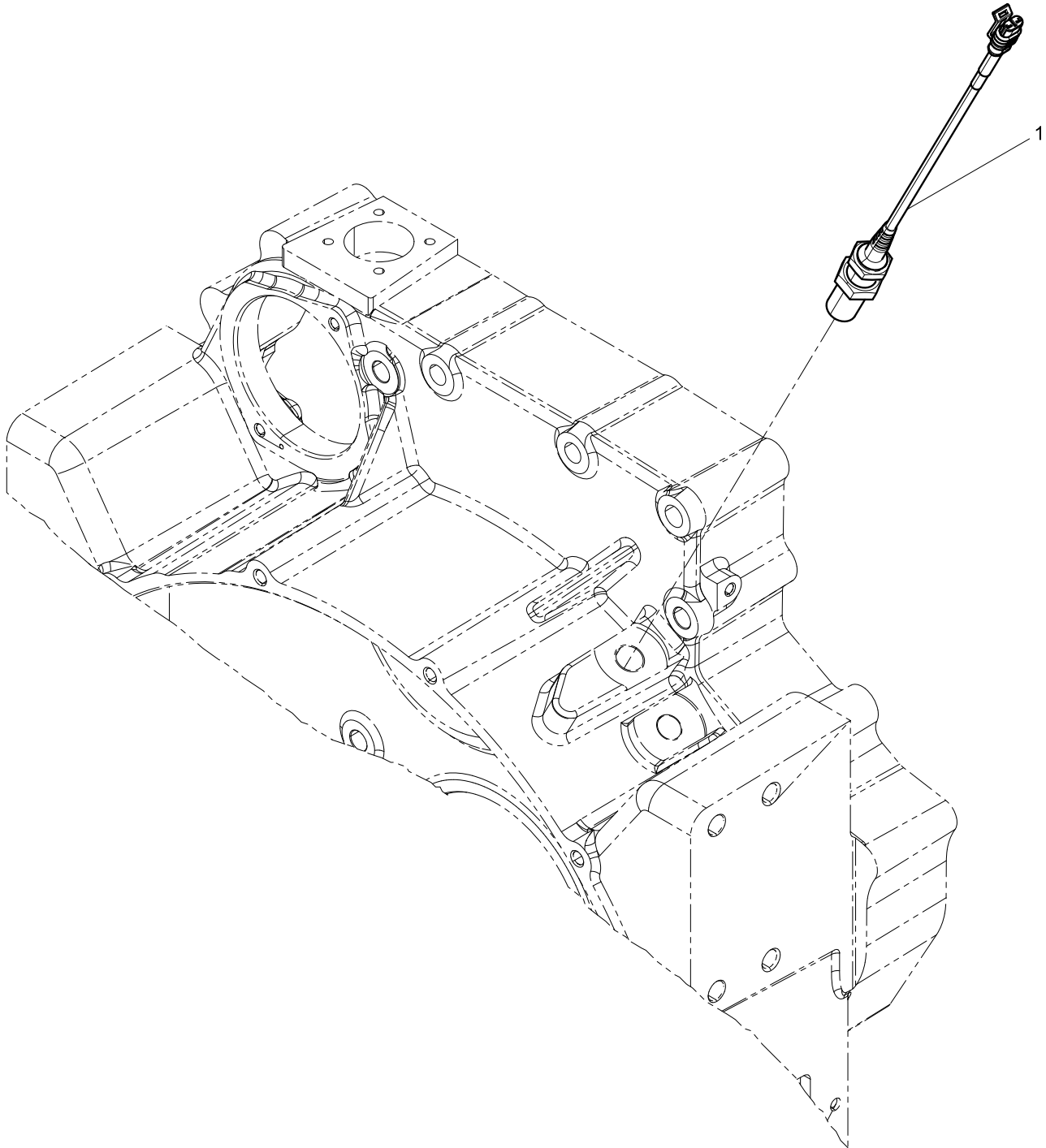
Alternator Group



Alternator Bracket Group



General-use Wire and Sensor Group



This manual is for reference only,
product parameters are subject to alteration
without notice,
whichever is the physical product.