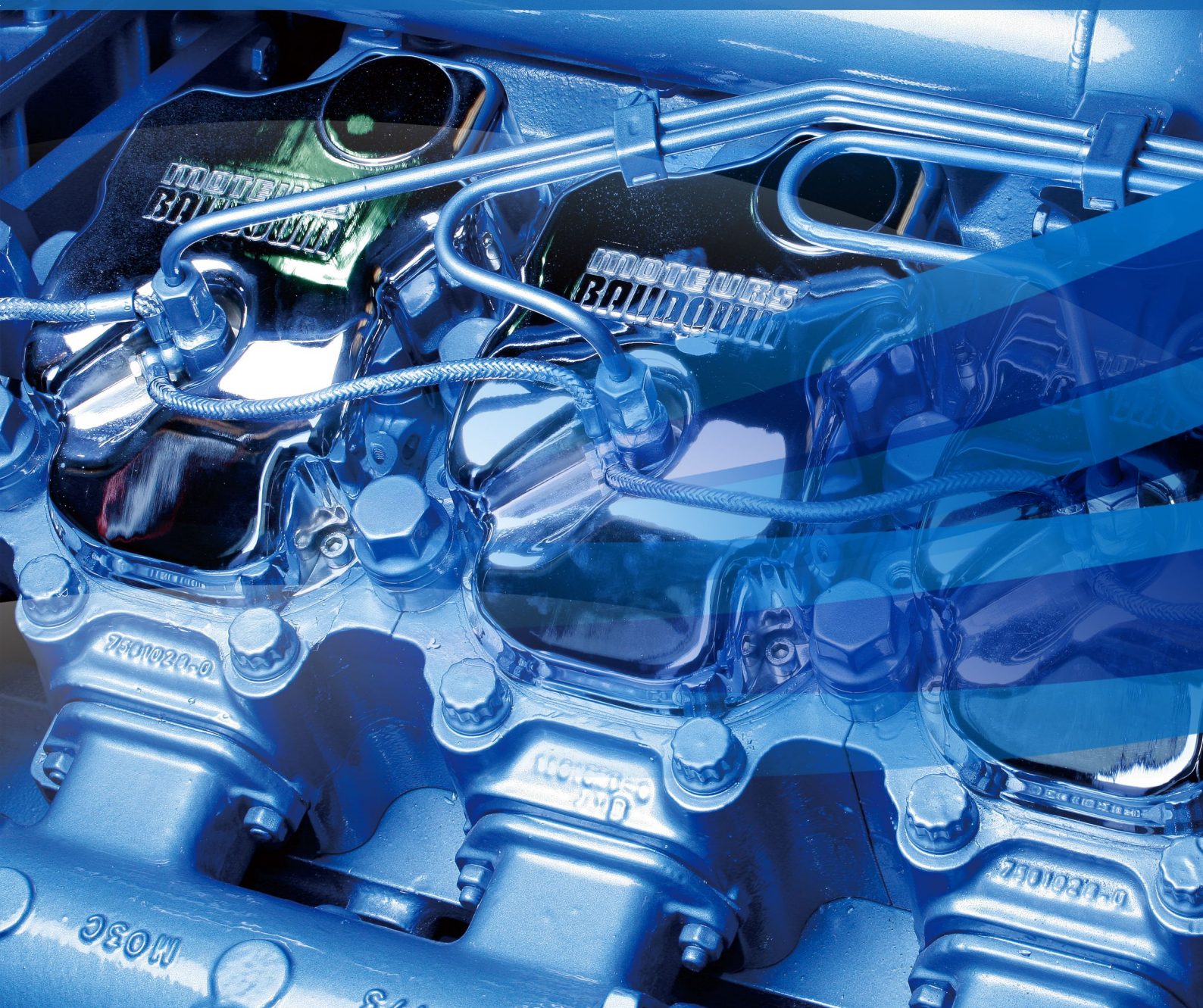


6M26 BAUDOIN DIESEL PARTS CATALOGUE



PREFACE

This illustrated parts manual is specially prepared for customers to facilitate the use of 6M26 series diesel engine in operation and tenance.

The illustrations are grouped under the heading of each assembly and numbered individually.Part.

No.,Quantity,Model,English designation,Chinese designation and so on are written in the parts list .
The parts catalogue include detailed assembling parts list of diesel engine ,some parts can not be sold ,if you want to know selling part matters,please ask weichai power spare part resource CO.,LTD.

With the development of technology and production,the versions of the diesel engine will be increased, so the catalogue will be revised.Please pay attention to our revised edition.After service of this product is authorized to Weichai Power Co.,Ltd ,Consumers can acquire information of this product through www.weichai.com.

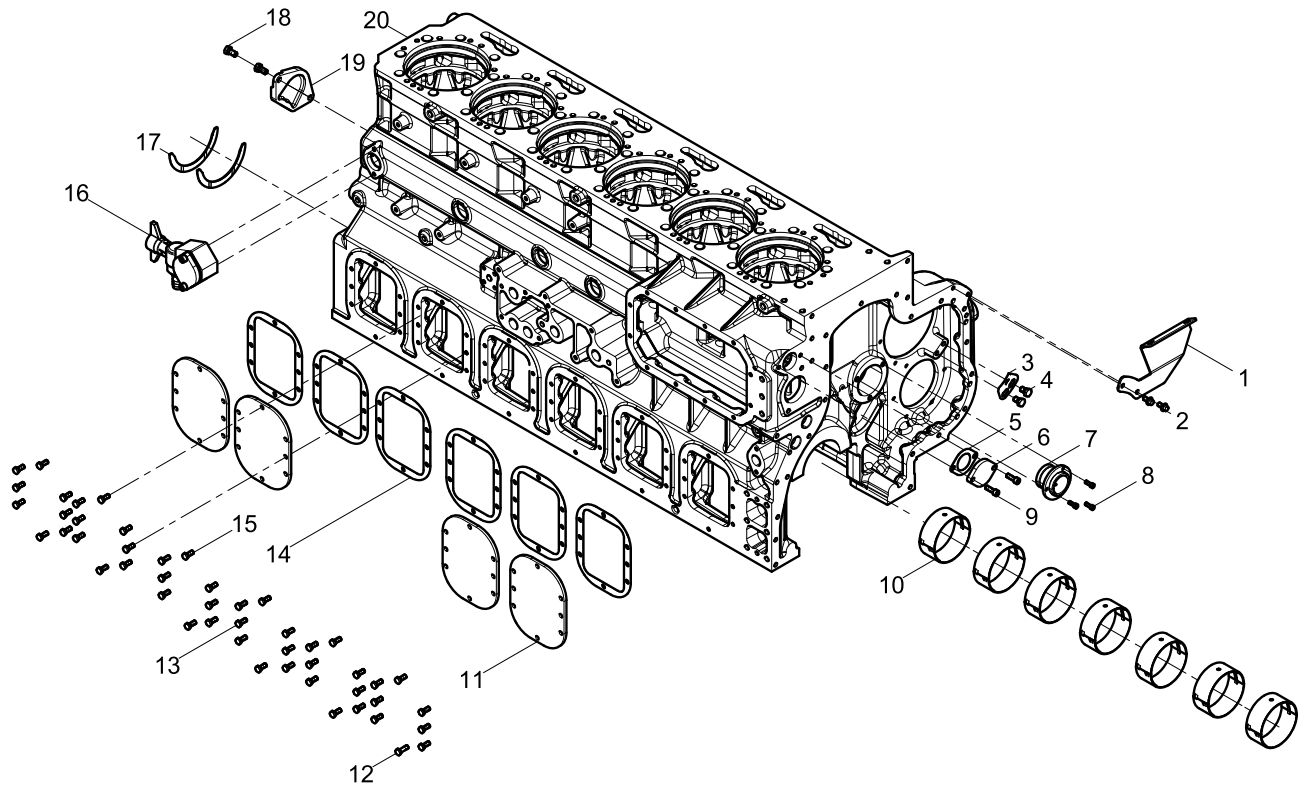
CONTENTS

Engine Block Group	1
Engine Block Subassembly	3
crankcase pre-assembly	5
Main Bearing Group.....	7
Water Draining Valve	9
Flywheel Housing Group.....	11
Front cover group	13
Front oil seal Group.....	15
Crankshaft Group.....	17
Crankshaft Assembly	19
Flywheel Group.....	21
Flywheel Assembly	23
Piston and Connecting Rod Group	25
Connecting Rod Assembly.....	27
Piston Assembly	29
Cylinder Head Group	31
Valve Bridge Assembly	33
Cylinder Head Assembly.....	35
Cylinder Head Subassembly	37
Rocker Arm Set.....	39
Intake Rocker Arm Assembly	41
Exhaust Rocker Arm Assembly	43
Cylinder Head Accessory Group.....	45
Rocker Arm Oil Pipe Group.....	47
Breather set.....	49
Camshaft Group.....	51
Camshaft Assembly.....	53
Tappet And Push Rod Group	55
Push Rod.....	57
Crankshaft Pulley Group	59
Oil Pan Group	61

Oil Pump Group	63
Hand Oil Pump Group	65
Pipe Joint	67
Oil Cooler Group	69
Oil Cooler	71
Water Draining Valve	73
Oil Filter Group	75
Oil Filling Tube Group	77
Fresh Water Pump Grpup	79
Water inlet pipe group	81
Water Outlet Pipe Group	83
Thermostat Assembly.....	85
Fan Bracket Group	87
Fan and Hub Group	89
Fuel Injection Pump Group	91
Fuel Injection Pump	93
Fuel Injection Pump Oil Pipe Group	95
Electronic Governor Group	97
Fuel Injector Group	99
Injector Return Pipe Group	101
Low Pressure Fuel Pipe Group	103
Fuel Filter Group	105
High Pressure Fuel Pipe Group	107
High-pressure Fuel Pipe Assembly	109
Intake Manifold Group	111
Turbocharger Group	113
Compressor Pipe Group	115
Air Filter Group	117
Exhaust Manifold Group	119
Connection syphon group	121

Expansion Joint	123
Air Compressor Group.....	125
Tensioner And Belt Group	127
Starter Motor Group	129
Engine Bracket Group.....	131
Packing Box Chassis Parts Group.....	133
Separate Delivery Parts Group Attached to Engine.....	135
Parts Box Group	137
General-use Wire and Sensor Group	139
Alternator Group	141

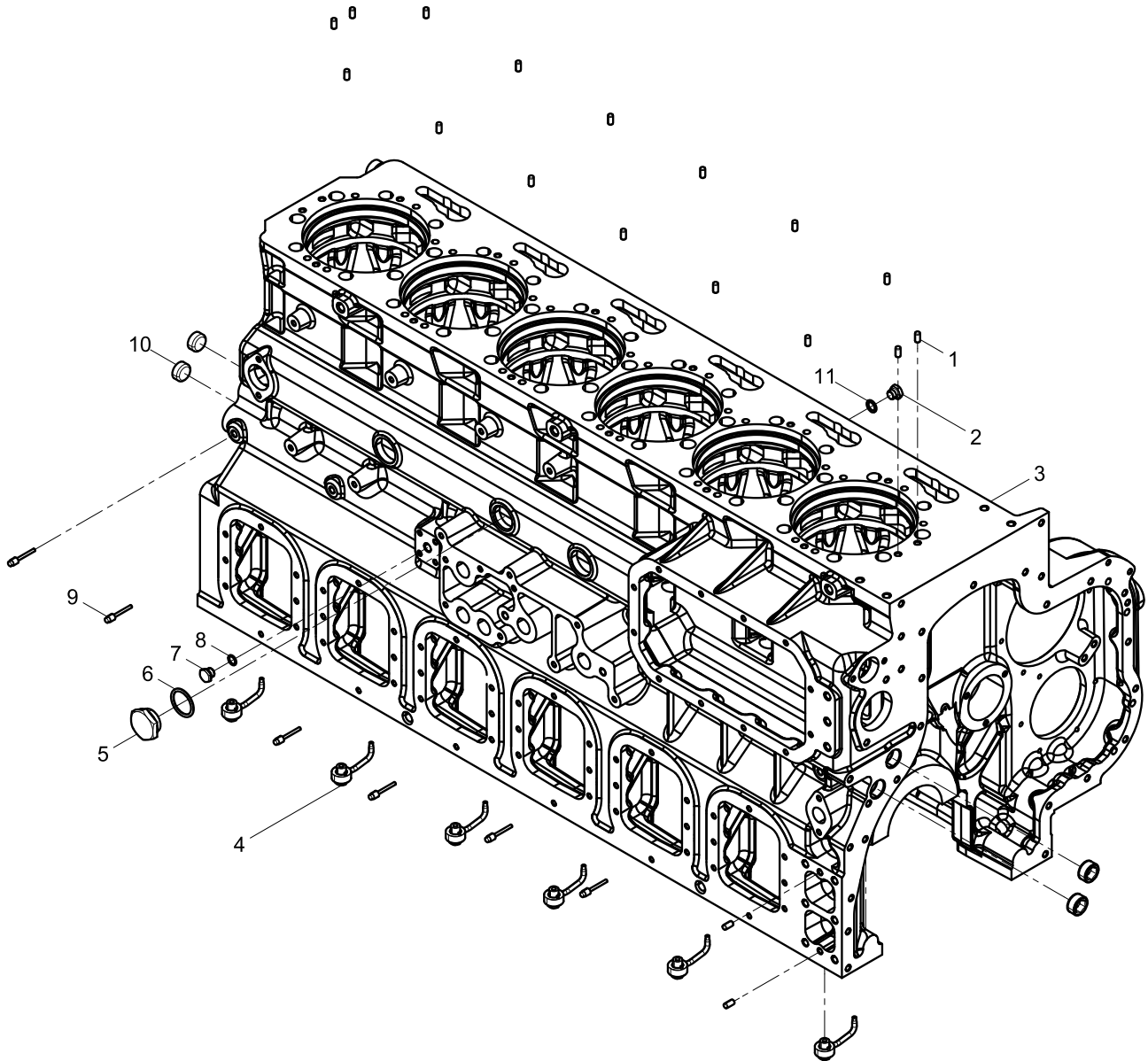
Engine Block Group



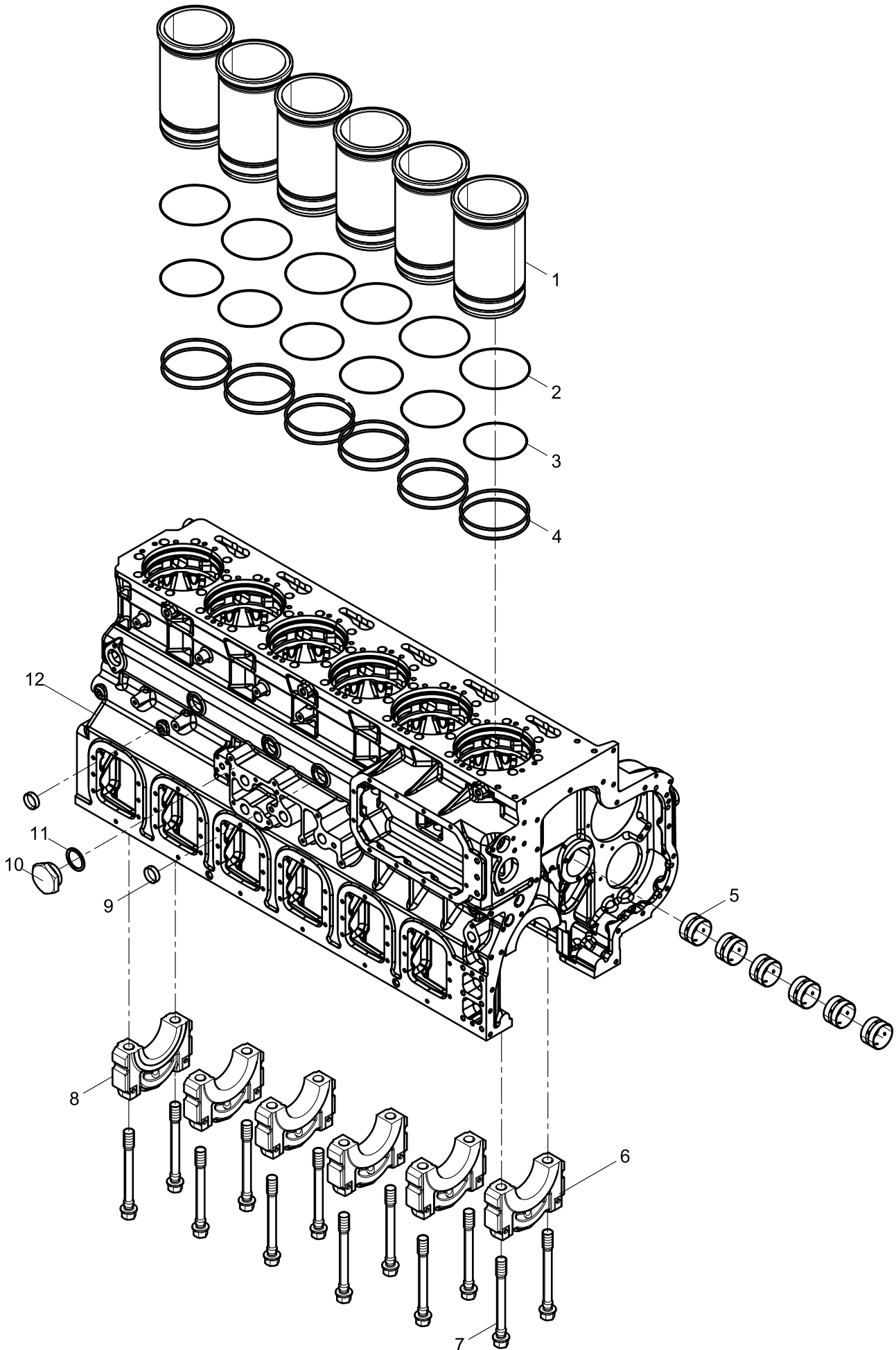
Engine Block Group

Pos.	Teile.Number	Amount	Designation
1	330208000170	1	Inter-cool Pipe Bracket
2	90011430040	2	Hexagon Flange with Tooth Bolt
3	15052030C	1	Indicator
4	90011270108	2	Hexagon head bolt
5	14031820D	1	Gasket
6	15032090D	1	Flange
7	330201000102	1	Camshaft Bush
8	1000428092S	3	Hexagon Flange Bolt
9	90013050036	2	Inner Hexagon Socket Head Cap Screw
10	15510670Z	7	Main Bearing Group
11	13501200S	4	Handhole Cover
12	90011400058	1	Hexagon flange bolt, heavy series
13	90003802443	4	Hexagon Head Bolt
14	13501131S	6	Gasket
15	90011400008	43	Hexagon Flange Bolt
16	M03M022B1	1	Water Draining Valve
17	15011780C	2	Thrust Plate
18	9000000734	2	Hexagon Flange Bolt
19	13501370C	1	Flange
20	330201000228	1	Engine Block Subassembly

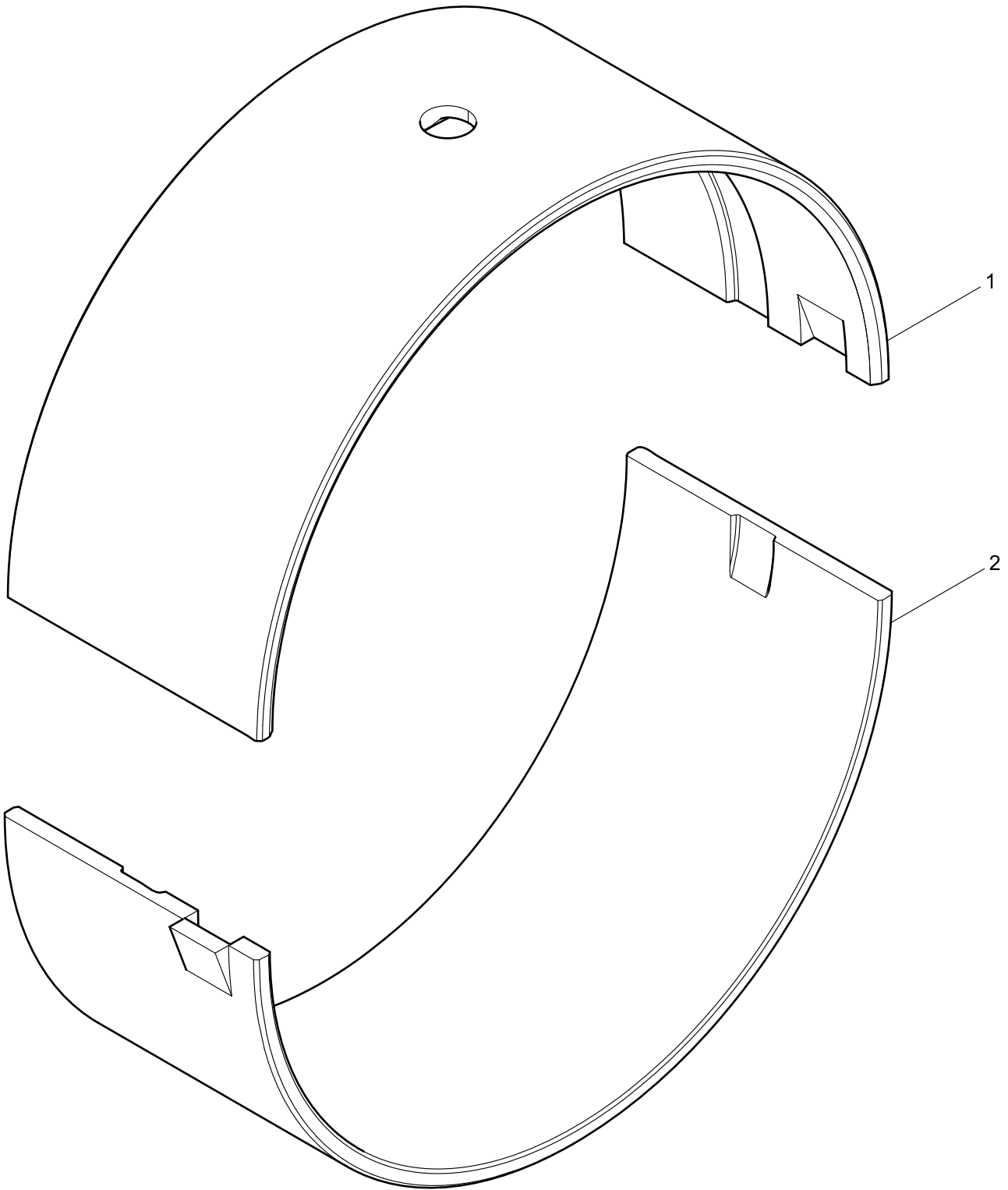
Engine Block Subassembly



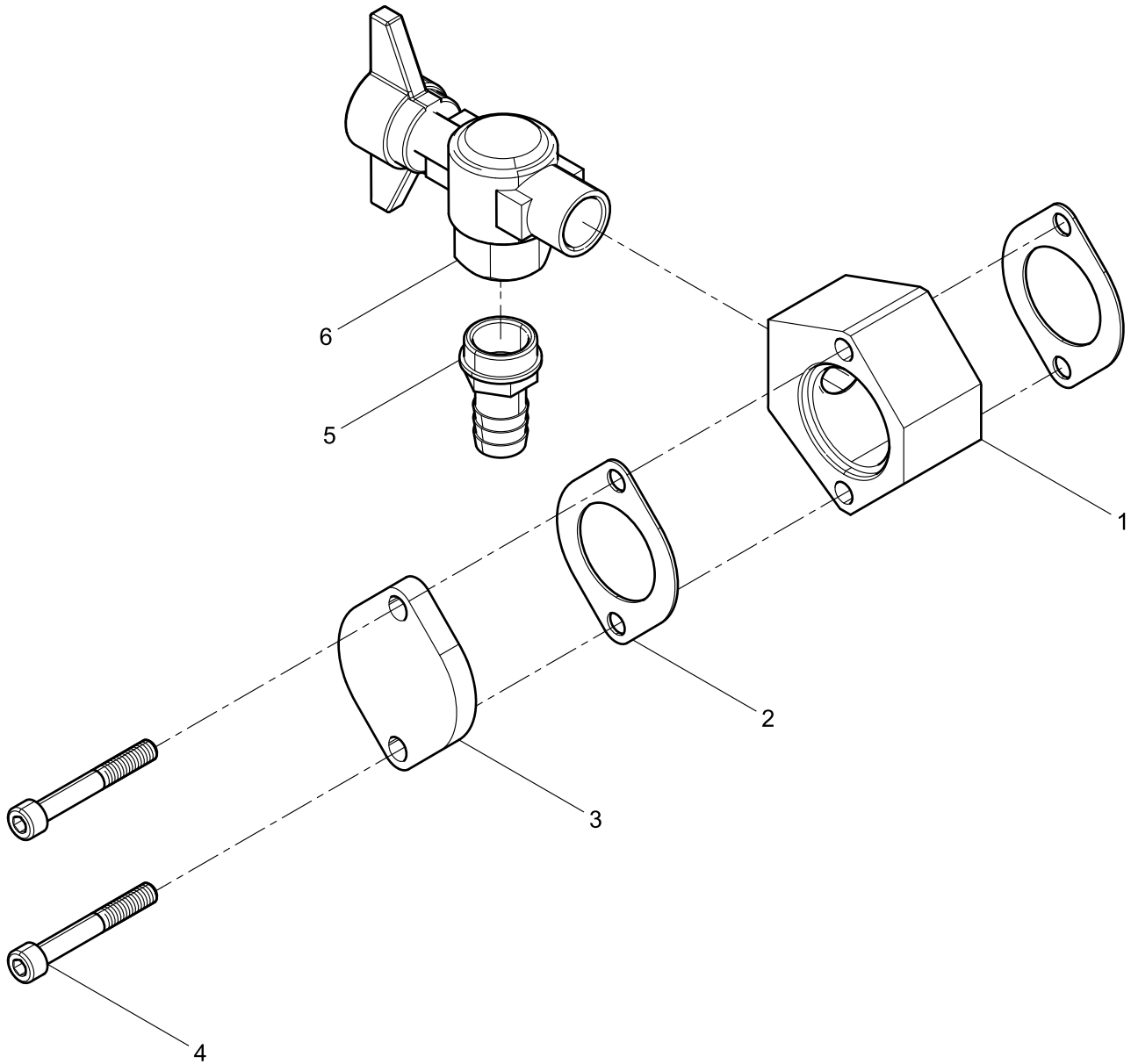
crankcase pre-assembly



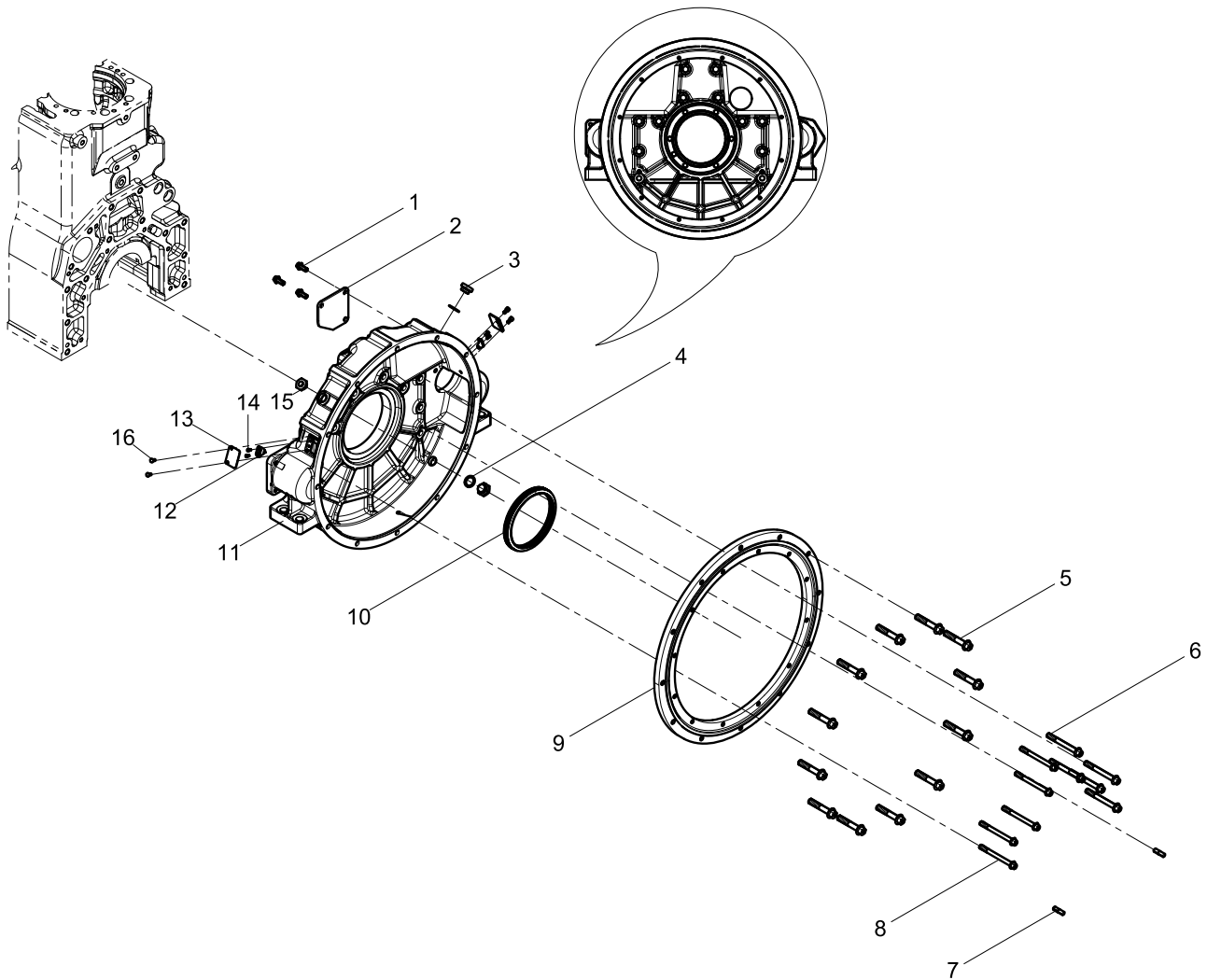
Main Bearing Group



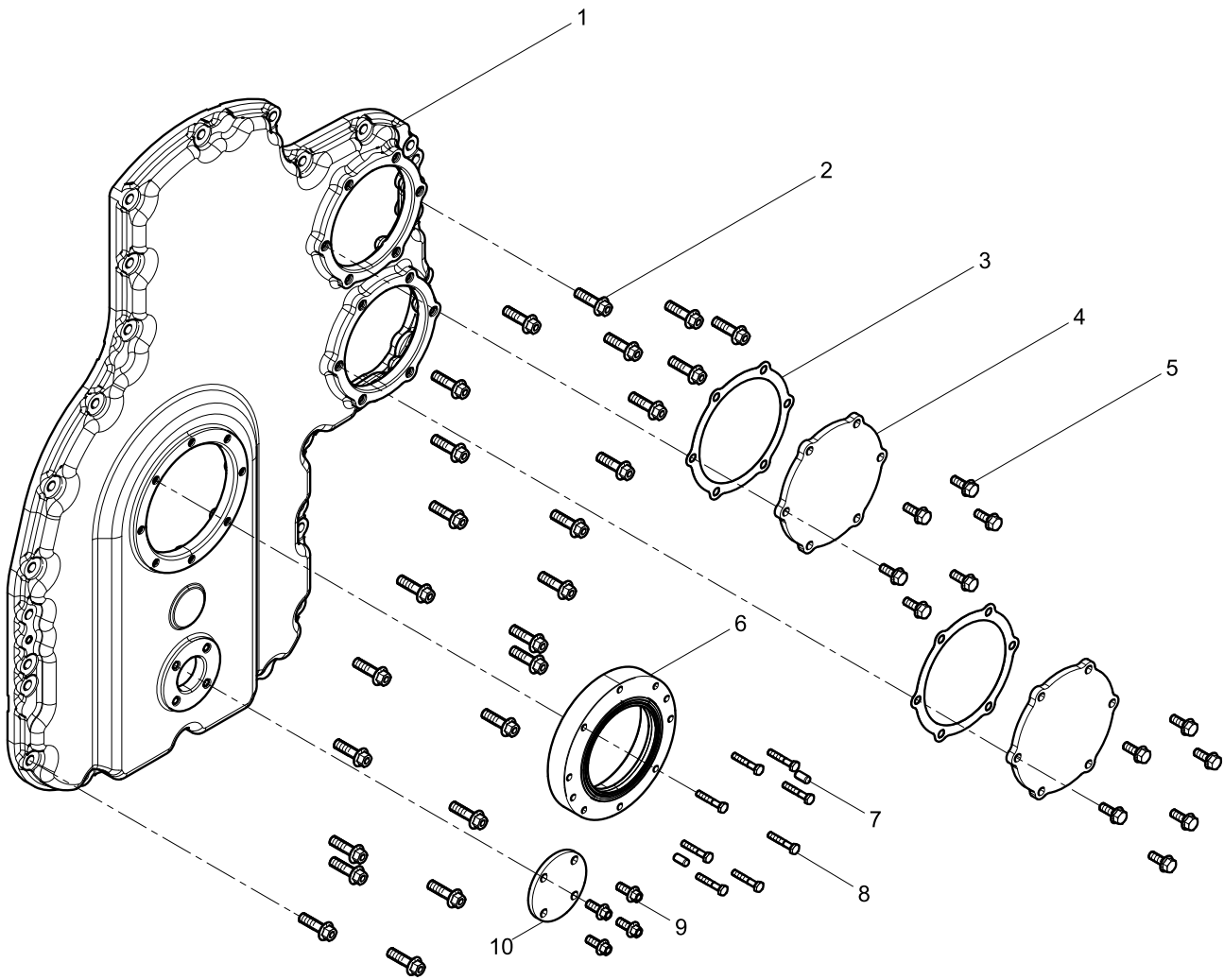
Water Draining Valve



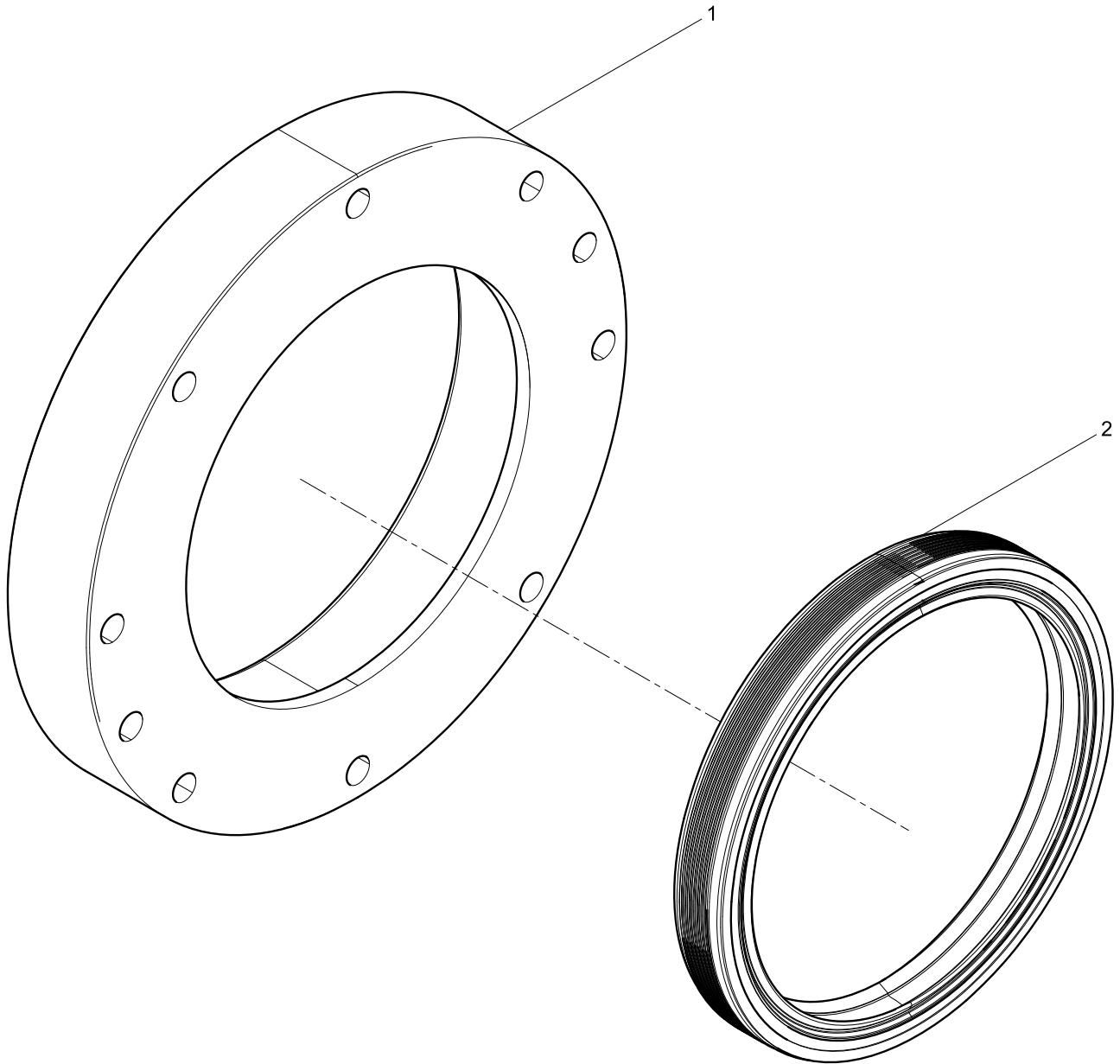
Flywheel Housing Group



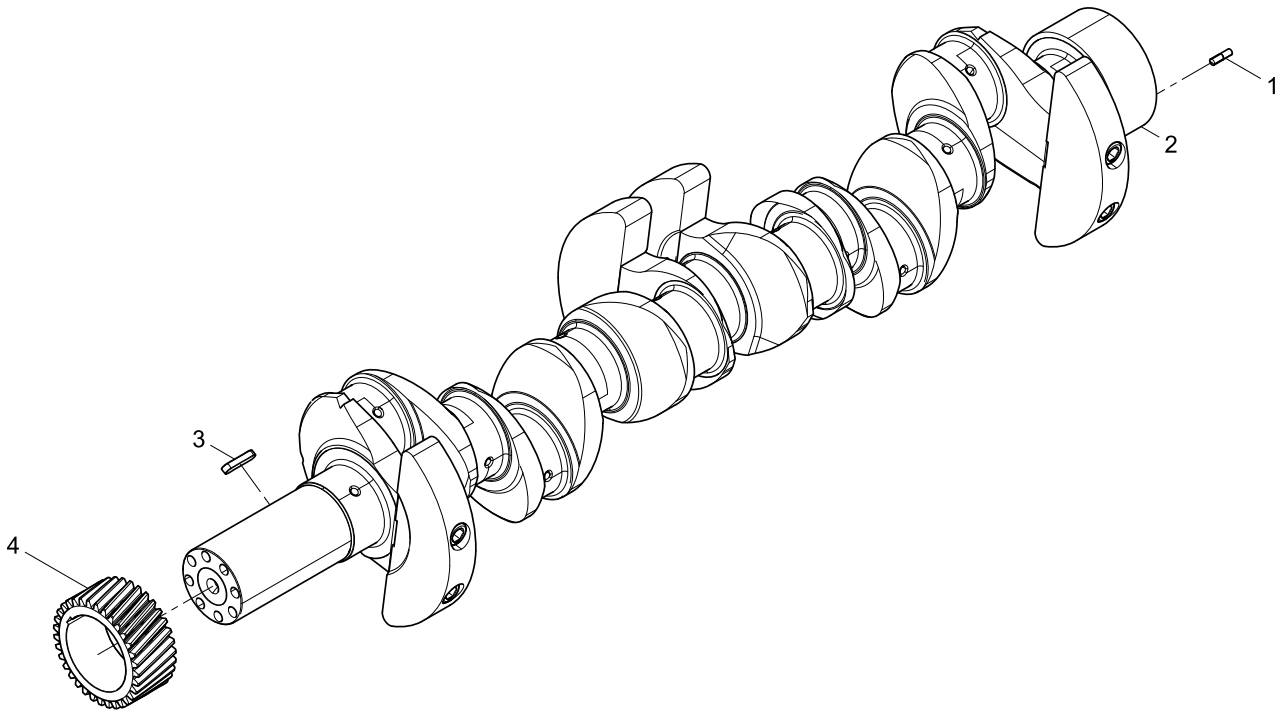
Front cover group



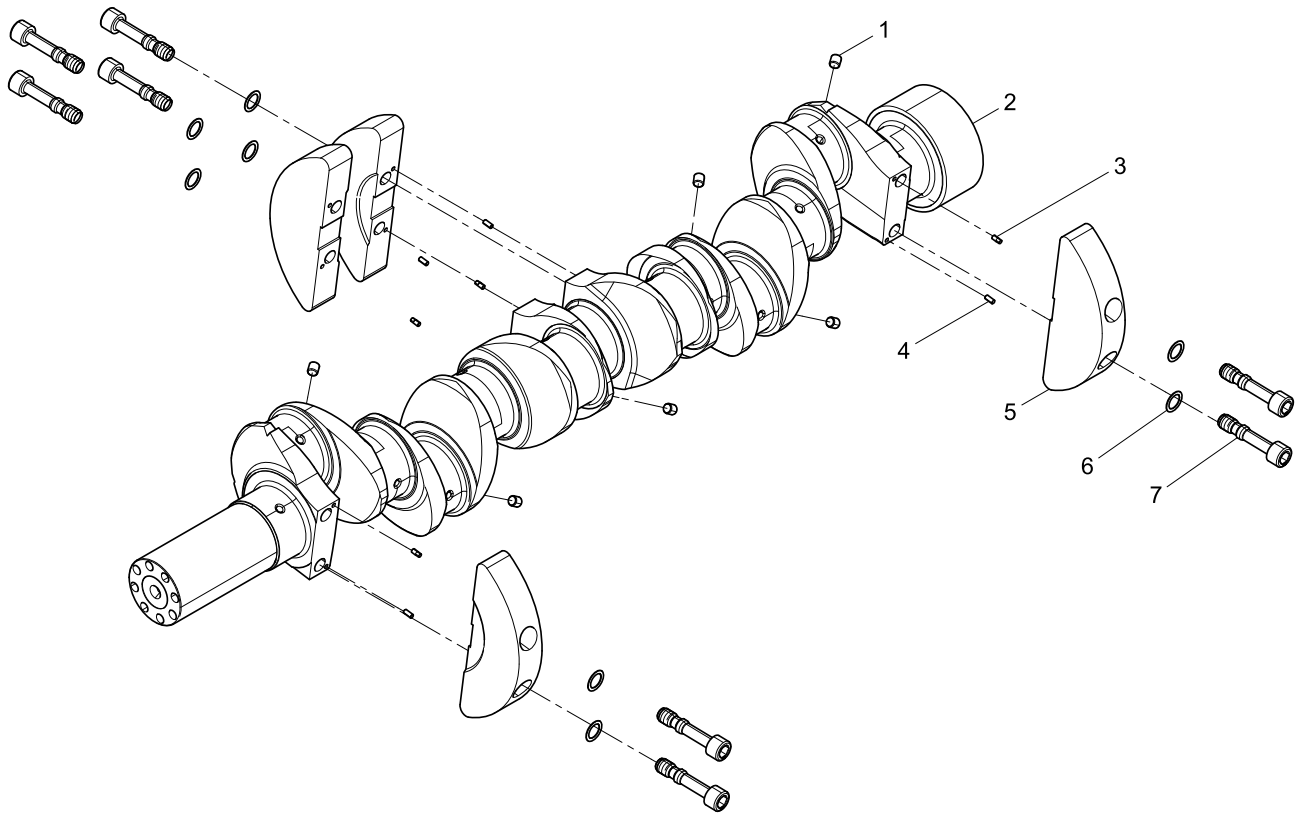
Front oil seal Group



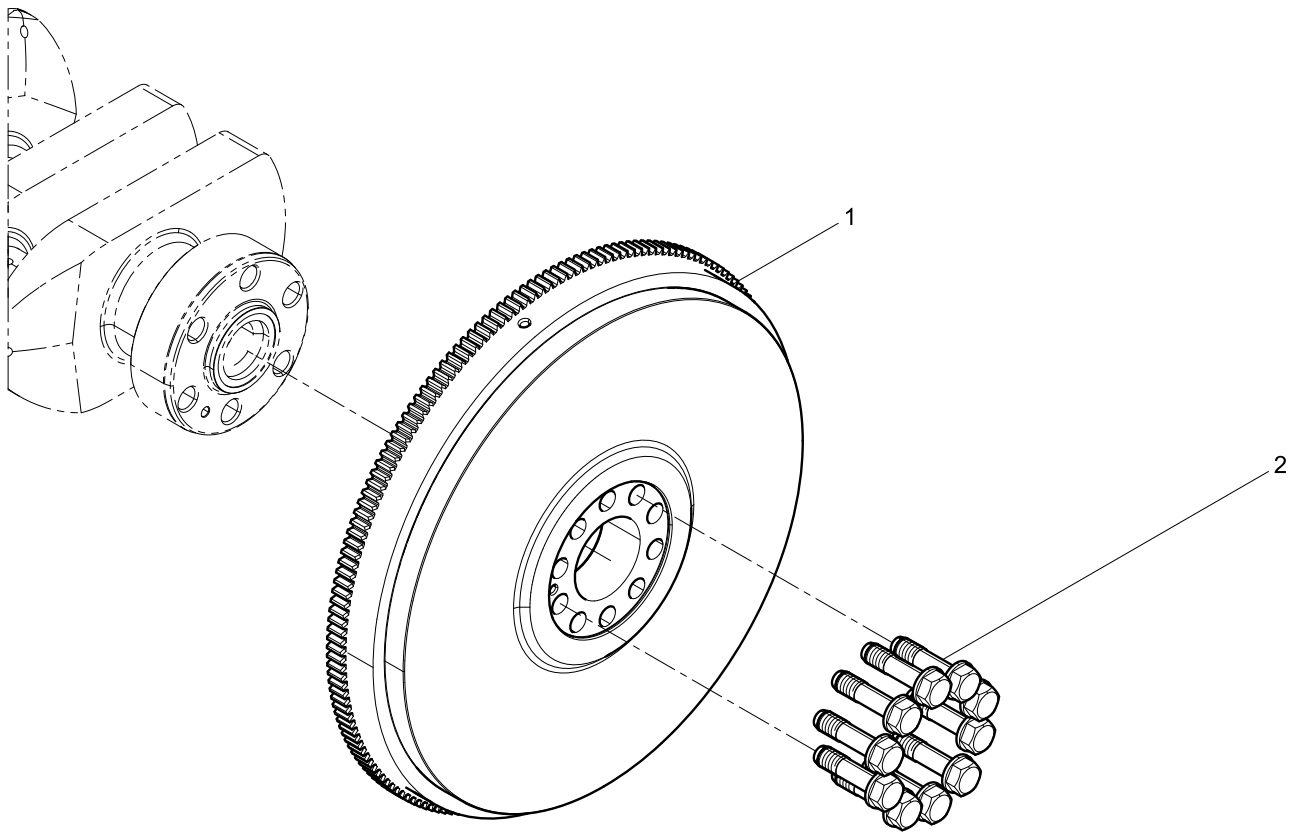
Crankshaft Group



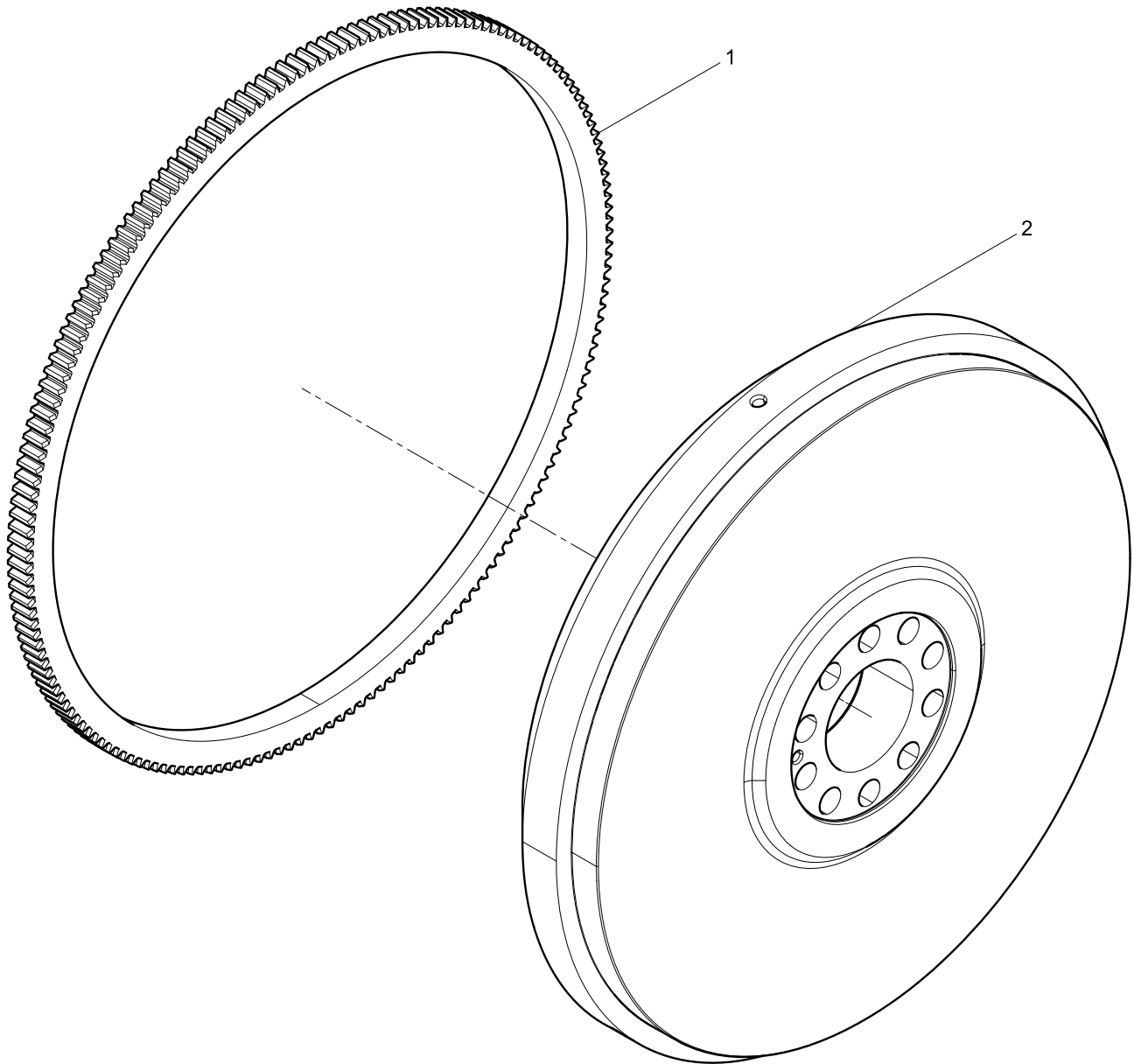
Crankshaft Assembly



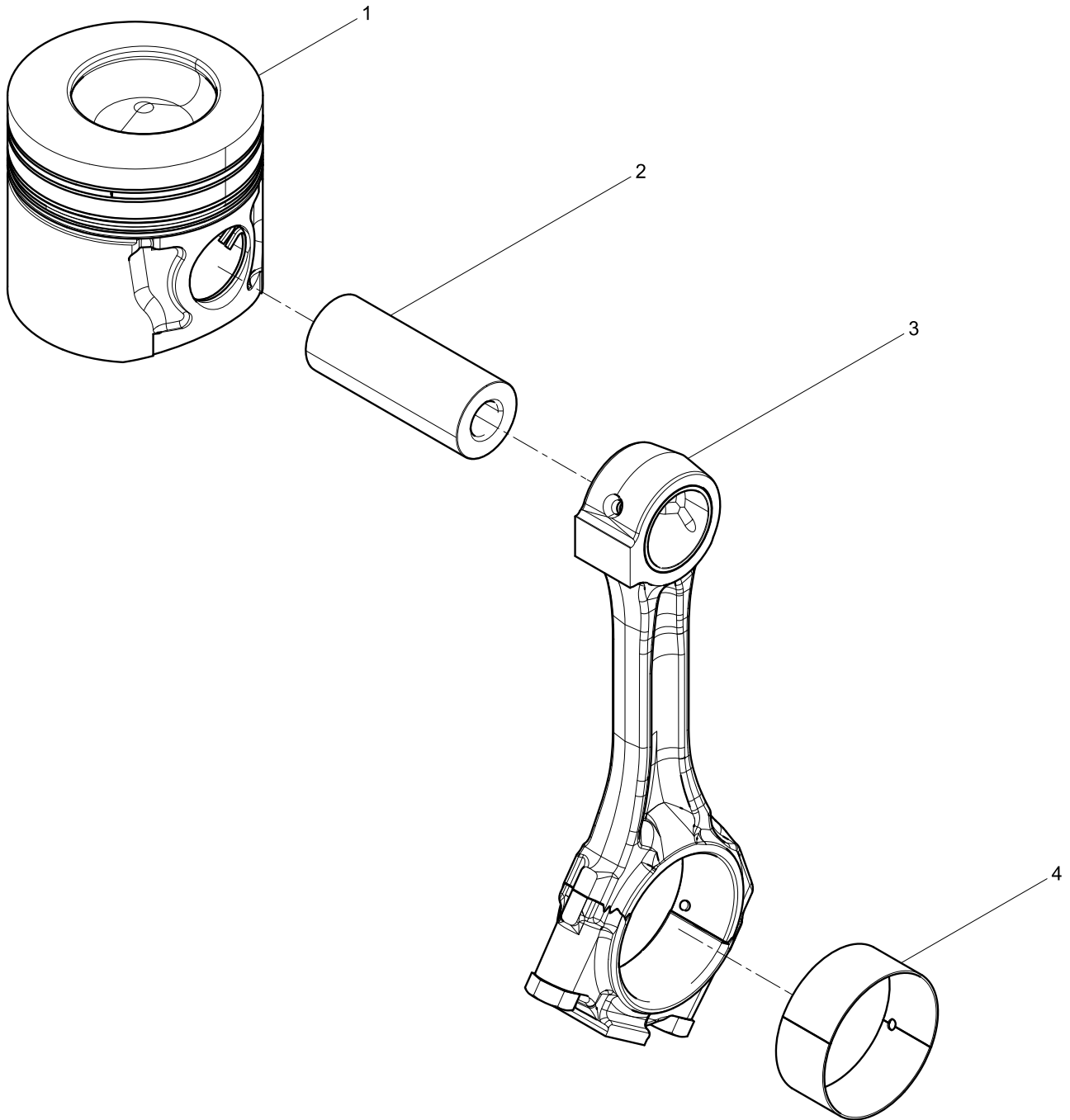
Flywheel Group



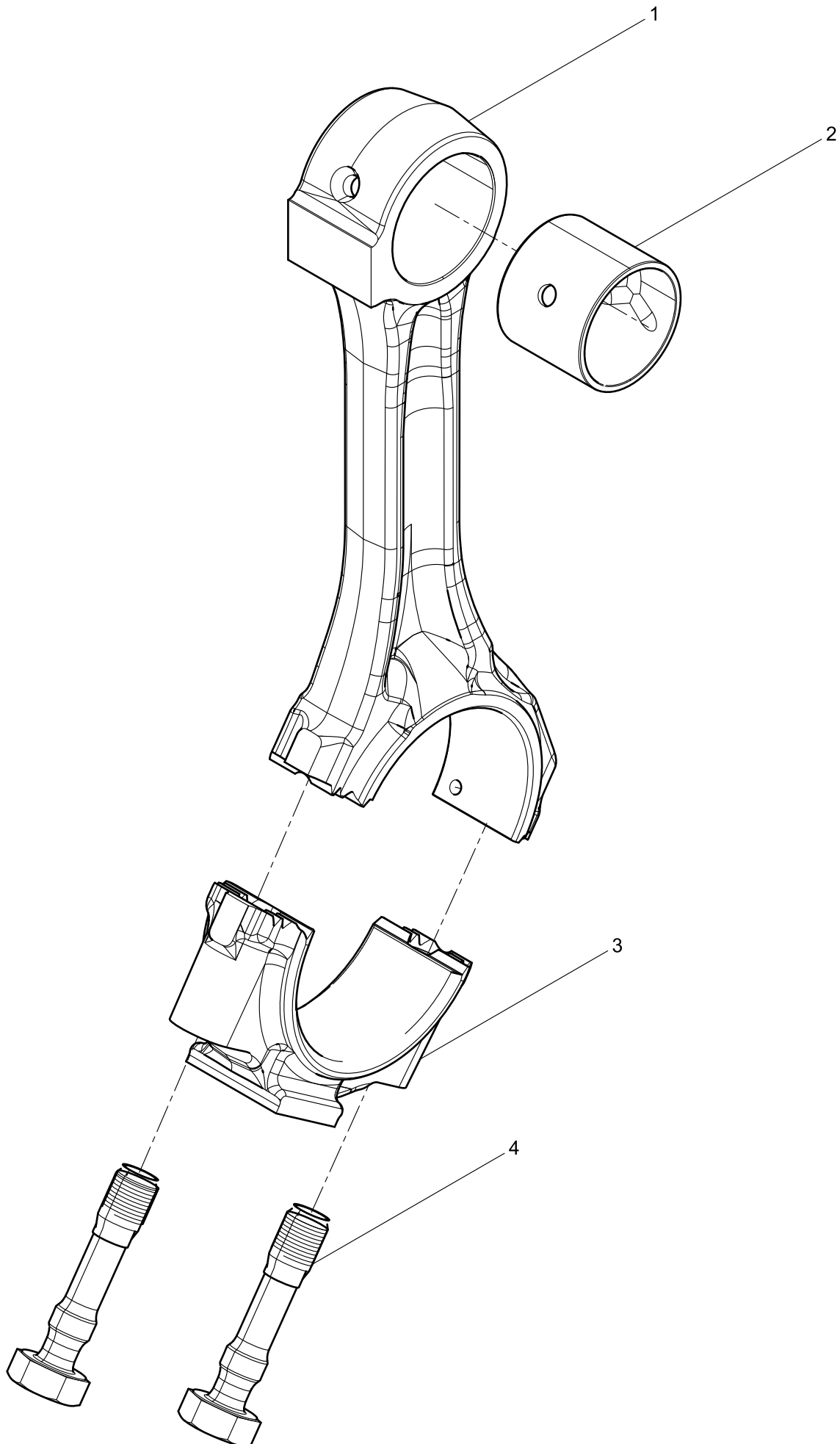
Flywheel Assembly



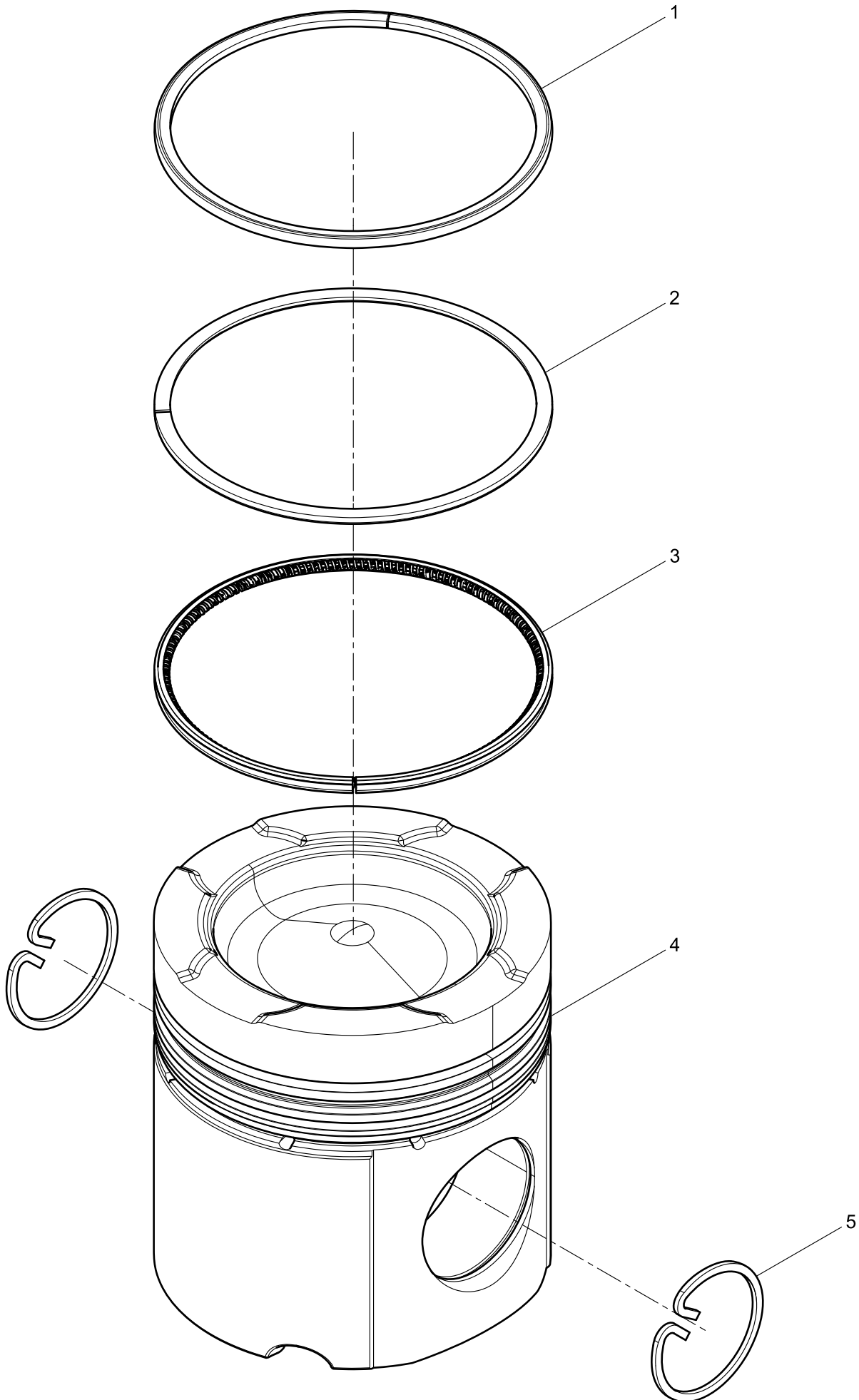
Piston and Connecting Rod Group



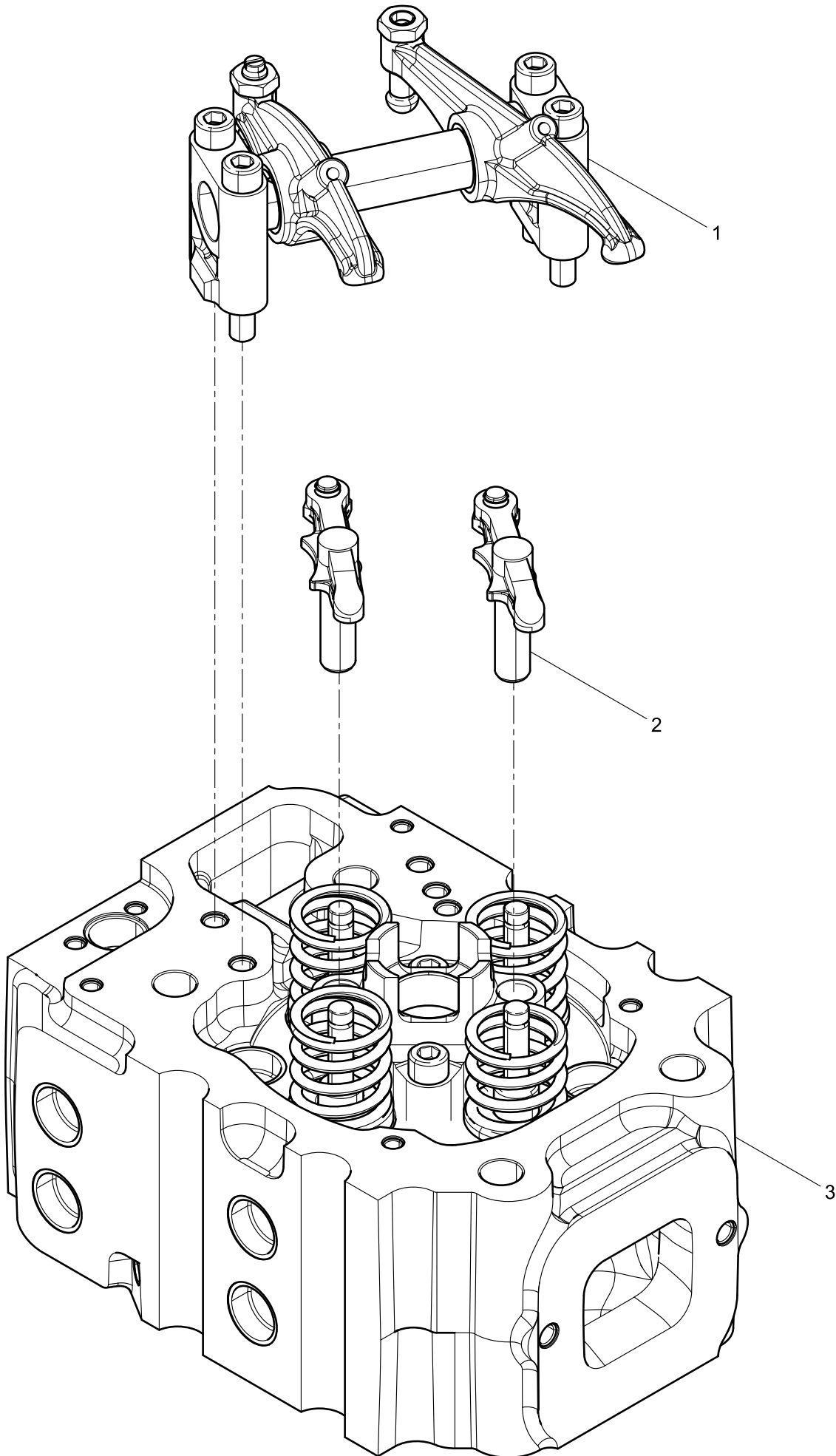
Connecting Rod Assembly



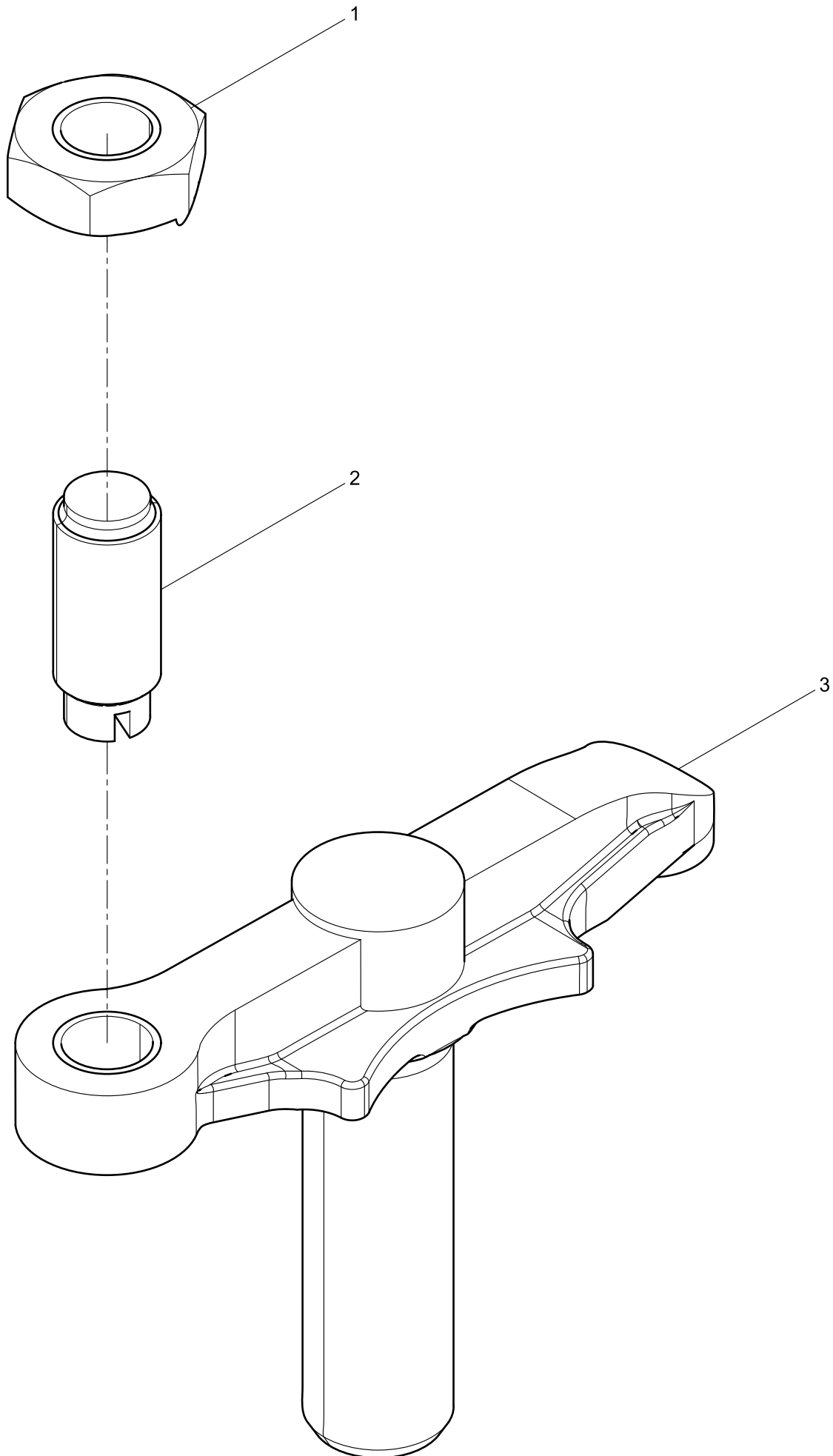
Piston Assembly



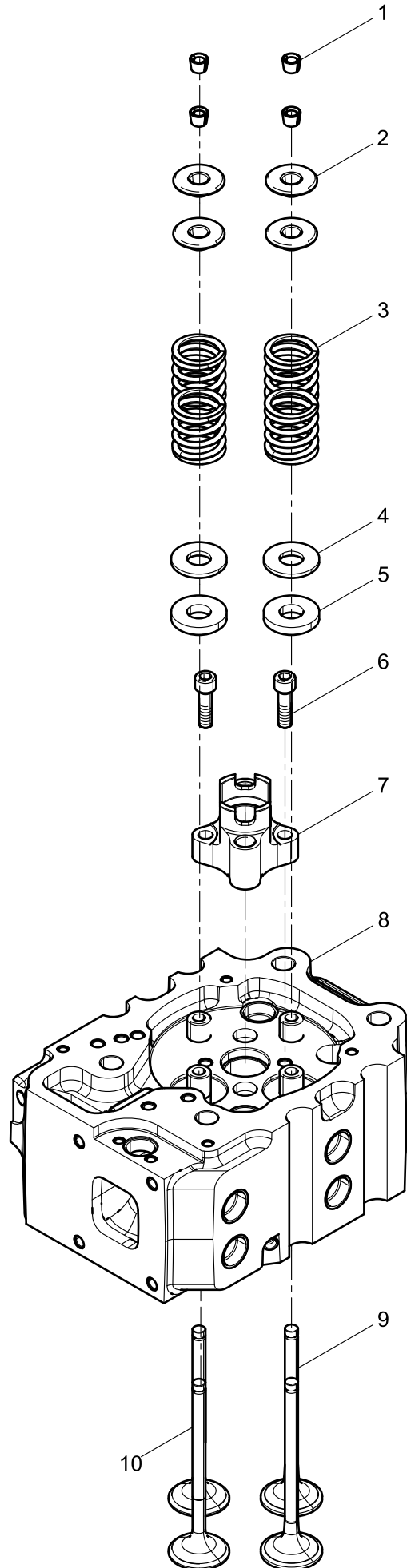
Cylinder Head Group



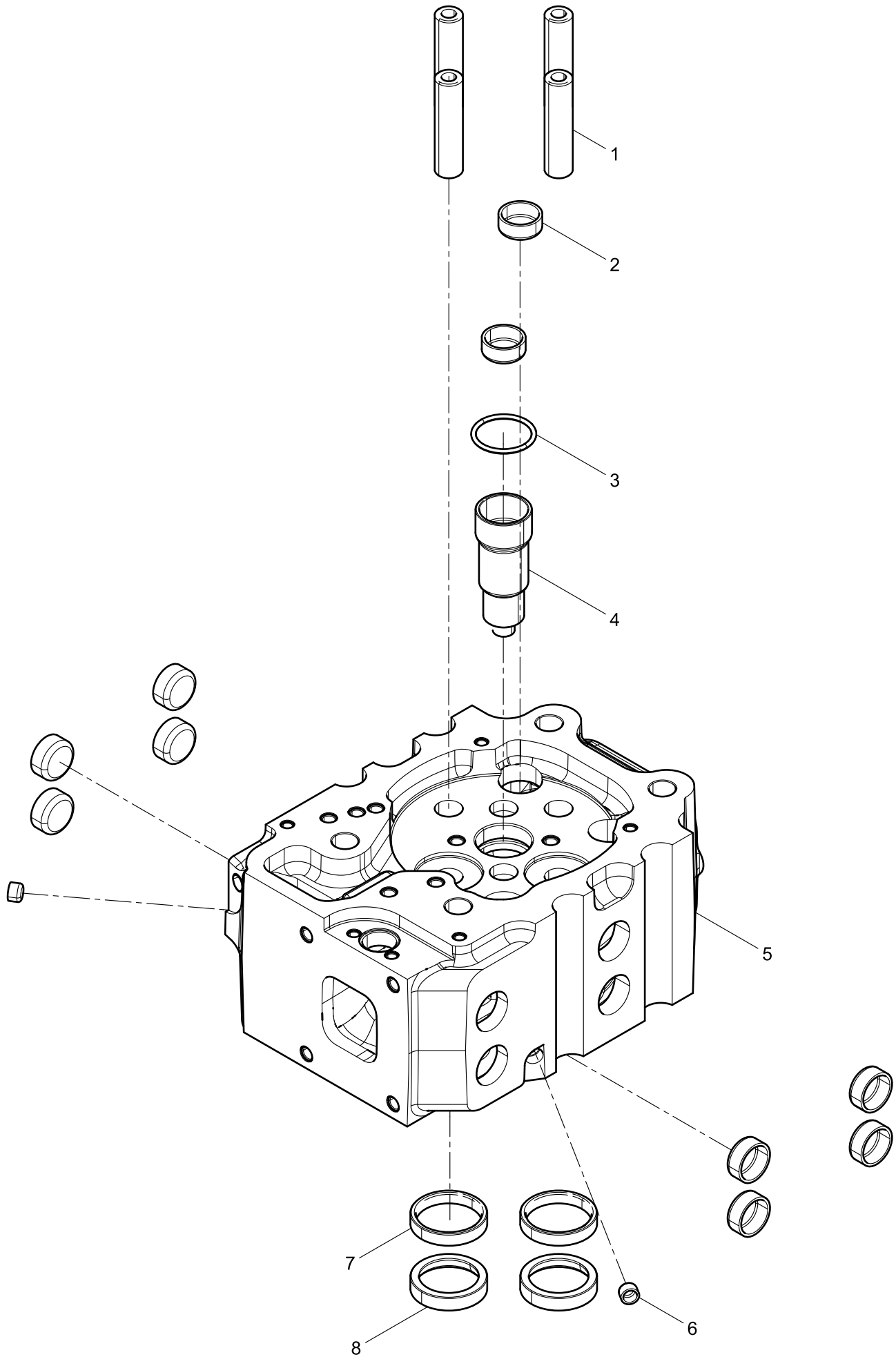
Valve Bridge Assembly



Cylinder Head Assembly



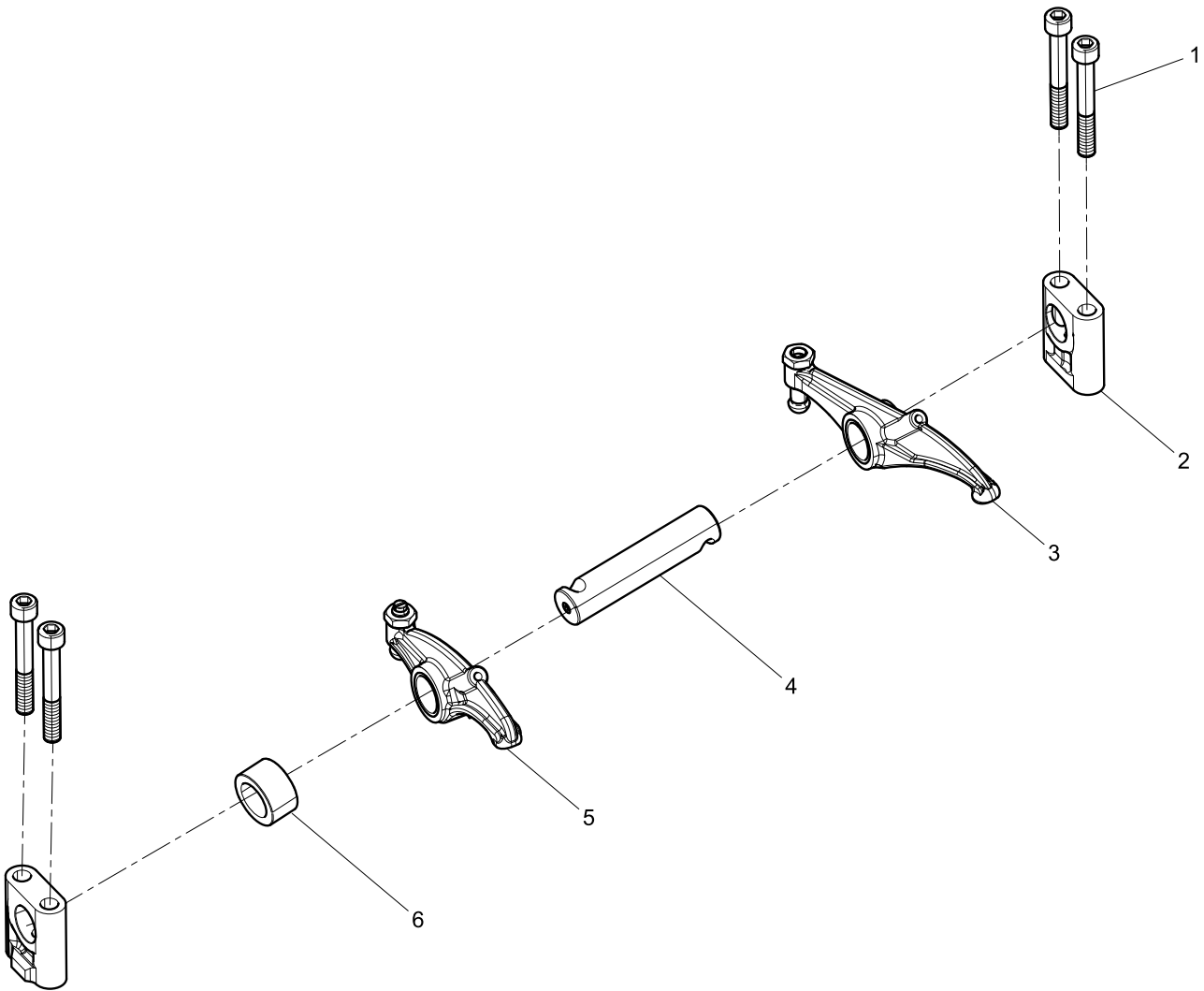
Cylinder Head Subassembly



Cylinder Head Subassembly

Pos.	Teile.Number	Amount	Designation
1	W15011040Y	4	Valve Guide
2	331001000587	9	Bowl Plug
3	77711170N	1	O-ring
4	15012730K	1	Injector Bush
5	X6231.211W	1	Cylinder Head
6	90003989277	2	Bowl Type Expansion Plug
7	15012800L	2	Intake Valve Seat
8	15012810X	2	Exhaust Valve Seat

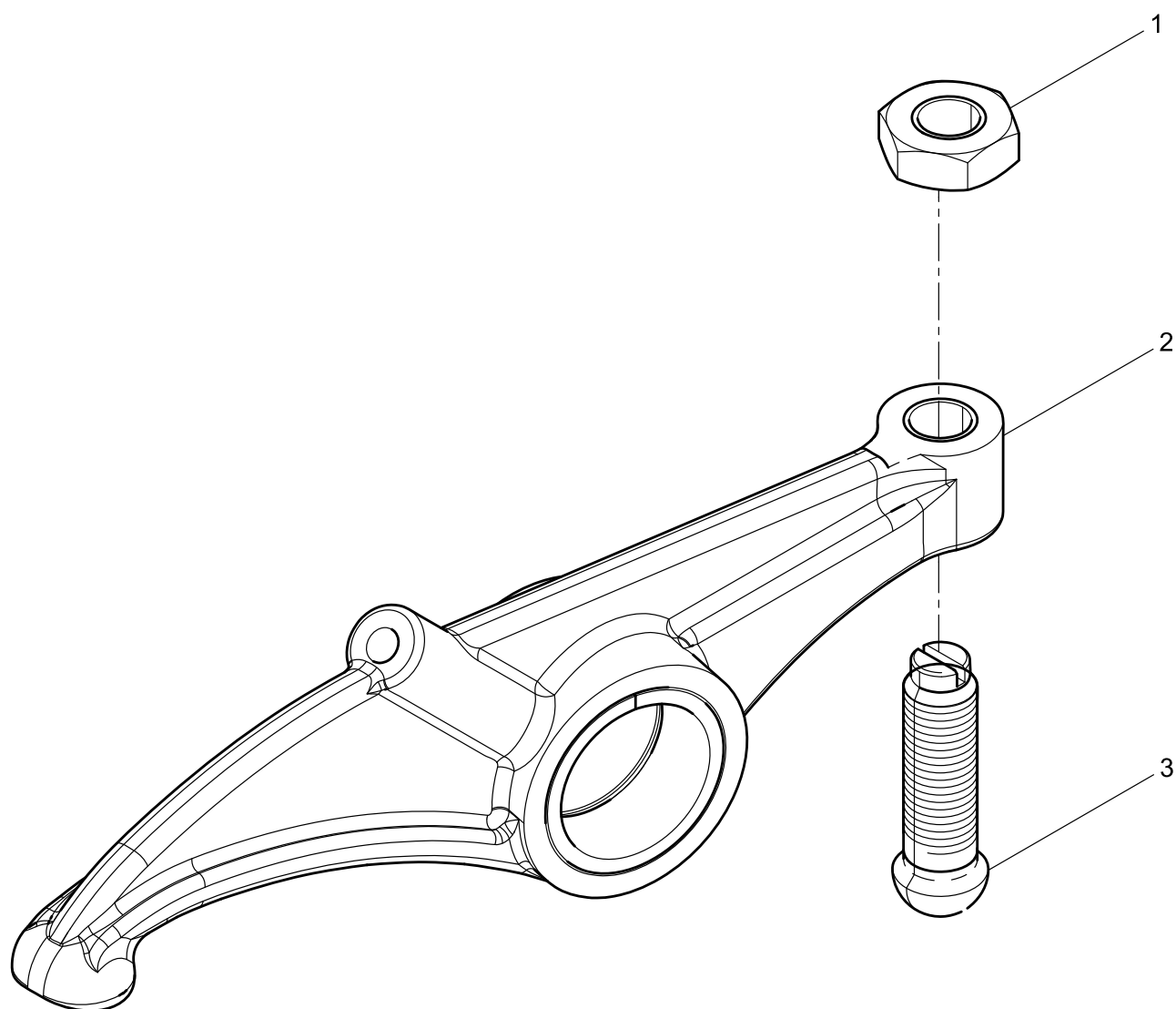
Rocker Arm Set



Rocker Arm Set

Pos.	Teile.Number	Amount	Designation
1	77753250CS	4	Inner Hexagon Socket Head Cap Screw
2	15010320Q	2	Rocker Arm Bracket
3	13583521X	1	Intake Rocker Arm Assembly
4	13583500Z	1	Rocker Arm Shaft Set
5	330202000110	1	Exhaust Rocker Arm Assembly
6	13502300N	1	Sleeve

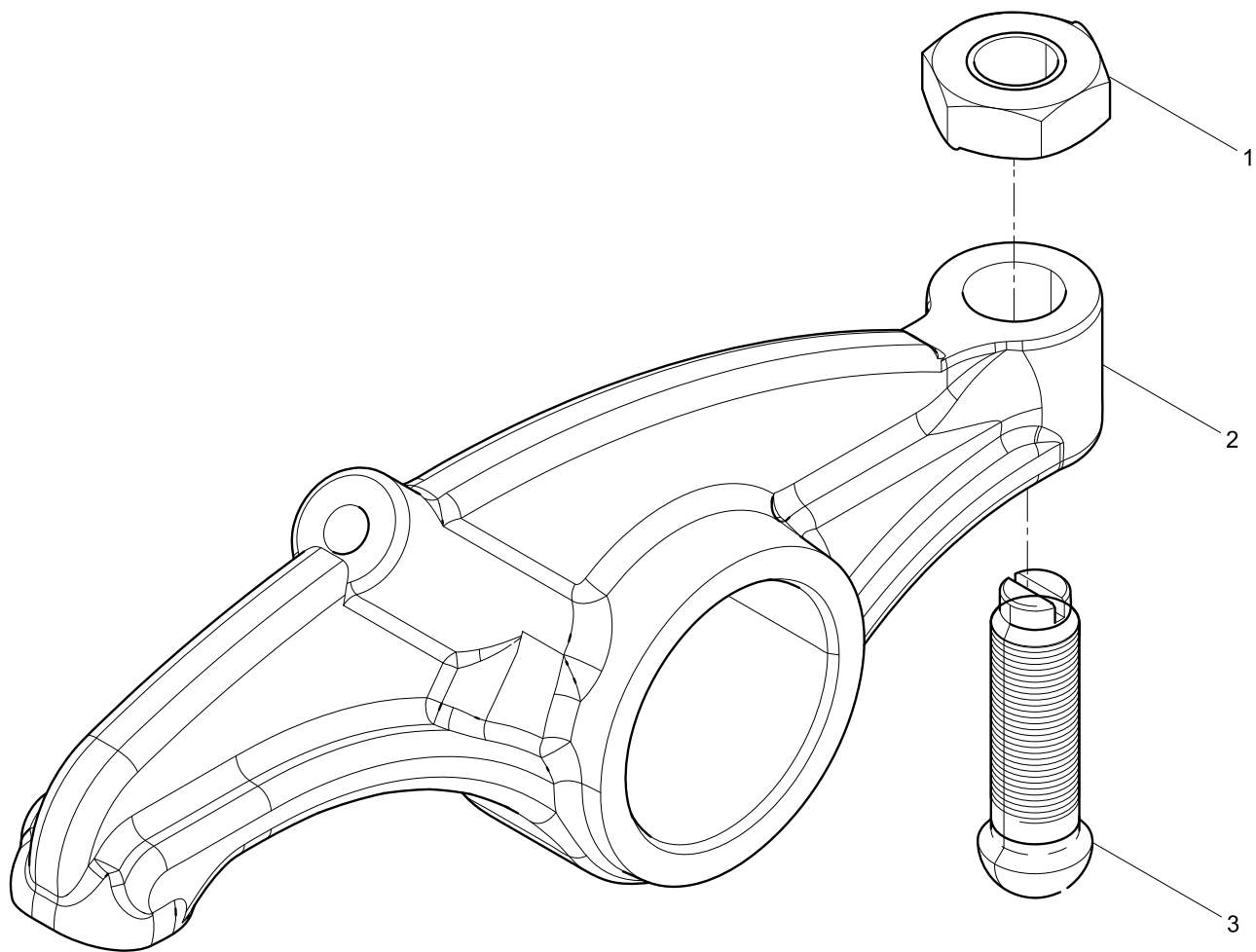
Intake Rocker Arm Assembly



Intake Rocker Arm Assembly

Pos.	Teile.Number	Amount	Designation
1	13504230L	1	Hexagon Lock Nut
2	13504071N	1	Inlet rocker arm assemblage
3	13504190S	1	Adjusting Screw

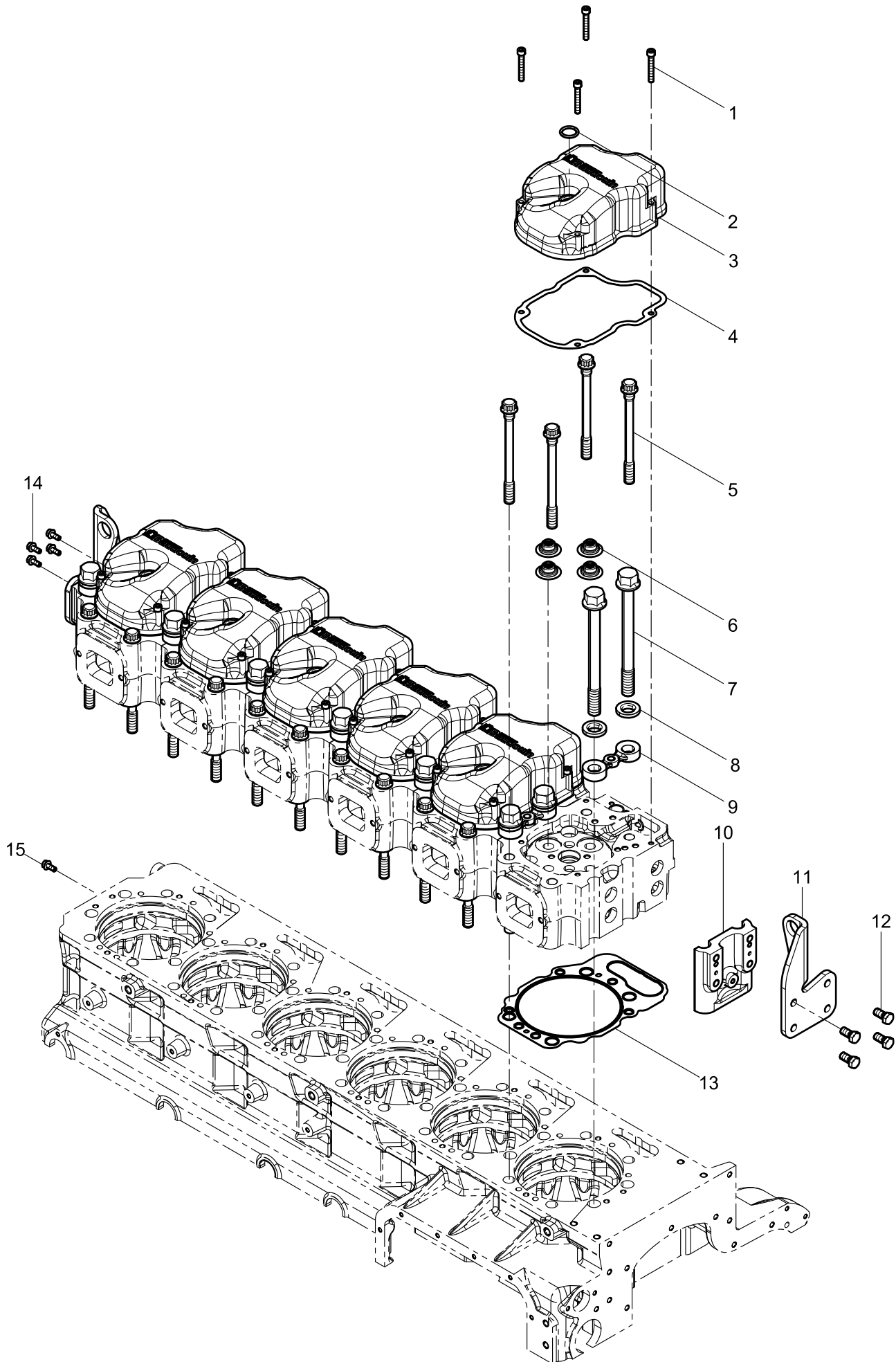
Exhaust Rocker Arm Assembly



Exhaust Rocker Arm Assembly

Pos.	Teile.Number	Amount	Designation
1	13504230L	1	Hexagon Lock Nut
2	330202000111	1	Exhaust Rocker Arm Set
3	13504190S	1	Adjusting Screw

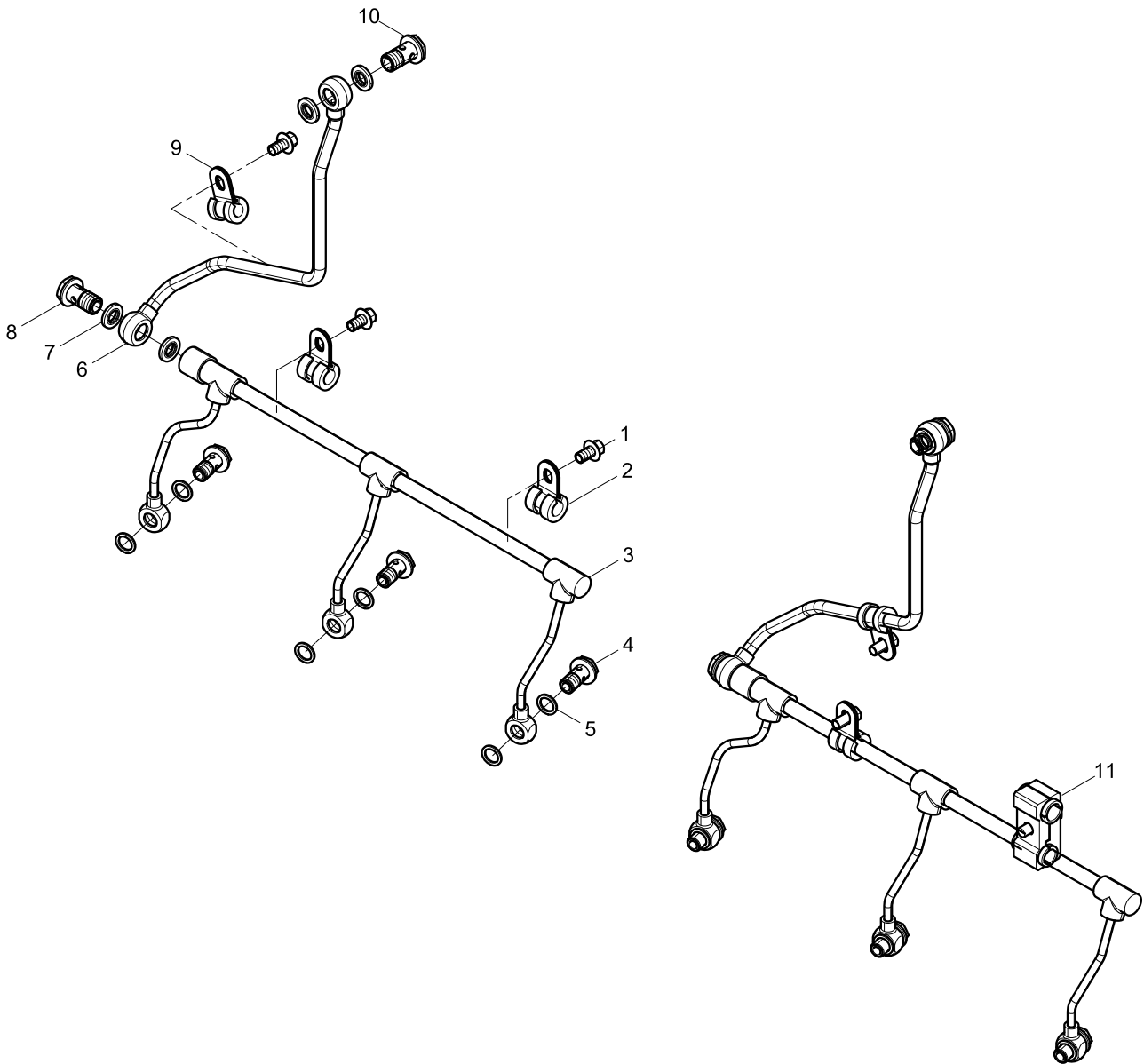
Cylinder Head Accessory Group



Cylinder Head Accessory Group

Pos.	Teile.Number	Amount	Designation
1	77752810Z	24	Inner Hexagon Socket Head Cap Screw
2	330201000147	6	O-ring
3	15010361K	6	Cylinder Head Cover
4	330201000012	6	Cylinder Head Cover Gasket
5	1000997330	24	Cylinder Head Main Bolt
6	X6231.177W	24	Valve Stem Seal
7	1000986091	14	Secondary Blots of Cylinder Head
8	15011620D	14	Washer
9	15011540R	7	Clamping Block
10	15010540E	2	Board
11	15010620R	2	Engine Hanger Plate
12	90011270018	4	Hexagon head bolt
13	330201000108	6	Cylinder Head Gasket
14	90011400048	4	Hexagon flange bolt, heavy series
15	9000000482	1	Hexagon Flange Bolt

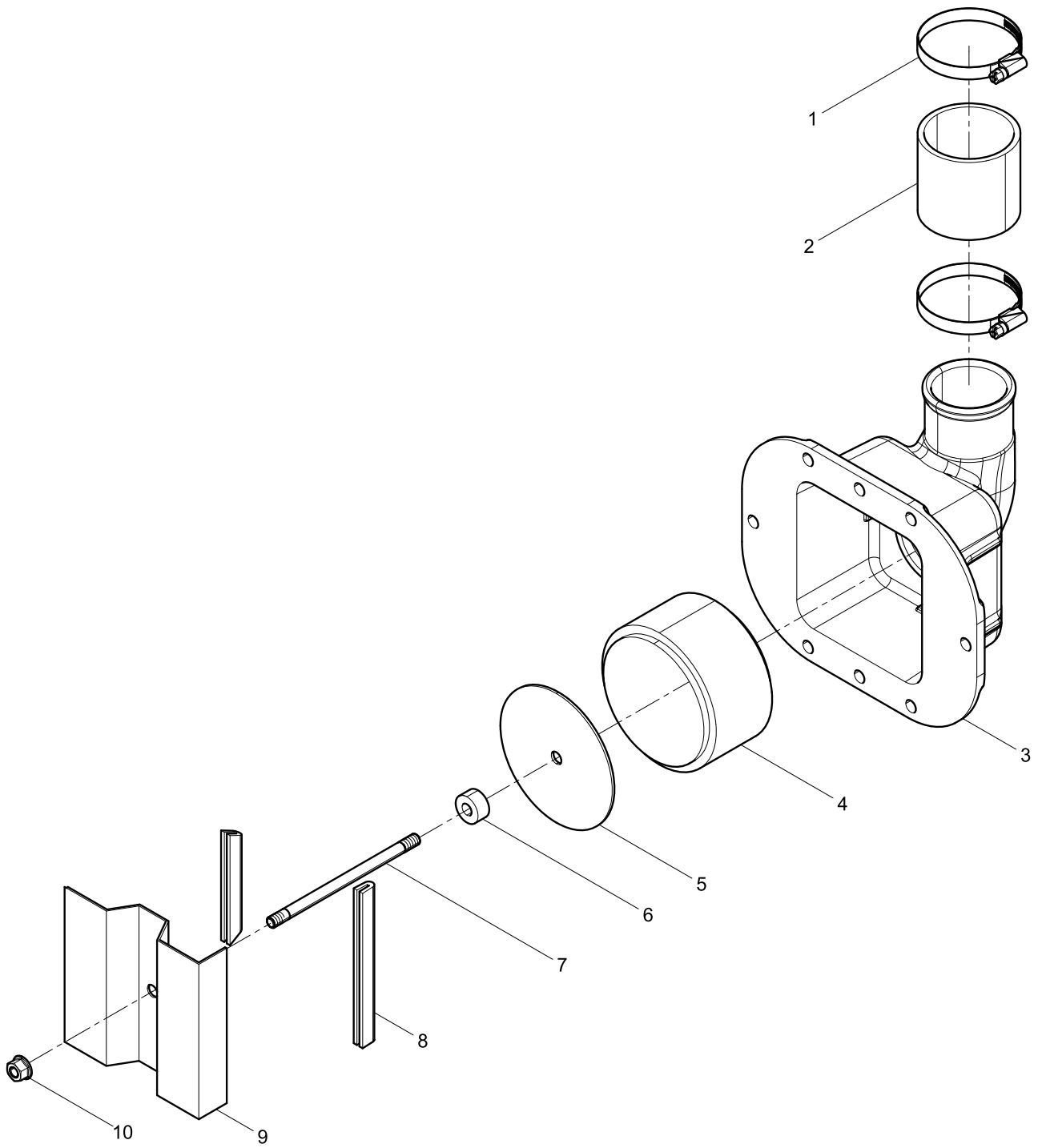
Rocker Arm Oil Pipe Group



Rocker Arm Oil Pipe Group

Pos.	Teile.Number	Amount	Designation
1	900000203	5	Hexagon Flange Bolt
2	331001000765	3	Pipe Clamp Assembly
3	331001000748	2	Rocker Arm Oil Pipe
4	331001000653	6	Bolt
5	90003098012	12	Sealing Washer
6	1000396615	2	Rocker Arm Oil Pipe
7	13023360	8	Assembled Sealing Washer
8	612639000108	3	Bolt
9	331001000795	2	Pipe Clamp Assembly
10	1000141434	1	Gemel Bolt
11	331001000760	1	Pipe Clamp Assembly

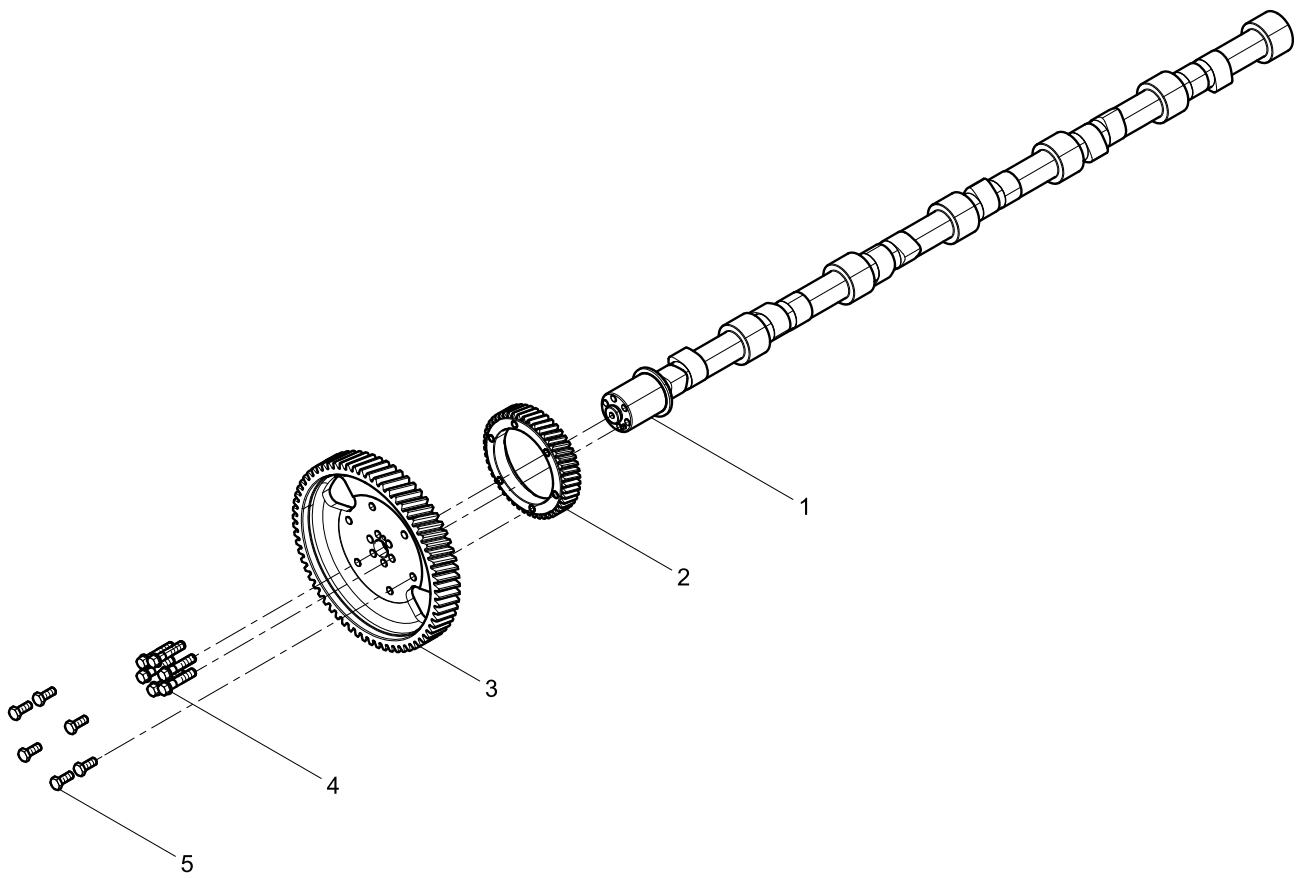
Breather set



Breather set

Pos.	Teile.Number	Amount	Designation
1	90003989311	2	Clamp
2	15010760T	1	Oil Connecting Rubber Pipe
3	15010720A	1	Breather Block
4	13502530N	1	Oil-gas Separator Element
5	15010730L	1	Plate
6	27302940J	1	Pad
7	77771140Y	1	Double End Stud
8	15010985N	1	Washer
9	15010740X	1	Separating Oil Board
10	90012420002	1	Prevailing Torque Type All-metal Hexagon Nut with Flange

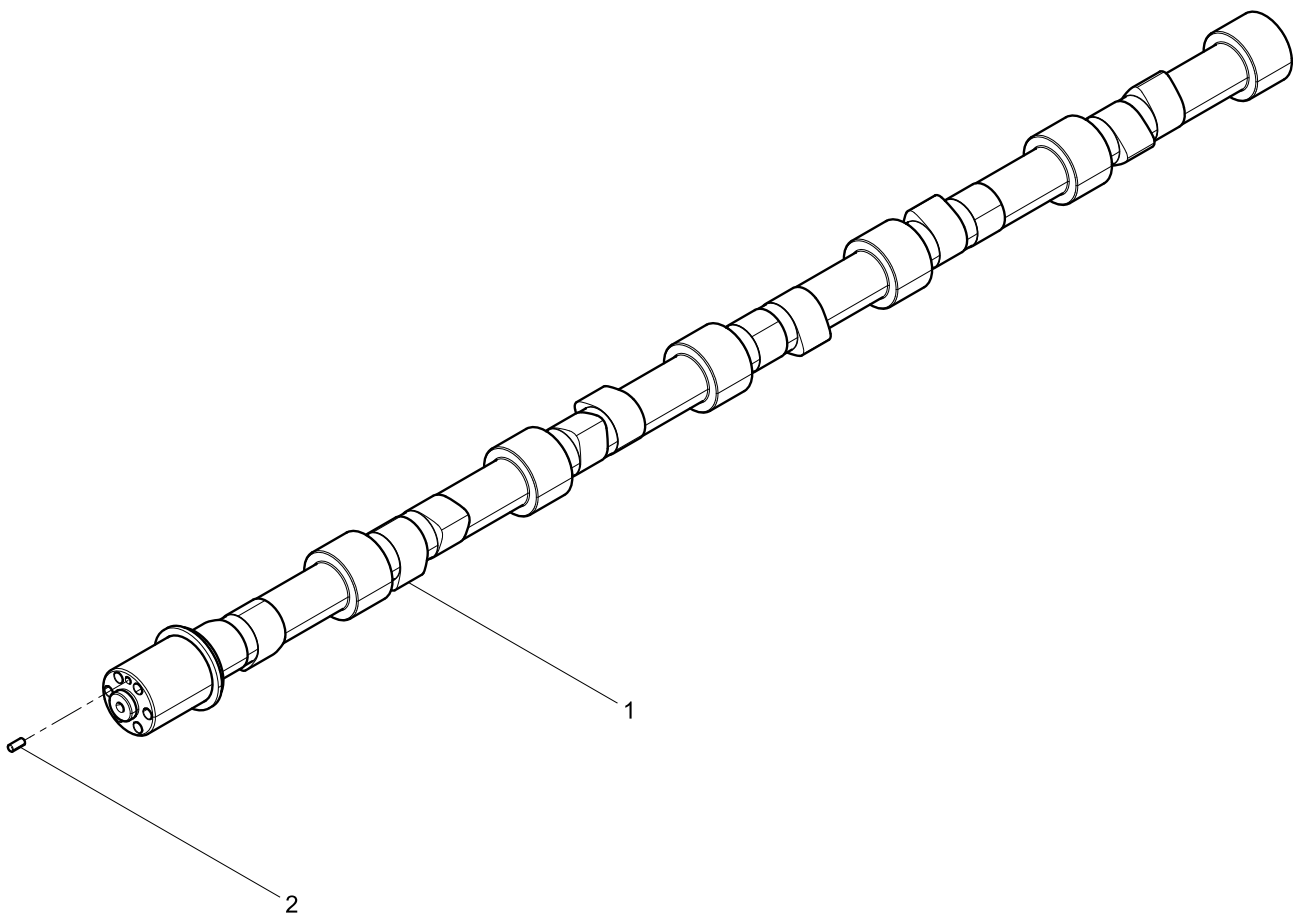
Camshaft Group



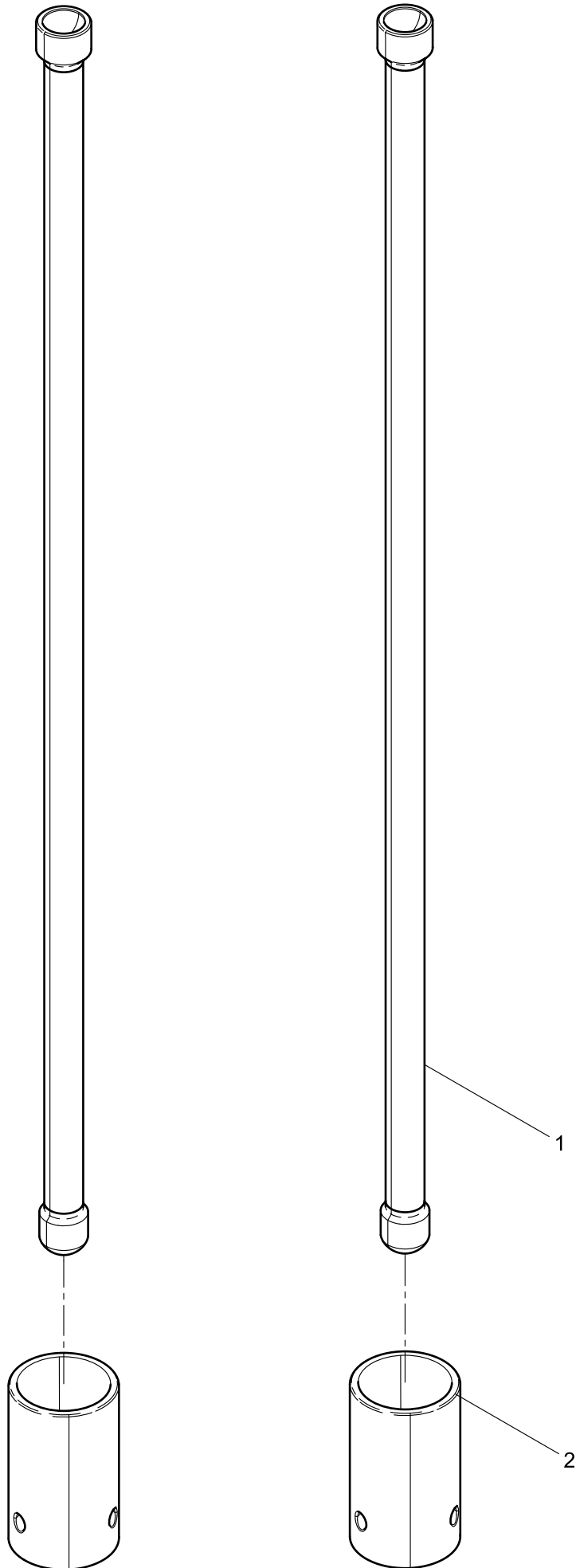
Camshaft Group

Pos.	Teile.Number	Amount	Designation
1	330202000343	1	Camshaft Assembly
2	13504260T	1	Idler Gear
3	330202000125	1	Camshaft Timing Gear
4	330202000247S	6	Hexagon Flange Bolt
5	330202000246S	6	Hexagon Head Bolt

Camshaft Assembly



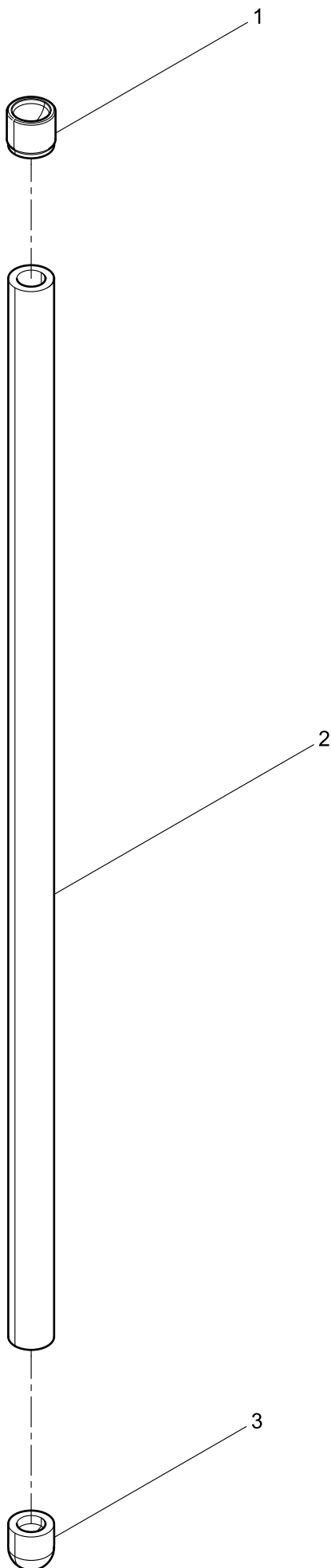
Tappet And Push Rod Group



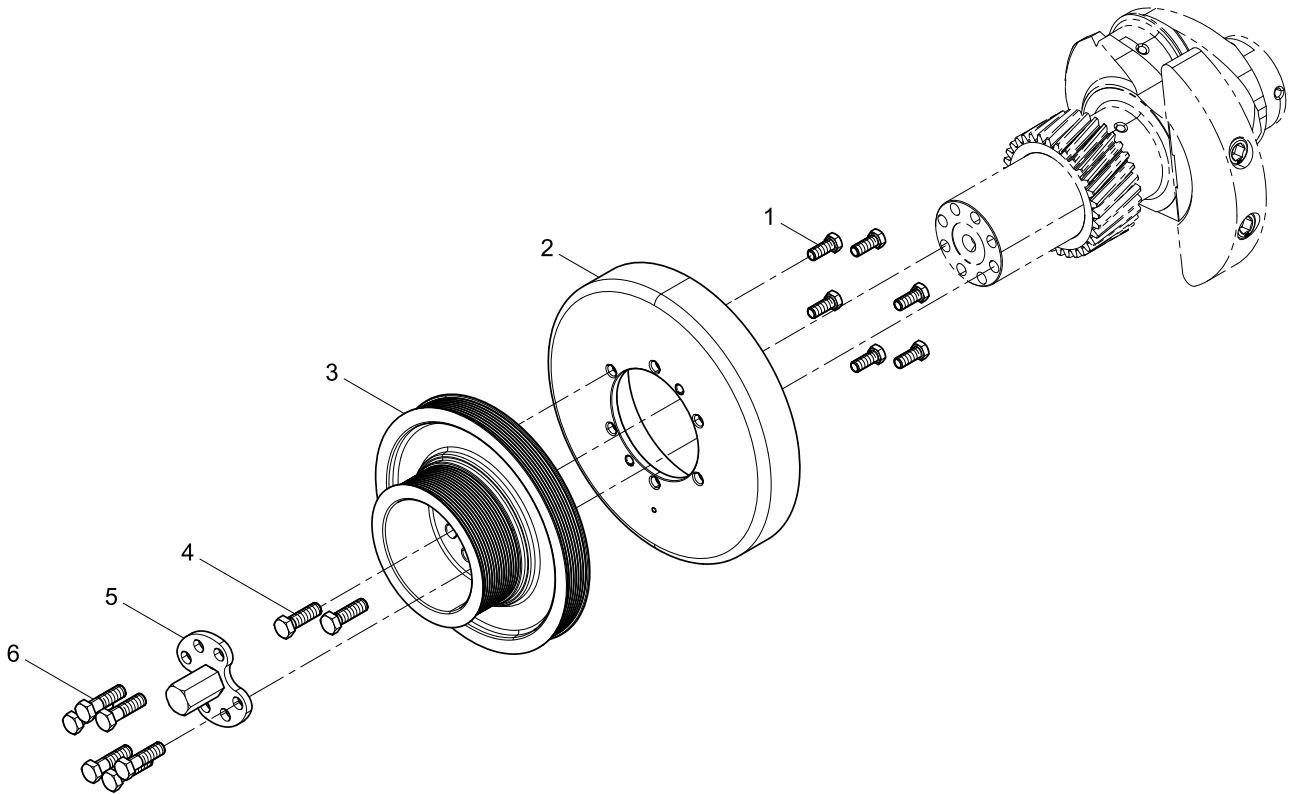
Tappet And Push Rod Group

Pos.	Teile.Number	Amount	Designation
1	330302000244	12	Push Rod
2	331002000153	12	Tappet

Push Rod



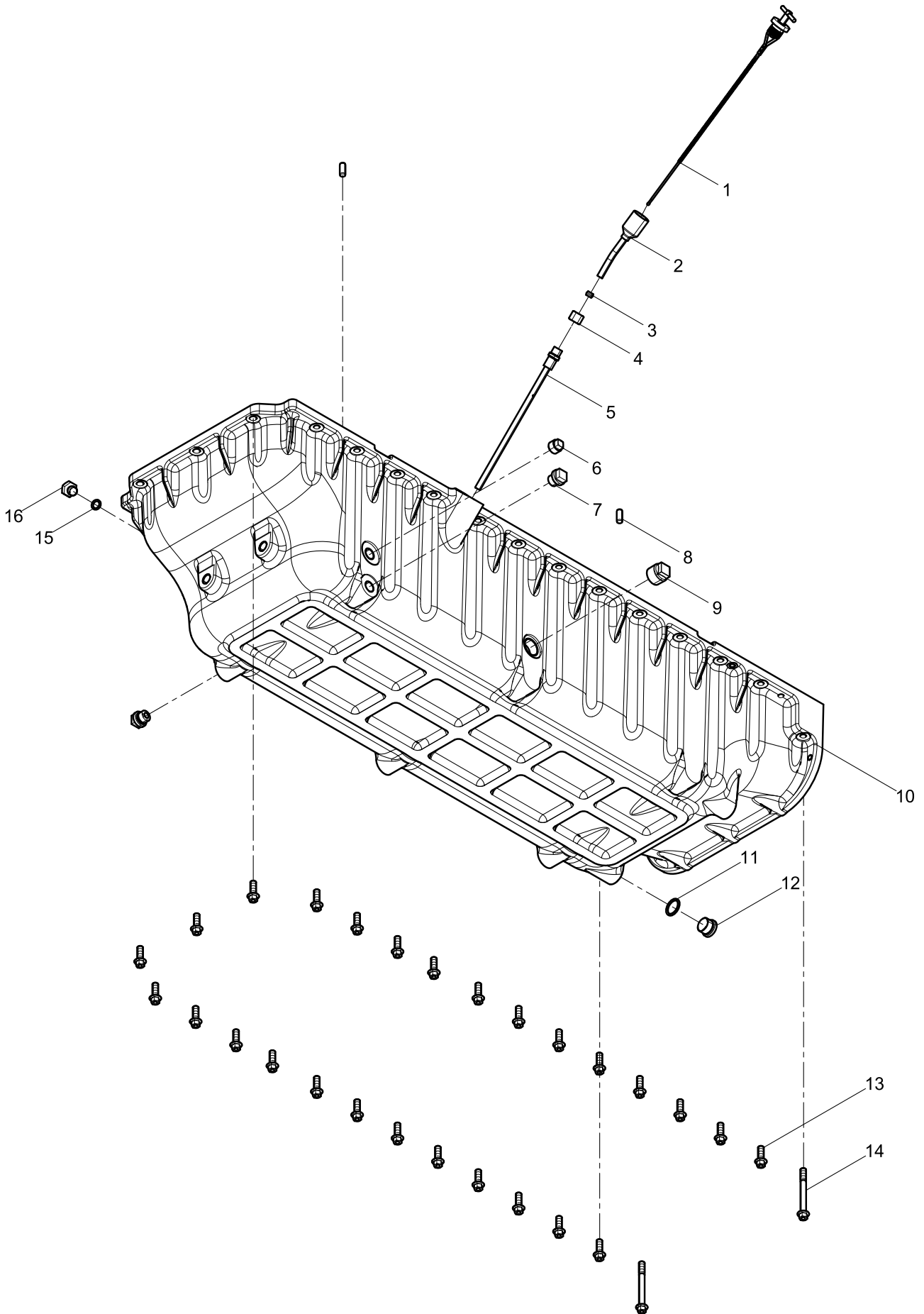
Crankshaft Pulley Group



Crankshaft Pulley Group

Pos.	Teile.Number	Amount	Designation
1	90011350041	6	Hexagon Head Bolt
2	13608090C	1	Torsional Vibration Damper
3	330202000165	1	Crankshaft Pulley
4	90011270036	2	Hexagon head bolt
5	15120580N	1	Revolving device of pulley front end
6	90011260058	6	Hexagon Head Bolt

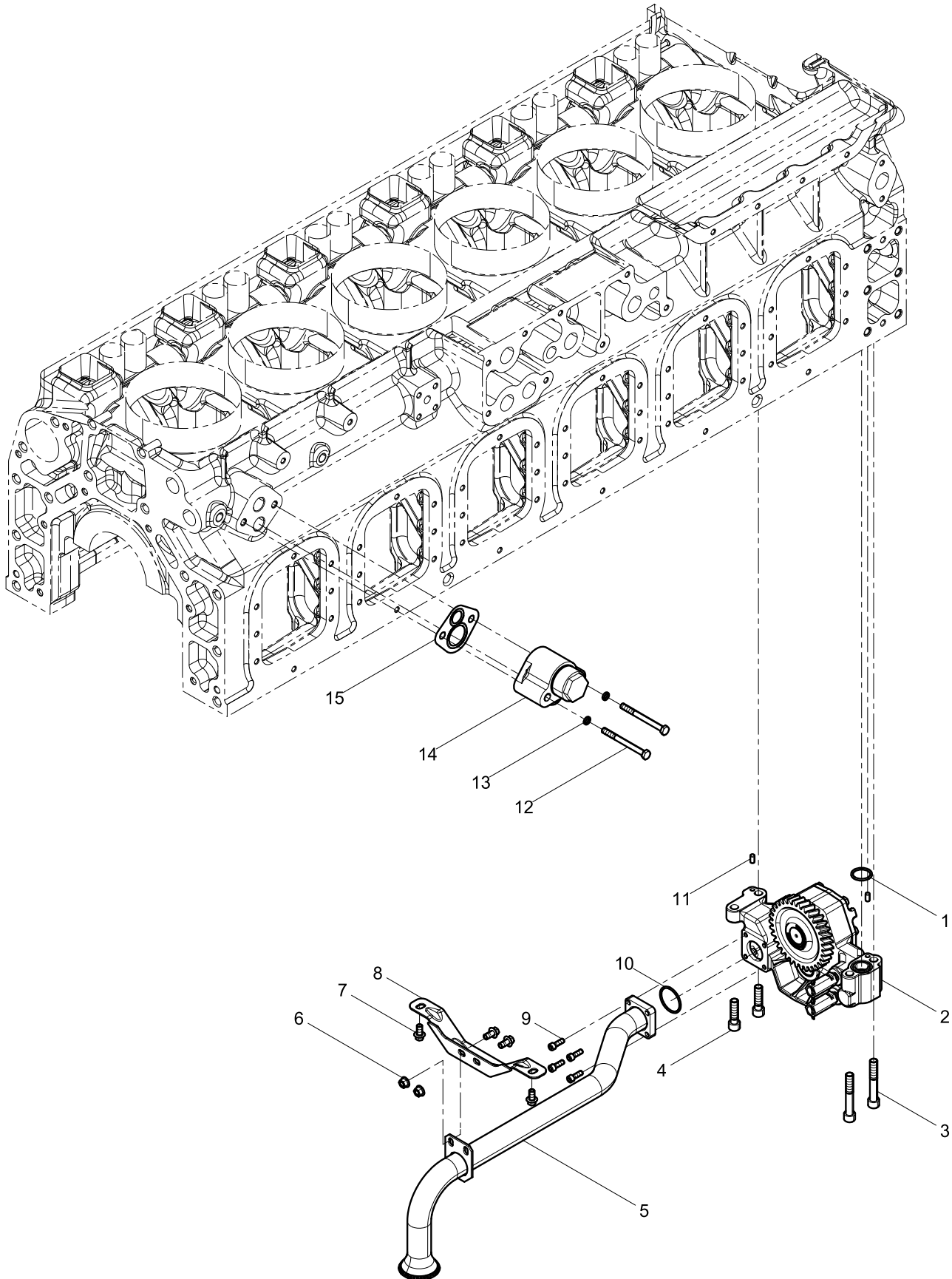
Oil Pan Group



Oil Pan Group

Pos.	Teile.Number	Amount	Designation
1	1000835308	1	Dipstick Assembly
2	331001000647	1	Dipstick Pipe Set
3	11216370G	1	Washer
4	11216360W	1	Screw cap
5	1000835290	1	Dipstick Pipe Below Set
6	13022827	1	Screw Plug
7	612600150302	2	Magnetic Screw Plug Assembly
8	90015050029	2	Parallel Pin
9	13036173	1	Screw Plug
10	1000925671	1	Oil Pan
11	77707780D	1	Gasket
12	77733030Z	1	Hexagon Taper Screw Plug
13	90011420002	27	Hexagon Flange Bolt
14	9000000702	2	Hexagon Flange Bolt
15	13023361	1	Assembled Sealing Washer
16	90017020003	1	Hexagon Screw Plug

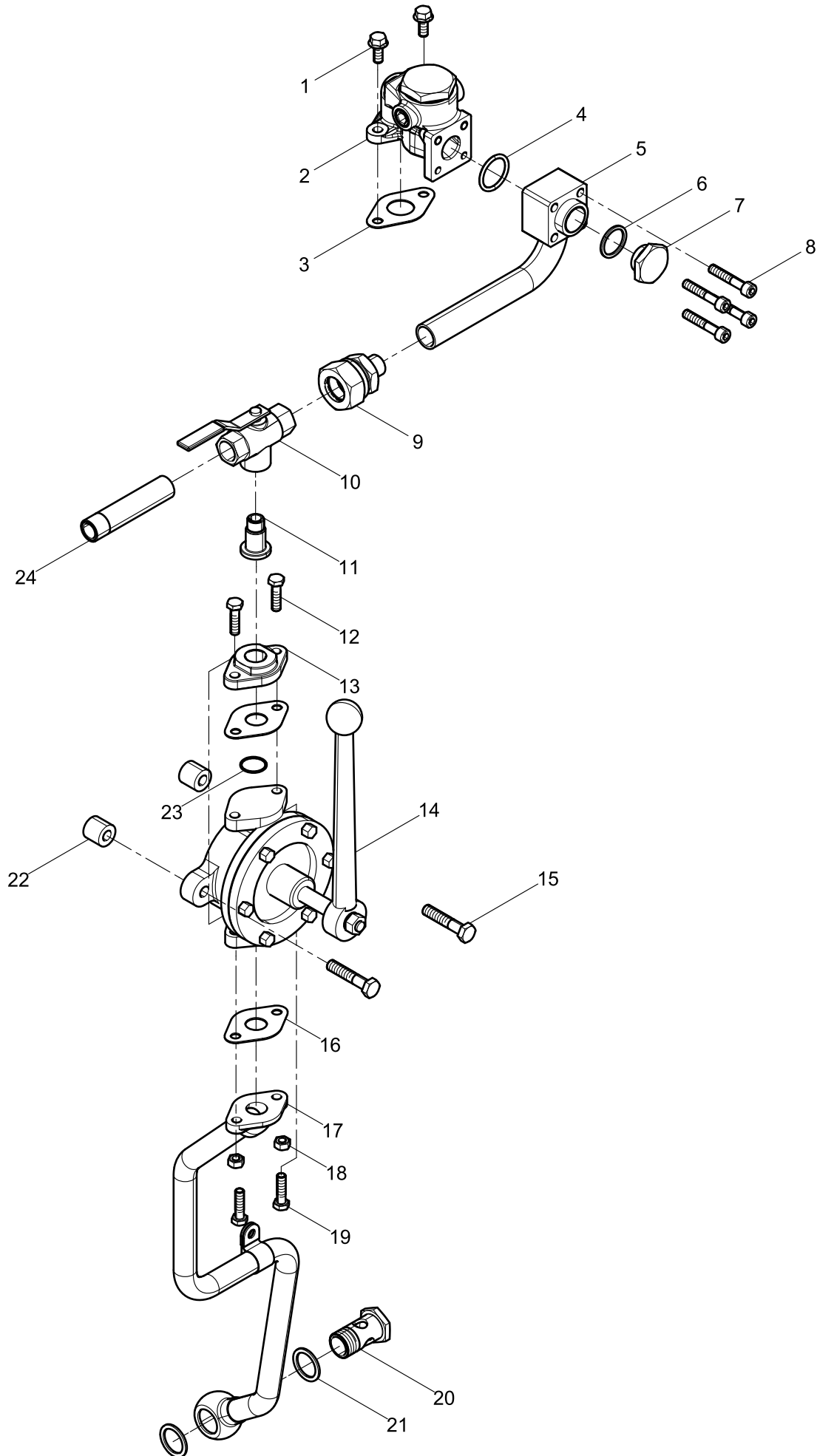
Oil Pump Group



Oil Pump Group

Pos.	Teile.Number	Amount	Designation
1	90017510015	1	O-ring
2	330250000101	1	Lubricating Oil Pump
3	90013050068S	2	Inner Hexagon Socket Head Cap Screw
4	90013050069S	2	Inner Hexagon Socket Head Cap Screw
5	1000538052	1	Filter Assembly
6	90012290002	2	Hexagon Flange Nut
7	9000000734	4	Hexagon Flange Bolt
8	1000586619	1	Oil Suction Strainer Bracket
9	90013050036	4	Inner Hexagon Socket Head Cap Screw
10	90017550003	1	O-Ring
11	90015210006	2	Parallel Pin
12	90013550035	2	Inner Hexagon Socket Head Cap Screw
13	90014010001	2	Single Coil Spring Lock Washer, Normal Type
14	330204000215	1	Pressure-limiting valve of the main oil passage
15	330204000119	1	Gasket

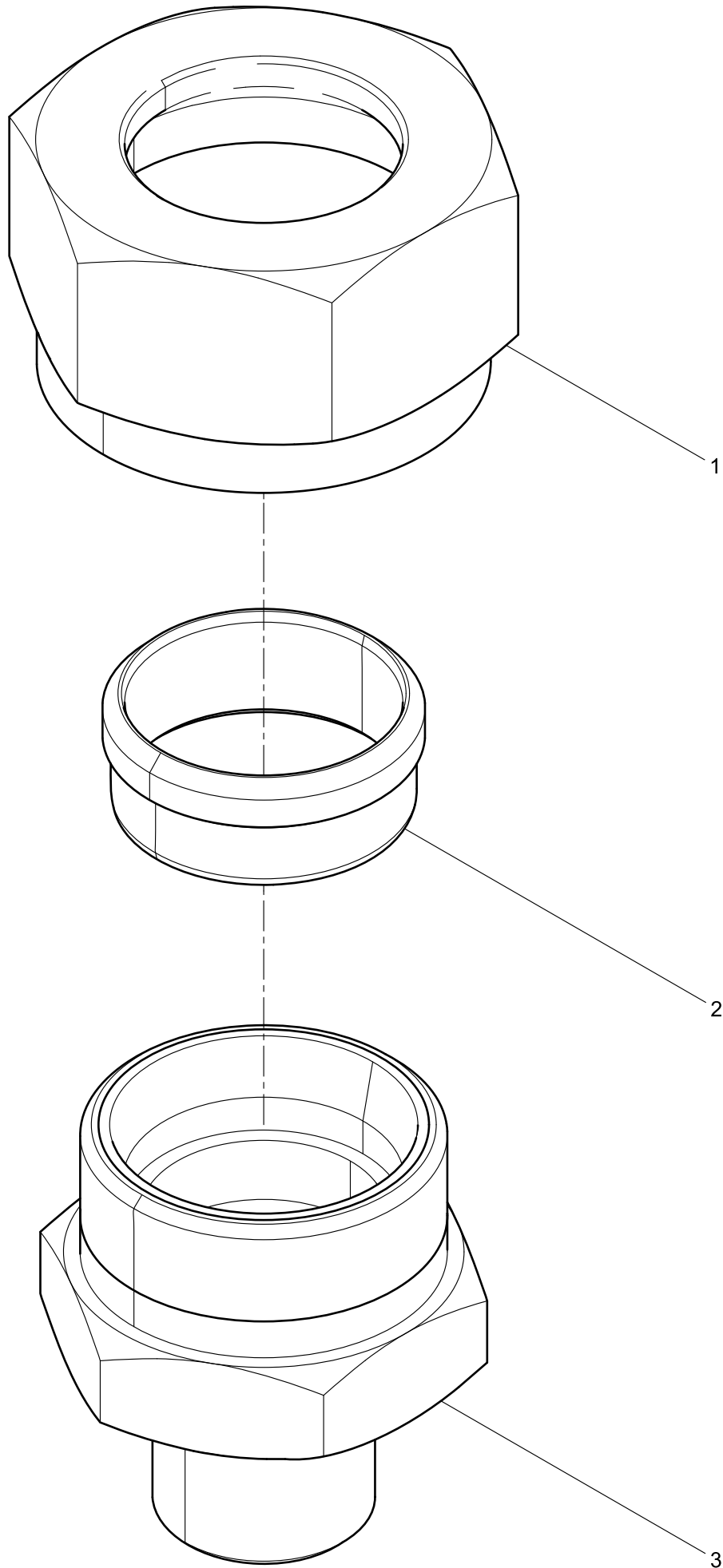
Hand Oil Pump Group



Hand Oil Pump Group

Pos.	Teile.Number	Amount	Designation
1	90011400002	2	Hexagon Flange Bolt
2	13583790P	1	Non-return Valve
3	13614100K	1	Gasket
4	90017510013	1	O-ring
5	15041260W	1	Pre-luburicationg Pump Oil Pipe
6	77707780D	1	Gasket
7	13601280A	1	Screw Plug
8	90013550012	4	Inner Hexagon Socket Head Cap Screw
9	77718890E	1	Pipe Joint
10	77718910B	1	Valve Core
11	1000120356	1	Pipe Joint
12	90011350076	2	Hexagon Head Bolt
13	1000126238	1	Flange
14	77717510E	1	Hand oil pump assembly
15	90011350087	2	Hexagon Head Bolt
16	11204940H	1	Gasket
17	1000664623	1	Pre-luburicationg Pump Oil Pipe
18	90003871248	2	Hexagon Nut
19	90003802444	2	Hexagon Head Bolt
20	77720280Q	1	Bolt
21	13034050	2	Assembled Sealing Washer
22	15041240Z	2	Washer
23	9000000462	1	O-ring
24	15040760C	1	Pre-luburicationg Pump Oil Pipe

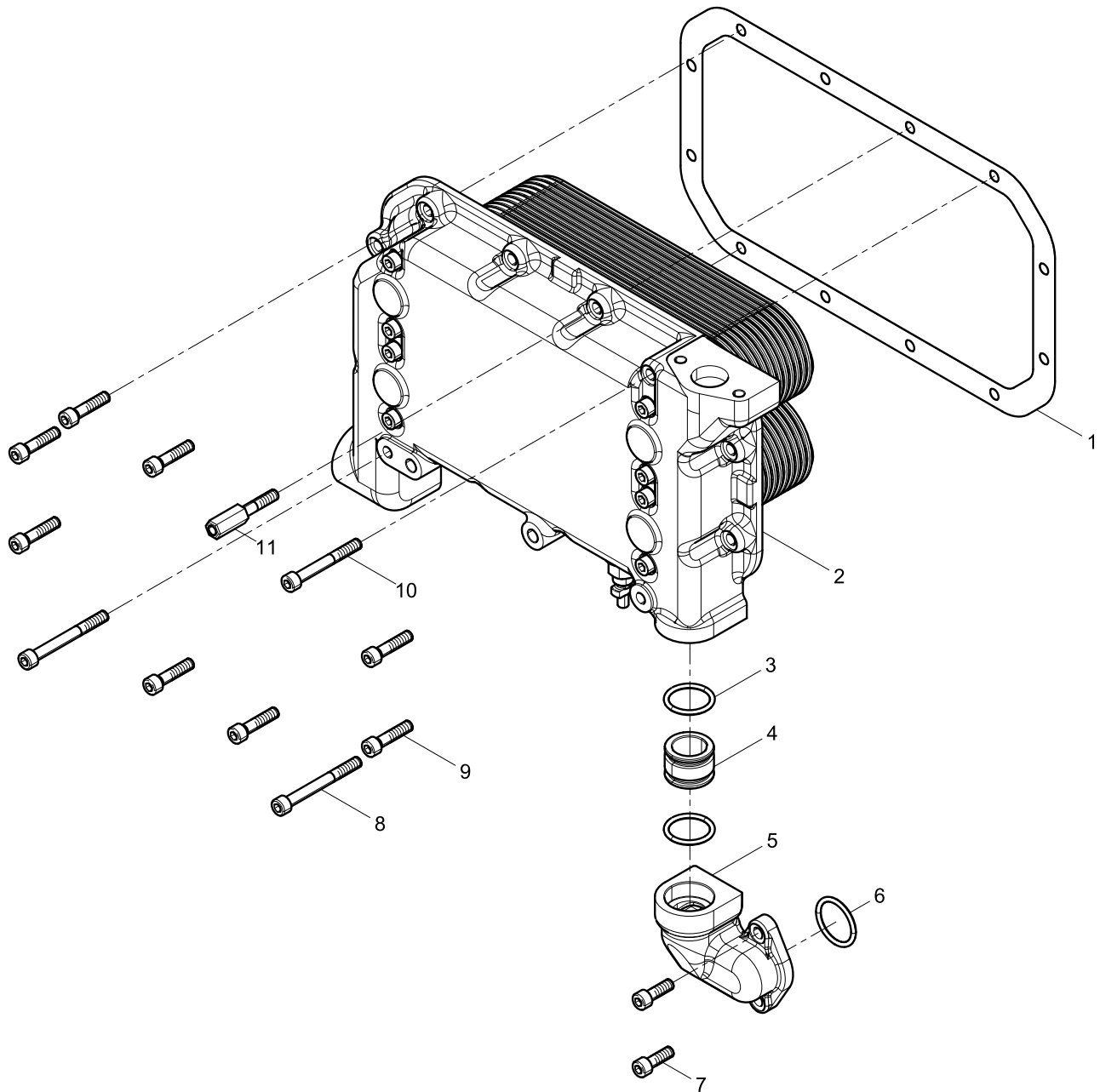
Pipe Joint



Pipe Joint

Pos.	Teile.Number	Amount	Designation
1	330204000206	1	Ferrule 24° Cone Connectors, Nut
2	330204000205	1	Ferrule
3	330204000204	1	Joint Body

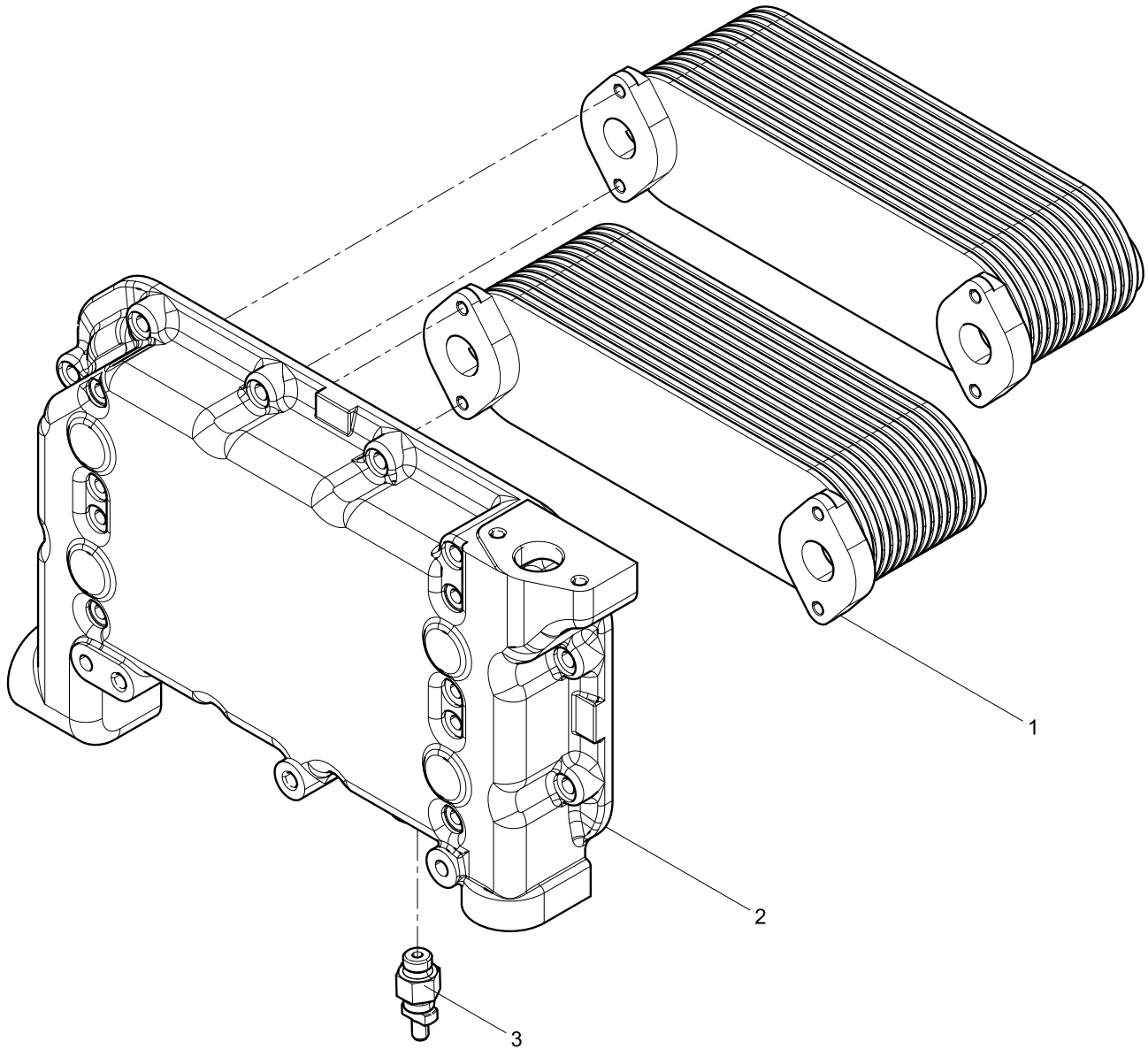
Oil Cooler Group



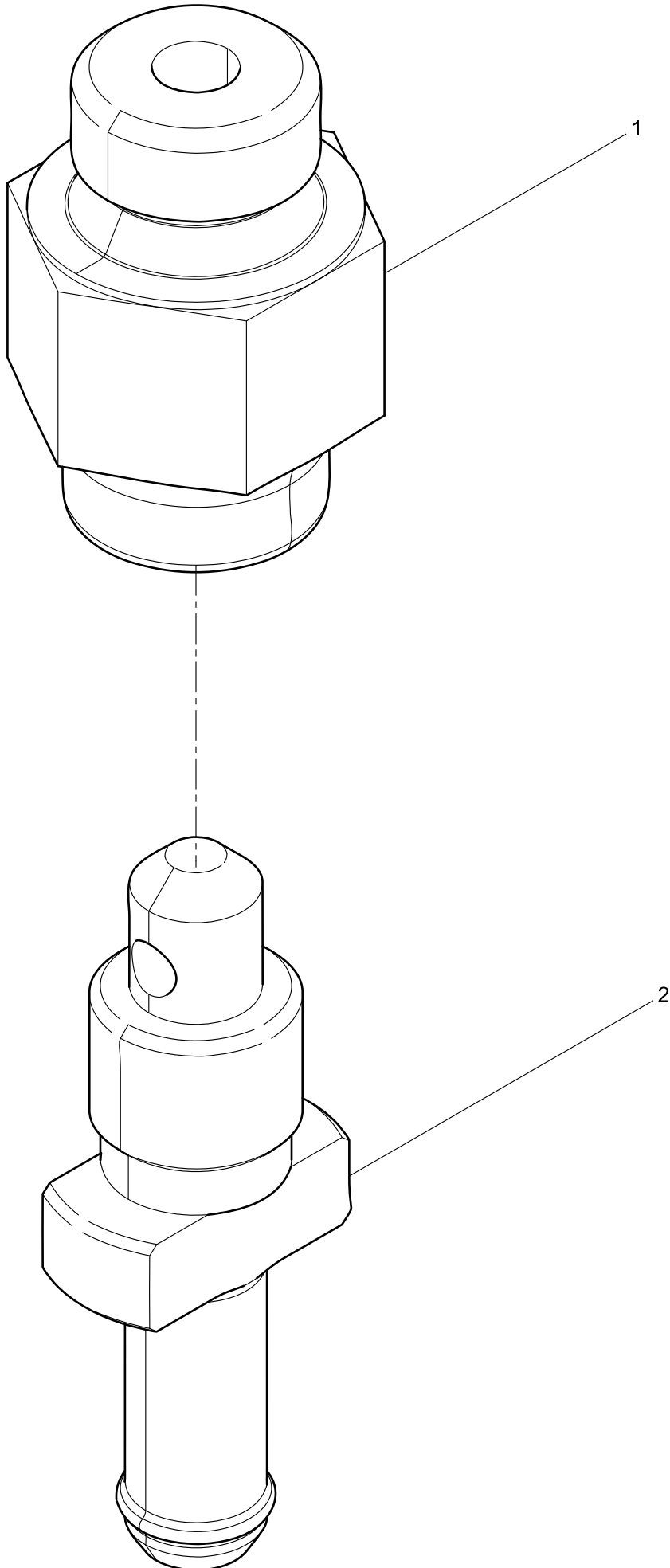
Oil Cooler Group

Pos.	Teile.Number	Amount	Designation
1	15041170Y	1	Oil Cooler Cap Gasket
2	15540420L	1	Oil Cooler
3	90017550004	2	O-Ring
4	15041180J	1	Oil Filter Seat
5	15041160M	1	Oil Cooler Oil Pipe
6	90017510015	1	O-ring
7	90013050036	2	Inner Hexagon Socket Head Cap Screw
8	77752540F	2	
9	77752430L	8	Inner Hexagon Socket Head Cap Screw
10	90013550031	1	Inner Hexagon Socket Head Cap Screw
11	13050495	1	Back-up Block

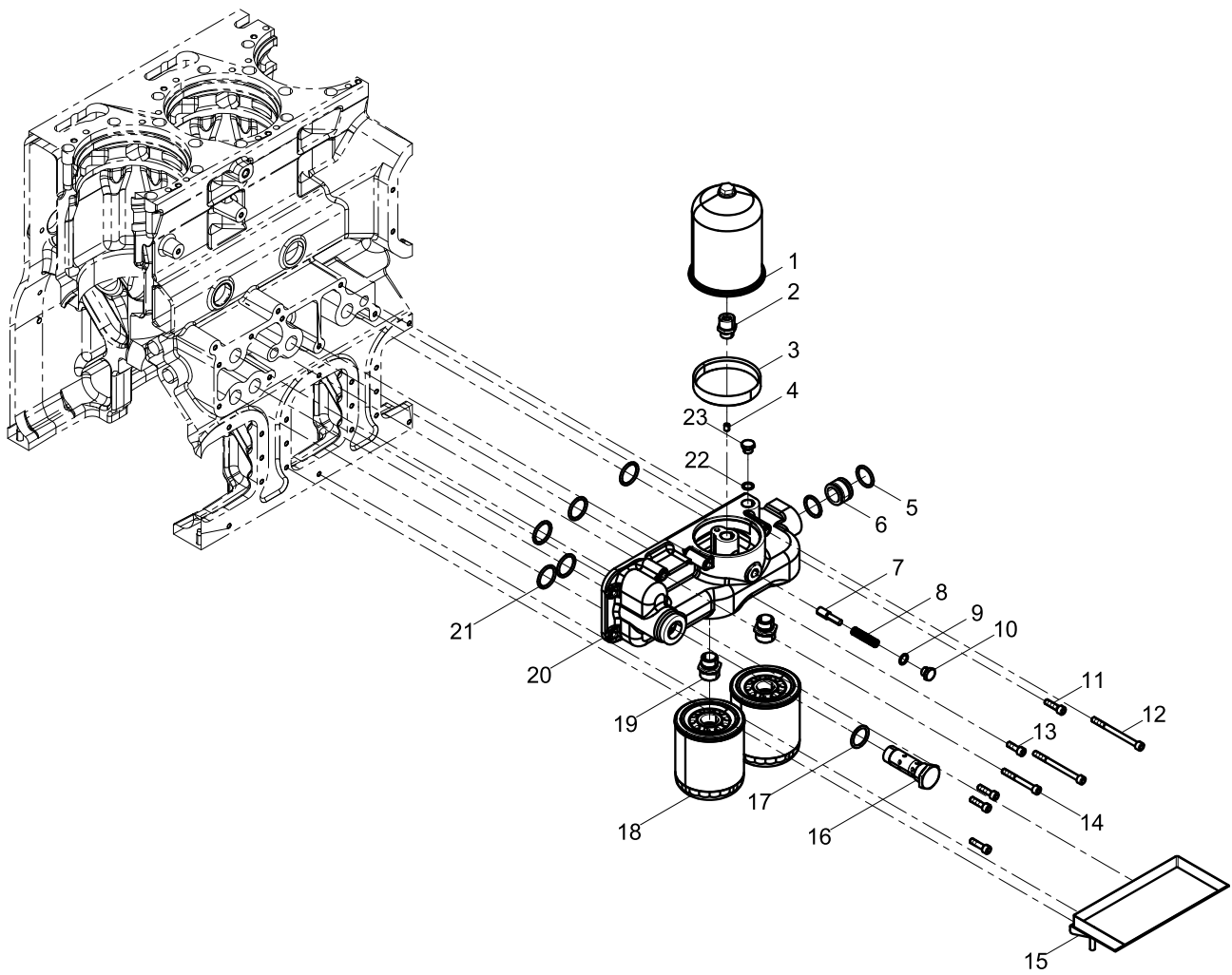
Oil Cooler



Water Draining Valve



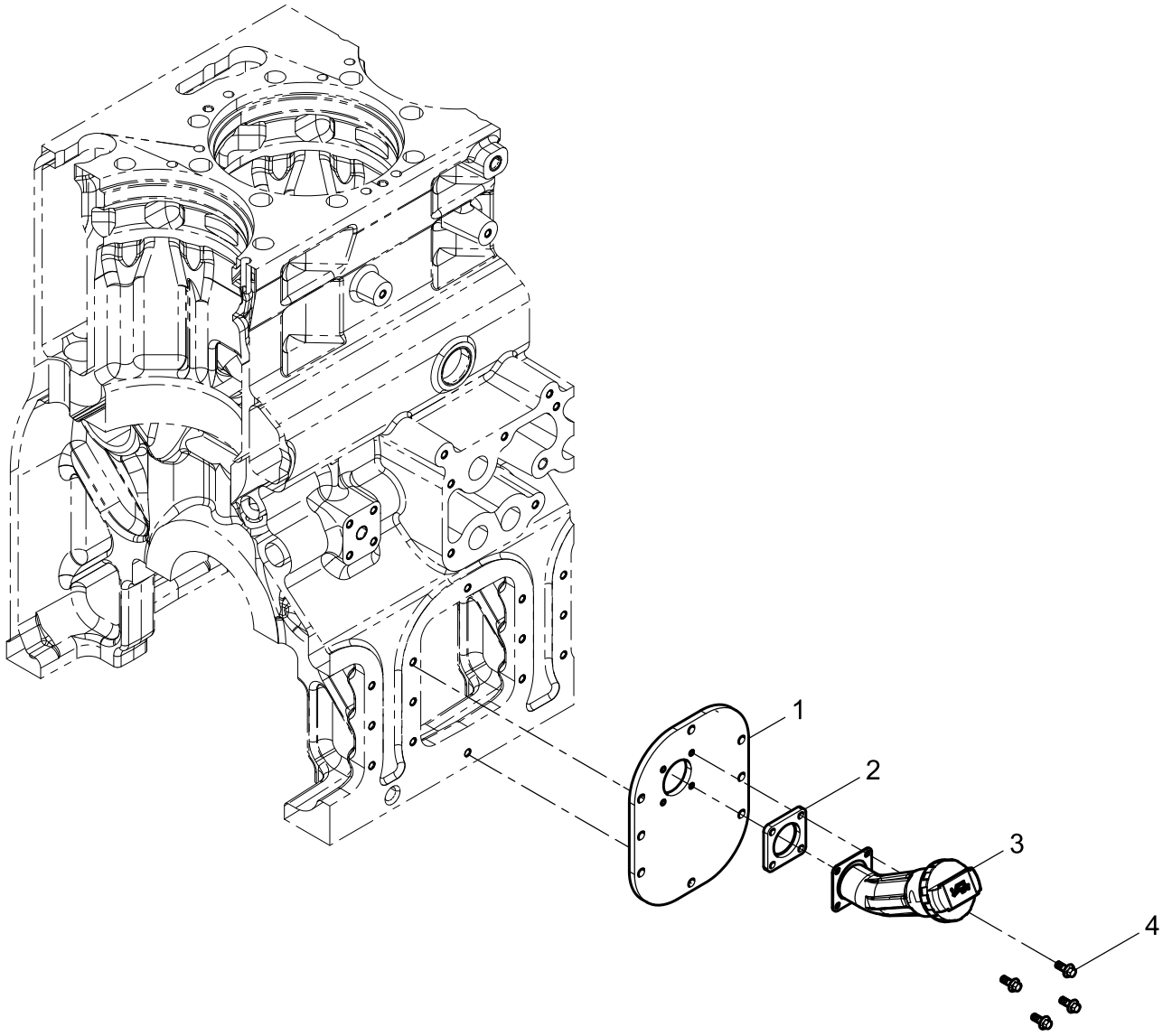
Oil Filter Group



Oil Filter Group

Pos.	Teile.Number	Amount	Designation
1	15540390D	1	Spin-on Cartridge Lubricating Oil Filter
2	15041230N	1	Oil Filter Seat
3	15041310A	1	Washer
4	15041690N	1	Piston Nozzle
5	77711630N	2	
6	15041180J	1	Oil Filter Seat
7	15041270G	1	Valve Core
8	15041220C	1	Oil Pump Safety Valve Spring
9	90003098014	1	Sealing Washer
10	14400234D	1	Hexagon Screw Plug
11	90013050037	4	Inner Hexagon Socket Head Cap Screw
12	77752630D	2	
13	90013050036	1	Inner Hexagon Socket Head Cap Screw
14	90013550032	1	Inner Hexagon Socket Head Cap Screw
15	330204000149	1	Fuel filter pan
16	330204000100	1	Oil Pressure Relief Valve
17	14400073D	1	
18	612630010506	2	Oil Filter
19	330204000098	2	Inner Connector
20	15041150B	1	Bracket
21	90017510015	5	O-ring
22	13023363	1	Unit washer
23	90003960005	1	Hexagon Screw Plug

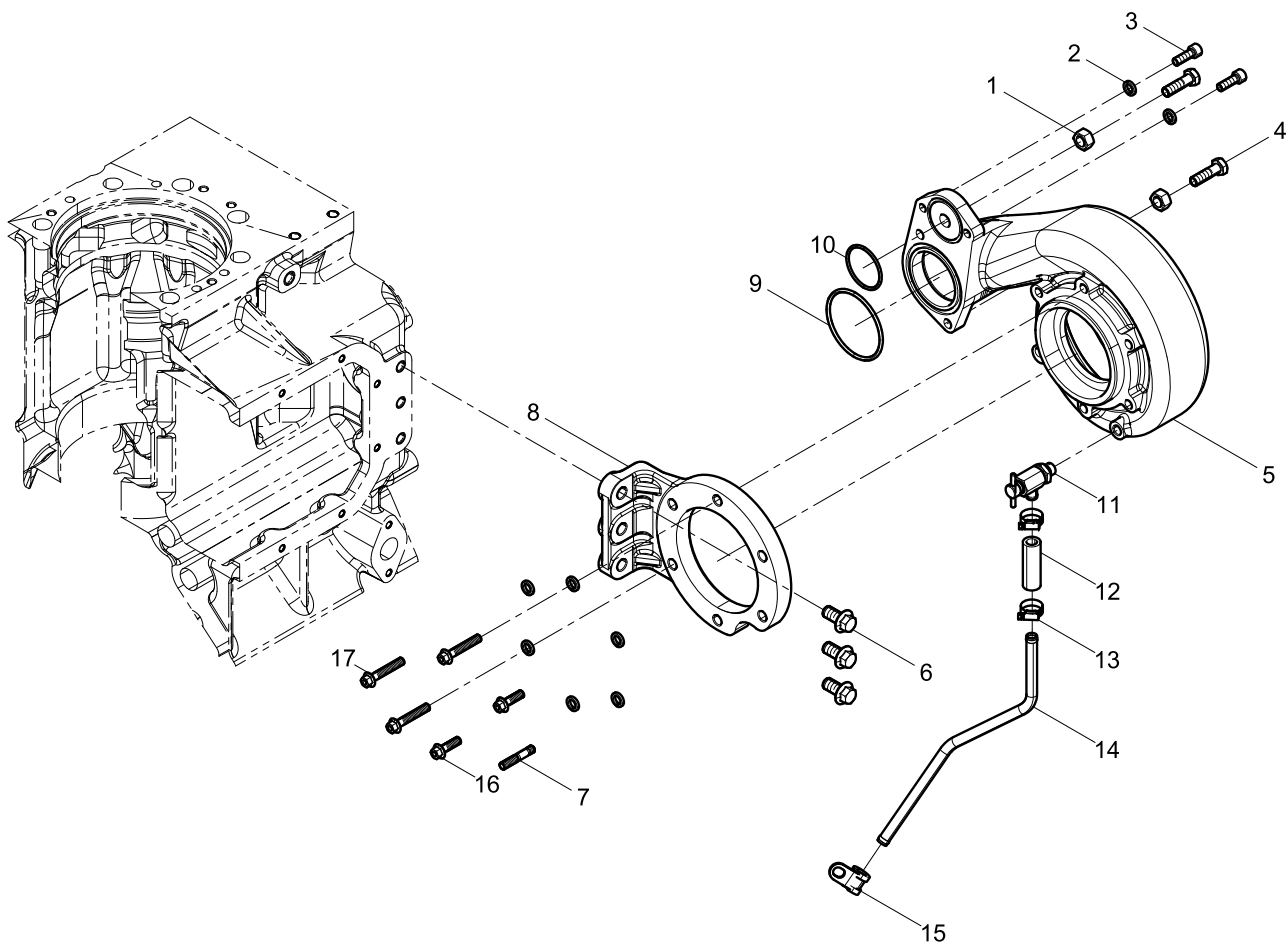
Oil Filling Tube Group



Oil Filling Tube Group

Pos.	Teile.Number	Amount	Designation
1	330201000315	1	Handhole Cover
2	612600013956	1	Gasket
3	612600015335	1	Oil Filling Tube Assembly
4	90011430015	4	Hexagon Flange with Tooth Bolt

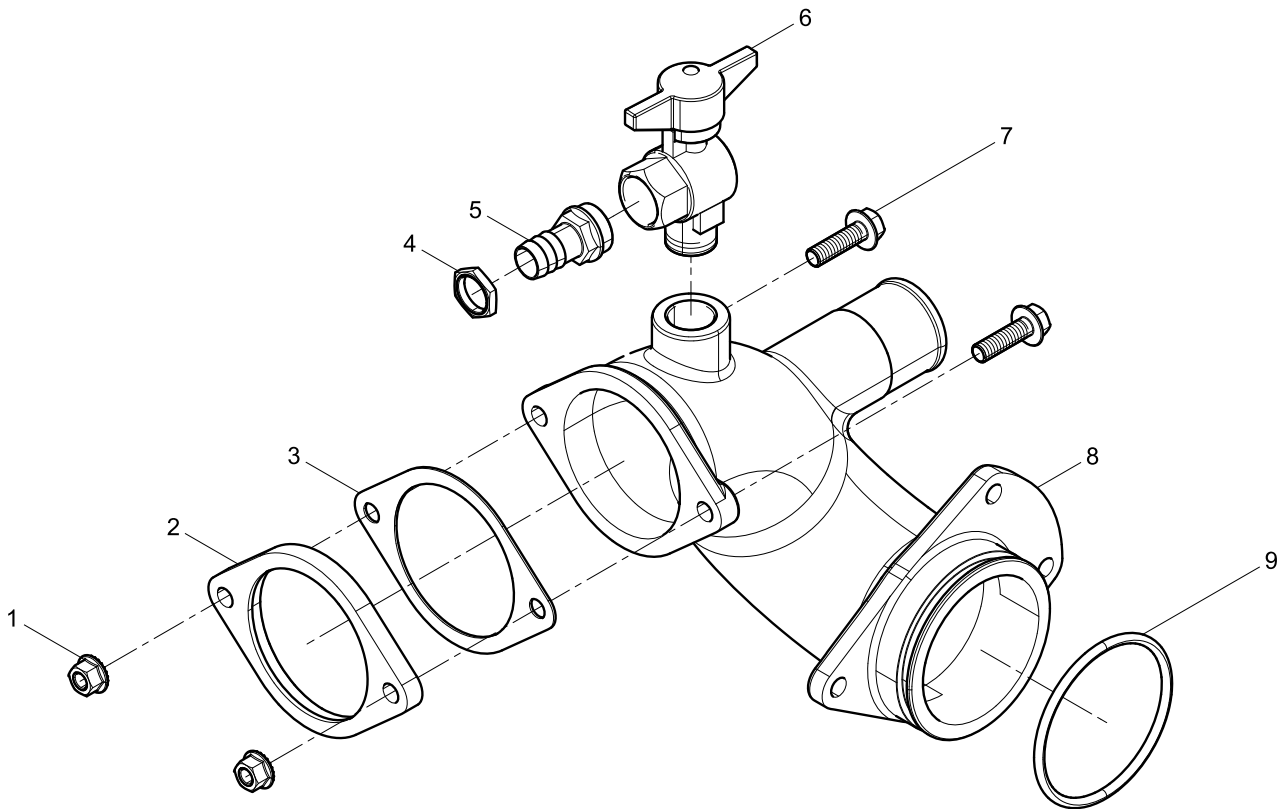
Fresh Water Pump Grpup



Fresh Water Pump Grpup

Pos.	Teile.Number	Amount	Designation
1	90012290002	2	Hexagon Flange Nut
2	90003931122	8	Spring Washer
3	90013050042	2	Inner Hexagon Socket Head Cap Screw
4	90011420013	2	Hexagon Flange Bolt
5	1001219196	1	Water Pump
6	90011420002	3	Hexagon Flange Bolt
7	90003813544	1	Double End Stud
8	1001219195	1	Water Pump Bracket
9	90017510064	1	O-ring
10	90017510065	1	O-ring
11	612600012598	1	Water Draining Valve
12	610800130013	1	Coolant Connecting Rubber Pipe
13	13039655	2	Clamp
14	1000978359	1	Water Pipe
15	1000083546	1	Pipe Clamp Assembly
16	90011400058	2	Hexagon flange bolt, heavy series
17	90011420005	3	Hexagon Flange Bolt

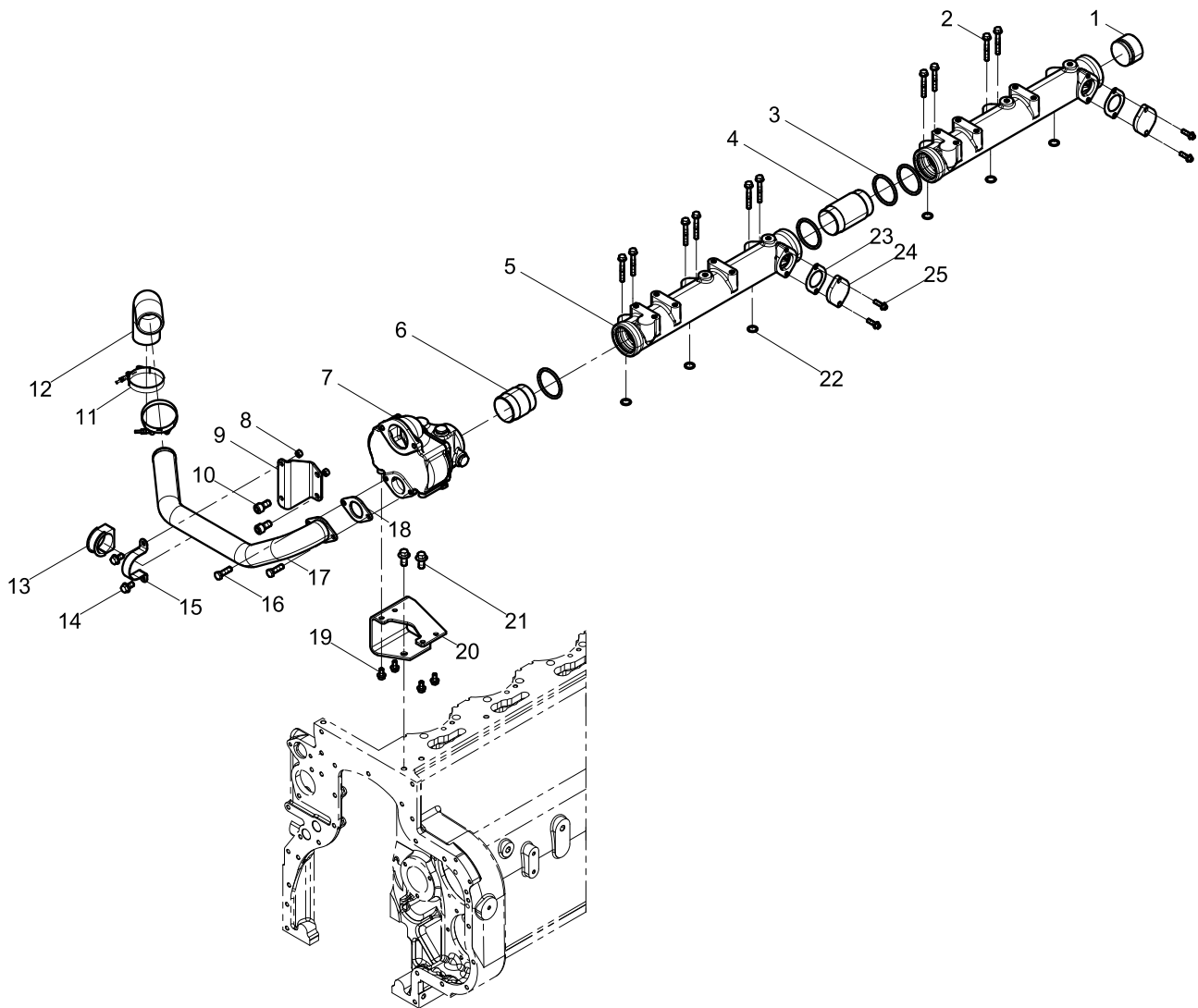
Water inlet pipe group



Water inlet pipe group

Pos.	Teile.Number	Amount	Designation
1	612600061725	2	Prevailing Torque Type Hexagon Nut with Flange
2	330203000260	1	Flange
3	330203000265	1	Gasket
4	1000593609	1	Thin Nut for Connector
5	15035710N	1	Pipe Joint
6	77736060S	1	Valve Core
7	90011400006	2	Hexagon Flange Bolt
8	330203000224	1	Water Pipe Connector
9	90017550031	1	O-Ring

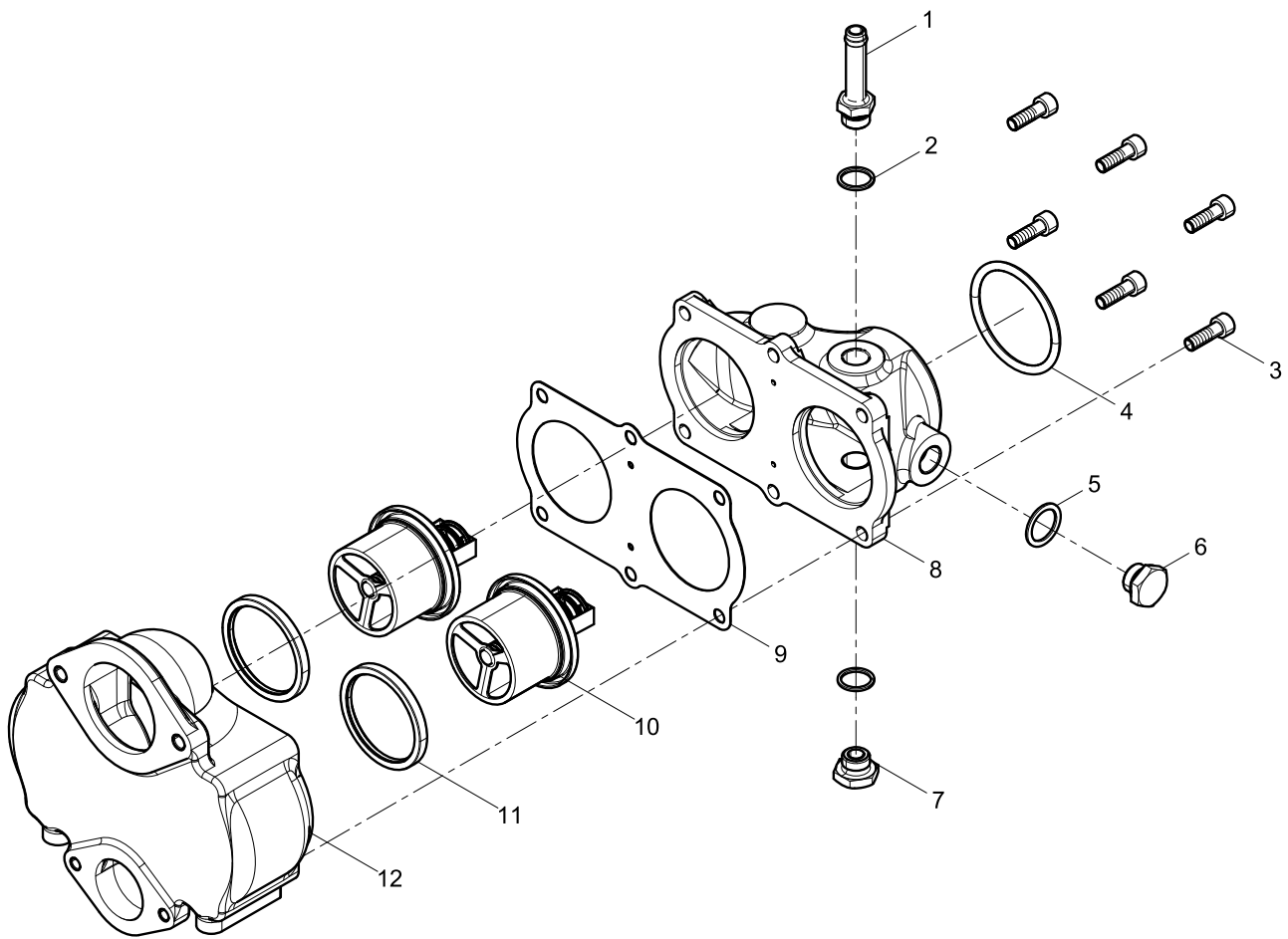
Water Outlet Pipe Group



Water Outlet Pipe Group

Pos.	Teile.Number	Amount	Designation
1	331003000401	1	Screw Plug
2	90011400010	10	Hexagon flange bolt, heavy series
3	90017510050	4	O-ring
4	15032350L	1	Water Pipe
5	15032290W	2	Water-outlet Pipe
6	15033660K	1	Water Pipe
7	330203000454	1	Thermostat Assembly
8	612600061719	2	Prevailing Torque Type Hexagon Nut with Flange
9	330203000009	1	Bracket
10	90003862524	2	Inner Hexagon Socket Head Cap Screw
11	612600062206	2	Clamp
12	330203000191	1	Coolant Connecting Rubber Pipe
13	1000978193	1	Rubber Sleeve
14	90011430016	2	Hexagon Flange with Tooth Bolt
15	330203000010	1	Clamp
16	90011430001	2	Hexagon Flange with Tooth Bolt
17	330203000232	1	Water Pump Water Pipe
18	15032830H	1	Gasket
19	90011400019	4	Hexagon Flange Bolt
20	15033170C	1	Thermostat Bracket
21	90011430041	2	Hexagon Flange with Tooth Bolt
22	15090980P	6	Seal Ring
23	14031820D	2	Gasket
24	15032090D	2	Flange
25	9000000075	4	Hexagon Flange Bolt

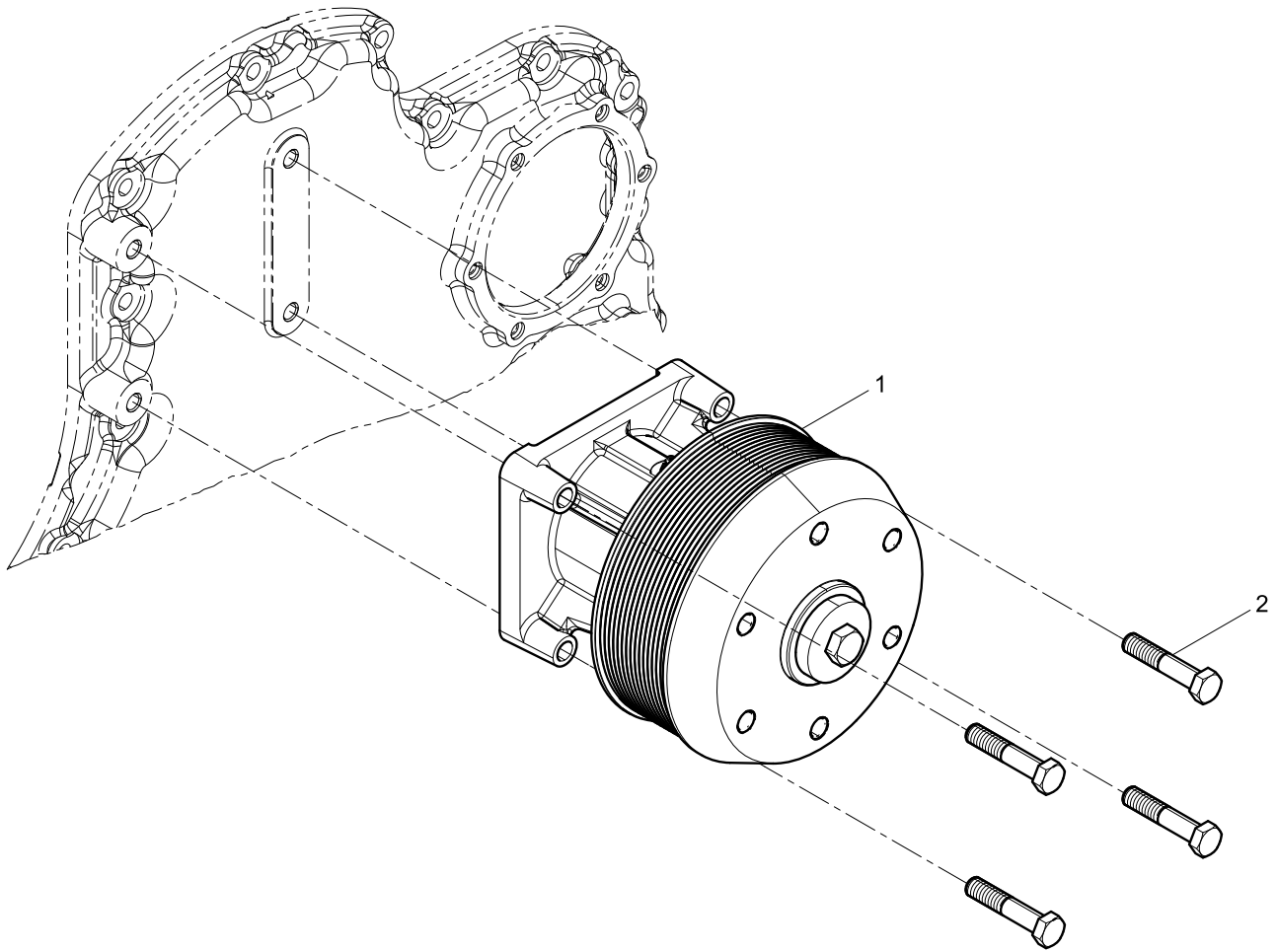
Thermostat Assembly



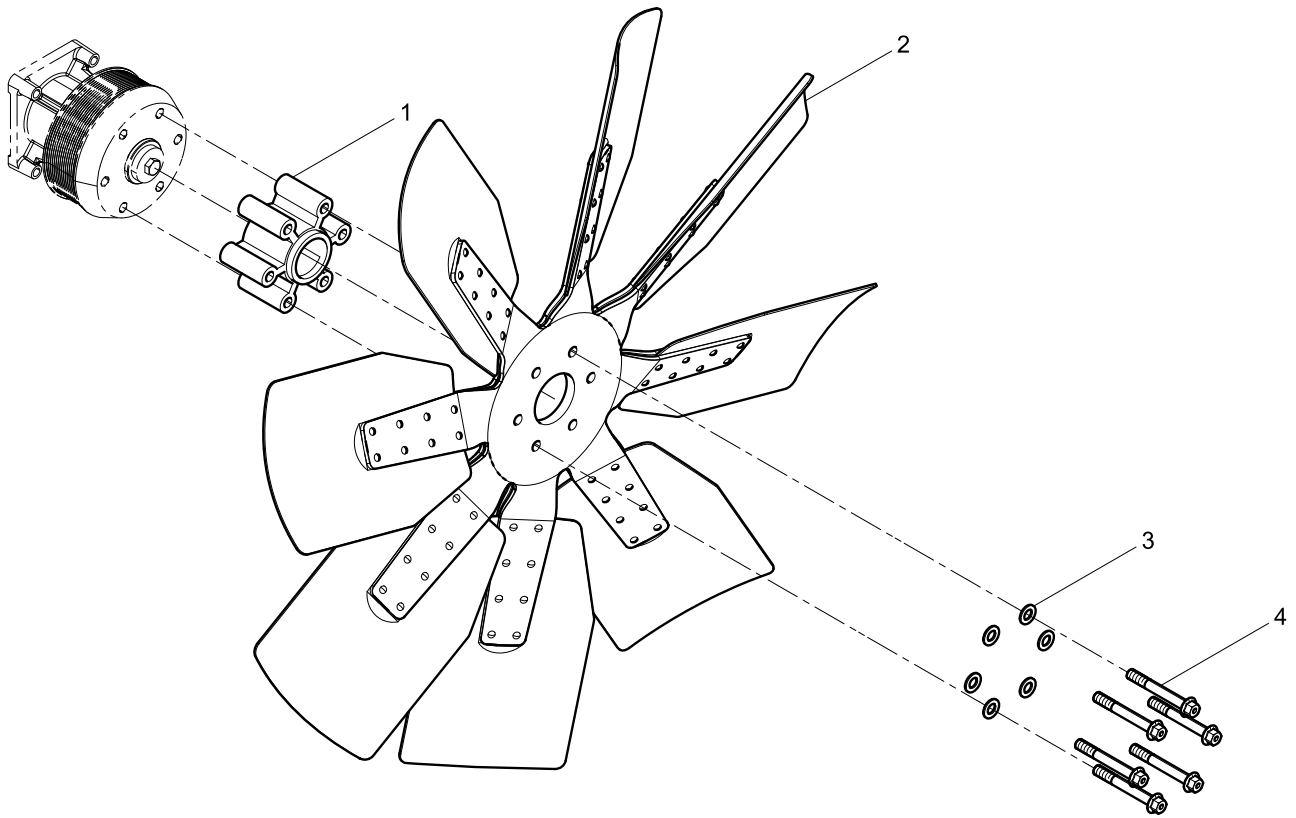
Thermostat Assembly

Pos.	Teile.Number	Amount	Designation
1	330203000255	1	Pipe Joint
2	90003098020	2	Washer
3	90013050036	6	Inner Hexagon Socket Head Cap Screw
4	90017510050	1	O-ring
5	77707700R	1	Gasket
6	11230560F	1	Screw Plug
7	330203000407	1	Conversion Adapter
8	330203000072	1	Thermostat Cover
9	15032770S	1	Gasket
10	14230430J	2	Thermostat
11	15032070G	2	Seal Ring
12	330203000076	1	Thermostat Body

Fan Bracket Group



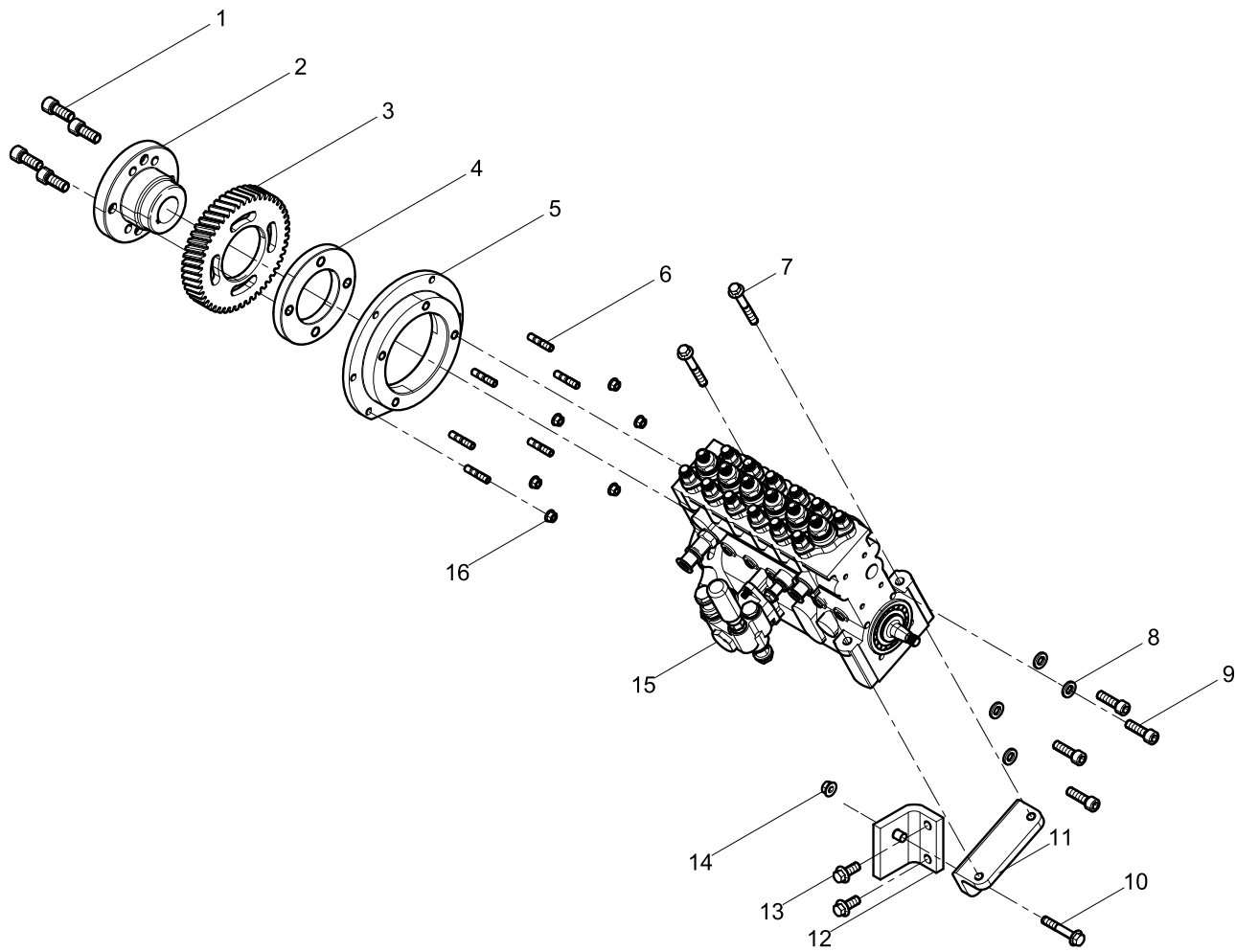
Fan and Hub Group



Fan and Hub Group

Pos.	Teile.Number	Amount	Designation
1	X6231.446W	1	Pad
2	330225000053	1	Fan
3	90003935015	6	Plain Washer
4	9000000065	6	Hexagon Flange Bolt

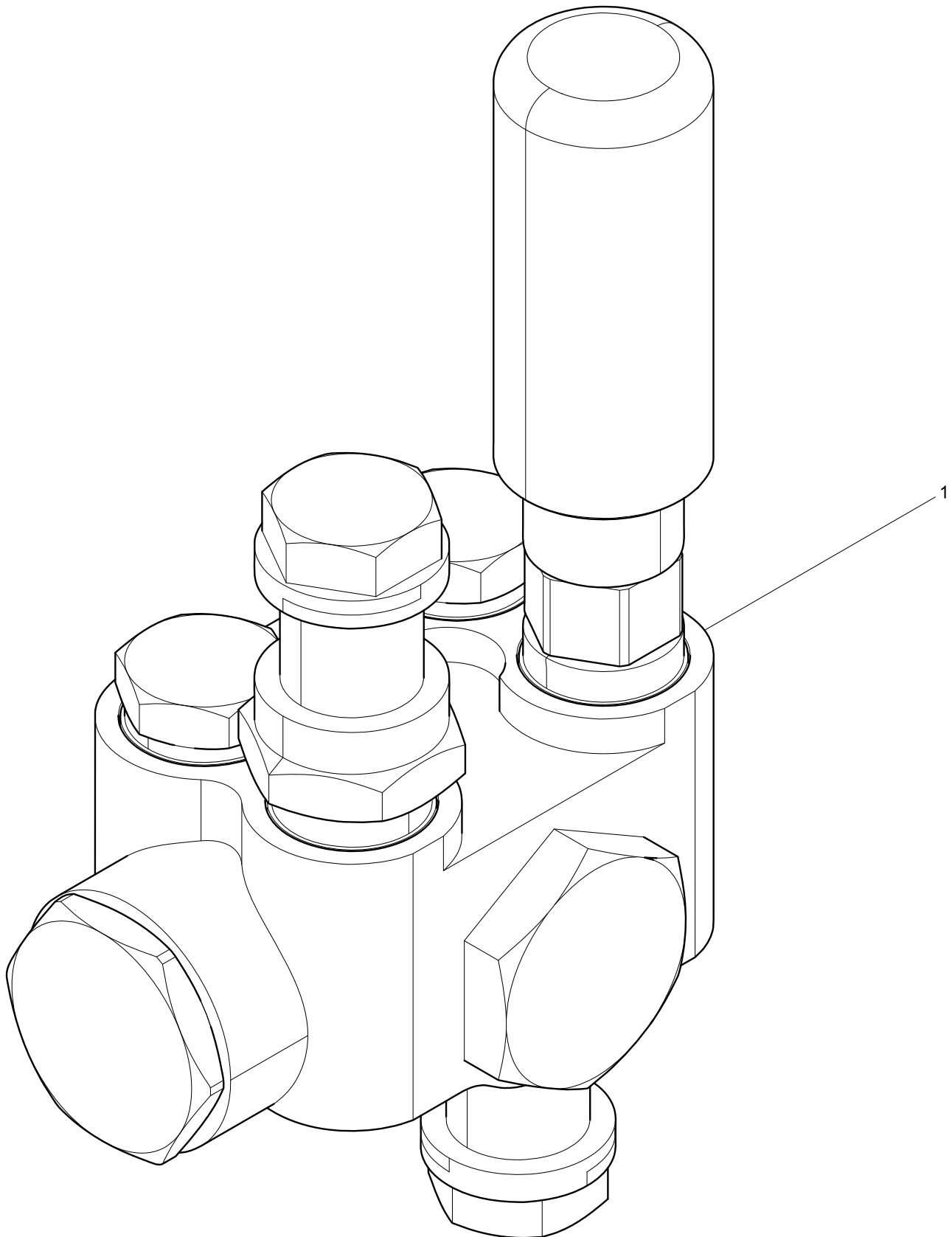
Fuel Injection Pump Group



Fuel Injection Pump Group

Pos.	Teile.Number	Amount	Designation
1	77754400C	4	Bolt
2	X6231.140W	1	Fuel Injection Pump Hub
3	15052020R	1	Fuel Injection Pump Gear
4	15052010F	1	Washer
5	15051990J	1	Flange
6	90011530011	6	Double End Stud
7	9000000684	2	Hexagon Flange Bolt
8	14052420V	4	Washer
9	1000399883	4	Inner Hexagon Socket Head Cap Screw
10	90011420014	1	Hexagon Flange Bolt
11	X6231.164W	1	Fuel Injection Pump Bracket
12	X6231.163W	1	Fuel Injection Pump Bracket
13	90011430008	2	Hexagon Flange with Tooth Bolt
14	90012290002	1	Hexagon Flange Nut
15	330205000014	1	Fuel Injection Pump
16	90012290006	1	Hexagon Flange Nut

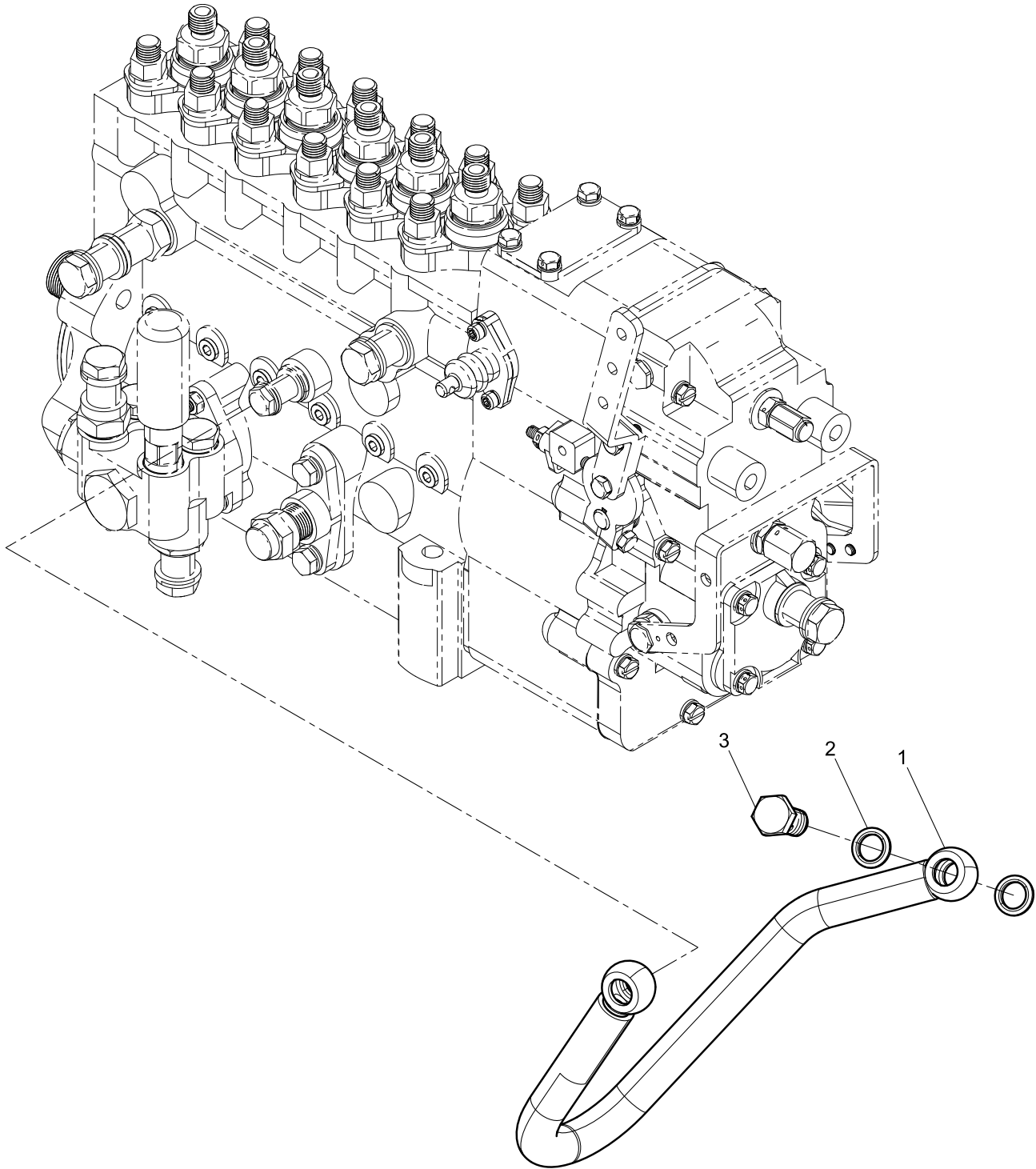
Fuel Injection Pump



Fuel Injection Pump

Pos.	Teile.Number	Amount	Designation
1	1000339008	1	Fuel Supply Pump

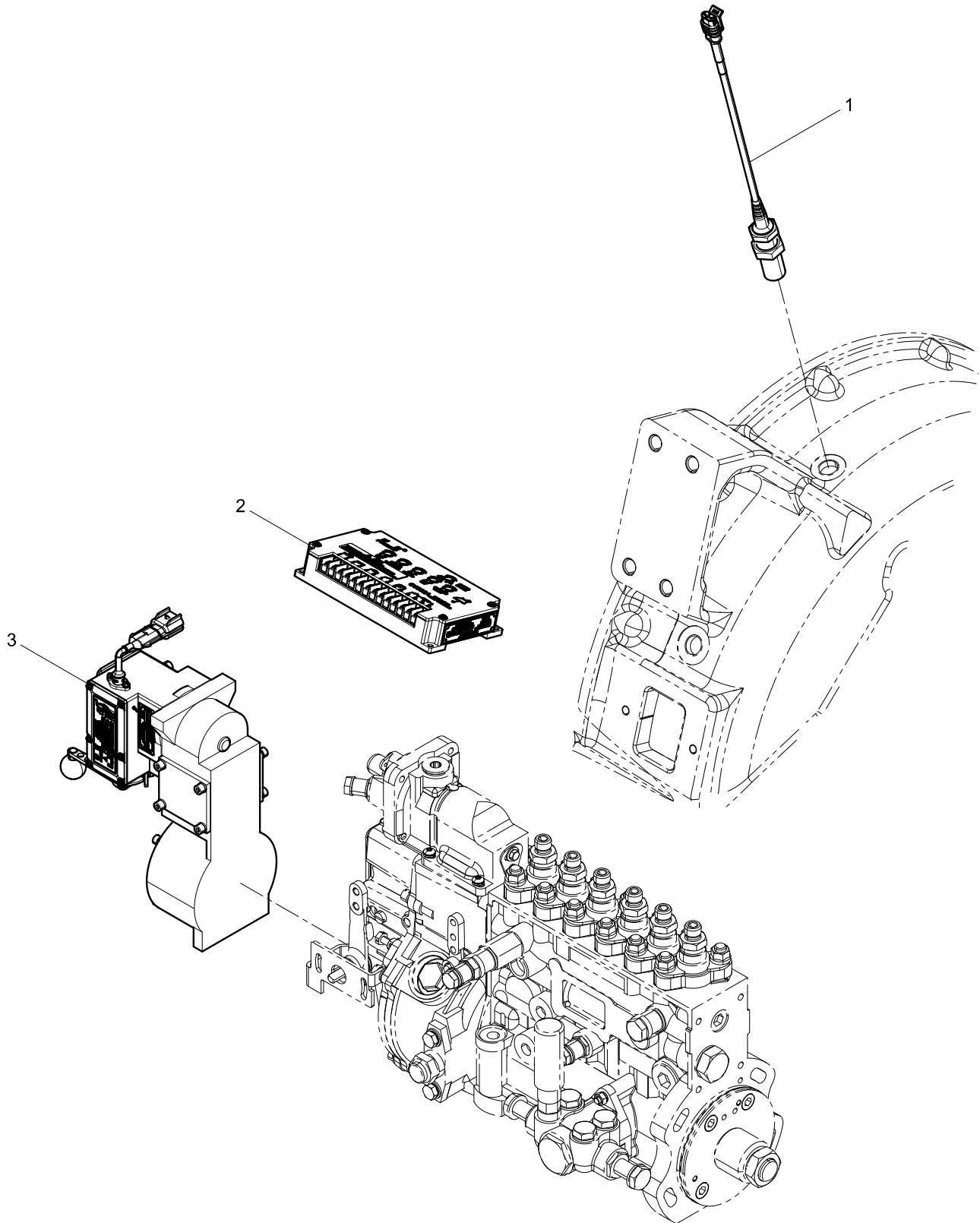
Fuel Injection Pump Oil Pipe Group



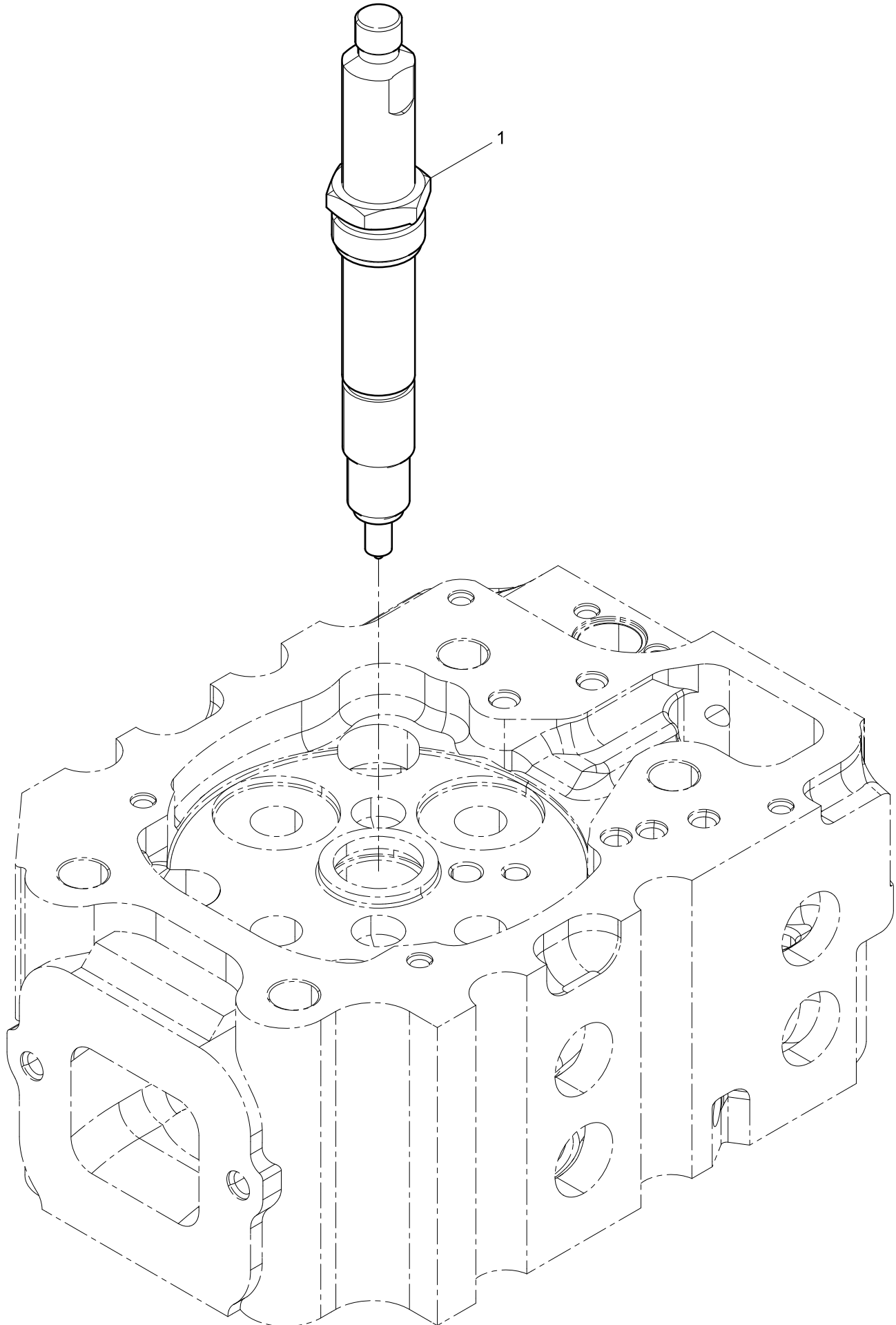
Fuel Injection Pump Oil Pipe Group

Pos.	Teile.Number	Amount	Designation
1	1000162123	1	Fuel Injection Pump Oil Pipe
2	612600080246	2	Washer
3	90003962607	1	Hollow screw

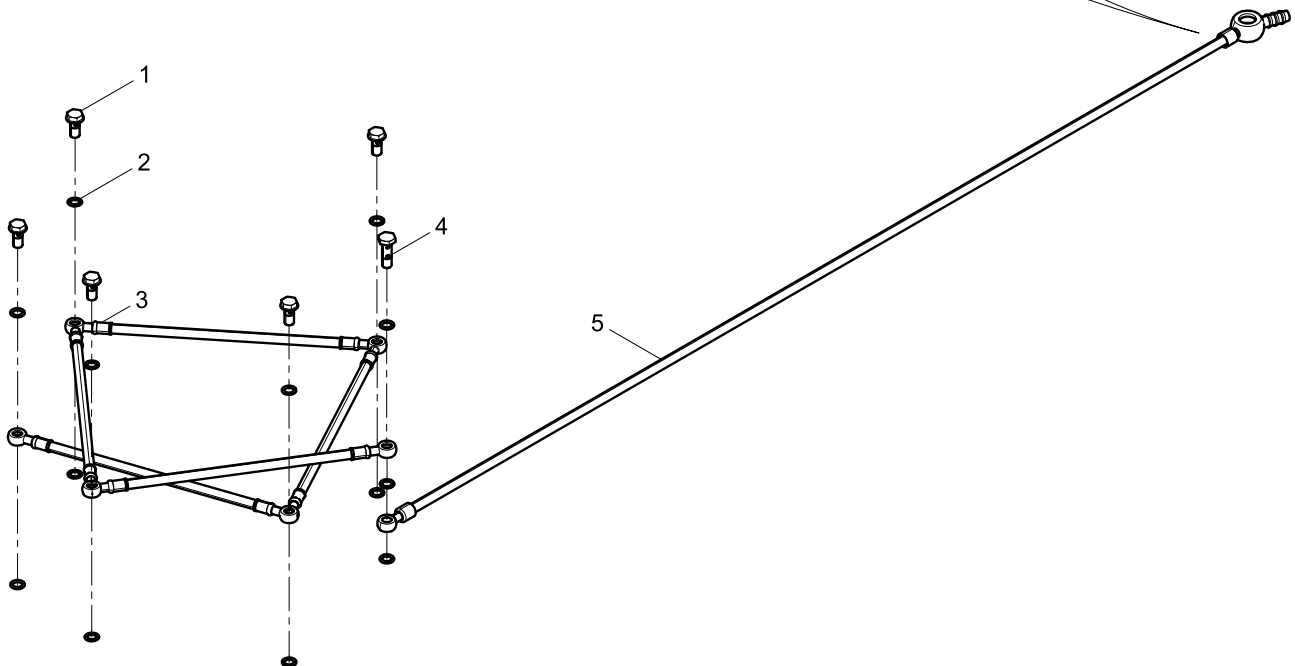
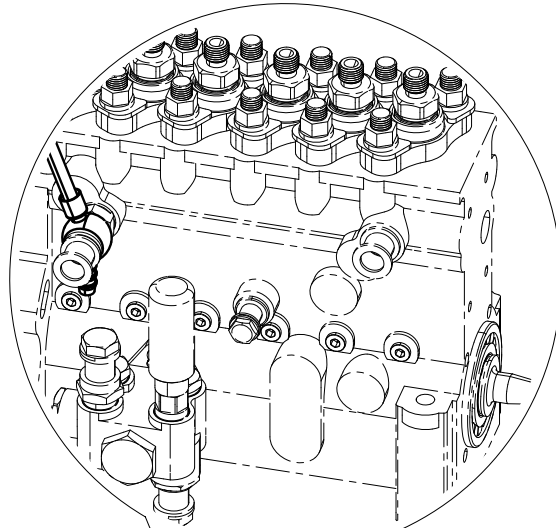
Electronic Governor Group



Fuel Injector Group



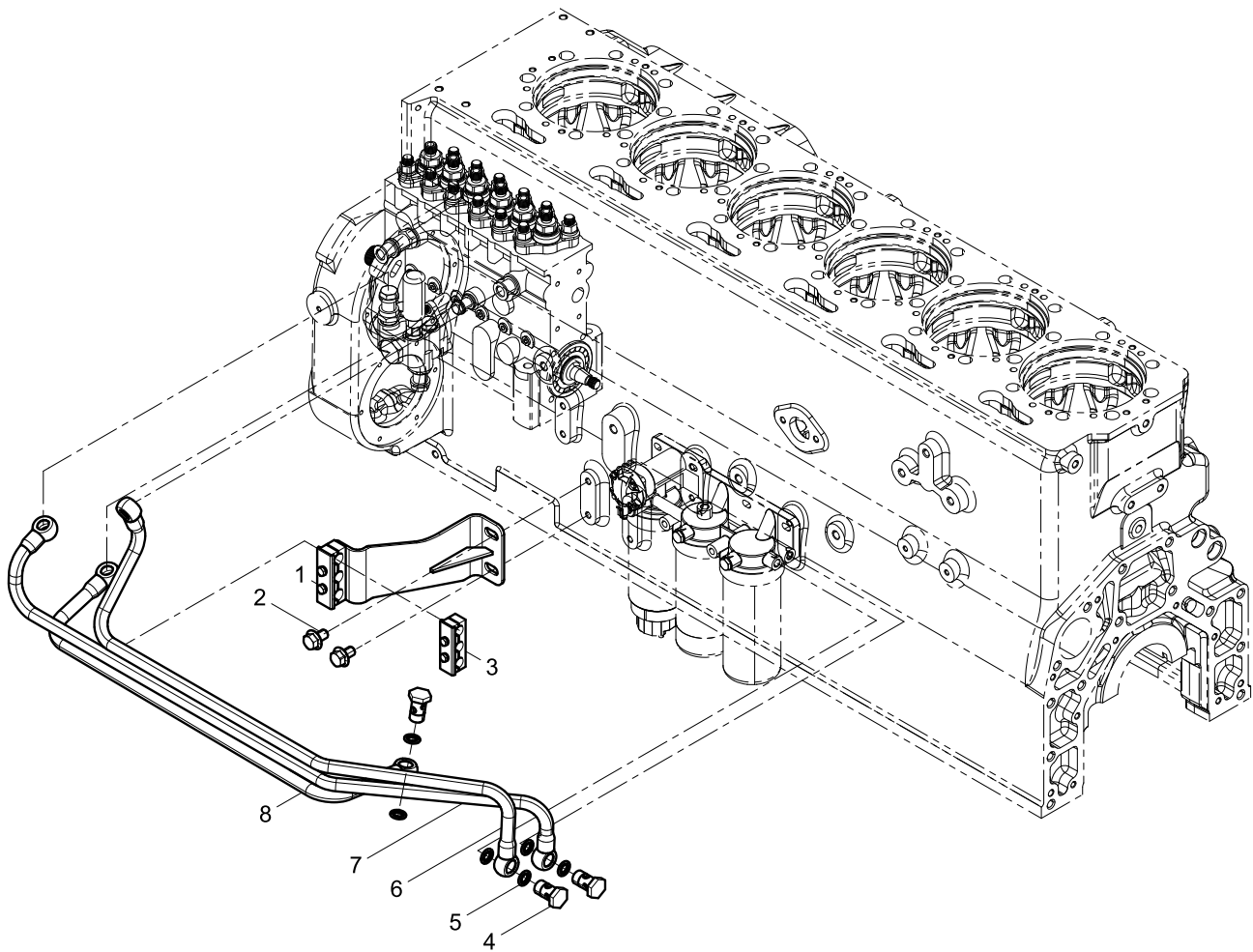
Injector Return Pipe Group



Injector Return Pipe Group

Pos.	Teile.Number	Amount	Designation
1	612600081948	5	Bolt
2	612600080201	13	Washer
3	13521550M	1	Fuel Return Pipe
4	12430650B	1	Gemel Bolt
5	X6231.583W	1	Fuel Return Pipe

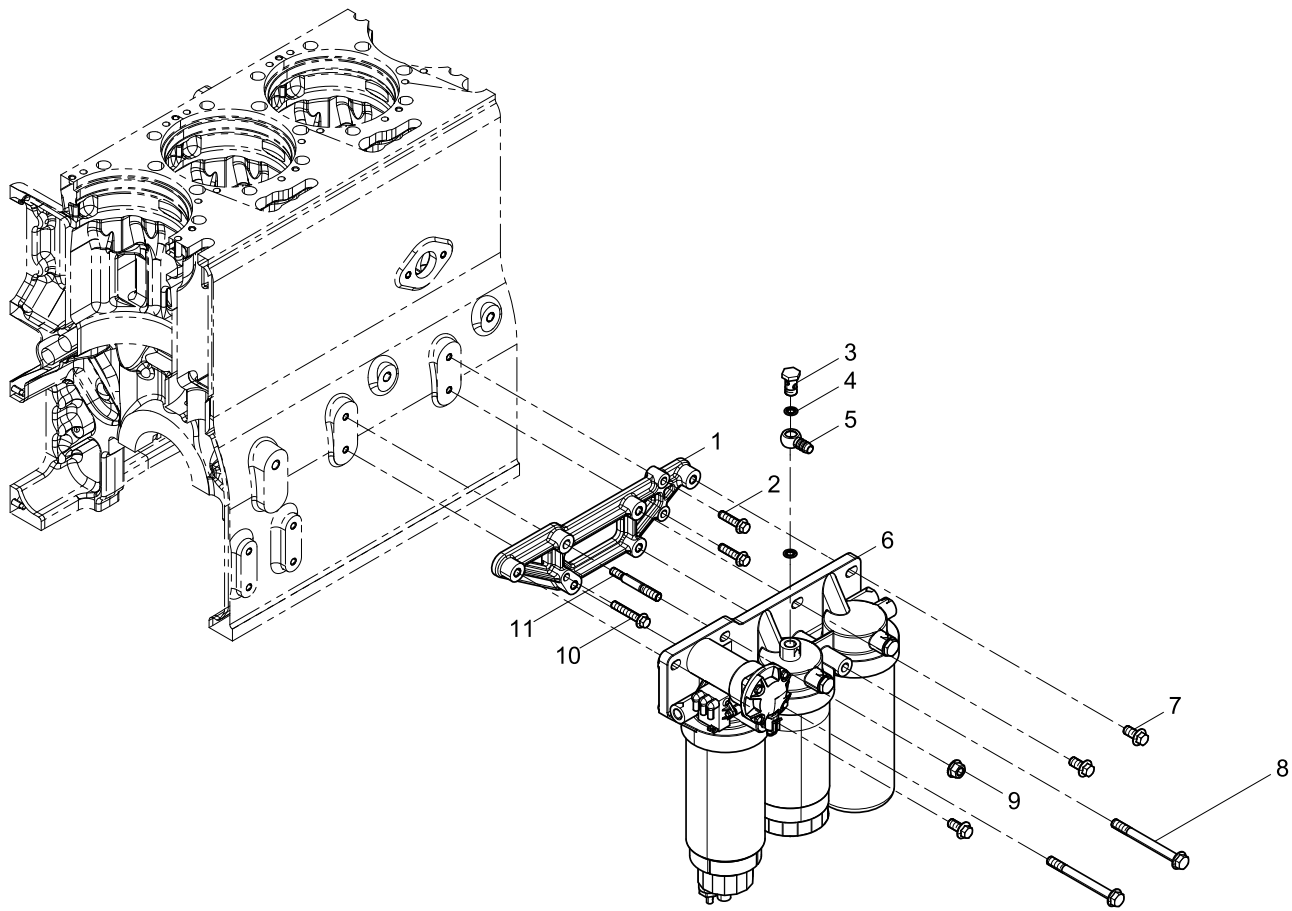
Low Pressure Fuel Pipe Group



Low Pressure Fuel Pipe Group

Pos.	Teile.Number	Amount	Designation
1	330205000360	1	Fuel Pipe Bracket
2	9000000724	2	Hexagon Flange Bolt
3	612600082920	1	Pipe Clamp Assembly
4	612639000049	3	Bolt
5	13023361	6	Assembled Sealing Washer
6	330205000156	1	Fuel-inlet Pipe
7	330205000154	1	Fuel-inlet Pipe
8	330205000152	1	Fuel-inlet Pipe

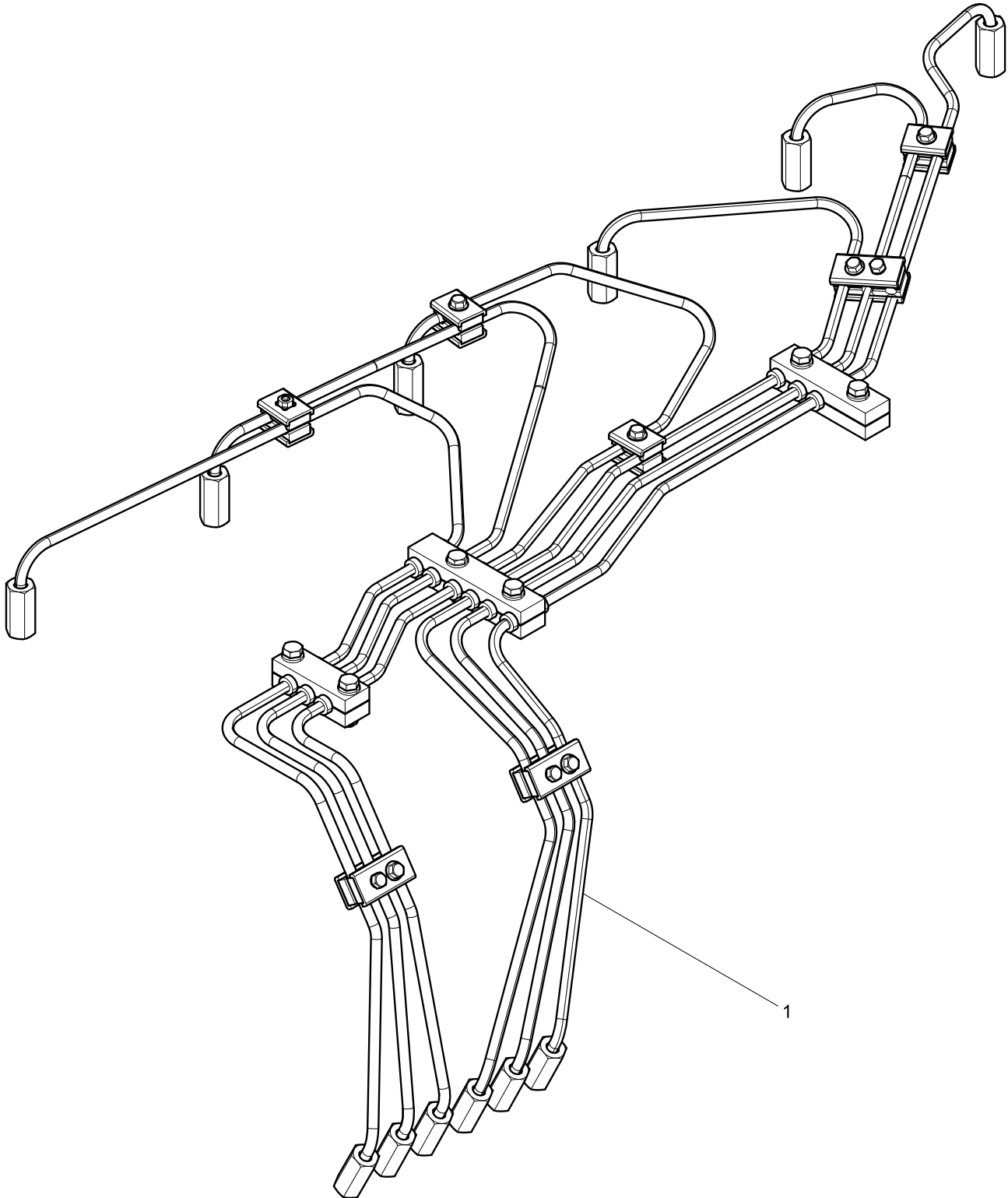
Fuel Filter Group



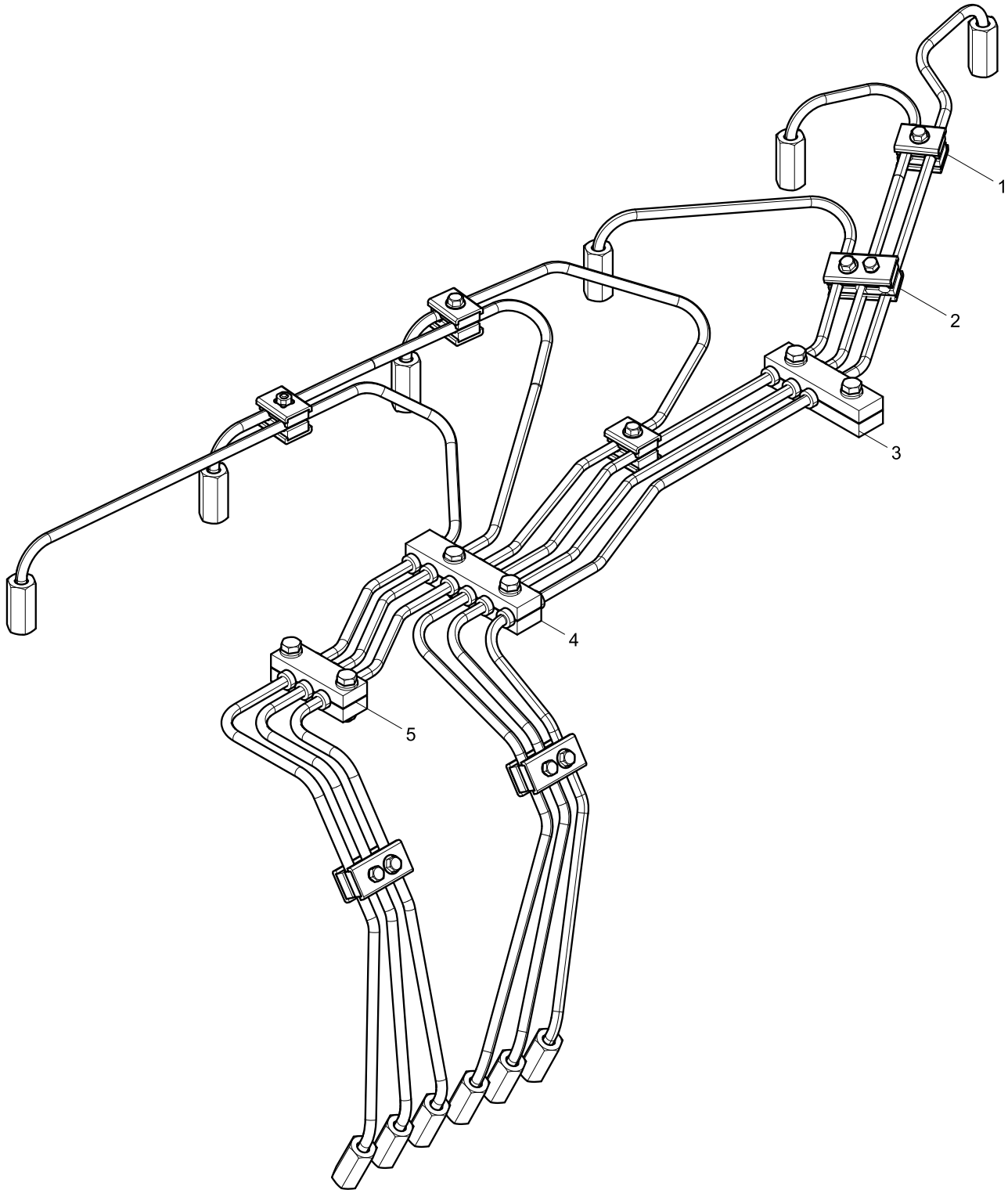
Fuel Filter Group

Pos.	Teile.Number	Amount	Designation
1	330205000150	1	Fuel Filter Bracket
	1000728431	1	Electrical Fuel Supply Pump Controller
2	90011430042	2	Hexagon Flange with Tooth Bolt
	1000728430	1	Electrical Fuel Supply Pump Assembly
3	612600081327	1	Seal Ring
	612639000049	1	Bolt
4	330205000730	1	Fuel Coarse Filter Element
	13023361	2	Assembled Sealing Washer
5	330205000729	1	Fuel Fine Filter Element
	612600082772	1	Pipe Joint
6	1000728425	1	Fuel System Protector
	612600081322	1	Water Cup Assembly
7	330205000728	1	Fuel Filter Element
	90011420005	3	Hexagon Flange Bolt
8	330205000251	2	Hexagon Flange Bolt
9	612600061726	1	Prevailing Torque Type Hexagon Nut with Flange
10	90011430058	1	Hexagon Flange with Tooth Bolt
11	330205000182	1	Double End Stud

High Pressure Fuel Pipe Group



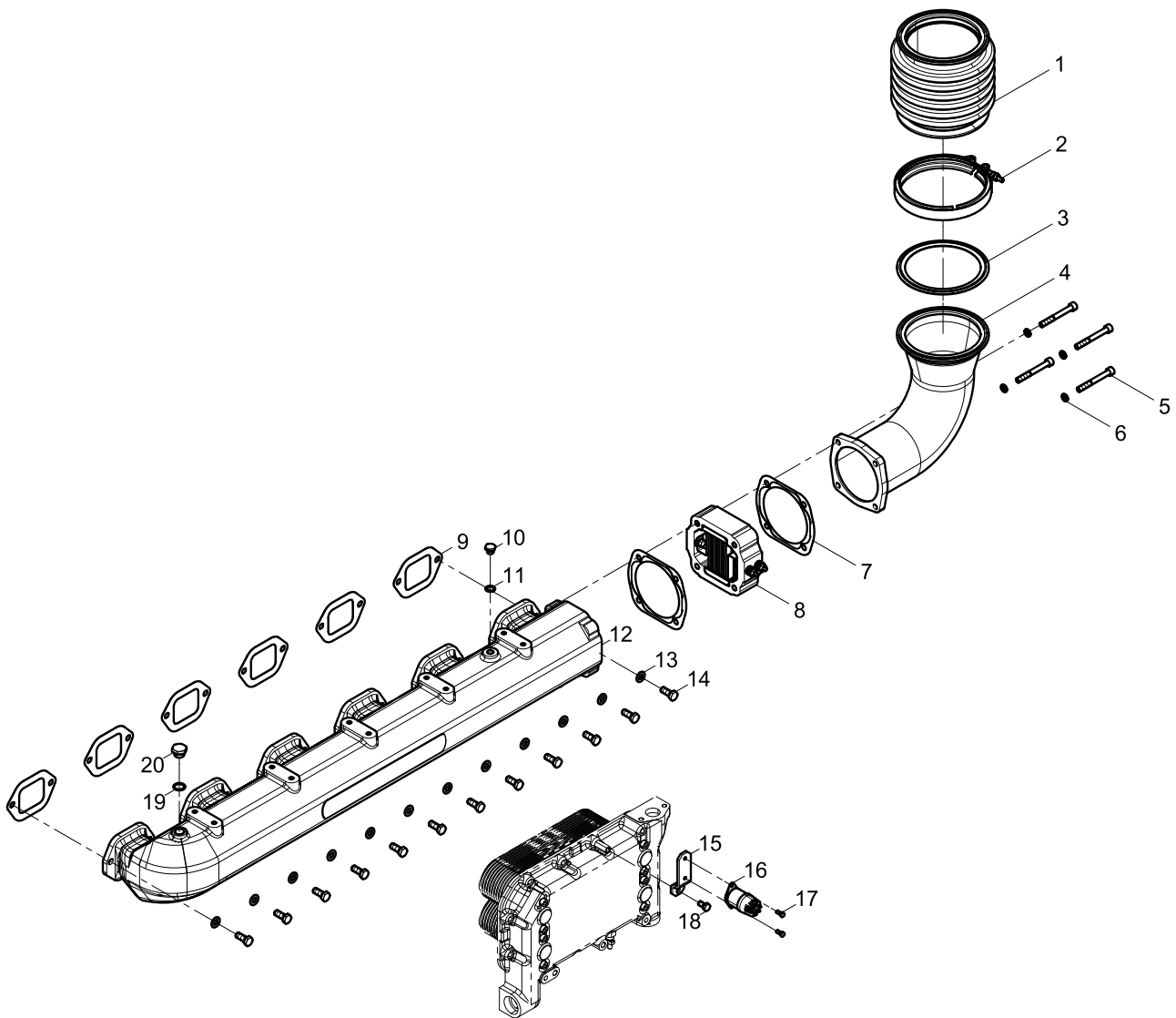
High-pressure Fuel Pipe Assembly



High-pressure Fuel Pipe Assembly

Pos.	Teile.Number	Amount	Designation
1	616019050010	4	Pipe Clamp Assembly
2	616019050020	3	Pipe Clamp Assembly
3	330205000226	1	Pipe Clamp Assembly
4	330205000147	1	Pipe Clamp Assembly
5	330205000204	1	Pipe Clamp Assembly

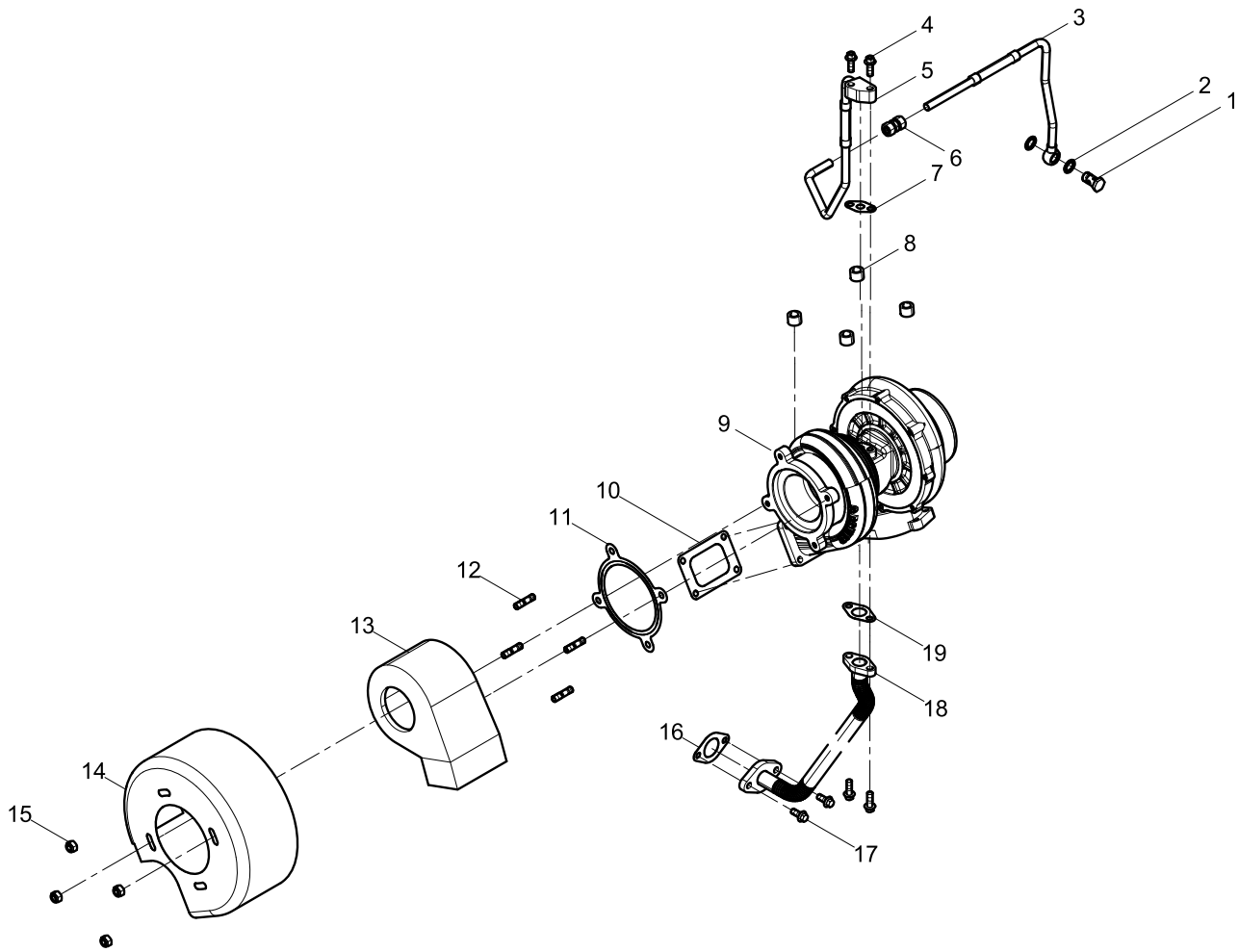
Intake Manifold Group



Intake Manifold Group

Pos.	Teile.Number	Amount	Designation
1	330208000310	1	Expansion Pipe
2	612640130143	1	Clamp
3	330208000306	1	Gasket
4	330208000362	1	Inter-cooler Air Pipe Assembly
5	90003862471	4	Screw
6	90003931102	4	Spring Washer
7	X6231.176W	2	Intake Manifold Gasket
8	X6231.175W	1	Heater
9	13530000X	6	Intake Manifold Gasket
10	14230460R	1	Hexagon Screw Plug
11	90003098012	1	Sealing Washer
12	330208000259	1	Intake Manifold
13	90014040008	12	Plain Washer
14	90011350084	12	Hexagon Head Bolt
15	330208000347	1	Bracket
16	612630080076	1	Relay
17	90011270060	2	Hexagon head bolt
18	90003802411	1	Hexagon Head Bolt
19	90014400008	1	Sealing Washer
20	11230560F	1	Screw Plug

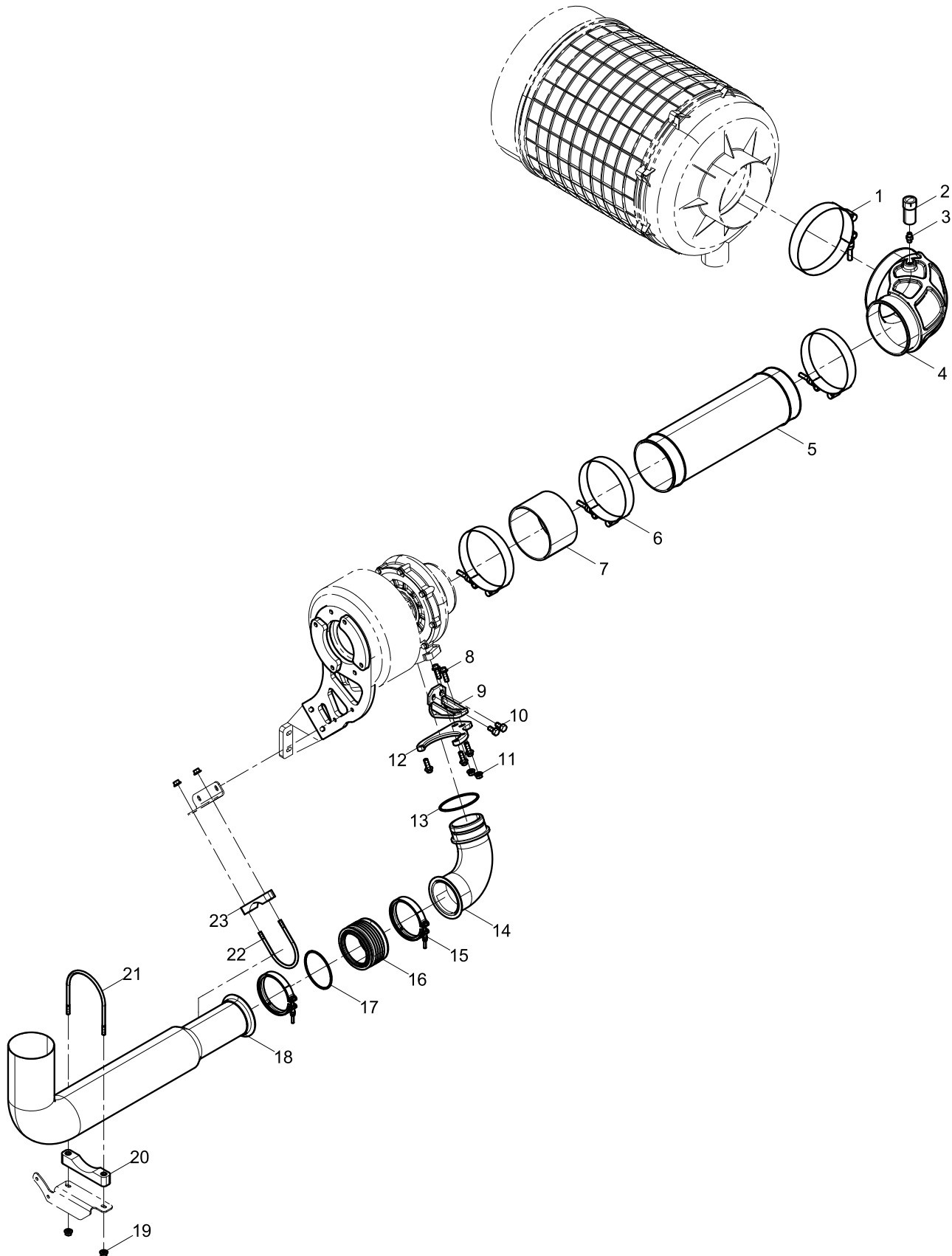
Turbocharger Group



Turbocharger Group

Pos.	Teile.Number	Amount	Designation
1	77720090J	1	
2	13023362	2	Assembled Sealing Washer
3	1000966691	1	Turbocharger Oil Pipe Assembly
4	90011420034	4	Hexagon Flange Bolt
5	1000966688	1	Turbocharger Oil Pipe Assembly
6	15100330C	1	Joint Body
7	14409622H	1	Turbocharger Oil Pipe Gasket
8	330209000184	4	Sleeve
9	1000677768	1	Turbocharger
10	330210000069	1	Gasket
11	330210000028	1	Gasket
12	612630110046	4	Double End Stud
13	330209000113	1	Turbocharge Heat Insulation Layer
14	330209000028	1	Turbocharger Heat Shield
15	612600114387	4	Locknut
16	27306460K	1	Gasket
17	90011420016	2	Hexagon Flange Bolt
18	330209000081	1	Turbocharger Oil Pipe Assembly
19	X6231.660W	1	Turbocharger Oil Pipe Gasket

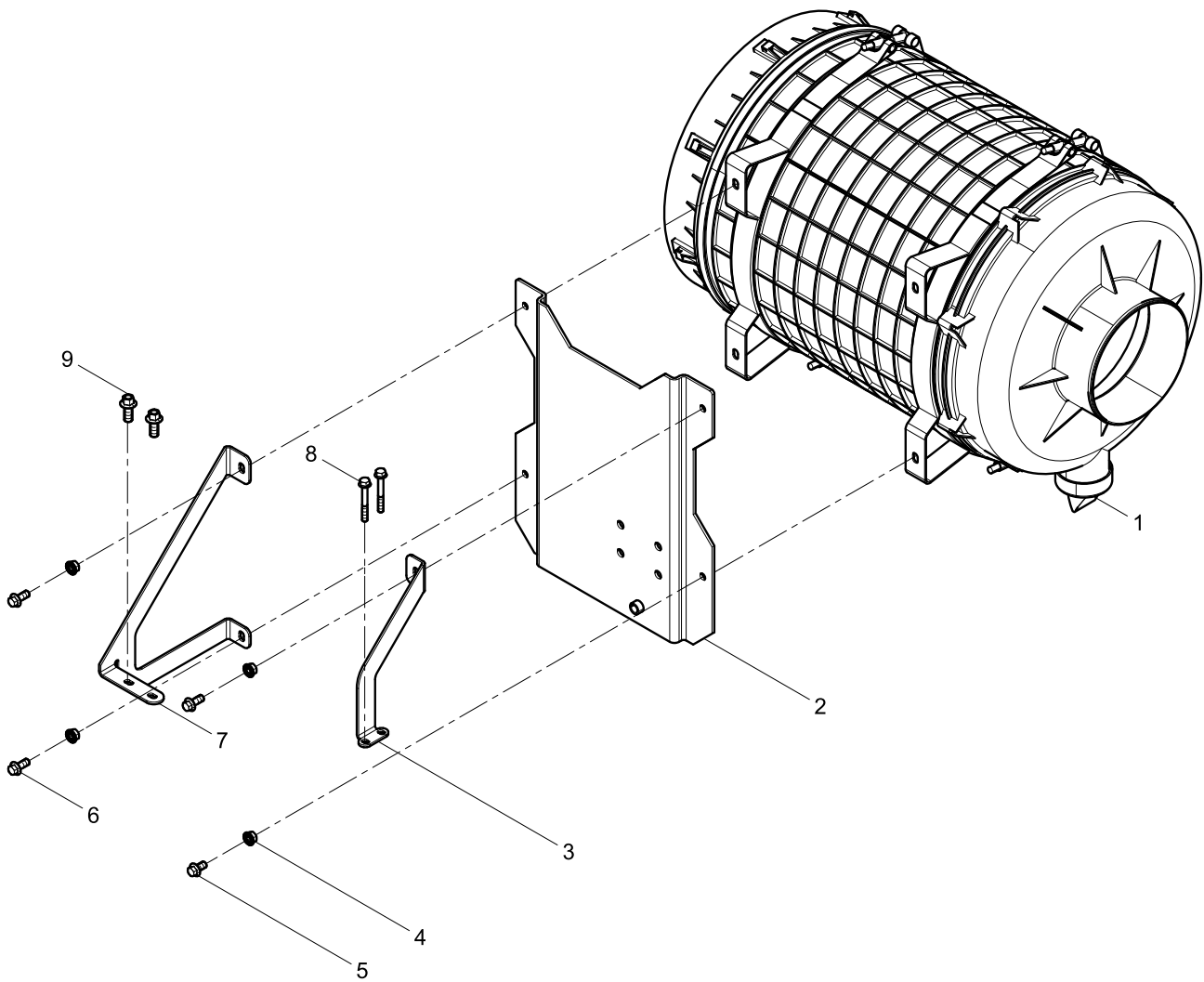
Compressor Pipe Group



Compressor Pipe Group

Pos.	Teile.Number	Amount	Designation
1	612600115560	1	Clamp
2	1000644232	1	Intake Resistance Alarm
3	612600115282	1	Transition joint
4	330208000135	1	Intake Connecting Pipe
5	330208000124	1	Intake Connecting Pipe
6	X6231.118W	3	Clamp
7	330208000139	1	Air Connecting Rubber Pipe
8	90011430017	5	Hexagon Flange with Tooth Bolt
9	330208000141	1	Bracket
10	612630110411	2	Bolt
11	90012290002	2	Hexagon Flange Nut
12	330208000144	1	Plate
13	90017550015	1	O-Ring
14	330208000126	1	Inter- cooler Air Pipe
15	X6209.104	2	Clamp
16	330208000127	1	Expansion Pipe
17	90017550021	1	O-Ring
18	330208000366	1	Inter-cooler Air Pipe Assembly
19	612600061719	4	Prevailing Torque Type Hexagon Nut with Flange
20	330208000303	1	Pad
21	330208000300	1	Bolt
22	612600120276	1	Bolt
23	330208000230	1	Pad

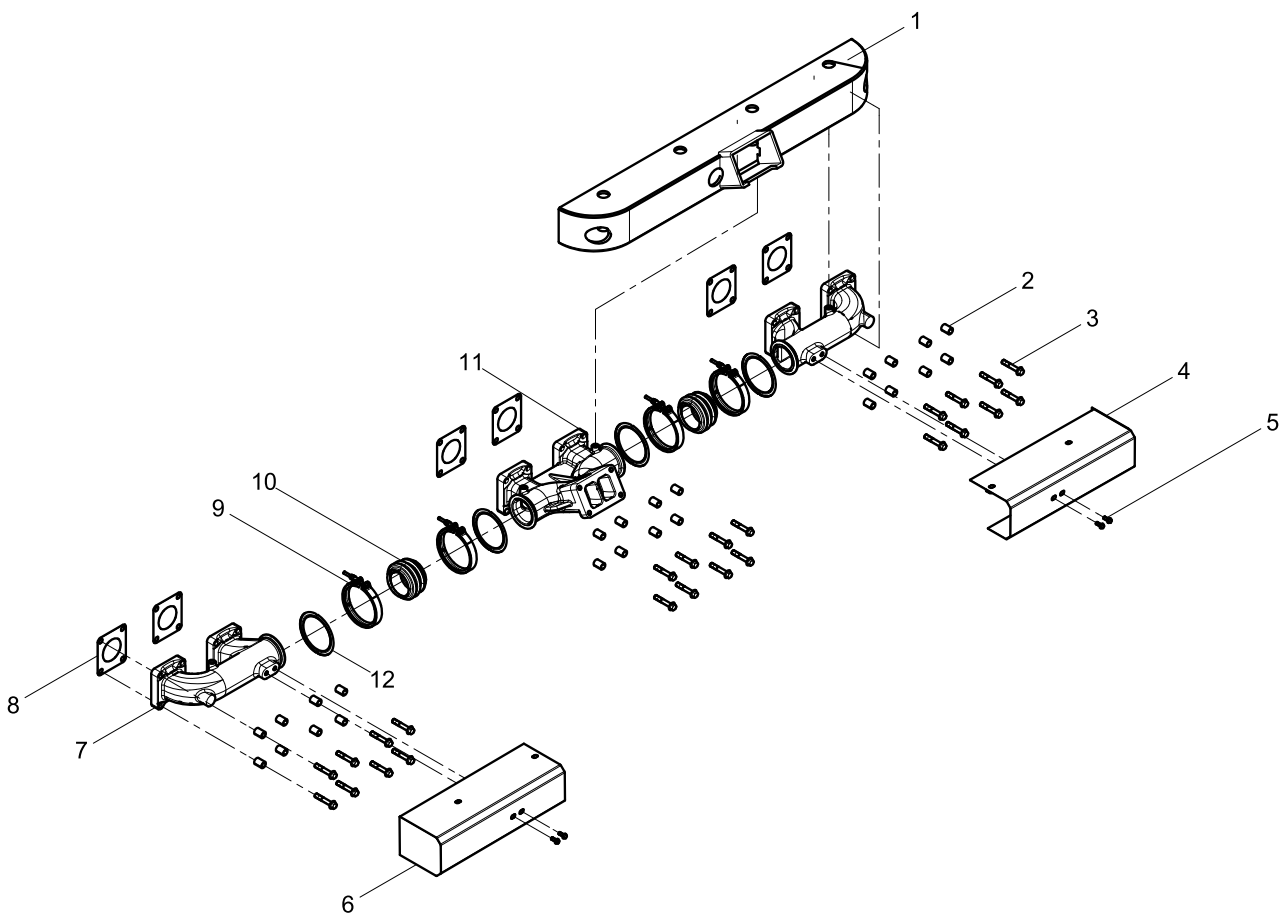
Air Filter Group



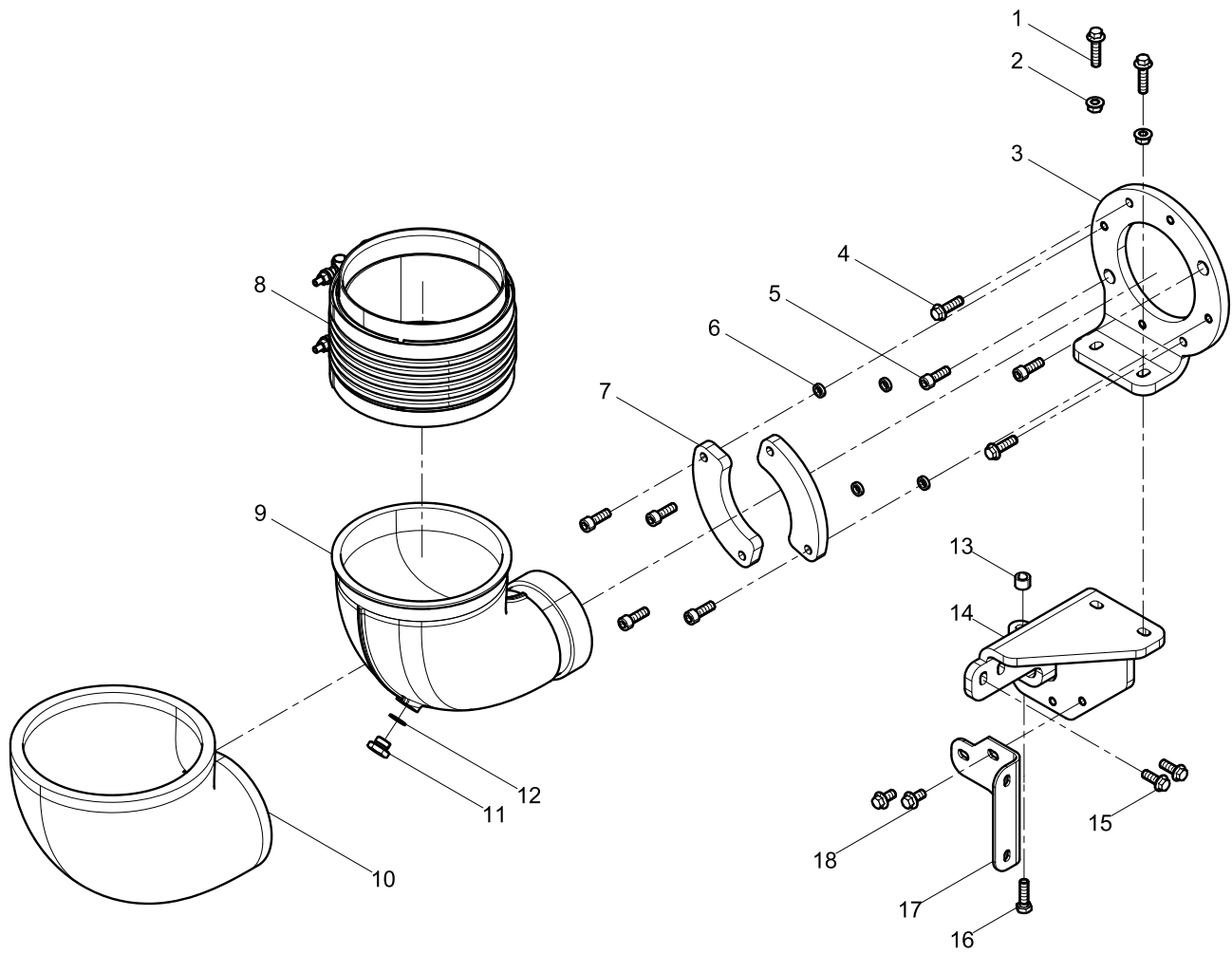
Air Filter Group

Pos.	Teile.Number	Amount	Designation
1	1000644231	1	Air Filter
2	330208000140	1	Air Filter Bracket
3	1000432286	1	Air Filter Bracket
4	90012290002	4	Hexagon Flange Nut
5	90011420036	1	Hexagon Flange Bolt
6	9000000044	3	Hexagon Flange Bolt
7	330208000251	1	Air Filter Bracket
8	90011420001	2	Hexagon Flange Bolt
9	90011420022	2	Hexagon Flange Bolt

Exhaust Manifold Group



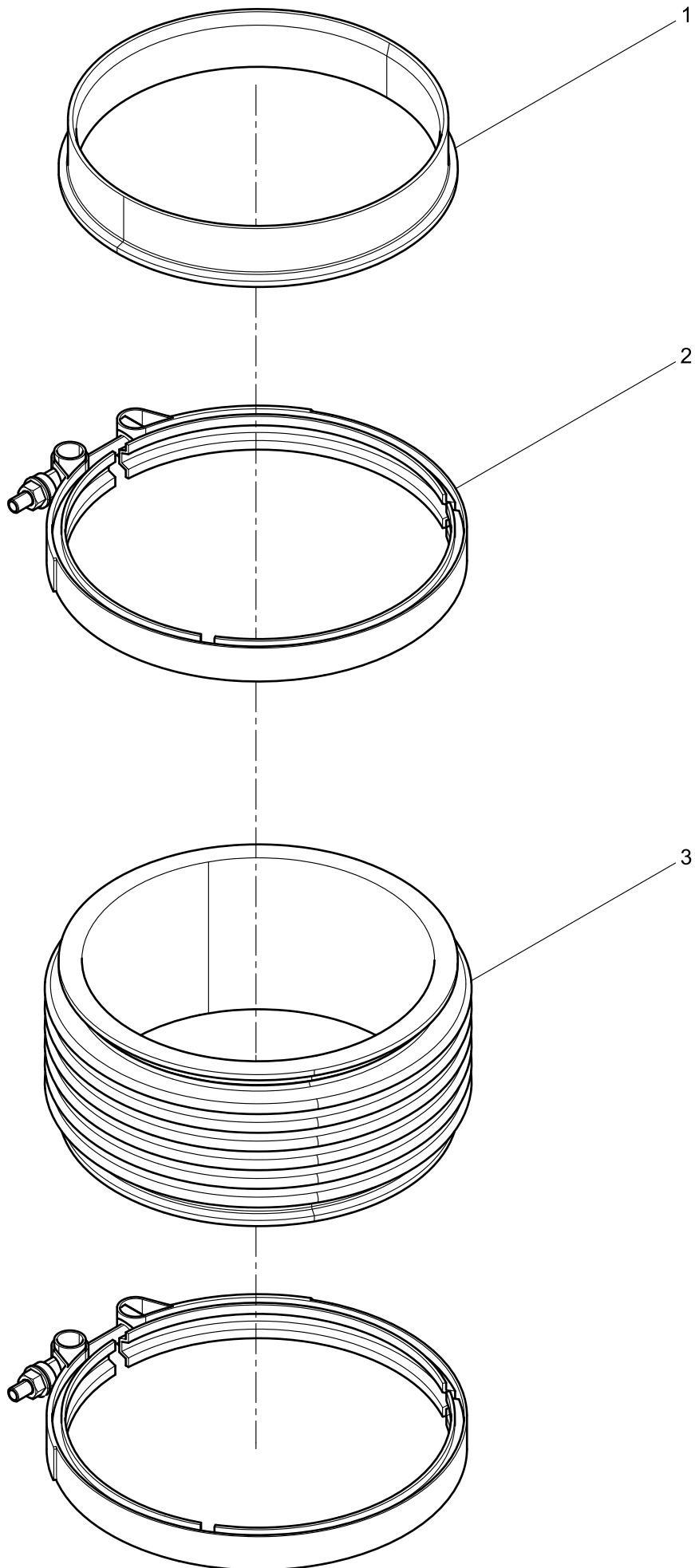
Connection syphon group



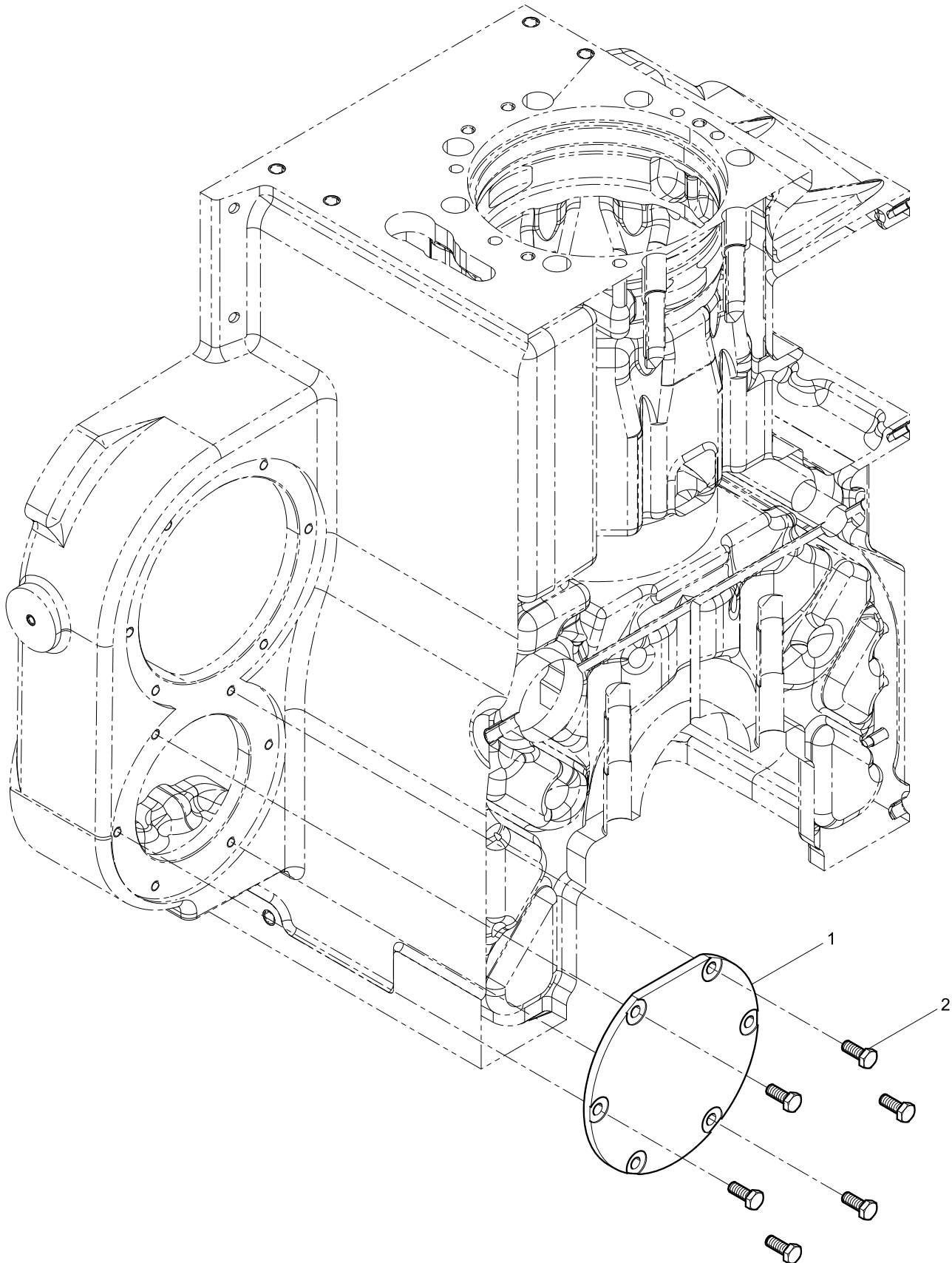
Connection syphon group

Pos.	Teile.Number	Amount	Designation
1	90011430032	2	Hexagon Flange with Tooth Bolt
2	90012290002	2	Hexagon Flange Nut
3	330210000159	1	Supercharger Bracket
4	X6231.633W	2	Exhaust Manifold Bolt
5	77753300G	6	Inner Hexagon Socket Head Cap Screw
6	13521150C	4	Gasket
7	16081110S	2	Bracket
8	15590280G	1	Expansion Joint
9	15090951H	1	Exhaust Tail Pipe
10	15590261L	1	Exhaust Manifold Heat Shield
11	11230560F	1	Screw Plug
12	90003098020	1	Washer
13	330209000184	1	Sleeve
14	330209000131	1	Supercharger Bracket
15	330309000002	2	Exhaust Manifold Bolt
16	612600111318	1	Hexagon Head Bolt
17	330208000234	1	Inter-cool Pipe Bracket
18	90011430007	2	Hexagon Flange with Tooth Bolt

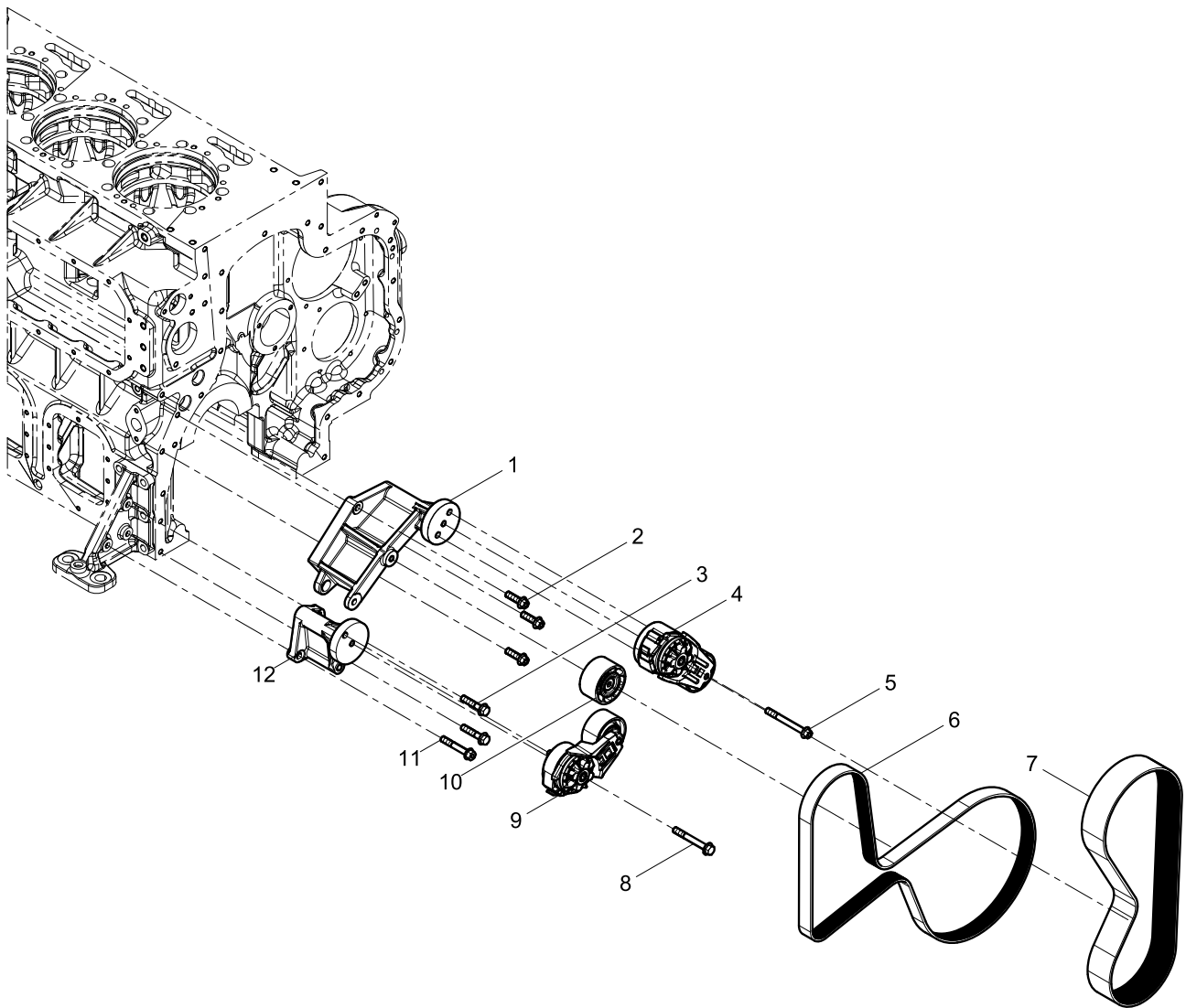
Expansion Joint



Air Compressor Group



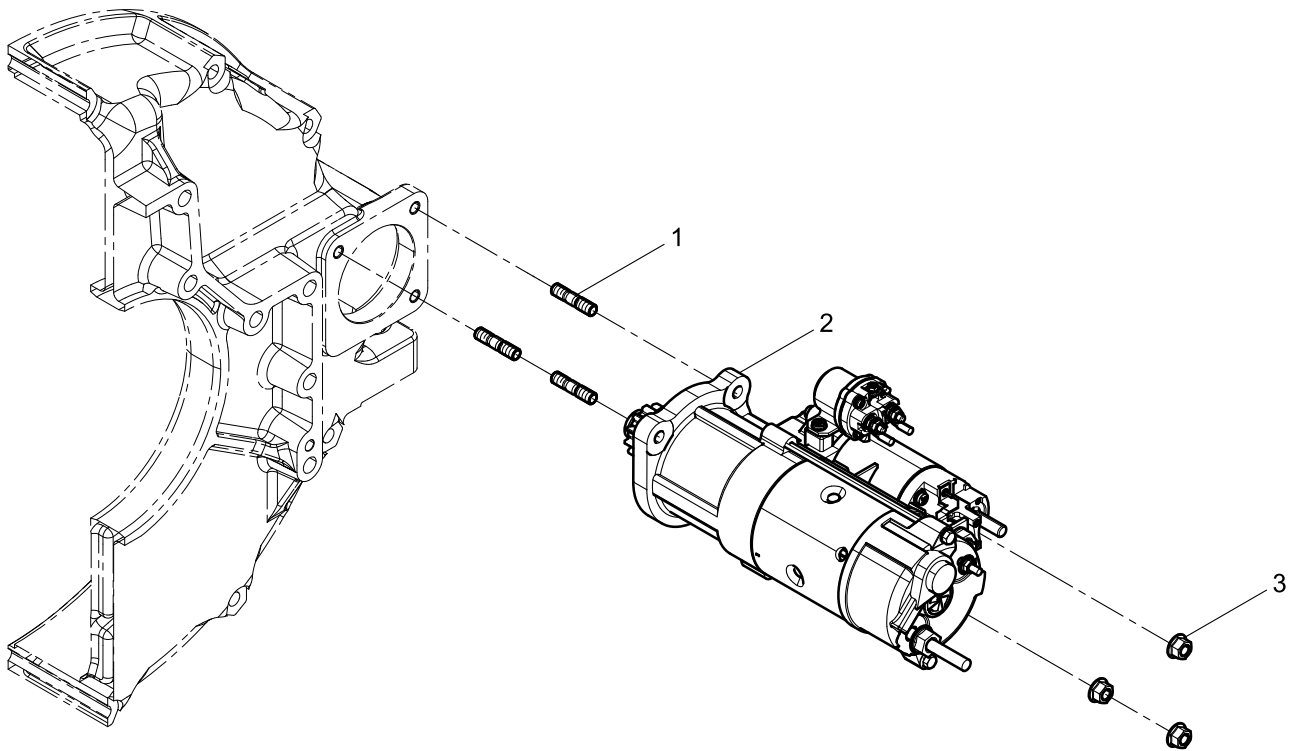
Tensioner And Belt Group



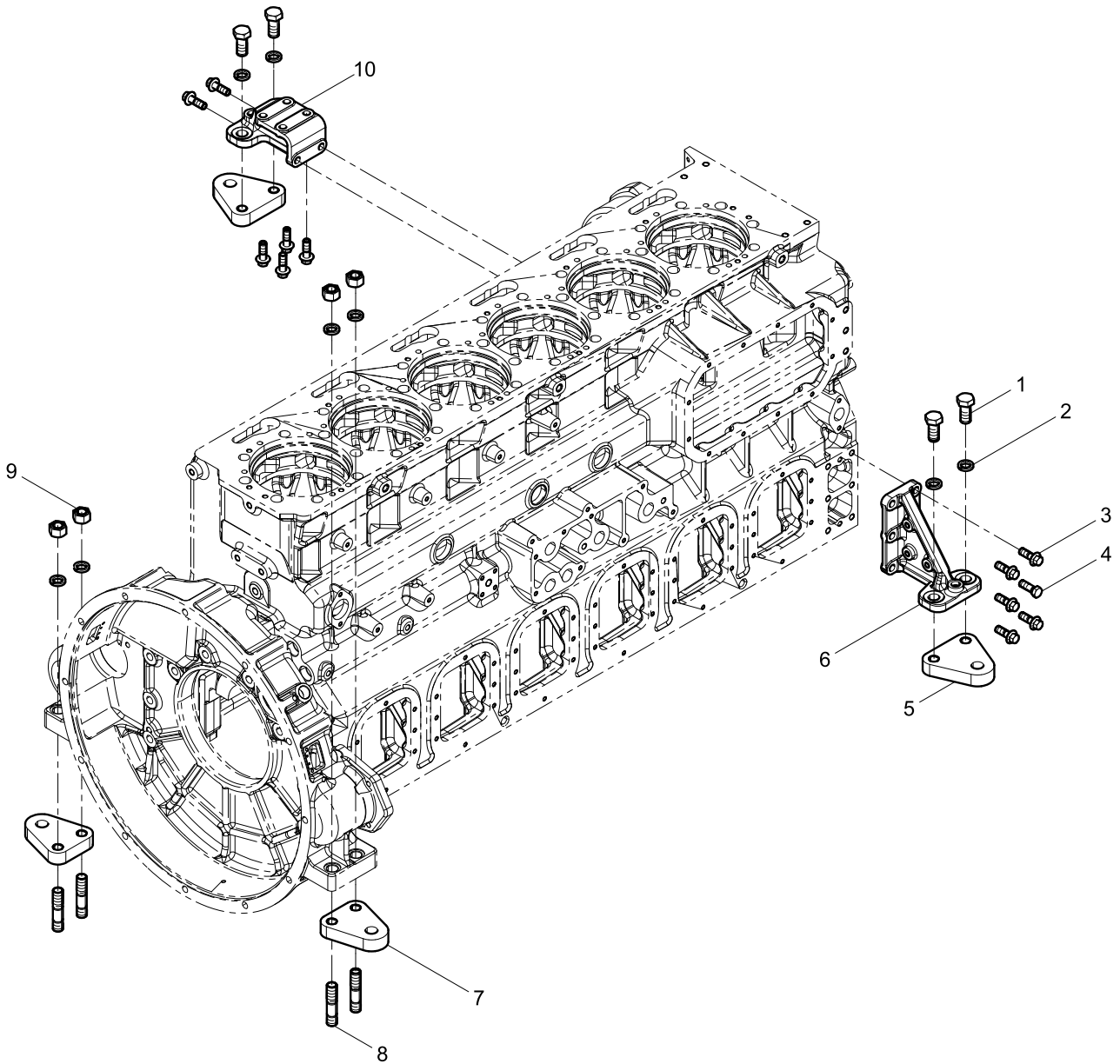
Tensioner And Belt Group

Pos.	Teile.Number	Amount	Designation
1	330225000050	1	Tensioner Bracket
2	90011420014	3	Hexagon Flange Bolt
3	90011400053	2	Hexagon flange bolt, heavy series
4	X6231.186W	1	Automatic Tensioner
5	9000000702	1	Hexagon Flange Bolt
6	1000692858	1	Poly V Belt
7	1000692871	1	Poly V Belt
8	90011400026	1	Hexagon Flange Bolt
9	612600061332	1	Automatic Tensioner
10	612630060836	1	Tensioner
11	90011430059	1	Hexagon Flange with Tooth Bolt
12	330225000003	1	Tensioner Bracket

Starter Motor Group



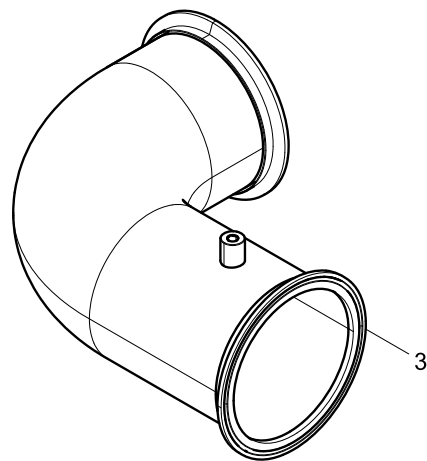
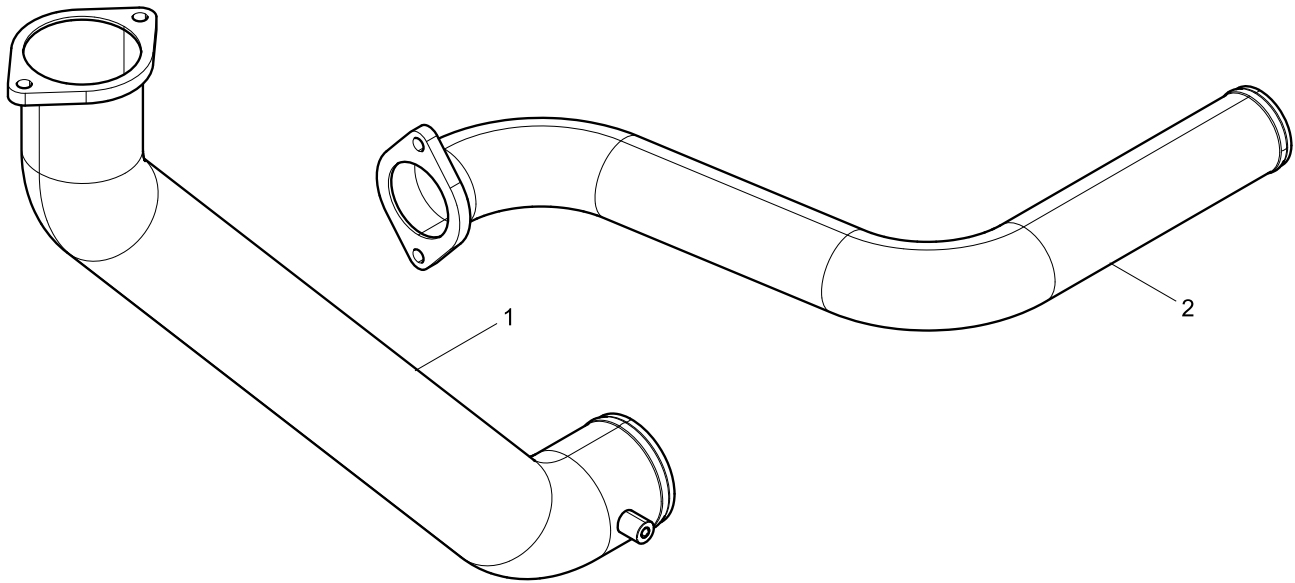
Engine Bracket Group



Engine Bracket Group

Pos.	Teile.Number	Amount	Designation
1	330201000254	4	Hexagon Head Bolt
2	90014350010	8	Spring Washer
3	90011430053	12	Hexagon Flange with Tooth Bolt
4	90011270022	1	Hexagon head bolt
5	330201000226	2	Bracket
6	X6231.213W	1	Engine Bracket
7	330201000227	2	Bracket
8	330201000256	4	Double End Stud
9	330201000255	4	Hexagon Nut
10	15011700Q	1	Bracket (left)

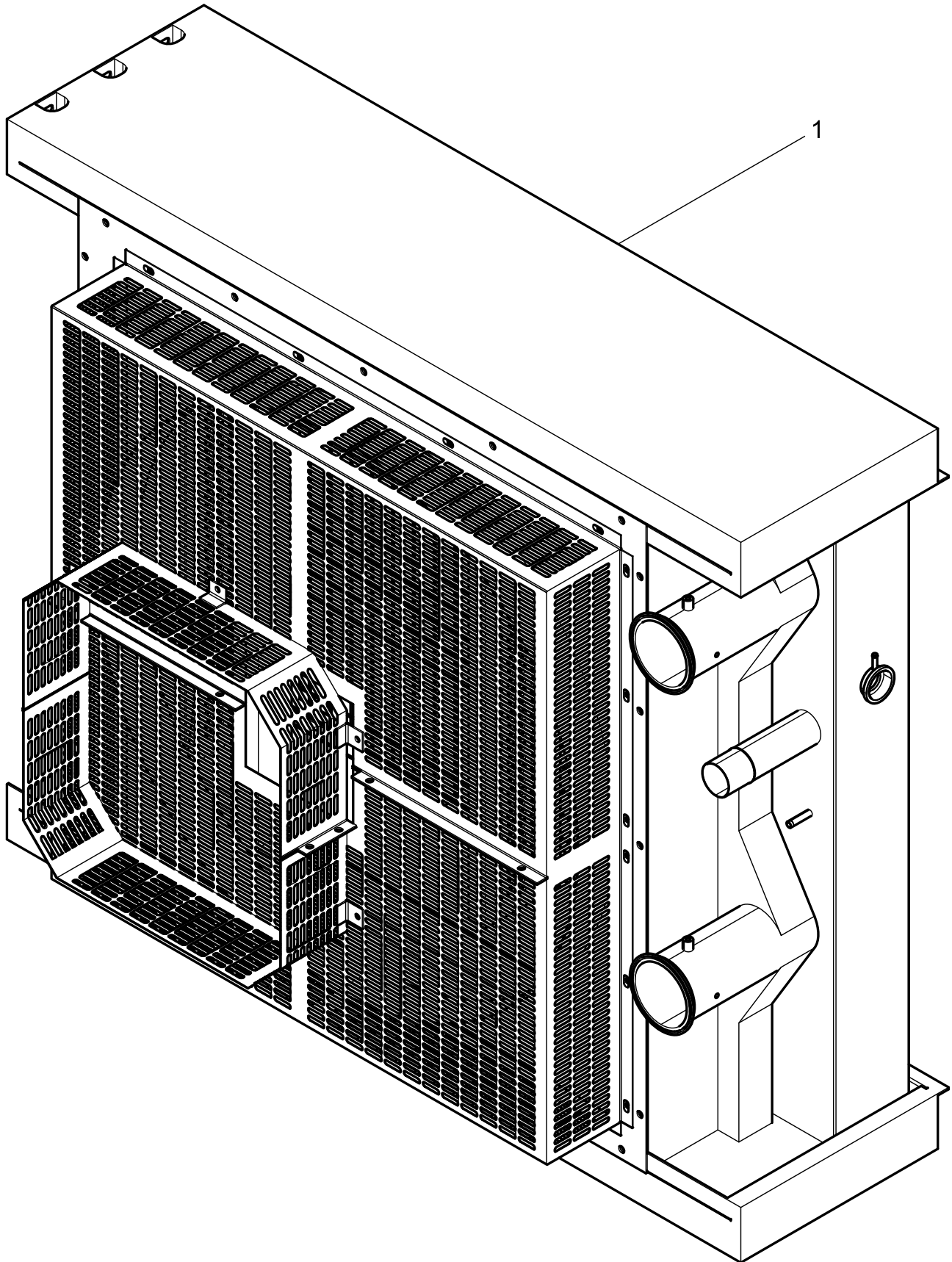
Packing Box Chassis Parts Group



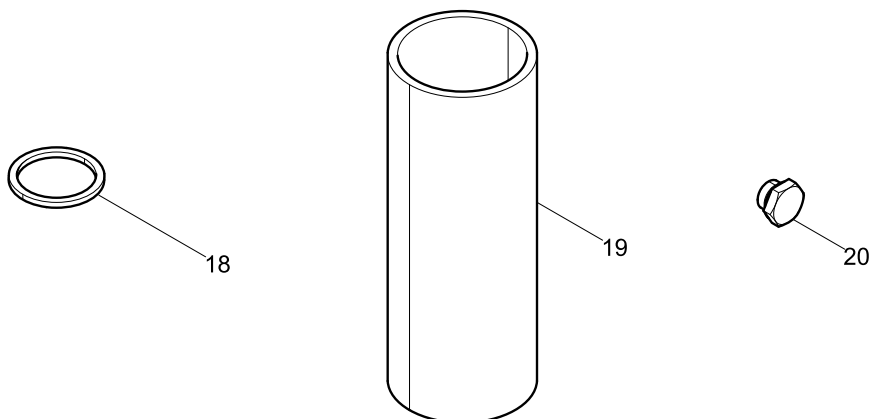
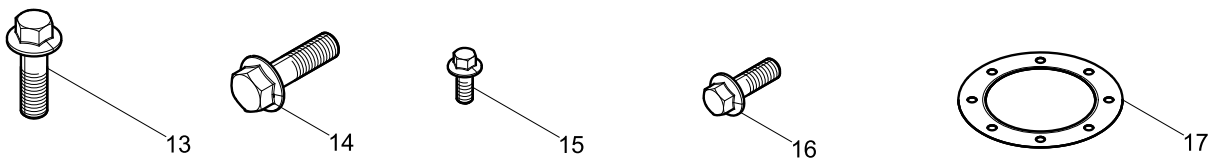
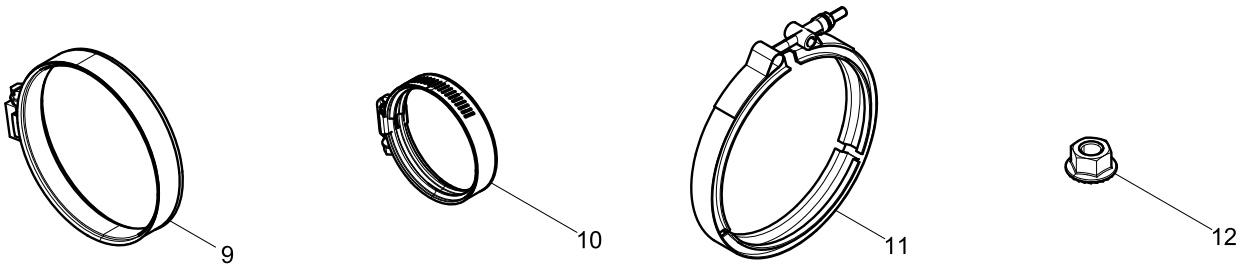
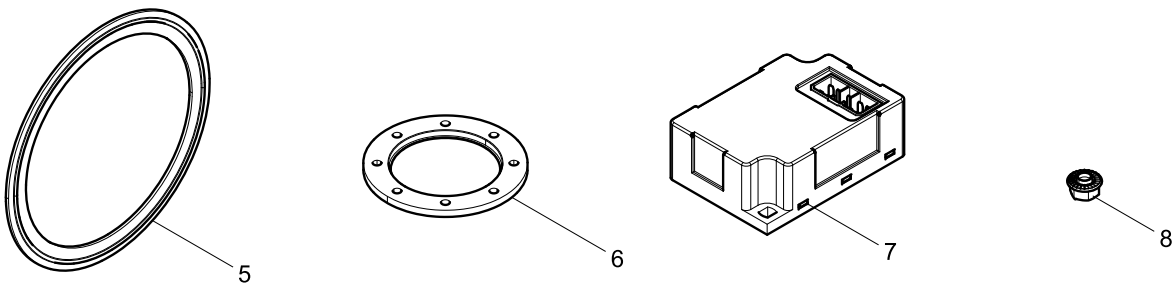
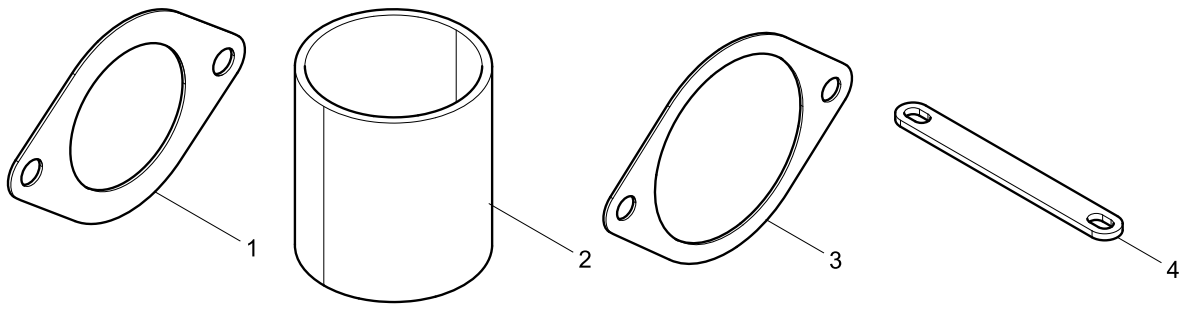
Packing Box Chassis Parts Group

Pos.	Teile.Number	Amount	Designation
1	330203000320	1	Water Pump Water Pipe Assembly
2	330203000323	1	Water-outlet Pipe Set
3	330208000364	2	Intercool Pipe Assembly

Separate Delivery Parts Group Attached to Engine



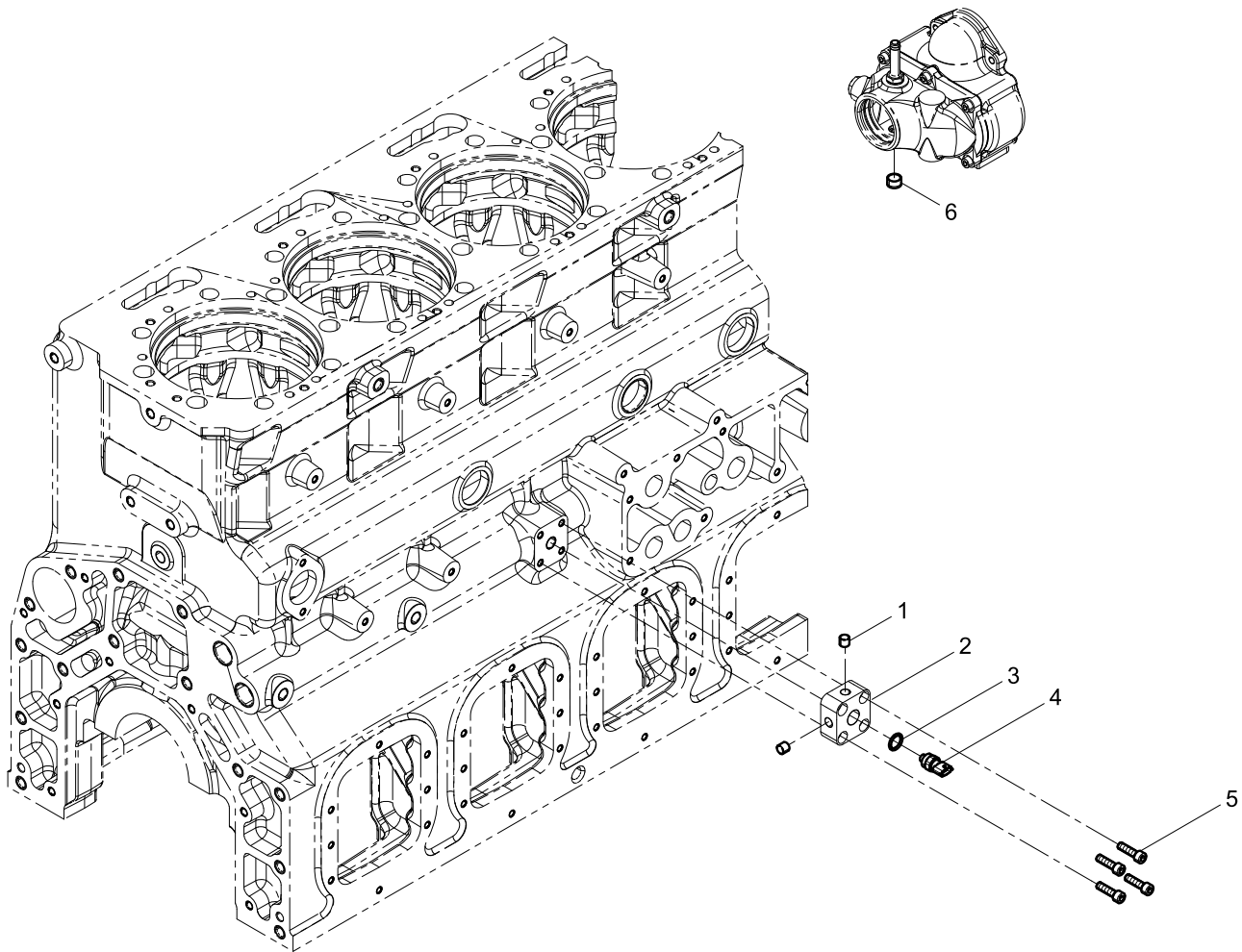
Parts Box Group



Parts Box Group

Pos.	Teile.Number	Amount	Designation
1	1000521481	1	Water-outlet pipe gasket
2	330203000240	1	Coolant Connecting Rubber Pipe
3	1000512047	1	Water Pump Sealing Gasket
4	330208000147	5	Plate
5	330208000306	4	Gasket
6	330209000178	2	Flange
7	1000728423	1	Flame Preheater Cold Starter Controller
8	612600061725	2	Prevailing Torque Type Hexagon Nut with Flange
9	612600062212	2	Clamp
10	612600114682	2	Clamp
11	612640130143	4	Clamp
12	612600061721	16	Prevailing Torque Type Hexagon Nut with Flange
13	90011430033	16	Hexagon Flange with Tooth Bolt
14	90011400006	2	Hexagon Flange Bolt
15	90011430016	10	Hexagon Flange with Tooth Bolt
16	90011430017	2	Hexagon Flange with Tooth Bolt
17	330209000180	2	Gasket
18	90003098020	2	Washer
19	X6231.640W	1	Coolant Connecting Rubber Pipe
20	11230560F	2	Screw Plug

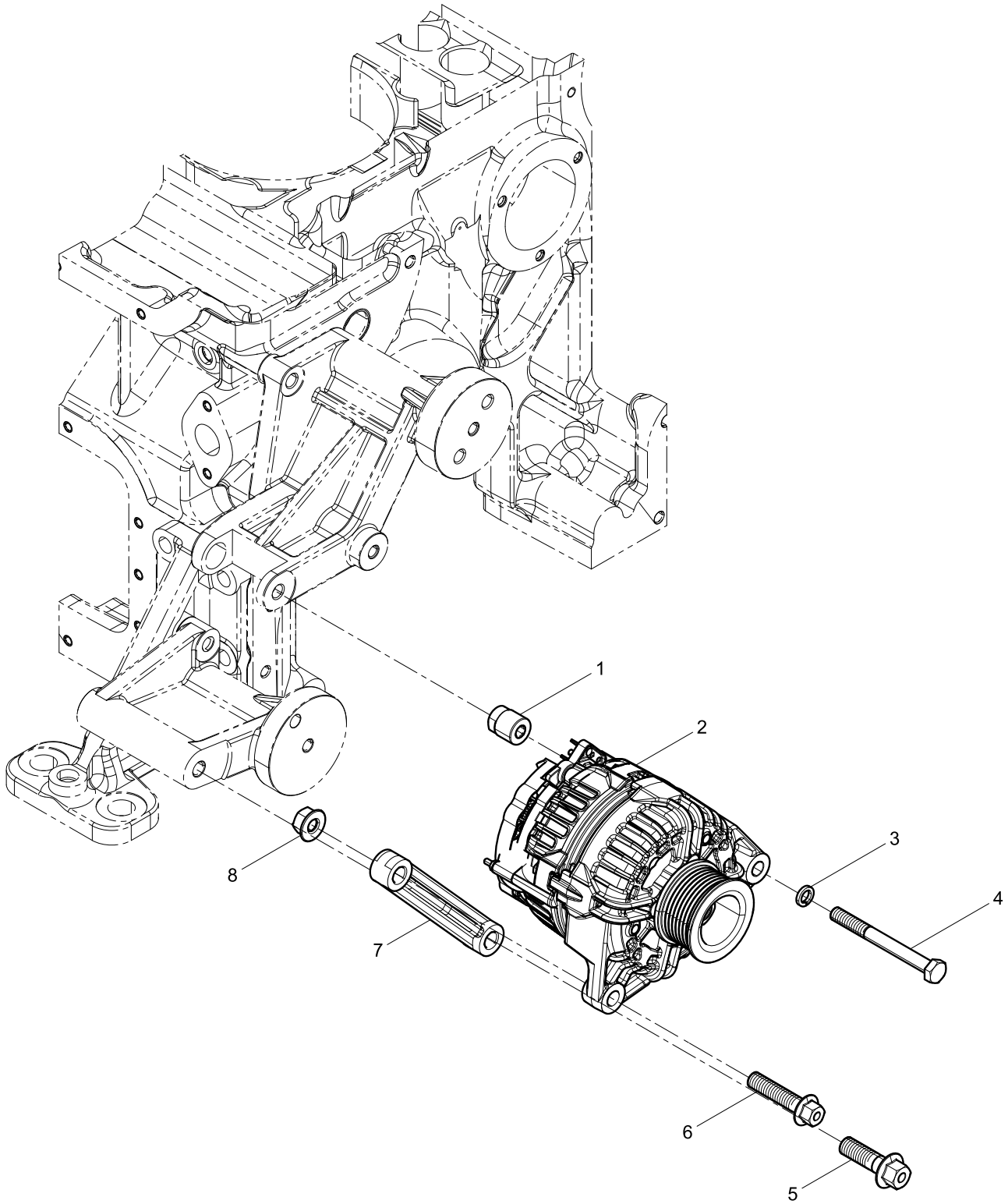
General-use Wire and Sensor Group



General-use Wire and Sensor Group

Pos.	Teile.Number	Amount	Designation
1	77701850H	2	Hexagon Taper Screw Plug
2	330211000026	1	Sensor Seat
3	90017510009	1	O-ring
4	612600090107	1	Temperature Sensor
5	90013550007	4	Inner Hexagon Socket Head Cap Screw
6	11114710G	1	Hexagon Taper Screw Plug

Alternator Group



This manual is for reference only,
product parameters are subject to alteration
without notice,
whichever is the physical product.