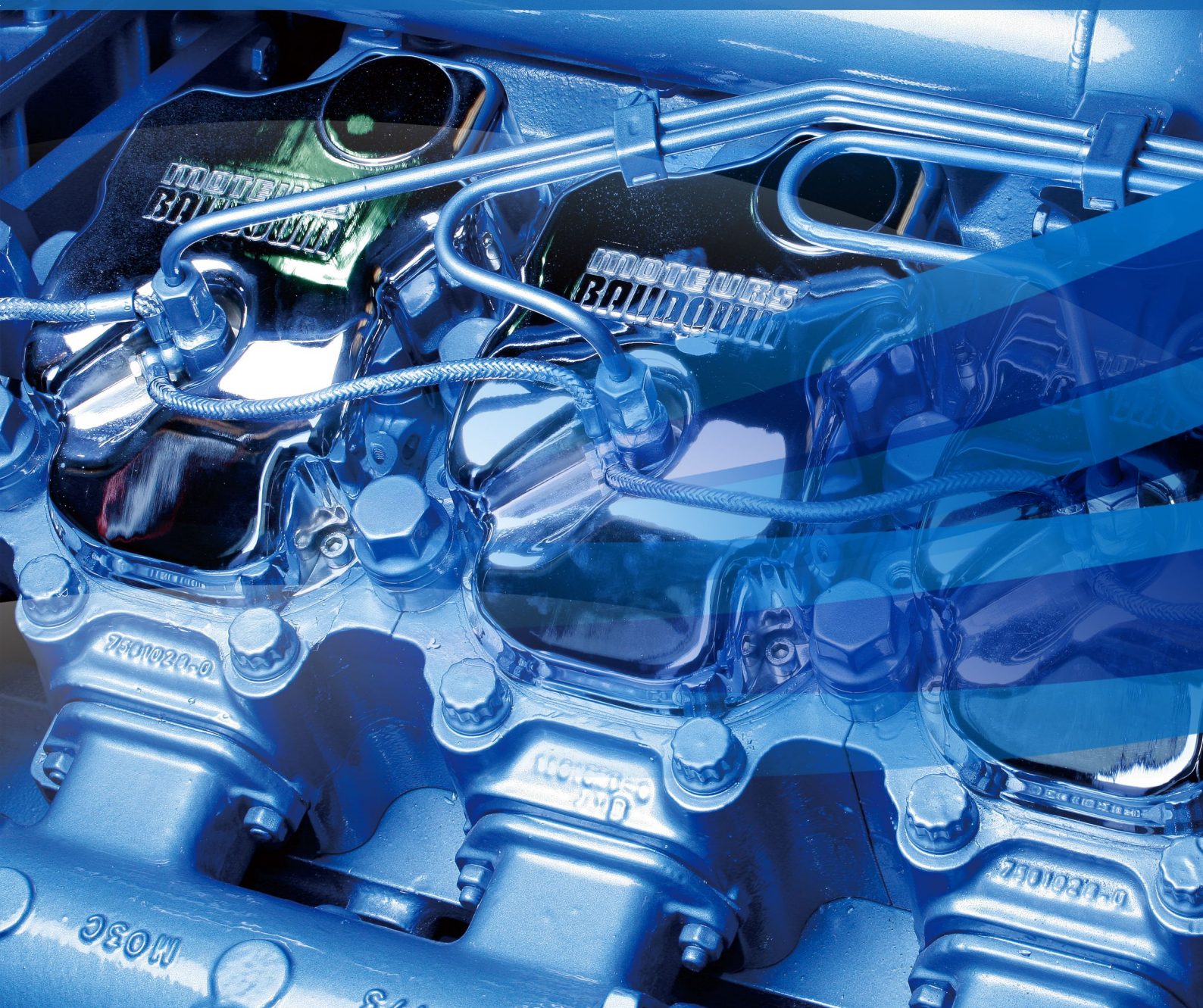


12M26 BAUDOIN DIESEL PARTS CATALOGUE



PREFACE

This illustrated parts manual is specially prepared for customers to facilitate the use of 12M26 series diesel engine in operation and tenance.

The illustrations are grouped under the heading of each assembly and numbered individually.Part.

No.,Quantity,Model,English designation,Chinese designation and so on are written in the parts list .
The parts catalogue include detailed assembling parts list of diesel engine ,some parts can not be sold ,if you want to know selling part matters,please ask weichai power spare part resource CO.,LTD.

With the development of technology and production,the versions of the diesel engine will be increased, so the catalogue will be revised.Please pay attention to our revised edition.After service of this product is authorized to Weichai Power Co.,Ltd ,Consumers can acquire information of this product through www.weichai.com.

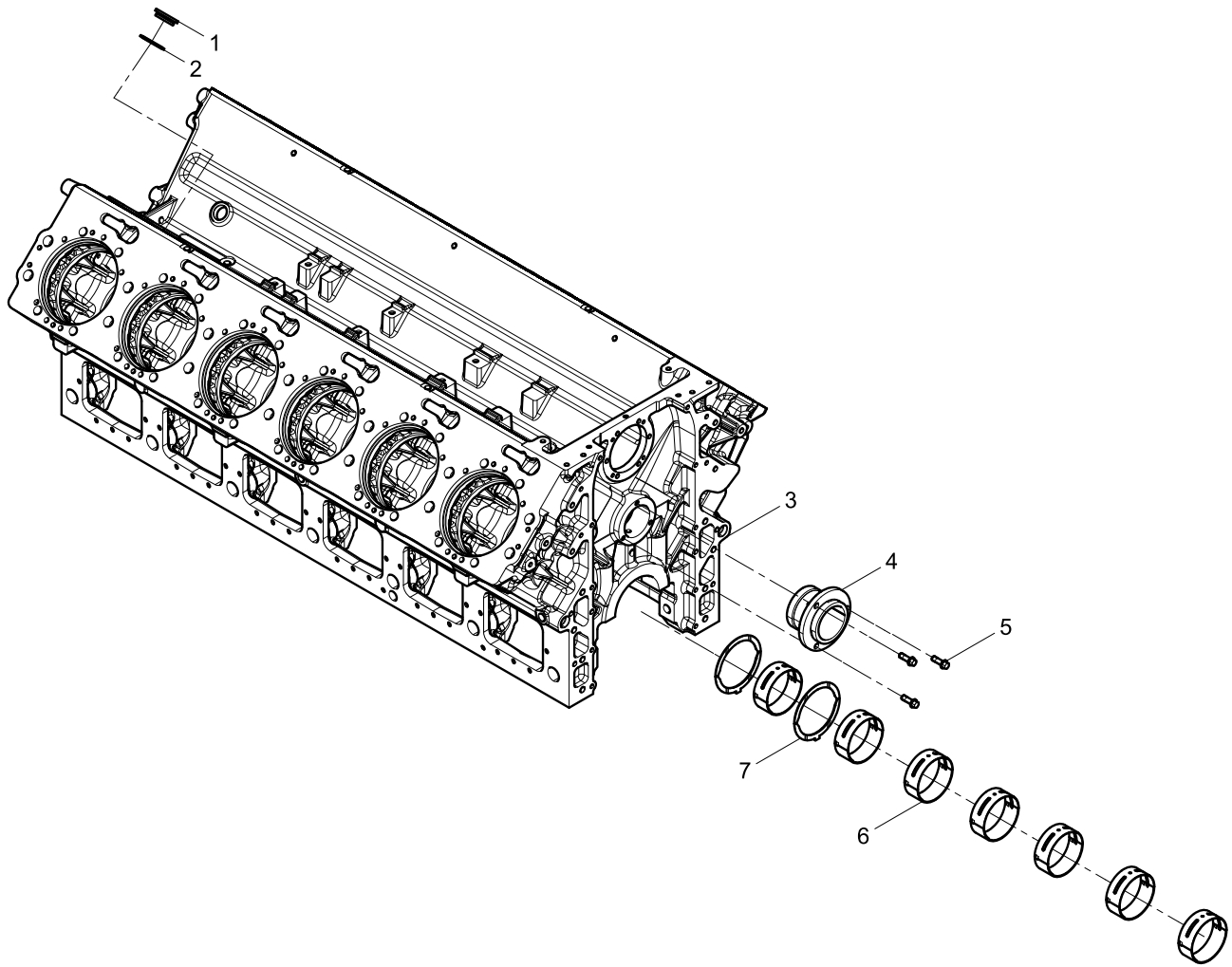
CONTENTS

crankcase assembly	1
Engine Block Subassembly	3
crankcase pre-assembly	5
Main Bearing Set	7
Front cover group	9
Front oil seal set	11
Flywheel Housing Group	13
Rear Oil Seal Group	15
Oil Pan Group	17
Oil Pan Set.....	19
Oil filling pipe set.....	23
Cylinder Head Group	25
Cylinder head set.....	27
Valve Bridge Assembly	29
Cylinder Head Assembly.....	31
Cylinder Head Subassembly	33
Rocker Arm Set.....	35
Intake Rocker Arm Assembly	37
Exhaust Rocker Arm Assembly	39
Cylinder Head Accessory Group	41
Bracket assembly	43
Breather group	45
Breather assembly	47
Crankshaft Group	49
Crankshaft Assembly	51
Flywheel Group	53
Flywheel Assembly	55
Crankshaft Pulley Group	57
Piston and Connecting Rod Group	59
Connecting Rod Assembly.....	61
Piston Assembly	63

Camshaft Group	65
Camshaft Assembly.....	67
Tappet And Push Rod Group	69
Push Rod.....	71
Water Pump Group	73
Water Draining Valve	75
Water Pipe Group	77
Oil Pump Group	79
Oil Filter Group	81
Oil Pressure Relief Valve	83
Pipe Joint	85
Pipe Joint	87
Oil pipe group	89
Rotating Centrifugal Lubricating Oil Filter group	91
Rotating Centrifugal Lubricating Oil Filter assembly.....	93
Oil Cooler Group	95
Oil Cooler Assembly.....	97
Hand Oil Pump Group	99
Rocker Arm Oil Pipe Group	101
Injection pump Oil pipe Group	103
Fuel Injector Group	105
High Pressure Fuel Pipe Group	107
Fuel Injection Pump Drive shaft group	109
Connecting Plate.....	111
Fuel Injection Pump Group	113
Low Pressure Fuel Pipe Group	115
Fuel Supply Pump Group	119
Fuel Filter Group	121
Electronic Governor Group	123
Shut-down Device Group	125
Starter Motor Group	127

Alternator Group	129
Intake Manifold Group	131
Air Filter Group	133
Exhaust Manifold Group	135
Water Outlet Pipe Group	137
Thermostat Assembly	139
Compressor Pipe Group	141
Turbocharger Group	145
Turbocharger Oil Pipe Group	147
Connection syphon group.....	149
Expansion Joint	151
Packing Box Chassis Parts Group.....	153
Parts Box Group	155
Fan Bracket Group	157
Fan and Hub Group.....	159
Tensioner And Belt Group	161
Separate Delivery Parts Group Attached to Engine.....	163

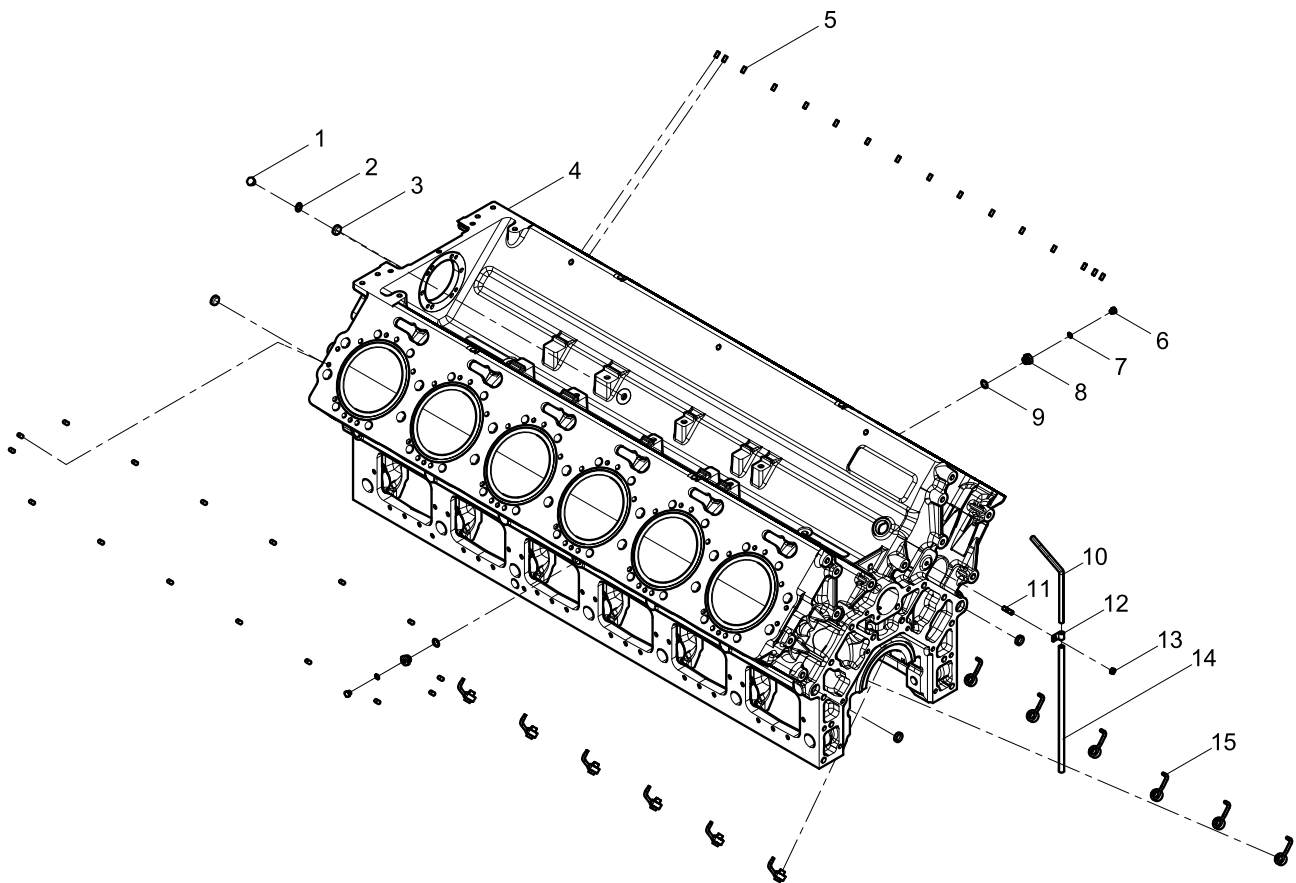
crankcase assembly



crankcase assembly

Pos.	Teile.Number	Amount	Designation
1	11128190J	1	Screw Plug
2	617001000071	1	Assembled Sealing Washer
3	330201000009	1	Engine Block Subassembly
4	330201000154	1	Camshaft Thrust Bearing
5	1000428092S	3	Hexagon Flange Bolt
6	1000644603	7	Main Bearing Set
7	13607820J	2	Thrust Plate Set

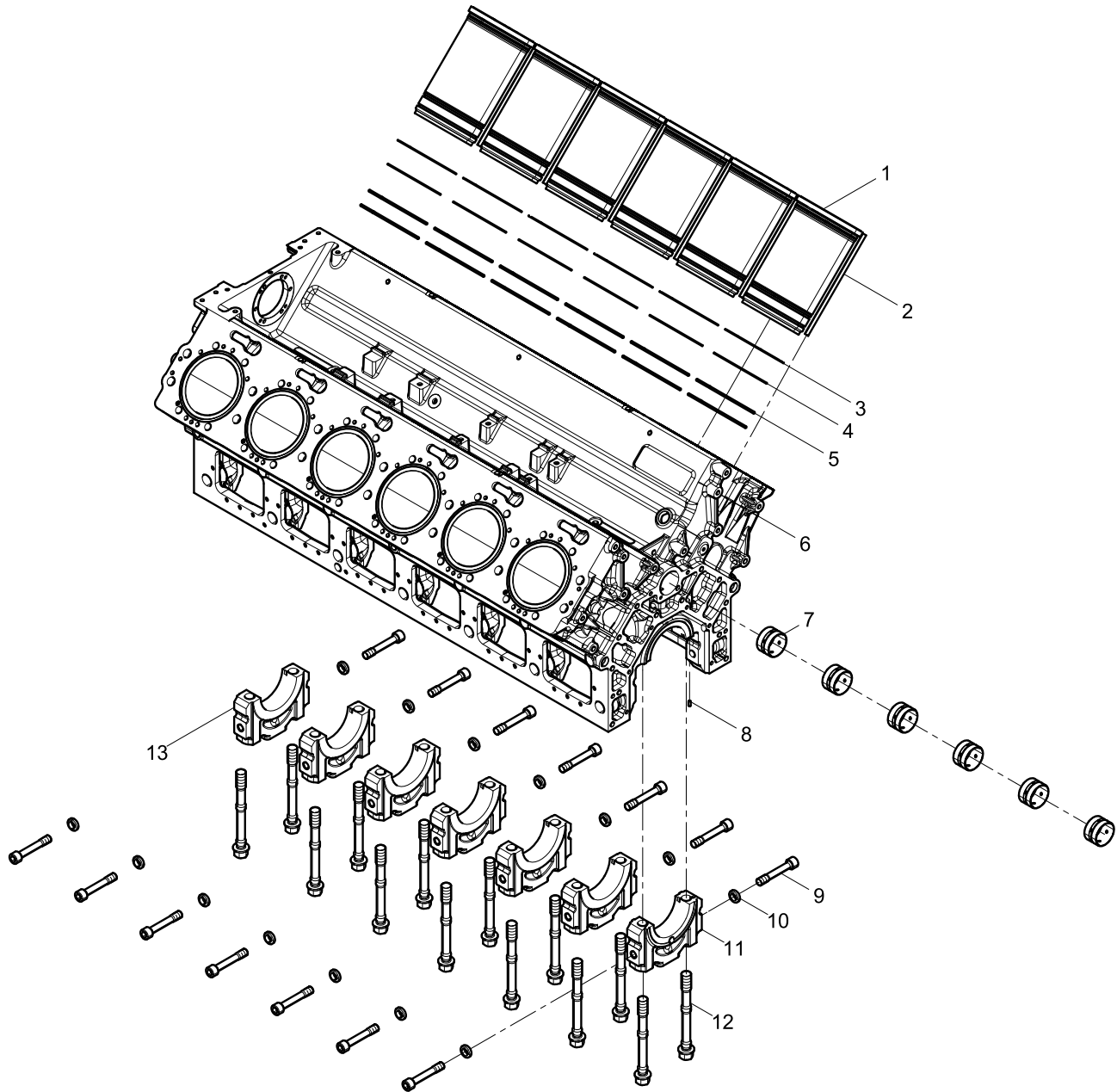
Engine Block Subassembly



Engine Block Subassembly

Pos.	Teil.Number	Amount	Designation
1	14400234D	1	Hexagon Screw Plug
2	612600080200	1	Washer
3	1000791663	4	Hexagon Taper Screw Plug
4	330201000010	1	crankcase pre-assembly
5	90015210006	32	Parallel Pin
6	13502940J	2	Hexagon Screw Plug
7	612600080246	12	Washer
8	77733040K	2	Hollow bolt
9	612600080275	2	Sealing Washer
10	15010681H	1	Pipe
11	77771030D	1	Double End Stud
12	12410430Y	1	Clamp
13	90003871248	1	Hexagon Nut
14	74400238Z	1	Pipe
15	1000104463	1	Piston Nozzle Set

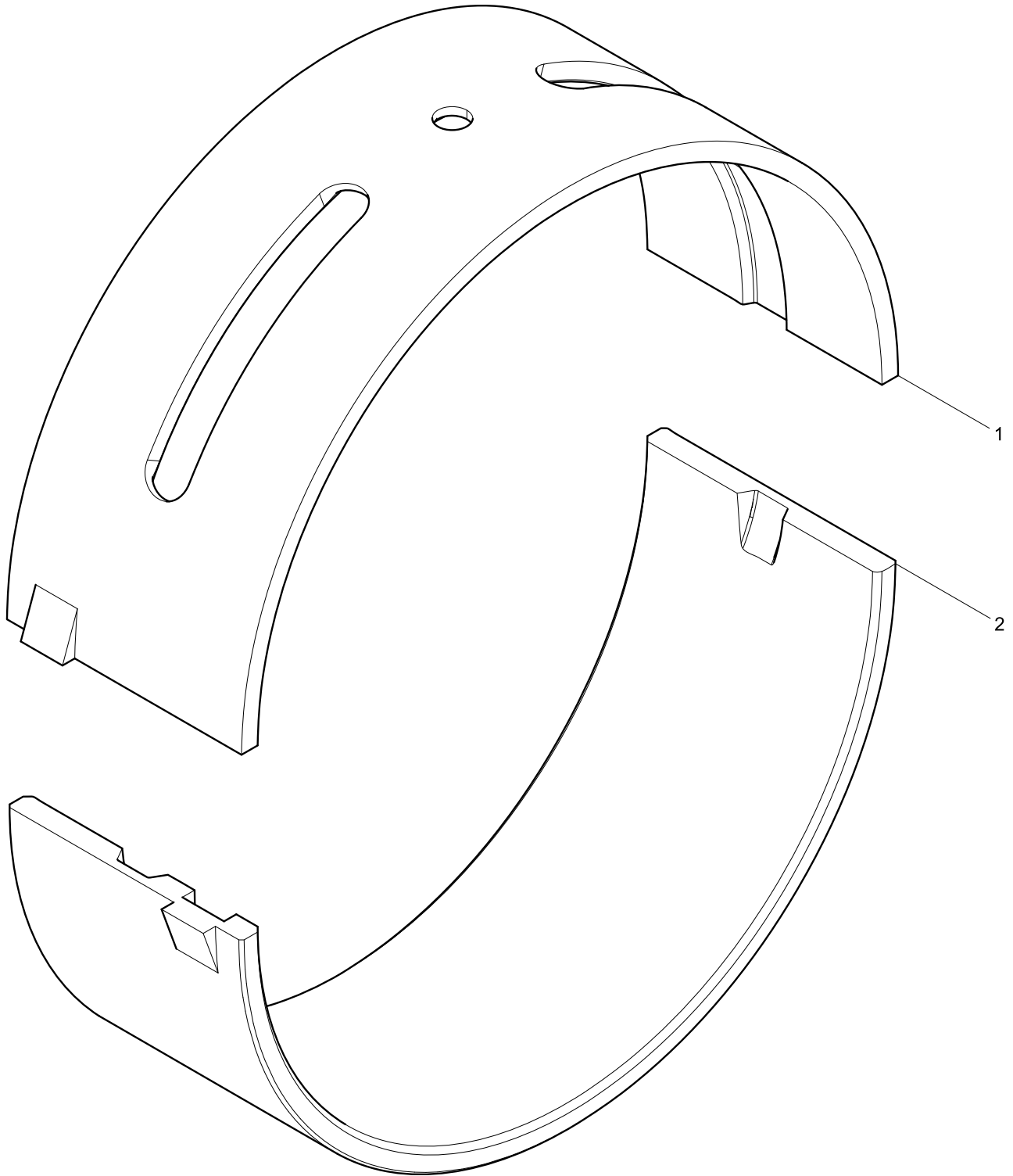
crankcase pre-assembly



crankcase pre-assembly

Pos.	Teile.Number	Amount	Designation
1	X6260.114	12	Cylinder Liner
2	13601300X	12	Pipe
3	330201000034	12	O-ring
4	330201000035	12	O-ring
5	330201000036	24	O-ring
6	X6231.165W	1	Cylinder Block
7	13501210D	6	Camshaft Bush
8	1000872482	1	Parallel Pin
9	13607910G	14	Main Bearing Cap Auxiliary Screw
10	13607900W	14	Washer
11	13607860C	1	Thrust Bearing Cover
12	1001046098	14	Main Bearing Bolt
13	13607870H	6	Main Bearing Cap

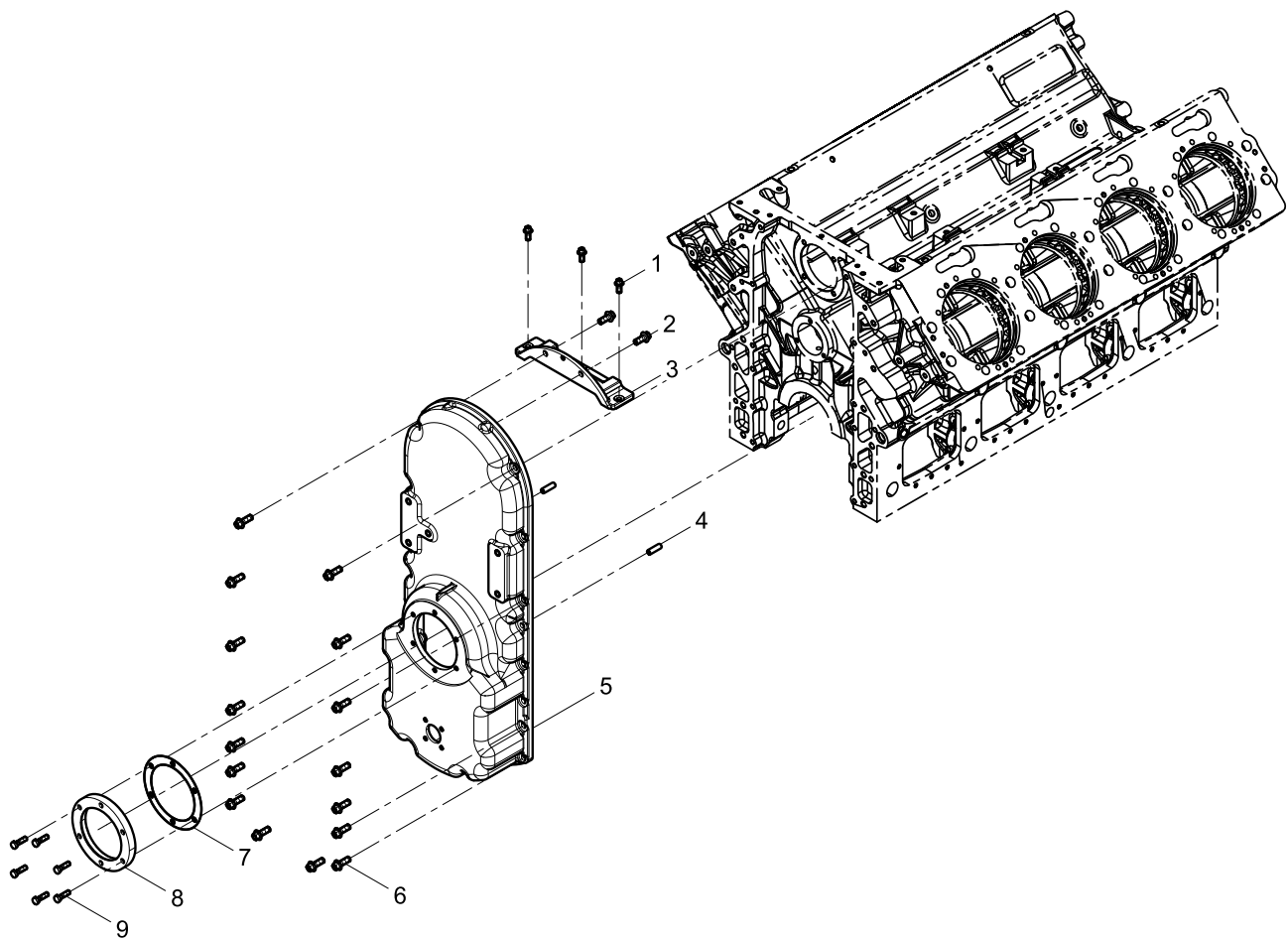
Main Bearing Set



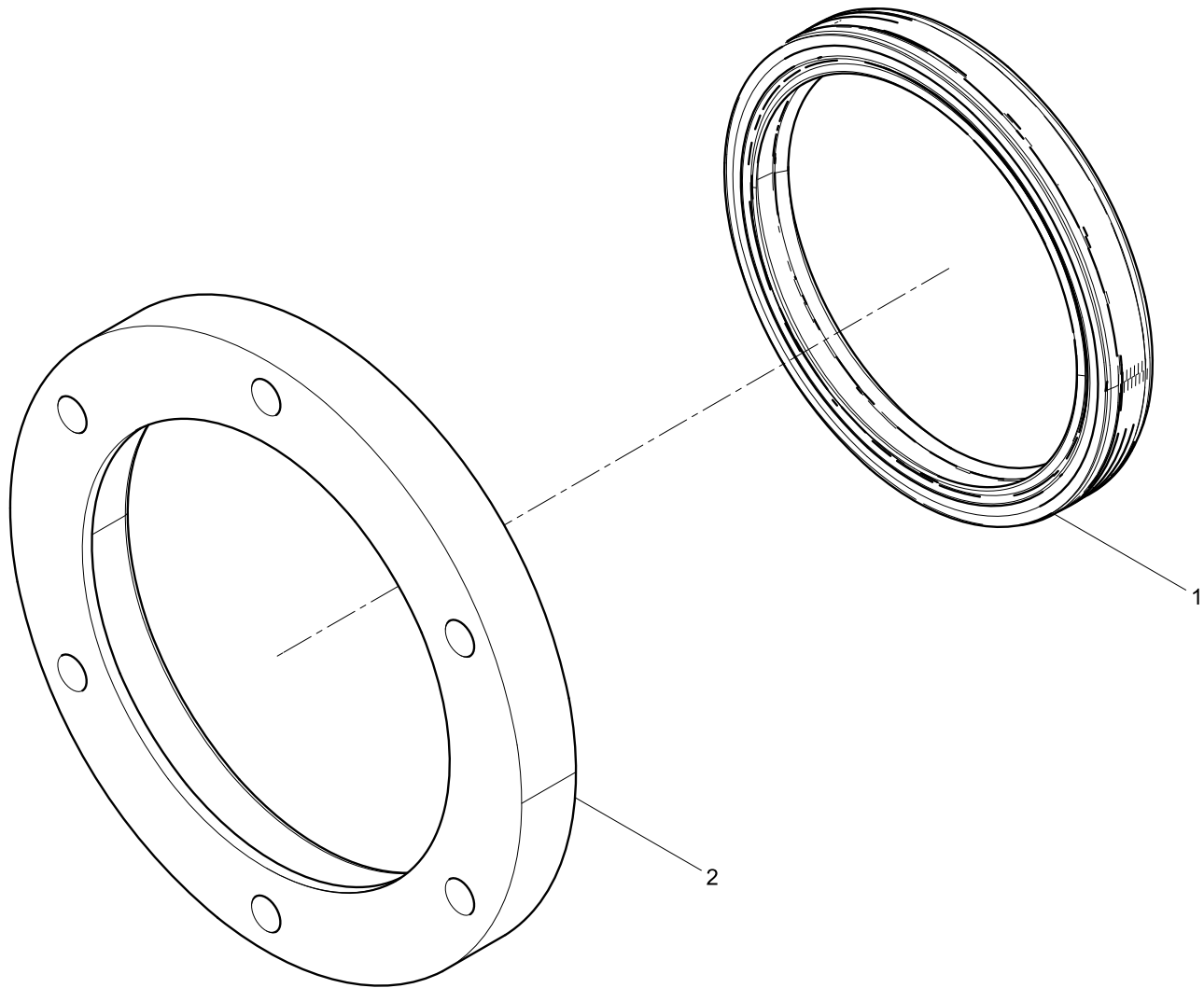
Main Bearing Set

Pos.	Teile.Number	Amount	Designation
1	1000411697	7	Main Bearing Upper Shell
2	1000411698	7	Main Bearing Lower Shell

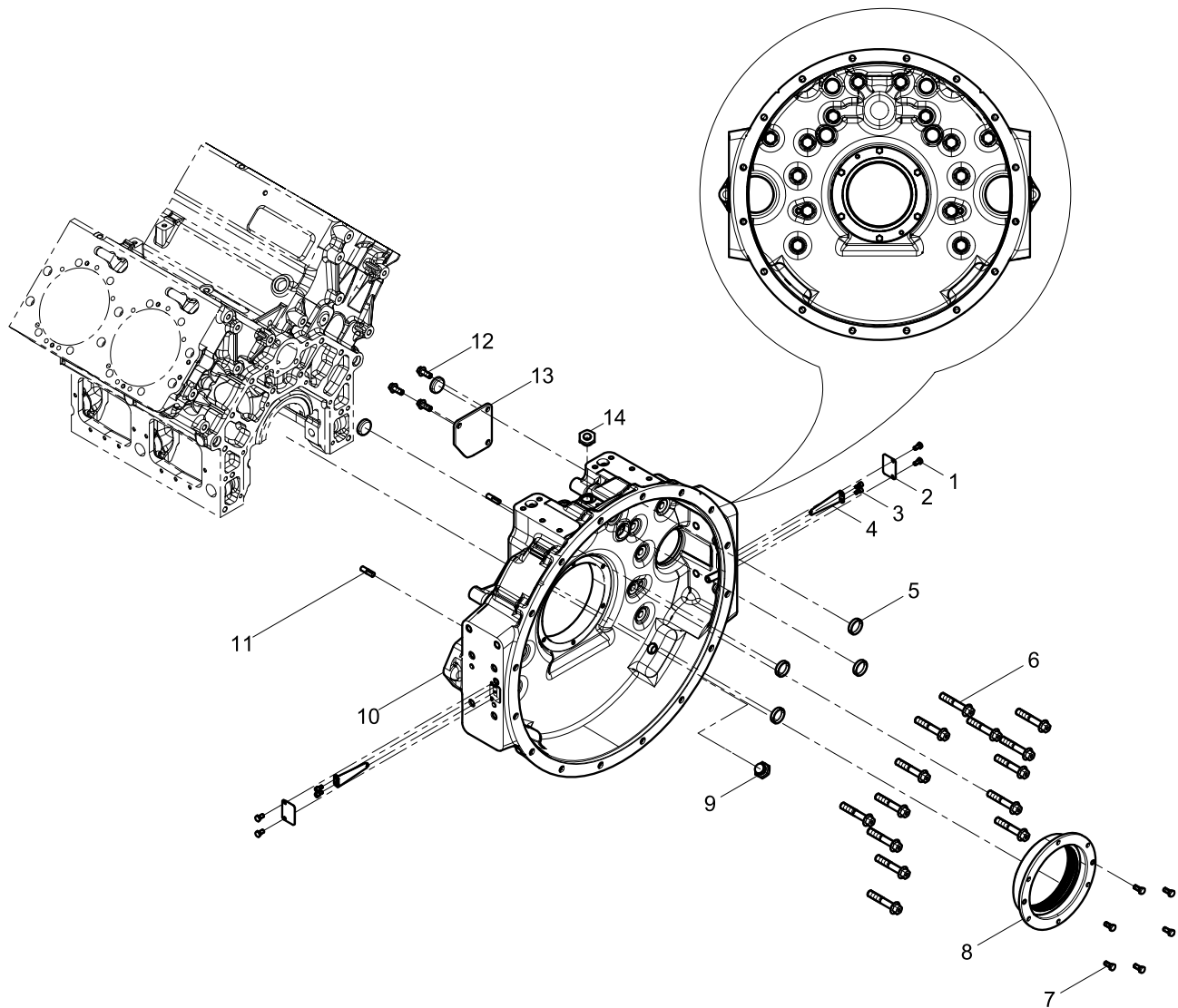
Front cover group



Front oil seal set



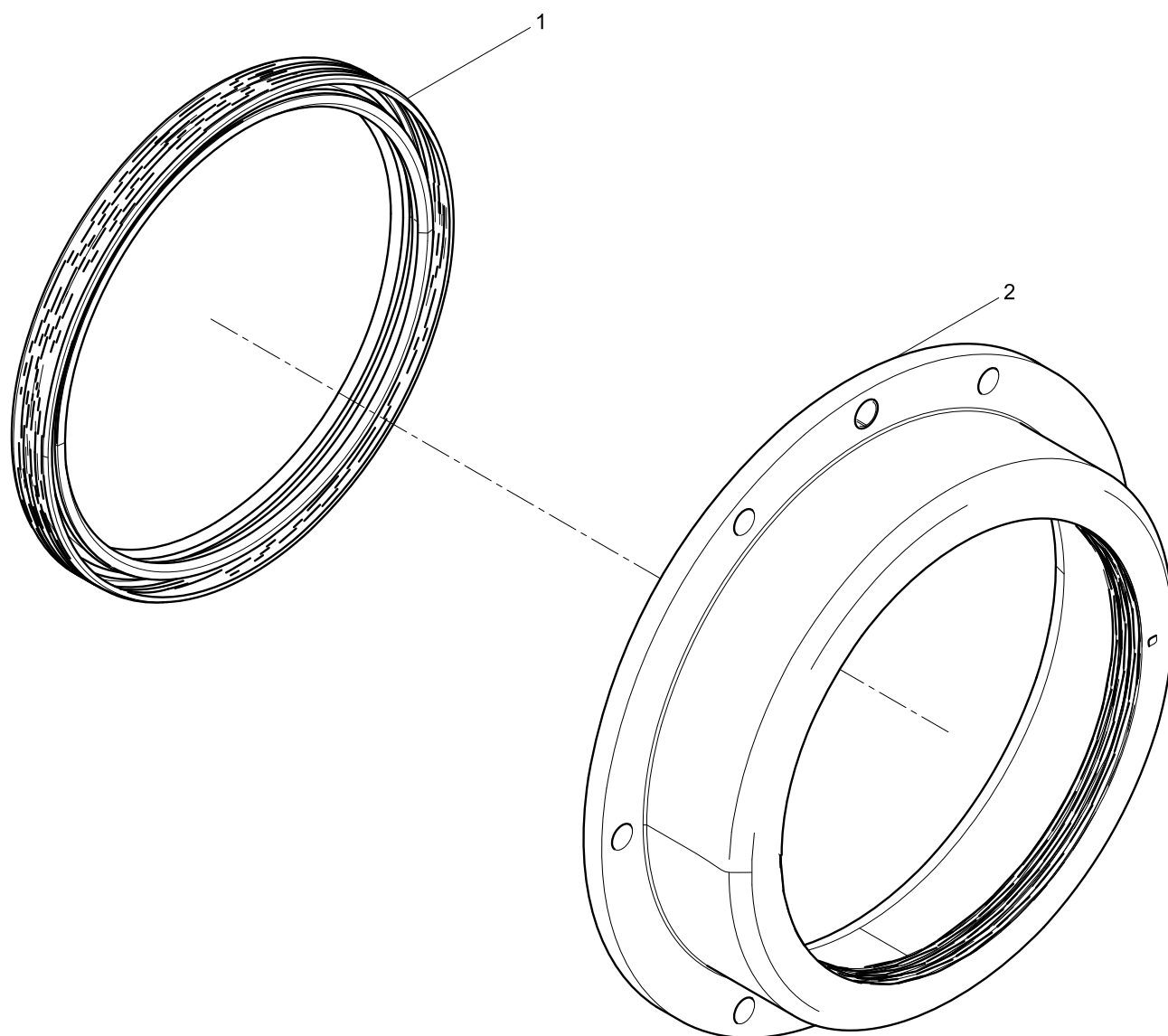
Flywheel Housing Group



Flywheel Housing Group

Pos.	Teile.Number	Amount	Designation
1	90003802312	4	Hexagon Head Bolt
2	X6253.008	2	Cover
3	90013050051	4	Inner Hexagon Socket Head Cap Screw
4	X6253.006	2	Indicator
5	330201000426	6	Bowl Plug
6	9000000463	14	Hexagon Flange Bolt
7	90003802443	6	Hexagon Head Bolt
8	15510450K	1	Rear Oil Seal Group
9	14011250V	1	Hexagon Screw Plug
10	1001359351	1	Flywheel Housing
11	90019230003	2	Grooved Pin
12	90011420007	3	Hexagon Flange Bolt
13	13601570Q	1	Cover
14	X6231.150W	1	Sensor Seat

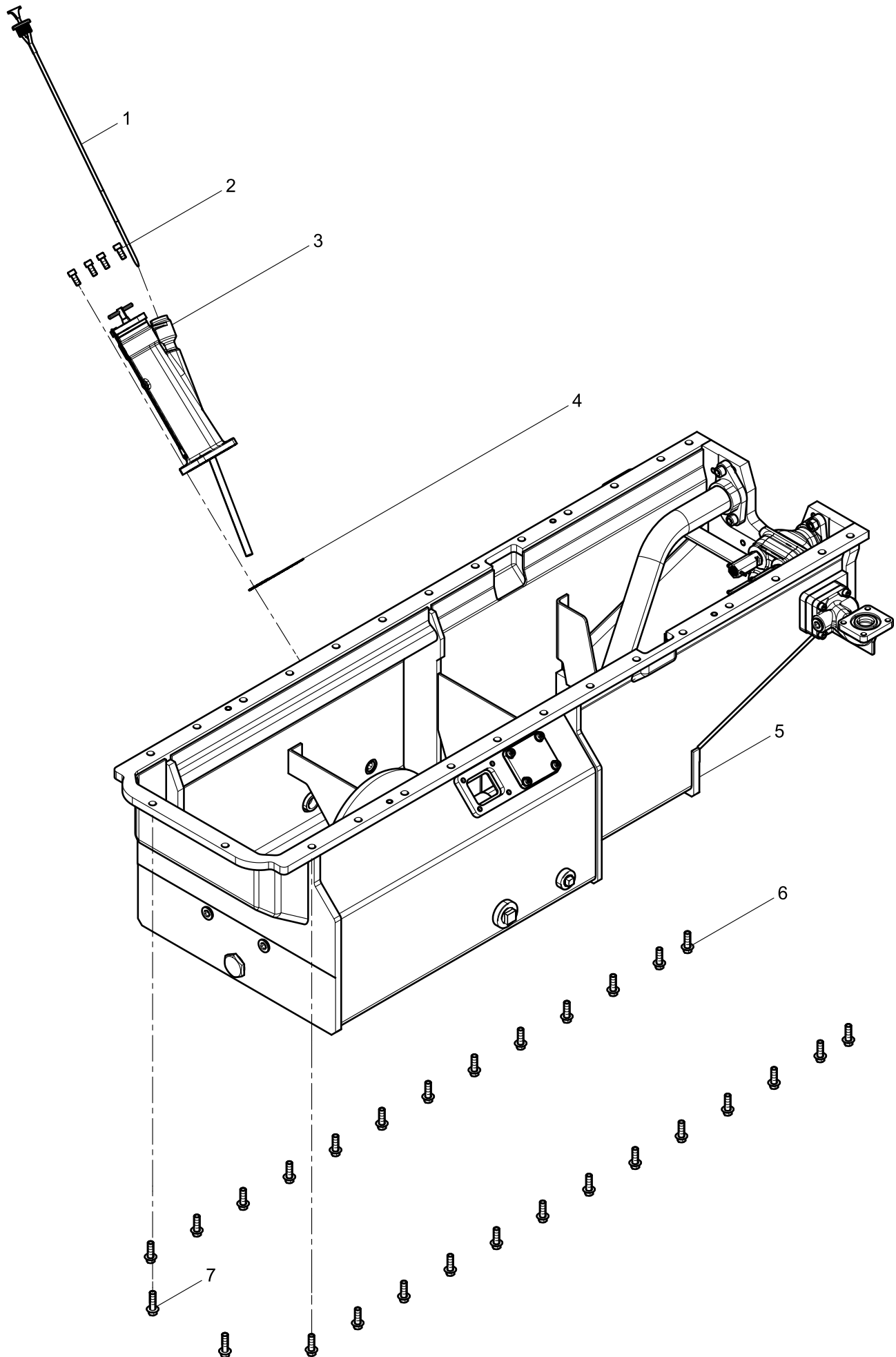
Rear Oil Seal Group



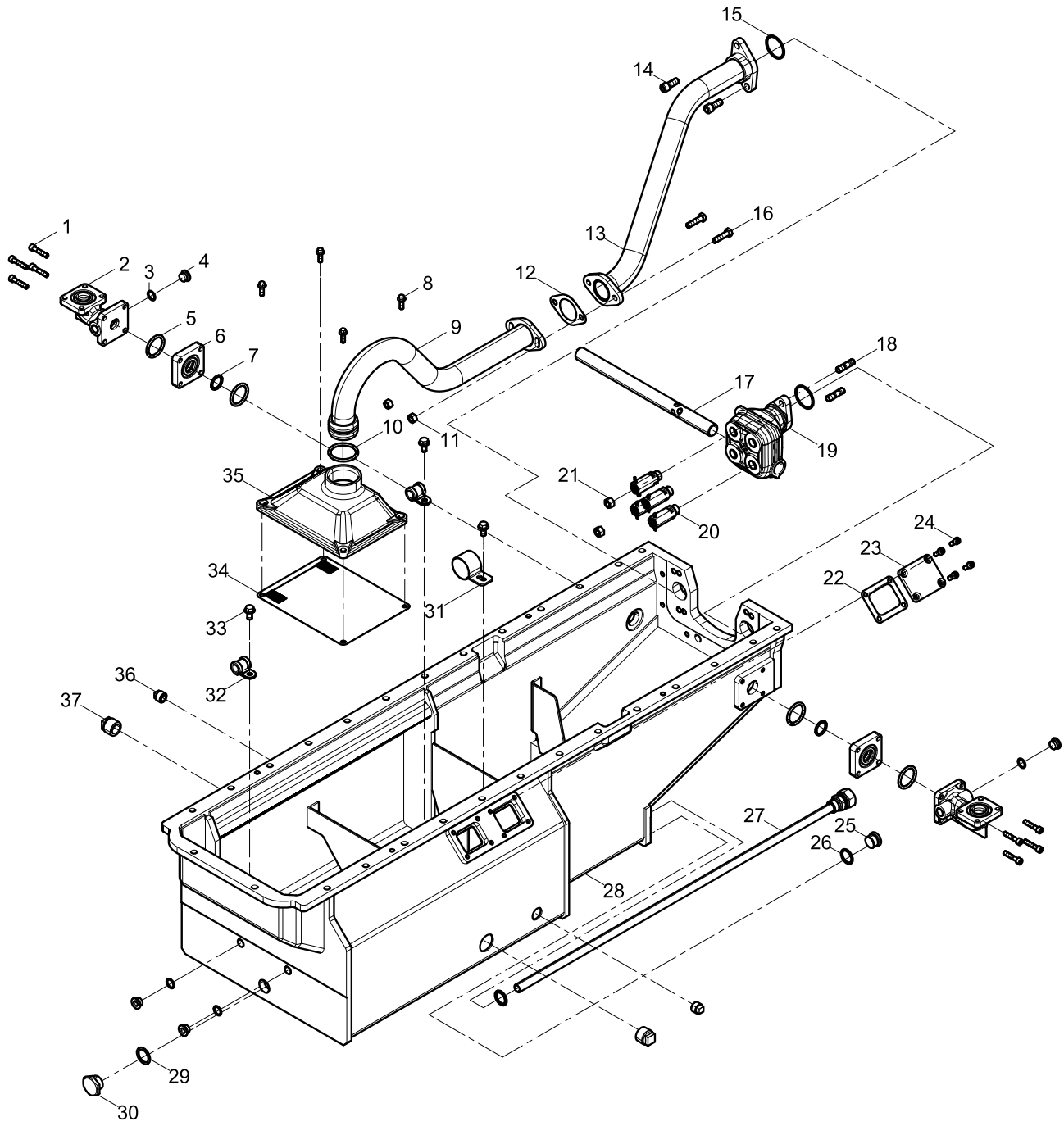
Rear Oil Seal Group

Pos.	Teile.Number	Amount	Designation
1	13505601B	1	Rear Oil Seal
2	15010850R	1	Rear Oil Seal Seat

Oil Pan Group



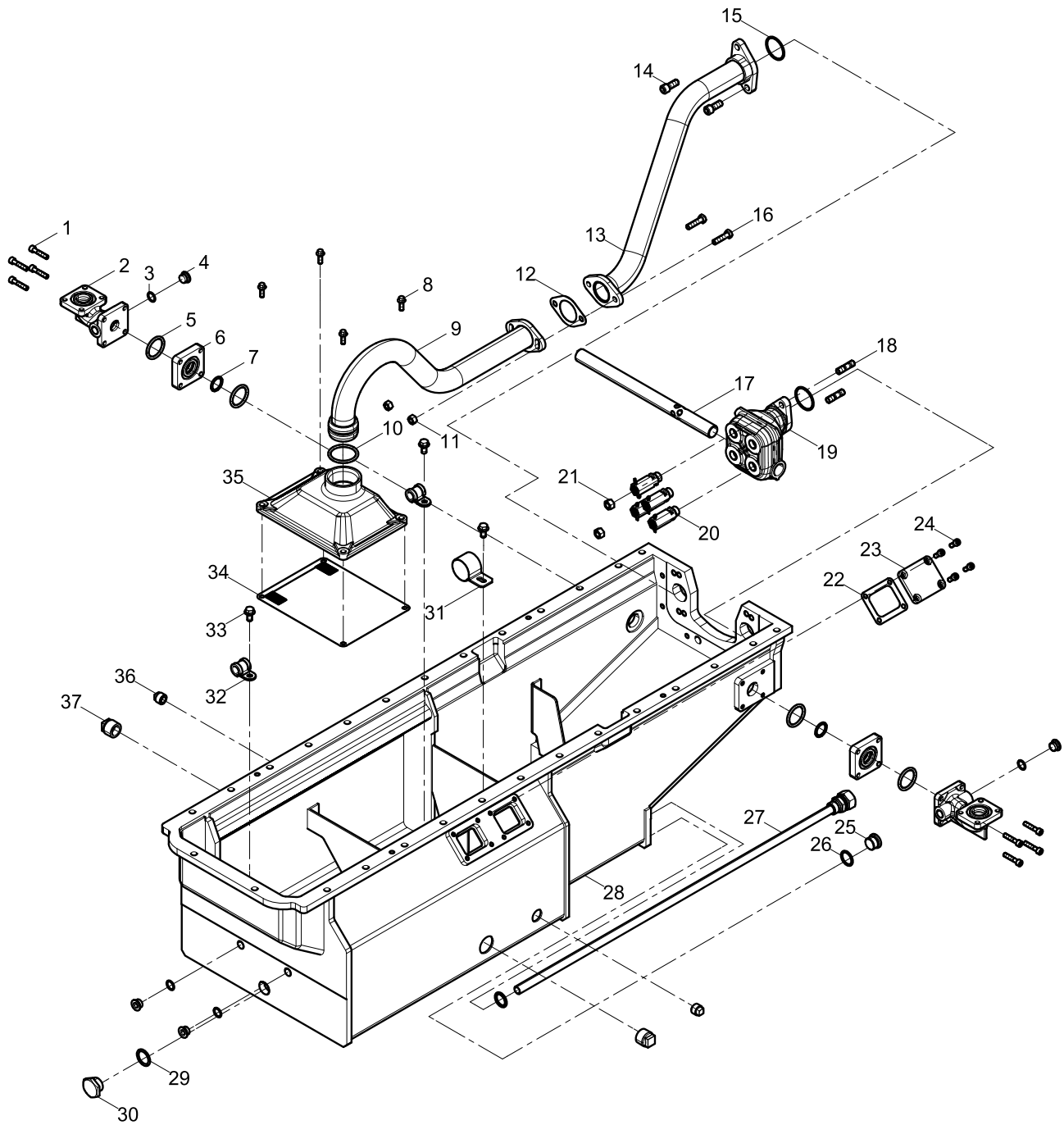
Oil Pan Set



Oil Pan Set

Pos.	Teile.Number	Amount	Designation
1	90013050059	8	Inner Hexagon Socket Head Cap Screw
2	15041480K	2	Pipe Joint
3	90003098020	6	Washer
4	14400078J	6	Hexagon Taper Screw Plug
5	90017510021	4	O-ring
6	15041460N	2	Flange
7	90017550018	2	O-ring
8	90011410003	4	Hexagon Flange Bolt
9	15012270K	1	Lube Oil Pump Oil-inlet Pipe
10	90017550016	1	O-Ring
11	90012390002	2	Prevailing Torque Type All-metal Hexagon Nut,
12	13516260M	1	Gasket
13	15012260Z	1	Pipe
14	77754400C	2	Bolt
15	90017550020	1	O-ring
16	90003802536	2	Hexagon Head Bolt
17	13614230B	1	Pipe
18	90011520045	2	Double End Stud
19	15042000A	1	Supporting Seat
20	330204000125	4	Oil Pump Pressure Limiting Valve
21	90003871344	2	Hexagon Nuts, Style 1
22	14210300D	1	Gasket
23	14210270W	1	Cover
24	90013550027	4	Inner Hexagon Socket Head Cap Screw
25	77733030Z	1	Hexagon Taper Screw Plug
26	612630010382	1	Assembled Sealing Washer
27	15012100A	1	Pre-lubricationg Pump Oil Pipe

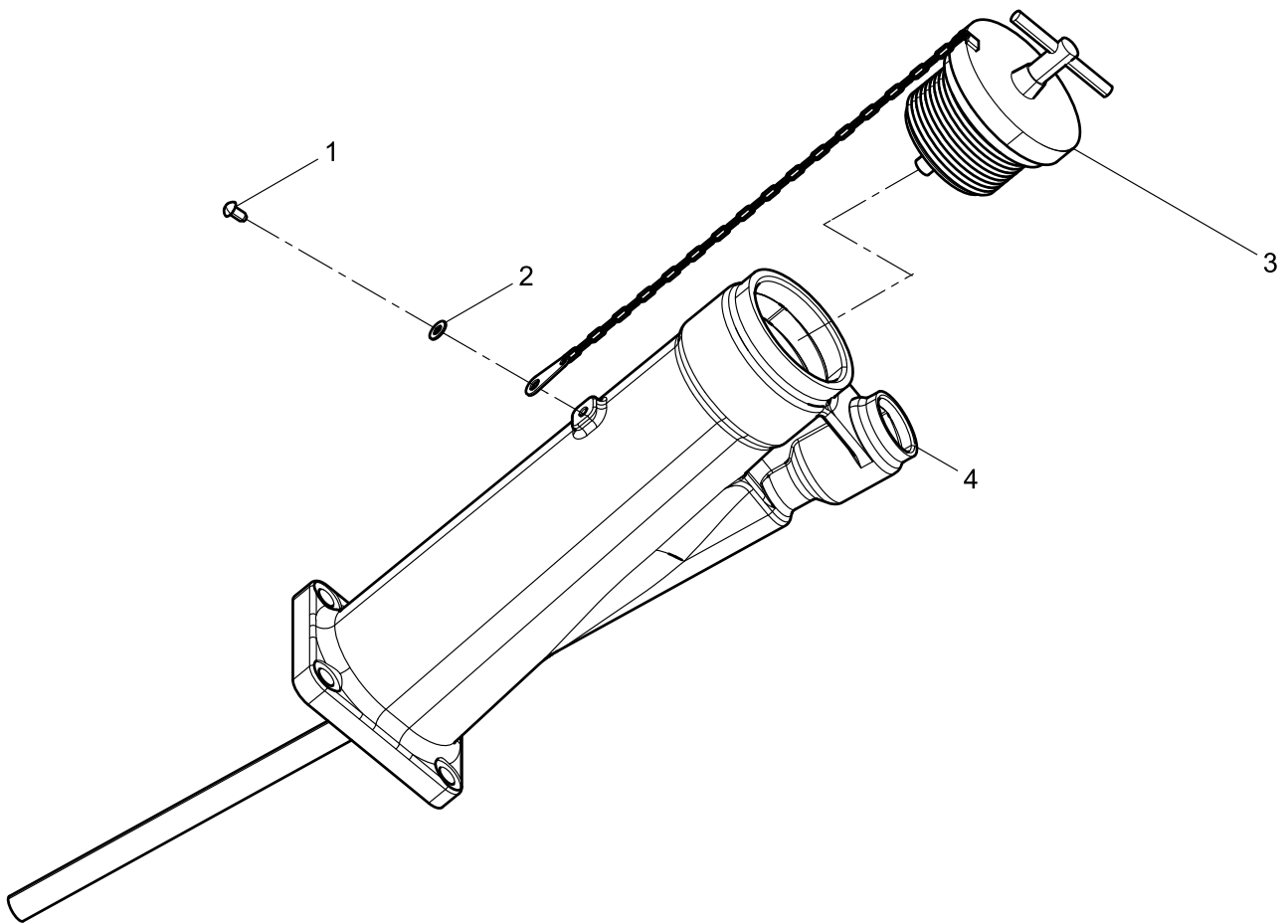
Oil Pan Set



Oil Pan Set

Pos.	Teile.Number	Amount	Designation
28	330201000472	1	Oil Pan
29	14400073D	1	
30	90017050002	1	Hexagon Magnetic Screw Plug
31	15040010M	1	Clamp
32	13615140Q	2	Pipe Clamp Assembly
33	90011310001	3	Hexagon Flange Bolt
34	15012050W	1	Suction Strainer Filter
35	15012060G	1	Suction Strainer Bonnet
36	13022827	2	Screw Plug
37	13036173	2	Screw Plug

Oil filling pipe set

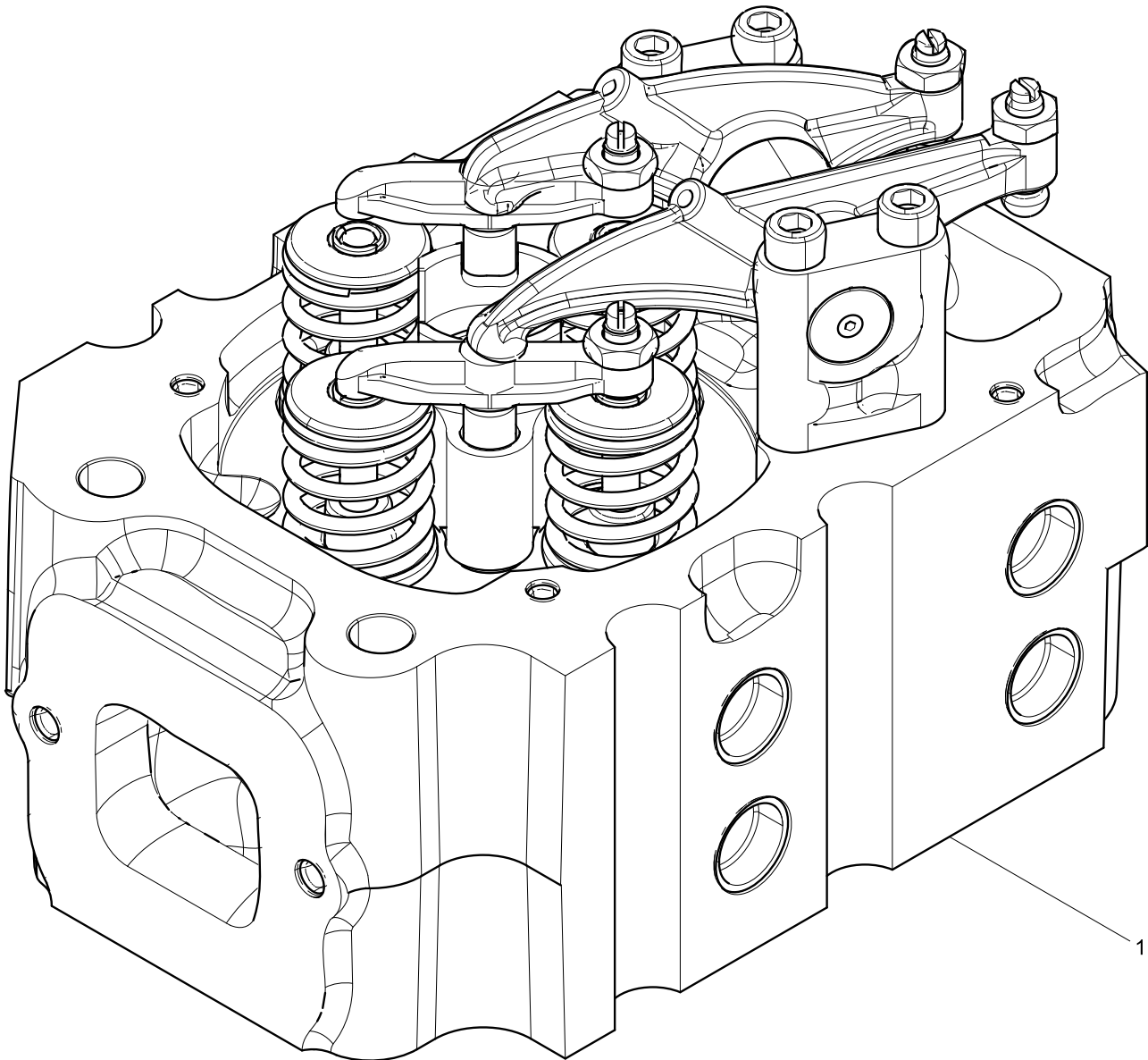


Oil filling pipe set

Pos.	Teile.Number	Amount	Designation
1	15010040L	1	Rivet
2	90014040004	1	Plain Washer
3	15010020P	1	Oil filling pipe cover
4	X6231.012W	1	Oil Filling Tube Assembly



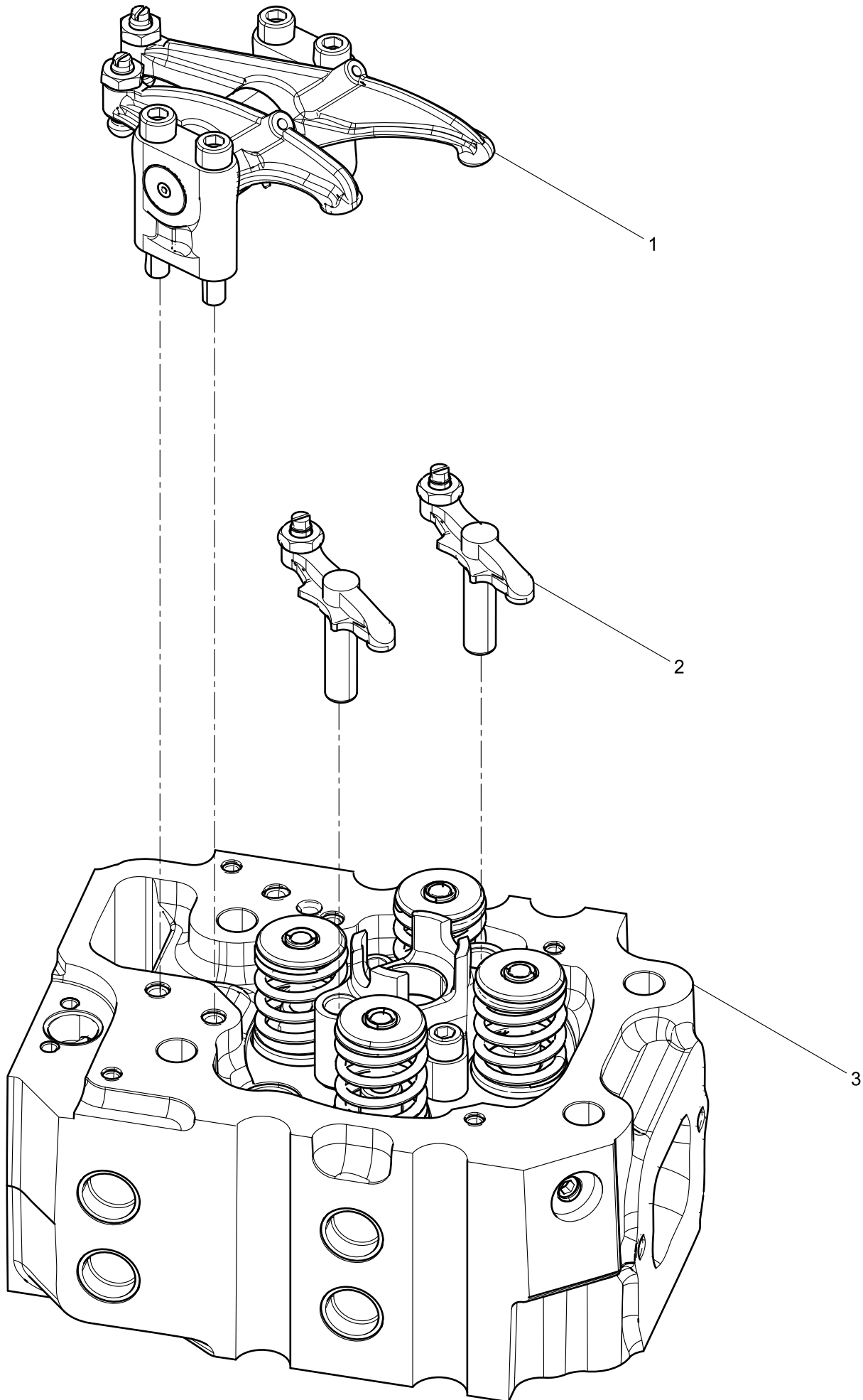
Cylinder Head Group



Cylinder Head Group

Pos.	Teile.Number	Amount	Designation
1	330250000052	12	Cylinder head set

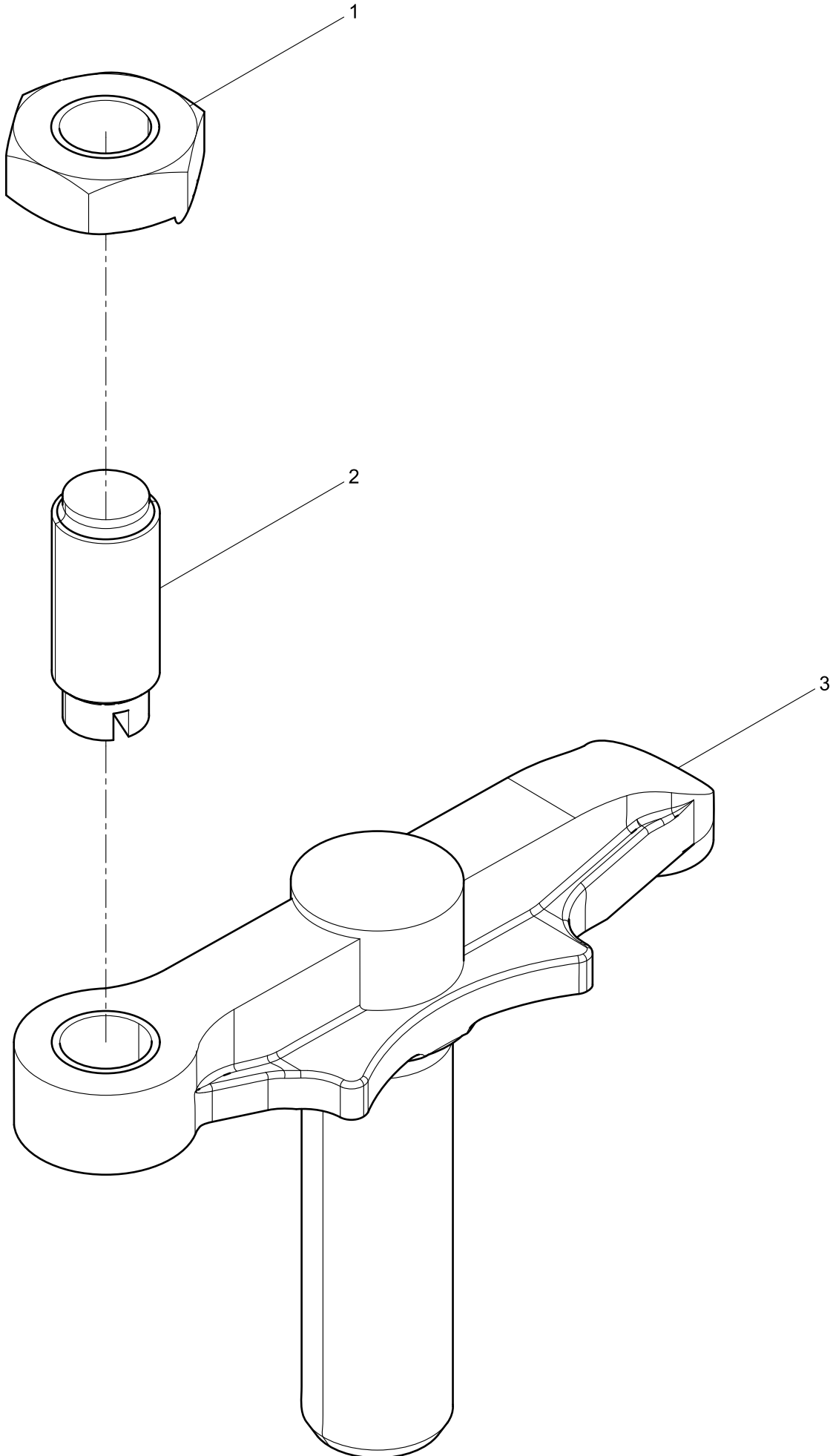
Cylinder head set



Cylinder head set

Pos.	Teile.Number	Amount	Designation
1	330202000130	1	Rocker Arm Set
2	13583540S	2	Valve Bridge Assembly
3	330250000053	1	Cylinder Head Assembly

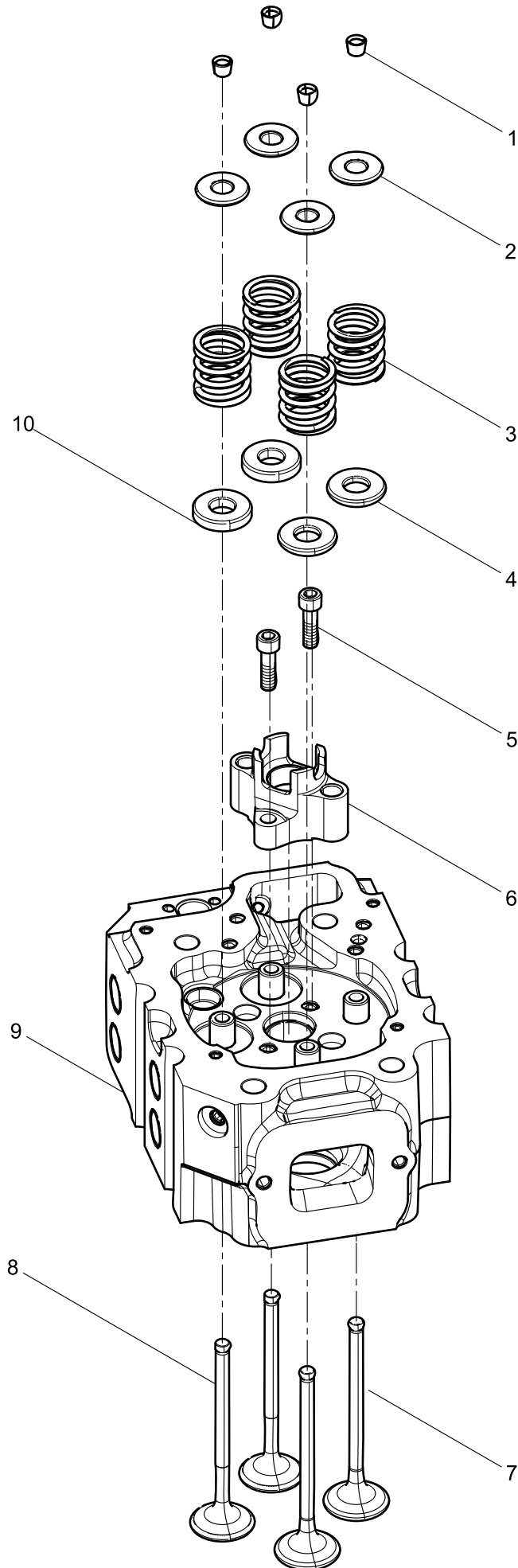
Valve Bridge Assembly



Valve Bridge Assembly

Pos.	Teile.Number	Amount	Designation
1	13504230L	2	Hexagon Lock Nut
2	13504090J	2	Adjusting Screw
3	13504080Y	2	Valve Bridge

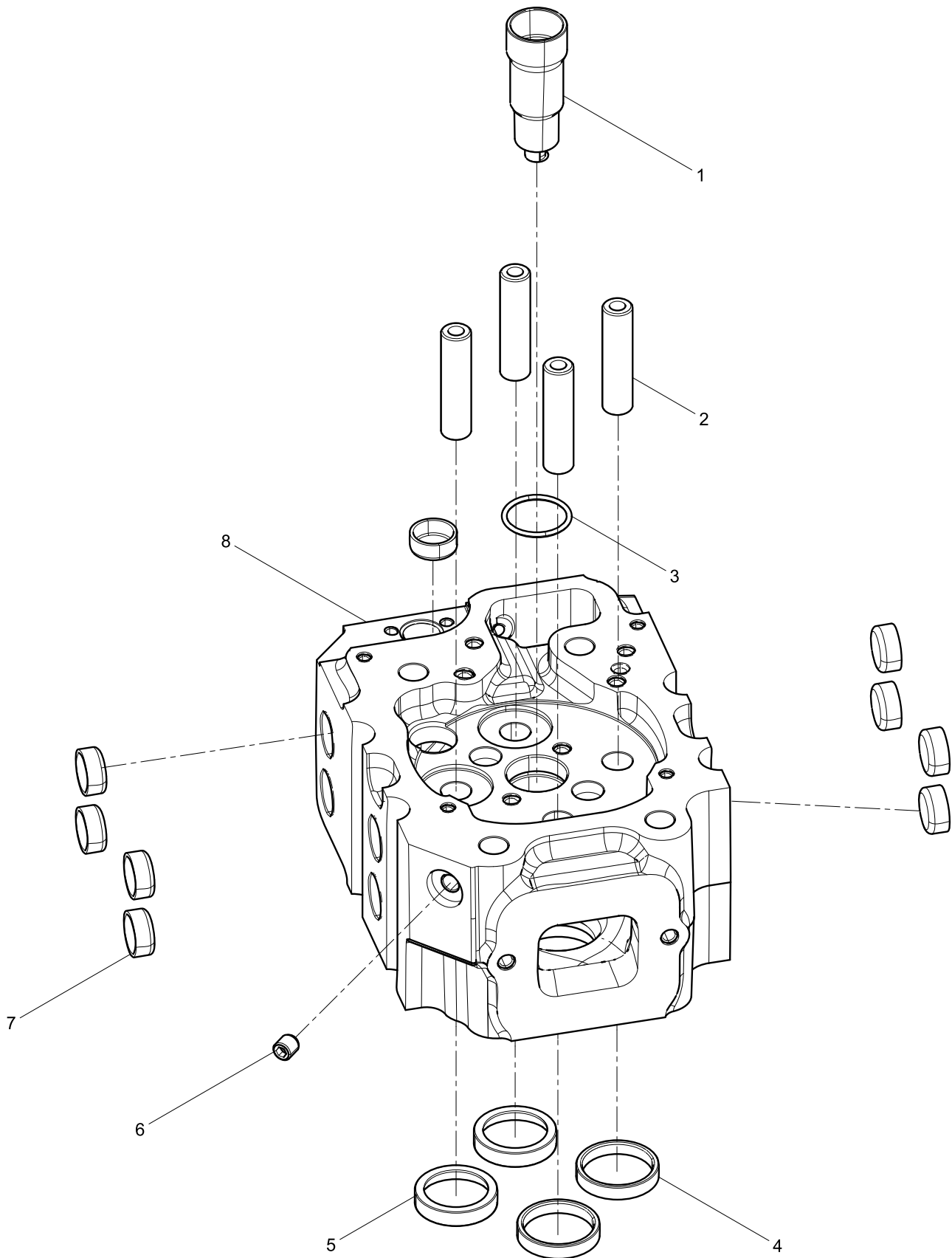
Cylinder Head Assembly



Cylinder Head Assembly

Pos.	Teile.Number	Amount	Designation
1	14010780J	8	Valve Collet
2	15012610E	4	Valve Spring Top Retainer
3	15012720Z	4	Valve Spring
4	X6231.178W	2	Intake Valve Spring Bottom Retainer
5	77753190M	2	
6	15010330B	1	Valve Bridge Seat
7	1000391263	2	Intake Valve
8	1000391264	2	Exhaust Valve
9	330201000172	1	Cylinder Head Subassembly
10	X6231.179W	2	Exhaust Valve Spring Bottom Retainer

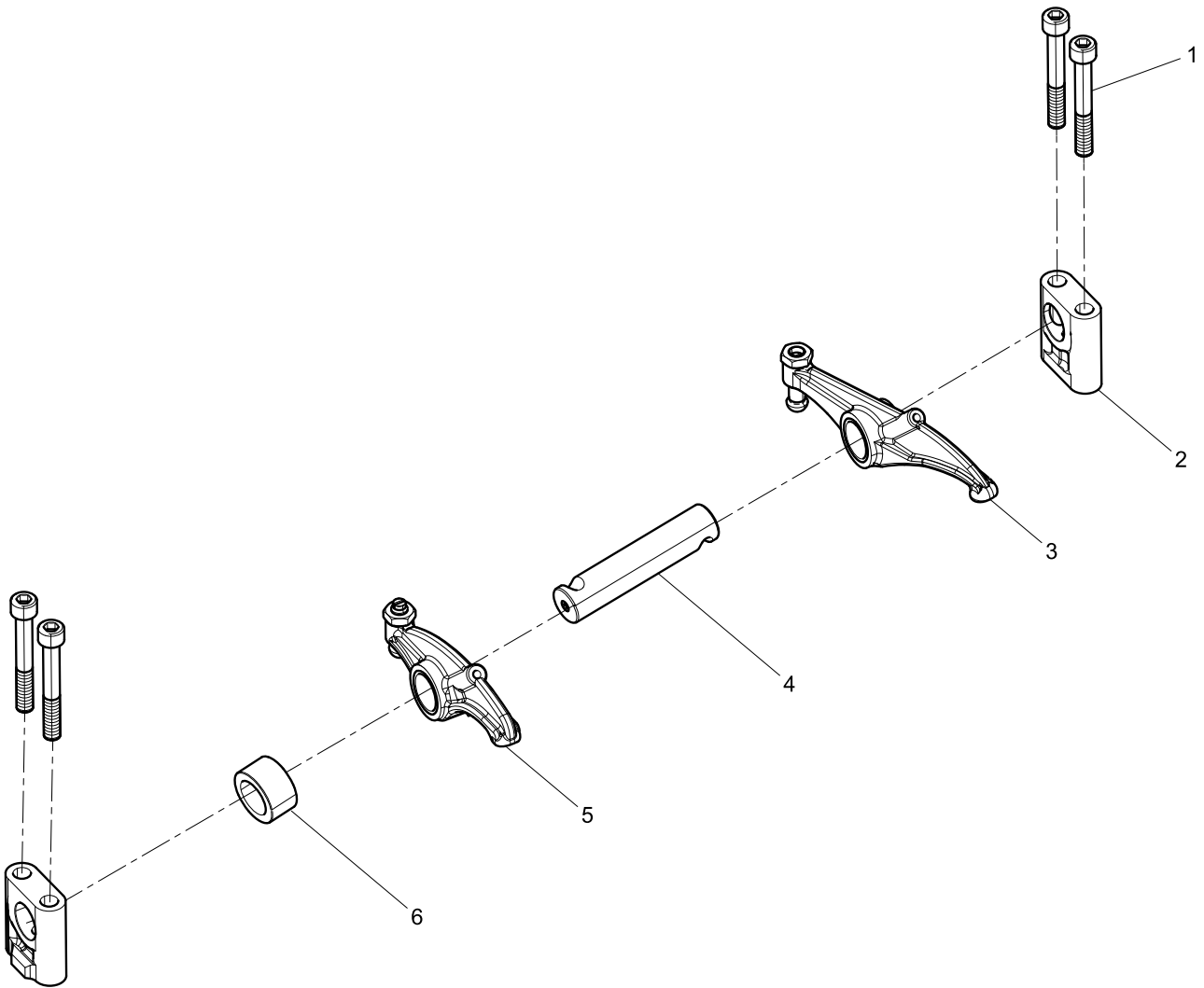
Cylinder Head Subassembly



Cylinder Head Subassembly

Pos.	Teile.Number	Amount	Designation
1	15012730K	1	Injector Bush
2	W15011040Y	4	Valve Guide
3	77711170N	1	O-ring
4	15012800L	2	Intake Valve Seat
5	15012810X	2	Exhaust Valve Seat
6	90013130004	1	Hexagon Socket Set Screw with Flat Point
7	331001000587	9	Bowl Plug
8	330201000163	1	Cylinder Head

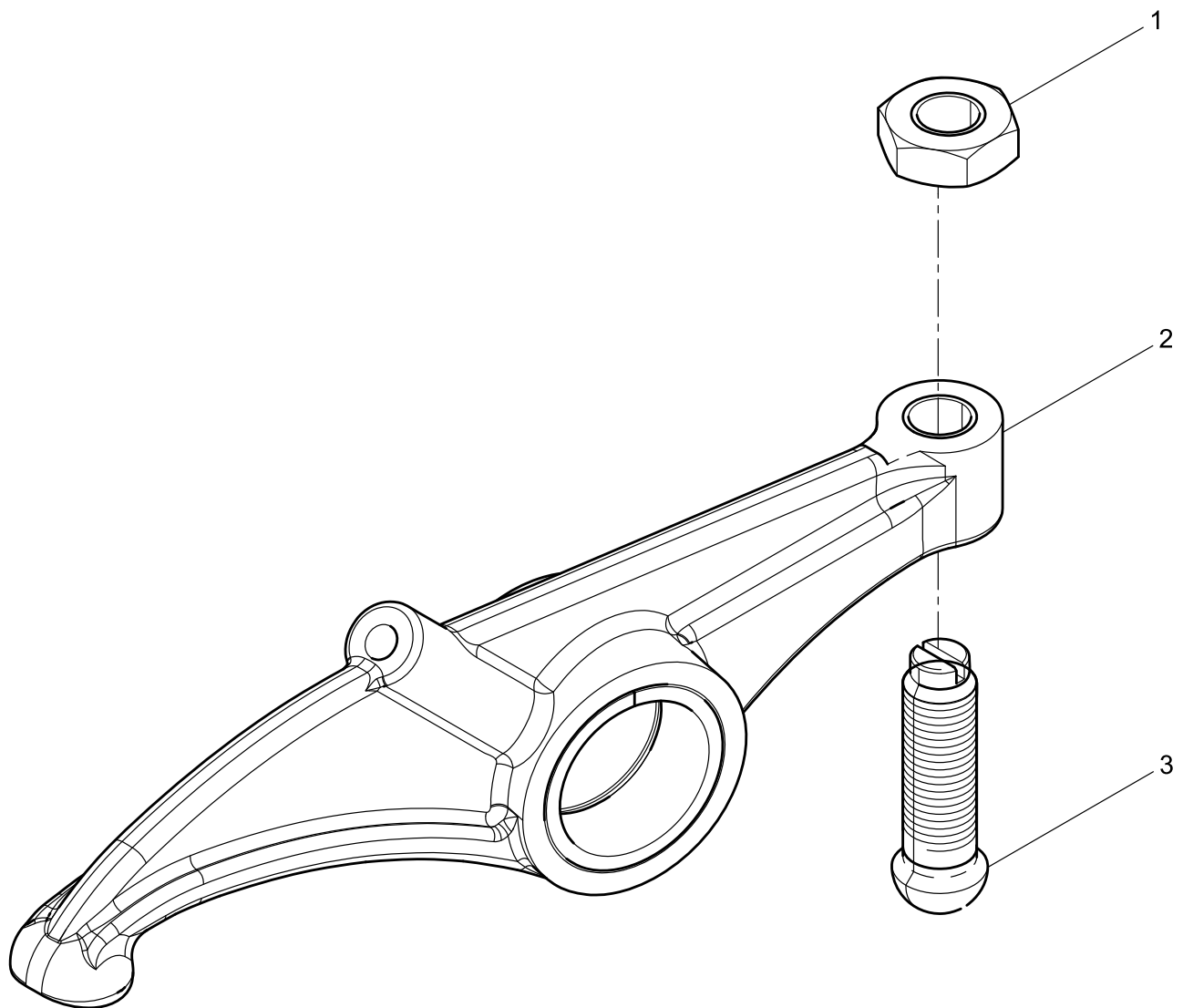
Rocker Arm Set



Rocker Arm Set

Pos.	Teile.Number	Amount	Designation
1	77753250CS	4	Inner Hexagon Socket Head Cap Screw
2	15010320Q	2	Rocker Arm Bracket
3	13583521X	1	Intake Rocker Arm Assembly
4	13583500Z	1	Rocker Arm Shaft Set
5	330202000110	1	Exhaust Rocker Arm Assembly
6	13502300N	1	Sleeve

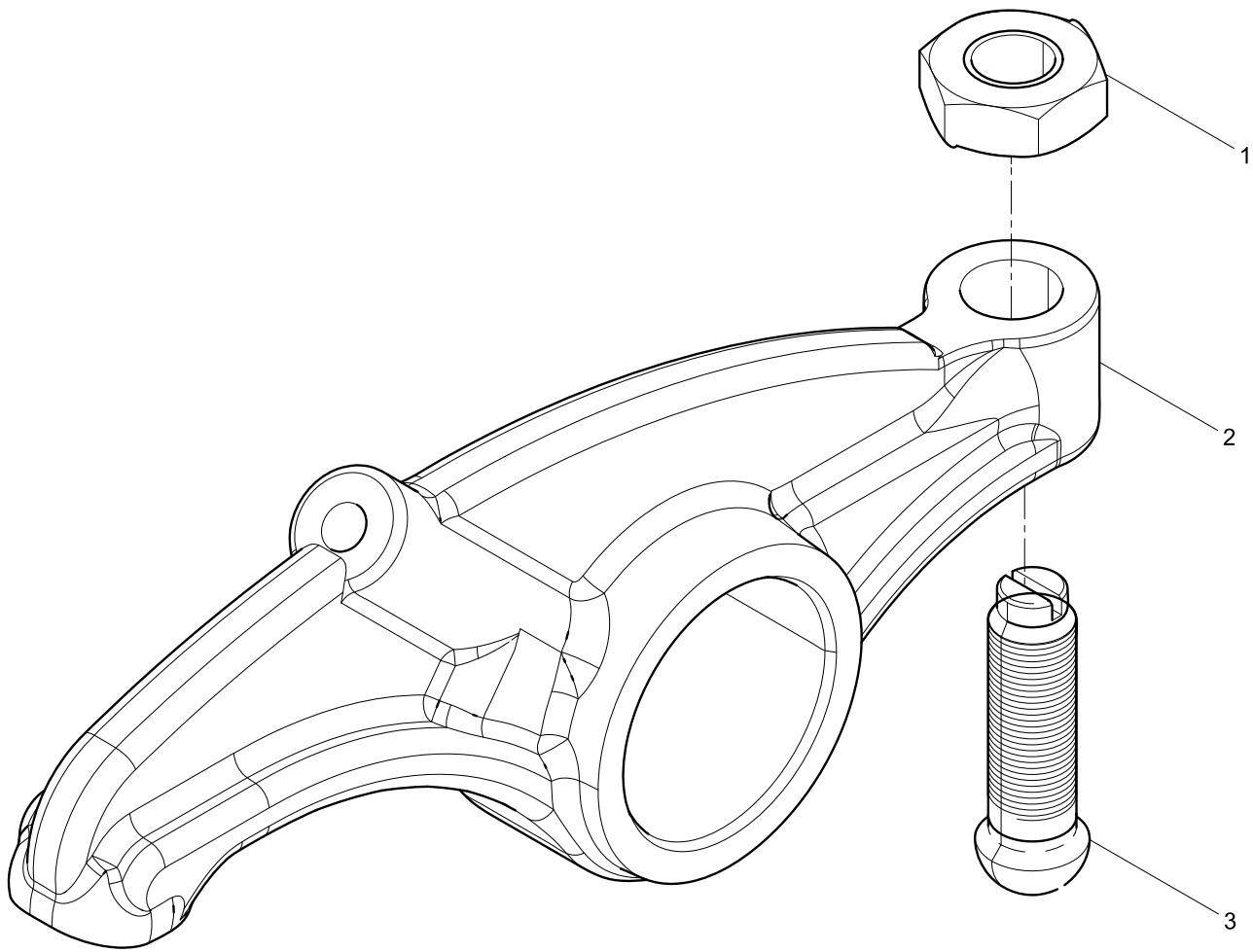
Intake Rocker Arm Assembly



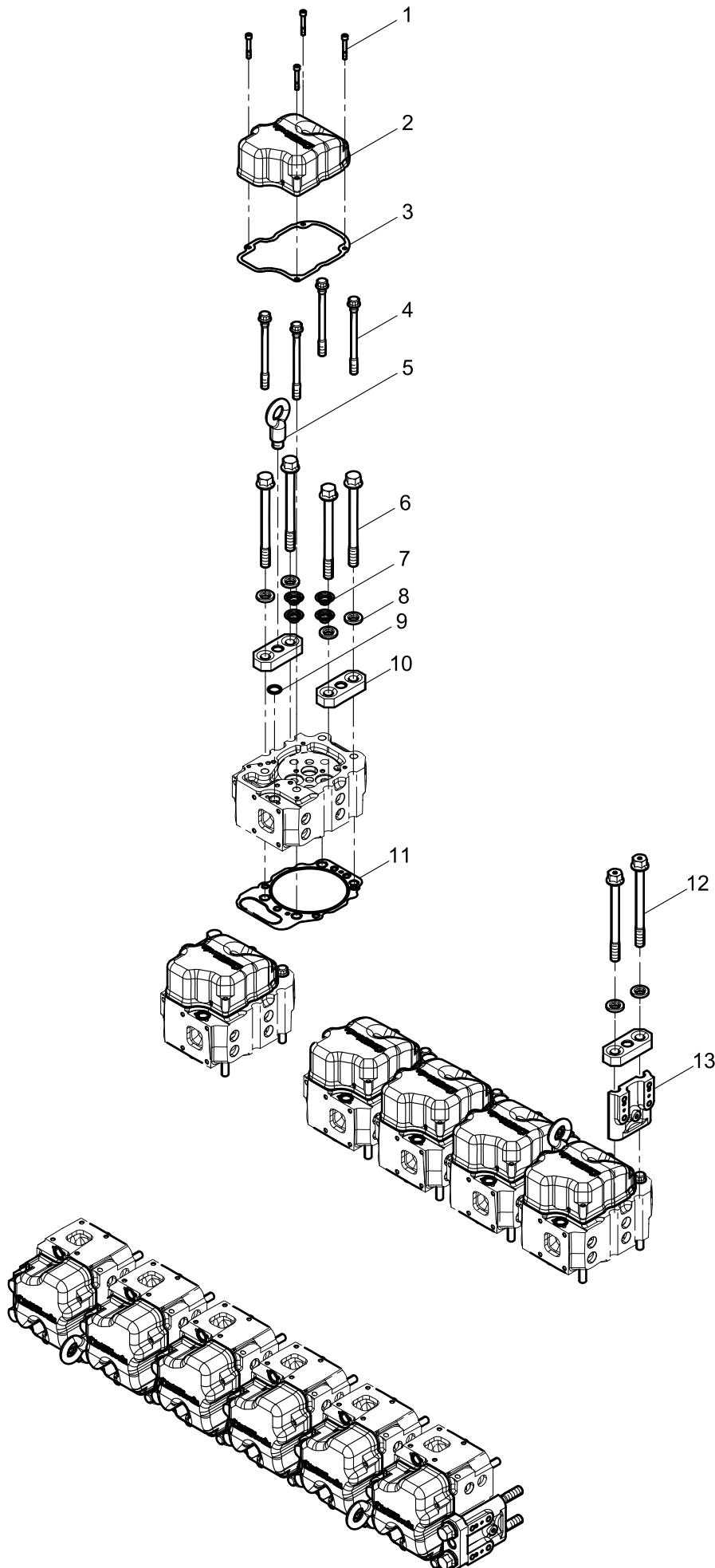
Intake Rocker Arm Assembly

Pos.	Teile.Number	Amount	Designation
1	13504230L	1	Hexagon Lock Nut
2	13504071N	1	Inlet rocker arm assemblage
3	13504190S	1	Adjusting Screw

Exhaust Rocker Arm Assembly



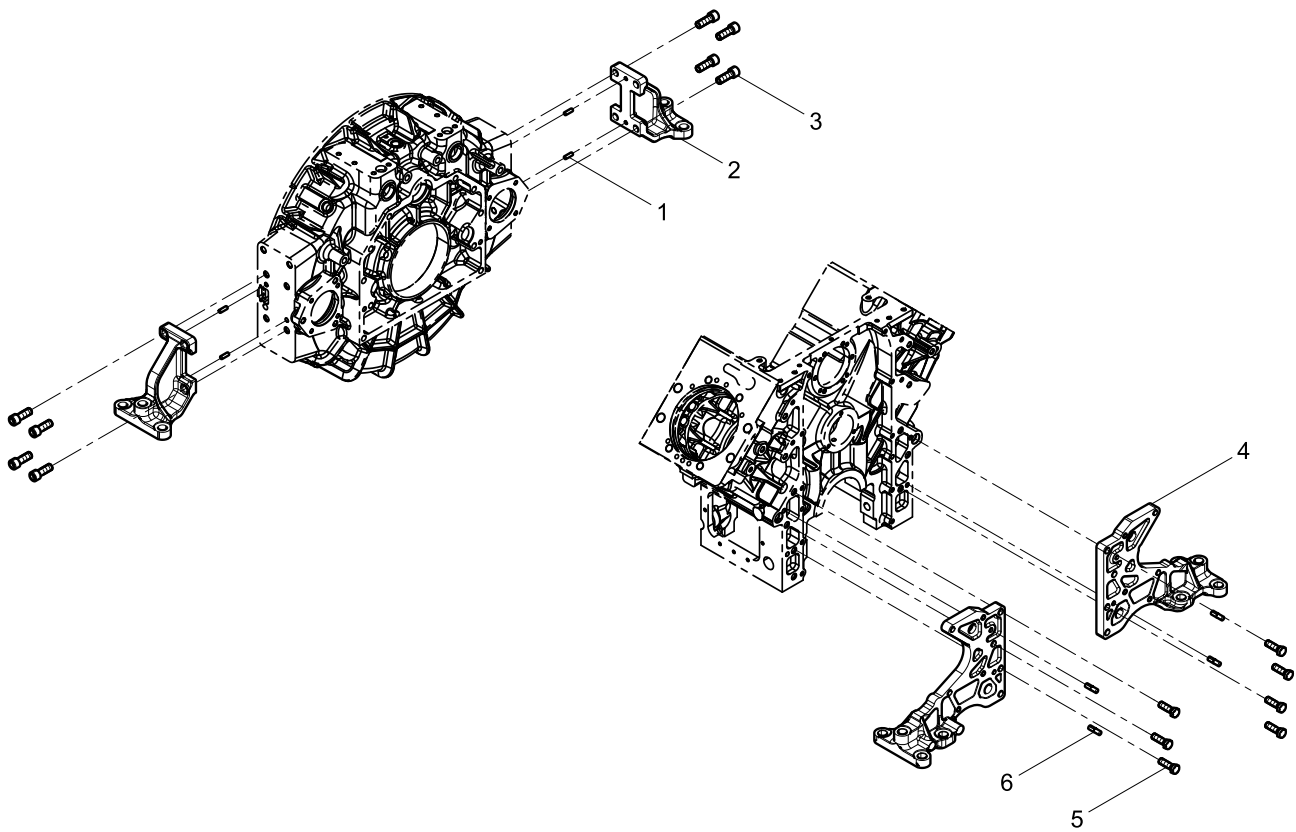
Cylinder Head Accessory Group



Cylinder Head Accessory Group

Pos.	Teile.Number	Amount	Designation
1	90003862456	48	Inner Hexagon Socket Head Cap Screw
2	15010361K	12	Cylinder Head Cover
3	330201000012	12	Cylinder Head Cover Gasket
4	1000997330	48	Cylinder Head Main Bolt
5	15010650Z	4	Engine Hanger Plate
6	1000986091	18	Secondary Blots of Cylinder Head
7	X6231.177W	48	Valve Stem Seal
8	15011620D	28	Washer
9	330201000147	12	O-ring
10	15012130H	14	Clamping Block
11	330201000108	12	Cylinder Head Gasket
12	1001179218	10	Secondary Blots of Cylinder Head
13	15010540E	4	Board

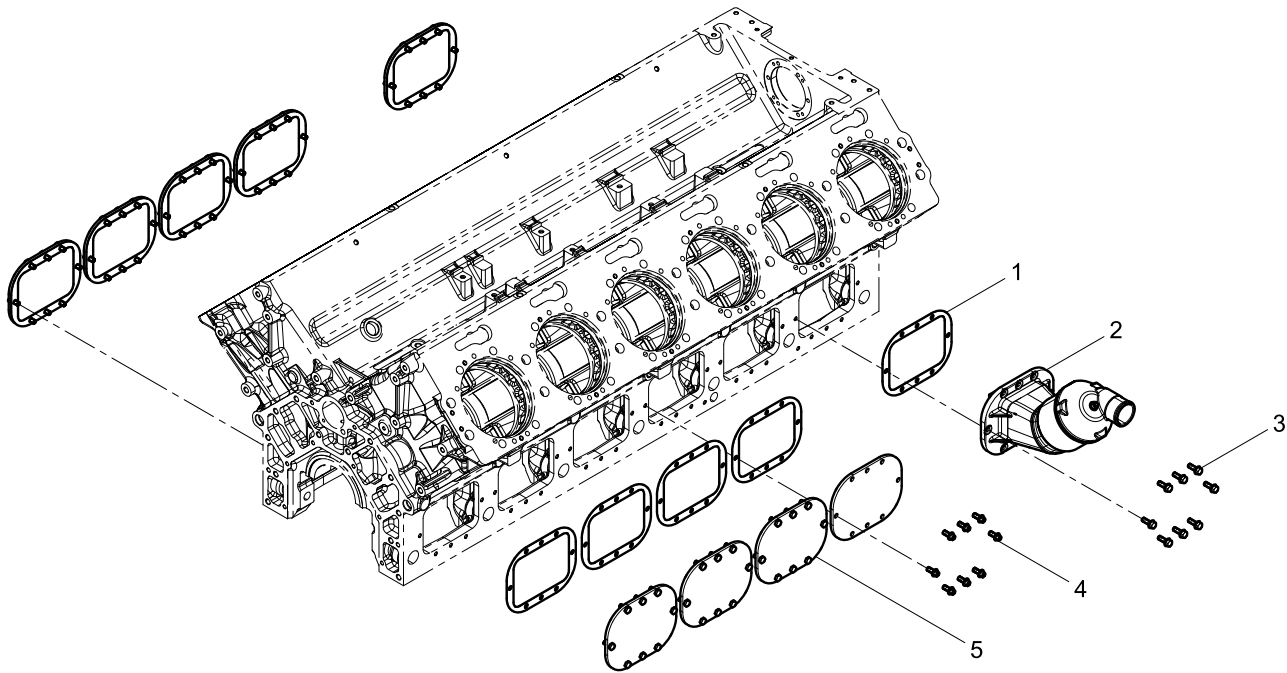
Bracket assembly



Bracket assembly

Pos.	Teile.Number	Amount	Designation
1	90015040024	4	Parallel Pin
2	330201000545	2	Engine Bracket
3	90013550025	8	Inner Hexagon Socket Head Cap Screw
4	X6231.394W	2	Engine Bracket
5	90011270036	7	Hexagon head bolt
6	90019230003	4	Grooved Pin

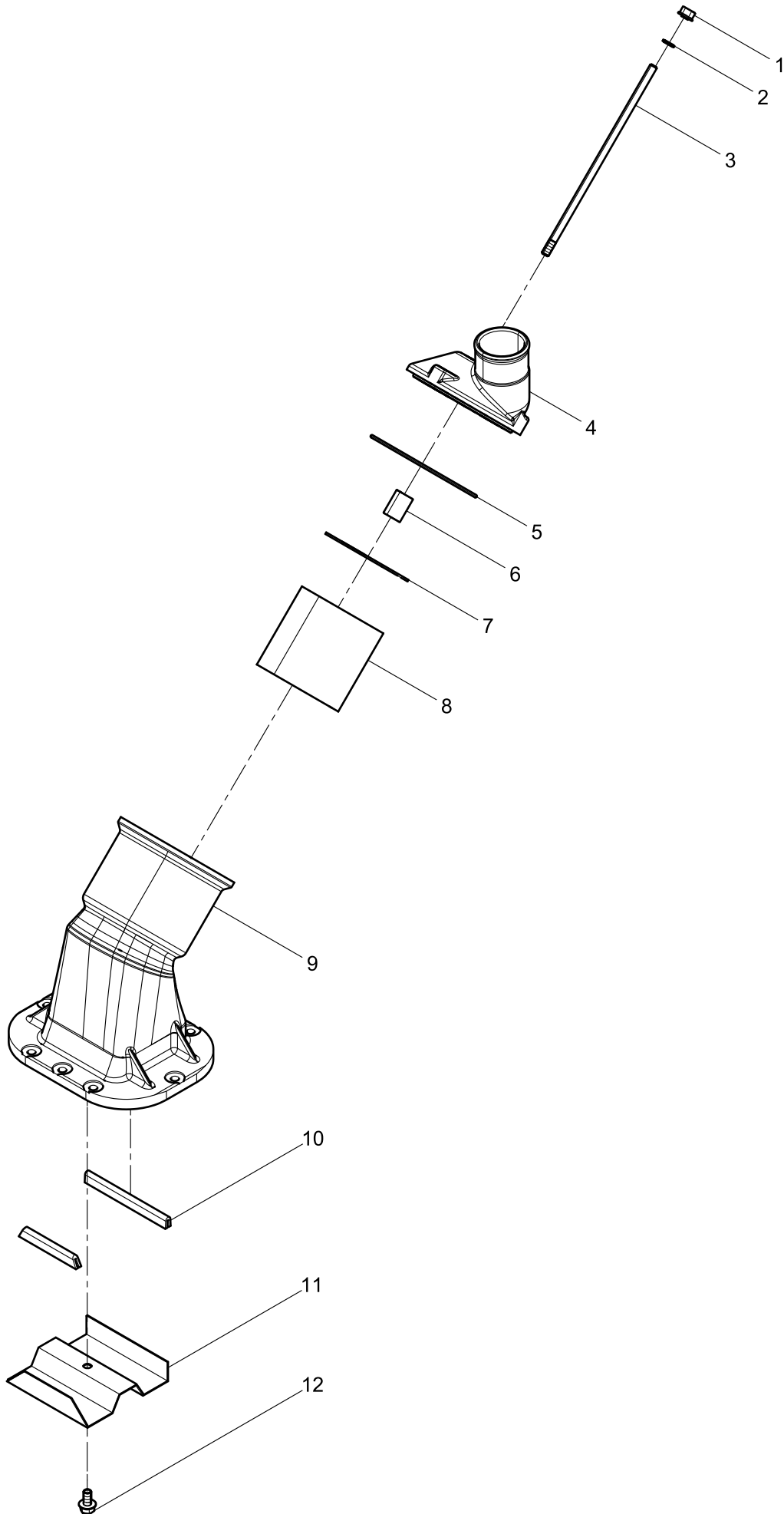
Breather group



Breather group

Pos.	Teile.Number	Amount	Designation
1	13501131S	10	Gasket
2	15510811C	1	Breather assembly
3	90011400058	8	Hexagon flange bolt, heavy series
4	90011420022	72	Hexagon Flange Bolt
5	13501200S	9	Handhole Cover

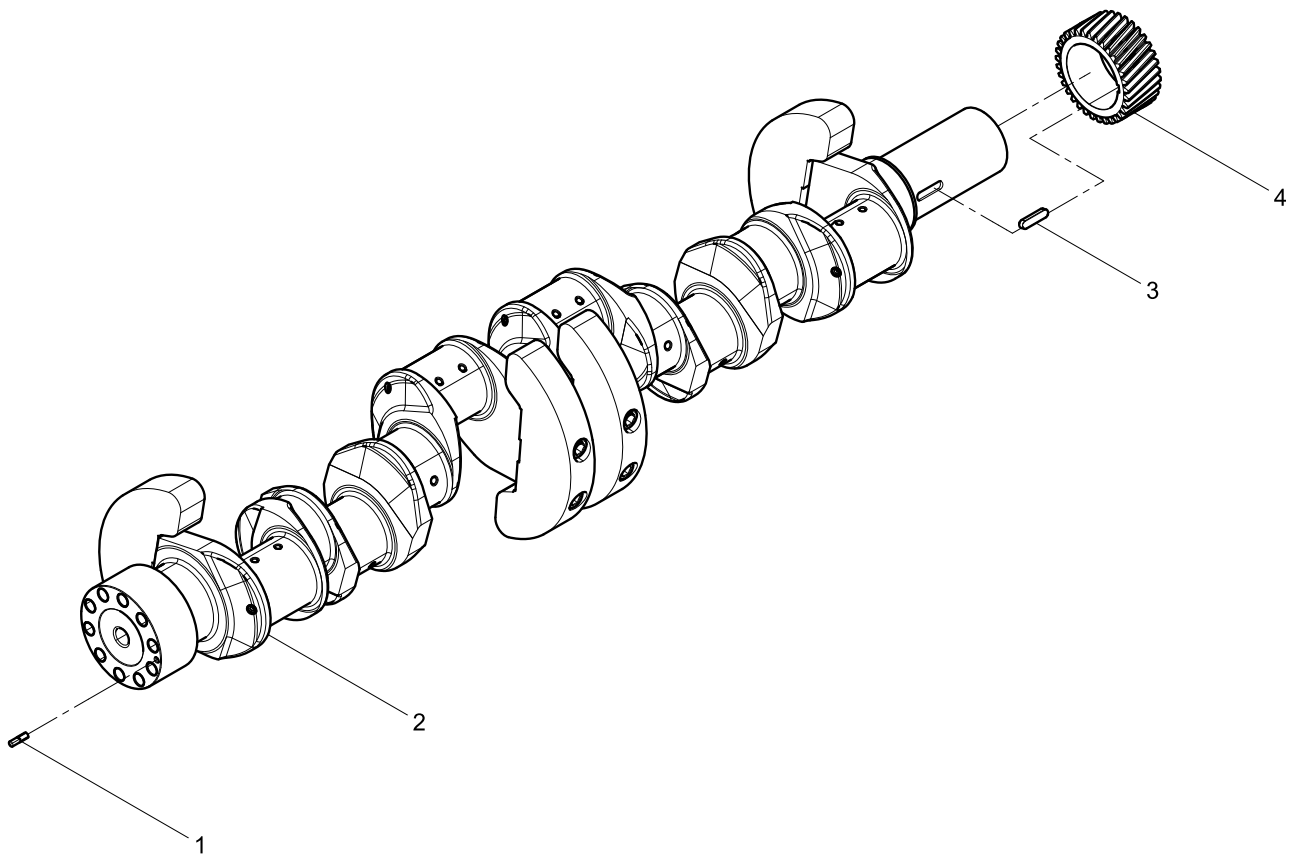
Breather assembly



Breather assembly

Pos.	Teile.Number	Amount	Designation
1	90012420002	1	Prevailing Torque Type All-metal Hexagon Nut with Flange
2	612600080201	1	Washer
3	77771351C	1	
4	15012090P	1	Breather Cover
5	77711060T	1	O-ring
6	15012120X	1	Pad
7	15010730L	1	Plate
8	13502531P	1	Oil-gas Separator Element
9	15012081E	1	Breather Block
10	15010985N	1	Washer
11	15010740X	1	Separating Oil Board
12	90011400019	1	Hexagon Flange Bolt

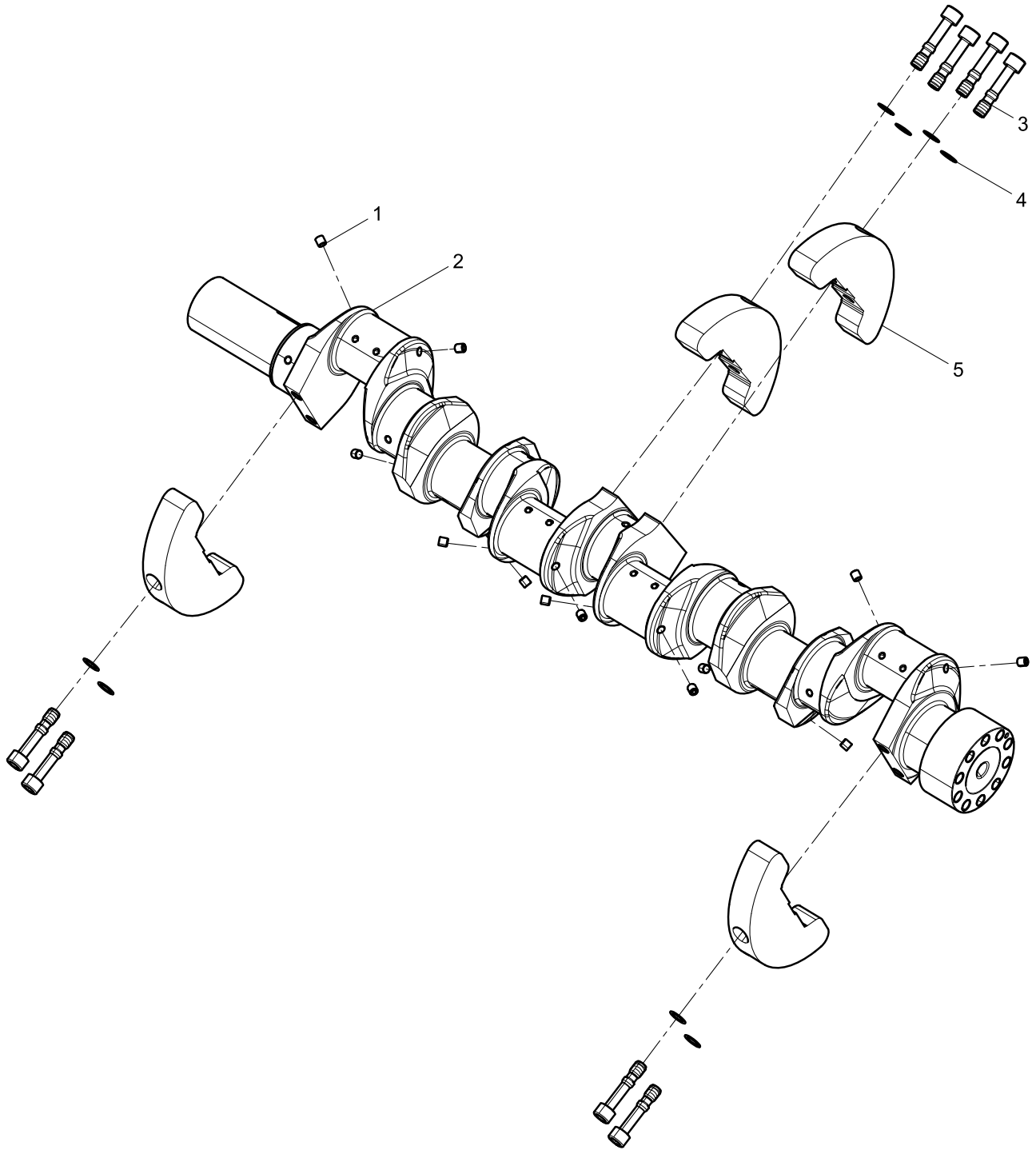
Crankshaft Group



Crankshaft Group

Pos.	Teile.Number	Amount	Designation
1	90019230002	1	Grooved Pin
2	15520280V	1	Crankshaft Assembly
3	90015410020	1	Square and Rectangular Key
4	13504290B	1	Crankshaft Timing Gear

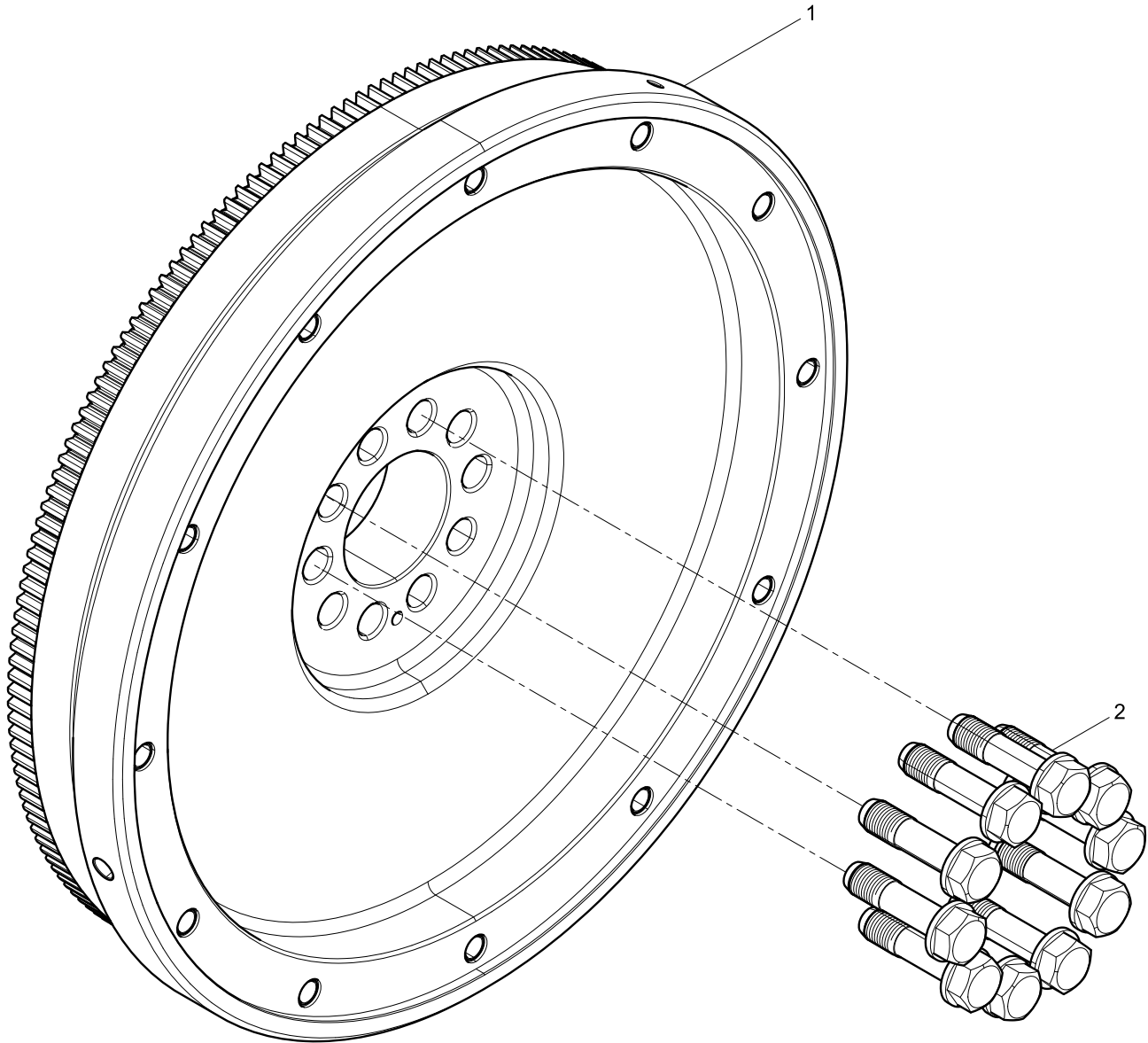
Crankshaft Assembly



Crankshaft Assembly

Pos.	Teile.Number	Amount	Designation
1	13605340N	12	Screw Plug
2	15020670Q	1	Crankshaft
3	15020300N	8	Counterweight Fixing Bolt
4	15020310Z	8	Washer
5	13608330N	4	Counterweight

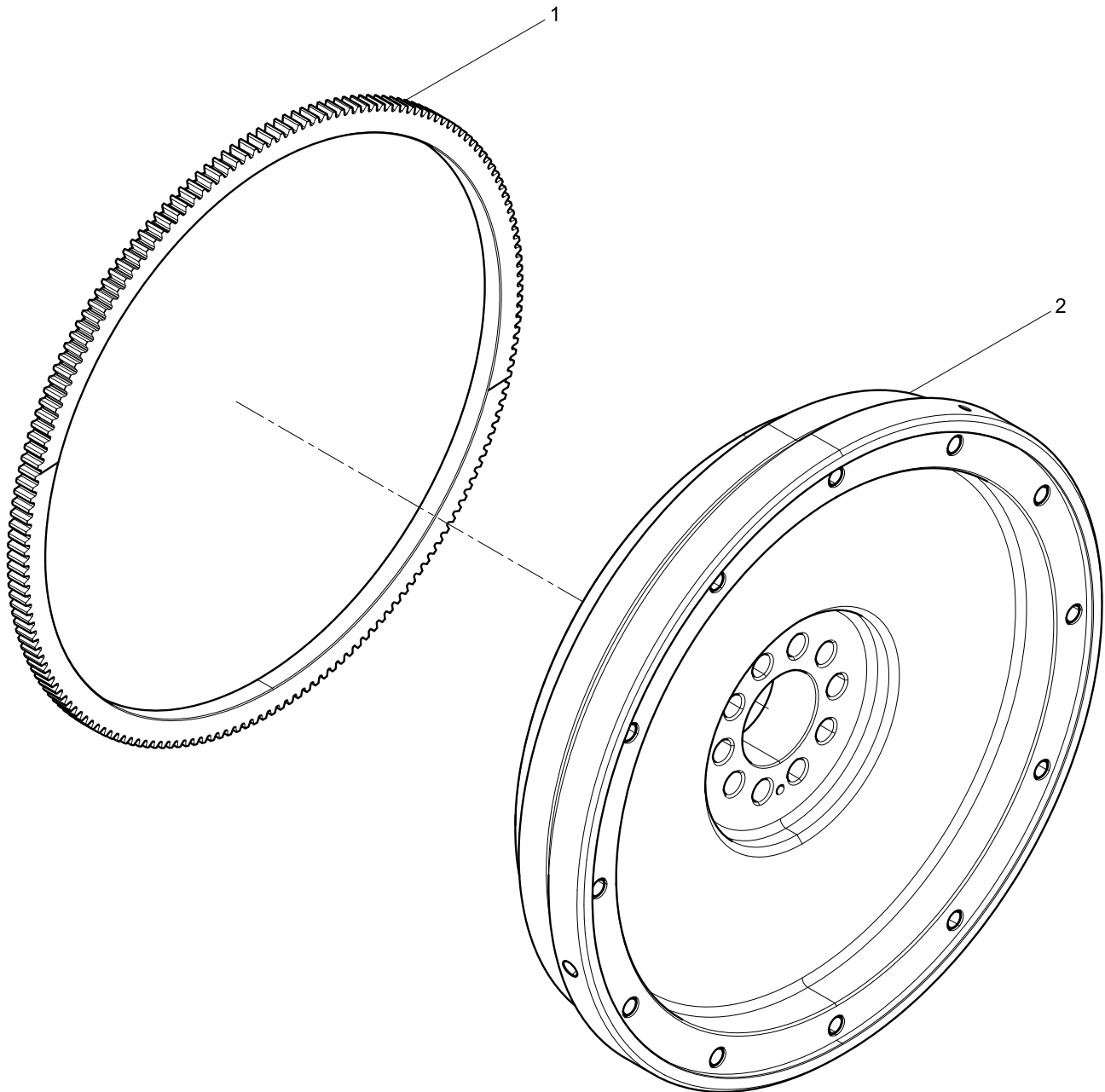
Flywheel Group



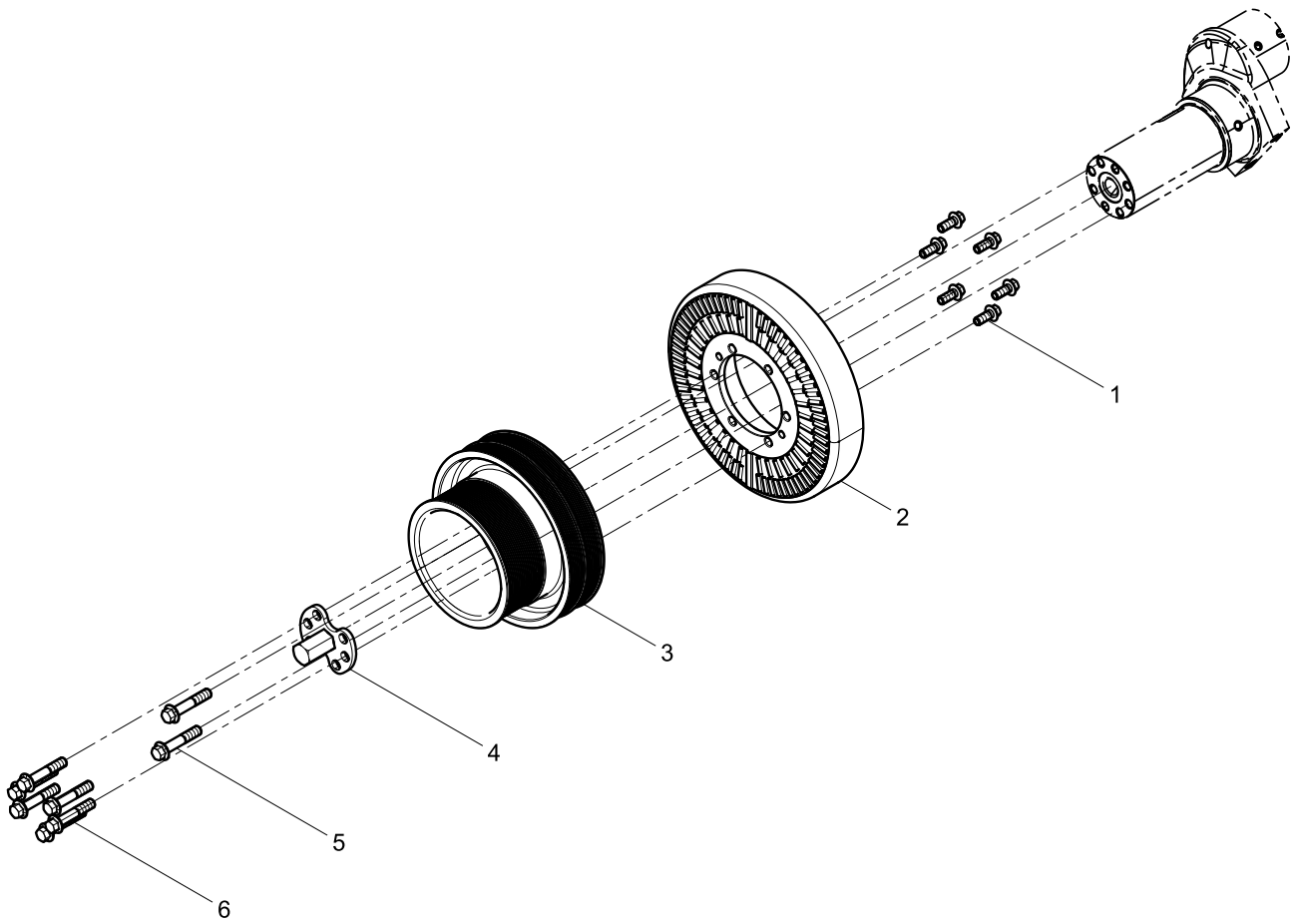
Flywheel Group

Pos.	Teile.Number	Amount	Designation
1	15520410L	1	Flywheel Assembly
2	330202000236	10	Flywheel Bolt

Flywheel Assembly



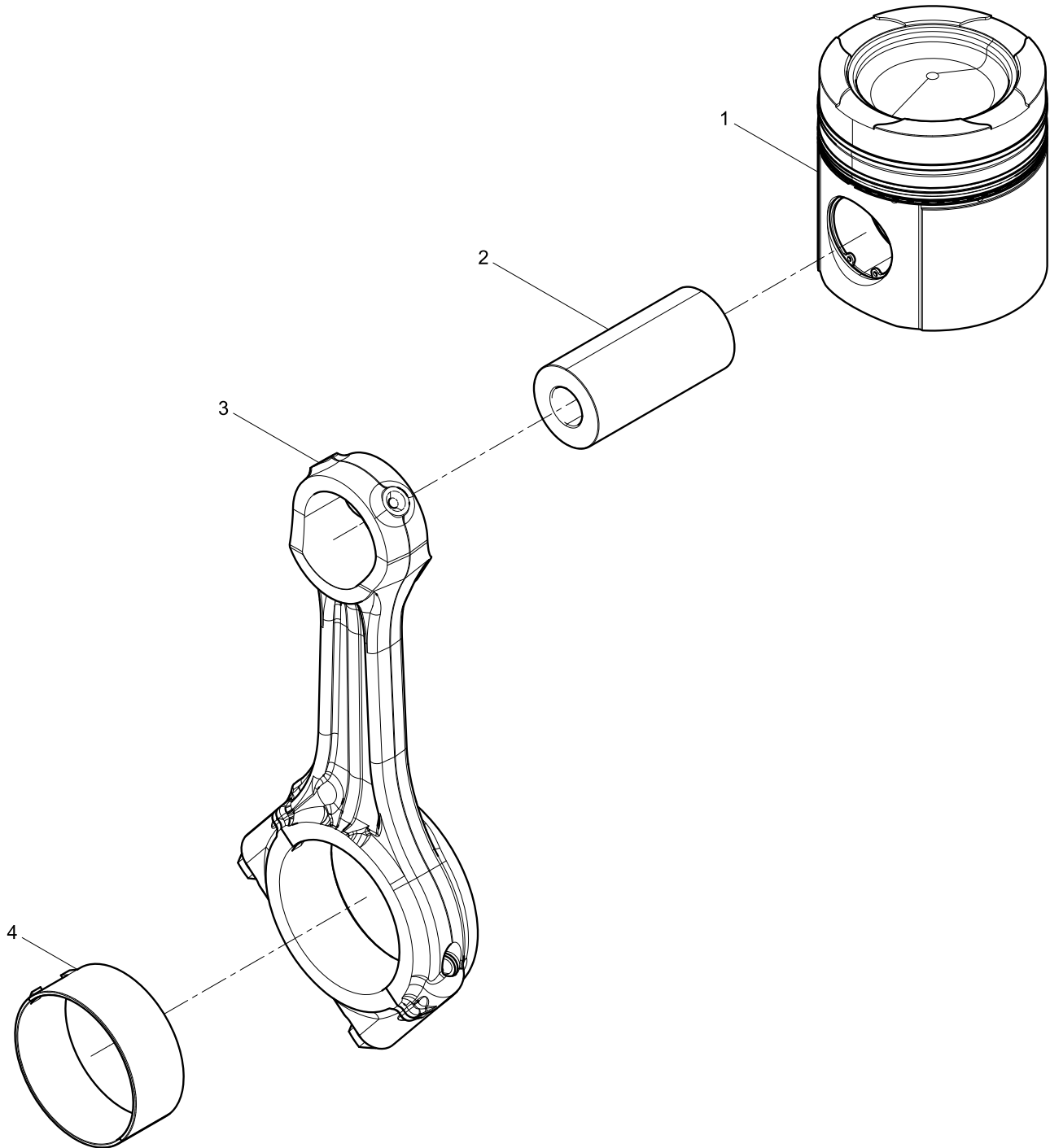
Crankshaft Pulley Group



Crankshaft Pulley Group

Pos.	Teile.Number	Amount	Designation
1	330202000170	6	Hexagon Flange Bolt
2	330202000223	1	Torsional Vibration Damper
3	330202000140	1	Crankshaft Pulley
4	15120580N	1	Revolving device of pulley front end
5	330202000172	2	Hexagon Flange Bolt
6	330202000171	6	Hexagon Flange Bolt

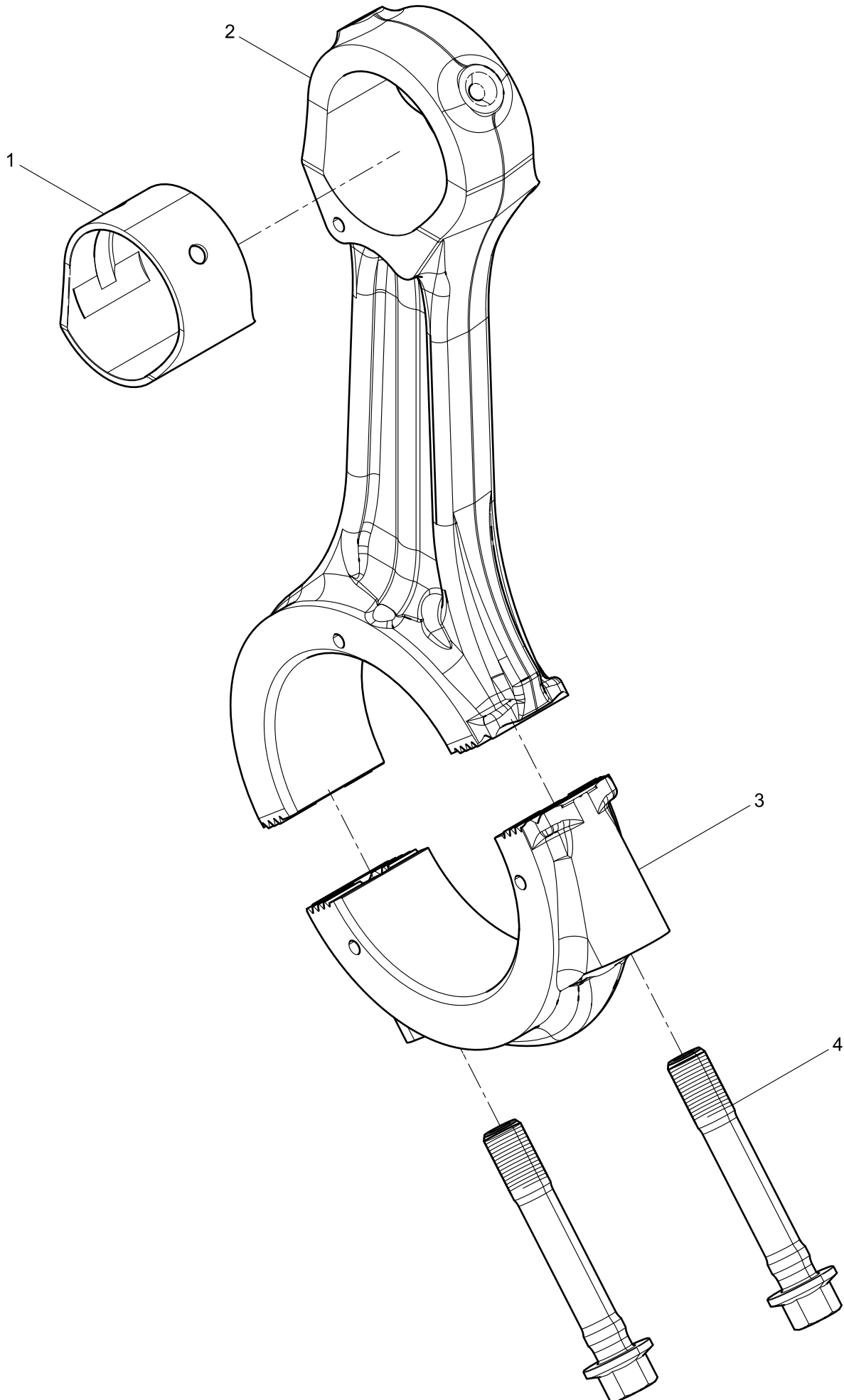
Piston and Connecting Rod Group



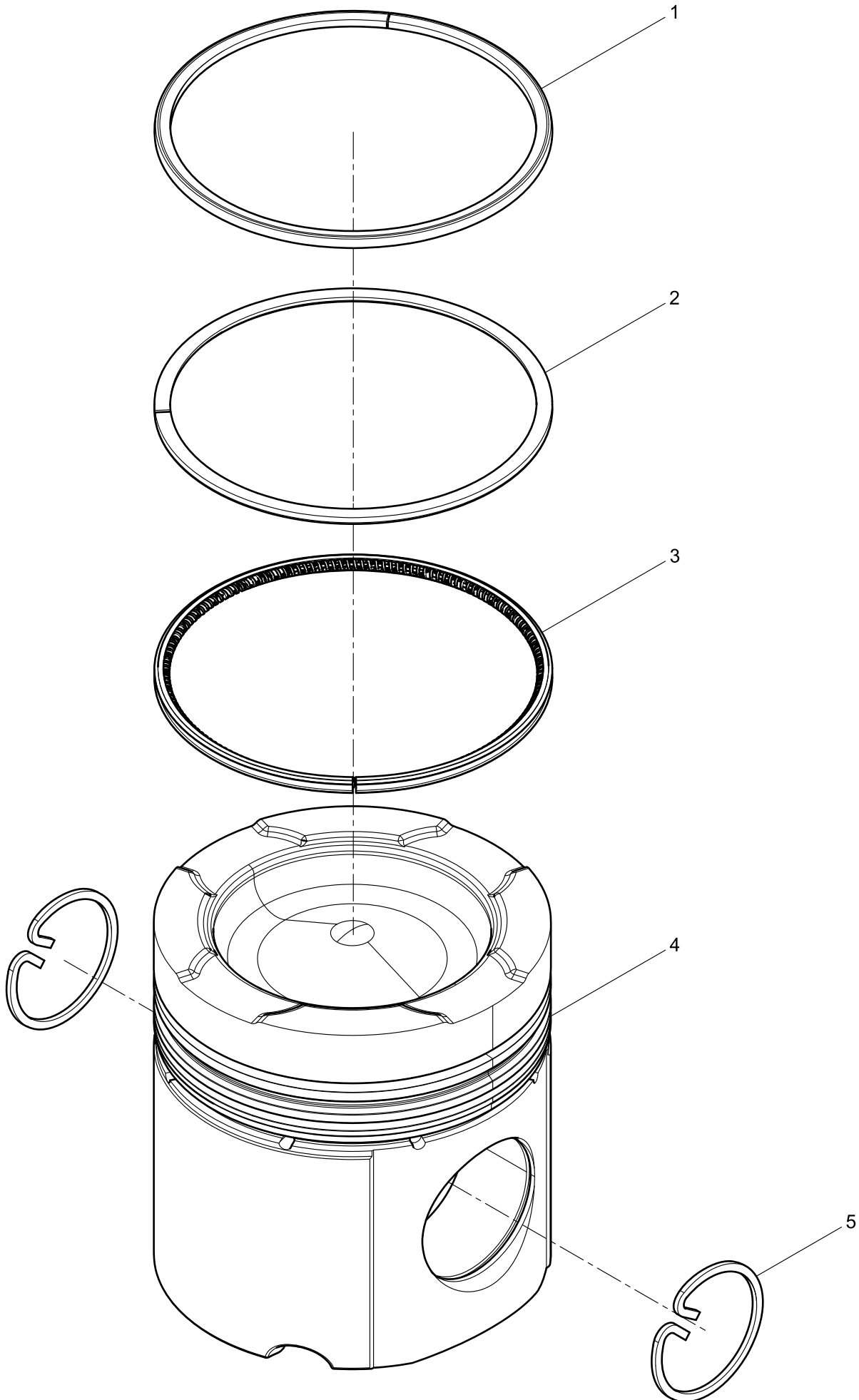
Piston and Connecting Rod Group

Pos.	Teile.Number	Amount	Designation
1	X6231.624W	12	Piston Assembly
2	15020180H	12	Piston Pin
3	1000646498	12	Connecting Rod Assembly
4	13506500D	24	Main Bearing Lower Shell

Connecting Rod Assembly



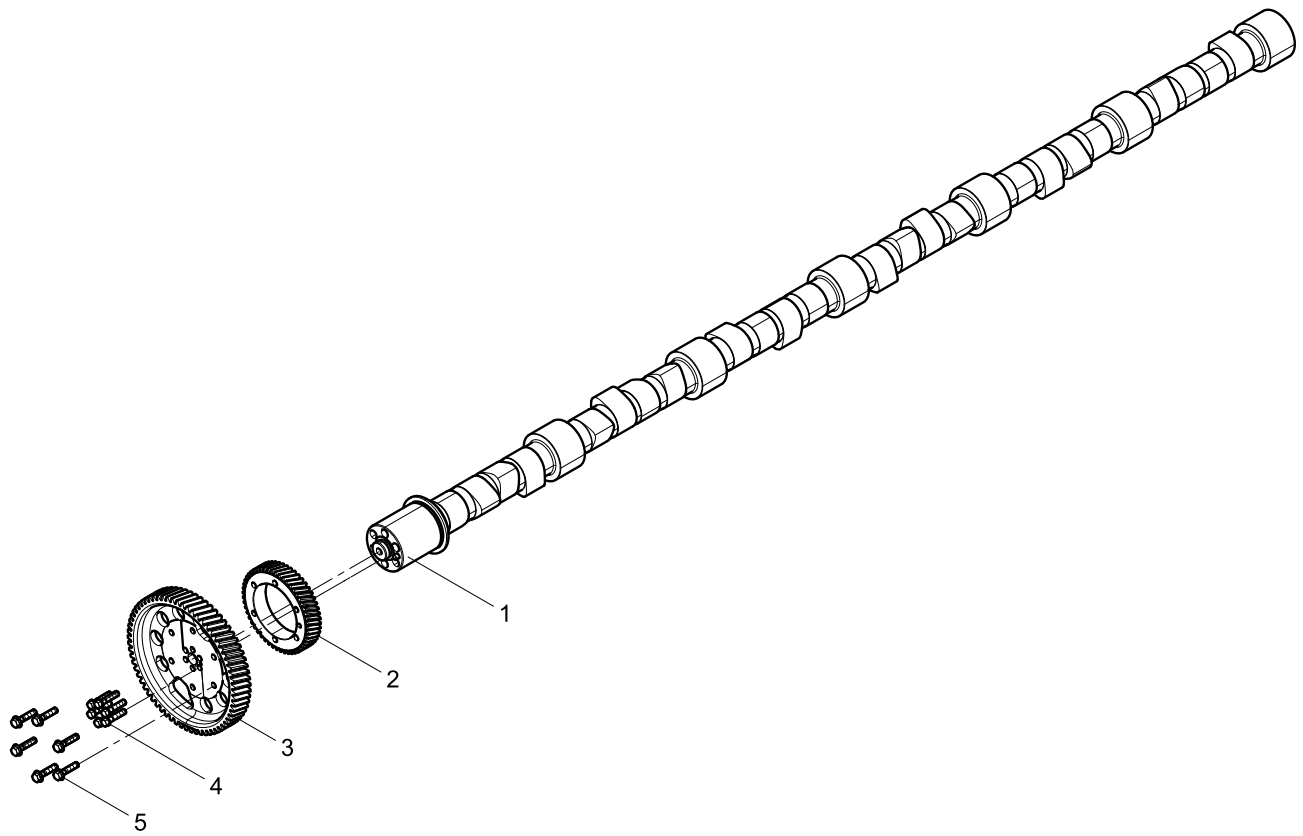
Piston Assembly



Piston Assembly

Pos.	Teile.Number	Amount	Designation
1	330202000183	1	Keystone Barrel Ring
2	330202000190	1	Twist Taper Ring
3	W15020470Y	1	Coil Spring Loaded Oil-control Ring
4	1000443147	1	Piston
5	1001162820	2	Piston Pin Retainer

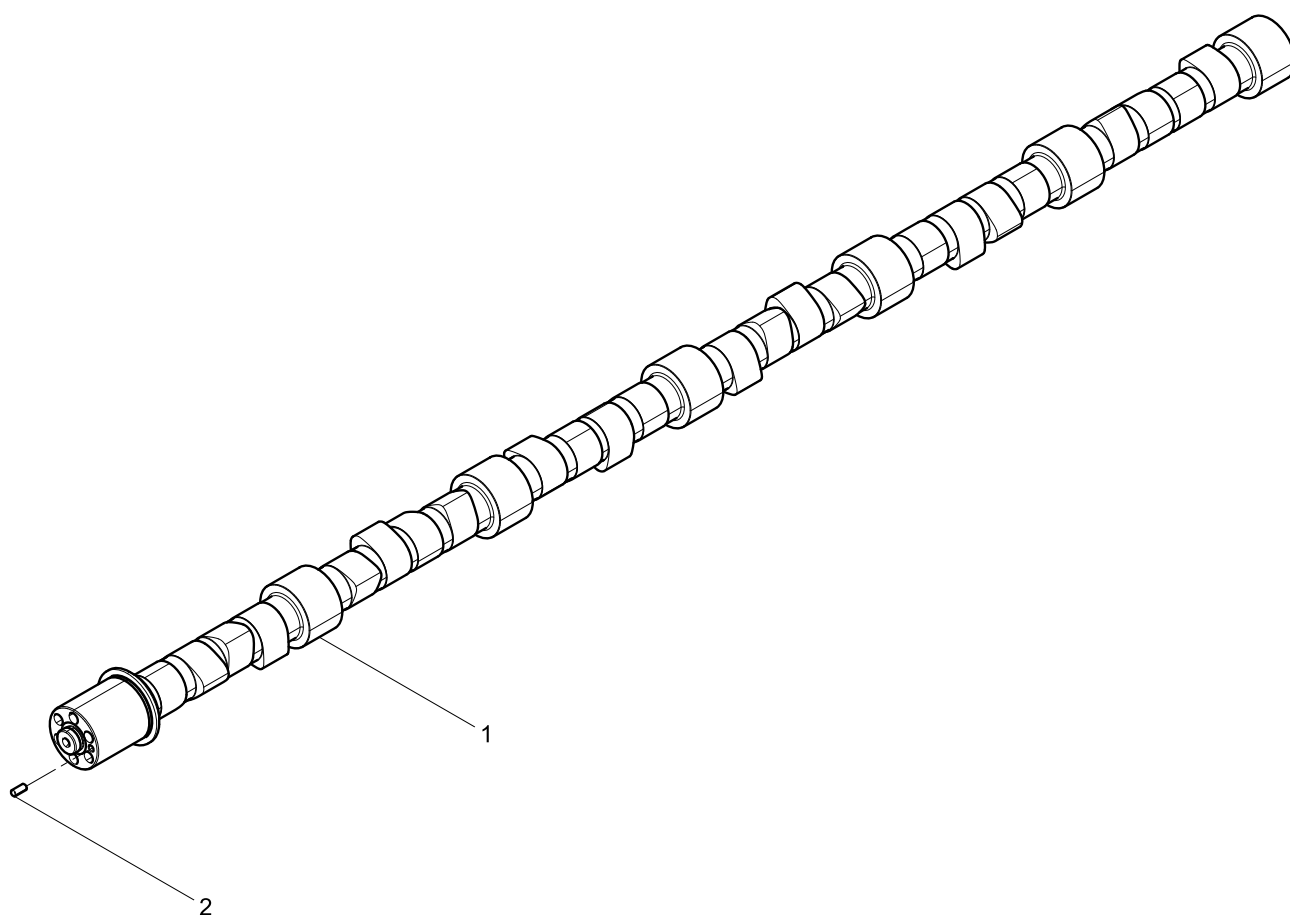
Camshaft Group



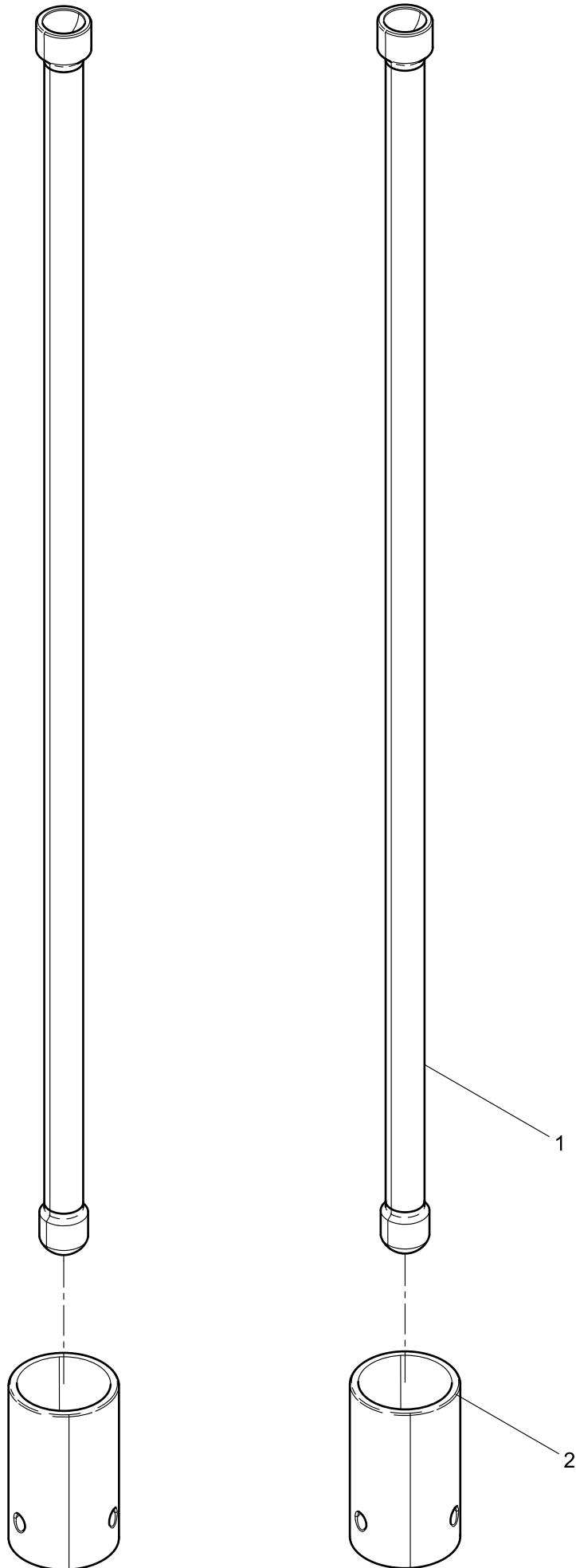
Camshaft Group

Pos.	Teile.Number	Amount	Designation
1	330202000206	1	Camshaft Assembly
2	13605990V	1	Idler Gear
3	330202000125	1	Camshaft Timing Gear
4	330202000247S	6	Hexagon Flange Bolt
5	330202000241S	6	Hexagon Flange Bolt

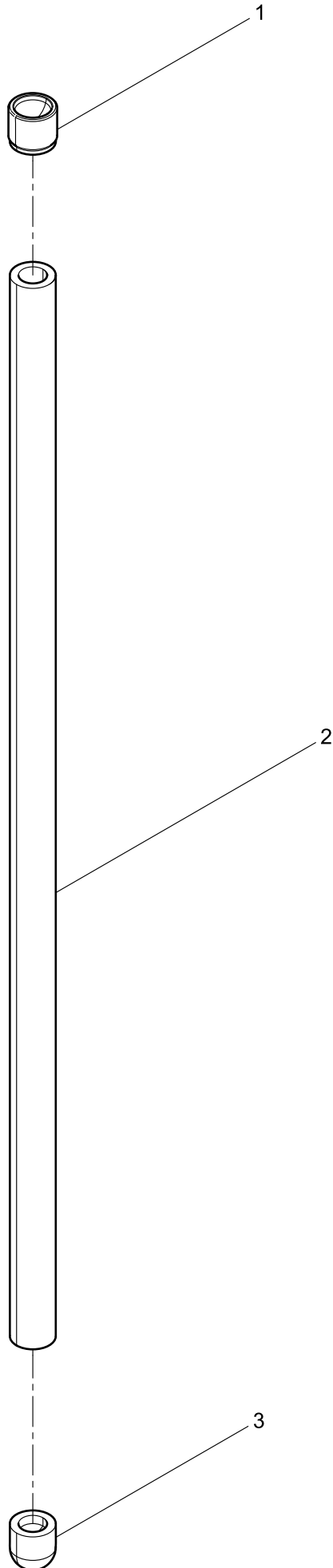
Camshaft Assembly



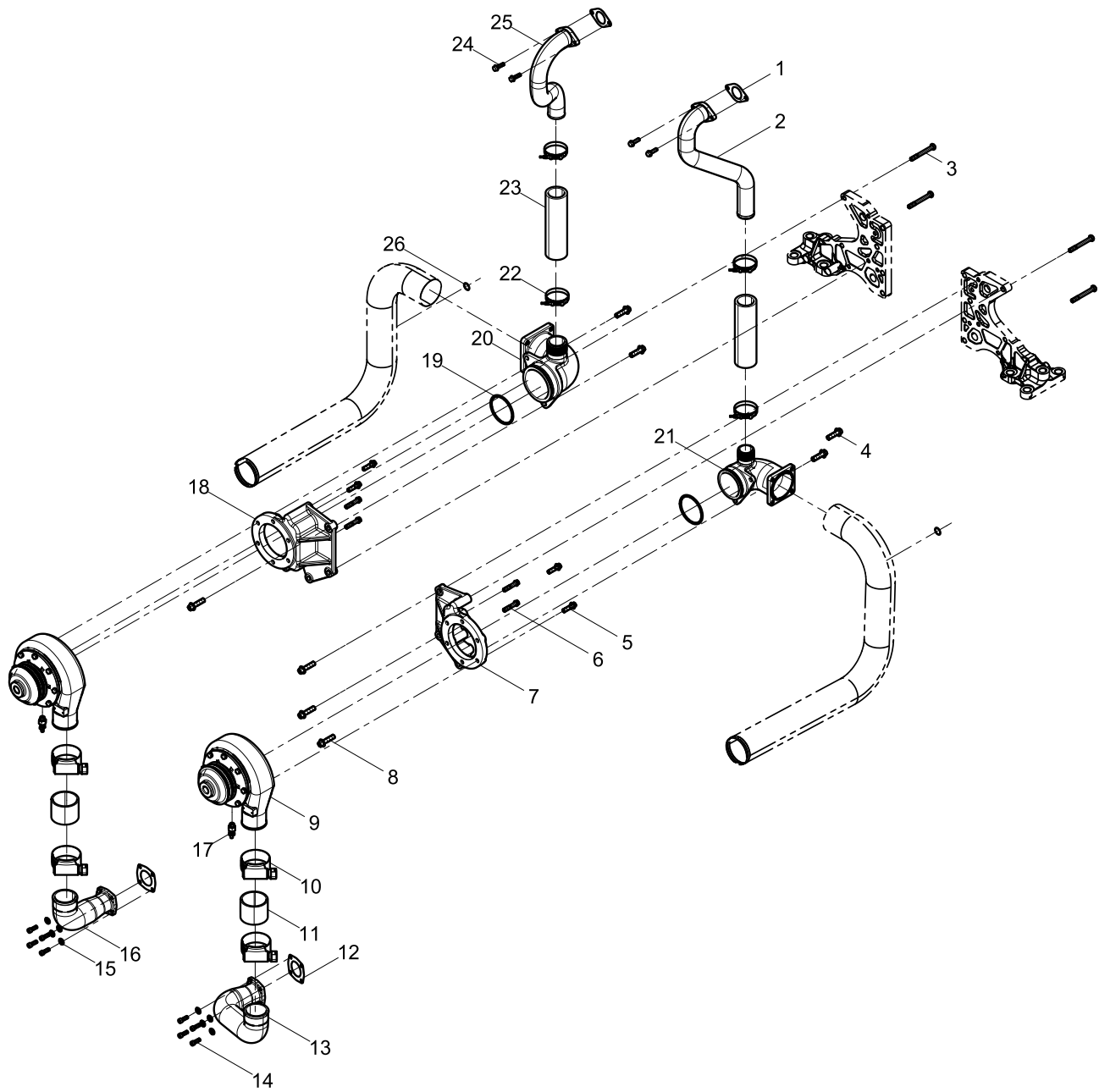
Tappet And Push Rod Group



Push Rod



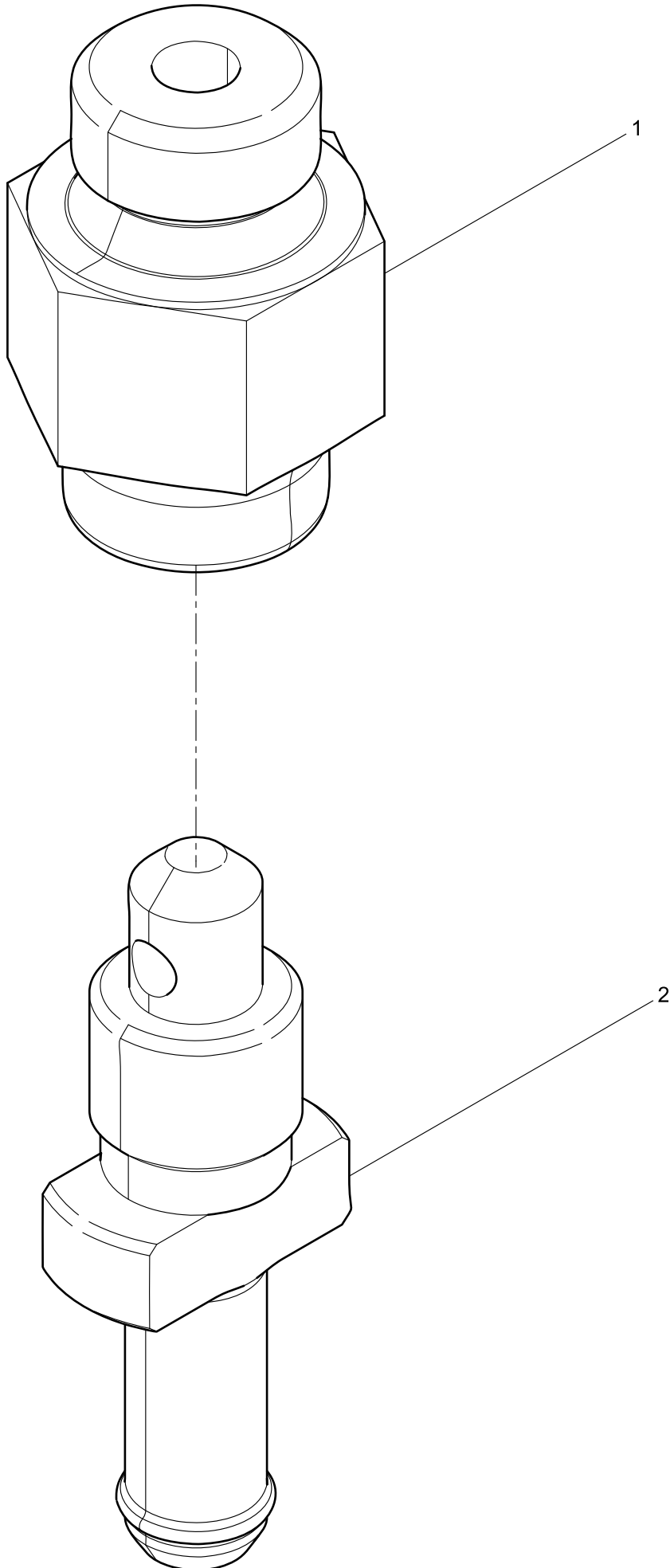
Water Pump Group



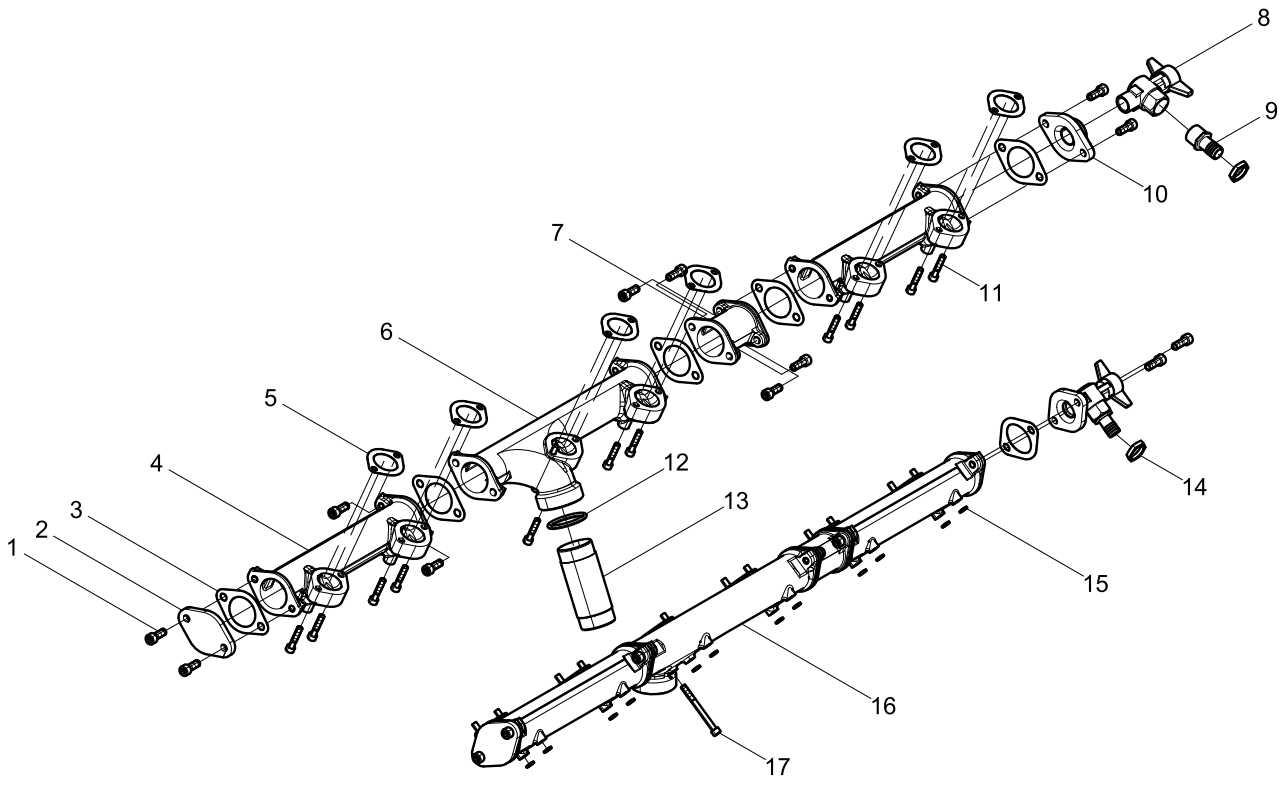
Water Pump Group

Pos.	Teile.Number	Amount	Designation
1	15032830H	2	Gasket
2	330203000188	1	Water Pump Water Pipe
3	331002000249	4	Hexagon Flange Bolt
4	90011420014	4	Hexagon Flange Bolt
5	90011420012	4	Hexagon Flange Bolt
6	9000000232	4	Hexagon Flange Bolt
7	330203000180	1	Water Pump Bracket
8	90011420004	4	Hexagon Flange Bolt
9	1001039014	2	Water Pump
10	612600114682	4	Clamp
11	X6231.486W	2	Coolant Connecting Rubber Pipe
12	14230330A	2	Gasket
13	330203000185	1	Water-outlet Pipe
14	90013050036	8	Inner Hexagon Socket Head Cap Screw
15	90014040007	8	Plain Washer
16	X6231.487W	1	Water-outlet Pipe
17	1001312338	2	Water Draining Valve
18	X6231.393W	1	Water Pump Bracket
19	90017550031	2	O-Ring
20	1000747044	1	Pipe Joint
21	1000747050	1	Pipe Joint
22	612600062206	4	Clamp
23	81500060015	2	Coolant Connecting Rubber Pipe
24	90011400003	4	Hexagon Flange Bolt
25	X6231.506W	1	Water Pump Water Pipe
26	612600080200	2	Washer

Water Draining Valve



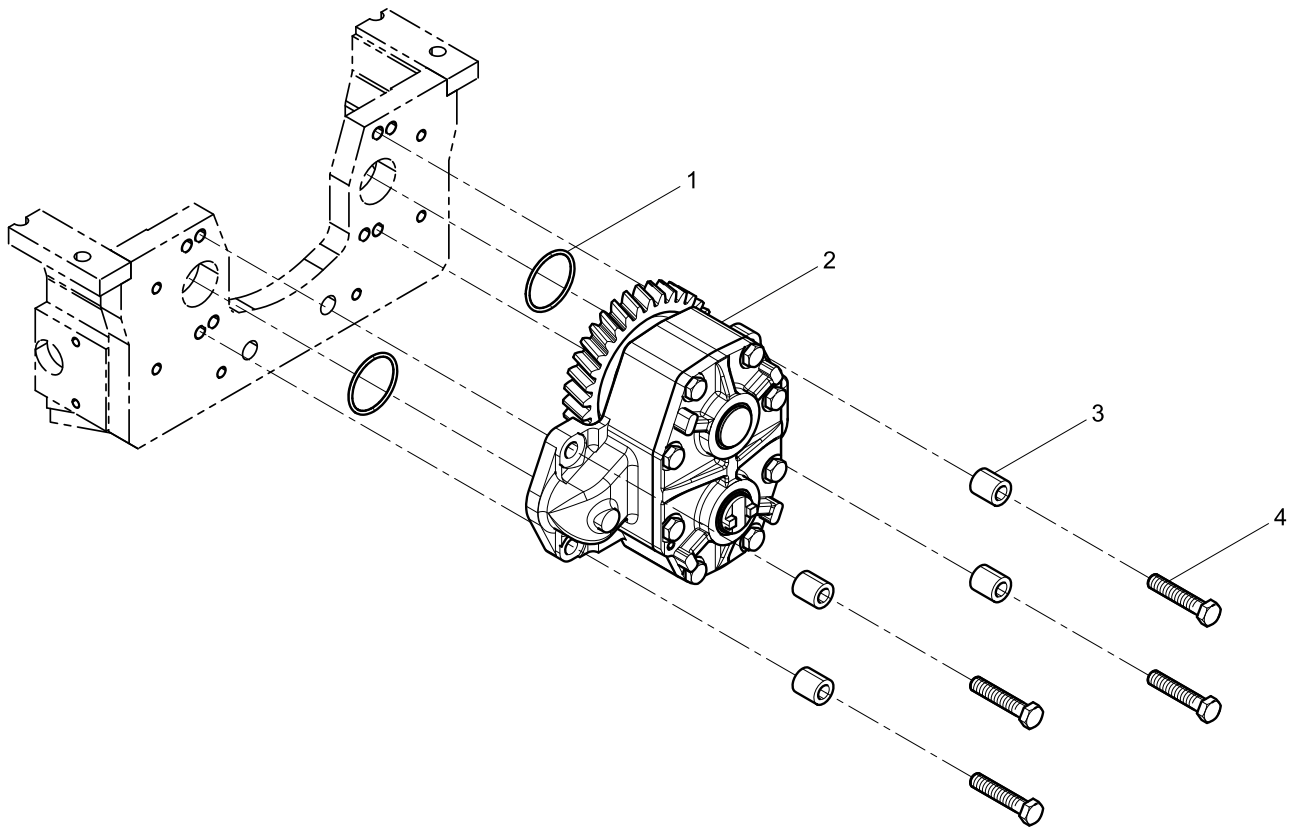
Water Pipe Group



Water Pipe Group

Pos.	Teile.Number	Amount	Designation
1	77753300G	20	Inner Hexagon Socket Head Cap Screw
2	13616660S	2	Cover
3	13516260M	10	Gasket
4	15033831W	4	Water Pipe
5	13613990Q	12	Gasket
6	15034121L	1	Water Pipe
7	15033841G	2	Water Pipe
8	77736060S	2	Valve Core
9	15035710N	2	Pipe Joint
10	330203000277	2	Flange
11	9000000151	22	Hexagon Flange Bolt
12	90017550016	2	O-Ring
13	15034130W	2	Water Pipe
14	1000593609	2	Thin Nut for Connector
15	1000872315	24	Assembled Sealing Washer
16	15034111A	1	Water Pipe
17	9000000713	2	Hexagon Flange Bolt

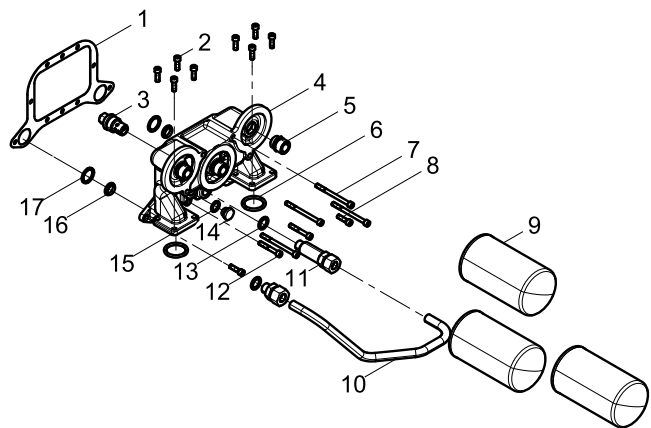
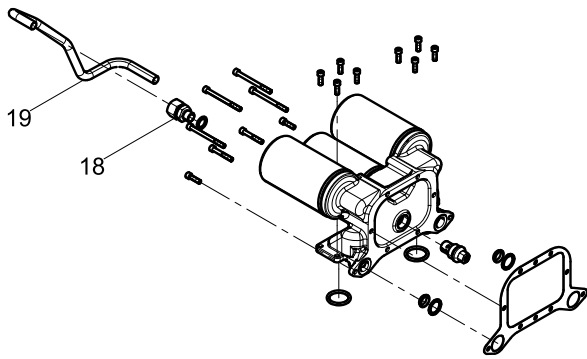
Oil Pump Group



Oil Pump Group

Pos.	Teile.Number	Amount	Designation
1	90017550020	2	O-ring
2	330250000096	1	Lubricating Oil Pump
3	14060700V	4	Pad
4	90003802655	4	Hexagon Head Bolt

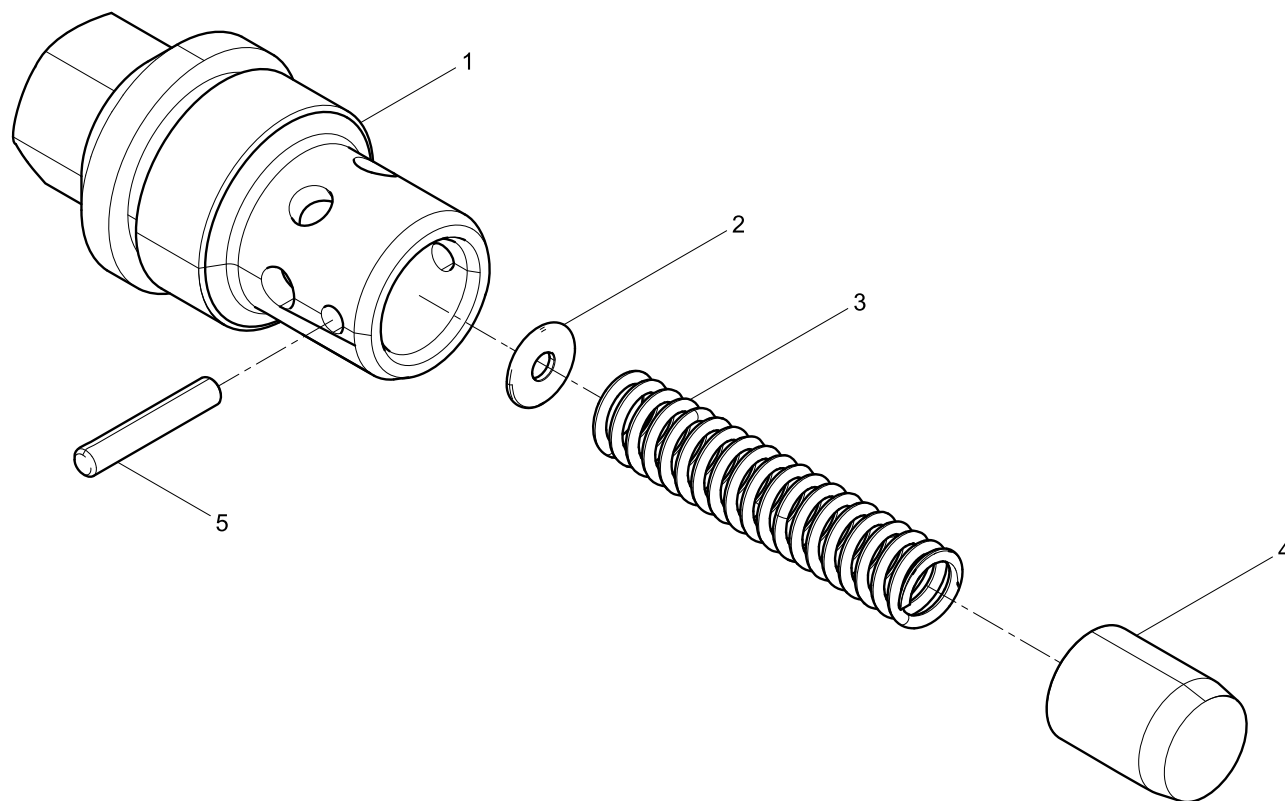
Oil Filter Group



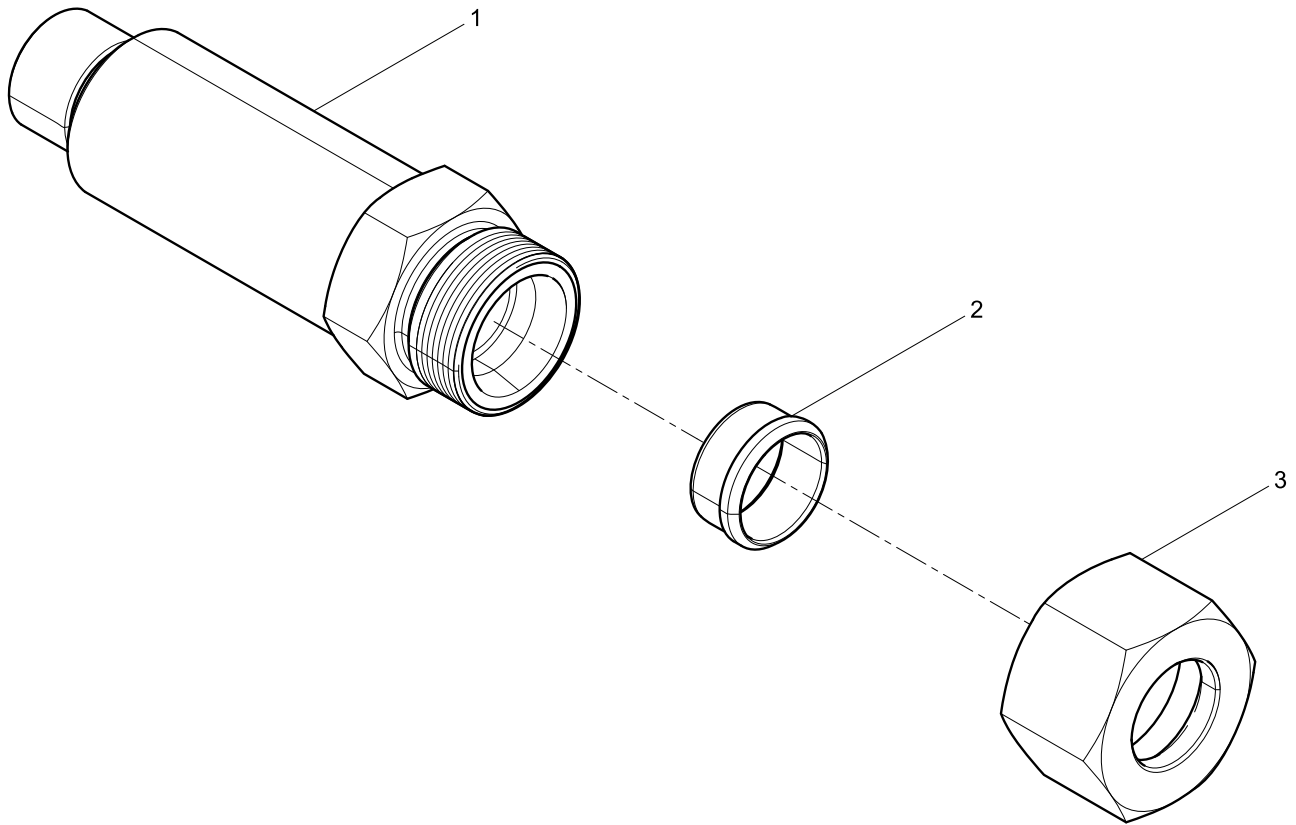
Oil Filter Group

Pos.	Teile.Number	Amount	Designation
1	13615050S	2	Gasket
2	90013050036	16	Inner Hexagon Socket Head Cap Screw
3	330204000102	2	Oil Pressure Relief Valve
4	330204000176	2	Oil Filter Seat
5	330204000116	6	Joint Body
6	90017510021	4	O-ring
7	77752630D	8	
8	90013050037	4	Inner Hexagon Socket Head Cap Screw
9	612630010506	6	Oil Filter
10	330204000240	1	Oil Filter Oil Pipe
11	330204000177	2	Pipe Joint
12	90013550020	4	Inner Hexagon Socket Head Cap Screw
13	13023363	4	Unit washer
14	11230560F	2	Screw Plug
15	612600080275	2	Sealing Washer
16	15040210E	4	Plastic Insert
17	90017550017	4	O-Ring
18	330204000178	2	Pipe Joint
19	330204000169	1	Oil Filter Oil Pipe

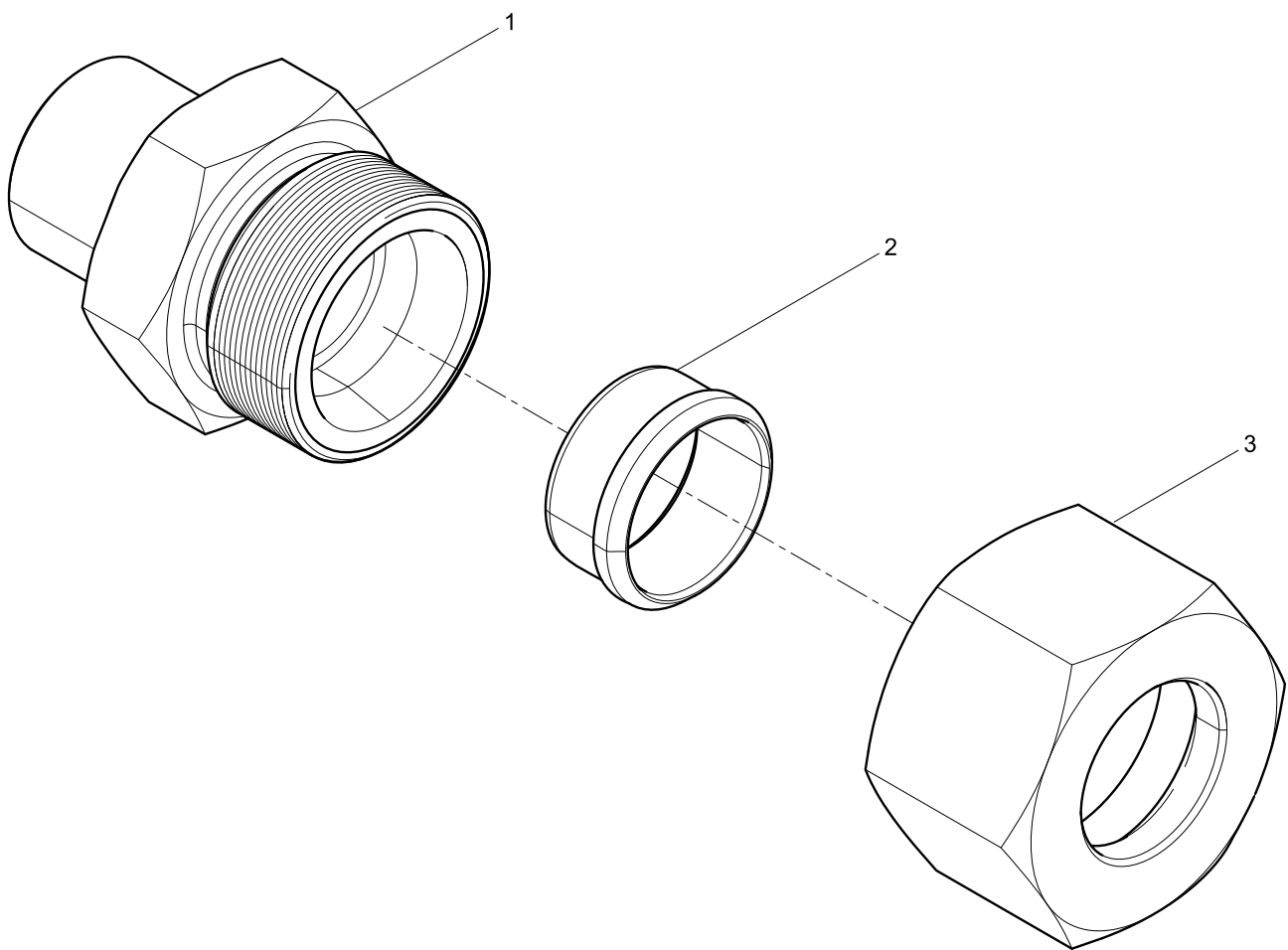
Oil Pressure Relief Valve



Pipe Joint



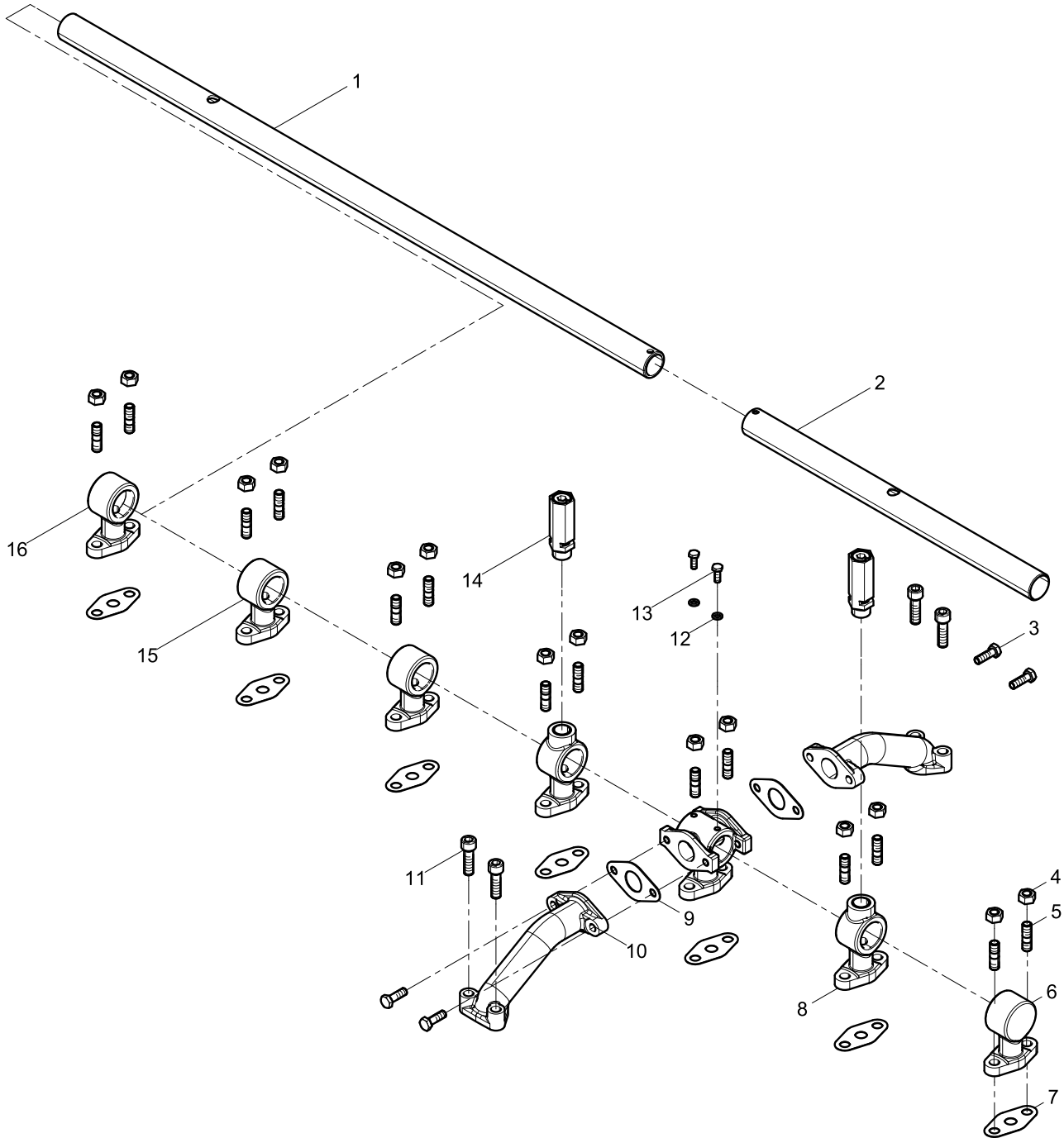
Pipe Joint



Pipe Joint

Pos.	Teile.Number	Amount	Designation
1	330204000175	2	Pipe Joint
2	77718880T-2	2	Ferrule
3	77718880T-3	2	Nut

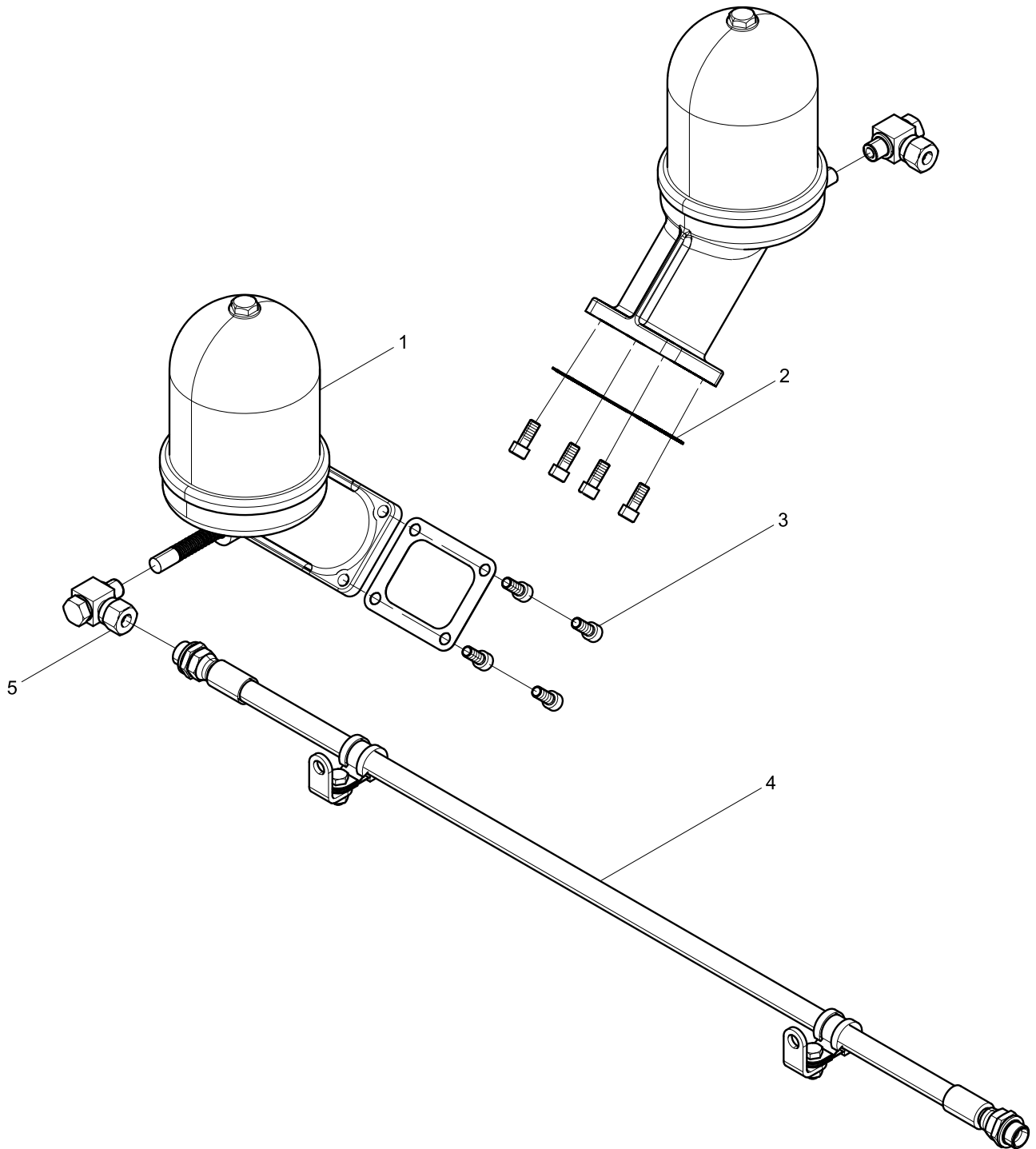
Oil pipe group



Oil pipe group

Pos.	Teile.Number	Amount	Designation
1	330204000236	1	Pre-lubricationg Pump Oil Pipe
2	330204000104	1	Main Oil Gallery Inlet Pipe
3	90003802444	4	Hexagon Head Bolt
4	90003871308	14	Hexagon Nuts, Style 1
5	77772040B	14	
6	13616000A	2	Pipe Joint
7	13614180X	7	Gasket
8	330204000120	2	Joint Body
9	13614100K	2	Gasket
10	13614150P	2	Oil Filter Oil Pipe
11	77753190M	4	
12	90003930251	2	Small Series, Plain Washer,
13	90011350108	2	Hexagon Head Bolt
14	330204000103	2	Pressure-limiting valve of the main oil passage
15	13615990P	2	Pipe Joint
16	13615980D	1	Pipe Joint

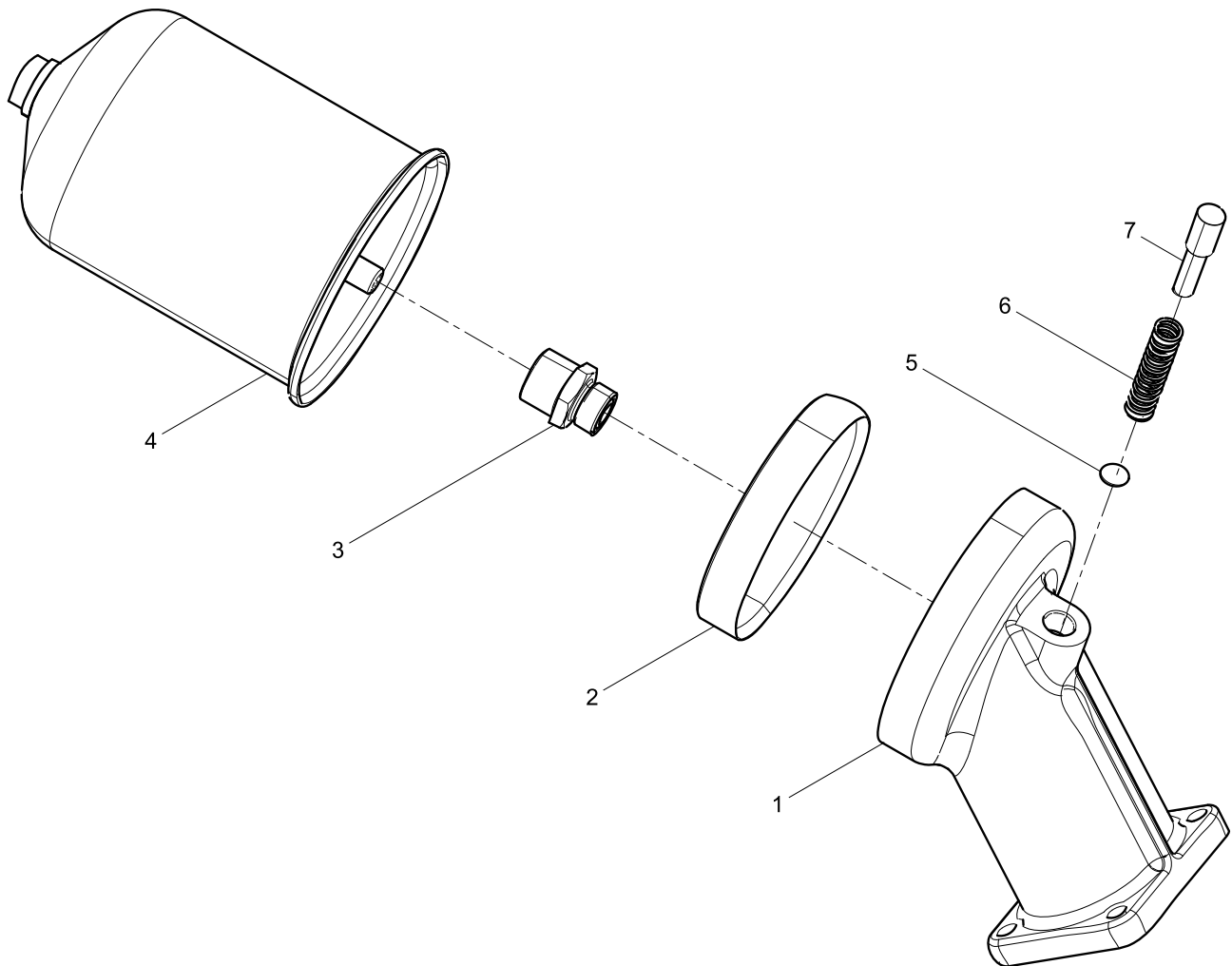
Rotating Centrifugal Lubricating Oil Filter group



Rotating Centrifugal Lubricating Oil Filter group

Pos.	Teile.Number	Amount	Designation
1	15540470Q	2	Rotating Centrifugal Lubricating Oil Filter assembly
2	14210300D	2	Gasket
3	90013550027	8	Inner Hexagon Socket Head Cap Screw
4	M04M006M	1	Rotating Centrifugal Lubricating Oil Filter oil pipe group
5	77719270S	2	Pipe Joint

Rotating Centrifugal Lubricating Oil Filter assembly

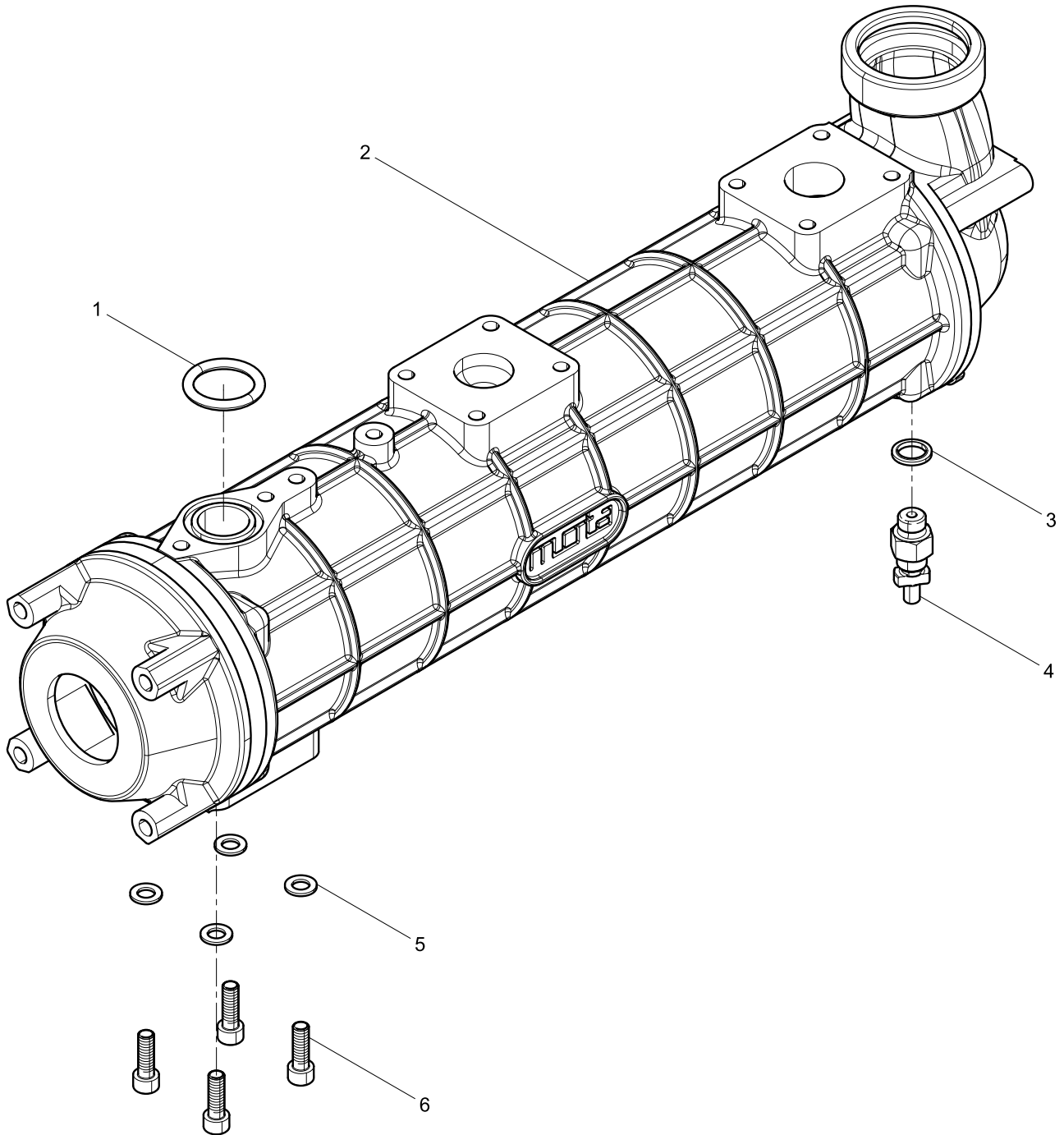


Rotating Centrifugal Lubricating Oil Filter assembly

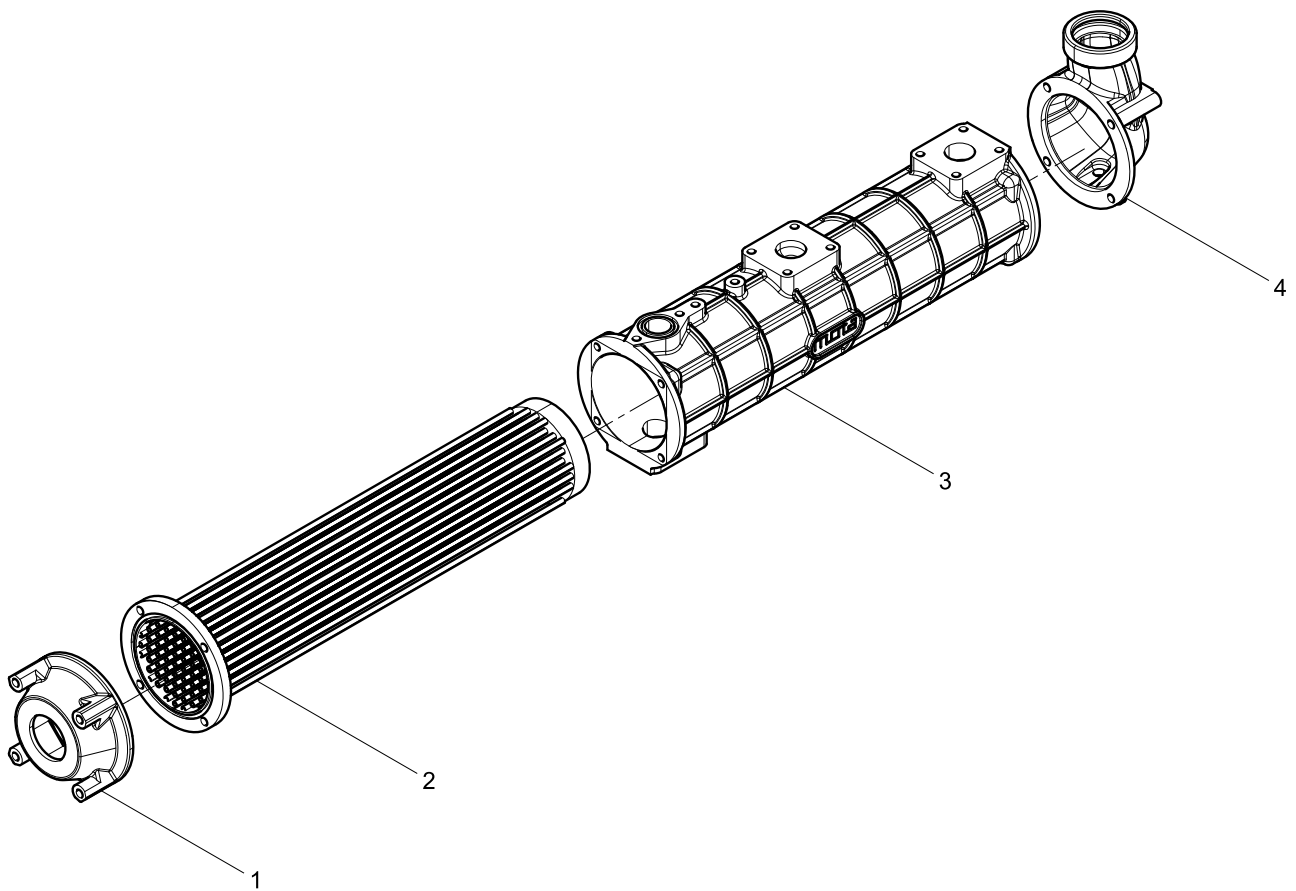
Pos.	Teile.Number	Amount	Designation
1	15041350T	2	Oil Filter Seat
2	15041310A	2	Washer
3	15041230N	2	Oil Filter Seat
4	15540390D	2	Spin-on Cartridge Lubricating Oil Filter
5	15041370Q	2	Gasket
6	15041220C	2	Oil Pump Safety Valve Spring
7	15041270G	2	Valve Core



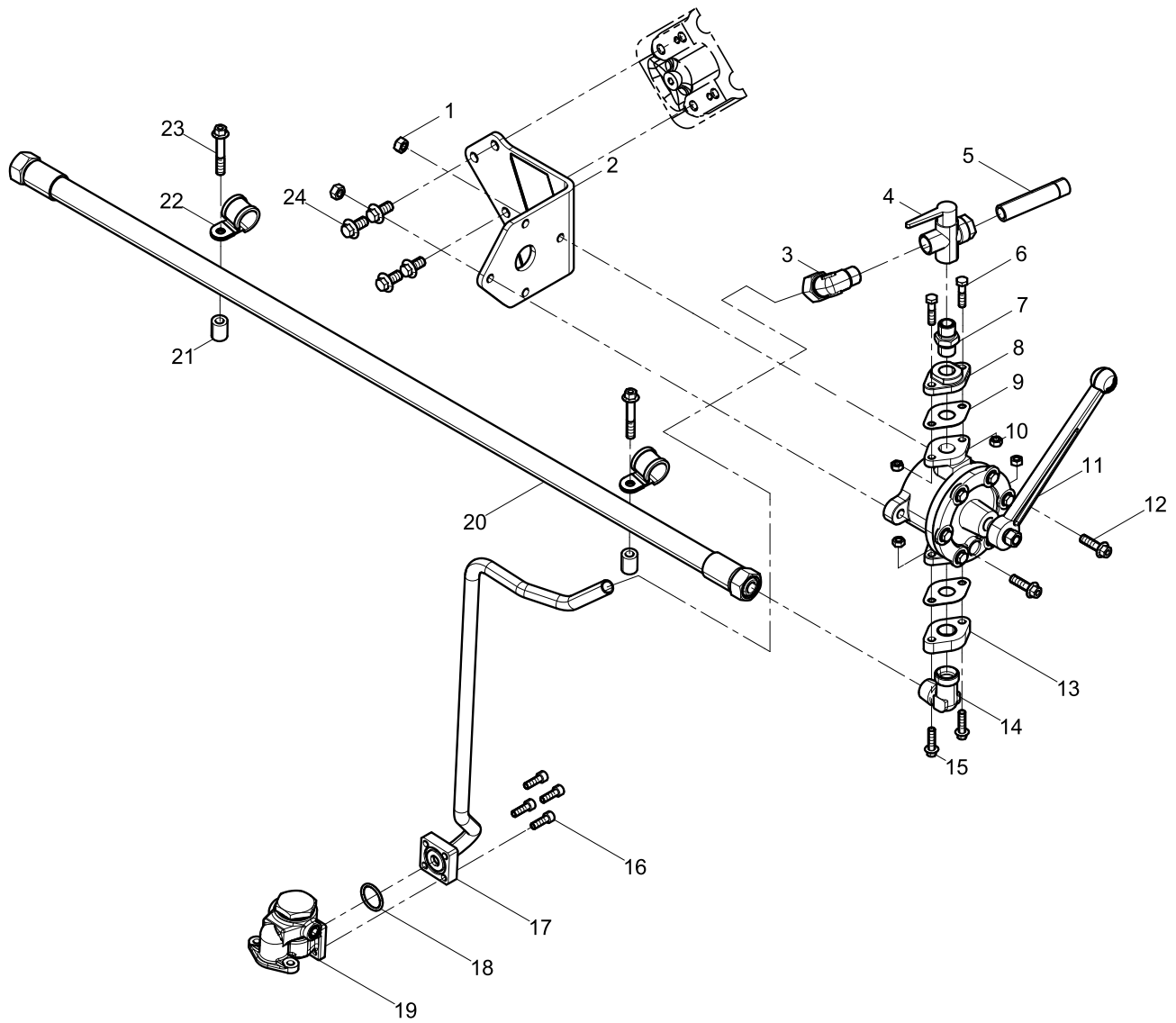
Oil Cooler Group



Oil Cooler Assembly



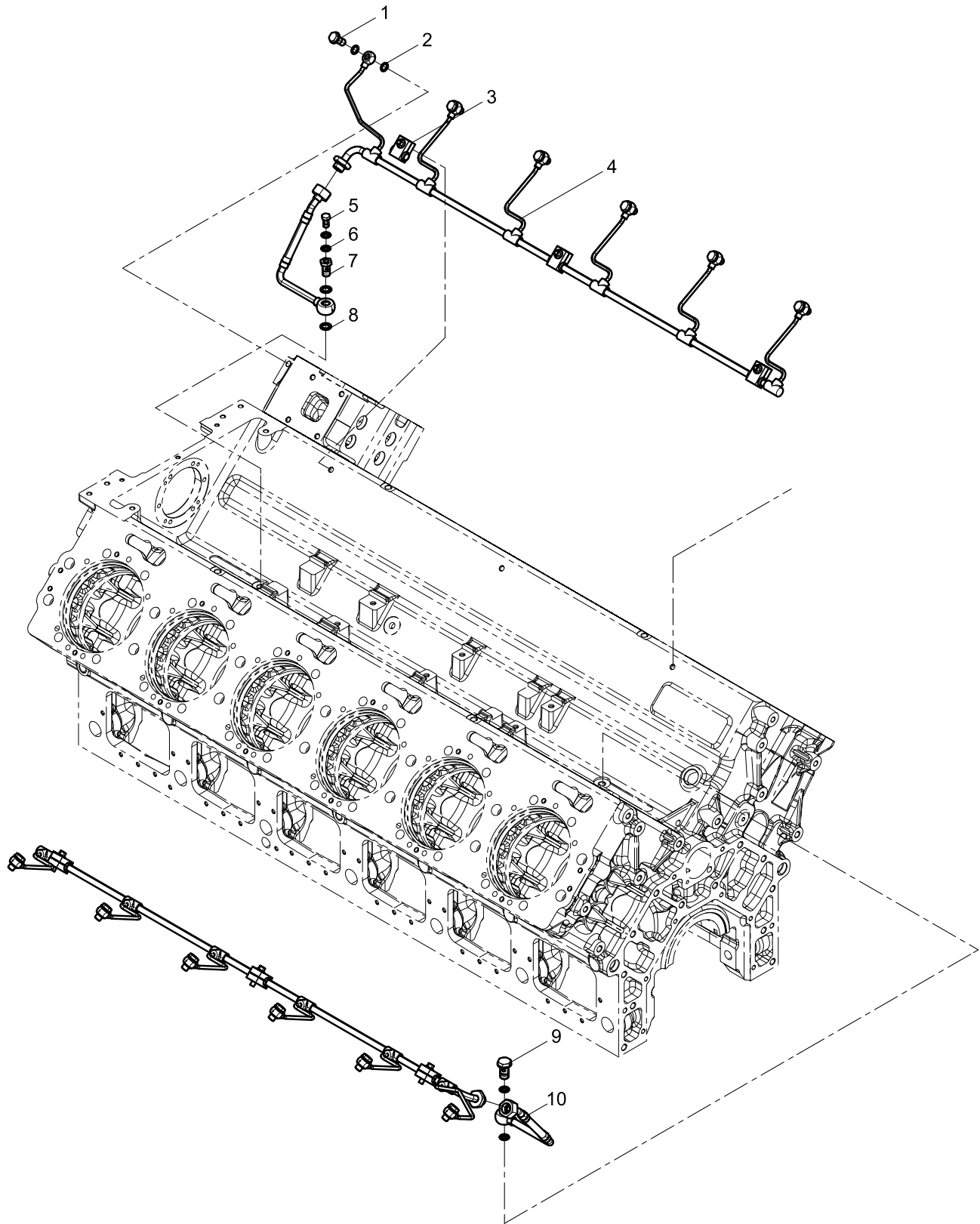
Hand Oil Pump Group



Hand Oil Pump Group

Pos.	Teile.Number	Amount	Designation
1	90012290002	2	Hexagon Flange Nut
2	330204000241	1	Pre-luburicationg Pump Bracket
3	77718880T	1	Pipe Joint
4	77718910B	1	Valve Core
5	15040760C	1	Pre-luburicationg Pump Oil Pipe
6	90011260068	2	Hexagon Head Bolt
7	77718900Q	1	Pipe Joint
8	13617120S	1	Flange
9	11204940H	2	Gasket
10	90012290001	4	Hexagon Flange Nut
11	77717510E	1	Hand oil pump assembly
12	90011420014	2	Hexagon Flange Bolt
13	15041750D	1	Flange
14	77729650A	1	Joint Body
15	90011420015	2	Hexagon Flange Bolt
16	90013050036	4	Inner Hexagon Socket Head Cap Screw
17	330204000247	1	Pre-luburicationg Pump Oil Pipe
18	90017510013	1	O-ring
19	13583790P	1	Non-return Valve
20	1001022046	1	Pre-luburicationg Pump Oil Pipe
21	13636780M	2	Pad
22	77704810A	2	RSGU CLAMP 1 28 25
23	9000000097	2	Hexagon Flange Bolt
24	90011420006	4	Hexagon Flange Bolt

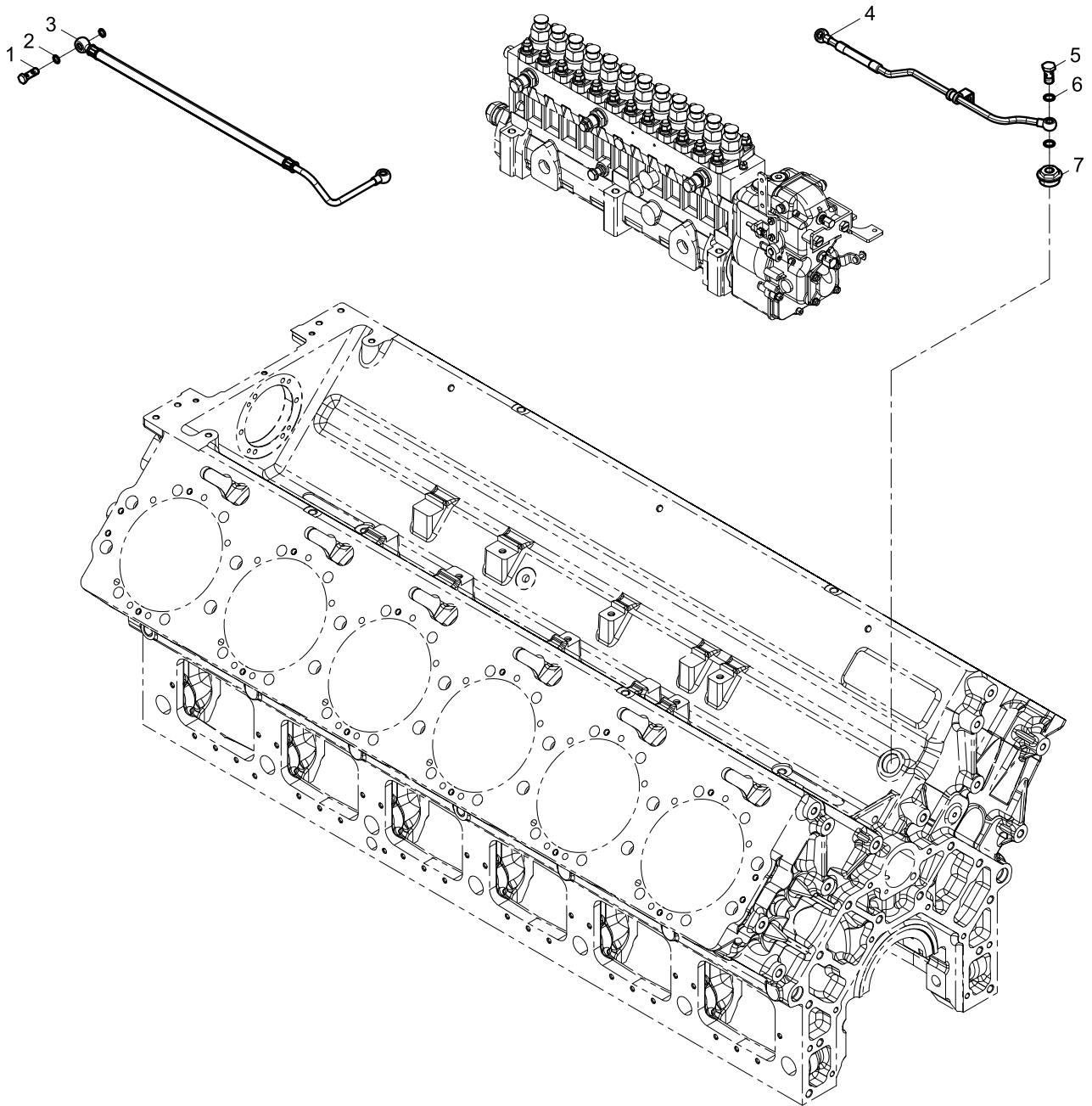
Rocker Arm Oil Pipe Group



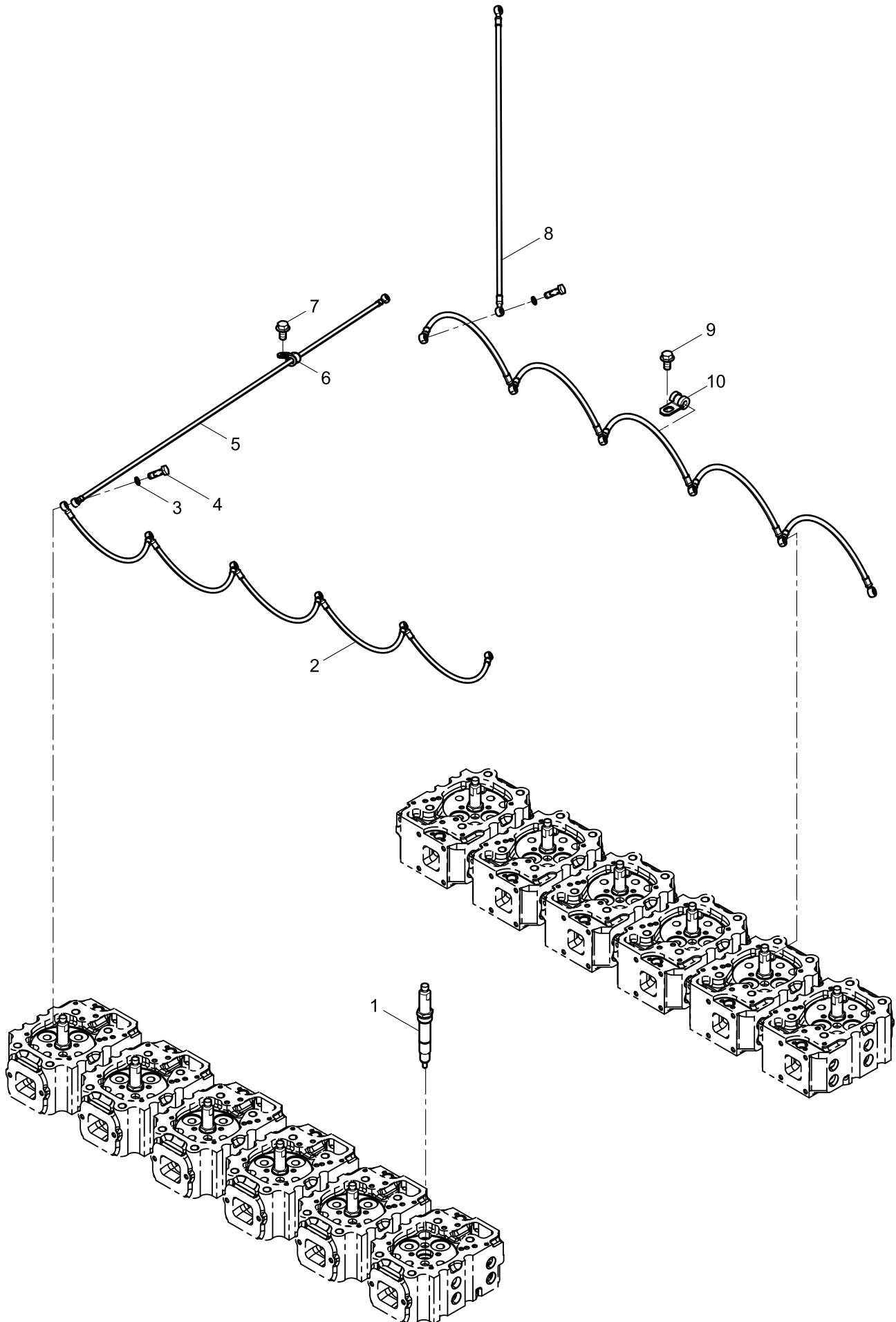
Rocker Arm Oil Pipe Group

Pos.	Teile.Number	Amount	Designation
1	331001000653	12	Bolt
2	90003098012	24	Sealing Washer
3	1000335570	6	Pipe Clamp Assembly
4	1000129657	2	Rocker Arm Oil Pipe
5	612600131018	1	Bolt
6	13057039	2	Assembled Sealing Washer
7	331004000433	1	Bolt
8	13023361	4	Assembled Sealing Washer
9	01119248	1	Hollow screw
10	1000129665	2	Rocker Arm Oil Pipe

Injection pump Oil pipe Group



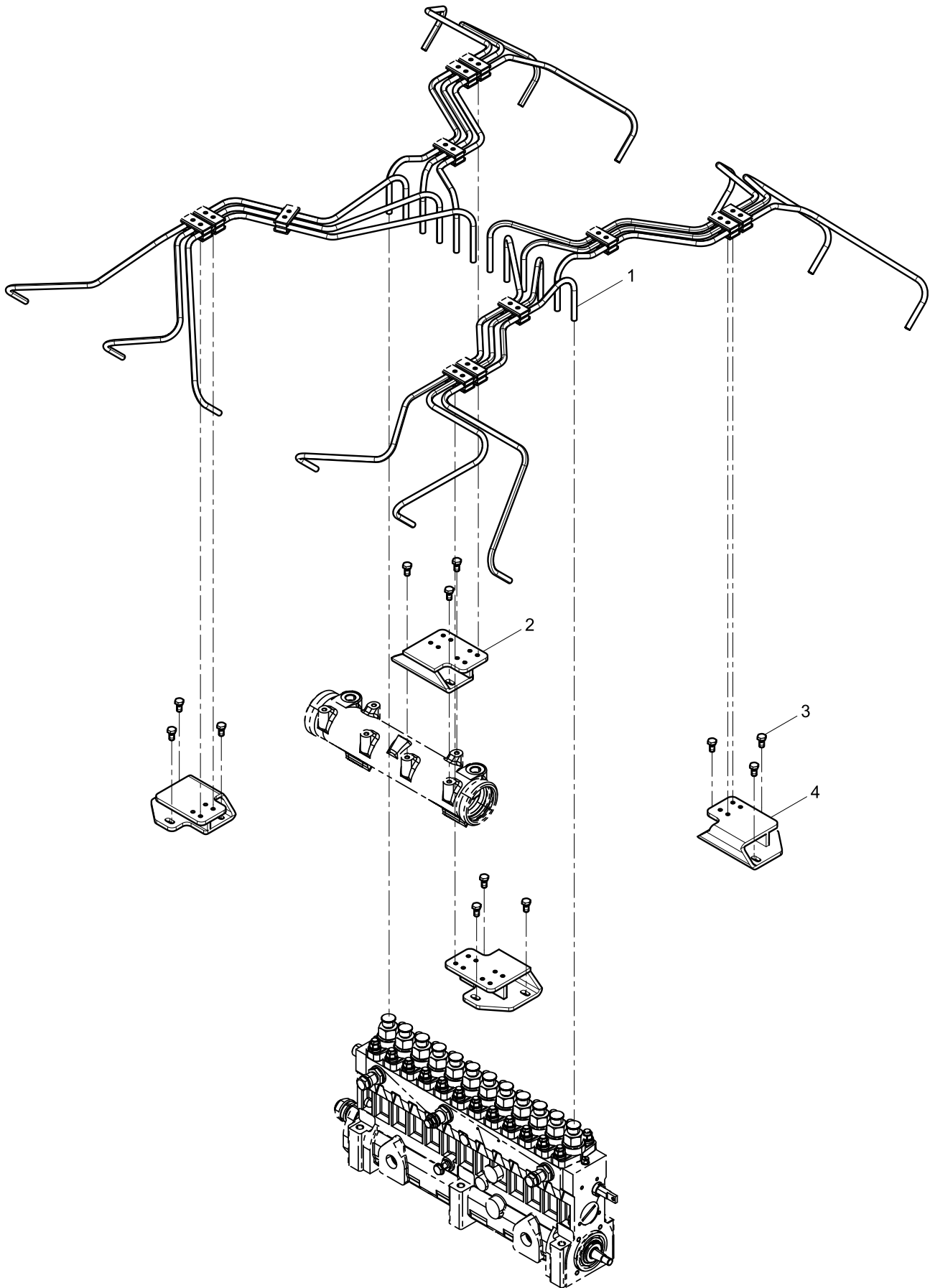
Fuel Injector Group



Fuel Injector Group

Pos.	Teile.Number	Amount	Designation
1	15551940H	12	Fuel Injector
2	13621231L	2	Fuel Return Pipe Assembly
3	612600080201	2	Washer
4	12430650B	2	Gemel Bolt
5	330205000415	1	Fuel Return Pipe
6	330205000539	5	Pipe Clamp Assembly
7	90011400019	5	Hexagon Flange Bolt
8	330205000417	1	Fuel Return Pipe
9	90011400027	3	Hexagon Flange Bolt
10	330205000383	3	Pipe Clamp Assembly

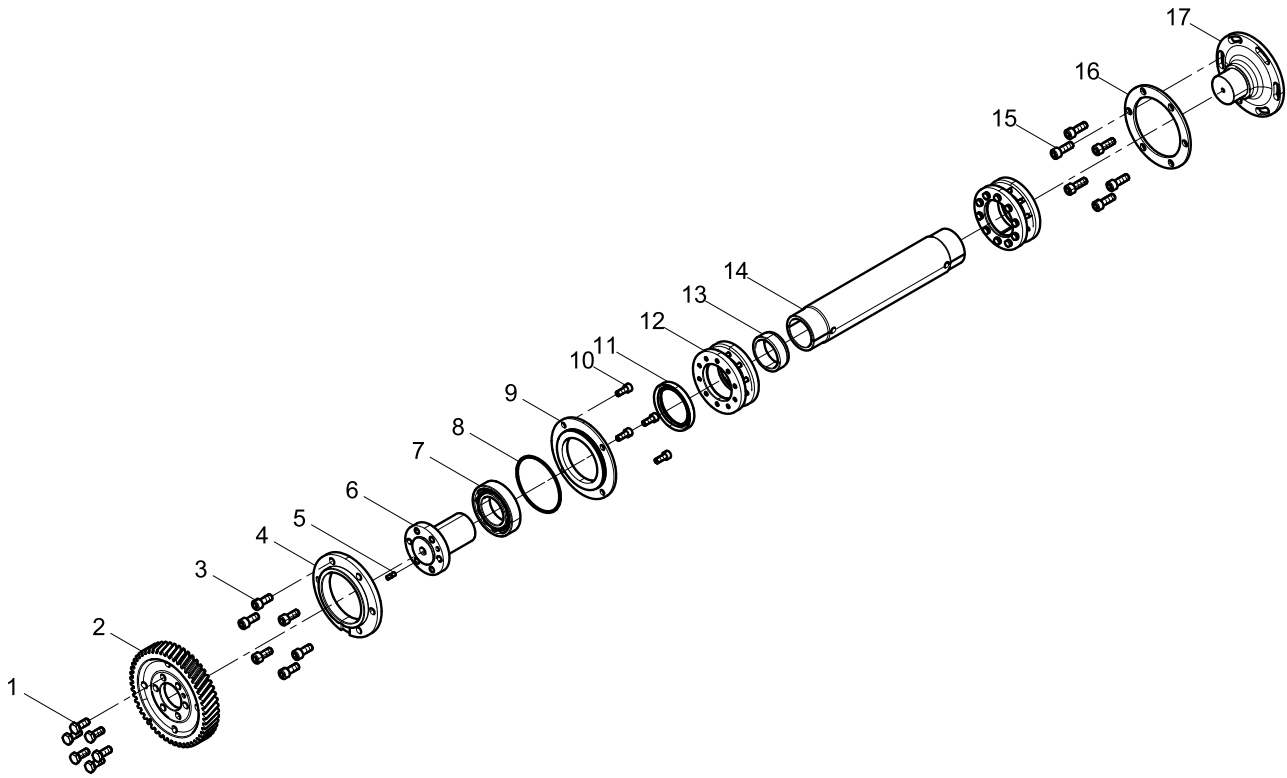
High Pressure Fuel Pipe Group



High Pressure Fuel Pipe Group

Pos.	Teile.Number	Amount	Designation
1	330205000262	1	High-pressure Fuel Pipe Assembly
2	330205000247	2	High-pressure Fuel Pipe Bracket
3	90011400019	12	Hexagon Flange Bolt
4	330205000244	2	High-pressure Fuel Pipe Bracket

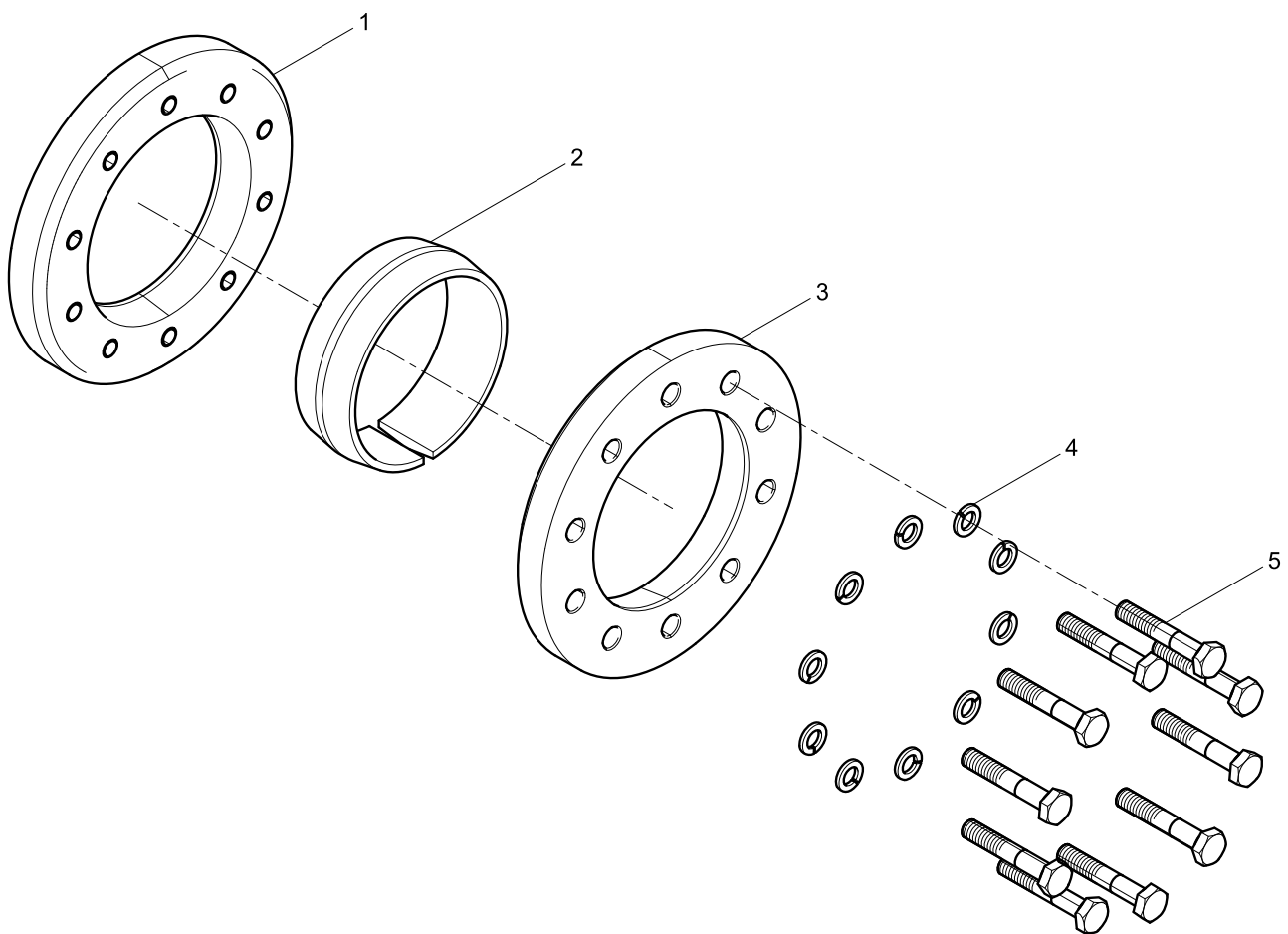
Fuel Injection Pump Drive shaft group



Fuel Injection Pump Drive shaft group

Pos.	Teile.Number	Amount	Designation
1	330202000246	6	Hexagon Head Bolt
2	15050750L	1	Fuel Injection Pump Gear
3	90013050070	6	Inner Hexagon Socket Head Cap Screw
4	15052330D	1	Bearing Seat
5	90019230004	1	Grooved Pin
6	15052350A	1	Shaft casing
7	77840350B	1	Self-aligning Roller Bearing
8	90017510055	1	O-ring
9	15052400E	1	Bearing Cover
10	90013550027	4	Inner Hexagon Socket Head Cap Screw
11	77700861H	1	Skeleton Type Rubber Oil Seal
12	15052380H	2	Connecting Plate
13	330205000364	1	Friction ring
14	330205000361	1	Pipe
15	90013050042	6	Inner Hexagon Socket Head Cap Screw
16	15052410Q	1	Washer
17	15052360L	1	Coupling sheath

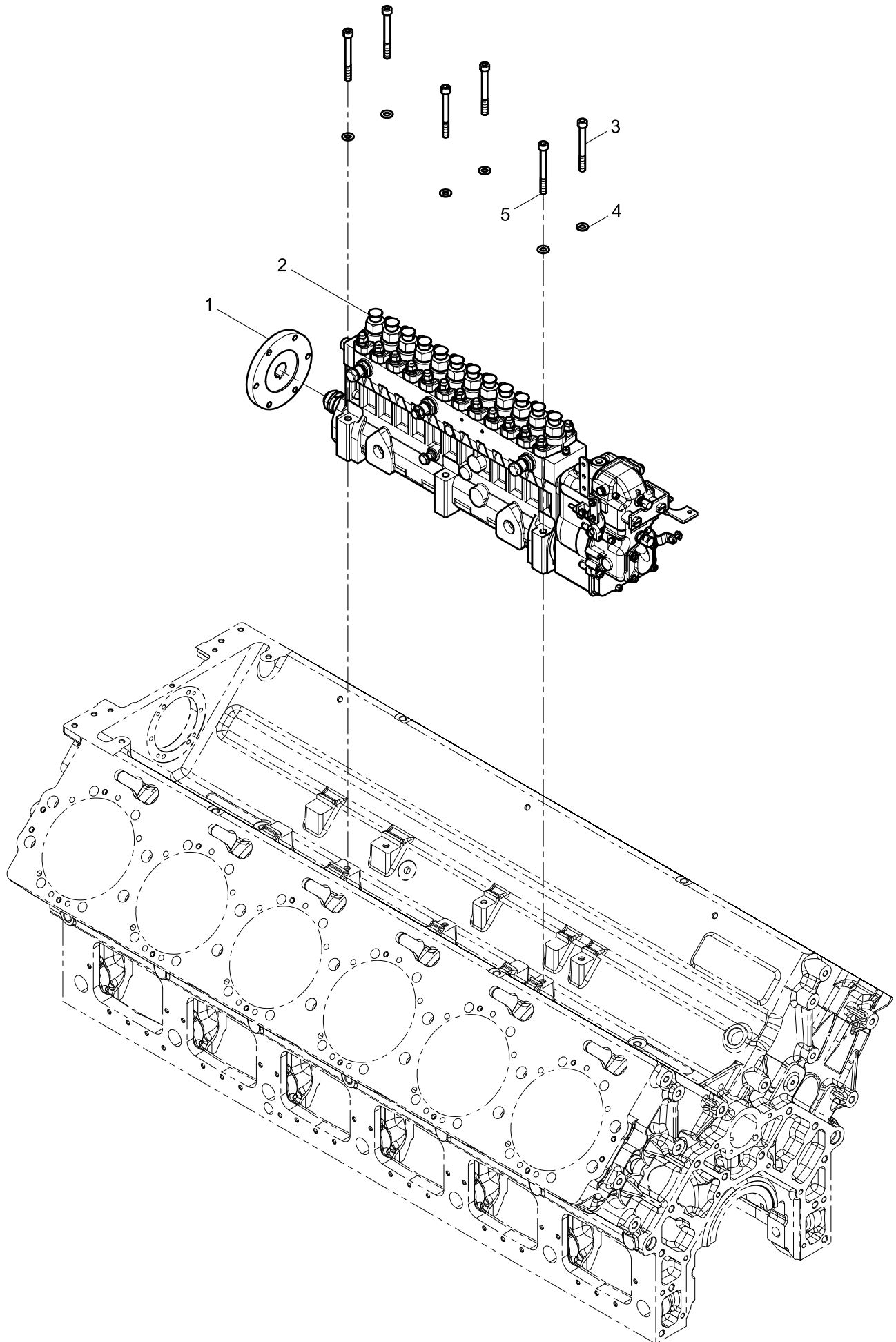
Connecting Plate



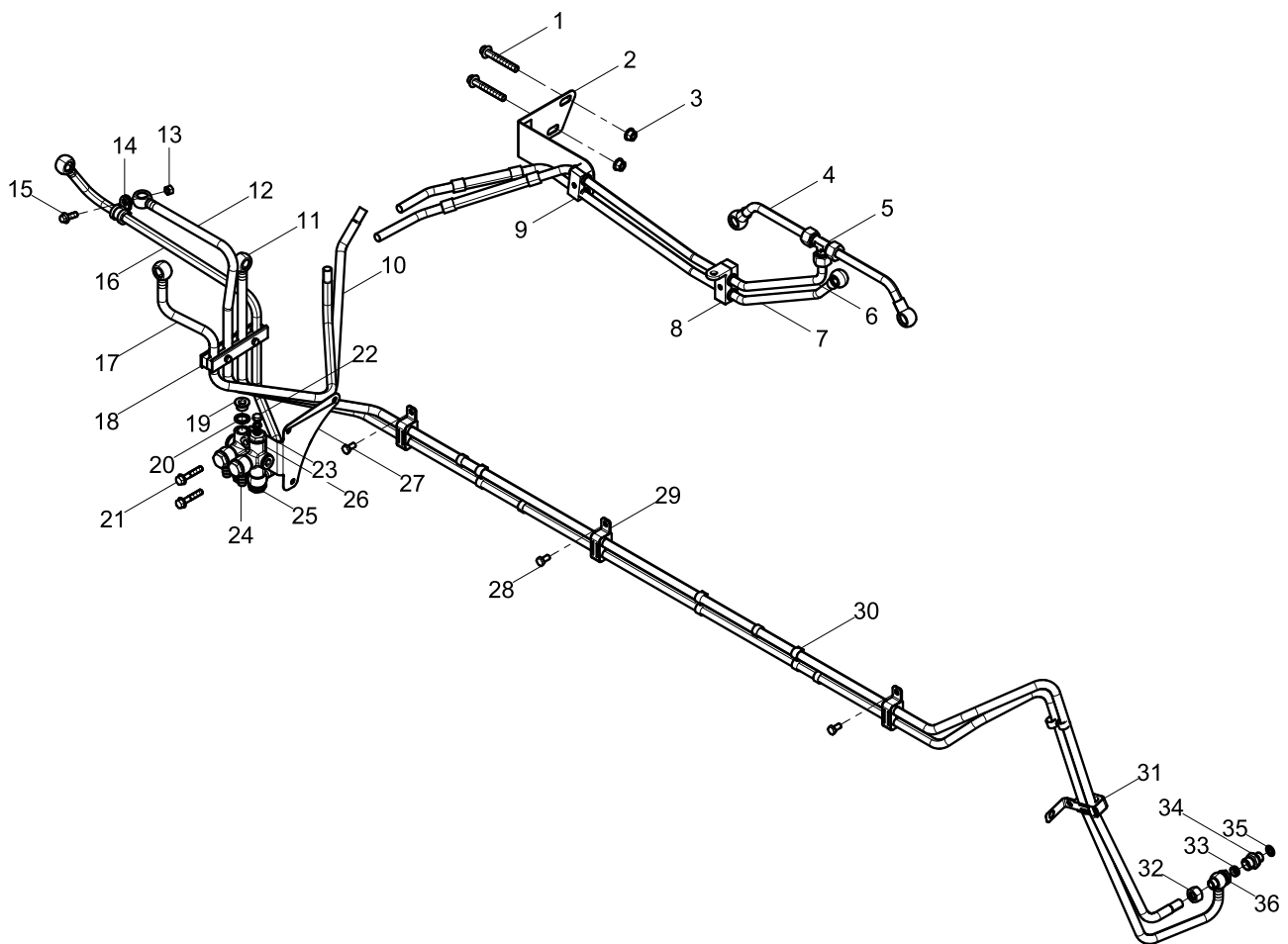
Connecting Plate

Pos.	Teile.Number	Amount	Designation
1	15052380H-1	2	Connecting Plate
2	15052380H-3	2	Ferrule
3	15052380H-2	2	Connecting Plate
4	90003931082	20	Single Coil Spring Lock Washer, Light Type
5	90011350109	20	Hexagon Head Bolt

Fuel Injection Pump Group



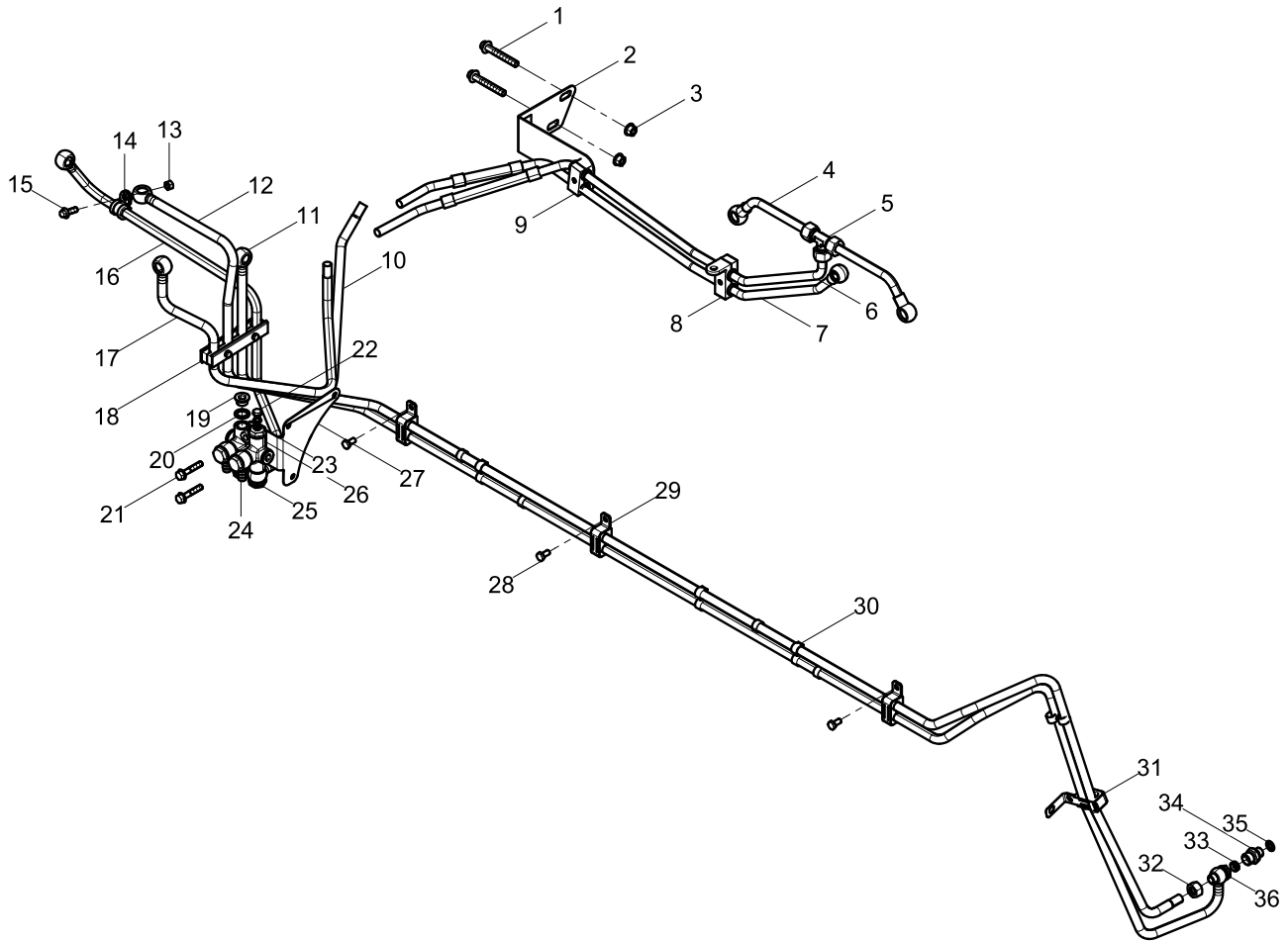
Low Pressure Fuel Pipe Group



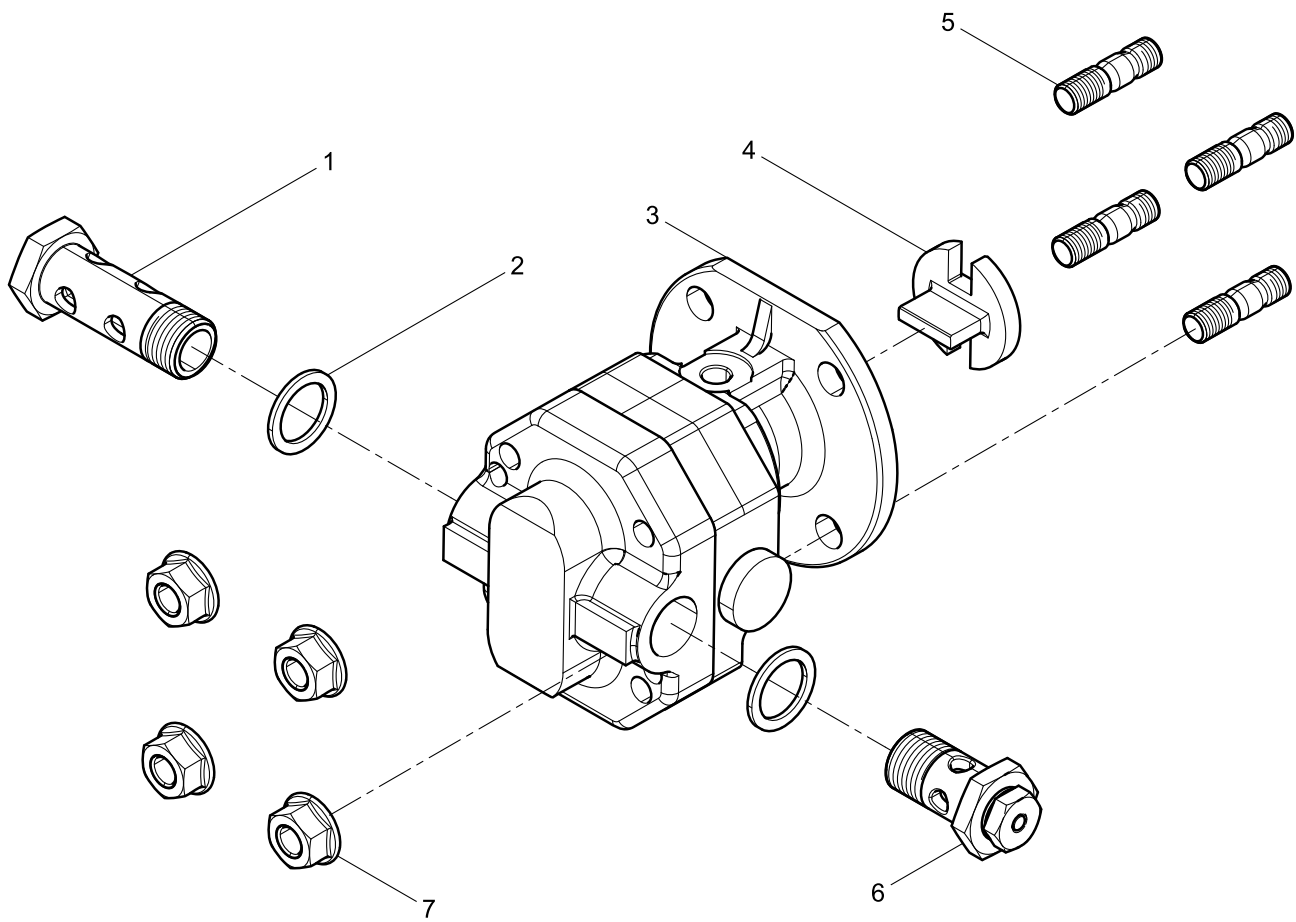
Low Pressure Fuel Pipe Group

Pos.	Teile.Number	Amount	Designation
1	90011430013	2	Hexagon Flange with Tooth Bolt
2	1000181027	1	Fuel Pipe Bracket Assembly
3	90012290007	2	Hexagon Flange Nut
4	330205000309	2	Fuel-inlet Pipe
5	77719680N	1	Pipe Joint
6	1000176820	1	Fuel-inlet Pipe
7	1000176822	1	Fuel Return Pipe Assembly
8	330205000403	1	Pipe Clamp Assembly
9	331005001027	1	Pipe Clamp Assembly
10	1000060278	1	Fuel Return Pipe Assembly
11	1000060915	1	Fuel-inlet Pipe Assembly
12	1000060924	1	Fuel-inlet Pipe Assembly
13	90012210022	1	Hexagon Nuts, Style 1
14	680360199	1	Pipe Clamp Assembly
15	90011410003	1	Hexagon Flange Bolt
16	1000060258	1	Fuel-inlet Pipe Assembly
17	1000060276	1	Fuel-inlet Pipe Assembly
18	1000049167	1	Pipe Clamp Assembly
19	14400078J	4	Hexagon Taper Screw Plug
20	612600080275	1	Sealing Washer
21	90011400004	2	Hexagon Flange Bolt
22	612600081948	1	Bolt
23	612600080201	2	Washer
24	612600082773	2	Pipe Joint
25	01119250	4	Hollow screw
26	331005000809	1	Transition joint
27	1000067318	1	Bracket

Low Pressure Fuel Pipe Group



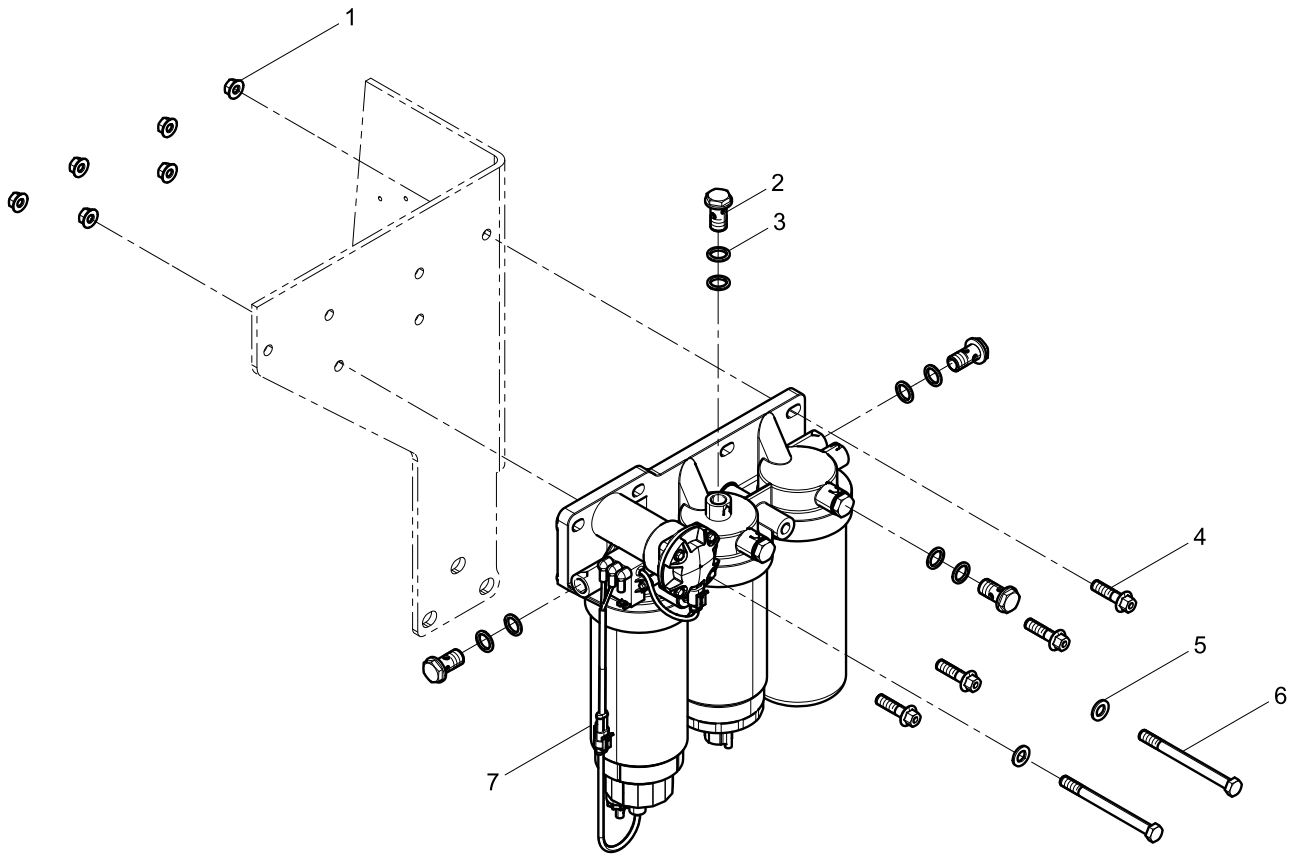
Fuel Supply Pump Group



Fuel Supply Pump Group

Pos.	Teile.Number	Amount	Designation
1	15051420P	1	Bolt
2	13023361	2	Assembled Sealing Washer
3	X6231.180W	1	Gear Type Fuel Supply Pump
4	14052300P	1	Driving disk
5	90011620036	4	Double End Stud
6	15551231M	1	Non-return Valve
7	90012290001	1	Hexagon Flange Nut

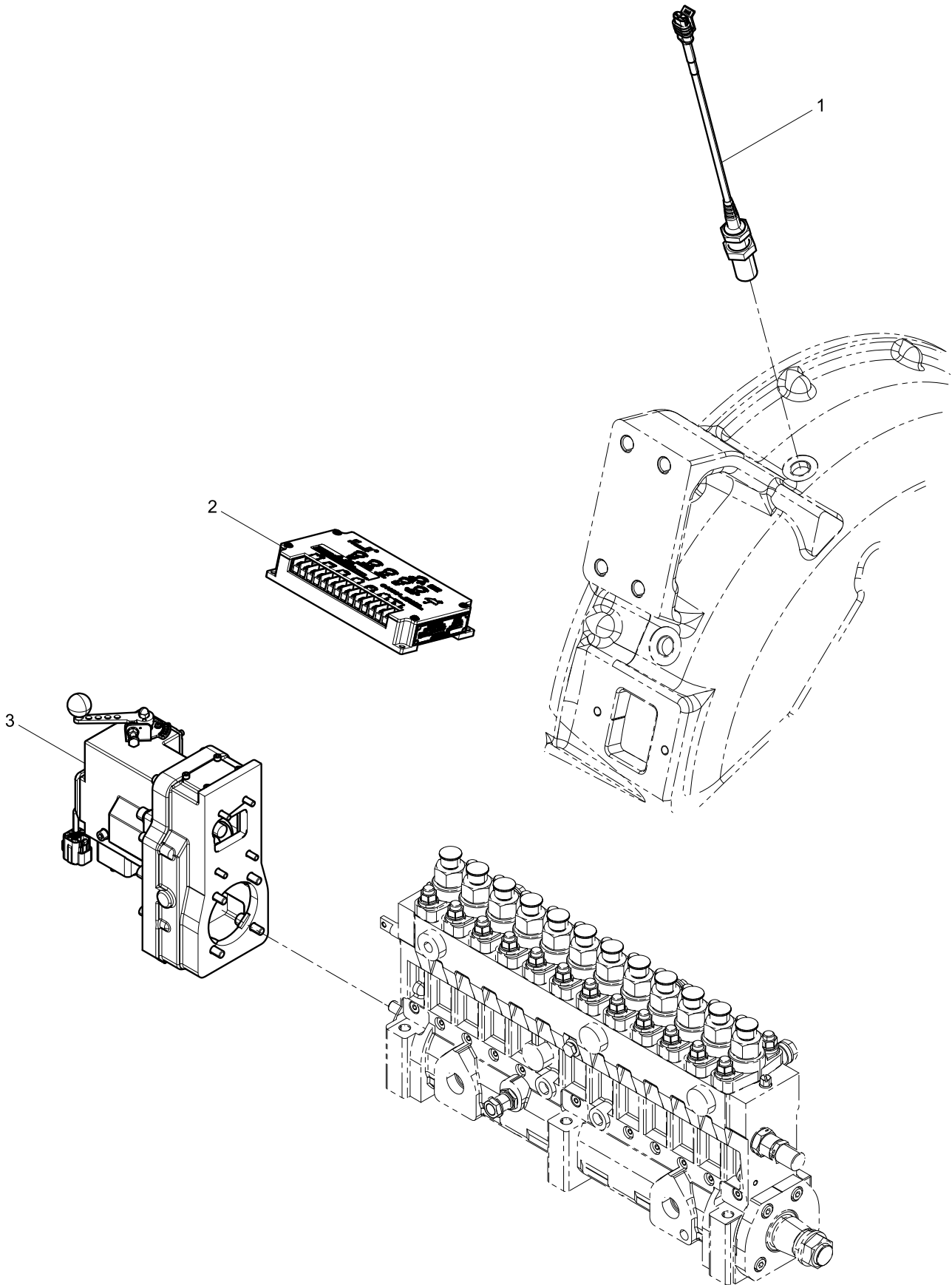
Fuel Filter Group



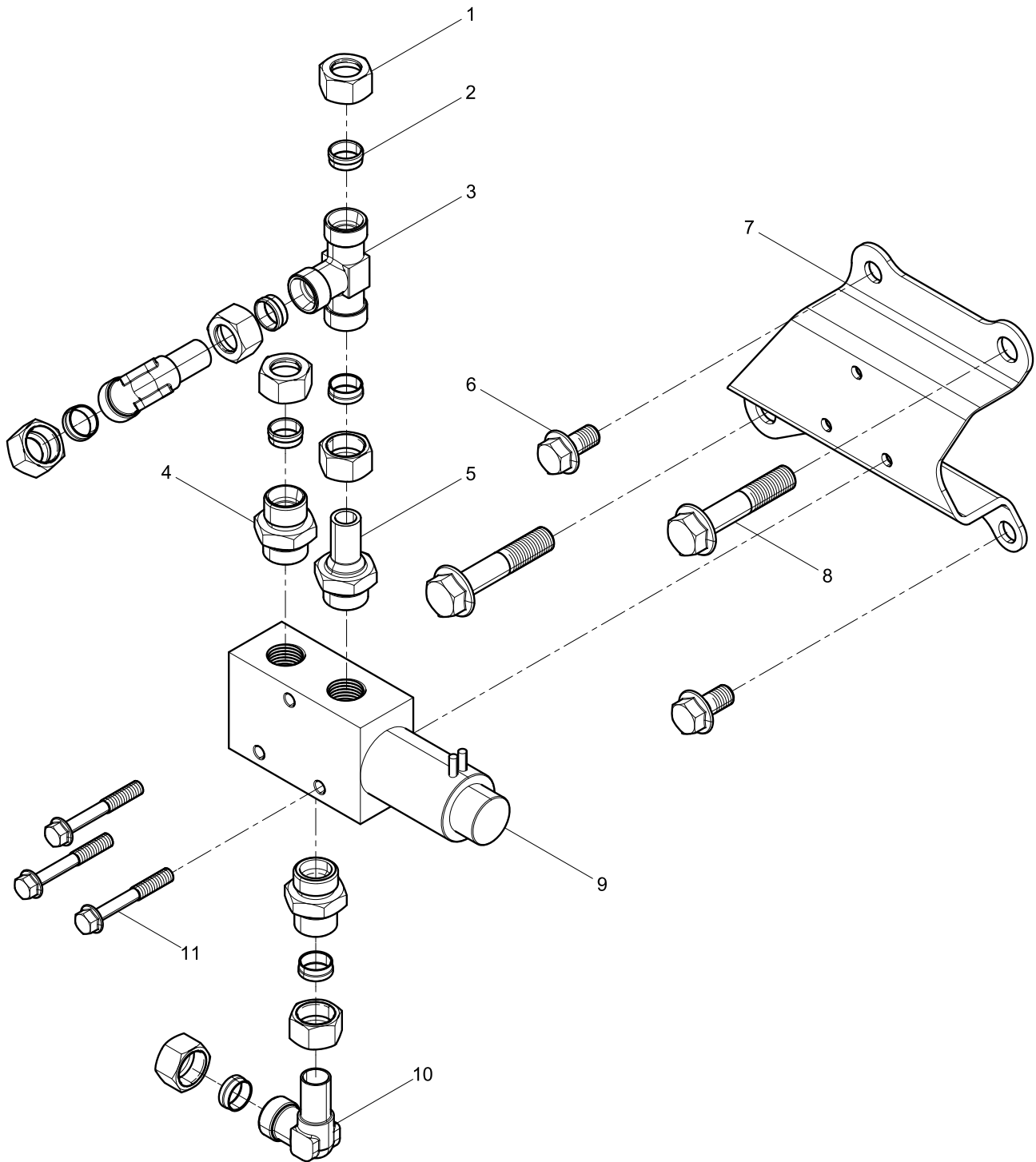
Fuel Filter Group

Pos.	Teile.Number	Amount	Designation
1	90012290003	6	Hexagon Flange Nut
2	01119250	4	Hollow screw
3	612600080275	8	Sealing Washer
4	90011420012	4	Hexagon Flange Bolt
5	90014040009	2	Plain Washer
6	90011260014	2	Hexagon Head Bolt
7	1000210010	1	Fuel System Protector

Electronic Governor Group



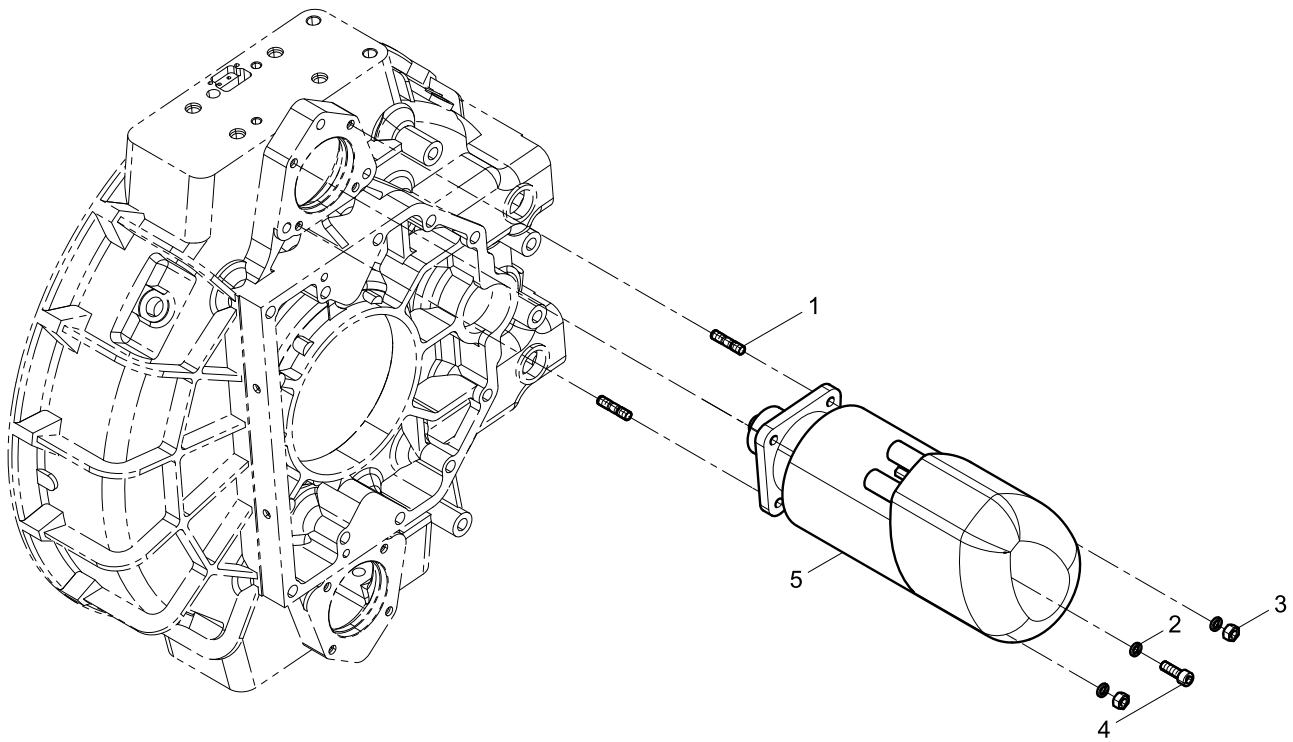
Shut-down Device Group



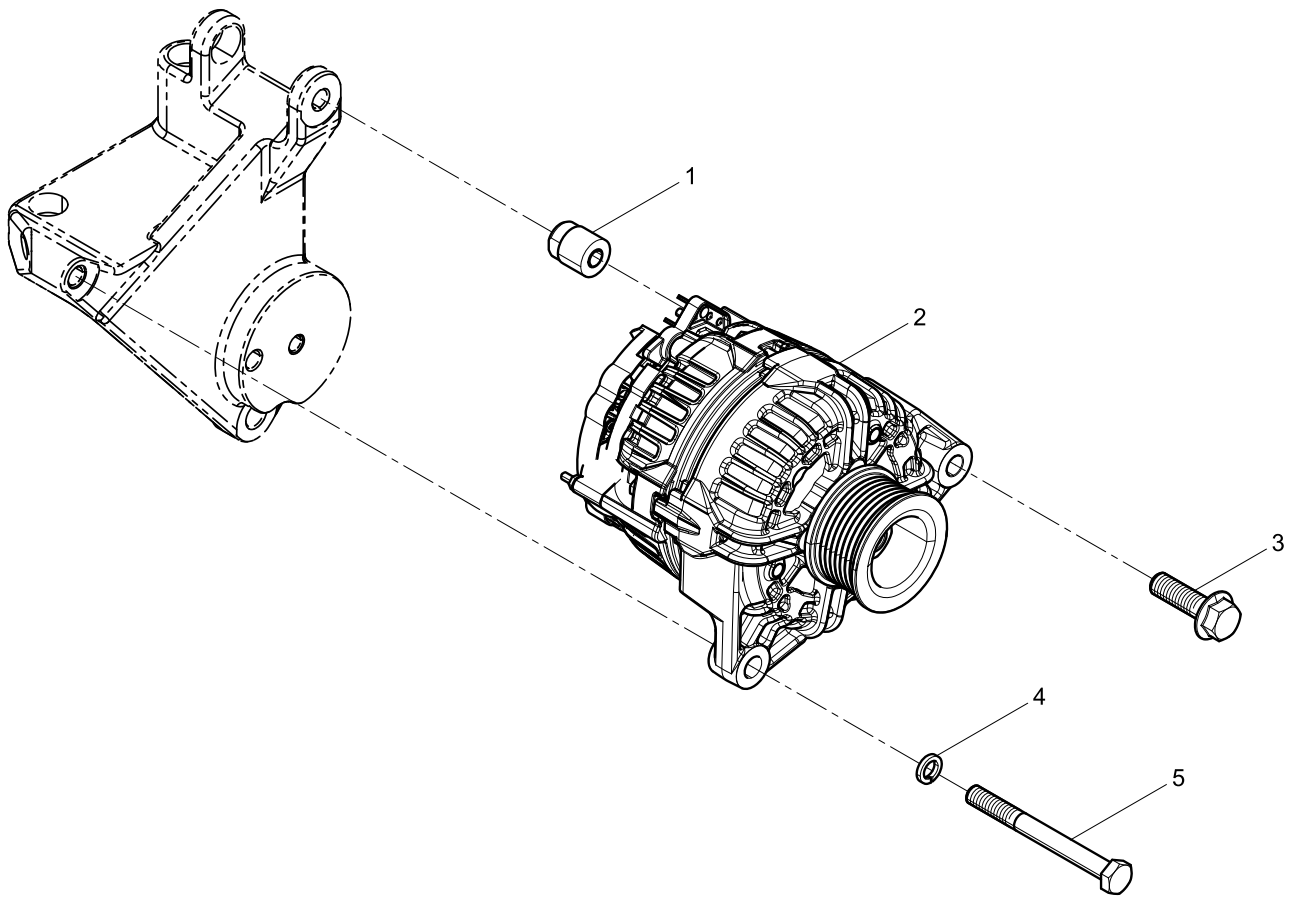
Shut-down Device Group

Pos.	Teile.Number	Amount	Designation
1	90017480002	7	Ferrule 24° Cone Connectors, Nut
2	90017130002	7	Ferrule
3	90017360003	1	Ferrule Three-way Elbow-body
4	330205000547	2	Ferrule Straight Thread Elbow-body
5	330205000585	1	Ferrule Straight Thread Elbow-body
6	90011400027	2	Hexagon Flange Bolt
7	330205000544	1	Braking shut-down electromagnet
8	90011400024	2	Hexagon Flange Bolt
9	1000940938	1	Shut-down electromagnet
10	330205000840	2	Ferrule Bend Thread Elbow-body
11	90011400017	3	Hexagon Flange Bolt

Starter Motor Group



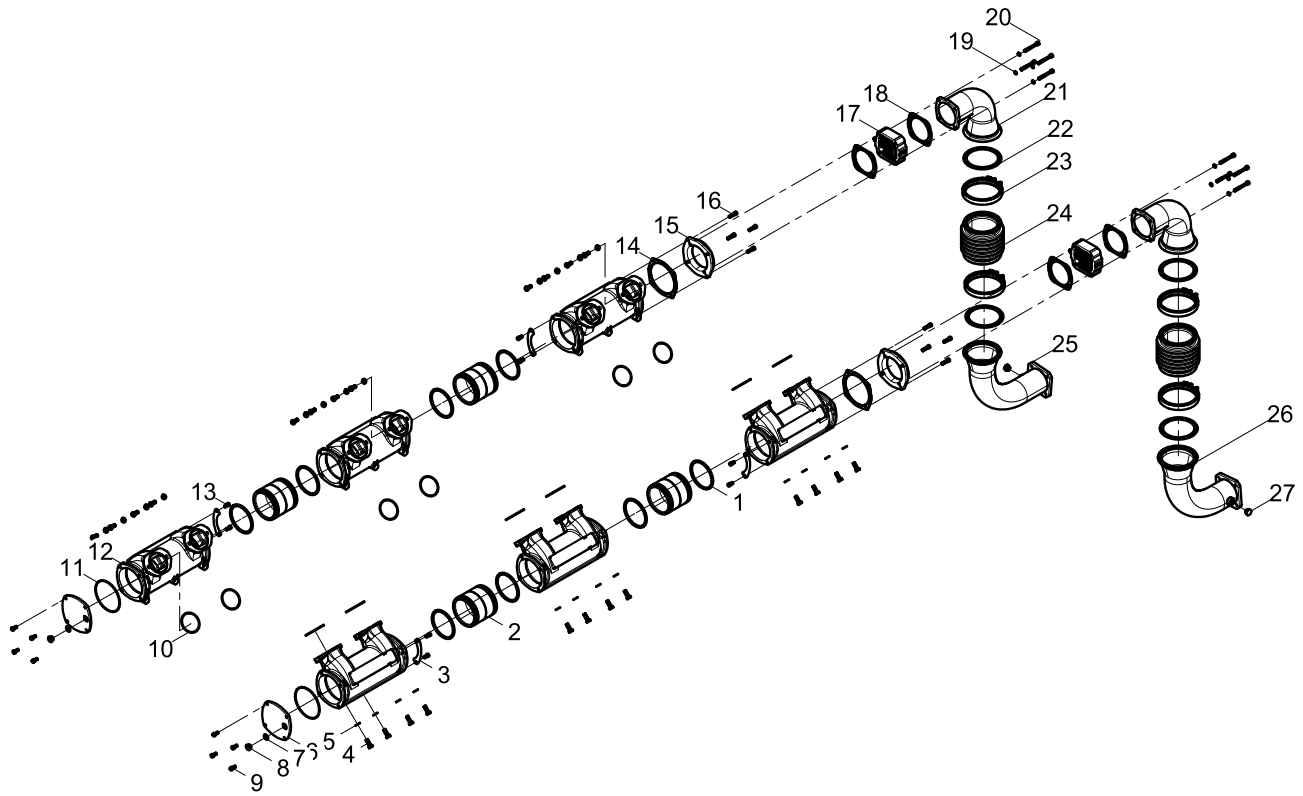
Alternator Group



Alternator Group

Pos.	Teile.Number	Amount	Designation
1	612630060040	1	Nut
2	1000570389	1	Alternator
3	90011400049	1	Hexagon flange bolt, heavy series
4	90003931122	1	Spring Washer
5	330215000010	1	Hexagon Head Bolt

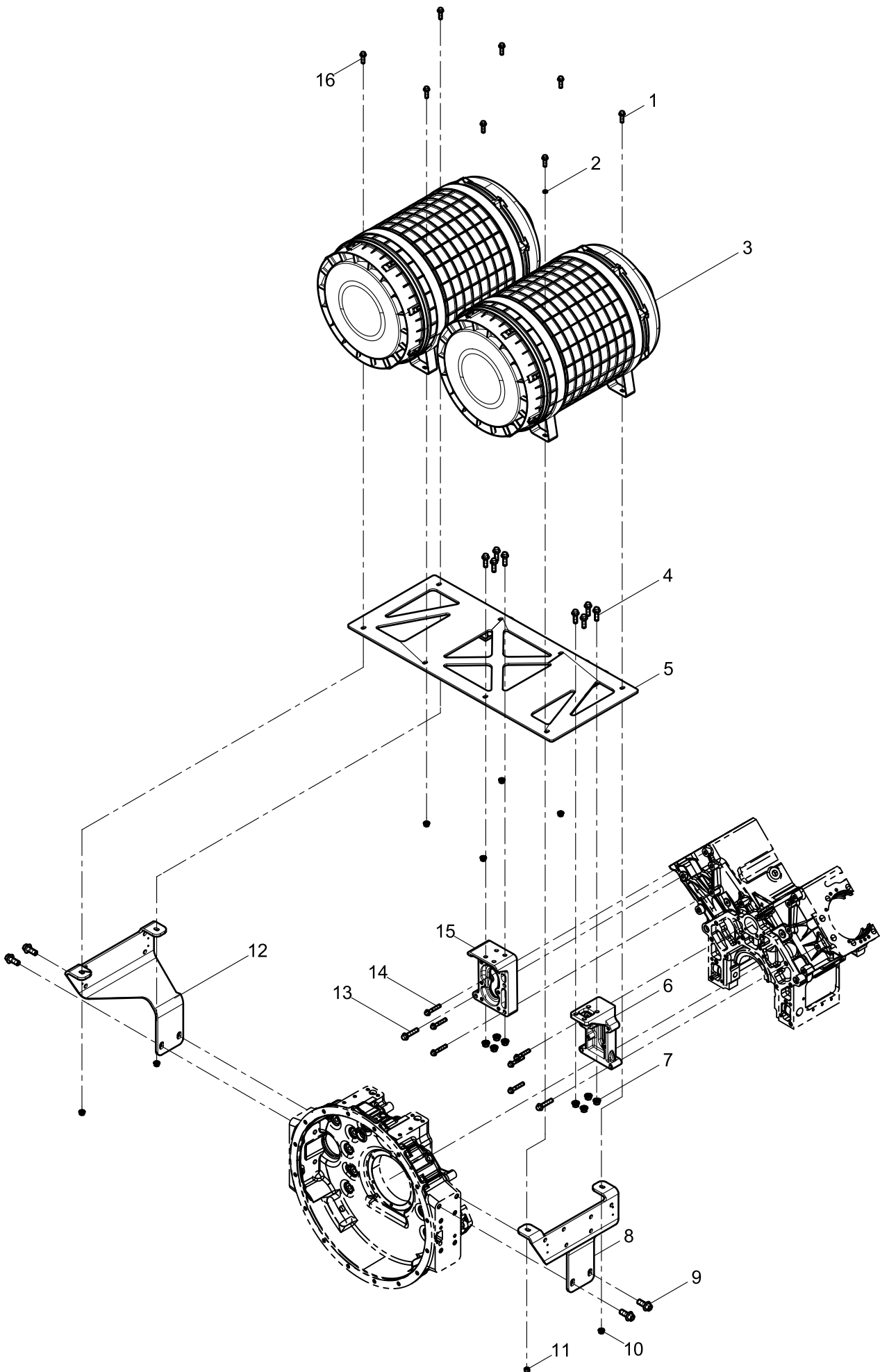
Intake Manifold Group



Intake Manifold Group

Pos.	Teile.Number	Amount	Designation
1	90017550022	8	O-Ring
2	15080790N	4	Pipe
3	15080810K	4	Bracket
4	90003802544	24	Hexagon Head Bolt
5	90014040008	24	Plain Washer
6	15080800Z	2	Cover
7	90003098020	6	Washer
8	14400078J	4	Hexagon Taper Screw Plug
9	90003802443	8	Hexagon Head Bolt
10	77712070R	12	Seal Ring
11	90017550023	2	O-Ring
12	1000438768	6	Intake Manifold
13	90013550038	8	Inner Hexagon Socket Head Cap Screw
14	330208000321	2	Gasket
15	330208000320	2	Flange
16	90013550007	8	Inner Hexagon Socket Head Cap Screw
17	X6231.175W	2	Heater
18	X6231.176W	4	Intake Manifold Gasket
19	90003931102	8	Spring Washer
20	90003862471	8	Screw
21	330208000319	2	Inter-cooler Air Pipe Assembly
22	330208000306	4	Gasket
23	612640130143	4	Clamp
24	330208000310	2	Expansion Pipe
25	330208000331	1	Inter-cooler Air Pipe Assembly
26	330208000334	1	Inter-cooler Air Pipe Assembly
27	11230560F	2	Screw Plug

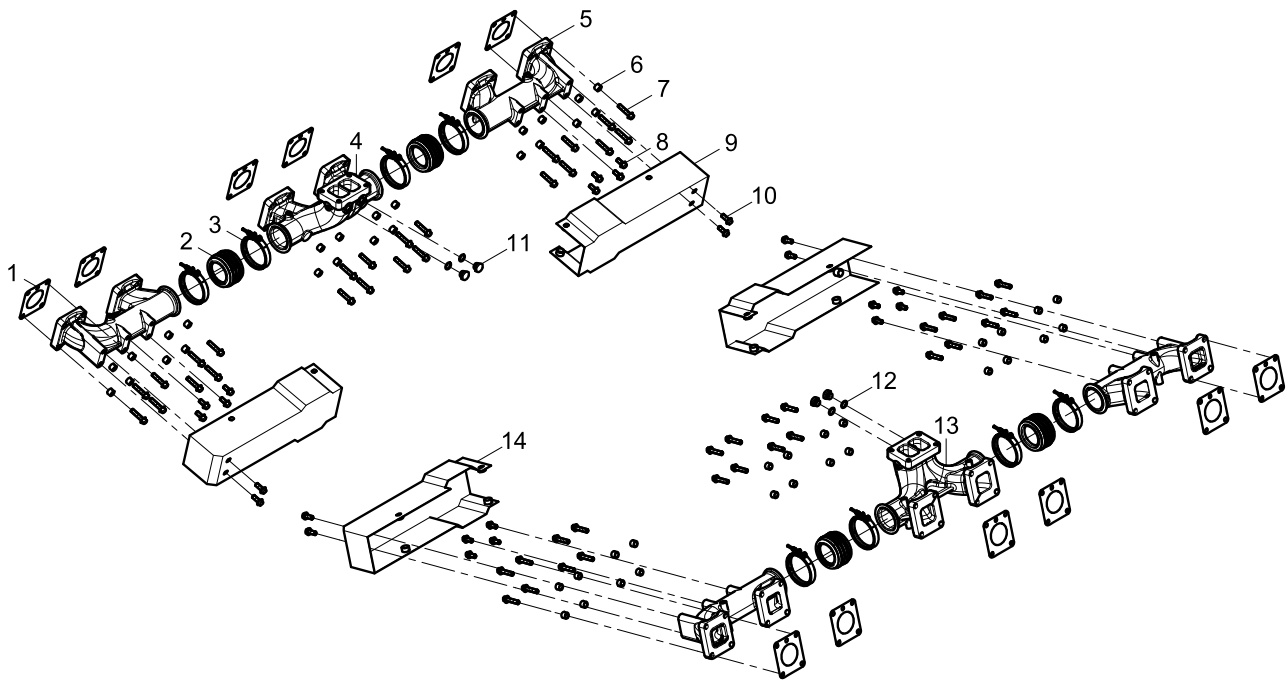
Air Filter Group



Air Filter Group

Pos.	Teile.Number	Amount	Designation
1	90011400065	4	Hexagon Flange Bolt
2	90003931122	1	Spring Washer
3	1000183273	2	Air Filter
4	90011400049	8	Hexagon flange bolt, heavy series
5	330208000207	1	Air Filter Bracket
6	X6231.382W	1	Exhaust Manifold Bracket
7	90012290005	8	Hexagon Flange Nut
8	1000531568	1	Air Filter Bracket
9	9000000044	4	Hexagon Flange Bolt
10	90012290002	7	Hexagon Flange Nut
11	90003871305	1	Hexagon Nuts, Style 1
12	1000531569	1	Air Filter Bracket
13	90011400024	2	Hexagon Flange Bolt
14	9000000097	6	Hexagon Flange Bolt
15	X6231.381W	1	Exhaust Manifold Bracket
16	90011420020	4	Hexagon Flange Bolt

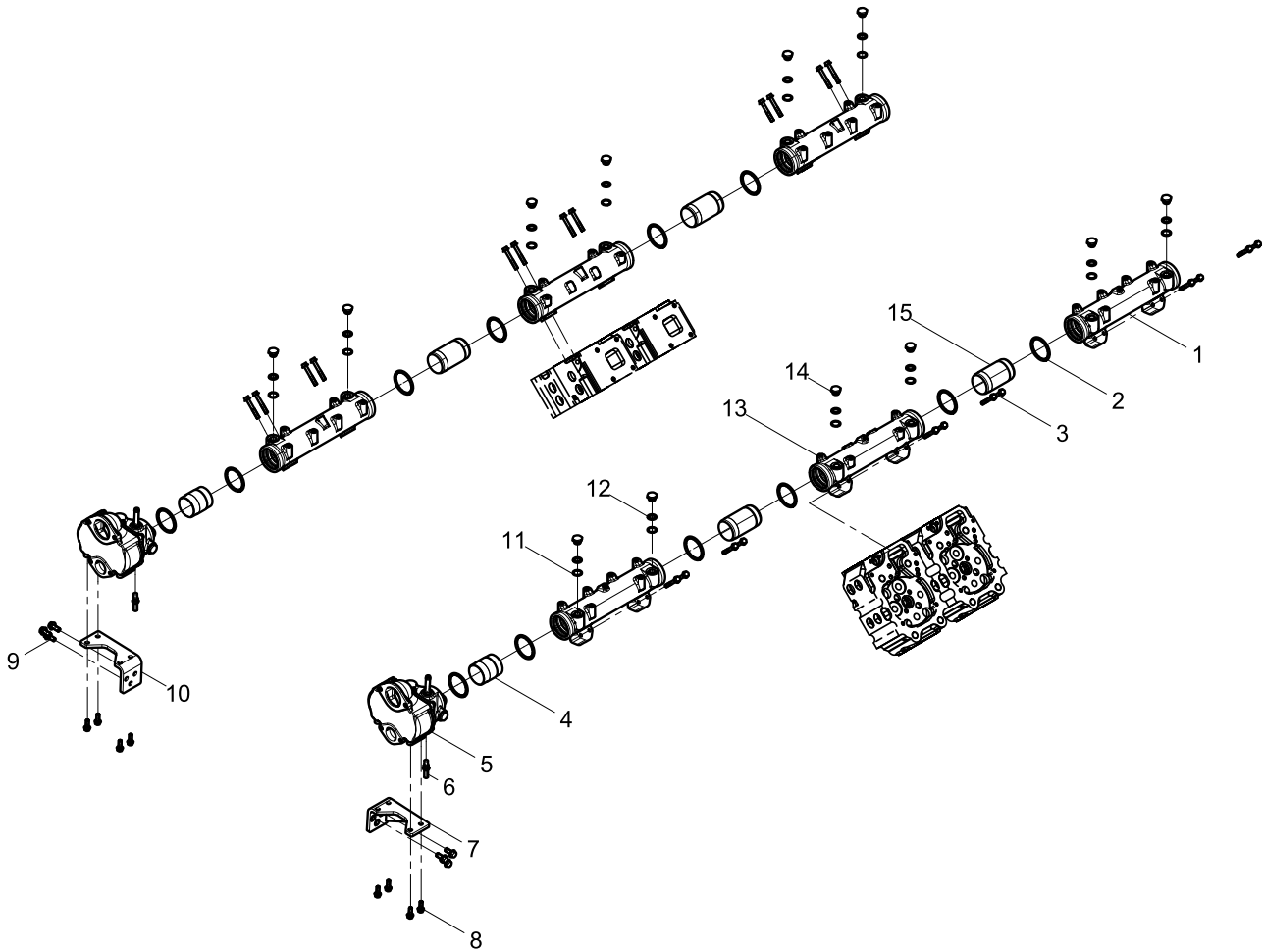
Exhaust Manifold Group



Exhaust Manifold Group

Pos.	Teile.Number	Amount	Designation
1	15090410V	12	Washer
2	15090230Z	4	Expansion Joint
3	X6231.386W	8	Clamp
4	330209000218	1	Exhaust Manifold
5	330209000217	4	Exhaust Manifold
6	330209000184	48	Sleeve
7	330209000271	48	Exhaust Manifold Bolt
8	330209000185	16	Exhaust Manifold Bolt
9	330209000152	2	Exhaust Manifold Heat Shield Assembly
10	330309000002	8	Exhaust Manifold Bolt
11	11230560F	4	Screw Plug
12	90003098020	4	Washer
13	330209000219	1	Exhaust Manifold
14	330209000153	2	Exhaust Manifold Heat Shield Assembly

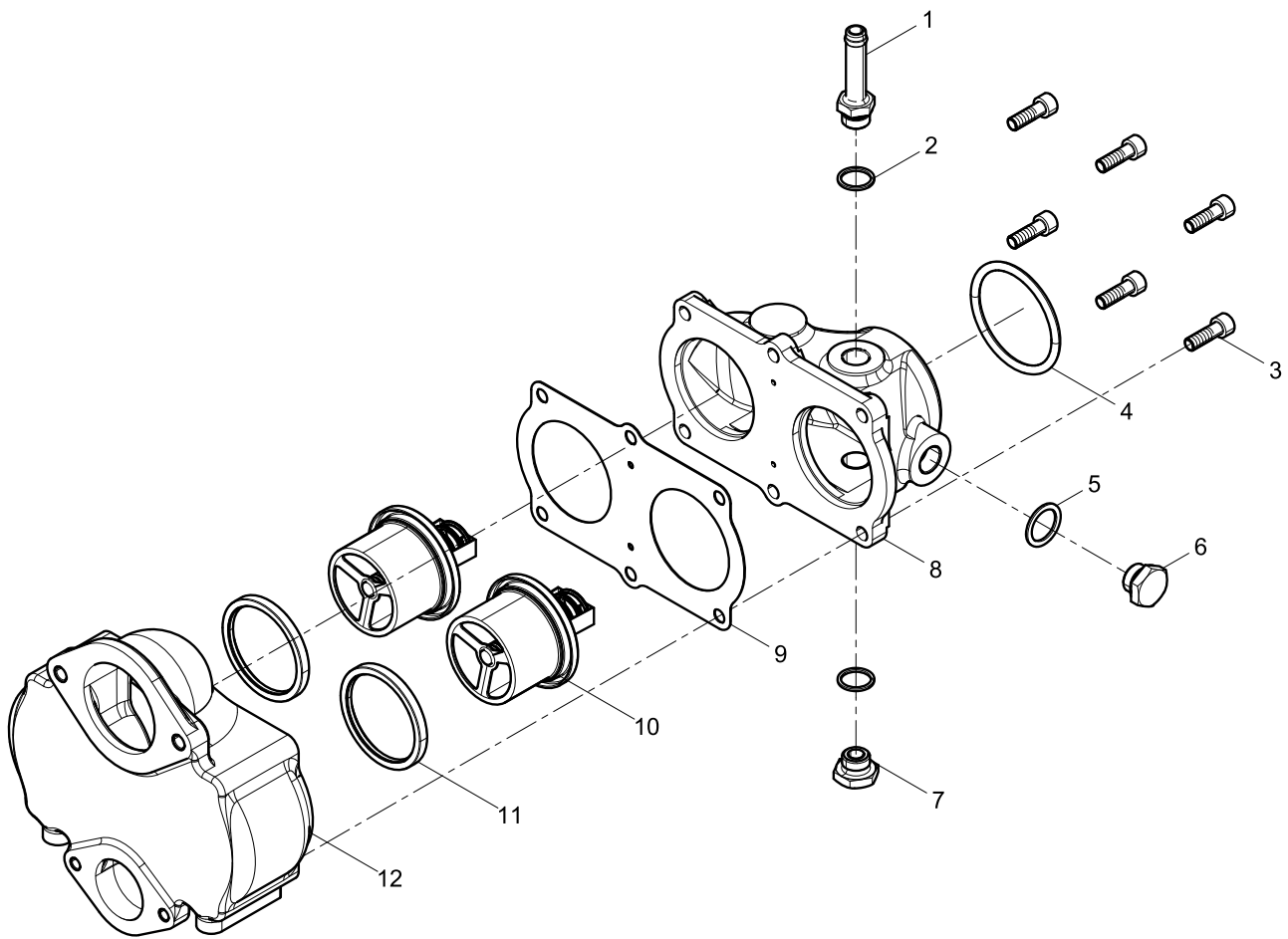
Water Outlet Pipe Group



Water Outlet Pipe Group

Pos.	Teile.Number	Amount	Designation
1	331003000488	4	Water-outlet Pipe
2	90017510050	12	O-ring
3	90011400010	24	Hexagon flange bolt, heavy series
4	15033660K	2	Water Pipe
5	330203000454	2	Thermostat Assembly
6	612600090107	2	Temperature Sensor
7	330203000030	1	Thermostat Bracket
8	90011400020	8	Hexagon Flange Bolt
9	90011400033	6	Hexagon Flange Bolt
10	330203000016	1	Thermostat Bracket
11	331001000463	12	O-ring
12	612600080275	12	Sealing Washer
13	331003000403	2	Water-outlet Pipe
14	11230560F	12	Screw Plug
15	15032350L	4	Water Pipe

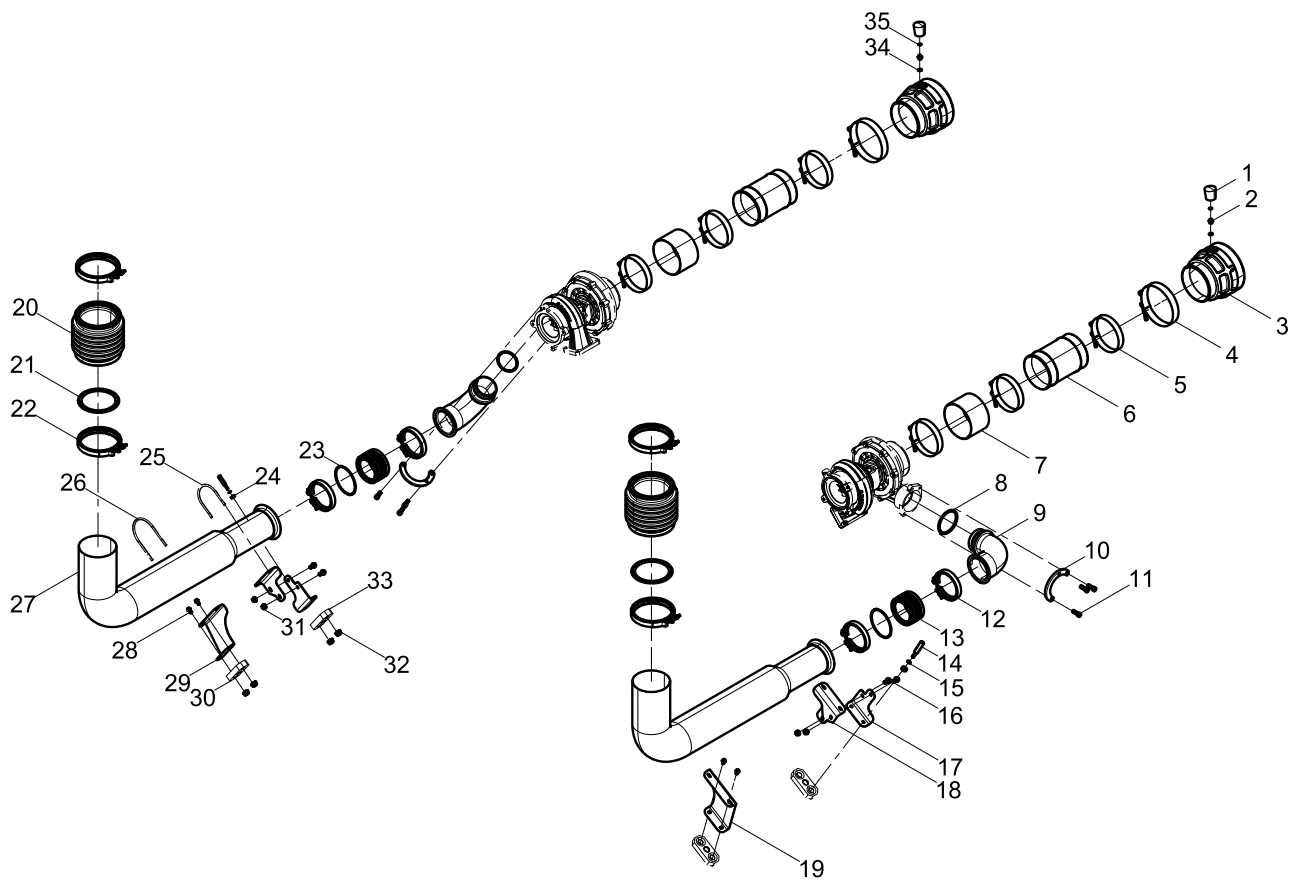
Thermostat Assembly



Thermostat Assembly

Pos.	Teile.Number	Amount	Designation
1	330203000255	2	Pipe Joint
2	90003098020	4	Washer
3	90013050036	12	Inner Hexagon Socket Head Cap Screw
4	90017510050	2	O-ring
5	77707700R	2	Gasket
6	11230560F	2	Screw Plug
7	330203000407	2	Conversion Adapter
8	330203000072	2	Thermostat Cover
9	15032770S	2	Gasket
10	14230430J	4	Thermostat
11	15032070G	4	Seal Ring
12	330203000076	2	Thermostat Body

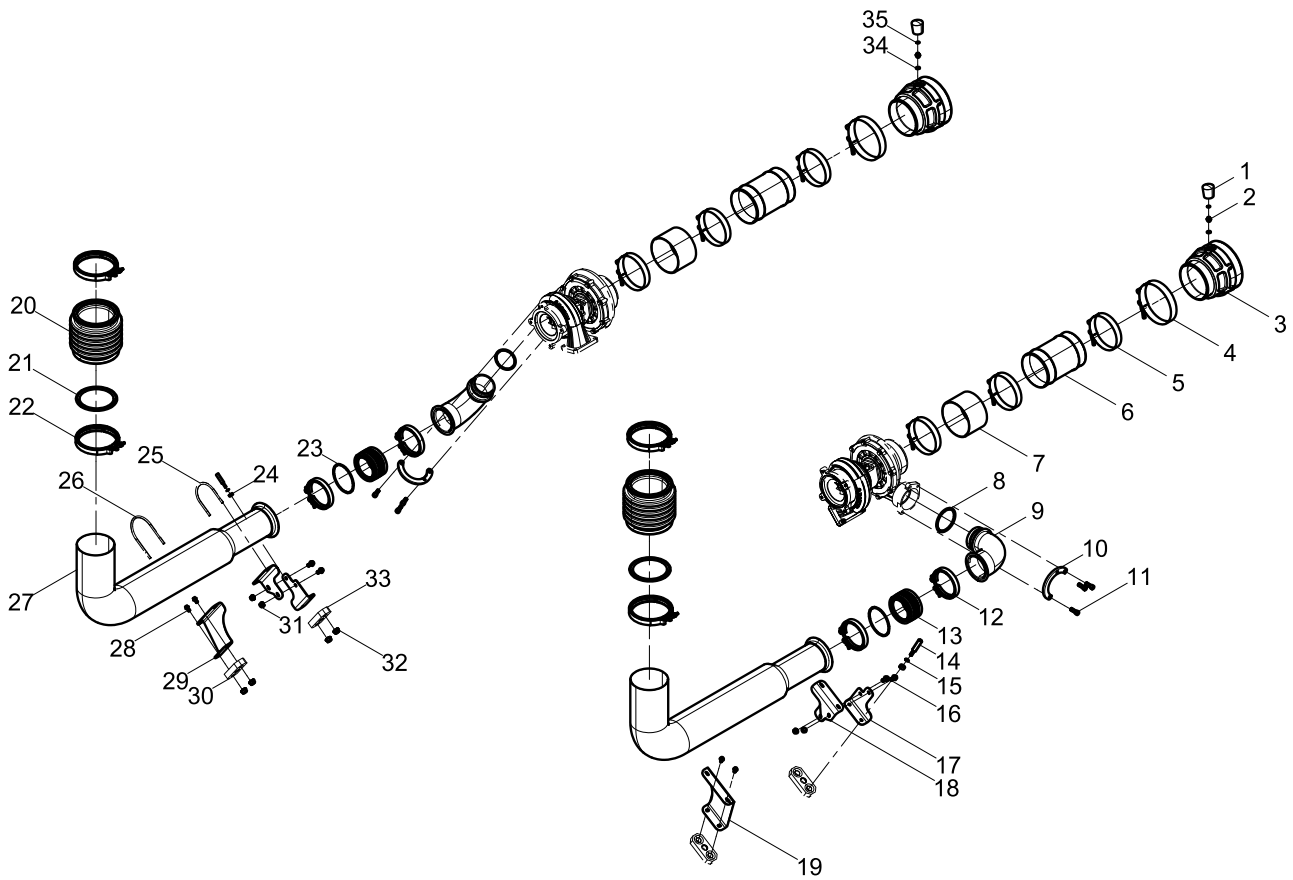
Compressor Pipe Group



Compressor Pipe Group

Pos.	Teile.Number	Amount	Designation
1	77728920B	2	
2	14400581F	2	Conversion Adapter
3	330208000169	2	Intake Connecting Pipe
4	612600115560	2	Clamp
5	X6231.118W	6	Clamp
6	330208000166	2	Intake Connecting Pipe
7	330208000139	2	Air Connecting Rubber Pipe
8	90017550015	2	O-Ring
9	330208000126	2	Inter- cooler Air Pipe
10	15102460S	2	Plate
11	77753300G	6	Inner Hexagon Socket Head Cap Screw
12	X6209.104	4	Clamp
13	330208000127	2	Expansion Pipe
14	612600112056	2	Back-up Block
15	90003932023	2	Wave Spring Washer
16	90011430007	4	Hexagon Flange with Tooth Bolt
17	330208000373	2	Inter-cool Pipe Bracket
18	330208000234	2	Inter-cool Pipe Bracket
19	330208000298	1	Inter-cool Pipe Bracket
20	330208000310	2	Expansion Pipe
21	330208000306	2	Gasket
22	612640130143	2	Clamp
23	90017550021	2	O-Ring
24	14101400J	2	Washer
25	612600120276	2	Bolt
26	330208000300	2	Bolt
27	330208000312	2	Inter-cooler Air Pipe Assembly

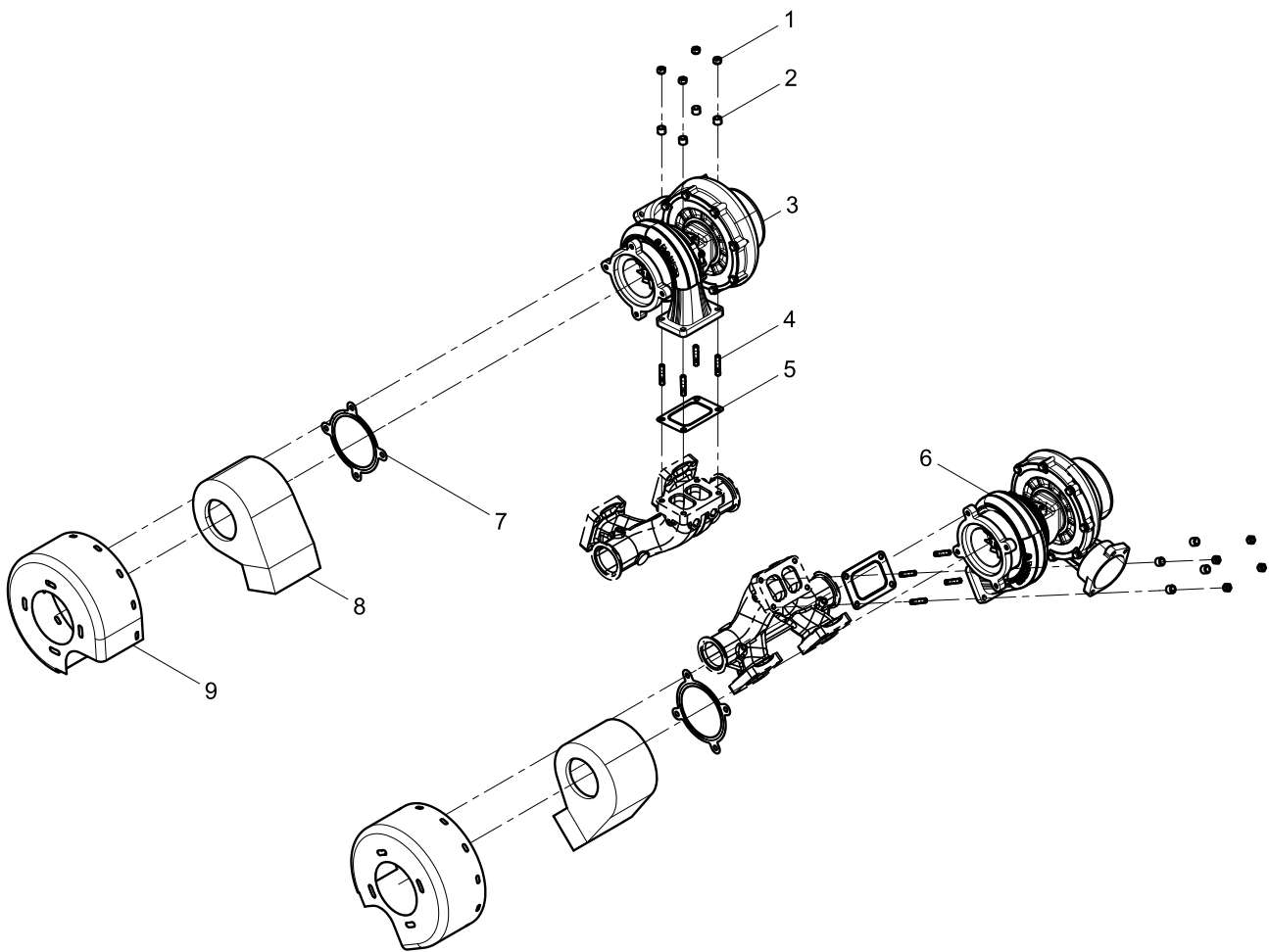
Compressor Pipe Group



Compressor Pipe Group

Pos.	Teile.Number	Amount	Designation
28	90011430040	4	Hexagon Flange with Tooth Bolt
29	330208000299	1	Inter-cool Pipe Bracket
30	330208000303	2	Pad
31	612600061720	4	Prevailing Torque Type Hexagon Nut with Flange
32	612600061719	8	Prevailing Torque Type Hexagon Nut with Flange
33	330208000230	2	Pad
34	90003098012	2	Sealing Washer
35	77707510K	2	Washer

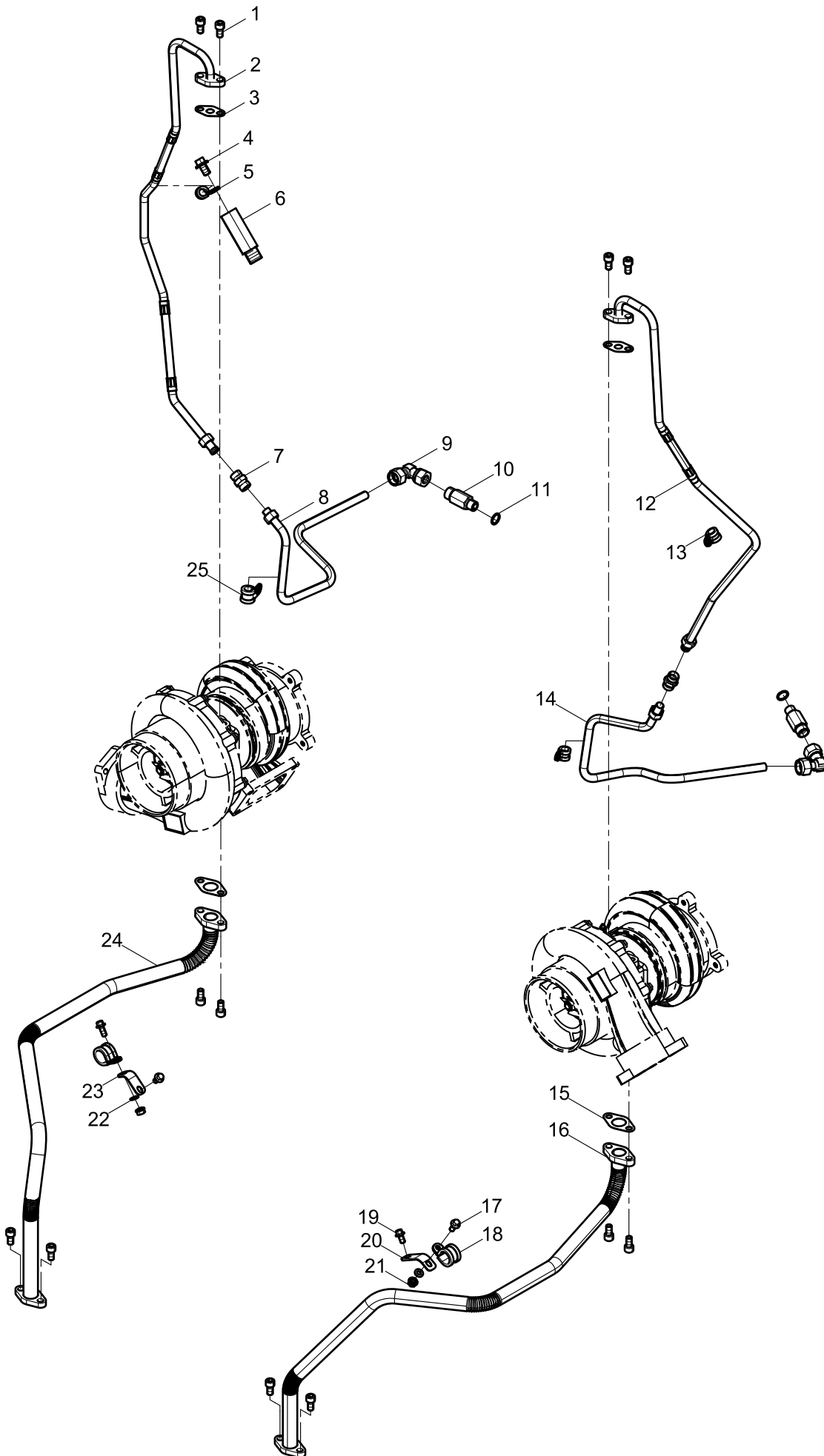
Turbocharger Group



Turbocharger Group

Pos.	Teile.Number	Amount	Designation
1	612600114387	8	Locknut
2	330209000184	8	Sleeve
3	1000158472	1	Turbocharger
4	612630110046	8	Double End Stud
5	330210000069	2	Gasket
6	1000158468	1	Turbocharger
7	330210000028	2	Gasket
8	330209000113	2	Turbocharge Heat Insulation Layer
9	330209000028	2	Turbocharger Heat Shield

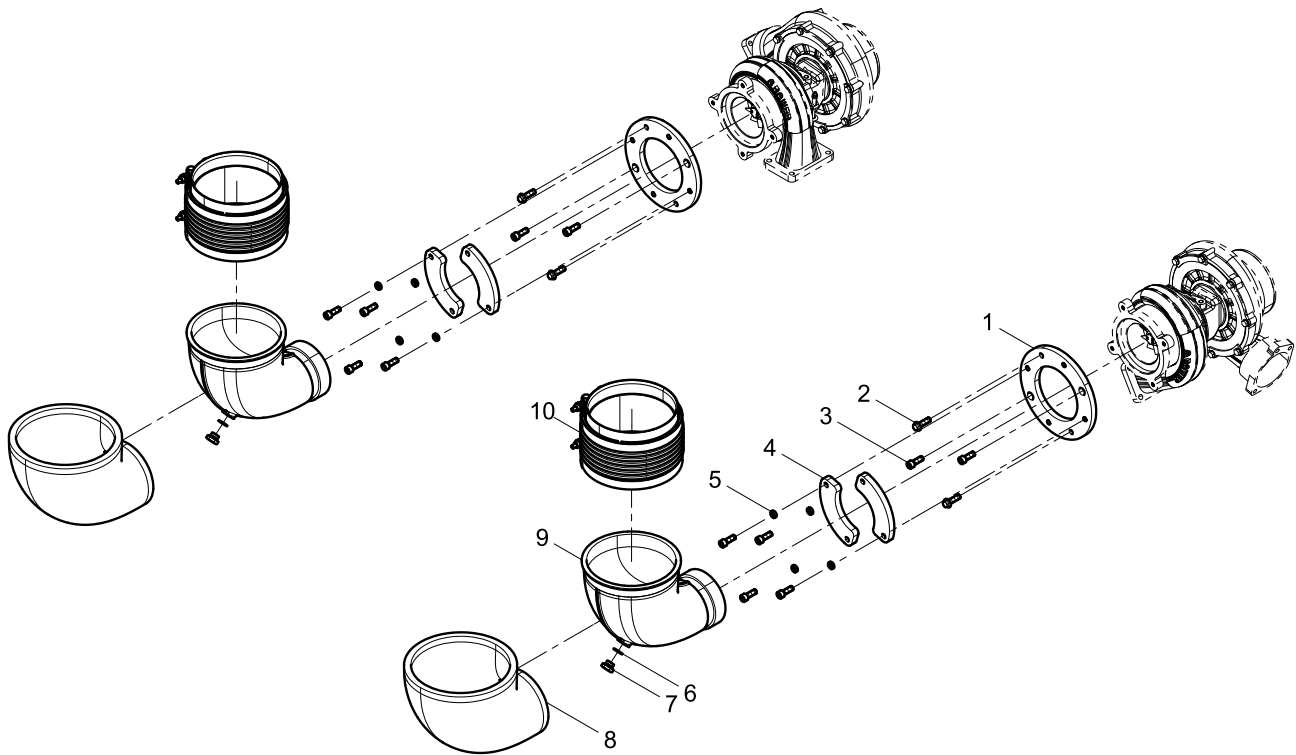
Turbocharger Oil Pipe Group



Turbocharger Oil Pipe Group

Pos.	Teile.Number	Amount	Designation
1	90013550028	12	Inner Hexagon Socket Head Cap Screw
2	330210000133	1	Turbocharger Oil Pipe Assembly
3	14409622H	2	Turbocharger Oil Pipe Gasket
4	612600114376	2	Hexagon Flange with Tooth Bolt
5	14400477S	1	
6	X6231.760W	1	Back-up Block
7	15100330C-3	2	Joint Body
8	330210000135	1	Turbocharger Oil Pipe Assembly
9	77719780X	2	Pipe Joint
10	15041651W	2	Pipe Joint
11	13023362	2	Assembled Sealing Washer
12	330210000124	1	Turbocharger Oil Pipe Assembly
13	612600081630	2	Pipe Clamp Assembly
14	330210000126	1	Turbocharger Oil Pipe Assembly
15	X6231.660W	4	Turbocharger Oil Pipe Gasket
16	330210000128	1	Turbocharger Oil Pipe Assembly
17	90011430016	2	Hexagon Flange with Tooth Bolt
18	612630110455	2	Pipe Clamp Assembly
19	90011430040	2	Hexagon Flange with Tooth Bolt
20	330204000136	1	Bracket
21	612600061719	2	Prevailing Torque Type Hexagon Nut with Flange
22	90014040007	2	Plain Washer
23	330204000137	1	Bracket
24	330210000131	1	Turbocharger Oil Pipe Assembly
25	330210000162	1	Pipe Clamp Assembly

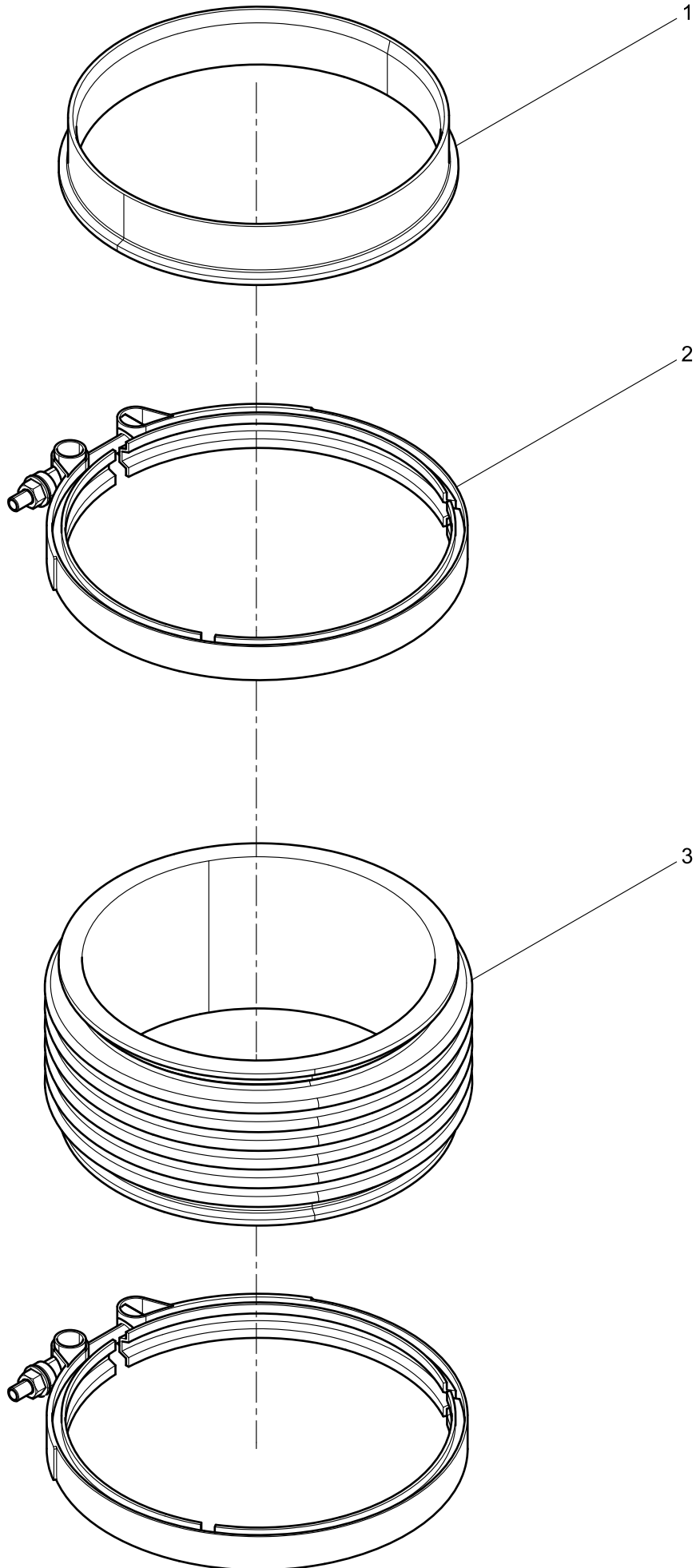
Connection syphon group



Connection syphon group

Pos.	Teile.Number	Amount	Designation
1	330209000246	2	Flange
2	X6231.633W	4	Exhaust Manifold Bolt
3	77753300G	12	Inner Hexagon Socket Head Cap Screw
4	16081110S	4	Bracket
5	13521150C	8	Gasket
6	90003098020	2	Washer
7	11230560F	2	Screw Plug
8	15590261L	2	Exhaust Manifold Heat Shield
9	15090951H	2	Exhaust Tail Pipe
10	15590280G	2	Expansion Joint

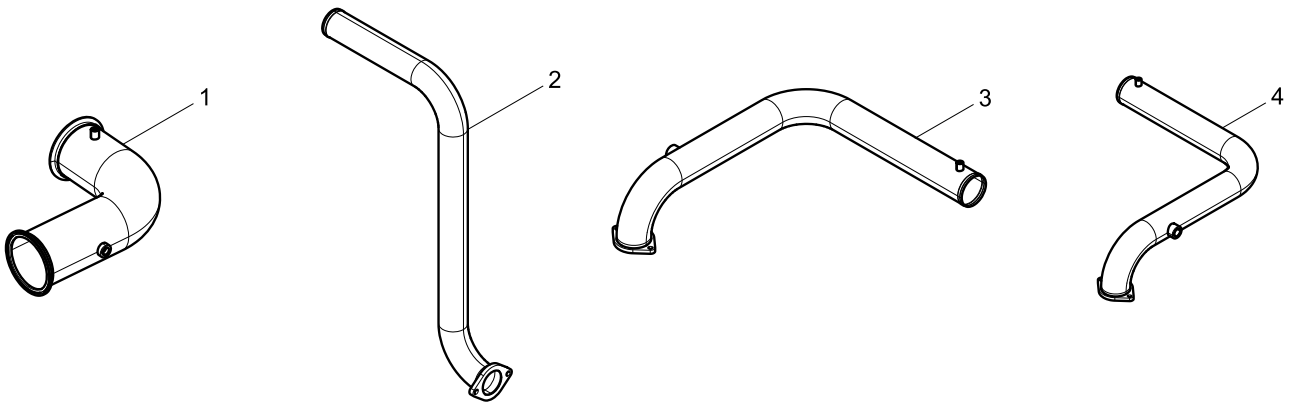
Expansion Joint



Expansion Joint

Pos.	Teile.Number	Amount	Designation
1	15101160E	2	Flange
2	330209000144	4	Clamp
3	15100930E	2	Expansion Joint

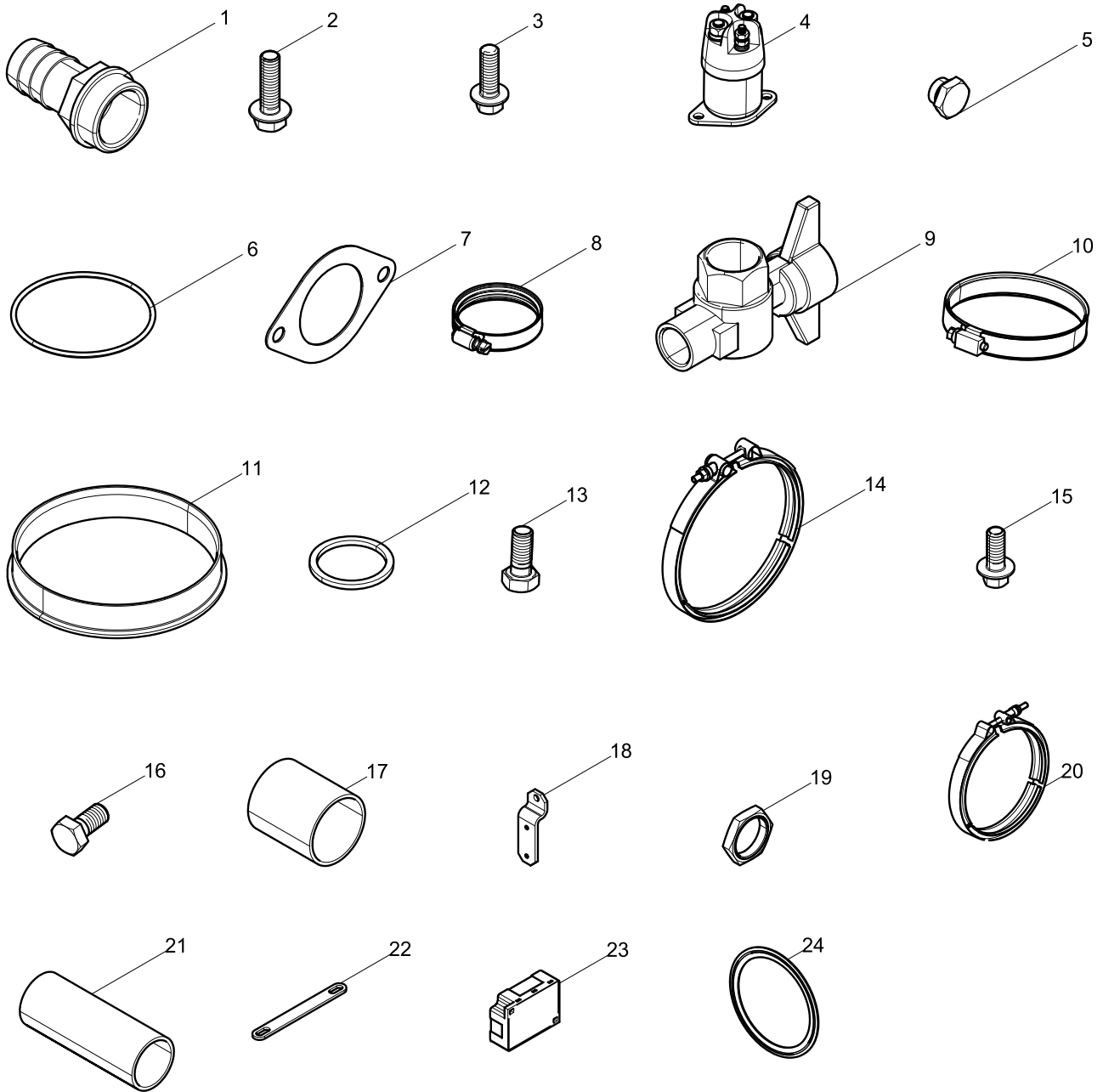
Packing Box Chassis Parts Group



Packing Box Chassis Parts Group

Pos.	Teile.Number	Amount	Designation
1	330208000316	2	Inter-cooler Air Pipe Assembly
2	330203000356	2	Water-outlet Pipe Set
3	330203000350	1	Water Pump Water Pipe Assembly
4	330203000354	1	Water Pump Water Pipe Assembly

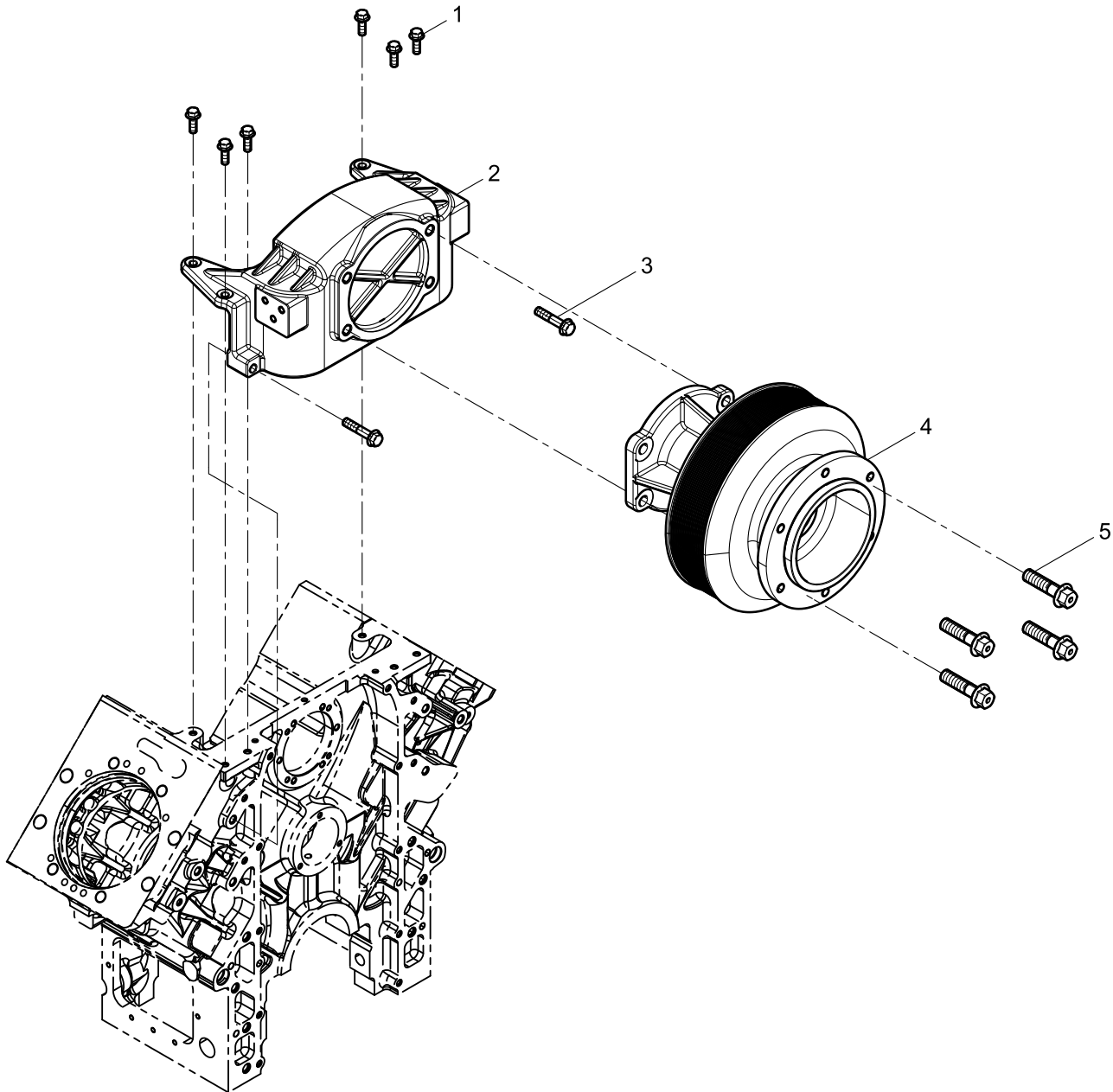
Parts Box Group



Parts Box Group

Pos.	Teile.Number	Amount	Designation
1	15035710N	2	Pipe Joint
2	90011400006	8	Hexagon Flange Bolt
3	90011430017	4	Hexagon Flange with Tooth Bolt
4	612630080076	2	Relay
5	11230560F	2	Screw Plug
6	90017510096	2	O-ring
7	1000521481	2	Water-outlet pipe gasket
8	612600114682	4	Clamp
9	77736060S	2	Valve Core
10	612600062212	4	Clamp
11	15101160E	4	Flange
12	90003098020	2	Washer
13	90011270060	4	Hexagon head bolt
14	330209000144	4	Clamp
15	90011430016	20	Hexagon Flange with Tooth Bolt
16	90003802411	2	Hexagon Head Bolt
17	330203000240	2	Coolant Connecting Rubber Pipe
18	330208000347	2	Bracket
19	1000593609	2	Thin Nut for Connector
20	612640130143	6	Clamp
21	X6231.640W	2	Coolant Connecting Rubber Pipe
22	330208000147	10	Plate
23	330211000029	2	Flame Preheater Cold Starter Controller
24	330208000306	6	Gasket

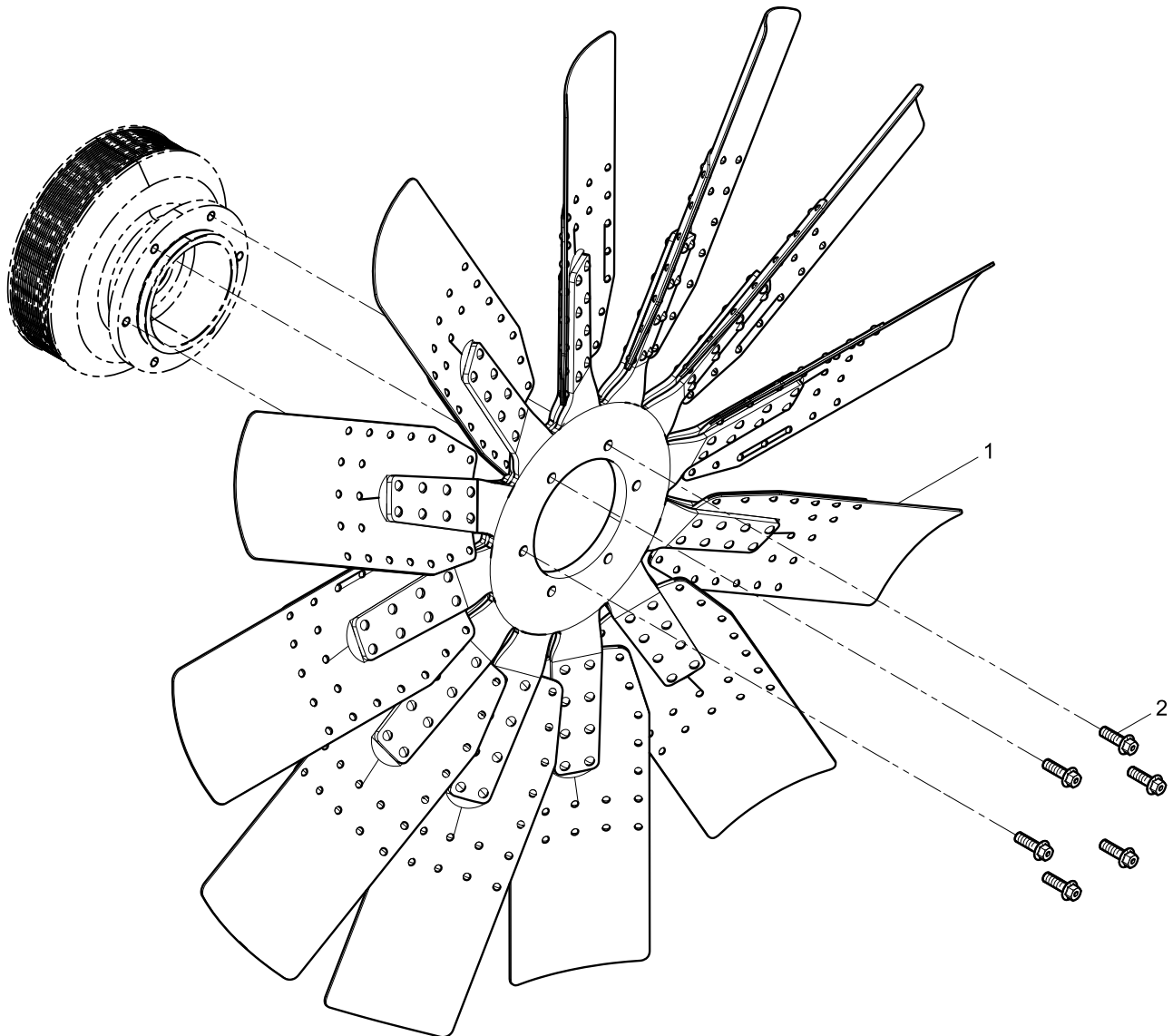
Fan Bracket Group



Fan Bracket Group

Pos.	Teile.Number	Amount	Designation
1	90011400028	6	Hexagon Flange Bolt
2	330202000006	1	Fan Bracket
3	90011400024	2	Hexagon Flange Bolt
4	330250000086	1	Fan Bracket Assembly
5	9000000613	4	Hexagon Flange Bolt

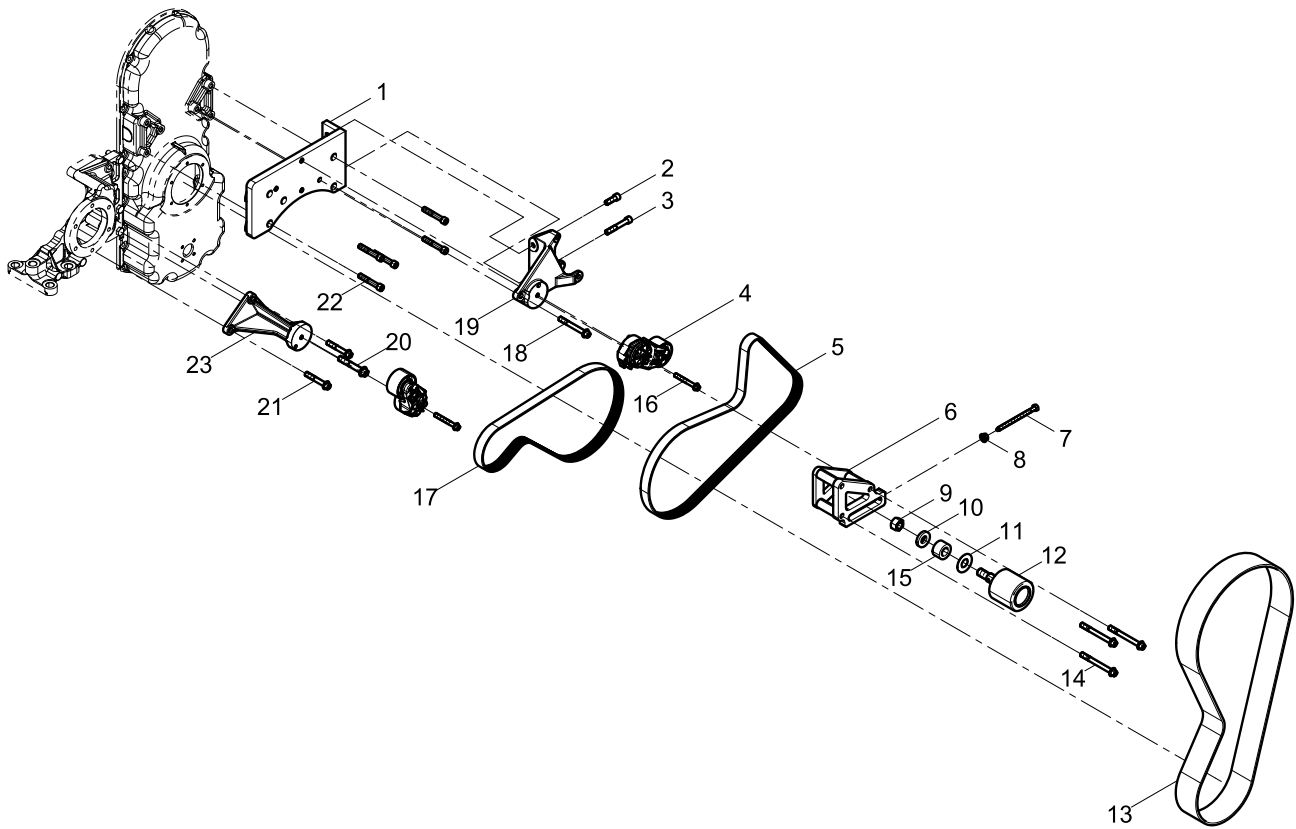
Fan and Hub Group



Fan and Hub Group

Pos.	Teile.Number	Amount	Designation
1	330225000074	1	Fan
2	90011420040	6	Hexagon Flange Bolt

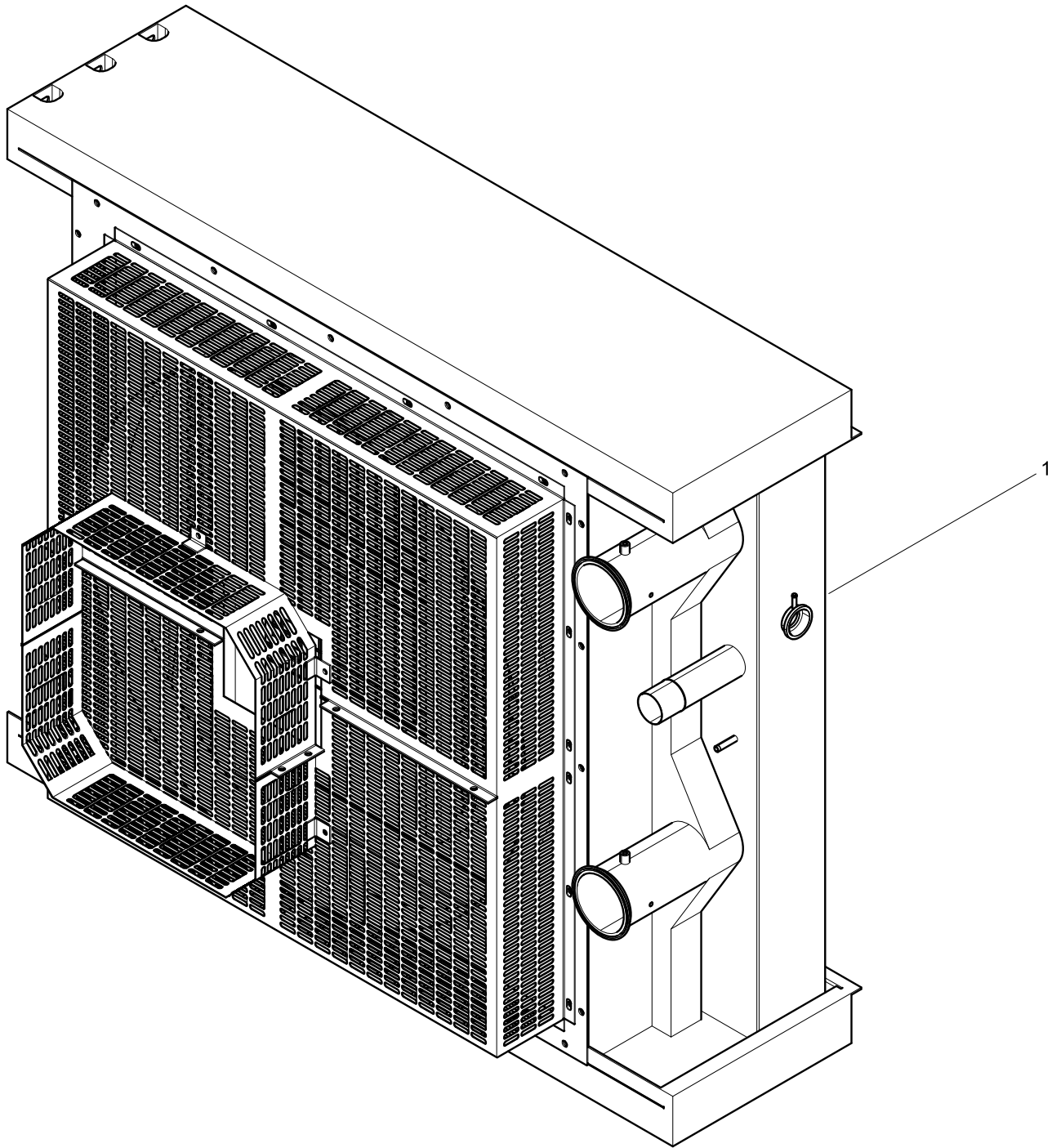
Tensioner And Belt Group



Tensioner And Belt Group

Pos.	Teile.Number	Amount	Designation
1	330225000024	1	Bracket
2	90013550014	1	Screw
3	90013050081	1	Inner Hexagon Socket Head Cap Screw
4	13051366	2	Tensioner Assembly
5	1000593871	1	Poly V Belt
6	330225000010	1	Tensioner Bracket
7	330225000017	1	Adjusting Screw
8	90012290007	1	Hexagon Flange Nut
9	1000391358	1	
10	1000380600	1	Pad
11	330225000027	1	Ring
12	330225000025	1	Tensioner Assembly
13	1000593500	1	Poly V Belt
14	9000000169	3	Hexagon Flange Bolt
15	330225000028	1	Sleeve
16	9000000325	2	Hexagon Flange Bolt
17	1000593867	1	Poly V Belt
18	9000000700	1	Hexagon Flange Bolt
19	330225000022	1	Alternator Bracket
20	9000000701	1	Hexagon Flange Bolt
21	90011420009	2	Hexagon Flange Bolt
22	330225000037	5	Inner Hexagon Socket Head Cap Screw
23	330225000009	1	Tensioner Bracket

Separate Delivery Parts Group Attached to Engine



Separate Delivery Parts Group Attached to Engine

Pos.	Teile.Number	Amount	Designation
1	1000701487	1	Radiator

This manual is for reference only,
product parameters are subject to alteration
without notice,
whichever is the physical product.