



DHD10G0185

WD10系列柴油机零件图册
WD10 SERIES DIESEL PARTS CATALOGUE

潍柴动力股份有限公司
WEICHA I POWER CO., LTD.

前 言

为使WD10系列柴油机在使用、维护等工作上的方便特汇编本图册以供我方与用户在使用中查阅参考。

该图册基本上按组绘出了各个零件的图形相互关系。图序号、件号、数量、中文名称、英文名称等列于明细表栏内。

随着技术和生产的不断发展柴油机的变形将增多故本图册的内容将有所更新。变化不再另行通知特请用户注意。用户为获取最新产品信息应咨询潍柴动力股份有限公司。

FOREWORD

This illustrated parts manual is specially prepared for customers to facilitate the use of WD10 series diesel engine in operation and tenance.It only includes the main models manufactured in the works at present,with regard to other models,the customers may refer to this catalogue.

The illustrations are grouped under the heading of each assembly and numbered individually.Part.

No.,Quantity,Model,English designation,Chinese designation and so on are written in the parts list With the development of technology and production,the versions of the diesel engine will be increased, so the catalogue will be revised.Please pay attention to our revised edition.If you want to get the most newly information about the products,please visit the Website:<http://www.weichai.com>.

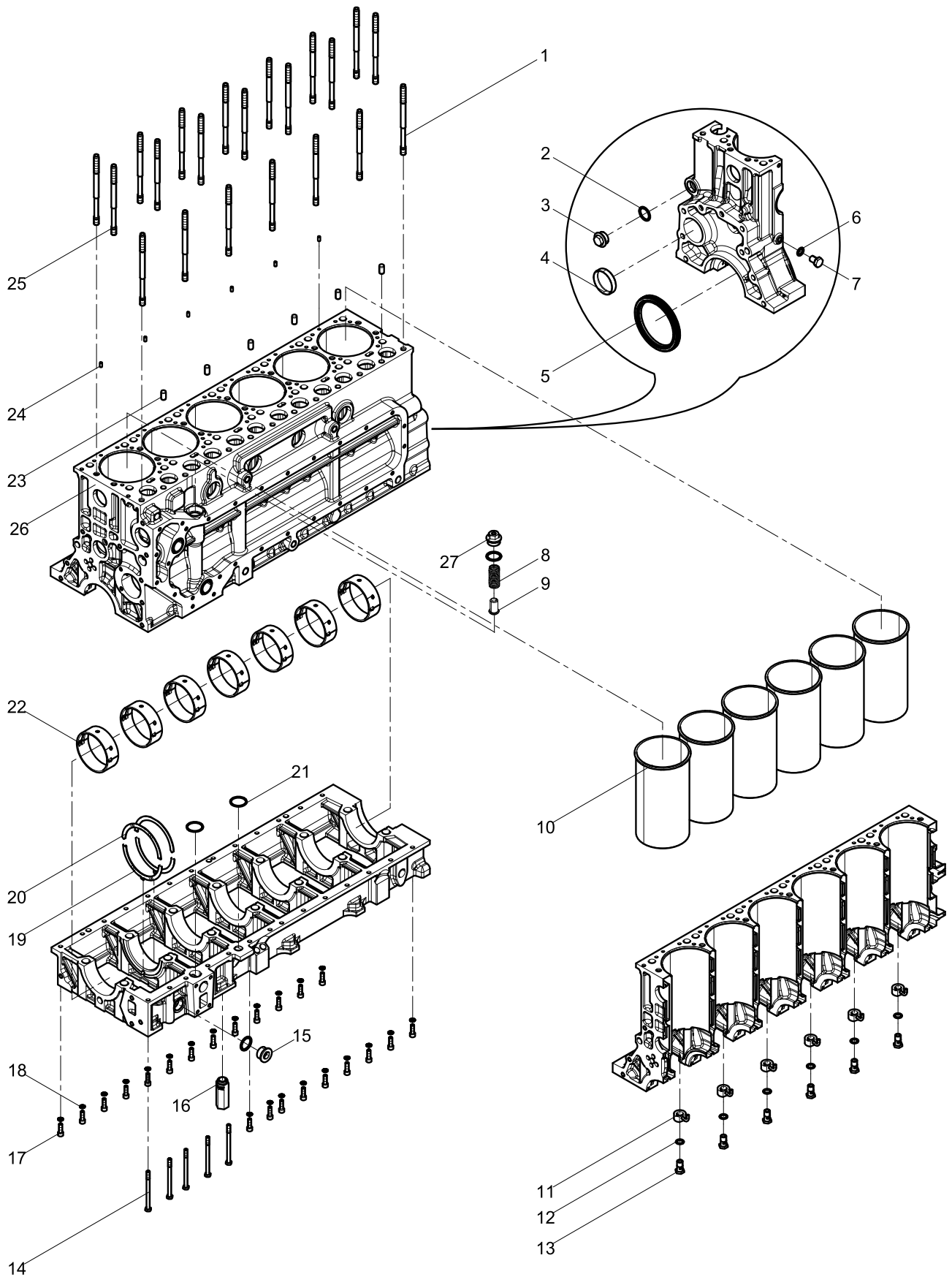
目 录 CONTENTS

机体结合组(Engine Block Group)	1
气缸体预装配(Pre-assembled cylinder block).....	3
正时齿轮室结合组(Timing Gear Housing Group)	5
凸轮轴齿轮盖结合组()	7
油气分离器结合组(Oil-gas Separator Group)	9
油气分离器组件(Oil-gas separator assembly).....	11
油尺结合组(Dipstick Group)	13
加油管结合组(Oil Tilling Tube Group)	15
曲轴结合组(Crankshaft Group)	17
曲轴总成(Crankshaft assembly).....	19
飞轮结合组(Flywheel Group)	21
飞轮总成(Flywheel assembly).....	23
曲轴皮带轮结合组(Crankshaft Pulley Group)	25
连杆与活塞()	27
连杆总成(Connecting rod assembly).....	29
活塞环组件(Piston ring assembly).....	31
气缸盖结合组(Cylinder head assembly)	33
气缸盖分总成(Cylinder head subassembly).....	35
气缸盖罩结合组(Cylinder Head Cover Group)	37
配气机构结合组(Valve Train Group)	39
凸轮轴总成(Camshaft assembly).....	41
中间齿轮总成(Intermediate gear assembly).....	43
进气门摇臂总成(Intake valve rocker arm).....	45
排气门摇臂总成().....	47
出水管结合组(Water Outlet Pipe Group)	49
节温器结合组(Thermostat Group)	51
水泵结合组(Water pump assembly)	53
水管接头结合组(Water Pipe Connector Group)	55
风扇托架结合组(Fan Bracket Group)	57
风扇及轮毂结合组(Fan and Hub Group)	59

张紧轮及皮带结合组(Tensioner and Belt Assembly).....	61
机油泵结合组(Oil pump assembly).....	63
机油泵中间齿轮组件(Oil Pump Idle Gear Assembly).....	65
机油滤清器结合组(Oil filter assembly).....	67
机油滤清器总成(Oil filter assembly).....	69
机油集滤器结合组(Oil Suction Strainer Group).....	71
机油冷却器盖结合组().....	73
喷油器结合组(Injector assembly).....	75
高压油管结合组(High Pressure Fuel Injection Pipe Group).....	77
高压油管总成(High pressure pipe assembly).....	79
高压油泵结合组(High pressure pump assembly).....	81
燃油滤清器结合组(Fuel Filter Group).....	83
除水放心滤(Fuel filter-water separator).....	85
燃油滤清器(Fuel filter).....	87
低压油管结合组(Low Pressure Oil pipe Group).....	89
发电机结合组(Generator Group).....	91
发电机支架结合组(Generator Bracket Group).....	93
普通线束及传感器结合组(General-use Wire and Sensor Group).....	95
进气管结合组(Intake Manifold Group).....	97
空滤器结合组(Air Filter Group).....	99
空气滤清器体(Air filter).....	101
排气管结合组(Exhaust Manifold Group).....	103
增压器结合组(Turbocharger assembly).....	105
增压器润滑油管结合组(Turbocharger Oil pipe Group).....	107
压气机管路结合组(Compressor Pipeline Group).....	109
消音器结合组().....	111
油底壳结合组(Oil Pan Group).....	113
油底壳总成(Oil pan assembly).....	115
发动机支架结合组(Engine Bracket Group).....	117
零件箱总成(Parts Kit Assembly).....	119

包装箱底盘零件结合组(Packing Box Chassis Parts Group)(*01).....	121
包装箱底盘零件结合组(Packing Box Chassis Parts Group)(*02).....	123

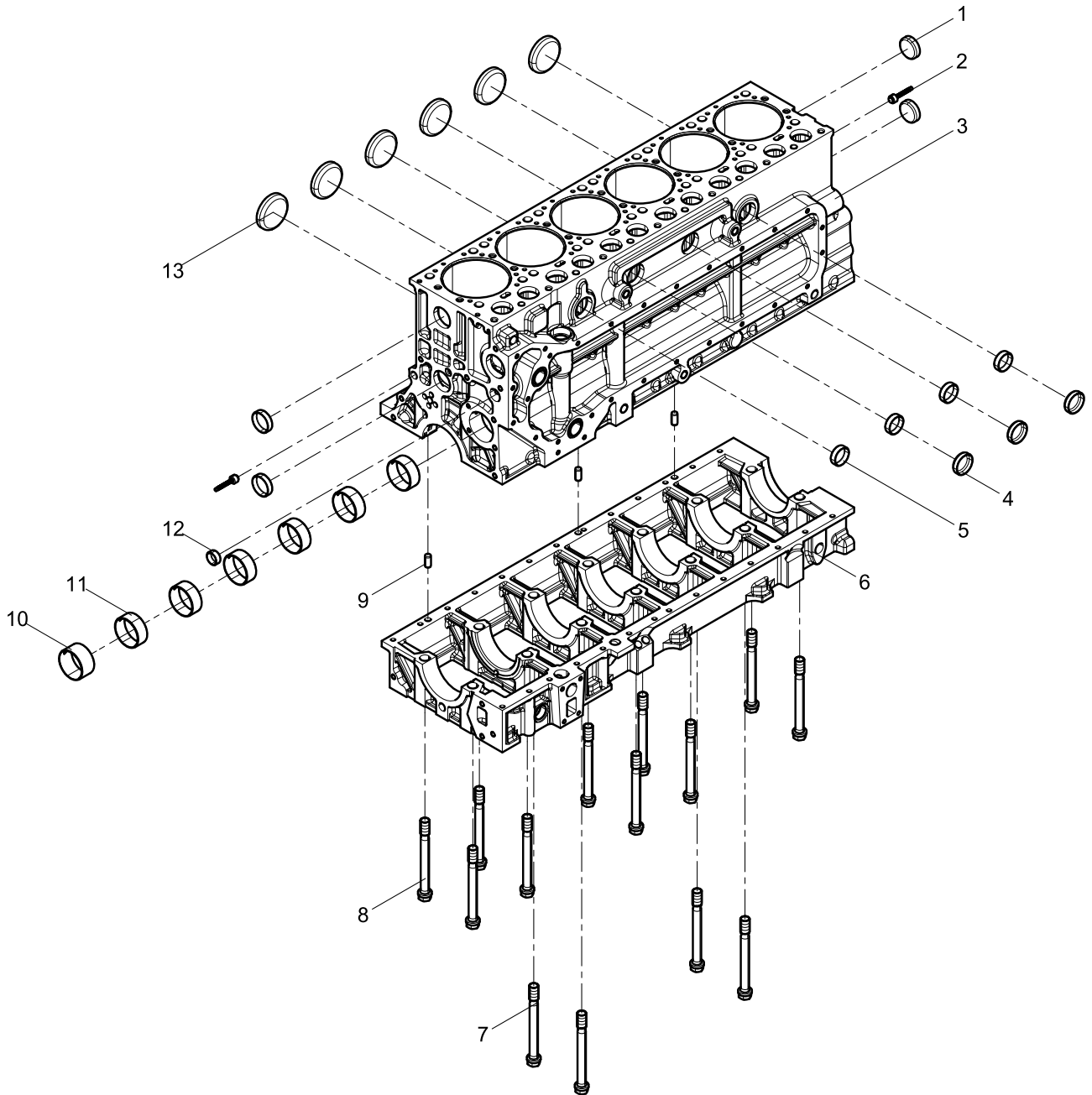
机体结合组(Engine Block Group)



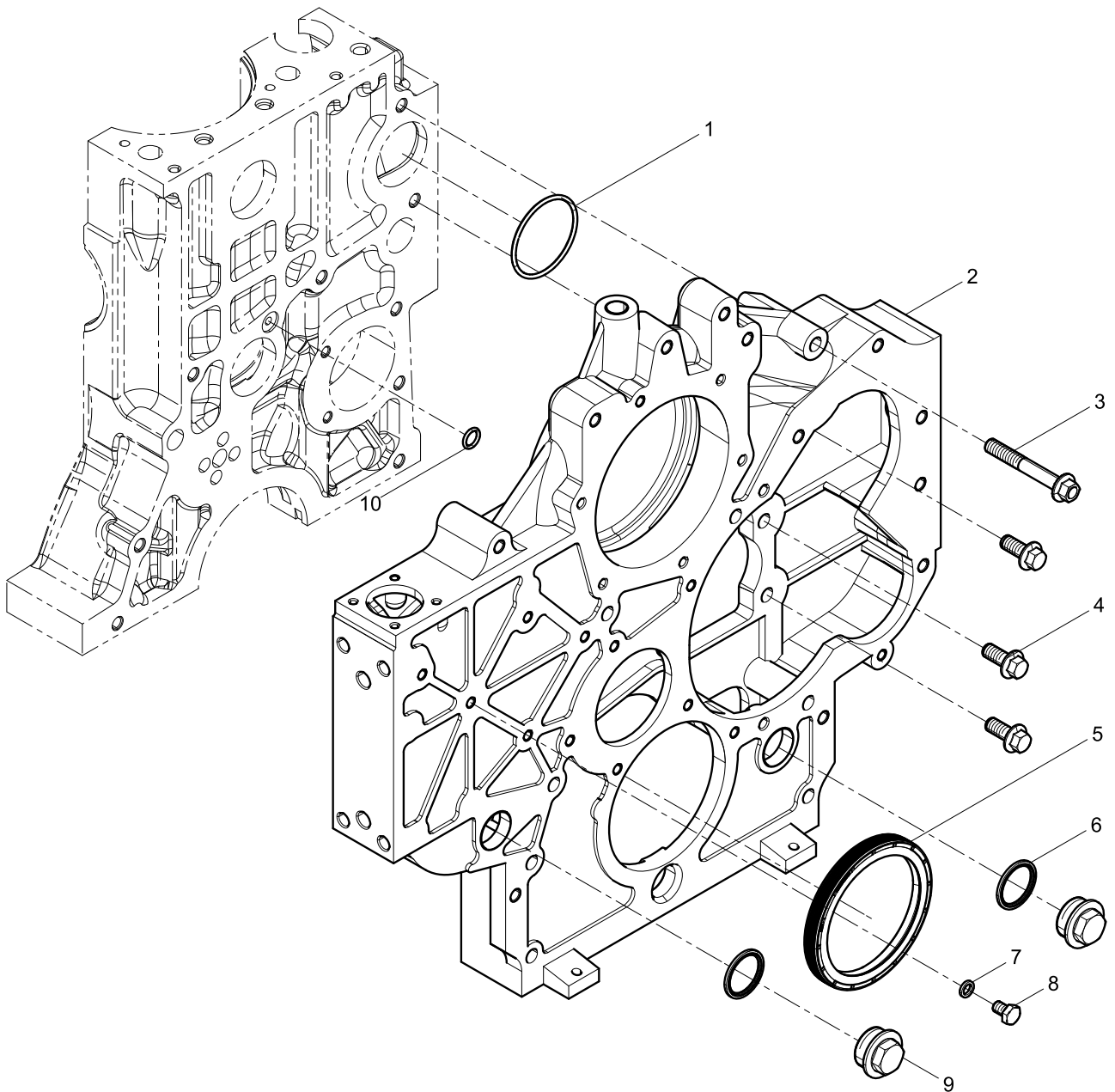
机体结合组(Engine Block Group)

图序号 Pos.	件号 Teile.Number	数量 Amount	中文名称 Denomination	英文名称 Designation
1	61500010185	7	气缸盖螺栓	Cylinder head bolt
2	612600010735	3	复合垫圈	Washer
3	90003962051	2	六角螺塞	Hexagon plug
4	90003989288	1	碗形塞	Corehole plug
5	61500010100	1	后油封	Rear oil seal
6	612600050042	1	密封垫圈	Seal washer
7	612600011927	1	螺塞	Screw plug
8	614070068	1	安全阀弹簧	Safety valve spring
9	614070069	1	安全阀	Safety valve
10	612630010015	6	气缸套	Cylinder liner
11	61560010047	6	喷嘴组件	Nozzle assembly
12	90003098015	6	密封垫圈	Seal washer
13	90003962621	6	空心螺栓	Hollow bolt
14	90003802493	5	六角头螺栓	Hexagon bolt
15	90003962050	1	内六角螺塞	Inner hexagon plug
16	AZ1500070097	1	主油道限压阀总成	Pressure limiting valve assembly of main oil passage
17	90003862428	22	内六角圆柱头螺钉	Inner hexagon screw
18	188250083	22	自锁垫圈	Washer
19	612600013918	2	下止推片	Thrust washer (lower)
20	612600013917	2	上止推片	Thrust washer (upper)
21	81400010032	2	密封圈	Seal washer
22	81500010046	7	主轴瓦组件	Main Bearing Set
23	90003901604	6	圆柱销	Straight pin
24	90003909626	6	弹性圆柱销	Spring dowel pin
25	61500010185S	14	气缸盖螺栓	Cylinder head bolt
26	612600013774	1	气缸体预装配	Pre-assembled cylinder block

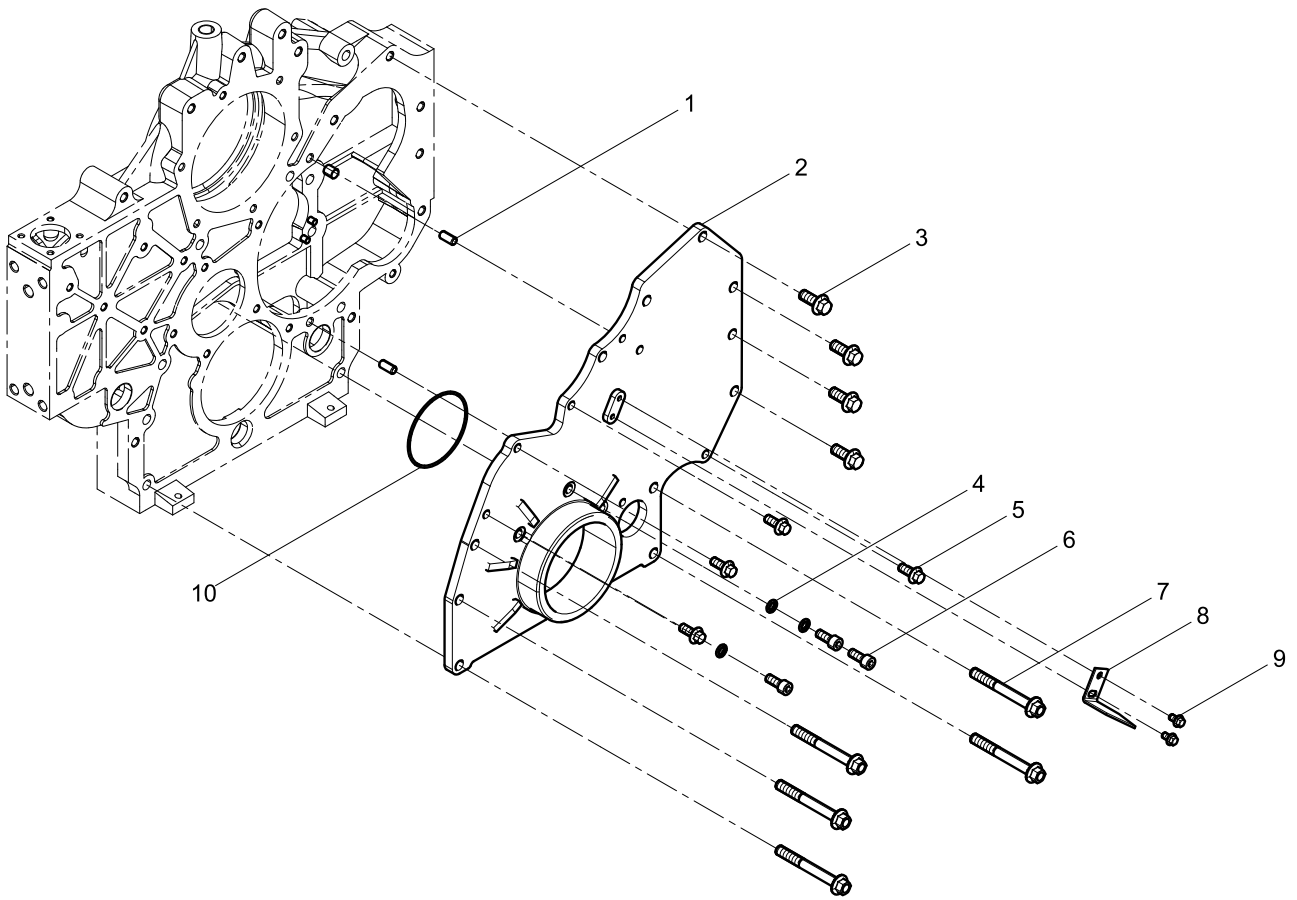
气缸体预装配(Pre-assembled cylinder block)



正时齿轮室结合组(Timing Gear Housing Group)



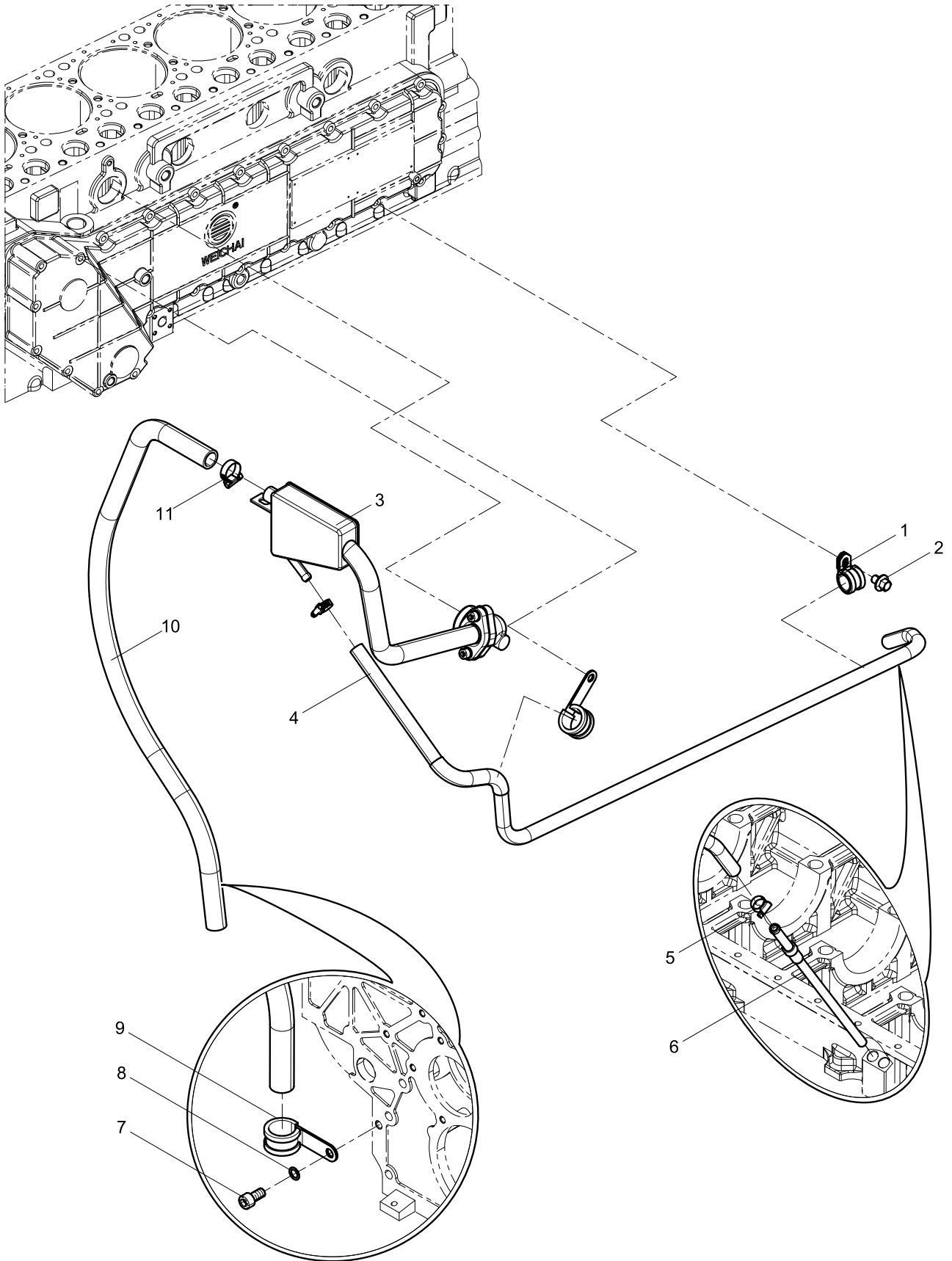
凸轮轴齿轮盖结合组()



凸轮轴齿轮盖结合组()

图序号 Pos.	件号 Teile.Number	数量 Amount	中文名称 Denomination	英文名称 Designation
1	90003901418	2	圆柱销	Straight pin
2	612600012830	1	盖板	Cover shield
3	90011430008	4	六角法兰面承面带齿螺栓	Hexagon Flange Bolt
4	612600080201	3	密封垫圈	Seal washer
5	90011430016	4	六角法兰承面带齿螺栓	Toothed bolt
6	90003862427	3	内六角圆柱头螺钉	Inner hexagon screw
7	612600061711	5	六角法兰面承面带齿螺栓	Hexagon Flange Bolt
8	612600010564	1	指针	Pointer
9	90011430029	2	六角法兰面承面带齿螺栓	Hexagon Flange Bolt
10	90003120602	1	密封圈	Seal washer

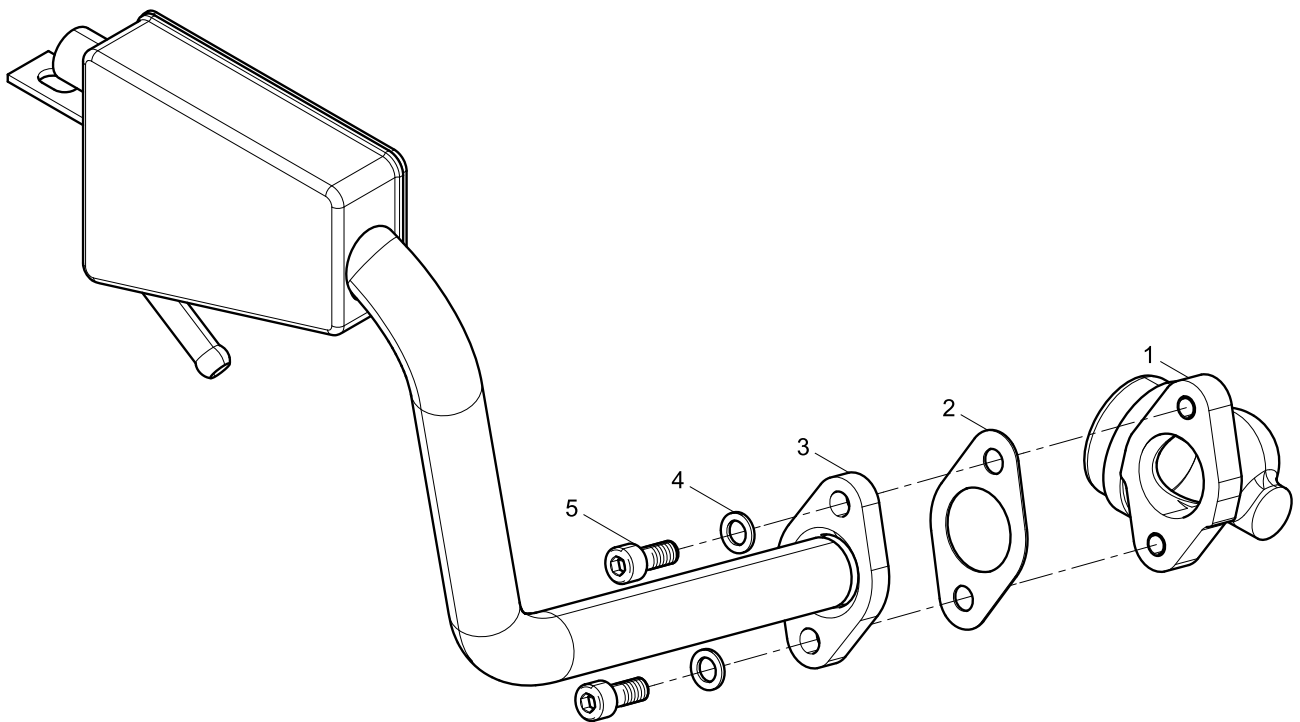
油气分离器结合组(Oil-gas Separator Group)



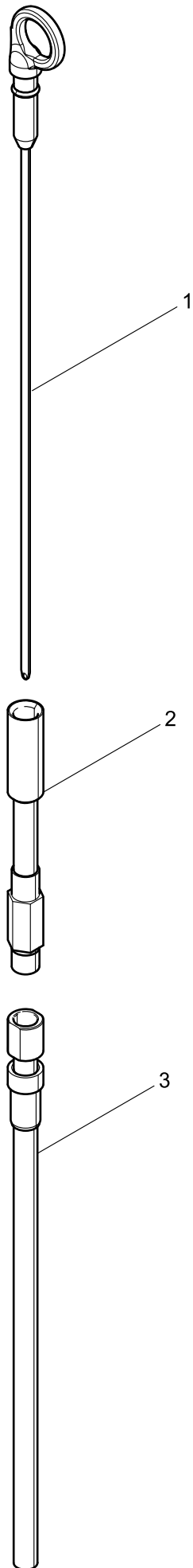
油气分离器结合组(Oil-gas Separator Group)

图序号 Pos.	件号 Teile.Number	数量 Amount	中文名称 Denomination	英文名称 Designation
1	612600111639	2	管夹总成	Pipe Clamp Assembly
2	612600114377	1	六角法兰面承面带齿螺栓	Hexagon Flange Bolt
3	612600013168	1	油气分离器组件	Oil-gas separator assembly
4	612600012859	1	油路连接胶管	Oil Connecting Rubber Pipe
5	90003989300	2	卡箍	Clamp
6	612600012595	1	回油管接头	Fuel return pipe nipple
7	90011270002	1	六角头螺栓全螺纹	Hexagon bolt, full thread M10×30GB/T5783-10.9-Zn.D
8	90003931122	1	弹簧垫圈	Spring washer
9	612600011361	1	管夹总成	Pipe Clamp Assembly
10	612600012525	1	油路连接胶管	Oil Connecting Rubber Pipe
11	90003989340	1	卡箍	Clamp

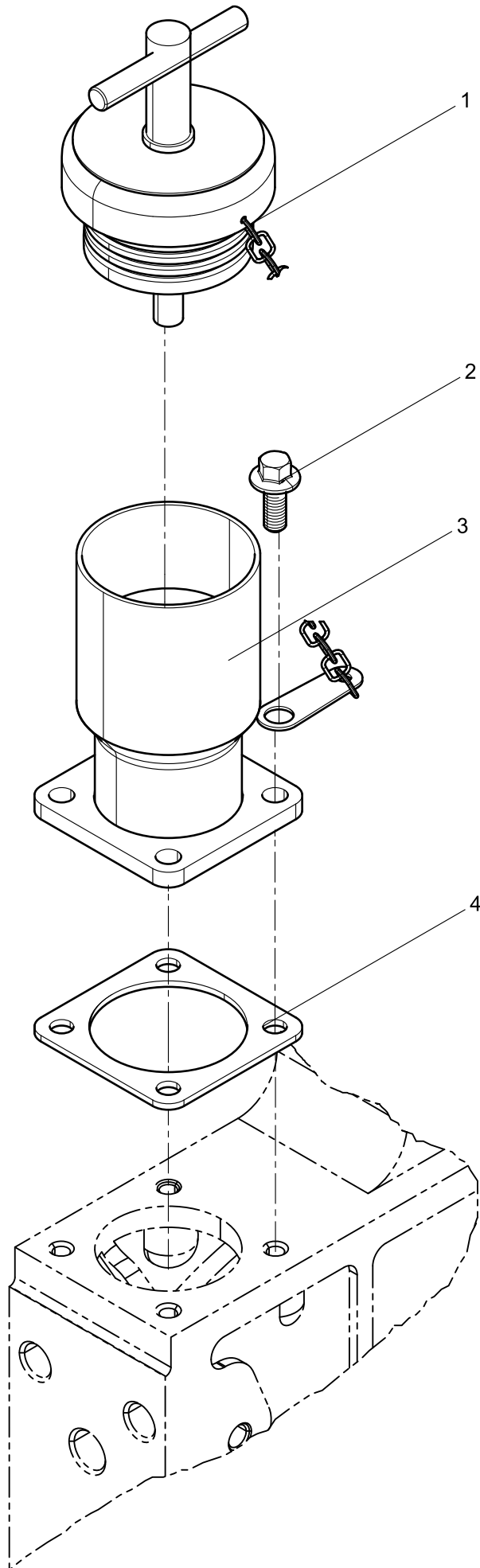
油气分离器组件(Oil-gas separator assembly)



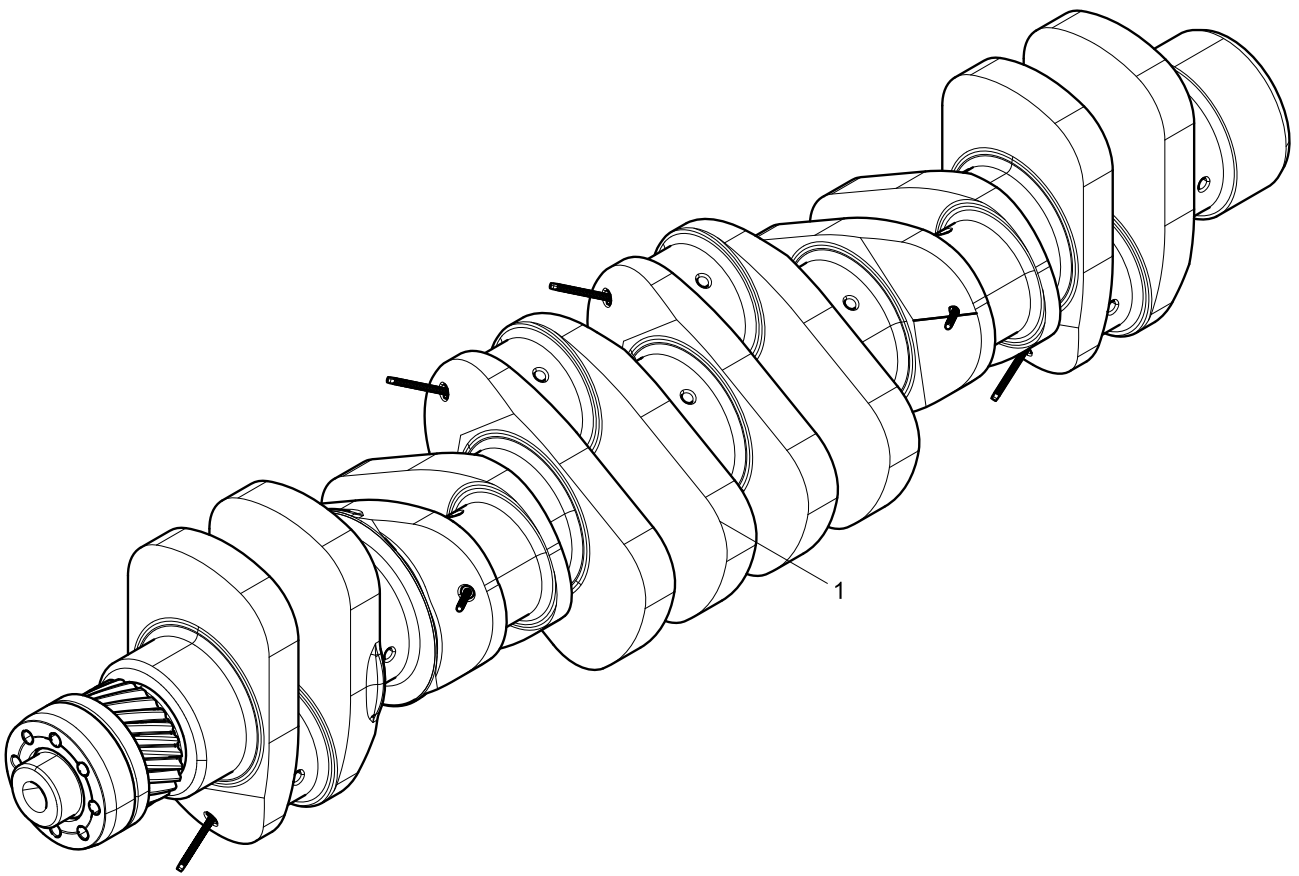
油尺结合组(Dipstick Group)



加油管结合组(Oil Filling Tube Group)



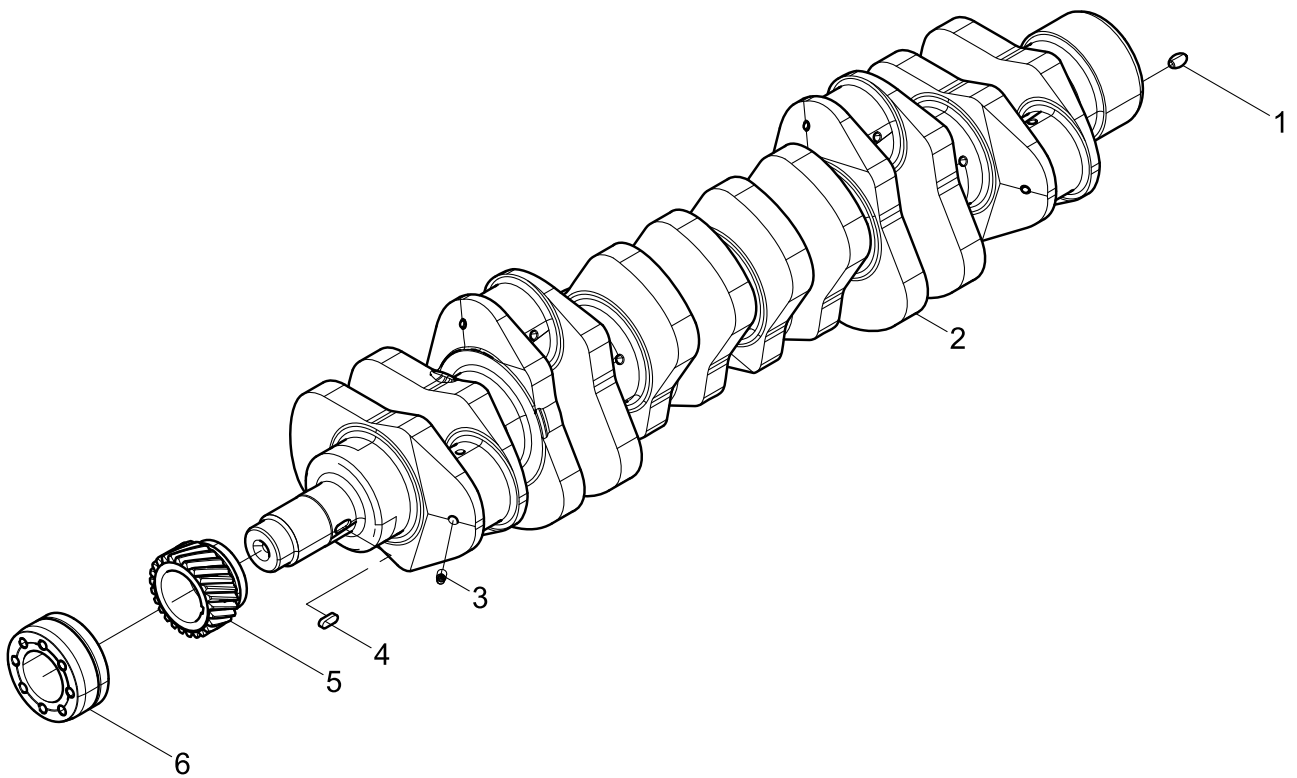
曲轴结合组(Crankshaft Group)



曲轴结合组(Crankshaft Group)

图序号 Pos.	件号 Teile.Number	数量 Amount	中文名称 Denomination	英文名称 Designation
1	612600020722	1	曲轴总成	Crankshaft assembly

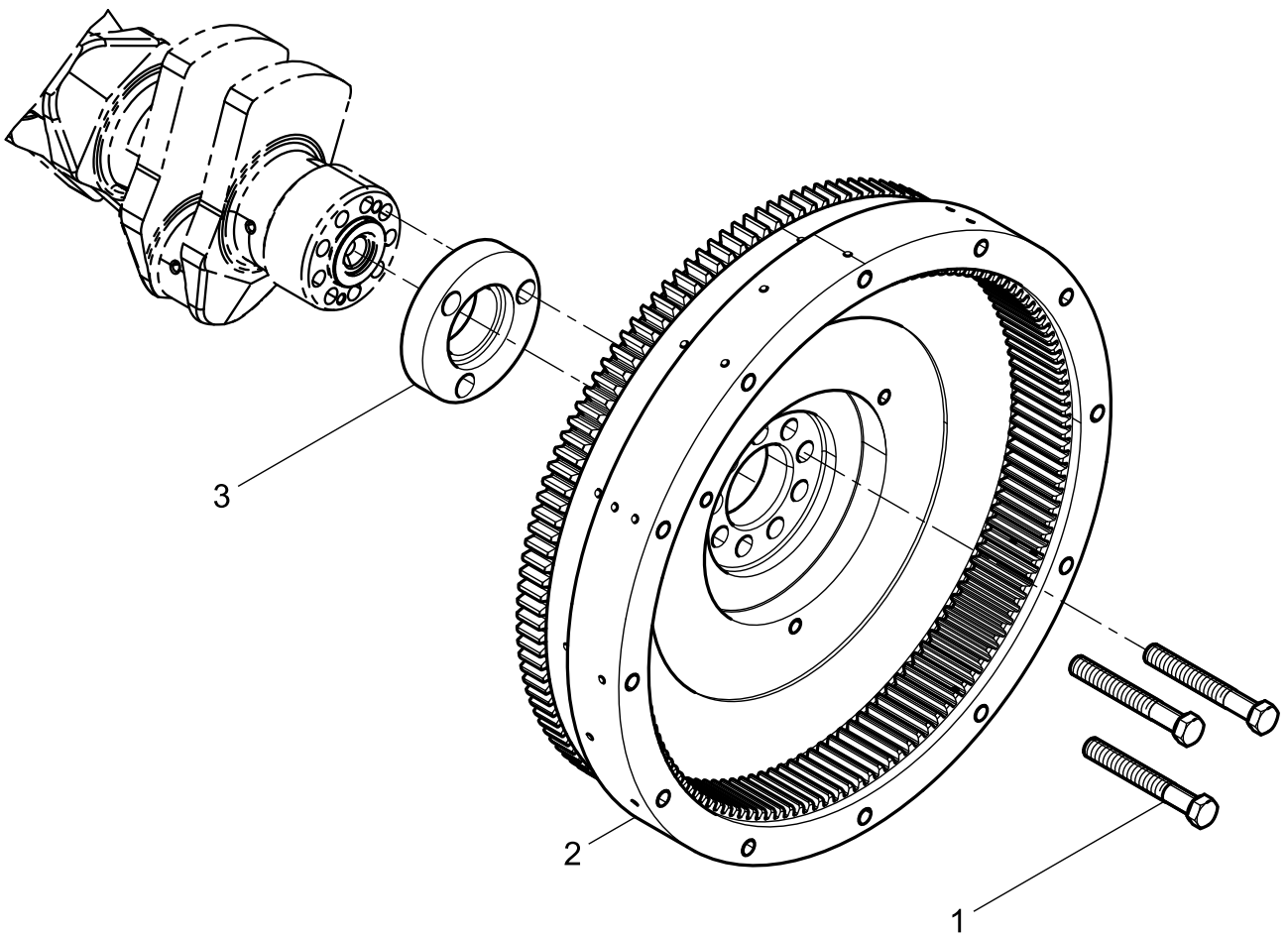
曲轴总成(Crankshaft assembly)



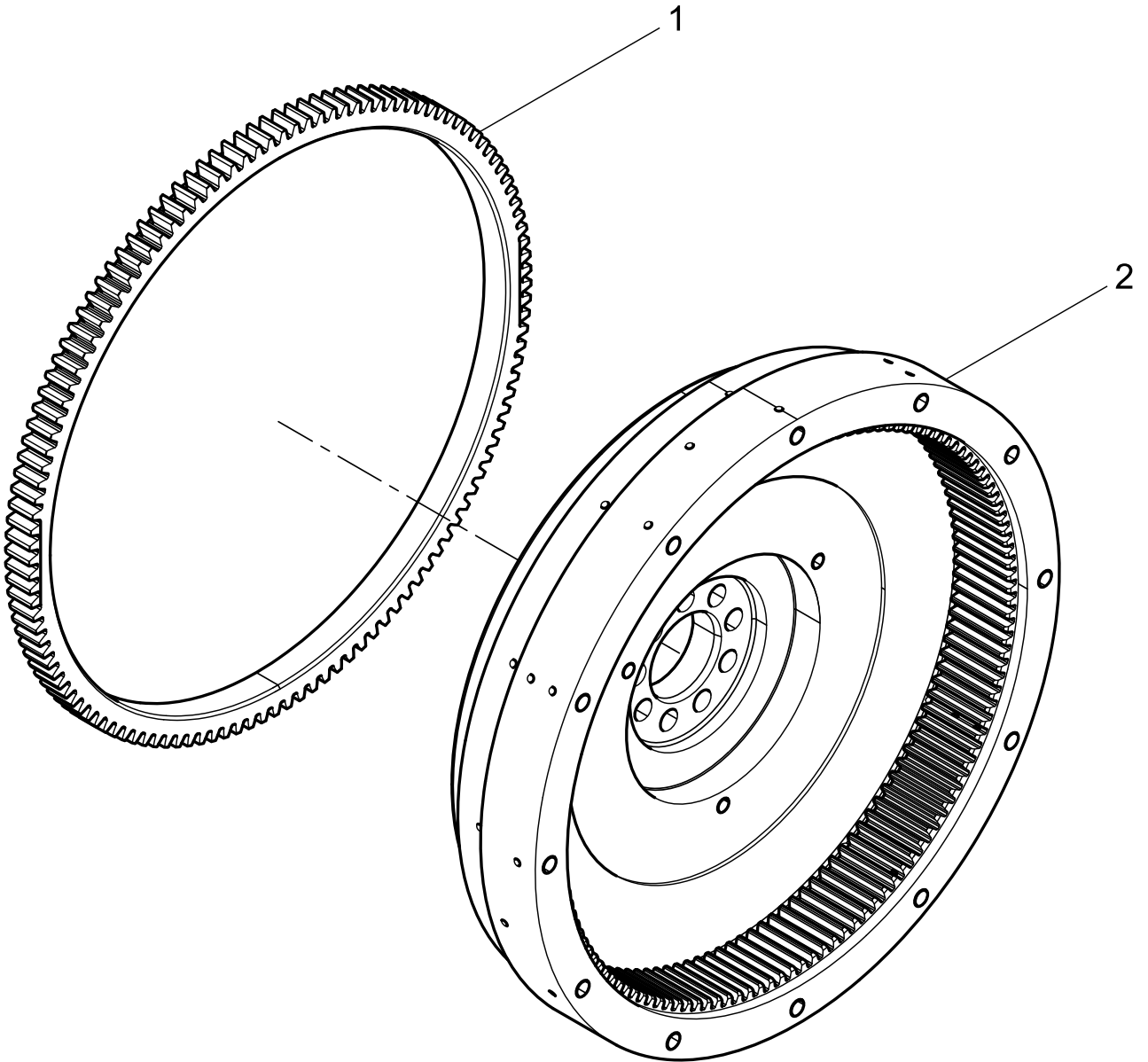
曲轴总成(Crankshaft assembly)

图序号 Pos.	件号 Teile.Number	数量 Amount	中文名称 Denomination	英文名称 Designation
1	90015050017	2	圆柱销	Straight pin
2	612600020866	1	曲轴	Crankshaft
3	612600020311	6	堵塞	Plug
4	612600020040	1	平键	Flat key
5	612600020723	1	曲轴正时齿轮	Timing gear of crankshaft
6	612600020608	1	法兰	Flange

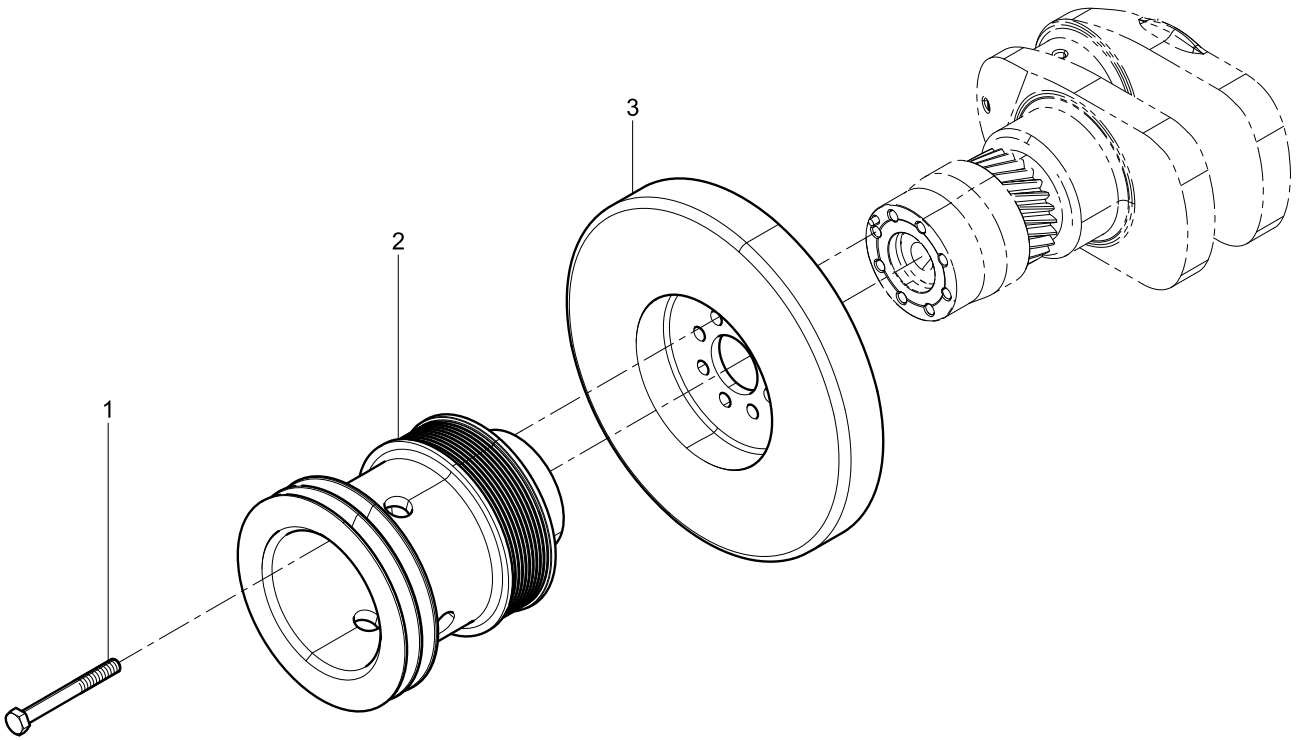
飞轮结合组(Flywheel Group)



飞轮总成(Flywheel assembly)



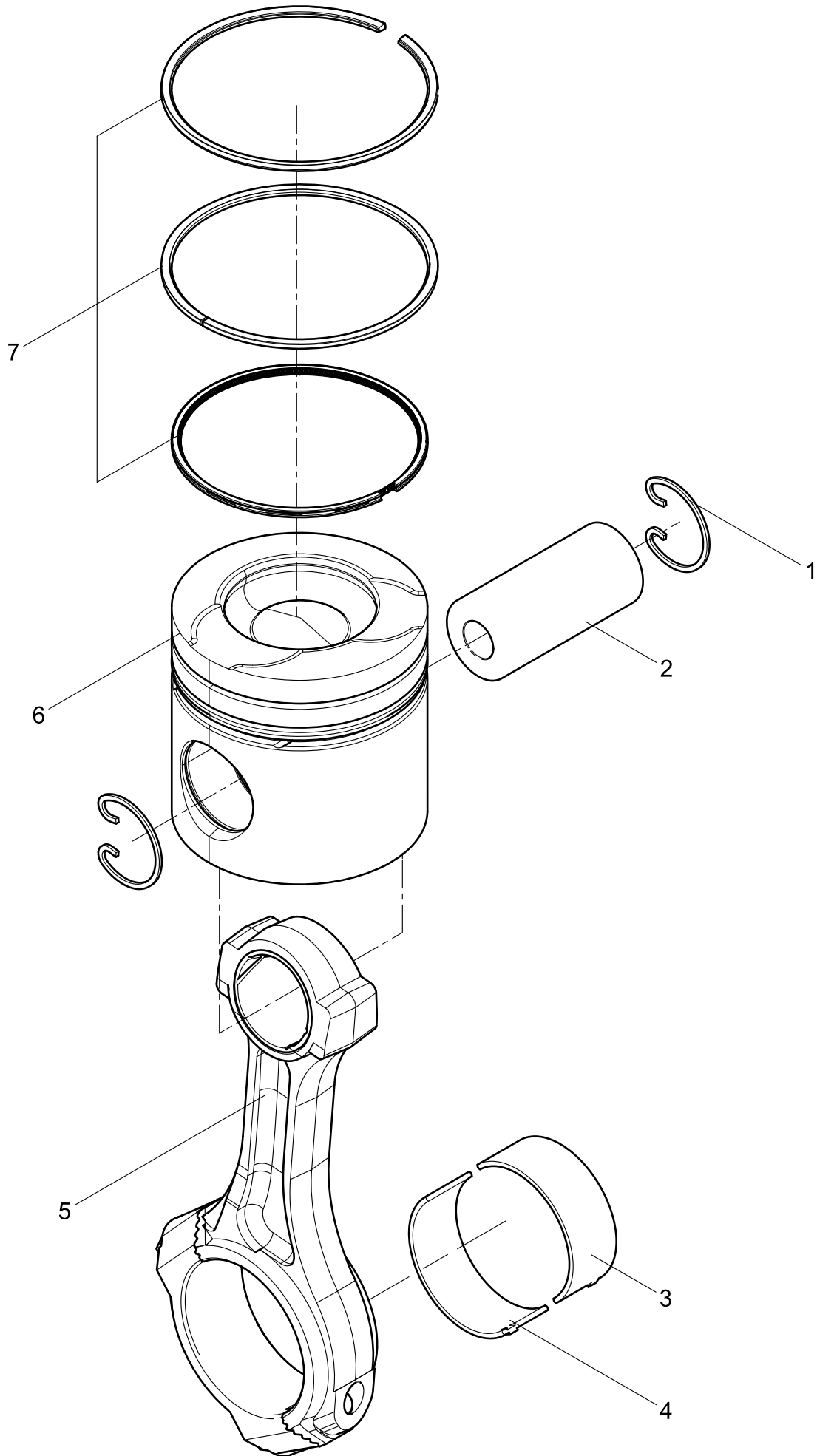
曲轴皮带轮结合组(Crankshaft Pulley Group)



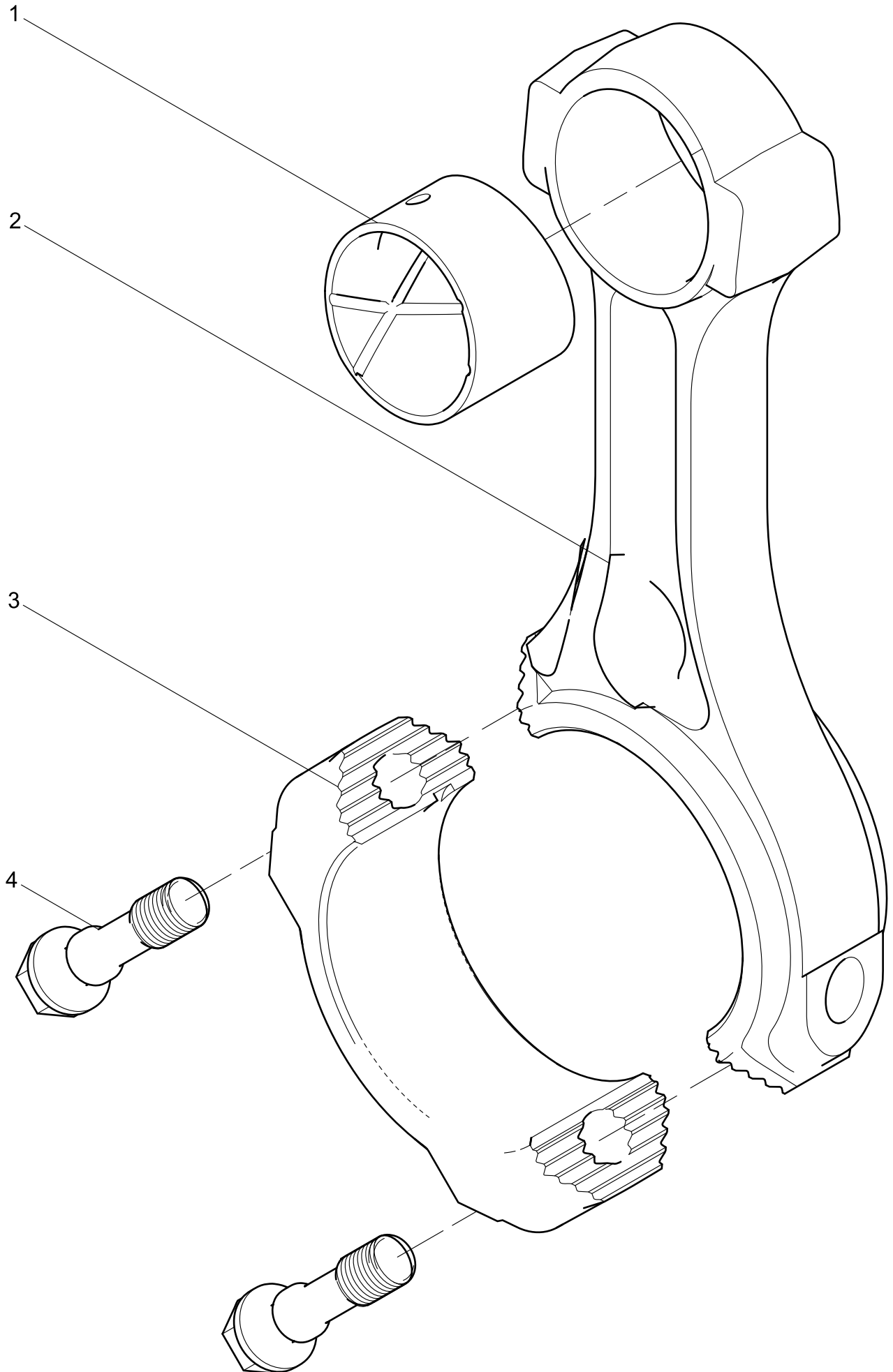
曲轴皮带轮结合组(Crankshaft Pulley Group)

图序号 Pos.	件号 Teile.Number	数量 Amount	中文名称 Denomination	英文名称 Designation
1	90003802578	8	六角头螺栓	Hexagon bolt
2	612600020730	1	曲轴皮带轮	Crankshaft belt pulley
3	612600020833	1	扭振减振器	Torsion vibration damper

连杆与活塞()



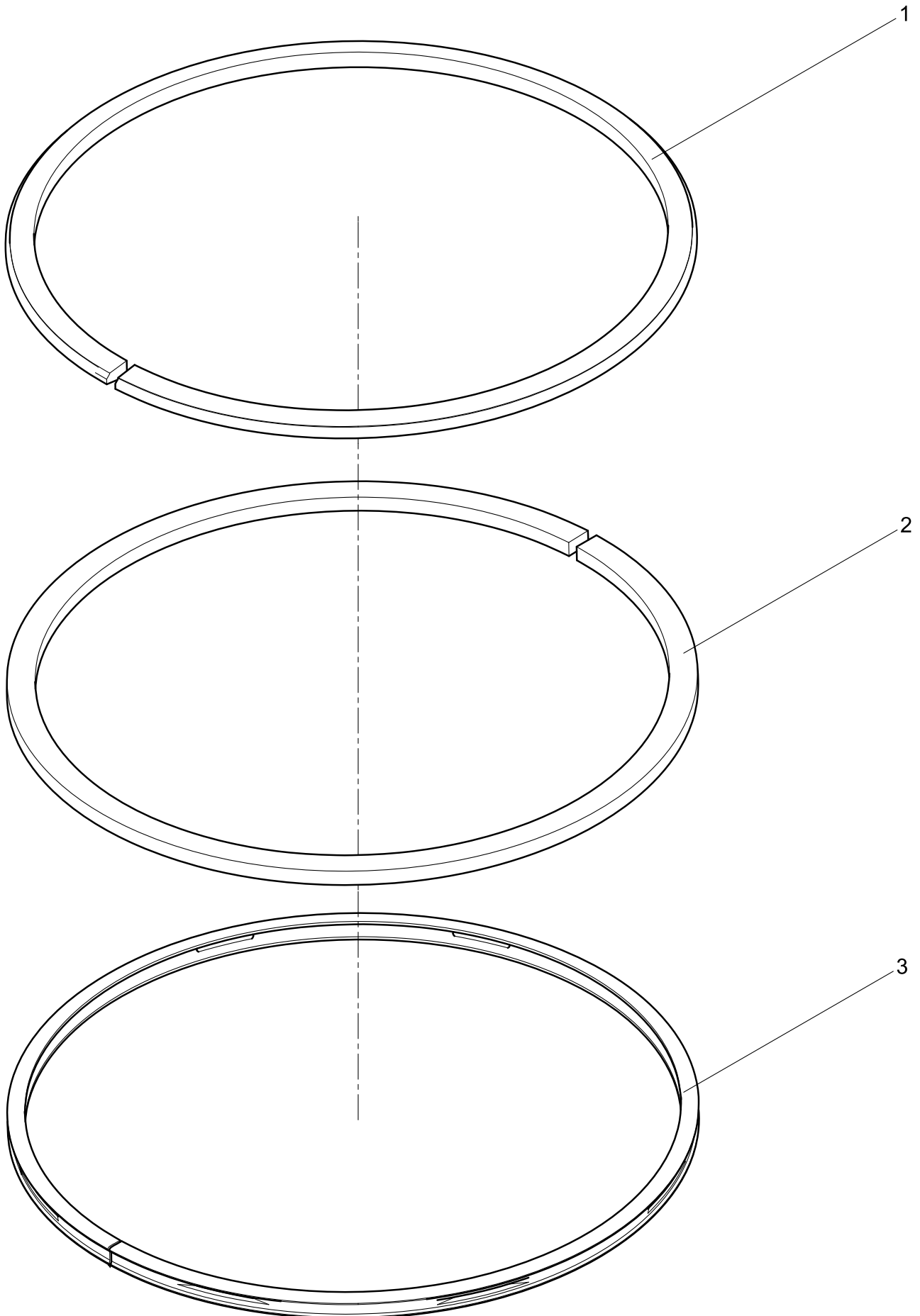
连杆总成(Connecting rod assembly)



连杆总成(Connecting rod assembly)

图序号 Pos.	件号 Teile.Number	数量 Amount	中文名称 Denomination	英文名称 Designation
1	61500030077	6	连杆衬套	Connecting rod bushing
2	61500030008	6	连杆体	Connecting rod body
3	61500030022	6	连杆盖	Connecting rod cover
4	81500030023	12	连杆螺栓	Connecting rod bolt

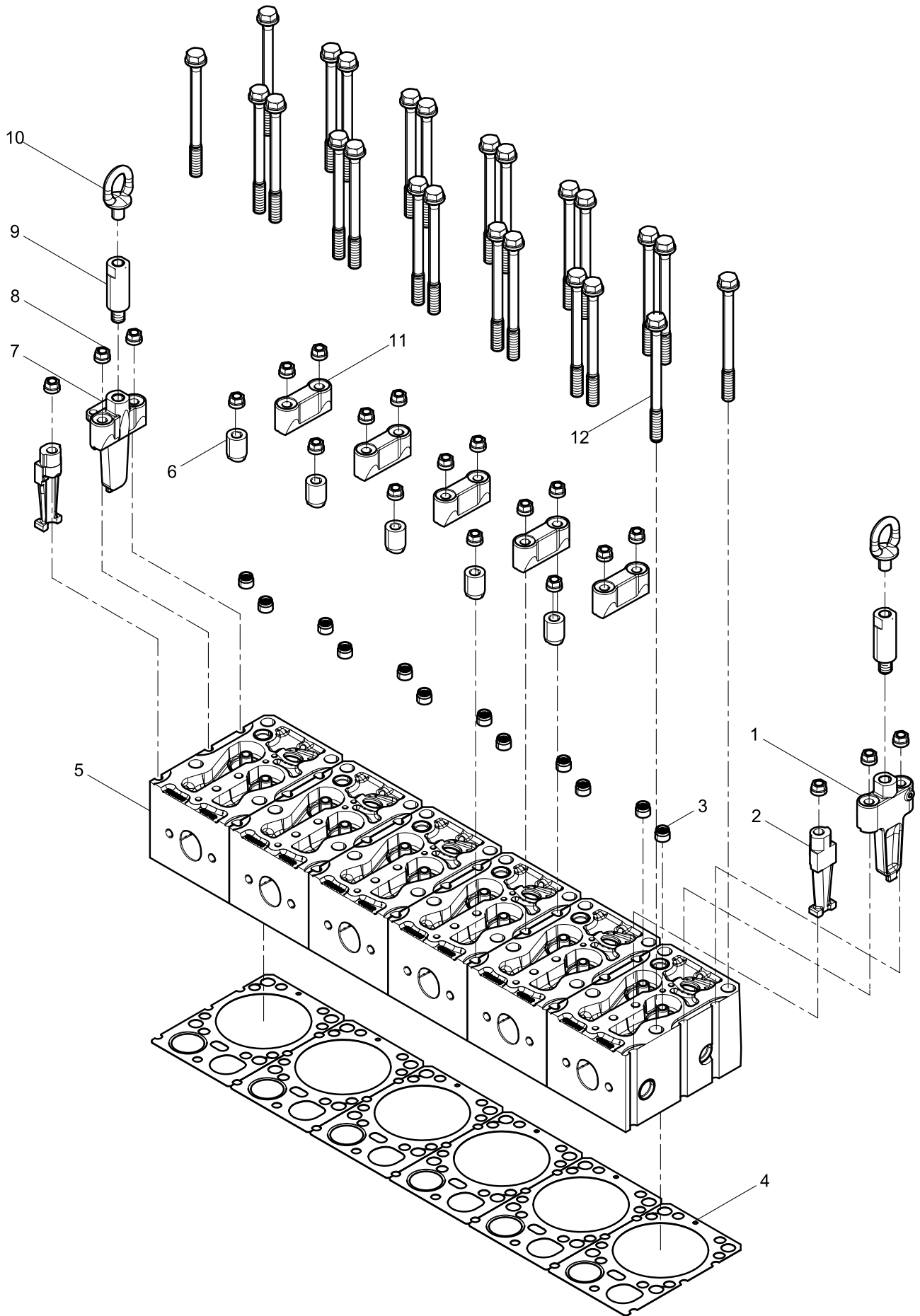
活塞环组件(Piston ring assembly)



活塞环组件(Piston ring assembly)

图序号 Pos.	件号 Teile.Number	数量 Amount	中文名称 Denomination	英文名称 Designation
1	61560030047	6	梯形环	Keystone ring
2	612600030019	6	扭曲锥面环	Conical ring
3	61560030045	6	油环	Oil ring

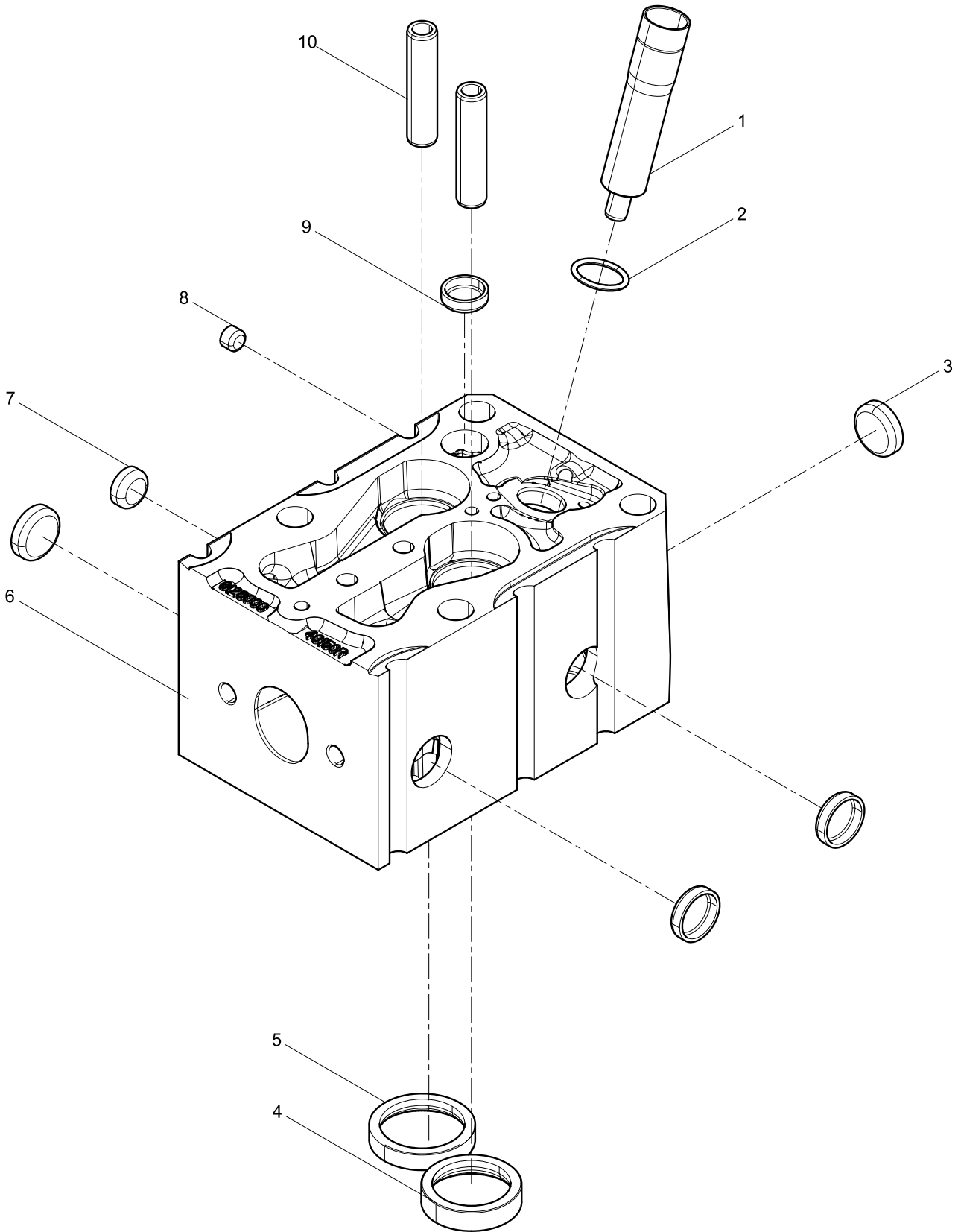
气缸盖结合组(Cylinder head assembly)



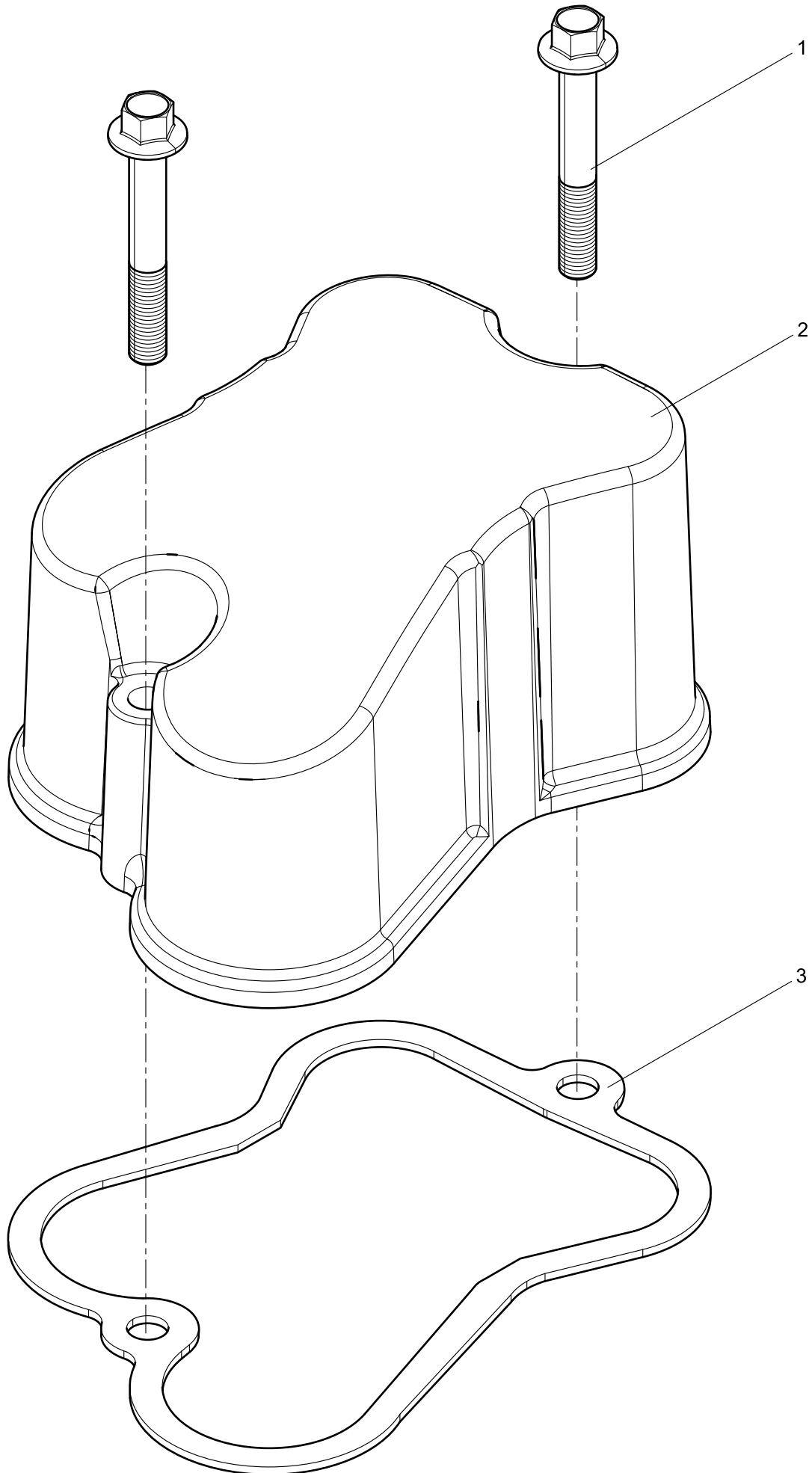
气缸盖结合组(Cylinder head assembly)

图序号 Pos.	件号 Teile.Number	数量 Amount	中文名称 Denomination	英文名称 Designation
1	61500040012	1	吊环夹紧块	Hoisting ring clamping block
2	61200040027	2	夹紧块	Clamping block
3	612600040114	12	气门阀杆密封套	Seal washer of valve stem
4	612600040355	6	气缸盖衬垫	Cylinder head gasket
5	61560040040A	6	气缸盖分总成	Cylinder head subassembly
6	61200040023	5	夹紧块	Clamping block
7	615G00040012B	1	吊环夹紧块	Hoisting ring clamping block
8	61200040034	21	带肩螺母	Nut
9	612600040020	2	吊环接块	Hoisting ring plate
10	614010388	2	吊环螺钉	Eye screw
11	61500040009	5	夹紧块	Clamping block
12	612600040452	24	气缸盖主螺栓	Cylinder head main bolt

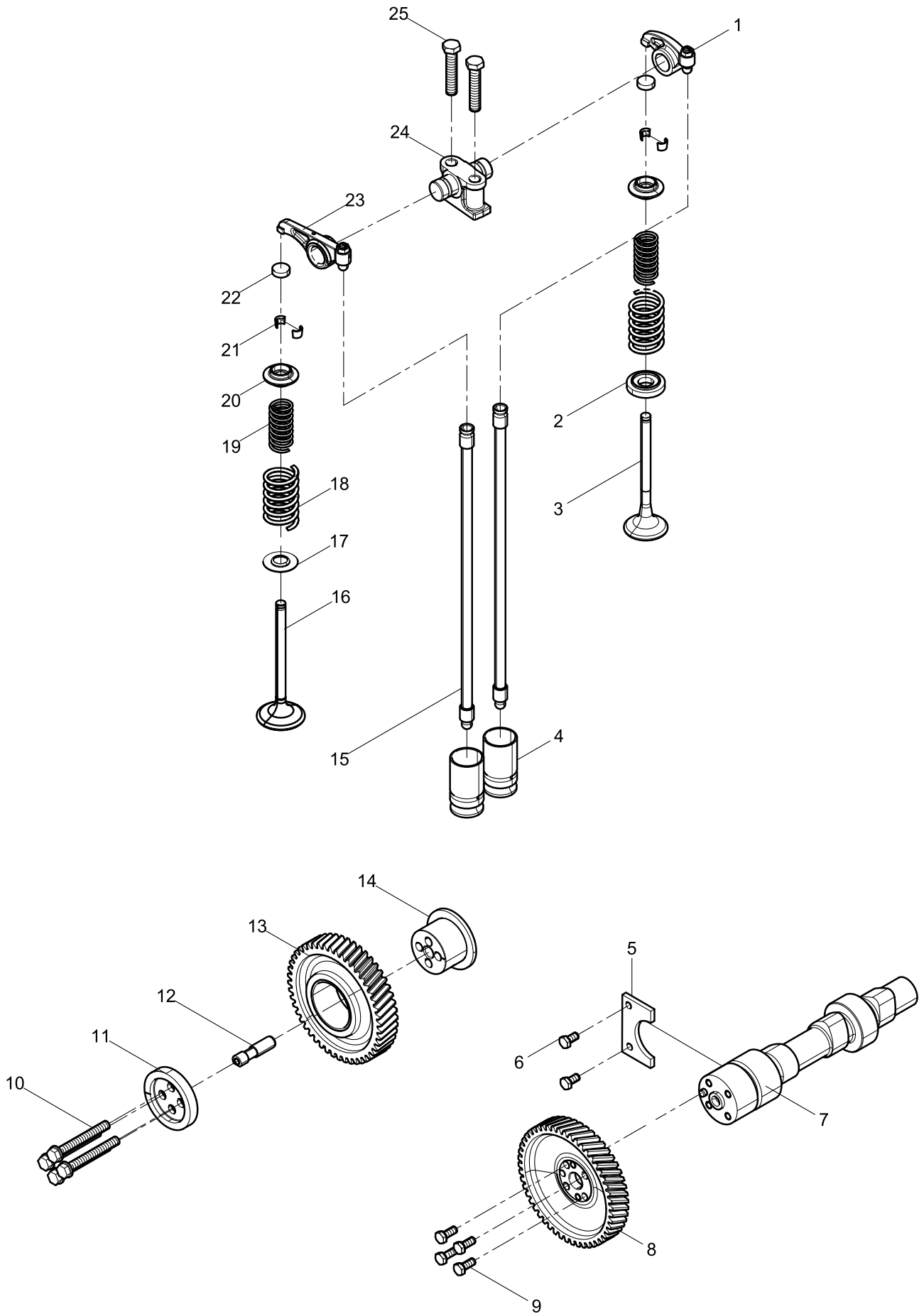
气缸盖分总成(Cylinder head subassembly)



气缸盖罩结合组(Cylinder Head Cover Group)



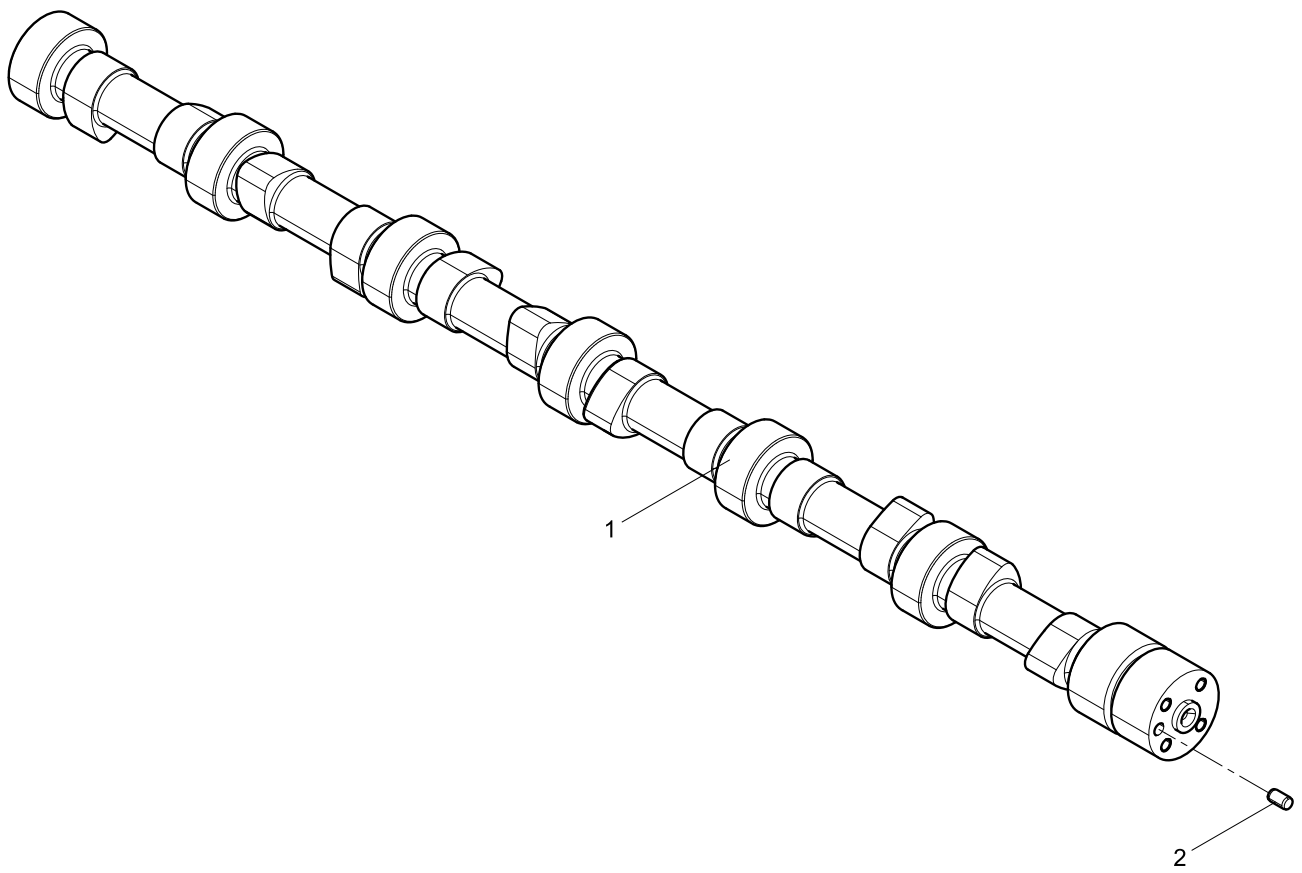
配气机构结合组(Valve Train Group)



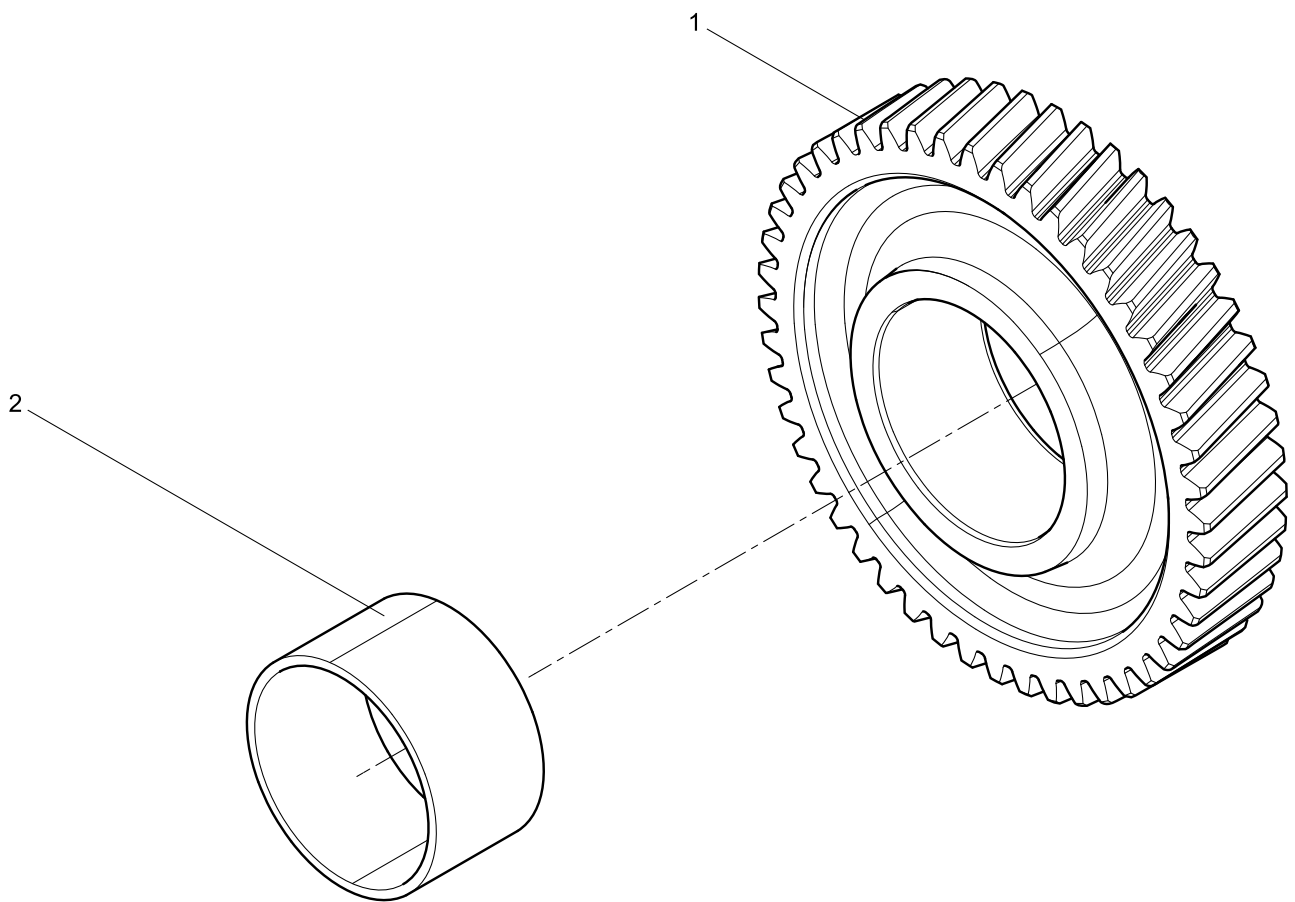
配气机构结合组(Valve Train Group)

图序号 Pos.	件号 Teile.Number	数量 Amount	中文名称 Denomination	英文名称 Designation
1	612600050178	6	排气门摇臂总成	
2	61500040014	6	排气门弹簧下座	Exhaust valve spring seat (lower)
3	612600050025	6	排气门	Exhaust valve
4	61500050032	12	气门挺柱	Tappet
5	614050133	1	凸轮轴止推片	Camshaft thrust
6	90003802399S	2	六角头螺栓	Hexagon bolt
7	612600050085	1	凸轮轴总成	Camshaft assembly
8	614050053	1	凸轮轴正时齿轮	Camshaft timing gear
9	612600050145S	4	六角头螺栓	Hexagon bolt
10	61560050059S	4	六角头螺栓	Hexagon bolt
11	61560050045	1	垫片	Gasket
12	61560050058	1	轴	Shaft
13	61560050053	1	中间齿轮总成	Intermediate gear assembly
14	61560050044	1	中间齿轮轴	Intermediate gear shaft
15	612600050210	12	推杆	Push rod
16	612600050073	6	进气门	Intake valve
17	614050017	6	进气门弹簧下座	Intake valve spring seat (lower)
18	61500050002	12	气门外弹簧	Outer valve spring
19	61500050001	12	气门内弹簧	Inner valve spring
20	61500050109	12	气门弹簧上座	Valve spring seat (upper)
21	61500050025	24	气门锁夹	Valve collet
22	61500050105	12	气门帽	Valve cap
23	612600050177	6	进气门摇臂总成	Intake valve rocker arm
24	614050119	6	气门摇臂座	Valve rocker arm seat
25	90003802655	12	六角头螺栓	Hexagon bolt

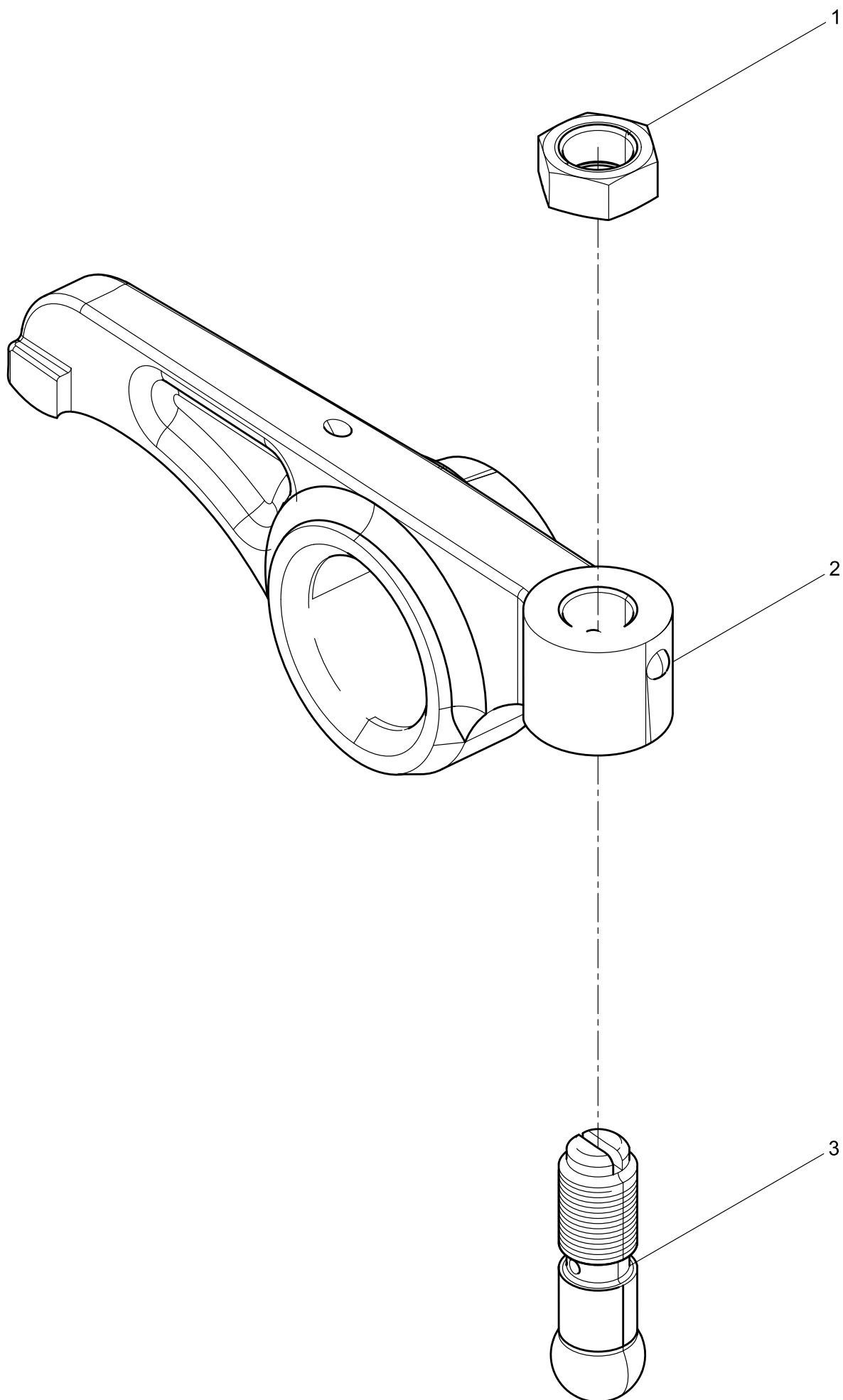
凸轮轴总成(Camshaft assembly)



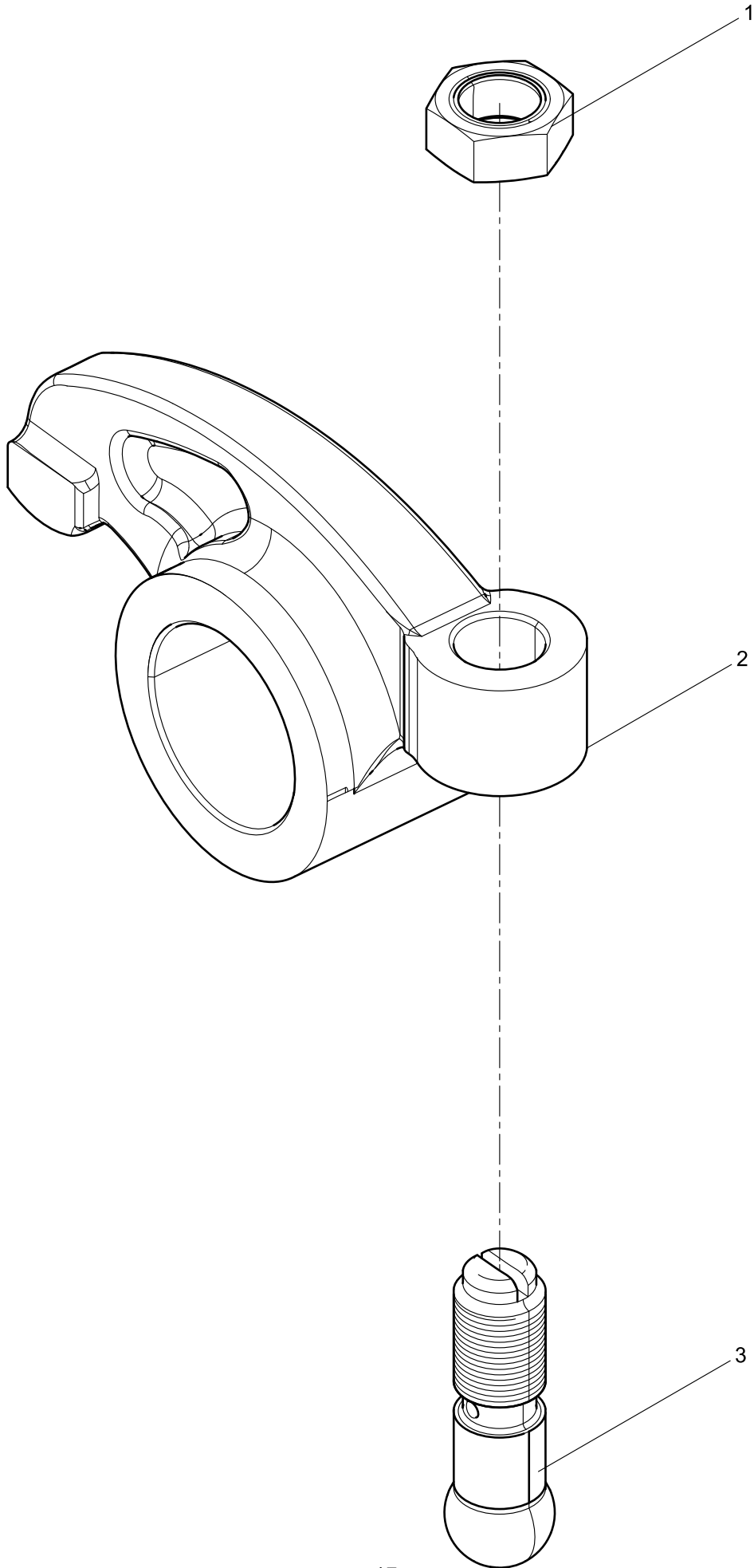
中间齿轮总成(Intermediate gear assembly)



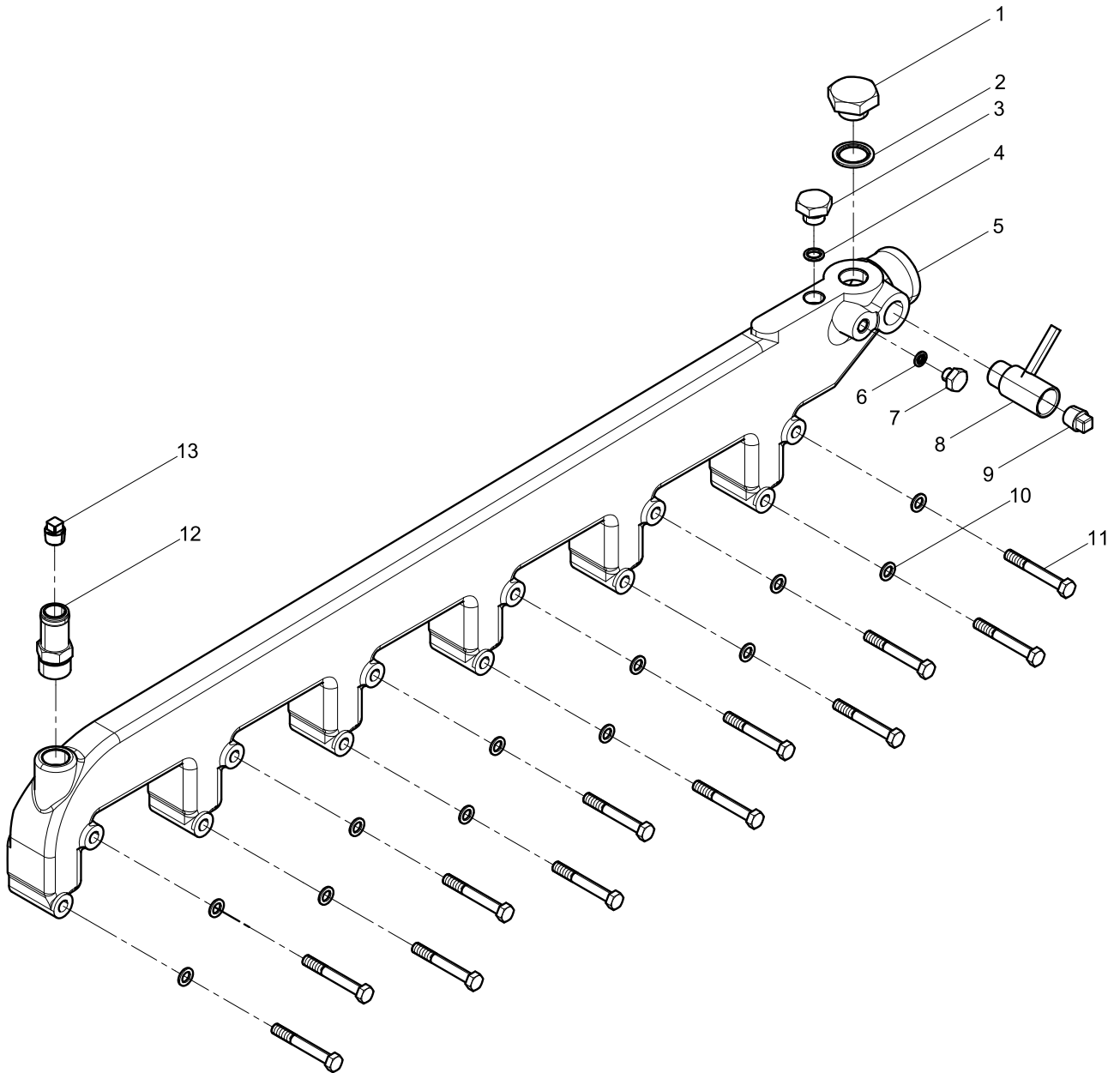
进气门摇臂总成(Intake valve rocker arm)



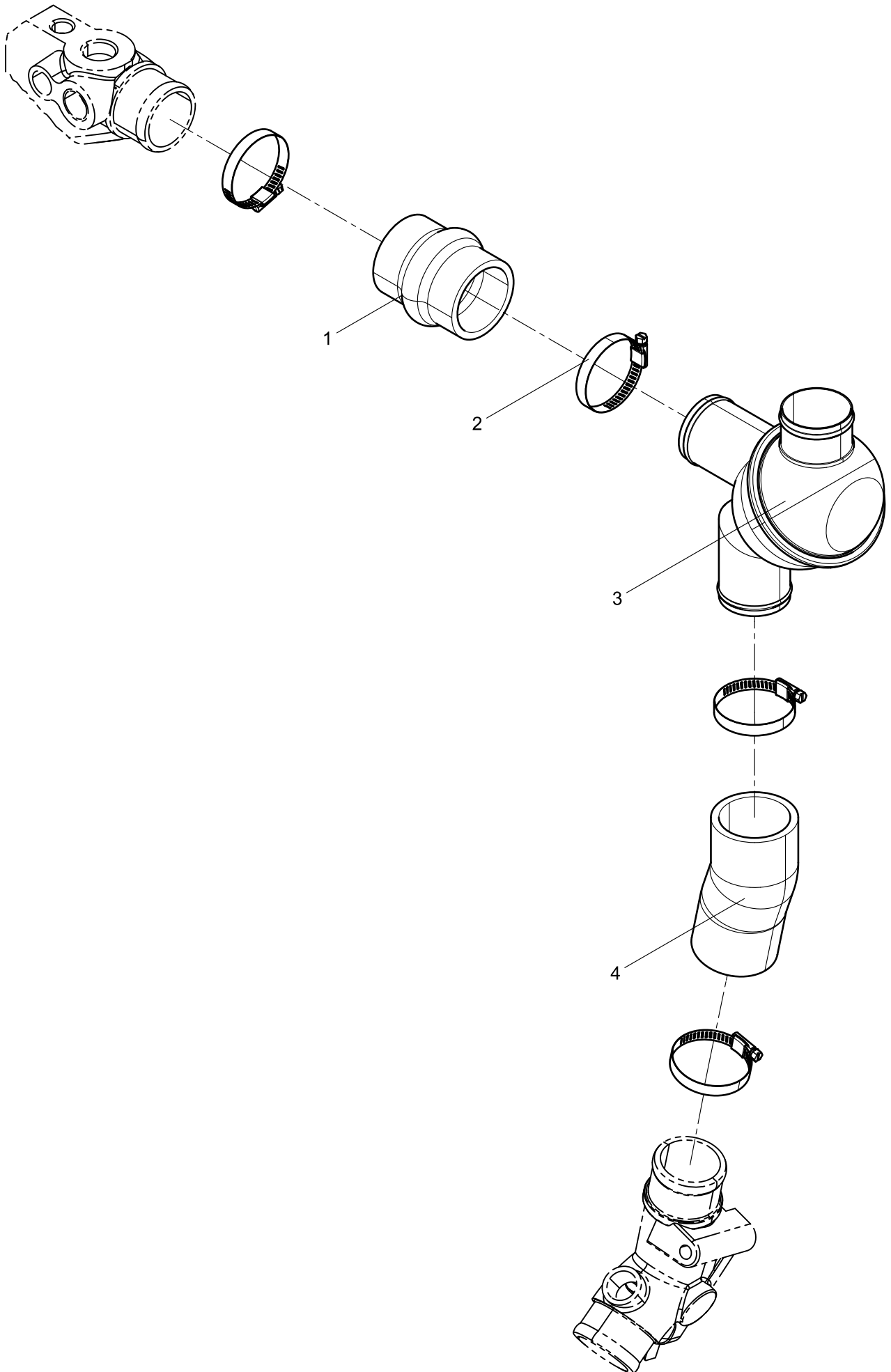
排气门摇臂总成()



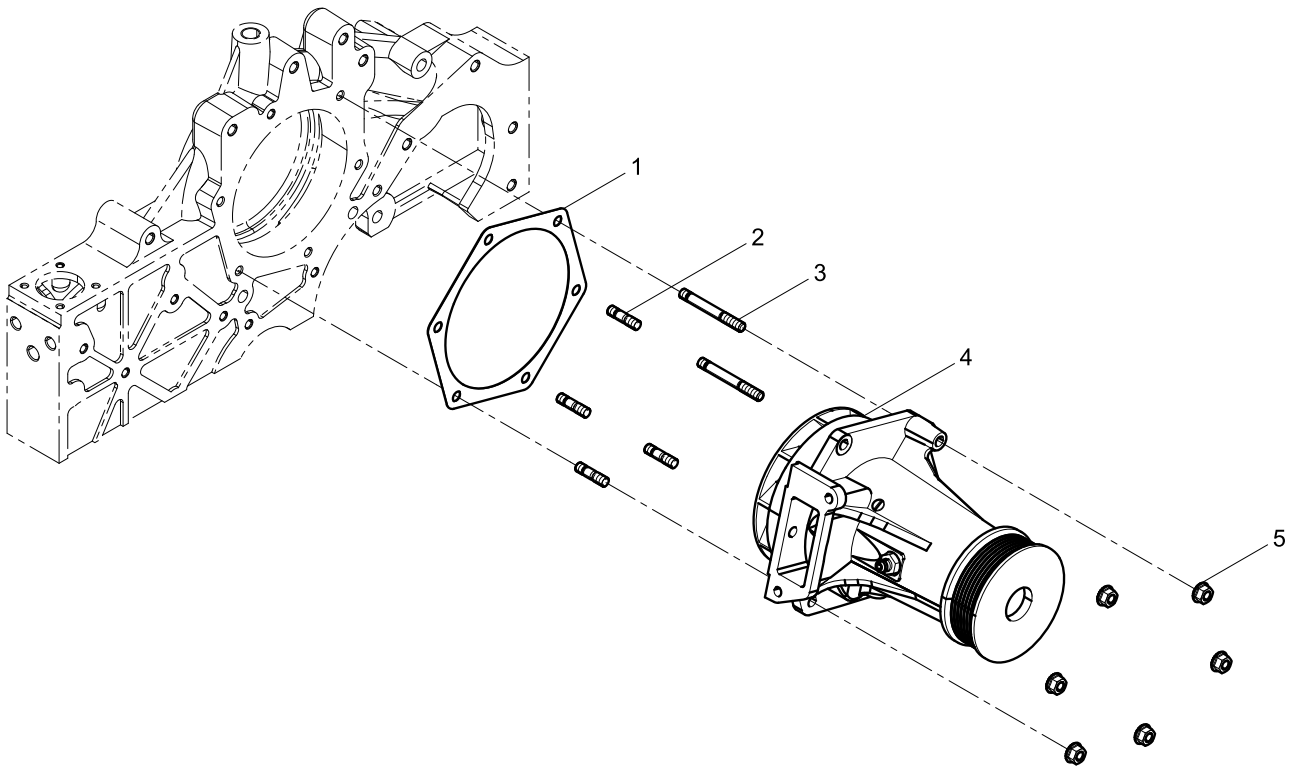
出水管结合组(Water Outlet Pipe Group)



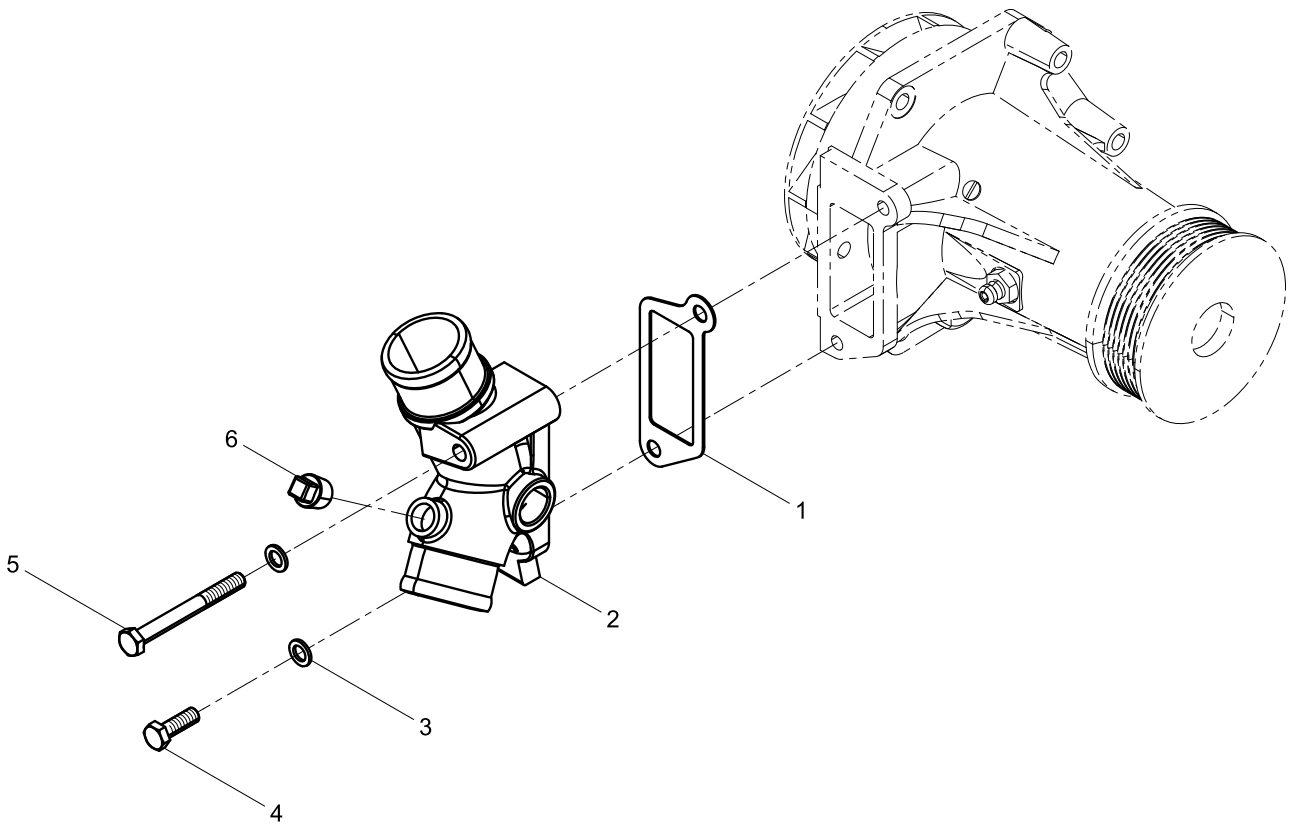
节温器结合组(Thermostat Group)



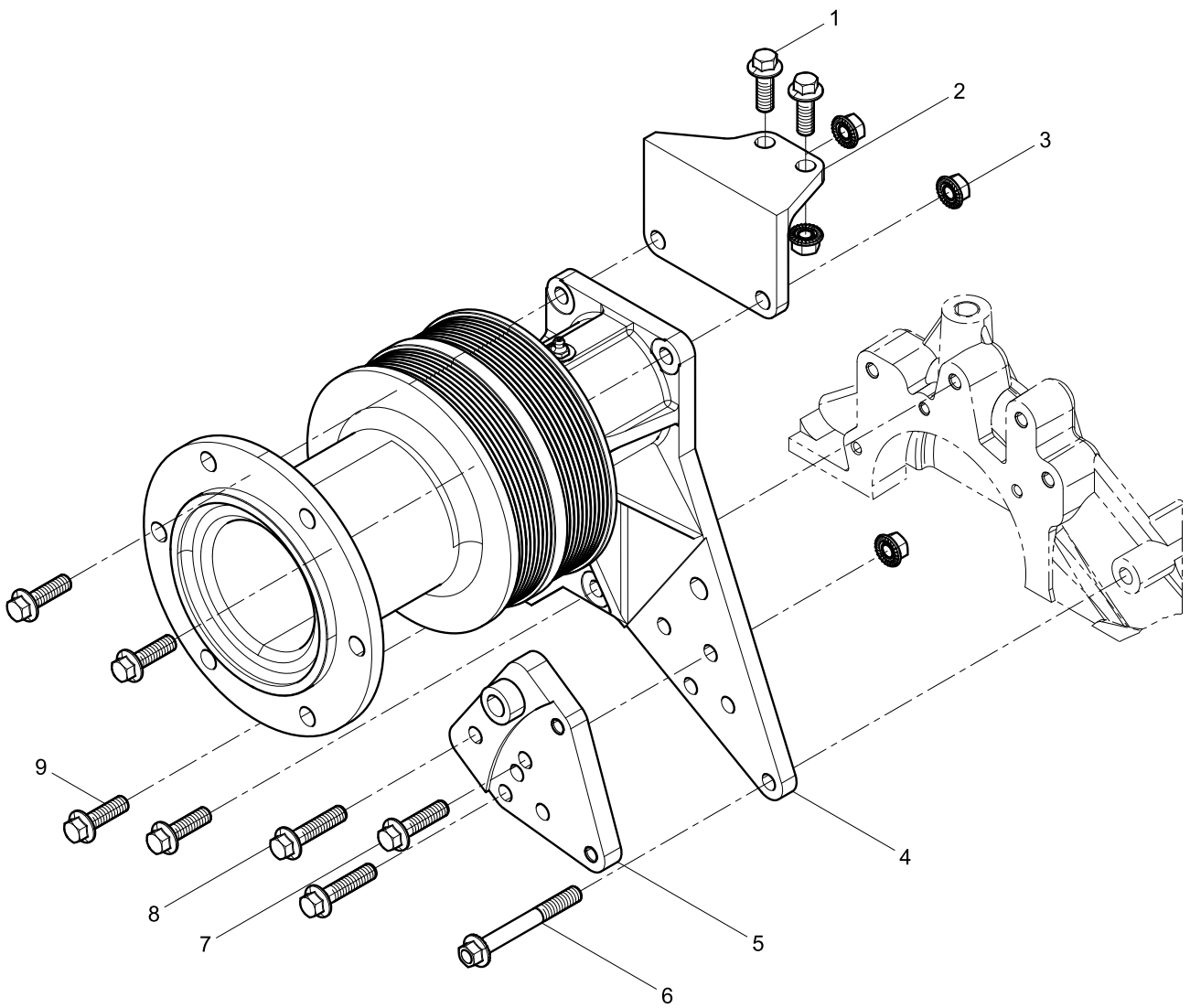
水泵结合组(Water pump assembly)



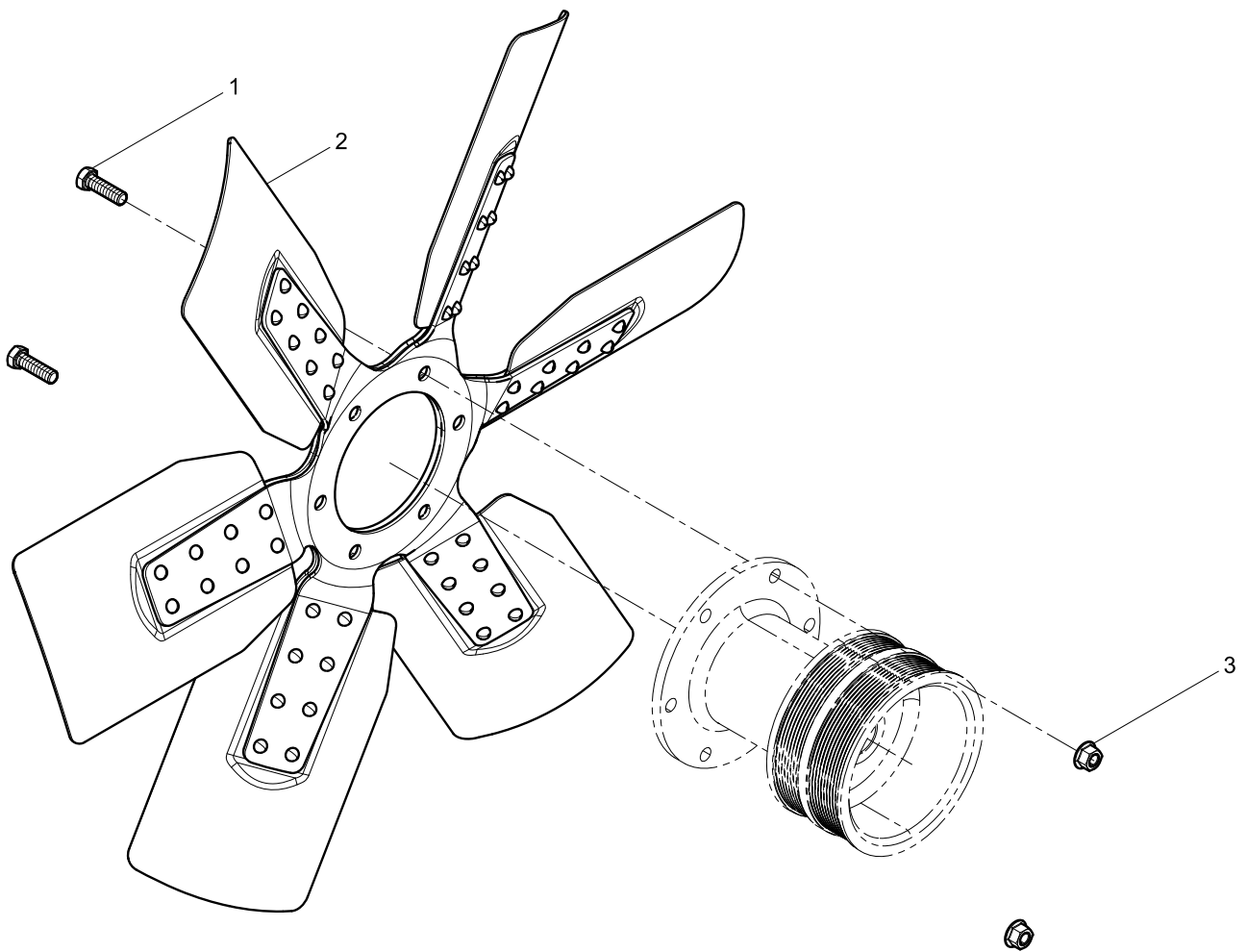
水管接头结合组(Water Pipe Connector Group)



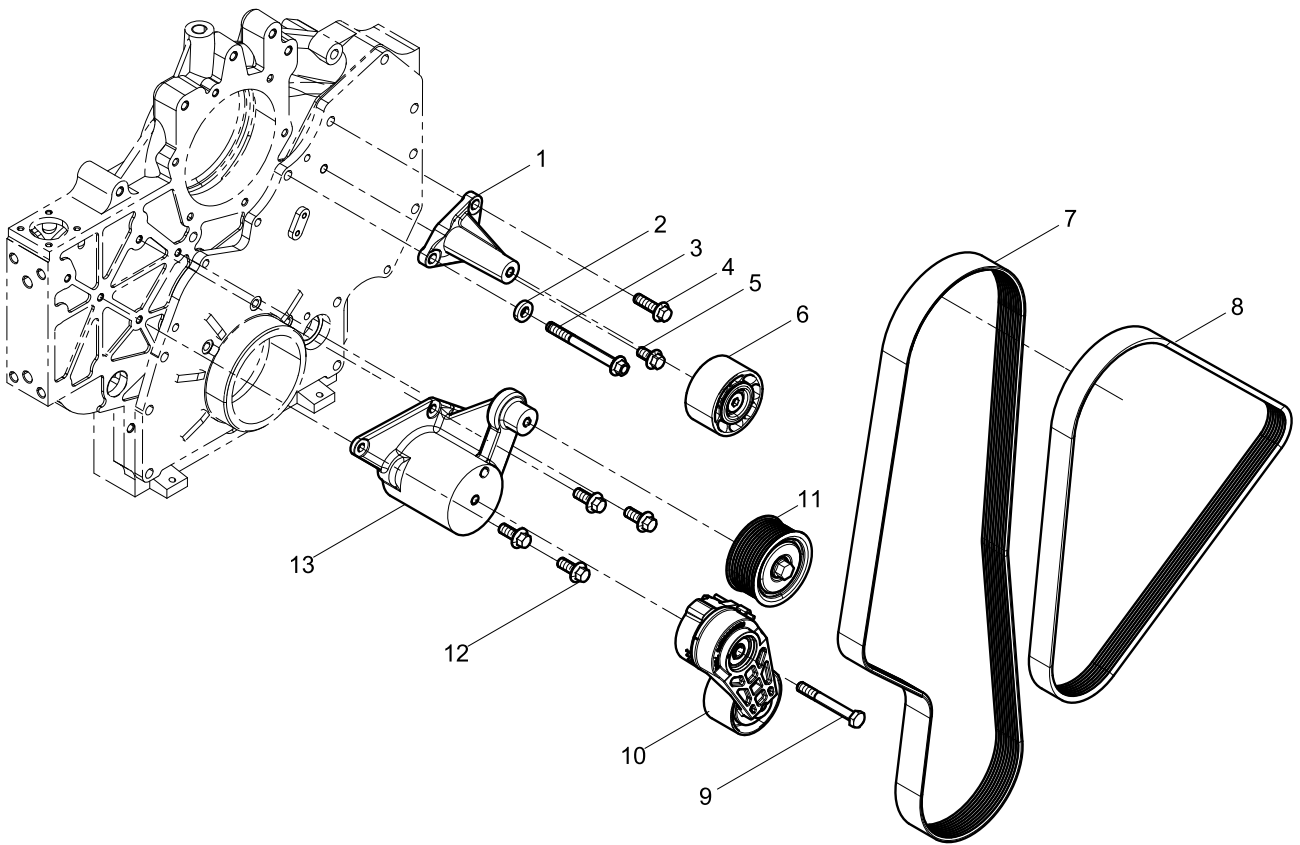
风扇托架结合组(Fan Bracket Group)



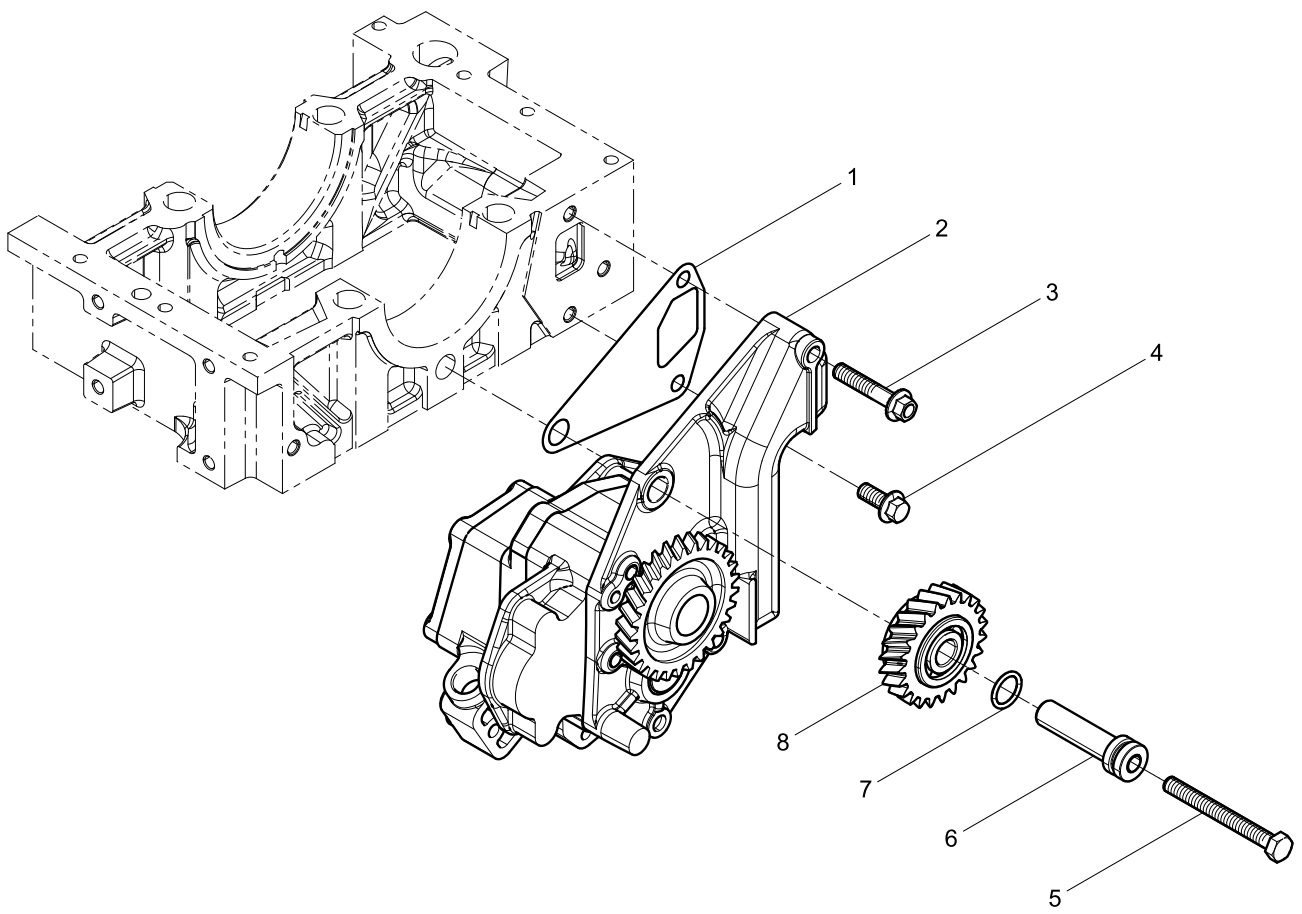
风扇及轮毂结合组(Fan and Hub Group)



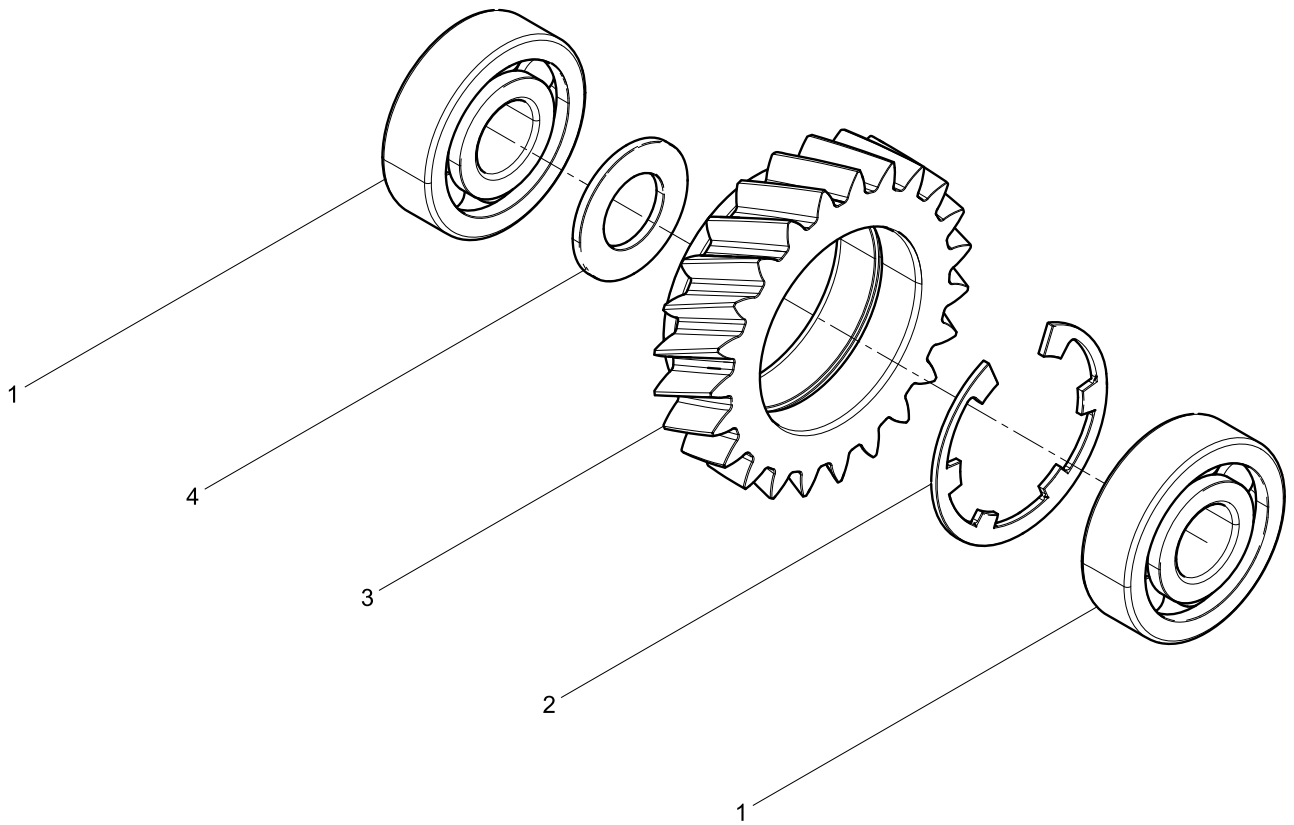
张紧轮及皮带结合组(Tensioner and Belt Assembly)



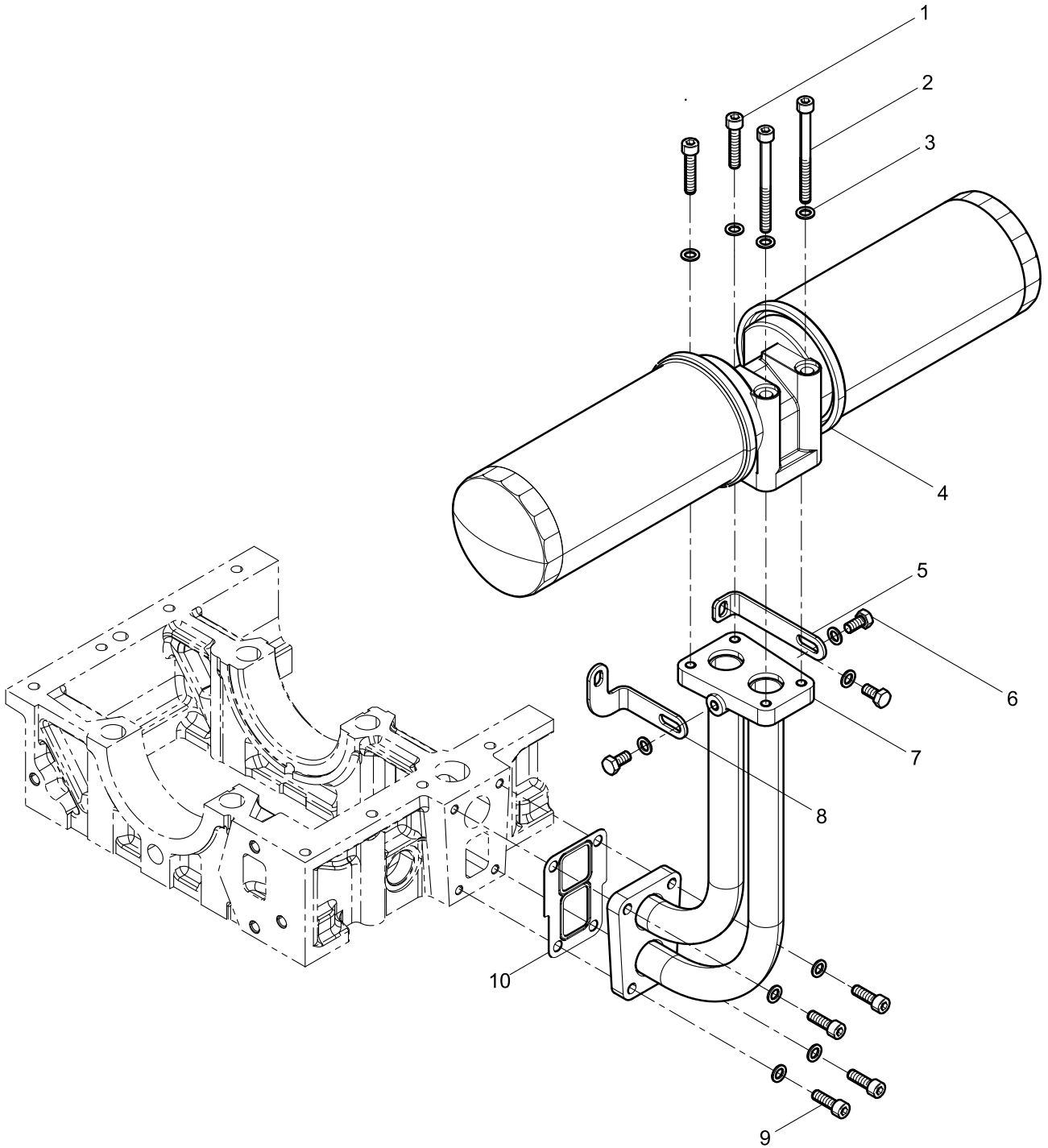
机油泵结合组(Oil pump assembly)



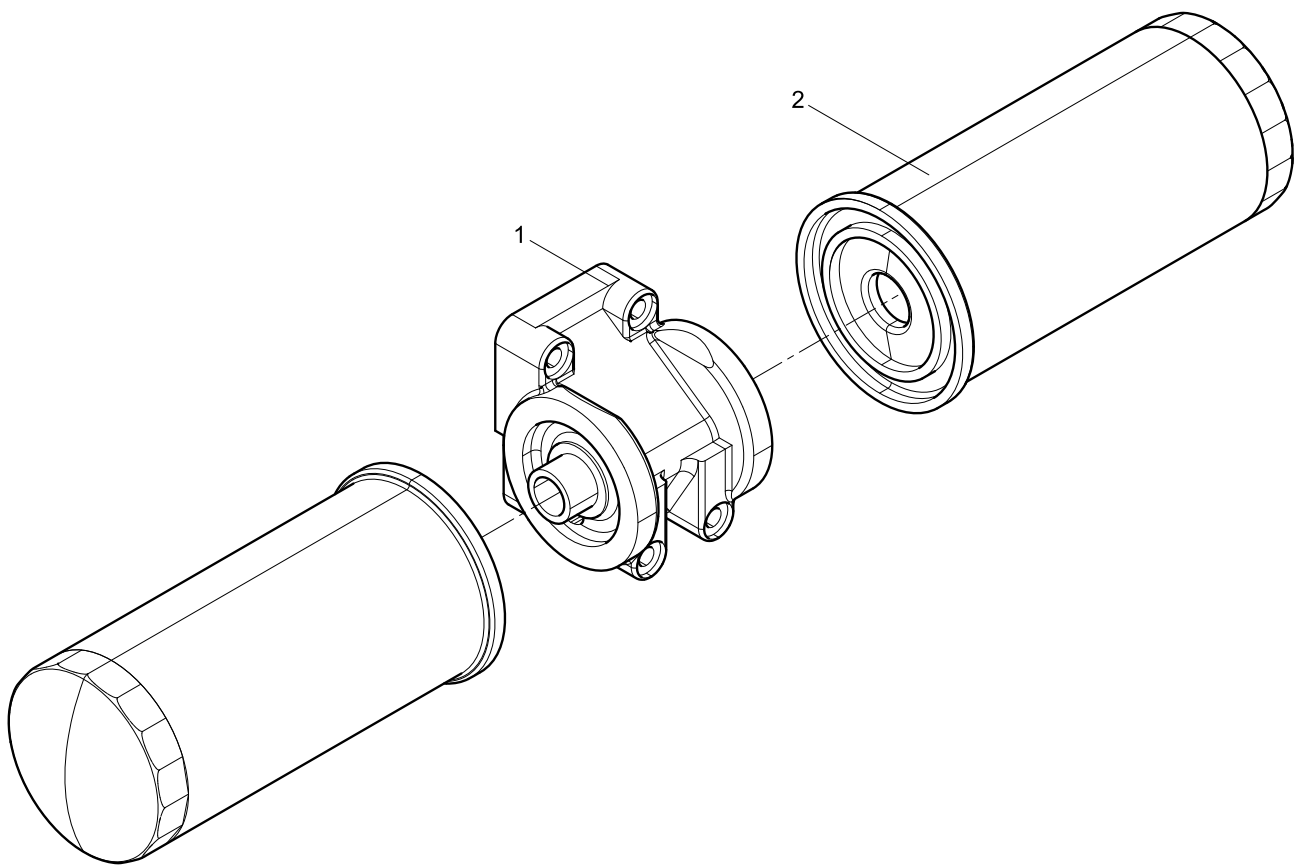
机油泵中间齿轮组件(Oil Pump Idle Gear Assembly)



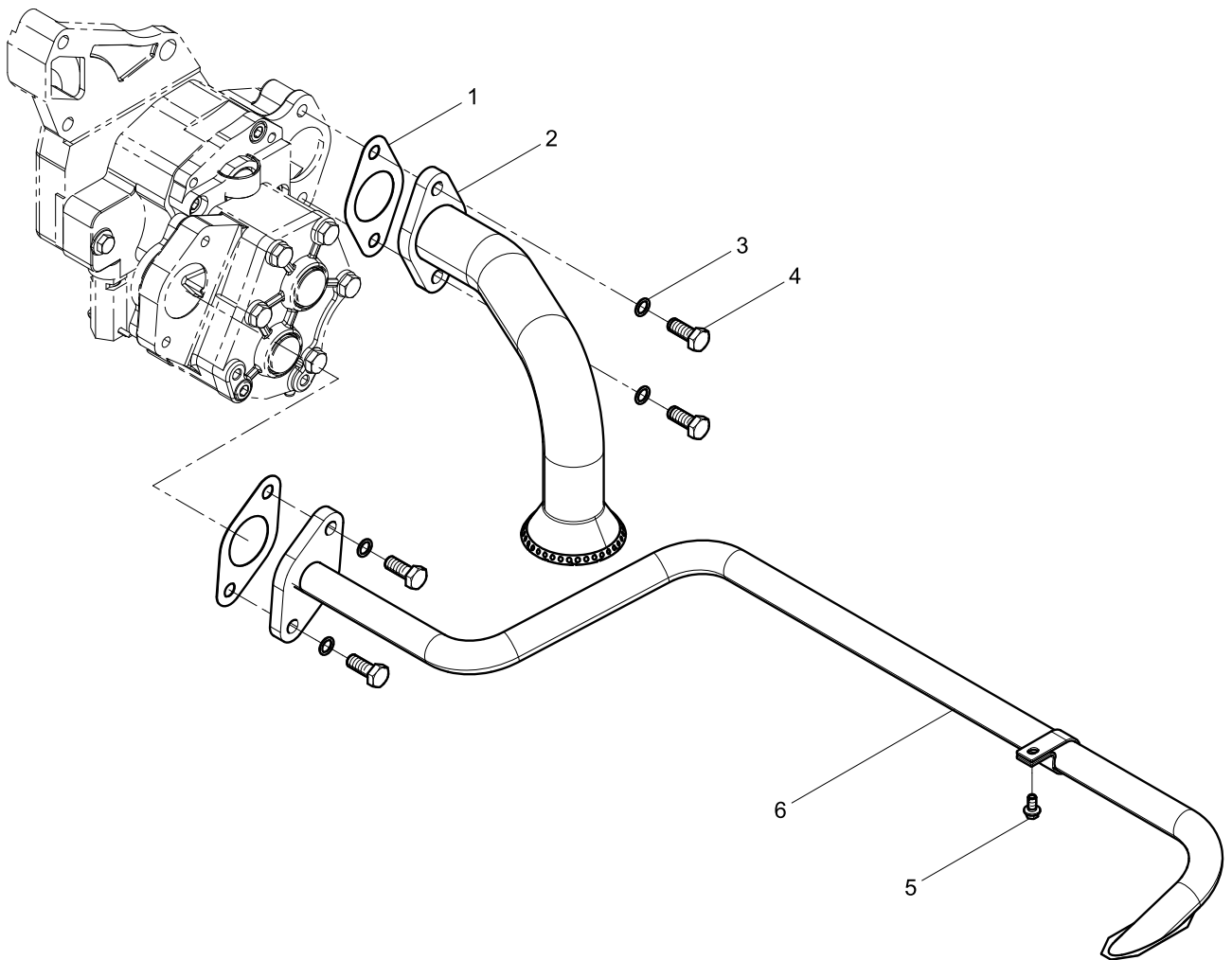
机油滤清器结合组(Oil filter assembly)



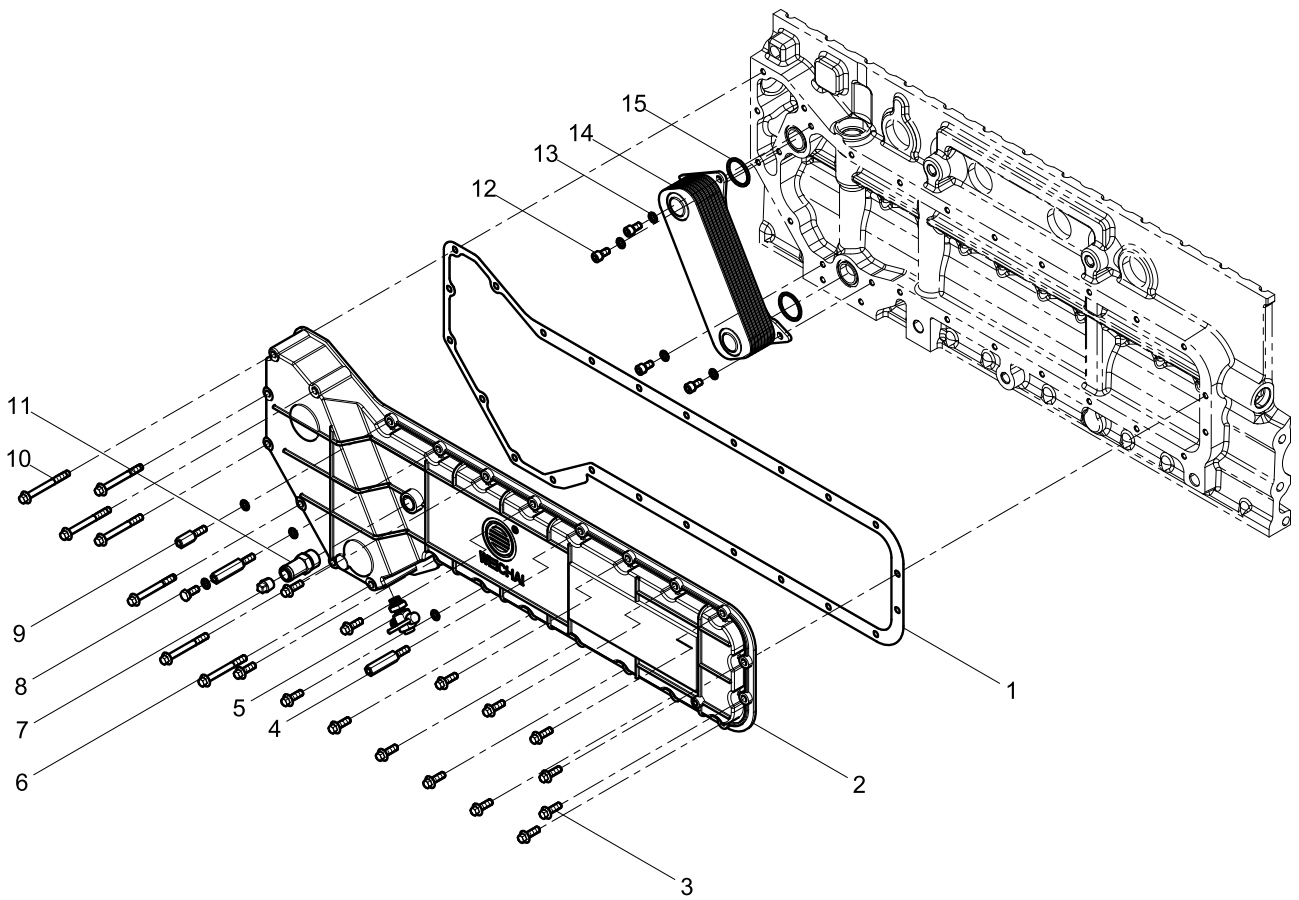
机油滤清器总成(Oil filter assembly)



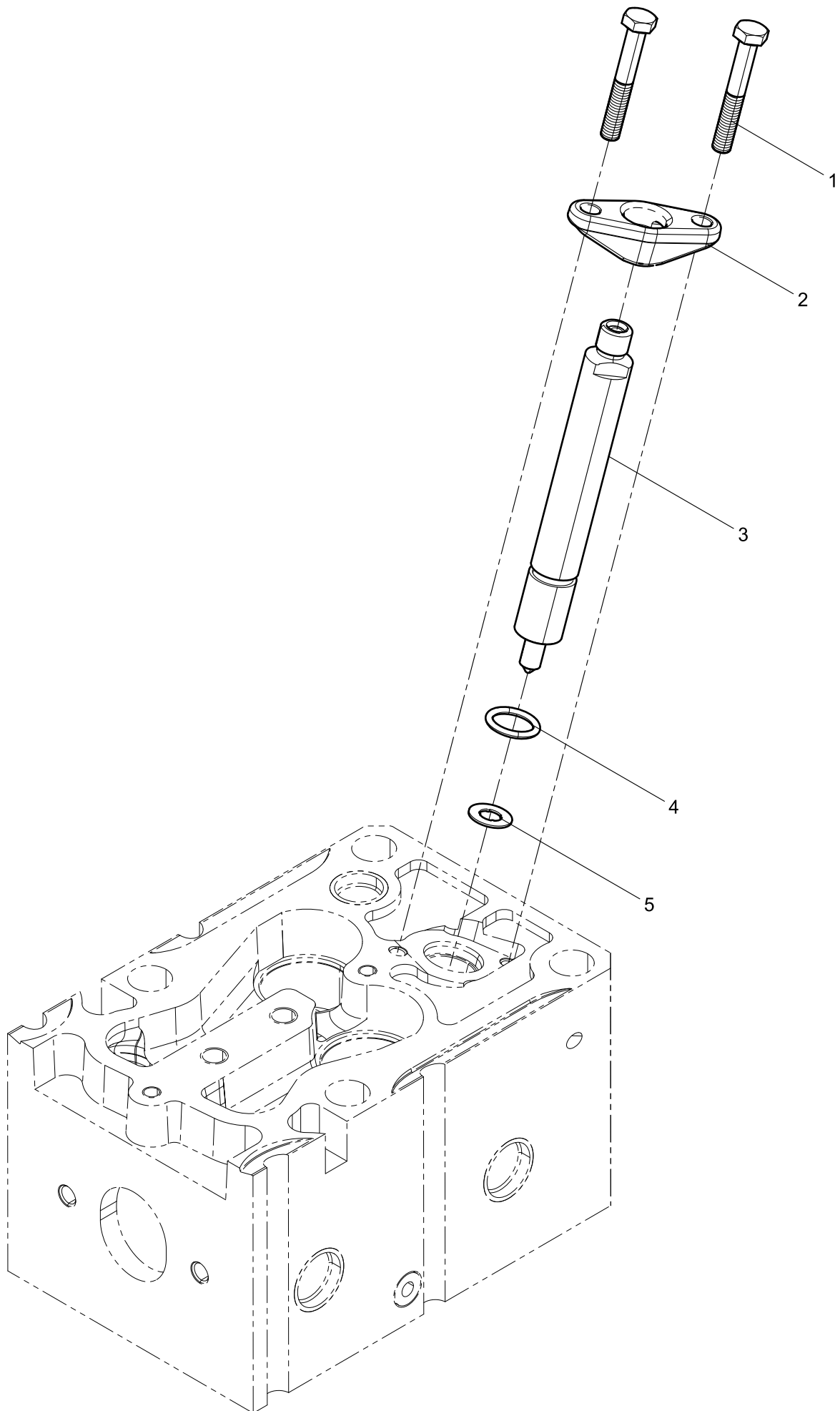
机油集滤器结合组(Oil Suction Strainer Group)



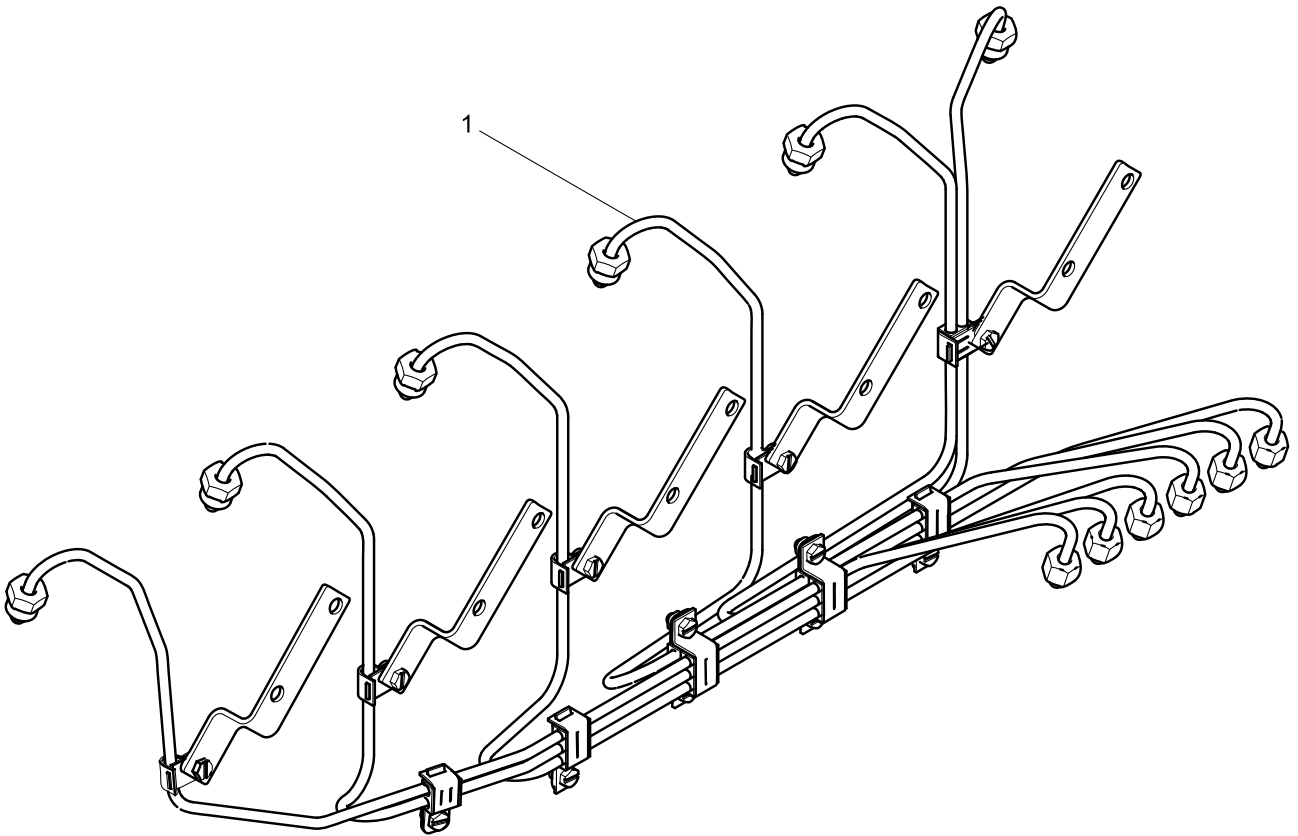
机油冷却器盖结合组()



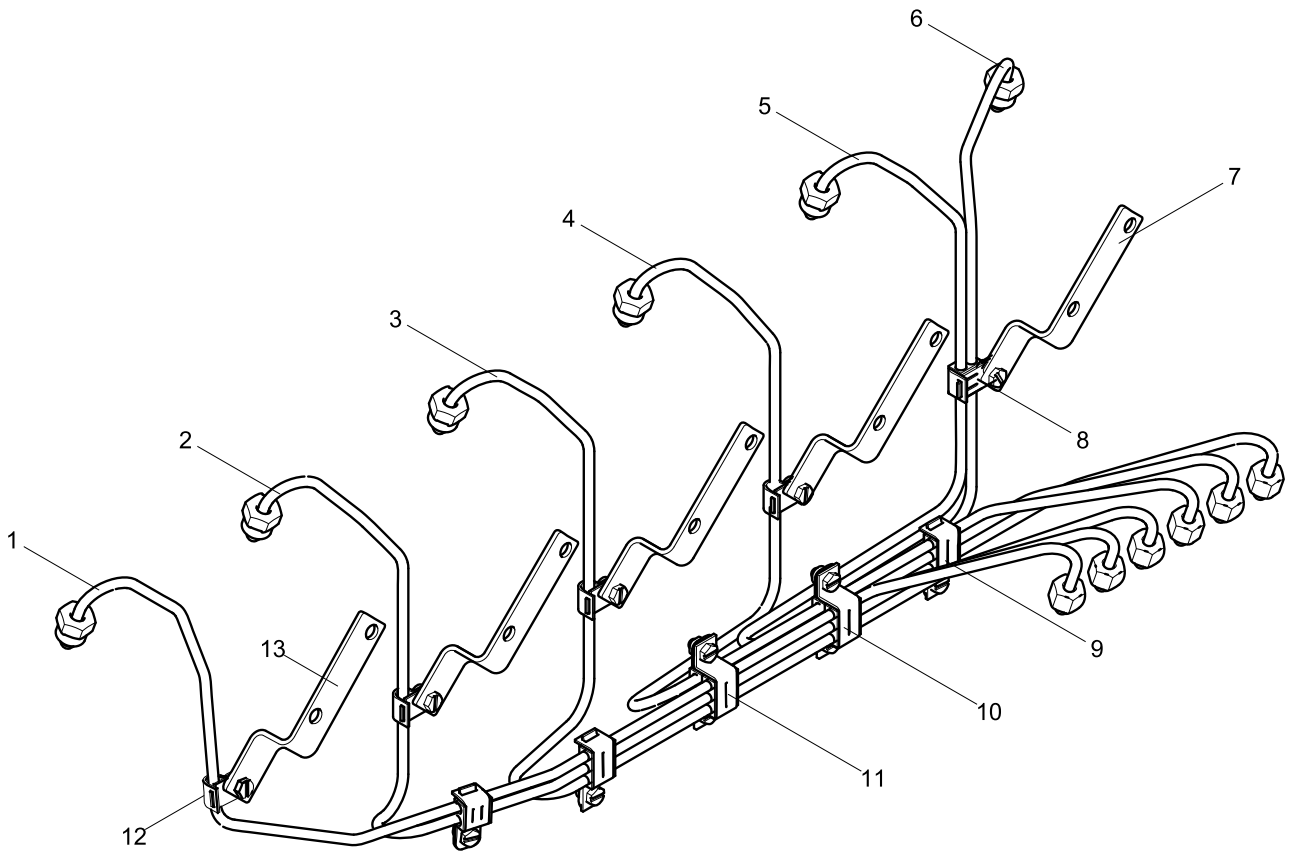
喷油器结合组(Injector assembly)



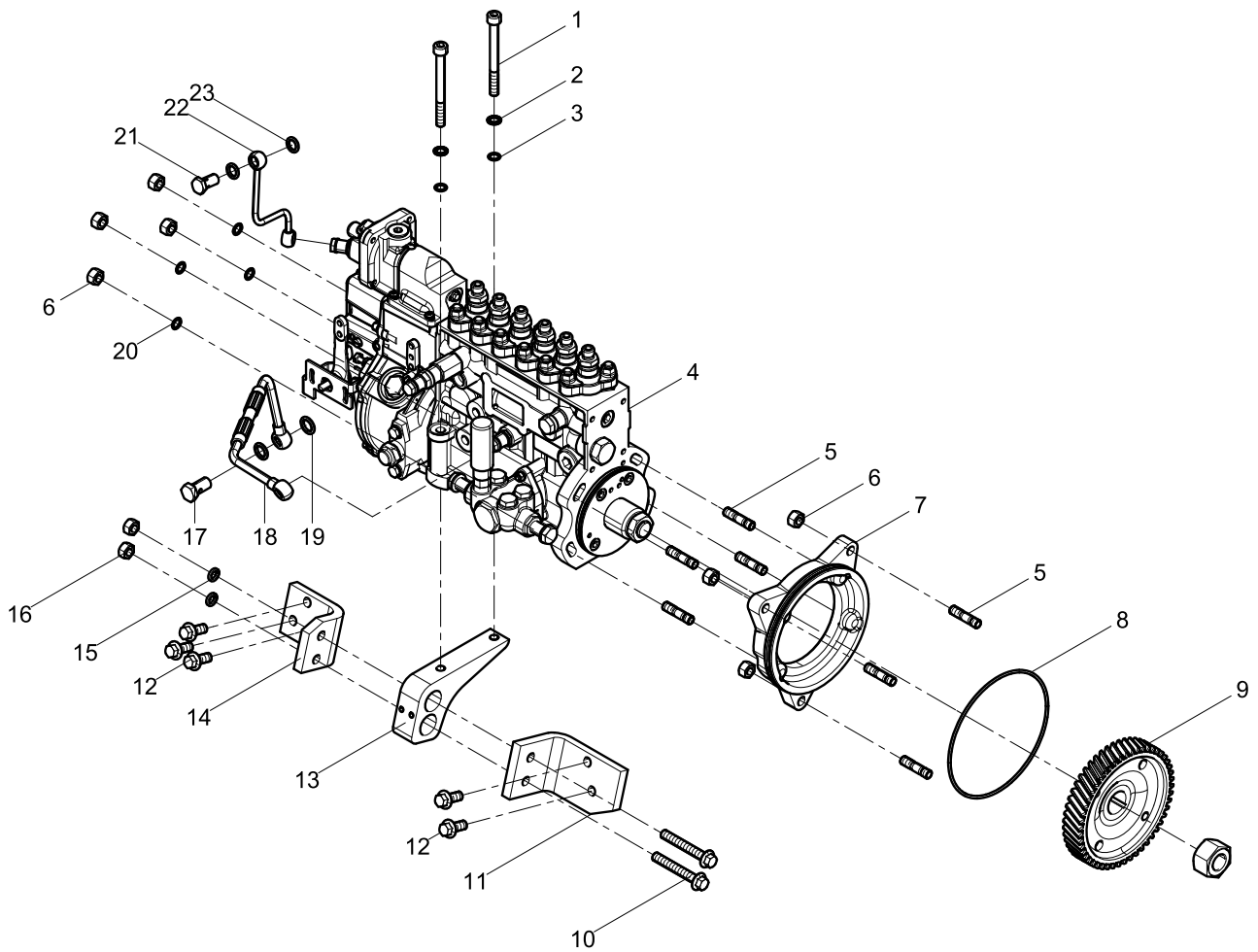
高压油管结合组(High Pressure Fuel Injection Pipe Group)



高压油管总成(High pressure pipe assembly)



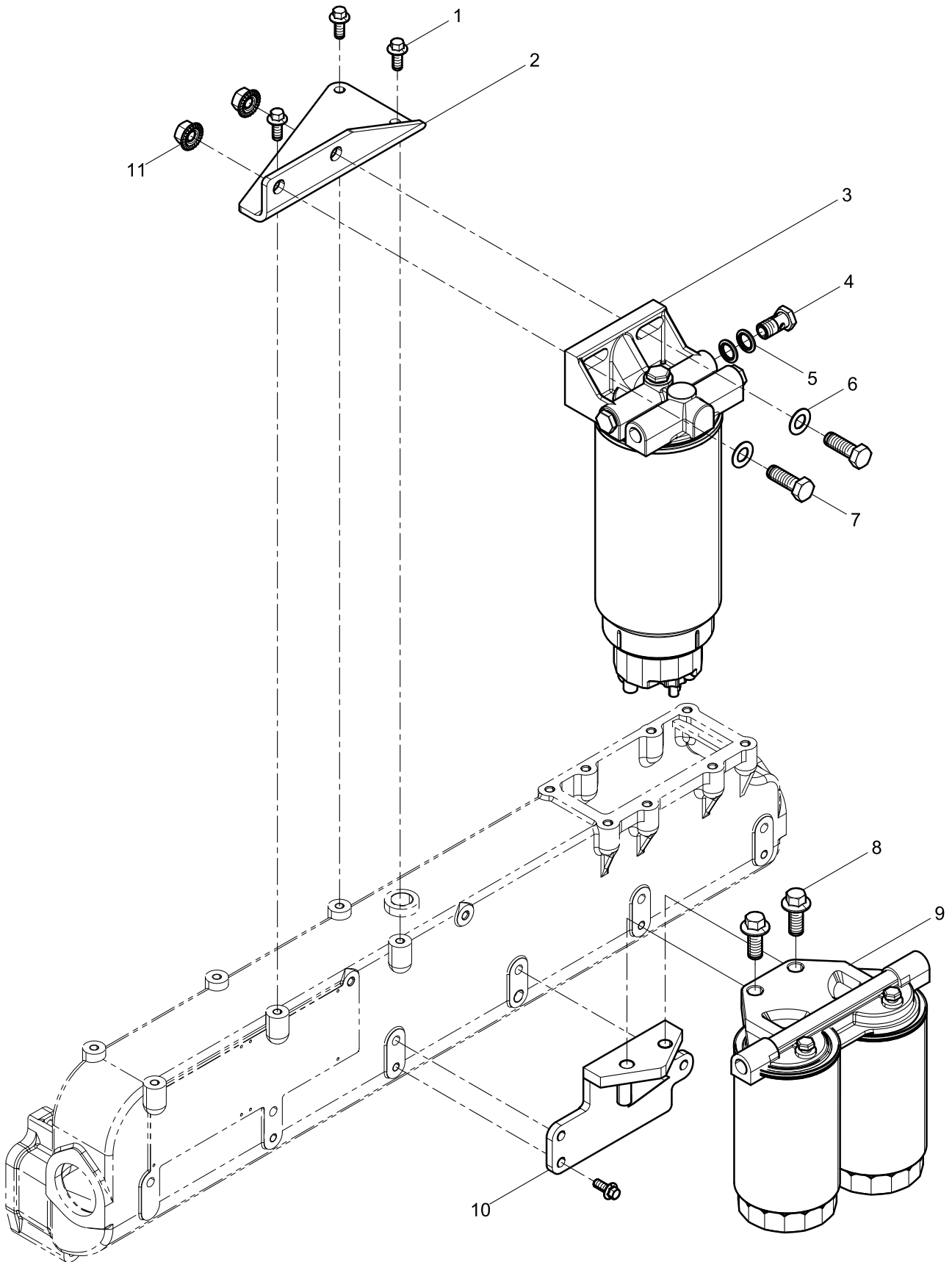
高压油泵结合组(High pressure pump assembly)



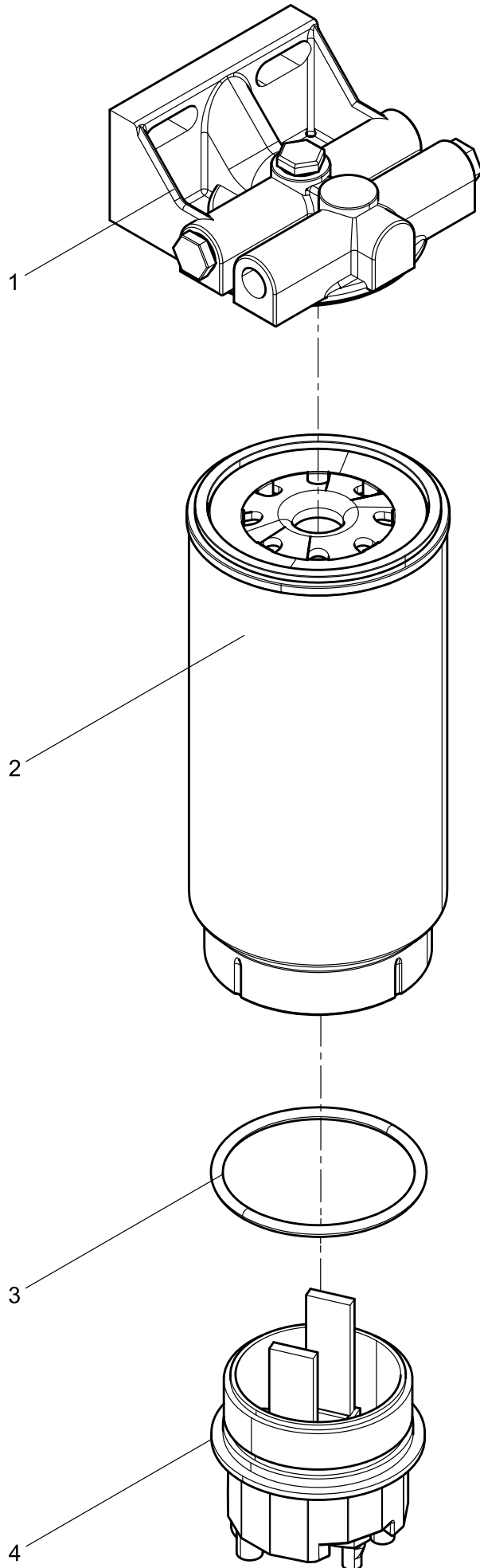
高压油泵结合组(High pressure pump assembly)

图序号 Pos.	件号 Teile.Number	数量 Amount	中文名称 Denomination	英文名称 Designation
1	612600082135	2	内六角圆柱头螺钉	Inner hexagon screw
2	188250083	2	自锁垫圈	Washer
3	90003930261	2	平垫圈	Flat washer
4	612601080591	1	喷油泵总成	Injection pump assembly
5	90003813532S	7	双头螺柱	Stud
6	90003888452	7	2型全金属六角锁紧螺母	Prevailing Torque Type All-metal Hexagon Nut,
7	612600082057	1	喷油泵法兰	Injection pump flange
8	612600080400	1	密封圈	Seal washer
9	612600082058	1	喷油泵齿轮	Injection pump gear
10	90011430034	2	六角法兰面承面带齿螺栓	Hexagon Flange Bolt
11	612600082142	1	喷油泵支架	Injection pump bracket
12	90011430008	5	六角法兰面承面带齿螺栓	Hexagon Flange Bolt
13	612600082094	1	喷油泵托架	Injection pump bracket
14	612600082141	1	喷油泵支架	Injection pump bracket
15	90003931122	2	弹簧垫圈	Spring washer
16	90003871305	2	1型六角螺母	Hexagon nut (I)
17	612639000047	1	空心螺栓	Hollow bolt
18	612600082372	1	润滑油管总成	Oil pipe assembly
19	612600080246	2	密封垫圈	Seal washer
20	90003930271	4	平垫圈	Flat washer
21	90003962612	1	空心螺栓	Hollow bolt
22	61560080159	1	空气管总成	Air pipe assembly
23	612600050042	2	密封垫圈	Seal washer

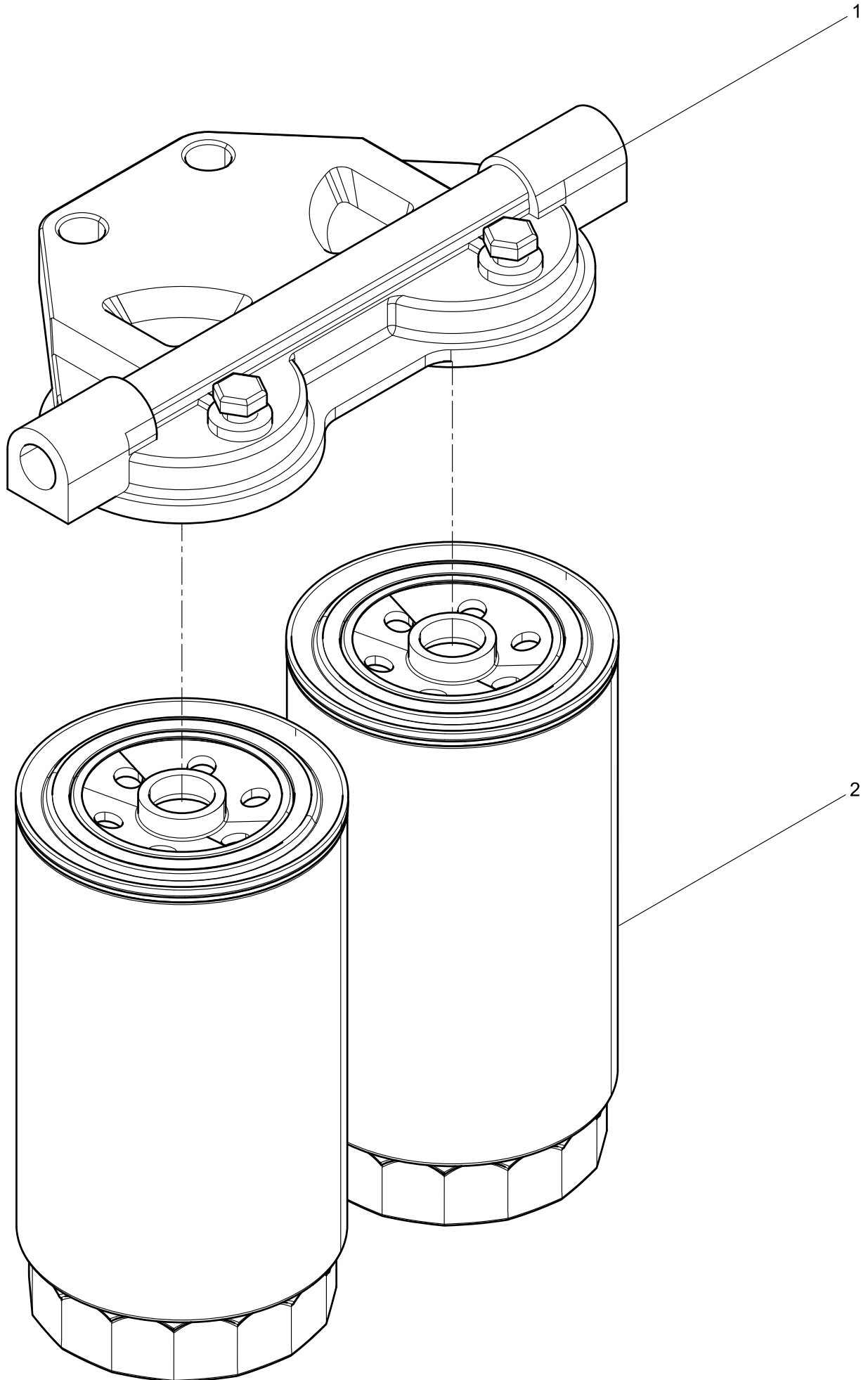
燃油滤清器结合组(Fuel Filter Group)



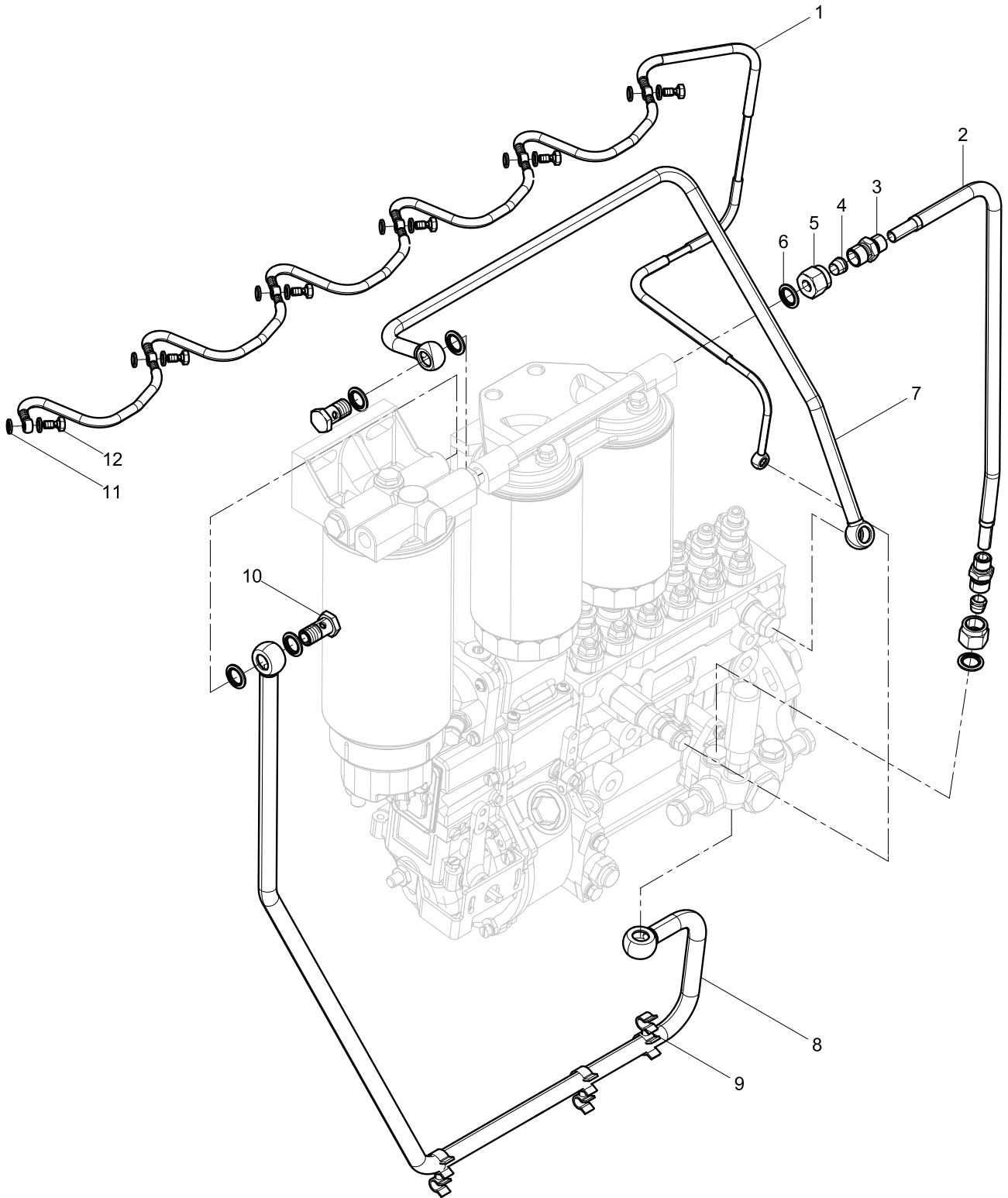
除水放心滤(Fuel filter-water separator)



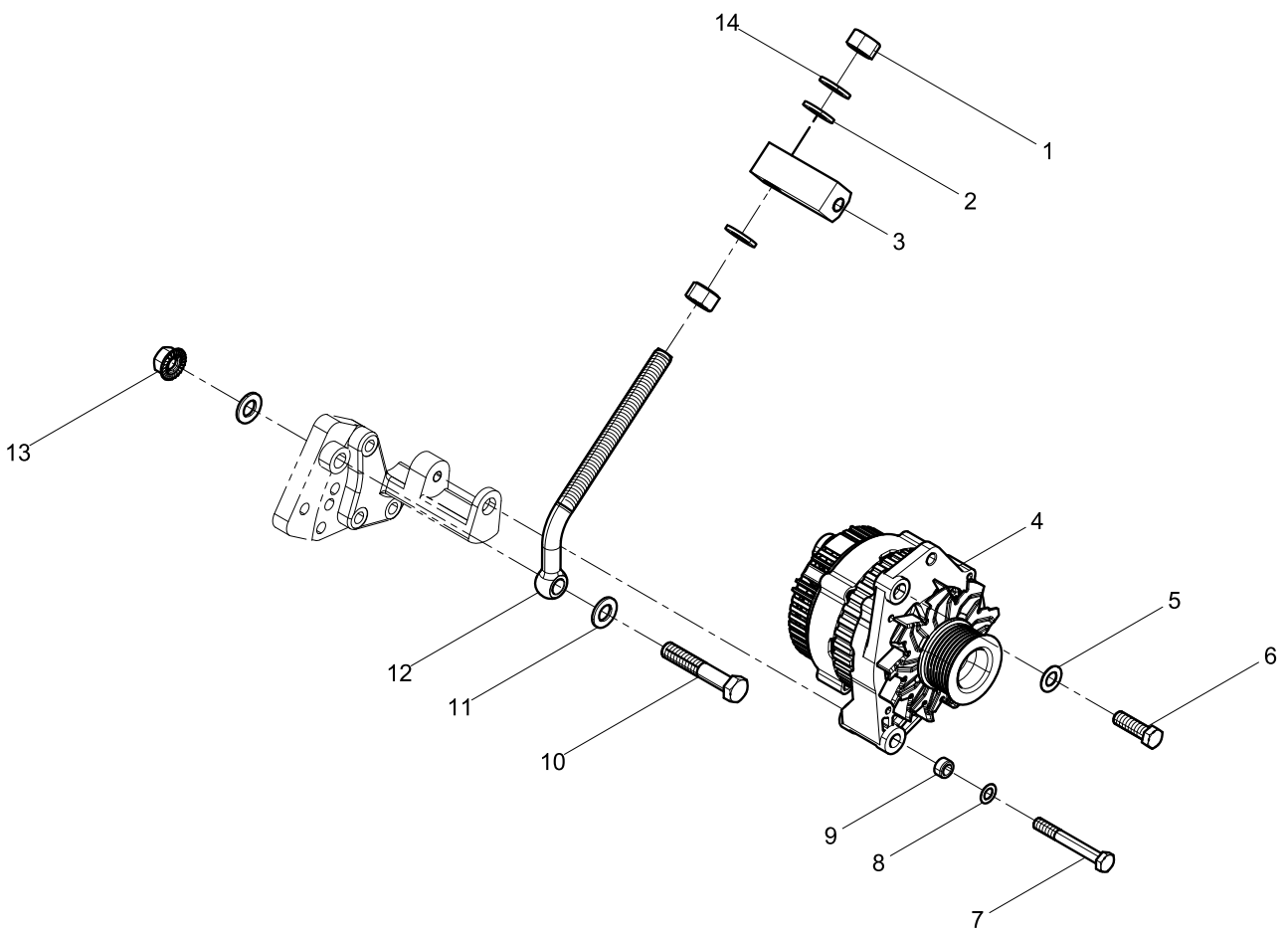
燃油滤清器(Fuel filter)



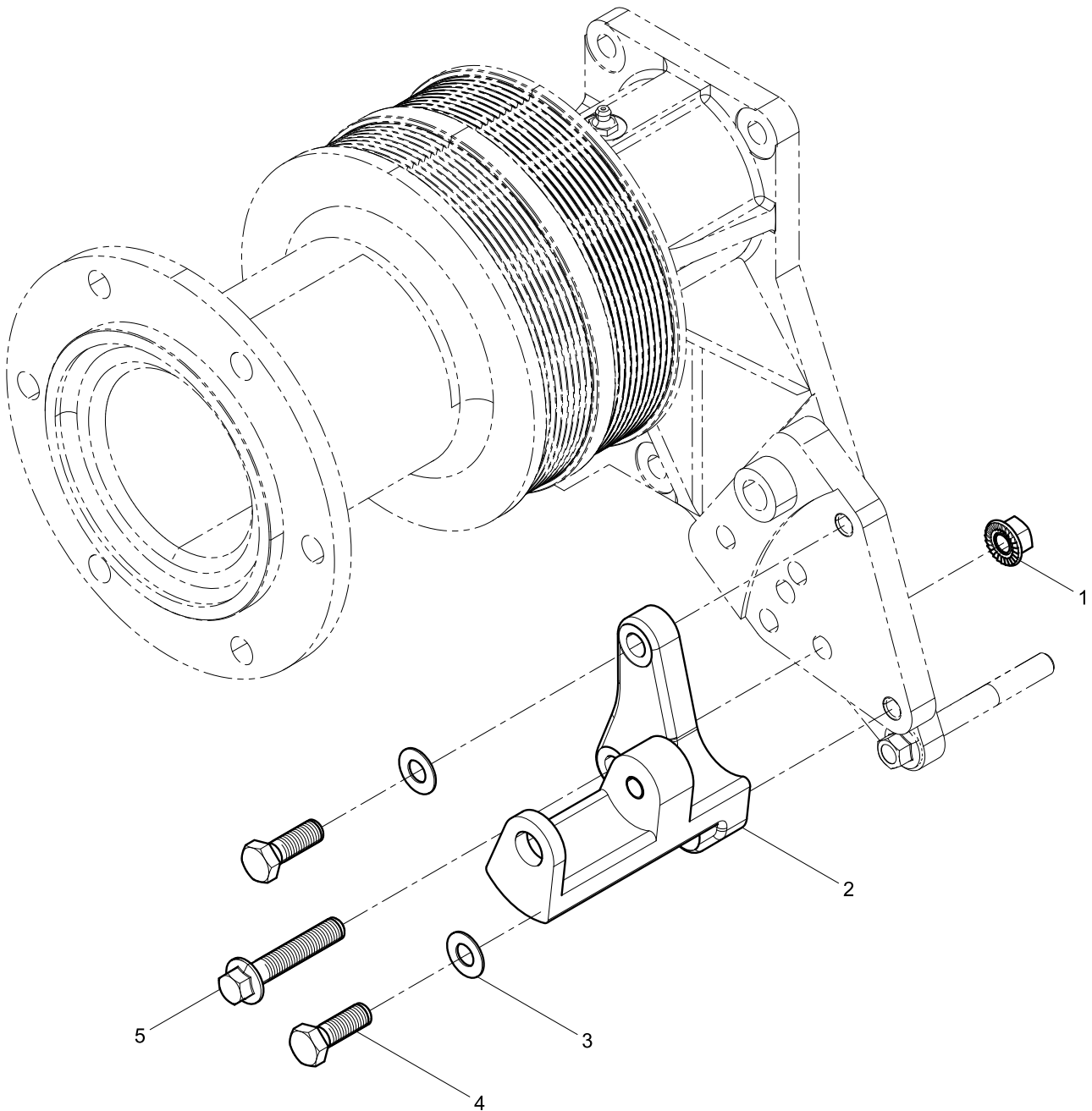
低压油管结合组(Low Pressure Oil pipe Group)



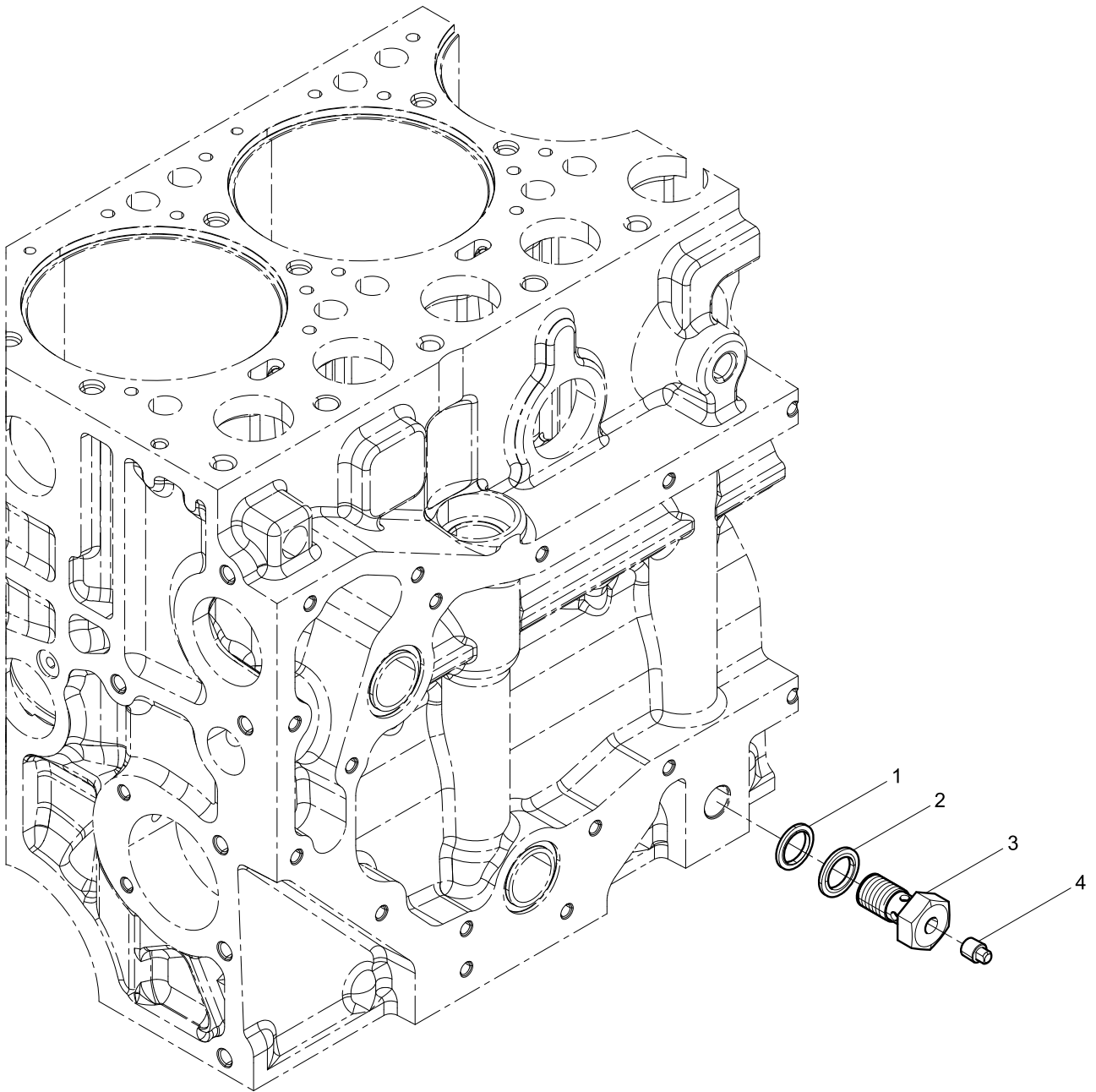
发电机结合组(Generator Group)



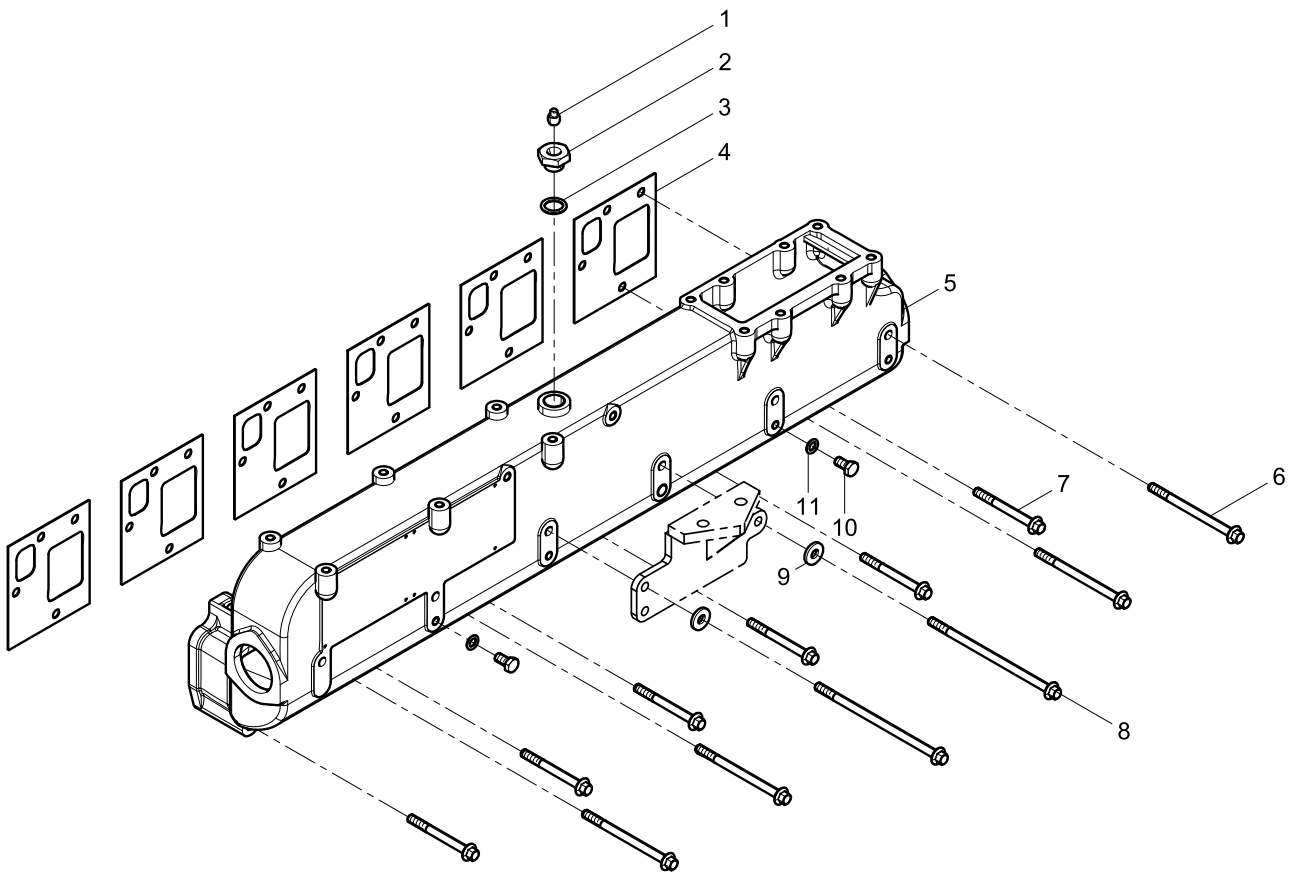
发电机支架结合组(Generator Bracket Group)



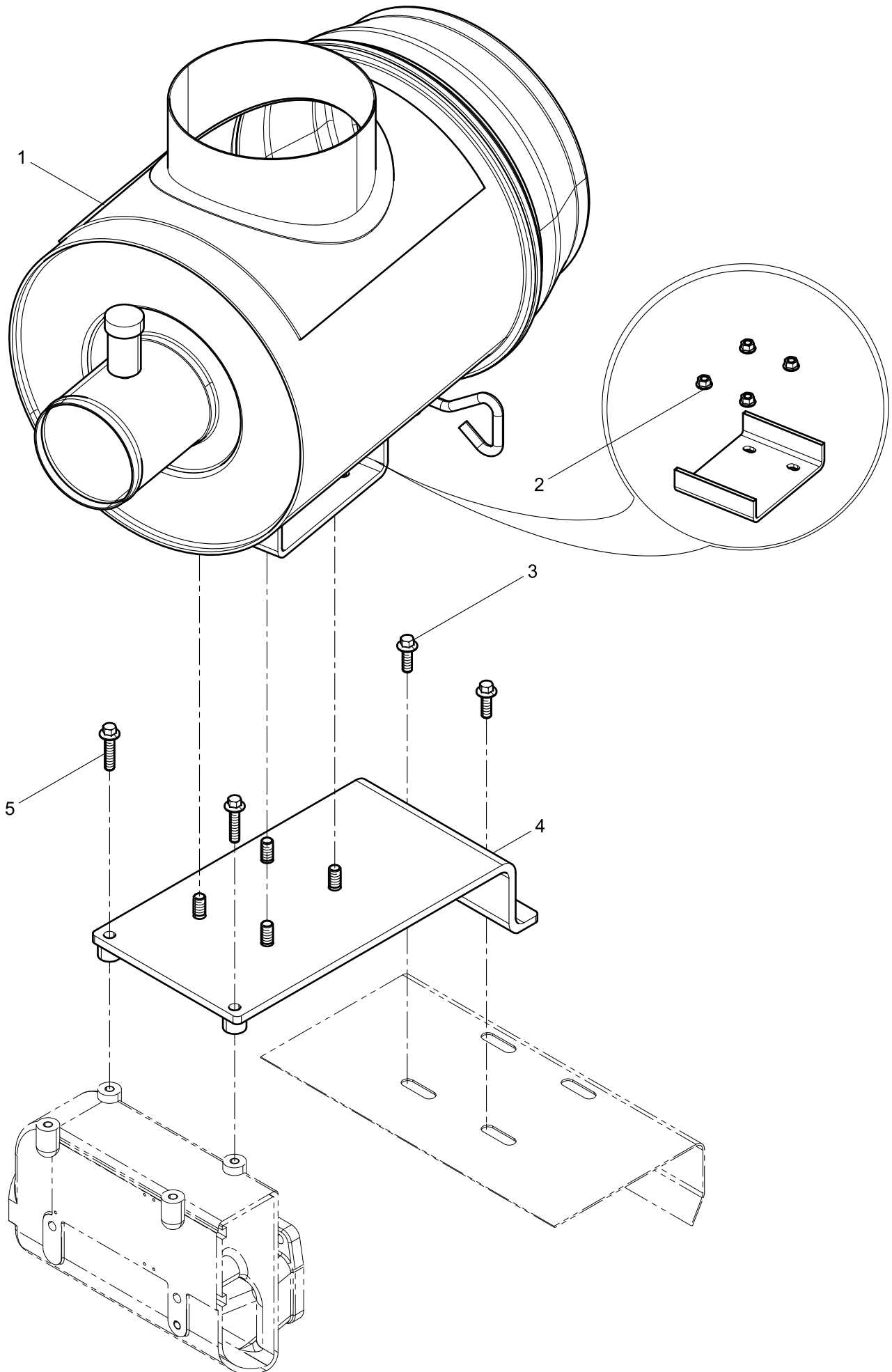
普通线束及传感器结合组(General-use Wire and Sensor Group)



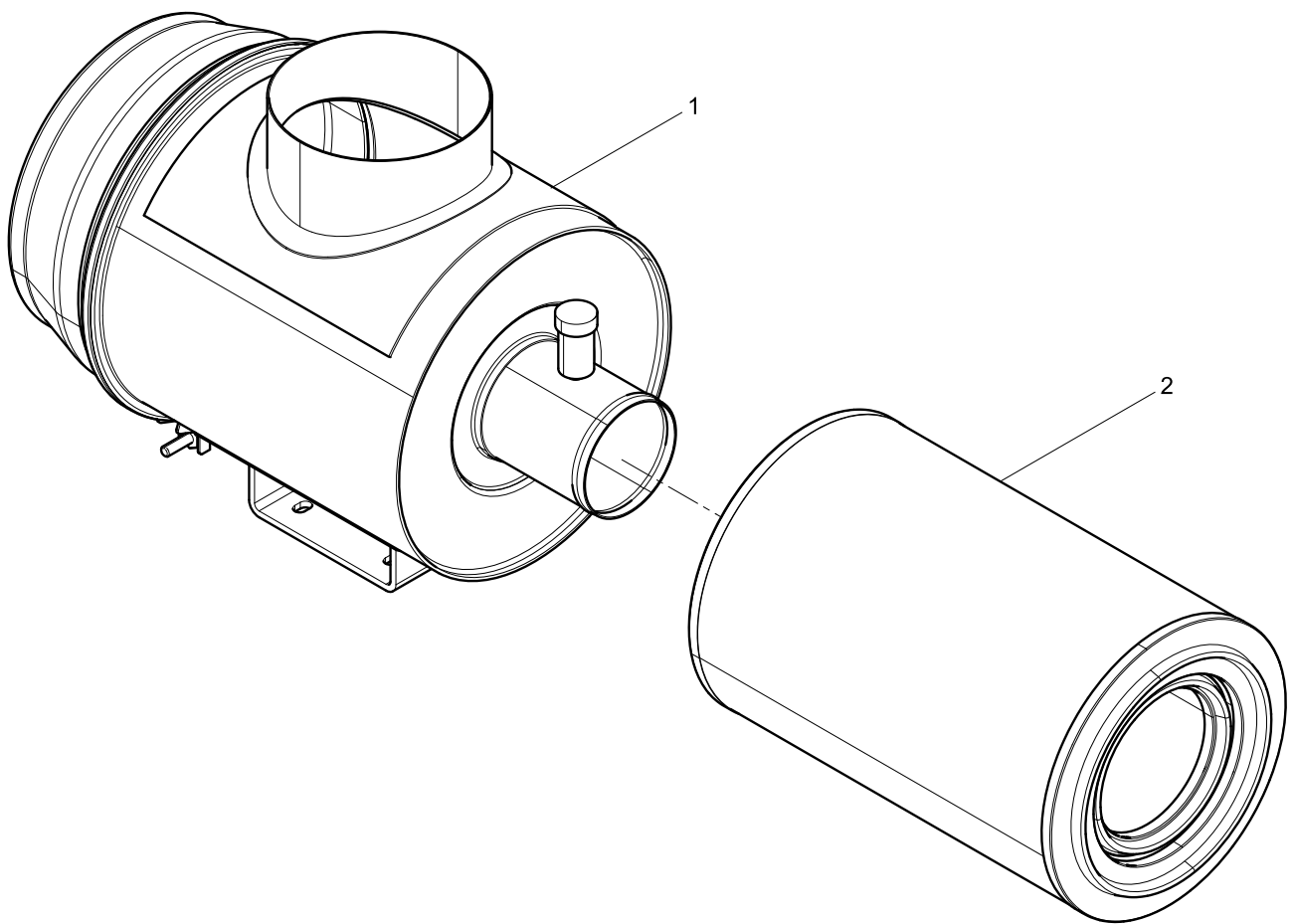
进气管结合组(Intake Manifold Group)



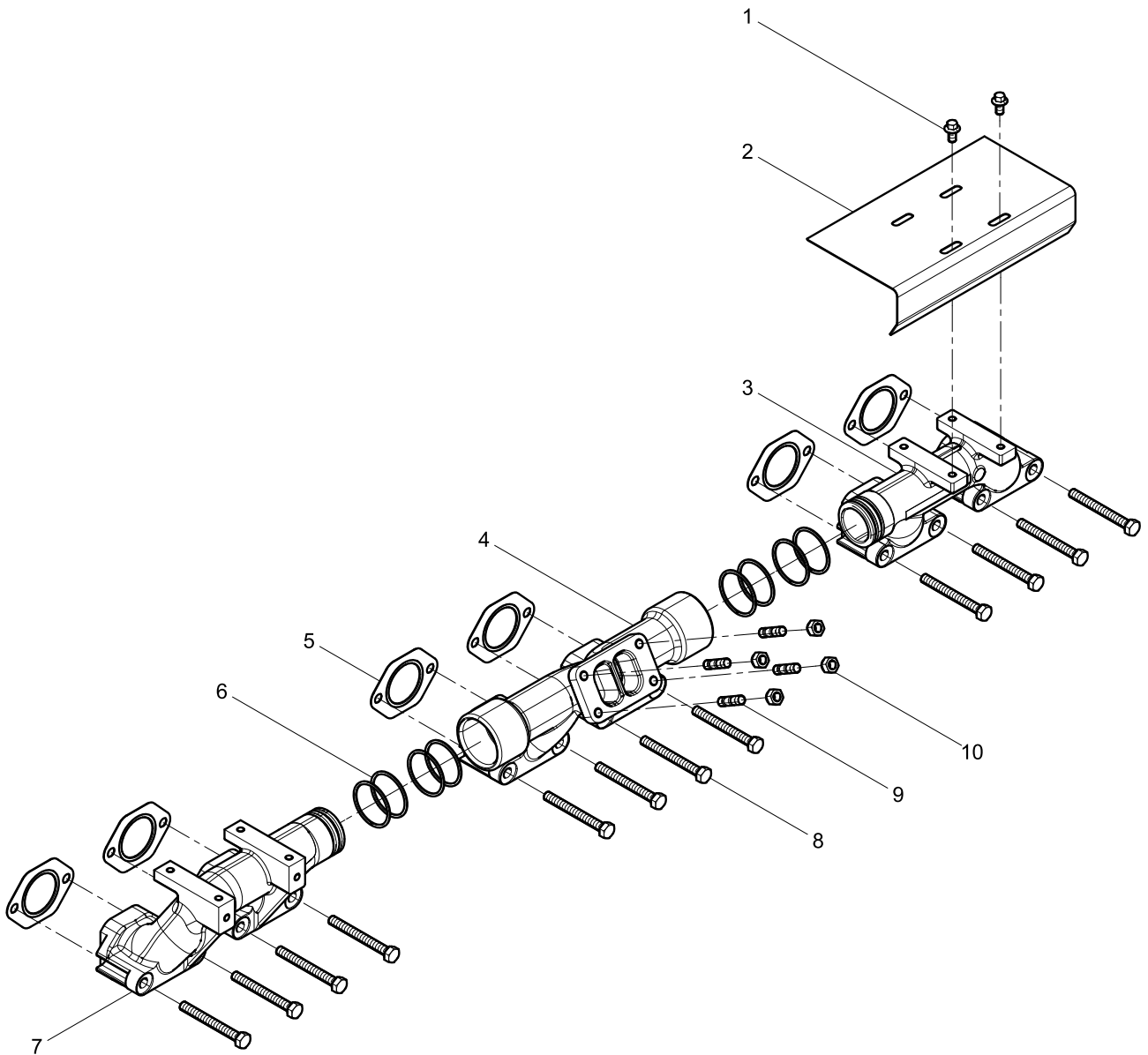
空滤器结合组(Air Filter Group)



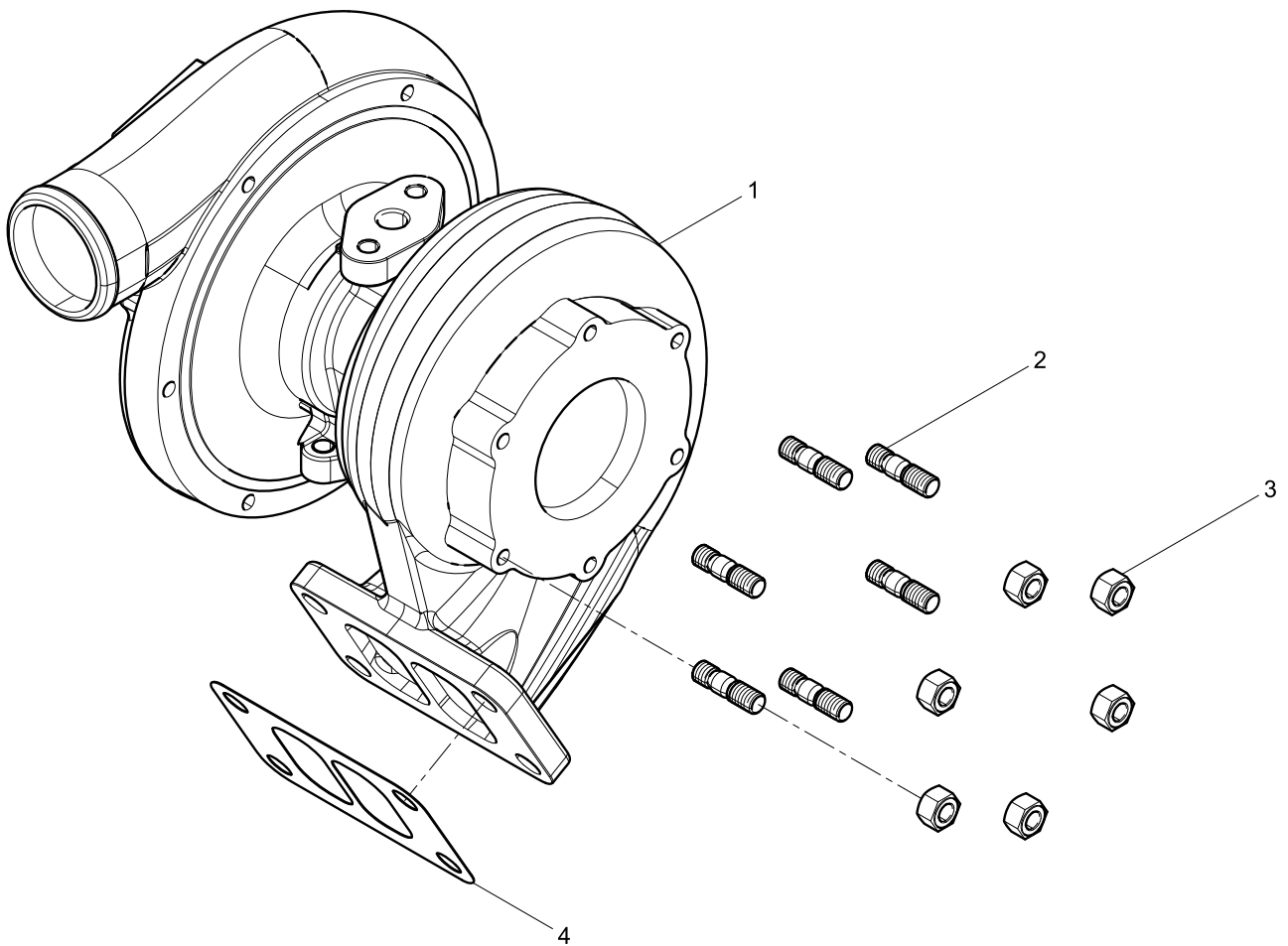
空气滤清器体(Air filter)



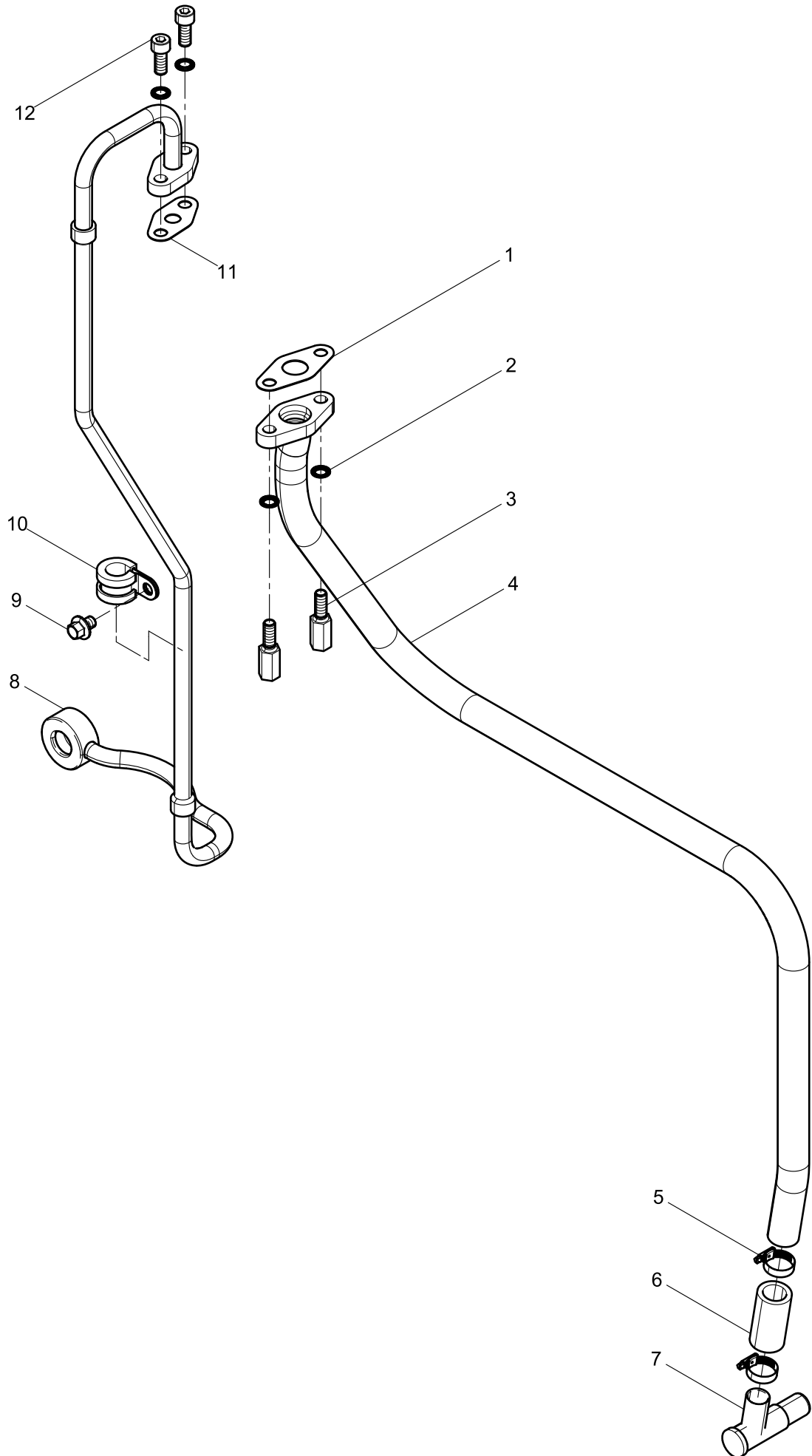
排气管结合组(Exhaust Manifold Group)



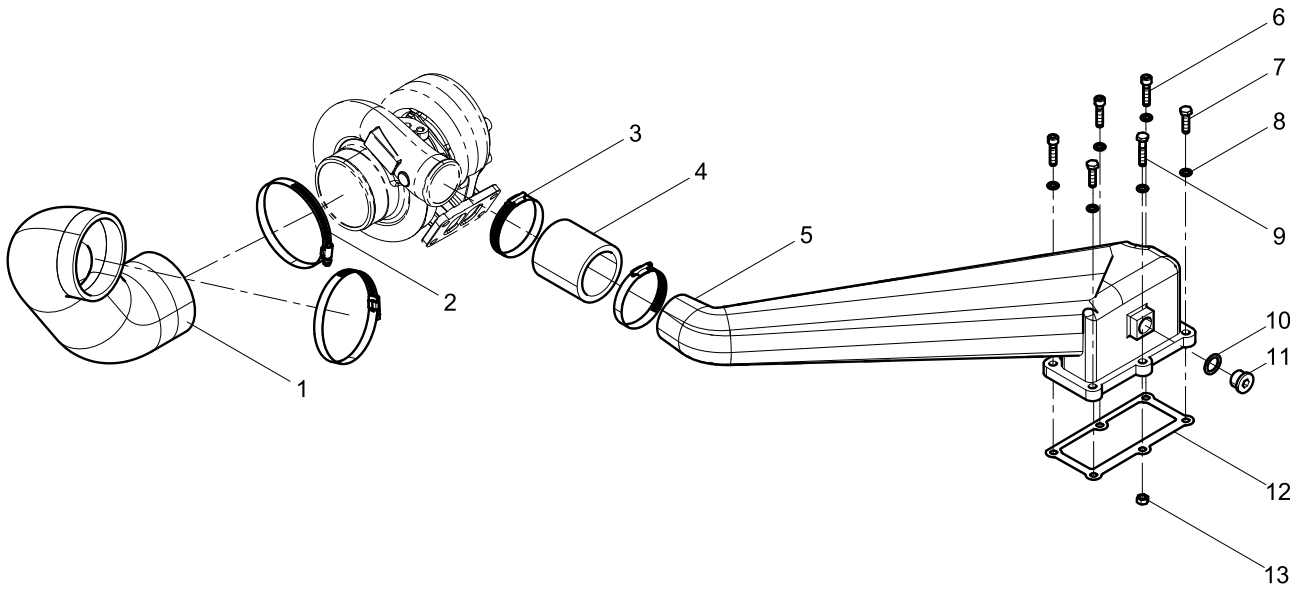
增压器结合组(Turbocharger assembly)



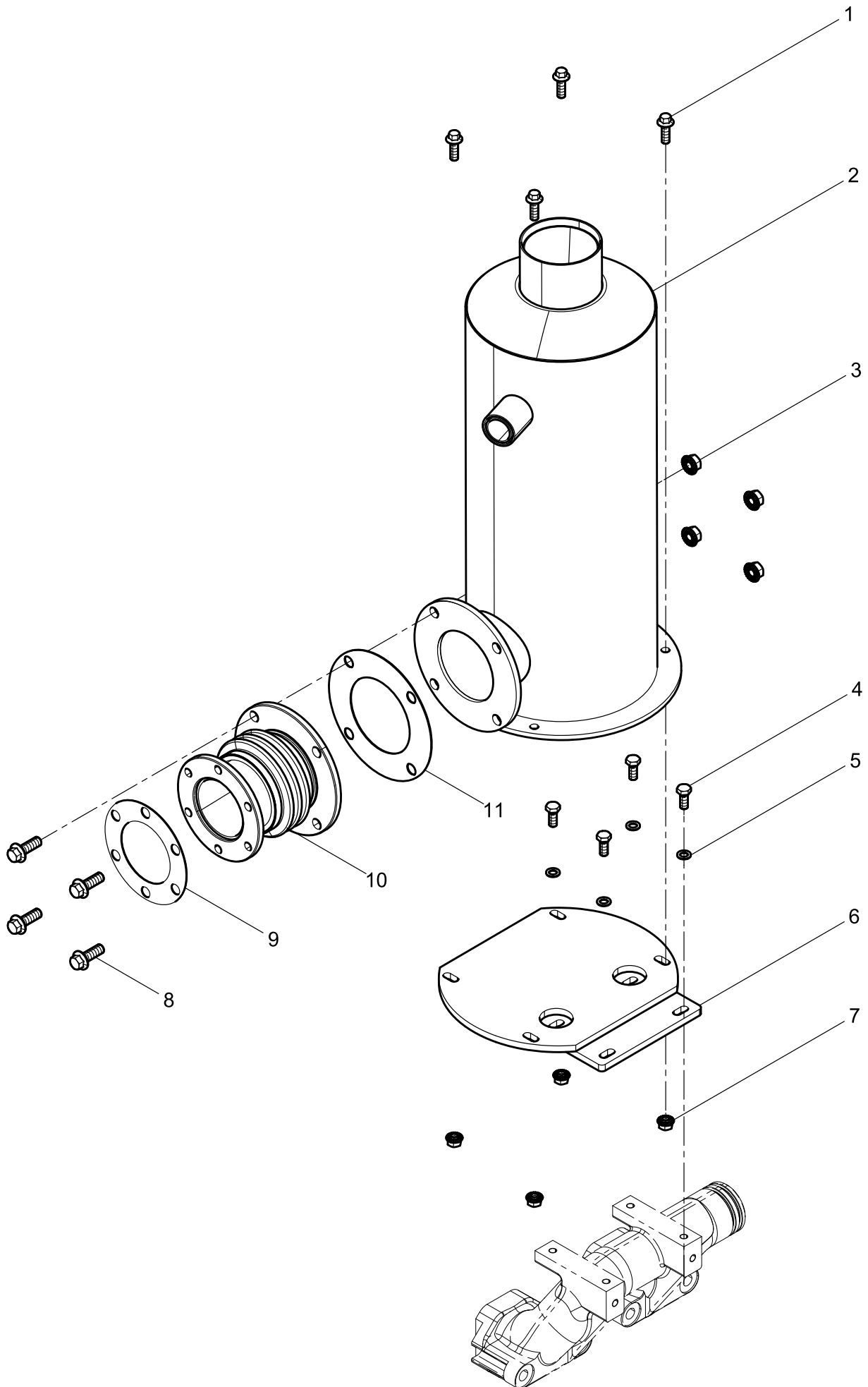
增压器润滑油管结合组(Turbocharger Oil pipe Group)



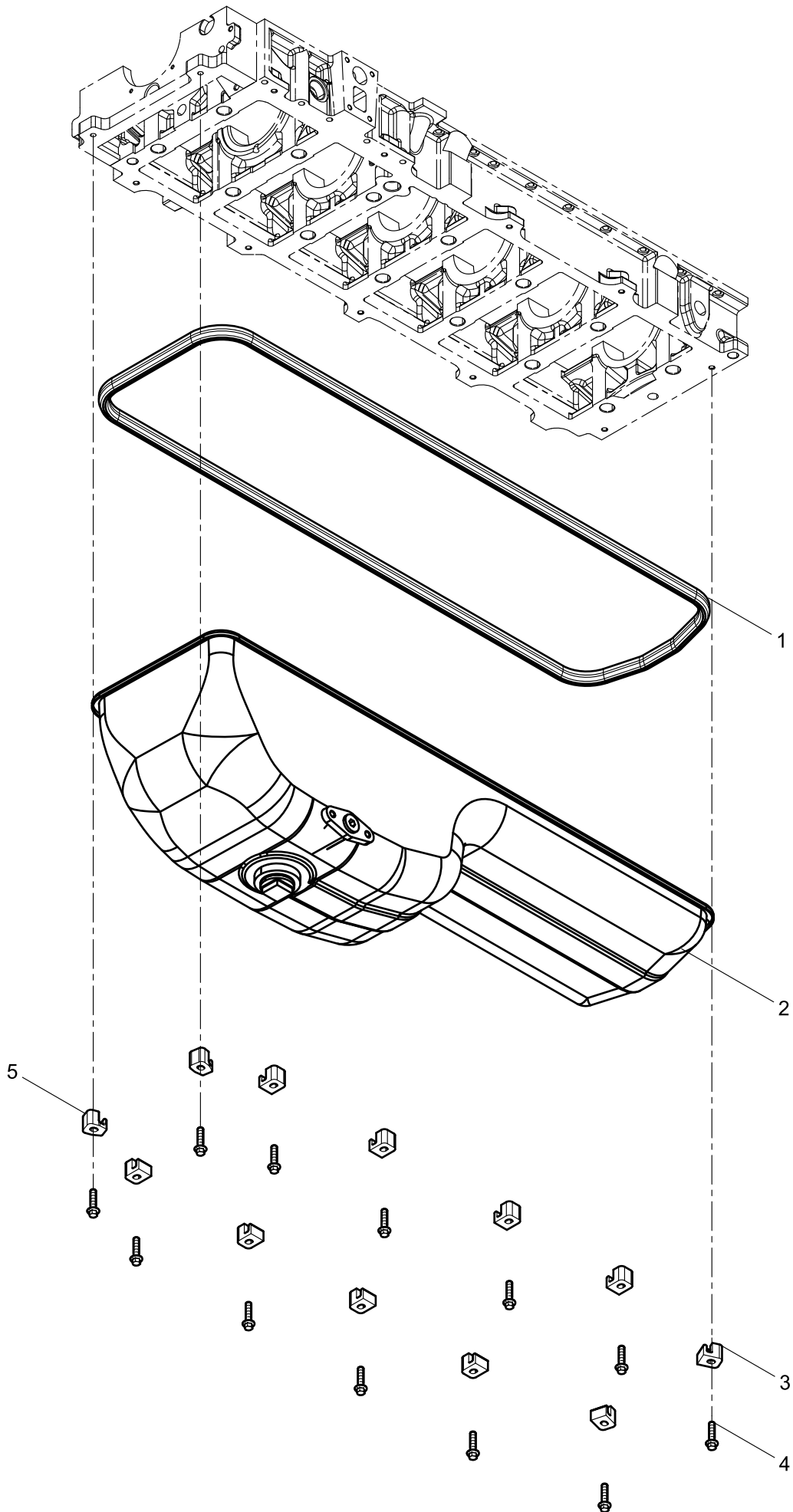
压气机管路结合组(Compressor Pipeline Group)



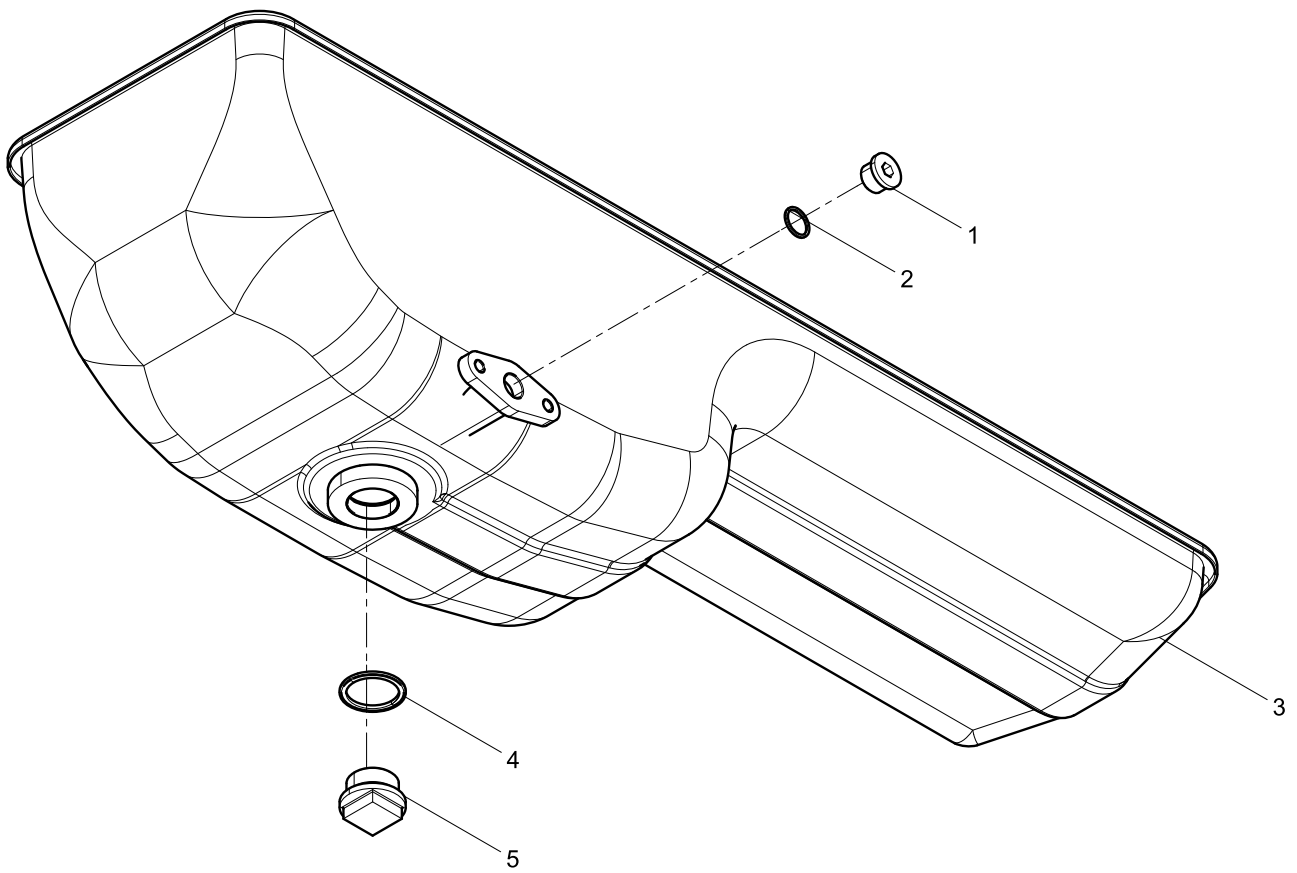
消音器结合组()



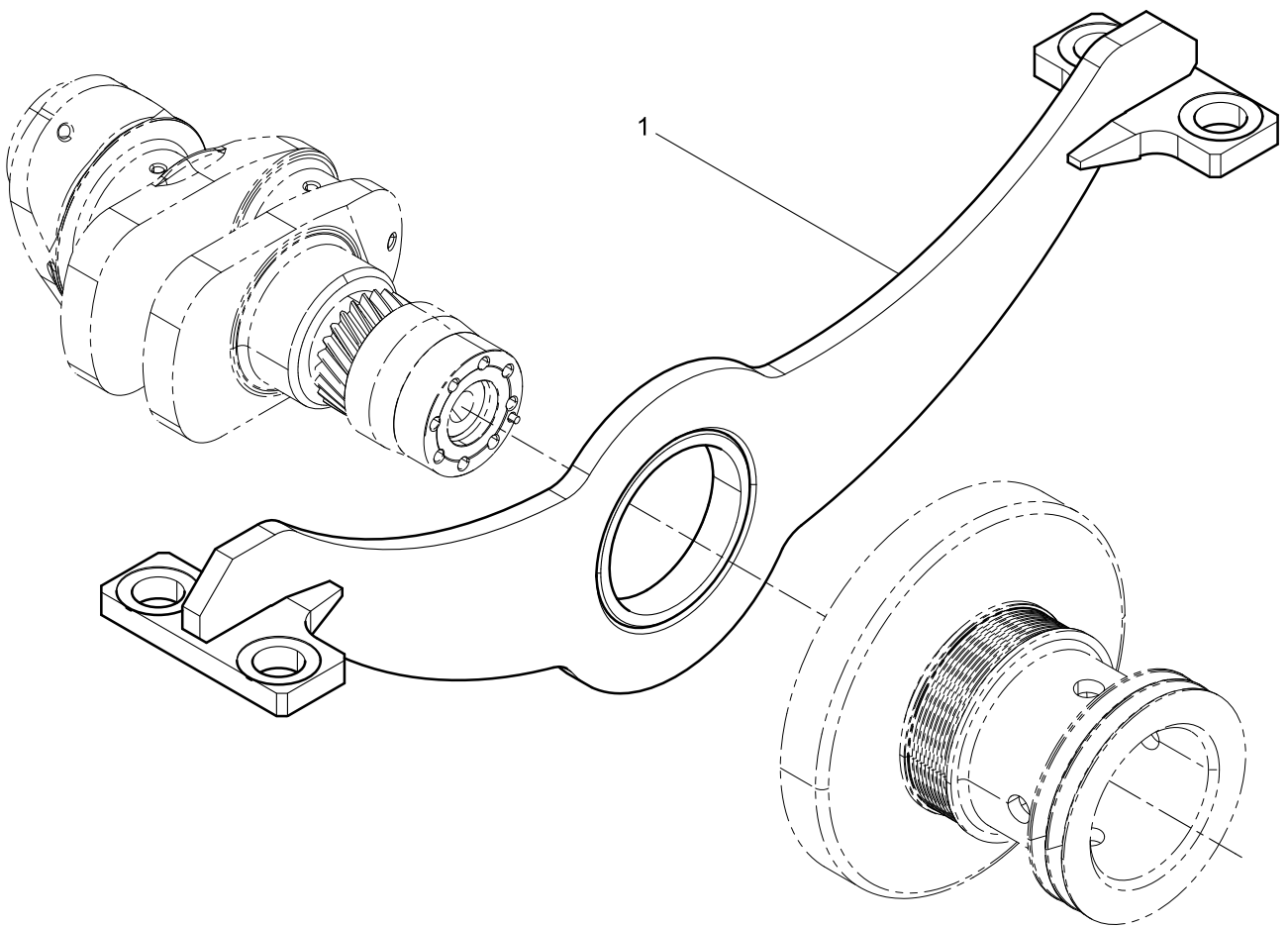
油底壳结合组(Oil Pan Group)



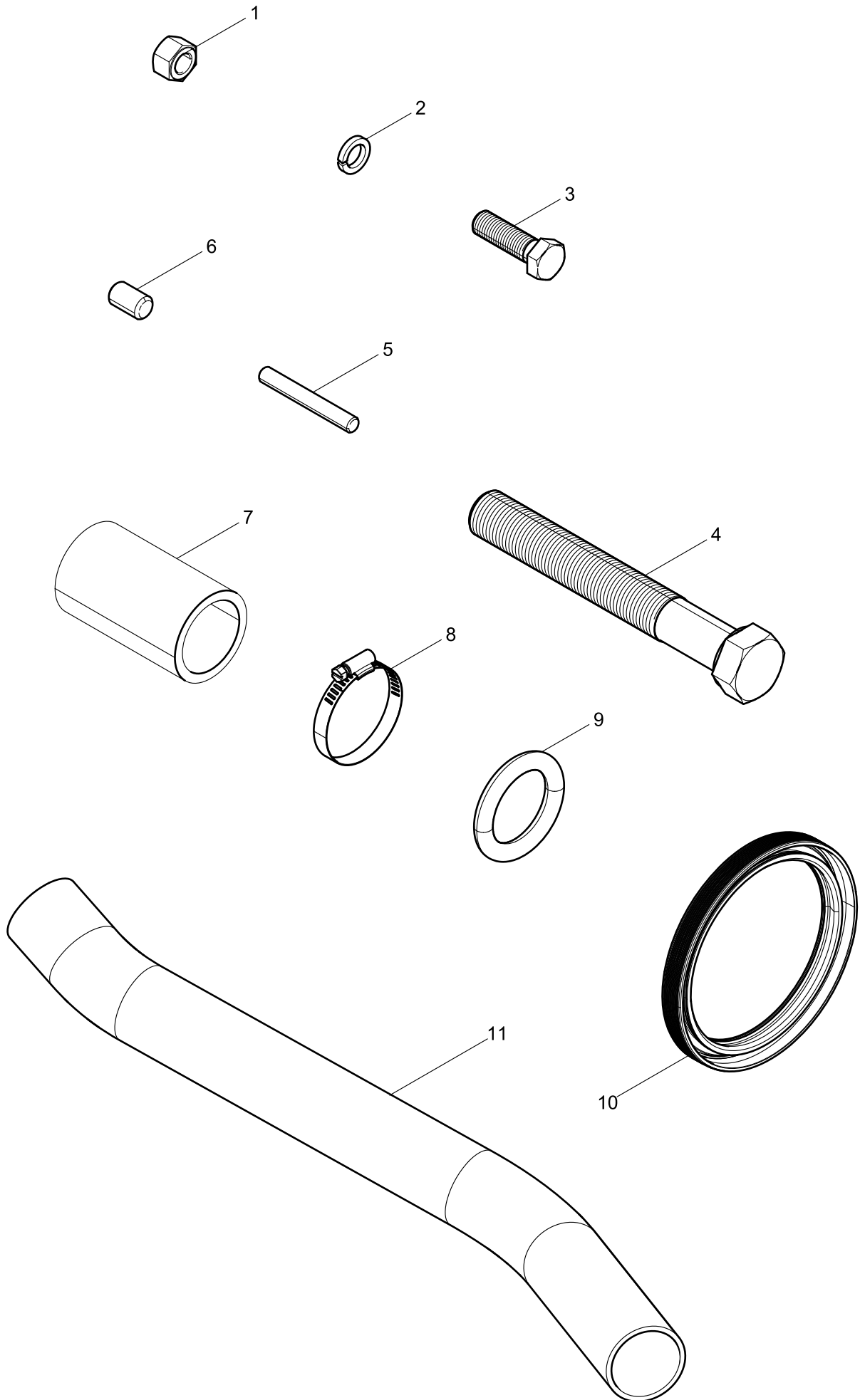
油底壳总成(Oil pan assembly)



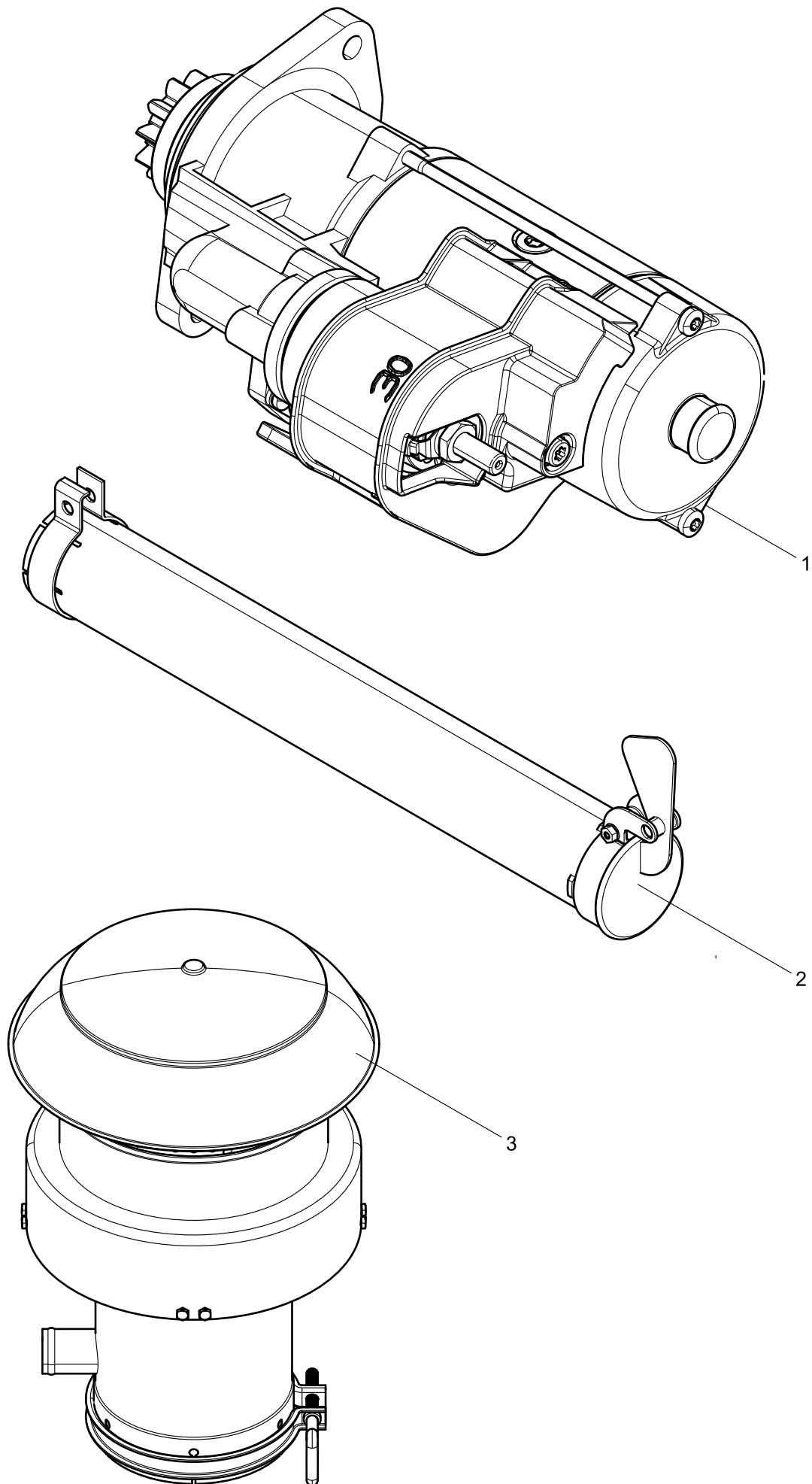
发动机支架结合组(Engine Bracket Group)



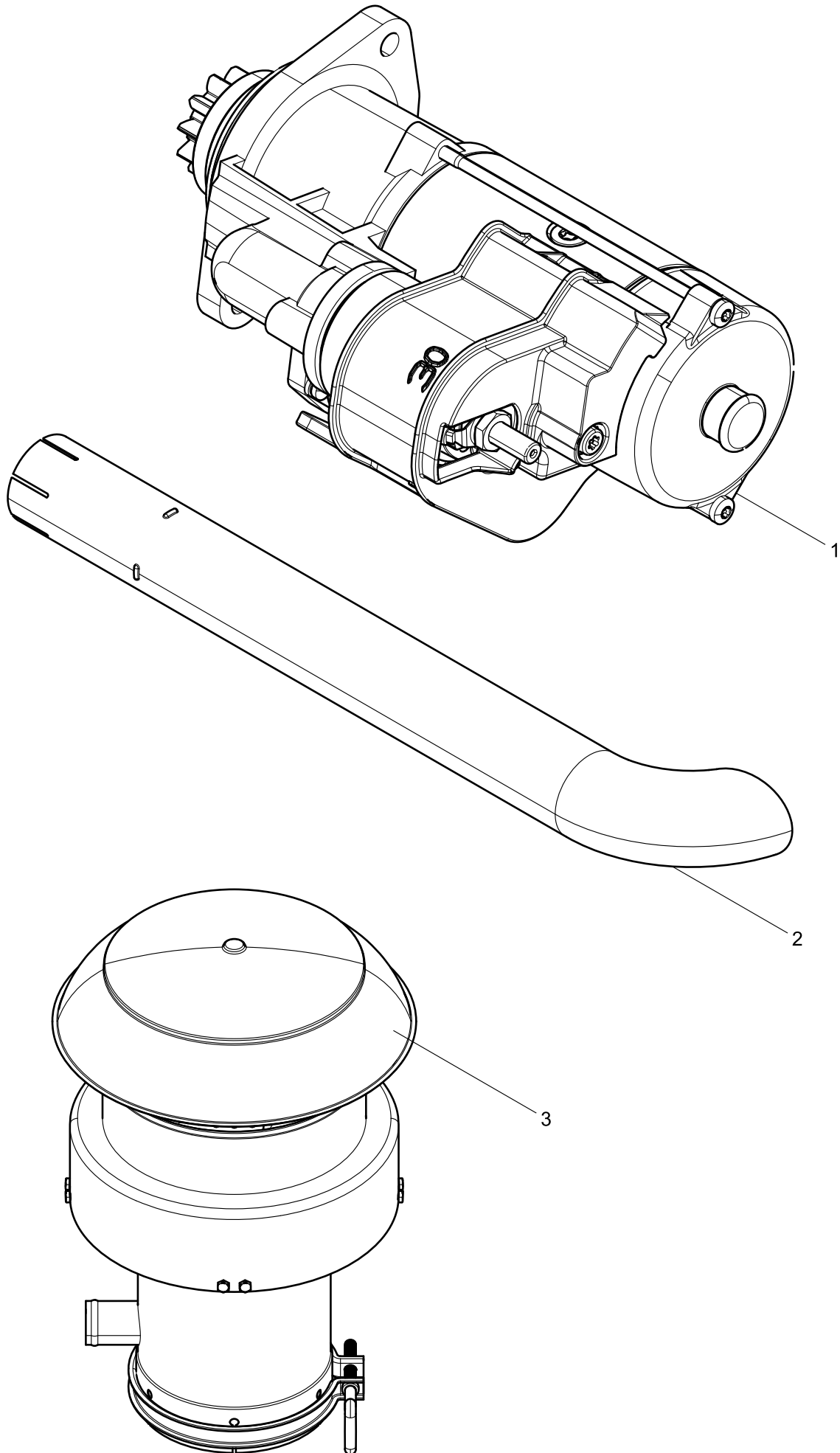
零件箱总成(Parts Kit Assembly)



包装箱底盘零件结合组(Packing Box Chassis Parts Group)(*01)



包装箱底盘零件结合组(Packing Box Chassis Parts Group)(*02)



潍柴动力股份有限公司
WEICHAI POWER CO., LTD.

地址 山东省潍坊市高新技术产业开发区福寿东街197号甲

Add : NO.197A, Fushou East Str.,

Weifang High-new Techindustrial Development Zone, Weifang, Shandong, CHINA.

电话+86-0536-8197777

Tel: +86-0536-8197777

传真+86-0536-8221210

Fax:+86-0536-8221210

邮编261205

Postae Code: 261205