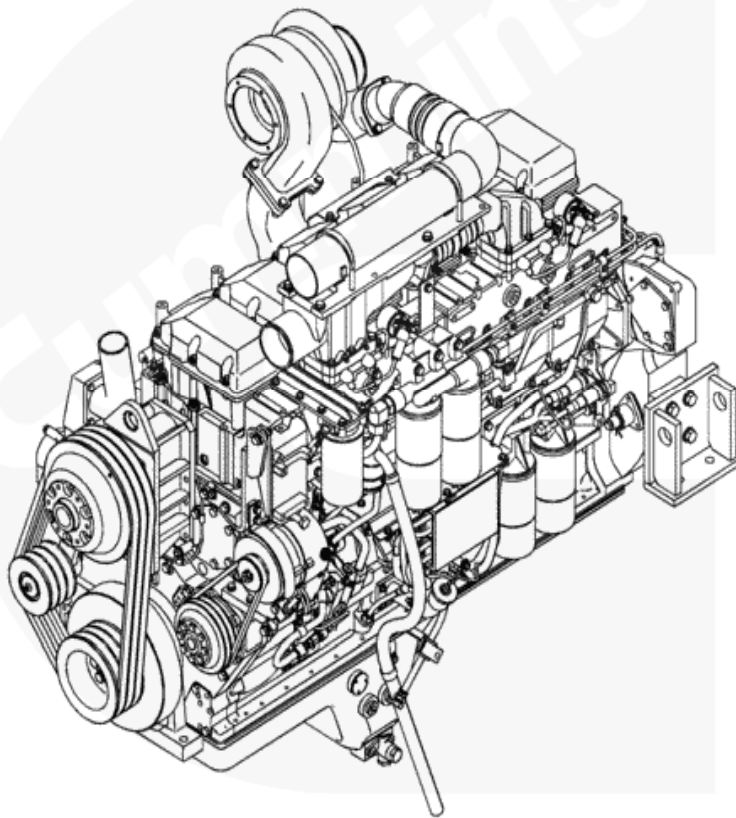


Parts catalog

QSK-23

©Cummins Inc



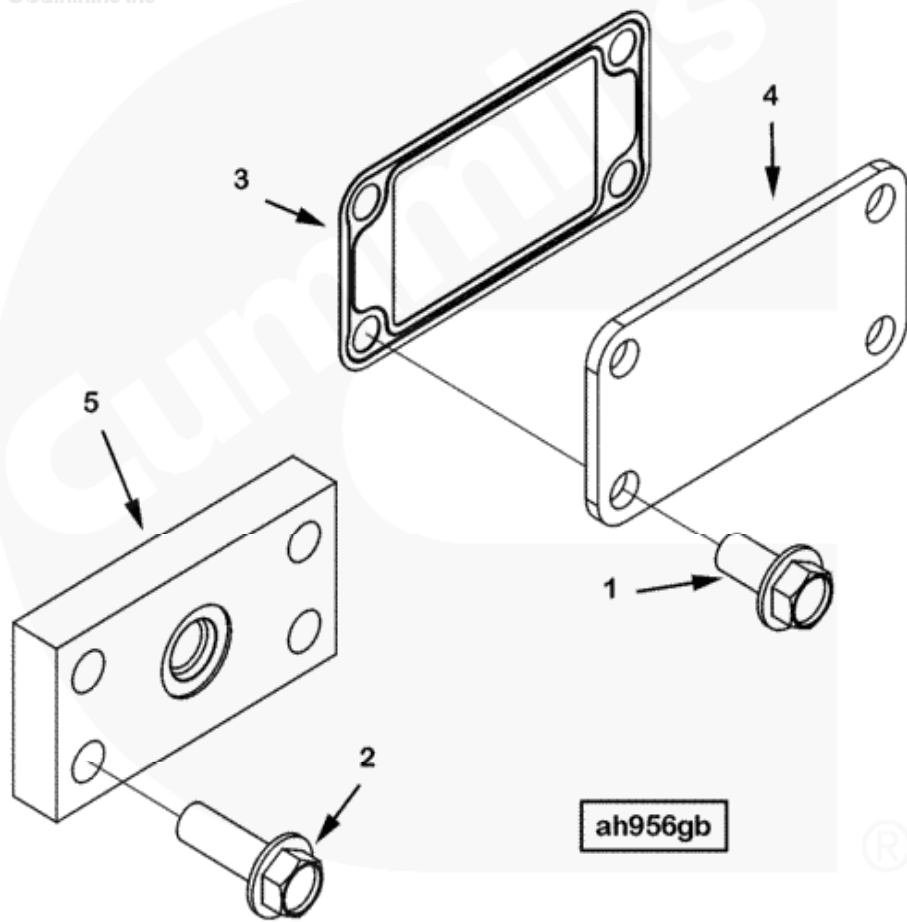
00400160

Table of Contents

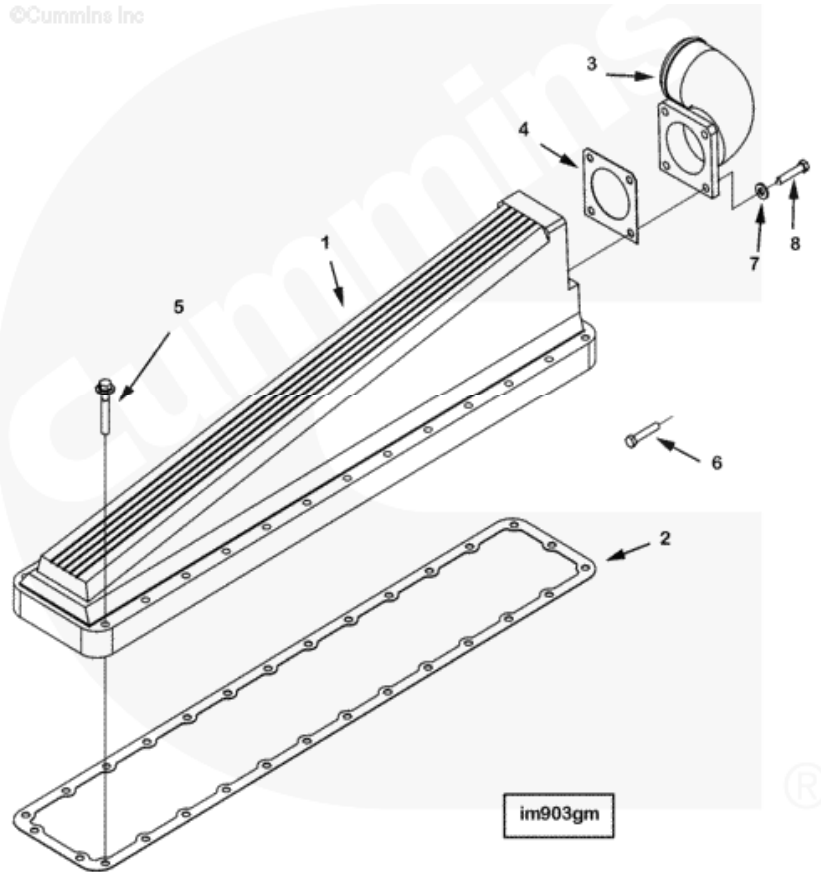
	Page No
AID,AIR HEATER STARTING	4
AIR INTAKE MANIFOLD	5
ALTERNATOR	6
ARRANGEMENT,CRC BREATHER	7,8
ARRANGEMENT,OIL FILL	9
ARRANGEMENT,THM HOUSING	10
ARRANGEMENT,VIB DAMPER	11
BLOCK,CYLINDER	12,13
BLOCK,CYLINDER	14
BLOCK,CYLINDER	15
CAM FOLLOWER	16,17
CAM FOLLOWER COVER	18
CONNECTION,AIR TRANSFER	19
CONNECTION,EXHAUST OUTLET	19
CONNECTION,WATER OUTLET	20
COOLER,ENGINE OIL	21
COOLER,ENGINE OIL	22
CORROSION RESISTOR	23
COVER,CAM FOLLOWER	24
COVER,CAM FOLLOWER	25
COVER,CAM FOLLOWER	26
COVER,CAM FOLLOWER	27
COVER,FRONT GEAR	28
COVER,FRONT GEAR	29
COVER,VALVE	30
CRANKSHAFT	31,32
CRANKSHAFT,ENGINE	33,34
CYLINDER,LINER	35
DRAIN,REMOTE OIL	36
DRIVE,ENGINE BARRING	37
DRIVE,FAN	38
DRIVE,FAN	39
DRIVE,FAN	40
DRIVE,FAN	41
DRIVE,FUEL PUMP	42
ELECTRONIC CONTROL MODULE	42
ENGINE CONTROL MODULE	43
ENGINE CONTROL MODULE	44
FAN DRIVE MOUNTING	45
FILTER,FUEL	46
FILTER,FULL FLOW OIL	47,48
FLYWHEEL	48
FLYWHEEL HOUSING	49
FRONT ENGINE SUPPORT	50

FUEL FILTER PLUMBING	51
FUEL FILTER PLUMBING	52,53
FUEL PLUMBING	54
FUEL PLUMBING	55
FUEL PLUMBING	56
FUEL PLUMBING	57
GAUGE,OIL LEVEL	58
HEAD,CYLINDER	59,60
HEAD,CYLINDER	61,62
HOUSING,THERMOSTAT	63
IDLER,GEARS	64
IDLER,GEARS	65
IDLER,GEARS	66
KIT,LOWER ENGINE GASKET	67,68
KIT,UPPER ENGINE GASKET	69,70
LEVER,ROCKER	71
LEVER,ROCKER	72,73
LIFTING ARRANGEMENT	74
MANIFOLD,AIR INTAKE	75,76
MANIFOLD,EXHAUST	77
MODULE,ENGINE CONTROL	78,79,80
MOTOR,STARTING	82
MOUNTING,ALTERNATOR	83
MOUNTING,ALTERNATOR	83
MOUNTING,ENG CNT MODULE	84
MOUNTING,ENG CNT MODULE	84
MOUNTING,ENG CNT MODULE	85
MOUNTING,ENG CNT MODULE	85,86
MOUNTING,FUEL PUMP	87
MOUNTING,VALVE COVER	88
PAN,OIL	89
PAN,OIL	90
PISTON,ENGINE	91,92
PLUMBING,ENG CNT MODULE	93
PLUMBING,FLYWHEEL HOUSING	94
PLUMBING,OIL PAN	95
PLUMBING,TURBOCHARGER	96
PLUMBING,TURBOCHARGER	97
PLUMBING,TURBOCHARGER	98
PLUMBING,WATER PUMP	99
PUMP,FUEL INJECTION	100,101
PUMP,FUEL INJECTION	102-105
PUMP,LUBRICATING OIL	106,107
PUMP,WATER	108,109
RESISTOR,CORROSION	110
RESISTOR,CORROSION	111

STARTING MOTOR MOUNTING	112
THERMOSTAT	113
VIBRATION DAMPER	114
WATER INLET CONNECTION	115
CAMSHAFT	116
INJECTOR	117,118
TURBOCHARGER	119
CYLINDER HEAD	120

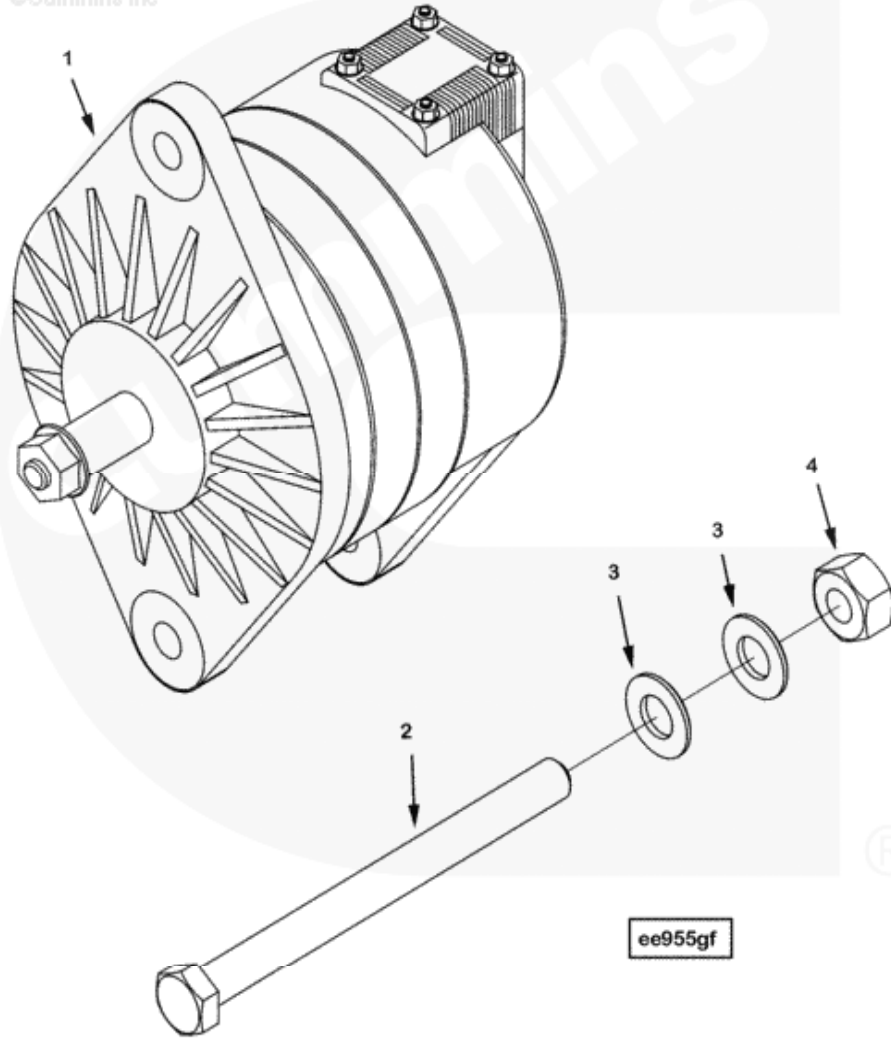


Ref No	Part Number	Part Description	Req	Remarks
	AH50005	AID,AIR HEATER STARTING		
1	3093931	Screw, Hex Flange Head Cap	24	M10 x 1.50 x 20
2	3925344	Screw, Hex Flange Head Cap	8	M10 x 1.50 x 30
3	4095989	Gasket, Cover Plate	4	
4	4095990	Plate, Cover	6	
5	4096197	Bracket, Switch	2	

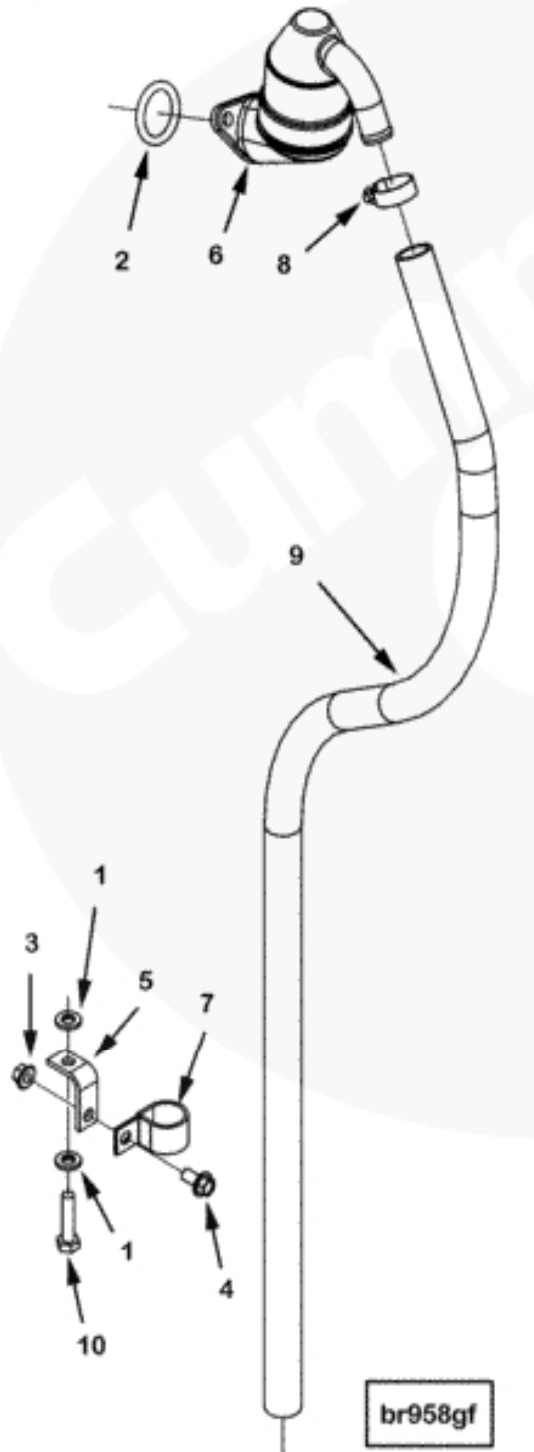


Ref No	Part Number	Part Description	Req	Remarks
	IM50011	Air Intake Manifold		Air intake manifold...(More) for qsk23 bof engines for service. Not to be used for production.
1	4095447	Cover, Aftercooler	1	
2	4095448	Gasket, Aft Housing	1	
3	4095449	Connection, Air Intake	1	
4	4095450	Gasket, Connection	1	
5	4095834	Screw, Hex Flange Head Cap	34	
6	4095970	Screw, Hexagon Head Cap	4	
7	4096264	Washer, Plain	4	
8	4096724	Screw, Hexagon Head Cap	4	

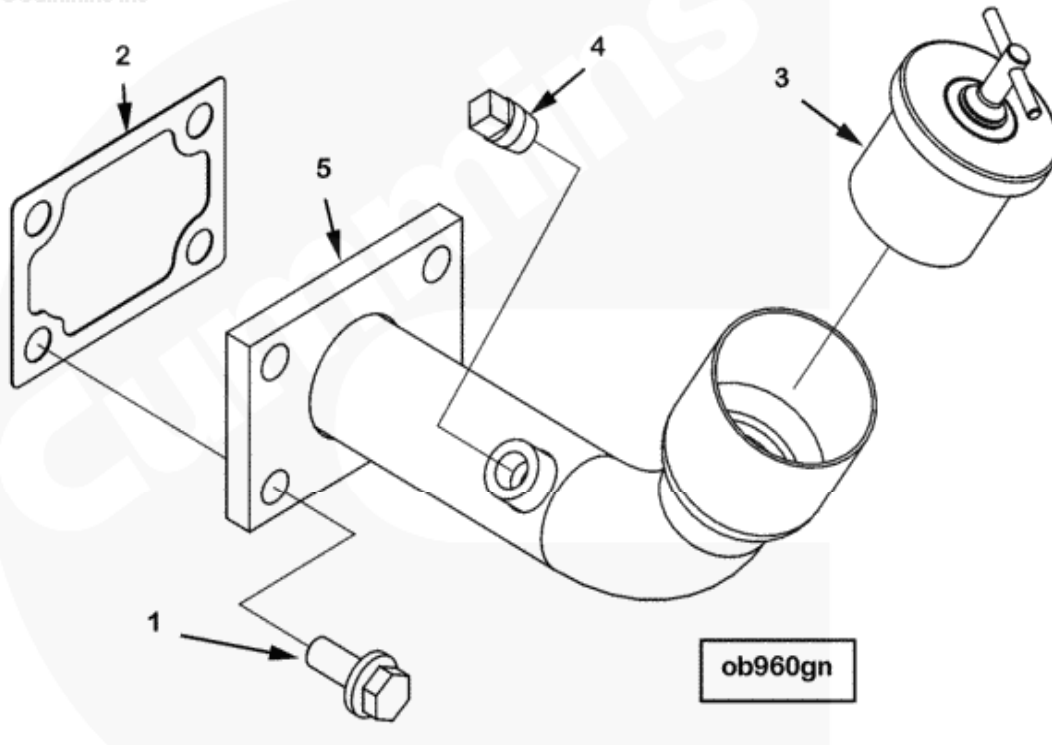
©Cummins Inc



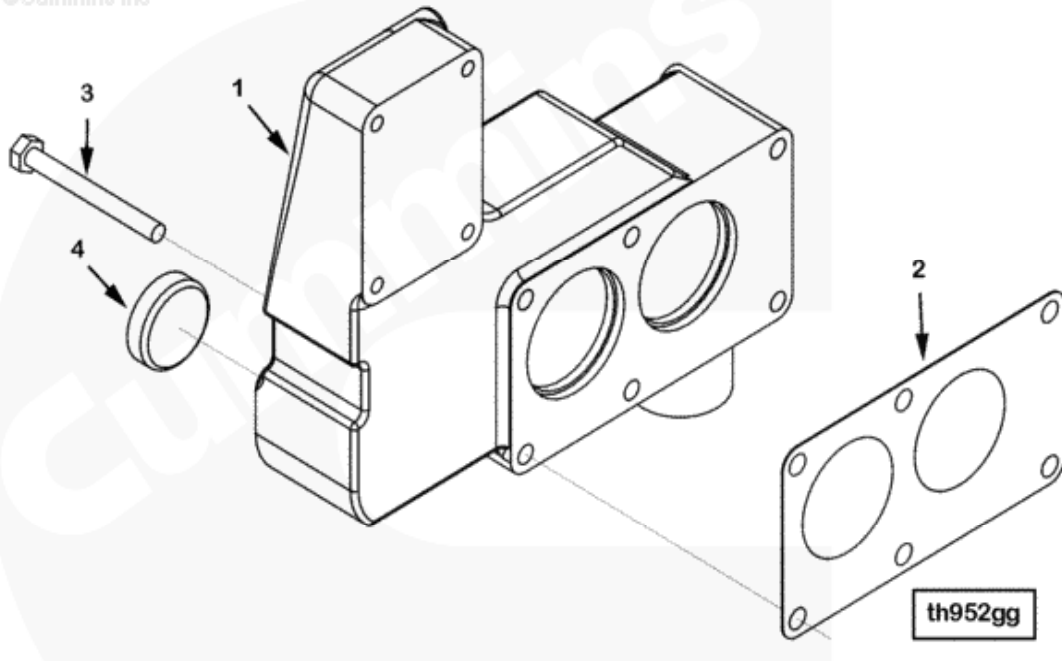
Ref No	Part Number	Part Description	Req	Remarks
	EE50005	ALTERNATOR		
1	4095421	Alternator	1	
2	4095762	Screw, Hexagon Head Cap	1	
3	4095862	Washer, Plain	2	
4	4095872	Nut, Regular Hexagon	1	



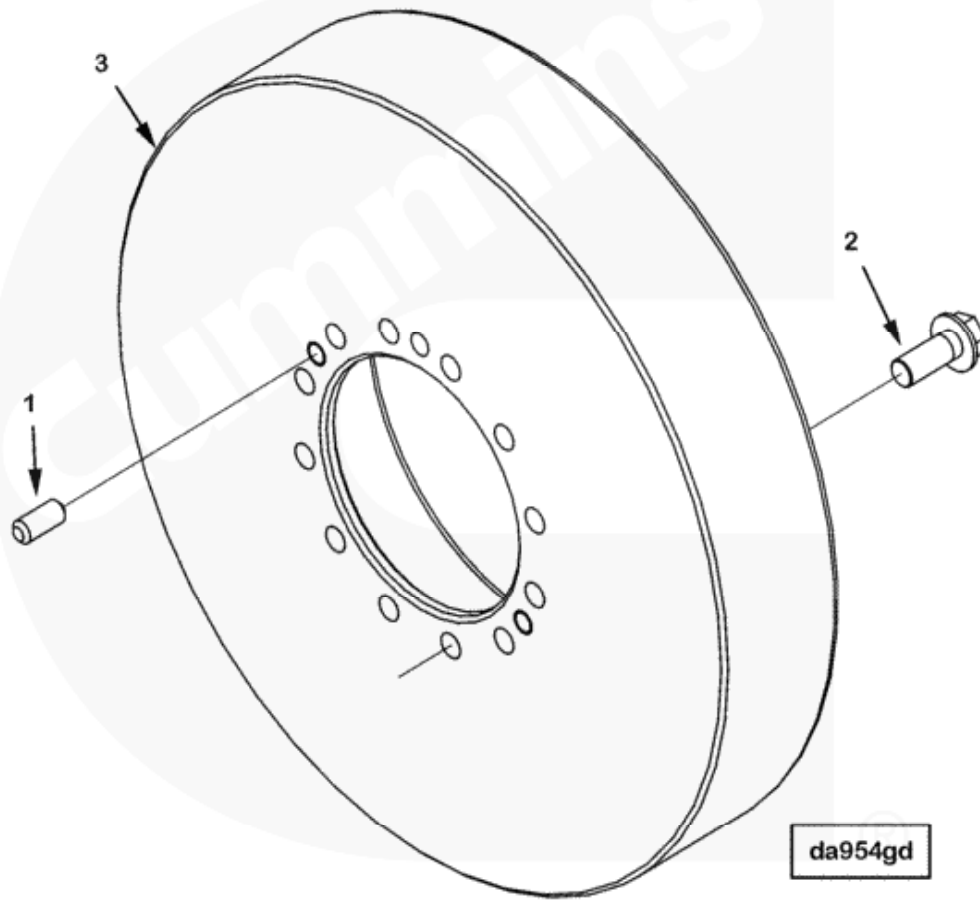
Ref No	Part Number	Part Description	Req	Remarks
	BR50005-01	BREATHER		
1	3093799	Washer, Plain	1	
2	3093809	Seal, O Ring	1	
3	3093828	Nut, Hexagon Flange	1	M10 x 1.50
4	3093931	Screw, Hex Flange Head Cap	1	M10 x 1.50 x 20
5	4095765	Brace, Connection	1	
6	4095790	Breather, Crankcase	1	
7	4095890	Clip	1	
8	4095922	Clamp, Hose	1	
9	4095924	Hose, Plain	1	
10	4096716	Screw, Hexagon Head Cap	1	



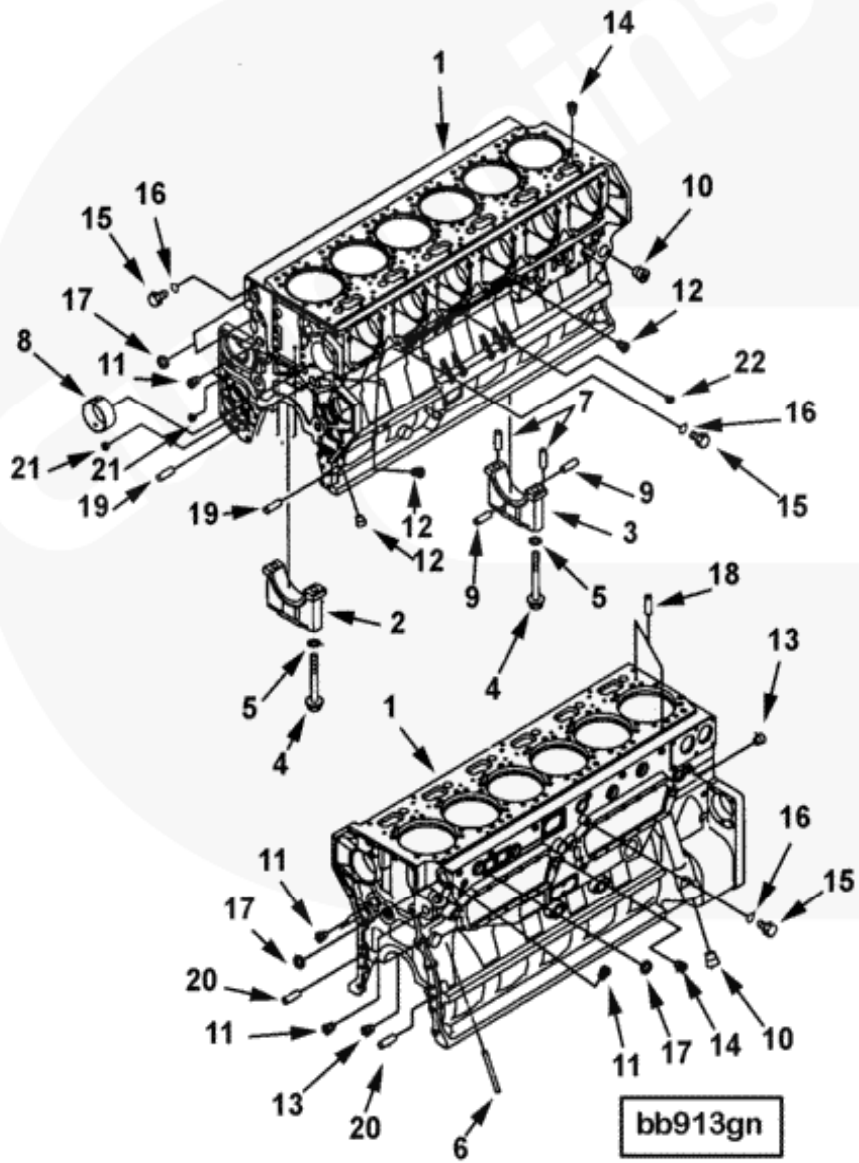
Ref No	Part Number	Part Description	Req	Remarks
	OB50002-01	ARRANGEMENT,OIL FILL		
1	3864129	Screw, Hex Flange Head Cap	4	
2	4095551	Gasket, Lub Oil Fil Cover	1	
3	4095644	Cap, Filler	1	
4	4095906	Plug, Pipe	1	
5	4096178	Tube, Oil Filler	1	



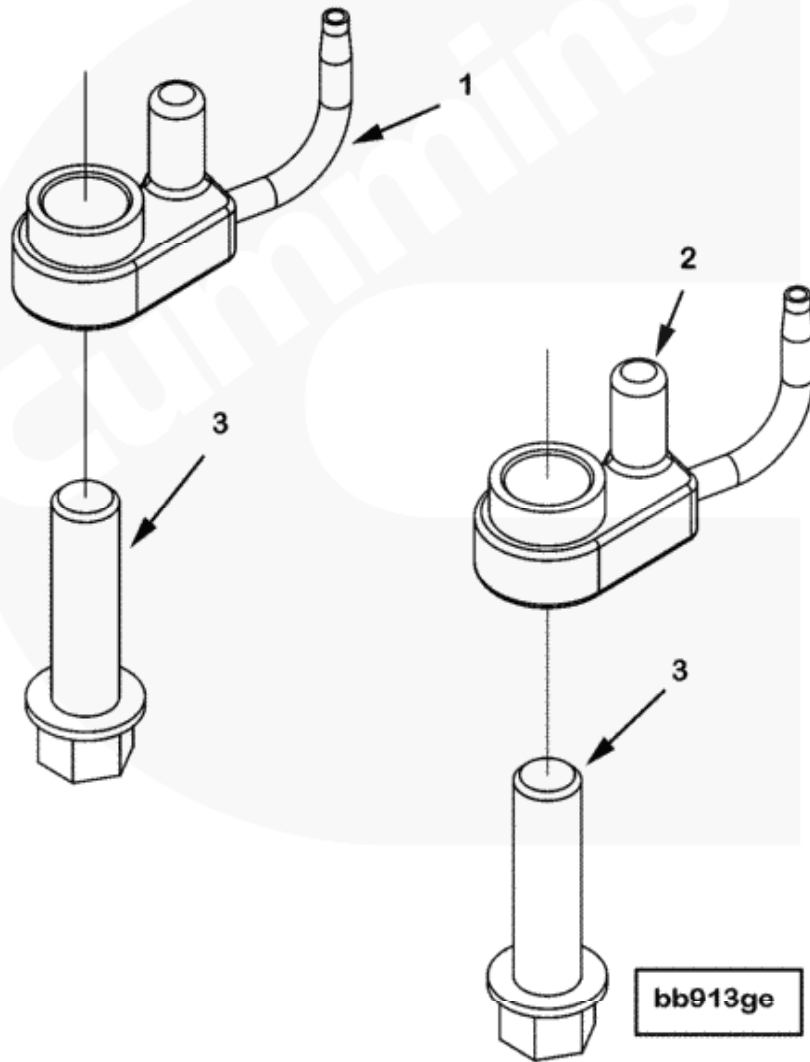
Ref No	Part Number	Part Description	Req	Remarks
	TH50007	HOUSING,THERMOSTAT		
1	4095557	Housing, Thermostat	1	
2	4095558	Gasket, Thermostat Housing	1	
3	4095804	Screw, Hexagon Head Cap	5	
4	4096114	Plug, Expansion	1	



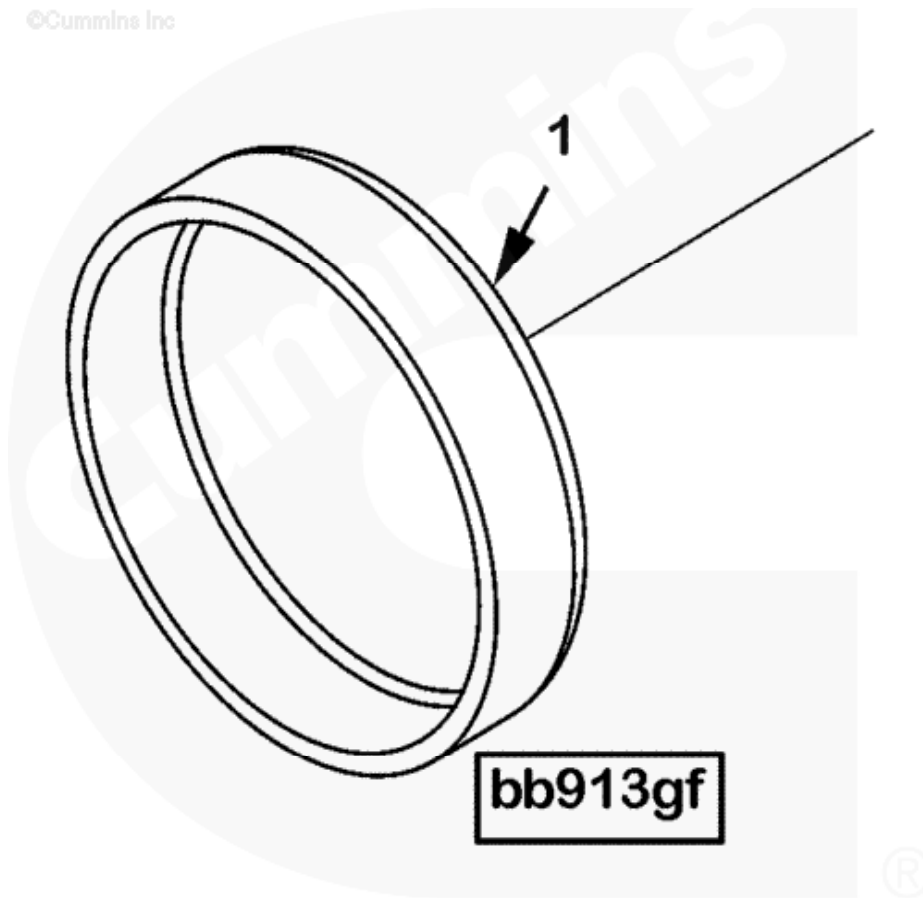
Ref No	Part Number	Part Description	Req	Remarks
	DA50005	Vibration Damper		Vibration damper...(More) for qsk23 bof engines for service. Not to be used for production.
1	3093731	Dowel, Pin	1	
2	3863730	Screw, Hex Flange Head Cap	12	
3	4095438	Damper, Vibration	1	



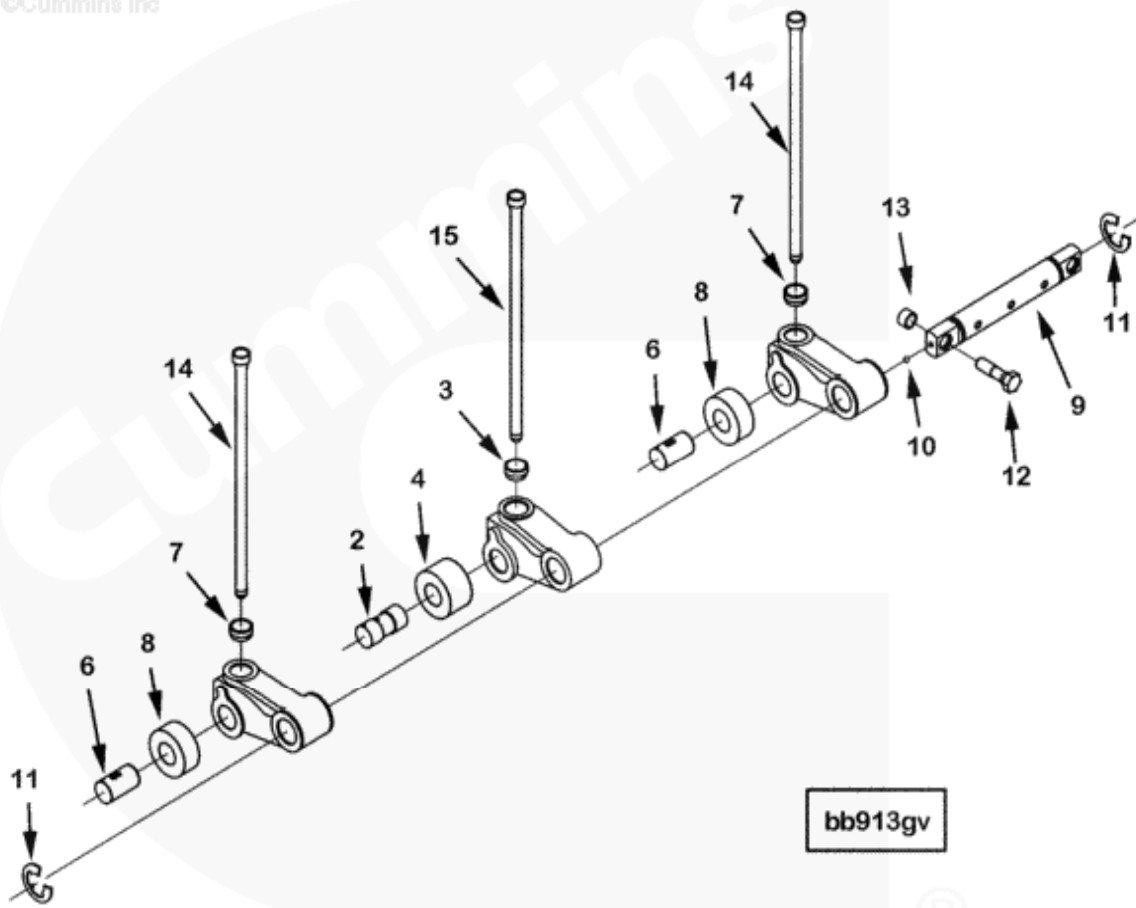
Ref No	Part Number	Part Description	Req	Remarks
	BB50005	BLOCK,CYLINDER		
	4095491	Block, Cylinder	1	
1	4095454	Block, Cylinder	1	
2	4095456	Cap, Main Bearing	1	semi-finished part for serv.
3	4095455	Cap, Main Bearing	6	semi-finished part for serv.
4	3092786	Screw, Twelve Point Cap	14	
5	3094029	Washer, Plain	14	
6	4095462	Tube, Lub Oil Supply	1	
7	3093875	Dowel, Pin	2	
8	4095457	Bushing	7	
9	4095463	Dowel, Pin	2	
10	4095913	Plug, Pipe	2	
11	4095912	Plug, Pipe	6	
12	4095909	Plug, Pipe	7	NPT 1/4
13	4095911	Plug, Pipe	2	
14	3093827	Plug, Pipe	10	NPT 1/8
15	3093862	Plug, Threaded	6	
16	3918192	Washer, Sealing	5	M14
17	3094028	Plug, Expansion	9	
18	3093784	Dowel, Pin	12	
19	3093970	Dowel, Pin	2	
20	3092287	Dowel, Pin	2	
21	4095782	Pin, Guide	2	
22	4095464	Dowel, Ring	12	



Ref No	Part Number	Part Description	Req	Remarks
	BB50007-01	Block,Cylinder		
1	4095460	Nozzle, Piston Cooling	6	
2	4095461	Nozzle, Piston Cooling	6	
3	3863822	Screw, Hexagon Head Cap	12	

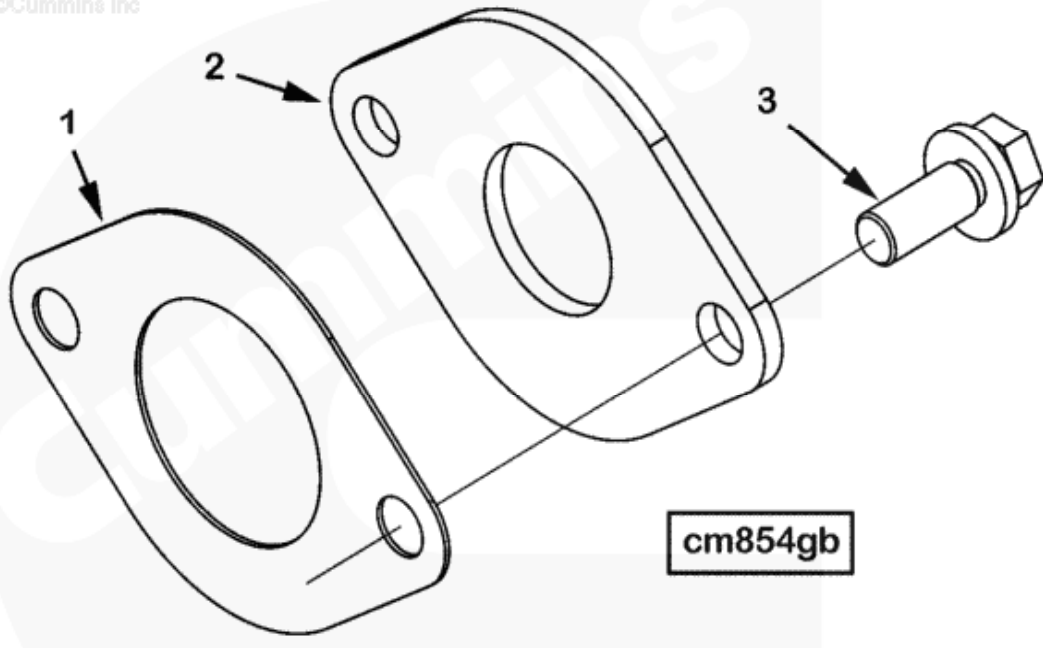


Ref No	Part Number	Part Description	Req	Remarks
1	BB50008	BLOCK,CYLINDER		
	3094028	Plug, Expansion	2	



Ref No	Part Number	Part Description	Req	Remarks
	BB50013	Cam Follower		
	4095567	Camfollower, Assy (TLA)	6	
	4095569	Lever, Cam Follower	1	
1	4095516	Camfollower	1	
2	4095517	Pin, Camfollower	1	
3	4095519	Socket, Cam Follower	1	
4	4095518	Roller, Injector	1	
	4095568	Camfollower, Assembly	12	Valve
5	4095572	Camfollower	1	
6	4095514	Pin	1	
7	4095571	Socket	1	
8	4095515	Roller	1	
	4095570	Camfollower Shaft Assy	6	
9	4095512	Camfollower Shaft	1	
10	4095573	Ball	1	
11	4095513	Ring, Retaining	12	
12	4095635	Screw, Hexagon Head Cap	12	
13	4095464	Dowel, Ring	12	
14	4095506	Rod, Push	12	
15	4095511	Rod, Push	6	

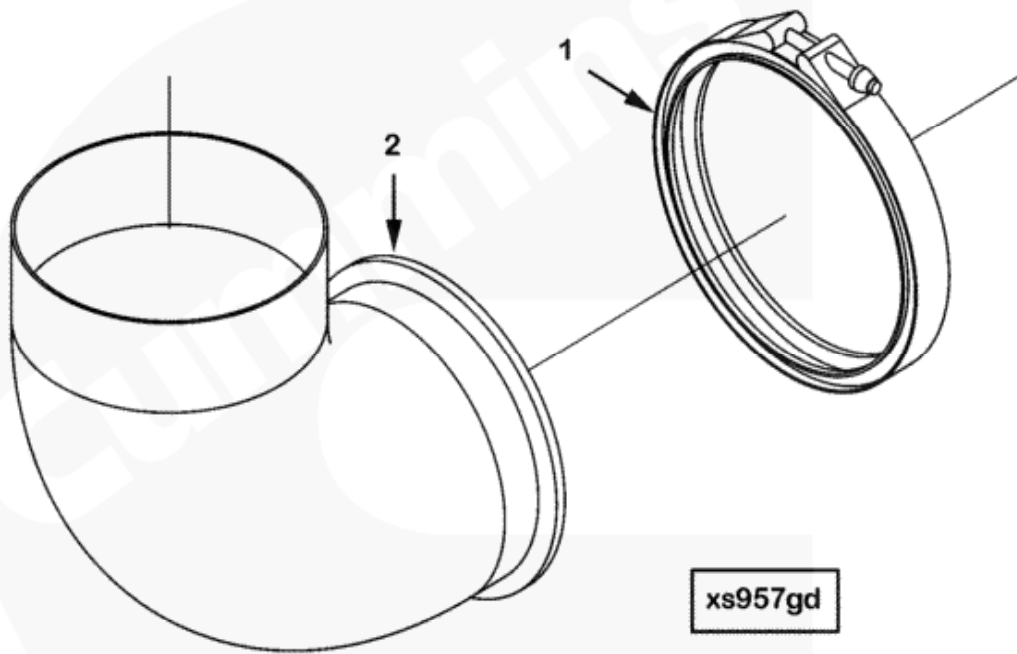
©Cummins Inc



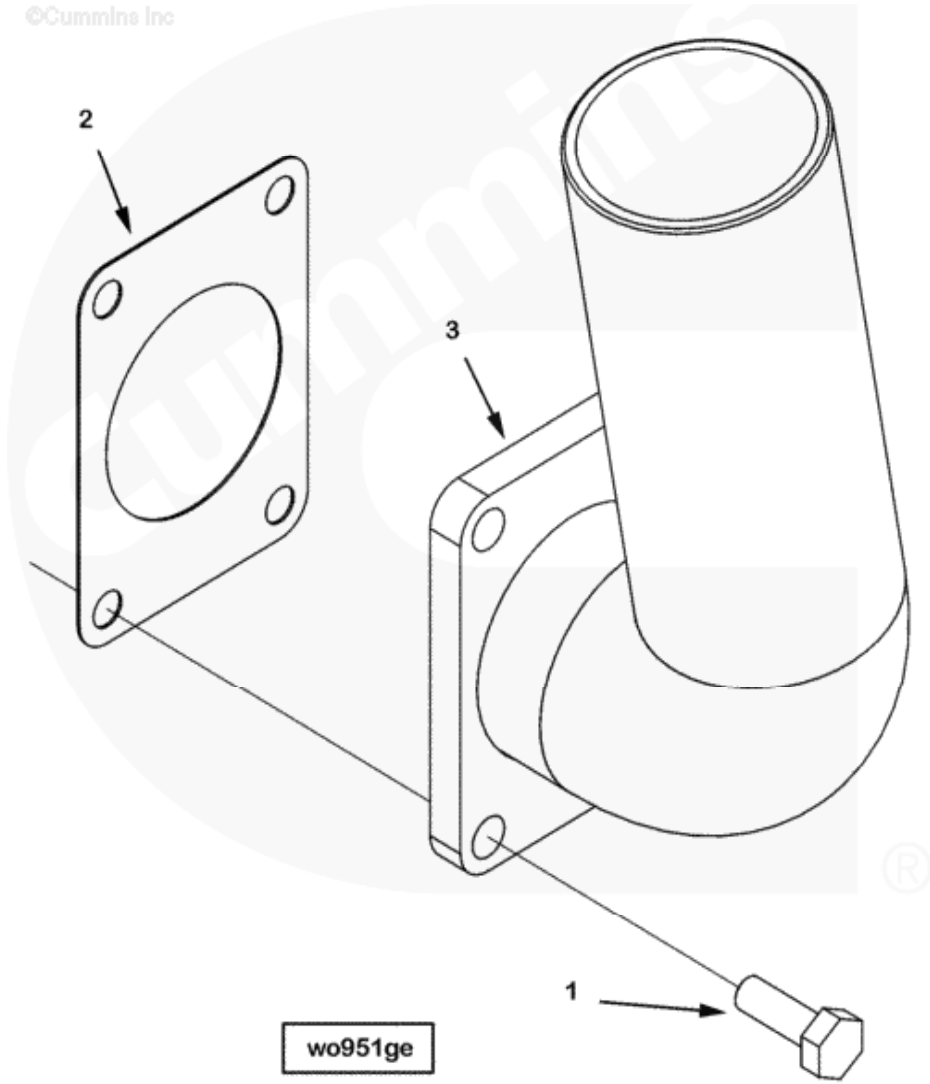
Ref No	Part Number	Part Description	Req	Remarks
	CM50005	Cam Follower Cover		Cam follower cover
1	4095465	Plate, Cover	1	
2	4095467	Gasket, Cover Plate	1	
3	4096713	Screw, Captive Washer Cap	2	

Ref No	Part Number	Part Description	Req	Remarks
	IT50006-01	CONNECTION,AIR TRANSFER		
	3093778	Washer, Plain	6	
	3925344	Screw, Hex Flange Head Cap	6	M10 x 1.50 x 30
	4096156	Clamp, U Bolt	3	
	4095977	Nut, Regular Hexagon	6	
	4096031	Bracket, Connection	1	
	4096156	Clamp, U Bolt	2	
	4096157	Hose, Plain	1	
	4096433	Connection, Air Transfer	1	

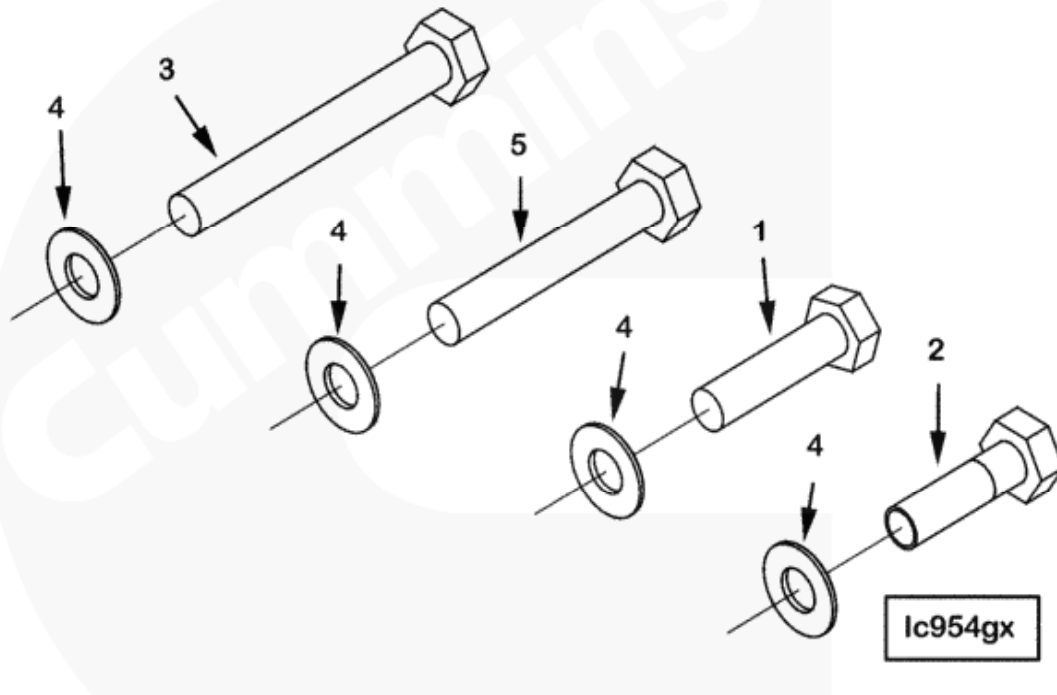
©Cummins Inc



Ref No	Part Number	Part Description	Req	Remarks
	XS50002	CONNECTION,EXHAUST OUTLET		
1	3016306	Clamp, V Band	1	
2	4096221	Connection, Exhaust Outlet	1	

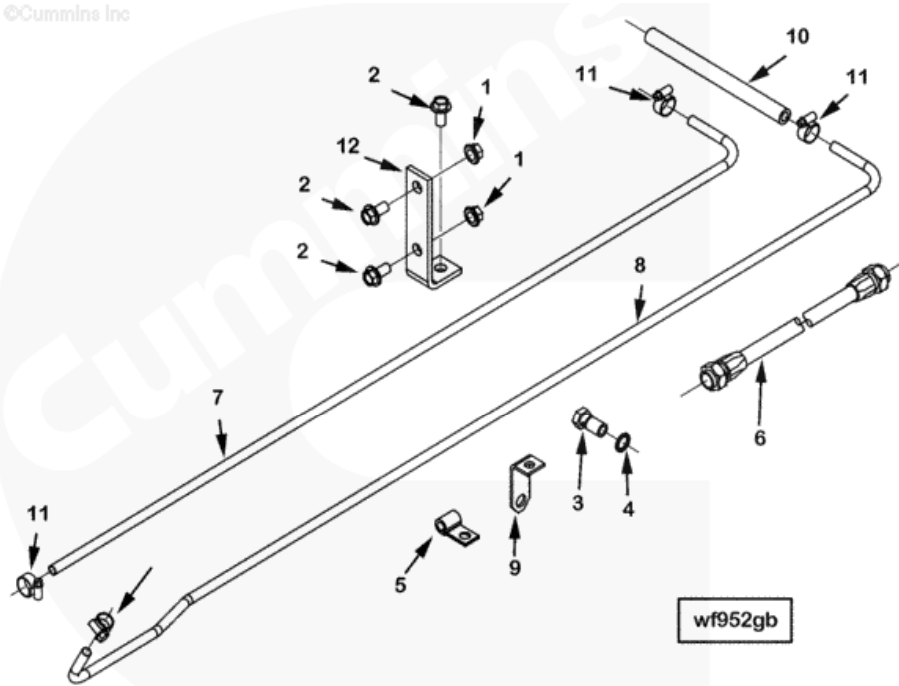


Ref No	Part Number	Part Description	Req	Remarks
	WO50005	Water Outlet Connection		Water outlet connection...(More) for qsk23 bof engines for service. Not to be used for production.
1	3094508	Screw, Hexagon Head Cap	4	
2	4095546	Gasket, Cover Plate	1	
3	4095957	Tube, Water Transfer	1	

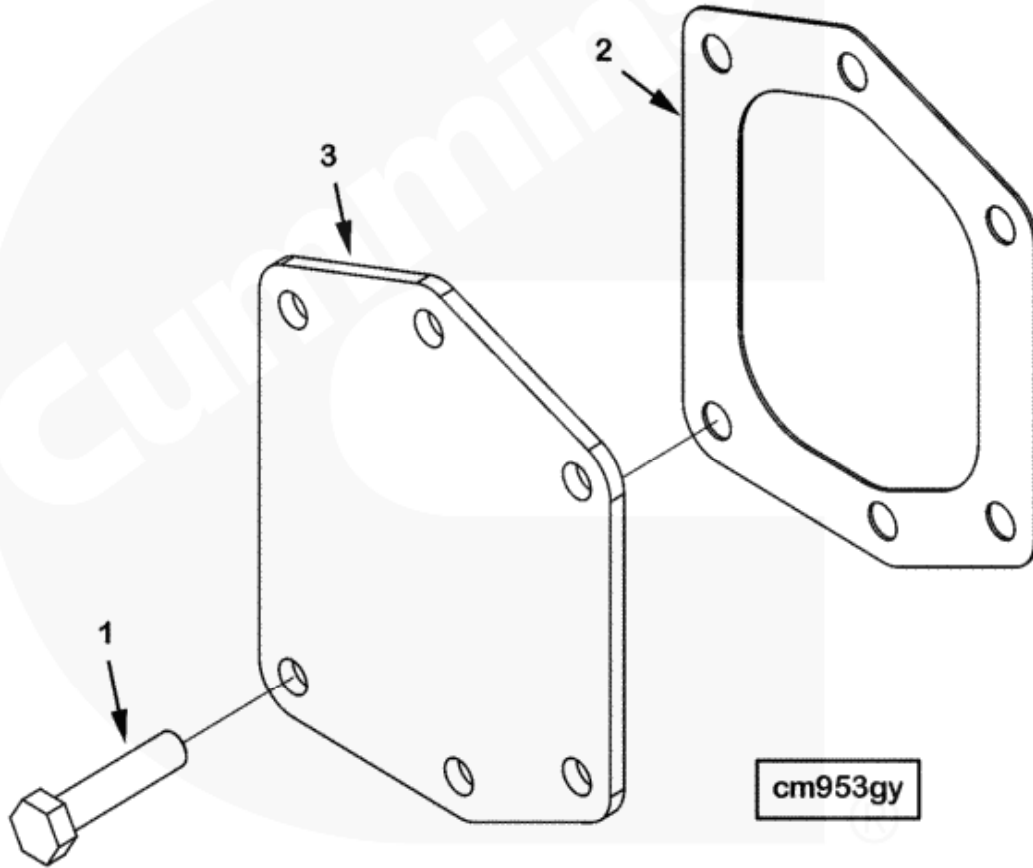


Ref No	Part Number	Part Description	Req	Remarks
	LC50006-01	COOLER,ENGINE OIL		
1	3093745	Screw, Hexagon Head Cap	1	M10 x 1.50 x 40.
2	3094536	Screw, Hexagon Head Cap	25	
3	3094564	Screw, Hexagon Head Cap	4	M10 x 1.50 x 80.
4	3335076	Washer, Bevel	34	M10
5	4095803	Screw, Hexagon Head Cap	4	

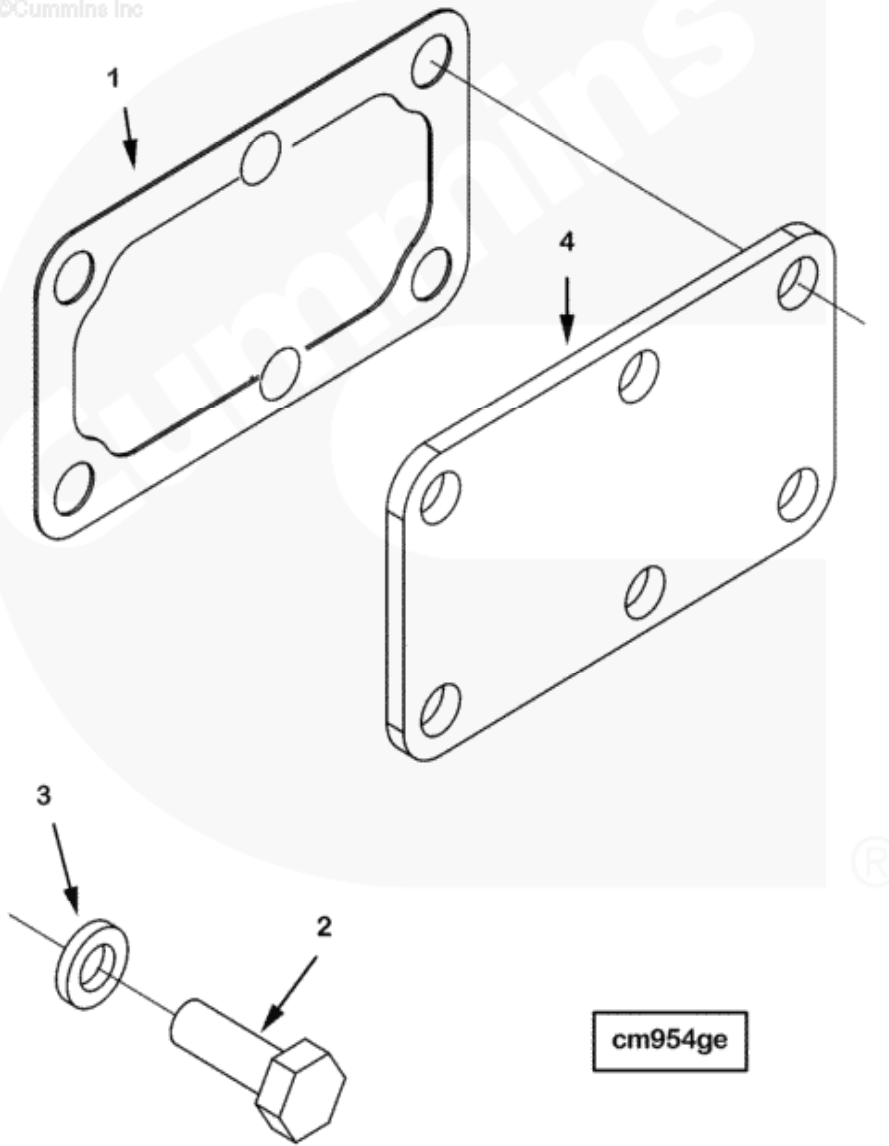
Ref No	Part Number	Part Description	Req	Remarks
	LC50008-01	COOLER,ENGINE OIL		
	3093821	Plug, Pipe	2	
	4095520	Gasket, Lub Oil Clr Cover	2	
	4096086	Cooler, Oil	2	
	3093730	Screw, Hex Flange Head Cap	1	M8 x 1.25 x 25
	4068309	Seal, O Ring	4	
	4068310	Nut, Hexagon Flange	4	
	4095523	Gasket, Oil Cooler Core	2	
	4095524	Thermostat	1	
	4095525	Plate, Cover	1	
	4095526	Seal, Thermostat	1	
	4095541	Seal, O Ring	2	
	4095542	Seal, O Ring	2	
	4095783	Seat, Thermostat	1	
	4095786	Cover, Protective	1	
	4095898	Seal, O Ring	1	
	4095980	Plug, Threaded	1	
	4096005	Core, Cooler	1	
	4096006	Cover, Lub Oil Cooler	1	



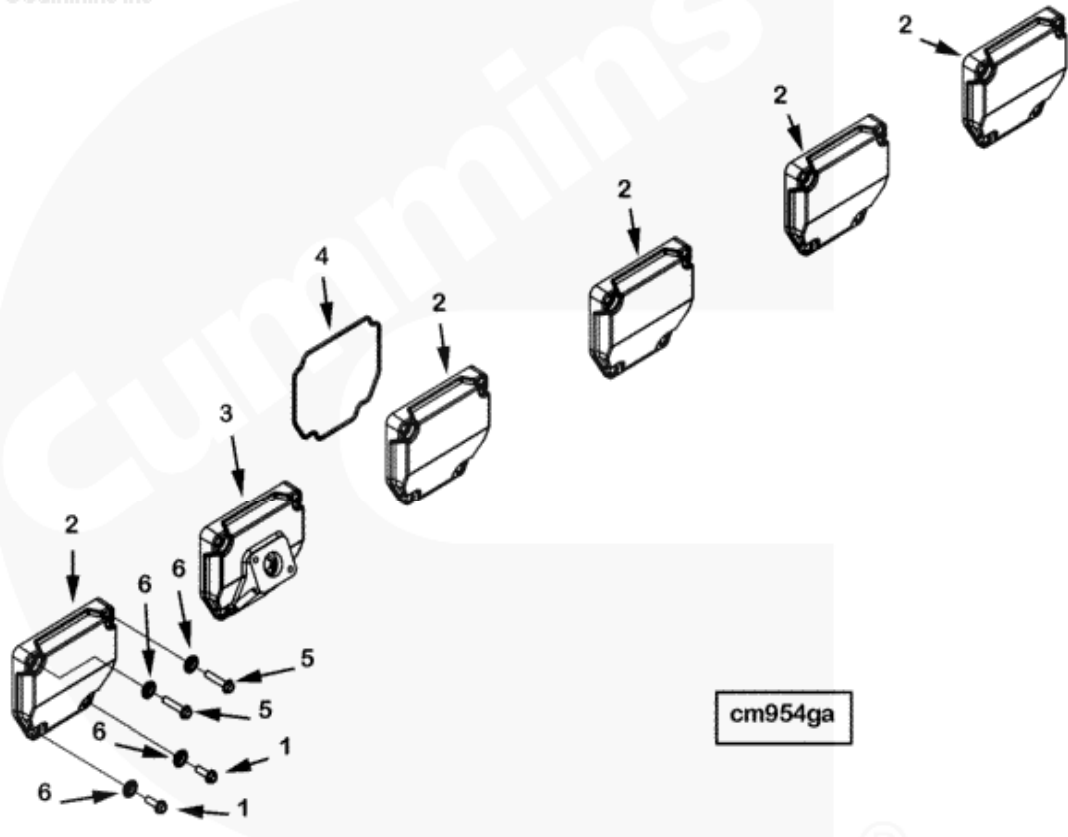
Ref No	Part Number	Part Description	Req	Remarks
	WF50009-01	Corrosion Resistor		Corrosion resistor...(More) for qsk23 bof engines for Not to be used for
1	3093828	Nut, Hexagon Flange	2	M10 x 1.50
2	3093931	Screw, Hex Flange Head Cap	3	M10 x 1.50 x 20
3	3094020	Screw, Banjo Connector	2	
4	3918192	Washer, Sealing	4	
5	4095882	Clip	4	
6	4095921	Hose, Flexible	1	
7	4095958	Tube, Water Transfer	1	
8	4095966	Tube, Water Transfer	1	
9	4096018	Bracket, Connection	1	
10	4096251	Hose, Flexible	1	
11	3864138	Clamp, Hose	4	
12	4096276	Bracket, Connection	1	



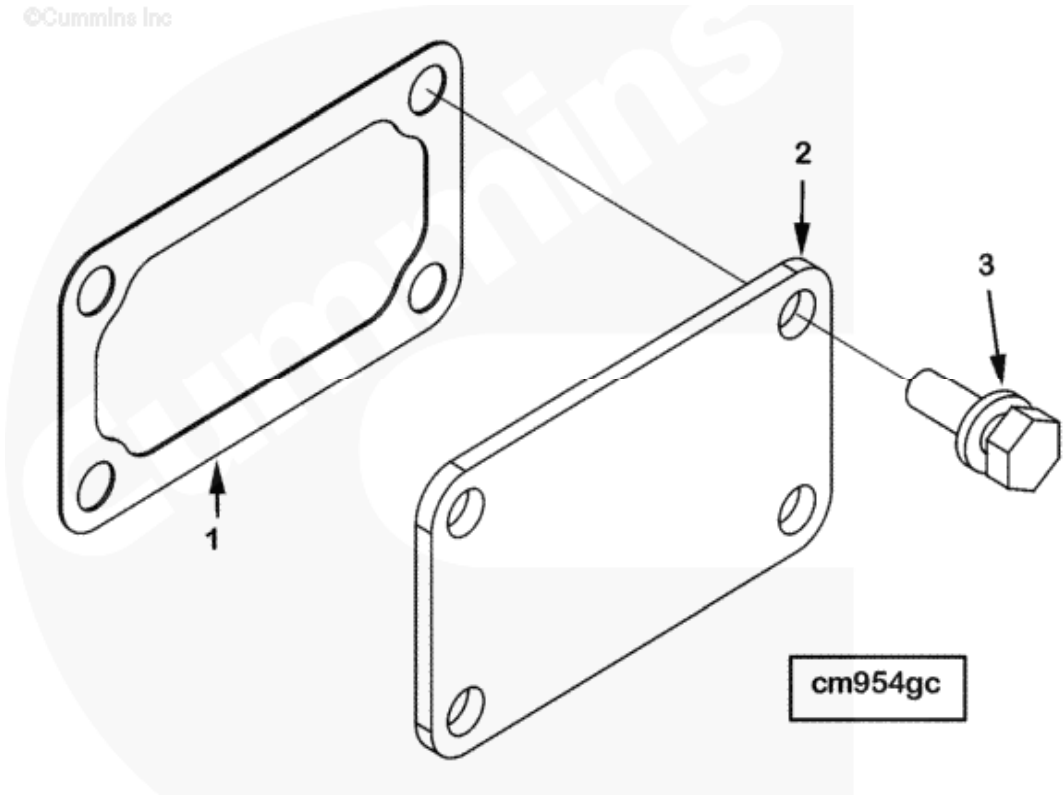
Ref No	Part Number	Part Description	Req	Remarks
	CM50006	COVER,CAM FOLLOWER		
1	3094532	Screw, Hexagon Head Cap	6	M12 x 1.75 x 25.
2	4095468	Gasket, Cover Plate	1	
3	4095469	Plate, Cover	1	



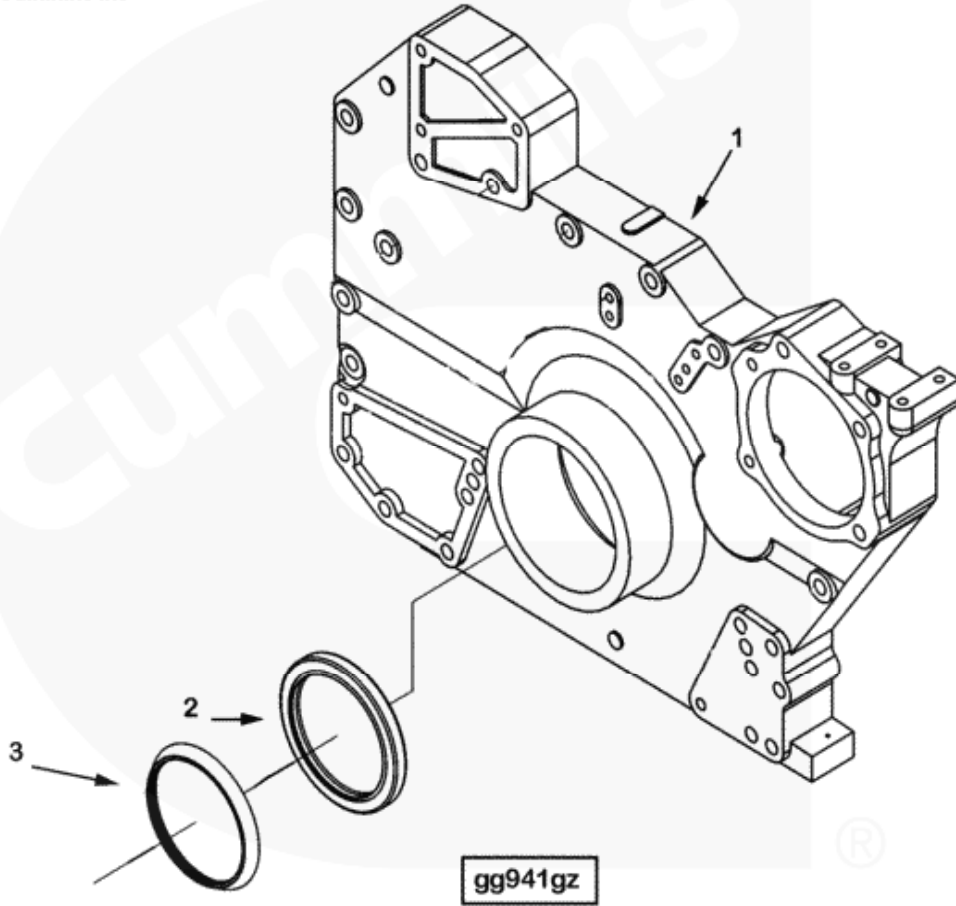
Ref No	Part Number	Part Description	Req	Remarks
	CM50008-01	COVER,CAM FOLLOWER		
1	4095690	Gasket, Cover Plate	1	
2	3094508	Screw, Hexagon Head Cap	6	
3	3863995	Washer, Plain	6	
4	4095689	Plate, Cover	1	



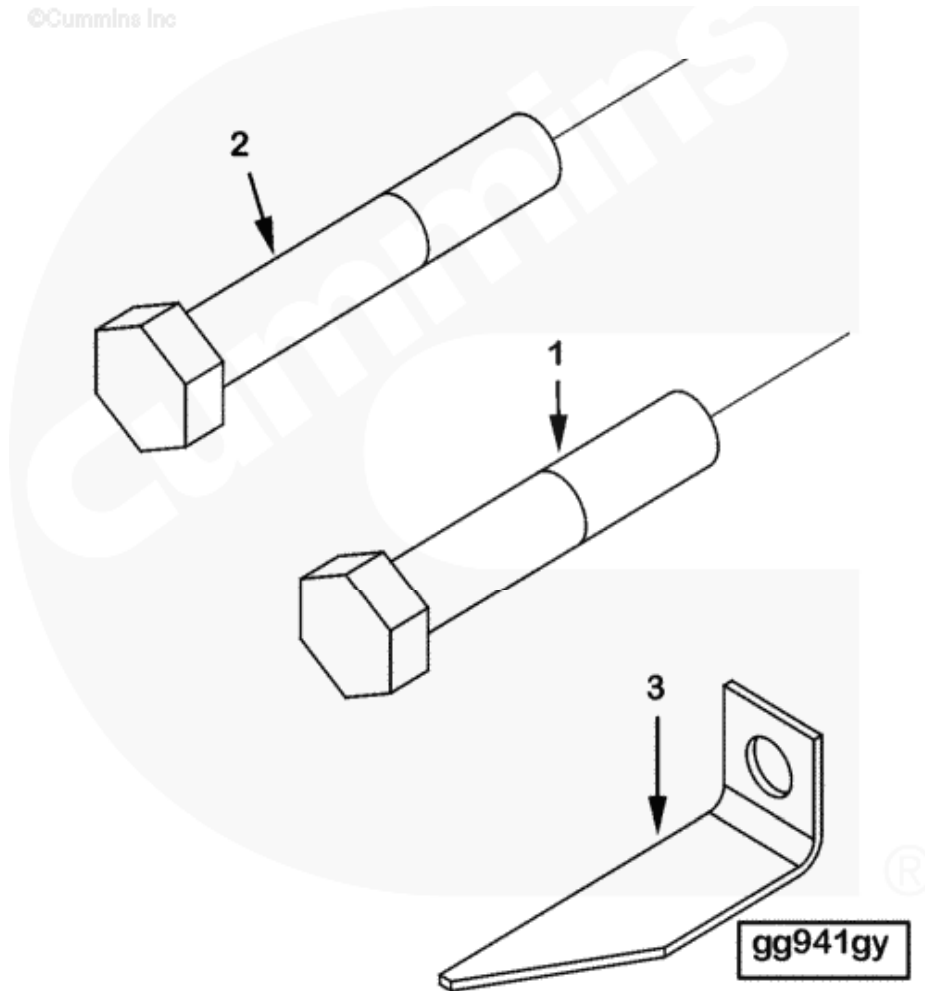
Ref No	Part Number	Part Description	Req	Remarks
	CM50009	Cam Follower Cover		Cam follower cover
1	3925344	Screw, Hex Flange Head Cap	12	M10 x 1.50 x 30
2	4095562	Cover, Camshaft	5	
3	4095563	Cover, Camshaft	1	
4	4095564	Gasket, Camshaft Cover	6	
5	4095838	Screw, Hex Flange Head Cap	12	
6	4096011	Pad	24	



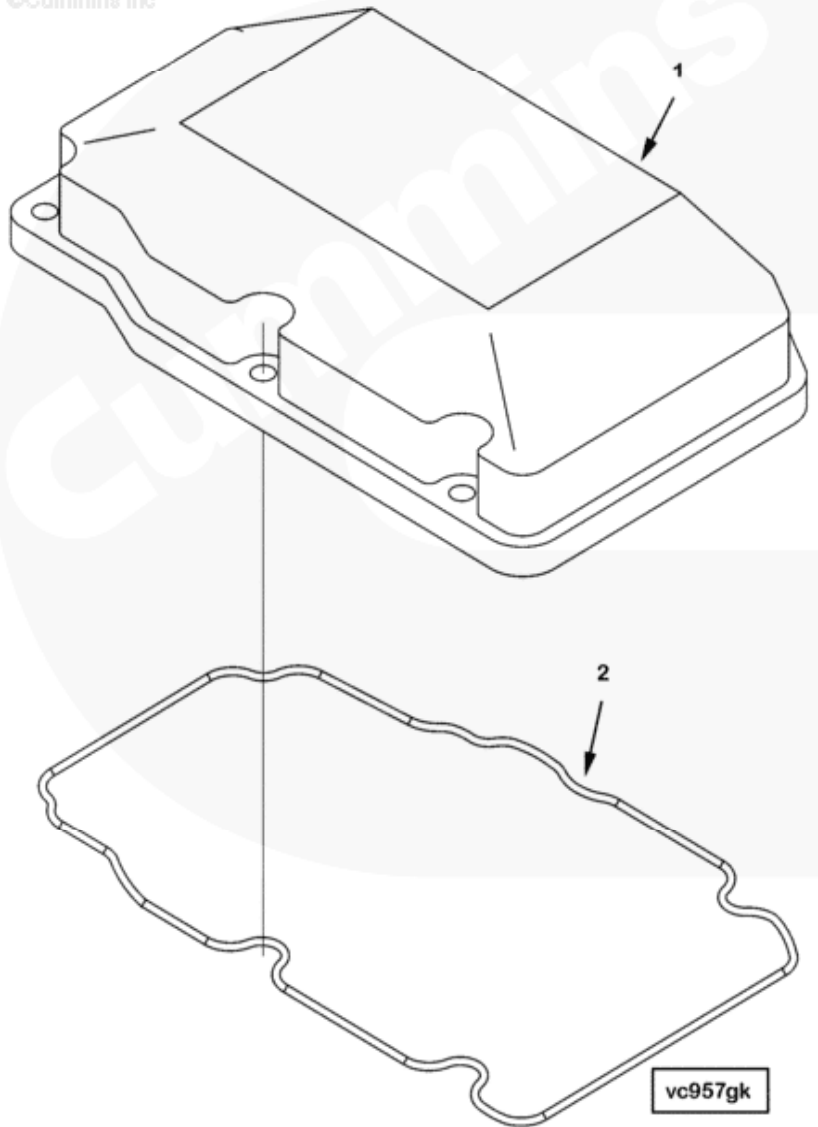
Ref No	Part Number	Part Description	Req	Remarks
	CM50010-01	COVER,CAM FOLLOWER		
1	3094281	Gasket, Cover Plate	1	
2	4096012	Plate, Cover	1	
3	4096713	Screw, Captive Washer Cap	3	



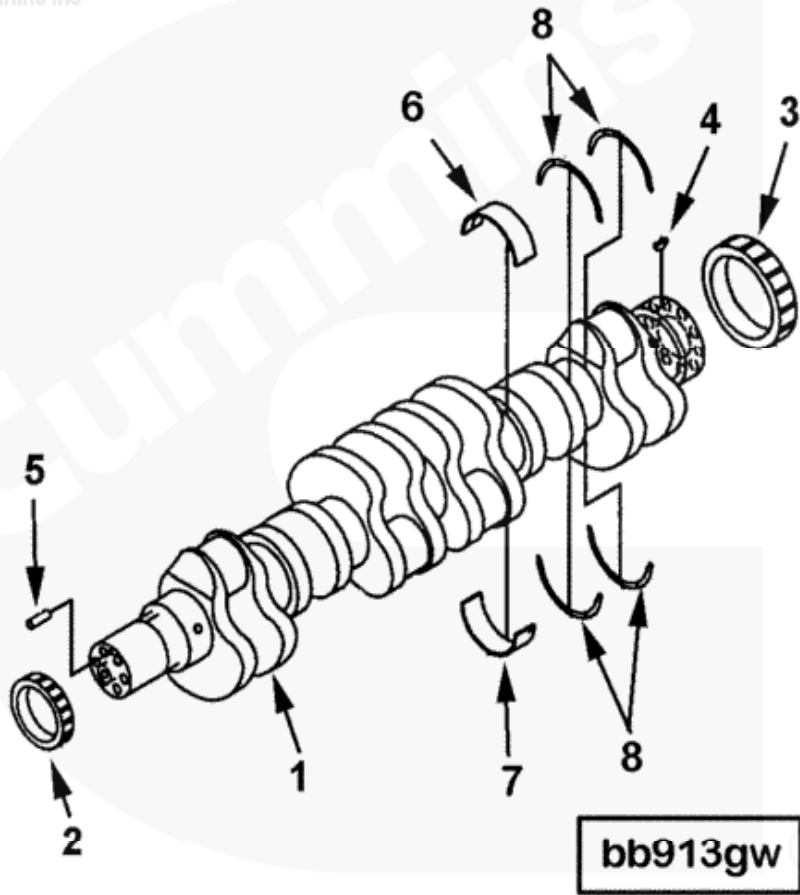
Ref No	Part Number	Part Description	Req	Remarks
	GG50003-01	COVER,FRONT GEAR		
1	4095470	Cover, Gear	1	
2	4096669	Seal, Front Cover	1	
3	4096670	Seal, Dust	1	



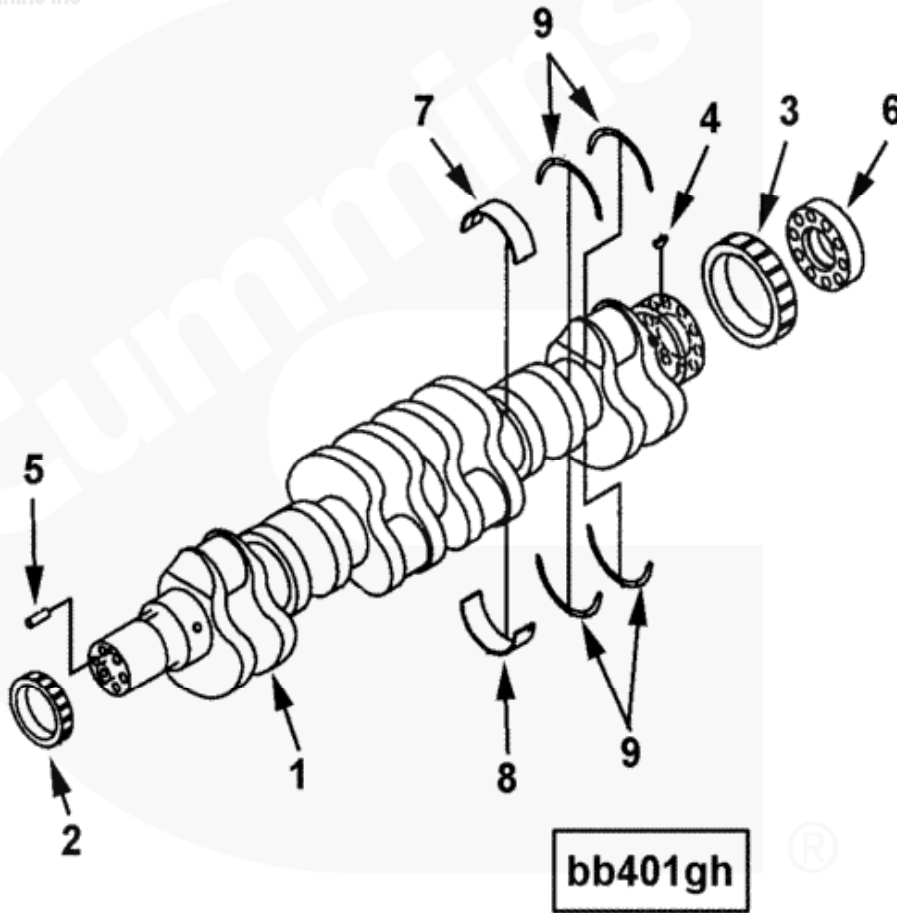
Ref No	Part Number	Part Description	Req	Remarks
	GG50005	Front Gear Cover		Front gear cover...(More) for qsk23 bof engines for service. Not to be used for production.
1	4095806	Screw, Hexagon Head Cap	1	
2	4095807	Screw, Hexagon Head Cap	6	
3	4096045	Pointer, Timing	1	



Ref No	Part Number	Part Description	Req	Remarks
	VC50003	COVER,VALVE		
1	4006216	Cover, Valve	6	
2	4006217	Gasket, Valve Cover	6	

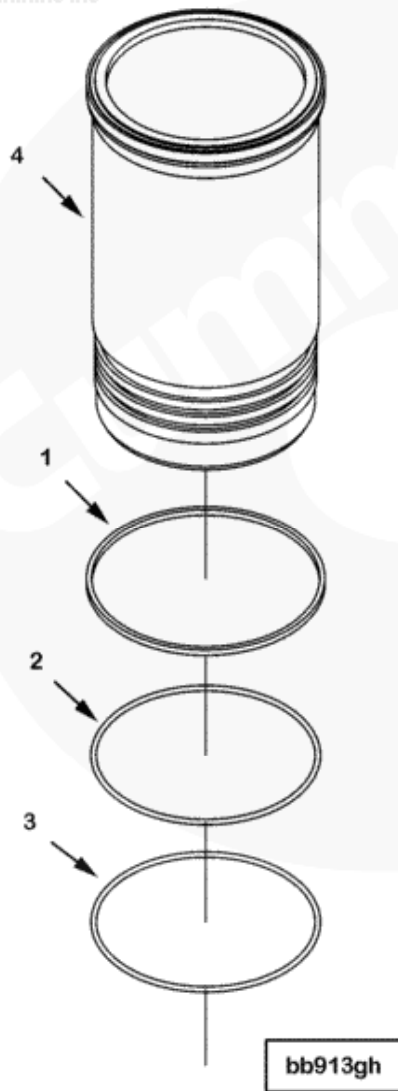


Ref No	Part Number	Part Description	Req	Remarks
	BB50018	Crankshaft		Engine crankshaft...(More) for tier 1 and tier 2 powergen and industrial
	4096696	Crankshaft, Engine	1	
1	4096697	Crankshaft, Engine	1	
2	4095436	Gear, Crankshaft	1	
3	4096671	Gear, Crankshaft	1	
4	3094027	Key, Plain Woodruff	1	
5	3093731	Dowel, Pin	1	
	4095973	Set, Main Bearing	7	Standard
6	4095493	Bearing, Main	7	
7	4095494	Bearing, Main	7	
	4095983	Set, Thrust Bearing	1	
8	4095495	Bearing, Thrust	4	
	4096907	Set, Main Bearing	1	0.25 MM Oversize
	4096906	Set, Main Bearing	1	0.50 MM Oversize
	4096905	Set, Main Bearing	1	0.75 MM Oversize
	4096904	Set, Main Bearing	1	1.00 MM Oversize
.	4096911	Bearing, Thrust	1	0.25 MM Oversize
	4096910	Bearing, Thrust	1	050 MM Oversize
	4096909	Bearing, Thrust	1	0.75 MM Oversize
	4096908	Bearing, Thrust	1	1.00 MM Oversize

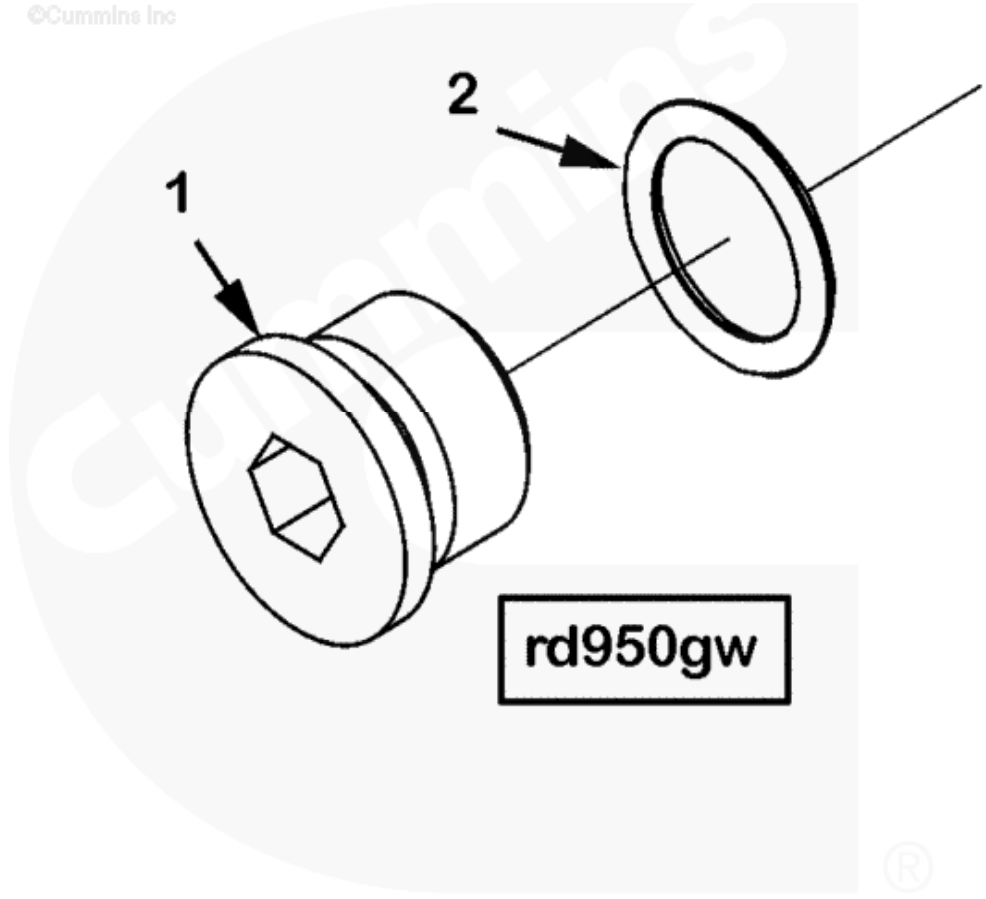


Ref No	Part Number	Part Description	Req	Remarks
	BB50016-01	CRANK SHAFT		
	4095435	Crankshaft, Engine		
1	4096111	Crankshaft	1	
2	4095436	Gear, Crankshaft	1	
3	4095437	Gear, Crankshaft	1	
4	3094027	Key, Plain Woodruff	1	
5	3093731	Dowel, Pin	1	
6	4095484	Spacer, Crankshaft	1	
	4095973	Set, Main Bearing	7	Standard
7	4095493	Bearing, Main	7	
8	4095494	Bearing, Main	7	
	4095983	Set, Thrust Bearing	1	
9	4095495	Bearing, Thrust	4	
	4096907	Set, Main Bearing	1	0.25 MM Oversize
	4096906	Set, Main Bearing	1	0.50 MM Oversize
	4096905	Set, Main Bearing	1	0.75 MM Oversize
	4096904	Set, Main Bearing	1	1.00 MM Oversize
.	4096911	Bearing, Thrust	1	0.25 MM Oversize
	4096910	Bearing, Thrust	1	050 MM Oversize
	4096909	Bearing, Thrust	1	0.75 MM Oversize
	4096908	Bearing, Thrust	1	1.00 MM Oversize

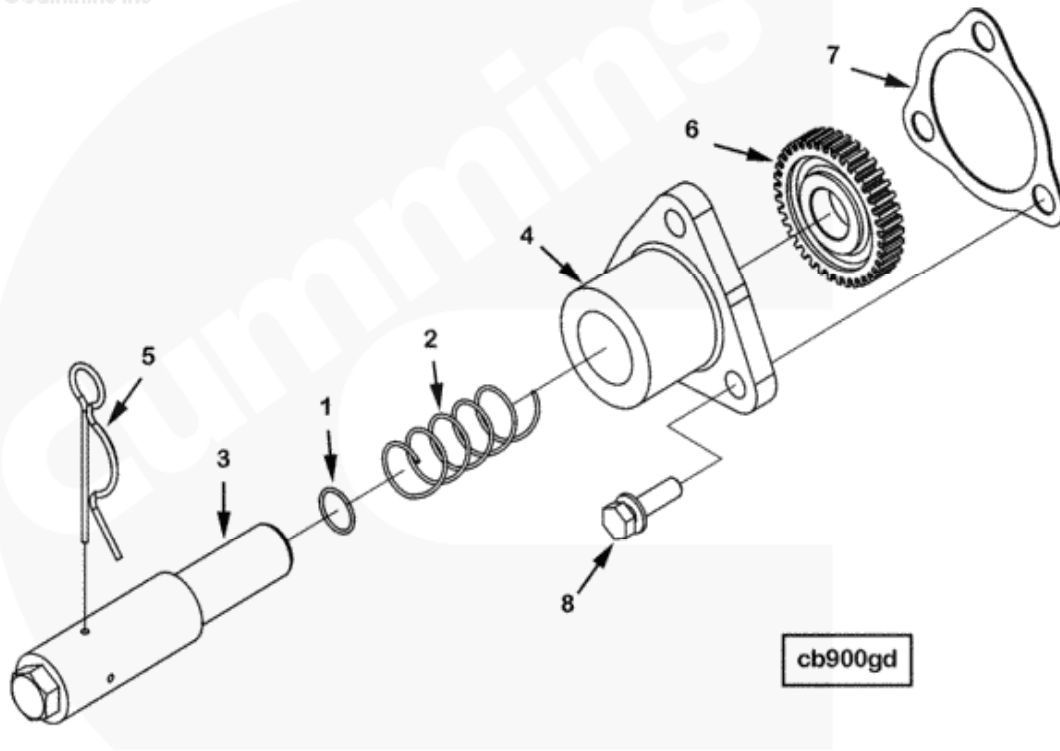
©Cummins Inc



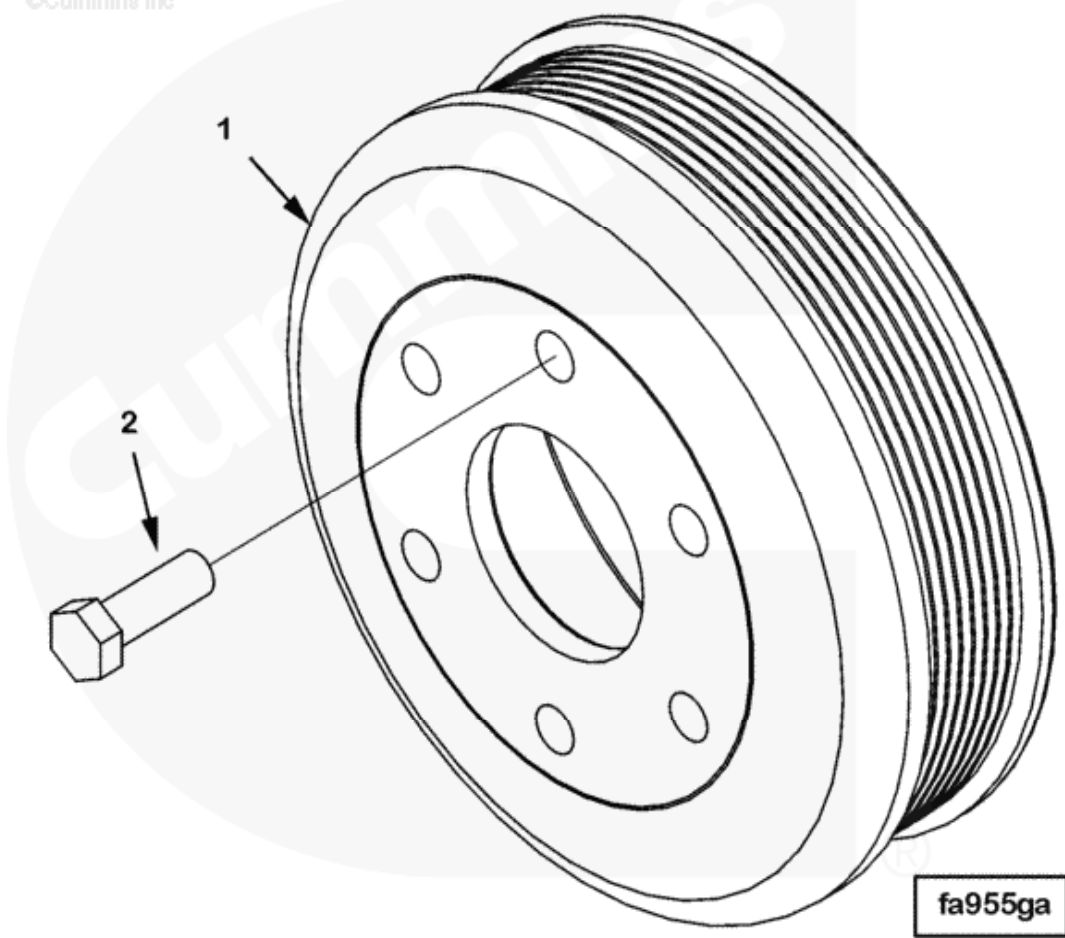
Ref No	Part Number	Part Description	Req	Remarks
	BB50006	Cylinder,Liner		
	4089364	Kit, Cylinder Liner	6	
1	4006178	Ring, Liner Seal	1	
2	4006179	Seal, Oil	1	
3	4006297	Seal, Oil	1	
4	4095459	Liner, Cylinder	1	



Ref No	Part Number	Part Description	Req	Remarks
	RD50003	DRAIN,REMOTE OIL		
1	4096459	Plug, Threaded	2	
2	4096461	Seal, O Ring	2	

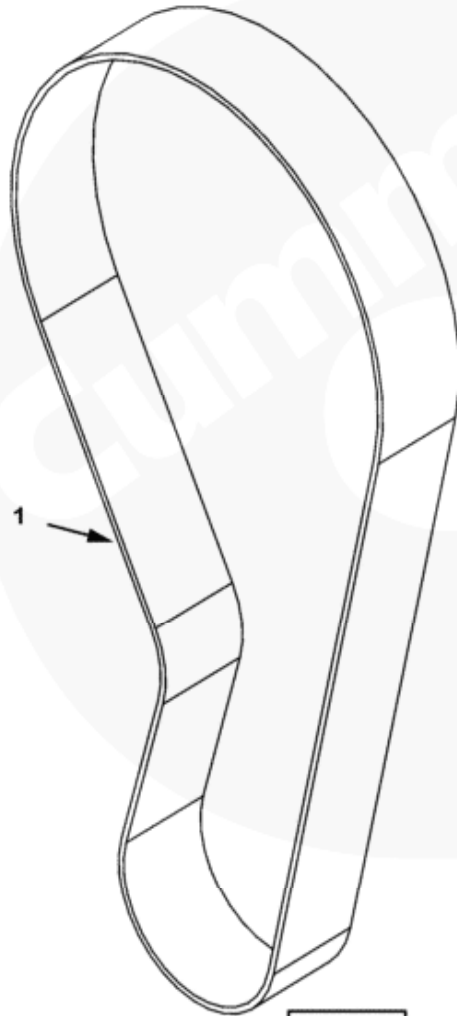


Ref No	Part Number	Part Description	Req	Remarks
	CB50004	Engine Barring Drive		Engine barring drive
	4095422	Housing, Engine Barring	1	
1	4095899	Seal, Oil	1	
2	4096055	Spring, Compression	1	
3	4096056	Shaft, Idler	1	
4	4096057	Support, Accessory Drive	1	
5	4096058	Clip	1	
6	4096059	Gear, Accessory Drive	1	
7	4095483	Gasket, Starter	1	
8	4096714	Screw, Captive Washer Cap	3	



Ref No	Part Number	Part Description	Req	Remarks
	FA50021-01	DRIVE,FAN		
1	4096002	Pulley, Fan	1	
2	4096725	Screw, Captive Washer Cap	6	

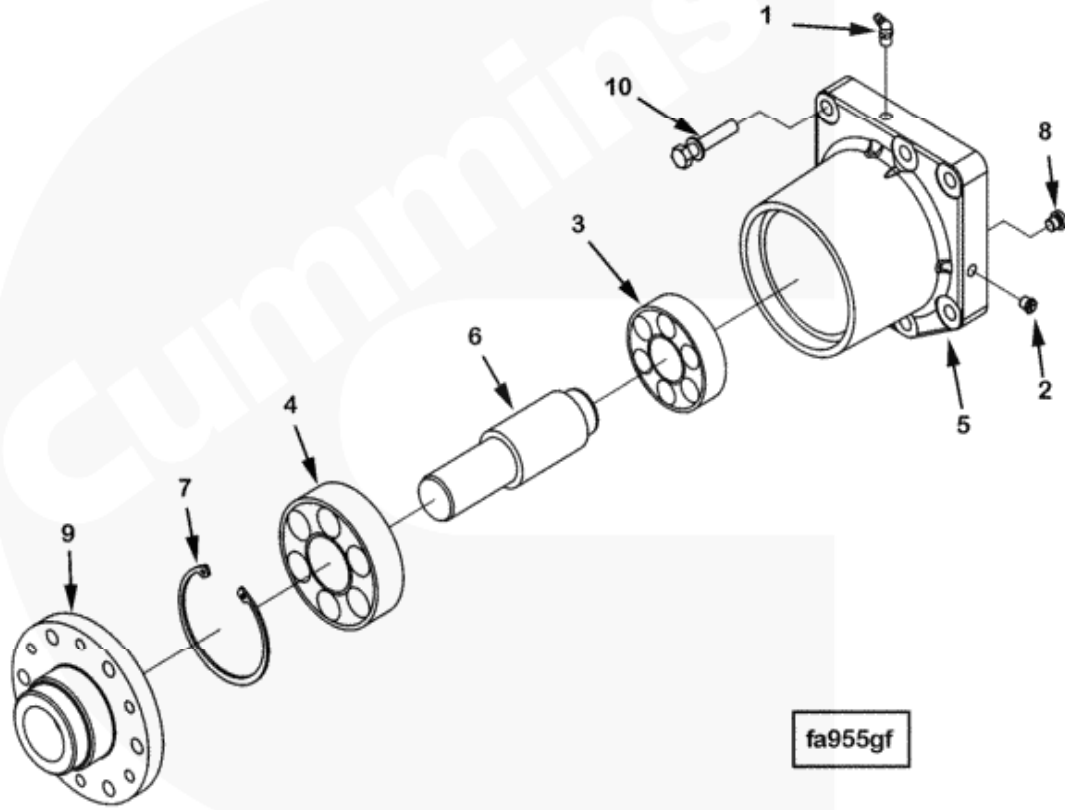
©Cummins Inc



fa954gy

Ref No	Part Number	Part Description	Req	Remarks
	FA50025	DRIVE,FAN		
1	4096184	Belt, V Ribbed	1	17 rib 1650 MM Length

Ref No	Part Number	Part Description	Req	Remarks
	FA50026-01	DRIVE,FAN		
	3093827	Plug, Pipe	1	
	4095594	Pulley, Idler	1	
	4095596	Bearing, Roller	1	
	4095597	Washer, Plain	1	
	4095598	Cover, Idler Pulley	1	
	4095640	Seal, Oil	1	
	4095827	Screw, Hexagon Head Cap	1	
	4095856	Nut, Regular Hexagon	1	
	4095876	Ring, Retaining	1	
	4095901	Valve, Check	1	
	4096216	Seal, O Ring	1	
	4096315	Bracket, Connection	1	
	4096326	Fitting, Grease	1	
	4096342	Tensioner, Belt	1	
	4096315	Bracket, Connection	1	
	4096326	Fitting, Grease	1	
	4096483	Bracket, Idler Pulley	1	
	4096713	Screw, Captive Washer Cap	3	
	4096723	Screw, Captive Washer Cap	3	



fa955gf

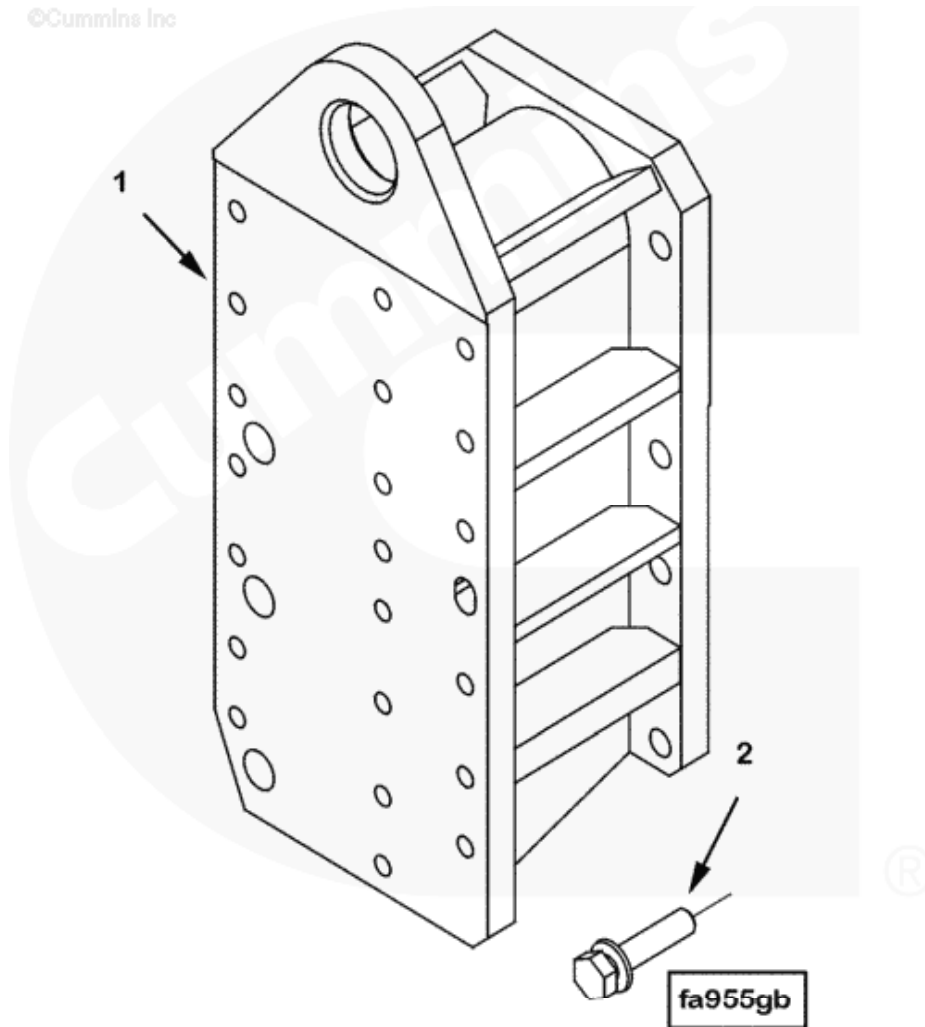
Ref No	Part Number	Part Description	Req	Remarks
	FA50035	Fan Drive		Fan drive...(More) for 760 HP at 1800 RPM customer specific BC option
1	4095642	Fitting, Grease	1	
2	4095901	Valve, Check	1	
	4096000	Hub, Fan	1	
3	4095427	Bearing, Ball	1	
4	4095428	Bearing, Ball	1	
5	4095592	Shaft, Fan Hub	1	
6	4095593	Shaft, Fan Drive	1	
7	4095875	Ring, Retaining	1	
8	4095907	Plug, Pipe	4	
9	4096008	Flange, Drive Coupling	1	
10	4096728	Screw, Captive Washer Cap	6	

Ref No	Part Number	Part Description	Req	Remarks
	DP50004-01	DRIVE,FUEL PUMP		
	3046200	Spider, Jaw Coupling	1	
	3094535	Screw, Hexagon Head Cap	2	
	4095590	Gear, Accessory Drive	1	
	4095603	Plate, Thrust Bearing	1	
	4095893	Seal, O Ring	1	
	4095995	Adapter, Drive Shaft	1	
	4096329	Drive, Fuel Pump	1	
	4095425	Bearing, Ball	1	
	4095426	Bearing, Ball	1	
	4095600	Hub, Accessory Drive	1	
	4095787	Seal, Oil	1	
	4095874	Ring, Retaining	1	
	4096087	Support, Accessory Drive	1	
	4096334	Shaft, Fuel Pump	1	
	4096663	Screw, Hexagon Head Cap	2	

Ref No	Part Number	Part Description	Req	Remarks
	PH50036	Electronic Control Module		Engine control module
	2871202	Module, Electronic Control	1	Order 2871202 NX

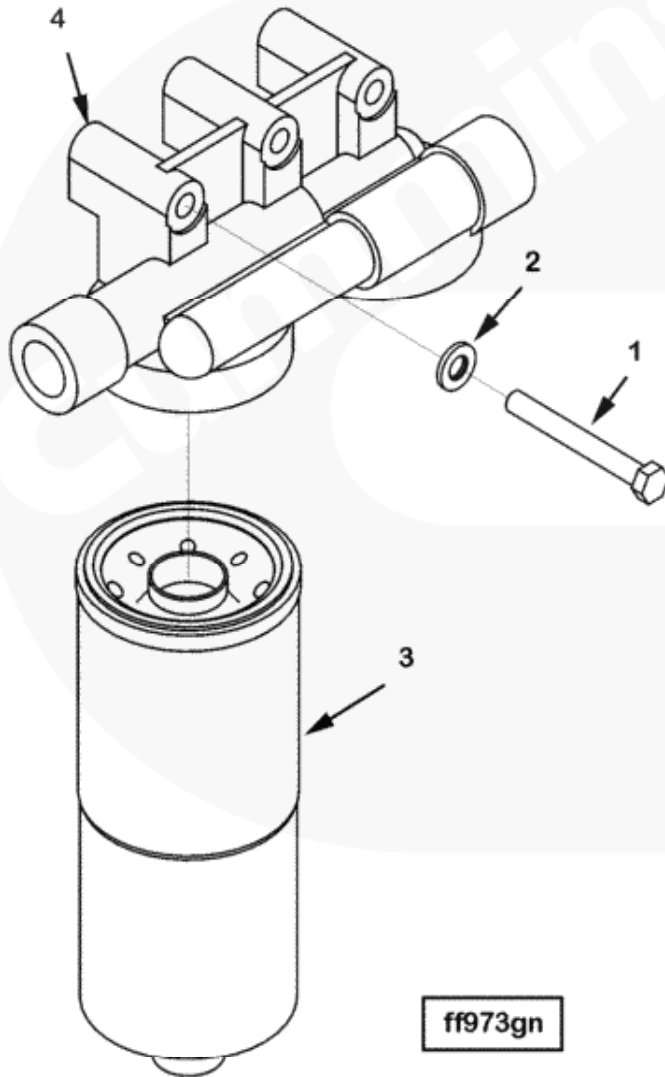
Ref No	Part Number	Part Description	Req	Remarks
	PH50021-01	MOUNTING,ENG CNT MODULE		
	3093778	Washer, Plain	2	
	3863703	Screw, Hex Flange Head Cap	1	
	3864040	Nut, Hexagon Flange	2	
	3864129	Screw, Hex Flange Head Cap	2	
	3864166	Screw, Hex Flange Head Cap	1	
	3864187	Bracket, Sensor	1	
	4095718	Brace, Tube	1	
	4095860	Washer, Plain	4	
	4096027	Spacer, Mounting	1	
	4096046	Screw, Hexagon Head Cap	4	
	4096200	Bracket, Connection	1	
	4096321	Clip	1	
	4096663	Screw, Hexagon Head Cap	2	
	4096712	Screw, Captive Washer Cap	1	
	4096723	Screw, Captive Washer Cap	1	
	4096742	Clip	2	
	4096759	Clip	1	
	4994242	Clip	1	

Ref No	Part Number	Part Description	Req	Remarks
	PH50028-01	MOUNTING,ENG CNT MODULE		
	3093765	Screw, Hexagon Head Cap	1	M10 x 1.50 x 20.
	3093799	Washer, Plain	1	
	3093931	Screw, Hex Flange Head Cap	3	M10 x 1.50 x 20
	3864027	Screw, Hex Flange Head Cap	2	
	3864040	Nut, Hexagon Flange	2	
	4095498	Brace, Hose	2	
	4095529	Spacer, Mounting	2	
	4095538	Spacer, Mounting	1	
	4095554	Plate, Clamping	1	
	4095631	Bracket, Wiring Retainer	1	
	4095680	Bracket, Connection	1	
	4095687	Boot, Electrical Terminal	2	
	4096028	Spacer, Mounting	1	
	4096712	Screw, Captive Washer Cap	1	
	4096713	Screw, Captive Washer Cap	2	
	4096741	Clip	3	
	4096742	Clip	2	
	4096747	Clip	2	
	4096758	Screw, Captive Washer Cap	1	
	4096760	Screw, Captive Washer Cap	2	
	4096770	Clamp, Wire Tie	15	
	4096833	Clamp, Wire Tie	2	
	4944972	Clip	2	



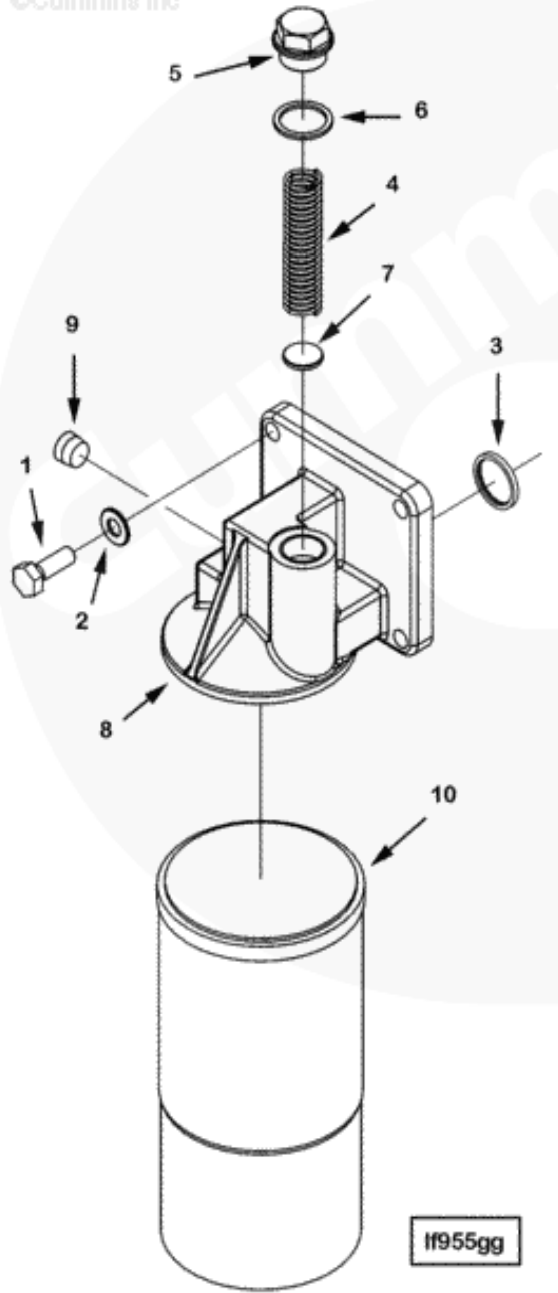
Ref No	Part Number	Part Description	Req	Remarks
	FA50023	Fan Drive Mounting		Fan drive...(More) for qsk23 bof engines for service. Not to be used for production.
1	4096183	Bracket, Lifting	1	
2	4096725	Screw, Captive Washer Cap	8	

©Cummins Inc



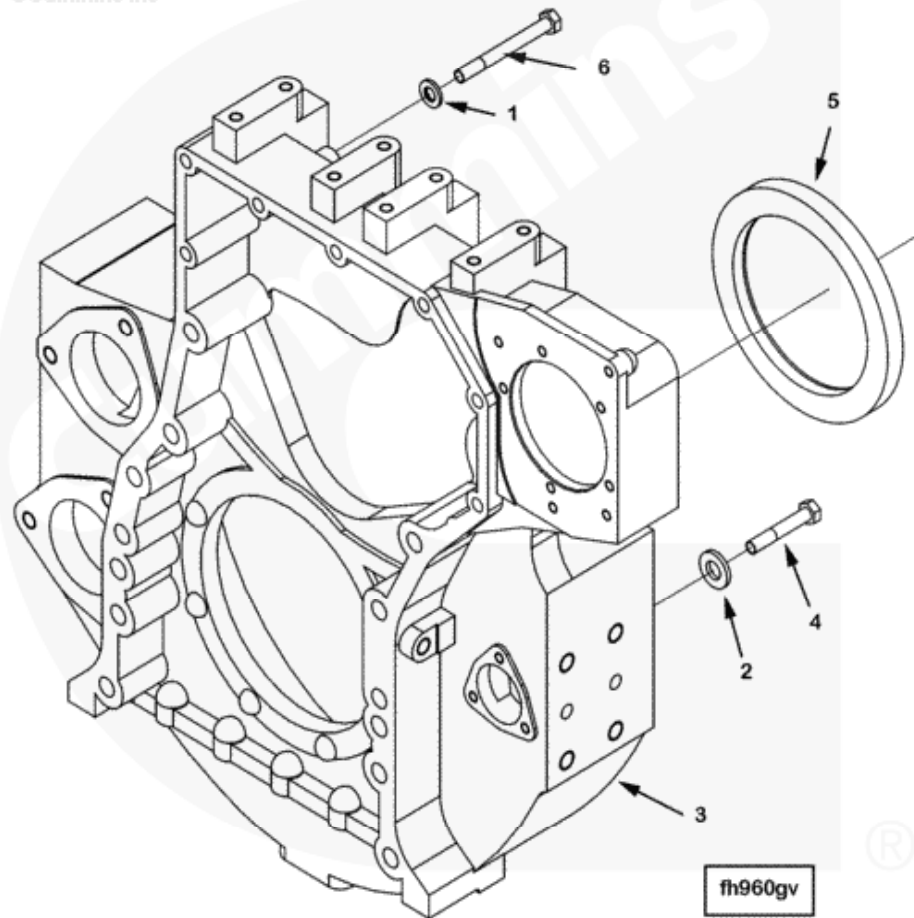
Ref No	Part Number	Part Description	Req	Remarks
	FF50002-01	FILTER,FUEL		
1	3093769	Screw, Hexagon Head Cap	3	
2	3093778	Washer, Plain	3	
3	4096308	Element, Fuel Filter	2	
4	4096666	Head, Fuel Filter	1	

©Cummins Inc



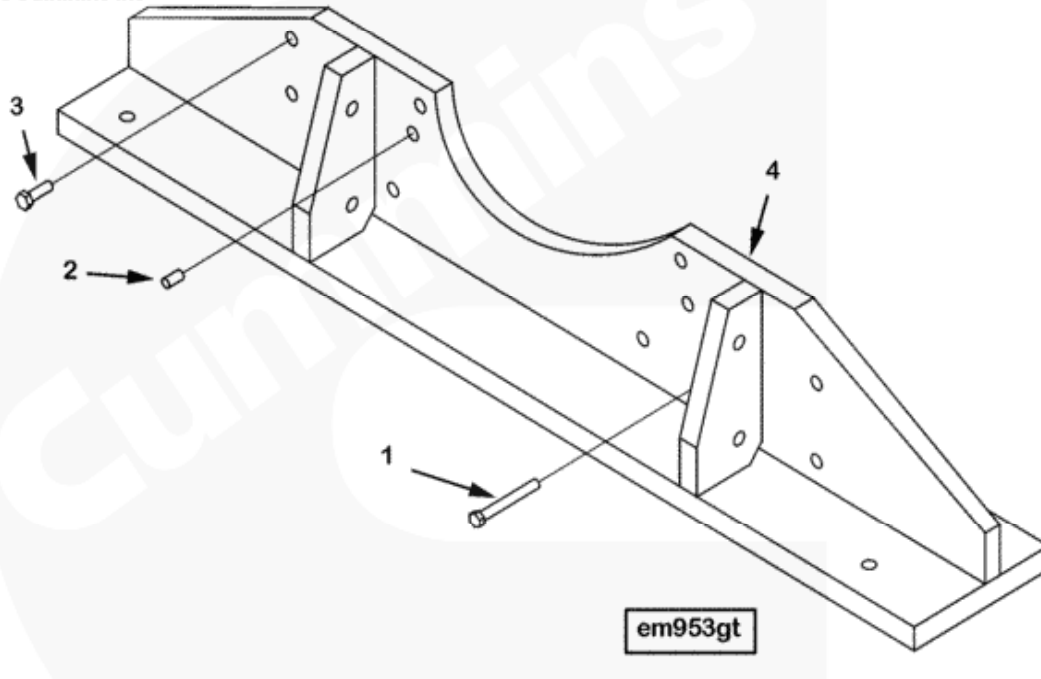
Ref No	Part Number	Part Description	Req	Remarks
	LF50002	Full Flow Oil Filter		Full flow oil filter
1	3094508	Screw, Hexagon Head Cap	8	
2	3335076	Washer, Bevel	8	M10
3	4095534	Seal, Grommet	6	
	4096180	Head, Lub Oil Filter (tla)	2	Order componets.
4	3092078	Spring, Compression	1	
5	3092409	Screw, Hex Flange Head Cap	1	
6	3092410	Gasket, Filter Head	1	
7	3092411	Gasket, Filter Head	1	
8	4095785	Head, Lub Oil Filter	1	
9	4095908	Plug, Pipe	1	
10	4096196	Filter, Lubricating Oil	2	

Ref No	Part Number	Part Description	Req	Remarks
	FW50009	Flywheel		Flywheel
	4095791	Washer, Plain	10	
	4096179	Flywheel	1	
	4095632	Gear, Flywheel Ring	1	
	4096278	Flywheel	1	
	4096691	Screw, Hexagon Head Cap	10	

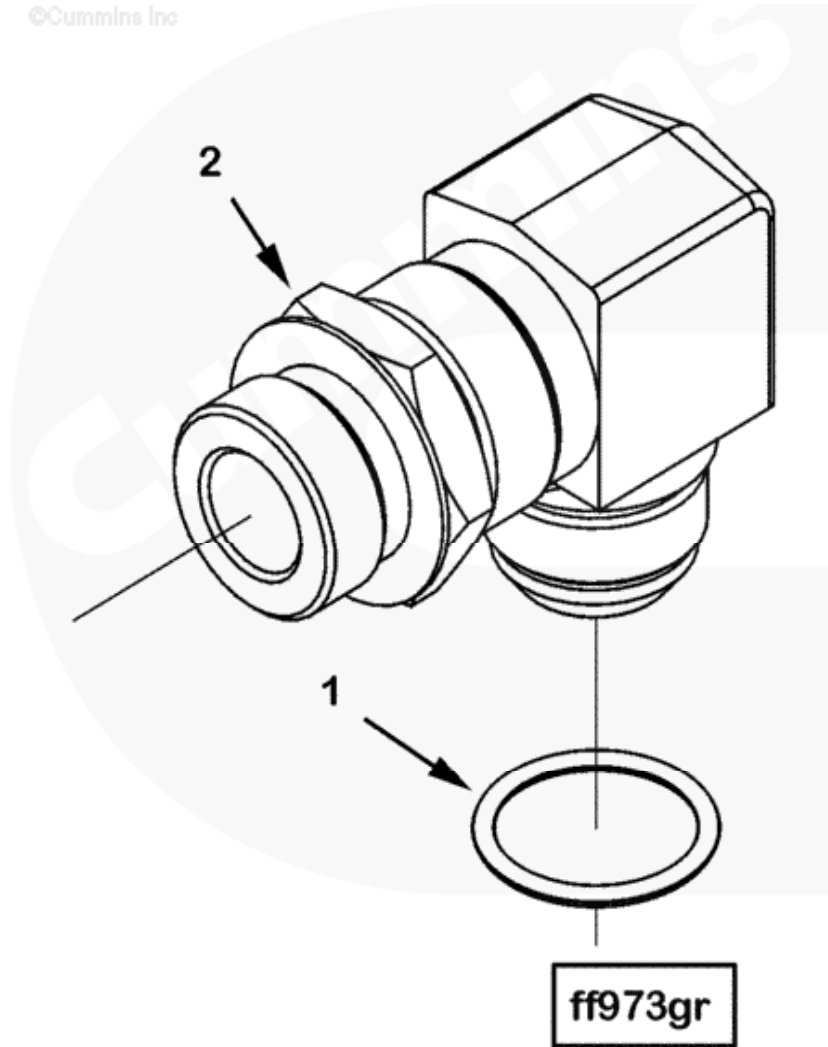


Ref No	Part Number	Part Description	Req	Remarks
	FH50009	Flywheel Housing		Flywheel housing...(More) for qsk23 bof engines for service. Not to be used for production.
1	3093778	Washer, Plain	5	
2	3093843	Washer, Plain	11	
3	4095482	Housing, Flywheel	1	
4	4095751	Screw, Hexagon Head Cap	11	
5	4095800	Seal, Oil	1	Service Wear sleeve 4096827
6	4095816	Screw, Hexagon Head Cap	5	

©Cummins Inc

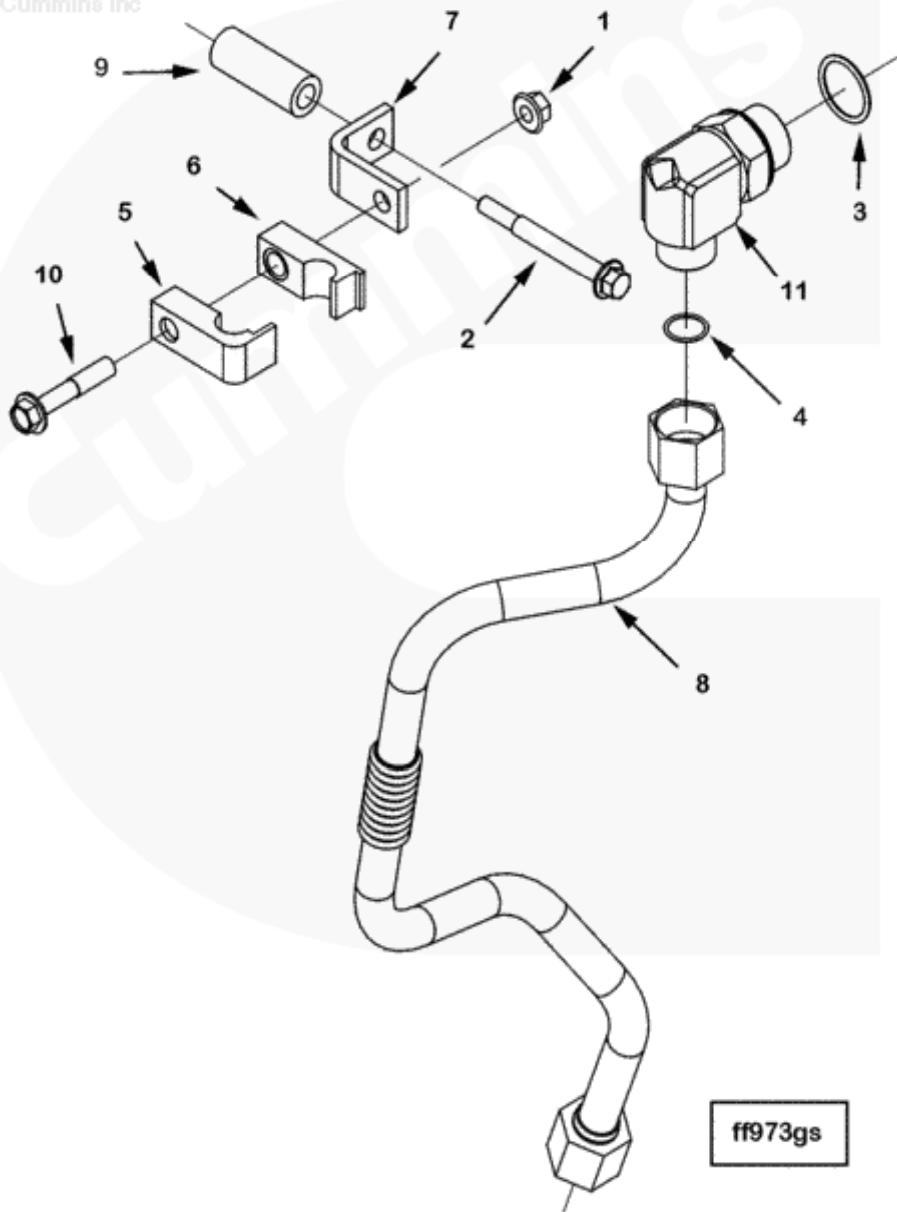


Ref No	Part Number	Part Description	Req	Remarks
	EM50005	Front Engine Support		Front engine support...(More) for qsk23 bof engines for service. Not to be used for production.
1	3093769	Screw, Hexagon Head Cap	10	
2	3093970	Dowel, Pin	2	
3	3094934	Screw, Hexagon Head Cap	2	
4	4095999	Bracket, Connection	1	

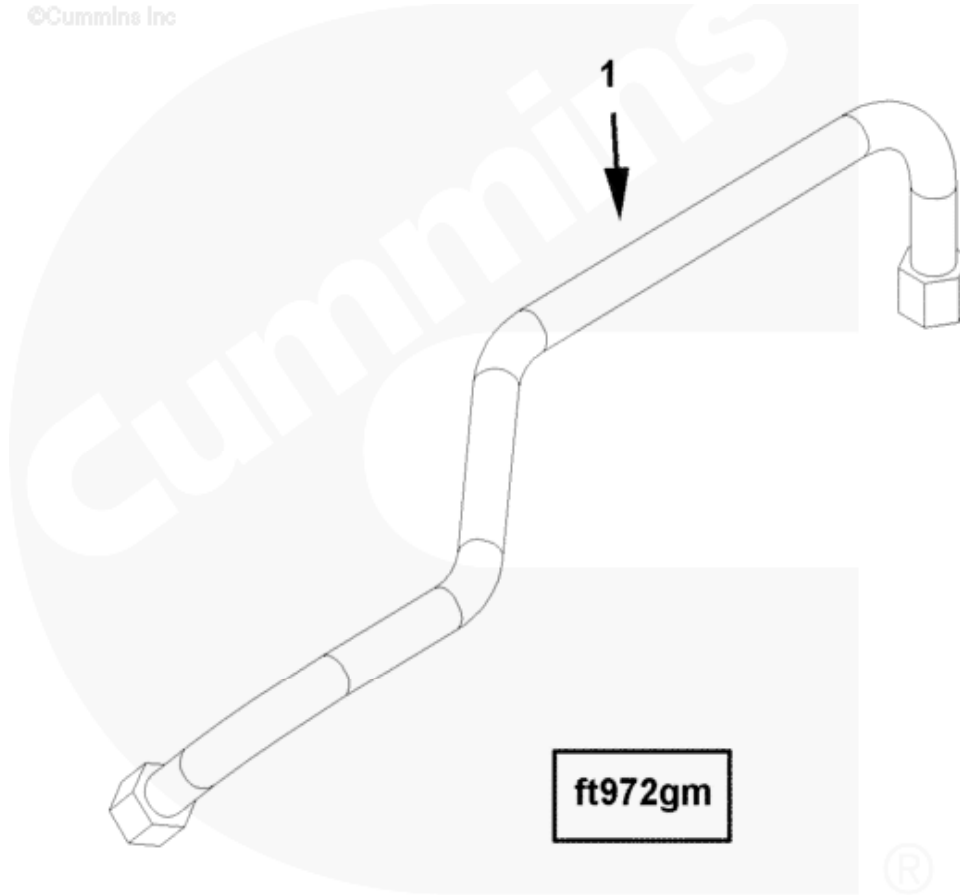


Ref No	Part Number	Part Description	Req	Remarks
	FF50005-01	Fuel Filter Plumbing		Fuel filter plumbing
1	4096462	Seal, O Ring	1	
2	4096661	Elbow, Plain Adapter	1	

©Cummins Inc

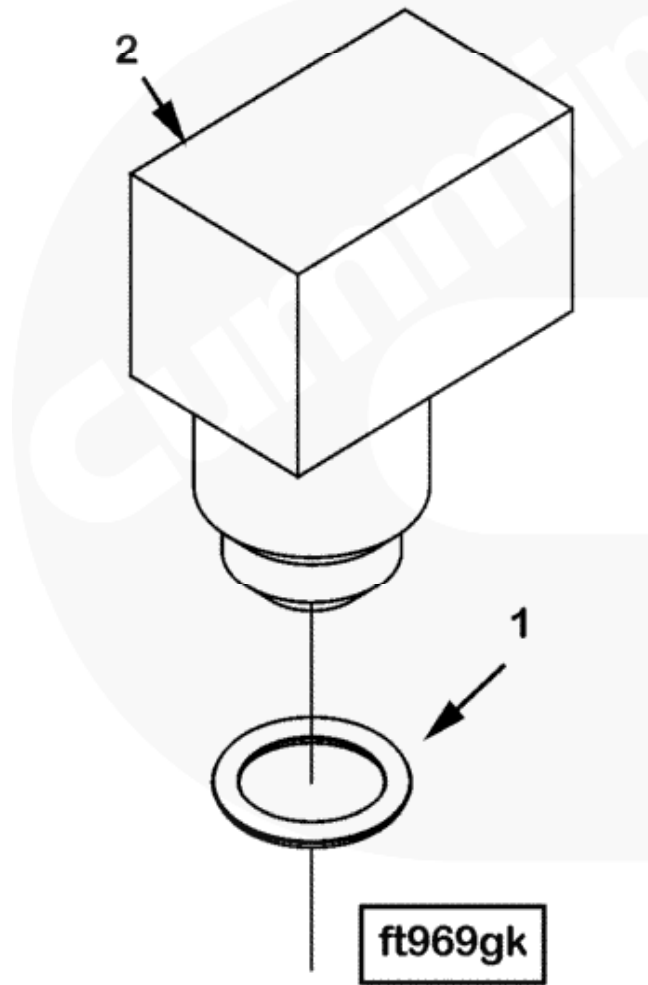


Ref No	Part Number	Part Description	Req	Remarks
	FF50007-01	Fuel Filter Plumbing		Fuel filter plumbing...(More) for qsk23 bof engines for service. Not to be used for production.
1	3093828	Nut, Hexagon Flange	1	M10 x 1.50
2	3093936	Screw, Hex Flange Head Cap	1	M10 x 1.50 x 90
3	4095613	Seal, O Ring	1	
4	4095614	Seal, O Ring	1	
5	4095621	Clamp, Tube	1	
6	4095622	Clamp, Tube	1	
7	4095627	Brace, Tube	1	
8	4095637	Tube, Fuel Transfer	1	
9	4095788	Spacer, Mounting	1	
10	4095839	Screw, Hex Flange Head Cap	1	
11	4096761	Elbow, Plain Adapter	1	

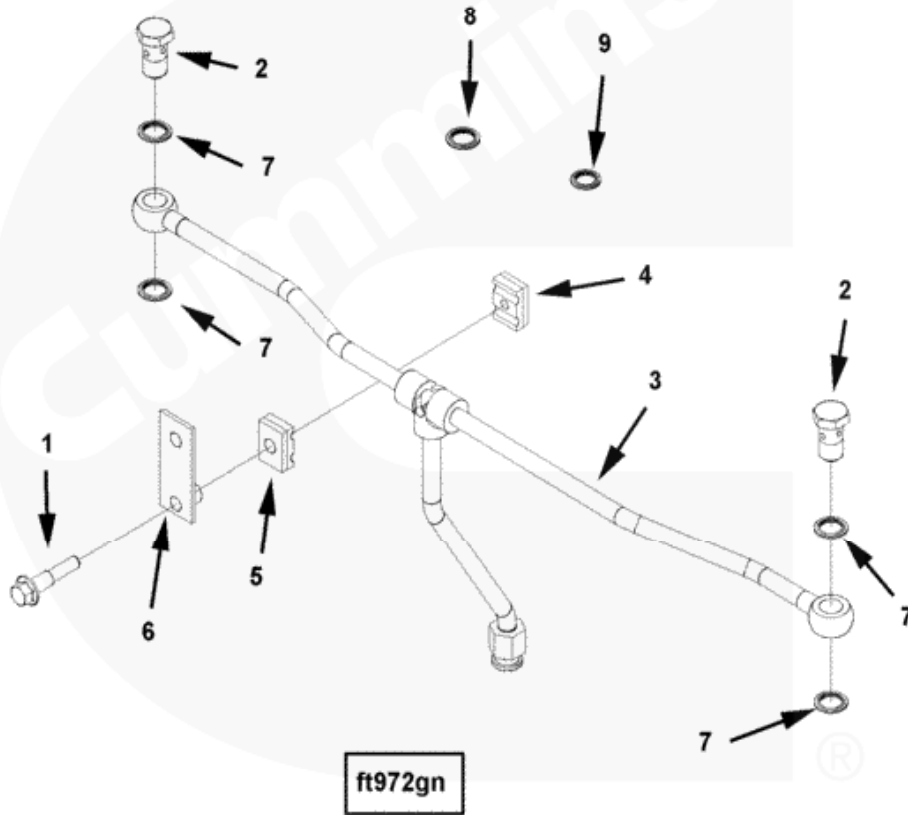


Ref No	Part Number	Part Description	Req	Remarks
	FT50017	Fuel Plumbing		Fuel plumbing
1	4096470	Tube, Fuel Transfer	1	

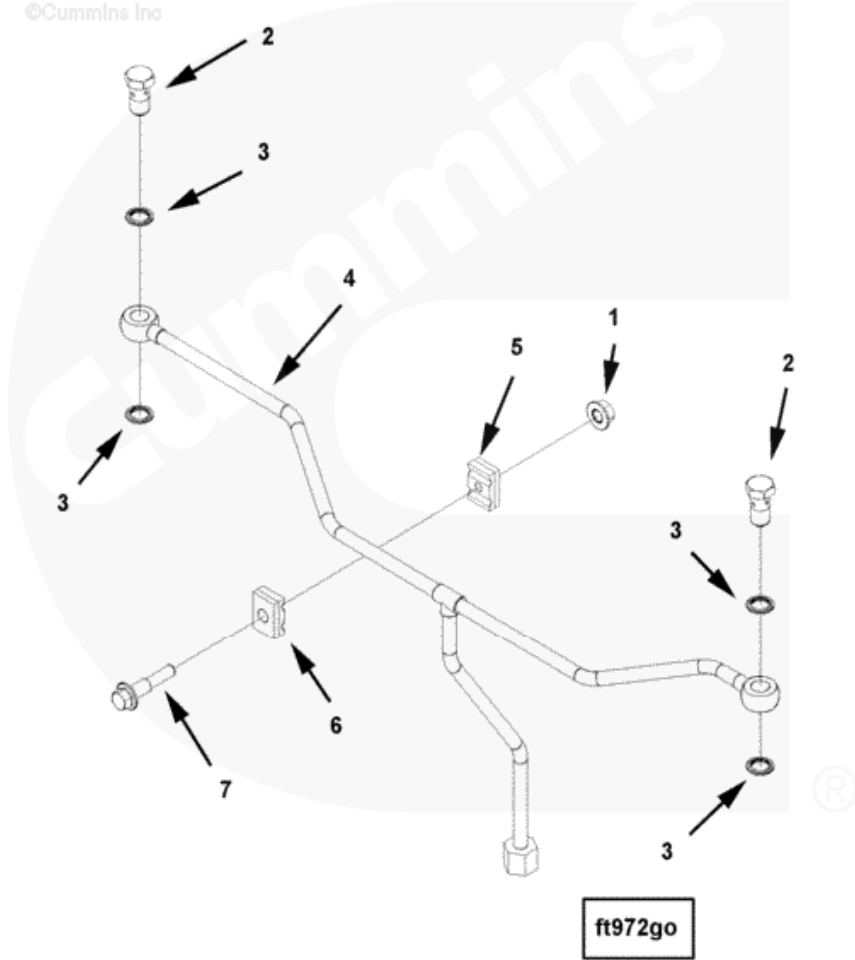
©Cummins Inc



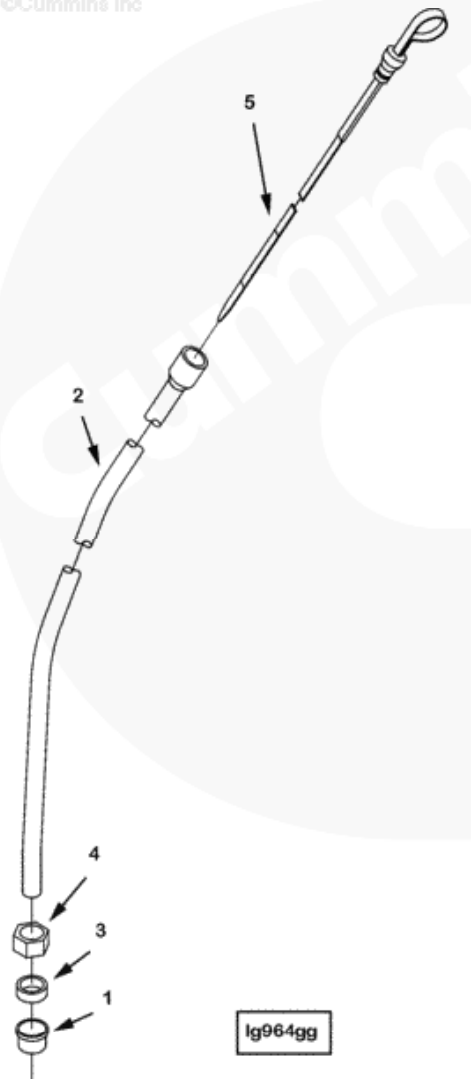
Ref No	Part Number	Part Description	Req	Remarks
	FT50023	Fuel Plumbing		Fuel plumbing...(More) for qsk23 bof engines for service. Not to be used for production.
1	4095896	Seal, O Ring	1	
2	4096182	Elbow, Plain Adapter	1	



Ref No	Part Number	Part Description	Req	Remarks
	FT50024-01	Fuel Plumbing		Fuel plumbing
1	3089232	Screw, Hex Flange Head Cap	1	M10 x 1.50 x 45
2	3093598	Screw, Banjo Connector	2	
3	4095609	Tube, Fuel Supply	1	
4	4095617	Clamp, Tube	1	
5	4095618	Clamp, Tube	1	
6	4095625	Plate, Clamping	1	
7	4095639	Washer, Sealing	4	
8	4975530	Washer, Sealing	4	
9	4975529	Washer, Sealing	4	



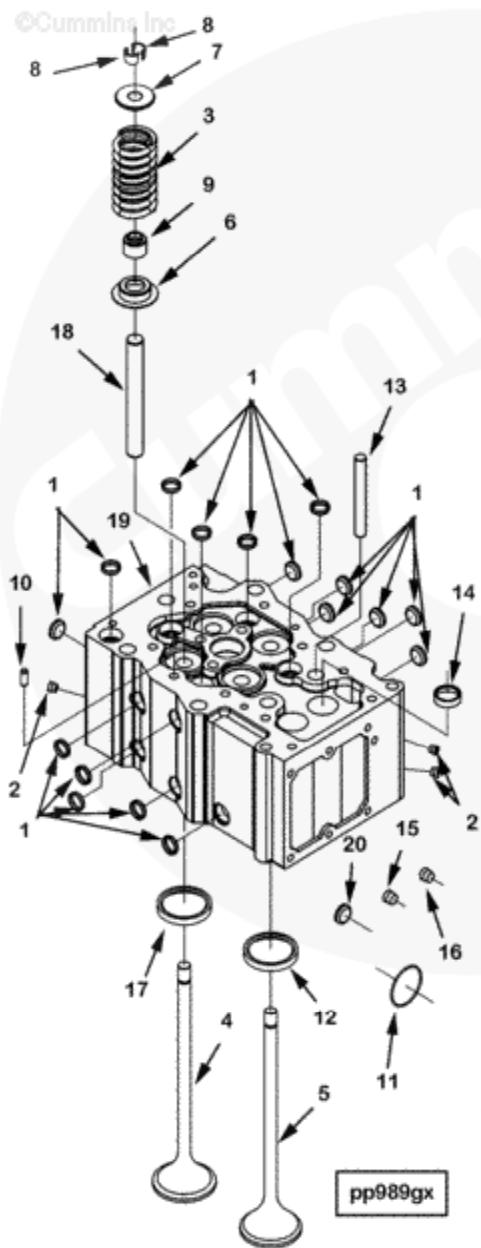
Ref No	Part Number	Part Description	Req	Remarks
	FT50025-01	Fuel Plumbing		Fuel plumbing
1	3093828	Nut, Hexagon Flange	1	M10 x 1.50
2	3094020	Screw, Banjo Connector	2	
3	4975529	Washer, Sealing	4	
4	4095611	Tube, Fuel Supply	1	
5	4095623	Clamp, Tube	1	
6	4095624	Clamp, Tube	1	
7	4096255	Screw, Hex Flange Head Cap	1	



Ref No	Part Number	Part Description	Req	Remarks
	LG50005	GAUGE,OIL LEVEL		
1	4095540	Bushing	1	
2	4095984	Tube, Oil Gauge	1	
3	4096234	Collar, Shaft	1	
4	4096235	Nut, Hexagon Flange	1	
5	4096288	Dipstick	1	

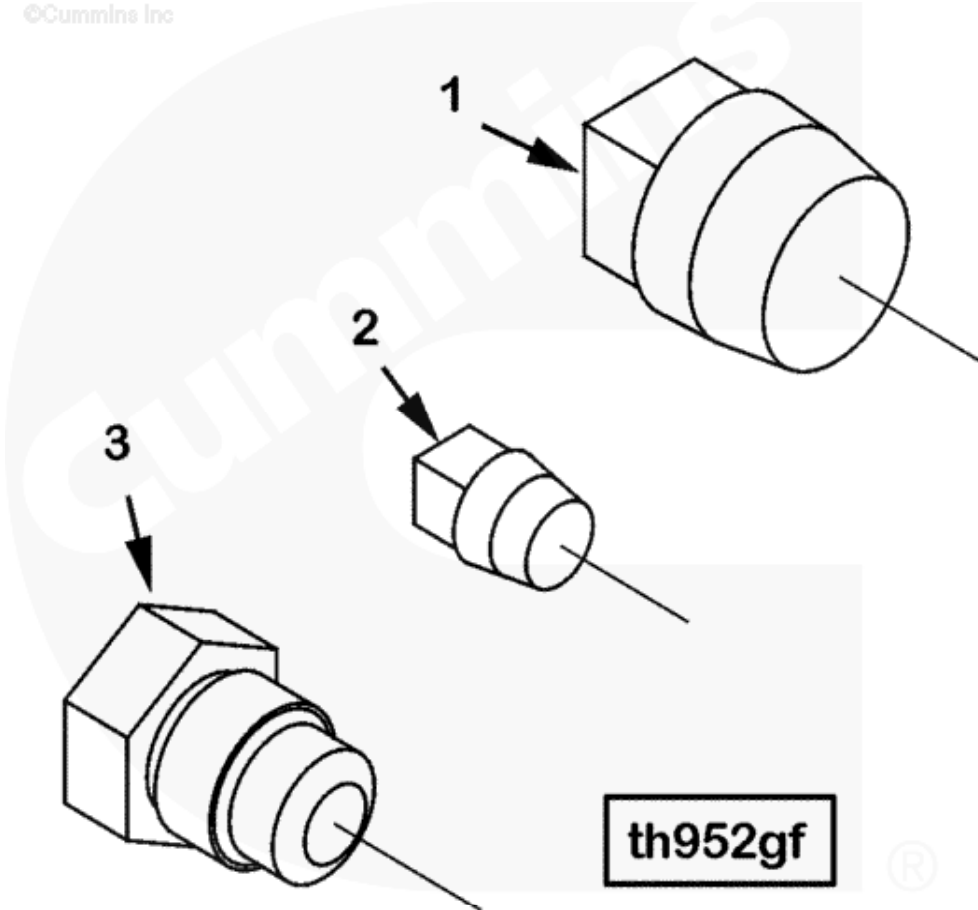
Ref No	Part Number	Part Description	Req	Remarks
	PP50010	HEAD,CYLINDER		
	4096555	Head, Cylinder	6	
	3092396	Plug, Expansion	17	
	3093827	Plug, Pipe	3	
	3639621	Spring, Valve	4	
	4007179	Valve, Intake	2	
	4007180	Valve, Exhaust	2	
	4007182	Plate, Valve Spring Wear	4	
	4007183	Retainer, Valve Spring	4	
	4007184	Retainer, Valve Spring	8	
	4007185	Seal, Valve Stem	4	
	4096556	Head, Cylinder	1	
	3092396	Plug, Expansion	17	
	3093784	Dowel, Pin	2	
	3093817	Seal, O Ring	2	
	3093827	Plug, Pipe	3	
	3863363	Plug, Pipe	1	
	4006184	Insert, Valve	2	
	4006186	Guide, Valve Crosshead	2	
	4095439	Sleeve	2	
	4095905	Plug, Pipe	1	
	4095909	Plug, Pipe	3	
	4095988	Insert, Valve	2	
	4096488	Guide, Valve Stem	4	
	4096557	Head, Cylinder	1	

4096558	Plug, Threaded	1
4096658	Head, Cylinder	1
3092396	Plug, Expansion	16
3093817	Seal, O Ring	2
3093827	Plug, Pipe	3
4006184	Insert, Valve	2
4095439	Sleeve	2
4095909	Plug, Pipe	3
4095988	Insert, Valve	2
4096488	Guide, Valve Stem	4
4096557	Head, Cylinder	1
4096558	Plug, Threaded	1
4982956	Plug, Pipe	1
4006200	Screw, Twelve Point Cap	42
4006201	Screw, Twelve Point Cap	12
4095440	Gasket, Cylinder Head	6
4095943	Seal, Grommet	4
4095944	Seal, Grommet	1
4095945	Seal, Grommet	1
4095946	Seal, Grommet	7
4095981	Seal, Grommet	1

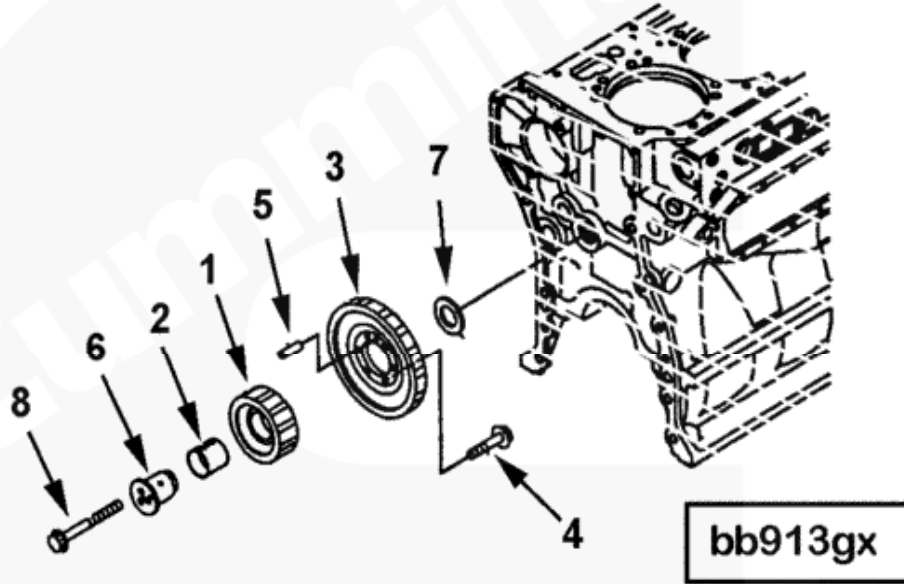


Ref No	Part Number	Part Description	Req	Remarks
	PP50010	HEAD,CYLINDER		
	4096555	Head, Cylinder (tla)	6	
1	3092396	Plug, Expansion	17	
2	3093827	Plug, Pipe	3	1/8 NPTF
3	3639621	Spring, Valve	4	

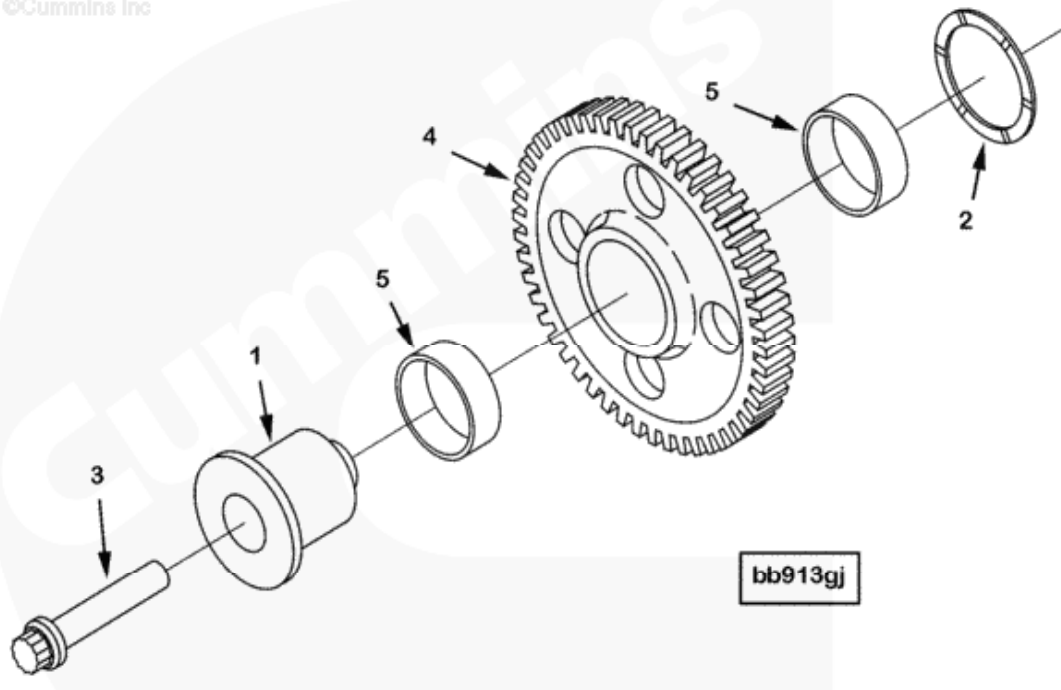
4	4007179	Valve, Intake	2	
5	4007180	Valve, Exhaust	2	
6	4007182	Plate, Valve Spring Wear	4	
7	4007183	Retainer, Valve Spring	4	
8	4007184	Retainer, Valve Spring	8	
9	4007185	Seal, Valve Stem	4	
	4096556	Head, Cylinder	1	
1	3092396	Plug, Expansion	17	
10	3093784	Dowel, Pin	2	
11	3093817	Seal, O Ring	2	
2	3093827	Plug, Pipe	3	1/8 NPTF
12	4006184	Insert, Valve	2	
13	4006186	Guide, Valve Crosshead	2	
14	4095439	Sleeve	2	
15	4095905	Plug, Pipe	1	
16	4095909	Plug, Pipe	3	
17	4095988	Insert, Valve	2	
18	4096488	Guide, Valve Stem	4	
19	4096557	Head, Cylinder	1	
20	4096558	Plug, Expansion	6	
1	3092396	Plug, Expansion	96	
10	3093784	Dowel, Pin	12	
15	4095905	Plug, Pipe	6	
16	4095909	Plug, Pipe	18	



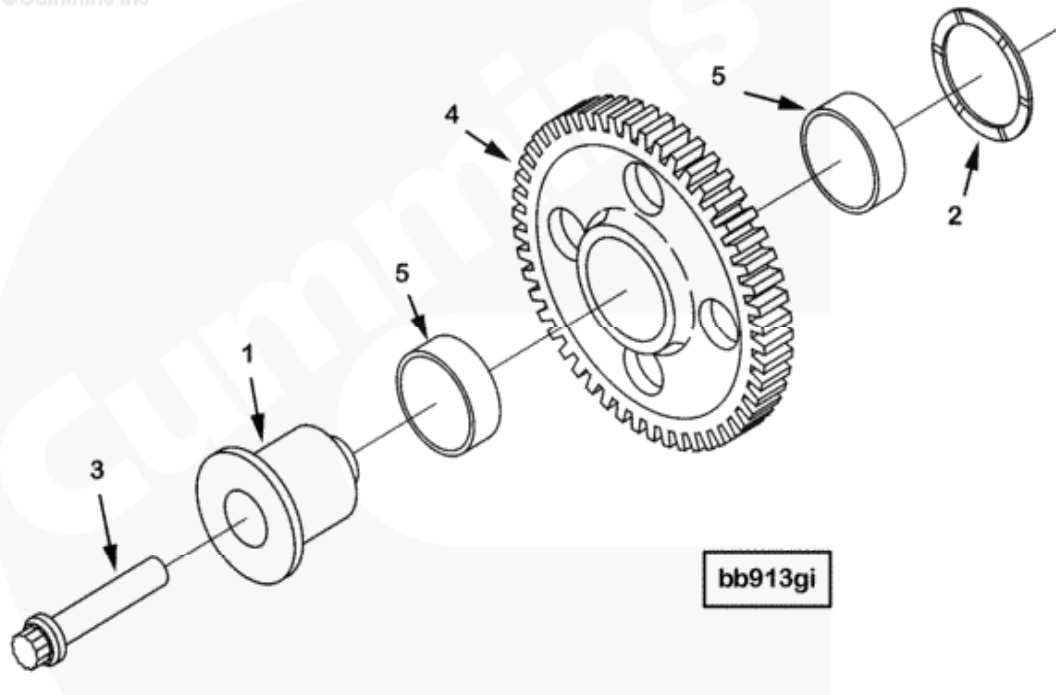
Ref No	Part Number	Part Description	Req	Remarks
	TH50005-01	HOUSING,THERMOSTAT		
1	3863339	Plug, Pipe	1	
2	4095956	Plug, Pipe	2	
3	4096030	Plug, Threaded	1	



Ref No	Part Number	Part Description	Req	Remarks
	BB50009-01	Idler,Gears		
	4096764	Gear, Idler	1	
1	4096328	Gear, Idler	1	
2	4096765	Bushing	1	
3	4095473	Gear, Idler	1	
4	4095849	Screw, Twelve Point Cap	6	
5	3093731	Dowel, Pin	1	
6	4096710	Shaft, Idler	1	
7	4096709	Retainer, Gear	1	
8	4095560	Screw, Hexagon Head Cap	3	



Ref No	Part Number	Part Description	Req	Remarks
	BB50010	Idler,Gears		
1	4095477	Shaft, Idler	1	
2	4095478	Retainer, Gear	1	
3	4095851	Screw, Twelve Point Cap	1	
	4095929	Gear, Idler	1	
4	4095475	Gear, Idler	1	
5	4095479	Bushing	2	



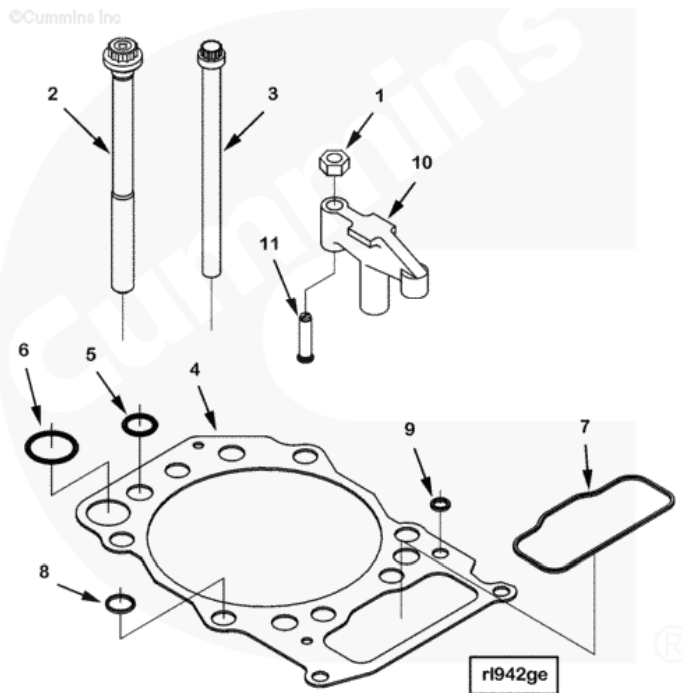
Ref No	Part Number	Part Description	Req	Remarks
	BB50011	Idler,Gears		
1	4095477	Shaft, Idler	1	
2	4095478	Retainer, Gear	1	
3	4095851	Screw, Twelve Point Cap	1	
	4095930	Gear, Idler	1	
4	4095474	Gear, Idler	1	
5	4095479	Bushing	2	

Ref No	Part Number	Part Description	Req	Remarks
		\$Set, Lower Engine Gasket		
	4089361	Set, Lower Engine Gasket	1	
	3093809	Seal, O Ring	1	
	3094281	Gasket, Cover Plate	1	
	3918192	Washer, Sealing	10	M14
	4095467	Gasket, Cover Plate	1	
	4095468	Gasket, Cover Plate	1	
	4095471	Seal, Dust	1	
	4095483	Gasket, Starter	1	
	4095502	Gasket, Starter	2	
	4095534	Grommet	4	
	4095537	Gasket	1	
	4095551	Gasket, Lub Oil Fill Cover	1	
	4095564	Gasket, Camshaft Cover	6	
	4095580	Seal, Oring	2	
	4095607	Gasket, Fuel Pump	1	
	4095613	Seal, O-ring	1	
	4095614	Seal, Oring	1	
	4095615	Seal, Oring	1	
	4095639	Washer, Sealing	4	M16
	4095789	Seal, Oil	1	
	4095892	Seal, Oring	1	
	4095893	Seal, Oring	1	
	4095896	Seal, Oring	1	
	4095947	Seal, Oring	1	
	4096011	Packing	24	

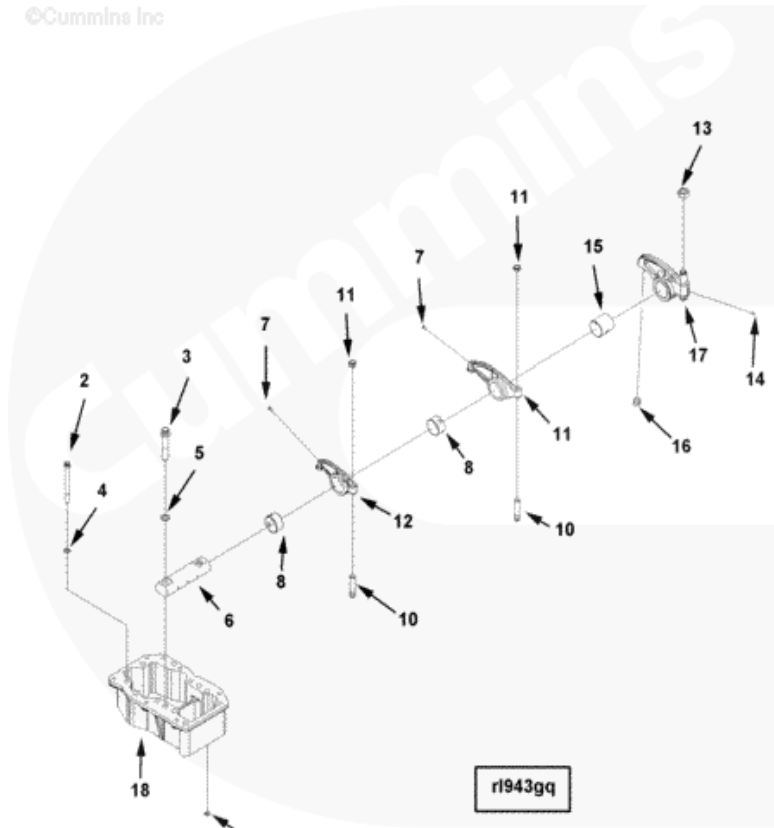
4089367	Set, Lub Oil Cooler		
4068309	Seal, Oring	8	
4095520	Gasket, Lube Oil Clr Cover	2	
4095523	Gasket, Oil Cooler Core	4	
4095524	Thermostat	2	
4095526	Seal, Thermostat	2	
4095541	Seal, Oring	4	
4095542	Seal, Oring	2	
4095898	Seal, Oring	2	

Ref No	Part Number	Part Description	Req	Remarks
		\$Set, Upper Engine Gasket		
	4089360	Set, Upper Engine Gasket	1	
	4089360	Set, Upper Engine Gasket	1	
	3092399	Seal, Thermostat	2	
	3092399	Seal, Thermostat	2	
	3093964	Seal, O Ring	6	
	3093964	Seal, O Ring	6	
	3094065	Washer, Sealing	12	
	3094065	Washer, Sealing	12	
	3347937	Seal, O Ring	6	Green
	3347937	Seal, O Ring	6	Green
	3347939	Seal, O Ring	6	Black
	3347939	Seal, O Ring	6	Black
	3867651	Seal, O Ring	6	Brown
	3867651	Seal, O Ring	6	Brown
	3867687	Seal, Injector	6	
	3867687	Seal, Injector	6	
	3918192	Washer, Sealing	6	M14
	3918192	Washer, Sealing	6	M14
	4006217	Gasket, rocker cover	6	
	4006217	Gasket, rocker cover	6	
	4006239	Washer,sealing, rkr cover	36	
	4006239	Washer,sealing, rkr cover	36	
	4010577	Seal, O Ring	6	Blue
	4010577	Seal, O Ring	6	Blue

4095440	Gasket, Cylinder Head	6
4095440	Gasket, Cylinder Head	6
4095443	Gasket, Intake Manifold	6
4095443	Gasket, Intake Manifold	6
4095453	Gasket, Exhaust Manifold	6
4095453	Gasket, Exhaust Manifold	6
4095467	Gasket, Cover Plate	1
4095467	Gasket, Cover Plate	1
4095546	Gasket, Cover Plate	1
4095546	Gasket, Cover Plate	1
4095558	Gasket, Thermostat Housing	1
4095558	Gasket, Thermostat Housing	1
4095681	Gasket, Connection	1
4095681	Gasket, Connection	1
4095682	Gasket, Connection	1
4095682	Gasket, Connection	1
4095950	Seal, Oring	2
4095950	Seal, Oring	2
4095974	Gasket, Turbocharger	1
4095974	Gasket, Turbocharger	1



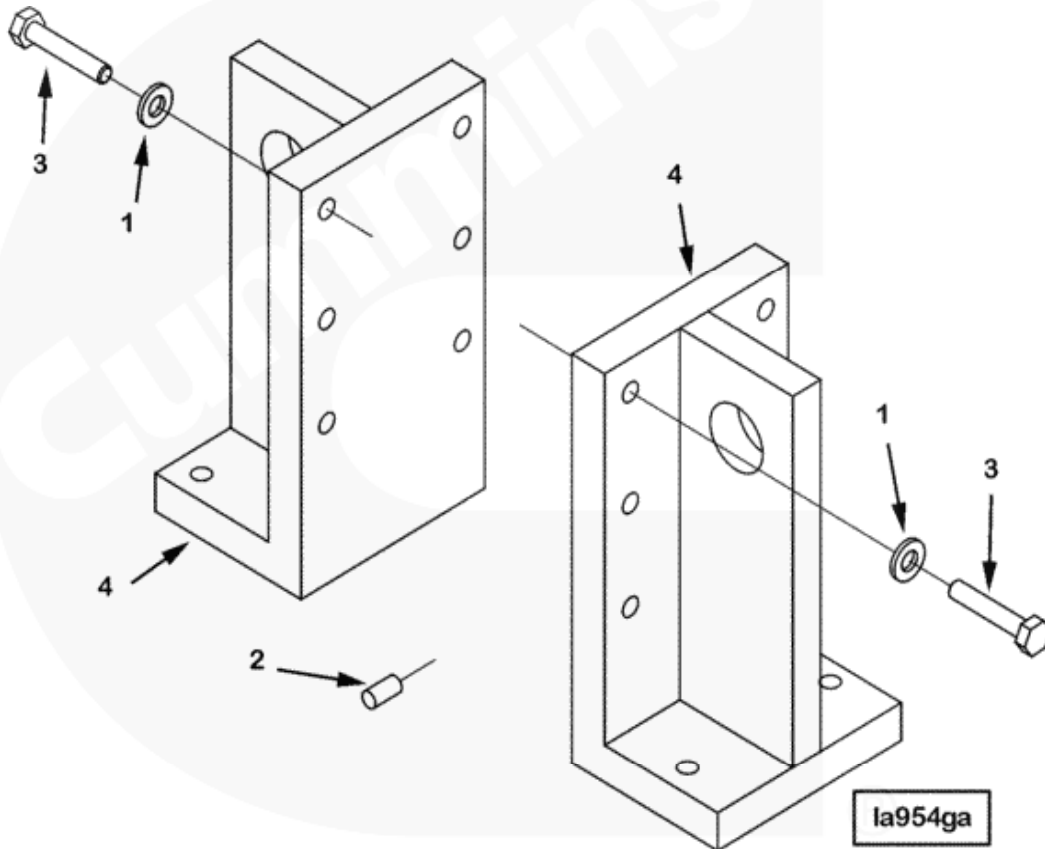
Ref No	Part Number	Part Description	Req	Remarks
	RL50003	LEVER,ROCKER		
1	3092408	Nut, Regular Hexagon	12	M10 x 1.25.
2	4006200	Screw, Twelve Point Cap	42	
3	4006201	Screw, Twelve Point Cap	12	
4	4095440	Gasket, Cylinder Head	6	
5	4095943	Seal, Grommet	4	
6	4095944	Seal, Grommet	1	
7	4095945	Seal, Grommet	1	
8	4095946	Seal, Grommet	7	
9	4095981	Seal, Grommet	1	
10	4095441	Crosshead, Valve	12	
11	4095442	Screw, Crosshead Adjusting	12	



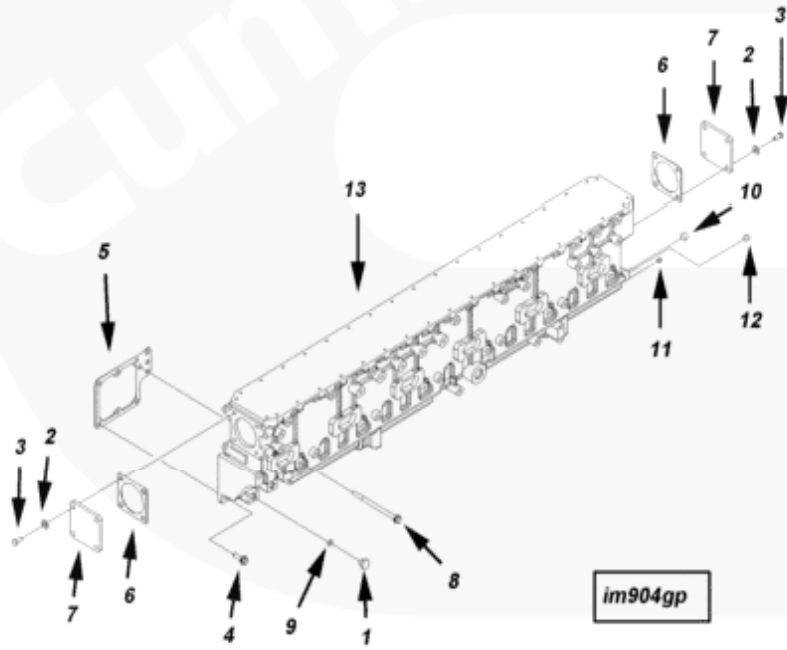
Ref No	Part Number	Part Description	Req	Remarks
	RL50004	Rocker Lever		Rocker lever
1	3093964	Seal, O Ring	12	
2	3094523	Screw, Twelve Point Cap	60	
3	4006276	Screw, Twelve Point Cap	12	
4	4096808	Washer, Plain	60	
5	4007723	Washer, Plain	12	
6	4007889	Shaft, Rocker Lever	6	
	4095967	Lever, Rocker	6	Exhaust
	4006209	Lever, Rocker	1	

7	4006265	Rivet	1	
8	4006266	Bushing	1	
9	4006268	Lever, Rocker	1	
10	4006269	Screw, Rkr Lever Adjusting	1	
11	4006270	Nut, Regular Hexagon Jam	1	
	4095968	Lever, Rocker	6	Intake
	4006208	Lever, Rocker	1	
7	4006265	Rivet	1	
8	4006266	Bushing	1	
12	4006267	Lever, Rocker	1	
10	4006269	Screw, Rkr Lever Adjusting	1	
11	4006270	Nut, Regular Hexagon Jam	1	
	4096490	Lever, Rocker	1	Injector
13	4006212	Nut, Regular Hexagon	1	
	4096491	Lever, Rocker	1	
14	3092407	Rivet	2	
15	4006272	Bushing	1	
16	4006273	Socket, Rocker Lever	1	
17	4096492	Lever, Rocker	1	
18	4095505	Housing, Rocker Lever	6	

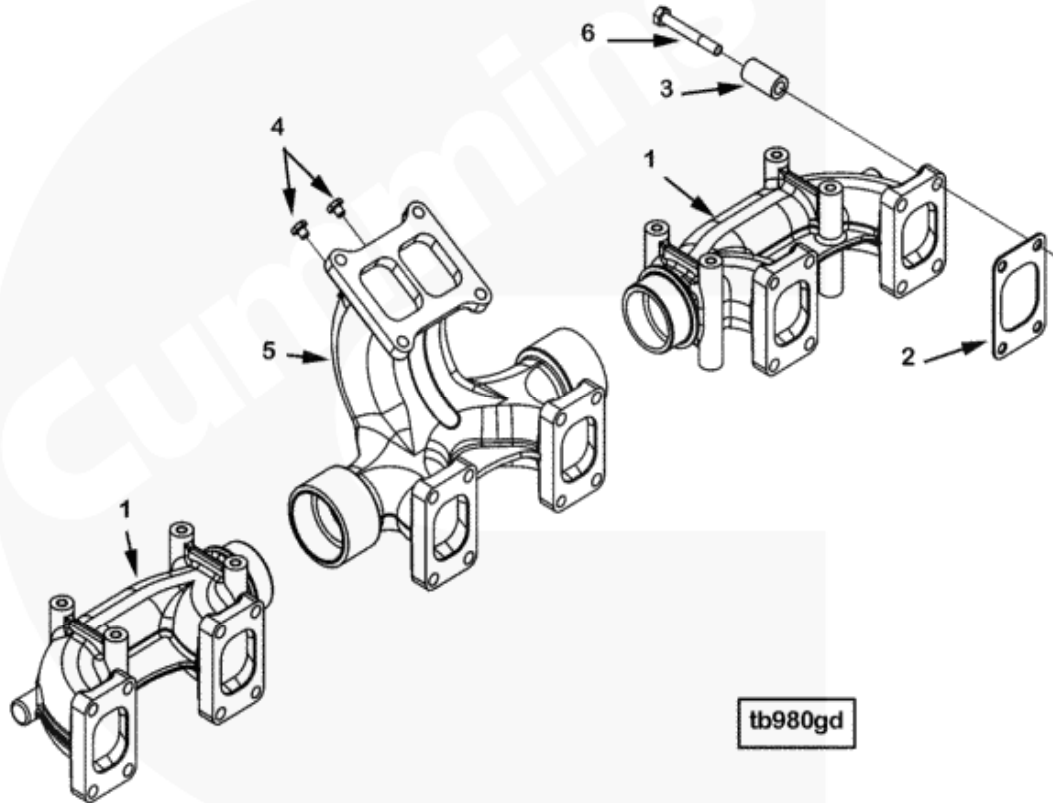
©Cummins Inc



Ref No	Part Number	Part Description	Req	Remarks
	LA50006	Lifting Arrangement		Lifting arrangement
1	3093843	Washer, Plain	8	
2	3093970	Dowel, Pin	4	
3	4095802	Screw, Hexagon Head Cap	8	
4	4095972	Support, Flywheel Housing	2	

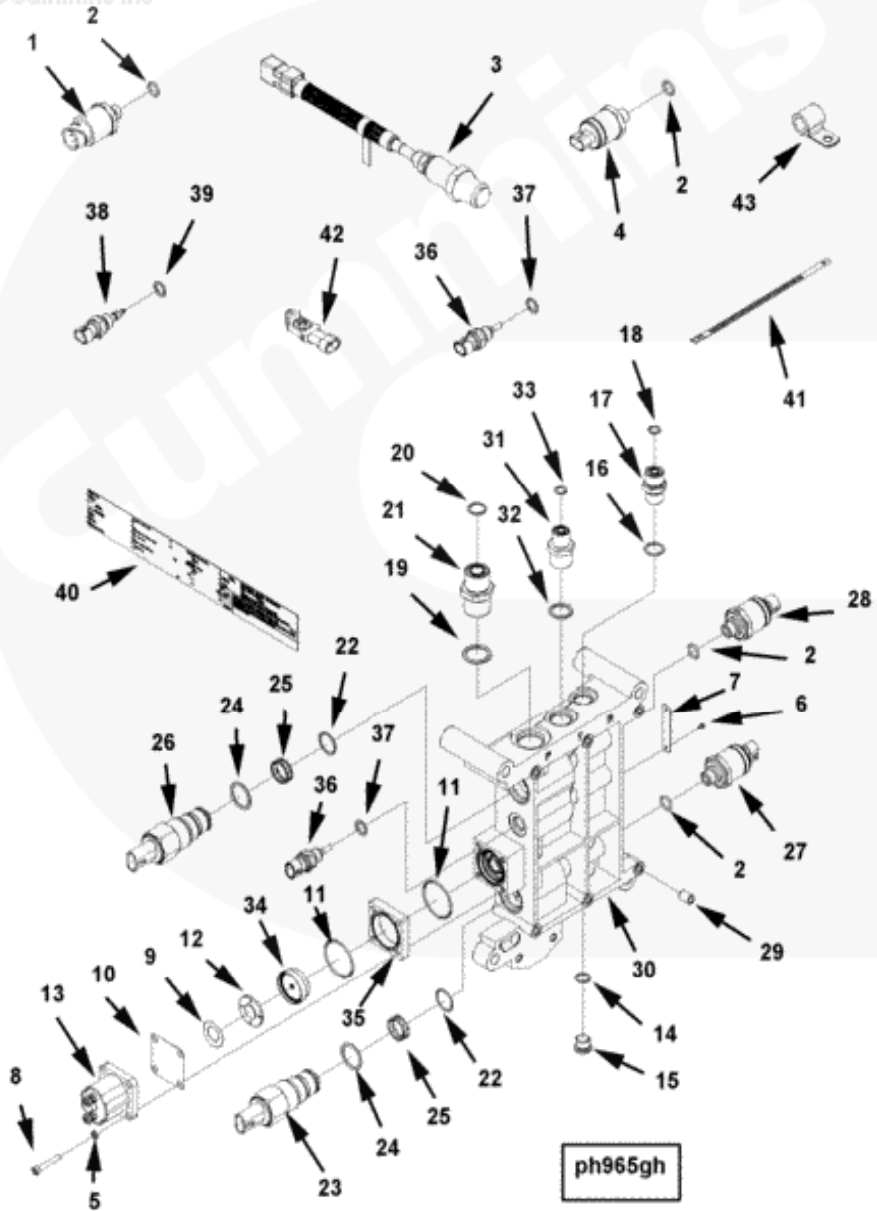


Ref No	Part Number	Part Description	Req	Remarks
	IM50010-01	MANIFOLD,AIR INTAKE		
1	3093862	Plug, Threaded	2	
2	3335076	Washer, Bevel	8	M10
3	3864066	Screw, Hexagon Head Cap	8	
4	3925344	Screw, Hex Flange Head Cap	17	M10 x 1.50 x 30
5	4095443	Gasket, Intake Manifold	6	
6	4095445	Gasket, Intake Manifold	2	
7	4095446	Plate, Cover	2	
8	4095848	Screw, Hex Flange Head Cap	24	
9	4095895	Seal, O Ring	2	
	4096439	Manifold, Air Intake	1	
10	3093821	Plug, Pipe	2	
11	3093827	Plug, Pipe	2	
12	4095909	Plug, Pipe	2	
13	4096062	Manifold, Air Intake	1	



Ref No	Part Number	Part Description	Req	Remarks
	TB50008	MANIFOLD,EXHAUST		
1	4095451	Manifold, Exhaust	2	
2	4095453	Gasket, Exhaust Manifold	6	
3	4095533	Spacer, Mounting	24	
4	4095555	Plug, Threaded	2	
5	4095734	Manifold, Exhaust	1	
6	4095935	Screw, Hexagon Head Cap	24	

©Cummins Inc

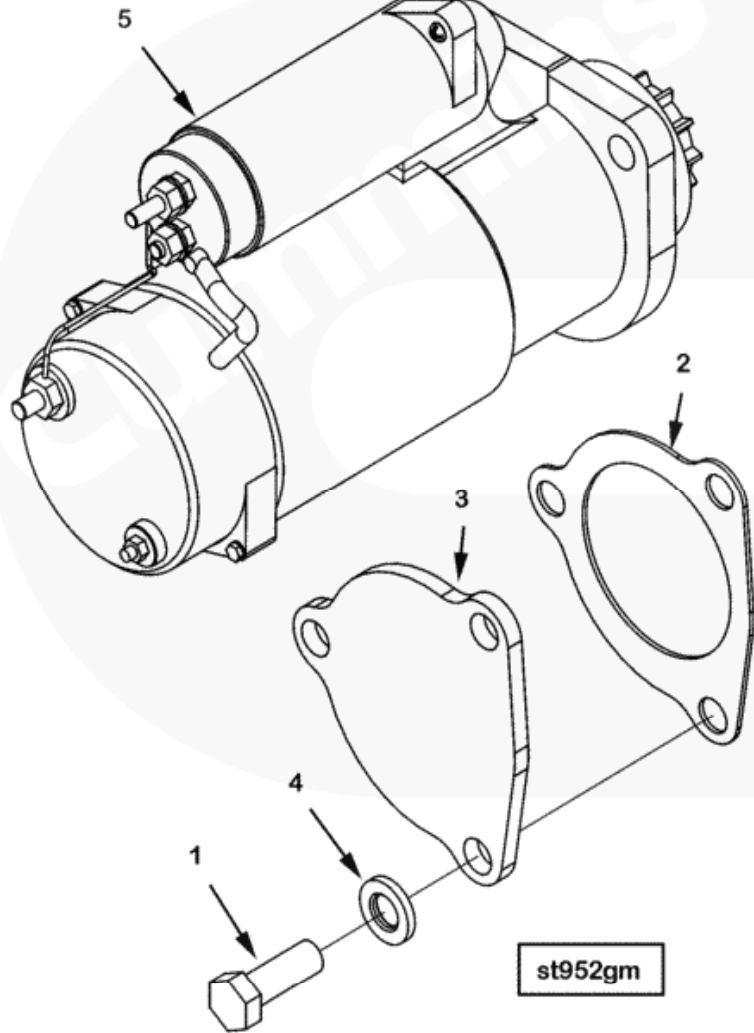


Ref No	Part Number	Part Description	Req	Remarks
	PH50018-01	MODULE,ENGINE CONTROL		
1	2872254	Sensor, Pressure	1	Intake air.
2	3330202	Seal, O Ring	1	
3	2872359	Sensor, Speed	1	Flywheel.
	3408587	Sensor, Pressure	2	Oil.
2	3330202	Seal, O Ring	1	
4	3408588	Sensor, Pressure	1	
	4062098	Valve, Etr Cnt Pressure	1	
5	S 607	Washer, Lock	4	#10.
6	S 2286	Screw, Drive	2	
7	105375	Nameplate	1	
8	118226	Screw, Socket Head Cap	4	#10 - 24 X 1 1/4 Inch.
9	129768	Spring, Valve	1	
10	129839	Shield, Shutoff Valve	1	
11	129888	Seal, Rectangular Ring	2	
12	196057	Disc, Valve	1	
13	3021420	Solenoid	1	
	3037536	Plug, Threaded	2	9/16 - 18 UNF
14	3037537	Seal, O Ring	1	
15	3040813	Plug, Threaded	1	
	3081952	Union, Male	1	
16	3046201	Seal, O Ring	1	
17	3085825	Union, Male	1	
18	3922794	Seal, O Ring	1	
	3081956	Union, Male	1	

19	3046943	Seal, O Ring	1	
20	3076102	Seal, O Ring	1	
21	3085829	Union, Male	1	
	3347905	Actuator, Etr Fuel Control	1	
22	3042542	Seal, O Ring	1	
23	3348440	Actuator, Etr Fuel Control	1	
24	3865398	Seal, O Ring	1	
25	3867393	Screen, Filter	1	
	3347907	Actuator, Etr Fuel Control	1	
22	3042542	Seal, O Ring	1	
26	3348442	Actuator, Etr Fuel Control	1	
24	3865398	Seal, O Ring	1	
25	3867393	Screen, Filter	1	
	3408583	Sensor, Pressure	1	Fuel rail.
2	3330202	Seal, O Ring	1	
27	3408584	Sensor, Pressure	1	
	3408585	Sensor, Pressure	1	Timing rail.
2	3330202	Seal, O Ring	1	
28	3408586	Sensor, Pressure	1	
	4010042	Body, Control Valve	1	
29	113759	Insert, Threaded	6	
30	4010041	Body, Control Valve	1	
	4062097	Union, Male	1	
31	4062096	Union, Male	1	
32	4062369	Seal, O Ring	1	
33	4062370	Seal, O Ring	1	

34	4088274	Disc, Actuator	1	
35	4088863	Housing, Actuator	1	
36	4954905	Sensor, Temperature	2	Coolant or Oil or Fuel
37	4010519	Seal, O Ring	1	
	4088832	Sensor, Temperature	1	Coolant or Intake Manifold
37	4010519	Seal, O Ring	1	
38	4088833	Sensor, Temperature	1	Coolant or Intake Manifold
39	4921574	Seal, O Ring	1	
40	4096088	Dataplate	1	
41	4096770	Clamp, Wire Tie	4	
42	4902720	Sensor, Pressure	1	Ambient air.
43	4994242	Clip	4	

©Cummins Inc



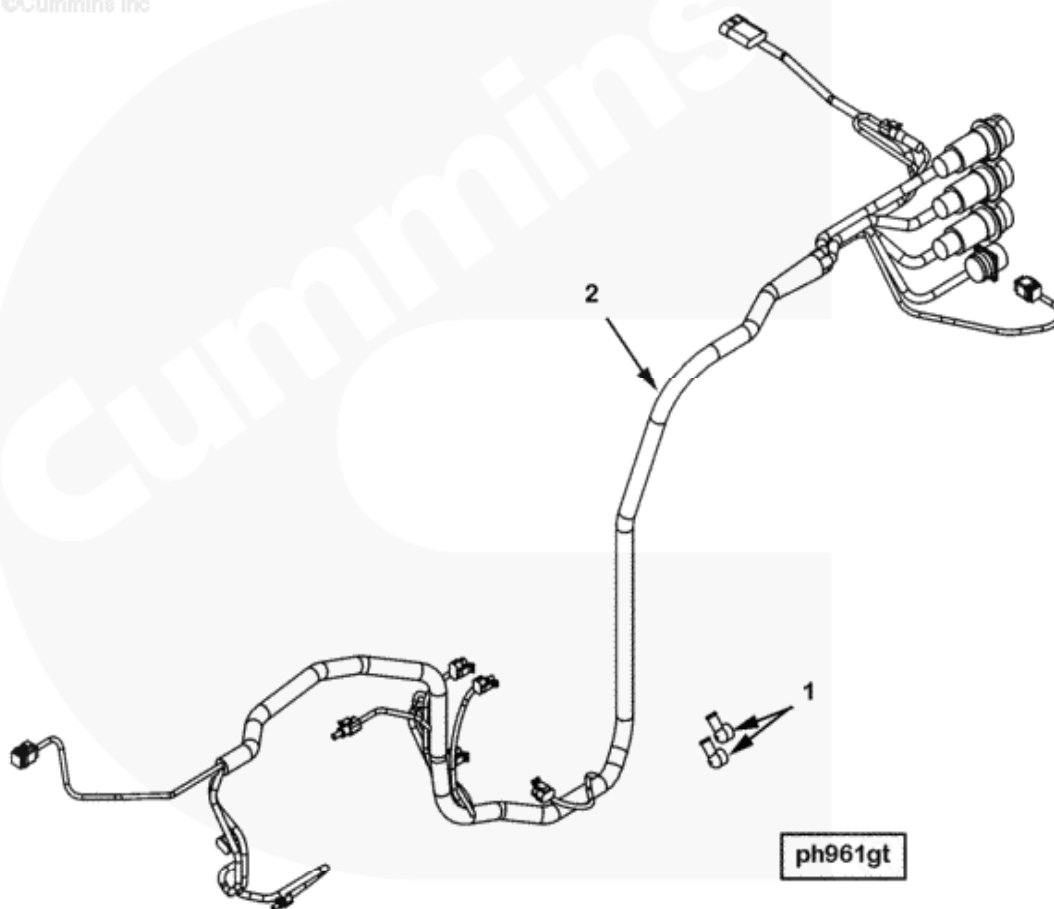
Ref No	Part Number	Part Description	Req	Remarks
	ST50004	MOTOR,STARTING		
1	3093760	Screw, Hexagon Head Cap	6	
2	3864194	Gasket, Starter	2	
3	4095503	Cover, Starter Flange	1	
4	4095866	Washer, Plain	6	
5	4096443	Motor, Starting	1	

Ref No	Part Number	Part Description	Req	Remarks
	EH50012-01	MOUNTING,ALTERNATOR		
	4096014	Bracket, Connection	1	
	4096714	Screw, Captive Washer Cap	4	

Ref No	Part Number	Part Description	Req	Remarks
	EH50013-01	MOUNTING,ALTERNATOR		
	3093502	Pin, Adjusting Link Pivot	1	
	3863139	Nut, Regular Hexagon	1	
	4095496	Belt, V Ribbed	1	
	4095497	Pulley, Accessory Drive	1	
	4096015	Spacer, Mounting	2	
	4096043	Plate, Pivot	1	
	4096713	Screw, Captive Washer Cap	8	
	4096728	Screw, Captive Washer Cap	1	
	4096732	Screw, Captive Washer Cap	2	

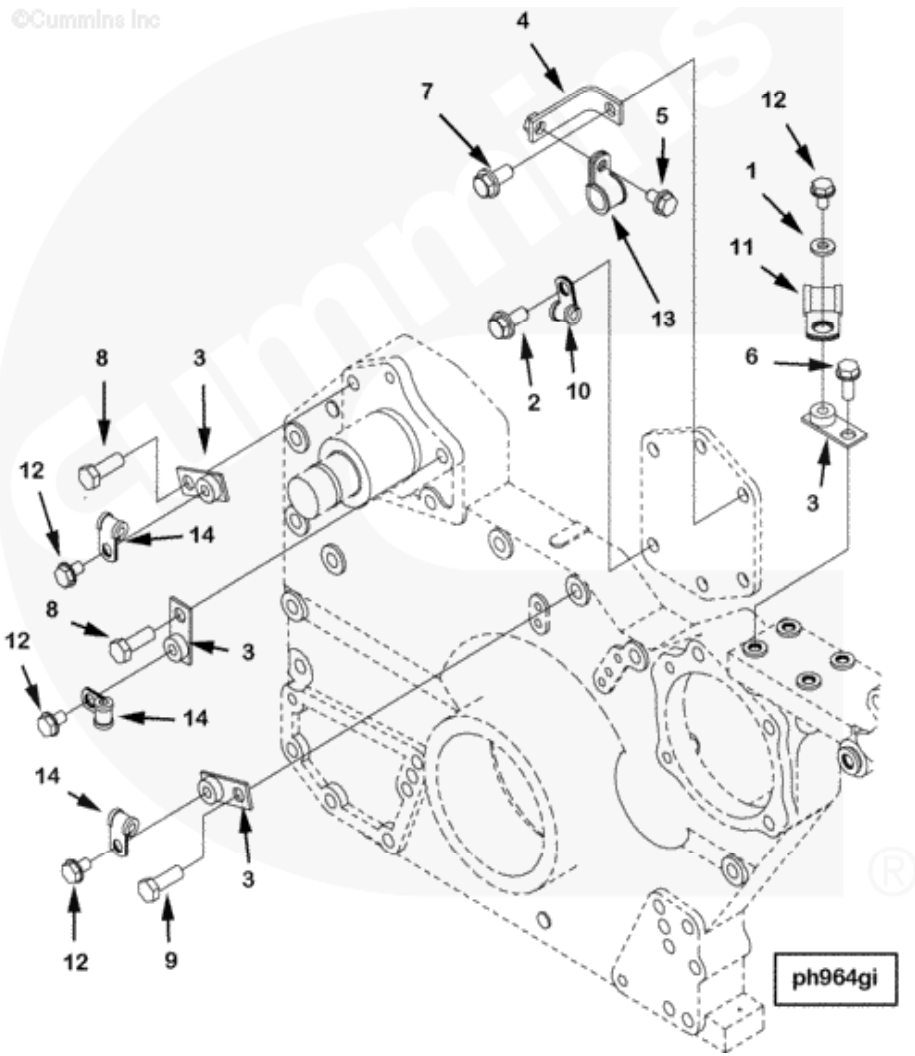
Ref No	Part Number	Part Description	Req	Remarks
	PH50022-01	MOUNTING,ENG CNT MODULE		
	3093799	Washer, Plain	1	
	4068573	Bracket, Cable	1	
	4095934	Screw, Hexagon Head Cap	1	
	4096712	Screw, Captive Washer Cap	1	
	4989136	Clip	1	

©Cummins Inc

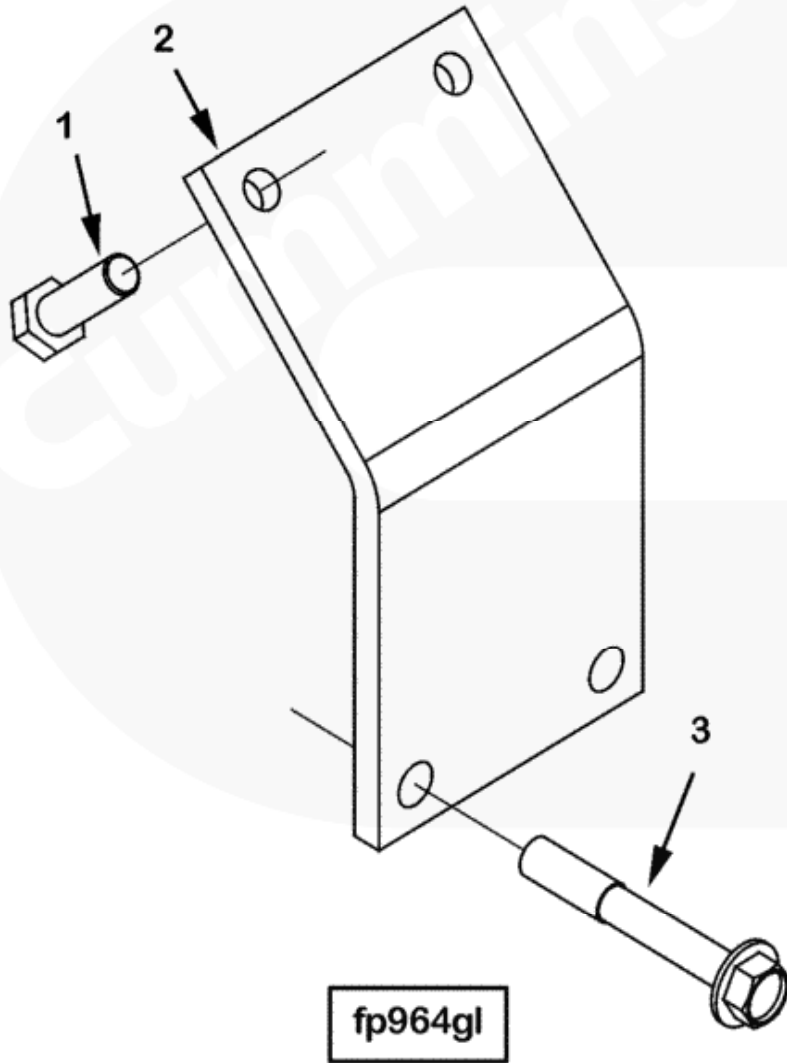


Ref No	Part Number	Part Description	Req	Remarks
	PH50025	MOUNTING,ENG CNT MODULE		
1	4095927	Boot, Electrical Terminal	2	
2	4096434	Harness, Wiring	1	

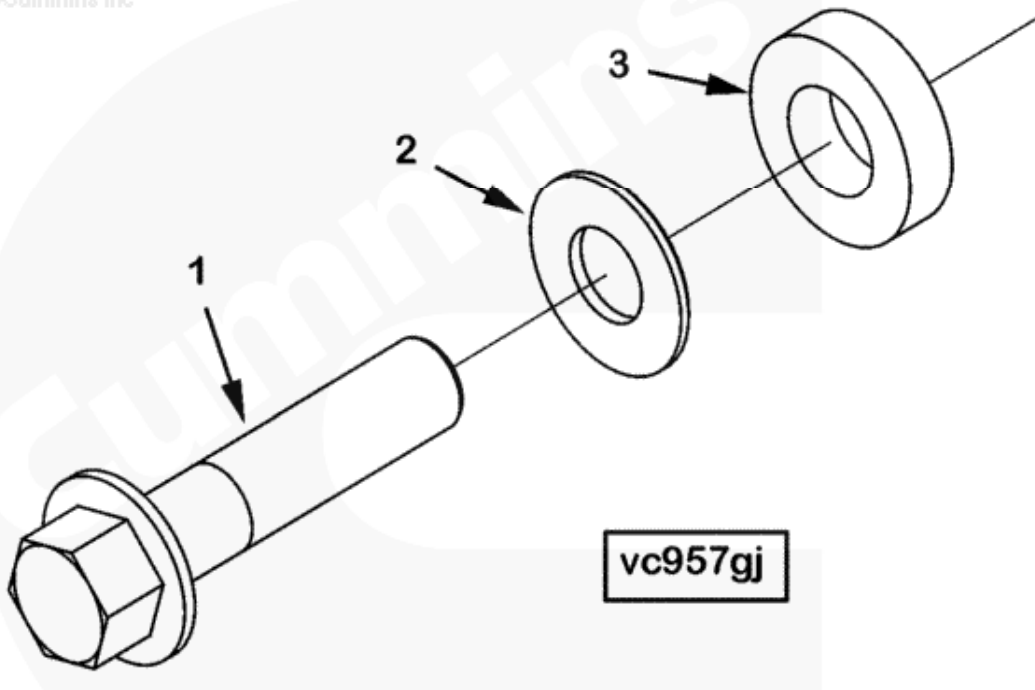
Ref No	Part Number	Part Description	Req	Remarks
	PH50035-01	MOUNTING,ENG CNT MODULE		Engine control module...(More) mounting for qsk23 bof engines for service. Not to be used for production
	3635820	Harness, Wiring	1	



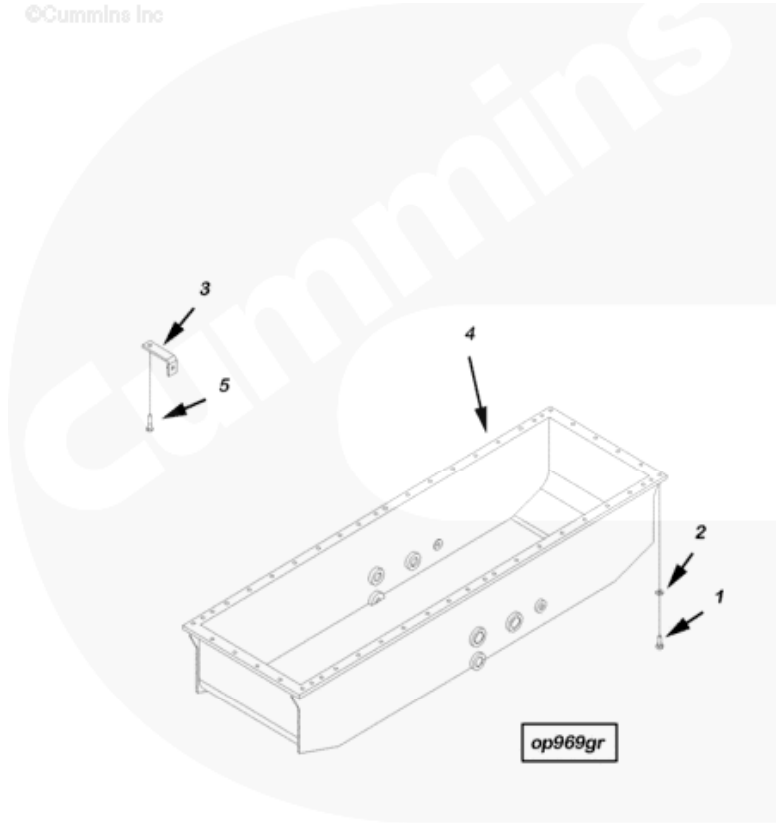
Ref No	Part Number	Part Description	Req	Remarks
	PH50038-01	MOUNTING,ENG CNT MODULE		
1	3093799	Washer, Plain	1	
2	3863730	Screw, Hex Flange Head Cap	1	
3	4095680	Bracket, Connection	4	
4	4096292	Bracket, Connection	1	
5	4096712	Screw, Captive Washer Cap	1	
6	4096714	Screw, Captive Washer Cap	1	
7	4096723	Screw, Captive Washer Cap	1	
8	4096724	Screw, Hexagon Head Cap	2	
9	4096731	Screw, Captive Washer Cap	1	
10	4096739	Clip	1	
11	4096741	Clip	1	
12	4096758	Screw, Captive Washer Cap	4	
13	4096834	Clip	1	
14	4989136	Clip	3	



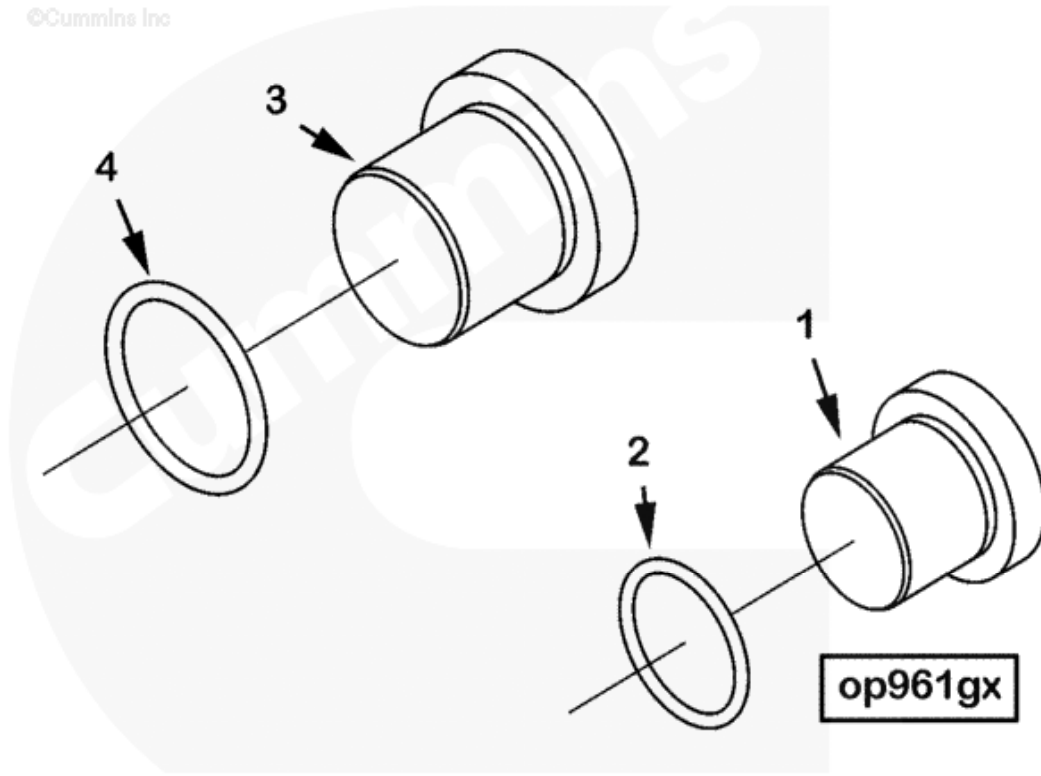
Ref No	Part Number	Part Description	Req	Remarks
	FP50045	MOUNTING,FUEL PUMP		
1	3094817	Screw, Hex Flange Head Cap	2	
2	4095604	Bracket, Pump	1	
3	4096231	Screw, Hex Flange Head Cap	2	



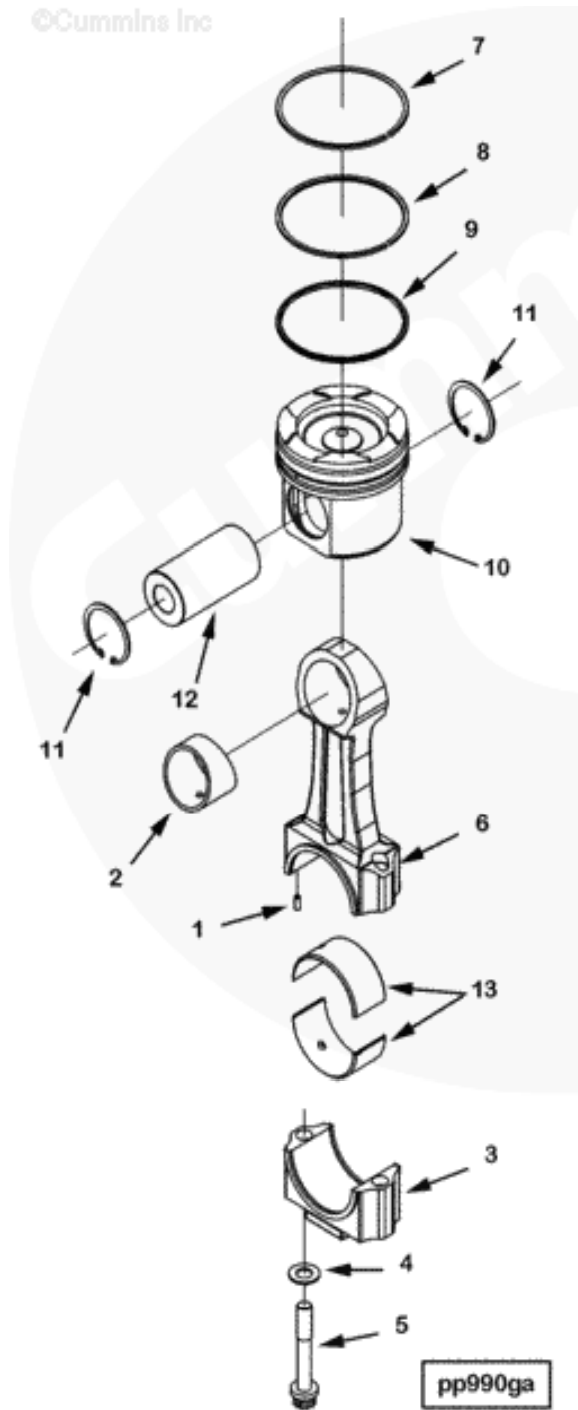
Ref No	Part Number	Part Description	Req	Remarks
	VC50004	MOUNTING, VALVE COVER		
1	3093826	Screw, Hex Flange Head Cap	36	M10 x 1.50 x 45
2	4006239	Washer, Sealing	36	
3	3335076	Washer, Bevel	36	M10



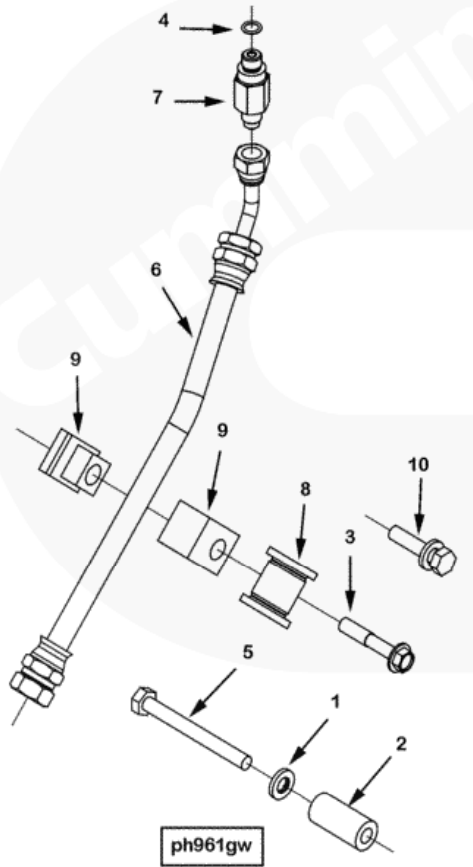
Ref No	Part Number	Part Description	Req	Remarks
	OP50010-01	PAN,OIL		
1	3094508	Screw, Hexagon Head Cap	51	
2	3335076	Washer, Bevel	51	M10
3	4096001	Bracket, Connection	1	
4	4096413	Pan, Oil	1	
5	4096716	Screw, Hexagon Head Cap	1	



Ref No	Part Number	Part Description	Req	Remarks
	OP50011	PAN,OIL		
1	3093862	Plug, Threaded	2	
2	4095897	Seal, O Ring	7	
3	4096460	Plug, Threaded	4	
4	4096462	Seal, O Ring	4	

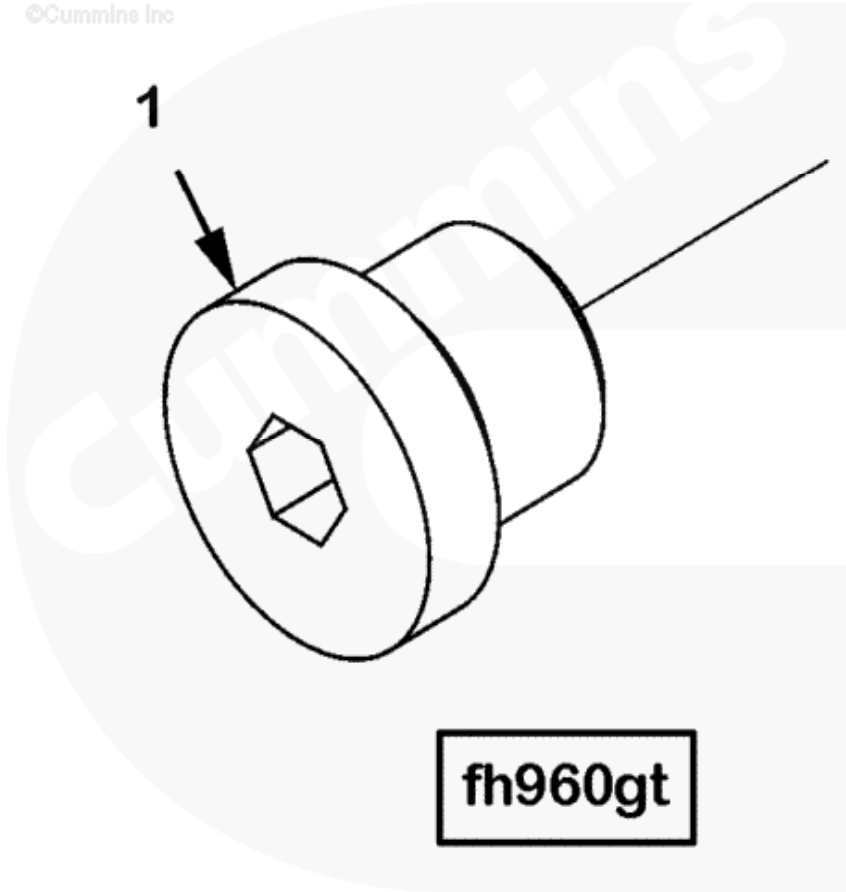


Ref No	Part Number	Part Description	Req	Remarks
	PP50008	PISTON,ENGINE		
	4096475	Rod, Engine Connecting	6	
1	3093777	Dowel, Pin	24	
2	4095487	Bushing	6	
3	4095485	Cap, Con Rod Bearing	6	
4	4095547	Washer, Plain	12	
5	4095792	Screw, Connecting Rod Cap	12	
6	4096432	Rod, Engine Connecting	6	
	4095985	Set, Rod Bearing	6	Standard
13	4095492	Bearing Connecting Rod	2	
	4096915	Bearing, Connecting Rod	1	0.25 MM Oversize
	4096914	Bearing, Connecting Rod	1	0.50 MM Oversize
	4096913	Bearing, Connecting Rod	1	0.75 MM Oversize
	4096912	Bearing, Connecting Rod	1	1.00 MM Oversize
	4089357	Kit, Engine Piston	6	
	4025382	Set, Piston Rings	1	
7	4006172	Ring, Compression Piston	1	
8	4006173	Ring, Compression Piston	1	
9	4006174	Ring, Oil Piston	1	
10	4095489	Piston, Engine	1	
11	4006175	Ring, Retaining	2	
12	4095504	Pin, Piston	1	



Ref No	Part Number	Part Description	Req	Remarks
	PH50020-01	PLUMBING,ENG CNT MODULE		
1	3093799	Washer, Plain	2	M8
2	4095696	Spacer, Mounting	2	
3	4095839	Screw, Hex Flange Head Cap	1	
4	4095897	Seal, O Ring	1	
5	4095934	Screw, Hexagon Head Cap	2	
6	4096038	Hose, Flexible	1	
7	4096039	Nipple, Hose	1	
8	4096049	Pad, Wear	1	
9	4096395	Pad, Wear	2	
10	4096721	Screw, Captive Washer Cap	2	

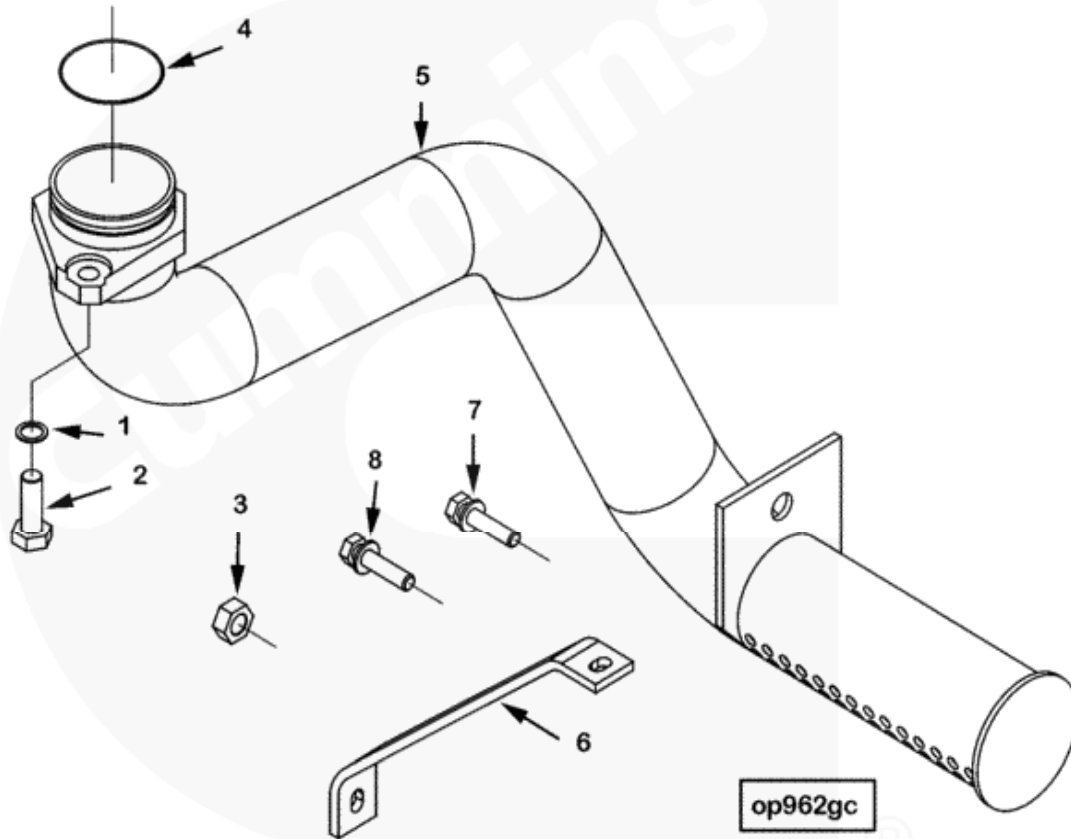
©Cummins Inc



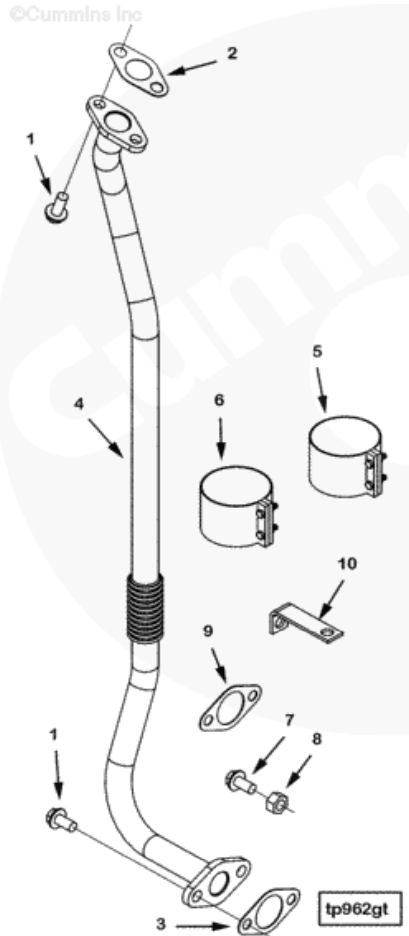
®

Ref No	Part Number	Part Description	Req	Remarks
	FH50010	PLUMBING, FLYWHEEL HOUSING		
1	4096029	Plug, Threaded	1	

©Cummins Inc



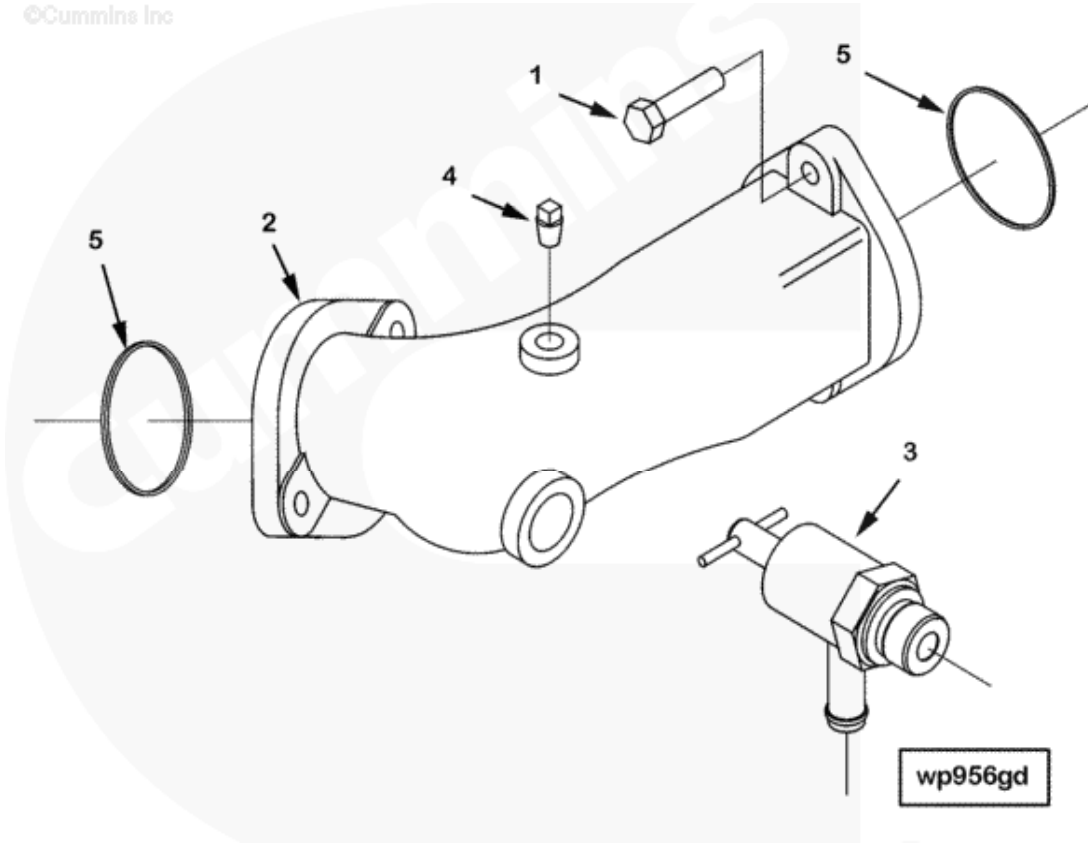
Ref No	Part Number	Part Description	Req	Remarks
	OP50012-01	PLUMBING,OIL PAN		
1	3093799	Washer, Plain	1	M8
2	3094508	Screw, Hexagon Head Cap	1	
3	3094937	Nut, Regular Hexagon	1	M10 x 1.50
4	4095947	Seal, O Ring	1	
5	4096290	Tube, Lub Oil Suction	1	
6	4096291	Bracket, Oil Tube	1	
7	4096713	Screw, Captive Washer Cap	1	
8	4096714	Screw, Captive Washer Cap	1	



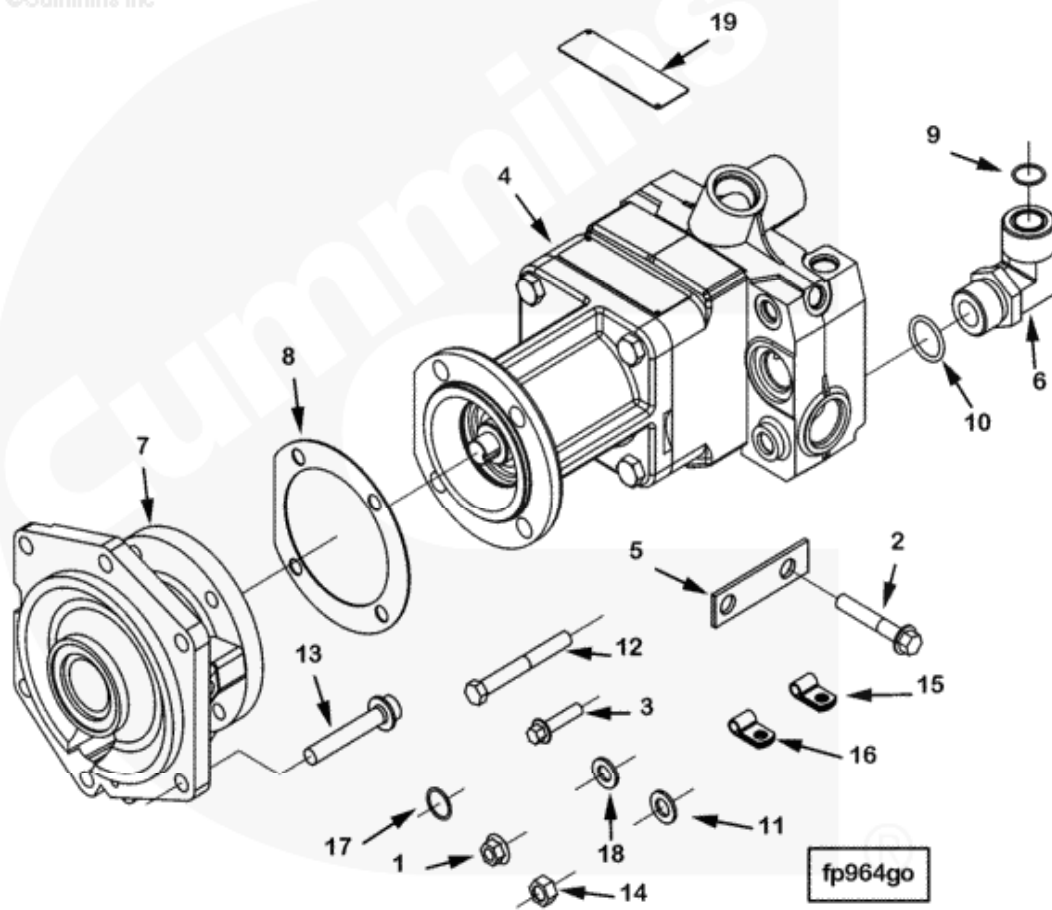
Ref No	Part Number	Part Description	Req	Remarks
	TP50005	PLUMBING,TURBOCHARGER		
1	3864129	Screw, Hex Flange Head Cap	5	
2	4095682	Gasket, Connection	1	
3	4095720	Gasket, Connection	1	
4	4096167	Tube, Tur Oil Drain	1	
5	4096168	Clamp, Tube	1	
6	4096169	Clamp, Tube	1	
7	4096170	Screw, Hex Flange Head Cap	1	
8	4096171	Nut, Regular Hexagon	1	
9	4096172	Gasket, Connection	1	
10	4096173	Brace, Tube	1	

Ref No	Part Number	Part Description	Req	Remarks
	TP50006	PLUMBING,TURBOCHARGER		
	3092388	Clip	2	
	3093828	Nut, Hexagon Flange	1	M10 x 1.50
	3093931	Screw, Hex Flange Head Cap	2	M10 x 1.50 x 20
	3094020	Screw, Banjo Connector	2	
	3094937	Nut, Regular Hexagon	1	
	3864129	Screw, Hex Flange Head Cap	1	
	3918192	Washer, Sealing	2	
	4095544	Brace, Tube	1	
	4095764	Spacer, Mounting	1	
	4095846	Screw, Hex Flange Head Cap	1	
	4095940	Bracket, Wiring Retainer	1	
	4096163	Tube, Tur Oil Supply	1	
	4096164	Connector, Banjo	1	
	4096165	Seal, O Ring	1	
	4096166	Washer, Sealing	2	

Ref No	Part Number	Part Description	Req	Remarks
	TP50007-01	PLUMBING,TURBOCHARGER		
	3093936	Screw, Hex Flange Head Cap	2	M10 x 1.50 x 90
	3094815	Screw, Hex Flange Head Cap	2	
	3864129	Screw, Hex Flange Head Cap	2	
	4096314	Bracket, Connection	2	
	4096324	Plate, Cover	1	
	4096325	Plate, Cover	1	
	4096338	Spacer, Mounting	1	
	4096339	Spacer, Mounting	1	
	4096340	Spacer, Mounting	2	
	4096341	Spacer, Mounting	2	



Ref No	Part Number	Part Description	Req	Remarks
	WP50006	Water Pump Plumbing		Water pump plumbing
1	3863730	Screw, Hex Flange Head Cap	4	
2	4095591	Connection, Water Transfer	1	
3	4095646	Valve, Sampling	1	
4	4095956	Plug, Pipe	1	
5	4095960	Seal, O Ring	2	



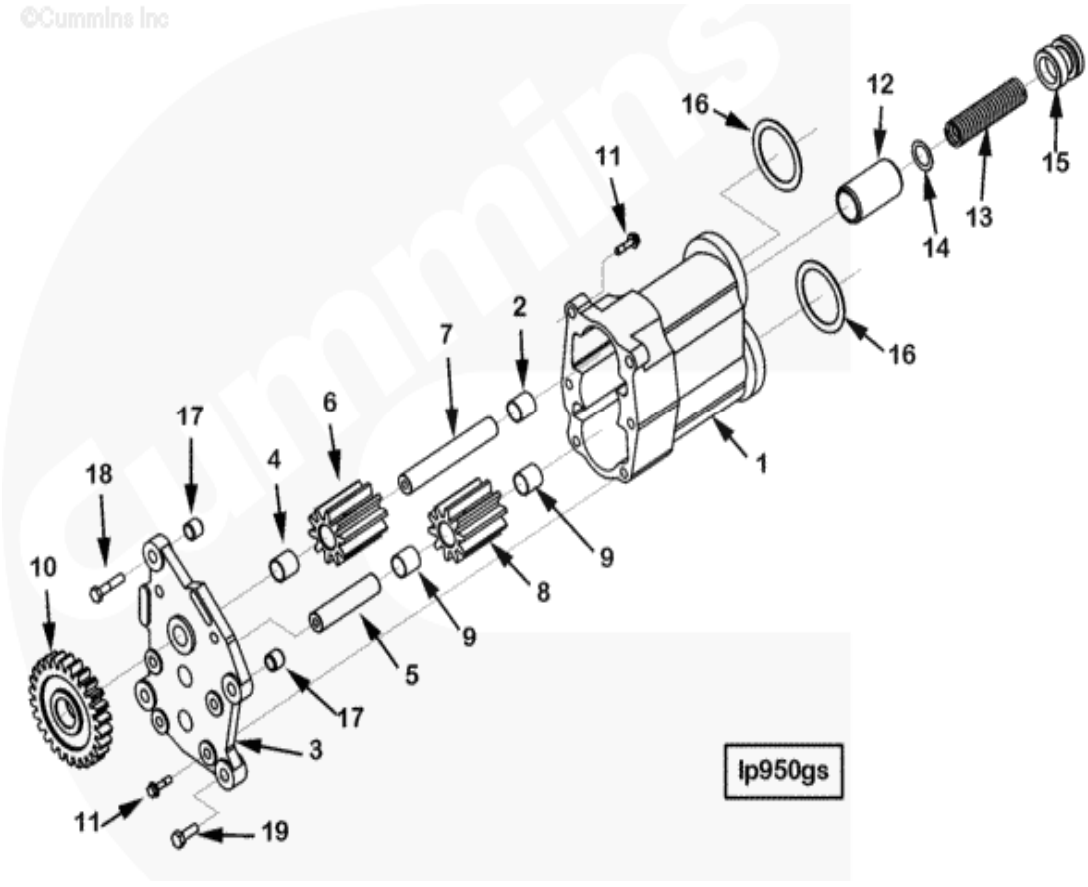
Ref No	Part Number	Part Description	Req	Remarks
	FP50044-01	PUMP,FUEL INJECTION		
1	3093828	Nut, Hexagon Flange	1	M10 x 1.50
2	3094815	Screw, Hex Flange Head Cap	1	
3	3864129	Screw, Hex Flange Head Cap	5	
4	4087997	Pump, Fuel	1	
	3330600	Actuator, Etr Fuel Control	1	
	3408577	Sensor, Pressure	1	Fuel pump.
	3042619	Nipple, Coupling	1	
5	4095550	Plate, Clamping	1	
6	4095605	Elbow, Plain Union	1	
7	4095606	Support, Fuel Pump	1	
8	4095607	Gasket, Fuel Pump	1	
9	4095614	Seal, O Ring	1	
10	4095615	Seal, O Ring	1	
11	4095634	Washer, Plain	2	
12	4095815	Screw, Hexagon Head Cap	1	
13	4095844	Screw, Hex Flange Head Cap	1	
14	4095871	Nut, Regular Hexagon	2	
15	4095886	Clip	1	
16	4095888	Clip	1	
17	4095892	Seal, O Ring	1	
18	4095978	Washer, Plain	1	
19	4095994	Dataplate	1	

Ref No	Part Number	Part Description	Req	Remarks
	FP57002	PUMP,FUEL INJECTION		
	3093828	Nut, Hexagon Flange	1	M10 x 1.50
	3093932	Screw, Hex Flange Head Cap	5	M10 x 1.50 x 25
	3094815	Screw, Hex Flange Head Cap	1	
	3902115	Screw, Hex Flange Head Cap	1	M12 x 1.75 x 65
	4095550	Plate, Clamping	1	
	4095605	Elbow, Plain Union	1	
	4095606	Support, Fuel Pump	1	
	4095607	Gasket, Fuel Pump	1	
	4095615	Seal, O Ring	1	
	4095634	Washer, Plain	2	
	4095815	Screw, Hexagon Head Cap	1	
	4095886	Clip	1	
	4095888	Clip	1	
	4095892	Seal, O Ring	1	
	4095978	Washer, Plain	1	
	4095994	Dataplate	1	
	4307242	Pump, Fuel	1	
	3348583	Gasket, Prs Rgl Valve	1	
	3904446	Screw, Hex Flange Head Cap	4	M10 x 1.50 x 70
	4076893	Valve, Pressure Regulator	1	
	S 2286	Screw, Drive	2	
	70700	Spring, Compression	1	
	105375	Nameplate	1	
	173086	Gasket, Injector	1	

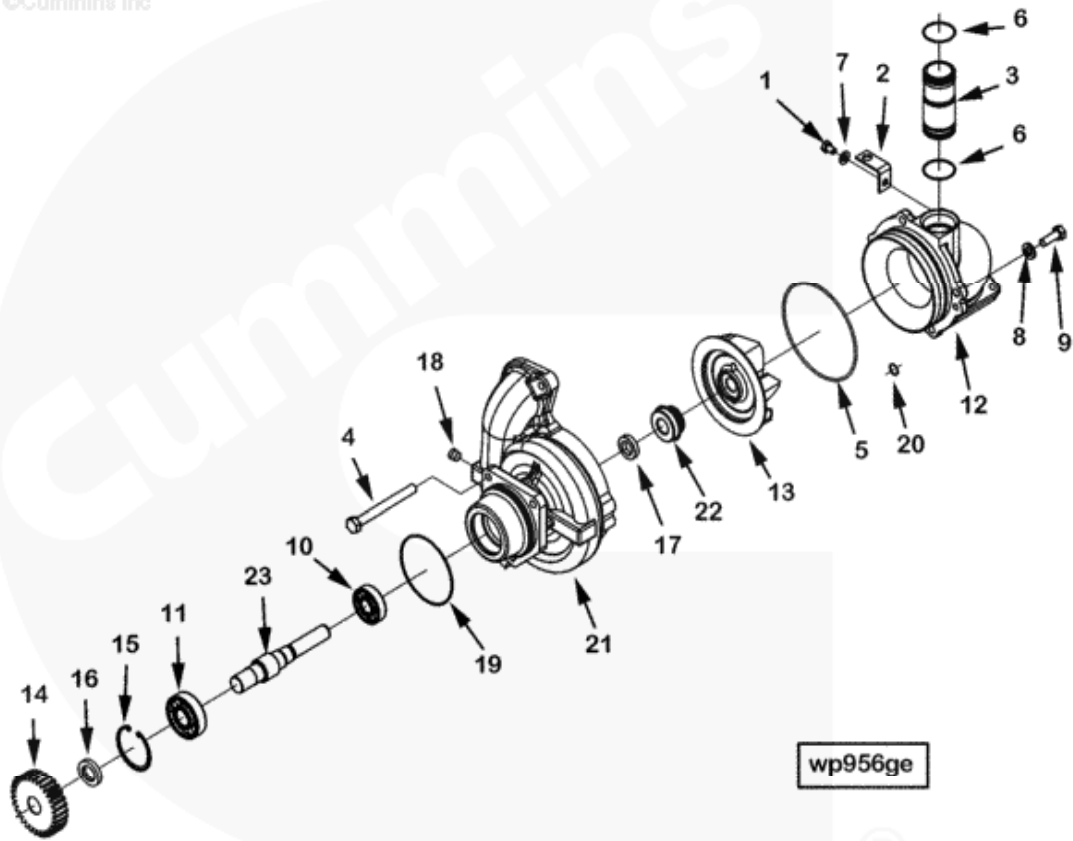
3040815	Plug, Threaded	1	7/18 - 14 UNF
3040816	Plug, Threaded	1	Service As 3040815
3040817	Seal, O Ring	1	
3040818	Plug, Threaded	1	1 3/16 - 12 un.
3035228	Seal, O Ring	1	
3040819	Plug, Threaded	1	
3042619	Nipple, Coupling	2	
3037537	Seal, O Ring	2	
3042620	Nipple, Coupling	2	
3045039	Plug, Injector Orifice	1	
3046943	Seal, O Ring	1	
3080223	Cap, Fuel Pump Filter	1	
3089238	Plug, Threaded	1	M22 x 1.50 x 20.1
3089239	Plug, Threaded	1	M22 x 1.50 x 20.1
3089240	Seal, O Ring	1	M22
3090769	Screen, Filter	1	
3090992	Valve, Check	1	
3035228	Seal, O Ring	1	
3076102	Seal, O Ring	1	
3867410	Valve, Check	1	
3330600	Actuator, Etr Fuel Control	1	
3042542	Seal, O Ring	1	
3331029	Actuator, Etr Fuel Control	1	
3865398	Seal, O Ring	1	
3867393	Screen, Filter	1	
3348458	Body, Prs Regulator Valve	1	

3408577	Sensor, Pressure	1	Fuel pump.
3330202	Seal, O Ring	1	
3408578	Sensor, Pressure	1	
3678838	Plug, Threaded	1	
3678845	Plug, Threaded	1	
3678846	Seal, O Ring	1	
3678873	Plug, Threaded	3	M18 x 1.50 x 14.5
3678786	Seal, O Ring	3	
3678791	Plug, Threaded	3	M18 x 1.50 x 14.5
3867737	Valve, Pressure Relief	1	
173086	Gasket, Injector	1	
3045012	Plug, Injector Orifice	1	
3329676	Valve, Pressure Relief	1	
3417238	Seal, O Ring	1	
4001756	Valve, Pressure Regulator	1	
3045986	Seal, O Ring	1	
3066914	Seal, O Ring	1	
3071719	Shim	1	
3867668	Spring, Compression	1	
4001751	Plunger, Ful Prs Regulator	1	
4001757	Barrel, Control Valve	1	
4002080	Valve, Pressure Regulator	1	
3867640	Seal, O Ring	1	
4002081	Valve, Pressure Regulator	1	
4062369	Seal, O Ring	1	
4307238	Pump, Gear Fuel	1	

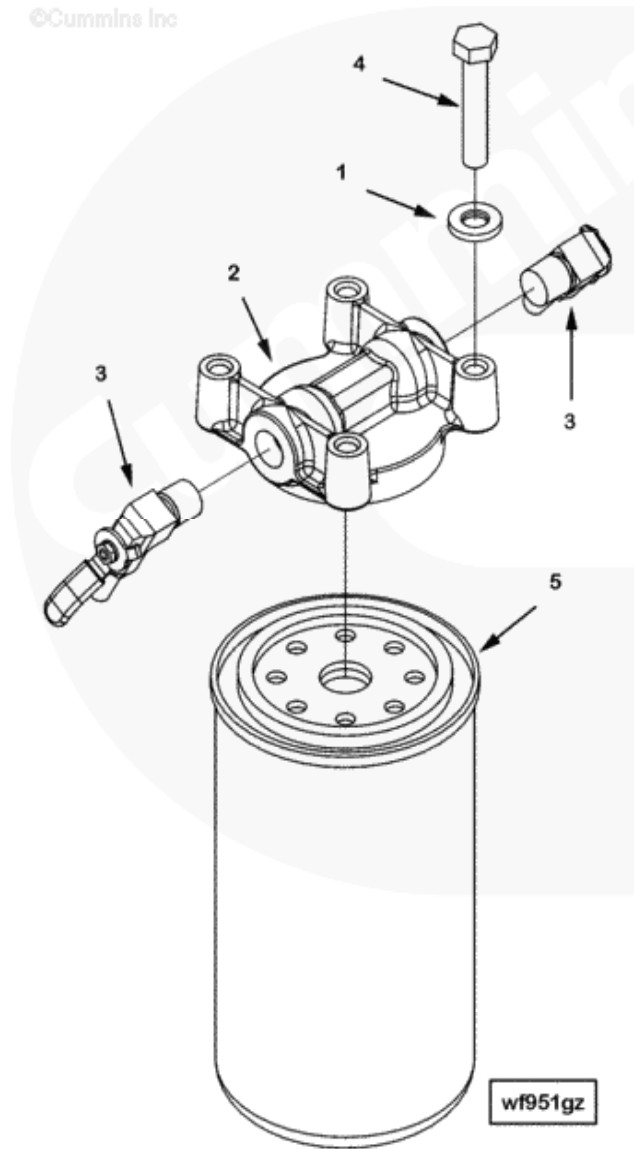
S 306	Key, Plain Woodruff	1
2897672	Pump, Fuel	1
4076478	Kit, Seal	1
4076763	Shaft, Fuel Pump Drive	1
4076764	Kit, Accessories Parts	1
4306915	Kit, Housing Parts	1
4306919	Kit, Front Cover Parts	1
4061677	Hub, Jaw Coupling	1
5280396	Nut, Regular Hexagon	2



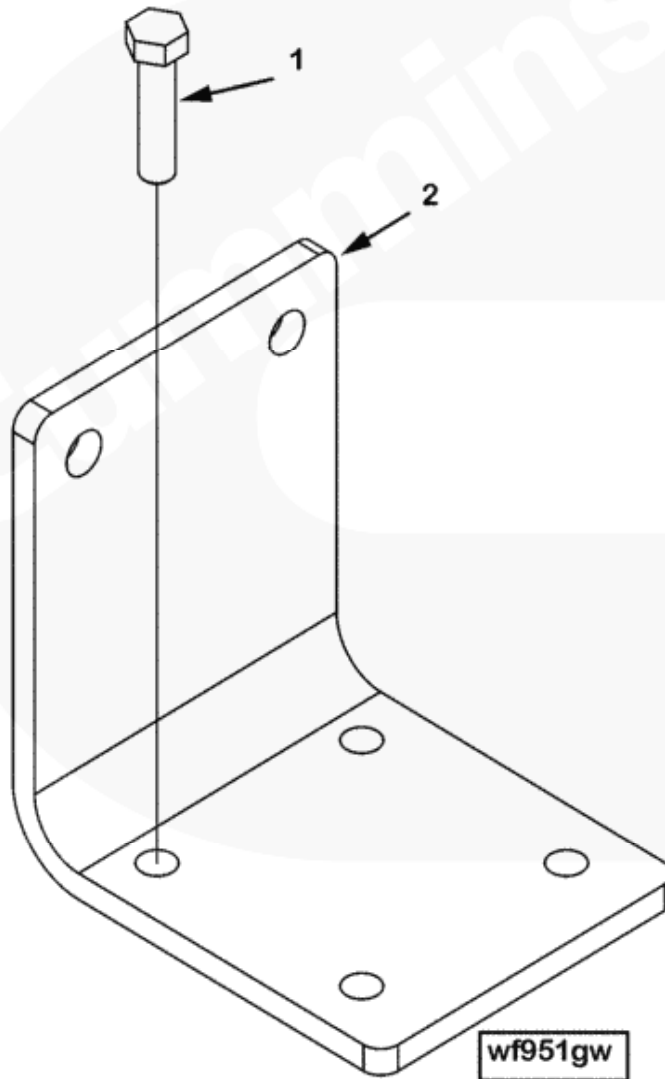
Ref No	Part Number	Part Description	Req	Remarks
	LP50003-01	PUMP,LUBRICATING OIL		
	4095431	Pump, Lubricating Oil	1	
	4095430	Body, Lubricating Oil Pump	1	
1	4096082	Body, Lubricating Oil Pump	1	
2	3092384	Bushing	1	
	4095991	Cover, Assy	1	
3	4096083	Cover, Lub Oil Pump	1	
4	3092384	Bushing	1	
5	4095553	Shaft, Lub Oil Pump	2	
	4095942	Drive Shaft Assy.	1	
6	3092990	Gear, Lub Oil Pumping	1	
7	4095574	Shaft, Lub Oil Pump	1	
	3092609	Gear, Lub Oil Pumping	2	
8	3092610	Gear, Lub Oil Pumping	1	
9	3092384	Bushing	2	
10	4095575	Gear, Lub Oil Pumping	1	
11	3863343	Screw, Hex Flange Head Cap	6	M8 x 1.25 x 30
12	4095576	Valve, Bypass	1	
13	4095577	Spring	1	
14	4095579	Shim	1	
15	4095578	Retainer, Spring	1	
16	4095580	Seal, Oring	2	
17	4095782	Pin, Guide	2	
18	4096716	Screw, Hexagon Head Cap	2	
19	3094508	Screw, Hexagon Head Cap	2	



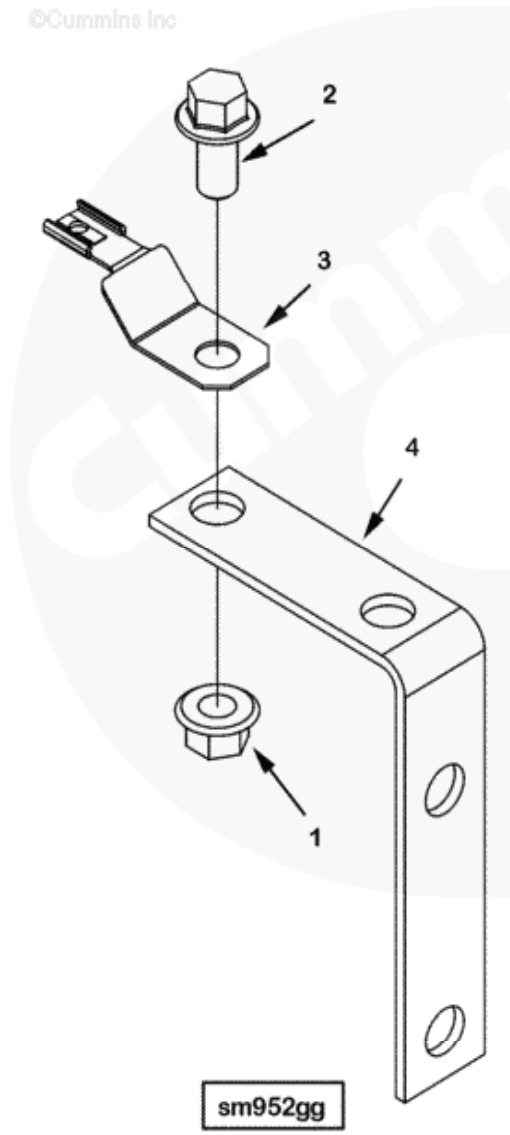
Ref No	Part Number	Part Description	Req	Remarks
	WP50007	Water Pump		Water pump
1	3093736	Screw, Hexagon Head Cap	1	M8 x 1.25 x 12.
2	4095539	Brace, Tube	1	
3	4095589	Tube, Water Bypass	1	
4	4095815	Screw, Hexagon Head Cap	4	
5	4095948	Seal, O Ring	1	
6	4095950	Seal, O Ring	2	
7	4095955	Washer, Plain	1	
	4096429	Pump, Water	1	
8	3093799	Washer, Plain	4	11.0mm.
9	3094508	Screw, Hexagon Head Cap	4	
10	4095423	Bearing, Ball	1	
11	4095429	Bearing, Ball	1	
12	4095583	Body, Water Pump	1	
13	4095584	Impeller, Water Pump	1	
14	4095586	Gear, Water Pump	1	
15	4095587	Ring, Retaining	1	
16	4095588	Spacer, Thrust Ring	1	
17	4095641	Seal, Oil	1	
18	4095909	Plug, Pipe	1	
19	4095892	Seal, O Ring	1	
20	4095949	Seal, O Ring	1	
21	4096084	Body, Water Pump	1	
22	4096426	Seal, Water Pump	4	
23	4096523	Shaft, Water Pump	1	



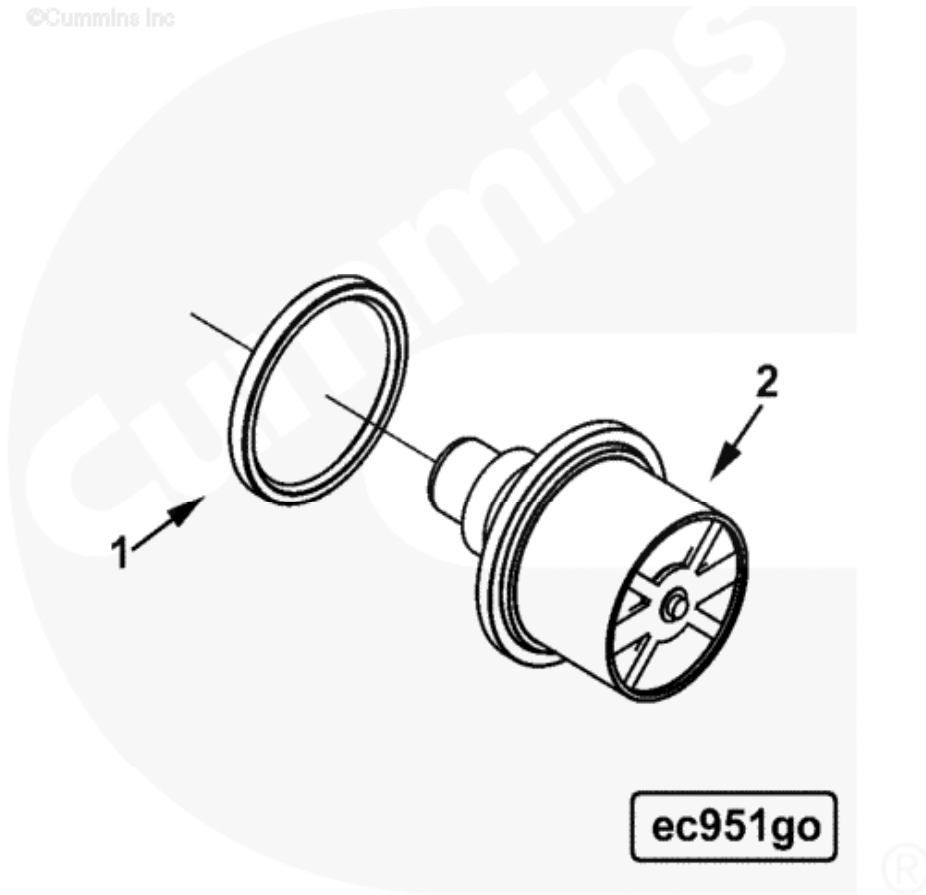
Ref No	Part Number	Part Description	Req	Remarks
	WF50004	RESISTOR,CORROSION		
1	3093799	Washer, Plain	4	M8
2	4095766	Head, Corrosion Resistor	1	
3	4095767	Valve, Shutoff	2	
4	4095869	Screw, Hexagon Head Cap	4	
5	4096199	Resistor, Corrosion	1	



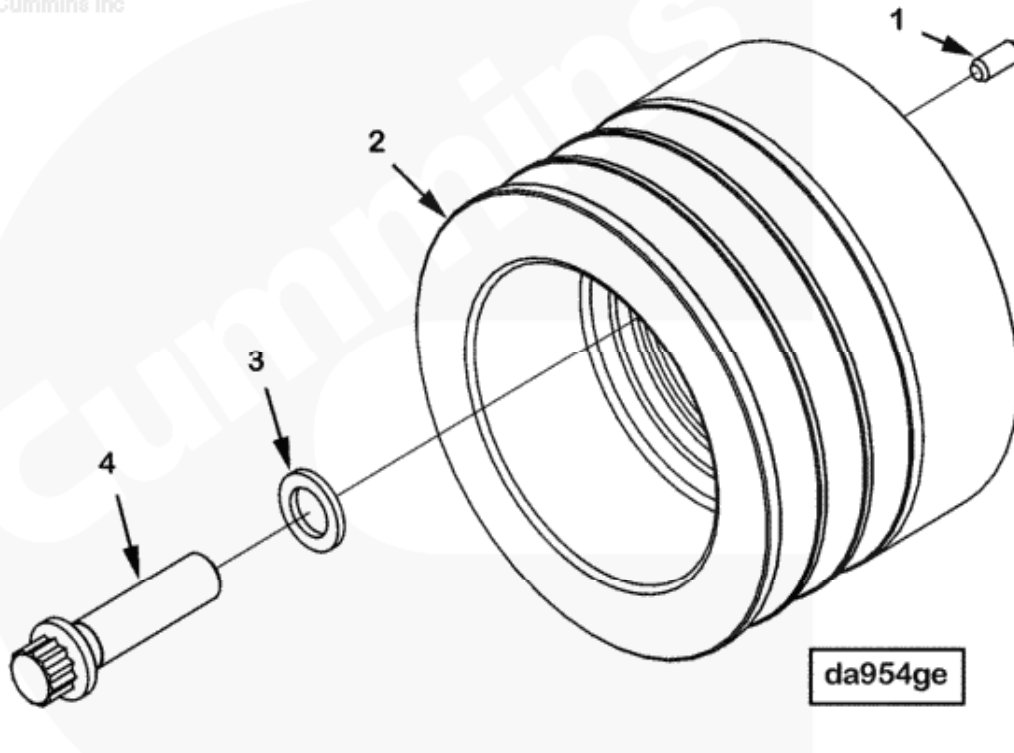
Ref No	Part Number	Part Description	Req	Remarks
	WF50008-01	RESISTOR,CORROSION		
1	3864129	Screw, Hex Flange Head Cap	4	
2	4095986	Bracket, Connection	1	



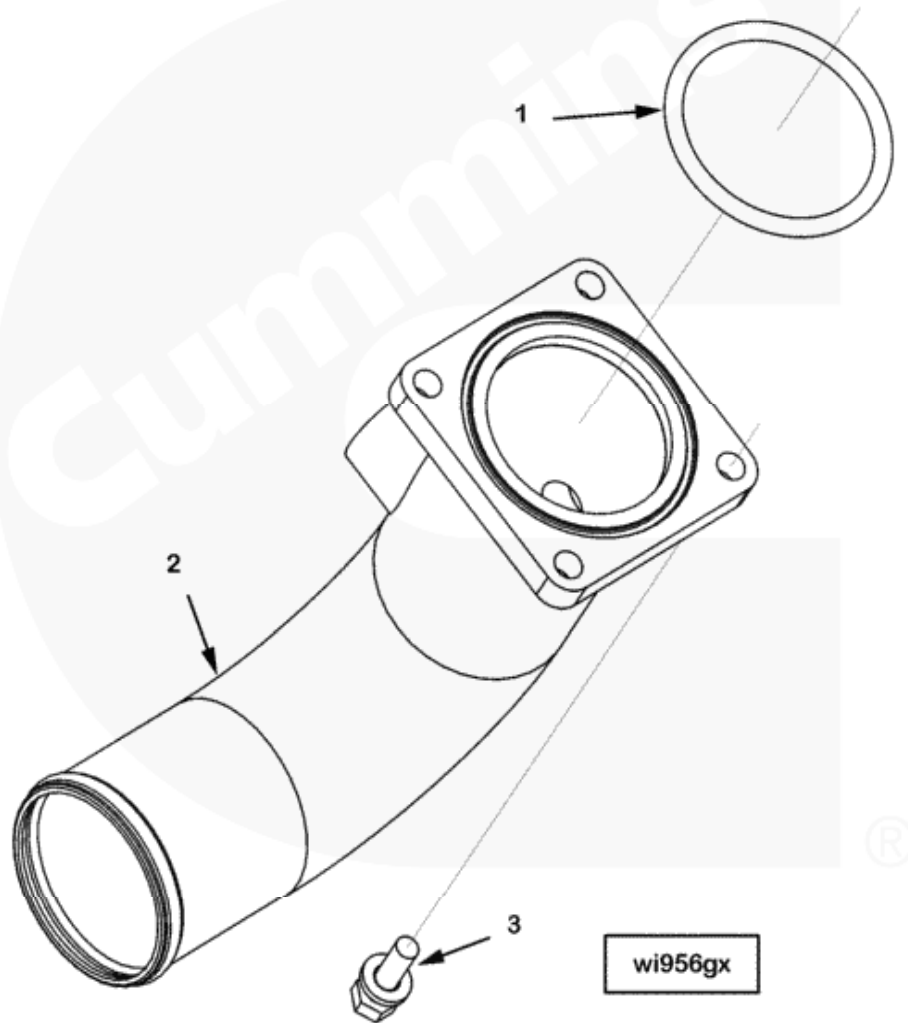
Ref No	Part Number	Part Description	Req	Remarks
	SM50001	Starting Motor Mounting		Starting motor mounting...(More) for qsk23 bof engines for service. Not to be used for production.
1	3093828	Nut, Hexagon Flange	1	M10 x 1.50
2	3093931	Screw, Hex Flange Head Cap	1	M10 x 1.50 x 20
3	3864187	Bracket, Sensor	1	
4	4095726	Brace, Tube	1	



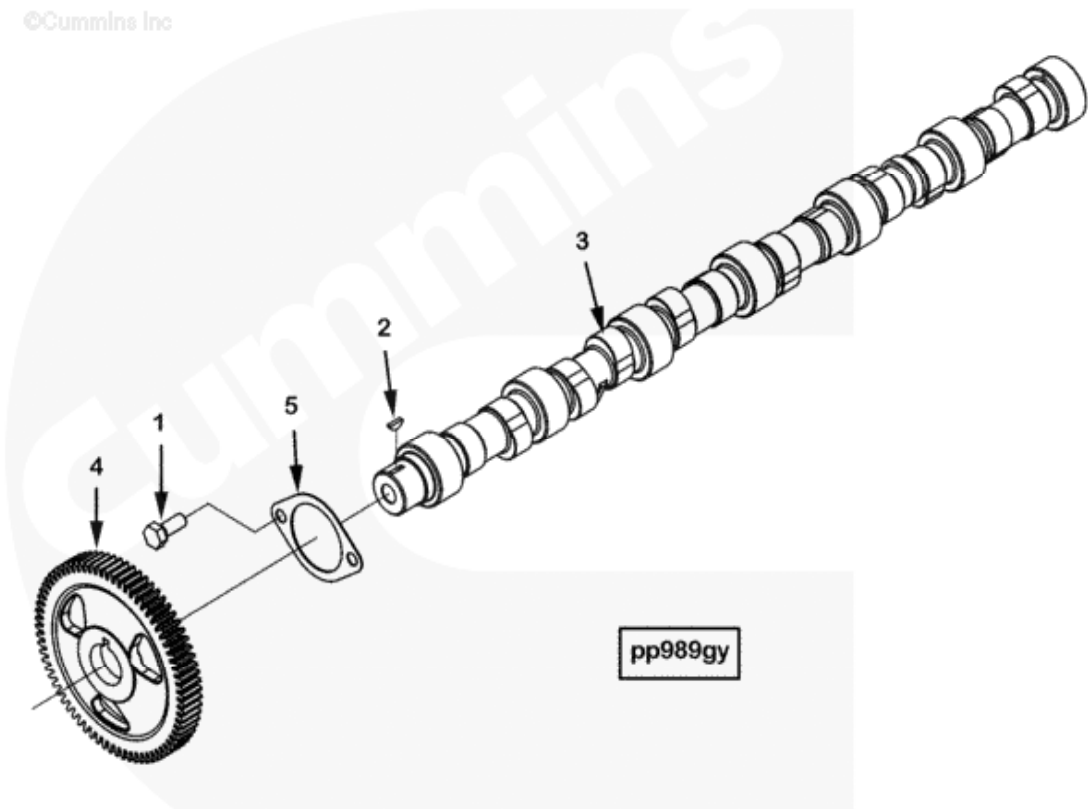
Ref No	Part Number	Part Description	Req	Remarks
	EC50003	Thermostat		
1	3092399	Seal, Thermostat	2	
2	3092114	Thermostat	2	



Ref No	Part Number	Part Description	Req	Remarks
	DA50006	Vibration Damper		Vibration damper...(More) for qsk23 bof engines for service. Not to be used for production.
1	3093731	Dowel, Pin	1	
2	4095499	Pulley, Crankshaft	1	
3	4095545	Washer, Plain	6	
4	4095548	Screw, Hexagon Head Cap	6	



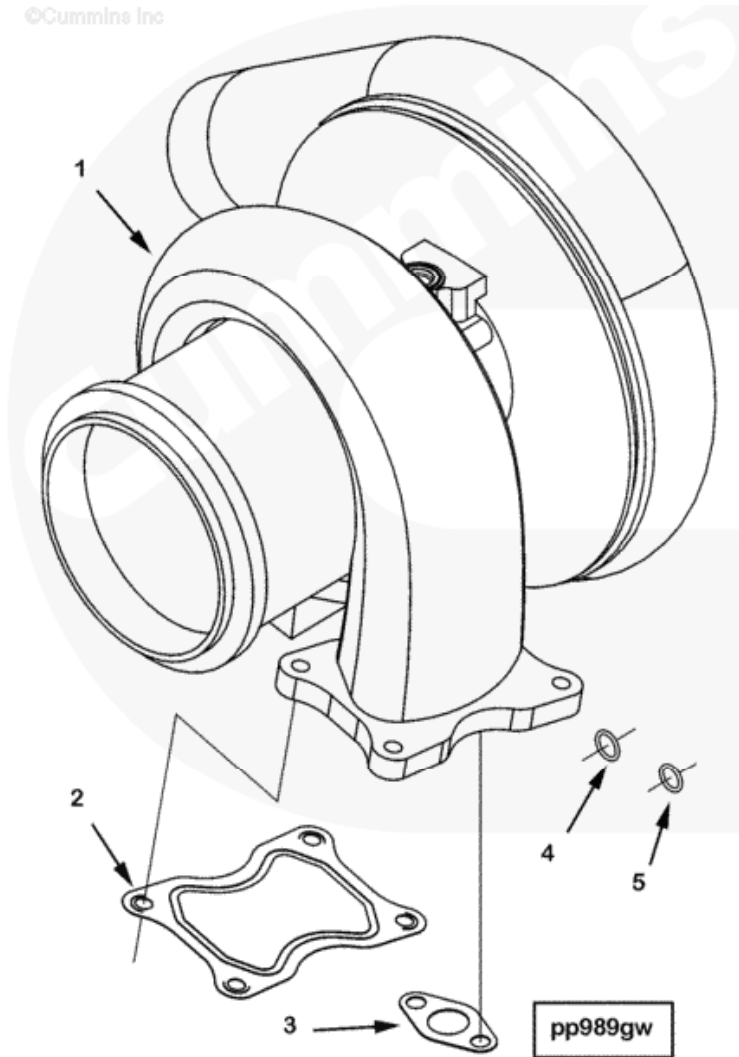
Ref No	Part Number	Part Description	Req	Remarks
	WI50002	Water Inlet Connection		Water inlet connection
1	4095951	Seal, O Ring	1	
2	4096053	Tube, Water Transfer	1	
3	4096715	Screw, Captive Washer Cap	4	



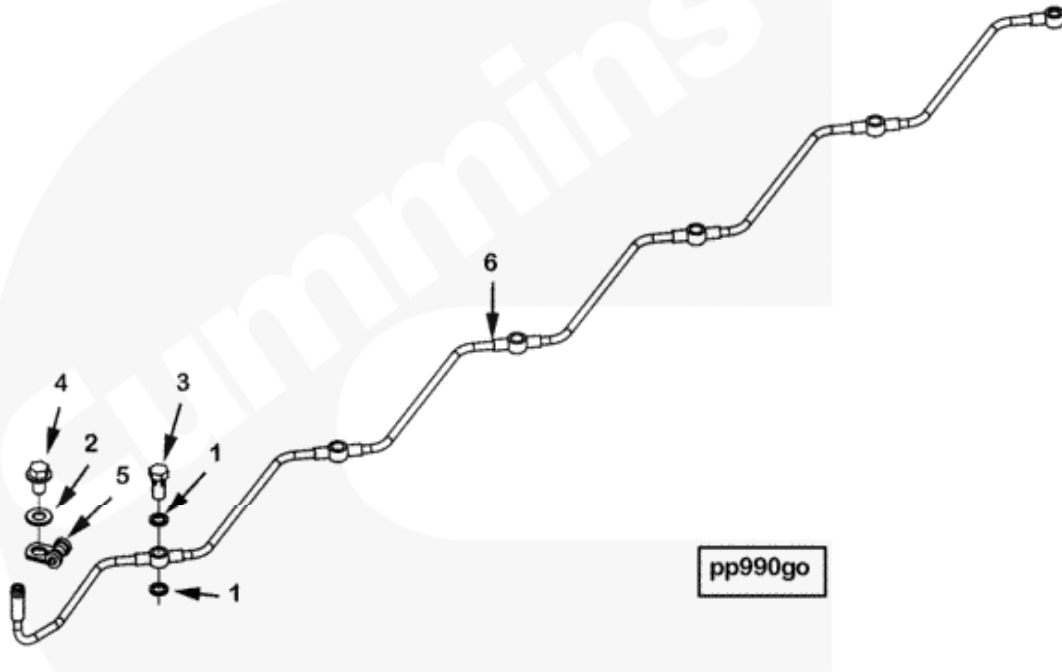
Ref No	Part Number	Part Description	Req	Remarks
	PP50015	CAMSHAFT		
1	3094532	Screw, Hexagon Head Cap	2	M12 x 1.75 x 25.
	4095508	Camshaft	1	
2	3094027	Key, Plain Woodruff	1	
3	4095507	Camshaft	1	
4	4095509	Gear, Camshaft	1	
5	4095510	Plate, Thrust Bearing	1	

Ref No	Part Number	Part Description	Req	Remarks
	PP50030	Injector		Injector
	3348663	Clamp, Injector	6	
	4006238	Screw, Twelve Point Cap	6	
	4006240	Washer, Plain	6	
	4088431	Injector	6	Recon equivalent 4088431 nx ** Komatsu only - all others order recon.
	167157	Ball, Check	1	
	3330442	Sleeve, Injector	1	
	3347828	Spring, Injector	1	
	3347937	Seal, O Ring	1	
	3347939	Seal, O Ring	1	
	3348004	Screen, Filter	1	
	3348515	Pin, Spiral	2	
	3348527	Spring, Injector	1	
	3867651	Seal, O Ring	1	
	3867687	Seal, Injector	1	
	4009692	Screen, Filter	1	
	4010577	Seal, O Ring	1	
	4010613	Clip, Wire Retaining	1	
	4076528	Housing, Top Stop Spring	1	
	4076568	Link, Injector Plunger	1	
	3348553	Link, Injector Plunger	1	"For Komatsu orders only".
	3867742	Retainer, Injector Link	1	
	4088410	Nozzle, Injector	1	

203426	Pin, Roll	2
3045047	Plug, Injector Orifice	2
3329999	Retainer, Injector Nozzle	1
4010655	Housing, Injector Spring	1
4902830	Ball, Check	3
4984722	Nozzle & Plunger	1
4077230	Nozzle, Injector	1
4088415	Plunger, Injector	1
4088419	Barrel, Injector	1
3045047	Plug, Injector Orifice	4
4002135	Seal, Injector	1
4025745	Barrel & Plunger	1
4001654	Plunger, Injector Timing	1
4002138	Plunger, Injector	1
3348523	Plunger, Injector	1
4002137	Coupling, Injector Plunger	1
3867424	Socket, Injector Coupling	1
4002136	Coupling, Injector Plunger	1
4088416	Barrel, Injector	1
4307148	Seal, Injector	1
4921429	Spring, Injector	1



Ref No	Part Number	Part Description	Req	Remarks
	PP50014	TURBOCHARGER		
	4025150	Kit, Turbocharger	1	
1	3595850	Turbocharger	1	
2	3081824	Gasket, Turbocharger	1	
3	3202117	Gasket, Connection	1	
4	3678786	Seal, O Ring	4	
5	3679139	Seal, O Ring	1	



Ref No	Part Number	Part Description	Req	Remarks
	PP50012	Cylinder Head		Cylinder head
1	3094065	Washer, Sealing	12	
2	3335076	Washer, Bevel	1	M10
3	3863131	Screw, Banjo Connector	6	M10 x 1.25 x 20.
4	3863703	Screw, Hex Flange Head Cap	1	
5	4095543	Clip	1	
6	4095559	Tube, Vent	1	