



# 东风康明斯发动机有限公司备件目录

## DONGFENG CUMMINS ENGINE PARTS CATALOG

Configuration Number:

2017年11月27日

D0C3004GX03

Engine Model: QSZ13-G5

SO70128

---

---

### 前言

### Foreword

1、本备件目录可为用户了解东风康明斯发动机各部总成机构的零件提供参考。

This parts catalogue provides customers with the reference about DongFeng Cummins engine structure.

2、因产品结构总是在不断的改进和完善，因此，个别零件的结构、尺寸及备件号可能有变化，订购时请以最新的产品结构为准。

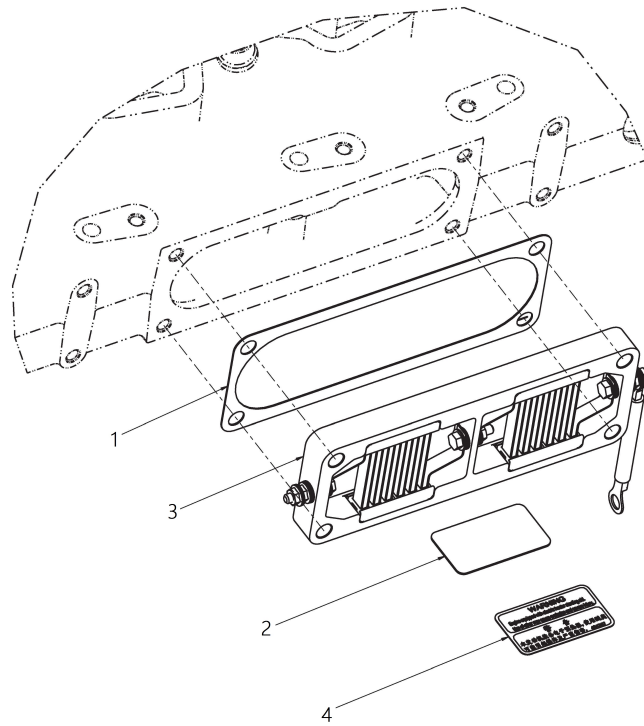
Please make sure the order base on the latest engine manufacture when ordering. Because of products promotion, some parts may upgrade the structure, size and P/N

3、现行备件目录不随产品升级而升级，不作为备件采购时的任何依据。

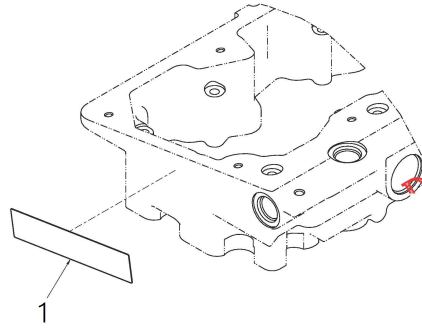
The current parts catalogue update won't go along with the products promotion. The current parts catalogue doesn't apply to the foundation of the spare parts

东风康明斯发动机有限公司

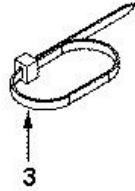
Dongfeng Cummins Engine Co., Ltd



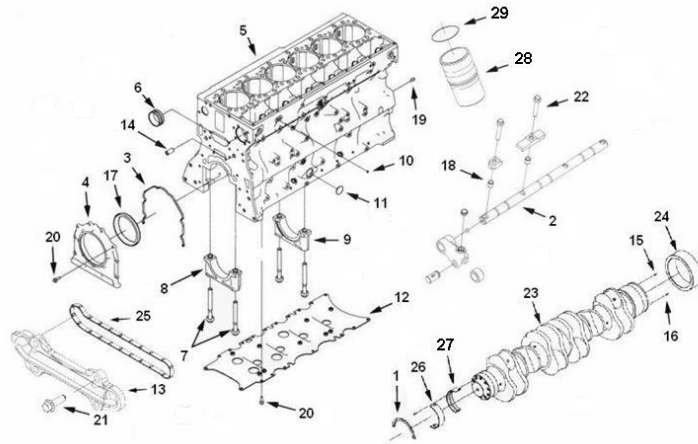
| 序号<br>NO | 层次 | 备件号<br>OPTION<br>NUMBER | 出售<br>SALE | 备件名称<br>OPTION NAME        | 数量<br>QTY | 备注<br>REMARKS |
|----------|----|-------------------------|------------|----------------------------|-----------|---------------|
| 1        | 1  | 3102173                 | Y          | 密封垫<br>GASKET,CONNECTION   | 1         |               |
| 2        | 1  | C2874579                | Y          | 胶带<br>TAPE                 | 1         |               |
| 3        | 1  | C4316807                | Y          | 进气预热器<br>HEATER,INTAKE AIR | 1         |               |
| 4        | 1  | C4943187                | Y          | 标签<br>TAG,INSTRUCTION      | 1         |               |



| 序号<br>NO | 层次 | 备件号<br>OPTION<br>NUMBER | 出售<br>SALE | 备件名称<br>OPTION NAME | 数量<br>QTY | 备注<br>REMARKS |
|----------|----|-------------------------|------------|---------------------|-----------|---------------|
| 1        | 1  | C4389020                | Y          | 参数牌<br>DATAPLATE    | 1         |               |

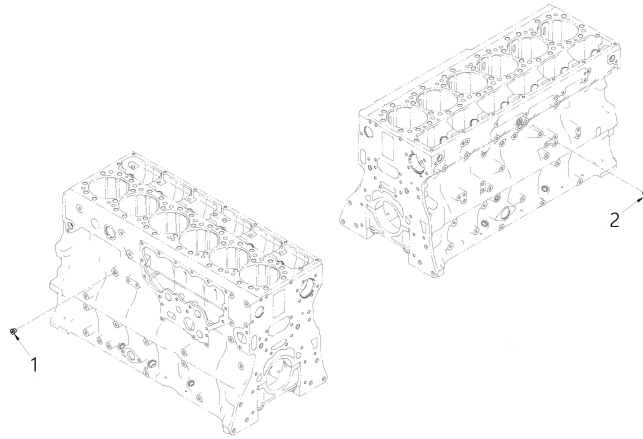


| 序号<br>NO | 层次 | 备件号<br>OPTION<br>NUMBER | 出售<br>SALE | 备件名称<br>OPTION NAME             | 数量<br>QTY | 备注<br>REMARKS |
|----------|----|-------------------------|------------|---------------------------------|-----------|---------------|
| 1        | 1  | C4320321                | Y          | 公司声明<br>DECLARATION OF INCORPOR | 1         |               |
| 2        | 1  | C5267246                | Y          | 装配指南<br>LITERATURE,SERVICE      | 1         |               |
| 3        | 1  | C3062329                | Y          | 环箍<br>CLAMP,WIRE TIE            | 1         |               |

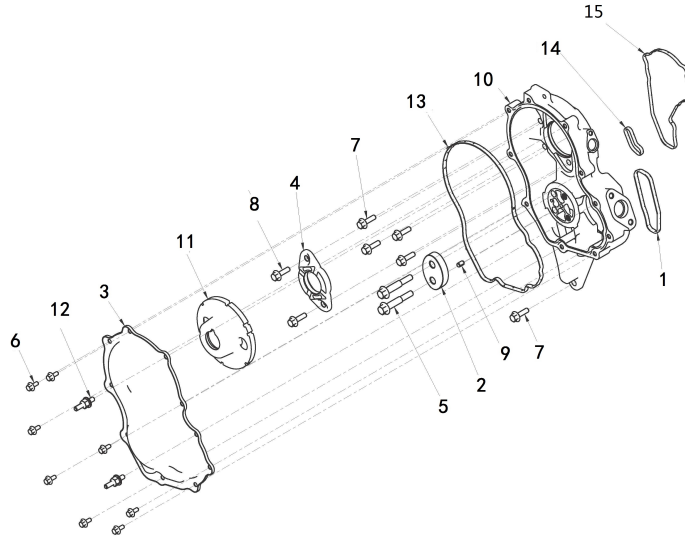


| 序号<br>NO | 层次 | 备件号<br>OPTION<br>NUMBER | 出售<br>SALE | 备件名称<br>OPTION NAME               | 数量<br>QTY | 备注<br>REMARKS |
|----------|----|-------------------------|------------|-----------------------------------|-----------|---------------|
| 1        | 1  | 2869805                 | Y          | 曲轴止推瓦<br>BEARING,CRANKSHAFT THRUS | 4         |               |
| 2        | 1  | C2869983                | Y          | 凸轮从动杆<br>LEVER,CAM FOLLOWER       | 2         |               |
| 3        | 1  | C2870121                | Y          | 前端齿轮室盖密封垫<br>SEAL,FRONT COVER     | 1         |               |
| 4        | 1  | C2874044                | Y          | 油封座<br>CARRIER,SEAL               | 1         |               |
| 5        | 1  | C2874066                | Y          | 缸体<br>BLOCK,CYLINDER              | 1         |               |
| 6        | 1  | C2869839                | Y          | 衬套<br>BUSHING                     | 7         |               |
| 7        | 1  | C2873989                | Y          | 抗碎螺栓<br>SCREW,FRACTURE RESISTANT  | 14        |               |
| 8        | 1  | C2884751                | Y          | 主轴承盖<br>CAP,MAIN BEARING          | 6         |               |
| 9        | 1  | C2884752                | Y          | 主轴承盖<br>CAP,MAIN BEARING          | 1         |               |
| 10       | 1  | C3007632                | Y          | 碗形塞<br>PLUG,EXPANSION             | 2         |               |

| 序号<br>NO | 层次 | 备件号<br>OPTION<br>NUMBER | 出售<br>SALE | 备件名称<br>OPTION NAME                 | 数量<br>QTY | 备注<br>REMARKS |
|----------|----|-------------------------|------------|-------------------------------------|-----------|---------------|
| 11       | 1  | C3015865                | Y          | 碗形塞<br>PLUG,EXPANSION               | 4         |               |
| 12       | 1  | C2883240                | Y          | 缸体加强板<br>STIFFENER,CYLINDER BLOCK   | 1         |               |
| 13       | 1  | C2884766                | Y          | 前齿轮室盖<br>COVER,FRONT                | 1         |               |
| 14       | 1  | C3100706                | Y          | 定位环<br>DOWEL,RING                   | 1         |               |
| 15       | 1  | C3681054                | Y          | 定位销<br>DOWEL,PIN                    | 1         |               |
| 16       | 1  | C3681054                | Y          | 定位销<br>DOWEL,PIN                    | 1         | 1             |
| 17       | 1  | C3685173                | Y          | 油封<br>SEAL,OIL                      | 1         |               |
| 18       | 1  | C3900720                | Y          | 定位环<br>DOWEL,RING                   | 4         |               |
| 19       | 1  | C3901846                | Y          | 定位销<br>DOWEL,PIN                    | 2         |               |
| 20       | 1  | C3903112                | Y          | 六角法兰面螺栓<br>SCREW,HEX FLANGE HEAD CA | 8         |               |
| 21       | 1  | C3903112                | Y          | 六角法兰面螺栓<br>SCREW,HEX FLANGE HEAD CA | 17        | 1             |
| 22       | 1  | C3903112                | Y          | 六角法兰面螺栓<br>SCREW,HEX FLANGE HEAD CA | 4         | 2             |
| 23       | 1  | C4316828                | Y          | 曲轴<br>CRANKSHAFT,ENGINE             | 1         |               |
| 24       | 1  | C4327640                | Y          | 曲轴齿轮<br>GEAR,CRANKSHAFT             | 1         |               |
| 25       | 1  | C4960053                | Y          | 前端齿轮室盖密封垫<br>SEAL,FRONT COVER       | 1         |               |
| 26       | 1  | C4999939                | Y          | 曲轴瓦<br>BEARING,MAIN                 | 7         |               |
| 27       | 1  | C4999940                | Y          | 曲轴瓦<br>BEARING,MAIN                 | 7         |               |
| 28       | 1  | C4999962                | Y          | 缸套<br>LINER,CYLINDER                | 6         |               |
| 29       | 1  | D2873961                | Y          | O形密封圈<br>SEAL,O RING                | 6         |               |
| null     | 1  | C3903112                | Y          | 六角法兰面螺栓<br>SCREW,HEX FLANGE HEAD CA | 4         |               |
| null     | 1  | C3903112                | Y          | 六角法兰面螺栓<br>SCREW,HEX FLANGE HEAD CA | 17        |               |
| null     | 1  | C3681054                | Y          | 定位销<br>DOWEL,PIN                    | 1         |               |



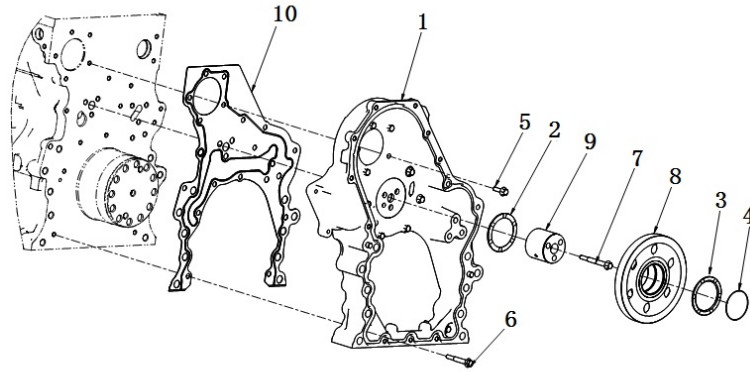
| 序号<br>NO | 层次 | 备件号<br>OPTION<br>NUMBER | 出售<br>SALE | 备件名称<br>OPTION NAME | 数量<br>QTY | 备注<br>REMARKS |
|----------|----|-------------------------|------------|---------------------|-----------|---------------|
| 1        | 1  | C3678921                | Y          | 螺塞<br>PLUG,THREADED | 1         | 1             |
| 2        | 1  | C3678921                | Y          | 螺塞<br>PLUG,THREADED | 1         |               |
| null     | 1  | C3678921                | Y          | 螺塞<br>PLUG,THREADED | 1         |               |



| 序号<br>NO | 层次 | 备件号<br>OPTION<br>NUMBER | 出售<br>SALE | 备件名称<br>OPTION NAME                 | 数量<br>QTY | 备注<br>REMARKS |
|----------|----|-------------------------|------------|-------------------------------------|-----------|---------------|
| 1        | 1  | C2864829                | Y          | 齿轮室密封垫<br>SEAL,GEAR HOUSING         | 1         |               |
| 2        | 1  | C2874076                | Y          | 机油密封板<br>PLATE,OIL SEAL             | 1         |               |
| 3        | 1  | C2874079                | Y          | 齿轮室盖<br>COVER,GEAR                  | 1         |               |
| 4        | 1  | C2874083                | Y          | 惰齿轮止推片<br>BEARING,THRUST            | 1         |               |
| 5        | 1  | C3681065                | Y          | 六角法兰面螺栓<br>SCREW,HEX FLANGE HEAD CA | 2         |               |
| 6        | 1  | C3900629                | Y          | 六角法兰面螺栓<br>SCREW,HEX FLANGE HEAD CA | 8         |               |
| 7        | 1  | C3925344                | Y          | 六角法兰面螺栓<br>SCREW,HEX FLANGE HEAD CA | 5         |               |
| 8        | 1  | C3925344                | Y          | 六角法兰面螺栓<br>SCREW,HEX FLANGE HEAD CA | 2         | 1             |
| 9        | 1  | C3954111                | Y          | 定位环<br>DOWEL,RING                   | 1         |               |
| 10       | 1  | C4327431                | Y          | 齿轮室<br>HOUSING,GEAR                 | 1         |               |

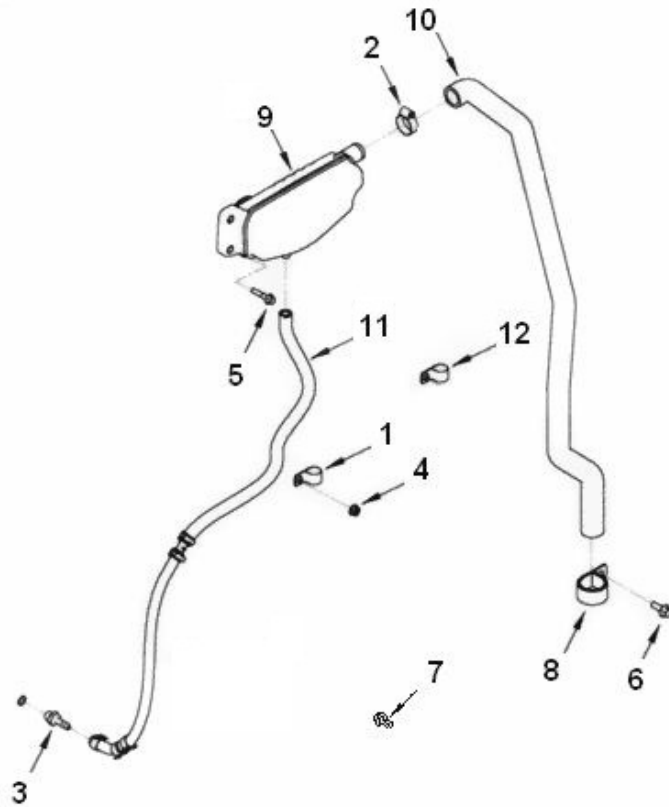


| 序号<br>NO | 层次 | 备件号<br>OPTION<br>NUMBER | 出售<br>SALE | 备件名称<br>OPTION NAME                | 数量<br>QTY | 备注<br>REMARKS |
|----------|----|-------------------------|------------|------------------------------------|-----------|---------------|
| 11       | 1  | C4365698                | Y          | 位置传感器盖板<br>ADAPTER,POSITION SENSOR | 1         |               |
| 12       | 1  | C4929065                | Y          | 六角法兰面螺栓<br>SCREW,STUDED FLANGE CAP | 2         |               |
| 13       | 1  | C4974921                | Y          | 前端齿轮室盖密封垫<br>SEAL,FRONT COVER      | 1         |               |
| 14       | 1  | C4975284                | Y          | 齿轮室密封垫<br>SEAL,GEAR HOUSING        | 1         |               |
| 15       | 1  | C4975285                | Y          | 齿轮室密封垫<br>SEAL,GEAR HOUSING        | 1         |               |



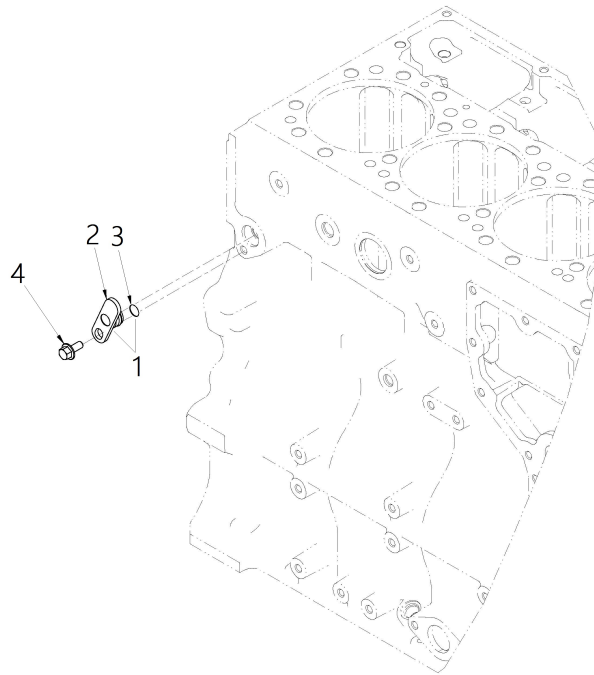
| 序号<br>NO | 层次 | 备件号<br>OPTION<br>NUMBER | 出售<br>SALE | 备件名称<br>OPTION NAME                 | 数量<br>QTY | 备注<br>REMARKS |
|----------|----|-------------------------|------------|-------------------------------------|-----------|---------------|
| 1        | 1  | C2864888                | Y          | 齿轮室<br>HOUSING,GEAR                 | 1         |               |
| 2        | 1  | C2874328                | Y          | 针形轴承<br>BEARING,THRUST              | 1         |               |
| 3        | 1  | C2874328                | Y          | 针形轴承<br>BEARING,THRUST              | 1         | 1             |
| 4        | 1  | C3100109                | Y          | 齿轮固定器<br>RETAINER,GEAR              | 1         |               |
| 5        | 1  | C3903112                | Y          | 六角法兰面螺栓<br>SCREW,HEX FLANGE HEAD CA | 11        |               |
| 6        | 1  | C3904446                | Y          | 六角法兰面螺栓<br>SCREW,HEX FLANGE HEAD CA | 2         |               |
| 7        | 1  | C3916069                | Y          | 六角法兰面螺栓<br>SCREW,HEX FLANGE HEAD CA | 1         |               |
| 8        | 1  | C4327647                | Y          | 惰齿轮<br>GEAR,IDLER                   | 1         |               |
| 9        | 1  | C4975005                | Y          | 惰轮轴<br>SHAFT,IDLER                  | 1         |               |
| 10       | 1  | C4999877                | Y          | 齿轮室密封垫<br>GASKET,GEAR HOUSING       | 1         |               |



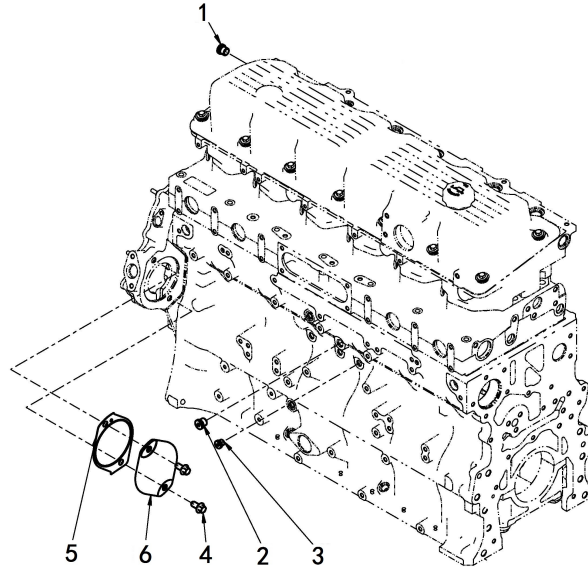


| 序号<br>NO | 层次 | 备件号<br>OPTION<br>NUMBER | 出售<br>SALE | 备件名称<br>OPTION NAME                 | 数量<br>QTY | 备注<br>REMARKS |
|----------|----|-------------------------|------------|-------------------------------------|-----------|---------------|
| 1        | 1  | C4365897                | Y          | 管夹<br>CLIP                          | 1         |               |
| 2        | 1  | C209773                 | Y          | 管夹<br>CLAMP,HOSE                    | 1         |               |
| 3        | 1  | C2874047                | Y          | 直软管接头<br>COUPLING,PLAIN HOSE        | 1         |               |
| 4        | 1  | C3900589                | Y          | 六角法兰面螺母<br>NUT,HEXAGON FLANGE       | 1         |               |
| 5        | 1  | C3900632                | Y          | 六角法兰面螺栓<br>SCREW,HEX FLANGE HEAD CA | 3         |               |
| 6        | 1  | C3902460                | Y          | 六角法兰面螺栓<br>SCREW,HEX FLANGE HEAD CA | 1         |               |
| 7        | 1  | C3903990                | Y          | 六角法兰面螺栓<br>SCREW,HEX FLANGE HEAD CA | 1         |               |
| 8        | 1  | C4006930                | Y          | 管夹<br>CLIP                          | 2         |               |
| 9        | 1  | C4974922                | Y          | 曲轴箱通风件<br>BREATHER,CRANKCASE        | 1         |               |
| 10       | 1  | C4974923                | Y          | 曲轴箱通风管<br>TUBE,BREATHER             | 1         |               |

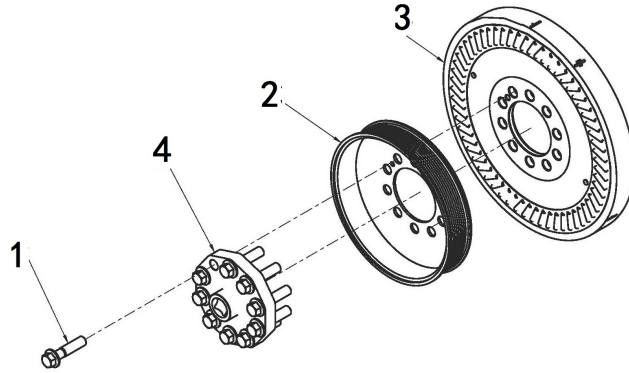
| 序号<br>NO | 层次 | 备件号<br>OPTION<br>NUMBER | 出售<br>SALE | 备件名称<br>OPTION NAME   | 数量<br>QTY | 备注<br>REMARKS |
|----------|----|-------------------------|------------|-----------------------|-----------|---------------|
| 11       | 1  | C4975203                | Y          | 组合软管<br>HOSE,FLEXIBLE | 1         |               |
| 12       | 1  | C69911 A                | Y          | 管夹<br>CLIP            | 1         |               |



| 序号<br>NO | 层次 | 备件号<br>OPTION<br>NUMBER | 出售<br>SALE | 备件名称<br>OPTION NAME                 | 数量<br>QTY | 备注<br>REMARKS |
|----------|----|-------------------------|------------|-------------------------------------|-----------|---------------|
| 1        | 1  | C2865083                | Y          | 加热器螺塞<br>PLUG,FLANGED O RING        | 1         |               |
| 2        | 1  | C2865080                | Y          | 加热器螺塞<br>PLUG,FLANGED O RING        | 1         |               |
| 3        | 1  | C4965731                | Y          | O形密封圈<br>SEAL,O RING                | 1         |               |
| 4        | 1  | C3903990                | Y          | 六角法兰面螺栓<br>SCREW,HEX FLANGE HEAD CA | 1         |               |

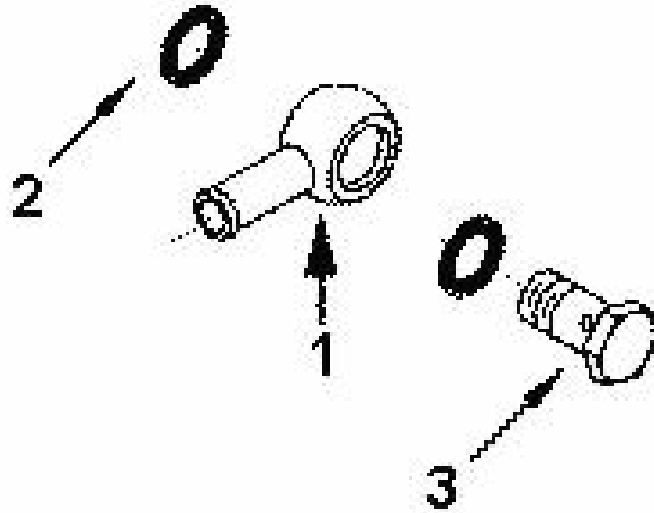


| 序号<br>NO | 层次 | 备件号<br>OPTION<br>NUMBER | 出售<br>SALE | 备件名称<br>OPTION NAME                 | 数量<br>QTY | 备注<br>REMARKS |
|----------|----|-------------------------|------------|-------------------------------------|-----------|---------------|
| 1        | 1  | C3678873                | Y          | 螺塞<br>PLUG,THREADED                 | 1         |               |
| 2        | 1  | C3678873                | Y          | 螺塞<br>PLUG,THREADED                 | 1         | 1             |
| 3        | 1  | C3678921                | Y          | 螺塞<br>PLUG,THREADED                 | 1         |               |
| 4        | 1  | C3901249                | Y          | 六角法兰面螺栓<br>SCREW,HEX FLANGE HEAD CA | 2         |               |
| 5        | 1  | C3940245                | Y          | 动力转向泵密封垫<br>GASKET,HYDRAULIC PUMP   | 1         |               |
| 6        | 1  | C4366024                | Y          | 盖板<br>PLATE,COVER                   | 1         |               |



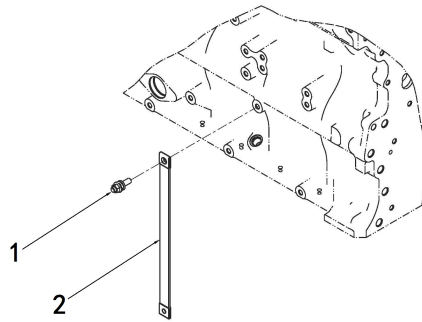
| 序号<br>NO | 层次 | 备件号<br>OPTION<br>NUMBER | 出售<br>SALE | 备件名称<br>OPTION NAME                 | 数量<br>QTY | 备注<br>REMARKS |
|----------|----|-------------------------|------------|-------------------------------------|-----------|---------------|
| 1        | 1  | C3100362                | Y          | 六角法兰面螺栓<br>SCREW,HEX FLANGE HEAD CA | 10        |               |
| 2        | 1  | C4316791                | Y          | 曲轴皮带轮<br>PULLEY,CRANKSHAFT          | 1         |               |
| 3        | 1  | C4316792                | Y          | 扭振减振器<br>DAMPER,VISCOUS VIBRATION   | 1         |               |
| 4        | 1  | C4388897                | Y          | 盘车适配器<br>ADAPTER,BARRING            | 1         |               |





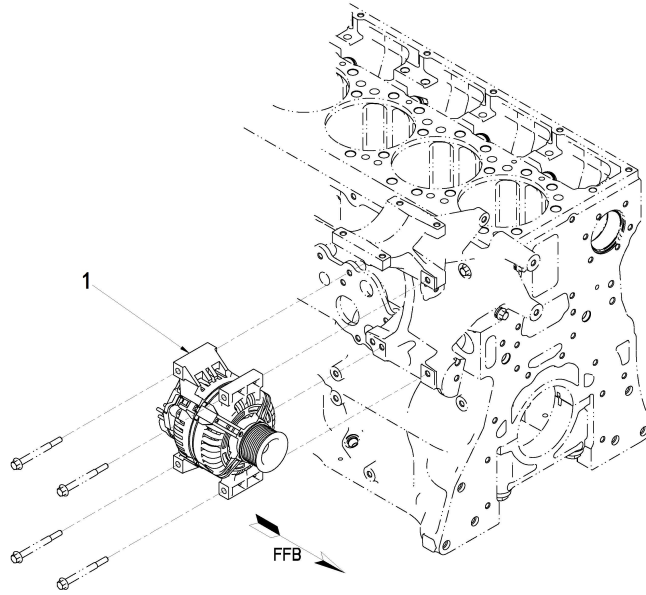
| 序号<br>NO | 层次 | 备件号<br>OPTION<br>NUMBER | 出售<br>SALE | 备件名称<br>OPTION NAME             | 数量<br>QTY | 备注<br>REMARKS |
|----------|----|-------------------------|------------|---------------------------------|-----------|---------------|
| 1        | 1  | C2874451                | Y          | 琶形接头<br>CONNECTOR,BANJO         | 1         |               |
| 2        | 1  | C3963991                | Y          | 密封垫圈<br>WASHER,SEALING          | 2         |               |
| 3        | 1  | C4940181                | Y          | 琶形接头螺栓<br>SCREW,BANJO CONNECTOR | 1         |               |



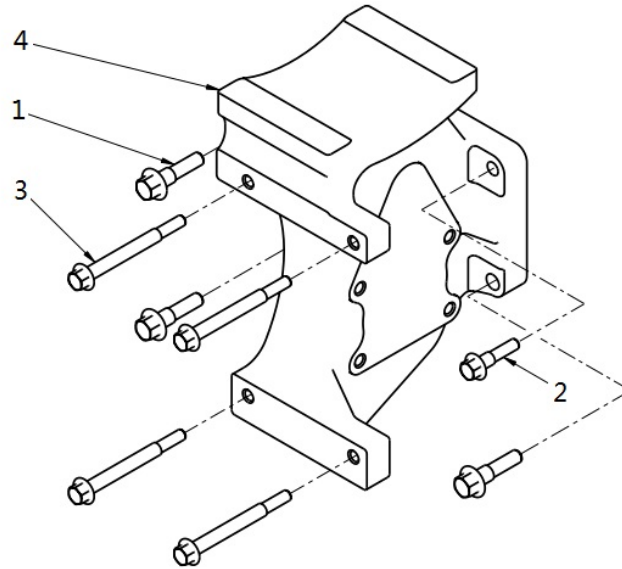


| 序号<br>NO | 层次 | 备件号<br>OPTION<br>NUMBER | 出售<br>SALE | 备件名称<br>OPTION NAME                 | 数量<br>QTY | 备注<br>REMARKS |
|----------|----|-------------------------|------------|-------------------------------------|-----------|---------------|
| 1        | 1  | C3903990                | Y          | 六角法兰面螺栓<br>SCREW,HEX FLANGE HEAD CA | 1         |               |
| 2        | 1  | C4932506                | Y          | 搭铁线<br>WIRE,GROUND                  | 1         |               |

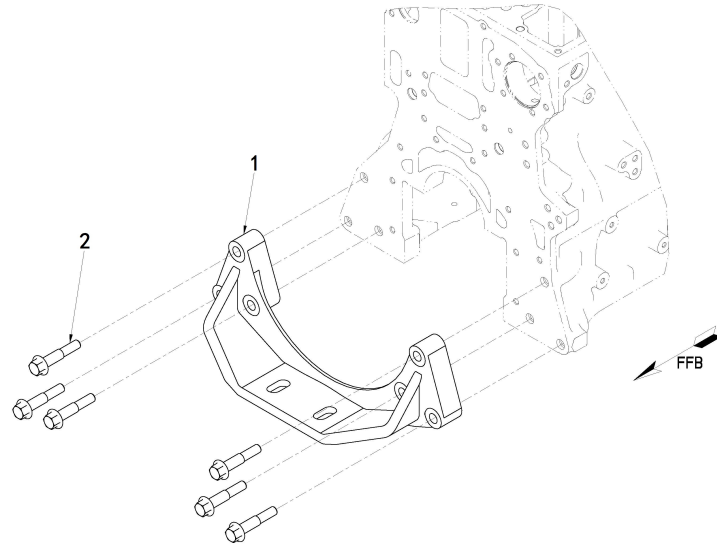




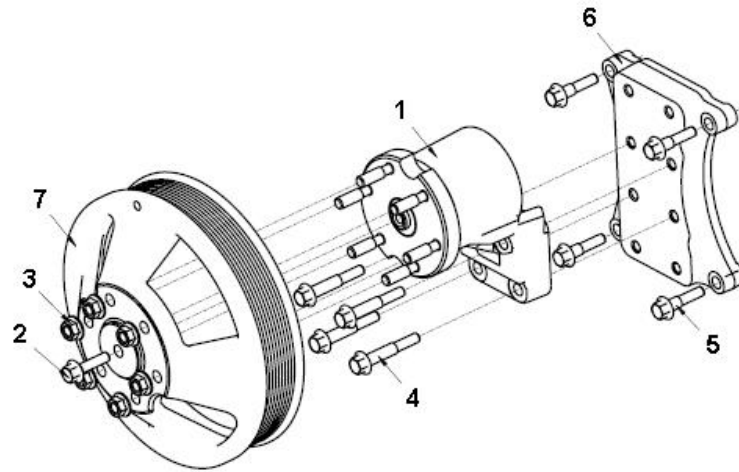
| 序号<br>NO | 层次 | 备件号<br>OPTION<br>NUMBER | 出售<br>SALE | 备件名称<br>OPTION NAME | 数量<br>QTY | 备注<br>REMARKS |
|----------|----|-------------------------|------------|---------------------|-----------|---------------|
| 1        | 1  | C2874279                | Y          | 发电机<br>ALTERNATOR   | 1         |               |



| 序号<br>NO | 层次 | 备件号<br>OPTION<br>NUMBER | 出售<br>SALE | 备件名称<br>OPTION NAME                 | 数量<br>QTY | 备注<br>REMARKS |
|----------|----|-------------------------|------------|-------------------------------------|-----------|---------------|
| 1        | 1  | C3093940                | Y          | 六角法兰面螺栓<br>SCREW,HEX FLANGE HEAD CA | 3         |               |
| 2        | 1  | C3903464                | Y          | 六角法兰面螺栓<br>SCREW,HEX FLANGE HEAD CA | 1         |               |
| 3        | 1  | C3914407                | Y          | 六角法兰面螺栓<br>SCREW,HEX FLANGE HEAD CA | 4         |               |
| 4        | 1  | C4388948                | Y          | 发电机支架<br>SUPPORT,ALTERNATOR         | 1         |               |

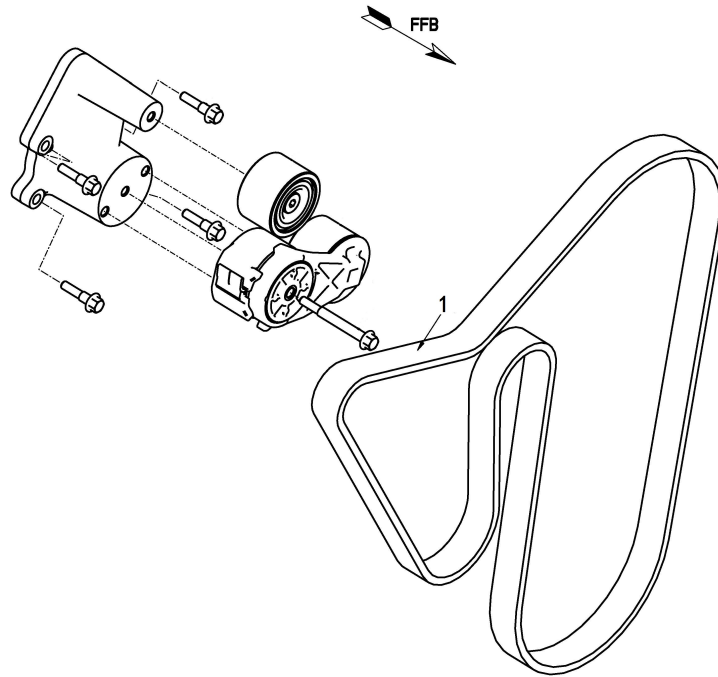


| 序号<br>NO | 层次 | 备件号<br>OPTION<br>NUMBER | 出售<br>SALE | 备件名称<br>OPTION NAME                 | 数量<br>QTY | 备注<br>REMARKS |
|----------|----|-------------------------|------------|-------------------------------------|-----------|---------------|
| 1        | 1  | C4974981                | Y          | 发动机前悬置支架<br>SUPPORT,FRONT ENGINE    | 1         |               |
| 2        | 1  | C4975022                | Y          | 六角法兰面螺栓<br>SCREW,HEX FLANGE HEAD CA | 6         |               |

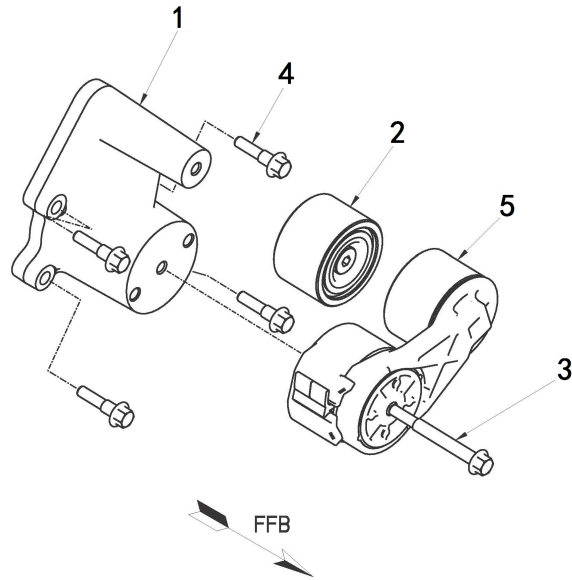


| 序号<br>NO | 层次 | 备件号<br>OPTION<br>NUMBER | 出售<br>SALE | 备件名称<br>OPTION NAME                 | 数量<br>QTY | 备注<br>REMARKS |
|----------|----|-------------------------|------------|-------------------------------------|-----------|---------------|
| 1        | 1  | C2873971                | Y          | 风扇轮毂<br>HUB,FAN                     | 1         |               |
| 2        | 1  | C2874091                | Y          | 六角法兰面螺栓<br>SCREW,HEX FLANGE HEAD CA | 4         |               |
| 3        | 1  | C3089016                | Y          | 六角法兰面螺栓<br>SCREW,HEX FLANGE HEAD CA | 1         |               |
| 4        | 1  | C3903464                | Y          | 六角法兰面螺栓<br>SCREW,HEX FLANGE HEAD CA | 4         |               |
| 5        | 1  | C3925344                | Y          | 六角法兰面螺栓<br>SCREW,HEX FLANGE HEAD CA | 6         |               |
| 6        | 1  | C4316727                | Y          | 风扇支架<br>BRACKET,FAN                 | 1         |               |
| 7        | 1  | C4316739                | Y          | 风扇皮带轮<br>PULLEY,FAN                 | 1         |               |

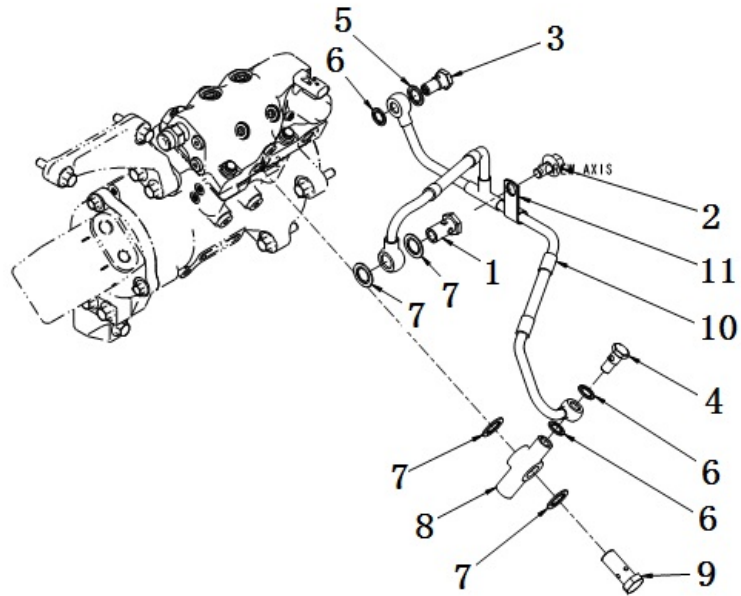




| 序号<br>NO | 层次 | 备件号<br>OPTION<br>NUMBER | 出售<br>SALE | 备件名称<br>OPTION NAME  | 数量<br>QTY | 备注<br>REMARKS |
|----------|----|-------------------------|------------|----------------------|-----------|---------------|
| 1        | 1  | C2873974                | Y          | 多楔带<br>BELT,V RIBBED | 1         |               |

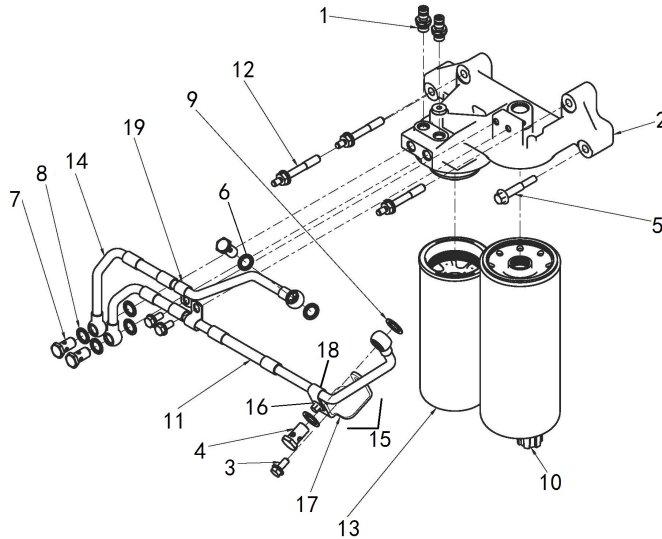


| 序号<br>NO | 层次 | 备件号<br>OPTION<br>NUMBER | 出售<br>SALE | 备件名称<br>OPTION NAME                 | 数量<br>QTY | 备注<br>REMARKS |
|----------|----|-------------------------|------------|-------------------------------------|-----------|---------------|
| 1        | 1  | C2873972                | Y          | 涨紧轮支架<br>SUPPORT,BELT TENSIONER     | 1         |               |
| 2        | 1  | C2874071                | Y          | 惰轮<br>PULLEY,IDLER                  | 1         |               |
| 3        | 1  | C3093936                | Y          | 六角法兰面螺栓<br>SCREW,HEX FLANGE HEAD CA | 1         |               |
| 4        | 1  | C3903464                | Y          | 六角法兰面螺栓<br>SCREW,HEX FLANGE HEAD CA | 4         |               |
| 5        | 1  | C4316726                | Y          | 皮带涨紧轮<br>TENSIONER,BELT             | 1         |               |



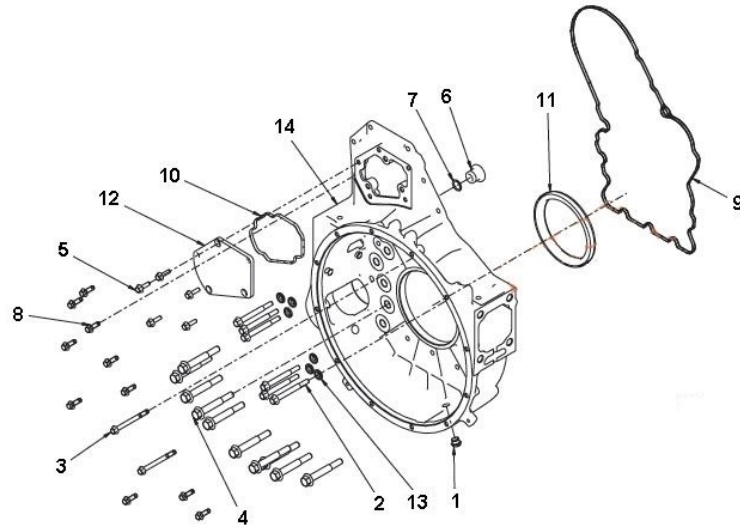
| 序号<br>NO | 层次 | 备件号<br>OPTION<br>NUMBER | 出售<br>SALE | 备件名称<br>OPTION NAME                 | 数量<br>QTY | 备注<br>REMARKS |
|----------|----|-------------------------|------------|-------------------------------------|-----------|---------------|
| 1        | 1  | C3866026                | Y          | 琶形接头螺栓<br>SCREW,BANJO CONNECTOR     | 1         |               |
| 2        | 1  | C3913372                | Y          | 六角法兰面螺栓<br>SCREW,HEX FLANGE HEAD CA | 1         |               |
| 3        | 1  | C3957290                | Y          | 检查阀<br>VALVE,CHECK                  | 1         |               |
| 4        | 1  | C3957770                | Y          | 琶形接头螺栓<br>SCREW,BANJO CONNECTOR     | 1         |               |
| 5        | 1  | C3963988                | Y          | 密封垫圈<br>WASHER,SEALING              | 1         |               |
| 6        | 1  | C3963990                | Y          | 密封垫圈<br>WASHER,SEALING              | 3         |               |
| 7        | 1  | C3963991                | Y          | 密封垫圈<br>WASHER,SEALING              | 4         |               |
| 8        | 1  | C4327608                | Y          | 琶形接头<br>UNION,BANJO CONNECTOR       | 1         |               |
| 9        | 1  | C4975072                | Y          | 琶形接头螺栓<br>SCREW,BANJO CONNECTOR     | 1         |               |
| 10       | 1  | C4999678                | Y          | 燃油回油管<br>TUBE,FUEL DRAIN            | 1         |               |

| 序号<br>NO | 层次 | 备件号<br>OPTION<br>NUMBER | 出售<br>SALE | 备件名称<br>OPTION NAME | 数量<br>QTY | 备注<br>REMARKS |
|----------|----|-------------------------|------------|---------------------|-----------|---------------|
| 11       | 1  | C4999845                | Y          | 管夹<br>CLIP          | 1         |               |



| 序号<br>NO | 层次 | 备件号<br>OPTION<br>NUMBER | 出售<br>SALE | 备件名称<br>OPTION NAME                  | 数量<br>QTY | 备注<br>REMARKS |
|----------|----|-------------------------|------------|--------------------------------------|-----------|---------------|
| 1        | 1  | 3100221                 | Y          | 排气接头<br>NIPPLE, COUPLING             | 2         |               |
| 2        | 1  | C2874016                | Y          | 燃油滤清器座<br>HEAD, FUEL FILTER          | 1         |               |
| 3        | 1  | C3821783                | Y          | 带密封垫螺栓<br>SCREW, CAPTIVE WASHER CAP  | 3         |               |
| 4        | 1  | C3866026                | Y          | 琶形接头螺栓<br>SCREW, BANJO CONNECTOR     | 1         |               |
| 5        | 1  | C3900635                | Y          | 六角法兰面螺栓<br>SCREW, HEX FLANGE HEAD CA | 1         |               |
| 6        | 1  | C3918192                | Y          | 密封垫圈<br>WASHER, SEALING              | 3         |               |
| 7        | 1  | C3924725                | Y          | 琶形接头螺栓<br>SCREW, BANJO CONNECTOR     | 3         |               |
| 8        | 1  | C3963988                | Y          | 密封垫圈<br>WASHER, SEALING              | 3         | 1             |
| 9        | 1  | C3963991                | Y          | 密封垫圈<br>WASHER, SEALING              | 2         |               |
| 10       | 1  | C4327370                | Y          | 燃油滤清器<br>FILTER, FUEL                | 1         |               |

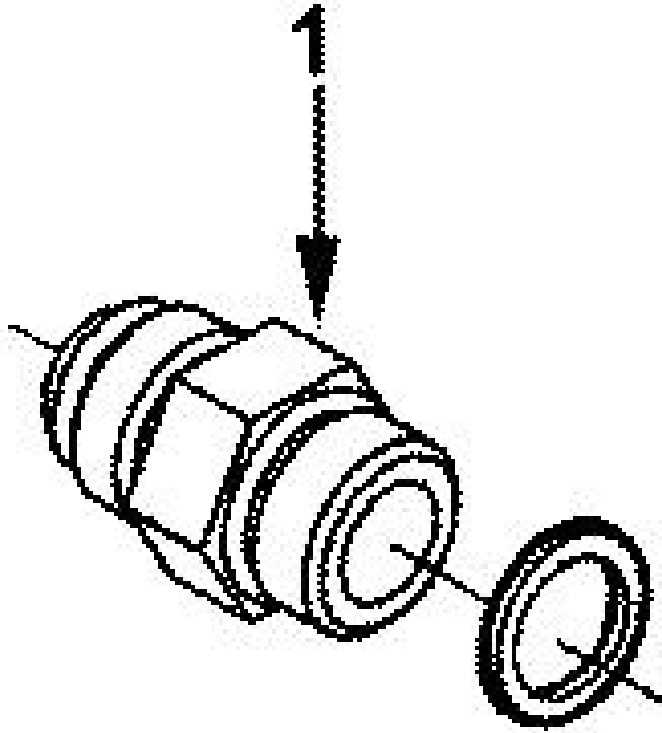
| 序号<br>NO | 层次 | 备件号<br>OPTION<br>NUMBER | 出售<br>SALE | 备件名称<br>OPTION NAME                 | 数量<br>QTY | 备注<br>REMARKS |
|----------|----|-------------------------|------------|-------------------------------------|-----------|---------------|
| 11       | 1  | C4366059                | Y          | 燃油输油管<br>TUBE,FUEL SUPPLY           | 1         |               |
| 12       | 1  | C4953096                | Y          | 双头螺柱<br>SCREW,SDD CAPTIVE WASHER    | 3         |               |
| 13       | 1  | C4960198                | Y          | 燃油滤清器<br>FILTER,FUEL                | 1         |               |
| 14       | 1  | C4999872                | Y          | 燃油输油管<br>TUBE,FUEL SUPPLY           | 1         |               |
| 15       | 1  | C4999892                | Y          | 管路支架<br>BRACE,TUBE                  | 1         |               |
| 16       | 1  | C3900630                | Y          | 六角法兰面螺栓<br>SCREW,HEX FLANGE HEAD CA | 1         |               |
| 17       | 1  | C4999916                | Y          | 管路支架<br>BRACE,TUBE                  | 1         |               |
| 18       | 1  | C68152                  | Y          | 管夹<br>CLIP                          | 1         |               |
| 19       | 1  | C68152                  | Y          | 管夹<br>CLIP                          | 2         |               |



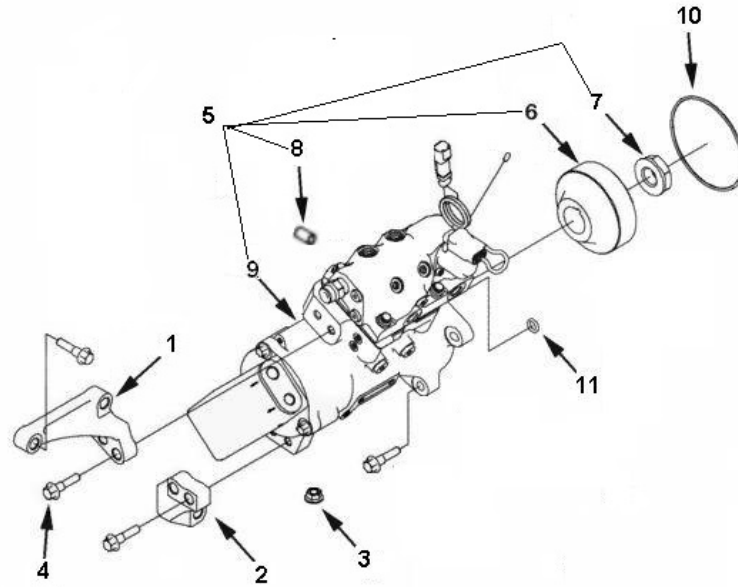
| 序号<br>NO | 层次 | 备件号<br>OPTION<br>NUMBER | 出售<br>SALE | 备件名称<br>OPTION NAME                 | 数量<br>QTY | 备注<br>REMARKS |
|----------|----|-------------------------|------------|-------------------------------------|-----------|---------------|
| 1        | 1  | C3042004                | Y          | 螺塞<br>PLUG,THREADED                 | 1         |               |
| 2        | 1  | C3089188                | Y          | 六角法兰面螺栓<br>SCREW,HEX FLANGE HEAD CA | 6         |               |
| 3        | 1  | C3093806                | Y          | 六角法兰面螺栓<br>SCREW,HEX FLANGE HEAD CA | 2         |               |
| 4        | 1  | C3099832                | Y          | 六角法兰面螺栓<br>SCREW,HEX FLANGE HEAD CA | 10        |               |
| 5        | 1  | C3903112                | Y          | 六角法兰面螺栓<br>SCREW,HEX FLANGE HEAD CA | 5         |               |
| 6        | 1  | C3910248                | Y          | 堵塞<br>PLUG,O RING                   | 1         |               |
| 7        | 1  | C3910260                | Y          | O形密封圈<br>SEAL,O RING                | 1         |               |
| 8        | 1  | C3925344                | Y          | 六角法兰面螺栓<br>SCREW,HEX FLANGE HEAD CA | 10        |               |
| 9        | 1  | C4960126                | Y          | 飞轮壳密封垫<br>SEAL,FLYWHEEL HOUSING     | 1         |               |
| 10       | 1  | C4960139                | Y          | 盖板密封垫<br>GASKET,COVER PLATE         | 1         |               |

| 序号<br>NO | 层次 | 备件号<br>OPTION<br>NUMBER | 出售<br>SALE | 备件名称<br>OPTION NAME     | 数量<br>QTY | 备注<br>REMARKS |
|----------|----|-------------------------|------------|-------------------------|-----------|---------------|
| 11       | 1  | C4962603                | Y          | 油封<br>SEAL,OIL          | 1         |               |
| 12       | 1  | C4974958                | Y          | 盖板<br>PLATE,COVER       | 1         |               |
| 13       | 1  | C4999779                | Y          | 密封垫圈<br>WASHER,SEALING  | 6         |               |
| 14       | 1  | C5472130                | Y          | 飞轮壳<br>HOUSING,FLYWHEEL | 1         |               |



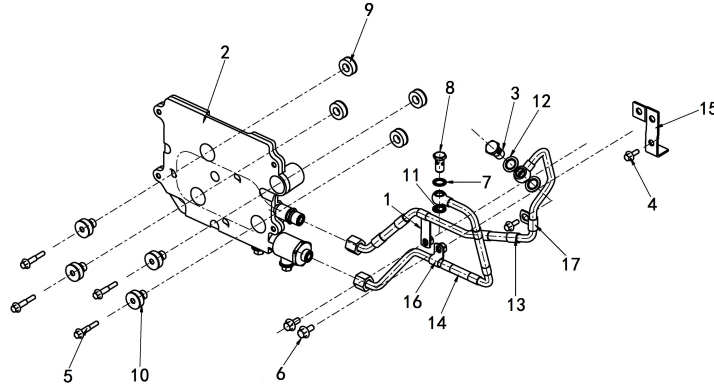


| 序号<br>NO | 层次 | 备件号<br>OPTION<br>NUMBER | 出售<br>SALE | 备件名称<br>OPTION NAME | 数量<br>QTY | 备注<br>REMARKS |
|----------|----|-------------------------|------------|---------------------|-----------|---------------|
| 1        | 1  | C2874467                | Y          | 接头体<br>UNION,MALE   | 1         |               |



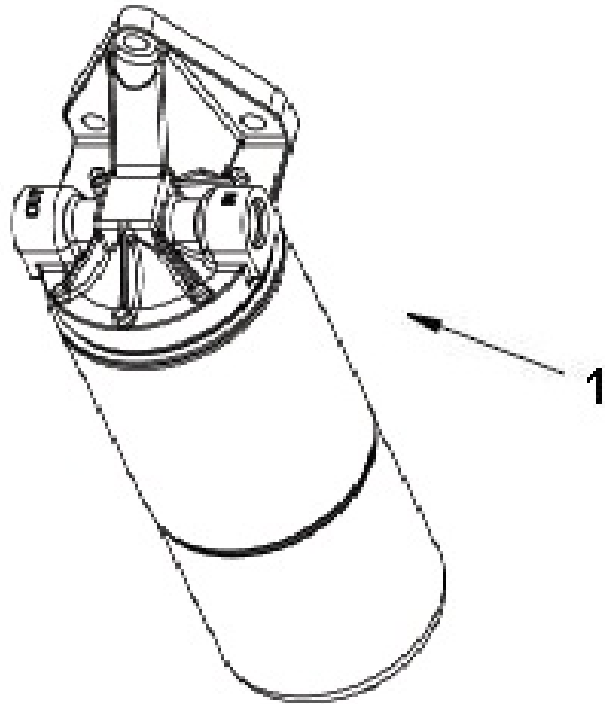
| 序号<br>NO | 层次 | 备件号<br>OPTION<br>NUMBER | 出售<br>SALE | 备件名称<br>OPTION NAME                 | 数量<br>QTY | 备注<br>REMARKS |
|----------|----|-------------------------|------------|-------------------------------------|-----------|---------------|
| 1        | 1  | C2869863                | Y          | 燃油泵支架<br>SUPPORT,FUEL PUMP          | 1         |               |
| 2        | 1  | C2874622                | Y          | 燃油泵支架<br>SUPPORT,FUEL PUMP          | 1         |               |
| 3        | 1  | C3902662                | Y          | 六角法兰面螺母<br>NUT,HEXAGON FLANGE       | 2         |               |
| 4        | 1  | C3925437                | Y          | 六角法兰面螺栓<br>SCREW,HEX FLANGE HEAD CA | 10        |               |
| 5        | 1  | C4389003                | Y          | 燃油泵<br>PUMP,FUEL                    | 1         |               |
| 6        | 1  | C4327643                | Y          | 燃油泵齿轮<br>GEAR,FUEL PUMP             | 1         |               |
| 7        | 1  | C4903138                | Y          | 六角法兰面螺母<br>NUT,HEXAGON FLANGE       | 1         |               |
| 8        | 1  | C5317051                | Y          | 定位销<br>DOWEL,PIN                    | 1         |               |
| 9        | 1  | D4384497                | Y          | 燃油泵<br>PUMP,FUEL                    | 1         |               |
| 10       | 1  | C4974852                | Y          | O形密封圈<br>SEAL,O RING                | 1         |               |

| 序号<br>NO | 层次 | 备件号<br>OPTION<br>NUMBER | 出售<br>SALE | 备件名称<br>OPTION NAME           | 数量<br>QTY | 备注<br>REMARKS |
|----------|----|-------------------------|------------|-------------------------------|-----------|---------------|
| 11       | 1  | C4975226                | Y          | 燃油泵密封垫<br>SEAL,FUEL PUMP BODY | 1         |               |

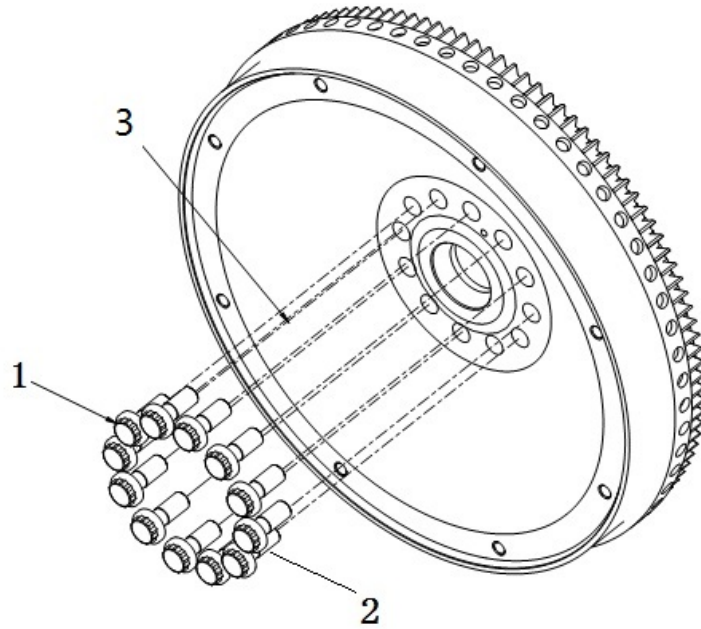


| 序号<br>NO | 层次 | 备件号<br>OPTION<br>NUMBER | 出售<br>SALE | 备件名称<br>OPTION NAME                 | 数量<br>QTY | 备注<br>REMARKS |
|----------|----|-------------------------|------------|-------------------------------------|-----------|---------------|
| 1        | 1  | C2874597                | Y          | 管夹<br>CLIP                          | 1         |               |
| 2        | 1  | C2874643                | Y          | 电子控制冷却器<br>COOLER,ELECTRONIC CONTRO | 1         |               |
| 3        | 1  | C3866026                | Y          | 琶形接头螺栓<br>SCREW,BANJO CONNECTOR     | 1         |               |
| 4        | 1  | C3900630                | Y          | 六角法兰面螺栓<br>SCREW,HEX FLANGE HEAD CA | 2         |               |
| 5        | 1  | C3901445                | Y          | 六角法兰面螺栓<br>SCREW,HEX FLANGE HEAD CA | 4         |               |
| 6        | 1  | C3903990                | Y          | 六角法兰面螺栓<br>SCREW,HEX FLANGE HEAD CA | 2         |               |
| 7        | 1  | C3918192                | Y          | 密封垫圈<br>WASHER,SEALING              | 1         |               |
| 8        | 1  | C3924725                | Y          | 琶形接头螺栓<br>SCREW,BANJO CONNECTOR     | 1         |               |
| 9        | 1  | C3955219                | Y          | 减振块<br>ISOLATOR,VIBRATION           | 4         |               |
| 10       | 1  | C3955220                | Y          | 减振块<br>ISOLATOR,VIBRATION           | 4         |               |

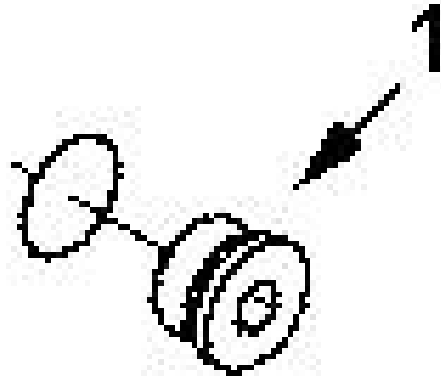
| 序号<br>NO | 层次 | 备件号<br>OPTION<br>NUMBER | 出售<br>SALE | 备件名称<br>OPTION NAME       | 数量<br>QTY | 备注<br>REMARKS |
|----------|----|-------------------------|------------|---------------------------|-----------|---------------|
| 11       | 1  | C3963988                | Y          | 密封垫圈<br>WASHER,SEALING    | 1         |               |
| 12       | 1  | C3963991                | Y          | 密封垫圈<br>WASHER,SEALING    | 2         |               |
| 13       | 1  | C4316788                | Y          | 燃油输油管<br>TUBE,FUEL SUPPLY | 1         |               |
| 14       | 1  | C4316789                | Y          | 燃油输油管<br>TUBE,FUEL SUPPLY | 1         |               |
| 15       | 1  | C4999891                | Y          | 管路支架<br>BRACE,TUBE        | 1         |               |
| 16       | 1  | C68152                  | Y          | 管夹<br>CLIP                | 1         | 1             |
| 17       | 1  | C68152 A                | Y          | 管夹<br>CLIP                | 1         |               |



| 序号<br>NO | 层次 | 备件号<br>OPTION<br>NUMBER | 出售<br>SALE | 备件名称<br>OPTION NAME           | 数量<br>QTY | 备注<br>REMARKS |
|----------|----|-------------------------|------------|-------------------------------|-----------|---------------|
| 1        | 1  | D4365883                | Y          | 油水分离器<br>SEPARATOR,FUEL WATER | 1         |               |

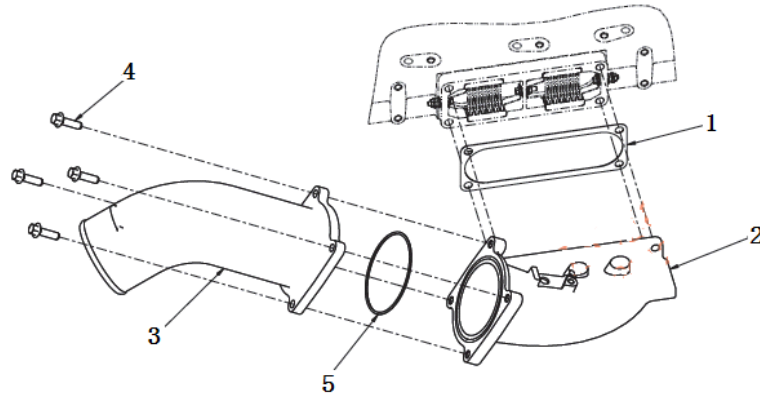


| 序号<br>NO | 层次 | 备件号<br>OPTION<br>NUMBER | 出售<br>SALE | 备件名称<br>OPTION NAME              | 数量<br>QTY | 备注<br>REMARKS |
|----------|----|-------------------------|------------|----------------------------------|-----------|---------------|
| 1        | 1  | C3678740                | Y          | 十二角头螺栓<br>SCREW,TWELVE POINT CAP | 6         | 1             |
| 2        | 1  | C3678740                | Y          | 十二角头螺栓<br>SCREW,TWELVE POINT CAP | 6         |               |
| 3        | 1  | C5472149                | Y          | 飞轮<br>FLYWHEEL                   | 1         |               |

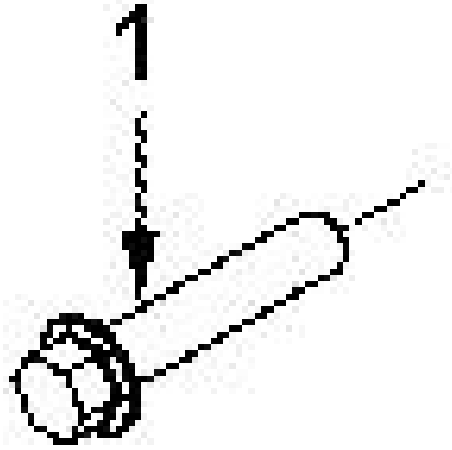


| 序号<br>NO | 层次 | 备件号<br>OPTION<br>NUMBER | 出售<br>SALE | 备件名称<br>OPTION NAME | 数量<br>QTY | 备注<br>REMARKS |
|----------|----|-------------------------|------------|---------------------|-----------|---------------|
| 1        | 1  | C3678611                | Y          | 螺塞<br>PLUG,THREADED | 5         |               |

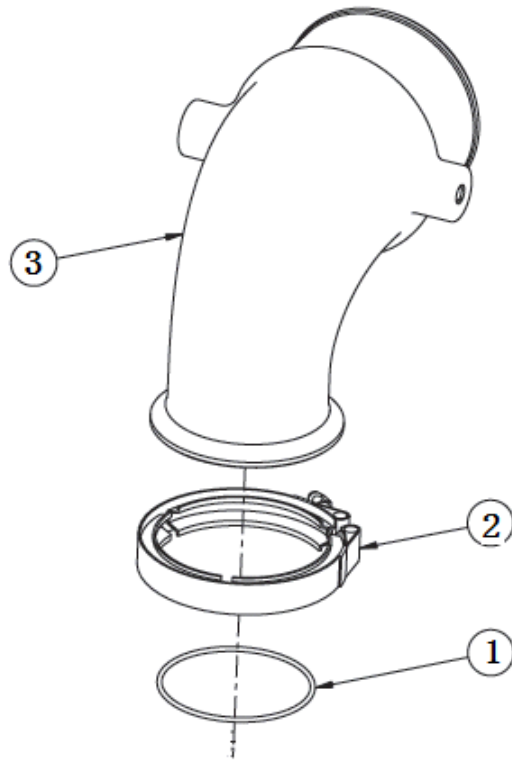




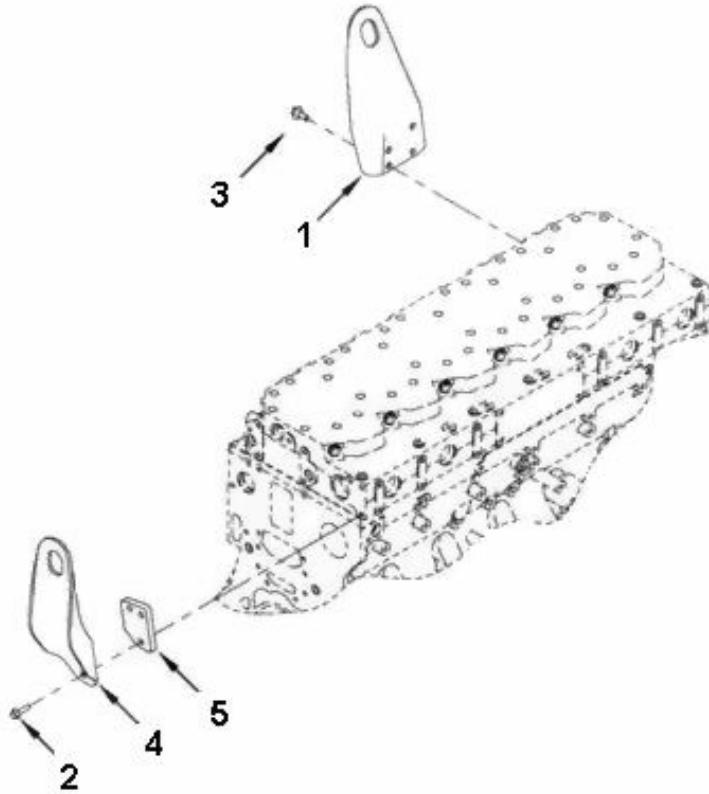
| 序号<br>NO | 层次 | 备件号<br>OPTION<br>NUMBER | 出售<br>SALE | 备件名称<br>OPTION NAME                 | 数量<br>QTY | 备注<br>REMARKS |
|----------|----|-------------------------|------------|-------------------------------------|-----------|---------------|
| 1        | 1  | 3102173                 | Y          | 密封垫<br>GASKET,CONNECTION            | 1         |               |
| 2        | 1  | C2874120                | Y          | 进气连接件<br>CONNECTION,AIR INTAKE      | 1         |               |
| 3        | 1  | C2874563                | Y          | 出气连接件<br>CONNECTION,AIR TRANSFER    | 1         |               |
| 4        | 1  | C3089016                | Y          | 六角法兰面螺栓<br>SCREW,HEX FLANGE HEAD CA | 4         |               |
| 5        | 1  | C4974852                | Y          | O形密封圈<br>SEAL,O RING                | 1         |               |



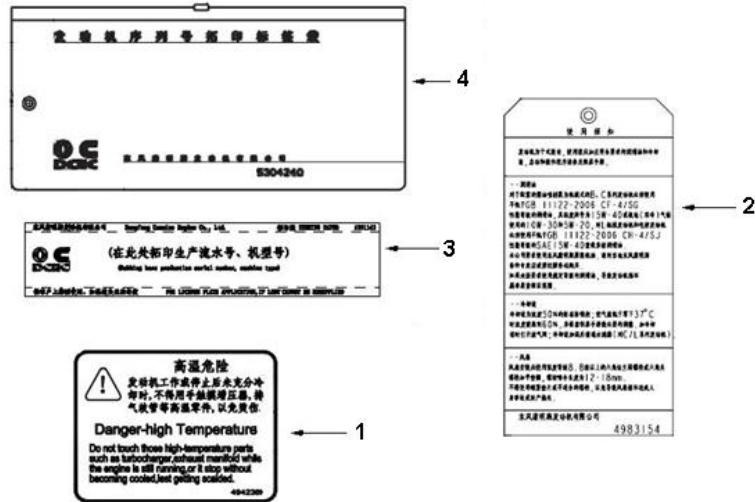
| 序号<br>NO | 层次 | 备件号<br>OPTION<br>NUMBER | 出售<br>SALE | 备件名称<br>OPTION NAME                 | 数量<br>QTY | 备注<br>REMARKS |
|----------|----|-------------------------|------------|-------------------------------------|-----------|---------------|
| 1        | 1  | C3900634                | Y          | 六角法兰面螺栓<br>SCREW,HEX FLANGE HEAD CA | 4         |               |



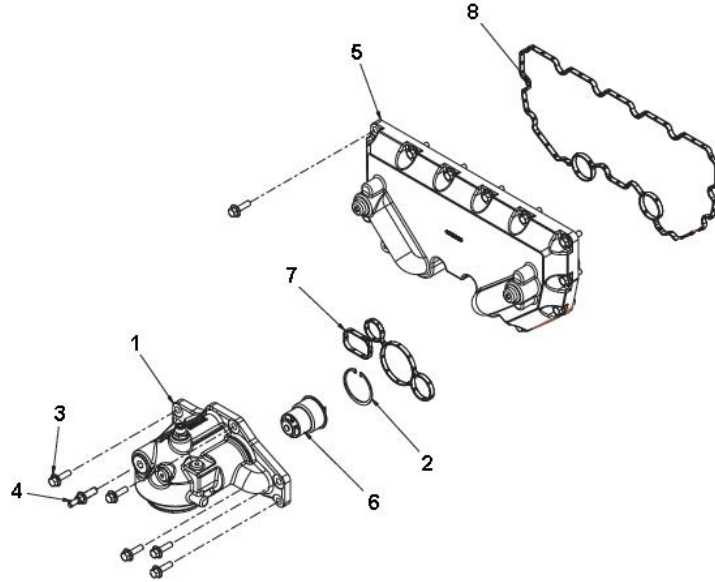
| 序号<br>NO | 层次 | 备件号<br>OPTION<br>NUMBER | 出售<br>SALE | 备件名称<br>OPTION NAME              | 数量<br>QTY | 备注<br>REMARKS |
|----------|----|-------------------------|------------|----------------------------------|-----------|---------------|
| 1        | 1  | C3682177                | Y          | O形密封圈<br>SEAL,ORING              | 1         |               |
| 2        | 1  | C3684312                | Y          | V型卡箍<br>CLAMP,V BAND             | 1         |               |
| 3        | 1  | C4316738                | Y          | 出气连接件<br>CONNECTION,AIR TRANSFER | 1         |               |



| 序号<br>NO | 层次 | 备件号<br>OPTION<br>NUMBER | 出售<br>SALE | 备件名称<br>OPTION NAME                 | 数量<br>QTY | 备注<br>REMARKS |
|----------|----|-------------------------|------------|-------------------------------------|-----------|---------------|
| 1        | 1  | C2873953                | Y          | 发动机吊耳<br>BRACKET,LIFTING            | 1         |               |
| 2        | 1  | C3093805                | Y          | 六角法兰面螺栓<br>SCREW,HEX FLANGE HEAD CA | 3         |               |
| 3        | 1  | C4940240                | Y          | 六角法兰面螺栓<br>SCREW,HEX FLANGE HEAD CA | 4         |               |
| 4        | 1  | C4975097                | Y          | 发动机吊耳<br>BRACKET,LIFTING            | 1         |               |
| 5        | 1  | C4975173                | Y          | 安装隔块<br>SPACER,MOUNTING             | 1         |               |



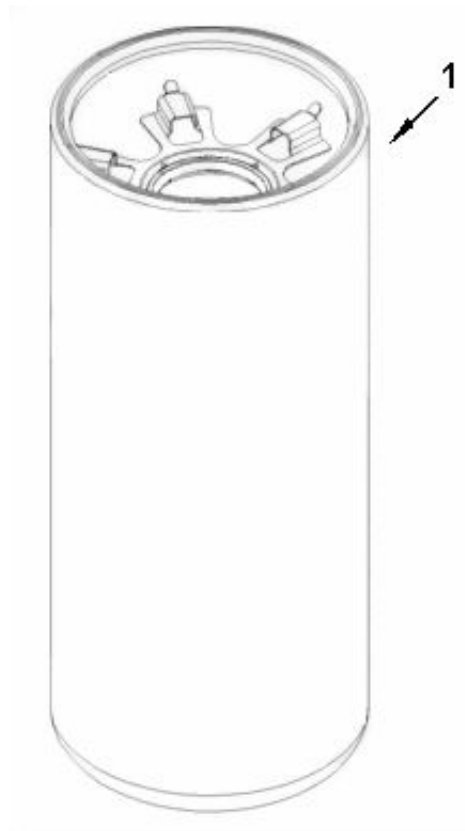
| 序号<br>NO | 层次 | 备件号<br>OPTION<br>NUMBER | 出售<br>SALE | 备件名称<br>OPTION NAME      | 数量<br>QTY | 备注<br>REMARKS |
|----------|----|-------------------------|------------|--------------------------|-----------|---------------|
| 1        | 1  | C4942381                | Y          | 标签<br>DECAL              | 1         |               |
| 2        | 1  | C4983154                | Y          | 标签<br>TAG,INSTRUCTION    | 1         |               |
| 3        | 1  | C5291163                | Y          | 标签<br>TAG,IDENTIFICATION | 2         |               |
| 4        | 1  | C5304240                | Y          | 标签袋<br>TAG,IDENTIFICATI  | 1         |               |



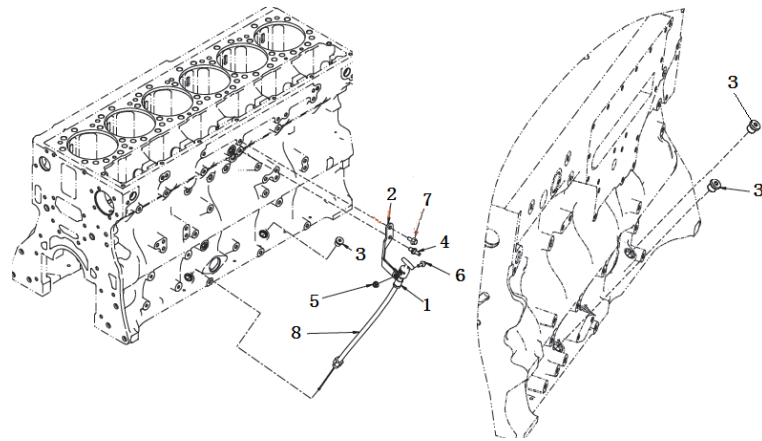
| 序号<br>NO | 层次 | 备件号<br>OPTION<br>NUMBER | 出售<br>SALE | 备件名称<br>OPTION NAME                 | 数量<br>QTY | 备注<br>REMARKS |
|----------|----|-------------------------|------------|-------------------------------------|-----------|---------------|
| 1        | 1  | C2870228                | Y          | 机油滤清器座<br>HEAD,LUB OIL FILTER       | 1         |               |
| 2        | 1  | C3411881                | Y          | 挡圈<br>RING,RETAINING                | 1         |               |
| 3        | 1  | C3903112                | Y          | 六角法兰面螺栓<br>SCREW,HEX FLANGE HEAD CA | 19        |               |
| 4        | 1  | C4026812                | Y          | 六角法兰面螺栓<br>SCREW,STUDED FLANGE CAP  | 1         |               |
| 5        | 1  | C4316859                | Y          | 机油冷却器座<br>HOUSING,OIL COOLER        | 1         |               |
| 6        | 1  | C4952629                | Y          | 节温器<br>THERMOSTAT                   | 1         |               |
| 7        | 1  | C4960214                | Y          | 机油滤清器座密封垫<br>SEAL,OIL FILTER HEAD   | 1         |               |
| 8        | 1  | C4975215                | Y          | 机油冷却座密封垫<br>SEAL,OIL COOLER HOUSING | 1         |               |
| null     | 1  | C3678922                | Y          | 螺塞<br>PLUG,THREADED                 | 1         |               |
| null     | 1  | C3678912                | Y          | O形密封圈<br>SEAL,ORING                 | 1         |               |

LF 2091

全流式机油滤清器

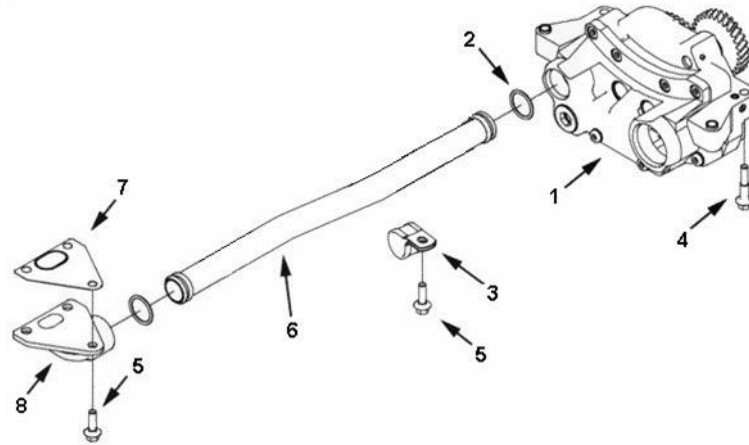


| 序号<br>NO | 层次 | 备件号<br>OPTION<br>NUMBER | 出售<br>SALE | 备件名称<br>OPTION NAME             | 数量<br>QTY | 备注<br>REMARKS |
|----------|----|-------------------------|------------|---------------------------------|-----------|---------------|
| 1        | 1  | C4331005                | Y          | 机油滤清器<br>FILTER,LUBRICATING OIL | 1         |               |



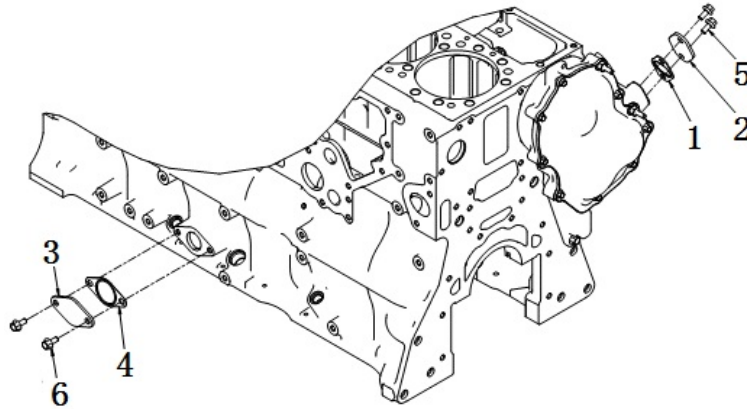
| 序号<br>NO | 层次 | 备件号<br>OPTION<br>NUMBER | 出售<br>SALE | 备件名称<br>OPTION NAME                 | 数量<br>QTY | 备注<br>REMARKS |
|----------|----|-------------------------|------------|-------------------------------------|-----------|---------------|
| 1        | 1  | C202888                 | Y          | 管夹<br>CLIP                          | 1         |               |
| 2        | 1  | C2874063                | Y          | 管路支架<br>BRACE,TUBE                  | 1         |               |
| 3        | 1  | C3678873                | Y          | 螺塞<br>PLUG,THREADED                 | 3         |               |
| 4        | 1  | C3682941                | Y          | 双头螺栓<br>SCREW,STUDDER HEXAGON CA    | 1         |               |
| 5        | 1  | C3900589                | Y          | 六角法兰面螺母<br>NUT,HEXAGON FLANGE       | 1         |               |
| 6        | 1  | C3900630                | Y          | 六角法兰面螺栓<br>SCREW,HEX FLANGE HEAD CA | 1         |               |
| 7        | 1  | C3903990                | Y          | 六角法兰面螺栓<br>SCREW,HEX FLANGE HEAD CA | 1         |               |
| 8        | 1  | C4327488                | Y          | 机油标尺<br>DIPSTICK                    | 1         |               |



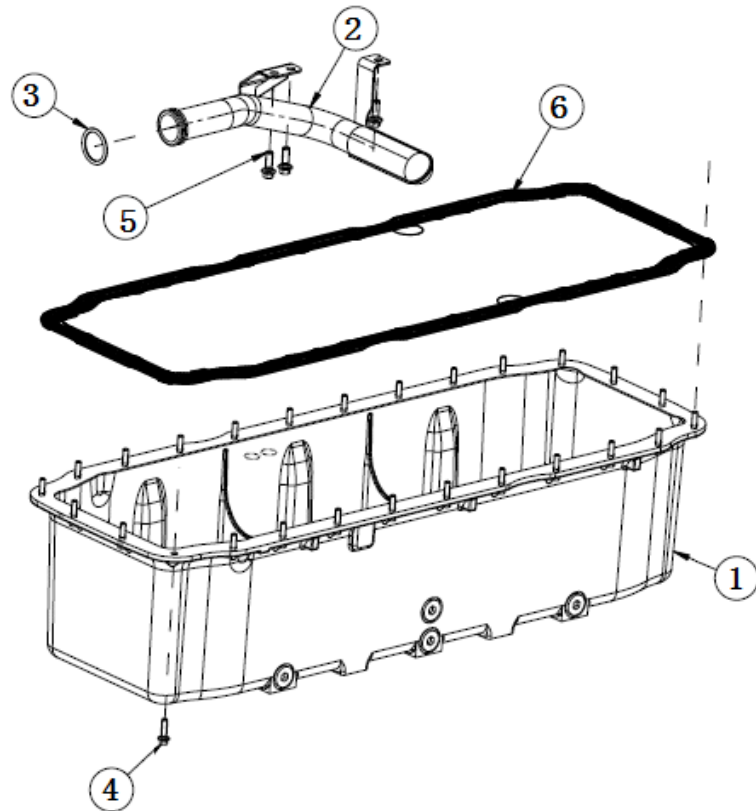


| 序号<br>NO | 层次 | 备件号<br>OPTION<br>NUMBER | 出售<br>SALE | 备件名称<br>OPTION NAME                 | 数量<br>QTY | 备注<br>REMARKS |
|----------|----|-------------------------|------------|-------------------------------------|-----------|---------------|
| 1        | 1  | C2883218                | Y          | 机油泵<br>PUMP,LUBRICATING OIL         | 1         |               |
| 2        | 1  | C3035027                | Y          | O形密封圈<br>SEAL,ORING                 | 2         |               |
| 3        | 1  | C3100250                | Y          | 管夹<br>CLIP                          | 1         |               |
| 4        | 1  | C3900634                | Y          | 六角法兰面螺栓<br>SCREW,HEX FLANGE HEAD CA | 4         |               |
| 5        | 1  | C3903112                | Y          | 六角法兰面螺栓<br>SCREW,HEX FLANGE HEAD CA | 4         |               |
| 6        | 1  | C4975037                | Y          | 机油输油管<br>TUBE,LUB OIL TRANSFER      | 1         |               |
| 7        | 1  | C4975308                | Y          | 密封垫<br>GASKET,OIL TRF CONNECTIO     | 1         |               |
| 8        | 1  | C4975309                | Y          | 机油连接件<br>CONNECTION,OIL TRANSFER    | 1         |               |

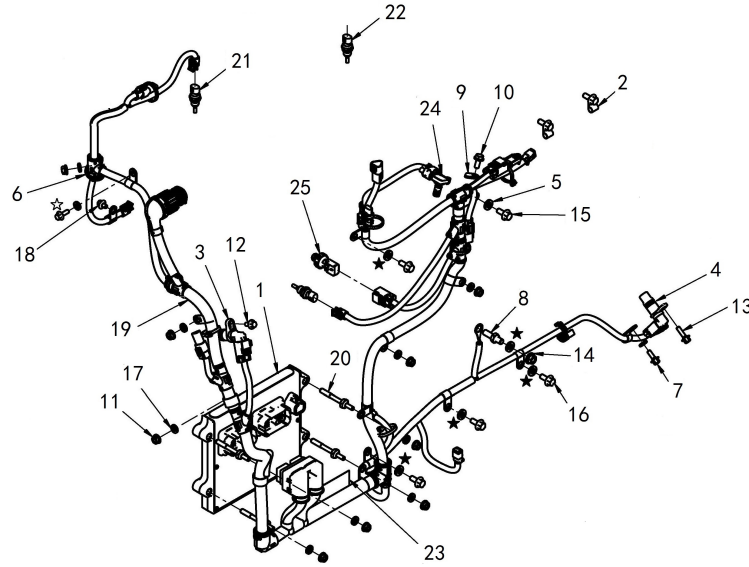




| 序号<br>NO | 层次 | 备件号<br>OPTION<br>NUMBER | 出售<br>SALE | 备件名称<br>OPTION NAME                 | 数量<br>QTY | 备注<br>REMARKS |
|----------|----|-------------------------|------------|-------------------------------------|-----------|---------------|
| 1        | 1  | C2864886                | Y          | 盖板密封垫<br>GASKET,COVER PLATE         | 1         |               |
| 2        | 1  | C2864887                | Y          | 盖板<br>PLATE,COVER                   | 1         |               |
| 3        | 1  | C3680371                | Y          | 盖板<br>PLATE,COVER                   | 1         |               |
| 4        | 1  | C3680832                | Y          | 盖板密封垫<br>GASKET,COVER PLATE         | 1         |               |
| 5        | 1  | C3903990                | Y          | 六角法兰面螺栓<br>SCREW,HEX FLANGE HEAD CA | 2         | 1             |
| 6        | 1  | C3903990                | Y          | 六角法兰面螺栓<br>SCREW,HEX FLANGE HEAD CA | 2         |               |

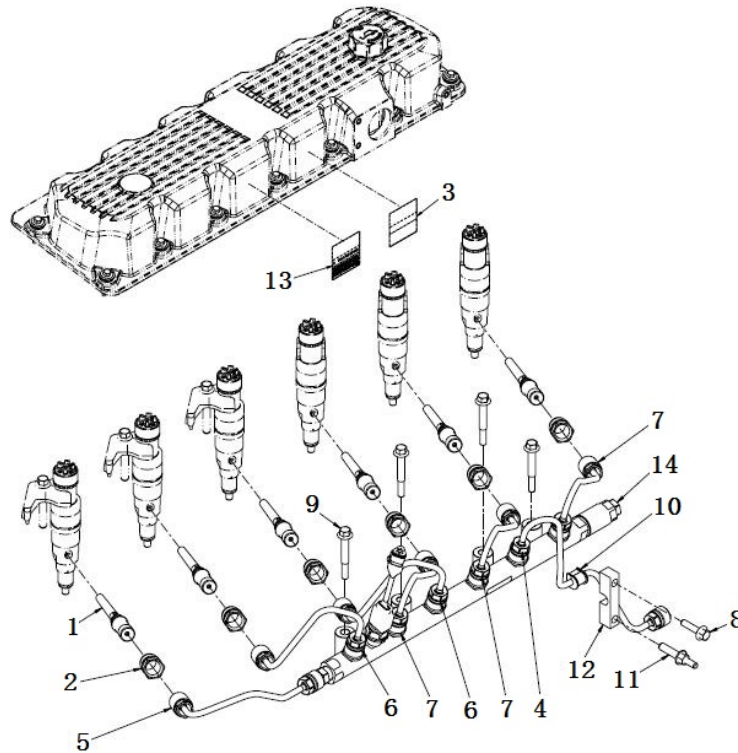


| 序号<br>NO | 层次 | 备件号<br>OPTION<br>NUMBER | 出售<br>SALE | 备件名称<br>OPTION NAME                 | 数量<br>QTY | 备注<br>REMARKS |
|----------|----|-------------------------|------------|-------------------------------------|-----------|---------------|
| 1        | 1  | C2874289                | Y          | 油底壳<br>PAN,OIL                      | 1         |               |
| 2        | 1  | C2884787                | Y          | 机油吸油管<br>CONNECTION,OIL SUCTION     | 1         |               |
| 3        | 1  | C3678756                | Y          | O形密封圈<br>SEAL,O RING                | 1         |               |
| 4        | 1  | C3902114                | Y          | 六角法兰面螺栓<br>SCREW,HEX FLANGE HEAD CA | 26        |               |
| 5        | 1  | C3903112                | Y          | 六角法兰面螺栓<br>SCREW,HEX FLANGE HEAD CA | 3         |               |
| 6        | 1  | C4975069                | Y          | 油底壳密封垫<br>GASKET,OIL PAN            | 1         |               |



| 序号<br>NO | 层次 | 备件号<br>OPTION<br>NUMBER | 出售<br>SALE | 备件名称<br>OPTION NAME                 | 数量<br>QTY | 备注<br>REMARKS |
|----------|----|-------------------------|------------|-------------------------------------|-----------|---------------|
| 1        | 1  | C4995445                | Y          | 电控模块<br>MODULE,ELECTRONIC CONTRO    | 1         |               |
| 2        | 1  | C180372                 | Y          | 管夹<br>CLIP                          | 2         |               |
| 3        | 1  | C2872279                | Y          | 位置传感器<br>SENSOR,POSITION            | 1         |               |
| 4        | 1  | C2872279                | Y          | 位置传感器<br>SENSOR,POSITION            | 1         | 1             |
| 5        | 1  | C3036460                | Y          | 弹簧垫圈<br>WASHER,SPRING               | 6         |               |
| 6        | 1  | C3062329                | Y          | 环箍<br>CLAMP,WIRE TIE                | 3         |               |
| 7        | 1  | C3093775                | Y          | 六角法兰面螺栓<br>SCREW,HEX FLANGE HEAD CA | 2         |               |
| 8        | 1  | C3681386                | Y          | 双头螺栓<br>SCREW,STUDDER HEXAGON CA    | 1         |               |
| 9        | 1  | C3684241                | Y          | 支架<br>BRACE,RETAINING               | 1         |               |
| 10       | 1  | C3821783                | Y          | 带密封垫螺栓<br>SCREW,CAPTIVE WASHER CAP  | 1         |               |

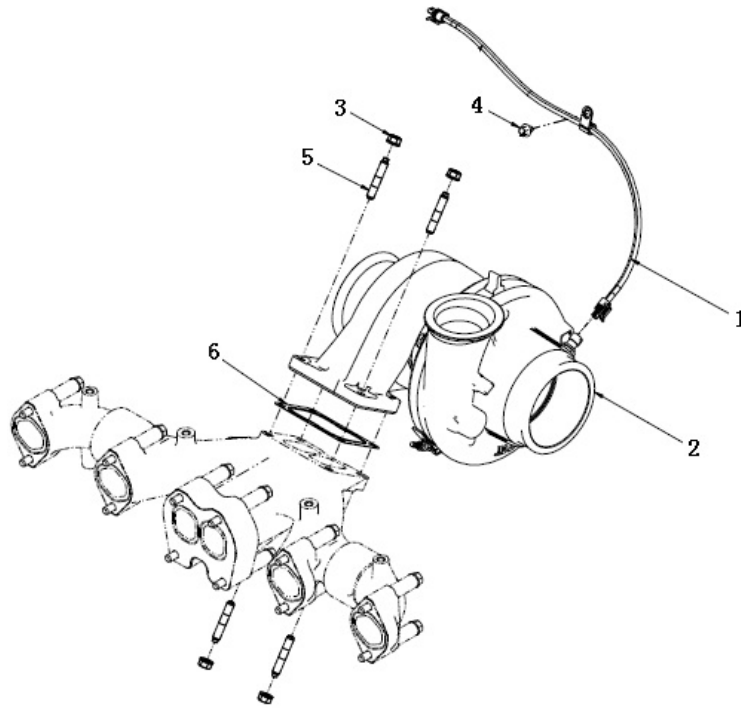
| 序号<br>NO | 层次 | 备件号<br>OPTION<br>NUMBER | 出售<br>SALE | 备件名称<br>OPTION NAME                 | 数量<br>QTY | 备注<br>REMARKS |
|----------|----|-------------------------|------------|-------------------------------------|-----------|---------------|
| 11       | 1  | C3900589                | Y          | 六角法兰面螺母<br>NUT,HEXAGON FLANGE       | 9         |               |
| 12       | 1  | C3900629                | Y          | 六角法兰面螺栓<br>SCREW,HEX FLANGE HEAD CA | 1         |               |
| 13       | 1  | C3900631                | Y          | 六角法兰面螺栓<br>SCREW,HEX FLANGE HEAD CA | 1         |               |
| 14       | 1  | C3902662                | Y          | 六角法兰面螺母<br>NUT,HEXAGON FLANGE       | 1         |               |
| 15       | 1  | C3903990                | Y          | 六角法兰面螺栓<br>SCREW,HEX FLANGE HEAD CA | 2         |               |
| 16       | 1  | C3903990                | Y          | 六角法兰面螺栓<br>SCREW,HEX FLANGE HEAD CA | 5         |               |
| 17       | 1  | C3910266                | Y          | 弹簧垫圈<br>WASHER,SPRING               | 11        |               |
| 18       | 1  | C3921742                | Y          | 六角法兰面螺栓<br>SCREW,HEX FLANGE HEAD CA | 1         |               |
| 19       | 1  | C4327719                | Y          | 电控模块线束<br>HARNES,ETR CNT MDL WRG    | 1         |               |
| 20       | 1  | C4933208                | Y          | 六角头螺栓<br>SCREW,STUDDER HEXAGON CA   | 4         |               |
| 21       | 1  | C4954905                | Y          | 温度传感器<br>SENSOR,TEMPERATURE         | 1         |               |
| 22       | 1  | C4954905                | Y          | 温度传感器<br>SENSOR,TEMPERATURE         | 1         | 1             |
| 23       | 1  | C5267513                | Y          | 参数牌<br>DATAPLATE                    | 1         |               |
| 24       | 1  | D2897334                | Y          | 温度传感器<br>SENSOR,PRS TEMPERATURE     | 1         |               |
| 25       | 1  | D4921517                | Y          | 压力传感器<br>SENSOR,PRESSURE            | 1         |               |
| null     | 1  | C3062329                | Y          | 环箍<br>CLAMP,WIRE TIE                | 4         |               |
| null     | 1  | C3036460                | Y          | 弹簧垫圈<br>WASHER,SPRING               | 5         |               |
| null     | 1  | C3903990                | Y          | 六角法兰面螺栓<br>SCREW,HEX FLANGE HEAD CA | 5         |               |
| null     | 1  | C3682941                | Y          | 双头螺栓<br>SCREW,STUDDER HEXAGON CA    | 1         |               |
| null     | 1  | C3910266                | Y          | 弹簧垫圈<br>WASHER,SPRING               | 10        |               |
| null     | 1  | C5472217                | Y          | 电控模块线束<br>HARNES,ETR CNT MDL WRG    | 1         |               |
| null     | 1  | C3093775                | Y          | 六角法兰面螺栓<br>SCREW,HEX FLANGE HEAD CA | 1         |               |



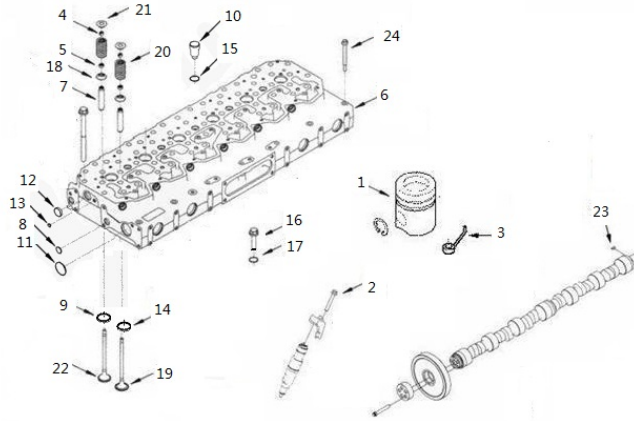
| 序号<br>NO | 层次 | 备件号<br>OPTION<br>NUMBER | 出售<br>SALE | 备件名称<br>OPTION NAME                 | 数量<br>QTY | 备注<br>REMARKS |
|----------|----|-------------------------|------------|-------------------------------------|-----------|---------------|
| 1        | 1  | 2894827                 | Y          | 喷油器输油接头<br>CONNECTOR,INJ FUEL SUPPL | 6         |               |
| 2        | 1  | C2872317                | Y          | 喷油器油管座<br>RETAINER,INJ FUL SUP CNR  | 6         |               |
| 3        | 1  | C2874090                | Y          | 标签<br>DECAL                         | 1         |               |
| 4        | 1  | C2874410                | Y          | 高压油管<br>TUBE,INJECTOR FUEL SUPPL    | 1         |               |
| 5        | 1  | C2899571                | Y          | 高压油管<br>TUBE,INJECTOR FUEL SUPPL    | 1         |               |
| 6        | 1  | C2899572                | Y          | 高压油管<br>TUBE,INJECTOR FUEL SUPPL    | 2         |               |
| 7        | 1  | C2899573                | Y          | 高压油管<br>TUBE,INJECTOR FUEL SUPPL    | 3         |               |
| 8        | 1  | C3089016                | Y          | 六角法兰面螺栓<br>SCREW,HEX FLANGE HEAD CA | 1         |               |
| 9        | 1  | C3904446                | Y          | 六角法兰面螺栓<br>SCREW,HEX FLANGE HEAD CA | 4         |               |
| 10       | 1  | C4009779                | Y          | 减振块<br>ISOLATOR,VIBRATION           | 1         |               |

| 序号<br>NO | 层次 | 备件号<br>OPTION<br>NUMBER | 出售<br>SALE | 备件名称<br>OPTION NAME                 | 数量<br>QTY | 备注<br>REMARKS |
|----------|----|-------------------------|------------|-------------------------------------|-----------|---------------|
| 11       | 1  | C4062666                | Y          | 六角法兰面螺栓<br>SCREW,HEX FLANGE HEAD CA | 1         |               |
| 12       | 1  | C4999824                | Y          | 管夹<br>CLAMP,TUBE                    | 1         |               |
| 13       | 1  | C4999842                | Y          | 标签<br>DECAL                         | 1         |               |
| 14       | 1  | D4307370                | Y          | 燃油共轨管<br>ACCUMULATOR                | 1         |               |



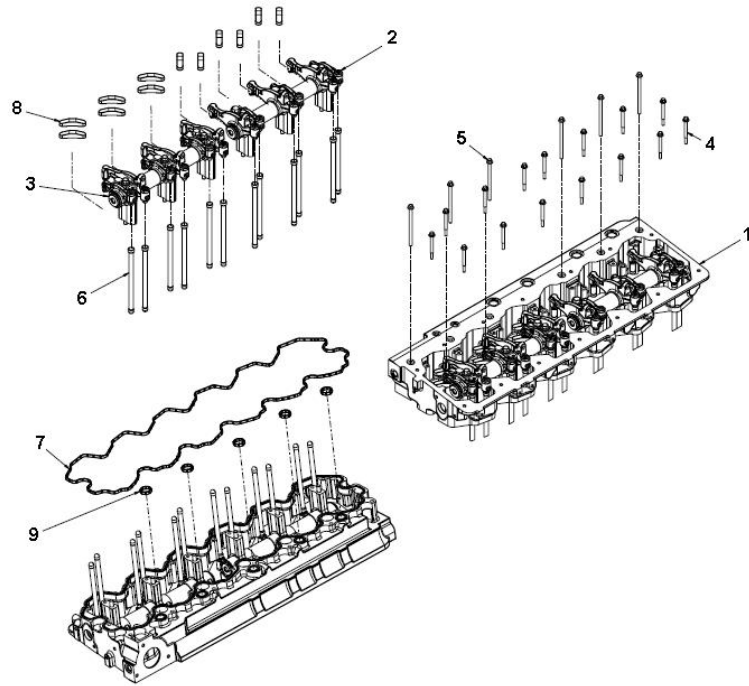


| 序号<br>NO | 层次 | 备件号<br>OPTION<br>NUMBER | 出售<br>SALE | 备件名称<br>OPTION NAME                 | 数量<br>QTY | 备注<br>REMARKS |
|----------|----|-------------------------|------------|-------------------------------------|-----------|---------------|
| 1        | 1  | C2874269                | Y          | 线束<br>HARNES,WIRING                 | 1         |               |
| 2        | 1  | C3788557                | Y          | 增压器<br>TURBOCHARGER                 | 1         |               |
| 3        | 1  | C3818824                | Y          | 六角法兰面螺母<br>NUT,HEXAGON FLANGE       | 4         |               |
| 4        | 1  | C3921742                | Y          | 六角法兰面螺栓<br>SCREW,HEX FLANGE HEAD CA | 1         |               |
| 5        | 1  | C4327413                | Y          | 耐高温双头螺栓<br>STUD,HIGH TEMPERATURE    | 4         |               |
| 6        | 1  | C4999869                | Y          | 增压器密封垫<br>GASKET,TURBOCHARGER       | 1         |               |

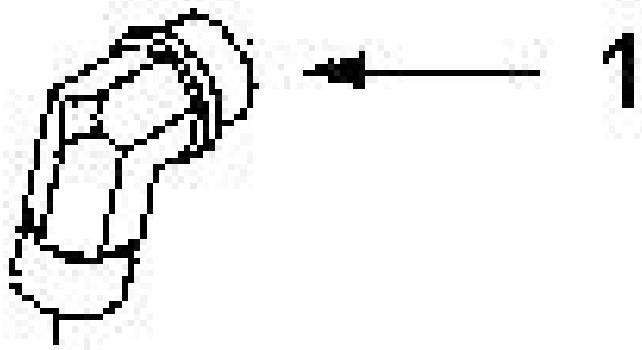


| 序号<br>NO | 层次 | 备件号<br>OPTION<br>NUMBER | 出售<br>SALE | 备件名称<br>OPTION NAME                 | 数量<br>QTY | 备注<br>REMARKS |
|----------|----|-------------------------|------------|-------------------------------------|-----------|---------------|
| 1        | 1  | 4999933                 | Y          | 活塞<br>PISTON,ENGINE                 | 6         |               |
| 2        | 1  | C2830730                | Y          | 六角法兰面螺栓<br>SCREW,HEX FLANGE HEAD CA | 6         |               |
| 3        | 1  | C2869962                | Y          | 活塞冷却喷嘴<br>NOZZLE,PISTON COOLING     | 6         |               |
| 4        | 1  | 3680883                 | Y          | 气门锁块<br>COLLET,VALVE                | 48        |               |
| 5        | 1  | 4003966                 | Y          | 气阀杆油封<br>SEAL,VALVE STEM            | 24        |               |
| 6        | 1  | C2874198                | Y          | 缸盖<br>HEAD,CYLINDER                 | 1         |               |
| 16       | 1  | C3935271                | Y          | 六角法兰面螺栓<br>SCREW,HEX FLANGE HEAD CA | 1         |               |
| 17       | 1  | C4999779                | Y          | 密封垫圈<br>WASHER,SEALING              | 1         |               |
| 18       | 1  | C3102095                | Y          | 进排气导管<br>GUIDE,VALVE SPRING         | 24        |               |
| 19       | 1  | C4365850                | Y          | 进气阀<br>VALVE,INTAKE                 | 12        |               |

| 序号<br>NO | 层次 | 备件号<br>OPTION<br>NUMBER | 出售<br>SALE | 备件名称<br>OPTION NAME                  | 数量<br>QTY | 备注<br>REMARKS |
|----------|----|-------------------------|------------|--------------------------------------|-----------|---------------|
| 20       | 1  | C4960050                | Y          | 气阀弹簧<br>SPRING, VALVE                | 24        |               |
| 21       | 1  | C4975322                | Y          | 气阀弹簧座<br>RETAINER, VALVE SPRING      | 24        |               |
| 22       | 1  | C4999807                | Y          | 排气阀<br>VALVE, EXHAUST                | 12        |               |
| 23       | 1  | C3009953                | Y          | 半圆键<br>KEY, PLAIN WOODRUFF           | 1         |               |
| 24       | 1  | C3093806                | Y          | 六角法兰面螺栓<br>SCREW, HEX FLANGE HEAD CA | 7         |               |



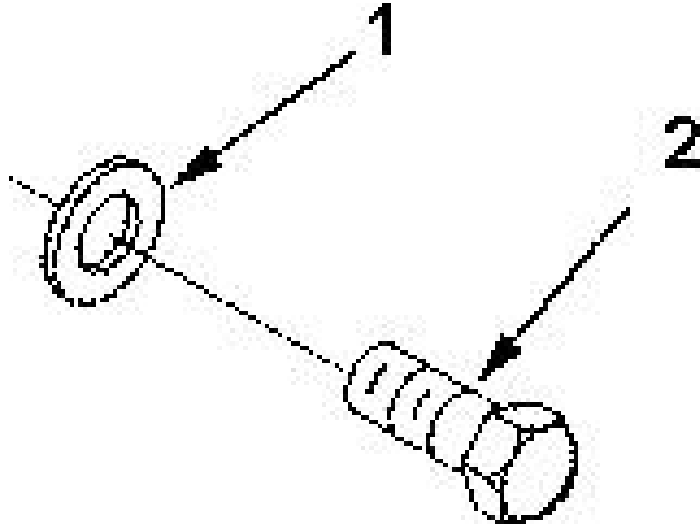
| 序号<br>NO | 层次 | 备件号<br>OPTION<br>NUMBER | 出售<br>SALE | 备件名称<br>OPTION NAME                 | 数量<br>QTY | 备注<br>REMARKS |
|----------|----|-------------------------|------------|-------------------------------------|-----------|---------------|
| 1        | 1  | C2874585                | Y          | 摇臂室<br>HOUSING,ROCKER LEVER         | 1         |               |
| 2        | 1  | C2883252                | Y          | 摇臂<br>LEVER,ROCKER                  | 1         |               |
| 3        | 1  | C2883256                | Y          | 摇臂<br>LEVER,ROCKER                  | 1         |               |
| 4        | 1  | C3902112                | Y          | 六角法兰面螺栓<br>SCREW,HEX FLANGE HEAD CA | 15        |               |
| 5        | 1  | C3968959                | Y          | 六角法兰面螺栓<br>SCREW,HEX FLANGE HEAD CA | 6         |               |
| 6        | 1  | C4974975                | Y          | 推杆<br>ROD,PUSH                      | 12        |               |
| 7        | 1  | C4975214                | Y          | 摇臂室密封垫<br>SEAL,ROCKER LEVER HOUSIN  | 1         |               |
| 8        | 1  | C4999685                | Y          | 气阀摇臂桥<br>CROSSHEAD,VALVE            | 12        |               |
| 9        | 1  | C4999778                | Y          | 摇臂室密封垫<br>SEAL,ROCKER LEVER HOUSIN  | 5         |               |



| 序号<br>NO | 层次 | 备件号<br>OPTION<br>NUMBER | 出售<br>SALE | 备件名称<br>OPTION NAME    | 数量<br>QTY | 备注<br>REMARKS |
|----------|----|-------------------------|------------|------------------------|-----------|---------------|
| 1        | 1  | C4327405                | Y          | 连接阀<br>VALVE, COUPLING | 1         |               |



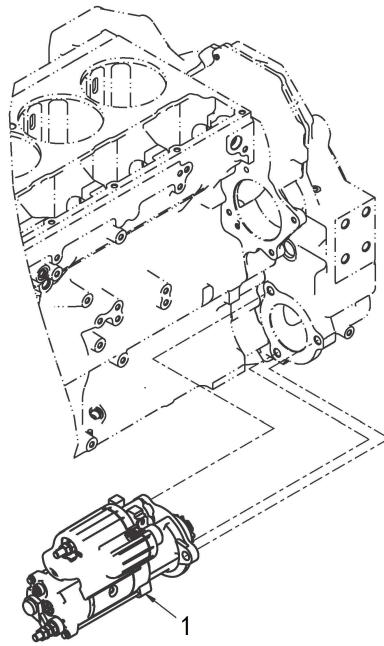




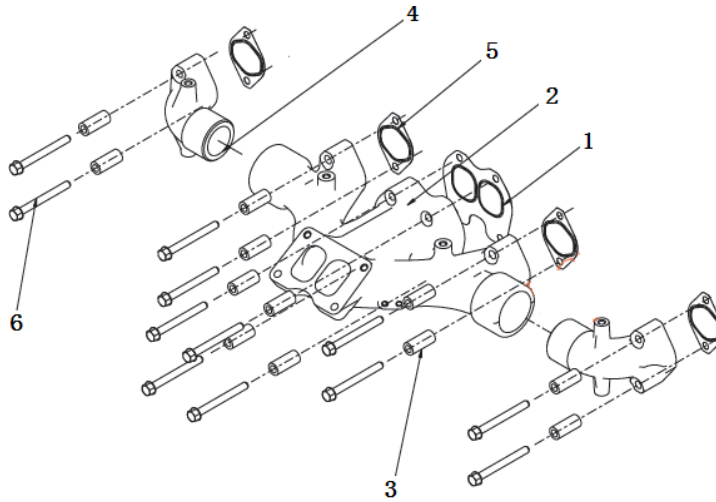
| 序号<br>NO | 层次 | 备件号<br>OPTION<br>NUMBER | 出售<br>SALE | 备件名称<br>OPTION NAME              | 数量<br>QTY | 备注<br>REMARKS |
|----------|----|-------------------------|------------|----------------------------------|-----------|---------------|
| 1        | 1  | C3018007                | Y          | 平垫圈<br>WASHER,PLAIN              | 3         |               |
| 2        | 1  | C4907093                | Y          | 十二角头螺栓<br>SCREW,TWELVE POINT CAP | 3         |               |



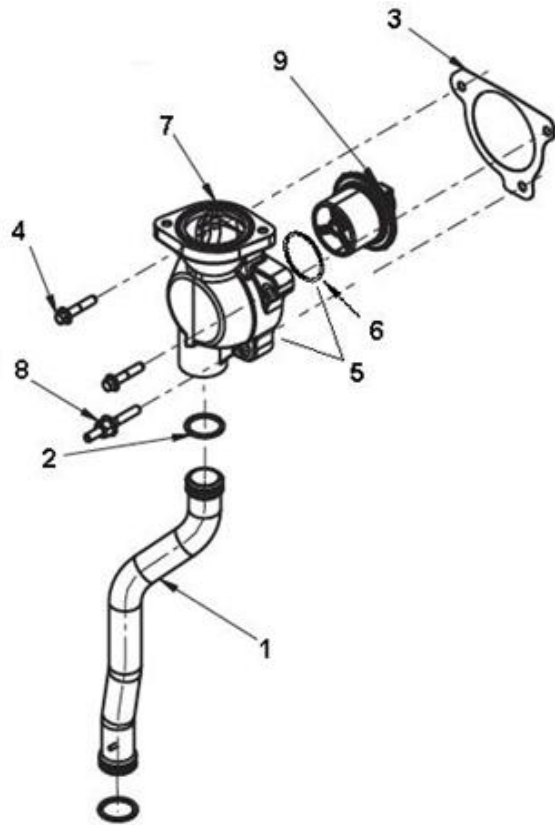




| 序号<br>NO | 层次 | 备件号<br>OPTION<br>NUMBER | 出售<br>SALE | 备件名称<br>OPTION NAME   | 数量<br>QTY | 备注<br>REMARKS |
|----------|----|-------------------------|------------|-----------------------|-----------|---------------|
| 1        | 1  | C4366046                | Y          | 起动机<br>MOTOR,STARTING | 1         |               |

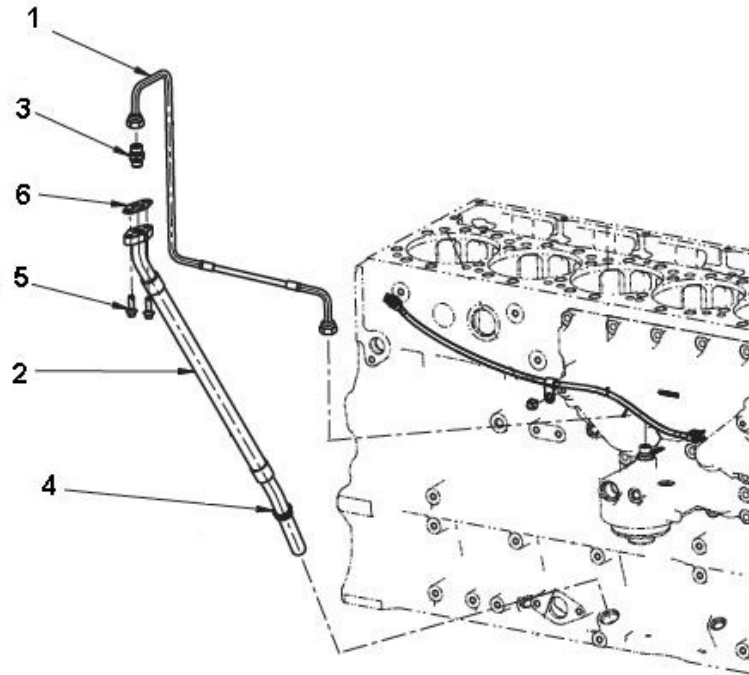


| 序号<br>NO | 层次 | 备件号<br>OPTION<br>NUMBER | 出售<br>SALE | 备件名称<br>OPTION NAME                 | 数量<br>QTY | 备注<br>REMARKS |
|----------|----|-------------------------|------------|-------------------------------------|-----------|---------------|
| 1        | 1  | C2873982                | Y          | 排气管密封垫<br>GASKET,EXHAUST MANIFOLD   | 1         |               |
| 2        | 1  | C4316767                | Y          | 排气歧管<br>MANIFOLD,EXHAUST            | 1         |               |
| 3        | 1  | C2883667                | Y          | 安装隔块<br>SPACER,MOUNTING             | 12        |               |
| 4        | 1  | C4365900                | Y          | 排气歧管<br>MANIFOLD,EXHAUST            | 2         |               |
| 5        | 1  | C4959925                | Y          | 排气管密封垫<br>GASKET,EXHAUST MANIFOLD   | 4         |               |
| 6        | 1  | C4965698                | Y          | 六角法兰面螺栓<br>SCREW,HEX FLANGE HEAD CA | 12        |               |

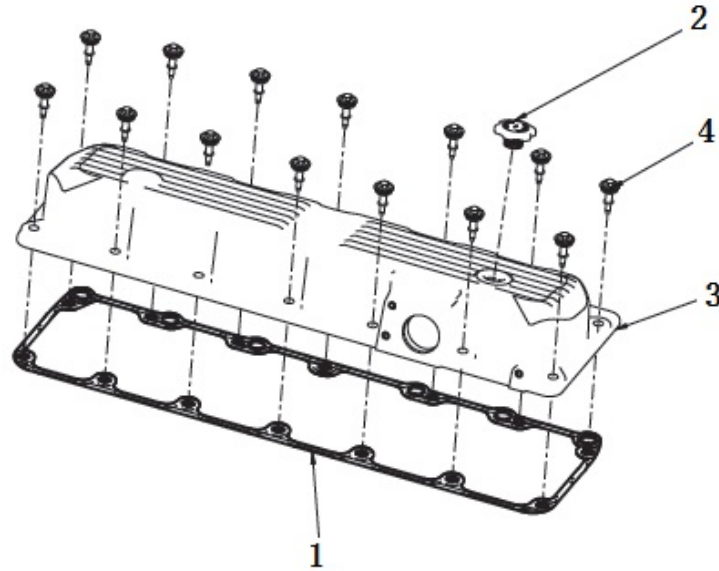


| 序号<br>NO | 层次 | 备件号<br>OPTION<br>NUMBER | 出售<br>SALE | 备件名称<br>OPTION NAME                 | 数量<br>QTY | 备注<br>REMARKS |
|----------|----|-------------------------|------------|-------------------------------------|-----------|---------------|
| 1        | 1  | C2874037                | Y          | 进水管<br>TUBE,WATER BYPASS            | 1         |               |
| 2        | 1  | C3035026                | Y          | O形密封圈<br>SEAL,ORING                 | 2         |               |
| 3        | 1  | C3101054                | Y          | 节温器座密封垫<br>GASKET,THERMOSTAT HOUSIN | 1         |               |
| 4        | 1  | C3900678                | Y          | 六角法兰面螺栓<br>SCREW,HEX FLANGE HEAD CA | 2         |               |
| 5        | 1  | C4959844                | Y          | 节温器座<br>HOUSING,THERMOSTAT          | 1         |               |
| 6        | 1  | 3084879                 | Y          | 节温器油封<br>SEAL,THERMOSTAT            | 1         |               |
| 7        | 1  | C4959845                | Y          | 节温器座<br>HOUSING,THERMOSTAT          | 1         |               |
| 8        | 1  | C4899717                | Y          | 六角法兰面螺栓<br>SCREW,STUDDER FLANGE CAP | 1         |               |
| 9        | 1  | D4318947                | Y          | 节温器<br>THERMOSTAT                   | 1         |               |





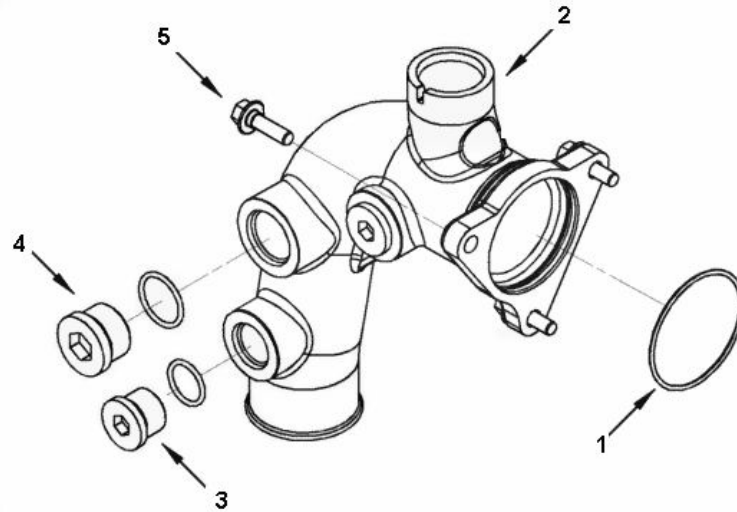
| 序号<br>NO | 层次 | 备件号<br>OPTION<br>NUMBER | 出售<br>SALE | 备件名称<br>OPTION NAME                 | 数量<br>QTY | 备注<br>REMARKS |
|----------|----|-------------------------|------------|-------------------------------------|-----------|---------------|
| 1        | 1  | C2873983                | Y          | 组合软管<br>HOSE,FLEXIBLE               | 1         |               |
| 2        | 1  | C2873984                | Y          | 增压器回油管<br>CONNECTION,TUR OIL DRAIN  | 1         |               |
| 3        | 1  | C3090400                | Y          | 接头体<br>UNION,MALE                   | 1         |               |
| 4        | 1  | C3678762                | Y          | 复合密封圈<br>SEAL,GROMMET               | 1         |               |
| 5        | 1  | C3900631                | Y          | 六角法兰面螺栓<br>SCREW,HEX FLANGE HEAD CA | 2         |               |
| 6        | 1  | C4960136                | Y          | 法兰密封垫片<br>GASKET,FLANGE             | 1         |               |



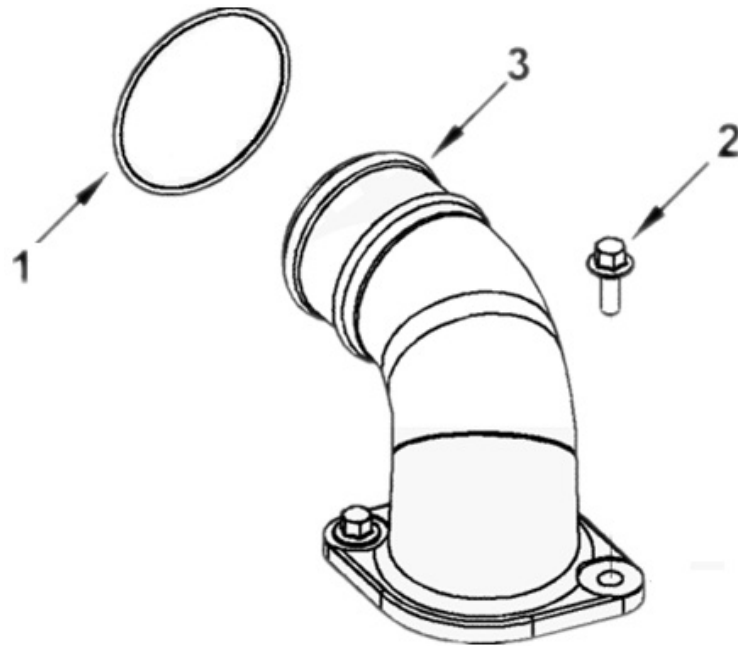
| 序号<br>NO | 层次 | 备件号<br>OPTION<br>NUMBER | 出售<br>SALE | 备件名称<br>OPTION NAME            | 数量<br>QTY | 备注<br>REMARKS |
|----------|----|-------------------------|------------|--------------------------------|-----------|---------------|
| 1        | 1  | C2869891                | Y          | 气阀室盖密封垫<br>GASKET, VALVE COVER | 1         |               |
| 2        | 1  | C3973511                | Y          | 加机油口盖<br>CAP, FILLER           | 1         |               |
| 3        | 1  | C4365965                | Y          | 气阀室罩<br>COVER, VALVE           | 1         |               |
| 4        | 1  | C4974997                | Y          | 降噪隔块<br>ISOLATOR, NOISE        | 14        |               |



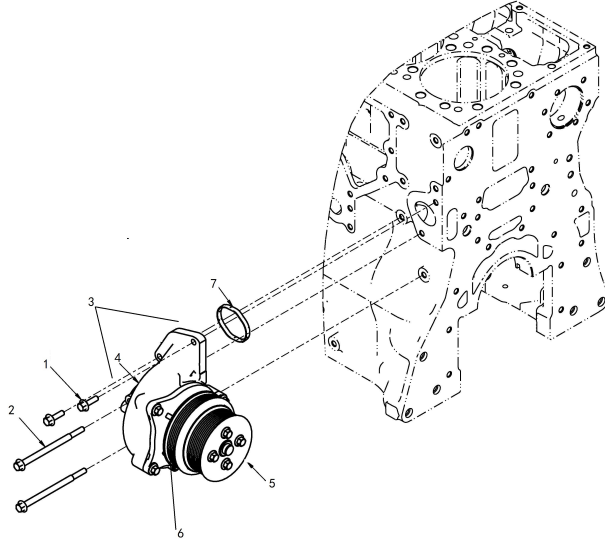




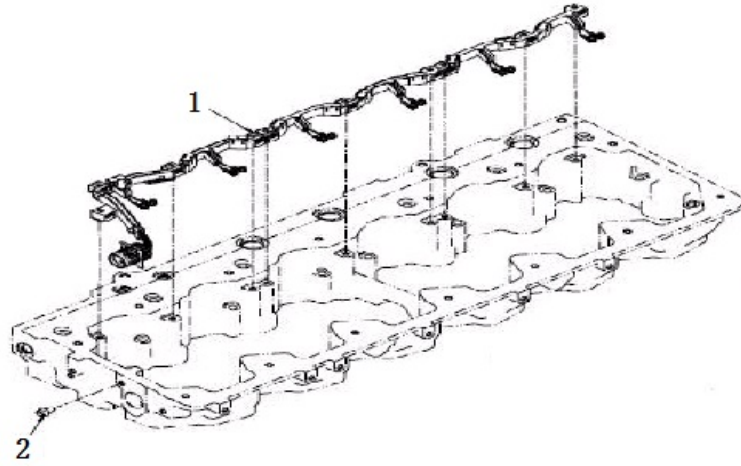
| 序号<br>NO | 层次 | 备件号<br>OPTION<br>NUMBER | 出售<br>SALE | 备件名称<br>OPTION NAME                 | 数量<br>QTY | 备注<br>REMARKS |
|----------|----|-------------------------|------------|-------------------------------------|-----------|---------------|
| 1        | 1  | C145558                 | Y          | O形密封圈<br>SEAL,O RING                | 1         |               |
| 2        | 1  | C4365681                | Y          | 进水连接管<br>CONNECTION,WATER INLET     | 1         |               |
| 3        | 1  | C3678611                | Y          | 螺塞<br>PLUG,THREADED                 | 2         |               |
| 4        | 1  | C3678838                | Y          | 螺塞<br>PLUG,THREADED                 | 1         |               |
| 5        | 1  | C3903112                | Y          | 六角法兰面螺栓<br>SCREW,HEX FLANGE HEAD CA | 3         |               |



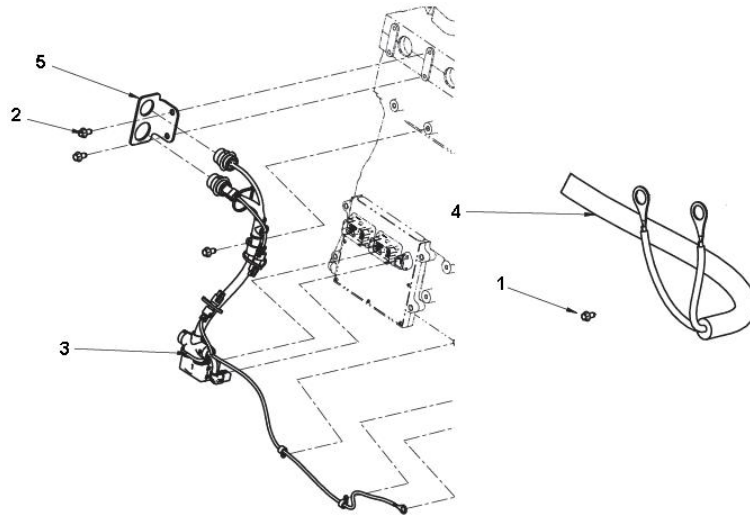
| 序号<br>NO | 层次 | 备件号<br>OPTION<br>NUMBER | 出售<br>SALE | 备件名称<br>OPTION NAME                 | 数量<br>QTY | 备注<br>REMARKS |
|----------|----|-------------------------|------------|-------------------------------------|-----------|---------------|
| 1        | 1  | C145558                 | Y          | O形密封圈<br>SEAL,O RING                | 1         |               |
| 2        | 1  | C3900630                | Y          | 六角法兰面螺栓<br>SCREW,HEX FLANGE HEAD CA | 2         |               |
| 3        | 1  | C4975016                | Y          | 出水连接件<br>CONNECTION,WATER OUTLET    | 1         |               |



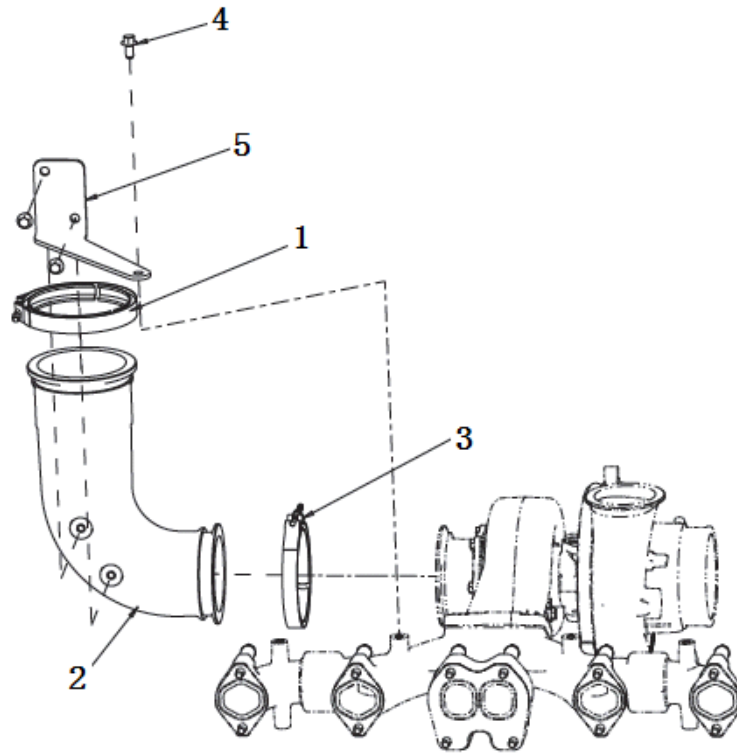
| 序号<br>NO | 层次 | 备件号<br>OPTION<br>NUMBER | 出售<br>SALE | 备件名称<br>OPTION NAME                 | 数量<br>QTY | 备注<br>REMARKS |
|----------|----|-------------------------|------------|-------------------------------------|-----------|---------------|
| 1        | 1  | C3903112                | Y          | 六角法兰面螺栓<br>SCREW,HEX FLANGE HEAD CA | 2         |               |
| 2        | 1  | C3904987                | Y          | 六角法兰面螺栓<br>SCREW,HEX FLANGE HEAD CA | 2         |               |
| 3        | 1  | C4366039                | Y          | 水泵<br>PUMP,WATER                    | 1         |               |
| 4        | 1  | C4327407                | Y          | 水泵涡壳<br>HOUSING,WATER PUMP VOLUT    | 1         |               |
| 5        | 1  | C4389125                | Y          | 水泵芯<br>CORE,WATER PUMP              | 1         |               |
| 6        | 1  | C4975224                | Y          | O形密封圈<br>SEAL,O RING                | 1         |               |
| 7        | 1  | C4974918                | Y          | 水泵座密封垫<br>SEAL,WATER PUMP HOUSING   | 1         |               |



| 序号<br>NO | 层次 | 备件号<br>OPTION<br>NUMBER | 出售<br>SALE | 备件名称<br>OPTION NAME                 | 数量<br>QTY | 备注<br>REMARKS |
|----------|----|-------------------------|------------|-------------------------------------|-----------|---------------|
| 1        | 1  | C2874337                | Y          | 线束<br>HARNESS,WIRING                | 1         |               |
| 2        | 1  | C3900629                | Y          | 六角法兰面螺栓<br>SCREW,HEX FLANGE HEAD CA | 1         |               |



| 序号<br>NO | 层次 | 备件号<br>OPTION<br>NUMBER | 出售<br>SALE | 备件名称<br>OPTION NAME                 | 数量<br>QTY | 备注<br>REMARKS |
|----------|----|-------------------------|------------|-------------------------------------|-----------|---------------|
| 1        | 1  | C3900630                | Y          | 六角法兰面螺栓<br>SCREW,HEX FLANGE HEAD CA | 4         |               |
| 2        | 1  | C3903990                | Y          | 六角法兰面螺栓<br>SCREW,HEX FLANGE HEAD CA | 6         |               |
| 3        | 1  | C4316737                | Y          | 电控模块线束<br>HARNESS,ETR CNT MDL WRG   | 1         |               |
| 4        | 1  | C4316761                | Y          | 线束<br>HARNESS,WIRING                | 1         |               |
| 5        | 1  | C4316762                | Y          | 附件支架<br>SUPPORT,ACCESSORY           | 1         |               |



| 序号<br>NO | 层次 | 备件号<br>OPTION<br>NUMBER | 出售<br>SALE | 备件名称<br>OPTION NAME                 | 数量<br>QTY | 备注<br>REMARKS |
|----------|----|-------------------------|------------|-------------------------------------|-----------|---------------|
| 1        | 1  | C186917                 | Y          | V型卡箍<br>CLAMP,V BAND                | 1         |               |
| 2        | 1  | C2874123                | Y          | 排气连接件<br>CONNECTION,EXHAUST OUTLE   | 1         |               |
| 3        | 1  | C2874227                | Y          | V型卡箍<br>CLAMP,V BAND                | 1         |               |
| 4        | 1  | C3093931                | Y          | 六角法兰面螺栓<br>SCREW,HEX FLANGE HEAD CA | 3         |               |
| 5        | 1  | C4327510                | Y          | 排气连接管支架<br>BRACKET,EXH CONNECTION   | 1         |               |