



Parts Catalog

KTA19-G3

Generator Drive

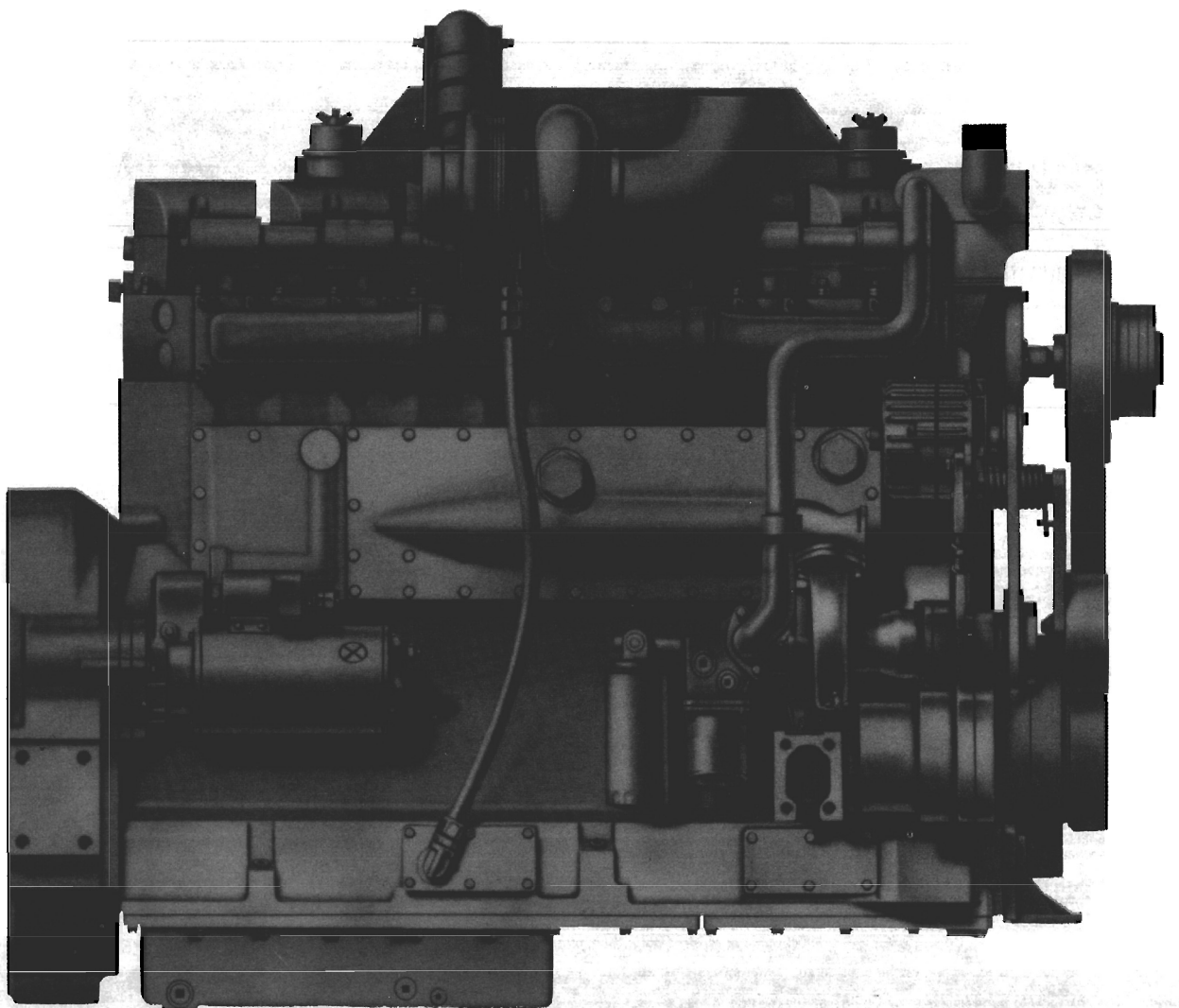




Parts Catalog

KTA19-G3

Generator Drive





Cummins Engine Co., Inc.

New Parts Warranty Heavy Duty

COVERAGE

PRODUCTS WARRANTED

These warranties apply to New Parts marketed by Cummins for its engines (except those for A, B, and C series engines). They apply anywhere in the world where service is available through a Cummins distributor or full service dealer.*

BASE WARRANTY

The Base Warranty covers any failures of parts on or after March 31, 1986, which result, under normal use and service, from defects in workmanship or material (Warrantable Failures). The coverage on cylinder kits designated by Cummins as "Premium Plus" extends two years, 200,000 miles (321,870 kilometers) or 7,200 hours of operation, whichever occurs first, from the date of first installation. The coverage on other parts extends one year, 100,000 miles (160,935 kilometers) or 3,600 hours of operation, whichever occurs first, from the date of first installation.

EXTENDED MAJOR COMPONENTS WARRANTY

The Extended Major Components Warranty covers Warrantable Failures on or after March 31, 1986, of engine cylinder blocks, crankshafts, flangeless NT camshafts** and connecting rods (Covered Parts). Bushing and bearing failures are not included. This coverage begins with the expiration of the Base Warranty and ends three years, 300,000 miles (482,805 kilometers) or 10,800 hours of operation, whichever occurs first, from the date of first installation.

Both the Base Warranty and Extended Major Components Warranty apply to all Owners in the chain of distribution, and coverage continues to all subsequent Owners until the end of the respective periods of coverage.

CUMMINS RESPONSIBILITIES

DURING THE BASE WARRANTY

Cummins will pay for all parts and labor needed to repair the damage to the engine resulting from the Warrantable Failure. All labor costs will be paid in accordance with Cummins published Standard Repair Operation guidelines.

Cummins will pay for the lubricating oil, antifreeze, filter elements, and other maintenance items that are not reusable due to the Warrantable Failure.

Cummins will pay reasonable labor costs for engine removal and reinstallation when necessary to make the warranty repair.

When the parts are installed in a non-automotive engine, Cummins will pay reasonable travel expenses for mechanics to and from the engine site, or the repair dock in the case of a marine engine, including meals, mileage and lodging when it is necessary for mechanics to make on-site warranty repairs.

DURING THE EXTENDED MAJOR COMPONENTS WARRANTY

Cummins will pay for the Covered Part and for any Covered Part damaged by a Warrantable Failure of another Covered Part.

OWNER RESPONSIBILITIES

DURING THE BASE WARRANTY

Before expiration of the warranty, Owner must give notice to a Cummins distributor or full service dealer* of a failure considered to be warrantable and have the repair performed by such facility.

If the part was installed in an automotive engine, the Owner must deliver the engine to the repair location. If installed in a marine engine, Owner is responsible for the cost of towing the boat to a repair dock and for any associated docking and harbor charges.

Owner is responsible for the cost of lubricating oil, antifreeze, filter elements and other maintenance items replaced during warranty repairs except where such items are not reusable due to a Warrantable Failure.

DURING THE EXTENDED MAJOR COMPONENTS WARRANTY

Before expiration of the warranty, Owner must give notice to a Cummins distributor or full service dealer* of a failure considered to be warrantable and deliver the defective and damaged Covered Parts to such facility.

Owner is responsible for the cost of all parts needed for the repair except for the defective Covered Part and for any Covered Part damaged by a Warrantable Failure of another Covered Part.

Owner is responsible for the cost of all labor needed to repair the engine, including the labor to remove and reinstall the engine. When Cummins elects to repair a part instead of replacing it, Owner is not responsible for the labor needed to repair the part.

Owner is responsible for the cost of lubricating oil, antifreeze, filter elements and other maintenance items replaced during the repair.

DURING BOTH WARRANTIES

At the time when the parts are installed, Owner is responsible for the preparation of a written record containing the following: (1) the date of installation of the parts; (2) the engine serial number; (3) the engine miles, hours or kilometers of operation; (4) the parts installed, and (5) the location of the parts in the engine. The purpose of this record is to protect Owner's interests and support any claim for a Warrantable Failure.

Owner is responsible for the operation and maintenance of the engine as specified in Cummins Operation and Maintenance Manuals.

Owner is responsible for communication expenses, meals, lodging and similar costs incurred by Owner as a result of a Warrantable Failure. Owner is responsible for non-engine repairs and for "down time" expenses, cargo damage and all business costs and losses resulting from a Warrantable Failure. CUMMINS IS NOT RESPONSIBLE FOR INCIDENTAL OR CONSEQUENTIAL DAMAGES.

LIMITATIONS

Cummins is not responsible for failures resulting from Owner or Operator abuse or neglect, such as: operation without adequate coolant, fuel or lubricants; overfueling; overspeeding; lack of maintenance of lubricating, cooling or air intake systems; improper storage, starting, warm-up, run-in or shutdown practices. Cummins is also not responsible for failures caused by incorrect fuel, or by water, dirt or other contaminants in the fuel.

Cummins does not warrant parts supplied by Cummins which bear the name of another company. These parts are warranted by their manufacturers and not by Cummins. This category of parts includes, but is not limited to: hydraulic pumps, alternators, starters, fans, air conditioning compressors, clutches, steering pumps, transmissions, torque converters, marine gears, air cleaners, filters and non-Cummins air compressors, power steering pumps, and engine compression brakes.

Parts provided may be new Cummins, Cummins approved rebuilt parts, or repaired parts. Cummins is not responsible for failures resulting from the use of parts not approved by Cummins.

Before a claim for excessive oil consumption will be considered, Owner must submit adequate documentation to show that consumption exceeds Cummins published standards.

This warranty does not apply to parts furnished by Cummins at no charge to the Owner.

INVEST IN THE BEST

Product Identification Information

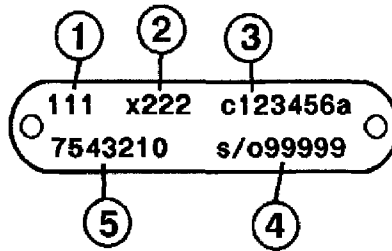
Data plates should be referred for parts identification.

1. ENGINE DATA PLATE

③	Engine No.	S.O. No.	
②	Model	Ref. No.	
	Advertised	Engine Cert	④
	Conf. No.	Indent.	
	Date of mfg.	Warranty start date	
Manufactured by Cummins Engine Co.			

1. Shop order number
2. Model designation
3. Engine serial number
4. Control parts list

2. FUEL PUMP DATA PLATE



1. Control parts list number
2. Calibration code
3. Serial number
4. Top level number
5. Fuel pump assembly number

This catalog was compiled by Garry Wilber in Parts Communications.

Customer Service Information

This standard Parts Catalog contains parts information for the following Cummins Engine Model(s):

KTA19-G3

D193088DX02

CPL 1455

Certain basic engine components have been matched to give optimum performance to your engine. The part numbers listed in this catalog for these components are for a standard engine configuration. When ordering any of the Control Parts List (CPL) components listed below, please order by part description and engine serial number. Reference to the CPL number stamped on the engine data (name) plate will also help identify the proper service parts for your engine.

Control Parts List (CPL) Components

Aftercooler	Page 100	Piston, engine	Page 89
Camshaft	Page 18, 90	Turbocharger	Page 103
Cylinder Head	Page 93, 95	Exhaust, manifold	Page 113
Injector	Page 97, 98		

USER INFORMATION

- . Parts numbers appearing in () are for identification purposes only and should not be used when ordering service replacement parts.
- . The reference numbers appearing on the art pages is for publication use only.
- . Assembly content is shown by part number indentation.
- . Options are engineered production part groupings, specifically used for compiling engine orders.
- . Option numbers are for reference only and are not sold for service.
- . Use assembly and not option content to determine service parts replacement.

ALWAYS SPECIFY ENGINE MODEL AND SERIAL NUMBER WHEN ORDERING PARTS FROM THIS CATALOG

Engine Model _____ Engine Serial No. _____

MFG Make _____ Model _____ Chassis No. _____

Fuel Pump Assembly No. _____ Injector No. _____

Belt, Fan _____ Belt, Water Pump _____ Belt, Gen. _____

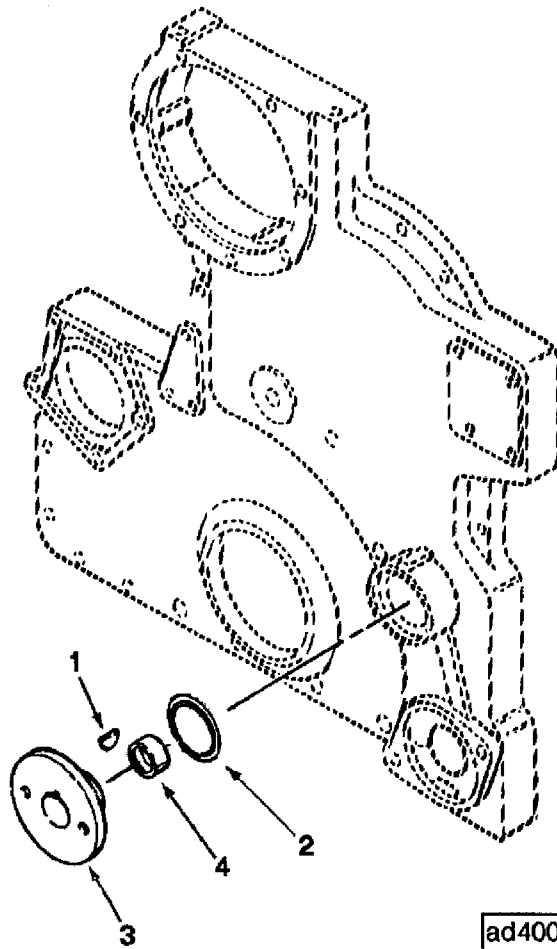
Element, Fuel Filter _____ Full Flow Lub. Filter _____

Air Cleaner _____ By-Pass Lub. Filter _____

Special Equipment

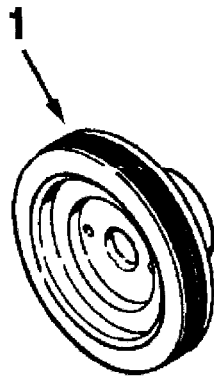
Table of Contents

	Page No.		Page No.
Accessory Drive Pulley	4	Oil Control Valve	105
Aftercooler	100	Oil Cooler	117
Alternator	32	Oil Cooler Connection	118
Alternator Mounting	31	Oil Fill Location	52
Breather Location	27	Oil Filter	79
Cam Follower	17	Oil Filter Connector	80
Camshaft And Gear	90	Oil Level Gauge	81
Camshaft Cover	18	Oil Manifold	22
Camshaft Idler Gear	10	Oil Pan	85, 87
Corrosion Resistor	119	Piston & Conn Rod	89
Cover Plate	71	Rocker Levers	15
Crankshaft & Main Bearings	13	Set, Single Head Gasket	130
Cummins EFC Governor	53	Starter	110
Cylinder Block	7	Thermostat Housing Assy	77
Cylinder Head	93	Timing Disk	3
Cylinder Head Mounting	95	Turbocharger	103
Cylinder Liner	9	Turbocharger Mounting	115
EFC Governor	64	Upper Engine Gasket Set	129
Exhaust Elbow	128	Vibration Damper	28
Exh.Mfld./Turbo Mtg.	113	Water Inlet Connection	120
Fan	51	Water Manifold	121
Fan Drive Arrangement	41, 43	Water Outlet Connection	122
Fan Spacer	106	Water Pump	125, 127
Fan Spacer Mounting	107	Wiring Harness	99
Fitting, Fuel Pump Inlet	47	Wiring Terminal	29
Flywheel	69	Option Number Index	A-1
Flywheel Housing	49	Part Number Index	B-1
Front Engine Support	35		
Fuel Filter	45		
Fuel Filter Plumbing	46		
Fuel Gear Pump	62		
Fuel Pump	55		
Fuel Pump Damper	63		
Fuel Pump Drive	54		
Fuel Pump Front Cover	57		
Fuel Pump Housing	59, 61		
Fuel Shutoff Valve	68		
Fuel Tubing	67		
Gear Cover Mounting	37		
Hand Hole Covers	82		
Hvt Oil Supply Plumbing	21		
Injector	97, 98		
Injector Mounting	19		
Intake Manifold	73, 74		
Intake Manifold Mounting	75		
Lifting Arrangement	109		
Lower Engine Gasket Set	131		
Lubricating Oil Pump	25		
Magnetic Pickup	50		
Magnetic Switch	38		



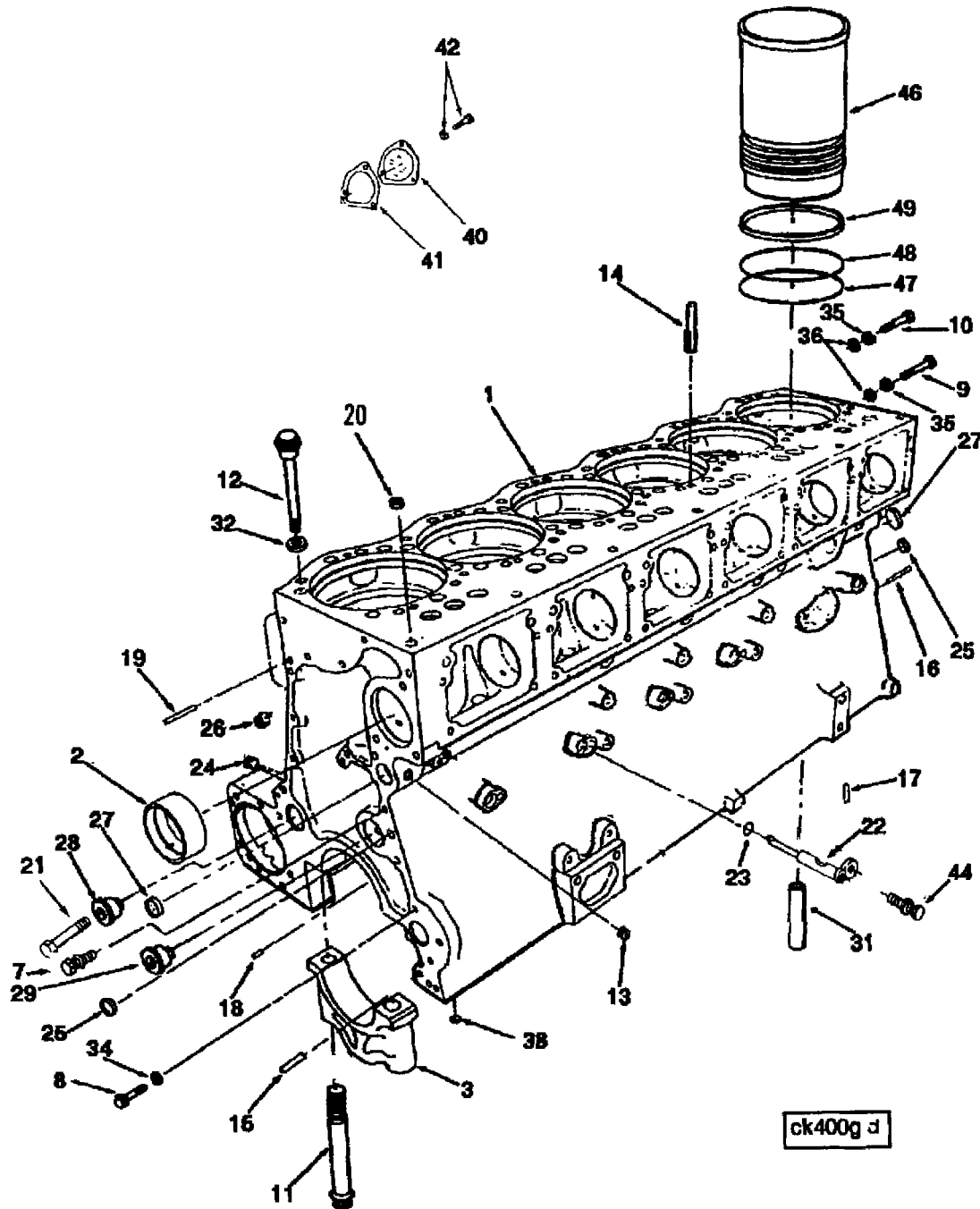
ad400ga

Ref No.	Part Number	Part Name	Req	Remarks
		TIMING DISK OPTION AD4006		Timing disk. Left side of engine.
1	S-316	Key, Plain Woodruff	1	
2	3200287	Seal, Keyway	1	
	3007111	Hub, Timing	1	
3	(3007201)	Hub, Timing	1	
4	190397	Sleeve, Wear	1	

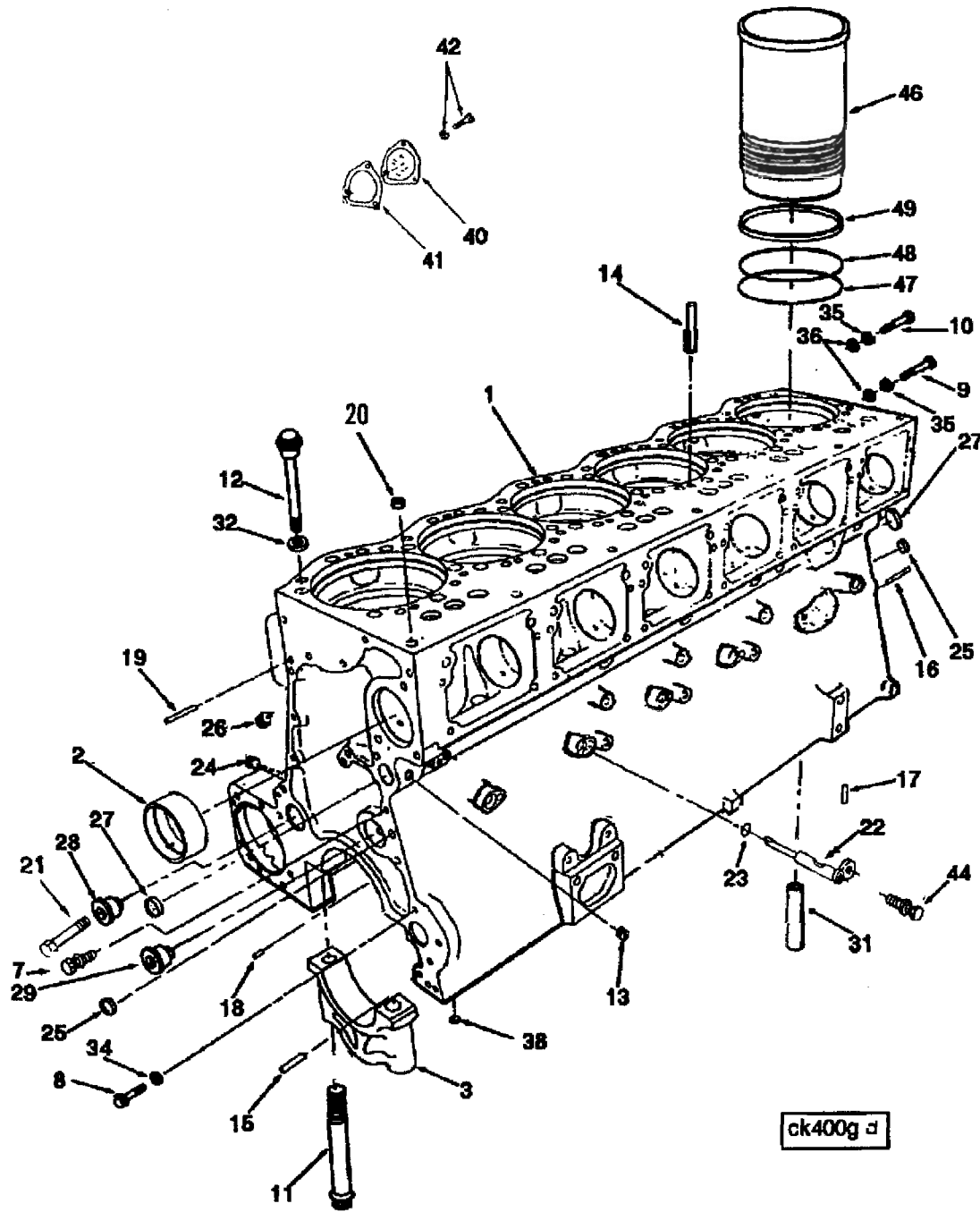


ad400gh

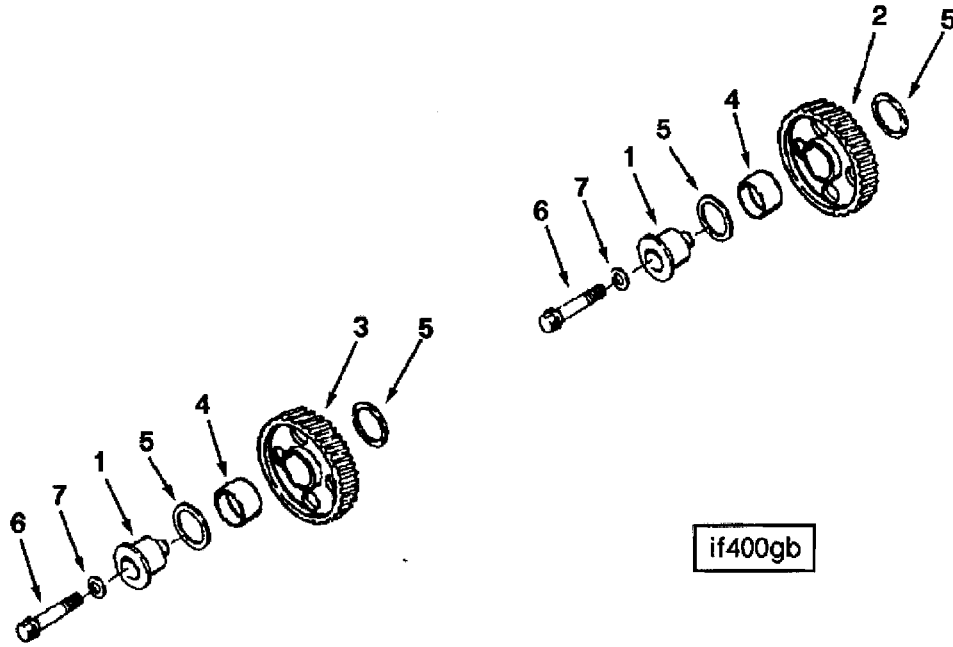
Ref No.	Part Number	Part Name	Req	Remarks
1	3002331	<p style="text-align: center;">ACCESSORY DRIVE PULLEY OPTION AD4007</p> <p>Pulley, Alternator</p>	1	<p>Pulley to drive alternator. Right side of engine. For use with the one piece aluminum gear cover.</p>



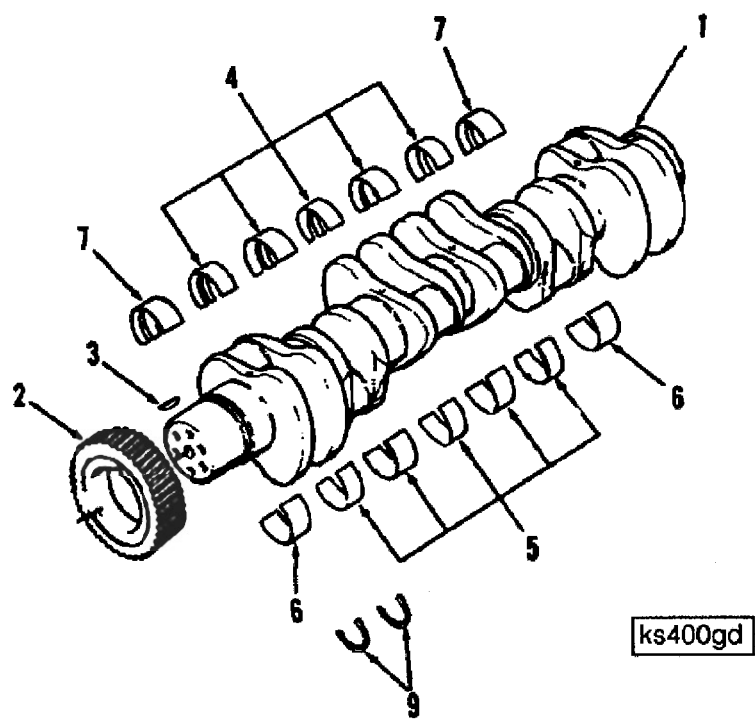
Ref No.	Part Number	Part Name	Req	Remarks
		CYLINDER BLOCK OPTION BP4016		Cylinder block for the KTA-KTTA19 engines without rear gear train and with hydraulic variable timing.
1	3811921 (3088301)	Kit, Cylinder Block	1	
2	3002834	Block, Cylinder	1	
3	205021	Bushing	7	
3	205022	Cap, Main Bearing	4	No. 2, 3, 4, & 5
3	205023	Cap, Main Bearing	1	No. 1
3	205075	Cap, Main Bearing	1	No. 6
7	3014766	Cap, Main Bearing	1	No. 7
8	191772	Screw, Captive Washer Cap	9	3/8 - 16 x 1 inch
9	S-127-C	Screw, Twelve Point Cap	2	3/8 - 16 x 1 1/4 inch
10	S-103-A	Screw, Hexagon Head Cap	10	5/8 - 11 x 1 3/4 inch
11	3025482	Screw, Hexagon Head Cap	2	5/8 - 11 x 2 inch
12	3032633	Screw, Twelve Point Cap	14	1 - 14 x 7 13/16 inch
13	3025460	Screw, Twelve Point Cap	36	3/4 - 16 x 7 29/32 inch
14	68445	Plug, Pipe	1	
15	60408-L	Pin, Groove	12	
16	124921	Dowel, Pin	1	Master
17	67211	Dowel, Flywheel Housing	2	
18	124921	Dowel, Rear Main Bearing	2	
19	124921	Dowel	2	
20	205366	Dowel, Diamond	1	
21	3007632	Plug, Expansion	7	
22	207527	Screw, Twelve Point Cap	3	5/8 - 18 x 3 inch
23	3007517	Nozzle, Piston Cooling	6	
24	3015067	Seal, O Ring	6	
25	3025460	Plug, Pipe	1	
26	147416	Plug, Expansion	2	
27	3008470	Plug, Pipe	1	
28	175830	Plug, Expansion	2	
29	3202114	Shaft, Idler	1	Water pump
30	3202114	Shaft, Idler	1	Camshaft
31	3811993	Tube, Lub Oil Transfer	1	
32	205059	Washer, Plain	36	
33	127362	Washer, Plain	35	
34	S-603	Washer, Lock	12	
35	S-658	Washer, Plain	12	
36	3008465	Plug, Pipe	2	
37	207373	Cover, Camshaft	1	
38	3040722	Gasket, Camshaft Cover	1	
39	3014766	Screw, Captive Washer Cap	3	3/8 - 16 x 1 inch
40	3033822	Screw, Captive Washer Cap	6	5/16 - 24 x 3/4 inch



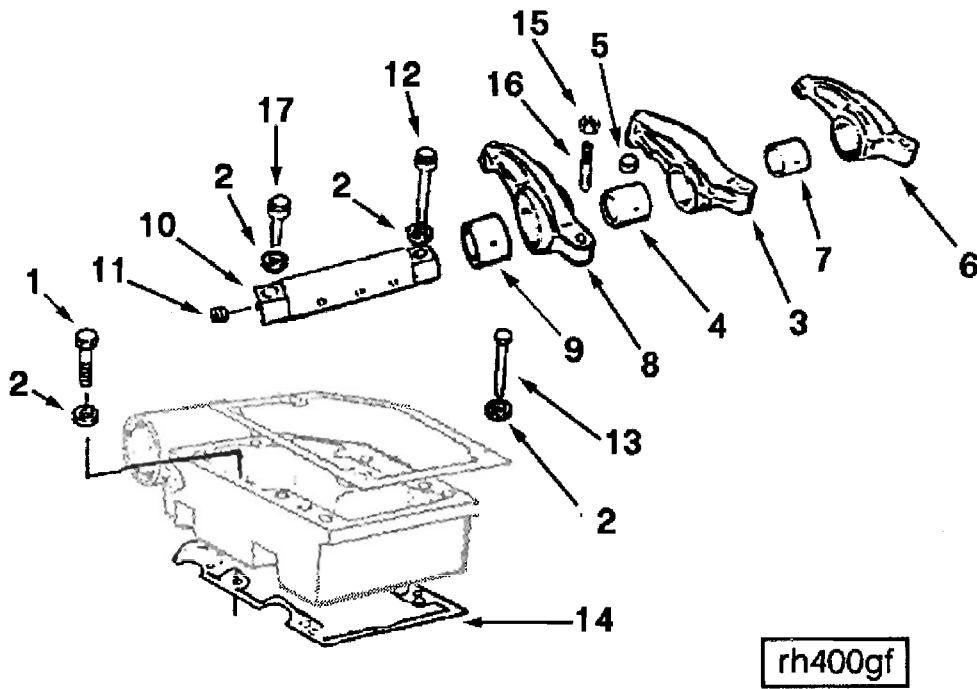
Ref No.	Part Number	Part Name	Req	Remarks
		CYLINDER LINER		
		OPTION BP4016		
		OVERSIZED LINER		
		LINER SHIMS		
46	3028434 (3202240)	Kit, Cylinder Liner	6	
47	3014668	Liner, Cylinder	1	
48	3011076	Seal, O Ring	1	Bottom
49	3081489	Seal, O Ring	1	Top
				Refer to Service Parts Topic 92T1-18
				Refer to Service Parts Topic 92T1-18



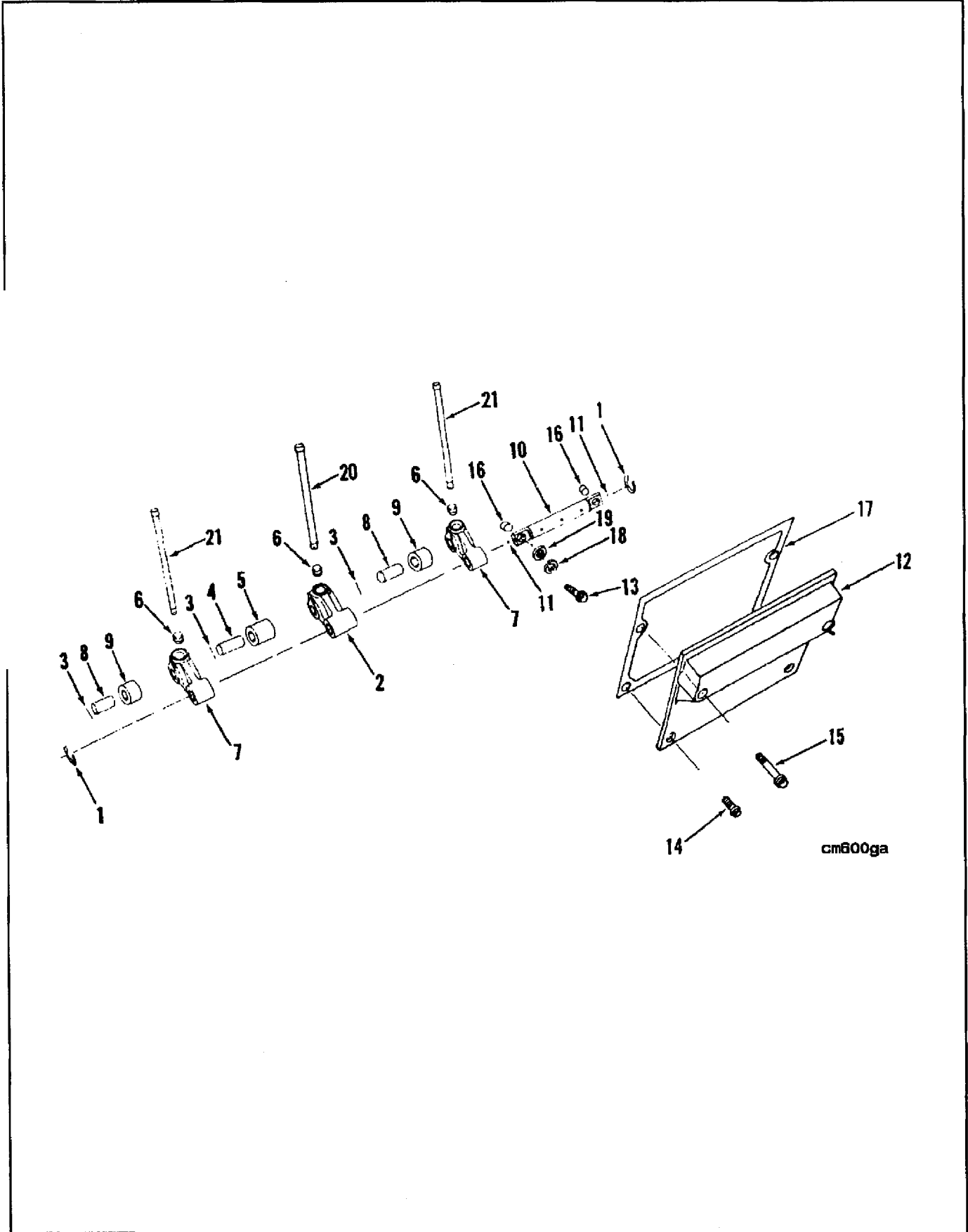
Ref No.	Part Number	Part Name	Req	Remarks
CAMSHAFT IDLER GEAR				
OPTION BP4016				
1	3202114	Shaft, Idler	1	
	3004684	Gear, Bushing Cam Idler	1	
2	(3004599)	Gear, Idler	1	
4	3004686	Bushing	1	
5	130083	Bearing, Thrust	2	
6	207527	Screw, Twelve Point Cap	1	5/8 - 18 x 3 inch
7	3200772	Washer, Plain	1	
PUMP IDLER				
1	3202114	Shaft, Idler	1	
	3004685	Gear, Bushing Wtr Pump Id	1	
3	(3004680)	Gear, Idler	1	
4	3004686	Bushing	1	
5	130083	Bearing, Thrust	2	
6	207527	Screw, Twelve Point Cap	1	5/8 - 18 x 3 inch
7	3200772	Washer, Plain	1	



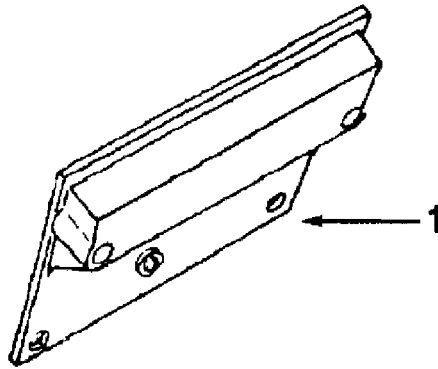
Ref No.	Part Number	Part Name	Req	Remarks
		CRANKSHAFT & MAIN BEARINGS		
		OPTION BP4016		
	3005357	Crankshaft	1	
1	3201082	Crankshaft, Engine	1	
2	207259	Gear, Crankshaft	1	
3	206904	Key, Woodruff	1	
	AR12270	Shell, Main Bearing	1	Standard
4	205140	Bearing, Main	5	No. 2, 3, 4, 5, & 6 - Upper
5	205150	Bearing, Main	5	No. 2, 3, 4, 5, & 6 - Lower
6	205160	Bearing, Main	2	No. 1 & 7 - Lower
7	205170	Bearing, Main	2	No. 1 & 7 - Upper
9	205112	Bearing, Thrust	4	
	AR12271	Shell, Main Bearing	A/R	.010 Inch Oversize
4	205141	Bearing, Main	A/R	No. 2, 3, 4, 5, & 6 - Upper
5	205151	Bearing, Main	A/R	No. 2, 3, 4, 5, & 6 - Lower
6	205161	Bearing, Main	A/R	No. 1 & 7 - Lower
7	205171	Bearing, Main	A/R	No. 1 & 7 - Upper
9	205112	Bearing, Thrust	A/R	
	AR12272	Shell, Main Bearing	A/R	.020 Inch Oversize
4	205142	Bearing, Main	A/R	No. 2, 3, 4, 5, & 6 - Upper
5	205152	Bearing, Main	A/R	No. 2, 3, 4, 5, & 6 - Lower
6	205162	Bearing, Main	A/R	No. 1 & 7 - Lower
7	205172	Bearing, Main	A/R	No. 1 & 7 - Upper
9	205112	Bearing, Thrust	A/R	
	AR12273	Shell, Main Bearing	A/R	.030 Inch Oversize
4	205143	Bearing, Main	A/R	No. 2, 3, 4, 5, & 6 - Upper
5	205153	Bearing, Main	A/R	No. 2, 3, 4, 5, & 6 - Lower
6	205163	Bearing, Main	A/R	No. 1 & 7 - Lower
7	205173	Bearing, Main	A/R	No. 1 & 7 - Upper
9	205112	Bearing, Thrust	A/R	
		THRUST RINGS - OVERSIZE		
9	3001196	Bearing, Thrust	A/R	.010 Inch Oversize
9	3001197	Bearing, Thrust	A/R	.020 Inch Oversize



Ref No.	Part Number	Part Name	Req	Remarks
		ROCKER LEVERS OPTION BP4016		For KTA-KTTA19 engines without rear gear train
1	S-125	Screw, Hexagon Head Cap	6	1/2 - 13 x 2 inch
2	205128	Washer, Plain	48	
	3053478	Lever, Rocker	6	
3	(3049437)	Lever, Rocker	1	
4	207226	Bushing	1	
5	194037	Socket, Rocker Lever	1	
	3053476	Lever, Rocker	6	
6	(3049438)	Lever, Rocker	1	
7	207344	Bushing	1	
	208084	Rivet	1	
	3053477	Lever, Rocker	6	
8	(3049432)	Lever, Rocker	1	
9	207344	Bushing	1	
	208084	Rivet	1	
	3176773	Shaft, Rocker Lever	6	
10	(3176875)	Shaft, Rocker Lever	1	
11	203933	Plug, Expansion	1	
12	205394	Screw, Twelve Point Cap	6	1/2 - 13 x 4 1/2 inch
13	108602	Screw, Hexagon Head Cap	30	1/2 - 13 x 3 3/4 inch
14	3630839	Gasket, Rkr Lever Housing	6	
15	S-212	Nut, Regular Hexagon	18	
16	168306	Screw, Slotted Set	18	1/2 - 20 x 2 inch
17	205393	Screw, Twelve Point Cap	6	1/2 - 13 x 2 inch

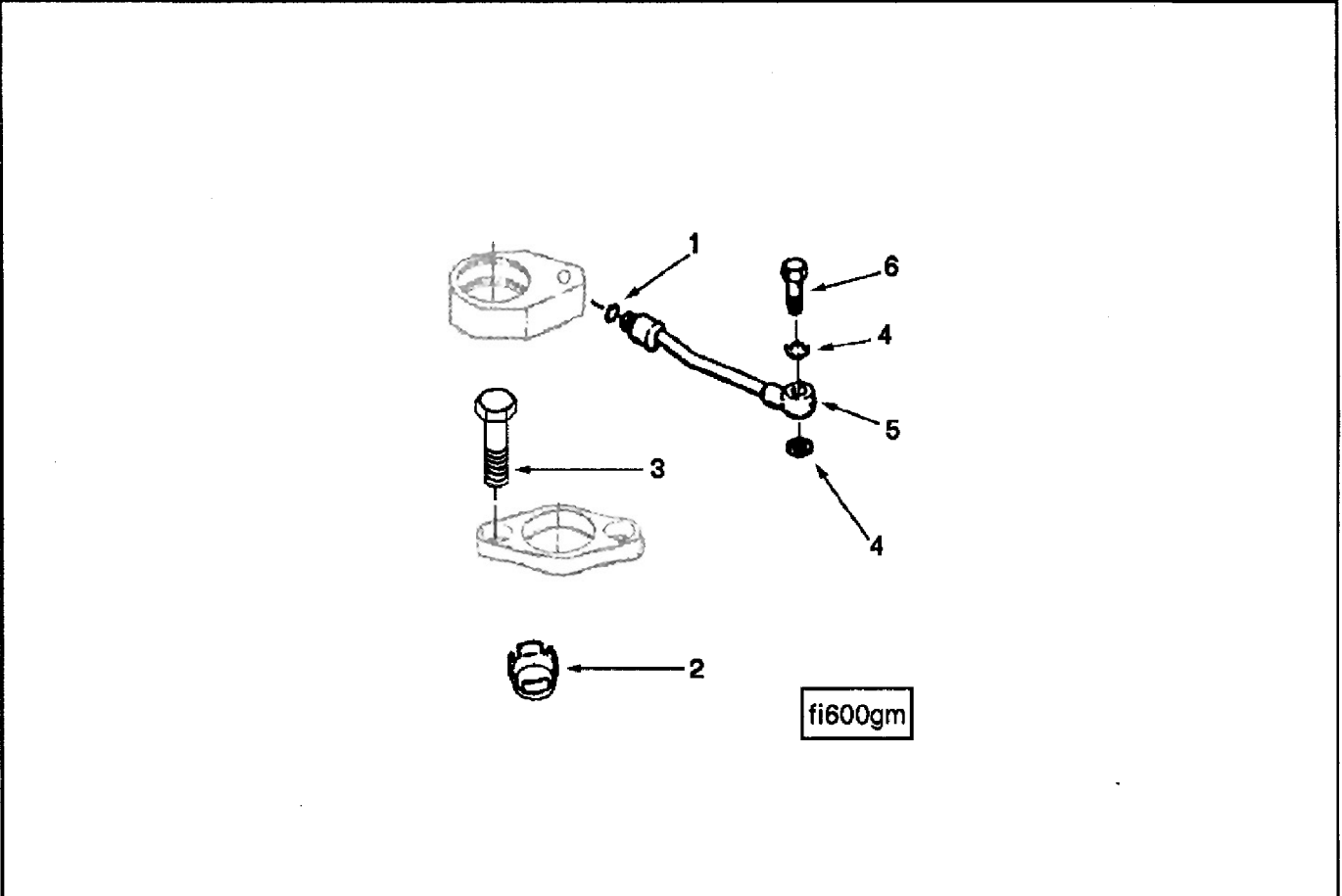


Ref No.	Part Number	Part Name	Req	Remarks
		CAM FOLLOWER OPTION BP4016		
1	205439	Ring, Retaining	12	
	3039163	Lever, Cam Follower	6	
2	(206231)	Lever, Cam Follower	1	
3	205438	Lockwire, Cam Roller Pin	1	
4	205068	Pin, Cam Follower Roller	1	
5	3016825	Roller, Cam Follower	1	
6	213559	Socket, Cam Follower	1	
	3039164	Lever, Cam Follower	12	
3	205438	Lockwire, Cam Roller Pin	1	
6	213559	Socket, Cam Follower	1	
7	(205069)	Lever, Cam Follower	1	
8	205071	Pin, Cam Follower Roller	1	
9	3016826	Roller, Cam Follower	1	
10	AR10626	Shaft, Cam Follower	6	
	205227	Plug, Expansion	2	
	205301	Shaft, Cam Follower	1	
12	3628755	Cover, Camshaft	3	
		MOUNTING PARTS		
13	3002886	Screw, Cam Follower Shaft	12	3/8 - 16 x 1.3 inch, special
14	3040838	Screw, Captive Washer Cap	12	3/8 - 16 x 1 inch
15	3040837	Screw, Captive Washer Cap	12	3/8 - 16 x 2 1/2 inch
16	3002993	Dowel, Ring	12	
17	3040721	Gasket, Cam Fol Housing	6	
18	S-604	Washer, Lock	12	
19	127362	Washer, Plain	12	
		PUSH RODS		
20	3017961	Rod, Push	6	
21	3057139	Rod, Push	12	

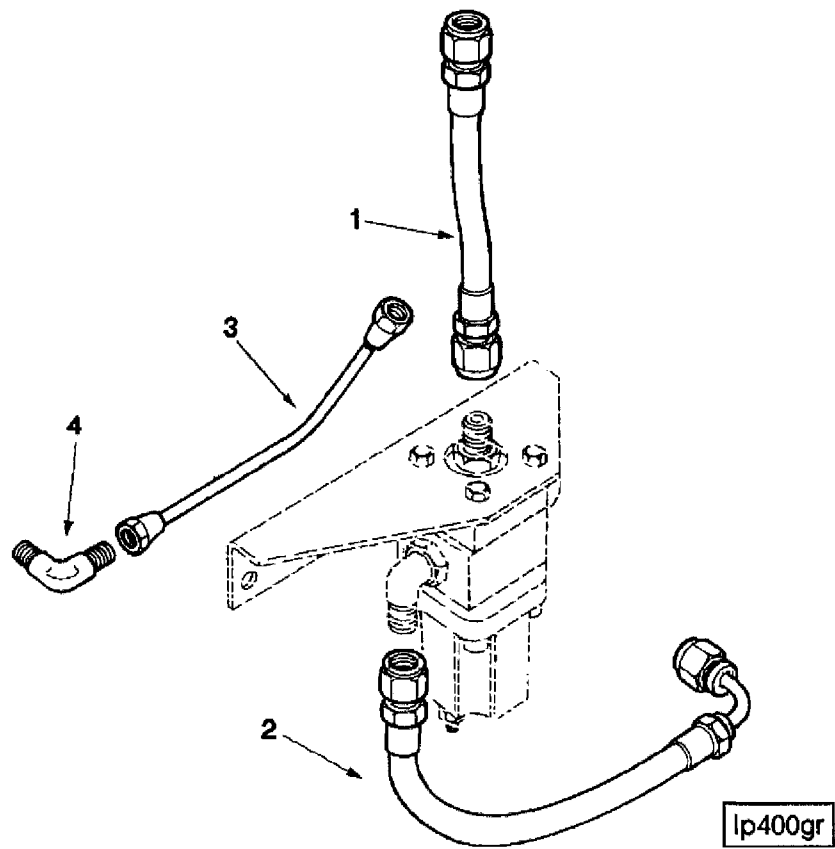


cm400gi

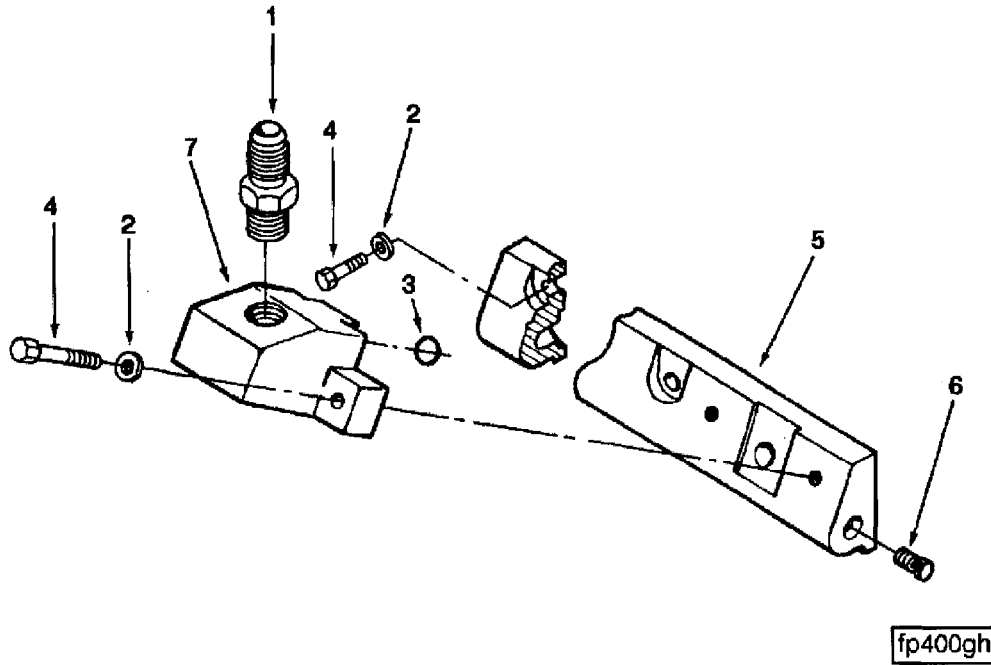
Ref No.	Part Number	Part Name	Req	Remarks
1	3628756	<p style="text-align: center;">CAMSHAFT COVER OPTION BP4016</p> <p>Cover, Camshaft</p>	1	



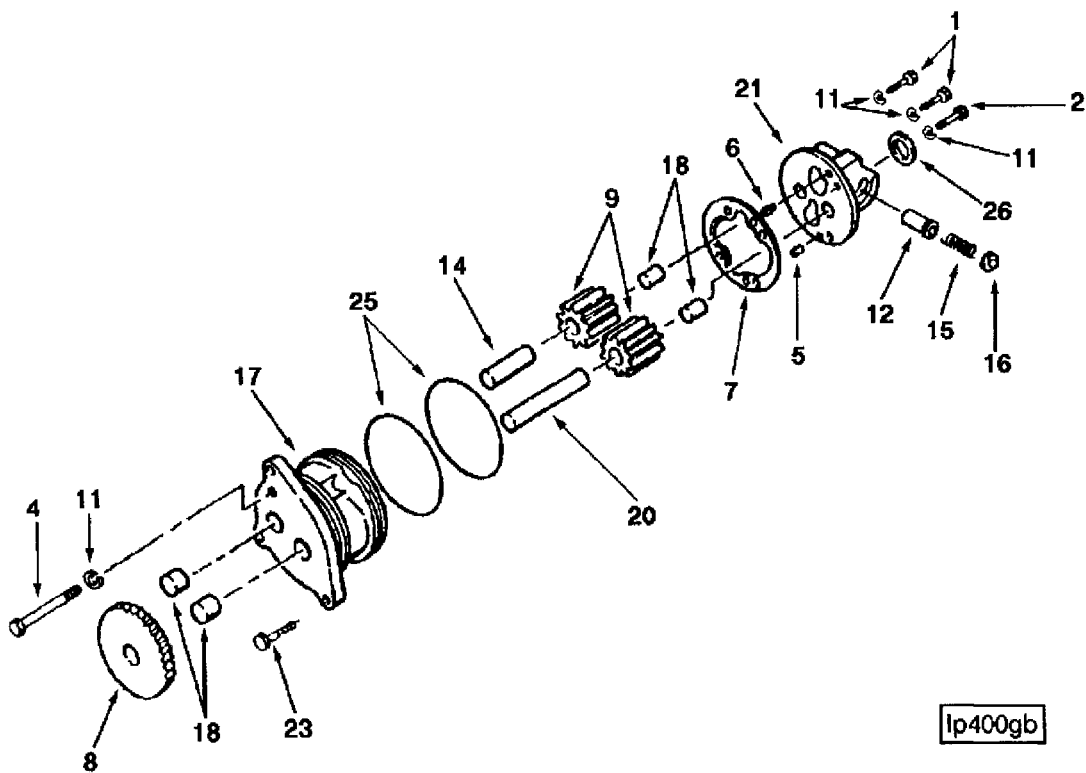
Ref No.	Part Number	Part Name	Req	Remarks
INJECTOR MOUNTING OPTION BP4016				
1	131026	Seal, O Ring	6	
2	207244	Seal, Injector	6	
	3001658	Seal, Injector	A/R	.010 Inch O/S
	3001659	Seal, Injector	A/R	.020 Inch O/S
	3001660	Seal, Injector	A/R	.030 Inch O/S
3	3070962	Screw, Hexagon Head Cap	12	5/16 - 18 x 1 1/4 inch
4	3023095	Washer, Sealing	12	
5	3627044	Connection, Oil Transfer	6	
6	3179021	Screw, Banjo Connector	6	



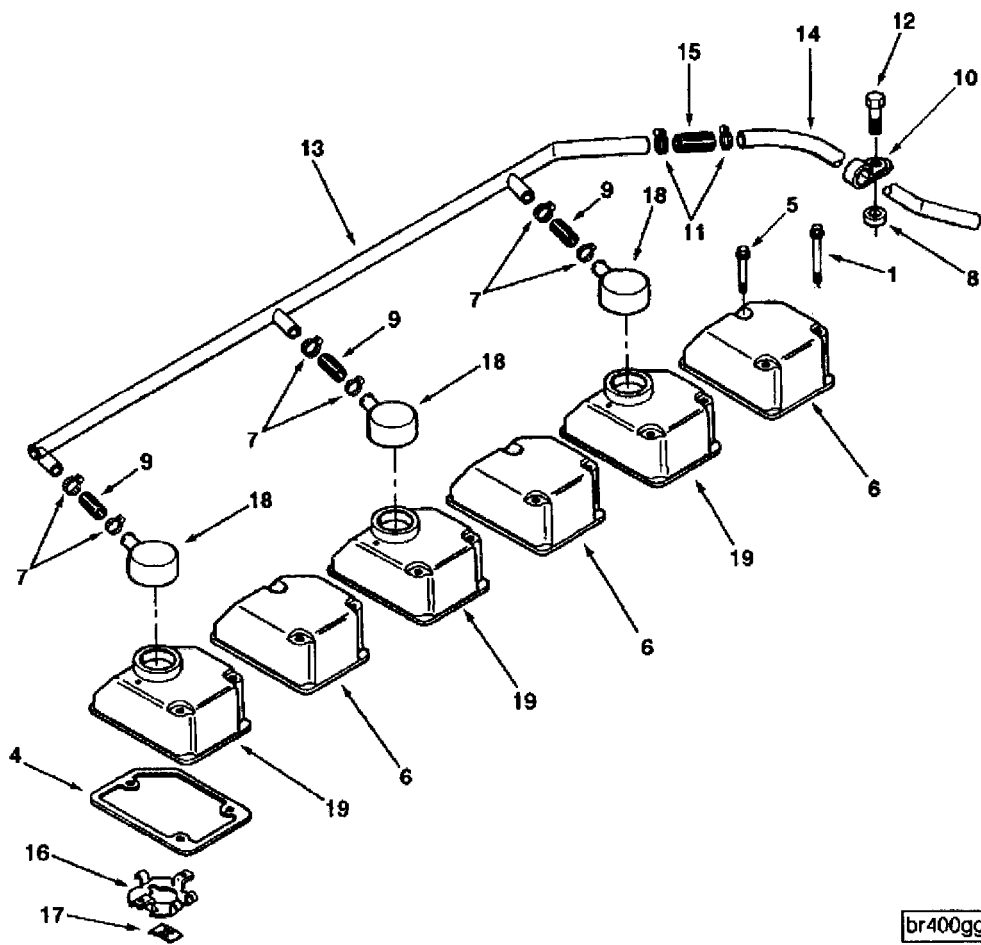
Ref No.	Part Number	Part Name	Req	Remarks
		HVT OIL SUPPLY PLUMBING OPTION BP4016		For the KTA-KTTA19 engines without rear gear train and with hydraulic variable timing.
	3065839	Plumbing, Hvt Oil Supply	1	
1	AK0600800SS	Hose, Flexible	1	
2	3035580	Hose, Flexible	1	
3	3037660	Tube, Lub Oil Drain	1	
4	3037662	Elbow, Male Union	1	



Ref No.	Part Number	Part Name	Req	Remarks
		OIL MANIFOLD OPTION BP4016		
	(3628532)	Manifold, Oil	1	For the KTA-KTTA19 engines without rear gear train and with hydraulic variable timing. 1/4 - 20 x 1 inch
1	3627693	Union, Male	1	
2	127018	Washer, Plain	8	
3	3084539	Seal, O Ring	7	
4	3001811	Screw, Twelve Point Cap	8	
5	3084620	Manifold, Oil	1	
6	3023217	Plug, Threaded	2	
7	3037657	Connection, Oil Supply	1	

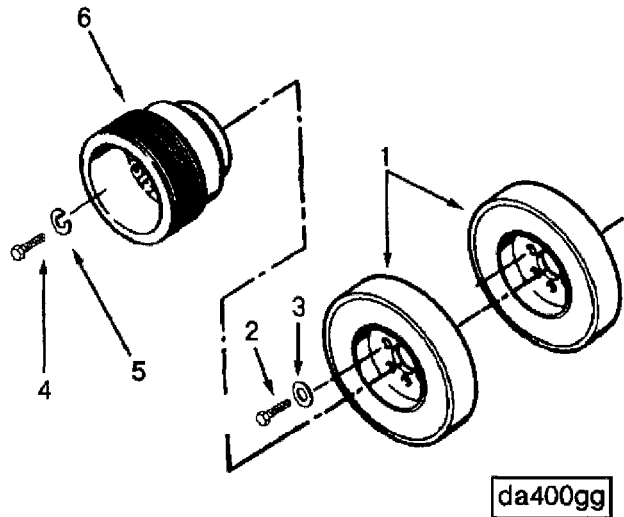


Ref No.	Part Number	Part Name	Req	Remarks
		LUBRICATING OIL PUMP OPTION BP4016		For the KTA-KTTA19 engines without rear gear train and with hydraulic variable timing.
	3047549	Pump, Lubricating Oil	1	
1	S-126	Screw, Hexagon Head Cap	2	3/8 - 16 x 2 1/2 inch
2	S-141	Screw, Hexagon Head Cap	1	3/8 - 16 x 2 3/4 inch
4	S-199-A	Screw, Hexagon Head Cap	1	3/8 - 16 x 4 inch
5	70760	Dowel, Pin	1	
6	107948	Dowel, Diamond	1	
7	205061	Gasket, Lub Oil Pump	1	
8	207252	Gear, Lubricating Oil Pump	1	
9	3049543	Gear, Lubricating Oil Pump	2	
11	S-604	Washer, Lock	4	
12	205080	Plunger, Prs Regulator	1	
14	205052	Shaft, Idler	1	
15	3062415	Spring, Compression	1	
16	3200934	Plug, Retainer	1	
17	205057	Body, Lubricating Oil Pump	1	
	(205049)	Body, Lubricating Oil Pump	1	
18	69521	Bushing	4	
20	205065	Shaft, Lub Pump Drive	1	
21	3047548	Cover, Lub Oil Pump	1	
	(3009955)	Cover, Lub Oil Pump	1	
		MOUNTING PARTS		
23	3010596	Screw, Captive Washer Cap	3	3/8 - 16 x 1 1/4 inch
25	205898	Seal, O Ring	2	
26	207135	Seal, Rectangular Ring	1	

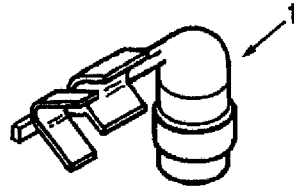


br400gg

Ref No.	Part Number	Part Name	Req	Remarks
		BREATHER LOCATION OPTION BR4027		Crankcase breathers mounted on #1, #3 and #5 valve covers. Includes tube for venting engine to a point below the pan ledge on right side rear of engine. First used on the KTTA engines.
1	3065950	Screw, Captive Washer Cap	12	3/8 - 16 x 4 1/2 inch
4	3629140	Gasket, Rocker Lever Cover	6	
5	3044413	Screw, Captive Washer Cap	6	3/8 - 16 x 2 inch
6	3010247	Cover, Valve	3	
7	43828	Clamp, Hose	6	
8	64709	Spacer, Mounting	2	
9	64775	Hose, Plain	3	
10	67949	Clip	2	
11	209773	Clamp, Hose	2	
12	3012475	Screw, Captive Washer Cap	2	
13	3046834	Tube, Breather	1	
14	3046838	Tube, Breather	1	
15	3200316	Hose, Plain	1	
16	219065	Baffle, Breather	3	
17	3000528	Nut, Spring	6	3/16
	3046853	Cover, Rocker Lever	3	
18	3008595	Breather, Crankcase	3	
19	3010396	Cover, Rocker Lever	3	

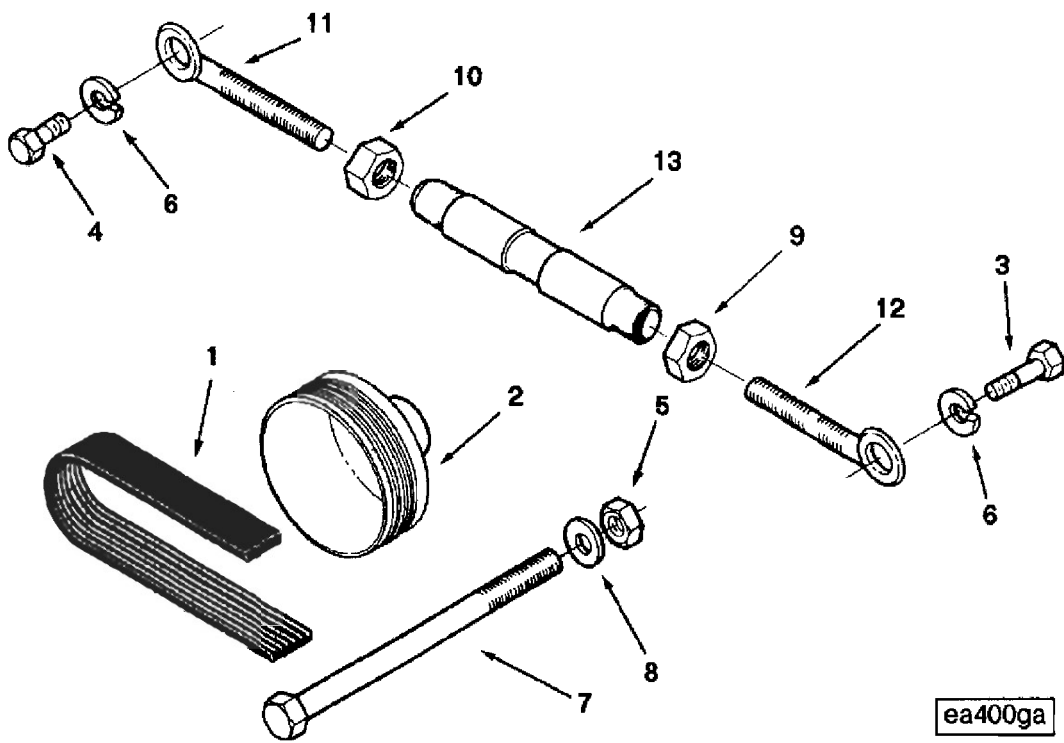


Ref No.	Part Number	Part Name	Req	Remarks
		VIBRATION DAMPER OPTION DA4018		Viscous type damper and crank pulley for driving fan with poly-vee belt. Power take off adapter incorporated into crank pulley.
1	217322	Damper, Vibration	2	
2	206929	Capscrew, Twelve Point	6	
3	205059	Washer, Plain	6	
4	206881	Capscrew, Twelve Point	6	
5	S-608	Washer, Lock	6	
6	3003696	Pulley, Crankshaft	1	



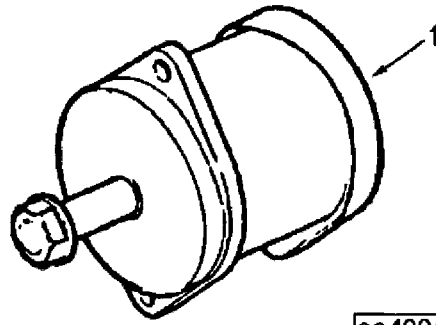
es600go

Ref No.	Part Number	Part Name	Req	Remarks
1	3068137	<p style="text-align: center;">WIRING TERMINAL OPTION EC8735</p> <p>Harness, Wiring</p>	1	<p>Terminals that mate to EFC actuator. For use with customer supplied wiring only. Not for use with Cummins supplied wiring.</p>



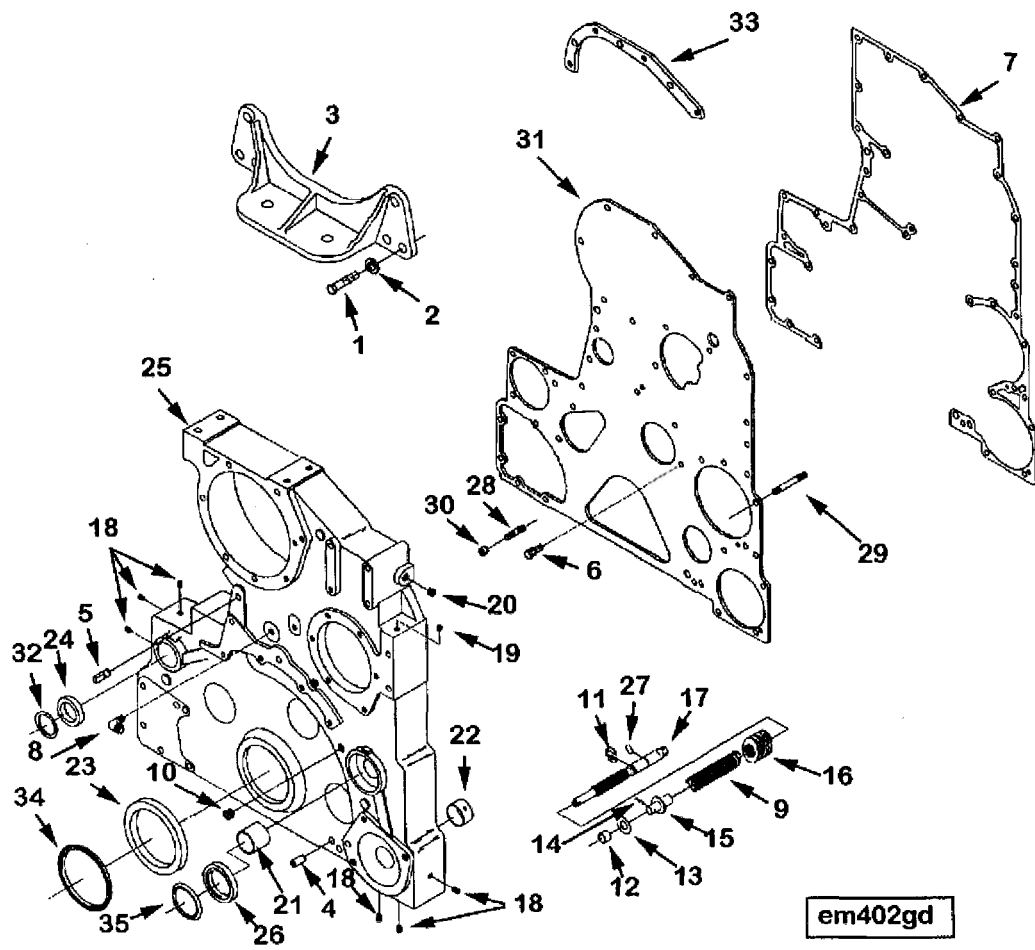
ea400ga

Ref No.	Part Number	Part Name	Req	Remarks
		ALTERNATOR MOUNTING OPTION EE4020		Mounting parts for Delco Remy and Leece Neville model alternators. Mounted in standard location and belt driven at 2.92 times engine speed. For belt driven fan drive arrangement only. Includes link, belt and 5 groove alternator pulley. Alternator mounting bracket is part of fan options.
1	206996	Belt, V Ribbed	1	
2	3002323	Pulley, Alternator	1	
3	S-106	Screw, Hexagon Head Cap	1	1/2 - 13 x 1 3/4 inch
4	S-113	Screw, Hexagon Head Cap	1	1/2 - 13 x 1 1/2 inch
5	70897	Nut, Lock	1	1/2 - 20
6	111445	Washer, Lock	2	
7	158829	Screw, Hexagon Head Cap	1	1/2 - 20 x 6 1/2 inch
8	203310	Washer, Plain	3	
	3201188	Link, Adjusting	1	
9	S-253	Nut, Regular Hexagon Jam	1	1/2 - 20
10	206202	Nut, Jam	1	1/2 - 20
11	3201185	Link, Adjusting	1	
12	3201186	Link, Adjusting	1	
13	3201187	Link, Adjusting	1	

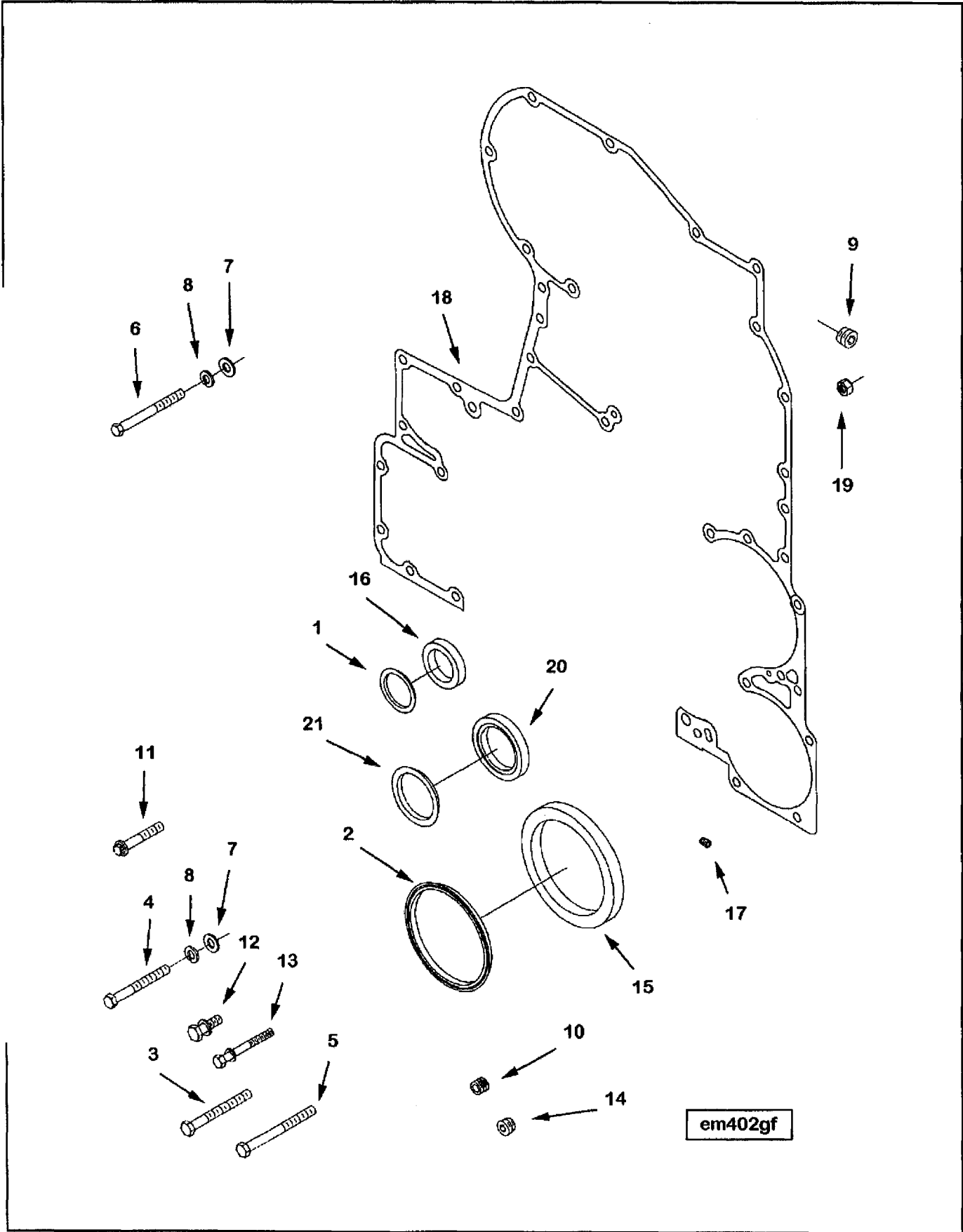


ea400ge

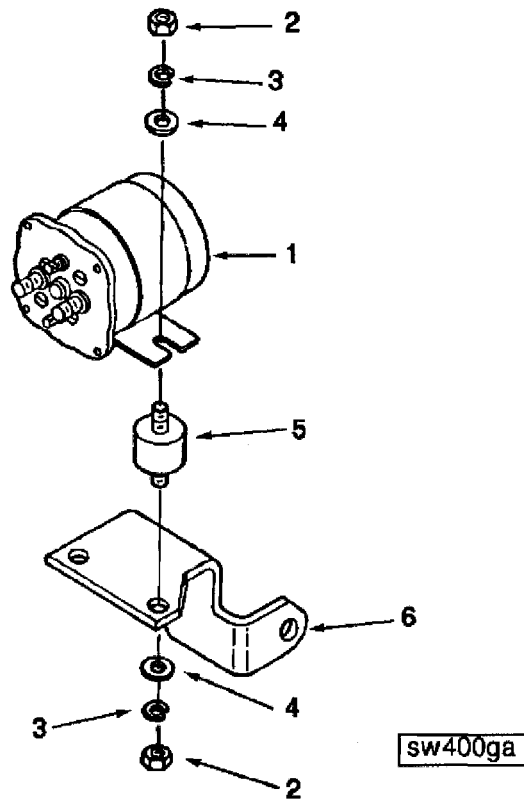
Ref No.	Part Number	Part Name	Req	Remarks
1	3016627	<p style="text-align: center;">ALTERNATOR OPTION EE8080</p> <p>Alternator</p>	1	<p>24volt 35amp 20SI 300 Delco Remy alternator with integral regulator. Negative ground. (Shotts).</p>



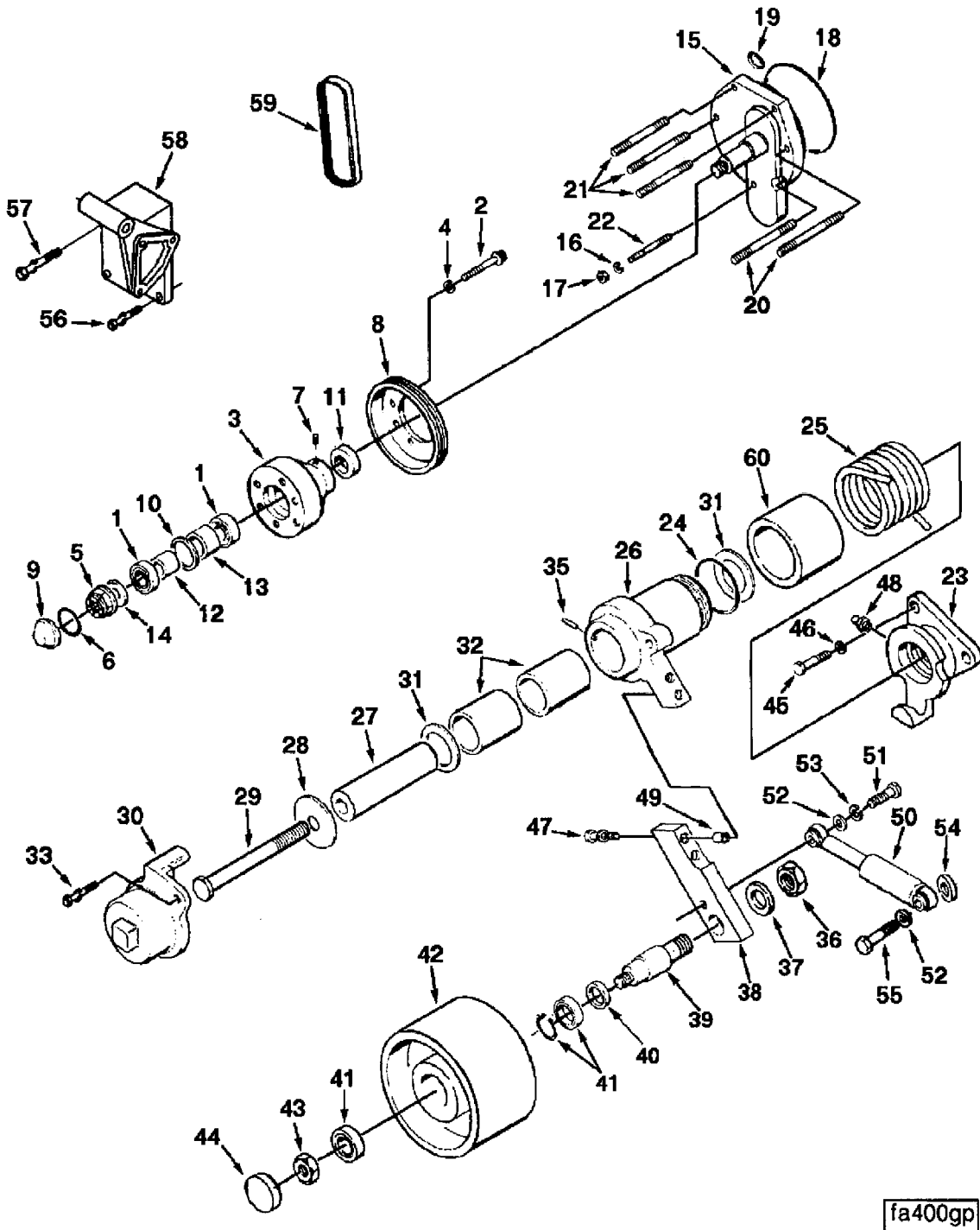
Ref No.	Part Number	Part Name	Req	Remarks
		FRONT ENGINE SUPPORT OPTION EM4058		Two bolt pad type front engine support with 51/64 inch diameter holes to accept the commonly used 3/4 inch diameter Lord mount. Includes aluminum gear cover without front out hydraulic pump drive provisions.
1	S-173-A	Screw, Hexagon Head Cap	6	5/8 - 11 x 2 1/4 inches
2	S-603	Washer, Lock	6	
3	206343	Support, Front Engine	1	
4	70645	Dowel, Pin	1	
5	102957	Dowel, Diamond	1	
6	3014766	Screw, Captive Washer Cap	12	3/8 - 16 x 1 inch
7	3037282	Gasket, Cover Plate	1	
8	S-1040-A	Elbow, Male Adapter	1	
9	3009620	Spring, Engine Barring	1	
10	3013786	Plug, Pipe	2	
11	3015525	Ring, Retaining	1	
	3018914	Guide, Barring Shaft	1	
12	3018909	Bushing	1	
13	3018910	Bearing, Thrust	1	
14	3018911	Pin, Roll	1	
15	3019154	Guide, Barring Shaft	1	
16	3019152	Gear, Engine Barring	1	
17	3019153	Shaft, Barring	1	
18	3025460	Plug, Pipe	6	
19	3008465	Plug, Pipe	5	
20	3008466	Plug, Pipe	1	
	3012302	Cover, Gear	1	
21	132770	Bushing	2	
22	205133	Bushing	1	
23	3016787	Seal, Oil	1	
24	3016791	Seal, Oil	1	
25	3073217	Cover, Gear	1	
26	3628895	Seal, Oil	1	
27	3201125	Seal, O Ring	1	
28	206217	Stud	1	
29	206218	Stud	1	
30	3019961	Nut, Plug	2	3/8 - 16
31	3044521	Plate, Gear Cover	1	
32	3160924	Seal, Dust	1	
33	3200642	Plate, Clamping	1	
34	3331663	Seal, Dust	1	
35	3628894	Seal, Dust	1	



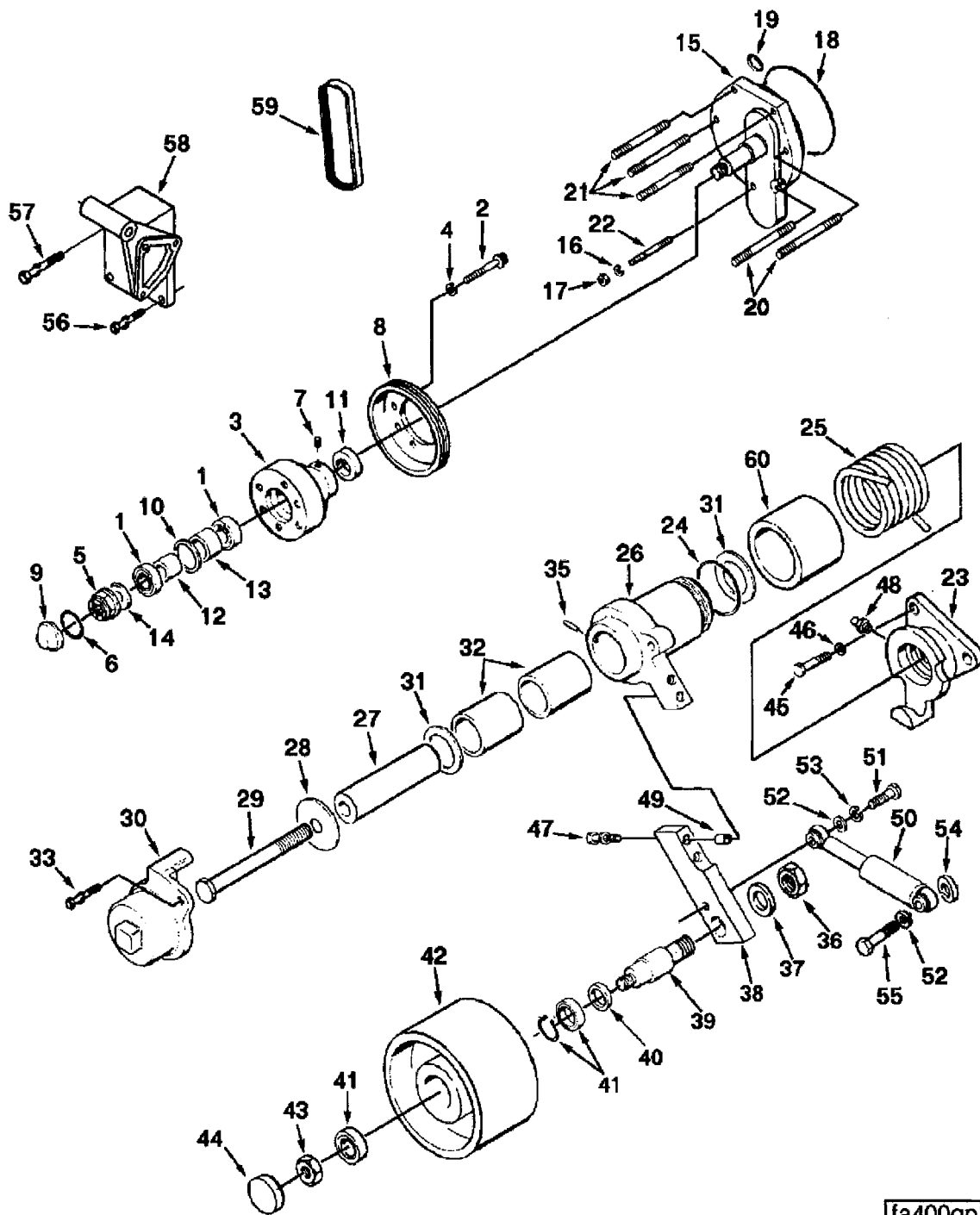
Ref No.	Part Number	Part Name	Req	Remarks
		GEAR COVER MOUNTING OPTION EM4703		Mounting for aluminum gear cover without freon compressor.
1	3160924	Seal, Dust	1	
2	3331663	Seal, Dust	1	
3	S-105	Screw, Hexagon Head Cap	2	3/8 - 16 x 3.50 inch
4	S-163	Screw, Hexagon Head Cap	2	3/8 - 16 x 3.25 inch
5	S-199-A	Screw, Hexagon Head Cap	4	3/8 - 16 x 4 inch
6	S-199-B	Screw, Hexagon Head Cap	5	3/8 - 16 x 3.75 inch
7	S-602	Washer, Plain	2	
8	S-604	Washer, Lock	13	
9	S-915-A	Plug, Pipe	1	1/2 NPTF
10	67622	Plug, Pipe	1	3/8 NPTF
11	205375	Screw, Twelve Point Cap	1	3/8 - 16 x 2.25 inch
12	3010596	Screw, Captive Washer Cap	3	3/8 - 16 1.25 inch
13	3012476	Screw, Captive Washer Cap	2	3/8 - 16 x 3 inch
14	3013786	Plug, Pipe	1	3/8 NPTF
15	3016787	Seal, Oil	1	
16	3016791	Seal, Oil	1	
17	3025460	Plug, Pipe	4	
18	3074690	Gasket, Gear Cover	1	
19	3201128	Nut, Regular Hexagon	4	3/8 - 16 thread
20	3628895	Seal, Oil	1	
21	3628894	Seal, Dust	1	



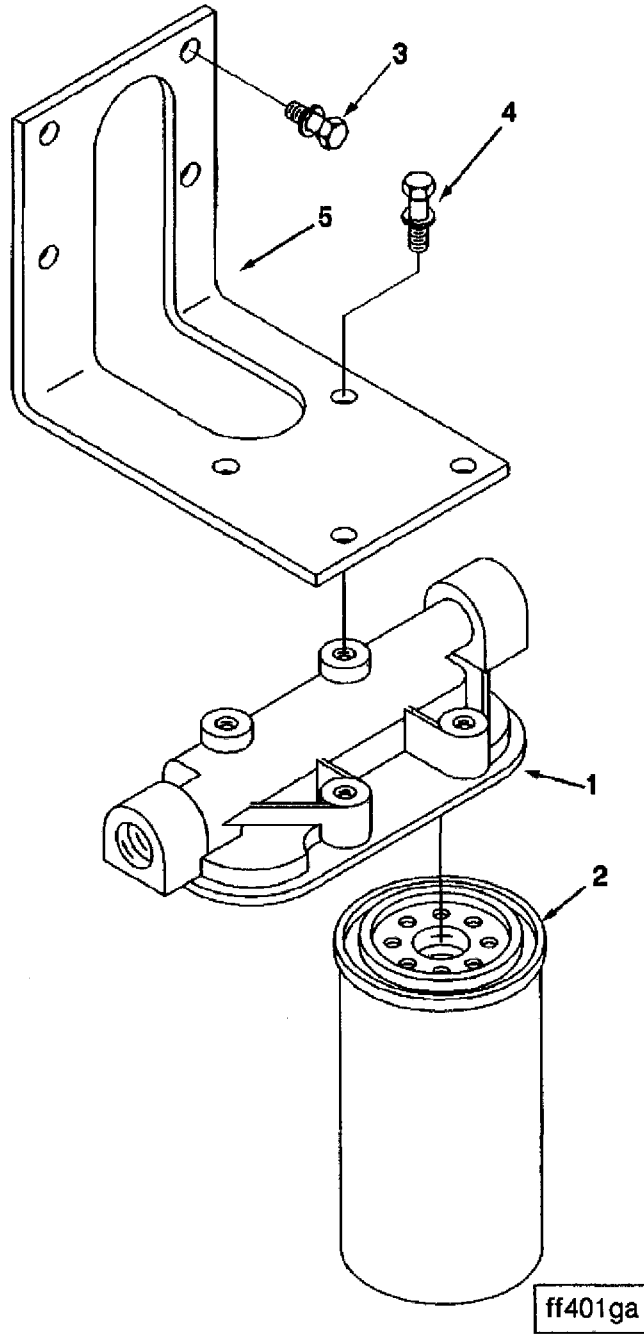
Ref No.	Part Number	Part Name	Req	Remarks
		MAGNETIC SWITCH OPTION ES8029		24 Volt insulated magnetic switch for use with single or dual positive engagement electric starter/starters. Secured to the starter mounting flange. When engine wiring & electric starters are specified, this option must be selected.
1	3050692	Switch, Magnetic	1	
2	S-224	Nut, Heavy Hexagon	4	1/4 inch
3	S-600	Washer, Lock	4	
4	S-631	Washer, Plain	4	1/4 inch
5	204493	Isolator, Vibration	2	
6	3062483	Bracket, Magnetic Switch	1	



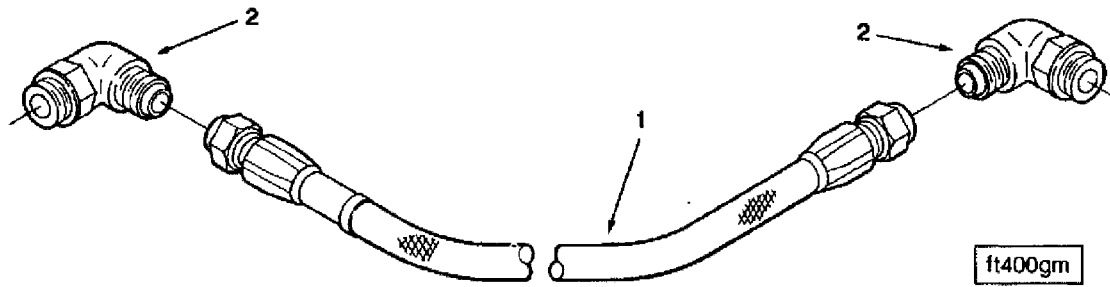
Ref No.	Part Number	Part Name	Req	Remarks
		FAN DRIVE ARRANGEMENT		
		OPTION FA4054		
				Belt driven .70 to 1 drive ratio with 20.4 inch fan center. Includes alternator mounting bracket.
	3002233	Hub, Fan	1	
1	3001281	Bearing, Roller	2	
2	S-113	Screw, Hexagon Head Cap	6	1/2 - 13 x 1 1/2 inch
3	3002183	Hub, Fan	1	
4	111445	Washer, Lock	6	
5	3202206	Nut, Lock	1	
6	145551	Seal, O Ring	1	
7	S-911-B	Plug, Pipe	2	
8	3002222	Pulley, Fan	1	
9	3002193	Cover, Fan Hub	1	
10	3001280	Ring, Retaining	1	
11	3062393	Seal, Oil	1	
12	3002210	Spacer, Bearing	1	
13	3002211	Spacer, Bearing	1	
14	3012467	Washer, Plain	1	
15	3036139	Spindle, Fan	1	
59	3002203	Belt, V Ribbed	1	
		MOUNTING PARTS		
16	S-604	Washer, Lock	7	
17	S-205	Nut, Regular Hexagon	7	3/8 inch
18	3000859	Seal, O Ring	1	
19	3201659	Seal, Rectangular Ring	1	
20	64929	Stud	2	
21	102397	Stud	4	
22	3201117	Stud	1	
		IDLER ASSEMBLY		
	3033957	Lever, Idler	1	
23	3177125	Support, Pivot Shaft	1	
24	145581	Seal, O Ring	1	
25	3019415	Spring, Torsion	1	
26	3177127	Lever, Idler	1	
27	3009475	Shaft, Pivot	1	
28	127454	Washer, Plain	1	
29	3628104	Screw, Hexagon Head Cap	1	
30	3023499	Cap, Idler Lever	1	
31	3177129	Bearing, Thrust	2	
32	3009477	Sleeve	2	
33	3060463	Screw, Flat Head Cap	1	
35	68171	Pin, Roll	2	
48	S-2268	Fitting, Grease	1	
60	3177128	Sleeve, Wear	1	
		Continued On Next Page...		



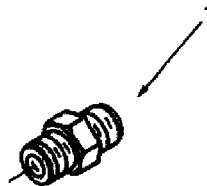
Ref No.	Part Number	Part Name	Req	Remarks
		FAN DRIVE ARRANGEMENT		
		OPTION FA4054		
	3009639	Pulley, Idler	1	
36	S-249	Nut, Regular Hexagon Jam	1	
37	S-640	Washer, Plain	1	
38	3042651	Bracket, Idler Pulley	1	
39	3009481	Shaft, Idler	1	
40	3065830	Seal, Oil	1	
41	3003354	Bearing, Roller	1	
42	3201228	Pulley, Idler	1	
43	3004057	Nut, Lock	1	
44	3201206	Plug, Expansion	1	
		MOUNTING PARTS		
45	103009	Screw, Hexagon Head Cap	3	7/16 - 14 x 1 1/4 inch
46	S-610	Washer, Lock	3	
47	3012475	Screw, Captive Washer Cap	2	3/8 - 16 x 2 1/4 inch
49	3002993	Dowel, Ring	2	
		SHOCK ABSORBER		
50	3008018	Absorber, Schock	1	
		MOUNTING PARTS		
51	108708	Screw, Hexagon Head Cap	1	7/16 - 14 x 3 1/4 inch
52	S-622	Washer, Plain	2	
53	S-610	Washer, Lock	1	
54	3200905	Spacer, Mounting	1	
55	3201283	Screw, Hexagon Head Cap	1	7/16 - 14 x 2 3/4 inch
		ALTERNATOR MOUNTING		
	3012628	Support, Alternator	1	
56	3010596	Screw, Captive Washer Cap	2	3/8 - 16 x 1 1/4 inch
57	3010597	Screw, Captive Washer Cap	2	3/8 - 16 x 3 3/4 inch
58	3041859	Support, Alternator	1	



Ref No.	Part Number	Part Name	Req	Remarks
		FUEL FILTER OPTION FF4013		Dual spin-on fuel filters without check valve. Mounted on fuel pump side.
1	212013	Head, Fuel Filter	1	
2	3315847	Filter, Fuel	2	
3	3010595	Screw, Captive Washer Cap	2	3/8 - 16 x 1 inch
4	3010596	Screw, Captive Washer Cap	4	3/8 - 16 x 1 1/4 inch
5	3201394	Bracket, Filter	1	

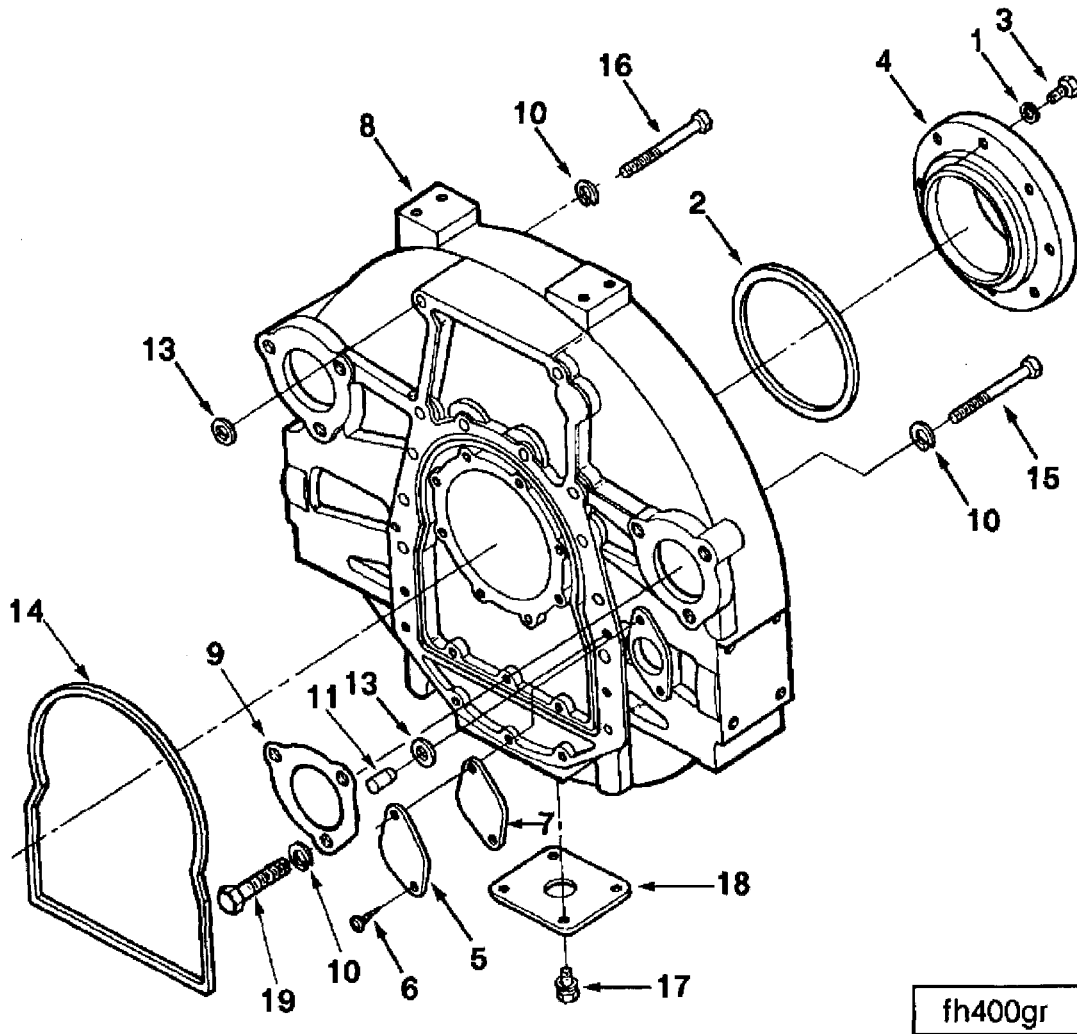


Ref No.	Part Number	Part Name	Req	Remarks
FUEL FILTER PLUMBING OPTION FF4705				
1	AK1001600SS	Hose, Flexible	1	Fuel filter hose and fittings. For use with a mounted float tank and with or without the EFC governor. Without air compressor, American Bosch or Woodward governor. Inlet to fuel filter located toward the rear of the engine.
2	129859	Elbow, Male Union	2	

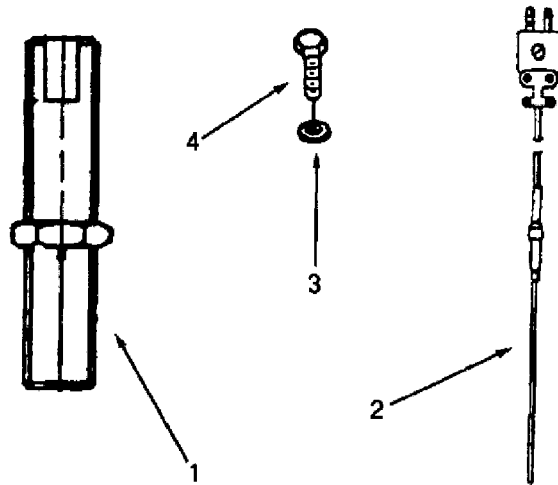


ft400go

Ref No.	Part Number	Part Name	Req	Remarks
1	203850	FITTING, FUEL PUMP INLET OPTION FF8701 Union, Male	1	Fuel pump inlet fitting, straight type.

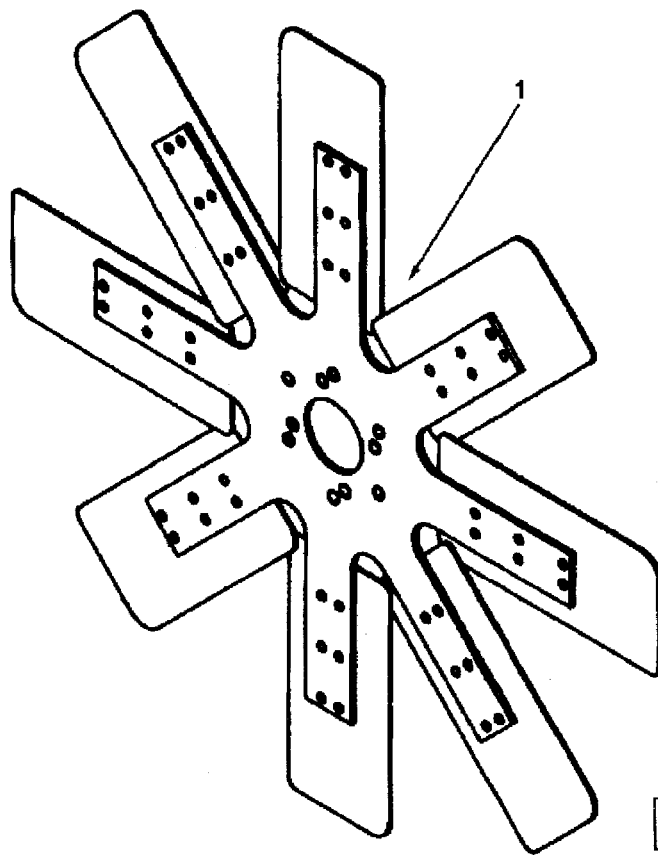


Ref No.	Part Number	Part Name	Req	Remarks
		FLYWHEEL HOUSING OPTION FH4018		SAE no. '0' cast iron flywheel housing for dry application. Has provisions for 5/8-18 and 3/4-16 magnetic pick-up and both sides machined for starter mounting. Includes starter hole cover mounted on left side of engine.
1	S-631	Washer, Plain	8	
2	205247	Seal, O Ring	1	
3	205409	Screw, Hexagon Head Cap	8	1/4 - 20 x 5/8 inch
4	3005885 (207724)	Seal, Rr Crk Assy Seal, Oil	1 1	
5	70657	Cover, Access Hole	1	
6	S-118-A	Screw, Hexagon Head Cap	2	
7	3021735	Gasket, Flywheel Housing	1	
8	3036814	Housing, Flywheel	1	
9	62182	Cover Starter Flange	1	
10	S-603	Washer, Lock	18	
11	60408	Dowel, Flywheel Housing	2	
13	172648	Seal, Rectangular Ring	14	
14	3096260	Seal, Rectangular Ring	1	
15	S-103-A	Screw, Hexagon Head Cap	10	5/8 - 11 x 2 inch
16	S-144	Screw, Hexagon Head Cap	2	5/8 - 11 x 2 1/2 inch
17	3010595	Screw, Captive Washer Cap	4	3/8 - 16 x 1 inch
18	3201056	Cover, Flywheel Housing	1	
19	S-181	Screw, Hexagon Head Cap	3	5/8 - 11 x 1 1/4 inch

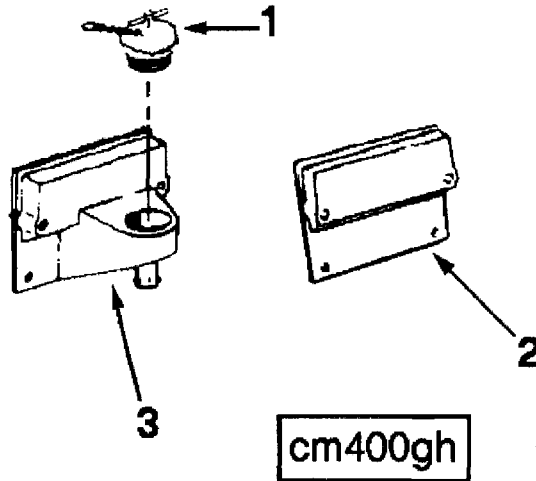


fh400gf

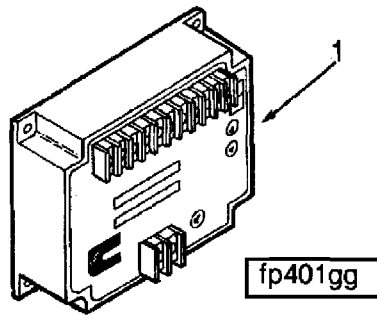
Ref No.	Part Number	Part Name	Req	Remarks
MAGNETIC PICKUP OPTION FH8718				
				5/8-18 UNF magnetic pick-up for use with SAE no. '0', SAE #1, and SAE #2 flywheel housings. Required with Woodward 2301 electro-hydraulic governor, American Bosch governor, Cummins EFC governor, tachometers and speed switches. Includes plug for the 3/4-16 UNF magnetic pick-up location in the flywheel housing (both wet or dry).
1	213272	Pickup, Magnetic	1	
2	213273	Harness, Wiring	1	
3	553856	Gasket, Drain Plug	1	
4	3201759	Screw, Hexagon Head Cap	1	3/4 - 16 x 1/2 inch



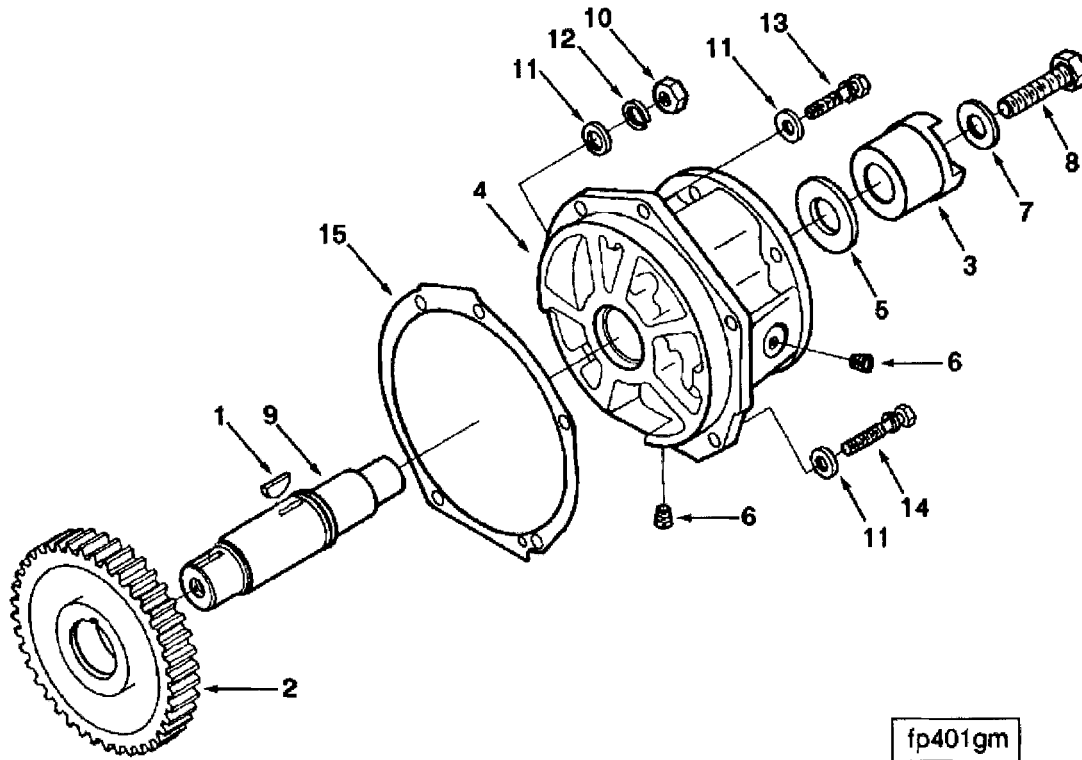
Ref No.	Part Number	Part Name	Req	Remarks
1	3811961	<p style="text-align: center;">FAN OPTION FN4401</p> <p>Fan, Engine</p>	1	44inch diameter fan, blower type.



Ref No.	Part Number	Part Name	Req	Remarks
		OIL FILL LOCATION OPTION FO4025		Oil fill located on no. 4 cam follower cover.
1	107981	Cap, Filler	1	
2	3628755	Cover, Camshaft	1	
3	3200414	Bracket, Oil Tube	1	

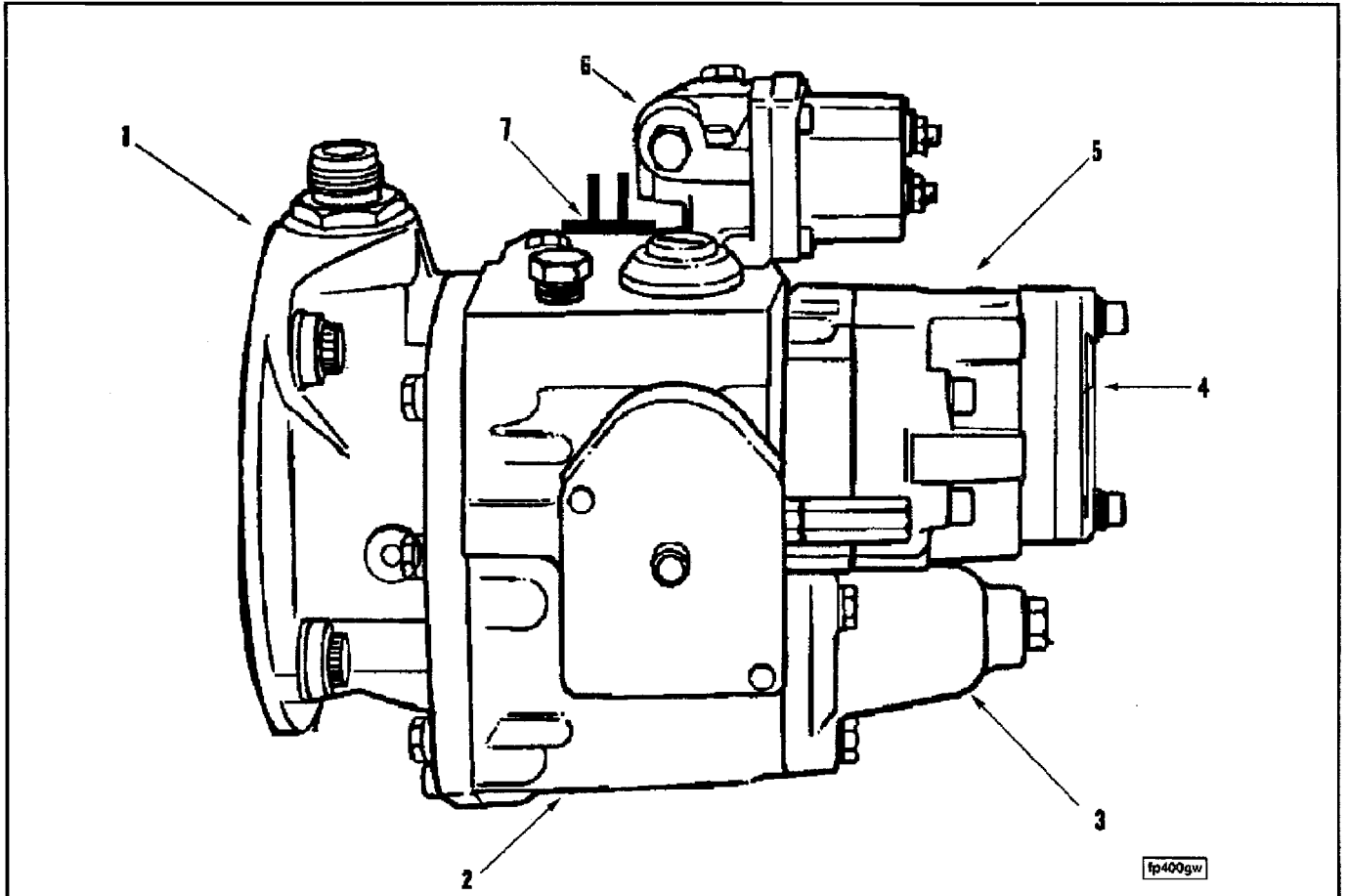


Ref No.	Part Number	Part Name	Req	Remarks
		CUMMINS EFC GOVERNOR OPTION FP4106		
1	3032429	Wiring, Electric Governor	1	Cummins EFC governor (24 volt DC normally open) system. Fuel pump with limiting speed governor. Actuator installed in AFC cavity. Requires an engine mounted magnetic pick-up. Includes a control unit with speed and droop adjustment supplied in kit. Control unit requires a 24 volt negative ground power supply. Without load sensing module. The governor actuator moves to the fully open position with electrical failure, or shutdown.
2	3044196	Control, Governor	1	

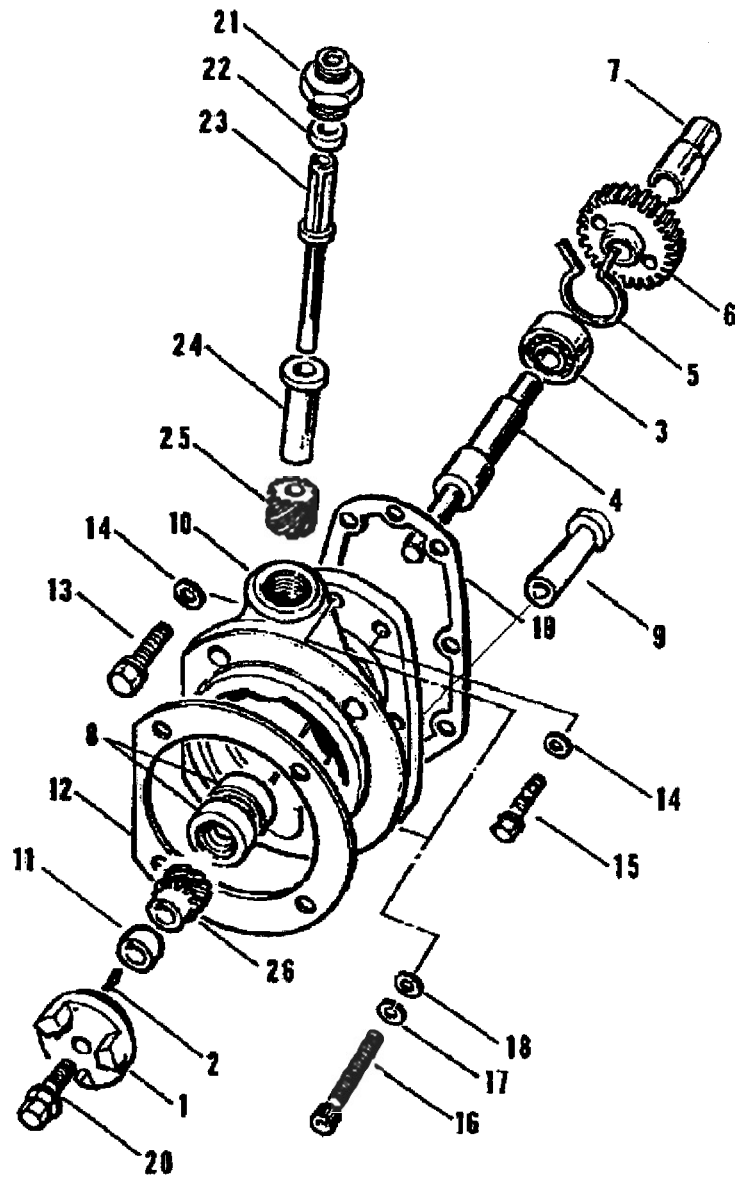


fp401gm

Ref No.	Part Number	Part Name	Req	Remarks
		FUEL PUMP DRIVE OPTION FP4815		
				Fuel pump drive for use without air compressor.
1	3016734	Drive Accessory	1	
	S-316	Key, Plain Woodruff	1	
2	207253	Gear, Accessory Drive	1	
3	3000175	Hub, Jaw Coupling	1	
4	3009512	Support, Accessory Drive	1	
5	3014103	Washer, Plain	1	
6	3025458	Plug, Pipe	2	
7	3045136	Washer, Plain	1	
8	3045137	Screw, Hexagon Head Cap	1	1/2 - 20 x 2 inch
9	3045229	Shaft, Accessory Drive	1	
10	S-205	Nut, Regular Hexagon	1	3/8 - 24
11	S-602	Washer, Plain	5	
12	S-604	Washer, Lock	1	11/16
13	3033038	Screw, Captive Washer Cap	3	3/8 - 16 x 1.61 inch
14	3044413	Screw, Captive Washer Cap	1	3/8 - 16 x 2 inch
15	3086202	Gasket, Acc Drive Suppt.	1	

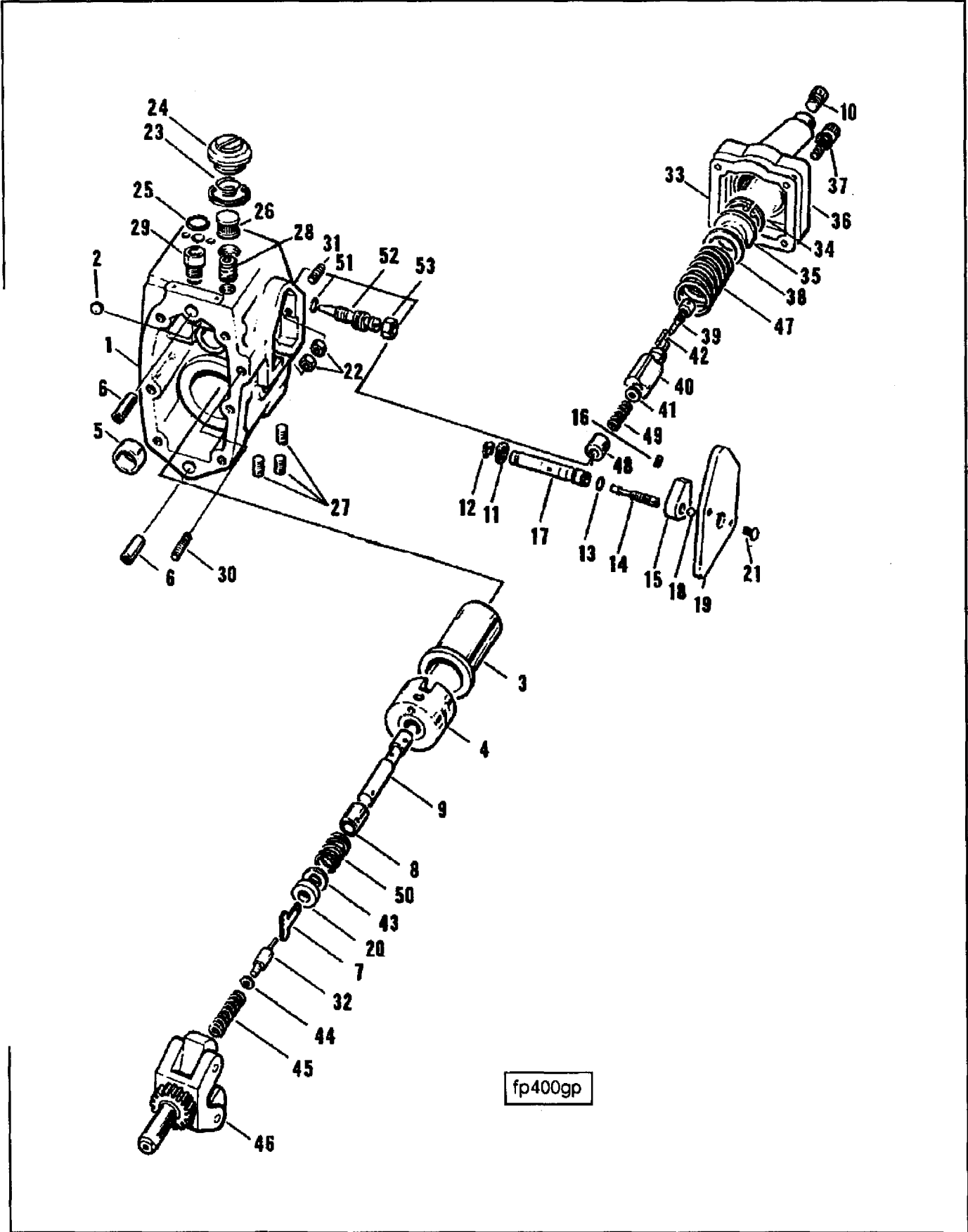


Ref. No.	Part Number	Part Name	Req	Remarks
		FUEL PUMP OPTION FP4968		
				PTG/Non-VS/Non-AFC pump with 3/4" non-cooled, pressurized gear pump. Has tach drive. Low flow actuator. Use with 3032898 hardware kit.
1	3059658	Pump, Fuel	1	
	3030267	Cover, Fuel Pump Front	1	
2	3059646	Body, Fuel Pump	1	
3	3021977	Cover, Spring	1	
5	3034239	Pump, Gear Fuel	1	
7	3085219	Actuator, Etr Fuel Control	1	
4	AR12110	Damper, Fuel Pump & Mtg	1	
6		Fuel Shutoff Valve	1	Reference FV8012

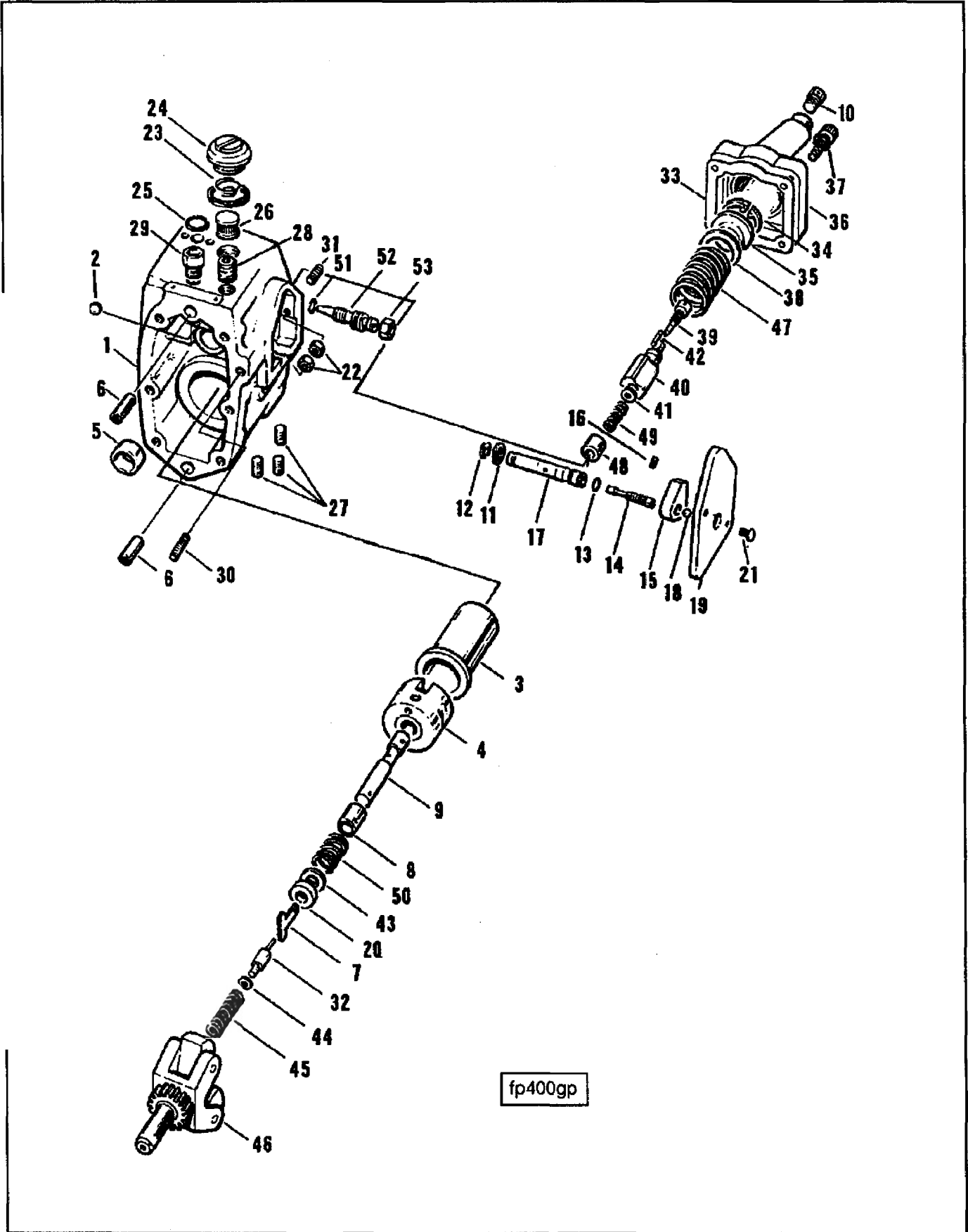


fp400gr

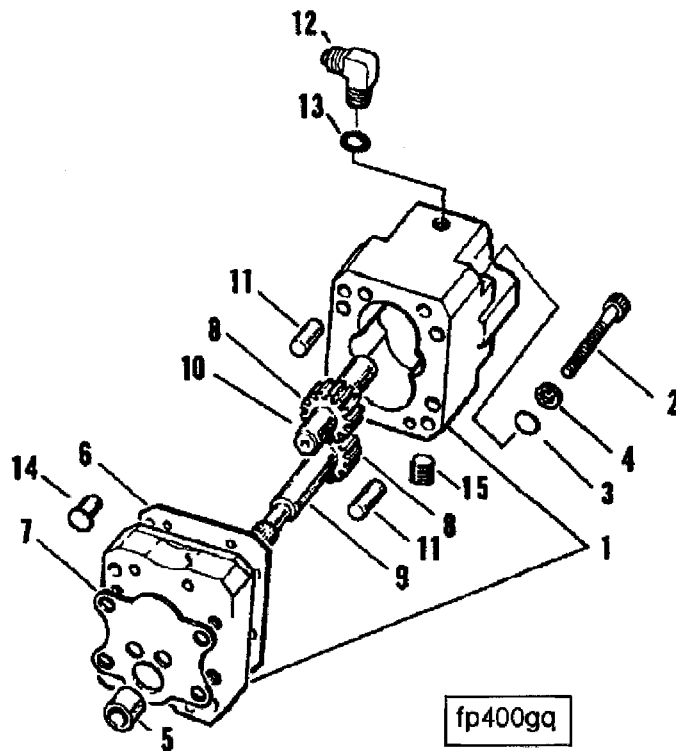
Ref No.	Part Number	Part Name	Req	Remarks
		FUEL PUMP FRONT COVER		
		OPTION FP4968		
	3030267	Cover, Fuel Pump Front	1	
1	212613	Hub, Jaw Coupling	1	
2	212668	Key, Square	1	
	3028372	Main Drive Assembly	1	
3	S-16052	Bearing, Ball	1	
4	212601	Shaft, Fuel Pump Drive	1	
5	212604	Ring, Retaining	1	
6	212605	Gear, Fuel Pump	1	
7	212639	Adapter, Spline	1	
8	3062676	Seal, Oil	2	
	3028368	Cover And Bushing	1	
9	163944	Bushing	1	
10	3063054	Cover, Fuel Pump	1	
11	3004724	Spacer, Seal	1	
12	3069103	Gasket, Fuel Pump	1	
13	3018682	Capscrew, Hexagon Head Cap	1	1/4 - 20 x 1 inch
14	70704	Washer, Plain	3	17/64
15	3017051	Screw, Captive Washer Cap	5	1/4 - 20 x 1 1/8 inch
16	118226	Screw, Socket Head Cap	1	3/16 - 24 x 1 1/4 inch
17	S-607	Washer, Lock	1	
18	103089	Washer, Plain	1	
19	3063052	Gasket, Fuel Pump	1	
20	3017052	Screw, Captive Washer Cap	2	1/4 - 20 x 1 1/8 inch
21	3002110	Connector, Male	1	
22	212603	Seal, Oil	1	
	3015665	Shaft, Tachometer Drive	1	
23	212607	Shaft, Tachometer Drive	1	
24	212609	Bushing, Tachometer Drive	1	
25	212610	Gear, Tachometer Drive	1	
26	212602	Gear, Tachometer Drive	1	



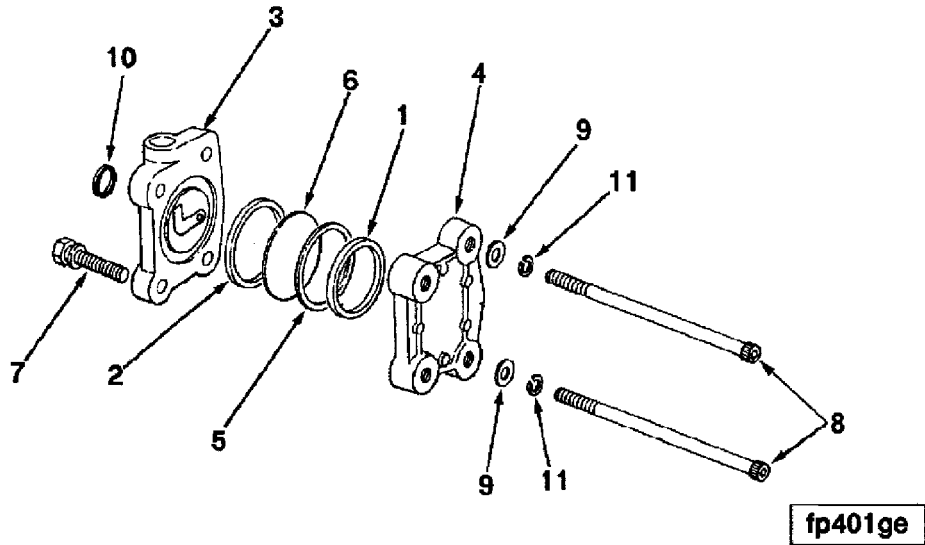
Ref No.	Part Number	Part Name	Req	Remarks
		FUEL PUMP HOUSING		
		OPTION FP4968		
	3059646	Body, Fuel Pump	1	
1	3059619	Body, Fuel Pump	1	
2	214139	Ball, Plug AFC	3	
3	3036970	Housing, Spring Pack	1	
4	3058555	Barrel, Governor	1	
5	100193	Bushing, Tachometer Drive	1	
6	118227	Dowel, Ring	2	
	3040760	Plunger, Governor	1	
7	70690	Driver, Governor Plunger	1	
8	3048557	Spacer, Bearing	1	
9	3040750	Plunger, Governor	1	
10	3025459	Plug, Pipe	3	
11	100478	Seal, O Ring	1	
12	163945	Ring, Retaining	1	
13	213768	Seal, O Ring	1	
14	3006175	Screw, Fuel Pump Adjusting	1	1/4 - 28 x 1.84 inch
	3006430	Shaft, Throttle	1	
15	3006343	Stop, Throttle Lever	1	
16	3006344	Screw, Set Hex Flat S'K'T	2	1/4 - 28 x 3/8 inch
17	3046680	Shaft, Throttle	1	
18	213769	Plug, Ball	1	
19	3000446	Cover, Fuel Control	1	
20	3027633	Bearing, Thrust	1	
21	S-2286	Screw, Drive	4	
22	S-270	Nut, Regular Hexagon	2	1/4 - 28
23	70700	Spring, Compression	1	
24	157088	Cap, Fuel Pump Filter	1	
25	154088	Seal, Rectangular Ring	1	
26	146483	Screen, Filter	1	
27	3025460	Plug, Pipe	4	
30	3046407	Screw, Socket Set	2	1/4 - 28 x 1 1/2 inch
32	144178	Plunger, Gov Wgt Assist	1	



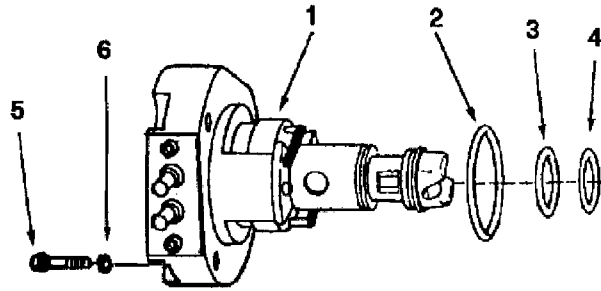
Ref No.	Part Number	Part Name	Req	Remarks
		FUEL PUMP HOUSING		
		OPTION FP4968		
		Continuation of 3059646		
33	70705	Gasket, Flange	1	
34	S-16240	Ring, Retaining	2	
35	70713	Retainer, Spring	1	
36	3065376	Cover, Spring Pack	1	
37	3017051	Screw, Captive Washer Cap	2	1/4 - 20 x 1 1/8 inch
38	70717	Shim	6	
38	70717-A	Shim	1	
38	70717-B	Shim	1	
39	70716	Screw, Knurled	1	3/16 - 28 x 1 1/4 inch
40	3036472	Guide, Idle Spring Plunger	1	
41	70715	Washer, Plain	1	
42	211635	Pin, Governor Weight	2	
43	101841	Shim	A/R	.005 Inch
43	101842	Shim	A/R	.010 Inch
43	101843	Shim	A/R	.020 Inch
44	144179	Shim	7	
45	143854	Spring, Compression	1	
46	3024991	Carrier, Governor Weight	1	
47	3004957	Spring, Gov. Max.	1	
48	141629	Plunger, Idle Spring	1	
49	3032014	Spring, Compression	1	
50	3018767	Spring, Compression	1	
55	112076	Plug, Pipe	1	



Ref No.	Part Number	Part Name	Req	Remarks
		FUEL GEAR PUMP OPTION FP4968		
	3034239	Pump, Gear Fuel		
1	3033731	Assy., Housing & Cover	1	
2	70790	Screw, Socket Head Cap	2	1/4 - 20 x 2 3/4 inch
3	70704	Washer, Plain	2	
4	181466	Washer, Lock	2	
5	3033719	Dowel, Ring	1	
6	110855	Gasket, Fuel Pump	1	
7	3026163	Gasket, Fuel Pump	1	
	3016609	Gear & Shaft	1	
8	119363	Gear, Fuel Pumping	1	
9	100215	Shaft, Fuel Pump Drive	1	
	3019616	Gear & Shaft	1	
8	119363	Gear, Fuel Pumping	1	
10	175864	Shaft, Fuel Pump	1	
11	64816-A	Dowel, Pin	2	
14	3050624	Valve, Pressure Regulator	1	
15	3033742	Plug, Threaded	2	

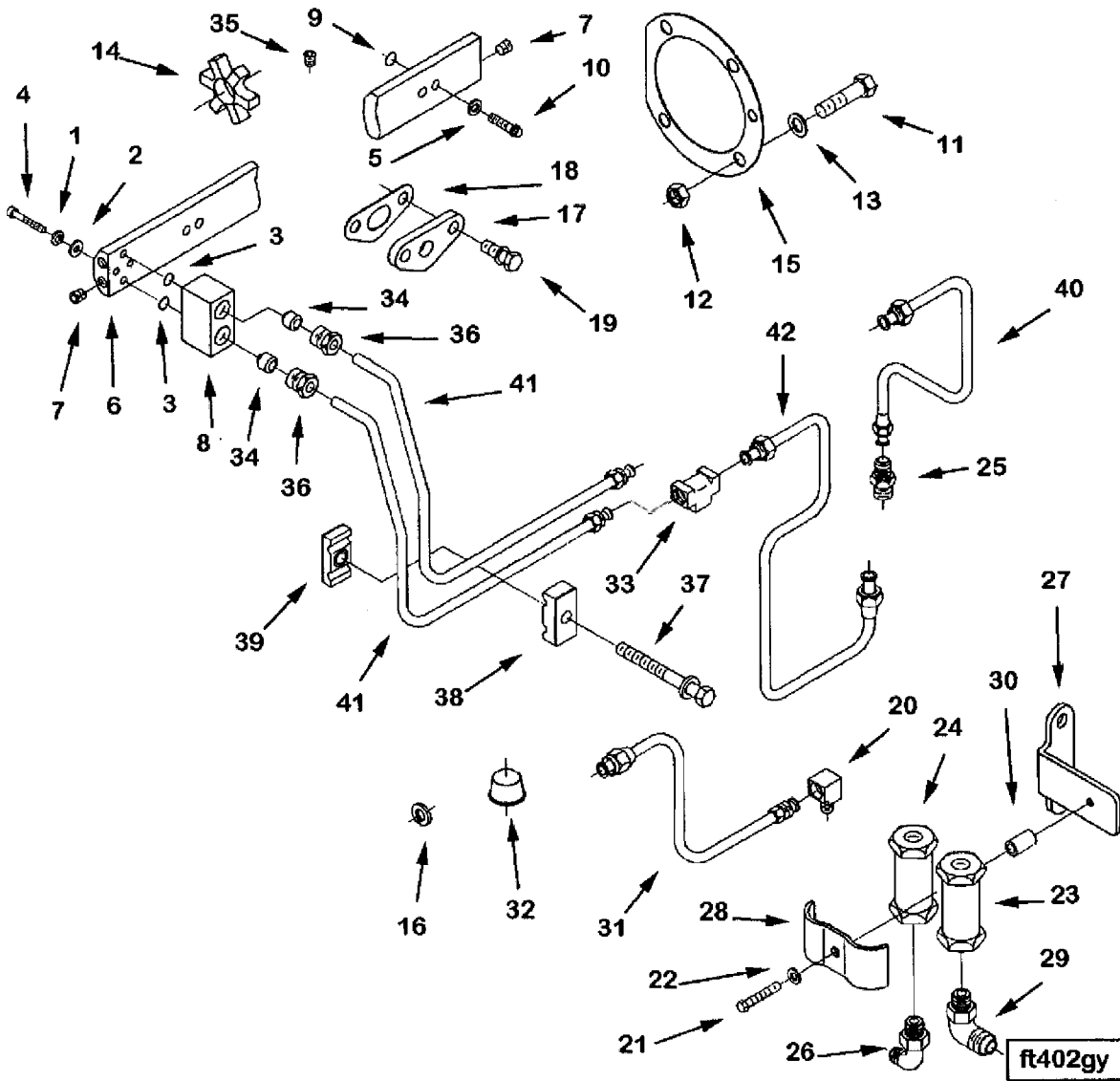


Ref No.	Part Number	Part Name	Req	Remarks
		FUEL PUMP DAMPER OPTION FP4968		
	AR12110	Damper, Fuel Pump & Mtg	1	
	BM76340	Assembly, Fuel Pump Damper	1	
1	100099	Seal, Rectangular Ring	1	
2	139988	Seal, Rectangular Ring	1	
3	153336	Body, Fuel Pump Damper	1	
4	153338	Cover, Fuel Pump Damper	1	
5	160514	Washer, Plain	1	1/4 inch
6	202897	Diaphragm, Damper	1	
7	3017051	Capscrew, Captive Washer	2	1/4 - 20 x 1 1/8 inch
8	S-174-C	Capscrew, Socket Head	2	1/4 - 20 x 3 1/2 inch
9	70704	Washer, Plain	2	1/4 inch
10	151900	Seal, Rectangular Ring	1	
11	181466	Washer, Lock	2	1/4 inch

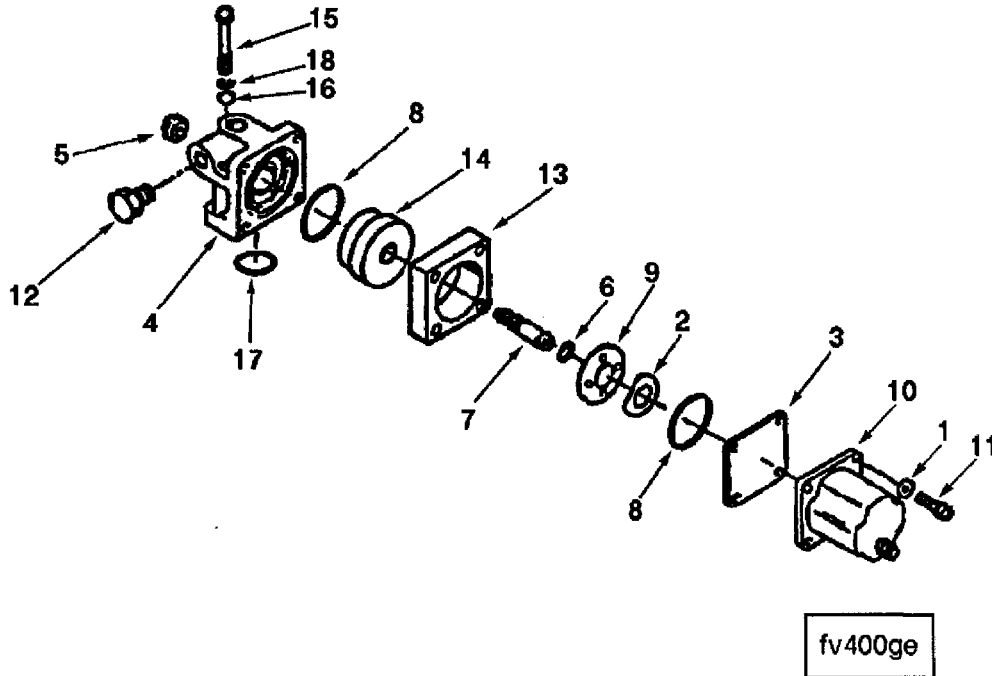


fp401gv

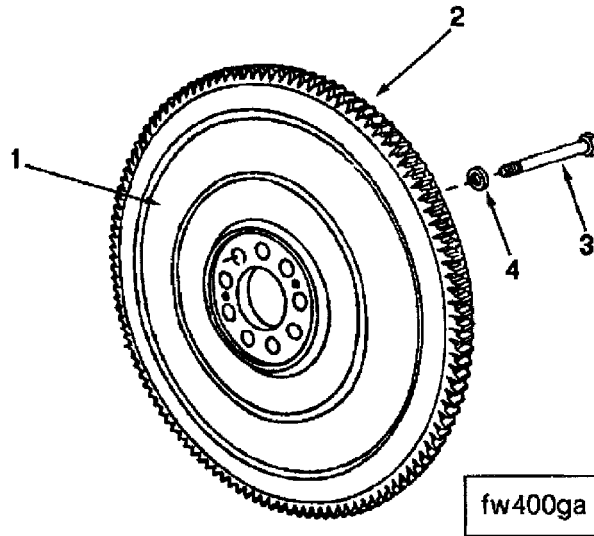
Ref No.	Part Number	Part Name	Req	Remarks
		EFC GOVERNOR OPTION FP4968		
1	3085219	Actuator, ETR Fuel Control	1	
2	3048182	Seal, O Ring	1	
3	3042542	Seal, O Ring	1	
4	3042542	Seal, O Ring	1	
5	3017051	Screw, Captive Washer Cap	3	1/4 - 20 x 1 1/8 inch
6	70704	Washer, Plain	3	



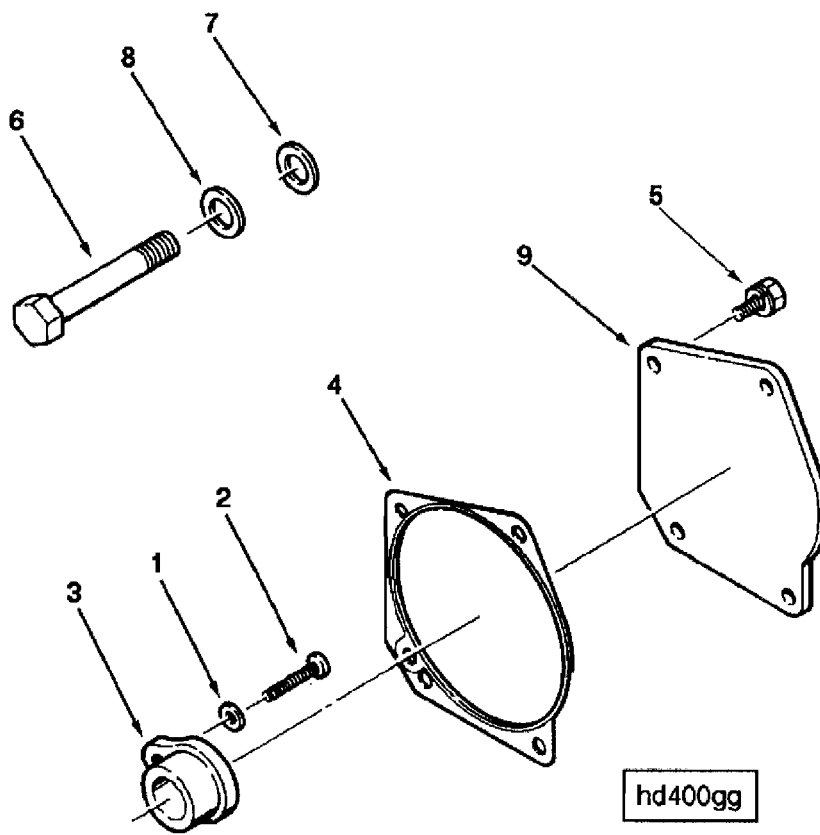
Ref No.	Part Number	Part Name	Req	Remarks
		FUEL TUBING OPTION FT40050		Fuel tubing for front fuel block with non AFC/AUTO fuel pump, Cummins electric fuel control and check valves. Without air compressor. May be used with standard or high pressure solenoid valve.
1	S-607	Washer, Lock	2	#10.
2	70620	Washer, Plain	2	1/8 inch
3	100478	Seal, O Ring	2	
4	118226	Screw, Socket Head Cap	2	#10 - 24 x 1 1/4 inch
5	127018	Washer, Plain	12	1/4 inch
6	207441	Manifold, Fuel	1	
7	217631	Plug, Pipe	4	1/16 NPT
8	207442	Connection, Fuel Block	1	
9	3001340	Seal, O Ring	12	
10	3001811	Screw, Twelve Point Cap	12	1/4 - 20 x 1 inch
11	S-140	Screw, Hexagon Head Cap	4	7/16 - 14 x 1 3/4 inch
12	S-217	Nut, Heavy Hexagon	4	7/16 - 14 UNC.
13	69324	Washer, Plain	8	3/8 inch
14	3046200	Spider, Jaw Coupling	1	
15	3069103	Gasket, Fuel Pump	1	
16	S-606-A	Washer, Lock	2	3/8 inch
17	207112	Flange, Weld	1	
18	207117	Gasket, Air Compressor	1	
19	3014766	Screw, Captive Washer Cap	2	3/8 - 16 x 1 3/64 inch
20	181213	Elbow, Plain Adapter	1	
21	S-156-B	Screw, Hexagon Head Cap	1	1/4 - 20 x 1 1/2 inch
22	70704	Washer, Plain	1	1/4 inch
23	3028324	Valve, Check	1	
24	3028325	Valve, Check	1	
25	3032872	Union, Male	2	
26	3033024	Elbow, Male Union	1	
27	3200069	Bracket, Check Valve	1	
28	3200070	Brkt Check Vlv	1	
29	3201391	Elbow, Male Union	1	
30	3201614	Spacer, Mounting	1	
31	3200103	Tube, Fuel Supply	1	
32	44092-P	Cover, Protective	1	
33	176288	Tee, Female Adapter	2	
34	3002150	Seal, Ferrule	2	
35	3025460	Plug, Pipe	2	1/8 NPT
36	3031404	Connector, Tube	2	
37	3078053	Screw, Captive Washer Cap	2	3/8 - 16 x 3 1/2 inch
38	3200386	Clamp, Tube	2	
39	3200387	Clamp, Tube	2	
40	3200405	Tube, Fuel Supply	1	
41	3201115	Tube, Fuel Supply	2	
42	3201737	Tube, Fuel Drain	1	



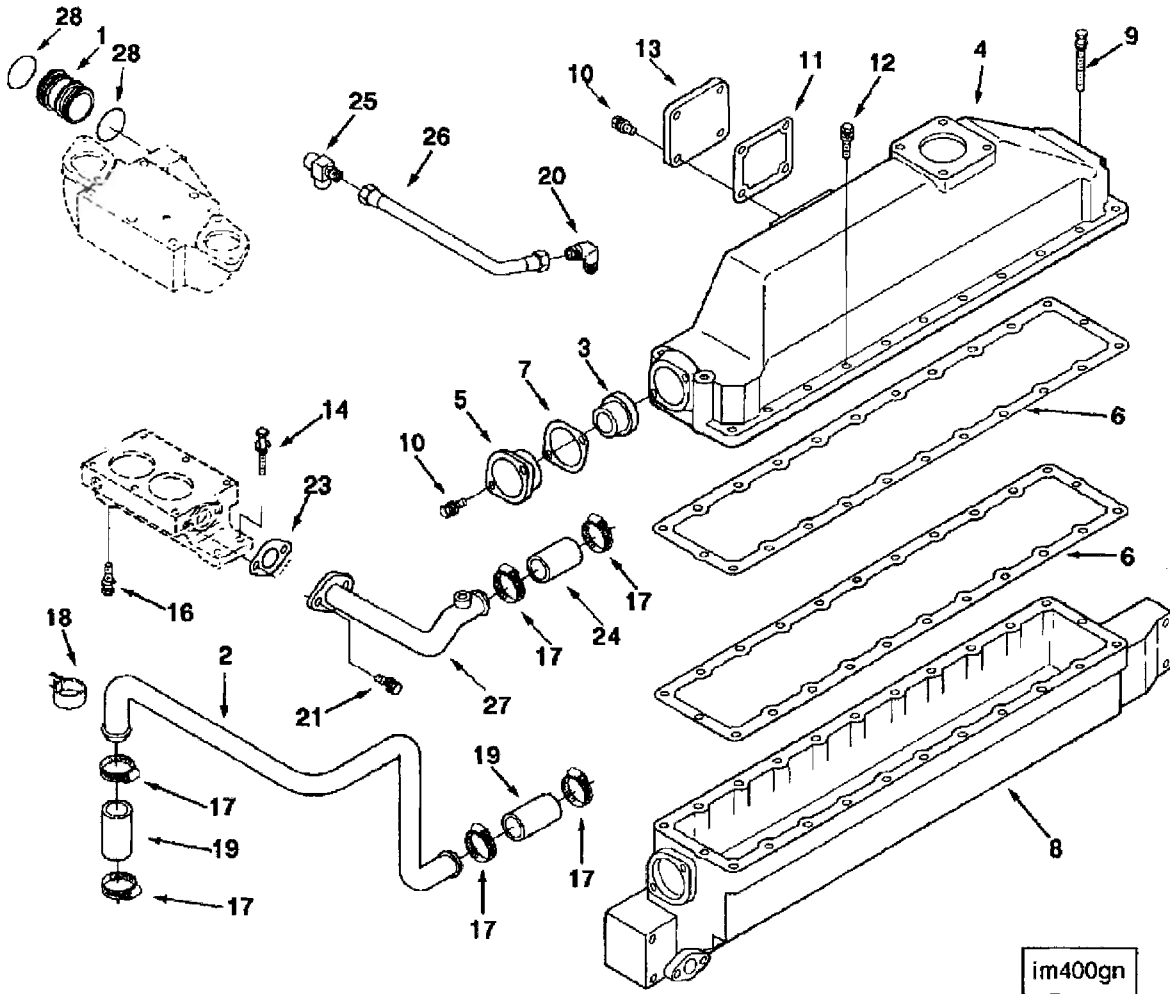
Ref No.	Part Number	Part Name	Req	Remarks
		FUEL SHUTOFF VALVE OPTION FV8012		
				24volt DC rapid restart fuel valve suggested for automatic cranking system.
	3018453	Valve, Shutoff	1	
1	S-607	Washer, Lock	4	
2	129768	Spring, Valve	1	
3	129839	Shield, Shutoff Valve	1	
4	129886	Body, Shutoff Valve	1	
5	129838	Knob	1	
6	3279794	Seal, O Ring	1	
7	3000266	Shaft, Shutoff Valve	1	
8	129888	Seal, Rectangular Ring	2	
9	196057	Disc, Valve	1	
10	3054609	Solenoid	1	
11	3018047	Screw, Fillister Head Cap	4	
12	3025458	Plug, Pipe	1	
13	3034451	Housing, Actuator	1	
14	3034452	Disc, Actuator	1	
15	S-189-C	Screw, Socket Head Cap	2	
16	67684	Washer, Plain	2	
17	154087	Seal, Rectangular Ring	1	
18	181466	Washer, Lock	2	



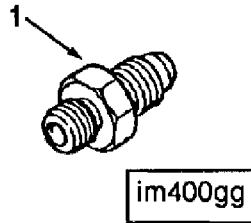
Ref No.	Part Number	Part Name	Req	Remarks
		FLYWHEEL OPTION FW4001		
1	3090501 (3086448)	Flywheel	1	SAE #0 flywheel and ring gear for mounting SAE #18 generator drive disc or over center clutch. Use with Twin Disc MG521 and MG527 gears. Right hand engine starter rotation.
2	5566	Flywheel	1	
3	207386	Gear, Flywheel Ring	1	
4	200861	Screw, Head Locking	9	
		Washer, Plain	9	



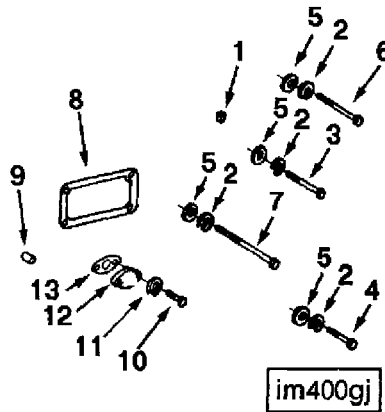
Ref No.	Part Number	Part Name	Req	Remarks
		COVER PLATE OPTION HD4067		Cover plate for rear of front gear cover when no hydraulic pump drive provision is specified.
1	S-604	Washer, Lock	1	
2	S-103-D	Screw, Hexagon Head Cap	1	3/8 - 16 x 1 1/4 inch
3	3003123	Insert, Pump Drive	1	
4	3007380	Gasket, Hydraulic Pump	1	
5	3012472	Screw, Captive Washer Cap	4	3/8 - 16 x 1 1/2 inch
6	S-123-A	Screw, Hexagon Head Cap	1	5/8 - 18 x 2 inch
7	3017346	Washer, Plain	1	
8	3200772	Washer, Plain	1	
9	3201609	Cover, Hyd Pump Flange	1	



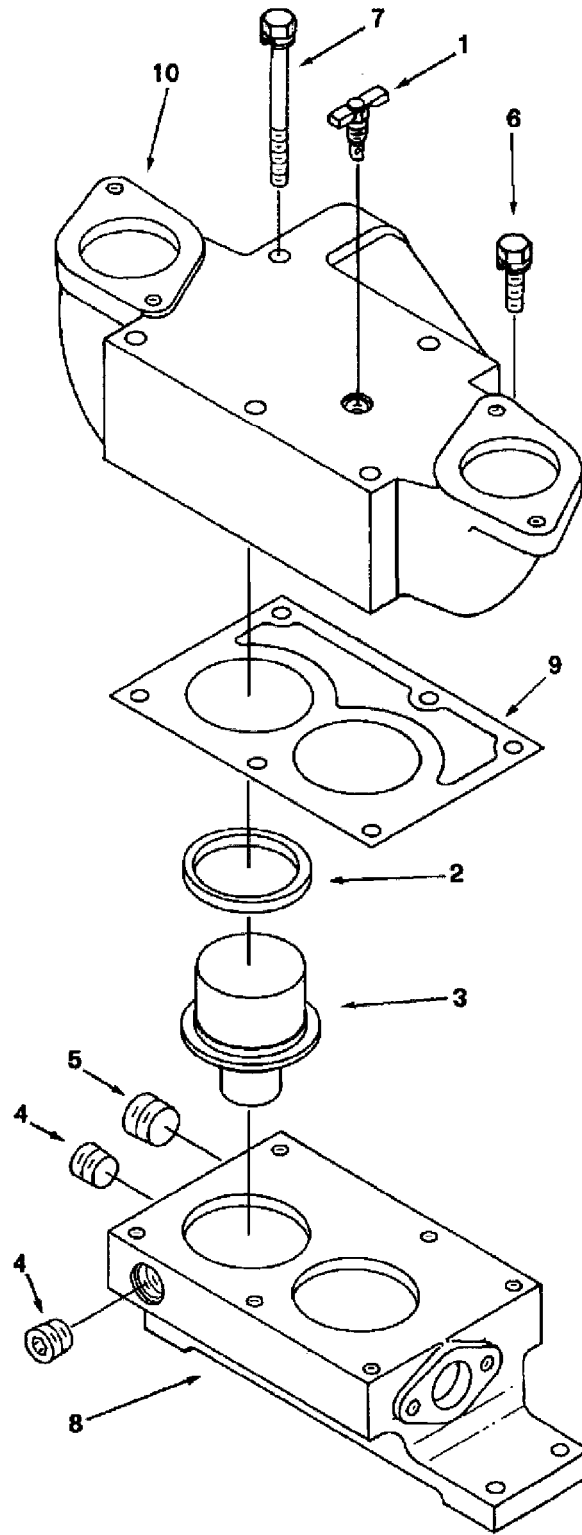
Ref No.	Part Number	Part Name	Req	Remarks
		INTAKE MANIFOLD OPTION IM4006		Aftercooled intake manifold. For use on 1 piece gear cover engines.
1	207378	Tube, Water Transfer	1	
2	3002179	Tube, Water Transfer	1	
3	206808	Seal, Grommet	2	
4	3070889	Cover, Aftercooler	1	
5	3001301	Retainer, Seal	2	
6	3001304	Gasket, Aft Housing	2	
7	3001305	Gasket, Connection	2	
8	3069837	Housing, Aftercooler	1	
9	3011829	Screw, Captive Washer Cap	3	3/8 - 16 x 4.94 inch
10	3014766	Screw, Captive Washer Cap	8	3/8 - 16 x 1 inch
11	3032161	Gasket, Connection	1	
12	3042889	Screw, Captive Washer Cap	21	3/8 - 16 x 1.87 inch
13	3200783	Plate, Cover	1	
14	3060567	Screw, Captive Washer Cap	2	3/8 - 16 x 2.75 inch
16	3012472	Screw, Captive Washer Cap	2	3/8 - 16 x 1 1/2 inch
17	209773	Clamp, Hose	6	
18	3010922	Clip	1	
19	3818271	Hose, Plain	2	
20	144372	Elbow, Male Adapter	1	
21	3010595	Screw, Captive Washer Cap	2	3/8 - 16 x 1 inch
23	3010926	Gasket, Flange	1	
24	3017276	Hose, Plain	1	
25	3175687	Tee, Street Pipe	1	
26	3201384	Tube, Vent	1	
27	3201401	Connection, Water Transfer	1	
28	3028291	Seal, O Ring	2	



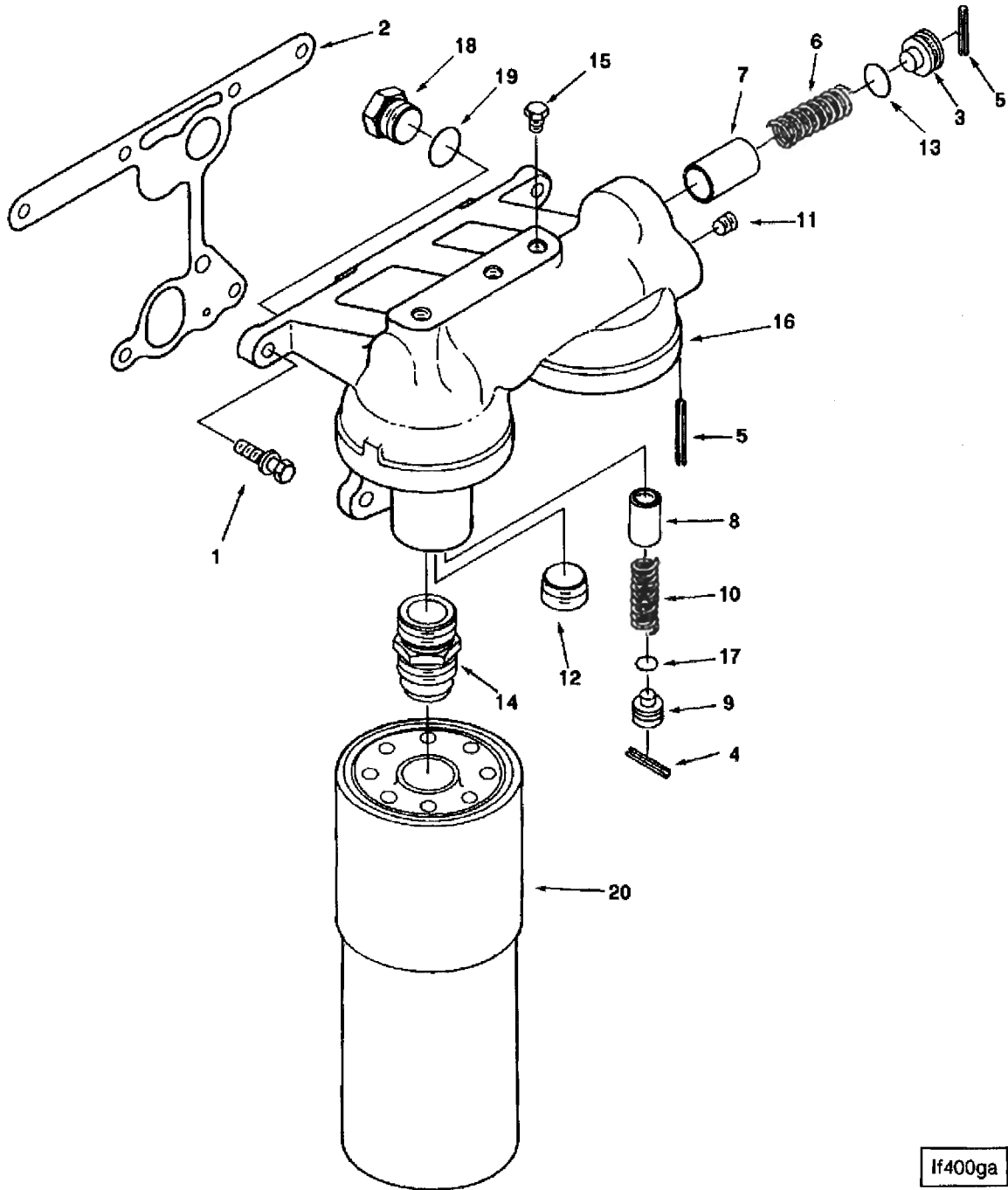
Ref No.	Part Number	Part Name	Req	Remarks
1	143950	<p style="text-align: center;">INTAKE MANIFOLD OPTION IM4716</p> <p>Connector, Male</p>	1	Vent line plumbing for KT/ KTA thermostat housing with out expansion tank.



Ref No.	Part Number	Part Name	Req	Remarks
		INTAKE MANIFOLD MOUNTING OPTION IM4727		Mounting for aftercooled intake manifold. For use with non AFC fuel pump. Without air compressor inlet plumbing and noise panels.
1	3008466	Plug, Pipe	2	
2	S-604	Washer, Lock	24	
3	103271	Screw, Hexagon Head Cap	12	
4	123204	Screw, Hexagon Head Cap	2	
5	127362	Washer, Plain	24	
6	137868	Screw, Hexagon Head Cap	2	
7	137872	Screw, Hexagon Head Cap	8	
8	206277	Gasket, Intake Manifold	6	
9	3014304	Seal, Rectangular Ring	12	
10	S-103-D	Screw, Hexagon Head Cap	2	
11	S-604	Washer, Lock	2	
12	3011693	Plate, Cover	1	
13	3201388	Gasket, Flange	1	



Ref No.	Part Number	Part Name	Req	Remarks
		THERMOSTAT HOUSING ASSY OPTION IM4738		Thermostat housing assembly for use with aftercooled intake manifold. Includes thermostats.
1	S-962-E	Draincock	1	
2	186780	Seal, Thermostat	2	
3	3076489	Thermostat	2	
4	3008468	Plug, Pipe	4	1/2 NPT.
5	3008469	Plug, Pipe	2	3/4 NPT.
6	3010596	Screw, Captive Washer Cap	1	3/8 - 16 x 1 1/4 inch
7	3010597	Screw, Captive Washer Cap	5	3/8 - 16 x 3 3/4 inch
8	3010916	Support, Thm Housing	1	
9	3010918	Gasket, Thermostat Housing	1	
10	3010933	Housing, Thermostat	1	



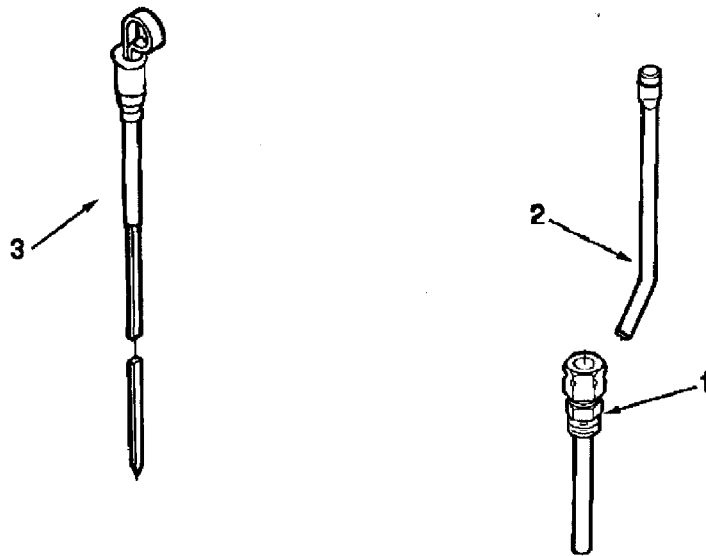
If400ga

Ref No.	Part Number	Part Name	Req	Remarks
		OIL FILTER OPTION LF4011		Dual spin on oil filters mounted high and to the rear of block on fuel pump side.
1	3040838	Screw, Captive Washer Cap	6	3/8 - 16 x 1 1/4 inch
2	3200977	Gasket, Lub Oil Fil Cover	1	
3	69533	Stop, Actuator	1	
4	161737	Pin, Roll	1	
5	205345	Pin, Roll	2	
6	205346	Spring, Compression	1	
7	205347	Plunger, Bypass Valve	1	
8	205348	Plunger, Pst Cooling Valve	1	
9	205350	Plug, Retainer	1	
10	3007170	Spring, Piston Cool Vlv	1	
11	3008466	Plug, Pipe	1	
12	3008470	Plug, Pipe	1	
13	3029820	Seal, O Ring	1	
14	3034578	Adapter, Filter Head	2	
15	3025458	Plug, Pipe	3	
16	3202156	Head, Lub Oil Filter	1	
17	3201125	Seal, O Ring	1	
18	3201583	Plug, Threaded	2	
19	3201585	Seal, O Ring	1	
20	3889310	Element, Lub Oil Filter	2	



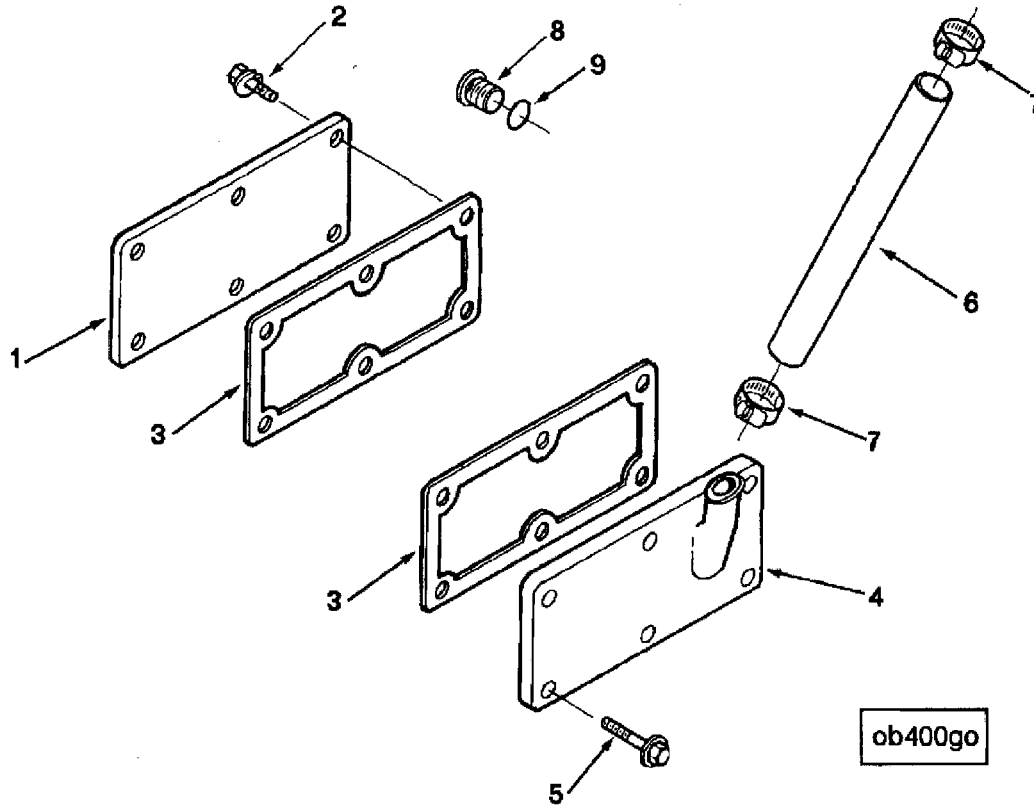
If400gh

Ref No.	Part Number	Part Name	Req	Remarks
OIL FILTER CONNECTOR				
OPTION LF4702				
1	3086375	Bushing, Reducing Pipe	1	Connector for use with hydraulic variable timing, less oil bypass filter when lub oil filters are mounted on the fuel pump side.
2	S-1040-A	Elbow, Male Adapter	1	

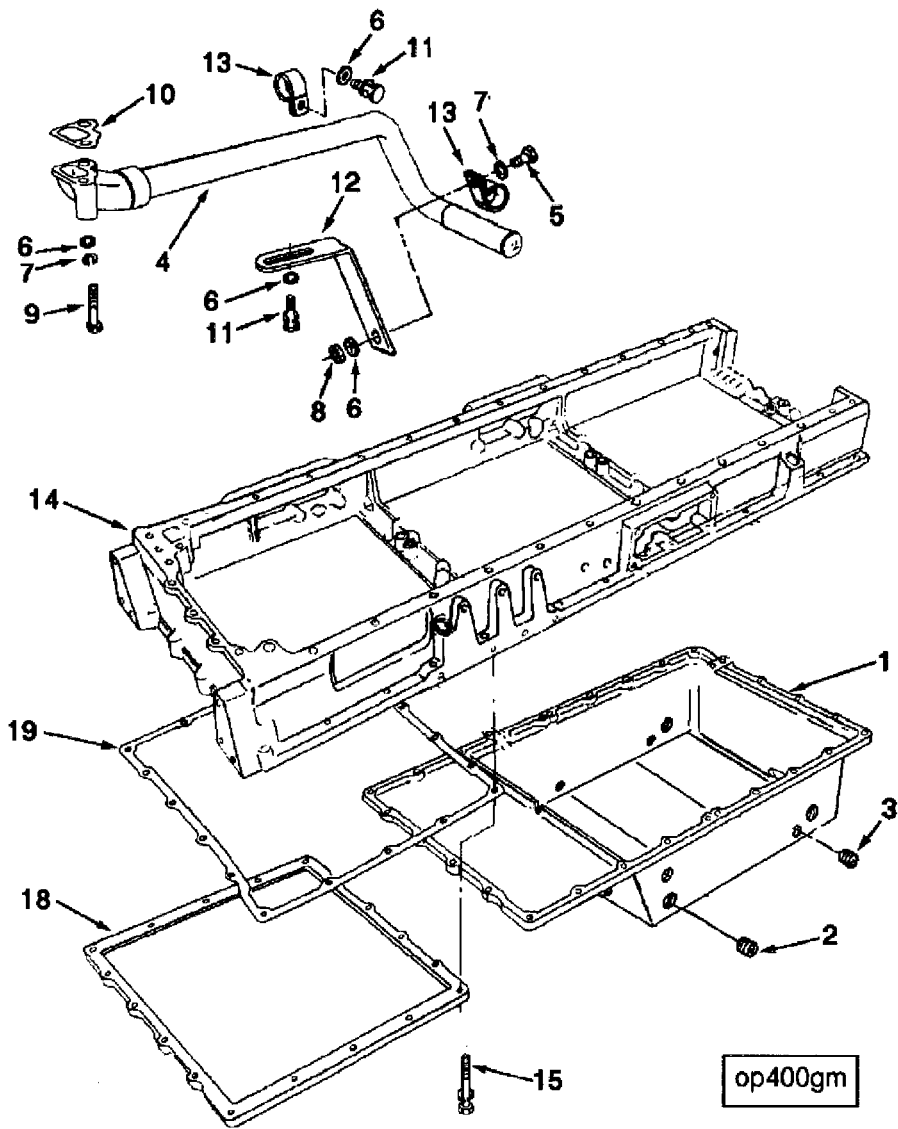


ob401gf

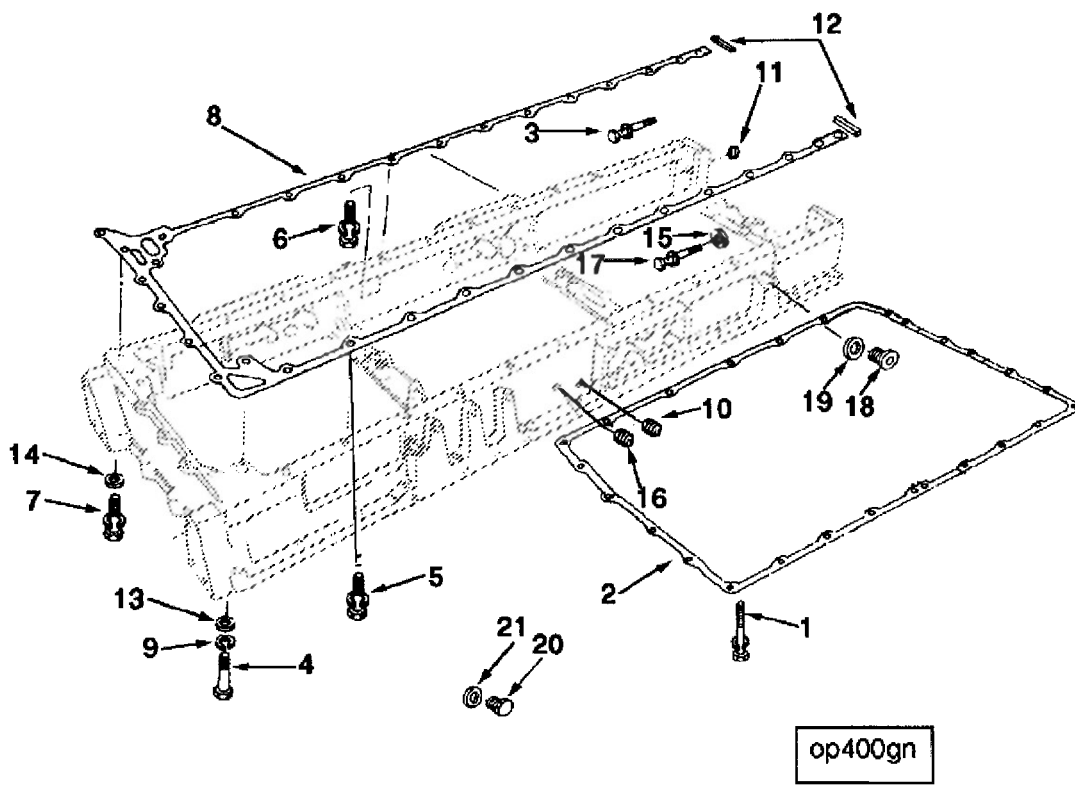
Ref No.	Part Number	Part Name	Req	Remarks
OIL LEVEL GAUGE OPTION LG4031				
				14.3 inch tube and dipstick combination. Calibrated for 0 degree power angle and 0 degree tilt. Acceptable locations verses oil pans are: (1) Front oil pan adapter boss fuel pump side used with shallow front or shallow center front sump oil pans. (2) Rear oil pan adapter boss fuel pump side used with shallow rear oil pan.
1	3000508	Tube, Oil Gauge	1	
2	3064810	Tube, Oil Gauge	1	
3	216484	Dipstick	1	



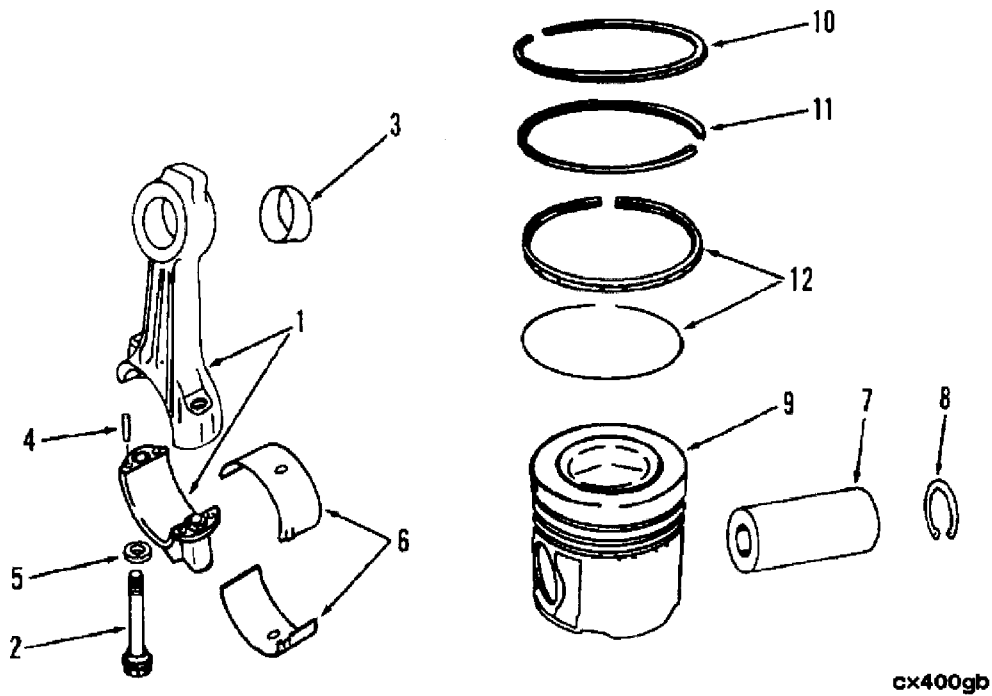
Ref No.	Part Number	Part Name	Req	Remarks
		HAND HOLE COVERS OPTION OB4838		
				Hand hole covers used when the dipstick is located in the front or rear oil pan adapter boss fuel pump side or adapter boss exhaust side with oil fill location on cam follower cover.
1	3201060	Cover, Hand Hole	2	
2	3010596	Screw, Captive Washer Cap	12	3/8 - 16 x 1 1/4 inch
3	3042586	Gasket, Hand Hole	3	
4	3069847	Cover, Hand Hole	1	
5	3010595	Screw, Captive Washer Cap	6	3/8 - 16 x 1 inch
6	AS1602000NF	Hose	1	
7	43828-A	Clamp, Hose	2	
	3046202	Plug, Threaded	2	
8	(3040810)	Plug, Threaded	1	
9	3046201	Seal, O Ring	1	



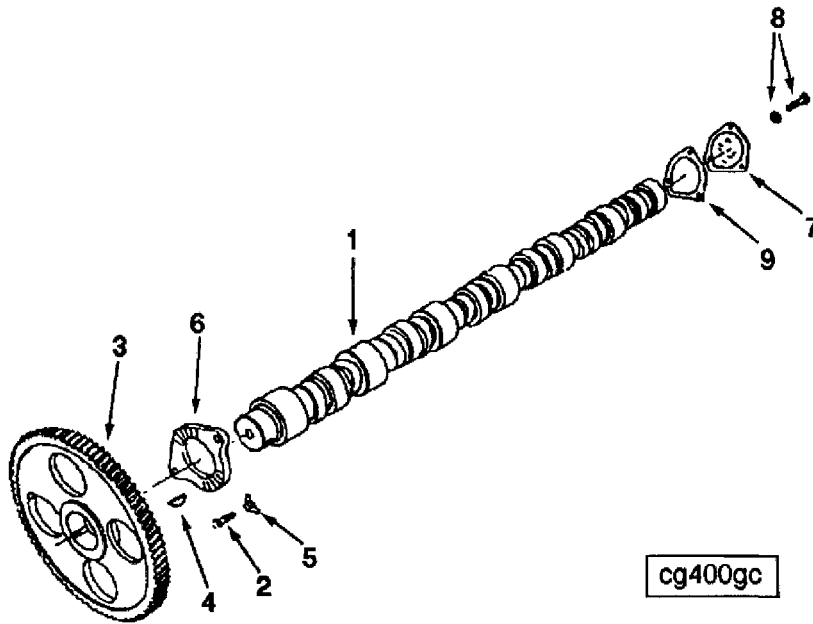
Ref No.	Part Number	Part Name	Req	Remarks
		OIL PAN OPTION OP4019		Cast aluminum shallow rear sump oil pan. Includes oil pan adapter. Oil pan has oil drain and by-pass filter return on both sides. Has provisions for mounting of sight glass on fuel pump side of engine. Oil level 10gallons (38liter) high. 8.5gallons (32.3 liter) low. 30 degree angularity.
1	3166244	Pan, Oil	1	
2	3008468	Plug, Pipe	2	
3	3008470	Plug, Pipe	2	
4	3011049	Connection, Oil Suction	1	
5	3010593	Screw, Hexagon Head Cap	1	3/8 - 24 x 1 inch
6	108330	Washer, Plain	4	
7	S-610	Washer, Lock	2	
8	129069	Nut, Lock	1	
9	137890	Screw, Hexagon Head Cap	2	7/16 - 14 x 4 1/2 inch
10	3008403	Gasket, Oil Suc Connection	1	
11	3010595	Screw, Captive Washer Cap	2	3/8 - 16 x 1 inch
12	3065707	Brace, Tube	1	
13	3200706	Clip	2	
14	3202153	Adapter, Oil Pan	1	
15	3040838	Screw, Captive Washer Cap	18	3/8 - 16 x 1 1/4 inch
18	3070780	Cover, Oil Pan Adapter	1	
19	3073213	Gasket, Adapter	1	



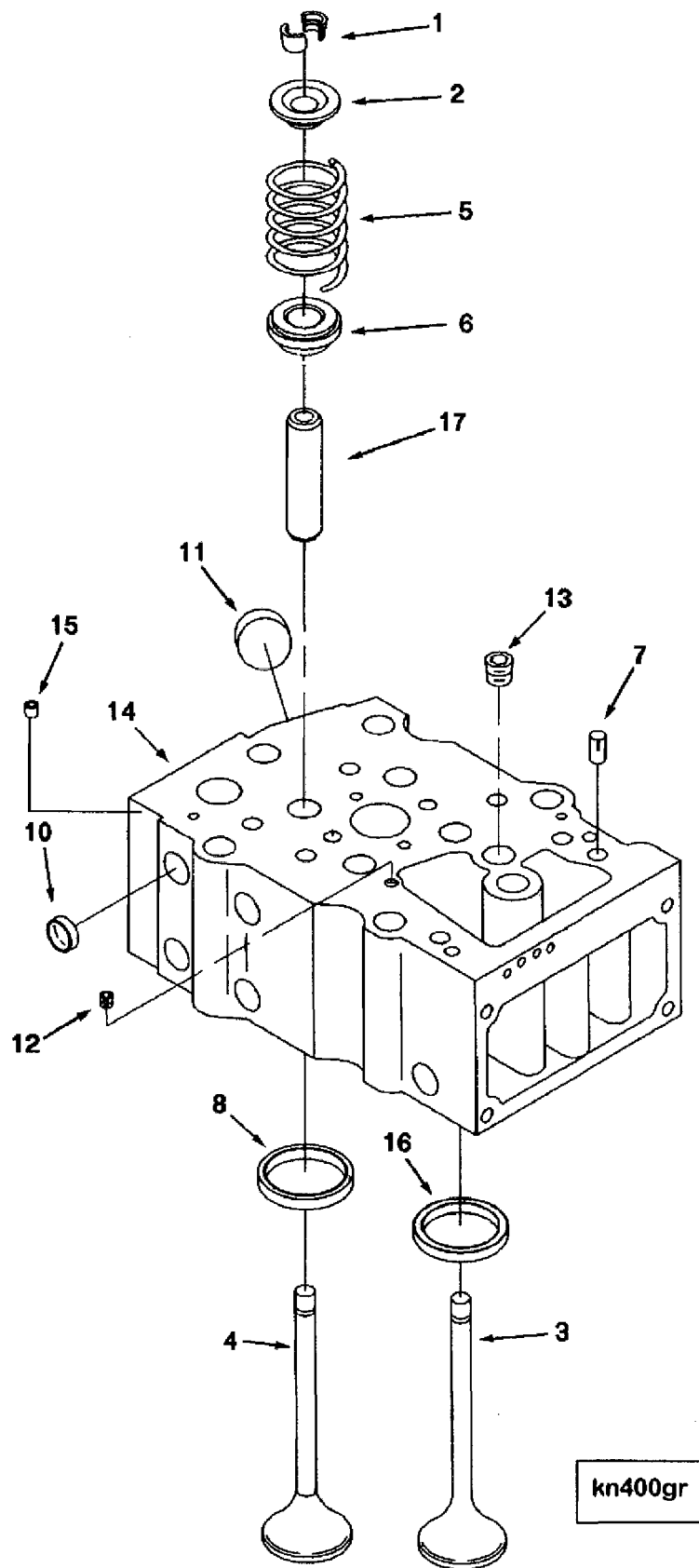
Ref No.	Part Number	Part Name	Req	Remarks
		OIL PAN		
		OPTION OP4716		
				Oil pan adapter mounting used less rear gear train. Gear cover plate design.
1	3065723	Screw, Captive Washer Cap	27	3/8 - 16 x 1 3/4 inch
2	3042590	Gasket, Oil Pan	1	
3	3035624	Screw, Captive Washer Cap	5	3/8 - 16 x 1 1/2 inch
4	137980	Screw, Hexagon Head Cap	1	9/16 - 12 x 3 1/4 inch
5	3012478	Screw, Captive Washer Cap	2	3/8 - 16 x 3 1/2 inch
6	3035624	Screw, Captive Washer Cap	28	3/8 - 16 x 1 1/2 inch
7	3040837	Screw, Captive Washer Cap	1	3/8 - 16 x 2 1/4 inch
8	3042587	Gasket, Oil Pan Adapter	1	
9	S-609	Washer, Lock	1	
10	3025460	Plug, Pipe	1	
11	153518	Seal, Rectangular Ring	4	
12	3069844	Seal, Rectangular Strip	2	
13	S-689	Washer, Plain	1	
14	127362	Washer, Plain	2	
15	S-622	Washer, Plain	2	
16	3013786	Plug, Pipe	1	
17	3012481	Screw, Captive Washer Cap	2	7/16 - 14 x 1 1/2 inch
	3046202	Plug, Threaded	1	
18	3040810	Plug, Threaded	1	
19	3046201	Seal, O Ring	1	
20	S-181-C	Screw, Hexagon Head Cap	1	
21	130914	Washer, Sealing	1	



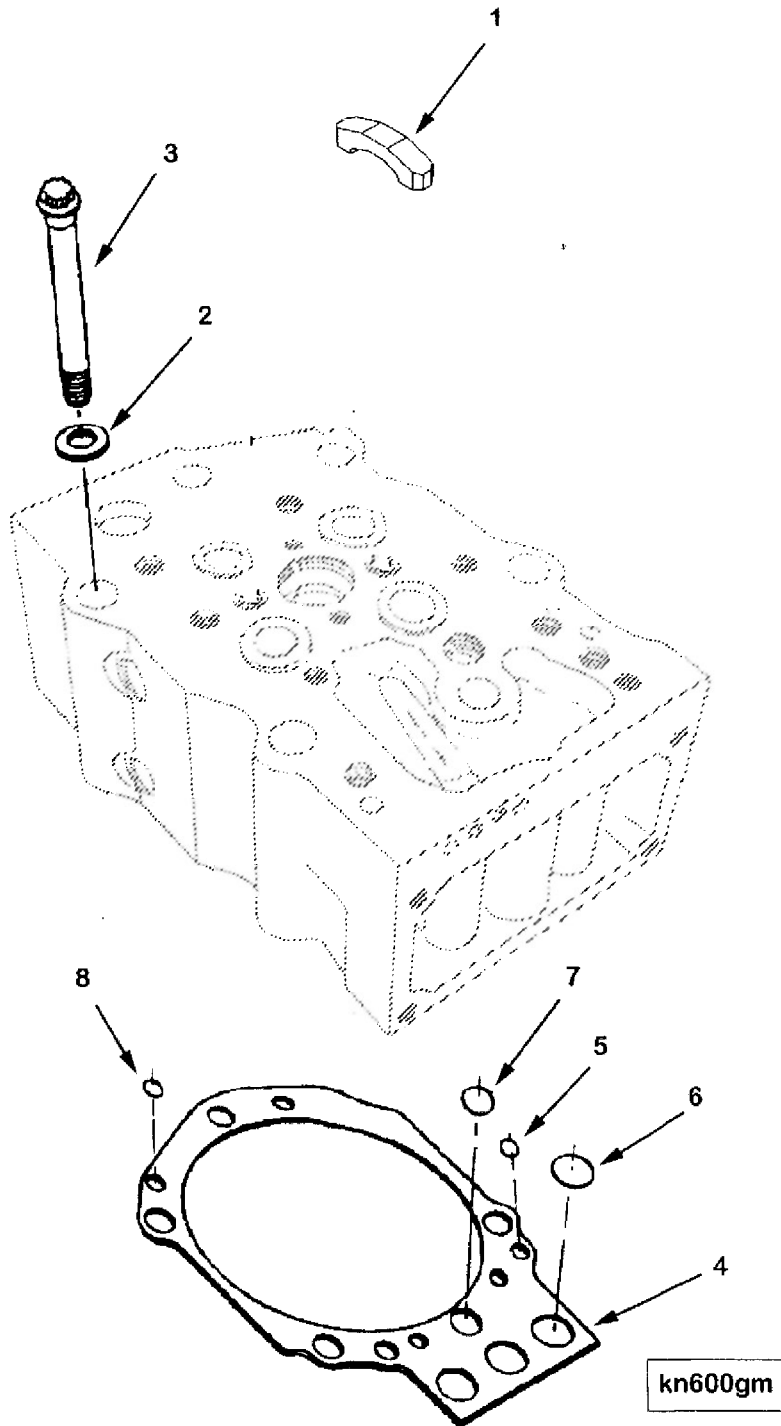
Ref No.	Part Number	Part Name	Req	Remarks
		PISTON & CONN ROD OPTION PP1455		For the 450KW KTA19-G3 with hydraulic variable timing and without raw water pump drive capabilities. For standby application. Certified by: non certified timing code: GY Exhaust manifold type: dry CPL: #1455
1	3811995 (3811994)	Rod, Engine Connecting Rod, Engine Connecting	6 1	
2	3013265	Screw, Connecting Rod Cap	2	11/16 - 16 x 4.62 inch
3	3043909	Bushing	1	
4	69558	Dowel, Pin	4	
5	205126	Washer, Plain	2	
6	205840	Bearing, Connecting Rod	12	
6	205841	Bearing, Connecting Rod	A/R	.010 Inch oversize
6	205842	Bearing, Connecting Rod	A/R	.020 Inch oversize
6	205843	Bearing, Connecting Rod	A/R	.030 Inch oversize
		PISTON, PIN & RINGS		
	3631241	Kit, Engine Piston	6	
7	205200	Pin, Piston	1	
8	205269	Ring, Retaining	2	
9	3096685	Piston, Engine	1	
	3804571	Set, Piston Ring	6	
10	3070589	Ring, Compression Piston	1	Top
11	3090460	Ring, Compression Piston	1	Intermediate
12	3090450	Ring, Oil Piston	1	



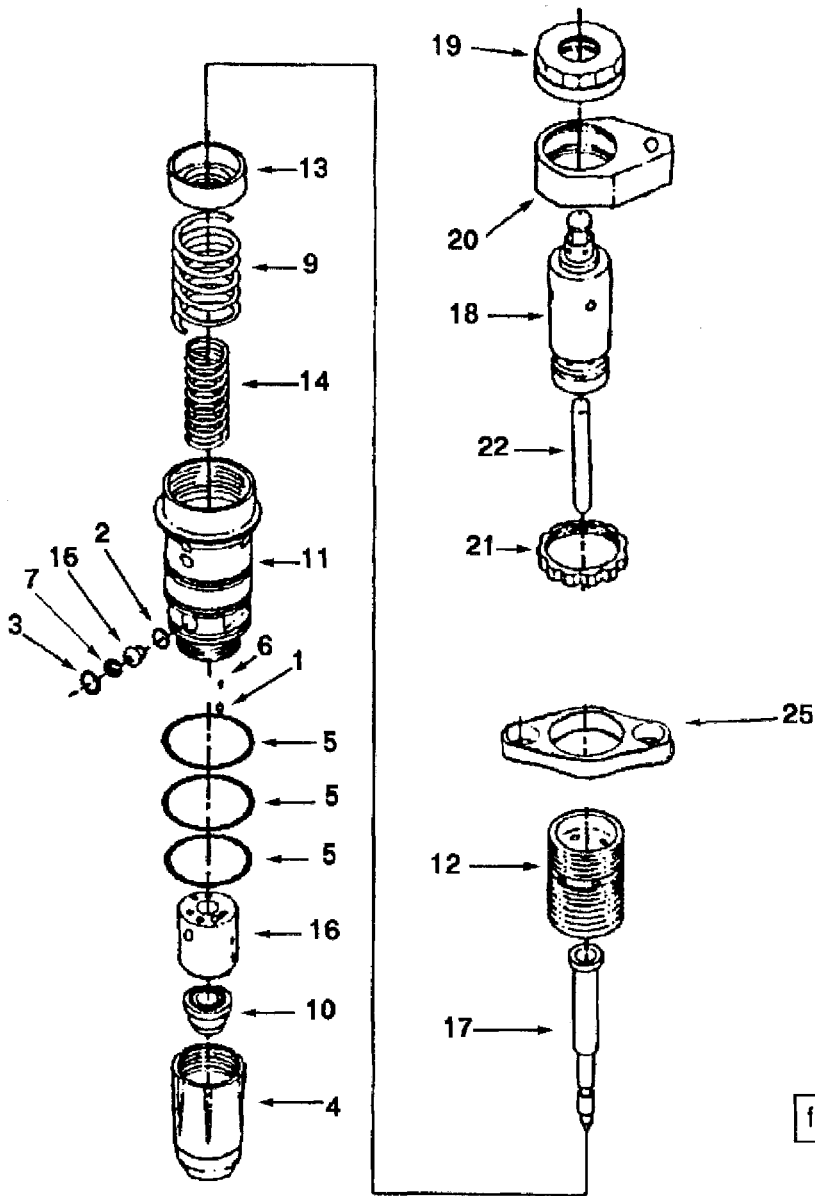
Ref No.	Part Number	Part Name	Req	Remarks
		CAMSHAFT AND GEAR OPTION PP1455		For standby power application. CPL: #1455
1	3066882	Camshaft	1	
2	S-112	Screw, Hexagon Head Cap	2	3/8 - 16 x 1 inch
3	207248	Gear, Camshaft	1	
4	200709	Key, Offser Woodruff	1	
5	68908	Lockplate	2	
6	3007971	Bearing, Camshaft Thrust	1	
7	207373	Cover, Camshaft	1	
8	3014766	Screw, Captive Washer Cap	3	3/8 - 16 x 1 inch
9	3040722	Gasket, Camshaft Cover	1	



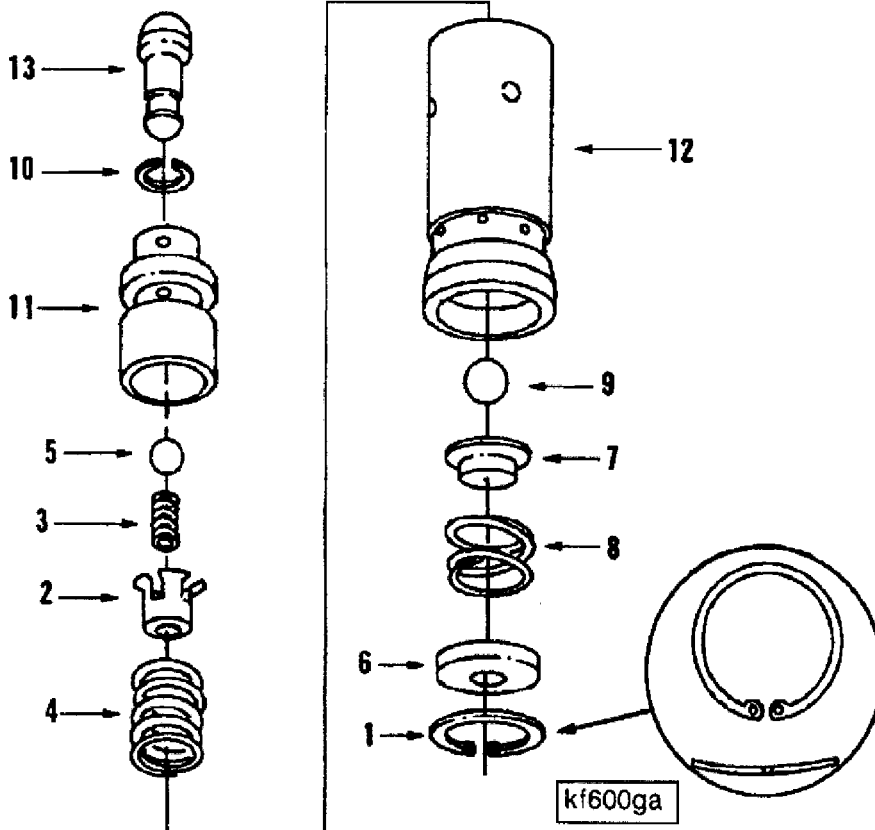
Ref No.	Part Number	Part Name	Req	Remarks
		CYLINDER HEAD OPTION PP1455		CPL #1455
	3811988	Cylinder Head	6	
1	205091	Collet, Valve	8	
2	205094	Retainer, Valve Spring	4	
3	3088393	Valve, Intake	2	
4	3088391	Valve, Exhaust	2	
5	3629006	Spring, Valve	4	
6	3001663	Guide, Valve Spring	4	
7	68445	Pin, Groove	2	
8	205093	Insert, Valve	2	
10	205401	Plug, Expansion	8	
11	206224	Plug, Expansion	2	
12	67622	Plug, Pipe	1	
13	S-915-A	Plug, Pipe	1	
14	3081064	Head, Cylinder	1	
15	203933	Plug, Expansion	1	
16	3026296	Insert, Valve	2	
17	3202210	Guide, Valve Stem	4	



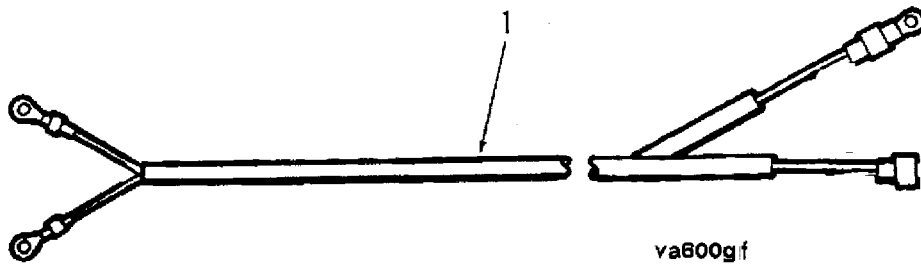
Ref No.	Part Number	Part Name	Req	Remarks
		CYLINDER HEAD MOUNTING		
		OPTION PP1455		CPL#1455
1	3086362	Crosshead, Valve	12	
2	3629962	Washer, Plain	36	
3	3032633	Screw, Twelve Point Cap	36	3/4 - 16 x 8 inch
	3628407	Gasket, Cylinder Head	6	
4	(3628503)	Gasket, Cylinder Head	1	
5	205852	Seal, Grommet	1	
6	205855	Seal, Grommet	3	
7	205858	Seal, Grommet	1	
8	207448	Seal, Grommet	4	
		OVERSIZE HEAD GASKET		
	3062493	Gasket, Cylinder Head	1	.020 Inch Oversize
	3021465	Seal, Grommet	1	
	3021466	Seal, Grommet	3	
	3021467	Seal, Grommet	1	
	3021468	Seal, Grommet	4	



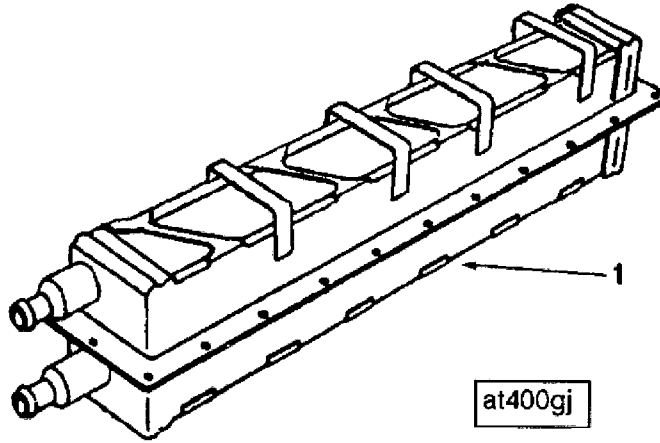
Ref No.	Part Number	Part Name	Req	Remarks
		INJECTOR		
		OPTION PP1455		CPL: #1455
	3077715	Injector	6	
1	167157	Ball, Check	1	
2	173086	Gasket, Injector	1	
3	174299	Retainer, Screen	1	
4	3042430	Retainer, Injector Cup	1	
5	193736	Seal, O Ring	1	
6	203426	Pin, Roll	2	
7	3008706	Screen, Filter	1	
9	3042428	Spring, Injector	1	
10	3077716	Cup, Injector	1	
11	3042425	Adapter, Injector	1	
12	3279821	Screw, Injector Stop	1	
13	3052218	Retainer, Injector Spring	1	
14	3042427	Spring, Injector	1	
15	(3045047)	Plug, Injector Orifice	1	
	3076125	Barrel & Plunger	1	
16	(3053502)	Barrel, Injector	1	
17	(3076124)	Plunger, Injector	1	
18	3075381	Tappet, Hyd Var Timing	1	
19	3068859	Cap, Tappet Top Stop	1	
20	3279850	Nut, Tappet Top Stop Lock	1	
21	3068860	Nut, Lock	1	
22	3279819	Link, Injector Plunger	1	lower link
25	3003682	Clamp, Injector	1	



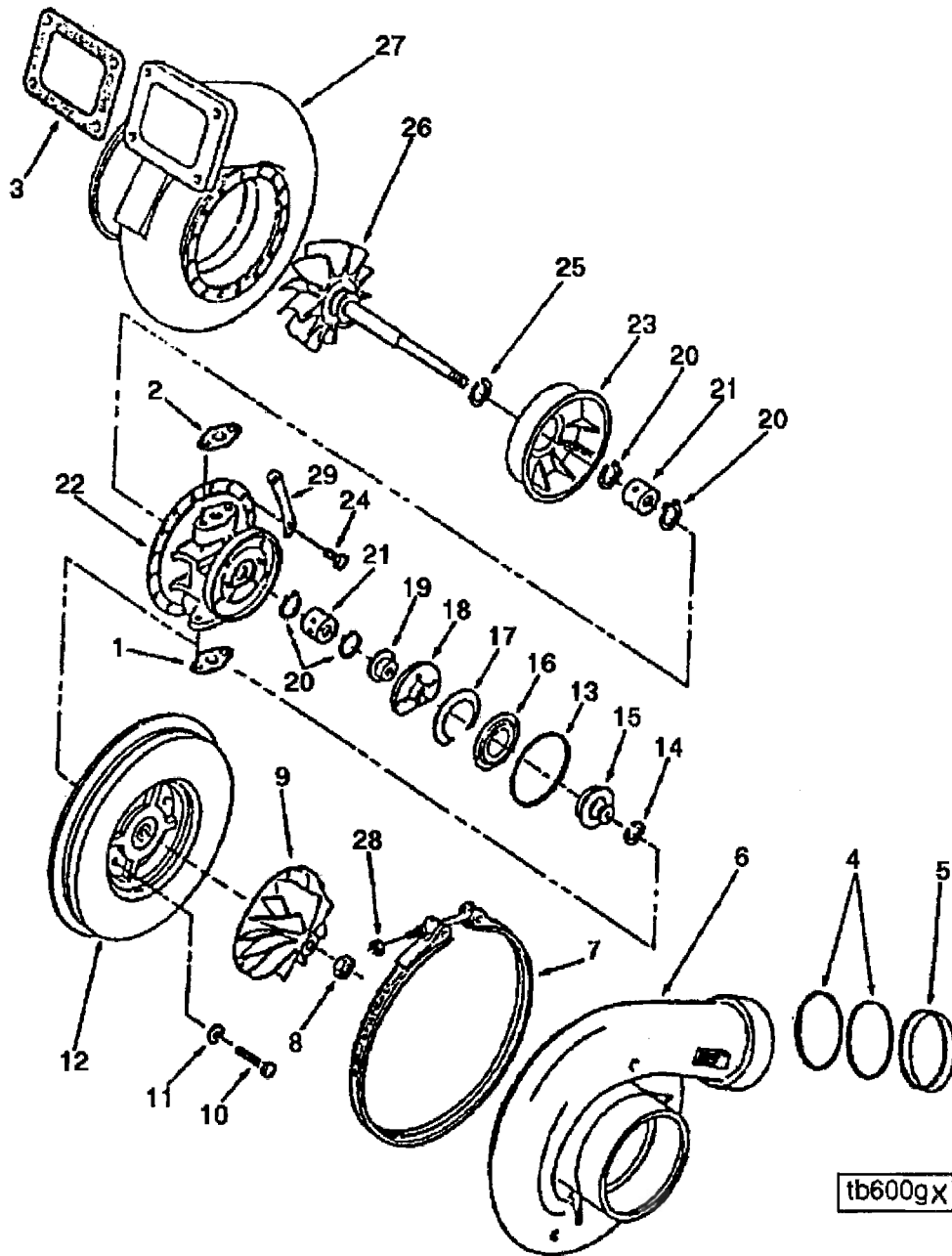
Ref No.	Part Number	Part Name	Req	Remarks
		INJECTOR OPTION PP1455		CPL: #1455
1	3075381 (3027988)	Tappet, Hyd Var Timing	6	
2	3076033	Ring, Retaining	1	
3	(3027994)	Guide, Ball	1	
4	(3054852)	Spring, Compression	1	
5	(3027996)	Ball, Check	1	
6	(3075384)	Socket, Tappet	1	
7	(3075385)	Guide, Spring	1	
8	(3050345)	Spring, Compression	1	
9	(3062119)	Ball, Check	1	
10	3052231	Retainer, Injector Link	1	
11	3053772	Plunger, Tappet	1	
12	3075386	Sleeve, Tappet	1	
13	3052233	Link, Injector Plunger	1	



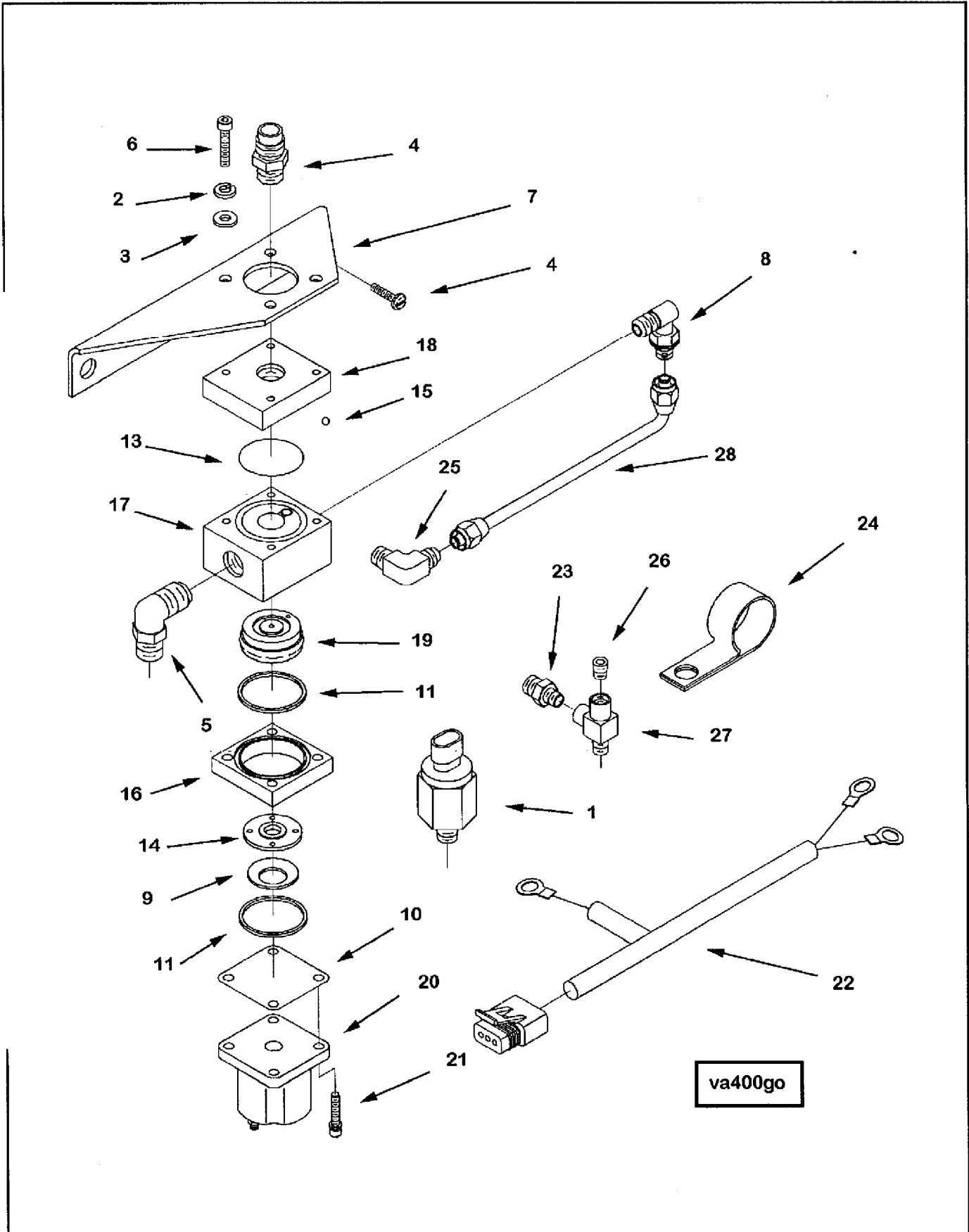
Ref No.	Part Number	Part Name	Req	Remarks
1	3067880	<p style="text-align: center;">WIRING HARNESS OPTION PP1455</p> <p>Harness, Wiring</p>	1	CPL: #1455



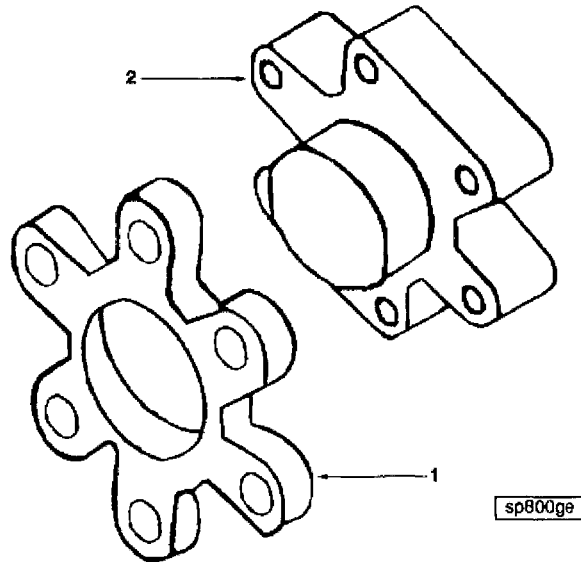
Ref No.	Part Number	Part Name	Req	Remarks
1	3001299	<p style="text-align: center;">AFTERCOOLER OPTION PP1455</p> <p>Core, Aftercooler</p>	1	CPL: #1455



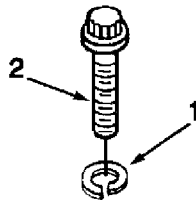
Ref No.	Part Number	Part Name	Req	Remarks
		TURBOCHARGER		
		OPTION PP1455		CPL: #1455
	3803474	Kit, Turbo	1	
1	201048	Gasket, Connection	1	
2	201049	Gasket, Connection	1	
3	206576	Gasket, Turbocharger	1	
4	3023066	Seal, O Ring	2	
5	3023129	Seal, Dust	1	
	3529870	Turbocharger	1	
6	3527369	Housing, Compressor	1	
7	3522631	Clamp, V Band	1	
8	3519535	Nut, Lock	1	
9	3533703	Impeller, Tur Compressor	1	
10	3525073	Screw, Hexagon Head Set	4	
11	3504967	Washer, Plain	4	
12	3527348	Diffuser, Turbocharger	1	
13	3502449	Seal, Rectangular Ring	1	
14	3523412	Seal, Split Ring	1	
15	3523980	Slinger, Oil	1	
16	3524419	Baffle, Oil	1	
17	3524418	Shim	1	
18	3526985	Bearing, Tur Thrust	1	
19	3519623	Collar, Thrust	1	
20	3519641	Ring, Retaining	4	
21	3519627	Bearing, Turbocharger	2	
22	3523429	Housing, Tur Bearing	1	
23	3519783	Shield, Turbocharger Heat	1	
24	3521225	Screw, Hexagon Head Set	8	
25	3521442	Seal, Split Ring	1	
26	3521033	Shaft & Wheel	1	
27	3534201	Housing, Turbine	1	
28	3529372	Nut, Regular Hexagon	1	
29	3522904	Lockplate	4	
		TURBO REPAIR KIT		
	3803257	Hc5a Bearing/seal Kit		
1	201048	Gasket, Connection	1	
10	3525073	Screw, Hexagon Head Set	4	
13	3502449	Seal, Rectangular Ring	1	
14	3523412	Seal, Split Ring	1	
15	3523980	Slinger, Oil	1	
16	3524419	Baffle, Oil	1	
17	3524418	Shim	1	
18	3523306	Bearing, Tur Thrust	1	
19	3519623	Collar, Thrust	1	
20	3519641	Ring, Retaining	4	
21	3519627	Bearing, Turbocharger	2	
25	3521442	Seal, Split Ring	1	



Ref No.	Part Number	Part Name	Req	Remarks
		OIL CONTROL VALVE OPTION PP4707		Hydraulic variable timing. Includes: * Solenoid Valve * Fuel Pressure Switch * Wiring Harness For use with grounded 24 volt system.
1	3054615	Switch, Pressure	1	
2	S-607	Washer, Lock	4	#10.
3	70620	Washer, Plain	4	1/8 inch
4	118346	Union, Male	1	
5	118347	Elbow, Male Union	1	
6	192861	Screw, Socket Head Cap	4	#10 - 24 x 1 inch
7	3037658	Bracket, Shutoff Valve	1	
8	3038743	Valve, Check	1	
	3035738	Valve, Shutoff	1	
9	129768	Spring, Valve	1	
10	129839	Shield, Shutoff Valve	1	
11	129888	Seal, Rectangular Ring	2	
12	138764	Screw, Pan Head Cap	2	#10 - 24 x 3/4 inch
13	145536	Seal, O Ring	1	
14	196057	Disc, Valve	1	
15	3015521	Ball	1	
16	3034451	Housing, Actuator	1	
17	3035739	Body, Shutoff Valve	1	
18	3035740	Cover, Shutoff Valve	1	
19	3041466	Disc, Actuator	1	
20	3054609	Solenoid	1	
21	3065944	Screw, Captive Washer Cap	4	#10 - 24 x 1 inch
22	3067880	Harness, Wiring	1	
23	68138	Connector, Male	1	
24	68143	Clip	1	
25	112105	Elbow, Male Adapter	1	
26	3025460	Plug, Pipe	1	1/8 NPT.
27	3629505	Tee, Street Pipe	1	
28	3202220	Tube, Pressure Sensing	1	

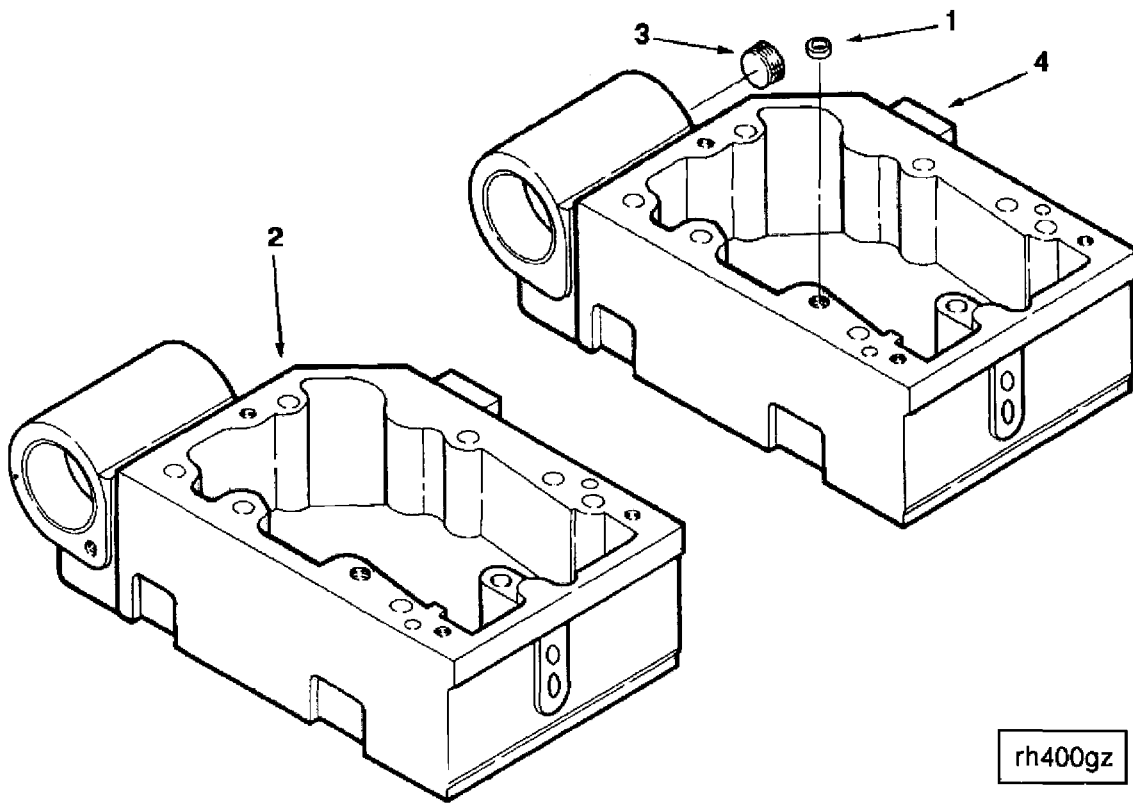


Ref No.	Part Number	Part Name	Req	Remarks
FAN SPACER OPTION SP8319				
1	42337	Spacer, Fan	1	Fan pilot and spacer providing a total of 2.06 inches ((52mm) of fan spacing. Fits fan hubs with 3.18 inch (81mm) bore has 3.0 inch (76mm) fan pilot and six mounting holes on 5.50 inch (140mm) bolt circle.
2	219125	Spacer, Fan	1	



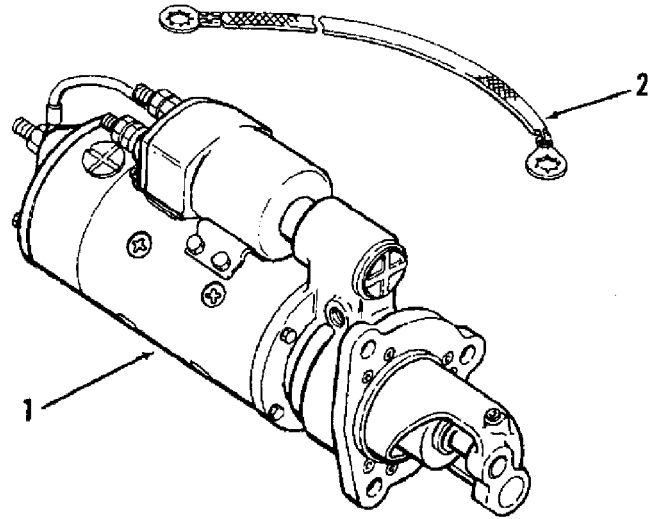
sp100go

Ref No.	Part Number	Part Name	Req	Remarks
FAN SPACER MOUNTING OPTION SP8703				
1	S-608	Washer, Lock		Grade 8 capscrews 1/2 - 1 x 4.5 inch, with lock washers for use with stee fan. 1/2 inch 1/2 - 13 x 3 3/4 inch
2	205357	Screw, Twelve Point Cap		



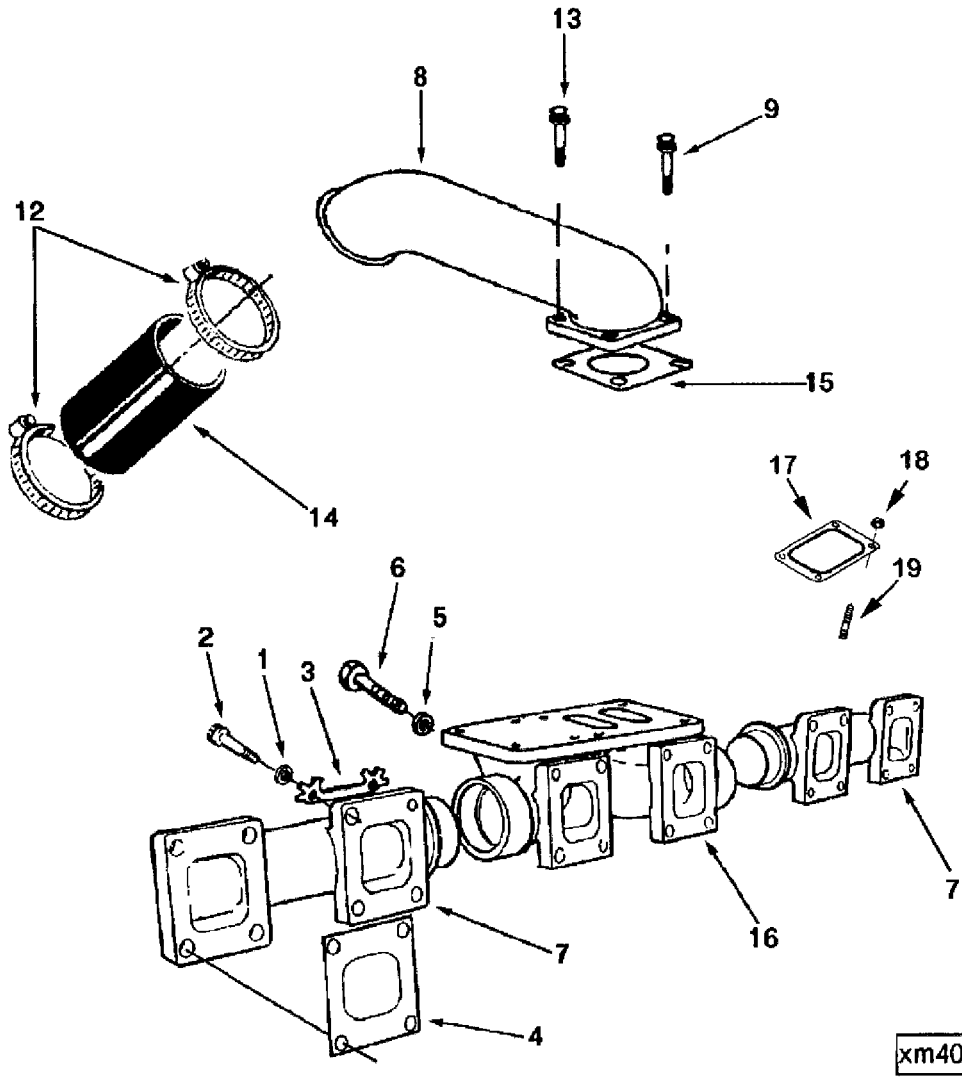
rh400gz

Ref No.	Part Number	Part Name	Req	Remarks
		LIFTING ARRANGEMENT OPTION SS4021		Rocker housings for use with hydraulic variable timing. Includes bosses between rocker housings for lifting of engine. Rear rocker housing is machined for mounting of air cleaner bracket.
1	205129	Dowel, Ring	6	
2	3177713	Housing, Rocker Lever	5	
3	S-995	Plug, Pipe	1	
4	3202198	Housing, Rocker Lever	1	



st 100ga

Ref No.	Part Number	Part Name	Req	Remarks
STARTER				
OPTION ST8048				
1	3021038	Motor, Starting	1	24volt Delco-Remy (50MT400) starter with ground strap. Insulated, cw rotation, positorque drive and 307.5 degree solenoid position. Mounts on exhaust side of engine. Compatible with D19 aluminum flywheel housings.
2	3018924	Wire, Ground	1	



xm400gq