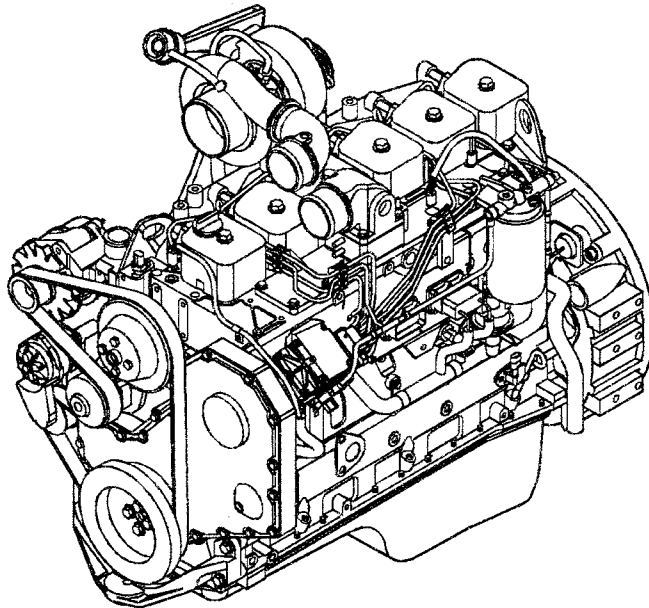




Parts Catalog

QSB5.9-30

Industrial





Cummins Inc.
New Parts Warranty
Midrange

COVERAGE

PRODUCTS WARRANTED

This warranty applies to New Parts marketed by Cummins for its A, B, and C Series engines. It applies anywhere in the world where service is available through a Cummins distributor or A, B, and C Series dealer.*

COVERAGE

This warranty covers any failures of parts on or after December 1, 1986, which result, under normal use and service, from defects in workmanship or material (Warrantable Failures). The coverage extends six months from the date of first installation.

This warranty continues to all subsequent Owners until the end of the period of coverage.

CUMMINS RESPONSIBILITIES

Cummins will pay for all parts and labor needed to repair the damage to the engine resulting from the Warrantable Failure. All labor costs will be paid in accordance with Cummins published Standard Repair Time guidelines.

Cummins will pay for the lubricating oil, antifreeze, filter elements, and other maintenance items that are not reusable due to the Warrantable Failure.

Cummins will pay reasonable labor costs for engine removal and reinstallation when necessary to make the warranty repair.

OWNER RESPONSIBILITIES

At the time when the parts are installed, Owner is responsible for the preparation of a written record containing the following: (1) the date of installation of the parts; (2) the engine serial number; (3) the engine miles, hours or kilometers of operation; (4) the parts installed, and (5) the location of the parts in the engine. The purpose of this record is to protect Owner's interests and support any claim for a Warrantable Failure.

Owner is responsible for the operation and maintenance of the engine as specified in Cummins Operation and Maintenance Manuals.

Before expiration of the warranty, Owner must give notice to a Cummins distributor or A, B, and C Series dealer* of a failure considered to be warrantable and deliver the engine to such facility for repair.

Owner is responsible for the cost of lubricating oil, antifreeze, filter elements and other maintenance items replaced during warranty repairs except where such items are not reusable due to a Warrantable Failure.

Owner is responsible for communication expenses, meals, lodging and similar costs incurred by Owner as a result of a Warrantable Failure. Owner is responsible for non-engine repairs and for "downtime" expenses, cargo damage and all business costs and losses resulting from a Warrantable Failure. **CUMMINS IS NOT RESPONSIBLE FOR INCIDENTAL OR CONSEQUENTIAL DAMAGES.**

(In the United States, some states do not allow the exclusion or limitation of incidental or consequential damages relating to Consumer Products, so the above limitation or exclusion may not apply to you.)

LIMITATIONS

Cummins is not responsible for failures resulting from Owner or Operator abuse or neglect, such as: operation without adequate coolant or lubricants; overfueling; overspeeding; lack of maintenance of lubricating, cooling or air intake systems; improper storage, starting, warm-up, run-in or shutdown practices. Cummins is also not responsible for failures caused by incorrect fuel, or by water, dirt or other contaminants in the fuel.

Except for fuel pumps, Cummins does not warrant parts supplied by Cummins which bear the name of another company. These parts are warranted by their manufacturers and not by Cummins. This category of parts includes, but is not limited to: hydraulic pumps, alternators, starters, fans, air conditioning compressors, clutches, filters, transmissions, torque converters, marine gears, air cleaners and non-Cummins air compressors, engine compression brakes, and steering pumps.

Parts used in warranty repairs may be new Cummins, Cummins approved rebuilt parts, or repaired parts. Cummins is not responsible for failures resulting from the use of parts not approved by Cummins.

Before a claim for excessive oil consumption will be considered, Owner must submit adequate documentation to show that consumption exceeds Cummins published standards.

This warranty does not apply to parts furnished by Cummins at no charge to the Owner.


THIS WARRANTY IS THE SOLE WARRANTY MADE BY CUMMINS IN REGARD TO THESE PARTS. CUMMINS MAKES NO OTHER WARRANTIES, EXPRESS OR IMPLIED, OR OF MERCHANTABILITY OR FITNESS FOR A PARTICULAR PURPOSE.

INVEST IN THE BEST

Product Identification Information

Data plates should be referred for parts identification.

1. ENGINE DATA PLATE

	Cummins Inc. Box 3005 Columbus, Indiana 47202-3005		Engine Cert. I.D. Certificat d'identité	C.I.D./L Pouces Cubes/L	MODEL MODELE	CPL	Family Famille	FEL	EPA	CARB
	Timing At Idle Cologes a Rolenti		B.T.D.C. P.M.H.		Engine No. Moteur No.	NOX	PM			
Warning: Injury May Result and Warranty is Voided if Fuel Rate RPM Or Altitudes Exceed Published Maximum Values For This Model And Application. AVERTISSEMENT: Danger de blessures et d'annulation de la garantie, si de bit de combustible, hr/min ou altitude, de' passant les valeurs maximum annonce'es pour ce module et son utilisation.		Valve Iosh cold Jeux Soup. a Froid	Int. Adm	Exh. Ech.	Ref. No.					
Date of Mfg. Date of Fabrication		Firing Order Order d'Allumage		Spark Plug Gap Ecartement des 'electrodes		1 n. Po				
Idle Speed (rpm) V'tesse Rotenti		E.C.S.		Advertise HP Puiss. Indiquee (ch)		Ot a		rpm		

1. Shop order number
2. Model designation
3. Engine serial number
4. Control parts list

This catalog was compiled by Rita Wheeler in Parts Communications.

Customer Service Information

This standard Parts Catalog contains parts information for the following Cummins Engine Model(s):

QSB5.9

D402074CX03

CPL 8300

Certain basic engine components have been matched to give optimum performance to your engine. The part numbers listed in this catalog for these components are for a standard engine configuration. When ordering any of the Control Parts List (CPL) components listed below, please order by part description and engine serial number. Reference to the CPL number stamped on the engine data (name) plate will also help identify the proper service parts for your engine.

Control Parts List (CPL) Components

**Pump Injection
Camshaft
Cylinder Head
Injector**

Page 35-36

Page 72

Page 77

Page 75

Engine Piston

Turbocharger

Exhaust Manifold

Page 71

Page 78, 79, 80

Page 94

USER INFORMATION

- . Parts numbers appearing in () are for identification purposes only and should not be used when ordering service replacement parts.
- . The reference numbers appearing on the art pages is for publication use only.
- . Assembly content is shown by part number indentation.
- . Options are engineered production part groupings, specifically used for compiling engine orders.
- . Option numbers are for reference only and are not sold for service.
- . Use assembly and not option content to determine service parts replacement.

ALWAYS SPECIFY ENGINE MODEL AND SERIAL NUMBER WHEN ORDERING PARTS FROM THIS CATALOG

Engine Model _____ Engine Serial No. _____

MFG Make _____ Model _____ Chassis No. _____

Fuel Pump Assembly No. _____ Injector No. _____

Belt, Fan _____ Belt, Water Pump _____ Belt, Gen. _____

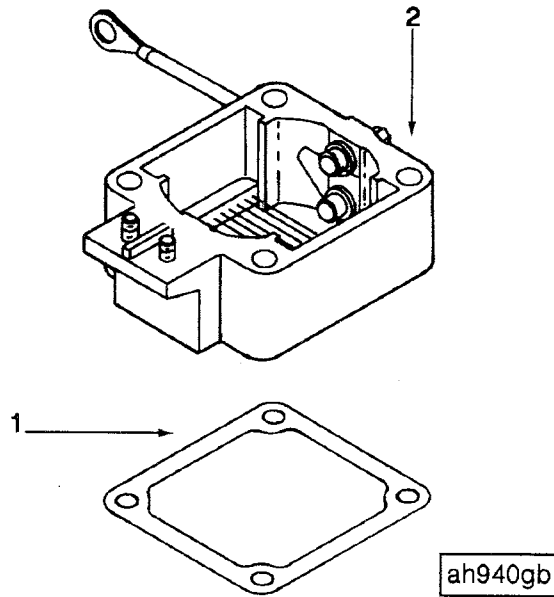
Element, Fuel Filter _____ Full Flow Lub. Filter _____

Air Cleaner _____ By-Pass Lub. Filter _____

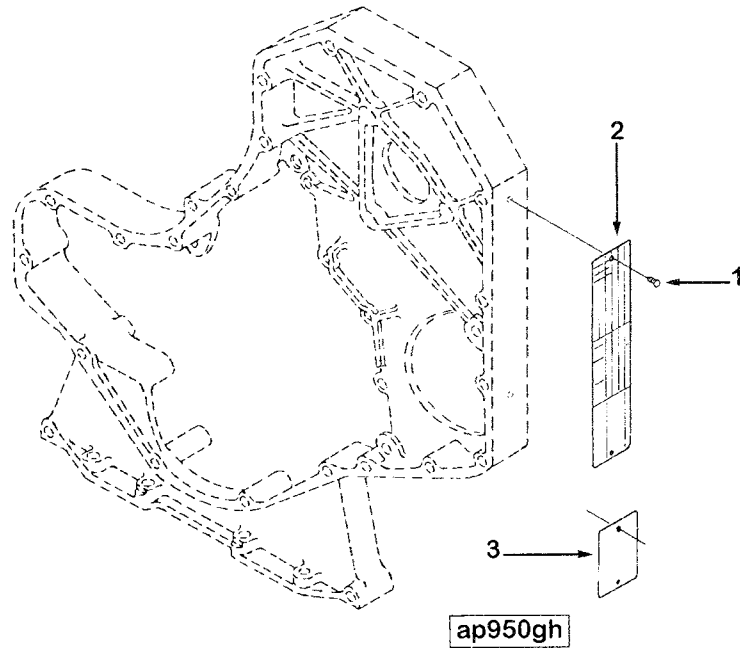
Special Equipment _____

Table of Contents

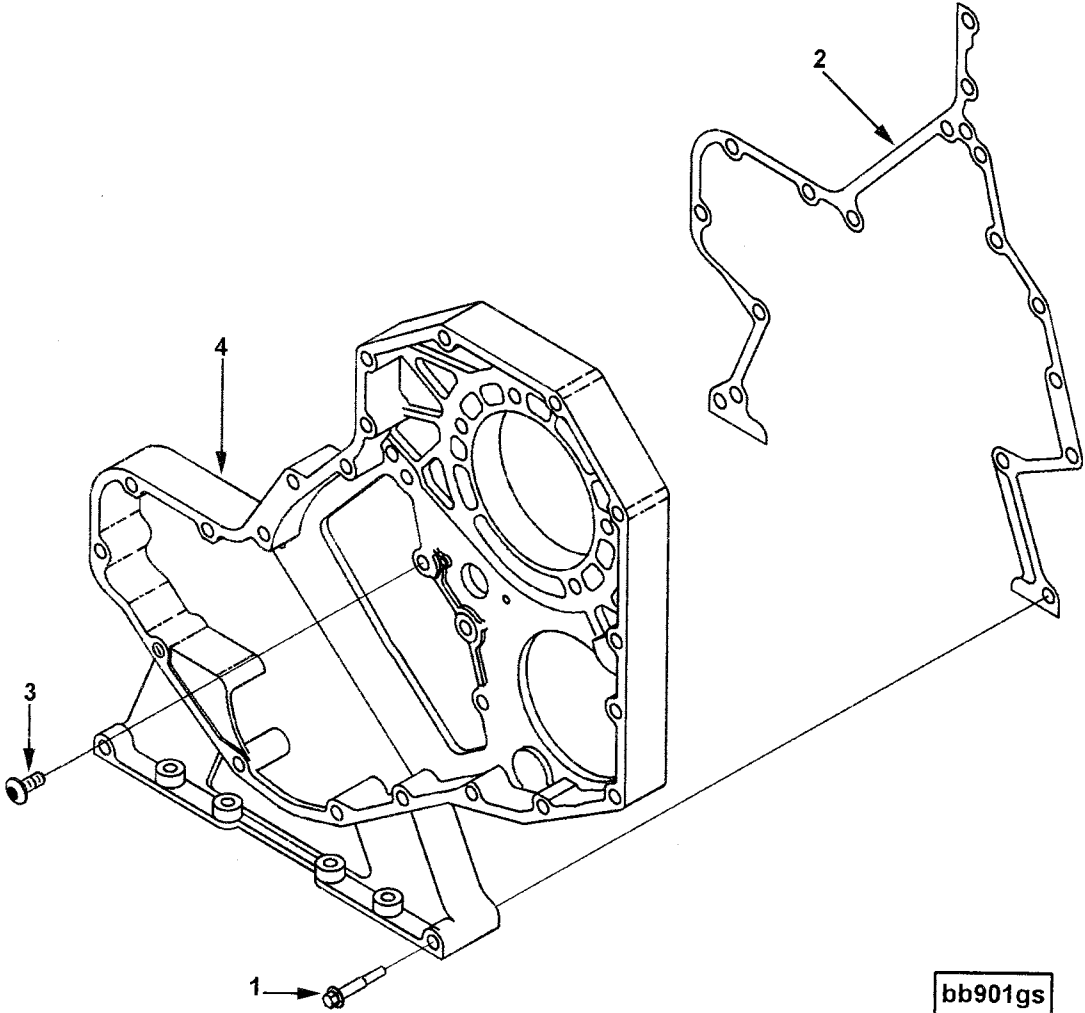
	Page No.		Page No.
Agency Approval	3	Starting Motor	89
Air Crossover Connection	91	Starting Motor Mounting	87
Air Heater Starting Aid	2	Thermostat	18
Alternator	19	Thermostat Housing	95
Alternator Mounting	21	Turbocharger	78, 79, 80
Belt Tensioner	103	Turbocharger Oil Plumbing	97
Cabin Heater Plumbing	50	Valve Cover	98
Cam Follower Cover	15	Valve Tappet	10
Camshaft	72	Vibration Damper	16
Connecting Rod	71	Water Inlet Connection	101
Coolant Heater Starting Ai	12	Water Pump	102
Crankcase Breather	11	Water Pump Drive	105
Crankshaft	9	Option Number Index	A-1
Cylinder Block	7	Part Number Index	B-1
Cylinder Head	77		
Engine Control Module	69		
Engine Coolant Vent	86		
Engine Oil Cooler	55		
Exhaust Manifold	94		
Exhaust Manifold Mounting	93		
Exhaust Outlet Connection	108		
External Control Module Wi	107		
Fan Drive	25		
Fan Drive Mounting	26		
Fan Pilot Spacer	88		
Flywheel	45		
Flywheel Housing	33		
Flywheel Mounting	46		
Front Engine Support	23		
Front Gear Cover	49		
Front Gear Housing	5		
Front Gear Train Accessory	17		
Fuel Filter	29		
Fuel Filter Plumbing	31		
Fuel Injection Pump	35, 36		
Fuel Inlet Fitting	34		
Fuel Plumbing	43		
Fuel Pump Mounting	39		
Fuel Transfer Pump	41		
Hand Hole Cover	62		
Injector	75		
Injector Plumbing	83		
Lifting Arrangement	53		
Lube Oil Filter	56		
Lube Oil Pump	59		
Oil Filler Arrangement	61		
Oil Level Gauge	57		
Oil Pan	65		
Oil Pan Mounting	66		
Rocker Lever	85		



Ref No.	Part Number	Part Name	Req	Remarks
		AIR HEATER STARTING AID OPTION AH9125		MR - Air Heater Starting Aid Voltage: 12 Amperage: 190 Minimum Alternator Amperage Required: 95 Controls Provided: No Mounting Bolt Pattern (mm): 75 x 80 Air Heater Thickness (mm): 41.1 Positive Terminal Orientation: Rear Earth Terminal Orientation: Front Relay Included: No Earth to Bottom Terminal and Outboard Intake Connection Capscrew DEP will omit 3927335 tag instruction from UK option to comply with European legisla- tion.
1	3938158	Gasket, Connection	1	
2	3937210	Heater, Intake Air	1	
	3927335	Tag, Instruction	1	

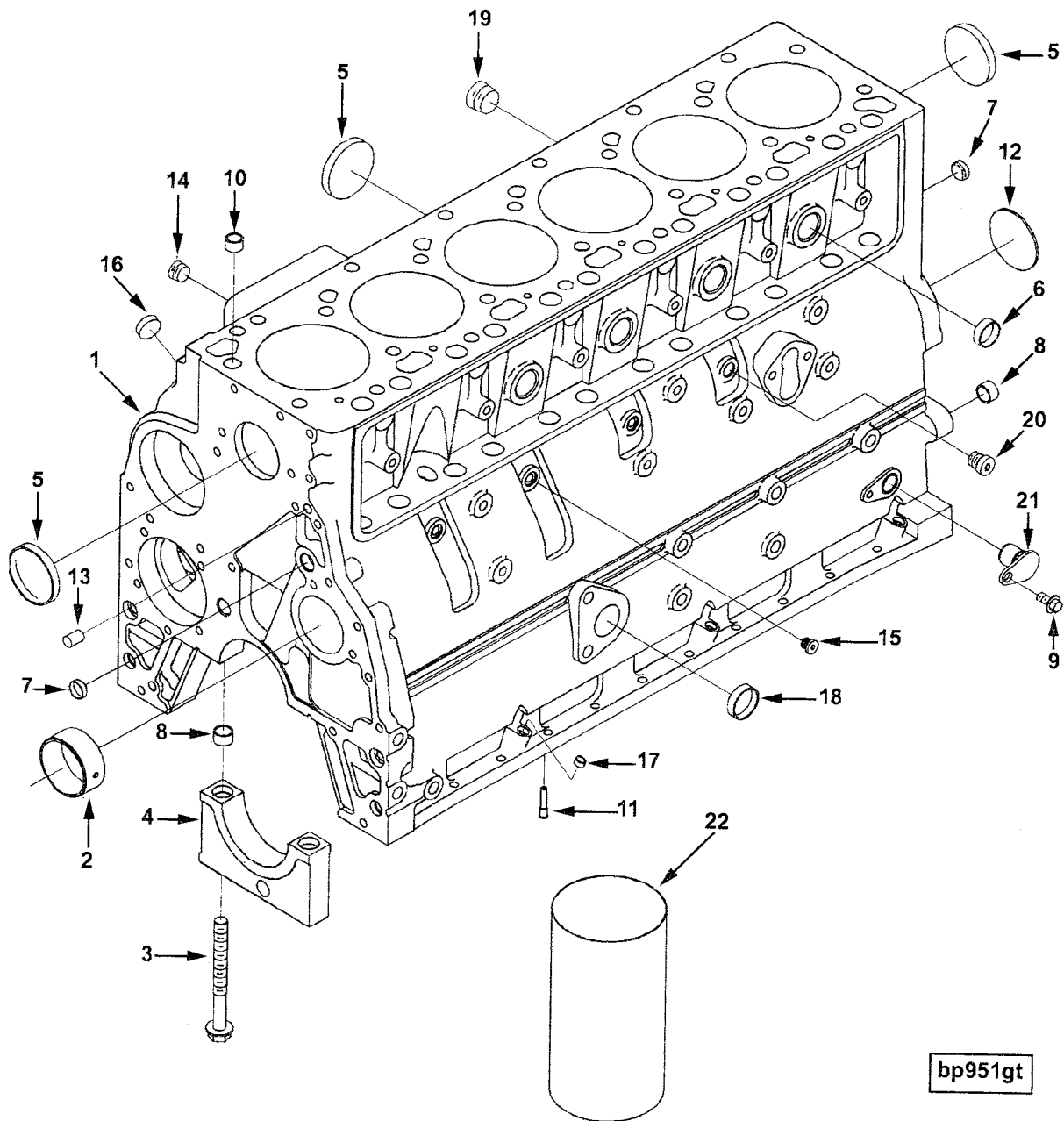


Ref No.	Part Number	Part Name	Req	Remarks
AGENCY APPROVAL				
OPTION AP9348				
1	3908612	Screw, Drive	2	Agency Approval Certified By: EPA, CARB, EU Application: Nonroad Cert Level: Tier 2, Tier 2, Stage 2 Special Allowance: None Cert Agent: EPA, EPA, VCA Comments: None Fuel Type: Diesel Manufacturer of Record: Cummins Language: English Engine Family: "B" Series, "C" Series, "L" Series
2	3284906	Dataplate	1	
3	3966565	Dataplate	1	



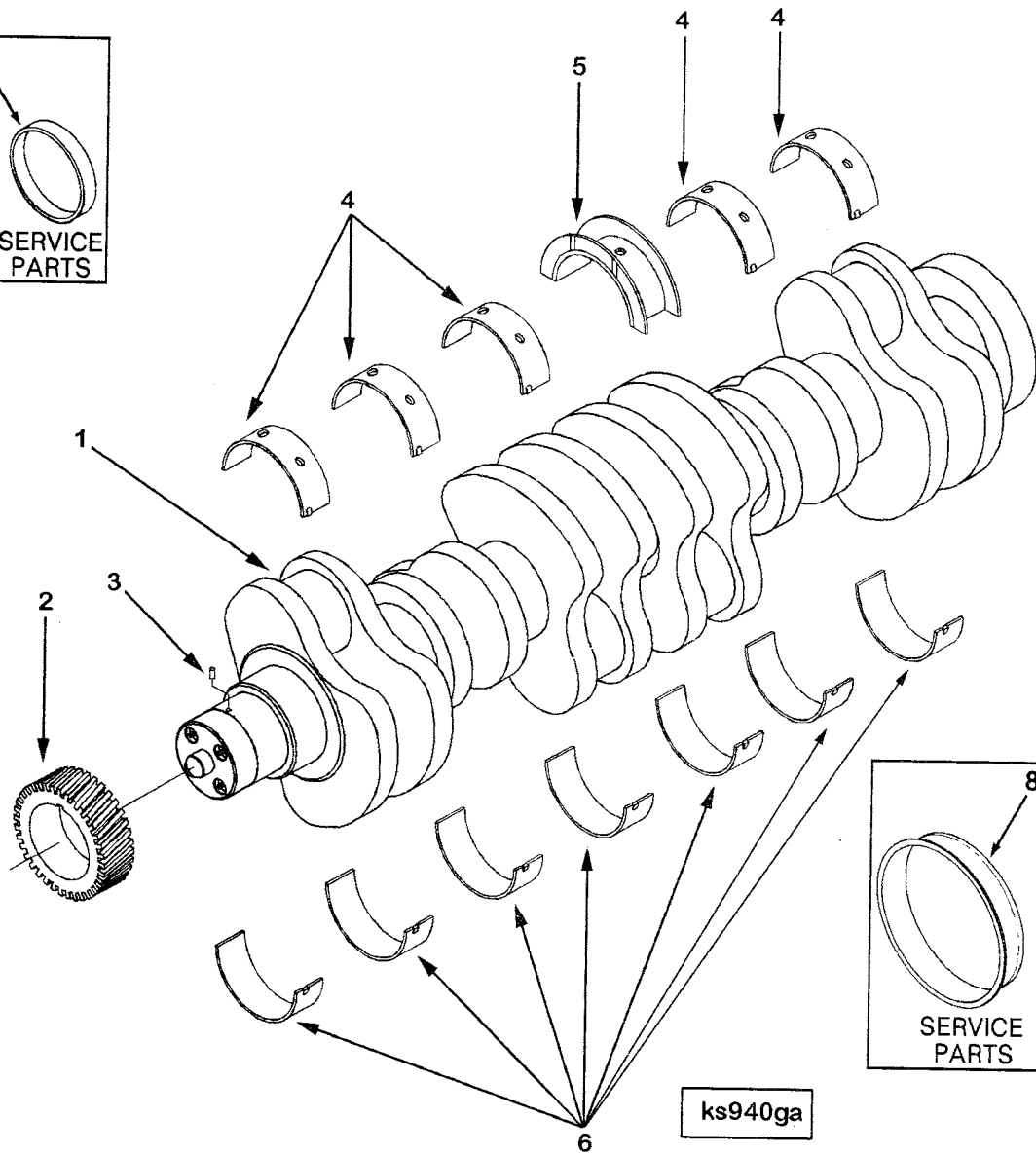
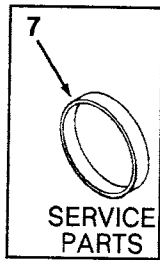
bb901gs

Ref No.	Part Number	Part Name	Req	Remarks
		FRONT GEAR HOUSING OPTION BB9838		MR - Front Gear Housing Engine Family: "B" Series Fuel Pump Type: Bosch VP30 Fuel Pump Centerline from Crank Centerline (mm): 271.7 Fuel Pump Centerline from Engine Centerline (mm): 179.0 Accessory Drive Centerline from Crank Centerline(mm): 130.1 Accessory Drive Centerline from Engine Centerline(mm): 225.7
1	3900633	Screw, Hex Flange Head Cap	2	M8 x 1.25 x 50
2	3938156	Gasket, Gear Housing	1	
3	3946047	Screw, Round Head Cap	5	M8 x 1.25 x 20
4	3957379	Housing, Gear	1	

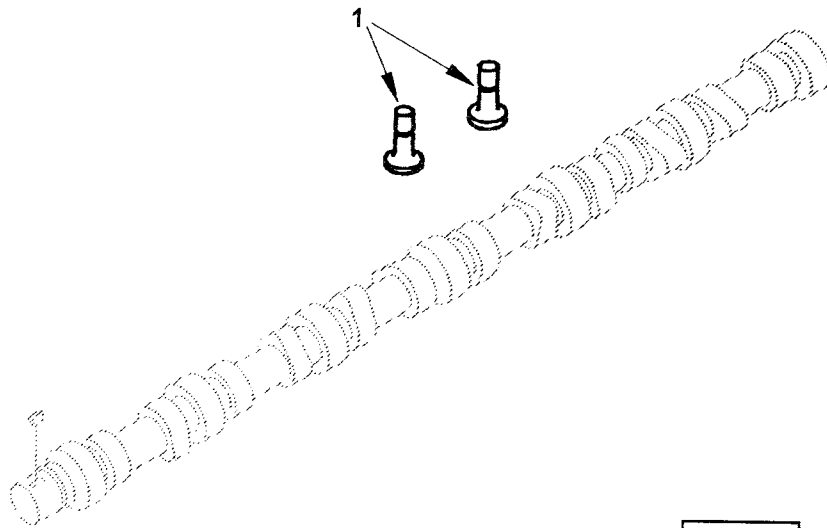


bp951gt

Ref No.	Part Number	Part Name	Req	Remarks
		CYLINDER BLOCK OPTION BB9839		MR - Cylinder Block Engine: "B" Series Cylinders: 6 Aspiration: Turbocharged or CAC Block Painted: No 360 360 Degrees Thrust Bearing: No Fuel System Type: Electronic CNS may use 3900965 expansion plug in place of 3922072 expansion plug.
1	3935943 (3935936)	Block, Cylinder	1	
2	3940059	Block, Cylinder	1	
3	3927948	Bushing	1	
4	3936791	Screw, Hex Flange Head Cap	14	M12 x 1.50 x 119
5	3922072	Cap, Main Bearing	7	
6	3914035	Plug, Expansion	5	
7	3900956	Plug, Expansion	4	
8	3900068	Plug, Expansion	3	
8	3900068	Dowel, Ring	14	
8	3933220	Kit, Cyl Block Hardware	1	
9	3900068	Dowel, Ring	2	
9	3900629	Screw, Hex Flange Head Cap	1	M8 x 1.25 x 16
10	3902343	Dowel, Ring	2	
11	3937214	Nozzle, Piston Cooling	6	
12	3900687	Plug, Expansion	1	
13	3900257	Dowel, Pin	2	
14	3008468	Plug, Pipe	1	1/2 NPT
15	3678923	Plug, Threaded	3	M10 X 1.00 X 9.5
16	3920706	Plug, Expansion	1	
17	3900955	Plug, Expansion	3	
18	3900958	Plug, Expansion	1	
19	3008469	Plug, Pipe	1	3/4 NPT
20	3678921	Plug, Threaded	1	M14 x 1.50
21	3932296	Plug, O Ring	1	
	3904483	Dowel, Pin	1	Crank to Gear
	3926047	Seal, O Ring	1	
		SERVICE PARTS		
2	3904369	Bushing	A/R	No. 1 bore
2	3903242	Bushing	A/R	No. 2-5 bore
4	3936791	Cap, Main Bearing	7	
22	3904166	Sleeve, Salvage	A/R	

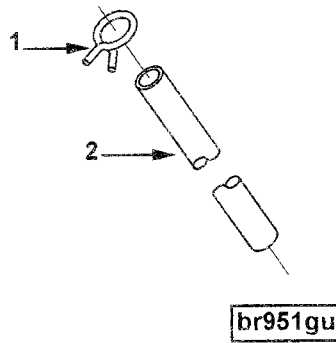


Ref No.	Part Number	Part Name	Req	Remarks
		CRANKSHAFT		
		OPTION BB9839		
1	3908032 (3929037)	Crankshaft, Assembly Crankshaft, Engine	1 1	
2	3929027	Gear, Crankshaft	1	
3	3904483	Dowel, Pin	1	
		MAIN BEARING SETS		
	3802070	Set, Main Brg (std)	1	Standard
4	(3929016)	Bearing, Main	6	
5	(3926723)	Bearing, Crankshaft Thrust	1	
6	(3929021)	Bearing, Main	7	
	3802071	Set, Main Brg (.010")	1	0.25 mm Oversize
4	(3929017)	Bearing, Main	6	
5	(3283065)	Bearing, Crankshaft Thrust	1	
6	3929022	Bearing, Main	7	
	3802072	Set, Main Brg (.020")	1	0.50 mm Oversize
4	(3929018)	Bearing, Main	6	
5	(3283066)	Bearing, Crankshaft Thrust	1	
6	3929023	Bearing, Main	7	
	3802073	Set, Main Brg (.030")	1	0.75 mm Oversize
4	(3929019)	Bearing, Main	6	
5	(3283067)	Bearing, Crankshaft Thrust	1	
6	3929024	Bearing, Main	7	
	3802074	Set, Main Brg (.040")	1	1.00 mm Oversize
4	(3929020)	Bearing, Main	6	
5	(3283068)	Bearing, Crankshaft Thrust	1	
6	3929025	Bearing, Main	7	
	3800330	Bearing, Crankshaft Thrust	1	.5mm Oversize Bore/.5mm Oversize Thrust
5	(3283063)	Bearing, Crankshaft Thrust	1	
6	3929023	Bearing, Main	1	
	3800331	Bearing, Crankshaft Thrust	1	1.0mm Oversize Bore/1.0mm Oversize Thrust
5	(3283064)	Bearing, Crankshaft Thrust	1	
6	3929025	Bearing, Main	1	
		SERVICE PARTS		
7	3802820	Kit, Wear Sleeve	1	Front Seal
8	3926126	Kit, Wear Sleeve	1	Rear Seal

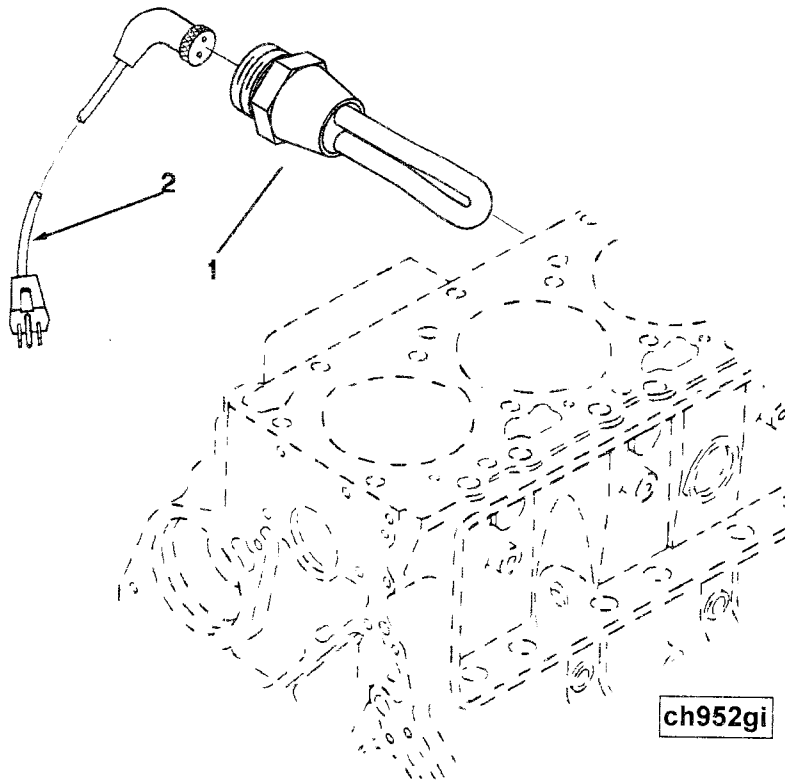


kf900ga

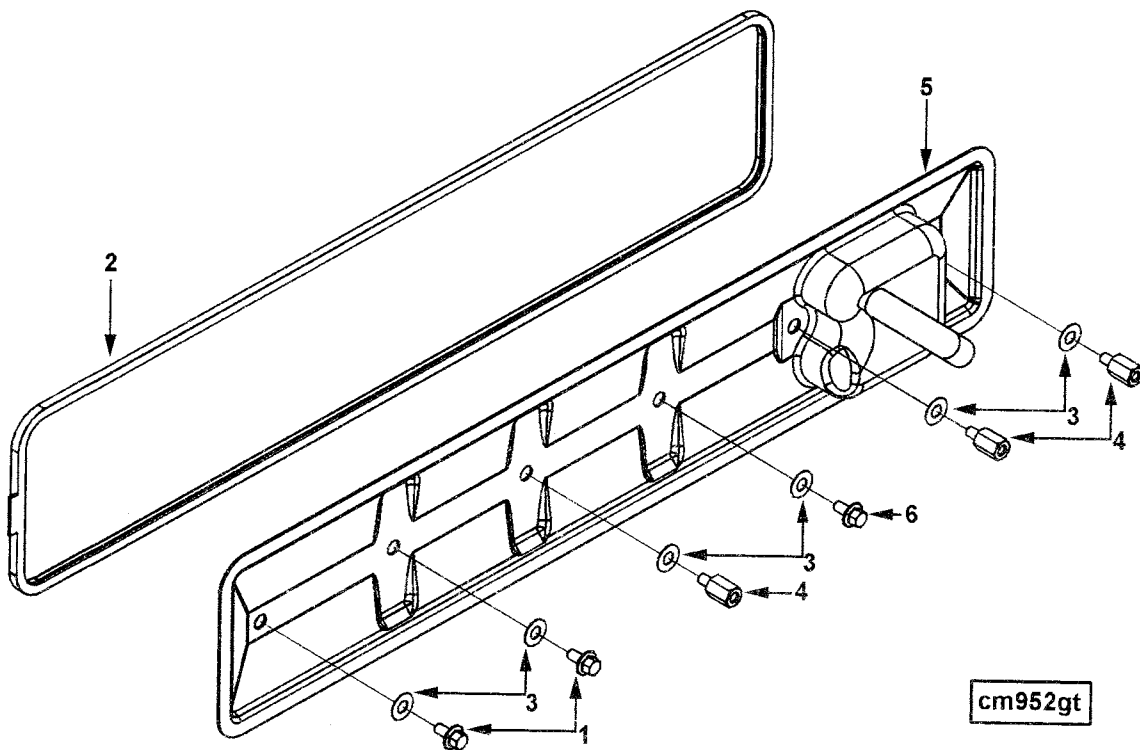
Ref No.	Part Number	Part Name	Req	Remarks
1	3931623	VALVE TAPPET OPTION BB9839 Tappet, Valve	12	



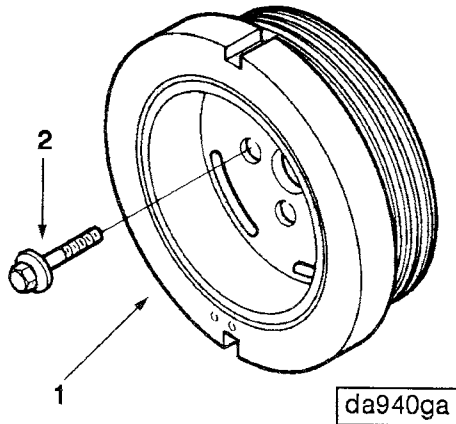
Ref No.	Part Number	Part Name	Req	Remarks
		CRANKCASE BREATHER OPTION BR9119		MR - Crankcase Breather Location: Cam Follower Cover Breather Hose Provided: Yes Hose Length: 435mm
1	3904230	Clamp, Spring Hose	1	
2	3918614	Hose, Plain	1	



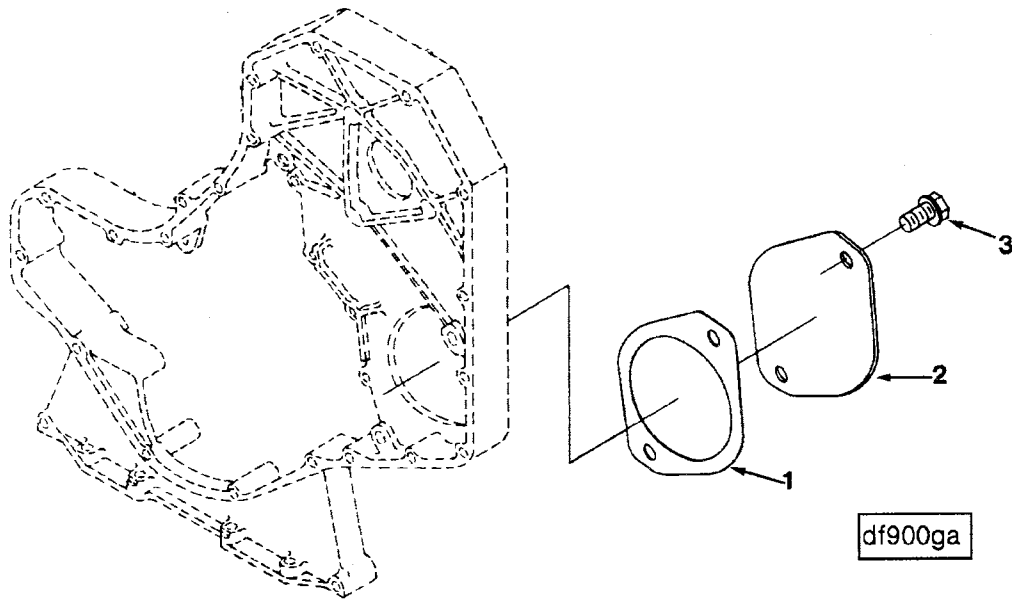
Ref No.	Part Number	Part Name	Req	Remarks
		COOLANT HEATER STARTING AI OPTION CH9072		
1	3940911	Heater, Engine	1	MR - Coolant Heater Engine Family: "B" Series Voltage: 120 Wattage: 750 Length Of Cord (in.): 72
2	3905113	Cable, Engine Heater	1	



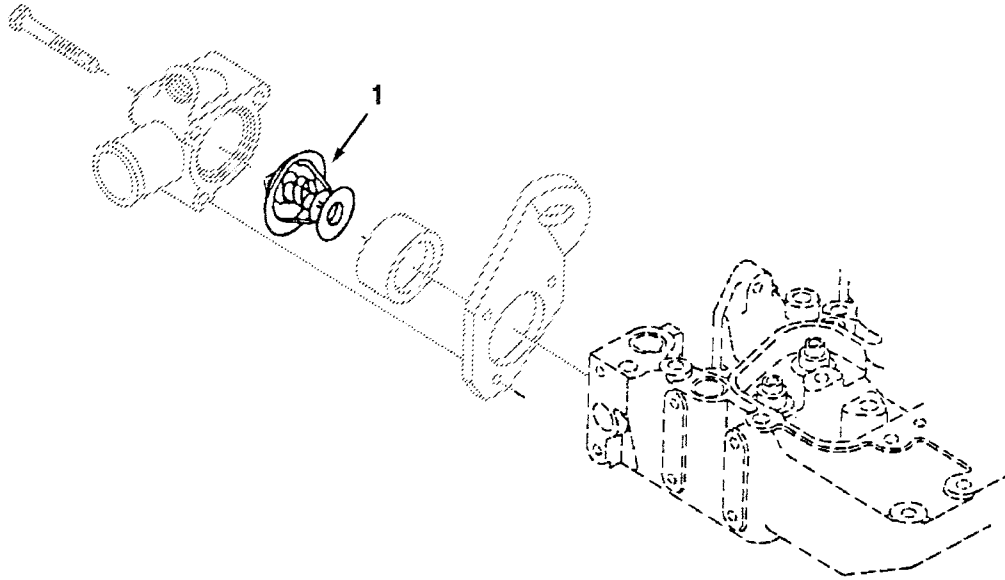
Ref No.	Part Number	Part Name	Req	Remarks
		CAM FOLLOWER COVER OPTION CM9709		MR - Cam Follower Cover Engine Configuration: 6B Crankcase Breather Included: Yes Breather Exit Angle: 45 degrees Provision For Noise Enclosure: No Mounting Capscrews in Fuel Drain Plumbing: None Provision For Mounting ECM: Yes M8 x 1.25 x 14
1	3093923	Screw, Hex Flange Head Cap	3	
2	3284623	Gasket, Push Rod Cover	1	
3	3928759	Seal, Grommet	6	
4	3936236	Spacer, Threaded	2	M8X1.25(Exh) X M8X1.25(Int)
5	3990730	Cover, Push Rod	1	
6	3921816	Screw, Hex Flange Head Cap	1	M8 x 1.25 x M6 x 1.00



Ref No.	Part Number	Part Name	Req	Remarks
		VIBRATION DAMPER OPTION DA9733		MR - Vibration Damper Engine Family: "B" Series Damper Type: Rubber Damper Diameter: 209mm Crank Pulley Included: Yes Crank Pulley Groove Type: 8 Groove Poly Vee Crank Pulley Diameter Over 2.5mm Gage Balls (mm): 174.75 Front PTO Provision: No
1	3958258	Damper, Vibration	1	
2	3903857	Screw, Hex Flange Head Cap	4	M12 x 1.25 x 36

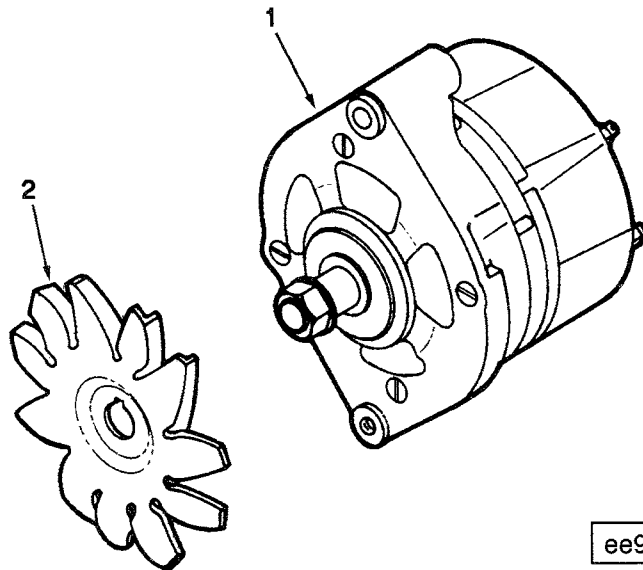


Ref No.	Part Number	Part Name	Req	Remarks
FRONT GEAR TRAIN ACCESSORY OPTION DF9713				
				MR - Front Gear Train Accessory Mounting Gear Driven Pump Drive Flange Type: None Air Compressor Included: No Drive Centerline From Centerline of Crank (mm): 130 Drive Centerline From Centerline of Engine (mm): 226
1	3938655	Gasket, Acc Drive Cover	1	
2	3914868	Plate, Cover	1	
3	3901249	Screw, Hex Flange Head Cap	2	M12 x 1.75 x 25

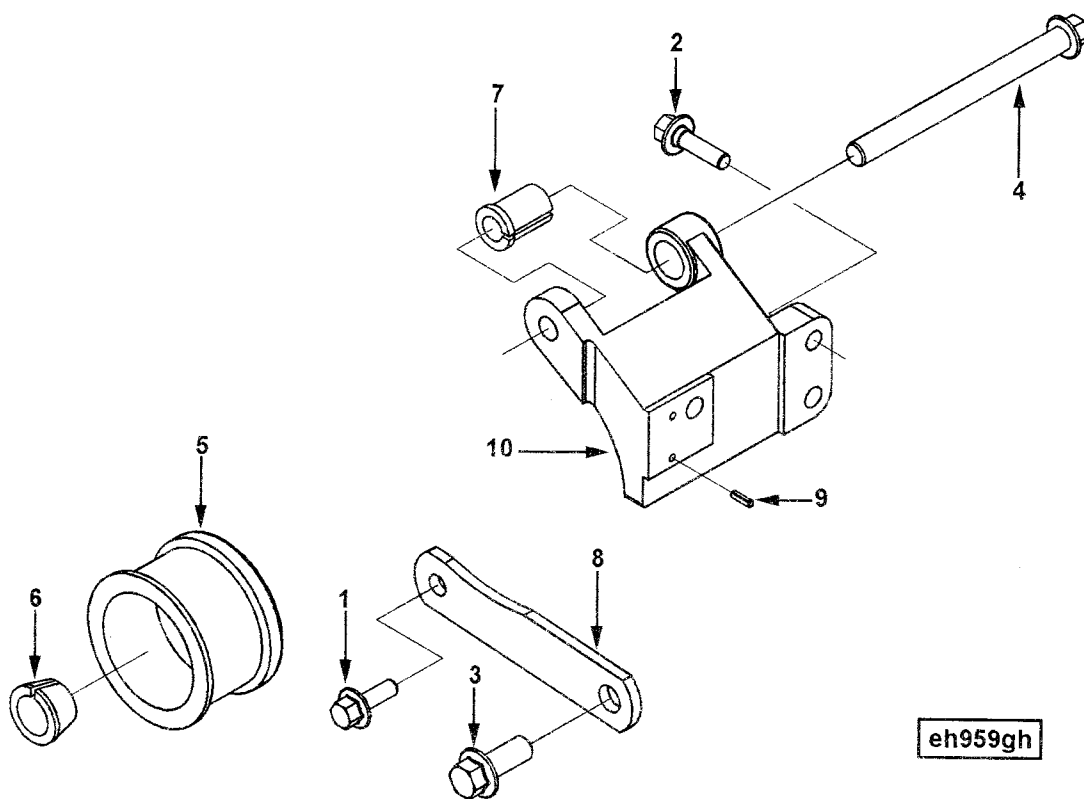


th900gc

Ref No.	Part Number	Part Name	Req	Remarks
1	3917324	Thermostat	1	THERMOSTAT OPTION EC9706 MR - Thermostat Opening Temperature: 83 Degrees C Full Open Temperature: 95 Degrees C Venting Feature: Jiggle Pin Housing Bore Diameter (mm): 54.25

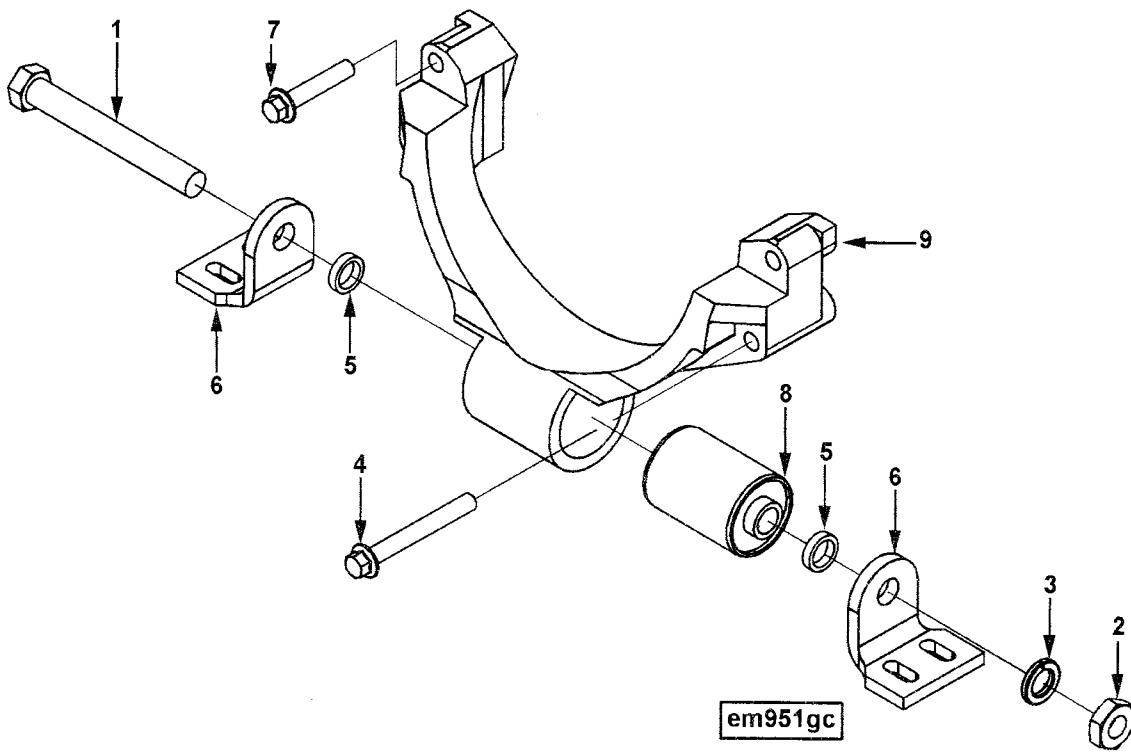


Ref No.	Part Number	Part Name	Req	Remarks
		ALTERNATOR OPTION EE9182		MR - Alternator Alternator Manufacturer/Model: Bosch K1 Voltage: 12 Amperage: 95 Alternator Mounting Type: Spool, 50.8mm Support Bracket Interface Type: Lugs, 53.4mm Apart Alternator Length (mm): 171.7 Cummins Branded: Yes Wire Harness Connection Description: 5.0mm Diameter Ring Terminal and 8.0mm Diameter Ring Terminal
1	3282554	Alternator	1	
2	3282566	Fan, Alternator	1	

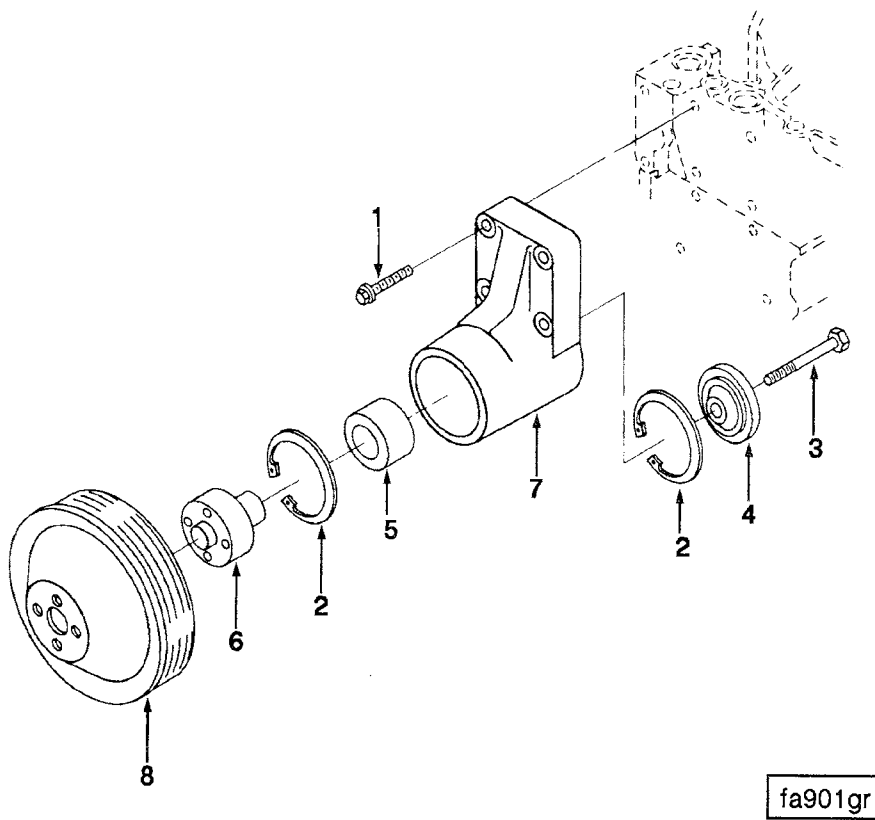


eh959gh

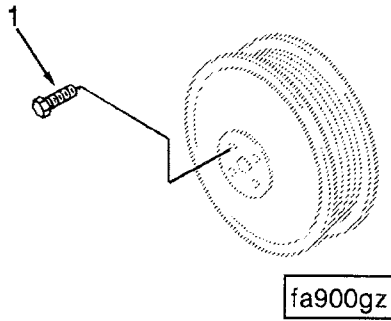
Ref No.	Part Number	Part Name	Req	Remarks
		ALTERNATOR MOUNTING OPTION EH9455		MR - Alternator Mounting Alternator Manufacturer/Model: Bosch K1 Alternator Support Type: Lugs, 55.7mm Apart Alternator Pulley Provided: Yes Alternator Drive Ratio: 2.9:1 Alternator Centerline from Engine Centerline (mm): -250.7 Alternator Centerline from Crank Centerline (mm): 321.8 Alternator Pulley Diameter Over 2.5mm Gage Balls (mm): 61.13 Tensioner Pulley Centerline From Engine Centerline (mm): -192.7 Tensioner Pulley Centerline From Crank Centerline (mm): 111.8 Tensioner Pulley Diameter Over 2.5mm Gage Balls (mm): 73.95 Tensioner Pulley Type: Grooved Altitude Support Location: Thermostat Housing Altitude Brace Location: Water Inlet Connection
1	3900630	Screw, Hex Flange Head Cap	1	M8 x 1.25 x 20
2	3900631	Screw, Hex Flange Head Cap	3	M8 x 1.25 x 25
3	3902460	Screw, Hex Flange Head Cap	1	M10 X 1.50 X 25
4	3908226	Screw, Hex Flange Head Cap	1	M10 x 1.50 x 95
5	3908560	Pulley, Alternator	1	
6	3908563	Retainer, Pulley	1	
7	3910715	Spacer, Mounting	1	
8	3939873	Brace, Alternator	1	
	3939874	Support, Alternator	1	
9	3520815	Pin, Roll	2	
10	(3939870)	Support, Alternator	1	



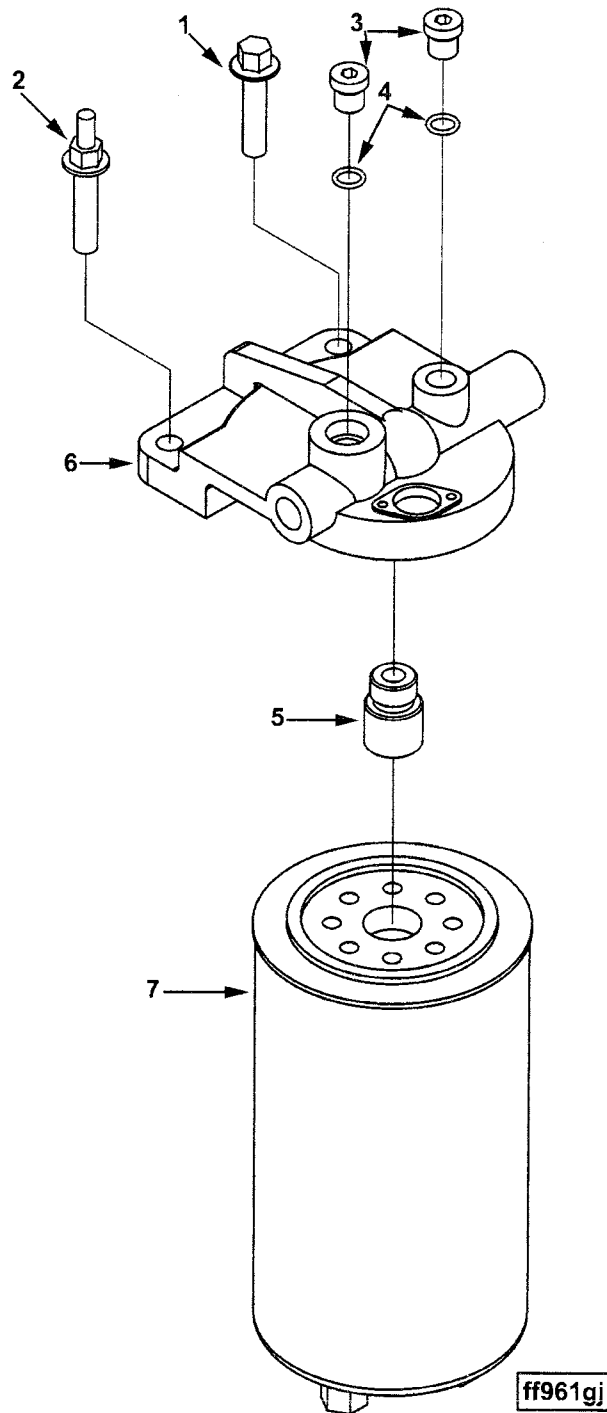
Ref No.	Part Number	Part Name	Req	Remarks
		FRONT ENGINE SUPPORT OPTION EM9198		MR - Front Engine Support Engine Family: "B" Series Mounting Type: Barrel Isolator Load Rating (LB): 800 Mounting Brackets Provided: Yes Bracket Configuration: 90 Degrees Angled Bracket Hole Pattern: (2) 11.9 x 28.6 slots Maximum Damper Diameter (mm): 245
1	S 150 A	Screw, Hexagon Head Cap	1	3/4 - 10 x 6 inch
2	S 279	Nut, Heavy Hexagon Jam	1	3/4 - 10 UNC
3	S 611	Washer, Lock	1	3/4 inch
4	3902451	Screw, Hex Flange Head Cap	2	M12 x 1.75 x 90
5	3918542	Spacer, Mounting	2	
6	3930675	Support, Front Engine	2	
7	3937692	Screw, Hex Flange Head Cap	2	M12 x 1.75 x 60
	3943248	Support, Front Engine	1	
8	3928900	Isolator, Vibration	1	
9	3943249	Support, Front Engine	1	



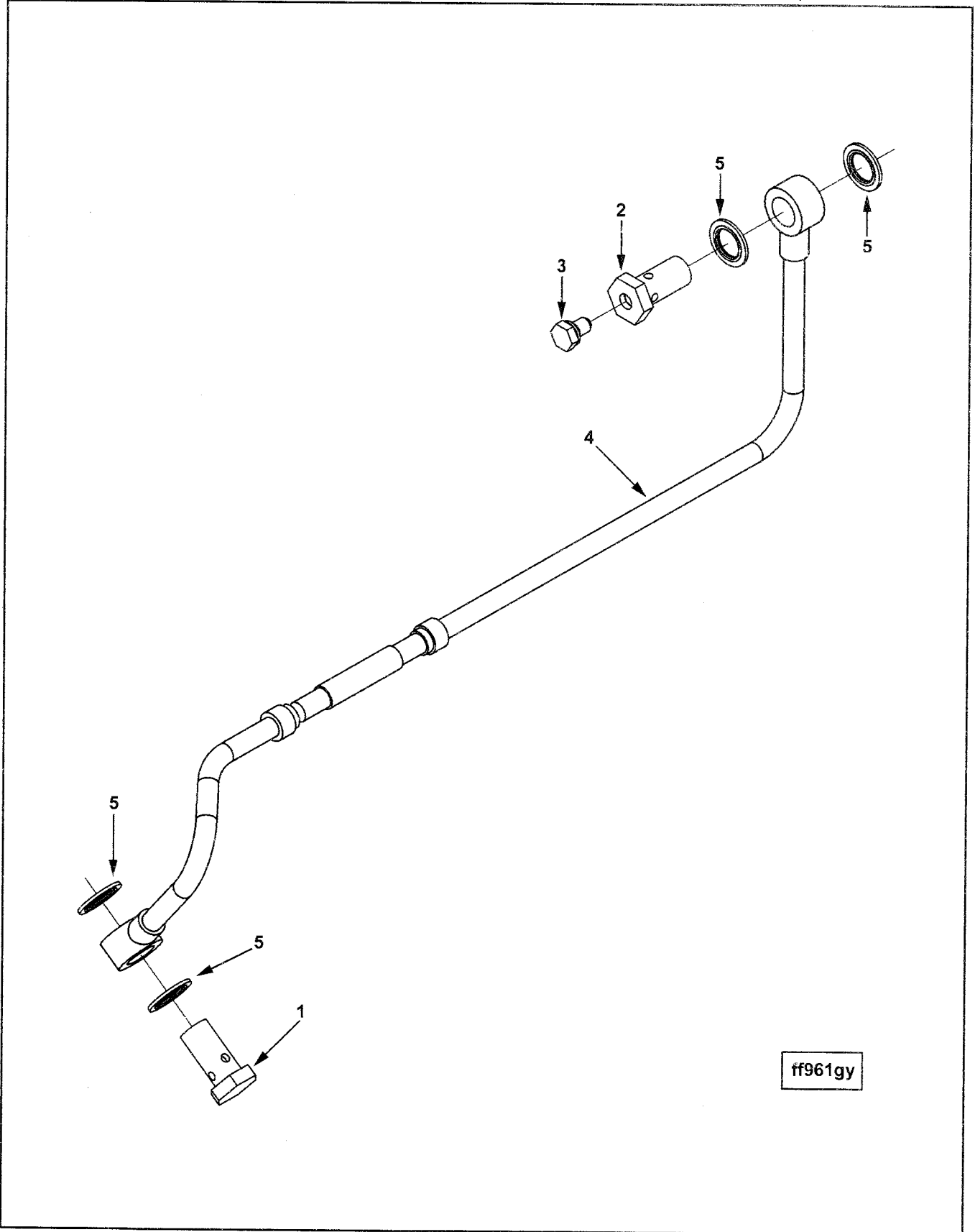
Ref No.	Part Number	Part Name	Req	Remarks
		FAN DRIVE OPTION FA9345		MR - Fan Drive Fan Drive Ratio: .87:1 Fan Drive Centerline to Crank Centerline (mm): 295.9 Fan Drive Centerline to Engine Centerline (mm): 0 Fan Pilot Diameter (mm): 25.4 Fan Mounting Bolt Circle (mm): 60 Fan Pulley Thickness (mm): 3.0 Fan Pulley Diameter Over 2.5mm Gage Balls (mm): 201.13
1	3928873	Screw, Hex Flange Head Cap	4	M8 x 1.25 x 40
	3913433	Support, Fan	1	
2	3035960	Ring, Retaining	2	
3	3907769	Screw, Hexagon Head Cap	1	M10 X 1.75 X 70
4	3923044	Retainer, Fan Hub	1	
5	3910739	Bearing, Ball	1	
6	3911924	Hub, Fan	1	
7	(3913434)	Support, Fan	1	
8	3914461	Pulley, Fan	1	



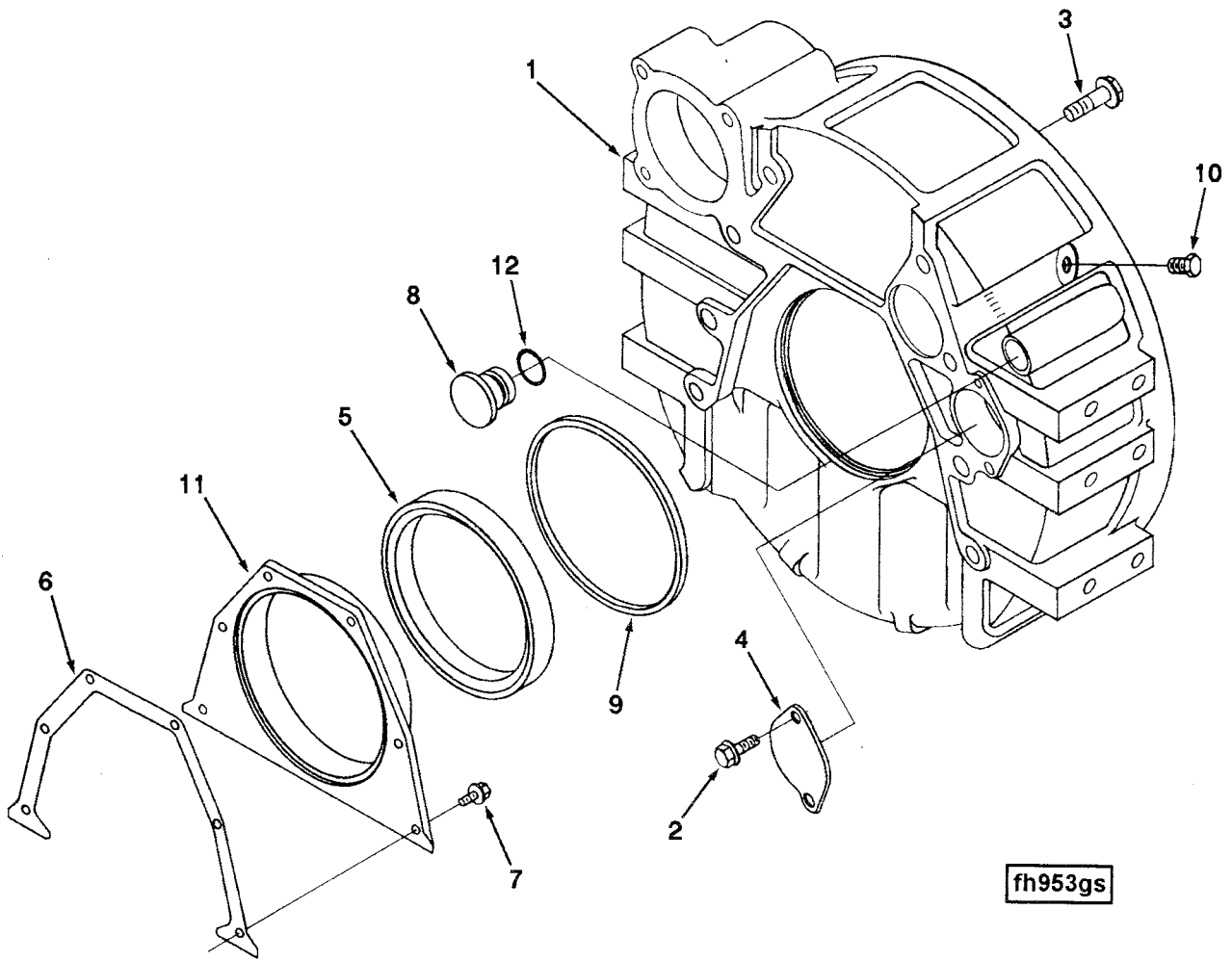
Ref No.	Part Number	Part Name	Req	Remarks
1	3903990	<p style="text-align: center;">FAN DRIVE MOUNTING OPTION FA9739</p> <p>Screw, Hex Flange Head Cap</p>	4	<p>MR - Mounting, Fan Drive</p> <p>Thread Size: M10 x 1.5 Capscrew Length (mm): 20 Clamping Plate Thickness (mm): N/A Clamping Plate Bolt Circle: N/A M10 x 1.50 x 20</p>



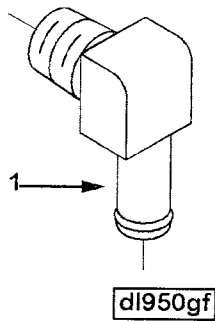
Ref No.	Part Number	Part Name	Req	Remarks
		FUEL FILTER OPTION FF9419		MR - Fuel Filter Element Type: Single Element Style: Spin-On Drain Provision: Yes Fuel Heater Voltage: None Water Separator Provision: Yes Water in Fuel Sensor (wif): Yes Location: Engine Mounted #1 from Crank Centerline to Top of Canister (mm): 438.7 #1 from Crank Centerline to Canister Centerline(mm): 258.0 #1 from Front Face of Block to Canister Centerline (mm): -532 #1 Total Filter Length (mm): 192.7 Fuel Filter Fuel Inlet Location: Vertical From Crank Centerline (mm): 454.7 Horizontal from Engine Centerline (mm): 258.0 Horizontal from Front Face of Block (mm): -596.7 Fuel Filter Fuel Outlet Location: Vertical from Crank Centerline (mm): 454.7 Horizontal from Engine Centerline (mm): 258.0 Horizontal from Front Face of Block (mm): -481.0 Absolute Filtration (microns): 3 Engine Family: "B" Series
1	3900632	Screw, Hex Flange Head Cap	1	M8 x 1.25 x 35
2	3928527 (3966140)	Screw, Hex Flange Head Cap Filter, Fuel	1	M8 x 1.25 x M6 x 1.00
	3678923	Plug, Threaded	1	
3	(3678924)	Plug, Threaded	2	M10 X 1.00 X 9.5
4	3678925	Seal, O Ring	1	M10 X 1.00 X 9.5
5	3942453	Adapter, Filter Head	1	M10 X 1.00
6	3942627	Head, Fuel Filter	1	M20 x 1.50 x M16 x 1.50
7	3991498	Filter, Fuel	1	



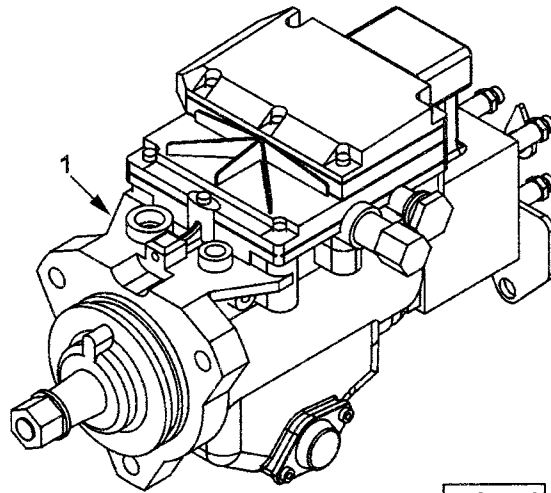
Ref No.	Part Number	Part Name	Req	Remarks
		FUEL FILTER PLUMBING OPTION FF9420		MR - Fuel Filter Plumbing Fuel Filter Fuel Outlet Location: Vertical From Crank Centerline(mm): 454.7 Horizontal from Engine Centerline(mm): 258.0 Horizontal from Front Face of Block(mm): -481.0 Fuel Pump Fuel Inlet Location: Centerline of Fitting from Crank Centerline(mm): 279.9 Centerline of Fitting from Engine Centerline(mm): 241.3 Centerline of Fitting from Front Face of Block(mm): -130.4 Fuel Pump Fuel Inlet Fitting Size: M12 Pump Manufacturing/Model: Bosch VP30 Glow Plug Provision: No Engine Family: "B" Series
1	3903035	Screw, Banjo Connector	1	M12 X 1.50 X 24
	3905860	Screw, Banjo Connector	1	Order lower level componets individually.
2	3911446	Screw, Banjo Connector	1	M12 x 1.50 x 24
3	3939570	Screw, Captive Washer Cap	1	M6 x 1.00 x 10
4	3964492	Tube, Fuel Supply	1	
5	3963983	Washer, Sealing	4	



Ref No.	Part Number	Part Name	Req	Remarks
		FLYWHEEL HOUSING OPTION FH9343		MR: Flywheel Housing Item Supplied: Flywheel Housing Engine Mount Type: Pad Sealing Provision: Dry Flywheel Housing SAE Type: #3 Flywheel Housing To Block Mounting Pattern: 8 x m12 x 1.75 Starter Bore Position (degrees): 47 Starter Mounting Flange SAE Type: SAE #1 3 bolt 90 Starter Pilot Bore Diameter (mm): 88.9 Starter Bore Horizontal Distance (mm): 158.53 Starter Bore Vertical Distance (mm): 147.31 Angle of Starter Bore Mounting Hole Pattern (degrees): 43 Starter Mounting Hole Thread: M10 x 1.5 Starter Mounting Face Offset (mm): 0 Rear Engine PTO Included: No Rear Gear Drive Ratio: N/A Tachometer Drive Location/Size: Quad 4 3/4-16 Tachometer Sensor Mounting Hole Count: 1 Material: Aluminum Mounting Pad Hole Description: 6 x M12 x 1.75 Top Hole Location (mm): 82.56 Mounting Pad Angle (0 is Vertical): 0 Transmission Mounting Hole Description: 12 x M10 x 1.5 Engine Family: "B" Series
1	3937426	Housing, Flywheel	1	
2	3912072	Screw, Self Tapping Metal	2	M8 x 1.25 x 15
3	3920447	Screw, Hex Flange Head Cap	8	M12 x 1.75 x 40
4	3925234	Plate, Cover	1	
	3934486	Rr Crankseal Serv Kit	1	Includes Installaton Tools
5	(3933262)	Seal, Oil	1	
6	3938159	Gasket, Rear Cover	1	
7	3991306	Screw, Hex Flange Head Cap	6	M6 x 1.00 x 16
8	3910248	Plug, O Ring	1	
9	3912473	Seal, Rectangular Ring	1	
10	3904181	Plug, Threaded	1	3/4 - 16 UNF
11	3936895	Cover, Rear	1	
12	3910260	Seal, O Ring	1	

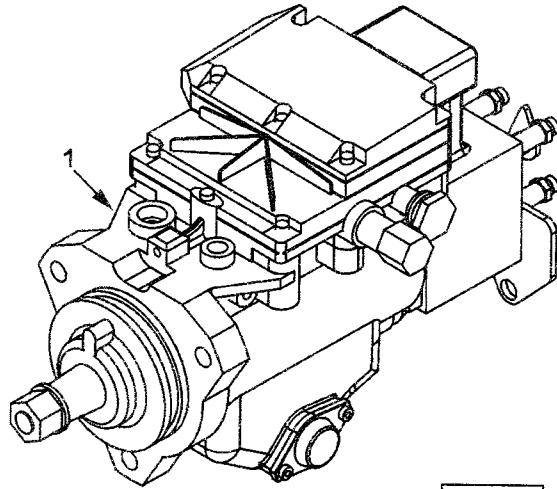


Ref No.	Part Number	Part Name	Req	Remarks
1	3915488	<p style="text-align: center;">FUEL INLET FITTING OPTION FI9019</p> <p>Coupling, Elbow Hose</p>	1	<p>MR - Fuel Inlet Fitting Fuel Inlet Fitting Supplier: Cummins Fuel Inlet Description: 9.5mm Beaded Hose Fitting Customer Connection Location: Facing Rearward Inlet Size: 1/4 NPT Inlet Location: Fuel Transfer Pump Inlet Location from Front Face of Block: 572.7mm</p>



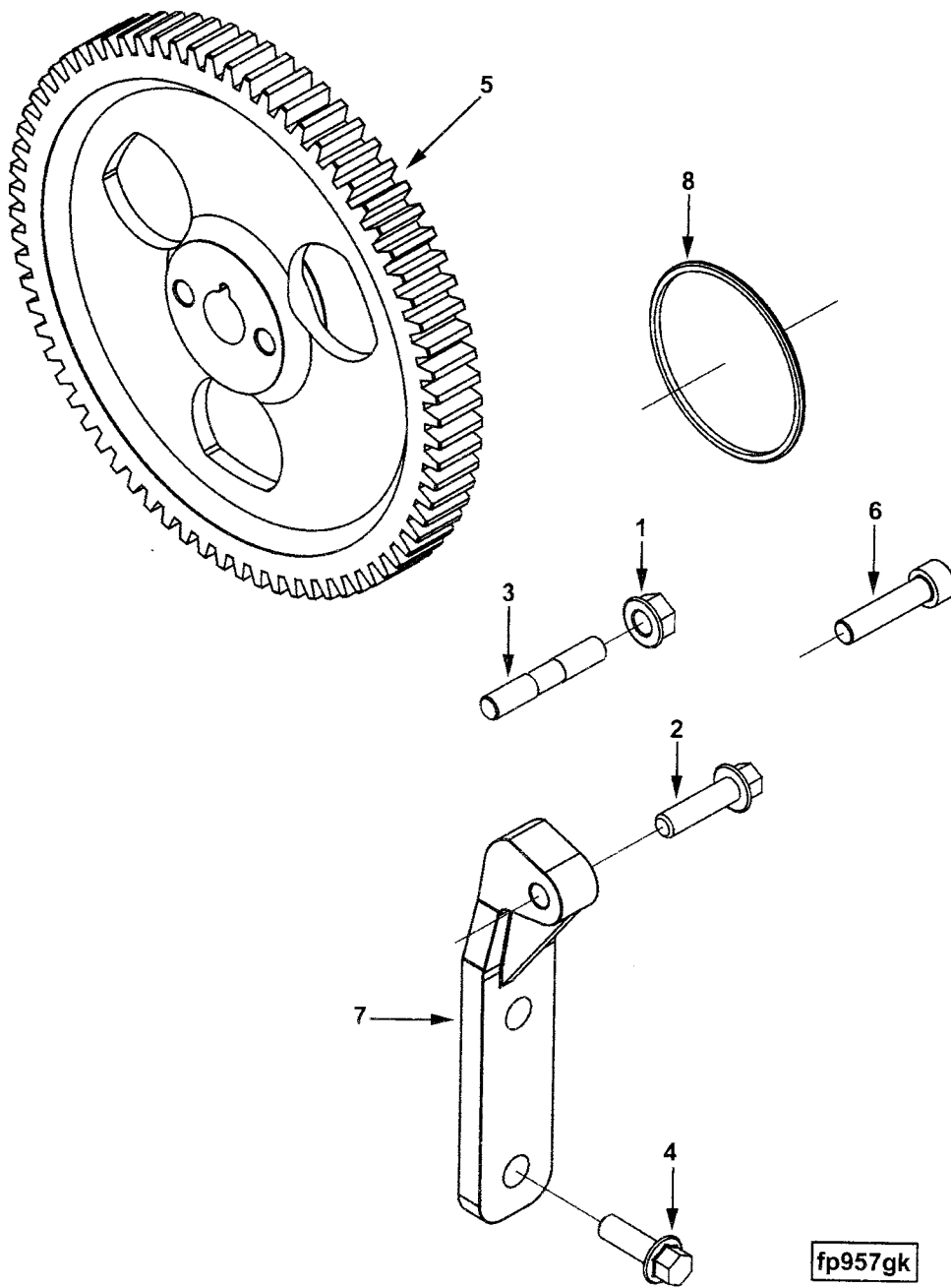
fp957gj

Ref No.	Part Number	Part Name	Req	Remarks
1	3965402	<p>FUEL INJECTION PUMP OPTION FP90008</p> <p>Pump, Fuel Injection</p>	1	<p>MR - Fuel Pump Fuel Pump Model: Bosch VP30-BETA Voltage: 12 CPL: 8186,8187,8296,8300,8339,8340 8400 Engine Family: 6B</p>



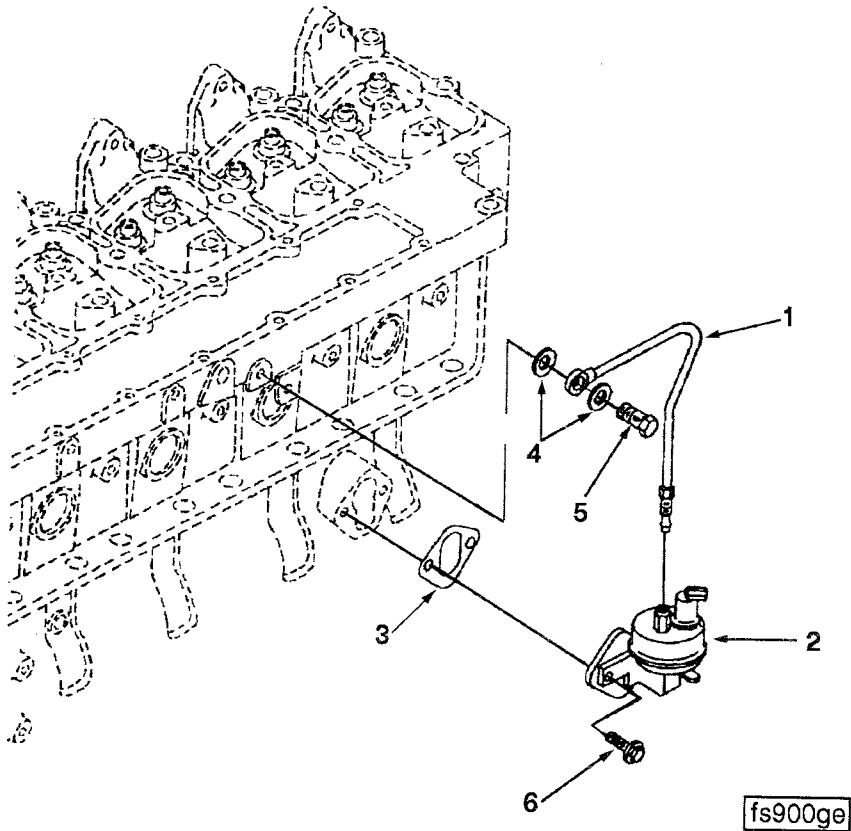
fp957gj

Ref No.	Part Number	Part Name	Req	Remarks
1	3965403	<p>FUEL INJECTION PUMP OPTION FP90009</p> <p>Pump, Fuel Injection</p>	1	<p>MR - Fuel Pump Fuel Pump Model: Bosch VP30 - BETA Voltage: 24 CPL: 8186,8187,8296,8300,8339,8340 8400 Engine Family: 6B</p>

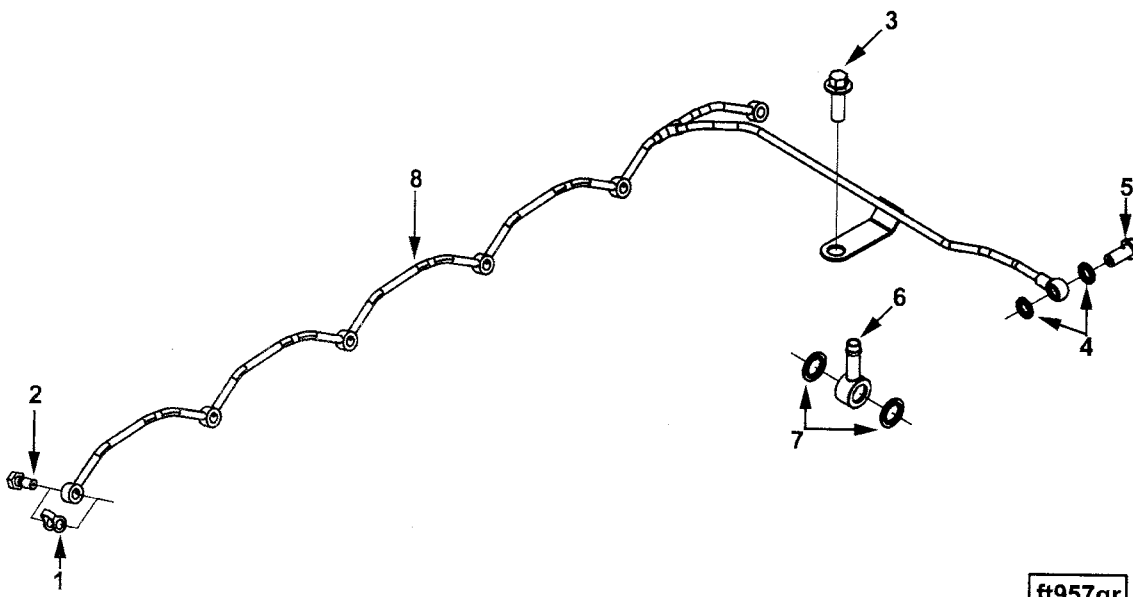


fp957gk

Ref No.	Part Number	Part Name	Req	Remarks
		FUEL PUMP MOUNTING OPTION FP99287		MR - Fuel Pump Mounting Fuel Pump Model: Bosch VP30 Air Compressor Model: None
1	3900589	Nut, Hexagon Flange	2	M8 x 1.25
2	3900630	Screw, Hex Flange Head Cap	1	M8 x 1.25 x 20
3	3902501	Stud	2	M8 x 1.25(both Ends) x 47.98
4	3900631	Screw, Hex Flange Head Cap	2	M8 x 1.25 x 25
5	3936021	Gear, Fuel Pump	1	
6	4899727	Screw, Socket Head Cap	1	M8 x 1.25 x 35
7	3969003	Brace, Fuel Pump	1	
8	3964189	Seal, Rectangular Ring	1	

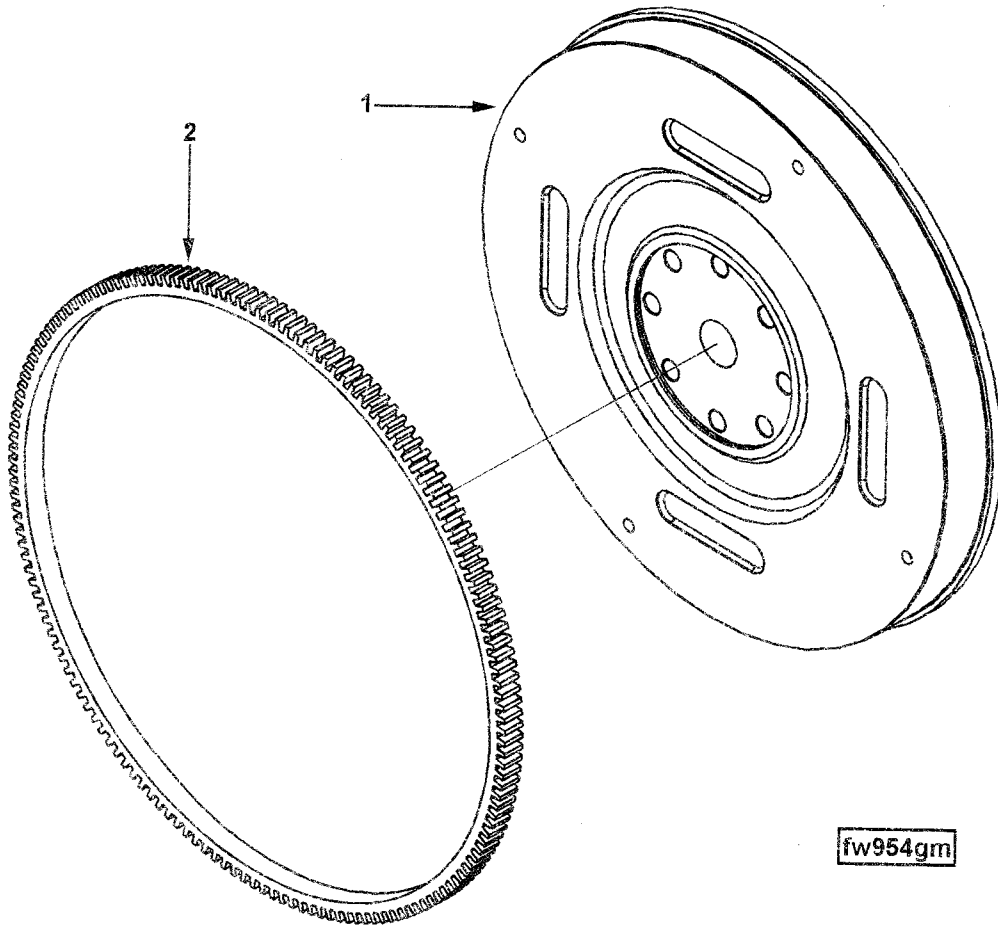


Ref No.	Part Number	Part Name	Req	Remarks
		FUEL TRANSFER PUMP OPTION FS9753		MR - Fuel Transfer Pump Engine Configuration: 6B5.9 Pump Style: Mechanical, Lever Fuel Inlet Port Size: 1/4 NPT Fuel Inlet Port Location: From Crank Centerline to Inlet Centerline (mm): 221.7 From Engine Centerline to Inlet Centerline (mm): 192.9 From Front Face of Block to Inlet Centerline (mm): -570.1 Filter Mounting Location: Remote Fuel Filter Fuel Inlet Location: Vertical from Crank Centerline(mm): 454.7 Horizontal from Engine Centerline (mm): 258.0 Horizontal from Front Face of Block (mm): -596.7 Provision for Injector Drain to Fuel Filter Inlet: M8
1	3964476	Tube, Fuel Supply	1	
2	3966154	Pump, Fuel Transfer	1	
3	3939258	Gasket, Cover Plate	1	
4	3963983	Washer, Sealing	2	
5	3916361	Screw, Banjo Connector	1	M12 x 1.50 x 24
6	3900631	Screw, Hex Flange Head Cap	2	M8 x 1.25 x 25



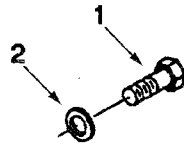
ft957gr

Ref No.	Part Number	Part Name	Req	Remarks
		FUEL PLUMBING		
		OPTION FT9026		
				MR - Fuel Drain Plumbing
				Engine Configuration: 6B
				Drain Location: Outboard Side of Fuel Pump
				Outlet Centerline from Crank Centerline(mm): 244.1
				Outlet Centerline from Engine Centerline(mm): 229.6
				Outlet Centerline from Front Face of Block(mm): -103.2
				Drain Orientation: Vertical Downward
				Drain Connection Type: Single Bead Tube
				Drain Diameter: 8.0mm
				Fuel Pump Model: Bosch VP30
1	3903380	Seal, Banjo Connector	6	6.2mm
2	3905307	Screw, Banjo Connector	6	M6 x 1.00 x 14.3
3	3918109	Screw, Hex Flange Head Cap	1	M8 x 1.25 x 25
4	3918188	Washer, Sealing	2	8.0mm
5	3924726	Valve, Check	1	M8 x 1.25 x 17.5
	167157	Ball, Check	1	
	3916895	Pin, Roll	1	
	3924723	Screw, Banjo Connector	1	
6	3934476	Connector, Banjo	1	
7	3963983	Washer, Sealing	2	
8	3966864	Manifold, Fuel	1	



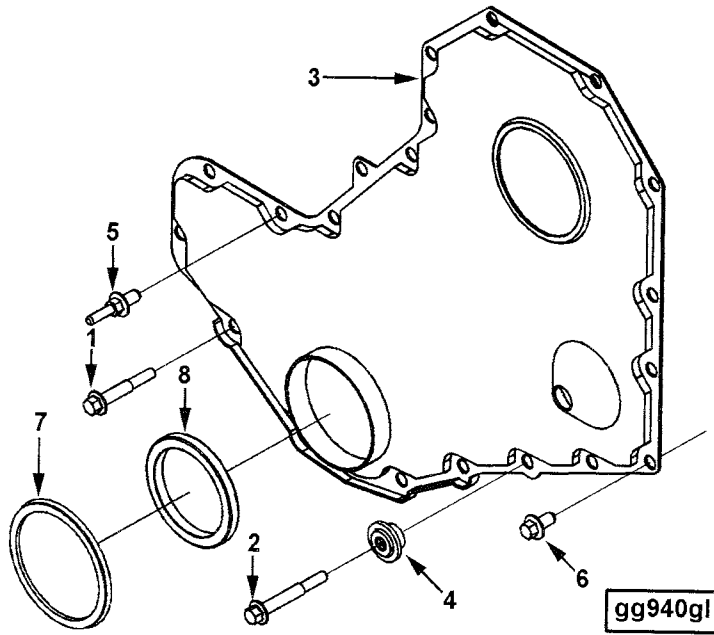
fw954gm

Ref No.	Part Number	Part Name	Req	Remarks
		FLYWHEEL OPTION FW9582		MR: Flywheel Ring Gear Diametral Pitch: 10/12 Ring Gear Tooth Count: 159 Ring Gear Outside Diameter (mm) 407.64 Supplier: Cummins Type: Flywheel Max Full Load Rated Speed (not to exceed): 2920 Flywheel Inertia: 0.56 Flywheel Mounting Flange to Ring Gear Leading Edge (mm) 16.71 Mounting Web Thickness (mm): 16 Pilot Bearing Bore Diameter (mm): 71.968 Clutch/T.C. Mounting Bolt Circle Count: Single Clutch/T.C. Mounting Hole Count: 8 Clutch/T.C. Bolt Circle Diameter (mm): 295.28 Clutch/T.C. Mounting Hole Spacing: Equal Clutch/T.C. Mounting Hole Size: 3/8-16 2nd Clutch/T.C. Mounting Hole Count: N/A 2nd Clutch/T.C. Bolt Circle Diameter (mm): N/A 2nd Clutch/T.C. Mounting Hole Spacing: N/A 2nd Clutch/T.C. Mounting Hole Size: N/A Cummins Material Standard: 40001 Intended Drive Hardware: Funk 11 3/4 inch Converter or 10 inch Overcenter Clutch
1	3905927	Flywheel	1	
	(3905925)	Flywheel	1	
2	3901774	Gear, Flywheel Ring	1	

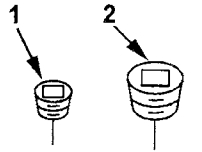


fw910gd

Ref No.	Part Number	Part Name	Req	Remarks
FLYWHEEL MOUNTING OPTION FW9704				
1	3901395	Screw, Hexagon Head Cap	8	MR - Flywheel Mounting Bolt Length: 32mm Flywheel Web Thickness: 16mm To Suit REPTO: No M12 x 1.25 x 32 M12
2	3900269	Washer, Plain	8	

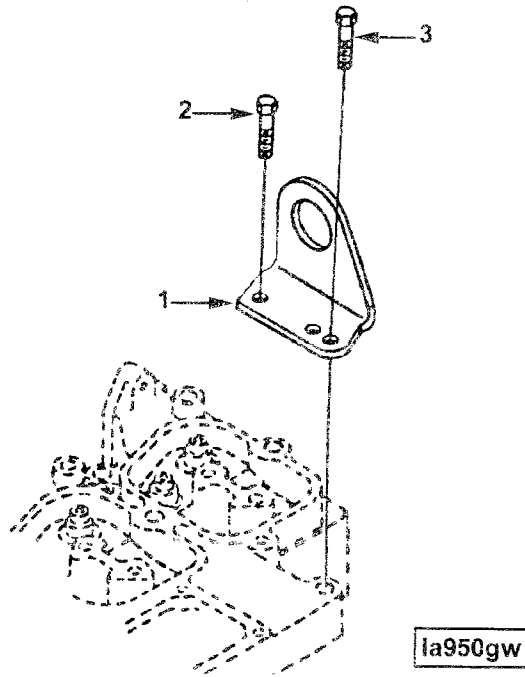


Ref No.	Part Number	Part Name	Req	Remarks
		FRONT GEAR COVER OPTION GG9768		MR - Front Gear Cover Accessory Drive Centerline From Crank Centerline (mm): 130.1 Accessory Drive Centerline From Engine Centerline (mm): 225.7 Fuel Pump Model: Bosch VE, Delphi DP210 Fuel Pump Centerline from Crank Centerline (mm): 271.7 Fuel Pump Centerline from Engine Centerline (mm): 179.0 Double Wall for Noise Suppression: No Includes Belt Retainer: Yes Stud #1 location (X,Y): 221.5, 370.5 Stud #2 Location (X,Y): 277, 316
1	3900633	Screw, Hex Flange Head Cap	8	M8 x 1.25 x 50
2	3901446	Screw, Hex Flange Head Cap	1	M8 x 1.25 x 60
	3287075	Cover, Gear	1	
3	(3286312)	Cover, Gear	1	
4	3912772	Retainer, Belt	1	
5	3921816	Screw, Hex Flange Head Cap	2	M8 x 1.25 x M6 x 1.00
6	3924962	Screw, Hex Flange Head Cap	9	M8 x 1.25 x 16
	3804899	Kit, Front Seal Service	1	
7	3933261	Shield, Dust	1	
	(3937111)	Front Seal Service Kit	1	Includes Installation Tools
8	(3935959)	Seal, Oil	1	

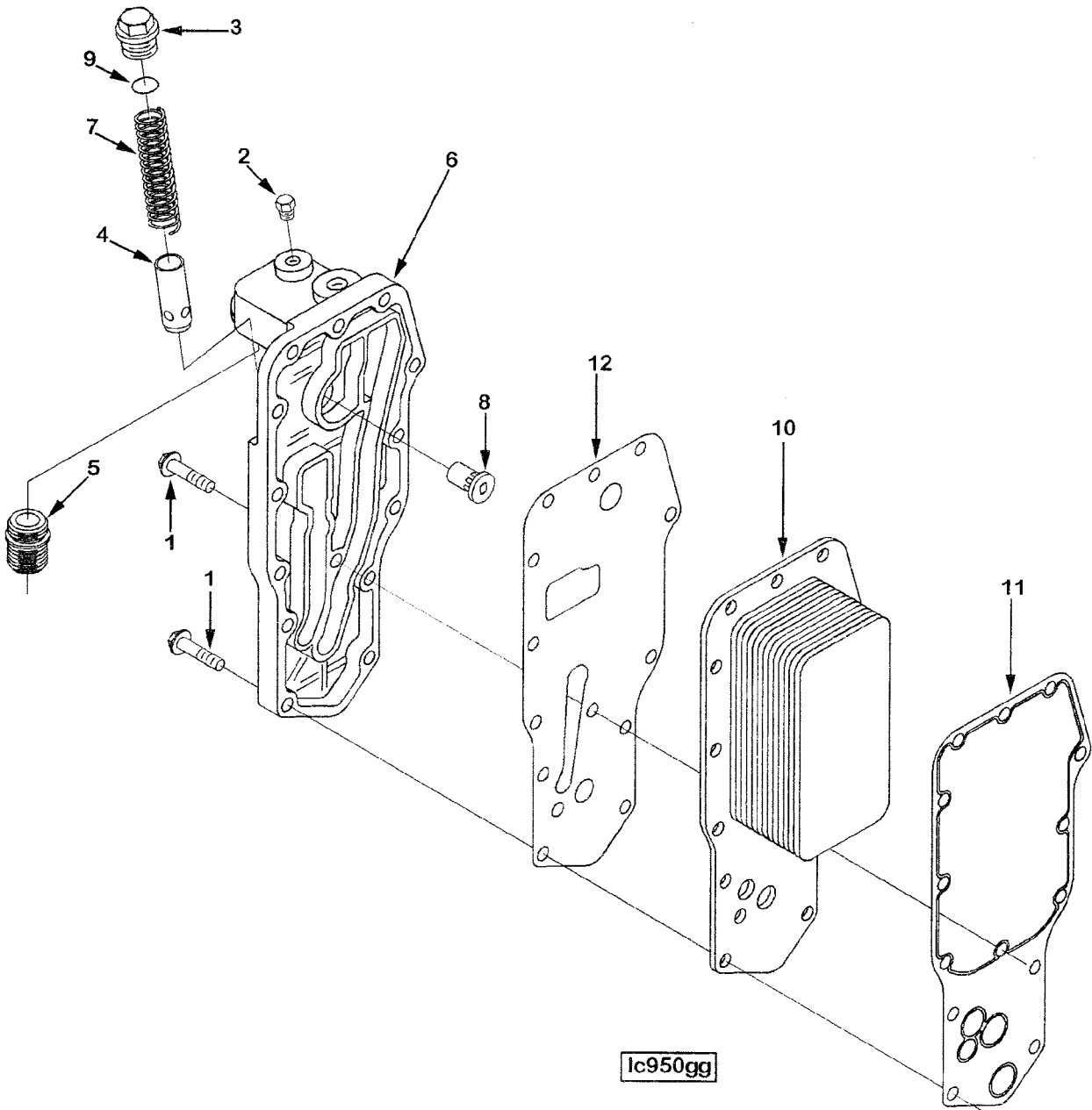


hc900gd

Ref No.	Part Number	Part Name	Req	Remarks
CABIN HEATER PLUMBING OPTION HC9031				
1	3008468	Plug, Pipe	1	MR - Cabin Heater Plumbing Engine Configuration: 6B No provision for cab heater plumbing.
2	3008469	Plug, Pipe	1	

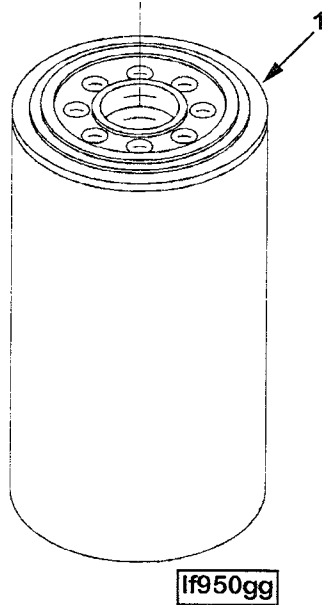


Ref No.	Part Number	Part Name	Req	Remarks
		LIFTING ARRANGEMENT OPTION LA9071		MR - Engine Lifting Arrangement Engine Configuration: 6B Bracket(s) Provided: Front and Rear Front Bracket Location: Exhaust Side of Cylinder Head Centerline Crankshaft to Eye Centerline (mm): 461 Centerline Engine to Eye Centerline (mm): -90 Eye Diameter (mm): 35 rear Rear Bracket Location: Top of Cylinder Head Centerline Crankshaft to Eye Centerline (mm): 478.4 Centerline Engine to Eye Centerline (mm): 141.8 Eye Diameter (mm): 40 Front Lifting Bracket Configuration: Angled Rear, Bent Inboard 30 Degrees Includes Studded Capscrew: Yes Stud Size: M8 x 21 Stud Location: From Engine From Engine Centerline (mm): 187 From Crank Centerline (mm): 426 From Front Face of Block (mm): -633
1	3908118	Bracket, Lifting	1	
2	3910495	Screw, Hex Flange Head Cap	1	M12 x 1.75 x 30
3	3944061	Screw, Hex Flange Head Cap	1	M12 x 1.75 x M8 x 1.25

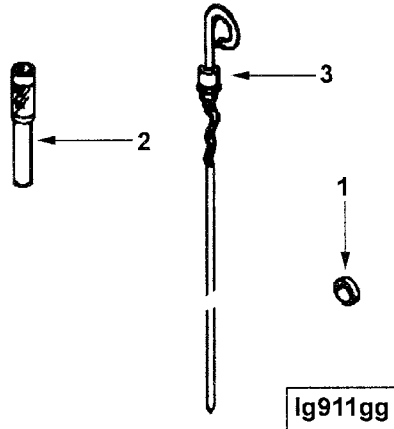


lc950gg

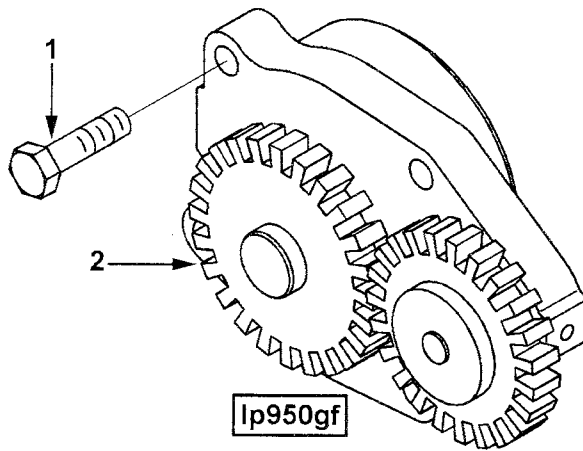
Ref No.	Part Number	Part Name	Req	Remarks
		ENGINE OIL COOLER OPTION LC9727		MR - Engine Oil Cooler Engine Configuration: 6B Lube Filter Mounting Position: Vertical Filter Thread: 1 inch -16 UN Number Of Cooler Plates: 7 Auxilliary Oil Supply Port Size: 1/8 inch NPT
1	3900632	Screw, Hex Flange Head Cap	14	M8 x 1.25 x 35
2	3906619	Plug, Pipe	1	1/8 NPT
3	3915787	Plug, Threaded	1	M22 x 1.50
4	3918428	Plunger, Prs Regulator	1	
	3918954	Head, Lub Oil Filter	1	
5	3909355	Adapter, Filter Head	1	
6	(3924338)	Head, Lub Oil Filter	1	
7	3925009	Spring, Compression	1	
8	3936365	Valve, Pressure Relief	1	
9	3929457	Seal, O Ring	1	
10	3957544	Core, Cooler	1	
11	3942914	Gasket, Oil Cooler Core	1	
12	3942915	Gasket, Filter Head	1	



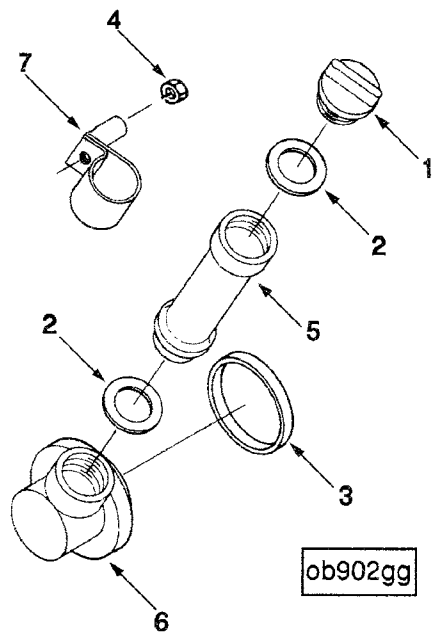
Ref No.	Part Number	Part Name	Req	Remarks
1	3934430	<p style="text-align: center;">LUBE OIL FILTER OPTION LF9098</p> <p>Filter, Lubricating Oil</p>	1	<p>MR - Lubricating Oil Filter Engine Configuration: 6B Filter Media: Stratapore Filter Length (mm): 175.9 Mounting Location: Engine Mounting Position: Vertical Filter Thread: 1 inch -16 UN Auxilliary Oil Supply Port Size: 1/8 inch NPT</p>



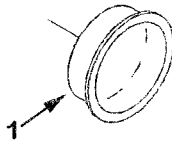
Ref No.	Part Number	Part Name	Req	Remarks
		OIL LEVEL GAUGE OPTION LG90002		MR - Oil Level Gauge Engine Configuration: 6B Oil Pan Sump Type: Standard Front Dipstick End Point: Low Fuel Pump Side Tube Entry Location from Front Face of Block (mm): 168 Oil Level High/Low-Qt (l): 15/13 (14.2/12.3) Power Angle (deg): 0 Tilt Angle (deg): 0 Tube Length (mm): 155 Tube Bend Angle (deg): 0 Brace Location: None Allowable Part Substitution: 3905368 for 3900955
1	3900955	Plug, Expansion	3	
2	3905127	Tube, Oil Gauge	1	
3	3907714	Dipstick	1	



Ref No.	Part Number	Part Name	Req	Remarks
1 2	3900677 3937404	<p style="text-align: center;">LUBE OIL PUMP OPTION LP9729</p> <p>Screw, Hexagon Head Cap Pump, Lubricating Oil</p>	4 1	<p>MR - Lubrication Oil Pump</p> <p>Flow Rate at Pump Speed (GPM @ RPM): 20.5 at 4200 M8 x 1.25 x 30</p>

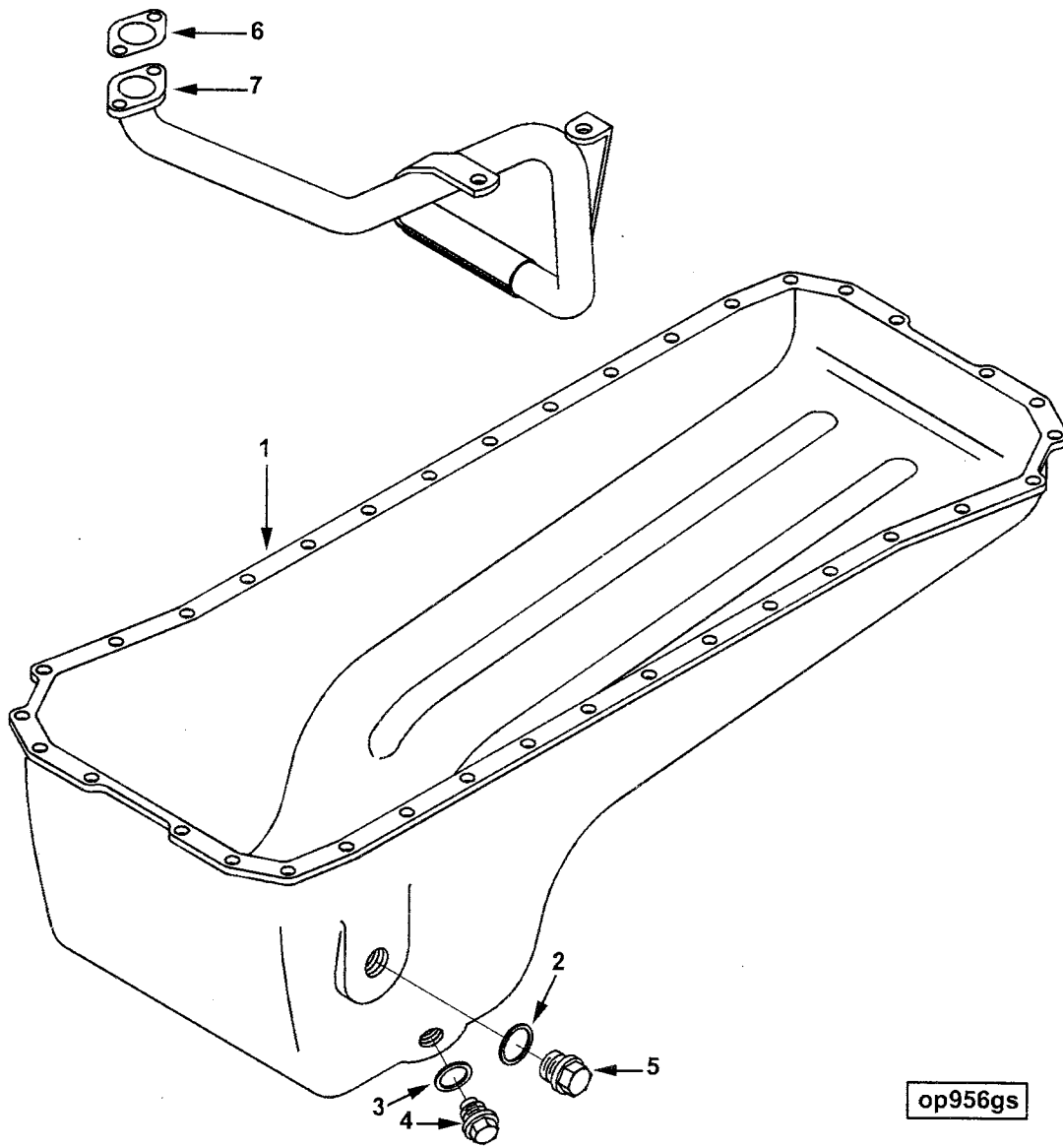


Ref No.	Part Number	Part Name	Req	Remarks
		OIL FILLER ARRANGEMENT OPTION OB9292		MR - Oil Fill Arrangement Oil Fill Location: Gear Cover Oil Fill Orientation: 45 Degrees Outboard Includes Oil Fill Extension: Yes Includes Fill Cap: Yes Requires Support Stud: X = 221.5; Y = 370.5 Compatible with 4-Bolt Air Compressor Support: Yes
1	3914136	Cap, Filler	1	
2	3936876	Seal, Rectangular Ring	2	
3	3903475	Seal, Rectangular Ring	1	
4	3906216	Nut, Hexagon Flange	1	M6 x 1.00
5	3914738	Tube, Oil Filler	1	
6	3921644	Connection, Oil Filler	1	
7	3921815	Clip	1	

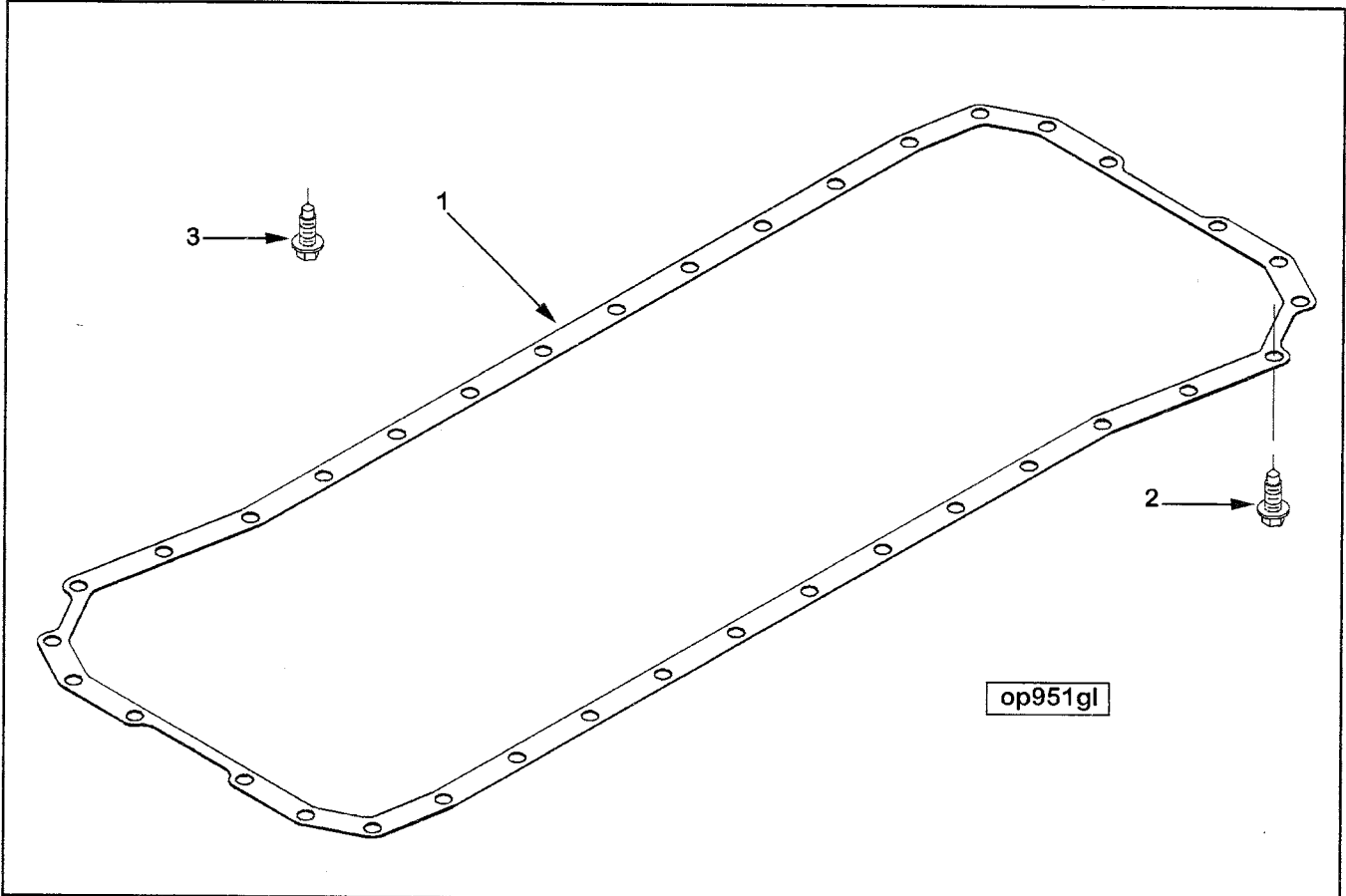


ob953gl

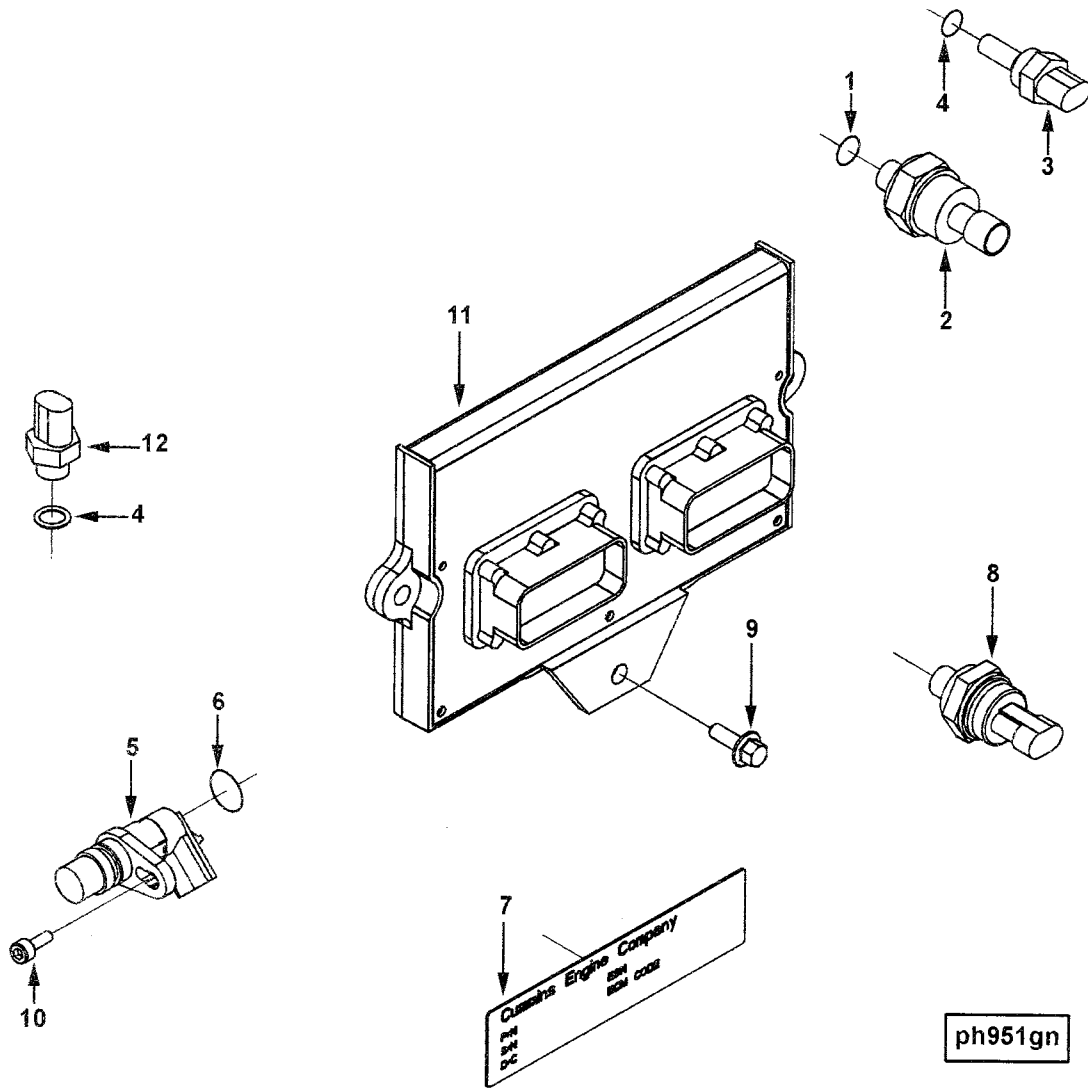
Ref No.	Part Number	Part Name	Req	Remarks
1	3900958	<p>HAND HOLE COVER OPTION OB9721</p> <p>Plug, Expansion</p>	1	<p>MR - Hand Hole Cover Oil Fill Location: Gear Cover Oil Fill Supplier: Cummins 4-Bolt Air Compressor Support: No Breather Location: Cam Follower Cover Mechanical Tachometer Drive: No</p>



Ref No.	Part Number	Part Name	Req	Remarks
OIL PAN				
OPTION OP9321				
				Oil Pan Engine Configuration: 6B Sump Type: Standard front Front Oil Capacity High/Low- qt(l): 15/13 (14.2/12.3 Material: Stamped Steel Drain Size/Location: M18/Fuel Pump Side Oil Heater Boss Size/Loc: M22/Fuel Pump Side Oil Level Sensor Hole Type/Location: None Front Up Angularity (deg): 40 Front Down Angularity (deg): 40 Side to Side Angularity (deg): 40 Noise Isolated: No Suction Flange Thickness (mm): 5.16 No. of Suction Tube Braces to Block: 2
1	3915703	Pan, Oil	1	
2	3902425	Washer, Sealing	1	22 mm
3	3920773	Washer, Sealing	1	18 mm
4	3924147	Plug, Threaded	1	M18 x 1.50 Thd
5	3924148	Plug, Threaded	1	M22 x 1.50 Thd
6	3938157	Gasket, Flange	1	
7	3934942	Connection, Oil Suction	1	
OIL PAN SERVICE KIT				
	3900960	Kit, Oil Pan Service	1	
	3907860	Screw, Hex Flange Head Cap	4	M8 X 1.25 X 25
	3915703	Pan, Oil	1	
	3935482	Plate, Clamping	1	
	3937072	Gasket, Oil Pan	1	

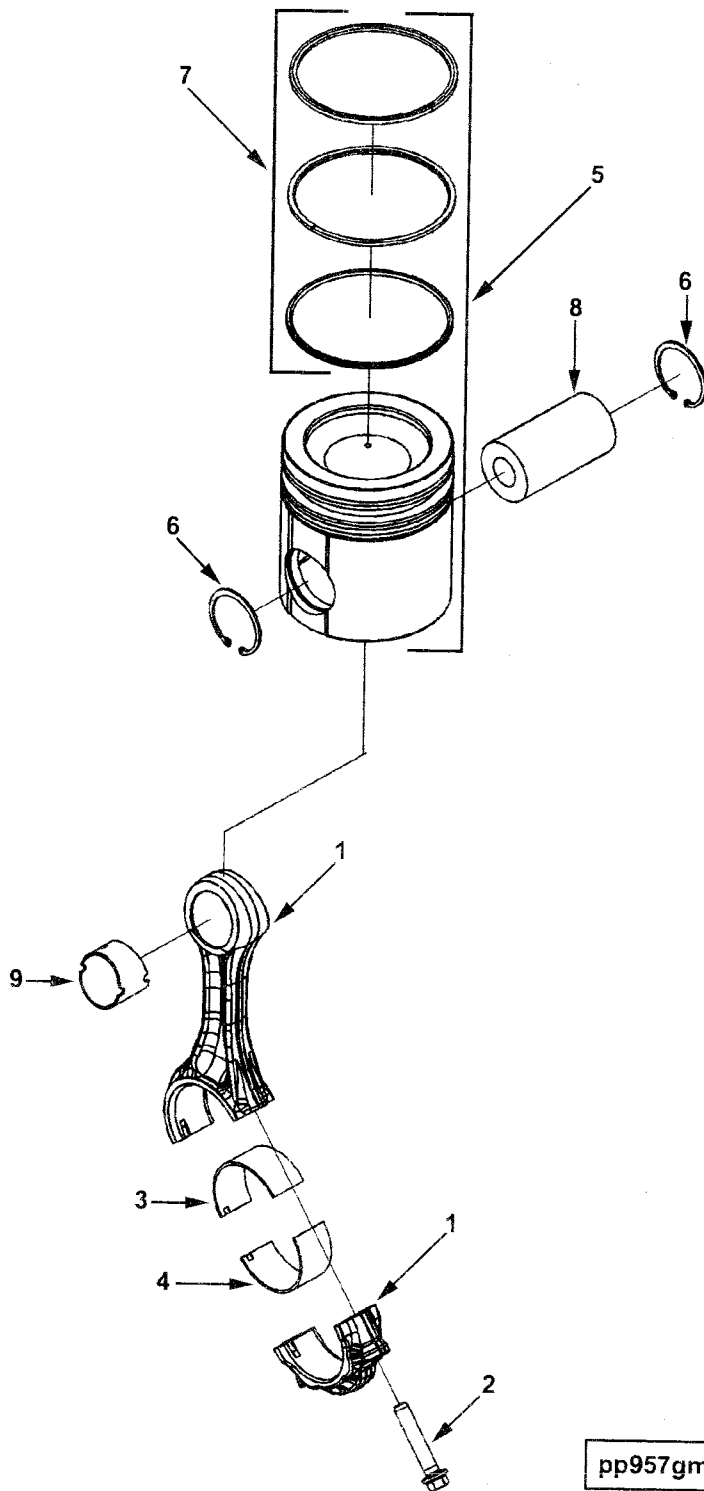


Ref No.	Part Number	Part Name	Req	Remarks
OIL PAN MOUNTING OPTION OP9735				
				Oil Pan Mounting Engine Configuration: 6B Oil Pan Material: Stamped Steel Noise Isolated Pan: No Bedplate: No Suction Flange Thickness (mm): 5.16 No. of Suction Tube Braces to Block: 2
1	3959052	Gasket, Oil Pan	1	
2	3920400	Screw, Hex Flange Head Cap	36	M8 X 1.25 X 21
3	3900630	Screw, Hex Flange Head Cap	4	M8 x 1.25 x 20

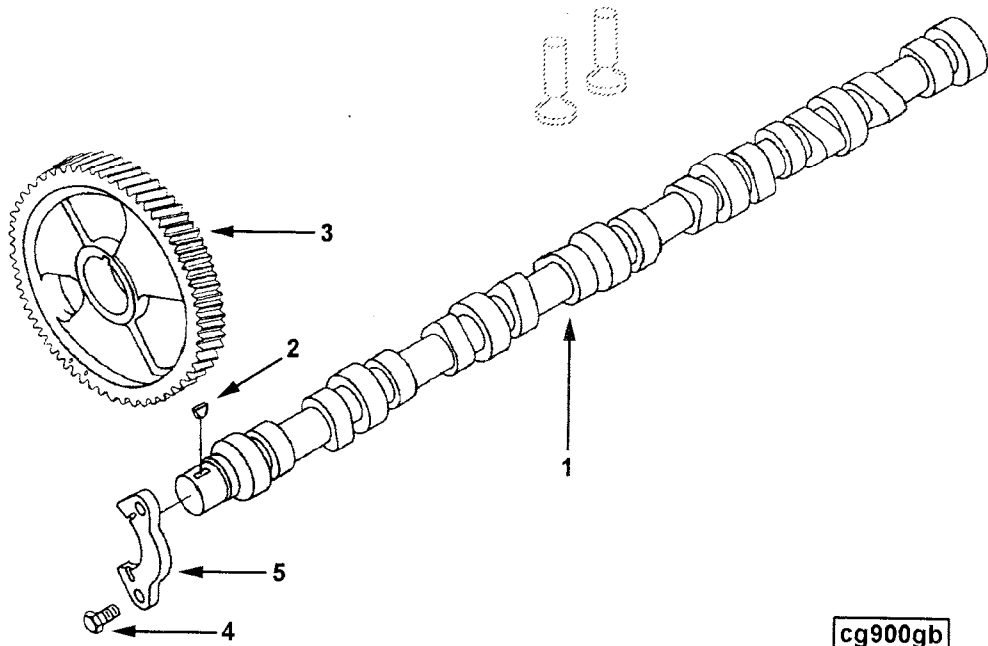


Ref No.	Part Number	Part Name	Req	Remarks
		ENGINE CONTROL MODULE OPTION PH9845		MR - Engine Control Module Engine Control System: ENI ECM Version: CM550A 100 PIN Module Location (mm): N/A Ambient Air Pressure Sensor Included: No Intake Manifold Temp Sensor Manufacturer: High-Stat Boot Software Type: Cummins Intake Manifold Pressure Sensor: Gauge Speed Sensor Location: Cam Gear Engine Design Phase: Elite II Engine Family: 6B Series Fuel Pump Manufacturing/Model: Bosch VP30 Oil Pressure Sensor: Switch Applicable FR Options: FR91130, FR91151, FR91152, FR91153, FR91155, FR91156, FR91157, FR91158, FR91159, FR91219, FR91255 Applicable DO Options: DO9486, DO9487, DO9551, DO9552, DO9577, DO9578, DO9579, DO9580, DO9596, DO9597, DO9598, DO9599, DO9602, DO9603, DO9604, DO9605, DO9611, DO9612, DO9642, DO9643, DO9668, DO9669, DO9677, DO9678, DO9680, DO9681, DO9682, DO9684, DO9685, DO9686, DO9695, DO9696, DO9730,
	3348747	Sensor, Pressure	1	
1	3330202	Seal, O Ring	1	
2	(3348748)	Sensor, Pressure	1	Boost Pressure
	3408345	Sensor, Temperature	1	Air Temperature
3	3408346	Sensor, Temperature	1	
4	4010519	Seal, O Ring	1	
	3408430	Sensor, Position	1	
5	(3408431)	Sensor, Position	1	
6	3408438	Seal, O Ring	1	
7	3609867	Dataplate	1	
8	3613547	Sensor, Temperature	1	Coolant Temperature Sensor
9	3900630	Screw, Hex Flange Head Cap	3	M8 x 1.25 x 20
10	3906391	Screw, Socket Head Cap	1	M6 X 1.00 X 16
11	(3991505)	Module, Electronic Control	1	
	4076930	Switch, Pressure	1	Oil Pressure
4	4010519	Seal, O Ring	1	
12	(4076931)	Switch, Pressure	1	

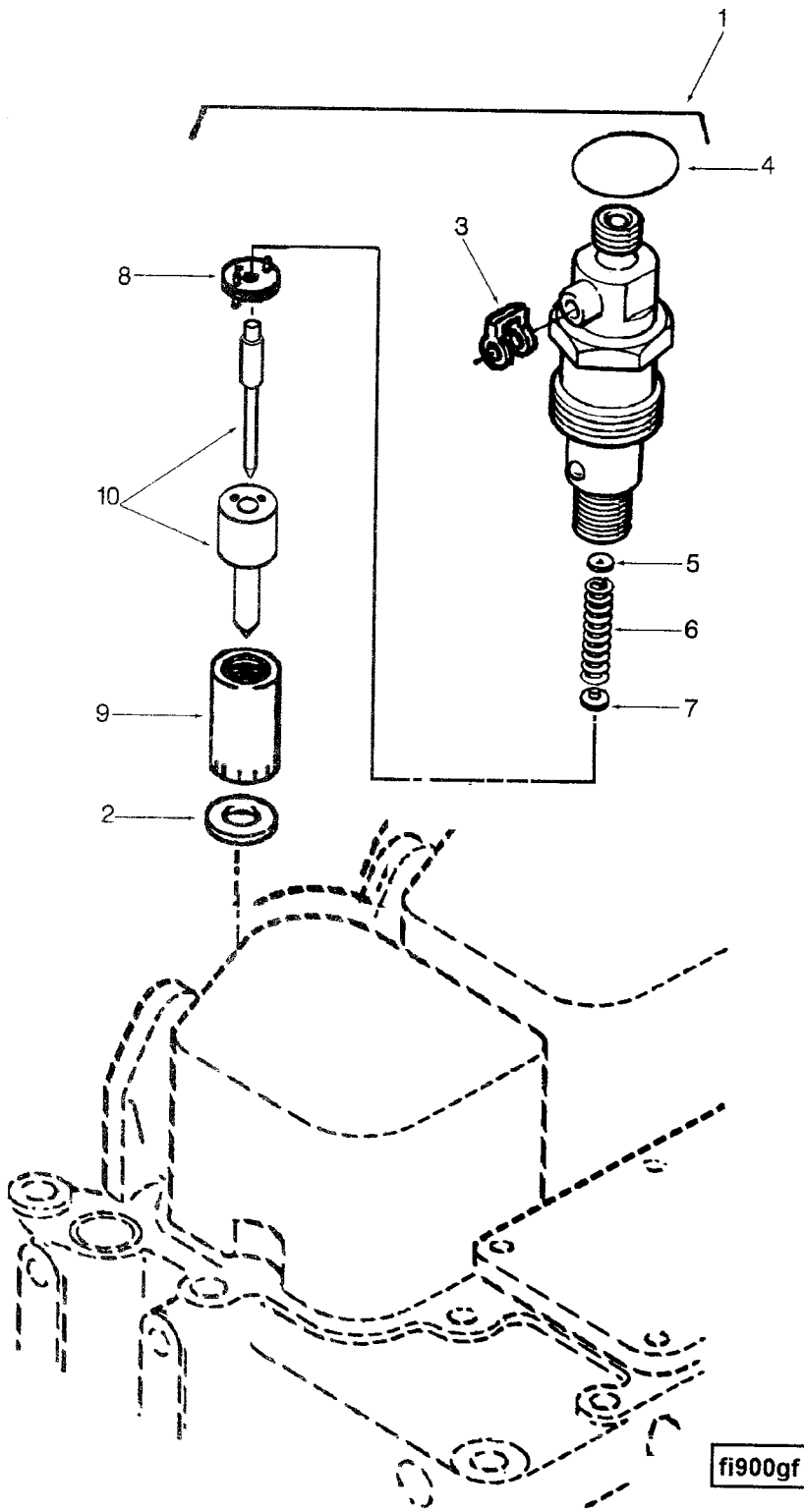
Connecting Rod



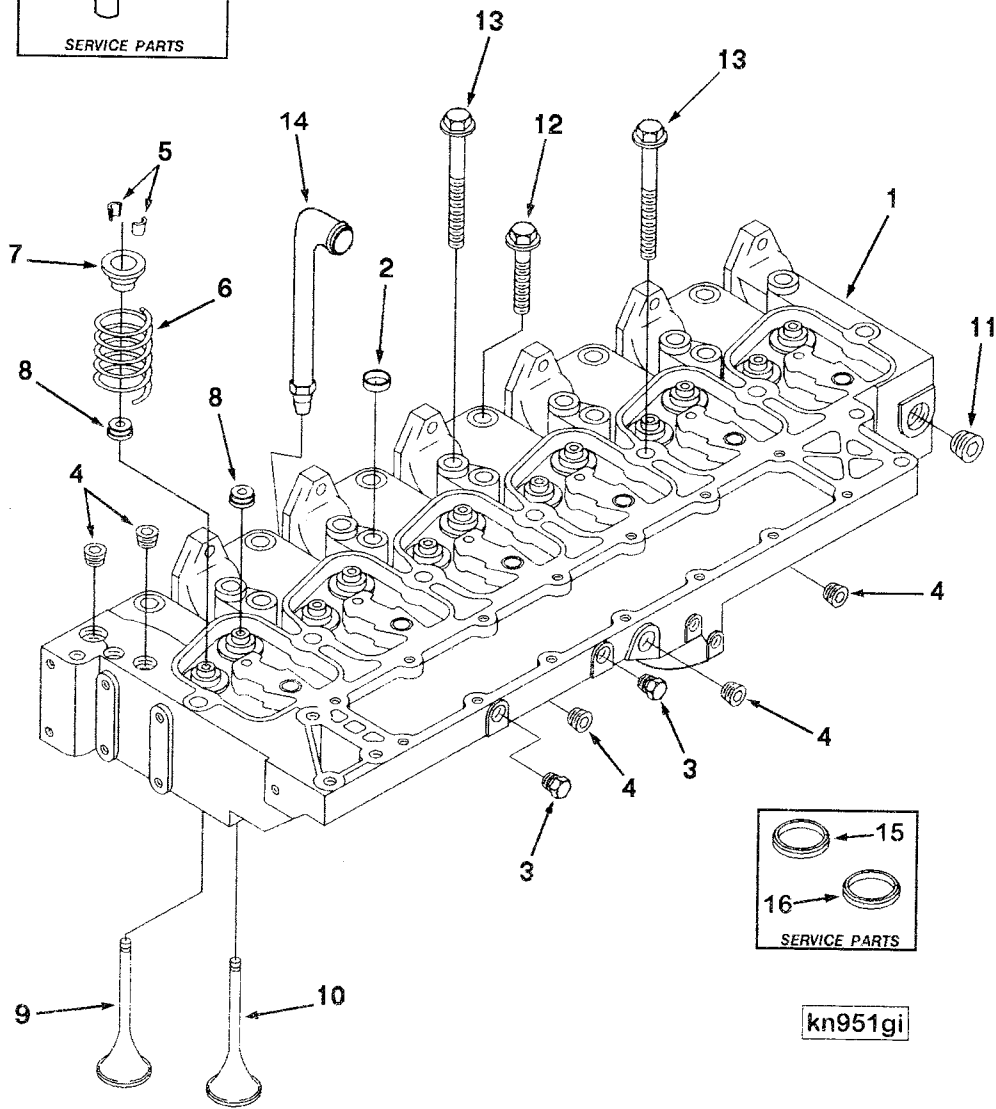
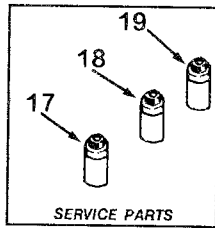
Ref No.	Part Number	Part Name	Req	Remarks
		CONNECTING ROD OPTION PP8300		MR - Performance Parts - ENI Technical Model Name: 6BT5.9-CE Engine Family: "B" Series CPL: 8300 Certified By: EPA, CARB, EU Cert Level: Tier 2, Tier 2, Stage 2 Cylinders: 6 Applicable DO Options: DO 9579, DO 9580, DO 9681 Engine Aspiration: Turbocharged Engine Control System: ENI Engine Application: Nonroad CPL Comments: Graded Pistons Required Engine Design Phase: Elite II Service Model Name: 00 ECM Version: CM550 100 Pin Centinel Provision: No Applicable FR Options: FR91156 Graded Piston P/N's: Grade A = 3957416 Grade B = 3957419 Grade C = 3957420
1	3954658 (3954657)	Rod, Engine Connecting	6	
		Rod, Engine Connecting	1	
2	4891179	Screw, Connecting Rod Cap	2	
9	4891178	Bushing	1	
3	3939859	Bearing, Connecting Rod	6	Upper
4	4893693	Bearing, Connecting Rod	6	Lower
5	4089461 (3957416)	Kit, Engine Piston	6	Standard
		Piston, Engine	1	
6	3920691	Ring, Retaining	2	
7	4089460	Set, Piston Ring	1	Standard
8	3934047	Pin, Piston	6	
3	3901171	Bearing, Connecting Rod	A/R	0.25 mm Oversize
3	3901172	Bearing, Connecting Rod	A/R	0.50 mm Oversize
3	3901173	Bearing, Connecting Rod	A/R	0.75 mm Oversize
3	3901174	Bearing, Connecting Rod	A/R	1.00 mm Oversize
4	4892795	Bearing, Connecting Rod	A/R	0.25 mm Oversize
4	4892796	Bearing, Connecting Rod	A/R	0.50 mm Oversize
4	4892797	Bearing, Connecting Rod	A/R	0.75 mm Oversize
4	4892798	Bearing, Connecting Rod	A/R	1.00 mm Oversize
5	(4089618)	Kit, Engine Piston	6	0.50mm Oversize
	(3957417)	Piston, Engine	1	
6	3920691	Ring, Retaining	2	
7	(4089614)	Set, Piston Ring	1	0.50mm Oversize
5	(4089619)	Kit, Engine Piston	6	1.00mm Oversize
	(3957418)	Piston, Engine	1	
6	3920691	Ring, Retaining	2	
7	(4089615)	Set, Piston Ring	1	1.00mm Oversize



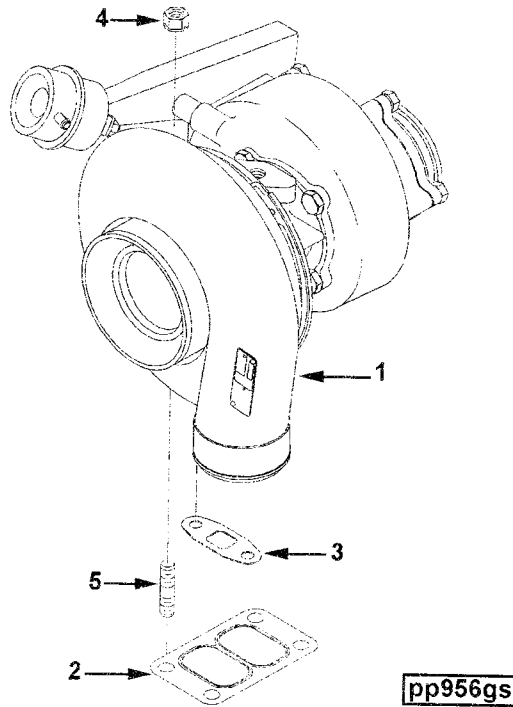
Ref No.	Part Number	Part Name	Req	Remarks
		CAMSHAFT OPTION PP8300		
1	3929886	Camshaft	1	
2	3902332	Key, Plain Woodruff	1	
3	3946436	Gear, Camshaft	1	
4	3900227	Screw, Hexagon Head Cap	2	M8 x 1.25 x 22
5	3927155	Support, Camshaft Thrust	1	



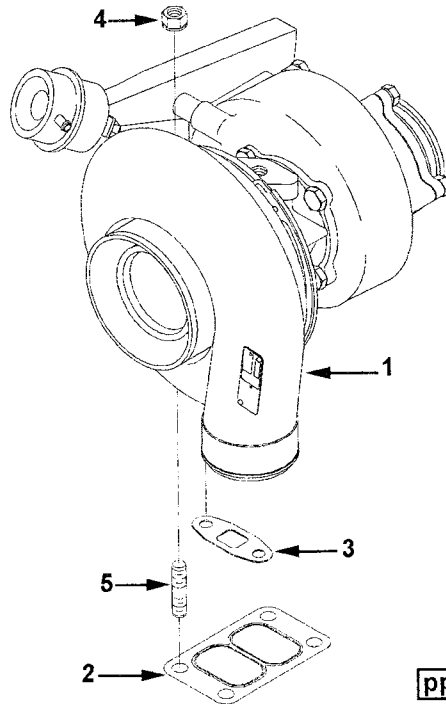
Ref No.	Part Number	Part Name	Req	Remarks
		INJECTOR		
		OPTION PP8300		
1	3802677	Kit, Injector	6	
	(3929490)	Injector	1	
2	3906659	Seal, Injector	1	For 7mm Head
3	3903380	Seal, Banjo Connector	1	6.2mm
4	3909356	Seal, Rectangular Ring	1	
5	3905156	Shim	A/R	1.00 mm Thick
5	3905157	Shim	A/R	1.04 mm Thick
5	3905158	Shim	A/R	1.08 mm Thick
5	3905159	Shim	A/R	1.10 mm Thick
5	3905160	Shim	A/R	1.14 mm Thick
5	3905161	Shim	A/R	1.18 mm Thick
5	3905162	Shim	A/R	1.20 mm Thick
5	3905163	Shim	A/R	1.24 mm Thick
5	3905164	Shim	A/R	1.28 mm Thick
5	3905165	Shim	A/R	1.30 mm Thick
5	3905166	Shim	A/R	1.34 mm Thick
5	3905167	Shim	A/R	1.38 mm Thick
5	3905168	Shim	A/R	1.40 mm Thick
5	3905169	Shim	A/R	1.44 mm Thick
5	3905170	Shim	A/R	1.48 mm Thick
5	3905171	Shim	A/R	1.50 mm Thick
5	3905172	Shim	A/R	1.54 mm Thick
5	3905173	Shim	A/R	1.58 mm Thick
5	3905174	Shim	A/R	1.60 mm Thick
5	3905175	Shim	A/R	1.64 mm Thick
5	3905176	Shim	A/R	1.68 mm Thick
5	3905177	Shim	A/R	1.70 mm Thick
5	3905178	Shim	A/R	1.74 mm Thick
5	3905180	Shim	A/R	1.78 mm Thick
5	3905181	Shim	A/R	1.80 mm Thick
5	3905182	Shim	A/R	1.84 mm Thick
5	3905183	Shim	A/R	1.88 mm Thick
5	3905184	Shim	A/R	1.90 mm Thick
5	3905185	Shim	A/R	1.94 mm Thick
5	3905186	Shim	A/R	1.98 mm Thick
6	3905152	Spring, Compression	6	
7	3917945	Spindle	6	
8	3917946	Disc, Intermediate	6	
9	3905155	Retainer, Injector Nozzle	6	
10	3929492	Nozzle, Injector	6	



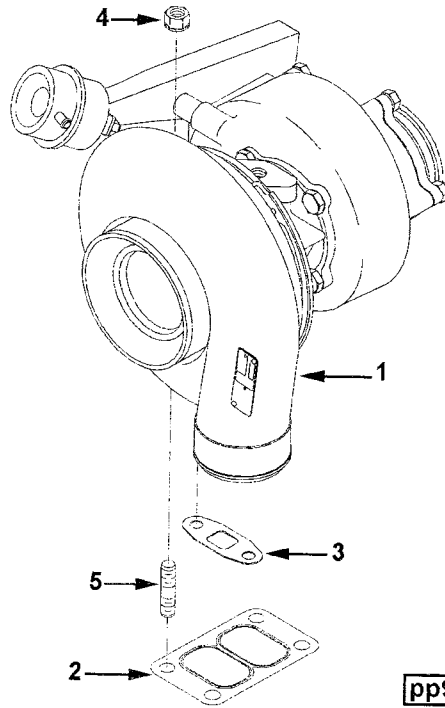
Ref No.	Part Number	Part Name	Req	Remarks
		CYLINDER HEAD OPTION PP98060		MR - Cylinder Head Engine Configuration: 6B Coolant Temp Sensor For Fuel System: Yes Air Fuel Control Plumbing: No Gasket Material: Standard
	3938656	Head, Cylinder	1	
1	3934746	Head, Cylinder	1	
2	3812092	Plug, Expansion	5	
3	3906619	Plug, Pipe	2	1/8 NPT
4	3008468	Plug, Pipe	5	1/2 NPT
	3802355	Valve, Intake	6	
5	3900250	Collet, Valve	12	
9	(3920867)	Valve, Intake		
	3802356	Valve, Exhaust	6	
5	3900250	Collet, Valve	12	
10	(3920868)	Valve, Exhaust	6	
6	3932453	Spring, Valve	12	
7	3935038	Retainer, Valve Spring	12	
8	3921640	Seal, Valve Stem	12	
11	3008469	Plug, Pipe	1	3/4 NPT
12	3920779	Screw, Hex Flange Head Cap	6	M12 x 1.75 x 70
13	3920780	Screw, Hex Flange Head Cap	14	M12 x 1.75 x 120
14	3926446	Tube, Aftercooler	1	
		SERVICE PARTS		
15	3904105	Insert, Valve		Exhaust
16	3906854	Insert, Valve		Intake
17	3904408	Guide, Valve Stem		Thick Wall 60.50mm Long intake
18	3904409	Guide, Valve Stem		Thick Wall 51.75mm Long intake
19	3906206	Guide, Valve Stem		Thin Wall Can be Used on intake and exhaust



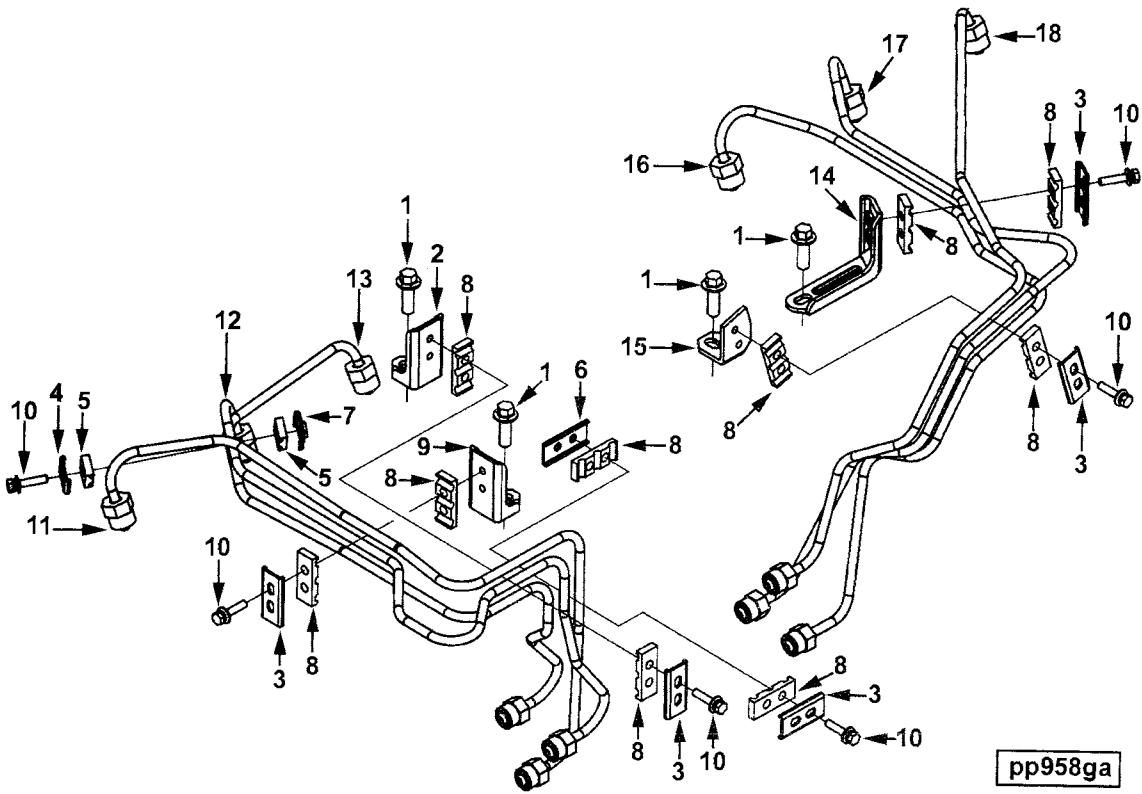
Ref No.	Part Number	Part Name	Req	Remarks
		TURBOCHARGER OPTION PP98163		MR - Turbocharger Engine Configuration: 6B Turbocharger Location: HMFO ID17 turbo-charger: 3598897 Turbocharger Type: Wastegate Wastegate Pressure Setting (BAR): 1.65 Turbocharger Model: HX35 W- E7745 L/E12 PB11 Compressor Outlet Configuration: Half Marmon Compressor Outlet Angle On Engine (deg): 100 Turbocharger Attitude Settings: Compressor Angle (Deg): 295 Turbine Angle (deg): 5 Exhaust Outlet Configuration: Half Marmon
1	4025327 (3598897)	Turbocharger	1	
2	3901356	Gasket, Turbocharger	1	
3	3937706	Gasket, Oil Drain	1	
4	3818824	Nut, Hexagon Flange	4	M10 x 1.50
5	3818823	Stud	4	M10 x 1.50 x 42



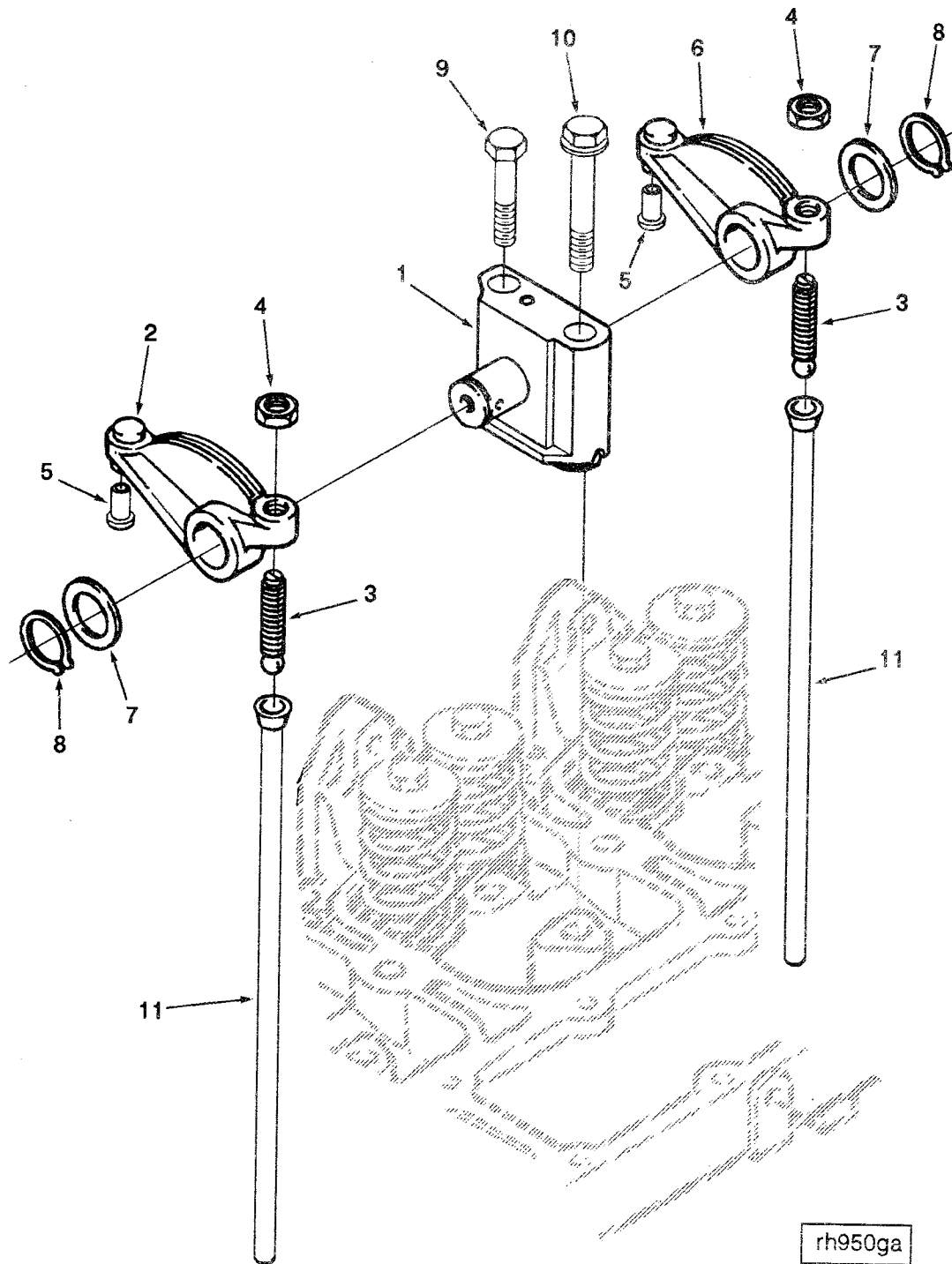
Ref No.	Part Number	Part Name	Req	Remarks
		TURBOCHARGER OPTION PP98327		MR - Turbocharger Engine Configuration: 6B Turbocharger Location: HMRO ID17 turbocharger: TBD Turbocharger Type: Wastegate Wastegate Pressure Setting (BAR): TBD Turbocharger Model: TBD Compressor Outlet Configuration: Hose Bead Compressor Outlet Angle On Engine (deg): 11 Turbocharger Attitude Settings: Compressor Angle (deg): 329 Turbine Angle (deg): 20 Exhaust Outlet Configuration: Half Marmon
1	4089466 (3599725)	Kit, Turbocharger Turbocharger	1	
2	3901356	Gasket, Turbocharger	1	
3	3937706	Gasket, Oil Drain	1	
4	3818824	Nut, Hexagon Flange	4	M10 x 1.50
5	3818823	Stud	4	M10 x 1.50 x 42



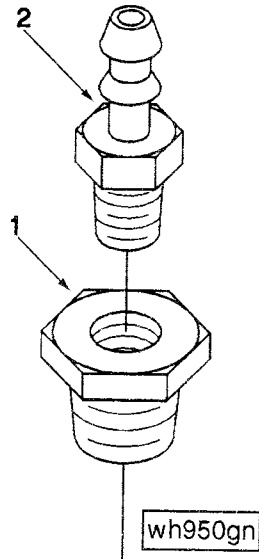
Ref No.	Part Number	Part Name	Req	Remarks
		TURBOCHARGER OPTION PP98360		MR - Turbocharger Engine Configuration: 6B Turbocharger Location: LMFO ID17 turbo- charger: 3599479 Turbocharger Type: Wastegate Wastegate Pressure Setting (BAR): 1.65 Turbocharger Model: HX35 W- E7745 L/E12 PB11 Compressor Outlet Configuration: Half Marmon Compressor Outlet Angle On Engine (deg): 145 Turbocharger Attitude Settings: Compressor Angle (deg): 325 Turbine Angle (deg): 180 Exhaust Outlet Configuration: Half Marmon
1	4089465 (3599479)	Turbo, Kit Turbocharger	1	
2	3901356	Gasket, Turbocharger	1	
3	4891288	Gasket, Oil Drain	1	
4	3818824	Nut, Hexagon Flange	4	M10 x 1.50
5	3818823	Stud	4	M10 x 1.50 x 42



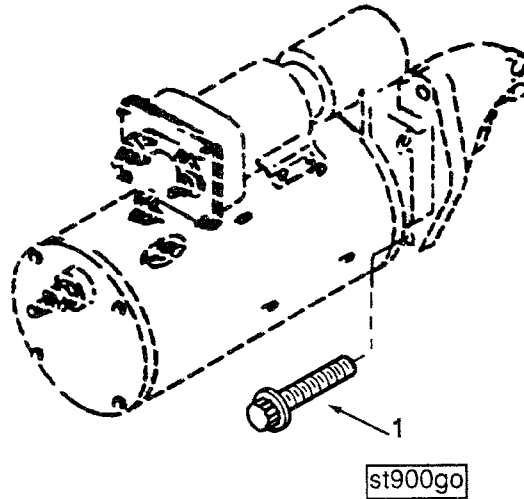
Ref No.	Part Number	Part Name	Req	Remarks
		INJECTOR PLUMBING OPTION PP98377		MR - Injector Plumbing Engine Configuration: 6B Line Length (mm): 751 Inside Diameter (mm): 2.0 Pressure Limit (< BAR): 1000 Injector Tube Nut Size (mm): 14 Delivery Valve Tube Nut Size (mm): 12 location #1 Location #1 Delivery Valve End (X, Y, Z): 176.6, 244.8, -231.2 Tube Brace Mounting Locations (X, Y, Z): 190.0, 431.4, -172.0 115.0, 431.4, -172.0 190.0, 431.4, -412.0 115.0, 431.4, -412.0 RPM Limitation (< RPM): None M8 x 1.25 x 25
1	3918109 (3964739)	Screw, Hex Flange Head Cap Tube, Injector Fuel Supply	4 1	
2	3282942	Brace, Tube	1	
3	3904519	Brace, Tube	5	
4	3904711	Brace, Tube	1	
5	3914338	Isolator, Vibration	2	
6	3917716	Brace, Tube	1	
7	3917717	Brace, Tube	1	
8	3917747	Isolator, Vibration	10	
9	3920414	Brace, Tube	1	
10	3920854	Screw, Captive Washer Cap	11	M5 x 0.8 x 24.5
11	3964731	Tube, Injector Fuel Supply	1	
12	3964732	Tube, Injector Fuel Supply	1	
13	3964733 (3964740)	Tube, Injector Fuel Supply Tube, Injector Fuel Supply	1 1	
14	3866734	Brace, Tube	1	
15	3917778	Brace, Tube	1	
16	3964734	Tube, Injector Fuel Supply	1	
17	3964735	Tube, Injector Fuel Supply	1	
18	3964736	Tube, Injector Fuel Supply	1	



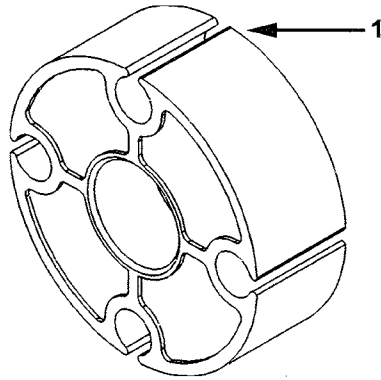
Ref No.	Part Number	Part Name	Req	Remarks
		ROCKER LEVER OPTION RL9737		Rocker lever Engine Family: B Number Of Cylinders: 6 Design Phase: 2 Valve Head
1	3922488 (3911423) (3922487)	Support, Rocker Lever Support, Rocker Lever Shaft, Rocker Lever	6 1 1	
2	3910811 (3910809)	Lever, Rocker Lever, Rocker	6 1	Intake
3	(3937438)	Screw, Rkr Lever Adjusting	1	
4	3927692	Nut, Heavy Hexagon	1	3/8-24 Thd
5	(3900705)	Insert, Rocker Lever	1	
6	3910810 (3910808)	Lever, Rocker Lever, Rocker	6 1	Exhaust
3	(3937438)	Screw, Rkr Lever Adjusting	1	
4	3927692	Nut, Heavy Hexagon	1	3/8-24 Thd
5	(3900705)	Insert, Rocker Lever	1	
7	3900245	Washer, Plain	12	M19
8	3900242	Ring, Retaining	12	
9	3901221	Screw, Hexagon Head Cap	6	M8 x 1.25 x 75
10	3920781	Screw, Hex Flange Head Cap	6	
11	3284377	Rod, Push	12	



Ref No.	Part Number	Part Name	Req	Remarks
		ENGINE COOLANT VENT OPTION RP9070		MR - Cooling System Vent Arrangement Engine Family: "B" Series Vent Arrangement: 1/8 inch Orifice Customer Connection: Barbed for 3/8 inch ID hose Hose Location: Outboard Top of Head From Engine CL (mm): -77 From Front Face of Block (mm): -19 Thermostat Type: Vented
1	3935178	Coupling, Plain Hose	1	
1	3935153	Bushing, Reducing Pipe	1	
2	3935151	Coupling, Plain Hose	1	

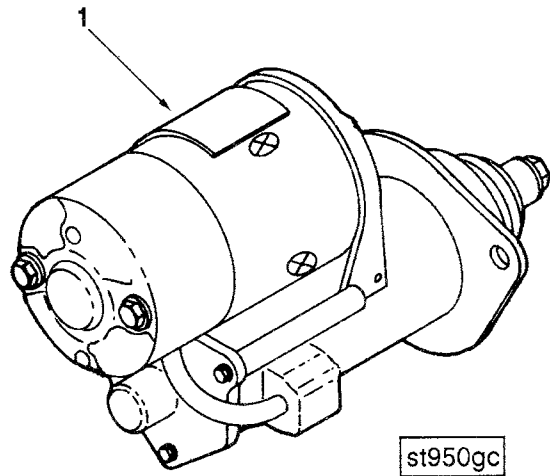


Ref No.	Part Number	Part Name	Req	Remarks
1	3903834	<p>STARTING MOTOR MOUNTING OPTION SM9790</p> <p>Screw, Twelve Point Cap</p>	2	<p>MR - Starting Motor Mounting Thread Size: M10 x 1.5 - 6H Items Supplied: Spacer Thickness (mm): 0 Spacer Mounting Flange SAE Type: N/A Spacer Included: Spacer Male Pilot Diameter (mm): 0 Spacer Female Pilot Diameter (mm): 0 Mounting Hardware Supplied: 2 Capscrews Mounting Hardware Supplier: Cummins M10 x 1.50 x 35</p>

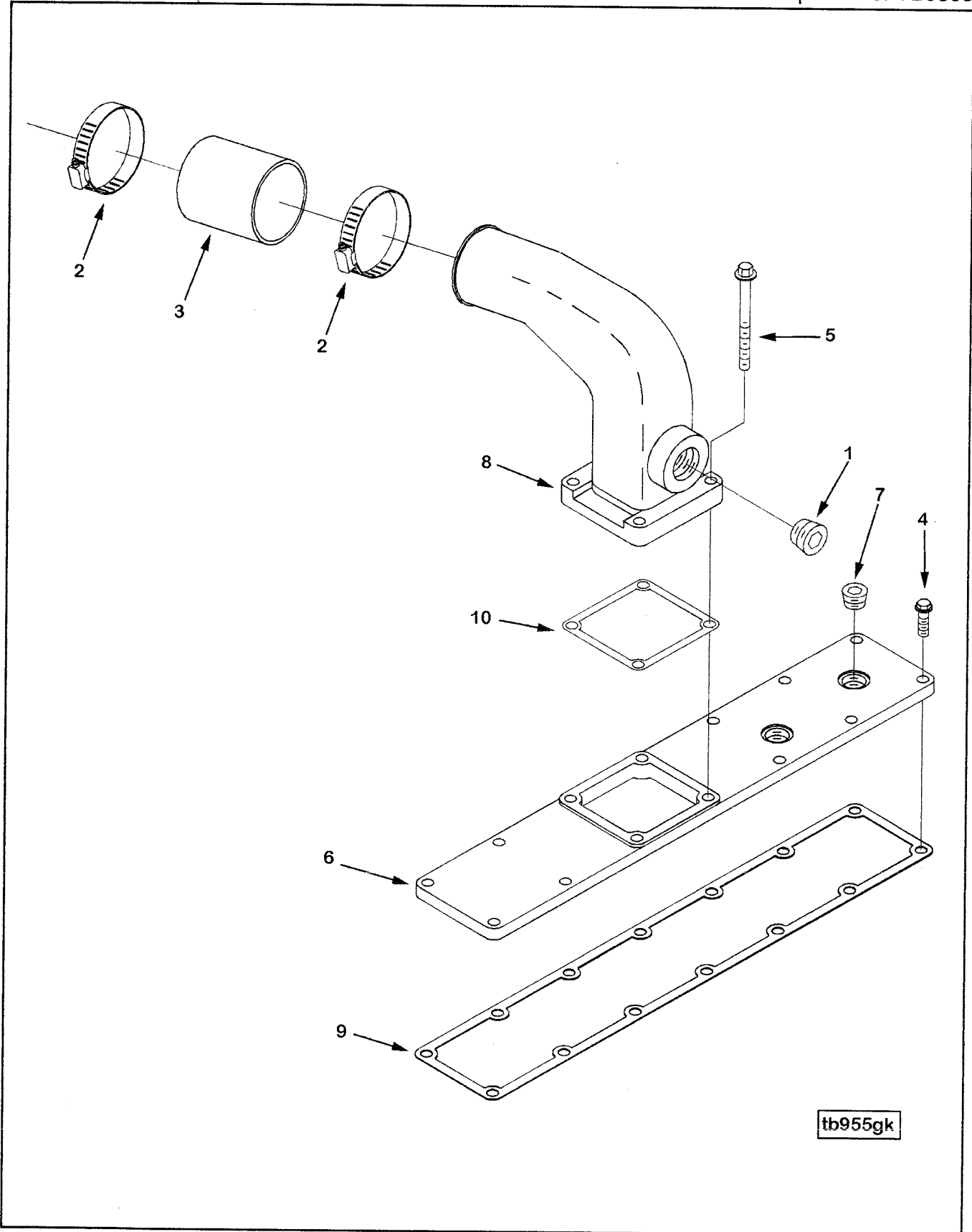


sp950gn

Ref No.	Part Number	Part Name	Req	Remarks
1	3910129	<p style="text-align: center;">FAN PILOT SPACER OPTION SP9078</p> <p>Spacer, Fan Pilot</p>	2	<p>MR - Fan Pilot Spacer Spacer Thickness(mm): 76.2 Mounting/Bolt Circle: 4 x 60 Fan Spacer Pilot Diameter (mm): 25.4 Fan Pilot Diameter (mm): 25.4</p>

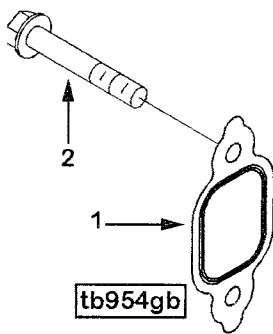


Ref No.	Part Number	Part Name	Req	Remarks
1	3964432	STARTING MOTOR OPTION ST9323 Motor, Starting	1	MR - Starting Motor Pinion Diametral Pitch: 10/12 Pinion Gear Outside Diameter (mm): 39.8 Pinion Gear Offset (mm): 3.8 Pinion Drive Type: Offset Mounting Flange Type: SAE #1 2 Bolt 180 Frame Size Diameter: 90mm Pilot Diameter: 88.9mm Starter Motor Length: 221.5mm Starter Motor Engine Mounted Angle (deg): 56 (+/- 15) Sealing Provision: Sealed Supply Method: Mounted Removal Length: 74.5 Manufacturer: Denso Model: R2.7 Voltage: 12 Kilowatt Rating: 3.2 Nameplate Brand: Cummins Unique Characteristics: Jump Start Protection

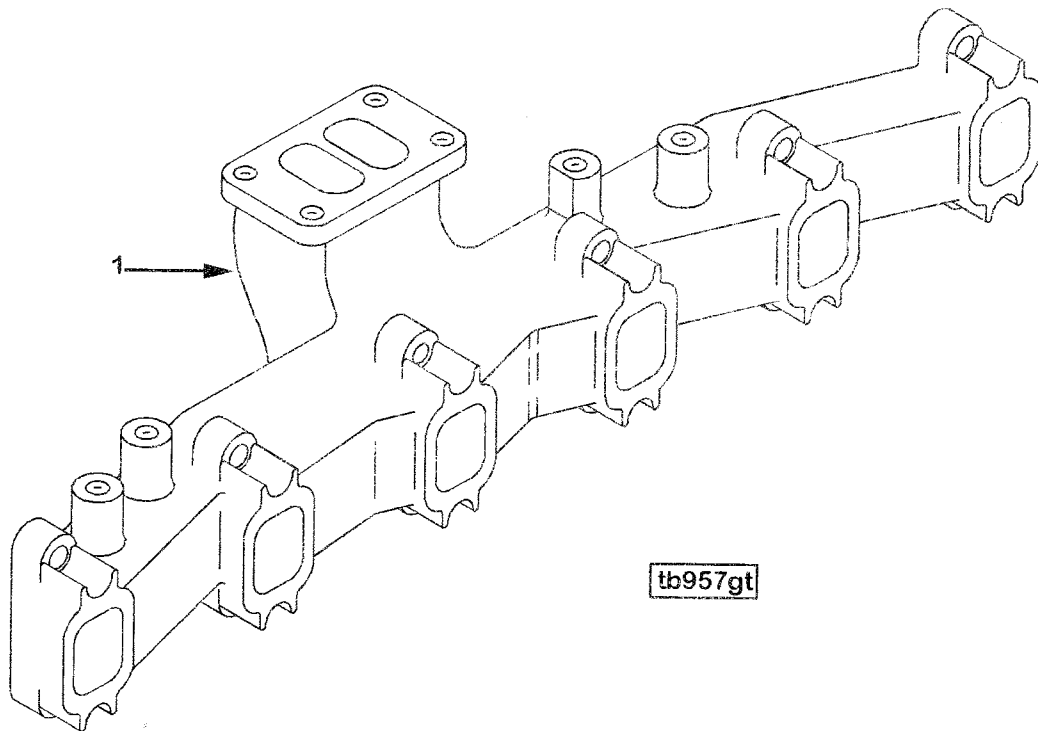


tb955gk

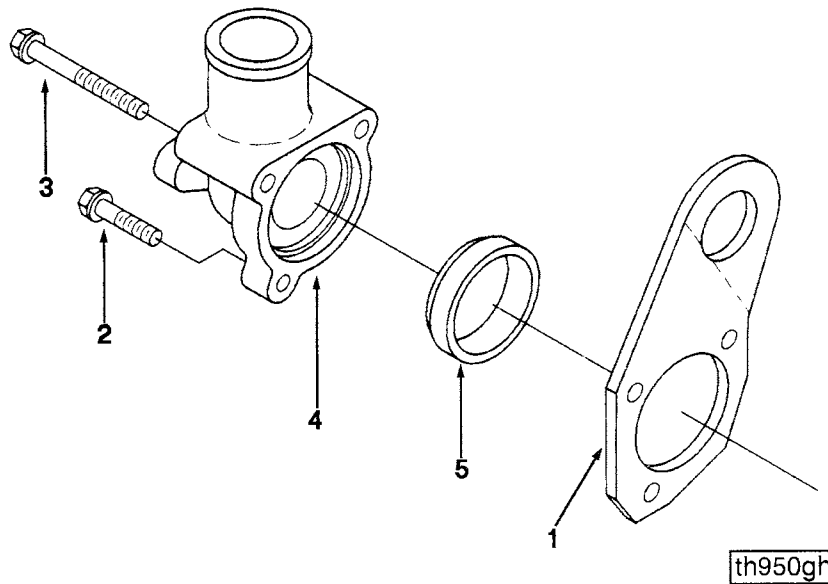
Ref No.	Part Number	Part Name	Req	Remarks
		AIR CROSSOVER CONNECTION OPTION TB9838		MR - Air Crossover Connection Engine Configuration: 6B Turbocharger Exhaust Location: HMRO Manifold Mounting Hole Pattern: 14 Holes in 75 x 80 Pattern Air Crossover Mounting Interface Location: Centerline of Interface from Engine Centerline (mm): 152.5 Centerline of interface from Crank Centerline (mm): 434.7 Centerline of Interface from Front Face of Block (mm): -292 Air Heater Mounting Provision: 4 Holes in 75 x 80 Pattern Integral Air Heater: No Intake Cover Tapped Holes: (2) M14
1	3008469	Plug, Pipe	1	3/4 NPT
2	3026396	Clamp, Hose	2	2 1/16 - 3 inch
3	3916529	Hose, Plain	1	
4	3918109	Screw, Hex Flange Head Cap	3	M8 x 1.25 x 25
5	3919995	Screw, Hex Flange Head Cap	4	M8 x 1.25 x 90
6	(3991819)	Cover, intake Manifold	1	
7				Item not in this option,
8	3928166	Connection, Air Crossover	1	
9	3938152	Gasket, Int Manifold Cover	1	
10	3938158	Gasket, Connection	1	



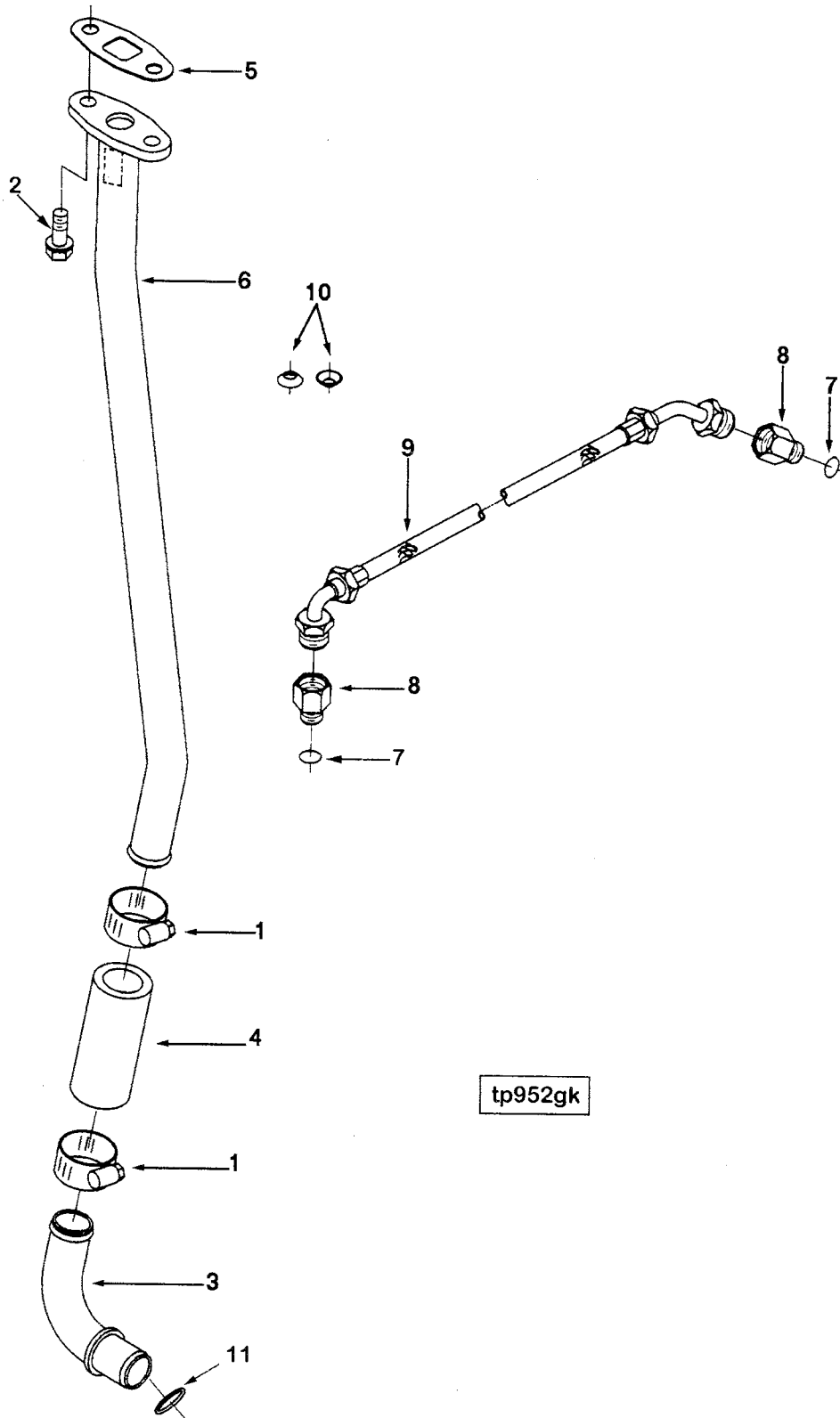
Ref No.	Part Number	Part Name	Req	Remarks
		EXHAUST MANIFOLD MOUNTING OPTION TB9861		MR - Exhaust Manifold Mountiong Engine Configuration: 6B Mounting Studs Provided: None Capscrew Material: CMS 31066 Stainless Steel
1	3927154	Gasket, Exhaust Manifold	6	
2	3930249	Screw, Hex Flange Head Cap	12	M10 x 1.50 x 65



Ref No.	Part Number	Part Name	Req	Remarks
1	3917700	<p style="text-align: center;">EXHAUST MANIFOLD OPTION TB97050</p> <p>Manifold, Exhaust</p>	1	<p>MR - Exhaust Manifold Engine Configuration: 6B Turbocharger Exhaust Location: HMRO Turbocharger Type: Wastegate Mounting Bosses on Exhaust Manifold: 4 Manifold Material: Standard</p>

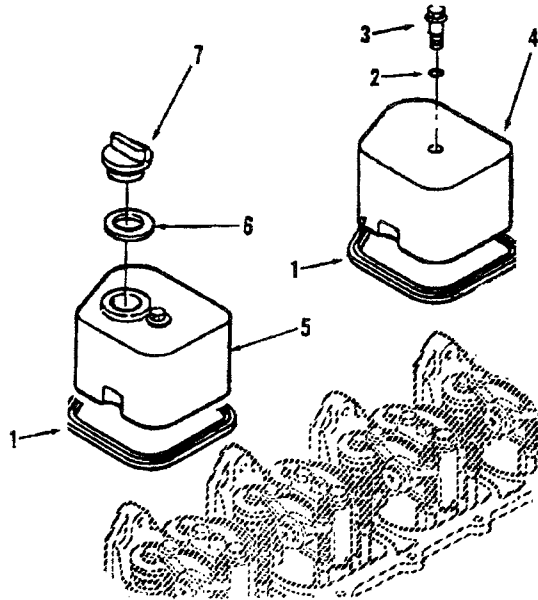


Ref No.	Part Number	Part Name	Req	Remarks
		THERMOSTAT HOUSING OPTION TH9701		MR - Thermostat Housing Engine Family: "B" Series Includes Water Outlet Connection: Yes Water Outlet Diameter (mm): 45.0 Water Outlet Orientation: Vertical Centerline Crank to Centerline Connection (mm): 444.5 Thermostat Bore (mm): 54.25 Front Lifting Bracket Configuration: Angled Rear, Bent Inboard 30 Degrees 1/4 inch NPT Vent Tap: No Tap to Externally Route Bypass Coolant: None
1	3903757	Bracket, Lifting	1	
2	3900632	Screw, Hex Flange Head Cap	1	M8 x 1.25 x 35
3	3926972	Screw, Hex Flange Head Cap	2	M8 x 1.25 x 70
4	3285102	Housing, Thermostat	1	
5	3923331	Gasket, Thm Housing Cover	1	



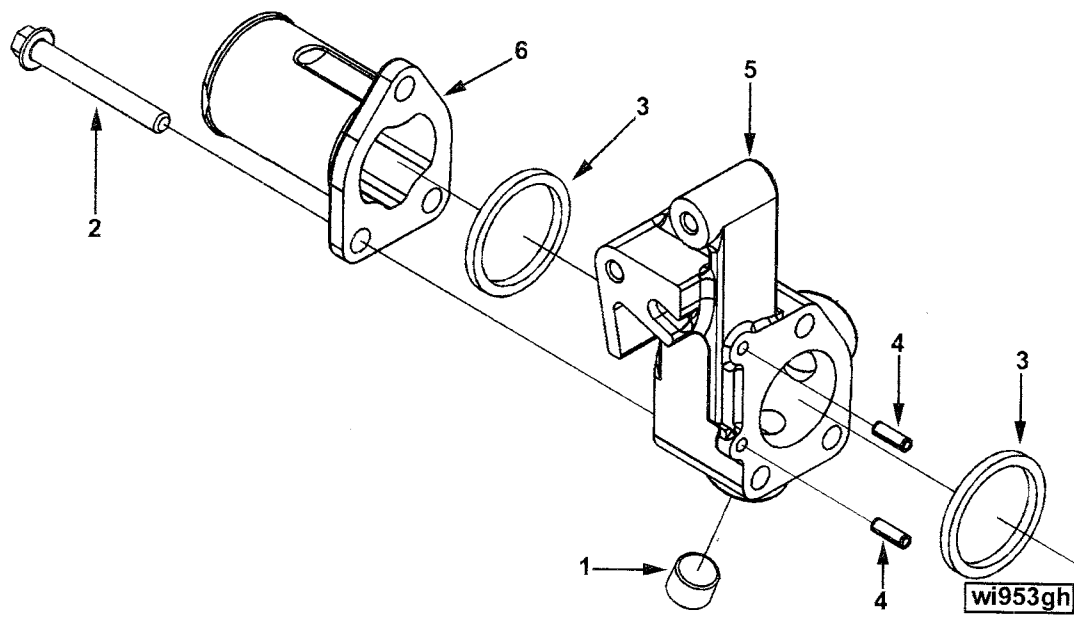
tp952gk

Ref No.	Part Number	Part Name	Req	Remarks
		TURBOCHARGER OIL PLUMBING OPTION TP97162		MR - Turbocharger Oil Plumbing Engine Configuration: 6B Turbocharger Exhaust Location: HMRO Oil Filter Mounting Position: Vertical Provision For Dipstick In Turbocharger Oil Drain: No Block Drain Boss: Front Oil Fill In Rear Drain Boss: No BZL may use P/N 3963720 in place of P/N 3412320.
1	3412320	Clamp, Hose	2	
2	3900630	Screw, Hex Flange Head Cap	2	M8 x 1.25 x 20
3	3931973	Tube, Tur Oil Drain	1	
4	3286499	Hose, Plain	1	
5	3937706	Gasket, Oil Drain	1	
6	3944048	Connection, Tur Oil Drain	1	
	3919687	Connector, Female	2	
7	3037236	Seal, O Ring	1	
8	(3284244)	Connector, Female	1	
9	3920603	Hose, Flexible	1	
10	3924389	Washer, Sealing	2	7.2MM
	3931824	Seal, O Ring	1	
11	3920706	Plug, Expansion	1	

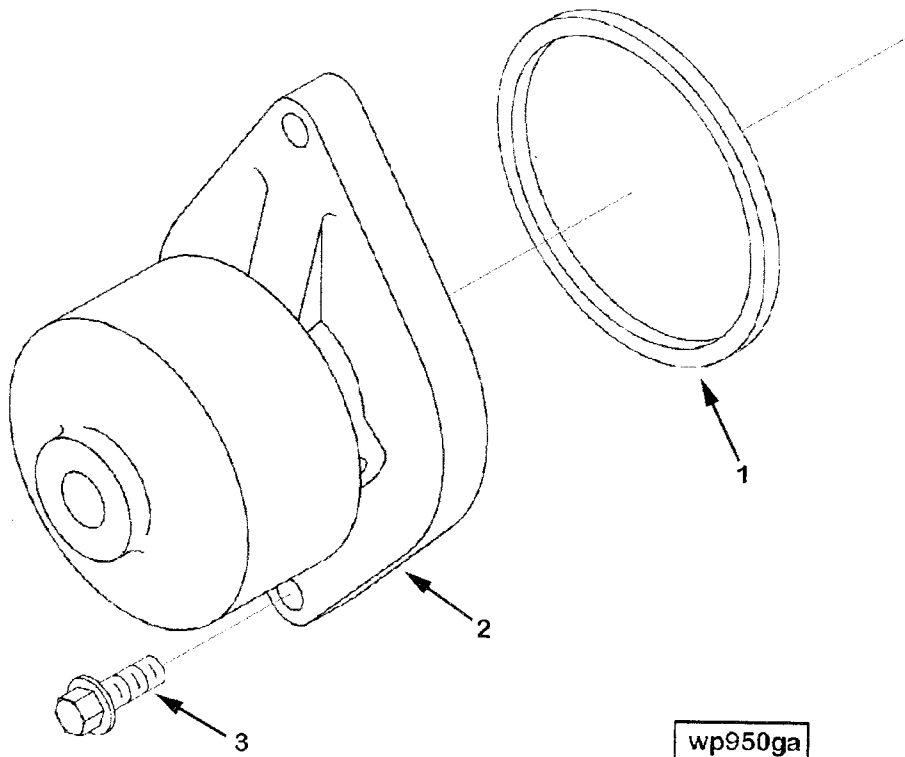


vc900gh

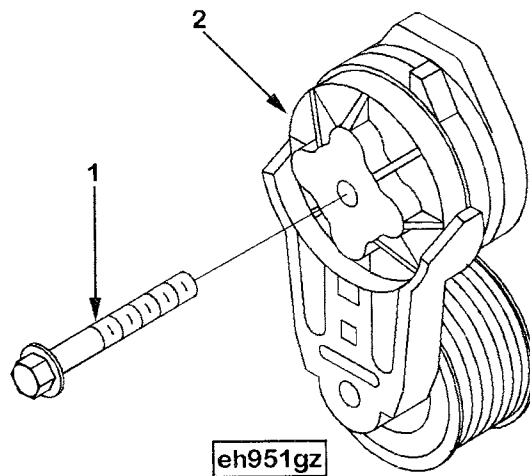
Ref No.	Part Number	Part Name	Req	Remarks
		VALVE COVER OPTION VC9752		Valve Cover Oil Fill Location: #1 Valve Cover Studded Capscrew Location: None Crankcase Breather Provision: None
1	3930906	Gasket, Valve Cover	6	
2	3935449	Isolator, Noise	6	
3	3907049	Screw, Hex Flange Head Cap	6	M8 x 1.25 x 21
4	3928404	Cover, Valve	5	
5	3928405	Cover, Valve	1	
6	3936876	Seal, Rectangular Ring	1	
7	3901895	Cap, Filler	1	



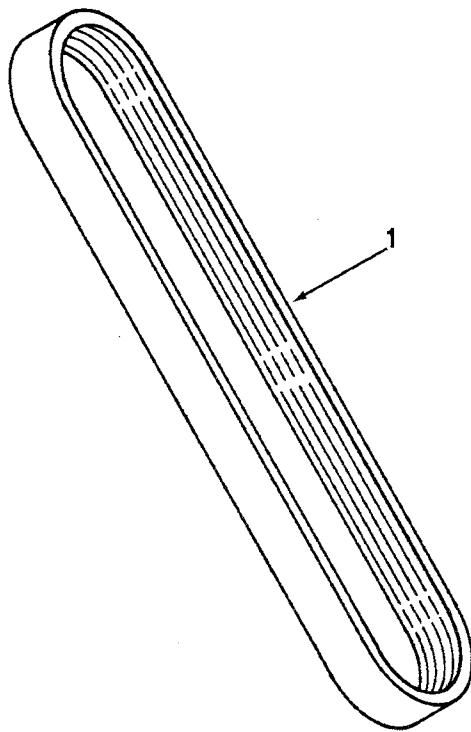
Ref No.	Part Number	Part Name	Req	Remarks
		WATER INLET CONNECTION OPTION WI9177		MR - Water Inlet Connection Engine Family: "B" Series Connection Outside Diameter (mm): 58.0 Connection Type: Beaded Connection Location: Vertical Down From Engine Centerline (mm): -277.0 From Crank Centerline (mm): 38.0 From Front Face of Block (mm): -97.0 Mounting for Belt Tensioner: Yes Provision For Alternator Brace: Yes Tensioner Pivot Location (mm): 1: X = -227.0, Y = 195.0 ER Plumbing Port Location (mm): X (mm) = -207.43 Y (mm) = 120 Z (mm) = 84.89
1	3008468	Plug, Pipe	1	1/2 NPT
2	3900679	Screw, Hex Flange Head Cap	3	M10 X 1.50 X 80
3	3906697	Seal, Rectangular Ring	2	
4	3943549	Connection, Water Inlet	1	
5	131584	Pin, Roll	2	
6	(3943550)	Connection, Water Inlet	1	
6	3943149	Connection, Water Inlet	1	



Ref No.	Part Number	Part Name	Req	Remarks
		WATER PUMP OPTION WP9927		
	3286275	Kit, Water Pump	1	Water Pump
1	3906698	Seal, Rectangular Ring	1	Pulley Type: Standard
2	(3285410)	Pump, Water	1	
3	3941981	Screw, Hex Flange Head Cap	2	

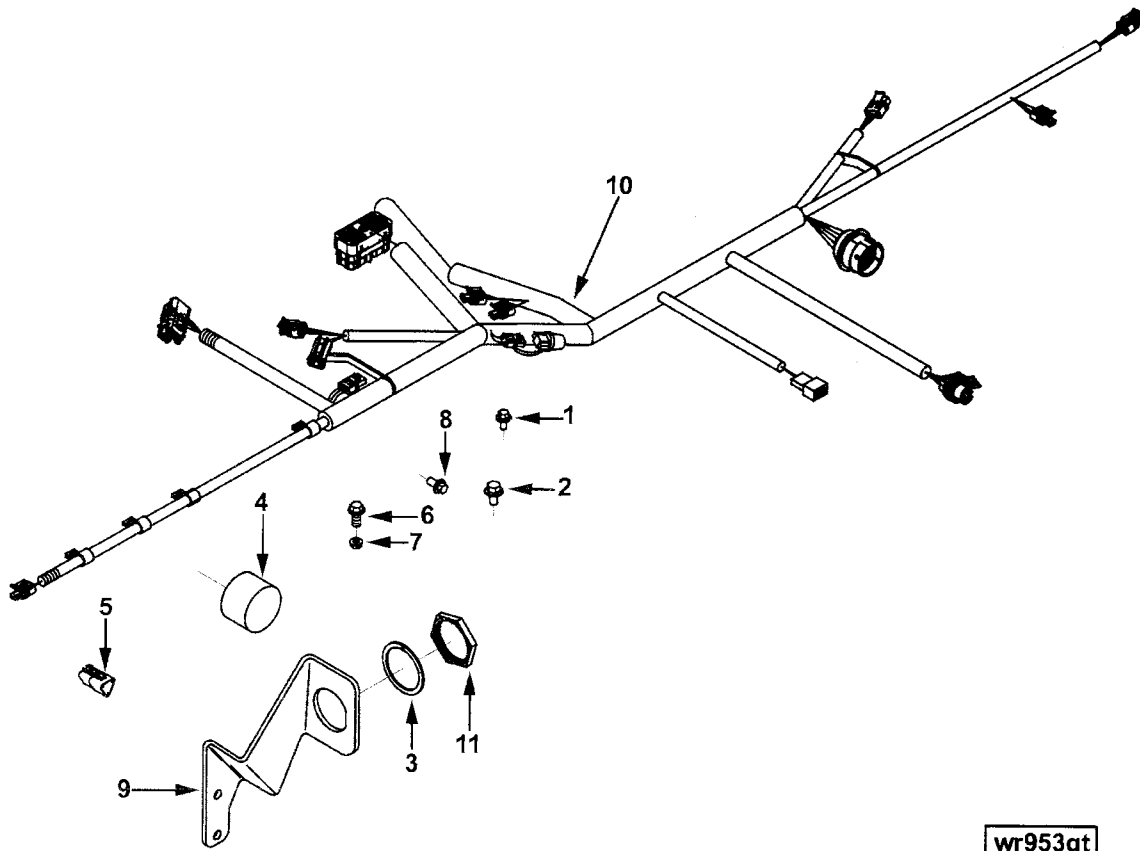


Ref No.	Part Number	Part Name	Req	Remarks
BELT TENSIONER OPTION WP9949				
1	3282081	Screw, Hex Flange Head Cap Tensioner, Belt	1	MR - Belt Tensioner Mounting Tensioner Mounting Location: Water Inlet Connection Pulley Type: Grooved M10 X 1.50 X 75
2	3936213		1	



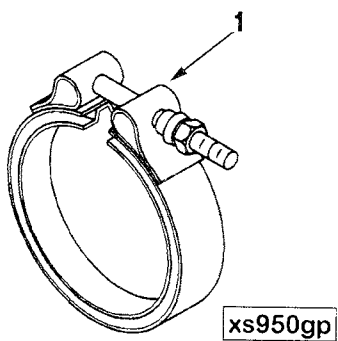
eh950gl

Ref No.	Part Number	Part Name	Req	Remarks
1	3289235	<p style="text-align: center;">WATER PUMP DRIVE OPTION WP97013</p> <p>Belt, V Ribbed</p>	1	<p>MR - Water Pump Drive</p> <p>Alternator Centerline from Engine Centerline (mm): -250.7 Alternator Centerline from Crank Centerline (mm): 321.8 Alternator Pulley Diameter Over 2.5mm Gage Balls (mm): 61.13 Crank Pulley Diameter Over 2.5mm Gage Balls (mm): 175.75 Fan Pulley Centerline from Engine Centerline (mm): 0 Fan Pulley Centerline from Crank Centerline (mm): 295.9 Fan Pulley Diameter Over 2.5mm Gage Balls (mm): 201.13 Tensioner Pulley Centerline from Engine Centerline (mm): -192.7 Tensioner Pulley Centerline from Crank Centerline (mm): 111.8 Tensioner Pulley Diameter Over 2.5mm Gage Balls (mm): 73.95 Tensioner Pulley Type: Grooved Water Pump Pulley Centerline from Engine Centerline (mm): -108.0 Water Pump Pulley Centerline from Crank Centerline (mm): 180.0 Water Pump Pulley Diameter (mm): 88.00 Belt Length (mm): 1725 Belt Type: 8 Groove Poly Vee</p>



wr953gt

Ref No.	Part Number	Part Name	Req	Remarks
		EXTERNAL CONTROL MODULE WI OPTION WR9776		MR - Electronic Control Module Wiring Harness Engine Design Phase: Elite II Harness Supplier: Cummins Bracket Supplier: Cummins OEM Connector Location: Rear Out OEM Connector Type: 23 Pin J1939 Connector Location: Engine Harness ECM Location: Fuel Pump Side - Center Speed Sensor Location: Cam Gear Voltage: 12 Real Time Clock Battery: No Attaches to Front Cover: No Attaches to Intake Manifold Cover: No Lead for Ambient Sensor at Lift Pump: No Engine Cylinders: 6 Engine Family: "B" Series ECM Type: CM550A, 50 Pin Engine, 50 Pin OEM, 23 Pin OEM.
1	3093956	Screw, Hex Flange Head Cap	2	M8 x 1.25 x 12
2	3093957	Screw, Hex Flange Head Cap	1	M10 x 1.50 x 16
3	3617959	Washer, Lock	1	1 11/16 inch
4	3654215	Cover, Protective	1	
5	3658544	Cover, Protective	1	
6	3900626	Screw, Hex Flange Head Cap	2	M6 x 1.00 x 12
7	3906216	Nut, Hexagon Flange	2	M6 x 1.00
8	3925883	Screw, Hex Flange Head Cap	2	M8 x 1.25 x 16
9	3957931	Brace, Wiring	1	
10	3991823	Harness, Etr Cnt Mdi Wrg	1	
11	4022547	Nut, Regular Hexagon	1	1 11/16-18 Thd
	3902023	Screw, Hex Flange Head Cap	1	M6 x 1.00 x 25 Item not shown on art.



Ref No.	Part Number	Part Name	Req	Remarks
1	3903652	EXHAUST OUTLET CONNECTION OPTION XS9254 Clamp, V Band	1	MR - Exhaust Outlet Connection Engine Configuration: "B" Series Connection Configuration: None Connection Outside Diameter (mm): N/A Turbine Outlet Flange Type: Half Marmon Supported on Exhaust Manifold: No Includes vee band clamp only.

Service Repair Kits

Ref No.	Part Number	Part Name	Req	Remarks
		SERVICE REPAIR KITS		
		MAIN BEARING KITS		
	3802070	Set, Main Brg (std)	1	Standard
	3802071	Set, Main Brg (.010")	1	0.25 mm Oversize
	3802072	Set, Main Brg (.020")	1	0.50 mm Oversize
	3802073	Set, Main Brg (.030")	1	0.75 mm Oversize
	3802074	Set, Main Brg (.040")	1	1.00 mm Oversize
	3800330	Bearing, Crankshaft Thrust	1	.5mm Oversize Bore/.5mm Oversize Thrust
	3800331	Bearing, Crankshaft Thrust	1	1.0mm Oversize Bore/1.0mm Oversize Thrust
		PISTON RING SETS		
	4089460	Set, Piston Ring	6	Standard
	(4089614)	Set, Piston Ring	6	0.50mm Oversize
	(4089615)	Set, Piston Ring	6	1.00mm Oversize
		PISTON KITS		
	4089461	Kit, Engine Piston	6	Standard
	(4089618)	Kit, Engine Piston	6	0.50mm Oversize
	(4089619)	Kit, Engine Piston	6	1.00mm Oversize

Group No. 17.02

Service Gasket Set

Ref No.	Part Number	Part Name	Req	Remarks
		SERVICE GASKET SET		
		UPPER ENGINE SET		
		.50MM OVER THICKNESS		
	3802245	Set, Upper Engine Gasket	1	
	3283339	Gasket, Cylinder Head	1	
	3900808	Seal, Injector	6	
	3901356	Gasket, Turbocharger	1	
	3902425	Washer, Sealing	1	22 mm
	3903380	Seal, Banjo Connector	6	6.2mm
	3906694	Seal, Rectangular Ring	1	
	3906773	Washer, Sealing	1	
	3910824	Seal, O Ring	6	
	3912220	Gasket, Exh Out Connection	1	
	3918188	Washer, Sealing	2	8.0mm
	3919358	Sleeve, Injector	6	
	3921640	Seal, Valve Stem	12	
	3923261	Seal, Injector	6	
	3923331	Gasket, Thm Housing Cover	1	
	3927154	Gasket, Exhaust Manifold	6	
	3930324	Seal, Injector	6	
	3930906	Gasket, Valve Cover	6	
	3935449	Isolator, Noise	6	
	3936876	Seal, Rectangular Ring	1	
	3937142	Seal, Injector	6	
	3937706	Gasket, Oil Drain	1	
	3938152	Gasket, Int Manifold Cover	1	

Group No. 17.02

Service Gasket Set

Ref No.	Part Number	Part Name	Req	Remarks
		SERVICE GASKET SET		
		UPPER ENGINE SET		
		.25MM OVER THICKNESS		
	3802364	Set, Upper Engine Gasket	1	
	3900808	Seal, Injector	6	
	3901356	Gasket, Turbocharger	1	
	3936876	Seal, Rectangular Ring	1	
	3902425	Washer, Sealing	1	22 mm
	3930906	Gasket, Valve Cover	6	
	3903380	Seal, Banjo Connector	6	6.2mm
	3927154	Gasket, Exhaust Manifold	6	
	3906694	Seal, Rectangular Ring	1	
	3906773	Washer, Sealing	1	
	3910824	Seal, O Ring	6	
	3912220	Gasket, Exh Out Connection	1	
	3938152	Gasket, Int Manifold Cover	1	
	3918188	Washer, Sealing	2	8.0mm
	3919358	Sleeve, Injector	6	
	3923261	Seal, Injector	6	
	3937142	Seal, Injector	6	
	3283337	Gasket, Cylinder Head	1	
	3923331	Gasket, Thm Housing Cover	1	
	3921640	Seal, Valve Stem	12	
	3935449	Isolator, Noise	1	
	3937706	Gasket, Oil Drain	1	
	3930324	Seal, Injector	6	

Group No. 17.02

Service Gasket Set

Ref No.	Part Number	Part Name	Req	Remarks
		SERVICE GASKET SET		
		LOWER ENGINE SET		
		STANDARD THICKNESS		
	3802376	Set, Lower Engine Gasket	1	
	154916	Gasket, Hydraulic Pump	1	
	3008400	Gasket, Lub Oil Pump	1	
	3284623	Gasket, Push Rod Cover	1	
	3901020	Nozzle, Piston Cooling	6	
	3902425	Washer, Sealing	2	22 mm
	3903475	Seal, Rectangular Ring	1	
	3905595	Gasket, Timing Housing	1	
	3906696	Seal, O Ring	1	
	3906697	Seal, O Ring	1	
	3906698	Seal, Rectangular Ring	1	
	3908096	Gasket, Cover Plate	1	
	3912473	Seal, O Ring	1	
	3913994	Seal, O Ring	1	
	3915772	Seal, Rectangular Ring	1	
	3915800	Seal, Rectangular Ring	1	
	3916042	Gasket, Hydraulic Pump	1	
	3918673	Gasket, Gear Cover	1	
	3920773	Washer, Sealing	1	18 mm
	3928759	Seal, Grommet	8	
	3929792	Gasket, Filter Head	1	
	3933261	Shield, Dust	1	
	3934486	Rr Crankseal Serv Kit	1	Includes Installaton Tools
	(3937111)	Front Seal Service Kit	1	Includes Installation Tools
	3937214	Nozzle, Piston Cooling	6	
	3938156	Gasket, Gear Housing	1	
	3938157	Gasket, Flange	1	
	3938159	Gasket, Rear Cover	1	
	3939258	Gasket, Cover Plate	1	
	3939355	Gasket, Fuel Pump	1	
	3942914	Gasket, Oil Cooler Core	1	
	3942915	Gasket, Filter Head	1	
	3959052	Gasket, Oil Pan	1	

Ref No.	Part Number	Part Name	Req	Remarks
		SERVICE GASKET SET		
		UPPER ENGINE SET		
		STANDARD THICKNESS		
	3804897	Set, Upper Engine Gasket	1	
	3283335	Gasket, Cylinder Head	1	
	3883284	Seal, O Ring	1	
	3900808	Seal, Injector	6	
	3901356	Gasket, Turbocharger	1	
	3902425	Washer, Sealing	1	22 mm
	3903380	Seal, Banjo Connector	6	6.2mm
	3906694	Seal, Rectangular Ring	1	
	3906773	Washer, Sealing	1	
	3910824	Seal, O Ring	6	
	3912220	Gasket, Exh Out Connection	1	
	3918188	Washer, Sealing	2	8.0mm
	3919358	Sleeve, Injector	6	
	3921640	Seal, Valve Stem	12	
	3923261	Seal, Injector	6	
	3923331	Gasket, Thm Housing Cover	1	
	3927154	Gasket, Exhaust Manifold	6	
	3930324	Seal, Injector	6	
	3930906	Gasket, Valve Cover	6	
	3935449	Isolator, Noise	6	
	3936876	Seal, Rectangular Ring	1	
	3937142	Seal, Injector	6	
	3937706	Gasket, Oil Drain	1	
	3938152	Gasket, Int Manifold Cover	1	
	3938158	Gasket, Connection	2	
	3963988	Washer, Sealing	2	

Option Index

Option No.	Description	Page No.
AH9125	Air Heater Starting Aid	2
AP9348	Agency Approval	3
BB9838	Front Gear Housing	5
BB9839	Crankshaft	9
	Cylinder Block	7
	Valve Tappet	10
BR9119	Crankcase Breather	11
CH9072	Coolant Heater Starting Ai	12
CM9709	Cam Follower Cover	15
DA9733	Vibration Damper	16
DF9713	Front Gear Train Accessory	17
EC9706	Thermostat	18
EE9182	Alternator	19
EH9455	Alternator Mounting	21
EM9198	Front Engine Support	23
FA9345	Fan Drive	25
FA9739	Fan Drive Mounting	26
FF9419	Fuel Filter	29
FF9420	Fuel Filter Plumbing	31
FH9343	Flywheel Housing	33
FI9019	Fuel Inlet Fitting	34
FP90008	Fuel Injection Pump	35
FP90009	Fuel Injection Pump	36
FP99287	Fuel Pump Mounting	39
FS9753	Fuel Transfer Pump	41
FT9026	Fuel Plumbing	43
FW9582	Fiywheel	45
FW9704	Fiywheel Mounting	46
GG9768	Front Gear Cover	49
HC9031	Cabin Heater Plumbing	50
LA9071	Lifting Arrangement	53
LC9727	Engine Oil Cooler	55
LF9098	Lube Oil Filter	56
LG90002	Oil Level Gauge	57
LP9729	Lube Oil Pump	59
OB9292	Oil Filler Arrangement	61
OB9721	Hand Hole Cover	62
OP9321	Oil Pan	65
OP9735	Oil Pan Mounting	66
PH9845	Engine Control Module	69
PP8300	Camshaft	72
	Connecting Rod	71
	Injector	75
PP98060	Cylinder Head	77
PP98163	Turbocharger	78
PP98327	Turbocharger	79
PP98360	Turbocharger	80
PP98377	Injector Plumbing	83
RL9737	Rocker Lever	85
RP9070	Engine Coolant Vent	86
SM9790	Starting Motor Mounting	87
SP9078	Fan Pilot Spacer	88
ST9323	Starting Motor	89
TB9838	Air Crossover Connection	91
TB9861	Exhaust Manifold Mounting	93

Option No.	Description	Page No.
TB97050	Exhaust Manifold	94
TH9701	Thermostat Housing	95
TP97162	Turbocharger Oil Plumbing	97
VC9752	Valve Cover	98
WI9177	Water Inlet Connection	101
WP9927	Water Pump	102
WP9949	Belt Tensioner	103
WP97013	Water Pump Drive	105
WR9776	External Control Module Wi	107
XS9254	Exhaust Outlet Connection	108

INDEX

Part No.	Description	Page No.	Part No.	Description	Page No.
S 150 A	Screw, Hexagon Head Cap	23	3802071	Set, Main Brg (.010"	9, 109
S 279	Nut, Heavy Hexagon Jam	23	3802072	Set, Main Brg (.020"	9, 109
131584	Pin, Roll	101	3802073	Set, Main Brg (.030"	9, 109
154916	Gasket, Hydraulic Pump	112	3802074	Set, Main Brg (.040"	9, 109
167157	Ball, Check	43	3802245	Set, Upper Engine Gasket	110
3008400	Gasket, Lub Oil Pump	112	3802355	Valve, Intake	77
3008468	Plug, Pipe	7, 50, 77, 101	3802356	Valve, Exhaust	77
3008469	Plug, Pipe	7, 50, 77, 91	3802364	Set, Upper Engine Gasket	111
3026396	Clamp, Hose	91	3802376	Set, Lower Engine Gasket	112
3035960	Ring, Retaining	25	3802677	Kit, Injector	75
3037236	Seal, O Ring	97	3802820	Kit, Wear Sleeve	9
3093923	Screw, Hex Flange Head Cap	15	3804897	Set, Upper Engine Gasket	113
3093956	Screw, Hex Flange Head Cap	107	3804899	Kit, Front Seal Service	49
3093957	Screw, Hex Flange Head Cap	107	3812092	Plug, Expansion	77
3282081	Screw, Hex Flange Head Cap	103	3818823	Stud	78, 79, 80
3282554	Alternator	19	3818824	Nut, Hexagon Flange	78, 79, 80
3282566	Fan, Alternator	19	3866734	Brace, Tube	83
3282942	Brace, Tube	83	3883284	Seal, O Ring	113
3283063	Bearing, Crankshaft Thrust	9	3900068	Dowel, Ring	7
3283064	Bearing, Crankshaft Thrust	9	3900227	Screw, Hexagon Head Cap	72
3283065	Bearing, Crankshaft Thrust	9	3900242	Ring, Retaining	85
3283066	Bearing, Crankshaft Thrust	9	3900245	Washer, Plain	85
3283067	Bearing, Crankshaft Thrust	9	3900250	Collet, Valve	77
3283068	Bearing, Crankshaft Thrust	9	3900257	Dowel, Pin	7
3283335	Gasket, Cylinder Head	113	3900269	Washer, Plain	46
3283337	Gasket, Cylinder Head	111	3900589	Nut, Hexagon Flange	39
3283339	Gasket, Cylinder Head	110	3900626	Screw, Hex Flange Head Cap	107
3284244	Connector, Female	97	3900629	Screw, Hex Flange Head Cap	7
3284377	Rod, Push	85	3900630	Screw, Hex Flange Head Cap	21, 39, 66, 69, 97
3284623	Gasket, Push Rod Cover	15, 112	3900631	Screw, Hex Flange Head Cap	21, 39, 41
3284906	Dataplate	3	3900632	Screw, Hex Flange Head Cap	29, 55, 95
3285102	Housing, Thermostat	95	3900633	Screw, Hex Flange Head Cap	5, 49
3285410	Pump, Water	102	3900677	Screw, Hexagon Head Cap	59
3286275	Kit, Water Pump	102	3900679	Screw, Hex Flange Head Cap	101
3286312	Cover, Gear	49	3900687	Plug, Expansion	7
3286499	Hose, Plain	97	3900705	Insert, Rocker Lever	85
3287075	Cover, Gear	49	3900808	Seal, Injector	110, 111, 113
3289235	Belt, V Ribbed	105	3900955	Plug, Expansion	7, 57
3330202	Seal, O Ring	69	3900956	Plug, Expansion	7
3348747	Sensor, Pressure	69	3900958	Plug, Expansion	7, 62
3348748	Sensor, Pressure	69	3900960	Kit, Oil Pan Service	65
3408345	Sensor, Temperature	69	3901020	Nozzle, Piston Cooling	112
3408346	Sensor, Temperature	69	3901171	Bearing, Connecting Rod	71
3408430	Sensor, Position	69	3901172	Bearing, Connecting Rod	71
3408431	Sensor, Position	69	3901173	Bearing, Connecting Rod	71
3408438	Seal, O Ring	69	3901174	Bearing, Connecting Rod	71
3412320	Clamp, Hose	97	3901221	Screw, Hexagon Head Cap	85
3520815	Pin, Roll	21	3901249	Screw, Hex Flange Head Cap	17
3598897	Turbocharger	78	3901356	Gasket, Turbocharger	78, 79, 80, 110, 111, 113
3599479	Turbocharger	80	3901395	Screw, Hexagon Head Cap	46
3599725	Turbocharger	79	3901446	Screw, Hex Flange Head Cap	49
3609867	Dataplate	69	3901774	Gear, Flywheel Ring	45
3613547	Sensor, Temperature	69	3901895	Cap, Filler	98
3617959	Washer, Lock	107	3902023	Screw, Hex Flange Head Cap	107
3654215	Cover, Protective	107	3902332	Key, Plain Woodruff	72
3658544	Cover, Protective	107			
3678921	Plug, Threaded	7			
3678923	Plug, Threaded	7, 29			
3678924	Plug, Threaded	29			
3678925	Seal, O Ring	29			
3800330	Bearing, Crankshaft Thrust	9, 109			
3800331	Bearing, Crankshaft Thrust	9, 109			
3802070	Set, Main Brg (std)	9, 109			

INDEX

Part No.	Description	Page No.	Part No.	Description	Page No.
3902343	Dowel, Ring	7	3905925	Flywheel	45
3902425	Washer, Sealing	65, 110, 111, 112, 113	3905927	Flywheel	45
3902451	Screw, Hex Flange Head Cap	23	3906206	Guide, Valve Stem	77
3902460	Screw, Hex Flange Head Cap	21	3906216	Nut, Hexagon Flange	61, 107
3902501	Stud	39	3906391	Screw, Socket Head Cap	69
3903035	Screw, Banjo Connector	31	3906619	Plug, Pipe	55, 77
3903242	Bushing	7	3906659	Seal, Injector	75
3903380	Seal, Banjo Connector	43, 75, 110, 111, 113	3906694	Seal, Rectangular Ring	110, 111, 113
3903475	Seal, Rectangular Ring	61, 112	3906696	Seal, O Ring	112
3903652	Clamp, V Band	108	3906697	Seal, Rectangular Ring	101, 112
3903757	Bracket, Lifting	95	3906698	Seal, Rectangular Ring	102, 112
3903834	Screw, Twelve Point Cap	87	3906773	Washer, Sealing	110, 111, 113
3903857	Screw, Hex Flange Head Cap	16	3906854	Insert, Valve	77
3903990	Screw, Hex Flange Head Cap	26	3907049	Screw, Hex Flange Head Cap	98
3904105	Insert, Valve	77	3907714	Dipstick	57
3904166	Sleeve, Salvage	7	3907769	Screw, Hexagon Head Cap	25
3904181	Plug, Threaded	33	3907860	Screw, Hex Flange Head Cap	65
3904230	Clamp, Spring Hose	11	3908032	Crankshaft, Assembly	9
3904369	Bushing	7	3908096	Gasket, Cover Plate	112
3904408	Guide, Valve Stem	77	3908118	Bracket, Lifting	53
3904409	Guide, Valve Stem	77	3908226	Screw, Hex Flange Head Cap	21
3904483	Dowel, Pin	7, 9	3908560	Pulley, Alternator	21
3904519	Brace, Tube	83	3908563	Retainer, Pulley	21
3904711	Brace, Tube	83	3908612	Screw, Drive	3
3905113	Cable, Engine Heater	12	3909355	Adapter, Filter Head	55
3905127	Tube, Oil Gauge	57	3909356	Seal, Rectangular Ring	75
3905152	Spring, Compression	75	3910129	Spacer, Fan Pilot	88
3905155	Retainer, Injector Nozzle	75	3910248	Plug, O Ring	33
3905156	Shim	75	3910260	Seal, O Ring	33
3905157	Shim	75	3910495	Screw, Hex Flange Head Cap	53
3905158	Shim	75	3910715	Spacer, Mounting	21
3905159	Shim	75	3910739	Bearing, Ball	25
3905160	Shim	75	3910808	Lever, Rocker	85
3905161	Shim	75	3910809	Lever, Rocker	85
3905162	Shim	75	3910810	Lever, Rocker	85
3905163	Shim	75	3910811	Lever, Rocker	85
3905164	Shim	75	3910824	Seal, O Ring	110, 111, 113
3905165	Shim	75	3911423	Support, Rocker Lever	85
3905166	Shim	75	3911446	Screw, Banjo Connector	31
3905167	Shim	75	3911924	Hub, Fan	25
3905168	Shim	75	3912072	Screw, Self Tapping Metal	33
3905169	Shim	75	3912220	Gasket, Exh Out Connec- tion	110, 111, 113
3905170	Shim	75	3912473	Seal, Rectangular Ring	33, 112
3905171	Shim	75	3912772	Retainer, Belt	49
3905172	Shim	75	3913433	Support, Fan	25
3905173	Shim	75	3913434	Support, Fan	25
3905174	Shim	75	3913994	Seal, O Ring	112
3905175	Shim	75	3914035	Plug, Expansion	7
3905176	Shim	75	3914136	Cap, Filler	61
3905177	Shim	75	3914338	Isolator, Vibration	83
3905178	Shim	75	3914461	Pulley, Fan	25
3905180	Shim	75	3914738	Tube, Oil Filler	61
3905181	Shim	75	3914868	Plate, Cover	17
3905182	Shim	75	3915488	Coupling, Elbow Hose	34
3905183	Shim	75	3915703	Pan, Oil	65
3905184	Shim	75	3915772	Seal, Rectangular Ring	112
3905185	Shim	75	3915787	Plug, Threaded	55
3905186	Shim	75	3915800	Seal, Rectangular Ring	112
3905307	Screw, Banjo Connector	43	3916042	Gasket, Hydraulic Pump	112
3905595	Gasket, Timing Housing	112	3916361	Screw, Banjo Connector	41
3905860	Screw, Banjo Connector	31	3916529	Hose, Plain	91
			3916895	Pin, Roll	43

INDEX

Part No.	Description	Page No.	Part No.	Description	Page No.
3917324	Thermostat	18	3926723	Bearing, Crankshaft Thrust	9
3917700	Manifold, Exhaust	94	3926972	Screw, Hex Flange Head	
3917716	Brace, Tube	83		Cap	95
3917717	Brace, Tube	83	3927154	Gasket, Exhaust Manifold	93, 110, 111, 113
3917747	Isolator, Vibration	83			
3917778	Brace, Tube	83	3927155	Support, Camshaft Thrust	72
3917945	Spindle	75	3927335	Tag, Instruction	2
3917946	Disc, Intermediate	75	3927692	Nut, Heavy Hexagon	85
3918109	Screw, Hex Flange Head		3927948	Screw, Hex Flange Head	
	Cap	43, 83, 91		Cap	7
3918188	Washer, Sealing	43, 110, 111, 113	3928166	Connection, Air Crossover	91
			3928404	Cover, Valve	98
3918428	Plunger, Prs Regulator	55	3928405	Cover, Valve	98
3918542	Spacer, Mounting	23	3928527	Screw, Hex Flange Head	
3918614	Hose, Plain	11		Cap	29
3918673	Gasket, Gear Cover	112	3928759	Seal, Grommet	15, 112
3918954	Head, Lub Oil Filter	55	3928873	Screw, Hex Flange Head	
3919358	Sleeve, Injector	110, 111, 113		Cap	25
3919687	Connector, Female	97	3928900	Isolator, Vibration	23
3919995	Screw, Hex Flange Head		3929016	Bearing, Main	9
	Cap	91	3929017	Bearing, Main	9
3920400	Screw, Hex Flange Head		3929018	Bearing, Main	9
	Cap	66	3929019	Bearing, Main	9
3920414	Brace, Tube	83	3929020	Bearing, Main	9
3920447	Screw, Hex Flange Head		3929021	Bearing, Main	9
	Cap	33	3929022	Bearing, Main	9
3920603	Hose, Flexible	97	3929023	Bearing, Main	9
3920691	Ring, Retaining	71	3929024	Bearing, Main	9
3920706	Plug, Expansion	7, 97	3929025	Bearing, Main	9
3920773	Washer, Sealing	65, 112	3929027	Gear, Crankshaft	9
3920779	Screw, Hex Flange Head		3929037	Crankshaft, Engine	9
	Cap	77	3929457	Seal, O Ring	55
3920780	Screw, Hex Flange Head		3929490	Injector	75
	Cap	77	3929492	Nozzle, Injector	75
3920781	Screw, Hex Flange Head		3929792	Gasket, Filter Head	112
	Cap	85	3929886	Camshaft	72
3920854	Screw, Captive Washer Cap	83	3930249	Screw, Hex Flange Head	
3920867	Valve, Intake	77		Cap	93
3920868	Valve, Exhaust	77	3930324	Seal, Injector	110, 111, 113
3921640	Seal, Valve Stem	77, 110, 111, 113	3930675	Support, Front Engine	23
			3930906	Gasket, Valve Cover	98, 110, 111, 113
3921644	Connection, Oil Filler	61			
3921815	Clip	61	3931623	Tappet, Valve	10
3921816	Screw, Hex Flange Head		3931824	Seal, O Ring	97
	Cap	15, 49	3931973	Tube, Tur Oil Drain	97
3922072	Plug, Expansion	7	3932296	Plug, O Ring	7
3922487	Shaft, Rocker Lever	85	3932453	Spring, Valve	77
3922488	Support, Rocker Lever	85	3933220	Kit, Cyl Block Hardware	7
3923044	Retainer, Fan Hub	25	3933261	Shield, Dust	49, 112
3923261	Seal, Injector	110, 111, 113	3933262	Seal, Oil	33
3923331	Gasket, Thm Housing Cover	95, 110, 111, 113	3934047	Pin, Piston	71
			3934430	Filter, Lubricating Oil	56
3924147	Plug, Threaded	65	3934476	Connector, Banjo	43
3924148	Plug, Threaded	65	3934486	Rr Crankseal Serv Kit	33, 112
3924338	Head, Lub Oil Filter	55	3934746	Head, Cylinder	77
3924389	Washer, Sealing	97	3934942	Connection, Oil Suction	65
3924723	Screw, Banjo Connector	43	3935038	Retainer, Valve Spring	77
3924726	Valve, Check	43	3935151	Coupling, Plain Hose	86
3924962	Screw, Hex Flange Head		3935153	Bushing, Reducing Pipe	86
	Cap	49	3935178	Coupling, Plain Hose	86
3925009	Spring, Compression	55	3935449	Isolator, Noise	98, 110, 111, 113
3925234	Plate, Cover	33			
3925883	Screw, Hex Flange Head		3935482	Plate, Clamping	65
	Cap	107	3935936	Block, Cylinder	7
3926047	Seal, O Ring	7	3935943	Block, Cylinder	7
3926126	Kit, Wear Sleeve	9	3935959	Seal, Oil	49
3926446	Tube, Aftercooler	77	3936021	Gear, Fuel Pump	39

INDEX

Part No.	Description	Page No.	Part No.	Description	Page No.
3936213	Tensioner, Belt	103	3964492	Tube, Fuel Supply	31
3936236	Spacer, Threaded	15	3964731	Tube, Injector Fuel Supply	83
3936365	Valve, Pressure Relief	55	3964732	Tube, Injector Fuel Supply	83
3936791	Cap, Main Bearing	7	3964733	Tube, Injector Fuel Supply	83
3936876	Seal, Rectangular Ring	61, 98, 110, 111, 113	3964734	Tube, Injector Fuel Supply	83
3936895	Cover, Rear	33	3964735	Tube, Injector Fuel Supply	83
3937072	Gasket, Oil Pan	65	3964736	Tube, Injector Fuel Supply	83
3937111	Front Seal Service Kit	49, 112	3964739	Tube, Injector Fuel Supply	83
3937142	Seal, Injector	110, 111, 113	3964740	Tube, Injector Fuel Supply	83
3937210	Heater, Intake Air	2	3965402	Pump, Fuel Injection	35
3937214	Nozzle, Piston Cooling	7, 112	3965403	Pump, Fuel Injection	36
3937404	Pump, Lubricating Oil	59	3966140	Filter, Fuel	29
3937426	Housing, Flywheel	33	3966154	Pump, Fuel Transfer	41
3937438	Screw, Rkr Lever Adjusting	85	3966565	Dataplate	3
3937692	Screw, Hex Flange Head		3966864	Manifold, Fuel	43
	Cap	23	3969003	Brace, Fuel Pump	39
3937706	Gasket, Oil Drain	78, 79, 97, 110, 111, 113	3990730	Cover, Push Rod	15
			3991306	Screw, Hex Flange Head	
3938152	Gasket, Int Manifold Cover	91, 110, 111, 113		Cap	33
			3991498	Filter, Fuel	29
3938156	Gasket, Gear Housing	5, 112	3991505	Module, Electronic Control	69
3938157	Gasket, Flange	65, 112	3991819	Cover, Intake Manifold	91
3938158	Gasket, Connection	2, 91, 113	3991823	Harness, Etr Cnt Mdl Wrg	107
3938159	Gasket, Rear Cover	33, 112	4010519	Seal, O Ring	69
3938655	Gasket, Acc Drive Cover	17	4022547	Nut, Regular Hexagon	107
3938656	Head, Cylinder	77	4025327	Turbocharger	78
3939258	Gasket, Cover Plate	41, 112	4076930	Switch, Pressure	69
3939355	Gasket, Fuel Pump	112	4076931	Switch, Pressure	69
3939570	Screw, Captive Washer Cap	31	4089460	Set, Piston Ring	71, 109
3939859	Bearing, Connecting Rod	71	4089461	Kit, Engine Piston	71, 109
3939870	Support, Alternator	21	4089465	Turbo, Kit	80
3939873	Brace, Alternator	21	4089466	Kit, Turbocharger	79
3939874	Support, Alternator	21	4089614	Set, Piston Ring	71, 109
3940059	Bushing	7	4089615	Set, Piston Ring	71, 109
3940911	Heater, Engine	12	4089618	Kit, Engine Piston	71, 109
3941981	Screw, Hex Flange Head		4089619	Kit, Engine Piston	71, 109
	Cap	102	4891178	Bushing	71
3942453	Adapter, Filter Head	29	4891179	Screw, Connecting Rod Cap	71
3942627	Head, Fuel Filter	29	4891288	Gasket, Oil Drain	80
3942914	Gasket, Oil Cooler Core	55, 112	4892795	Bearing, Connecting Rod	71
3942915	Gasket, Filter Head	55, 112	4892796	Bearing, Connecting Rod	71
3943149	Connection, Water Inlet	101	4892797	Bearing, Connecting Rod	71
3943248	Support, Front Engine	23	4892798	Bearing, Connecting Rod	71
3943249	Support, Front Engine	23	4893693	Bearing, Connecting Rod	71
3943549	Connection, Water Inlet	101	4899727	Screw, Socket Head Cap	39
3943550	Connection, Water Inlet	101			
3944048	Connection, Tur Oil Drain	97			
3944061	Screw, Hex Flange Head				
	Cap	53			
3946047	Screw, Round Head Cap	5			
3946436	Gear, Camshaft	72			
3954657	Rod, Engine Connecting	71			
3954658	Rod, Engine Connecting	71			
3957379	Housing, Gear	5			
3957416	Piston, Engine	71			
3957417	Piston, Engine	71			
3957418	Piston, Engine	71			
3957544	Core, Cooler	55			
3957931	Brace, Wiring	107			
3958258	Damper, Vibration	16			
3959052	Gasket, Oil Pan	66, 112			
3963983	Washer, Sealing	31, 41, 43			
3963988	Washer, Sealing	113			
3964189	Seal, Rectangular Ring	39			
3964432	Motor, Starting	89			
3964476	Tube, Fuel Supply	41			

Cummins Customized Parts Catalog

Cummins is pleased to announce the availability of a parts catalog compiled specifically for you. Unlike the generic versions of parts catalogs that support general high volume parts content; Cummins Customized catalogs contain only the new factory parts that were used to build your engine.

The catalog cover, as well as the content, is customized with you in mind. You can use it in your shop, at your worksite, or as a coffee table book in your RV or boat. The cover contains your name, company name, address, and telephone number. Your name and engine model identification even appears on the catalog spine. Everybody will know that Cummins created a catalog specifically for you.

This new catalog was designed to provide you with the exact information you need to order parts for your engine. This will be valuable for customers that do not have easy access to the Cummins Electronic Parts Catalog or the Cummins Parts Microfilm System.

Additional Features of the Customized Catalog include:

- Engine Configuration Data
- Table of Contents
- Separate Option and Parts Indexes
- Service Kits (when applicable)
- ReCon Part Numbers (when applicable)

ORDERING THE CUSTOMIZED PARTS CATALOG

Ordering by Telephone:

North American customers can contact their Cummins Distributor or call Gannett Direct Marketing Services at 800-646-5609 and order by credit card. Outside North America order on-line or make an International call to Gannett at +--502-454-6660

Ordering On-Line

The Customized Parts Catalog can be ordered On-Line from the Cummins Powerstore by credit card. Contact the Powerstore at WWW.POWERSTORE.CUMMINS.COM

Contact GDMS or the CUMMINS POWERSTORE for the current price; Freight may be an additional expense.

Information we need to take your Customized Parts Catalog Order. This information drives the cover content of the CPC.

- Customer Name
- Street Address
- Company Name (optional)
- Telephone No.
- Credit Card No.
- Cummins Engine Serial Number (located on the engine data plate)

Unfortunately not all Cummins Engines can be supported by this parts catalog. Engines older than 1984 or newer than 3 months may not have the necessary parts information to compile a catalog. We will contact you if this occurs and explain why we are unable to fill your order.

Customized Parts Catalogs are produced specifically for a single customer. This means they are not returnable for a refund. If we make an error and your catalog is not useable, we will correct that error by sending you a new catalog.

