



# Parts Catalog

Our energy working for you.™



## Generator Set with PowerCommand® 1.2

C250 D5  
C275 D5B  
C230 D6

## MODEL IDENTIFICATION

This catalog covers models produced under Cummins Power Generation Singapore brand names.

To avoid errors or delay in filling your parts order, always give the MODEL, SPEC NO. and SERIAL NO. from the Cummins Power Generation nameplate.

For handy reference, insert your nameplate information in the spaces below.

MODEL NO.

SERIAL NO.

DIGITAL CONTROL SOFTWARE VERSION  
AND DATE (IF APPLICABLE)

## SAFETY PRECAUTIONS

The following symbols are used in Cummins Power Generation manuals to alert users to the potentially dangerous conditions relating to maintenance of equipment and replacement of parts. Please read and observe.



*This symbol warns of immediate hazards which will result in severe personal injury or death.*



*This symbol refers to a hazard or unsafe practice which can result in severe personal injury or death.*



*This symbol refers to a hazard or unsafe practice which can result in severe personal injury or product or property damage.*

## PRODUCT SAFETY PRECAUTIONS



***Service and repair of Cummins Power Generation equipment must be performed by trained, experienced personnel only. Improper service or repair may result in property damage, severe personal injury or death. Do not use this catalog as a guide to servicing your equipment. Read and follow the IMPORTANT SAFETY INSTRUCTIONS in the Service Manual appropriate for the equipment you are working on.***



***Contact with USED ENGINE OILS has been identified by a United States federal agency and some USA state agencies as causing CANCER or REPRODUCTIVE TOXICITY. When checking or changing engine oils take all necessary precautions not to ingest, breathe the fumes or contact the used oil.***



***Contact with ASBESTOS has been identified by a United States federal agency and some USA state agencies as causing CANCER or REPRODUCTIVE TOXICITY. When handling engine gaskets take all necessary precautions not to ingest, breathe or contact the dust from the gaskets! Use adequate ventilation and wear protective gloves, masks and clothing!***



***Contact with BENZINE and LEAD, found in gasoline, fuel additives and solvents has been identified by a United States federal agency and some USA state agencies as causing CANCER or REPRODUCTIVE TOXICITY. When checking, draining or adding gasoline and fuel additives or using solvents take all necessary precautions not to ingest, breathe the fumes or contact the liquids. Use adequate ventilation and wear protective gloves, masks and protective clothing!***

## Introduction

This catalog applies to the standard generator models listed in the Generator Set Data Table. Parts are arranged in groups of related items and each illustrated part is identified by a reference number corresponding to the same reference number in the parts list. Parts illustrations are typical. Unless otherwise mentioned in the description or page heading, parts are interchangeable between models. Throughout this catalog left and right sides are determined by facing the engine end (front) of the set.

Engine parts that have been modified or added by Cummins Power Generation are identified in this catalog. All other engine replacement parts must be ordered from the engine manufacturer by referring to the engine manufacturer's nameplate and supplying all available information. Contact your nearest engine parts distributor for assistance in ordering replacement parts.

## Ordering Parts

Contact your nearest Cummins Distributor to order your replacement parts. Use only genuine Cummins parts for your Genset; failure to do this may invalidate any warranty claims.

## Part Identifications Numbers

Part numbers that are configured by the following sequence identify the parts in this manual.

e.g. 0193-0468 Switch, Low Coolant  
J0191-0014-01 Heater, Alternator – UC224/274

REF NO.	PART NO.	QTY USED	PART DESCRIPTION	REF NO.	PART NO.	QTY USED	PART DESCRIPTION
1	0193-0468	1	Switch, Low Coolant	2	J0191-0014-01	1	Heater, Alternator – UC224/274

“J” is the prefix used by the Singapore manufacturing plant and has to be indicated when placing an order. Parts and part numbers shown in this parts catalog may change, at the supplier discretion, when the specific genset serial numbers are known.

## Ordering Procedure

The satisfactory ordering and processing of the orders is greatly dependent on the proper supply of available information. To ensure the order is processed correctly and efficiently the following instructions are offered as the purchasers' guide:

1. Write your order clearly in typeface. if possible, rather than hand written.
2. Provide the correct generator Model, Serial Number and Engine Number.
3. Be sure to list the correct part number required (e.g. 0193-0468, J0191-0014-01) located in this parts catalog.
4. Arrange your purchase order in part number numerical sequence.
5. Please specify the quote reference number if applicable, this will help to decrease the time taken to process your order.
6. Please specify your company name and shipping details clearly.
7. Always quote your reference number, contact name and telephone and fax numbers. Include e-mail address if you have one.

## Generator Set Data Table

Model Name	Standby Ratings		Prime Ratings		Frequency Hz	Engine Model	Battery Voltage
	kVA	kW	kVA	kW			
C250 D5	250	200	227	182	50	6CTAA8.3G4	24VDC
C275 D5B	275	220	250	200	50	6CTAA8.3G4	24VDC
C230 D6	288	230	256	205	60	6CTAA8.3G2	24VDC

## Revision Record

Revision	Date	Description
J0906-0055	30 Sept 08	Initial issue



## Abbreviations

Some of the following abbreviations may be used throughout this Parts Catalog:

AC	Alternating Current
A/R	As Required
CT	Current Transformer
MCCB	Moulded Case Circuit Breaker
PCC	Power Command <sup>®</sup> Controller
PMG	Permanent Magnet Generator
TBA	To Be Advised
VDC	Volts Direct Current
OD	Outer Diameter
ID	Inner Diameter



**This Page Intentionally Left Blank.**

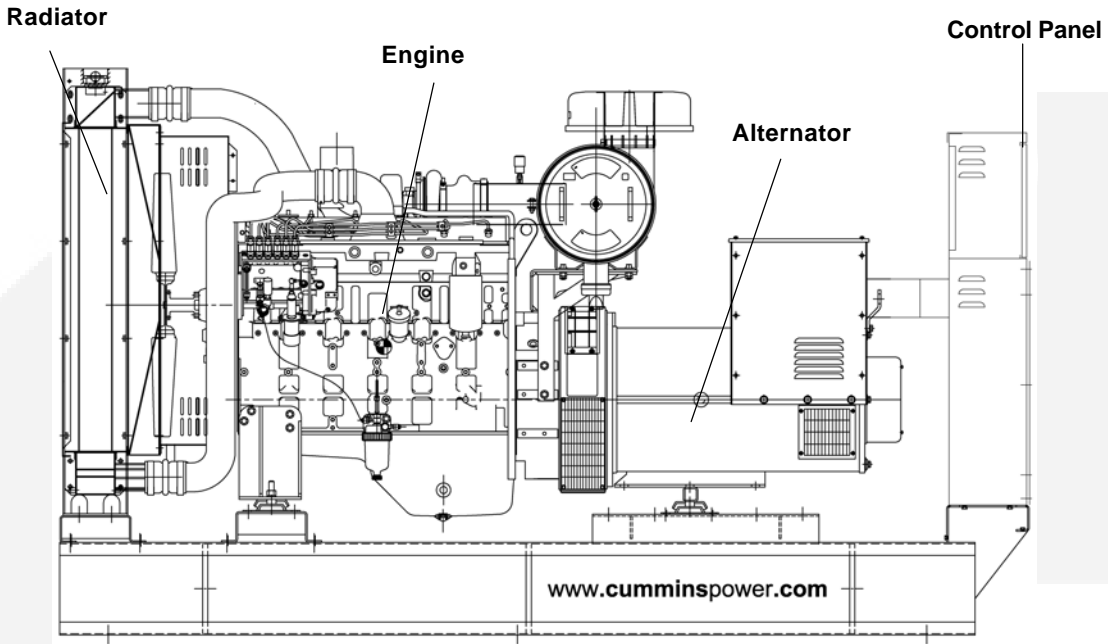


## CONTENTS

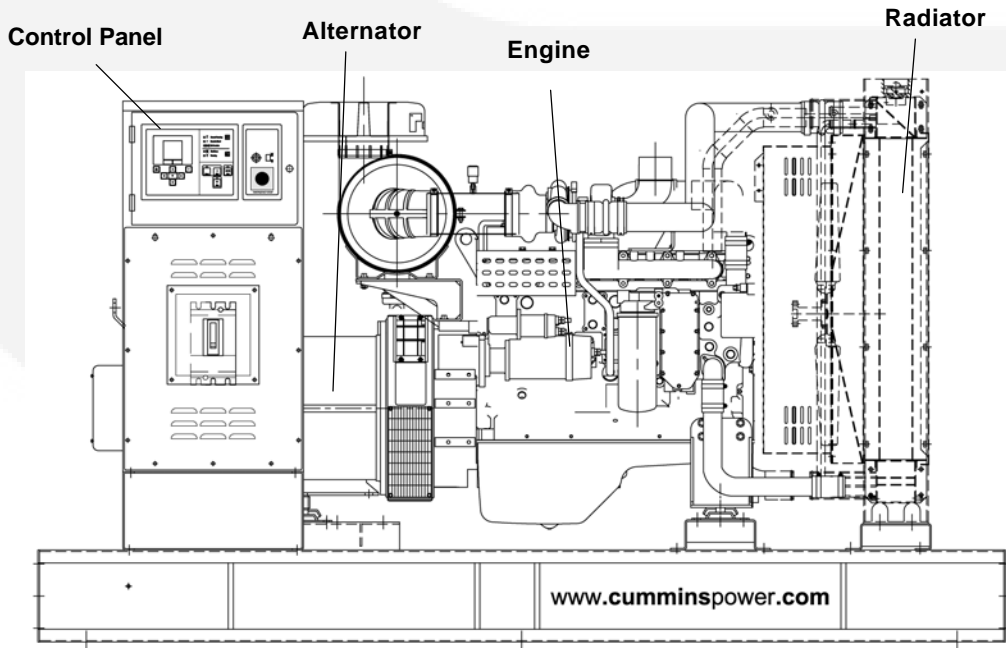
Main Components .....	1
Radiator Installation .....	3
Cooling System .....	5
Engine Accessories .....	6
Oil Drain .....	7
Enclosure Assembly .....	8
Exhaust System (Enclosure) .....	9
Battery and Lead .....	10
Fuel Tank (Standard) .....	11
Exhaust System (Open Set) .....	13
Air Cleaner (Heavy Duty for 6CTAA8.3G2)(Option) .....	14
Control Panel .....	15
Control Housing .....	16
Control Housing Installation .....	17
Circuit Breaker (800A, 3 Pole) .....	18
Circuit Breaker (800A, 4 Pole) .....	19
Circuit Breaker (400A to 630A, 3 Pole) .....	20
Circuit Breaker (400A to 630A, 4 Pole) .....	21
Battery Charger(Option) .....	22
Shut Down, Low Fuel Level(Option) .....	23
Coolant Low Level .....	24
Alarm – Audible(Option) .....	25
Alternator Heater(Option) .....	26
Coolant Heater Installation(Option) .....	27
Torque Match Voltage Regulator & PMG .....	28
Earth Fault Shut Down, Earth Leakage (Option) .....	29
Label .....	30



# Main Components



Narrow Skid (Open Set)



Wide Skid (Enclosure Set)



## Main Components

### Engine

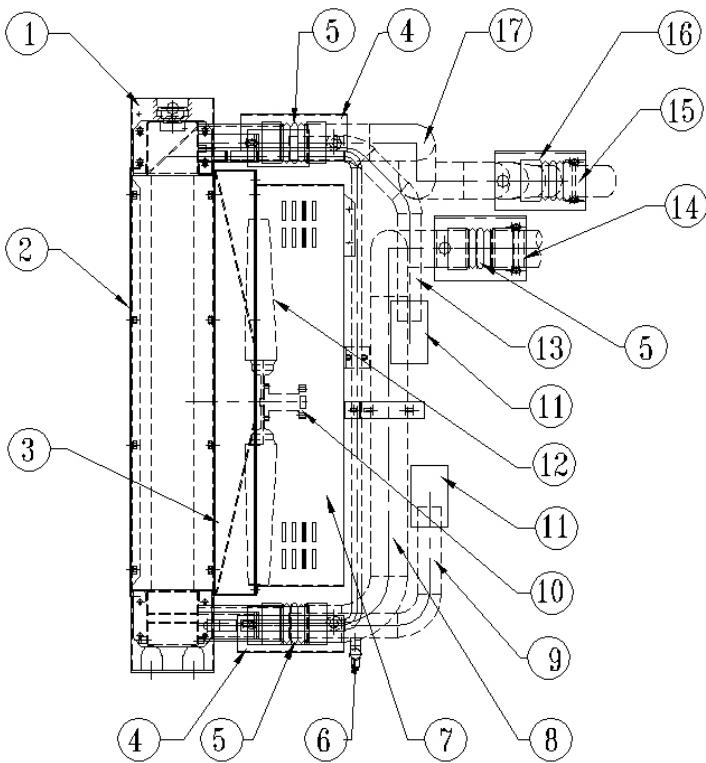
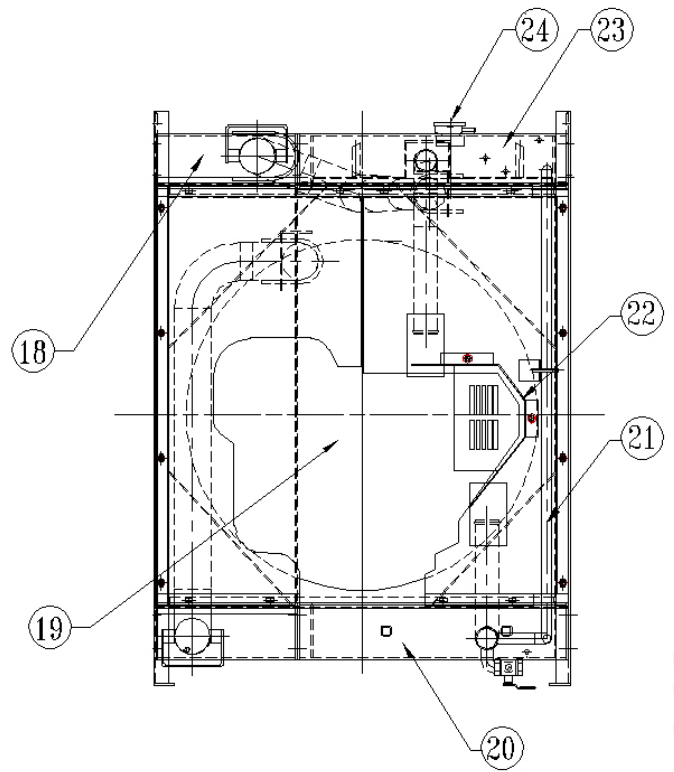
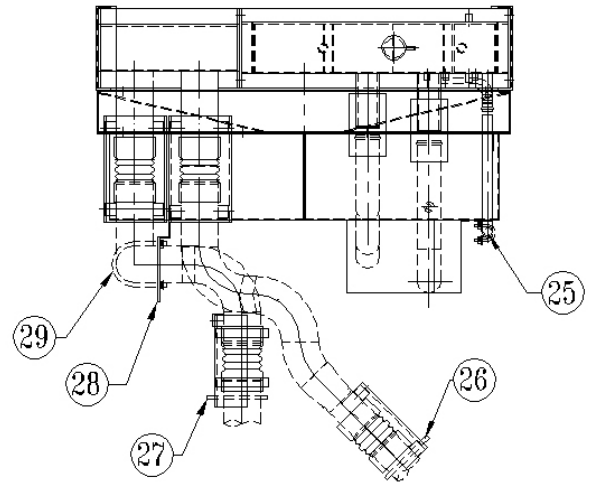
REF NO.	PART NO.	QTY USED	PART DESCRIPTION	REF NO.	PART NO.	QTY USED	PART DESCRIPTION
1	6CTAA8.3G4	1	Engine 6CTAA8.3G4 (50Hz)	2	6CTAA8.3G2	1	Engine 6CTAA8.3G2 (60Hz)

### Alternator

REF NO.	PART NO.	QTY USED	PART DESCRIPTION	REF NO.	PART NO.	QTY USED	PART DESCRIPTION
1	J:UCDI274J1	1	Alternator (Newage, UCDI274J)	3	J:HCI444D1	1	Alternator (Newage, HCI444D) (Option)
2	J:UCDI274K1	1	Alternator (Newage, UCDI274K)				



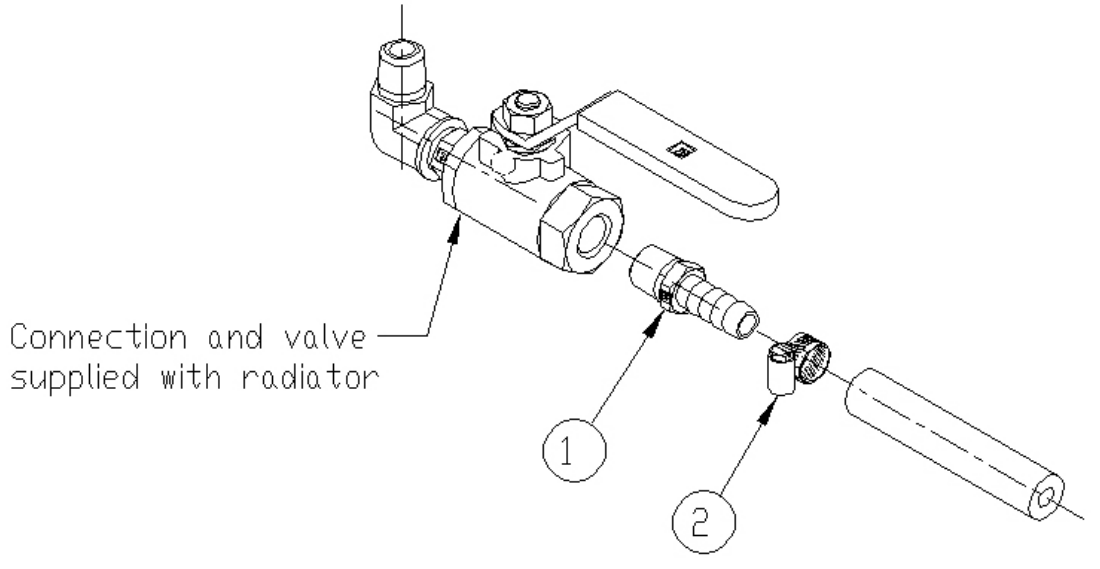
# Radiator Installation



## Radiator Installation

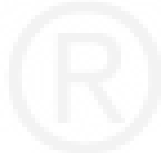
REF NO.	PART NO.	QTY USED	PART DESCRIPTION	REF NO.	PART NO.	QTY USED	PART DESCRIPTION
	<b>J0130-7009</b>	<b>1</b>	<b>Radiator – With All Installation</b>	15	J0130-8238	1	Bracket – Holding (3, PK-SP-0169-9)
1	J0130-8227	1	Sidem, Ember – Radiator (SM-SP-0311)	16	J0503-0202	1	Hose – Rubber (C/A 76, PC245A1)
2	J0130-8228	1	Core – Guard (CG-SP-0241, PC245A1)	17	J0130-8239	1	Pipe – Inlet (C/A, PK-SP-0169-3)
3	J0130-8229	1	Fan Shroud (SH-SP-0252, PC245A1)	18	J0130-8240	1	Charge Air Cooler (CA-SP-0052)
4	J0130-8230	1	Bracket – Holding (1,PK-SP-0169-7)	19	J0130-8241	1	Core, Radiator (J/W, CR-SP-0271)
5	J0503-0200	1	Hose – Rubber (C/A 89, PC245A1)	20	J0130-8242	1	Bottom Tank (BT-SP-0201, PC245A1)
6	J0504-0033	1	Valve– Ball (1/2", PC245A1)	21	J0130-8243	1	Pipe – Fill In (PK-SP-169-10)
7	J0130-8231	1	Guard, Fan (FG-SP-0255, PC245A1)	22	J0130-8244	1	Guard – Charging Alternator (FG-SP-0255-1)
8	J0130-8232	1	Pipe – Outlet (C/A, PK-SP-0169-4)	23	J0130-8245	1	Top Tank (TT-SP-0213, PC245A1)
9	J0130-8233	1	Pipe – Outlet (J/W, PK-SP-0169-1)	24	J0130-8246	1	Cap, Radiator (15PSI, MRNC15AG)
10	J0130-8234	1	Stub Shaft, Fan (FS-SP-0121)	25	J0130-8248	1	Bolt-U (1" ID, 25-M6 for PC245A1)
11	J0503-0201	1	Hose– Rubber (J/W 57, PC245A1)	26	J0130-8249	1	Clamp, Muffler (1, 3-1/4", PC245A1)
12	J0130-8235	1	Fan, Radiator (880/9-9/35D/PAG/5ZR)	27	J0130-8250	1	Clamp, Muffler (2, 3-3/4", PC245A1)
13	J0130-8236	1	Pipe – Inlet (J/W, PK-SP-0169-2)	28	J0130-8251	1	Bracket, Pipe Kit (PK-SP-0169-11)
14	J0130-8237	1	Bracket – Holding (2, PK-SP-0169-8)	29	J0130-8252	1	Bolt-U (2" ID 114-M8 for PC245A1)

# Cooling System

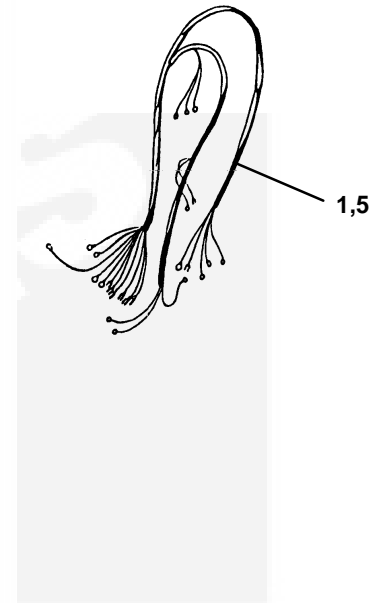
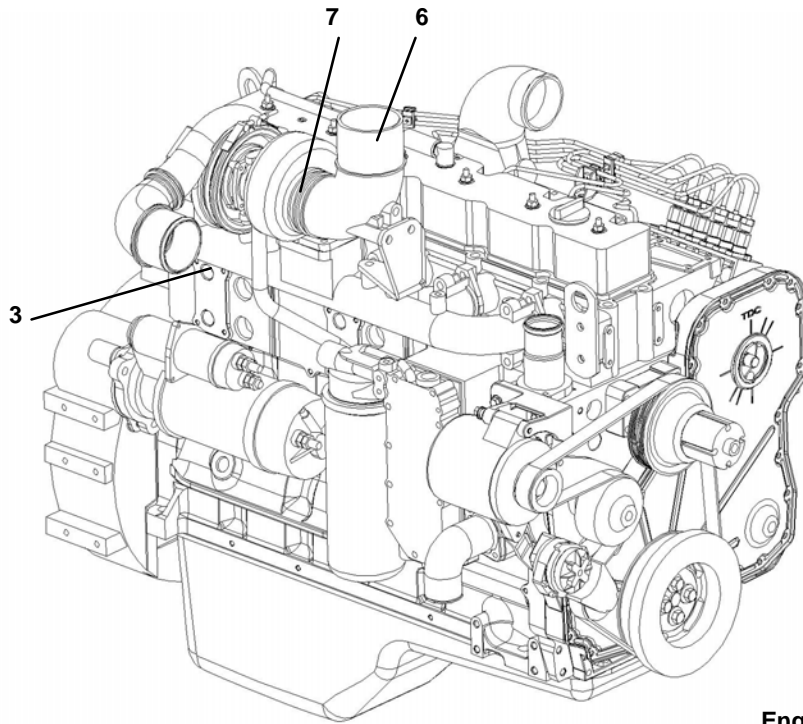


REF NO.	PART NO.	QTY USED	PART DESCRIPTION
1	J0502-0014-16	1	Adaptor, Hose

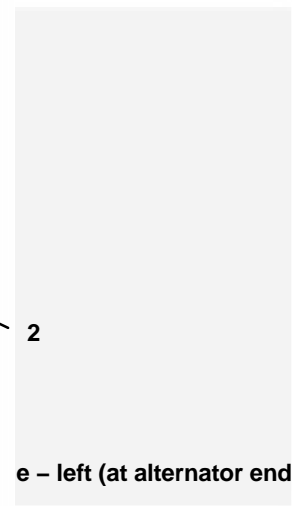
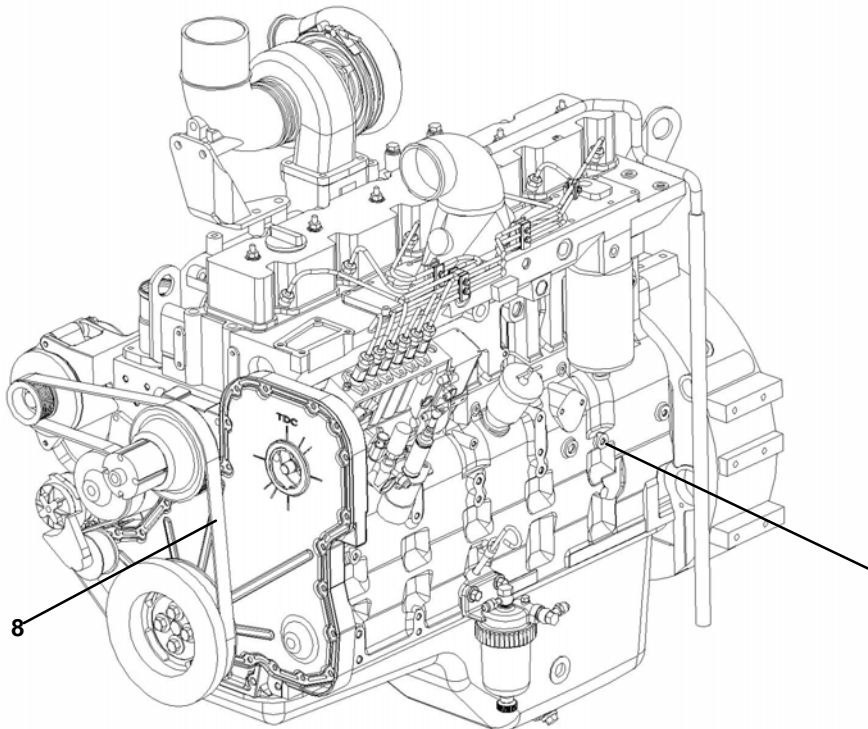
REF NO.	PART NO.	QTY USED	PART DESCRIPTION
2	J0503-0005-03	1	Clamp, Hose



## Engine Accessories



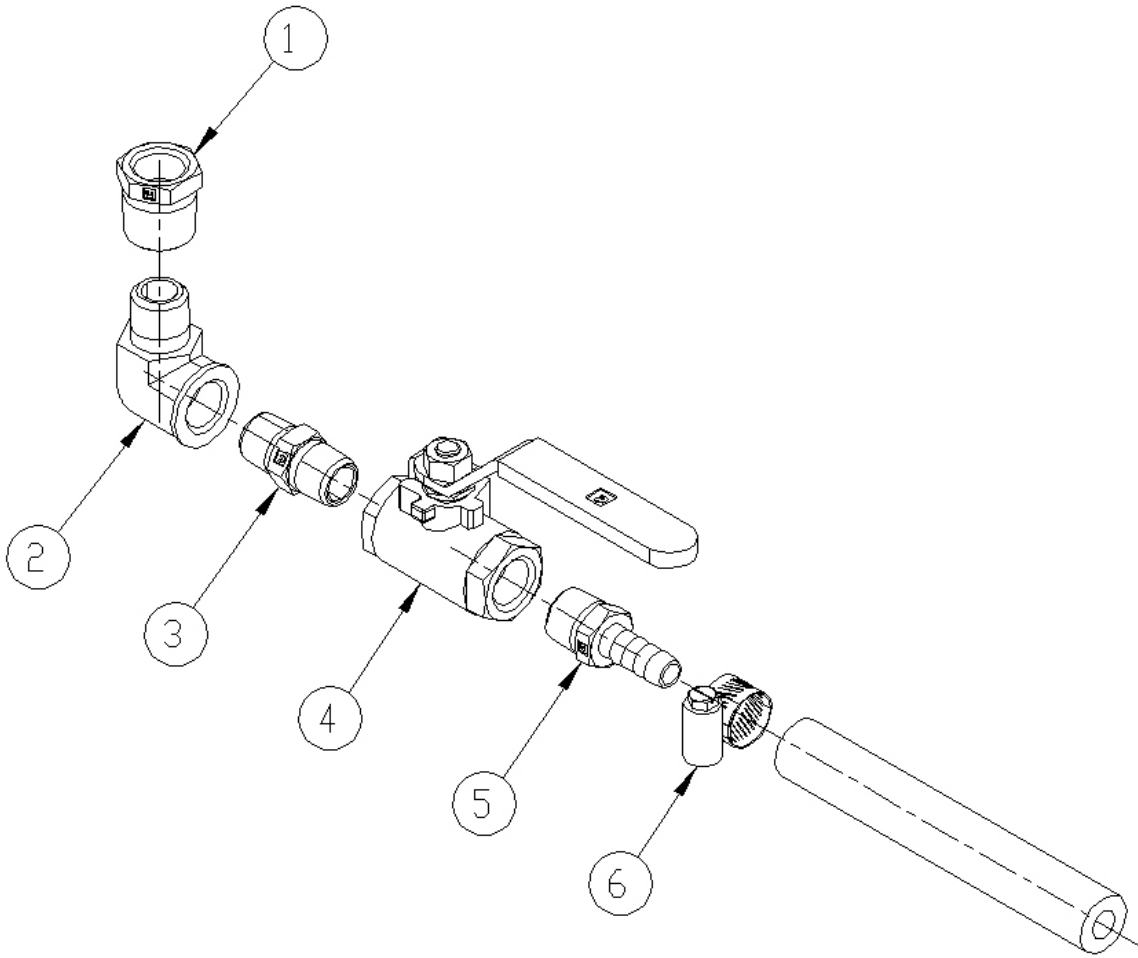
**Engine – right (at alternator end)**



**e – left (at alternator end)**

REF NO.	PART NO.	QTY USED	PART DESCRIPTION	REF NO.	PART NO.	QTY USED	PART DESCRIPTION
1	0338-4231	1	Harness, Engine	5	492002900	1	Harness, Wiring
2	0193-0444	1	Sender – Oil Pressure	6	3910994	1	Pipe, Exhaust Outlet
3	0193-0528-01	1	Sensor – Temperature	7	3415546	1	Clamp, V Band
4	0307-2968-02	1	Relay (24V, 2 Form A)	8	3289124	1	Belt, V Ribbed

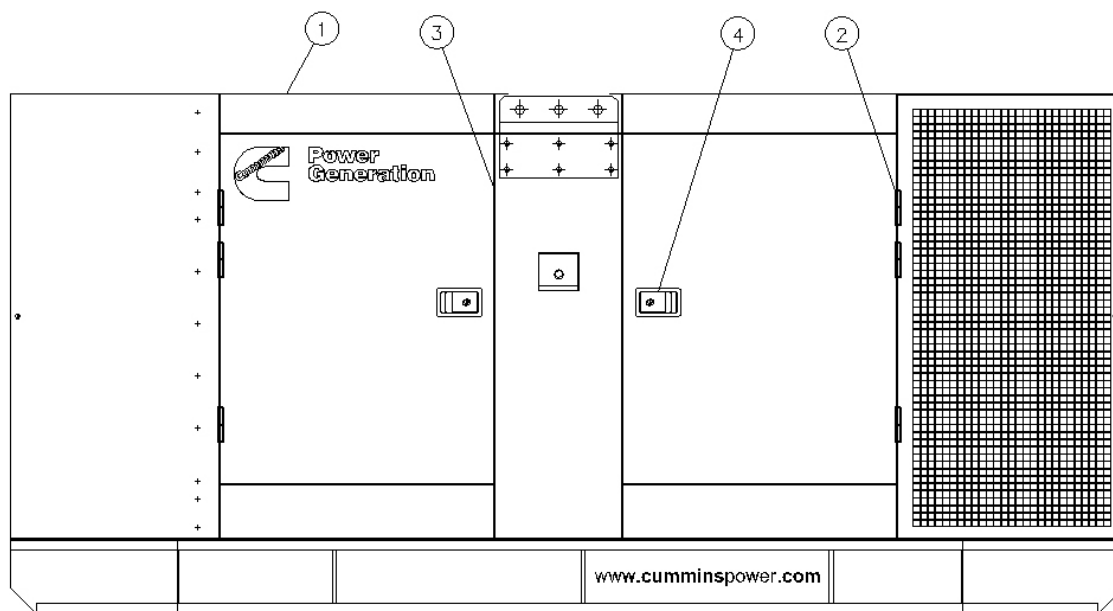
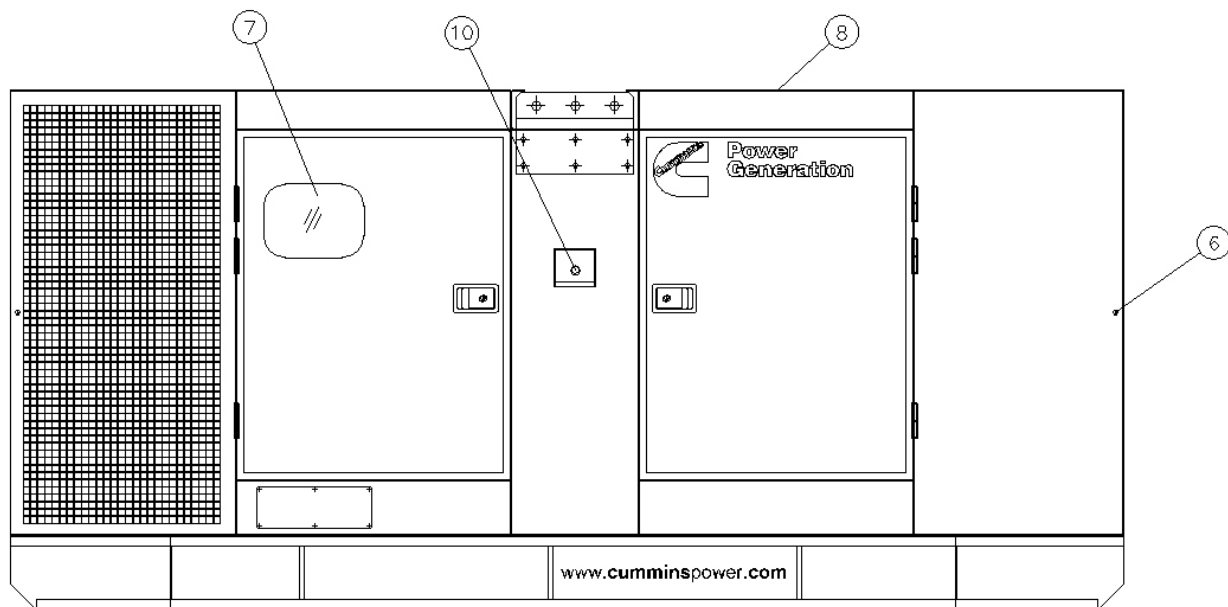
## Oil Drain



REF NO.	PART NO.	QTY USED	PART DESCRIPTION	REF NO.	PART NO.	QTY USED	PART DESCRIPTION
1	J0505-0052-01	1	Bush Reducer, Oil Drain (3/8")	4	J0504-0006-02	1	Valve, Oil Drain (3/8")
2	J0505-0026-03	1	Elbow, Oil Drain (3/8")	5	J0502-0014-09	1	Adaptor, Hose
3	J0505-0003-03	1	Nipple, Oil Drain (3/8")	6	J0503-0005-02	1	Clamp, Hose

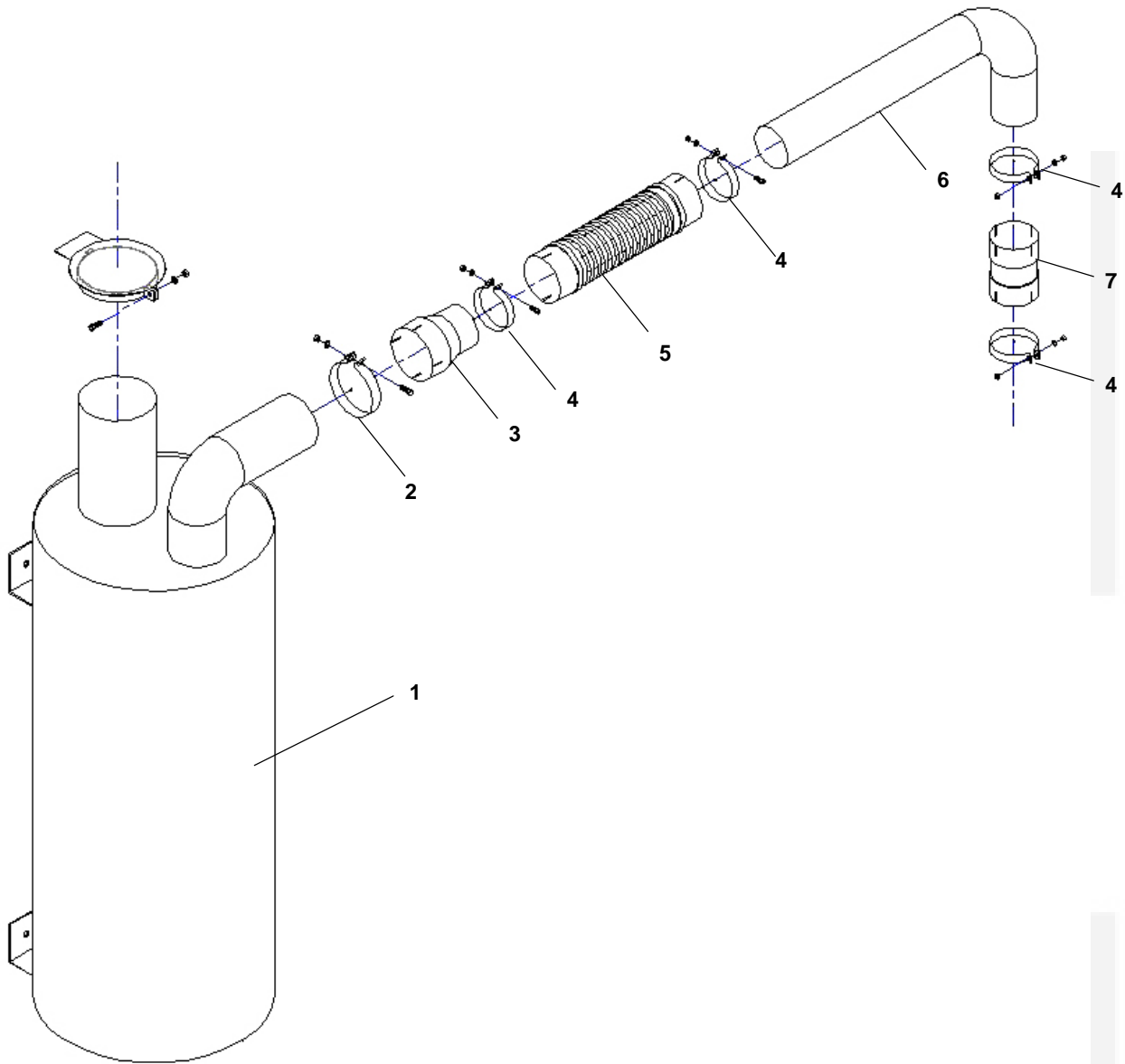


## Enclosure Assembly

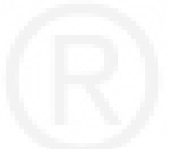


REF NO.	PART NO.	QTY USED	PART DESCRIPTION	REF NO.	PART NO.	QTY USED	PART DESCRIPTION
1	J0405-0482	1	Enclosure	7	J0405-0441	1	Panel, Viewing Window (384x284x3mm)
2	J0406-0062	12	Hinge, Door	8	J0405-0014	1	Gasket, Enclosure (2m)
3	J0405-0012	1	Gasket, Door (20m)	9	J0319-0993	1	Bracket, Control Panel
4	J0406-0017	4	Latch, Door	10	J0308-0198-01	1	Switch, Push Button Box
5	J0406-0020	4	Catch, Door - U Bolt				
6	J0508-0002	4	Bumper, Door - Rubber				

## Exhaust System (Enclosure)

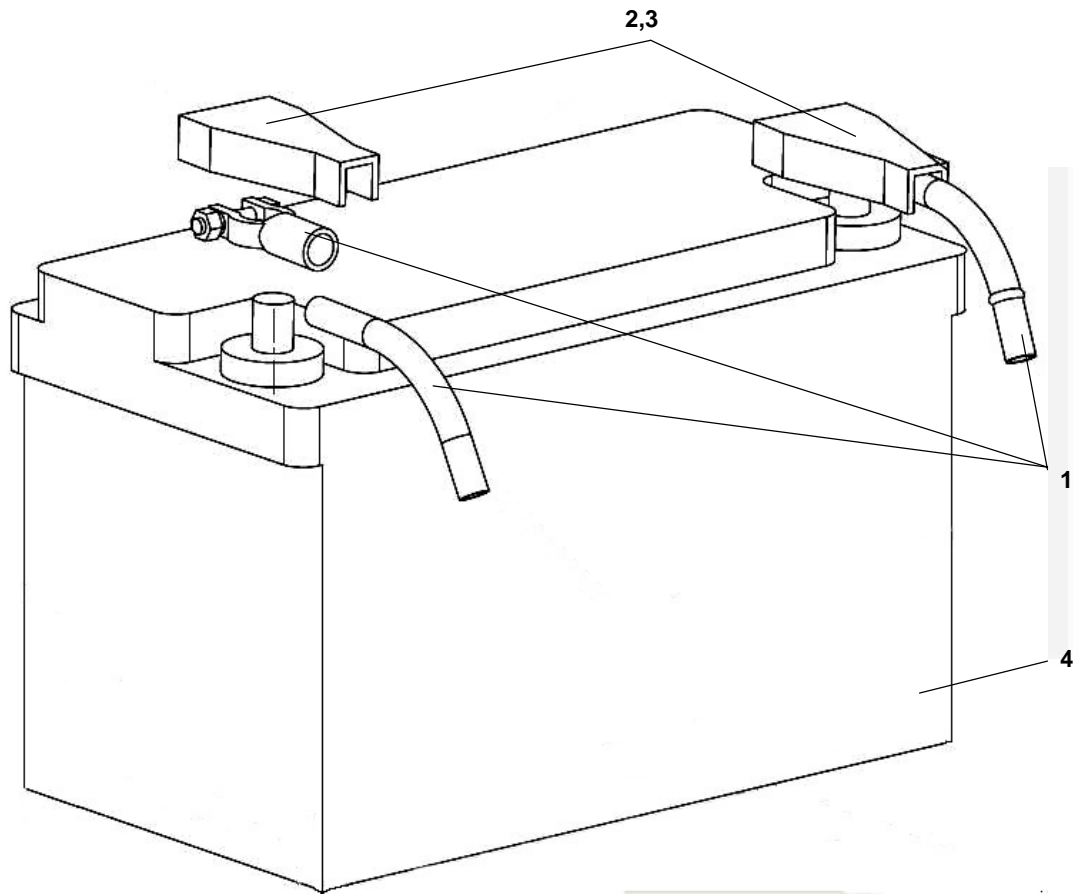


REF NO.	PART NO.	QTY USED	PART DESCRIPTION	REF NO.	PART NO.	QTY USED	PART DESCRIPTION
1	47714-Z	1	Side-In/Side-Out Silencer (6")	4	90875A-20	4	Clamp, Exhaust (4")
2	90877A-20	1	Clamp, Exhaust (5")	5	J0155-0365-02	1	Bellow - Flexible (4")
3	89173A-20	1	Reducer, Exhaust (4" OD X 5" ID)	6	J0155-0448	1	Pipe, Exhaust
				7	89162A-20	1	Connector - Straight (4")

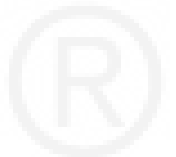




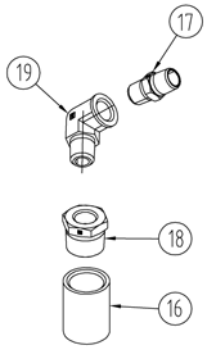
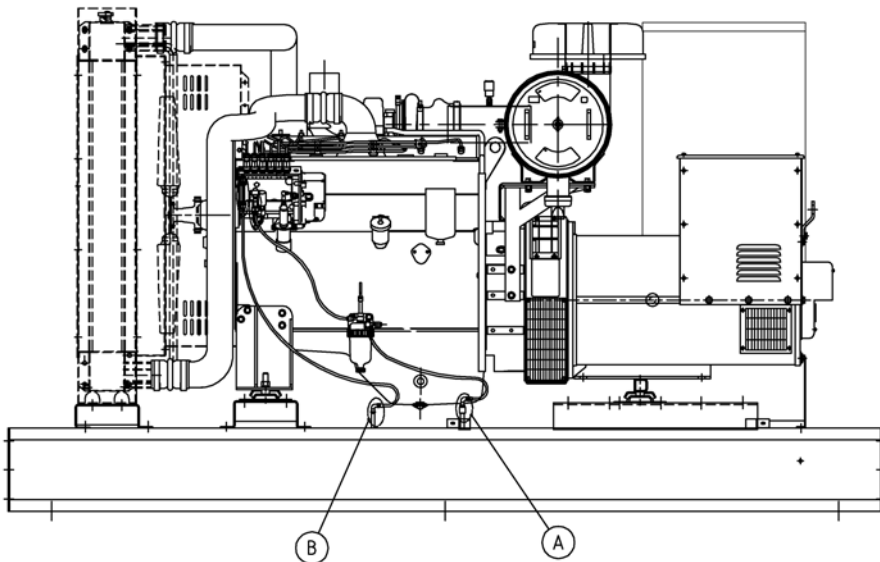
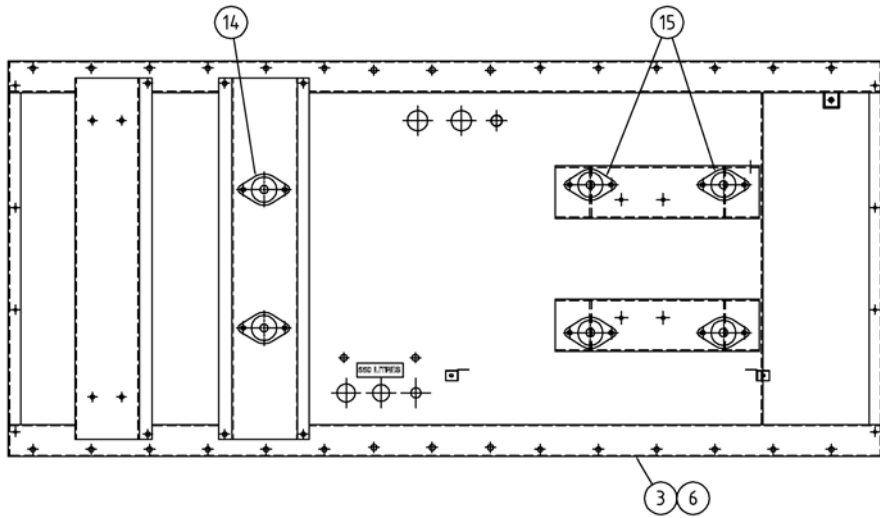
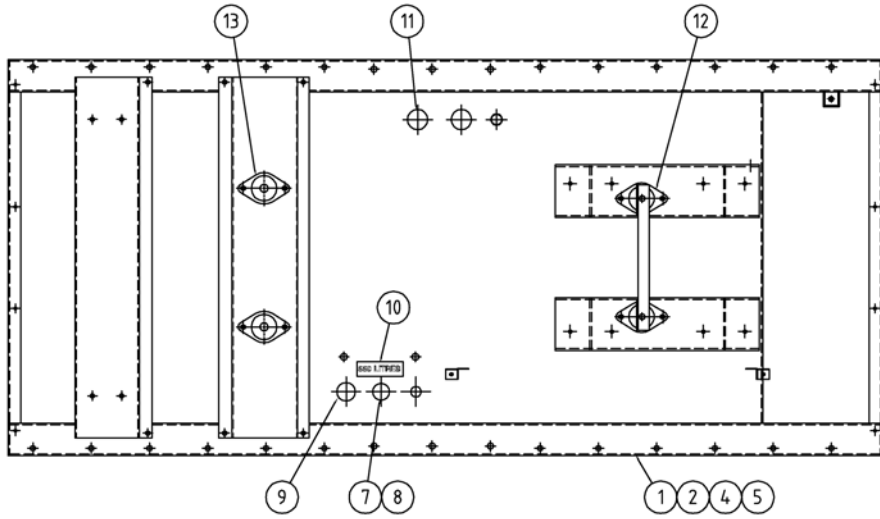
## Battery and Lead



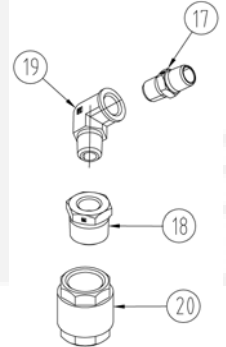
REF NO.	PART NO.	QTY USED	PART DESCRIPTION	REF NO.	PART NO.	QTY USED	PART DESCRIPTION
1	J0416-0001-02	1	Cable, Lead Acid Batteries (24VDC) (1 set)	4	J0416-0015-04	2	Battery, Uncharged Lead Acid (12V)
2	J0416-0003	2	Rubber Cap, Battery Terminal (Black)	5	J0416-0008	1	Tray, Battery
3	J0416-0111	2	Rubber Cap, Battery Terminal (Red)				



# Fuel Tank (Standard)



DETAIL 'B'



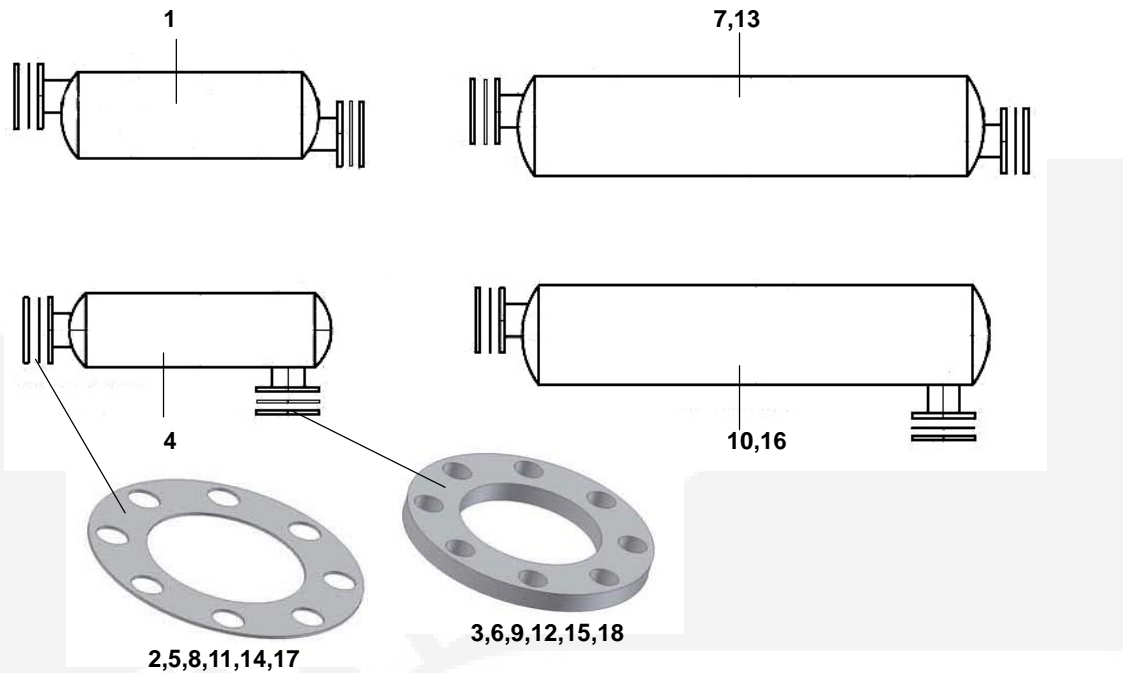
DETAIL 'A'

## Fuel Tank (Standard)

REF NO.	PART NO.	QTY USED	PART DESCRIPTION	REF NO.	PART NO.	QTY USED	PART DESCRIPTION
1	J0159-0406-02	1	Tank – 6CTAAG2/UC274 (Open Set)	10	J0099-0001-32	1	Name Plate, 550 Litres
2	J0159-0406	1	Tank – 6CTAAG4/UC274 (Open Set)	11	J0309-0043	1	Level Switch – Fuel Low Level Shutdown
3	J0159-0406-01	1	Tank – 6CTAAG4/HC4 (Open Set)	12	J0402-0046-06	2	Isolator, Vibration (VCS RRM-500-C) – UC274
4	J0159-0405-02	1	Tank – 6CTAAG2/UC274 (Enclosure Set)	13	J0402-0046-04	2	Isolator, Vibration (VCS RRM-500-A) – UC274
5	J0159-0405	1	Tank – 6CTAAG4/UC274 (Enclosure Set)	14	J0402-0046-05	2	Isolator, Vibration (VCS RRM-500-B) – HC4
6	J0159-0405-01	1	Tank – 6CTAAG4/HC4 (Enclosure Set)	15	J0402-0046-04	4	Isolator, Vibration (VCS RRM-500-A) – HC4
7	J0193-0050-03	1	Gauge, Fuel Level (Open Set)	16	J0505-0023-05	1	Socket (MS BSP 1/2")
8	J0193-0050-02	1	Gauge, Fuel Level (Enclosure Set)	17	J0502-0003-02	2	Adaptor, Hose (3/8")
9	J0159-0001	1	Cap, Filler (with chain)	18	0505-0019	2	Bush Reducer (1/2" X 3/8")
				19	J0505-0026-03	2	Elbow, Fuel Tank – M/F (3/8")
				20	J0504-0002-01	1	Valve – Check (1/2")

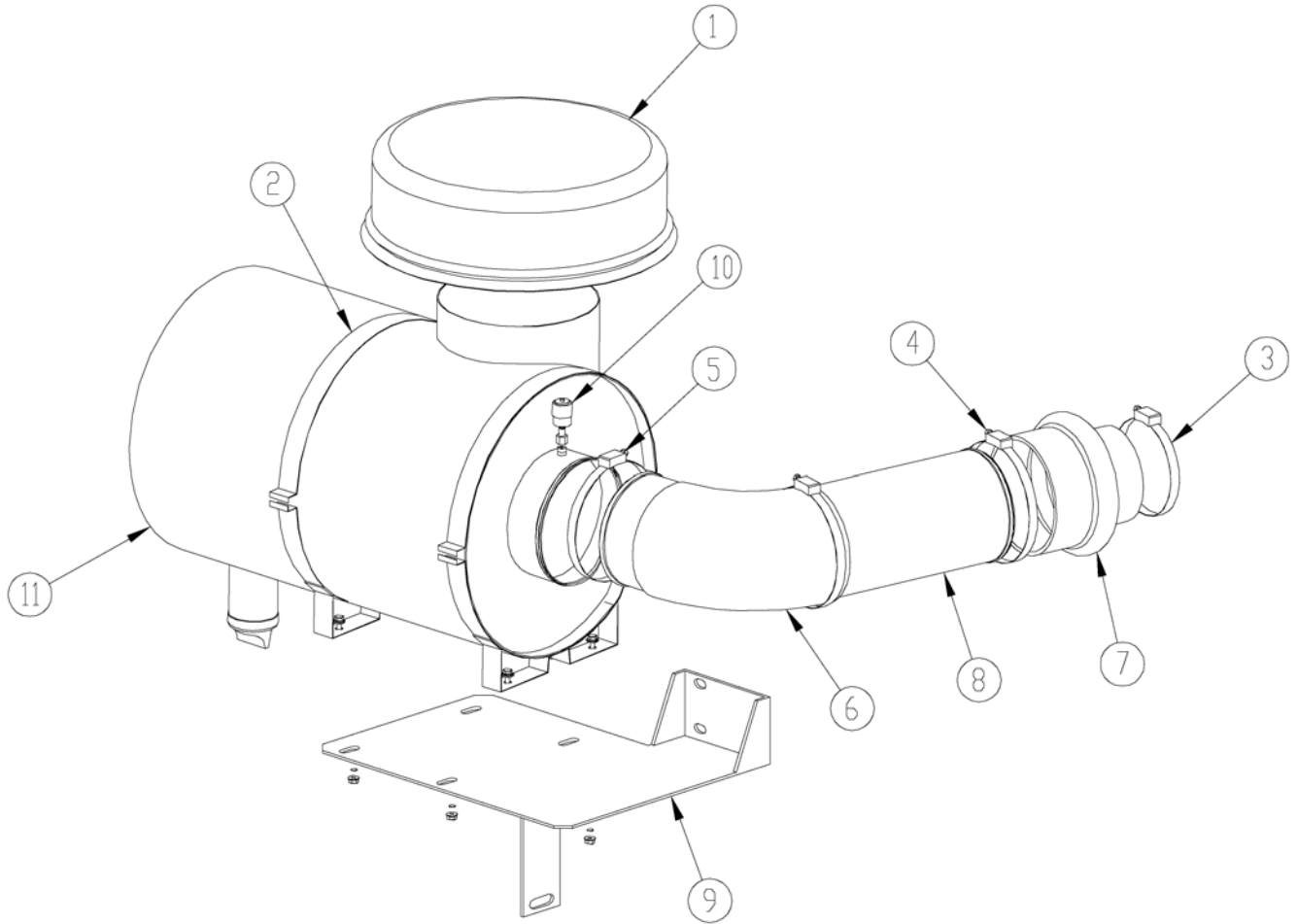


## Exhaust System (Open Set)



REF NO.	PART NO.	QTY USED	PART DESCRIPTION	REF NO.	PART NO.	QTY USED	PART DESCRIPTION
1	41160FJ-AMS	1	<b>KEX01 Exhaust Silencer – Industrial, End-In/End-Out (Standard)</b> End-In/End-Out Industrial Exhaust Silencer (6")	13	41460FJ-AMS	1	End-In/End-Out Industrial Exhaust Silencer (6")
2	J0155-0025-06	2	Gasket, Silencer (2mm, 6")	14	J0155-0025-06	2	Gasket, Silencer (2mm, 6")
3	J0155-0029-08	2	Flange, Silencer (6")	15	J0155-0029-08	2	Flange, Silencer (6")
4	43160FJ-AMS	1	<b>KEX02 Exhaust Silencer – , Industrial Side-In/End-Out (Option)</b> Side-In/End-Out Industrial Exhaust Silencer (6")	16	43460FJ-AMS	1	<b>A419 Exhaust Muffler – Critical, Side-In/End-Out (Option)</b> Side-In/End-Out Industrial Exhaust Silencer (6")
5	J0155-0025-06	2	Gasket, Silencer (2mm, 6")	17	J0155-0025-06	2	Gasket, Silencer (2mm, 6")
6	J0155-0029-08	2	Flange, Silencer (6")	18	J0155-0029-08	2	Flange, Silencer (6")
7	41360FJ-AMS	1	<b>KEX03 Exhaust Silencer – Residential, End-In/End-Out (Option)</b> End-In/End-Out Residential Exhaust Silencer (6")	19	J0155-4579	1	<b>KEX06 Exhaust Bellow (Standard)</b> Bellow, Exhaust
8	J0155-0025-06	2	Gasket, Silencer (2mm, 6")	20	J0155-0244-21	1	<b>KEX07 Fixing Kit (Standard)</b> Clamp, Exhaust
9	J0155-0029-08	2	Flange, Silencer (6")	21	J0155-0025-06	1	Gasket, Silencer (2mm, 6")
10	43360FJ-AMS	1	<b>KEX04 Exhaust Silencer – Residential, Side-In/End-Out (Option)</b> Side-In/End-Out Residential Exhaust Silencer (6")	22	J0155-0029-08	1	Flange, Silencer (6")
11	J0155-0025-06	2	Gasket, Silencer (2mm, 6")	23	J0541-0002-05	1	<b>KEX07 Fixing Kit for KEX02,04,A419 (Option)</b> Pipe, Exhaust – Flanged (6")
12	J0155-0029-08	2	Flange, Silencer (6")	24	J0155-0025-06	1	Gasket, Silencer (2mm, 6")
			<b>A418 Exhaust Muffler – Critical, End-In/End-Out (Option)</b>	25	J0541-0002-05	1	Pipe, Exhaust – Flanged (6")
				26	J0541-0003-05	1	Elbow, Exhaust – Flanged (6")
				27	J0155-0025-06	2	Gasket, Silencer (2mm, 6")

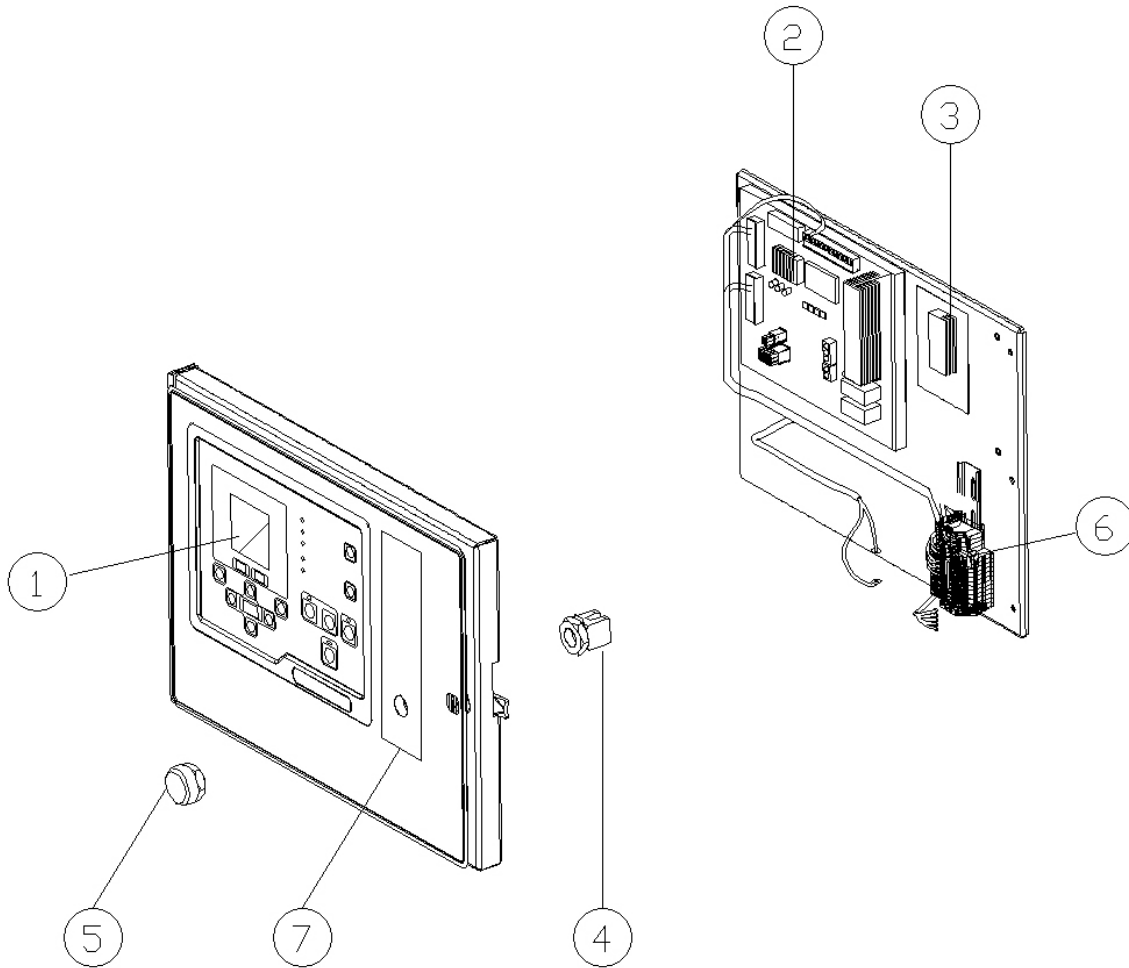
## Air Cleaner (Heavy Duty for 6CTAA8.3G2)(Option)



REF NO.	PART NO.	QTY USED	PART DESCRIPTION	REF NO.	PART NO.	QTY USED	PART DESCRIPTION
1	Q35427-10	1	Inlet, Air (6")	7	89846K-20	1	Reducer, Air Cleaner (5.5" to 4")
2	Q27378-20	2	Band, Mounting (14")	8	J0140-0035	1	Tube, Air Cleaner
3	89582K-20	1	Clamp, Air Inlet - T-Bar (4")	9	J0140-0150	1	Bracket, Air Cleaner
4	89585K-20	2	Clamp, Hose - T-Bolt	10	390516100S	1	Gauge - Minder
5	89586K-20	1	Clamp - T-Bar (6")	11	AH1925900	1	Air Housing
6	89831K-20	1	Elbow, Air Cleaner				



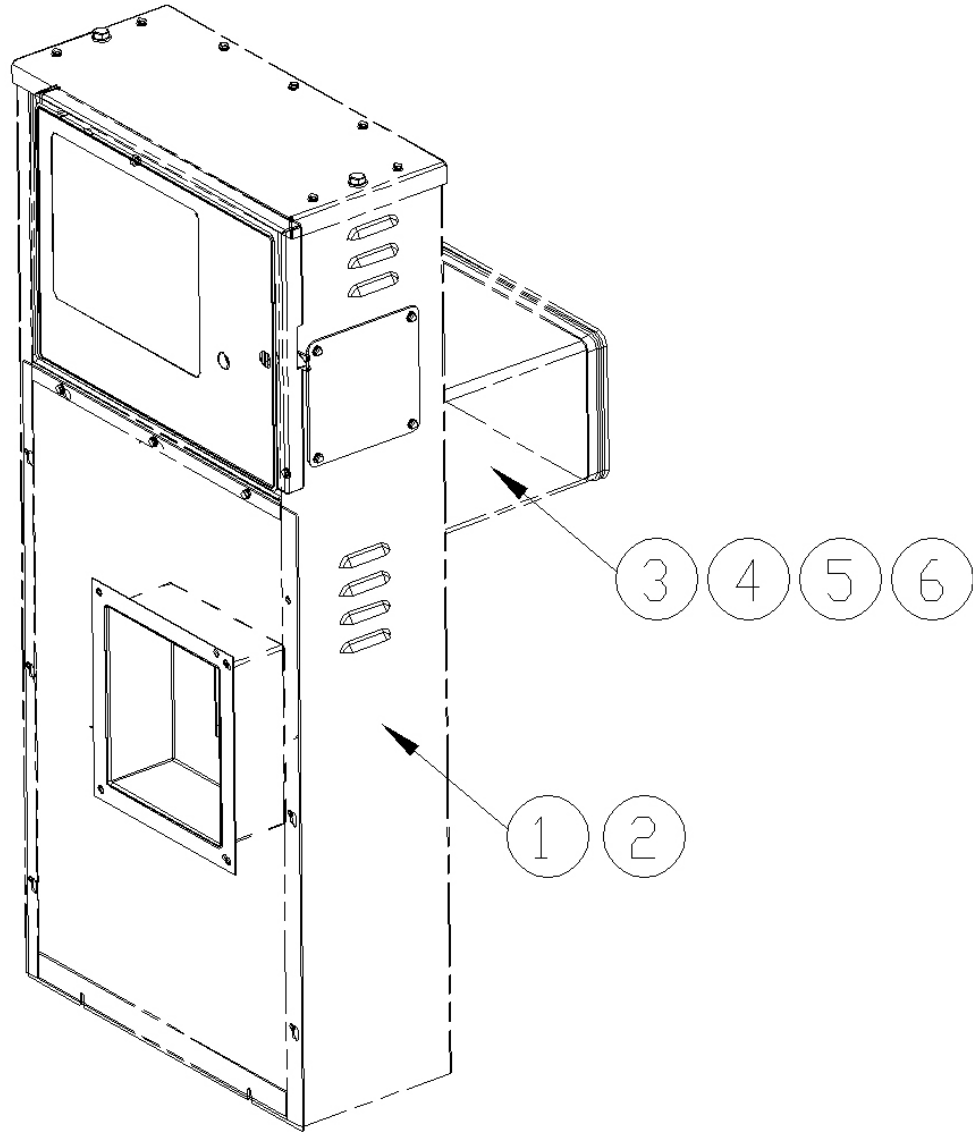
## Control Panel



REF NO.	PART NO.	QTY USED	PART DESCRIPTION	REF NO.	PART NO.	QTY USED	PART DESCRIPTION
1	0300-6314-01	1	Display Panel (HMI220)	5	J0308-0002	1	Switch, Push Button (Red)
2	0327-1617-01	1	Control Assembly (PCC1302)	6	J0338-0123	1	Harness - Control Panel
3	0327-1507	1	PCB Assembly (DYNAMO GOV)	7	J0098-0107	1	Label- Information
4	J0308-0130	1	Normal Close Contact, Push Button				



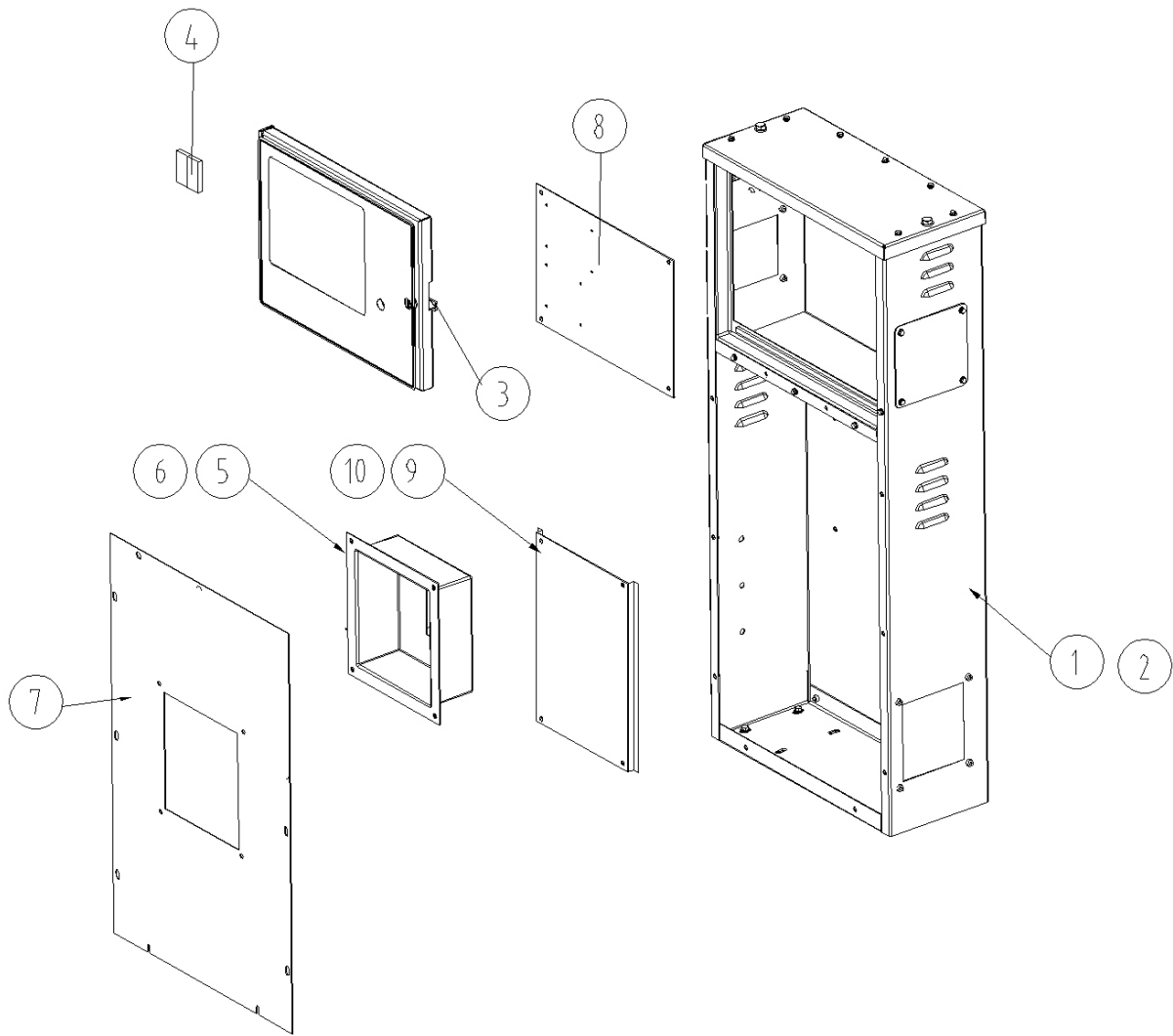
## Control Housing



REF NO.	PART NO.	QTY USED	PART DESCRIPTION	REF NO.	PART NO.	QTY USED	PART DESCRIPTION
1	J0319-0990-01	1	Panel Installation (630Amp)	4	J0319-0977-02	1	Label - Information (L1)
2	J0319-0990-02	1	Panel Installation (1250Amp)	5	J0319-0977-03	1	Label - Information (L2)
3	J0319-0977-01	1	Cable Duct, Panel Installation	6	J0319-0977-04	1	Label - Information (L3)



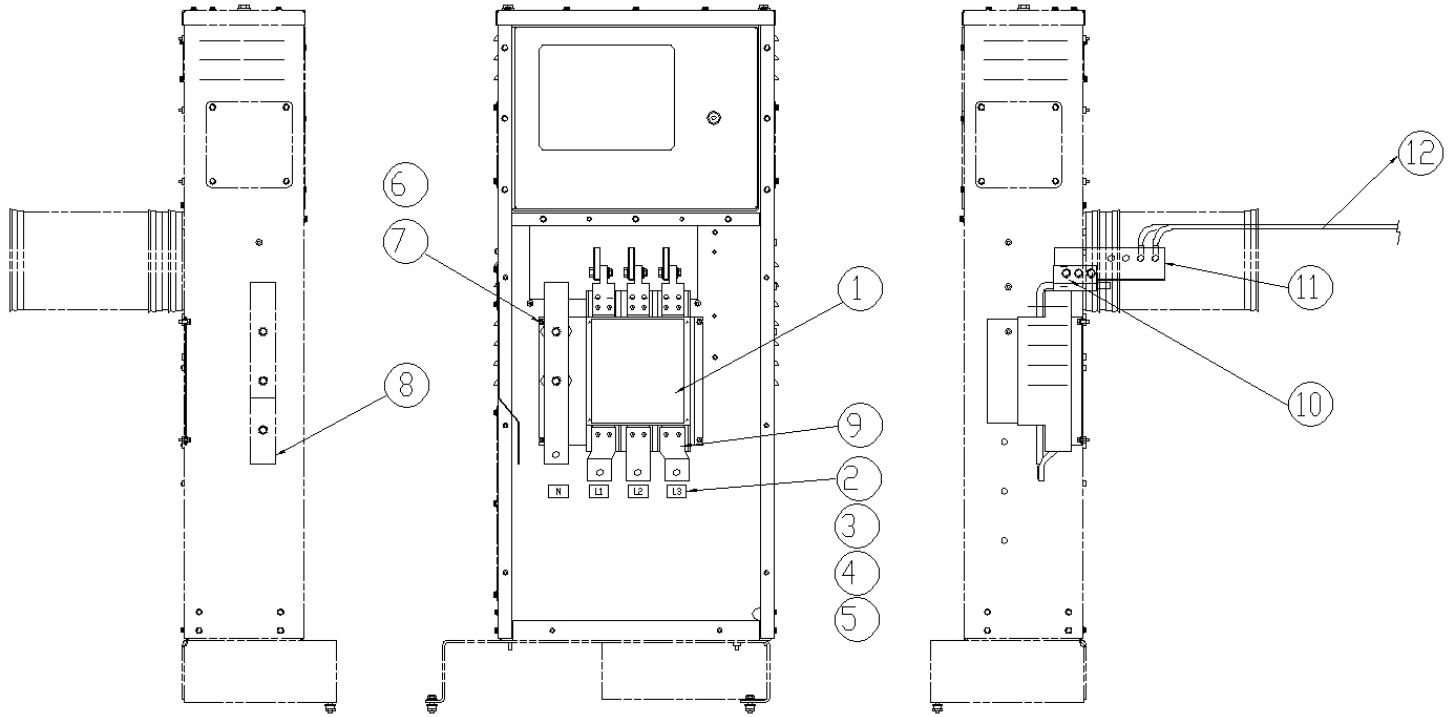
## Control Housing Installation



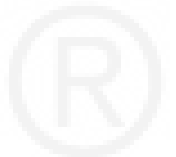
REF NO.	PART NO.	QTY USED	PART DESCRIPTION	REF NO.	PART NO.	QTY USED	PART DESCRIPTION
1	J0319-0991-01	1	Pedestal, Control Housing (630A)	5	J0319-0976-01	1	Cover, Circuit Breaker (630A)
2	J0319-0991-02	1	Pedestal, Control Housing (1250A)	6	J0319-0976-02	1	Cover, Circuit Breaker (800A)
3	J0405-0525	1	Lock, Control Panel	7	J0319-0983-01	1	Plate, Circuit Breaker
4	J0405-0524	2	Hinge, Control Panel	8	J0319-0987-01	1	Base Plate, Mounting
				9	0319-0987-01	1	Mounting Plate (NS400-630)
				10	0319-0987-02	1	Mounting Plate (NS800-1250)



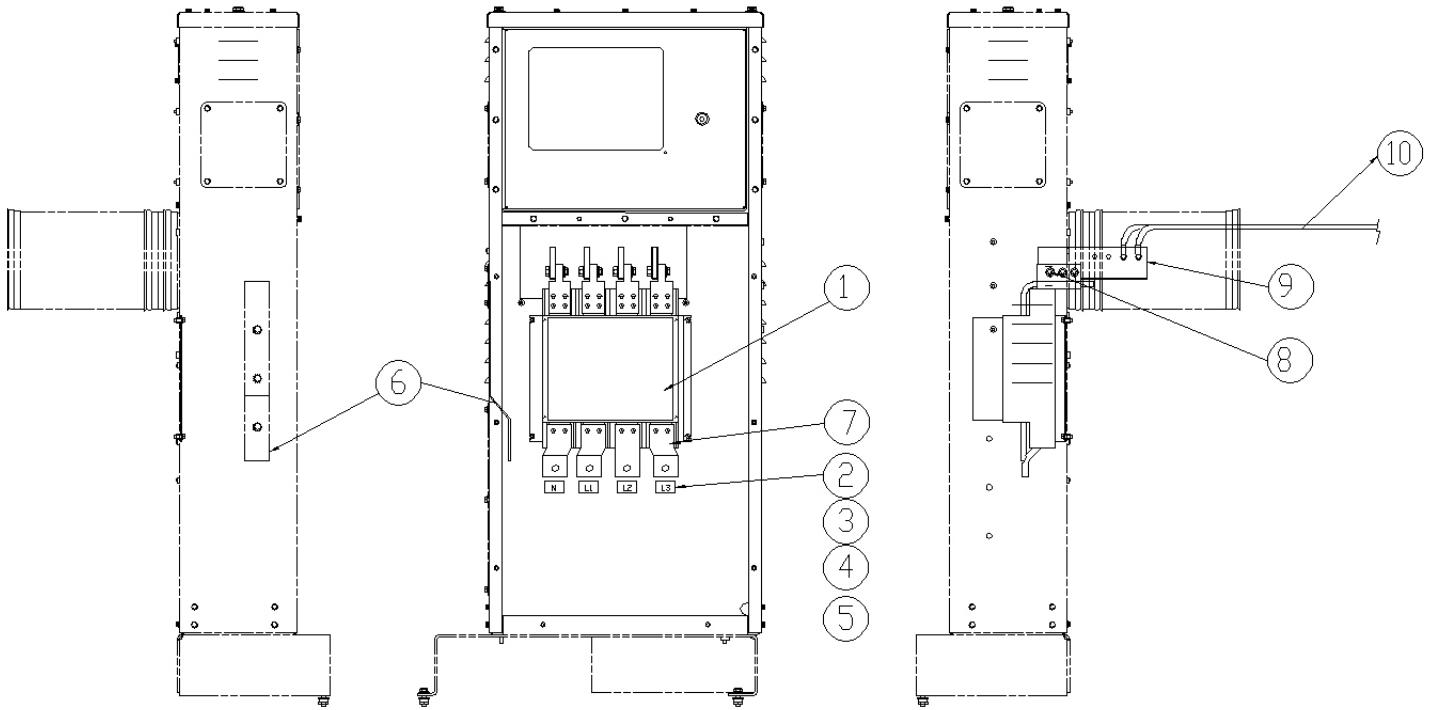
## Circuit Breaker (800A, 3 Pole)



REF NO.	PART NO.	QTY USED	PART DESCRIPTION	REF NO.	PART NO.	QTY USED	PART DESCRIPTION
1	J0320-0094-05	1	Circuit Breaker – MCCB (3 Pole, NS800N, 800AT)	7	J0337-0273-02	1	Busbar – N2
2	0098-8213-01	1	Label – L1	8	J0337-0274-01	1	Busbar – E
3	0098-8213-02	1	Label – L2	9	J0320-0386-05	1	Spreader, Circuit Breaker
4	0098-8213-03	1	Label – L3	10	0337-3738-01	1	Busbar, Circuit Breaker
5	0098-8213-04	1	Label – N	11	J0337-0276-01	3	Busbar – Alternator
6	J0337-0273-01	1	Busbar – N1	12	J0334-0206	A/R	Power Cable (120mm <sup>2</sup> )



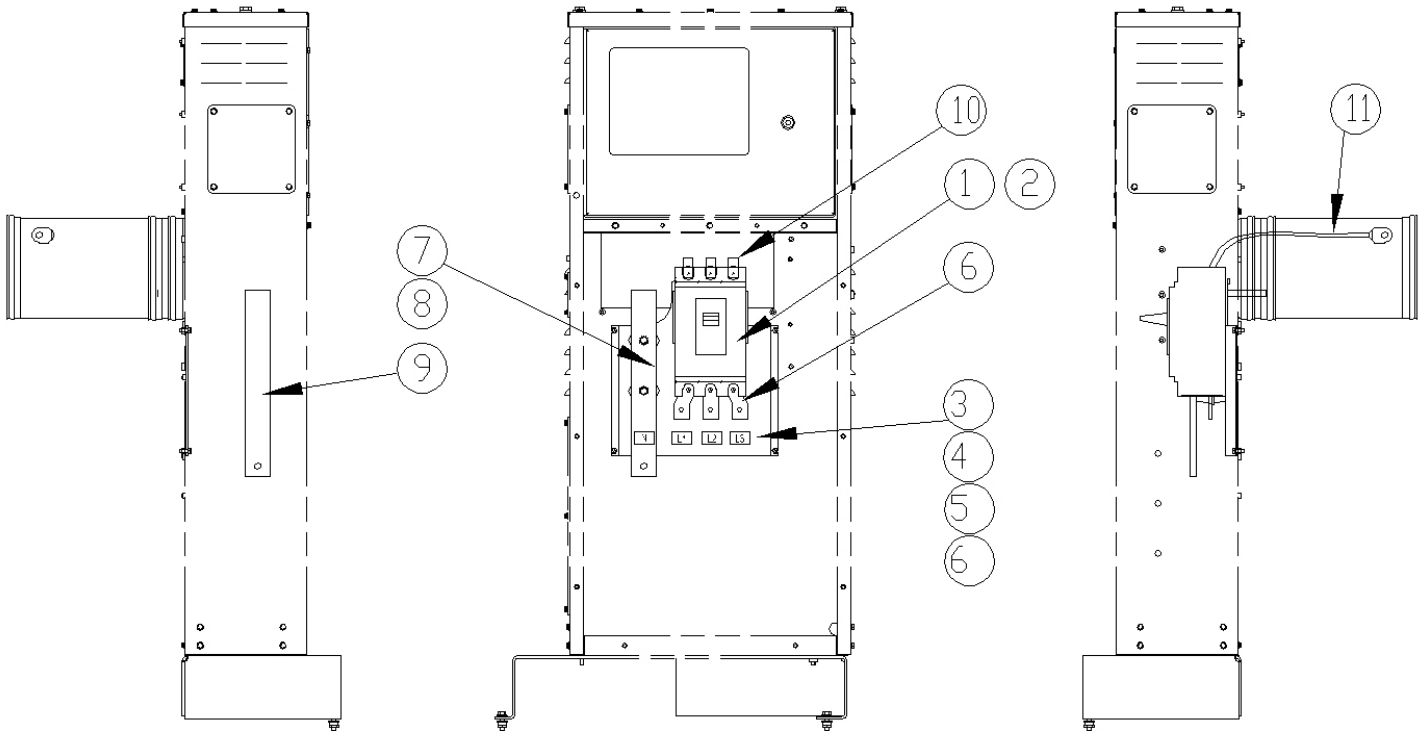
## Circuit Breaker (800A, 4 Pole)



REF NO.	PART NO.	QTY USED	PART DESCRIPTION	REF NO.	PART NO.	QTY USED	PART DESCRIPTION
1	J0320-0098-05	1	Circuit Breaker – MCCB (4 Pole, NS800N, 800AT)	6	J0337-0274-01	1	Busbar – E
2	0098-8213-01	1	Label – L1	7	J0320-0386-05	1	Spreader, Circuit Breaker
3	0098-8213-02	1	Label – L2	8	0337-3738-01	1	Busbar, Circuit Breaker
4	0098-8213-03	1	Label – L3	9	J0337-0276-01	4	Busbar – Alternator
5	0098-8213-04	1	Label – N	10	J0334-0206	A/R	Power Cable (120mm <sup>2</sup> )



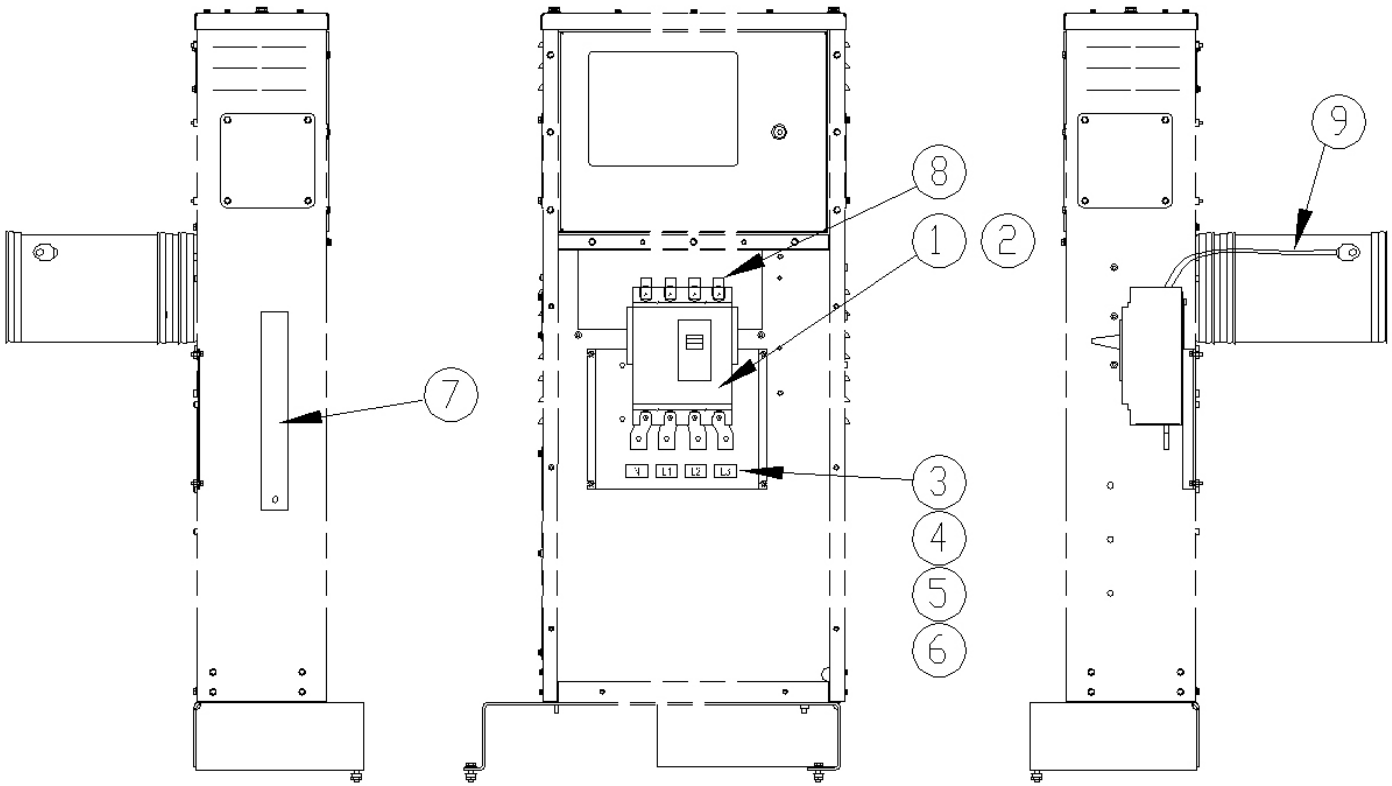
## Circuit Breaker (400A to 630A, 3 Pole)



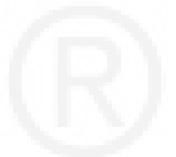
REF NO.	PART NO.	QTY USED	PART DESCRIPTION	REF NO.	PART NO.	QTY USED	PART DESCRIPTION
1	0320-2120-01	1	Circuit Breaker – MCCB (3 Pole, NS400N, 400AT)	6	0098-8213-04	1	Label – N
2	0320-2120-03	1	Circuit Breaker – MCCB (3 Pole, NS630N, 630AT)	7	J0337-0273-01	1	Busbar – N1
3	0098-8213-01	1	Label – L1	8	J0337-0274-01	1	Busbar – E
4	0098-8213-02	1	Label – L2	9	J0320-0686-01	3	Connector, Circuit Breaker (3 Pole, NS400-630)
5	0098-8213-03	1	Label – L3	10	J0337-0273-01	1	Busbar – N1
				11	J0334-0205	A/R	Power Cable (95mm <sup>2</sup> )



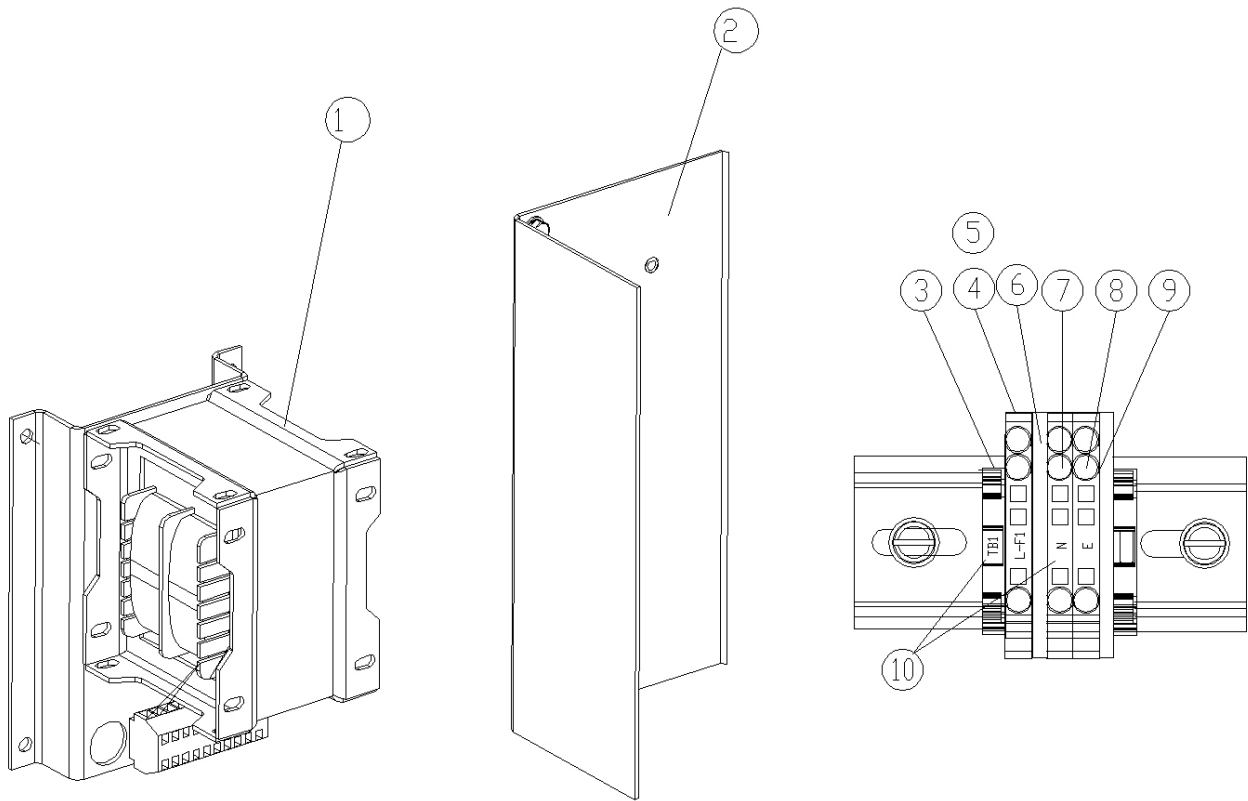
## Circuit Breaker (400A to 630A, 4 Pole)



REF NO.	PART NO.	QTY USED	PART DESCRIPTION	REF NO.	PART NO.	QTY USED	PART DESCRIPTION
1	0320-2120-02	1	Circuit Breaker – MCCB (4 Pole, NS400N, 400AT)	5	0098-8213-03	1	Label – L3
2	0320-2120-04	1	Circuit Breaker – MCCB (4 Pole, NS630N, 630AT)	6	0098-8213-04	1	Label – N
3	0098-8213-01	1	Label – L1	7	J0337-0274-01	1	Busbar – E
4	0098-8213-02	1	Label – L2	8	J0320-0695-01	4	Connector, Circuit Breaker (4 Pole, NS400-630)
				9	J0334-0205	A/R	Power Cable (95mm <sup>2</sup> )



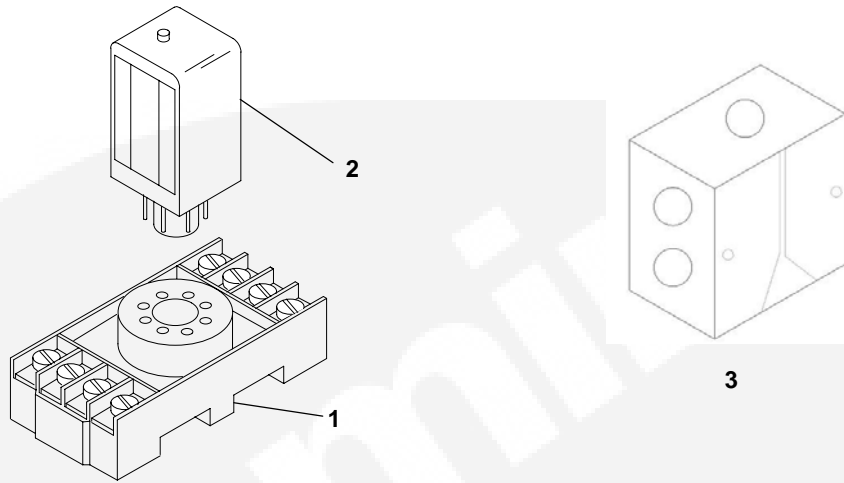
## Battery Charger(Optional)



REF NO.	PART NO.	QTY USED	PART DESCRIPTION	REF NO.	PART NO.	QTY USED	PART DESCRIPTION
1	0416-1240-01	1	Battery Charger (240V, 5A, 24V)	6	J0332-0188-01	1	End Plate, Terminal Block – Fuse
2	J0319-0984	1	Bracket, Battery Charger	7	0332-3923-02	1	Terminal Block
3	0326-3926	2	End Stop, Terminal Block	8	0332-4036-02	1	Terminal Block – Earth
4	0332-3944	1	Holder, Fuse	9	0326-3927-02	1	End Plate, Terminal Block
5	0321-0394-03	1	Fuse (4A)	10	J0332-0187-02	1	Tag, Terminal Block



## Shut Down, Low Fuel Level(Optional)

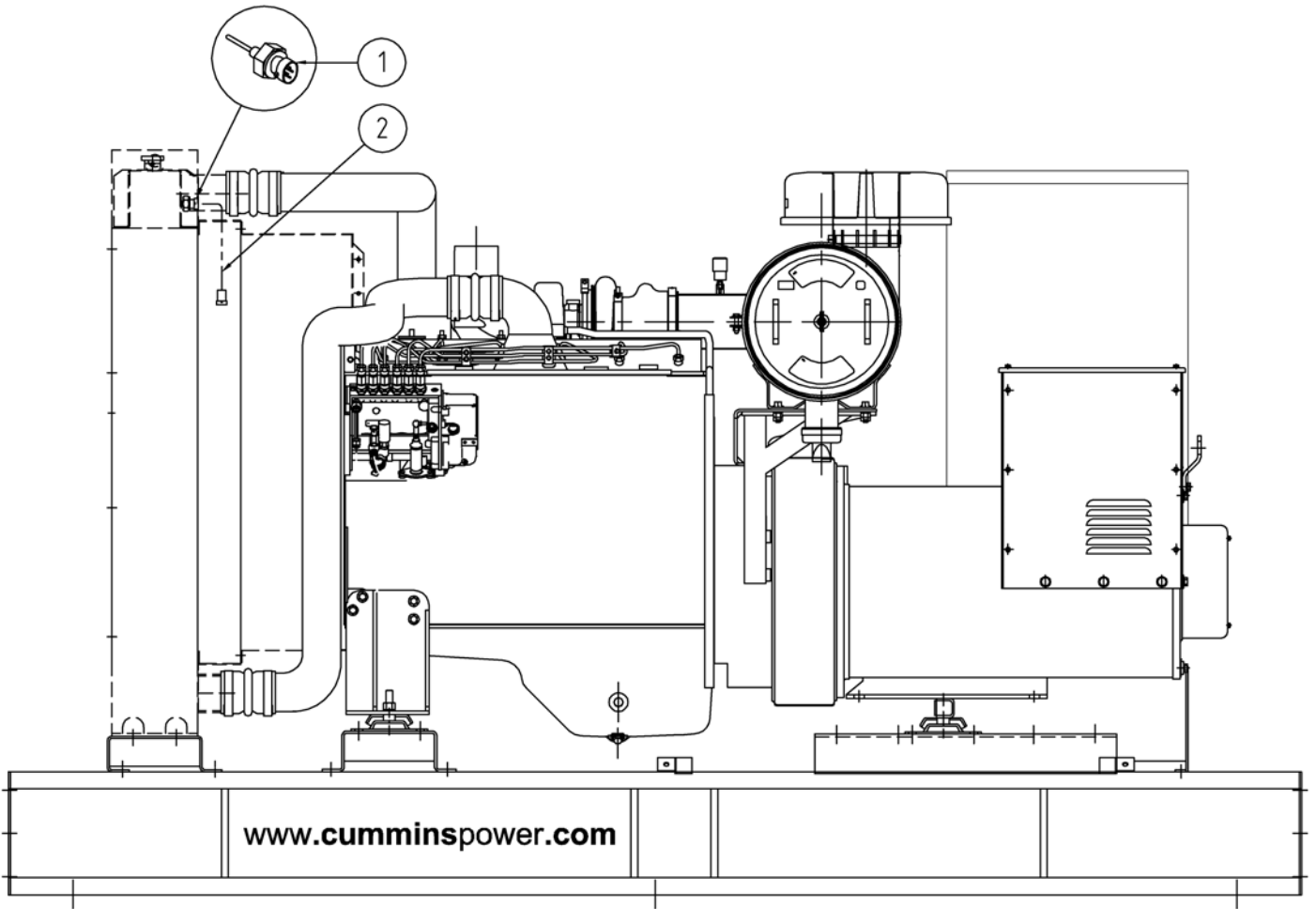


REF NO.	PART NO.	QTY USED	PART DESCRIPTION
1	J0307-0002	1	Base, Relay (2 Pole)
2	J0307-0008-02	1	Relay, Timer (GT3A 24VDC)

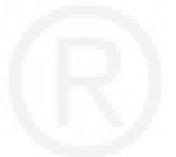
REF NO.	PART NO.	QTY USED	PART DESCRIPTION
3	J0309-0004-27	1	Switch, Level



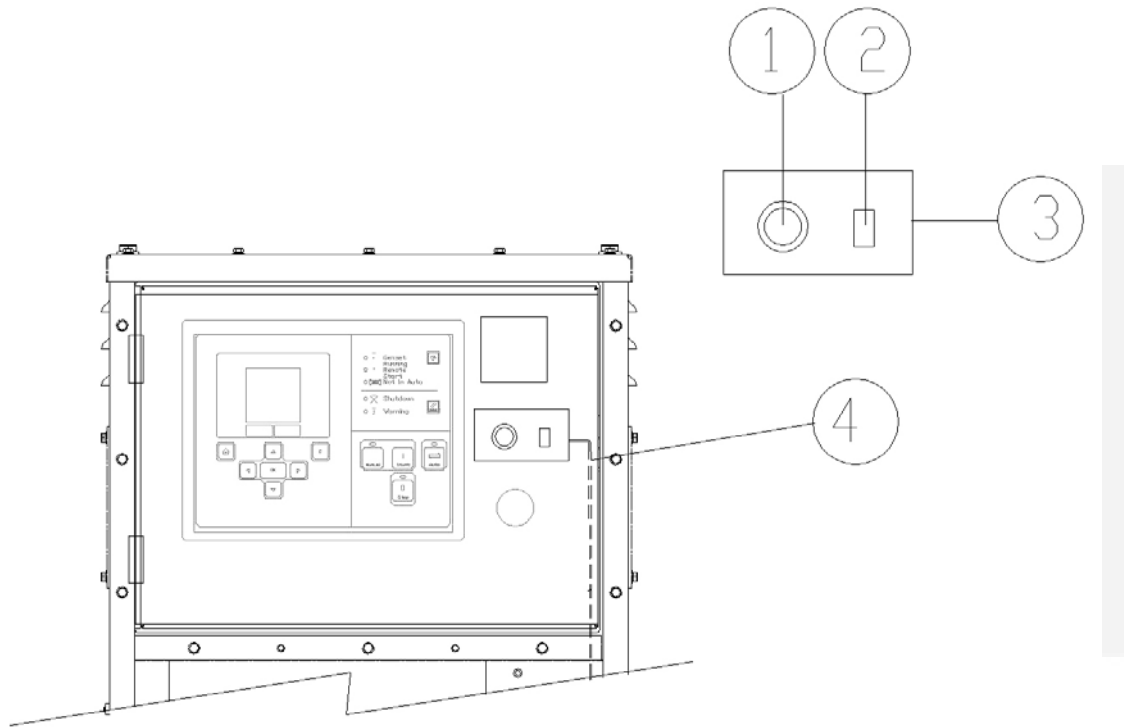
## Coolant Low Level



REF NO.	PART NO.	QTY USED	PART DESCRIPTION	REF NO.	PART NO.	QTY USED	PART DESCRIPTION
1	0193-0468	1	Sender, Low Coolant Level	2	0338-4178-01	1	Harness, Wiring



## Alarm – Audible(Optional)

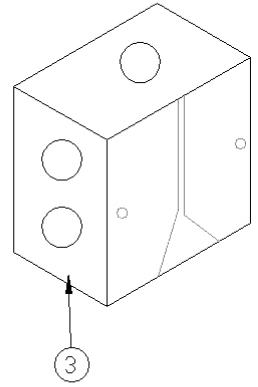
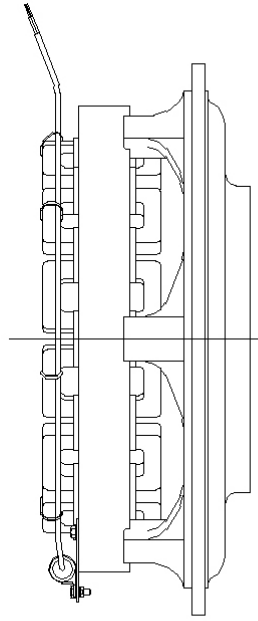
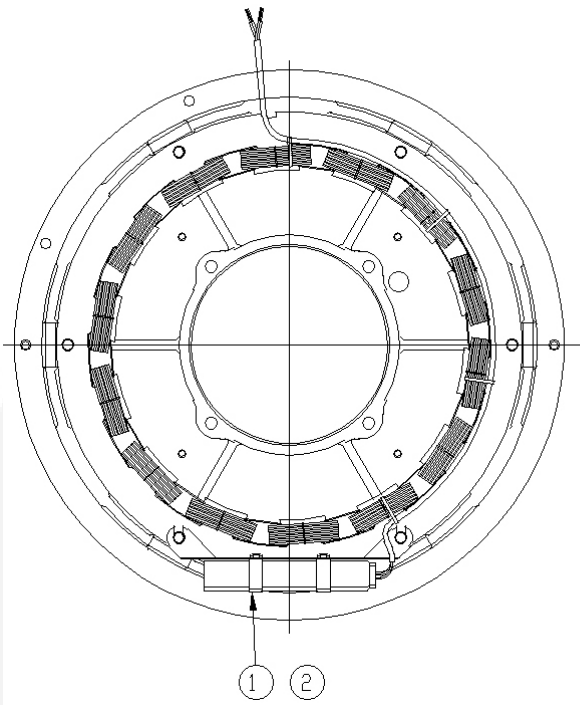


REF NO.	PART NO.	QTY USED	PART DESCRIPTION	REF NO.	PART NO.	QTY USED	PART DESCRIPTION
1	0308-1191	1	Switch, Alarm – Rocker	3	0098-8322	1	Label, Alarm information
2	0300-5937	1	Module, Alarm	4	0338-5211	1	Harness, Alarm





## Alternator Heater(Optional)

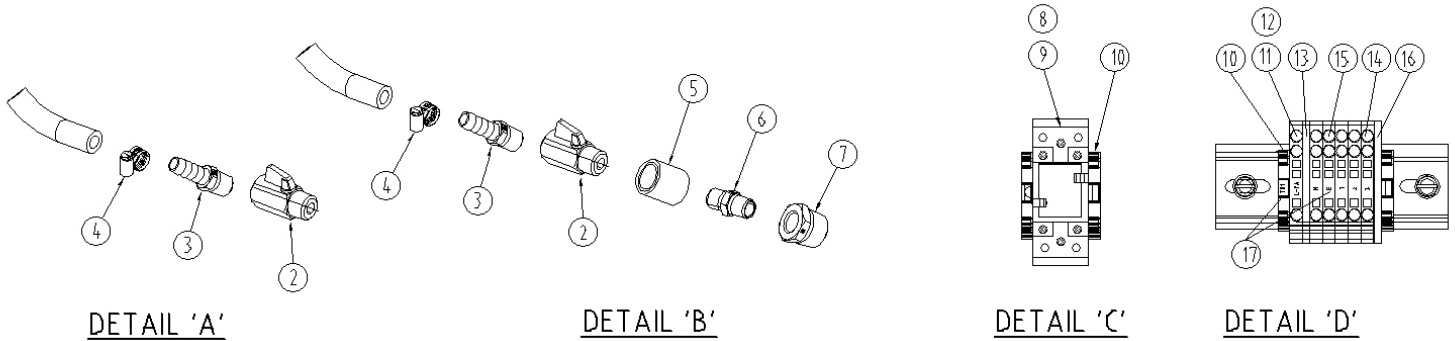
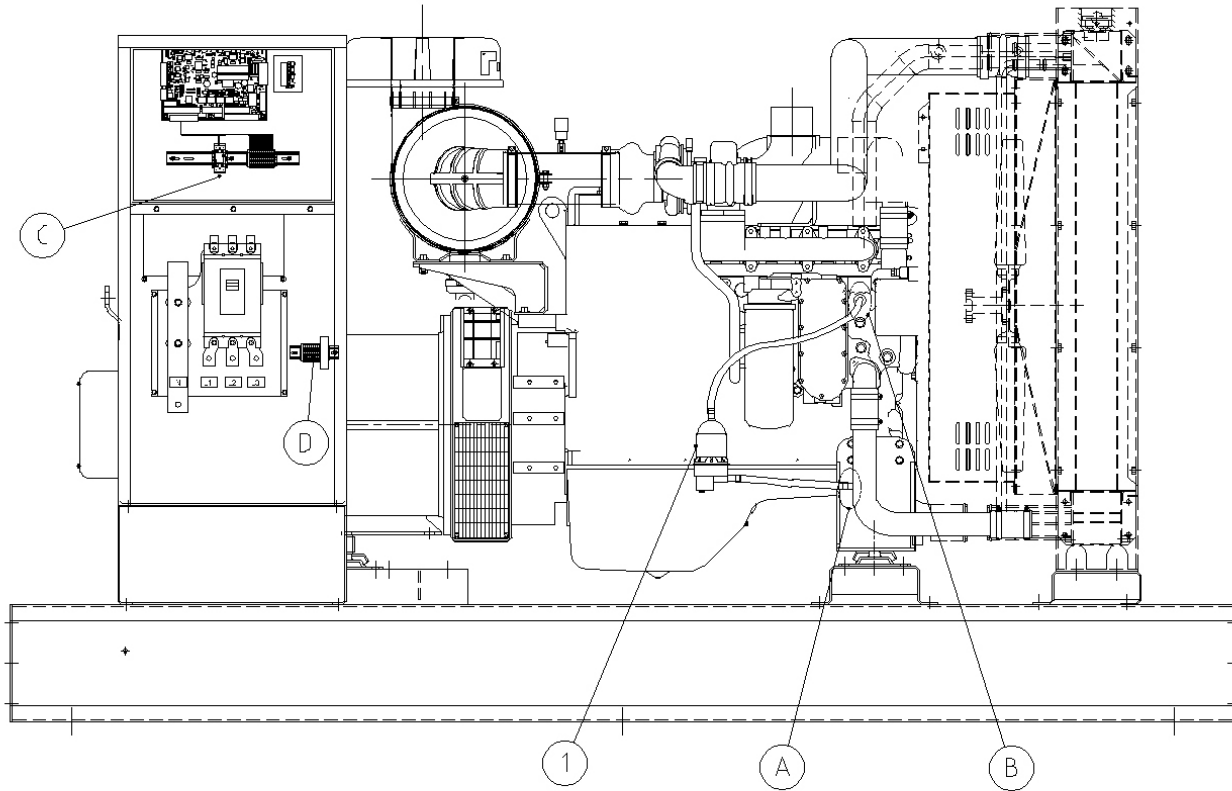


REF NO.	PART NO.	QTY USED	PART DESCRIPTION
1	J0191-0014-01	1	Heater, Alternator – UC224/274

REF NO.	PART NO.	QTY USED	PART DESCRIPTION
2	J0191-0014-02	1	Heater, Alternator – HC4
3	J0319-0741	1	Junction Box

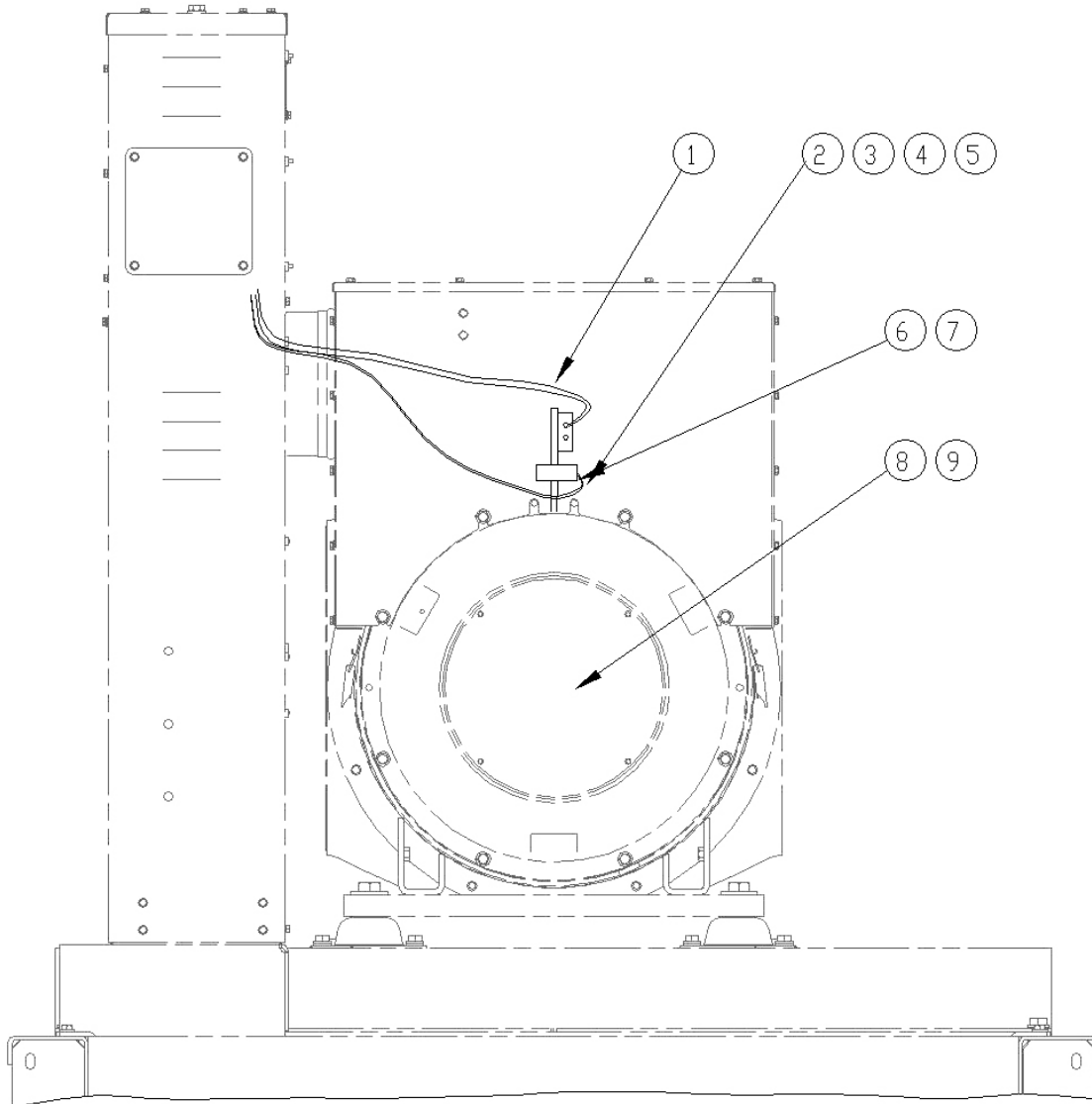


## Coolant Heater Installation(Optional)



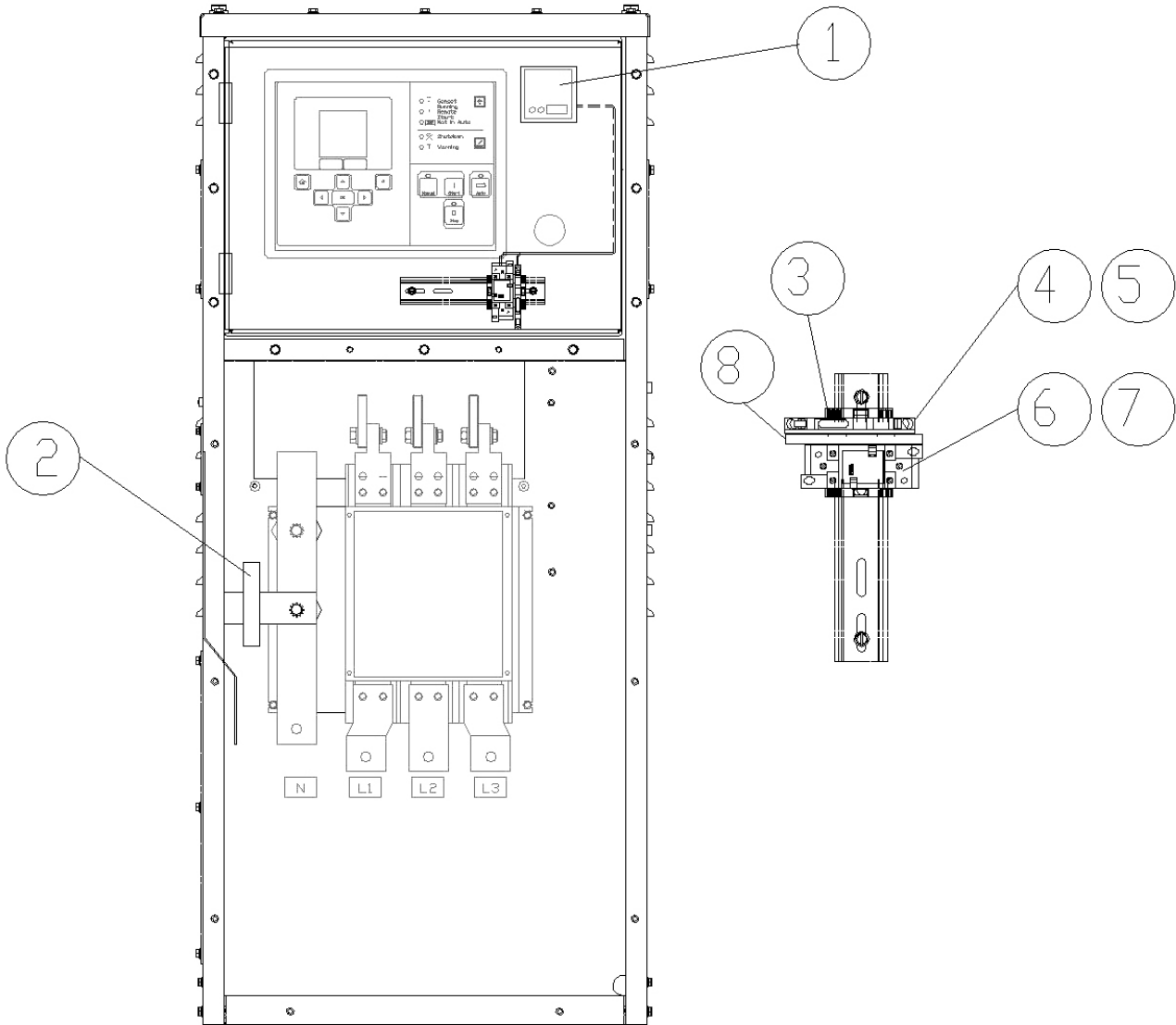
REF NO.	PART NO.	QTY USED	PART DESCRIPTION	REF NO.	PART NO.	QTY USED	PART DESCRIPTION
1	J0333-0002	1	Coolant, Heater – Water (1kW)	10	0326-3926	4	End Stop, Terminal Block
2	J0504-0003-01	2	Valve, Coolant Heater – Check (1/2")	11	0332-3944	1	Holder, Fuse
3	J0502-0014-06	2	Adaptor, Coolant Heater	12	0321-0394-08	1	Fuse (10A)
4	J0503-0005-04	4	Clamp, Coolant Heater	13	J0332-0188-01	1	End Plate, Terminal Block – Fuse
5	J0505-0023-05	1	Socket, Coolant Heater	14	0332-3923-02	4	Terminal Block
6	J0505-0003-04	1	Nipple, Coolant Heater	15	0332-4036-02	1	Terminal Block – Earth
7	J0505-0017-05	1	Bush Reducer, Coolant Heater	16	0326-3927-02	1	End Plate, Terminal Block
8	J0307-0173-01	1	Base, Relay	17	J0332-0187-02	1	Tag, Terminal Block
9	J0307-0174-01	1	Relay, Control (G2R-1-SND, 24VDC, 10A)				

## Torque Match Voltage Regulator & PMG

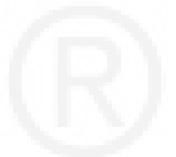


REF NO.	PART NO.	QTY USED	PART DESCRIPTION	REF NO.	PART NO.	QTY USED	PART DESCRIPTION
1	0338-4962	1	Harness, CT	6	0302-2055-11	3	Transformer, Current (CT) (750/5A, 1500/5A)
2	0338-4960-01	1	Harness, Torque Match – AC (Shunt, UC274)	7	0302-2055-12	3	Transformer, Current (CT) (1000/5A, 2000/5A)
3	0338-4960-02	1	Harness, Torque Match – AC (Shunt, HC4)	8	J0191-0011-01	1	Kit, Alternator PMG (45-0075, UC224/274) (Option)
4	0338-4961-01	1	Harness, Alternator (PMG, UC274) (Option)	9	J0191-0011-05	1	Kit, Alternator PMG (45-0318, HC4) (Option)
5	0338-4961-02	1	Harness, Alternator (PMG, HC4) (Option)				

## Earth Fault Shut Down, Earth Leakage (Option)



REF NO.	PART NO.	QTY USED	PART DESCRIPTION	REF NO.	PART NO.	QTY USED	PART DESCRIPTION
1	0307-3088	1	Relay, Earth Fault	6	0332-3944	1	Holder, Fuse
2	0315-1607-01	1	Transformer, Current (CT)	7	0321-0394-05	1	Fuse (6A)
3	0332-3926	2	End Stop, Terminal Block	8	J0332-0188-01	1	End Plate, Terminal Block - Fuse
4	0249-0814	1	Base, Relay				
5	0307-3047	1	Relay, Control (2P, 24V)				



Label



Power  
Generation

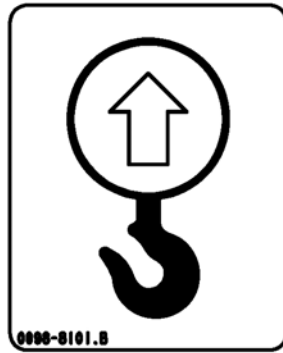
[www.cumminspower.com](http://www.cumminspower.com)

1,2

3



4



5



6

REF NO.	PART NO.	QTY USED	PART DESCRIPTION	REF NO.	PART NO.	QTY USED	PART DESCRIPTION
1	0098-7902-03	2	Label - Logo (White)	5	0098-8101-B	2	Label - Lifting Eye
2	0098-7902-05	3	Label - Logo (White)	6	0098-8381	4	Label - Caution (NO SUPPORT)
3	0098-8220	2	Label - URL (White)				
4	0098-7895-C	8	Label - Warning (DO NOT LIFT)				





Cummins



**Cummins Power Generation**

10 Toh Guan Road #07-01  
TT International Tradepark  
Singapore 608838  
Tel: (65)6417 2388

Fax: (65)6417 2399  
Email [cpg.apmktg@cummins.com](mailto:cpg.apmktg@cummins.com)  
[www.cumminspower.com](http://www.cumminspower.com)

Cummins®, the "C" logo, and "Our energy working for you."  
are trademarks of Cummins Inc.

©2008 Cummins Power Generation, Inc. All rights reserved.



