



Parts Manual

Generator Set

**KTA50G3 Engine with PowerCommand[®] 3.3 Control and
PowerCommand[®] 3.3 MLD Control**

C1250 D2R

Table of Contents

Description	Page
Labels	8
Consumables	10
Service Consumables	10
Paint and Thread Sealant	10
Engine	12
Air Cleaner	17
Engine Heater – 240V	21
Coolant Heater	22
Coolant Heater	23
Radiator	27
Generator	34
Alternator Fasteners	42
Skid	43
Battery	44
Battery Tray	45
Battery Cables	46
Breather	48
Enclosure	52
Enclosure Fasteners	54
Exhaust Insulation	56
Silencer Installation	59
Ground Strap	61
Fan	62
Oil Drain	63
Oil Drain	64
Oil Maintainer	67
Sump Drain Valve	68
Control Box	69
Terminal Block	80
Control Heater	81
Control Heater	82
Control Cover	83
Battery Charger	84
Circuit Breaker Cabinet	91
Current Transformer	95
Busbar	97

Safety Precautions

The following symbols are used in Cummins Power Generation manuals to alert users to the potentially dangerous conditions relating to maintenance of equipment and replacement of parts. Please read and observe.



This symbol warns of immediate hazards which will result in severe personal injury or death.



This symbol refers to a hazard or unsafe practice which can result in severe personal injury or death.



This symbol refers to a hazard or unsafe practice which can result in severe personal injury or product or property damage.

Product Safety Precautions

Before operating the generator set, read the manuals and become familiar with them and the equipment. Safe and efficient operation can be achieved only if the equipment is properly operated and maintained. Many accidents are caused by failure to follow fundamental rules and precautions.



Note:

It is in the Operator's interest to read and understand all Health and Safety information together with all Warnings and Cautions contained within the documentation relevant to the generator set, its operation and daily maintenance.



Improper operation and maintenance can lead to severe personal injury or loss of life and property by fire, electrocution, mechanical breakdown or exhaust gas asphyxiation. Read and follow all safety precautions in the health and safety manual 0908-0110.



Service and repair of Cummins Power Generation equipment must be performed by trained, experienced personnel only. Improper service, repair or replacement of parts may result in damage to equipment & property, severe personal injury or death. Do not use this catalog as a guide to servicing your equipment. Read and follow the **IMPORTANT SAFETY INSTRUCTIONS** in the Service Manual appropriate for the equipment you are working on.



Contact with **USED ENGINE OILS** has been identified by a United States federal agency and some USA state agencies as causing **CANCER** or **REPRODUCTIVE TOXICITY**. When checking or changing engine oils take all necessary precautions not to ingest, breathe the fumes or contact the used oil.



Contact with **ASBESTOS** has been identified by a United States federal agency and some USA state agencies as causing **CANCER** or **REPRODUCTIVE TOXICITY**. When handling engine gaskets take all necessary precautions not to ingest, breathe or contact the dust from the gaskets! Use adequate ventilation and wear protective gloves, masks and clothing!



Contact with **BENZINE** and **LEAD**, found in gasoline, fuel additives and solvents has been identified by a United States federal agency and some USA state agencies as causing **CANCER** or **REPRODUCTIVE TOXICITY**. When checking, draining or adding gasoline and fuel additives or using solvents take all necessary precautions not to ingest, breathe the fumes or contact the liquids. Use adequate ventilation and wear protective gloves, masks and protective clothing!

About This Manual

This manual applies to the generator model C1250 D2R. Parts illustrations are arranged in groups relating to their position and function on the generator set. Each part illustrated is identified by a reference number corresponding to the list of part numbers in the accompanying table.

Engine and alternator parts that have been modified or added by Cummins Power Generation are identified in this catalogue. Contact your nearest authorized distributor for assistance in ordering replacement parts. All other replacement parts must be ordered from the engine/alternator manufacturer by referring to the item nameplate and supplying all available information.

Cummins Power Generation Generator Model	Cummins Engine Model
C1250 D2R	KTA50-G3 (D283021DX02)

Generator Set Data Table

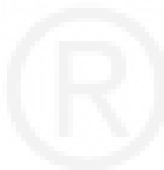
Model and Specification	Electrical Data					Battery Voltage
	Watts	Volts	Hertz	Wire	Phase	
C1250 D2R	1,258,000	#	50	4L, 6L	3	24VDC
C1250 D2R	1,400,000	#	60	4L, 6L	3	24VDC

– 380–13,800V (Refer to Genset Data Sheet).

Replacement parts not identified in this manual can be ordered by contacting:

Engine Parts:

Cummins Engine Company, Ltd
 +1 (800) 343-7357
 Web: <http://www.quickserve.cummins.com>



Quick Serve Online (QSOL)

Documentation and operator manuals pertaining to the generator set are available on QuickServe Online.

QuickServe Online: <https://quickserve.cummins.com/info/index.html>

The information contained within this manual is based on information available at the time of going to print. In line with Cummins Power Generation policy of continuous development and improvement, information may change at any time without notice. Obtain the most up to date version available on QuickServe Online or contact your authorized distributor for assistance.

Related Literature

The related literature that is appropriate to your generator set includes:

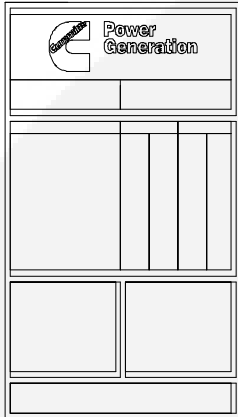
- Operator Manual for KTA50G3 with PC 3.3 (A035B513)
- Engine Operation & Maintenance Manual for KTA50 (3810497)
- Installation Manual for KTA50G3 with PC 3.3 (A035B509)
- Recommended Spares List (RSL) for C1250 D2R (A035B536)
- Generator Set Service Manual for KTA50G3 with PC 3.3 (A035B521)
- Alternator Service Manual for P7 Alternators (0900-9902-00)
- Alternator Service Manual for P7 Alternators (A040J850)
- Controller Service Manual for PowerCommand 3.3 (0900-0670)
- Standard Repair Times – CL Family (0900-0913)
- Standard Repair Times – PowerCommand 3.3 (0900-0981)

If further information is required, contact your authorized distributor.

Model Identification

This manual covers generator set models produced under the Cummins Power Generation and Cummins Onan brand names.

To avoid errors or delay in filling your parts order, always state the MODEL and SERIAL NUMBER from the Cummins Power Generation nameplate.



The engine serial number is located on a data tag on the engine or is stamped on the engine block.

The control software number is located on the electronic control module (ECM) or can be obtained via the digital interface if one is available.

For reference document your genset information in the spaces below.

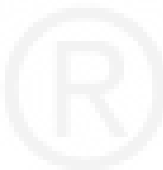
Generator Model Number: _____

Generator Set Serial Number: _____

Generator Spec Letter: _____

Engine Serial Number: _____

Digital Control Software: _____



Abbreviations

Some of the following abbreviations may be used throughout this Parts Manual:

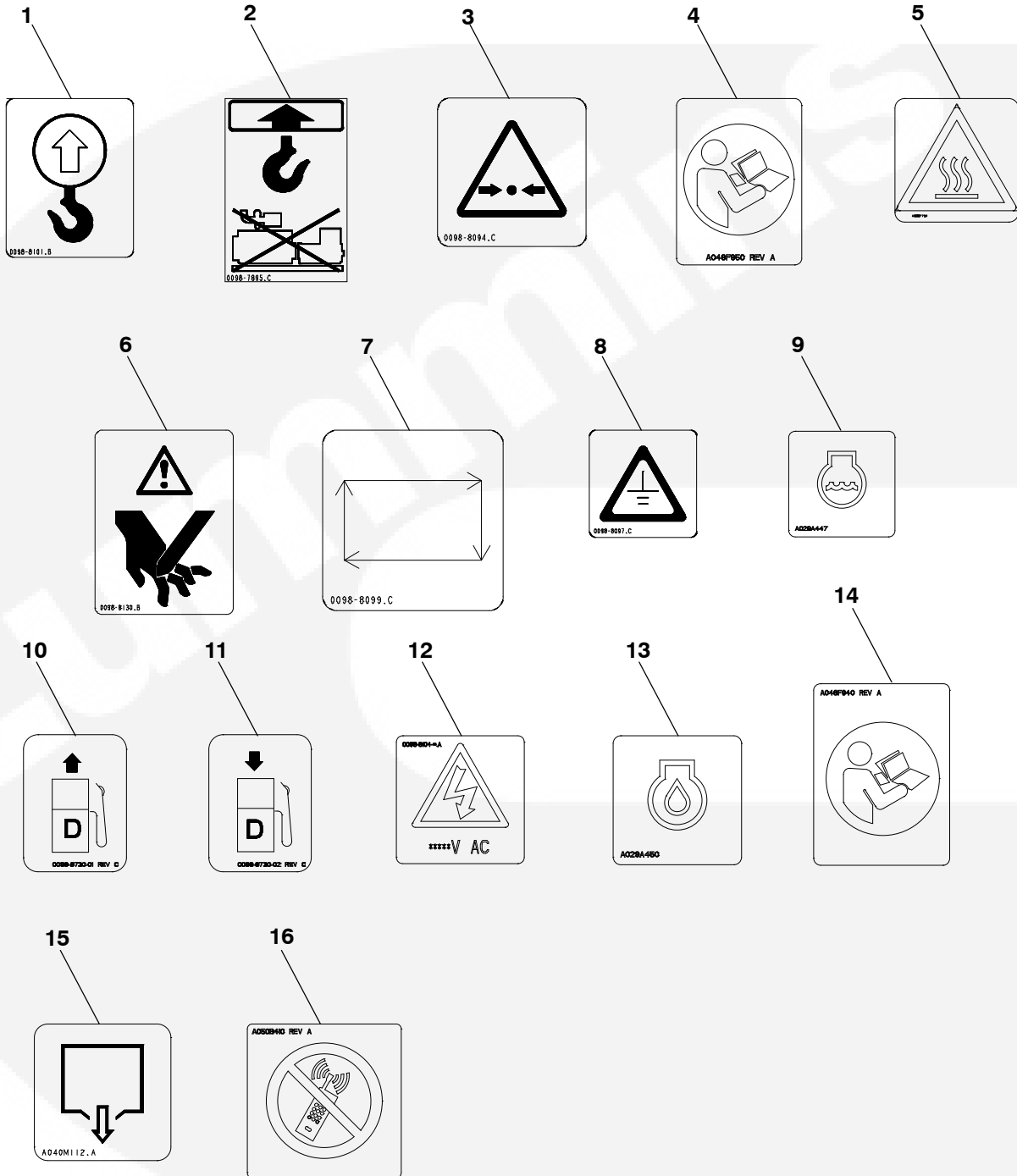
AC	Alternating Current	LED	Light-Emitting Diode
ACB	Air Circuit Breaker	LTP	Limited Time Power Rating
ACH	Anti-Condensations Heaters	LTA	Low Temperature Aftercooling
ATS	Automatic Transfer Switch	LV	Low Voltage
Amp	Ampere	M	Meter
A/R	As Required	MCB	Miniature Circuit Breaker
AVR	Automatic Voltage Regulator	MCCB	Moulded Case Circuit Breaker
AWG	American Wire Gauge	MF	Mains Failed
BHP	Brake Horsepower	MFSS	Master First Start Sensor
BMS	Building Measurement System	mm	Millimeter
BST	Busbar Sensing Transformer	MOH	Mobile Off Highway
CAN	Controlled Area Network	MR	Mains Returned
CB	Circuit Breaker	MST	Mains Sensing Transformer
CCA	Cold Cranking Amps	MSU	Mains Sensing Unit
CHP	Combined Heat and Power	MV	Medium Voltage
COP	Continuous Power Rating	NEC	Neutral Earthing Contact
CT	Current Transformer	NFS	Not For Sale
dB(A)	Unit of noise level	NPT	National Pipe Thread
DC	Direct Current	OD	Outside Diameter
Deg	Degree	oz.	Ounce
DIP	Dual In-line Package	PC	PowerCommand 3.3
DMC	Digital Master Control	PC	Printed Circuit
DMSU	Demand Load Standby Unit	PF	Power Factor
ECM	Engine Control Module	Ph	Phase
EFC	Electronic Fuel Control	PFC	Power Factor Controller
EIT	External/Internal Tooth	PLC	Programmable Logic Controller
EMCU	Engine Monitoring and Control Unit	PMG	Permanent Magnet Generator
EMF	Electromotive Force	PRP	Prime Power Rating
EPROM	Erasable Programmable Read Only Memory	PSU	Power Supply Unit
EPU	Engine Protection Unit	PT/CT	Potential Transformer/Current Transformer
ET	External Tooth	PTC	Power Transfer Control
FAE	Full Authority Engine	QCC	Quadrature Current Control
FSS	First Start Sensor	RFI	Radio Frequency Interference
GCP	Generator Control Panel	RMS	Root Mean Square
Genset	Generator set	RPM	Revolutions Per Minute
GFI	Ground Fault Interrupter	RT	Right
GKWT	Global Kilowatt Transducer	RTD	Resistance Temperature Detector
HMI	Human/Machine Interface	Spec	Specification
HV	High Voltage	Thk	Thick
IC	Integrated Circuit	UL	Underwriters Laboratories Inc.
ID	Inside Diameter	UNC	Union National Coarse
IEC	International Electrotechnical Commission	UNF	Union National Fine
I/O	Input / Output	V	Volts
IT	Internal Tooth	VAC	Volts, Alternating Current
kVA	Apparent Power	VCB	Vacuum Circuit Breaker
kVAR	Reactive Power	VDC	Volts, Direct Current
kW	Active / Real Power (Kilowatt)	VF	Volt-free
kWh	Unit of electrical energy or work	VT	Voltage Transformer
LPG	Liquid Petroleum Gas	W/(ET, IT, EIT)	With
LT	Left		



This page is Intentionally blank.



Labels



Labels

Item	Part No.	Description	Qty
1	0098-8101	Label, Information	4
2	0098-7895	Label, Warning	6
3	0098-8094	Label, Warning	2
4	A048F950	Label, Warning	2
5	A030F757	Label, Hot Surface	5
6	0098-8130	Label, Caution	5
7	0098-8099	Label, Danger	1
8	0098-8097	Label, Information	1
9	A029A447	Label, Information	2
10	0098-8730-01	Label, Information (Fuel In)	1
11	0098-8730-02	Label, Information (Fuel Out)	2
12	0098-8104-05	Label, Warning (≤ 480 V)	12
13	A029A450	Label, Information	2
14	A048F940	Label, Information	2
15	A040M112	Label, Information	1
16	A050B410	Label, Radio Interference	1

Consumables

The following is a list of consumables associated with the generator models covered in this manual:

Service Consumables

Ref. Page No.	Part No.	Description	Qty
21	0503-2203-02	Hose, Coolant	1
64	A034F519	Hose, Oil	1
27	0503-2203-02	Hose, Radiator	1
18	0140-3230	Filter, Air	2
44	A034E987	Battery	1

Paint and Thread Sealant

Item	Part No.	Description	Qty
1	525-0305	Onan Green Enamel (Non-Metallic) 12 oz. Pressurized Spray Can	n/a
2	518-0601	Sealant, Thread (6 ml Tube)	n/a

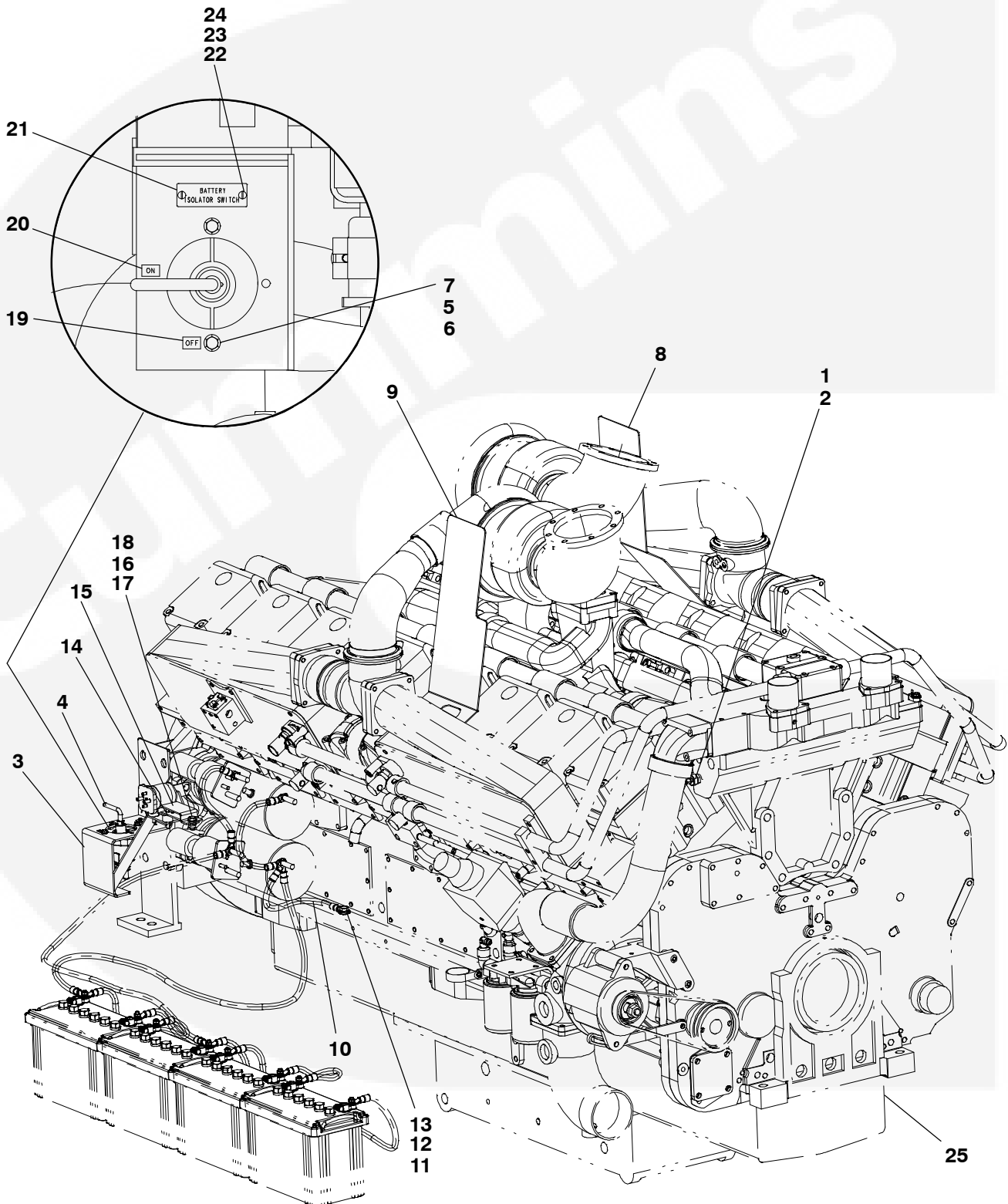


This page is Intentionally blank.



Engine

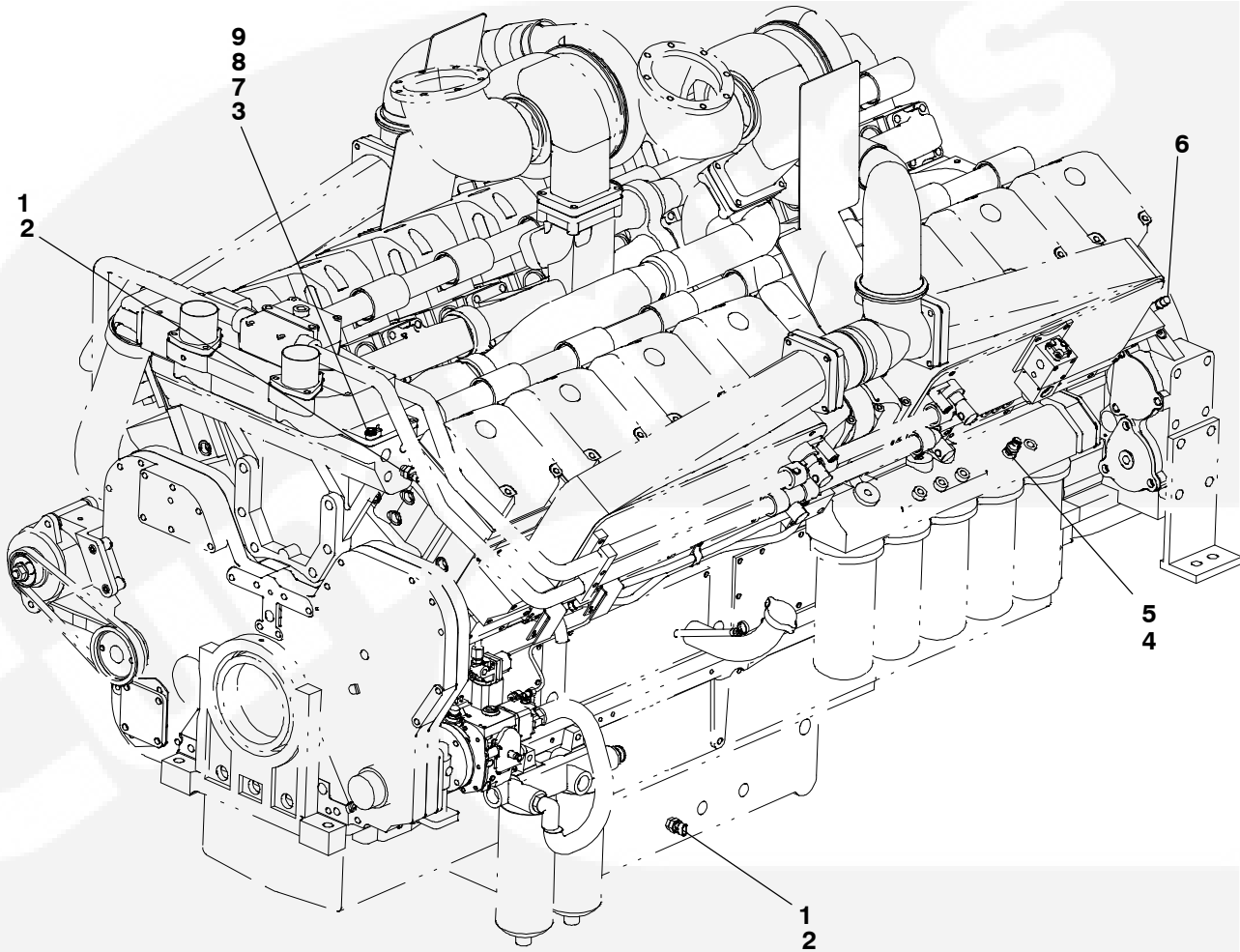
Engine Accessories – Illustration #1



Engine Accessories – Illustration #1

Item	Part No.	Description	Qty
1	0505-0019	Bushing, Reducer	3
2	0193-0432	Sender, Oil Temperature	3
3	A034F022	Bracket	1
4	A035A403	Isolator, Battery	1
5	0526-0399-58	Washer, Flat	2
6	0862-0026-54	Nut, Hex	2
7	0800-6375-04	Screw, Hex Flange Head	2
8	A030G215	Bracket, Heat Shield	1
9	A030G217	Bracket, Heat Shield	1
10	0416-1234	Cable, Electrical	1
11	0526-0399-25	Washer, Flat	1
12	0850-0114-09	Washer, Lock	1
13	0800-0310-64	Screw, Hex Head	1
14	001146	Bracket, Terminal Block	1
15	0811366	Shroud, Terminal	1
16	0526-0399-62	Washer, Flat	2
17	0800-3017-37	Screw, Hex Head	1
18	0870-2225-03	Nut, Lock	1
19	A034B871	Nameplate	1
20	A034B870	Nameplate	1
21	A034B855	Nameplate	1
22	0815-1540-20	Screw, Slotted Head	2
23	0526-0399-54	Washer, Flat	2
24	006-01030	Nut, Lock	2
25	A034C465	Engine – KTA50G3	1

Engine Accessories – Illustration #2



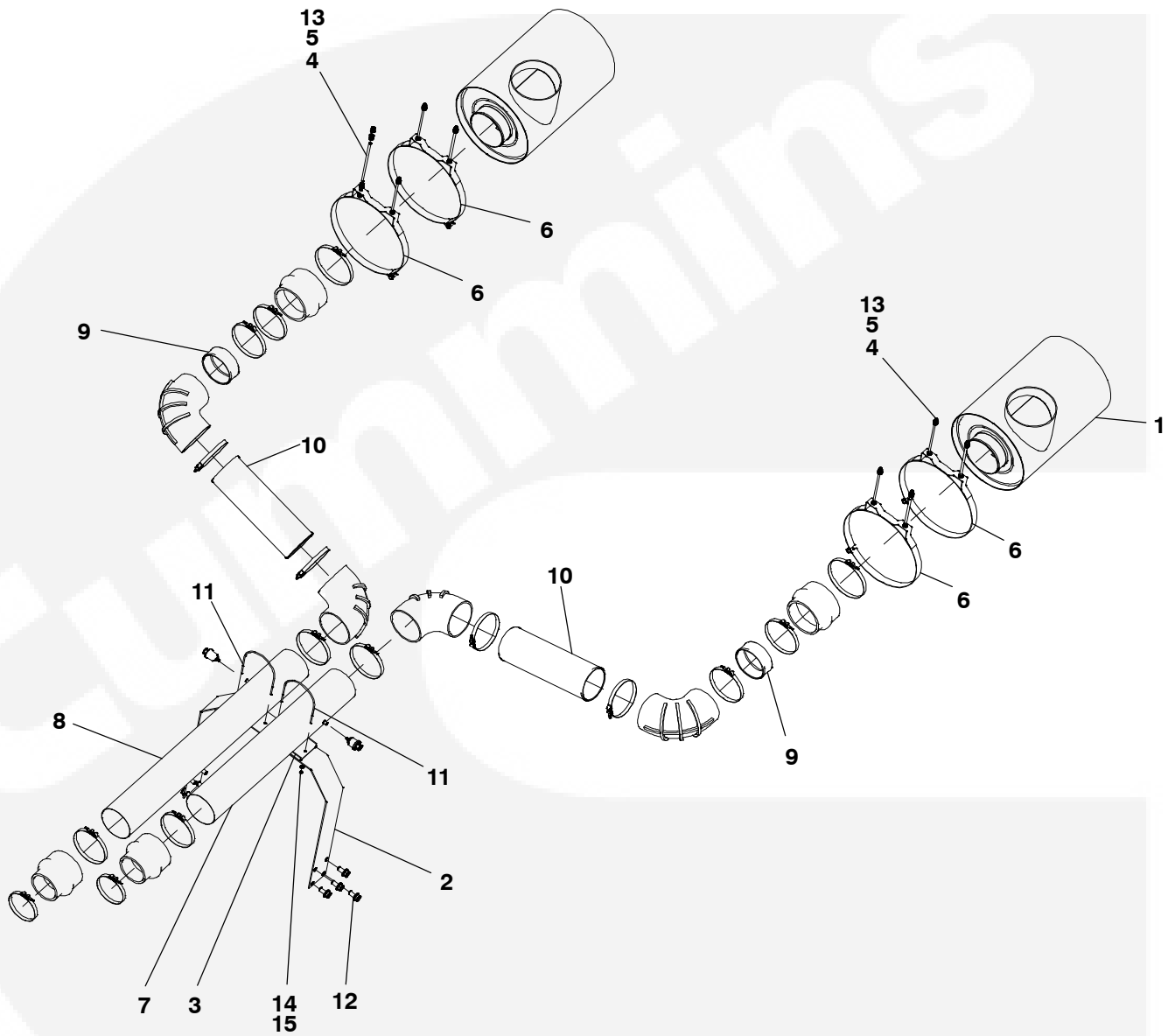
Item	Part No.	Description	Qty
1	0505-0019	Bushing, Reducer	3
2	0193-0432	Sender, Oil Temperature	3
3	0309-0269	Switch, Temperature - Low Engine Coolant	1
4	0505-0007	Bushing, Reducer	1
5	A028X493	Sender, Pressure	1
6	0151-0411	Sensor, Magnetic Pickup	1
7	0526-0399-19	Washer, Flat	1
8	0850-0050	Washer, Lock	1
9	0800-0052	Screw, Hex Head	1



This page is Intentionally blank.



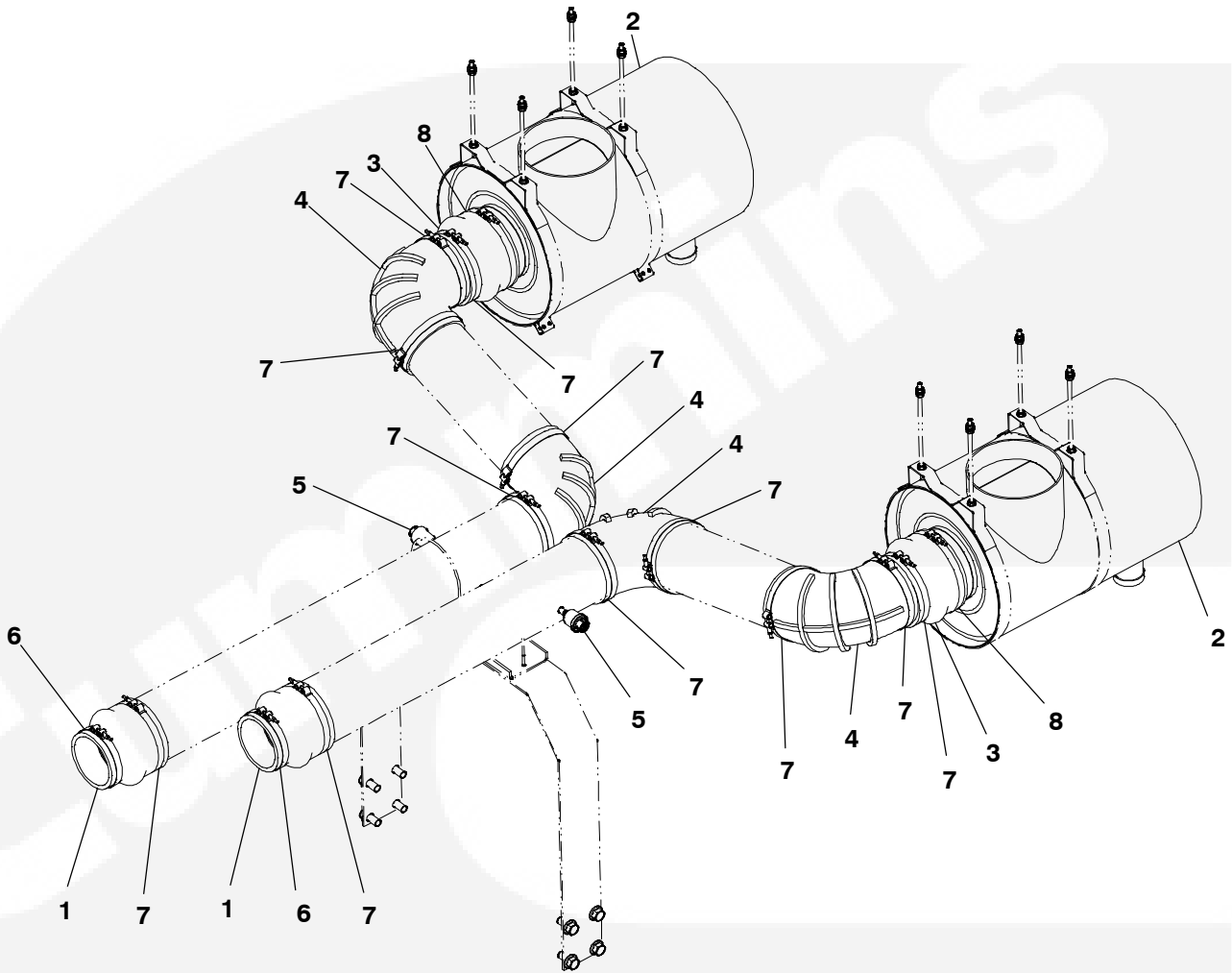
Air Cleaner



Air Cleaner

Item	Part No.	Description	Qty
1	A035L203	Kit, Air Cleaner (See Page 18 for Components)	1
2	A034C073	Bracket	1
3	A034S525	Bracket	1
4	A034N969	Stud	8
5	0862-0026-56	Nut, Hex	32
6	A034C071	Clamp	4
7	A034C069	Tube, Air	1
8	A034C070	Tube, Air	1
9	A034C063	Tube, Air	2
10	A034C066	Tube, Air	2
11	A034D707	Clamp	2
12	A034K432	Screw, Flange Head	8
13	0526-0399-63	Washer, Flat	32
14	0526-0399-59	Washer, Flat	4
15	0870-0506	Nut, Nylon Lock	4

Air Cleaner Kit



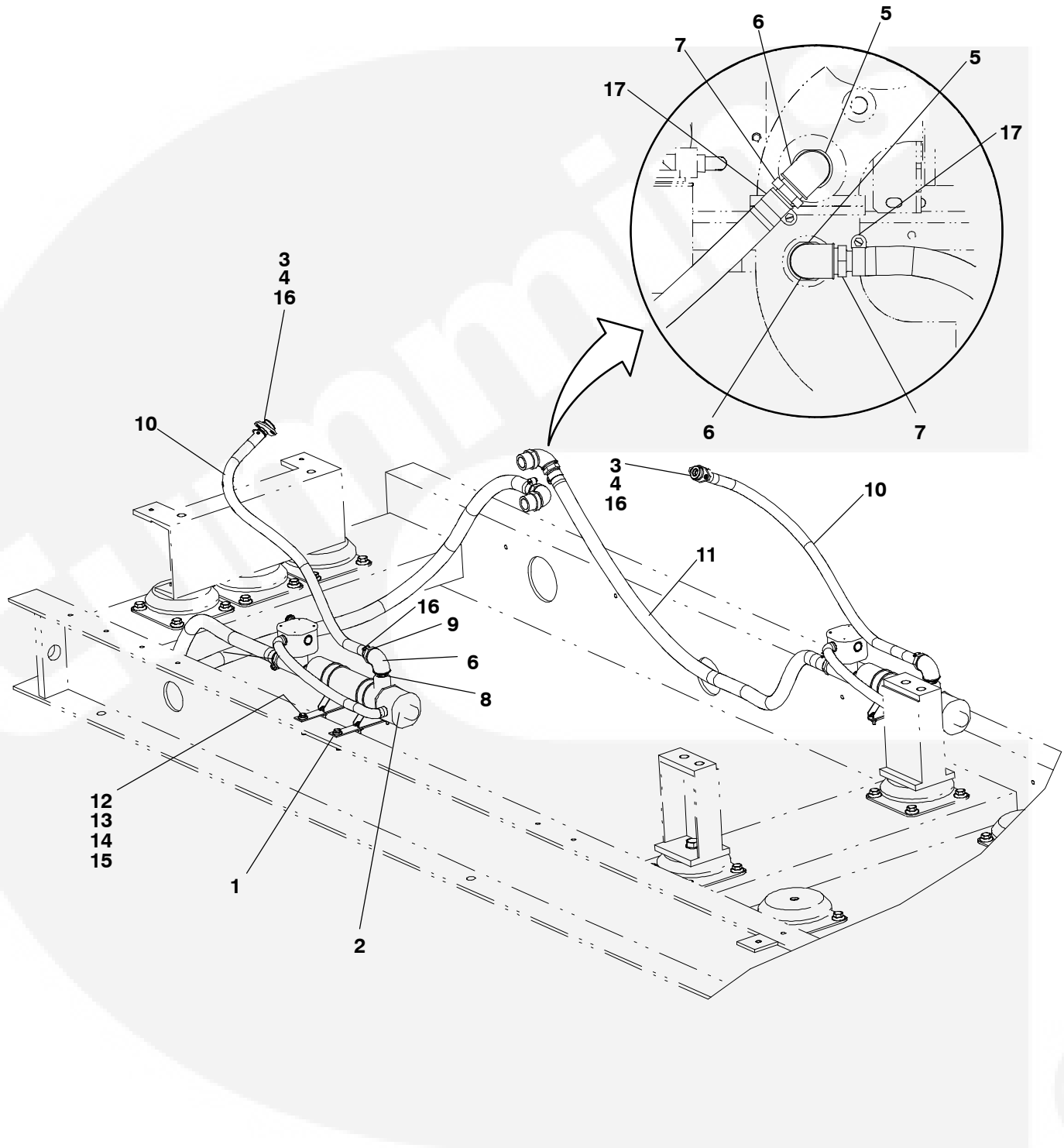
Item	Part No.	Description	Qty
1	A034K929	Hose, Hump	2
2	0140-3230	Filter, Air	2
		Primary Element	
	70781N	Nelson	1
	AF25544	Fleetguard	1
		Safety Element	
	70782N	Nelson	1
	AF25545	Fleetguard	1
3	A034K927	Hose, Hump	2
4	A034K931	Hose, Elbow	4
5	0140-4210	Indicator, Service	2
6	A034K503	Screw, Flange Head	2
7	A041K359	Clamp, Tee Bolt	12
8	A041K361	Clamp, Tee Bolt	2



This page is Intentionally blank.



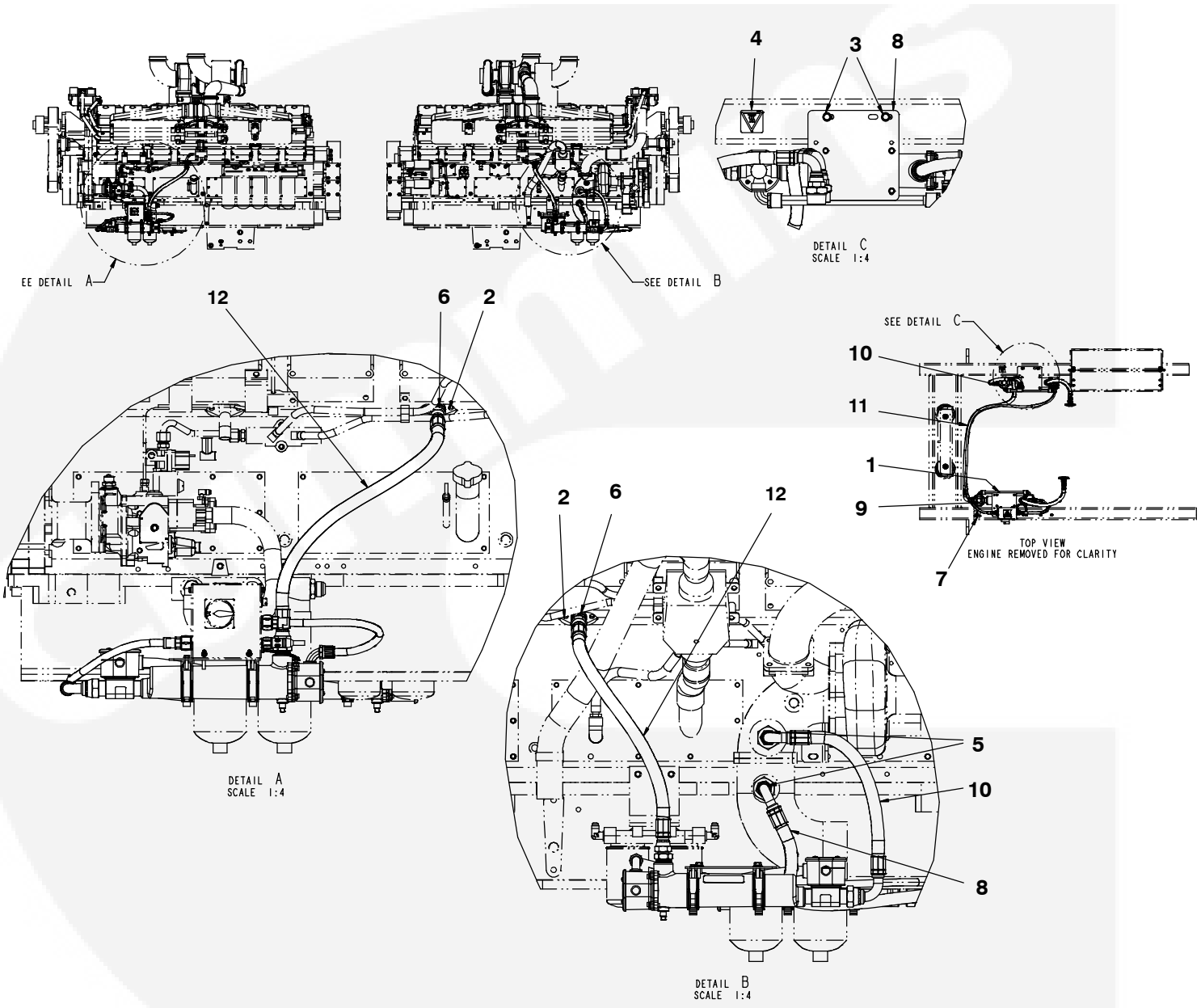
Engine Heater – 240V



Engine Heater – 240V

Item	Part No.	Description	Qty
1	A034C230	Bracket	4
2	A035C368	Heater, Coolant	2
3	0130-7863-02	Adapter, Water Heater	2
4	0502-1490	Connector, Hose	2
5	050861	Adapter, Nipple Hose	2
6	0505-2399	Elbow, Pipe	4
7	010160	Fitting, Hose Connector	4
8	0505-2400	Adapter, Pipe	2
9	0505-2245	Adapter, Pipe	2
10	0503-2203-02	Hose	1.82M
11	0503-2203-04	Hose	3.05M
12	0800-6374-07	Screw, Hex Flange Head	4
13	A035B670	Washer, Bevel	4
14	0526-0399-62	Washer, Flat	4
15	0862-0026-56	Nut, Hex	4
16	0503-2550	Clamp, Hose	4
17	0503-1872-01	Clamp, Hose	4
	0518-0548-58	Clamp (Not Shown)	1
	0800-6374-03	Screw, Hex Flange Head (Not Shown)	1
	0526-2122	Washer, Flat (Not Shown)	1

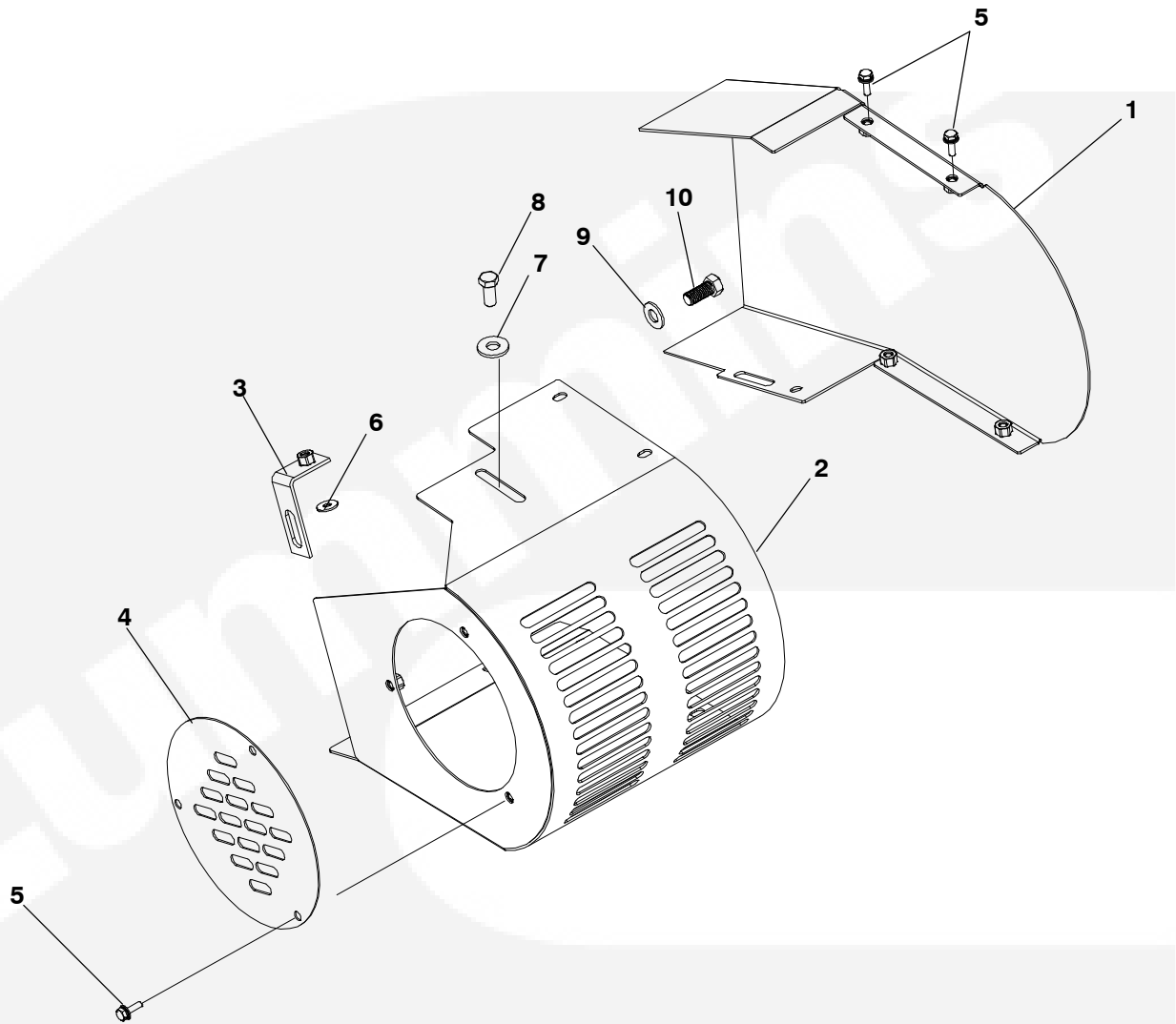
Coolant Heater



Coolant Heater

Item	Part No.	Description	Qty
1	A049H184	Kit, Coolant Heater	1
2	0130-7863-02	Adapter, Water Heater	2
3	0821-6003-03	Screw, Hex Head	2
4	A048J466	Label, Warning	2
5	A049S678	Adapter, Engine	2
6	A049S679	Adapter, Engine	2
7	A049G586	Heater, Coolant	1
8	A049T778	Bracket, Support	2
9	A049G583	Heater, Coolant	1
10	A049S547	Hose, Coolant (Thermostate to Engine Right Side)	1
11	A049S549	Hose, Coolant (Thermostate to Engine Left Side)	1
12	A049S550	Hose, Coolant (Heater to Engine)	2

Guard



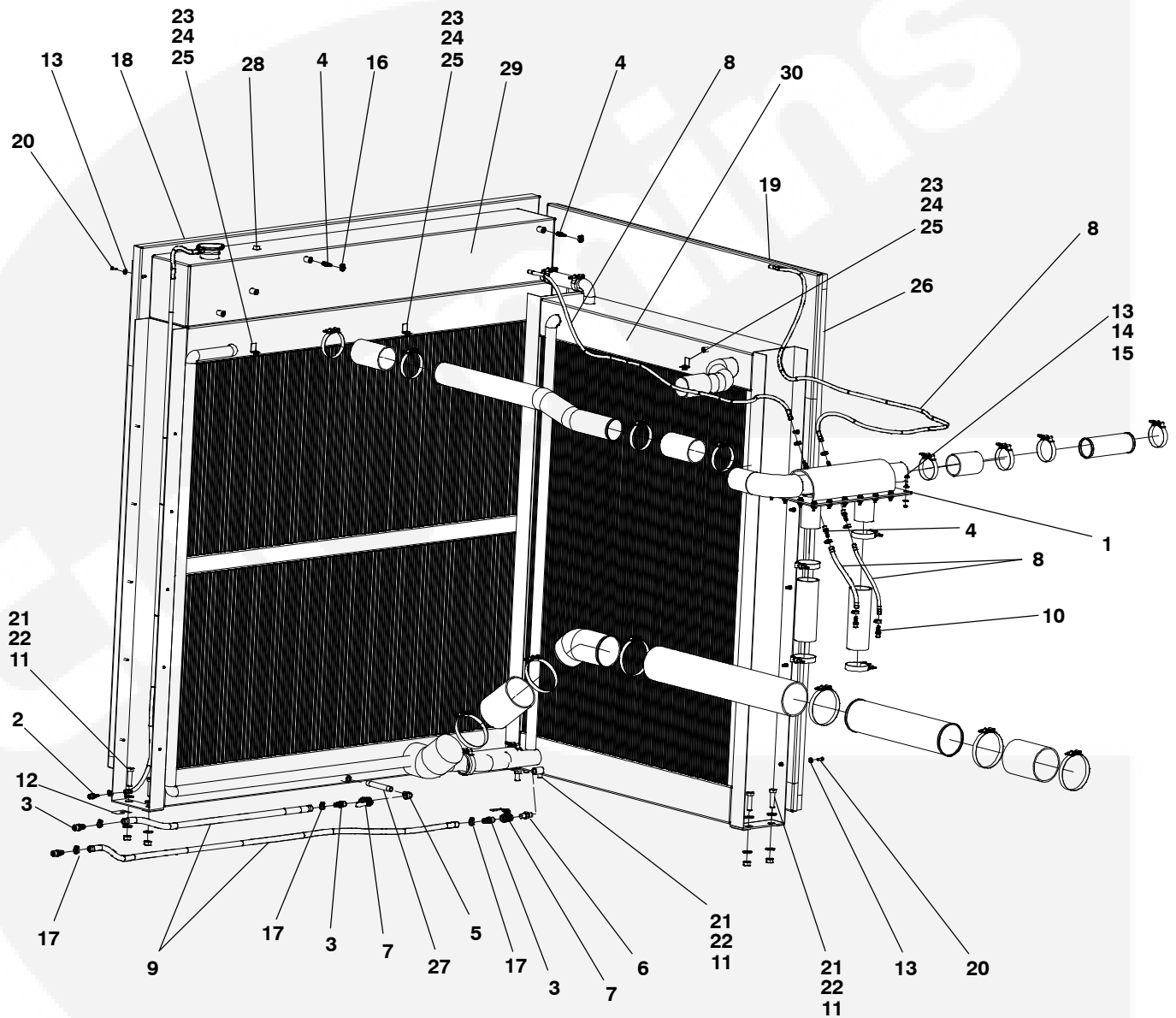
Item	Part No.	Description	Qty
1	A034C473	Guard	1
2	A034S760	Guard	1
3	A034D126	Bracket, Mounting	1
4	A034T876	Guard	1
5	0821-6002-03	Screw, Hex Head	9
6	0526-0399-59	Washer, Flat	1
7	0526-0399-20	Washer, Flat	1
8	0800-0310-35	Screw, Hex Head	1
9	0526-0399-22	Washer, Flat	1
10	0800-0071	Screw, Hex Head	1



This page is Intentionally blank.



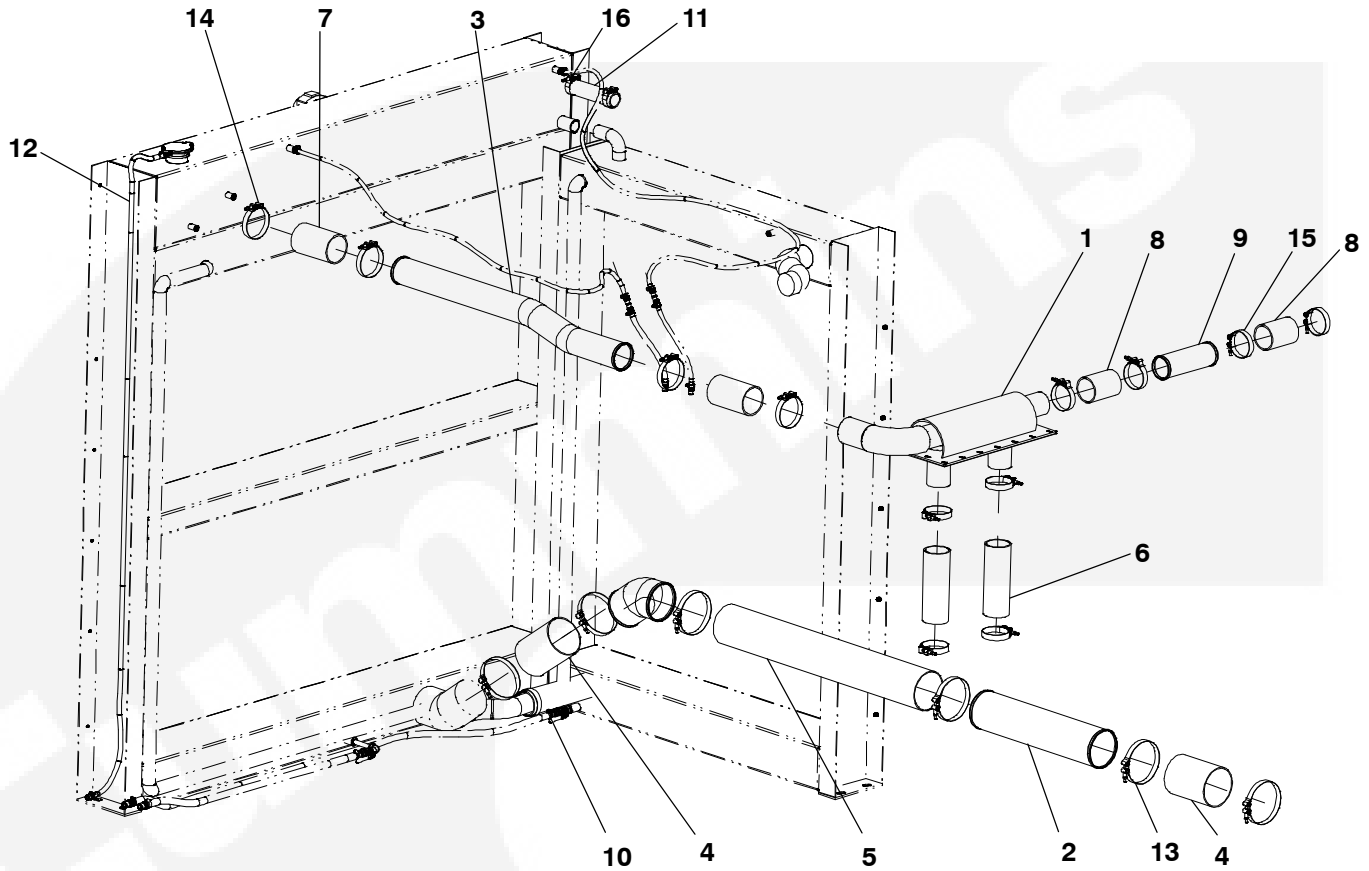
Radiator



Radiator

Item	Part No.	Description	Qty
	A034E010	Cooling System	
1	A034C454	Gasket	1
2	A034K191	Fitting, Hose	1
3	A034K193	Fitting, Hose	4
4	A034K195	Fitting, Hose	6
5	0502-1369	Elbow, Male Female	1
6	0505-2180	Fitting, Nipple	1
7	0504-0312	Valve, Gate	2
8	0503-2950	Hose, Radiator	4.7M
9	0503-2203-02	Hose	2.9M
10	A034K197	Fitting, Hose	2
11	0800-3017-76	Screw, Hex Head	8
12	0403-5546-01	Shim	8
13	0526-0399-59	Washer, Flat	58
14	0800-6375-04	Screw, Hex Flange Head	18
15	0862-0026-54	Nut, Hex	18
16	0503-2467	Clamp, Hose	10
17	0503-2550	Clamp, Hose	4
18	A034C460	Duct, Radiator	1
19	A034D091	Duct, Radiator	1
20	0800-3017-04	Screw, Hex Head	22
21	0526-2185	Washer, Flat	16
22	0862-0026-58	Nut, Hex	8
23	A041B370	Bracket, Support	3
24	0526-0399-60	Washer, Flat	9
25	0862-0026-55	Nut, Hex	3
26	A040B311	Insulation, Duct	1
27	A042P346	Fitting, Nipple	1
28	0505-1603	Plug, Pipe	1
29	A034G662	Core, Radiator	1
30	A034G664	Core, Radiator	1
		See Page 28 for More Radiator Hoses	

Radiator Hoses



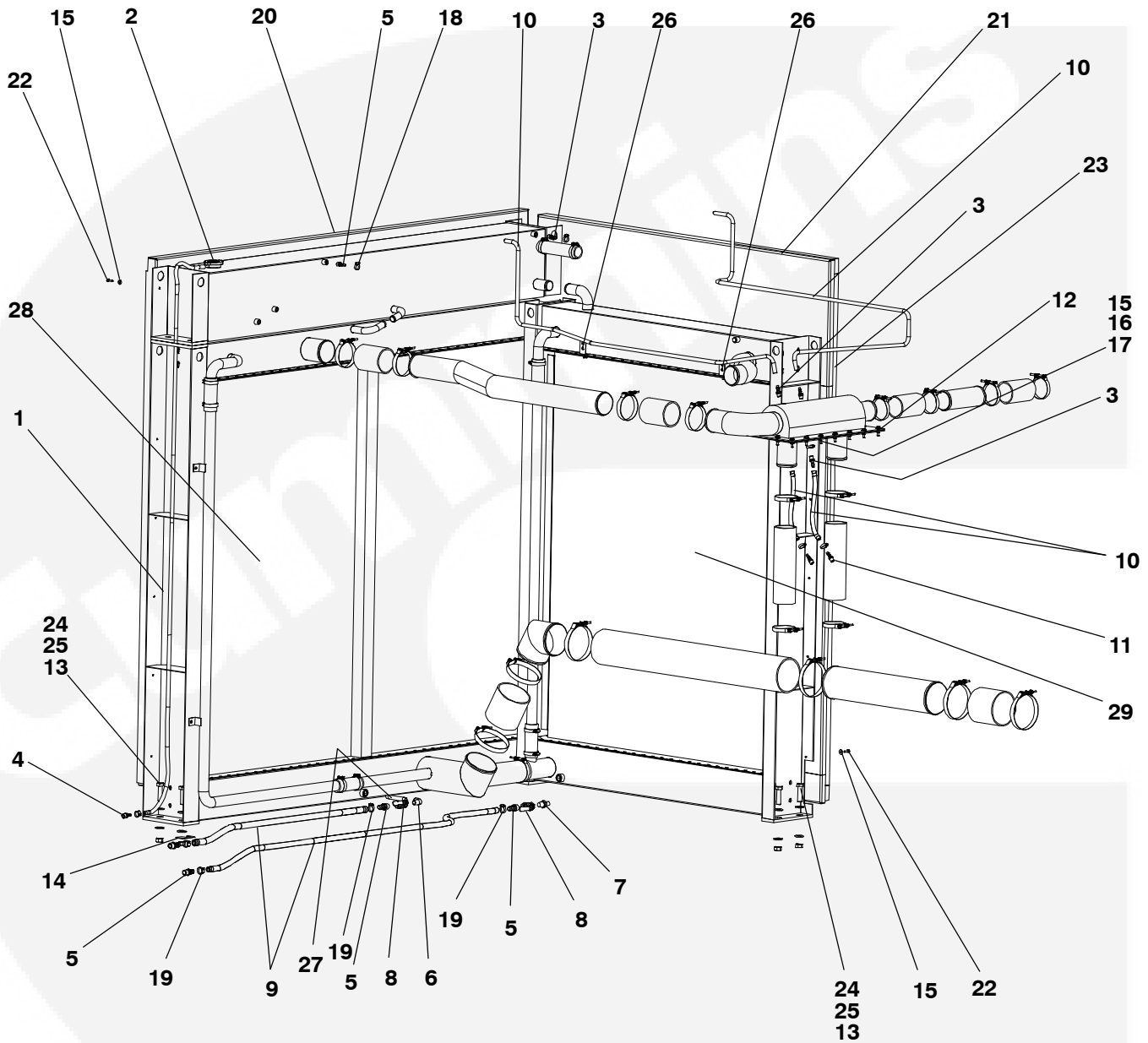
Item	Part No.	Description	Qty
1	A040E445	Kit, Pipe	1
2	A040A090	Kit, Pipe	1
3	A034F044	Pipe	1
4	A034J702	Hose	2
5	A034J704	Hose	1
6	A034J706	Hose	2
7	A034J708	Hose	2
8	A034J710	Hose	2
9	A034K055	Tube, Coolant	1
10	A034J712	Hose	1
11	A034J714	Hose	1
12	A034X872	Hose, Water	1
13	A035R123	Clamp, Tee Bolt	6
14	A035R126	Clamp, Tee Bolt	4
15	A035R127	Clamp, Tee Bolt	10
16	A035R129	Clamp, Tee Bolt	2



This page is Intentionally blank.



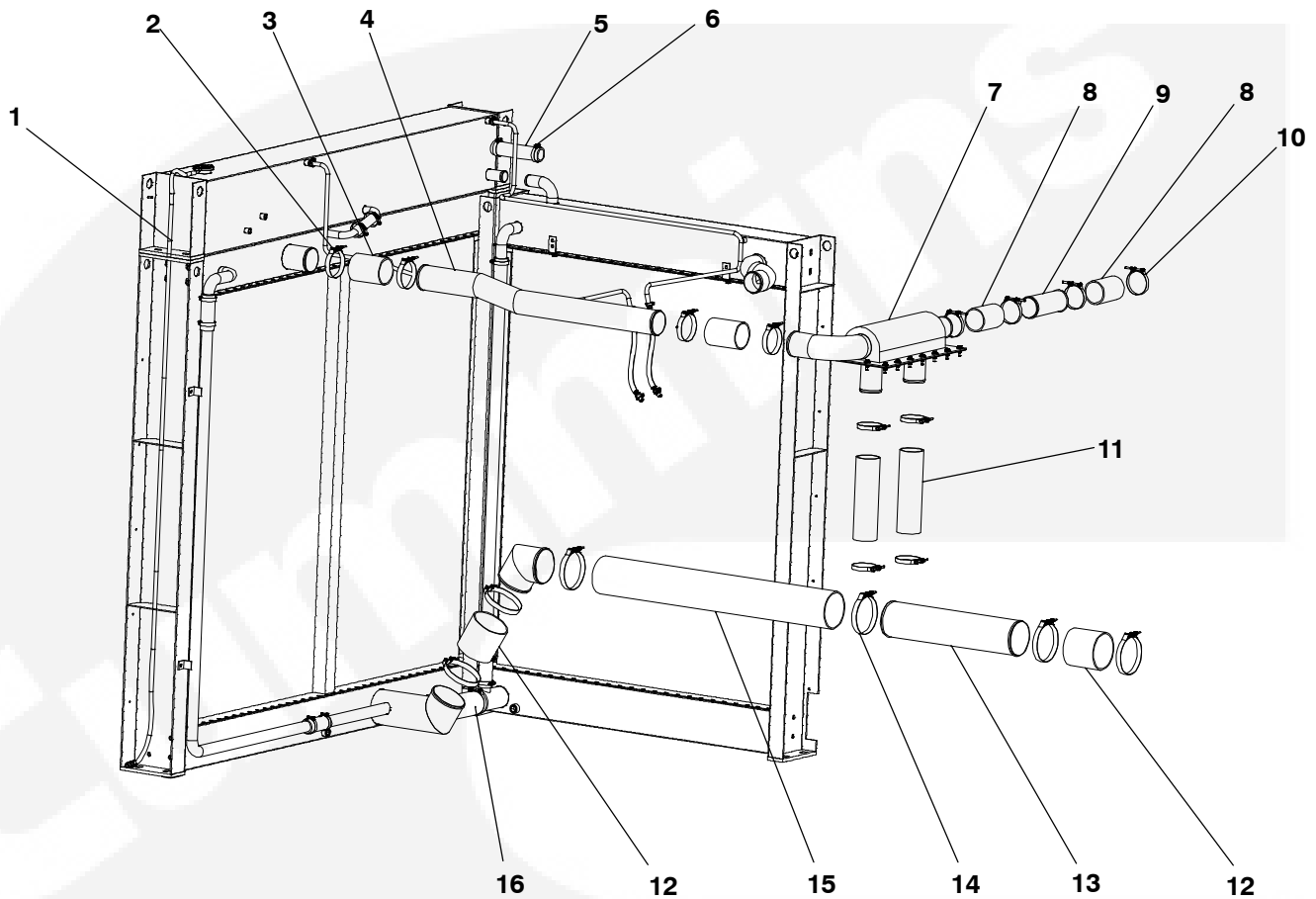
Radiator



Radiator

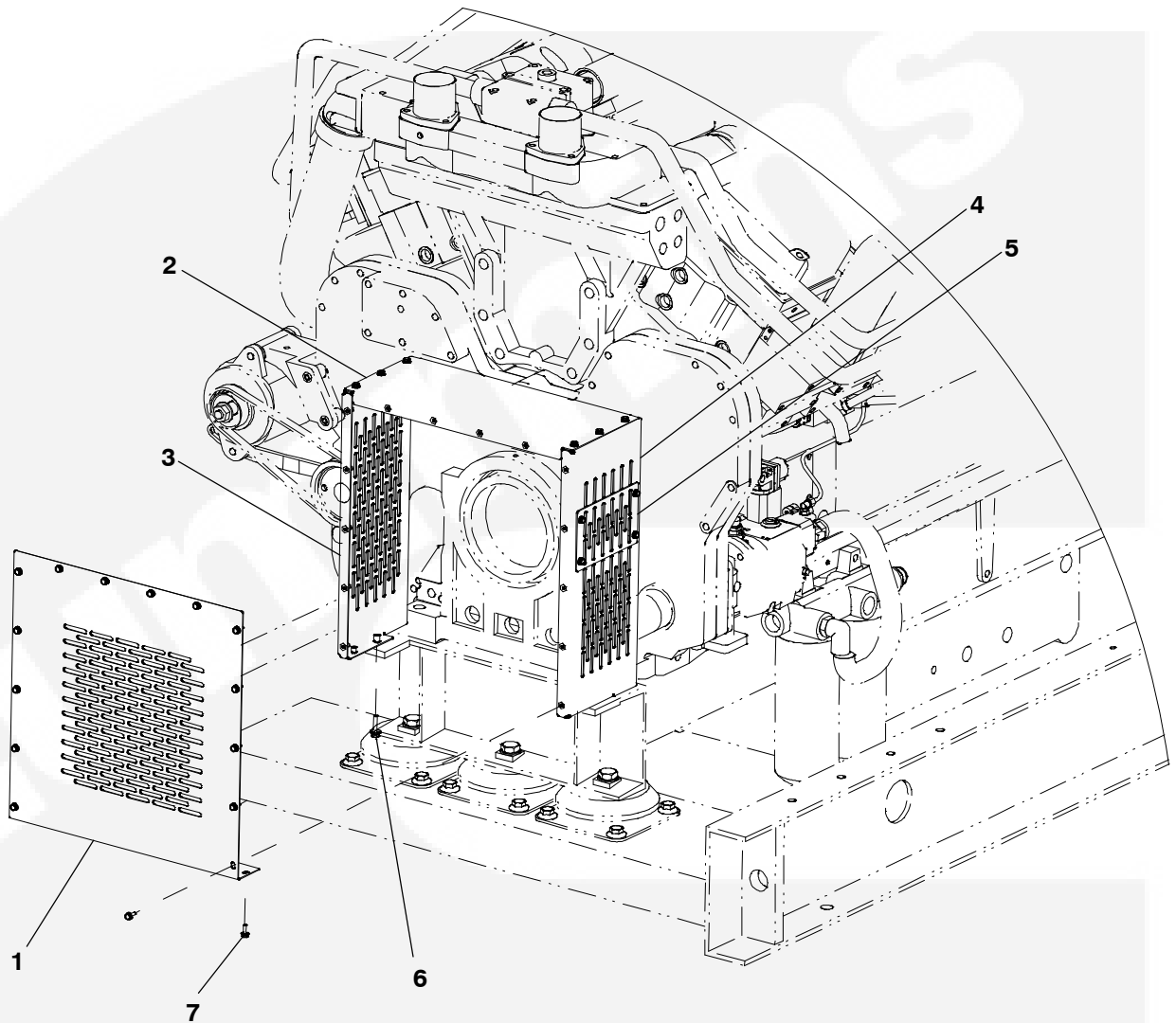
Item	Part No.	Description	Qty
	A045F070	Cooling System	
1	A045V918	Radiator (Includes Cores)	1
2	A044S614	Cap, Radiator	1
3	A045A338	Fitting, Hose	8
4	A034K191	Fitting, Hose	1
5	A034K193	Fitting, Hose	4
6	0502-1369	Elbow, Male Female	1
7	0505-2180	Fitting, Nipple	1
8	0504-0312	Valve, Gate	2
9	0503-2950	Hose, Radiator	2.9M
10	A044S615	Hose, Radiator	5.09M
11	A034K197	Fitting, Hose	2
12	A034C454	Gasket	1
13	0800-3017-76	Screw, Hex Head	8
14	0403-5546-01	Shim	8
15	0526-0399-59	Washer, Flat	58
16	0800-6375-04	Screw, Hex Flange Head	18
17	0862-0026-54	Nut, Hex	18
18	0503-2467	Clamp, Hose	10
19	0503-2550	Clamp, Hose	4
20	A034C460	Duct, Radiator	1
21	A034D091	Duct, Radiator	1
22	0800-3017-04	Screw, Hex Head	22
23	A040B311	Insulation, Duct	1
24	0526-2185	Washer, Flat	16
25	0862-0026-58	Nut, Hex	8
26	A045F351	Bracket, Support	2
27	A042P346	Fitting, Nipple	1
28	A043T815	Core, Radiator	1
29	A043T824	Core, Radiator	1
		See Page 32 for More Radiator Hoses	

Radiator Hoses



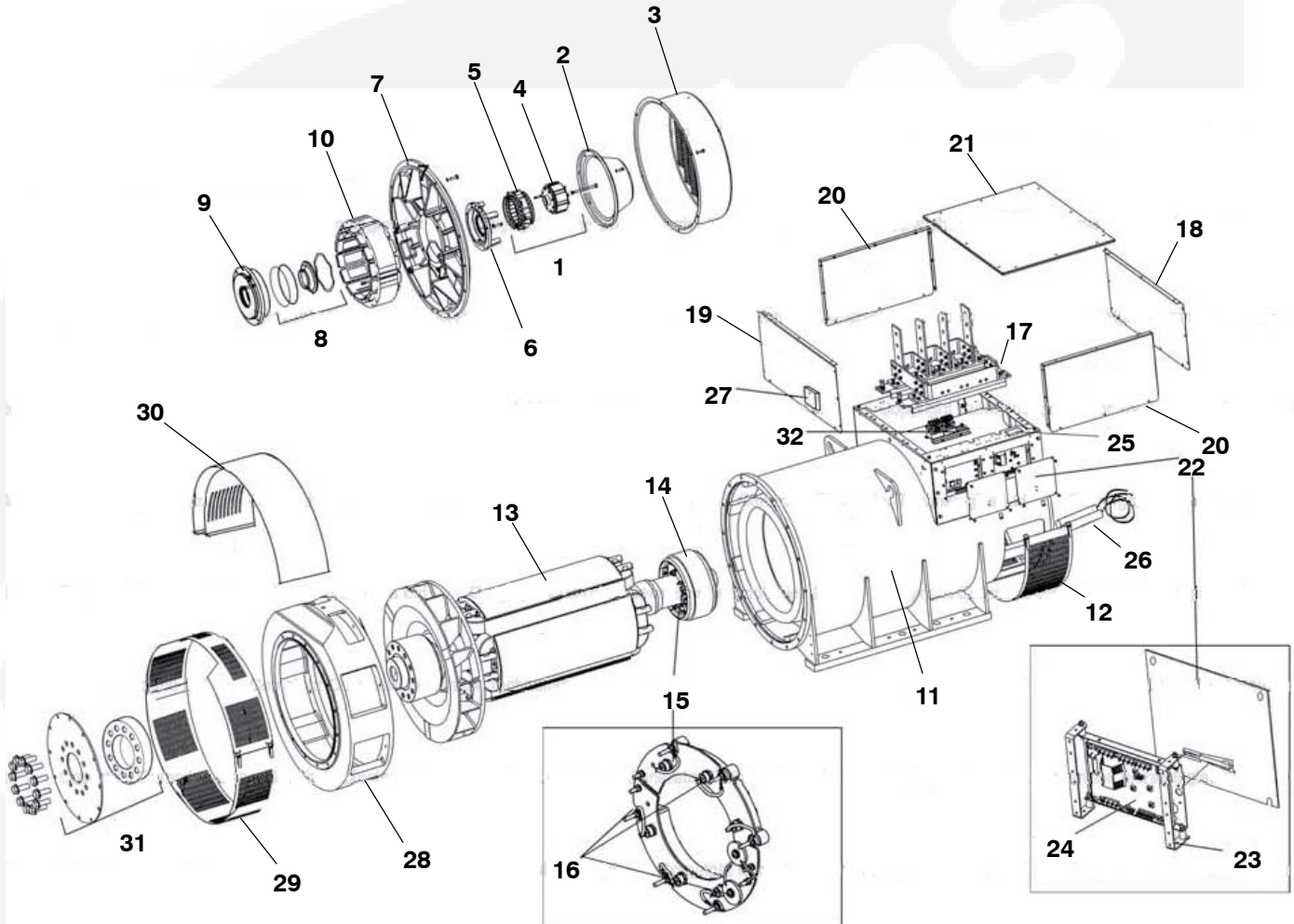
Item	Part No.	Description	Qty
1	A044S622	Hose, Radiator	1
2	A044S627	Clamp, Hose	4
3	A044S620	Hose, Radiator	2
4	A044Y974	Tube, Radiator	1
5	A044S574	Hose, Radiator	5
6	A044S624	Clamp, Hose	10
7	A044Y973	Tube, Radiator	1
8	A044S618	Hose, Radiator	2
9	A044Y972	Tube, Radiator	1
10	A044S625	Clamp, Hose	10
11	A044S617	Hose, Radiator	2
12	A044Y967	Hose, Radiator	2
13	A045A365	Tube, Radiator	1
14	A044S626	Clamp, Hose	6
15	A044S619	Hose, Radiator	1
16	A044S621	Hose, Radiator	1

Guard



Item	Part No.	Description	Qty
1	A034S514	Bracket	1
2	A034S516	Bracket	1
3	A034S518	Bracket	1
4	A034S520	Bracket	1
5	A034S523	Plate	1
6	0821-6003-04	Screw, Hex Head	2
7	0821-6002-03	Screw, Hex Head	26

Generator Generator – P7 (1 Bearing)



Generator – P7 (1 Bearing)

Item	Part No.	Description	Qty
1	45-0119A	Kit, Complete P.M.G. Upfit	1
2	760-10562	Cover, P.M.G. (Cover Included in Kit)	1
3		Cover, N.D.E. Air Inlet	
	760-11279	G Core Only	1
	760-10965	G (Marine)	1
4	45-1082	Kit, Current P.M.G. Rotor/Stator Repair	1
5	45-1082	Kit, Current P.M.G. Rotor/Stator Repair	1
6	760-10823	Cap, N.D.E. Bearing	1
7		Bracket, N.D.E.	
	760-10819	A-F	1
	760-11205	G	1
8	45-0336	Kit, N.D.E. Bearing	1
9	760-10821	Cartridge, N.D.E. Bearing	1
10		Stator, Exciter	
	366-40800	A-F (75mm)	1
	760-1151	G (100mm)	1
11	*	Frame, Main Stator – Assembly	1
12		Cover, N.D.E. Air Inlet	
	760-11274	Industrial	1
	366-21200	Marine-Louvered	1
13	*	Rotor, Main – Assembly	1
14		Rotor, Exciter	
	760-1186	A-F (75mm)	1
	760-1178	G (100mm)	1
15	760-11216	Rectifier, Rotating – Assembly	1
16	RSK-6001	Kit, Varistor & Diode (Fwd/Rev)	1
17	*	Board, Main Terminal	1
18	760-11185	Endpanel, Terminal Box – N.D.E.	1
19	760-11185	Endpanel, Terminal Box – D.E.	1
20	760-11186	Panel, Terminal Box Side	2
21	760-10663	Lid, Terminal Box	1
22		Plate, A.V.R. Cover	
	450-15254	Access	1
	450-14310	Blanking	1
23	45-0742	Bracket, A.V.R. Mounting	1
24		A.V.R.	
	E000-23412/1P	MX341 (Series 3)	1
	E000-23212/1P	MX321	1
25	450-15489	Board, Auxiliary Terminal	2
		Continued...	

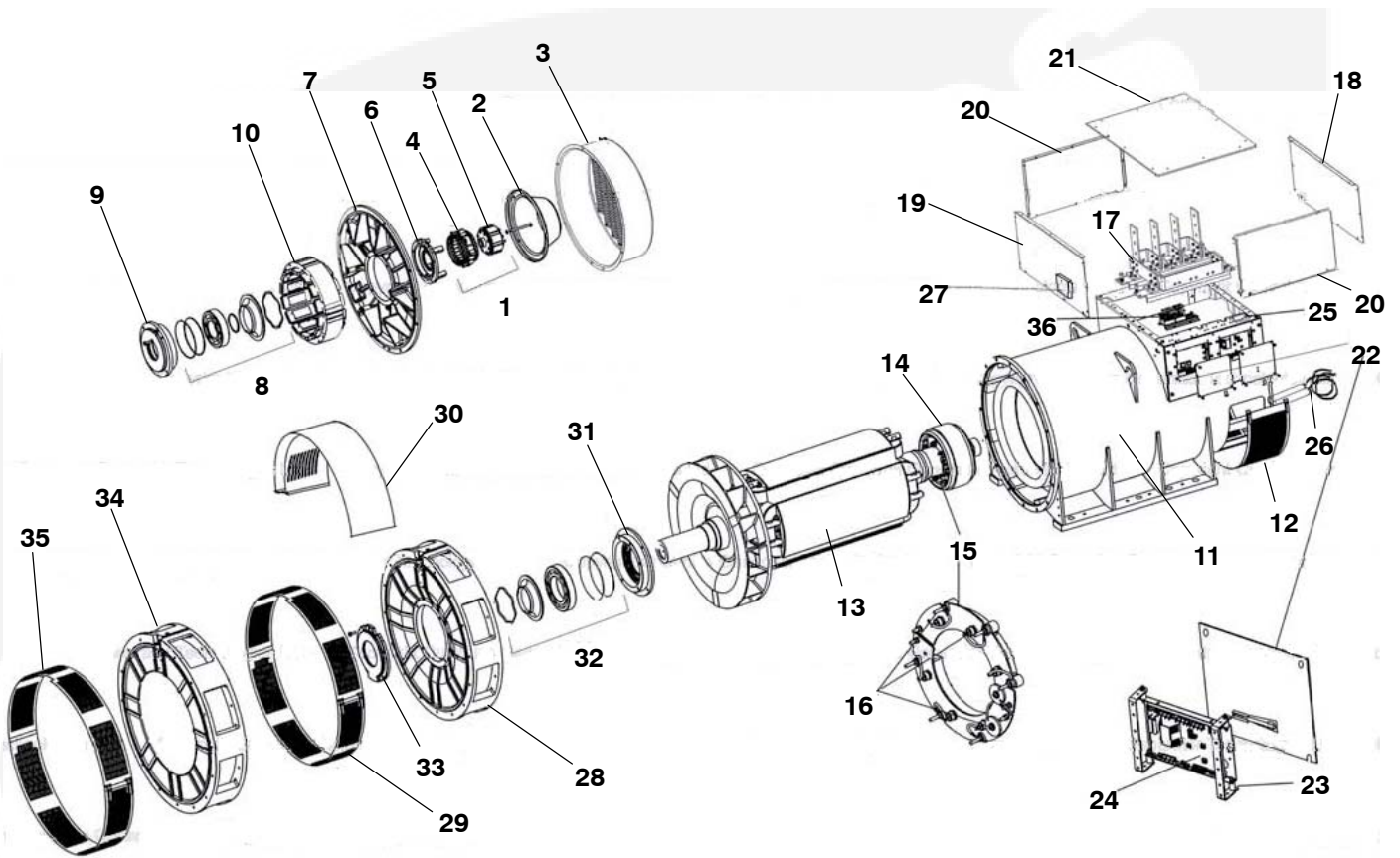
Item	Part No.	Description	Qty
		Continued...	
26		Heater	
	45-0324	110-125 Volt	1
	45-0325	220-260 Volt	1
	45-1047	110-125 Volt (G Core)	1
	45-1048	220-260 Volt (G Core)	1
27	45-0024	Box, Heater Terminal	1
28		Kit, D.E. Adapter	
	45-1011	SAE 0	1
	45-1012	SAE 00	1
29		Screen, D.E. (Included in Adapter Kits – See Item 28)	1
30		Kit, Louvre	
	45-1049	SAE 00 – A-F	1
	45-1050	SAE 00 – G	1
	45-1051	SAE 0 – A-F	1
	45-1052	SAE 0 – G	1
31		Kit, Coupling	
	45-0792	SAE 18 (Standard)	1
	45-1005	SAE 18 (Special 12 Hole)	1
	45-0793	SAE 21	1
	45-0794	SAE 24	1
32		Transformer, Isolation	
	450-42150	2 to 1 (Up to 480V)	1
	450-41650	2.5 to 1 (500 to 600V)	1
	450-41750	3 to 1 (601 to 720V)	1
		* – This part number depends on your machine serial number. Contact your regional CPG technical support team.	



This page is Intentionally blank.



Generator – P7 (2 Bearing)

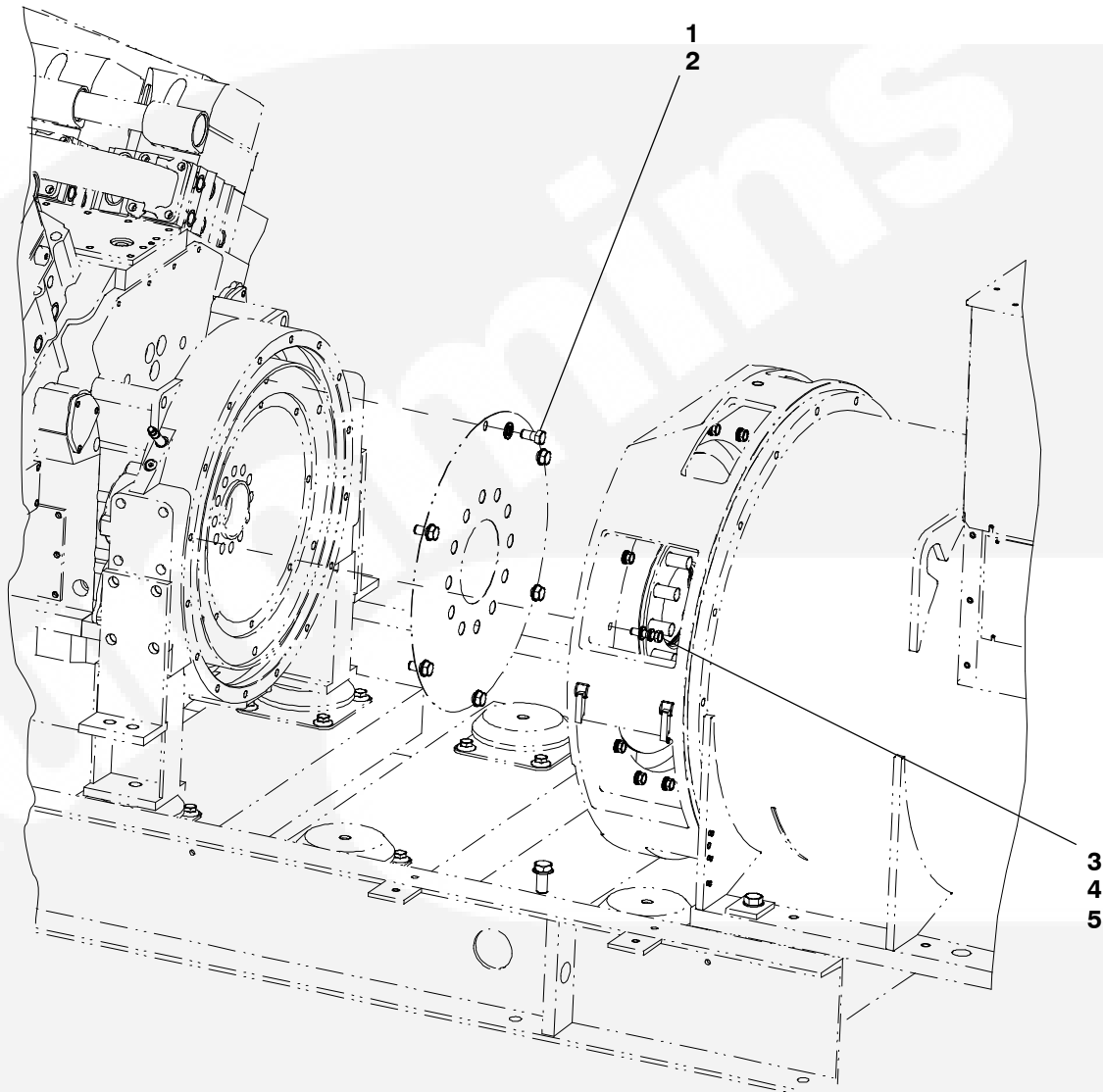


Generator – P7 (2 Bearing)

Item	Part No.	Description	Qty
1	45-0119A	Kit, Complete P.M.G. Upfit Kit	1
2	760-10562	Cover, P.M.G. (Cover Included in Kit)	1
3		Cover, N.D.E. Air Inlet	
	760-11279	G Core Only	1
	760-10965	G (Marine)	1
4	45-1082	Kit, Current P.M.G. Rotor/Stator Repair	1
5	45-1082	Kit, Current P.M.G. Rotor/Stator Repair	1
6	760-10823	Cap, N.D.E. Bearing	1
7		Bracket, N.D.E.	
	760-10819	A-F	1
	760-11205	G	1
8	45-0336	Kit, N.D.E. Bearing	1
9	760-10821	Cartridge, N.D.E. Bearing	1
10		Stator, Exciter	
	366-40800	A-F (75mm)	1
	760-1151	G (100mm)	1
11	*	Frame, Main Stator – Assembly	1
12		Cover, N.D.E. Air Inlet	
	760-11274	Industrial	1
	366-21200	Marine-Louvered	1
13	*	Rotor, Main – Assembly	1
14		Rotor, Exciter	
	760-1186	A-F (75mm)	1
	760-1178	G (100mm)	1
15	760-11216	Rectifier, Rotating – Assembly	1
16	RSK-6001	Kit, Varistor & Diode (Fwd/Rev)	1
17	*	Board, Main Terminal	1
18	760-11185	Endpanel, Terminal Box – N.D.E.	1
19	760-11185	Endpanel, Terminal Box – D.E.	1
20	760-11186	Panel, Terminal Box Side	2
21	760-10663	Lid, Terminal Box	1
22		Plate, A.V.R. Cover	
	450-15254	Access	1
	450-14310	Blanking	1
23	45-0742	Bracket, A.V.R. Mounting	1
24		A.V.R.	
	E000-23412/1P	MX341 (Series 3)	1
	E000-23212/1P	MX321	1
25	450-15489	Board, Auxiliary Terminal	2
		Continued...	

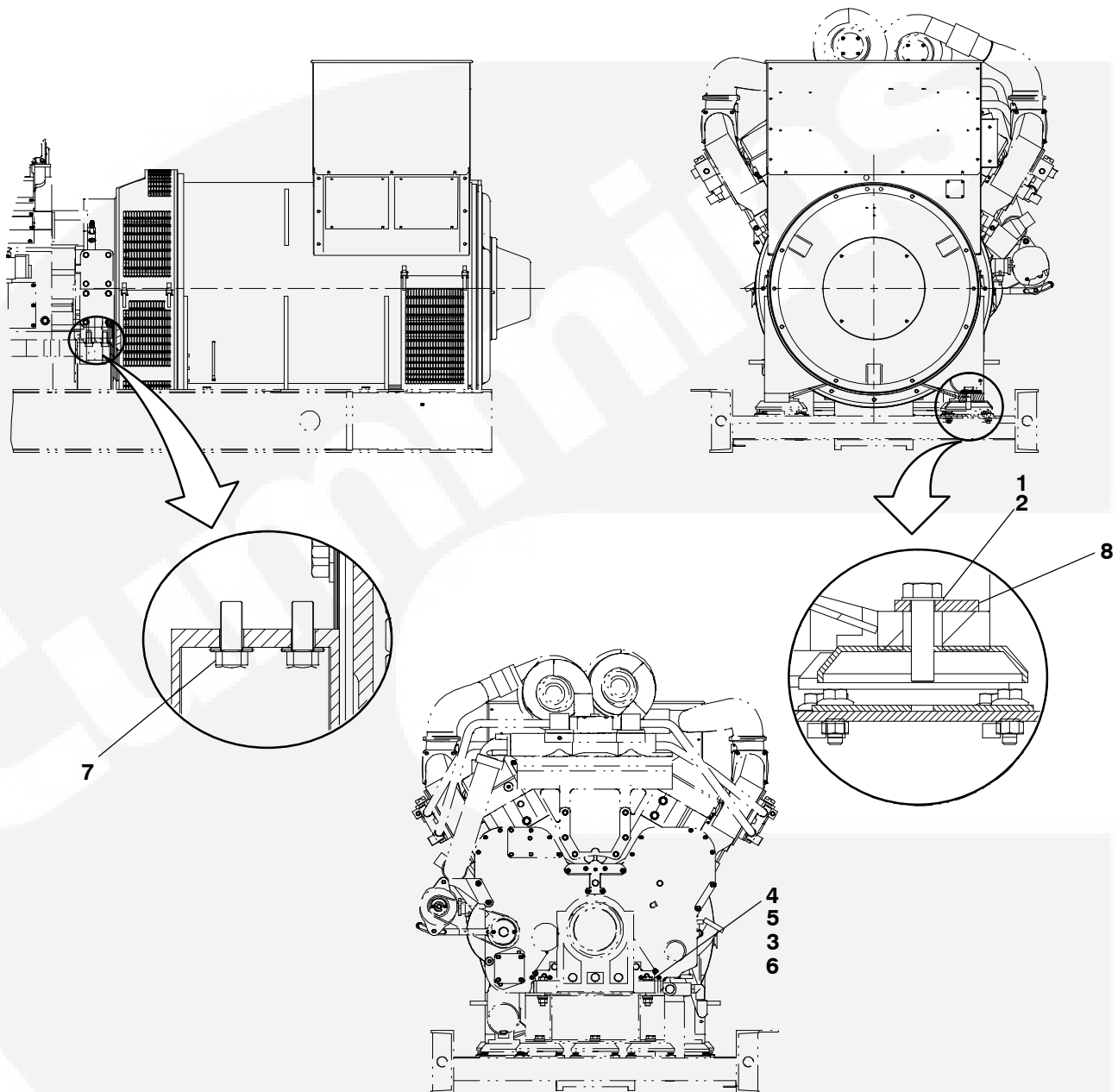
Item	Part No.	Description	Qty
		Continued...	
26		Heater	
	45-0324	110-125 Volt	1
	45-0325	220-260 Volt	1
	45-1047	110-125 Volt (G Core)	1
	45-1048	220-260 Volt (G Core)	1
27	45-0024	Box, Heater Terminal	1
28		Bracket, D.E.	
	760-11160	A-E	1
	760-10912	F-G	1
29		Screen, D.E. Bracket	
	760-11392	Top (Industrial)	1
	760-10930	Bottom	1
30		Kit, Louvre	
	45-1053	A-F	1
	45-1054	G	1
31		Cartridge, D.E. Bearing	
	760-10829	A-E	1
	760-10923	F-G	1
32		Kit, D.E. Bearing	
	45-0335	A-E	1
	45-0425	F-G	1
33		Cap, D.E. Bearing	
	760-10831	A-E	1
	760-10924	F-G	1
34		Kit, 2 BRG Adapter	
	45-0715	SAE 00	1
	45-0716	SAE 0	1
35		Part is included in Item 34	1
36		Transformer, Isolation	
	450-42150	2 to 1 (Up to 480V)	1
	450-41650	2.5 to 1 (500 to 600V)	1
	450-41750	3 to 1 (601 to 720V)	1
		* – This part number depends on your machine serial number. Contact your regional CPG technical support team.	

Engine Coupling Adapter



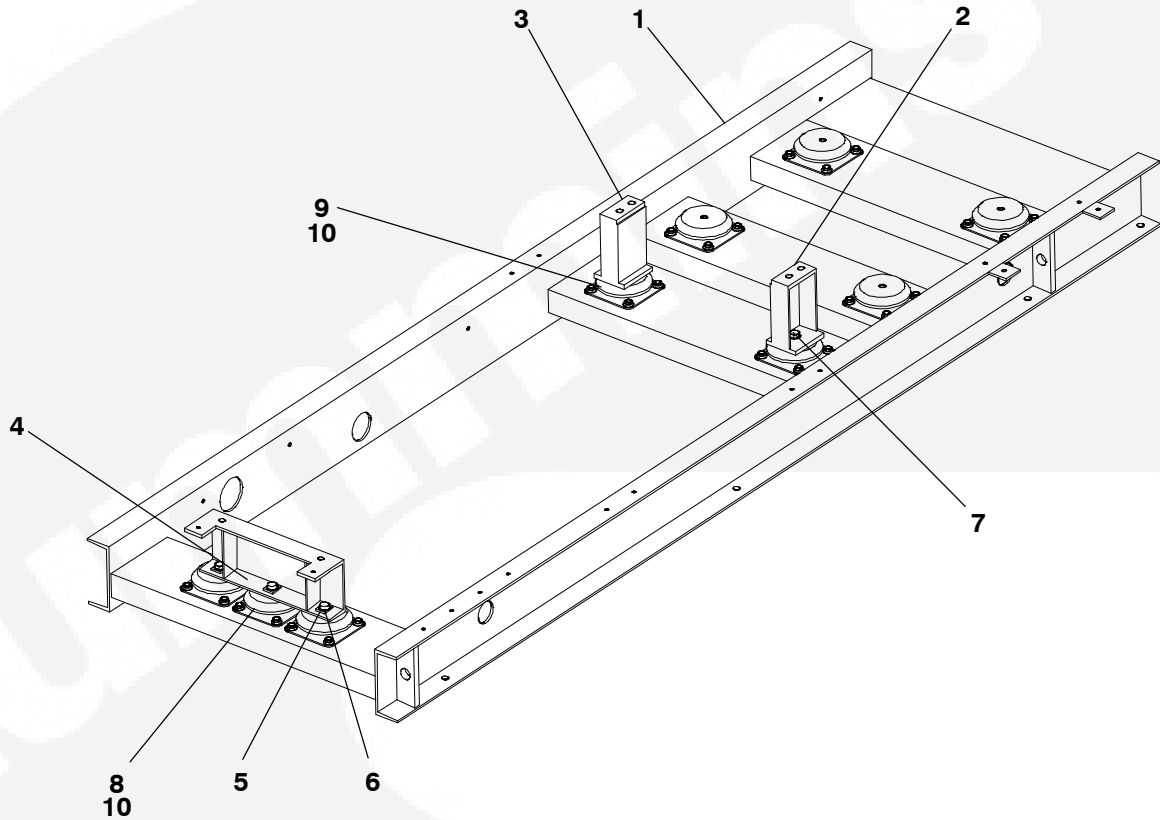
Item	Part No.	Description	Qty
1	0526-0399-66	Washer, Flat	6
2	0800-6353-01	Screw, Hex Head	6
3	0526-0399-64	Washer, Flat	16
4	0850-0114-09	Washer, Lock	16
5	0800-0310-68	Screw, Hex Head	16

Alternator Fasteners



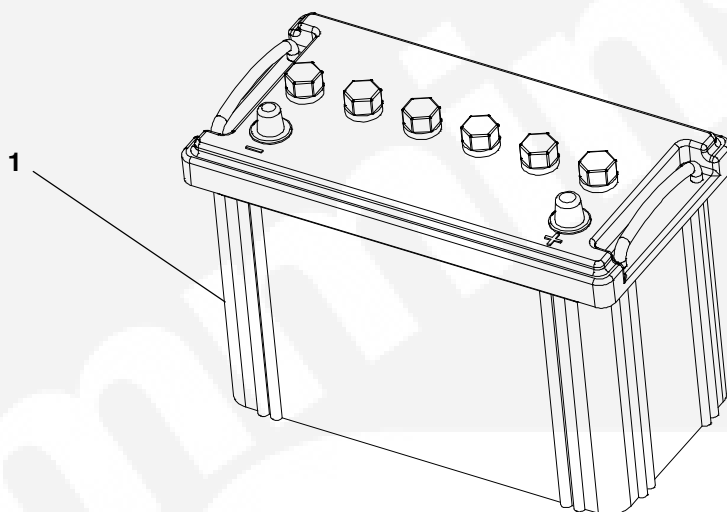
Item	Part No.	Description	Qty
1	0526-0399-70	Washer, Flat	4
2	0800-3017-94	Screw, Hex Head	4
3	A035B676	Washer, Bevel	2
4	A041H528	Washer, Flat	8
5	0800-0163	Screw, Hex Head	2
6	0862-0026-11	Nut, Hex	2
7	0800-0310-91	Screw, Hex Head	4
8	0403-6351	Shim	4

Skid



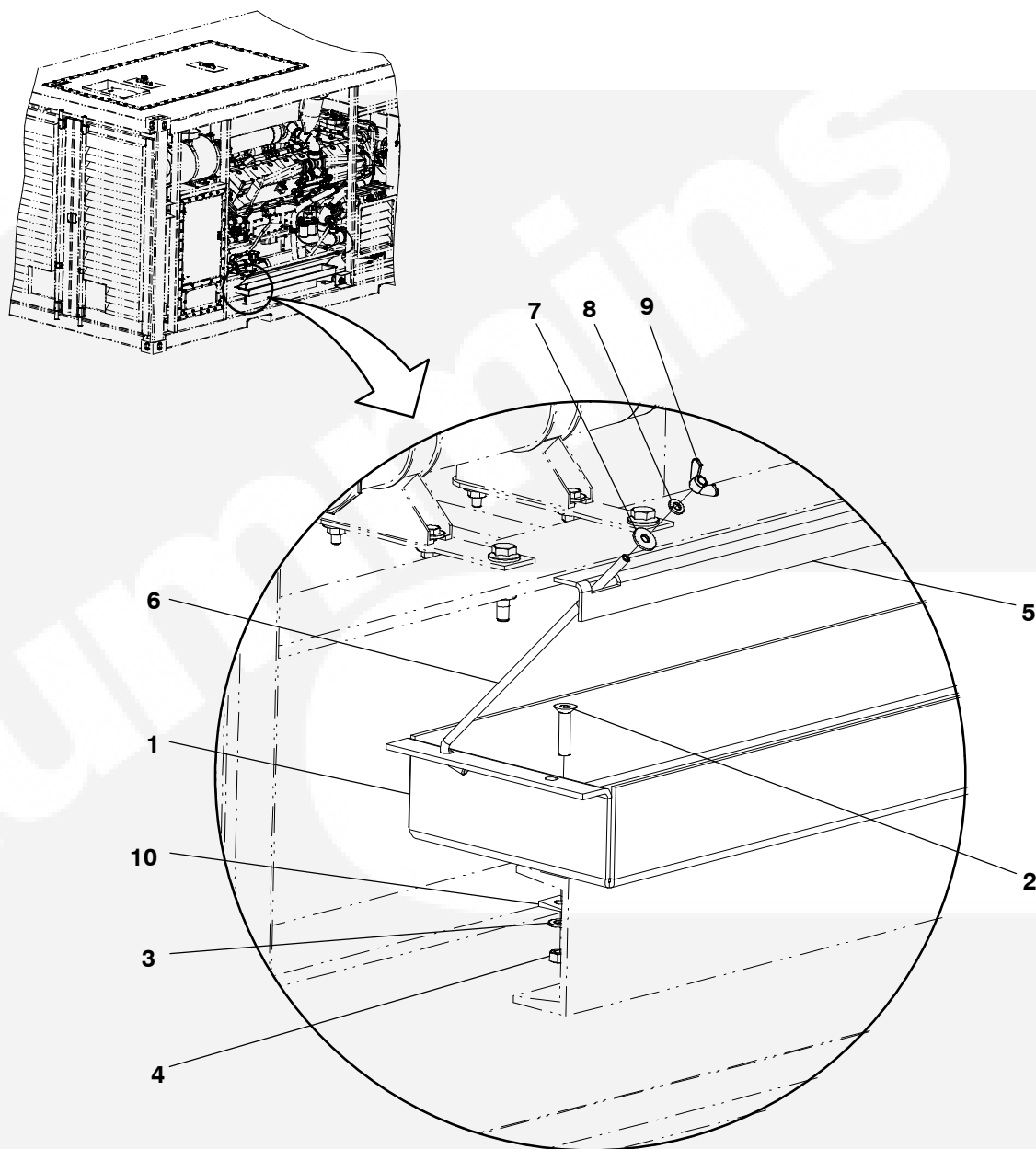
Item	Part No.	Description	Qty
1	A030Z934	Skid, Base	1
2	A034C383	Bracket, Engine Mounting	1
3	A034C386	Bracket, Engine Mounting	1
4	A034C387	Bracket, Engine Mounting	1
5	A035B676	Washer, Bevel	3
6	0526-0399-70	Washer, Flat	5
7	0800-3017-89	Screw, Hex Head	5
8	A032X039	Isolator, Vibration	7
9	A032X037	Isolator, Vibration	2
10	0800-6377-05	Screw, Hex Flange Head	36

Battery



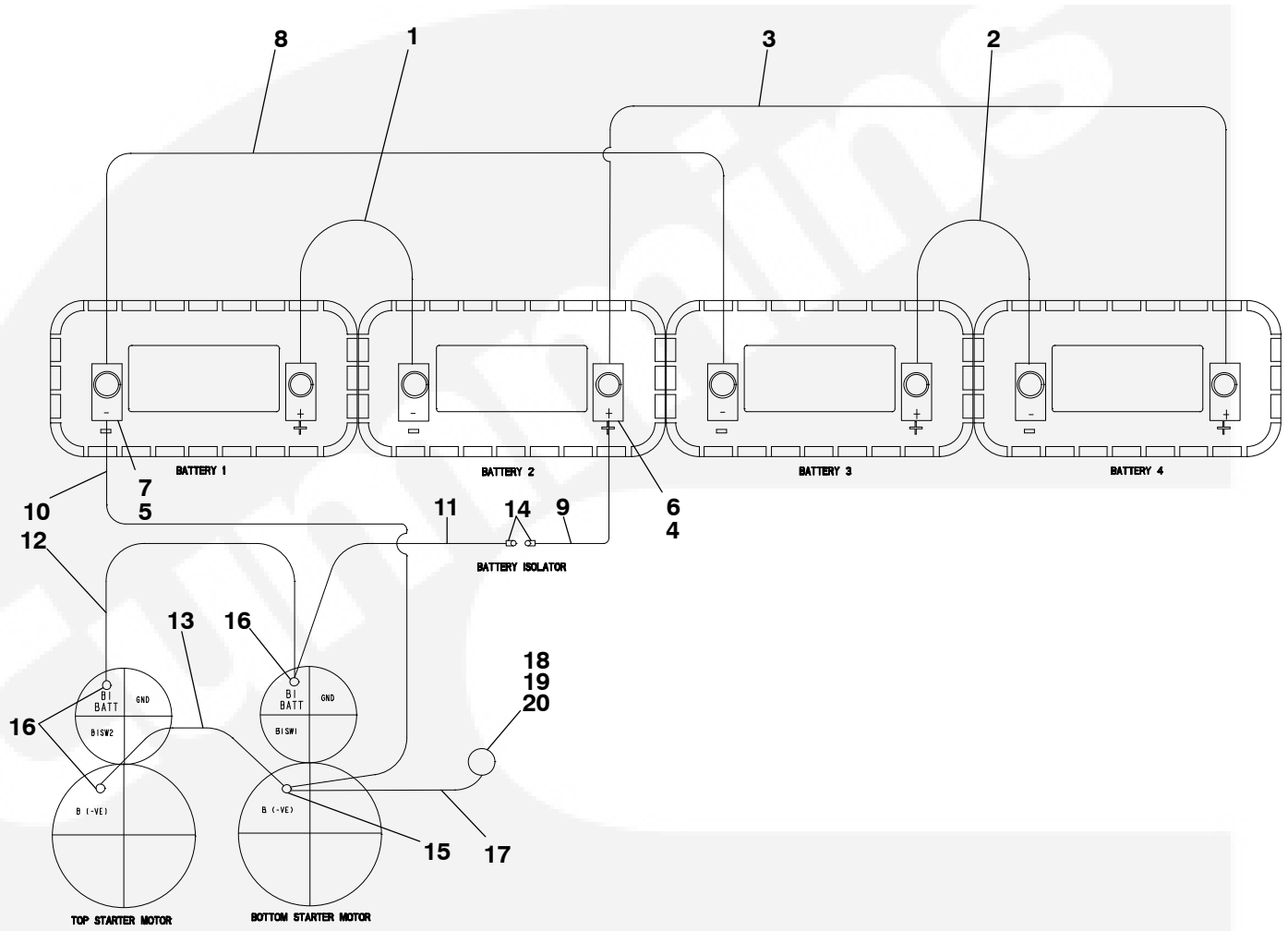
Item	Part No.	Description	Qty
1	A034E987	Battery	1

Battery Tray



Item	Part No.	Description	Qty
1	A034T048	Battery, Holder	1
2	A041N746	Screw	3
3	0526-0399-60	Washer, Flat	3
4	0862-0026-55	Nut, Hex	3
5	A034T052	Clamp, Battery	1
6	A034T050	Clamp, Battery	2
7	0526-0399-59	Washer, Flat	2
8	0850-0114-53	Washer, Lock	2
9	0865-0030	Nut, Wing	2
10	A035B668	Washer, Bevel	3

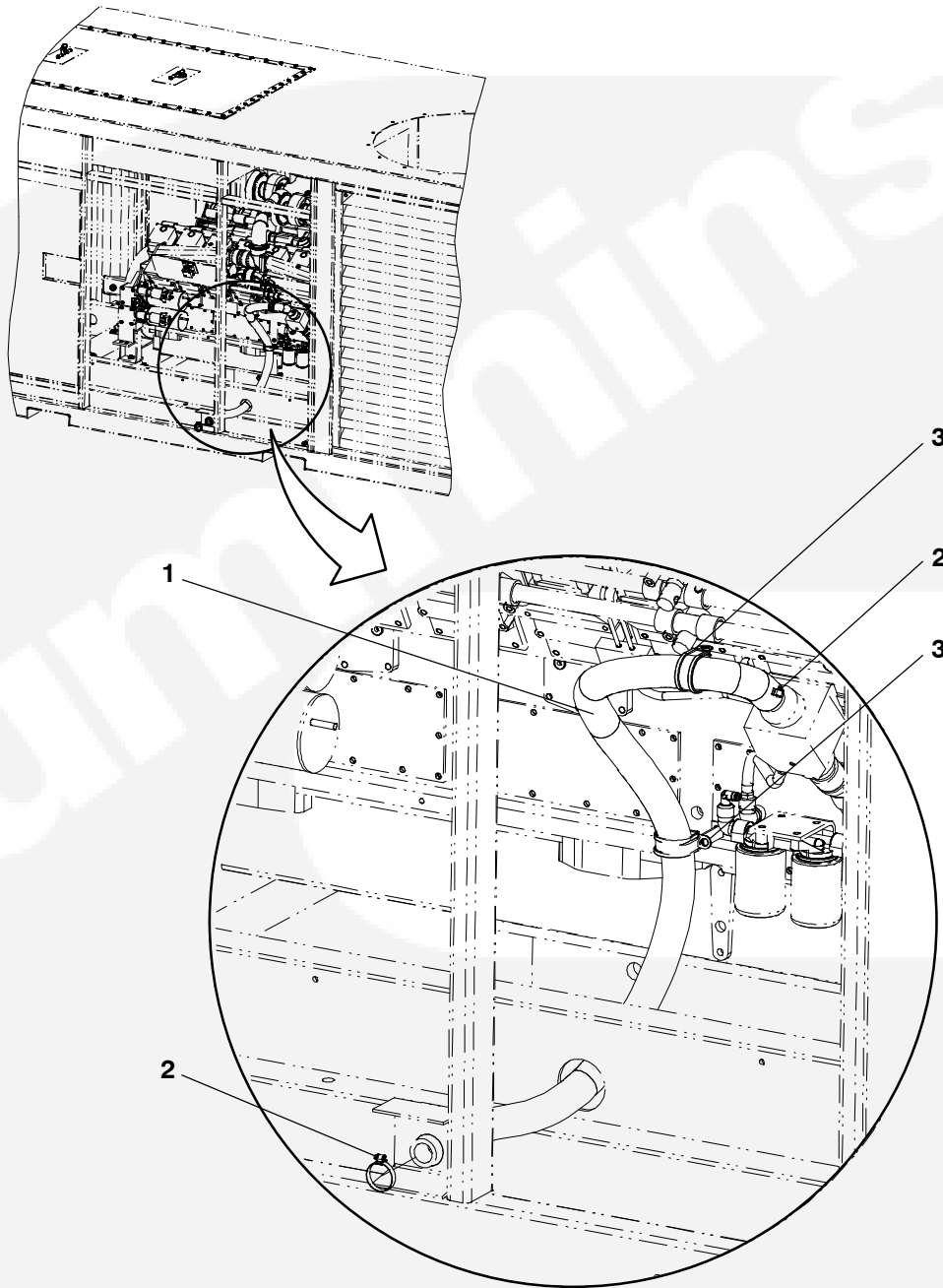
Battery Cables



Battery Cables

Item	Part No.	Description	Qty
1	0416-1200	Cable, Jumper	1
2	0416-1201	Cable, Jumper	1
3	A032X913	Cable, Flexible	1
4	0416-1203	Clamp, Battery Post +VE	4
5	0416-1204	Clamp, Battery Post -VE	4
6	0416-1019	Boot, Battery – Red	4
7	0416-1020	Boot, Battery – Black	4
8	A034N377	Cable, Flexible	1
9	0416-1243	Cable, Battery	1
10	0416-1244	Cable, Electric	1
11	0416-1235	Cable, Electric	1
12	A034N500	Cable, Flexible	1
13	A034N501	Cable, Flexible	1
14	A029W983	Boot, Battery	2
15	0416-1142	Clamp, Battery	1
16	0416-1141	Clamp, Battery	3
17	0416-1234	Clamp, Electrical	1
18	0800-0310-64	Screw, Hex Head	1
19	0850-0060	Washer, Lock	1
20	0526-0399-64	Washer, Flat	1

Breather



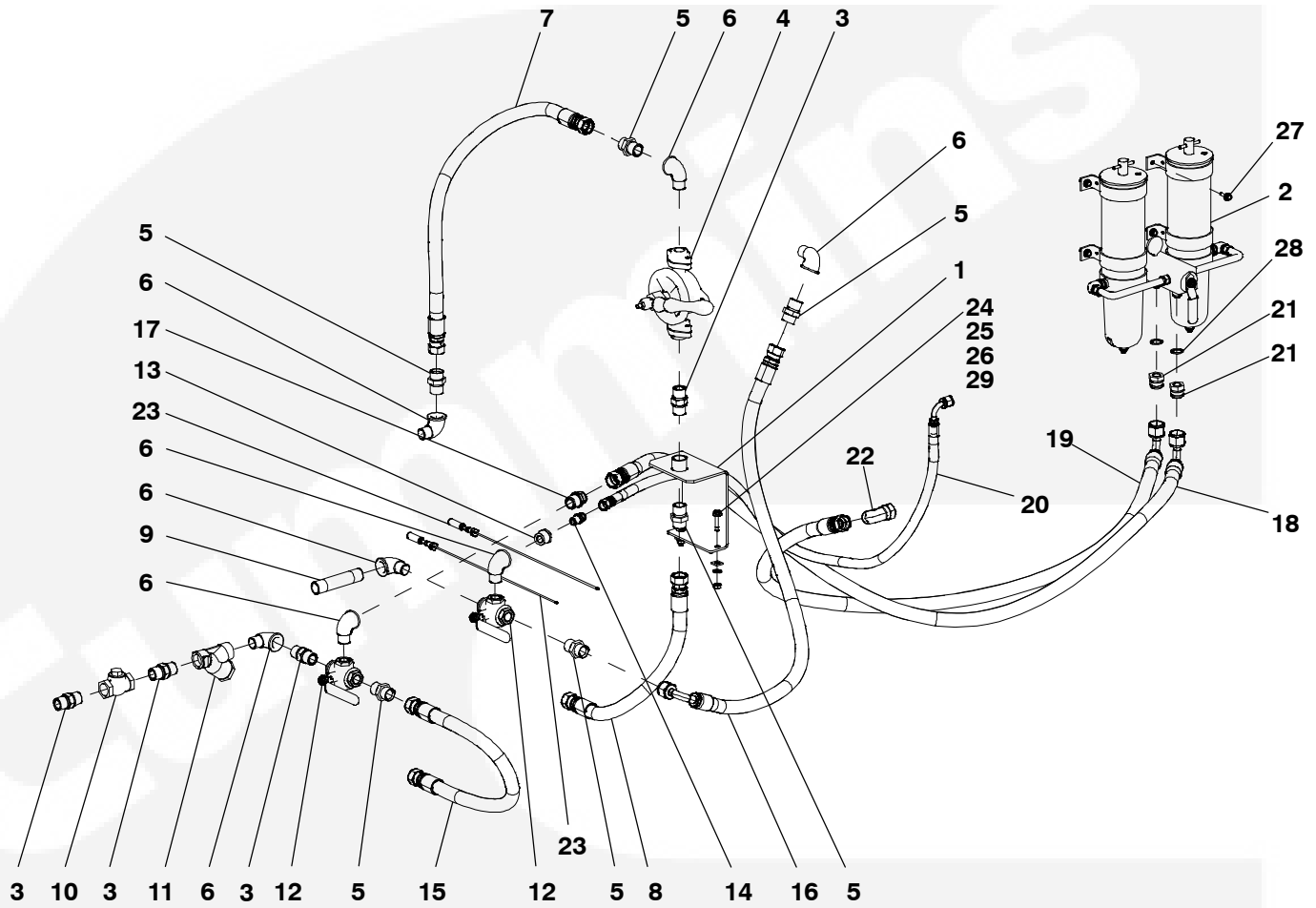
Item	Part No.	Description	Qty
1	A039Z894	Hose, Breather	1
2	0503-2373	Clip, Jubilee	2
3	A041B485	Clip, P	2



This page is Intentionally blank.



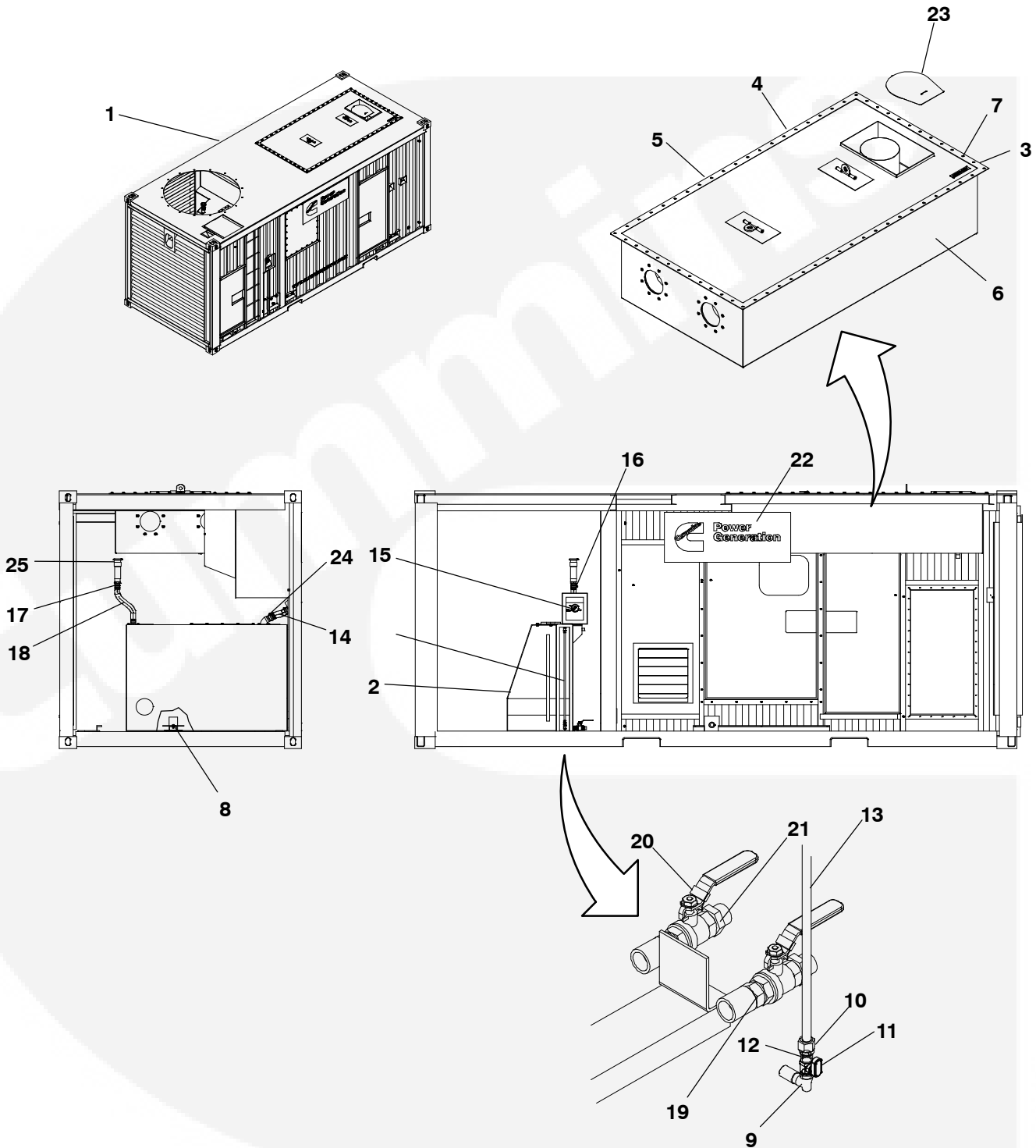
Fuel/Water Separator



Fuel/Water Separator

Item	Part No.	Description	Qty
1	A034C323	Bracket	1
2	A034H400	Separator, Fuel Water	1
3	0505-2068	Adapter, Pipe	4
4	A034Z631	Pump, Hand	1
5	0505-2085	Fitting, Pipe Adapter	6
6	0505-2061	Elbow, Pipe	7
7	A034F523	Hose	1
8	A034F525	Hose	1
9	A034D327	Pipe	1
10	A034G551	Valve, Check	1
11	0149-2688	Strainer, Fuel	1
12	A034G582	Valve, Ball	2
13	0505-2140	Bushing, Reducer	1
14	A034H103	Adapter, Pipe	1
15	A034F527	Hose	1
16	A034F529	Hose	1
17	A034G860	Adapter, Pipe	1
18	A034G870	Hose	1
19	A034G872	Hose	1
20	A034G874	Hose	1
21	A034H079	Adapter, Pipe	2
22	A034H077	Adapter, Pipe	1
23	A034P461	Gauge, Level	2
24	0800-6374-07	Screw, Hex Flange Head	2
25	0526-0399-62	Washer, Flat	2
26	0862-0026-56	Nut, Hex	2
27	0821-6003-03	Screw, Hex Head	8
28	A041C777	Washer, Sealing	2
29	A035B670	Washer, Bevel	2

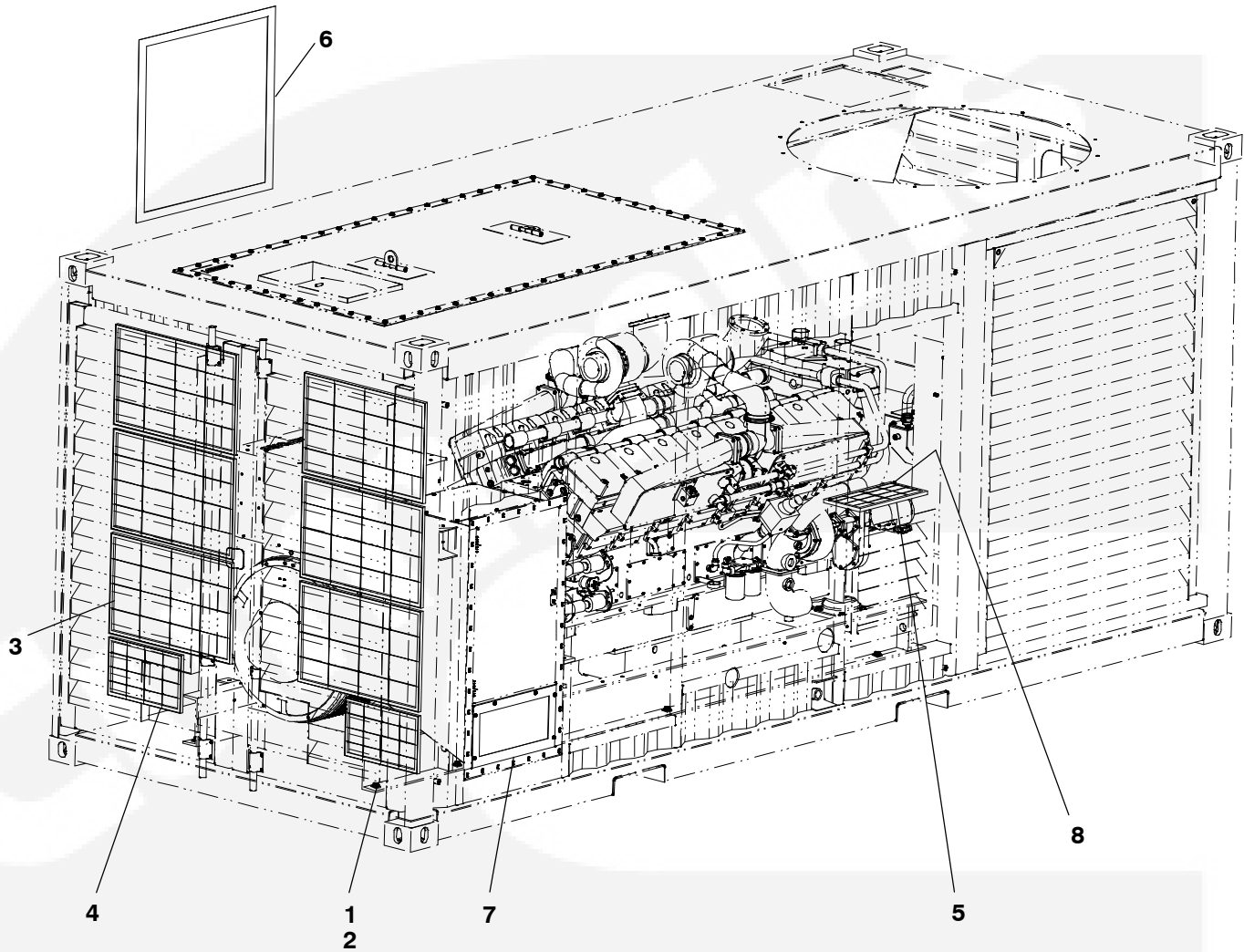
Enclosure



Enclosure

Item	Part No.	Description	Qty
1	A032Y321	Enclosure, Genset	1
2	A034V370	Tank, Fuel	1
3	A035N347	Gasket	2
4	A035N359	Gasket	2
5	A035N367	Gasket	2
6	A034M367	Silencer, Exhaust	1
7	0800-6374-05	Screw, Hex Flange Head	64
8	0800-6376-04	Screw, Hex Flange Head	3
9	0505-2231	Elbow, Pipe	2
10	A034K205	Fitting, Hose	2
11	A034N126	Valve, Ball	1
12	A034K207	Fitting, Hose	2
13	A034Z218	Gauge, Sight	1
14	A034G882	Hose	1
15	A034N172	Cap, Oil Fill	1
16	0503-1870-02	Clamp, Hose	2
17	A034F720	Adapter, Pipe	1
18	A034G884	Hose	1
19	0505-2068	Adapter, Pipe	2
20	0504-0227	Valve, Ball	2
21	0505-2085	Fitting, Pipe Adapter	2
22	A040M068	Labels – Installation (Includes the Following Labels)	1
	0098-7902-15	Label, Logo	1
	0098-8293	Label, Information	1
	A040M226	Label	1
	A040M454	Label	2
23	A034N978	Cap, Rain	1
24	0503-2373	Clip, Jubilee	2
25	0159-1633	Vent, Tank	1

Enclosure Fasteners



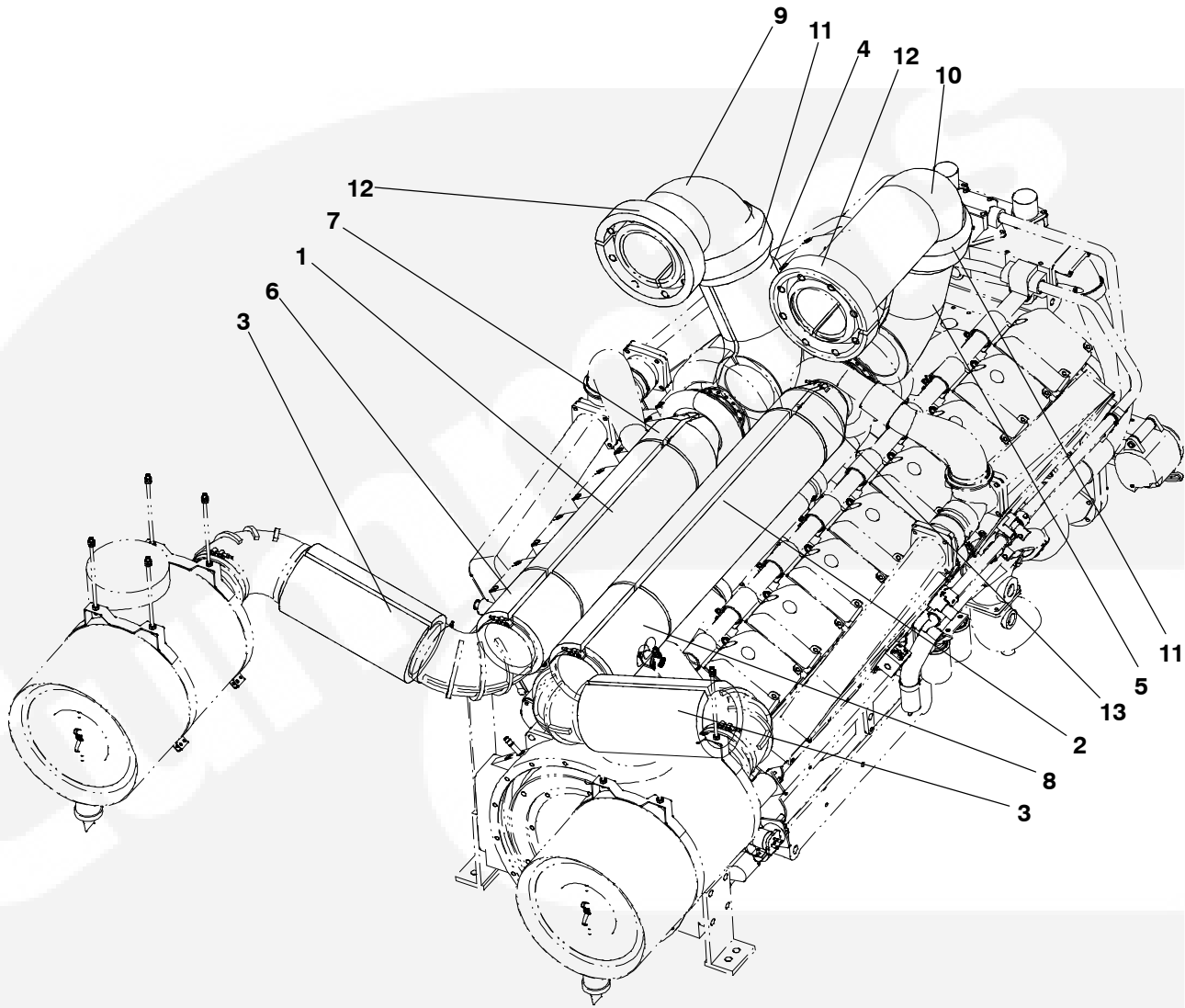
Item	Part No.	Description	Qty
1	A035B674	Washer, Bevel	8
2	0800-6377-07	Screw, Hex Flange Head	8
3	A034D334	Screen, Air Inlet	6
4	A034D335	Screen, Air Inlet	2
5	A034D339	Screen, Air Inlet	1
6	A041G415	Gasket	1
7	A041G405	Gasket	1
8	A041G547	Screw	2



This page is Intentionally blank.



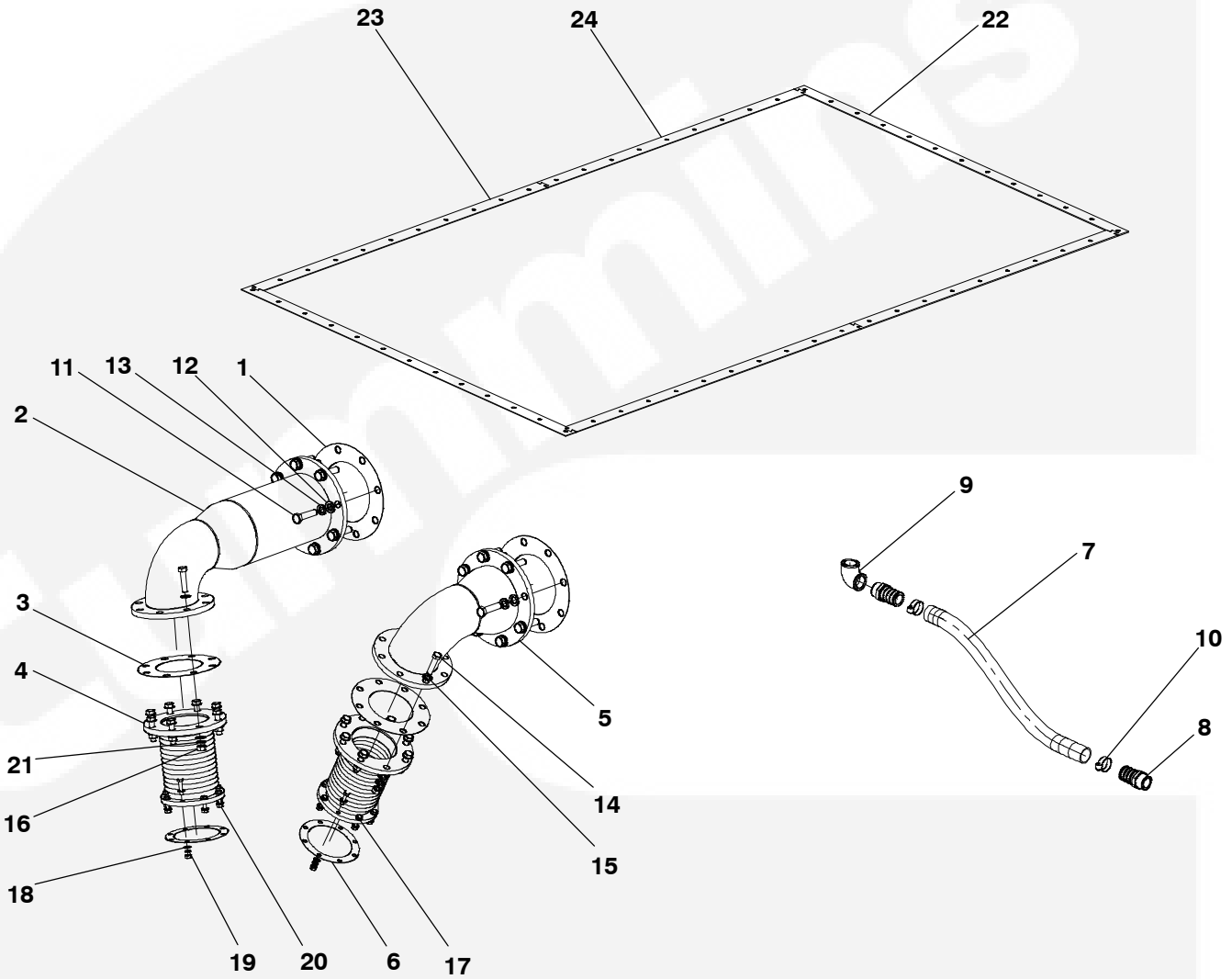
Exhaust Insulation



Exhaust Insulation

Item	Part No.	Description	Qty
1	A034Z362	Insulation, Cover	1
2	A034Z359	Insulation, Cover	1
3	A034Z364	Insulation, Cover	2
4	A034Z349	Insulation, Exhaust	1
5	A034Z351	Insulation, Exhaust	1
6	A034Z640	Insulation, Cover	1
7	A034Z642	Insulation, Cover	1
8	A034Z658	Insulation, Cover	1
9	A034Z649	Insulation, Cover	1
10	A034Z651	Insulation, Cover	1
11	A034Z646	Insulation, Cover	2
12	A034Z653	Insulation, Cover	2
13	A041H653	Insulation, Cover	1

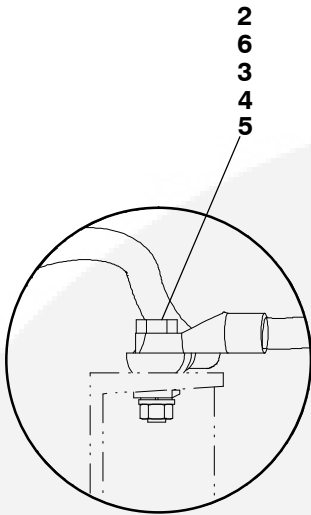
Silencer Installation



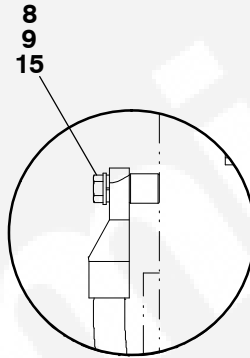
Silencer Installation

Item	Part No.	Description	Qty
1	A034C078	Gasket	2
2	A034T260	Kit, Exhaust Pipe	1
3	A034C077	Gasket	2
4	A034T258	Kit, Exhaust Pipe	2
5	A034T263	Kit, Exhaust Pipe	1
6	A034C080	Gasket	2
7	A034F517	Hose	1
8	A034F720	Adapter, Pipe	2
9	A034F709	Elbow, Female	1
10	0503-1870-02	Clamp, Hose	2
11	0800-3017-94	Screw, Hex Head	16
12	0526-0399-70	Washer, Flat	16
13	0850-0114-58	Washer, Lock	16
14	0800-3017-78	Screw, Hex Head	16
15	0526-0399-66	Washer, Flat	32
16	0862-0026-58	Nut, Hex	16
17	0800-3017-41	Screw, Hex Head	16
18	0526-0399-62	Washer, Flat	32
19	0850-0114-55	Washer, Lock	16
20	0862-0026-56	Nut, Hex	16
21	0850-0114-57	Washer, Lock	16
22	A034S741	Gasket	2
23	A034S745	Gasket	2
24	A034S743	Gasket	2

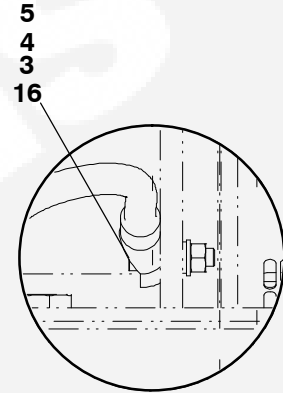
Ground Strap



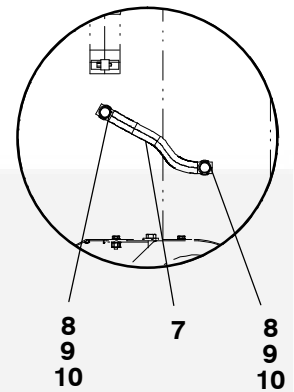
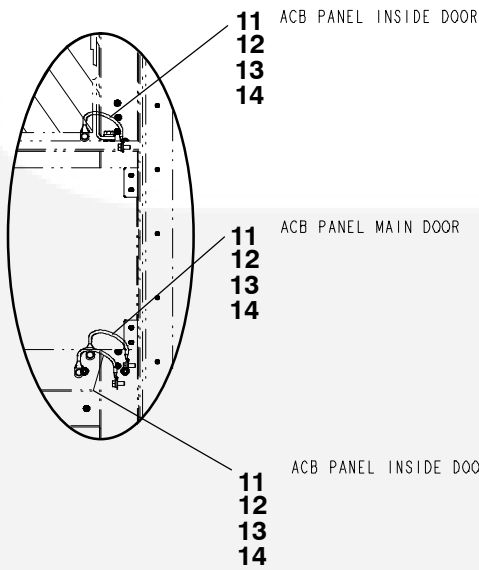
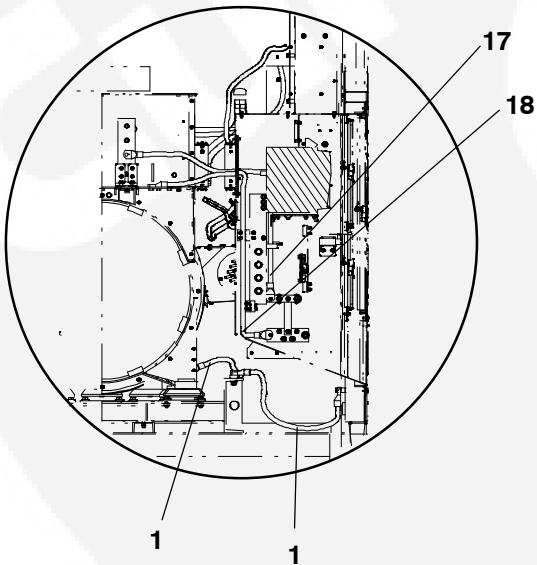
FIXING ARRANGEMENT TO BEDFRAME



FIXING ARRANGEMENT TO CONTROL HOUSING



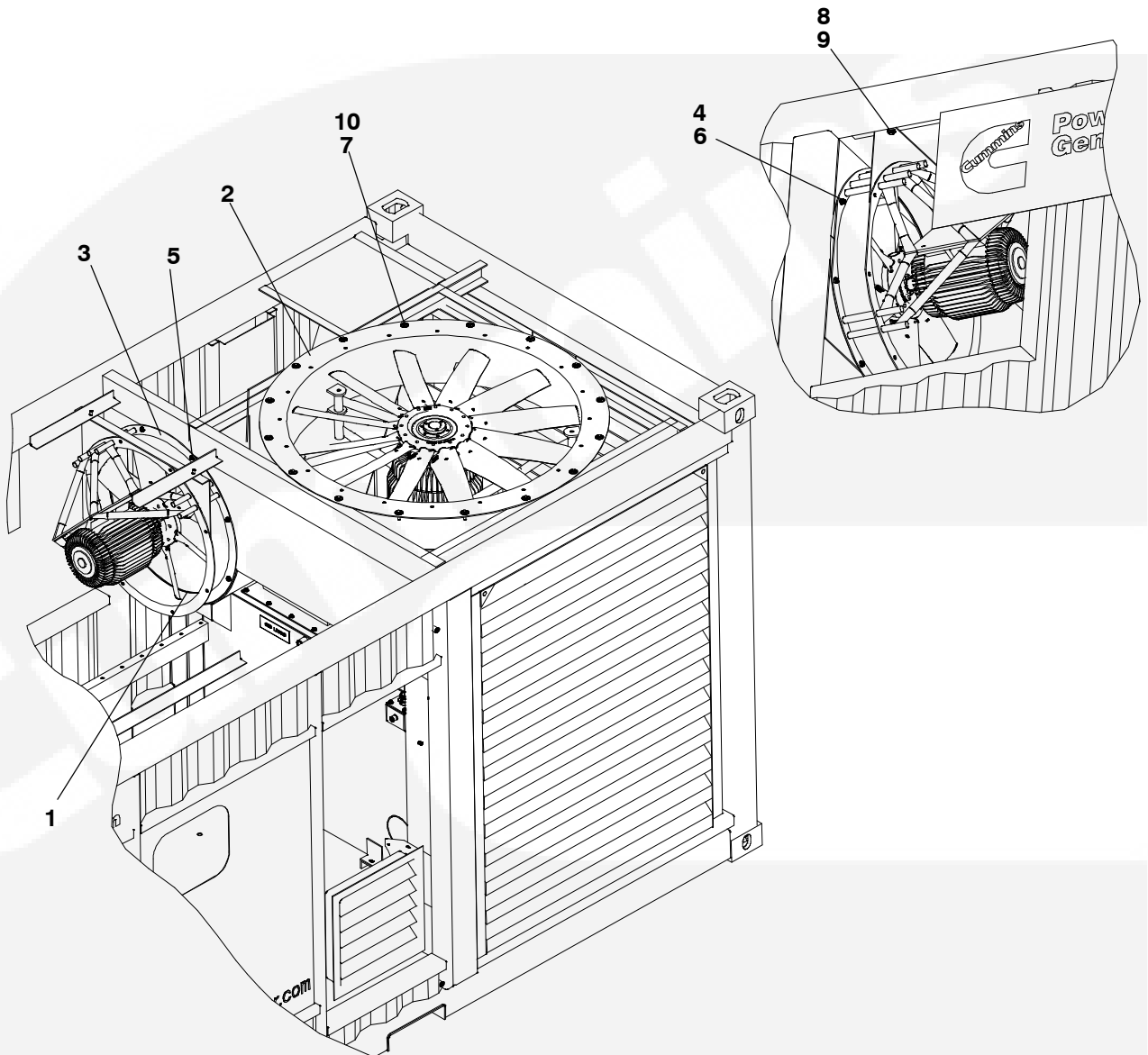
FIXING ARRANGEMENT OF EARTH BRAID



Ground Strap

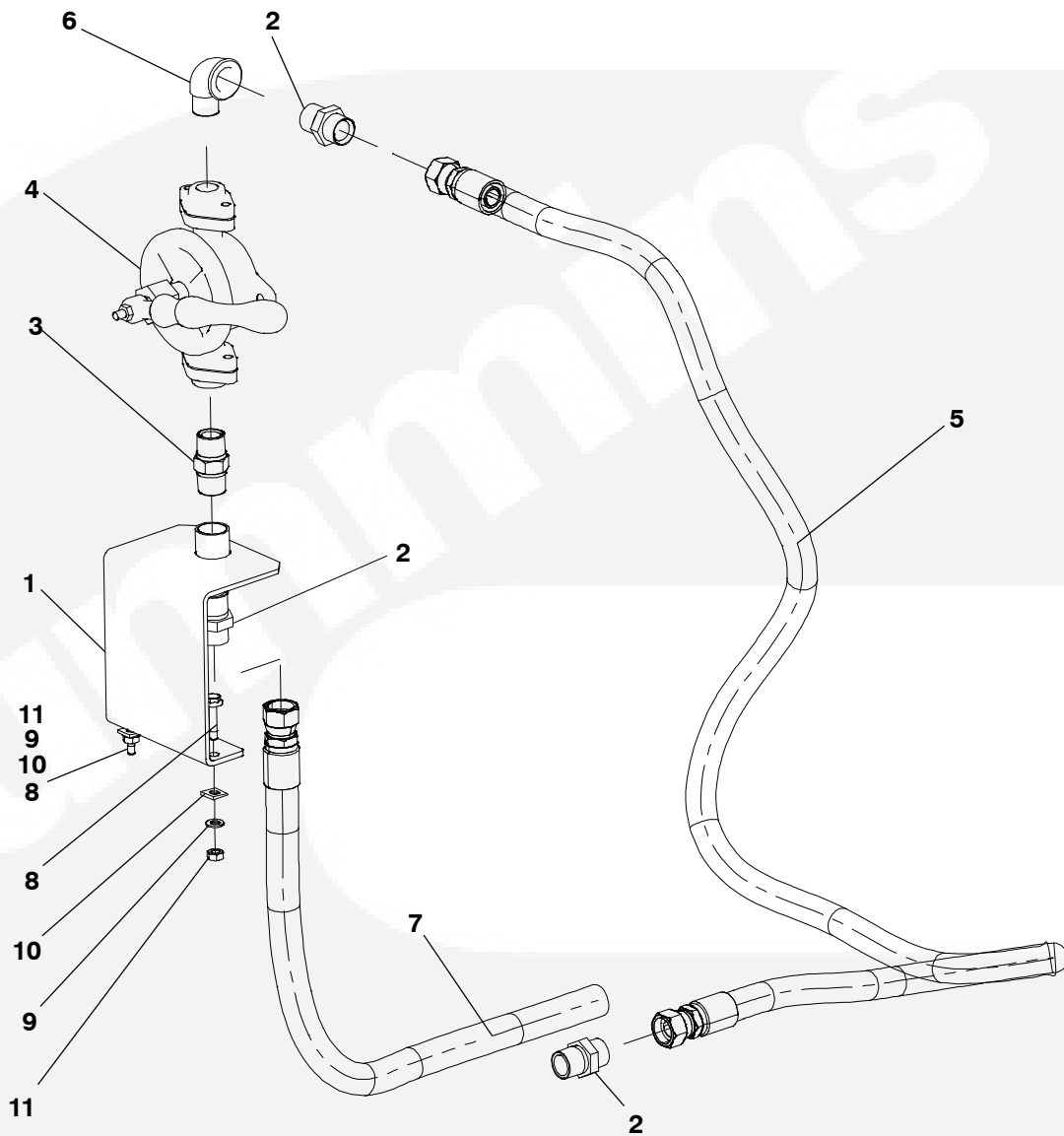
Item	Part No.	Description	Qty
1	0226-4921-01	Lead, Earth	2
2	0800-6288-12	Screw, Hex Head	1
3	0850-0114-56	Washer, Lock	2
4	0526-0399-64	Washer, Flat	2
5	0862-0026-57	Nut, Hex	2
6	A035B672	Washer, Belvel	1
7	0337-3586-01	Lead, Earth	1
8	0850-0114-55	Washer, Lock	3
9	0526-0399-62	Washer, Flat	3
10	0821-6004-03	Screw, Hex Head	2
11	0337-3582-08	Strap, Electrical	8
12	0850-0114-53	Washer, Lock	16
13	0526-0399-58	Washer, Flat	16
14	0800-3017-03	Screw, Hex Head	16
15	0800-3017-39	Screw, Hex Head	1
16	0800-3017-58	Screw, Hex Head	1
17	A041G579	Lead	1
18	A041G577	Lead	1

Fan



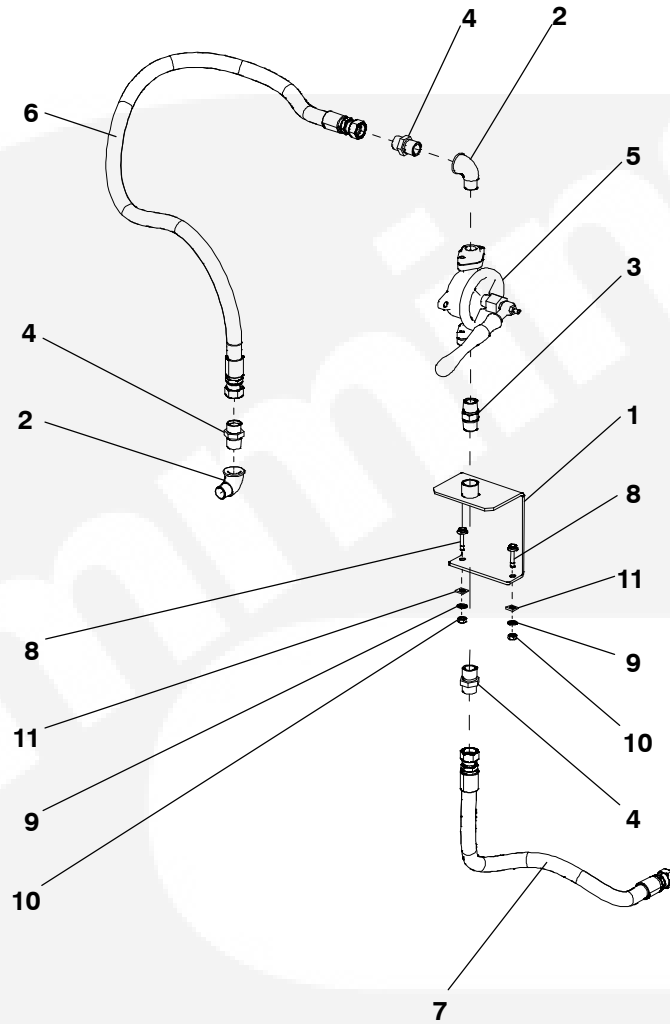
Item	Part No.	Description	Qty
1	A034Z473	Gasket	1
2	A042S608	Fan	1
3	A034C469	Fan	1
4	0526-0399-63	Washer, Flat	1
5	0800-6374-03	Screw, Hex Flange Head	7
6	0862-0026-56	Nut, Hex	1
7	A040A495	Screw, Hex Head	16
8	A035R595	Washer, Flat	2
9	0800-3017-55	Screw, Hex Head	2
10	A041B535	Washer, Flat	16

Oil Drain



Item	Part No.	Description	Qty
1	A034C323	Bracket	1
2	0505-2085	Fitting, Pipe Adapter	3
3	0505-2068	Adapter, Pipe	1
4	A034Z631	Pump, Hand	1
5	A034F515	Hose	1
6	0505-2061	Elbow, Pipe	1
7	A034G886	Hose	1
8	0800-6374-07	Screw, Hex Flange Head	2
9	0526-0399-62	Washer, Flat	2
10	A035B670	Washer, Bevel	2
11	0862-0026-56	Nut, Hex	2

Oil Drain



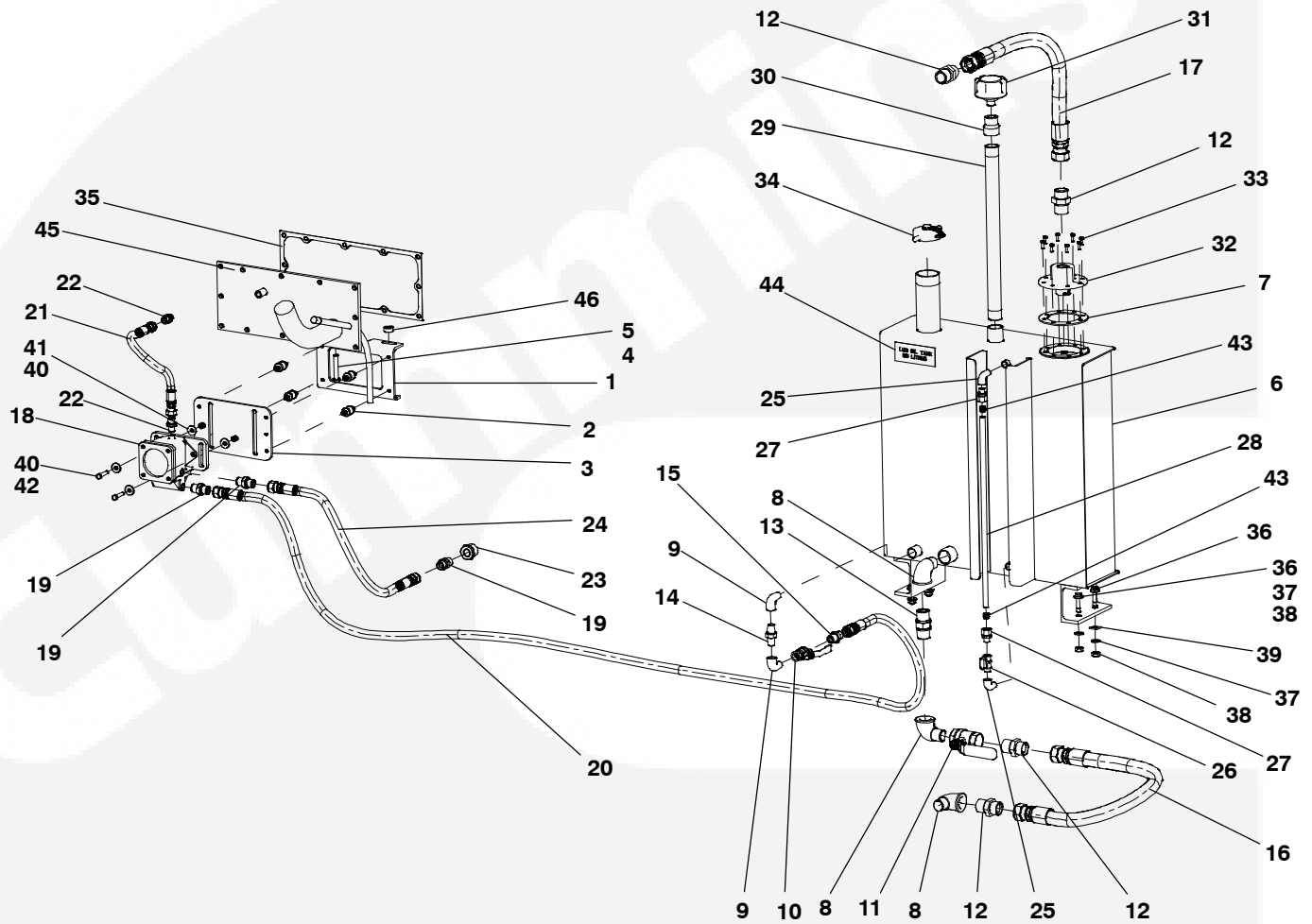
Item	Part No.	Description	Qty
1	A034C323	Bracket	1
2	0505-2061	Elbow, Pipe	2
3	0505-2068	Adapter, Pipe	1
4	0505-2085	Fitting, Pipe Adapter	3
5	A034Z631	Pump, Hand	1
6	A034F519	Hose	1
7	A034F521	Hose	1
8	0800-6374-07	Screw, Hex Flange Head	2
9	0526-0399-62	Washer, Flat	2
10	0862-0026-56	Nut, Hex	2
11	A035B670	Washer, Bevel	2



This page is Intentionally blank.



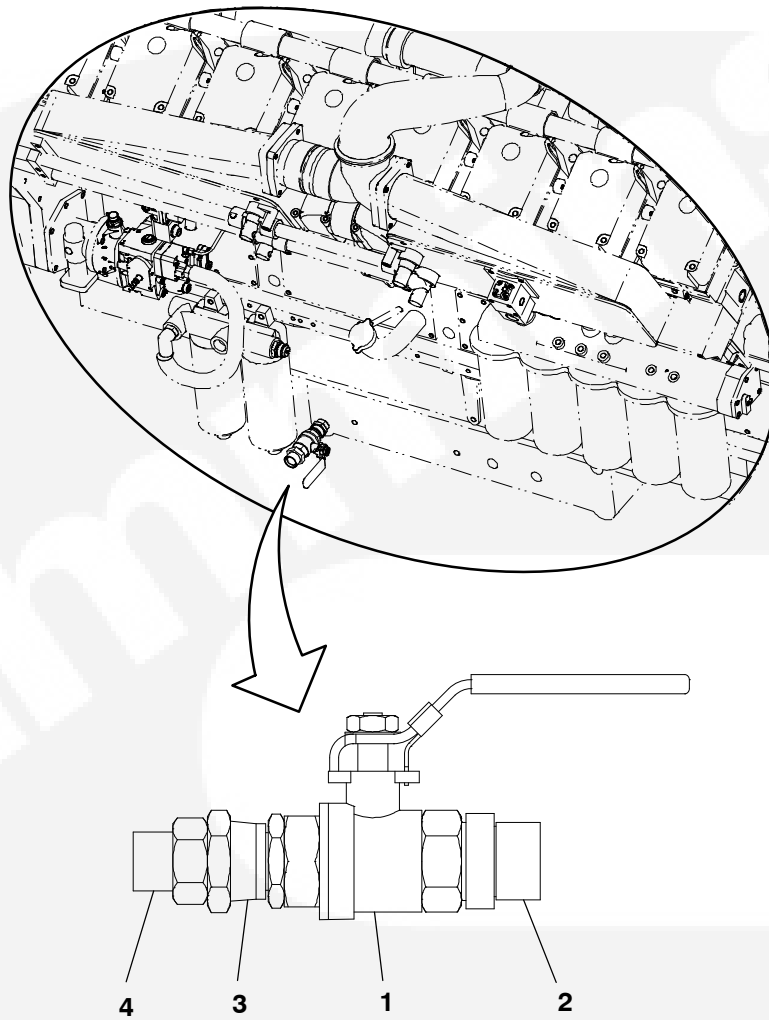
Oil Maintainer



Oil Maintainer

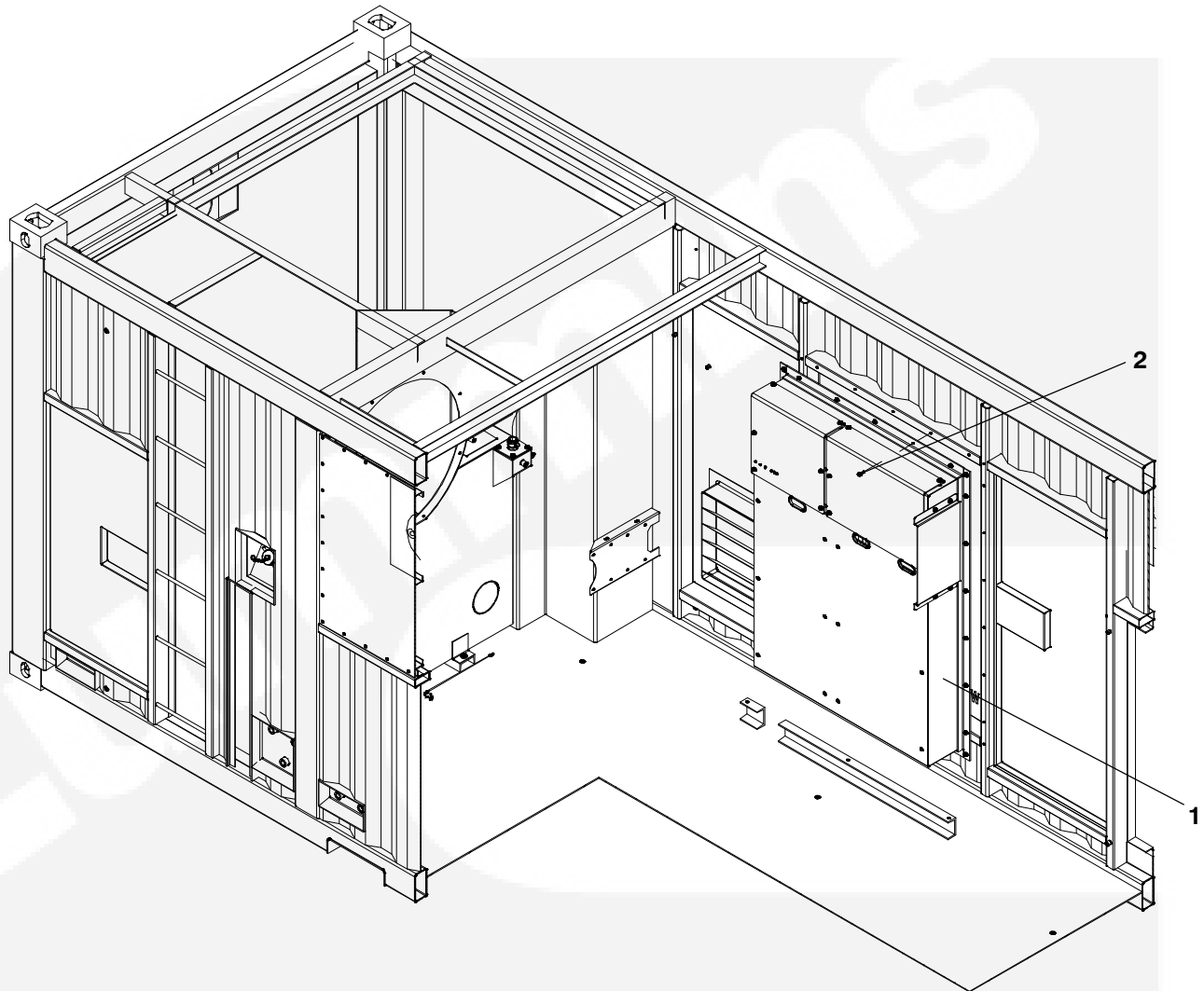
Item	Part No.	Description	Qty
1	0122-0873-02	Bracket, Oil Makeup	1
2	0403-4911	Isolator, Vibration	4
3	0305-1000-02	Bracket, Regulator	1
4	0526-0399-22	Washer, Flat	2
5	A034K133	Screw, Hex Head	2
6	A034C639	Tank, Oli	1
7	A034C030	Gasket	1
8	0505-2061	Elbow, Pipe	3
9	0502-1369	Elbow, Male Female	2
10	0504-0312	Valve, Gate	1
11	0504-0227	Valve, Ball	1
12	0505-2085	Fitting, Pipe Adapter	4
13	0505-2068	Adapter, Pipe	1
14	0505-2180	Fitting, Nipple	1
15	A034F426	Adapter, Hose	1
16	A034F511	Hose	1
17	A034F513	Hose	1
18	A034H229	Regulator	1
19	0502-1441	Adapter, Pipe	3
20	A034G876	Hose	1
21	A034G878	Hose	1
22	A034H464	Adapter, Pipe	2
23	A034H633	Adapter, Pipe	1
24	A034G880	Hose	1
25	0505-2231	Elbow, Pipe	2
26	A034N126	Valve, Ball	1
27	A034K205	Fitting, Hose	2
28	A034F237	Gauge, Sight	1
29	A034T040	Pipe	1
30	A034Z824	Coupling, Reducer	1
31	A034N323	Cap, Breather	1
32	A034N342	Valve, Float	1
33	0815-1540-34	Screw, Fillister Head Slot	8
34	A034N172	Cap, Oil Fill	1
35	A034N309	Gasket	1
36	0800-6374-06	Screw, Hex Flange Head	4
37	0526-0399-62	Washer, Flat	4
38	0862-0026-56	Nut, Hex	4
39	A035B670	Washer, Bevel	2
40	0526-0399-61	Washer, Flat	4
41	0862-0026-55	Nut, Hex	2
42	0800-3017-22	Screw, Hex Head	2
43	A034K207	Fitting, Hose	2
44	A034N885	Nameplate	1
45	A040M886	Cover, Crankcase	1
46	A040Z174	Spacer	2

Sump Drain Valve



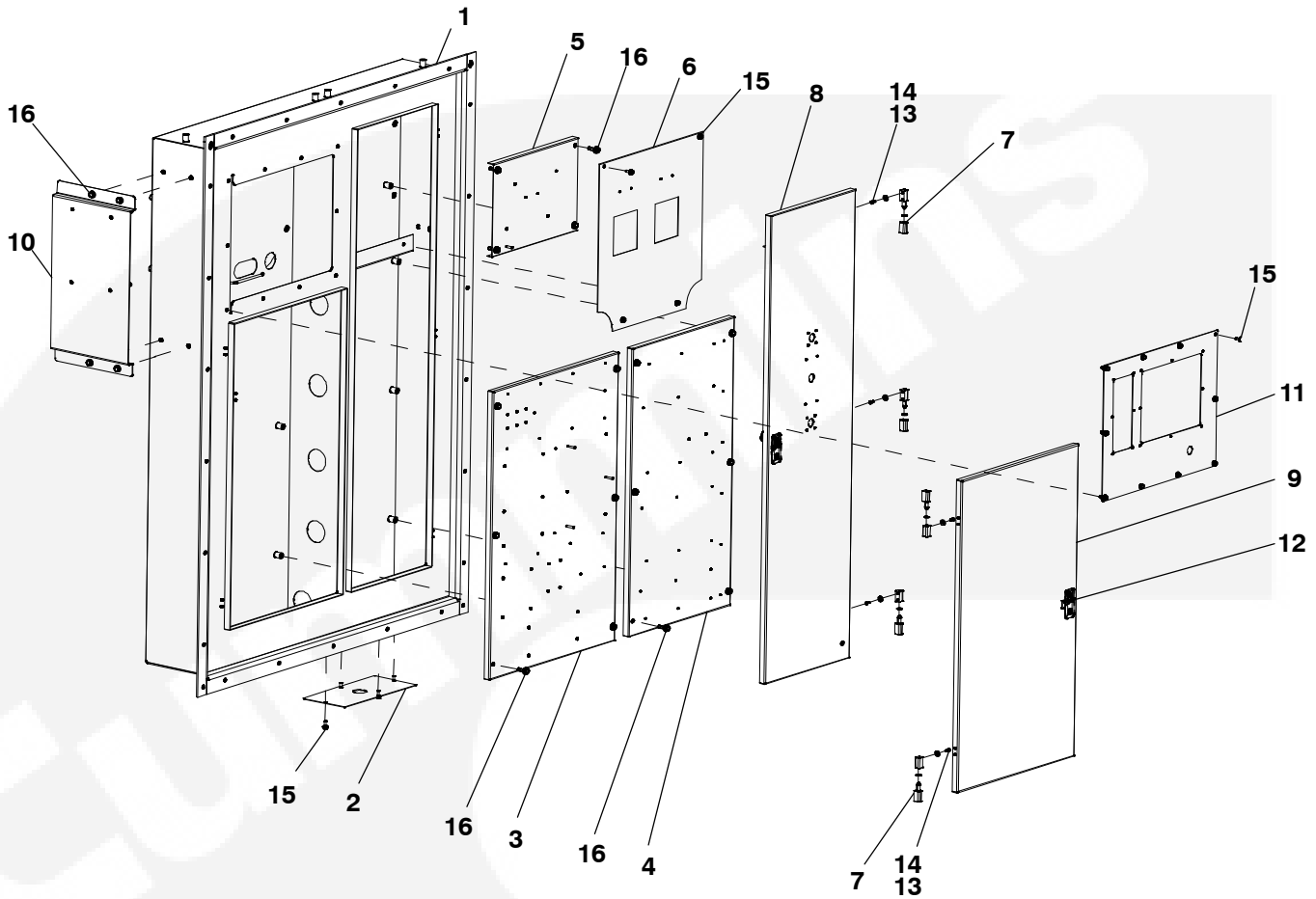
Item	Part No.	Description	Qty
1	0504-0227	Valve, Ball	1
2	0505-2085	Fitting, Pipe Adapter	1
3	A040Z368	Adapter, Pipe	1
4	A040Z049	Adapter, Pipe	1

Control Box



Item	Part No.	Description	Qty
1	A035H854	Panel, Control (See Pages 70–80 For Components)	1
2	0800–6430–03	Screw, Hex Flange Head	26

Control Cabinet



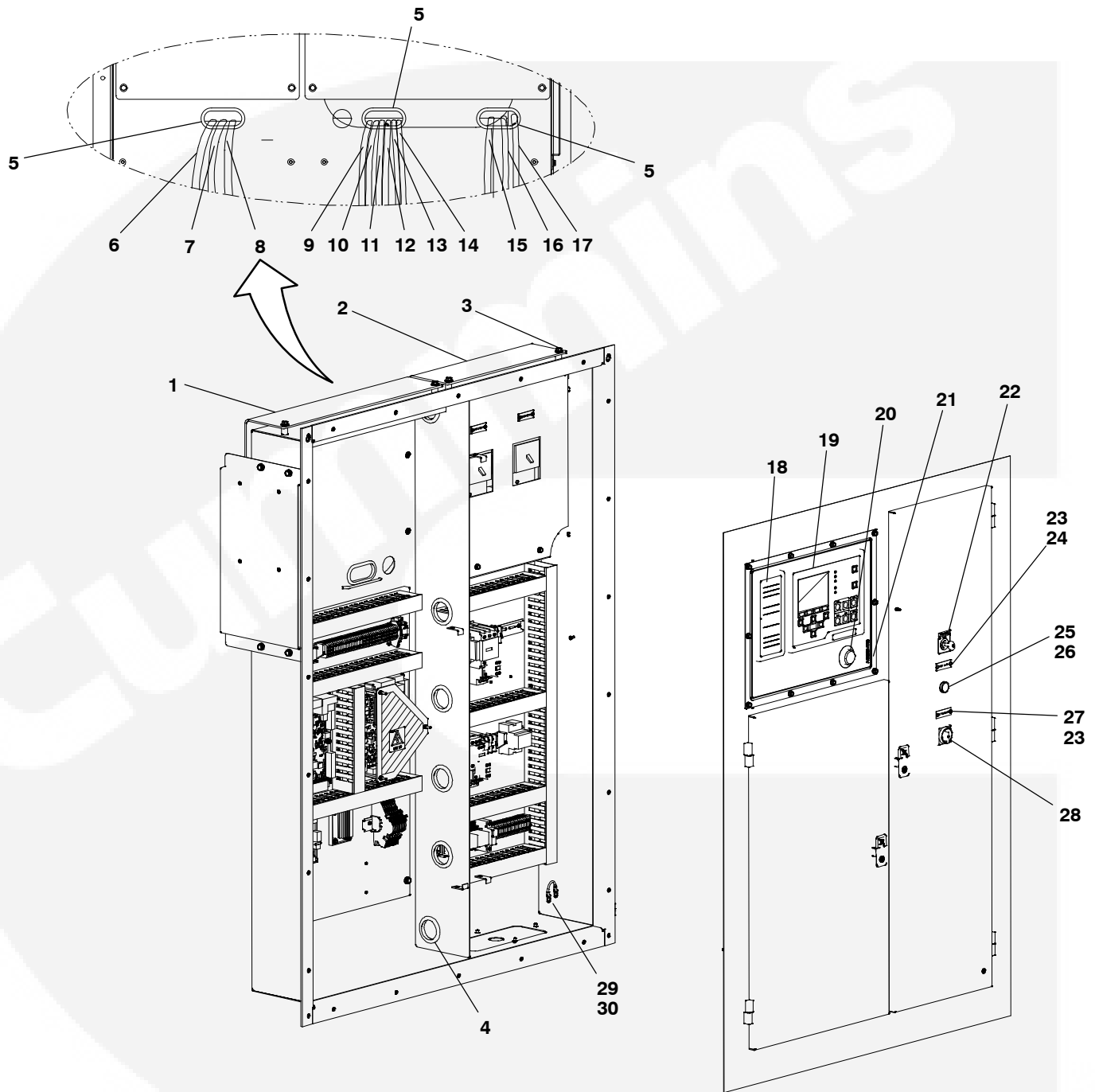
Item	Part No.	Description	Qty
1	A035K632	Panel	1
2	A035K801	Panel	1
3	A041A126	Panel	1
4	A041A128	Panel	1
5	A034D286	Plate, Circuit Breaker Mounting	1
6	A035K811	Panel	1
7	A035K852	Hinge	5
8	A035K805	Panel	1
9	A035K807	Panel	1
10	A035K848	Panel	1
11	A035K850	Panel	1
12	A034J669	Latch	2
13	0526-0399-57	Washer, Flat	20
14	0800-0309-87	Screw, Hex Head	20
15	0800-6375-01	Screw, Hex Flange Head	18
16	0800-6430-03	Screw, Hex Flange Head	20



This page is Intentionally blank.



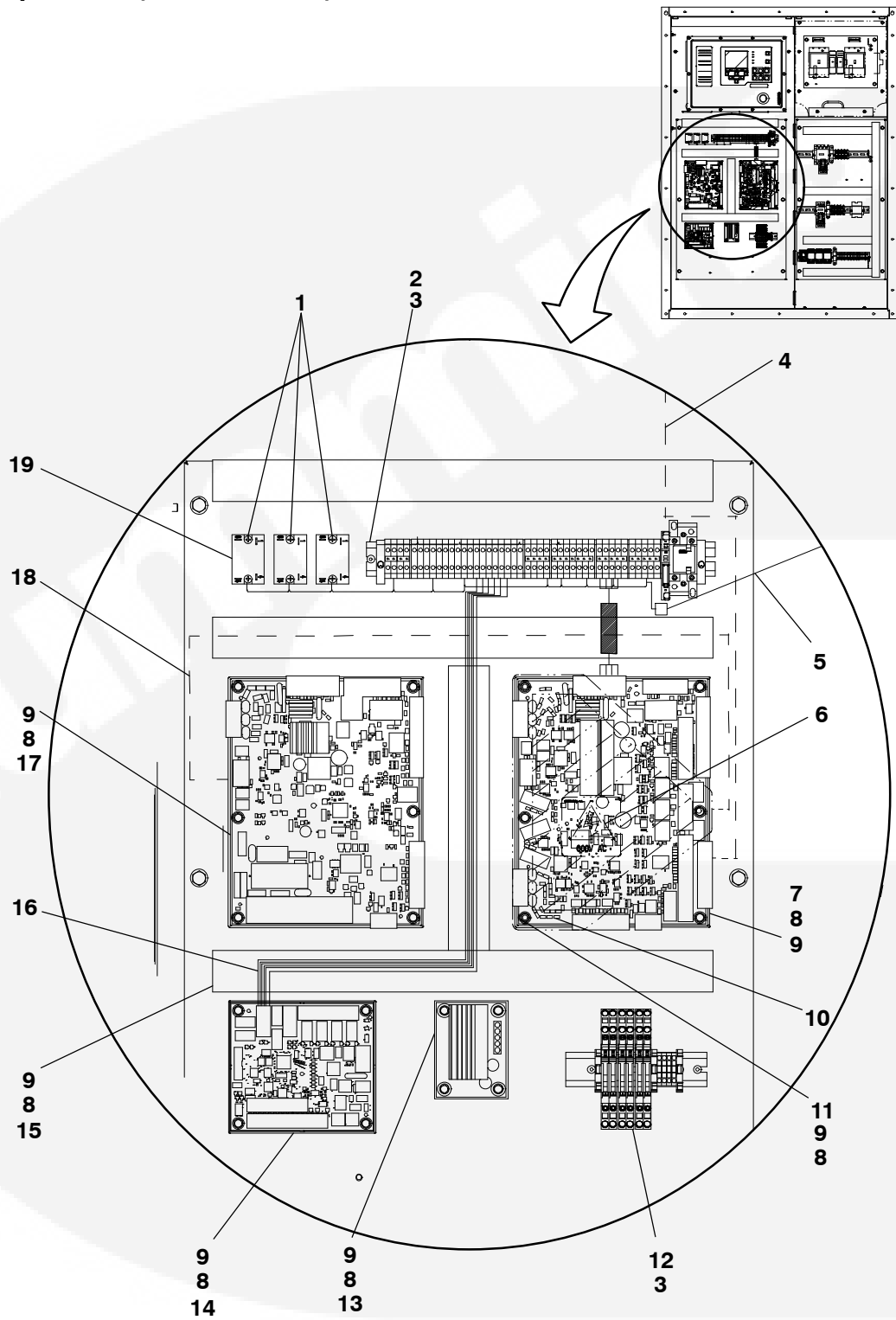
Control Components (Illustration #1)



Control Components (Illustration #1)

Item	Part No.	Description	Qty
1	A035K858	Panel	1
2	A035K856	Panel	1
3	0821-6003-02	Screw, Hex Head	12
4	0508-1119	Grommet	6
5	0508-1090	Grommet	3
6	A035K444	Harness, Low Coolant Level	1
7	A035L669	Harness, Cabinet	1
8	A035L671	Harness, Cabinet	1
9	A040A004	Harness, Switch	1
10	A035J067	Harness, Alternator	1
11	A040A117	Harness, Alarm	1
12	A040A000	Harness, Accessory	1
13	A040A109	Harness, Circuit Breaker	1
14	A034C916	Harness, Power	1
15	A039Z857	Harness, Relay	1
16	A040G348	Harness	1
17	A034E176	Harness, Heater	1
18	0300-6366-02	Display, Control	1
19	0300-6315-02	Display, Control	1
20	0308-1220	Switch, Emergency	1
21	A035M116	Label	1
22	A034H885	Switch, Rotary	1
23	A026M966	Rivet, Dome Head	8
24	A034L153	Nameplate	1
25	A034H706	Button, Push	1
26	A034H719	Switch, Pushbutton	1
27	A034B877	Nameplate	1
28	A034K330	Switch, Rotary	1
29	A034T798	Wire, Stranded	2
30	0800-6375-01	Screw, Hex Flange Head	4

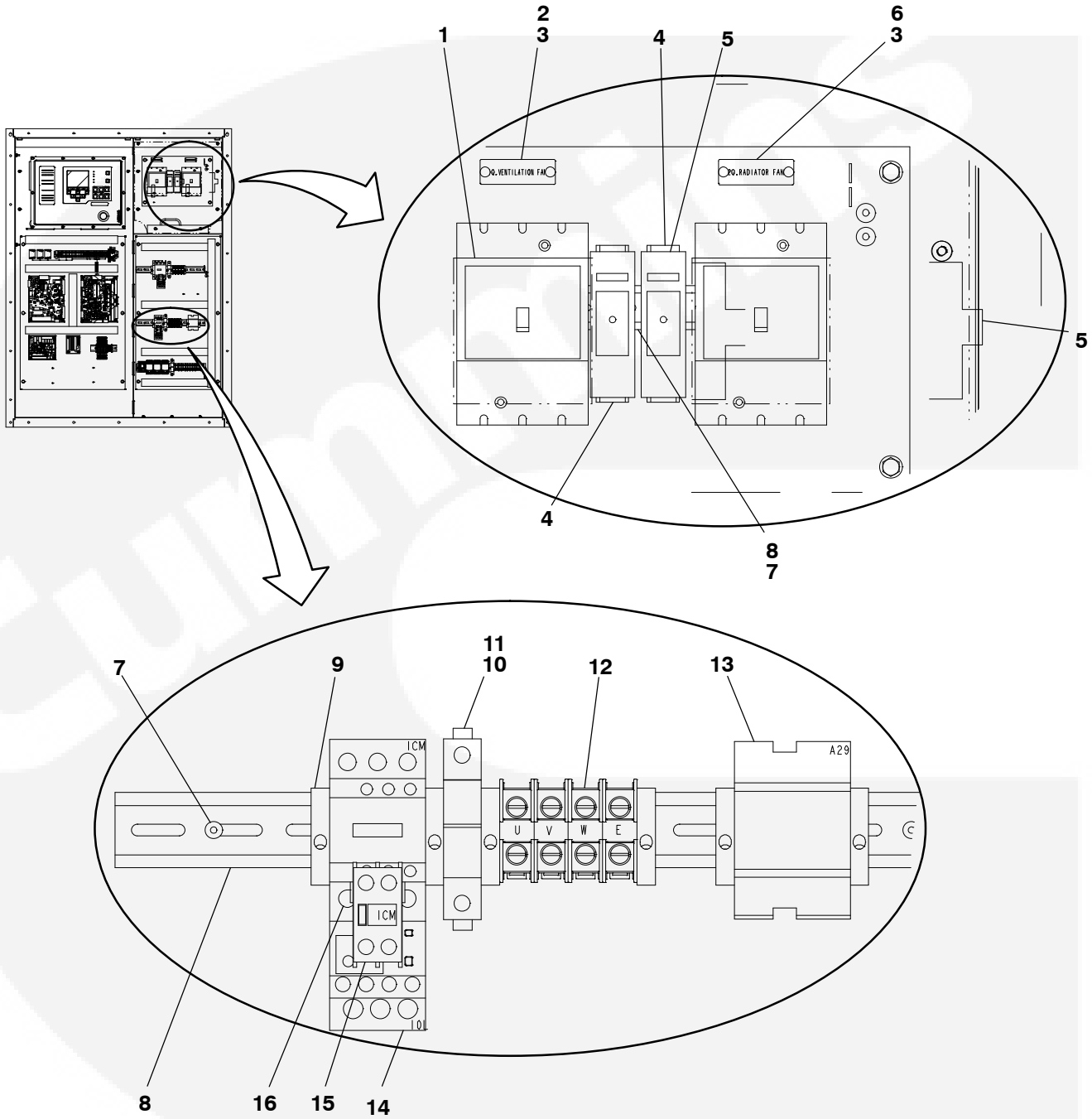
Control Components (Illustration #2)



Control Components (Illustration #2)

Item	Part No.	Description	Qty
1	0815-0862	Screw, Pan Head	6
2	A035K114	Block, Terminal (See Page 80 for Components)	1
3	0818-1172	Rivet, Blind	47
4	A035J366	Harness, Panel	1
5	A040K812	Harness, Interface	1
6	0098-8104-06	Label, Warning	1
7		Card, Control	
	0327-1601-01	PCC3300	1
	A041W736	PCC3300 MLD	1
8	0526-0399-56	Washer, Flat	55
9	0800-0309-91	Screw, Hex Head	20
10	A026M929	Cover	1
11	A026M891	Standoff	3
12	A035J436	Harness, Wiring	1
13	0327-1507	Card, Governor	1
14	0327-1536	Card, Input, Output	1
15	0331-0633-02	Duct, Wiring	9
16	A035J411	Harness, Interface	1
17	A028T766	Card, Control	1
18	A041P028	Harness, Interface	1
19	0307-2968-04	Relay, Power	3

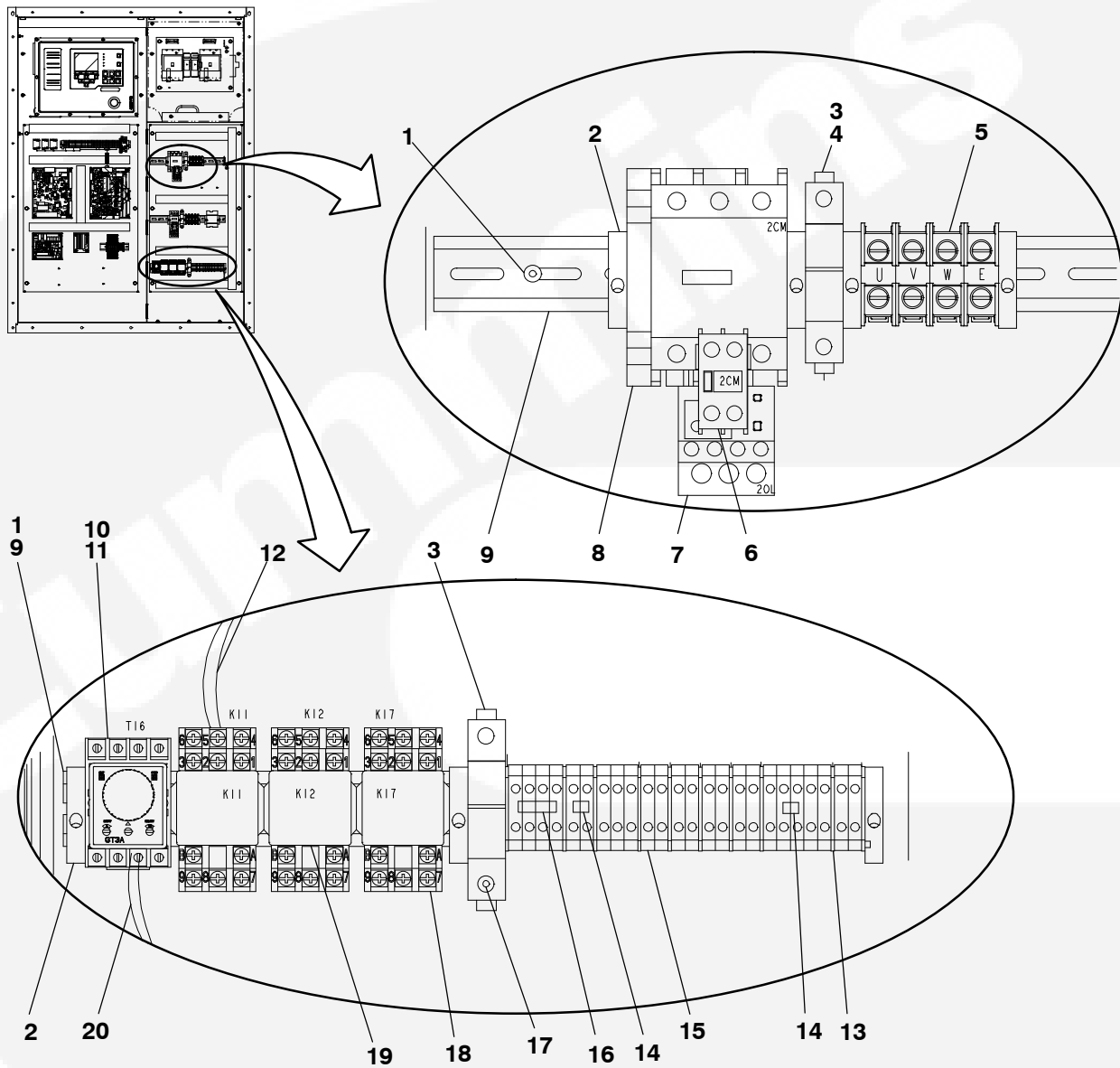
Control Components (Illustration #3)



Control Components (Illustration #3)

Item	Part No.	Description	Qty
1	A034J100	Breaker, Circuit	2
2	A034L151	Nameplate	1
3	A026M966	Rivet, Dome Head	8
4	A040B610	Bar, Neutral	2
5	A034J103	Kit, Circuit Breaker	2
6	A034B860	Nameplate	1
7	0818-1172	Rivet, Blind	47
8	0332-2879-01	Rail, Terminal	4
9	0332-2878	Bracket, Terminal	13
10	0249-0855	Holder, Fuse	3
11	0249-0856	Fuse	2
12	A034K405	Block, Terminal	8
13	A034J096	Relay, Protective	1
14	A034H718	Relay, Over Current	1
15	A034J090	Contactactor	2
16	A034H673	Contactactor	1

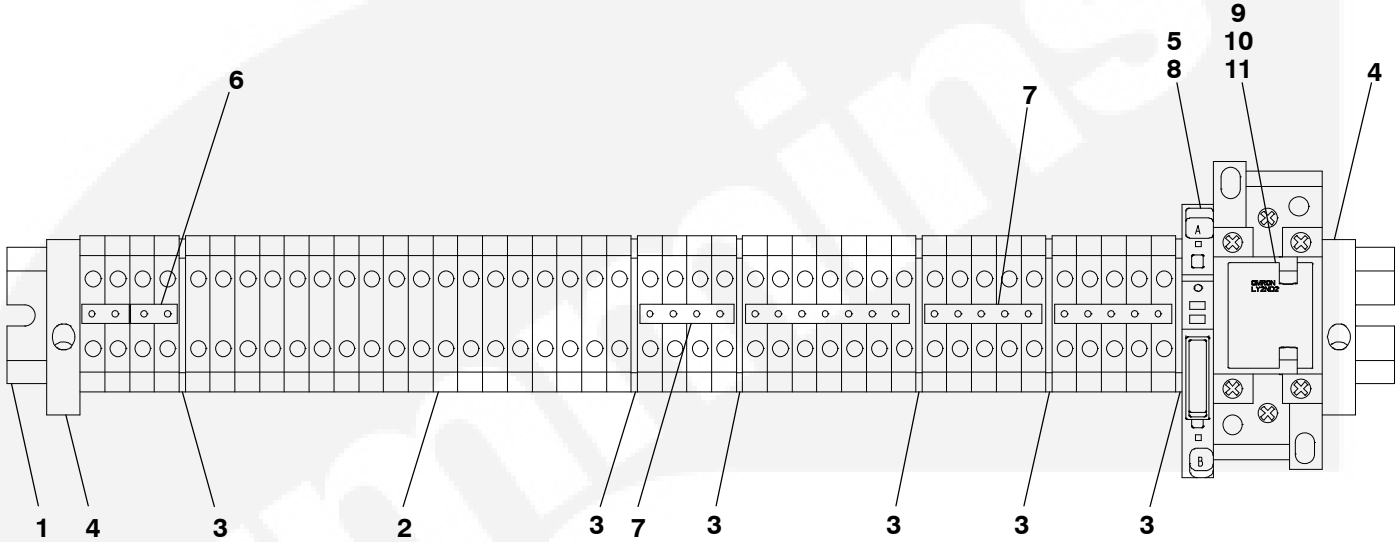
Control Components (Illustration #4)



Control Components (Illustration #4)

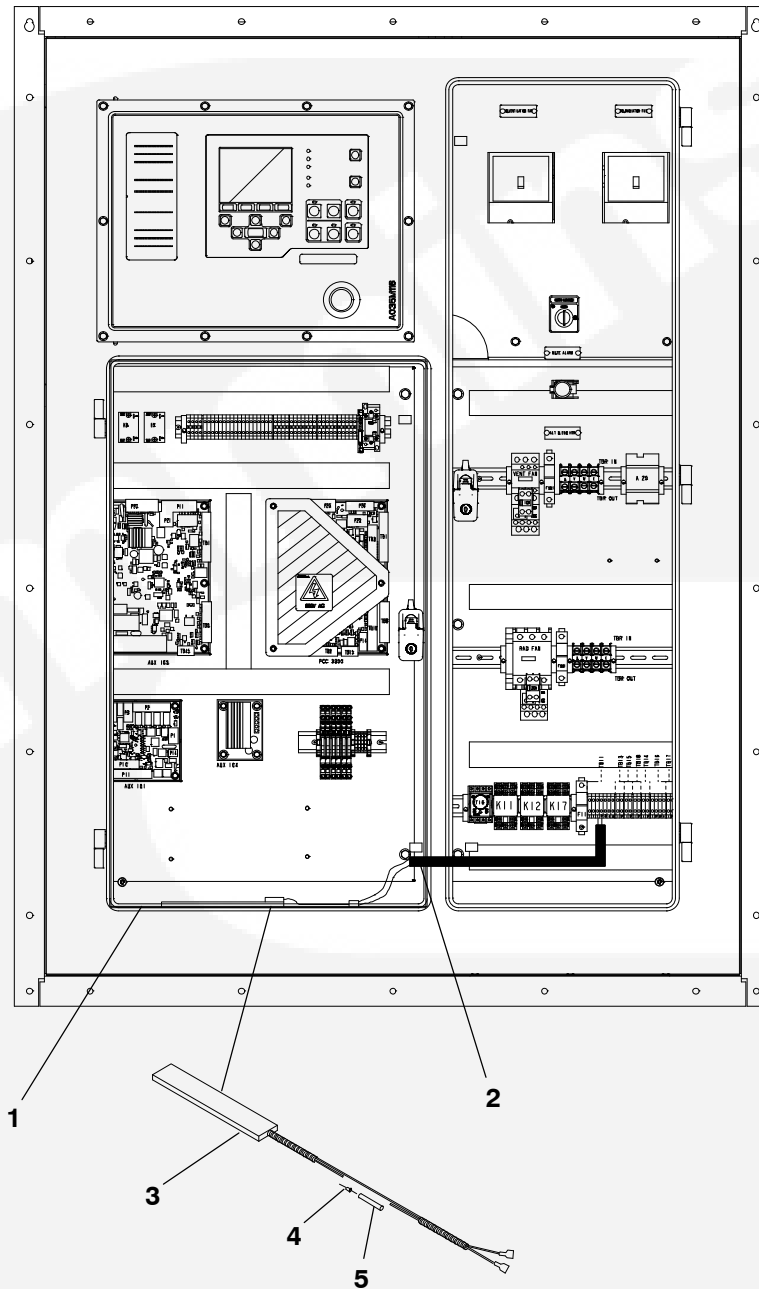
Item	Part No.	Description	Qty
1	0818-1172	Rivet, Blind	47
2	0332-2878	Bracket, Terminal	13
3	0249-0855	Holder, Fuse	3
4	0249-0856	Fuse	2
5	A034K405	Block, Terminal	8
6	A034J090	Contactora	2
7	A034K925	Relay, Over Current	1
8	A034H702	Contactora	1
9	0332-2879-01	Rail, Terminal	4
10	A035D290	Terminal, Pin	1
11	A034K413	Switch, Timer	1
12	A035K752	Harness, Heater	1
13	0332-3126-01	Plate, End Terminal	10
14	0332-2843-01	Jumper, Terminal	2
15	0332-3125-01	Block, Terminal	24
16	0332-2843-03	Jumper, Terminal	1
17	0321-0402-06	Fuse	1
18	0323-1410-01	Socket, Relay	3
19	0307-2721	Relay	3
20	A035L158	Harness, Control	1

Terminal Block



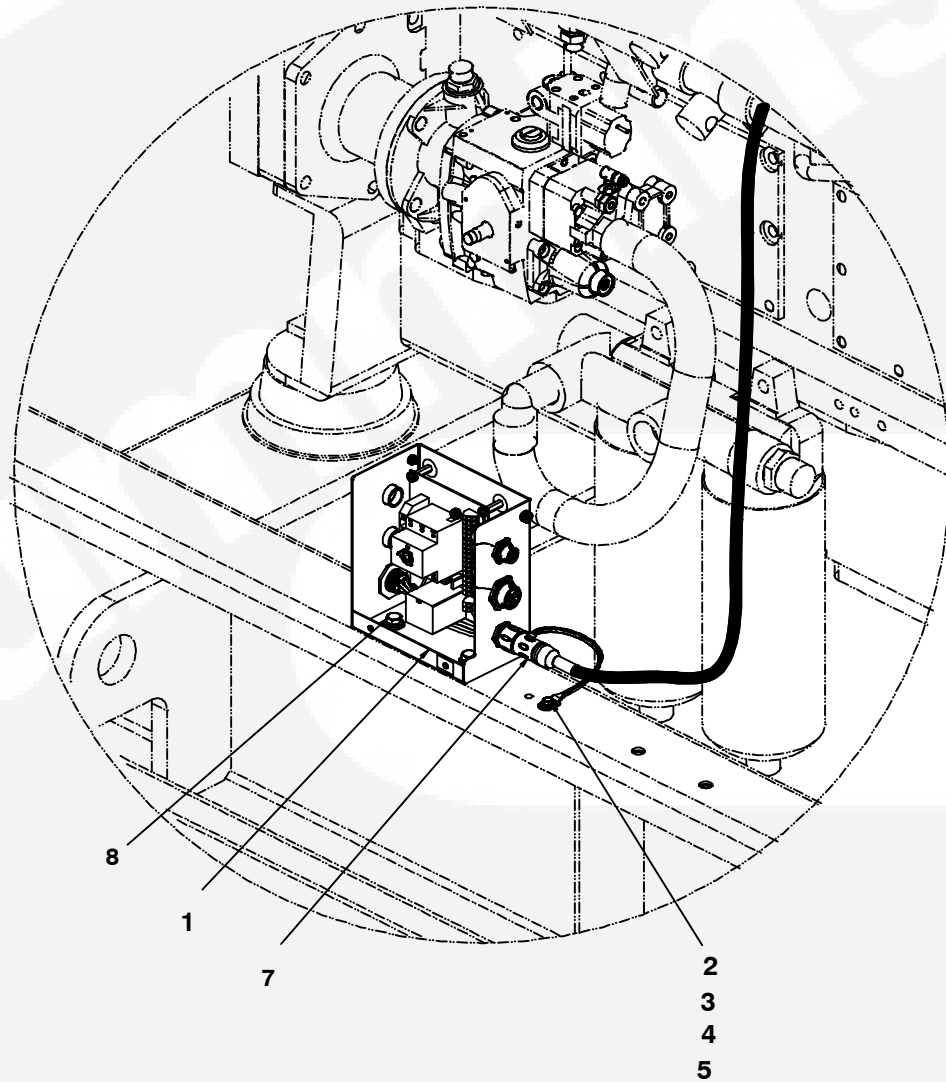
Item	Part No.	Description	Qty
1	0332-2879-01	Rail, Terminal	1
2	0332-3125-01	Block, Terminal	43
3	0332-3126-01	Plate, End Terminal	6
4	0332-2878	Bracket, Terminal	2
5	0321-0459	Holder, Fuse	1
6	0332-2843-01	Jumper, Terminal	2
7	0332-2843-03	Jumper, Terminal	1
8	0321-0307-01	Fuse, Fast	1
9	0307-3109	Relay, Control	1
10	0307-3043	Base, Relay	1
11	0249-0819	Clip, Relay	2

Control Heater



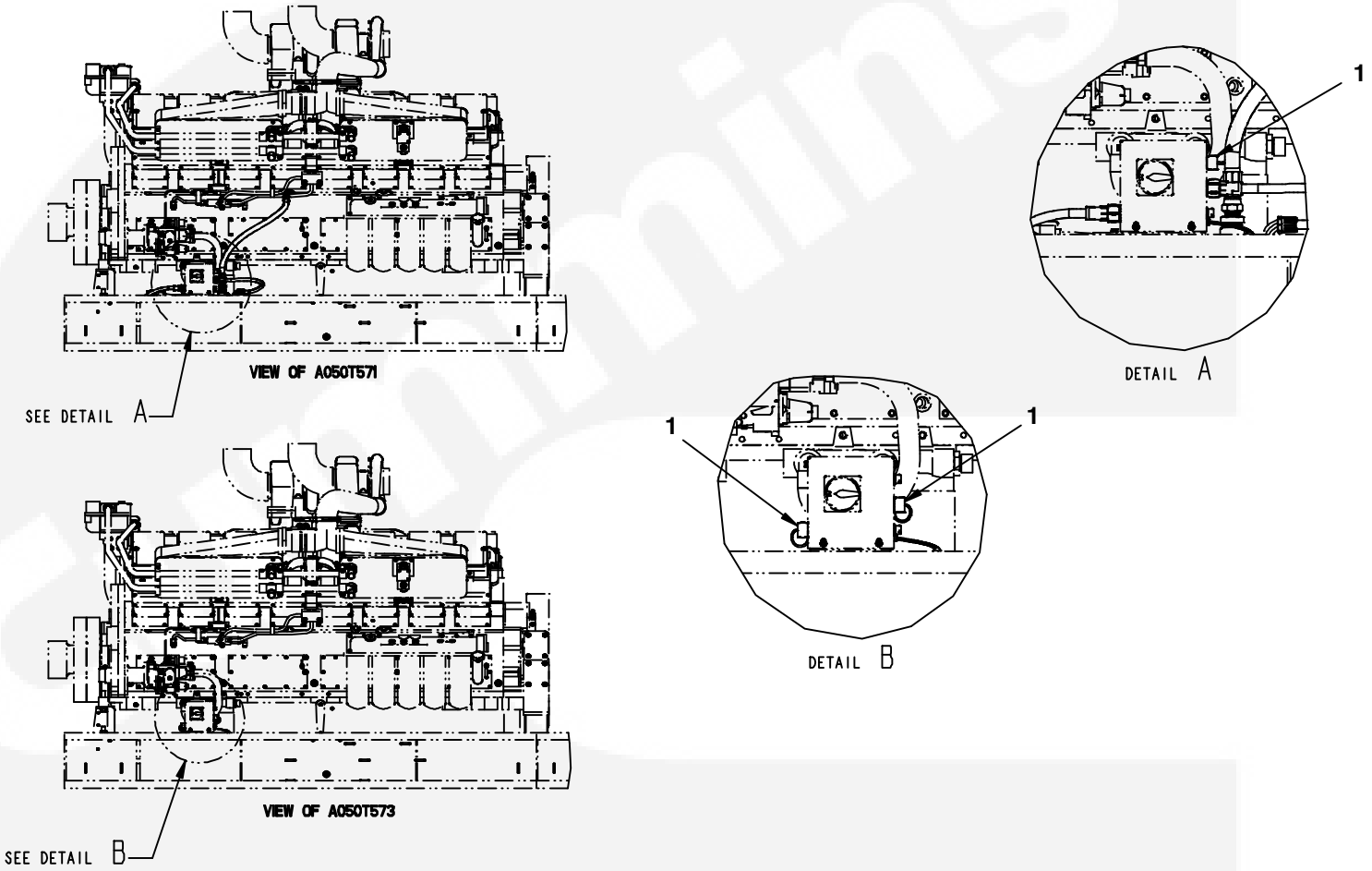
Item	Part No.	Description	Qty
1	0098-6195	Label, Caution	1
2	A040F030	Harness, Interface	2
3	0300-4515-02	Heater, Control - 240V (Includes Rectifier and Splices)	1
4	0357-0114	Rectifier, Power (3 Amp)	1
5	0332-1789	Splice, Window (18 GA)	2

Control Heater



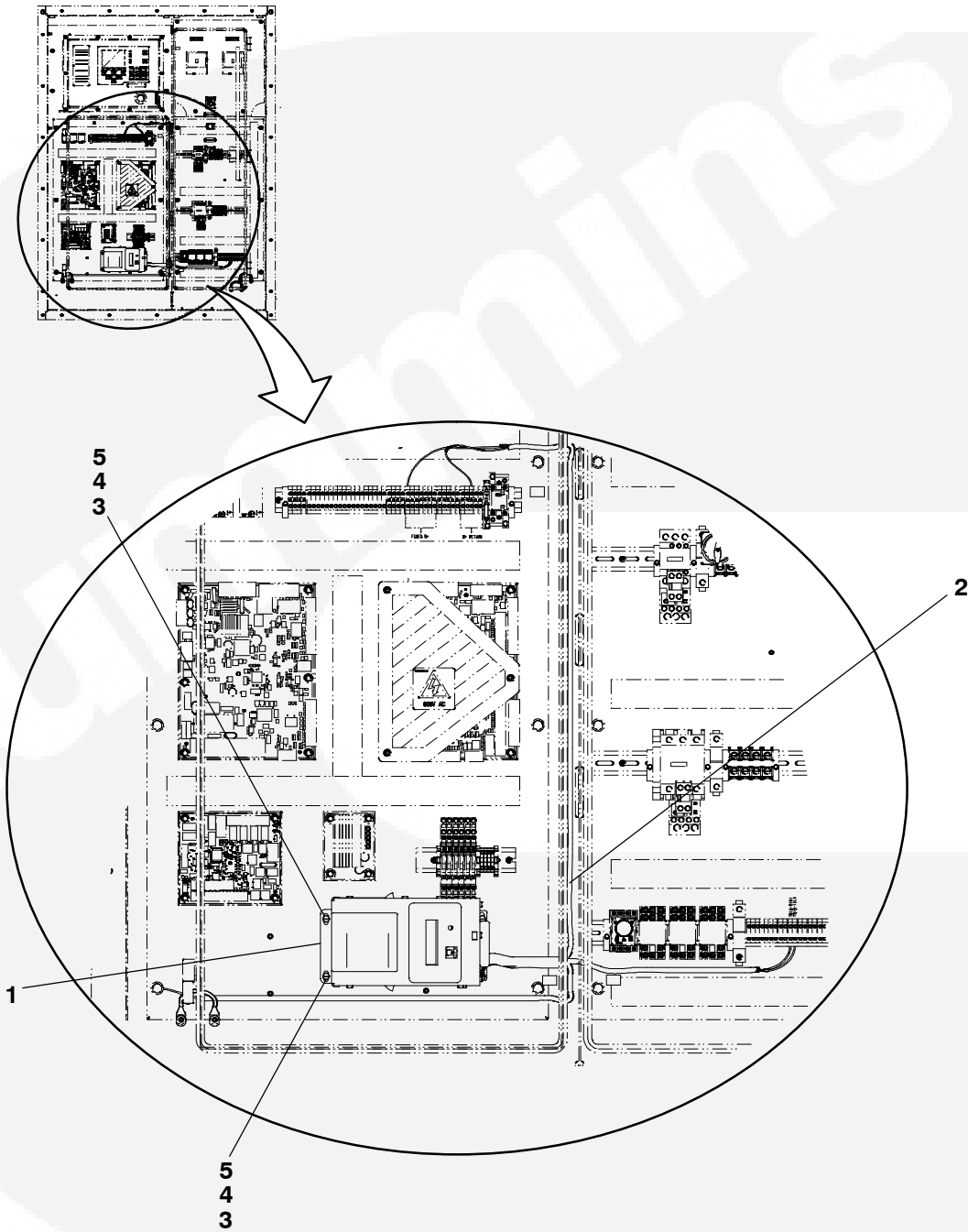
Item	Part No.	Description	Qty
1	A047V267	Control, Heater	1
2	0800-3017-04	Screw, Hex Head	1
3	0526-0399-58	Washer, Flat	2
4	0850-0114-53	Washer, Lock	1
5	0862-0026-54	Nut, Hex	1
6	0098-8104-05	Label, Warning (Not Shown)	1
7	A047Y893	Harness, Direct Current	1
8	0821-6003-03	Screw, Hex Head	2

Control Cover



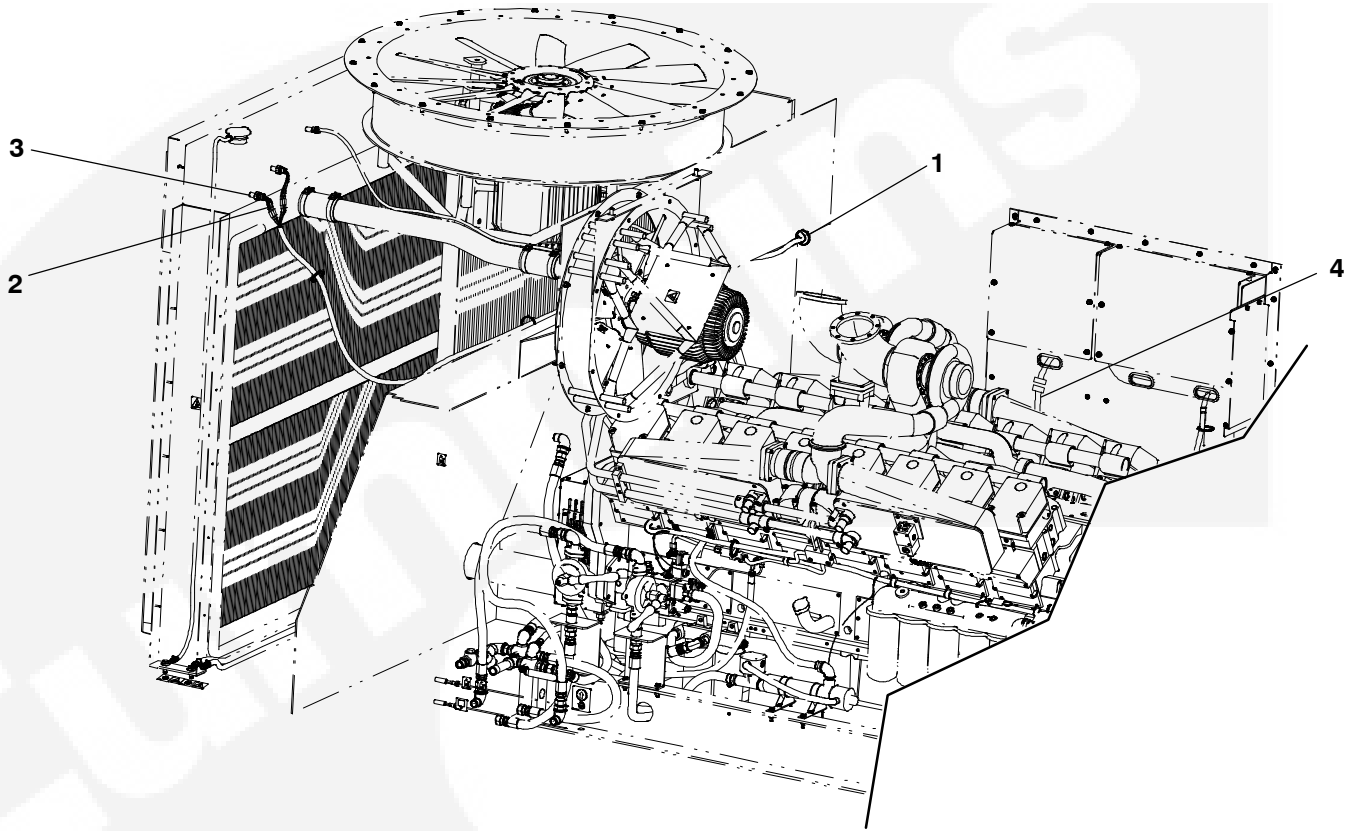
Item	Part No.	Description	Qty
1		Cover, Receptable	
	A050J117	(10 jam nut size)	1
	A050J118	(14 jam nut size)	2

Battery Charger



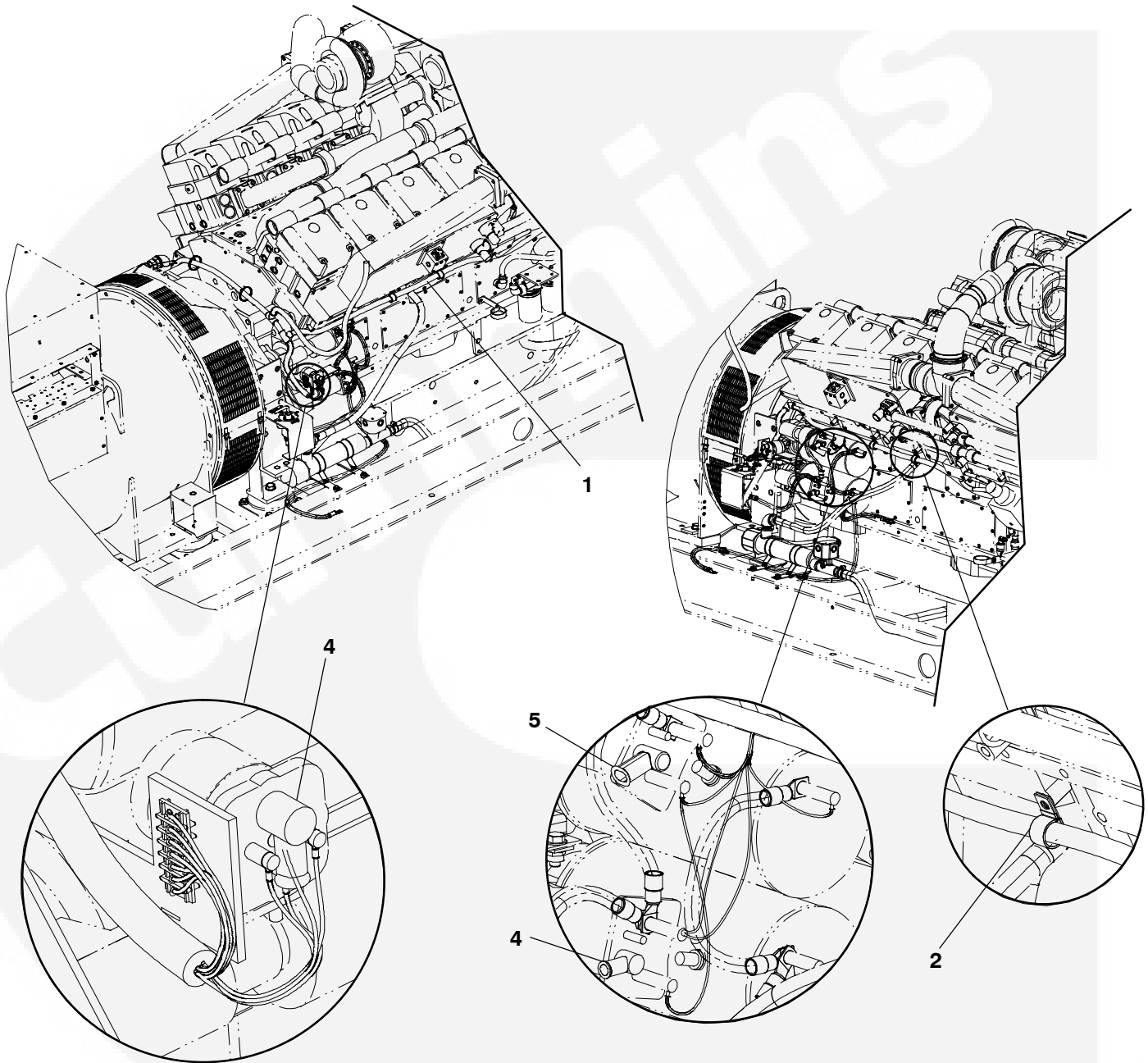
Item	Part No.	Description	Qty
1	0300-5878-01	Control, Battery Charger	1
2	A035K449	Harness, Wiring	1
3	0815-1540-33	Screw, Fillister Head Slot	4
4	0850-0114-52	Washer, Lock	4
5	0526-0399-56	Washer, Flat	4

Low Coolant Level Sender



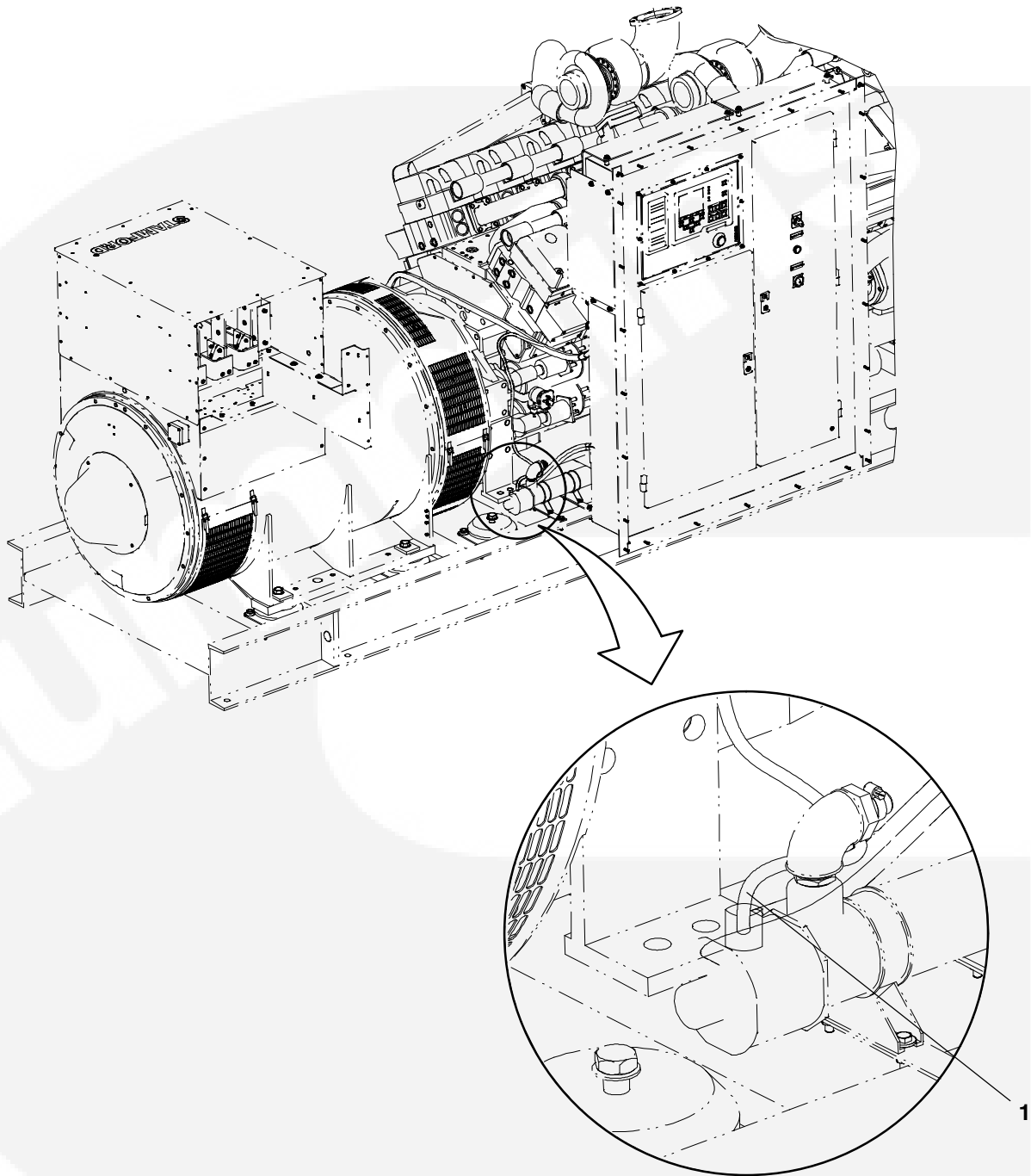
Item	Part No.	Description	Qty
1	0332-1389	Tie, Cable	15
2	0338-3594	Harness, Pigtail	1
3	0193-0468	Sender, Coolant Level	1
4	A040M898	Harness, Low Coolant Level	1

Engine Harness



Item	Part No.	Description	Qty
1	A041H629	Harness, Engine	1
2	0518-0548-35	Clamp	8
3	0332-1389	Tie, Cable (Not Shown)	15
4	0332-3985	Boot, Insulation	2
5	A029W805	Boot, Terminal	1

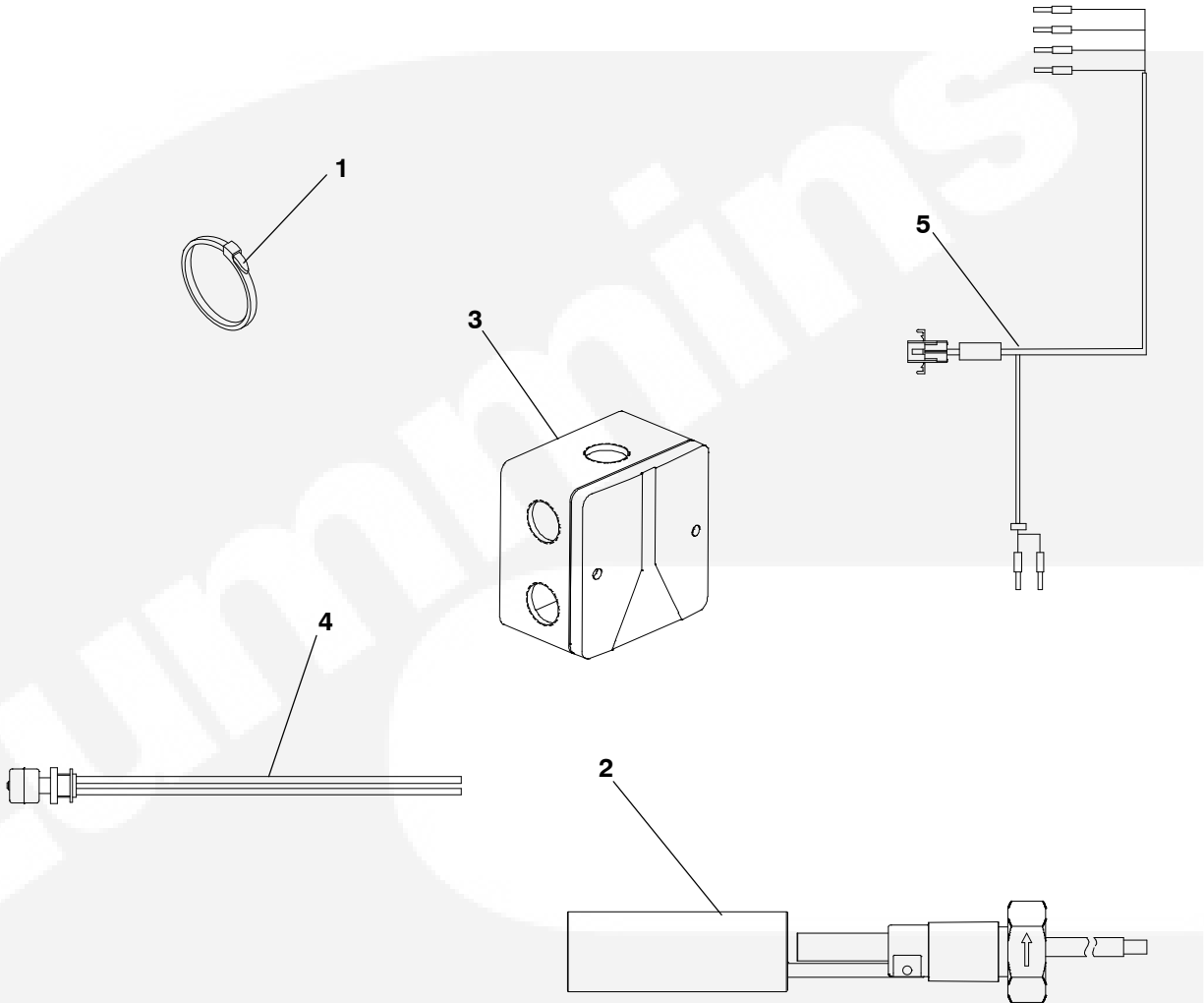
Heater Harness



Harness Connection on Heater 1

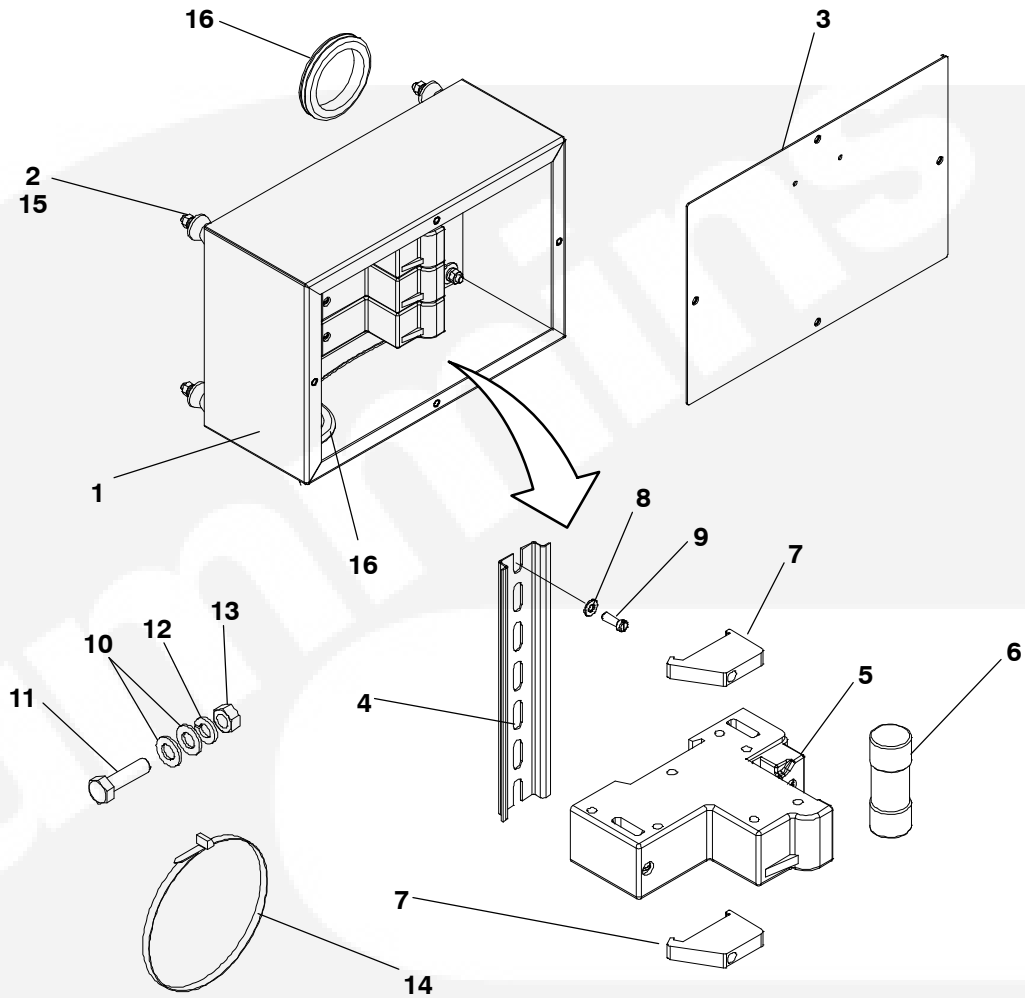
Item	Part No.	Description	Qty
1	A040M896	Harness, Heater	1

Relay Harness



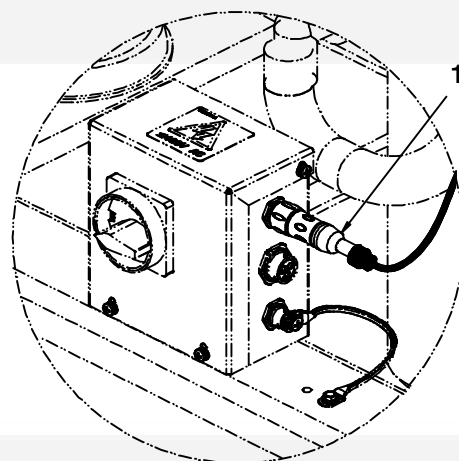
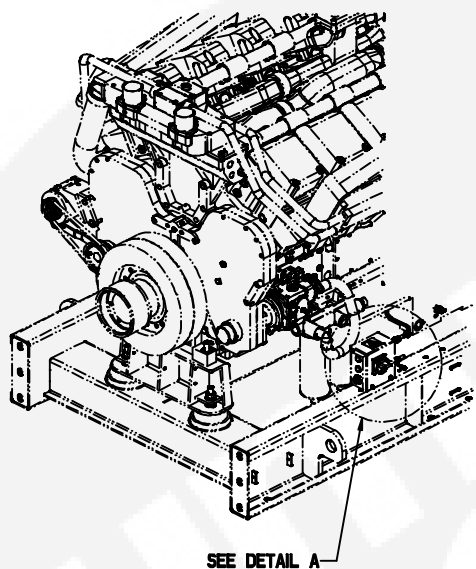
Item	Part No.	Description	Qty
1	0332-1389	Tie, Cable	15
2	A034P461	Gauge, Level	2
3	A034V896	Box, Control	1
4	A034V880	Switch, Bund	1
5	A034M894	Harness, Relay	1

Harness Installation



Item	Part No.	Description	Qty
1	A034V874	Box	1
2	0403-4911	Isolator, Vibration	4
3	A034V876	Plate	1
4	0332-4150-01	Rail, Terminal Block	1
5	A034U948	Holder, Fuse	3
6	A034U944	Fuse	3
7	0332-2878	Bracket, Terminal	2
8	0526-0399-54	Washer, Flat	2
9	0815-1540-19	Screw, Fillistar Head Slot	2
10	0526-0399-60	Washer, Flat	8
11	0800-3017-21	Screw, Hex Head	4
12	0850-0114-54	Washer, Lock	4
13	0862-0026-55	Nut, Hex	4
14	0332-1389	Tie, Cable	15
15	0526-0399-59	Washer, Flat	8
16	0508-1119	Grommet	2

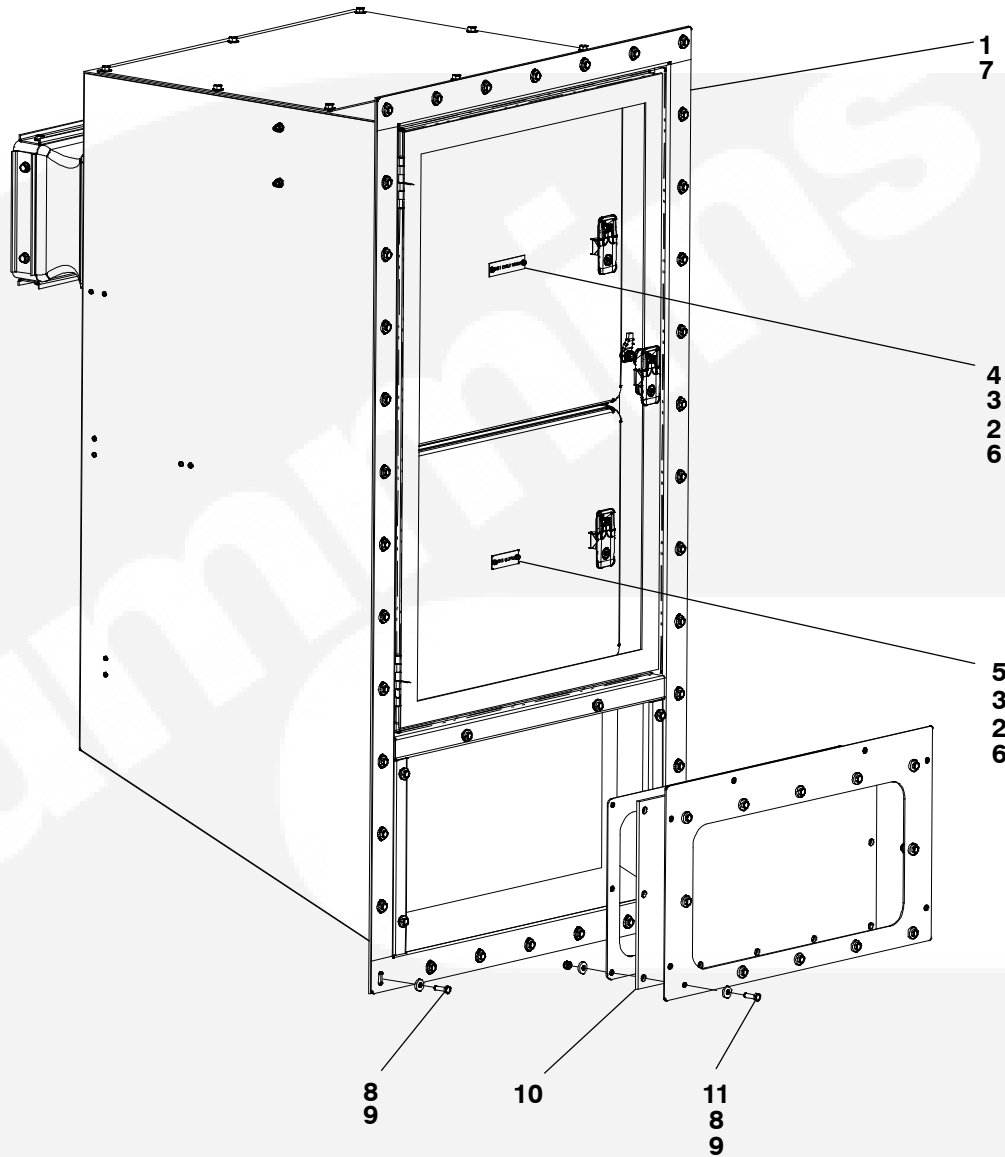
Heater Harness



ISOMETRIC VIEW FOR DETAIL A

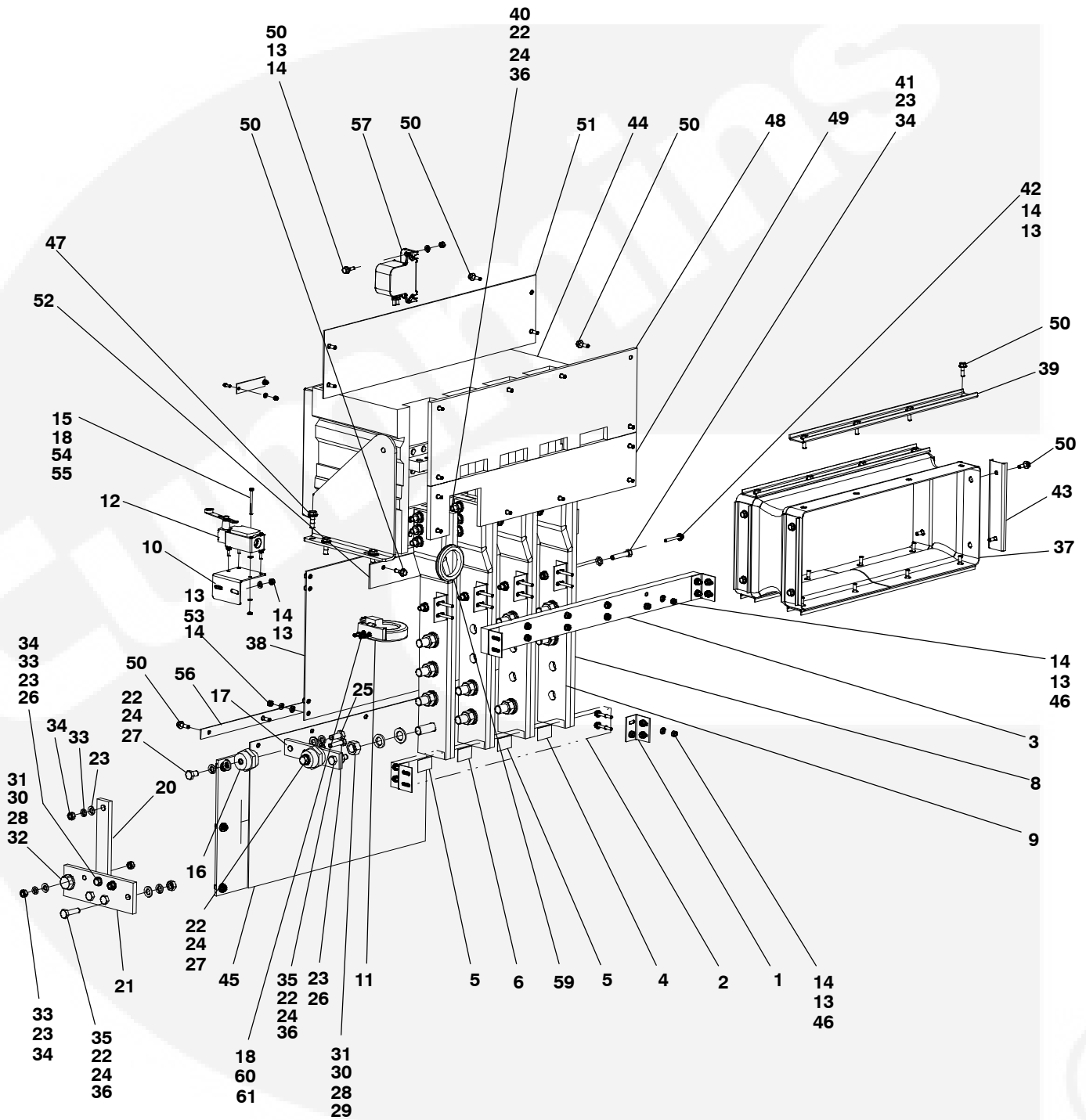
Item	Part No.	Description	Qty
1	A049G696	Harness, Heater	1

Circuit Breaker Cabinet



Item	Part No.	Description	Qty
1	A035D984	Cabinet	1
2	0526-0399-54	Washer, Flat	12
3	006-01030	Nut, Lock	4
4	A034N879	Nameplate	1
5	A034B854	Nameplate	1
6	0815-1540-19	Screw, Fillister Head Slot	4
7	A040B054	Gasket	1
8	A040B052	Washer, Flat	60
9	A040B047	Screw, Hex Head	48
10	A041R104	Plate, Rubber Gland	1
11	0870-0506	Nut, Nylon Lock	12

Circuit Breaker

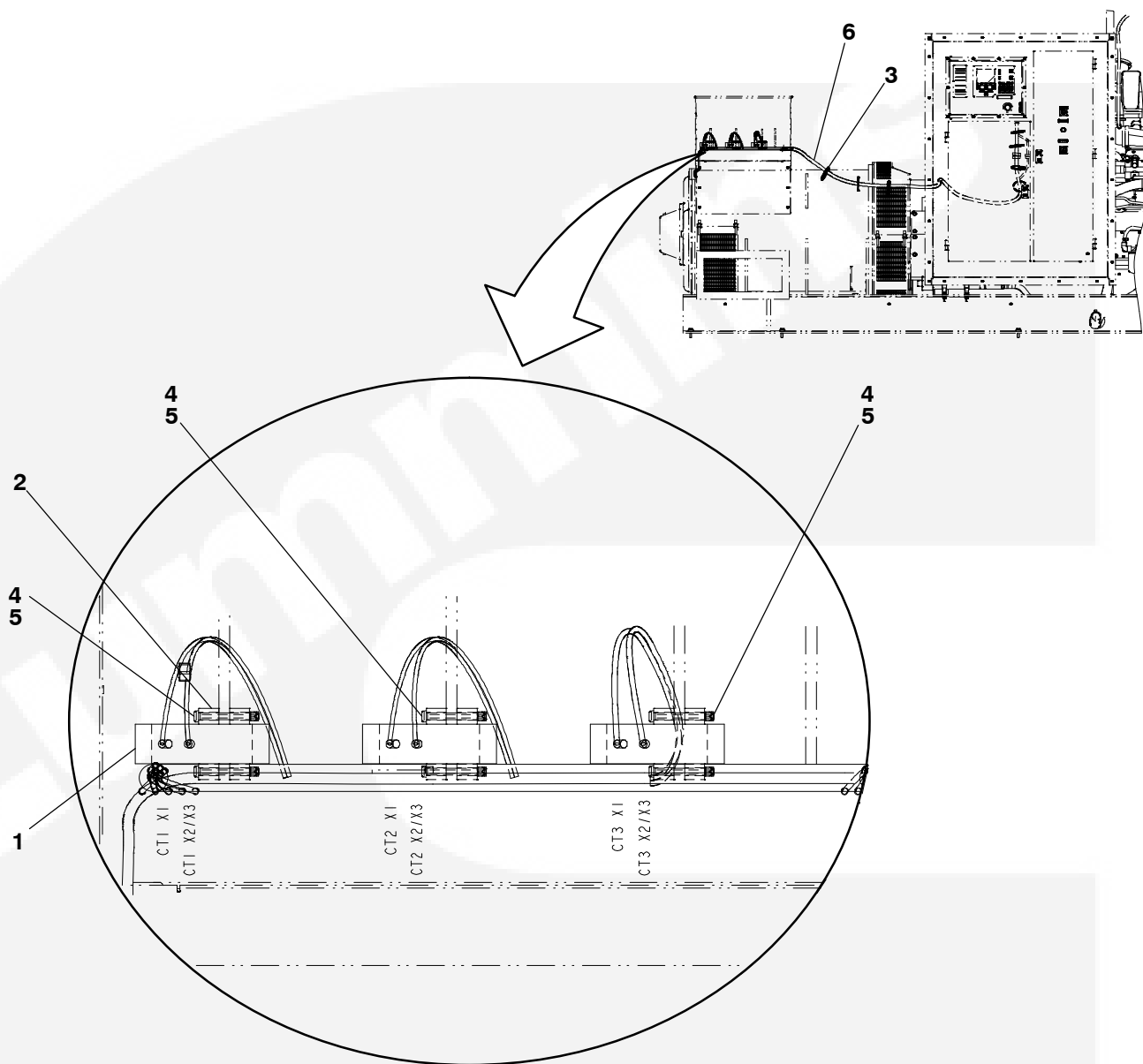


Circuit Breaker

Item	Part No.	Description	Qty
1	A034Y494	Bracket, Support	8
2	A034E040	Insulation	1
3	A034E038	Insulation	1
4	0098-8213-01	Label	1
5	0098-8213-02	Label	1
6	0098-8213-03	Label	1
7	0098-8213-04	Label, Information	1
8	A034R106	Busbar	4
9	A034E805	Busbar	4
10	A034R875	Bracket	1
11	0315-1607-01	Transformer, Current	1
12	A034H709	Switch, Limit	1
13	0526-0399-58	Washer, Flat	44
14	0862-0026-54	Nut, Hex	44
15	0815-1540-27	Screw, Fillister Head Slot	4
16	0872-0017	Standoff	2
17	A034E511	Busbar	1
18	0526-0399-54	Washer, Flat	12
19	0815-1540-19	Screw, Fillister Head Slot	4
20	A034E513	Busbar	1
21	A034E515	Busbar	1
22	0526-0399-62	Washer, Flat	32
23	0526-0399-60	Washer, Flat	16
24	0850-0114-55	Washer, Lock	20
25	0800-3017-37	Screw, Hex Head	2
26	0800-3017-22	Screw, Hex Head	2
27	0800-3017-35	Screw, Hex Head	2
28	0526-0399-66	Washer, Flat	22
29	0800-3017-78	Screw, Hex Head	10
30	0850-0114-57	Washer, Lock	11
31	0862-0026-58	Nut, Hex	11
32	0800-3017-73	Screw, Hex Head	1
33	0850-0114-54	Washer, Lock	4
34	0862-0026-55	Nut, Hex	10
35	0800-3017-39	Screw, Hex Head	4
36	0862-0026-56	Nut, Hex	16
37	A034S391	Seal, Rubber	1
38	A034R901	Screen, Guard	1
39	A034R903	Plate	4
40	0800-3017-46	Screw, Hex Head	12
41	0800-3017-24	Screw, Hex Head	4
42	0821-6002-08	Screw, Hex Head	8
43	A034S256	Plate	4
		Continued...	

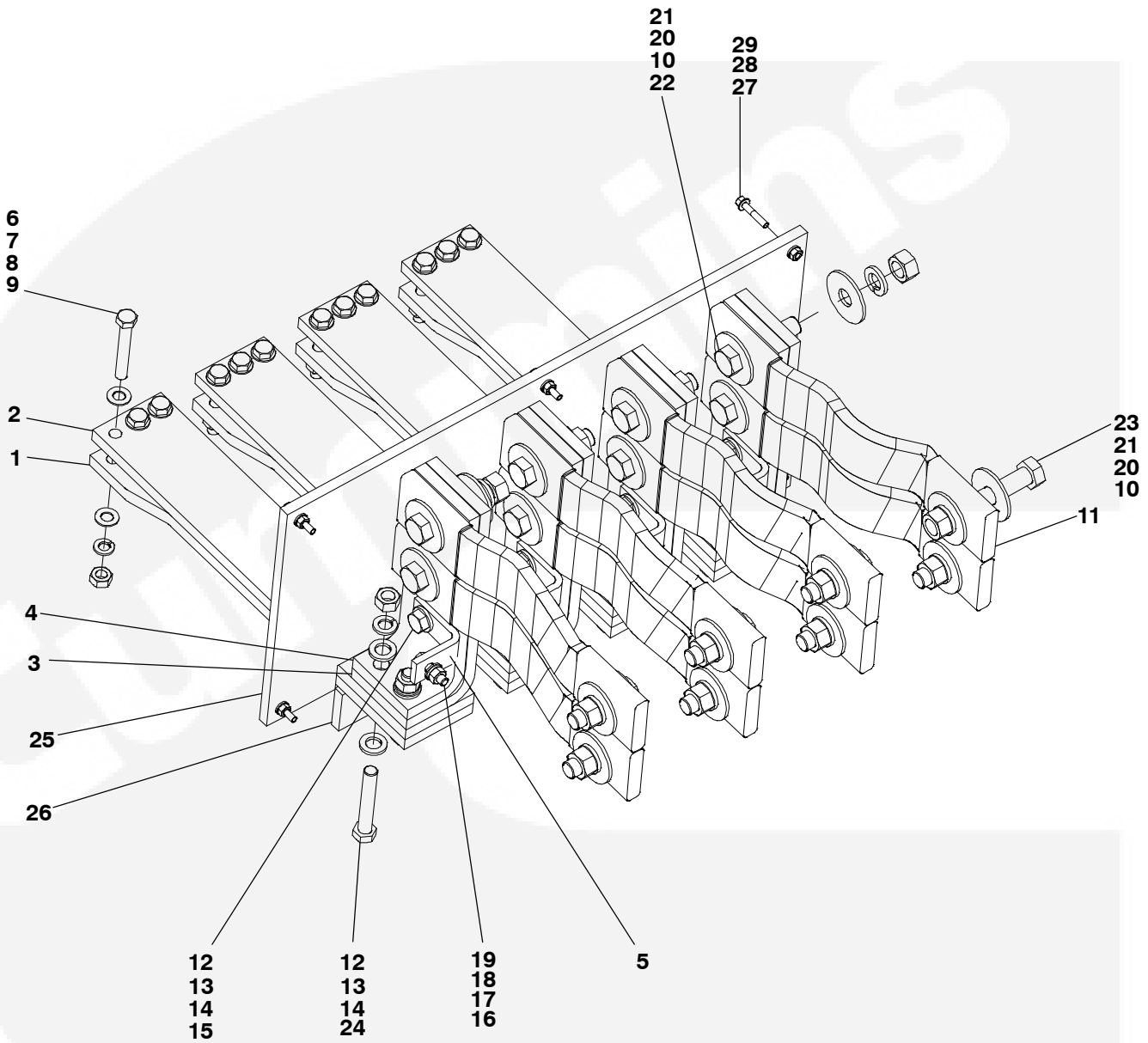
Item	Part No.	Description	Qty
		Continued...	
44	A034J099	Breaker, Circuit (4 Pole, 2500A)	1
45	A034Z480	Grand, Cable	1
46	0821-6002-07	Screw, Hex Head	16
47	0800-6430-03	Screw, Hex Flange Head	6
48	A034E041	Insulation	1
49	A034E043	Insulation	1
50	0800-6375-02	Screw, Hex Flange Head	48
51	A035D974	Insulation	1
52	A035D976	Insulation	1
53	0850-0114-53	Washer, Lock	8
54	0850-0114-51	Washer, Lock	4
55	0862-0026-52	Nut, Hex	4
56	A035E649	Plate	1
57	A034R031	Alarm, Audible	1
58	A040B054	Gasket	1
59	0508-1119	Grommet	1
60	715217	Nut, Nyloc	2
61	0815-1540-20	Screw, Slotted Head	2

Current Transformer



Item	Part No.	Description	Qty
1	0302-2058-13	Transformer, Current	3
2	A034X926	Insulator, Terminal	12
3	0332-1389	Tie, Cable	15
4	0815-1540-40	Screw, Fillister Head Slot	12
5	0870-2064-02	Nut, Nylon Lock	12
6	A040M900	Harness, Alternator	1

Busbar



Busbar

Item	Part No.	Description	Qty
1	A034F185	Busbar	4
2	A034R095	Busbar	4
3	A034R093	Busbar	4
4	A034F194	Busbar	4
5	A034E517	Busbar	4
6	0526-0399-62	Washer, Flat	24
7	0850-0114-55	Washer, Lock	12
8	0862-0026-56	Washer, Lock	12
9	0800-3017-46	Screw, Hex Head	12
10	0526-0399-67	Washer, Flat	32
11	A034C458	Busbar	8
12	0526-0399-64	Washer, Flat	24
13	0850-0114-56	Washer, Lock	12
14	0862-0026-57	Nut, Hex	12
15	0800-3017-60	Screw, Hex Head	4
16	0526-0399-60	Washer, Flat	8
17	0850-0114-54	Washer, Lock	4
18	0862-0026-55	Nut, Hex	4
19	0800-3017-21	Screw, Hex Head	4
20	0850-0114-57	Washer, Lock	16
21	0862-0026-58	Nut, Hex	16
22	0800-3017-78	Screw, Hex Head	8
23	0800-3017-75	Screw, Hex Head	8
24	0800-3017-63	Screw, Hex Head	8
25	A034E037	Insulation	1
26	A034E035	Insulation	1
27	0526-0399-58	Washer, Flat	8
28	0862-0026-54	Nut, Hex	8
29	0800-6375-04	Screw, Hex Flange Head	8



This page is Intentionally blank.



Topical Index

A

A.V.R., **35 , 39**
Adapter, Engine Coupling, **41**
Alarm, Audible, **94**
Alternator – Fasteners, **42**

B

Bar, Neutral, **77**
Battery, **44**
Block, Terminal, **75 , 77 , 79 , 80**
Board, Auxiliary Terminal, **35 , 39**
Board, Main Terminal, **35 , 39**
Boot, Battery, **47**
Box, Control, **69 , 88**
Box, Harness Installation, **89**
Bracket, Engine Mounting, **43**
Bracket, Heat Shield, **13**
Bracket, Oil Makeup, **67**
Breaker, Circuit, **77 , 93 , 94**
Breather, **48**
Busbar, **93 , 97**

C

Cabinet, Circuit Breaker, **91**
Cabinet, Control, **70**
Cable, Battery, **47**
Cable, Electric, **47**
Cable, Electrical, **13**
Cable, Jumper, **47**
Cap, Breather, **67**
Cap, Oil Fill, **53 , 67**
Cap, Rain, **53**
Card, Control, **75**
Charger, Battery, **84**
Clamp, Battery, **47**
Cleaner, Air, **17**

Contactor, **77 , 79**
Control – Components, **73 , 75 , 77 , 79**
Control, Battery Charger, **84**
Control, Heater, **82 , 83**
Coolant Heater, **22 , 23**
Cover, Crankcase, **67**
Cover, NDE Air Inlet, **35 , 39**
Cover, PMG, **35 , 39**

D

Display, Control, **73**
Drain, Oil, **63 , 64**
Duct, Radiator, **27 , 31**

E

Element, Primary, **18**
Element, Safety, **18**
Enclosure, **53**
Enclosure – Fasteners, **54**
Engine – Accessories, **13**
Engine – KTA50G3, **13**
Exhaust, **56 , 57**

F

Fan, **62**
Filter, Air, **18**
Frame, Main Stator, **35 , 39**
Fuse, **77 , 79 , 89**

G

Gasket, **59 , 62 , 67**
Gasket – Enclosure, **53 , 54**
Gauge, Level, **51 , 88**
Gauge, Sight, **53 , 67**
Generator – 1 Bearing, **35**
Generator – 2 Bearing, **39**

Index (Continued)

Guard, **24**

Guard, Remote Cooling, **33**

H

Harness, Accessory, **73**

Harness, Alarm, **73**

Harness, Alternator, **73 , 95**

Harness, Cabinet, **73**

Harness, Circuit Breaker, **73**

Harness, Control, **79**

Harness, Direct Current, **82**

Harness, Engine, **86**

Harness, Heater, **73 , 79 , 87**

Harness, Interface, **75**

Harness, Low Coolant Level, **73 , 85**

Harness, Panel, **75**

Harness, Power, **73**

Harness, Relay, **73 , 88**

Harness, Switch, **73**

Heater, **36 , 40**

Heater Harness, **90**

Heater, Control, **81**

Heater, Coolant, **21**

Heater, Engine, **21**

Heater, Interface, **81**

Hose – Engine Heater, **21**

Hose – Oil Maintainer, **67**

Hose, Breather, **48**

Hose, Hump, **18**

Hose, Oil, **63**

Hose, Oil Drain, **64**

Hose, Radiator, **27 , 28 , 31 , 32**

I

Indicator, Service, **18**

Insulation – Exhaust, **57**

Isolator, Battery, **13**

Isolator, Vibration, **67 , 89**

K

Kit, Air Cleaner, **18**

Kit, Circuit Breaker, **77**

Kit, Complete PMG Upfit , **35 , 39**

Kit, Current PMG Rotor/Stator Repair, **35 , 39**

Kit, Exhaust Pipe, **59**

Kit, NDE Bearing, **35 , 39**

Kit, Varistor & Diode, **35 , 39**

L

Labels, **9**

Lead, Earth, **61**

M

Maintainer, Oil, **67**

P

Paint and Thread Sealant, **10**

Panel, Control, **69**

Pump, Hand, **63 , 64**

R

Radiator, **27 , 31**

Rectifier, Power – Control Heater, **81**

Rectifier, Rotating, **35 , 39**

Regulator, **67**

Relay, Over Current, **79**

Relay, Overcurrent, **77**

Relay, Power, **75**

Relay, Protective, **77**

Rotor, Exciter, **35 , 39**

Rotor, Main, **35 , 39**

S

Screen, Air Inlet, **54**

Index (Continued)

Sender, Low Coolant Level, **85**

Sender, Oil Temperature, **13 , 14**

Sender, Pressure, **14**

Sensor, Magnetic Pickup, **14**

Separator, Fuel/Water, **51**

Service Consumables, **10**

Silencer, **58**

Silencer, Exhaust, **53**

Skid, **43**

Skid, Base, **43**

Stator, Exciter, **35 , 39**

Strainer, Fuel, **51**

Strap, Electrical, **61**

Strap, Ground, **61**

Switch, Bund, **88**

Switch, Emergency, **73**

Switch, Level, **59**

Switch, Limit, **93**

Switch, Pushbutton, **73**

Switch, Rotary, **73**

Switch, Temperature – Low Engine Coolant, **14**

Switch, Timer, **79**

T

Tank, Oil, **67**

Transformer, Current, **93 , 95**

Tray, Battery, **45**

Tube, Coolant, **28**

V

Valve, Ball, **51 , 53 , 67 , 68**

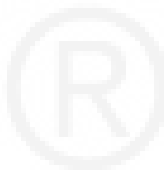
Valve, Check, **51**

Valve, Float, **67**

Valve, Gate, **27 , 31 , 67**

Valve, Sump Drain, **68**

Vent, Tank, **53**





This page is Intentionally blank.



Numerical Index

<u>Part No.</u>	<u>Page</u>	<u>Part No.</u>	<u>Page</u>	<u>Part No.</u>	<u>Page</u>	<u>Part No.</u>	<u>Page</u>
001146, 13		0307-3043, 80		0416-1243, 47		0526-0399-58, 13, 61, 82, 93, 97	
006-01030, 13, 91		0307-3109, 80		0416-1244, 47		0526-0399-59, 17, 24, 27, 31, 45, 89	
0098-6195, 81		0308-1220, 73		0502-1369, 27, 31, 67		0526-0399-60, 27, 45, 89, 93, 97	
0098-7895, 9		0309-0269, 14		0502-1441, 67		0526-0399-61, 67	
0098-7902-15, 53		0315-1607-01, 93		0502-1490, 21		0526-0399-62, 13, 21, 51, 59, 61, 63, 64, 67, 93, 97	
0098-8094, 9		0321-0307-01, 80		0503-1870-02, 53, 59		0526-0399-63, 17, 62	
0098-8097, 9		0321-0402-06, 79		0503-1872-01, 21		0526-0399-64, 41, 47, 61, 97	
0098-8099, 9		0321-0459, 80		0503-2203-02, 10, 21, 27		0526-0399-66, 41, 59, 93	
0098-8101, 9		0323-1410-01, 79		0503-2203-04, 21		0526-0399-67, 97	
0098-8104-05, 9, 82		0327-1507, 75		0503-2373, 48, 53		0526-0399-70, 42, 43, 59	
0098-8104-06, 75		0327-1536, 75		0503-2467, 27, 31		0526-2122, 21	
0098-8130, 9		0327-1601-01, 75		0503-2550, 21, 27, 31		0526-2185, 27, 31	
0098-8213-01, 93		0331-0633-02, 75		0503-2950, 27, 31		0800-0052, 14	
0098-8213-02, 93		0332-1389, 85, 86, 88, 89, 95		0504-0227, 53, 67, 68		0800-0071, 24	
0098-8213-03, 93		0332-1789, 81		0504-0312, 27, 31, 67		0800-0163, 42	
0098-8213-04, 93		0332-2843-01, 79, 80		0505-0007, 14		0800-0309-87, 70	
0098-8293, 53		0332-2843-03, 79, 80		0505-0019, 13, 14		0800-0309-91, 75	
0098-8730-01, 9		0332-2878, 77, 79, 80, 89		0505-1603, 27		0800-0310-35, 24	
0098-8730-02, 9		0332-2879-01, 77, 79, 80		0505-2061, 51, 63, 64, 67		0800-0310-64, 13, 47	
010160, 21		0332-2879-01, 77, 79, 80		0505-2068, 51, 53, 63, 64, 67		0800-0310-68, 41	
0122-0873-02, 67		0332-3125-01, 79, 80		0505-2085, 51, 53, 63, 64, 67, 68		0800-0310-91, 42	
0130-7863-02, 21, 23		0332-3126-01, 79, 80		0505-2140, 51		0800-3017-03, 61	
0140-3230, 10, 18		0332-3985, 86		0505-2180, 27, 31, 67		0800-3017-04, 27, 31, 82, 83	
0140-4210, 18		0337-3582-08, 61		0505-2231, 53, 67		0800-3017-21, 89, 97	
0149-2688, 51		0337-3586-01, 61		0505-2245, 21		0800-3017-22, 67, 93	
0151-0411, 14		0338-3594, 85		0505-2399, 21		0800-3017-24, 93	
0159-1633, 53		0357-0114, 81		0505-2400, 21		0800-3017-35, 93	
0193-0432, 13, 14		0403-4911, 67, 89		0508-1090, 73		0800-3017-37, 13, 93	
0193-0468, 85		0403-5546-01, 27, 31		0508-1119, 73, 89, 94		0800-3017-39, 61, 93	
0226-4921-01, 61		0403-6351, 42		050861, 21		0800-3017-41, 59	
0249-0819, 80		0416-1019, 47		0518-0548-35, 86		0800-3017-46, 93, 97	
0249-0855, 77, 79		0416-1020, 47		0518-0548-58, 21		0800-3017-55, 62	
0249-0856, 77, 79		0416-1141, 47		0526-0399-19, 14		0800-3017-58, 61	
0300-4515-02, 81		0416-1142, 47		0526-0399-20, 24		0800-3017-60, 97	
0300-5878-01, 84		0416-1200, 47		0526-0399-22, 24, 67		0800-3017-63, 97	
0300-6315-02, 73		0416-1201, 47		0526-0399-25, 13			
0300-6366-02, 73		0416-1203, 47		0526-0399-54, 13, 89, 91, 93			
0302-2058-13, 95		0416-1204, 47		0526-0399-56, 75, 84			
0305-1000-02, 67		0416-1234, 13, 47		0526-0399-57, 70			
0307-2721, 79		0416-1235, 47					
0307-2968-04, 75							

Numerical Index (Continued)

<u>Part No.</u>	<u>Page</u>	<u>Part No.</u>	<u>Page</u>	<u>Part No.</u>	<u>Page</u>	<u>Part No.</u>	<u>Page</u>
0800-3017-73,	93	0850-0114-52,	84	45-1047,	36 , 40	760-1178,	35 , 39
0800-3017-75,	97	0850-0114-53,	45 , 61 , 82 ,	45-1048,	36 , 40	760-1186,	35 , 39
0800-3017-76,	27 , 31	94		45-1049,	36	A026M891,	75
0800-3017-78,	59 , 93 , 97	0850-0114-54,	89 , 93 , 97	45-1050,	36	A026M929,	75
0800-3017-89,	43	0850-0114-55,	59 , 93 , 97	45-1051,	36	A026M966,	73 , 77
0800-3017-94,	42 , 59	0850-0114-56,	61 , 97	45-1052,	36	A028T766,	75
0800-6288-12,	61	0850-0114-57,	59 , 93 , 97	45-1053,	40	A028X493,	14
0800-6353-01,	41	0850-0114-58,	59	45-1054,	40	A029A447,	9
0800-6374-03,	21 , 62	0862-0026-11,	42	45-1082,	35 , 39	A029A450,	9
0800-6374-05,	53	0862-0026-52,	94	450-14310,	35 , 39	A029W805,	86
0800-6374-06,	67	0862-0026-54,	13 , 27 , 31 ,	450-15254,	35 , 39	A029W983,	47
0800-6374-07,	21 , 51 , 63 ,	82 , 93 , 97		450-15489,	35 , 39	A030F757,	9
64		0862-0026-55,	27 , 45 , 67 ,	450-41650,	36 , 40	A030G215,	13
0800-6375-01,	70 , 73	89 , 93 , 97		450-41750,	36 , 40	A030G217,	13
0800-6375-02,	94	0862-0026-56,	17 , 21 , 51 ,	450-42150,	36 , 40	A030Z934,	43
0800-6375-04,	13 , 27 , 31 ,	59 , 62 , 63 , 64 , 67 , 93 ,		518-0601,	10	A032X037,	43
97		97		525-0305,	10	A032X039,	43
0800-6376-04,	53	0862-0026-57,	61 , 97	70781N,	18	A032X913,	47
0800-6377-05,	43	0862-0026-58,	27 , 31 , 59 ,	70782N,	18	A032Y321,	53
0800-6377-07,	54	93 , 97		715217,	94	A034B854,	91
0800-6430-03,	69 , 70 , 94	0865-0030,	45	760-10562,	35 , 39	A034B855,	13
0811366,	13	0870-0506,	17 , 91	760-10663,	35 , 39	A034B860,	77
0815-0862,	75	0870-2064-02,	95	760-10819,	35 , 39	A034B870,	13
0815-1540-19,	89 , 91 , 93	0870-2225-03,	13	760-10821,	35 , 39	A034B871,	13
0815-1540-20,	13 , 94	0872-0017,	93	760-10823,	35 , 39	A034B877,	73
0815-1540-27,	93	366-21200,	35 , 39	760-10829,	40	A034C030,	67
0815-1540-33,	84	366-40800,	35 , 39	760-10831,	40	A034C063,	17
0815-1540-34,	67	45-0024,	36 , 40	760-10912,	40	A034C066,	17
0815-1540-40,	95	45-0119A,	35 , 39	760-10923,	40	A034C069,	17
0818-1172,	75 , 77 , 79	45-0324,	36 , 40	760-10924,	40	A034C070,	17
0821-6002-03,	24 , 33	45-0325,	36 , 40	760-10930,	40	A034C071,	17
0821-6002-07,	94	45-0335,	40	760-10965,	35 , 39	A034C073,	17
0821-6002-08,	93	45-0336,	35 , 39	760-11160,	40	A034C077,	59
0821-6003-02,	73	45-0425,	40	760-11185,	35 , 39	A034C078,	59
0821-6003-03,	23 , 51 , 82	45-0715,	40	760-11186,	35 , 39	A034C080,	59
0821-6003-04,	33	45-0716,	40	760-11205,	35 , 39	A034C230,	21
0821-6004-03,	61	45-0742,	35 , 39	760-11216,	35 , 39	A034C323,	51 , 63 , 64
0850-0050,	14	45-0792,	36	760-11274,	35 , 39	A034C383,	43
0850-0060,	47	45-0793,	36	760-11279,	35 , 39	A034C386,	43
0850-0114-09,	13 , 41	45-0794,	36	760-11392,	40	A034C387,	43
0850-0114-51,	94	45-1005,	36	760-1151,	35 , 39		
		45-1011,	36				
		45-1012,	36				

Numerical Index (Continued)

<u>Part No.</u>	<u>Page</u>	<u>Part No.</u>	<u>Page</u>	<u>Part No.</u>	<u>Page</u>	<u>Part No.</u>	<u>Page</u>
A034C454, 27 , 31		A034F521, 64		A034J702, 28		A034R031, 94	
A034C458, 97		A034F523, 51		A034J704, 28		A034R093, 97	
A034C460, 27 , 31		A034F525, 51		A034J706, 28		A034R095, 97	
A034C465, 13		A034F527, 51		A034J708, 28		A034R106, 93	
A034C469, 62		A034F529, 51		A034J710, 28		A034R875, 93	
A034C473, 24		A034F709, 59		A034J712, 28		A034R901, 93	
A034C639, 67		A034F720, 53 , 59		A034J714, 28		A034R903, 93	
A034C916, 73		A034G551, 51		A034K055, 28		A034S256, 93	
A034D091, 27 , 31		A034G582, 51		A034K133, 67		A034S391, 93	
A034D126, 24		A034G662, 27		A034K191, 27 , 31		A034S514, 33	
A034D286, 70		A034G664, 27		A034K193, 27 , 31		A034S516, 33	
A034D327, 51		A034G860, 51		A034K195, 27		A034S518, 33	
A034D334, 54		A034G870, 51		A034K197, 27 , 31		A034S520, 33	
A034D335, 54		A034G872, 51		A034K205, 53 , 67		A034S523, 33	
A034D339, 54		A034G874, 51		A034K207, 53 , 67		A034S525, 17	
A034D707, 17		A034G876, 67		A034K330, 73		A034S741, 59	
A034E010, 27		A034G878, 67		A034K405, 77 , 79		A034S743, 59	
A034E035, 97		A034G880, 67		A034K413, 79		A034S745, 59	
A034E037, 97		A034G882, 53		A034K432, 17		A034S760, 24	
A034E038, 93		A034G884, 53		A034K503, 18		A034T040, 67	
A034E040, 93		A034G886, 63		A034K925, 79		A034T048, 45	
A034E041, 94		A034H077, 51		A034K927, 18		A034T050, 45	
A034E043, 94		A034H079, 51		A034K929, 18		A034T052, 45	
A034E176, 73		A034H103, 51		A034K931, 18		A034T258, 59	
A034E511, 93		A034H229, 67		A034L151, 77		A034T260, 59	
A034E513, 93		A034H400, 51		A034L153, 73		A034T263, 59	
A034E515, 93		A034H464, 67		A034M367, 53		A034T798, 73	
A034E517, 97		A034H633, 67		A034M894, 88		A034T876, 24	
A034E805, 93		A034H673, 77		A034N126, 53 , 67		A034U944, 89	
A034E987, 10 , 44		A034H702, 79		A034N172, 53 , 67		A034U948, 89	
A034F022, 13		A034H706, 73		A034N309, 67		A034V370, 53	
A034F044, 28		A034H709, 93		A034N323, 67		A034V874, 89	
A034F185, 97		A034H718, 77		A034N342, 67		A034V876, 89	
A034F194, 97		A034H719, 73		A034N377, 47		A034V880, 88	
A034F237, 67		A034H885, 73		A034N500, 47		A034V896, 88	
A034F426, 67		A034J090, 77 , 79		A034N501, 47		A034X872, 28	
A034F511, 67		A034J096, 77		A034N879, 91		A034X926, 95	
A034F513, 67		A034J099, 94		A034N885, 67		A034Y494, 93	
A034F515, 63		A034J100, 77		A034N969, 17			
A034F517, 59		A034J103, 77		A034N978, 53			
A034F519, 10 , 64		A034J669, 70		A034P461, 51 , 88			

Numerical Index (Continued)

<u>Part No.</u>	<u>Page</u>	<u>Part No.</u>	<u>Page</u>	<u>Part No.</u>	<u>Page</u>	<u>Part No.</u>	<u>Page</u>
A034Z218,	53	A035K801,	70	A040M068,	53	A044S618,	32
A034Z349,	57	A035K805,	70	A040M112,	9	A044S619,	32
A034Z351,	57	A035K807,	70	A040M226,	53	A044S620,	32
A034Z359,	57	A035K811,	70	A040M454,	53	A044S621,	32
A034Z362,	57	A035K848,	70	A040M886,	67	A044S622,	32
A034Z364,	57	A035K850,	70	A040M896,	87	A044S624,	32
A034Z473,	62	A035K852,	70	A040M898,	85	A044S625,	32
A034Z480,	94	A035K856,	73	A040M900,	95	A044S626,	32
A034Z631,	51 , 63 , 64	A035K858,	73	A040Z049,	68	A044S627,	32
A034Z640,	57	A035L158,	79	A040Z174,	67	A044Y967,	32
A034Z642,	57	A035L203,	17	A040Z368,	68	A044Y972,	32
A034Z646,	57	A035L669,	73	A041A126,	70	A044Y973,	32
A034Z649,	57	A035L671,	73	A041A128,	70	A044Y974,	32
A034Z651,	57	A035M116,	73	A041B370,	27	A045A338,	31
A034Z653,	57	A035N347,	53	A041B485,	48	A045A365,	32
A034Z658,	57	A035N359,	53	A041B535,	62	A045F070,	31
A034Z824,	67	A035N367,	53	A041C777,	51	A045F351,	31
A035A403,	13	A035R123,	28	A041G405,	54	A045V918,	31
A035B668,	45	A035R126,	28	A041G415,	54	A047V267,	82 , 83
A035B670,	21 , 51 , 63 , 64 , 67	A035R127,	28	A041G547,	54	A047Y893,	82
A035B672,	61	A035R129,	28	A041G577,	61	A048F950,	9
A035B674,	54	A035R595,	62	A041G579,	61	A048J466,	23
A035B676,	42 , 43	A039Z857,	73	A041H528,	42	A049G583,	23
A035C368,	21	A039Z894,	48	A041H629,	86	A049G586,	23
A035D290,	79	A040A000,	73	A041H653,	57	A049G696,	90
A035D974,	94	A040A004,	73	A041K359,	18	A049H184,	23
A035D976,	94	A040A090,	28	A041K361,	18	A049S547,	23
A035D984,	91	A040A109,	73	A041N746,	45	A049S549,	23
A035E649,	94	A040A117,	73	A041P028,	75	A049S550,	23
A035H854,	69	A040A495,	62	A041R104,	91	A049S678,	23
A035J067,	73	A040B047,	91	A041W736,	75	A049S679,	23
A035J366,	75	A040B052,	91	A042P346,	27 , 31	A049T778,	23
A035J411,	75	A040B054,	91 , 94	A042S608,	62	A050B410,	9
A035J436,	75	A040B311,	27 , 31	A043T815,	31	AF25544,	18
A035K114,	75	A040B610,	77	A043T824,	31	AF25545,	18
A035K444,	73	A040E445,	28	A044S574,	32	E000-23212/1P,	35 , 39
A035K449,	84	A040F030,	81	A044S614,	31	E000-23412/1P,	35 , 39
A035K632,	70	A040G348,	73	A044S615,	31	RSK-6001,	35 , 39
A035K752,	79	A040K812,	75	A044S617,	32		

www.power.cummins.com

Copyright © 2015 Cummins Power Generation Inc. All rights reserved.

Cummins Power Generation, the "C" logo, and Cummins are registered trademarks of Cummins Inc. PowerCommand, AmpSentry, InPower and "Our energy working for you." are trademarks of Cummins Power Generation. Other company, product, or service names may be trademarks or service marks of others. Specifications are subject to change without notice.

