



SPARE PART CATALOG

SYSTEM/1202166_000007



A Rolls-Royce
solution

© 2020 Copyright MTU Friedrichshafen GmbH

This Publication is protected by copyright and may not be used in any way whether in whole or in part without the prior written permission of MTU Friedrichshafen GmbH. This restriction also applies to copyright, distribution, translation, microfilming and storage or processing on electronic systems including data bases and online services.

This handbook is provided for use by maintenance and operating personnel in order to avoid malfunctions or damage during operation.

Subject to alterations and amendments **Business Portal Online Print 23-10-2020**

Preface

This catalog is the basic reference document for ordering spare parts. Illustrations are provided for extensive assembly operations to assist trained personal in conducting such operations but do not claim to be complete. For better overview, even product components that are not available as spare parts are shown.

The individual components were taken from the assembly list.

Amendments service

Part No. changes and amendments which occur after publication of the catalog are not published. We therefore recommend that users make a record of amendments in their catalogs. This information is provided, for instance, in order confirmations and on spare parts labels.

Catalog structure

The catalog is divided into Function Groups (FG) and Function Group Segments (FGS) in ascending order according to the MTN 5153 works standard.


Catalog pages

Depending on the type of the product, the header of the page contains the following information:

- **EQUIPMENT TYPE** or **EQUI TYPE** = e.g.: Engine, Gas Turbine, Automation, System; ...
- **PRODUCT TYPE** = e.g.: 16V4000M93 for EQUI TYPE "Engine", e.g. LM2500 for EQUI TYPE "Gas Turbine"
- **SERIAL NUMBER** = Serial number of a product type
- **BOM-No.** = Bill of material number
- **FUNCTION GROUP** or **FG** = Classification feature of the product according to works standard MTN 5153
- **FG/FGS** = Function Group/Function Group Segment
- **FG DESIGNATION**= Designation of the Function Group according to works standard MTN5153
- **GROUP NAME** = Designation of the bill of material

Table columns

The table contains the following columns depending on the product type.

-  Refers to the catalog page showing a detailed illustration of the part.
- **POS.** (position number): Provides a cross-reference between illustration and text section.
- **PART NO.:** This is the valid number for ordering the part in question (SAP material number).
- **DESIGNATION:** The precise MTU part name (description of the material in SAP).
- **MODEL/TYPE:** Is an additional specification.
- **QTY.** (quantity in unit):
Indicates the quantity of this part required for the installation position shown in the illustration.
Quantities not stated are available on request.
- **UNITS:** The unit of the specified quantity.
PC=Piece, KG= Kilogram, M= Meter, ROL= Roll, PAK= Pack
- **WEIGHT:** Weight of the part in question.
- **FN** (footnote): Provides additional parts information. For clarification of footnote symbols, see next page.
- **MEASUREMENT:**
The dimensions of the part in question.
For purchase parts, this column may contain the name of the manufacturer.
- **STANDARD:** The applicable standard for the part in question.

Key to the footnotes (column "FN")

- AB** Only available complete. Repair by manufacturer only.
- AC** Not scheduled as a spare part. Availability must be checked.
- ACN** Not scheduled as a spare part. Availability must be checked. Component only available complete.
- EM** Emission-relevant parts.
- EMN** Emission-relevant parts. Component only available complete.
- KD** Group balancing required.
- KE** Individual part; not scheduled as a spare part.
- KF** Calibrated spare part.
- KFN** Calibrated spare part. Component only available complete.
- M** Spares-related components or parts with different repair sizes.
Dimensions are listed in the Tolerances and Wear Limits List.
- MN** Spares-related components or parts with different repair sizes. Components only available complete.
- MUB** Spares-related components or parts with different repair sizes. Available only as complete set.
- NN** Component is not broken down into further sub-components.
- P** List of bought-in components.
- SB** Group of parts which are welded or brazed together
- UA** Indicate dimensions when ordering
- UB** Only supplied complete or as a complete set.

Ordering procedure

The following information is essential for spare-part order processing:

- Product type
- Serial No. (see nameplate)
- FG/FGS
- Item
- Part number
- Designation
- Model/Type
- Quantity
- Page

When ordering spare parts for ancillary equipment such as injection pump, fuel delivery pump, etc., give both model and part number of the part.

When ordering a calibrated part (marked by "KF", "KFN" in the "FN" column), type the following additional information in the **Comments** field:

If the calibration No. is known (see part's nameplate):

Add the calibration No., preceded by an oblique stroke, as an extension to the part number ("/xxxxx")

e.g.: 0025362810/E1234. Here, the extension "E1234" would be the part's calibration number on the nameplate.

If the calibration No. is not known):

Give a detailed description of the required part's installation location by quoting the complete Device Description Code (e.g. "= 37.1.1 + A022 - F003") plus the part number extension "/77" (e.g.: "5005362810/77")

In this case, the calibrated spare part will be supplied under a new part number.

The Device Description Code is found on the nameplate at the part's installation location, or in the corresponding wiring diagram.

When ordering a non-calibrated adjustable part (marked by "KF", "KFN" in the "FN" column) which should not be calibrated by the factory:

Add extension "/76" to the part number (e.g.: 5005362810/76)

Phone orders should be confirmed in writing to prevent errors.

Ordering Example

Product Type	Serial No.	FG/FGS	Pos	Part number	Designation	Qty.	Page
16V4000R41	527101836	031 88	5	5270300701	Crankshaft	1	33
		083 05	5	0020922801	Fuel filter spin-on	1	92
Blue Line	V4000M Waterjet	517 00	75	5185301593	Control console	1	53

Factory repairs

Parts shipped to MTU for repair must be marked with the relevant engine serial number (tag or label, for example).

Exchange components (Reman)

Exchange components are parts overhauled by the manufacturer. They have the same service life and quality characteristics as new parts.

Components which are included in the Reman exchange program are marked by the following letters in front of the part number:

For instance: **E 524 010 35 20 = New component in exchange program**
R 524 010 35 20 = Reman component in exchange program

Exchange procedure

With the introduction of exchange components, the so-called core deposit will also be charged for new parts. The core deposit will be indicated separately on the invoice and the respective value will be credited upon return of reusable components.

Further information upon request.

Emission regulations and emission labels

Responsibility for compliance with emission regulations

Modification or removal of any mechanical/electronic components or the installation of additional components including the execution of calibration processes that might affect the emission characteristics of the product are prohibited by emission regulations. Emission control units/systems may only be maintained, exchanged or repaired if the components used for this purpose are approved by the manufacturer. Noncompliance with these regulations will invalidate the design type approval issued by the emissions regulation authorities. The manufacturer does not accept any liability for violations of the emission regulations.

The maintenance schedules of the manufacturer must be observed over the entire life cycle of the product.

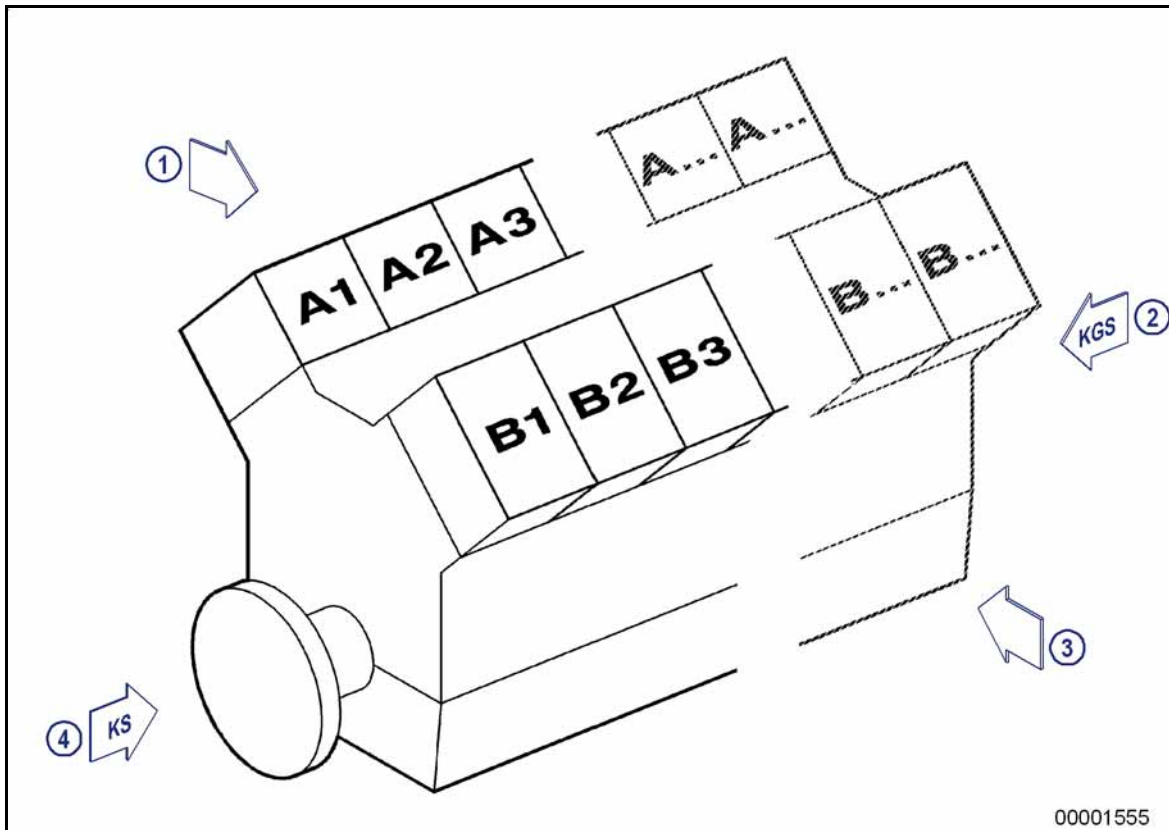
Replacing components with emission labels

Emission labels are attached to all MTU engines. These must remain on the engine throughout its operational life. Engines used exclusively in land-based, military applications other than by US government agencies are excepted from this proviso.

Please note the following when replacing components with emission labels:

- Appropriate emission labels must be affixed on spare parts.
- Emission labels may not be transferred from old components to new ones.
- Emission labels on old components must be removed and destroyed.

Engine side and cylinder designations



- | | |
|---|---|
| 1 Left engine side (A-side) | 3 Right engine side (B-side) |
| 2 Engine free end in accordance with
DIN ISO 1204
(KGS = Kupplungsgegenseite) | 4 Engine driving end in accordance with
DIN ISO 1204 (KS = Kupplungsseite) |

Engine sides are always designated (in accordance with DIN ISO 1204) as viewed from driving end (4).

For cylinder designation (in accordance with DIN ISO 1204) the letter "Ax" refers to the cylinders on the left-hand side of the engine (1) and letter "Bx" refers to the cylinders on the right-hand side (3). The cylinders of each bank are numbered consecutively, starting with x=1 at driving end (4).

The numbering of other engine components also starts with 1 at driving end (4).

EQUIPMENT TYPE

PRODUCT TYPE
SERIAL NUMBER

Engine

12V4000M93L
526108553

Engine

12V4000M93L
526108554

Gearbox

GEARBOX
1202166000_000007

Gearbox

GEARBOX
1202166000_000008

System

SYSTEM
1202166_000007

EQUIPMENT TYPE

PRODUCT TYPE
SERIAL NUMBER

Engine
12V4000M93L
526108553

FG	FG DESIGNATION
004	LABELS AND MISCELLANEOUS MATERIALS
010	CRANKCASE AND ATTACHMENTS
011	CRANKCASE
014	CRANKCASE BOTTOM PART
015	ENGINE MOUNTING
016	END HOUSING, DRIVING END AND FREE END
018	CRANKCASE BREATHER
024	GEAR CASE FREE END
031	CRANKSHAFT WITH BEARING
032	CRANKSHAFT, PTO DRIVING END
035	CRANKSHAFT PTO FREE END
036	TRANSPORT LOCK/LOCK FOR CRANKSHAFT
037	PISTON
038	CONROD
041	CYLINDER HEAD
051	CAMSHAFT
055	VALVE DRIVE
073	INJECTION PUMP / HP PUMP
075	INJECTION VALVE / INJECTOR
077	HP FUEL LINE / HP LINE
080	LP FUEL SYSTEM (ALSO GAS ENGINES)
081	FUEL LINES BEFORE FUEL PUMP
083	FUEL FILTER
086	LEAK-OFF FUEL LINE / FUEL RETURN
087	LEAK-OFF FUEL MONITORING
101	EXHAUST TURBOCHARGER, GENERAL OR HP TURBOCHARGER
114	CHARGE-AIR COOLING, CENTRAL
121	AIR FILTER
123	AIR SYSTEM
124	AIR PIPING TO CYLINDERS
125	AIR PIPING BETWEEN EXHAUST TURBOCHARGER AND INTERCOOLER
141	EXHAUST LINES AFTER CYLINDER HEAD
143	CARRIER HOUSING
145	EXHAUST SYSTEM AFTER ETC
146	EXHAUST LINES AFTER ENGINE (UP TO END OF EGAT)
172	ELECTRIC STARTING
181	LUBE OIL PUMP WITH DRIVE
183	OIL FILTRATION/COOLING
184	CRANKCASE-INTERNAL OIL SUPPLY
185	OIL SUPPLY OF EXHAUST TURBOCHARGERS
188	CONNECTIONS FOR ENGINE OIL SUPPLY
200	COOLANT SYSTEM
202	COOLANT CIRCUIT GENERAL, IF APPLICABLE, HT CIRCUIT
204	HEAT EXCHANGER PLATES
205	ENGINE COOLANT COOLER, ATTACHMENT HARDWARE
206	COOLANT PIPEWORK WITH THERMOSTAT

FG FG DESIGNATION

- 207 RAW-WATER PUMP WITH CONNECTIONS
- 208 EXPANSION TANK
- 213 BATTERY-CHARGING GENERATOR
- 231 ENGINE MOUNTING
- 251 STEEL-SPRING COUPLING
- 255 BENDING-RESILIENT COUPLING
- 293 OIL PUMP
- 301 NEUTRAL ACCESSORIES
- 367 COOLANT SUPPLY SYSTEM
- 507 GENERAL WIRING, FOR ENGINE / GEARBOX / PLANT
- 508 ACCESSORIES F. ENGINE GOVERNOR (ELECTRONIC) / CONTROL SYSTEM
- 511 ALARM SYSTEM

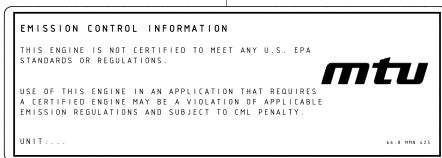
GROUP SEGMENT (FGS)
 GROUP NAME
 BOM-No.

05
PLATE
 000.00899



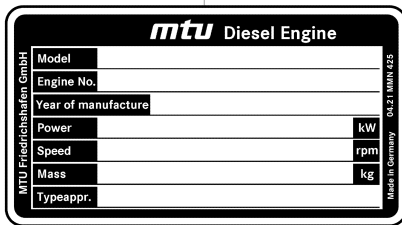
0040053a

05
EMI-INFORMATION TAG
 XS524000.00019



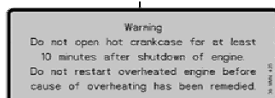
00400106a

05
NAMEPLATE ENGLISH
 XS524000.00097



00400160

05
PLAQUARD POSSIBLE EXPLOSION HAZARD
 XS524000.00104



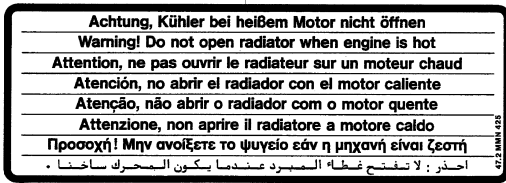
00400161

GROUP SEGMENT (FGS)

GROUP NAME

BOM-No.

05
PLACARD
XSD01000.00001

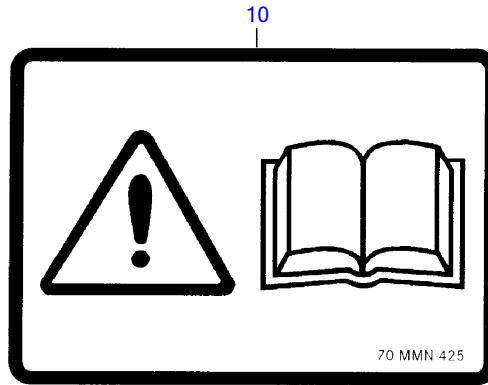


00400156

05
PLACARD
XSD01000.00002



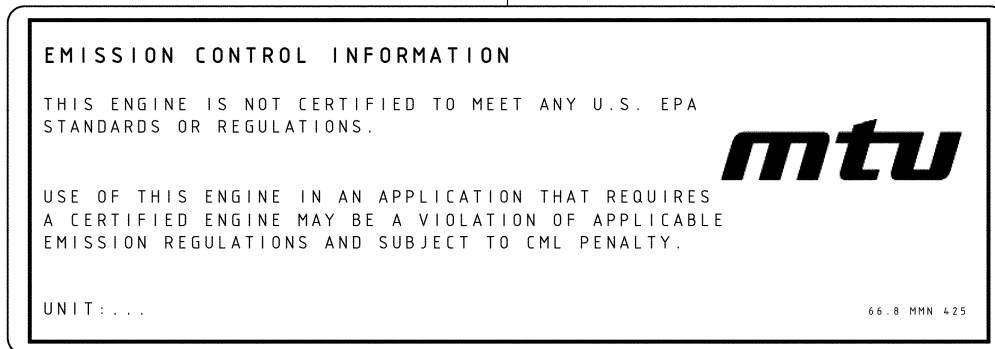
00401574



00400053a

☐	POS.	PART NO.	DESIGNATION	QTY.	UNITS	WEIGHT	MEASUREMENT	STANDARD
	10	700425000155	PLATE	1	PC	1,5 g	70	MMN425

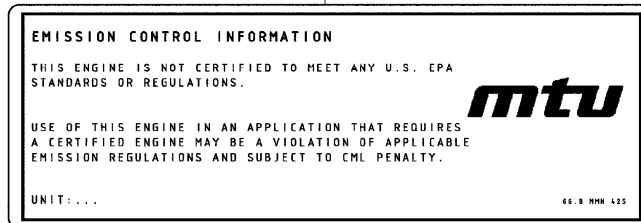
100



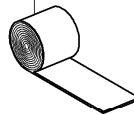
00400106a

	POS.	PART NO.	DESIGNATION	QTY.	UNITS	FN	MEASUREMENT	STANDARD
10	100	700425000182	EMI-LABEL EMI INFO	1	PC	EM	66.8	MMN425

150



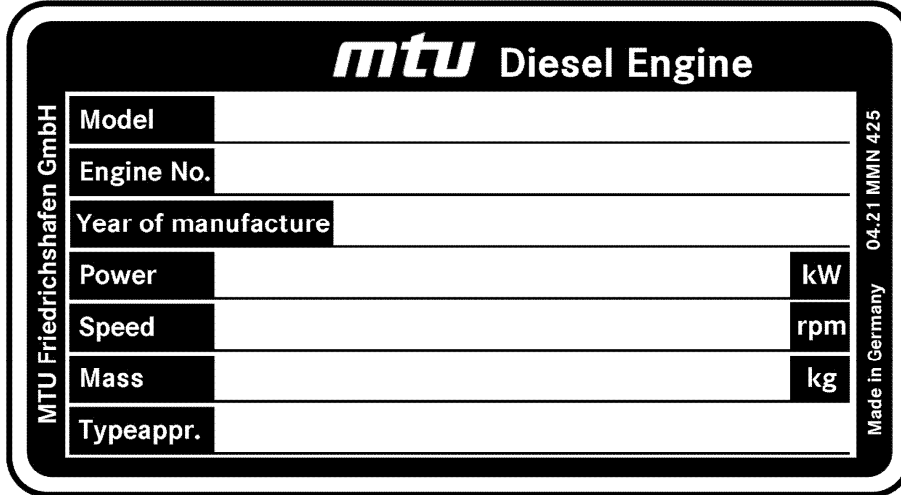
100



TD0000038680_004

☐	POS.	PART NO.	DESIGNATION	MODEL/TYPE	QTY.	UNITS	WEIGHT	MEASUREMENT	STANDARD
	100	X00048997	THERMAL-TRANSFER-COLOR TAPE		1	PC	250 g	83 MM X 300 M, SCHWARZ	
	150	X53600400001	IDENTIFICATION PLATE SELF-ADHESIVE	BR2000/4000	1	PC	1,2 g	52X148X0,09	MMN425

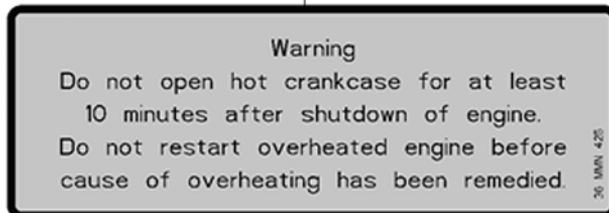
20



00400160

☐	POS.	PART NO.	DESIGNATION	QTY.	UNITS	WEIGHT	FN	MEASUREMENT	STANDARD
	20	700425000219	NAMEPLATE FOR DIESEL ENGINE	1	PC	6,7 g	EM	04.21	MMN425

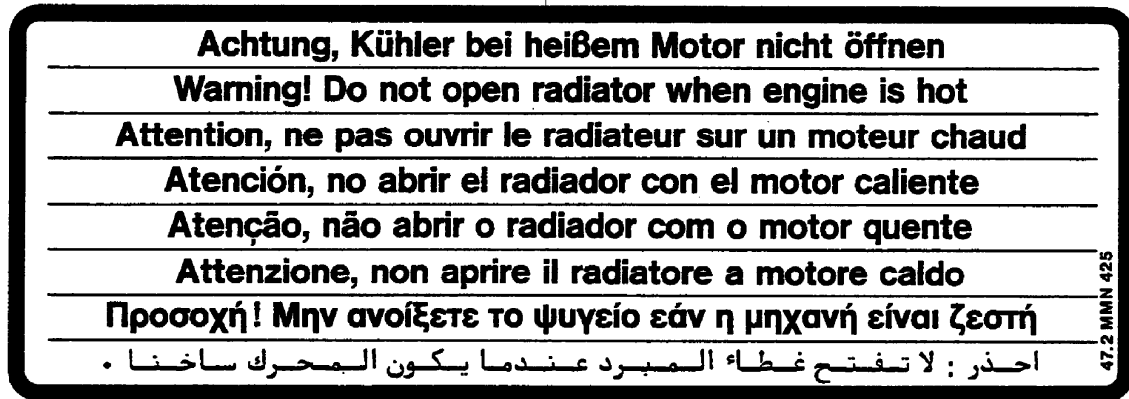
150



00400161

☐	POS.	PART NO.	DESIGNATION	QTY.	UNITS	WEIGHT	MEASUREMENT	STANDARD
	150	700425000039	PLATE	4	PC	2,3 g	36	MMN425

100



00400156

☐	POS.	PART NO.	DESIGNATION	QTY.	UNITS	WEIGHT	MEASUREMENT	STANDARD
	100	700425000112	PLATE	1	PC	2,2 g	47.2	MMN425



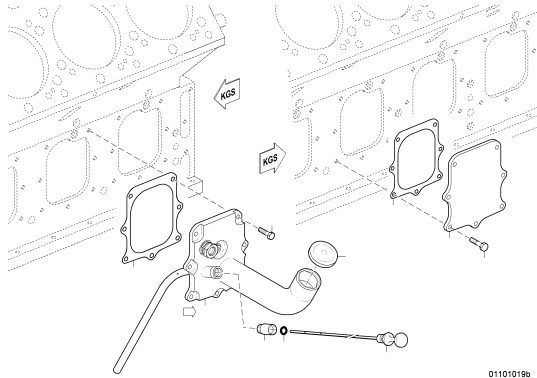
00400157a

☐	POS.	PART NO.	DESIGNATION	QTY.	UNITS	WEIGHT
	100	XD0000400001	PLACARD CRUSHING HAZARD	2	PC	0,2 g

GROUP SEGMENT (FGS)

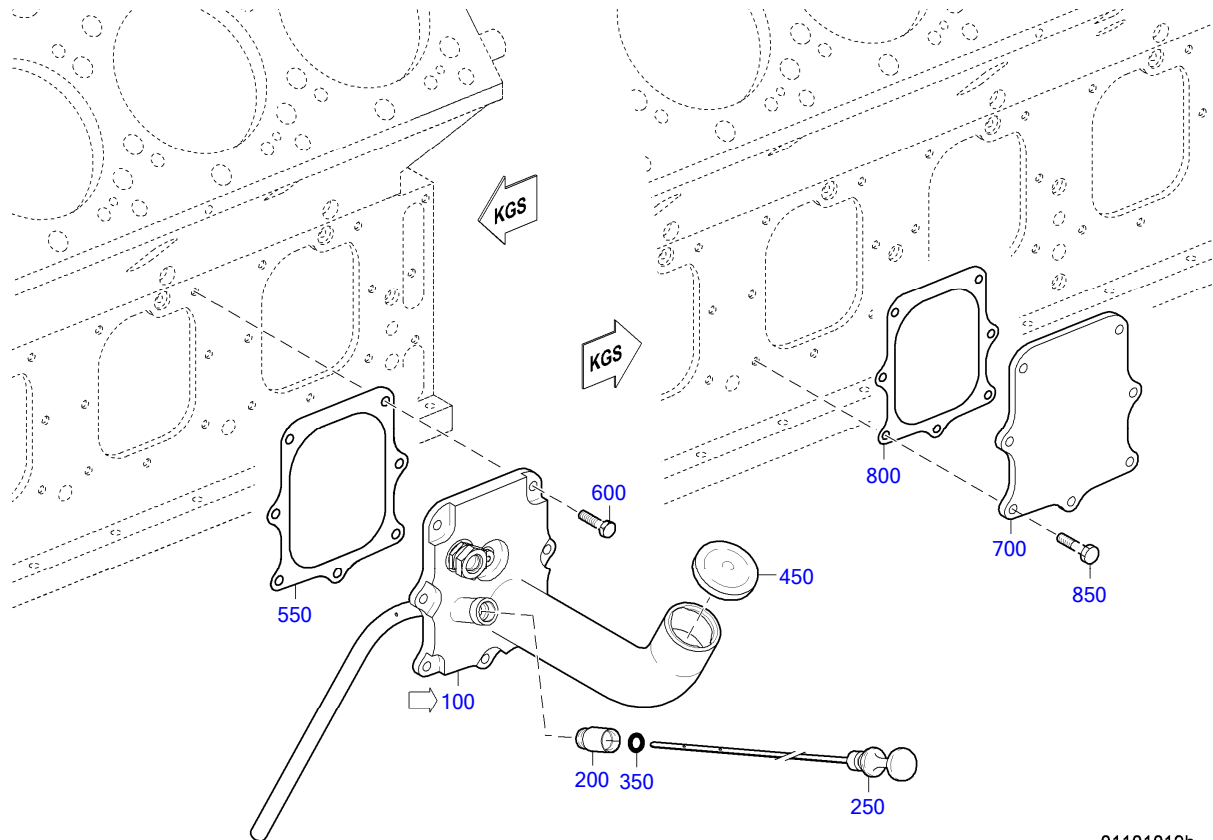
GROUP NAME

BOM-No.



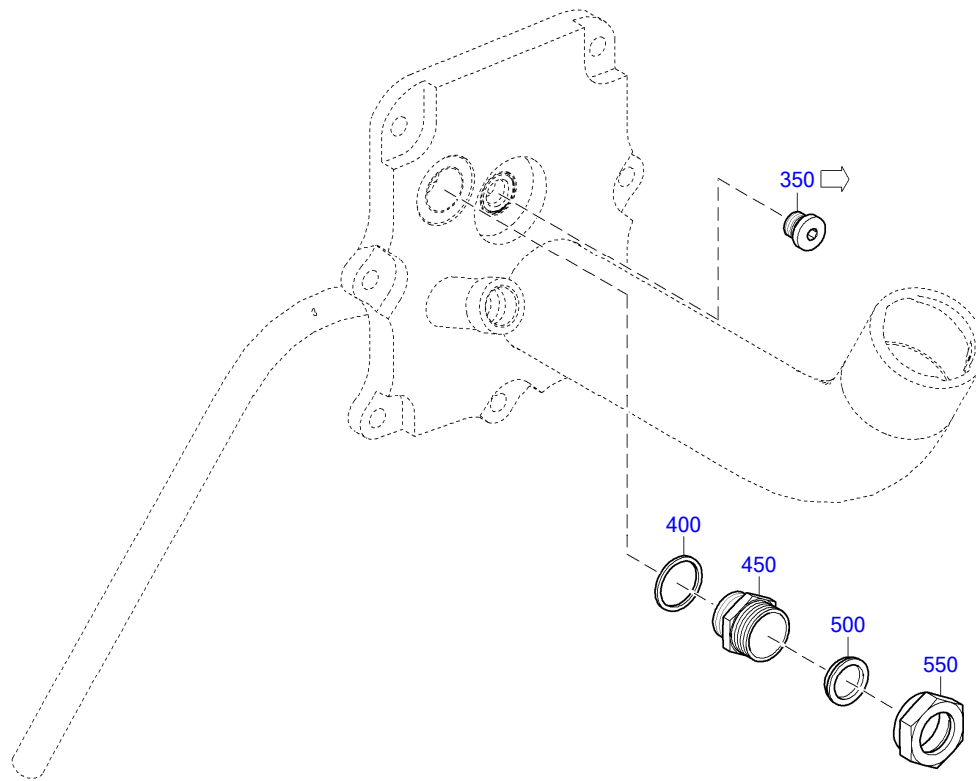
00
OIL FILLER NECK W OIL DIPSTICK, RGH
XS594010.00176

01101019b



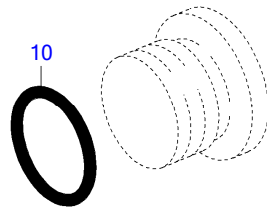
01101019b

☐	POS.	PART NO.	DESIGNATION	QTY.	UNITS	WEIGHT	MEASUREMENT	STANDARD
	17	100	X59301100049	INSPECT PORT COVER W/OIL FILLER NECK	1	PC	6,9 kg	
		200	8800180770	CONNECTOR THREADED	1	PC	100 g	
	19	250	X59699100531	OIL DIPSTICK	1	PC	207,8 g	
		350	700429012002	O-RING	1	PC	2,2 g	12 X 5 MMN429
		450	0000181802	OIL FILL CAP	1	PC	110 g	
		550	5240111380	GASKET	1	PC	25 g	
		600	000000003021	HEX SCREW	7	PC	22,8 g	M 10 X 25 ISO4017
		700	5240110732	COVER CYL BLOCK ACCE SS PORT	1	PC	2,8 kg	
		800	5240111380	GASKET	1	PC	25 g	
		850	000000003021	HEX SCREW	7	PC	22,8 g	M 10 X 25 ISO4017




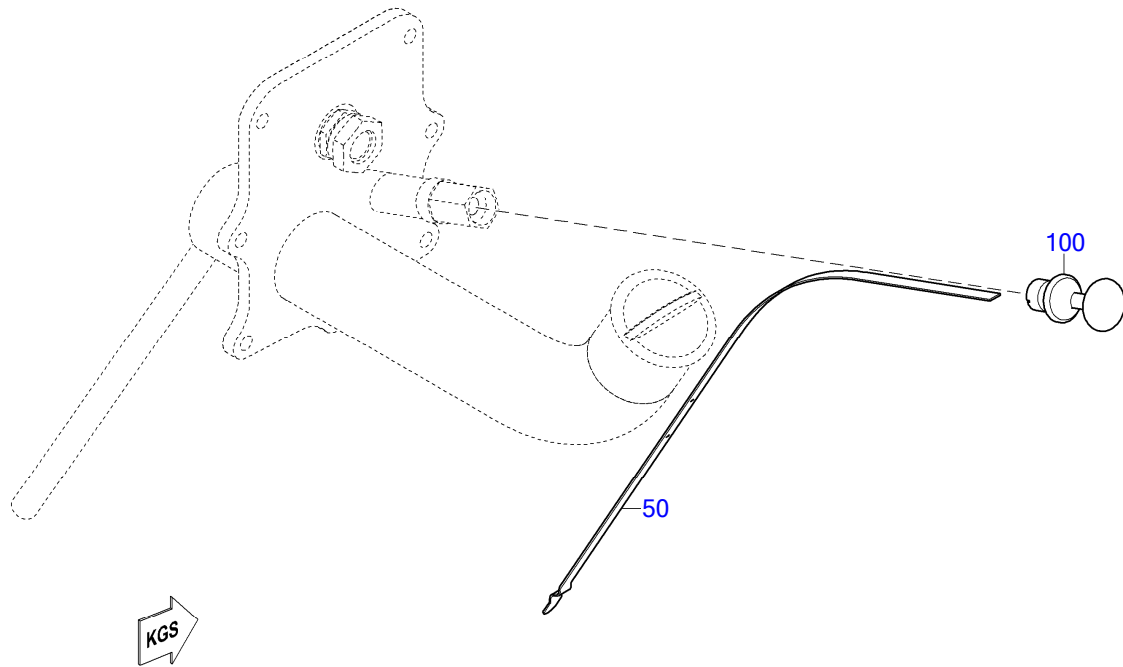
01101463

☐	POS.	PART NO.	DESIGNATION	QTY.	UNITS	WEIGHT	MEASUREMENT	STANDARD
18	350	735210014000	THREAD PLUG	1	PC	0,019 kg	M 14 X 1,5	MTN5210
	400	007603026104	COPPER SEALING RING	1	PC	3,1 g	A 26 X 31	DIN7603
	450	915013020002	SCREW NECK	1	PC	66,7 g	20 (M30X1,5/M26X1,5)	N15013
	500	915005020001	CONE SEALING	1	PC	15,1 g	22	MBN15005
	550	915001020003	NUT	1	PC	46,9 g	20 M 30 X 1,5	N15001



TD0000022038_181

	POS.	PART NO.	DESIGNATION	QTY.	UNITS	WEIGHT	MEASUREMENT	STANDARD
	10	735221011000	O-RING	1	PC	0,3 g	11,3 X 2,2 - M14X1,5	MTN5221



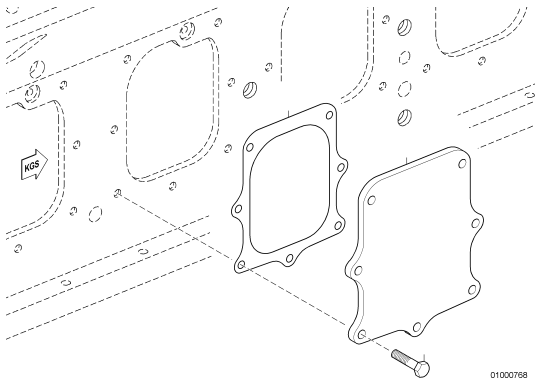
TD0000012536_010

☐	POS.	PART NO.	DESIGNATION	QTY.	UNITS	WEIGHT	FN	MEASUREMENT	STANDARD
	50		INSULATING TAPE	0,700	M	94,2 g	KE	1,2 X 10	MTN5027
	100	8809970277	HANDLE	1	PC	0,153 kg			

GROUP SEGMENT (FGS)
GROUP NAME
BOM-No.

05
CRANKCASE
XS526010.00086

30
INSPECT PORT COVER
XS594010.00121



☐	POS.	PART NO.	DESIGNATION	QTY.	UNITS	WEIGHT	FN	MEASUREMENT	STANDARD
22	80	X59401100073	CRANKCASE	1	PC	1618 kg	EM		
	100	X52401100023	STRIP	1	PC	2,8 kg			
	120	000912008115	BOLT HEX SOC HD	2	PC	11,4 g		M 8 X 16	DIN912
	140	0049976736	VALVE DRAIN	2	PC	125 g			
	160	5240110045	COVER CRANKCASE BREA THER	2	PC	170 g			
	170	5501871280	GASKET	2	PC	1,1 g			
	180	000000003021	HEX SCREW	4	PC	22,8 g		M 10 X 25	ISO4017
	190	X52601100034	CRANKCASE COVER FOR CAMSHAFT CHAMBE	1	PC	27,5 kg			
	210	000835010056	STUD	4	PC	22,4 g		M 10 X 25	DIN835
	230	000835008086	STUD	4	PC	13 g		M 8 X 25	DIN835
	250	5269970345	SEAL STRIP	1	PC	138,4 g		1057X5	
	260	700429018005	O-RING	8	PC	1,9 g		18 X 4	MMN429
	270	5509901540	WASHER	23	PC	4,8 g			
	280	000000000897	HEX SCREW	23	PC	29,8 g		M 10 X 40	ISO4017
	300	735084050000	PLUG	1	PC	103,9 g		50	MTN5084
	310	700429042000	O-RING	1	PC	6,2 g		42 X 5	MMN429
	320	5249950059	STRAP	1	PC	75 g			
	340	000000003020	HEX SCREW	1	PC	20 g		M 10 X 20	ISO4017
	360	007349010002	WASHER	1	PC	11 g		10,5	DIN7349
	370	204017010004	HEX SCREW	1	PC	17,9 g		M 10 X 16	ISO4017
	390	700429055001	O-RING	1	PC	8 g		55 X 5	MMN429
	410	5240110732	COVER CYL BLOCK ACCE SS PORT	1	PC	2,8 kg			
	430	5240111380	GASKET	1	PC	25 g			
	440	000000003021	HEX SCREW	7	PC	22,8 g		M 10 X 25	ISO4017
	460	5240110259	RING CARBON SCRAPPER	12	PC	200 g			
	490	007603014102	SEAL RING	2	PC	1 g		A 14 X 18	DIN7603
	500	000908014001	SCREW PLUG	2	PC	0,016 kg		M 14 X 1,5	DIN908
	520	EX59401100073	CRANKCASE	1	PC	1618 kg	MN EM		

EQUI TYPE: Engine

PRODUCT TYPE: 12V4000M93L
CRANKCASE

SERIAL NUMBER: 526108553

FG/FGS:

BOM-No.: X59401100073

☐	POS.	PART NO.	DESIGNATION	MODEL/TYPE	QTY.	UNITS	WEIGHT	FN	MEASUREMENT	STANDARD
	10	X59401100072	CRANKCASE		1	PC	1291 kg	EM		
	30	007603012111	COPPER SEALING RING		7	PC	0,7 g		A 12 X 15,5	DIN7603
	40	000908012003	THREAD PLUG		7	PC	11,9 g		M 12 X 1,5	DIN908
	50	X52801100011	CRANKSHAFT BRG CAP		7	PC	12,32 kg			
	60	5240110570	STUD		14	PC	1,09 kg			
	70	5240110172	NUT		14	PC	122,6 g			
	80	X52899100040	SCREW W. INTERNAL HEX.		14	PC	448,1 g		M 20 X 180	
	90	700521020200	WASHER		14	PC	17,6 g		20,2	MMN521
	100	5249970020	SEALING CAP		24	PC	62,6 g		D 50	
	120	5240510110	BEARING CAMSHAFT STD		7	PC	136,6 g			
	140	X00027830	CYLINDER LINER SIZE 0 C23		12	PC	17,75 kg	EM		
	160	X59301300038	CYLINDER LINER STAGE 1	BR4000GAS L61PHASE 2, L62, L63	1	PC	18,65 kg	EM		
	180	X59301300039	CYLINDER LINER STAGE 2	BR4000GAS L61PHASE 2, L62, L63	1	PC	18,7 kg	EM		
	200	5550110259	SEALING RING		24	PC	24,7 g			

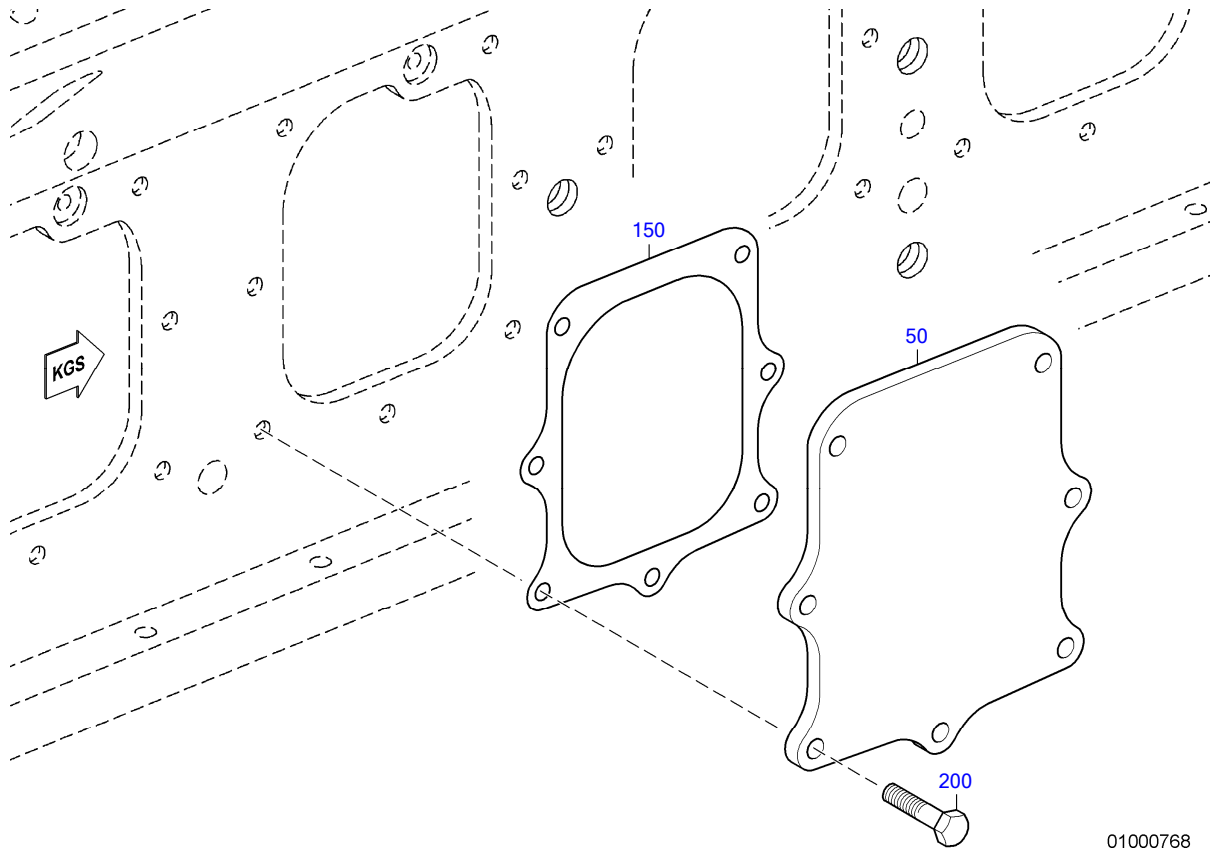
EQUI TYPE: Engine

PRODUCT TYPE: 12V4000M93L
INSPECT PORT COVER

SERIAL NUMBER: 526108553

FG/FGS: 011 30

BOM-No.: XS594010.00121



01000768

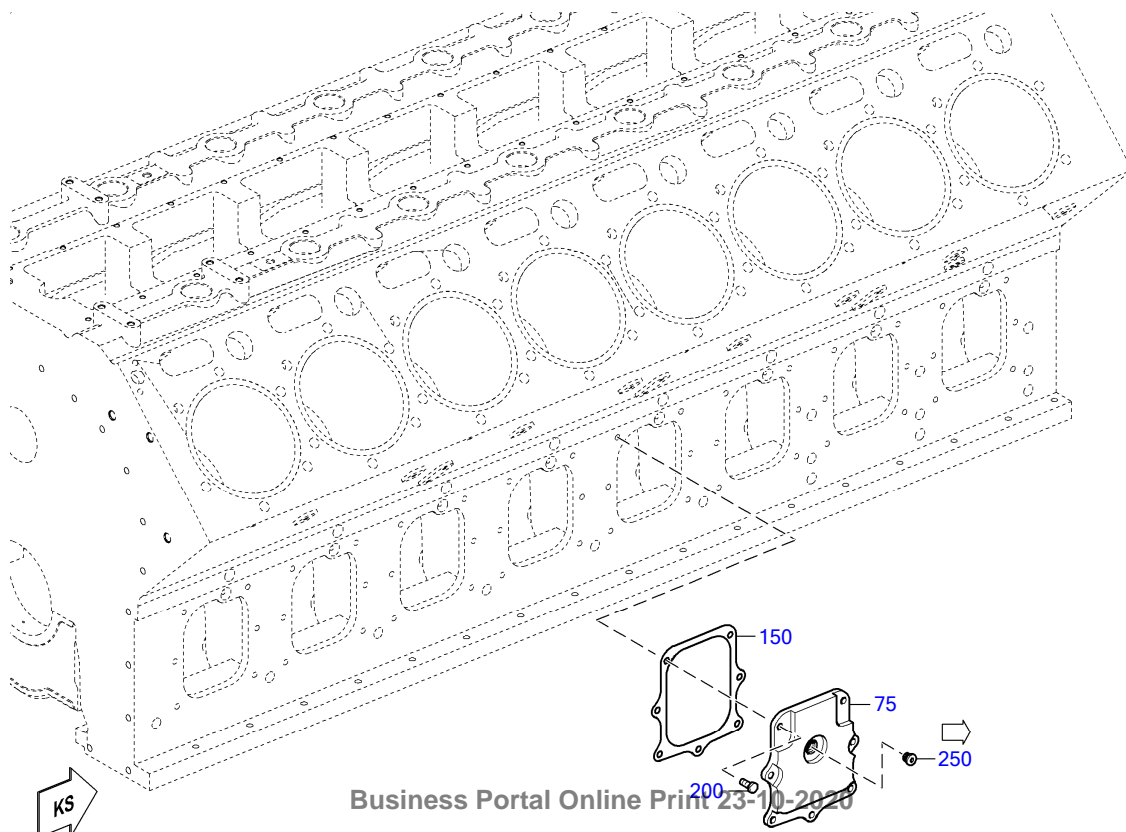
EQUI TYPE: Engine

PRODUCT TYPE: 12V4000M93L
INSPECT PORT COVER

SERIAL NUMBER: 526108553

FG/FGS: 011 30

BOM-No.: XS594010.00121



Business Portal Online Print 23-10-2020

0000000a

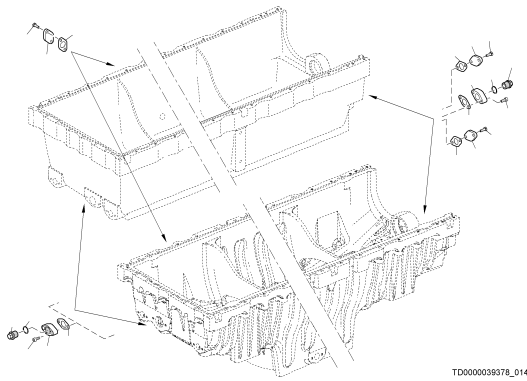
INSPECT PORT COVER

	POS.	PART NO.	DESIGNATION	QTY.	UNITS	WEIGHT	MEASUREMENT	STANDARD
	50	5240110732	COVER CYL BLOCK ACCE SS PORT	3	PC	2,8 kg		
	75	X52601100052	INSPECT PORT COVER FOR SENSOR	2	PC	4,5 kg		
	150	5240111380	GASKET	5	PC	25 g		
	200	000000003021	HEX SCREW	35	PC	22,8 g	M 10 X 25	ISO4017
18	250	735210014000	THREAD PLUG	2	PC	0,019 kg	M 14 X 1,5	MTN5210

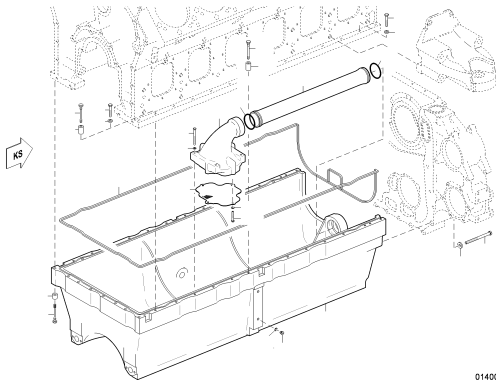
GROUP SEGMENT (FGS)

GROUP NAME

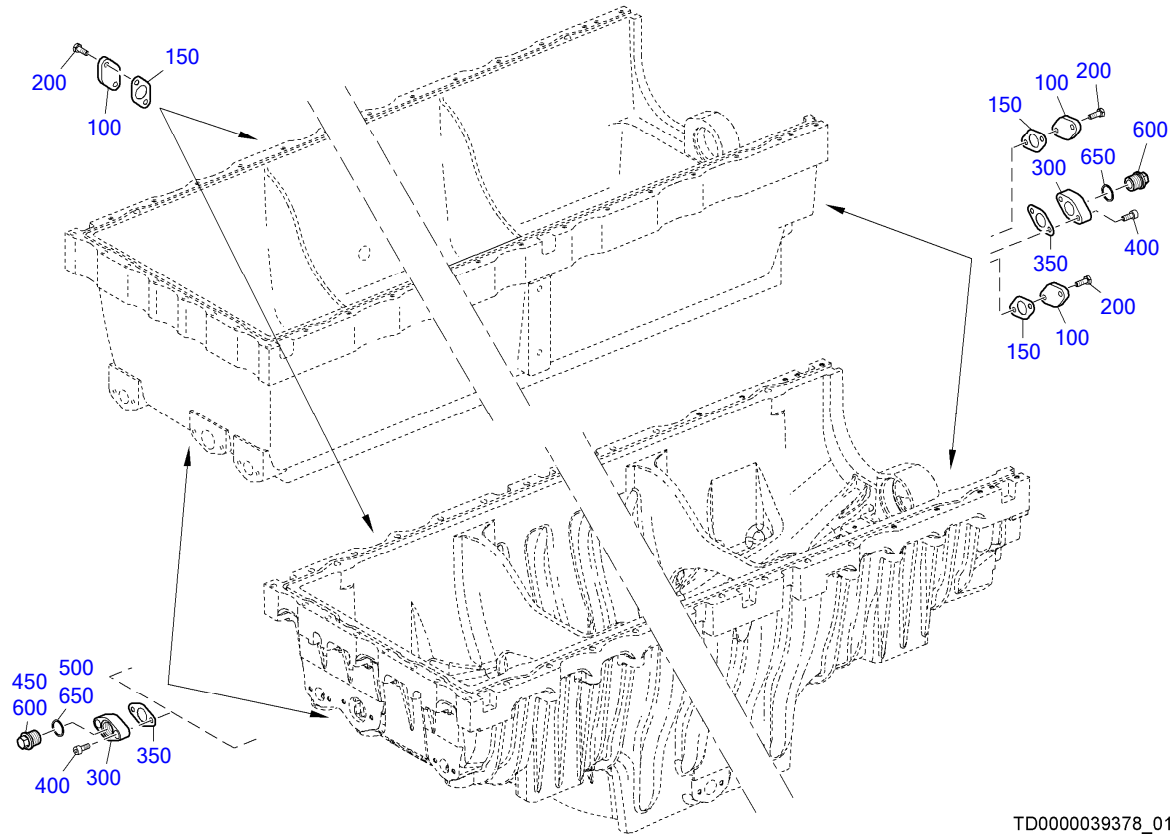
BOM-No.



05
SEAL ELEM. FOR OIL PAN
X00030760

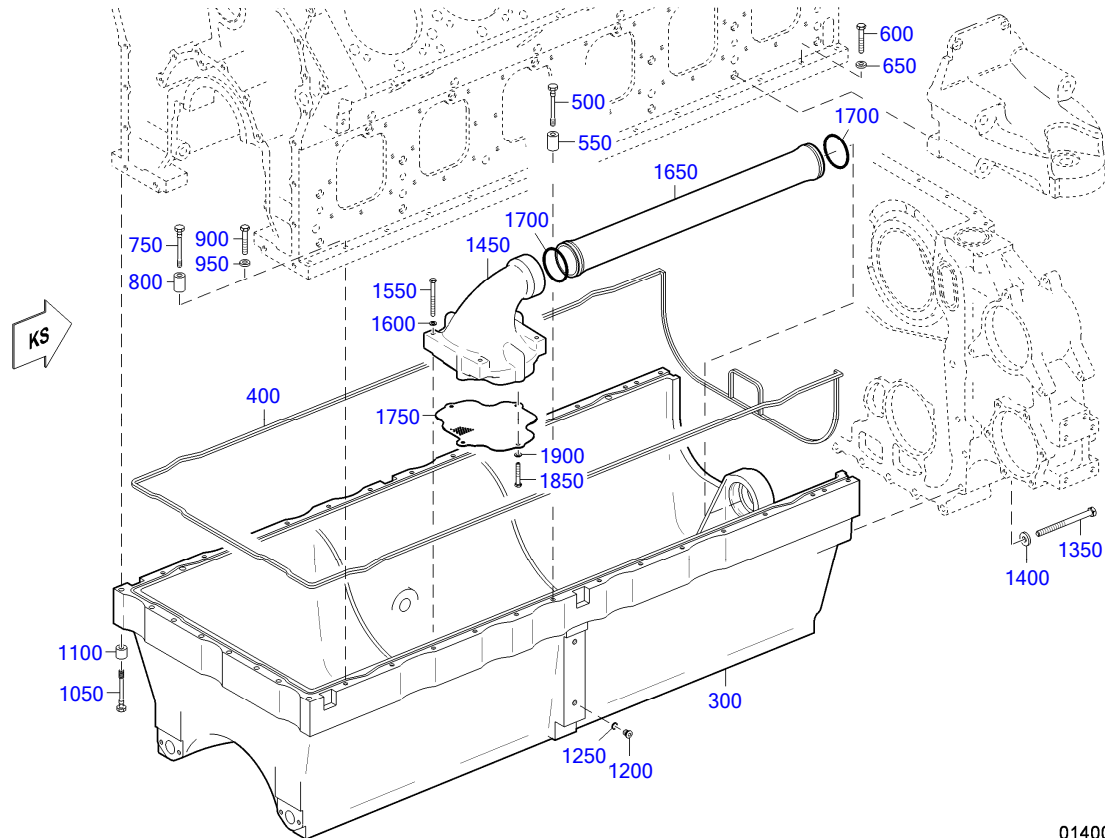


05
OIL PAN OF ALUMINIUM
XS594010.00071



TD0000039378_014

☐	POS.	PART NO.	DESIGNATION	QTY.	UNITS	WEIGHT	MEASUREMENT	STANDARD
	100	X00018638	FLANGE	3	PC	265,3 g		
	150	5602030280	GASKET	3	PC	2,6 g		
	200	000000001464	HEX SCREW	6	PC	24,9 g	M 10 X 30	ISO4017
	300	5500140145	FLANGE	3	PC	395,5 g		
	350	5602030280	GASKET	3	PC	2,6 g		
	400	000912010065	BOLT HEX SOC HD	6	PC	23,9 g	M 10 X 25	DIN912
	450	5379970030	PLUG	1	PC	0,16 kg		
	500	007603030101	COPPER SEALING RING	1	PC	4,3 g	A 30 X 36	DIN7603
	600	5379970030	PLUG	2	PC	0,16 kg		
	650	007603030101	COPPER SEALING RING	2	PC	4,3 g	A 30 X 36	DIN7603



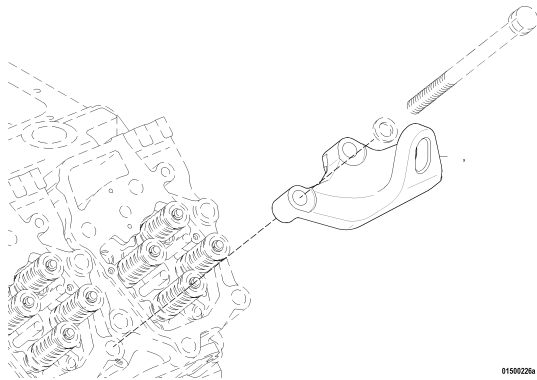
01400748d

☐	POS.	PART NO.	DESIGNATION	QTY.	UNITS	WEIGHT	MEASUREMENT	STANDARD
	300	X59401400015	OIL PAN	1	PC	116,5 kg		
	400	5269870535	SEAL RUBBER STRIP 36 29.0	1	PC	0,415 kg		
	500	700209010208	STRESS BOLT	14	PC	50 g	B M 10 X 90	MMN209
	550	5240140253	SPACER SLEEVE	14	PC	105 g	11MM X 24MM L=37	
	600	000931010105	HEX SCREW	10	PC	43,9 g	M 10 X 60	DIN931
	650	735151010100	SPACER	10	PC	11 g	A 10,5	MTN5151
	750	700209010208	STRESS BOLT	4	PC	50 g	B M 10 X 90	MMN209
	800	5240140253	SPACER SLEEVE	4	PC	105 g	11MM X 24MM L=37	
	900	000931010105	HEX SCREW	4	PC	43,9 g	M 10 X 60	DIN931
	950	735151010100	SPACER	4	PC	11 g	A 10,5	MTN5151
	1050	700209010208	STRESS BOLT	8	PC	50 g	B M 10 X 90	MMN209
	1100	5240140153	SPACER SLEEVE	8	PC	60 g	11MM X 24MM L=22	
	1200	000908012003	THREAD PLUG	2	PC	11,9 g	M 12 X 1,5	DIN908
	1250	007603012111	COPPER SEALING RING	2	PC	0,7 g	A 12 X 15,5	DIN7603
	1350	000931012176	HEX SCREW	10	PC	138,5 g	M 12 X 150	DIN931
	1400	007349013002	WASHER	10	PC	24,5 g	13	DIN7349
	1450	X00020248	ELBOW SUMP OIL PICKU P ASM	1	PC	3,326 kg		
	1550	000931008189	HEX SCREW	4	PC	35,6 g	M 8 X 85	DIN931
	1600	007349008002	WASHER	4	PC	7,9 g	8,4	DIN7349
	1650	X00006300	TUBE ASM C23	1	PC	2,94 kg		
	1700	700429070000	O-RING	2	PC	0,01 kg	70 X 5	MMN429
	1750	X00020254	STRAINER	1	PC	375 g		
	1850	304017008087	HEX SCREW	4	PC	21,3 g	M 8 X 50	ISO4017
	1900	000125008427	WASHER	4	PC	1,5 g	A 8,4	DIN125

GROUP SEGMENT (FGS)

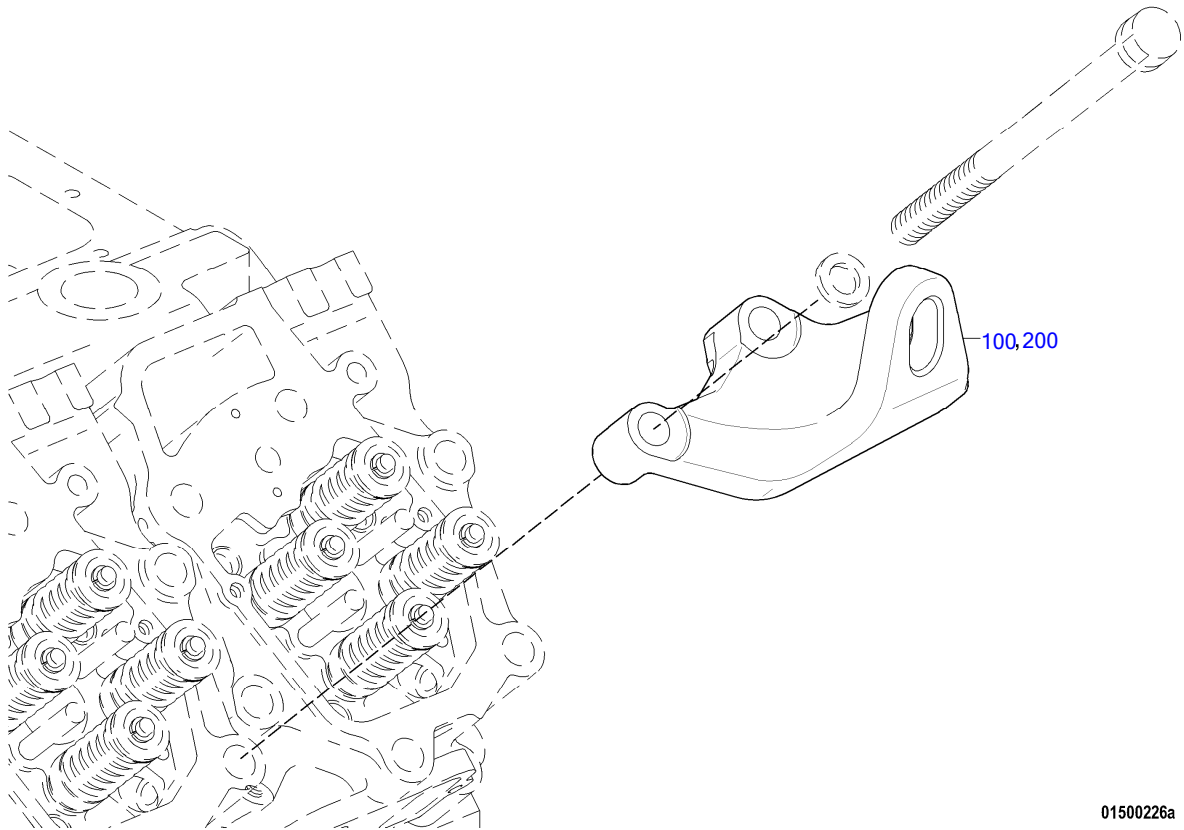
GROUP NAME

BOM-No.



05
ENGINE MOUNTING REINFORCED
XS596010.00036

01500226a



01500226a

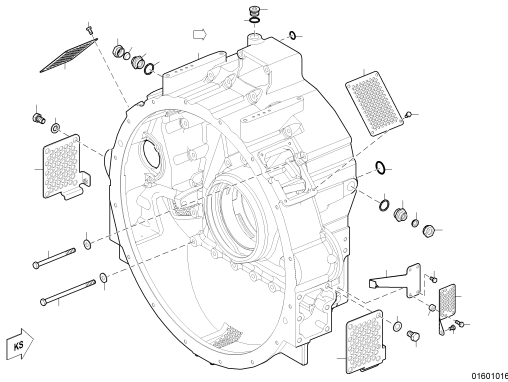
☐	POS.	PART NO.	DESIGNATION	QTY.	UNITS	WEIGHT
	100	X52801500002	LIFTING EYE	2	PC	9,5 kg
	200	X52801500002	LIFTING EYE	2	PC	9,5 kg

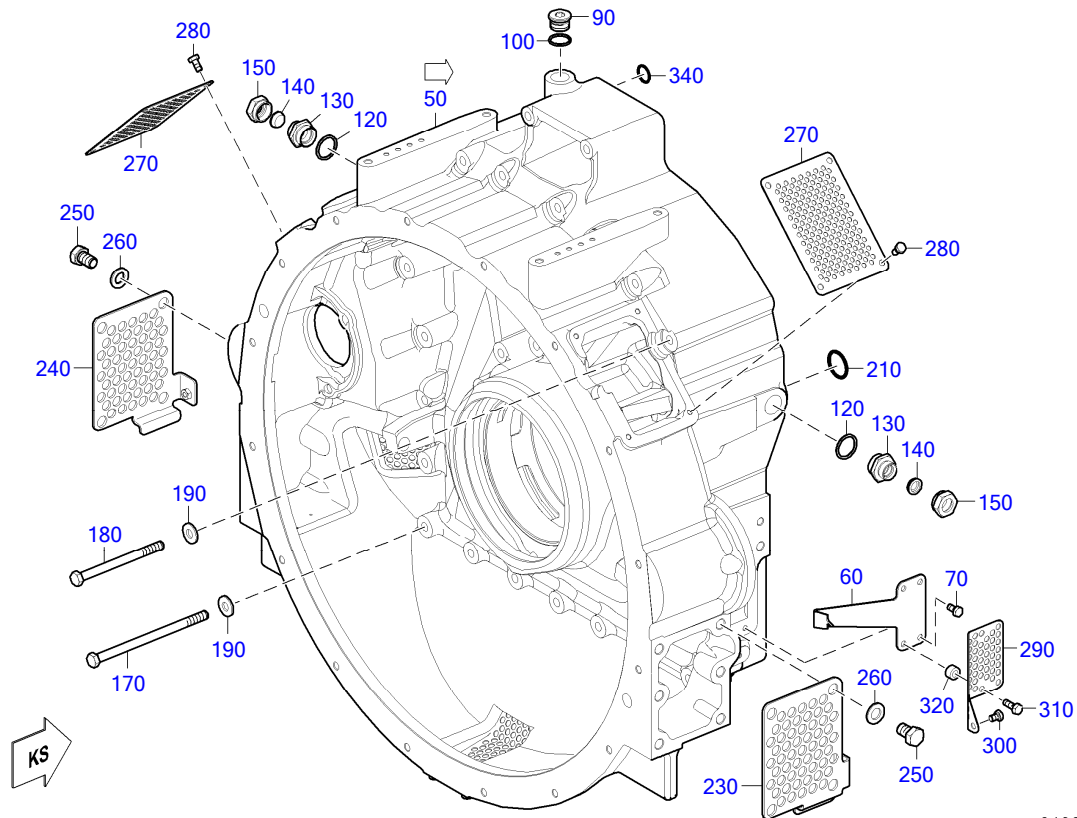
GROUP SEGMENT (FGS)

GROUP NAME

BOM-No.

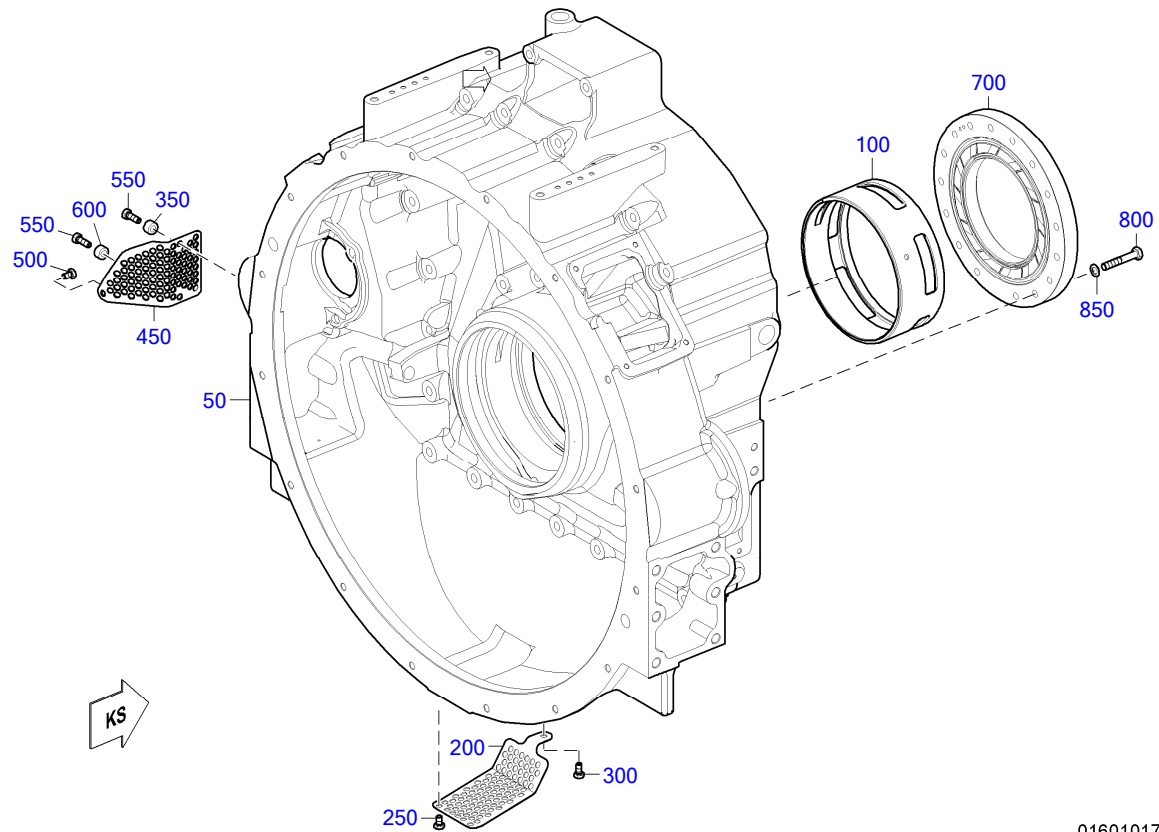
30
FLYWHEEL HOUSING PRIMED
XS594010.00159





01601016

☐	POS.	PART NO.	DESIGNATION	MODEL/TYPE	QTY.	UNITS	WEIGHT	MEASUREMENT	STANDARD
	50	X00021778/75	FLYWHEEL HOUSING PRIMED		1	PC	165 kg		
	60	X59301600002	DEAD-CENTER INDICATR		1	PC	245 g		
	70	304017008077	HEX SCREW		2	PC	10,5 g	M 8 X 16	ISO4017
	90	000908026005	THREAD PLUG		1	PC	0,069 kg	M 26 X 1,5	DIN908
	100	007603026104	COPPER SEALING RING		1	PC	3,1 g	A 26 X 31	DIN7603
	120	007603030101	COPPER SEALING RING		2	PC	4,3 g	A 30 X 36	DIN7603
	130	915007020001	CONNECTOR 20/16		2	PC	85 g	20 / 16	MBN15007
	140	915005016000	CONE SEALING 18		2	PC	11,5 g	18	MBN15005
	150	915001016004	NUT 16 M26X1.5 BL.GE OELT		2	PC	40,9 g	16 M 26 X 1,5	N15001
	170	000931012215	HEX SCREW		23	PC	140,3 g	M 12 X150	DIN931
	180	000931012106	HEX SCREW		8	PC	182,8 g	M 12 X200	DIN931
	190	006796012100	CONICAL SPR. WASHER		31	PC	11,5 g	12	DIN6796
	210	700429033001	O-RING		2	PC	5,1 g	33 X 5	MMN429
	230	5240100267	PLATE GUARD RIGHT		1	PC	530 g		
	240	5240100367	PLATE GUARD LEFT		1	PC	510 g		
	250	000933016003	HEX SCREW		8	PC	68,7 g	M 16 X 25	DIN933
	260	000125017014	WASHER		8	PC	9,7 g	A 17	DIN125
	270	X00021753	GUARD PLATE		2	PC	181,9 g		
	280	304017008077	HEX SCREW		8	PC	10,5 g	M 8 X 16	ISO4017
	290	5240140515	SCREEN FLYWHL HSG RT	BR 4000	1	PC	105 g		
	300	304017008076	HEX SCREW		1	PC	9,1 g	M 8 X 12	ISO4017
	310	304017008081	HEX SCREW		2	PC	13,4 g	M 8 X 25	ISO4017
	320	5511530050	SPACER BUSHING		2	PC	13,2 g	Ø18/Ø10 × 10	
	340	700429020003	O-RING		2	PC	2,1 g	20 X 4	MMN429



01601017

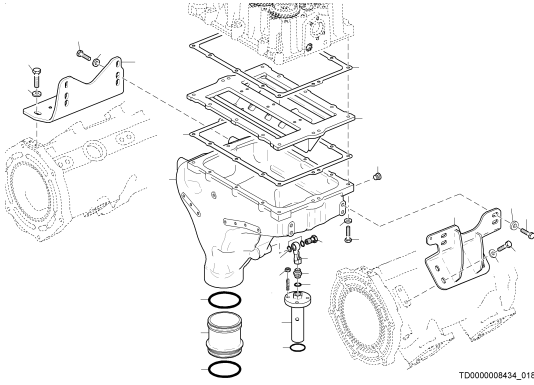
☐	POS.	PART NO.	DESIGNATION	MODEL/TYPE	QTY.	UNITS	WEIGHT	MEASUREMENT	STANDARD
	50	X00021780/75	FLYWHEEL HOUSING PRIMED		1	PC	231 kg		
	100	5240332730	CRANKSHAFT BEARING DRIVING END (KS)		1	PC	2,22 kg		
	200	5240100467	GUARD PLATE BOTTOM	4000	1	PC	107,1 g		
	250	304017008076	HEX SCREW		2	PC	9,1 g	M 8 X 12	ISO4017
	300	304017008081	HEX SCREW		1	PC	13,4 g	M 8 X 25	ISO4017
	350	5511530050	SPACER BUSHING		1	PC	13,2 g	Ø18/Ø10 × 10	
	450	5240140615	SCREEN FLYWHL HSG LT	BR 4000	1	PC	105 g		
	500	304017008076	HEX SCREW		1	PC	9,1 g	M 8 X 12	ISO4017
	550	304017008081	HEX SCREW		2	PC	13,4 g	M 8 X 25	ISO4017
	600	5511530050	SPACER BUSHING		2	PC	13,2 g	Ø18/Ø10 × 10	
	700	X59303100024	THRUST WASHER		1	PC	8,817 kg		
	800	000931010105	HEX SCREW		16	PC	43,9 g	M 10 X 60	DIN931
	850	200433010500	WASHER		16	PC	1,9 g	10,5	DIN433

GROUP SEGMENT (FGS)

GROUP NAME

BOM-No.

00
CRANKCASE BREATHER FOR 12V
XS594010.00078



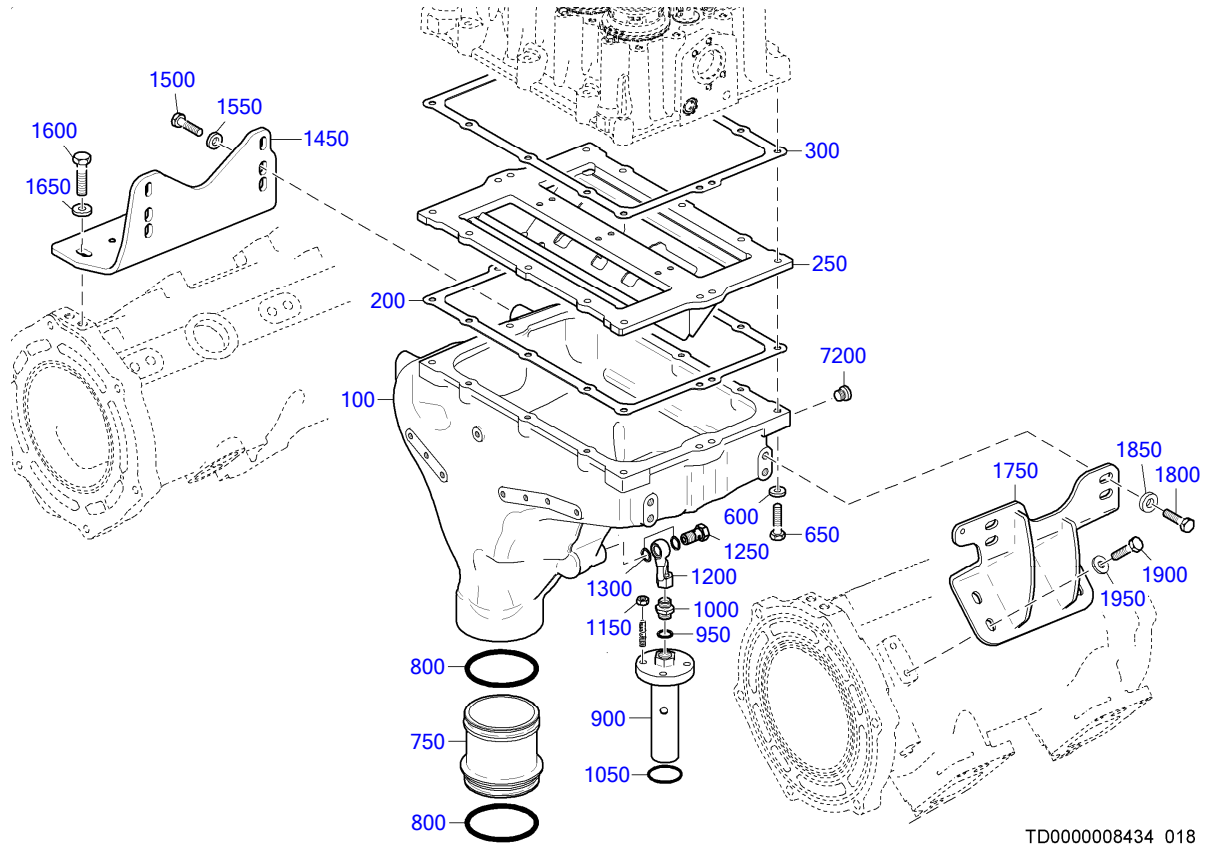
EQUI TYPE: Engine

PRODUCT TYPE: 12V4000M93L
CRANKCASE BREATHER FOR 12V

SERIAL NUMBER: 526108553

FG/FGS: 018 00

BOM-No.: XS594010.00078



TD0000008434_018

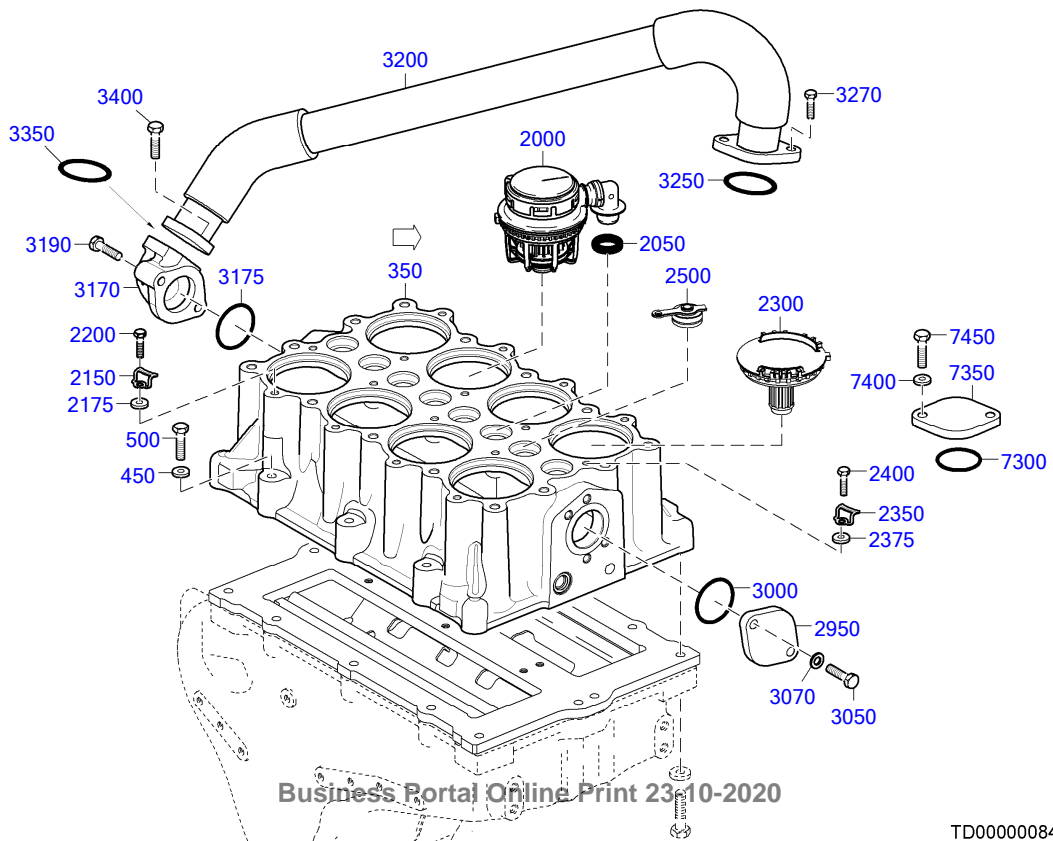
EQUI TYPE: Engine

PRODUCT TYPE: 12V4000M93L
CRANKCASE BREATHER FOR 12V

SERIAL NUMBER: 526108553

FG/FGS: 018 00

BOM-No.: XS594010.00078



Business Portal Online Print 23/10/2020

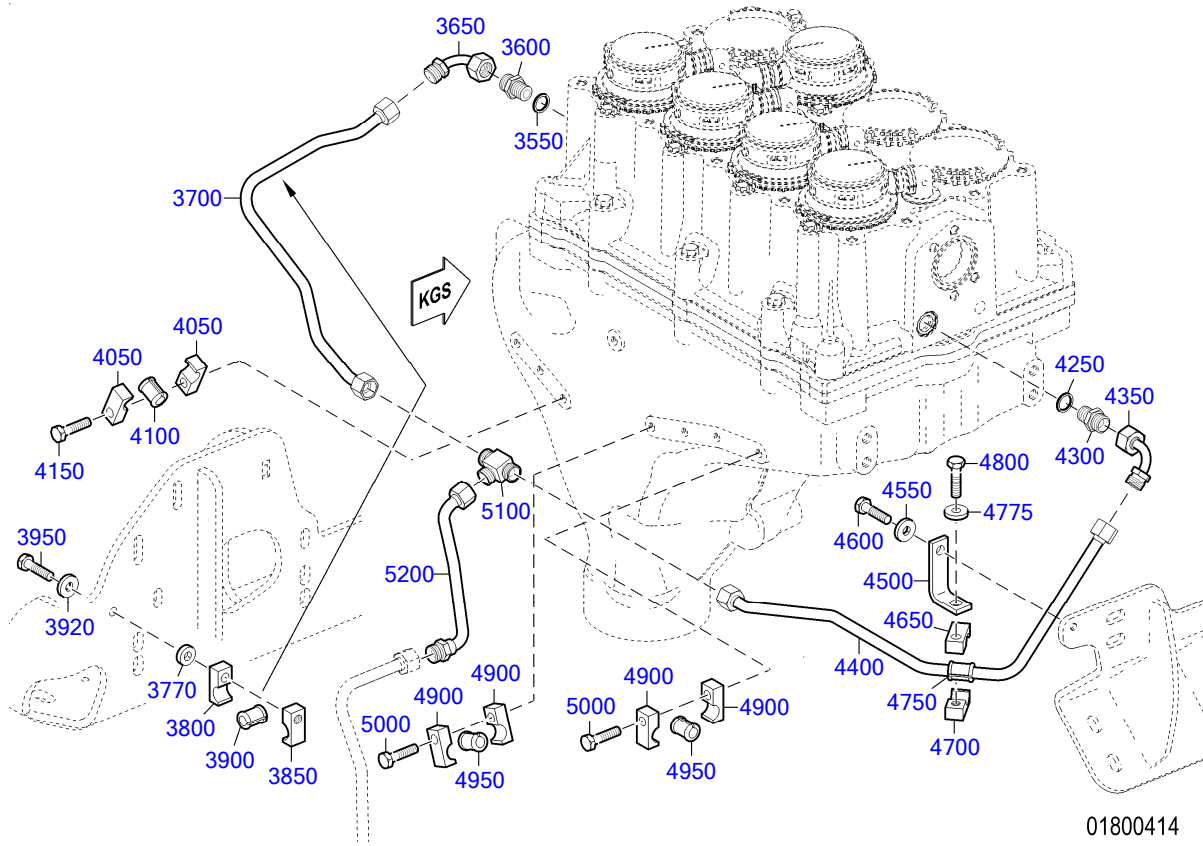
TD0000008436_018

EQUI TYPE: Engine

PRODUCT TYPE: 12V4000M93L
CRANKCASE BREATHER FOR 12V

SERIAL NUMBER: 526108553

FG/FGS: 018 00
BOM-No.: XS594010.00078

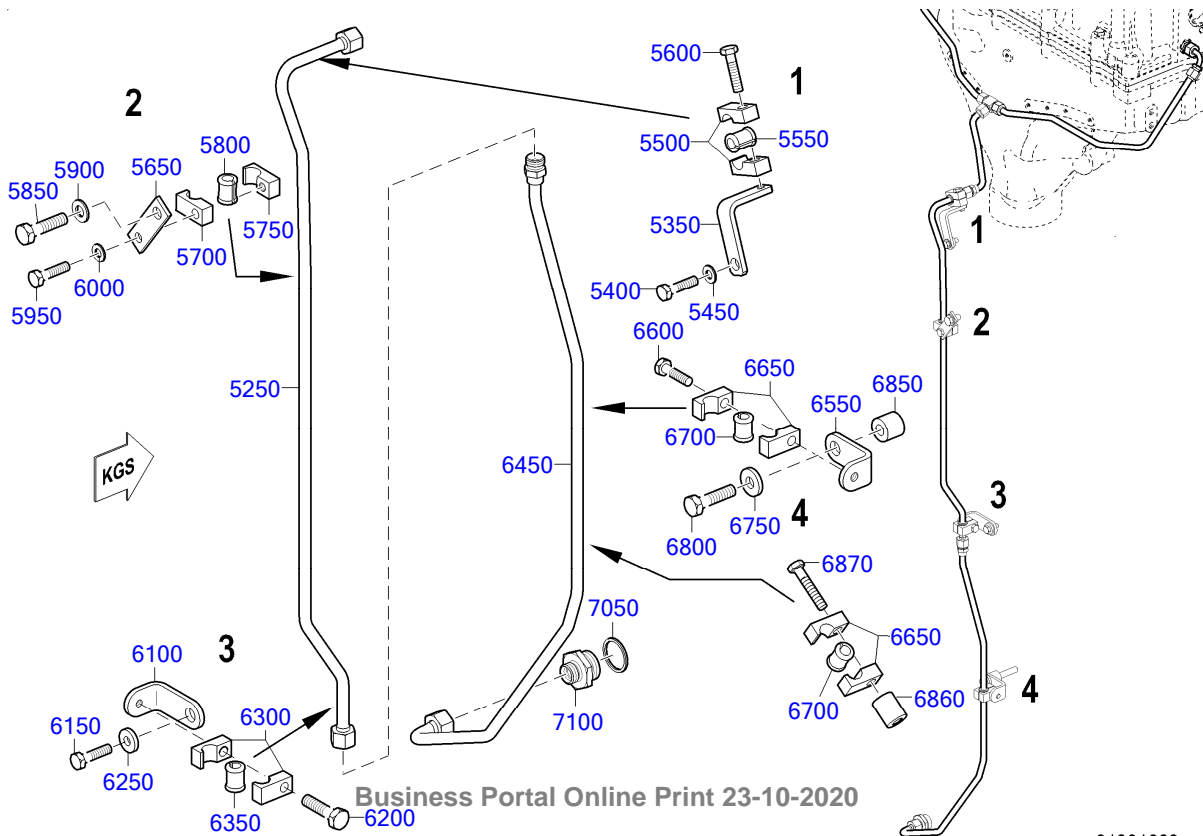


EQUI TYPE: Engine

PRODUCT TYPE: 12V4000M93L
CRANKCASE BREATHER FOR 12V

SERIAL NUMBER: 526108553

FG/FGS: 018 00
BOM-No.: XS594010.00078



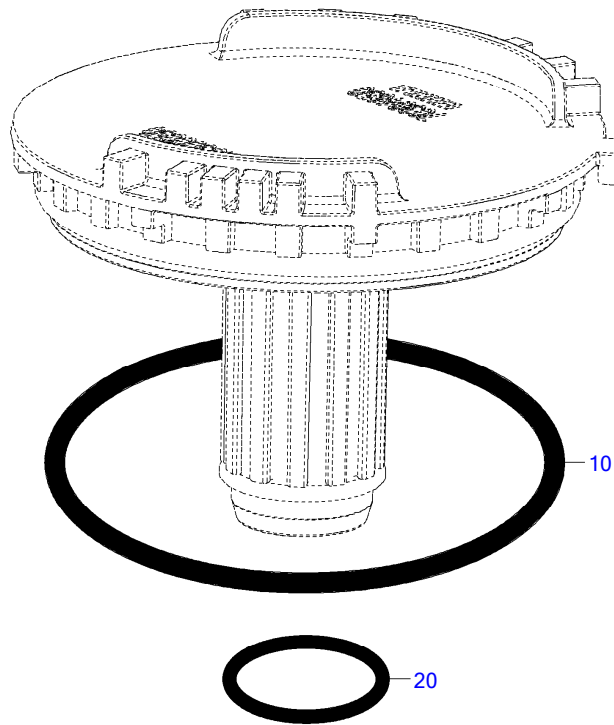
Business Portal Online Print 23-10-2020

01801083

☐	POS.	PART NO.	DESIGNATION	MODEL/TYPE	QTY.	UNITS	WEIGHT	FN	MEASUREMENT	STANDARD
	100	X59401800012	VENT HOUSING		1	PC	31 kg	EM		
	200	X52701800027	GASKET		1	PC	46,4 g			
	250	X52701800028	OIL PRESEPARATOR		1	PC	7,8 kg	EM		
	300	X52701800027	GASKET		1	PC	46,4 g			
35	350	X59301800037	IMPAKTOR CARRIER		1	PC	10,3 kg	EM		
	450	000125008427	WASHER		6	PC	1,5 g		A 8,4	DIN125
	500	204017008032	HEX SCREW		6	PC	25,5 g		M 8 X 65	ISO4017
	600	000125008427	WASHER		8	PC	1,5 g		A 8,4	DIN125
	650	304017008087	HEX SCREW		8	PC	21,3 g		M 8 X 50	ISO4017
	750	X52701800025	PLUG-IN PIPE		1	PC	907,8 g			
	800	700429085002	O-RING		2	PC	17,5 g		85 X 6	MMN429
	900	X00036071	DRAIN PIPE		1	PC	701,5 g	SB EM		
	950	007603016105	COPPER SEALING RING		1	PC	3 g		A 16 X 20	DIN7603
	1000	915006008002	UNION		1	PC	29,7 g		8	MBN15026
	1050	700429040000	O-RING		1	PC	2 g		40 X 3	MMN429
	1150	304032008014	NUT HEX 8 A3C		4	PC	4,8 g		M 8	ISO4032
	1200	X52701800037	OIL LINE		1	PC	83,8 g	SB		
	1250	700223006000	BOLT BANJO A8 S2000/ 4000		1	PC	38,8 g		A 8	MMN223
	1300	007603014102	SEAL RING		2	PC	1 g		A 14 X 18	DIN7603
	1450	X59401800040	RETAINER F/CRANKCASE VENTILA		1	PC	4,2 kg			
	1500	000000001464	HEX SCREW		4	PC	24,9 g		M 10 X 30	ISO4017
	1550	735151010100	SPACER		4	PC	11 g		A 10,5	MTN5151
	1600	204017012009	HEX SCREW		2	PC	43,8 g		M 12 X 40	ISO4017
	1650	007349013002	WASHER		2	PC	24,5 g		13	DIN7349
	1750	X59401800029	RETAINER F.CRANKC.VENT.LEFT		1	PC	3 kg			
	1800	000000003021	HEX SCREW		4	PC	22,8 g		M 10 X 25	ISO4017
	1850	735151010100	SPACER		4	PC	11 g		A 10,5	MTN5151
	1900	000000003021	HEX SCREW		4	PC	22,8 g		M 10 X 25	ISO4017
	1950	007349010002	WASHER		4	PC	11 g		10,5	DIN7349
	2000	X54701800063	OIL SEPARATOR		6	PC	164,3 g	EM		
	2050	700429020004	O-RING		6	PC	4,8 g		20 X 6	MMN429
	2150	XP57518300057	RETAINER		12	PC	3 g			
	2175	000125006431	WASHER		10	PC	0,8 g		A 6,4	DIN125
	2200	000933006207	HEX SCREW		12	PC	4,8 g		M 6 X 14	DIN933
34	2300	X57518300050	PLUG		2	PC	65,8 g			
	2350	XP57518300057	RETAINER		4	PC	3 g			
	2375	000125006431	WASHER		4	PC	0,8 g		A 6,4	DIN125
	2400	000933006207	HEX SCREW		4	PC	4,8 g		M 6 X 14	DIN933
	2500	X54799100074	PLUG		2	PC	31,4 g			
	2950	X59499100174	FLANGE		1	PC	94,8 g			
	3000	700429043000	O-RING		1	PC	2,2 g		43 X 3	MMN429
	3050	304017008081	HEX SCREW		2	PC	13,4 g		M 8 X 25	ISO4017
	3070	000125008427	WASHER		2	PC	1,5 g		A 8,4	DIN125
	3170	X54701800040	CONNECTING PIECE F/CRANKCASE VENTILA	ZWEILOCHFLANSCH	1	PC	699,8 g	EM		
	3175	700429043000	O-RING		1	PC	2,2 g		43 X 3	MMN429
	3190	304017008086	HEX SCREW		2	PC	19,4 g		M 8 X 45	ISO4017
	3200	X59401800060	HOSE F/CRANKCASE VENTILA	WELLROHR	1	PC	2,5 kg			
	3250	700429043000	O-RING		1	PC	2,2 g		43 X 3	MMN429
	3270	304017008081	HEX SCREW		2	PC	13,4 g		M 8 X 25	ISO4017
	3350	700429043000	O-RING		1	PC	2,2 g		43 X 3	MMN429
	3400	304017008081	HEX SCREW		2	PC	13,4 g		M 8 X 25	ISO4017
	3550	007603014102	SEAL RING		1	PC	1 g		A 14 X 18	DIN7603
	3600	735070008000	ADAPTER		1	PC	27 g		10	MTN5070
	3650	700160000008	ELBOW		1	PC	62 g		KR 8	MMN160

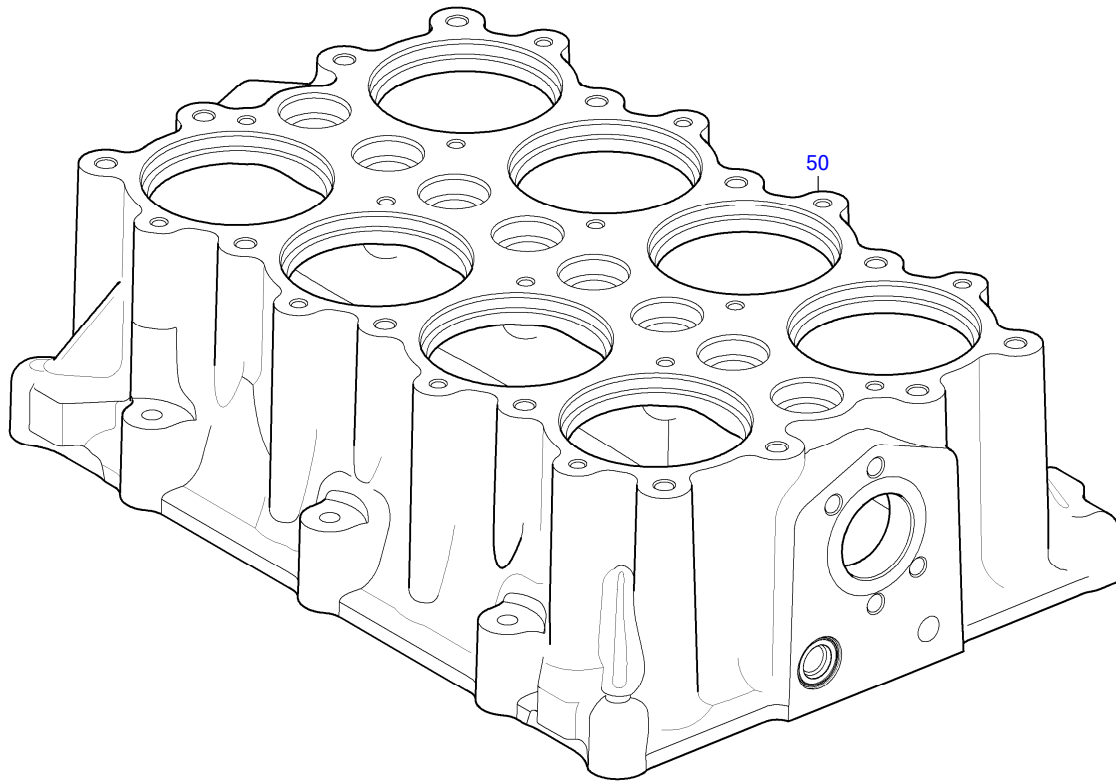
☐	POS.	PART NO.	DESIGNATION	MODEL/TYPE	QTY.	UNITS	WEIGHT	FN	MEASUREMENT	STANDARD
	3700	X59501800075	OIL LINE		1	PC	126 g	SB		
	3770	735151008200	SPACER		1	PC	13,7 g		B 8,4	MTN5151
	3800	700325015100	CLAMP HALF TUBE 1/1 D9-15		1	PC	0,033 kg		1/1 D 9 - 15	MMN325
	3850	700325015200	CLAMP HALF TUBE 1/1 G8-15		1	PC	34,2 g		1/1 G 8 - 15	MMN325
	3900	700327010000	GROMMET		1	PC	2,8 g		10	MMN327
	3920	007349008002	WASHER		1	PC	7,9 g		8,4	DIN7349
	3950	304017008087	HEX SCREW		1	PC	21,3 g		M 8 X 50	ISO4017
	4050	700325015100	CLAMP HALF TUBE 1/1 D9-15		2	PC	0,033 kg		1/1 D 9 - 15	MMN325
	4100	700327010000	GROMMET		1	PC	2,8 g		10	MMN327
	4150	304017008084	HEX SCREW		1	PC	16,4 g		M 8 X 35	ISO4017
	4250	007603014102	SEAL RING		1	PC	1 g		A 14 X 18	DIN7603
	4300	735070008000	ADAPTER		1	PC	27 g		10	MTN5070
	4350	700160000008	ELBOW		1	PC	62 g		KR 8	MMN160
	4400	X59501800074	OIL LINE		1	PC	155 g	SB		
	4500	5502030343	BRACKET		1	PC	56,9 g			
	4550	007349008002	WASHER		2	PC	7,9 g		8,4	DIN7349
	4600	304017008079	HEX SCREW		1	PC	11,7 g		M 8 X 20	ISO4017
	4650	700325015100	CLAMP HALF TUBE 1/1 D9-15		1	PC	0,033 kg		1/1 D 9 - 15	MMN325
	4700	700325015200	CLAMP HALF TUBE 1/1 G8-15		1	PC	34,2 g		1/1 G 8 - 15	MMN325
	4750	700327010000	GROMMET		1	PC	2,8 g		10	MMN327
	4775	007349008002	WASHER		1	PC	7,9 g		8,4	DIN7349
	4800	304017008084	HEX SCREW		1	PC	16,4 g		M 8 X 35	ISO4017
	4900	700325015100	CLAMP HALF TUBE 1/1 D9-15		4	PC	0,033 kg		1/1 D 9 - 15	MMN325
	4950	700327010000	GROMMET		2	PC	2,8 g		10	MMN327
	5000	304017008084	HEX SCREW		2	PC	16,4 g		M 8 X 35	ISO4017
	5100	5569970674	FITTING TEE		1	PC	61,6 g		DN 8 / M16X1,5	
	5200	X59518400002	OIL LINE		1	PC	97,6 g	SB		
	5250	X52701800034	OIL LINE		1	PC	201 g	SB		
	5350	5801530840	BRACKET		1	PC	69,6 g			
	5400	304017008077	HEX SCREW		1	PC	10,5 g		M 8 X 16	ISO4017
	5450	000125008427	WASHER		1	PC	1,5 g		A 8,4	DIN125
	5500	700325015100	CLAMP HALF TUBE 1/1 D9-15		2	PC	0,033 kg		1/1 D 9 - 15	MMN325
	5550	700327010000	GROMMET		1	PC	2,8 g		10	MMN327
	5600	304017008083	HEX SCREW		1	PC	15,1 g		M 8 X 30	ISO4017
	5650	5500784541	BRACKET FLAT H:06		1	PC	35,2 g			
	5700	700325015100	CLAMP HALF TUBE 1/1 D9-15		1	PC	0,033 kg		1/1 D 9 - 15	MMN325
	5750	700325015200	CLAMP HALF TUBE 1/1 G8-15		1	PC	34,2 g		1/1 G 8 - 15	MMN325
	5800	700327010000	GROMMET		1	PC	2,8 g		10	MMN327
	5850	000000003020	HEX SCREW		1	PC	20 g		M 10 X 20	ISO4017
	5900	000125010524	WASHER		1	PC	3,1 g		A 10,5	DIN125
	5950	304017008083	HEX SCREW		1	PC	15,1 g		M 8 X 30	ISO4017
	6000	000125008427	WASHER		1	PC	1,5 g		A 8,4	DIN125
	6100	5315461043	RETAINER		1	PC	81,1 g			
	6150	304017008079	HEX SCREW		1	PC	11,7 g		M 8 X 20	ISO4017
	6200	304017008083	HEX SCREW		1	PC	15,1 g		M 8 X 30	ISO4017
	6250	007349008002	WASHER		1	PC	7,9 g		8,4	DIN7349
	6300	700325015100	CLAMP HALF TUBE 1/1 D9-15		2	PC	0,033 kg		1/1 D 9 - 15	MMN325
	6350	700327010000	GROMMET		1	PC	2,8 g		10	MMN327
	6450	X59301800035	OIL LINE		1	PC	240 g	SB		
	6550	5315461043	RETAINER		1	PC	81,1 g			
	6600	304017008083	HEX SCREW		1	PC	15,1 g		M 8 X 30	ISO4017
	6650	700325015100	CLAMP HALF TUBE 1/1 D9-15		6	PC	0,033 kg		1/1 D 9 - 15	MMN325
	6700	700327010000	GROMMET		3	PC	2,8 g		10	MMN327
	6750	007349010002	WASHER		1	PC	11 g		10,5	DIN7349

☐	POS.	PART NO.	DESIGNATION	MODEL/TYPE	QTY.	UNITS	WEIGHT FN	MEASUREMENT	STANDARD
	6800	304017010039	HEX SCREW		1	PC	44 g	M 10 X 70	ISO4017
	6850	X59699100034	SPACER SLEEVE		1	PC	42 g		
	6860	5240940253	SPACER SLEEVE	4000	1	PC	50,5 g	9MM X 20MM L=25	
	6870	000000001463	HEX SCREW		1	PC	30,5 g	M 8 X 80	ISO4017
	7050	007603026104	COPPER SEALING RING		1	PC	3,1 g	A 26 X 31	DIN7603
	7100	915007016000	CONNECTOR 16/10		1	PC	63 g	16 / 10	MBN15007
18	7200	735210014000	THREAD PLUG		1	PC	0,019 kg	M 14 X 1,5	MTN5210
	7300	700429043000	O-RING		1	PC	2,2 g	43 X 3	MMN429
	7350	X59499100174	FLANGE		1	PC	94,8 g		
	7400	000125008427	WASHER		2	PC	1,5 g	A 8,4	DIN125
	7450	304017008081	HEX SCREW		2	PC	13,4 g	M 8 X 25	ISO4017



01801528

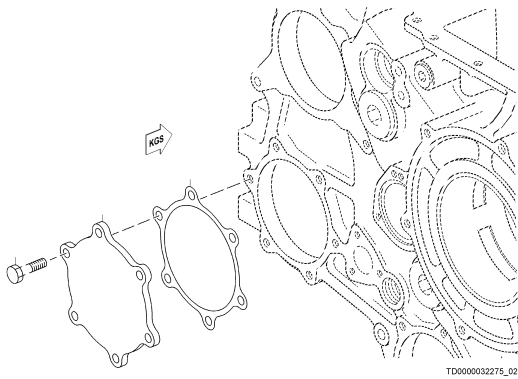
☐	POS.	PART NO.	DESIGNATION	QTY.	UNITS	WEIGHT	MEASUREMENT
	10	XP57518300069	O-RING	1	PC	2,99 g	75X3,55
	20	XP57518300070	O-RING	1	PC	0,4 g	20,4X2,4



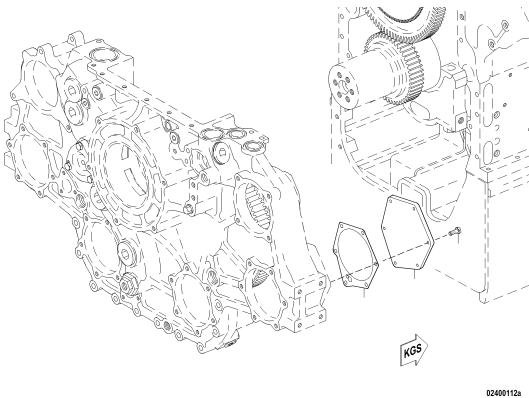
01801409

☐	POS.	PART NO.	DESIGNATION	QTY.	UNITS	WEIGHT	FN
	50	X59301800036	IMPAKTOR CARRIER	1	PC	10,454 kg	EM

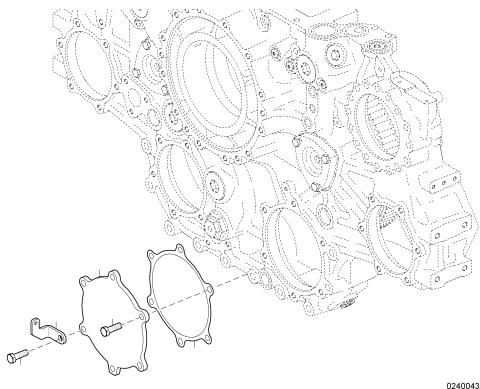
GROUP SEGMENT (FGS)
GROUP NAME
BOM-No.



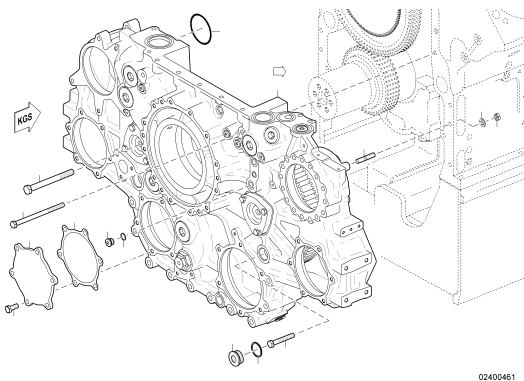
05
COVER FOR HYDRAULIC PUMP
020.00005



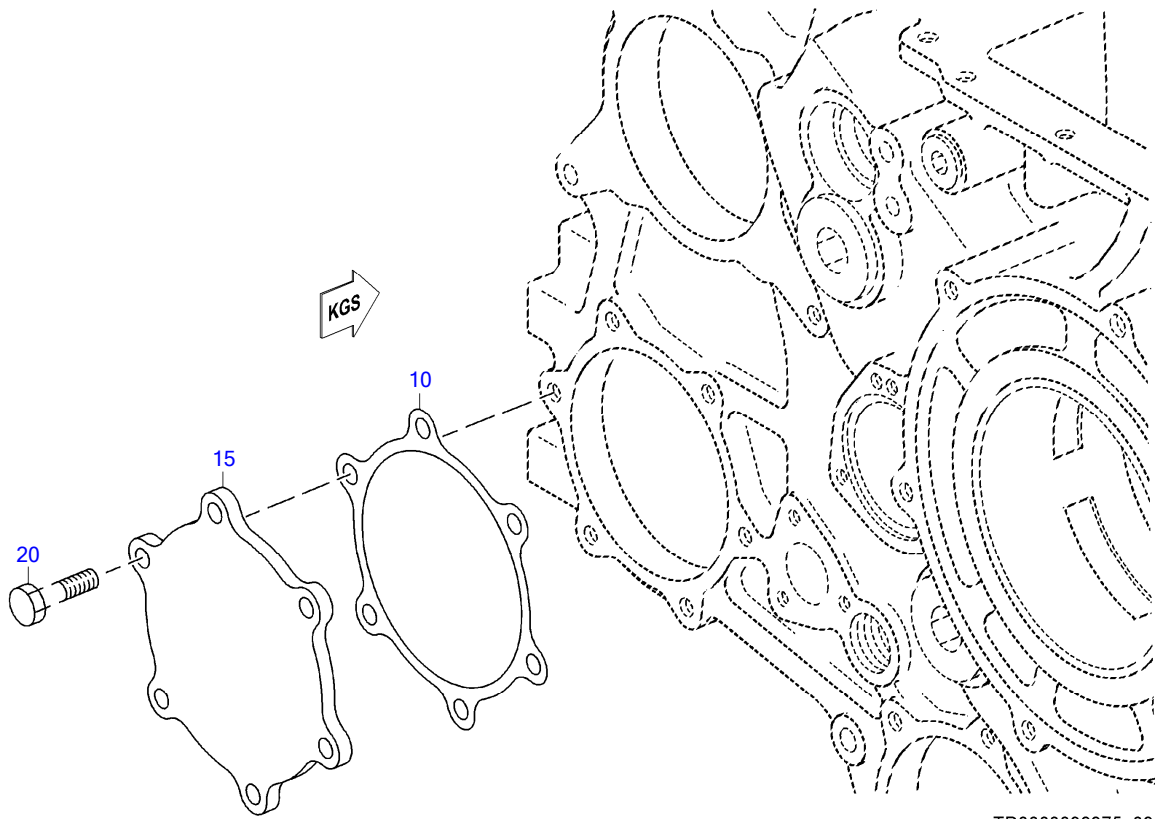
05
COVER FOR DDC COMPRESSOR
020.00060



05
COVER
XS593020.00011

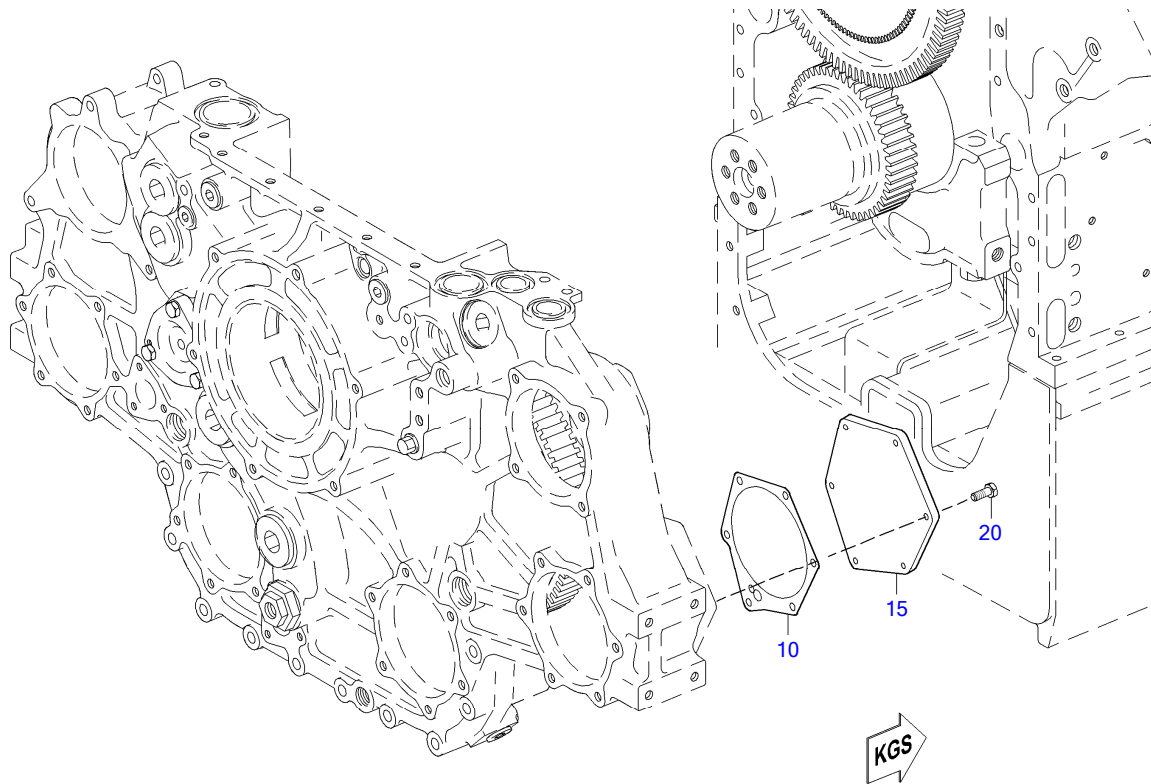


05
EQUIPMENT RACK
XS594020.00011



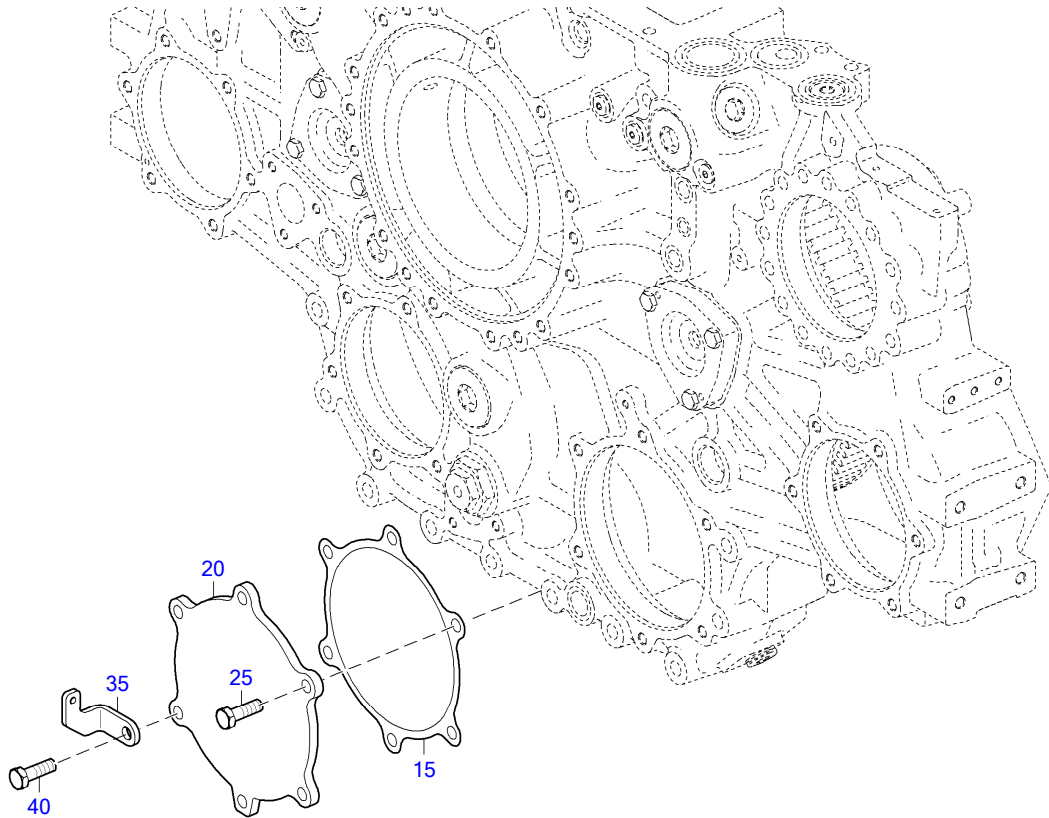
TD0000032275_024

☐	POS.	PART NO.	DESIGNATION	QTY.	UNITS	WEIGHT	MEASUREMENT	STANDARD
	10	5241880080	GASKET	1	PC	10,6 g	1X250X250	
	15	5241880102	COVER	1	PC	1,9 kg		
	20	00000003925	HEX SCREW	6	PC	36,9 g	M 12 X 30	ISO4017



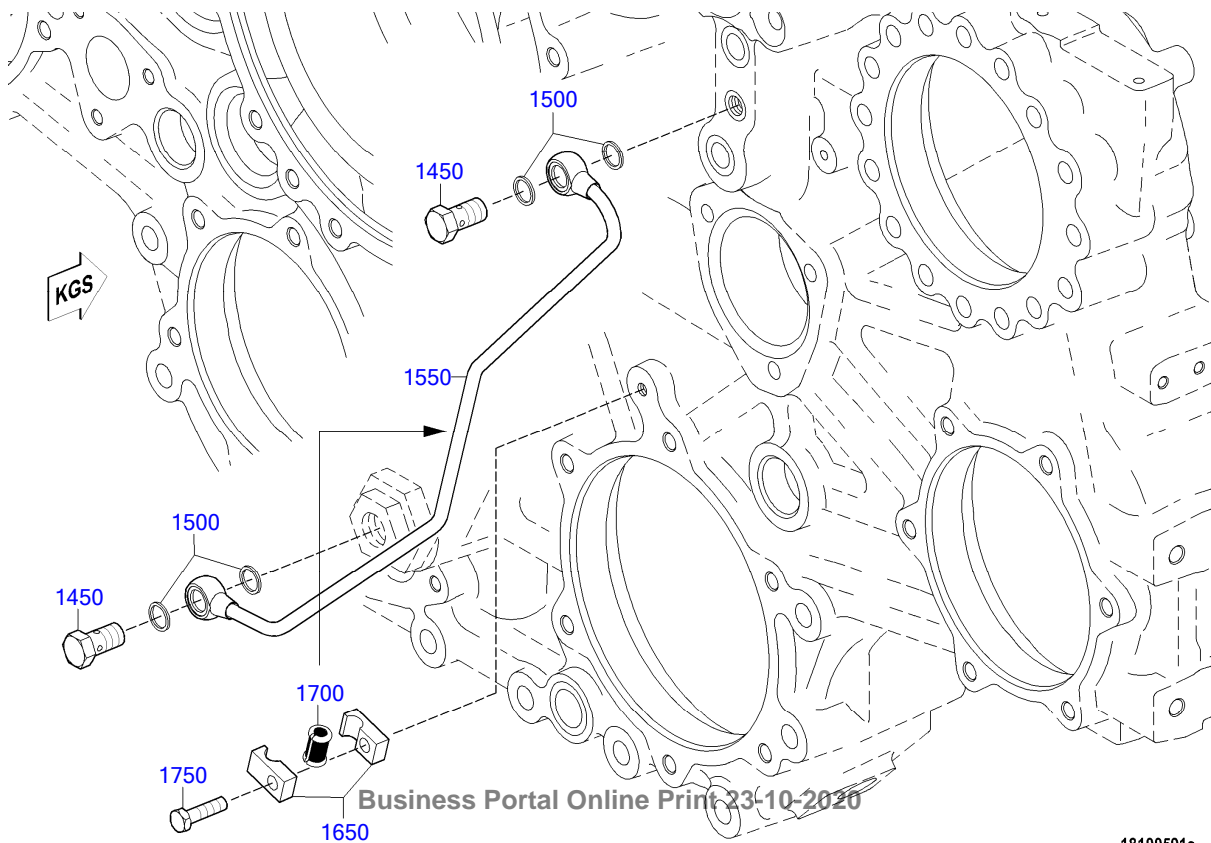
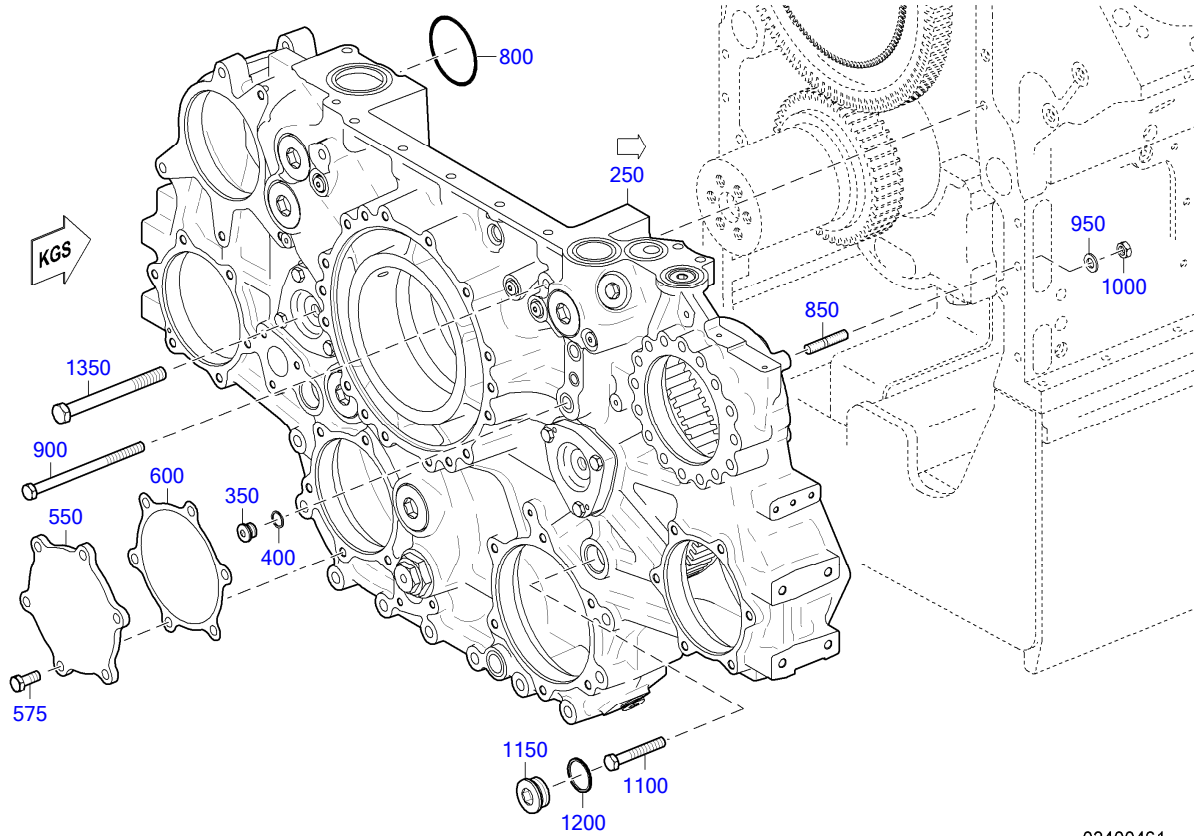
02400112a

☐	POS.	PART NO.	DESIGNATION	QTY.	UNITS	WEIGHT	MEASUREMENT	STANDARD
	10	5360520080	GASKET	1	PC	6 g		
	15	5241880502	COVER	1	PC	2,6 kg		
	20	00000003021	HEX SCREW	6	PC	22,8 g	M 10 X 25	ISO4017

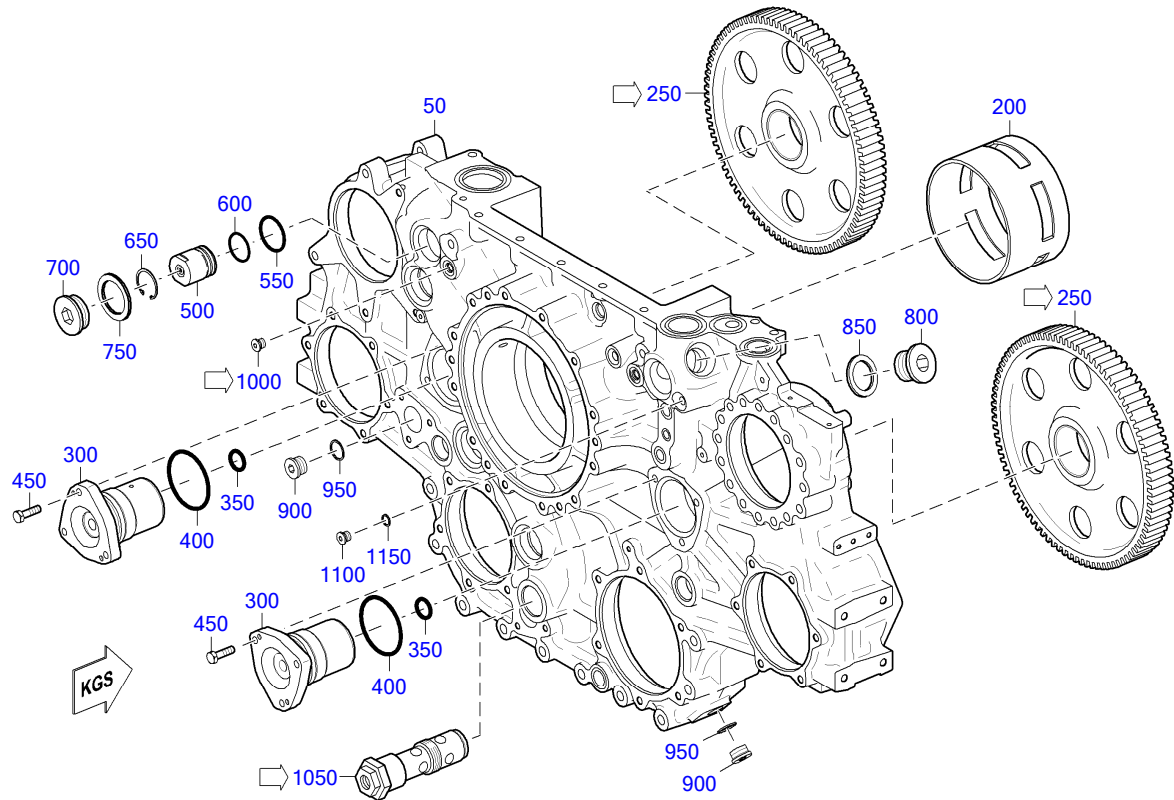


02400439

☐	POS.	PART NO.	DESIGNATION	MODEL/TYPE	QTY.	UNITS	WEIGHT	MEASUREMENT	STANDARD
	15	5281880080	GASKET		1	PC	11,1 g		
	20	5281880102	COVER	20V4000	1	PC	2,7 kg		
	25	000000003925	HEX SCREW		5	PC	36,9 g	M 12 X 30	ISO4017
	35	X59399100108	RETAINER		1	PC	119,3 g		
	40	000000003381	HEX SCREW		1	PC	40,3 g	M 12 X 35	ISO4017

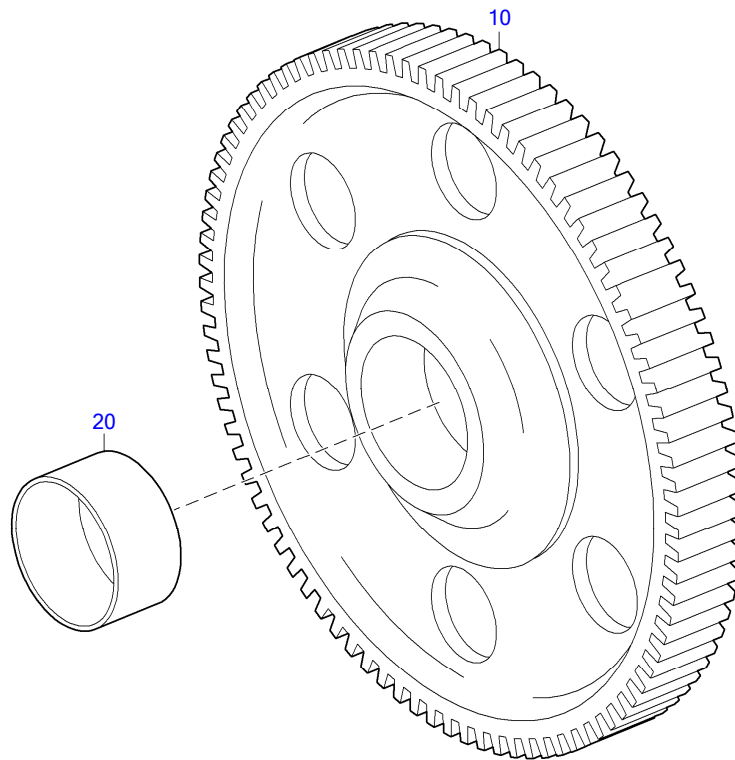


☐	POS.	PART NO.	DESIGNATION	QTY.	UNITS	WEIGHT	FN	MEASUREMENT	STANDARD
41	250	X59402400005/75	EQUIPMENT RACK PRIMED	1	PC	253 kg			
	350	000908018002	PLUG	1	PC	0,029 kg		M 18 X 1,5	DIN908
	400	007603018101	COPPER SEALING RING	1	PC	1,3 g		A 18 X 22	DIN7603
	550	5241880102	COVER	1	PC	1,9 kg			
	575	000000003925	HEX SCREW	6	PC	36,9 g		M 12 X 30	ISO4017
	600	5241880080	GASKET	1	PC	10,6 g		1X250X250	
	800	700429083000	O-RING	2	PC	11,7 g		83 X 5	MMN429
	850	200939012003	STUD	6	PC	32,3 g		M 12 X 30	DIN939
	900	204014012008	HEX SCREW	2	PC	155 g		M 12 X170	ISO4014
	950	200433013000	WASHER	6	PC	2,5 g		13	DIN433
	1000	204032012000	NUT HEX ZNPH R5F	6	PC	14,9 g		M 12	ISO4032
	1100	000000000904	HEX SCREW	2	PC	75 g		M 12 X 80	ISO4017
	1150	000908038000	THREAD PLUG	2	PC	0,15 kg		M 38 X 1,5	DIN908
	1200	007603038101	COPPER SEALING RING	2	PC	5,4 g		A 38 X 44	DIN7603
	1350	204017016000	HEX SCREW	2	PC	246,2 g		M 16 X160	ISO4017
	1450	700223006000	BOLT BANJO A8 S2000/ 4000	2	PC	38,8 g		A 8	MMN223
	1500	007603014102	SEAL RING	4	PC	1 g		A 14 X 18	DIN7603
	1550	5281800519	TUBE ASM OIL LINE	1	PC	200 g	SB		
	1650	700325012100	CLAMP HALF TUBE 1/1 D9-12	2	PC	25 g		1/1 D 9 - 12	MMN325
	1700	700327008000	GROMMET	1	PC	1,7 g		8	MMN327
	1750	304017008083	HEX SCREW	1	PC	15,1 g		M 8 X 30	ISO4017



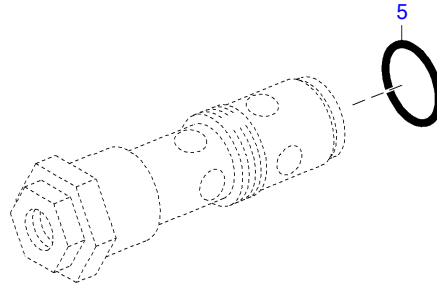
02400413

☐	POS.	PART NO.	DESIGNATION	MODEL/TYPE	QTY.	UNITS	WEIGHT	MEASUREMENT	STANDARD
	50	X59302400011/75	EQUIPMENT RACK PRIMED		1	PC	208,7 kg		
	200	X52403500008	CRANKSHAFT BEARING SIZE 0-0	KGS	1	PC	2,763 kg		
42	250	X59305200004	IDLER GEAR		2	PC	13,92 kg		
	300	X59302400005	AXLE		2	PC	4,694 kg		
	350	700429024000	O-RING		2	PC	3,9 g	24 X 5	MMN429
	400	700429083000	O-RING		2	PC	11,7 g	83 X 5	MMN429
	450	304017010035	HEX SCREW		6	PC	32,1 g	M 10 X 45	ISO4017
	500	5241800015	PRESSURE VALVE ASSY.		2	PC	390 g	2.5 BAR	
	550	700429048000	O-RING		2	PC	4,4 g	48 X 4	MMN429
	600	700429040000	O-RING		2	PC	2 g	40 X 3	MMN429
	650	000472048000	RING SNAP		2	PC	6,5 g	48 X 1,75	DIN472
	700	000908052003	THREAD PLUG		5	PC	0,298 kg	M 52 X 1,5	DIN908
	750	007603052101	COPPER SEALING RING		5	PC	12,5 g	A 52 X 60	DIN7603
	800	000908038000	THREAD PLUG		2	PC	0,15 kg	M 38 X 1,5	DIN908
	850	007603038101	COPPER SEALING RING		2	PC	5,4 g	A 38 X 44	DIN7603
	900	000908026005	THREAD PLUG		4	PC	0,069 kg	M 26 X 1,5	DIN908
	950	007603026104	COPPER SEALING RING		4	PC	3,1 g	A 26 X 31	DIN7603
18	1000	735210014000	THREAD PLUG		3	PC	0,019 kg	M 14 X 1,5	MTN5210
43	1050	0001800015	PRESSURE REDUCING VALVE ASSY.		1	PC	1,4 kg		
	1100	000908014001	SCREW PLUG		1	PC	0,016 kg	M 14 X 1,5	DIN908
	1150	007603014102	SEAL RING		1	PC	1 g	A 14 X 18	DIN7603




02400641

	POS.	PART NO.	DESIGNATION	QTY.	UNITS	WEIGHT
	10	X59305200005	IDLER GEAR	1	PC	
	20	X59305200002	BUSHING	1	PC	304,2 g



TD0000032212_024

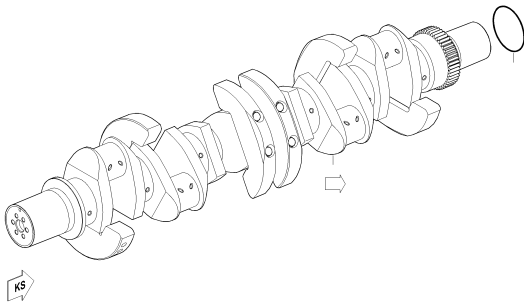
	POS.	PART NO.	DESIGNATION	QTY.	UNITS	WEIGHT	MEASUREMENT	STANDARD
	5	700429037000	O-RING	1	PC	2,8 g	37,7 X 3,53	MMN429

GROUP SEGMENT (FGS)

GROUP NAME

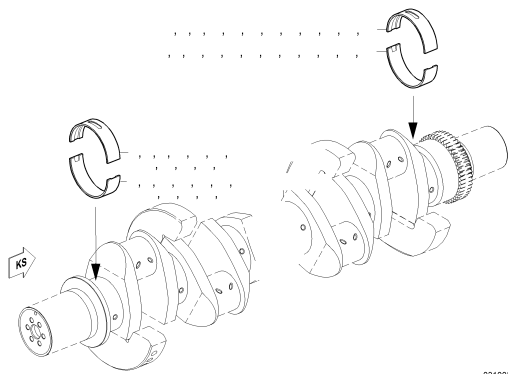
BOM-No.

05
CRANKSHAFT W/O ACCEPT CERTIFIC
XS594030.00024

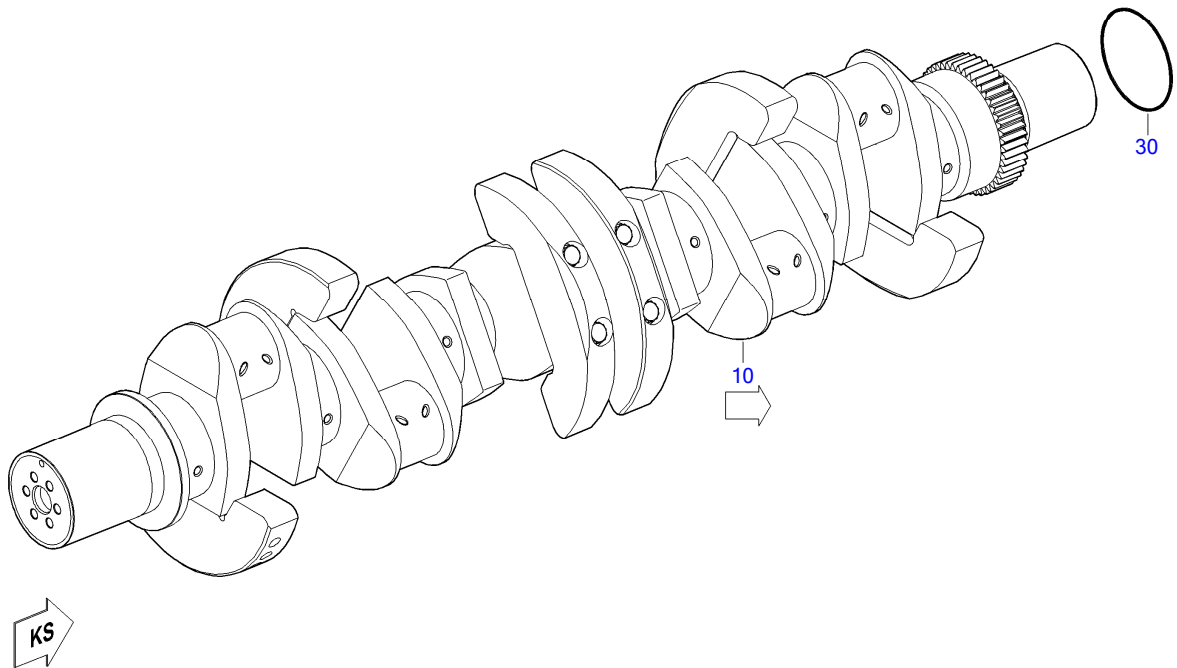


03100453a

10
MAIN BEARING
030.00662

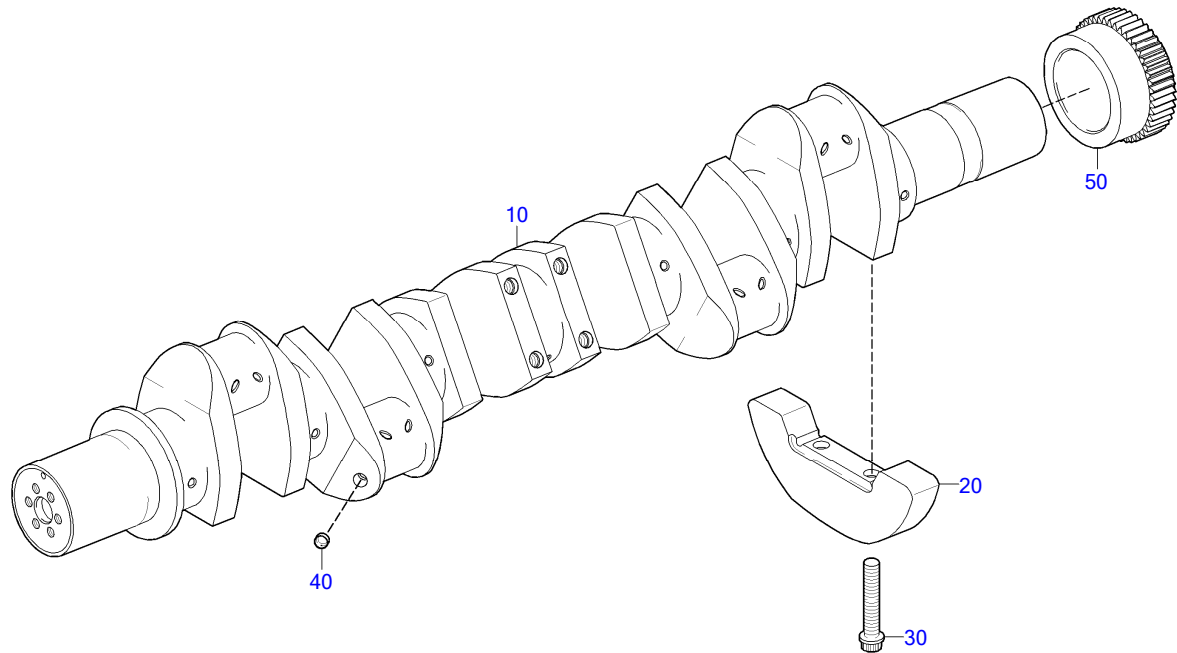


03100393a



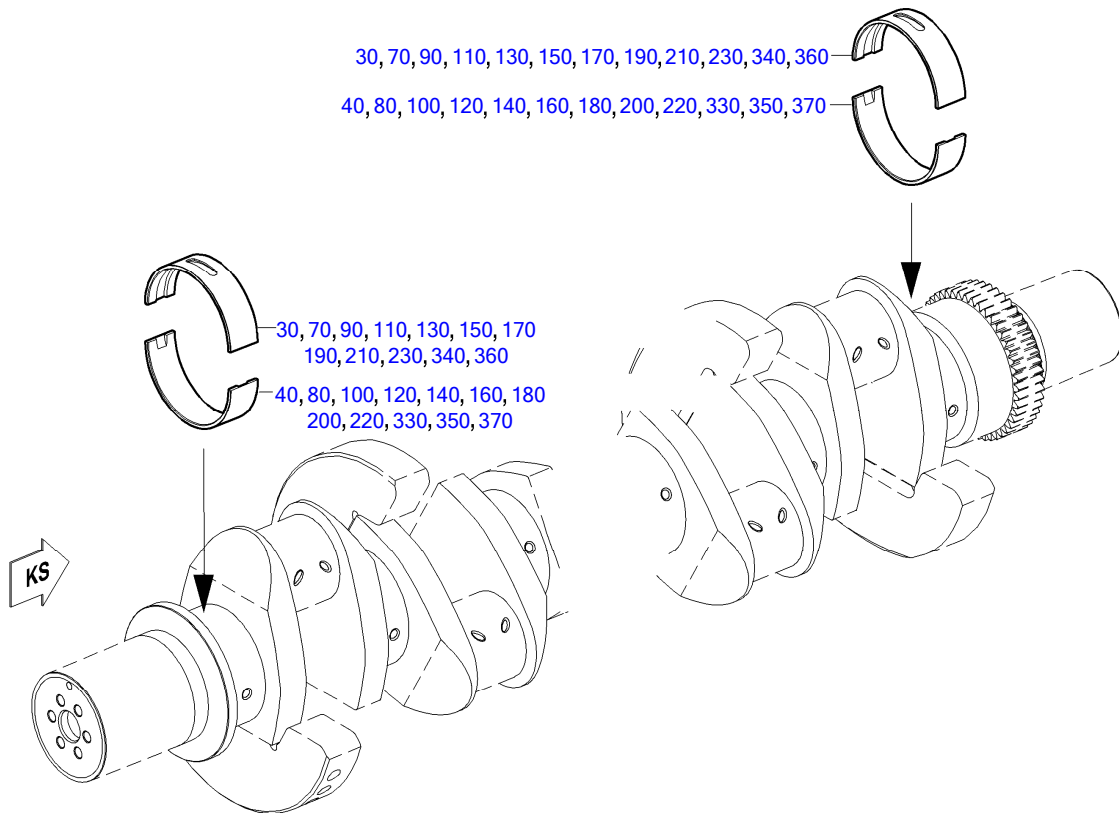
03100453a

☐	POS.	PART NO.	DESIGNATION	MODEL/TYPE	QTY.	UNITS	WEIGHT	FN	MEASUREMENT	STANDARD
	10	X59403100002	CRANKSHAFT	12V-12CWT-STROKE190	1	PC	533 kg	EM		
	30	700429150000	O-RING		1	PC	12,9 g		150 X 4	MMN429



03100470a

☐	POS.	PART NO.	DESIGNATION	MODEL/TYPE	QTY.	UNITS	WEIGHT	FN
	10	X00029036	CRANKSHAFT	12V4000-03 NH	1	PC	314 kg	EM
	20	X52803100003	COUNTERWEIGHT	12V U. 20V M/G/C&I	12	PC	15,3 kg	
	30	5240310171	BOLT 12 PT HD		24	PC	548,6 g	
	40	5240310733	END COVER SIZE 0		18	PC	8,2 g	
	50	X00015817	CRANKSHAFT GEAR AUX PTO END (KGS)		1	PC	12,1 kg	EM



03100393a

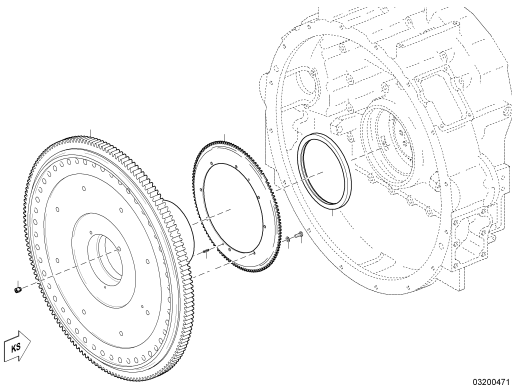
☐	POS.	PART NO.	DESIGNATION	MODEL/TYPE	QTY.	UNITS	WEIGHT	FN
	30	X00016024	CRANKSHAFT BEARING SIZE 0-0	OBERE HAELFTE	7	PC	0,392 kg	
	40	5240336602	CRANKSHAFT BEARING LOWER HALF		7	PC	510 g	
	70	X52403100003	CRANKSHAFT BEARING SIZE 0-1	OBERE HAELFTE	1	PC	390 g	M
	80	5240336702	CRANKSHAFT BEARING SIZE 0-1		1	PC	600 g	M
	90	X52403100004	CRANKSHAFT BEARING SIZE 0-2	OBERE HAELFTE	1	PC	0,97 kg	M
	100	5240336802	CRANKSHAFT BEARING SIZE 0-2		1	PC	565 g	M
	110	X52403100005	CRANKSHAFT BEARING SIZE 0-3	OBERE HAELFTE	1	PC	0,388 kg	M
	120	5240336902	CRANKSHAFT BEARING SIZE 0-3		1	PC	585 g	M
	130	X52403100006	CRANKSHAFT BEARING SIZE 1-0	OBERE HAELFTE	1	PC	0,388 kg	M
	140	5240337002	CRANKSHAFT BEARING SIZE 1-0		1	PC	529,7 g	M
	150	X52403100007	CRANKSHAFT BEARING SIZE 1-1	OBERE HAELFTE	1	PC	428,3 g	M
	160	5240337102	CRANKSHAFT BEARING SIZE 1-1		1	PC	565 g	M
	170	X52403100008	CRANKSHAFT BEARING SIZE 1-2	OBERE HAELFTE	1	PC	0,457 kg	M
	180	5240337202	CRANKSHAFT BEARING SIZE 1-2		1	PC	1 kg	M
	190	X52403100009	CRANKSHAFT BEARING SIZE 1-3	OBERE HAELFTE	1	PC	0,388 kg	M
	200	5240337302	CRANKSHAFT BEARING SIZE 1-3		1	PC	600 g	M
	210	X52403100010	CRANKSHAFT BEARING SIZE 2-0	OBERE HAELFTE	1	PC	0,388 kg	M
	220	5240337402	CRANKSHAFT BEARING SIZE 2-0		1	PC	560 g	M
	230	X52403100011	CRANKSHAFT BEARING SIZE 2-1	OBERE HAELFTE	1	PC	458,5 g	M
	330	5240337502	CRANKSHAFT BEARING SIZE 2-1		1	PC	580 g	M
	340	X52403100012	CRANKSHAFT BEARING SIZE 2-2	OBERE HAELFTE	1	PC	0,483 kg	M
	350	5240337602	CRANKSHAFT BEARING SIZE 2-2		1	PC	675 g	M
	360	X52403100013	CRANKSHAFT BEARING SIZE 2-3	OBERE HAELFTE	1	PC	0,388 kg	M
	370	5240337702	CRANKSHAFT BEARING SIZE 2-3		1	PC	685 g	M

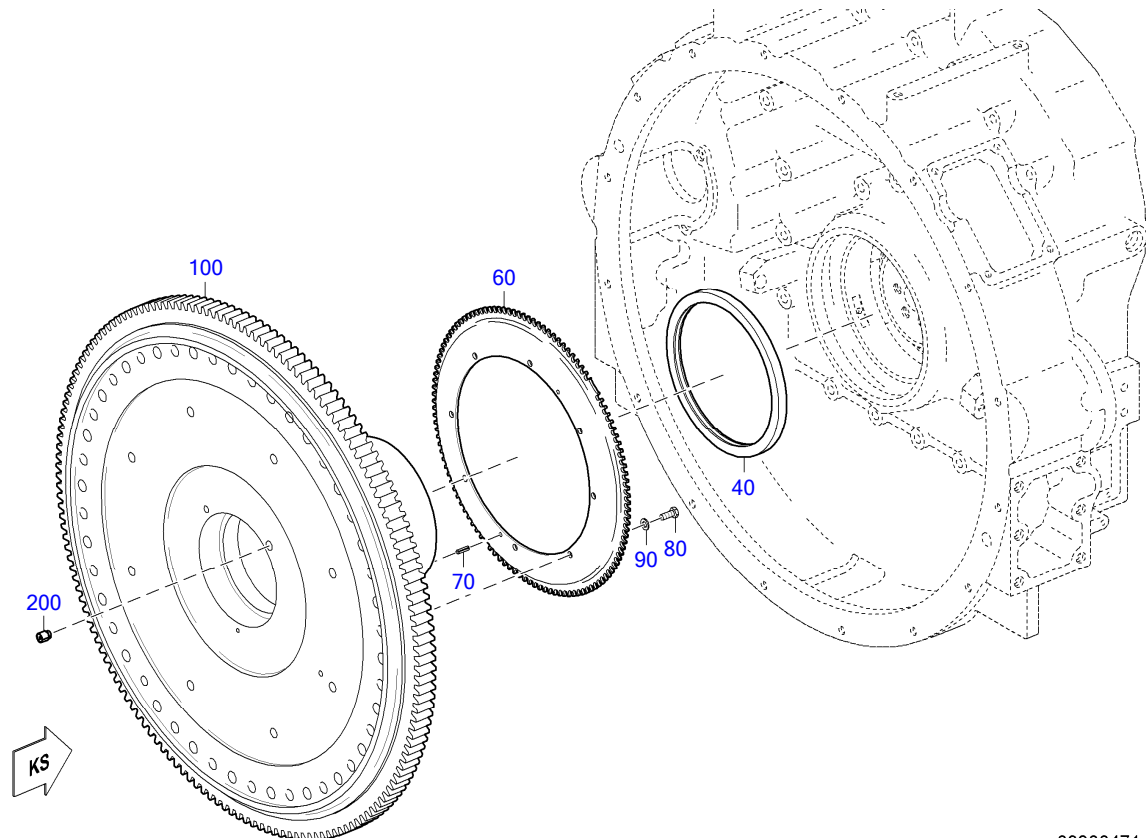
GROUP SEGMENT (FGS)

GROUP NAME

BOM-No.

20
FLYWHEEL
XS594030.00050





03200471

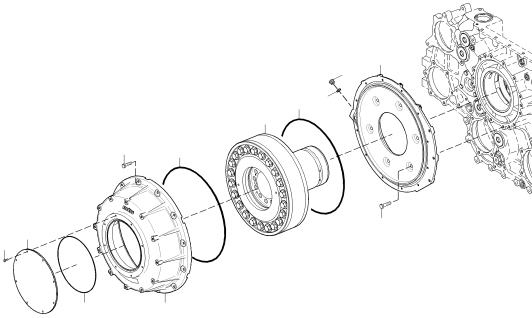
☐	POS.	PART NO.	DESIGNATION	MODEL/TYPE	QTY.	UNITS	WEIGHT FN	MEASUREMENT	STANDARD
	40	0219976647	SEAL RING CRANKSHAFT REAR	PTEF-MANSCHETTE	1	PC	160 g	DM 210	
	60	5240311148	WHEEL MDEC TRS METER ING CRANKSHAFT		1	PC	2,22 kg	EM	
	70	001481006004	PIN SPRING		2	PC	2,4 g	6 X 20 - N	ISO8752
	80	304017008079	HEX SCREW		8	PC	11,7 g	M 8 X 20	ISO4017
	90	000125008427	WASHER		8	PC	1,5 g	A 8,4	DIN125
	100	X59403200001	FLYWHEEL		1	PC	120 kg		
	200	5769970219	PLUG HEX SOC HD G1/4 17.5 X 11 42CRM04		2	PC	12 g		

GROUP SEGMENT (FGS)

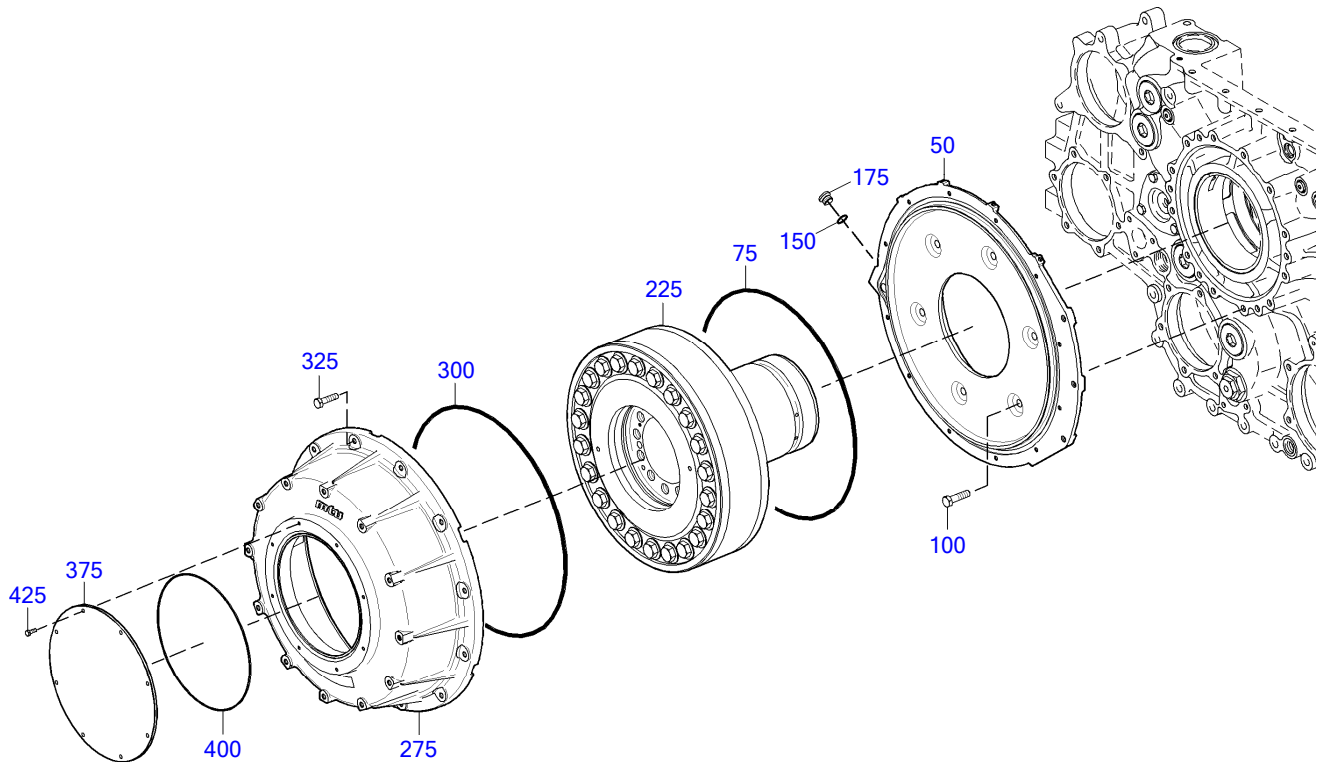
GROUP NAME

BOM-No.

05
VIBRATION DAMPER WITHOUT AUX. PTO
XS594030.00028

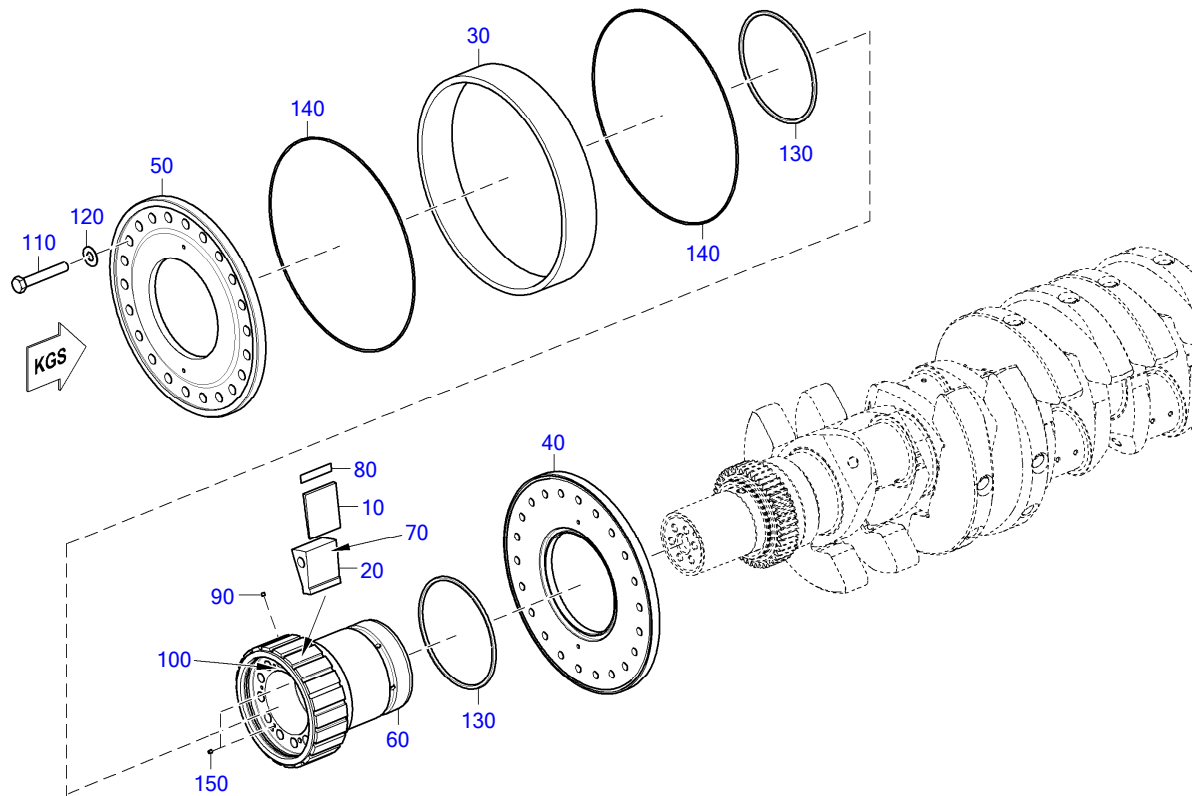


03560432a



03500433a

☐	POS.	PART NO.	DESIGNATION	MODEL/TYPE	QTY.	UNITS	WEIGHT	MEASUREMENT	STANDARD
	50	X59499100480	FLANGE F.VIB.DAMPER HOUSIN		1	PC	20 kg		
	75	700429290000	O-RING		1	PC	25,2 g	290 X 4	MMN429
	100	304017012018	HEX SCREW		6	PC	49,9 g	M 12 X 50	ISO4017
	150	007603020103	WASHER A COP		1	PC	2,4 g	A 20 X 26	DIN7603
	175	000908020000	PLUG		1	PC	0,037 kg	M 20 X 1,5	DIN908
52	225	X59403500005	VIBRATION DAMPER	D44/4/3/1	1	PC	122 kg		
	275	X00041688	HSG VIBRATION DAMPER C23		1	PC	34,583 kg		
	300	700429480000	O-RING		1	PC	64,6 g	480 X 5	MMN429
	325	304017008085	HEX SCREW		12	PC	18 g	M 8 X 40	ISO4017
	375	X00041483	COVER F.VIB.DAMPER HOUSIN		1	PC	3,3 kg		
	400	700429260001	O-RING		1	PC	12,9 g	260 X 3	MMN429
	425	000000003387	HEX SCREW		8	PC	5,1 g	M 6 X 16	ISO4017



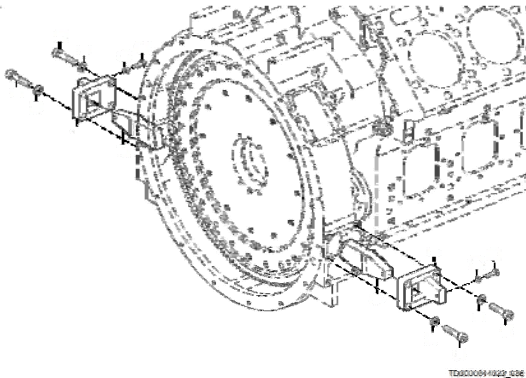
03200567

☐	POS.	PART NO.	DESIGNATION	QTY.	UNITS	WEIGHT	FN	MEASUREMENT	STANDARD
	10	X00035236	SPRING PACK	1	PC				
	20	X00025741	INTERMEDIATE MEMBER	1	PC				
	30	XP52825100032	CLAMPING RING	1	PC				
	40	XP52825100033	FLANGE	1	PC				
	50	XP52825100034	SIDE PLATE	1	PC				
	60	XP59425100025	INNER STAR	1	PC				
	70	XP52625200121	SHIM	1	PC				
	80	X00035243	SHIM	22	PC			RE>268 MPA	
	90	X00035245	INJECTION TIMER	2	PC		EM	M6 DURCHM.2.7	
	100	X00035250	PLUG	1	PC	0,49 g		M10X1 DICHTNIPPEL	
	110	X00025753	HEX SCREW	22	PC			M18X110	
	120	Z=40X19X2	DISC WASHER (VULKAN)	22	PC	14,7 g			
	130	8699970418	SEALING RING	2	PC	53,5 g		208 X 7	
	140	700429420000	O-RING	2	PC	36,7 g		420 X 4	MMN429
	150	XP52725100085	SEAL PLUG	4	PC				

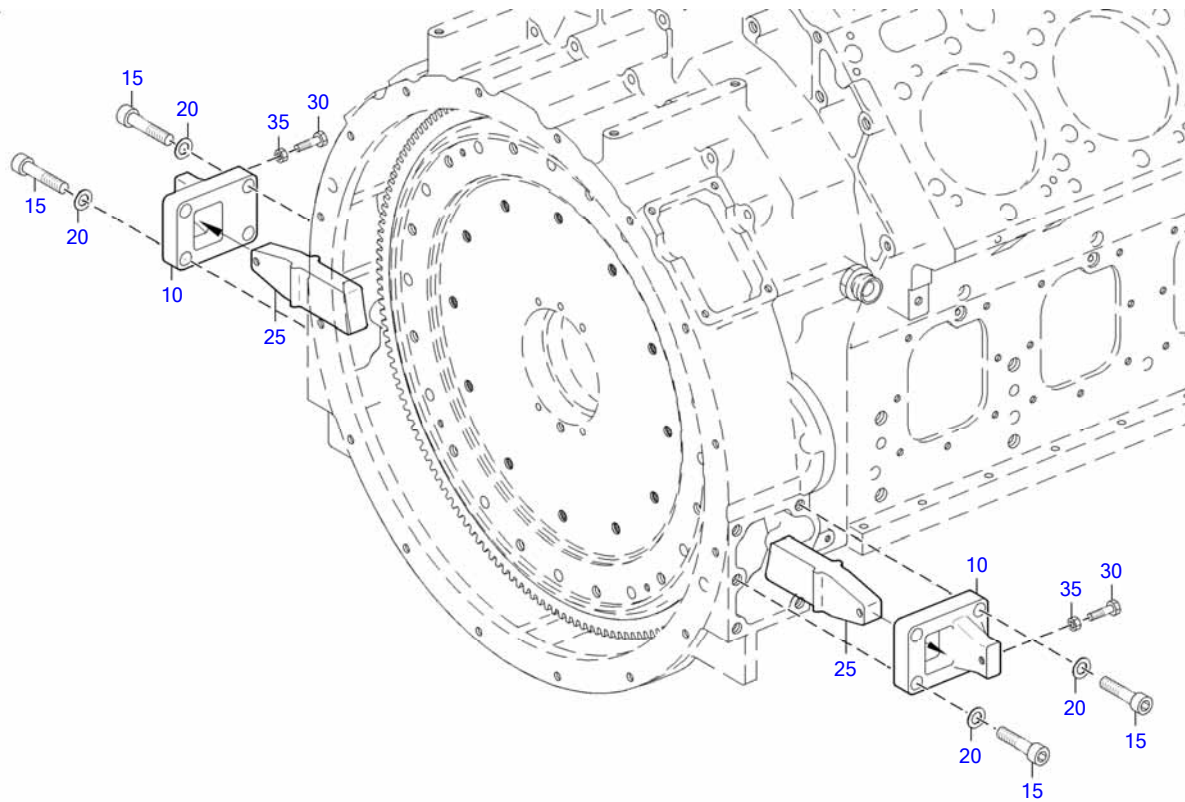
GROUP SEGMENT (FGS)

GROUP NAME

BOM-No.



05
TRANSPORTATION LOCK
030.00160



TD0000044023_036

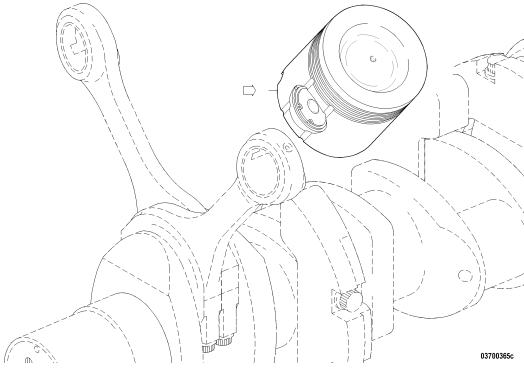
☐	POS.	PART NO.	DESIGNATION	MODEL/TYPE	QTY.	UNITS	WEIGHT	MEASUREMENT	STANDARD
	10	5242370435	PLATE	8/12/16V4000	2	PC	3,1 kg		
	15	000912016045	BOLT HEX SOC HD		8	PC	111,8 g	M 16 X 55	DIN912
	20	000125017014	WASHER		8	PC	9,7 g	A 17	DIN125
	25	5242370940	RETAINER	8/12/16V40000	2	PC	2,69 kg		
	30	000933010144	HEX SCREW		2	PC	40,8 g	M 10 X 60	DIN933
	35	000934010007	NUT HEX		2	PC	10,3 g	M 10	DIN934

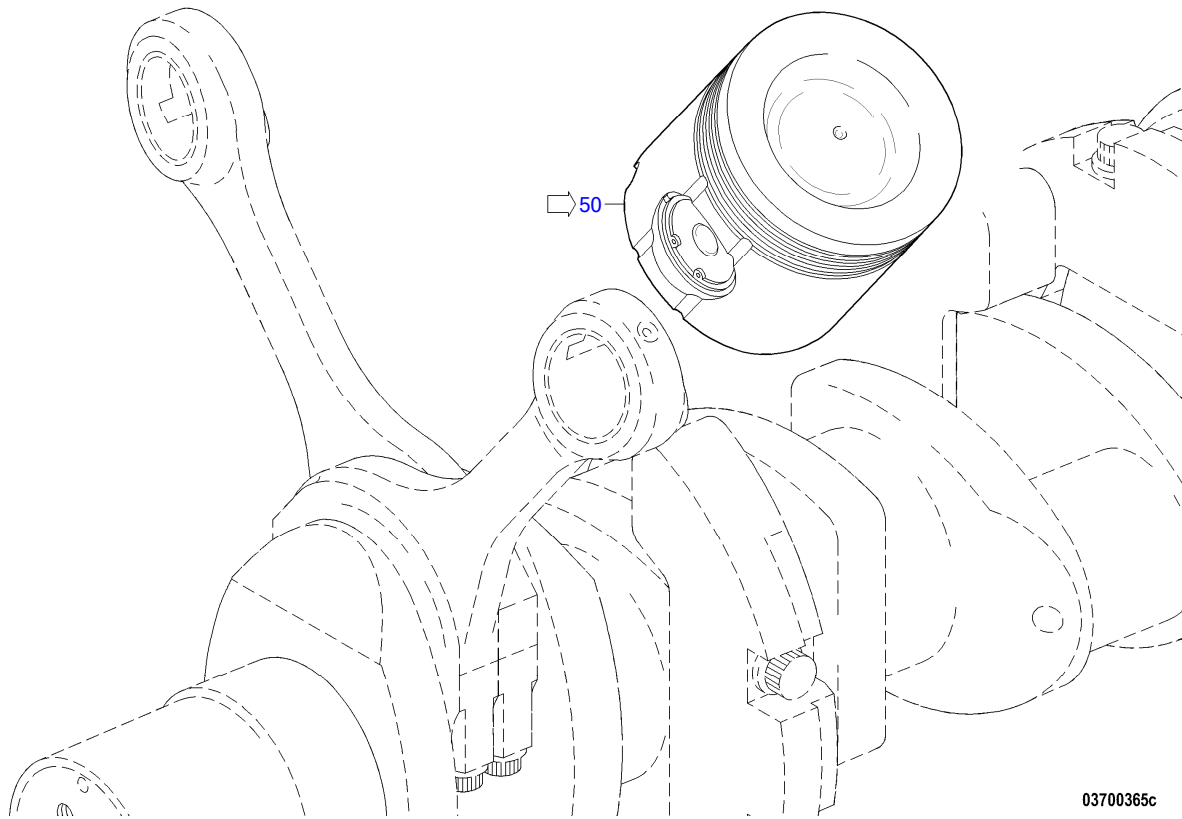
GROUP SEGMENT (FGS)

GROUP NAME

BOM-No.

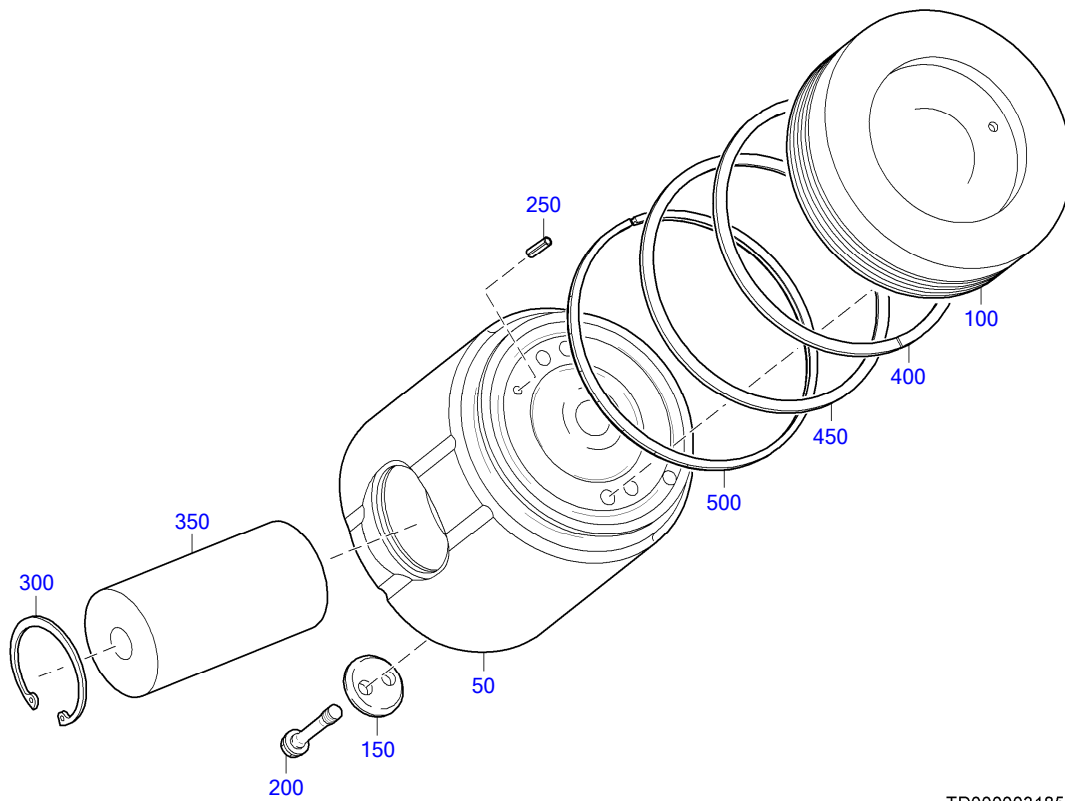
05
PISTON
XS594030.00025





03700365c

	POS.	PART NO.	DESIGNATION	MODEL/TYPE	QTY.	UNITS	WEIGHT	FN
	50	X00035690	PISTON	EPSILON 15.2	12	PC	13,1 kg	EM

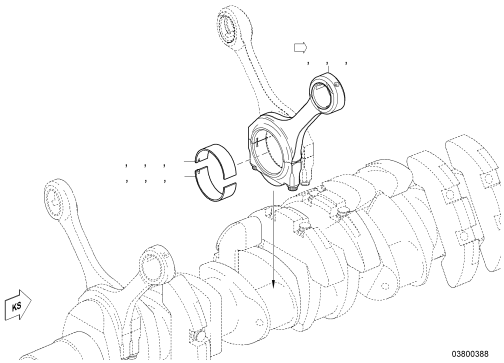


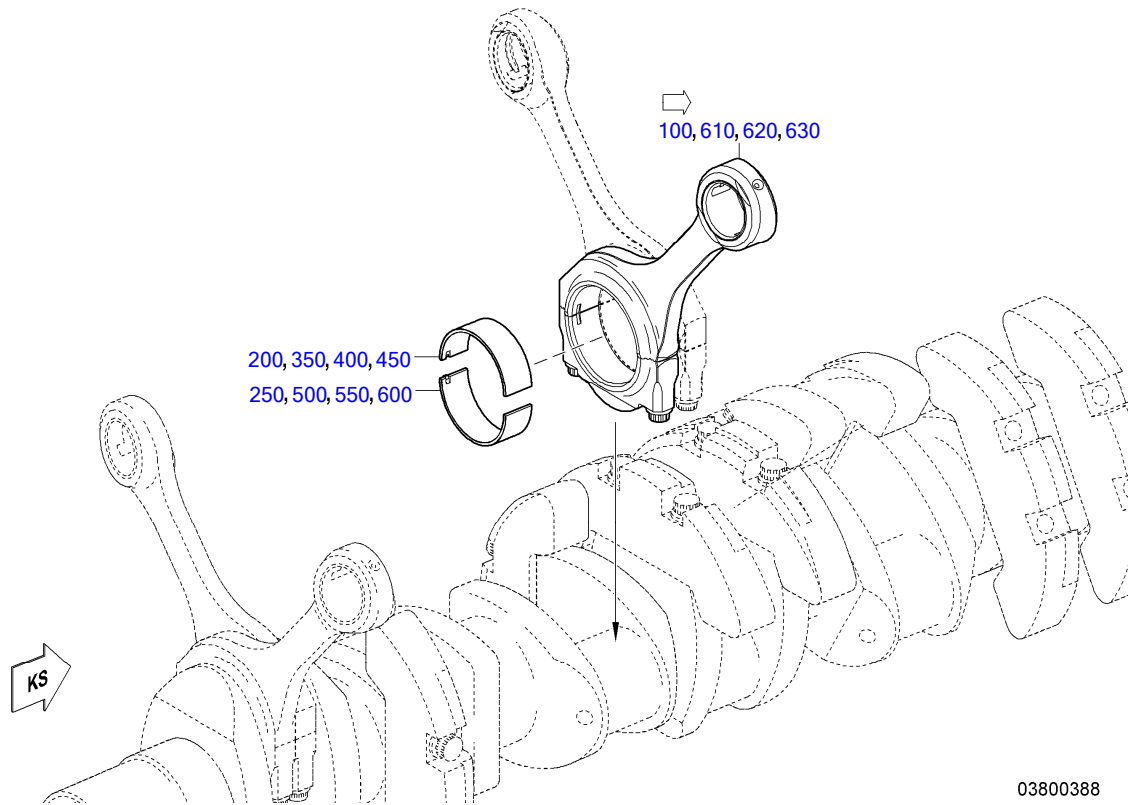
TD0000031850_037

☐	POS.	PART NO.	DESIGNATION	MODEL/TYPE	QTY.	UNITS	WEIGHT	FN	MEASUREMENT	STANDARD
	50	X00035435	PISTON SKIRT		1	PC	5840 g			
	100	X00035437	PISTON CROWN		1	PC		EM		
	150	5240370276	PRESSURE PLATE		2	PC	43,6 g			
	200	5249900719	BOLT PISTON M9 1.0 X 56.5		4	PC	25,5 g		49 LANG	
	250	001481005017	PIN SPRING		1	PC	1,4 g		5 X 16 - N	ISO8752
	300	X52403700066	SNAP RING	KOLBEN	2	PC	0,017 kg			DIN472
	350	X00012064	PISTON PIN		1	PC	3,667 kg			
	400	X00009806	RECTANGLR-SECT RING		1	PC	92,8 g	EM		
	450	0090375019	TAPER FACE COMP RING		1	PC	92,8 g			
	500	0120373618	OIL CONTROL RING		1	PC	59 g	EM		

GROUP SEGMENT (FGS)
GROUP NAME
BOM-No.

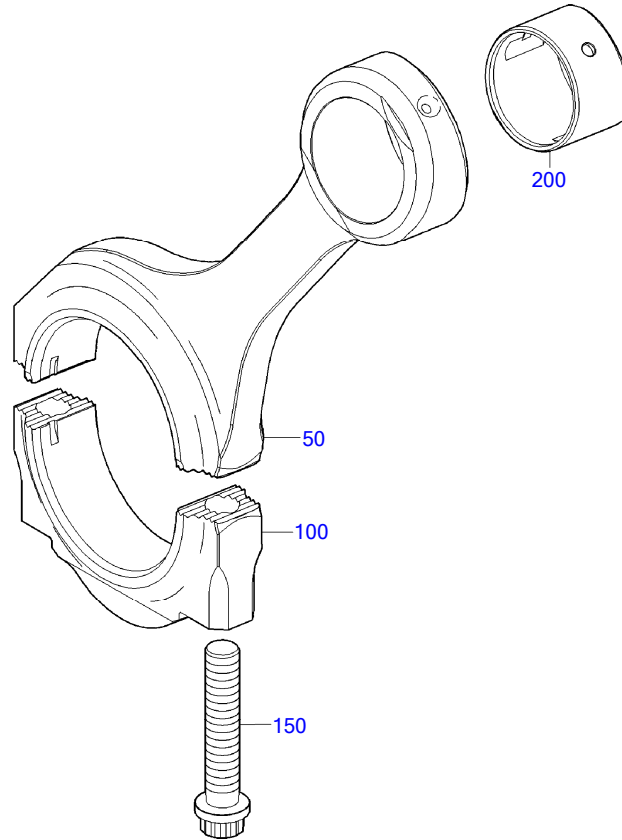
05
CONROD W/BEARING
XS594030.00026





03800388

☐	POS.	PART NO.	DESIGNATION	MODEL/TYPE	QTY.	UNITS	WEIGHT	FN
60	100	X5260380003/42	CONROD ASM	BR4000 NORMALHUB	12	PC	9,5 kg	EM
	200	5240384110	CONROD BEARING UPPER HALF		12	PC	280 g	
	250	X52403800001	CONROD BEARING SIZE 0-0	UNTERE HAELFTE	12	PC	0,31 kg	
	350	5240384210	CONROD BEARING SIZE 0-1		1	PC	300 g	M
	400	5240384310	CONROD BEARING SIZE 0-2	OBERE HAELFTE	1	PC	292 g	M
	450	5240384410	CONROD BEARING SIZE 0-3		1	PC	302 g	M
	500	X52403800006	CONROD BEARING SIZE 0-1	UNTERE HAELFTE	1	PC	284,7 g	M
	550	X52403800007	CONROD BEARING SIZE 0-2	UNTERE HAELFTE	1	PC	0,3 kg	M
	600	X52403800008	CONROD BEARING SIZE 0-3	UNTERE HAELFTE	1	PC	0,297 kg	M
	610	RX00009469/42	CONROD ASM		1	PC		EM
	620	RX00040054/42	CONROD ASM		1	PC	9,53 kg	EM
	630	RX52603800003/42	CONROD ASM		1	PC	12,7 kg	EM



03800045a

☐	POS.	PART NO.	DESIGNATION	QTY.	UNITS	WEIGHT	FN
	50	X00040055/42	CONROD	1	PC		EM
	100	X00040056	CONROD CAP	1	PC		MN
	150	5240380471	BOLT M20 1.50 X 103.0 LG 18 CONROD	2	PC	308 g	
	200	5240382550	BUSHING CONROD SIZE 0	1	PC	303 g	M

EQUI TYPE: Engine

PRODUCT TYPE: 12V4000M93L
CYLINDER HEAD

SERIAL NUMBER: 526108553
FG/FGS: 041

GROUP SEGMENT (FGS)

GROUP NAME

BOM-No.

05

CYLINDER HEAD FOR 12V
XS594040.00021


EQUI TYPE: Engine

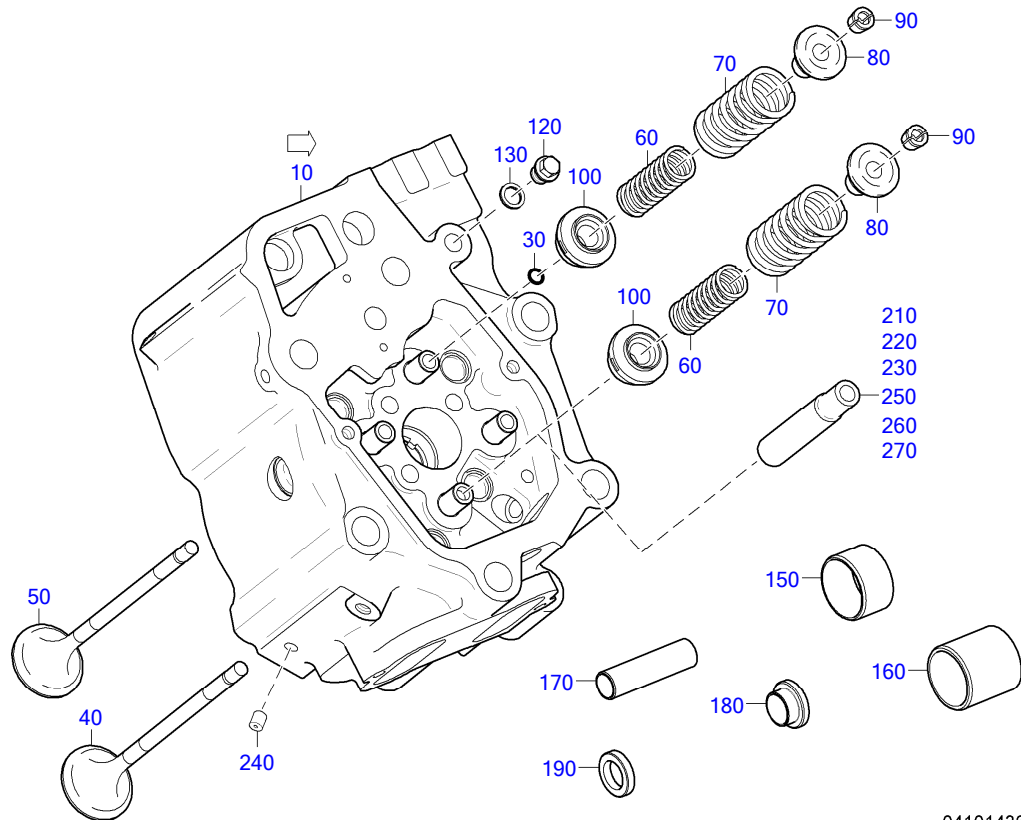
PRODUCT TYPE: 12V4000M93L
CYLINDER HEAD FOR 12V

SERIAL NUMBER: 526108553

FG/FGS: 041 05

BOM-No.: XS594040.00021

	POS.	PART NO.	DESIGNATION	QTY.	UNITS	WEIGHT	FN	MEASUREMENT
63	50	X52404100205	CYL.HEAD WITH VALVES	12	PC	53 kg	EM	
	70	5240160319	SEALING RING SIZE 0	12	PC	165,8 g	EM	
	90	X52404200037	GASKET FOR CYLINDER HEAD	12	PC	0,11 kg		
	110	X52404200005	SCREW	60	PC	827,7 g		
	120	5240110062	WASHER THRUST	60	PC	20,6 g		
	140	5240160069	BOLT HEX CYL HD	12	PC	1,1 kg		M22X2X333
	150	5240110062	WASHER THRUST	12	PC	20,6 g		



04101436

□	POS.	PART NO.	DESIGNATION	MODEL/TYPE	QTY.	UNITS	WEIGHT	FN	MEASUREMENT	STANDARD
64	10	X52404100177	CYLINDER HEAD W/VALVE GUIDES		1	PC	46,588 kg	EM		
	30	700429010004	O-RING		2	PC	0,2 g		10,78X 1,82	MMN429
	40	X00042197	INLET VALVE		2	PC	335,8 g	EM		
	50	5240530805	EXHAUST VALVE		2	PC	340,8 g	EM		
	60	5240530122	VALVE SPRING INNER	4000	4	PC	60,5 g			
	70	5240530120	VALVE SPRING OUTER	4000	4	PC	154,9 g			
	80	5240530125	RETAINER VALVE SPRING		4	PC	33,8 g			
	90	0000530926	VALVE KEEPER WEDGE		8	PC	1,6 g			
	100	0000534335	VALVE ROTATOR		4	PC	108,7 g			
	120	000910014004	PLUG		1	PC	25 g		M 14 X 1,5	DIN910
	130	007603014102	SEAL RING		1	PC	1 g		A 14 X 18	DIN7603
	150	5240160350	BUSHING	4000	1	PC	79 g			
	160	5240160450	BUSHING	4000	1	PC	139 g			
	170	5240160550	BUSHING	4000	1	PC	66 g			
	180	5240160650	BUSHING	4000	1	PC	32 g			
	190	5240160276	WASHER	4000	1	PC	25,3 g			
	210	X52404200008	VALVE GUIDE INLET AND EXHAUST	STUFE 0 - KENNZ. 1 RILLE	1	PC	120 g		FERTIG BEARBEITET, 19.00 R6 H7	
	220	X52404200009	VALVE GUIDE INLET AND EXHAUST	STUFE 1 - KENNZ. 2 RILLEN	1	PC	0,12 kg	EM	FERTIG BEARBEITET, 19.10 R6 H7	
	230	X52404200010	VALVE GUIDE INLET AND EXHAUST	STUFE 2 - KENNZ. 3 RILLEN	1	PC	0,12 kg	EM	FERTIG BEARBEITET, 19.30 R6 H7	
	240		PLUG		1	PC	14 g		A10	MTN5073
	250	5240530830	VALVE GUIDE	STUFE 0 - KENNZ. 1 RILLE	1	PC	130 g		FERTIG BEARBEITET, 19.00 R6 H7	

EQUI TYPE: Engine

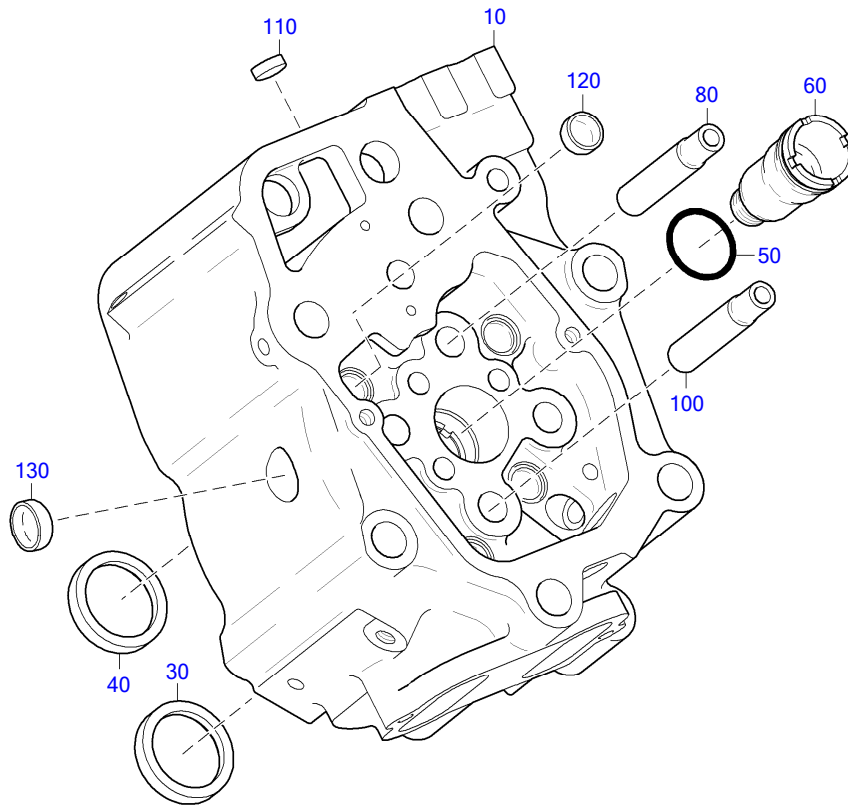
PRODUCT TYPE: 12V4000M93L
CYL.HEAD WITH VALVES

SERIAL NUMBER: 526108553

FG/FGS:

BOM-No.: X52404100205

<input type="checkbox"/>	POS.	PART NO.	DESIGNATION	MODEL/TYPE	QTY.	UNITS	WEIGHT	FN	MEASUREMENT	STANDARD
	260	5240530930	VALVE GUIDE	STUFE 1 - KENNZ. 2 RILLEN	1	PC	130 g	EM	FERTIG BEARBEITET, 19.10 R6 H7	
	270	5240530930	VALVE GUIDE	STUFE 1 - KENNZ. 2 RILLEN	1	PC	130 g	EM	FERTIG BEARBEITET, 19.10 R6 H7	



04100914

☐	POS.	PART NO.	DESIGNATION	QTY.	UNITS	WEIGHT	FN	MEASUREMENT	STANDARD
	10	X52404100176	CYLINDER HEAD	1	PC	49,1 kg	EM		
	30	X52404100027	VALVE SEAT INSERT IN LET	2	PC	47,7 g	EM	D 58U6	
	40	5240530032	VALVE SEAT INSERT EX HAUST	2	PC	0,031 kg	EM	D 57U6	
	50	735252039000	O-RING	1	PC	1,8 g		39,2 X 3	MTN5252
	60	5240160153	TUBE F. INJECTOR	1	PC	188,6 g			
	80	X52404100143	VALVE GUIDE INSERT	2	PC	137,3 g	EM	D 19.3R6 / D10.6+0.05	
	100	5240530530	VALVE GUIDE INSERT	2	PC	133,6 g	EM	D 19R6 / D10.6+0.05	
	110	5550160633	SEALING CAP	1	PC	7,2 g		D 20	
	120	5800160033	SEALING CAP	4	PC	11 g		D24	
	130	5240160233	SEALING CAP	5	PC	18,2 g		D 30	

CAMSHAFT

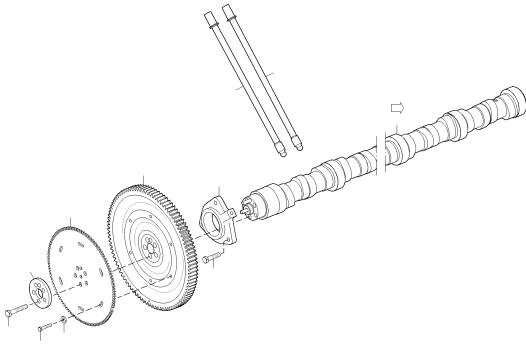
FG/FGS: 051

GROUP SEGMENT (FGS)

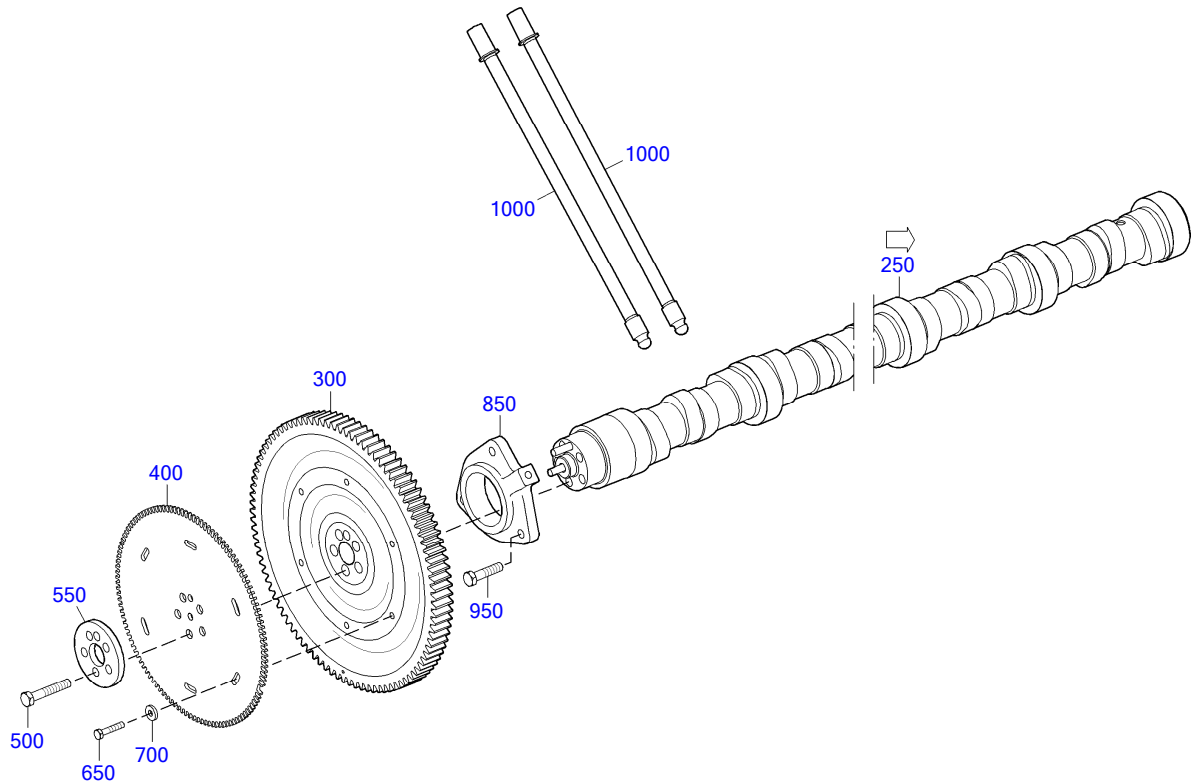
GROUP NAME

BOM-No.

05
CAMSHAFT
X00026313

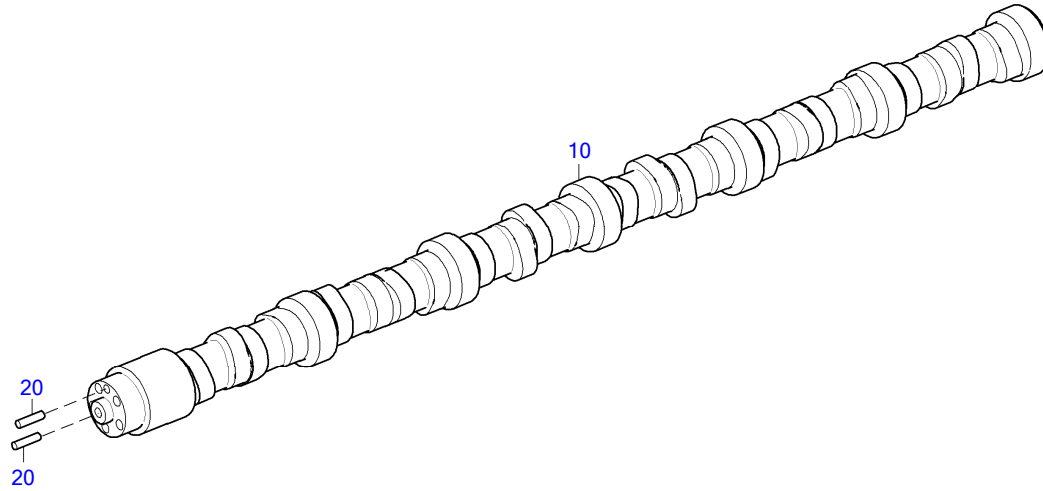


0510026313



05100208b

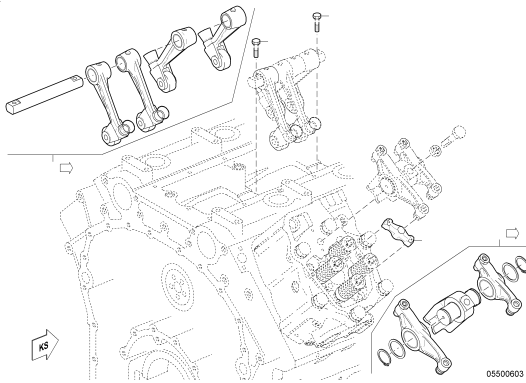
☐	POS.	PART NO.	DESIGNATION	QTY.	UNITS	WEIGHT	FN	MEASUREMENT	STANDARD
67	250	X52605100019	CAMSHAFT FOR 12V	1	PC	49,5 kg	EM		
	300	X52405200018	CAMSHAFT GEAR	1	PC	19,4 kg	EM		
	400	5240521748	WHEEL SRS ADEC	1	PC	2,9 kg	EM		
	500	000931012052	HEX SCREW	5	PC	72,19 g		M 12 X 70	DIN931
	550	5240510351	SPACER RING HOLES	1	PC	422,9 g			
	650	304017008085	HEX SCREW	6	PC	18 g		M 8 X 40	ISO4017
	700	007349008002	WASHER	6	PC	7,9 g		8,4	DIN7349
	850	X52405300005	THRUST BEARING FLANG FOR CAMSHAFT	1	PC	2 kg			
	950	000000003437	HEX SCREW	3	PC	50,8 g		M 12 X 50	ISO4017
	1000	X52405400013	PUSHROD	24	PC	600,2 g			



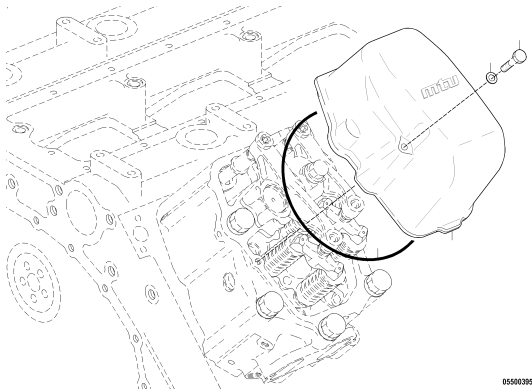
05100330

☐	POS.	PART NO.	DESIGNATION	QTY.	UNITS	WEIGHT	FN	MEASUREMENT	STANDARD
	10	X52605100018	CAMSHAFT FOR 12V	1	PC	50,063 kg	EM		
	20	000007010111	PIN DOWEL CAMSHAFT	2	PC	25 g		10 M6 X 40	DIN7

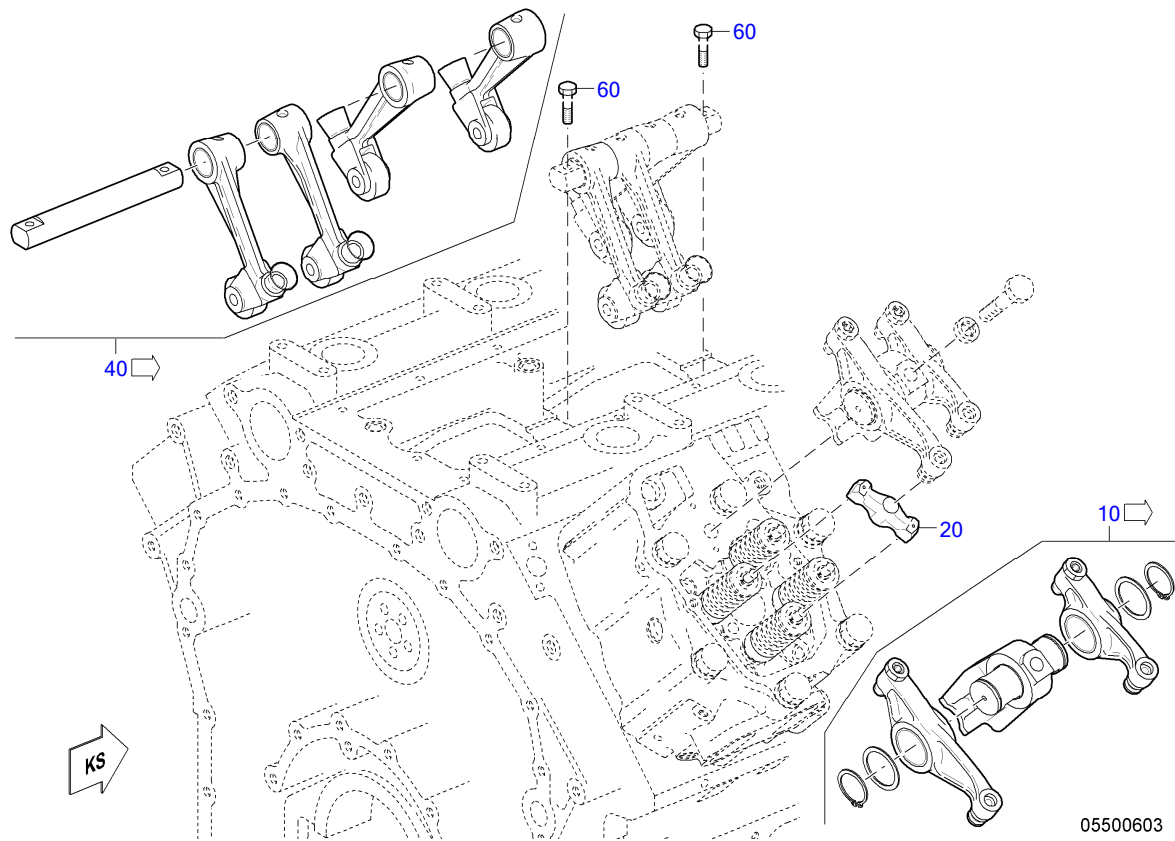
GROUP SEGMENT (FGS)
GROUP NAME
BOM-No.



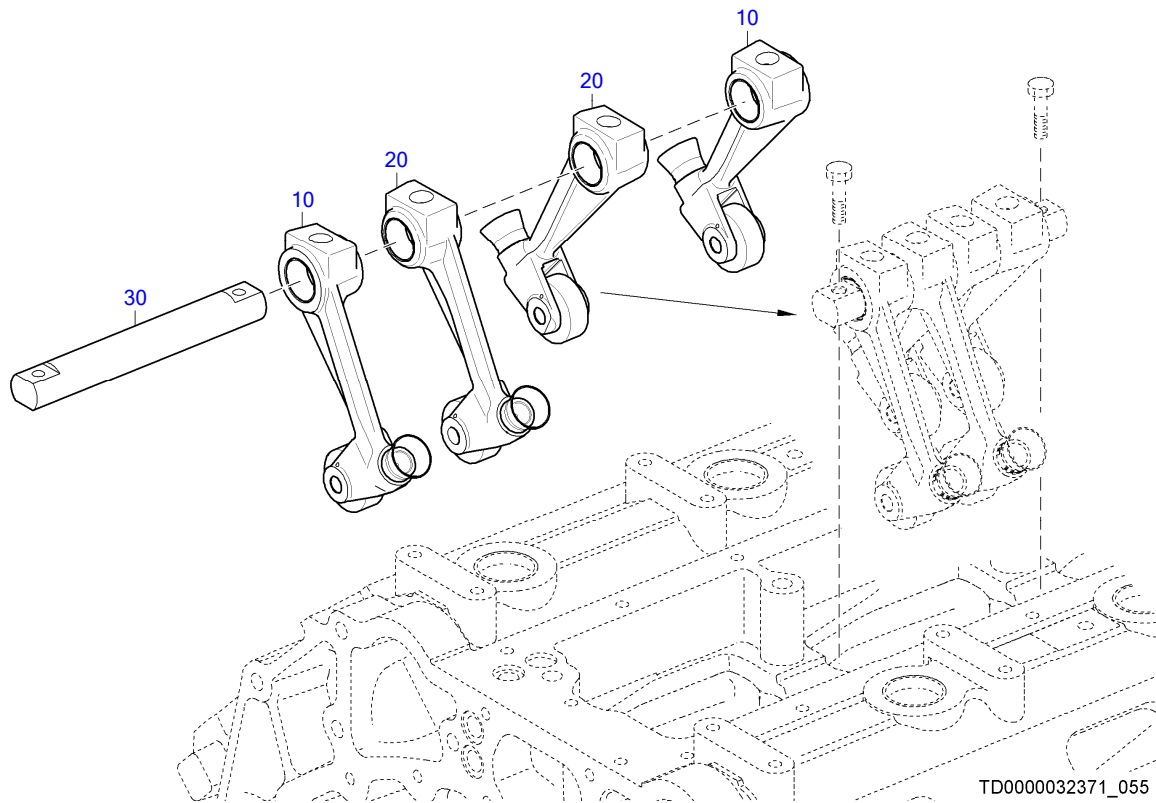
05
VALVE GEAR FOR 12V
XS526050.00019



10
CYLINDER HEAD COVER FOR 12V
XS526010.00028

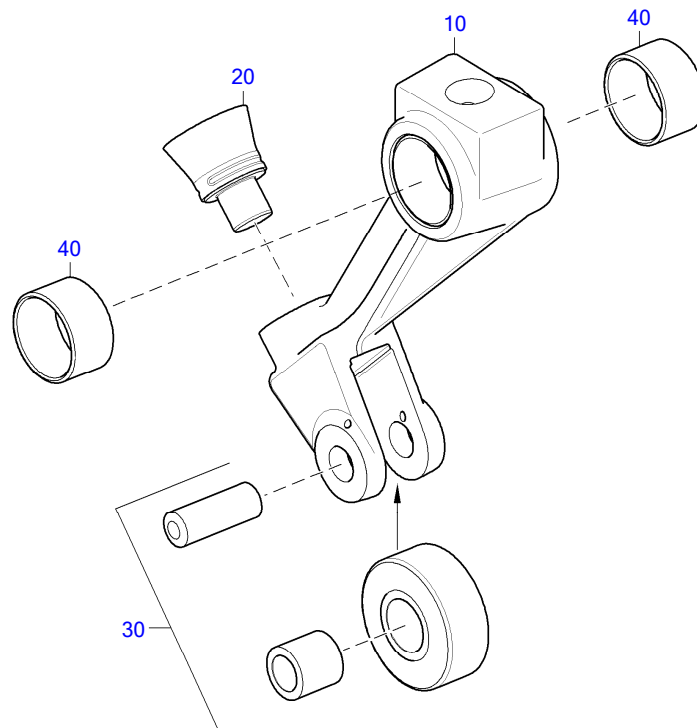


☐	POS.	PART NO.	DESIGNATION	QTY.	UNITS	WEIGHT	MEASUREMENT	STANDARD
73	10	X52405500145	ROCKER ARM	12	PC	6,56 kg		
	20	X52405500135	VALVE BRIDGE	24	PC	275,8 g		
70	40	X52405500139	SWING FOLL.	6	PC	7,94 kg		
	60	000933010194	HEX SCREW	12	PC	31,2 g	M 10 X 40	DIN933



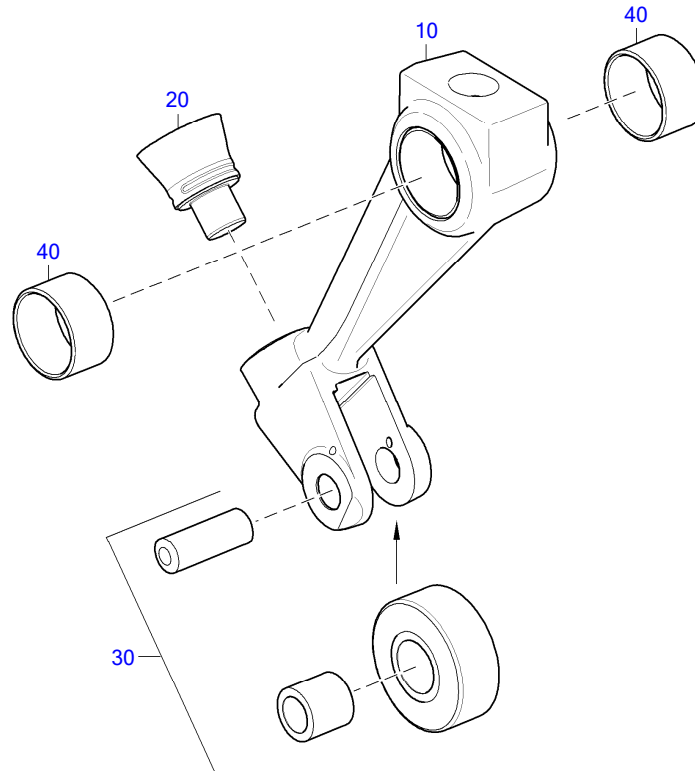
TD0000032371_055

☐	POS.	PART NO.	DESIGNATION	QTY.	UNITS	WEIGHT
71	10	X52405500137	SWING FOLL. INLET	2	PC	1,659 kg
72	20	X52405500138	SWING FOLL. EXHAUST	2	PC	1,667 kg
	30	X52405500103	ROCKER SHAFT	1	PC	1,38 kg



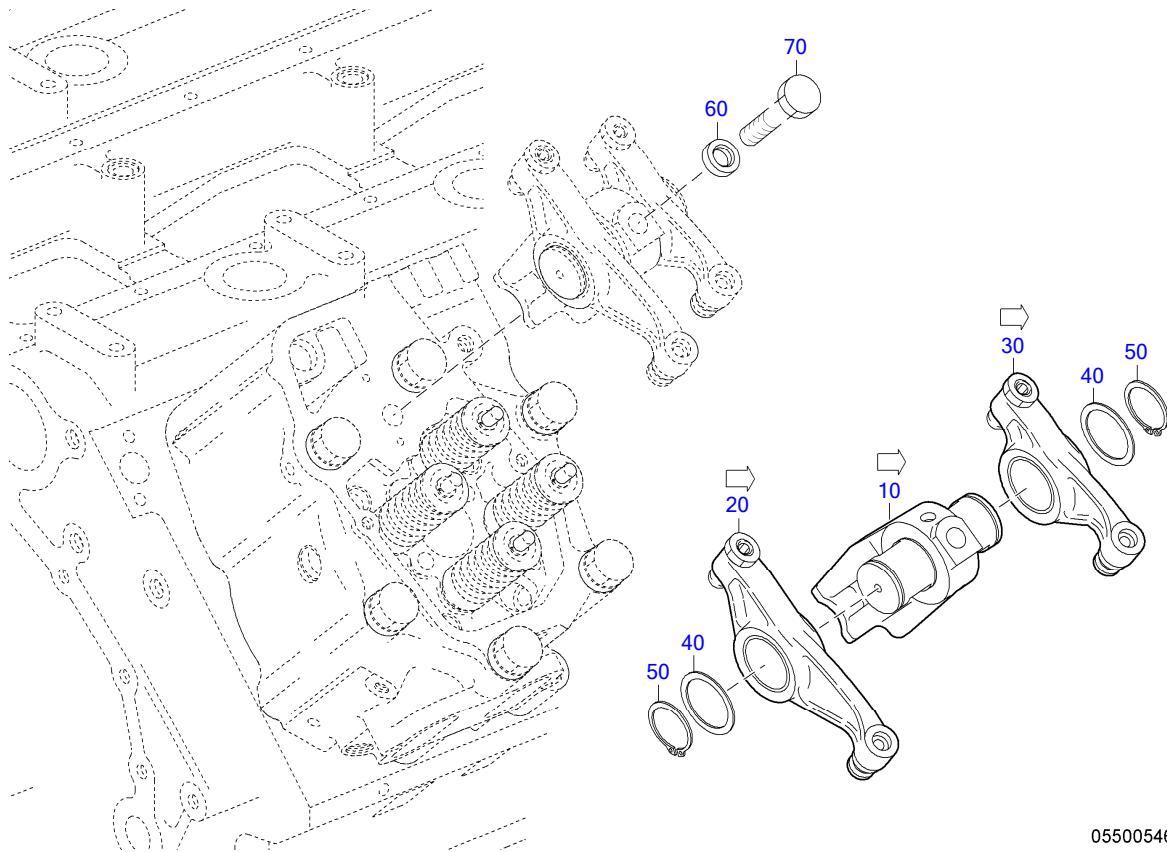
05500614

☐	POS.	PART NO.	DESIGNATION	QTY.	UNITS	WEIGHT	MEASUREMENT	STANDARD
	10	X52405500106	SWING FOLL. INLET	1	PC	1,177 kg		
	20	X52405500136	BALL SOCKET FOR ROCKER ARM	1	PC	64,5 g		
	30	X52405400022	ROLLER TAPPET REPAIR KIT	1	PC	341 g		
	40	00000001270	BUSHING	2	PC	36,9 g	C 32 X 36 X 20	ISO4379



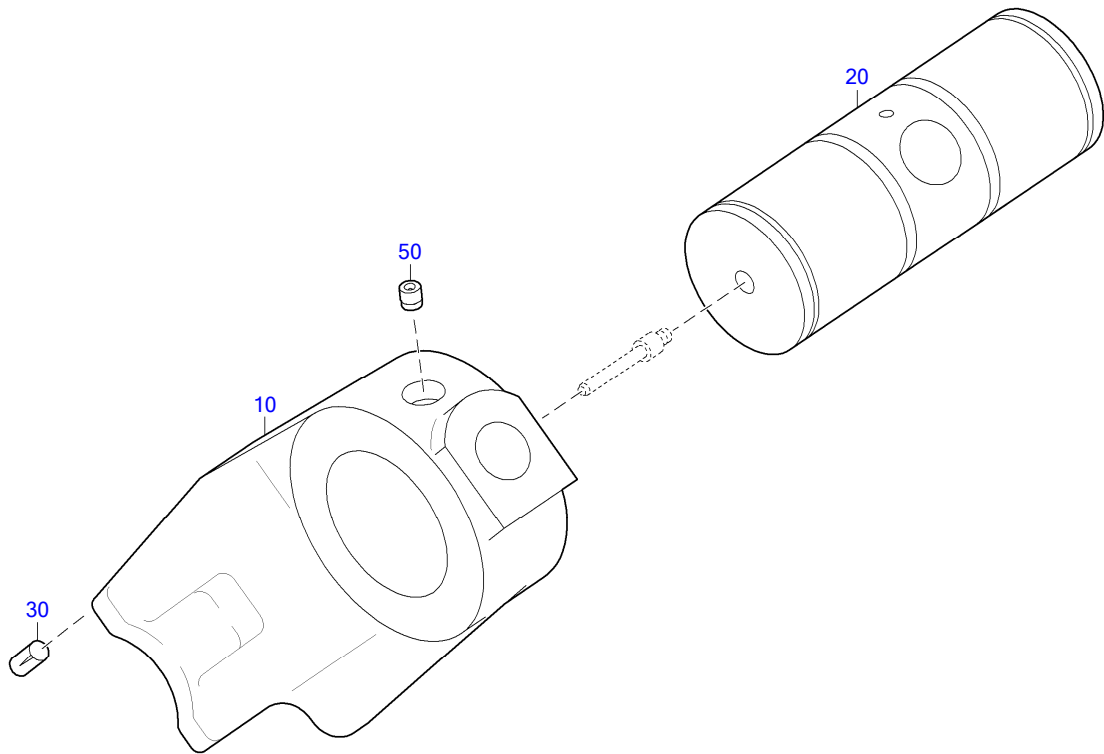
05500615

☐	POS.	PART NO.	DESIGNATION	QTY.	UNITS	WEIGHT	MEASUREMENT	STANDARD
	10	X52405500107	SWING FOLL. EXHAUST	1	PC	1,173 kg		
	20	X52405500136	BALL SOCKET FOR ROCKER ARM	1	PC	64,5 g		
	30	X52405400022	ROLLER TAPPET REPAIR KIT	1	PC	341 g		
	40	00000001270	BUSHING	2	PC	36,9 g	C 32 X 36 X 20	ISO4379



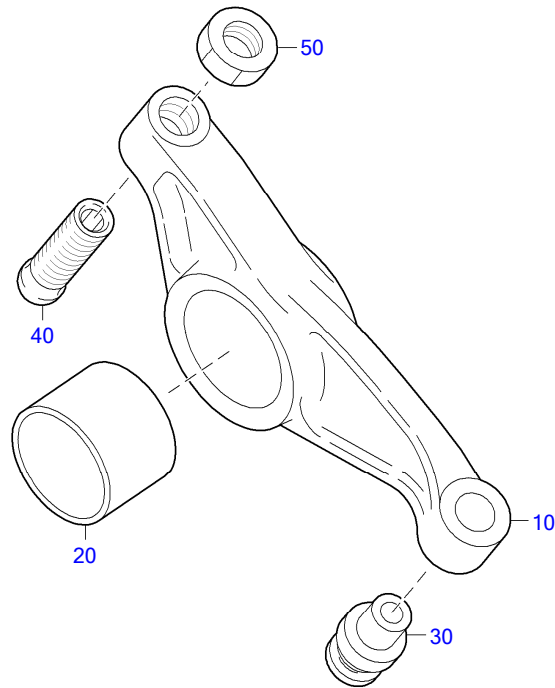
05500546

☐	POS.	PART NO.	DESIGNATION	QTY.	UNITS	WEIGHT	MEASUREMENT	STANDARD
	74	10	X52405500146	ROCKER SHAFT SUPPORT	1	PC	3,523 kg	
	75	20	X52405500124	ROCKER ARM INLET	1	PC	1,393 kg	
	76	30	X52405500123	ROCKER ARM EXHAUST	1	PC	1,356 kg	
		40	200988045000	RING SHIM	2	PC	8,6 g	45 X 55 X 1,5 DIN988
		50	000471045000	RING SNAP HV ZNPH R5 F	2	PC	7,3 g	45 X 1,75 DIN471
		60	700521016200	WASHER	1	PC	11,7 g	16,2 MMN521
		70	200933016002	HEX SCREW	1	PC	272 g	M 16 X180 DIN933



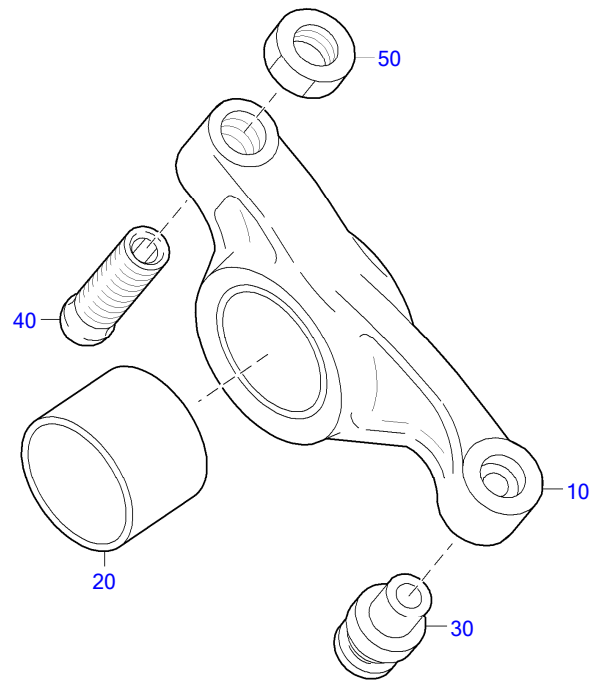
05500549

☐	POS.	PART NO.	DESIGNATION	QTY.	UNITS	WEIGHT	MEASUREMENT	STANDARD
	10	X52405500142	ROCKER SHAFT SUPPORT	1	PC	2,132 kg		
	20	X52405500097	ROCKER SHAFT	1	PC	1,374 kg		
	30	001474006000	PIN GROOVED	2	PC	2,7 g	6 X 12	DIN1474
	50	X52418300025	OIL SPRAY NOZZLE	1	PC	1 g		



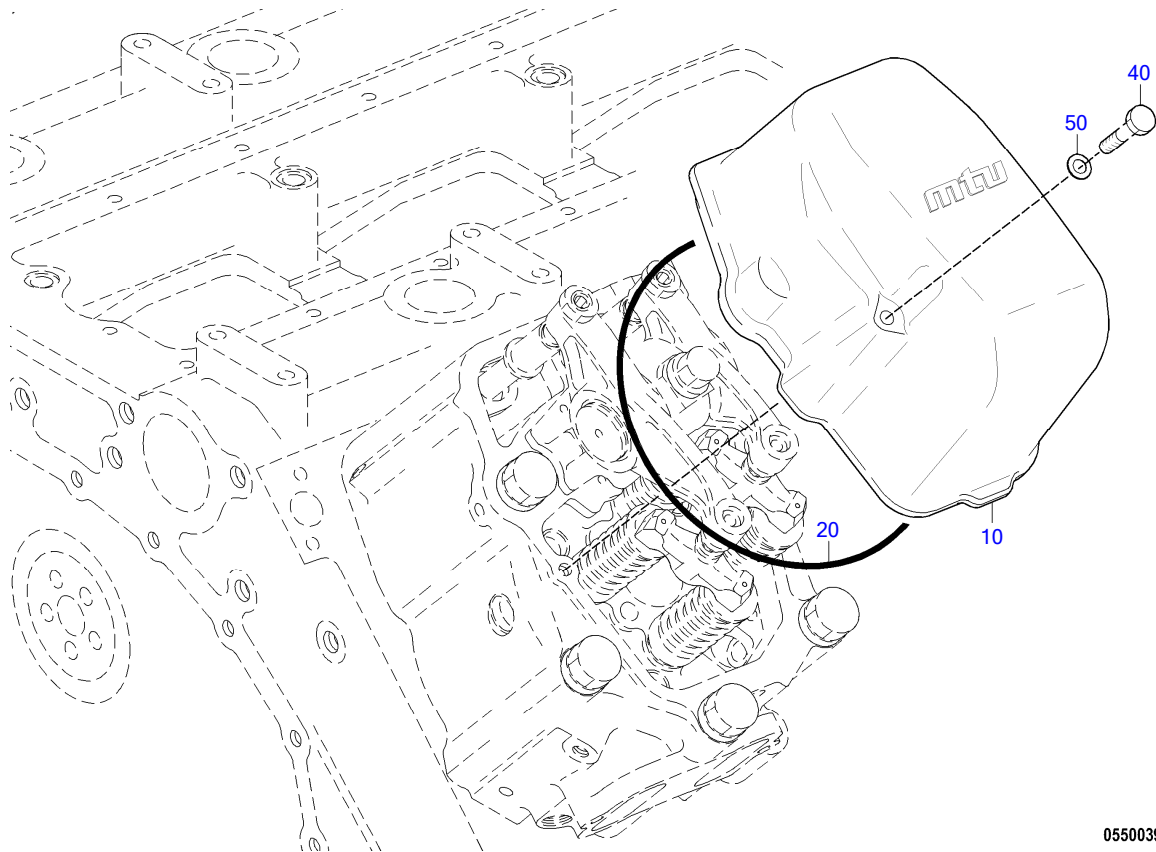
05500547

☐	POS.	PART NO.	DESIGNATION	QTY.	UNITS	WEIGHT	MEASUREMENT	STANDARD
	10	X52405500098	ROCKER ARM INLET	1	PC	1,102 kg		
	20	X52499100176	BUSHING FOR ROCKER ARM	1	PC	115 g		
	30	X52405200015	THRUST MEMBER FOR ROCKER ARM	1	PC	75 g		
	40	X52499100259	ADJUSTING SCREW FOR ROCKER ARM	1	PC	71 g		
	50	00000000403	NUT ADEC	1	PC	17 g	M 16 X 1,5	ISO8675



05500548

☐	POS.	PART NO.	DESIGNATION	QTY.	UNITS	WEIGHT	MEASUREMENT	STANDARD
	10	X52405500099	ROCKER ARM EXHAUST	1	PC	1,065 kg		
	20	X52499100176	BUSHING FOR ROCKER ARM	1	PC	115 g		
	30	X52405200015	THRUST MEMBER FOR ROCKER ARM	1	PC	75 g		
	40	X52499100259	ADJUSTING SCREW FOR ROCKER ARM	1	PC	71 g		
	50	00000000403	NUT ADEC	1	PC	17 g	M 16 X 1,5	ISO8675



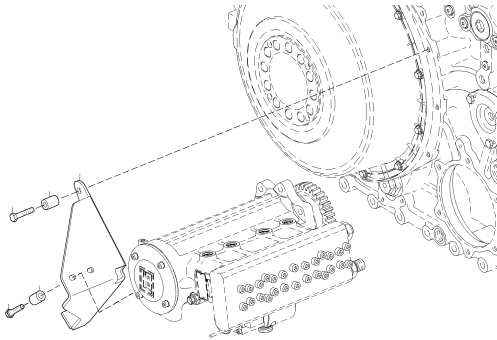
05500395a

☐	POS.	PART NO.	DESIGNATION	QTY.	UNITS	WEIGHT	MEASUREMENT	STANDARD
	10	X52405500130	CYLINDER HEAD COVER	12	PC	2,4 kg		
	20	X52405500190	PROFILE GASKET F CYLIND. HEAD COVE	12	PC	0,023 kg		
	40	000931010332	HEX SCREW	24	PC	100 g	M 10 X150	DIN931
	50	000125010524	WASHER	24	PC	3,1 g	A 10,5	DIN125

GROUP SEGMENT (FGS)

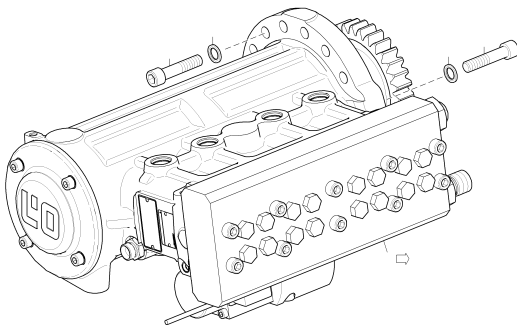
GROUP NAME

BOM-No.



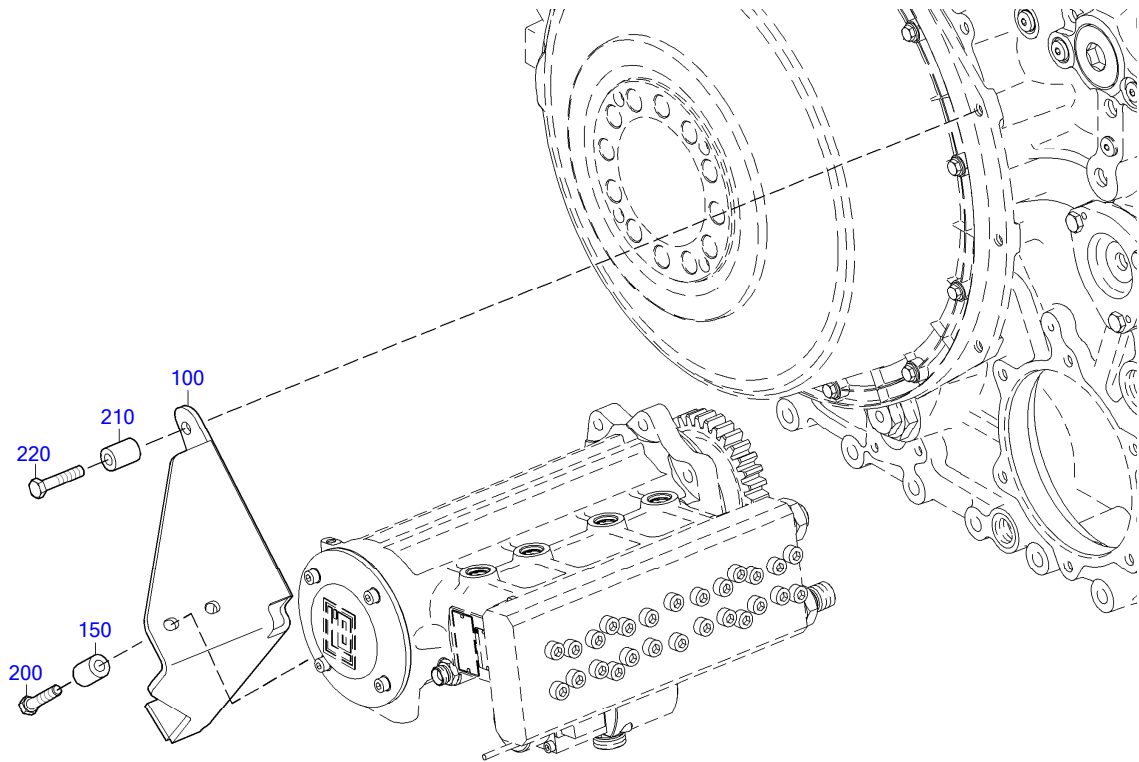
05
RETAINER FOR HP PUMP
X00024247

07300542



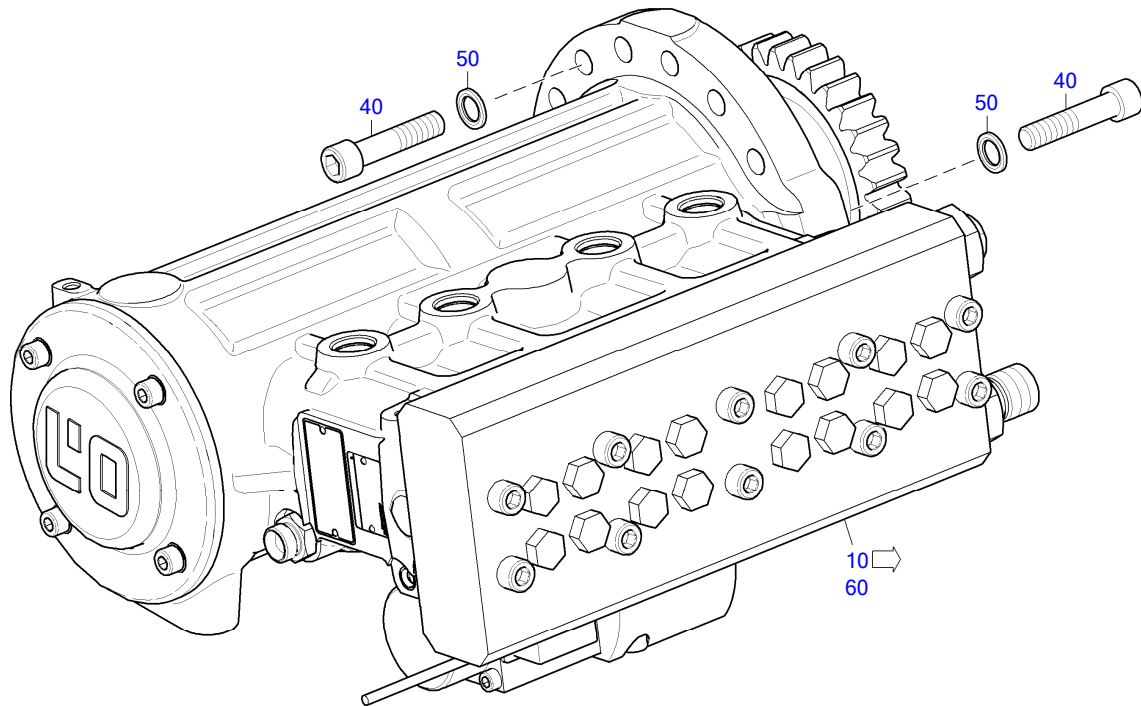
05
HP PUMP
XS594070.00043

07300081



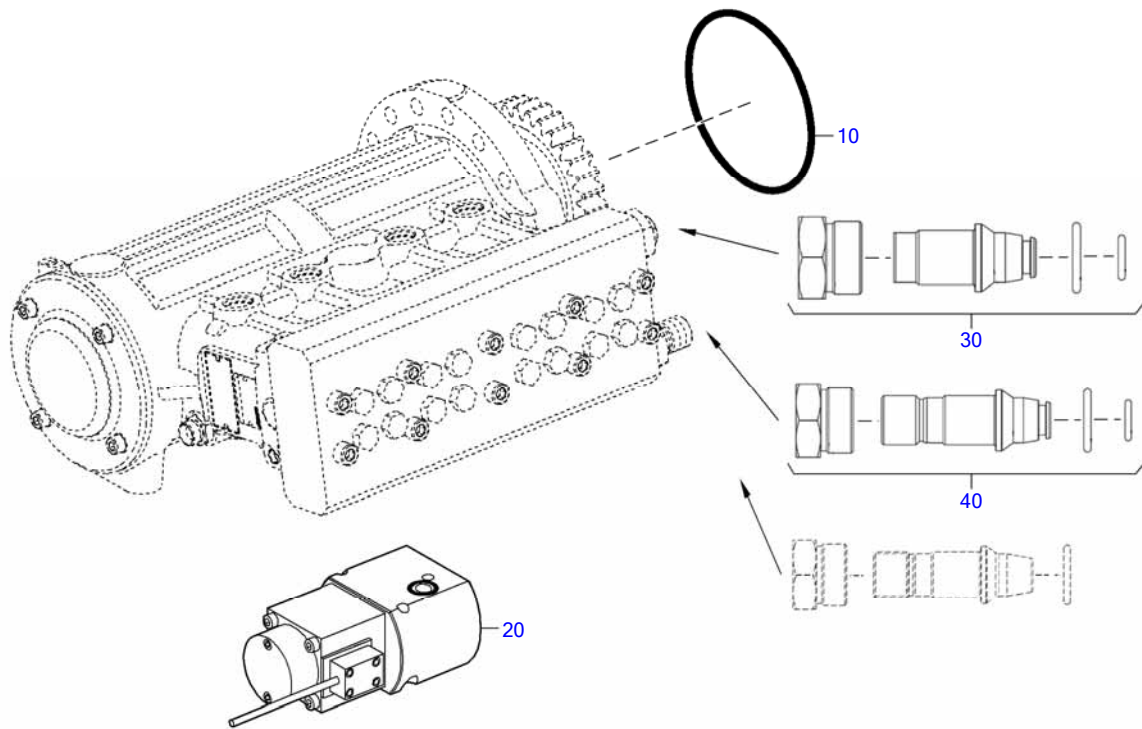
07300542a

☐	POS.	PART NO.	DESIGNATION	QTY.	UNITS	WEIGHT	MEASUREMENT	STANDARD
	100	X59407300002	BRACKET FOR HP PUMP	1	PC	4,212 kg		
	150	28200750053/0	SPACER BUSHING	2	PC	66 g		
	200	000933010095	HEX SCREW	2	PC	36,1 g	M 10 X 50	DIN933
	210	X59499100026	SPACER SLEEVE	3	PC	78,9 g		
	220	000933012038	HEX SCREW	3	PC	64,1 g	M 12 X 65	DIN933



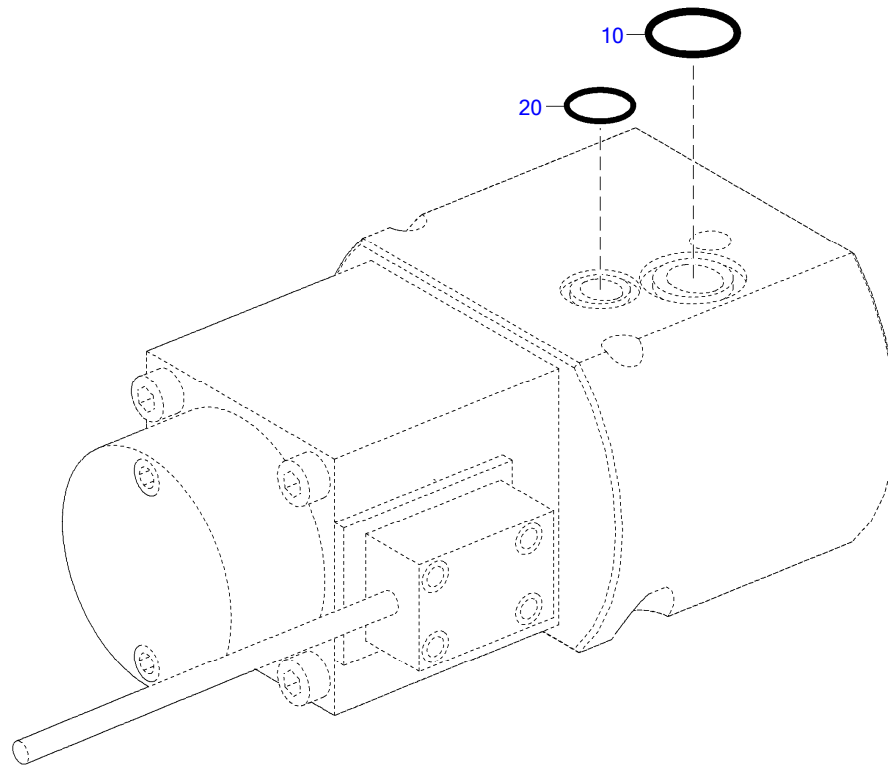
07300881

☐	POS.	PART NO.	DESIGNATION	MODEL/TYPE	QTY.	UNITS	WEIGHT	FN	MEASUREMENT	STANDARD
	81	10	X59507300006	HP PUMP	1	PC	81,5 kg	EM		
		40	000912012093	SCREW	16	PC	59 g		M 12 X 55	DIN912
		50	200433013001	WASHER	16	PC	2,6 g		13	DIN433
		60	EX59507300006	HP PUMP	1	PC	82,9 kg	EM		




TD0000030218_073

☐	POS.	PART NO.	DESIGNATION	MODEL/TYPE	QTY.	UNITS	WEIGHT	MEASUREMENT	STANDARD
	10	700429130003	O-RING		1	PC	18 g	130 X 5	MMN429
82	20	XP52707300006	CONTROL BLOCK	PCO-U242V1	1	PC	5,24 kg		
	30	XP52800600004	SPARE PARTS KIT	L'O: PCO-U264; OHNE GEWINDE	1	PC	0,335 kg		
	40	XP52800600005	SPARE PARTS KIT	PCO-U265 MIT GEWINDE	1	PC	295 g		



07300828

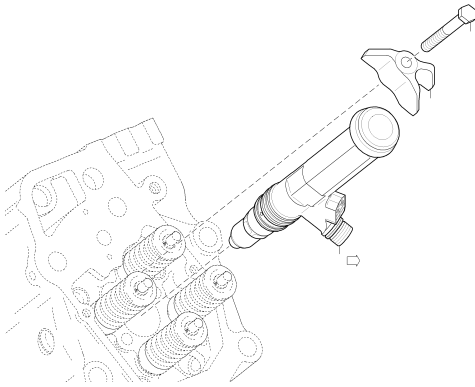
	POS.	PART NO.	DESIGNATION	QTY.	UNITS	WEIGHT	MEASUREMENT
	10	XP52807300004	O-RING	1	PC	2 g	
	20	XP52707300011	O-RING	1	PC	0,002 kg	10X2 MM

GROUP SEGMENT (FGS)

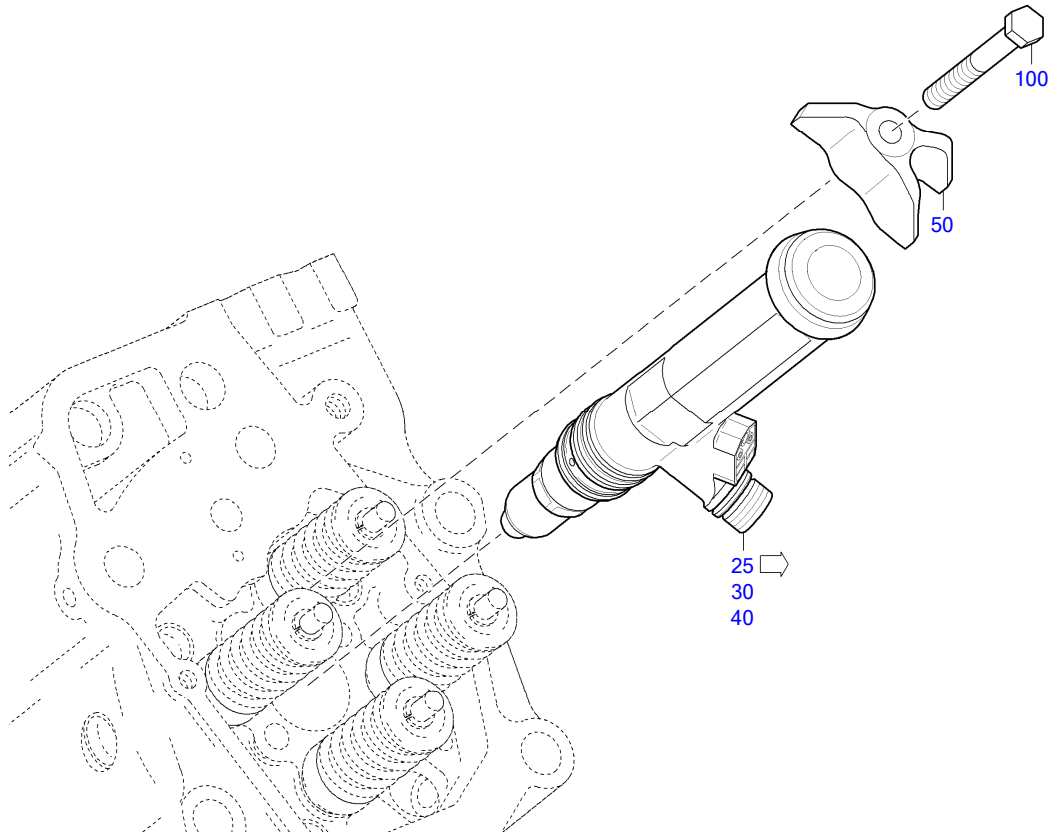
GROUP NAME

BOM-No.

05
INJECTOR FOR 12V
XS594070.00004

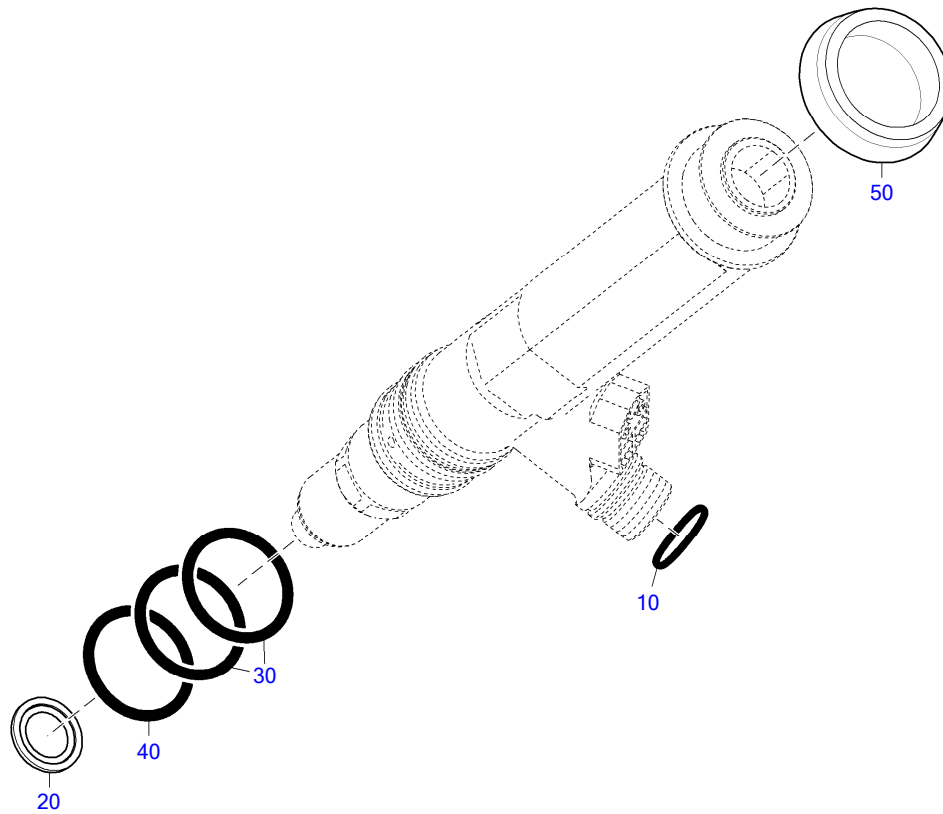


07500487



07500487

☐	POS.	PART NO.	DESIGNATION	QTY.	UNITS	WEIGHT	FN	MEASUREMENT
85	25	X59407500022	INJECTOR	12	PC	3,527 kg	EM	
	30	EX59407500022	INJECTOR	12	PC	3,5 kg	EM	
	40	RX59407500022	INJECTOR	12	PC	3,5 kg	EM	
	50	5240780535	CLAMP INJECTOR HOLD- DOWN	12	PC	355 g		
	100	5249902101	HEX SCREW	12	PC	87 g		M12X100



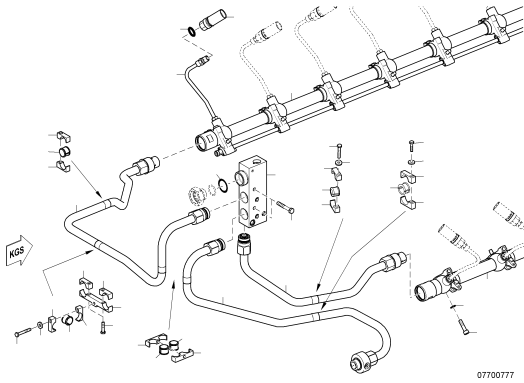
07500438

☐	POS.	PART NO.	DESIGNATION	MODEL/TYPE	QTY.	UNITS	WEIGHT	FN	MEASUREMENT	STANDARD
	10	700429021001	O-RING		1	PC	0,5 g		21 X 2	MMN429
	20	0000160119	SEALING RING		1	PC	5,1 g		EM	
	30	700429038003	O-RING		2	PC	3 g		38,5 X 3,7	MMN429
	40	XP59307500002	O-RING	FKM SHOREHÄRTE 70 GRÜN	1	PC	2,6 g		36,0+/-0,4X3,6+/-0,11	
	50	X00009196	DAMPER RING FOR INJECTOR	BR2000 CR	1	PC	0,033 kg			

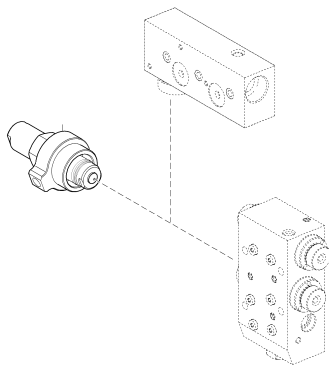
GROUP SEGMENT (FGS)

GROUP NAME

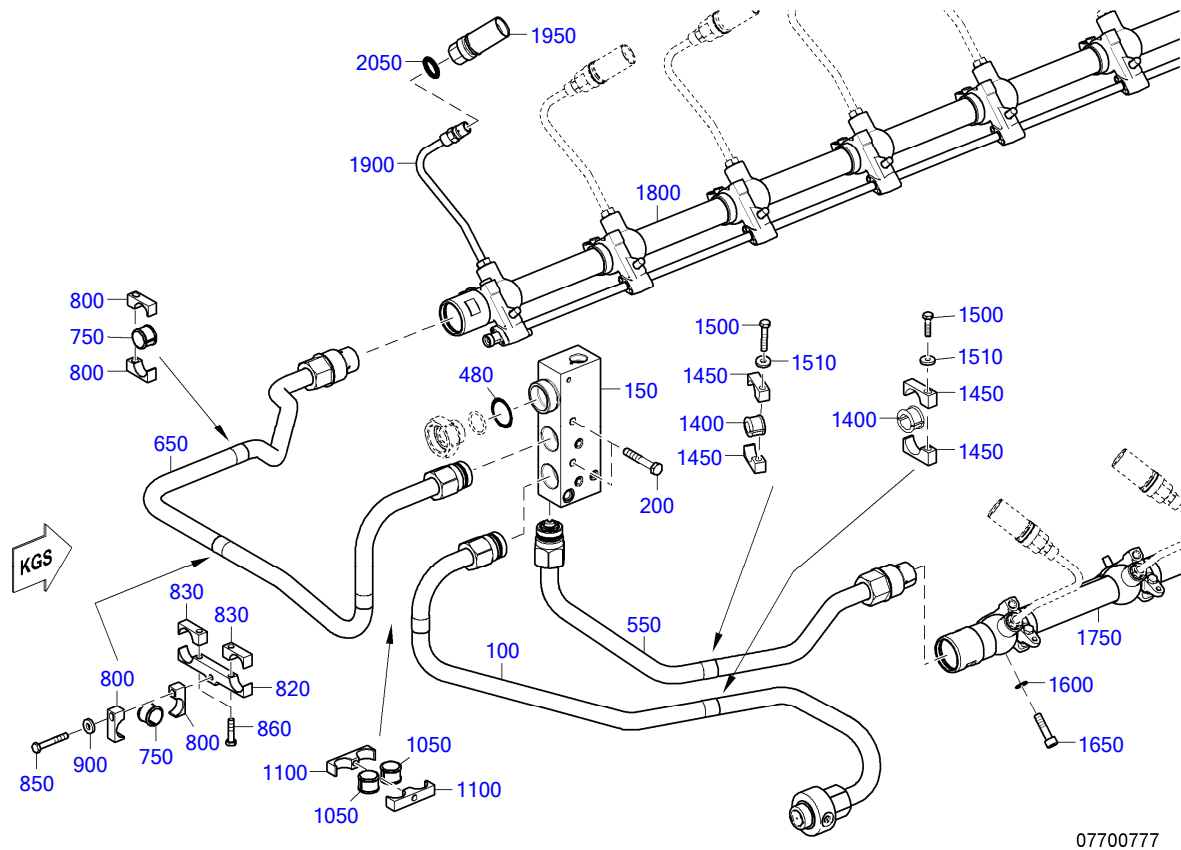
BOM-No.



05
HP LINE FOR 12V
XS594070.00049



05
PRESS RELIEF VALVE
XS594070.00051



07700777

☐	POS.	PART NO.	DESIGNATION	MODEL/TYPE	QTY.	UNITS	WEIGHT	FN	MEASUREMENT	STANDARD
	100	X59507700002	HP FUEL LINE		1	PC	4,956 kg	EM		
	150	X59407700038	FUEL DISTRIBUTOR	DOPPELWANDIG	1	PC	5,75 kg	EM		
	200	304017010032	HEX SCREW		2	PC	42,3 g		M 10 X 65	ISO4017
	480	700429036003	O-RING		1	PC	1,8 g		36,2 X 3	MMN429
	550	X59507700003	HP FUEL LINE		1	PC	3,33 kg	EM		
	650	X59507700004	HP FUEL LINE		1	PC	6,07 kg	EM		
	750	X00027974	GROMMET		2	PC	4,5 g			
	800	X59399100003	CLAMP HALF TUBE 1/1 D9-28		4	PC	51,9 g			
	820	X52607700002	RETAINER FOR HP LINE		1	PC	240,5 g			
	830	X52607700003	RETAINER		2	PC	52,4 g			
	850	304017008088	HEX SCREW		1	PC	22,6 g		M 8 X 55	ISO4017
	860	304017008084	HEX SCREW		2	PC	16,4 g		M 8 X 35	ISO4017
	900	007349008002	WASHER		1	PC	7,9 g		8,4	DIN7349
	1050	X00027974	GROMMET		2	PC	4,5 g			
	1100	700325028102	PIPE CLAMP HALF		2	PC	82 g		2/1 D 9 - 28	MMN325
	1400	X59399100008	GROMMET		2	PC	8,9 g			
	1450	X59399100007	CLAMP HALF TUBE 56 X C 21X16		4	PC	82 g			
	1500	000000004164	HEX SCREW		2	PC	23,5 g		M 8 X 60	ISO4017
	1510	007349008002	WASHER		2	PC	7,9 g		8,4	DIN7349
	1600	200433010500	WASHER		12	PC	1,9 g		10,5	DIN433
	1650	000912010014	BOLT HEX SOC HD		12	PC	31,5 g		M 10 X 40	DIN912
89	1750	X59407700035	HP ACCUMULATOR DOUBLE-WALLED, LEFT		1	PC	15,911 kg	EM		
88	1800	X59407700034	HP ACCUMULATOR DOUBLE-WALLED, RIGH		1	PC	15,841 kg	EM		
	1900	X59407700023	HP FUEL LINE		12	PC	290 g	EM		

EQUI TYPE: Engine

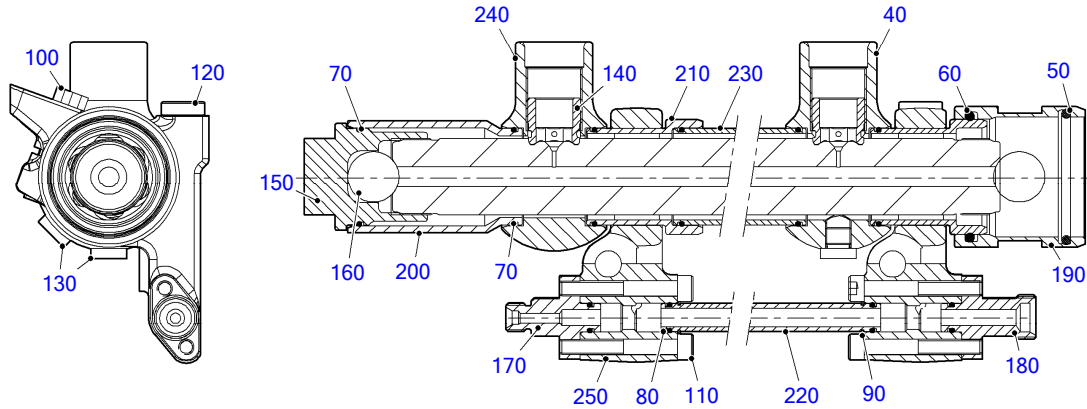
PRODUCT TYPE: 12V4000M93L
HP LINE FOR 12V

SERIAL NUMBER: 526108553

FG/FGS: 077 05

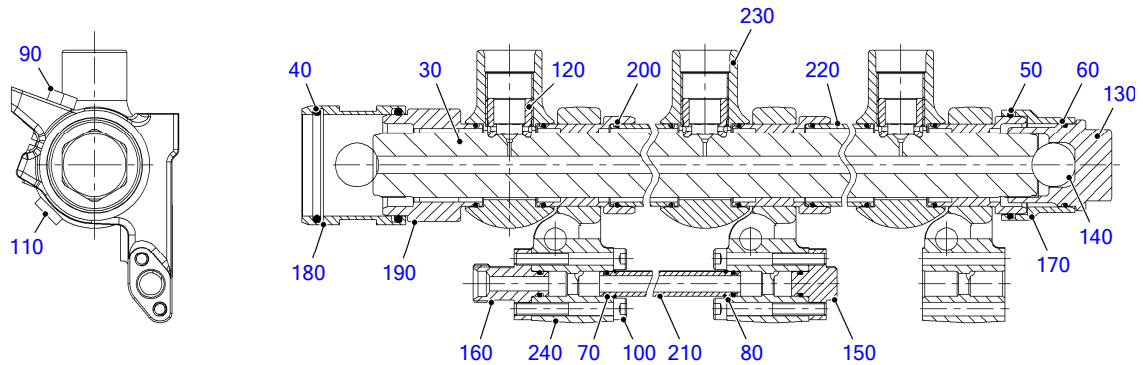
BOM-No.: XS594070.00049

<input type="checkbox"/>	POS.	PART NO.	DESIGNATION	MODEL/TYPE	QTY.	UNITS	WEIGHT	FN	MEASUREMENT	STANDARD
	1950	X59407700014	ADAPTER		12	PC	0,337 kg	EM	DROSSEL-DURCHM 1,1MM	
	2050	700429024000	O-RING		12	PC	3,9 g		24 X 5	MMN429



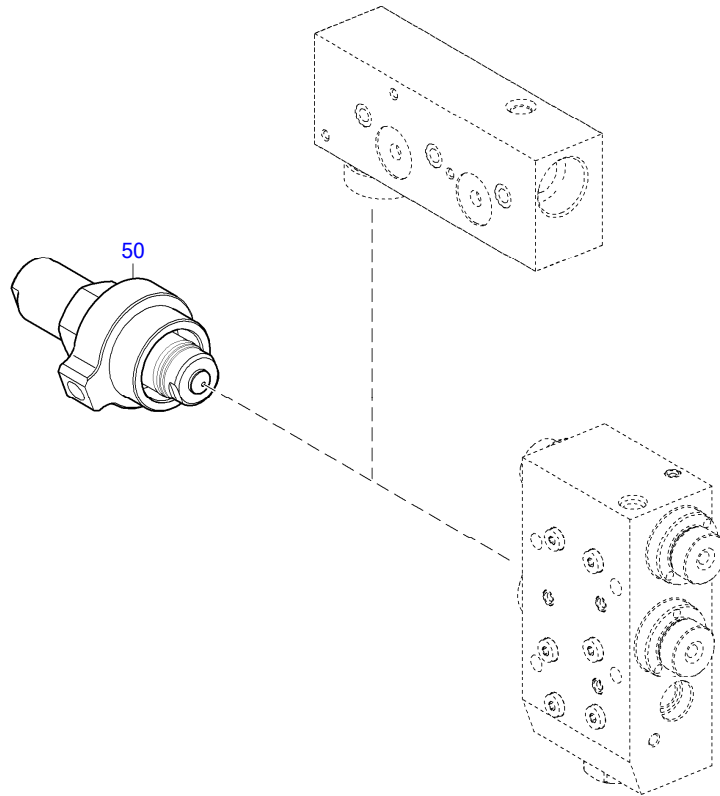
TD0000005397_077

☐	POS.	PART NO.	DESIGNATION	QTY.	UNITS	WEIGHT	MEASUREMENT	STANDARD
	40	XP59407700046	BANJO UNION	1	PC		58 X 82	
	50	XP52707700010	O-RING	1	PC	5 g	44.04X3.53	
	60	XP52707700010	O-RING	1	PC	5 g	44.04X3.53	
	70	XP52707700006	O-RING	18	PC	2 g	35 X 2	
	80	XP52707700005	O-RING	12	PC	2 g	9 X 2	
	90	XP52707700004	SNAP RING	10	PC	3,6 g	12 X 1	
	100	XP59499000004	HEX SCREW	6	PC			
	110	XP52707700003	SCREW	4	PC	0,5 kg	M6X45-12.9	ISO4762
	120	XP52707700009	PLUG	1	PC	0,015 kg		
	130	XP52707700009	PLUG	6	PC	0,015 kg		
	140	XP59499000001	LOCATING SCREW	6	PC		22X8	
	150	XP59499000002	UNION NUT	1	PC			
	160	XP52707700047	BALL	1	PC		D20	
	170	XP52707700038	FLANGE	1	PC			
	180	XP52707700040	FLANGE	1	PC			
	190	XP52707700042	COVER TUBE	1	PC		DA55X51	
	200	XP52707700044	COVER TUBE	1	PC		DA44X49	
	210	XP59499000003	CENTERING RING	6	PC		45 X 44,5	
	220	XP52707700046	PLUG-IN PIPE	5	PC	1 kg		
	230	XP59407700045	COVER TUBE	5	PC		D38 X 2 X 176	
	240	XP59407700049	BANJO UNION	5	PC			
	250	XP59407700047	HOLD-DOWN CLAMP	6	PC		BOHRUNG D38	



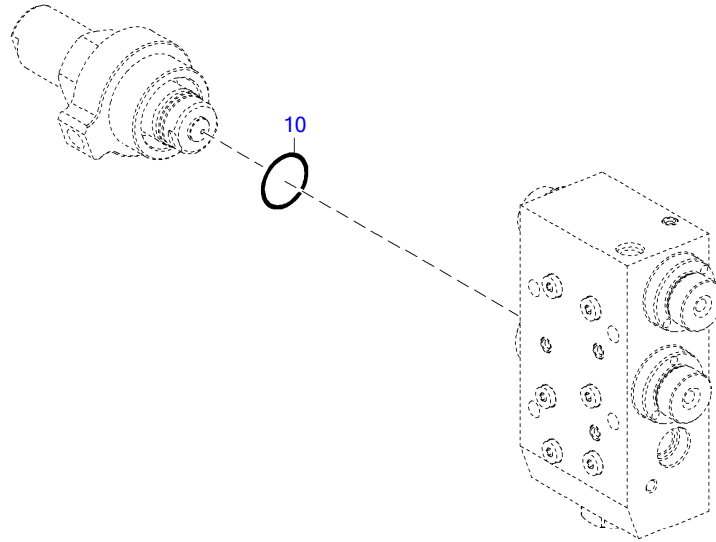
07700663

☐	POS.	PART NO.	DESIGNATION	QTY.	UNITS	WEIGHT	MEASUREMENT	STANDARD
	30	XP59407700048	HP ACCUMULATOR	16	PC			
	40	XP52707700008	O-RING	2	PC	2,8 g	46.04X3.53	
	50	XP52707700007	O-RING	1	PC	1,5 g	44.12X2.62	
	60	XP52707700006	O-RING	18	PC	2 g	35 X 2	
	70	XP52707700005	O-RING	10	PC	2 g	9 X 2	
	80	XP52707700004	SNAP RING	8	PC	3,6 g	12 X 1	
	90	XP59499000004	HEX SCREW	6	PC			
	100	XP52707700003	SCREW	4	PC	0,5 kg	M6X45-12.9	ISO4762
	110	XP52707700002	PLUG	6	PC	7 g	M10 X 1	
	120	XP59499000001	LOCATING SCREW	6	PC		22X8	
	130	XP59499000002	UNION NUT	1	PC			
	140	XP52707700047	BALL	1	PC		D20	
	150	XP52707700039	SEAL PLUG	1	PC			
	160	XP52707700011	FLANGE	1	PC			
	170	XP52707700041	COVER TUBE	1	PC			
	180	XP52707700043	COVER TUBE	1	PC			
	190	XP52707700045	CENTERING RING	1	PC		DA54X54.5	
	200	XP59499000003	CENTERING RING	6	PC		45 X 44,5	
	210	XP52707700046	PLUG-IN PIPE	4	PC	1 kg		
	220	XP59407700045	COVER TUBE	5	PC		D38 X 2 X 176	
	230	XP59407700049	BANJO UNION	6	PC			
	240	XP59407700047	HOLD-DOWN CLAMP	6	PC		BOHRUNG D38	



07700740

☐	POS.	PART NO.	DESIGNATION	QTY.	UNITS	WEIGHT	FN
91	50	X59507800003	PRESS RELIEF VALVE FOR 16V/20V	1	PC	2,03 kg	EM



TD000006112_077

☐	POS.	PART NO.	DESIGNATION	QTY.	UNITS	WEIGHT	MEASUREMENT
	10	XP59307300007	O-RING	1	PC	0,001 kg	31,42 X 2,62

EQUI TYPE: Engine

PRODUCT TYPE: 12V4000M93L
LP FUEL SYSTEM (ALSO GAS ENGINES)

SERIAL NUMBER: 526108553
FG/FGS: 080

GROUP SEGMENT (FGS)

GROUP NAME

BOM-No.

00

FUEL SUPPLY LINE

XS594080.00127

☐	POS.	PART NO.	DESIGNATION	QTY.	UNITS	WEIGHT	FN	MEASUREMENT	STANDARD
	60	X00032042	CONNECTING PIECE	1	PC	559,4 g	SB		
	80	700429020003	O-RING	1	PC	2,1 g		20 X 4	MMN429
	100	000912008014	SOCKET HD. S	3	PC	14,3 g		M 8 X 25	DIN912
	120	007603026101	WASHER A COP	1	PC	3,7 g		A 26 X 32	DIN7603
	140	915013020002	SCREW NECK	1	PC	66,7 g		20 (M30X1,5/M26X1,5)	N15013
	180	X59399100021	RETAINER	1	PC	837,8 g			
	200	007349008002	WASHER	2	PC	7,9 g		8,4	DIN7349
	220	304017008081	HEX SCREW	2	PC	13,4 g		M 8 X 25	ISO4017
	240	007349010002	WASHER	2	PC	11 g		10,5	DIN7349
	260	00000003021	HEX SCREW	2	PC	22,8 g		M 10 X 25	ISO4017
	300	X59608200020	FUEL LINE	1	PC	266,8 g	SB EM		
	340	700325022100	CLAMP HALF TUBE 1/1 D9-22	2	PC	47,8 g		1/1 D 9 - 22	MMN325
	360	700327018000	GROMMET	1	PC	5 g		18	MMN327
	380	304017008087	HEX SCREW	1	PC	21,3 g		M 8 X 50	ISO4017
	400	007349008002	WASHER	1	PC	7,9 g		8,4	DIN7349
	420	304032008014	NUT HEX 8 A3C	1	PC	4,8 g		M 8	ISO4032
	460	X59608200017	FUEL LINE	1	PC	800 g	SB EM		
	480	700429030002	O-RING	1	PC	3,1 g		30 X 4	MMN429
	500	00000003708	HEX SCREW	4	PC	22,7 g		M 10 X 25	ISO4017
	540	700325028100	CLAMP HALF TUBE 1/1 D9-28	2	PC	55 g		1/1 D 9 - 28	MMN325
	560	700327022000	GROMMET	1	PC	9 g		22	MMN327
	580	304017008088	HEX SCREW	1	PC	22,6 g		M 8 X 55	ISO4017
	600	007349008002	WASHER	1	PC	7,9 g		8,4	DIN7349
	620	304032008014	NUT HEX 8 A3C	1	PC	4,8 g		M 8	ISO4032
	660	X59608200018	FUEL LINE	1	PC	784 g	SB EM		
	700	X52608200006	FUEL LINE TO FUEL FILTER	1	PC	0,927 kg	EM		
	720	00000003708	HEX SCREW	4	PC	22,7 g		M 10 X 25	ISO4017
	740	700429030002	O-RING	1	PC	3,1 g		30 X 4	MMN429
	780	X52805500031	RETAINER	1	PC	992 g			
	800	X52499100004	PIPE HALF-CLAMP FOR FUEL LINE	4	PC	81,3 g			
	820	304017008086	HEX SCREW	2	PC	19,4 g		M 8 X 45	ISO4017
	840	304032008014	NUT HEX 8 A3C	2	PC	4,8 g		M 8	ISO4032
	860	007349008002	WASHER	2	PC	7,9 g		8,4	DIN7349
	880	304017008081	HEX SCREW	2	PC	13,4 g		M 8 X 25	ISO4017
	920	700325022104	CLAMP HALF TUBE 2/1 D9-22	2	PC	69,1 g		2/1 D 9 - 22	MMN325
	940	700327018000	GROMMET	2	PC	5 g		18	MMN327
	960	204014008025	HEX SCREW	1	PC	40,1 g		M 8 X 95	ISO4014
	980	007349008002	WASHER	1	PC	7,9 g		8,4	DIN7349
	1000	304032008014	NUT HEX 8 A3C	1	PC	4,8 g		M 8	ISO4032
	1040	X59608200003	FUEL LINE TO FUEL FILTER	1	PC	980 g	SB		
	1080	700325028100	CLAMP HALF TUBE 1/1 D9-28	2	PC	55 g		1/1 D 9 - 28	MMN325
	1100	700327022000	GROMMET	1	PC	9 g		22	MMN327
	1120	204017008032	HEX SCREW	1	PC	25,5 g		M 8 X 65	ISO4017
	1160	X59608200021	FUEL LINE	1	PC	369,9 g	SB EM		
	1200	X00027635	RETAINER	1	PC	45,3 g		BRACKET FLAT M8 + Ø10.5 HOLES	
	1220	007349010002	WASHER	1	PC	11 g		10,5	DIN7349
	1240	000912010082	SCREW	1	PC	91,8 g		M 10 X140	DIN912
	1260	700325022100	CLAMP HALF TUBE 1/1 D9-22	2	PC	47,8 g		1/1 D 9 - 22	MMN325
	1280	700327018000	GROMMET	1	PC	5 g		18	MMN327
	1300	304017008085	HEX SCREW	1	PC	18 g		M 8 X 40	ISO4017
	1340	X59408200024	FUEL LINE	1	PC	106,8 g			
	1345	915006008002	UNION	1	PC	29,7 g		8	MBN15026
	1350	007603016105	COPPER SEALING RING	1	PC	3 g		A 16 X 20	DIN7603
	1380	X59499100146	RETAINER	1	PC	483,5 g			

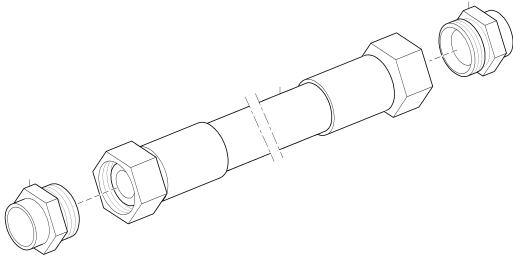
☐	POS.	PART NO.	DESIGNATION	QTY.	UNITS	WEIGHT	FN	MEASUREMENT	STANDARD
	1400	700327018000	GROMMET	2	PC	5 g		18	MMN327
	1420	700325022104	CLAMP HALF TUBE 2/1 D9-22	1	PC	69,1 g		2/1 D 9 - 22	MMN325
	1440	304017008084	HEX SCREW	1	PC	16,4 g		M 8 X 35	ISO4017
	1460	700327022000	GROMMET	1	PC	9 g		22	MMN327
	1480	700325028100	CLAMP HALF TUBE 1/1 D9-28	1	PC	55 g		1/1 D 9 - 28	MMN325
	1500	304017008086	HEX SCREW	1	PC	19,4 g		M 8 X 45	ISO4017
	1520	700327012000	GROMMET	1	PC	4,6 g		12	MMN327
	1540	700325018200	CLAMP HALF TUBE 1/1 G8-18	1	PC	40 g		1/1 G 8 - 18	MMN325
	1560	304017008083	HEX SCREW	1	PC	15,1 g		M 8 X 30	ISO4017
	1600	007349008002	WASHER	3	PC	7,9 g		8,4	DIN7349
	1620	304017008079	HEX SCREW	2	PC	11,7 g		M 8 X 20	ISO4017
	1640	204017008031	HEX SCREW	1	PC	14,3 g		M 8 X 28	ISO4017
	1680	007349010002	WASHER	1	PC	11 g		10,5	DIN7349
	1700	204014010031	HEX SCREW	1	PC	117,5 g		M 10 X185	ISO4014

GROUP SEGMENT (FGS)

GROUP NAME

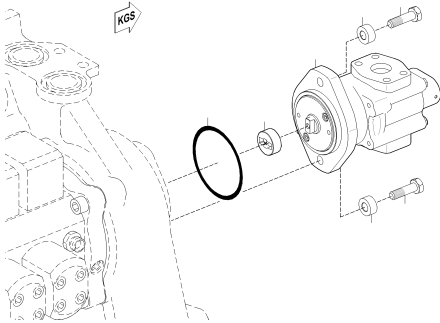
BOM-No.

00
HOSE
XS595990.00056

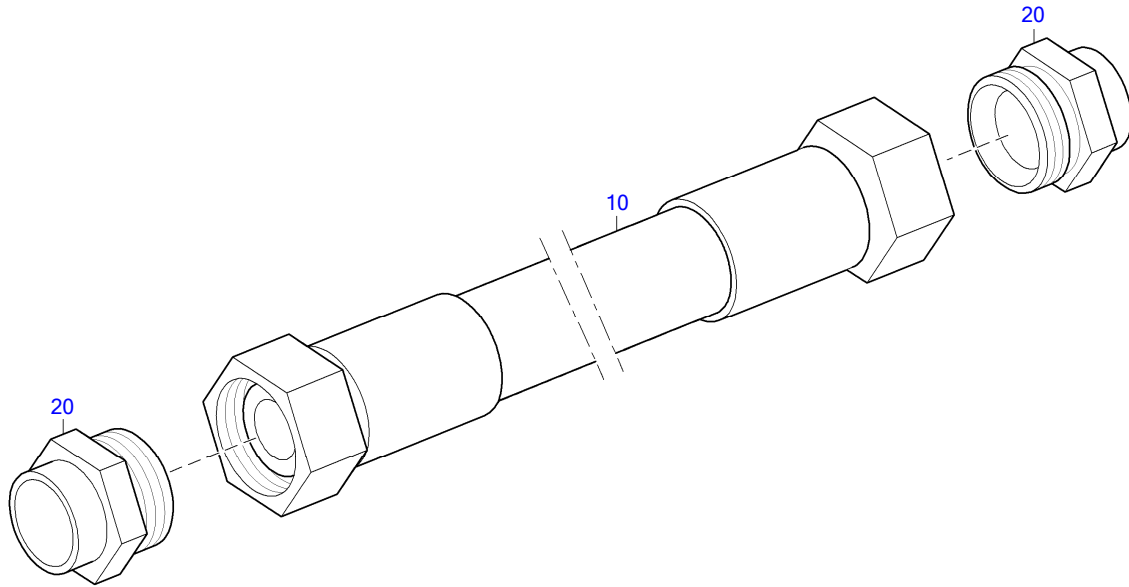


20202686

10
FUEL PUMP LOW PRESSURE
XS595080.00007

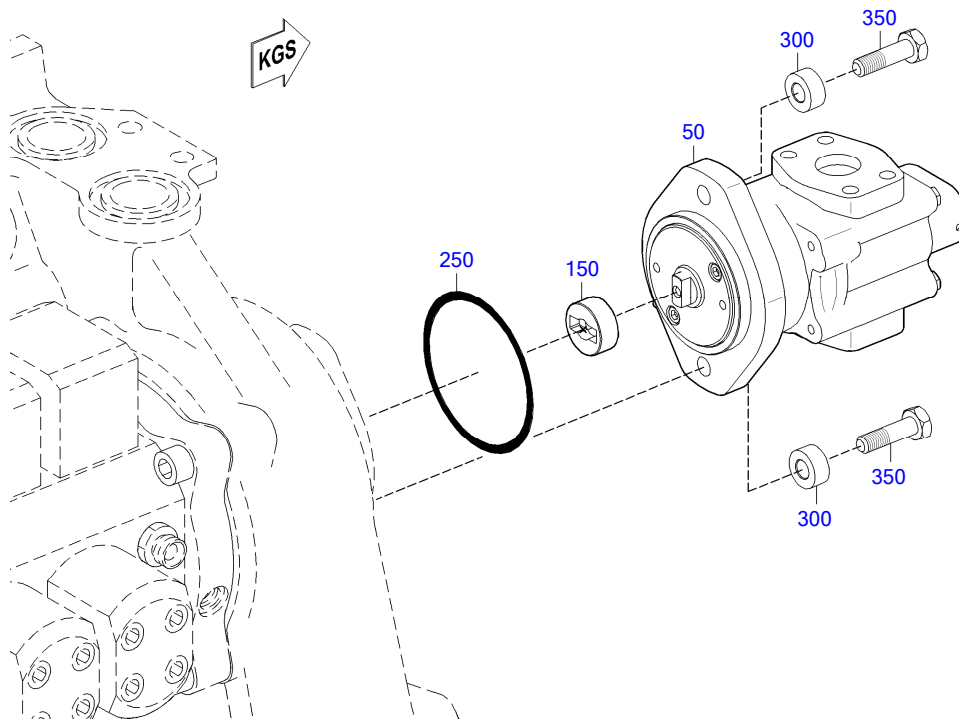


05100269a



20202986

☐	POS.	PART NO.	DESIGNATION	MODEL/TYPE	QTY.	UNITS	WEIGHT	MEASUREMENT	STANDARD
	10	X59599100145	HOSE	EATON 2807-16 400 MM LANG	1	PC	395,9 g		
	20	718363220003	UNION		2	PC	69,1 g	22/M 30 X 1,5	MMN18363.2



08100269a

☐	POS.	PART NO.	DESIGNATION	QTY.	UNITS	WEIGHT	FN	MEASUREMENT	STANDARD
	50	X00040978	FUEL DELIVERY PUMP	1	PC	5,7 kg	EM		
	150	X52408100007	LINK	1	PC	54 g			
	250	700429083000	O-RING	1	PC	11,7 g		83 X 5	MMN429
	300	735151010200	SPACER S2000/4000	2	PC	22,1 g		B 10,5	MTN5151
	350	304017010036	HEX SCREW	2	PC	30 g		M 10 X 40	ISO4017

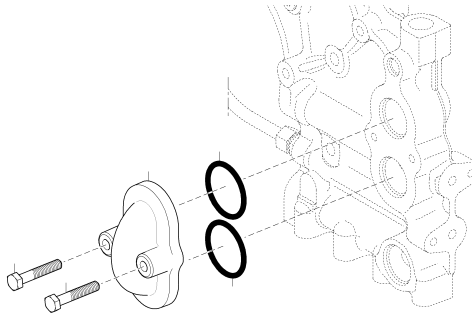
FUEL FILTER

FG/FGS: 083

GROUP SEGMENT (FGS)

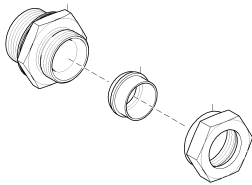
GROUP NAME

BOM-No.



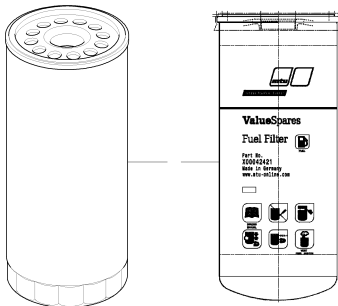
05
SEAL ELEM.
080.00094

TD0000038705_083



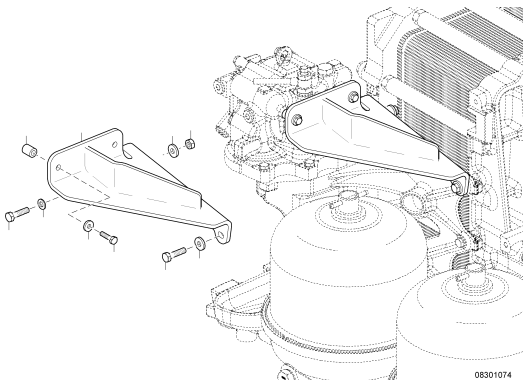
05
CONNECTING HARDWARE FOR FUEL LINE
080.00130

TD0000039708_083



05
EASY-CHANGE FILTER
XS526080.00007

08301151



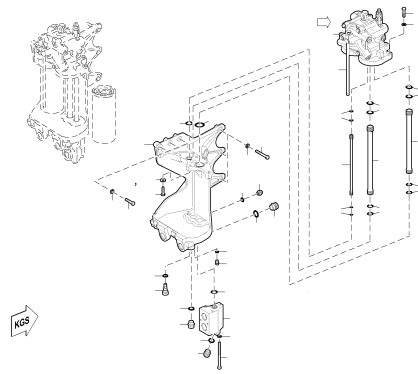
05
RETAINER F:FUEL FILTER HEAD
XS527080.00019

08301074

GROUP SEGMENT (FGS)

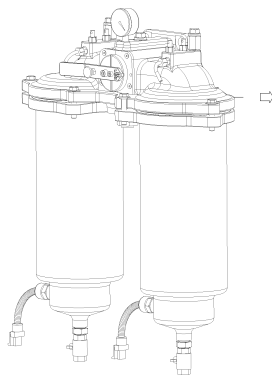
GROUP NAME

BOM-No.



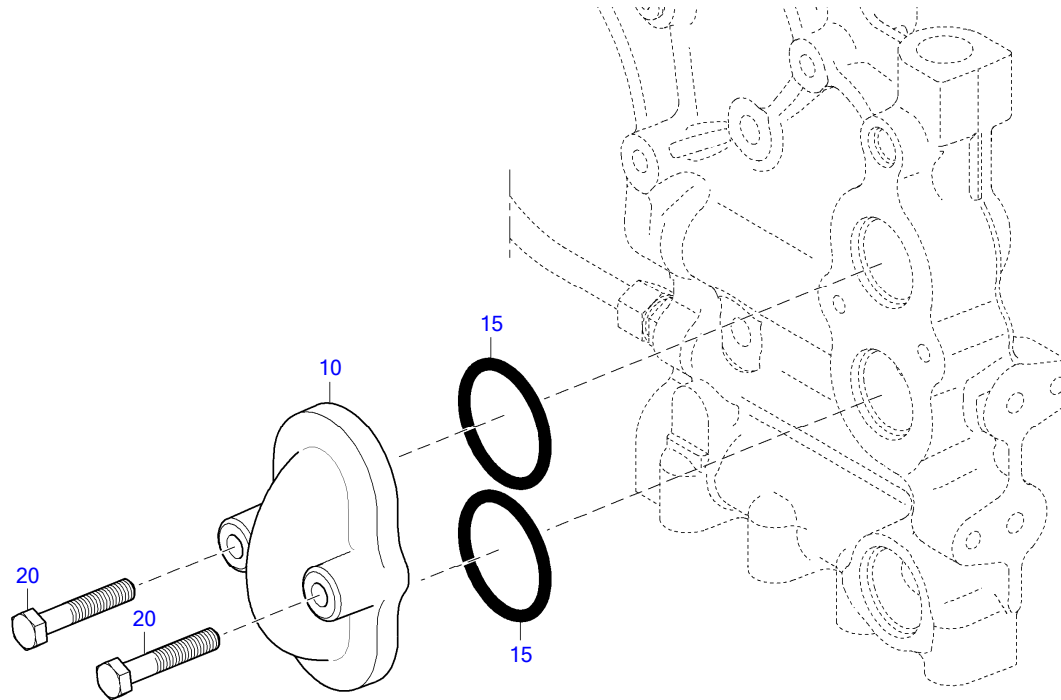
05
FUEL FILTER HEAD
XS594080.00017

08301150



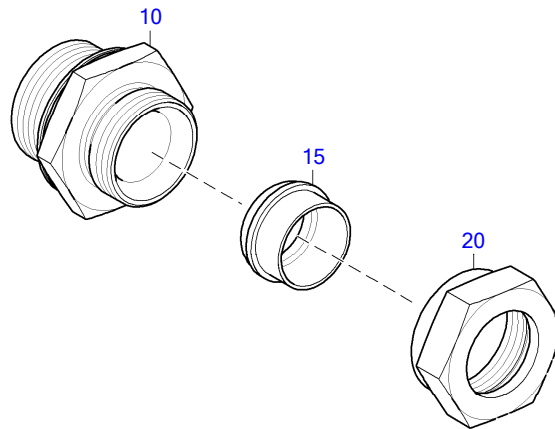
10
FUEL PREFILTER
XS594080.00073

18301456



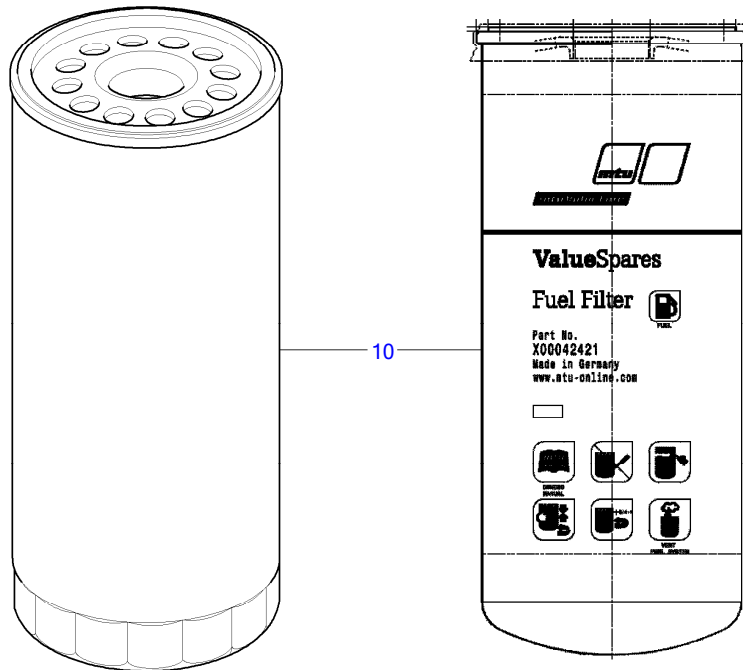
TD0000038705_083

☐	POS.	PART NO.	DESIGNATION	QTY.	UNITS	WEIGHT	MEASUREMENT	STANDARD
	10	5240920024	ELBOW FOR FUEL	1	PC	665 g		
	15	700429042000	O-RING	2	PC	6,2 g	42 X 5	MMN429
	20	304017008086	HEX SCREW	2	PC	19,4 g	M 8 X 45	ISO4017



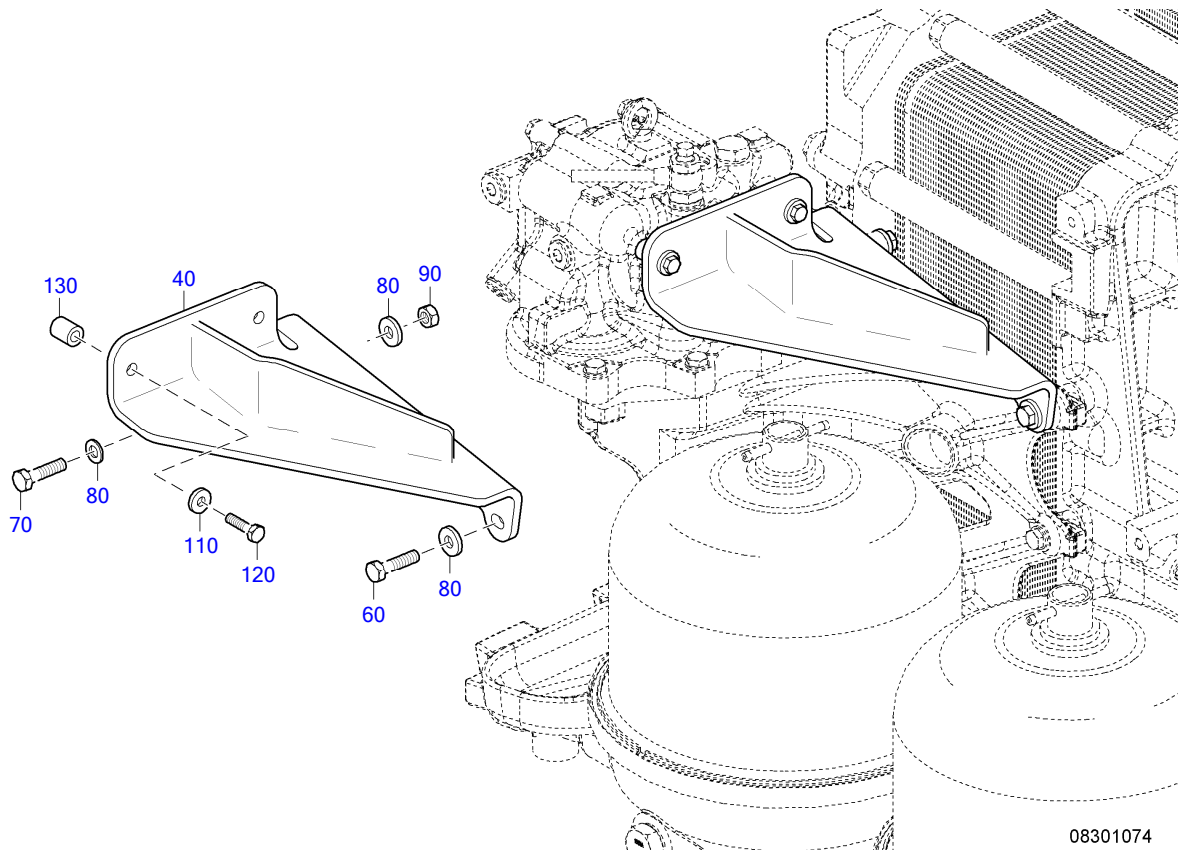
TD0000039708_083

☐	POS.	PART NO.	DESIGNATION	QTY.	UNITS	WEIGHT	MEASUREMENT	STANDARD
	10	735211022001	UNION 22MM	1	PC	0,166 kg	22M 33 X 2	MTN5211
	15	915003020202	BALL-TYPE UNION	1	PC	12,8 g	B2 -22	MBN15003
	20	915001020003	NUT	1	PC	46,9 g	20 M 30 X 1,5	N15001



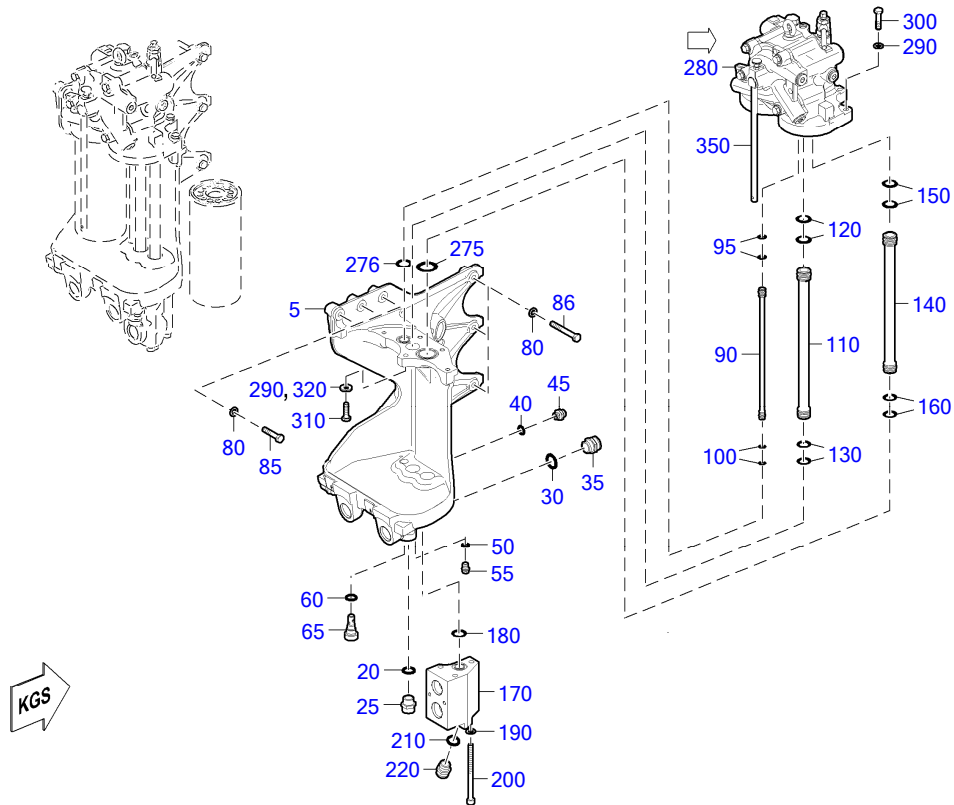
08301151

☐	POS.	PART NO.	DESIGNATION	QTY.	UNITS	WEIGHT
	10	X00042421	FUEL FILTER SPIN-ON	2	PC	1,377 kg



08301074

☐	POS.	PART NO.	DESIGNATION	QTY.	UNITS	WEIGHT	MEASUREMENT	STANDARD
	40	X59508300004	RETAINER	1	PC	4,8 kg		
	60	000000003322	HEX SCREW	1	PC	60,8 g	M 10 X 90	ISO4014
	70	304017010015	HEX SCREW	1	PC	39,2 g	M 10 X 60	ISO4017
	80	007349010002	WASHER	3	PC	11 g	10,5	DIN7349
	90	000000003187	NUT HEX A3C	1	PC	9,2 g	M 10	ISO4032
	110	007349008002	WASHER	2	PC	7,9 g	8,4	DIN7349
	120	304017008086	HEX SCREW	2	PC	19,4 g	M 8 X 45	ISO4017
	130	5511530450	SPACER BUSHING	2	PC	29,9 g		



08301150

☐	POS.	PART NO.	DESIGNATION	QTY.	UNITS	WEIGHT	MEASUREMENT	STANDARD
	5	X52408300008	RETAINER	1	PC	28,8 kg		
	20	007603022102	COPPER SEALING RING	2	PC	0,9 g	A 22 X 27	DIN7603
	25	915013016002	UNION	2	PC	54,2 g	16	N15013
	30	007603026101	WASHER A COP	1	PC	3,7 g	A 26 X 32	DIN7603
	35	915013020002	SCREW NECK	1	PC	66,7 g	20 (M30X1,5/M26X1,5)	N15013
	40	007603016105	COPPER SEALING RING	1	PC	3 g	A 16 X 20	DIN7603
	45	915013010001	UNION	1	PC	29,2 g	10	N15013
	50	007603012102	WASHER A COP	1	PC	0,8 g	A 12 X 16	DIN7603
	55	000910012000	PLUG	1	PC	0,02 kg	M 12 X 1,5	DIN910
	60	007603020101	WASHER A COP	1	PC	1,3 g	A 20 X 24	DIN7603
	65	X59308300011	BANJO SCREW	1	PC	79,3 g		
	80	000125010524	WASHER	5	PC	3,1 g	A 10,5	DIN125
	85	000000001042	HEX SCREW	2	PC	34,6 g	M 10 X 50	ISO4017
	86	000000000906	HEX SCREW	3	PC	49,4 g	M 10 X 80	ISO4017
	90	X59608300010	PLUG-IN PIPE FOR FUEL FILTER	1	PC	137,4 g		
	95	700429011002	O-RING	2	PC	0,7 g	11 X 3	MMN429
	100	700429009003	O-RING	2	PC	0,6 g	9 X 3	MMN429
	110	X59608300022	PLUG-IN PIPE FOR FUEL FILTER	1	PC	399 g		
	120	700429023002	O-RING	2	PC	2,4 g	23 X 4	MMN429
	130	700429022002	O-RING	2	PC	1,3 g	22,2 X 3	MMN429
	140	X59608300021	PLUG-IN PIPE	1	PC	373,2 g		
	150	700429023002	O-RING	2	PC	2,4 g	23 X 4	MMN429
	160	700429022002	O-RING	2	PC	1,3 g	22,2 X 3	MMN429
	170	X59308300046	CONNECTING PIECE F.ADDIT.FUEL FILTER	1	PC	2,5 kg		
	180	700429024004	O-RING	1	PC	1,3 g	24 X 3	MMN429

EQUI TYPE: Engine

PRODUCT TYPE: 12V4000M93L

SERIAL NUMBER: 526108553

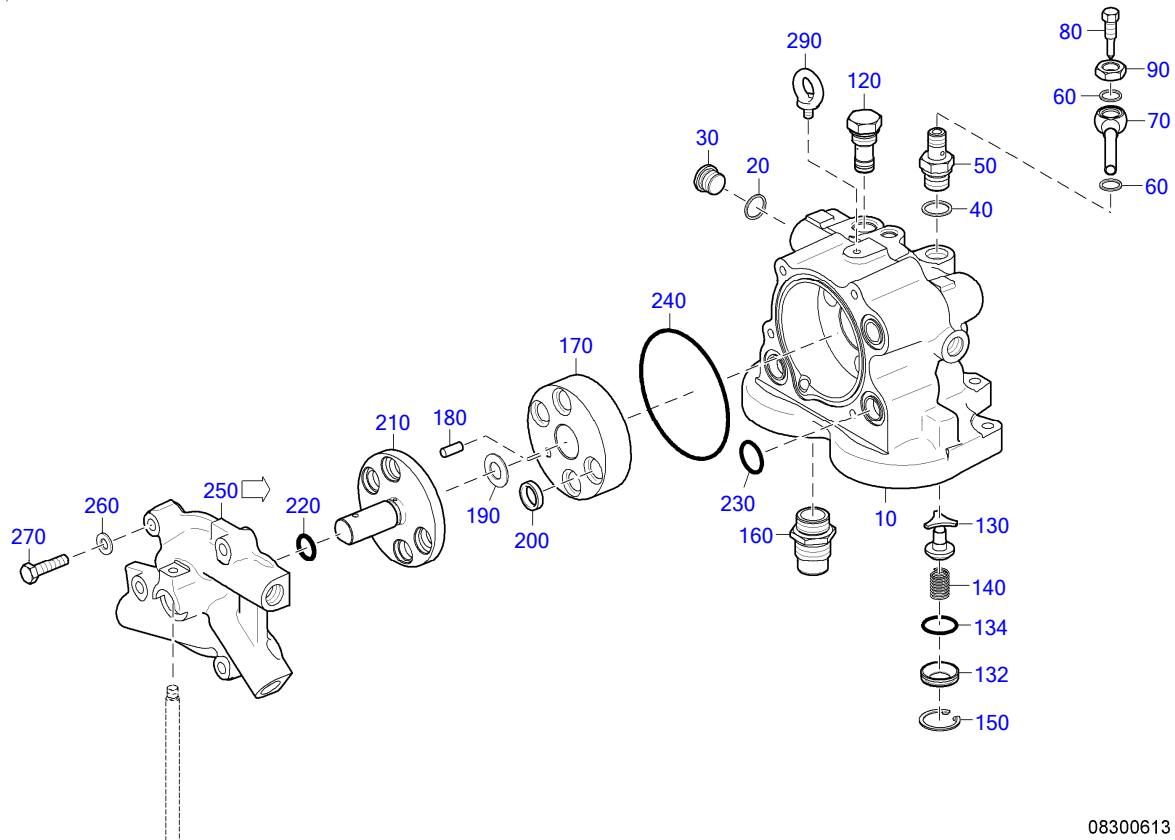
FUEL FILTER HEAD

FG/FGS: 083

05

BOM-No.: XS594080.00017

	POS.	PART NO.	DESIGNATION	QTY.	UNITS	WEIGHT	MEASUREMENT	STANDARD
	190	200125010501	WASHER	2	PC	2,9 g	A 10,5	DIN125
	200	000912010118	SCREW	2	PC	85,5 g	M 10 X130	DIN912
	210	007603022102	COPPER SEALING RING	1	PC	0,9 g	A 22 X 27	DIN7603
	220	915013016002	UNION	1	PC	54,2 g	16	N15013
	275	700429040000	O-RING	1	PC	2 g	40 X 3	MMN429
	276	700429026001	O-RING	1	PC	1,3 g	26 X 3	MMN429
103	280	X59408300026	FILTER HEAD	1	PC	25 kg		
	290	200125010501	WASHER	4	PC	2,9 g	A 10,5	DIN125
	300	000000003711	HEX SCREW	4	PC	29,4 g	M 10 X 40	ISO4017
	310	000000003710	HEX SCREW	1	PC	27,2 g	M 10 X 35	ISO4017
	320	007349010002	WASHER	1	PC	11 g	10,5	DIN7349
	350	X59308300017	LEVER	1	PC	252 g		



08300613

☐	POS.	PART NO.	DESIGNATION	QTY.	UNITS	WEIGHT	FN	MEASUREMENT	STANDARD
	10	X52408300005	FUEL FILTER	1	PC	18,5 kg			
	20	007603020101	WASHER A COP	3	PC	1,3 g		A 20 X 24	DIN7603
	30	000908020000	PLUG	3	PC	0,037 kg		M 20 X 1,5	DIN908
	40	007603022102	COPPER SEALING RING	1	PC	0,9 g		A 22 X 27	DIN7603
	50	5249973172	FITTING	1	PC	115,6 g			
	60	007603016105	COPPER SEALING RING	2	PC	3 g		A 16 X 20	DIN7603
	70	5840700280	TUBE VENT W/BANJO FT G 8MM X 10MM X 90	1	PC	66 g	SB		
	80	5849900615	BOLT SPL M10 1.00X40 TO M6 0.2 8.8	1	PC	20 g			
	90	000439016200	NUT M16 04-2 DIN439	1	PC	20 g		B M 16	DIN439
	120	X59308300012	VALVE WITH BAFFLE	1	PC	128,9 g			
	130	735082222000	VALVE TRIM	1	PC	54,6 g		22-L	MTN5082
	132	X59408300003	VALVE SEAT	1	PC	18,2 g			
	134	700429028000	O-RING	1	PC	1 g		28 X 2,5	MMN429
	140	735082122000	SPRING	1	PC	6,8 g		22-L 0,2	MTN5082
	150	000472035000	SNAP RING	1	PC	2,9 g		35 X 1,5	DIN472
	160	0009902164	THREADED NIPPLE	2	PC	151,4 g		M30X 1,5 / M32 X1,5	
	170	X59308300035	CONTROL DISC	1	PC				
	180	000007008102	DOWEL PIN	1	PC	8,4 g		8 M6 X 20	DIN7
	190	002093031103	DISHED WASHER	7	PC	7,3 g		A 31,5	DIN2093
	200	X59308300013	SEALING RING	4	PC	6 g			
	210	X59308300014	SHAFT	1	PC	0,936 kg			
	220	700429018006	O-RING	1	PC	1,6 g		18,68X 3,53	MMN429
	230	700429026001	O-RING	3	PC	1,3 g		26 X 3	MMN429
	240	700429120001	O-RING	1	PC	5,8 g		120 X 3	MMN429
104	250	X59308300005	COVER	1	PC	4,5 kg			


EQUI TYPE: Engine

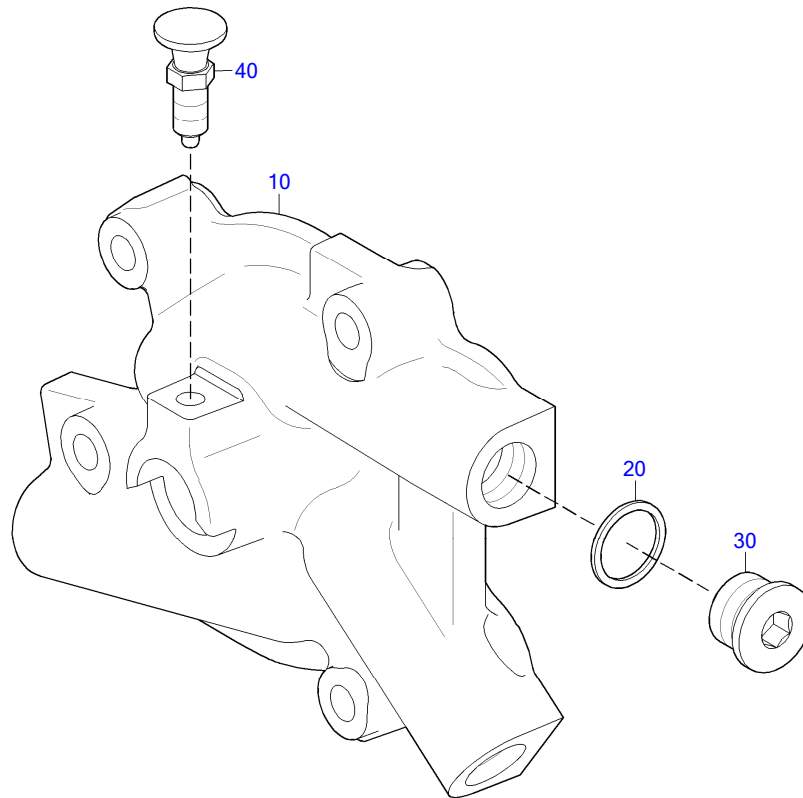
PRODUCT TYPE: 12V4000M93L
FILTER HEAD

SERIAL NUMBER: 526108553

FG/FGS:

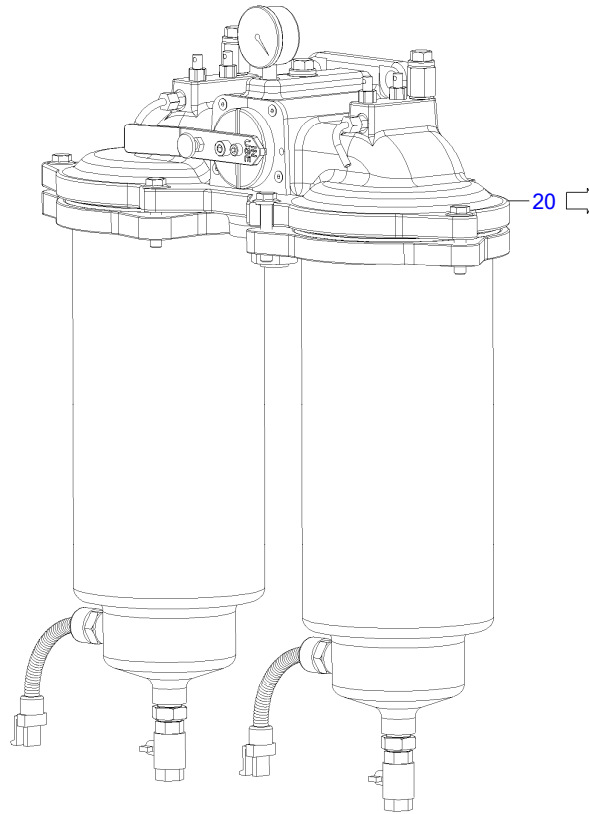
BOM-No.: X59408300026

	POS.	PART NO.	DESIGNATION	QTY.	UNITS	WEIGHT	FN	MEASUREMENT	STANDARD
	260	000125010521	WASHER	4	PC	4 g		A 10,5	DIN125
	270	000000001039	HEX SCREW	4	PC	29,8 g		M 10 X 40	ISO4017
	290	000580008001	EYE BOLT	1	PC	56 g		M 8	DIN580




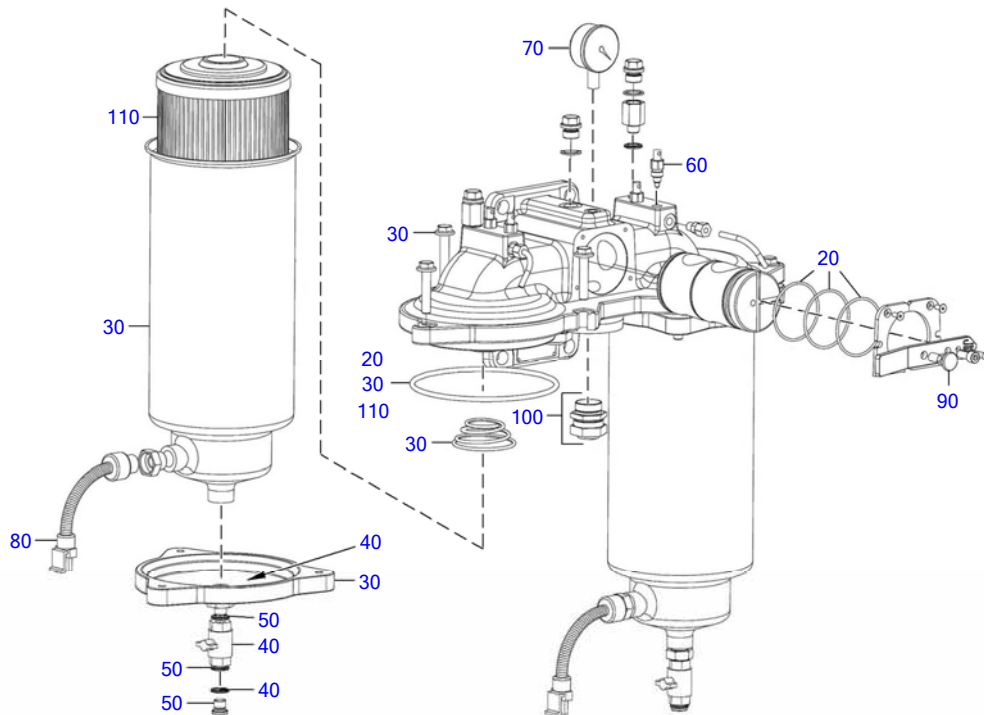
08300464a

☐	POS.	PART NO.	DESIGNATION	QTY.	UNITS	WEIGHT	MEASUREMENT	STANDARD
	10	X52408300006	COVER	1	PC	3,4 kg		
	20	007603022102	COPPER SEALING RING	3	PC	0,9 g	A 22 X 27	DIN7603
	30	000908022001	PLUG	3	PC	0,048 kg	M 22 X 1,5	DIN908
	40	X00026909	ENGAGING PIN	1	PC	19 g		



18301456

	POS.	PART NO.	DESIGNATION	MODEL/TYPE	QTY.	UNITS	WEIGHT
106	20	X59408300052/87	FUEL PREFILTER	5 M	1	PC	38,7 kg



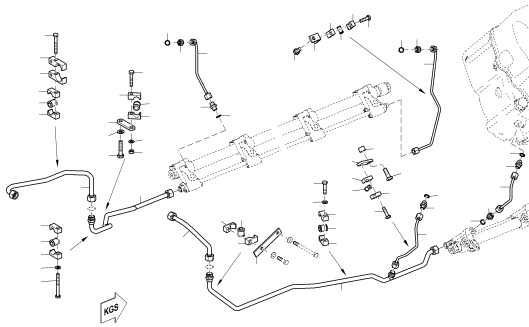
08300729

☐	POS.	PART NO.	DESIGNATION	MODEL/TYPE	QTY.	UNITS	WEIGHT	MEASUREMENT
	20	XP59400600004	GASKET KIT		1	PC	51,7 g	
	30	XP59408300061	BOWL KIT	14 ZOLL	2	PC	4,8 kg	
	40	XP59408300060	DRAIN VALVE		2	PC	21,6 g	
	50	XP59400600003	CONNECTION KIT		2	PC	21 g	
	60	XP59408300059	VENT VALVE		4	PC	28 g	
	70	XP59408300055	PRESSURE GAUGE		1	PC	107,2 g	-0,3 - 10 BAR
	80	X00E50209325	LEVEL MONITOR	RACOR WASSERSONDE	2	PC	0,028 kg	WASSERSONDE, U=12 BIS 24V,
	90	XP59408300062	LOCKING DEVICE		1	PC	0,02 kg	
	100	XP59408300063	CONNECTION		2	PC	0,166 kg	
	110	XP59408300054	FILTER CARTRIDGE	FBO60337 14" -5 MIC.	2	PC	2,4 kg	

GROUP SEGMENT (FGS)

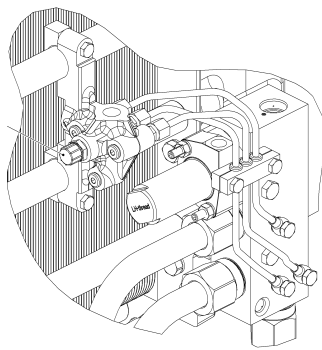
GROUP NAME

BOM-No.



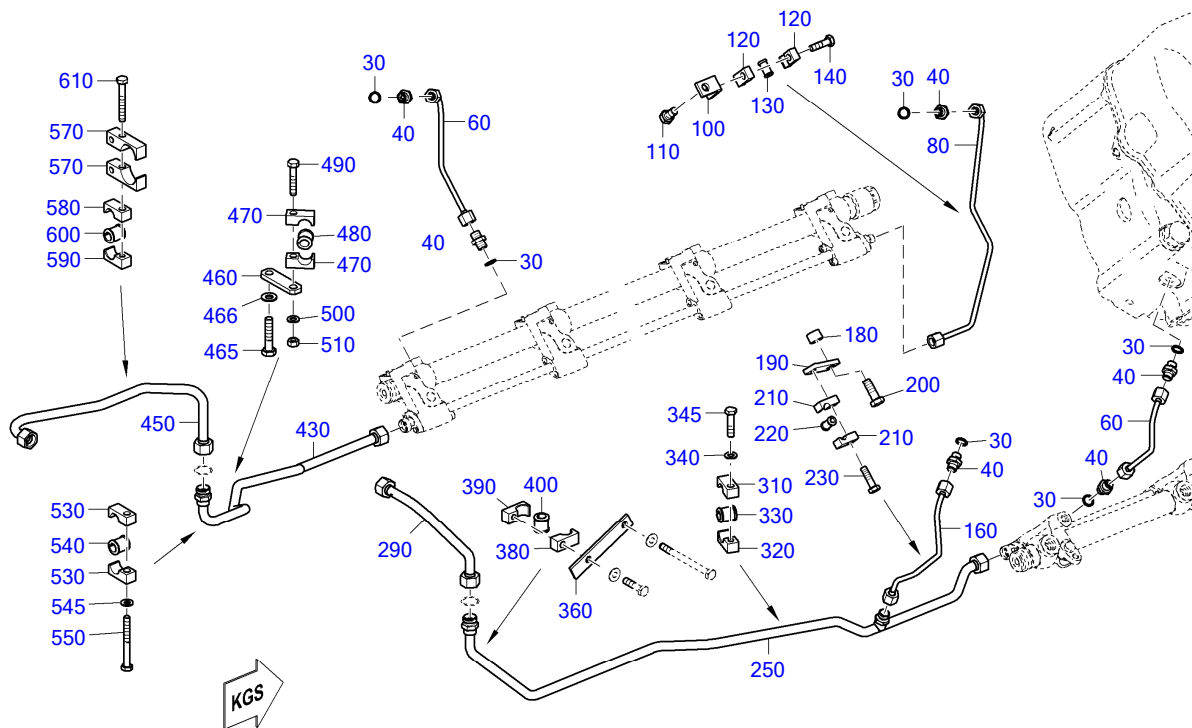
05
FUEL RETURN LINE
XS594080.00019

08600737



05
SEALING ELEMENT FOR LEAK-OFF FUEL
XS594080.00120

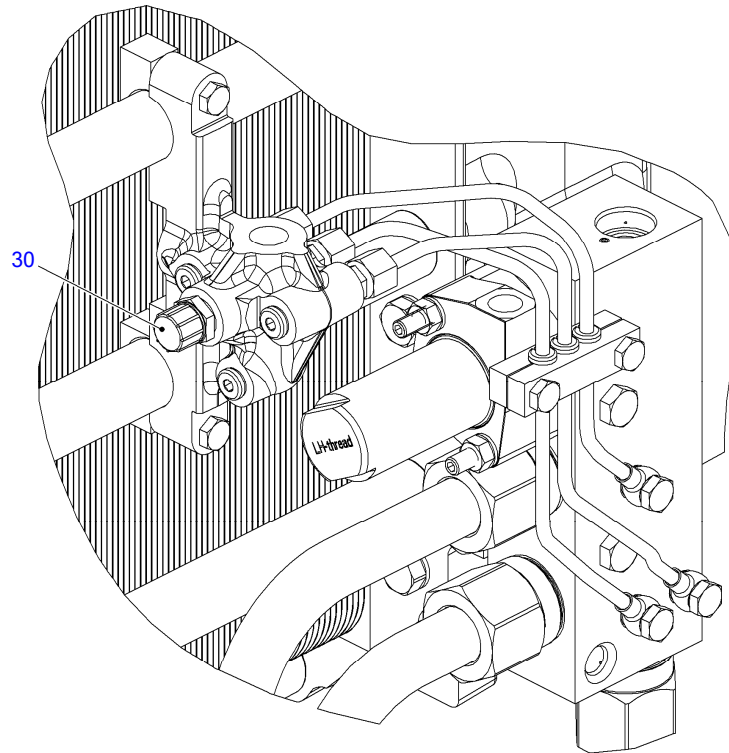
07700761




08600737

☐	POS.	PART NO.	DESIGNATION	QTY.	UNITS	WEIGHT	FN	MEASUREMENT	STANDARD
	30	007603012111	COPPER SEALING RING	22	PC	0,7 g		A 12 X 15,5	DIN7603
	40	915006004002	UNION	22	PC	19 g	4		MBN15026
	60	X00034974	TUBE FUEL LOW PRESSU RE RETURN	10	PC	62,5 g	SB		
	80	X00004215	TUBE FUEL RETURN LOW PRESSURE B-BANK	1	PC	90 g	SB		
	100	5551870640	RETAINER	1	PC	54,9 g			
	110	000000003020	HEX SCREW	1	PC	20 g		M 10 X 20	ISO4017
	120	700325010100	CLAMP HALF TUBE	2	PC	25 g		1/1 D 9 - 10	MMN325
	130	700327006000	GROMMET	1	PC	1,4 g	6		MMN327
	140	304017008083	HEX SCREW	1	PC	15,1 g		M 8 X 30	ISO4017
	160	X00040965	TUBE FUEL RETURN LOW PRESSURE A-BANK	1	PC	70 g	SB		
	180	5511531550	SPACER BUSHING	1	PC	16,2 g			
	190	135M55009/1	STRAP 75 X20	1	PC	62,1 g			
	200	000000001464	HEX SCREW	1	PC	24,9 g		M 10 X 30	ISO4017
	210	700325010100	CLAMP HALF TUBE	2	PC	25 g		1/1 D 9 - 10	MMN325
	220	700327006000	GROMMET	1	PC	1,4 g	6		MMN327
	230	304017008083	HEX SCREW	1	PC	15,1 g		M 8 X 30	ISO4017
	250	X52408200009	FUEL LINE TO PLATE-CORE COOLE	1	PC	355 g	SB		
	290	X52408200012	FUEL LINE TO PLATE-CORE COOLE	1	PC	112 g	SB		
	310	700325018100	CLAMP HALF TUBE 1/1 D9-18	1	PC	40 g		1/1 D 9 - 18	MMN325
	320	700325018200	CLAMP HALF TUBE 1/1 G8-18	1	PC	40 g		1/1 G 8 - 18	MMN325
	330	700327012000	GROMMET	1	PC	4,6 g	12		MMN327
	340	007349008002	WASHER	1	PC	7,9 g	8,4		DIN7349
	345	304017008084	HEX SCREW	1	PC	16,4 g		M 8 X 35	ISO4017
	360	8351870840	RETAINER	1	PC	64,9 g			
	380	700325018100	CLAMP HALF TUBE 1/1 D9-18	1	PC	40 g		1/1 D 9 - 18	MMN325

☐	POS.	PART NO.	DESIGNATION	QTY.	UNITS	WEIGHT	FN	MEASUREMENT	STANDARD
	390	700325018200	CLAMP HALF TUBE 1/1 G8-18	1	PC	40 g		1/1 G 8 - 18	MMN325
	400	700327012000	GROMMET	1	PC	4,6 g		12	MMN327
	430	X59408200026	FUEL LINE TO PLATE-CORE COOLE	1	PC	212 g			
	450	X52408200011	FUEL LINE TO PLATE-CORE COOLE	1	PC	144,1 g	SB		
	460	5801871840	BRACKET	1	PC	79,3 g			
	465	000000001039	HEX SCREW	1	PC	29,8 g		M 10 X 40	ISO4017
	466	007349010002	WASHER	1	PC	11 g		10,5	DIN7349
	470	700325018100	CLAMP HALF TUBE 1/1 D9-18	2	PC	40 g		1/1 D 9 - 18	MMN325
	480	700327012000	GROMMET	1	PC	4,6 g		12	MMN327
	490	304017008086	HEX SCREW	1	PC	19,4 g		M 8 X 45	ISO4017
	500	007349008002	WASHER	1	PC	7,9 g		8,4	DIN7349
	510	304032008014	NUT HEX 8 A3C	1	PC	4,8 g		M 8	ISO4032
	530	700325018100	CLAMP HALF TUBE 1/1 D9-18	2	PC	40 g		1/1 D 9 - 18	MMN325
	540	700327012000	GROMMET	1	PC	4,6 g		12	MMN327
	545	007349008002	WASHER	1	PC	7,9 g		8,4	DIN7349
	570	X52499100004	PIPE HALF-CLAMP FOR FUEL LINE	2	PC	81,3 g			
	580	700325018100	CLAMP HALF TUBE 1/1 D9-18	1	PC	40 g		1/1 D 9 - 18	MMN325
	590	700325018200	CLAMP HALF TUBE 1/1 G8-18	1	PC	40 g		1/1 G 8 - 18	MMN325
	600	700327012000	GROMMET	1	PC	4,6 g		12	MMN327
	610	304017008089	HEX SCREW	1	PC	24,2 g		M 8 X 60	ISO4017
		000000004389	HEX SCREW	1	ST	30 g		M 8 X 75	ISO4017



07700761

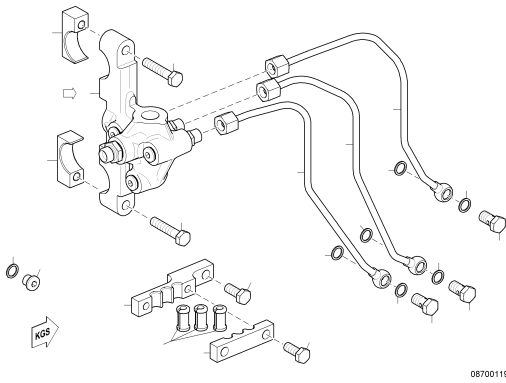
	POS.	PART NO.	DESIGNATION	QTY.	UNITS	WEIGHT	MEASUREMENT
	30	X59699100646	PROTECTIVE PLUG	1	PC	1,1 g	GPN800 M14X1.5

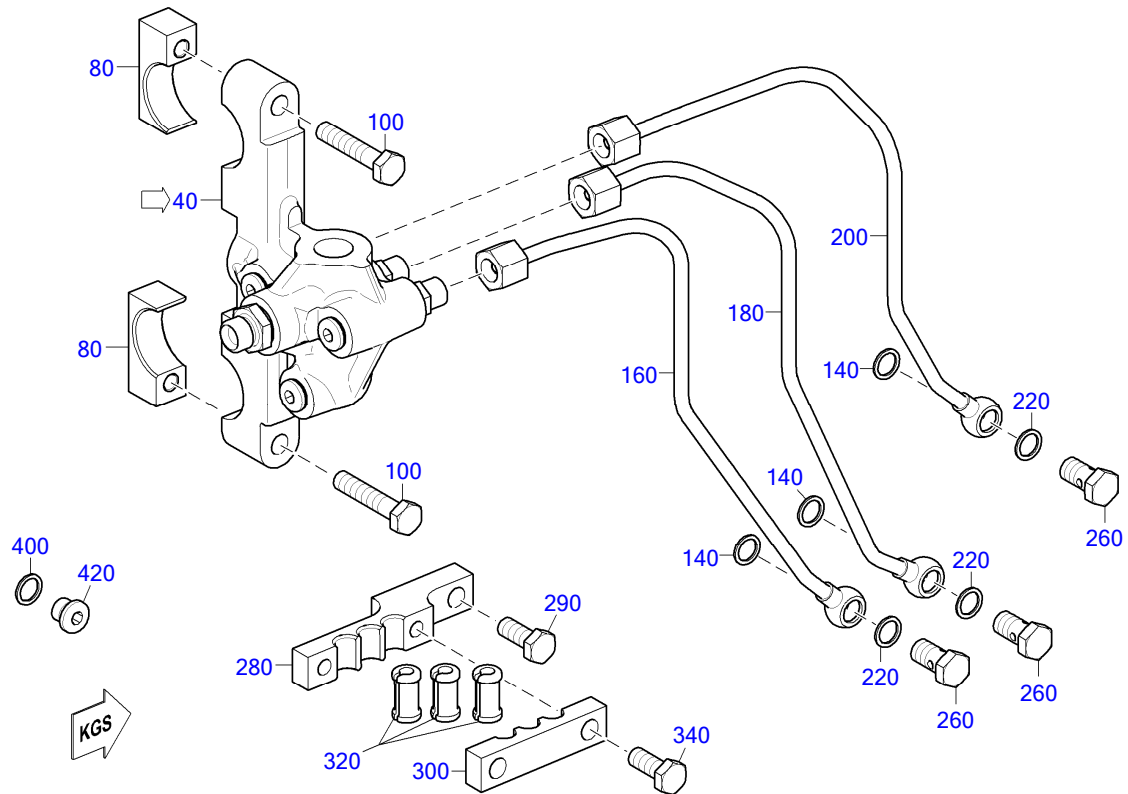
GROUP SEGMENT (FGS)

GROUP NAME

BOM-No.

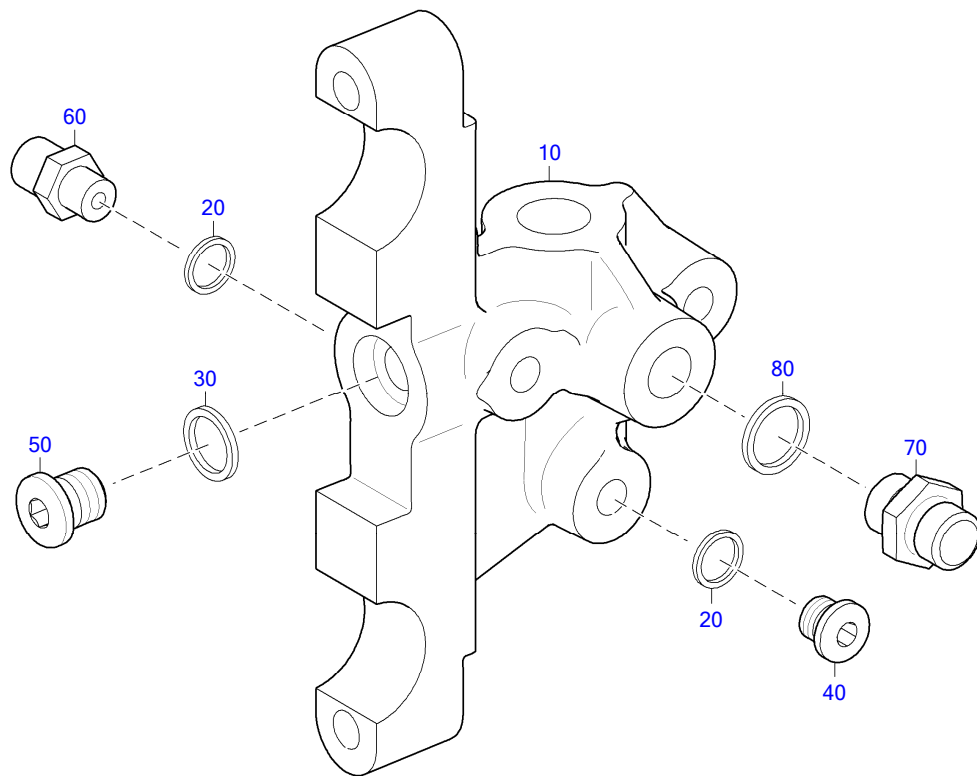
05
FUEL LEAK MONITORING
XS594080.00125





08700119

☐	POS.	PART NO.	DESIGNATION	QTY.	UNITS	WEIGHT	MEASUREMENT	STANDARD
	112	40	X59608700009	LEAK-OFF FUEL TANK	1	PC	1,3 kg	
		80	X52607700003	RETAINER	2	PC	52,4 g	
		100	304017008085	HEX SCREW	2	PC	18 g	M 8 X 40 ISO4017
		140	007603010110	WASHER A COP	3	PC	0,3 g	A 10 X 13,5 DIN7603
		160	X59408600033	LEAK-OFF FUEL LINE	1	PC	69,3 g	
		180	X59408600034	LEAK-OFF FUEL LINE	1	PC	68 g	
		200	X59408600035	LEAK-OFF FUEL LINE	1	PC	68,3 g	
		220	007603010110	WASHER A COP	3	PC	0,3 g	A 10 X 13,5 DIN7603
		260	915011004102	BOLT BANJO A 4	3	PC	14,3 g	A 4 N15011
		280	X59499100924	PIPE HALF-CLAMP	1	PC	127,4 g	
		290	208676008000	HEX SCREW	1	PC	12 g	M 8 X 1 X 20 ISO8676
		300	700325010105	PIPE CLAMP HALF	1	PC	56,8 g	3/2 D 9 - 10 MMN325
		320	700327006000	GROMMET	3	PC	1,4 g	6 MMN327
		340	208676008000	HEX SCREW	2	PC	12 g	M 8 X 1 X 20 ISO8676
		400	007603010110	WASHER A COP	1	PC	0,3 g	A 10 X 13,5 DIN7603
		420	000908010002	SCREWED PLUG	1	PC	0,006 kg	M 10 X 1 DIN908



08700083

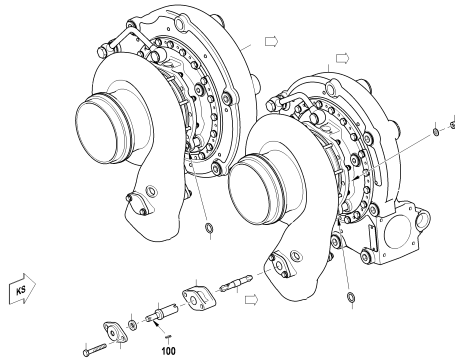
☐	POS.	PART NO.	DESIGNATION	QTY.	UNITS	WEIGHT	MEASUREMENT	STANDARD
	10	X59408700001	LEAK FUEL SENSOR HOUSING	1	PC	1,3 kg		
	20	007603010110	WASHER A COP	6	PC	0,3 g	A 10 X 13,5	DIN7603
	30	007603012102	WASHER A COP	1	PC	0,8 g	A 12 X 16	DIN7603
	40	000908010002	SCREWED PLUG	3	PC	0,006 kg	M 10 X 1	DIN908
	50	000908012003	THREAD PLUG	1	PC	11,9 g	M 12 X 1,5	DIN908
	60	915013004002	UNION	3	PC	14 g	4	N15013
	70	915006006000	UNION	1	PC	22,9 g	6	MBN15026
	80	007603014102	SEAL RING	1	PC	1 g	A 14 X 18	DIN7603

GROUP SEGMENT (FGS)

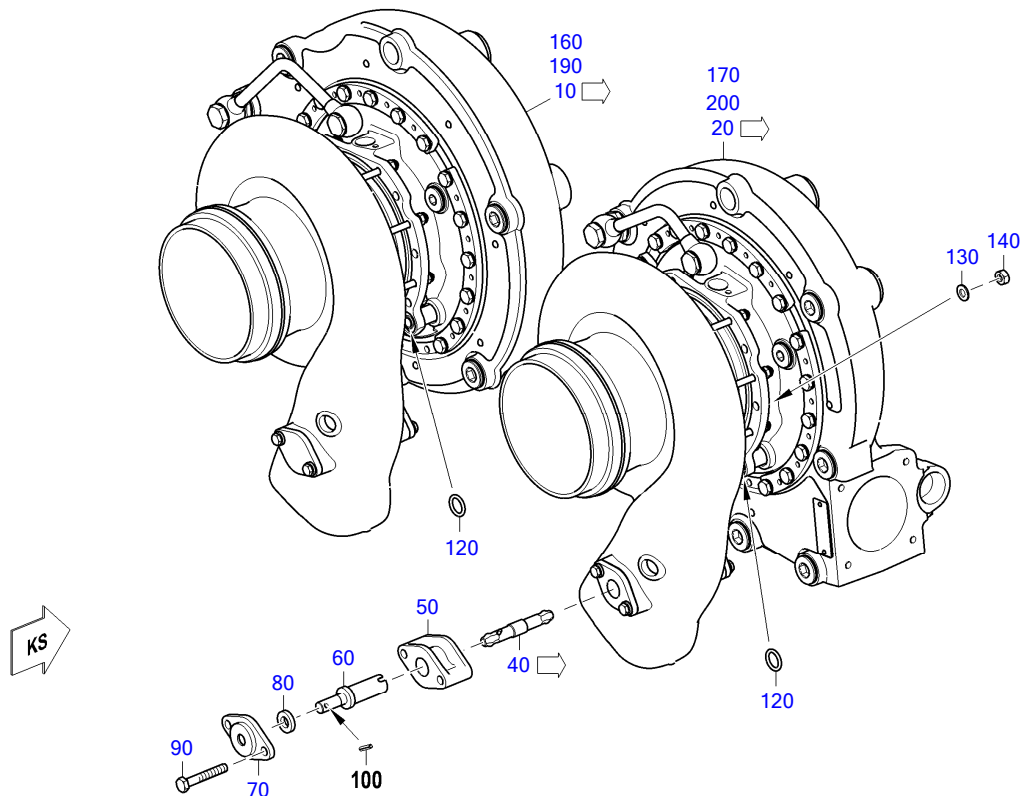
GROUP NAME

BOM-No.

01
EXHAUST TURBOCHARGER
XS594100.00020



10101276a



10101276a

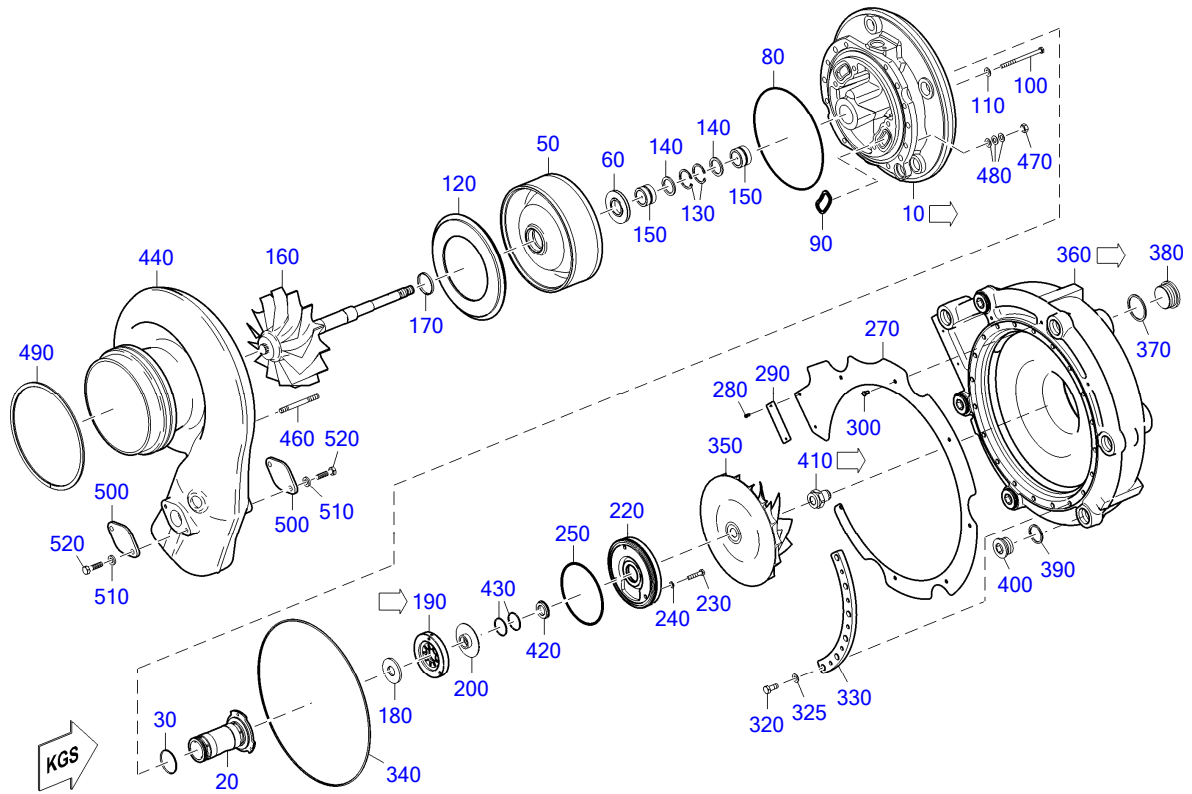
☐	POS.	PART NO.	DESIGNATION	MODEL/TYPE	QTY.	UNITS	WEIGHT	FN	MEASUREMENT	STANDARD
	115	10	X59410100086	EXHAUST TURBOCHARGER LEFT	ZR195	1	PC	111,3 kg	EM	
	120	20	X59410100087	EXHAUST TURBOCHARGER RIGHT	ZR195	1	PC	98 kg	EM	
	121	40	X59610100123	SHAFT		1	PC	132 g		
		50	5261420250	BEARING BUSHING		1	PC	658,8 g		
		60	5261420629	SHAFT		1	PC	204,2 g		
		70	5261420060	FLANGE SEALING		1	PC	194,5 g		
		80	5591420451	RING SEALING		1	PC	3,2 g		
		90	304017010032	HEX SCREW		2	PC	42,3 g	M 10 X 65	ISO4017
		120	700429020003	O-RING		2	PC	2,1 g	20 X 4	MMN429
		130	000125010524	WASHER		12	PC	3,1 g	A 10,5	DIN125
		140	000934010007	NUT HEX		12	PC	10,3 g	M 10	DIN934
		160	RX59410100086	EXHAUST TURBOCHARGER LEFT	ZR195	1	PC	111,3 kg	MN EM	
		170	RX59410100087	EXHAUST TURBOCHARGER RIGHT	ZR195	1	PC	98 kg	MN EM	
		190	EX59410100086	EXHAUST TURBOCHARGERLEFT		1	PC	111,3 kg	MN EM	
		200	EX59410100087	EXHAUST TURBOCHARGERRIGHT		1	PC	98 kg	MN EM	

EQUI TYPE: Engine

PRODUCT TYPE: 12V4000M93L
EXHAUST TURBOCHARGER LEFT

SERIAL NUMBER: 526108553

FG/FGS:
BOM-No.: X59410100086



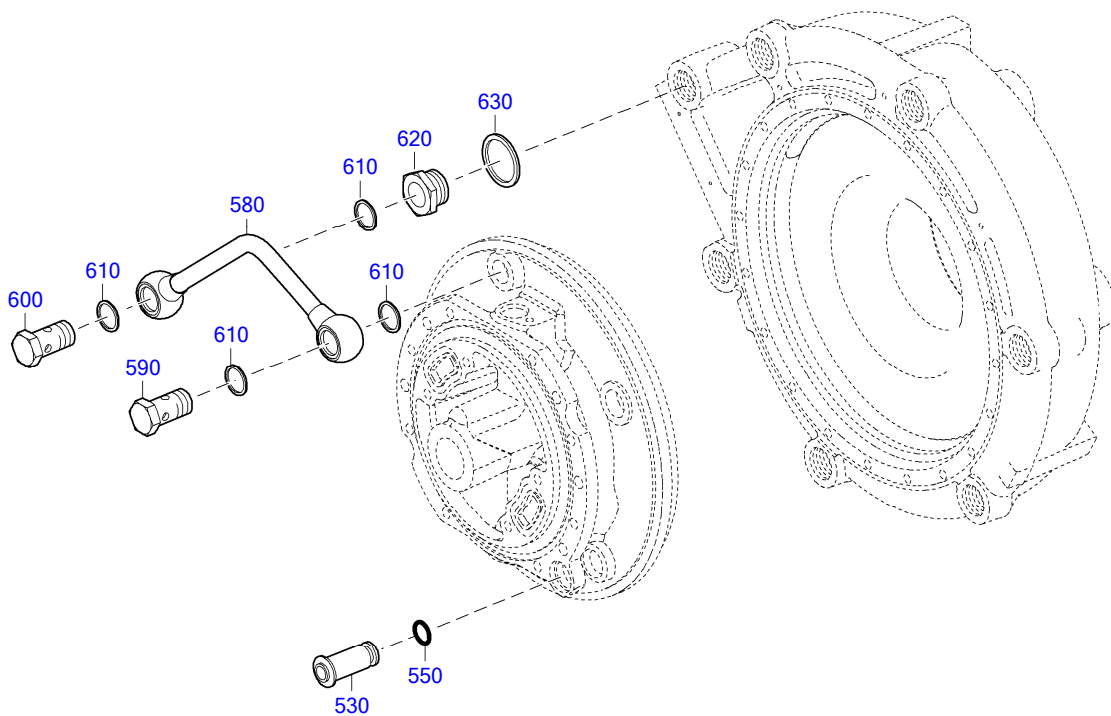
10101273a

EQUI TYPE: Engine

PRODUCT TYPE: 12V4000M93L
EXHAUST TURBOCHARGER LEFT

SERIAL NUMBER: 526108553

FG/FGS:
BOM-No.: X59410100086



Business Portal Online Print 23-10-2020

TD0000008826_101

EQUI TYPE: Engine

PRODUCT TYPE: 12V4000M93L
EXHAUST TURBOCHARGER LEFT

SERIAL NUMBER: 526108553

FG/FGS:
BOM-No.: X59410100086

☐	POS.	PART NO.	DESIGNATION	MODEL/TYPE	QTY.	UNITS	WEIGHT	FN	MEASUREMENT	STANDARD
116	10	X59510100008	BEARING HOUSING	ZR205	1	PC	15,6 kg			
	20	X59610100061	BEARING BODY		1	PC	396,3 g			
	30	700429038002	O-RING		1	PC	0,8 g	38 X 2		MMN429
	50	X52810100043	HOUSING COVER	ZR175	1	PC	5,1 kg			
	60	5110251976	WASHER	ZR205	1	PC	67,7 g			
	80	700429185001	O-RING		1	PC	9,1 g	185 X 3		MMN429
	90	X52810100138	O-RING	KALREZ SPECTRUM 7075	2	PC	3,5 g	41X4		
	100	00000003496	HEX SCREW		4	PC	38,2 g	M 8 X 90		ISO4014
	110	200433008400	WASHER		4	PC	1,5 g	8,4		DIN433
	120	X52810100096	HEAT SHIELD	ZR175	1	PC	896,6 g			
	130	5119940041	RING SNAP		2	PC	2,8 g	34 X 1,5		DIN472
	140	X59599100058	WASHER		2	PC	7,7 g			
	150	X00016599	BEARING BUSHING		2	PC	67,7 g			
	160	5110805220	TURBINE WHEEL	180/23/153/83,9CM²	1	PC	5,7 kg	EM		
	170	5110850560	RING SEAL	FUER ABGASTURBOLADER	1	PC	5,7 g			
	180	X00010427	WASHER		1	PC	45,7 g			
117	190	X59610100101	THRUST BEARING		1	PC	355,7 g			
	200	X00010428	WASHER		1	PC	56,4 g			
	220	X59610100232	RETAINING RING		1	PC	1,2 kg			
	230	000912006028	SCREW		3	PC	7,8 g	M 6 X 30		DIN912
	240	200433006400	WASHER		3	PC	0,6 g	6,4		DIN433
	250	700429105001	O-RING		1	PC	7,1 g	105 X 3,5		MMN429
	270	X59410100032	HEAT SHIELD		1	PC	369,1 g			
	280	001476005001	GROOVED PIN		7	PC	2,4 g	A 5 X 10		ISO8746
	290	700425000235	PLATE F/TURBOCHARGER		1	PC	3 g	39.1		MMN425
	300	215977003000	BLIND RIVET		2	PC	1 g	3X8		ISO15977
	320	000933010026	HEX SCREW		18	PC	22,3 g	M 10 X 22		DIN933
	325	200433010501	WASHER		18	PC	2 g	10,5		DIN433
	330	X59610100201	CLAMP FOR COMPR. HOUSING		3	PC	459,1 g			
	340	0239978348	RING SEAL		1	PC	22,3 g			
	350	X00041766	COMPRESSOR WHEEL	12V4000 -03	1	PC	2,9 kg	EM 130/11,2/205		
118	360	X59410100034	COMPRESSOR HOUSING	A/R=2.36CM	1	PC	46,6 kg	EM		
	370	007603042101	COPPER SEALING RING		4	PC	8 g	A 42 X 49		DIN7603
	380	000908042001	THREAD PLUG		4	PC	0,179 kg	M 42 X 1,5		DIN908
	390	007603030101	COPPER SEALING RING		2	PC	4,3 g	A 30 X 36		DIN7603
	400	000908030002	THREAD PLUG		2	PC	0,085 kg	M 30 X 1,5		DIN908
119	410	X00018307	MAGNETIC NUT	MM16-16L-2	1	PC	84,7 g	M16X1.5 LH		
	420	X00010426	RING CARRIER		1	PC	18,1 g			
	430	5100850060	RING SEAL		2	PC	1,8 g			
	440	X59410100035	TURBINE HOUSING	A/R=3.3CM	1	PC	22 kg	EM		
	460	200835008006	STUD		8	PC	33 g	M 8 X 75		DIN835
	470	5069900251	NUT		8	PC	6,4 g			
	480	002093016100	WASHER A16		24	PC	1 g	A 16		DIN2093
	490	234110200000	PISTON RING, COMP.		1	PC	108,6 g	200 X 3,5 G7 KI KA		DIN34110
	500	X52810100005	BLIND FLANGE		2	PC	185,5 g			
	510	5379900140	WASHER		4	PC	3,9 g			
	520	200933008016	HEX SCREW		4	PC	13,9 g	M 8 X 25		DIN933
	530	X59610100044	PLUG-IN PIPE		1	PC	97,3 g			
	550	700429014002	O-RING		1	PC	1,6 g	14 X 4		MMN429
	580	X59410100006	COOLANT LINE LEFT	ZR195	1	PC	296 g	SB		
	590	700223013000	BOLT BANJO A15		1	PC	102 g	A 15		MMN223
	600	X59610100045	BANJO SCREW		1	PC	78,9 g			
	610	007603022102	COPPER SEALING RING		4	PC	0,9 g	A 22 X 27		DIN7603
	620	X59610100005	THREADED BUSHING		1	PC	77,9 g	M30X1,5; M22X1,5; SW36		

EQUI TYPE: Engine

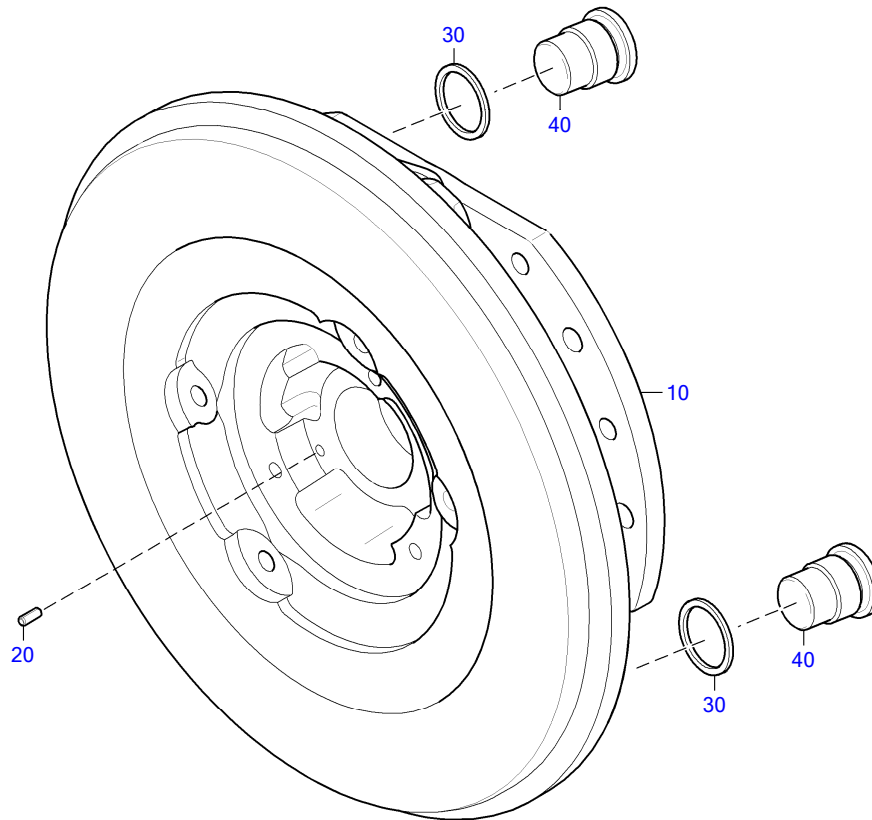
PRODUCT TYPE: 12V4000M93L
EXHAUST TURBOCHARGER LEFT

SERIAL NUMBER: 526108553

FG/FGS:

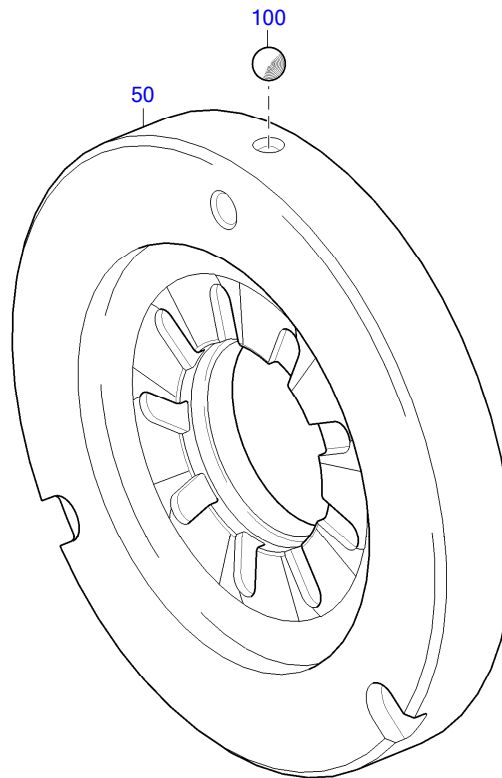
BOM-No.: X59410100086

<input type="checkbox"/>	POS. PART NO.	DESIGNATION	MODEL/TYPE	QTY.	UNITS	WEIGHT	FN	MEASUREMENT	STANDARD
	630 007603030101	COPPER SEALING RING		1	PC	4,3 g		A 30 X 36	DIN7603




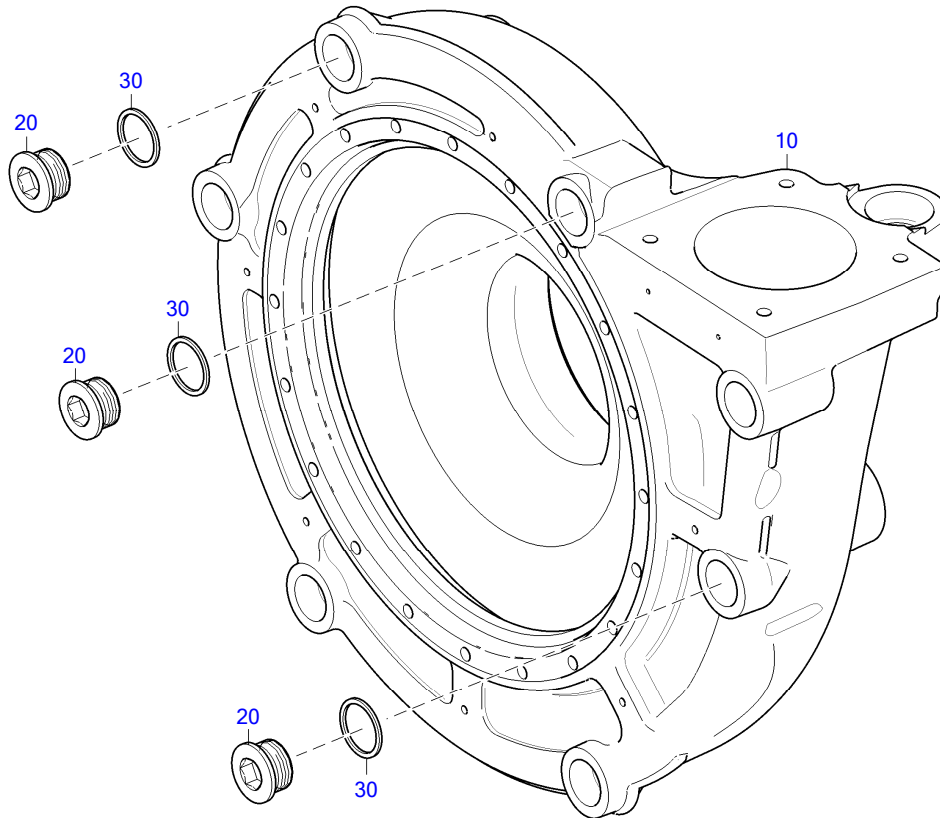
10101645

☐	POS.	PART NO.	DESIGNATION	QTY.	UNITS	WEIGHT	MEASUREMENT	STANDARD
	10	X59510100061	BEARING HOUSING	1	PC	15,842 kg		
	20	001481004000	PIN SPRING	2	PC	0,6 g	4 X 10 - N	ISO8752
	30	007603026101	WASHER A COP	2	PC	3,7 g	A 26 X 32	DIN7603
	40	X52810100094	PLUG	2	PC	0,113 kg		



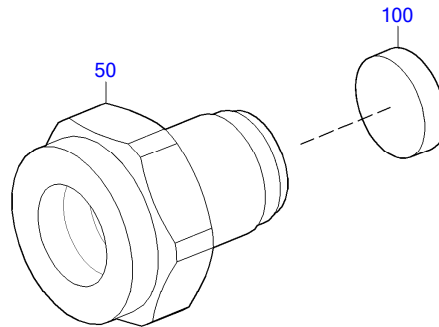
10101221a

	POS.	PART NO.	DESIGNATION	QTY.	UNITS	WEIGHT	MEASUREMENT	STANDARD
	50	X59610100099	THRUST BEARING	1	PC	0,356 kg		
	100	005401304000	BALL	1	PC	0,3 g	4G20	DIN5401



10101238a

☐	POS.	PART NO.	DESIGNATION	MODEL/TYPE	QTY.	UNITS	WEIGHT	FN	MEASUREMENT	STANDARD
	10	X59410100033	COMPRESSOR HOUSING	A/R=2.36CM	1	PC	46,2 kg	EM		
	20	000908030002	THREAD PLUG		3	PC	0,085 kg		M 30 X 1,5	DIN908
	30	007603030101	COPPER SEALING RING		3	PC	4,3 g		A 30 X 36	DIN7603



10100716b

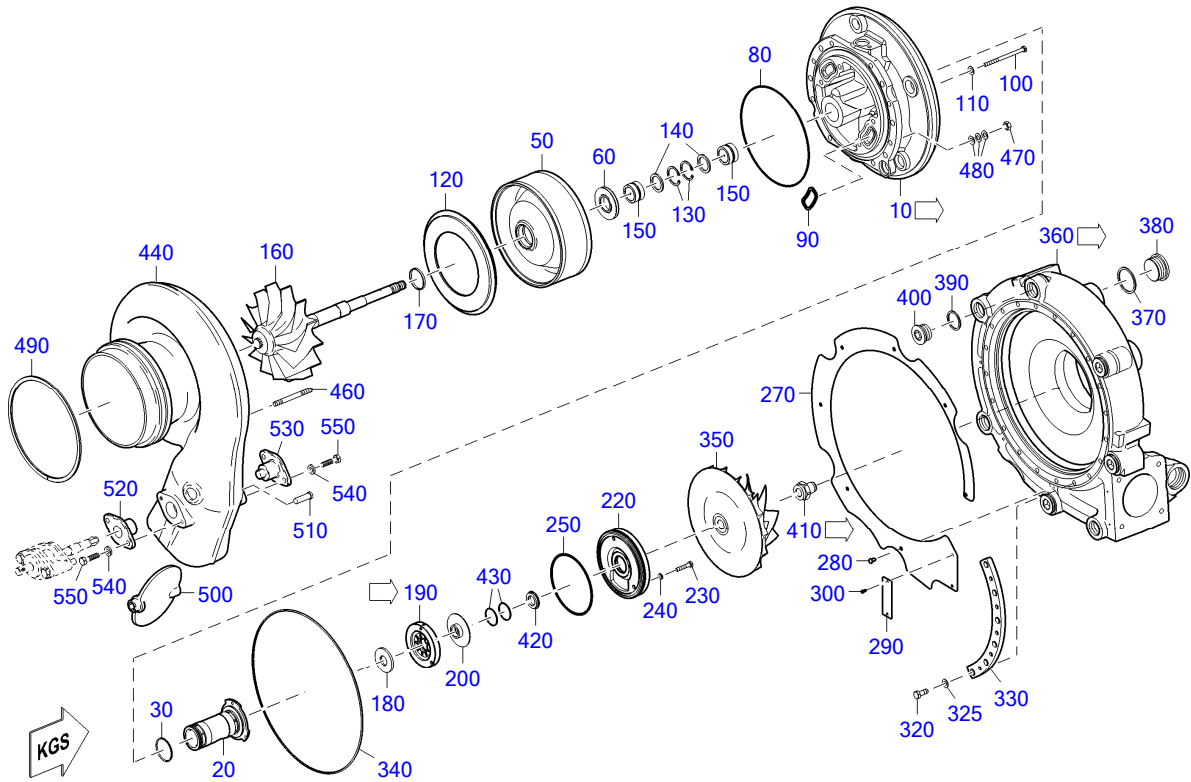
☐	POS.	PART NO.	DESIGNATION	QTY.	UNITS	WEIGHT	MEASUREMENT
	50	X00018306	MAGNETIC NUT	1	PC	77,3 g	M16X1.5 LH
	100	0005595609	SOLENOID	1	PC	6,97 g	

EQUI TYPE: Engine

PRODUCT TYPE: 12V4000M93L
EXHAUST TURBOCHARGER RIGHT

SERIAL NUMBER: 526108553

FG/FGS:
BOM-No.: X59410100087



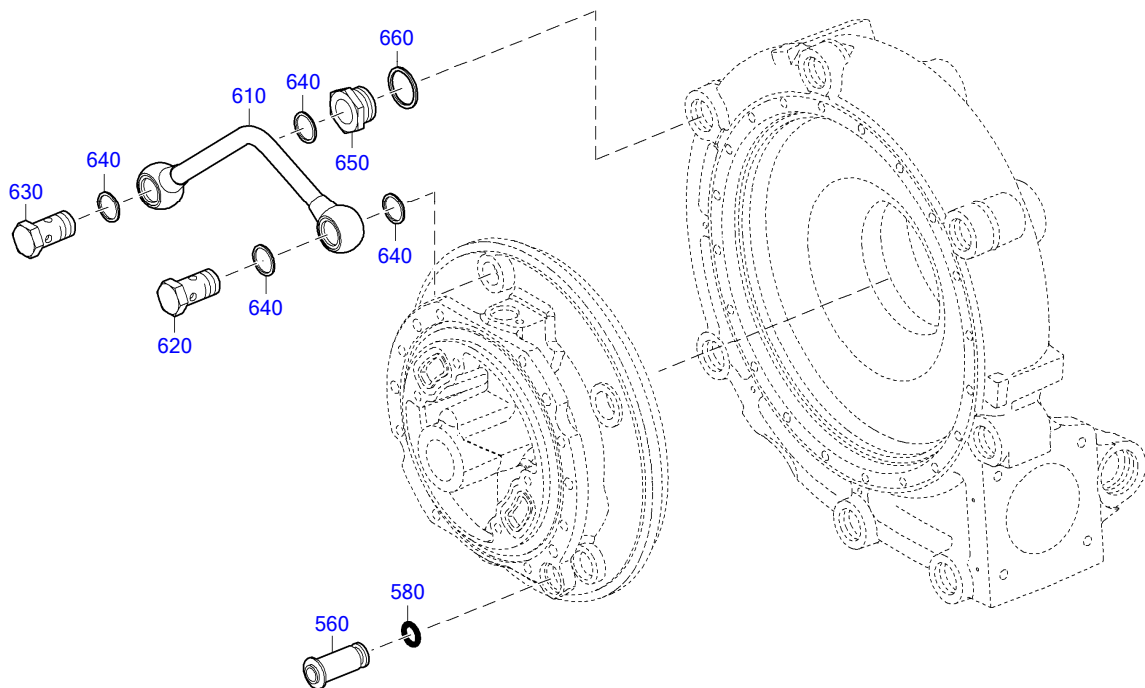
10101272a

EQUI TYPE: Engine

PRODUCT TYPE: 12V4000M93L
EXHAUST TURBOCHARGER RIGHT

SERIAL NUMBER: 526108553

FG/FGS:
BOM-No.: X59410100087



Business Portal Online Print 23-10-2020

TD0000005471_101

EQUI TYPE: Engine

PRODUCT TYPE: 12V4000M93L
EXHAUST TURBOCHARGER RIGHT

SERIAL NUMBER: 526108553

FG/FGS:
BOM-No.: X59410100087

□	POS.	PART NO.	DESIGNATION	MODEL/TYPE	QTY.	UNITS	WEIGHT	FN	MEASUREMENT	STANDARD
116	10	X59510100008	BEARING HOUSING	ZR205	1	PC	15,6 kg			
	20	X59610100061	BEARING BODY		1	PC	396,3 g			
	30	700429038002	O-RING		1	PC	0,8 g	38 X 2		MMN429
	50	X52810100043	HOUSING COVER	ZR175	1	PC	5,1 kg			
	60	5110251976	WASHER	ZR205	1	PC	67,7 g			
	80	700429185001	O-RING		1	PC	9,1 g	185 X 3		MMN429
	90	X52810100138	O-RING	KALREZ SPECTRUM 7075	2	PC	3,5 g	41X4		
	100	00000003496	HEX SCREW		4	PC	38,2 g	M 8 X 90		ISO4014
	110	200433008400	WASHER		4	PC	1,5 g	8,4		DIN433
	120	X52810100096	HEAT SHIELD	ZR175	1	PC	896,6 g			
	130	5119940041	RING SNAP		2	PC	2,8 g	34 X 1,5		DIN472
	140	X59599100058	WASHER		2	PC	7,7 g			
	150	X00016599	BEARING BUSHING		2	PC	67,7 g			
	160	5110805220	TURBINE WHEEL	180/23/153/83,9CM²	1	PC	5,7 kg	EM		
	170	5110850560	RING SEAL	FUER ABGASTURBOLADER	1	PC	5,7 g			
	180	X00010427	WASHER		1	PC	45,7 g			
117	190	X59610100101	THRUST BEARING		1	PC	355,7 g			
	200	X00010428	WASHER		1	PC	56,4 g			
	220	X59610100232	RETAINING RING		1	PC	1,2 kg			
	230	000912006028	SCREW		3	PC	7,8 g	M 6 X 30		DIN912
	240	200433006400	WASHER		3	PC	0,6 g	6,4		DIN433
	250	700429105001	O-RING		1	PC	7,1 g	105 X 3,5		MMN429
	270	X59410100032	HEAT SHIELD		1	PC	369,1 g			
	280	001476005001	GROOVED PIN		7	PC	2,4 g	A 5 X 10		ISO8746
	290	700425000235	PLATE F/TURBOCHARGER		1	PC	3 g	39.1		MMN425
	300	215977003000	BLIND RIVET		2	PC	1 g	3X8		ISO15977
	320	000933010026	HEX SCREW		18	PC	22,3 g	M 10 X 22		DIN933
	325	200433010501	WASHER		18	PC	2 g	10,5		DIN433
	330	X59610100201	CLAMP FOR COMPR. HOUSING		3	PC	459,1 g			
	340	0239978348	RING SEAL		1	PC	22,3 g			
	350	X00041766	COMPRESSOR WHEEL	12V4000 -03	1	PC	2,9 kg	EM 130/11,2/205		
118	360	X59410100034	COMPRESSOR HOUSING	A/R=2.36CM	1	PC	46,6 kg	EM		
	370	007603042101	COPPER SEALING RING		4	PC	8 g	A 42 X 49		DIN7603
	380	000908042001	THREAD PLUG		4	PC	0,179 kg	M 42 X 1,5		DIN908
	390	007603030101	COPPER SEALING RING		2	PC	4,3 g	A 30 X 36		DIN7603
	400	000908030002	THREAD PLUG		2	PC	0,085 kg	M 30 X 1,5		DIN908
119	410	X00018307	MAGNETIC NUT	MM16-16L-2	1	PC	84,7 g	M16X1.5 LH		
	420	X00010426	RING CARRIER		1	PC	18,1 g			
	430	5100850060	RING SEAL		2	PC	1,8 g			
	440	X59410100035	TURBINE HOUSING	A/R=3.3CM	1	PC	22 kg	EM		
	460	200835008006	STUD		8	PC	33 g	M 8 X 75		DIN835
	470	5069900251	NUT		8	PC	6,4 g			
	480	002093016100	WASHER A16		24	PC	1 g	A 16		DIN2093
	490	234110200000	PISTON RING, COMP.		1	PC	108,6 g	200 X 3,5 G7 KI KA		DIN34110
	500	X59610100163	EXHAUST FLAP		1	PC	0,723 kg	EM		
	510	X52810100078	PIN		1	PC	23,2 g	13X35.5		
	520	XT3499100005	BUSHING		1	PC	204 g			
	530	XT3499100004	BUSHING		1	PC	325,8 g			
	540	5379900140	WASHER		4	PC	3,9 g			
	550	200933008016	HEX SCREW		4	PC	13,9 g	M 8 X 25		DIN933
	560	X59610100044	PLUG-IN PIPE		1	PC	97,3 g			
	580	700429014002	O-RING		1	PC	1,6 g	14 X 4		MMN429
	610	X59410100097	COOLANT LINE RIGHT	ZR195	1	PC	273,3 g	SB		
	620	700223013000	BOLT BANJO A15		1	PC	102 g	A 15		MMN223

EQUI TYPE: Engine

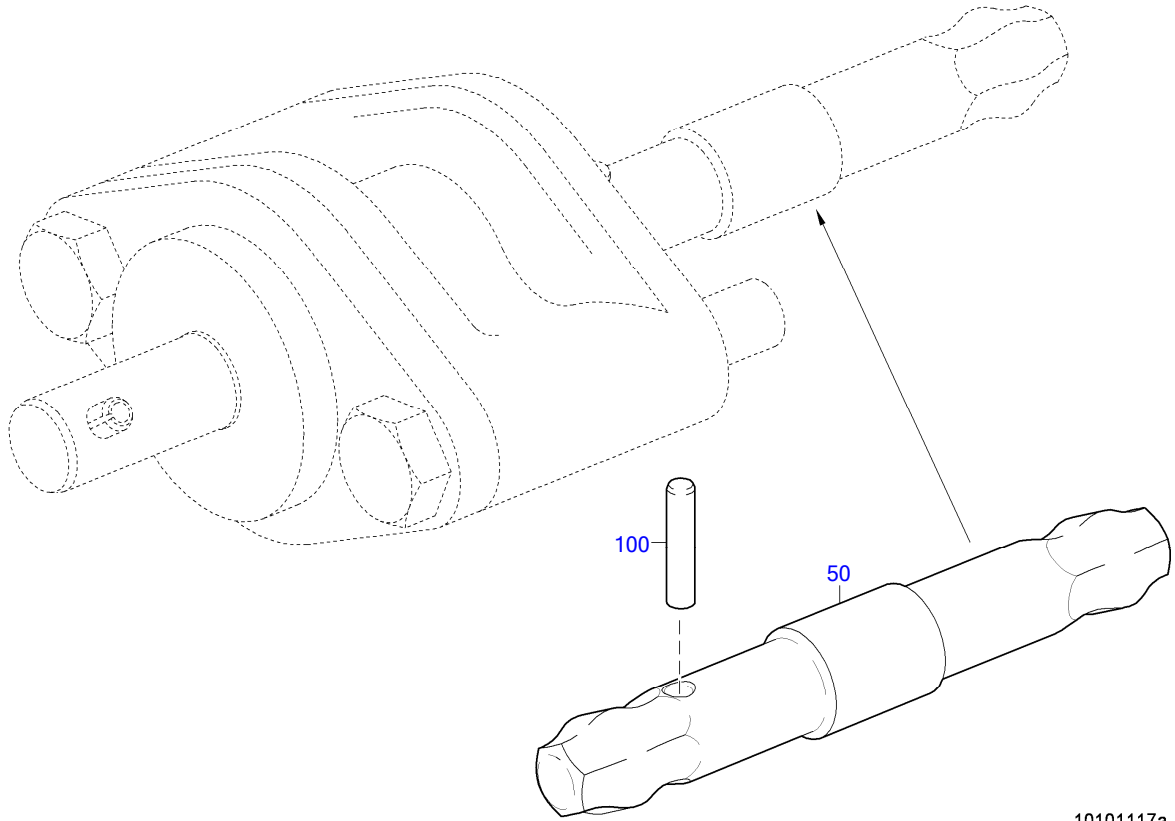
PRODUCT TYPE: 12V4000M93L
EXHAUST TURBOCHARGER RIGHT

SERIAL NUMBER: 526108553

FG/FGS:

BOM-No.: X59410100087

<input type="checkbox"/>	POS.	PART NO.	DESIGNATION	MODEL/TYPE	QTY.	UNITS	WEIGHT	FN	MEASUREMENT	STANDARD
	630	X59610100045	BANJO SCREW		1	PC	78,9 g			
	640	007603022102	COPPER SEALING RING		4	PC	0,9 g		A 22 X 27	DIN7603
	650	X59610100005	THREADED BUSHING		1	PC	77,9 g		M30X1,5; M22X1,5; SW36	
	660	007603030101	COPPER SEALING RING		1	PC	4,3 g		A 30 X 36	DIN7603



10101117a

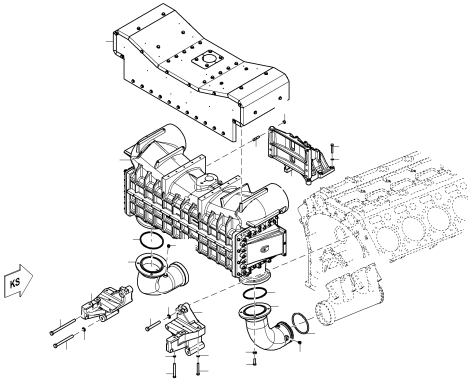
☐	POS.	PART NO.	DESIGNATION	QTY.	UNITS	WEIGHT
	50	X59610100122	SHAFT	1	PC	0,131 kg
	100	5269970010	PIN DOWEL	1	PC	4,5 g

GROUP SEGMENT (FGS)

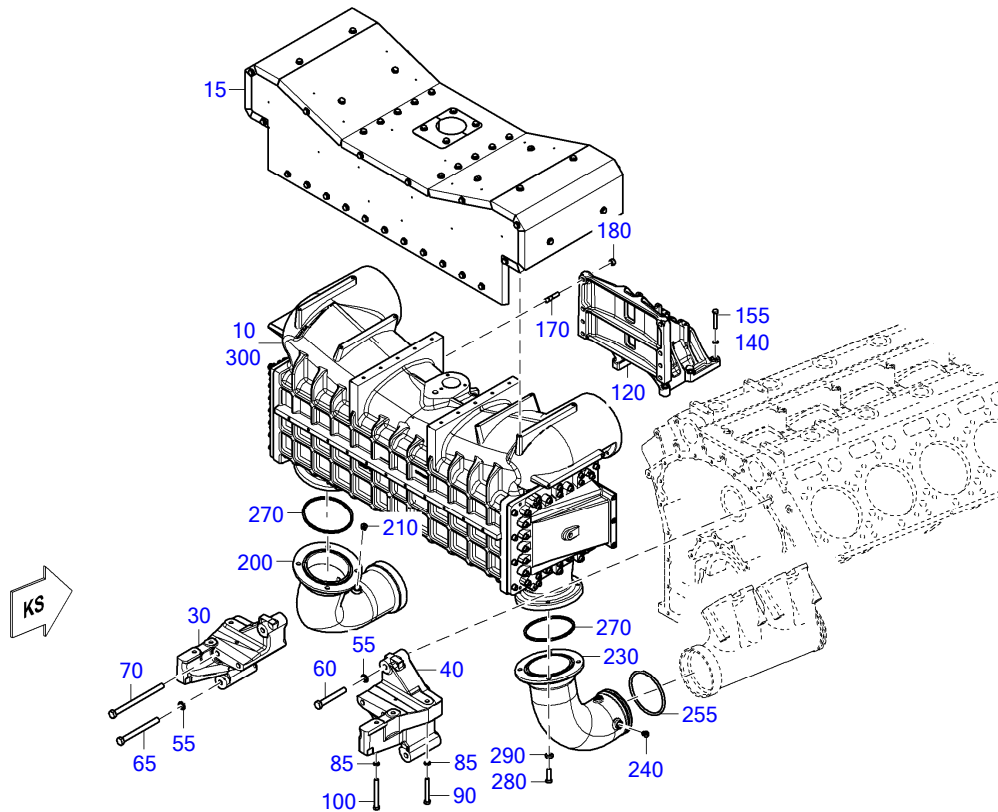
GROUP NAME

BOM-No.

05
INTERCOOLER WITH TEST CERT. 3.1
XS594110.00040



T00000014558_114



TD0000014558_114

☐	POS.	PART NO.	DESIGNATION	QTY.	UNITS	WEIGHT	FN	MEASUREMENT	STANDARD
	124	10	X59411400014/87	1	PC	529,3 kg	EM		
		15	X59411400011	1	PC	31,1 kg			
		30	X59611100003	1	PC	35,222 kg			
		40	X59611300003	1	PC	36,388 kg			
		55	200433017000	8	PC	6,8 g	17		DIN433
		60	304014016007	2	PC	210,6 g		M 16 X120	ISO4014
		65	204014016005	2	PC	284,4 g		M 16 X170	ISO4014
		70	204014016010	4	PC	375,2 g		M 16 X230	ISO4014
		85	200433013001	6	PC	2,6 g	13		DIN433
		90	000000002527	2	PC	78,9 g		M 12 X 90	ISO4017
		100	000000001077	4	PC	104,6 g		M 12 X110	ISO4014
		120	X59611400014	1	PC	35,5 kg			
		140	200433010501	6	PC	2 g		10,5	DIN433
		155	304017010032	6	PC	42,3 g		M 10 X 65	ISO4017
		170	000939012031	8	PC	44,2 g		M 12 X 45	DIN939
		180	000000004744	8	PC	14,3 g		M 12	ISO4032
		200	5240983015	1	PC	5,8 kg	EM	KRÜMMER LINKE SEITE	
	18	210	735210014000	2	PC	0,019 kg		M 14 X 1,5	MTN5210
		230	5240983115	1	PC	4,4 kg	EM		
	18	240	735210014000	2	PC	0,019 kg		M 14 X 1,5	MTN5210
		250	735210018000	1	PC	0,036 kg		M 18 X 1,5	MTN5210
		255	700429140000	1	PC	45 g		140 X 8	MMN429
		270	5269970045	2	PC	17 g			
		280	204017012009	8	PC	43,8 g		M 12 X 40	ISO4017
		290	735151012100	8	PC	20 g		A 12,5	MTN5151

EQUI TYPE: Engine

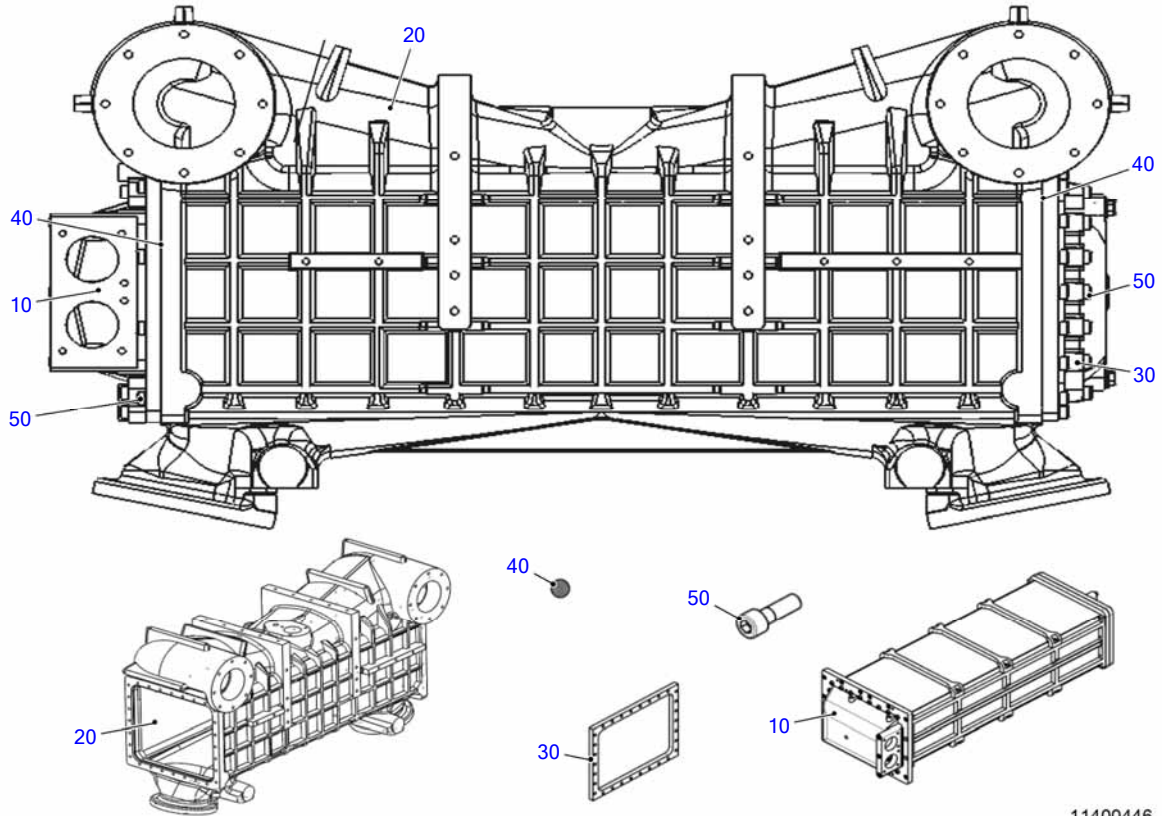
PRODUCT TYPE: 12V4000M93L
INTERCOOLER WITH TEST CERT. 3.1

SERIAL NUMBER: 526108553

FG/FGS: 114 05

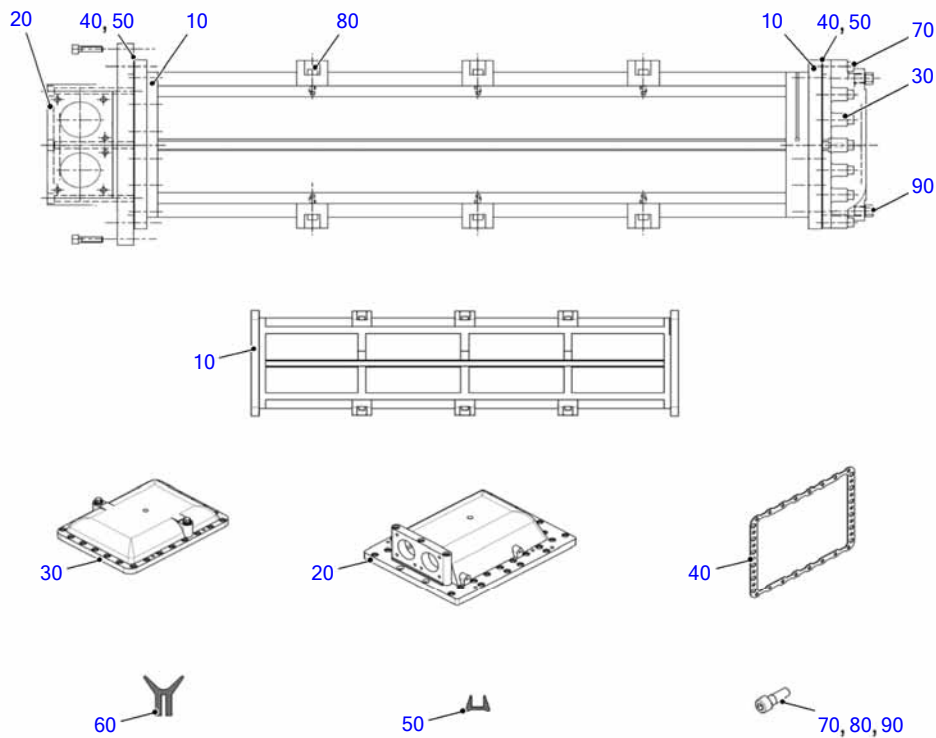
BOM-No.: XS594110.00040

☐	POS. PART NO.	DESIGNATION	QTY.	UNITS	WEIGHT	FN	MEASUREMENT	STANDARD
	300 EX59411400014/87	INTERCOOLER WITH TEST CERT. 3.1	1	PC	543 kg	MN EM		



11400446

☐	POS.	PART NO.	DESIGNATION	QTY.	UNITS	WEIGHT	MEASUREMENT	STANDARD
	125	10	XP59411400037	COOLER CORE	1	PC	372 kg	
		20	XP52711400027	COOLER HOUSING	1	PC		
		30	XP52711400013	FRAME	1	PC	5,9 kg	
		40	XP52711400014	O-RING	2	PC	93,3 g	DI 393.07X6.99
		50	XP52611400054	SCREW	36	PC	0,029 kg	M 10 X 35 DIN EN ISO 4762

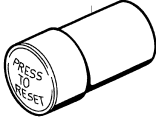


11400429

☐	POS.	PART NO.	DESIGNATION	QTY.	UNITS	WEIGHT	MEASUREMENT	STANDARD
	10	XP59411400038	INSERT	1	PC			
	20	XP59511400032	COVER BRACKET	1	PC			
	30	XP59511400033	COVER BRACKET	1	PC			
	40	X59511400007	GASKET	2	PC	0,045 kg		
	50	XP52611400008	GASKET	1	PC	20,9 g	1.30 M	
	60	XP52711400009	SEALING STRIP	1,000	M	214 g		
	70	XP53522400013	SCREW	43	PC	38,2 g	M 10X 50	EN ISO 4762
	80	XP52611400054	SCREW	12	PC	0,029 kg	M 10 X 35	DIN EN ISO 4762
	90	000912010082	SCREW	3	PC	91,8 g	M 10 X140	DIN912

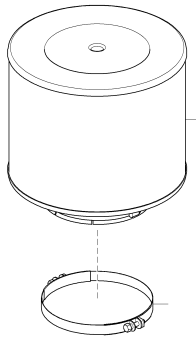
GROUP SEGMENT (FGS)
GROUP NAME
BOM-No.

05
CONTAM INDICATOR
XS593120.00028

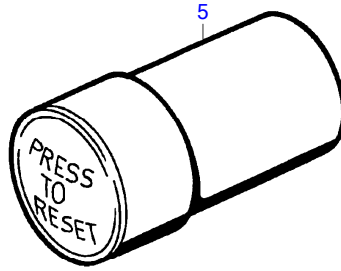


12100458

05
AIR FILTER
XS594120.00071

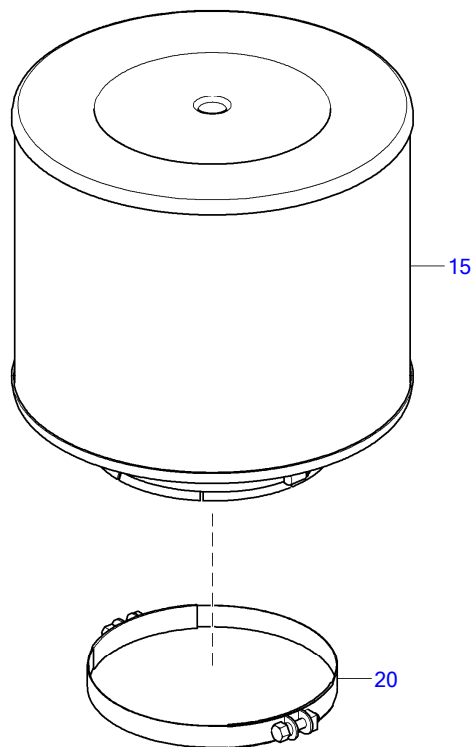


T00000027832_121



12100456

☐	POS.	PART NO.	DESIGNATION	MODEL/TYPE	QTY.	UNITS	WEIGHT
	5	0000943268	INDICATOR AIR FILTER RESTRISTER	25-50MBAR	1	PC	50,5 g



TD0000027832_121

☐	POS.	PART NO.	DESIGNATION	QTY.	UNITS	WEIGHT	FN	MEASUREMENT	STANDARD
	15	0180943002	AIR FILTER	2	PC	5,5 kg	EM		
	20	900288260000	CLAMP	2	PC	349,8 g		S 260/25X1,25 SK 2T	MBN288A

GROUP SEGMENT (FGS)

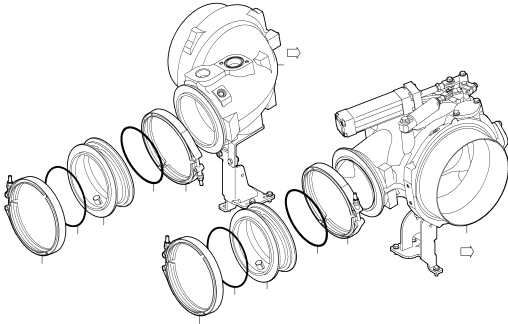
GROUP NAME

BOM-No.

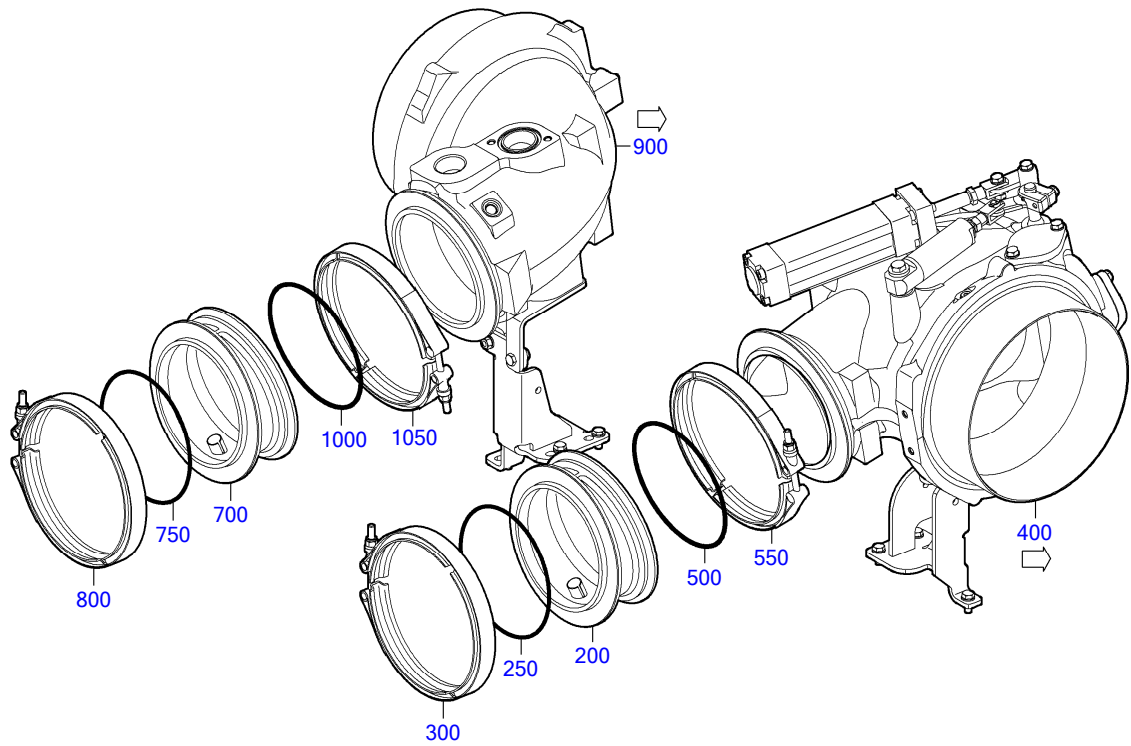
35

AIR SYSTEM BEFORE TURBOCHARGER

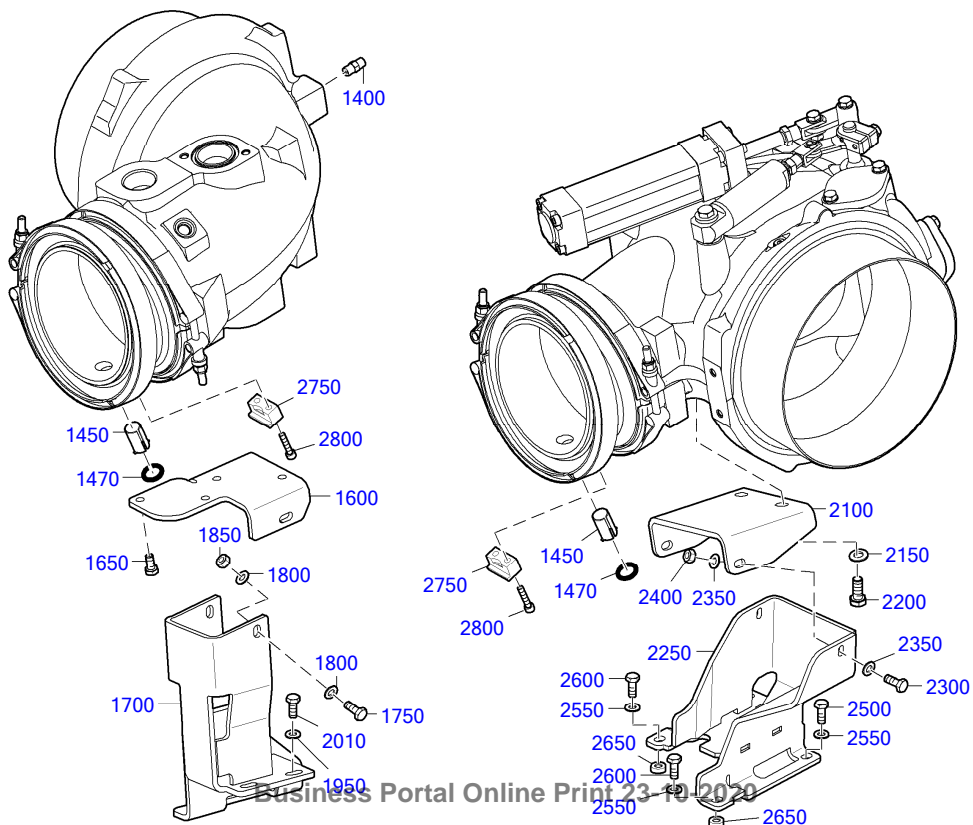
XS526120.00050



12301006

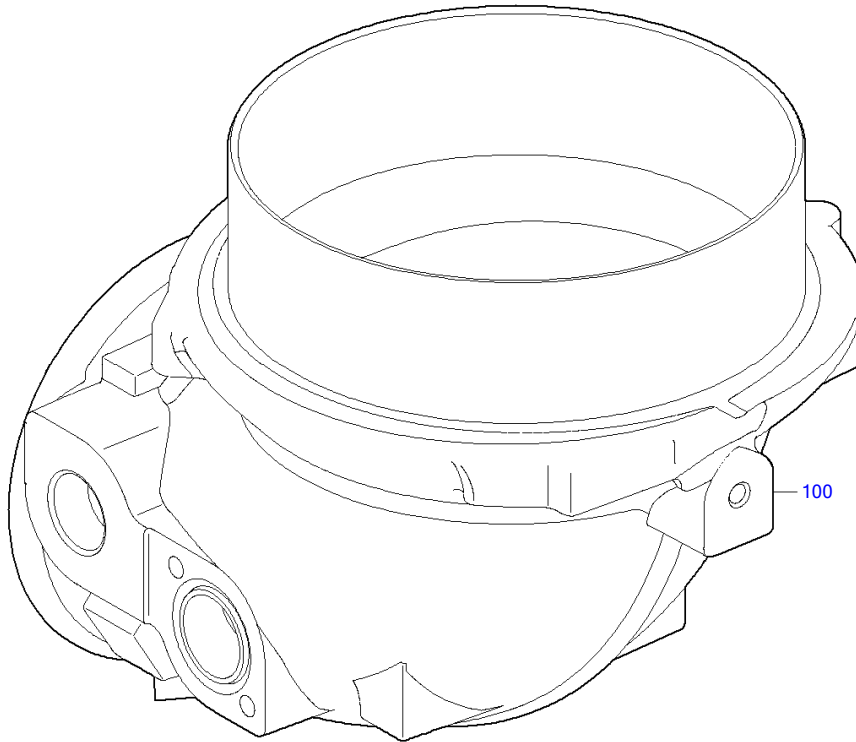


12301006



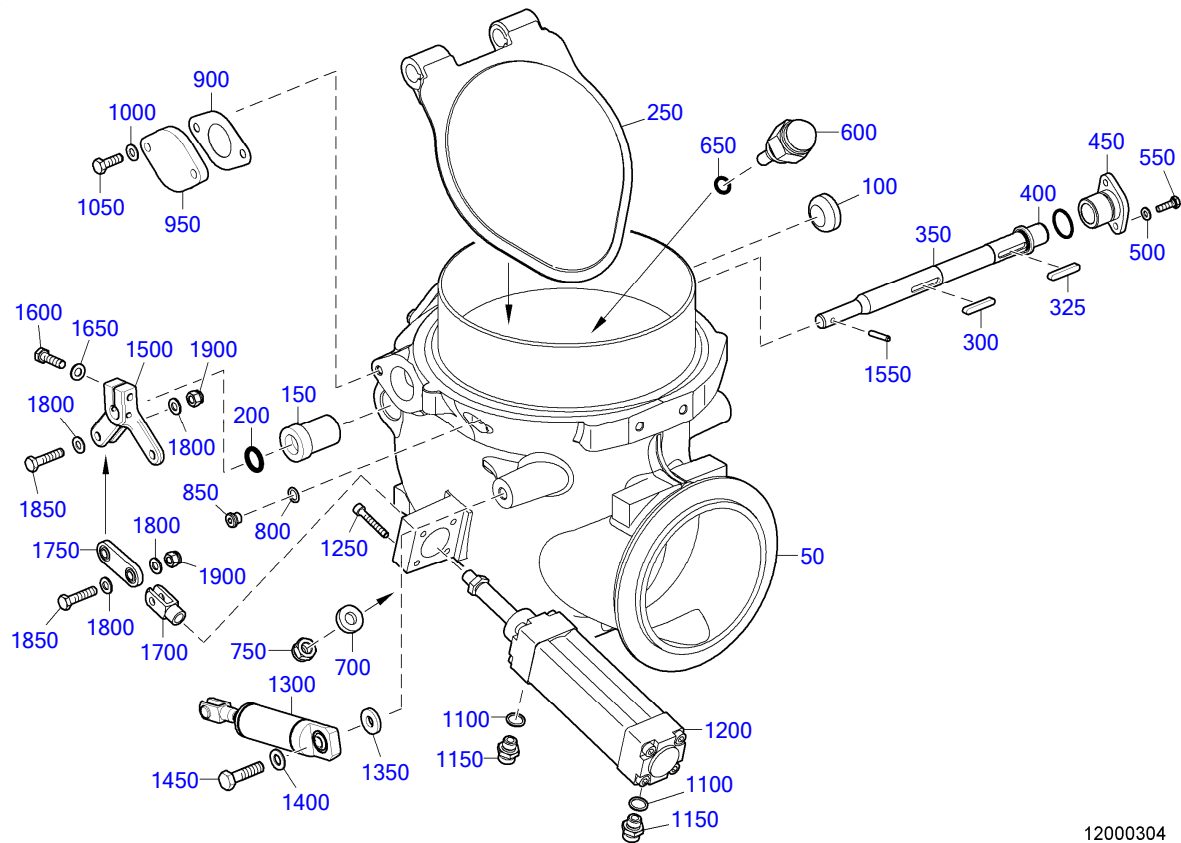
12300883

☐	POS.	PART NO.	DESIGNATION	MODEL/TYPE	QTY.	UNITS	WEIGHT	FN	MEASUREMENT	STANDARD
	200	X59512300029	REDUCER		1	PC	1,271 kg	EM		
	250	700429160001	O-RING		1	PC	13,7 g		160 X 4	MMN429
	300	0049978190	CLAMP		1	PC	615 g			
132	400	X59412300090	INTAKE HOUSING		1	PC	1,652 kg	EM		
	500	700429160001	O-RING		1	PC	13,7 g		160 X 4	MMN429
	550	0049978190	CLAMP		1	PC	615 g			
	700	X59512300029	REDUCER		1	PC	1,271 kg	EM		
	750	700429160001	O-RING		1	PC	13,7 g		160 X 4	MMN429
	800	0049978190	CLAMP		1	PC	615 g			
131	900	X52612300106	INTAKE HOUSING	HORIZONTAL	1	PC	8,1 kg	EM		
	1000	700429160001	O-RING		1	PC	13,7 g		160 X 4	MMN429
	1050	0049978190	CLAMP		1	PC	615 g			
	1400	0009973375	ADAPTER FITTING W/SI NTERED FLTR		1	PC	13,4 g			
	1450	3555420273	BUSHING FOR SPEED SENSOR		2	PC	6,2 g			
	1470	700429015001	O-RING		2	PC	2,3 g		15,5 X 4,5	MMN429
	1600	X59599100100	RETAINER		1	PC	850 g			
	1650	204017008009	HEX SCREW		4	PC	10,9 g		M 8 X 18	ISO4017
	1700	X59599100099	RETAINER		1	PC	2,7 kg			
	1750	304017008083	HEX SCREW		2	PC	15,1 g		M 8 X 30	ISO4017
	1800	007349008002	WASHER		4	PC	7,9 g		8,4	DIN7349
	1850	304032008014	NUT HEX 8 A3C		2	PC	4,8 g		M 8	ISO4032
	1950	007349008002	WASHER		4	PC	7,9 g		8,4	DIN7349
	2010	304017008081	HEX SCREW		4	PC	13,4 g		M 8 X 25	ISO4017
	2100	X59599100101	RETAINER		1	PC	1,1 kg			
	2150	007349010002	WASHER		2	PC	11 g		10,5	DIN7349
	2200	000000001464	HEX SCREW		2	PC	24,9 g		M 10 X 30	ISO4017
	2250	X59599100142	RETAINER		1	PC	3,4 kg			
	2300	304017008083	HEX SCREW		2	PC	15,1 g		M 8 X 30	ISO4017
	2350	007349008002	WASHER		4	PC	7,9 g		8,4	DIN7349
	2400	304032008014	NUT HEX 8 A3C		2	PC	4,8 g		M 8	ISO4032
	2500	304017008081	HEX SCREW		3	PC	13,4 g		M 8 X 25	ISO4017
	2550	007349008002	WASHER		5	PC	7,9 g		8,4	DIN7349
	2600	304017008083	HEX SCREW		2	PC	15,1 g		M 8 X 30	ISO4017
	2650	5900942853	SPACER SLEEVE		2	PC	6,1 g			
	2750	X59512300030	RETAINER		2	PC	66,8 g			
	2800	000912006043	BOLT HEX SOC HD		4	PC	7,8 g		M 6 X 30	DIN912



12300515a

☐	POS.	PART NO.	DESIGNATION	MODEL/TYPE	QTY.	UNITS	WEIGHT	FN
	100	X52612300105	INTAKE HOUSING	HORIZONTAL	1	PC	8 kg	EM



12000304

☐	POS.	PART NO.	DESIGNATION	MODEL/TYPE	QTY.	UNITS	WEIGHT	FN	MEASUREMENT	STANDARD
	133	50	X52612300096	INTAKE HOUSING	1	PC	8,8 kg	EM		
		100	700088036000	PLUG	1	PC	16,3 g	36		MMN88
		150	5350980050	BUSHING	1	PC	187,6 g			
		200	700429018005	O-RING	1	PC	1,9 g	18 X 4		MMN429
	134	250	5240900265	FLAP	1	PC	1,268 kg			
		300	006885006045	KEY WOODRUFF A	1	PC	9,5 g	A 6 X 6 X 36		DIN6885
		325	206885006000	KEY	1	PC	10,7 g	A 6 X 6 X 40		DIN6885
		350	X59499100582	SHAFT	1	PC	596,4 g			
		400	700429025001	O-RING	1	PC	0,9 g	25 X 2,5		MMN429
		450	5590981750	FLANGE	1	PC	190 g			
		500	000125006431	WASHER	2	PC	0,8 g	A 6,4		DIN125
		550	000000001444	HEX SCREW	2	PC	6 g	M 6 X 20		ISO4017
		600	X00034972	STOP	1	PC	369,6 g			
		650	700429012004	O-RING	1	PC	0,7 g	12 X 3		MMN429
		700	735151012100	SPACER S2000/4000	1	PC	20 g	A 12,5		MTN5151
		750	999900012000	NUT	1	PC	17,9 g	M 12		AGGN14440
		800	007603010112	SEALING RING	1	PC	0,5 g	A 10 X 15		DIN7603
		850	000908010002	SCREWED PLUG	1	PC	0,006 kg	M 10 X 1		DIN908
		900	X00014409	GASKET	2	PC	3,9 g			
		950	5592030286	COVER	2	PC	290,5 g			
		1000	000125008427	WASHER	4	PC	1,5 g	A 8,4		DIN125
		1050	304017008081	HEX SCREW	4	PC	13,4 g	M 8 X 25		ISO4017
		1100	007603014102	SEAL RING	2	PC	1 g	A 14 X 18		DIN7603
		1150	700419999021	SCREW-FITTING UNION	2	PC	25 g	10 G 1/4 A		MMN419
	135	1200	X56912300043	ACTUATING CYLINDER	1	PC	1,2 kg			

EQUI TYPE: Engine

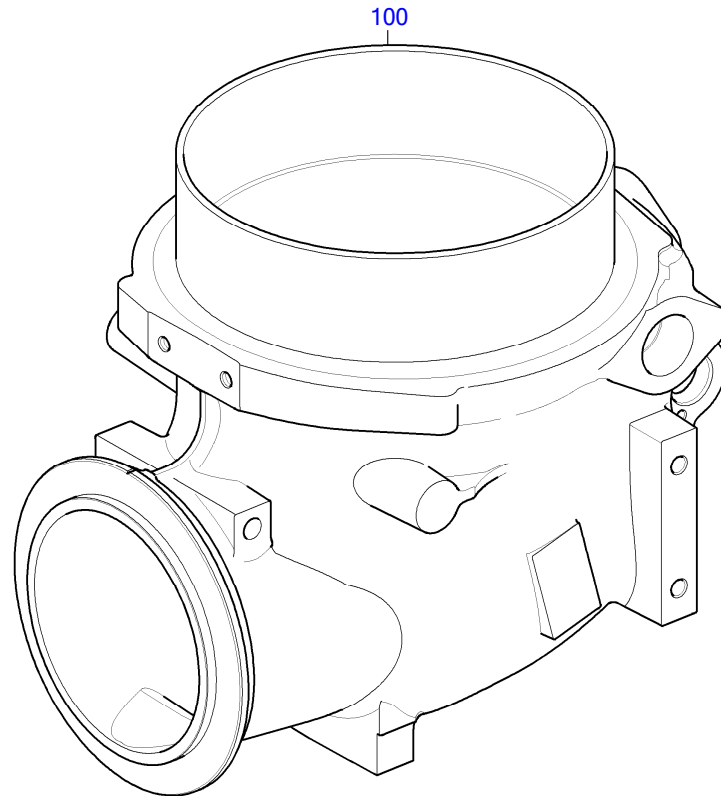
PRODUCT TYPE: 12V4000M93L
INTAKE HOUSING

SERIAL NUMBER: 526108553

FG/FGS:

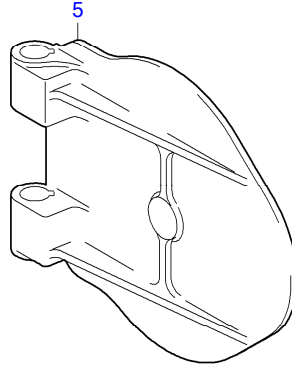
BOM-No.: X59412300090

☐	POS.	PART NO.	DESIGNATION	MODEL/TYPE	QTY.	UNITS	WEIGHT FN	MEASUREMENT	STANDARD
	1250	000912006031	SCREW		4	PC	10,2 g	M 6 X 40	DIN912
	1300	X59412300058	CYLINDER	FEDERZYLINDER KLAPPENSTEUERUNG	1	PC	324 g		
	1350	000125010524	WASHER		1	PC	3,1 g	A 10,5	DIN125
	1400	007349010002	WASHER		1	PC	11 g	10,5	DIN7349
	1450	000000001039	HEX SCREW		1	PC	29,8 g	M 10 X 40	ISO4017
	1500	X59499100642	LEVER		1	PC	200 g		
	1550	001481005004	SPRING PIN		1	PC	2,4 g	5 X 28 - N	ISO8752
	1600	304017008083	HEX SCREW		1	PC	15,1 g	M 8 X 30	ISO4017
	1650	000125008427	WASHER		1	PC	1,5 g	A 8,4	DIN125
	1700	X00041795	CLEVIS		1	PC	39,2 g		
	1750	5361400146	ROD		1	PC	66,3 g		
	1800	000125008427	WASHER		4	PC	1,5 g	A 8,4	DIN125
	1850	304017008084	HEX SCREW		2	PC	16,4 g	M 8 X 35	ISO4017
	1900	5069900251	NUT		2	PC	6,4 g		



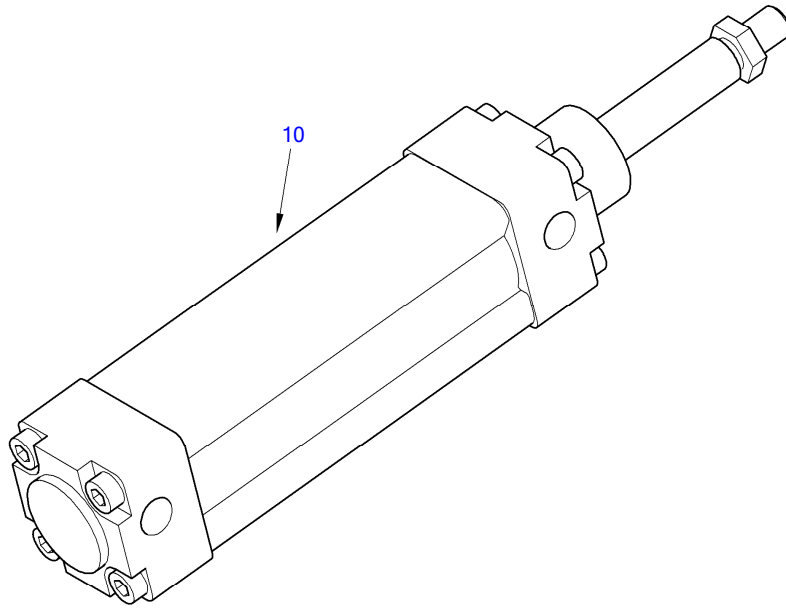
12301004

☐	POS.	PART NO.	DESIGNATION	MODEL/TYPE	QTY.	UNITS	WEIGHT	FN
	100	X52612300095	INTAKE HOUSING	HORIZONTAL/GESCHALTET	1	PC	8,8 kg	EM



12301121

	POS.	PART NO.	DESIGNATION	QTY.	UNITS	WEIGHT
□	5	5240980010	FLAP	1	PC	1,288 kg



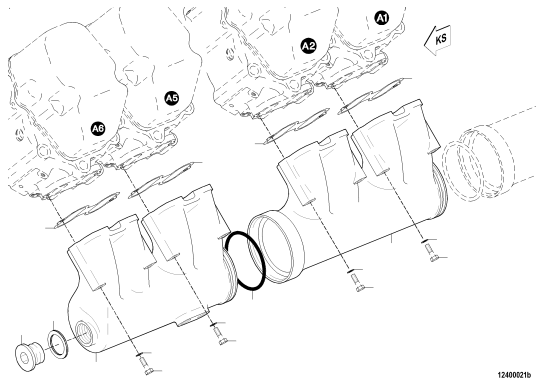
TD0000029335_123

☐	POS.	PART NO.	DESIGNATION	QTY.	UNITS	WEIGHT
	10	XP56900600007	PARTS KIT	1	PC	0,002 kg

GROUP SEGMENT (FGS)

GROUP NAME

BOM-No.



05
AIR PIPING INTERCOOLER TO CYL
XS594120.00019

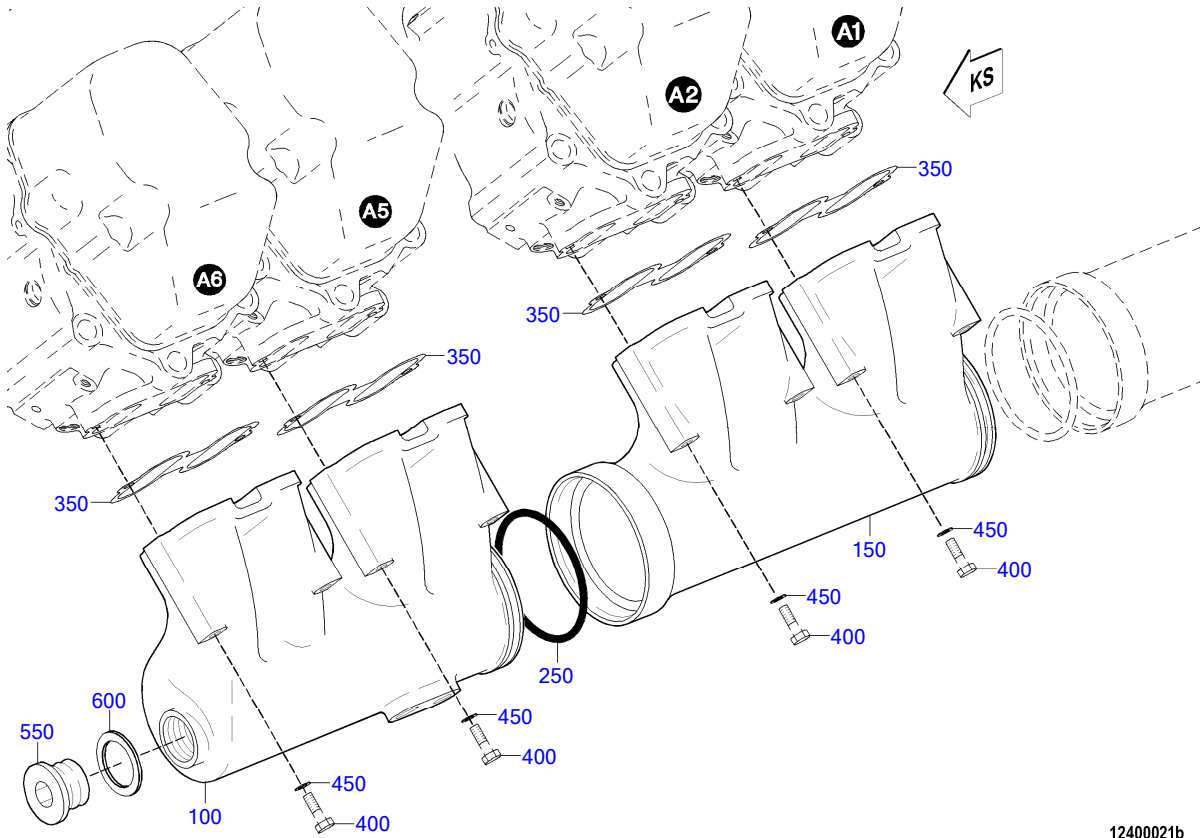
12400021b

EQUI TYPE: Engine

PRODUCT TYPE: 12V4000M93L
AIR PIPING INTERCOOLER TO CYL

SERIAL NUMBER: 526108553

FG/FGS: 124 05
BOM-No.: XS594120.00019

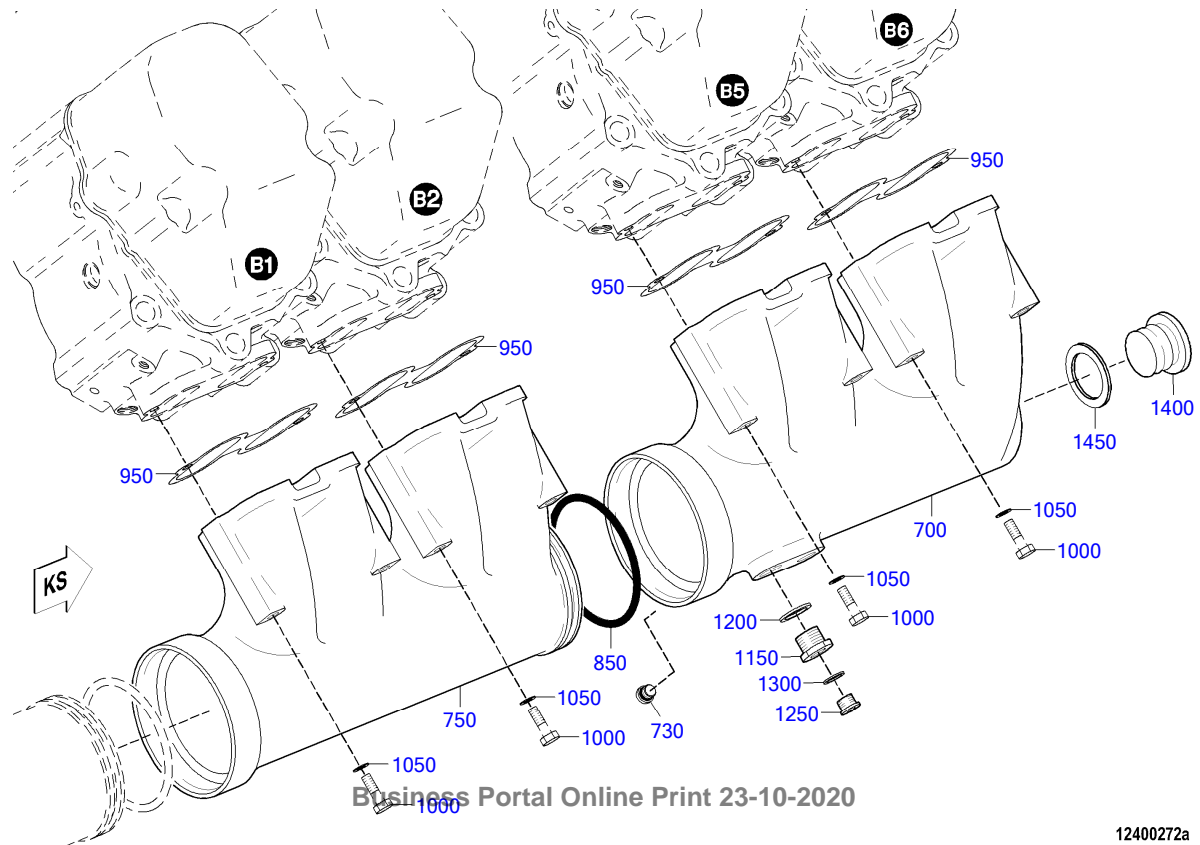


EQUI TYPE: Engine

PRODUCT TYPE: 12V4000M93L
AIR PIPING INTERCOOLER TO CYL

SERIAL NUMBER: 526108553

FG/FGS: 124 05
BOM-No.: XS594120.00019



☐	POS.	PART NO.	DESIGNATION	MODEL/TYPE	QTY.	UNITS	WEIGHT	FN	MEASUREMENT	STANDARD
	100	5240981407	CHARGE-AIR PIPE END PIECE, LEFT		1	PC	7,7 kg	EM		
	150	5240980907	MANIFOLD INTAKE CHRГ AIR CENTER	BR4000	2	PC	8,296 kg	EM		
	250	700429140000	O-RING		3	PC	45 g		140 X 8	MMN429
	350	5240980680	GASKET		6	PC	0,014 kg			
	400	00000001041	HEX SCREW		12	PC	90,2 g		M 10 X140	ISO4014
	450	000125010524	WASHER		6	PC	3,1 g		A 10,5	DIN125
	550	000908052003	THREAD PLUG		1	PC	0,298 kg		M 52 X 1,5	DIN908
	600	007603052101	COPPER SEALING RING		1	PC	12,5 g		A 52 X 60	DIN7603
	700	X59412400026	CHARGE-AIR PIPE END MEMBER, RIGHT		1	PC	7,928 kg	EM		
18	730	735210014000	THREAD PLUG		1	PC	0,019 kg		M 14 X 1,5	MTN5210
	750	5240980907	MANIFOLD INTAKE CHRГ AIR CENTER	BR4000	2	PC	8,296 kg	EM		
	850	700429140000	O-RING		2	PC	45 g		140 X 8	MMN429
	950	5240980680	GASKET		6	PC	0,014 kg			
	1000	00000001041	HEX SCREW		12	PC	90,2 g		M 10 X140	ISO4014
	1050	000125010524	WASHER		6	PC	3,1 g		A 10,5	DIN125
	1150	700354014003	THREADED BUSHING		2	PC	40 g		M 14 X 1,5	MMN354
	1200	007603022102	COPPER SEALING RING		2	PC	0,9 g		A 22 X 27	DIN7603
	1250	000908014001	SCREW PLUG		2	PC	0,016 kg		M 14 X 1,5	DIN908
	1300	007603014102	SEAL RING		2	PC	1 g		A 14 X 18	DIN7603
	1400	000908052003	THREAD PLUG		1	PC	0,298 kg		M 52 X 1,5	DIN908
	1450	007603052101	COPPER SEALING RING		1	PC	12,5 g		A 52 X 60	DIN7603

AIR PIPING BETWEEN EXHAUST TURBOCHARGER AND INTERCOOLER

GROUP SEGMENT (FGS)

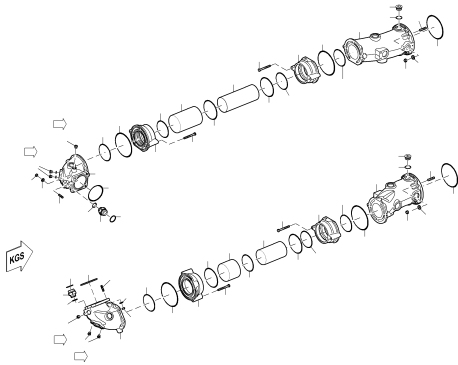
GROUP NAME

BOM-No.

00

AIR PIPING BEFORE INTERCOOLER

XS594120.00020

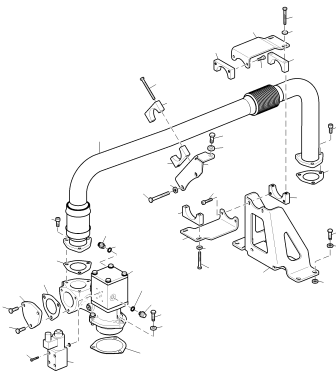


12500109a

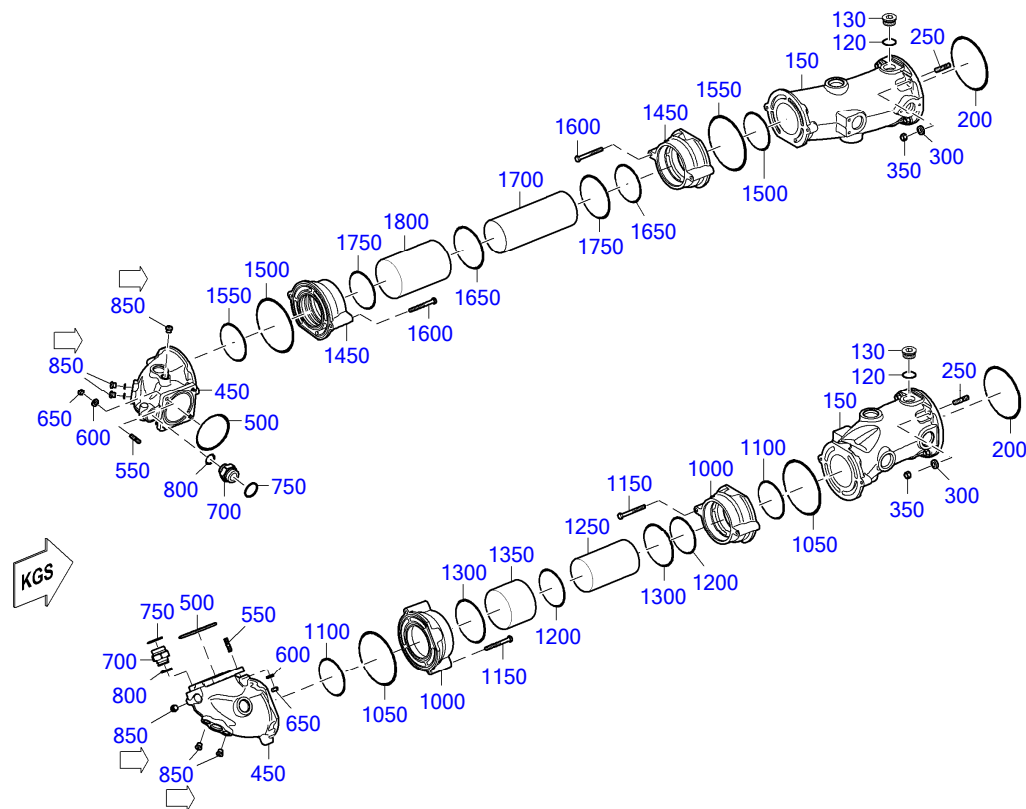
20

DIVERTER VALVE

XS526120.00051



12300091



12500109a

☐	POS.	PART NO.	DESIGNATION	QTY.	UNITS	WEIGHT	FN	MEASUREMENT	STANDARD
	120	007603038101	COPPER SEALING RING	2	PC	5,4 g		A 38 X 44	DIN7603
	130	000908038000	THREAD PLUG	2	PC	0,15 kg		M 38 X 1,5	DIN908
	150	X52712500003	ELBOW LIQUID-COOLED	2	PC	24,23 kg	AB EM		
	200	700429165000	O-RING	2	PC	22,7 g		165 X 5	MMN429
	250	000939012061	STUD	8	PC	39,9 g		M 12 X 40	DIN939
	300	735151012100	SPACER S2000/4000	8	PC	20 g		A 12,5	MTN5151
	350	000000004744	HEX NUT	8	PC	14,3 g		M 12	ISO4032
	450	X52712500001	ELBOW LIQUID-COOLED	2	PC	9,441 kg	AB EM		
	500	735254115000	O-RING	2	PC	13,8 g		115 X 5	MTN5254
	550	000939010056	STUD	8	PC	23,8 g		M 10 X 35	DIN939
	600	735151010100	SPACER	8	PC	11 g		A 10,5	MTN5151
	650	000000003187	NUT HEX A3C	8	PC	9,2 g		M 10	ISO4032
	700	X52620300001	THREADED SLEEVE	2	PC	360,3 g			
	750	007603042101	COPPER SEALING RING	2	PC	8 g		A 42 X 49	DIN7603
	800	700429028002	O-RING	2	PC	2,8 g		28 X 4	MMN429
18	850	735210014000	THREAD PLUG	6	PC	0,019 kg		M 14 X 1,5	MTN5210
	1000	X526125000083	DUAL-PURPOSE PLATE	2	PC	4,302 kg			
	1050	700429170000	O-RING	2	PC	15,5 g		170 X 4	MMN429
	1100	735254118000	O-RING	2	PC	9 g		118 X 4	MTN5254
	1150	000000004740	HEX SCREW	4	PC	63,4 g		M 10 X 95	ISO4014
	1200	X00009934	O-RING	2	PC	0,02 kg		110 X 6	
	1250	X526125000079	GUIDE TUBE	1	PC	1,2 kg		110X2,5	
	1300	X59499100122	O-RING	2	PC	22,6 g		130 X 6	
	1350	X526125000080	GUIDE TUBE	1	PC	768,3 g		130X2,5	
	1450	X526125000083	DUAL-PURPOSE PLATE	2	PC	4,302 kg			


EQUI TYPE: Engine

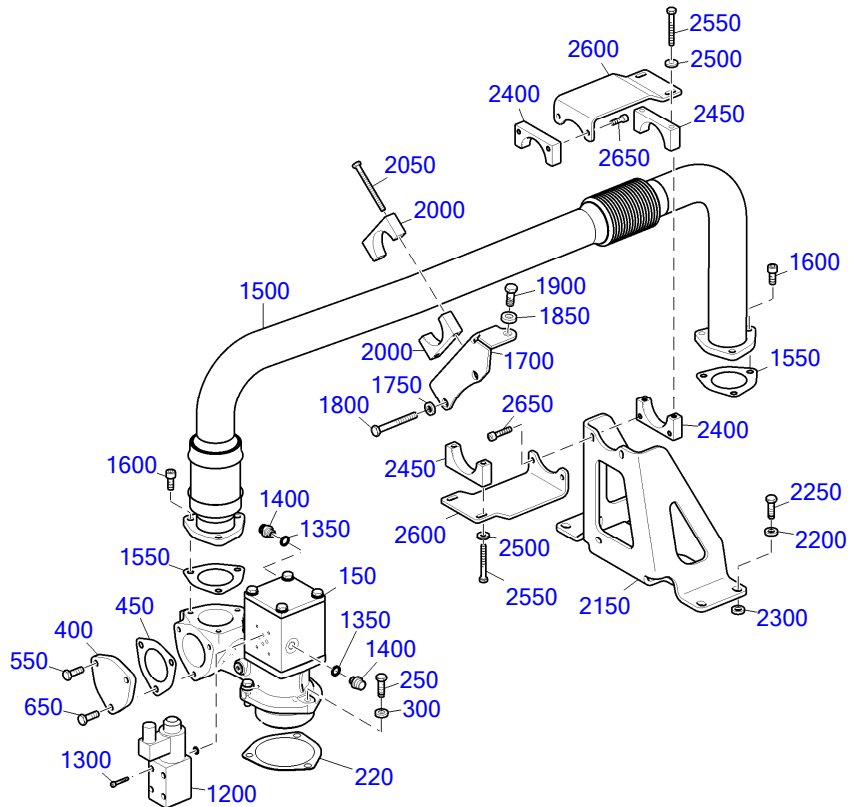
PRODUCT TYPE: 12V4000M93L
AIR PIPING BEFORE INTERCOOLER

SERIAL NUMBER: 526108553

FG/FGS: 125 00

BOM-No.: XS594120.00020

	POS.	PART NO.	DESIGNATION	QTY.	UNITS	WEIGHT	FN	MEASUREMENT	STANDARD
	1500	700429170000	O-RING	2	PC	15,5 g		170 X 4	MMN429
	1550	735254118000	O-RING	2	PC	9 g		118 X 4	MTN5254
	1600	000000004740	HEX SCREW	4	PC	63,4 g		M 10 X 95	ISO4014
	1650	X00009934	O-RING	2	PC	0,02 kg		110 X 6	
	1700	X59412500038	GUIDE TUBE INNER	1	PC	1,9 kg		110X2,5	
	1750	X59499100122	O-RING	2	PC	22,6 g		130 X 6	
	1800	X52612500081	GUIDE TUBE	1	PC	1,645 kg		130X2,5	



12300591

☐	POS.	PART NO.	DESIGNATION	QTY.	UNITS	WEIGHT	FN	MEASUREMENT	STANDARD
	142	150	X59512300014	DIVERter VALVE	1	PC	9,696 kg	EM	
		220	X59512500026	GASKET F/AIR TRANSFER VALV	1	PC	7,5 g		
		250	000000001039	HEX SCREW	3	PC	29,8 g	M 10 X 40	ISO4017
		300	735151010101	SPACER A10.5 A3C	3	PC	11,2 g	A 10,5	MTN5151
		400	X52812500001	FLANGE	1	PC	691,9 g		
		450	5272030080	GASKET	1	PC	6,5 g		
		550	000000001464	HEX SCREW	1	PC	24,9 g	M 10 X 30	ISO4017
		650	000000003326	HEX SCREW	2	PC	27,4 g	M 10 X 35	ISO4017
		1200	X52499100725	4/2-WAY SOL. VALVE	1	PC	1,874 kg		
		1300	000000003558	BOLT HEX SOC ZNPH R5 F	4	PC	5,4 g	M 5 X 30	DIN912
		1350	007603014102	SEAL RING	2	PC	1 g	A 14 X 18	DIN7603
		1400	915013008002	SCREW NECK	2	PC	24 g	8 (M16X1,5/M14X1,5)	N15013
	141	1500	X59412300007	AIR PIPING	1	PC	6,88 kg	EM	
		1550	5272030080	GASKET	2	PC	6,5 g		
		1600	000912010065	BOLT HEX SOC HD	6	PC	23,9 g	M 10 X 25	DIN912
		1700	X52799100041	RETAINER ON CARRIER HOUSING	1	PC	994,3 g		
		1750	735151010100	SPACER	1	PC	11 g	A 10,5	MTN5151
		1800	000000003510	HEX SCREW	2	PC	60,2 g	M 10 X 90	ISO4014
		1850	735151012100	SPACER S2000/4000	1	PC	20 g	A 12,5	MTN5151
		1900	000000003925	HEX SCREW	1	PC	36,9 g	M 12 X 30	ISO4017
		2000	700346065200	PIPE CLAMP HALF	2	PC	307,7 g	BD 9 - 65	MMN346
		2050	000000003496	HEX SCREW	2	PC	38,2 g	M 8 X 90	ISO4014
		2150	X59599100023	RETAINER	1	PC	6,625 kg		
		2200	735151010101	SPACER A10.5 A3C	4	PC	11,2 g	A 10,5	MTN5151
		2250	000000003326	HEX SCREW	4	PC	27,4 g	M 10 X 35	ISO4017


EQUI TYPE: Engine

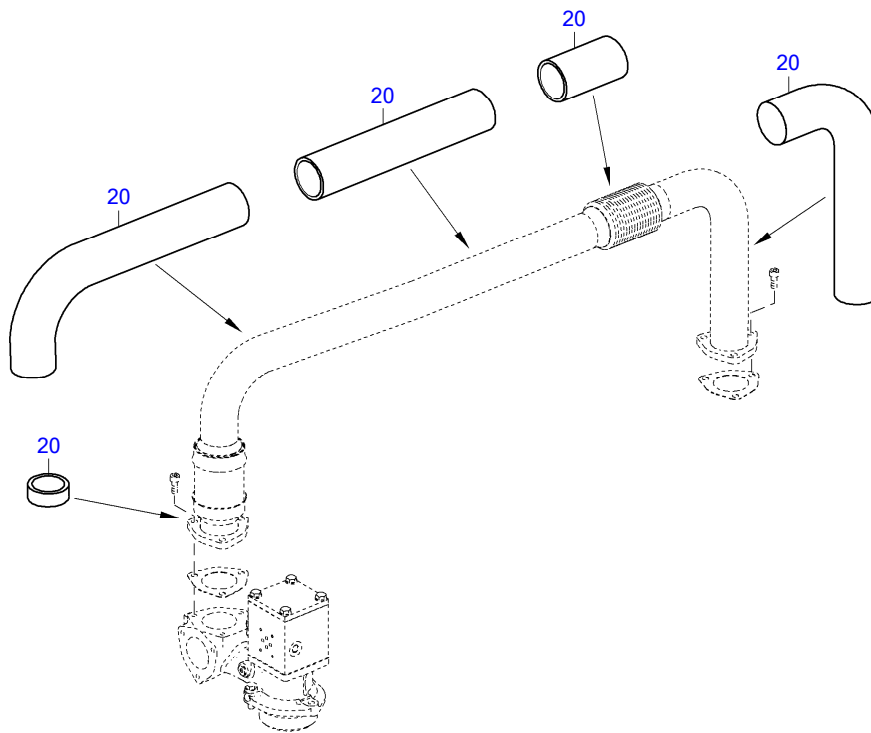
PRODUCT TYPE: 12V4000M93L
DIVERTER VALVE

SERIAL NUMBER: 526108553

FG/FGS: 125 20

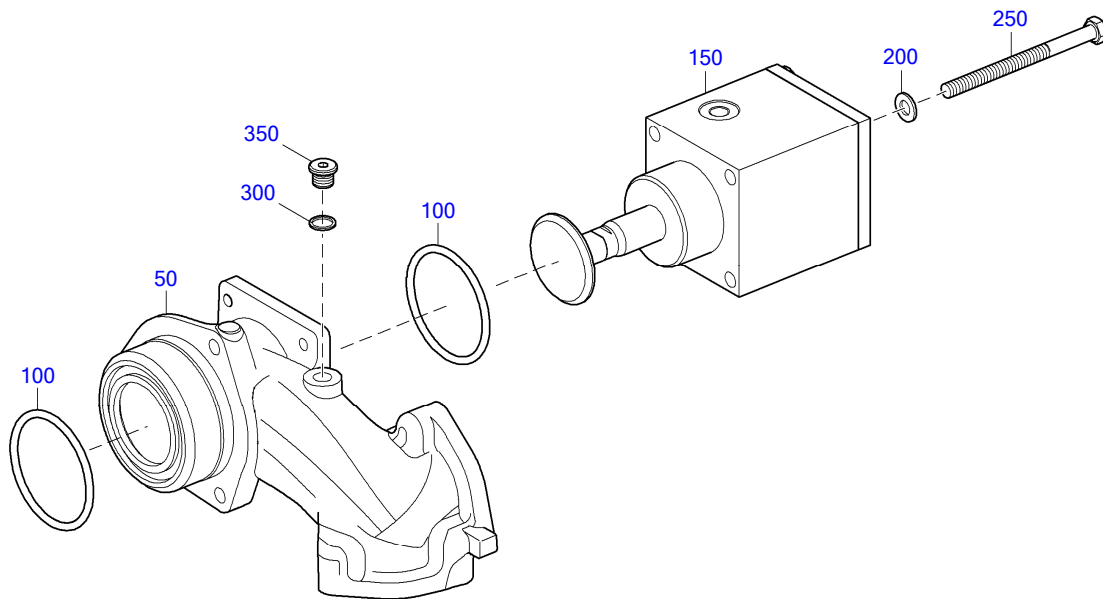
BOM-No.: XS526120.00051

	POS.	PART NO.	DESIGNATION	QTY.	UNITS	WEIGHT	FN	MEASUREMENT	STANDARD
	2300	735151010101	SPACER A10.5 A3C	4	PC	11,2 g		A 10,5	MTN5151
	2400	X59312500003	PIPE HALF-CLAMP	2	PC	323,1 g			
	2450	700346065200	PIPE CLAMP HALF	2	PC	307,7 g		BD 9 - 65	MMN346
	2500	007349008002	WASHER	4	PC	7,9 g		8,4	DIN7349
	2550	204017008032	HEX SCREW	4	PC	25,5 g		M 8 X 65	ISO4017
	2600	X59699100042	RETAINER	2	PC	1,1 kg			
	2650	000912008055	BOLT HEX SOC HD	4	PC	14,3 g		M 8 X 25	DIN912



TD0000015278_123

☐	POS.	PART NO.	DESIGNATION	MODEL/TYPE	QTY.	UNITS	FN
	20	XP59412300068	INSULATION	ZU ZB X59412300007	1	PC	UB



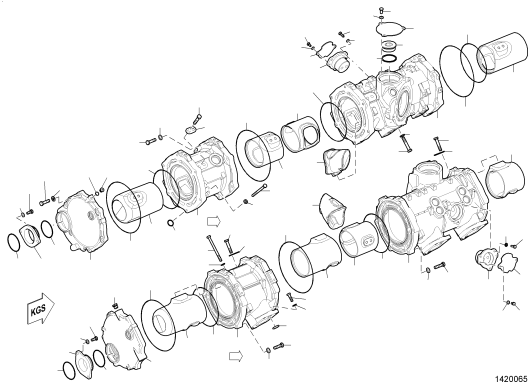
12600081a

☐	POS.	PART NO.	DESIGNATION	MODEL/TYPE	QTY.	UNITS	WEIGHT	FN	MEASUREMENT	STANDARD
	50	X59612300005	VALVE HOUSING		1	PC	5,44 kg	EM		
	100	700429075001	O-RING		2	PC	10,6 g		75 X 5	MMN429
	150	X59612300007	CYLINDER	BR4000	1	PC	3,916 kg			
	200	000125010524	WASHER		4	PC	3,1 g		A 10,5	DIN125
	250	000000004400	HEX SCREW		4	PC	84 g		M 10 X130	ISO4014
	300	007603014102	SEAL RING		2	PC	1 g		A 14 X 18	DIN7603
	350	000908014001	SCREW PLUG		2	PC	0,016 kg		M 14 X 1,5	DIN908

GROUP SEGMENT (FGS)

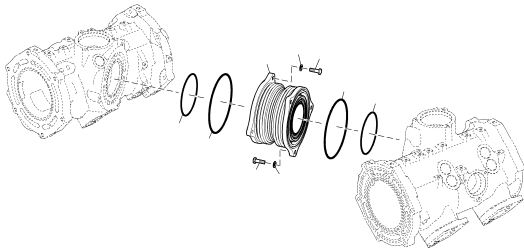
GROUP NAME

BOM-No.



14200653

10
EXHAUST SYSTEM F/CYL. TO T'CHARGER
XS594140.00085



14200300a

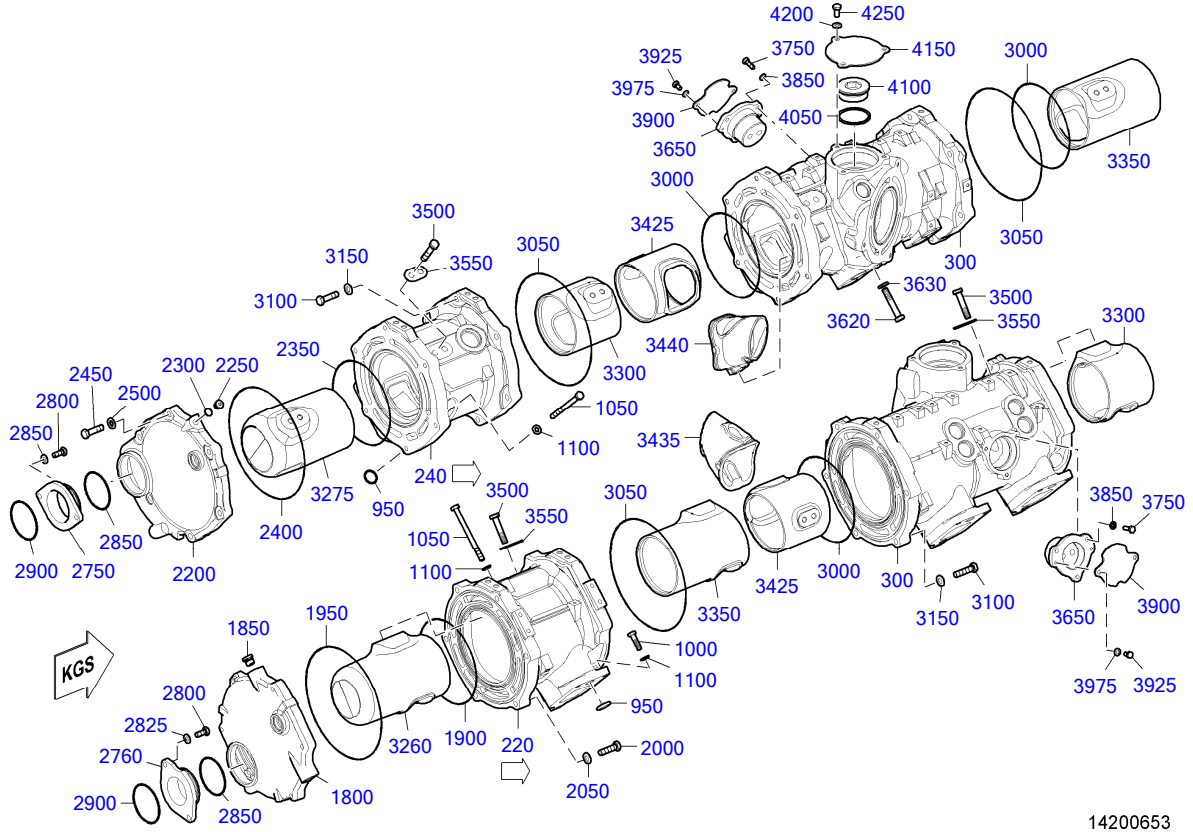
20
EXH PIPE BELLOWS
XS596140.00008

EQUI TYPE: Engine

PRODUCT TYPE: 12V4000M93L
EXHAUST SYSTEM F/CYL. TO T'CHARGER

SERIAL NUMBER: 526108553

FG/FGS: 141 10
BOM-No.: XS594140.00085

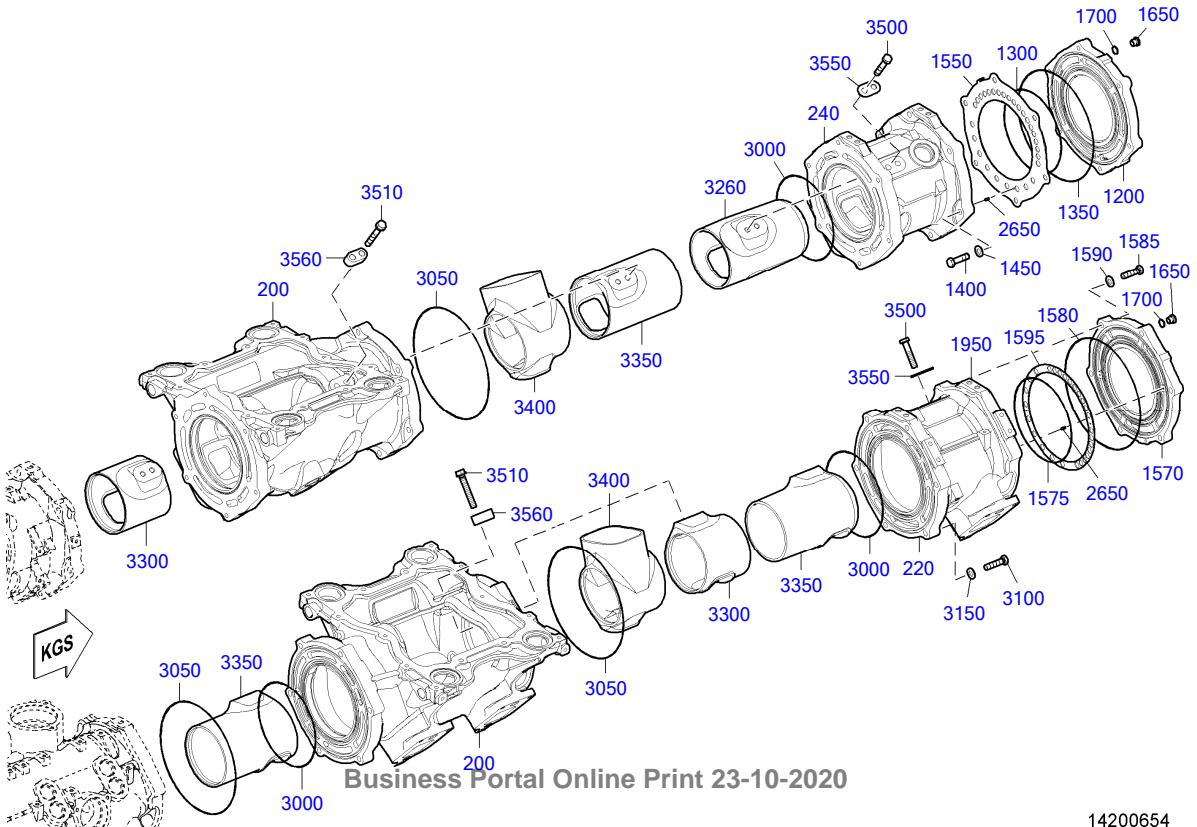


EQUI TYPE: Engine

PRODUCT TYPE: 12V4000M93L
EXHAUST SYSTEM F/CYL. TO T'CHARGER

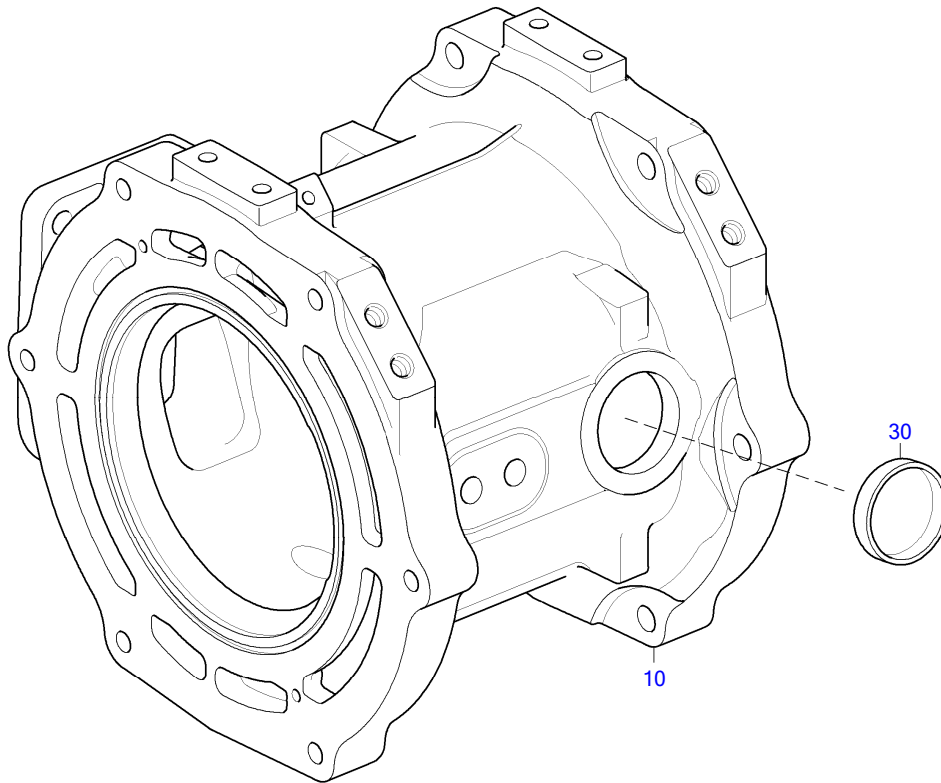
SERIAL NUMBER: 526108553

FG/FGS: 141 10
BOM-No.: XS594140.00085



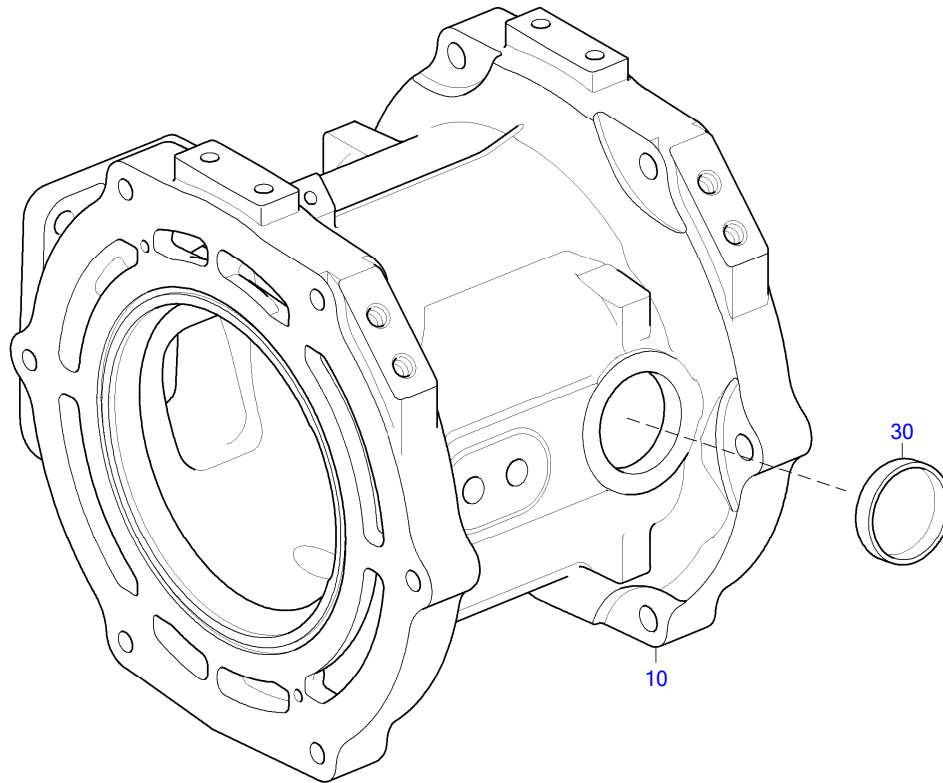
☐	POS.	PART NO.	DESIGNATION	MODEL/TYPE	QTY.	UNITS	WEIGHT	FN	MEASUREMENT	STANDARD
	200	X59414100007	EXHAUST HOUSING		2	PC	59,833 kg	SB EM		
145	220	X59414100066	EXHAUST HOUSING		2	PC	30,6 kg	EM		
146	240	X59414100067	EXHAUST HOUSING		2	PC	30,333 kg	EM		
	300	X59414100009	EXHAUST HOUSING		2	PC	62,333 kg	SB EM		
	950	700429024000	O-RING		12	PC	3,9 g		24 X 5	MMN429
	1000	000000003326	HEX SCREW		24	PC	27,4 g		M 10 X 35	ISO4017
	1050	000000004400	HEX SCREW		12	PC	84 g		M 10 X130	ISO4014
	1100	000125010524	WASHER		36	PC	3,1 g		A 10,5	DIN125
	1200	X59414100020	END COVER		1	PC	6,488 kg	SB		
	1300	X59499100113	O-RING		2	PC	15 g		194 X 4	MMN429
	1350	X59499100114	O-RING		2	PC	19,9 g		258 X 4	MMN429
	1400	000000003437	HEX SCREW		6	PC	50,8 g		M 12 X 50	ISO4017
	1450	000125013012	WASHER		6	PC	5,6 g		A 13	DIN125
	1550	X59414100047	RESTRICTOR		1	PC	513,7 g			
	1570	X59414100029	END COVER		1	PC	6,352 kg	SB		
	1575	X59499100113	O-RING		1	PC	15 g		194 X 4	MMN429
	1580	X59499100114	O-RING		1	PC	19,9 g		258 X 4	MMN429
	1585	000000004743	HEX SCREW		6	PC	47,7 g		M 12 X 45	ISO4017
	1590	000125013012	WASHER		6	PC	5,6 g		A 13	DIN125
	1595	X59414100022	RESTRICTOR		1	PC	132,9 g			
	1650	000908014001	SCREW PLUG		4	PC	0,016 kg		M 14 X 1,5	DIN908
	1700	007603014102	SEAL RING		4	PC	1 g		A 14 X 18	DIN7603
	1800	X59414100018	CONNECTING PIECE		1	PC	6,5 kg	SB		
	1850	735210018000	PLUG		1	PC	0,036 kg		M 18 X 1,5	MTN5210
	1900	X59499100113	O-RING		1	PC	15 g		194 X 4	MMN429
	1950	X59499100114	O-RING		1	PC	19,9 g		258 X 4	MMN429
	2000	000000003437	HEX SCREW		6	PC	50,8 g		M 12 X 50	ISO4017
	2050	000125013012	WASHER		6	PC	5,6 g		A 13	DIN125
	2200	X59414100016	CONNECTING PIECE		1	PC	7,615 kg	SB		
	2250	000908014001	SCREW PLUG		1	PC	0,016 kg		M 14 X 1,5	DIN908
	2300	007603014102	SEAL RING		1	PC	1 g		A 14 X 18	DIN7603
	2350	X59499100113	O-RING		1	PC	15 g		194 X 4	MMN429
	2400	X59499100114	O-RING		1	PC	19,9 g		258 X 4	MMN429
	2450	000000004743	HEX SCREW		6	PC	47,7 g		M 12 X 45	ISO4017
	2500	000125013012	WASHER		6	PC	5,6 g		A 13	DIN125
	2650	000000003948	PIN SPRING 18-8		3	PC	0,5 g		4 X 10 - N	ISO8752
	2750	X52620200153	FLANGE		1	PC	653,9 g			
	2760	X52620200154	FLANGE		1	PC	907,4 g			
	2800	000000003021	HEX SCREW		4	PC	22,8 g		M 10 X 25	ISO4017
	2825	000125010524	WASHER		4	PC	3,1 g		A 10,5	DIN125
	2850	700429080001	O-RING		2	PC	11,3 g		80 X 5	MMN429
	2900	700429083000	O-RING		2	PC	11,7 g		83 X 5	MMN429
	3000	X59499100113	O-RING		6	PC	15 g		194 X 4	MMN429
	3050	X59499100114	O-RING		6	PC	19,9 g		258 X 4	MMN429
	3100	000000003437	HEX SCREW		36	PC	50,8 g		M 12 X 50	ISO4017
	3150	000125013012	WASHER		36	PC	5,6 g		A 13	DIN125
	3260	X59414100027	EXHAUST LINE INNER ELEMENT		2	PC	5,734 kg	EM		
	3275	X59414100028	EXHAUST LINE INNER ELEMENT		2	PC	5,57 kg	EM		
	3300	X59414100012	EXHAUST PIPE		4	PC	3,062 kg	EM		
	3350	X59414100013	EXHAUST PIPE		4	PC	4,73 kg	EM		
	3400	X52814100016	EXHAUST PIPE TO TURBOCHARGER		2	PC	4 kg	EM		
	3425	X59414100015	EXHAUST LINE	BR4000	2	PC	2,7 kg	EM	165x135	
	3435	X59414100037	EXHAUST PIPE		1	PC	1,67 kg	EM		
	3440	X59414100036	EXHAUST PIPE		1	PC	1,738 kg	EM		

☐	POS.	PART NO.	DESIGNATION	MODEL/TYPE	QTY.	UNITS	WEIGHT	FN	MEASUREMENT	STANDARD
	3500	204017012032	HEX SCREW		24	PC	58,7 g		M 12 X 60	ISO4017
	3510	X59699100581	COLLAR SCREW		8	PC	78,5 g			
	3550	X59614100003	SPACER		12	PC	29 g			
	3560	X59699100577	SPACER F. HOT ENGINE PARTS		4	PC	142 g			
	3620	000000001710	HEX SCREW		4	PC	68,5 g		M 12 X 70	ISO4017
	3630	8379902540	WASHER		4	PC	7,5 g			
	3650	X59414100035	RETAINER FOR EXH. PIPE		2	PC	1,7 kg			
	3750	304017008081	HEX SCREW		6	PC	13,4 g		M 8 X 25	ISO4017
	3850	000125008427	WASHER		6	PC	1,5 g		A 8,4	DIN125
	3900	X59414100038	COVER PLATE		2	PC	221,6 g			
	3925	204017008022	HEX SCREW		4	PC	10 g		M 8 X 14	ISO4017
	3975	000125008427	WASHER		4	PC	1,5 g		A 8,4	DIN125
	4050	007603064100	WASHER A COP		1	PC	15 g		A 64 X 72	DIN7603
	4100	000908064000	PLUG		1	PC	0,515 kg		M 64 X 2	DIN908
	4150	X59614100002	BLIND FLANGE		1	PC	420,9 g			
	4200	000125010524	WASHER		3	PC	3,1 g		A 10,5	DIN125
	4250	000000003020	HEX SCREW		3	PC	20 g		M 10 X 20	ISO4017



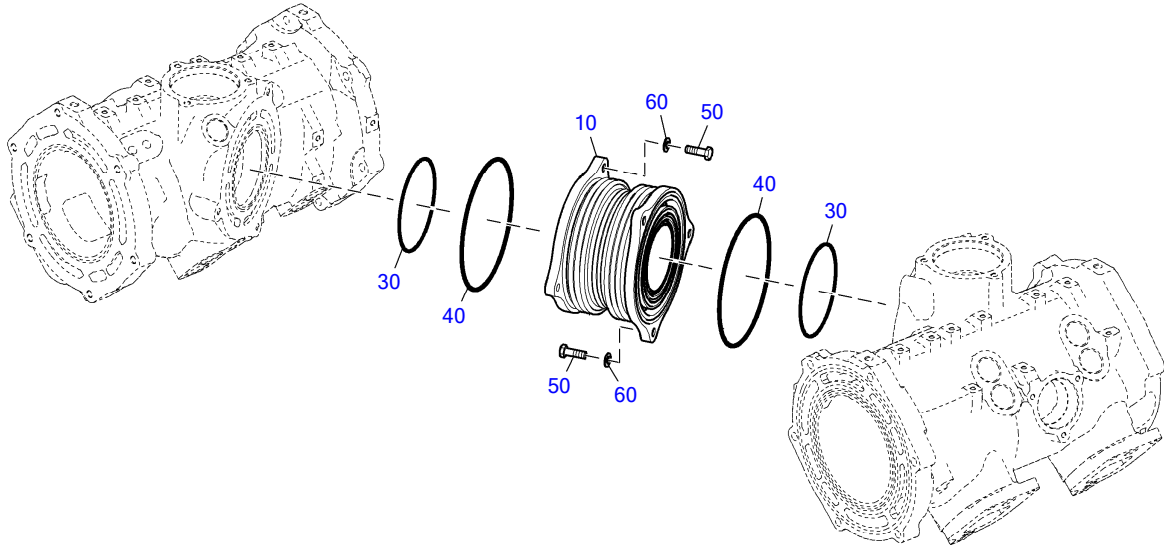
10102136

☐	POS.	PART NO.	DESIGNATION	QTY.	UNITS	WEIGHT	FN	MEASUREMENT
	10	X59414100063	EXHAUST HOUSING	1	PC	30,363 kg	EM	
	30	5249970020	SEALING CAP	1	PC	62,6 g		D 50



10102136

☐	POS.	PART NO.	DESIGNATION	QTY.	UNITS	WEIGHT	FN	MEASUREMENT
	10	X59414100065	EXHAUST HOUSING	1	PC	30,133 kg	EM	
	30	5249970020	SEALING CAP	1	PC	62,6 g		D 50



14200300a

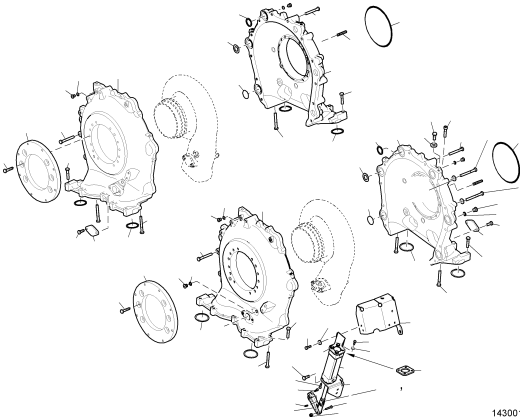
☐	POS.	PART NO.	DESIGNATION	MODEL/TYPE	QTY.	UNITS	WEIGHT	FN	MEASUREMENT	STANDARD
	10	X59499100411	EXH PIPE BELLOWS	METALL DRUCKBEAUFSCHLAGT WA	1	PC	6,1 kg	EM		
	30	X59499100111	O-RING		2	PC	10,9 g		142 X 4	MMN429
	40	X59499100112	O-RING		2	PC	14,7 g		192 X 4	MMN429
	50	204017010016	HEX SCREW		6	PC	26,1 g		M 10 X 32	ISO4017
	60	000125010524	WASHER		6	PC	3,1 g		A 10,5	DIN125

GROUP SEGMENT (FGS)

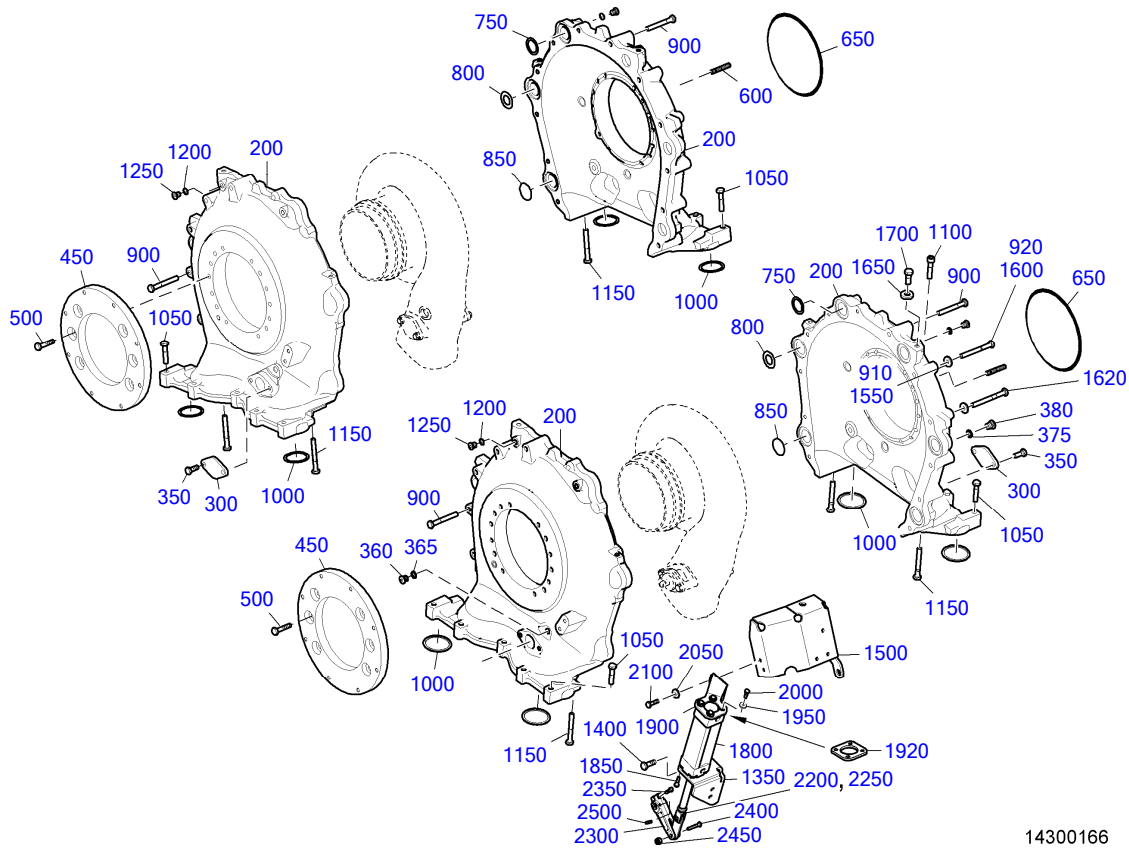
GROUP NAME

BOM-No.

05
CARRIER HOUSING F/TURBOCHARGER
XS595140.00002



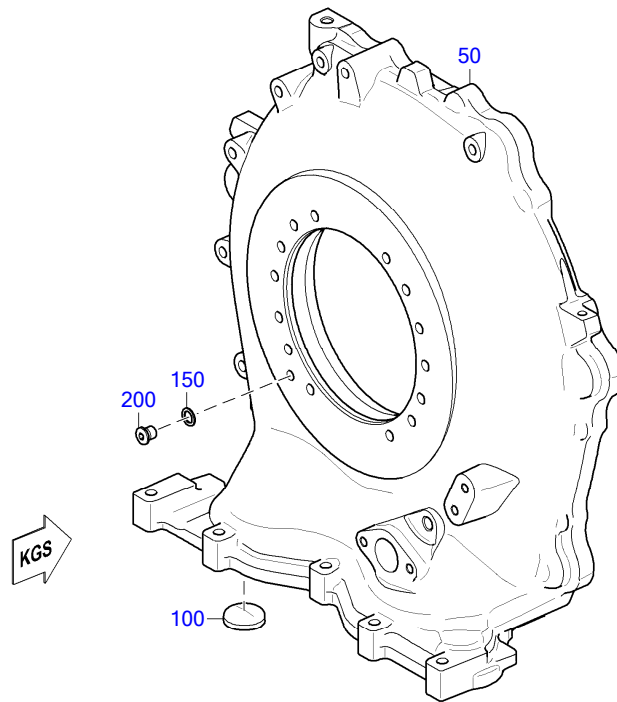
14300166



14300166

☐	POS.	PART NO.	DESIGNATION	QTY.	UNITS	WEIGHT	FN	MEASUREMENT	STANDARD
	150	200	X59414300006	CARRIER HOUSING	4	PC	42,875 kg	EM	
		300	5261420091	COVER	3	PC	195,3 g		
		350	00000003021	HEX SCREW	6	PC	22,8 g	M 10 X 25	ISO4017
		360	000908014001	SCREW PLUG	2	PC	0,016 kg	M 14 X 1,5	DIN908
		365	007603014102	SEAL RING	2	PC	1 g	A 14 X 18	DIN7603
		375	000908014001	SCREW PLUG	2	PC	0,016 kg	M 14 X 1,5	DIN908
		380	007603014102	SEAL RING	2	PC	1 g	A 14 X 18	DIN7603
		450	X52814300005	INTERMEDIATE FLANGE	2	PC	8,006 kg		
		500	304017010035	HEX SCREW	12	PC	32,1 g	M 10 X 45	ISO4017
		600	000939010115	STUD	12	PC	29,7 g	M 10 X 45	DIN939
		650	700429200002	O-RING	2	PC	17,3 g	200 X 4	MMN429
		750	X59420200233	RESTRICTOR	4	PC	7,4 g		
		800	X59420200234	RESTRICTOR	4	PC	9,6 g		
		850	X59420200235	RESTRICTOR	4	PC	12,4 g		
		900	304017010034	HEX SCREW	21	PC	49,7 g	M 10 X 80	ISO4017
		910	007349010002	WASHER	1	PC	11 g	10,5	DIN7349
		920	00000003510	HEX SCREW	1	PC	60,2 g	M 10 X 90	ISO4014
		1000	X59420200238	RESTRICTOR	8	PC	10,9 g		
		1050	00000001042	HEX SCREW	19	PC	34,6 g	M 10 X 50	ISO4017
		1100	000912010016	BOLT HEX SOC HD	1	PC	38 g	M 10 X 50	DIN912
		1150	00000000906	HEX SCREW	8	PC	49,4 g	M 10 X 80	ISO4017
		1200	007603012111	COPPER SEALING RING	6	PC	0,7 g	A 12 X 15,5	DIN7603
		1250	000908012003	THREAD PLUG	6	PC	11,9 g	M 12 X 1,5	DIN908
		1350	X59418500017	RETAINER F/TURBO OIL SUPPLY	1	PC	1,62 kg		
		1400	00000003021	HEX SCREW	2	PC	22,8 g	M 10 X 25	ISO4017

☐	POS.	PART NO.	DESIGNATION	QTY.	UNITS	WEIGHT	FN	MEASUREMENT	STANDARD
	1500	X59418500032	RETAINER	1	PC	2 kg			
	1550	007349010002	WASHER	2	PC	11 g		10,5	DIN7349
	1600	000000003510	HEX SCREW	1	PC	60,2 g		M 10 X 90	ISO4014
	1620	204014010006	HEX SCREW	1	PC	66,3 g		M 10 X100	ISO4014
	1650	007349013002	WASHER	1	PC	24,5 g		13	DIN7349
	1700	000000003925	HEX SCREW	1	PC	36,9 g		M 12 X 30	ISO4017
135	1800	X56912300043	ACTUATING CYLINDER	1	PC	1,2 kg			
	1850	304017006063	HEX SCREW	4	PC	6,8 g		M 6 X 25	ISO4017
	1900	X59418500052	RETAINER	1	PC	815,2 g			
	1920	X59499100117	SPACER	1	PC	79,8 g			
	1950	007349006004	WASHER	4	PC	4,1 g		6,4	DIN7349
	2000	304017006065	HEX SCREW	4	PC	7,5 g		M 6 X 30	ISO4017
	2050	007349008002	WASHER	2	PC	7,9 g		8,4	DIN7349
	2100	204017008011	HEX SCREW	2	PC	12,2 g		M 8 X 22	ISO4017
	2200	X00041795	CLEVIS	1	PC	39,2 g			
	2250	X52499100007	ARTICULATED BEARING FOR FLAP CONTROL	1	PC	76,5 g	AB		
	2300	X52810100084	LEVER F/EXH FLAP CONTROL	1	PC	269 g			
	2350	000912006018	SCREW	1	PC	6,2 g		M 6 X 20	DIN912
	2400	304017008084	HEX SCREW	1	PC	16,4 g		M 8 X 35	ISO4017
	2450	5069900251	NUT	1	PC	6,4 g			
	2500	001481005030	PIN SPRING	1	PC	2,4 g		5 X 24 - N	ISO8752



TD0000030076_143

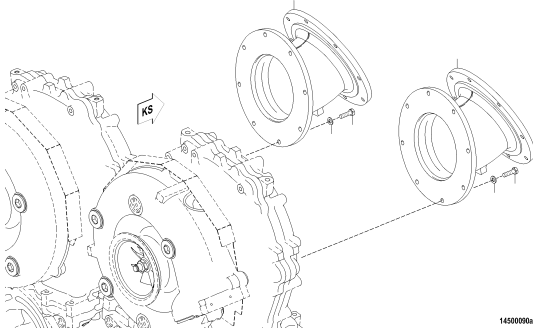
☐	POS.	PART NO.	DESIGNATION	QTY.	UNITS	WEIGHT	FN	MEASUREMENT	STANDARD
	50	X59414300004	CARRIER HOUSING	1	PC	40,14 kg	EM		
	100	5370160233	SEALING CAP	1	PC	32 g		D 40	
	150	007603012106	WASHER A COP	1	PC	1,52 g		A 12 X 18	DIN7603
	200	000908012003	THREAD PLUG	1	PC	11,9 g		M 12 X 1,5	DIN908

GROUP SEGMENT (FGS)

GROUP NAME

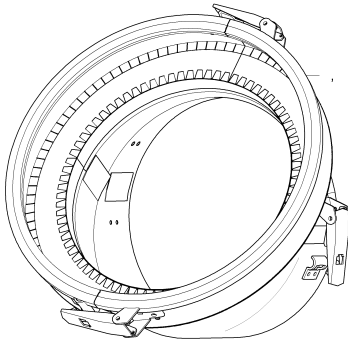
BOM-No.

05
EXH. LINES AFTER TC 30 DEGREES HORIZONT
XS594140.00008



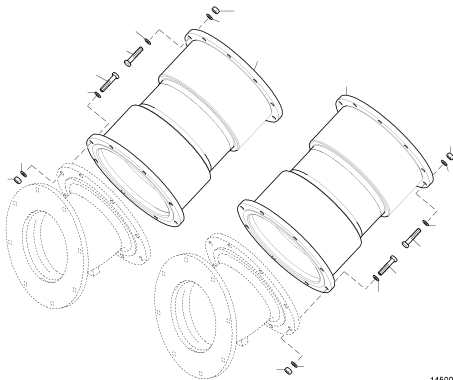
1450006a

05
INSULATION FOR EXHAUST ELBOW
XS594140.00012

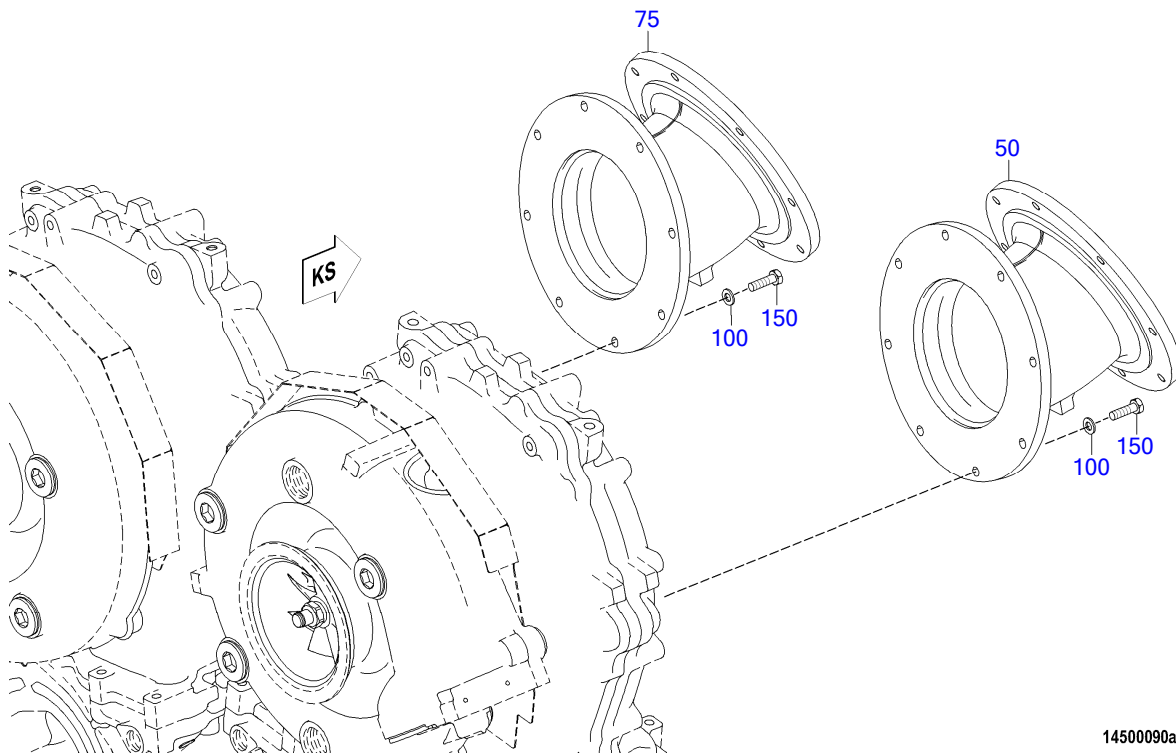


14500100a

05
EXH PIPE BELLOWS
XS594140.00078

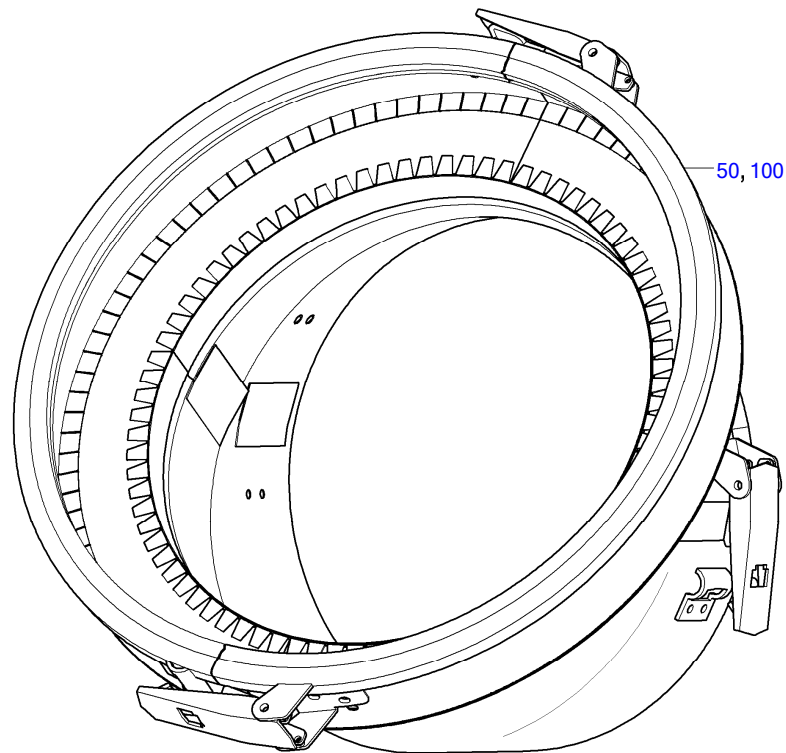


14500231



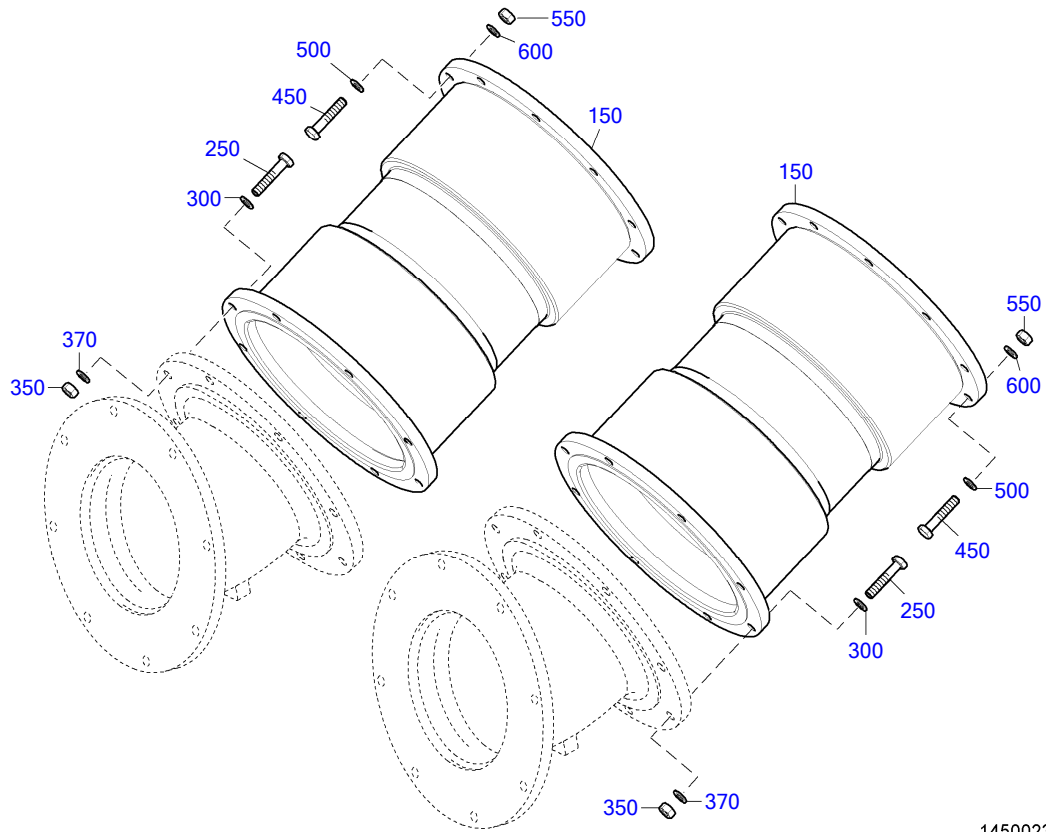
14500090a

☐	POS.	PART NO.	DESIGNATION	QTY.	UNITS	WEIGHT	FN	MEASUREMENT	STANDARD
	50	X52614500008	EXHAUST ELBOW 30GRAD HORIZONTAL	1	PC	18,3 kg	EM		
	75	X52614500009	EXHAUST ELBOW 30GRAD HORIZONTAL	1	PC	21 kg	EM		
	100	000125010524	WASHER	16	PC	3,1 g		A 10,5	DIN125
	150	000000003326	HEX SCREW	16	PC	27,4 g		M 10 X 35	ISO4017



14500100a

☐	POS.	PART NO.	DESIGNATION	QTY.	UNITS	WEIGHT
	50	X52614500011	INSULATION FOR EXHAUST ELBOW	1	PC	2,1 kg
	100	X52614500012	INSULATION FOR EXHAUST ELBOW	1	PC	2,6 kg



14500231

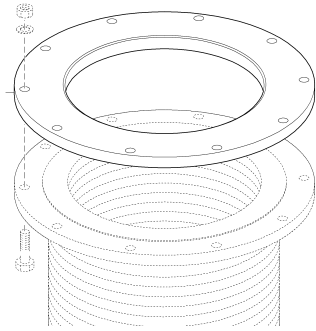
☐	POS.	PART NO.	DESIGNATION	MODEL/TYPE	QTY.	UNITS	WEIGHT	FN	MEASUREMENT	STANDARD
	150	X59414100123/87	EXH PIPE BELLOWS WITH TEST CERT. 3.1 METALL DRUCKLOS		2	PC	11,9 kg	EM		
	250	204017010024	HEX SCREW		16	PC	35,6 g	M 10 X 50		ISO4017
	300	200433010500	WASHER		16	PC	1,9 g	10,5		DIN433
	350	000000003317	HEX NUT		16	PC	9,2 g	M 10		ISO4032
	370	200433010500	WASHER		16	PC	1,9 g	10,5		DIN433
	450	204017010024	HEX SCREW		20	PC	35,6 g	M 10 X 50		ISO4017
	500	200433010500	WASHER		20	PC	1,9 g	10,5		DIN433
	550	000000003317	HEX NUT		20	PC	9,2 g	M 10		ISO4032
	600	200433010500	WASHER		20	PC	1,9 g	10,5		DIN433

GROUP SEGMENT (FGS)

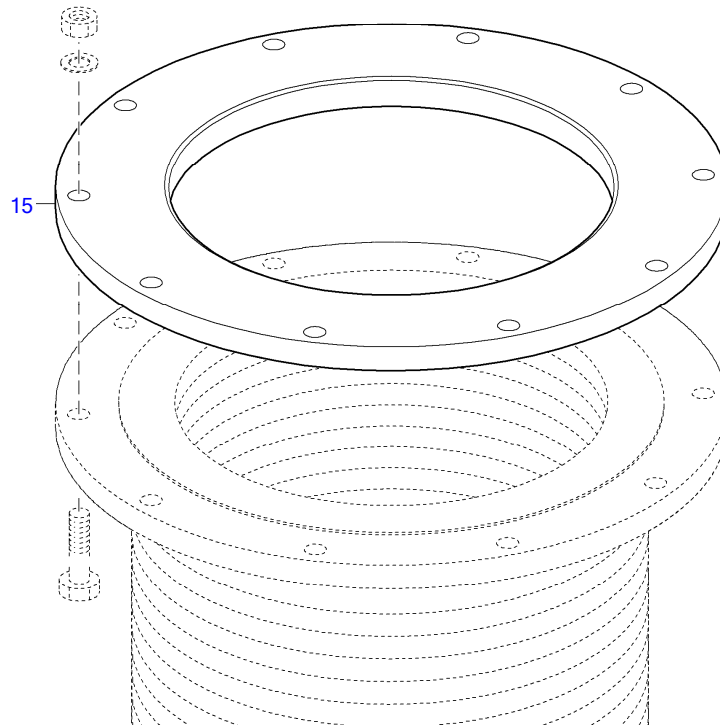
GROUP NAME

BOM-No.

05
FLANGE
140.00038



TD0000024004_146



TD0000024004_146

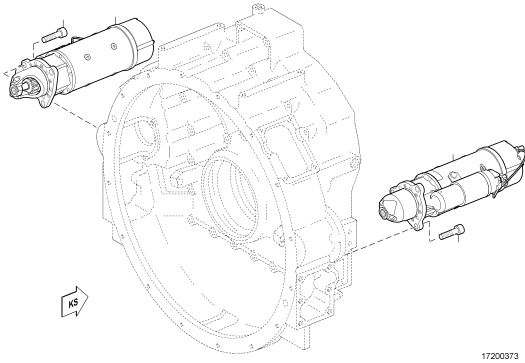
	POS.	PART NO.	DESIGNATION	QTY.	UNITS	WEIGHT
□	15	5261420115	FLANGE	2	PC	4,2 kg

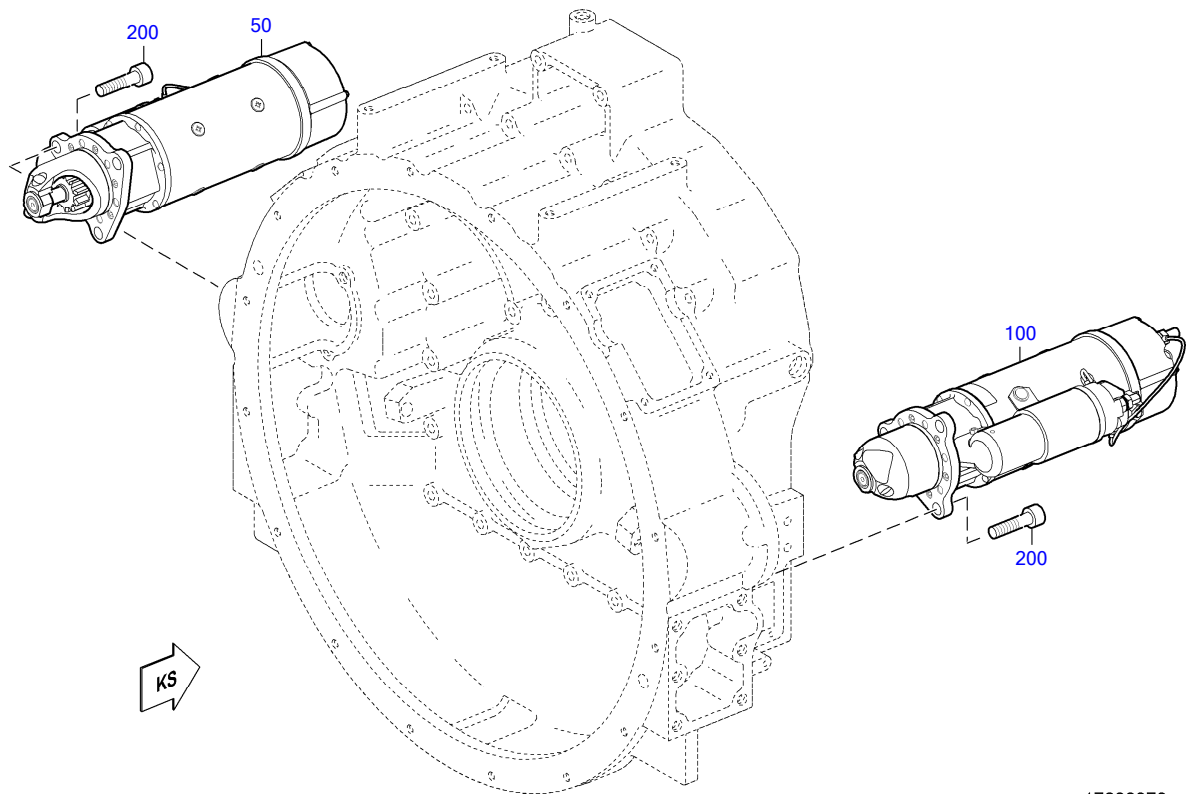
GROUP SEGMENT (FGS)

GROUP NAME

BOM-No.

05
STARTER ELECTRIC
XS594170.00009





17200373

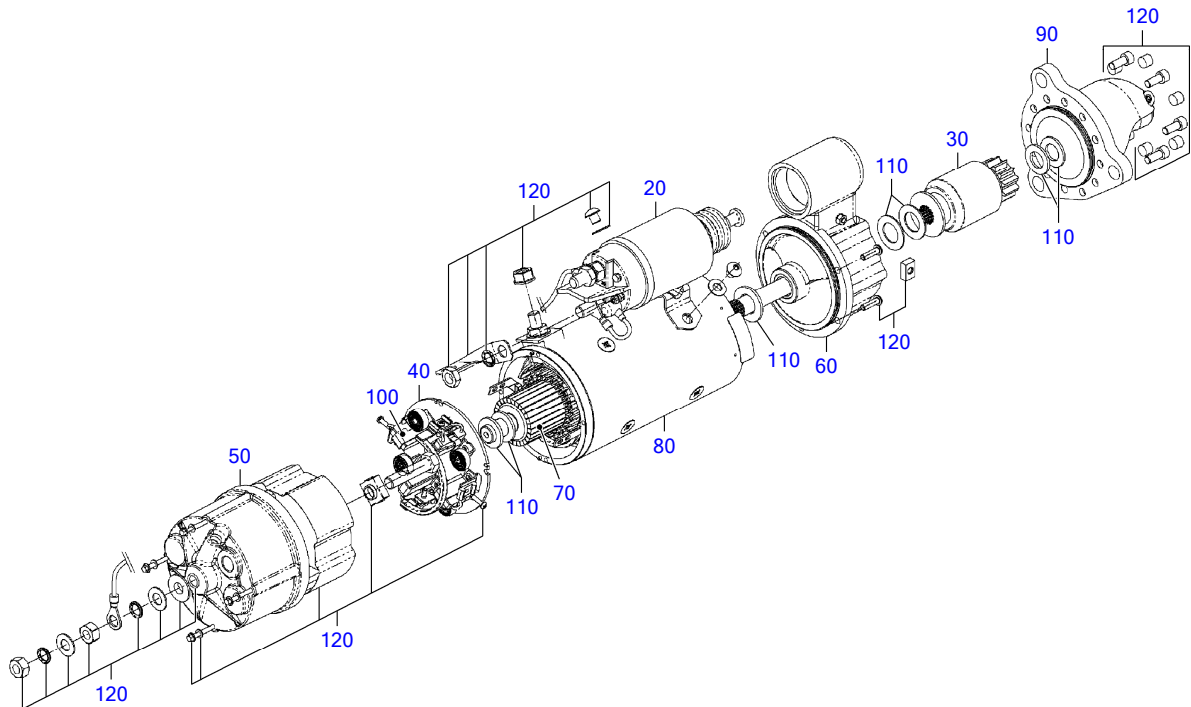
☐	POS.	PART NO.	DESIGNATION	QTY.	UNITS	WEIGHT	MEASUREMENT	STANDARD
	160	50	X52417200011	STARTER	1	PC	21 kg	
	159	100	X52417200010	STARTER	1	PC	28,375 kg	
		200	000912016002	BOLT HEX SOC HD	6	PC	90 g	M 16 X 40 DIN912

EQUI TYPE: Engine

PRODUCT TYPE: 12V4000M93L
STARTER

SERIAL NUMBER: 526108553

FG/FGS:
BOM-No.: X52417200010



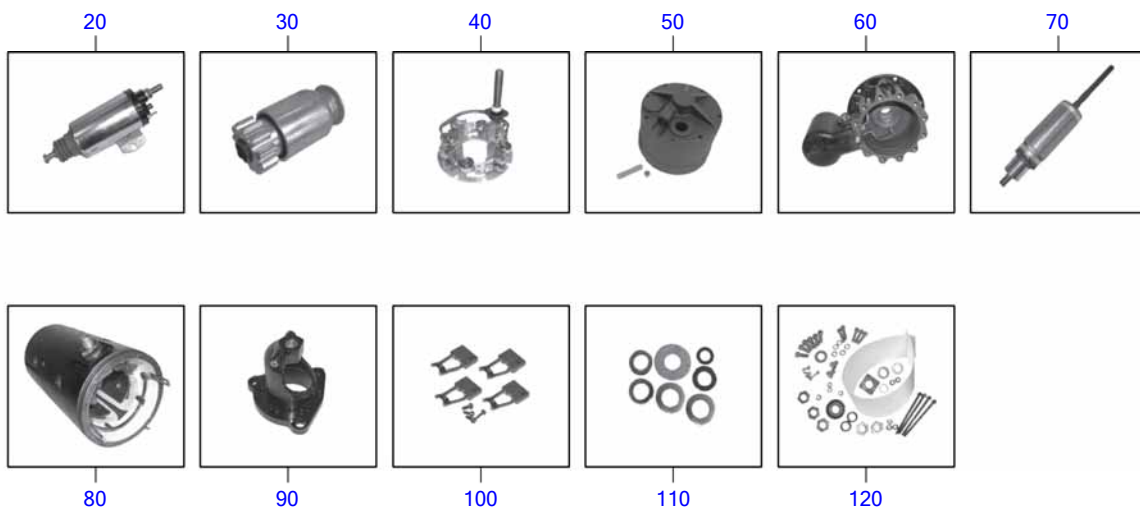
17200416

EQUI TYPE: Engine

PRODUCT TYPE: 12V4000M93L
STARTER

SERIAL NUMBER: 526108553

FG/FGS:
BOM-No.: X52417200010




EQUI TYPE: Engine

PRODUCT TYPE: 12V4000M93L
STARTER

SERIAL NUMBER: 526108553

FG/FGS:

BOM-No.: X52417200010

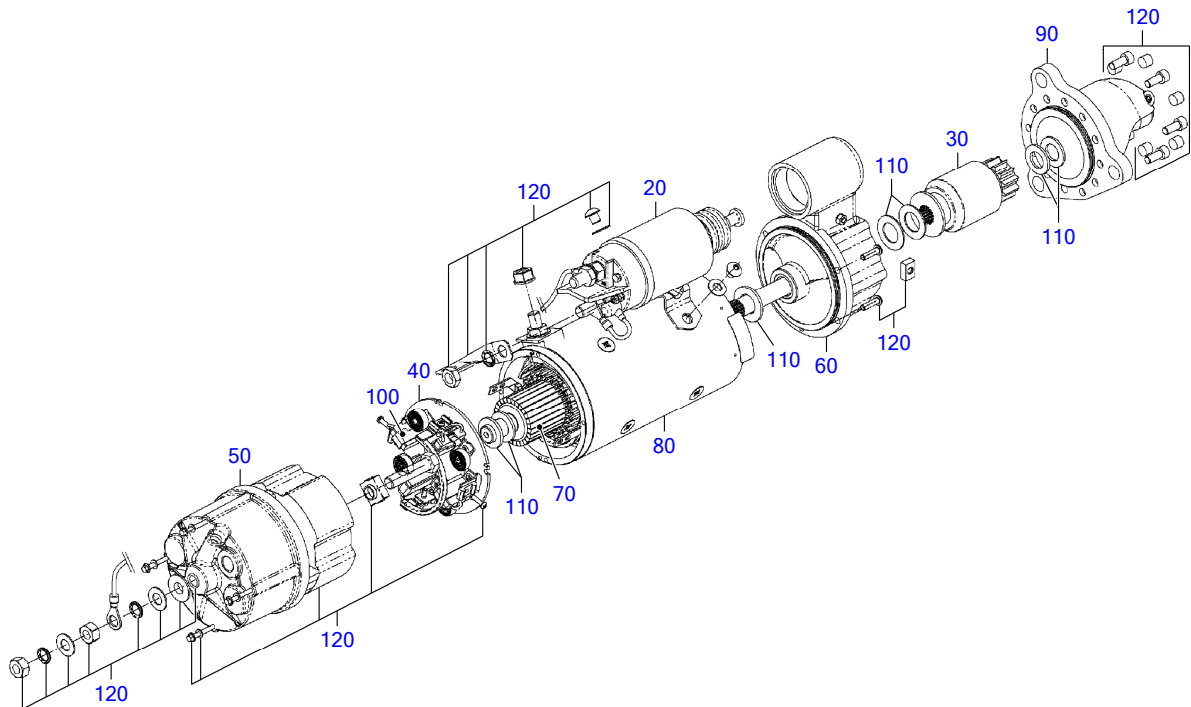
	POS.	PART NO.	DESIGNATION	MODEL/TYPE	QTY.	UNITS	WEIGHT	FN	MEASUREMENT
	20	X00038713	ENGAGEMENT RELAY	BR 4000	1	PC	2,78 kg		
	30	X00038711	GEARBOX	BR 4000	1	PC	1,205 kg		
	40	X00038719	BRUSH HOLDER	BR 4000	1	PC	0,62 kg		
	50	X00038720	HOUSING	BR 4000	1	PC			
	60	X00038716	HOUSING	BR 4000	1	PC		AC	
	70	X00038718	MOTOR	BR 4000	1	PC	7,735 kg		
	80	X00038721	HOUSING	BR 4000	1	PC			
	90	XP52417200053	HOUSING FOR STARTER	MS7-509	1	PC		AB	
	100	X00038722	BRUSH	BR 4000	1	PC	38 g		
	110	X00038616	THRUST WASHER	BR 4000	1	PC	16 g		1 SATZ = 7 STÜCK
	120	X00038611	SECURING COMPONENTS	BR 4000	1	PC	282 g		

EQUI TYPE: Engine

PRODUCT TYPE: 12V4000M93L
STARTER

SERIAL NUMBER: 526108553

FG/FGS:
BOM-No.: X52417200011



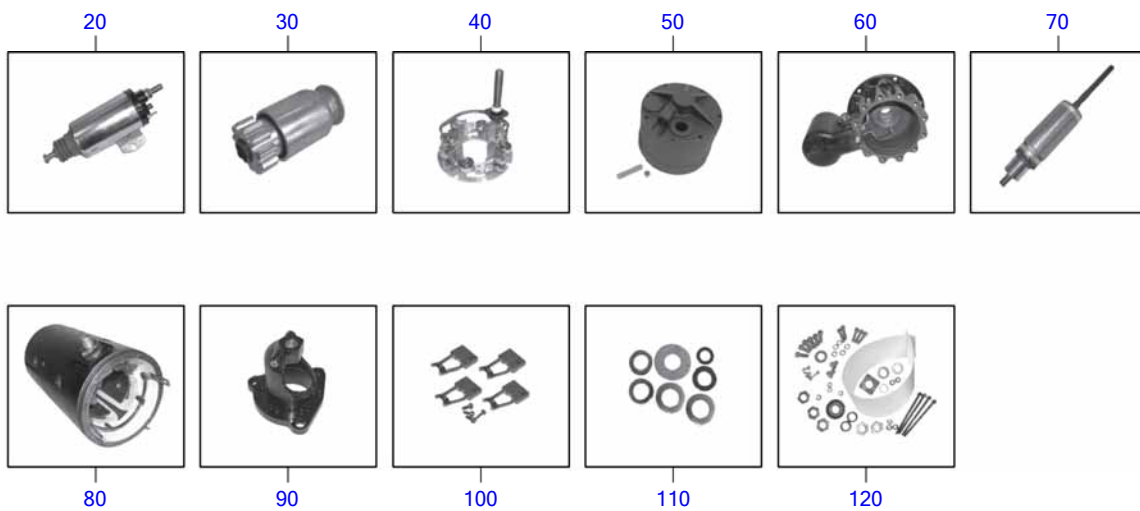
17200416

EQUI TYPE: Engine

PRODUCT TYPE: 12V4000M93L
STARTER

SERIAL NUMBER: 526108553

FG/FGS:
BOM-No.: X52417200011



EQUI TYPE: Engine

PRODUCT TYPE: 12V4000M93L
STARTER

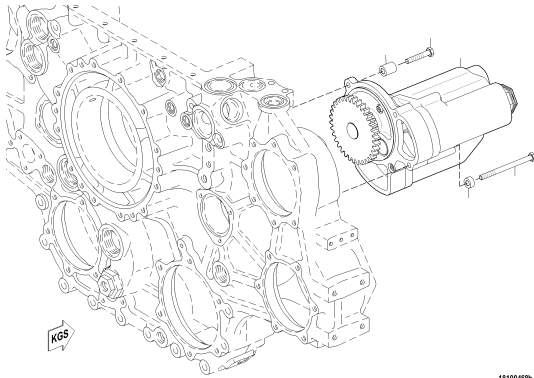
SERIAL NUMBER: 526108553

FG/FGS:

BOM-No.: X52417200011

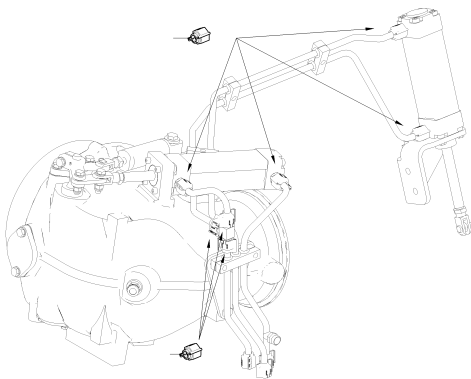
☐	POS.	PART NO.	DESIGNATION	MODEL/TYPE	QTY.	UNITS	WEIGHT	MEASUREMENT
	20	X00038713	ENGAGEMENT RELAY	BR 4000	1	PC	2,78 kg	
	30	X00038711	GEARBOX	BR 4000	1	PC	1,205 kg	
	40	X00038719	BRUSH HOLDER	BR 4000	1	PC	0,62 kg	
	50	X00038720	HOUSING	BR 4000	1	PC		
	60	X00038715	HOUSING	BR 4000	1	PC		
	70	X00038718	MOTOR	BR 4000	1	PC	7,735 kg	
	80	X00038721	HOUSING	BR 4000	1	PC		
	90	XP52417200054	HOUSING FOR STARTER	MS7-510	1	PC		
	100	X00038722	BRUSH	BR 4000	1	PC	38 g	
	110	X00038616	THRUST WASHER	BR 4000	1	PC	16 g	1 SATZ = 7 STÜCK
	120	X00038607	SECURING COMPONENTS	BR 4000	1	PC	393 g	

GROUP SEGMENT (FGS)
GROUP NAME
BOM-No.



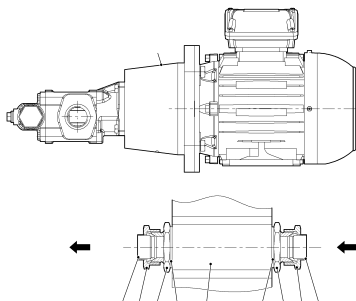
05
OIL PUMP
XS526180.00006

18100468b



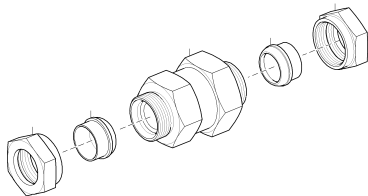
05
HEAT SHIELD FOR SOLAS
XS526990.00017

18000446



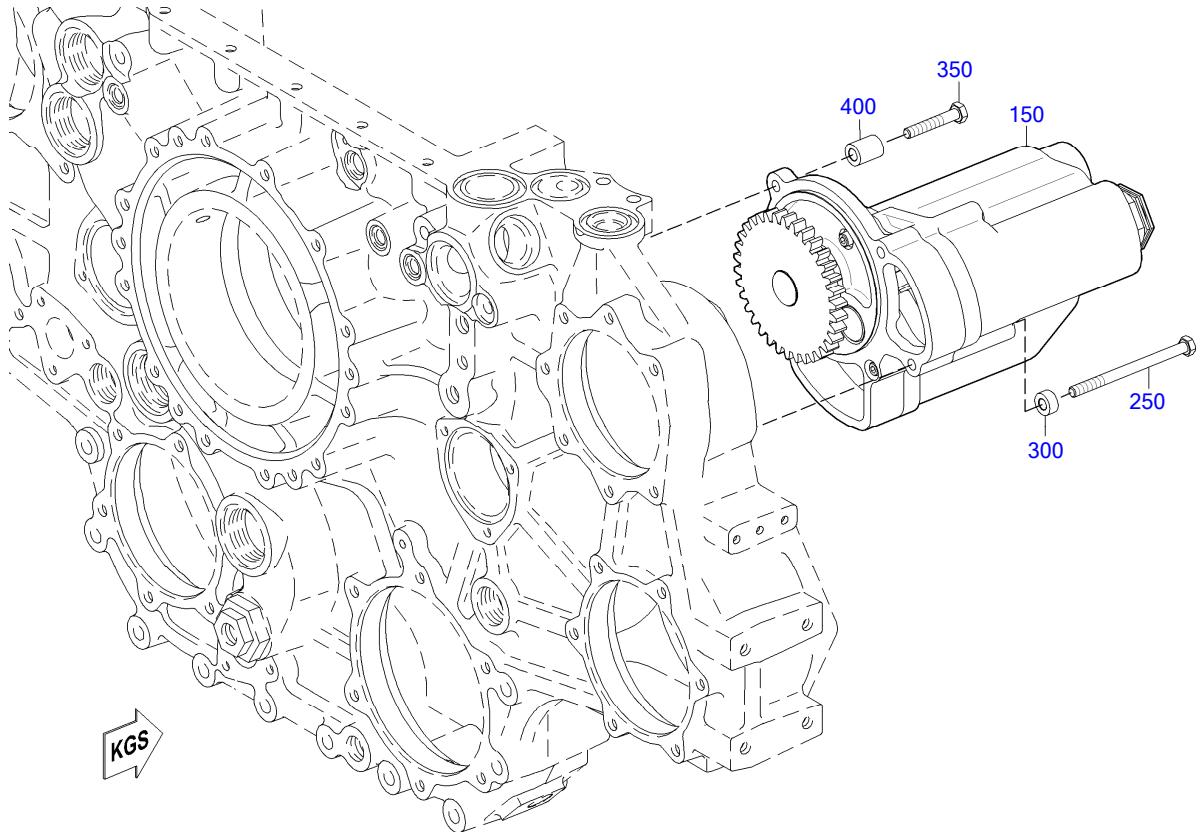
15
PUMP UNIT
XS594180.00109

18100587



25
NON-RETURN VALVE FOR OIL PRIMING PUM
180.00443

T00000027587_181



18100468b

☐	POS.	PART NO.	DESIGNATION	MODEL/TYPE	QTY.	UNITS	WEIGHT	FN	MEASUREMENT	STANDARD
	150	0021804101	OIL PUMP	4000	1	PC	23,5 kg	AB		
	250	304014010013	HEX SCREW		3	PC	80,7 g		M 10 X120	ISO4014
	300	735151010100	SPACER		3	PC	11 g		A 10,5	MTN5151
	350	304017010051	HEX SCREW		1	PC	40,2 g		M 10 X 60	ISO4017
	400	5241871853	SPACER SLEEVE	BR 4000	1	PC	65 g		11MM X 22MM L=28	

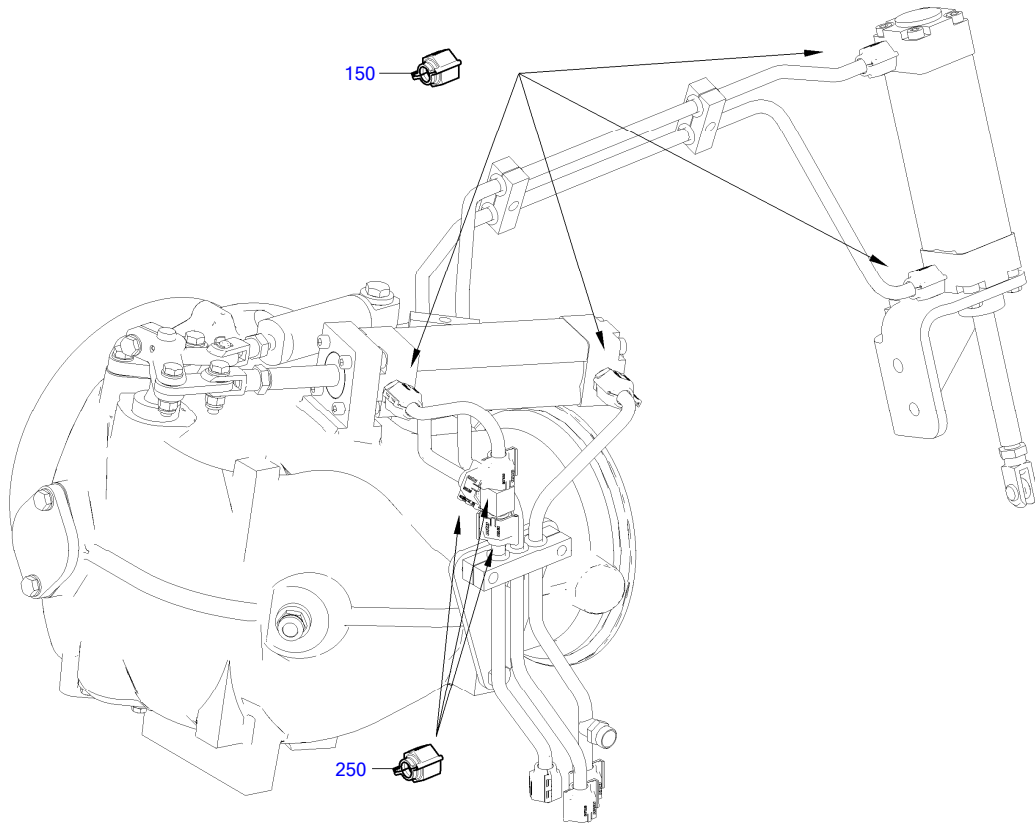
EQUI TYPE: Engine

PRODUCT TYPE: 12V4000M93L
HEAT SHIELD FOR SOLAS

SERIAL NUMBER: 526108553

FG/FGS: 181 05

BOM-No.: XS526990.00017



18000446

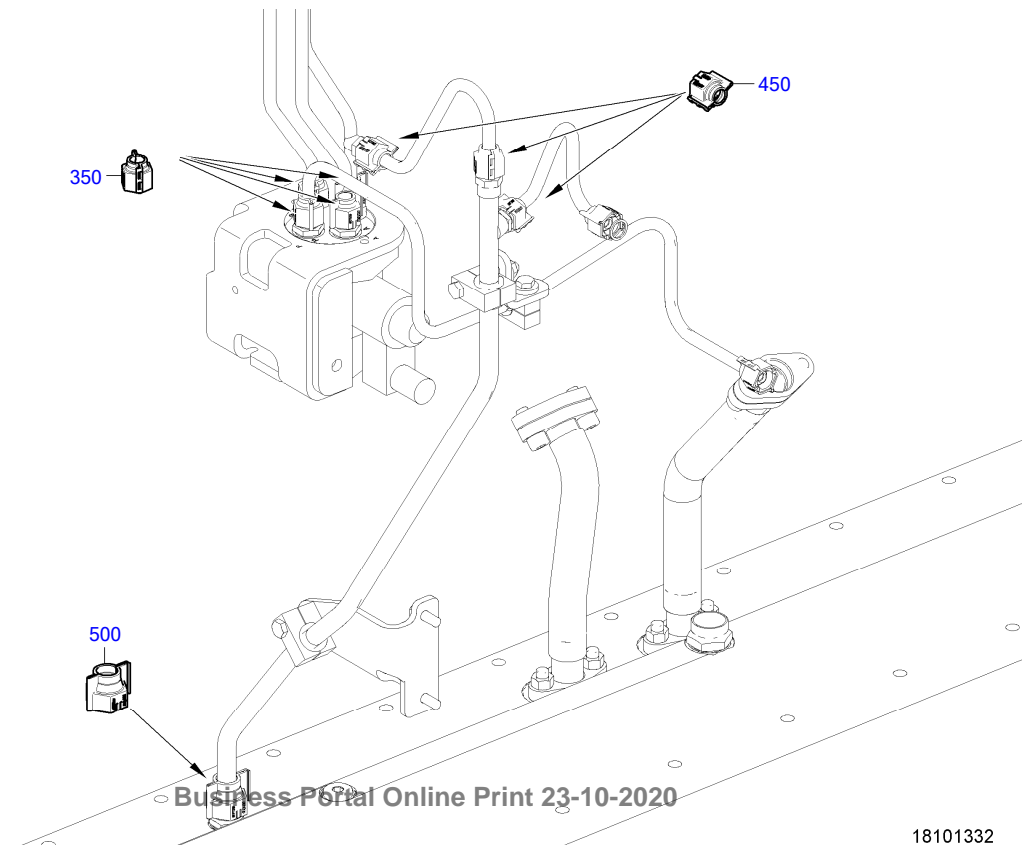
EQUI TYPE: Engine

PRODUCT TYPE: 12V4000M93L
HEAT SHIELD FOR SOLAS

SERIAL NUMBER: 526108553

FG/FGS: 181 05

BOM-No.: XS526990.00017



Business Portal Online Print 23-10-2020

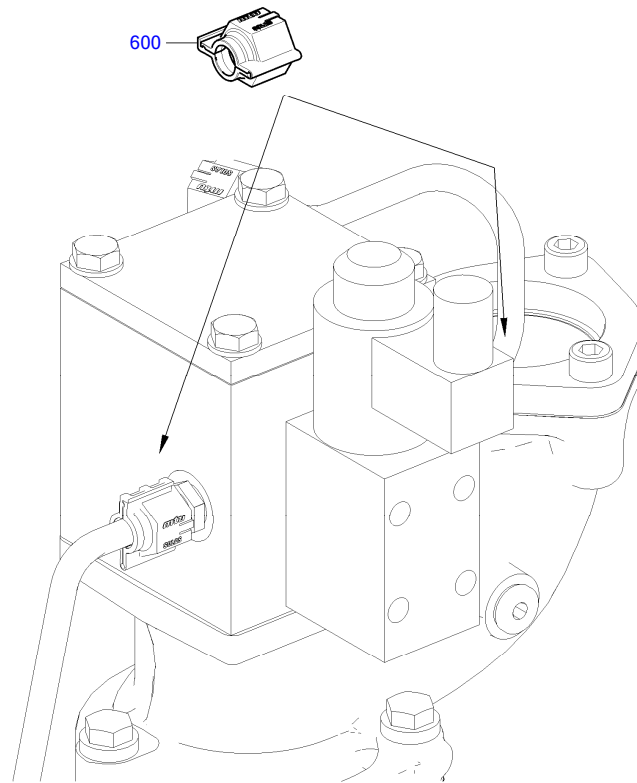
18101332

EQUI TYPE: Engine

PRODUCT TYPE: 12V4000M93L
HEAT SHIELD FOR SOLAS

SERIAL NUMBER: 526108553

FG/FGS: 181 05
BOM-No.: XS526990.00017



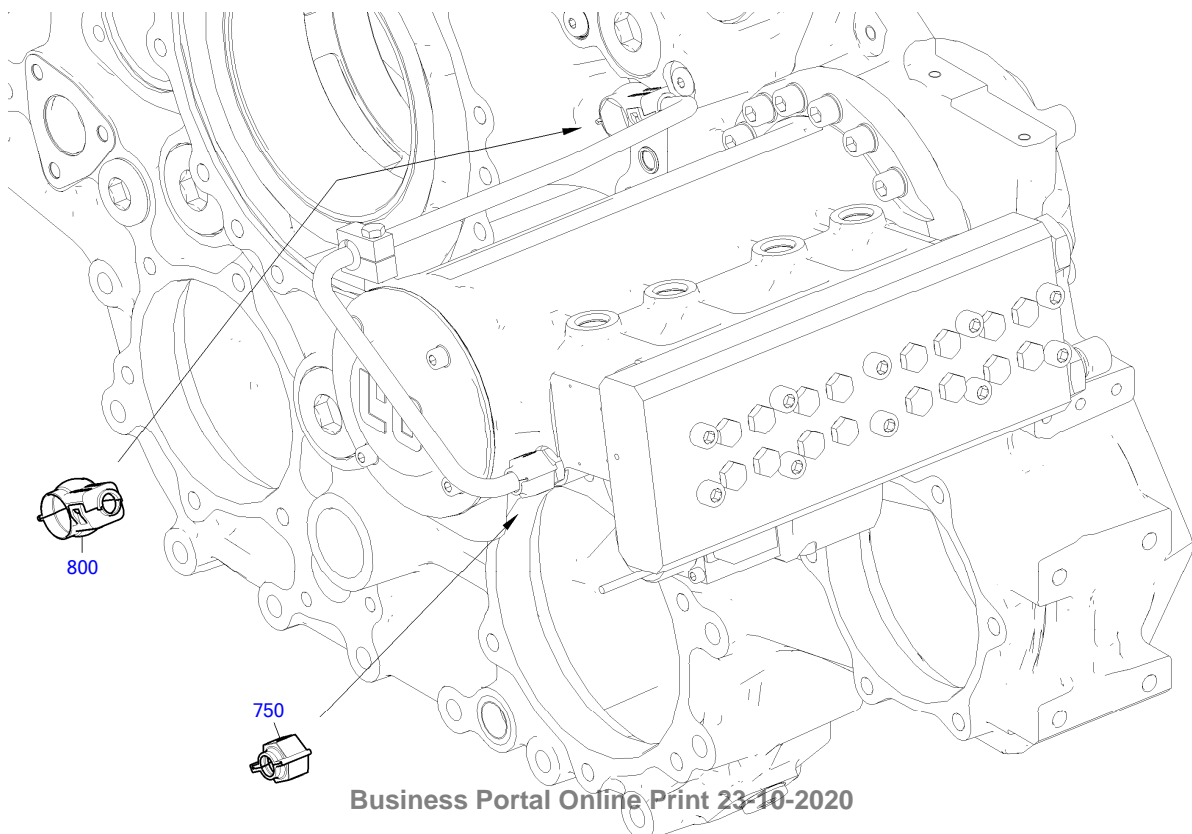
18000448

EQUI TYPE: Engine

PRODUCT TYPE: 12V4000M93L
HEAT SHIELD FOR SOLAS

SERIAL NUMBER: 526108553

FG/FGS: 181 05
BOM-No.: XS526990.00017



Business Portal Online Print 23-10-2020

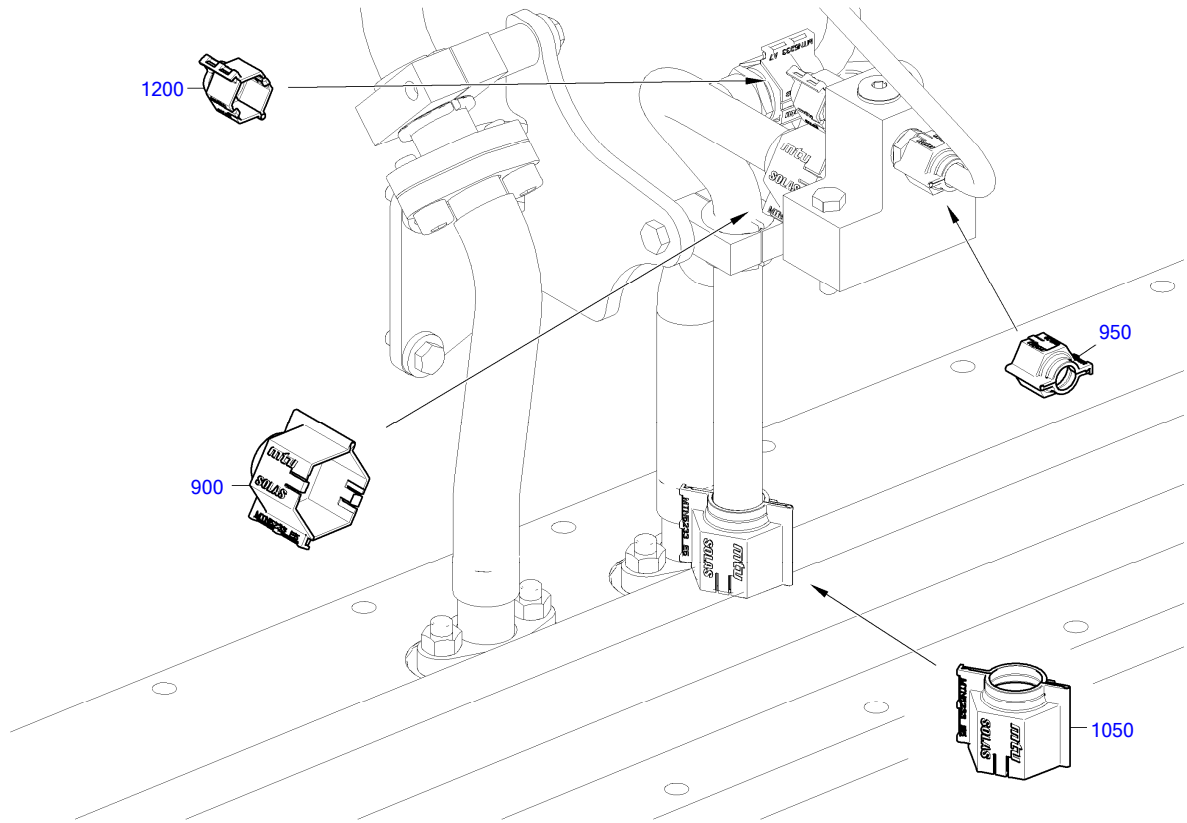
18000445

EQUI TYPE: Engine

PRODUCT TYPE: 12V4000M93L
HEAT SHIELD FOR SOLAS

SERIAL NUMBER: 526108553

FG/FGS: 181 05
BOM-No.: XS526990.00017



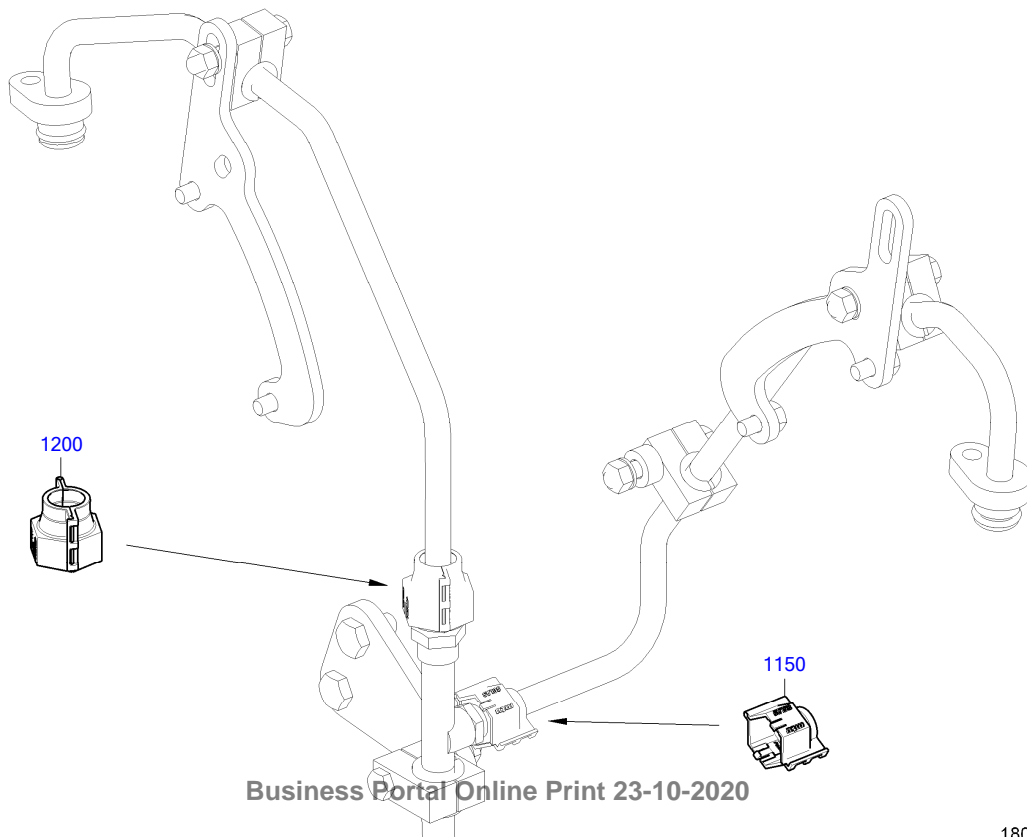
18101333

EQUI TYPE: Engine

PRODUCT TYPE: 12V4000M93L
HEAT SHIELD FOR SOLAS

SERIAL NUMBER: 526108553

FG/FGS: 181 05
BOM-No.: XS526990.00017



Business Portal Online Print 23-10-2020

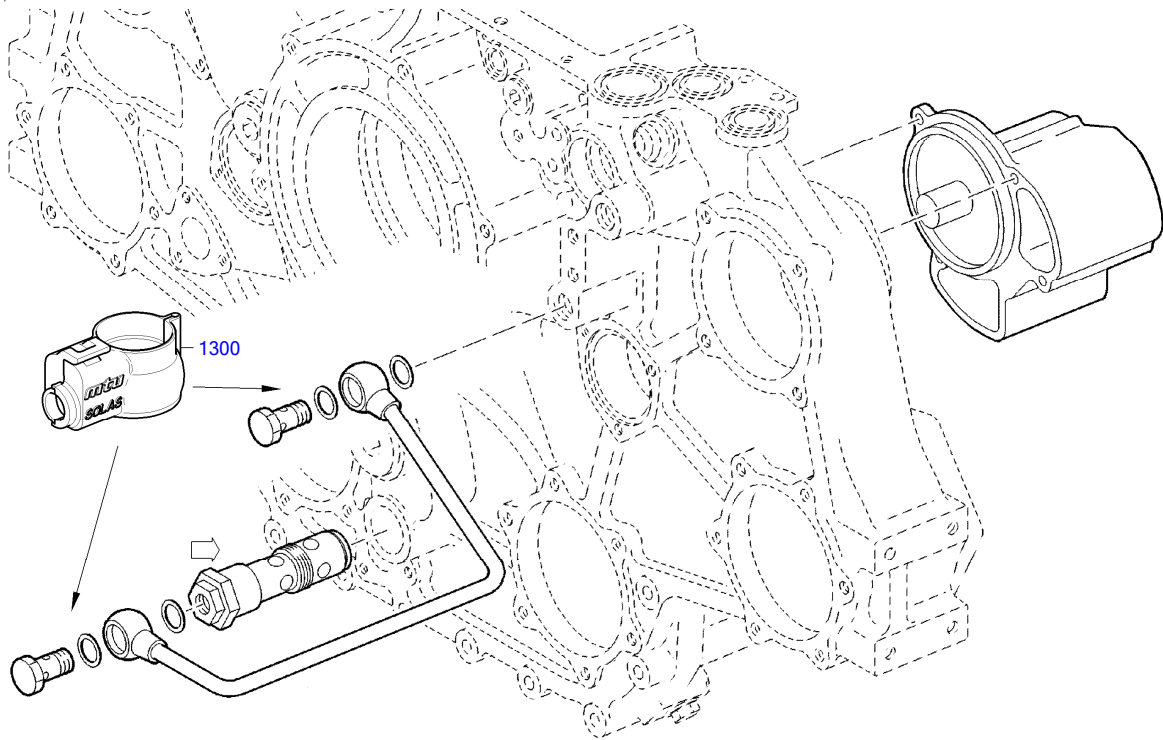
18000449

EQUI TYPE: Engine

PRODUCT TYPE: 12V4000M93L
HEAT SHIELD FOR SOLAS

SERIAL NUMBER: 526108553

FG/FGS: 181 05
BOM-No.: XS526990.00017



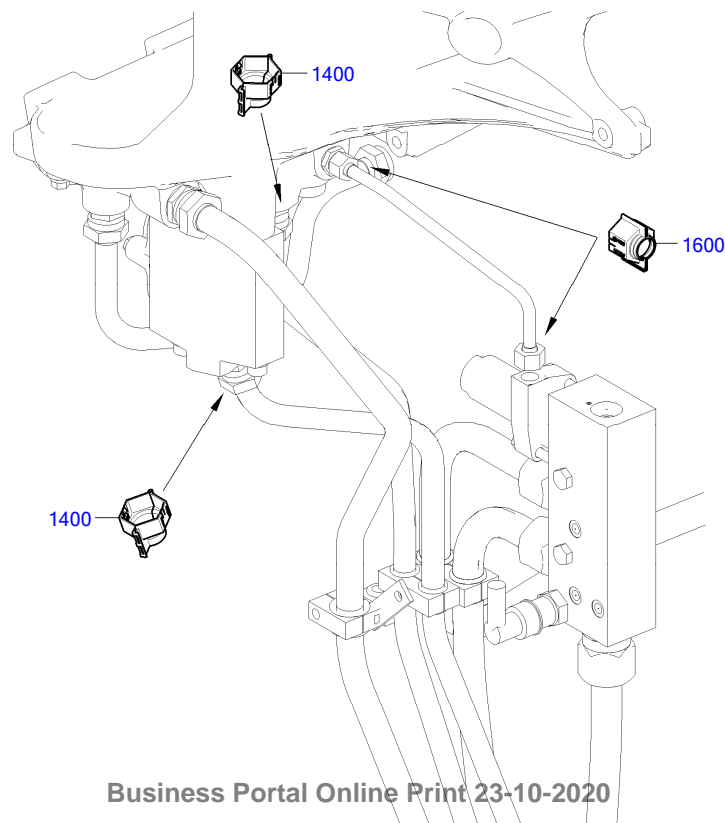
18000444

EQUI TYPE: Engine

PRODUCT TYPE: 12V4000M93L
HEAT SHIELD FOR SOLAS

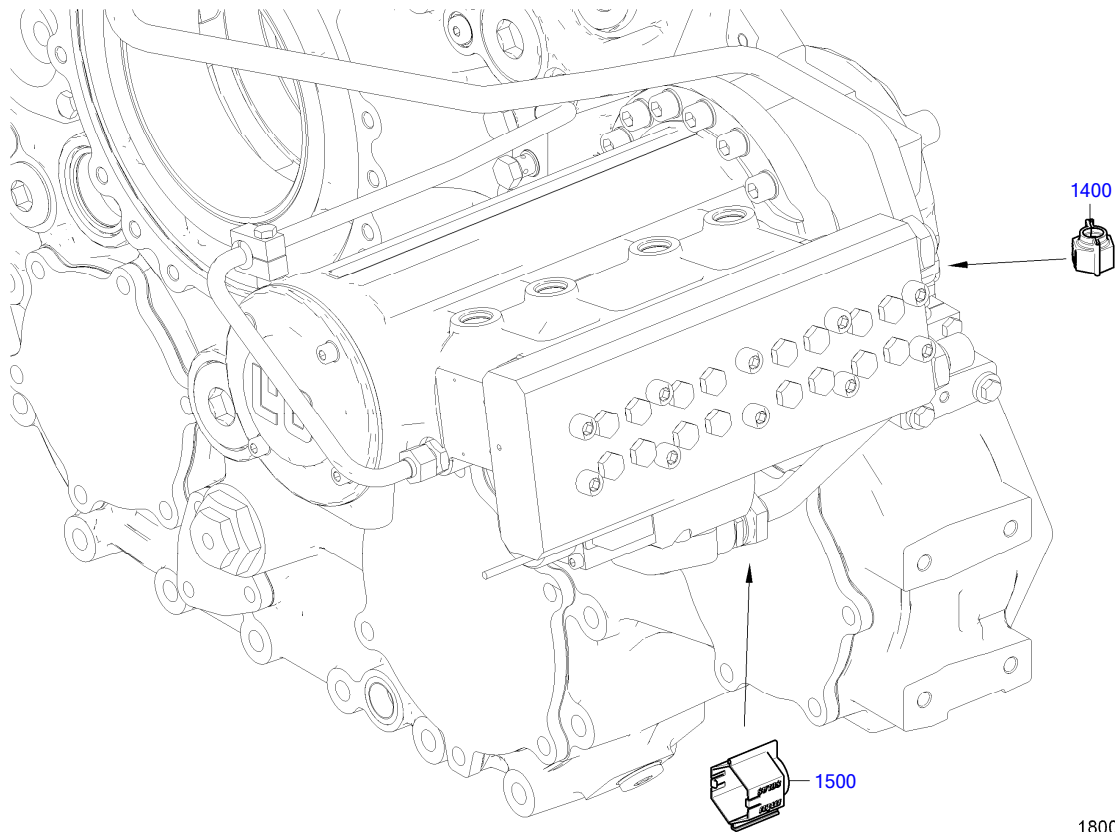
SERIAL NUMBER: 526108553

FG/FGS: 181 05
BOM-No.: XS526990.00017



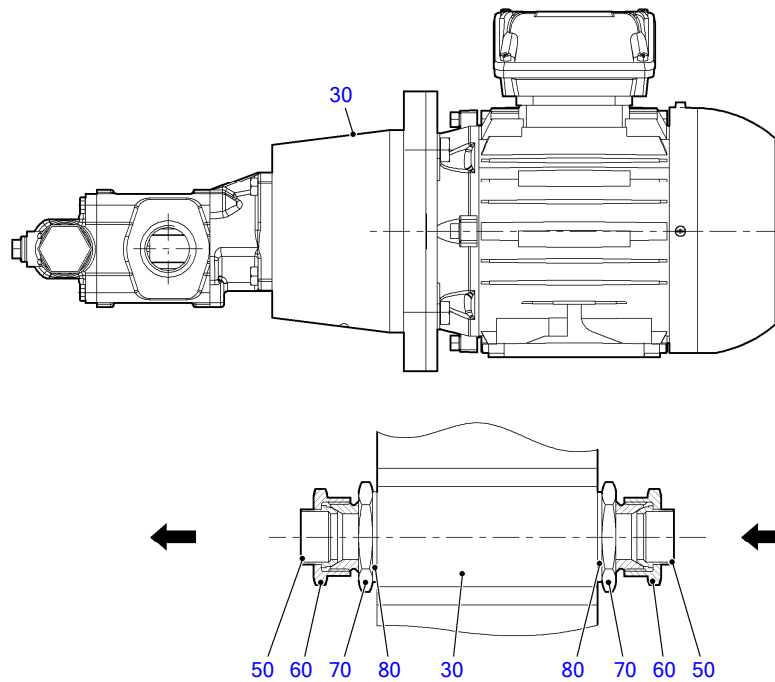
Business Portal Online Print 23-10-2020

18000453



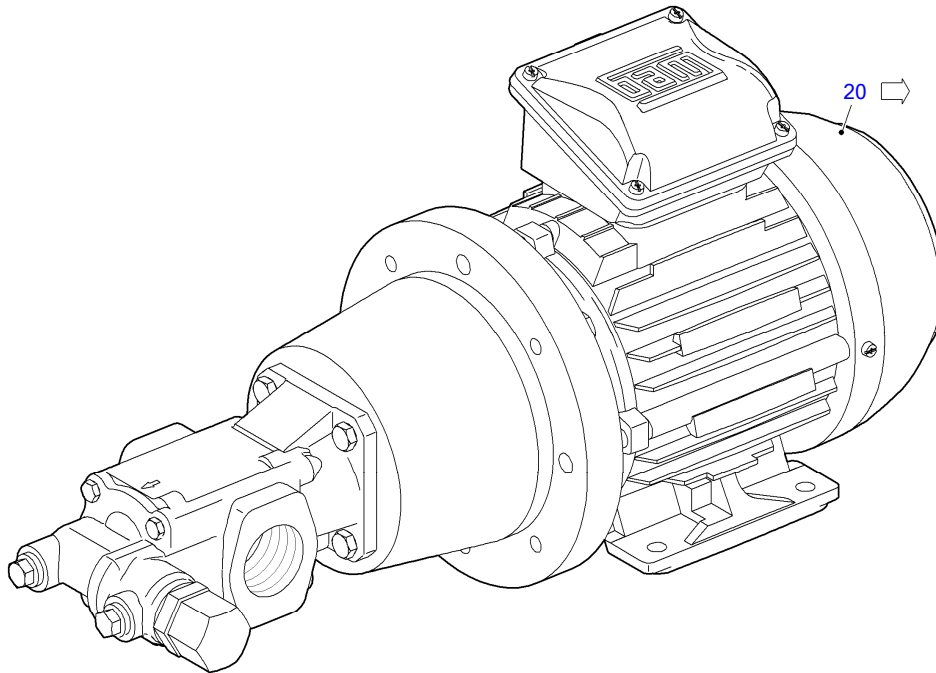
18000452

☐	POS.	PART NO.	DESIGNATION	QTY.	UNITS	WEIGHT	MEASUREMENT	STANDARD
	150	735233000101	COVER	4	PC	3 g	A 5 - X00004694	MTN5233
	250	735233000101	COVER	3	PC	3 g	A 5 - X00004694	MTN5233
	350	735233000101	COVER	5	PC	3 g	A 5 - X00004694	MTN5233
	450	735233000101	COVER	2	PC	3 g	A 5 - X00004694	MTN5233
	500	735233000103	COVER	1	PC	6 g	A 7 - X00004797	MTN5233
	600	735233000101	COVER	2	PC	3 g	A 5 - X00004694	MTN5233
	750	735233000102	COVER	1	PC	3,8 g	A 6 - X00004796	MTN5233
	800	735233000202	COVER	1	PC	9,6 g	B 4 - X00007482	MTN5233
	900	735233000500	COVER	1	PC	9,9 g	E 5 - X00014661	MTN5233
	950	735233000101	COVER	2	PC	3 g	A 5 - X00004694	MTN5233
	1050	735233000500	COVER	1	PC	9,9 g	E 5 - X00014661	MTN5233
	1150	735233000102	COVER	1	PC	3,8 g	A 6 - X00004796	MTN5233
	1200	735233000103	COVER	2	PC	6 g	A 7 - X00004797	MTN5233
	1300	735233000200	COVER	2	PC	0,006 kg	B 2 - X00005424	MTN5233
	1400	735233000104	COVER	3	PC	6 g	A 8 - X00004798	MTN5233
	1500	735233000500	COVER	1	PC	9,9 g	E 5 - X00014661	MTN5233
	1600	735233000101	COVER	2	PC	3 g	A 5 - X00004694	MTN5233




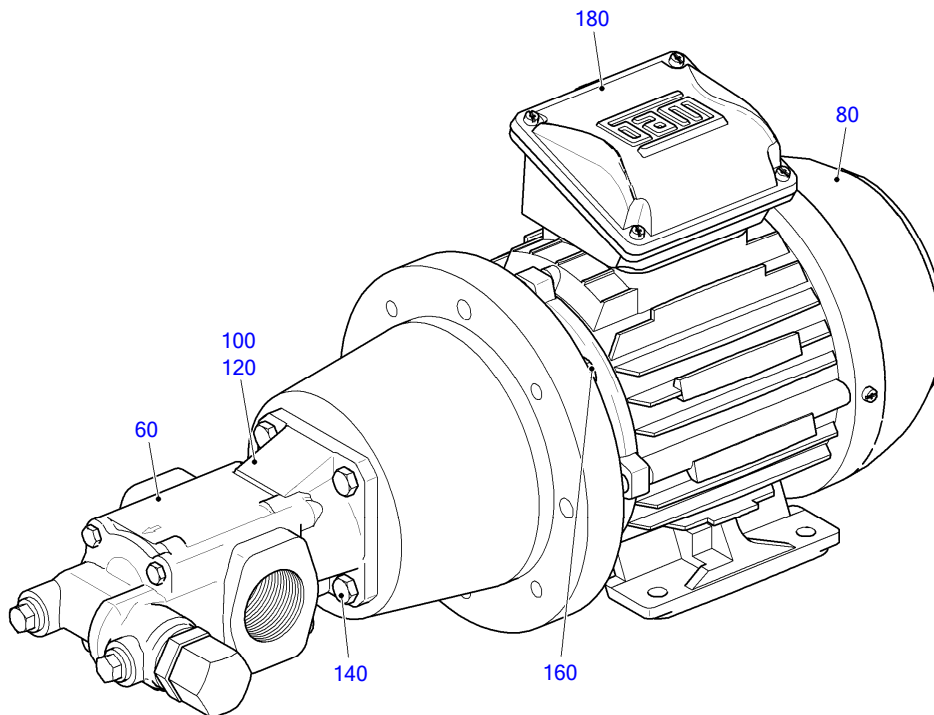
18100987

☐	POS.	PART NO.	DESIGNATION	MODEL/TYPE	QTY.	UNITS	WEIGHT	MEASUREMENT	STANDARD
165	30	X59418100009/87	PUMP UNIT	RICKMEIER,3 PHAS.230/400V,50HZ	1	PC	32,5 kg		
	50	915003020202	BALL-TYPE UNION		2	PC	12,8 g	B2 -22	MBN15003
	60	915001020003	NUT		2	PC	46,9 g	20 M 30 X 1,5	N15001
	70	700419999002	UNION 20G 1 A		2	PC	128,3 g	22 G 1 A	MMN419
	80	007603033100	WASHER A33X39 COP ME TALLIC		2	PC	4,6 g	A 33 X 39	DIN7603



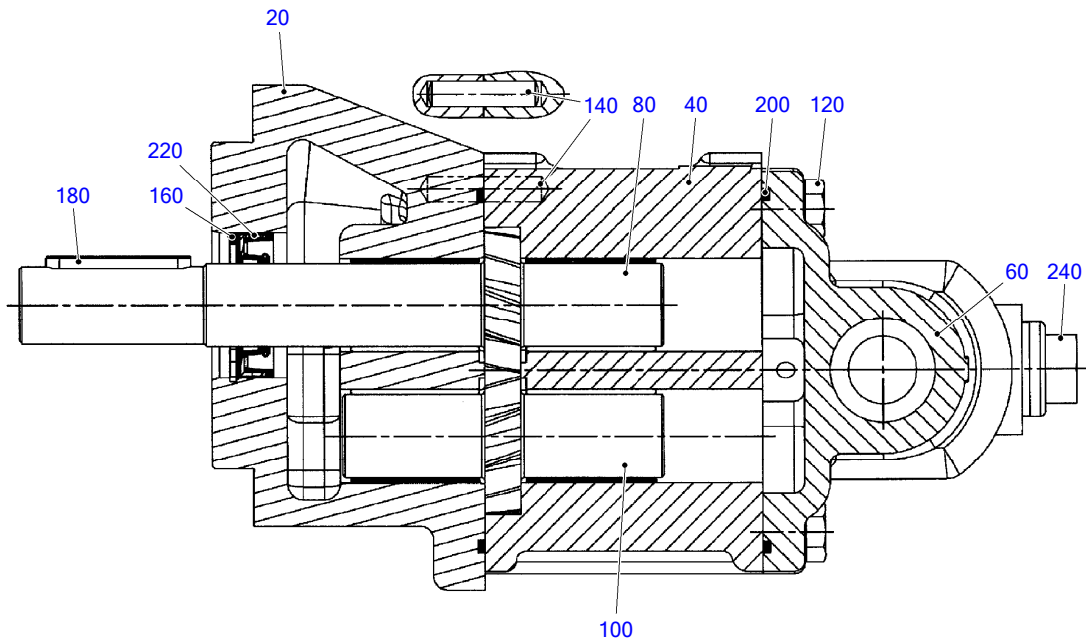
18101415

	POS.	PART NO.	DESIGNATION	MODEL/TYPE	QTY.	UNITS	WEIGHT	MEASUREMENT
	20	X5941810009	PUMP UNIT	551	1	PC	28,4 kg	3~ 230/400V 50/60HZ P(KW)1,1



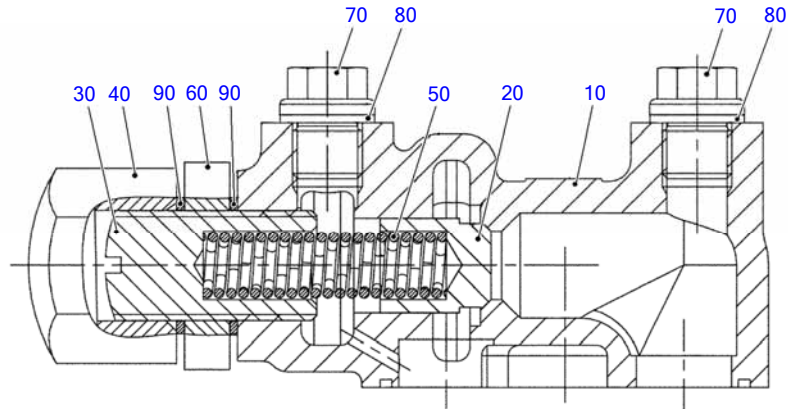
18101186

☐	POS.	PART NO.	DESIGNATION	MODEL/TYPE	QTY.	UNITS	WEIGHT	FN	MEASUREMENT	STANDARD
167	60	XP52618100009	GEAR PUMP	R25/20 FL-Z-DB4-W-G1-R (MTU)	1	PC	5,5 kg	AC		
	80	XP52618100013	THREE-PHASE MOTOR	BG90S-4POL	1	PC	19,5 kg			
	100	8691800023	RETAINER		1	PC				
	120	XP55829300003	COUPLING		1	PC	0,123 g			
	140	000933008114	HEX SCREW		4	PC	12,3 g	M 8 X 22		DIN933
	160	06021700609	SCREW		4	PC	0,019 kg	M 10 X 25		DIN7984
	180	X00027102	CABLE GLAND		1	PC		M25X1.5		



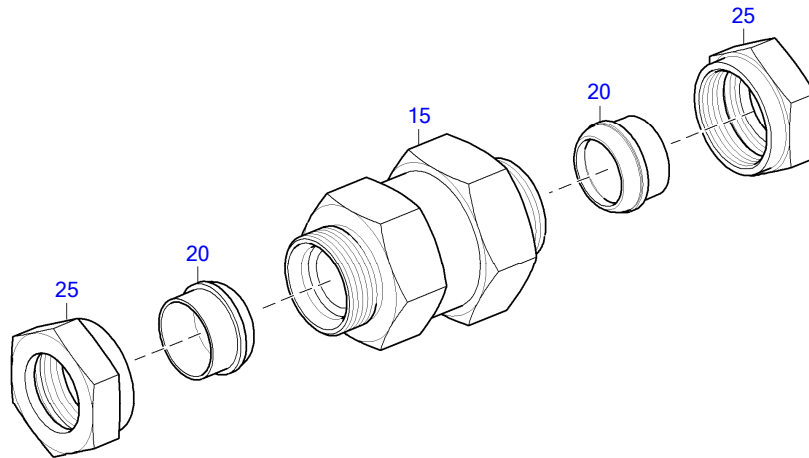
18101187

☐	POS.	PART NO.	DESIGNATION	MODEL/TYPE	QTY.	UNITS	WEIGHT	MEASUREMENT	STANDARD
	20	XP56918100021	COVER		1	PC	1404 g		
	40	XP56918100022	GEARCASE		1	PC	0,4 kg		
168	60	XP56918100023	PR. LIM VV	R25 DB4	1	PC	1,1 kg		
	80	XP56918100024	OUTPUT SHAFT		1	PC	0,38 kg		
	100	XP56918100025	IMPELLER SHAFT		1	PC	255 g		
	120	000931006070	HEX SCREW		4	PC	22,6 g	M 6 X100	DIN931
	140	006325005102	DOWEL PIN		2	PC	3 g	5 M 6 X 20	DIN6325
	160	000472028000	RING SNAP		1	PC	1,6 g	28 X 1,2	DIN472
	180	006885005005	KEY WOODRUFF A		1	PC	5,2 g	A 5 X 5 X 28	DIN6885
	200	8699970136	O-RING		2	PC	0,5 g	66,40 X 1,78	
	220	8699970137	SEAL SHAFT		1	PC	5,9 g	16 X 28 X 7	
	240	XP58799101240	PLUG		2	PC			



TD0000021246_181

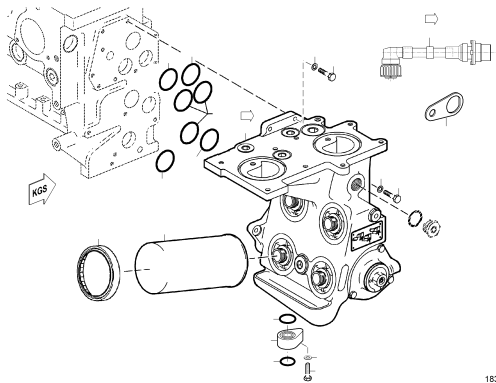
☐	POS.	PART NO.	DESIGNATION	QTY.	UNITS	WEIGHT	MEASUREMENT	STANDARD
	10	Z=169651-7	COVER	1	PC	0,2 g		
	20	8490910009	PISTON	1	PC	10 g	18X21	
	30	Z=161901-4	SPINDLE	1	PC	0,068 kg		
	40	8490910011	NUT	1	PC	124 g		
	50	Z=255719-7	PRESSURE SPRING	1	PC	13,2 g		
	60	8490910022	NUT	1	PC	33 g	1/2-14H SW32	
	70	000910999015	PLUG	2	PC	0,022 kg	G 1/4 A	DIN910
	80	007603014102	SEAL RING	2	PC	1 g	A 14 X 18	DIN7603
	90	007603021100	WASHER A COP	2	PC	1,8 g	A 21 X 26	DIN7603



TD0000027587_181

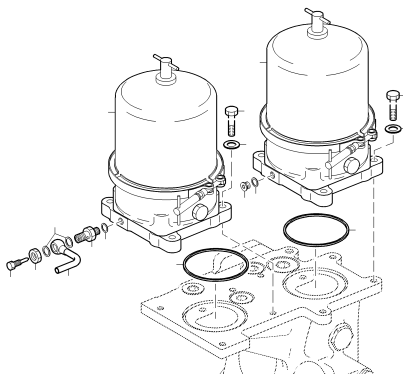
☐	POS.	PART NO.	DESIGNATION	QTY.	UNITS	WEIGHT	MEASUREMENT	STANDARD
	15	735080022201	VALVE NON-RETURN RHD K 22-L 0.5	1	PC	435,5 g	RHDK 22-L 0,5	MTN5080
	20	915003020202	BALL-TYPE UNION	2	PC	12,8 g	B2 -22	MBN15003
	25	915001020003	NUT	2	PC	46,9 g	20 M 30 X 1,5	N15001

GROUP SEGMENT (FGS)
GROUP NAME
BOM-No.



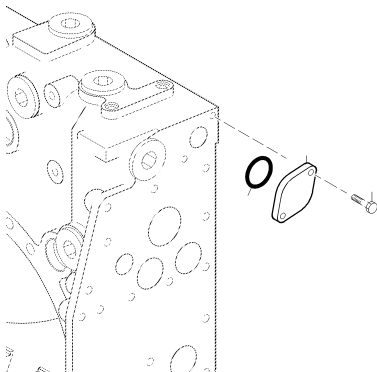
07
OIL FILTER W/DIVERTER VALVE
XS593180.00023

18301934



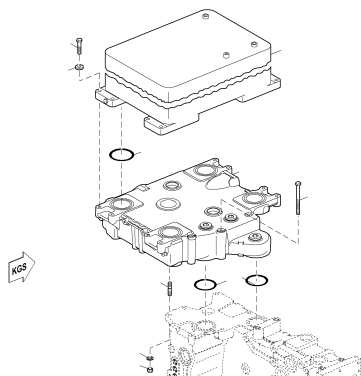
10
CENTRIFUGAL OIL FLTR
XS526180.00008

1830038a



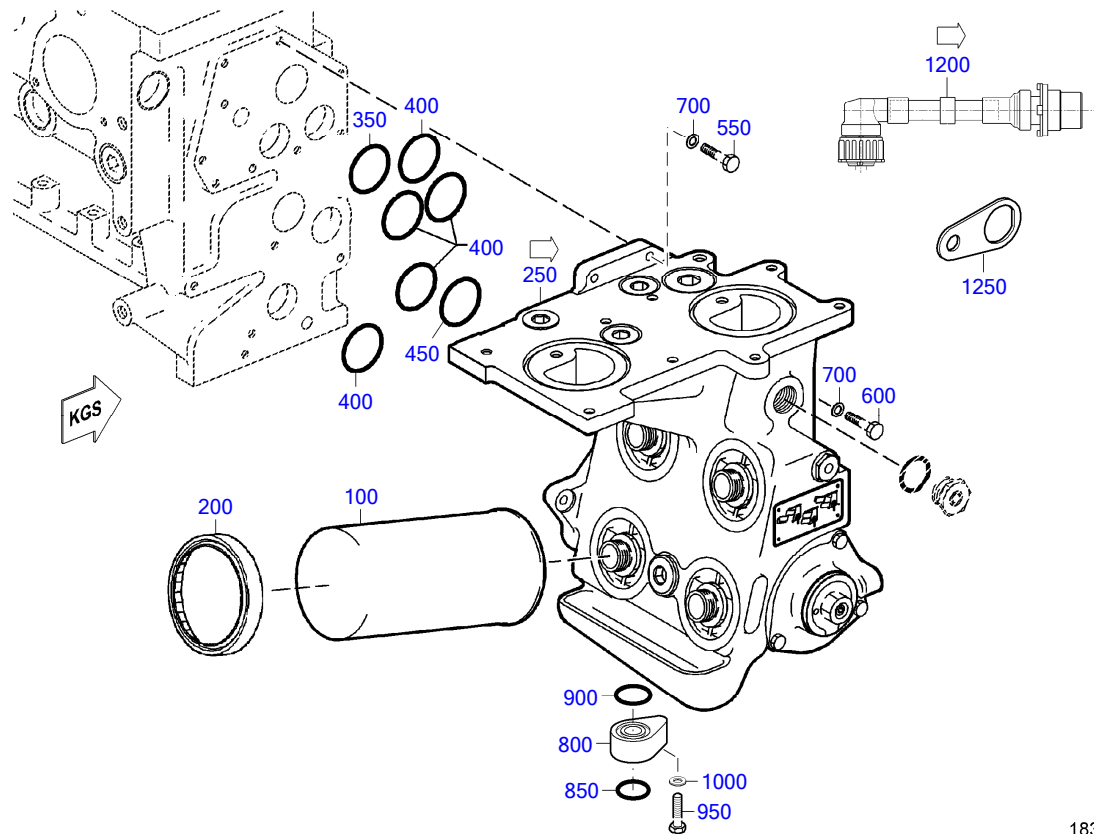
15
SEAL ELEM. F/COOLANT DISTR. HS
180.00268

18000654a



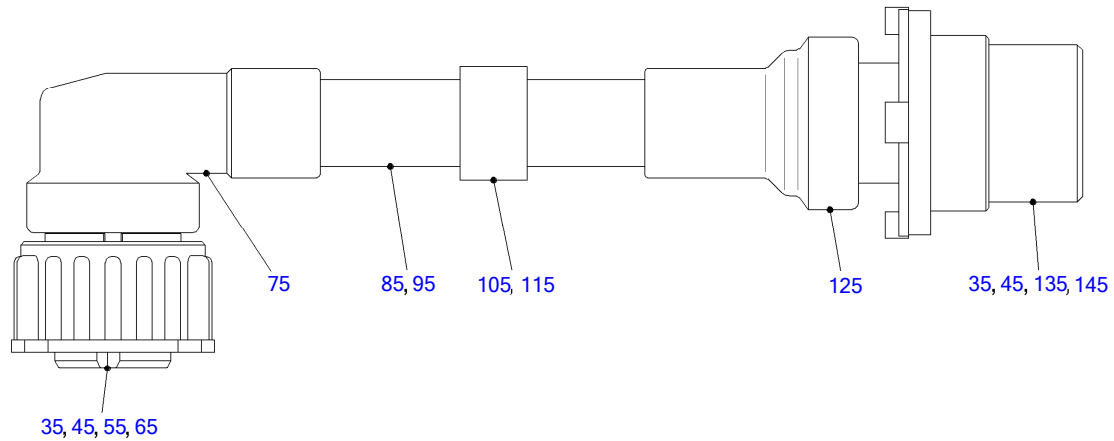
15
OIL HEAT EXCHANGER WITH TEST CERT. 3.1
XS594180.00019

18000329a



18301934

☐	POS.	PART NO.	DESIGNATION	MODEL/TYPE	QTY.	UNITS	WEIGHT	MEASUREMENT	STANDARD
	100	0031845301	OIL FILTER SPIN-ON		4	PC	2,2 kg		
	200	X00040625	COVER FOR SOLAS		4	PC	7 g		
173	250	X59318300013	OIL FILTER HOUSING		1	PC	39 kg		
	350	700429070002	O-RING		1	PC	6,2 g	70 X 4	MMN429
	400	700429058001	O-RING		5	PC	6 g	58 X 4	MMN429
	450	700429076000	O-RING		1	PC	7 g	76 X 4	MMN429
	550	000000001039	HEX SCREW		4	PC	29,8 g	M 10 X 40	ISO4017
	600	204014010015	HEX SCREW		5	PC	114 g	M 10 X180	ISO4014
	700	000125010524	WASHER		10	PC	3,1 g	A 10,5	DIN125
	800	X59318300006	SPACER		1	PC	1,015 kg		
	850	700429040003	O-RING		1	PC	5,9 g	40 X 5	MMN429
	900	700429045000	O-RING		1	PC	6,8 g	45 X 5	MMN429
	950	000000003437	HEX SCREW		1	PC	50,8 g	M 12 X 50	ISO4017
	1000	000125013012	WASHER		1	PC	5,6 g	A 13	DIN125
172	1200	5265303735	CABLE	12/16V4000 M	1	PC	42,3 g	L	
	1250	5241534340	BRACKET H:14	4000	1	PC	24 g		



50701429a

☐	POS.	PART NO.	DESIGNATION	MODEL/TYPE	QTY.	UNITS	WEIGHT	MEASUREMENT	STANDARD
	35	0165313283	BUSH HOUSING FOR CRIMP CONTACT	STECKER F. BU-KONTAKTE 2,5MM	1	PC	11,5 g	4POL. CODE 1 / DIN 72585 BU	
	45	0165313383	FEMALE CONTACT FOR BUSH HOUSING	BUCHSE CUNISI VERZINNT	2	PC	0,5 g	0,5-1,0 MM ² / D=2,5MM	
	55	0165313483	SINGLE-CORE INSUL	EINZELADERABDICHTUNG	4	PC	0,12 g	1,2-2,1MM ² / 2,5MM / DIN72585	
	65	0165313583	BLANKING PLUG	BLINDSTOPFEN	4	PC	0,1 g	SYSTEM 2,5MM / 2,8MM	
	75	0165313683	ADAPTER FOR CORRUGATED PIPE		1	PC	5,6 g	GR.B NW10 90GRD/HDSCS	
	85	0095319080	CABLE	RADDOX 155S RW	0,170	M	20,9 g	1X2X1,0QMM / WS / NUMMERIERT	
	95	0005337043	PIPE	359.	0,050	M	23 g	WELLROHR NW10	
	105	700461105001	MARKER SLEEVE		1	PC	0,9 g	5/B	MMN461
	115	700461205007	MARKER SLEEVE		1	PC	0,7 g	5/7	MMN461
	125	0165313783	ADAPTER FOR CORRUGATED PIPE		1	PC	4,3 g	GR.B NW10 180 GRAD/HDSCS	
	135	0165313883	CONNECTOR HOUSING FOR CRIMP CONTACT	STECKER F. ST-KONTAKT 2,5MM	1	PC	13,3 g	4POL. CODE 1 / DIN 72585 ST	
	145	0165313983	PIN CONTACT F.CONNECTOR HOUSING	STIFT CUNISI VERZINNT	2	PC	0,3 g	0,5-1,0MM ² / D=2,5MM	

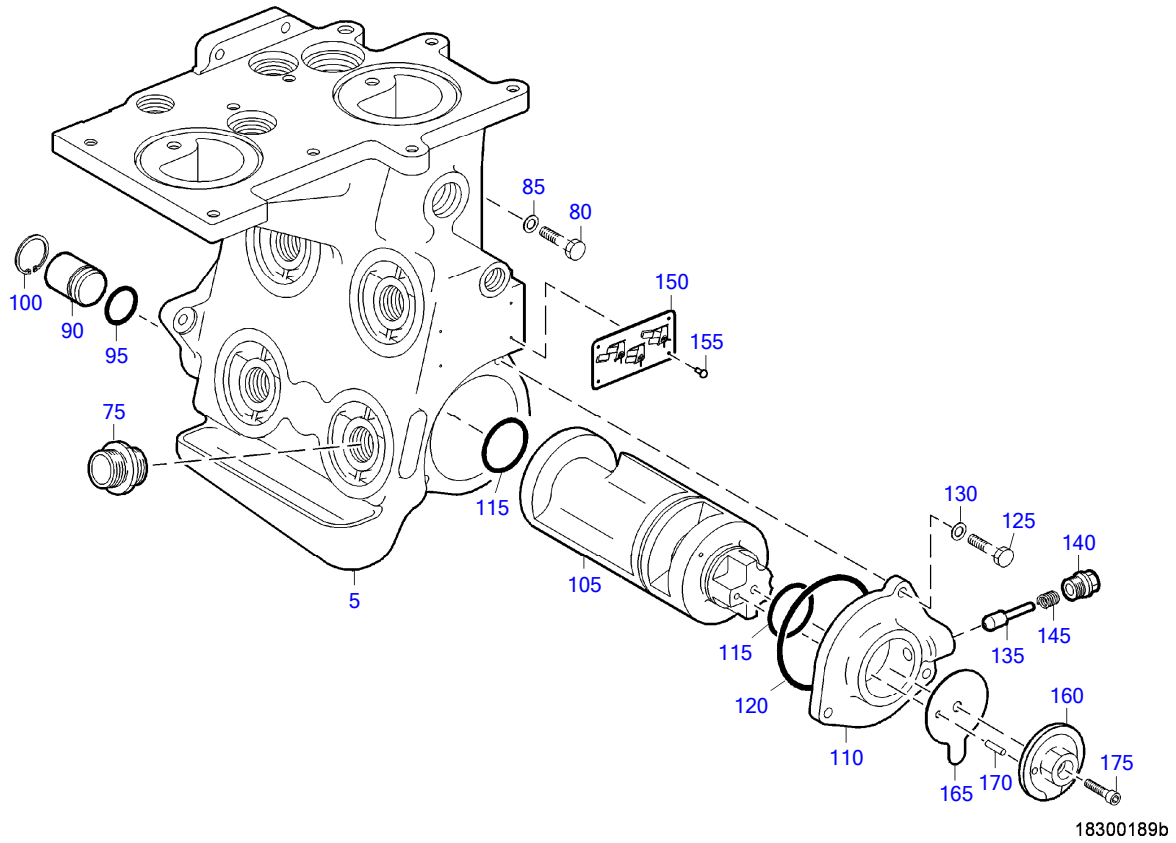
EQUI TYPE: Engine

PRODUCT TYPE: 12V4000M93L
OIL FILTER HOUSING

SERIAL NUMBER: 526108553

FG/FGS:

BOM-No.: X59318300013



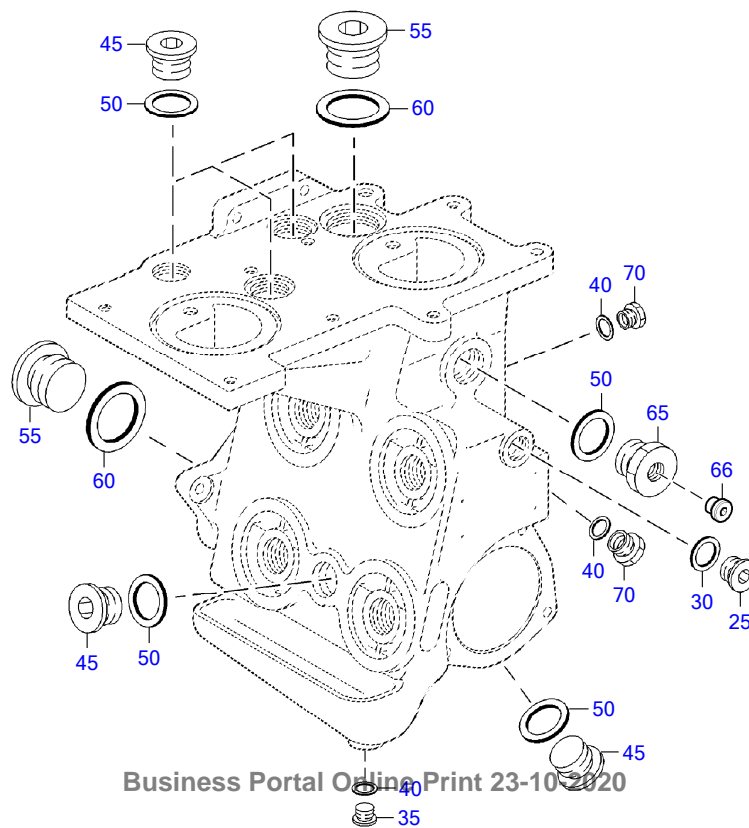
EQUI TYPE: Engine

PRODUCT TYPE: 12V4000M93L
OIL FILTER HOUSING

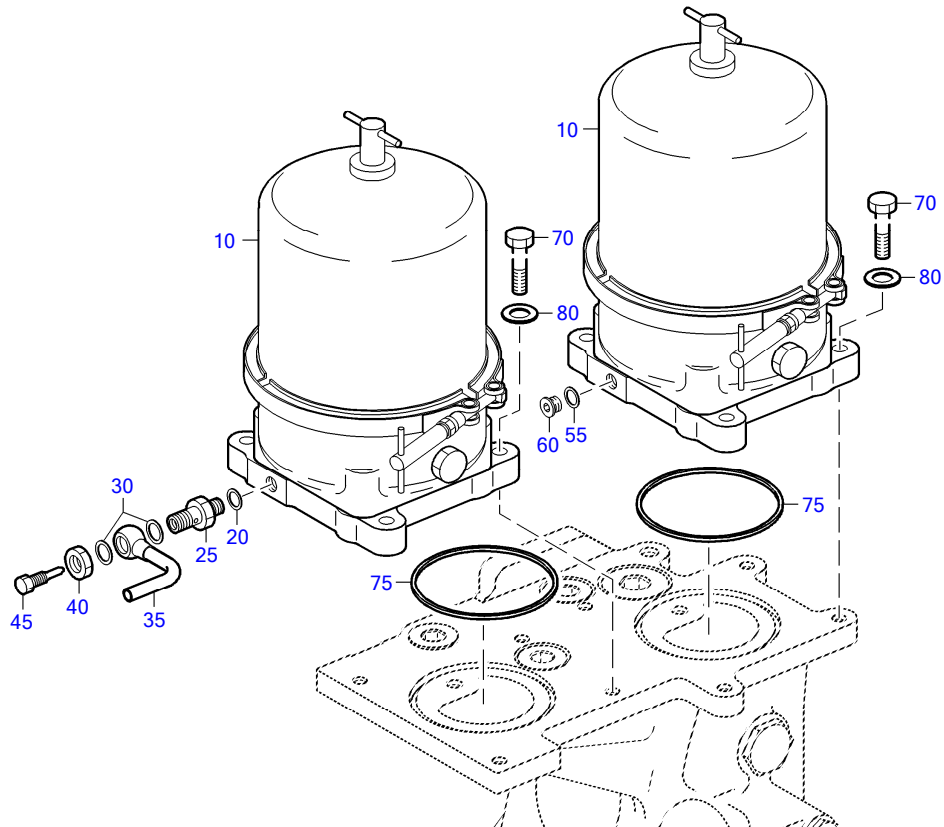
SERIAL NUMBER: 526108553

FG/FGS:

BOM-No.: X59318300013

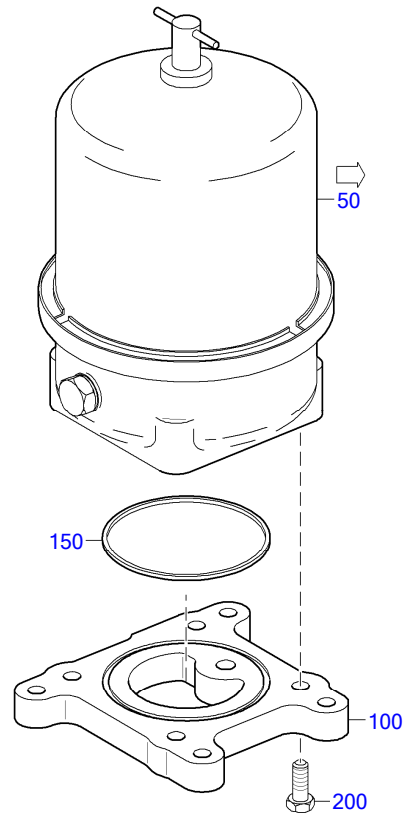


☐	POS.	PART NO.	DESIGNATION	MODEL/TYPE	QTY.	UNITS	WEIGHT	MEASUREMENT	STANDARD
	5	X59318300012	OIL FILTER HOUSING		1	PC	39,8 kg		
	25	000908026005	THREAD PLUG		1	PC	0,069 kg	M 26 X 1,5	DIN908
	30	007603026104	COPPER SEALING RING		1	PC	3,1 g	A 26 X 31	DIN7603
	35	000908018002	PLUG		1	PC	0,029 kg	M 18 X 1,5	DIN908
	40	007603018101	COPPER SEALING RING		4	PC	1,3 g	A 18 X 22	DIN7603
	45	000908038000	THREAD PLUG		5	PC	0,15 kg	M 38 X 1,5	DIN908
	50	007603038101	COPPER SEALING RING		6	PC	5,4 g	A 38 X 44	DIN7603
	55	000908052003	THREAD PLUG		3	PC	0,298 kg	M 52 X 1,5	DIN908
	60	007603052101	COPPER SEALING RING		3	PC	12,5 g	A 52 X 60	DIN7603
	65	5249970616	BUSHING THREADED		1	PC	204,9 g		
18	66	735210014000	THREAD PLUG		1	PC	0,019 kg	M 14 X 1,5	MTN5210
	70	5069971416	BUSHING THREADED	8/12V183TE02/93	3	PC	27,3 g		
	75	0009973675	ADAPTER OIL FLTR DUA L NIPPLE S2000+S400		4	PC	148,2 g		
	80	204014010015	HEX SCREW		1	PC	114 g	M 10 X 180	ISO4014
	85	000125010524	WASHER		1	PC	3,1 g	A 10,5	DIN125
	90	5249970635	PLUG		2	PC	478,9 g	40X50X5.5 WITH M6 THD	
	95	700429032003	O-RING		2	PC	3 g	32 X 4	MMN429
	100	000472042000	RING SNAP		2	PC	5,4 g	42 X 1,75	DIN472
	105	5241800067	VALVE SLIDE OIL FLTR SWITCH OVER		1	PC	3,56 kg		
	110	5241840309	FLANGE		1	PC	856 g		
	115	700429055001	O-RING		2	PC	8 g	55 X 5	MMN429
	120	700429115000	O-RING		1	PC	23 g	115 X 6	MMN429
	125	00000003326	HEX SCREW		3	PC	27,4 g	M 10 X 35	ISO4017
	130	000125010524	WASHER		3	PC	3,1 g	A 10,5	DIN125
	135	5369910120	STUD BALL		1	PC	57,2 g		
	140	5361840156	PLUG		1	PC	0,06 kg		
	145	002098001022	SPRING PRESSURE		1	PC	3,1 g	1,25X 10 X 44,5	DIN2098
	150	5245840021	PLATE		1	PC	14,1 g		
	155	201476002000	PIN GROOVED		4	PC	0,3 g	A 2,5X 5	ISO8746
	160	5241840076	WASHER	BR 4000	1	PC	335 g		
	165	5240150531	POINTER	BR 4000	1	PC	60 g		
	170	006325006108	PIN DOWEL		1	PC	5 g	6 M 6 X 24	DIN6325
	175	000912010064	BOLT HEX SOC HD		1	PC	31,6 g	M 10 X 40	DIN912



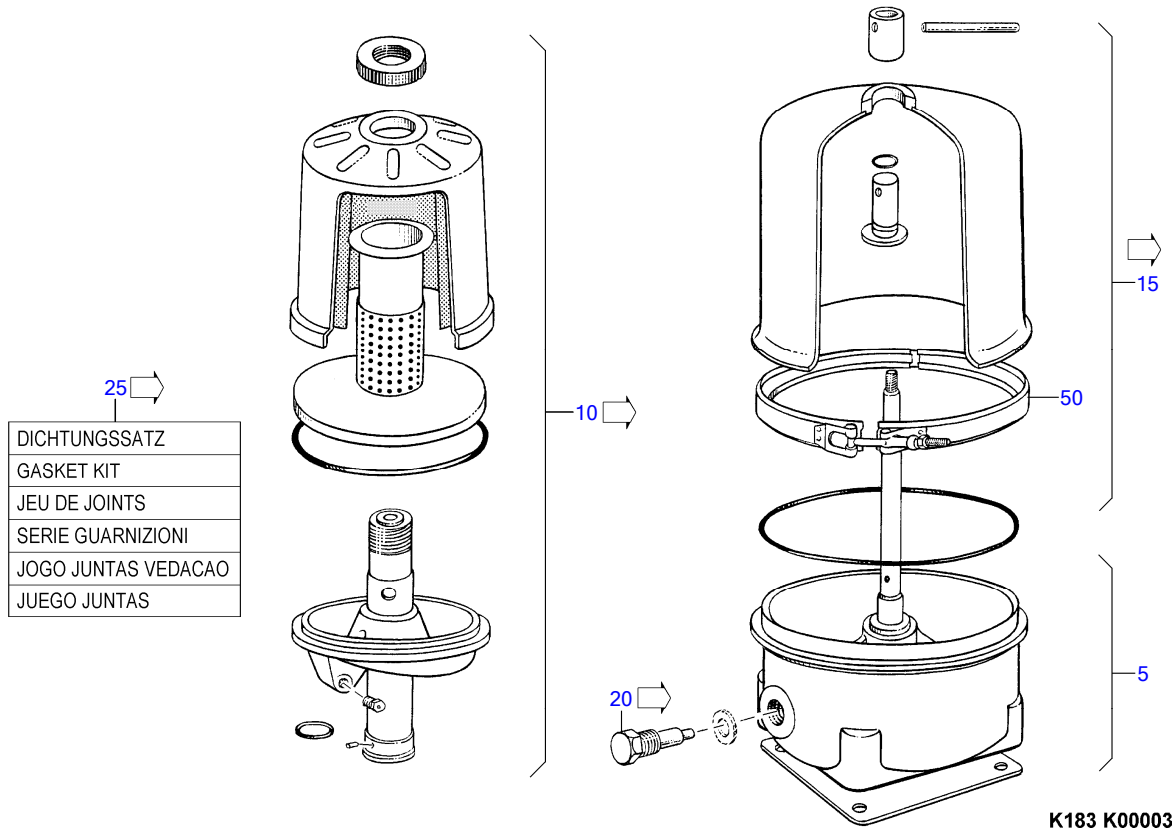
18300038a

☐	POS.	PART NO.	DESIGNATION	QTY.	UNITS	WEIGHT	FN	MEASUREMENT	STANDARD
	175	10	X52418300026	CENTRIFUGAL OIL FLTR	2	PC	10,9 kg		
		20	007603014102	SEAL RING	1	PC	1 g	A 14 X 18	DIN7603
		25	5849972672	UNION	1	PC	63,1 g		
		30	007603016105	COPPER SEALING RING	2	PC	3 g	A 16 X 20	DIN7603
		35	5241802019	TUBE ASM SOL OIL SUP PLY	1	PC	70 g	SB	
		40	000439016200	NUT M16 04-2 DIN439	1	PC	20 g	B M 16	DIN439
		45	5849900615	BOLT SPL M10 1.00X40 TO M6 0.2 8.8	1	PC	20 g		
		55	007603014102	SEAL RING	1	PC	1 g	A 14 X 18	DIN7603
		60	000908014001	SCREW PLUG	1	PC	0,016 kg	M 14 X 1,5	DIN908
		70	000933012051	HEX SCREW	8	PC	53,2 g	M 12 X 50	DIN933
		75	700429122001	O-RING	2	PC	9,5 g	122 X 3,75	MMN429
		80	000125013012	WASHER	8	PC	5,6 g	A 13	DIN125

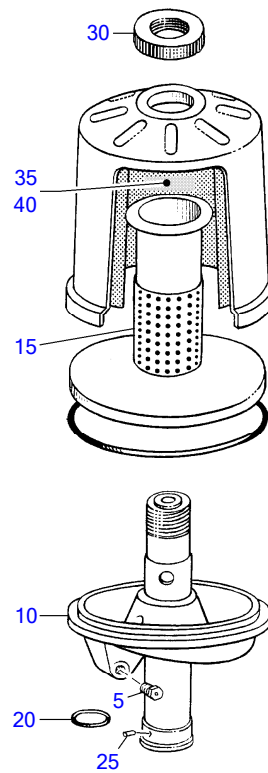


18301018a

☐	POS.	PART NO.	DESIGNATION	MODEL/TYPE	QTY.	UNITS	WEIGHT	MEASUREMENT	STANDARD
176	50	X52418300028	CENTRIFUGAL OIL FLTR		1	PC			
	100	5241840509	ADAPTER 2 LITER CENTRIFUGAL SPINNER	BR 4000	1	PC	1,55 kg		
	150	700429122001	O-RING		1	PC	9,5 g	122 X 3,75	MMN429
	200	11509528	BOLT PHOS HEX FLG LR G		4	PC	50,2 g	M12X1,75X30	

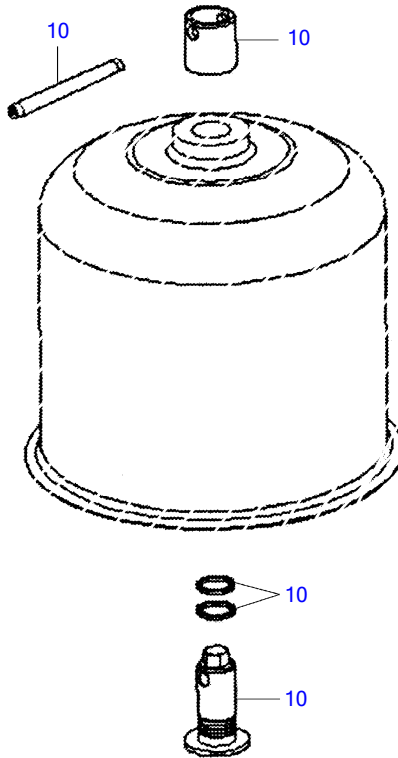


□	POS.	PART NO.	DESIGNATION	QTY.	UNITS	WEIGHT
	5	23540299	BODY ASM CENTRIFUGAL SPINNER OIL FLTR	1	PC	5,75 kg
177	10	8691840027	ROTOR COMPLETE	1	PC	3,3 kg
178	15	8691840028	COVER	1	PC	2,5 kg
179	20	8691840019	VALVE	1	PC	230,5 g
180	25	23540304	GASKET KIT	1	PC	71,4 g
	50	XP52499100226	V-BAND CLAMP	1	PC	1,1 kg



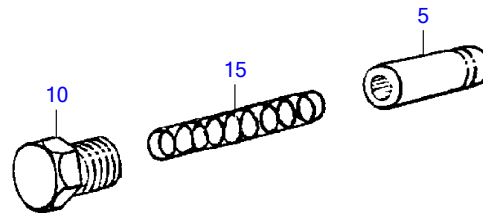
K183 K00005

☐	POS.	PART NO.	DESIGNATION	QTY.	UNITS	WEIGHT	MEASUREMENT
	5	5241871136	NOZZLE ROTOR ASM CNTRIFSPINNER FLTR	1	PC	3,1 g	
	10	5241870018	TUBE ASM	1	PC	818 g	
	15	5241870601	STAND TUBE ROTOR ASM CNTRIFSPINNER FLTR	1	PC	271 g	
	20	5241870033	CIRCLIP	1	PC	5,2 g	
	25	5241870074	PIN	1	PC	3 g	
	30	5241870072	NUT ROTOR COVER CENTRIFUGAL SPINNER FLTR	1	PC	186 g	
	35	8591840001	PAPER PACK CENTRIFUGAL SPINNER FILTER	1	PC	11,4 g	1 ST. GLEICH 1 PAPIERSTREIFEN
	40	5241870147	PLATE	1	PC	50 g	



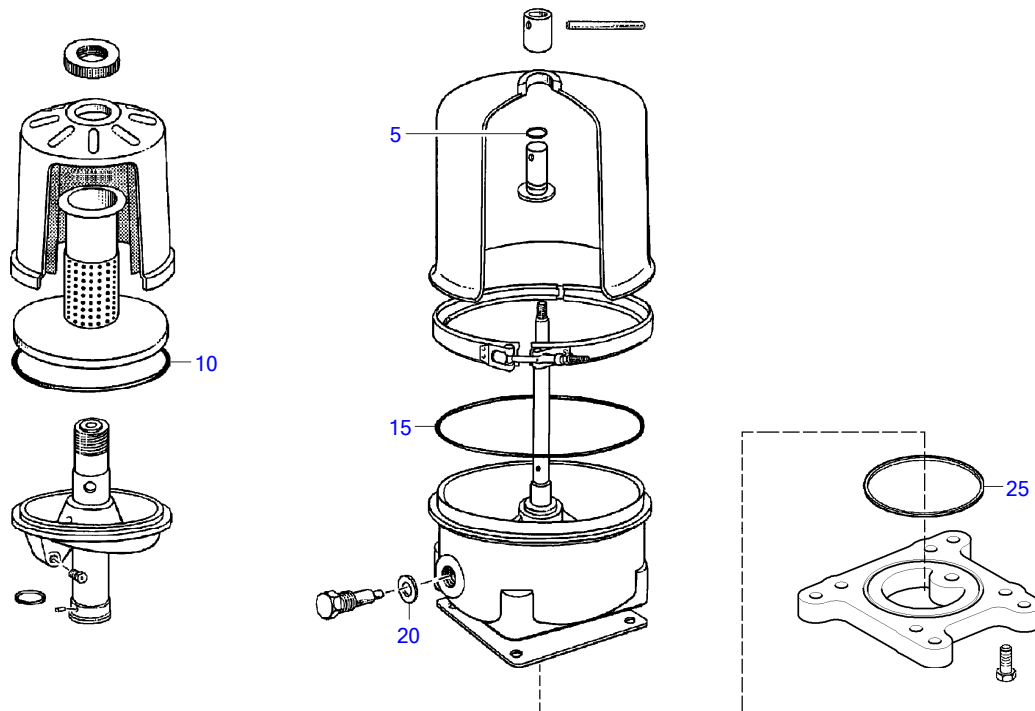
18300801a

☐	POS.	PART NO.	DESIGNATION	QTY.	UNITS	WEIGHT
	10	8691840031	COVER FIXING KIT	1	PC	240 g



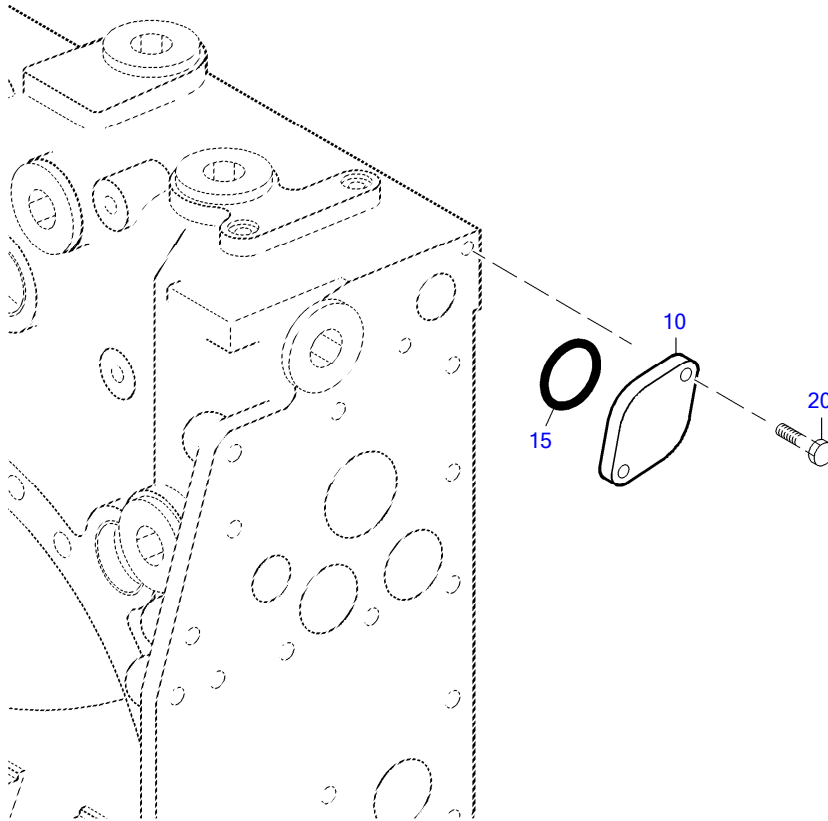
K183 K00004

☐	POS.	PART NO.	DESIGNATION	QTY.	UNITS
	5	Z=3108A	VALVE PISTON	1	PC
	10	Z=1655A	PLUG	1	PC
	15	Z=1115P	PRESSURE SPRING	1	PC



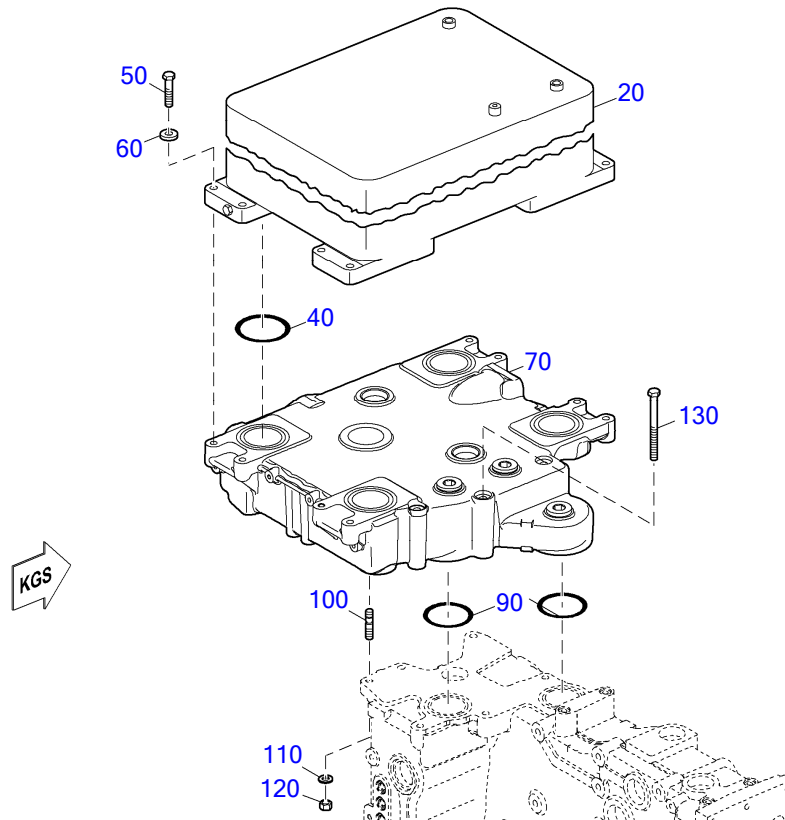
18300932a

☐	POS.	PART NO.	DESIGNATION	MODEL/TYPE	QTY.	UNITS	WEIGHT	MEASUREMENT	STANDARD
	5	8699970274	SEALING RING	70IRHD / GREEN	2	PC	0,7 g	17.12X2,62	
	10	8699970273	SEALING RING	70 IRHD / GREEN	1	PC	21,9 g	145,42 X 5,34	
	15	8699970272	SEALING RING	70 IRHD / GREEN	1	PC	28,9 g	196,22 X 5,34	
	20	8699970287	SEALING RING		1	PC	2,2 g		
	25	700429122001	O-RING		2	PC	9,5 g	122 X 3,75	MMN429

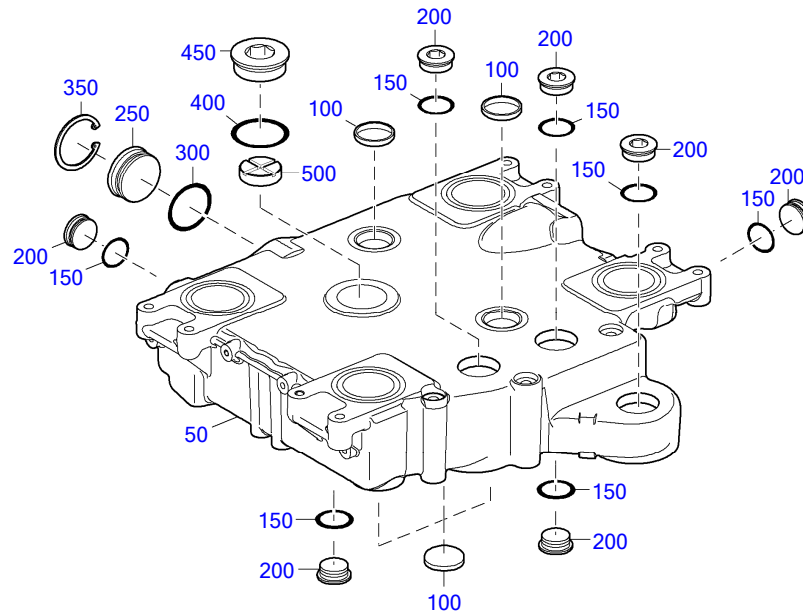


18000054a

☐	POS.	PART NO.	DESIGNATION	MODEL/TYPE	QTY.	UNITS	WEIGHT	MEASUREMENT	STANDARD
	10	5281840509	COVER WATER DISTRIBUTION HOUSING	BR 4000	1	PC	314,7 g		
	15	700429042002	O-RING		1	PC	3,8 g	42 X 4	MMN429
	20	304017008081	HEX SCREW		2	PC	13,4 g	M 8 X 25	ISO4017



☐	POS.	PART NO.	DESIGNATION	QTY.	UNITS	WEIGHT	FN	MEASUREMENT	STANDARD
	20	X59418300024/87	OIL HEAT EXCHANGER WITH TEST CERT. 3.1	1	PC	129 kg	EM	KANAELE: 29 OEL / 30 KM	
	40	700429083000	O-RING	4	PC	11,7 g		83 X 5	MMN429
	50	000000003926	HEX SCREW	8	PC	54 g		M 12 X 55	ISO4017
	60	007349013002	WASHER	8	PC	24,5 g		13	DIN7349
183	70	X59418300009	GUIDE HOUSING	1	PC	67,6 kg			
	90	700429075001	O-RING	2	PC	10,6 g		75 X 5	MMN429
	100	000939012061	STUD	3	PC	39,9 g		M 12 X 40	DIN939
	110	000125013012	WASHER	3	PC	5,6 g		A 13	DIN125
	120	000934012008	NUT HEX	3	PC	15,2 g		M 12	DIN934
	130	000931012091	HEX SCREW	3	PC	122 g		M 12 X130	DIN931



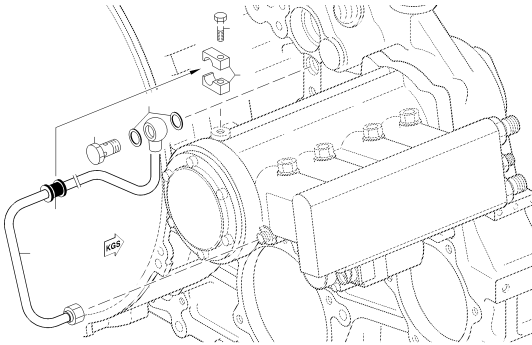
18300939a

☐	POS.	PART NO.	DESIGNATION	MODEL/TYPE	QTY.	UNITS	WEIGHT	MEASUREMENT	STANDARD
	50	X59418300008	GUIDE HOUSING		1	PC	62 kg		
	100	5249970020	SEALING CAP		5	PC	62,6 g	D 50	
	150	007603038101	COPPER SEALING RING		7	PC	5,4 g	A 38 X 44	DIN7603
	200	000908038000	THREAD PLUG		7	PC	0,15 kg	M 38 X 1,5	DIN908
	250	735084065000	PLUG		1	PC	219 g	65	MTN5084
	300	700429055001	O-RING		1	PC	8 g	55 X 5	MMN429
	350	000472070000	SNAP RING		1	PC	18,6 g	70 X 2,5	DIN472
	400	007603064100	WASHER A COP		1	PC	15 g	A 64 X 72	DIN7603
	450	000908064000	PLUG		1	PC	0,515 kg	M 64 X 2	DIN908
	500	5242031552	RESTRICTOR	4000	1	PC	0,214 kg	M52X1,5	

GROUP SEGMENT (FGS)

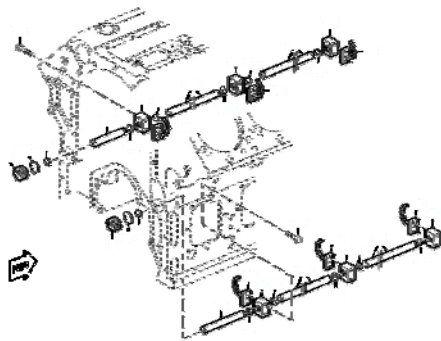
GROUP NAME

BOM-No.



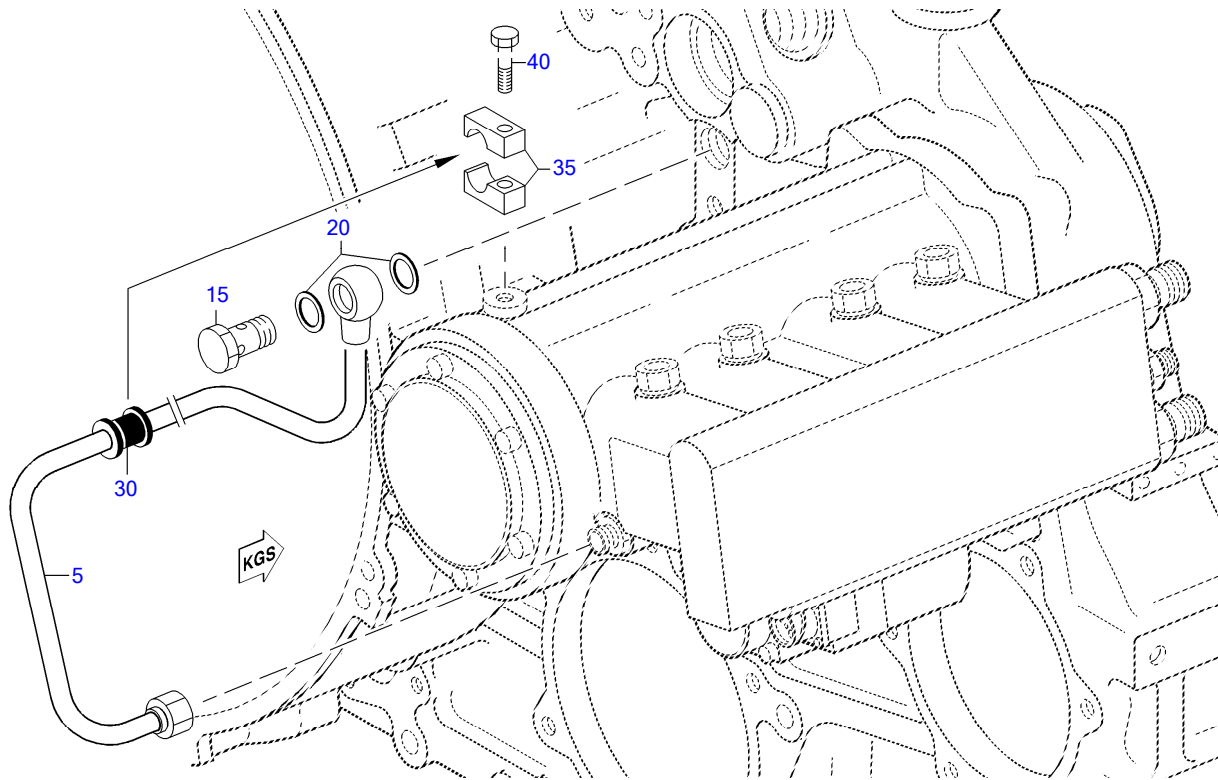
1830099a

05
OIL SUPPLY FOR HP PUMP
180.00150



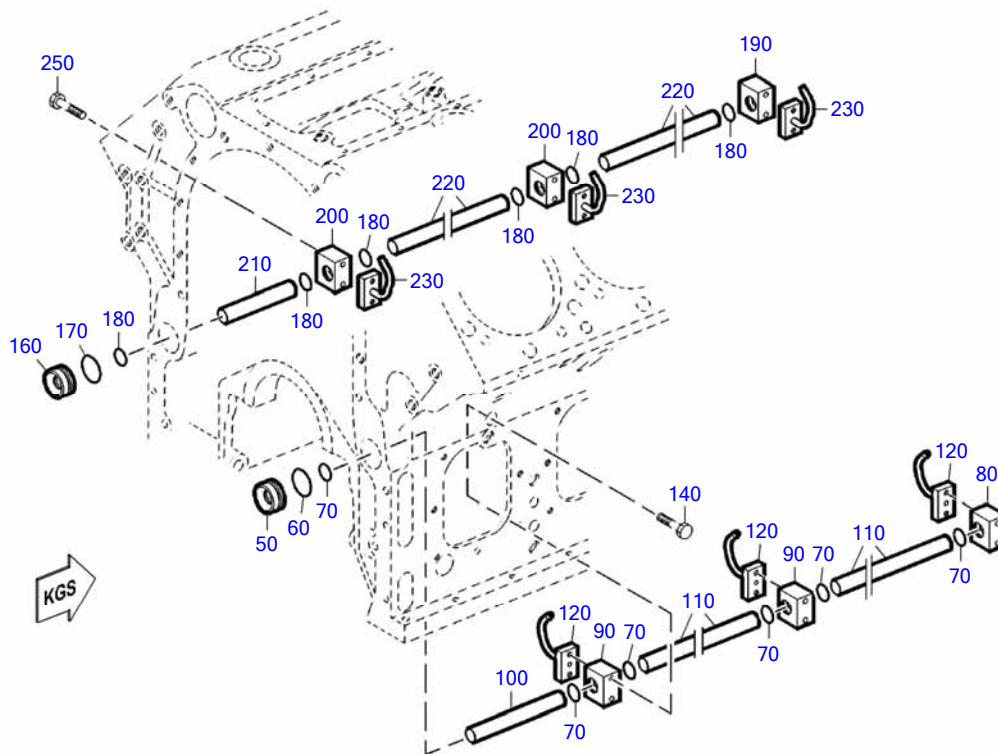
100000000_00

10
PISTON COOLING
XS594180.00014



18300099a

☐	POS.	PART NO.	DESIGNATION	QTY.	UNITS	WEIGHT	MEASUREMENT	STANDARD
	5	5281800319	TUBE HIGH PRESS FUEL PUMP LUBE OIL	1	PC	270 g		
	15	700223010000	BOLT BANJO A12	1	PC	64,8 g	A 12	MMN223
	20	007603018101	COPPER SEALING RING	2	PC	1,3 g	A 18 X 22	DIN7603
	30	700327012000	GROMMET	1	PC	4,6 g	12	MMN327
	35	700325018100	CLAMP HALF TUBE 1/1 D9-18	2	PC	40 g	1/1 D 9 - 18	MMN325
	40	304017008085	HEX SCREW	1	PC	18 g	M 8 X 40	ISO4017



TD0000022118_184

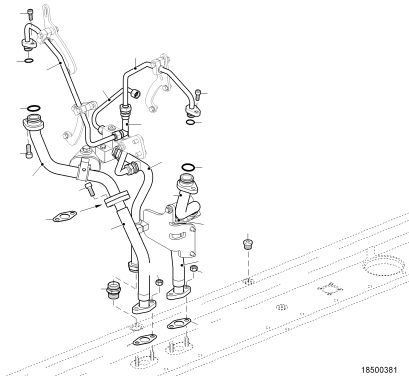
☐	POS.	PART NO.	DESIGNATION	QTY.	UNITS	WEIGHT	FN	MEASUREMENT	STANDARD
	50	5241870276	RETAINER O-RING	1	PC	60 g			
	60	700429041000	O-RING	1	PC	3,8 g		41 X 4	MMN429
	70	700429024002	O-RING	12	PC	2,3 g		24 X 4	MMN429
	80	X59418400006	RETAINER	1	PC	172 g			
	90	X59418400005	RETAINER	5	PC	165 g			
	100	5241870401	TUBE D	1	PC	160 g			
	110	5241870101	TUBE D	5	PC	130 g			
	120	X59418400007	OIL SPRAY NOZZLE	6	PC	125 g	EM		
	140	304014008032	HEX SCREW	12	PC	34,1 g		M 8 X 80	ISO4014
	160	5241870276	RETAINER O-RING	1	PC	60 g			
	170	700429041000	O-RING	1	PC	3,8 g		41 X 4	MMN429
	180	700429024002	O-RING	12	PC	2,3 g		24 X 4	MMN429
	190	X59418400006	RETAINER	1	PC	172 g			
	200	X59418400005	RETAINER	5	PC	165 g			
	210	5241870201	TUBE D	1	PC	120 g			
	220	5241870101	TUBE D	5	PC	130 g			
	230	X59418400007	OIL SPRAY NOZZLE	6	PC	125 g	EM		
	250	304014008032	HEX SCREW	12	PC	34,1 g		M 8 X 80	ISO4014

GROUP SEGMENT (FGS)

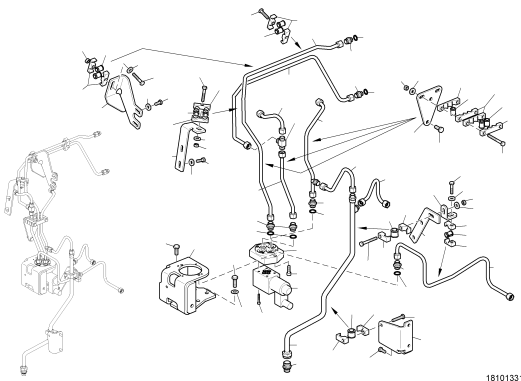
GROUP NAME

BOM-No.

10
T/CHARGER OIL SUPPLY
XS526180.00036



35
FLAP CONTROL
XS526180.00037

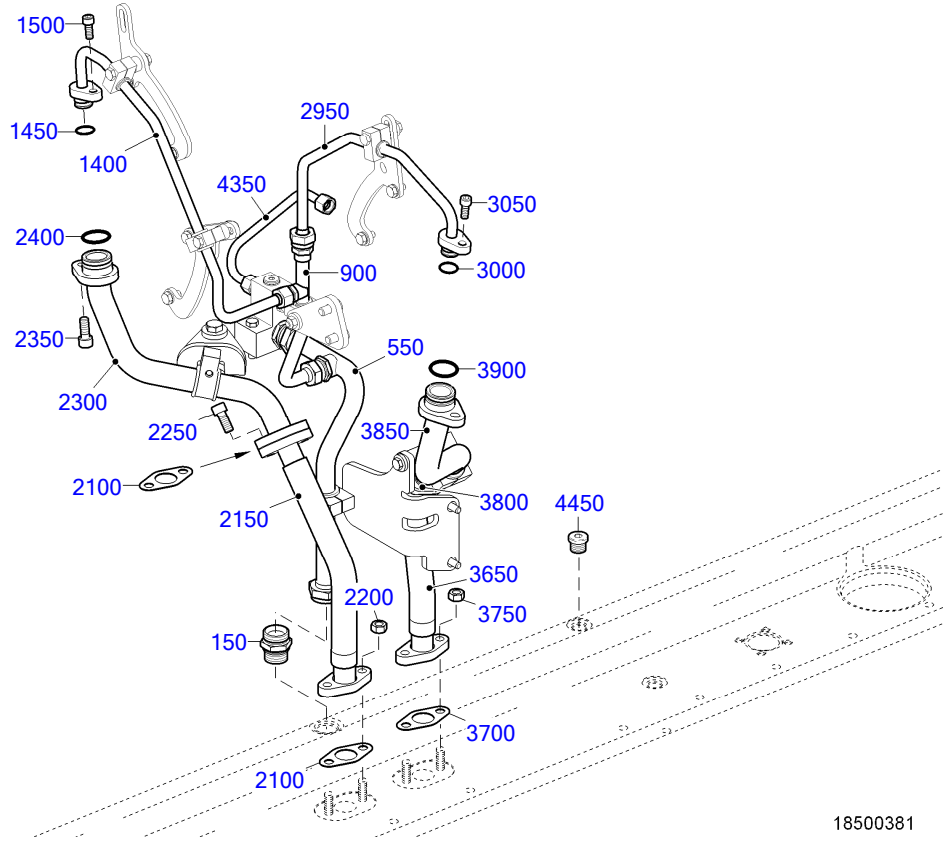


EQUI TYPE: Engine

PRODUCT TYPE: 12V4000M93L
T/CHARGER OIL SUPPLY

SERIAL NUMBER: 526108553

FG/FGS: 185 10
BOM-No.: XS526180.00036



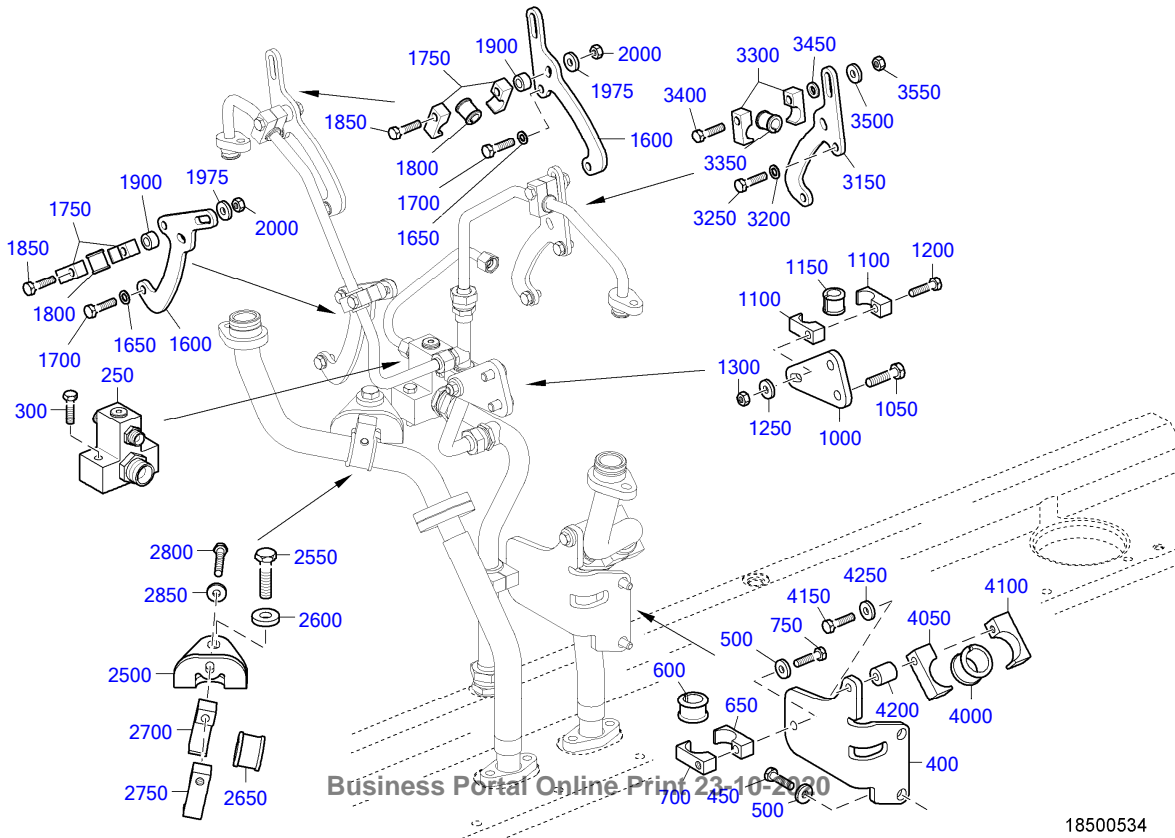
18500381

EQUI TYPE: Engine

PRODUCT TYPE: 12V4000M93L
T/CHARGER OIL SUPPLY

SERIAL NUMBER: 526108553

FG/FGS: 185 10
BOM-No.: XS526180.00036

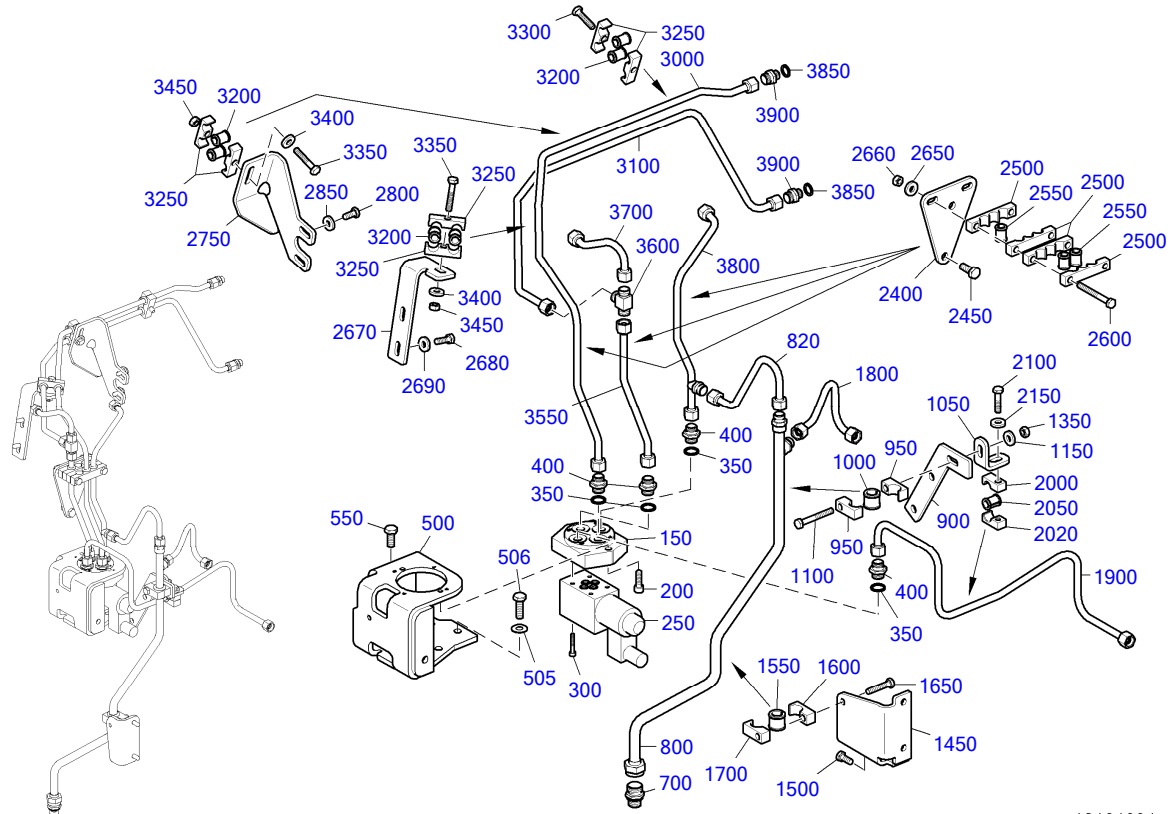


Business Portal Online Print 23-10-2020

18500534

☐	POS.	PART NO.	DESIGNATION	QTY.	UNITS	WEIGHT	FN	MEASUREMENT	STANDARD
	150	735211022000	UNION THD O-RING	1	PC	0,092 kg		22M 27 X 2	MTN5211
	250	X52618500017	CONNECTING PIECE	1	PC	1,2 kg			
	300	304017008086	HEX SCREW	2	PC	19,4 g		M 8 X 45	ISO4017
	400	X52618500018	RETAINER	1	PC	1,01 kg			
	450	304017008081	HEX SCREW	2	PC	13,4 g		M 8 X 25	ISO4017
	500	007349008002	WASHER	2	PC	7,9 g		8,4	DIN7349
	550	X52618500019	OIL SUPPLY LINE	1	PC	567,1 g	SB		
	600	700327022000	GROMMET	1	PC	9 g		22	MMN327
	650	700325028100	CLAMP HALF TUBE 1/1 D9-28	1	PC	55 g		1/1 D 9 - 28	MMN325
	700	700325028200	CLAMP HALF TUBE 1/1 G8-28	1	PC	57,2 g		1/1 G 8 - 28	MMN325
	750	304017008086	HEX SCREW	1	PC	19,4 g		M 8 X 45	ISO4017
	900	X52618500020	OIL LINE	1	PC	253,6 g	SB		
	1000	X52899100015	RETAINER	1	PC	249,7 g			
	1050	00000003020	HEX SCREW	2	PC	20 g		M 10 X 20	ISO4017
	1100	700325022100	CLAMP HALF TUBE 1/1 D9-22	2	PC	47,8 g		1/1 D 9 - 22	MMN325
	1150	700327015000	GROMMET	1	PC	6 g		15	MMN327
	1200	304017008088	HEX SCREW	1	PC	22,6 g		M 8 X 55	ISO4017
	1250	007349008002	WASHER	1	PC	7,9 g		8,4	DIN7349
	1300	304032008014	NUT HEX 8 A3C	1	PC	4,8 g		M 8	ISO4032
	1400	X52618500039	OIL LINE	1	PC	272 g			
	1450	700429017002	O-RING	1	PC	1,1 g		17 X 3	MMN429
	1500	000912008009	FILLISTER SCREW	1	PC	12,9 g		M 8 X 20	DIN912
	1600	X52699100189	RETAINER	2	PC	231,5 g			
	1650	200433008400	WASHER	4	PC	1,5 g		8,4	DIN433
	1700	304017008077	HEX SCREW	4	PC	10,5 g		M 8 X 16	ISO4017
	1750	700325018100	CLAMP HALF TUBE 1/1 D9-18	4	PC	40 g		1/1 D 9 - 18	MMN325
	1800	700327012000	GROMMET	2	PC	4,6 g		12	MMN327
	1850	304017008088	HEX SCREW	2	PC	22,6 g		M 8 X 55	ISO4017
	1900	735151008200	SPACER	2	PC	13,7 g		B 8,4	MTN5151
	1975	007349008002	WASHER	2	PC	7,9 g		8,4	DIN7349
	2000	304032008014	NUT HEX 8 A3C	2	PC	4,8 g		M 8	ISO4032
	2100	X00009917	GASKET	2	PC	3 g			
	2150	X59518500041	OIL RETURN LINE	1	PC	288,9 g	EM		
	2200	000000003187	NUT HEX A3C	2	PC	9,2 g		M 10	ISO4032
	2250	000912010065	BOLT HEX SOC HD	2	PC	23,9 g		M 10 X 25	DIN912
	2300	X59518500043	OIL RETURN LINE	1	PC	622,5 g	SB EM		
	2350	000912010065	BOLT HEX SOC HD	1	PC	23,9 g		M 10 X 25	DIN912
	2400	700429028005	O-RING	1	PC	3 g		28,15X 3,5	MMN429
	2500	X59418500037	RETAINER	1	PC	478,8 g			
	2550	000000003381	HEX SCREW	1	PC	40,3 g		M 12 X 35	ISO4017
	2600	007349013002	WASHER	1	PC	24,5 g		13	DIN7349
	2650	700327028000	GROMMET	1	PC	12,9 g		28	MMN327
	2700	700325035100	CLAMP HALF TUBE 1/1 D9-35	1	PC	103 g		1/1 D 9 - 35	MMN325
	2750	700325035200	CLAMP HALF TUBE 1/1 G8-35	1	PC	102,5 g		1/1 G 8 - 35	MMN325
	2800	304017008088	HEX SCREW	1	PC	22,6 g		M 8 X 55	ISO4017
	2850	007349008002	WASHER	1	PC	7,9 g		8,4	DIN7349
	2950	X52618500038	OIL LINE	1	PC	268,3 g			
	3000	700429017002	O-RING	1	PC	1,1 g		17 X 3	MMN429
	3050	000912008009	FILLISTER SCREW	1	PC	12,9 g		M 8 X 20	DIN912
	3150	X52699100189	RETAINER	1	PC	231,5 g			
	3200	200433008400	WASHER	2	PC	1,5 g		8,4	DIN433
	3250	304017008077	HEX SCREW	2	PC	10,5 g		M 8 X 16	ISO4017
	3300	700325018100	CLAMP HALF TUBE 1/1 D9-18	2	PC	40 g		1/1 D 9 - 18	MMN325
	3350	700327012000	GROMMET	1	PC	4,6 g		12	MMN327

☐	POS.	PART NO.	DESIGNATION	QTY.	UNITS	WEIGHT	FN	MEASUREMENT	STANDARD
	3400	304017008087	HEX SCREW	1	PC	21,3 g		M 8 X 50	ISO4017
	3450	5379900140	WASHER	1	PC	3,9 g			
	3500	007349008002	WASHER	1	PC	7,9 g		8,4	DIN7349
	3550	304032008014	NUT HEX 8 A3C	1	PC	4,8 g		M 8	ISO4032
	3650	X59518500042	OIL RETURN LINE	1	PC	272,2 g	EM		
	3700	X00009917	GASKET	2	PC	3 g			
	3750	000000003187	NUT HEX A3C	2	PC	9,2 g		M 10	ISO4032
	3800	000912010065	BOLT HEX SOC HD	2	PC	23,9 g		M 10 X 25	DIN912
	3850	X59518500044	OIL RETURN LINE	1	PC	670 g	SB EM		
	3900	700429028005	O-RING	1	PC	3 g		28,15X 3,5	MMN429
	4000	700327028000	GROMMET	1	PC	12,9 g		28	MMN327
	4050	700325035100	CLAMP HALF TUBE 1/1 D9-35	1	PC	103 g		1/1 D 9 - 35	MMN325
	4100	700325035200	CLAMP HALF TUBE 1/1 G8-35	1	PC	102,5 g		1/1 G 8 - 35	MMN325
	4150	000000004389	HEX SCREW	1	PC	30 g		M 8 X 75	ISO4017
	4200	5564910150	BUSHING	1	PC	42,9 g			
	4250	007349008002	WASHER	1	PC	7,9 g		8,4	DIN7349
	4350	X52618500023	OIL LINE	1	PC	87,3 g	SB		
	4450	735210018000	PLUG	1	PC	0,036 kg		M 18 X 1,5	MTN5210

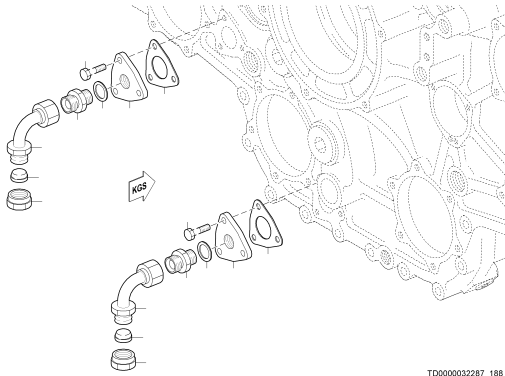


18101331

☞	POS.	PART NO.	DESIGNATION	QTY.	UNITS	WEIGHT	FN	MEASUREMENT	STANDARD
	150	X59499100043	VALVE MOUNTING PLATE	1	PC	1,2 kg			
	200	000912008055	BOLT HEX SOC HD	2	PC	14,3 g		M 8 X 25	DIN912
	250	X52499100725	4/2-WAY SOL. VALVE	1	PC	1,874 kg			
	300	000000003558	BOLT HEX SOC ZNPH R5 F	4	PC	5,4 g		M 5 X 30	DIN912
	350	007603017102	WASHER A COP	4	PC	1,1 g		A 17 X 21	DIN7603
	400	700419999004	UNION 8G 3/8 A	4	PC	0,032 kg		10 G 3/8 A	MMN419
	500	X59499100956	RETAINER FOR SOLENOID VALVE	1	PC	3,125 kg			
	505	007349010002	WASHER	1	PC	11 g		10,5	DIN7349
	506	000000001464	HEX SCREW	1	PC	24,9 g		M 10 X 30	ISO4017
	550	000000003021	HEX SCREW	2	PC	22,8 g		M 10 X 25	ISO4017
	700	735211015000	UNION	1	PC	44,2 g		15M 18 X 1,5	MTN5211
	800	X52618500033	OIL LINE	1	PC	322,8 g	SB		
	820	X52618500035	OIL LINE	1	PC	90,7 g			
	900	X52618500025	RETAINER	1	PC	271,2 g			
	950	700325022100	CLAMP HALF TUBE 1/1 D9-22	2	PC	47,8 g		1/1 D 9 - 22	MMN325
	1000	700327015000	GROMMET	1	PC	6 g		15	MMN327
	1050	X59499100080	RETAINER	1	PC	85 g			
	1100	304017008089	HEX SCREW	1	PC	24,2 g		M 8 X 60	ISO4017
	1150	007349008002	WASHER	1	PC	7,9 g		8,4	DIN7349
	1350	304032008014	NUT HEX 8 A3C	1	PC	4,8 g		M 8	ISO4032
	1450	X59499100442	RETAINER	1	PC	760 g			
	1500	304017008079	HEX SCREW	2	PC	11,7 g		M 8 X 20	ISO4017
	1550	700327015000	GROMMET	1	PC	6 g		15	MMN327
	1600	700325022100	CLAMP HALF TUBE 1/1 D9-22	1	PC	47,8 g		1/1 D 9 - 22	MMN325
	1650	304017008083	HEX SCREW	1	PC	15,1 g		M 8 X 30	ISO4017

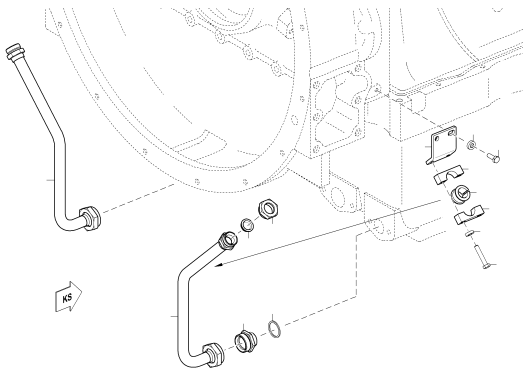
☐	POS.	PART NO.	DESIGNATION	QTY.	UNITS	WEIGHT	FN	MEASUREMENT	STANDARD
	1700	700325022200	CLAMP HALF TUBE 1/1 G8-22	1	PC	49 g		1/1 G 8 - 22	MMN325
	1800	X52618500034	OIL LINE	1	PC	89,7 g	SB		
	1900	X52618500028	OIL LINE	1	PC	203,3 g			
	2000	700325015100	CLAMP HALF TUBE 1/1 D9-15	1	PC	0,033 kg		1/1 D 9 - 15	MMN325
	2020	700325015200	CLAMP HALF TUBE 1/1 G8-15	1	PC	34,2 g		1/1 G 8 - 15	MMN325
	2050	700327010000	GROMMET	1	PC	2,8 g		10	MMN327
	2100	304017008084	HEX SCREW	1	PC	16,4 g		M 8 X 35	ISO4017
	2150	007349008002	WASHER	1	PC	7,9 g		8,4	DIN7349
	2400	X52618500027	RETAINER	1	PC	346,2 g			
	2450	000000003021	HEX SCREW	2	PC	22,8 g		M 10 X 25	ISO4017
	2500	700325015108	PIPE CLAMP HALF	4	PC	76 g		3/2 D 9 - 15	MMN325
	2550	700327010000	GROMMET	3	PC	2,8 g		10	MMN327
	2600	304017008090	HEX SCREW	2	PC	27,3 g		M 8 X 70	ISO4017
	2650	007349008002	WASHER	2	PC	7,9 g		8,4	DIN7349
	2660	304032008014	NUT HEX 8 A3C	2	PC	4,8 g		M 8	ISO4032
	2670	X52699100201	RETAINER	1	PC	330,7 g			
	2680	304017008081	HEX SCREW	2	PC	13,4 g		M 8 X 25	ISO4017
	2690	007349008002	WASHER	2	PC	7,9 g		8,4	DIN7349
	2750	X52618500026	RETAINER	1	PC	635 g			
	2800	204017008009	HEX SCREW	2	PC	10,9 g		M 8 X 18	ISO4017
	2850	007349008002	WASHER	2	PC	7,9 g		8,4	DIN7349
	3000	X52618500045	OIL LINE	1	PC	295 g			
	3100	X52618500029	OIL LINE	1	PC	0,267 kg			
	3200	700327010000	GROMMET	6	PC	2,8 g		10	MMN327
	3250	700325015104	CLAMP HALF TUBE 2/1 D9-15	6	PC	47 g		2/1 D 9 - 15	MMN325
	3300	304017008084	HEX SCREW	1	PC	16,4 g		M 8 X 35	ISO4017
	3350	304017008086	HEX SCREW	2	PC	19,4 g		M 8 X 45	ISO4017
	3400	007349008002	WASHER	2	PC	7,9 g		8,4	DIN7349
	3450	304032008014	NUT HEX 8 A3C	2	PC	4,8 g		M 8	ISO4032
	3550	X52618500043	OIL LINE	1	PC	88,6 g			
	3600	5569970674	FITTING TEE	1	PC	61,6 g		DN 8 / M16X1,5	
	3700	X52618500032	OIL LINE	1	PC	66,6 g			
	3800	X52618500044	OIL LINE	1	PC	144,6 g			
	3850	705057013000	RING SEALING A13 X18 CU	2	PC	1,3 g		A 13 X 18	DIN7603
	3900	700419999021	SCREW-FITTING UNION	2	PC	25 g		10 G 1/4 A	MMN419

GROUP SEGMENT (FGS)
GROUP NAME
BOM-No.



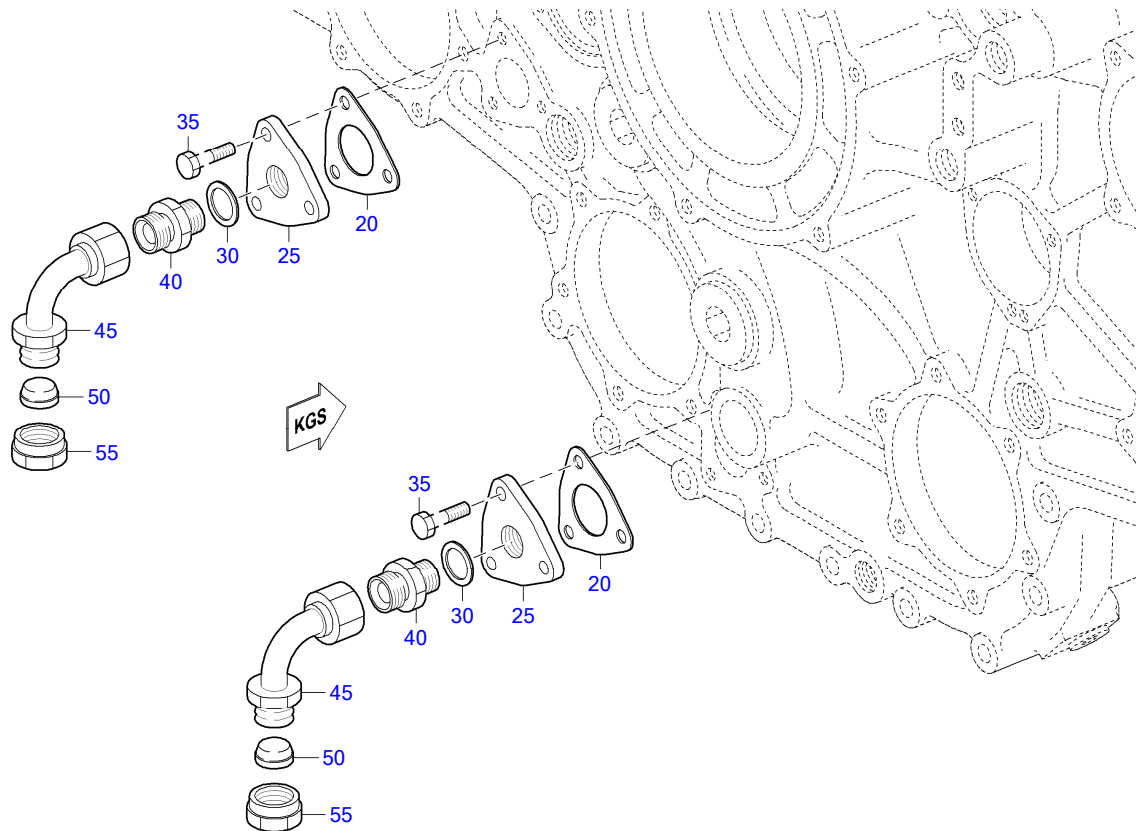
05
CONNECTIONS FOR OIL PRIMING PP
180.00038

TD000002287_188



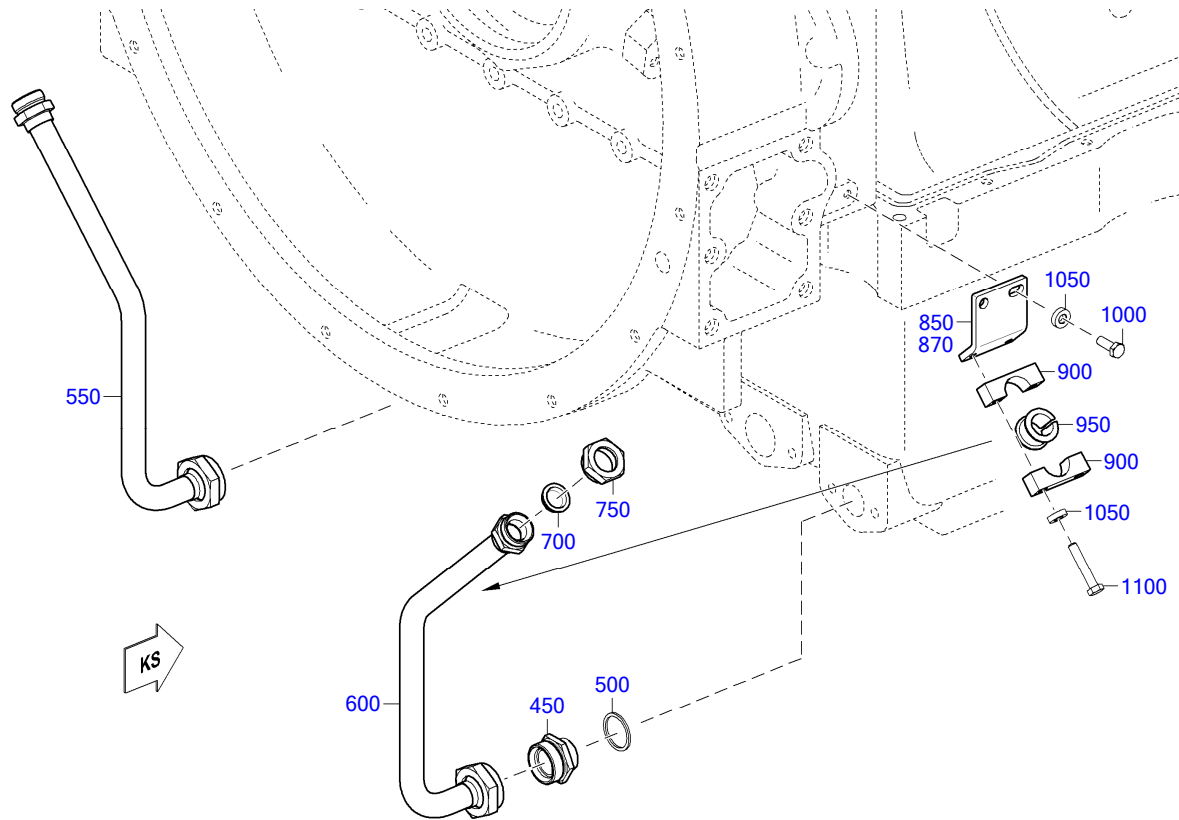
10
OIL EXTRACTION
XS594180.00018

TD000002789_188



TD0000032287_188

☐	POS.	PART NO.	DESIGNATION	MODEL/TYPE	QTY.	UNITS	WEIGHT	MEASUREMENT	STANDARD
	20	5241880180	GASKET		2	PC	6,2 g	1X120X120	
	25	5241880702	COVER	BR4000M	2	PC	353,6 g		
	30	007603026104	COPPER SEALING RING		2	PC	3,1 g	A 26 X 31	DIN7603
	35	000000003021	HEX SCREW		6	PC	22,8 g	M 10 X 25	ISO4017
	40	915013020002	SCREW NECK		2	PC	66,7 g	20 (M30X1,5/M26X1,5)	N15013
	45	700160000020	ELBOW 90 DEG KR 20		2	PC	210 g	KR 20	MMN160
	50	915005020001	CONE SEALING		2	PC	15,1 g	22	MBN15005
	55	915001020003	NUT		2	PC	46,9 g	20 M 30 X 1,5	N15001



TD0000027893_188

☐	POS.	PART NO.	DESIGNATION	QTY.	UNITS	WEIGHT	FN	MEASUREMENT	STANDARD
	450	915013025001	UNION	2	PC	101,6 g	25		N15013
	500	007603030101	COPPER SEALING RING	2	PC	4,3 g		A 30 X 36	DIN7603
	550	5241800821	OIL LINE	1	PC	625 g	SB		
	600	5241800721	OIL LINE	1	PC	620 g	SB		
	700	915005020001	CONE SEALING	2	PC	15,1 g	22		MBN15005
	750	915001020003	NUT	2	PC	46,9 g		20 M 30 X 1,5	N15001
	850	X59618400003	RETAINER	1	PC	210 g			
	870	X59618400003	RETAINER	1	PC	210 g			
	900	700325028101	CLAMP HALF TUBE 1/2 D9-28	4	PC	74 g		1/2 D 9 - 28	MMN325
	950	700327022000	GROMMET	2	PC	9 g		22	MMN327
	1000	204017008011	HEX SCREW	4	PC	12,2 g		M 8 X 22	ISO4017
	1050	735151008100	SPACER	4	PC	7,4 g		A 8,4	MTN5151
	1100	304017008086	HEX SCREW	4	PC	19,4 g		M 8 X 45	ISO4017

EQUI TYPE: Engine

PRODUCT TYPE: 12V4000M93L
COOLANT SYSTEM

SERIAL NUMBER: 526108553
FG/FGS: 200

GROUP SEGMENT (FGS)

GROUP NAME

BOM-No.

00

COOLANT EXP TANK

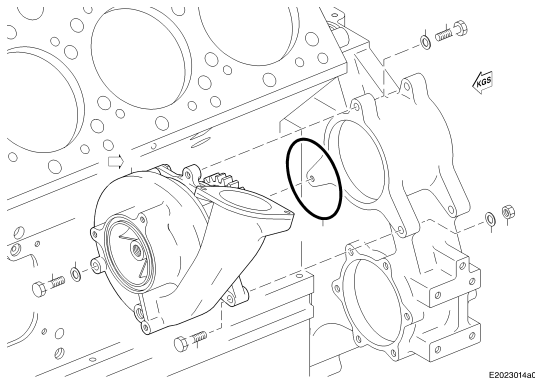
XS594200.00171

☐	POS.	PART NO.	DESIGNATION	QTY.	UNITS	WEIGHT	FN	MEASUREMENT	STANDARD
	200	X59520200171	CONNECTING PIECE FOR COOLANT LINE	1	PC	1,097 kg			
	250	304017008086	HEX SCREW	4	PC	19,4 g		M 8 X 45	ISO4017
	300	X54499100104	SOCKET PIPE	1	PC	151 g			
	350	700429023002	O-RING	2	PC	2,4 g		23 X 4	MMN429
	400	007603026101	WASHER A COP	1	PC	3,7 g		A 26 X 32	DIN7603
	450	915013020002	SCREW NECK	1	PC	66,7 g		20 (M30X1,5/M26X1,5)	N15013
	500	X59420800020	COOLANT LINE	1	PC	570,1 g	SB		
	600	700325028100	CLAMP HALF TUBE 1/1 D9-28	1	PC	55 g		1/1 D 9 - 28	MMN325
	650	700325028200	CLAMP HALF TUBE 1/1 G8-28	1	PC	57,2 g		1/1 G 8 - 28	MMN325
	700	700327022000	GROMMET	1	PC	9 g		22	MMN327
	750	007349008002	WASHER	1	PC	7,9 g		8,4	DIN7349
	800	304017008086	HEX SCREW	1	PC	19,4 g		M 8 X 45	ISO4017
	900	007603030101	COPPER SEALING RING	1	PC	4,3 g		A 30 X 36	DIN7603
	950	915013025001	UNION	1	PC	101,6 g		25	N15013
	1000	X59420800003	COOLANT LINE	1	PC	1,3 kg	SB		
	1050	5242031540	BRACKET	1	PC	93,9 g			
	1100	700325028100	CLAMP HALF TUBE 1/1 D9-28	2	PC	55 g		1/1 D 9 - 28	MMN325
	1150	700327022000	GROMMET	1	PC	9 g		22	MMN327
	1200	304017008086	HEX SCREW	1	PC	19,4 g		M 8 X 45	ISO4017
	1250	000125010524	WASHER	1	PC	3,1 g		A 10,5	DIN125
	1300	000000003712	HEX SCREW	1	PC	31,9 g		M 10 X 45	ISO4017
	1400	700325028100	CLAMP HALF TUBE 1/1 D9-28	2	PC	55 g		1/1 D 9 - 28	MMN325
	1450	700327022000	GROMMET	1	PC	9 g		22	MMN327
	1500	304017008086	HEX SCREW	1	PC	19,4 g		M 8 X 45	ISO4017
	1600	700325028100	CLAMP HALF TUBE 1/1 D9-28	2	PC	55 g		1/1 D 9 - 28	MMN325
	1650	700327022000	GROMMET	1	PC	9 g		22	MMN327
	1700	304017008086	HEX SCREW	1	PC	19,4 g		M 8 X 45	ISO4017
	1750	000125010524	WASHER	1	PC	3,1 g		A 10,5	DIN125
	1800	000000003712	HEX SCREW	1	PC	31,9 g		M 10 X 45	ISO4017
	1900	X59520800016	EXPANSION TANK	1	PC	40,4 kg			
	1950	735151010100	SPACER	4	PC	11 g		A 10,5	MTN5151
	2000	000000004745	HEX SCREW	4	PC	41,8 g		M 10 X 65	ISO4017
	2100	X59420800008	RETAINER	2	PC	361,7 g			
	2150	000000003020	HEX SCREW	6	PC	20 g		M 10 X 20	ISO4017

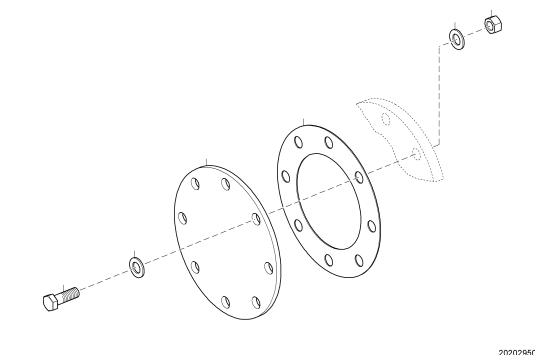
GROUP SEGMENT (FGS)

GROUP NAME

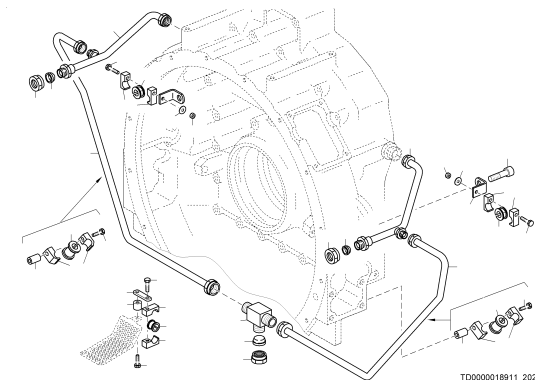
BOM-No.



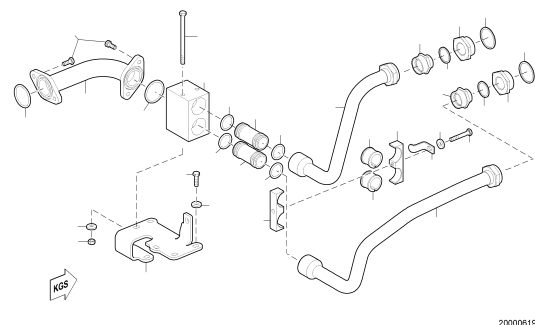
05
COOLANT PUMP HIGH-TEMP CIRCUIT
XS594200.00063



15
END COVER FOR COOLANT
XS593990.00035



15
COOLANT LINE ON FLYWHEEL HSNQ
XS594200.00064

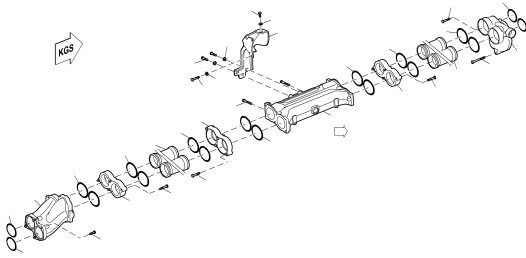


50
COOLANT DUCTING FOR CHARGE-AIR LINE
XS526200.00095

GROUP SEGMENT (FGS)

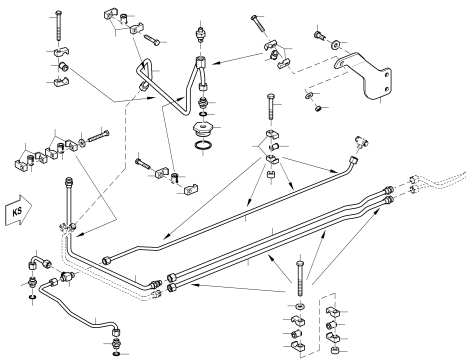
GROUP NAME

BOM-No.



50
COOLANT DUCTING TO INTERCOOLER
XS594200.00014

20201624c



65
COOLANT VENT
XS526200.00094

TD0000017464_202

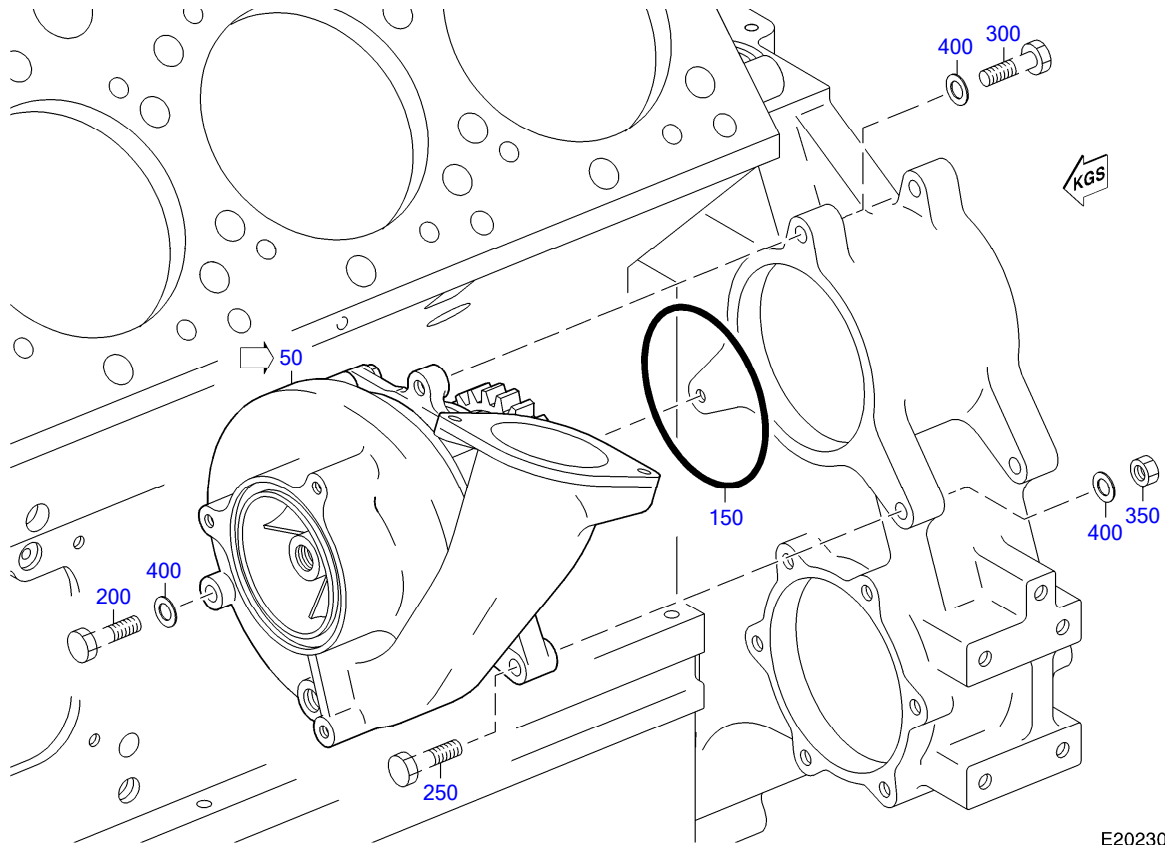
EQUI TYPE: Engine

PRODUCT TYPE: 12V4000M93L
COOLANT PUMP HIGH-TEMP CIRCUIT

SERIAL NUMBER: 526108553

FG/FGS: 202 05

BOM-No.: XS594200.00063



E2023014a0

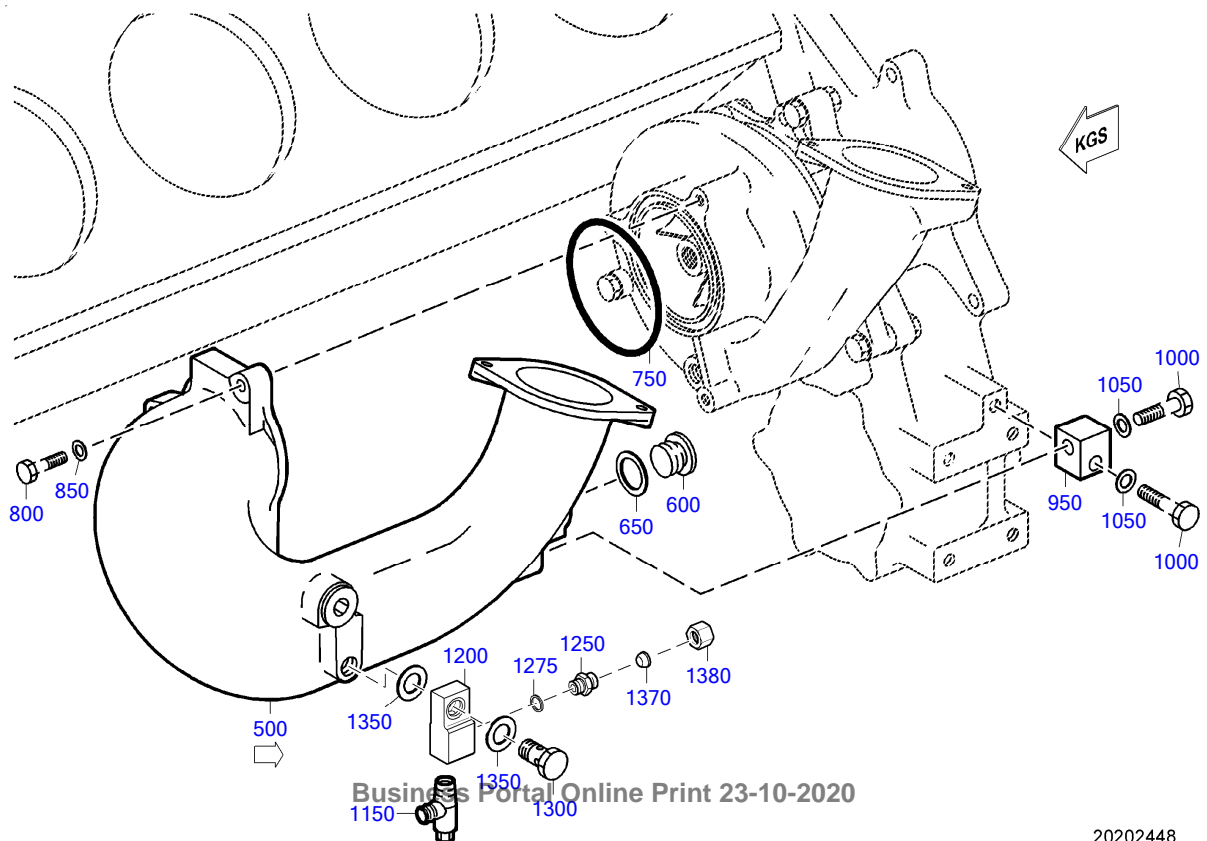
EQUI TYPE: Engine

PRODUCT TYPE: 12V4000M93L
COOLANT PUMP HIGH-TEMP CIRCUIT

SERIAL NUMBER: 526108553

FG/FGS: 202 05

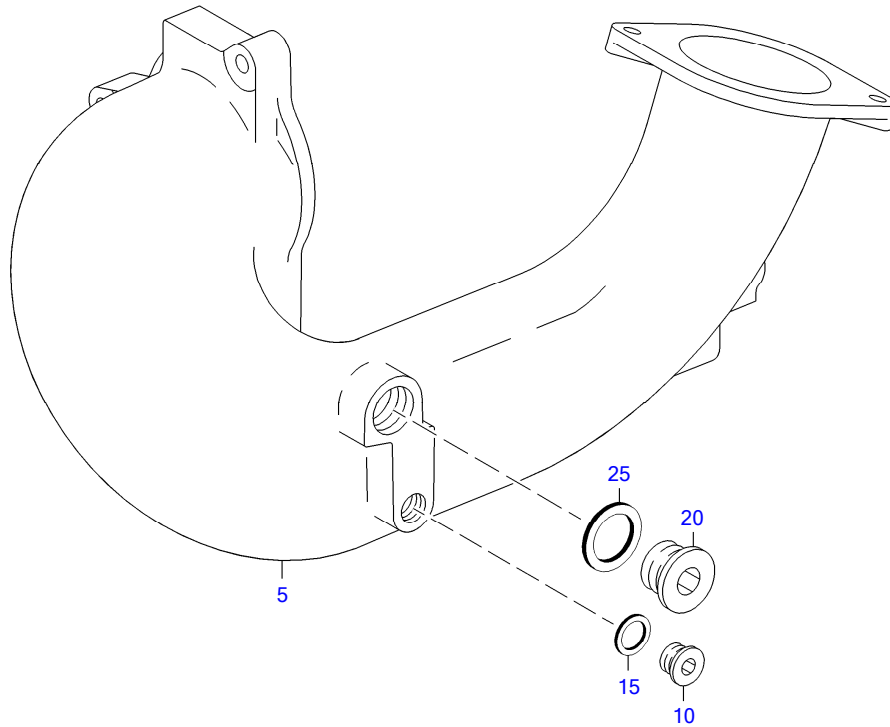
BOM-No.: XS594200.00063



Business Portal Online Print 23-10-2020

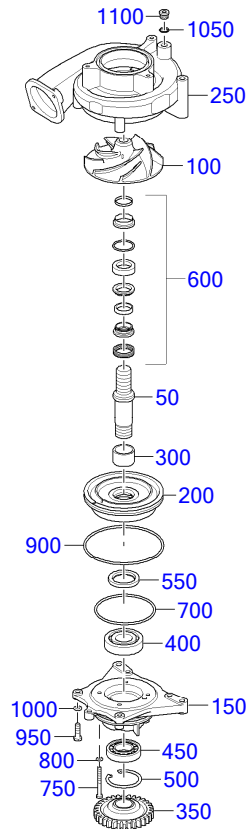
20202448

☐	POS.	PART NO.	DESIGNATION	MODEL/TYPE	QTY.	UNITS	WEIGHT	FN	MEASUREMENT	STANDARD
198	50	X52620200081	PUMP ASM WTR HI TEMP CLG CIRCUIT		1	PC	31 kg	EM		
	150	700429130003	O-RING		1	PC	18 g		130 X 5	MMN429
	200	000000003921	HEX SCREW		1	PC	138,5 g		M 12 X 150	ISO4014
	250	204017012019	HEX SCREW		1	PC	68,7 g		M 12 X 75	ISO4017
	300	000000003926	HEX SCREW		1	PC	54 g		M 12 X 55	ISO4017
	350	000000004744	HEX NUT		1	PC	14,3 g		M 12	ISO4032
	400	000125013012	WASHER		3	PC	5,6 g		A 13	DIN125
197	500	5242001118	ELBOW	BR4000	1	PC	11,307 kg			
	600	000908030002	THREAD PLUG		1	PC	0,085 kg		M 30 X 1,5	DIN908
	650	007603030101	COPPER SEALING RING		1	PC	4,3 g		A 30 X 36	DIN7603
	750	700429120002	O-RING		1	PC	24,6 g		120 X 6	MMN429
	800	000000001039	HEX SCREW		3	PC	29,8 g		M 10 X 40	ISO4017
	850	000125010524	WASHER		3	PC	3,1 g		A 10,5	DIN125
	950	5242030340	SUPPORT MTG HOLDER		1	PC	295 g			
	1000	000000003926	HEX SCREW		2	PC	54 g		M 12 X 55	ISO4017
	1050	000125013012	WASHER		2	PC	5,6 g		A 13	DIN125
	1150	0049976736	VALVE DRAIN		1	PC	125 g			
	1200	X59320200048	CONNECTING PIECE		1	PC	330 g			
	1250	915013008002	SCREW NECK		1	PC	24 g		8 (M16X1,5/M14X1,5)	N15013
	1275	007603014102	SEAL RING		1	PC	1 g		A 14 X 18	DIN7603
	1300	700223010000	BOLT BANJO A12		1	PC	64,8 g		A 12	MMN223
	1350	007603018101	COPPER SEALING RING		2	PC	1,3 g		A 18 X 22	DIN7603
	1370	915005008001	CONE SEALING 10		1	PC	4,5 g		10	MBN15005
	1380	915001008003	NUT		1	PC	0,014 kg		8 M 16 X 1,5	N15001



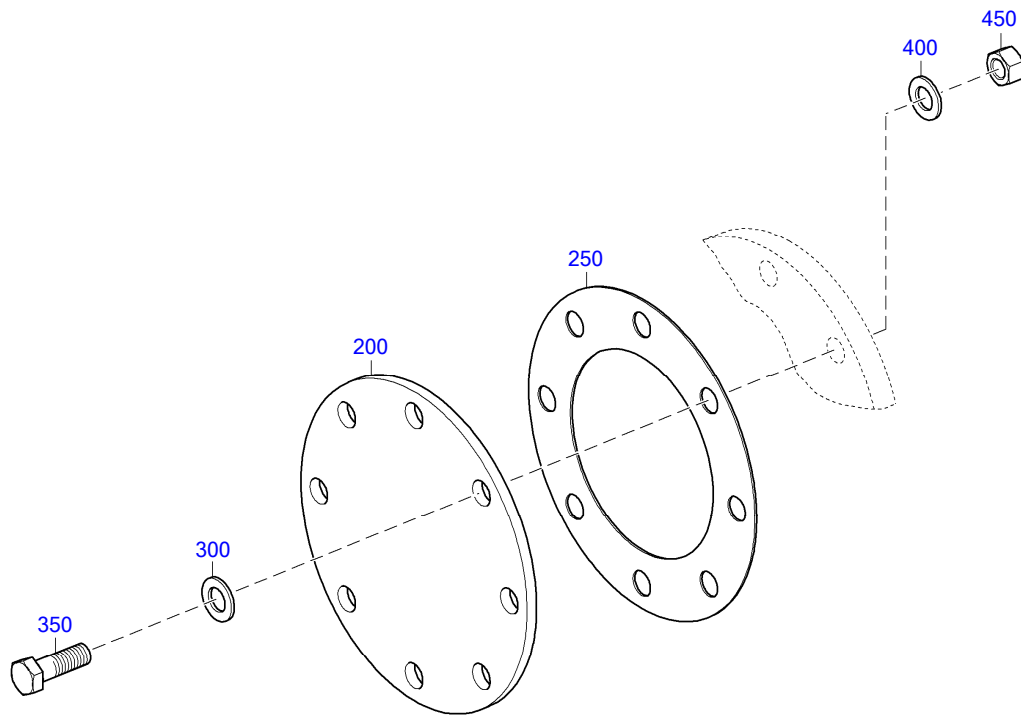
E0005720a0

☐	POS.	PART NO.	DESIGNATION	MODEL/TYPE	QTY.	UNITS	WEIGHT	MEASUREMENT	STANDARD
	5		ELBOW	BR4000	1	PC			
	10	000908018002	PLUG		1	PC	0,029 kg	M 18 X 1,5	DIN908
	15	007603018101	COPPER SEALING RING		1	PC	1,3 g	A 18 X 22	DIN7603
	20	000908030002	THREAD PLUG		1	PC	0,085 kg	M 30 X 1,5	DIN908
	25	007603030101	COPPER SEALING RING		1	PC	4,3 g	A 30 X 36	DIN7603



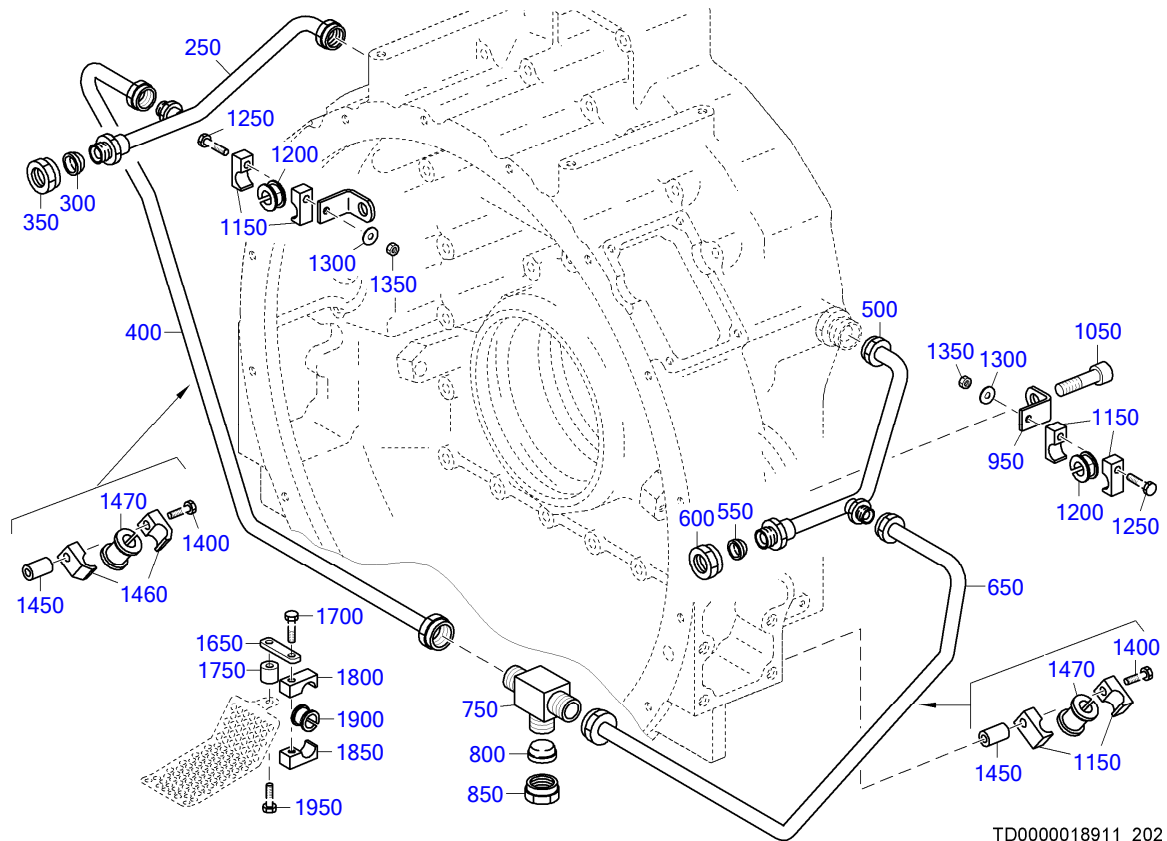
TD0000044024_036

☐	POS.	PART NO.	DESIGNATION	QTY.	UNITS	WEIGHT	MEASUREMENT	STANDARD
	50	5272010805	SHAFT WTR PMP HI TEM P CLG CIRCUIT	1	PC	1,699 kg		
	100	X00008653	IMPELLER	1	PC	2,5 kg		
	150	5272010010	BEARING HOUSING	1	PC	7,05 kg		
	200	X00008652	SEAL CARRIER	1	PC	4,2 kg		
	250	X00030047	SPIRAL HOUSING FOR WATER PUMP	1	PC	11,22 kg		
	300	5272010153	SPACER SLEEVE	1	PC	172,8 g		
	350	X00021750	GEAR	1	PC	1,77 kg		
	400	200628103006	BEARING ANGULAR CONT ACT ROLLER	1	PC	750 g	QJ308	DIN628
	450	705100502035	BEARING CYLINDRICAL ROLLER	1	PC	623 g	NU208	DIN5412
	500	000472080000	RING SNAP	1	PC	22 g	80 X 2,5	DIN472
	550	700386050002	SEAL OIL	1	PC	30,8 g	A 50 X 72 X 8	MMN386
	600	X00026765	ROTARY SEAL	1	PC	74 g		
	700	700429135000	O-RING	1	PC	18,6 g	135 X 5	MMN429
	750	000931008241	HEX SCREW	4	PC	31,7 g	M 8 X 75	DIN931
	800	000125008427	WASHER	4	PC	1,5 g	A 8,4	DIN125
	900	700429172000	O-RING	1	PC	23,5 g	172 X 5	MMN429
	950	000933010093	HEX SCREW	4	PC	28,7 g	M 10 X 35	DIN933
	1000	000125010524	WASHER	4	PC	3,1 g	A 10,5	DIN125
	1050	007603018101	COPPER SEALING RING	1	PC	1,3 g	A 18 X 22	DIN7603
	1100	000908018002	PLUG	1	PC	0,029 kg	M 18 X 1,5	DIN908



20202950

☐	POS.	PART NO.	DESIGNATION	QTY.	UNITS	WEIGHT	MEASUREMENT	STANDARD
	200	X58499100116	BLIND FLANGE FOR ENGINE SHIPPING	1	PC	4,719 kg		
	250	5842350380	GASKET	1	PC	101 g		
	300	000125021009	WASHER	8	PC	15,5 g	A 21	DIN125
	350	204017018002	HEX SCREW	8	PC	141 g	M 18 X 55	ISO4017
	400	000125021009	WASHER	8	PC	15,5 g	A 21	DIN125
	450	204032018001	HEX NUT	8	PC	41,5 g	M 18	ISO4032



TD0000018911_202

☐	POS.	PART NO.	DESIGNATION	QTY.	UNITS	WEIGHT	FN	MEASUREMENT	STANDARD
	250	5242002352	PIPE	1	PC	416,1 g	SB		
	300	915005020001	CONE SEALING	1	PC	15,1 g	22		MBN15005
	350	915001020003	NUT	1	PC	46,9 g		20 M 30 X 1,5	N15001
	400	5242002252	PIPE	1	PC	598,2 g	SB		
	500	5242002052	PIPE	1	PC	415 g	SB		
	550	915005020001	CONE SEALING	1	PC	15,1 g	22		MBN15005
	600	915001020003	NUT	1	PC	46,9 g		20 M 30 X 1,5	N15001
	650	5242002152	PIPE	1	PC	730 g	SB		
	750	5569970974	FITTING TEE	1	PC	255 g		DN 20 / M30X1,5	
	800	915005020001	CONE SEALING	1	PC	15,1 g	22		MBN15005
	850	915001020003	NUT	1	PC	46,9 g		20 M 30 X 1,5	N15001
	950	X52420200016	RETAINER	2	PC	77,4 g			
	1050	000912016004	BOLT HEX SOC HD	2	PC	88,7 g		M 16 X 45	DIN912
	1150	700325022100	CLAMP HALF TUBE 1/1 D9-22	4	PC	47,8 g		1/1 D 9 - 22	MMN325
	1200	700327018000	GROMMET	2	PC	5 g		18	MMN327
	1250	304017008087	HEX SCREW	2	PC	21,3 g		M 8 X 50	ISO4017
	1300	007349008002	WASHER	2	PC	7,9 g		8,4	DIN7349
	1350	304032008014	NUT HEX 8 A3C	2	PC	4,8 g		M 8	ISO4032
	1400	000000004389	HEX SCREW	2	PC	30 g		M 8 X 75	ISO4017
	1450	5531530050	SPACER BUSHING	2	PC	43,6 g		10MM X 18MM L=32	
	1460	X00031062	CLAMP PIPE HALF	4	PC	44,2 g			
	1470	700327018000	GROMMET	2	PC	5 g		18	MMN327
	1650	5500783841	RETAINER	2	PC	28,9 g			
	1700	304017008085	HEX SCREW	2	PC	18 g		M 8 X 40	ISO4017
	1750	X57299100096	SPACER SLEEVE	2	PC	22,6 g			


EQUI TYPE: Engine

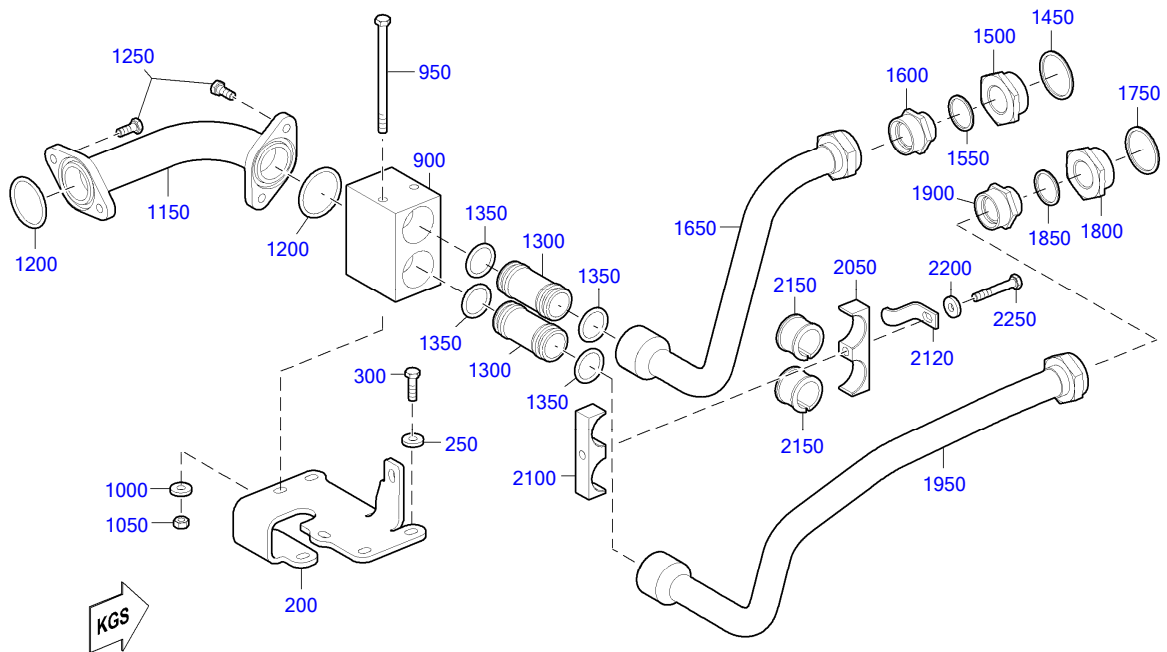
PRODUCT TYPE: 12V4000M93L
COOLANT LINE ON FLYWHEEL HSN

SERIAL NUMBER: 526108553

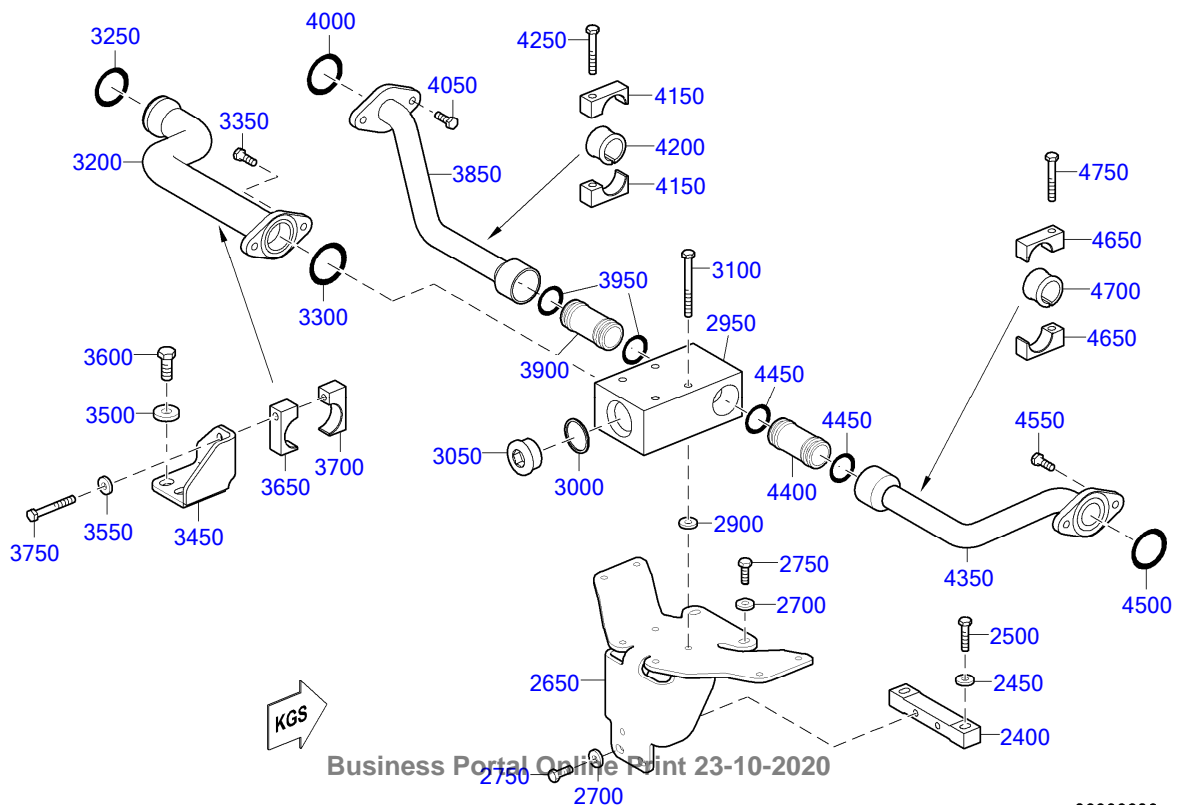
FG/FGS: 202 15

BOM-No.: XS594200.00064

	POS.	PART NO.	DESIGNATION	QTY.	UNITS	WEIGHT	FN	MEASUREMENT	STANDARD
	1800	700325022100	CLAMP HALF TUBE 1/1 D9-22	2	PC	47,8 g		1/1 D 9 - 22	MMN325
	1850	700325022200	CLAMP HALF TUBE 1/1 G8-22	2	PC	49 g		1/1 G 8 - 22	MMN325
	1900	700327018000	GROMMET	2	PC	5 g		18	MMN327
	1950	304017008085	HEX SCREW	2	PC	18 g		M 8 X 40	ISO4017

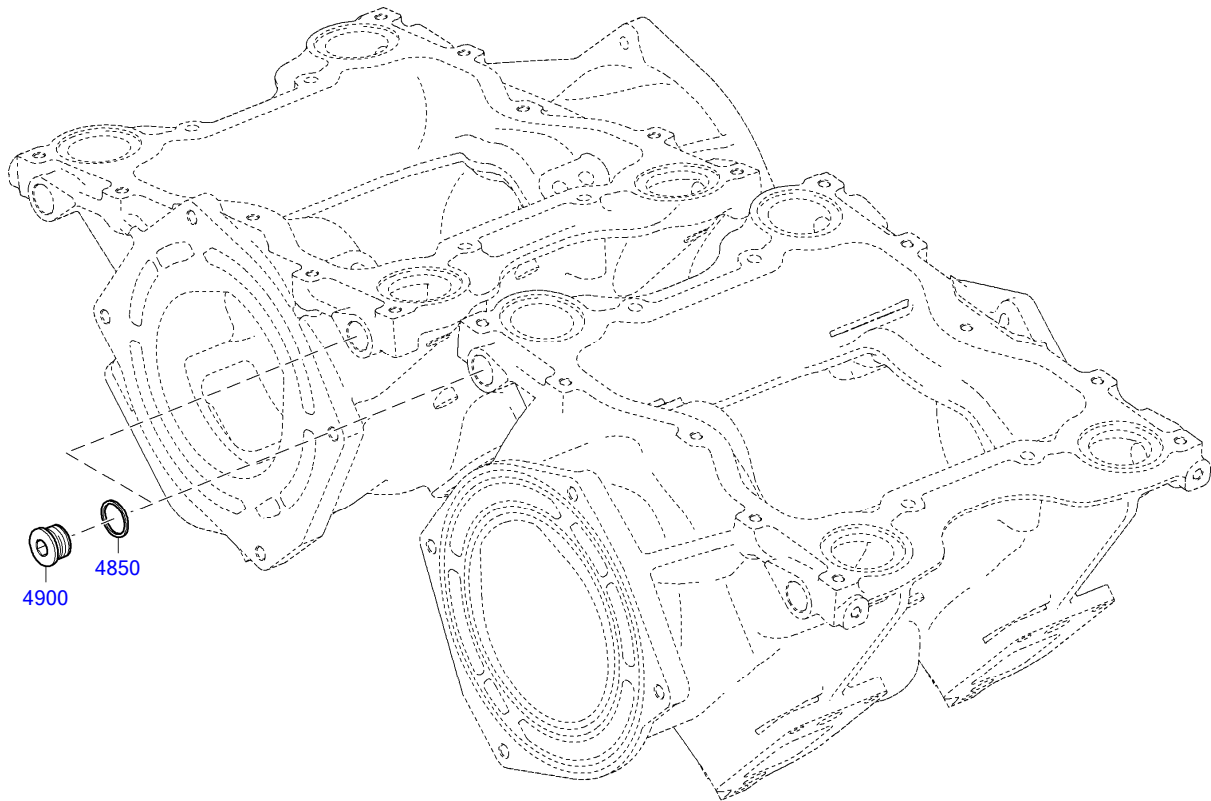


20000619



Business Portal Online Print 23-10-2020

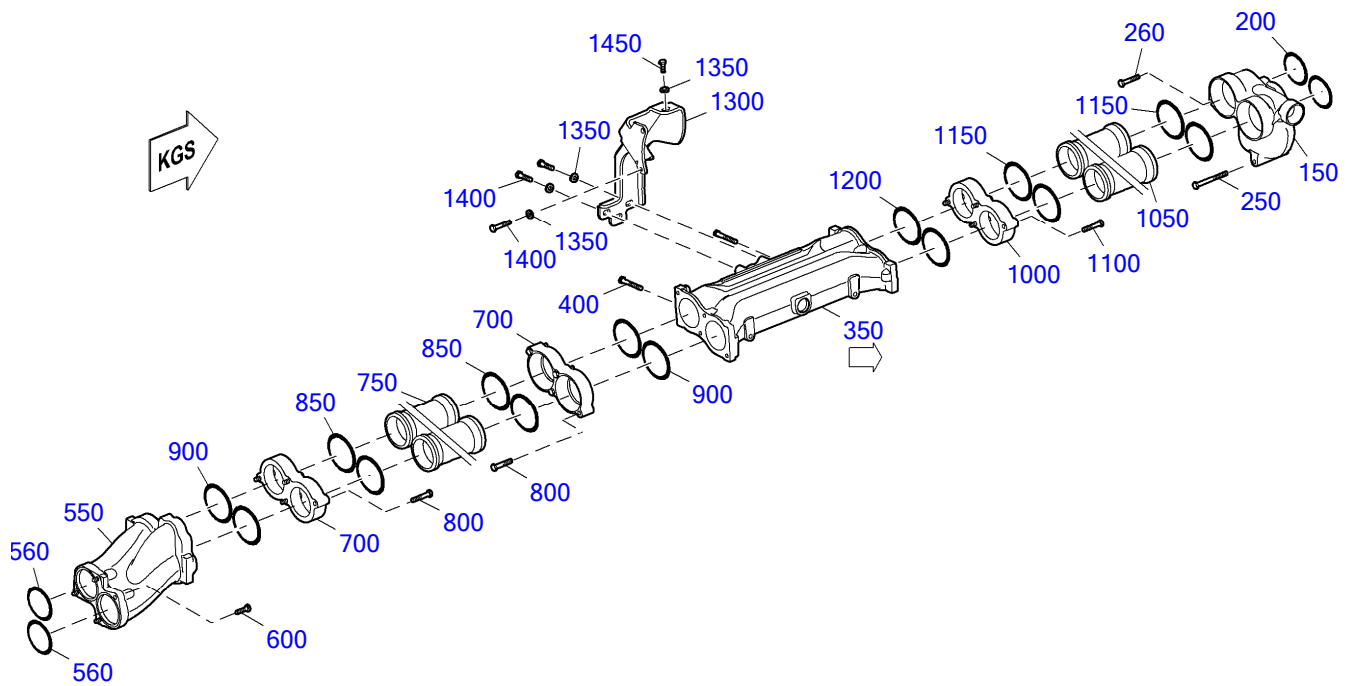
20000620



20000621

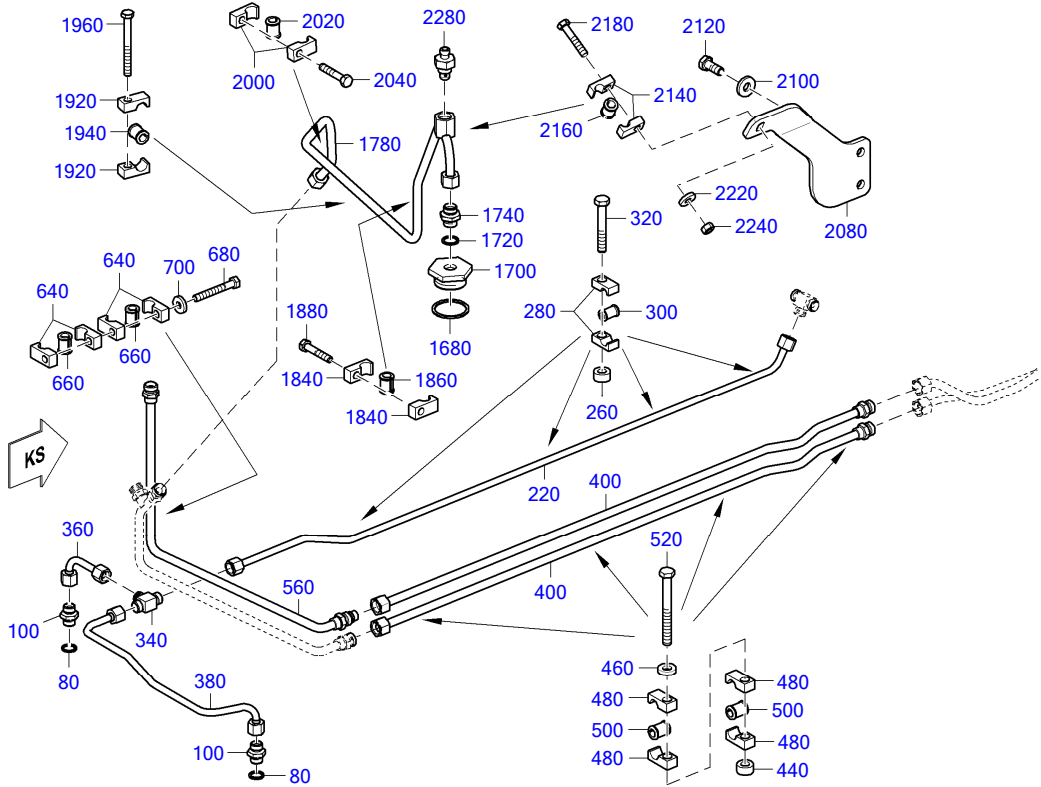
☐	POS.	PART NO.	DESIGNATION	QTY.	UNITS	WEIGHT	FN	MEASUREMENT	STANDARD
	200	X59420200201	RETAINER	1	PC	923,9 g			
	250	007349008000	WASHER	3	PC	7,7 g	8,4		DIN7349
	300	304017008081	HEX SCREW	3	PC	13,4 g	M 8 X 25		ISO4017
	900	X52820200166	DISTRIBUTOR	1	PC	2,4 kg			
	950	204014008023	HEX SCREW	2	PC	52 g	M 8 X125		ISO4014
	1000	007349008000	WASHER	4	PC	7,7 g	8,4		DIN7349
	1050	304032008014	NUT HEX 8 A3C	2	PC	4,8 g	M 8		ISO4032
	1150	X52820200110	COOLANT LINE	1	PC	787 g	SB		
	1200	700429045001	O-RING	2	PC	4,4 g	45 X 4		MMN429
	1250	304017008079	HEX SCREW	4	PC	11,7 g	M 8 X 20		ISO4017
	1300	X52720200075	PLUG-IN PIPE	2	PC	190,3 g			
	1350	700429028002	O-RING	4	PC	2,8 g	28 X 4		MMN429
	1450	007603042101	COPPER SEALING RING	1	PC	8 g	A 42 X 49		DIN7603
	1500	X52899100021	THREADED BUSHING	1	PC	157,8 g	M42x1.5 / M30x1.5		
	1550	007603030101	COPPER SEALING RING	1	PC	4,3 g	A 30 X 36		DIN7603
	1600	915013025001	UNION	1	PC	101,6 g	25		N15013
	1650	X52620200116	COOLANT LINE	1	PC	679,2 g	SB		
	1750	007603042101	COPPER SEALING RING	1	PC	8 g	A 42 X 49		DIN7603
	1800	X52899100021	THREADED BUSHING	1	PC	157,8 g	M42x1.5 / M30x1.5		
	1850	007603030101	COPPER SEALING RING	1	PC	4,3 g	A 30 X 36		DIN7603
	1900	915013025001	UNION	1	PC	101,6 g	25		N15013
	1950	X52620200115	COOLANT LINE	1	PC	875 g	SB		
	2050	700325035102	PIPE CLAMP HALF	1	PC	149,4 g	2/1 D 9 - 35		MMN325
	2100	700325035202	PIPE CLAMP HALF	1	PC	150,6 g	2/1 G 8 - 35		MMN325
	2120	X59499100175	RETAINER	1	PC	30,4 g			

☐	POS.	PART NO.	DESIGNATION	QTY.	UNITS	WEIGHT	FN	MEASUREMENT	STANDARD
	2150	700327028000	GROMMET	2	PC	12,9 g		28	MMN327
	2200	007349008000	WASHER	1	PC	7,7 g		8,4	DIN7349
	2250	304017008087	HEX SCREW	1	PC	21,3 g		M 8 X 50	ISO4017
	2400	X59499100039	RETAINER	1	PC	437,9 g			
	2450	007349008000	WASHER	2	PC	7,7 g		8,4	DIN7349
	2500	304017008084	HEX SCREW	2	PC	16,4 g		M 8 X 35	ISO4017
	2650	X59599100030	RETAINER	1	PC	2,6 kg			
	2700	007349008000	WASHER	4	PC	7,7 g		8,4	DIN7349
	2750	304017008081	HEX SCREW	4	PC	13,4 g		M 8 X 25	ISO4017
	2900	007349008000	WASHER	4	PC	7,7 g		8,4	DIN7349
	2950	X52620200117	DISTRIBUTOR	1	PC	4,5 kg			
	3000	007603036101	WASHER A COP	1	PC	5,2 g		A 36 X 42	DIN7603
	3050	000908036007	PLUG	1	PC	0,139 kg		M 36 X 1,5	DIN908
	3100	304014008032	HEX SCREW	4	PC	34,1 g		M 8 X 80	ISO4014
	3200	X59420200073	COOLANT LINE	1	PC	1,1 kg	SB		
	3250	700429038000	O-RING	1	PC	5,6 g		38 X 5	MMN429
	3300	700429045001	O-RING	1	PC	4,4 g		45 X 4	MMN429
	3350	304017008081	HEX SCREW	2	PC	13,4 g		M 8 X 25	ISO4017
	3450	X59499100040	RETAINER	1	PC	547,3 g			
	3500	000125013012	WASHER	2	PC	5,6 g		A 13	DIN125
	3550	007349008000	WASHER	1	PC	7,7 g		8,4	DIN7349
	3600	000000003925	HEX SCREW	2	PC	36,9 g		M 12 X 30	ISO4017
	3650	700325038103	PIPE HALF-CLAMP	1	PC	121 g		1/1 D 9 - 38	MMN325
	3700	700325038201	PIPE CLAMP HALF	1	PC	123 g		1/1 G 8 - 38	MMN325
	3750	304017008089	HEX SCREW	1	PC	24,2 g		M 8 X 60	ISO4017
	3850	X59420300020	COOLANT LINE	1	PC	392 g	SB		
	3900	X52720200075	PLUG-IN PIPE	1	PC	190,3 g			
	3950	700429028002	O-RING	2	PC	2,8 g		28 X 4	MMN429
	4000	700429045001	O-RING	1	PC	4,4 g		45 X 4	MMN429
	4050	204017008011	HEX SCREW	2	PC	12,2 g		M 8 X 22	ISO4017
	4150	700325035100	CLAMP HALF TUBE 1/1 D9-35	2	PC	103 g		1/1 D 9 - 35	MMN325
	4200	700327028000	GROMMET	1	PC	12,9 g		28	MMN327
	4250	304017008088	HEX SCREW	1	PC	22,6 g		M 8 X 55	ISO4017
	4350	X59420300021	COOLANT LINE	1	PC	710,9 g	SB		
	4400	X52720200075	PLUG-IN PIPE	1	PC	190,3 g			
	4450	700429028002	O-RING	2	PC	2,8 g		28 X 4	MMN429
	4500	700429045001	O-RING	1	PC	4,4 g		45 X 4	MMN429
	4550	204017008011	HEX SCREW	2	PC	12,2 g		M 8 X 22	ISO4017
	4650	700325035100	CLAMP HALF TUBE 1/1 D9-35	2	PC	103 g		1/1 D 9 - 35	MMN325
	4700	700327028000	GROMMET	1	PC	12,9 g		28	MMN327
	4750	304017008088	HEX SCREW	1	PC	22,6 g		M 8 X 55	ISO4017
	4850	007603026104	COPPER SEALING RING	8	PC	3,1 g		A 26 X 31	DIN7603
	4900	000908026005	THREAD PLUG	8	PC	0,069 kg		M 26 X 1,5	DIN908

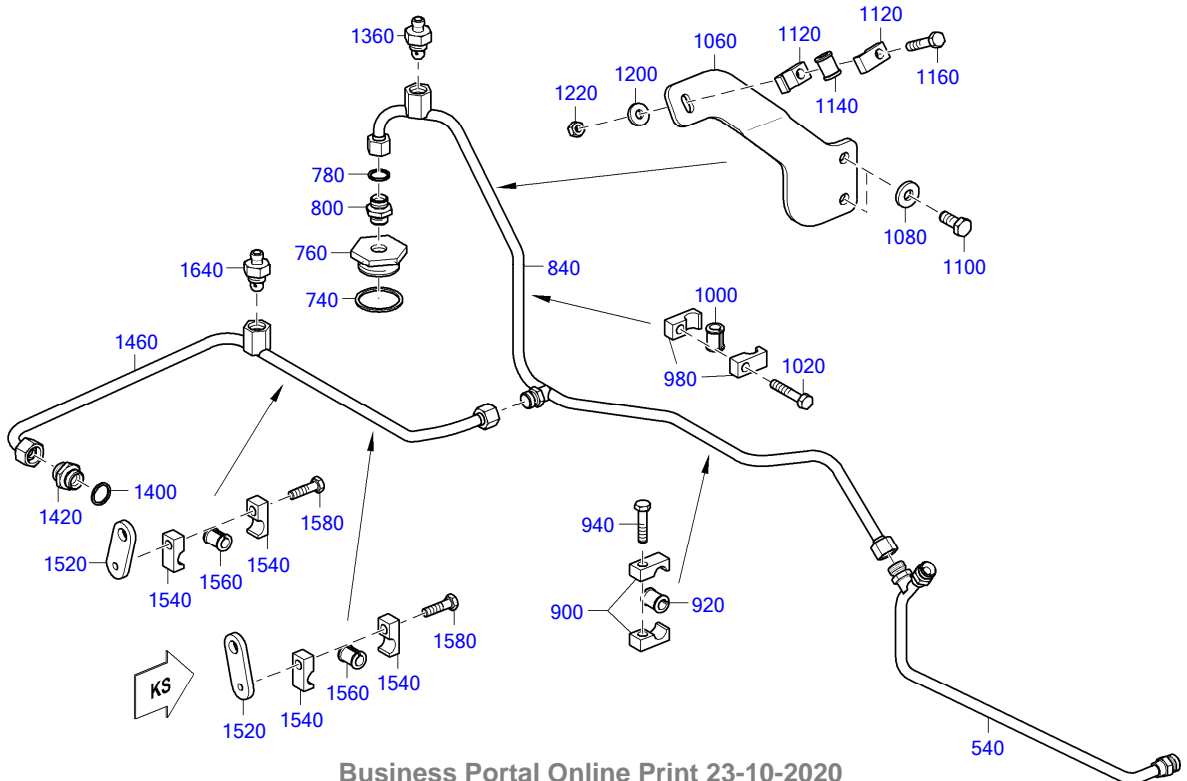


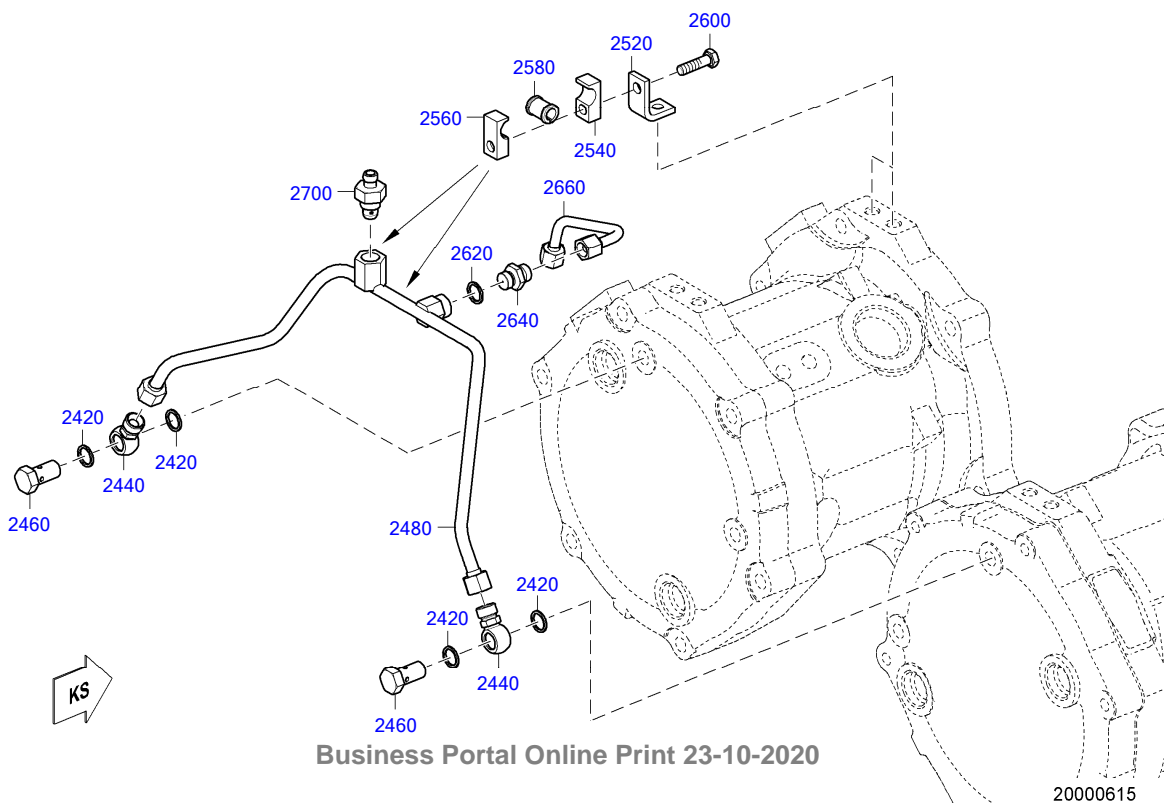
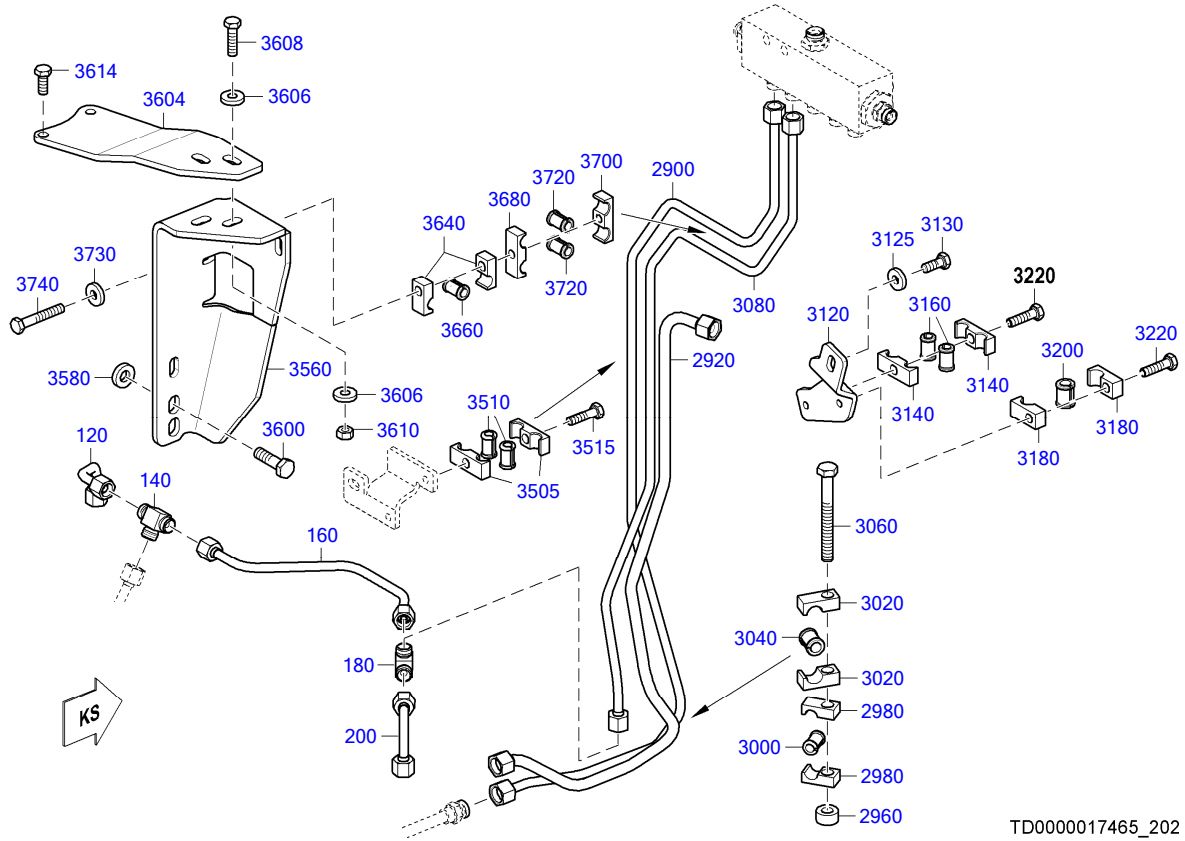
20201624c

☐	POS.	PART NO.	DESIGNATION	MODEL/TYPE	QTY.	UNITS	WEIGHT	FN	MEASUREMENT	STANDARD
	150	X59520200024	COOLANT LINE	4000-03	1	PC	10 kg			
	200	700429080002	O-RING		2	PC	7,2 g		80 X 4	MMN429
	250	000000001465	HEX SCREW		2	PC	78,2 g		M 10 X120	ISO4014
	260	000000001042	HEX SCREW		2	PC	34,6 g		M 10 X 50	ISO4017
	350	X59520300007	COOLANT LINE		1	PC	20,545 kg	SB		
	400	000000004742	HEX SCREW		2	PC	46,6 g		M 10 X 75	ISO4017
	550	X52820200155	COOLANT LINE	4000-03	1	PC	12,251 kg			
	560	700429085000	O-RING		2	PC	7,6 g		85 X 4	MMN429
	600	000000003326	HEX SCREW		4	PC	27,4 g		M 10 X 35	ISO4017
	700	X52699100329	DUAL-PURPOSE PLATE		2	PC	1,9 kg			
	750	X52820200174	PLUG-IN PIPE		2	PC	1,76 kg	SB		
	800	000000003347	HEX SCREW		8	PC	37,5 g		M 10 X 55	ISO4017
	850	700429085002	O-RING		4	PC	17,5 g		85 X 6	MMN429
	900	700429095000	O-RING		4	PC	8,4 g		95 X 4	MMN429
	1000	X52699100329	DUAL-PURPOSE PLATE		1	PC	1,9 kg			
	1050	X59520200038	PLUG-IN PIPE		2	PC	1,3 kg	SB		
	1100	000000003347	HEX SCREW		4	PC	37,5 g		M 10 X 55	ISO4017
	1150	700429085002	O-RING		4	PC	17,5 g		85 X 6	MMN429
	1200	700429095000	O-RING		2	PC	8,4 g		95 X 4	MMN429
	1300	X59620200109	RETAINER		1	PC	4,843 kg			
	1350	735151010100	SPACER		5	PC	11 g		A 10,5	MTN5151
	1400	000000001042	HEX SCREW		2	PC	34,6 g		M 10 X 50	ISO4017
	1450	000000003021	HEX SCREW		1	PC	22,8 g		M 10 X 25	ISO4017



TD0000017464_202



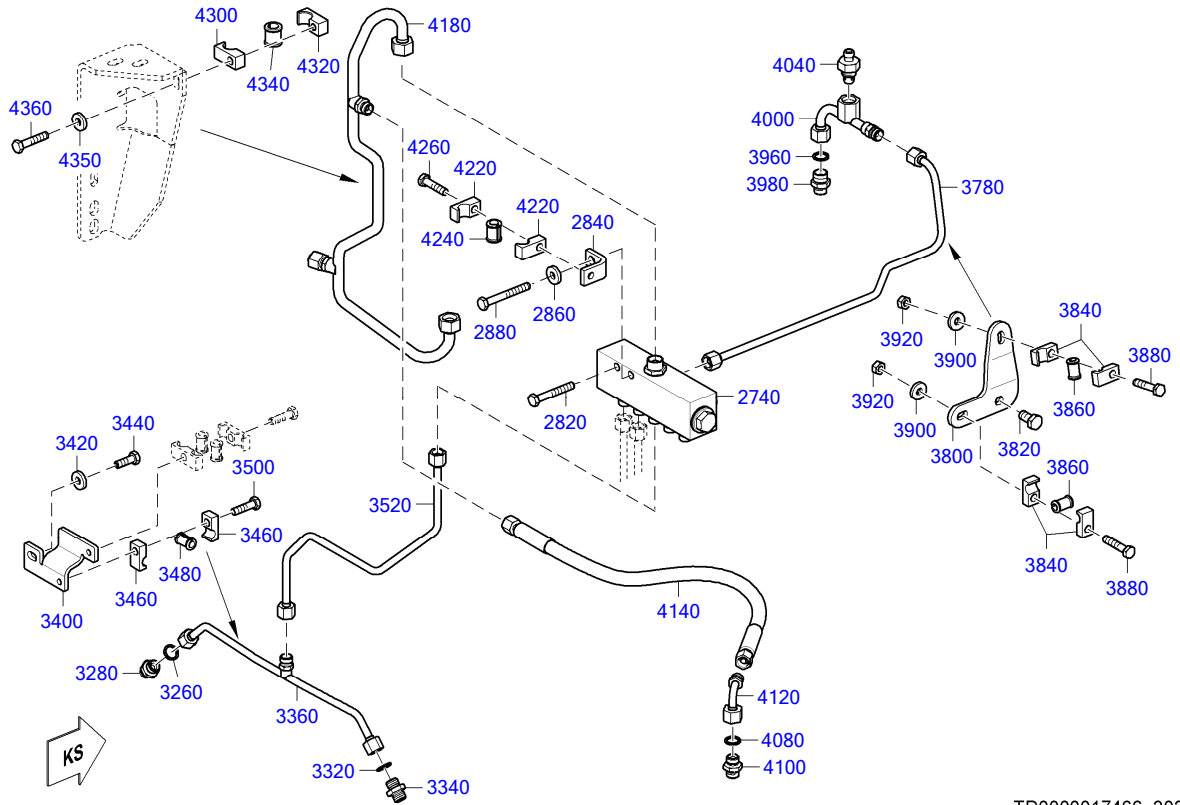


EQUI TYPE: Engine

PRODUCT TYPE: 12V4000M93L
COOLANT VENT

SERIAL NUMBER: 526108553

FG/FGS: 202 65
BOM-No.: XS526200.00094



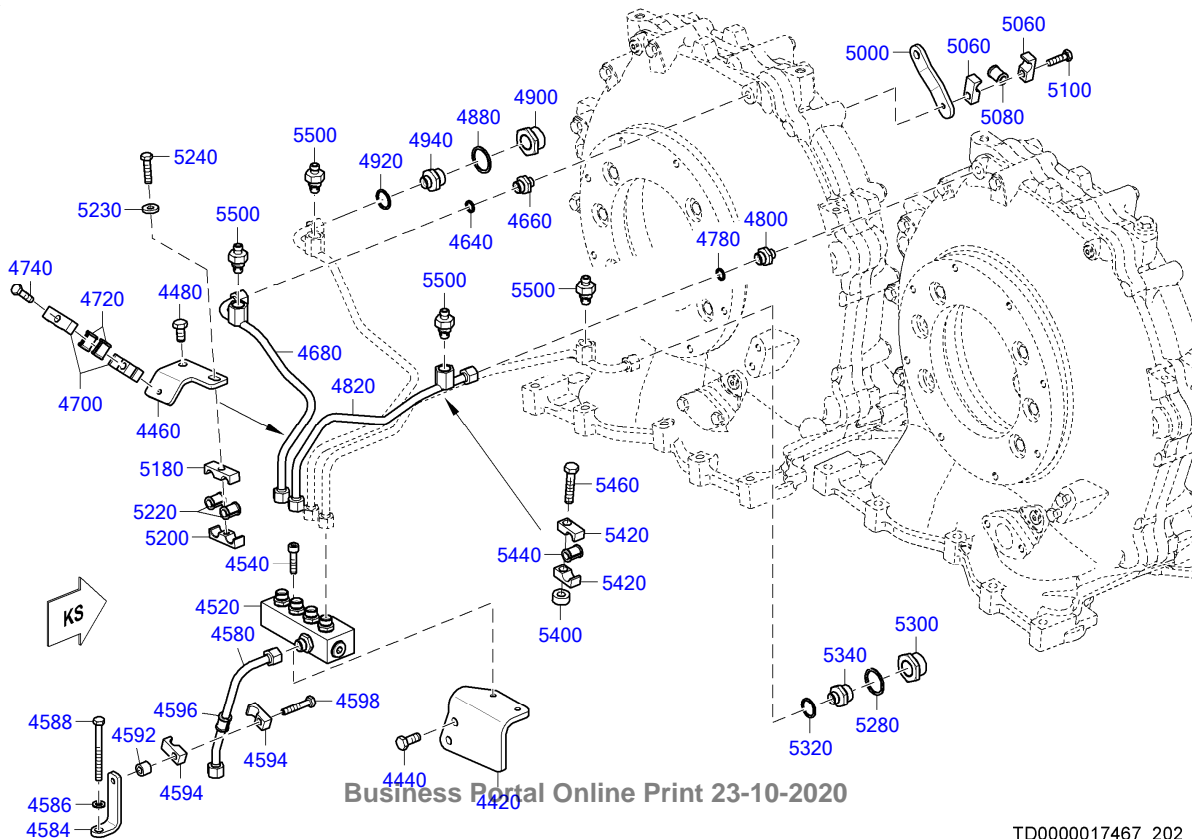
TD0000017466_202

EQUI TYPE: Engine

PRODUCT TYPE: 12V4000M93L
COOLANT VENT

SERIAL NUMBER: 526108553

FG/FGS: 202 65
BOM-No.: XS526200.00094



Business Portal Online Print 23-10-2020

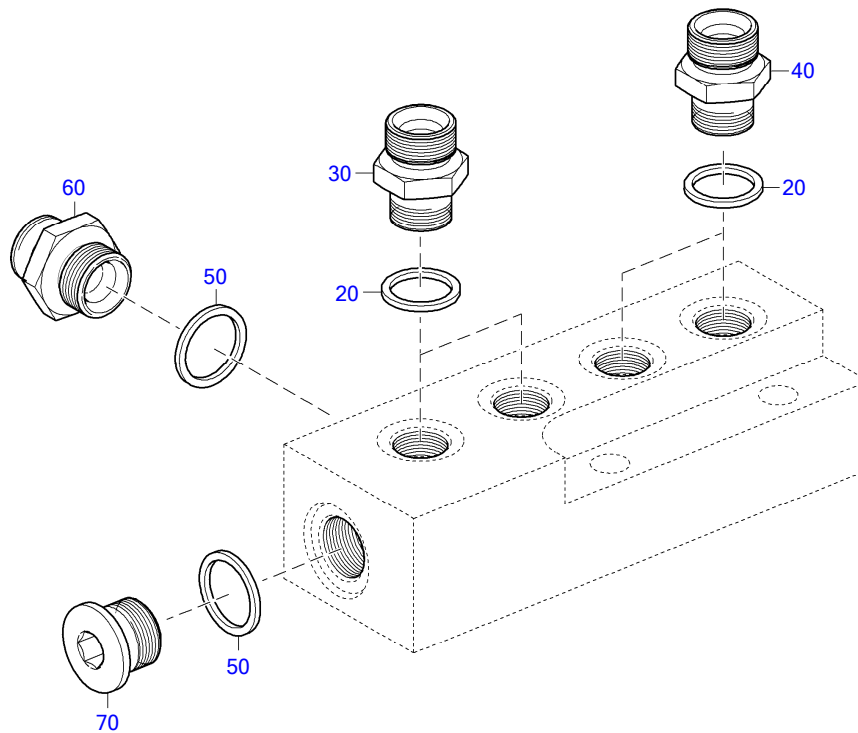
TD0000017467_202

☐	POS.	PART NO.	DESIGNATION	MODEL/TYPE	QTY.	UNITS	WEIGHT FN	MEASUREMENT	STANDARD
	80	007603014102	SEAL RING		4	PC	1 g	A 14 X 18	DIN7603
	100	915006006000	UNION		4	PC	22,9 g	6	MBN15026
	120	5282000258	VENT LINE FOR COOLAN FOR COOLANT	20V4000LH	1	PC	53 g		
	140	5569970574	FITTING TEE		1	PC	48 g	DN 6 / M14X1,5	
	160	X52620200105	VENT LINE		1	PC	75,7 g	SB EM	
	180	5569970574	FITTING TEE		1	PC	48 g	DN 6 / M14X1,5	
	200	5282000658	VENT LINE FOR COOLAN T	20V400LH	1	PC	46,8 g		
	220	X59520200055	VENT LINE		1	PC	185 g	SB	
	260	5559920101	BUSHING		4	PC	17 g		
	280	700325012111	CLAMP HALF TUBE 1/1 D11-12		8	PC	22,6 g	1/1 D11 - 12	MMN325
	300	700327008000	GROMMET		4	PC	1,7 g	8	MMN327
	320	000000004745	HEX SCREW		4	PC	41,8 g	M 10 X 65	ISO4017
	340	5569970574	FITTING TEE		1	PC	48 g	DN 6 / M14X1,5	
	360	5282000658	VENT LINE FOR COOLAN T	20V400LH	1	PC	46,8 g		
	380	5282000458	VENT LINE FOR COOLANT	20V400LH	1	PC	102 g		
	400	X52620200104	VENT LINE		2	PC	0,215 kg	SB EM	
	440	5559920101	BUSHING		4	PC	17 g		
	460	735151010100	SPACER		4	PC	11 g	A 10,5	MTN5151
	480	700325015110	CLAMP HALF TUBE 1/1 D11-15		16	PC	30,2 g	1/1 D11 - 15	MMN325
	500	700327010000	GROMMET		8	PC	2,8 g	10	MMN327
	520	000000004740	HEX SCREW		4	PC	63,4 g	M 10 X 95	ISO4014
	540	X59420200086	VENT LINE		1	PC	160,8 g	SB	
	560	X59420200180	VENT LINE		1	PC	152 g		
	640	700325015100	CLAMP HALF TUBE 1/1 D9-15		4	PC	0,033 kg	1/1 D 9 - 15	MMN325
	660	700327010000	GROMMET		2	PC	2,8 g	10	MMN327
	680	304017008089	HEX SCREW		1	PC	24,2 g	M 8 X 60	ISO4017
	700	007349008002	WASHER		1	PC	7,9 g	8,4	DIN7349
	740	007603038101	COPPER SEALING RING		1	PC	5,4 g	A 38 X 44	DIN7603
	760	635D16007/1	THREADED BUSHING		1	PC	180,6 g		
	780	007603016105	COPPER SEALING RING		1	PC	3 g	A 16 X 20	DIN7603
	800	915006008002	UNION		1	PC	29,7 g	8	MBN15026
	840	X59420200202	VENT LINE		1	PC	324 g		
	900	700325015100	CLAMP HALF TUBE 1/1 D9-15		2	PC	0,033 kg	1/1 D 9 - 15	MMN325
	920	700327010000	GROMMET		1	PC	2,8 g	10	MMN327
	940	304017008084	HEX SCREW		1	PC	16,4 g	M 8 X 35	ISO4017
	980	700325015100	CLAMP HALF TUBE 1/1 D9-15		2	PC	0,033 kg	1/1 D 9 - 15	MMN325
	1000	700327010000	GROMMET		1	PC	2,8 g	10	MMN327
	1020	304017008086	HEX SCREW		1	PC	19,4 g	M 8 X 45	ISO4017
	1060	X59520200066	RETAINER		1	PC	595 g		
	1080	007349010002	WASHER		2	PC	11 g	10,5	DIN7349
	1100	000000003021	HEX SCREW		2	PC	22,8 g	M 10 X 25	ISO4017
	1120	700325015100	CLAMP HALF TUBE 1/1 D9-15		2	PC	0,033 kg	1/1 D 9 - 15	MMN325
	1140	700327010000	GROMMET		1	PC	2,8 g	10	MMN327
	1160	304017008086	HEX SCREW		1	PC	19,4 g	M 8 X 45	ISO4017
	1200	007349008002	WASHER		1	PC	7,9 g	8,4	DIN7349
	1220	304032008014	NUT HEX 8 A3C		1	PC	4,8 g	M 8	ISO4032
	1360	X52899100028	NIPPLE		1	PC	49,5 g		
	1400	007603018101	COPPER SEALING RING		1	PC	1,3 g	A 18 X 22	DIN7603
	1420	915006010002	UNION		1	PC	32,2 g	10	MBN15026
	1460	X52620200168	VENT LINE		1	PC	243,1 g		
	1520	5241872240	BRACKET 40X6 M12 UNT HD+M8 THD BOLT HOLE	BR 4000	2	PC	62,2 g		
	1540	700325015100	CLAMP HALF TUBE 1/1 D9-15		4	PC	0,033 kg	1/1 D 9 - 15	MMN325
	1560	700327010000	GROMMET		2	PC	2,8 g	10	MMN327

☐	POS.	PART NO.	DESIGNATION	MODEL/TYPE	QTY.	UNITS	WEIGHT FN	MEASUREMENT	STANDARD
	1580	304017008083	HEX SCREW		2	PC	15,1 g	M 8 X 30	ISO4017
	1640	X52899100028	NIPPLE		1	PC	49,5 g		
	1680	007603038101	COPPER SEALING RING		1	PC	5,4 g	A 38 X 44	DIN7603
	1700	635D16007/1	THREADED BUSHING		1	PC	180,6 g		
	1720	007603016105	COPPER SEALING RING		1	PC	3 g	A 16 X 20	DIN7603
	1740	915006008002	UNION		1	PC	29,7 g	8	MBN15026
	1780	X59420200084	VENT LINE		1	PC	265 g	SB	
	1840	700325015100	CLAMP HALF TUBE 1/1 D9-15		2	PC	0,033 kg	1/1 D 9 - 15	MMN325
	1860	700327010000	GROMMET		1	PC	2,8 g	10	MMN327
	1880	304017008086	HEX SCREW		1	PC	19,4 g	M 8 X 45	ISO4017
	1920	700325015100	CLAMP HALF TUBE 1/1 D9-15		2	PC	0,033 kg	1/1 D 9 - 15	MMN325
	1940	700327010000	GROMMET		1	PC	2,8 g	10	MMN327
	1960	000000001463	HEX SCREW		1	PC	30,5 g	M 8 X 80	ISO4017
	2000	700325015100	CLAMP HALF TUBE 1/1 D9-15		2	PC	0,033 kg	1/1 D 9 - 15	MMN325
	2020	700327010000	GROMMET		1	PC	2,8 g	10	MMN327
	2040	304017008086	HEX SCREW		1	PC	19,4 g	M 8 X 45	ISO4017
	2080	X59520200067	RETAINER		1	PC	626,9 g		
	2100	007349010002	WASHER		2	PC	11 g	10,5	DIN7349
	2120	000000003021	HEX SCREW		2	PC	22,8 g	M 10 X 25	ISO4017
	2140	700325015100	CLAMP HALF TUBE 1/1 D9-15		2	PC	0,033 kg	1/1 D 9 - 15	MMN325
	2160	700327010000	GROMMET		1	PC	2,8 g	10	MMN327
	2180	304017008086	HEX SCREW		1	PC	19,4 g	M 8 X 45	ISO4017
	2220	007349008002	WASHER		1	PC	7,9 g	8,4	DIN7349
	2240	304032008014	NUT HEX 8 A3C		1	PC	4,8 g	M 8	ISO4032
	2280	X52899100028	NIPPLE		1	PC	49,5 g		
	2420	007603014102	SEAL RING		4	PC	1 g	A 14 X 18	DIN7603
	2440	735214010000	UNION		2	PC	31 g	10	MTN5214
	2460	700223006000	BOLT BANJO A8 S2000/ 4000		2	PC	38,8 g	A 8	MMN223
	2480	X59420200190	VENT LINE		1	PC	260 g		
	2520	5550780241	BRACKET L H:21		2	PC	42 g		
	2540	700325015100	CLAMP HALF TUBE 1/1 D9-15		2	PC	0,033 kg	1/1 D 9 - 15	MMN325
	2560	700325015200	CLAMP HALF TUBE 1/1 G8-15		2	PC	34,2 g	1/1 G 8 - 15	MMN325
	2580	700327010000	GROMMET		2	PC	2,8 g	10	MMN327
	2600	304017008083	HEX SCREW		2	PC	15,1 g	M 8 X 30	ISO4017
	2620	007603014102	SEAL RING		1	PC	1 g	A 14 X 18	DIN7603
	2640	X59699100050	UNION	BR 4000	1	PC	29 g	BLLENDE Ø1MM	
	2660	X59420200199	VENT LINE		1	PC	59,3 g		
	2700	X52899100028	NIPPLE		1	PC	49,5 g		
	2740	X59420300048	DISTRIBUTOR	12V-HM_BH-RED_SWK	1	PC	2,1 kg		
	2820	304017008088	HEX SCREW		1	PC	22,6 g	M 8 X 55	ISO4017
	2840	5551870640	RETAINER		1	PC	54,9 g		
	2860	007349008000	WASHER		1	PC	7,7 g	8,4	DIN7349
	2880	204017008032	HEX SCREW		1	PC	25,5 g	M 8 X 65	ISO4017
	2900	X59520200139	VENT LINE		1	PC	215 g	SB	
	2920	X59420200175	VENT LINE		1	PC	192,3 g	SB	
	2960	5559920101	BUSHING		1	PC	17 g		
	2980	700325012111	CLAMP HALF TUBE 1/1 D11-12		2	PC	22,6 g	1/1 D11 - 12	MMN325
	3000	700327008000	GROMMET		1	PC	1,7 g	8	MMN327
	3020	700325015110	CLAMP HALF TUBE 1/1 D11-15		2	PC	30,2 g	1/1 D11 - 15	MMN325
	3040	700327010000	GROMMET		1	PC	2,8 g	10	MMN327
	3060	000000003322	HEX SCREW		1	PC	60,8 g	M 10 X 90	ISO4014
	3080	X59420200083	VENT LINE		1	PC	170 g	SB	
	3120	X59599100079	RETAINER		1	PC	190,3 g		
	3125	007349008002	WASHER		1	PC	7,9 g	8,4	DIN7349

☐	POS.	PART NO.	DESIGNATION	MODEL/TYPE	QTY.	UNITS	WEIGHT FN	MEASUREMENT	STANDARD
	3130	304017008079	HEX SCREW		1	PC	11,7 g	M 8 X 20	ISO4017
	3140	700325012104	CLAMP HALF TUBE 2/1 D9-12		2	PC	33,8 g	2/1 D 9 - 12	MMN325
	3160	700327008000	GROMMET		2	PC	1,7 g	8	MMN327
	3180	700325015100	CLAMP HALF TUBE 1/1 D9-15		2	PC	0,033 kg	1/1 D 9 - 15	MMN325
	3200	700327010000	GROMMET		1	PC	2,8 g	10	MMN327
	3220	304017008083	HEX SCREW		2	PC	15,1 g	M 8 X 30	ISO4017
	3260	007603014102	SEAL RING		1	PC	1 g	A 14 X 18	DIN7603
	3280	915006006000	UNION		1	PC	22,9 g	6	MBN15026
	3320	007603014102	SEAL RING		1	PC	1 g	A 14 X 18	DIN7603
	3340	915006006000	UNION		1	PC	22,9 g	6	MBN15026
	3360	X59520200052	VENT LINE		1	PC	110,1 g	SB	
	3400	X52699100391	RETAINER		1	PC	159,4 g		
	3420	007349008002	WASHER		1	PC	7,9 g	8,4	DIN7349
	3440	304017008079	HEX SCREW		1	PC	11,7 g	M 8 X 20	ISO4017
	3460	700325012100	CLAMP HALF TUBE 1/1 D9-12		2	PC	25 g	1/1 D 9 - 12	MMN325
	3480	700327008000	GROMMET		1	PC	1,7 g	8	MMN327
	3500	304017008081	HEX SCREW		1	PC	13,4 g	M 8 X 25	ISO4017
	3505	700325012104	CLAMP HALF TUBE 2/1 D9-12		2	PC	33,8 g	2/1 D 9 - 12	MMN325
	3510	700327008000	GROMMET		2	PC	1,7 g	8	MMN327
	3515	304017008081	HEX SCREW		1	PC	13,4 g	M 8 X 25	ISO4017
	3520	X59420200022	VENT LINE		1	PC	107,7 g	SB	
	3560	X52699100390	RETAINER		1	PC	1,58 kg		
	3580	735151010100	SPACER		2	PC	11 g	A 10,5	MTN5151
	3600	000000003326	HEX SCREW		2	PC	27,4 g	M 10 X 35	ISO4017
	3604	X52699100389	RETAINER		1	PC	627,8 g		
	3606	007349008002	WASHER		4	PC	7,9 g	8,4	DIN7349
	3608	304017008083	HEX SCREW		2	PC	15,1 g	M 8 X 30	ISO4017
	3610	304032008014	NUT HEX 8 A3C		2	PC	4,8 g	M 8	ISO4032
	3614	304017008079	HEX SCREW		2	PC	11,7 g	M 8 X 20	ISO4017
	3640	700325012100	CLAMP HALF TUBE 1/1 D9-12		2	PC	25 g	1/1 D 9 - 12	MMN325
	3660	700327008000	GROMMET		1	PC	1,7 g	8	MMN327
	3680	700325012104	CLAMP HALF TUBE 2/1 D9-12		1	PC	33,8 g	2/1 D 9 - 12	MMN325
	3700	700325012202	CLAMP HALF TUBE 2/1 G8-12		1	PC	34,8 g	2/1 G 8 - 12	MMN325
	3720	700327008000	GROMMET		2	PC	1,7 g	8	MMN327
	3730	007349008002	WASHER		1	PC	7,9 g	8,4	DIN7349
	3740	304017008087	HEX SCREW		1	PC	21,3 g	M 8 X 50	ISO4017
	3780	X52620200097	VENT LINE		1	PC	117 g	SB EM	
	3800	X59499100091	RETAINER		1	PC	239,3 g		
	3820	000000003020	HEX SCREW		1	PC	20 g	M 10 X 20	ISO4017
	3840	700325012100	CLAMP HALF TUBE 1/1 D9-12		4	PC	25 g	1/1 D 9 - 12	MMN325
	3860	700327008000	GROMMET		2	PC	1,7 g	8	MMN327
	3880	304017008085	HEX SCREW		2	PC	18 g	M 8 X 40	ISO4017
	3900	007349008002	WASHER		2	PC	7,9 g	8,4	DIN7349
	3920	304032008014	NUT HEX 8 A3C		2	PC	4,8 g	M 8	ISO4032
	3960	007603014102	SEAL RING		1	PC	1 g	A 14 X 18	DIN7603
	3980	915013008002	SCREW NECK		1	PC	24 g	8 (M16X1,5/M14X1,5)	N15013
	4000	X52820200068	VENT LINE		1	PC	115,2 g	SB EM	
	4040	X52899100028	NIPPLE		1	PC	49,5 g		
	4080	007603014102	SEAL RING		1	PC	1 g	A 14 X 18	DIN7603
	4100	915006006000	UNION		1	PC	22,9 g	6	MBN15026
	4120	700160000006	ELBOW 90 DEG KR 6		1	PC	44,8 g	KR 6	MMN160
	4140	735038006103	HOSE		1	PC	189,3 g	1SN 6 CC 500	MTN5038
	4180	X59520200131	VENT LINE TO DISTRIBUTOR PCE		1	PC	313,1 g	SB	
	4220	700325018100	CLAMP HALF TUBE 1/1 D9-18		2	PC	40 g	1/1 D 9 - 18	MMN325

☐	POS.	PART NO.	DESIGNATION	MODEL/TYPE	QTY.	UNITS	WEIGHT FN	MEASUREMENT	STANDARD
	4240	700327012000	GROMMET		1	PC	4,6 g	12	MMN327
	4260	304017008084	HEX SCREW		1	PC	16,4 g	M 8 X 35	ISO4017
	4300	700325018100	CLAMP HALF TUBE 1/1 D9-18		1	PC	40 g	1/1 D 9 - 18	MMN325
	4320	700325018200	CLAMP HALF TUBE 1/1 G8-18		1	PC	40 g	1/1 G 8 - 18	MMN325
	4340	700327012000	GROMMET		1	PC	4,6 g	12	MMN327
	4350	007349008002	WASHER		1	PC	7,9 g	8,4	DIN7349
	4360	304017008085	HEX SCREW		1	PC	18 g	M 8 X 40	ISO4017
	4420	X59499100118	RETAINER		1	PC	779,8 g		
	4440	00000003021	HEX SCREW		2	PC	22,8 g	M 10 X 25	ISO4017
	4460	X59499100119	RETAINER		1	PC	235,4 g		
	4480	00000003020	HEX SCREW		1	PC	20 g	M 10 X 20	ISO4017
204	4520	X59420200182	DISTRIBUTOR		1	PC	1,5 kg		
	4540	000912008022	SCREW		2	PC	18 g	M 8 X 35	DIN912
	4580	X59420200181	VENT LINE		1	PC	122 g		
	4584	5562038940	BRACKET		1	PC	92,8 g		
	4586	000125008427	WASHER		1	PC	1,5 g	A 8,4	DIN125
	4588	00000004396	HEX SCREW		1	PC	35,4 g	M 8 X 85	ISO4014
	4592	5500780453	SPACER SLEEVE		1	PC	13,6 g	9 X 16 X 13	
	4594	700325015100	CLAMP HALF TUBE 1/1 D9-15		2	PC	0,033 kg	1/1 D 9 - 15	MMN325
	4596	700327010000	GROMMET		1	PC	2,8 g	10	MMN327
	4598	304017008086	HEX SCREW		1	PC	19,4 g	M 8 X 45	ISO4017
	4640	007603012102	WASHER A COP		1	PC	0,8 g	A 12 X 16	DIN7603
	4660	915007008003	CONNECTOR 8/4		1	PC	27,4 g	8 / 4	MBN15007
	4680	X59420200216	VENT LINE		1	PC	175 g		
	4700	700325015104	CLAMP HALF TUBE 2/1 D9-15		2	PC	47 g	2/1 D 9 - 15	MMN325
	4720	700327010000	GROMMET		2	PC	2,8 g	10	MMN327
	4740	304017008083	HEX SCREW		1	PC	15,1 g	M 8 X 30	ISO4017
	4780	007603012102	WASHER A COP		1	PC	0,8 g	A 12 X 16	DIN7603
	4800	915007008003	CONNECTOR 8/4		1	PC	27,4 g	8 / 4	MBN15007
	4820	X59420200217	VENT LINE		1	PC	180,4 g		
	4880	007603030101	COPPER SEALING RING		1	PC	4,3 g	A 30 X 36	DIN7603
	4900	X00020487	BUSHING THREADED C23		1	PC	68,9 g		
	4920	007603022102	COPPER SEALING RING		1	PC	0,9 g	A 22 X 27	DIN7603
	4940	915007013000	CONNECTOR 13/8		1	PC	49,2 g	13 / 8	MBN15007
	5000	X00037023	RETAINER		1	PC	110 g		
	5060	700325015100	CLAMP HALF TUBE 1/1 D9-15		2	PC	0,033 kg	1/1 D 9 - 15	MMN325
	5080	700327010000	GROMMET		1	PC	2,8 g	10	MMN327
	5100	304017008083	HEX SCREW		1	PC	15,1 g	M 8 X 30	ISO4017
	5180	700325015104	CLAMP HALF TUBE 2/1 D9-15		1	PC	47 g	2/1 D 9 - 15	MMN325
	5200	700325015202	CLAMP HALF TUBE 2/1 G8-15		1	PC	48,3 g	2/1 G 8 - 15	MMN325
	5220	700327010000	GROMMET		2	PC	2,8 g	10	MMN327
	5230	007349008002	WASHER		1	PC	7,9 g	8,4	DIN7349
	5240	304017008084	HEX SCREW		1	PC	16,4 g	M 8 X 35	ISO4017
	5280	007603030101	COPPER SEALING RING		1	PC	4,3 g	A 30 X 36	DIN7603
	5300	X00020487	BUSHING THREADED C23		1	PC	68,9 g		
	5320	007603022102	COPPER SEALING RING		1	PC	0,9 g	A 22 X 27	DIN7603
	5340	915007013000	CONNECTOR 13/8		1	PC	49,2 g	13 / 8	MBN15007
	5400	735151010200	SPACER S2000/4000		1	PC	22,1 g	B 10,5	MTN5151
	5420	700325015110	CLAMP HALF TUBE 1/1 D11-15		2	PC	30,2 g	1/1 D11 - 15	MMN325
	5440	700327010000	GROMMET		1	PC	2,8 g	10	MMN327
	5460	00000001042	HEX SCREW		1	PC	34,6 g	M 10 X 50	ISO4017
	5500	X52899100028	NIPPLE		4	PC	49,5 g		



20201927a

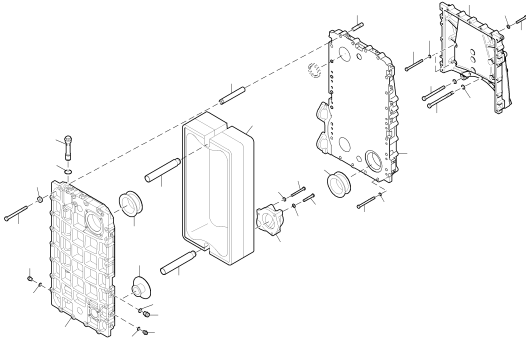
☐	POS.	PART NO.	DESIGNATION	QTY.	UNITS	WEIGHT	MEASUREMENT	STANDARD
	20	007603014102	SEAL RING	4	PC	1 g	A 14 X 18	DIN7603
	30	X57518500023	SCREW-FITTING UNION F/TURBO OIL SUPPLY	2	PC	33 g	INNENDURCHMESSER 2MM	
	40	X57518500026	SCREW-FITTING UNION F/TURBO OIL SUPPLY	2	PC	0,033 kg	INNENDURCHMESSER 1MM	
	50	007603016105	COPPER SEALING RING	2	PC	3 g	A 16 X 20	DIN7603
	60	915006008002	UNION	1	PC	29,7 g	8	MBN15026
	70	000908016001	THREADED PLUG	1	PC	0,02 kg	M 16 X 1,5	DIN908

GROUP SEGMENT (FGS)

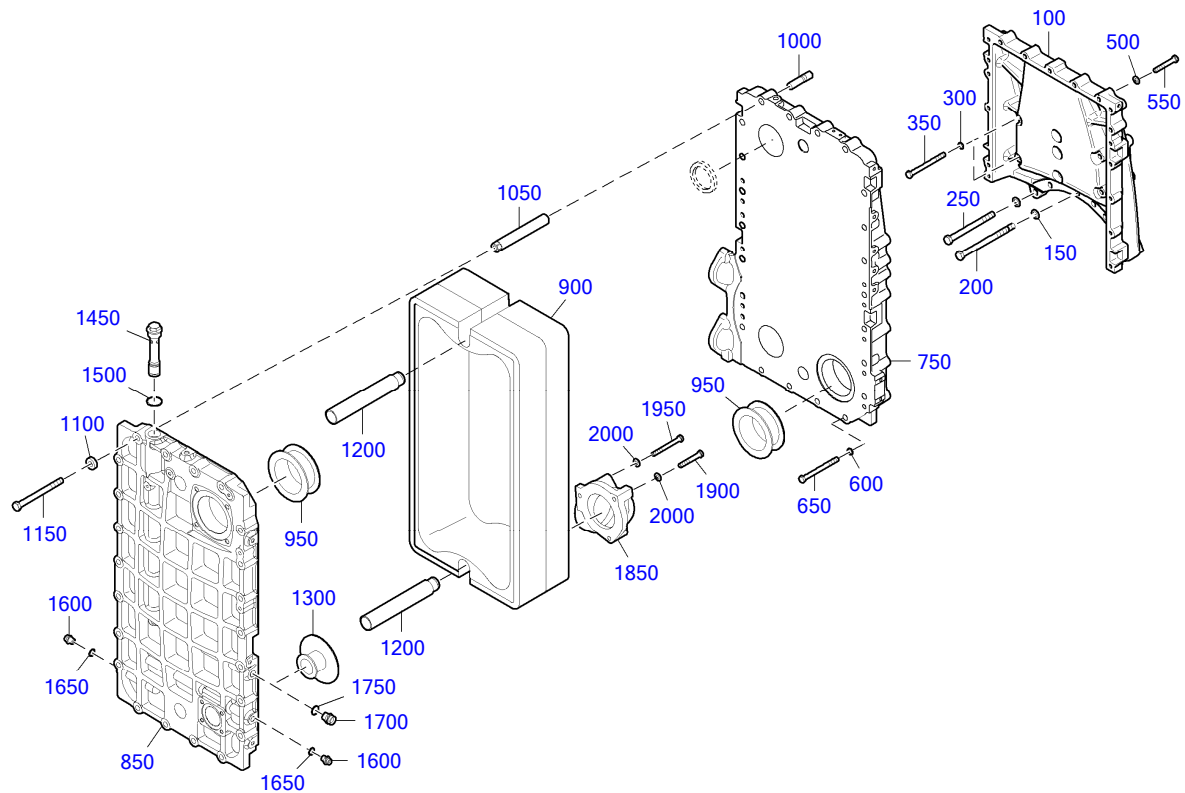
GROUP NAME

BOM-No.

02
SEAWATER COOLER
XS594200.00017



20400096a



20400096a

☐	POS.	PART NO.	DESIGNATION	MODEL/TYPE	QTY.	UNITS	WEIGHT	MEASUREMENT	STANDARD
	100	X00033976	SUPPORT FOR HEAT EXCHANGER		1	PC	67,4 kg		
	150	200433017000	WASHER		6	PC	6,8 g	17	DIN433
	200	204014016010	HEX SCREW		5	PC	375,2 g	M 16 X230	ISO4014
	250	204014016017	HEX SCREW		1	PC	345 g	M 16 X210	ISO4014
	300	200433013000	WASHER		7	PC	2,5 g	13	DIN433
	350	000000003719	HEX SCREW		7	PC	115,2 g	M 12 X140	ISO4017
	500	200433013000	WASHER		7	PC	2,5 g	13	DIN433
	550	000000002970	HEX SCREW		7	PC	64,7 g	M 12 X 70	ISO4017
	600	200433013000	WASHER		11	PC	2,5 g	13	DIN433
	650	000000001077	HEX SCREW		11	PC	104,6 g	M 12 X110	ISO4014
207	750	X59420200252	SUPPORT PLATE FOR SEAWATER COOLER		1	PC	118,8 kg		
	850	X59620200110	COVER PLATE	BR 4000	1	PC	46 kg		
208	900	X59420400006/87	PLATE-CORE HEAT EXCH FOR 12V		1	PC	1,93 kg		
	950	X00044862	SEALING RING		2	PC	60 g		
	1000	200939020000	STUD		22	PC	188,3 g	M 20 X 1,5 X 60	DIN939
	1050	X00041777	SPACER SLEEVE		22	PC	688,1 g		
	1100	735151016101	WASHER		22	PC	60,2 g	A 16,5	MTN5151
	1150	204017016000	HEX SCREW		22	PC	246,2 g	M 16 X160	ISO4017
	1200	X00041754	GUIDE, SPECIAL		2	PC	1,7 kg		
	1300	X52820500001	SEALING RING FOR SEAWATER COOLER	BR 4000	1	PC	135,8 g		
210	1450	X59608600002	VALVE FOR FUEL		1	PC	653,6 g		
	1500	007603038101	COPPER SEALING RING		1	PC	5,4 g	A 38 X 44	DIN7603
	1600	735070010000	UNION		2	PC	32,2 g	12	MTN5070
	1650	007603016103	RING, GENERAL		2	PC	0,01 kg	A 16 X 22	DIN7603
	1700	735070016000	UNION		1	PC	60 g	18	MTN5070

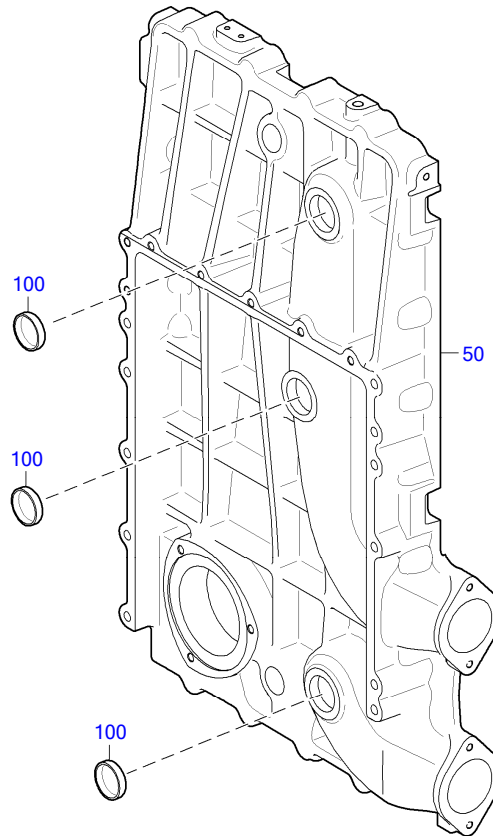
EQUI TYPE: Engine

PRODUCT TYPE: 12V4000M93L
SEAWATER COOLER

SERIAL NUMBER: 526108553

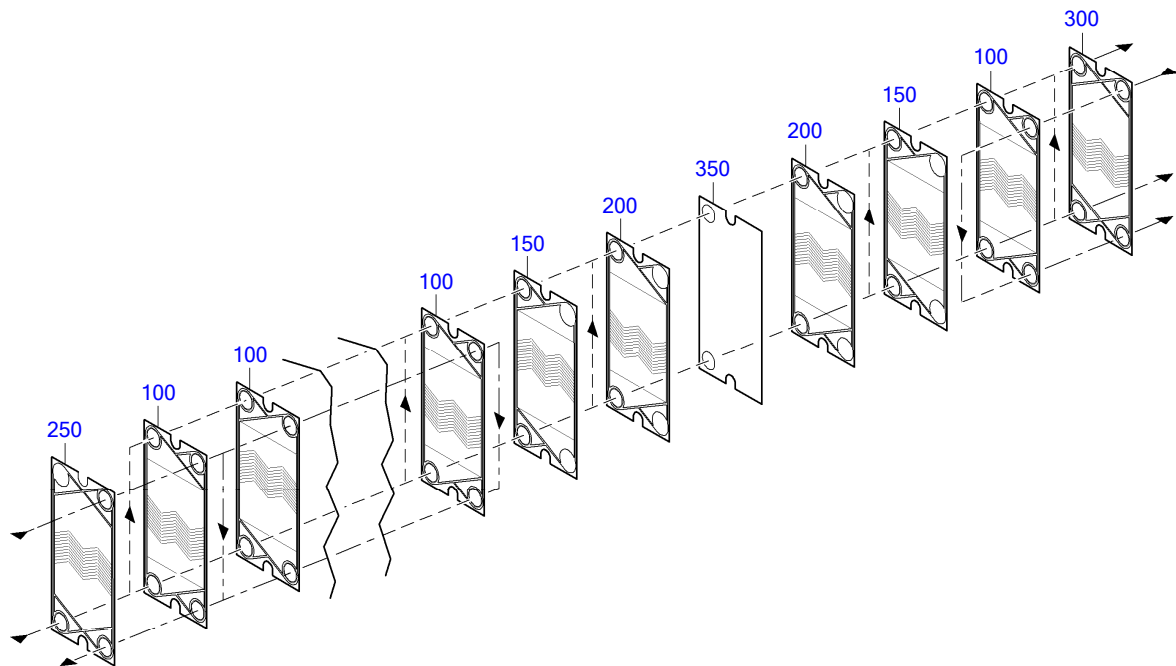
FG/FGS: 204 02
BOM-No.: XS594200.00017

☐	POS.	PART NO.	DESIGNATION	MODEL/TYPE	QTY.	UNITS	WEIGHT	MEASUREMENT	STANDARD
	1750	007603022102	COPPER SEALING RING		1	PC	0,9 g	A 22 X 27	DIN7603
	1850	X00037445	COOLANT ELBOW		1	PC	7,183 kg		
	1900	000000002088	HEX SCREW		2	PC	72,4 g	M 12 X 80	ISO4017
	1950	204014012005	HEX SCREW		1	PC	130,2 g	M 12 X140	ISO4014
	2000	000125013012	WASHER		3	PC	5,6 g	A 13	DIN125



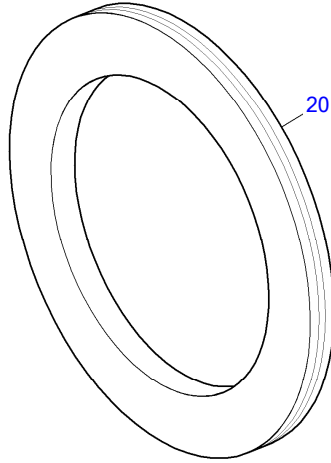
20400141

☐	POS.	PART NO.	DESIGNATION	QTY.	UNITS	WEIGHT	MEASUREMENT
	50	X59420200251	SUPPORT PLATE FOR SEAWATER COOLER	1	PC	118,9 kg	
	100	5249970020	SEALING CAP	3	PC	62,6 g	D 50



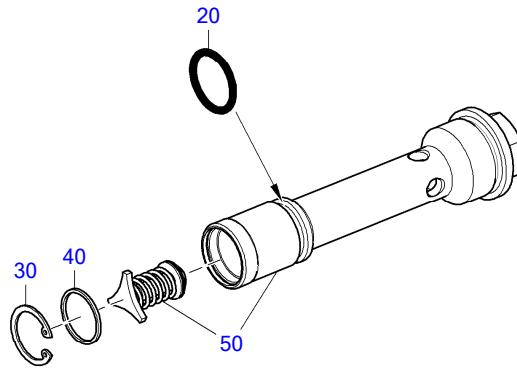
20400100a

☐	POS.	PART NO.	DESIGNATION	QTY.	UNITS	WEIGHT
	100	X00041552	COOLER PLATE ""A"" VERSION	54	PC	800 g
	150	X52820400001	COOLER PLATE B	2	PC	820 g
	200	X52820400002	COOLER PLATE VERSION C	2	PC	840 g
	250	X00041555	FIRST PLATE	1	PC	820 g
	300	X00041556	END PLATE	1	PC	800 g
209	350	X59420300055	PARTITION PLATE	1	PC	7,67 kg



TD0000023399_204

☐	POS.	PART NO.	DESIGNATION	QTY.	UNITS	WEIGHT
	20	X00041566	RUBBER SEAL	4	PC	180 g



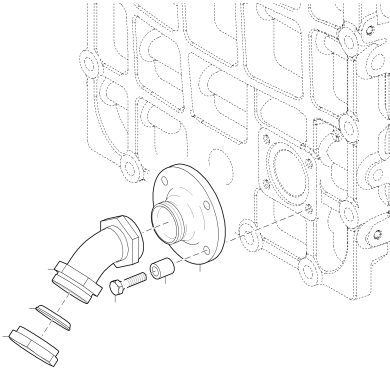
TD0000030078_204

☐	POS.	PART NO.	DESIGNATION	MODEL/TYPE	QTY.	UNITS	WEIGHT	MEASUREMENT	STANDARD
	20	700429026001	O-RING		1	PC	1,3 g	26 X 3	MMN429
	30	000472028000	RING SNAP		1	PC	1,6 g	28 X 1,2	DIN472
	40	XP59608300016	WASHER	BR 4000	1	PC	7,9 g	27 X 25 X 1,5	
	50	XP59608300017	VALVE INSERT	BR 4000	1	PC	0,02 kg		

GROUP SEGMENT (FGS)

GROUP NAME

BOM-No.

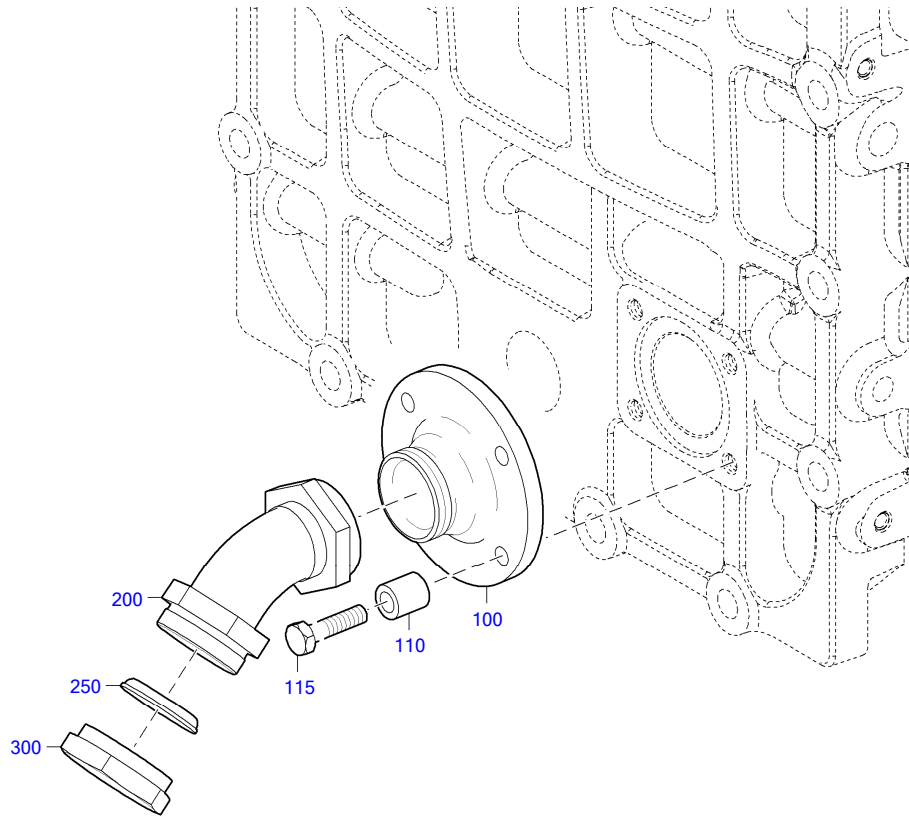


15

CONNECTING HARDWARE F/GRBX OIL HEAT EXC

XS594200.00033

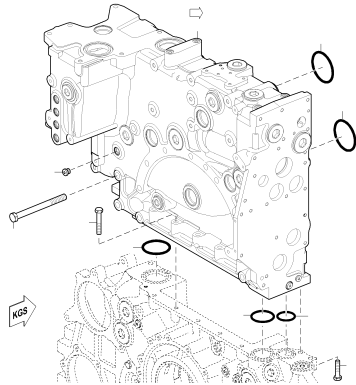
20500171a



20500171a

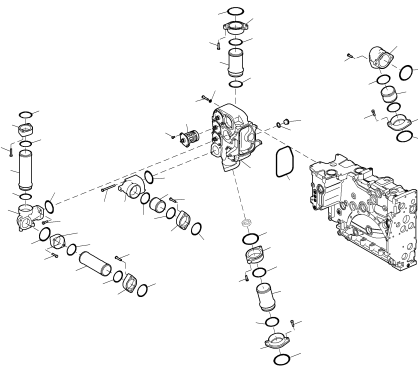
☐	POS.	PART NO.	DESIGNATION	QTY.	UNITS	WEIGHT	MEASUREMENT	STANDARD
	100	X59420500002	THREADED FLANGE FOR RAW WATER OUTLE	1	PC	1,1 kg		
	110	5599920101	SPACER BUSHING	4	PC	34,2 g	12MM X 20MM 22L	
	115	000000001042	HEX SCREW	4	PC	34,6 g	M 10 X 50	ISO4017
	200	X00041623	ELBOW	1	PC	573,6 g		
	250	735189042001	SEALING CONE	1	PC	48 g	42	MTN5189
	300	915001040002	NUT 40 M52X1.5 BL.GE OELT	1	PC	125,6 g	40 M 52 X 1,5	N15001

GROUP SEGMENT (FGS)
GROUP NAME
BOM-No.



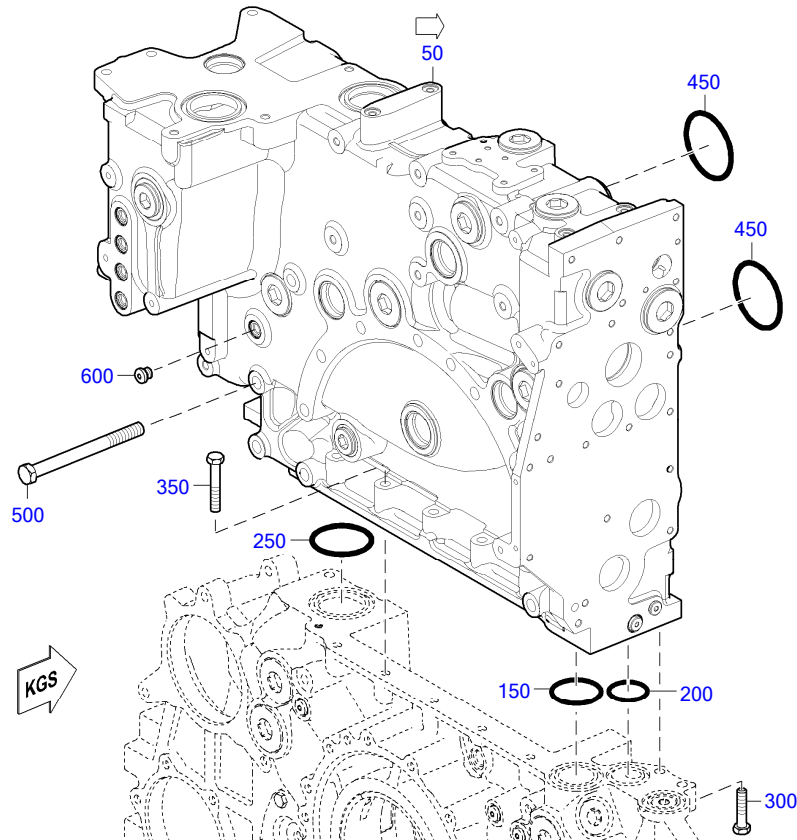
20600695

05
COOLANT DISTRIB HSG
XS529200.00029



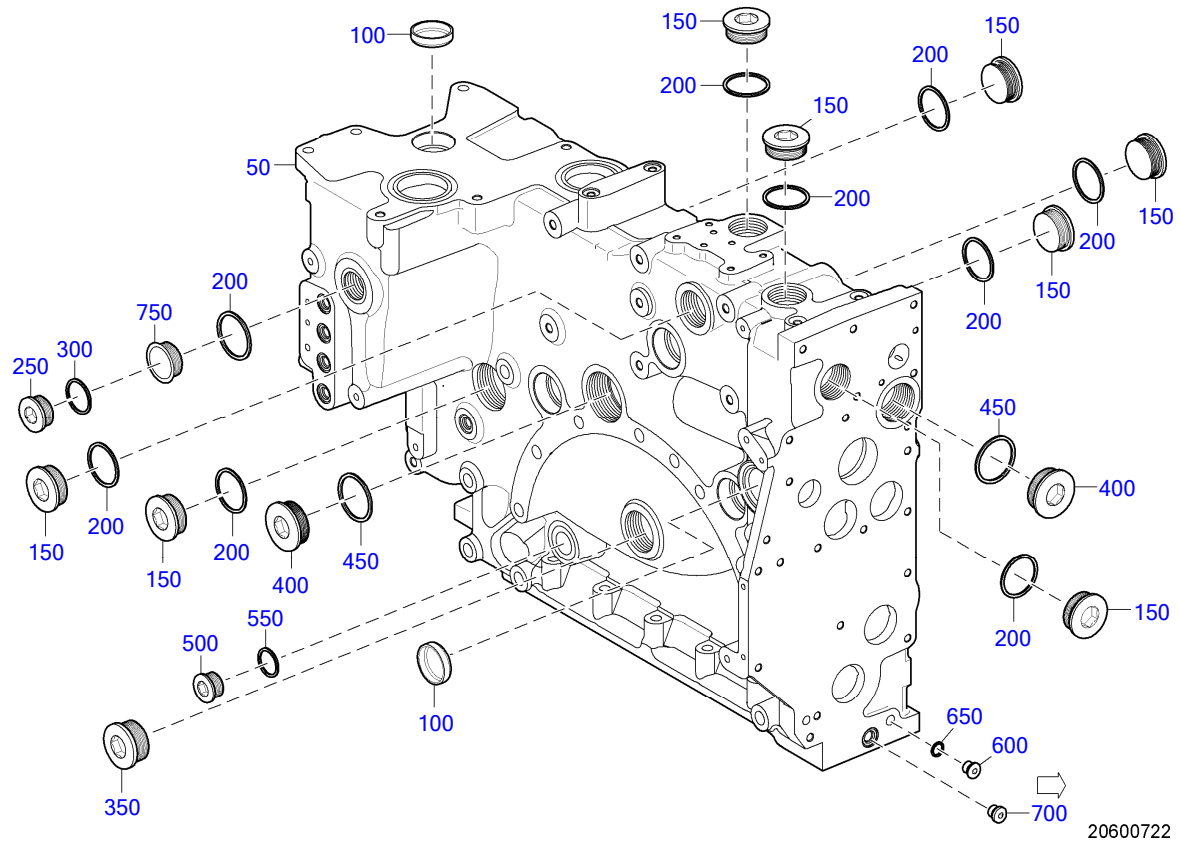
20600367b

05
THERMOSTAT HOUSING
XS594200.00056

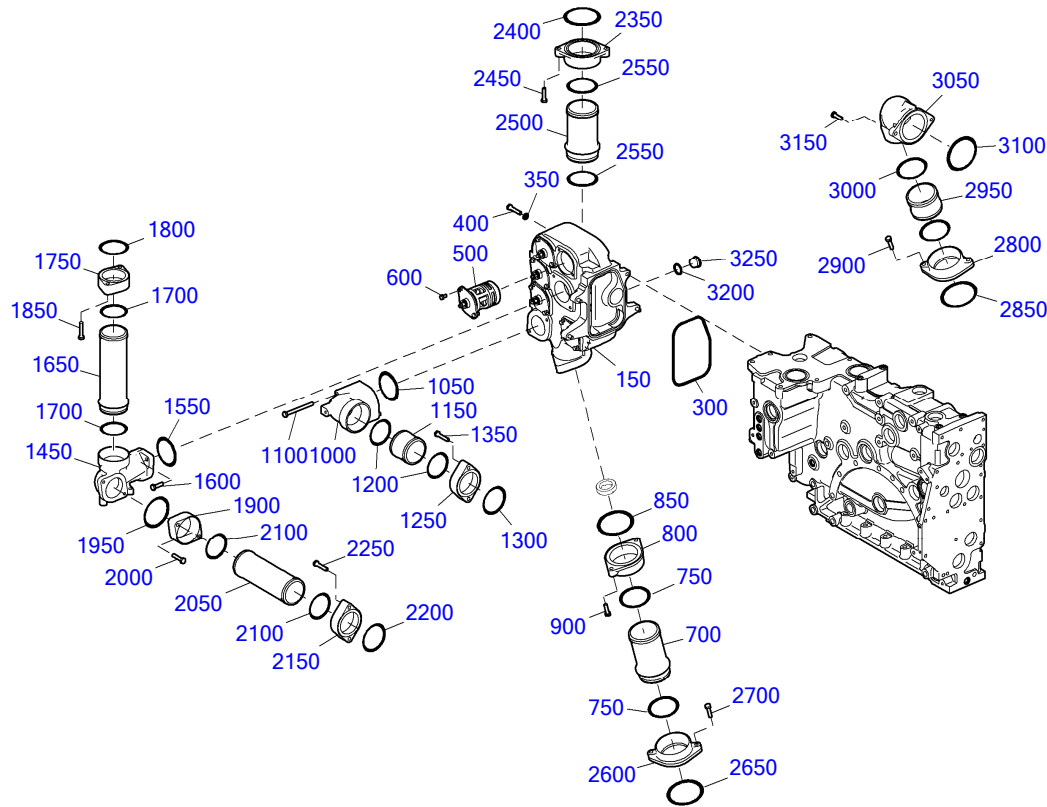


20600695

☐	POS.	PART NO.	DESIGNATION	QTY.	UNITS	WEIGHT	MEASUREMENT	STANDARD
215	50	X59320200138/75	COOLANT DISTRIB HSG PRIMED	1	PC	153 kg		
	150	700429055001	O-RING	1	PC	8 g	55 X 5	MMN429
	200	700429042000	O-RING	1	PC	6,2 g	42 X 5	MMN429
	250	700429070000	O-RING	1	PC	0,01 kg	70 X 5	MMN429
	300	204017012015	HEX SCREW	2	PC	50 g	M 12 X 50	ISO4017
	350	000000002970	HEX SCREW	5	PC	64,7 g	M 12 X 70	ISO4017
	450	700429083000	O-RING	2	PC	11,7 g	83 X 5	MMN429
	500	000000002973	HEX SCREW	14	PC	302,8 g	M 16 X 180	ISO4014
18	600	735210014000	THREAD PLUG	5	PC	0,019 kg	M 14 X 1,5	MTN5210



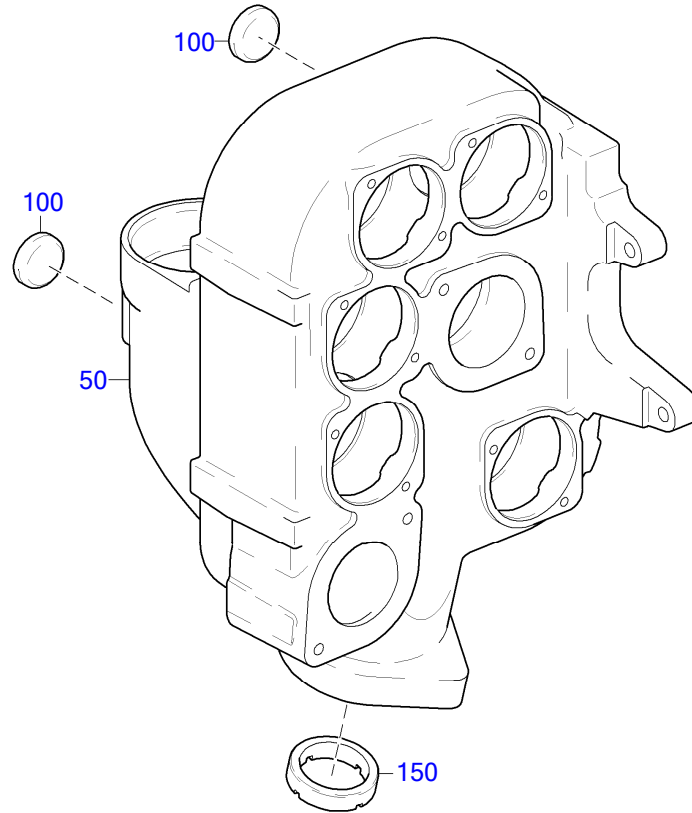
☐	POS.	PART NO.	DESIGNATION	QTY.	UNITS	WEIGHT	MEASUREMENT	STANDARD
	50	X59320200137/75	COOLANT DISTRIB HSG PRIMED	1	PC	147 kg		
	100	5249970020	SEALING CAP	8	PC	62,6 g	D 50	
	150	000908048004	THREAD PLUG	8	PC	0,247 kg	M 48 X 1,5	DIN908
	200	007603048101	COPPER SEALING RING	9	PC	7,7 g	A 48 X 55	DIN7603
	250	000908038000	THREAD PLUG	3	PC	0,15 kg	M 38 X 1,5	DIN908
	300	007603038101	COPPER SEALING RING	3	PC	5,4 g	A 38 X 44	DIN7603
	350	735210048000	THREAD PLUG	1	PC	339,1 g	M 48 X 2	MTN5210
	400	000908052003	THREAD PLUG	2	PC	0,298 kg	M 52 X 1,5	DIN908
	450	007603052101	COPPER SEALING RING	2	PC	12,5 g	A 52 X 60	DIN7603
	500	000908030002	THREAD PLUG	1	PC	0,085 kg	M 30 X 1,5	DIN908
	550	007603030101	COPPER SEALING RING	1	PC	4,3 g	A 30 X 36	DIN7603
	600	000908014001	SCREW PLUG	1	PC	0,016 kg	M 14 X 1,5	DIN908
	650	007603014102	SEAL RING	1	PC	1 g	A 14 X 18	DIN7603
18	700	735210014000	THREAD PLUG	1	PC	0,019 kg	M 14 X 1,5	MTN5210
	750	X59499100029	THREADED BUSHING	1	PC	90 g	M48X1.5/M38X1.5	



20600367b

☐	POS.	PART NO.	DESIGNATION	QTY.	UNITS	WEIGHT	FN	MEASUREMENT	STANDARD
	217	150	X59420600011	THERMOSTAT HOUSING	1	PC	36 kg		
		300	700429205001	O-RING	1	PC	18,2 g	205 X 4	MMN429
		350	000125010524	WASHER	4	PC	3,1 g	A 10,5	DIN125
		400	000000001039	HEX SCREW	4	PC	29,8 g	M 10 X 40	ISO4017
		500	X59620600004	THERMAL ACTUATOR	5	PC	1,208 kg	EM	
		600	304017008077	HEX SCREW	10	PC	10,5 g	M 8 X 16	ISO4017
		700	X52820600003	PLUG-IN PIPE	1	PC	1,859 kg		
		750	700429085002	O-RING	2	PC	17,5 g	85 X 6	MMN429
		800	5242030139	FLANGE	1	PC	1,2 kg		
		850	700429105000	O-RING	1	PC	14,3 g	105 X 5	MMN429
		900	000000001039	HEX SCREW	2	PC	29,8 g	M 10 X 40	ISO4017
		1000	X52820200157	COOLANT ELBOW ON THERMOST. HOUSIN	1	PC	5,35 kg		
		1050	700429083000	O-RING	1	PC	11,7 g	83 X 5	MMN429
		1100	204014010007	HEX SCREW	2	PC	72,6 g	M 10 X110	ISO4014
		1150	X52820600005	PLUG-IN PIPE	1	PC	738,5 g		
		1200	700429075001	O-RING	2	PC	10,6 g	75 X 5	MMN429
		1250	X52820300003	FLANGE	1	PC	753,9 g		
		1300	700429083000	O-RING	1	PC	11,7 g	83 X 5	MMN429
		1350	000000001042	HEX SCREW	2	PC	34,6 g	M 10 X 50	ISO4017
		1450	X00035748	COOLANT ELBOW	1	PC	4,6 kg		
		1550	700429083000	O-RING	1	PC	11,7 g	83 X 5	MMN429
		1600	000000003326	HEX SCREW	2	PC	27,4 g	M 10 X 35	ISO4017
		1650	X59620600001	PLUG-IN PIPE	1	PC	2,7 kg		
		1700	700429075001	O-RING	2	PC	10,6 g	75 X 5	MMN429
		1750	X52820300003	FLANGE	1	PC	753,9 g		

☐	POS.	PART NO.	DESIGNATION	QTY.	UNITS	WEIGHT	FN	MEASUREMENT	STANDARD
	1800	700429083000	O-RING	1	PC	11,7 g		83 X 5	MMN429
	1850	000000001042	HEX SCREW	2	PC	34,6 g		M 10 X 50	ISO4017
	1900	X52820300003	FLANGE	1	PC	753,9 g			
	1950	700429083000	O-RING	1	PC	11,7 g		83 X 5	MMN429
	2000	204017010021	HEX SCREW	2	PC	32,5 g		M 10 X 45	ISO4017
	2050	X52820600004	PLUG-IN PIPE	1	PC	2,5 kg			
	2100	700429075001	O-RING	2	PC	10,6 g		75 X 5	MMN429
	2150	X52820300003	FLANGE	1	PC	753,9 g			
	2200	700429083000	O-RING	1	PC	11,7 g		83 X 5	MMN429
	2250	000000001042	HEX SCREW	2	PC	34,6 g		M 10 X 50	ISO4017
	2350	5242030139	FLANGE	1	PC	1,2 kg			
	2400	700429105000	O-RING	1	PC	14,3 g		105 X 5	MMN429
	2450	000000003326	HEX SCREW	2	PC	27,4 g		M 10 X 35	ISO4017
	2500	X52820600003	PLUG-IN PIPE	1	PC	1,859 kg			
	2550	700429085002	O-RING	2	PC	17,5 g		85 X 6	MMN429
	2600	5242030139	FLANGE	1	PC	1,2 kg			
	2650	700429105000	O-RING	1	PC	14,3 g		105 X 5	MMN429
	2700	000000001039	HEX SCREW	2	PC	29,8 g		M 10 X 40	ISO4017
	2800	5242030139	FLANGE	1	PC	1,2 kg			
	2850	700429105000	O-RING	1	PC	14,3 g		105 X 5	MMN429
	2900	000000001039	HEX SCREW	2	PC	29,8 g		M 10 X 40	ISO4017
	2950	X52820600002	PLUG-IN PIPE	1	PC	721,2 g			
	3000	700429085002	O-RING	2	PC	17,5 g		85 X 6	MMN429
	3050	X00029114	COOLANT ELBOW	1	PC	4,405 kg			
	3100	700429105000	O-RING	1	PC	14,3 g		105 X 5	MMN429
	3150	000000003326	HEX SCREW	2	PC	27,4 g		M 10 X 35	ISO4017
	3200	007603030101	COPPER SEALING RING	1	PC	4,3 g		A 30 X 36	DIN7603
	3250	000908030002	THREAD PLUG	1	PC	0,085 kg		M 30 X 1,5	DIN908



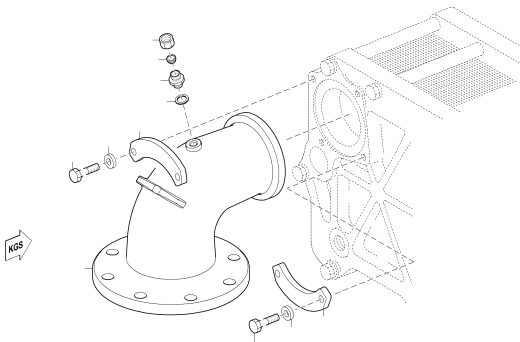
20600386a

☐	POS.	PART NO.	DESIGNATION	QTY.	UNITS	WEIGHT	MEASUREMENT
	50	X59420600007	THERMOSTAT HOUSING	1	PC	37,97 kg	
	100	5370160233	SEALING CAP	2	PC	32 g	D 40
	150	X59520300009	RESTRICTOR	1	PC	189,7 g	

GROUP SEGMENT (FGS)

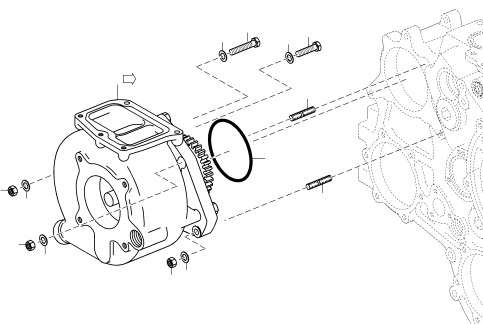
GROUP NAME

BOM-No.



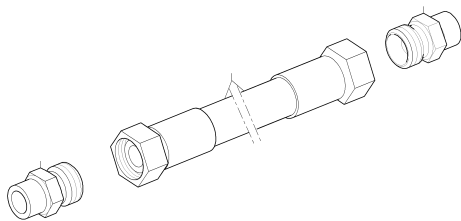
05
SEAWATER OUTLET FRONT
XS594200.00055

20700513



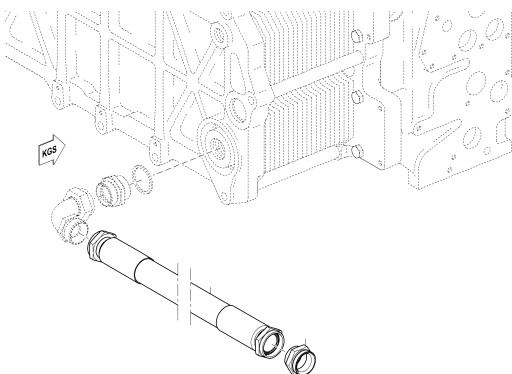
05
SEAWATER PUMP
XS596200.00008

20700498a



10
HOSE
200.00027

TD0000027381_207



10
HOSE SEAWATER-RESISTANT
X00044049

TD0000029390_207

GROUP SEGMENT (FGS)

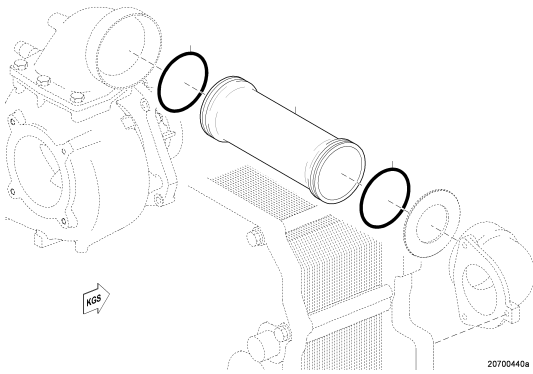
GROUP NAME

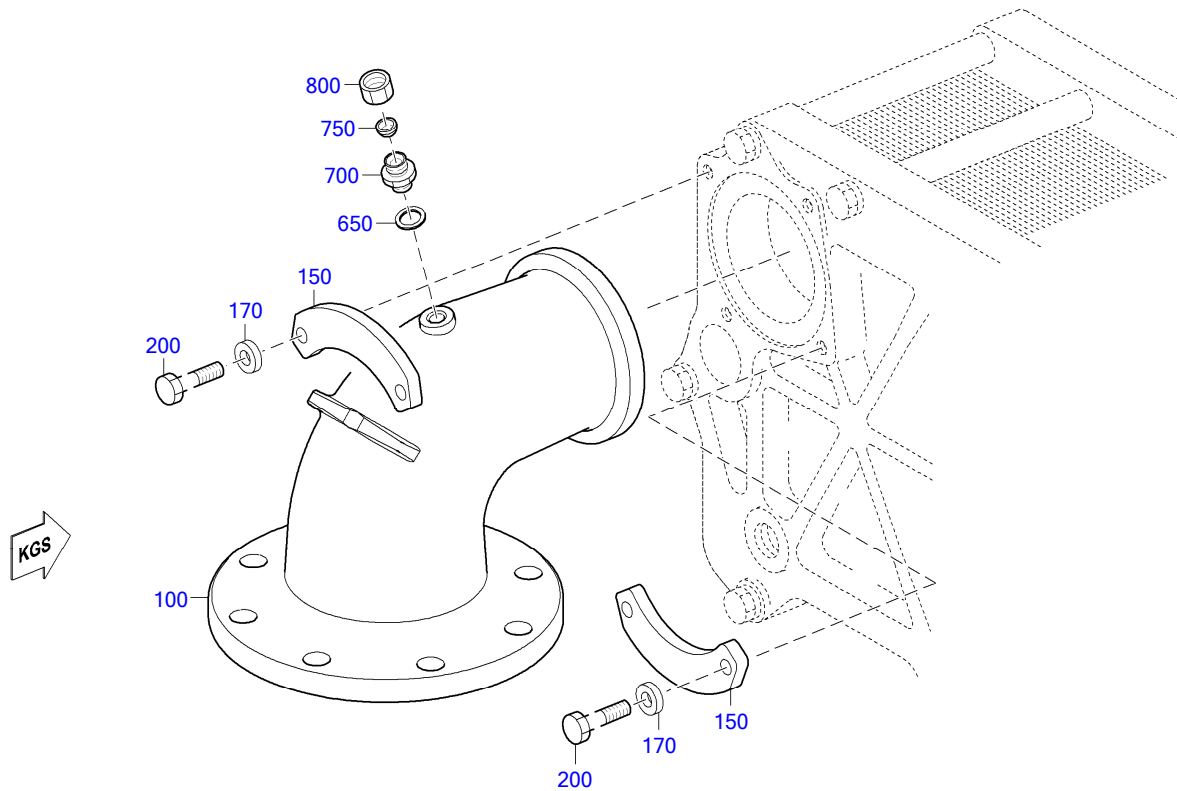
BOM-No.

10

RESTRICTOR AFTER SEAWATER PUMP

XS594200.00022





20700513

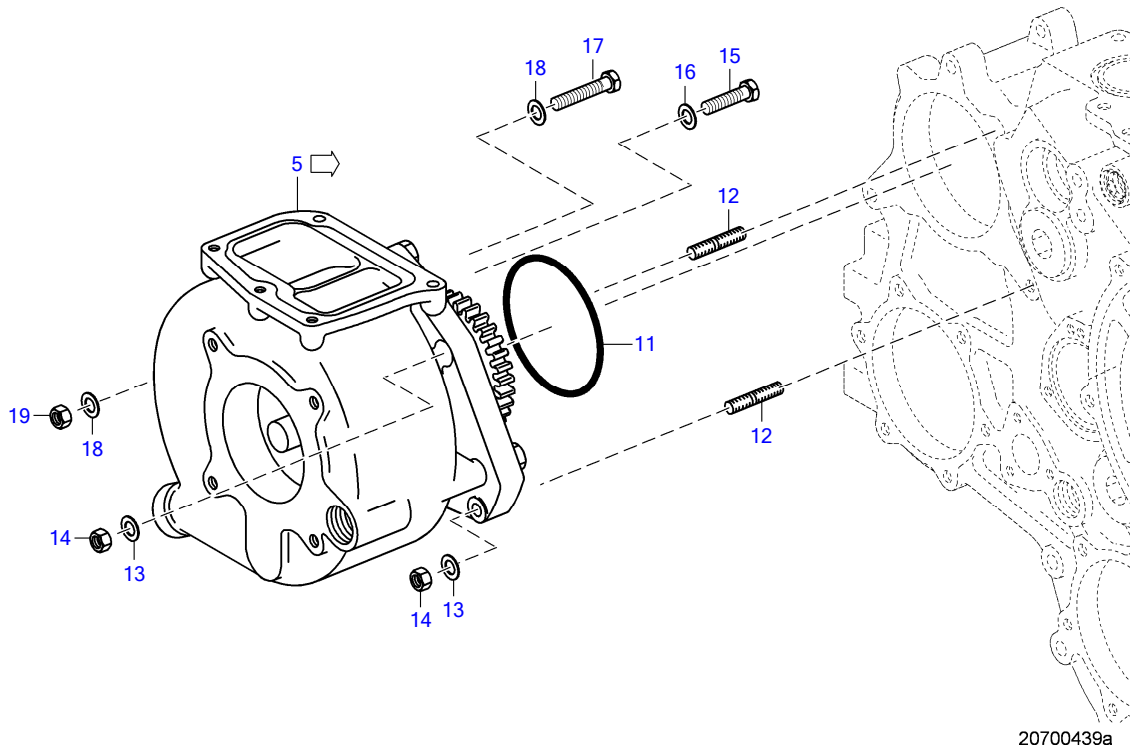
☐	POS.	PART NO.	DESIGNATION	QTY.	UNITS	WEIGHT	MEASUREMENT	STANDARD
	100	X59520500001	SEAWATER ELBOW	1	PC	13,6 kg		
	150	5242030238	CLAMP HALF	2	PC	462,2 g		
	170	735151012100	SPACER S2000/4000	4	PC	20 g	A 12,5	MTN5151
	200	000000001078	HEX SCREW	4	PC	58,2 g	M 12 X 60	ISO4017
	650	007603014102	SEAL RING	1	PC	1 g	A 14 X 18	DIN7603
	700	915007008008	CONNECTOR 8/6 F73	1	PC	27,3 g	8 / 6	MBN15007
	750	915005008003	CONE SEALING 10 F73	1	PC	3,9 g	10	MBN15005
	800	915001008001	NUT	1	PC	14,6 g	8 M 16 X 1,5	N15001

EQUI TYPE: Engine

PRODUCT TYPE: 12V4000M93L
SEAWATER PUMP

SERIAL NUMBER: 526108553

FG/FGS: 207 05
BOM-No.: XS596200.00008

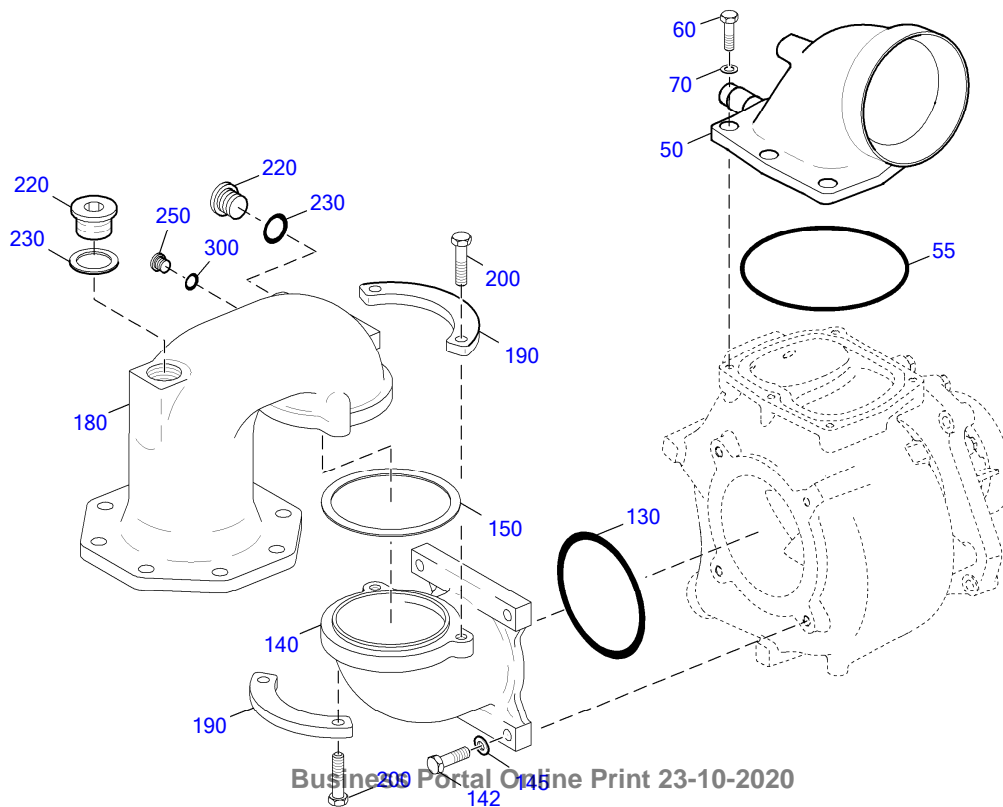


EQUI TYPE: Engine

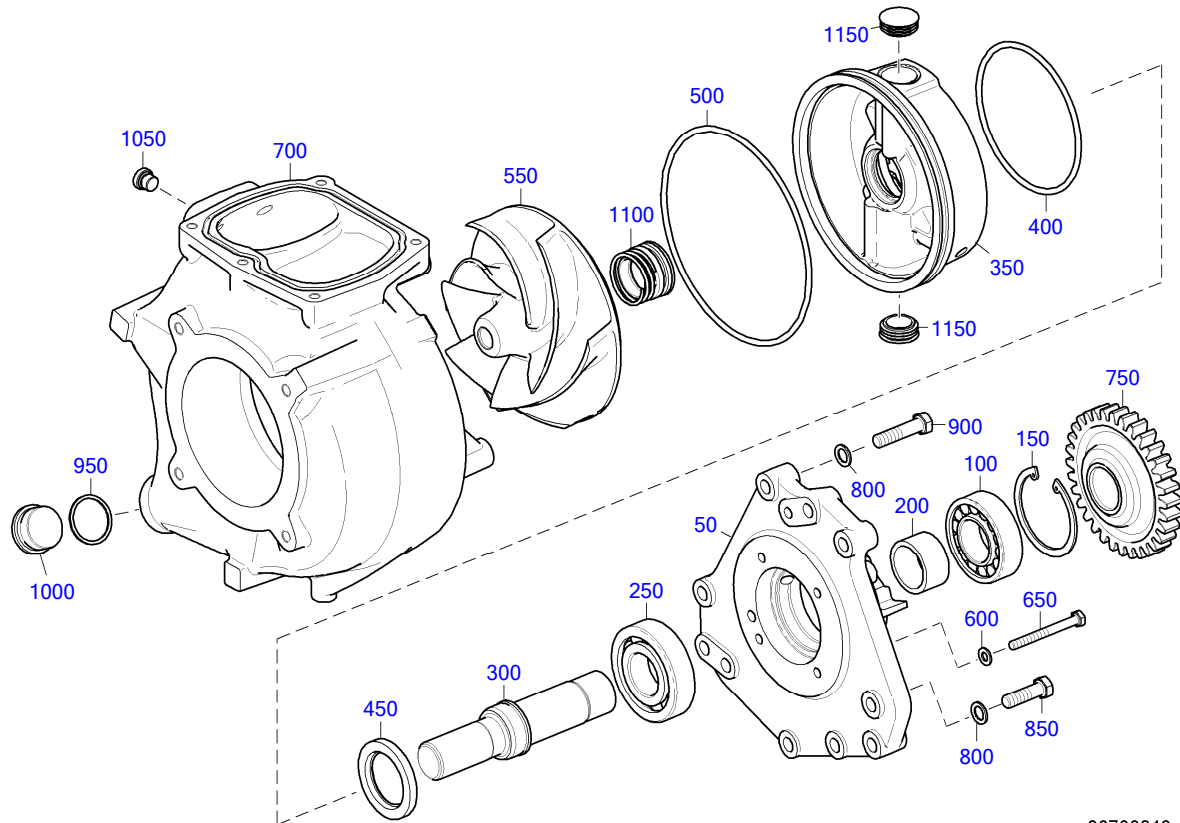
PRODUCT TYPE: 12V4000M93L
SEAWATER PUMP

SERIAL NUMBER: 526108553

FG/FGS: 207 05
BOM-No.: XS596200.00008

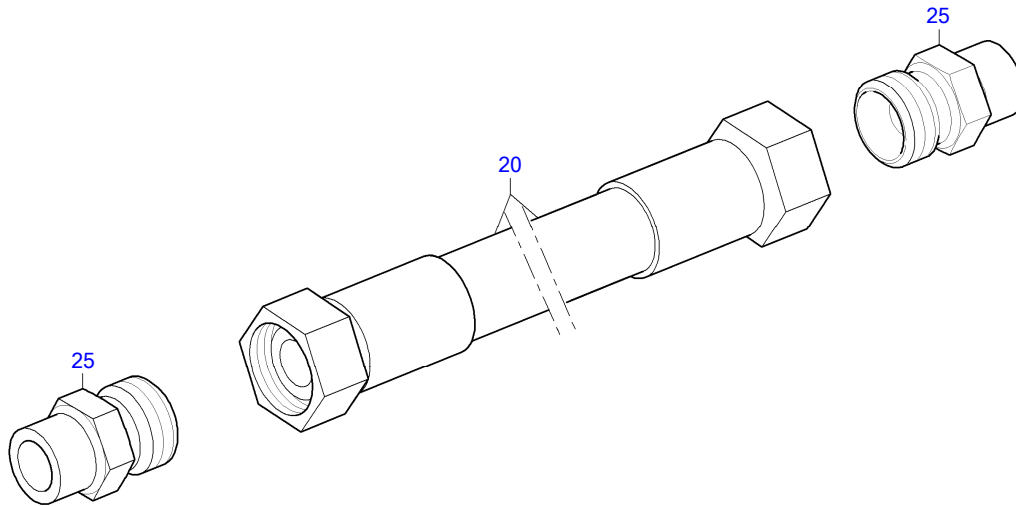


☐	POS.	PART NO.	DESIGNATION	QTY.	UNITS	WEIGHT	FN	MEASUREMENT	STANDARD
221	5	X59420700016	SEAWATER PUMP	1	PC	42,6 kg	EM		
	11	700429130003	O-RING	1	PC	18 g		130 X 5	MMN429
	12	200939012002	STUD	3	PC	44,5 g		M 12 X 45	DIN939
	13	200433013000	WASHER	3	PC	2,5 g		13	DIN433
	14	204032012000	NUT HEX ZNPH R5F	3	PC	14,9 g		M 12	ISO4032
	15	204017012015	HEX SCREW	1	PC	50 g		M 12 X 50	ISO4017
	16	200433013000	WASHER	1	PC	2,5 g		13	DIN433
	17	000000002970	HEX SCREW	1	PC	64,7 g		M 12 X 70	ISO4017
	18	200433013000	WASHER	2	PC	2,5 g		13	DIN433
	19	204032012000	NUT HEX ZNPH R5F	1	PC	14,9 g		M 12	ISO4032
	50	X59620200045	COOLANT ELBOW	1	PC	6,438 kg			
	55	700429170000	O-RING	1	PC	15,5 g		170 X 4	MMN429
	60	000000003326	HEX SCREW	5	PC	27,4 g		M 10 X 35	ISO4017
	70	000125010524	WASHER	5	PC	3,1 g		A 10,5	DIN125
	130	700429160000	O-RING	1	PC	22,1 g		160 X 5	MMN429
	140	X00037441	COOLANT ELBOW	1	PC	8,047 kg			
	142	204017012009	HEX SCREW	4	PC	43,8 g		M 12 X 40	ISO4017
	145	000125013012	WASHER	4	PC	5,6 g		A 13	DIN125
	150	5929975449	GASKET	1	PC	13,9 g			
	180	X00037440	COOLANT ELBOW	1	PC	18,4 kg			
	190	X00037787	HALF-CLAMP	2	PC	479 g			
	200	000000003437	HEX SCREW	4	PC	50,8 g		M 12 X 50	ISO4017
	220	000908038003	PLUG	2	PC	0,147 kg		M 38 X 1,5	DIN908
	230	007603038101	COPPER SEALING RING	2	PC	5,4 g		A 38 X 44	DIN7603
	250	000908014002	PLUG	1	PC	0,015 kg		M 14 X 1,5	DIN908
	300	007603014102	SEAL RING	1	PC	1 g		A 14 X 18	DIN7603



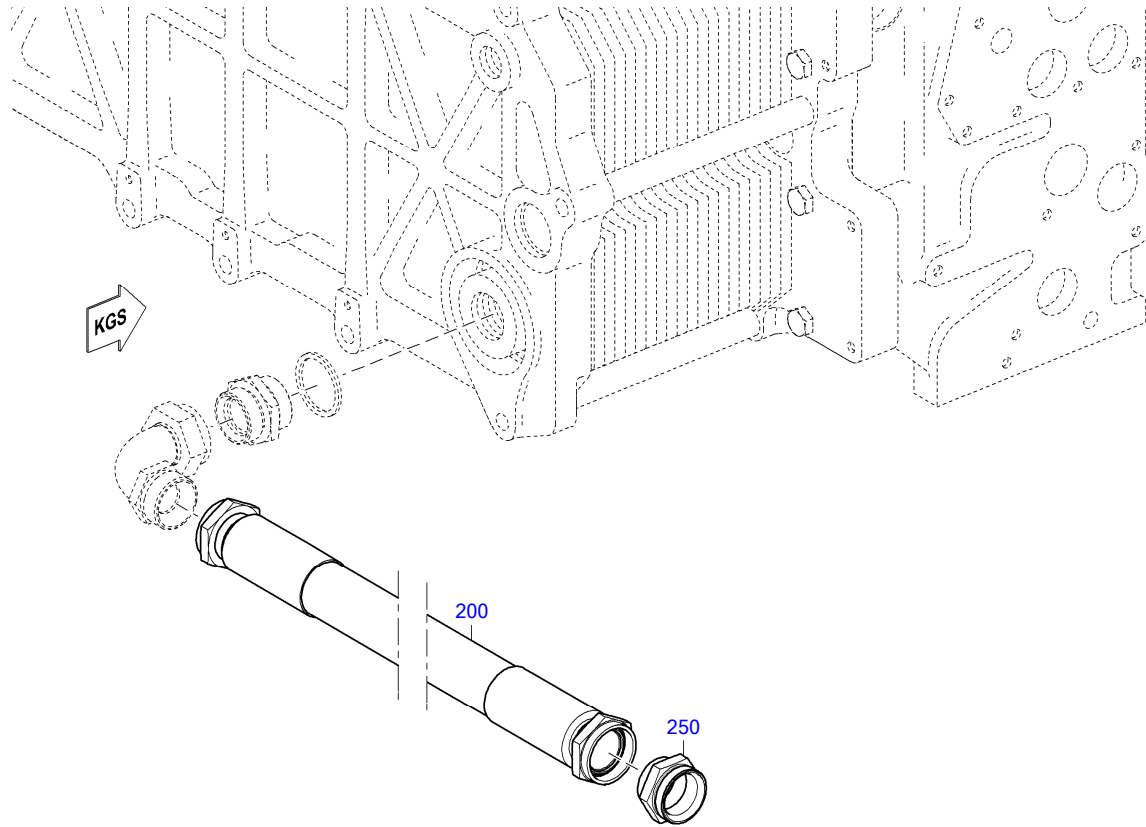
20700846

☐	POS.	PART NO.	DESIGNATION	MODEL/TYPE	QTY.	UNITS	WEIGHT	FN	MEASUREMENT	STANDARD
	50	X59420700004	BEARING HOUSING FOR SEAWATER PUMP		1	PC	8,626 kg	KE		
	100	205412422005	CYL. ROLLER BEARING		1	PC	562 g		NU2208	DIN5412
	150	000472080000	RING SNAP		1	PC	22 g		80 X 2,5	DIN472
	200	X59420700009	BUSHING		1	PC	144 g			
	250	200628103006	BEARING ANGULAR CONT ACT ROLLER		1	PC	750 g		QJ308	DIN628
	300	5272010505	SHAFT WAT PUMP HT CO OLING CIRCUIT		1	PC	1,904 kg			
	350	X59620700004	SEAL CARRIER FOR SEAWATER PUMP		1	PC	4,66 kg			
	400	700429135000	O-RING		1	PC	18,6 g		135 X 5	MMN429
	450	700386048001	SEAL OIL 48 X 72 X 8 MNN386		1	PC	31,2 g		A 48 X 72 X 8	MMN386
	500	700429190001	O-RING		1	PC	25,8 g		190 X 5	MMN429
	550	X00037017	IMPELLER FOR SEAWATER PUMP		1	PC	3,854 kg			
	600	000125008427	WASHER		4	PC	1,5 g		A 8,4	DIN125
	650	000000004389	HEX SCREW		4	PC	30 g		M 8 X 75	ISO4017
	700	X59620700001	SPIRAL HOUSING FOR SEAWATER PUMP		1	PC	19,29 kg			
	750	X00041743	GEAR		1	PC	1,7 kg			
	800	200433013000	WASHER		6	PC	2,5 g		13	DIN433
	850	000000000905	HEX SCREW		2	PC	40 g		M 12 X 40	ISO4017
	900	304017012018	HEX SCREW		4	PC	49,9 g		M 12 X 50	ISO4017
	950	007603038101	COPPER SEALING RING		1	PC	5,4 g		A 38 X 44	DIN7603
	1000	000908038003	PLUG		1	PC	0,147 kg		M 38 X 1,5	DIN908
	1050	735210014001	PLUG		2	PC	0,018 kg		M 14 X 1,5	MTN5210
	1100	X52420200075	ROTARY SEAL		1	PC	0,067 kg		MG91S3/35-G6-A1	
	1150	X52499100658	PLUG	ZU WP X59420700016	2	PC	3,6 g			



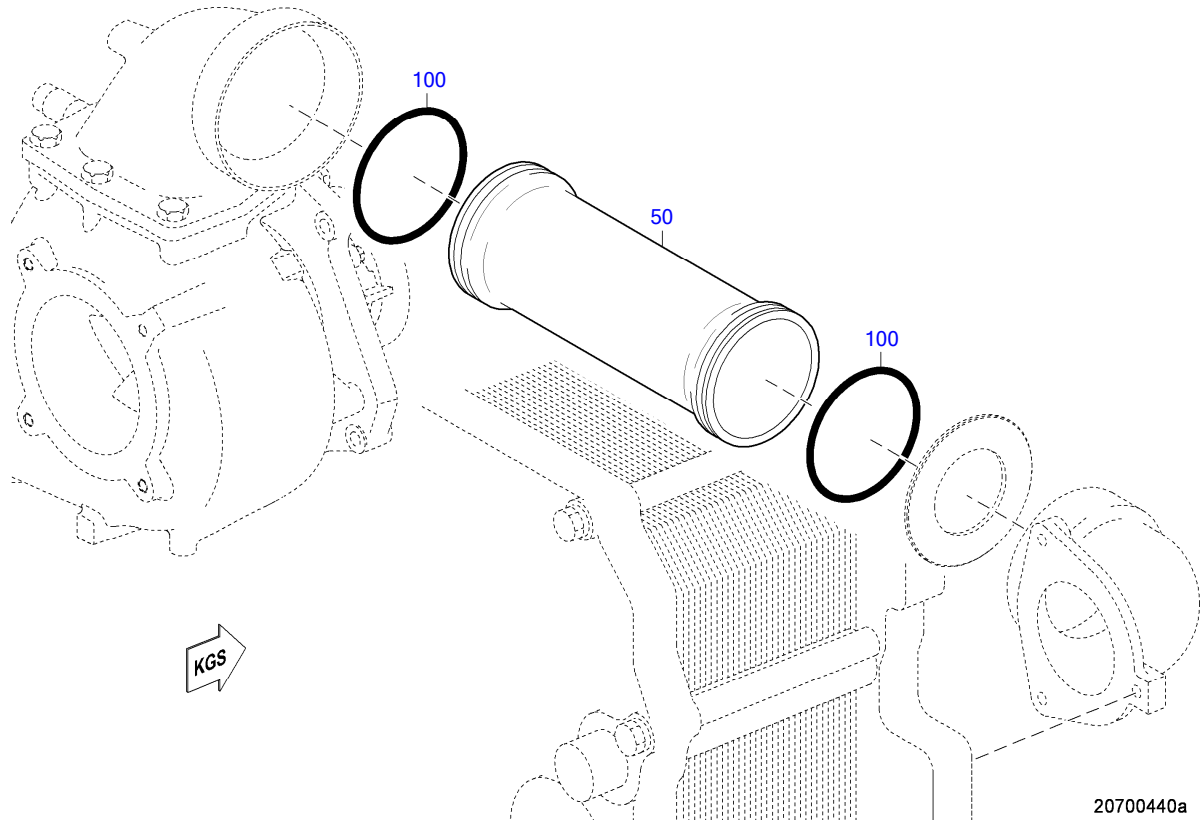
TD0000027381_207

☐	POS.	PART NO.	DESIGNATION	QTY.	UNITS	WEIGHT	MEASUREMENT	STANDARD
	20	735038006102	HOSE	1	PC	0,148 kg	1SN 6 CC 300	MTN5038
	25	718363206002	UNION	2	PC	14,8 g	8/M 14 X 1,5	MMN18363.2



TD0000029390_207

☐	POS.	PART NO.	DESIGNATION	QTY.	UNITS	WEIGHT	MEASUREMENT	STANDARD
	200	735038040106	HOSE	1	PC	3,4 kg	1SN 38 CC 1200-MW	MTN5038
	250	718363240003	UNION	1	PC	202,6 g	42/M 52 X 1,5	MMN18363.2



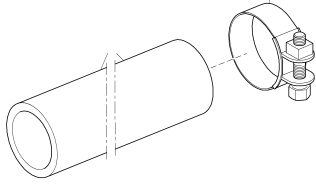
☐	POS.	PART NO.	DESIGNATION	QTY.	UNITS	WEIGHT	MEASUREMENT	STANDARD
	50	X00039742	PLUG-IN PIPE FOR SEAWATER	1	PC	4,313 kg		
	100	700429130000	O-RING	2	PC	26 g	130 X 6	MMN429

GROUP SEGMENT (FGS)

GROUP NAME

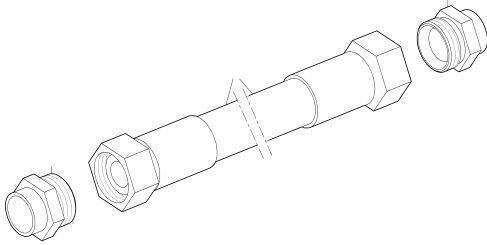
BOM-No.

05
RUBBER SLEEVE
200.00023

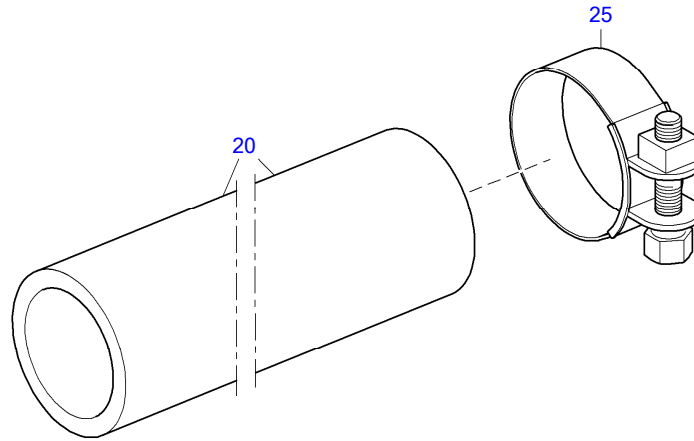


TD0000019711_208

05
HOSE
200.00024

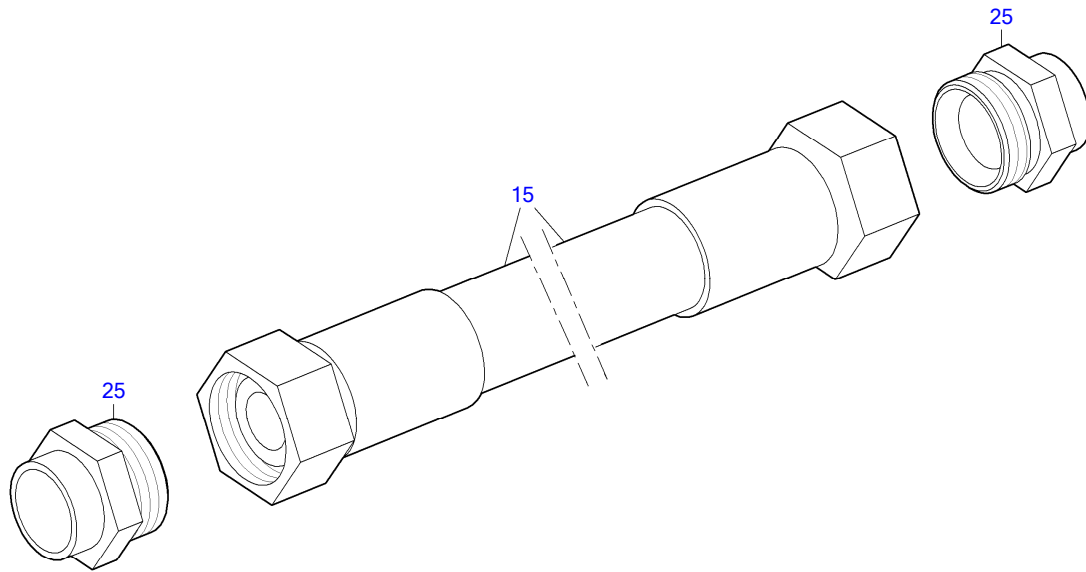


TD0000025438_208



TD0000019711_208

☐	POS.	PART NO.	DESIGNATION	QTY.	UNITS	WEIGHT	MEASUREMENT	STANDARD
	20	700368042004	SLEEVE RUBBER	1	PC	507,8 g	42 X 400	MMN368
	25	900288054005	CLAMP	2	PC	69,9 g	S 54/20X1 SKZ	MBN288A



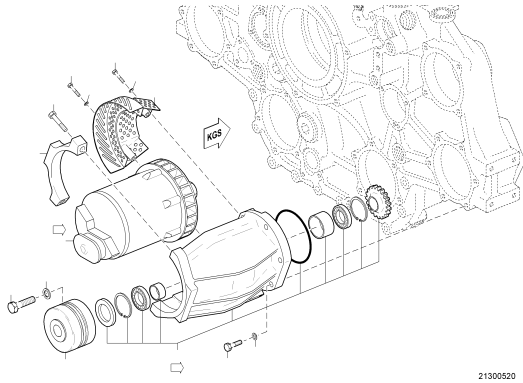
TD0000025436_208

☐	POS.	PART NO.	DESIGNATION	QTY.	UNITS	WEIGHT	MEASUREMENT	STANDARD
	15	735038008103	HOSE	1	PC	198,1 g	1SN 8 CC 300-MW	MTN5038
	25	718363208003	UNION	2	PC	19,5 g	10/M 16 X 1,5	MMN18363.2

GROUP SEGMENT (FGS)

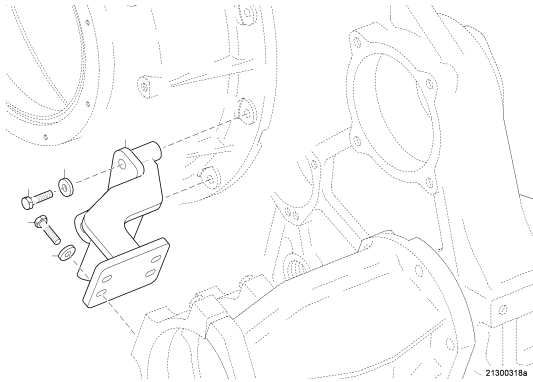
GROUP NAME

BOM-No.



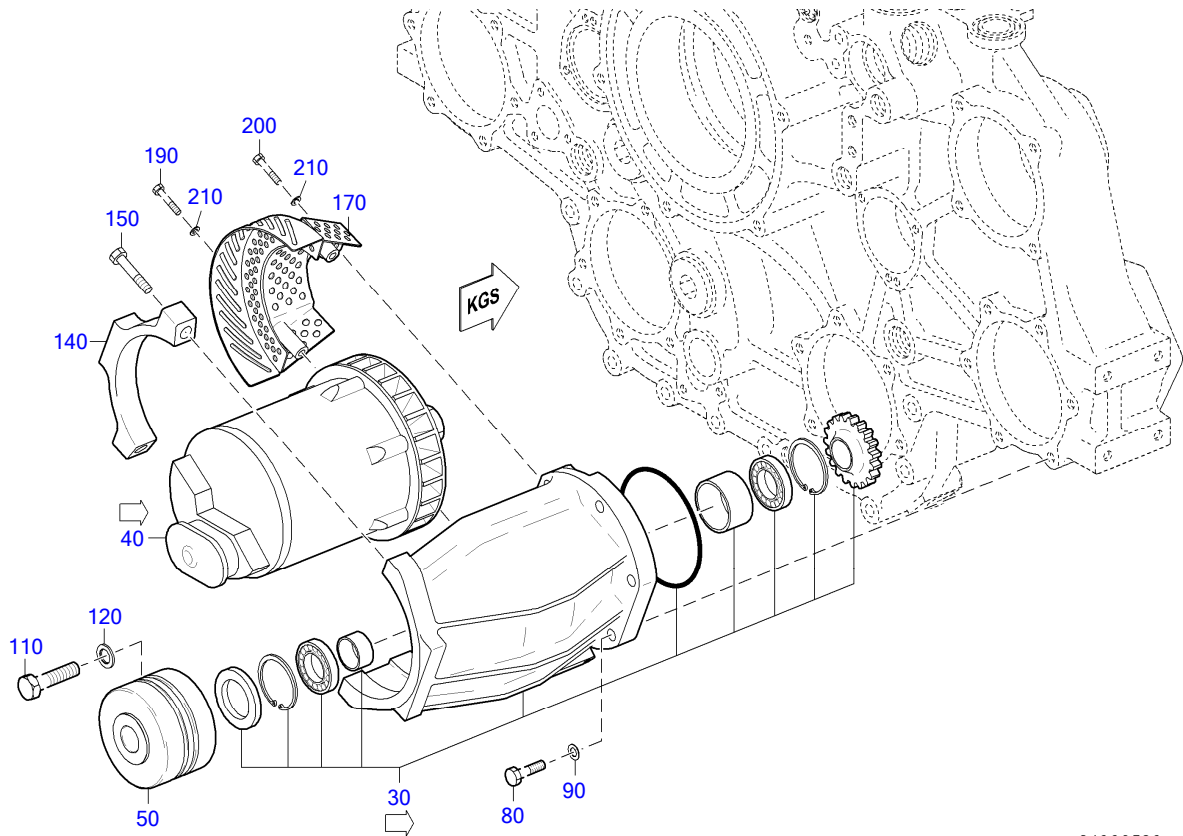
05
ALTERNATOR
XS594210.00001

21300520



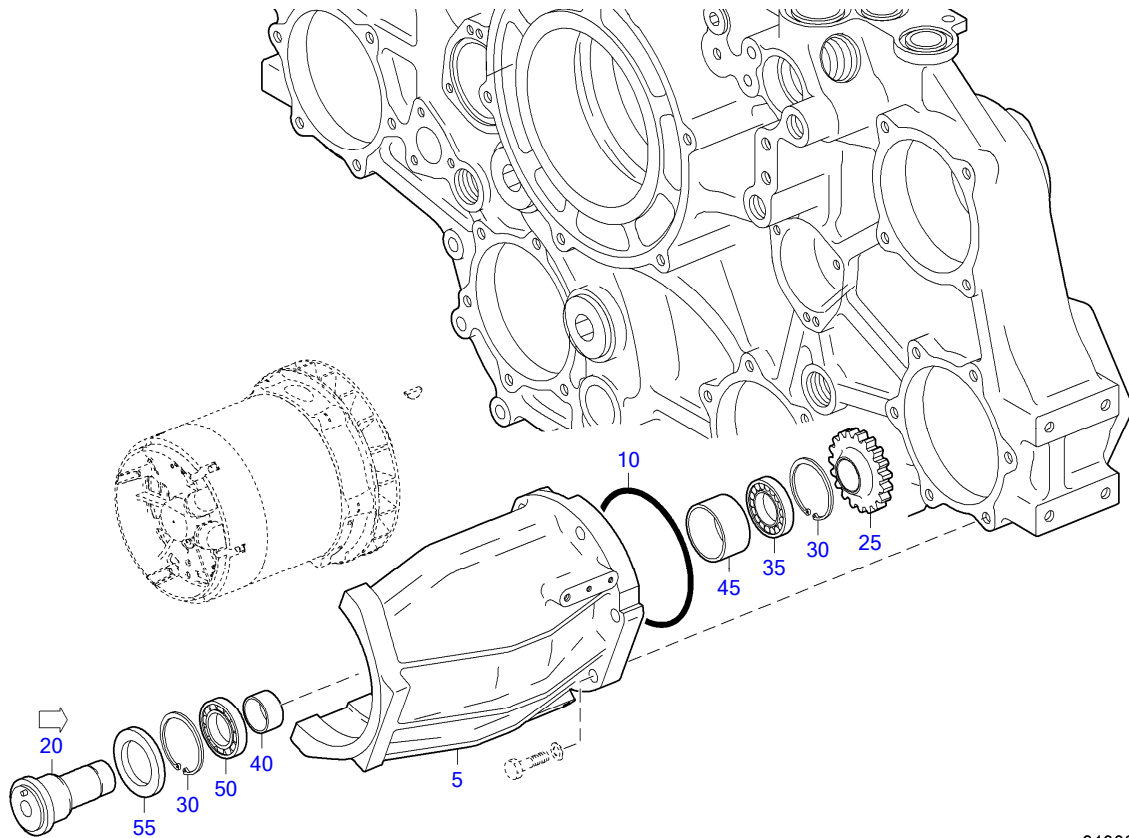
94
RETAINER FOR ALTERNATOR
XS594210.00002

21300318a



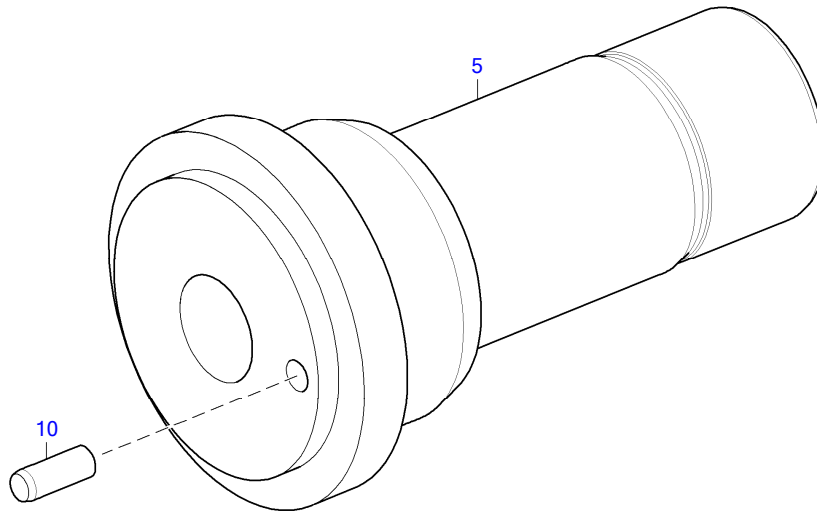
21300520

☐	POS.	PART NO.	DESIGNATION	MODEL/TYPE	QTY.	UNITS	WEIGHT	FN	MEASUREMENT	STANDARD
	230	30	5241500152	ALTERNATOR DRIVE	4000	1	PC	22,571 kg	M	
	232	40	X52421300029	GENERATOR	AVG2902 DELCO 140A	1	PC	15,152 kg		
		50	X52421300003	COUPLING		1	PC	2,675 kg		
		80	000931012033	HEX SCREW		6	PC	54 g	M 12 X 50	DIN931
		90	735151012100	SPACER S2000/4000		6	PC	20 g	A 12,5	MTN5151
		110	000931016133	HEX SCREW		1	PC	151 g	M 16 X 80	DIN931
		120	200433017000	WASHER		1	PC	6,8 g	17	DIN433
		140	5241510211	CLAMP ALTERNATOR U 2 00MM ID		2	PC	1,18 kg		
		150	000931012137	HEX SCREW		4	PC	80,4 g	M 12 X 80	DIN931
		170	X00044396	SHIELD ALTERNATOR HE AT ASM		1	PC	700 g	SB	
		190	304017008089	HEX SCREW		2	PC	24,2 g	M 8 X 60	ISO4017
		200	304017008077	HEX SCREW		1	PC	10,5 g	M 8 X 16	ISO4017
		210	000125008427	WASHER		3	PC	1,5 g	A 8,4	DIN125




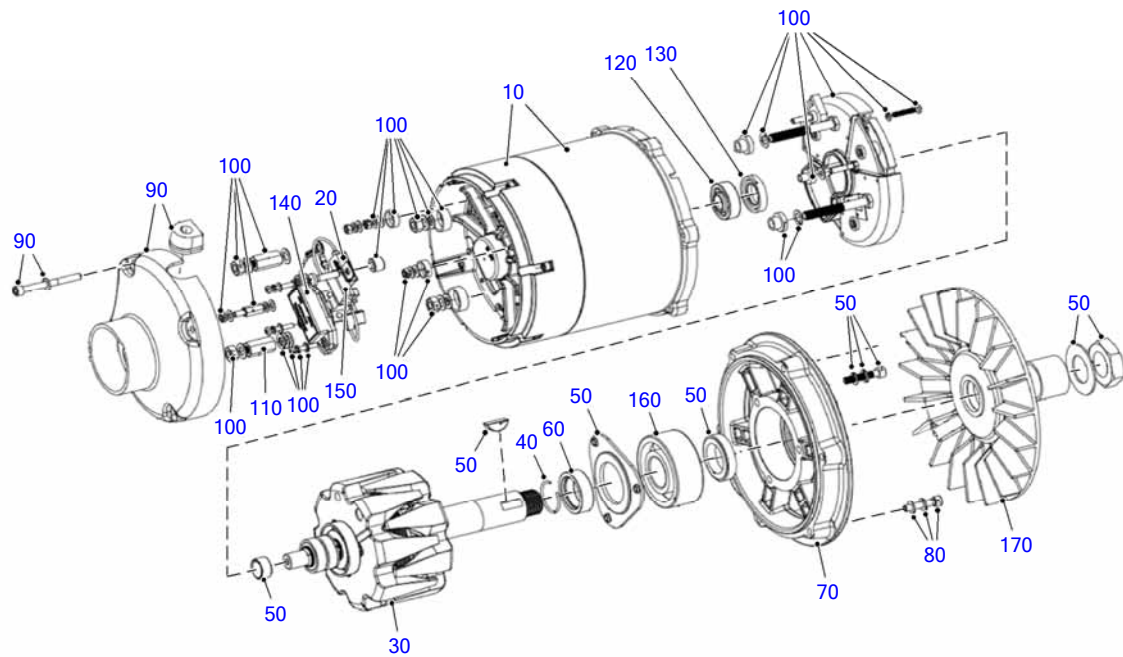
21300387

☐	POS.	PART NO.	DESIGNATION	MODEL/TYPE	QTY.	UNITS	WEIGHT	MEASUREMENT	STANDARD
	5	5241510940	CARRIER ALTERNATOR	BR4000	1	PC	20 kg		
	10	700429135000	O-RING		1	PC	18,6 g	135 X 5	MMN429
231	20	5241500009	SHAFT		1	PC	930,7 g		
	25	X00021757	GEAR		1	PC	450,7 g		
	30	000472062000	RING SNAP		2	PC	11,8 g	62 X 2	DIN472
	35	205412410002	BEARING CYLINDRICAL ROLLER NU 1007		1	PC	175 g	NU1007	DIN5412
	40	5241510251	RING SPACER		1	PC	42,6 g		
	45	5241510151	RING SPACER		1	PC	91,9 g		
	50	200625906017	BEARING BALL GROOVED 6007 J		1	PC	144,6 g	6007	DIN625
	55	700386048001	SEAL OIL 48 X 72 X 8 MNN386		1	PC	31,2 g	A 48 X 72 X 8	MMN386



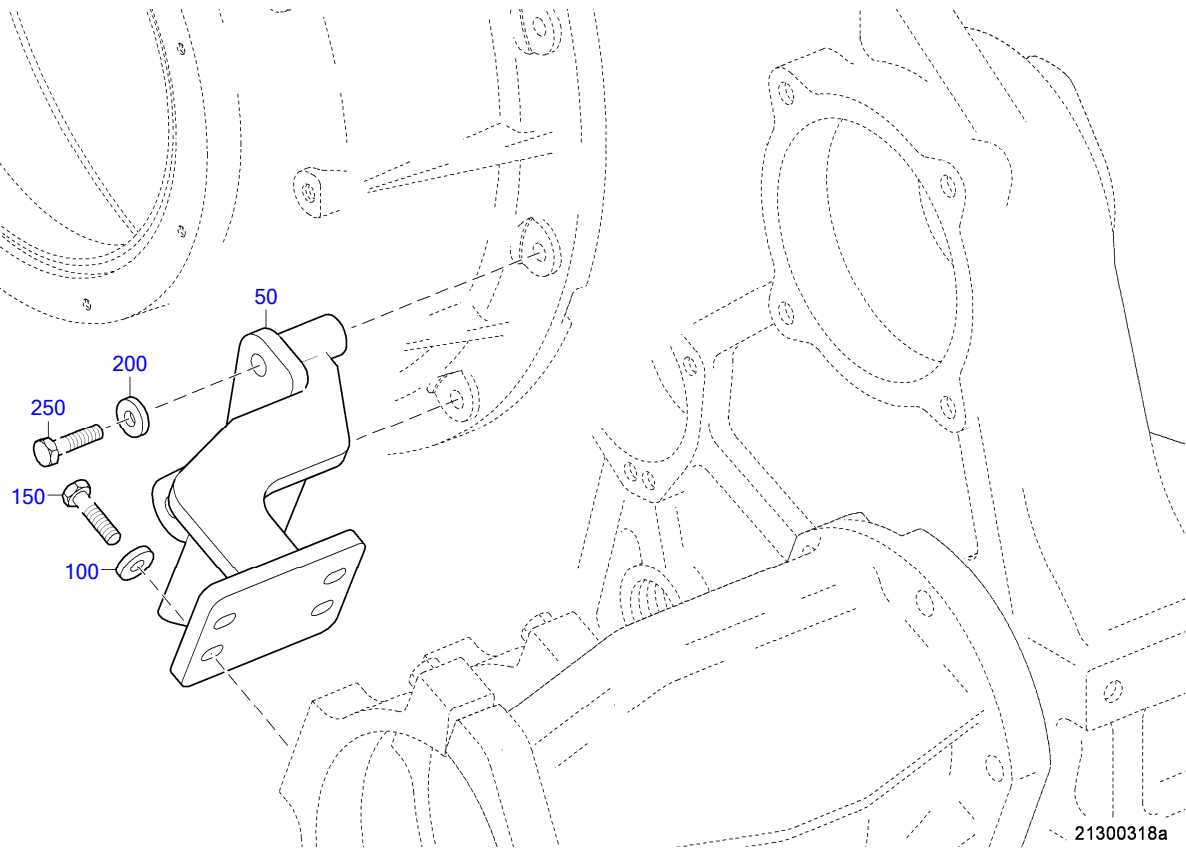
TD0000027946_213

	POS.	PART NO.	DESIGNATION	QTY.	UNITS	WEIGHT	MEASUREMENT	STANDARD
	5	5241510133	SHAFT	1	PC	933 g		
	10	006325005108	PIN PARALLEL 5M	1	PC	2,2 g	5 M 6 X 14	DIN6325



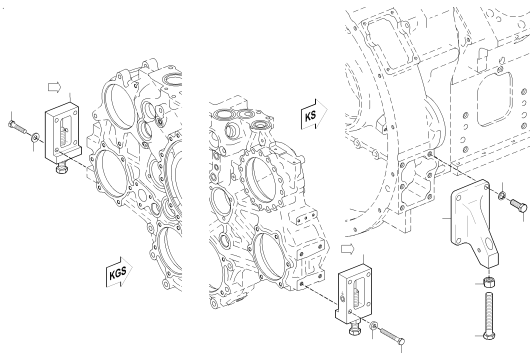
21300631

☐	POS.	PART NO.	DESIGNATION	QTY.	UNITS	WEIGHT	MEASUREMENT
	10	XP52421300057	FRAME SET	1	PC		
	20	XP52421300024	CAPACITOR	1	PC	23 g	
	30	XP52421300058	ROTOR	1	PC		
	40	XP52421300059	SPRING WASHER	1	PC		30
	50	XP52421300060	SPACER AND WASHER SET	1	PC		
	60	XP52421300061	SUPPORT RING	1	PC		41,5x30x12
	70	XP52421300019	DRIVE-END BEARING	1	PC	0,01 kg	
	80	XP52421300062	SCREW AND WASHER SET	1	PC	0,14 kg	
	90	XP52421300063	COVER SET	1	PC	0,493 kg	
	100	XP52421300064	NUT AND DISC SET	1	PC	0,16 kg	
	110	XP52421300014	RECTIFIER	1	PC	532 g	
	120	XP52421300065	NEEDLE BEARING	1	PC	0,047 kg	
	130	XP52421300066	RADIAL-LIP SHFT SEAL	1	PC	0,008 kg	20X35X7
	140	XP52421300067	GOVERNOR	1	PC		
	150	XP52421300023	CAPACITOR	1	PC	17 g	
	160	XP52421300068	BALL BEARING	1	PC		
	170	XP52421300021	FAN	1	PC		



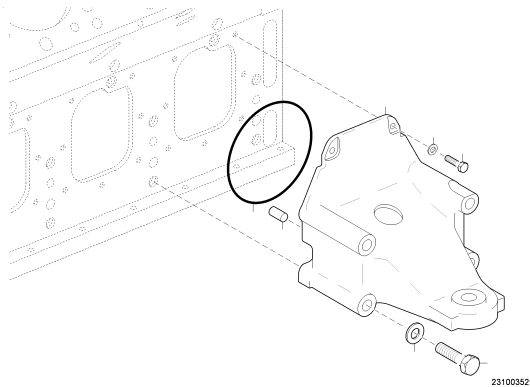
☐	POS.	PART NO.	DESIGNATION	QTY.	UNITS	WEIGHT	MEASUREMENT	STANDARD
	50	X59421300001	RETAINER FOR ALTERNATOR	1	PC	2,94 kg		
	100	007349008002	WASHER	4	PC	7,9 g	8,4	DIN7349
	150	304017008080	HEX SCREW	4	PC	13,3 g	M 8 X 25	ISO4017
	200	007349008002	WASHER	2	PC	7,9 g	8,4	DIN7349
	250	000000003946	HEX SCREW	2	PC	43,6 g	M 8 X100	ISO4014

GROUP SEGMENT (FGS)
GROUP NAME
BOM-No.

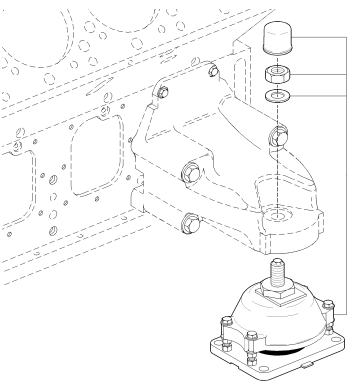


05
ENGINE SUPPORT
XS527230.00015

2310035a

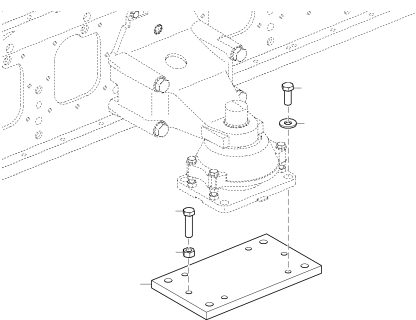


05
MOUNTING BRACKET
XS527230.00016



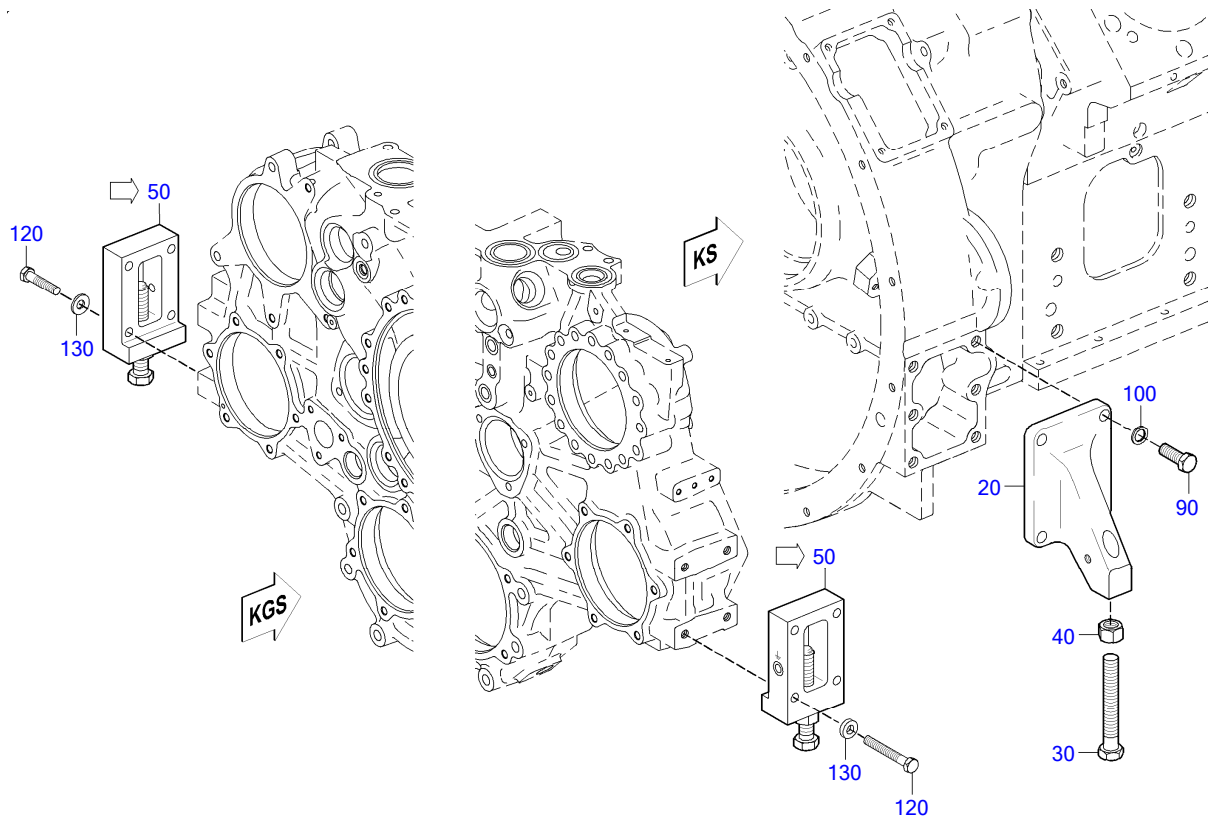
05
RUBBER MOUNT
XS594230.00004

23100358a



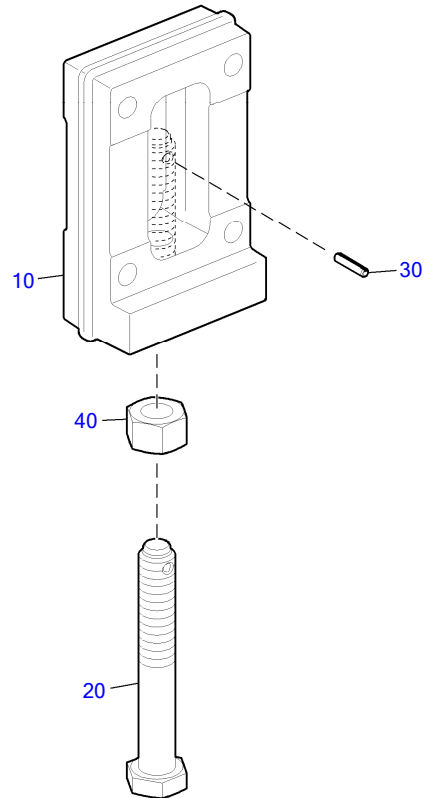
10
BASE PLATE
230.00000

TD0000030082_231



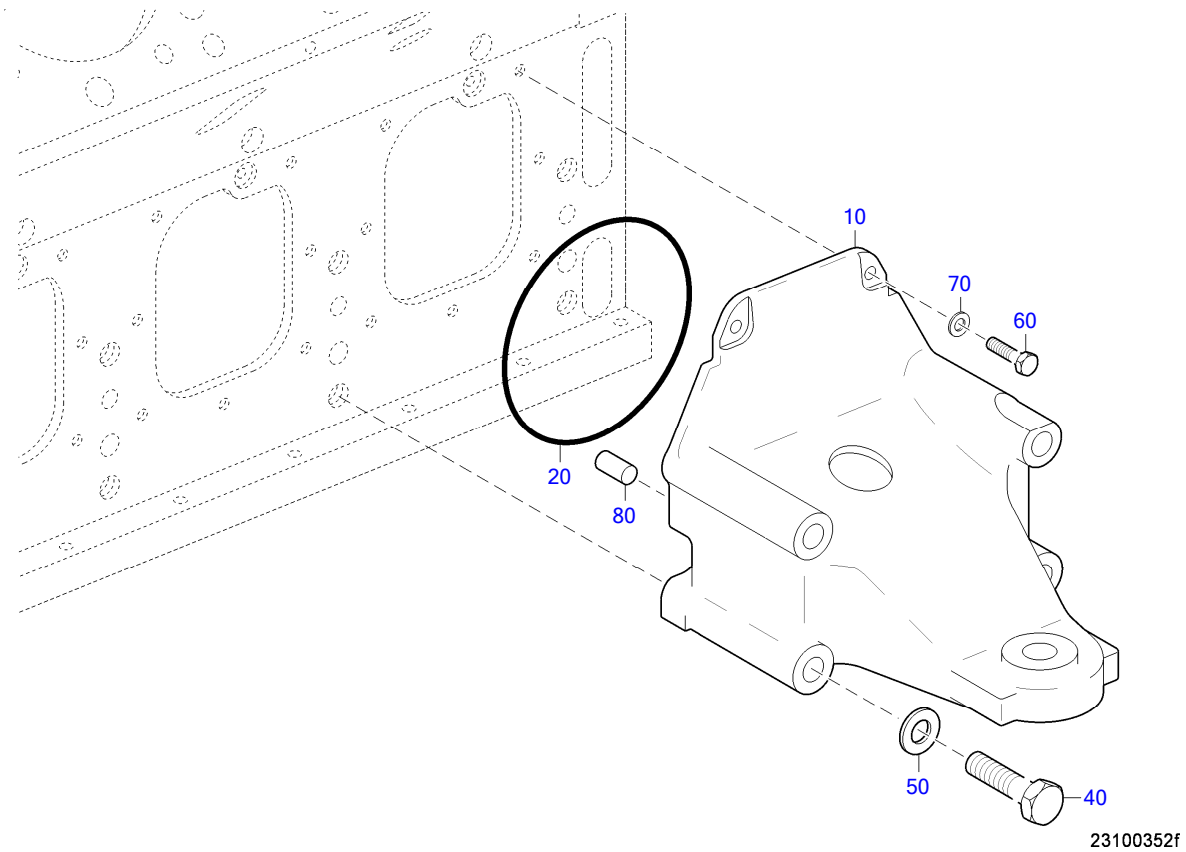
23100353a

☐	POS.	PART NO.	DESIGNATION	QTY.	UNITS	WEIGHT	MEASUREMENT	STANDARD
	20	X59623100004	ENGINE SUPPORT MAIN PTO END	2	PC	8,4 kg		
	30	304017020007	HEX SCREW	2	PC	352,5 g	M 20 X140 AK	ISO4017
	40	304032020001	HEX NUT	2	PC	62,8 g	M 20	ISO4032
236	50	X52723100019	ENGINE SUPPORT	2	PC	4 kg		
	90	304017016026	HEX SCREW	8	PC	102,2 g	M 16 X 50	ISO4017
	100	200433017001	WASHER	8	PC	6,5 g	17	DIN433
	120	000000001078	HEX SCREW	8	PC	58,2 g	M 12 X 60	ISO4017
	130	200433013000	WASHER	8	PC	2,5 g	13	DIN433

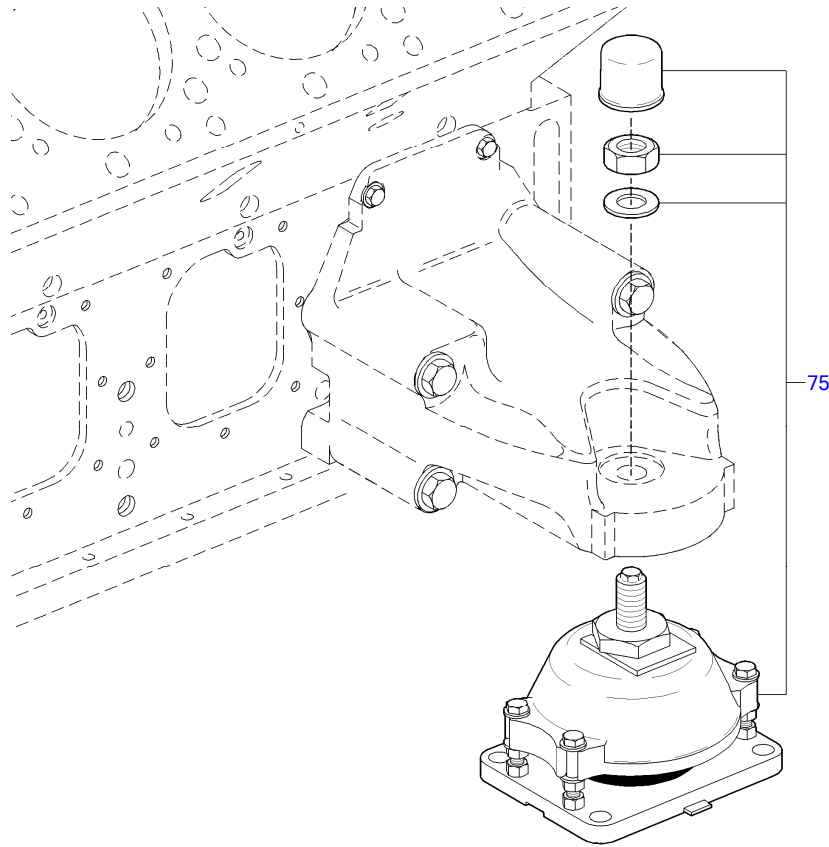


23100466a

☐	POS.	PART NO.	DESIGNATION	QTY.	UNITS	WEIGHT	MEASUREMENT	STANDARD
	10	X59623100003	ENGINE SUPPORT	1	PC	3,569 kg		
	20	X52723100020	SCREW	1	PC	0,39 kg		
	30	001481005030	PIN SPRING	1	PC	2,4 g	5 X 24 - N	ISO8752
	40	304032020001	HEX NUT	1	PC	62,8 g	M 20	ISO4032

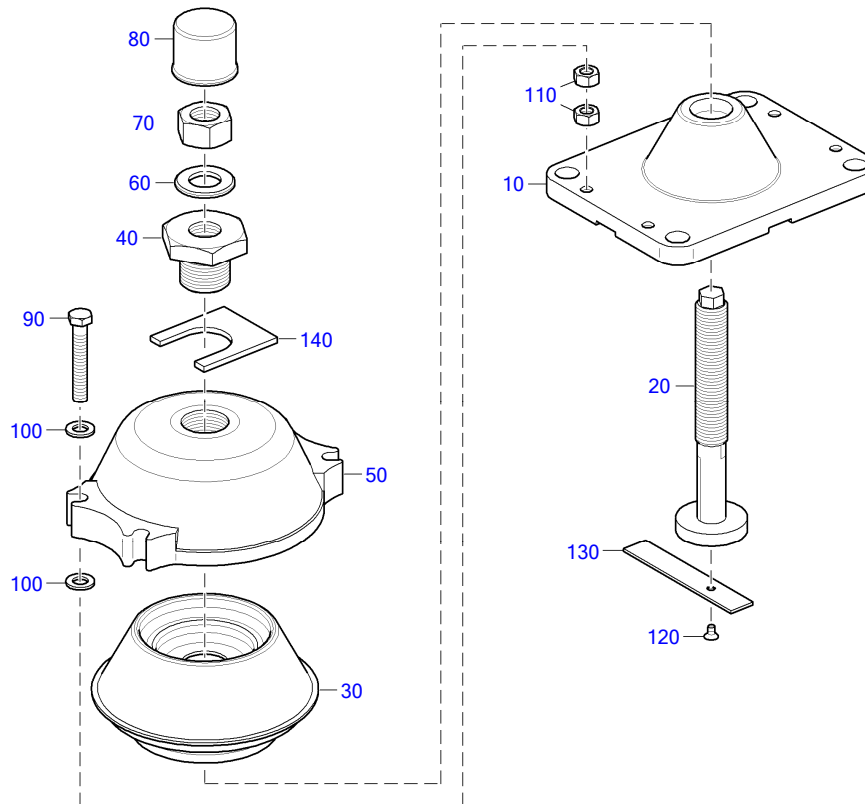


☐	POS.	PART NO.	DESIGNATION	QTY.	UNITS	WEIGHT	MEASUREMENT	STANDARD
	10	X52623100018	MOUNTING BRACKET	4	PC	25,4 kg		
	20	700429192000	O-RING	4	PC	16,4 g	192 X 4	MMN429
	40	204014020004	HEX SCREW	16	PC	530,6 g	M 20 X200	ISO4014
	50	200433021000	WASHER	16	PC	10,8 g	21	DIN433
	60	000000003021	HEX SCREW	8	PC	22,8 g	M 10 X 25	ISO4017
	70	000125010524	WASHER	8	PC	3,1 g	A 10,5	DIN125
	80	000007016104	PIN DOWEL	8	PC	54,6 g	16 M6 X 32	DIN7



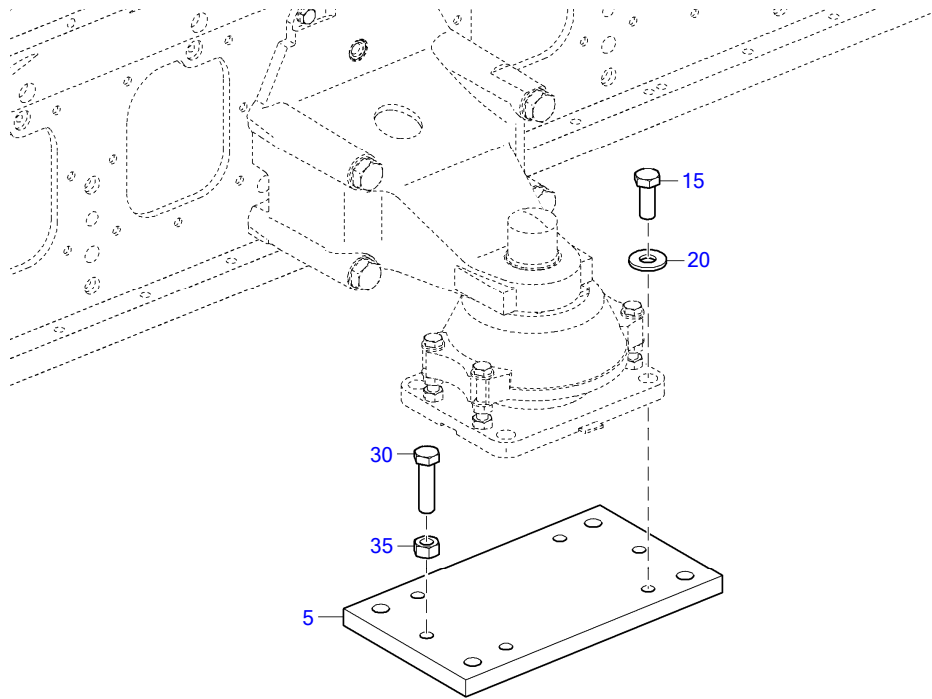
23100358a

☐	POS.	PART NO.	DESIGNATION	QTY.	UNITS	WEIGHT
239	75	X52623100057	RUBBER MOUNT	4	PC	15,577 kg



TD0000031553_231

☐	POS.	PART NO.	DESIGNATION	MODEL/TYPE	QTY.	UNITS	WEIGHT	MEASUREMENT	STANDARD
	10	XP52623100089	FOOT		1	PC			
	20	X00033995	BUFFER	4000	1	PC	1,121 kg		
	30	XP52623100068	RUBBER ELEMENT		1	PC	2,638 kg	SHORE 55	
	40	XP52623100088	ADJUSTMENT BOLT		1	PC			
	50	X00043629	COVER	4000	1	PC			
	60	000125027004	WASHER		1	PC	38,6 g	B 27	DIN125
	70	000934027004	HEX NUT		1	PC	145 g	M 27 X 2	DIN934
	80	XP52623100078	PROTECTIVE CAP		1	PC	20 g		
	90	000933012040	HEX SCREW		4	PC	70,4 g	M 12 X 75	DIN933
	100	200125013000	WASHER		8	PC	5,8 g	A 13	DIN125
	110	000934012008	NUT HEX		8	PC	15,2 g	M 12	DIN934
	120	X00034055	COUNTERSUNK HD SCREW	4000	1	PC	30 g	M6X10	DIN 7991
	130	X00034057	LOCKING DEVICE	4000	1	PC			
	140	X00034058	LOCKING DEVICE	4000	1	PC			



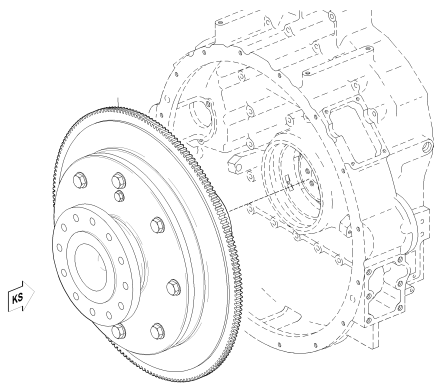
TD0000030082_231

☐	POS.	PART NO.	DESIGNATION	MODEL/TYPE	QTY.	UNITS	WEIGHT	MEASUREMENT	STANDARD
	5	0002351530	BASE PLATE	BR4000	1	PC	10,45 kg		
	15	304017016023	HEX SCREW		4	PC	87,8 g	M 16 X 40	ISO4017
	20	206796016000	CONICAL SPR. WASHER		4	PC	28,1 g	16	DIN6796
	30	304017016029	HEX SCREW		2	PC	114,8 g	M 16 X 60	ISO4017
	35	000934016019	NUT HEX 8		2	PC	30 g	M 16	DIN934

GROUP SEGMENT (FGS)

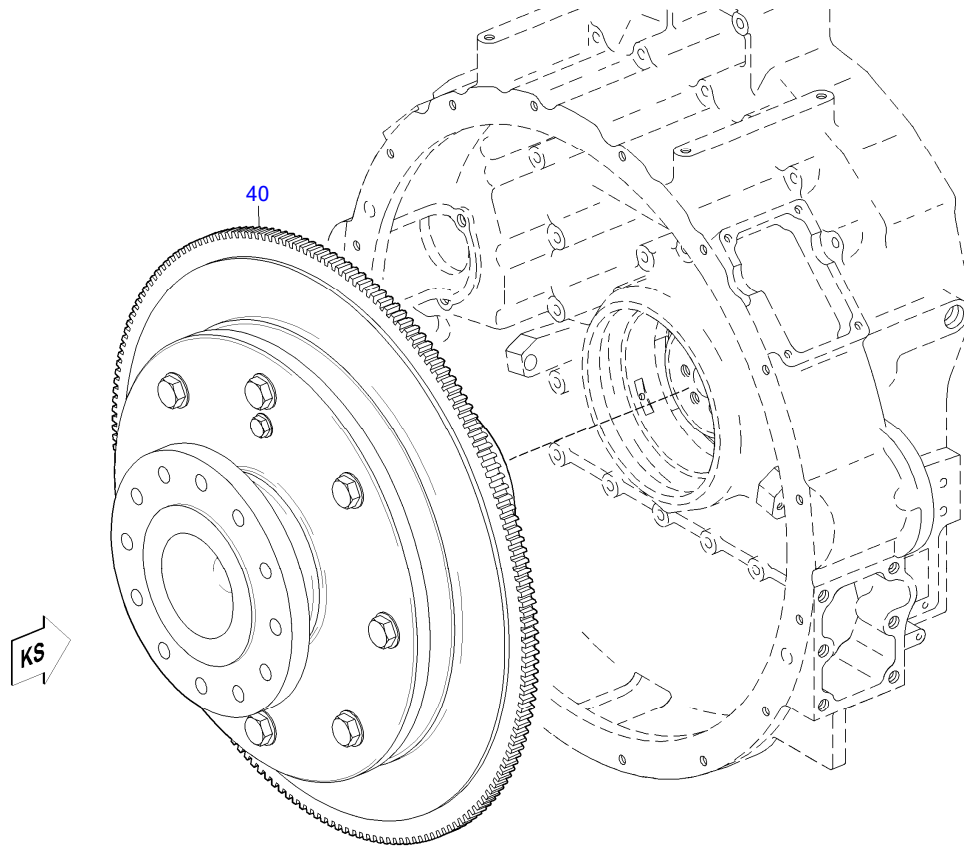
GROUP NAME

BOM-No.




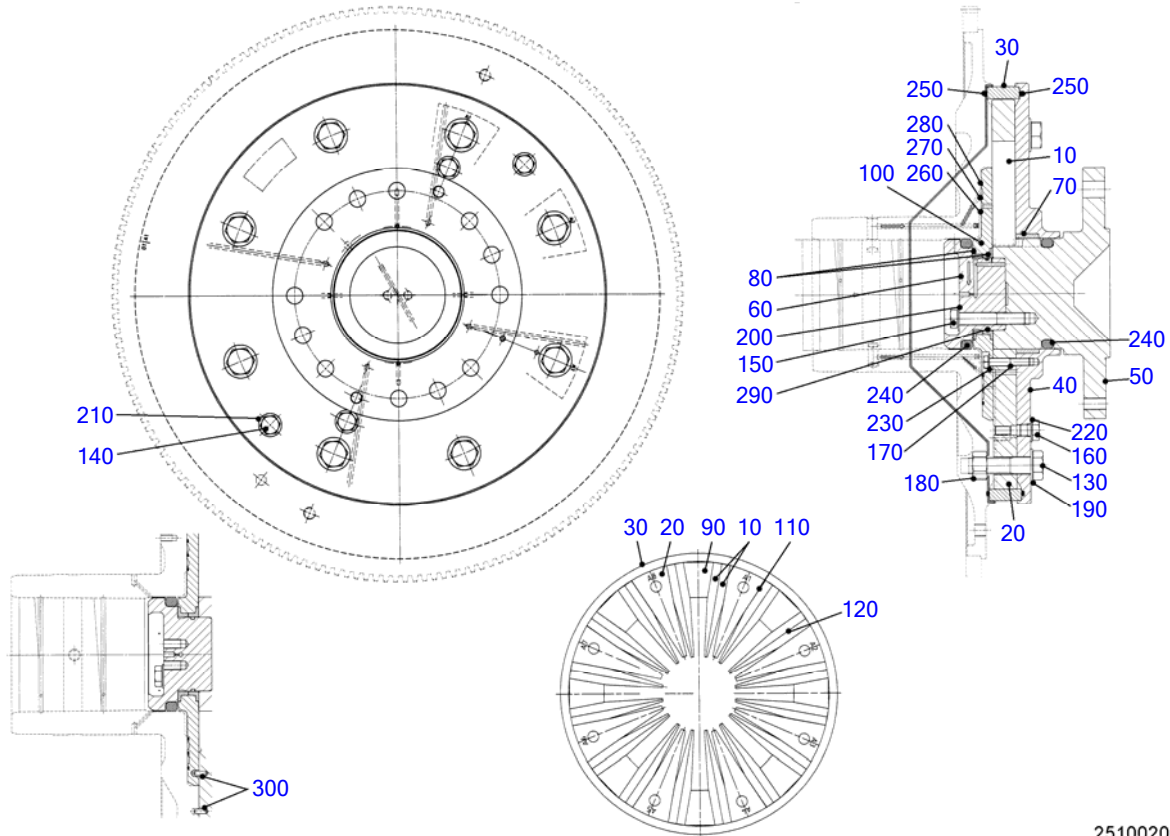
05
COUPLING W/O ACCEPT CERTIFIC
XS594250.00009

23100190a



25100190a

	POS.	PART NO.	DESIGNATION	QTY.	UNITS	WEIGHT
	40	X59425100008	STEEL-SPRING COUPLG	1	PC	138 kg



25100205a


☐	POS.	PART NO.	DESIGNATION	QTY.	UNITS	WEIGHT	FN	MEASUREMENT	STANDARD
	10	XP52725100006	SPRING LEAF	32	PC				
	20	XP52725100007	INTERMEDIATE PLATE	8	PC			RP 0.2>550 N/MM2	
	30	XP52725100008	CLAMPING RING	1	PC				
	40	XP52725100010	SIDE PLATE	1	PC				
	50	XP52725100064	INNER STAR	1	PC		AC		
	60	XP52725100039	SEALING RING	1	PC	4,4 kg			
	70	XP52725100013	BEARING BUSHING	1	PC				
	80	XP52725100014	BEARING BUSHING	2	PC				
	90	XP52725100015	SPRING GUIDE	8	PC			RP0.2>330N/MM2 FEDERDISTANZBLOCK	
	100	XP52725100042	RETAINER	1	PC		AC		
	110	XP52725100065	SHIM	1	PC		AC	30 (+/-0,15)X55X0.2	
	120	XP52725100066	SHIM	16	PC			FEDERSTAHLBEILAGE	
	130	XP52725100018	HEX SCREW	8	PC			M 22 X 80	
	140	XP52725100034	HEX SCREW	2	PC			M 16 X 16	
	150	XP52725100054	HEX SCREW	6	PC			M 16 X 90	ENISO4014
	160	XP52725100034	HEX SCREW	2	PC			M 16 X 16	
	170	000931010094	HEX SCREW	8	PC	40,7 g		M 10 X 55	DIN931
	180	XP52725100045	HEX NUT	4	PC			M22	
	190	XP52725100050	DISHED WASHER	8	PC	21,2 g		45 X 23.5 X 2.5	
	200	X00043945	DISHED WASHER	6	PC	80 g		31.5 X 17.5 X 1.5	DIN2093
	210	X00043945	DISHED WASHER	2	PC	80 g		31.5 X 17.5 X 1.5	DIN2093
	220	X00043945	DISHED WASHER	2	PC	80 g		31.5 X 17.5 X 1.5	DIN2093
	230	8699930063	DISHED WASHER	8	PC	2,6 g		22 X 11 X 1,2	
	240	XP52725100036	O-RING	2	PC	100 g		14 X 124	
	250	700429530000	O-RING	2	PC	71 g		530 X 5	MMN429

EQUI TYPE: Engine

PRODUCT TYPE: 12V4000M93L
STEEL-SPRING COUPLG

SERIAL NUMBER: 526108553

FG/FGS:
BOM-No.: X59425100008

	POS.	PART NO.	DESIGNATION	QTY.	UNITS	WEIGHT	FN	MEASUREMENT	STANDARD
	260	XP52725100067	O-RING	1	PC	0,09 kg		3 X 215	
	270	XP52725100068	O-RING	1	PC	3,5 g		3 X 251	
	280	XP52725100069	O-RING	1	PC	3,2 g		3 X 290	
	290	700429090002	O-RING	1	PC	8 g		90 X 4	MMN429
	300	XP52825100025	DOWEL PIN	2	PC			6M 6 X 16	

GROUP SEGMENT (FGS)

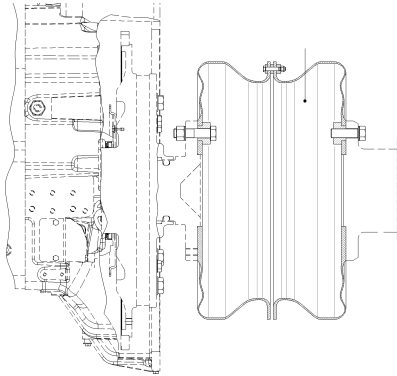
GROUP NAME

BOM-No.

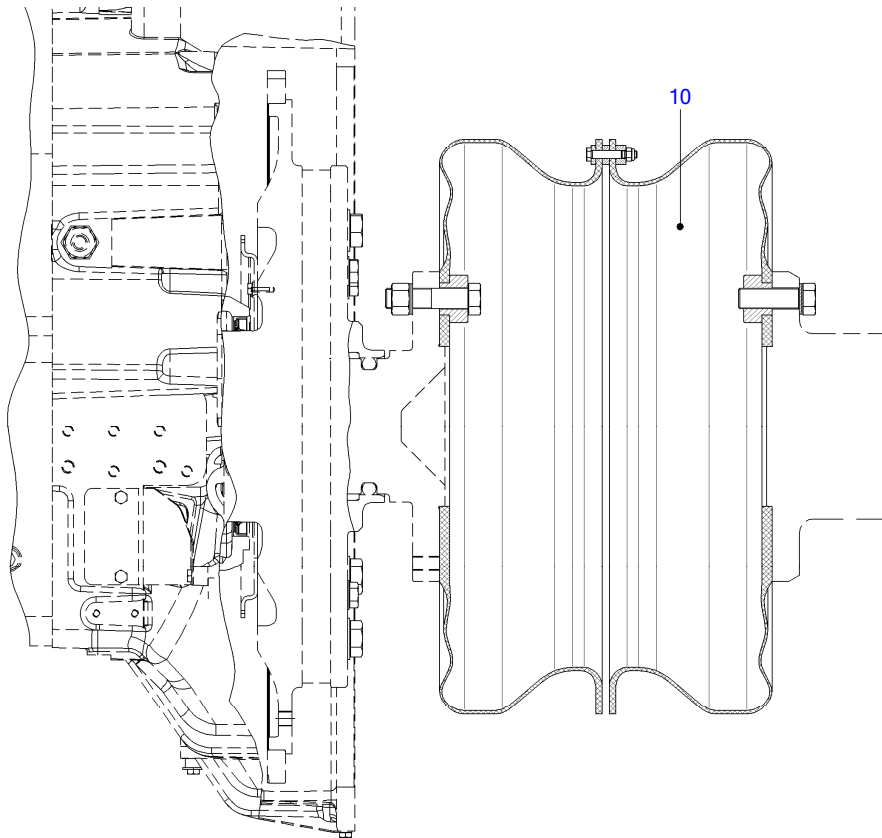
05

BEND-RESIL. COUPLING

XS526250.00021



25500063a



25500063a

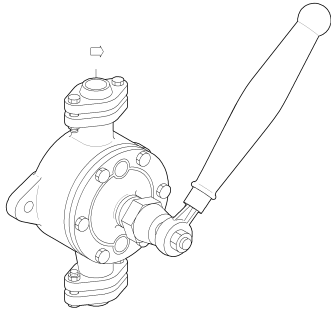
☐	POS.	PART NO.	DESIGNATION	QTY.	UNITS	WEIGHT
	20	X00039215	COUPLING	1	PC	33 kg

GROUP SEGMENT (FGS)

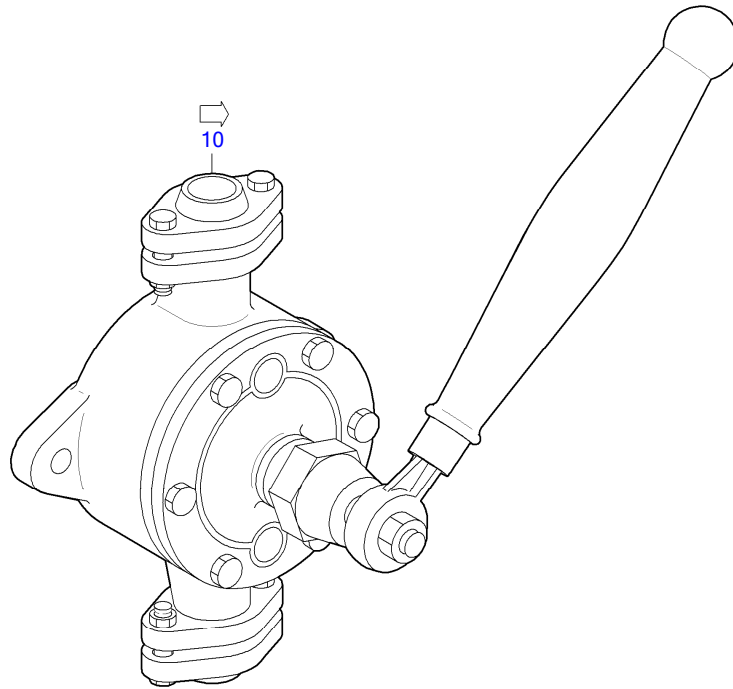
GROUP NAME

BOM-No.


05
HAND OIL PUMP
180.00009

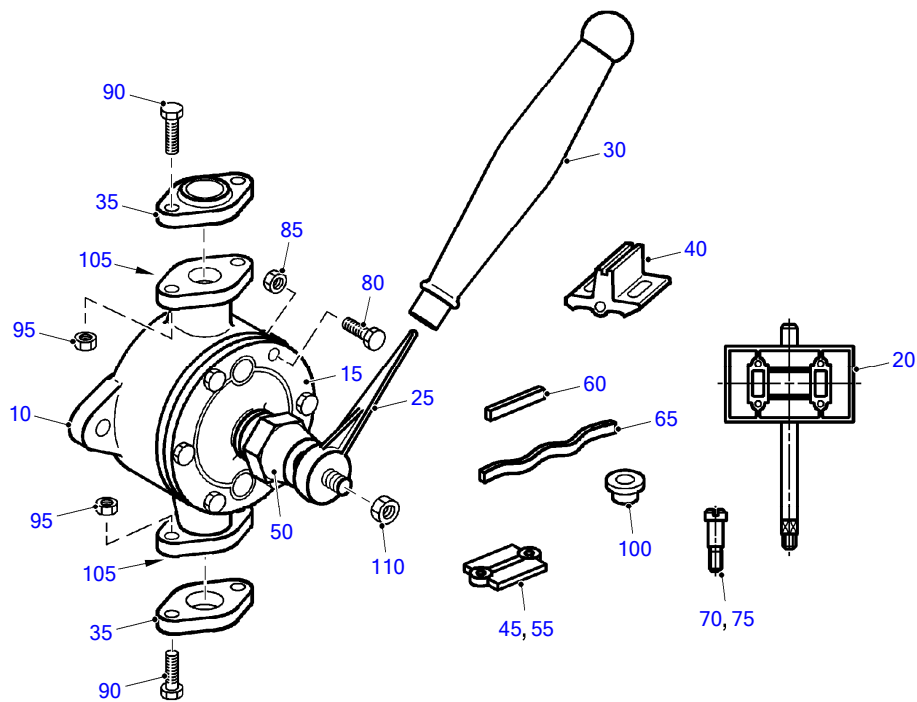


TD0000020133_293



TD0000020133_293

	POS.	PART NO.	DESIGNATION	QTY.	UNITS	WEIGHT	FN
	10	0001812398	OIL EXTRACTION PUMP HAND S4000 S2000	1	PC	6,013 kg	P

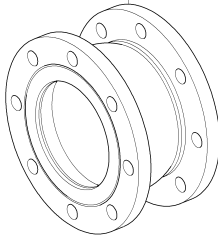


TD0000020143_293

☐	POS.	PART NO.	DESIGNATION	MODEL/TYPE	QTY.	UNITS	WEIGHT	FN	MEASUREMENT	STANDARD
	10	Z=2.201 028	HOUSING		1	PC				
	15	Z=2.201 029	COVER		1	PC				
	20	Z=152003	VANE		1	PC	0,999 g		AC	
	25	Z=2.201 031	PIN		1	PC	0,2 g			
	30	8691810014	LEVER		1	PC	124,6 g			
	35	Z=2.261 074	FLANGE		1	PC			AC	
	40	Z=2.201 033	VALVE SEAT		1	PC			AC	
	45	8691810007	VALVE PLATE		2	PC	15 g		47,3 X 14,7 GR.1	
	50	Z=2.201 035	UNION NUT		1	PC				
	55	8691810008	VALVE PLATE		2	PC	22,2 g		52,8 X 18,2 GR.2	
	60	8699970175	GASKET		1	PC	1,7 g		6 X 7	
	65	8699970176	GLAND PACKING		1	PC	0,1 g		4 X 4 X 68	
	70	Z=152007	SCREW		4	PC	5 g		M5X21,5	
	75	Z=152007	SCREW		4	PC	5 g		M5X21,5	
	80	304017008081	HEX SCREW		6	PC	13,4 g		M 8 X 25	ISO4017
	85	000934008008	NUT HEX		6	PC	4,6 g		M 8	DIN934
	90	304017008084	HEX SCREW		4	PC	16,4 g		M 8 X 35	ISO4017
	95	000934008008	NUT HEX		4	PC	4,6 g		M 8	DIN934
	100	Z=151009	COMPRESSION GLAND		1	PC	25 g		AC GROESSE 0-2	
	105	40201	HYLOMAR M UNIVERSAL SEALANT	HYLOMAR M UNIVERSALDICHTUNG	1	PC	100 g		1 ST = 80 ML	
	110	000934010005	NUT HEX		1	PC	10,4 g		M 10	DIN934

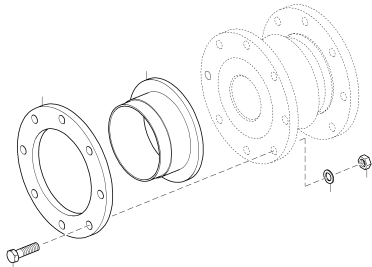
GROUP SEGMENT (FGS)
GROUP NAME
BOM-No.

10
RUBBER BELLOWS
200.00555

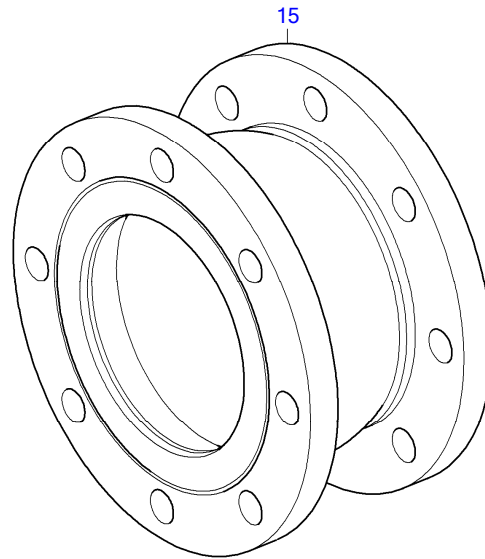


TD0000026992_301

10
CONNECTING HARDWARE
200.00557

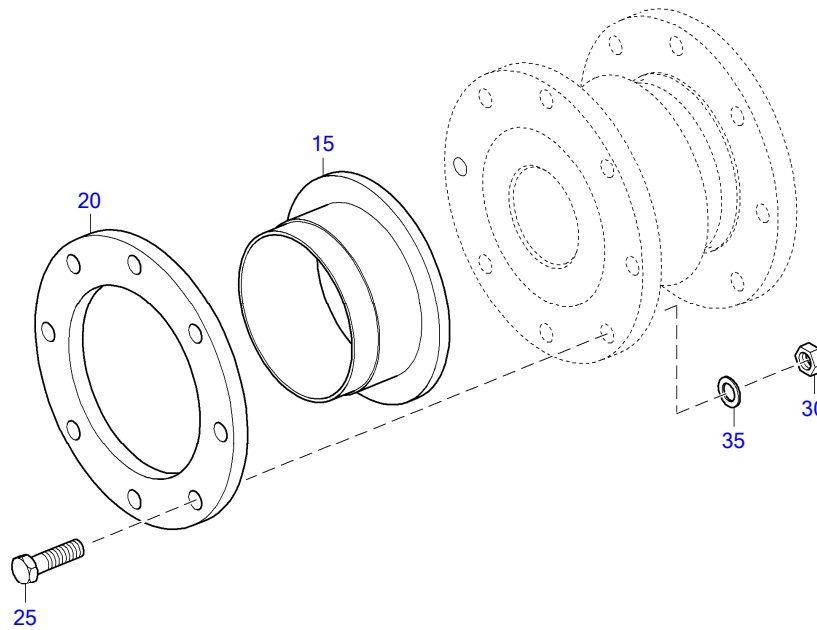


TD0000027595_301



TD0000029392_301

☐	POS.	PART NO.	DESIGNATION	QTY.	UNITS	WEIGHT	MEASUREMENT
	15	0002035683/87	RUBBER BELLOWS	1	PC	13,673 kg	STD EL 145 MM, DN 150



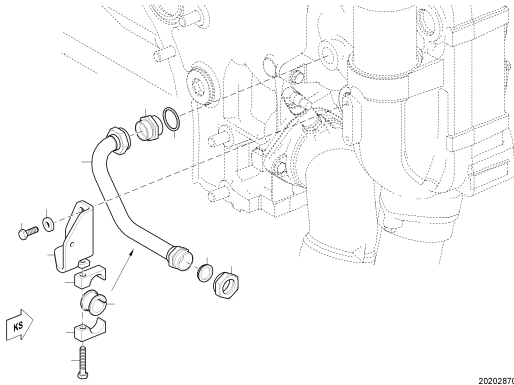
TD0000027595_301

☐	POS.	PART NO.	DESIGNATION	QTY.	UNITS	WEIGHT	MEASUREMENT	STANDARD
	15	086037150200	COLLAR	1	PC	1,8 kg	B150 -159 X 2,5	DIN86037
	20	002642150100	FLANGE	1	PC	5,6 kg	F150 X159	DIN2642
	25	000000002625	HEX SCREW	8	PC	228,2 g	M 20 X 75	ISO4017
	30	304032020001	HEX NUT	8	PC	62,8 g	M 20	ISO4032
	35	000125021009	WASHER	8	PC	15,5 g	A 21	DIN125

GROUP SEGMENT (FGS)

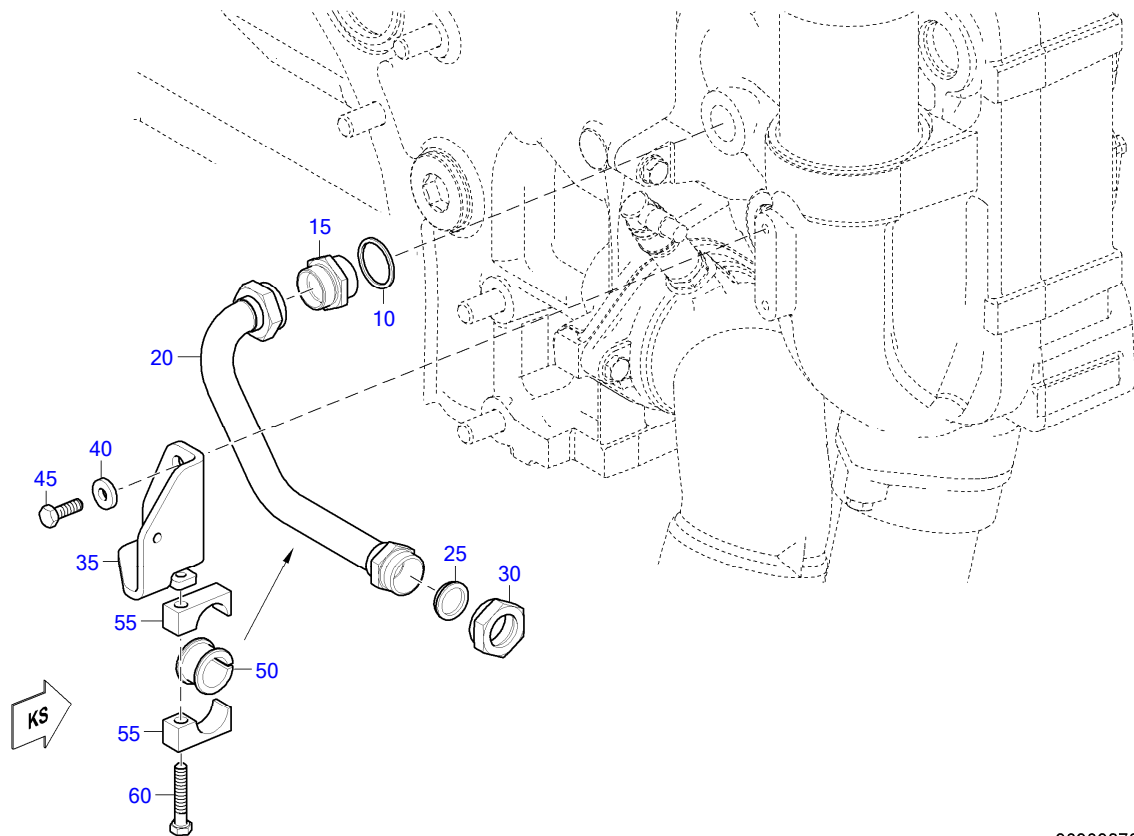
GROUP NAME

BOM-No.



70
CONNECTING HARDWARE FOR PREHEATING UNIT
XS594200.00134

20202870



20202870

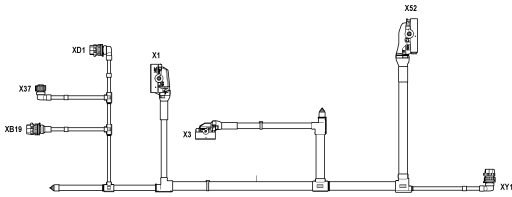
☐	POS.	PART NO.	DESIGNATION	QTY.	UNITS	WEIGHT	MEASUREMENT	STANDARD
	10	007603030101	COPPER SEALING RING	1	PC	4,3 g	A 30 X 36	DIN7603
	15	915006020000	UNION	1	PC	0,09 kg	20	MBN15026
	20	X59441100003	COOLANT LINE F/COOLANT PREHEATIN	1	PC	338,4 g		
	25	915005020001	CONE SEALING	1	PC	15,1 g	22	MBN15005
	30	915001020003	NUT	1	PC	46,9 g	20 M 30 X 1,5	N15001
	35	X59499100422	RETAINER	1	PC	478,4 g		
	40	007349008002	WASHER	2	PC	7,9 g	8,4	DIN7349
	45	304017008081	HEX SCREW	2	PC	13,4 g	M 8 X 25	ISO4017
	50	700327022000	GROMMET	1	PC	9 g	22	MMN327
	55	700325028100	CLAMP HALF TUBE 1/1 D9-28	2	PC	55 g	1/1 D 9 - 28	MMN325
	60	304017008086	HEX SCREW	1	PC	19,4 g	M 8 X 45	ISO4017

GROUP SEGMENT (FGS)

GROUP NAME

BOM-No.

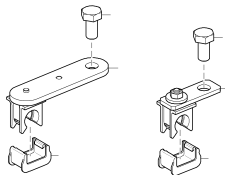
98
CABLING FOR EIM
XS00E500.01725



TD0000029693_507

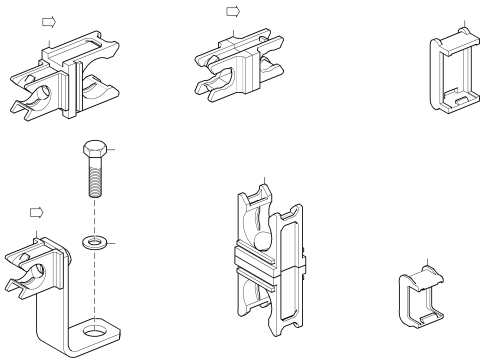
98
ENGINE CABLING FOR ON-ENGINE SENSO
XS00E500.02048

98
CABLE CLAMP FOR GENERATOR
XS594500.00257



TD0000030090_507

98
RETAINER FOR EIM
XS594500.00261



50704037

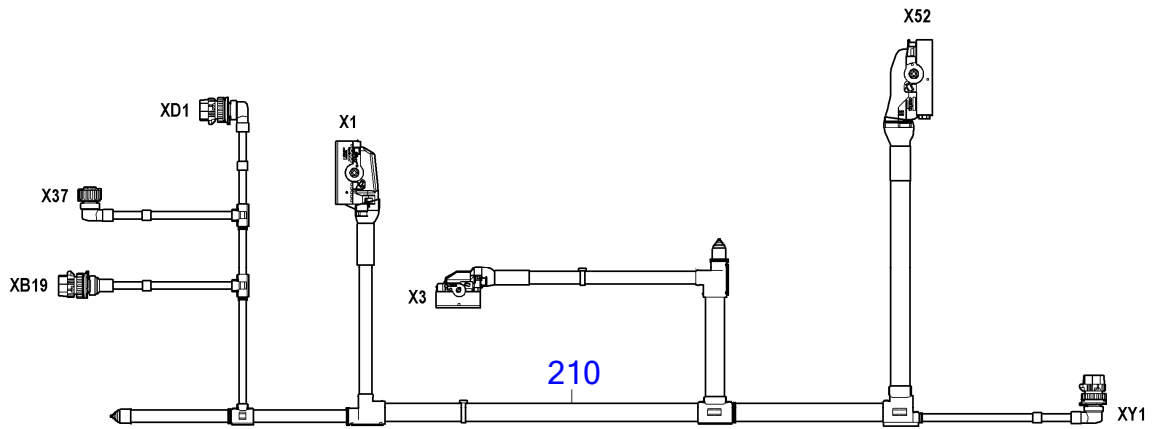
98
RETAINER F.ADEC A. WIRE HARN
XS594500.00285

EQUI TYPE: Engine

PRODUCT TYPE: 12V4000M93L
CABLING FOR EIM

SERIAL NUMBER: 526108553

FG/FGS: 507 98
BOM-No.: XS00E500.01725



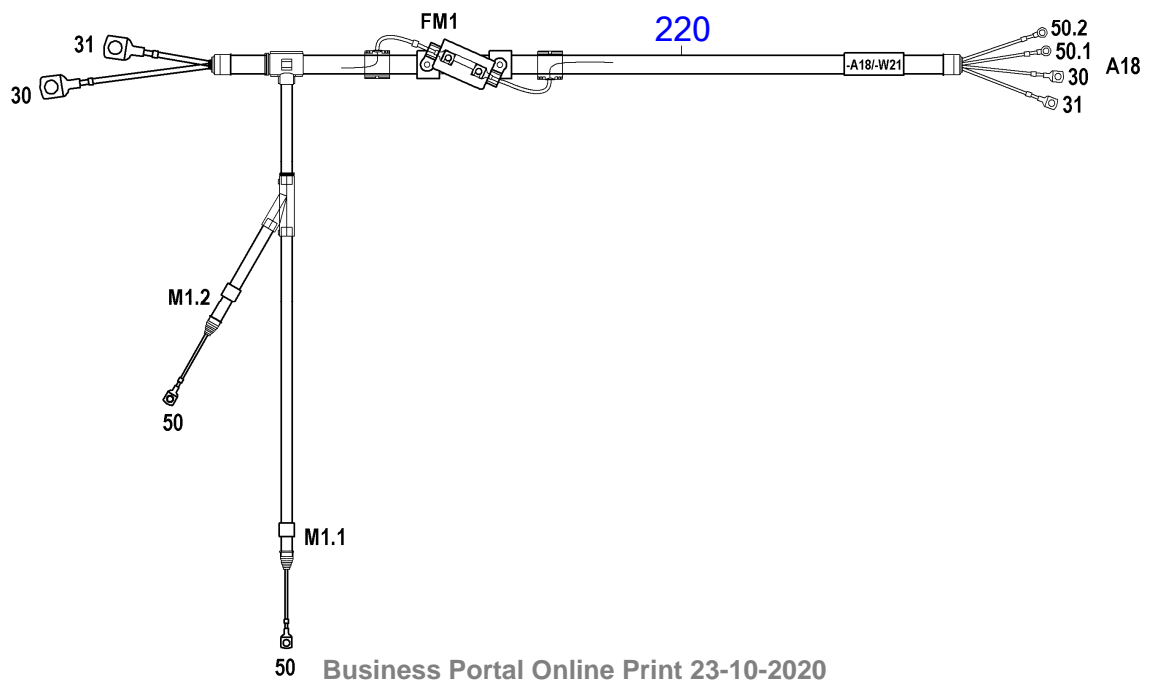
TD0000029693_507

EQUI TYPE: Engine

PRODUCT TYPE: 12V4000M93L
CABLING FOR EIM

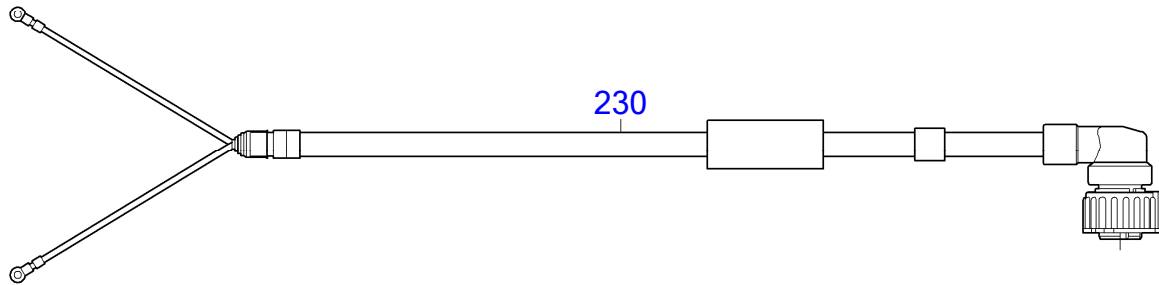
SERIAL NUMBER: 526108553

FG/FGS: 507 98
BOM-No.: XS00E500.01725



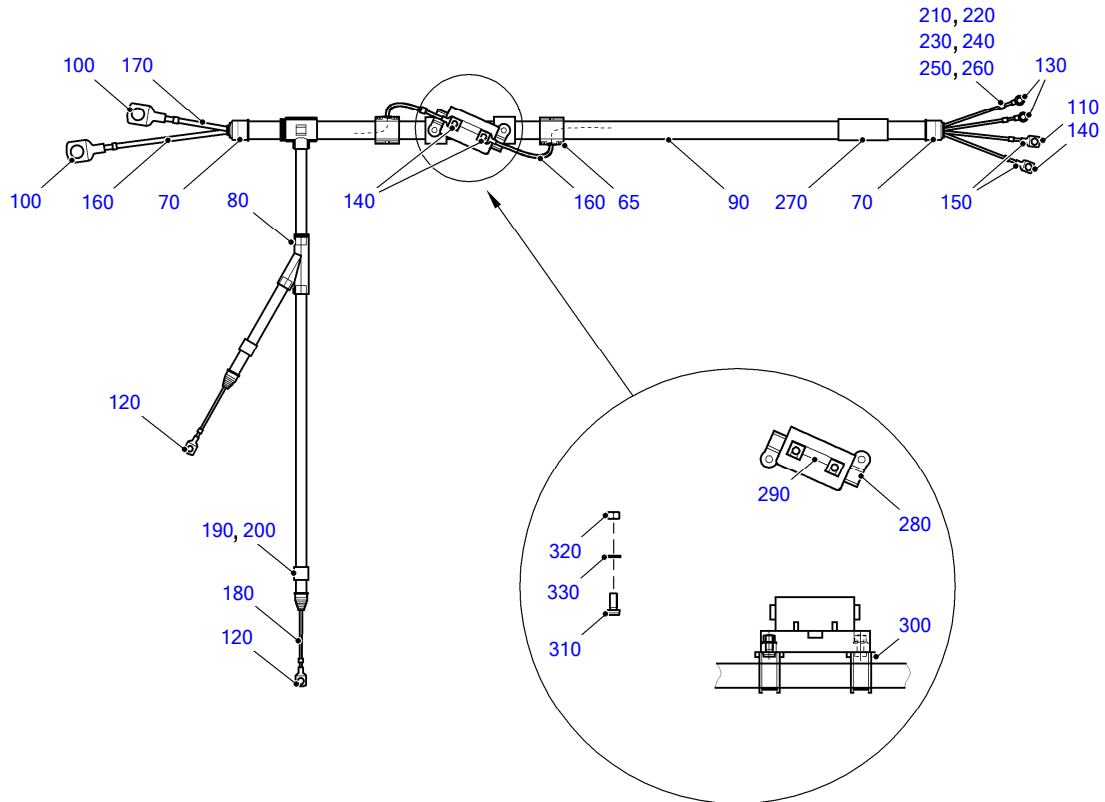
50 Business Portal Online Print 23-10-2020

TD0000029691_507



TD0000029690_507

☐	POS.	PART NO.	DESIGNATION	MODEL/TYPE	QTY.	UNITS	WEIGHT	FN	MEASUREMENT
	100	X00E50700782	WIRING HARNESS FOR ON-ENGINE SENSO	12V4000M73-M93	1	PC	1,77 kg	UB	O. EMU / WITHOUT EMU
256	110	X00E50207939	CONNECTING CABLE FOR ELECTRIC START	12V4000M63-M93	1	PC	0,78 kg		EMU_ELEKTR.ANLASSUNG
257	120	X00E50700638	CONNECTING CABLE FOR GENERATOR	LIMA G03	1	PC	590,2 g		XG03-G3 920MM



50704028

☐	POS.	PART NO.	DESIGNATION	MODEL/TYPE	QTY.	UNITS	WEIGHT	FN	MEASUREMENT	STANDARD
	65	X00E50203343	BRANCH FOR CORRUGATED PIPE	A-TYP / NW17-17	2	PC	0,004 kg	AB	A-TYP / NW17-17	
	70	0015336931	CAP	FUER WELLROHR	2	PC	1 g		ENDTÜLLE / NW17 / AD=21,2MM	
	80	X00E50203343	BRANCH FOR CORRUGATED PIPE	A-TYP / NW17-17	2	PC	0,004 kg	AB	A-TYP / NW17-17	
	90	0005337143	PIPE	359.	2,100	M	49,4 g		WELLROHR NW17	
	100	0025310785	BLADE CONNECTOR	M12/10 QMM	2	PC	6,6 g	AB	10QMM/M12	
	110	43432	CRIMP CABLE TERMINAL		1	PC	4,8 g		10 MM2 LOCH 6,5	
	120	43525	CRIMP CABLE TERMINAL		1	PC	2 g		6 MM2 LOCH 6,4	
	130	0001591979	CABLE TERMINAL	6MM ² / M4	1	PC	2 g		6MM ² / M4	
	140	0025310685	BLADE CONNECTOR	M5/10 QMM	3	PC	5,2 g	AB	10QMM/M5	
	150	X00E50200436	SHRINKABLE HOSE	SSCHL. 50MM	4	PC	1,5 g	AB	10,8/2,4MM; 50MM TRANSPARENT	
	160	0095316780	CABLE	H07Z-K 10,0	2,500	M	3 g	AB	10 MM2; ROT	
	170	0095315980	CABLE	H07Z-K 10,0	2,500	M	3 g	AB	10 MM2; SCHWARZ	
	180	0085312380	CABLE	H07Z-K 6,0	2,500	M	0,065 kg	AB	6,0 QMM ROT	VDE0282
	190	700461105012	MARKER SLEEVE		1	PC	0,1 g		5/M	MMN461
	200	700461205001	MARKER SLEEVE		1	PC	0,8 g		5/1	MMN461
	210	700461103005	MARKER SLEEVE		1	PC	0,002 kg		3/F	MMN461
	220	700461103012	ID GROMMET		1	PC	0,3 g		3/M	MMN461
	230	700461203001	MARKER SLEEVE		4	PC	0,1 g		3/1	MMN461
	240	700461203003	MARKER SLEEVE		4	PC	0,1 g		3/3	MMN461
	250	700461203005	MARKER SLEEVE		2	PC	0,2 g		3/5	MMN461
	260	700461203000	MARKER SLEEVE		4	PC	0,01 g		3/0	MMN461

EQUI TYPE: Engine

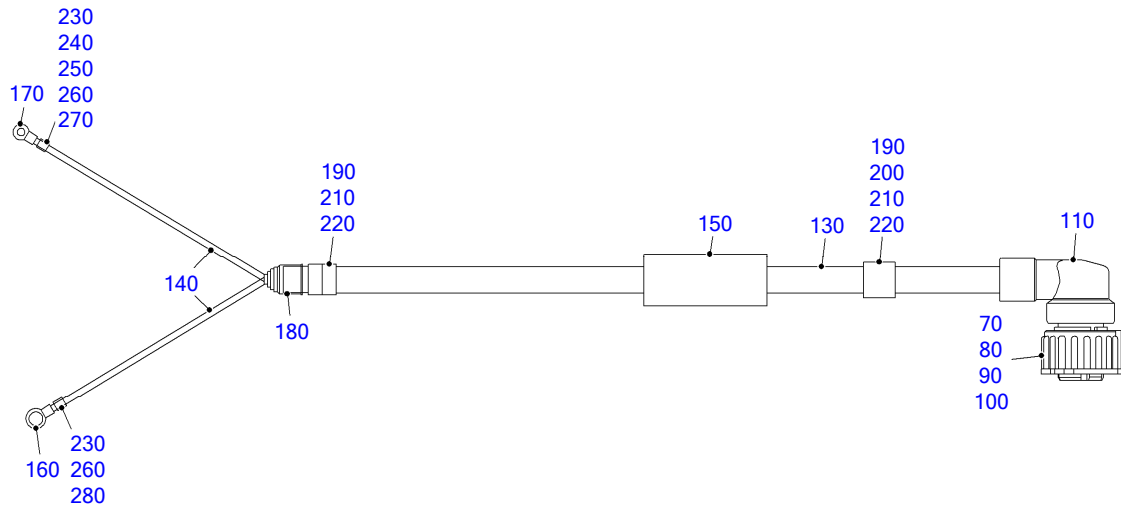
PRODUCT TYPE: 12V4000M93L
CONNECTING CABLE FOR ELECTRIC START

SERIAL NUMBER: 526108553

FG/FGS:

BOM-No.: X00E50207939

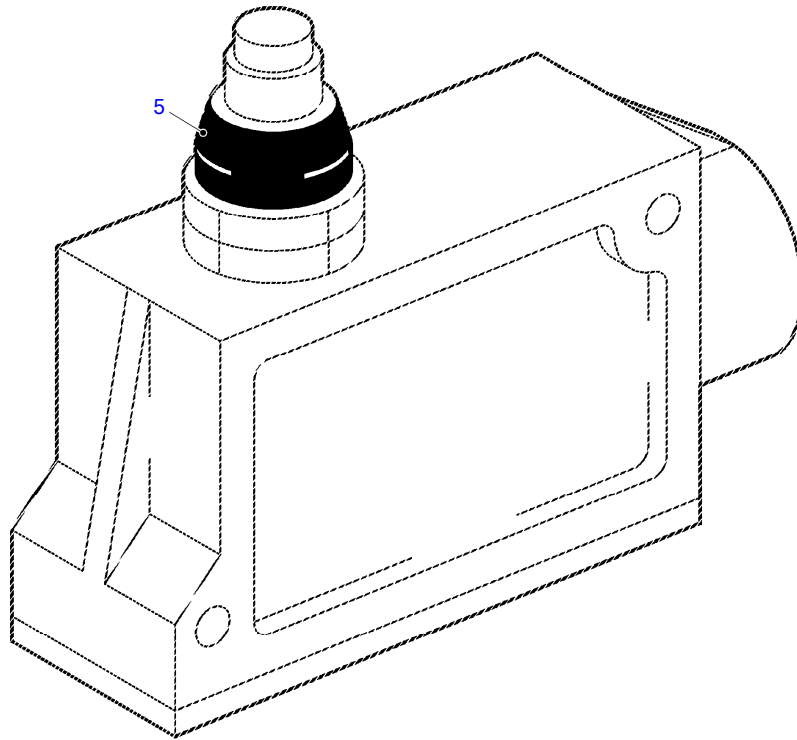
☐	POS.	PART NO.	DESIGNATION	MODEL/TYPE	QTY.	UNITS	WEIGHT	FN	MEASUREMENT	STANDARD
	270	0035337089	IDENTIFICATION PLATE	ELAT	1	PC	1,4 g		47X135MM, BEDRUCKBAR 47X25MM	
	280	X00E50206373	FUSE HOLDER	MIDIVAL M. SCHRAUBBEFEST.	1	PC	24,3 g		KFZ-SICH.HALTER; MAX. 32V/125A	
	290	X00E50206374	FUSE	SICHERUNGSTREIFEN VERZINNT	1	PC	1,1 g		50A / 125V	
	300	0015331940	SCREW-ON HOLDER FOR CORRUGATED PIPE	OHNE BUEGEL	2	PC	5,6 g		HALTER NW17 BOHRLOCH M6	
	310	000084005196	SCREW		2	PC	2,6 g		M 5 X 12	DIN84
	320	000934005004	NUT HEX		2	PC	1 g		M 5	DIN934
	330	000125005322	WASHER		2	PC	0,4 g		A 5,3	DIN125



50702796

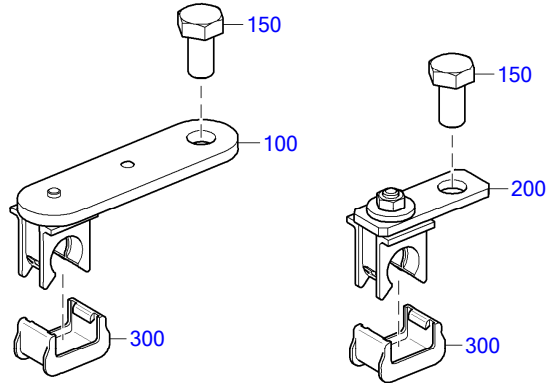
POS.	PART NO.	DESIGNATION	MODEL/TYPE	QTY.	UNITS	WEIGHT	FN	MEASUREMENT	STANDARD
70	0165313283	BUSH HOUSING FOR CRIMP CONTACT	STECKER F. BU-KONTAKTE 2,5MM	1	PC	11,5 g		4POL. CODE 1 / DIN 72585 BU	
80	0165314983	FEMALE CONTACT FOR BUSH HOUSING	-	2	PC	0,5 g	AB	1,0-2,5 MM² / D=2,5MM / D	
90	0165315083	SINGLE-CORE INSUL	EINZELADERABDICHTUNG	2	PC	0,1 g	AB	2,2-3,0MM/DIN72585 2,5	
100	0165313583	BLANKING PLUG	BLINDSTOPFEN	2	PC	0,1 g		SYSTEM 2,5MM / 2,8MM	
110	0165313683	ADAPTER FOR CORRUGATED PIPE		1	PC	5,6 g		GR.B NW10 90GRD/HDSCS	
130	X00E50206788	CORRUGATED PIPE FOR CABLE RUNNING	UFW PA6 V0	0,920	M	28,2 g		NW10; 13,1/9,3MM; GROBWELLE	
140	X00E50200860	SINGLE CONDUCTOR	RADOX 155S FLR	2,100	M	10 g		1X1,5QMM / RD / FEINDRÄHTIG	
150	0035337089	IDENTIFICATION PLATE	ELAT	1	PC	1,4 g		47X135MM, BEDRUCKBAR 47X25MM	
160	0015315485	CABLE TERMINAL	1,0-2,5 MM	1	PC	3 g		1,0-2,5QMM/M8, BLAU	
170	0001591879	CABLE TERMINAL		1	PC	1,2 g		0,35-1,5QMM/M6 ROT	
180	0015336331	CAP	FUER WELLROHR	1	PC	1,9 g		ENDTÜLLE / NW10 / AD=13MM	
190	700461105006	MARKER SLEEVE		2	PC	0,8 g		5/G	MMN461
200	700461105023	MARKER SLEEVE		1	PC	0,8 g		5/X	MMN461
210	700461205000	MARKER SLEEVE		2	PC	0,001 kg		5/0	MMN461
220	700461205003	MARKER SLEEVE		2	PC	0,7 g		5/3	MMN461
230	700461101031	MARKER SLEEVE		3	PC	0,2 g		1/+	MMN461
240	700461201001	MARKER SLEEVE		1	PC	0,1 g		1/1	MMN461
250	700461201006	MARKER SLEEVE		1	PC	0,1 g		1/6	MMN461
260	700461101026	ID GROMMET		2	PC	0,001 kg		1//	MMN461
270	700461101033	MARKER SLEEVE		1	PC	0,01 g		1/D	MMN461
280	700461101001	IDENTIFICATION MARKER		1	PC	0,04 g		1/B	MMN461

☐	POS.	PART NO.	DESIGNATION	MODEL/TYPE	QTY.	UNITS	WEIGHT	FN	MEASUREMENT	STANDARD
	111	X00E50700739	WIRING HARNESS TO INJECTOR	12V4000M73/M93	1	PC	2,1 kg	UB	ECU-7 X4 INJ.	
	121	X00E50701011	WIRING HARNESS FOR ON-ENGINE SENSO	12V4000M73-93	1	PC	3,038 kg	AB	BAUHÖHENRED.	
	155	0035352531	PRESSURE SENSOR		1	PC	75 g	EM	M14X1,5,SW= 27, 0-10BAR_RELATIV	
	170	0035352531	PRESSURE SENSOR		1	PC	75 g	EM	M14X1,5,SW= 27, 0-10BAR_RELATIV	
	190	X00E50208388	PRESSURE SENSOR	0 - 10 BAR REL, EPN	1	PC	105,3 g	AB	M14X1,5, SW=27	
	210	X00018659	PRESSURE SENSOR	0,5-6 BAR ABS	1	PC	89,4 g	EM	M18X1,5, SW=27	
	225	X00E50207196	PRESSURE SENSOR	15 BAR REL.	1	PC	104,1 g	AB	PLAN G1/4"A SW27 L=64 TYP:EPN	
	228	5240780050	BUSHING	4000	1	PC	73 g		DIN 176,SW24,	
	229	735221011000	O-RING		1	PC	0,3 g		11,3 X 2,2 - M14X1,5	MTN5221
	240	X00E50207196	PRESSURE SENSOR	15 BAR REL.	1	PC	104,1 g	AB	PLAN G1/4"A SW27 L=64 TYP:EPN	
	260	5240780050	BUSHING	4000	1	PC	73 g		DIN 176,SW24,	
	270	735221011000	O-RING		1	PC	0,3 g		11,3 X 2,2 - M14X1,5	MTN5221
	290	X00E50207217	PRESSURE SENSOR	2000 BAR REL.	1	PC	156 g	AB EM	KEGEL,M18X1.5, SW=27,L=56, EPN	
	310	0035352231	PRESSURE SENSOR		1	PC	131,6 g		M14X1,5,SW=38, +/- 70MBAR_RELAT.	
	325	X00E50201372	TEMPERATURE SENSOR	PT100 ABGAS	1	PC	175 g	EM	M14X1,5,110MM, KABEL=1M,STECKER,	
	340	X00E50201372	TEMPERATURE SENSOR	PT100 ABGAS	1	PC	175 g	EM	M14X1,5,110MM, KABEL=1M,STECKER,	
	355	0005356430	TEMPERATURE SENSOR	PT1000	1	PC	50 g	EM	M14X1,5, L=29, STECKER DIN72585,	
	365	0005356430	TEMPERATURE SENSOR	PT1000	1	PC	50 g	EM	M14X1,5, L=29, STECKER DIN72585,	
	375	0005356430	TEMPERATURE SENSOR	PT1000	1	PC	50 g	EM	M14X1,5, L=29, STECKER DIN72585,	
	385	0005356430	TEMPERATURE SENSOR	PT1000	1	PC	50 g	EM	M14X1,5, L=29, STECKER DIN72585,	
	400	0005356430	TEMPERATURE SENSOR	PT1000	1	PC	50 g	EM	M14X1,5, L=29, STECKER DIN72585,	
	420	X00E50201370	TEMPERATURE SENSOR	PT100 ABGAS	1	PC	197,1 g	AB EM	M14X1,5, 58MM, KABEL=1M,STECKER,	
	440	0005357533	SPEED SENSOR	BR4000;NW;	1	PC	72 g	EM	D=19X60, KABELL.=200MM,	
	450	304017008077	HEX SCREW		1	PC	10,5 g		M 8 X 16	ISO4017
	460	000125008427	WASHER		1	PC	1,5 g		A 8,4	DIN125
	480	0005357633	SPEED SENSOR	BR4000;KW;	1	PC	85 g	EM	D=19X60, KABELL.=700MM,	
	490	304017008077	HEX SCREW		1	PC	10,5 g		M 8 X 16	ISO4017
	500	000125008427	WASHER		1	PC	1,5 g		A 8,4	DIN125
	504	0005338443	PIPE	CO FLEX GESCHL	0,420	M	40 g	AB	NW10, ZWEISCHALIG	
	515	5205304069	SPEED TRANSMITTER	VDO-PICK-UP	1	PC	90 g	AB	MIT DIN-STECKER CODE 1	
	530	5205304069	SPEED TRANSMITTER	VDO-PICK-UP	1	PC	90 g	AB	MIT DIN-STECKER CODE 1	
	550	X00E50203659	LEVEL MONITOR	BEDIA CLS-50, WASSERSONDE	1	PC	86,6 g	AB	WASSERSONDE DYN.UB-VERHALTEN+LT,	
	560	007603018101	COPPER SEALING RING		1	PC	1,3 g		A 18 X 22	DIN7603
	580	X00E50203667	LEVEL MONITOR	BEDIA CLS-50, OELSONDE	1	PC	97 g	AB	OELSONDE, DYN.UB-VERHALTEN	
	590	007603018101	COPPER SEALING RING		1	PC	1,3 g		A 18 X 22	DIN7603
259	605	635H22706/2	SWITCH		1	PC	148,9 g			
	607	304014004001	HEX SCREW		2	PC	3,7 g		M 4 X 35	ISO4014
	608	007349004000	WASHER		2	PC	1,1 g		4,3	DIN7349
259	620	635H22706/2	SWITCH		1	PC	148,9 g			
	630	304014004001	HEX SCREW		2	PC	3,7 g		M 4 X 35	ISO4014
	640	007349004000	WASHER		2	PC	1,1 g		4,3	DIN7349



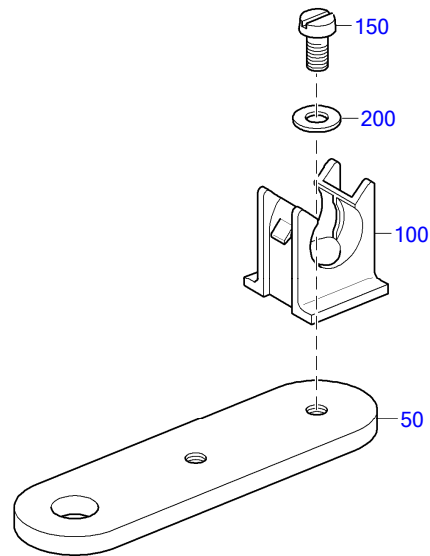
50702215a

	POS.	PART NO.	DESIGNATION	QTY.	UNITS	WEIGHT
□	5	8599970017	GROMMET	1	PC	0,5 g



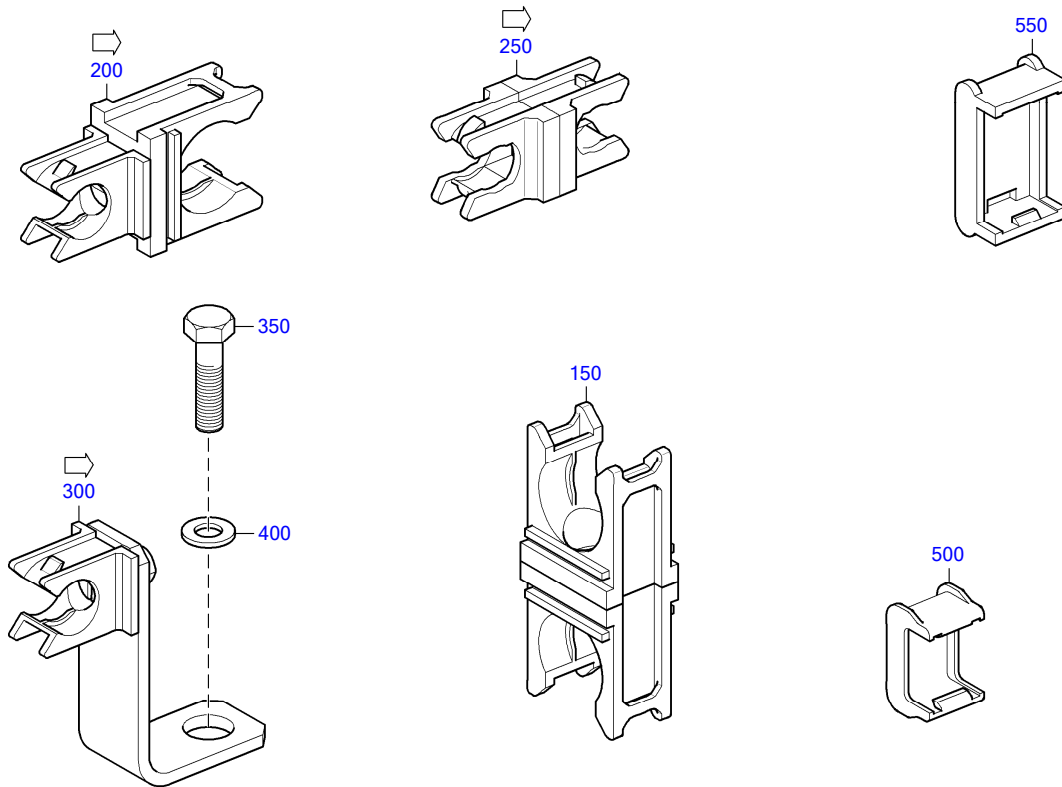
TD0000030090_507

☐	POS.	PART NO.	DESIGNATION	MODEL/TYPE	QTY.	UNITS	WEIGHT	MEASUREMENT	STANDARD
261	100	X52450700069	RETAINER		2	PC	57,8 g	HC094/1	
	150	304017008077	HEX SCREW		2	PC	10,5 g	M 8 X 16	ISO4017
	200	000125008427	WASHER		2	PC	1,5 g	A 8,4	DIN125
	300	0005335043	RETAINING BRACKET FOR CORRUGATED PIPE	NICHT STAPELBAR	2	PC	1,8 g	BUEGEL FUER NW10-HALTER	



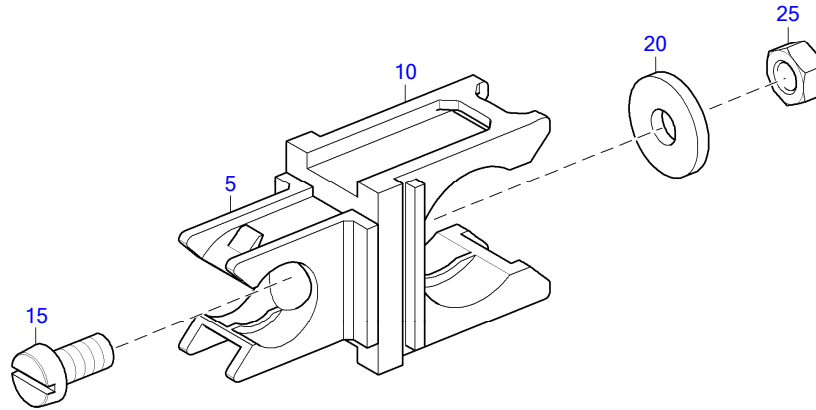
50702399a

☐	POS.	PART NO.	DESIGNATION	MODEL/TYPE	QTY.	UNITS	WEIGHT	MEASUREMENT	STANDARD
	50	5061537040	BRACKET FLAT H:47		1	PC	51 g		
	100	0015331840	SCREW-ON HOLDER FOR CORRUGATED PIPE	OHNE BUEGEL	1	PC	3,1 g	HALTER NW10 BOHRLOCH M5	
	150	000084004410	SCREW		1	PC	1,1 g	M 4 X 8	DIN84
	200	000125004317	WASHER		1	PC	0,2 g	A 4,3	DIN125



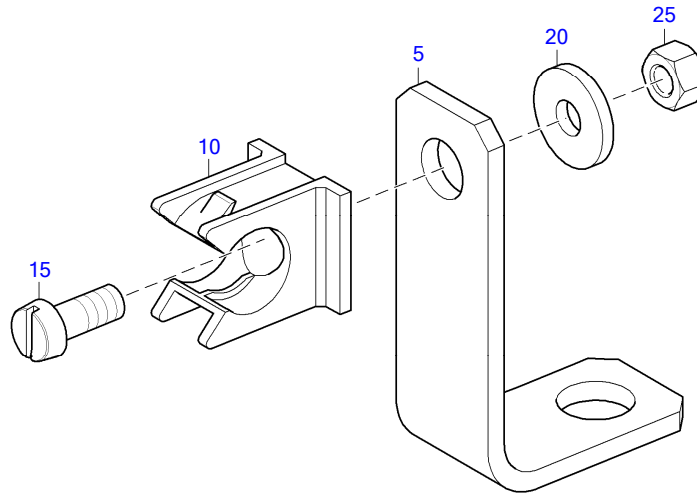
50704037

☐	POS.	PART NO.	DESIGNATION	MODEL/TYPE	QTY.	UNITS	WEIGHT	MEASUREMENT	STANDARD
	150	5241502673	RETAINER F. WIRING HARNESS	BR4000	2	PC	19,2 g	BC003	
263	200	5241502473	RETAINER F. WIRING HARNESS	BR 4000	1	PC	14,2 g	BC001	
265	250	5241503070	RETAINER F. WIRING HARNESS		1	PC	9,6 g	BC007	
264	300	5241502676	RETAINER F. WIRING HARNESS		5	PC	46,3 g	HC032/1	
	350	304017008079	HEX SCREW		3	PC	11,7 g	M 8 X 20	ISO4017
	400	007349008002	WASHER		3	PC	7,9 g	8,4	DIN7349
	500	0005335043	RETAINING BRACKET FOR CORRUGATED PIPE	NICHT STAPELBAR	8	PC	1,8 g	BUEGEL FUER NW10-HALTER	
	550	0005334943	RETAINING BRACKET FOR CORRUGATED PIPE	NICHT STAPELBAR	7	PC	2,9 g	BUEGEL FUER NW17-HALTER	



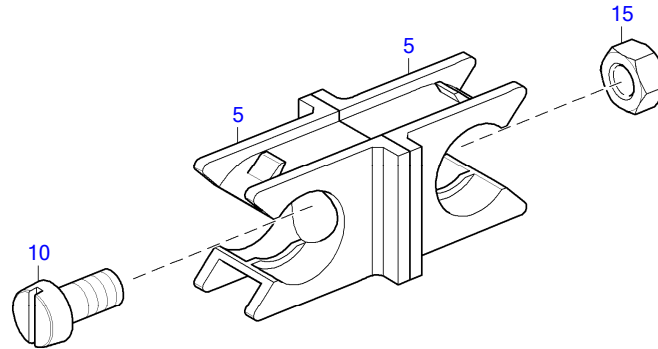
50801539

☐	POS.	PART NO.	DESIGNATION	MODEL/TYPE	QTY.	UNITS	WEIGHT	MEASUREMENT	STANDARD
	5	0015331840	SCREW-ON HOLDER FOR CORRUGATED PIPE	OHNE BUEGEL	1	PC	3,1 g	HALTER NW10 BOHRLOCH M5	
	10	0015331940	SCREW-ON HOLDER FOR CORRUGATED PIPE	OHNE BUEGEL	1	PC	5,6 g	HALTER NW17 BOHRLOCH M6	
	15	200084005107	BOLT SLOTTED HD GELB CHROMAT		1	PC	2,4 g	M 5 X 10	DIN84
	20	007349005002	WASHER		1	PC	2,3 g	5,3	DIN7349
	25	000934005004	NUT HEX		1	PC	1 g	M 5	DIN934



50801537

☐	POS.	PART NO.	DESIGNATION	MODEL/TYPE	QTY.	UNITS	WEIGHT	MEASUREMENT	STANDARD
	5	8381594840	RETAINER		1	PC	36,5 g		
	10	0015331840	SCREW-ON HOLDER FOR CORRUGATED PIPE	OHNE BUEGEL	1	PC	3,1 g	HALTER NW10 BOHRLOCH M5	
	15	000084005196	SCREW		1	PC	2,6 g	M 5 X 12	DIN84
	20	007349005002	WASHER		1	PC	2,3 g	5,3	DIN7349
	25	000934005004	NUT HEX		1	PC	1 g	M 5	DIN934



50801542

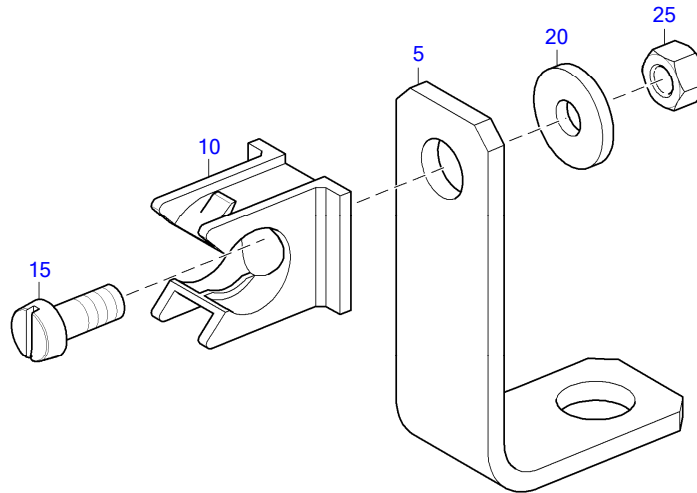
☐	POS.	PART NO.	DESIGNATION	MODEL/TYPE	QTY.	UNITS	WEIGHT	MEASUREMENT	STANDARD
	5	0015331840	SCREW-ON HOLDER FOR CORRUGATED PIPE	OHNE BUEGEL	2	PC	3,1 g	HALTER NW10 BOHRLOCH M5	
	10	200084005107	BOLT SLOTTED HD GELB CHROMAT		1	PC	2,4 g	M 5 X 10	DIN84
	15	000934005004	NUT HEX		1	PC	1 g	M 5	DIN934

☐	POS.	PART NO.	DESIGNATION	MODEL/TYPE	QTY.	UNITS	WEIGHT	MEASUREMENT	STANDARD
	100	X52650200006	RETAINER TOP		1	PC	2,7 kg		
	150	304017008081	HEX SCREW		2	PC	13,4 g	M 8 X 25	ISO4017
	200	007349008002	WASHER		2	PC	7,9 g	8,4	DIN7349
	250	304032008014	NUT HEX 8 A3C		3	PC	4,8 g	M 8	ISO4032
	300	007349008002	WASHER		3	PC	7,9 g	8,4	DIN7349
	350	X52650200004	RETAINER		1	PC	491,3 g		
	370	00000003347	HEX SCREW		1	PC	37,5 g	M 10 X 55	ISO4017
	400	304017008083	HEX SCREW		1	PC	15,1 g	M 8 X 30	ISO4017
	450	007349008000	WASHER		2	PC	7,7 g	8,4	DIN7349
	500	304032008014	NUT HEX 8 A3C		1	PC	4,8 g	M 8	ISO4032
272	550	X59550200004	RETAINER BOTTOM		1	PC	1,7 kg		
	570	00000003347	HEX SCREW		1	PC	37,5 g	M 10 X 55	ISO4017
	580	007349010002	WASHER		1	PC	11 g	10,5	DIN7349
	600	00000003021	HEX SCREW		1	PC	22,8 g	M 10 X 25	ISO4017
	620	007349010002	WASHER		1	PC	11 g	10,5	DIN7349
	650	007349008002	WASHER		2	PC	7,9 g	8,4	DIN7349
	700	304032008014	NUT HEX 8 A3C		2	PC	4,8 g	M 8	ISO4032
	800	X59650700003	RETAINER TOP		1	PC	1,7 kg		
273	850	X59550200005	RETAINER BOTTOM		1	PC	1,6 kg		
	900	X00012261	SPACER SLEEVE		4	PC	36,9 g		
	950	304017008081	HEX SCREW		4	PC	13,4 g	M 8 X 25	ISO4017
	1000	5221530026	DAMPER	SG 2000	5	PC	152,8 g		
	1050	304032008014	NUT HEX 8 A3C		5	PC	4,8 g	M 8	ISO4032
	1100	007349008002	WASHER		5	PC	7,9 g	8,4	DIN7349
	1200	X00E50201047	GROUND/EARTH LINE		1	PC	15,2 g	2XM6; 6QMM; 200MM; ISOLIERT	
	1250	00000003387	HEX SCREW		2	PC	5,1 g	M 6 X 16	ISO4017
	1260	000125006431	WASHER		2	PC	0,8 g	A 6,4	DIN125
	1272	X59450700030	STRIP F. WIRING HARNESS		1	PC	874 g		
	1273	00000003021	HEX SCREW		4	PC	22,8 g	M 10 X 25	ISO4017
	1274	009021010201	WASHER		4	PC	12 g	10,5	DIN9021
	1275	007349010002	WASHER		4	PC	11 g	10,5	DIN7349
	1276	0015331840	SCREW-ON HOLDER FOR CORRUGATED PIPE	OHNE BUEGEL	5	PC	3,1 g	HALTER NW10 BOHRLOCH M5	
	1277	000084005165	SCREW		5	PC	2,4 g	M 5 X 10	DIN84
	1278	0015331940	SCREW-ON HOLDER FOR CORRUGATED PIPE	OHNE BUEGEL	5	PC	5,6 g	HALTER NW17 BOHRLOCH M6	
	1279	000084005196	SCREW		5	PC	2,6 g	M 5 X 12	DIN84
	1280	007349005002	WASHER		5	PC	2,3 g	5,3	DIN7349
	1281	000125005322	WASHER		10	PC	0,4 g	A 5,3	DIN125
	1282	304032005008	HEX NUT		10	PC	1,2 g	M 5	ISO4032
	1284	X52650700046	STRIP F. WIRING HARNESS		1	PC	889,6 g		
	1285	00000003021	HEX SCREW		4	PC	22,8 g	M 10 X 25	ISO4017
	1286	009021010201	WASHER		4	PC	12 g	10,5	DIN9021
	1287	007349010002	WASHER		4	PC	11 g	10,5	DIN7349
	1288	0015331840	SCREW-ON HOLDER FOR CORRUGATED PIPE	OHNE BUEGEL	8	PC	3,1 g	HALTER NW10 BOHRLOCH M5	
	1289	000084005165	SCREW		8	PC	2,4 g	M 5 X 10	DIN84
	1290	0015331940	SCREW-ON HOLDER FOR CORRUGATED PIPE	OHNE BUEGEL	2	PC	5,6 g	HALTER NW17 BOHRLOCH M6	
	1291	000084005196	SCREW		2	PC	2,6 g	M 5 X 12	DIN84
	1292	007349005002	WASHER		2	PC	2,3 g	5,3	DIN7349
	1293	000125005322	WASHER		10	PC	0,4 g	A 5,3	DIN125
	1294	304032005008	HEX NUT		10	PC	1,2 g	M 5	ISO4032
	1350	0009959301	PIPE CLAMP	BRSGU 32/20	1	PC	40,6 g		N16016
	1400	916016024201	CLAMP		1	PC	30 g	BRSGU 24/20	N16016
	1450	304017008081	HEX SCREW		2	PC	13,4 g	M 8 X 25	ISO4017

□	POS.	PART NO.	DESIGNATION	MODEL/TYPE	QTY.	UNITS	WEIGHT	MEASUREMENT	STANDARD
	1500	000125008427	WASHER		2	PC	1,5 g	A 8,4	DIN125
279	1550	X59550700025	RETAINER F. WIRING HARNESS		1	PC	27,2 g	BC008	
280	1600	X59550700026	RETAINER F. WIRING HARNESS		1	PC	23 g	BC009	
282	1700	X59650700014	RETAINER F. WIRING HARNESS		2	PC	117,2 g	HC277/3	
	1750	000000003020	HEX SCREW		2	PC	20 g	M 10 X 20	ISO4017
	1800	000125010524	WASHER		2	PC	3,1 g	A 10,5	DIN125
281	1900	X59550700027	RETAINER F. WIRING HARNESS		1	PC	15 g	BC010	
	1950	X59654100002	BRACKET WIRING HARNE SS ADEC		1	PC	90,6 g		
	2000	304017008077	HEX SCREW		1	PC	10,5 g	M 8 X 16	ISO4017
	2050	000125008427	WASHER		1	PC	1,5 g	A 8,4	DIN125
	2060	0005312181	QUICK-CATCH CLAMP	TYH/TYB 25M	2	PC	1 g	186X4,8X1,1MM D=3,5-45MM	
	2100	X54750700009	CABLE CLAMP		3	PC	10 g	DN26	
281	2150	X59550700027	RETAINER F. WIRING HARNESS		2	PC	15 g	BC010	
	2500	5241501476	RETAINER F. WIRING HARNESS	BR4000	2	PC	50,4 g	HC069	
	2550	000000003021	HEX SCREW		2	PC	22,8 g	M 10 X 25	ISO4017
	2600	000125010524	WASHER		2	PC	3,1 g	A 10,5	DIN125
	2700	5241501476	RETAINER F. WIRING HARNESS	BR4000	2	PC	50,4 g	HC069	
	2750	000000001464	HEX SCREW		2	PC	24,9 g	M 10 X 30	ISO4017
	2800	000125010524	WASHER		2	PC	3,1 g	A 10,5	DIN125
264	2850	5241502676	RETAINER F. WIRING HARNESS		1	PC	46,3 g	HC032/1	
	2900	5241507173	RETAINER F. WIRING HARNESS	4000	1	PC	22,8 g	HC087	
	2950	304017008077	HEX SCREW		1	PC	10,5 g	M 8 X 16	ISO4017
	3000	X59654100002	BRACKET WIRING HARNE SS ADEC		1	PC	90,6 g		
	3050	0005312181	QUICK-CATCH CLAMP	TYH/TYB 25M	4	PC	1 g	186X4,8X1,1MM D=3,5-45MM	
	3100	5241506173	RETAINER F. WIRING HARNESS	4000	1	PC	30,2 g	HC028	
264	3300	5241502676	RETAINER F. WIRING HARNESS		3	PC	46,3 g	HC032/1	
	3350	304017008077	HEX SCREW		1	PC	10,5 g	M 8 X 16	ISO4017
	3400	000000003021	HEX SCREW		1	PC	22,8 g	M 10 X 25	ISO4017
	3450	000000001464	HEX SCREW		1	PC	24,9 g	M 10 X 30	ISO4017
	3500	007349008002	WASHER		1	PC	7,9 g	8,4	DIN7349
	3600	735151010200	SPACER S2000/4000		1	PC	22,1 g	B 10,5	MTN5151
275	3700	X59550700017	RETAINER F. WIRING HARNESS		1	PC	140 g	HC276	
	3750	304017008086	HEX SCREW		1	PC	19,4 g	M 8 X 45	ISO4017
269	3800	X52650700094	RETAINER F. WIRING HARNESS		1	PC	0,108 kg	HC277/2	
	3850	5530720153	SPACER TUBE		1	PC	90 g		
	3900	204017008028	HEX SCREW		1	PC	22,1 g	M 8 X 55	ISO4017
	3950	007349010002	WASHER		1	PC	11 g	10,5	DIN7349
	4000	X00026945	CABLE CLAMP	T50SOSFT6	1	PC	1,3 g	M.STECKFUSS F. M8 AUSSENVERZAHN	
	4020	0005312181	QUICK-CATCH CLAMP	TYH/TYB 25M	2	PC	1 g	186X4,8X1,1MM D=3,5-45MM	
267	4022	5241506170	RETAINER F. WIRING HARNESS		4	PC	41 g	HC089/1	
264	4026	5241502676	RETAINER F. WIRING HARNESS		1	PC	46,3 g	HC032/1	
263	4027	5241502473	RETAINER F. WIRING HARNESS	BR 4000	2	PC	14,2 g	BC001	
	4040	5241500976	RETAINER F. WIRING HARNESS	BR4000	1	PC	44 g	HC027	
	4045	304017008088	HEX SCREW		1	PC	22,6 g	M 8 X 55	ISO4017
	4050	5225460043	BRACKET L.H:49	12/16V2000SG	1	PC	75 g		
	4055	000000003387	HEX SCREW		1	PC	5,1 g	M 6 X 16	ISO4017
	4060	007349006004	WASHER		1	PC	4,1 g	6,4	DIN7349
276	4080	X59550700019	RETAINER F. WIRING HARNESS		1	PC	138,6 g	HC278	
	4100	304017008089	HEX SCREW		1	PC	24,2 g	M 8 X 60	ISO4017
	4225	0005312181	QUICK-CATCH CLAMP	TYH/TYB 25M	2	PC	1 g	186X4,8X1,1MM D=3,5-45MM	
277	4250	X59550700020	RETAINER F. WIRING HARNESS		1	PC	139,5 g	HC279	
	4300	000000001464	HEX SCREW		1	PC	24,9 g	M 10 X 30	ISO4017
	4350	000125010524	WASHER		1	PC	3,1 g	A 10,5	DIN125
278	4450	X59550700023	RETAINER F. WIRING HARNESS		1	PC	140 g	HC280	

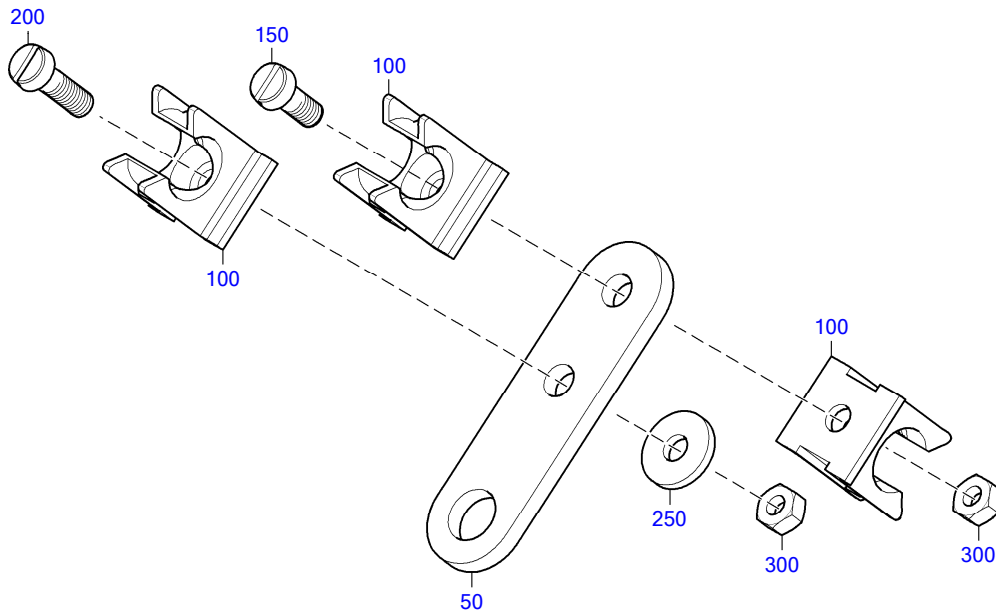
□	POS.	PART NO.	DESIGNATION	MODEL/TYPE	QTY.	UNITS	WEIGHT	MEASUREMENT	STANDARD
	4500	204017010021	HEX SCREW		1	PC	32,5 g	M 10 X 45	ISO4017
	4550	007349010002	WASHER		1	PC	11 g	10,5	DIN7349
	4600	735151010200	SPACER S2000/4000		1	PC	22,1 g	B 10,5	MTN5151
	4650	5241500876	RETAINER F. WIRING HARNESS	BR4000	1	PC	41,8 g	HC024	
	4700	000000003020	HEX SCREW		1	PC	20 g	M 10 X 20	ISO4017
	4750	000125010524	WASHER		1	PC	3,1 g	A 10,5	DIN125
	5250	5241505876	RETAINER F. WIRING HARNESS		1	PC	57,7 g	HC094	
	5300	304017008079	HEX SCREW		1	PC	11,7 g	M 8 X 20	ISO4017
	5310	000125008427	WASHER		1	PC	1,5 g	A 8,4	DIN125
	5320	5315460443	BRACKET H:41 S2000/S 4000	8V2000M90	1	PC	65 g		
	5330	304017008083	HEX SCREW		1	PC	15,1 g	M 8 X 30	ISO4017
	5340	000125008427	WASHER		1	PC	1,5 g	A 8,4	DIN125
	5370	5241506273	RETAINER F. WIRING HARNESS	4000	6	PC	45,7 g	HC031	
265	5390	5241503070	RETAINER F. WIRING HARNESS		1	PC	9,6 g	BC007	
	5420	X59450700011	BRACKET WIRING HARNE SS		1	PC	56,7 g		
	5430	0001596440	CLAMP CABLE DN10		1	PC	1,2 g	DN10	
	5460	5241504173	RETAINER F. WIRING HARNESS	BR4000	1	PC	42,2 g	HC051	
	5470	5241534240	BRACKET H:17 B-BANK FLY HSG	4000	1	PC	55 g		
	5480	204017012004	HEX SCREW		1	PC	29,2 g	M 12 X 20	ISO4017
	5490	000125013012	WASHER		1	PC	5,6 g	A 13	DIN125
	5500	0005312181	QUICK-CATCH CLAMP	TYH/TYB 25M	3	PC	1 g	186X4,8X1,1MM D=3,5-45MM	
	5650	5502030043	ANGLE		1	PC	31 g	H023	
	5660	304017008083	HEX SCREW		1	PC	15,1 g	M 8 X 30	ISO4017
	5670	000125008427	WASHER		1	PC	1,5 g	A 8,4	DIN125
	5700	5315461343	Connector Fastener		1	PC	95 g		
	5750	304017008076	HEX SCREW		1	PC	9,1 g	M 8 X 12	ISO4017
	5800	000125008427	WASHER		1	PC	1,5 g	A 8,4	DIN125
	5900	5241507173	RETAINER F. WIRING HARNESS	4000	2	PC	22,8 g	HC087	
	5950	304017008079	HEX SCREW		2	PC	11,7 g	M 8 X 20	ISO4017
	6000	000125008427	WASHER		2	PC	1,5 g	A 8,4	DIN125
	6100	5241501476	RETAINER F. WIRING HARNESS	BR4000	1	PC	50,4 g	HC069	
	6150	304017008087	HEX SCREW		1	PC	21,3 g	M 8 X 50	ISO4017
	6200	007349008002	WASHER		1	PC	7,9 g	8,4	DIN7349
	6250	5241501476	RETAINER F. WIRING HARNESS	BR4000	1	PC	50,4 g	HC069	
	6450	5241506473	RETAINER F. WIRING HARNESS	4000	1	PC	40,4 g	HC034	
	6500	000000001039	HEX SCREW		1	PC	29,8 g	M 10 X 40	ISO4017
	6550	000125010524	WASHER		1	PC	3,1 g	A 10,5	DIN125
	6600	5241507973	RETAINER F. WIRING HARNESS	4000	1	PC	40 g	HC140	
	6610	304017008081	HEX SCREW		1	PC	13,4 g	M 8 X 25	ISO4017
	6620	007349008002	WASHER		2	PC	7,9 g	8,4	DIN7349
	6630	304032008014	NUT HEX 8 A3C		1	PC	4,8 g	M 8	ISO4032
	6750	5225460043	BRACKET L H:49	12/16V2000SG	1	PC	75 g		
	6800	0005312181	QUICK-CATCH CLAMP	TYH/TYB 25M	3	PC	1 g	186X4,8X1,1MM D=3,5-45MM	
	6821	5241534640	BRACKET L H:30 SENSO R E	4000	1	PC	47 g		
	6822	000000003926	HEX SCREW		1	PC	54 g	M 12 X 55	ISO4017
270	6841	X59320200060	RETAINER		1	PC	1,5 kg		
	6842	000000003021	HEX SCREW		3	PC	22,8 g	M 10 X 25	ISO4017
	6843	007349010002	WASHER		3	PC	11 g	10,5	DIN7349
271	6900	X59450700031	RETAINER F. WIRING HARNESS		1	PC	3,5 kg		
	6910	X59499100081	PLUG		1	PC	0,165 kg		
	6920	007603030101	COPPER SEALING RING		1	PC	4,3 g	A 30 X 36	DIN7603
	6930	X52420300002	SPACER SLEEVE		1	PC	0,042 kg		
	6940	735151008100	SPACER		1	PC	7,4 g	A 8,4	MTN5151
	6945	304017008087	HEX SCREW		1	PC	21,3 g	M 8 X 50	ISO4017

□	POS.	PART NO.	DESIGNATION	MODEL/TYPE	QTY.	UNITS	WEIGHT	MEASUREMENT	STANDARD
	6946	000000001042	HEX SCREW		1	PC	34,6 g	M 10 X 50	ISO4017
	6947	735151010100	SPACER		1	PC	11 g	A 10,5	MTN5151
	6995	X59499100047	PLUG		1	PC	0,03 kg		
274	7000	X59550700015	RETAINER F. WIRING HARNESS		1	PC	162,7 g	HC273	
	7050	204017010004	HEX SCREW		1	PC	17,9 g	M 10 X 16	ISO4017
	7100	000125010524	WASHER		1	PC	3,1 g	A 10,5	DIN125
	7150	5241500876	RETAINER F. WIRING HARNESS	BR4000	1	PC	41,8 g	HC024	
	7200	000000003020	HEX SCREW		1	PC	20 g	M 10 X 20	ISO4017
	7250	000125010524	WASHER		1	PC	3,1 g	A 10,5	DIN125
	7750	5241534640	BRACKET L H:30 SENSO R E	4000	1	PC	47 g		
	7800	204017012004	HEX SCREW		1	PC	29,2 g	M 12 X 20	ISO4017
	7850	000125013012	WASHER		1	PC	5,6 g	A 13	DIN125
	7875	0005312181	QUICK-CATCH CLAMP	TYH/TYB 25M	2	PC	1 g	186X4,8X1,1MM D=3,5-45MM	
	7900	5241505876	RETAINER F. WIRING HARNESS		1	PC	57,7 g	HC094	
	7950	304017008079	HEX SCREW		1	PC	11,7 g	M 8 X 20	ISO4017
	8000	000125008427	WASHER		1	PC	1,5 g	A 8,4	DIN125
	8300	5241506273	RETAINER F. WIRING HARNESS	4000	5	PC	45,7 g	HC031	
268	8325	X52450700074	RETAINER F. WIRING HARNESS		1	PC	54,1 g	HC291	
	8350	5241503073	RETAINER F. WIRING HARNESS	BR4000	1	PC	46,3 g	HC032	
	8400	X59450700011	BRACKET WIRING HARNE SS		1	PC	56,7 g		
	8450	0001596440	CLAMP CABLE DN10		1	PC	1,2 g	DN10	
267	8500	5241506170	RETAINER F. WIRING HARNESS		1	PC	41 g	HC089/1	
	8650	5241534240	BRACKET H:17 B-BANK FLY HSG	4000	1	PC	55 g		
	8700	0005312181	QUICK-CATCH CLAMP	TYH/TYB 25M	3	PC	1 g	186X4,8X1,1MM D=3,5-45MM	
	9250	0005335043	RETAINING BRACKET FOR CORRUGATED PIPE	NICHT STAPELBAR	29	PC	1,8 g	BUEGEL FUER NW10-HALTER	
	9300	0005334943	RETAINING BRACKET FOR CORRUGATED PIPE	NICHT STAPELBAR	21	PC	2,9 g	BUEGEL FUER NW17-HALTER	
	9350	X52650700040	RETAINING BRACKET FOR CORRUGATED PIPE	NICHT STAPELBAR	31	PC	3,4 g	BUEGEL FUER NW26-HALTER	



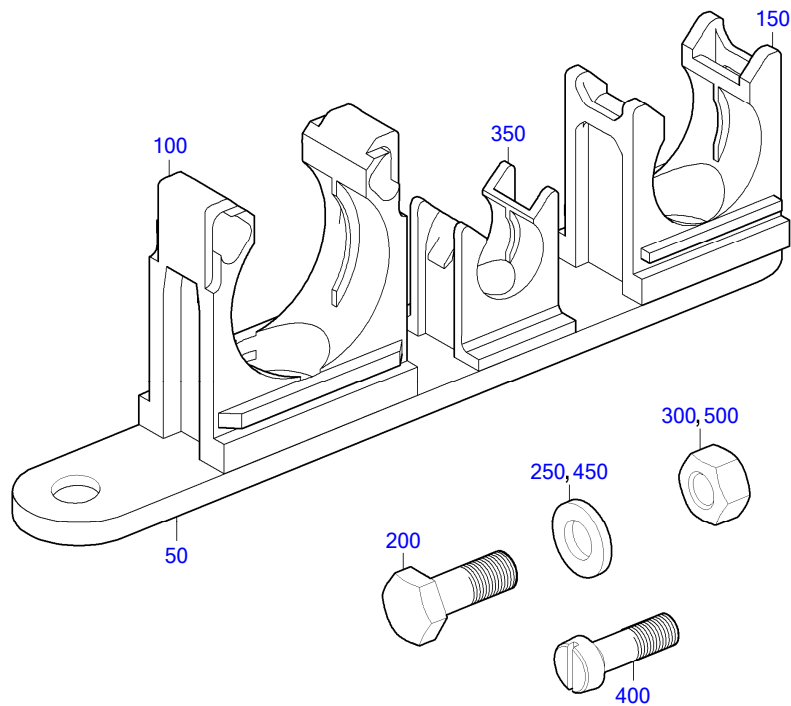
50801537

☐	POS.	PART NO.	DESIGNATION	MODEL/TYPE	QTY.	UNITS	WEIGHT	MEASUREMENT	STANDARD
	5	5502034640	BRACKET L H:25		1	PC	32,3 g		
	10	0015331840	SCREW-ON HOLDER FOR CORRUGATED PIPE	OHNE BUEGEL	1	PC	3,1 g	HALTER NW10 BOHRLOCH M5	
	15	000084005196	SCREW		1	PC	2,6 g	M 5 X 12	DIN84
	20	007349005002	WASHER		1	PC	2,3 g	5,3	DIN7349
	25	000934005004	NUT HEX		1	PC	1 g	M 5	DIN934



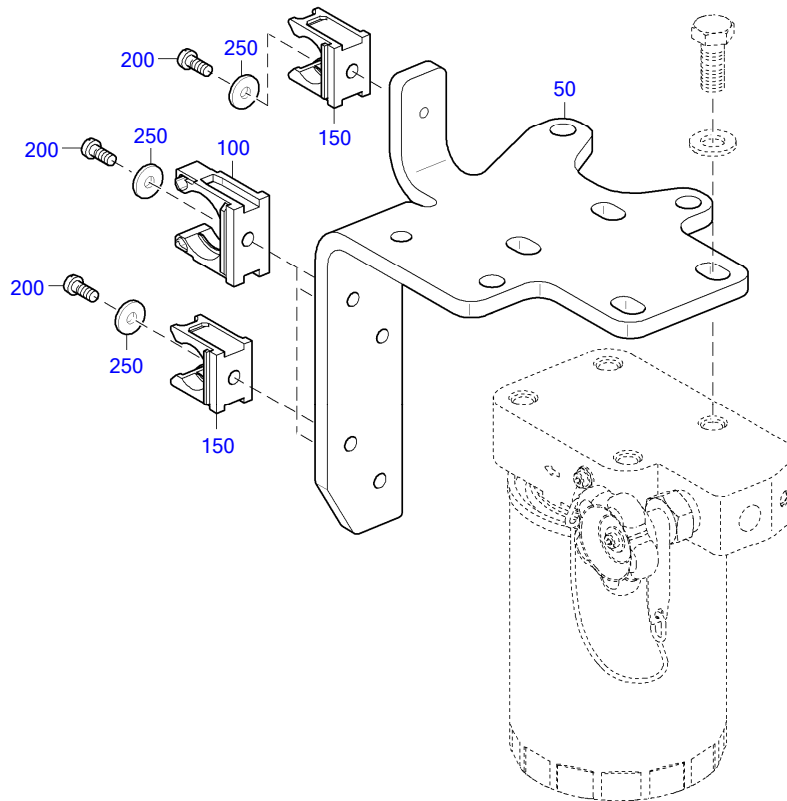
50703430

☐	POS.	PART NO.	DESIGNATION	MODEL/TYPE	QTY.	UNITS	WEIGHT	MEASUREMENT	STANDARD
	50	X59550700007	RETAINER		1	PC	35,8 g	H012/1	
	100	0015331840	SCREW-ON HOLDER FOR CORRUGATED PIPE	OHNE BUEGEL	3	PC	3,1 g	HALTER NW10 BOHRLOCH M5	
	150	000084005196	SCREW		1	PC	2,6 g	M 5 X 12	DIN84
	200	000084005194	SCREW		1	PC	3,2 g	M 5 X 16	DIN84
	250	007349005002	WASHER		1	PC	2,3 g	5,3	DIN7349
	300	000934005004	NUT HEX		2	PC	1 g	M 5	DIN934



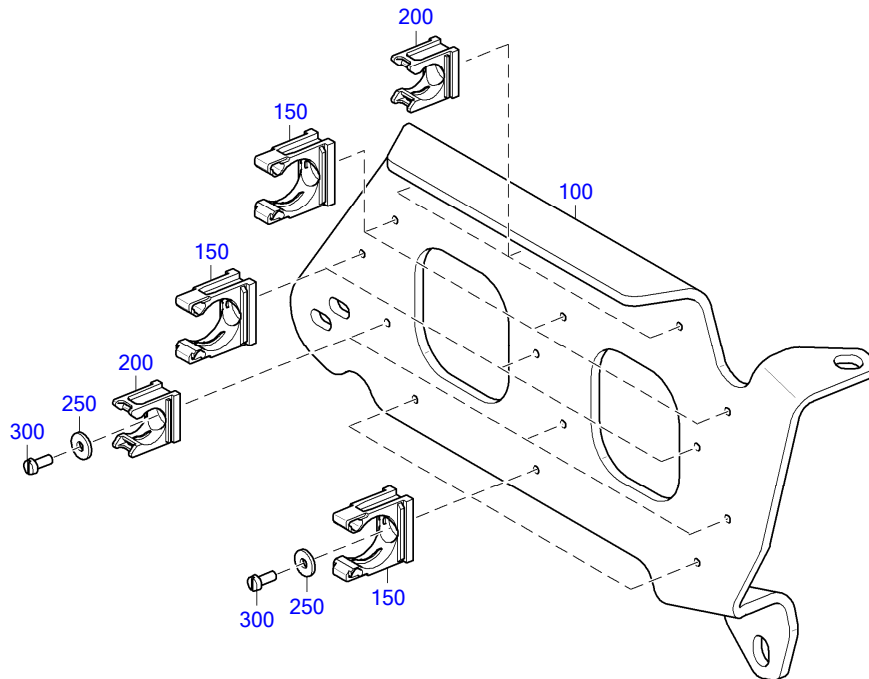
TD0000015285_507

☐	POS.	PART NO.	DESIGNATION	MODEL/TYPE	QTY.	UNITS	WEIGHT	MEASUREMENT	STANDARD
	50	5241531340	BRACKET H:11		1	PC	65,1 g	H011	
	100	X52650700039	SCREW-ON HOLDER FOR CORRUGATED PIPE		1	PC	9,3 g	HALTER NW26 BOHRLOCH M6	
	150	0015331940	SCREW-ON HOLDER FOR CORRUGATED PIPE	OHNE BUEGEL	1	PC	5,6 g	HALTER NW17 BOHRLOCH M6	
	200	00000003387	HEX SCREW		2	PC	5,1 g	M 6 X 16	ISO4017
	250	000125006431	WASHER		4	PC	0,8 g	A 6,4	DIN125
	300	304032006011	HEX NUT		2	PC	2,2 g	M 6	ISO4032
	350	0015331840	SCREW-ON HOLDER FOR CORRUGATED PIPE	OHNE BUEGEL	1	PC	3,1 g	HALTER NW10 BOHRLOCH M5	
	400	000084005194	SCREW		1	PC	3,2 g	M 5 X 16	DIN84
	450	007349005002	WASHER		1	PC	2,3 g	5,3	DIN7349
	500	304032005008	HEX NUT		1	PC	1,2 g	M 5	ISO4032



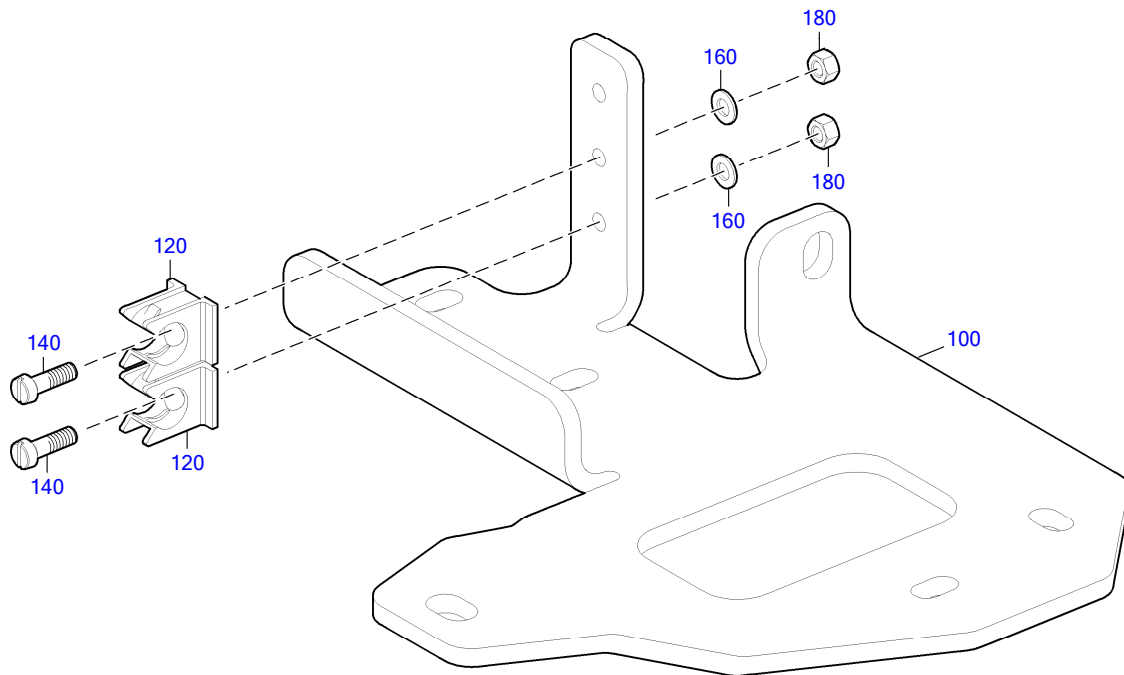
20202636

☐	POS.	PART NO.	DESIGNATION	MODEL/TYPE	QTY.	UNITS	WEIGHT	MEASUREMENT	STANDARD
	50	X59320200059	RETAINER		1	PC	1,4 kg		
	100	X52650700039	SCREW-ON HOLDER FOR CORRUGATED PIPE		3	PC	9,3 g	HALTER NW26 BOHRLOCH M6	
	150	0015331940	SCREW-ON HOLDER FOR CORRUGATED PIPE	OHNE BUEGEL	2	PC	5,6 g	HALTER NW17 BOHRLOCH M6	
	200	000084005196	SCREW		5	PC	2,6 g	M 5 X 12	DIN84
	250	007349005002	WASHER		5	PC	2,3 g	5,3	DIN7349



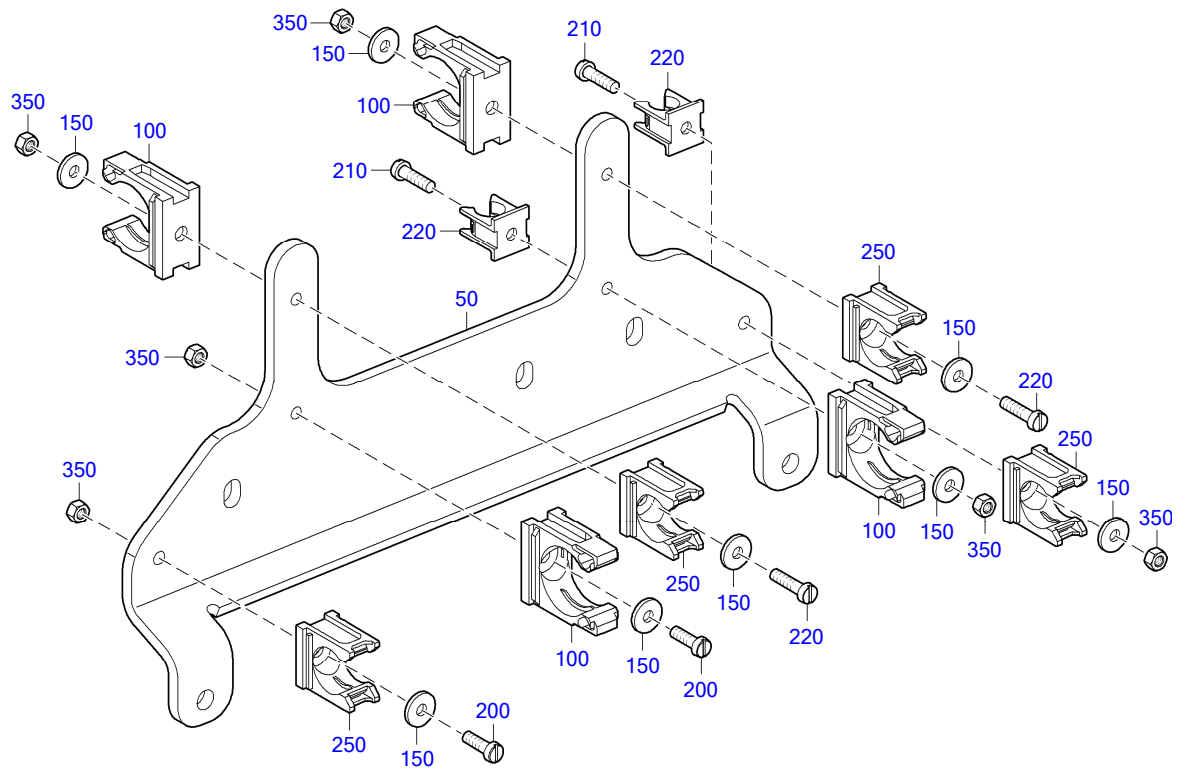
TD0000030092_508

☐	POS.	PART NO.	DESIGNATION	MODEL/TYPE	QTY.	UNITS	WEIGHT	MEASUREMENT	STANDARD
	100	X59699100061	RETAINER F. WIRING HARNESS		1	PC	3,3 kg		
	150	X52650700039	SCREW-ON HOLDER FOR CORRUGATED PIPE		9	PC	9,3 g	HALTER NW26 BOHRLOCH M6	
	200	0015331940	SCREW-ON HOLDER FOR CORRUGATED PIPE	OHNE BUEGEL	6	PC	5,6 g	HALTER NW17 BOHRLOCH M6	
	250	007349005002	WASHER		15	PC	2,3 g	5,3	DIN7349
	300	000084005196	SCREW		15	PC	2,6 g	M 5 X 12	DIN84



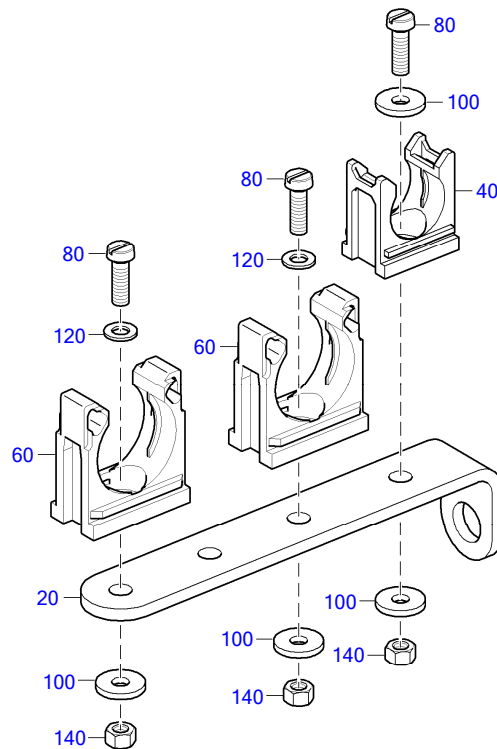
50001015a

☐	POS.	PART NO.	DESIGNATION	MODEL/TYPE	QTY.	UNITS	WEIGHT	MEASUREMENT	STANDARD
	100	X52650200005	RETAINER BOTTOM		1	PC	1,6 kg		
	120	0015331840	SCREW-ON HOLDER FOR CORRUGATED PIPE	OHNE BUEGEL	2	PC	3,1 g	HALTER NW10 BOHRLOCH M5	
	140	000084005194	SCREW		2	PC	3,2 g	M 5 X 16	DIN84
	160	007349005002	WASHER		2	PC	2,3 g	5,3	DIN7349
	180	304032005008	HEX NUT		2	PC	1,2 g	M 5	ISO4032



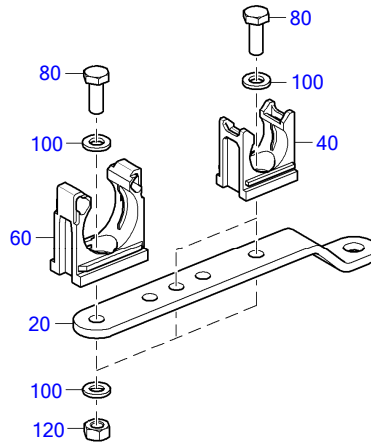
50704854

☐	POS.	PART NO.	DESIGNATION	MODEL/TYPE	QTY.	UNITS	WEIGHT	MEASUREMENT	STANDARD
	50	X52650200003	RETAINER BOTTOM		1	PC	1,578 kg		
	100	X52650700039	SCREW-ON HOLDER FOR CORRUGATED PIPE		4	PC	9,3 g	HALTER NW26 BOHRLOCH M6	
	150	007349005002	WASHER		8	PC	2,3 g	5,3	DIN7349
	200	000084005194	SCREW		2	PC	3,2 g	M 5 X 16	DIN84
	210	000084005168	SCREW		2	PC	3,4 g	M 5 X 18	DIN84
	220	000084005170	SCREW		2	PC	3,4 g	M 5 X 20	DIN84
		0015331840	SCREW-ON HOLDER FOR CORRUGATED PIPE	OHNE BUEGEL	2	PC	3,1 g	HALTER NW10 BOHRLOCH M5	
	250	0015331940	SCREW-ON HOLDER FOR CORRUGATED PIPE	OHNE BUEGEL	2	PC	5,6 g	HALTER NW17 BOHRLOCH M6	
	350	304032005008	HEX NUT		6	PC	1,2 g	M 5	ISO4032



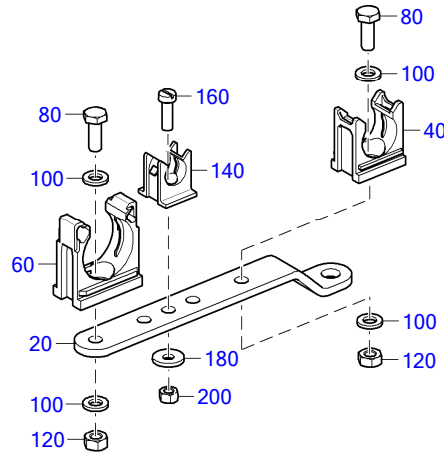
TD0000030131_507

☐	POS.	PART NO.	DESIGNATION	MODEL/TYPE	QTY.	UNITS	WEIGHT	MEASUREMENT	STANDARD
	20	5261530238	BRACKET		1	PC	118,9 g		
	40	0015331940	SCREW-ON HOLDER FOR CORRUGATED PIPE	OHNE BUEGEL	1	PC	5,6 g	HALTER NW17 BOHRLOCH M6	
	60	X52650700039	SCREW-ON HOLDER FOR CORRUGATED PIPE		2	PC	9,3 g	HALTER NW26 BOHRLOCH M6	
	80	000084005194	SCREW		3	PC	3,2 g	M 5 X 16	DIN84
	100	007349005002	WASHER		4	PC	2,3 g	5,3	DIN7349
	120	000125005322	WASHER		2	PC	0,4 g	A 5,3	DIN125
	140	304032005008	HEX NUT		3	PC	1,2 g	M 5	ISO4032



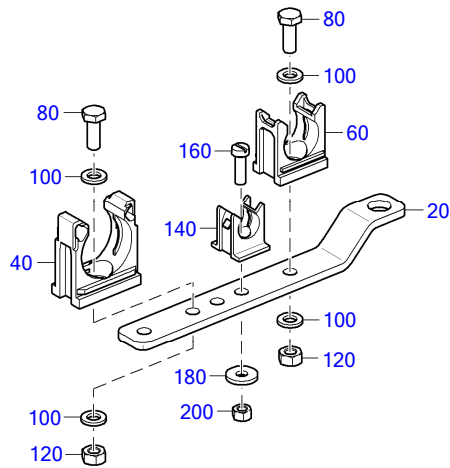
TD0000032340_507

☐	POS.	PART NO.	DESIGNATION	MODEL/TYPE	QTY.	UNITS	WEIGHT	MEASUREMENT	STANDARD
	20	5241533040	BRACKET OFFSET H:15 MARINE	4000	1	PC	93,7 g		
	40	0015331940	SCREW-ON HOLDER FOR CORRUGATED PIPE	OHNE BUEGEL	2	PC	5,6 g	HALTER NW17 BOHRLOCH M6	
	60	X52650700039	SCREW-ON HOLDER FOR CORRUGATED PIPE		1	PC	9,3 g	HALTER NW26 BOHRLOCH M6	
	80	00000003387	HEX SCREW		3	PC	5,1 g	M 6 X 16	ISO4017
	100	000125006431	WASHER		6	PC	0,8 g	A 6,4	DIN125
	120	304032006011	HEX NUT		3	PC	2,2 g	M 6	ISO4032



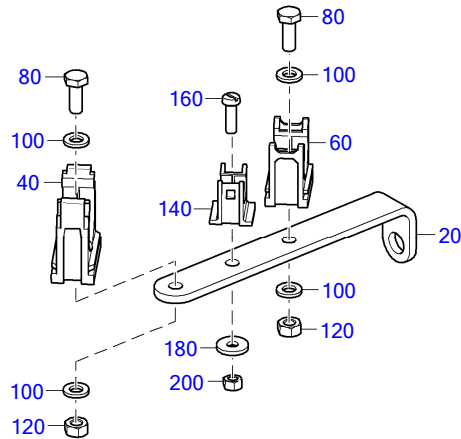
TD0000032344_507

☐	POS.	PART NO.	DESIGNATION	MODEL/TYPE	QTY.	UNITS	WEIGHT	MEASUREMENT	STANDARD
	20	5241533040	BRACKET OFFSET H:15 MARINE	4000	1	PC	93,7 g		
	40	0015331940	SCREW-ON HOLDER FOR CORRUGATED PIPE	OHNE BUEGEL	1	PC	5,6 g	HALTER NW17 BOHRLOCH M6	
	60	X52650700039	SCREW-ON HOLDER FOR CORRUGATED PIPE		1	PC	9,3 g	HALTER NW26 BOHRLOCH M6	
	80	00000003387	HEX SCREW		2	PC	5,1 g	M 6 X 16	ISO4017
	100	000125006431	WASHER		4	PC	0,8 g	A 6,4	DIN125
	120	304032006011	HEX NUT		2	PC	2,2 g	M 6	ISO4032
	140	0015331840	SCREW-ON HOLDER FOR CORRUGATED PIPE	OHNE BUEGEL	1	PC	3,1 g	HALTER NW10 BOHRLOCH M5	
	160	000084005194	SCREW		1	PC	3,2 g	M 5 X 16	DIN84
	180	007349005002	WASHER		1	PC	2,3 g	5,3	DIN7349
	200	304032005008	HEX NUT		1	PC	1,2 g	M 5	ISO4032



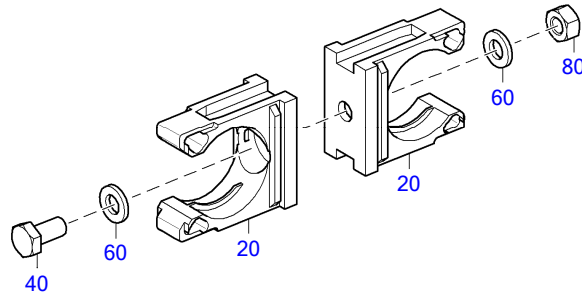
TD0000032346_507

☐	POS.	PART NO.	DESIGNATION	MODEL/TYPE	QTY.	UNITS	WEIGHT	MEASUREMENT	STANDARD
	20	X59499100415	RETAINER		1	PC	97,2 g		
	40	X52650700039	SCREW-ON HOLDER FOR CORRUGATED PIPE		1	PC	9,3 g	HALTER NW26 BOHRLOCH M6	
	60	0015331940	SCREW-ON HOLDER FOR CORRUGATED PIPE	OHNE BUEGEL	1	PC	5,6 g	HALTER NW17 BOHRLOCH M6	
	80	00000003387	HEX SCREW		2	PC	5,1 g	M 6 X 16	ISO4017
	100	000125006431	WASHER		4	PC	0,8 g	A 6,4	DIN125
	120	304032006011	HEX NUT		2	PC	2,2 g	M 6	ISO4032
	140	0015331840	SCREW-ON HOLDER FOR CORRUGATED PIPE	OHNE BUEGEL	1	PC	3,1 g	HALTER NW10 BOHRLOCH M5	
	160	000084005194	SCREW		1	PC	3,2 g	M 5 X 16	DIN84
	180	007349005002	WASHER		1	PC	2,3 g	5,3	DIN7349
	200	304032005008	HEX NUT		1	PC	1,2 g	M 5	ISO4032



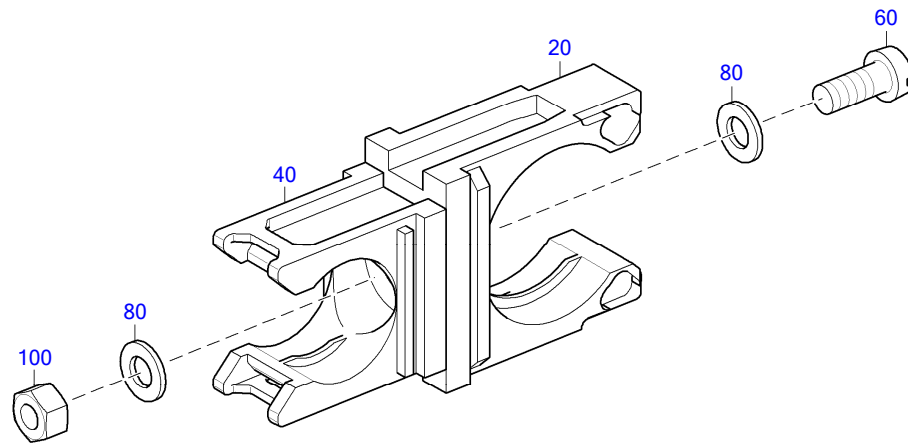
TD0000032348_507

☐	POS.	PART NO.	DESIGNATION	MODEL/TYPE	QTY.	UNITS	WEIGHT	MEASUREMENT	STANDARD
	20	5241534440	BRACKET L H:40	4000	1	PC	99,9 g		
	40	X52650700039	SCREW-ON HOLDER FOR CORRUGATED PIPE		1	PC	9,3 g	HALTER NW26 BOHRLOCH M6	
	60	0015331940	SCREW-ON HOLDER FOR CORRUGATED PIPE	OHNE BUEGEL	1	PC	5,6 g	HALTER NW17 BOHRLOCH M6	
	80	00000003387	HEX SCREW		2	PC	5,1 g	M 6 X 16	ISO4017
	100	000125006431	WASHER		4	PC	0,8 g	A 6,4	DIN125
	120	304032006011	HEX NUT		2	PC	2,2 g	M 6	ISO4032
	140	0015331840	SCREW-ON HOLDER FOR CORRUGATED PIPE	OHNE BUEGEL	1	PC	3,1 g	HALTER NW10 BOHRLOCH M5	
	160	000084005194	SCREW		1	PC	3,2 g	M 5 X 16	DIN84
	180	007349005002	WASHER		1	PC	2,3 g	5,3	DIN7349
	200	304032005008	HEX NUT		1	PC	1,2 g	M 5	ISO4032



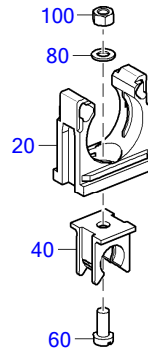
TD0000030100_508

☐	POS.	PART NO.	DESIGNATION	QTY.	UNITS	WEIGHT	MEASUREMENT	STANDARD
	20	X52650700039	SCREW-ON HOLDER FOR CORRUGATED PIPE	2	PC	9,3 g	HALTER NW26 BOHRLOCH M6	
	40	304017006058	HEX SCREW	1	PC	4,4 g	M 6 X 12	ISO4017
	60	000125006431	WASHER	2	PC	0,8 g	A 6,4	DIN125
	80	304032006011	HEX NUT	1	PC	2,2 g	M 6	ISO4032



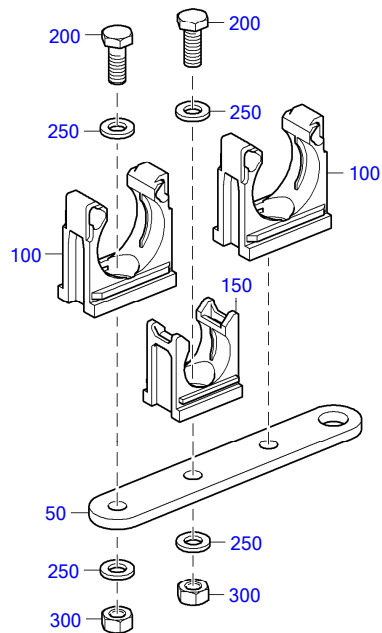
50801541

☐	POS.	PART NO.	DESIGNATION	MODEL/TYPE	QTY.	UNITS	WEIGHT	MEASUREMENT	STANDARD
	20	X52650700039	SCREW-ON HOLDER FOR CORRUGATED PIPE		1	PC	9,3 g	HALTER NW26 BOHRLOCH M6	
	40	0015331940	SCREW-ON HOLDER FOR CORRUGATED PIPE	OHNE BUEGEL	1	PC	5,6 g	HALTER NW17 BOHRLOCH M6	
	60	000084005196	SCREW		1	PC	2,6 g	M 5 X 12	DIN84
	80	000125005322	WASHER		2	PC	0,4 g	A 5,3	DIN125
	100	304032005008	HEX NUT		1	PC	1,2 g	M 5	ISO4032



TD0000032350_507

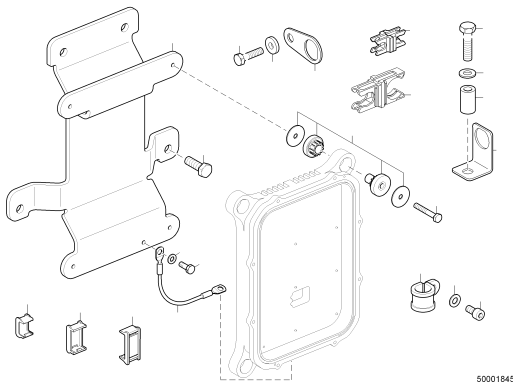
☐	POS.	PART NO.	DESIGNATION	MODEL/TYPE	QTY.	UNITS	WEIGHT	MEASUREMENT	STANDARD
	20	X52650700039	SCREW-ON HOLDER FOR CORRUGATED PIPE		1	PC	9,3 g	HALTER NW26 BOHRLOCH M6	
	40	0015331840	SCREW-ON HOLDER FOR CORRUGATED PIPE	OHNE BUEGEL	1	PC	3,1 g	HALTER NW10 BOHRLOCH M5	
	60	000084005196	SCREW		1	PC	2,6 g	M 5 X 12	DIN84
	80	000125005322	WASHER		1	PC	0,4 g	A 5,3	DIN125
	100	304032005008	HEX NUT		1	PC	1,2 g	M 5	ISO4032



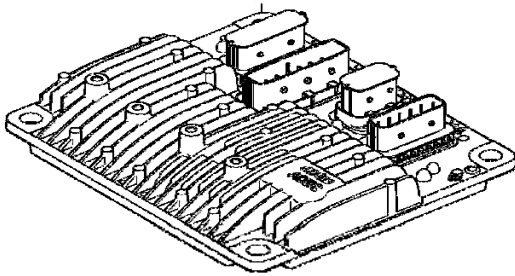
TD0000030396_507

☐	POS.	PART NO.	DESIGNATION	MODEL/TYPE	QTY.	UNITS	WEIGHT	MEASUREMENT	STANDARD
	50	5241531340	BRACKET H:11		1	PC	65,1 g	H011	
	100	X52650700039	SCREW-ON HOLDER FOR CORRUGATED PIPE		2	PC	9,3 g	HALTER NW26 BOHRLOCH M6	
	150	0015331940	SCREW-ON HOLDER FOR CORRUGATED PIPE	OHNE BUEGEL	1	PC	5,6 g	HALTER NW17 BOHRLOCH M6	
	200	00000003387	HEX SCREW		3	PC	5,1 g	M 6 X 16	ISO4017
	250	000125006431	WASHER		6	PC	0,8 g	A 6,4	DIN125
	300	304032006011	HEX NUT		3	PC	2,2 g	M 6	ISO4032

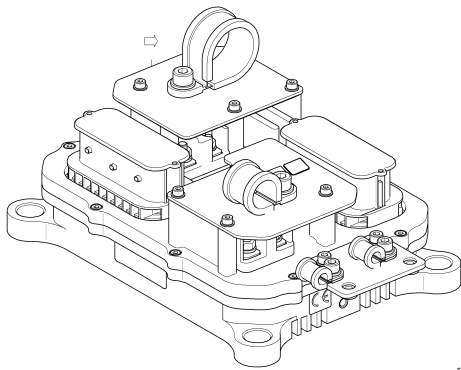
GROUP SEGMENT (FGS)
GROUP NAME
BOM-No.



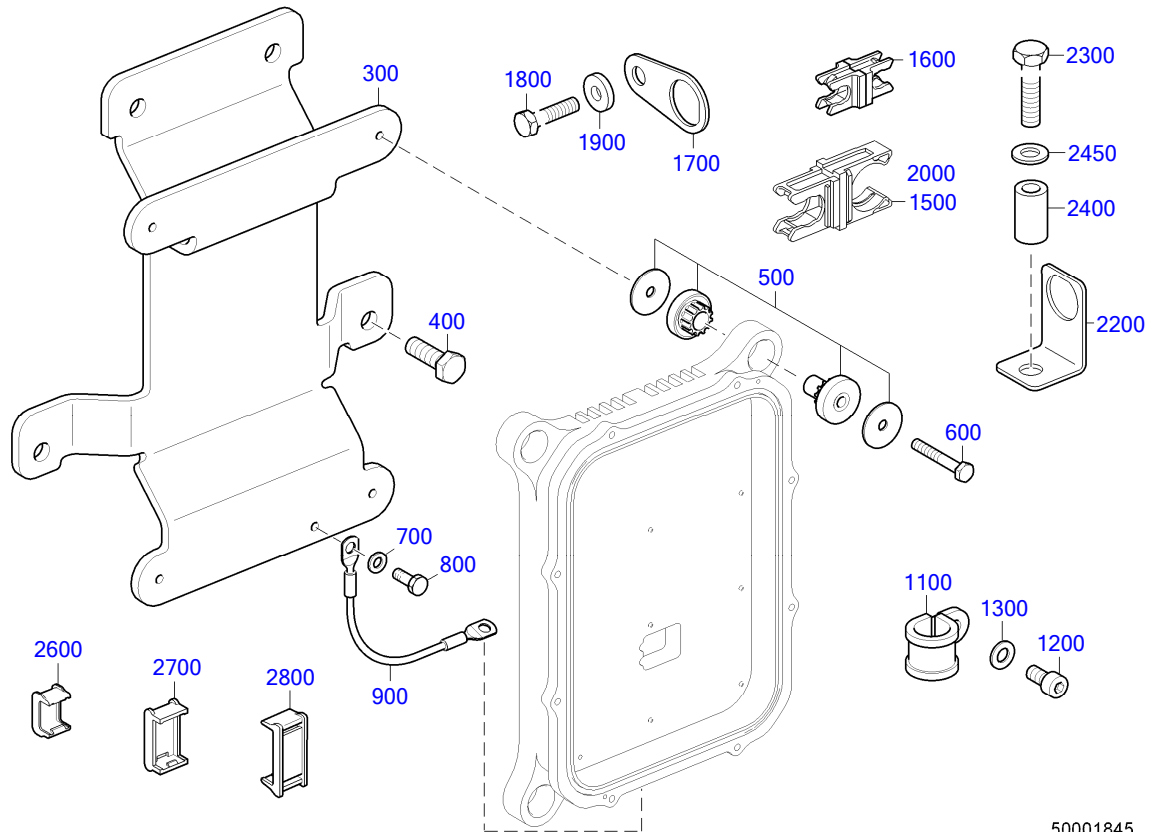
82
RETAINER FOR EIM
XS595500.00078



95
GOVERNOR F/MONTRG SYST + GOV
X00043550

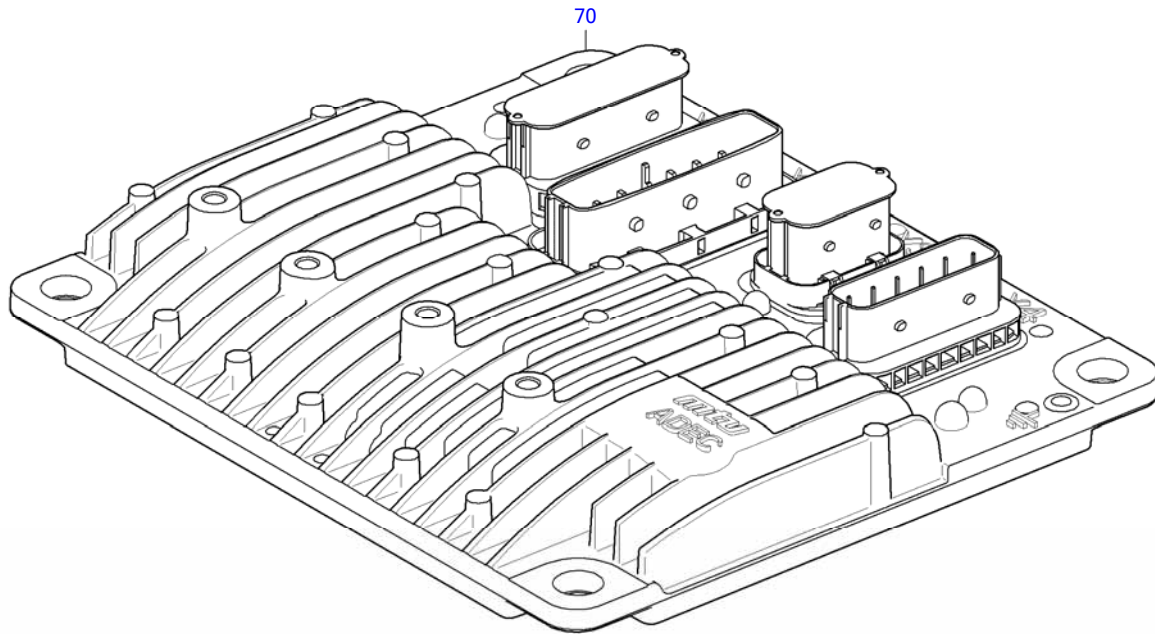


95
CONTROL UNIT F.ENGINE INTERFACE
XS00E500.02015



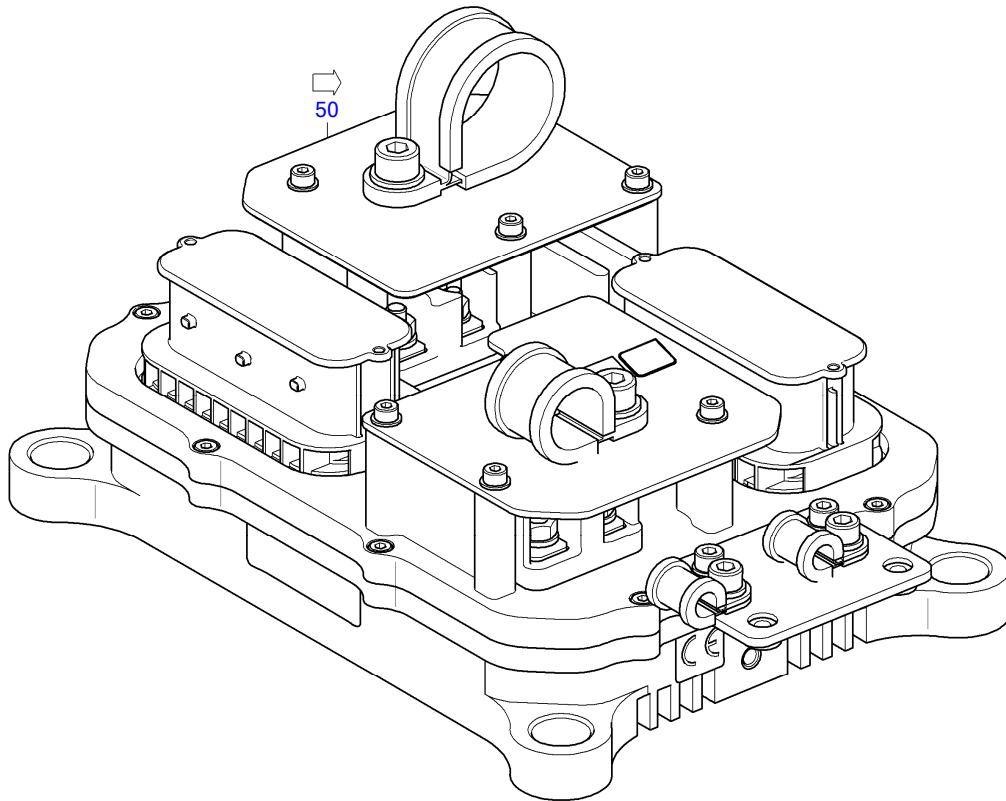
50001845

☐	POS.	PART NO.	DESIGNATION	MODEL/TYPE	QTY.	UNITS	WEIGHT	MEASUREMENT	STANDARD
	300	X52699100360	RETAINER		1	PC	2,7 kg		
	400	000000001464	HEX SCREW		4	PC	24,9 g	M 10 X 30	ISO4017
	500	X57509600008	DAMPER ELEMENT		4	PC	34,1 g	FUER M6 SCHRAUBE	
	600	204017006007	HEX SCREW		4	PC	9,4 g	M 6 X 40	ISO4017
	700	000125006431	WASHER		2	PC	0,8 g	A 6,4	DIN125
	800	304017006058	HEX SCREW		2	PC	4,4 g	M 6 X 12	ISO4017
	900	X00E50201048	GROUND/EARTH LINE		1	PC	18,7 g	2XM6, 6QMM, 250MM, ISOLIERT	
	1100	916016022202	CLAMP		3	PC	27,8 g	BRSGU 22/20	N16016
	1200	304017008081	HEX SCREW		3	PC	13,4 g	M 8 X 25	ISO4017
	1300	000125008427	WASHER		3	PC	1,5 g	A 8,4	DIN125
280	1500	X59550700026	RETAINER F. WIRING HARNESS		1	PC	23 g	BC009	
265	1600	5241503070	RETAINER F. WIRING HARNESS		1	PC	9,6 g	BC007	
	1700	5241534340	BRACKET H:14	4000	1	PC	24 g		
	1800	304017008083	HEX SCREW		1	PC	15,1 g	M 8 X 30	ISO4017
	1900	007349008002	WASHER		1	PC	7,9 g	8,4	DIN7349
280	2000	X59550700026	RETAINER F. WIRING HARNESS		1	PC	23 g	BC009	
	2200	5241534640	BRACKET L H:30 SENSO R E	4000	1	PC	47 g		
	2300	000000004745	HEX SCREW		1	PC	41,8 g	M 10 X 65	ISO4017
	2400	5511531250	SPACER BUSHING		1	PC	41 g		
	2450	000125010524	WASHER		1	PC	3,1 g	A 10,5	DIN125
	2600	0005335043	RETAINING BRACKET FOR CORRUGATED PIPE	NICHT STAPELBAR	2	PC	1,8 g	BUEGEL FUER NW10-HALTER	
	2700	0005334943	RETAINING BRACKET FOR CORRUGATED PIPE	NICHT STAPELBAR	2	PC	2,9 g	BUEGEL FUER NW17-HALTER	
	2800	X52650700040	RETAINING BRACKET FOR CORRUGATED PIPE	NICHT STAPELBAR	2	PC	3,4 g	BUEGEL FUER NW26-HALTER	




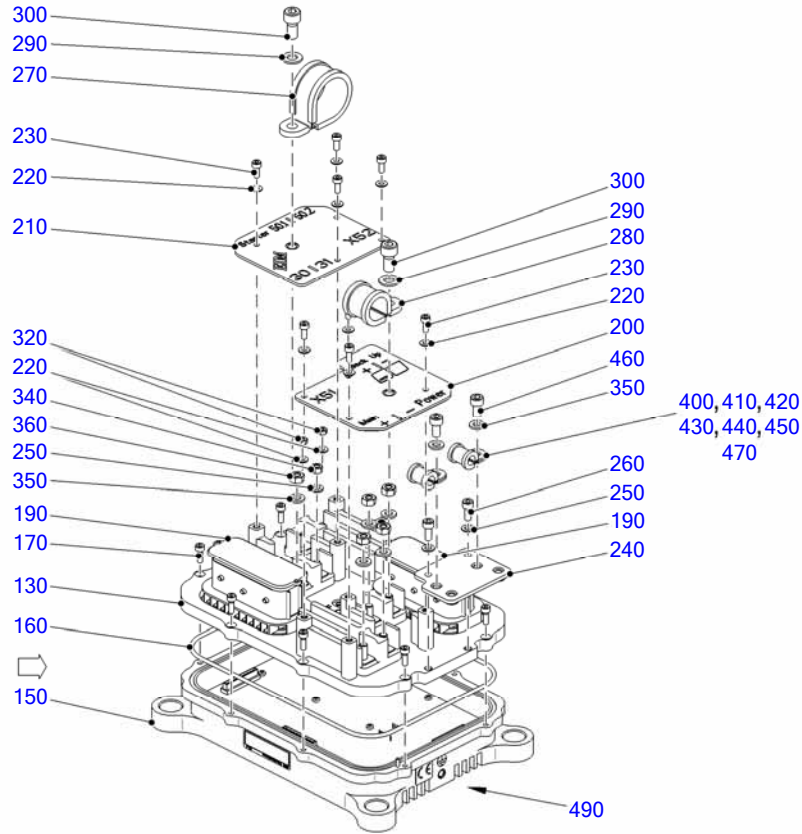
50800198d

☐	POS.	PART NO.	DESIGNATION	MODEL/TYPE	QTY.	UNITS	WEIGHT	FN	MEASUREMENT
	70	X00E50209366	GOVERNOR	ECU7-05/C	1	PC	5,5 kg	EM	ECU7-05/C; 360X314X95 (LXBXH)



50801621

	POS.	PART NO.	DESIGNATION	MODEL/TYPE	QTY.	UNITS	WEIGHT
	50	B00E50201528/S0002	MONITOR WITH SOFTWARE	EIM 2-02	1	PC	3,938 kg



50801802

☐	POS.	PART NO.	DESIGNATION	MODEL/TYPE	QTY.	UNITS	WEIGHT	FN	MEASUREMENT	STANDARD
	130	B00E50201524	PLUG-IN BOARD UPPER PART	EIM 2-01 / CIB 6-02	1	PC	1,35 kg		OBERTEIL	
288	150	B00E50200605/S0001	PLUG-IN BOARD LOWER PART	EIM 2-XX / CIB 5-01	1	PC	1,715 kg		UNTERTEIL	
	160	700429214000	O-RING		1	PC	10,2 g		214 X 3	MMN429
	170	000000002668	SCREW		8	PC	10 g		M 4 X 12	DIN912
	190	X00E50200338	DUST CAP FOR CONNECTOR	STAUBKAPPE MCP 62 POL.	2	PC	2 g		FUER TYCO-MESSERLEISTE 62POL	
	200	X00E50204759	COVER PLATE	EIM 1-01	1	PC	166,7 g	UB	102X103X3 -X51-POWER	
	210	X00E50204758	COVER PLATE	EIM 1-01	1	PC	154,5 g	UB	102X103X3 -X52-STARTER	
	220	200125004301	WASHER		10	PC	0,3 g		A 4,3	DIN125
	230	204762004010	SCREW		8	PC	1,7 g		M 4 X 10	ISO4762
	240	X00E50205850	RETAINER PLATE FOR CABLE	EIM 1-01	1	PC	85,8 g	AB	70X53X3	
	250	200125005300	WASHER		3	PC	0,4 g		A 5,3	DIN125
	260	000912005039	SCREW		2	PC	3,1 g		M 5 X 12	DIN912
	270	916016035201	CLAMP		1	PC	43 g		BRSGU 35/20	N16016
	280	916016020202	CLAMP		1	PC	26,7 g		BRSGU 20/20	N16016
	290	200125008400	WASHER		2	PC	1,5 g		A 8,4	DIN125
	300	204762008007	SCREW		2	PC	11,6 g		M 8 X 16	ISO4762
	320	000000003183	HEX NUT		2	PC	0,8 g		M 4	ISO4032
	340	000000002215	HEX NUT		1	PC	1,2 g		M 5	ISO4032
	350	200125006400	WASHER		7	PC	0,7 g		A 6,4	DIN125
	360	000000002218	HEX NUT		5	PC	2,3 g		M 6	ISO4032
	400	916016008200	CLAMP		2	PC	9,4 g		BRSGU 8/15	N16016
	410	916016010201	CLAMP		1	PC	9,1 g		BRSGU 10/15	N16016

EQUI TYPE: Engine

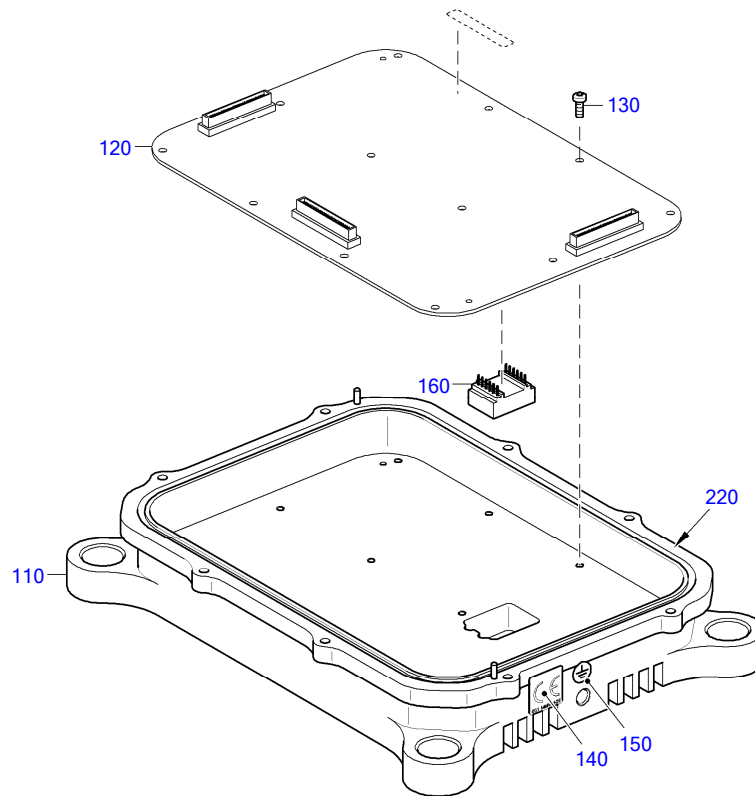
PRODUCT TYPE: 12V4000M93L
MONITOR WITH SOFTWARE

SERIAL NUMBER: 526108553

FG/FGS:

BOM-No.: B00E50201528/S0002

<input type="checkbox"/>	POS.	PART NO.	DESIGNATION	MODEL/TYPE	QTY.	UNITS	WEIGHT	FN	MEASUREMENT	STANDARD
	420	916016012200	CLAMP		1	PC	10 g		BRSQU 12/15	N16016
	430	916016015202	CLAMP		1	PC	13,5 g		BRSQU 15/15	N16016
	440	000000004737	CLAMP		1	PC	15,5 g		BRSQU S 20/15	N16016
	450	000000003931	CLAMP		1	PC	18,7 g		BRSQU S 25/15	MBN16016
	460	204762006004	SCREW		2	PC	5 g		M 6 X 12	ISO4762
	470	0035314381	CABLE CLAMP	KABELBINDER	1	PC	0,6 g		L=150MM, B=3,6MM	
	490	B00E50201528/77	MONITOR WITH SOFTWARE	EIM 2-02	1	PC	4 kg			



50801619

☐	POS.	PART NO.	DESIGNATION	MODEL/TYPE	QTY.	UNITS	WEIGHT	MEASUREMENT	STANDARD
	110	B00E50200604	HOUSING LOWER PART	EIM2-01	1	PC	1,5 kg		
	120	X00E50203628	PLUG-IN BOARD SMD	CIB5-01 ZB SMD	1	PC	156 g	ZB SMD CIB5-01;	
	130	000000003652	TORX SCREW		12	PC	0,7 g	M3 GF X 8	MBN10226
	140	700425000142	PLATE		1	PC	2,2 g	60.1	MMN425
	150	X00E50207411	PLATE FOR GROUND CONNECT.	ERDUNGSSCHILD	1	PC	3 g	13X13	
	160	0005327956	TRANSFORMER	EVD15	1	PC	2 g	LP44UH,UE0-50V, W1=28, W2=19WX=8	
	220	X00009977	2-COMP. SILIC.RUBBER	KARTUSCHE 330 ML	1	PC	700 g	ELASTOSIL SG 500 A/B	

GROUP SEGMENT (FGS)

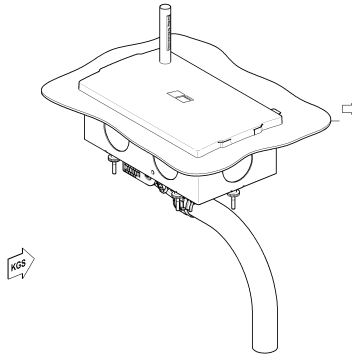
GROUP NAME

BOM-No.

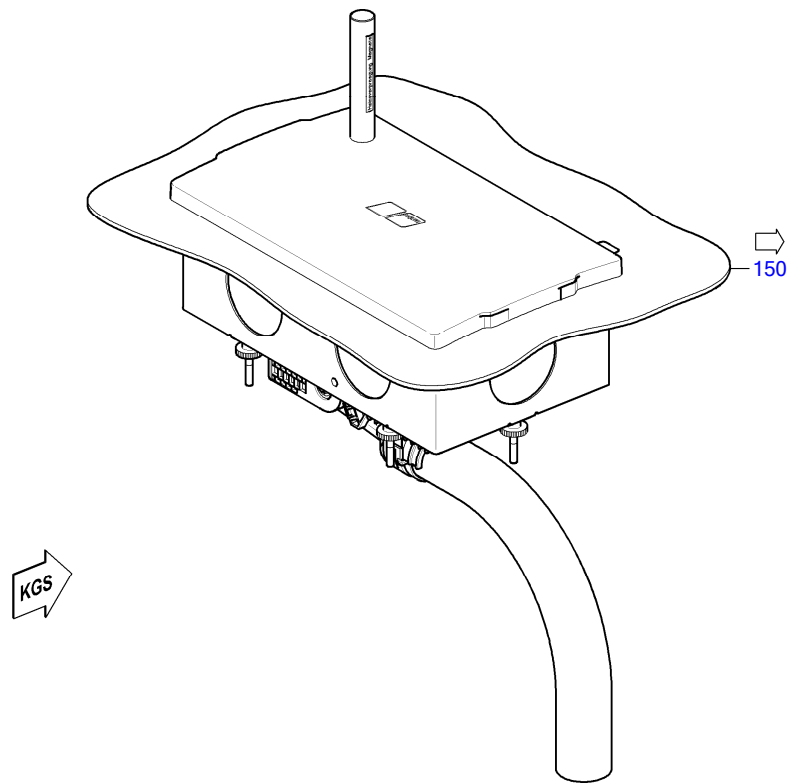
20

DISPLAY FOR CONTROL STAND

BS00E510.00849

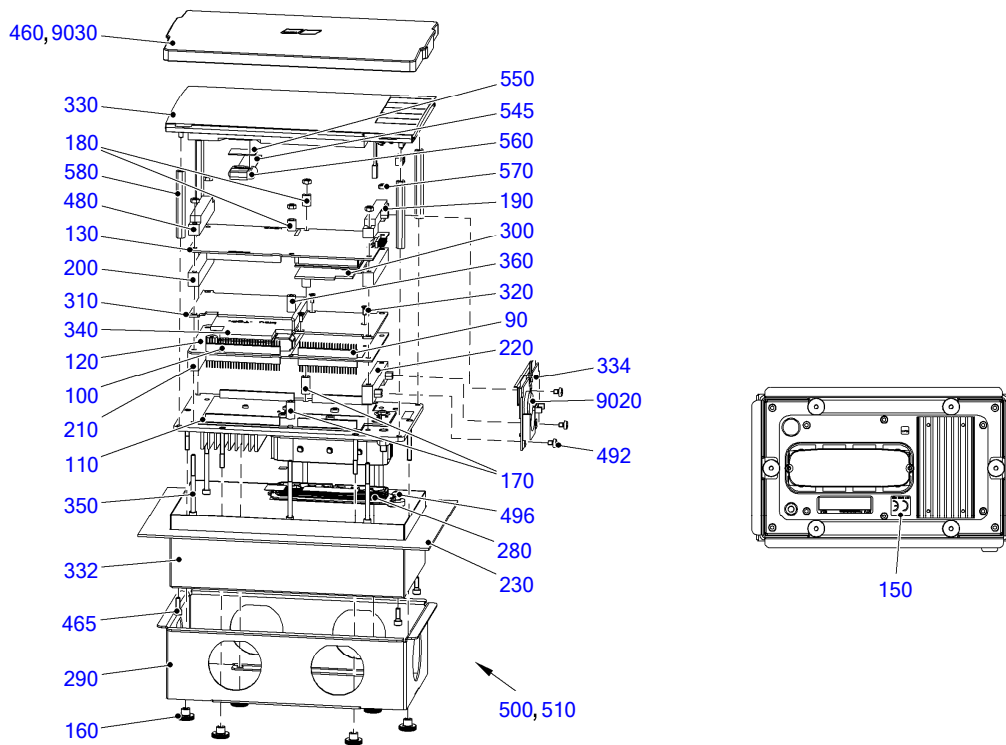


51103261



51103261

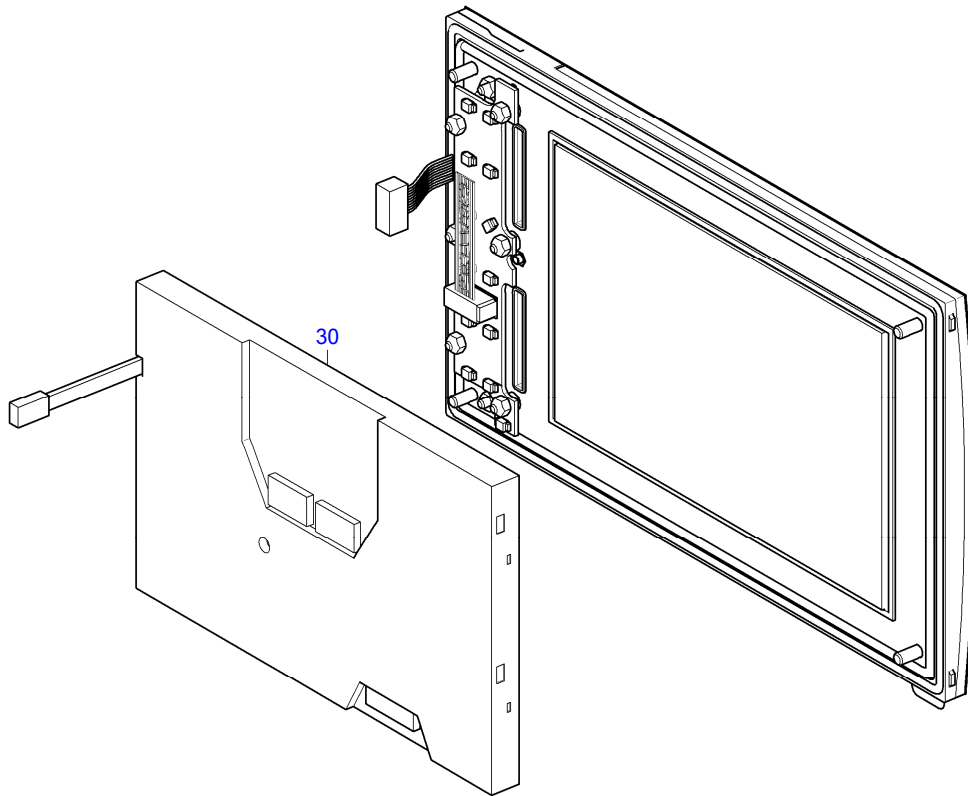
□	POS.	PART NO.	DESIGNATION	MODEL/TYPE	QTY.	UNITS	WEIGHT
291	150	B00E50204243/S0001	DISPLAY FOR CONTROL STAND	MFD1-07	1	PC	4,2 kg



51103447

☐	POS.	PART NO.	DESIGNATION	MODEL/TYPE	QTY.	UNITS	WEIGHT	FN	MEASUREMENT	STANDARD
	90	X00E50200808	PIN RAIL	1X22POL.	2	PC	3 g		KE 1X 22POL; L	
	100	X00E50200809	PIN RAIL	1X28POL.	2	PC	4 g		KE 1X 28POL; L	
	110	X00E50207811	PLUG-IN BOARD	DBB4-02	1	PC	600 g		KE DBB4-02	
	120	X00E50203734	PLUG-IN BOARD	DBB5-01_ZB	1	PC	225 g		KE DBB5-01_ZB;	
	130		PLUG-IN BOARD	DBB6-01/A	1	PC	126 g		KE DBB6-01/A	
	150	700425000142	PLATE		1	PC	2,2 g		60.1	MMN425
	160	200466004000	KNURLED NUT		6	PC	6,3 g		M 4	DIN466
	170	X00E50201547	CYLINDER LINER FOR DISPLAY	MFD1-02	2	PC	0,4 g		D4.5X16	
	180	X00E50201597	CYLINDER LINER FOR DISPLAY	MFD1-02	2	PC	0,8 g		D4.5X10	
	190	X00E50205392	STRIP FOR DISPLAY	MFD1-03	1	PC	30 g		90X16,2X10	
	200	X00E50201582	SPACER FLANGE FOR DISPLAY	MFD1-02	2	PC	30,4 g		KE 90X13X10 DBB5-LI&AMP;RE	
	210	X00E50201583	SPACER FLANGE FOR DISPLAY	MFD1-02	1	PC	41 g		KE 90X17.8X10 DBB5-LI	
	220	X00E50205393	STRIP FOR DISPLAY	MFD1-03	1	PC	40 g		90X17,8X10	
	230	X00E50205306	FOR DISPLAY	MFD1-03	1	PC	40 g		275X175X2	
	280	X00010316	DUST CAP FOR CONNECTOR	STAUBKAPPE MCP 92 POL.	1	PC	0,025 kg		FUER TYCO-MESSERLEISTE 92POL	
	290	B00E50201622	FRAME FOR DISPLAY	MFD	1	PC	550 g		KE	
	300	X00E50205303	HEAT-CONDUCTING FOIL	MFD1-03	1	PC	11,8 g		76X58.5X2/86-500=5W/MK/BRAUN	
	310	X00E50201557	ZEE FOR DISPLAY	MFD1-02	1	PC	73,5 g		175X15X90 T=2	
	320	200965003000	COUNTERSUNK HD SCREW		3	PC	0,4 g		M 3 X 8	DIN965
292	330	B00E50202090	HSG UPPER ELEM FOR DISPLAY	MFD1-05	1	PC	891 g			
	332	X00E50206400	HOUSING	MFD1-04	1	PC	160 g		222 X 126 X 71	

☐	POS.	PART NO.	DESIGNATION	MODEL/TYPE	QTY.	UNITS	WEIGHT	FN	MEASUREMENT	STANDARD
	334	X00E50206401	PRINT	MFD1-03	1	PC	61,8 g		100 X 60.5 X 16	
	340	B00E50203864	HEAT-CONDUCTING FOIL	MFD1-XX	1	PC	25,4 g	KE	77X74X3/86-300=3W/MK/BLAU	
	350	204762004000	SCREW		6	PC	6,2 g		M 4 X 55	ISO4762
	360	X00E50202032	CYLINDER LINER FOR DISPLAY	MFD1-02	2	PC	0,8 g		D4.5X15	
	460	X00E50206415	PROTECTIVE COVER FOR DISPLAY	MFD1-03	1	PC	88,6 g		245 X 142 X 14	
	465	000000002668	SCREW		4	PC	10 g		M 4 X 12	DIN912
	480	X00E50203960	SPACER FLANGE FOR DISPLAY	MFD1-02	1	PC	35 g	KE	90X16.2X10 DBB6-LI	
	492	207985004109	OVAL-HEAD SCREW		3	PC	1,2 g		M 4 X 5	DIN7985
	496	0005333588	FILTER FOR HOUSING		1	PC	0,21 g			
	500	KARTON-002	FOLDING CARTON		1	PC			305X215X220 MM	
	510	X00052937	FOAMED PLASTIC INSERT		1	PAA			220X215X38,5+38,5MM	
	545	X00E50202062	CABLE FLAT	30ADR.; FLACHKABEL	1	PC	1 g		RM 0,5; LAENGE 120; 30POLIG;	
	550		INSULATING TAPE	MFD1-02	1	PC	5 g	KE	25X17X1	
	560		REACTOR	170R BEI 100MHZ	1	PC	12,8 g	KE	25X7,7X16; F. FLACHK.18,5X0,8	
	570	000000003183	HEX NUT		6	PC	0,8 g		M 4	ISO4032
	580	B00E50202609	SPACER PIN	-	4	PC	20 g		M4/M4/65 LG/SW7	
	9020	0005325752	BATTERY	RENATA CR2477N	1	PC	2 g		D=25,4X7,7, KNOPFZELLE_3V,	



51103206

☐	POS.	PART NO.	DESIGNATION	MODEL/TYPE	QTY.	UNITS	WEIGHT	MEASUREMENT
	30	X00E50208216	DISPLAY	LCD-FARB-TFT 7"	1	PC	270 g	7INCH/177MM 800X480-RGB-DOTS

EQUIPMENT TYPE

PRODUCT TYPE
SERIAL NUMBER

Engine
12V4000M93L
526108554

FG FG DESIGNATION
004 LABELS AND MISCELLANEOUS MATERIALS
011 CRANKCASE
014 CRANKCASE BOTTOM PART
015 ENGINE MOUNTING
016 END HOUSING, DRIVING END AND FREE END
018 CRANKCASE BREATHER
024 GEAR CASE FREE END
031 CRANKSHAFT WITH BEARING
032 CRANKSHAFT, PTO DRIVING END
035 CRANKSHAFT PTO FREE END
036 TRANSPORT LOCK/LOCK FOR CRANKSHAFT
037 PISTON
038 CONROD
041 CYLINDER HEAD
051 CAMSHAFT
055 VALVE DRIVE
073 INJECTION PUMP / HP PUMP
075 INJECTION VALVE / INJECTOR
077 HP FUEL LINE / HP LINE
080 LP FUEL SYSTEM (ALSO GAS ENGINES)
081 FUEL LINES BEFORE FUEL PUMP
083 FUEL FILTER
086 LEAK-OFF FUEL LINE / FUEL RETURN
087 LEAK-OFF FUEL MONITORING
101 EXHAUST TURBOCHARGER, GENERAL OR HP TURBOCHARGER
114 CHARGE-AIR COOLING, CENTRAL
121 AIR FILTER
123 AIR SYSTEM
124 AIR PIPING TO CYLINDERS
125 AIR PIPING BETWEEN EXHAUST TURBOCHARGER AND INTERCOOLER
141 EXHAUST LINES AFTER CYLINDER HEAD
143 CARRIER HOUSING
145 EXHAUST SYSTEM AFTER ETC
146 EXHAUST LINES AFTER ENGINE (UP TO END OF EGAT)
172 ELECTRIC STARTING
181 LUBE OIL PUMP WITH DRIVE
183 OIL FILTRATION/COOLING
184 CRANKCASE-INTERNAL OIL SUPPLY
185 OIL SUPPLY OF EXHAUST TURBOCHARGERS
188 CONNECTIONS FOR ENGINE OIL SUPPLY
200 COOLANT SYSTEM
202 COOLANT CIRCUIT GENERAL, IF APPLICABLE, HT CIRCUIT
204 HEAT EXCHANGER PLATES
205 ENGINE COOLANT COOLER, ATTACHMENT HARDWARE
206 COOLANT PIPEWORK WITH THERMOSTAT
207 RAW-WATER PUMP WITH CONNECTIONS

FG FG DESIGNATION

208 EXPANSION TANK

213 BATTERY-CHARGING GENERATOR

231 ENGINE MOUNTING

251 STEEL-SPRING COUPLING

255 BENDING-RESILIENT COUPLING

293 OIL PUMP

301 NEUTRAL ACCESSORIES

367 COOLANT SUPPLY SYSTEM

368 RAW WATER SUPPLY AND DISPOSAL SYSTEM

507 GENERAL WIRING, FOR ENGINE / GEARBOX / PLANT

508 ACCESSORIES F. ENGINE GOVERNOR (ELECTRONIC) / CONTROL SYSTEM

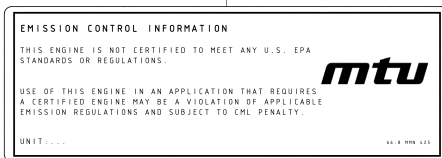
GROUP SEGMENT (FGS)
 GROUP NAME
 BOM-No.

05
 PLATE
 000.00899



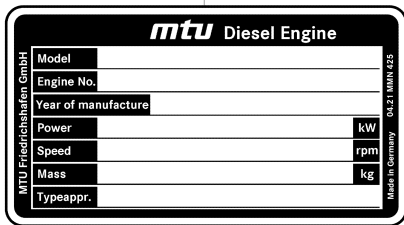
00400053a

05
 EMI-INFORMATION TAG
 XS524000.00019



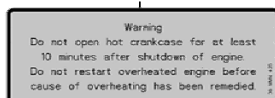
00400106a

05
 NAMEPLATE ENGLISH
 XS524000.00097



00400160

05
 PLAQUARD POSSIBLE EXPLOSION HAZARD
 XS524000.00104

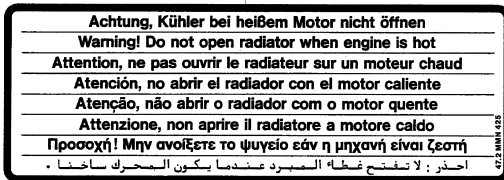


00400161

GROUP SEGMENT (FGS)

GROUP NAME

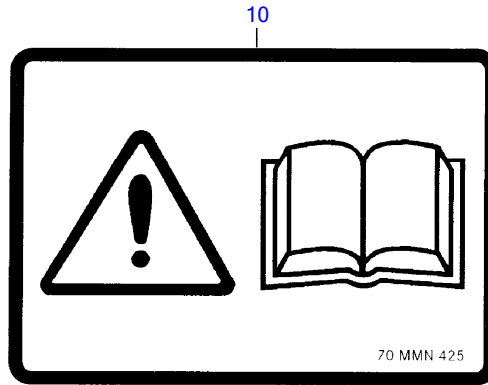
BOM-No.

05
PLACARD
XSD01000.00001

00400156

05
PLACARD
XSD01000.00002

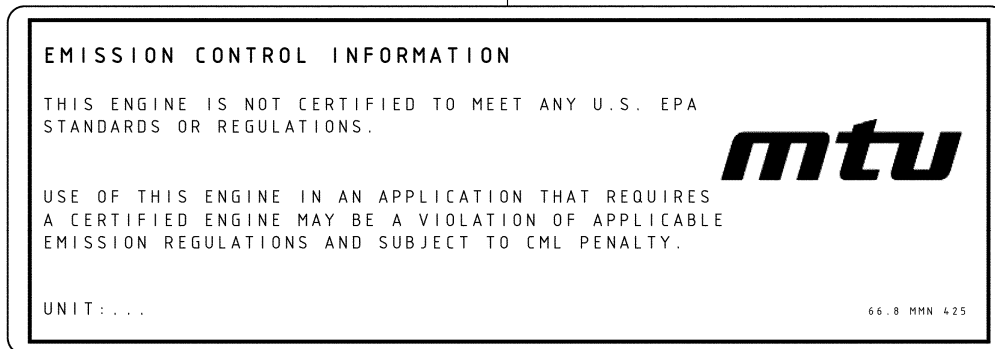
00401574



00400053a

☐	POS.	PART NO.	DESIGNATION	QTY.	UNITS	WEIGHT	MEASUREMENT	STANDARD
	10	700425000155	PLATE	1	PC	1,5 g	70	MMN425

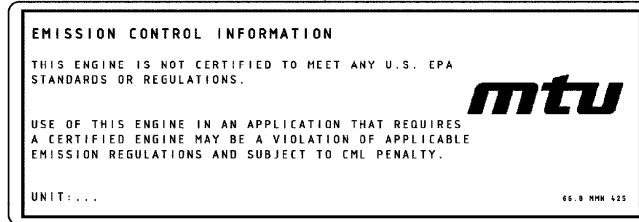
100



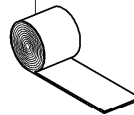
00400106a

	POS.	PART NO.	DESIGNATION	QTY.	UNITS	FN	MEASUREMENT	STANDARD
298	100	700425000182	EMI-LABEL EMI INFO	1	PC	EM	66.8	MMN425

150



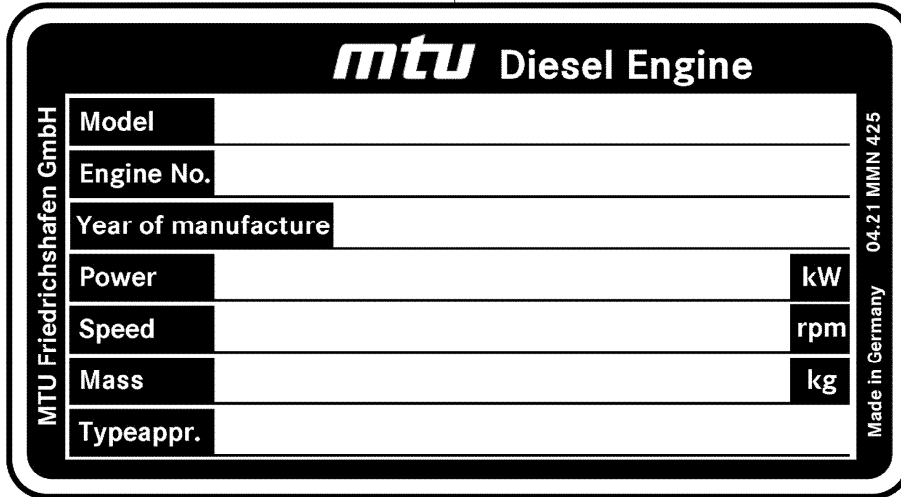
100



TD0000038680_004

☐	POS.	PART NO.	DESIGNATION	MODEL/TYPE	QTY.	UNITS	WEIGHT	MEASUREMENT	STANDARD
	100	X00048997	THERMAL-TRANSFER-COLOR TAPE		1	PC	250 g	83 MM X 300 M, SCHWARZ	
	150	X53600400001	IDENTIFICATION PLATE SELF-ADHESIVE	BR2000/4000	1	PC	1,2 g	52X148X0,09	MMN425

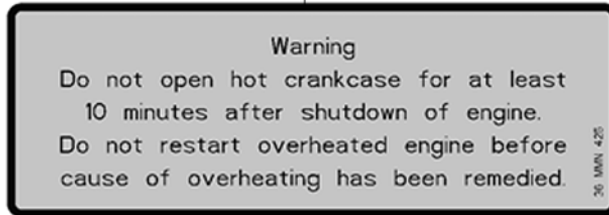
20



00400160

☐	POS.	PART NO.	DESIGNATION	QTY.	UNITS	WEIGHT	FN	MEASUREMENT	STANDARD
	20	700425000219	NAMEPLATE FOR DIESEL ENGINE	1	PC	6,7 g	EM	04.21	MMN425

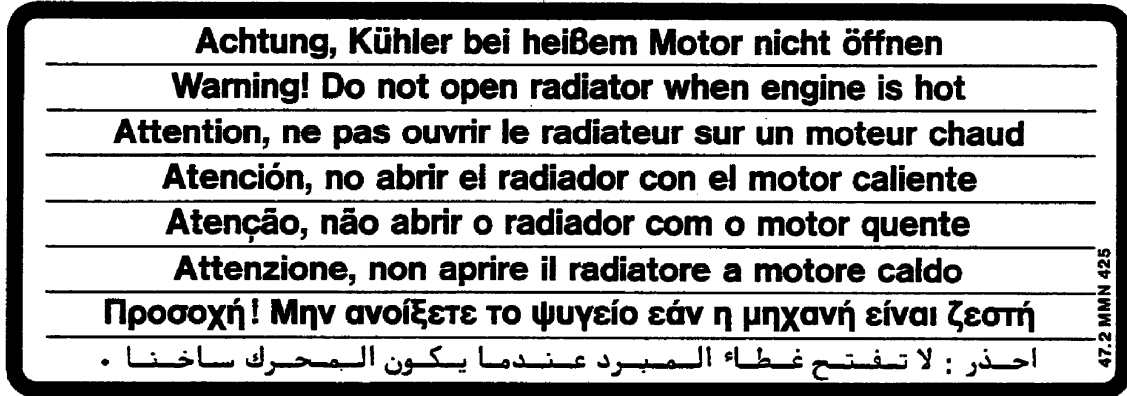
150



00400161

☐	POS.	PART NO.	DESIGNATION	QTY.	UNITS	WEIGHT	MEASUREMENT	STANDARD
	150	700425000039	PLATE	4	PC	2,3 g	36	MMN425

100



00400156

☐	POS.	PART NO.	DESIGNATION	QTY.	UNITS	WEIGHT	MEASUREMENT	STANDARD
	100	700425000112	PLATE	1	PC	2,2 g	47.2	MMN425

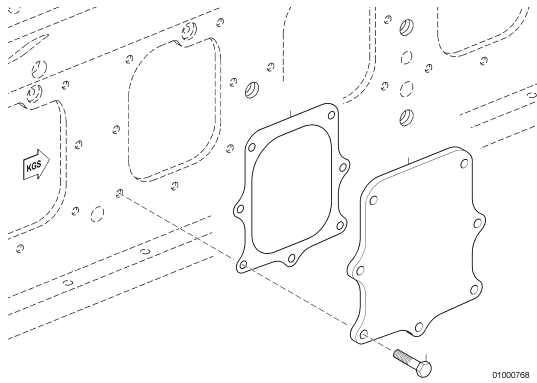


00400157a

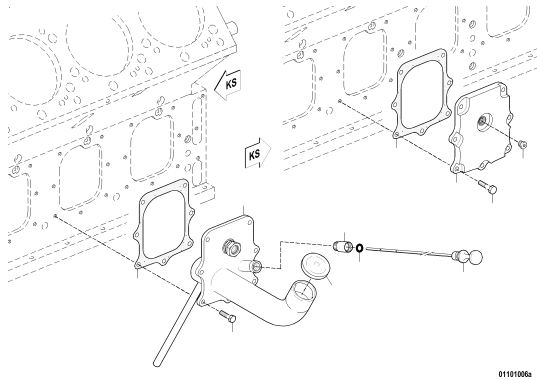
	POS.	PART NO.	DESIGNATION	QTY.	UNITS	WEIGHT
	100	XD0000400001	PLACARD CRUSHING HAZARD	2	PC	0,2 g

GROUP SEGMENT (FGS)
GROUP NAME
BOM-No.

05
CRANKCASE
XS526010.00086



30
INSPECT PORT COVER
XS594010.00121



40
OIL FILLER NECK W. OIL DIPSTICK, LF
XS594010.00177

☐	POS.	PART NO.	DESIGNATION	QTY.	UNITS	WEIGHT	FN	MEASUREMENT	STANDARD
305	80	X59401100073	CRANKCASE	1	PC	1618 kg	EM		
	100	X52401100023	STRIP	1	PC	2,8 kg			
	120	000912008115	BOLT HEX SOC HD	2	PC	11,4 g		M 8 X 16	DIN912
	140	0049976736	VALVE DRAIN	2	PC	125 g			
	160	5240110045	COVER CRANKCASE BREA THER	2	PC	170 g			
	170	5501871280	GASKET	2	PC	1,1 g			
	180	000000003021	HEX SCREW	4	PC	22,8 g		M 10 X 25	ISO4017
	190	X52601100034	CRANKCASE COVER FOR CAMSHAFT CHAMBE	1	PC	27,5 kg			
	210	000835010056	STUD	4	PC	22,4 g		M 10 X 25	DIN835
	230	000835008086	STUD	4	PC	13 g		M 8 X 25	DIN835
	250	5269970345	SEAL STRIP	1	PC	138,4 g		1057X5	
	260	700429018005	O-RING	8	PC	1,9 g		18 X 4	MMN429
	270	5509901540	WASHER	23	PC	4,8 g			
	280	000000000897	HEX SCREW	23	PC	29,8 g		M 10 X 40	ISO4017
	300	735084050000	PLUG	1	PC	103,9 g		50	MTN5084
	310	700429042000	O-RING	1	PC	6,2 g		42 X 5	MMN429
	320	5249950059	STRAP	1	PC	75 g			
	340	000000003020	HEX SCREW	1	PC	20 g		M 10 X 20	ISO4017
	360	007349010002	WASHER	1	PC	11 g		10,5	DIN7349
	370	204017010004	HEX SCREW	1	PC	17,9 g		M 10 X 16	ISO4017
	390	700429055001	O-RING	1	PC	8 g		55 X 5	MMN429
	410	5240110732	COVER CYL BLOCK ACCE SS PORT	1	PC	2,8 kg			
	430	5240111380	GASKET	1	PC	25 g			
	440	000000003021	HEX SCREW	7	PC	22,8 g		M 10 X 25	ISO4017
	460	5240110259	RING CARBON SCRAPPER	12	PC	200 g			
	490	007603014102	SEAL RING	2	PC	1 g		A 14 X 18	DIN7603
	500	000908014001	SCREW PLUG	2	PC	0,016 kg		M 14 X 1,5	DIN908
	520	EX59401100073	CRANKCASE	1	PC	1618 kg	MN EM		

EQUI TYPE: Engine

PRODUCT TYPE: 12V4000M93L
CRANKCASE

SERIAL NUMBER: 526108554

FG/FGS:

BOM-No.: X59401100073

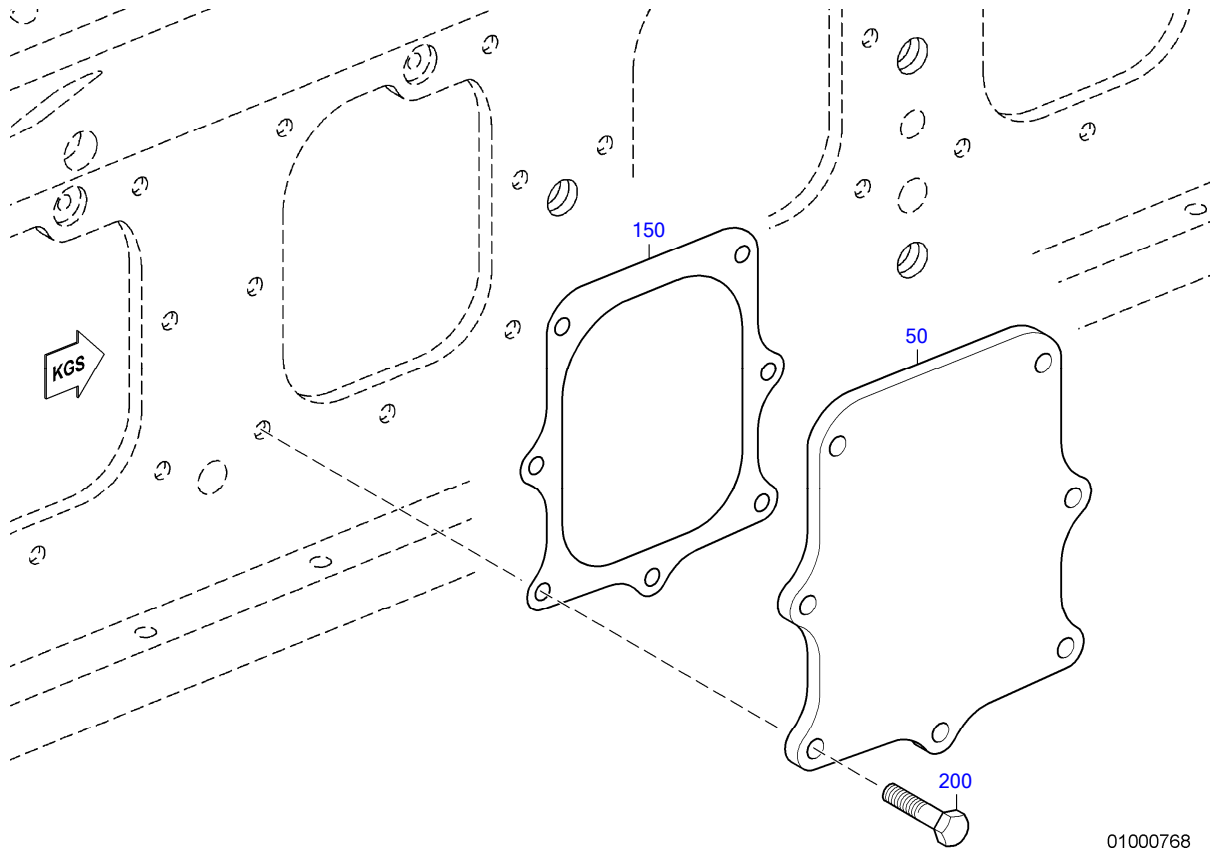
☐	POS.	PART NO.	DESIGNATION	MODEL/TYPE	QTY.	UNITS	WEIGHT	FN	MEASUREMENT	STANDARD
	10	X59401100072	CRANKCASE		1	PC	1291 kg	EM		
	30	007603012111	COPPER SEALING RING		7	PC	0,7 g		A 12 X 15,5	DIN7603
	40	000908012003	THREAD PLUG		7	PC	11,9 g		M 12 X 1,5	DIN908
	50	X52801100011	CRANKSHAFT BRG CAP		7	PC	12,32 kg			
	60	5240110570	STUD		14	PC	1,09 kg			
	70	5240110172	NUT		14	PC	122,6 g			
	80	X52899100040	SCREW W. INTERNAL HEX.		14	PC	448,1 g		M 20 X 180	
	90	700521020200	WASHER		14	PC	17,6 g		20,2	MMN521
	100	5249970020	SEALING CAP		24	PC	62,6 g		D 50	
	120	5240510110	BEARING CAMSHAFT STD		7	PC	136,6 g			
	140	X00027830	CYLINDER LINER SIZE 0 C23		12	PC	17,75 kg	EM		
	160	X59301300038	CYLINDER LINER STAGE 1	BR4000GAS L61PHASE 2, L62, L63	1	PC	18,65 kg	EM		
	180	X59301300039	CYLINDER LINER STAGE 2	BR4000GAS L61PHASE 2, L62, L63	1	PC	18,7 kg	EM		
	200	5550110259	SEALING RING		24	PC	24,7 g			

EQUI TYPE: Engine

PRODUCT TYPE: 12V4000M93L
INSPECT PORT COVER

SERIAL NUMBER: 526108554

FG/FGS: 011 30
BOM-No.: XS594010.00121



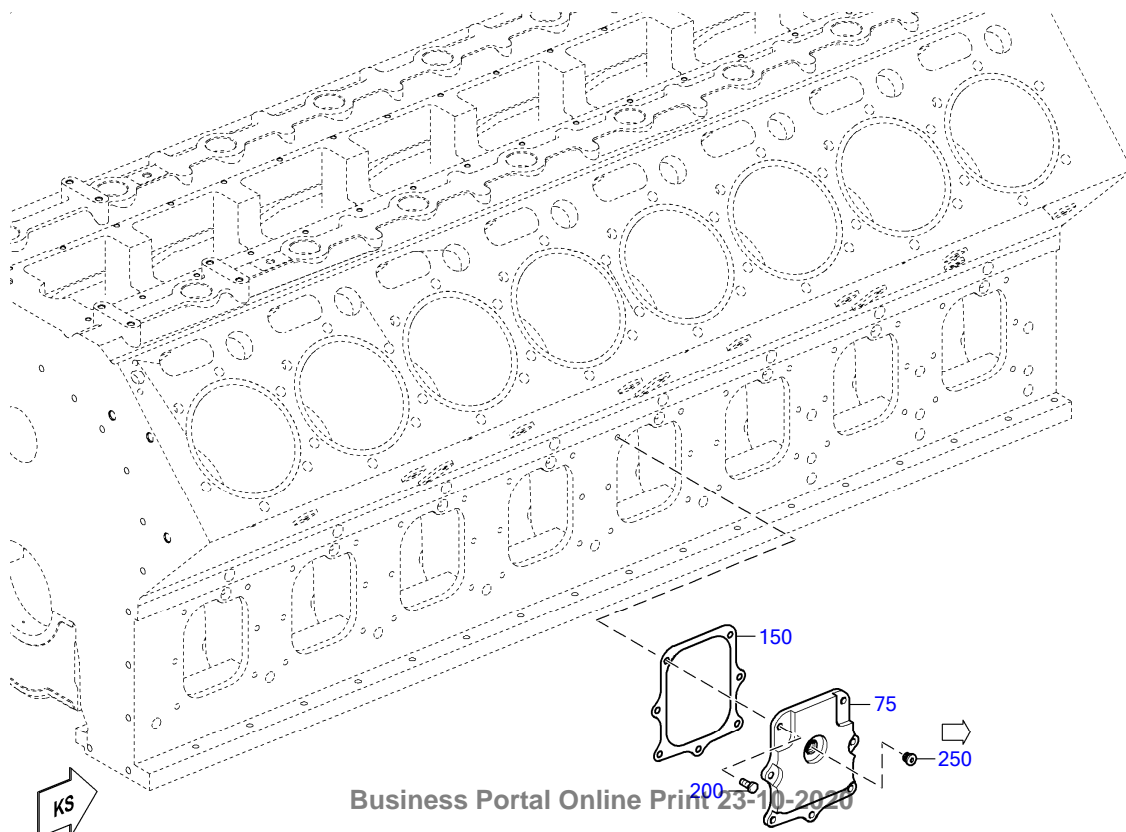
01000768

EQUI TYPE: Engine

PRODUCT TYPE: 12V4000M93L
INSPECT PORT COVER

SERIAL NUMBER: 526108554

FG/FGS: 011 30
BOM-No.: XS594010.00121



Business Portal Online Print 23-10-2020

0000000a

EQUI TYPE: Engine

PRODUCT TYPE: 12V4000M93L

SERIAL NUMBER: 526108554

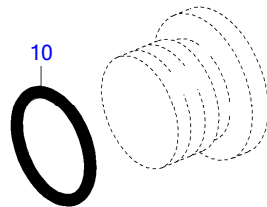
INSPECT PORT COVER

FG/FGS: 011


30

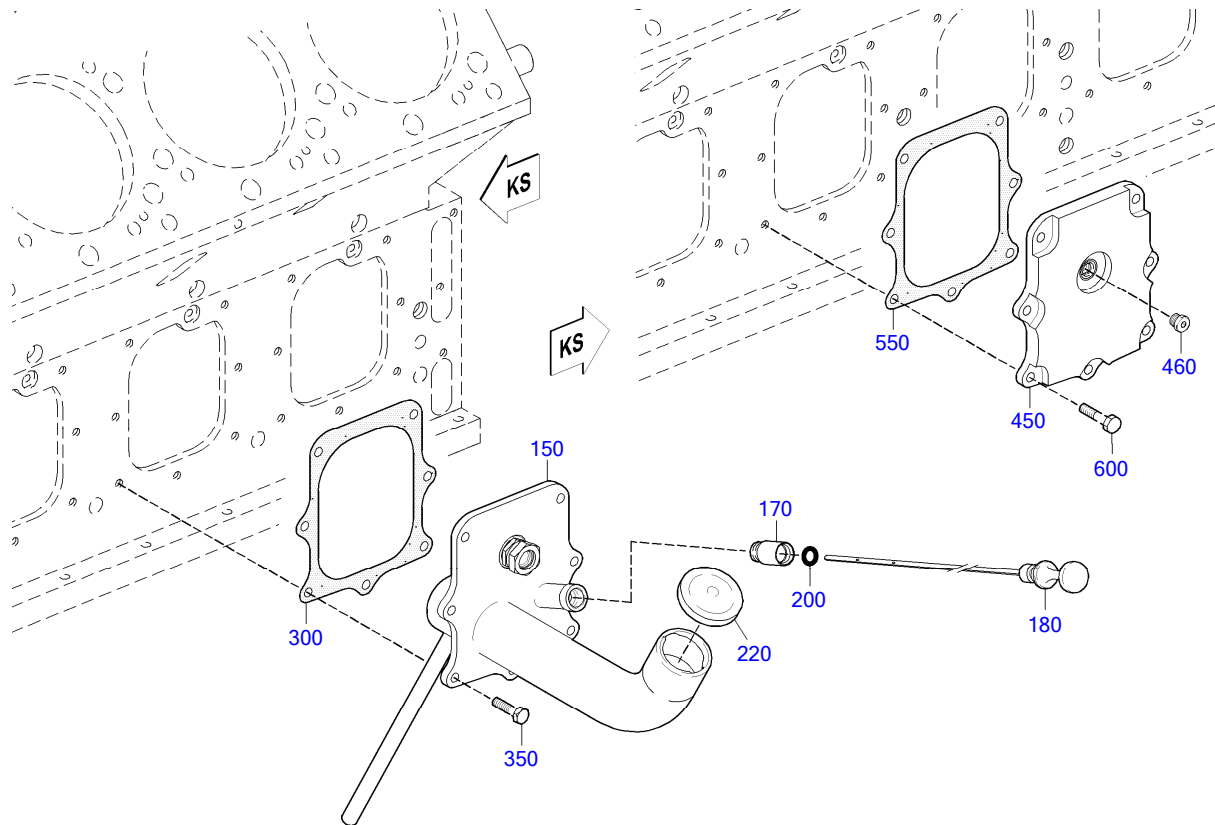
BOM-No.: XS594010.00121

	POS.	PART NO.	DESIGNATION	QTY.	UNITS	WEIGHT	MEASUREMENT	STANDARD
	50	5240110732	COVER CYL BLOCK ACCE SS PORT	3	PC	2,8 kg		
	75	X52601100052	INSPECT PORT COVER FOR SENSOR	2	PC	4,5 kg		
	150	5240111380	GASKET	5	PC	25 g		
	200	000000003021	HEX SCREW	35	PC	22,8 g	M 10 X 25	ISO4017
307	250	735210014000	THREAD PLUG	2	PC	0,019 kg	M 14 X 1,5	MTN5210



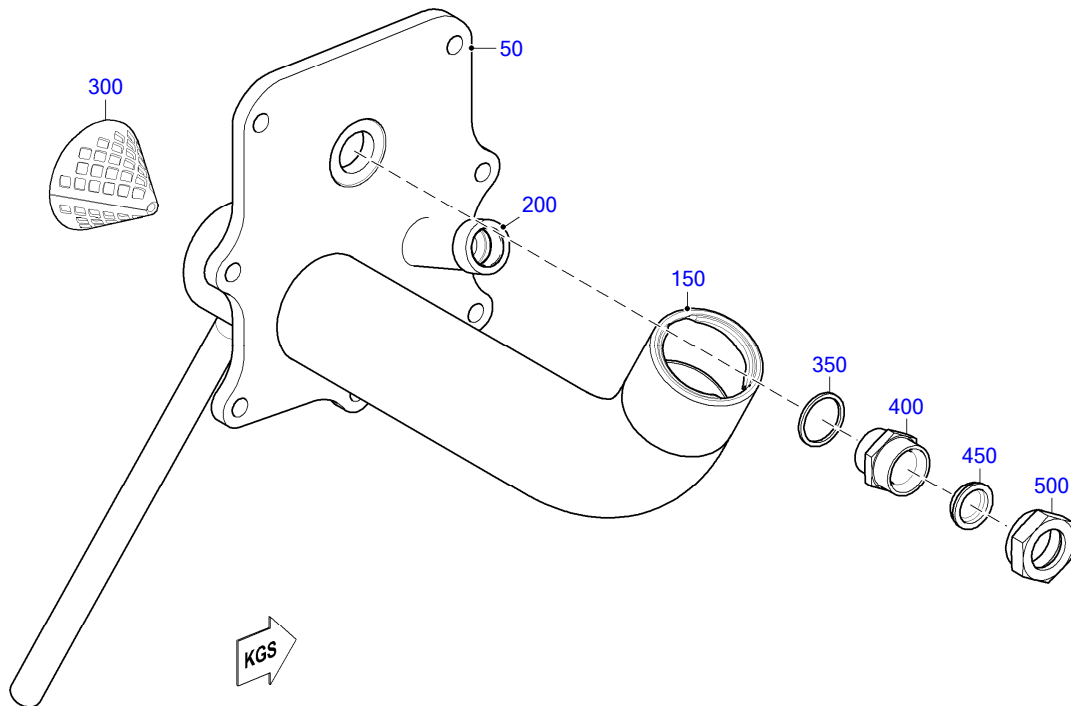
TD0000022038_181

	POS.	PART NO.	DESIGNATION	QTY.	UNITS	WEIGHT	MEASUREMENT	STANDARD
	10	735221011000	O-RING	1	PC	0,3 g	11,3 X 2,2 - M14X1,5	MTN5221



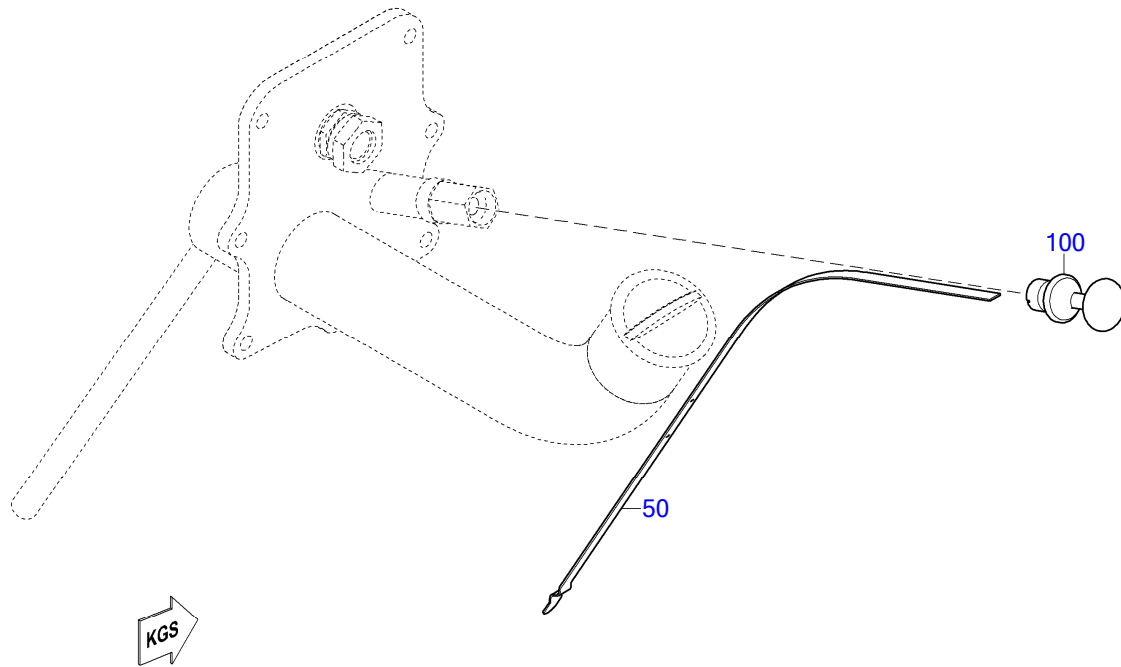
01101006a

☐	POS.	PART NO.	DESIGNATION	QTY.	UNITS	WEIGHT	MEASUREMENT	STANDARD
	309	150	X59401100038	INSPECT PORT COVER W/OIL FILLER NECK	1	PC	4,991 kg	
		170	8800180770	CONNECTOR THREADED	1	PC	100 g	
	310	180	X59699100531	OIL DIPSTICK	1	PC	207,8 g	
		200	700429012002	O-RING	1	PC	2,2 g	12 X 5 MMN429
		220	0000181802	OIL FILL CAP	1	PC	110 g	
		300	5240111380	GASKET	1	PC	25 g	
		350	000000003021	HEX SCREW	7	PC	22,8 g	M 10 X 25 ISO4017
		450	X59601100009	INSPECT PORT COVER FOR SENSOR	1	PC	4,9 kg	
	307	460	735210014000	THREAD PLUG	1	PC	0,019 kg	M 14 X 1,5 MTN5210
		550	5240111380	GASKET	1	PC	25 g	
		600	000000003021	HEX SCREW	7	PC	22,8 g	M 10 X 25 ISO4017



01101957

☐	POS.	PART NO.	DESIGNATION	QTY.	UNITS	WEIGHT	MEASUREMENT	STANDARD
	50	X59401100018	INSPECT PORT COVER W/OIL FILLER NECK	1	PC	2,411 kg		
	150	0000180201	OIL FILLER NECK	1	PC	85,8 g		
	200	5240180070	UNION	1	PC	281 g		
	300	5590180165	STRAINER	1	PC	39,9 g		
	350	007603026104	COPPER SEALING RING	1	PC	3,1 g	A 26 X 31	DIN7603
	400	915013020002	SCREW NECK	1	PC	66,7 g	20 (M30X1,5/M26X1,5)	N15013
	450	915005020001	CONE SEALING	1	PC	15,1 g	22	MBN15005
	500	915001020003	NUT	1	PC	46,9 g	20 M 30 X 1,5	N15001



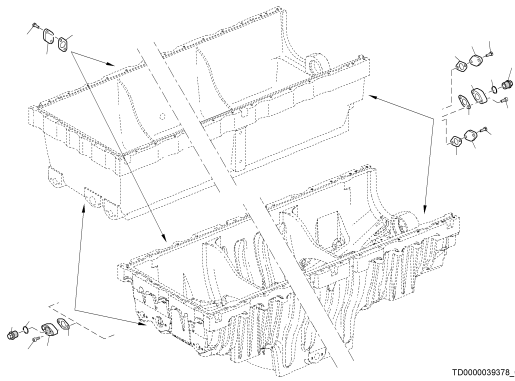
TD0000012536_010

☐	POS.	PART NO.	DESIGNATION	QTY.	UNITS	WEIGHT	FN	MEASUREMENT	STANDARD
	50		INSULATING TAPE	0,700	M	94,2 g	KE	1,2 X 10	MTN5027
	100	8809970277	HANDLE	1	PC	0,153 kg			

GROUP SEGMENT (FGS)

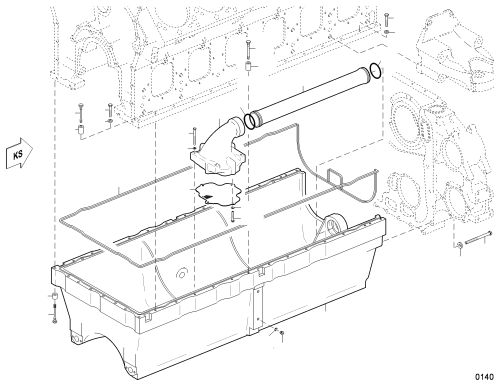
GROUP NAME

BOM-No.



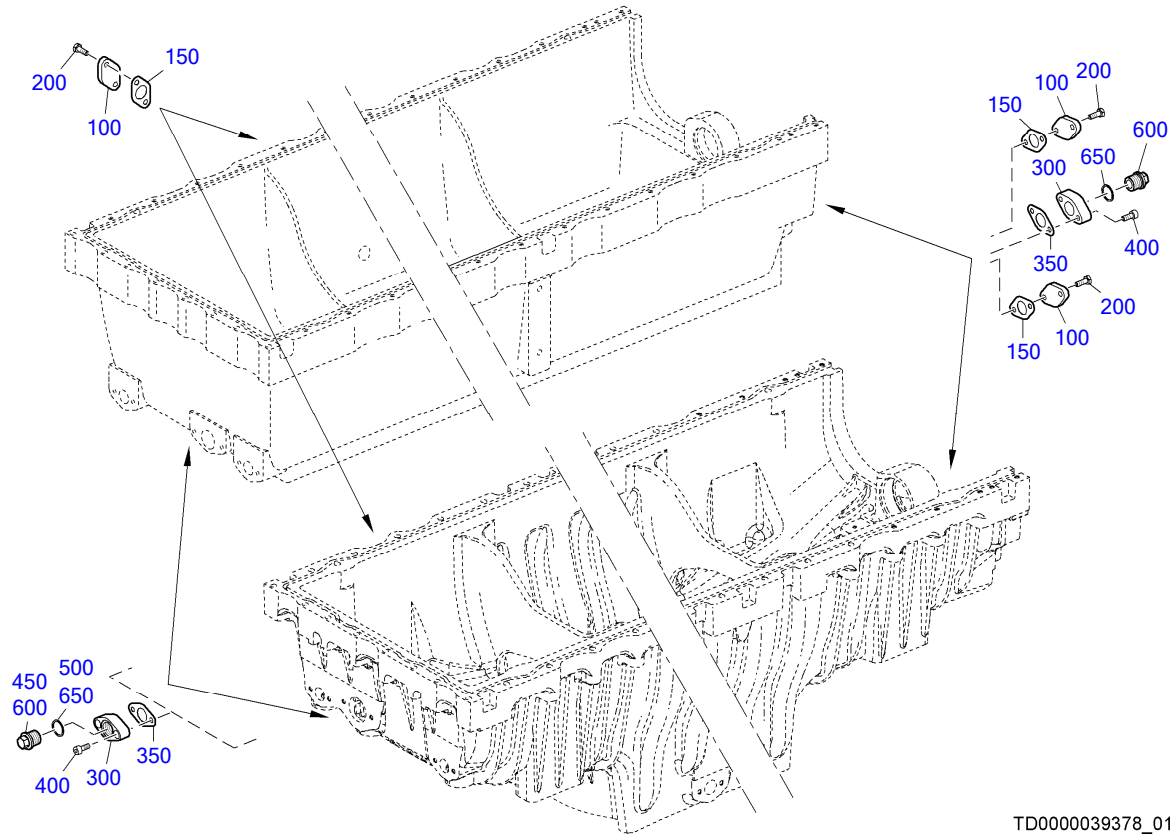
TD0000039378_014

05
SEAL ELEM. FOR OIL PAN
X00030760



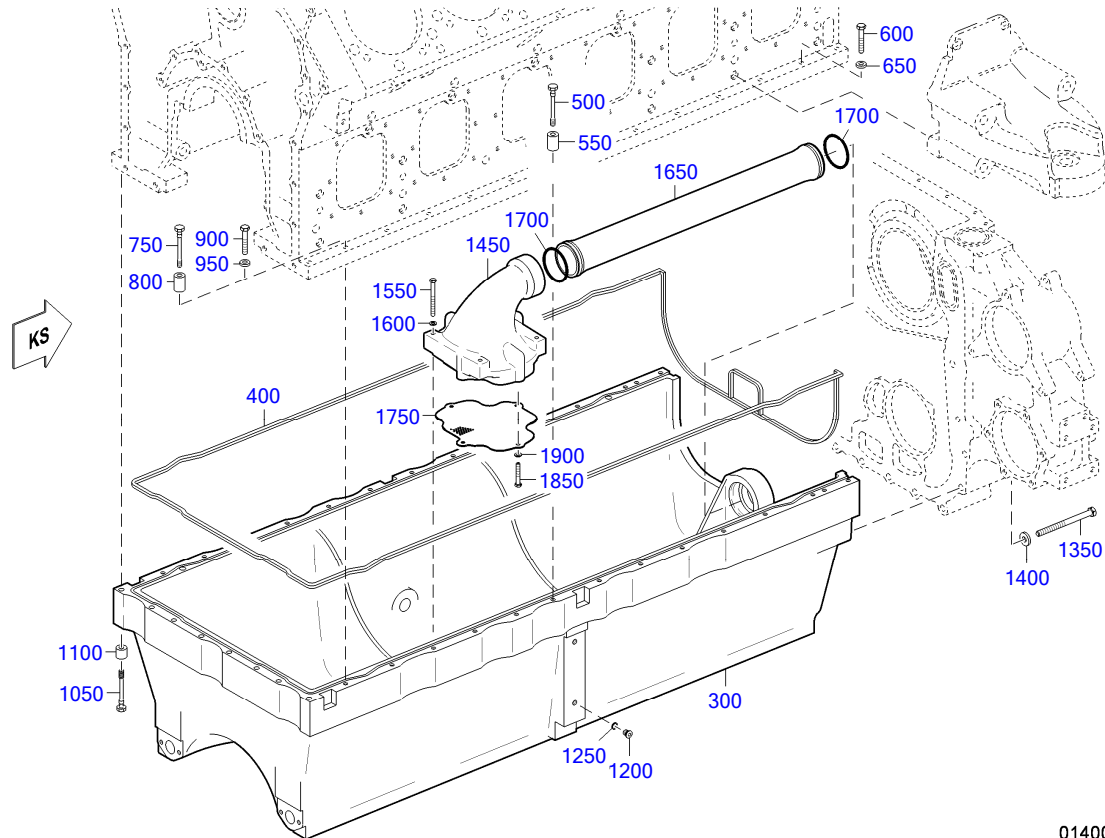
01400748d

05
OIL PAN OF ALUMINIUM
XS594010.00071



TD0000039378_014

☐	POS.	PART NO.	DESIGNATION	QTY.	UNITS	WEIGHT	MEASUREMENT	STANDARD
	100	X00018638	FLANGE	3	PC	265,3 g		
	150	5602030280	GASKET	3	PC	2,6 g		
	200	000000001464	HEX SCREW	6	PC	24,9 g	M 10 X 30	ISO4017
	300	5500140145	FLANGE	3	PC	395,5 g		
	350	5602030280	GASKET	3	PC	2,6 g		
	400	000912010065	BOLT HEX SOC HD	6	PC	23,9 g	M 10 X 25	DIN912
	450	5379970030	PLUG	1	PC	0,16 kg		
	500	007603030101	COPPER SEALING RING	1	PC	4,3 g	A 30 X 36	DIN7603
	600	5379970030	PLUG	2	PC	0,16 kg		
	650	007603030101	COPPER SEALING RING	2	PC	4,3 g	A 30 X 36	DIN7603



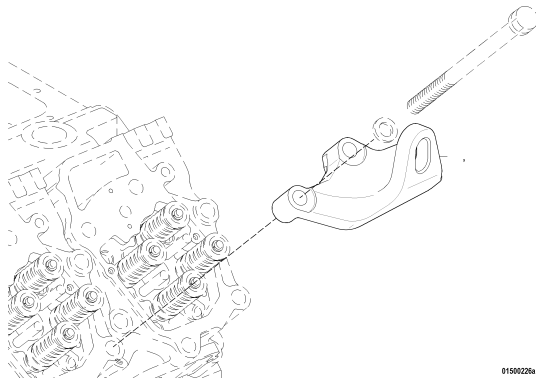
01400748d

☐	POS.	PART NO.	DESIGNATION	QTY.	UNITS	WEIGHT	MEASUREMENT	STANDARD
	300	X59401400015	OIL PAN	1	PC	116,5 kg		
	400	5269870535	SEAL RUBBER STRIP 36 29.0	1	PC	0,415 kg		
	500	700209010208	STRESS BOLT	14	PC	50 g	B M 10 X 90	MMN209
	550	5240140253	SPACER SLEEVE	14	PC	105 g	11MM X 24MM L=37	
	600	000931010105	HEX SCREW	10	PC	43,9 g	M 10 X 60	DIN931
	650	735151010100	SPACER	10	PC	11 g	A 10,5	MTN5151
	750	700209010208	STRESS BOLT	4	PC	50 g	B M 10 X 90	MMN209
	800	5240140253	SPACER SLEEVE	4	PC	105 g	11MM X 24MM L=37	
	900	000931010105	HEX SCREW	4	PC	43,9 g	M 10 X 60	DIN931
	950	735151010100	SPACER	4	PC	11 g	A 10,5	MTN5151
	1050	700209010208	STRESS BOLT	8	PC	50 g	B M 10 X 90	MMN209
	1100	5240140153	SPACER SLEEVE	8	PC	60 g	11MM X 24MM L=22	
	1200	000908012003	THREAD PLUG	2	PC	11,9 g	M 12 X 1,5	DIN908
	1250	007603012111	COPPER SEALING RING	2	PC	0,7 g	A 12 X 15,5	DIN7603
	1350	000931012176	HEX SCREW	10	PC	138,5 g	M 12 X 150	DIN931
	1400	007349013002	WASHER	10	PC	24,5 g	13	DIN7349
	1450	X00020248	ELBOW SUMP OIL PICKU P ASM	1	PC	3,326 kg		
	1550	000931008189	HEX SCREW	4	PC	35,6 g	M 8 X 85	DIN931
	1600	007349008002	WASHER	4	PC	7,9 g	8,4	DIN7349
	1650	X00006300	TUBE ASM C23	1	PC	2,94 kg		
	1700	700429070000	O-RING	2	PC	0,01 kg	70 X 5	MMN429
	1750	X00020254	STRAINER	1	PC	375 g		
	1850	304017008087	HEX SCREW	4	PC	21,3 g	M 8 X 50	ISO4017
	1900	000125008427	WASHER	4	PC	1,5 g	A 8,4	DIN125

GROUP SEGMENT (FGS)

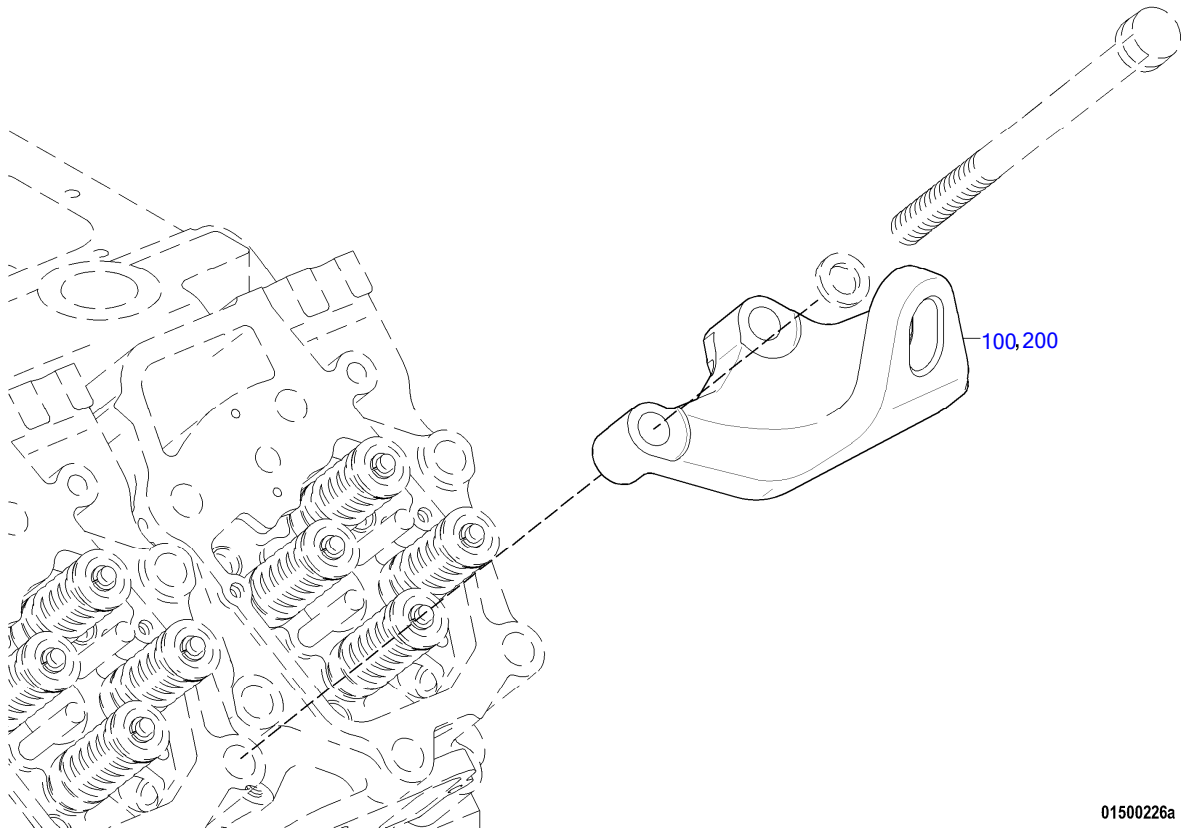
GROUP NAME

BOM-No.



05
ENGINE MOUNTING REINFORCED
XS596010.00036

01500226a



01500226a

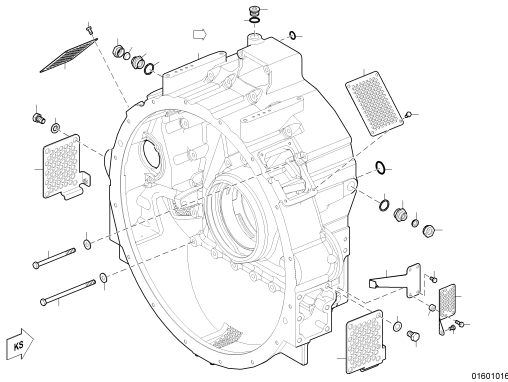
☐	POS.	PART NO.	DESIGNATION	QTY.	UNITS	WEIGHT
	100	X52801500002	LIFTING EYE	2	PC	9,5 kg
	200	X52801500002	LIFTING EYE	2	PC	9,5 kg

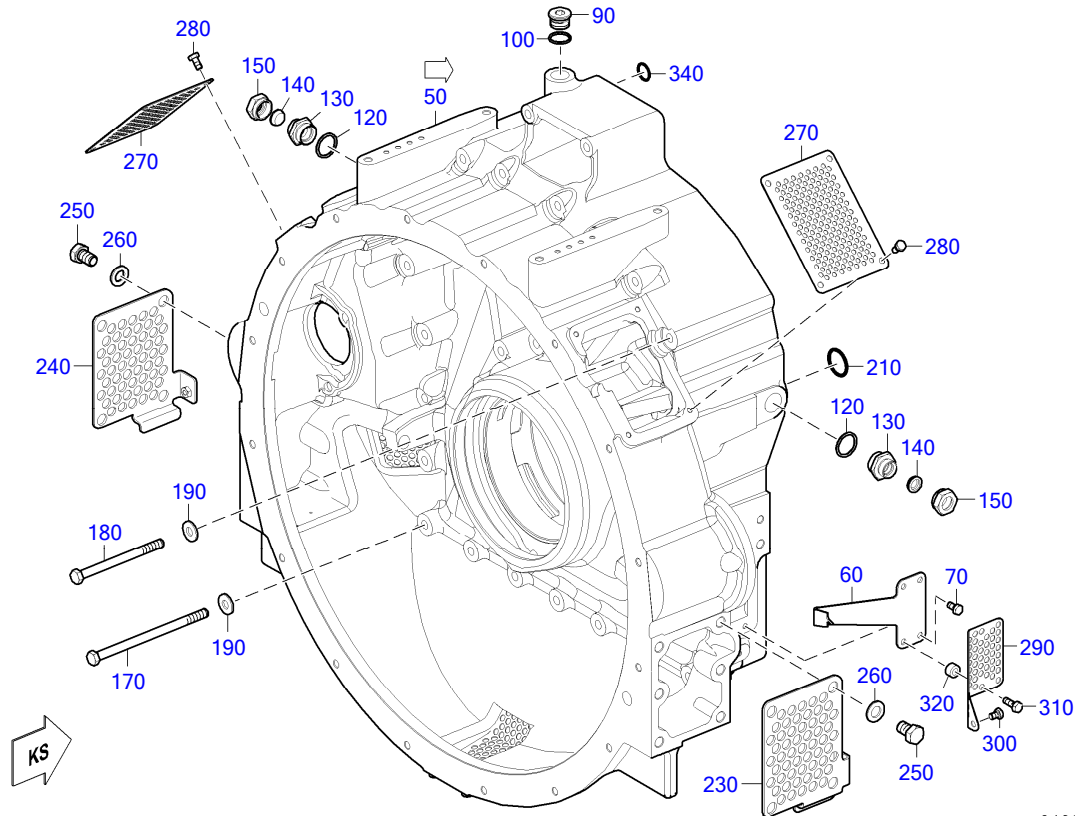
GROUP SEGMENT (FGS)

GROUP NAME

BOM-No.

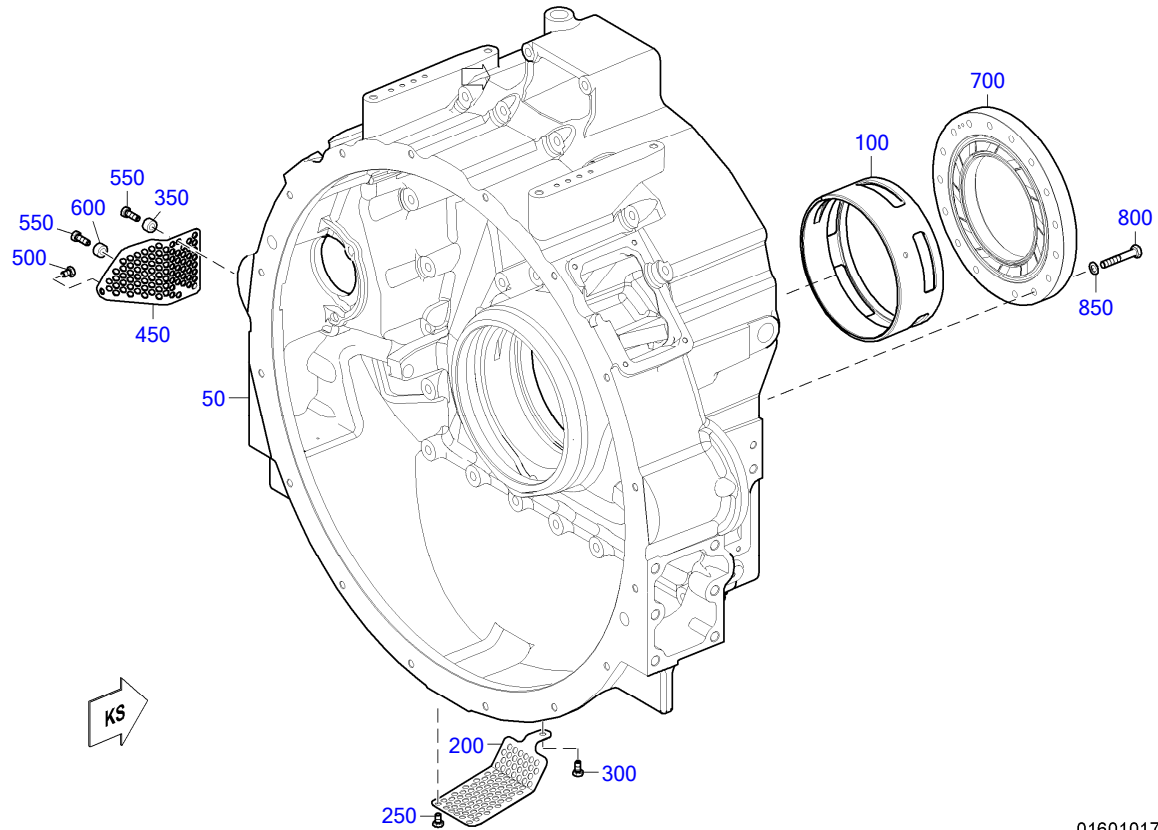
30
FLYWHEEL HOUSING PRIMED
XS594010.00159





01601016

☐	POS.	PART NO.	DESIGNATION	MODEL/TYPE	QTY.	UNITS	WEIGHT	MEASUREMENT	STANDARD
	50	X00021778/75	FLYWHEEL HOUSING PRIMED		1	PC	165 kg		
	60	X59301600002	DEAD-CENTER INDICATR		1	PC	245 g		
	70	304017008077	HEX SCREW		2	PC	10,5 g	M 8 X 16	ISO4017
	90	000908026005	THREAD PLUG		1	PC	0,069 kg	M 26 X 1,5	DIN908
	100	007603026104	COPPER SEALING RING		1	PC	3,1 g	A 26 X 31	DIN7603
	120	007603030101	COPPER SEALING RING		2	PC	4,3 g	A 30 X 36	DIN7603
	130	915007020001	CONNECTOR 20/16		2	PC	85 g	20 / 16	MBN15007
	140	915005016000	CONE SEALING 18		2	PC	11,5 g	18	MBN15005
	150	915001016004	NUT 16 M26X1.5 BL.GE OELT		2	PC	40,9 g	16 M 26 X 1,5	N15001
	170	000931012215	HEX SCREW		23	PC	140,3 g	M 12 X150	DIN931
	180	000931012106	HEX SCREW		8	PC	182,8 g	M 12 X200	DIN931
	190	006796012100	CONICAL SPR. WASHER		31	PC	11,5 g	12	DIN6796
	210	700429033001	O-RING		2	PC	5,1 g	33 X 5	MMN429
	230	5240100267	PLATE GUARD RIGHT		1	PC	530 g		
	240	5240100367	PLATE GUARD LEFT		1	PC	510 g		
	250	000933016003	HEX SCREW		8	PC	68,7 g	M 16 X 25	DIN933
	260	000125017014	WASHER		8	PC	9,7 g	A 17	DIN125
	270	X00021753	GUARD PLATE		2	PC	181,9 g		
	280	304017008077	HEX SCREW		8	PC	10,5 g	M 8 X 16	ISO4017
	290	5240140515	SCREEN FLYWHL HSG RT	BR 4000	1	PC	105 g		
	300	304017008076	HEX SCREW		1	PC	9,1 g	M 8 X 12	ISO4017
	310	304017008081	HEX SCREW		2	PC	13,4 g	M 8 X 25	ISO4017
	320	5511530050	SPACER BUSHING		2	PC	13,2 g	Ø18/Ø10 × 10	
	340	700429020003	O-RING		2	PC	2,1 g	20 X 4	MMN429



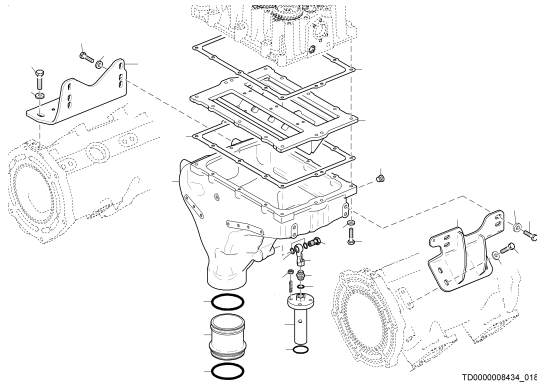
01601017

☐	POS.	PART NO.	DESIGNATION	MODEL/TYPE	QTY.	UNITS	WEIGHT	MEASUREMENT	STANDARD
	50	X00021780/75	FLYWHEEL HOUSING PRIMED		1	PC	231 kg		
	100	5240332730	CRANKSHAFT BEARING DRIVING END (KS)		1	PC	2,22 kg		
	200	5240100467	GUARD PLATE BOTTOM	4000	1	PC	107,1 g		
	250	304017008076	HEX SCREW		2	PC	9,1 g	M 8 X 12	ISO4017
	300	304017008081	HEX SCREW		1	PC	13,4 g	M 8 X 25	ISO4017
	350	5511530050	SPACER BUSHING		1	PC	13,2 g	Ø18/Ø10 × 10	
	450	5240140615	SCREEN FLYWHL HSG LT	BR 4000	1	PC	105 g		
	500	304017008076	HEX SCREW		1	PC	9,1 g	M 8 X 12	ISO4017
	550	304017008081	HEX SCREW		2	PC	13,4 g	M 8 X 25	ISO4017
	600	5511530050	SPACER BUSHING		2	PC	13,2 g	Ø18/Ø10 × 10	
	700	X59303100024	THRUST WASHER		1	PC	8,817 kg		
	800	000931010105	HEX SCREW		16	PC	43,9 g	M 10 X 60	DIN931
	850	200433010500	WASHER		16	PC	1,9 g	10,5	DIN433

GROUP SEGMENT (FGS)

GROUP NAME

BOM-No.



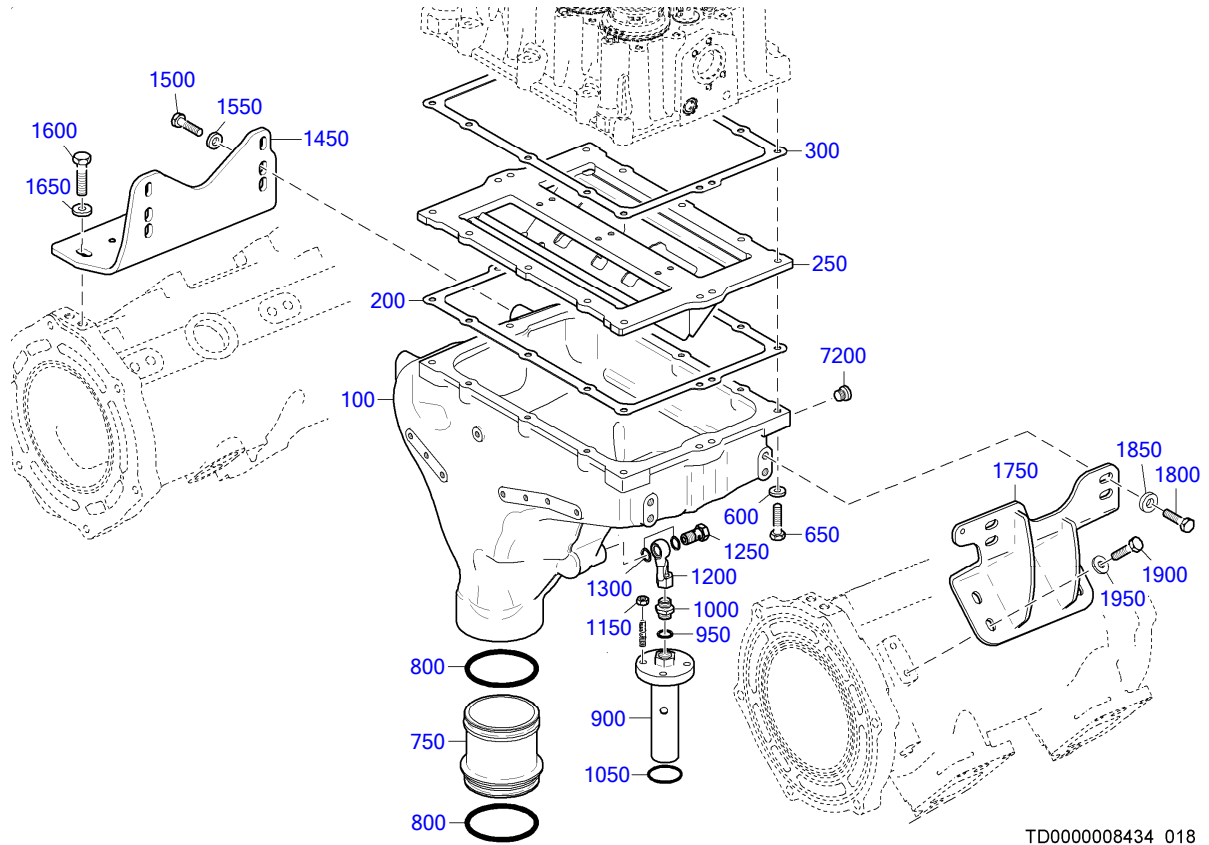
00
CRANKCASE BREATHER FOR 12V
XS594010.00078

EQUI TYPE: Engine

PRODUCT TYPE: 12V4000M93L
CRANKCASE BREATHER FOR 12V

SERIAL NUMBER: 526108554

FG/FGS: 018 00
BOM-No.: XS594010.00078



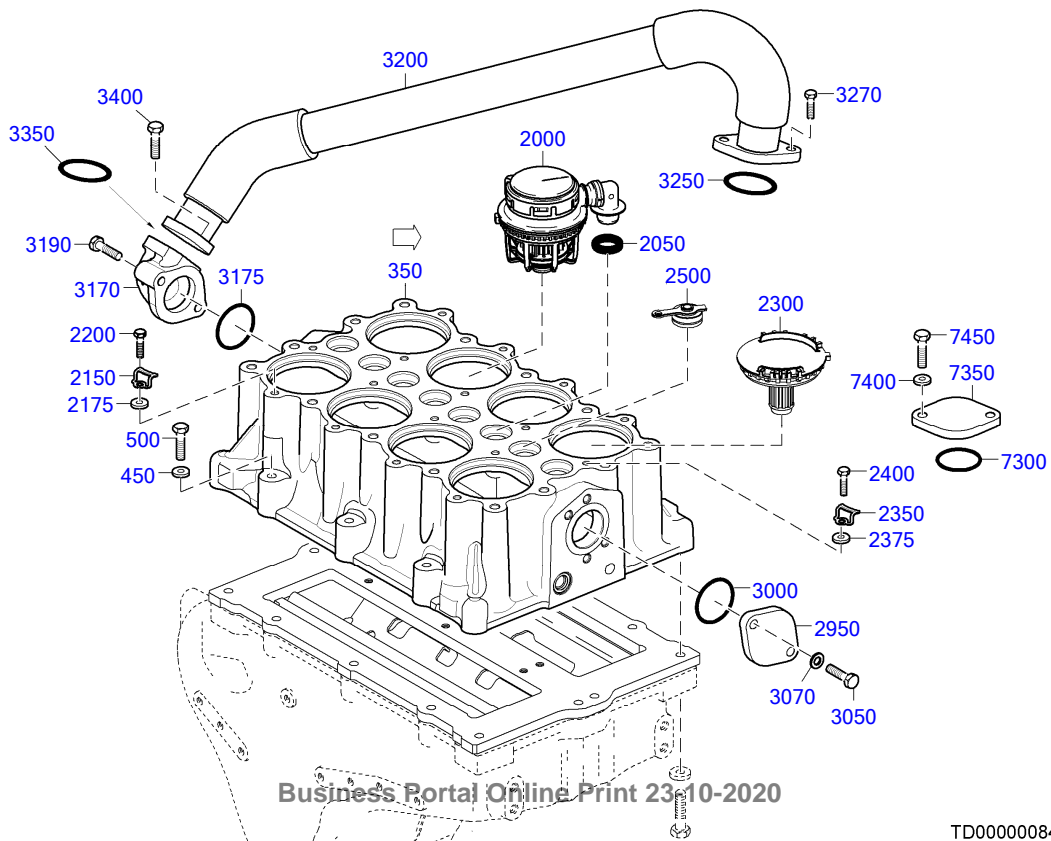
TD0000008434_018

EQUI TYPE: Engine

PRODUCT TYPE: 12V4000M93L
CRANKCASE BREATHER FOR 12V

SERIAL NUMBER: 526108554

FG/FGS: 018 00
BOM-No.: XS594010.00078



Business Portal Online Print 23/10/2020

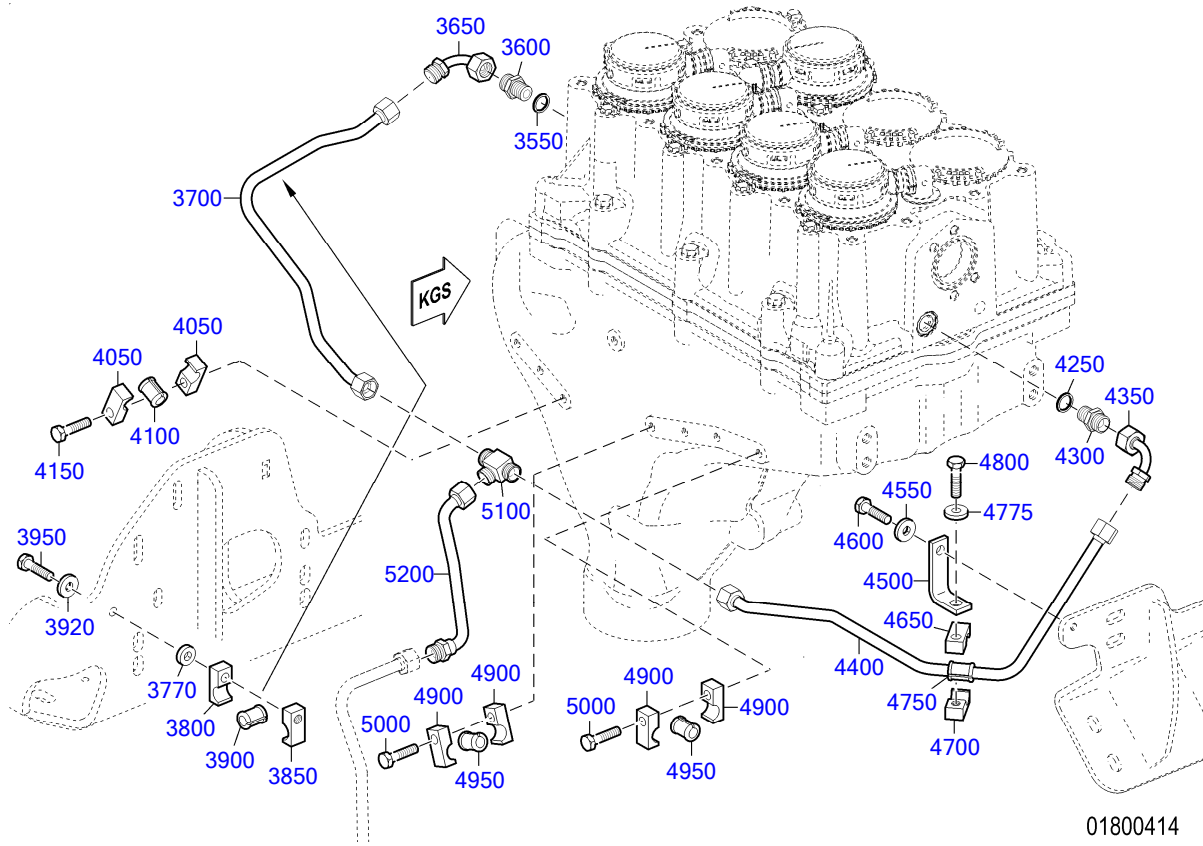
TD0000008436_018

EQUI TYPE: Engine

PRODUCT TYPE: 12V4000M93L
CRANKCASE BREATHER FOR 12V

SERIAL NUMBER: 526108554

FG/FGS: 018 00
BOM-No.: XS594010.00078

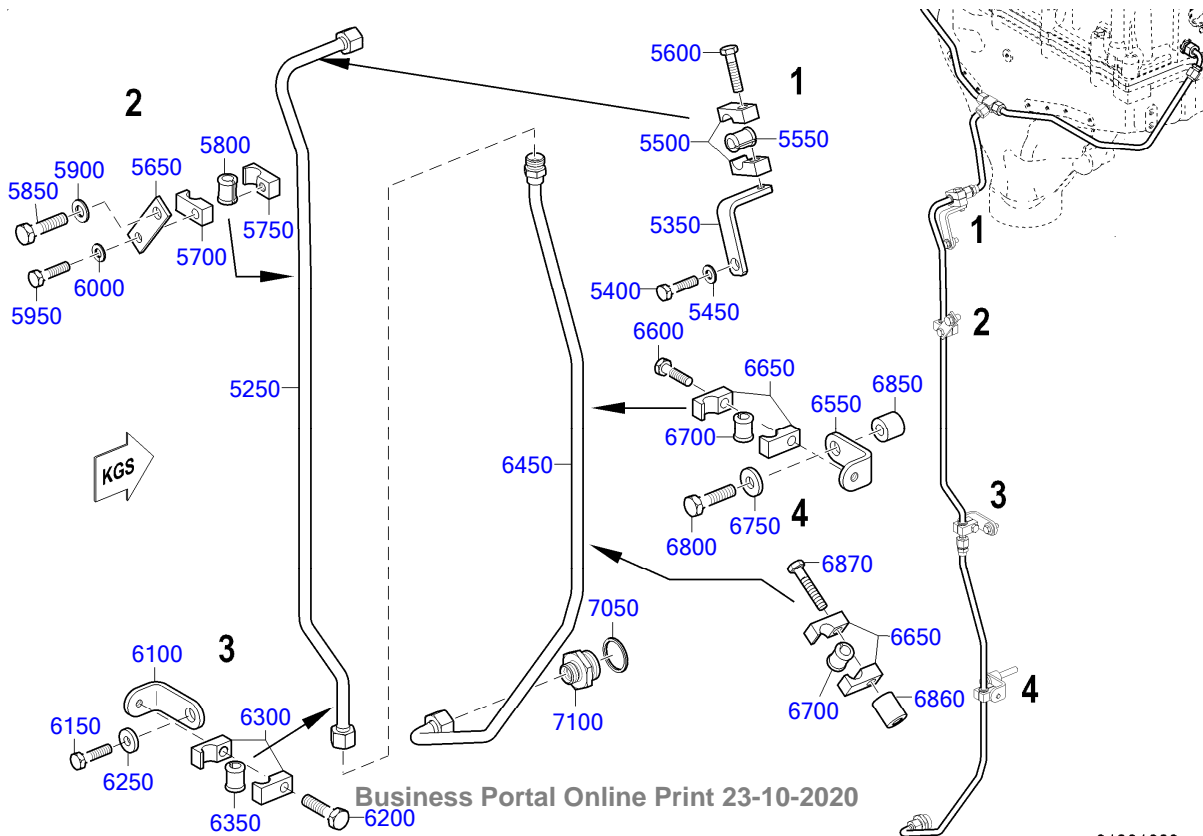


EQUI TYPE: Engine

PRODUCT TYPE: 12V4000M93L
CRANKCASE BREATHER FOR 12V

SERIAL NUMBER: 526108554

FG/FGS: 018 00
BOM-No.: XS594010.00078



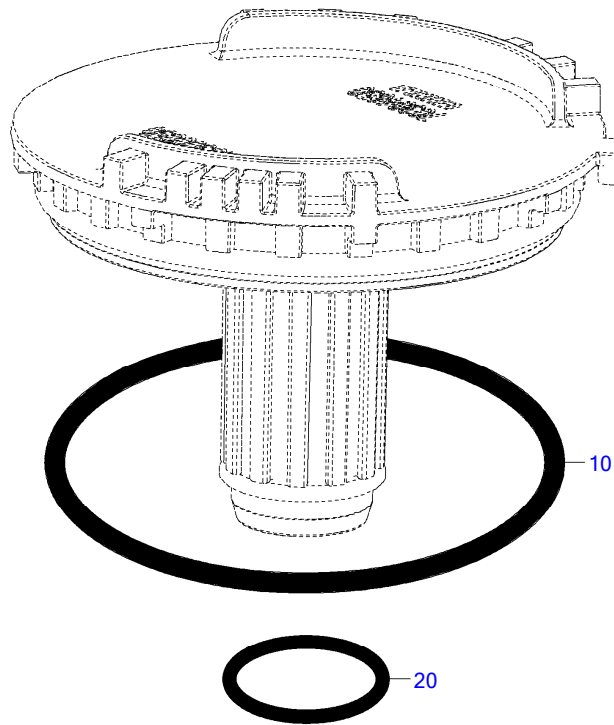
Business Portal Online Print 23-10-2020

01801083

☐	POS.	PART NO.	DESIGNATION	MODEL/TYPE	QTY.	UNITS	WEIGHT	FN	MEASUREMENT	STANDARD
	100	X59401800012	VENT HOUSING		1	PC	31 kg	EM		
	200	X52701800027	GASKET		1	PC	46,4 g			
	250	X52701800028	OIL PRESEPARATOR		1	PC	7,8 kg	EM		
	300	X52701800027	GASKET		1	PC	46,4 g			
322	350	X59301800037	IMPAKTOR CARRIER		1	PC	10,3 kg	EM		
	450	000125008427	WASHER		6	PC	1,5 g	A 8,4		DIN125
	500	204017008032	HEX SCREW		6	PC	25,5 g	M 8 X 65		ISO4017
	600	000125008427	WASHER		8	PC	1,5 g	A 8,4		DIN125
	650	304017008087	HEX SCREW		8	PC	21,3 g	M 8 X 50		ISO4017
	750	X52701800025	PLUG-IN PIPE		1	PC	907,8 g			
	800	700429085002	O-RING		2	PC	17,5 g	85 X 6		MMN429
	900	X00036071	DRAIN PIPE		1	PC	701,5 g	SB EM		
	950	007603016105	COPPER SEALING RING		1	PC	3 g	A 16 X 20		DIN7603
	1000	915006008002	UNION		1	PC	29,7 g	8		MBN15026
	1050	700429040000	O-RING		1	PC	2 g	40 X 3		MMN429
	1150	304032008014	NUT HEX 8 A3C		4	PC	4,8 g	M 8		ISO4032
	1200	X52701800037	OIL LINE		1	PC	83,8 g	SB		
	1250	700223006000	BOLT BANJO A8 S2000/ 4000		1	PC	38,8 g	A 8		MMN223
	1300	007603014102	SEAL RING		2	PC	1 g	A 14 X 18		DIN7603
	1450	X59401800040	RETAINER F/CRANKCASE VENTILA		1	PC	4,2 kg			
	1500	000000001464	HEX SCREW		4	PC	24,9 g	M 10 X 30		ISO4017
	1550	735151010100	SPACER		4	PC	11 g	A 10,5		MTN5151
	1600	204017012009	HEX SCREW		2	PC	43,8 g	M 12 X 40		ISO4017
	1650	007349013002	WASHER		2	PC	24,5 g	13		DIN7349
	1750	X59401800029	RETAINER F.CRANKC.VENT.LEFT		1	PC	3 kg			
	1800	000000003021	HEX SCREW		4	PC	22,8 g	M 10 X 25		ISO4017
	1850	735151010100	SPACER		4	PC	11 g	A 10,5		MTN5151
	1900	000000003021	HEX SCREW		4	PC	22,8 g	M 10 X 25		ISO4017
	1950	007349010002	WASHER		4	PC	11 g	10,5		DIN7349
	2000	X54701800063	OIL SEPARATOR		6	PC	164,3 g	EM		
	2050	700429020004	O-RING		6	PC	4,8 g	20 X 6		MMN429
	2150	XP57518300057	RETAINER		12	PC	3 g			
	2175	000125006431	WASHER		10	PC	0,8 g	A 6,4		DIN125
	2200	000933006207	HEX SCREW		12	PC	4,8 g	M 6 X 14		DIN933
321	2300	X57518300050	PLUG		2	PC	65,8 g			
	2350	XP57518300057	RETAINER		4	PC	3 g			
	2375	000125006431	WASHER		4	PC	0,8 g	A 6,4		DIN125
	2400	000933006207	HEX SCREW		4	PC	4,8 g	M 6 X 14		DIN933
	2500	X54799100074	PLUG		2	PC	31,4 g			
	2950	X59499100174	FLANGE		1	PC	94,8 g			
	3000	700429043000	O-RING		1	PC	2,2 g	43 X 3		MMN429
	3050	304017008081	HEX SCREW		2	PC	13,4 g	M 8 X 25		ISO4017
	3070	000125008427	WASHER		2	PC	1,5 g	A 8,4		DIN125
	3170	X54701800040	CONNECTING PIECE F/CRANKCASE VENTILA	ZWEILOCHFLANSCH	1	PC	699,8 g	EM		
	3175	700429043000	O-RING		1	PC	2,2 g	43 X 3		MMN429
	3190	304017008086	HEX SCREW		2	PC	19,4 g	M 8 X 45		ISO4017
	3200	X59401800060	HOSE F/CRANKCASE VENTILA	WELLROHR	1	PC	2,5 kg			
	3250	700429043000	O-RING		1	PC	2,2 g	43 X 3		MMN429
	3270	304017008081	HEX SCREW		2	PC	13,4 g	M 8 X 25		ISO4017
	3350	700429043000	O-RING		1	PC	2,2 g	43 X 3		MMN429
	3400	304017008081	HEX SCREW		2	PC	13,4 g	M 8 X 25		ISO4017
	3550	007603014102	SEAL RING		1	PC	1 g	A 14 X 18		DIN7603
	3600	735070008000	ADAPTER		1	PC	27 g	10		MTN5070
	3650	700160000008	ELBOW		1	PC	62 g	KR 8		MMN160

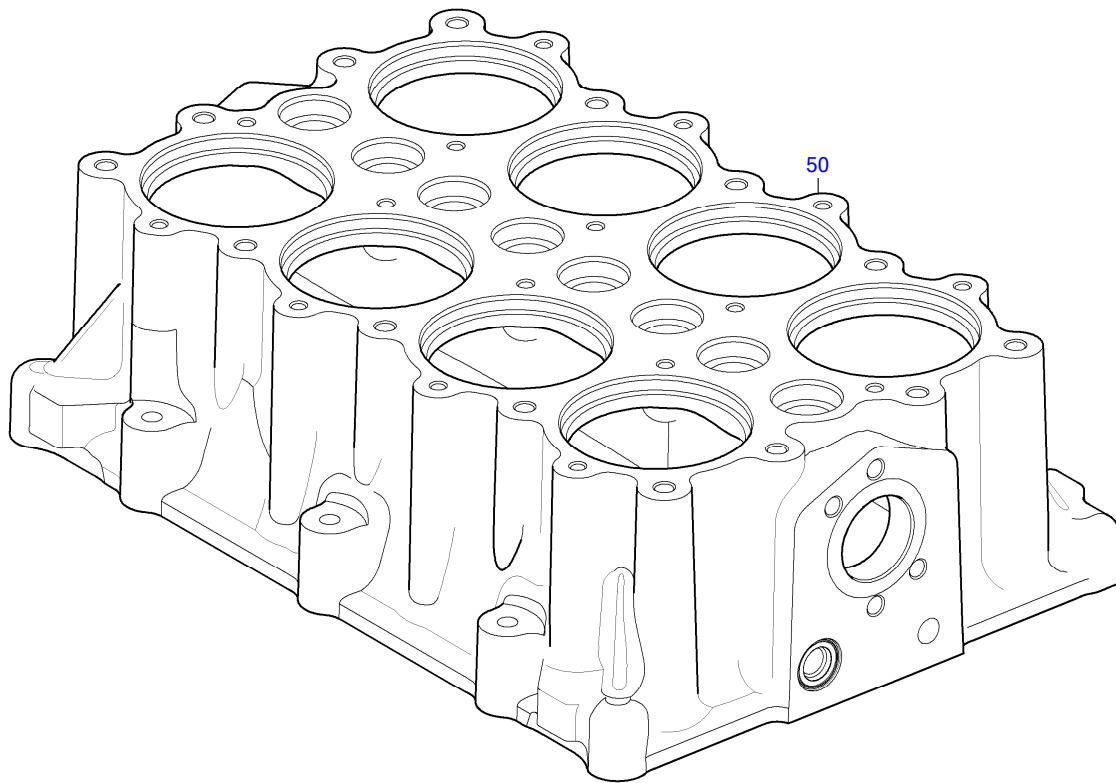
☐	POS.	PART NO.	DESIGNATION	MODEL/TYPE	QTY.	UNITS	WEIGHT	FN	MEASUREMENT	STANDARD
	3700	X59501800075	OIL LINE		1	PC	126 g	SB		
	3770	735151008200	SPACER		1	PC	13,7 g		B 8,4	MTN5151
	3800	700325015100	CLAMP HALF TUBE 1/1 D9-15		1	PC	0,033 kg		1/1 D 9 - 15	MMN325
	3850	700325015200	CLAMP HALF TUBE 1/1 G8-15		1	PC	34,2 g		1/1 G 8 - 15	MMN325
	3900	700327010000	GROMMET		1	PC	2,8 g		10	MMN327
	3920	007349008002	WASHER		1	PC	7,9 g		8,4	DIN7349
	3950	304017008087	HEX SCREW		1	PC	21,3 g		M 8 X 50	ISO4017
	4050	700325015100	CLAMP HALF TUBE 1/1 D9-15		2	PC	0,033 kg		1/1 D 9 - 15	MMN325
	4100	700327010000	GROMMET		1	PC	2,8 g		10	MMN327
	4150	304017008084	HEX SCREW		1	PC	16,4 g		M 8 X 35	ISO4017
	4250	007603014102	SEAL RING		1	PC	1 g		A 14 X 18	DIN7603
	4300	735070008000	ADAPTER		1	PC	27 g		10	MTN5070
	4350	700160000008	ELBOW		1	PC	62 g		KR 8	MMN160
	4400	X59501800074	OIL LINE		1	PC	155 g	SB		
	4500	5502030343	BRACKET		1	PC	56,9 g			
	4550	007349008002	WASHER		2	PC	7,9 g		8,4	DIN7349
	4600	304017008079	HEX SCREW		1	PC	11,7 g		M 8 X 20	ISO4017
	4650	700325015100	CLAMP HALF TUBE 1/1 D9-15		1	PC	0,033 kg		1/1 D 9 - 15	MMN325
	4700	700325015200	CLAMP HALF TUBE 1/1 G8-15		1	PC	34,2 g		1/1 G 8 - 15	MMN325
	4750	700327010000	GROMMET		1	PC	2,8 g		10	MMN327
	4775	007349008002	WASHER		1	PC	7,9 g		8,4	DIN7349
	4800	304017008084	HEX SCREW		1	PC	16,4 g		M 8 X 35	ISO4017
	4900	700325015100	CLAMP HALF TUBE 1/1 D9-15		4	PC	0,033 kg		1/1 D 9 - 15	MMN325
	4950	700327010000	GROMMET		2	PC	2,8 g		10	MMN327
	5000	304017008084	HEX SCREW		2	PC	16,4 g		M 8 X 35	ISO4017
	5100	5569970674	FITTING TEE		1	PC	61,6 g		DN 8 / M16X1,5	
	5200	X59518400002	OIL LINE		1	PC	97,6 g	SB		
	5250	X52701800034	OIL LINE		1	PC	201 g	SB		
	5350	5801530840	BRACKET		1	PC	69,6 g			
	5400	304017008077	HEX SCREW		1	PC	10,5 g		M 8 X 16	ISO4017
	5450	000125008427	WASHER		1	PC	1,5 g		A 8,4	DIN125
	5500	700325015100	CLAMP HALF TUBE 1/1 D9-15		2	PC	0,033 kg		1/1 D 9 - 15	MMN325
	5550	700327010000	GROMMET		1	PC	2,8 g		10	MMN327
	5600	304017008083	HEX SCREW		1	PC	15,1 g		M 8 X 30	ISO4017
	5650	5500784541	BRACKET FLAT H:06		1	PC	35,2 g			
	5700	700325015100	CLAMP HALF TUBE 1/1 D9-15		1	PC	0,033 kg		1/1 D 9 - 15	MMN325
	5750	700325015200	CLAMP HALF TUBE 1/1 G8-15		1	PC	34,2 g		1/1 G 8 - 15	MMN325
	5800	700327010000	GROMMET		1	PC	2,8 g		10	MMN327
	5850	000000003020	HEX SCREW		1	PC	20 g		M 10 X 20	ISO4017
	5900	000125010524	WASHER		1	PC	3,1 g		A 10,5	DIN125
	5950	304017008083	HEX SCREW		1	PC	15,1 g		M 8 X 30	ISO4017
	6000	000125008427	WASHER		1	PC	1,5 g		A 8,4	DIN125
	6100	5315461043	RETAINER		1	PC	81,1 g			
	6150	304017008079	HEX SCREW		1	PC	11,7 g		M 8 X 20	ISO4017
	6200	304017008083	HEX SCREW		1	PC	15,1 g		M 8 X 30	ISO4017
	6250	007349008002	WASHER		1	PC	7,9 g		8,4	DIN7349
	6300	700325015100	CLAMP HALF TUBE 1/1 D9-15		2	PC	0,033 kg		1/1 D 9 - 15	MMN325
	6350	700327010000	GROMMET		1	PC	2,8 g		10	MMN327
	6450	X59301800035	OIL LINE		1	PC	240 g	SB		
	6550	5315461043	RETAINER		1	PC	81,1 g			
	6600	304017008083	HEX SCREW		1	PC	15,1 g		M 8 X 30	ISO4017
	6650	700325015100	CLAMP HALF TUBE 1/1 D9-15		6	PC	0,033 kg		1/1 D 9 - 15	MMN325
	6700	700327010000	GROMMET		3	PC	2,8 g		10	MMN327
	6750	007349010002	WASHER		1	PC	11 g		10,5	DIN7349

☐	POS.	PART NO.	DESIGNATION	MODEL/TYPE	QTY.	UNITS	WEIGHT FN	MEASUREMENT	STANDARD
	6800	304017010039	HEX SCREW		1	PC	44 g	M 10 X 70	ISO4017
	6850	X59699100034	SPACER SLEEVE		1	PC	42 g		
	6860	5240940253	SPACER SLEEVE	4000	1	PC	50,5 g	9MM X 20MM L=25	
	6870	000000001463	HEX SCREW		1	PC	30,5 g	M 8 X 80	ISO4017
	7050	007603026104	COPPER SEALING RING		1	PC	3,1 g	A 26 X 31	DIN7603
	7100	915007016000	CONNECTOR 16/10		1	PC	63 g	16 / 10	MBN15007
307	7200	735210014000	THREAD PLUG		1	PC	0,019 kg	M 14 X 1,5	MTN5210
	7300	700429043000	O-RING		1	PC	2,2 g	43 X 3	MMN429
	7350	X59499100174	FLANGE		1	PC	94,8 g		
	7400	000125008427	WASHER		2	PC	1,5 g	A 8,4	DIN125
	7450	304017008081	HEX SCREW		2	PC	13,4 g	M 8 X 25	ISO4017



01801528

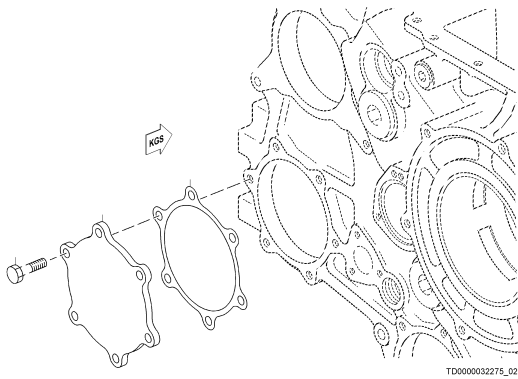
☐	POS.	PART NO.	DESIGNATION	QTY.	UNITS	WEIGHT	MEASUREMENT
	10	XP57518300069	O-RING	1	PC	2,99 g	75X3,55
	20	XP57518300070	O-RING	1	PC	0,4 g	20,4X2,4



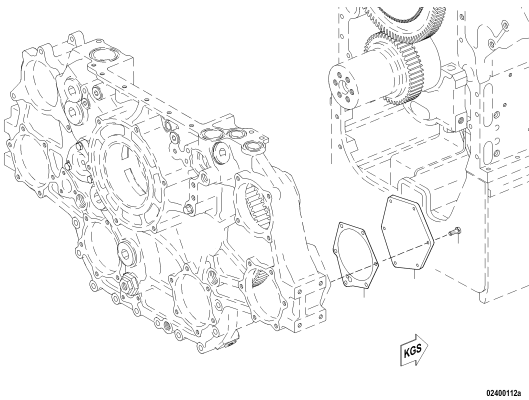
01801409

☐	POS.	PART NO.	DESIGNATION	QTY.	UNITS	WEIGHT	FN
	50	X59301800036	IMPAKTOR CARRIER	1	PC	10,454 kg	EM

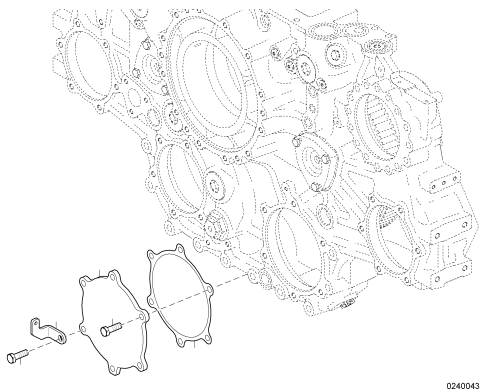
GROUP SEGMENT (FGS)
GROUP NAME
BOM-No.



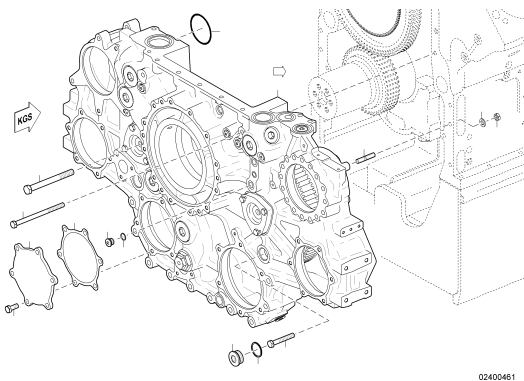
05
COVER FOR HYDRAULIC PUMP
020.00005



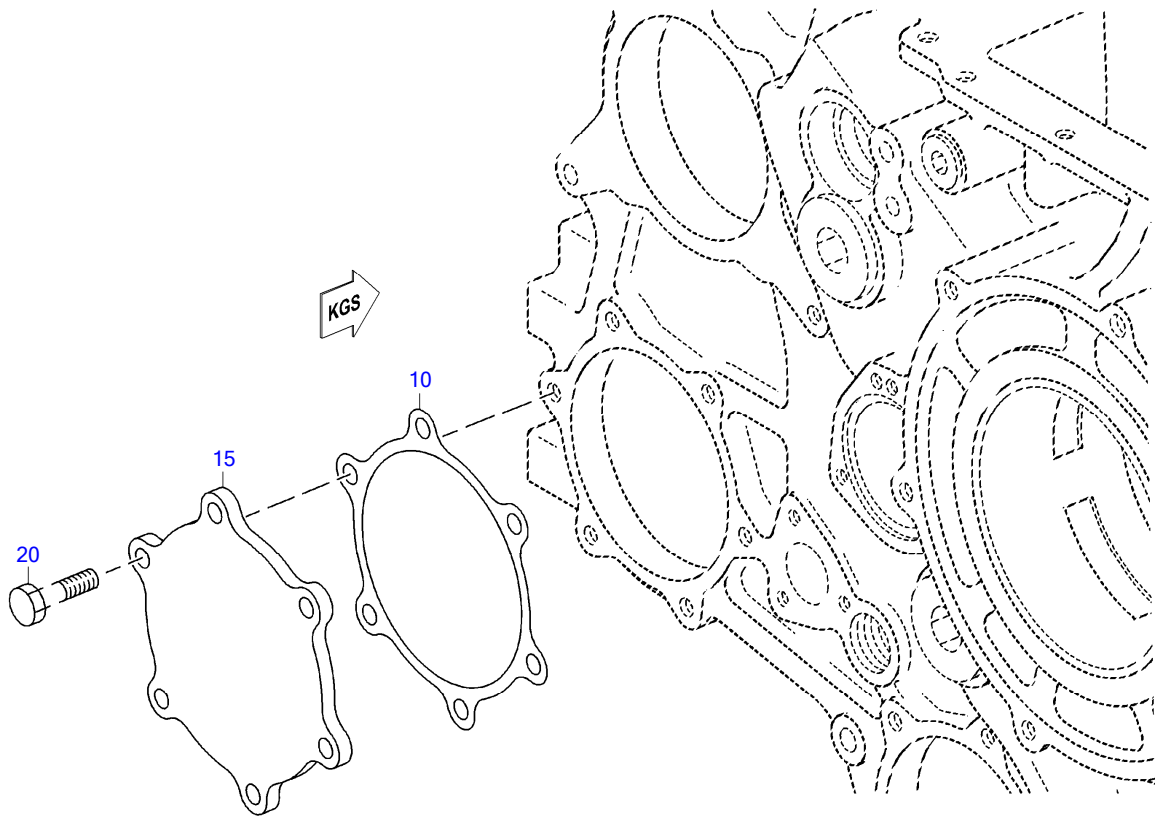
05
COVER FOR DDC COMPRESSOR
020.00060



05
COVER
XS593020.00011

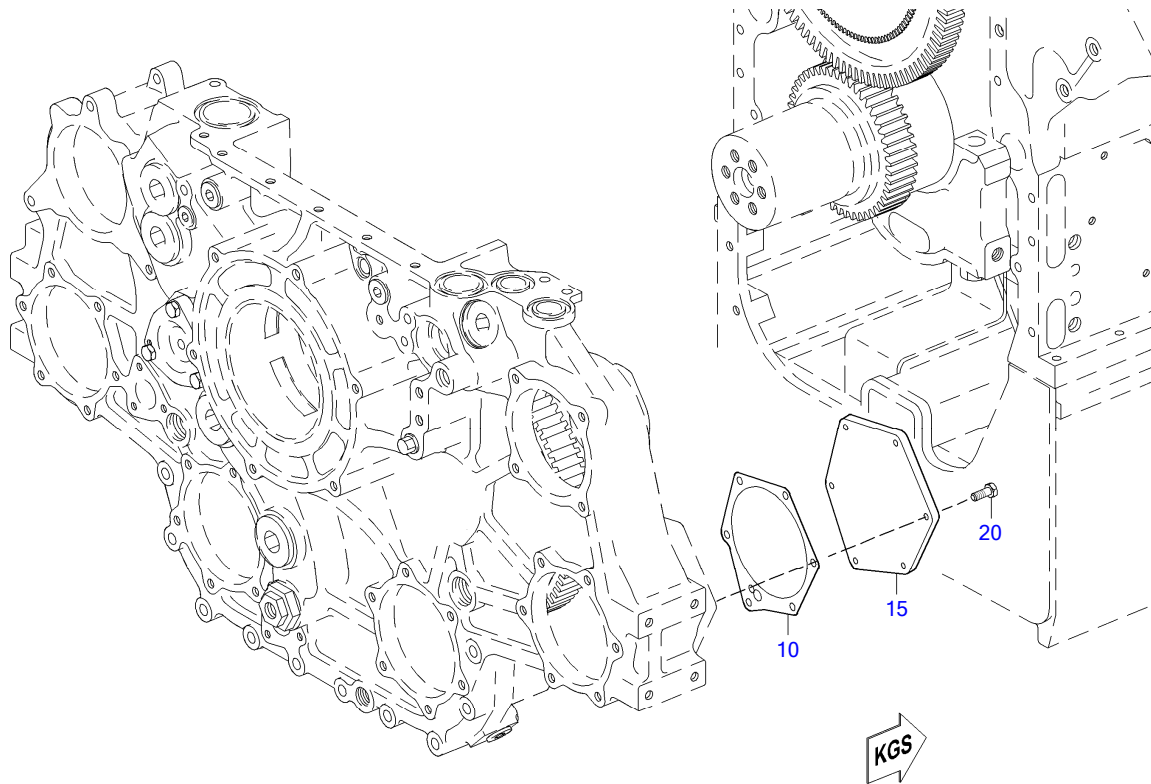


05
EQUIPMENT RACK
XS594020.00011



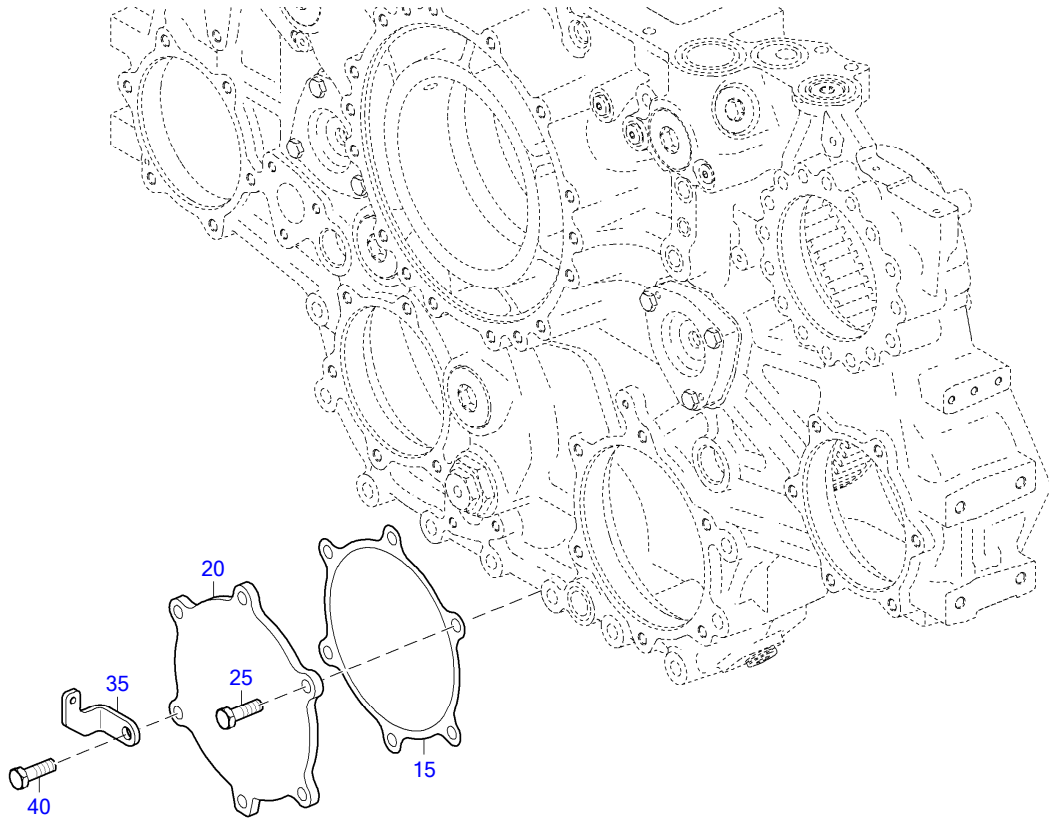
TD0000032275_024

☐	POS.	PART NO.	DESIGNATION	QTY.	UNITS	WEIGHT	MEASUREMENT	STANDARD
	10	5241880080	GASKET	1	PC	10,6 g	1X250X250	
	15	5241880102	COVER	1	PC	1,9 kg		
	20	000000003925	HEX SCREW	6	PC	36,9 g	M 12 X 30	ISO4017



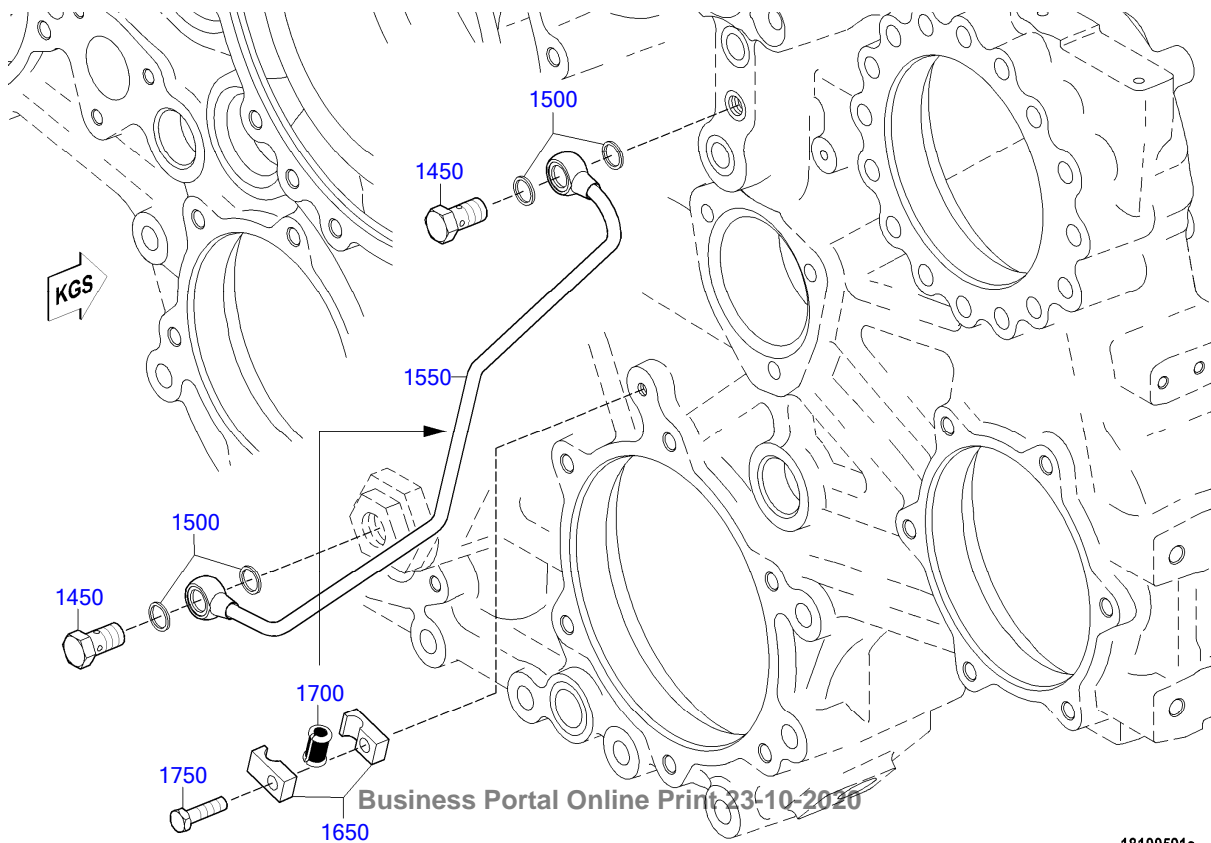
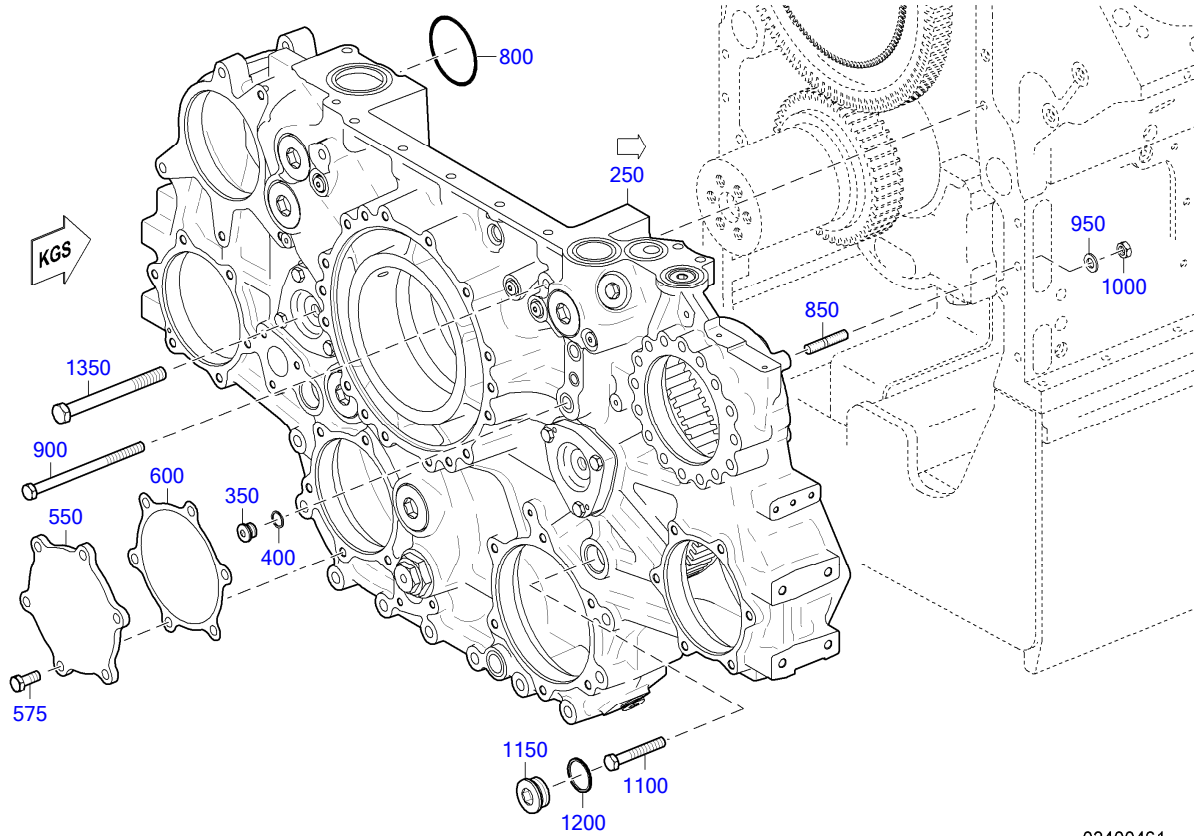
02400112a

☐	POS.	PART NO.	DESIGNATION	QTY.	UNITS	WEIGHT	MEASUREMENT	STANDARD
	10	5360520080	GASKET	1	PC	6 g		
	15	5241880502	COVER	1	PC	2,6 kg		
	20	00000003021	HEX SCREW	6	PC	22,8 g	M 10 X 25	ISO4017

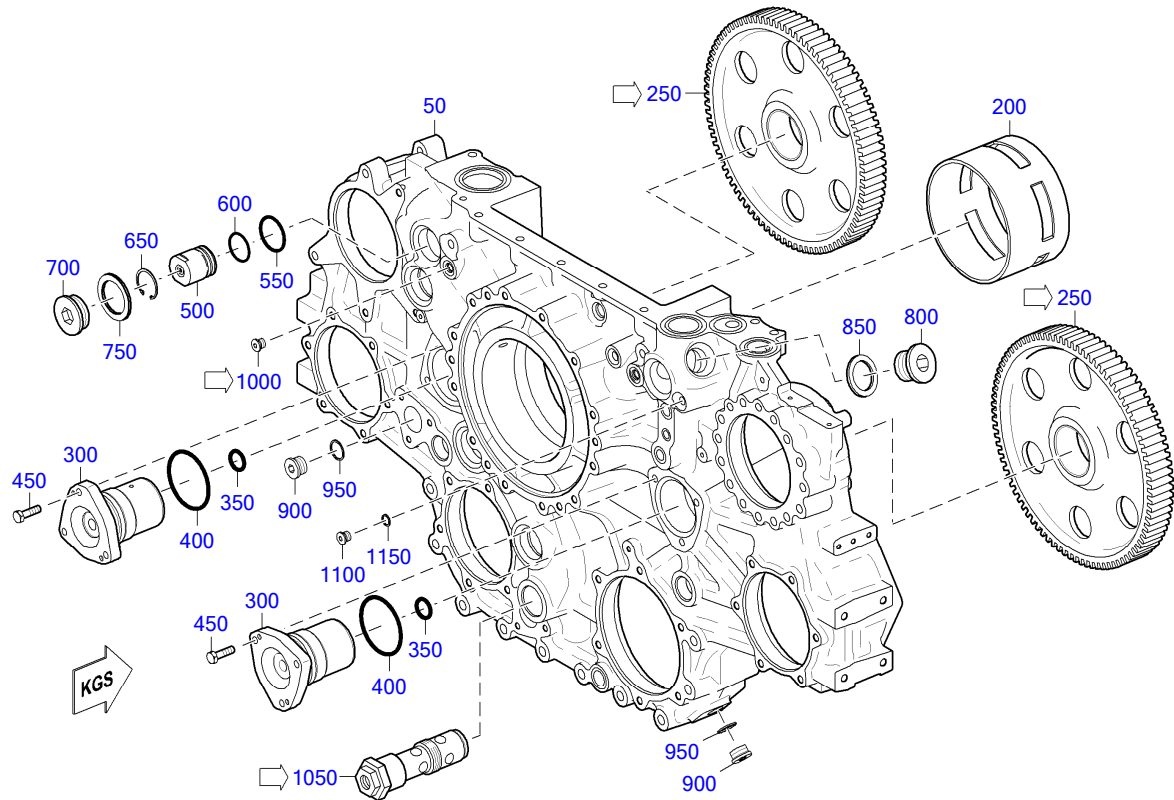


02400439

☐	POS.	PART NO.	DESIGNATION	MODEL/TYPE	QTY.	UNITS	WEIGHT	MEASUREMENT	STANDARD
	15	5281880080	GASKET		1	PC	11,1 g		
	20	5281880102	COVER	20V4000	1	PC	2,7 kg		
	25	000000003925	HEX SCREW		5	PC	36,9 g	M 12 X 30	ISO4017
	35	X59399100108	RETAINER		1	PC	119,3 g		
	40	000000003381	HEX SCREW		1	PC	40,3 g	M 12 X 35	ISO4017

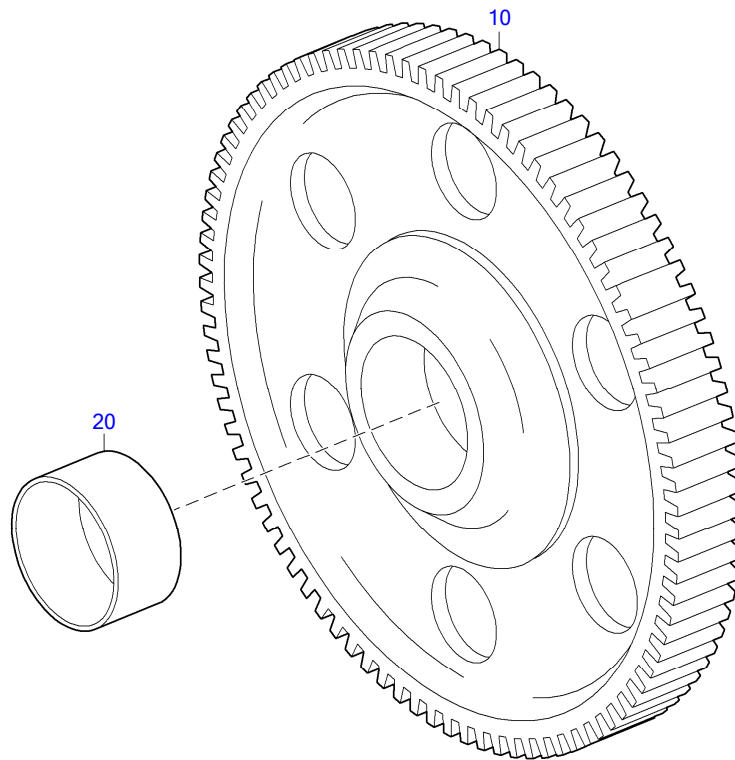


☐	POS.	PART NO.	DESIGNATION	QTY.	UNITS	WEIGHT	FN	MEASUREMENT	STANDARD
328	250	X59402400005/75	EQUIPMENT RACK PRIMED	1	PC	253 kg			
	350	000908018002	PLUG	1	PC	0,029 kg		M 18 X 1,5	DIN908
	400	007603018101	COPPER SEALING RING	1	PC	1,3 g		A 18 X 22	DIN7603
	550	5241880102	COVER	1	PC	1,9 kg			
	575	000000003925	HEX SCREW	6	PC	36,9 g		M 12 X 30	ISO4017
	600	5241880080	GASKET	1	PC	10,6 g		1X250X250	
	800	700429083000	O-RING	2	PC	11,7 g		83 X 5	MMN429
	850	200939012003	STUD	6	PC	32,3 g		M 12 X 30	DIN939
	900	204014012008	HEX SCREW	2	PC	155 g		M 12 X170	ISO4014
	950	200433013000	WASHER	6	PC	2,5 g		13	DIN433
	1000	204032012000	NUT HEX ZNPH R5F	6	PC	14,9 g		M 12	ISO4032
	1100	000000000904	HEX SCREW	2	PC	75 g		M 12 X 80	ISO4017
	1150	000908038000	THREAD PLUG	2	PC	0,15 kg		M 38 X 1,5	DIN908
	1200	007603038101	COPPER SEALING RING	2	PC	5,4 g		A 38 X 44	DIN7603
	1350	204017016000	HEX SCREW	2	PC	246,2 g		M 16 X160	ISO4017
	1450	700223006000	BOLT BANJO A8 S2000/ 4000	2	PC	38,8 g		A 8	MMN223
	1500	007603014102	SEAL RING	4	PC	1 g		A 14 X 18	DIN7603
	1550	5281800519	TUBE ASM OIL LINE	1	PC	200 g	SB		
	1650	700325012100	CLAMP HALF TUBE 1/1 D9-12	2	PC	25 g		1/1 D 9 - 12	MMN325
	1700	700327008000	GROMMET	1	PC	1,7 g		8	MMN327
	1750	304017008083	HEX SCREW	1	PC	15,1 g		M 8 X 30	ISO4017



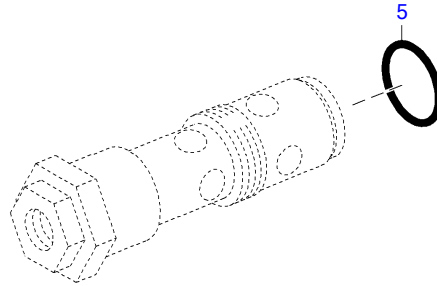
02400413

☐	POS.	PART NO.	DESIGNATION	MODEL/TYPE	QTY.	UNITS	WEIGHT	MEASUREMENT	STANDARD
	50	X59302400011/75	EQUIPMENT RACK PRIMED		1	PC	208,7 kg		
	200	X52403500008	CRANKSHAFT BEARING SIZE 0-0	KGS	1	PC	2,763 kg		
329	250	X59305200004	IDLER GEAR		2	PC	13,92 kg		
	300	X59302400005	AXLE		2	PC	4,694 kg		
	350	700429024000	O-RING		2	PC	3,9 g	24 X 5	MMN429
	400	700429083000	O-RING		2	PC	11,7 g	83 X 5	MMN429
	450	304017010035	HEX SCREW		6	PC	32,1 g	M 10 X 45	ISO4017
	500	5241800015	PRESSURE VALVE ASSY.		2	PC	390 g	2.5 BAR	
	550	700429048000	O-RING		2	PC	4,4 g	48 X 4	MMN429
	600	700429040000	O-RING		2	PC	2 g	40 X 3	MMN429
	650	000472048000	RING SNAP		2	PC	6,5 g	48 X 1,75	DIN472
	700	000908052003	THREAD PLUG		5	PC	0,298 kg	M 52 X 1,5	DIN908
	750	007603052101	COPPER SEALING RING		5	PC	12,5 g	A 52 X 60	DIN7603
	800	000908038000	THREAD PLUG		2	PC	0,15 kg	M 38 X 1,5	DIN908
	850	007603038101	COPPER SEALING RING		2	PC	5,4 g	A 38 X 44	DIN7603
	900	000908026005	THREAD PLUG		4	PC	0,069 kg	M 26 X 1,5	DIN908
	950	007603026104	COPPER SEALING RING		4	PC	3,1 g	A 26 X 31	DIN7603
307	1000	735210014000	THREAD PLUG		3	PC	0,019 kg	M 14 X 1,5	MTN5210
330	1050	0001800015	PRESSURE REDUCING VALVE ASSY.		1	PC	1,4 kg		
	1100	000908014001	SCREW PLUG		1	PC	0,016 kg	M 14 X 1,5	DIN908
	1150	007603014102	SEAL RING		1	PC	1 g	A 14 X 18	DIN7603




02400641

	POS.	PART NO.	DESIGNATION	QTY.	UNITS	WEIGHT
	10	X59305200005	IDLER GEAR	1	PC	
	20	X59305200002	BUSHING	1	PC	304,2 g



TD0000032212_024

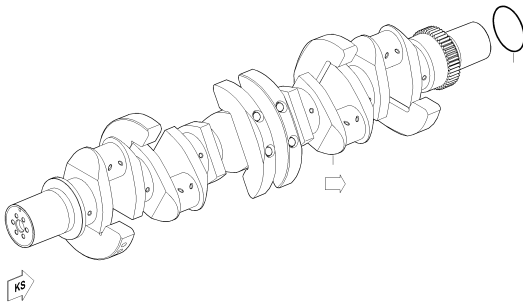
	POS.	PART NO.	DESIGNATION	QTY.	UNITS	WEIGHT	MEASUREMENT	STANDARD
	5	700429037000	O-RING	1	PC	2,8 g	37,7 X 3,53	MMN429

GROUP SEGMENT (FGS)

GROUP NAME

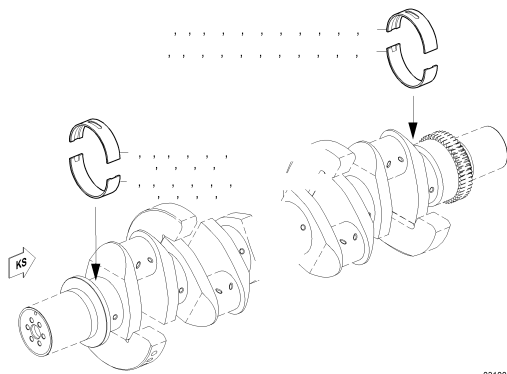
BOM-No.

05
CRANKSHAFT W/O ACCEPT CERTIFIC
XS594030.00024

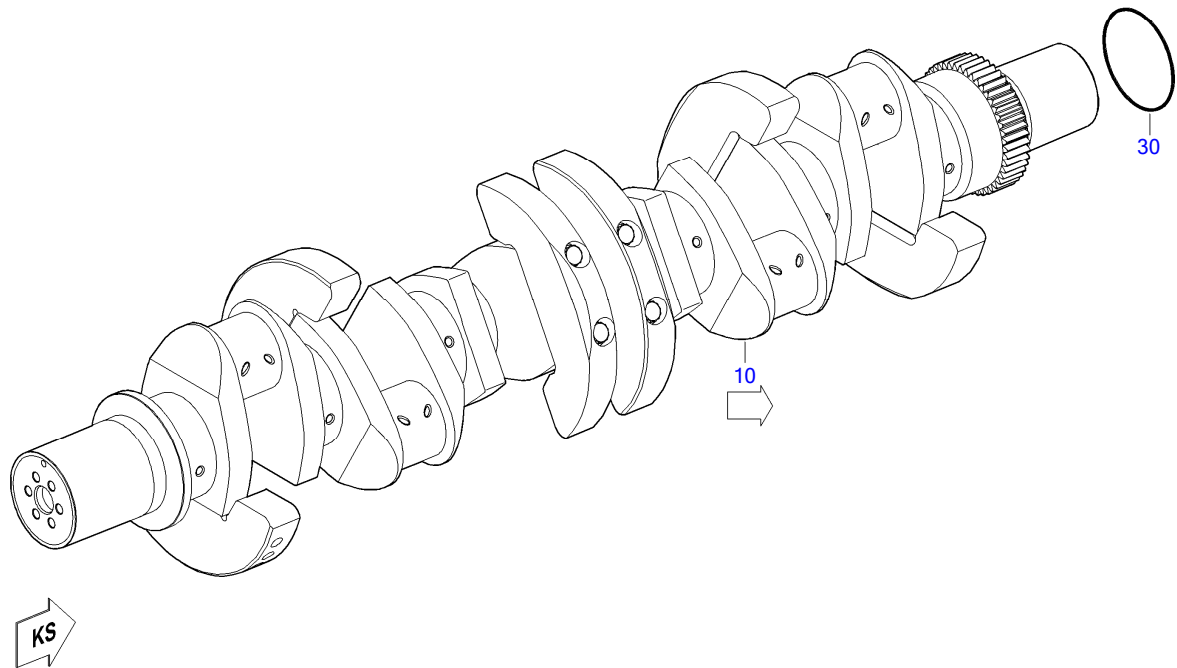


03100453a

10
MAIN BEARING
030.00662

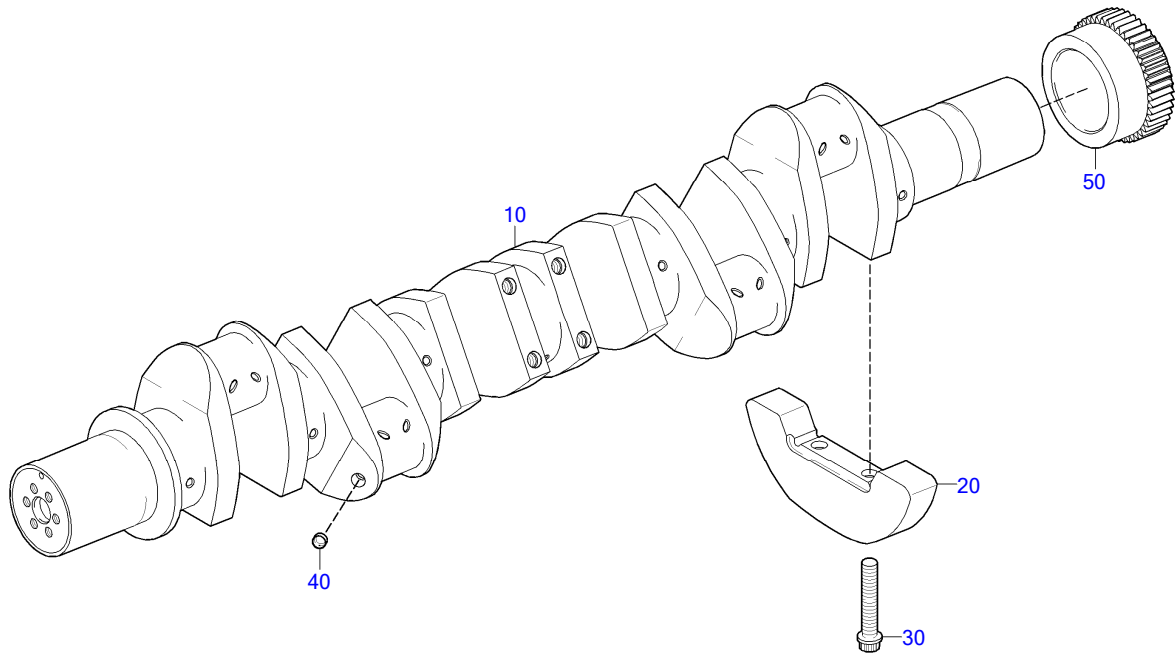


03100393a



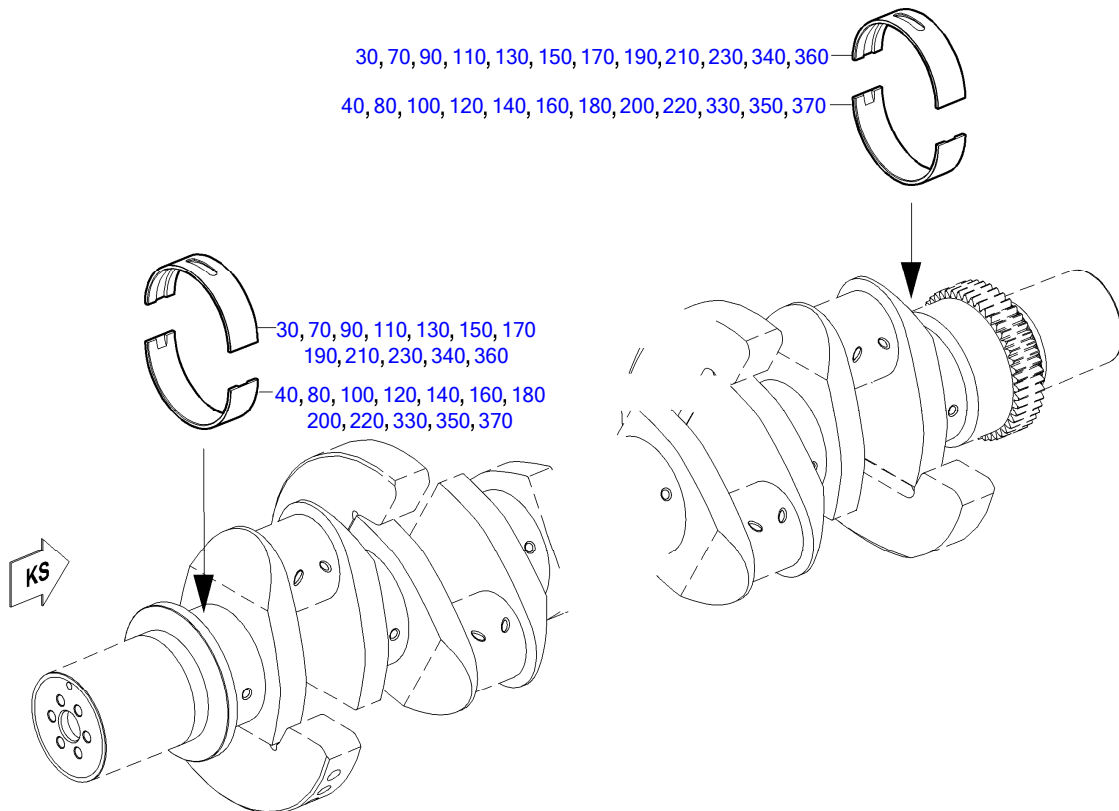
03100453a

☐	POS.	PART NO.	DESIGNATION	MODEL/TYPE	QTY.	UNITS	WEIGHT	FN	MEASUREMENT	STANDARD
333	10	X59403100002	CRANKSHAFT	12V-12CWT-STROKE190	1	PC	533 kg	EM		
	30	700429150000	O-RING		1	PC	12,9 g		150 X 4	MMN429



03100470a

☐	POS.	PART NO.	DESIGNATION	MODEL/TYPE	QTY.	UNITS	WEIGHT	FN
	10	X00029036	CRANKSHAFT	12V4000-03 NH	1	PC	314 kg	EM
	20	X52803100003	COUNTERWEIGHT	12V U. 20V M/G/C&I	12	PC	15,3 kg	
	30	5240310171	BOLT 12 PT HD		24	PC	548,6 g	
	40	5240310733	END COVER SIZE 0		18	PC	8,2 g	
	50	X00015817	CRANKSHAFT GEAR AUX PTO END (KGS)		1	PC	12,1 kg	EM



03100393a

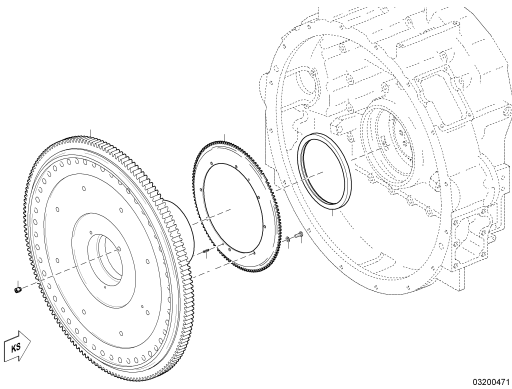
☐	POS.	PART NO.	DESIGNATION	MODEL/TYPE	QTY.	UNITS	WEIGHT	FN
	30	X00016024	CRANKSHAFT BEARING SIZE 0-0	OBERE HAELFTE	7	PC	0,392 kg	
	40	5240336602	CRANKSHAFT BEARING LOWER HALF		7	PC	510 g	
	70	X52403100003	CRANKSHAFT BEARING SIZE 0-1	OBERE HAELFTE	1	PC	390 g	M
	80	5240336702	CRANKSHAFT BEARING SIZE 0-1		1	PC	600 g	M
	90	X52403100004	CRANKSHAFT BEARING SIZE 0-2	OBERE HAELFTE	1	PC	0,97 kg	M
	100	5240336802	CRANKSHAFT BEARING SIZE 0-2		1	PC	565 g	M
	110	X52403100005	CRANKSHAFT BEARING SIZE 0-3	OBERE HAELFTE	1	PC	0,388 kg	M
	120	5240336902	CRANKSHAFT BEARING SIZE 0-3		1	PC	585 g	M
	130	X52403100006	CRANKSHAFT BEARING SIZE 1-0	OBERE HAELFTE	1	PC	0,388 kg	M
	140	5240337002	CRANKSHAFT BEARING SIZE 1-0		1	PC	529,7 g	M
	150	X52403100007	CRANKSHAFT BEARING SIZE 1-1	OBERE HAELFTE	1	PC	428,3 g	M
	160	5240337102	CRANKSHAFT BEARING SIZE 1-1		1	PC	565 g	M
	170	X52403100008	CRANKSHAFT BEARING SIZE 1-2	OBERE HAELFTE	1	PC	0,457 kg	M
	180	5240337202	CRANKSHAFT BEARING SIZE 1-2		1	PC	1 kg	M
	190	X52403100009	CRANKSHAFT BEARING SIZE 1-3	OBERE HAELFTE	1	PC	0,388 kg	M
	200	5240337302	CRANKSHAFT BEARING SIZE 1-3		1	PC	600 g	M
	210	X52403100010	CRANKSHAFT BEARING SIZE 2-0	OBERE HAELFTE	1	PC	0,388 kg	M
	220	5240337402	CRANKSHAFT BEARING SIZE 2-0		1	PC	560 g	M
	230	X52403100011	CRANKSHAFT BEARING SIZE 2-1	OBERE HAELFTE	1	PC	458,5 g	M
	330	5240337502	CRANKSHAFT BEARING SIZE 2-1		1	PC	580 g	M
	340	X52403100012	CRANKSHAFT BEARING SIZE 2-2	OBERE HAELFTE	1	PC	0,483 kg	M
	350	5240337602	CRANKSHAFT BEARING SIZE 2-2		1	PC	675 g	M
	360	X52403100013	CRANKSHAFT BEARING SIZE 2-3	OBERE HAELFTE	1	PC	0,388 kg	M
	370	5240337702	CRANKSHAFT BEARING SIZE 2-3		1	PC	685 g	M

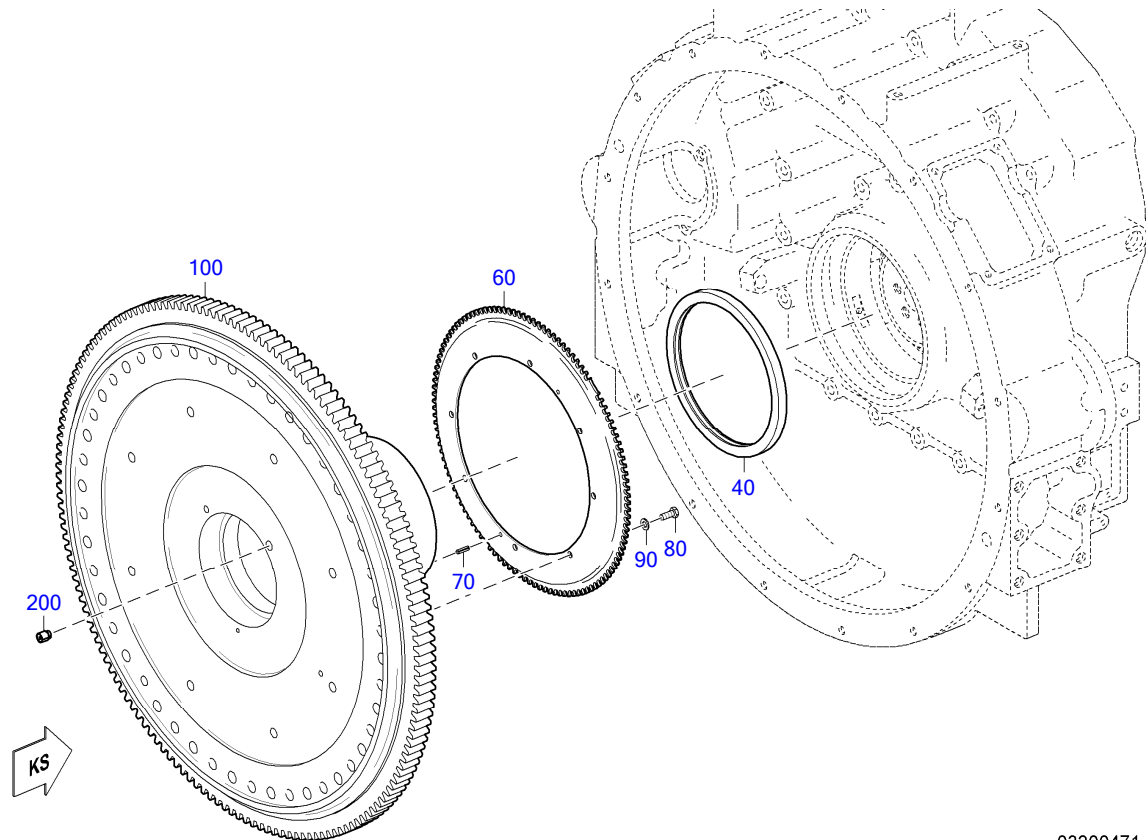
GROUP SEGMENT (FGS)

GROUP NAME

BOM-No.

20
FLYWHEEL
XS594030.00050





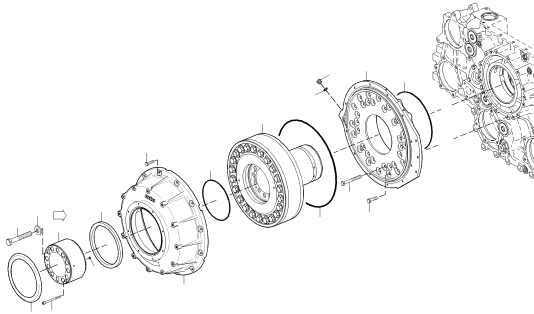
03200471

☐	POS.	PART NO.	DESIGNATION	MODEL/TYPE	QTY.	UNITS	WEIGHT FN	MEASUREMENT STANDARD
	40	0219976647	SEAL RING CRANKSHAFT REAR	PTEF-MANSCHETTE	1	PC	160 g	DM 210
	60	5240311148	WHEEL MDEC TRS METER ING CRANKSHAFT		1	PC	2,22 kg	EM
	70	001481006004	PIN SPRING		2	PC	2,4 g	6 X 20 - N ISO8752
	80	304017008079	HEX SCREW		8	PC	11,7 g	M 8 X 20 ISO4017
	90	000125008427	WASHER		8	PC	1,5 g	A 8,4 DIN125
	100	X59403200001	FLYWHEEL		1	PC	120 kg	
	200	5769970219	PLUG HEX SOC HD G1/4 17.5 X 11 42CRM04		2	PC	12 g	

GROUP SEGMENT (FGS)

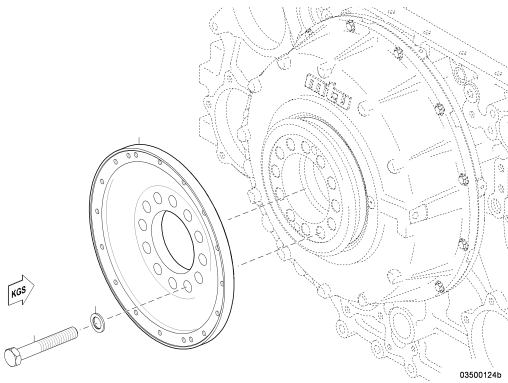
GROUP NAME

BOM-No.



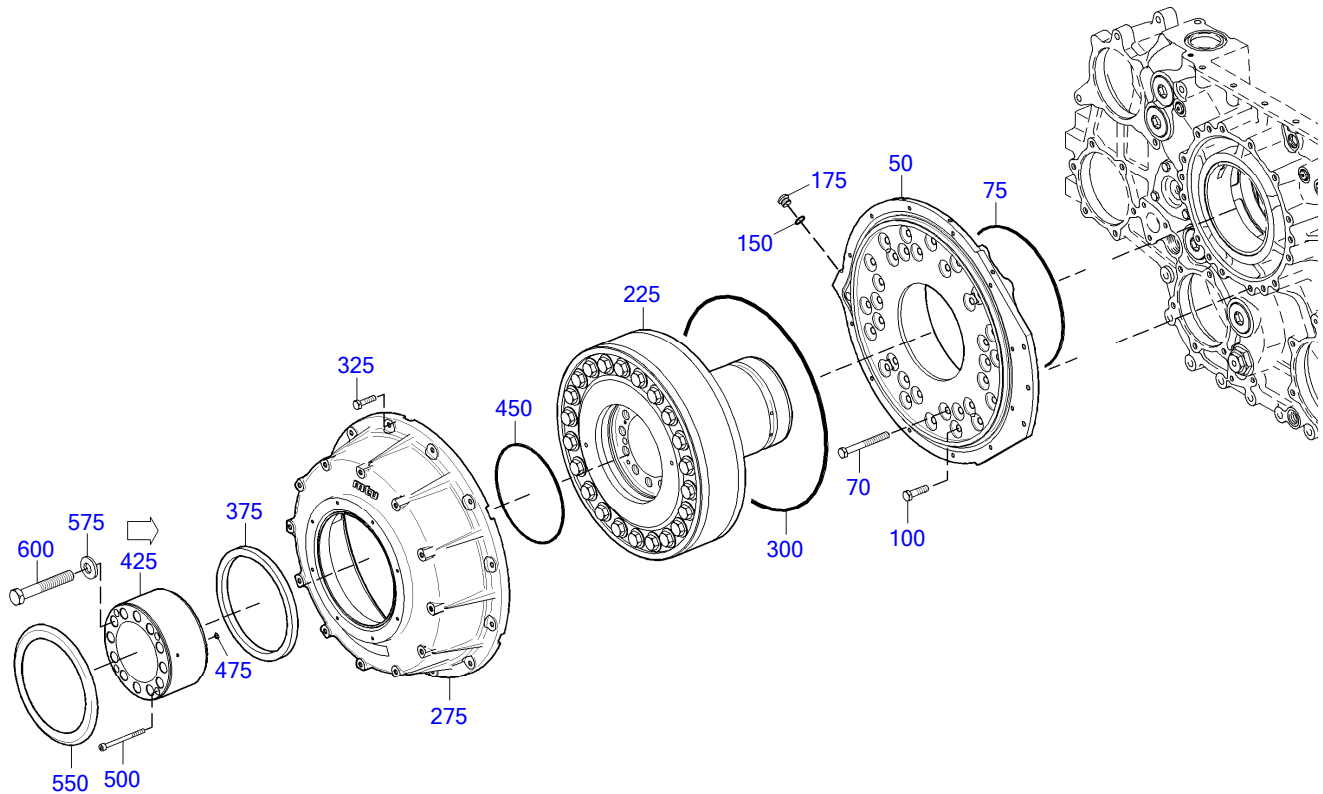
05
VIBRATION DAMPER
XS594030.00027

03500432a



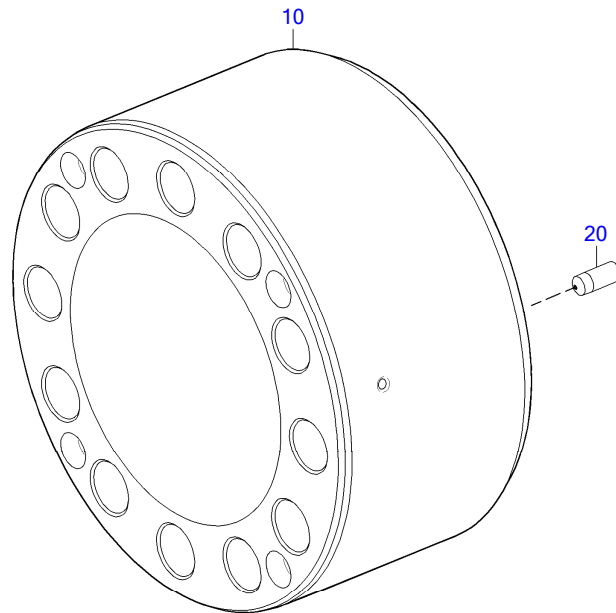
25
PTO FLANGE
XS594030.00064

03500124b



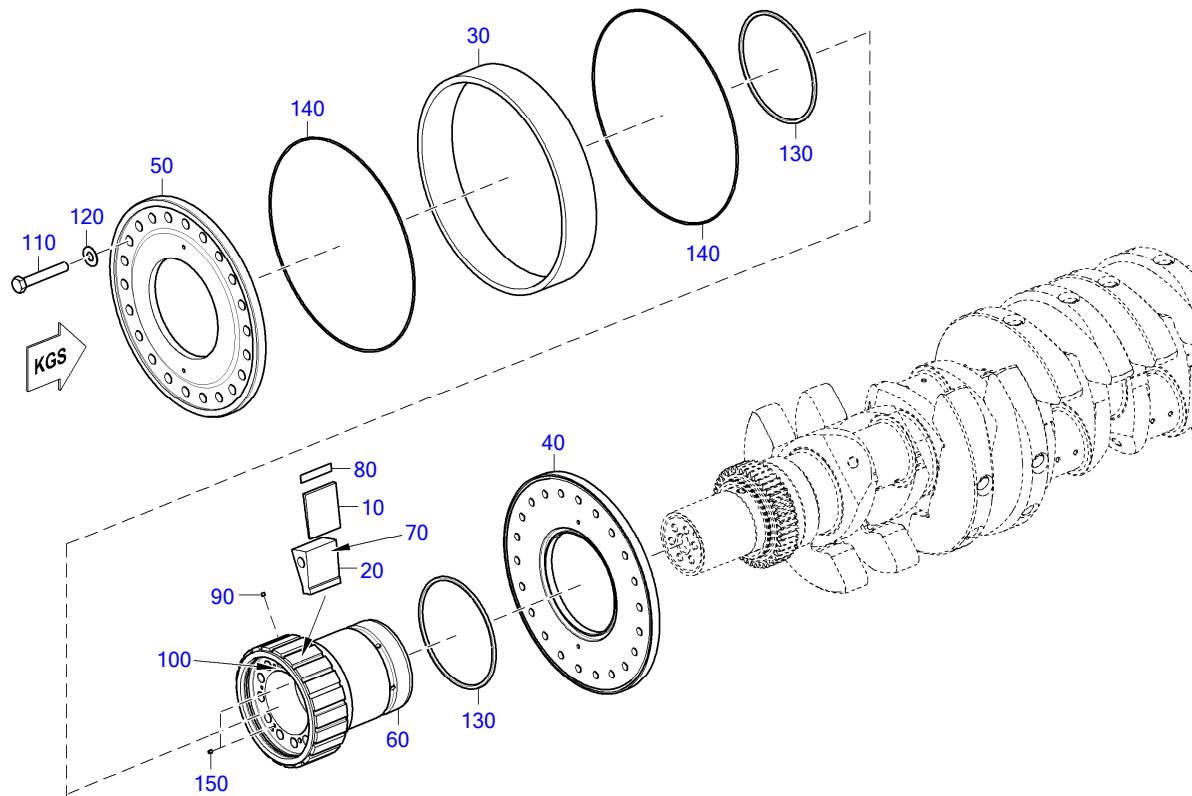
03500432a

☐	POS.	PART NO.	DESIGNATION	MODEL/TYPE	QTY.	UNITS	WEIGHT	MEASUREMENT	STANDARD
	50	X59499100480	FLANGE F.VIB.DAMPER HOUSIN		1	PC	20 kg		
	75	700429290000	O-RING		1	PC	25,2 g	290 X 4	MMN429
	100	304017012018	HEX SCREW		6	PC	49,9 g	M 12 X 50	ISO4017
	150	007603020103	WASHER A COP		1	PC	2,4 g	A 20 X 26	DIN7603
	175	000908020000	PLUG		1	PC	0,037 kg	M 20 X 1,5	DIN908
340	225	X59403500005	VIBRATION DAMPER	D44/4/3/1	1	PC	122 kg		
	230	5769970219	PLUG HEX SOC HD G1/4 17.5 X 11 42CRM04		1	PC	12 g		
	275	X00041688	HSG VIBRATION DAMPER C23		1	PC	34,583 kg		
	300	700429480000	O-RING		1	PC	64,6 g	480 X 5	MMN429
	325	304017008085	HEX SCREW		12	PC	18 g	M 8 X 40	ISO4017
	375	0219976547	SEAL RING CRANKSHAFT FRONT AUX PTO	PTFE-MANSCHETTE	1	PC	225 g	DM200	
339	425	5280300274	FLANGE FOR FREE END PTO	4000-03	1	PC	11,309 kg		
	450	700429200002	O-RING		1	PC	17,3 g	200 X 4	MMN429
	475	700429008003	O-RING		1	PC	0,3 g	8 X 2,5	MMN429
	500	000912008042	BOLT HEX		4	PC	42 g	M 8 X100	DIN912
	550	X52699100108	PLATE GUARD G73		1	PC	330 g		
	575	206796020000	CONICAL SPR. WASHER		3	PC	45 g	20	DIN6796
	600	000931020026	HEX SCREW		3	PC	366 g	M 20 X130	DIN931



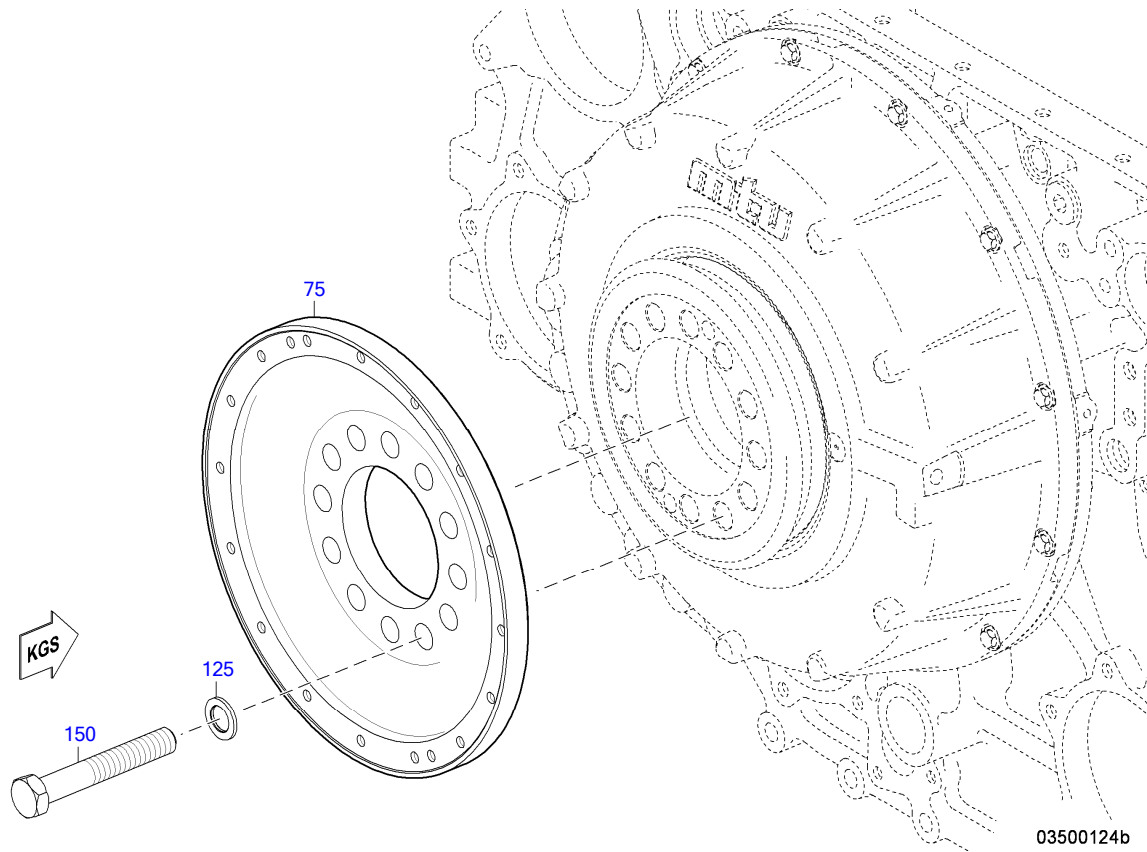
03500302b

	POS.	PART NO.	DESIGNATION	MODEL/TYPE	QTY.	UNITS	WEIGHT
☐	10	5280310745	FLANGE FOR FREE END PTO	4000-03	1	PC	11421 g
	20	5280310023	NOZZLE OIL C23		1	PC	4,6 g



03200567

☐	POS.	PART NO.	DESIGNATION	QTY.	UNITS	WEIGHT	FN	MEASUREMENT	STANDARD
	10	X00035236	SPRING PACK	1	PC				
	20	X00025741	INTERMEDIATE MEMBER	1	PC				
	30	XP52825100032	CLAMPING RING	1	PC				
	40	XP52825100033	FLANGE	1	PC				
	50	XP52825100034	SIDE PLATE	1	PC				
	60	XP59425100025	INNER STAR	1	PC				
	70	XP52625200121	SHIM	1	PC				
	80	X00035243	SHIM	22	PC			RE>268 MPA	
	90	X00035245	INJECTION TIMER	2	PC		EM	M6 DURCHM.2.7	
	100	X00035250	PLUG	1	PC	0,49 g		M10X1 DICHTNIPPEL	
	110	X00025753	HEX SCREW	22	PC			M18X110	
	120	Z=40X19X2	DISC WASHER (VULKAN)	22	PC	14,7 g			
	130	8699970418	SEALING RING	2	PC	53,5 g		208 X 7	
	140	700429420000	O-RING	2	PC	36,7 g		420 X 4	MMN429
	150	XP52725100085	SEAL PLUG	4	PC				



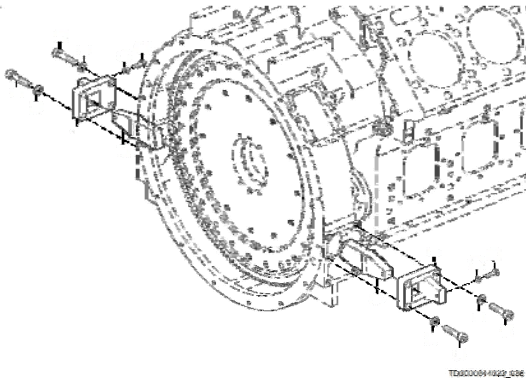
03500124b

☐	POS.	PART NO.	DESIGNATION	QTY.	UNITS	WEIGHT	MEASUREMENT	STANDARD
	75	5240311145	FLANGE	1	PC	9,755 kg		
	125	200433021001	WASHER	12	PC	10,8 g	21	DIN433
	150	00000000803	HEX SCREW	12	PC	415,8 g	M 20 X150	ISO4014

GROUP SEGMENT (FGS)

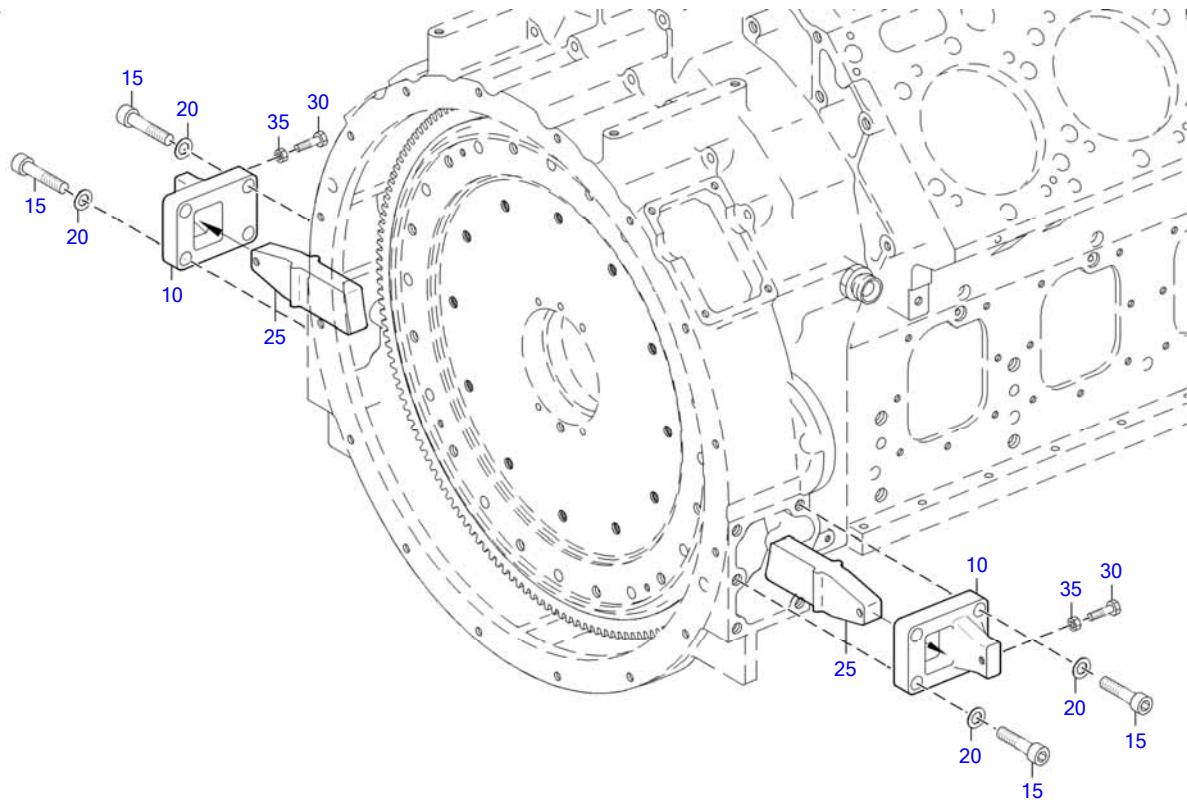
GROUP NAME

BOM-No.



05
TRANSPORTATION LOCK
030.00160

TDS00041922_036



TD0000044023_036

☐	POS.	PART NO.	DESIGNATION	MODEL/TYPE	QTY.	UNITS	WEIGHT	MEASUREMENT	STANDARD
	10	5242370435	PLATE	8/12/16V4000	2	PC	3,1 kg		
	15	000912016045	BOLT HEX SOC HD		8	PC	111,8 g	M 16 X 55	DIN912
	20	000125017014	WASHER		8	PC	9,7 g	A 17	DIN125
	25	5242370940	RETAINER	8/12/16V40000	2	PC	2,69 kg		
	30	000933010144	HEX SCREW		2	PC	40,8 g	M 10 X 60	DIN933
	35	000934010007	NUT HEX		2	PC	10,3 g	M 10	DIN934

PISTON

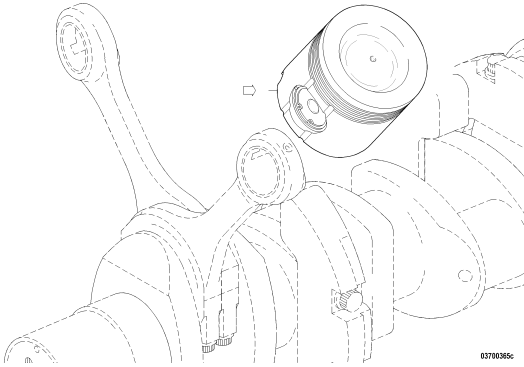
FG/FGS: 037

GROUP SEGMENT (FGS)

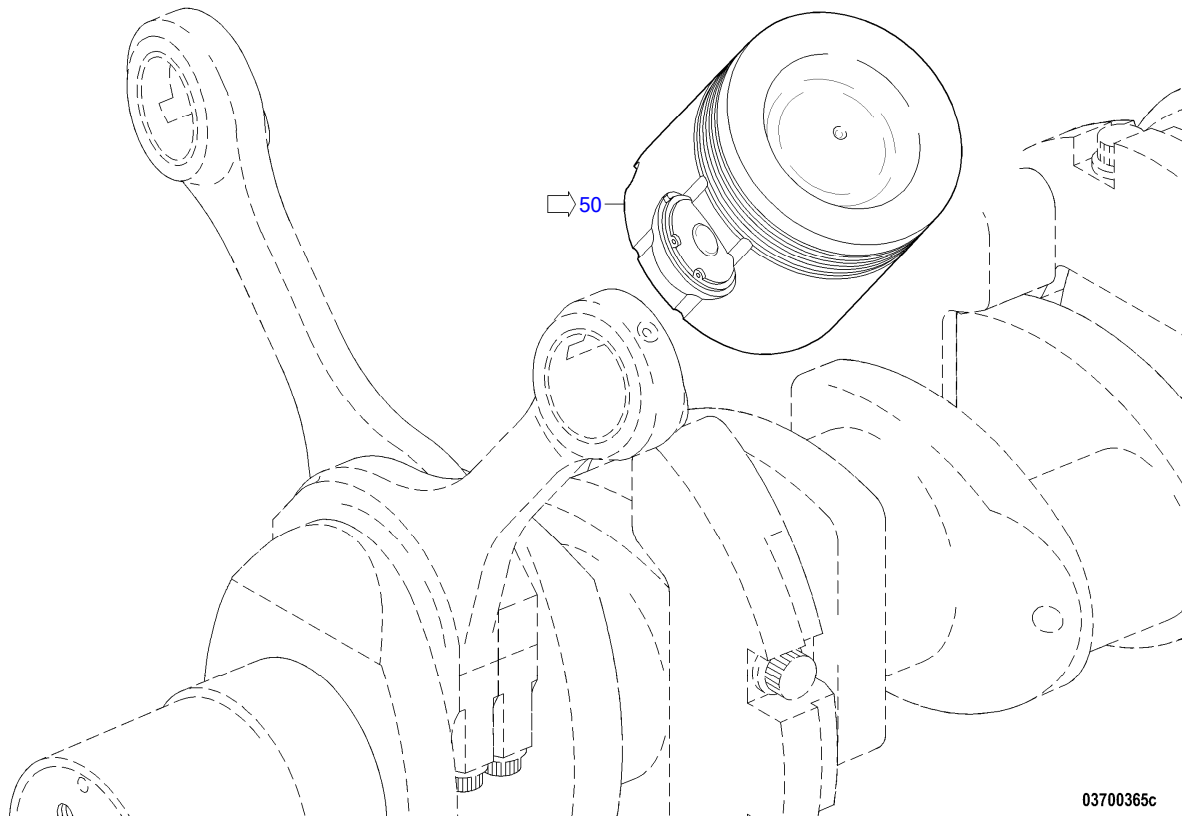
GROUP NAME


BOM-No.

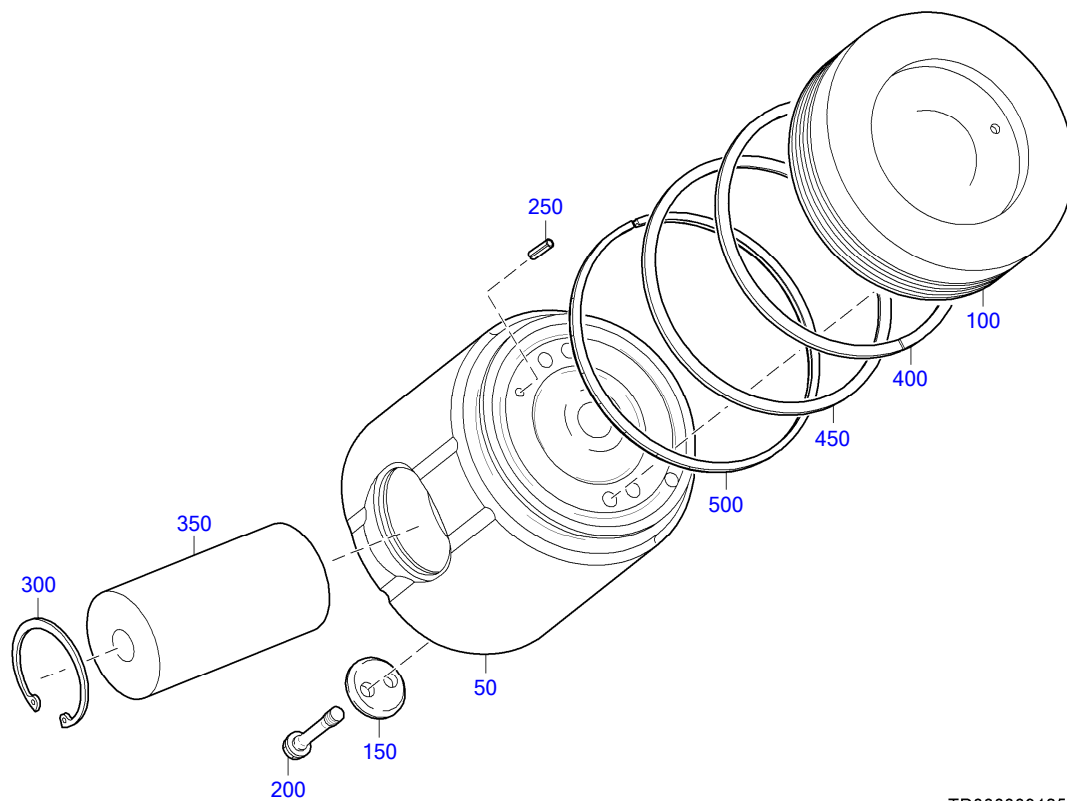
05
PISTON
XS594030.00025



03700365

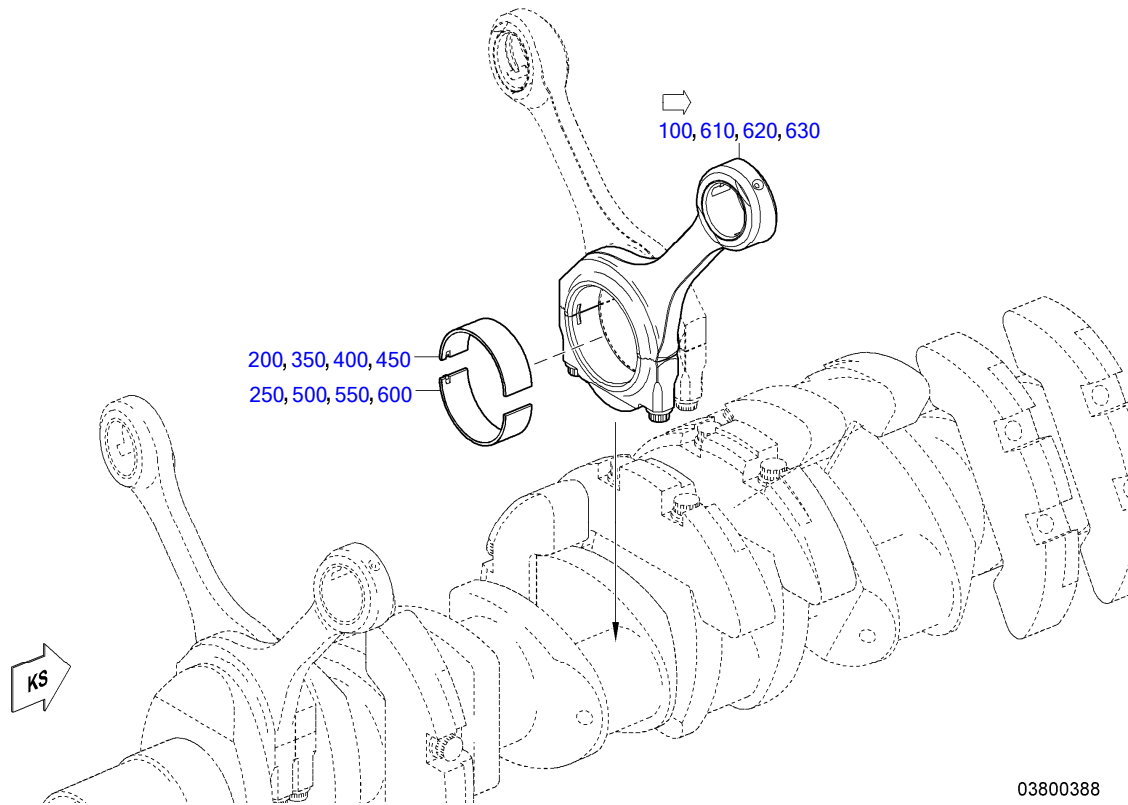


	POS.	PART NO.	DESIGNATION	MODEL/TYPE	QTY.	UNITS	WEIGHT	FN
	50	X00035690	PISTON	EPSILON 15.2	12	PC	13,1 kg	EM



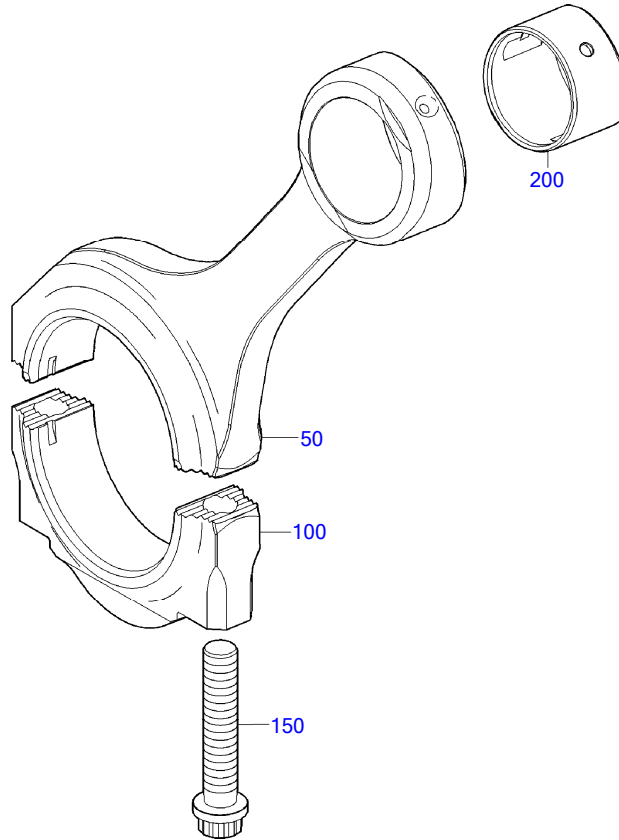
TD0000031850_037

☐	POS.	PART NO.	DESIGNATION	MODEL/TYPE	QTY.	UNITS	WEIGHT	FN	MEASUREMENT	STANDARD
	50	X00035435	PISTON SKIRT		1	PC	5840 g			
	100	X00035437	PISTON CROWN		1	PC		EM		
	150	5240370276	PRESSURE PLATE		2	PC	43,6 g			
	200	5249900719	BOLT PISTON M9 1.0 X 56.5		4	PC	25,5 g		49 LANG	
	250	001481005017	PIN SPRING		1	PC	1,4 g		5 X 16 - N	ISO8752
	300	X52403700066	SNAP RING	KOLBEN	2	PC	0,017 kg			DIN472
	350	X00012064	PISTON PIN		1	PC	3,667 kg			
	400	X00009806	RECTANGLR-SECT RING		1	PC	92,8 g	EM		
	450	0090375019	TAPER FACE COMP RING		1	PC	92,8 g			
	500	0120373618	OIL CONTROL RING		1	PC	59 g	EM		



03800388

☐	POS.	PART NO.	DESIGNATION	MODEL/TYPE	QTY.	UNITS	WEIGHT	FN
349	100	X52603800003/42	CONROD ASM	BR4000 NORMALHUB	12	PC	9,5 kg	EM
	200	5240384110	CONROD BEARING UPPER HALF		12	PC	280 g	
	250	X52403800001	CONROD BEARING SIZE 0-0	UNTERE HAELFTE	12	PC	0,31 kg	
	350	5240384210	CONROD BEARING SIZE 0-1		1	PC	300 g	M
	400	5240384310	CONROD BEARING SIZE 0-2	OBERE HAELFTE	1	PC	292 g	M
	450	5240384410	CONROD BEARING SIZE 0-3		1	PC	302 g	M
	500	X52403800006	CONROD BEARING SIZE 0-1	UNTERE HAELFTE	1	PC	284,7 g	M
	550	X52403800007	CONROD BEARING SIZE 0-2	UNTERE HAELFTE	1	PC	0,3 kg	M
	600	X52403800008	CONROD BEARING SIZE 0-3	UNTERE HAELFTE	1	PC	0,297 kg	M
	610	RX00009469/42	CONROD ASM		1	PC		EM
	620	RX00040054/42	CONROD ASM		1	PC	9,53 kg	EM
	630	RX52603800003/42	CONROD ASM		1	PC	12,7 kg	EM



03800045a

☐	POS.	PART NO.	DESIGNATION	QTY.	UNITS	WEIGHT	FN
	50	X00040055/42	CONROD	1	PC		EM
	100	X00040056	CONROD CAP	1	PC		MN
	150	5240380471	BOLT M20 1.50 X 103. 0 LG 18 CONROD	2	PC	308 g	
	200	5240382550	BUSHING CONROD SIZE 0	1	PC	303 g	M

EQUI TYPE: Engine

PRODUCT TYPE: 12V4000M93L
CYLINDER HEAD

SERIAL NUMBER: 526108554
FG/FGS: 041

GROUP SEGMENT (FGS)

GROUP NAME

BOM-No.

05

CYLINDER HEAD FOR 12V
XS594040.00021


EQUI TYPE: Engine

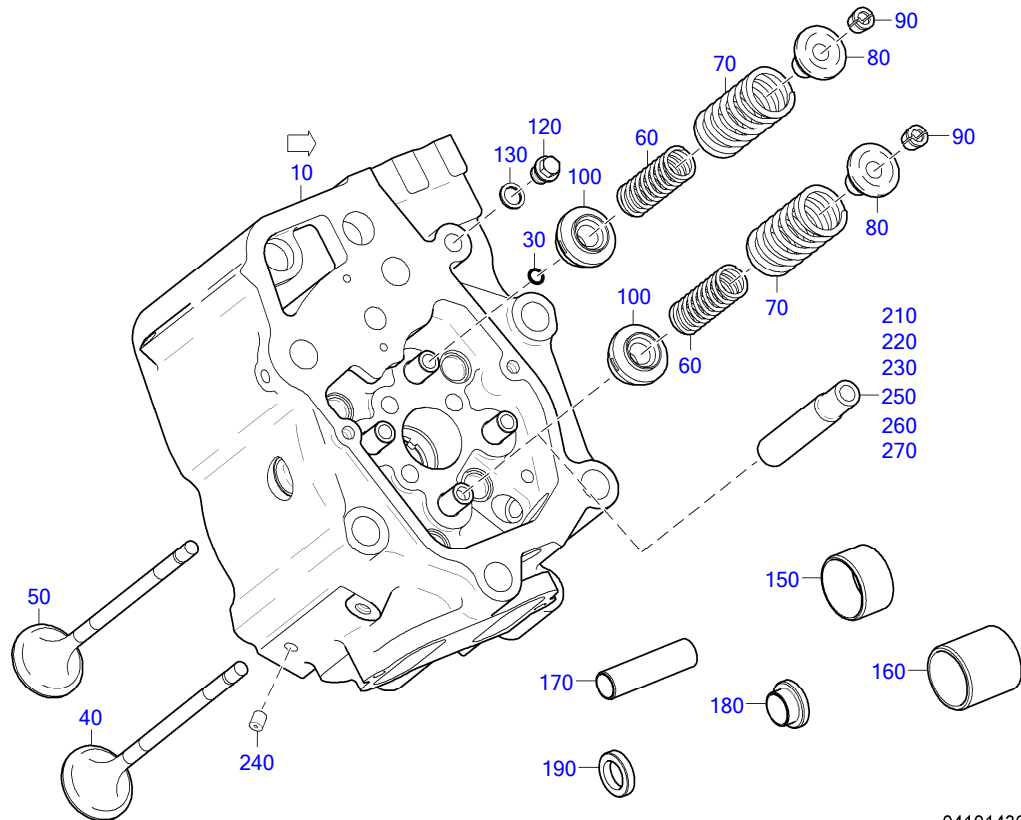
PRODUCT TYPE: 12V4000M93L
CYLINDER HEAD FOR 12V

SERIAL NUMBER: 526108554

FG/FGS: 041 05

BOM-No.: XS594040.00021

	POS.	PART NO.	DESIGNATION	QTY.	UNITS	WEIGHT	FN	MEASUREMENT
352	50	X52404100205	CYL.HEAD WITH VALVES	12	PC	53 kg	EM	
	70	5240160319	SEALING RING SIZE 0	12	PC	165,8 g	EM	
	90	X52404200037	GASKET FOR CYLINDER HEAD	12	PC	0,11 kg		
	110	X52404200005	SCREW	60	PC	827,7 g		
	120	5240110062	WASHER THRUST	60	PC	20,6 g		
	140	5240160069	BOLT HEX CYL HD	12	PC	1,1 kg		M22X2X333
	150	5240110062	WASHER THRUST	12	PC	20,6 g		



04101436

□	POS.	PART NO.	DESIGNATION	MODEL/TYPE	QTY.	UNITS	WEIGHT	FN	MEASUREMENT	STANDARD
353	10	X52404100177	CYLINDER HEAD W/VALVE GUIDES		1	PC	46,588 kg	EM		
	30	700429010004	O-RING		2	PC	0,2 g		10,78X 1,82	MMN429
	40	X00042197	INLET VALVE		2	PC	335,8 g	EM		
	50	5240530805	EXHAUST VALVE		2	PC	340,8 g	EM		
	60	5240530122	VALVE SPRING INNER	4000	4	PC	60,5 g			
	70	5240530120	VALVE SPRING OUTER	4000	4	PC	154,9 g			
	80	5240530125	RETAINER VALVE SPRING		4	PC	33,8 g			
	90	0000530926	VALVE KEEPER WEDGE		8	PC	1,6 g			
	100	0000534335	VALVE ROTATOR		4	PC	108,7 g			
	120	000910014004	PLUG		1	PC	25 g		M 14 X 1,5	DIN910
	130	007603014102	SEAL RING		1	PC	1 g		A 14 X 18	DIN7603
	150	5240160350	BUSHING	4000	1	PC	79 g			
	160	5240160450	BUSHING	4000	1	PC	139 g			
	170	5240160550	BUSHING	4000	1	PC	66 g			
	180	5240160650	BUSHING	4000	1	PC	32 g			
	190	5240160276	WASHER	4000	1	PC	25,3 g			
	210	X52404200008	VALVE GUIDE INLET AND EXHAUST	STUFE 0 - KENNZ. 1 RILLE	1	PC	120 g		FERTIG BEARBEITET, 19.00 R6 H7	
	220	X52404200009	VALVE GUIDE INLET AND EXHAUST	STUFE 1 - KENNZ. 2 RILLEN	1	PC	0,12 kg	EM	FERTIG BEARBEITET, 19.10 R6 H7	
	230	X52404200010	VALVE GUIDE INLET AND EXHAUST	STUFE 2 - KENNZ. 3 RILLEN	1	PC	0,12 kg	EM	FERTIG BEARBEITET, 19.30 R6 H7	
	240		PLUG		1	PC	14 g		A10	MTN5073
	250	5240530830	VALVE GUIDE	STUFE 0 - KENNZ. 1 RILLE	1	PC	130 g		FERTIG BEARBEITET, 19.00 R6 H7	

EQUI TYPE: Engine

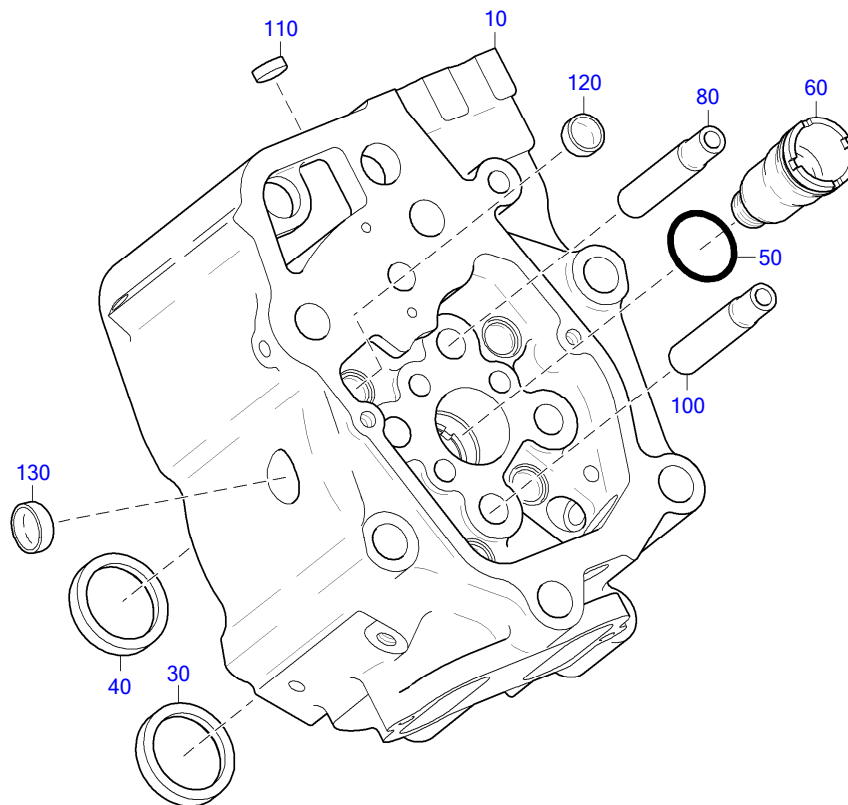
PRODUCT TYPE: 12V4000M93L
CYL.HEAD WITH VALVES

SERIAL NUMBER: 526108554

FG/FGS:

BOM-No.: X52404100205

<input type="checkbox"/>	POS.	PART NO.	DESIGNATION	MODEL/TYPE	QTY.	UNITS	WEIGHT	FN	MEASUREMENT	STANDARD
	260	5240530930	VALVE GUIDE	STUFE 1 - KENNZ. 2 RILLEN	1	PC	130 g	EM	FERTIG BEARBEITET, 19.10 R6 H7	
	270	5240530930	VALVE GUIDE	STUFE 1 - KENNZ. 2 RILLEN	1	PC	130 g	EM	FERTIG BEARBEITET, 19.10 R6 H7	



04100914

☐	POS.	PART NO.	DESIGNATION	QTY.	UNITS	WEIGHT	FN	MEASUREMENT	STANDARD
	10	X52404100176	CYLINDER HEAD	1	PC	49,1 kg	EM		
	30	X52404100027	VALVE SEAT INSERT IN LET	2	PC	47,7 g	EM	D 58U6	
	40	5240530032	VALVE SEAT INSERT EX HAUST	2	PC	0,031 kg	EM	D 57U6	
	50	735252039000	O-RING	1	PC	1,8 g		39,2 X 3	MTN5252
	60	5240160153	TUBE F. INJECTOR	1	PC	188,6 g			
	80	X52404100143	VALVE GUIDE INSERT	2	PC	137,3 g	EM	D 19.3R6 / D10.6+0.05	
	100	5240530530	VALVE GUIDE INSERT	2	PC	133,6 g	EM	D 19R6 / D10.6+0.05	
	110	5550160633	SEALING CAP	1	PC	7,2 g		D 20	
	120	5800160033	SEALING CAP	4	PC	11 g		D24	
	130	5240160233	SEALING CAP	5	PC	18,2 g		D 30	

CAMSHAFT

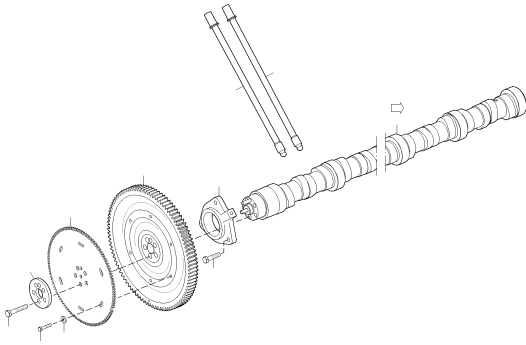
FG/FGS: 051

GROUP SEGMENT (FGS)

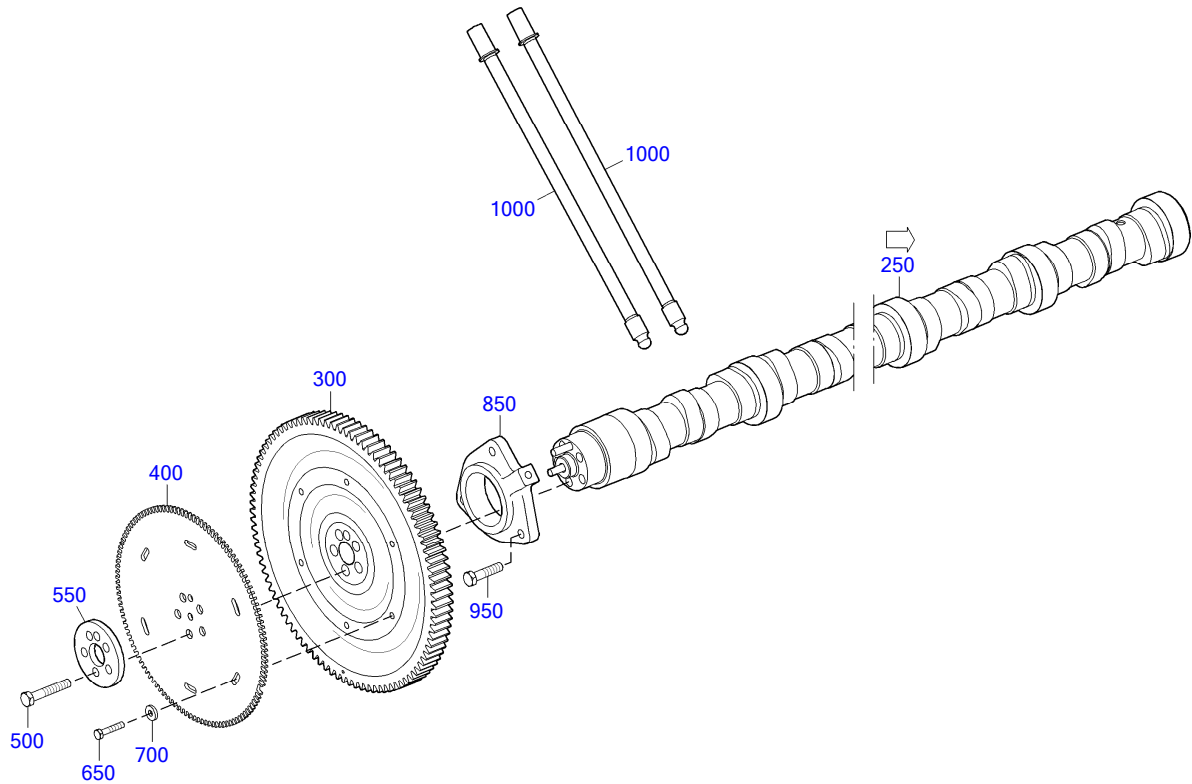
GROUP NAME

BOM-No.

05
CAMSHAFT
X00026313

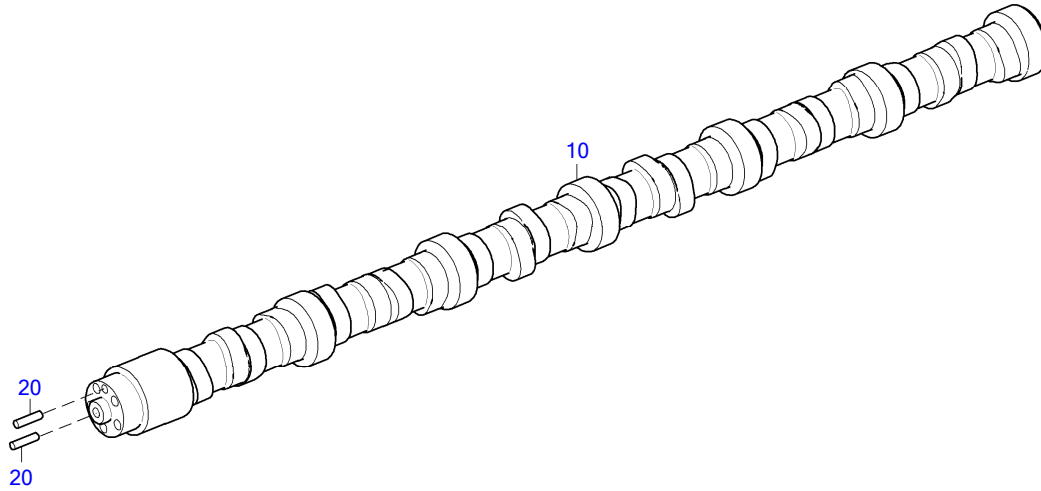


0510026313



05100208b

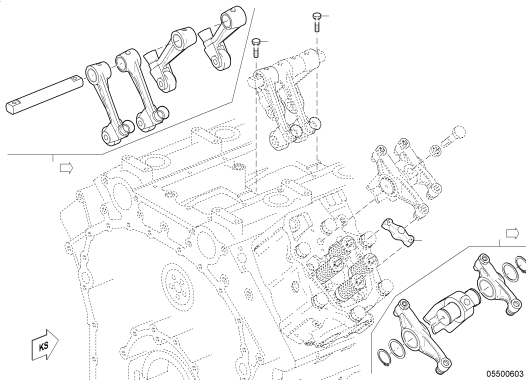
☐	POS.	PART NO.	DESIGNATION	QTY.	UNITS	WEIGHT	FN	MEASUREMENT	STANDARD
	356	250	X52605100019	CAMSHAFT FOR 12V	1	PC	49,5 kg	EM	
		300	X52405200018	CAMSHAFT GEAR	1	PC	19,4 kg	EM	
		400	5240521748	WHEEL SRS ADEC	1	PC	2,9 kg	EM	
		500	000931012052	HEX SCREW	5	PC	72,19 g	M 12 X 70	DIN931
		550	5240510351	SPACER RING HOLES	1	PC	422,9 g		
		650	304017008085	HEX SCREW	6	PC	18 g	M 8 X 40	ISO4017
		700	007349008002	WASHER	6	PC	7,9 g	8,4	DIN7349
		850	X52405300005	THRUST BEARING FLANG FOR CAMSHAFT	1	PC	2 kg		
		950	000000003437	HEX SCREW	3	PC	50,8 g	M 12 X 50	ISO4017
		1000	X52405400013	PUSHROD	24	PC	600,2 g		



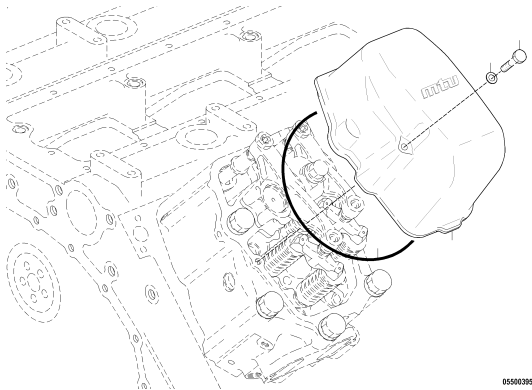
05100330

☐	POS.	PART NO.	DESIGNATION	QTY.	UNITS	WEIGHT	FN	MEASUREMENT	STANDARD
	10	X52605100018	CAMSHAFT FOR 12V	1	PC	50,063 kg	EM		
	20	000007010111	PIN DOWEL CAMSHAFT	2	PC	25 g		10 M6 X 40	DIN7

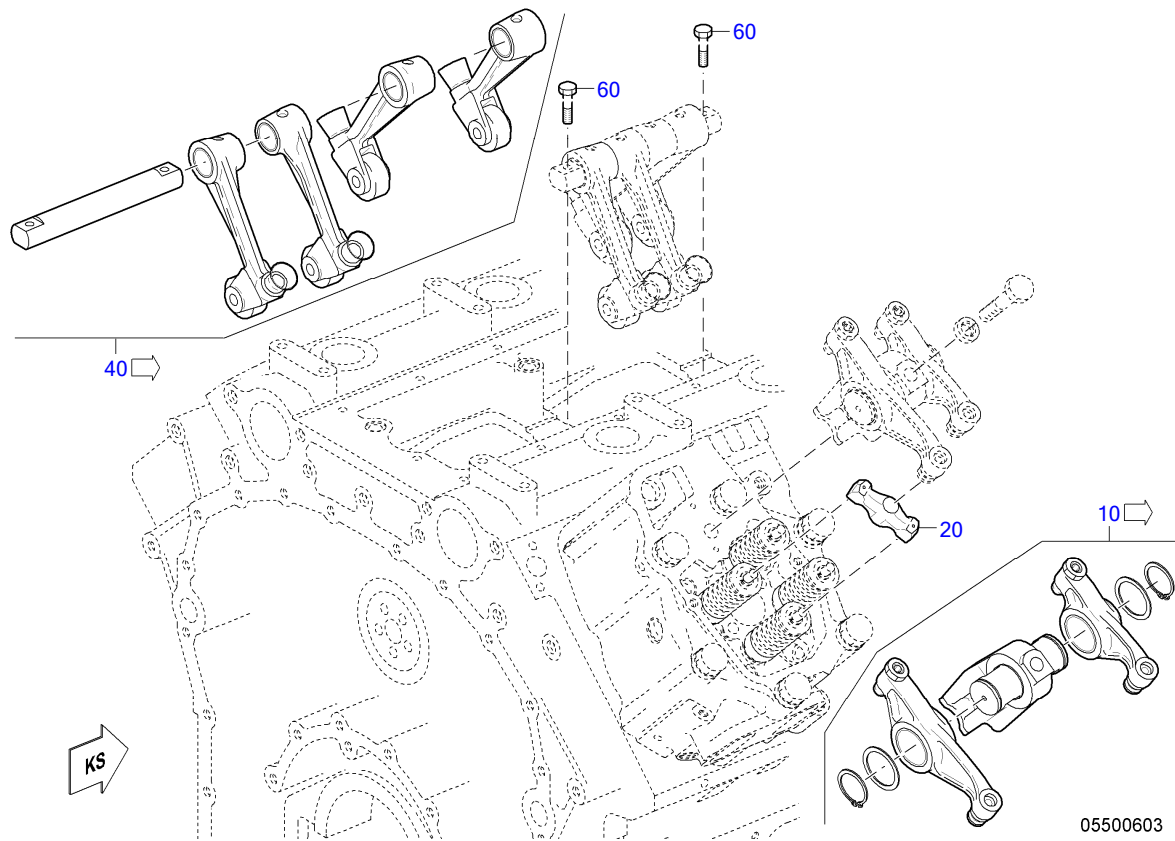
GROUP SEGMENT (FGS)
GROUP NAME
BOM-No.



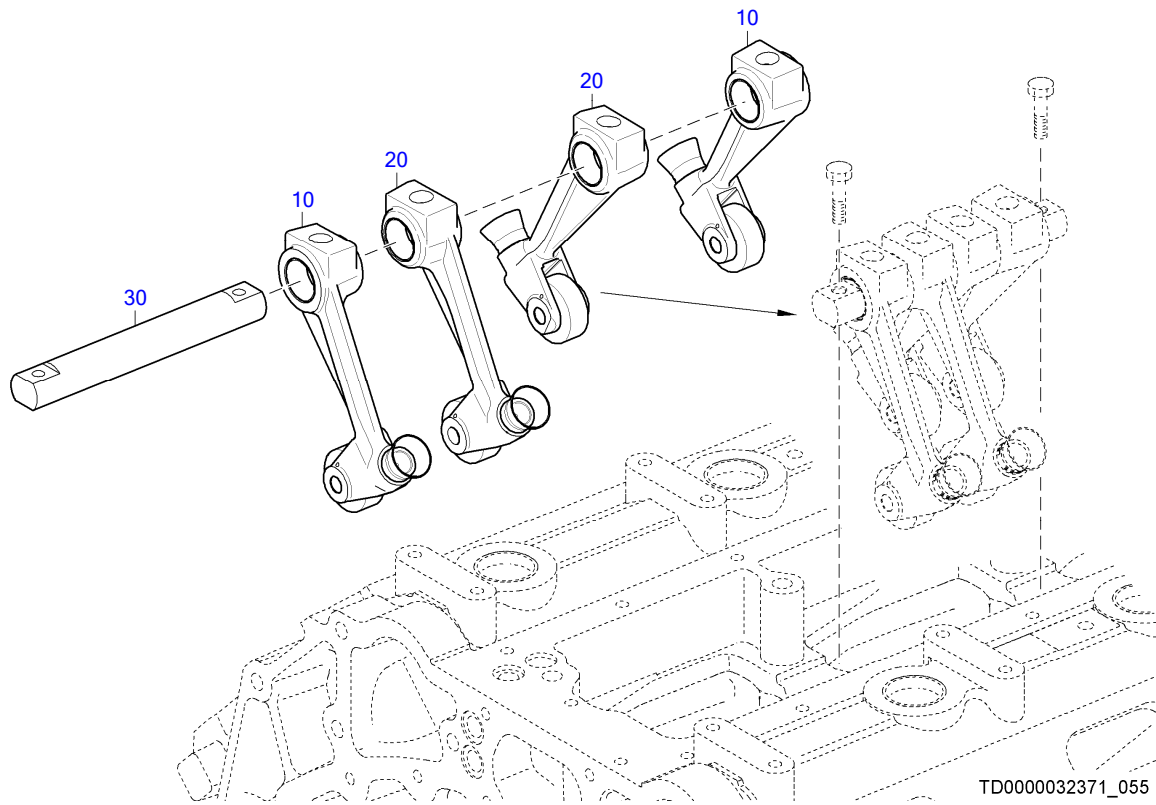
05
VALVE GEAR FOR 12V
XS526050.00019



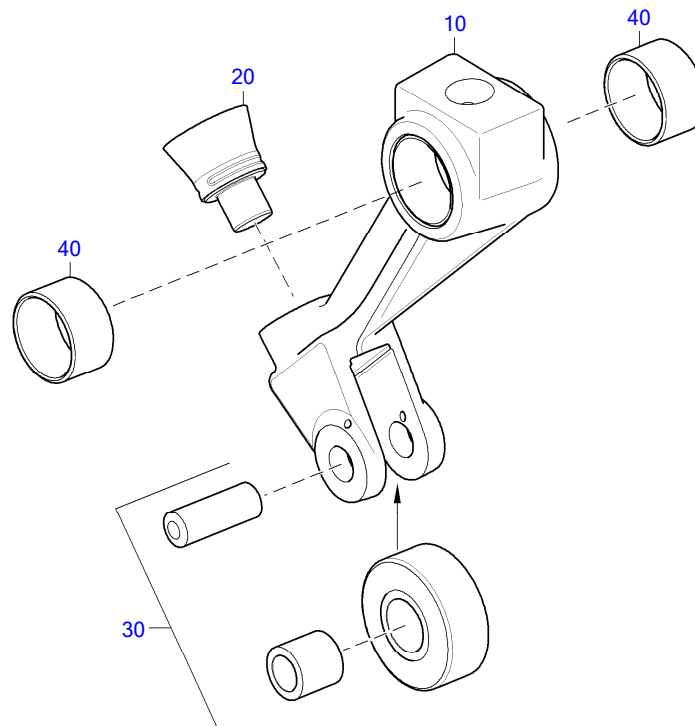
10
CYLINDER HEAD COVER FOR 12V
XS526010.00028



☐	POS.	PART NO.	DESIGNATION	QTY.	UNITS	WEIGHT	MEASUREMENT	STANDARD
362	10	X52405500145	ROCKER ARM	12	PC	6,56 kg		
	20	X52405500135	VALVE BRIDGE	24	PC	275,8 g		
359	40	X52405500139	SWING FOLL.	6	PC	7,94 kg		
	60	000933010194	HEX SCREW	12	PC	31,2 g	M 10 X 40	DIN933

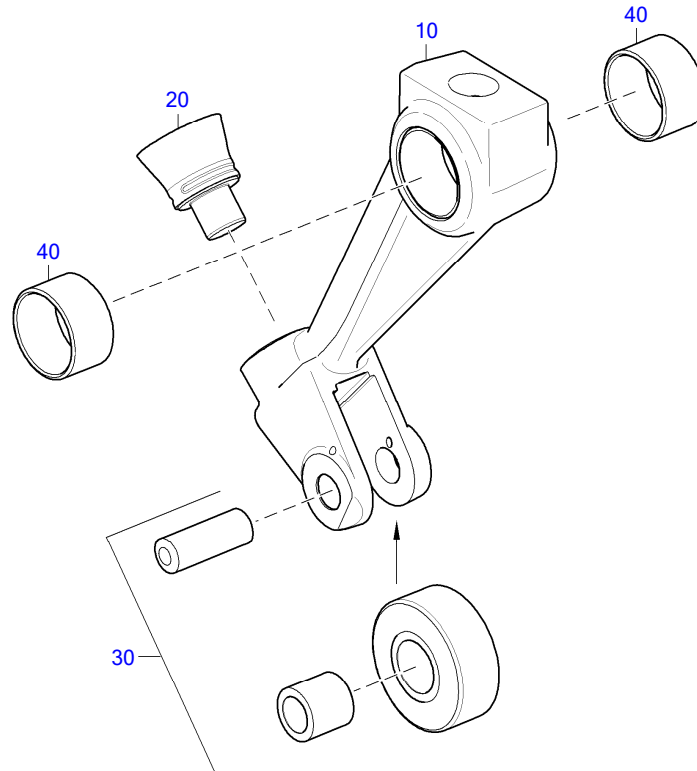


☐	POS.	PART NO.	DESIGNATION	QTY.	UNITS	WEIGHT
360	10	X52405500137	SWING FOLL. INLET	2	PC	1,659 kg
361	20	X52405500138	SWING FOLL. EXHAUST	2	PC	1,667 kg
	30	X52405500103	ROCKER SHAFT	1	PC	1,38 kg



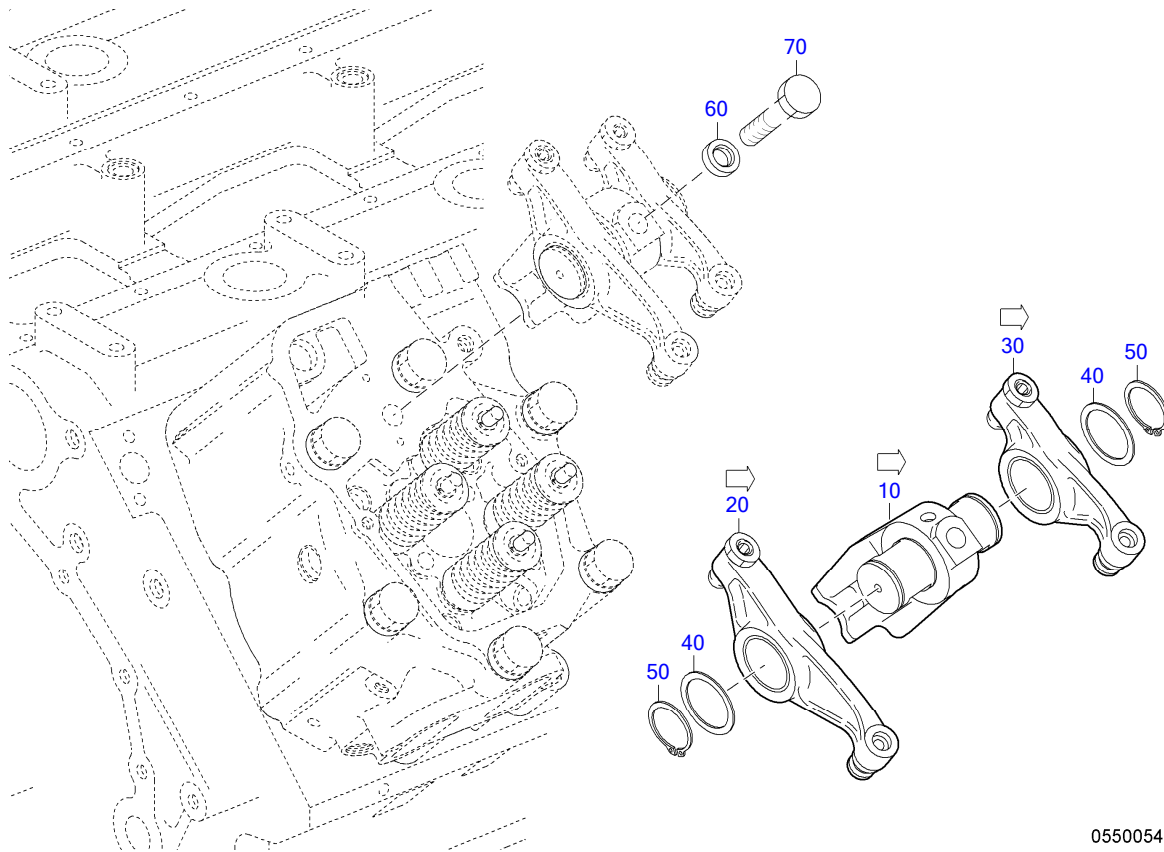
05500614

☐	POS.	PART NO.	DESIGNATION	QTY.	UNITS	WEIGHT	MEASUREMENT	STANDARD
	10	X52405500106	SWING FOLL. INLET	1	PC	1,177 kg		
	20	X52405500136	BALL SOCKET FOR ROCKER ARM	1	PC	64,5 g		
	30	X52405400022	ROLLER TAPPET REPAIR KIT	1	PC	341 g		
	40	00000001270	BUSHING	2	PC	36,9 g	C 32 X 36 X 20	ISO4379



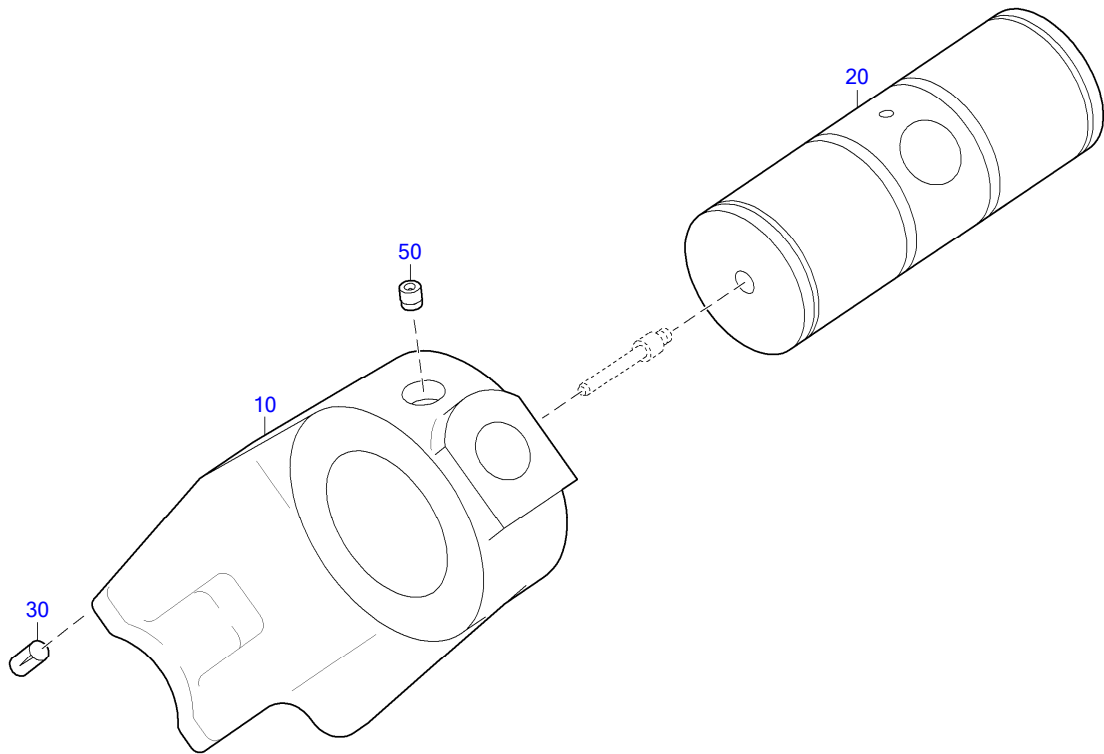
05500615

☐	POS.	PART NO.	DESIGNATION	QTY.	UNITS	WEIGHT	MEASUREMENT	STANDARD
	10	X52405500107	SWING FOLL. EXHAUST	1	PC	1,173 kg		
	20	X52405500136	BALL SOCKET FOR ROCKER ARM	1	PC	64,5 g		
	30	X52405400022	ROLLER TAPPET REPAIR KIT	1	PC	341 g		
	40	00000001270	BUSHING	2	PC	36,9 g	C 32 X 36 X 20	ISO4379



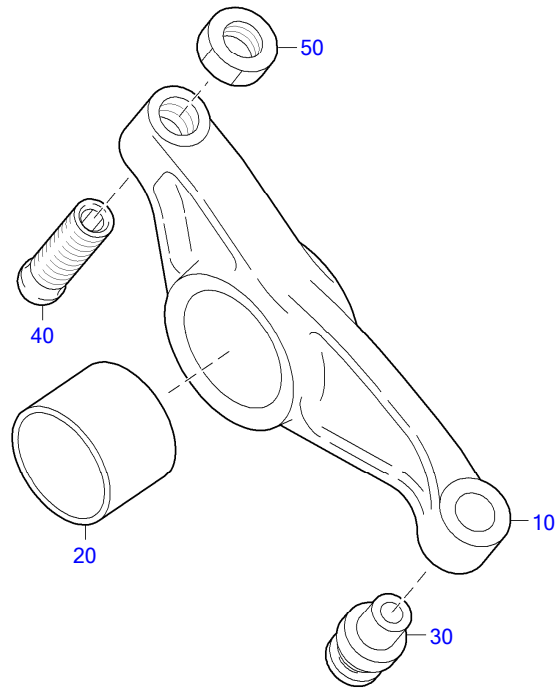
05500546

□	POS.	PART NO.	DESIGNATION	QTY.	UNITS	WEIGHT	MEASUREMENT	STANDARD
	10	X52405500146	ROCKER SHAFT SUPPORT	1	PC	3,523 kg		
	20	X52405500124	ROCKER ARM INLET	1	PC	1,393 kg		
	30	X52405500123	ROCKER ARM EXHAUST	1	PC	1,356 kg		
	40	200988045000	RING SHIM	2	PC	8,6 g	45 X 55 X 1,5	DIN988
	50	000471045000	RING SNAP HV ZNPH R5 F	2	PC	7,3 g	45 X 1,75	DIN471
	60	700521016200	WASHER	1	PC	11,7 g	16,2	MMN521
	70	200933016002	HEX SCREW	1	PC	272 g	M 16 X180	DIN933



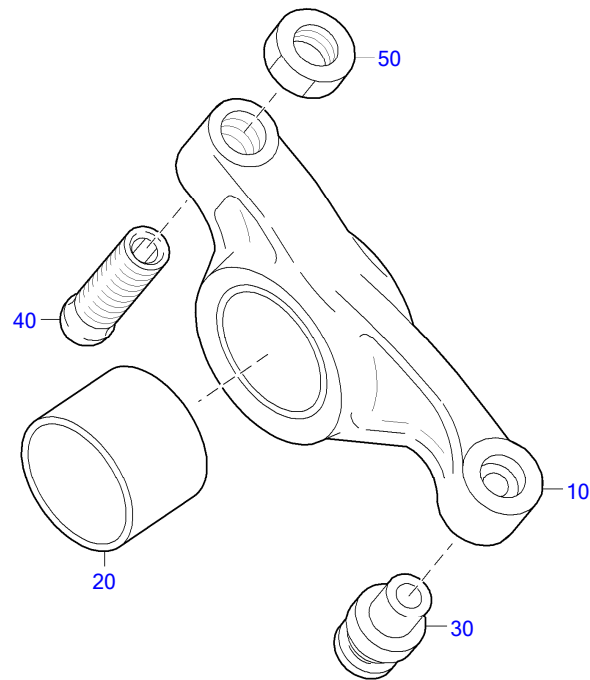
05500549

☐	POS.	PART NO.	DESIGNATION	QTY.	UNITS	WEIGHT	MEASUREMENT	STANDARD
	10	X52405500142	ROCKER SHAFT SUPPORT	1	PC	2,132 kg		
	20	X52405500097	ROCKER SHAFT	1	PC	1,374 kg		
	30	001474006000	PIN GROOVED	2	PC	2,7 g	6 X 12	DIN1474
	50	X52418300025	OIL SPRAY NOZZLE	1	PC	1 g		



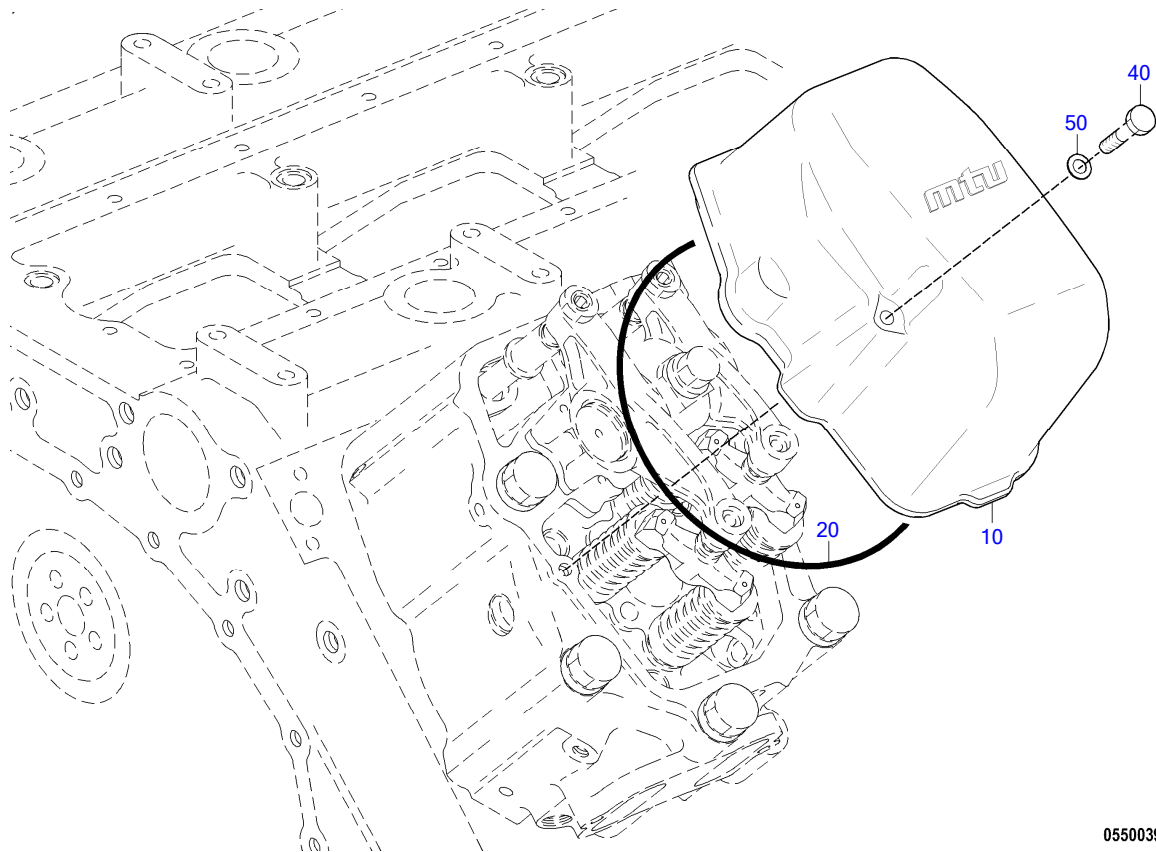
05500547

☐	POS.	PART NO.	DESIGNATION	QTY.	UNITS	WEIGHT	MEASUREMENT	STANDARD
	10	X52405500098	ROCKER ARM INLET	1	PC	1,102 kg		
	20	X52499100176	BUSHING FOR ROCKER ARM	1	PC	115 g		
	30	X52405200015	THRUST MEMBER FOR ROCKER ARM	1	PC	75 g		
	40	X52499100259	ADJUSTING SCREW FOR ROCKER ARM	1	PC	71 g		
	50	00000000403	NUT ADEC	1	PC	17 g	M 16 X 1,5	ISO8675



05500548

☐	POS.	PART NO.	DESIGNATION	QTY.	UNITS	WEIGHT	MEASUREMENT	STANDARD
	10	X52405500099	ROCKER ARM EXHAUST	1	PC	1,065 kg		
	20	X52499100176	BUSHING FOR ROCKER ARM	1	PC	115 g		
	30	X52405200015	THRUST MEMBER FOR ROCKER ARM	1	PC	75 g		
	40	X52499100259	ADJUSTING SCREW FOR ROCKER ARM	1	PC	71 g		
	50	00000000403	NUT ADEC	1	PC	17 g	M 16 X 1,5	ISO8675



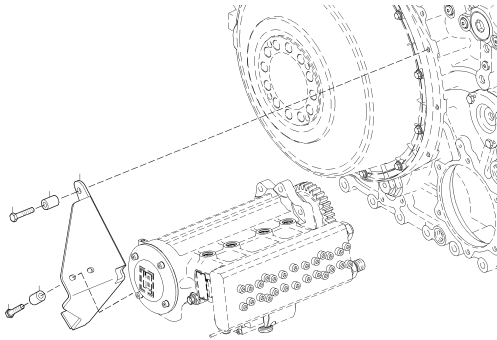
05500395a

☐	POS.	PART NO.	DESIGNATION	QTY.	UNITS	WEIGHT	MEASUREMENT	STANDARD
	10	X52405500130	CYLINDER HEAD COVER	12	PC	2,4 kg		
	20	X52405500190	PROFILE GASKET F CYLIND. HEAD COVE	12	PC	0,023 kg		
	40	000931010332	HEX SCREW	24	PC	100 g	M 10 X150	DIN931
	50	000125010524	WASHER	24	PC	3,1 g	A 10,5	DIN125

GROUP SEGMENT (FGS)

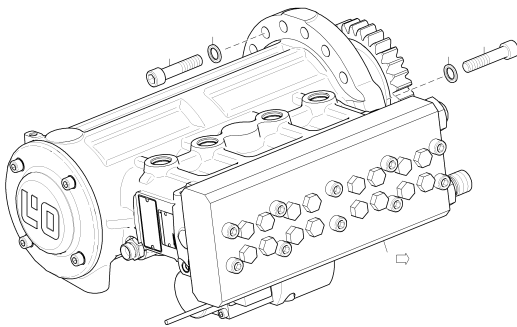
GROUP NAME

BOM-No.



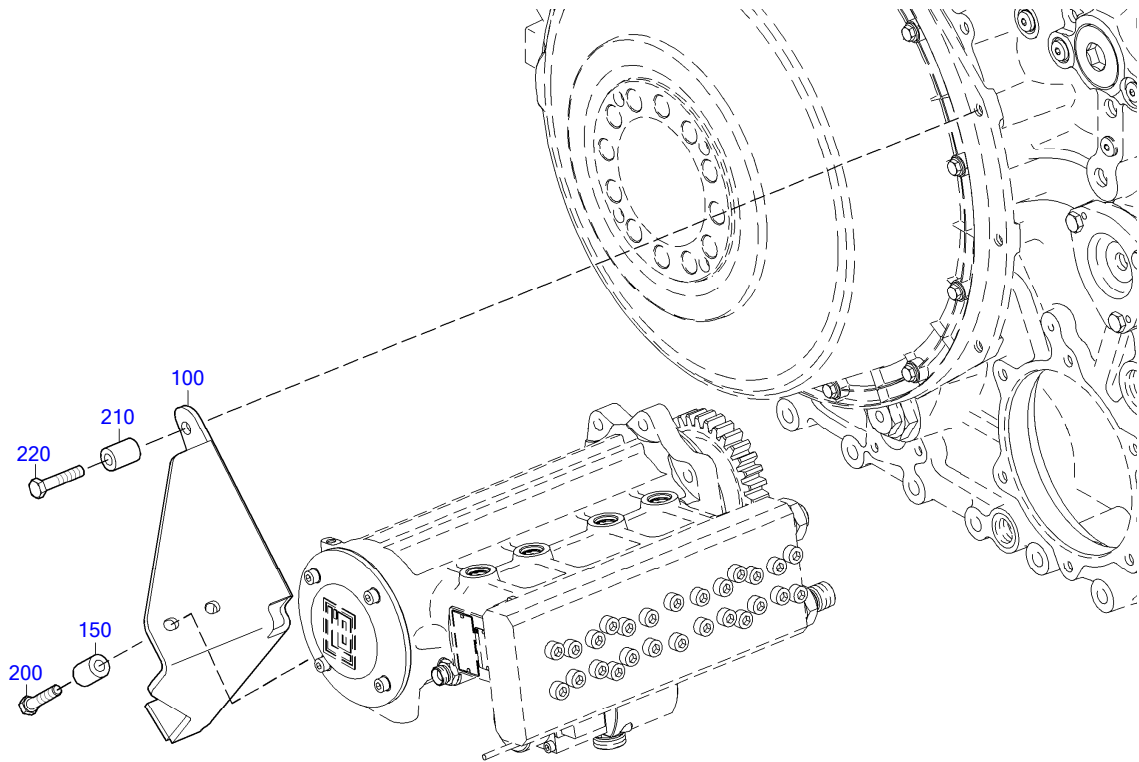
05
RETAINER FOR HP PUMP
X00024247

07300542



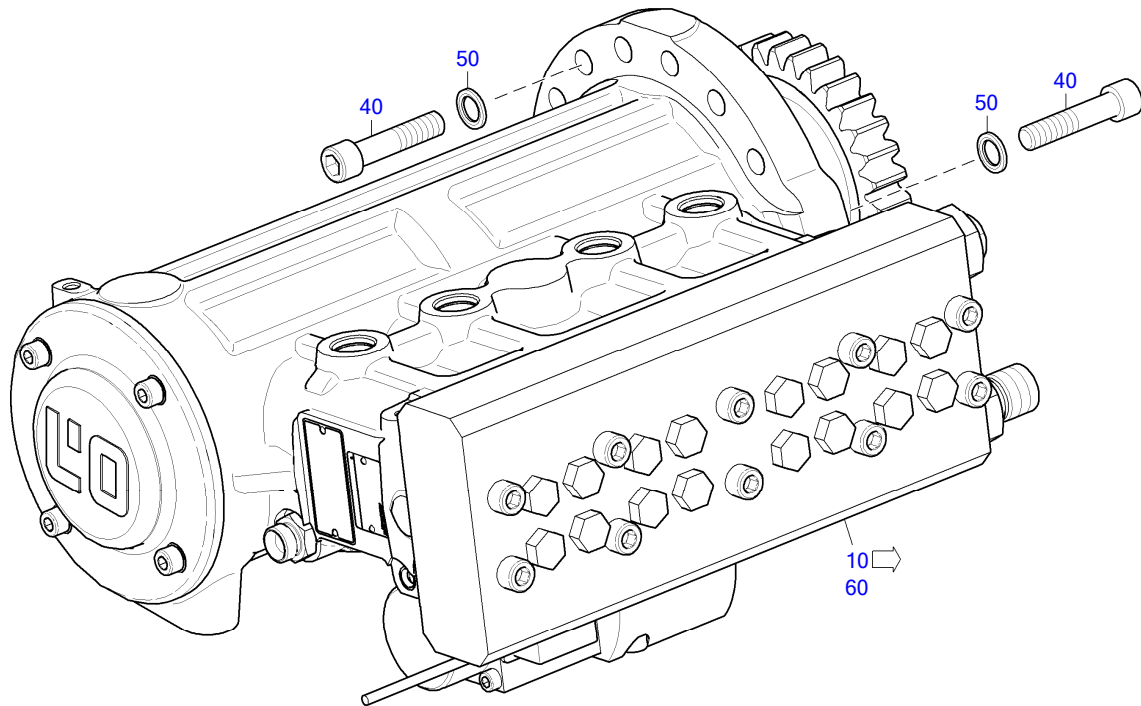
05
HP PUMP
XS594070.00043

07300081



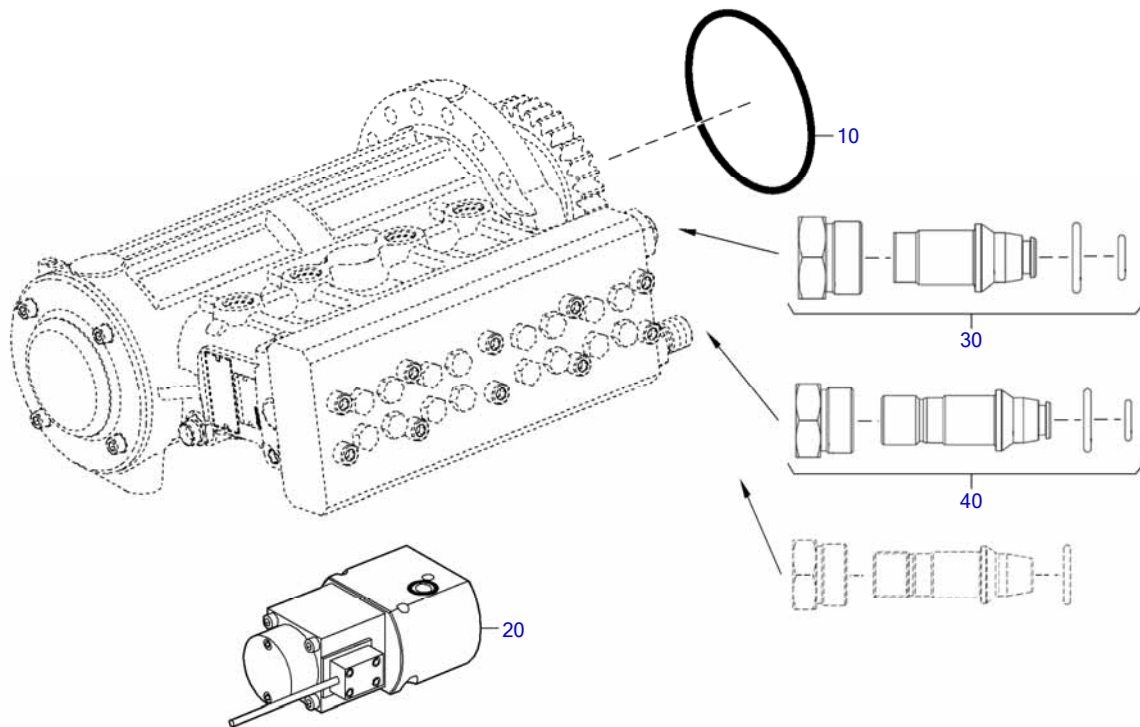
07300542a

☐	POS.	PART NO.	DESIGNATION	QTY.	UNITS	WEIGHT	MEASUREMENT	STANDARD
	100	X59407300002	BRACKET FOR HP PUMP	1	PC	4,212 kg		
	150	28200750053/0	SPACER BUSHING	2	PC	66 g		
	200	000933010095	HEX SCREW	2	PC	36,1 g	M 10 X 50	DIN933
	210	X59499100026	SPACER SLEEVE	3	PC	78,9 g		
	220	000933012038	HEX SCREW	3	PC	64,1 g	M 12 X 65	DIN933



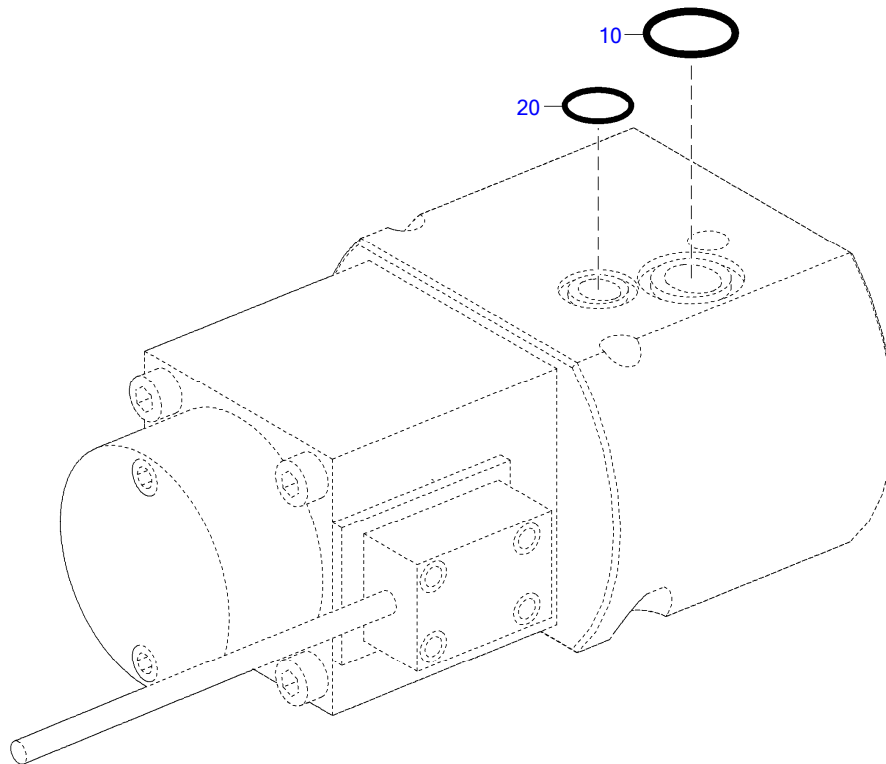
07300881

☐	POS.	PART NO.	DESIGNATION	MODEL/TYPE	QTY.	UNITS	WEIGHT	FN	MEASUREMENT	STANDARD
	370	10	X59507300006	HP PUMP	1	PC	81,5 kg	EM		
		40	000912012093	SCREW	16	PC	59 g		M 12 X 55	DIN912
		50	200433013001	WASHER	16	PC	2,6 g		13	DIN433
		60	EX59507300006	HP PUMP	1	PC	82,9 kg	EM		




TD0000030218_073

☐	POS.	PART NO.	DESIGNATION	MODEL/TYPE	QTY.	UNITS	WEIGHT	MEASUREMENT	STANDARD
	10	700429130003	O-RING		1	PC	18 g	130 X 5	MMN429
371	20	XP52707300006	CONTROL BLOCK	PCO-U242V1	1	PC	5,24 kg		
	30	XP52800600004	SPARE PARTS KIT	L'O: PCO-U264; OHNE GEWINDE	1	PC	0,335 kg		
	40	XP52800600005	SPARE PARTS KIT	PCO-U265 MIT GEWINDE	1	PC	295 g		



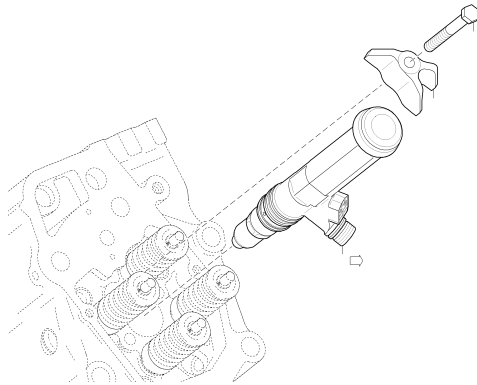
07300828

	POS.	PART NO.	DESIGNATION	QTY.	UNITS	WEIGHT	MEASUREMENT
	10	XP52807300004	O-RING	1	PC	2 g	
	20	XP52707300011	O-RING	1	PC	0,002 kg	10X2 MM

GROUP SEGMENT (FGS)

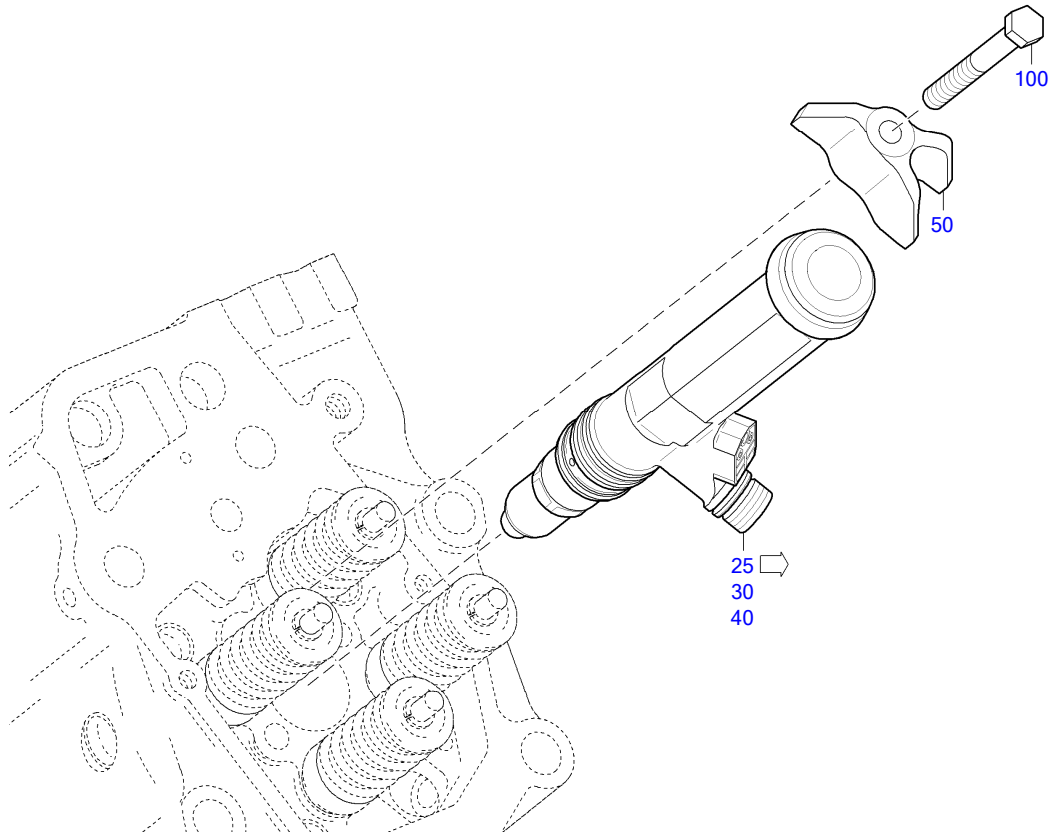
GROUP NAME

BOM-No.



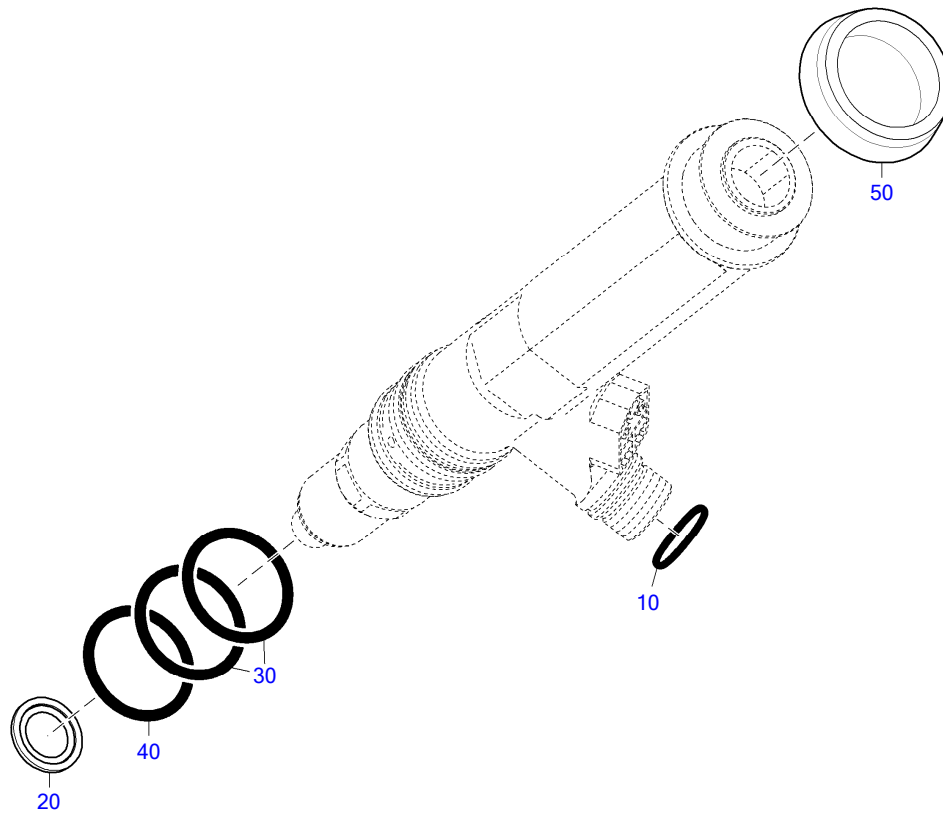
05
INJECTOR FOR 12V
XS594070.00004

07500487



07500487

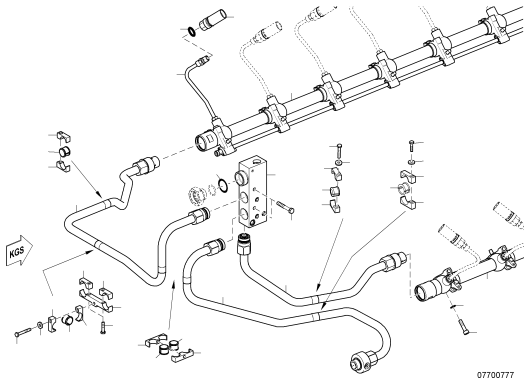
☐	POS.	PART NO.	DESIGNATION	QTY.	UNITS	WEIGHT	FN	MEASUREMENT
	374	25	X59407500022	INJECTOR	12	PC	3,527 kg	EM
		30	EX59407500022	INJECTOR	12	PC	3,5 kg	EM
		40	RX59407500022	INJECTOR	12	PC	3,5 kg	EM
		50	5240780535	CLAMP INJECTOR HOLD- DOWN	12	PC	355 g	
		100	5249902101	HEX SCREW	12	PC	87 g	M12X100



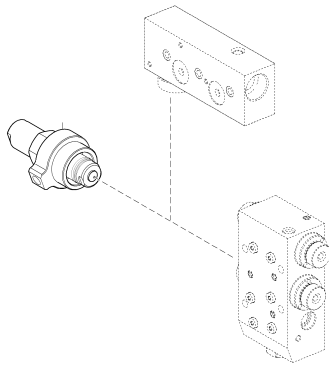
07500438

☐	POS.	PART NO.	DESIGNATION	MODEL/TYPE	QTY.	UNITS	WEIGHT	FN	MEASUREMENT	STANDARD
	10	700429021001	O-RING		1	PC	0,5 g		21 X 2	MMN429
	20	0000160119	SEALING RING		1	PC	5,1 g		EM	
	30	700429038003	O-RING		2	PC	3 g		38,5 X 3,7	MMN429
	40	XP59307500002	O-RING	FKM SHOREHÄRTE 70 GRÜN	1	PC	2,6 g		36,0+/-0,4X3,6+/-0,11	
	50	X00009196	DAMPER RING FOR INJECTOR	BR2000 CR	1	PC	0,033 kg			

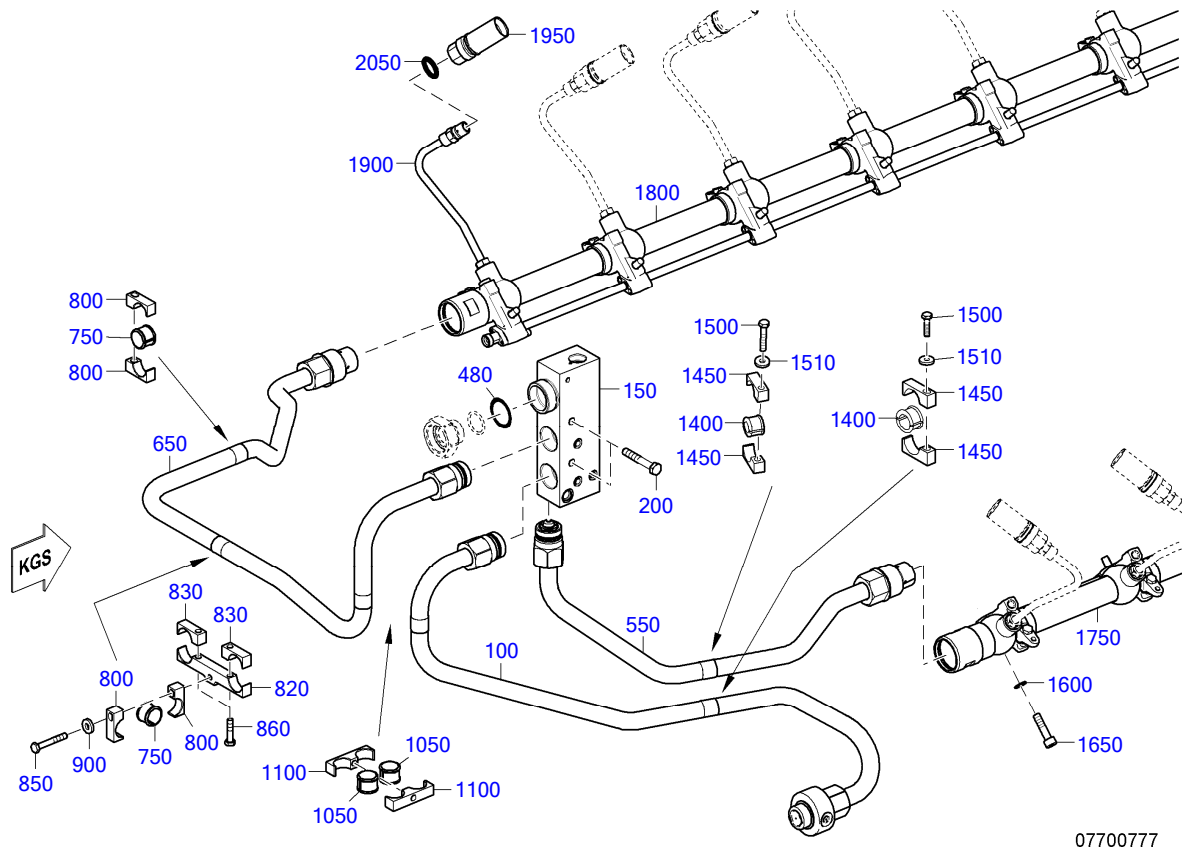
GROUP SEGMENT (FGS)
GROUP NAME
BOM-No.



05
HP LINE FOR 12V
XS594070.00049



05
PRESS RELIEF VALVE
XS594070.00051



☐	POS.	PART NO.	DESIGNATION	MODEL/TYPE	QTY.	UNITS	WEIGHT	FN	MEASUREMENT	STANDARD
	100	X59507700002	HP FUEL LINE		1	PC	4,956 kg	EM		
	150	X59407700038	FUEL DISTRIBUTOR	DOPPELWANDIG	1	PC	5,75 kg	EM		
	200	304017010032	HEX SCREW		2	PC	42,3 g		M 10 X 65	ISO4017
	480	700429036003	O-RING		1	PC	1,8 g		36,2 X 3	MMN429
	550	X59507700003	HP FUEL LINE		1	PC	3,33 kg	EM		
	650	X59507700004	HP FUEL LINE		1	PC	6,07 kg	EM		
	750	X00027974	GROMMET		2	PC	4,5 g			
	800	X59399100003	CLAMP HALF TUBE 1/1 D9-28		4	PC	51,9 g			
	820	X52607700002	RETAINER FOR HP LINE		1	PC	240,5 g			
	830	X52607700003	RETAINER		2	PC	52,4 g			
	850	304017008088	HEX SCREW		1	PC	22,6 g		M 8 X 55	ISO4017
	860	304017008084	HEX SCREW		2	PC	16,4 g		M 8 X 35	ISO4017
	900	007349008002	WASHER		1	PC	7,9 g		8,4	DIN7349
	1050	X00027974	GROMMET		2	PC	4,5 g			
	1100	700325028102	PIPE CLAMP HALF		2	PC	82 g		2/1 D 9 - 28	MMN325
	1400	X59399100008	GROMMET		2	PC	8,9 g			
	1450	X59399100007	CLAMP HALF TUBE 56 X C 21X16		4	PC	82 g			
	1500	000000004164	HEX SCREW		2	PC	23,5 g		M 8 X 60	ISO4017
	1510	007349008002	WASHER		2	PC	7,9 g		8,4	DIN7349
	1600	200433010500	WASHER		12	PC	1,9 g		10,5	DIN433
	1650	000912010014	BOLT HEX SOC HD		12	PC	31,5 g		M 10 X 40	DIN912
378	1750	X59407700035	HP ACCUMULATOR DOUBLE-WALLED, LEFT		1	PC	15,911 kg	EM		
377	1800	X59407700034	HP ACCUMULATOR DOUBLE-WALLED, RIGH		1	PC	15,841 kg	EM		
	1900	X59407700023	HP FUEL LINE		12	PC	290 g	EM		

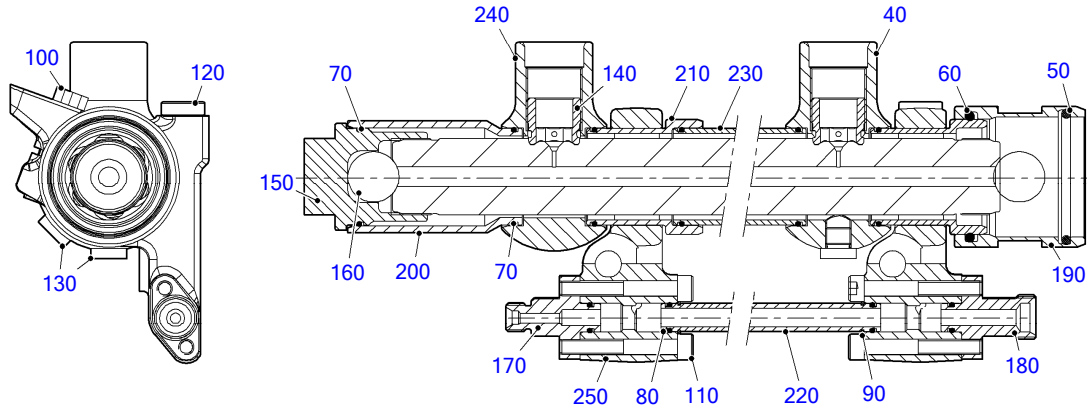
EQUI TYPE: Engine

PRODUCT TYPE: 12V4000M93L
HP LINE FOR 12V

SERIAL NUMBER: 526108554

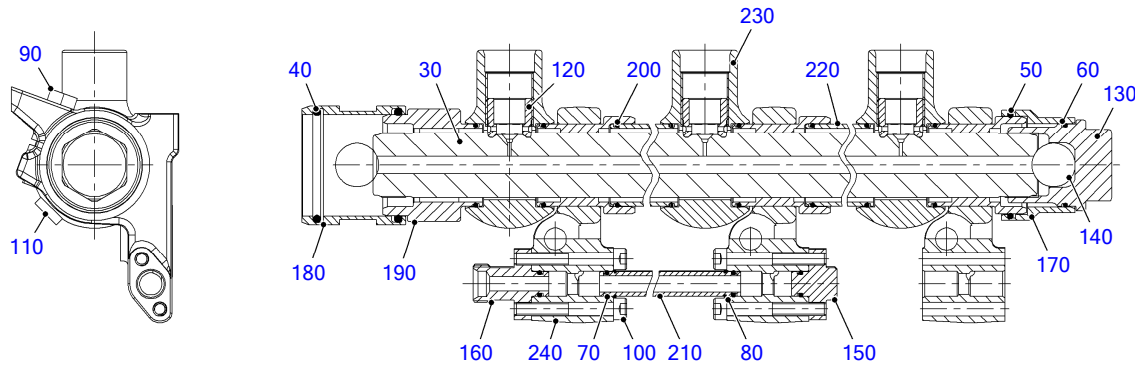
FG/FGS: 077 05
BOM-No.: XS594070.00049

<input type="checkbox"/>	POS.	PART NO.	DESIGNATION	MODEL/TYPE	QTY.	UNITS	WEIGHT	FN	MEASUREMENT	STANDARD
	1950	X59407700014	ADAPTER		12	PC	0,337 kg	EM	DROSSEL-DURCHM 1,1MM	
	2050	700429024000	O-RING		12	PC	3,9 g		24 X 5	MMN429



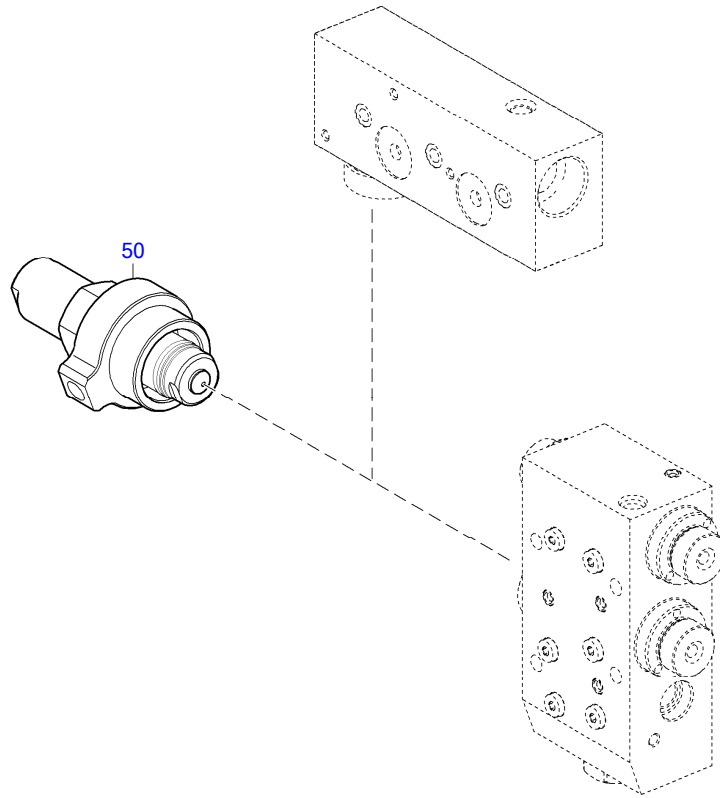
TD0000005397_077

☐	POS.	PART NO.	DESIGNATION	QTY.	UNITS	WEIGHT	MEASUREMENT	STANDARD
	40	XP59407700046	BANJO UNION	1	PC		58 X 82	
	50	XP52707700010	O-RING	1	PC	5 g	44.04X3.53	
	60	XP52707700010	O-RING	1	PC	5 g	44.04X3.53	
	70	XP52707700006	O-RING	18	PC	2 g	35 X 2	
	80	XP52707700005	O-RING	12	PC	2 g	9 X 2	
	90	XP52707700004	SNAP RING	10	PC	3,6 g	12 X 1	
	100	XP59499000004	HEX SCREW	6	PC			
	110	XP52707700003	SCREW	4	PC	0,5 kg	M6X45-12.9	ISO4762
	120	XP52707700009	PLUG	1	PC	0,015 kg		
	130	XP52707700009	PLUG	6	PC	0,015 kg		
	140	XP59499000001	LOCATING SCREW	6	PC		22X8	
	150	XP59499000002	UNION NUT	1	PC			
	160	XP52707700047	BALL	1	PC		D20	
	170	XP52707700038	FLANGE	1	PC			
	180	XP52707700040	FLANGE	1	PC			
	190	XP52707700042	COVER TUBE	1	PC		DA55X51	
	200	XP52707700044	COVER TUBE	1	PC		DA44X49	
	210	XP59499000003	CENTERING RING	6	PC		45 X 44,5	
	220	XP52707700046	PLUG-IN PIPE	5	PC	1 kg		
	230	XP59407700045	COVER TUBE	5	PC		D38 X 2 X 176	
	240	XP59407700049	BANJO UNION	5	PC			
	250	XP59407700047	HOLD-DOWN CLAMP	6	PC		BOHRUNG D38	



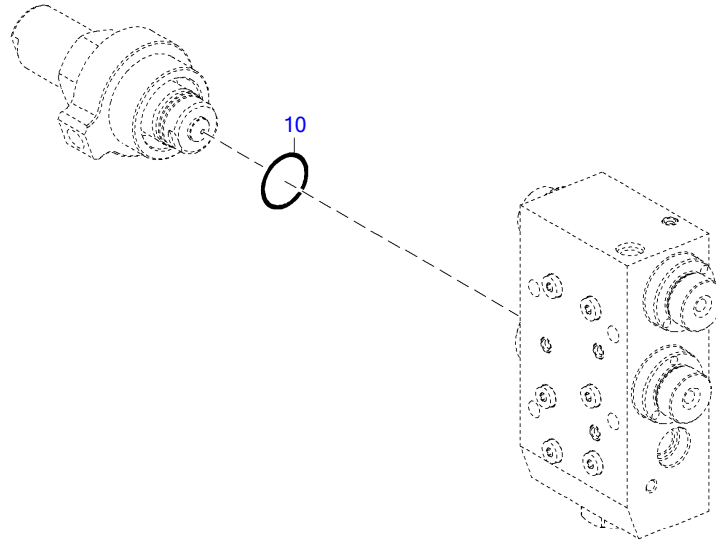
07700663

☐	POS.	PART NO.	DESIGNATION	QTY.	UNITS	WEIGHT	MEASUREMENT	STANDARD
	30	XP59407700048	HP ACCUMULATOR	16	PC			
	40	XP52707700008	O-RING	2	PC	2,8 g	46.04X3.53	
	50	XP52707700007	O-RING	1	PC	1,5 g	44.12X2.62	
	60	XP52707700006	O-RING	18	PC	2 g	35 X 2	
	70	XP52707700005	O-RING	10	PC	2 g	9 X 2	
	80	XP52707700004	SNAP RING	8	PC	3,6 g	12 X 1	
	90	XP59499000004	HEX SCREW	6	PC			
	100	XP52707700003	SCREW	4	PC	0,5 kg	M6X45-12.9	ISO4762
	110	XP52707700002	PLUG	6	PC	7 g	M10 X 1	
	120	XP59499000001	LOCATING SCREW	6	PC		22X8	
	130	XP59499000002	UNION NUT	1	PC			
	140	XP52707700047	BALL	1	PC		D20	
	150	XP52707700039	SEAL PLUG	1	PC			
	160	XP52707700011	FLANGE	1	PC			
	170	XP52707700041	COVER TUBE	1	PC			
	180	XP52707700043	COVER TUBE	1	PC			
	190	XP52707700045	CENTERING RING	1	PC		DA54X54.5	
	200	XP59499000003	CENTERING RING	6	PC		45 X 44,5	
	210	XP52707700046	PLUG-IN PIPE	4	PC	1 kg		
	220	XP59407700045	COVER TUBE	5	PC		D38 X 2 X 176	
	230	XP59407700049	BANJO UNION	6	PC			
	240	XP59407700047	HOLD-DOWN CLAMP	6	PC		BOHRUNG D38	



07700740

☐	POS.	PART NO.	DESIGNATION	QTY.	UNITS	WEIGHT	FN
380	50	X59507800003	PRESS RELIEF VALVE FOR 16V/20V	1	PC	2,03 kg	EM



TD000006112_077

☐	POS.	PART NO.	DESIGNATION	QTY.	UNITS	WEIGHT	MEASUREMENT
	10	XP59307300007	O-RING	1	PC	0,001 kg	31,42 X 2,62

EQUI TYPE: Engine

PRODUCT TYPE: 12V4000M93L
LP FUEL SYSTEM (ALSO GAS ENGINES)

SERIAL NUMBER: 526108554
FG/FGS: 080

GROUP SEGMENT (FGS)

GROUP NAME

BOM-No.

00

FUEL SUPPLY LINE

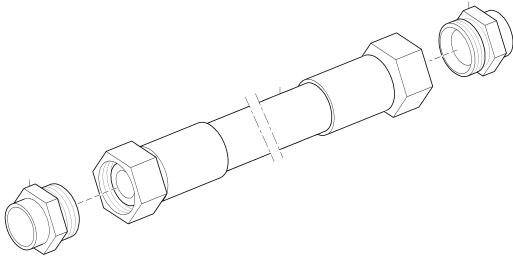
XS594080.00127

☐	POS.	PART NO.	DESIGNATION	QTY.	UNITS	WEIGHT	FN	MEASUREMENT	STANDARD
	60	X00032042	CONNECTING PIECE	1	PC	559,4 g	SB		
	80	700429020003	O-RING	1	PC	2,1 g		20 X 4	MMN429
	100	000912008014	SOCKET HD. S	3	PC	14,3 g		M 8 X 25	DIN912
	120	007603026101	WASHER A COP	1	PC	3,7 g		A 26 X 32	DIN7603
	140	915013020002	SCREW NECK	1	PC	66,7 g		20 (M30X1,5/M26X1,5)	N15013
	180	X59399100021	RETAINER	1	PC	837,8 g			
	200	007349008002	WASHER	2	PC	7,9 g		8,4	DIN7349
	220	304017008081	HEX SCREW	2	PC	13,4 g		M 8 X 25	ISO4017
	240	007349010002	WASHER	2	PC	11 g		10,5	DIN7349
	260	00000003021	HEX SCREW	2	PC	22,8 g		M 10 X 25	ISO4017
	300	X59608200020	FUEL LINE	1	PC	266,8 g	SB EM		
	340	700325022100	CLAMP HALF TUBE 1/1 D9-22	2	PC	47,8 g		1/1 D 9 - 22	MMN325
	360	700327018000	GROMMET	1	PC	5 g		18	MMN327
	380	304017008087	HEX SCREW	1	PC	21,3 g		M 8 X 50	ISO4017
	400	007349008002	WASHER	1	PC	7,9 g		8,4	DIN7349
	420	304032008014	NUT HEX 8 A3C	1	PC	4,8 g		M 8	ISO4032
	460	X59608200017	FUEL LINE	1	PC	800 g	SB EM		
	480	700429030002	O-RING	1	PC	3,1 g		30 X 4	MMN429
	500	00000003708	HEX SCREW	4	PC	22,7 g		M 10 X 25	ISO4017
	540	700325028100	CLAMP HALF TUBE 1/1 D9-28	2	PC	55 g		1/1 D 9 - 28	MMN325
	560	700327022000	GROMMET	1	PC	9 g		22	MMN327
	580	304017008088	HEX SCREW	1	PC	22,6 g		M 8 X 55	ISO4017
	600	007349008002	WASHER	1	PC	7,9 g		8,4	DIN7349
	620	304032008014	NUT HEX 8 A3C	1	PC	4,8 g		M 8	ISO4032
	660	X59608200018	FUEL LINE	1	PC	784 g	SB EM		
	700	X52608200006	FUEL LINE TO FUEL FILTER	1	PC	0,927 kg	EM		
	720	00000003708	HEX SCREW	4	PC	22,7 g		M 10 X 25	ISO4017
	740	700429030002	O-RING	1	PC	3,1 g		30 X 4	MMN429
	780	X52805500031	RETAINER	1	PC	992 g			
	800	X52499100004	PIPE HALF-CLAMP FOR FUEL LINE	4	PC	81,3 g			
	820	304017008086	HEX SCREW	2	PC	19,4 g		M 8 X 45	ISO4017
	840	304032008014	NUT HEX 8 A3C	2	PC	4,8 g		M 8	ISO4032
	860	007349008002	WASHER	2	PC	7,9 g		8,4	DIN7349
	880	304017008081	HEX SCREW	2	PC	13,4 g		M 8 X 25	ISO4017
	920	700325022104	CLAMP HALF TUBE 2/1 D9-22	2	PC	69,1 g		2/1 D 9 - 22	MMN325
	940	700327018000	GROMMET	2	PC	5 g		18	MMN327
	960	204014008025	HEX SCREW	1	PC	40,1 g		M 8 X 95	ISO4014
	980	007349008002	WASHER	1	PC	7,9 g		8,4	DIN7349
	1000	304032008014	NUT HEX 8 A3C	1	PC	4,8 g		M 8	ISO4032
	1040	X59608200003	FUEL LINE TO FUEL FILTER	1	PC	980 g	SB		
	1080	700325028100	CLAMP HALF TUBE 1/1 D9-28	2	PC	55 g		1/1 D 9 - 28	MMN325
	1100	700327022000	GROMMET	1	PC	9 g		22	MMN327
	1120	204017008032	HEX SCREW	1	PC	25,5 g		M 8 X 65	ISO4017
	1160	X59608200021	FUEL LINE	1	PC	369,9 g	SB EM		
	1200	X00027635	RETAINER	1	PC	45,3 g		BRACKET FLAT M8 + Ø10.5 HOLES	
	1220	007349010002	WASHER	1	PC	11 g		10,5	DIN7349
	1240	000912010082	SCREW	1	PC	91,8 g		M 10 X140	DIN912
	1260	700325022100	CLAMP HALF TUBE 1/1 D9-22	2	PC	47,8 g		1/1 D 9 - 22	MMN325
	1280	700327018000	GROMMET	1	PC	5 g		18	MMN327
	1300	304017008085	HEX SCREW	1	PC	18 g		M 8 X 40	ISO4017
	1340	X59408200024	FUEL LINE	1	PC	106,8 g			
	1345	915006008002	UNION	1	PC	29,7 g		8	MBN15026
	1350	007603016105	COPPER SEALING RING	1	PC	3 g		A 16 X 20	DIN7603
	1380	X59499100146	RETAINER	1	PC	483,5 g			

☐	POS.	PART NO.	DESIGNATION	QTY.	UNITS	WEIGHT	FN	MEASUREMENT	STANDARD
	1400	700327018000	GROMMET	2	PC	5 g		18	MMN327
	1420	700325022104	CLAMP HALF TUBE 2/1 D9-22	1	PC	69,1 g		2/1 D 9 - 22	MMN325
	1440	304017008084	HEX SCREW	1	PC	16,4 g		M 8 X 35	ISO4017
	1460	700327022000	GROMMET	1	PC	9 g		22	MMN327
	1480	700325028100	CLAMP HALF TUBE 1/1 D9-28	1	PC	55 g		1/1 D 9 - 28	MMN325
	1500	304017008086	HEX SCREW	1	PC	19,4 g		M 8 X 45	ISO4017
	1520	700327012000	GROMMET	1	PC	4,6 g		12	MMN327
	1540	700325018200	CLAMP HALF TUBE 1/1 G8-18	1	PC	40 g		1/1 G 8 - 18	MMN325
	1560	304017008083	HEX SCREW	1	PC	15,1 g		M 8 X 30	ISO4017
	1600	007349008002	WASHER	3	PC	7,9 g		8,4	DIN7349
	1620	304017008079	HEX SCREW	2	PC	11,7 g		M 8 X 20	ISO4017
	1640	204017008031	HEX SCREW	1	PC	14,3 g		M 8 X 28	ISO4017
	1680	007349010002	WASHER	1	PC	11 g		10,5	DIN7349
	1700	204014010031	HEX SCREW	1	PC	117,5 g		M 10 X185	ISO4014

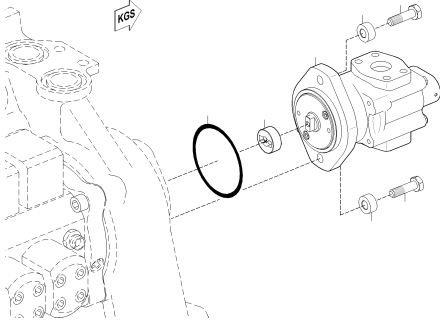
GROUP SEGMENT (FGS)
GROUP NAME
BOM-No.

00
HOSE
XS595990.00056

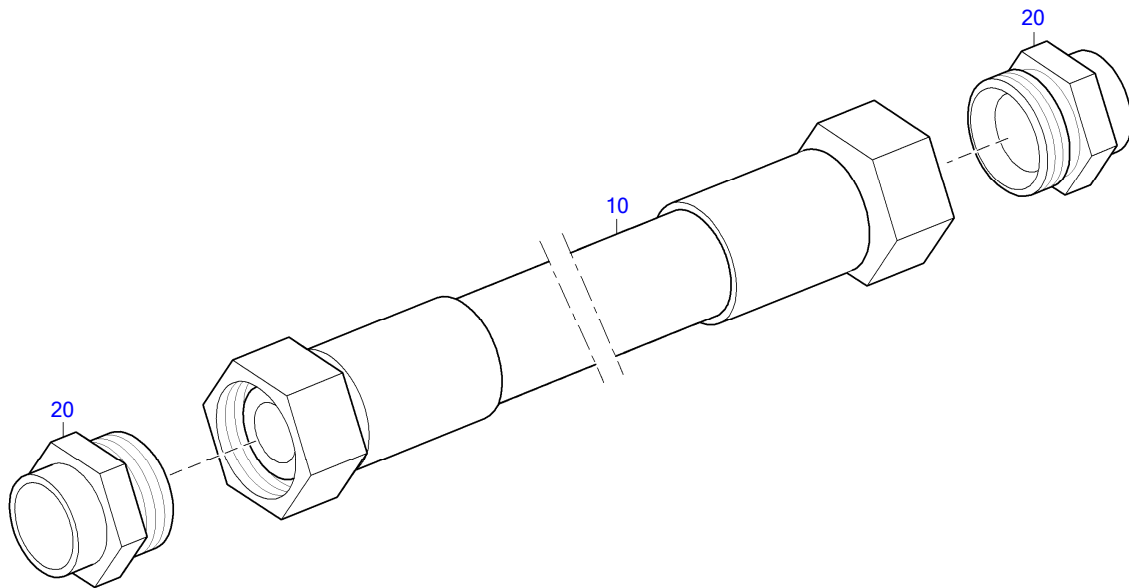


20202686

10
FUEL PUMP LOW PRESSURE
XS595080.00007

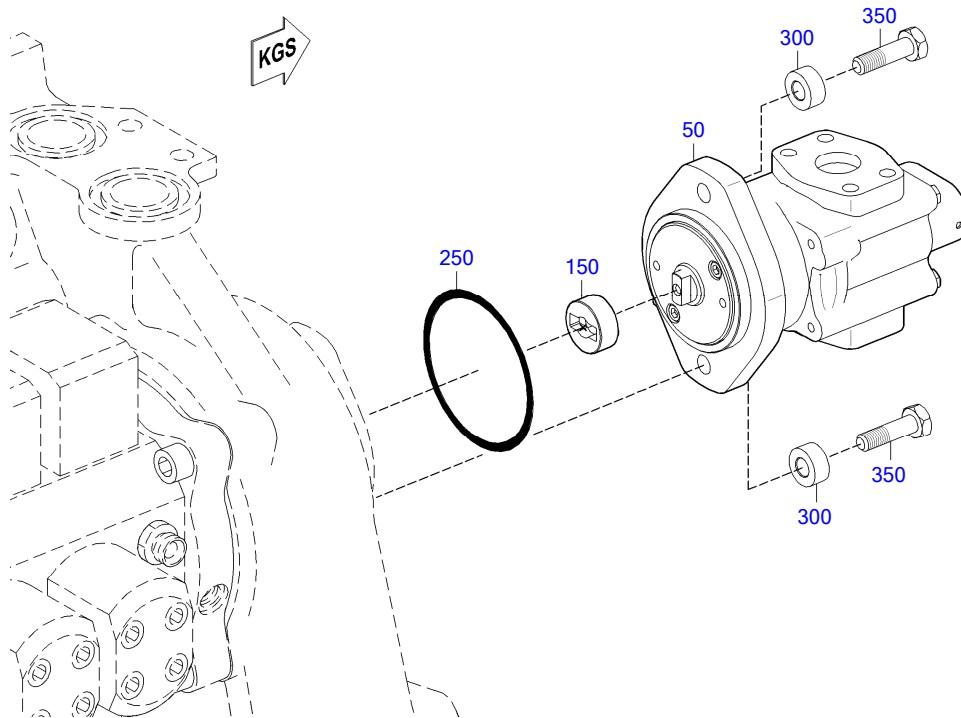


05100269a



20202986

☐	POS.	PART NO.	DESIGNATION	MODEL/TYPE	QTY.	UNITS	WEIGHT	MEASUREMENT	STANDARD
	10	X59599100145	HOSE	EATON 2807-16 400 MM LANG	1	PC	395,9 g		
	20	718363220003	UNION		2	PC	69,1 g	22/M 30 X 1,5	MMN18363.2



08100269a

☐	POS.	PART NO.	DESIGNATION	QTY.	UNITS	WEIGHT	FN	MEASUREMENT	STANDARD
	50	X00040978	FUEL DELIVERY PUMP	1	PC	5,7 kg	EM		
	150	X52408100007	LINK	1	PC	54 g			
	250	700429083000	O-RING	1	PC	11,7 g		83 X 5	MMN429
	300	735151010200	SPACER S2000/4000	2	PC	22,1 g		B 10,5	MTN5151
	350	304017010036	HEX SCREW	2	PC	30 g		M 10 X 40	ISO4017

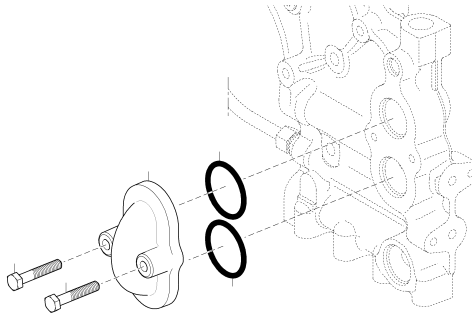
FUEL FILTER

FG/FGS: 083

GROUP SEGMENT (FGS)

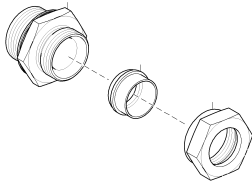
GROUP NAME

BOM-No.



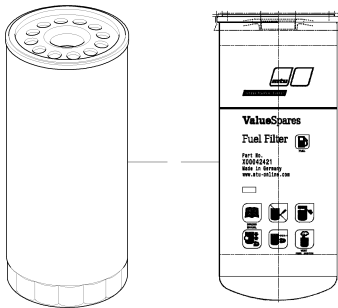
05
SEAL ELEM.
080.00094

TD0000038705_083



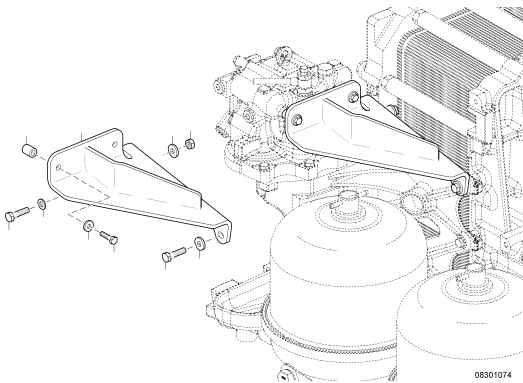
05
CONNECTING HARDWARE FOR FUEL LINE
080.00130

TD0000039708_083



05
EASY-CHANGE FILTER
XS526080.00007

08301151



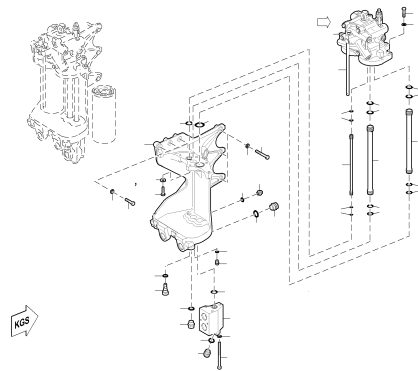
05
RETAINER F:FUEL FILTER HEAD
XS527080.00019

08301074

GROUP SEGMENT (FGS)

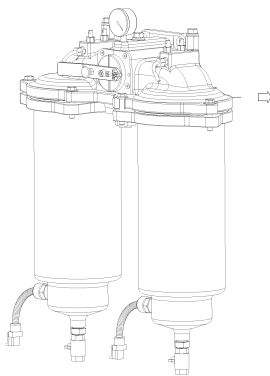
GROUP NAME

BOM-No.



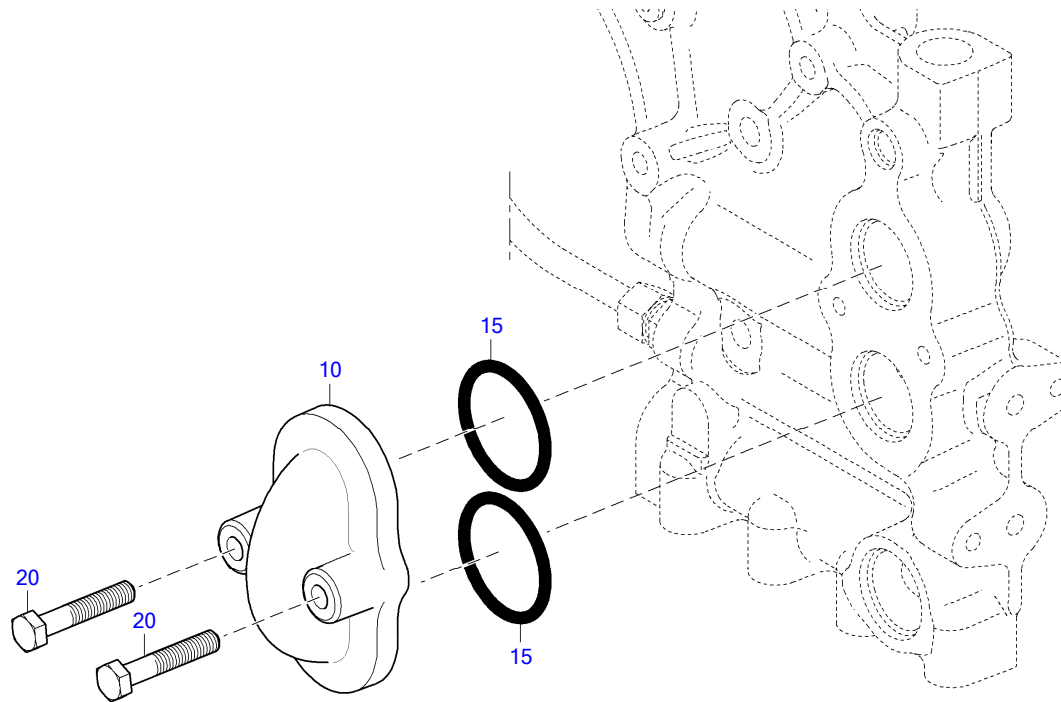
05
FUEL FILTER HEAD
XS594080.00017

08301150



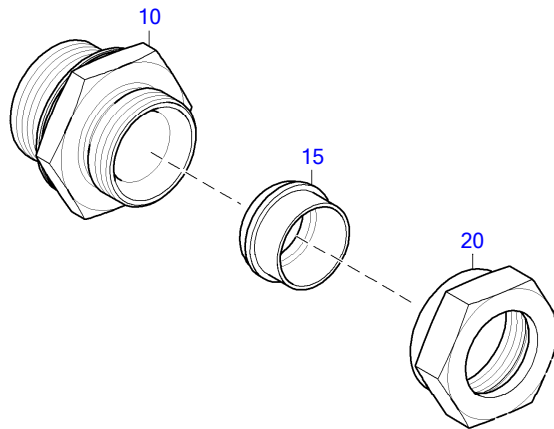
10
FUEL PREFILTER
XS594080.00073

18301456



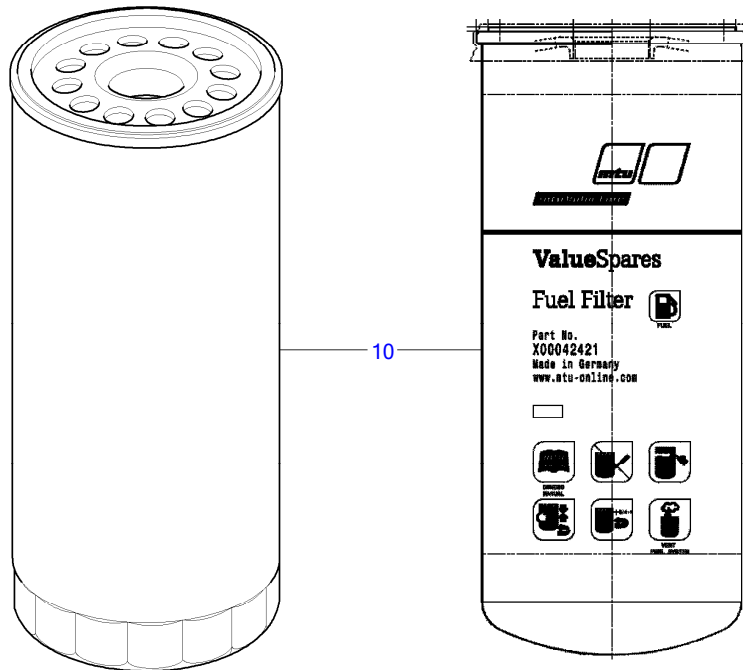
TD0000038705_083

☐	POS.	PART NO.	DESIGNATION	QTY.	UNITS	WEIGHT	MEASUREMENT	STANDARD
	10	5240920024	ELBOW FOR FUEL	1	PC	665 g		
	15	700429042000	O-RING	2	PC	6,2 g	42 X 5	MMN429
	20	304017008086	HEX SCREW	2	PC	19,4 g	M 8 X 45	ISO4017



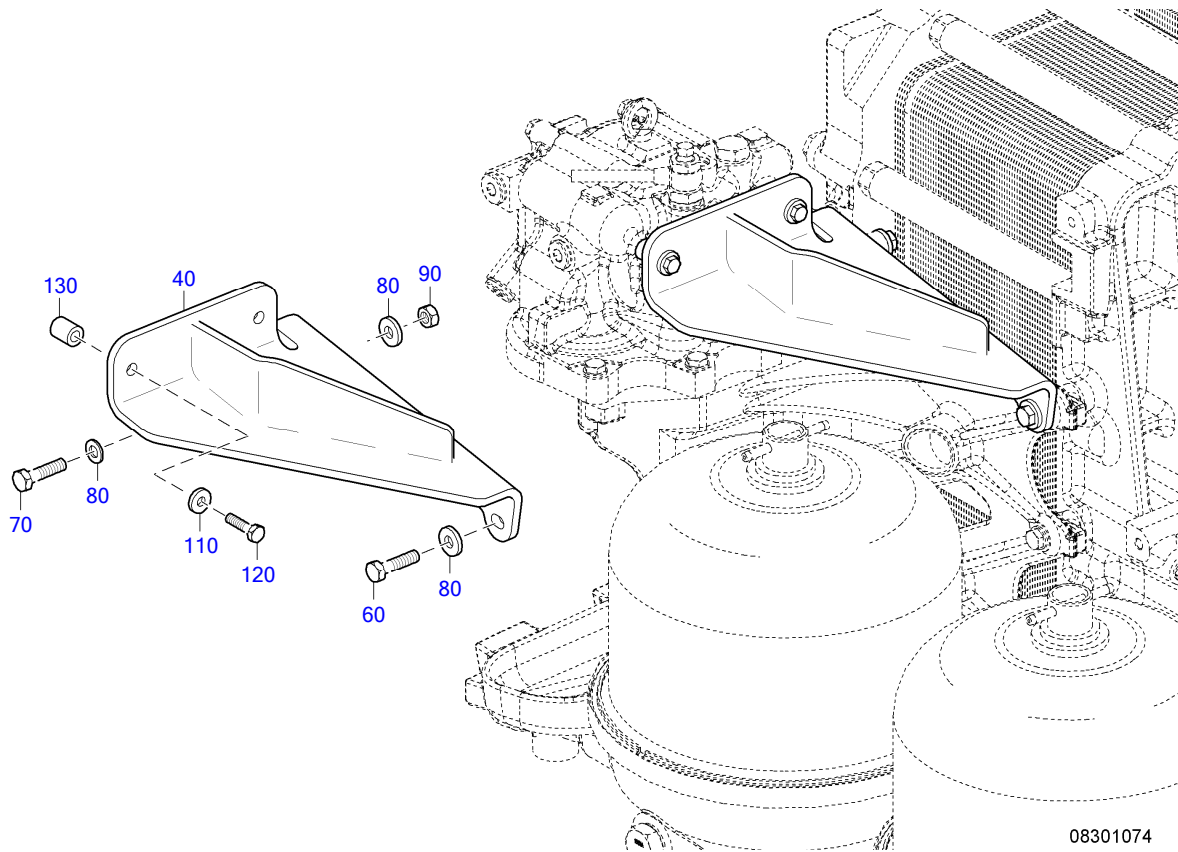
TD0000039708_083

☐	POS.	PART NO.	DESIGNATION	QTY.	UNITS	WEIGHT	MEASUREMENT	STANDARD
	10	735211022001	UNION 22MM	1	PC	0,166 kg	22M 33 X 2	MTN5211
	15	915003020202	BALL-TYPE UNION	1	PC	12,8 g	B2 -22	MBN15003
	20	915001020003	NUT	1	PC	46,9 g	20 M 30 X 1,5	N15001

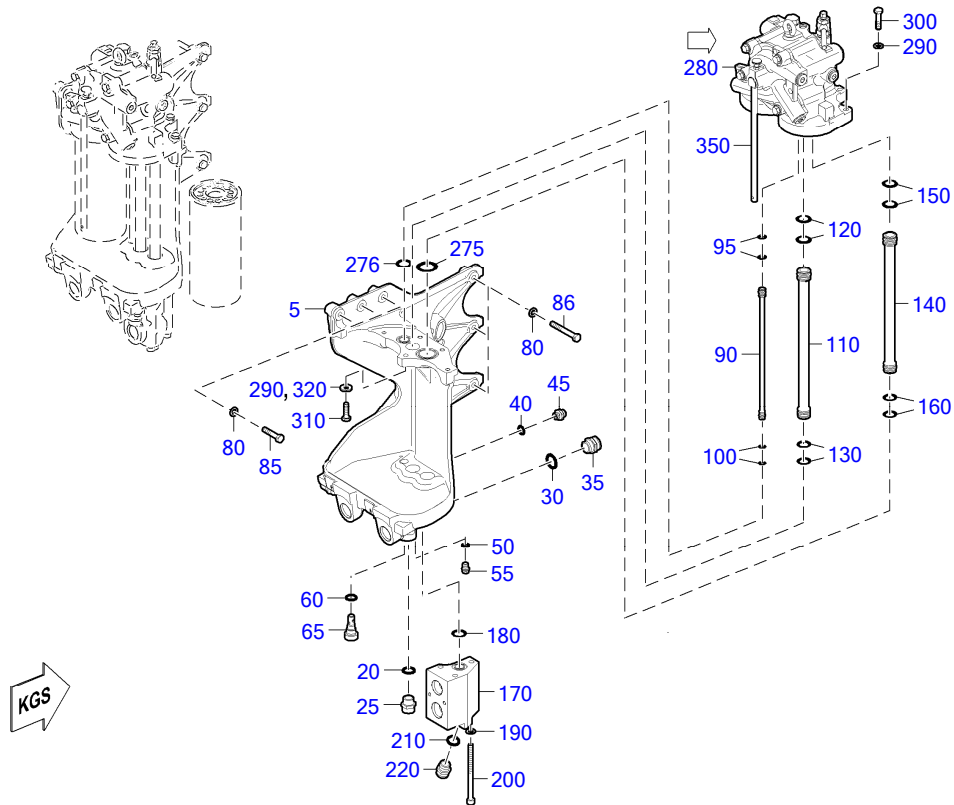


08301151

☐	POS.	PART NO.	DESIGNATION	QTY.	UNITS	WEIGHT
	10	X00042421	FUEL FILTER SPIN-ON	2	PC	1,377 kg



☐	POS.	PART NO.	DESIGNATION	QTY.	UNITS	WEIGHT	MEASUREMENT	STANDARD
	40	X59508300004	RETAINER	1	PC	4,8 kg		
	60	000000003322	HEX SCREW	1	PC	60,8 g	M 10 X 90	ISO4014
	70	304017010015	HEX SCREW	1	PC	39,2 g	M 10 X 60	ISO4017
	80	007349010002	WASHER	3	PC	11 g	10,5	DIN7349
	90	000000003187	NUT HEX A3C	1	PC	9,2 g	M 10	ISO4032
	110	007349008002	WASHER	2	PC	7,9 g	8,4	DIN7349
	120	304017008086	HEX SCREW	2	PC	19,4 g	M 8 X 45	ISO4017
	130	5511530450	SPACER BUSHING	2	PC	29,9 g		



08301150

☐	POS.	PART NO.	DESIGNATION	QTY.	UNITS	WEIGHT	MEASUREMENT	STANDARD
	5	X52408300008	RETAINER	1	PC	28,8 kg		
	20	007603022102	COPPER SEALING RING	2	PC	0,9 g	A 22 X 27	DIN7603
	25	915013016002	UNION	2	PC	54,2 g	16	N15013
	30	007603026101	WASHER A COP	1	PC	3,7 g	A 26 X 32	DIN7603
	35	915013020002	SCREW NECK	1	PC	66,7 g	20 (M30X1,5/M26X1,5)	N15013
	40	007603016105	COPPER SEALING RING	1	PC	3 g	A 16 X 20	DIN7603
	45	915013010001	UNION	1	PC	29,2 g	10	N15013
	50	007603012102	WASHER A COP	1	PC	0,8 g	A 12 X 16	DIN7603
	55	000910012000	PLUG	1	PC	0,02 kg	M 12 X 1,5	DIN910
	60	007603020101	WASHER A COP	1	PC	1,3 g	A 20 X 24	DIN7603
	65	X59308300011	BANJO SCREW	1	PC	79,3 g		
	80	000125010524	WASHER	5	PC	3,1 g	A 10,5	DIN125
	85	000000001042	HEX SCREW	2	PC	34,6 g	M 10 X 50	ISO4017
	86	000000000906	HEX SCREW	3	PC	49,4 g	M 10 X 80	ISO4017
	90	X59608300010	PLUG-IN PIPE FOR FUEL FILTER	1	PC	137,4 g		
	95	700429011002	O-RING	2	PC	0,7 g	11 X 3	MMN429
	100	700429009003	O-RING	2	PC	0,6 g	9 X 3	MMN429
	110	X59608300022	PLUG-IN PIPE FOR FUEL FILTER	1	PC	399 g		
	120	700429023002	O-RING	2	PC	2,4 g	23 X 4	MMN429
	130	700429022002	O-RING	2	PC	1,3 g	22,2 X 3	MMN429
	140	X59608300021	PLUG-IN PIPE	1	PC	373,2 g		
	150	700429023002	O-RING	2	PC	2,4 g	23 X 4	MMN429
	160	700429022002	O-RING	2	PC	1,3 g	22,2 X 3	MMN429
	170	X59308300046	CONNECTING PIECE F.ADDIT.FUEL FILTER	1	PC	2,5 kg		
	180	700429024004	O-RING	1	PC	1,3 g	24 X 3	MMN429

EQUI TYPE: Engine

PRODUCT TYPE: 12V4000M93L

SERIAL NUMBER: 526108554

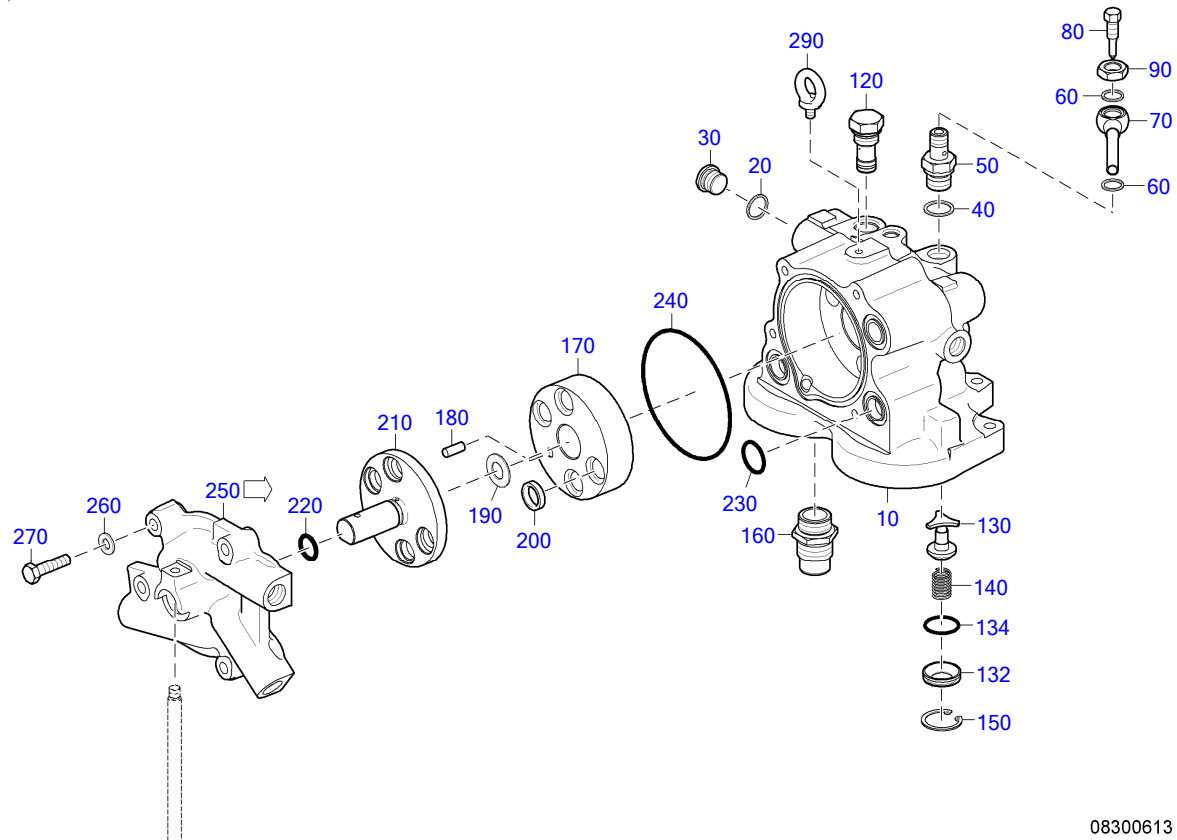
FUEL FILTER HEAD

FG/FGS: 083

05

BOM-No.: XS594080.00017

☐	POS.	PART NO.	DESIGNATION	QTY.	UNITS	WEIGHT	MEASUREMENT	STANDARD
	190	200125010501	WASHER	2	PC	2,9 g	A 10,5	DIN125
	200	000912010118	SCREW	2	PC	85,5 g	M 10 X130	DIN912
	210	007603022102	COPPER SEALING RING	1	PC	0,9 g	A 22 X 27	DIN7603
	220	915013016002	UNION	1	PC	54,2 g	16	N15013
	275	700429040000	O-RING	1	PC	2 g	40 X 3	MMN429
	276	700429026001	O-RING	1	PC	1,3 g	26 X 3	MMN429
392	280	X59408300026	FILTER HEAD	1	PC	25 kg		
	290	200125010501	WASHER	4	PC	2,9 g	A 10,5	DIN125
	300	000000003711	HEX SCREW	4	PC	29,4 g	M 10 X 40	ISO4017
	310	000000003710	HEX SCREW	1	PC	27,2 g	M 10 X 35	ISO4017
	320	007349010002	WASHER	1	PC	11 g	10,5	DIN7349
	350	X59308300017	LEVER	1	PC	252 g		



08300613

☐	POS.	PART NO.	DESIGNATION	QTY.	UNITS	WEIGHT	FN	MEASUREMENT	STANDARD
	10	X52408300005	FUEL FILTER	1	PC	18,5 kg			
	20	007603020101	WASHER A COP	3	PC	1,3 g		A 20 X 24	DIN7603
	30	000908020000	PLUG	3	PC	0,037 kg		M 20 X 1,5	DIN908
	40	007603022102	COPPER SEALING RING	1	PC	0,9 g		A 22 X 27	DIN7603
	50	5249973172	FITTING	1	PC	115,6 g			
	60	007603016105	COPPER SEALING RING	2	PC	3 g		A 16 X 20	DIN7603
	70	5840700280	TUBE VENT W/BANJO FT G 8MM X 10MM X 90	1	PC	66 g	SB		
	80	5849900615	BOLT SPL M10 1.00X40 TO M6 0.2 8.8	1	PC	20 g			
	90	000439016200	NUT M16 04-2 DIN439	1	PC	20 g		B M 16	DIN439
	120	X59308300012	VALVE WITH BAFFLE	1	PC	128,9 g			
	130	735082222000	VALVE TRIM	1	PC	54,6 g		22-L	MTN5082
	132	X59408300003	VALVE SEAT	1	PC	18,2 g			
	134	700429028000	O-RING	1	PC	1 g		28 X 2,5	MMN429
	140	735082122000	SPRING	1	PC	6,8 g		22-L 0,2	MTN5082
	150	000472035000	SNAP RING	1	PC	2,9 g		35 X 1,5	DIN472
	160	0009902164	THREADED NIPPLE	2	PC	151,4 g		M30X 1,5 / M32 X1,5	
	170	X59308300035	CONTROL DISC	1	PC				
	180	000007008102	DOWEL PIN	1	PC	8,4 g		8 M6 X 20	DIN7
	190	002093031103	DISHED WASHER	7	PC	7,3 g		A 31,5	DIN2093
	200	X59308300013	SEALING RING	4	PC	6 g			
	210	X59308300014	SHAFT	1	PC	0,936 kg			
	220	700429018006	O-RING	1	PC	1,6 g		18,68X 3,53	MMN429
	230	700429026001	O-RING	3	PC	1,3 g		26 X 3	MMN429
	240	700429120001	O-RING	1	PC	5,8 g		120 X 3	MMN429
393	250	X59308300005	COVER	1	PC	4,5 kg			


EQUI TYPE: Engine

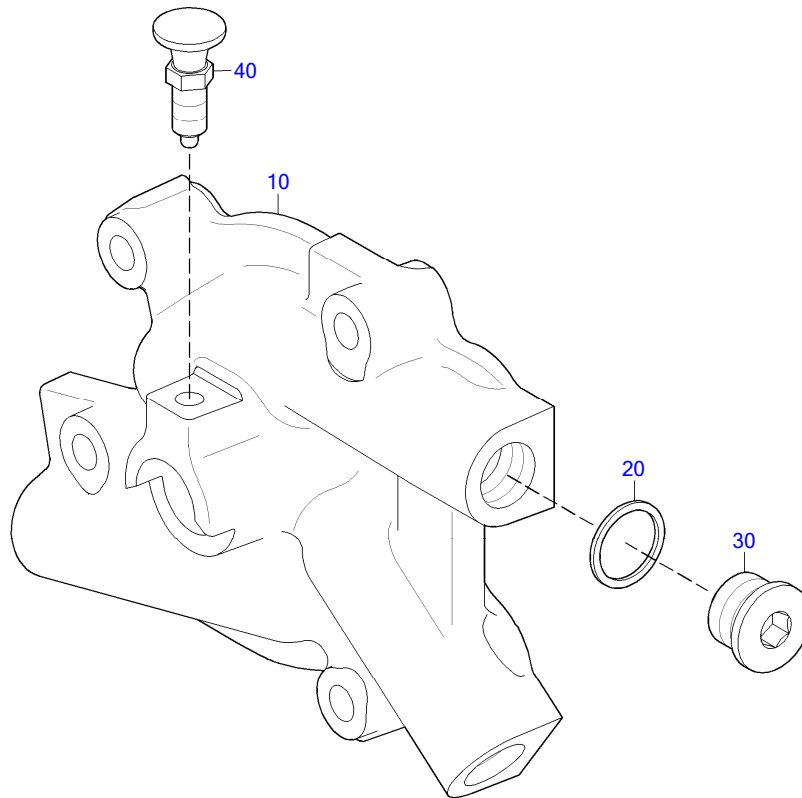
PRODUCT TYPE: 12V4000M93L
FILTER HEAD

SERIAL NUMBER: 526108554

FG/FGS:

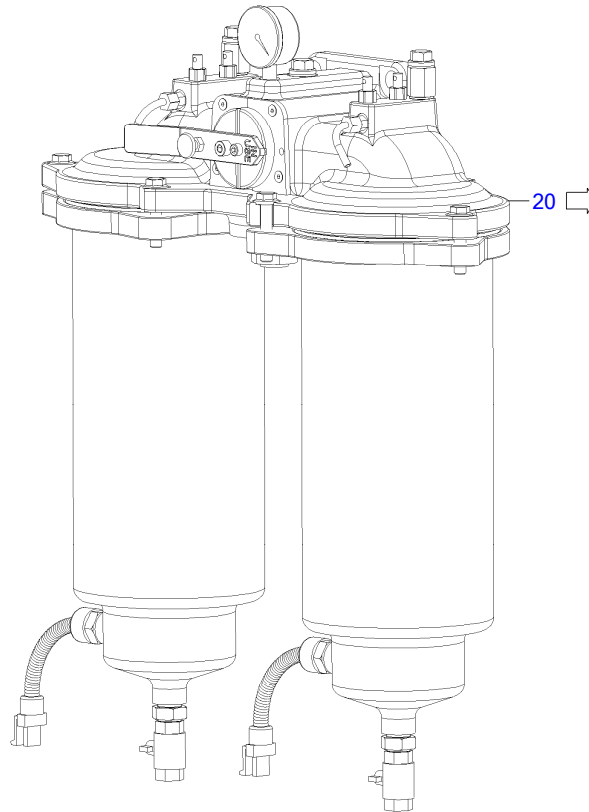
BOM-No.: X59408300026

	POS.	PART NO.	DESIGNATION	QTY.	UNITS	WEIGHT	FN	MEASUREMENT	STANDARD
	260	000125010521	WASHER	4	PC	4 g		A 10,5	DIN125
	270	000000001039	HEX SCREW	4	PC	29,8 g		M 10 X 40	ISO4017
	290	000580008001	EYE BOLT	1	PC	56 g		M 8	DIN580




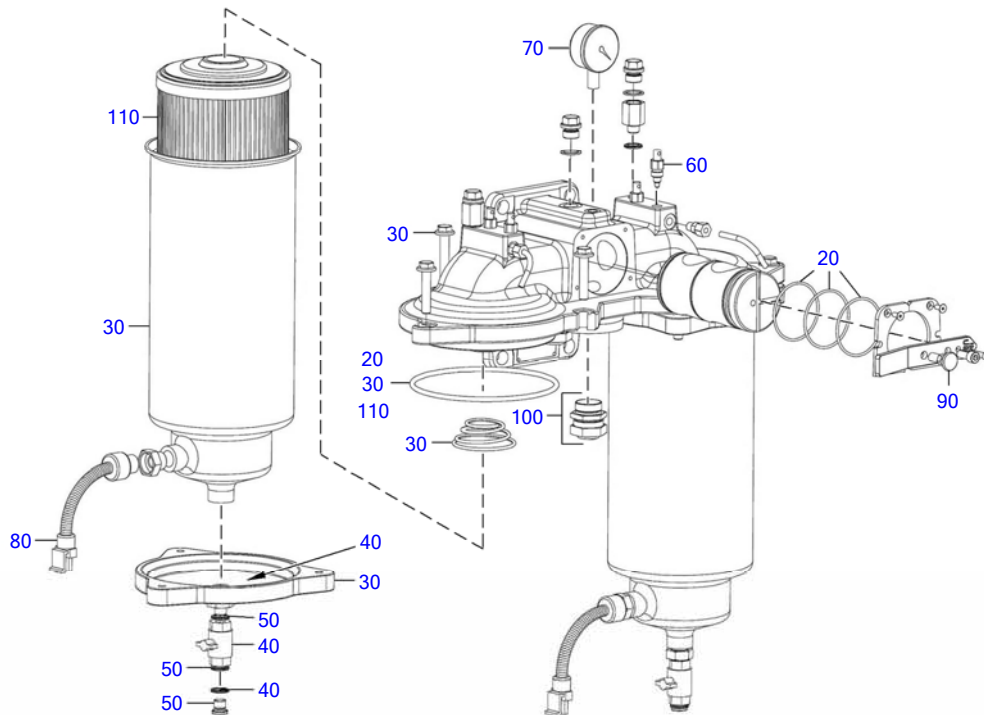
08300464a

☐	POS.	PART NO.	DESIGNATION	QTY.	UNITS	WEIGHT	MEASUREMENT	STANDARD
	10	X52408300006	COVER	1	PC	3,4 kg		
	20	007603022102	COPPER SEALING RING	3	PC	0,9 g	A 22 X 27	DIN7603
	30	000908022001	PLUG	3	PC	0,048 kg	M 22 X 1,5	DIN908
	40	X00026909	ENGAGING PIN	1	PC	19 g		



18301456

	POS.	PART NO.	DESIGNATION	MODEL/TYPE	QTY.	UNITS	WEIGHT
	20	X59408300052/87	FUEL PREFILTER	5 M	1	PC	38,7 kg



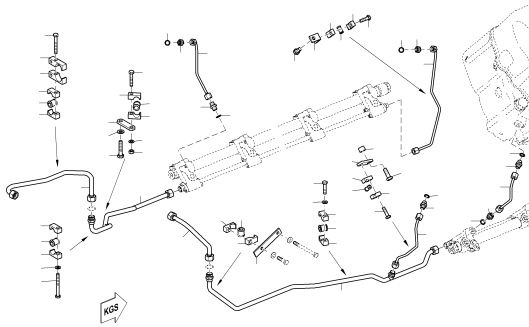
08300729

☐	POS.	PART NO.	DESIGNATION	MODEL/TYPE	QTY.	UNITS	WEIGHT	MEASUREMENT
	20	XP59400600004	GASKET KIT		1	PC	51,7 g	
	30	XP59408300061	BOWL KIT	14 ZOLL	2	PC	4,8 kg	
	40	XP59408300060	DRAIN VALVE		2	PC	21,6 g	
	50	XP59400600003	CONNECTION KIT		2	PC	21 g	
	60	XP59408300059	VENT VALVE		4	PC	28 g	
	70	XP59408300055	PRESSURE GAUGE		1	PC	107,2 g	-0,3 - 10 BAR
	80	X00E50209325	LEVEL MONITOR	RACOR WASSERSONDE	2	PC	0,028 kg	WASSERSONDE, U=12 BIS 24V,
	90	XP59408300062	LOCKING DEVICE		1	PC	0,02 kg	
	100	XP59408300063	CONNECTION		2	PC	0,166 kg	
	110	XP59408300054	FILTER CARTRIDGE	FBO60337 14" -5 MIC.	2	PC	2,4 kg	

GROUP SEGMENT (FGS)

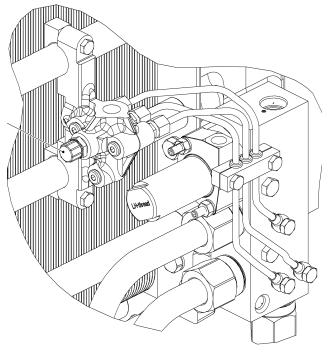
GROUP NAME

BOM-No.



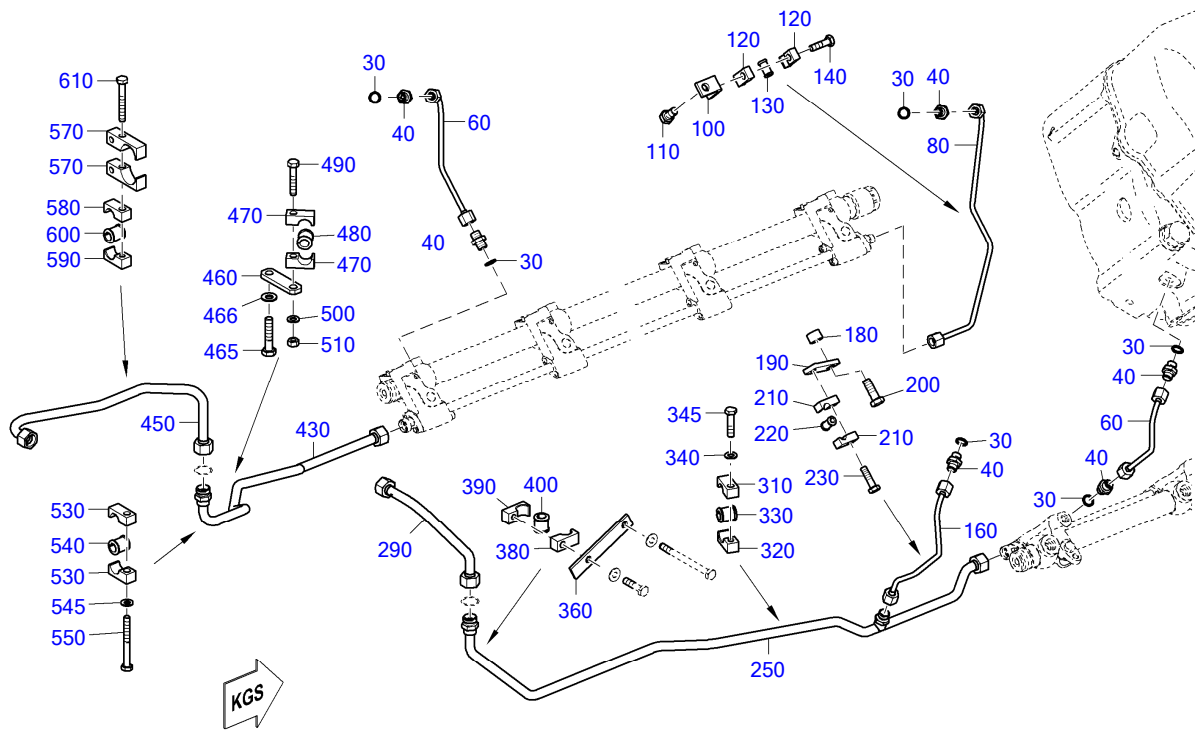
05
FUEL RETURN LINE
XS594080.00019

08600737



05
SEALING ELEMENT FOR LEAK-OFF FUEL
XS594080.00120

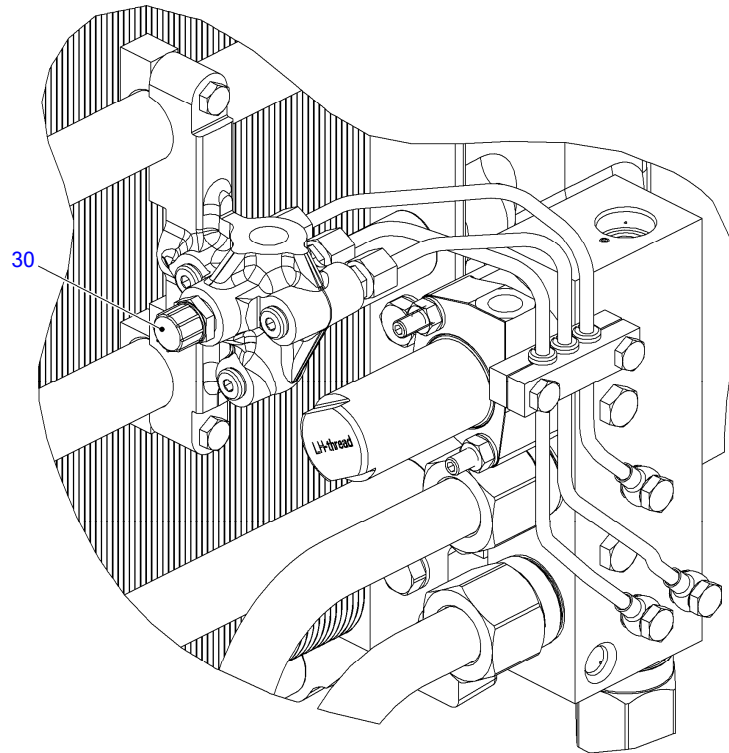
07700761




08600737

☐	POS.	PART NO.	DESIGNATION	QTY.	UNITS	WEIGHT	FN	MEASUREMENT	STANDARD
	30	007603012111	COPPER SEALING RING	22	PC	0,7 g		A 12 X 15,5	DIN7603
	40	915006004002	UNION	22	PC	19 g	4		MBN15026
	60	X00034974	TUBE FUEL LOW PRESSU RE RETURN	10	PC	62,5 g	SB		
	80	X00004215	TUBE FUEL RETURN LOW PRESSURE B-BANK	1	PC	90 g	SB		
	100	5551870640	RETAINER	1	PC	54,9 g			
	110	000000003020	HEX SCREW	1	PC	20 g		M 10 X 20	ISO4017
	120	700325010100	CLAMP HALF TUBE	2	PC	25 g		1/1 D 9 - 10	MMN325
	130	700327006000	GROMMET	1	PC	1,4 g	6		MMN327
	140	304017008083	HEX SCREW	1	PC	15,1 g		M 8 X 30	ISO4017
	160	X00040965	TUBE FUEL RETURN LOW PRESSURE A-BANK	1	PC	70 g	SB		
	180	5511531550	SPACER BUSHING	1	PC	16,2 g			
	190	135M55009/1	STRAP 75 X20	1	PC	62,1 g			
	200	000000001464	HEX SCREW	1	PC	24,9 g		M 10 X 30	ISO4017
	210	700325010100	CLAMP HALF TUBE	2	PC	25 g		1/1 D 9 - 10	MMN325
	220	700327006000	GROMMET	1	PC	1,4 g	6		MMN327
	230	304017008083	HEX SCREW	1	PC	15,1 g		M 8 X 30	ISO4017
	250	X52408200009	FUEL LINE TO PLATE-CORE COOLE	1	PC	355 g	SB		
	290	X52408200012	FUEL LINE TO PLATE-CORE COOLE	1	PC	112 g	SB		
	310	700325018100	CLAMP HALF TUBE 1/1 D9-18	1	PC	40 g		1/1 D 9 - 18	MMN325
	320	700325018200	CLAMP HALF TUBE 1/1 G8-18	1	PC	40 g		1/1 G 8 - 18	MMN325
	330	700327012000	GROMMET	1	PC	4,6 g	12		MMN327
	340	007349008002	WASHER	1	PC	7,9 g	8,4		DIN7349
	345	304017008084	HEX SCREW	1	PC	16,4 g		M 8 X 35	ISO4017
	360	8351870840	RETAINER	1	PC	64,9 g			
	380	700325018100	CLAMP HALF TUBE 1/1 D9-18	1	PC	40 g		1/1 D 9 - 18	MMN325

☐	POS.	PART NO.	DESIGNATION	QTY.	UNITS	WEIGHT	FN	MEASUREMENT	STANDARD
	390	700325018200	CLAMP HALF TUBE 1/1 G8-18	1	PC	40 g		1/1 G 8 - 18	MMN325
	400	700327012000	GROMMET	1	PC	4,6 g		12	MMN327
	430	X59408200026	FUEL LINE TO PLATE-CORE COOLE	1	PC	212 g			
	450	X52408200011	FUEL LINE TO PLATE-CORE COOLE	1	PC	144,1 g	SB		
	460	5801871840	BRACKET	1	PC	79,3 g			
	465	000000001039	HEX SCREW	1	PC	29,8 g		M 10 X 40	ISO4017
	466	007349010002	WASHER	1	PC	11 g		10,5	DIN7349
	470	700325018100	CLAMP HALF TUBE 1/1 D9-18	2	PC	40 g		1/1 D 9 - 18	MMN325
	480	700327012000	GROMMET	1	PC	4,6 g		12	MMN327
	490	304017008086	HEX SCREW	1	PC	19,4 g		M 8 X 45	ISO4017
	500	007349008002	WASHER	1	PC	7,9 g		8,4	DIN7349
	510	304032008014	NUT HEX 8 A3C	1	PC	4,8 g		M 8	ISO4032
	530	700325018100	CLAMP HALF TUBE 1/1 D9-18	2	PC	40 g		1/1 D 9 - 18	MMN325
	540	700327012000	GROMMET	1	PC	4,6 g		12	MMN327
	545	007349008002	WASHER	1	PC	7,9 g		8,4	DIN7349
	570	X52499100004	PIPE HALF-CLAMP FOR FUEL LINE	2	PC	81,3 g			
	580	700325018100	CLAMP HALF TUBE 1/1 D9-18	1	PC	40 g		1/1 D 9 - 18	MMN325
	590	700325018200	CLAMP HALF TUBE 1/1 G8-18	1	PC	40 g		1/1 G 8 - 18	MMN325
	600	700327012000	GROMMET	1	PC	4,6 g		12	MMN327
	610	304017008089	HEX SCREW	1	PC	24,2 g		M 8 X 60	ISO4017
		000000004389	HEX SCREW	1	ST	30 g		M 8 X 75	ISO4017



07700761

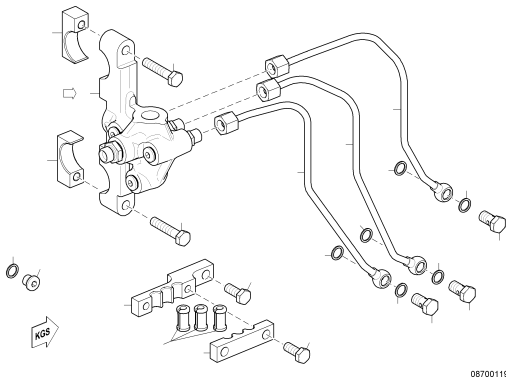
	POS.	PART NO.	DESIGNATION	QTY.	UNITS	WEIGHT	MEASUREMENT
	30	X59699100646	PROTECTIVE PLUG	1	PC	1,1 g	GPN800 M14X1.5

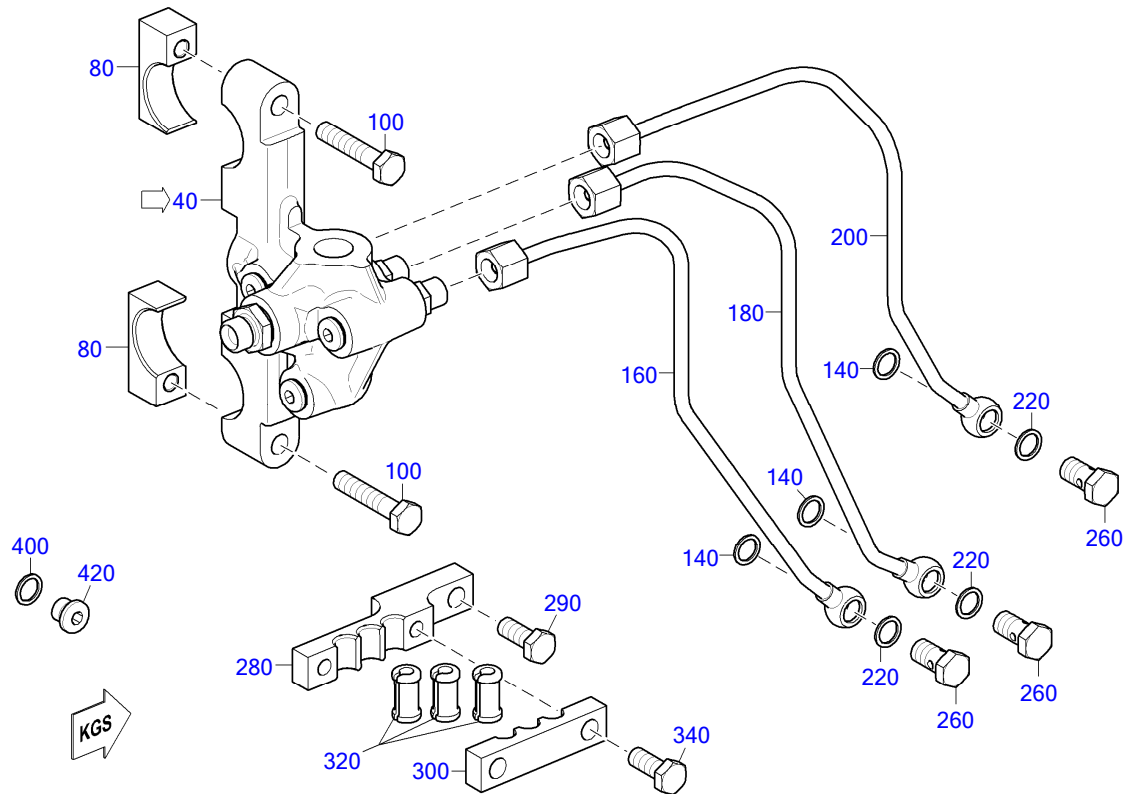
GROUP SEGMENT (FGS)

GROUP NAME

BOM-No.

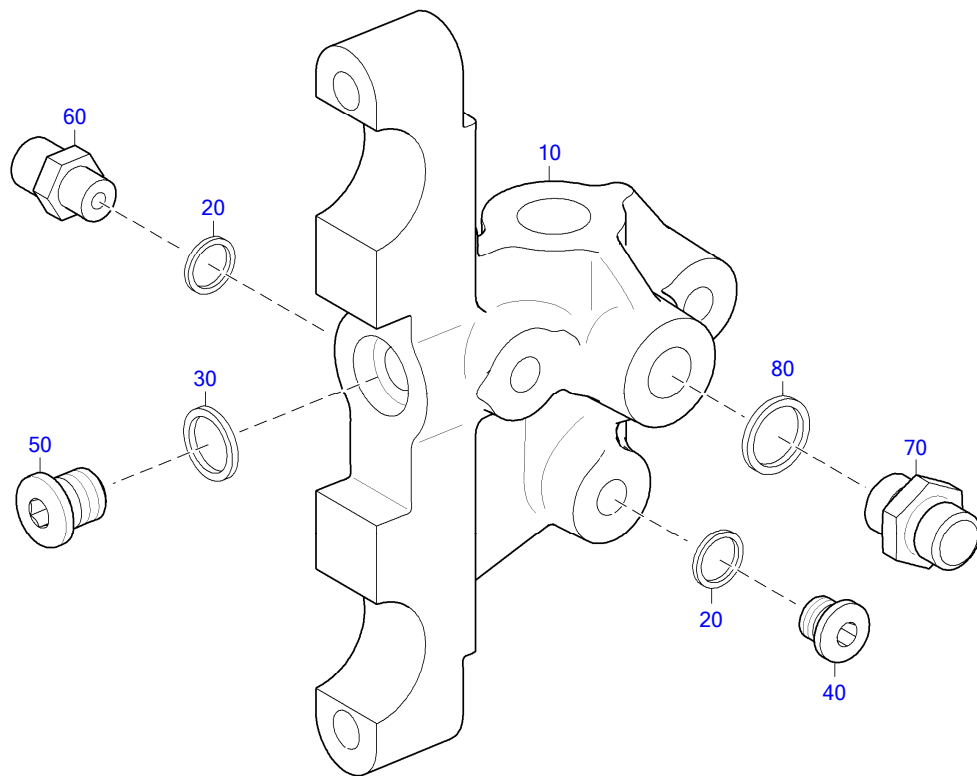
05
FUEL LEAK MONITORING
XS594080.00125





08700119

☐	POS.	PART NO.	DESIGNATION	QTY.	UNITS	WEIGHT	MEASUREMENT	STANDARD
	40	X59608700009	LEAK-OFF FUEL TANK	1	PC	1,3 kg		
	80	X52607700003	RETAINER	2	PC	52,4 g		
	100	304017008085	HEX SCREW	2	PC	18 g	M 8 X 40	ISO4017
	140	007603010110	WASHER A COP	3	PC	0,3 g	A 10 X 13,5	DIN7603
	160	X59408600033	LEAK-OFF FUEL LINE	1	PC	69,3 g		
	180	X59408600034	LEAK-OFF FUEL LINE	1	PC	68 g		
	200	X59408600035	LEAK-OFF FUEL LINE	1	PC	68,3 g		
	220	007603010110	WASHER A COP	3	PC	0,3 g	A 10 X 13,5	DIN7603
	260	915011004102	BOLT BANJO A 4	3	PC	14,3 g	A 4	N15011
	280	X59499100924	PIPE HALF-CLAMP	1	PC	127,4 g		
	290	208676008000	HEX SCREW	1	PC	12 g	M 8 X 1 X 20	ISO8676
	300	700325010105	PIPE CLAMP HALF	1	PC	56,8 g	3/2 D 9 - 10	MMN325
	320	700327006000	GROMMET	3	PC	1,4 g	6	MMN327
	340	208676008000	HEX SCREW	2	PC	12 g	M 8 X 1 X 20	ISO8676
	400	007603010110	WASHER A COP	1	PC	0,3 g	A 10 X 13,5	DIN7603
	420	000908010002	SCREWED PLUG	1	PC	0,006 kg	M 10 X 1	DIN908



08700083

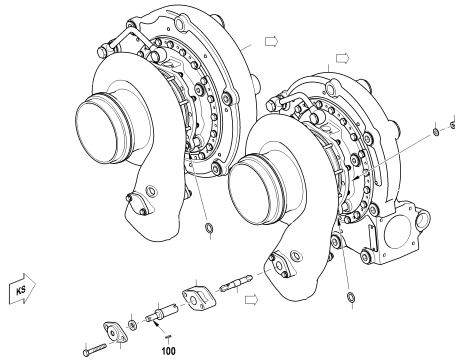
☐	POS.	PART NO.	DESIGNATION	QTY.	UNITS	WEIGHT	MEASUREMENT	STANDARD
	10	X59408700001	LEAK FUEL SENSOR HOUSING	1	PC	1,3 kg		
	20	007603010110	WASHER A COP	6	PC	0,3 g	A 10 X 13,5	DIN7603
	30	007603012102	WASHER A COP	1	PC	0,8 g	A 12 X 16	DIN7603
	40	000908010002	SCREWED PLUG	3	PC	0,006 kg	M 10 X 1	DIN908
	50	000908012003	THREAD PLUG	1	PC	11,9 g	M 12 X 1,5	DIN908
	60	915013004002	UNION	3	PC	14 g	4	N15013
	70	915006006000	UNION	1	PC	22,9 g	6	MBN15026
	80	007603014102	SEAL RING	1	PC	1 g	A 14 X 18	DIN7603

GROUP SEGMENT (FGS)

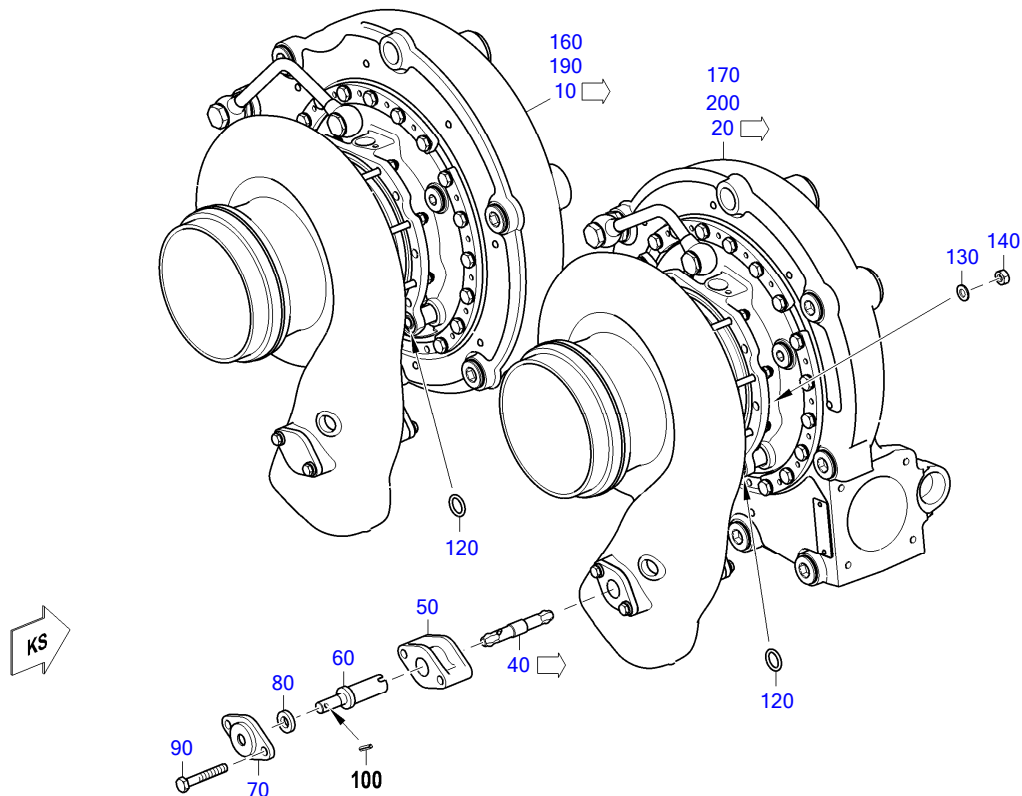
GROUP NAME

BOM-No.

01
EXHAUST TURBOCHARGER
XS594100.00020



10101276a



10101276a

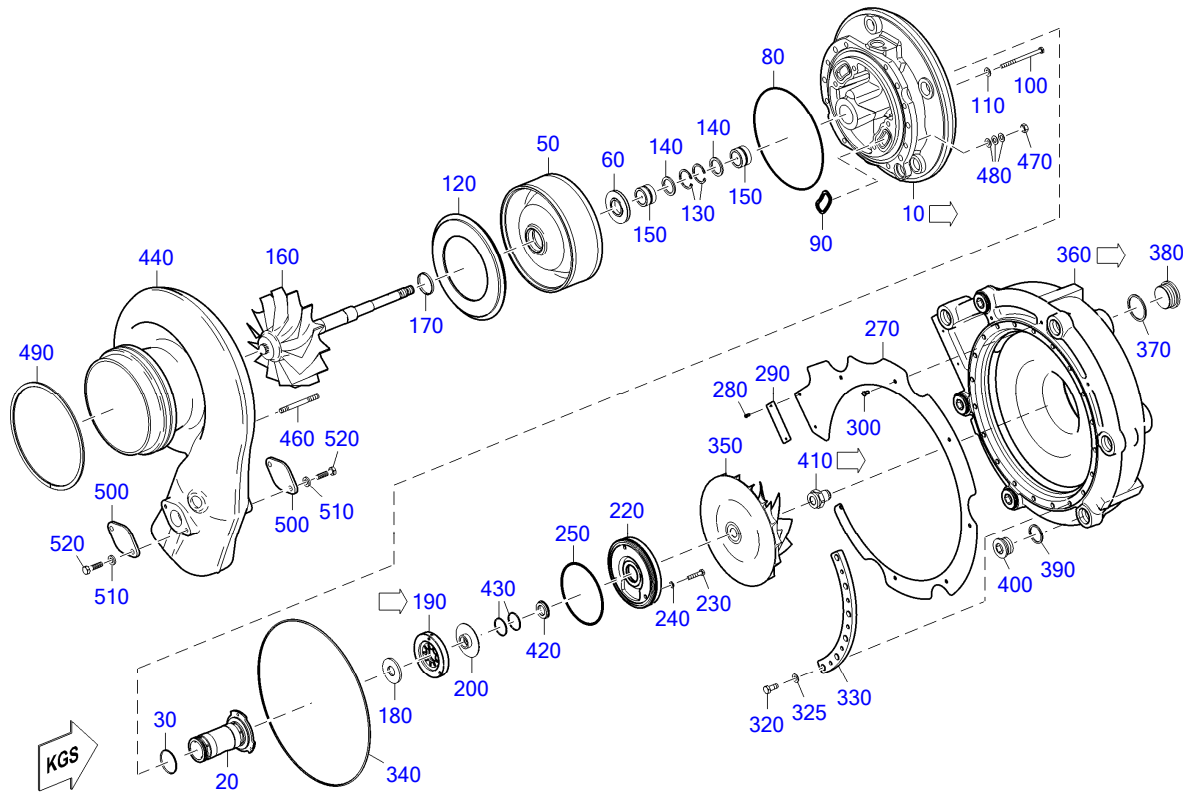
☐	POS.	PART NO.	DESIGNATION	MODEL/TYPE	QTY.	UNITS	WEIGHT	FN	MEASUREMENT	STANDARD
	404	10	X59410100086	EXHAUST TURBOCHARGER LEFT	ZR195	1	PC	111,3 kg	EM	
	409	20	X59410100087	EXHAUST TURBOCHARGER RIGHT	ZR195	1	PC	98 kg	EM	
	410	40	X59610100123	SHAFT		1	PC	132 g		
		50	5261420250	BEARING BUSHING		1	PC	658,8 g		
		60	5261420629	SHAFT		1	PC	204,2 g		
		70	5261420060	FLANGE SEALING		1	PC	194,5 g		
		80	5591420451	RING SEALING		1	PC	3,2 g		
		90	304017010032	HEX SCREW		2	PC	42,3 g	M 10 X 65	ISO4017
		120	700429020003	O-RING		2	PC	2,1 g	20 X 4	MMN429
		130	000125010524	WASHER		12	PC	3,1 g	A 10,5	DIN125
		140	000934010007	NUT HEX		12	PC	10,3 g	M 10	DIN934
		160	RX59410100086	EXHAUST TURBOCHARGER LEFT	ZR195	1	PC	111,3 kg	MN EM	
		170	RX59410100087	EXHAUST TURBOCHARGER RIGHT	ZR195	1	PC	98 kg	MN EM	
		190	EX59410100086	EXHAUST TURBOCHARGERLEFT		1	PC	111,3 kg	MN EM	
		200	EX59410100087	EXHAUST TURBOCHARGERRIGHT		1	PC	98 kg	MN EM	

EQUI TYPE: Engine

PRODUCT TYPE: 12V4000M93L
EXHAUST TURBOCHARGER LEFT

SERIAL NUMBER: 526108554

FG/FGS:
BOM-No.: X59410100086



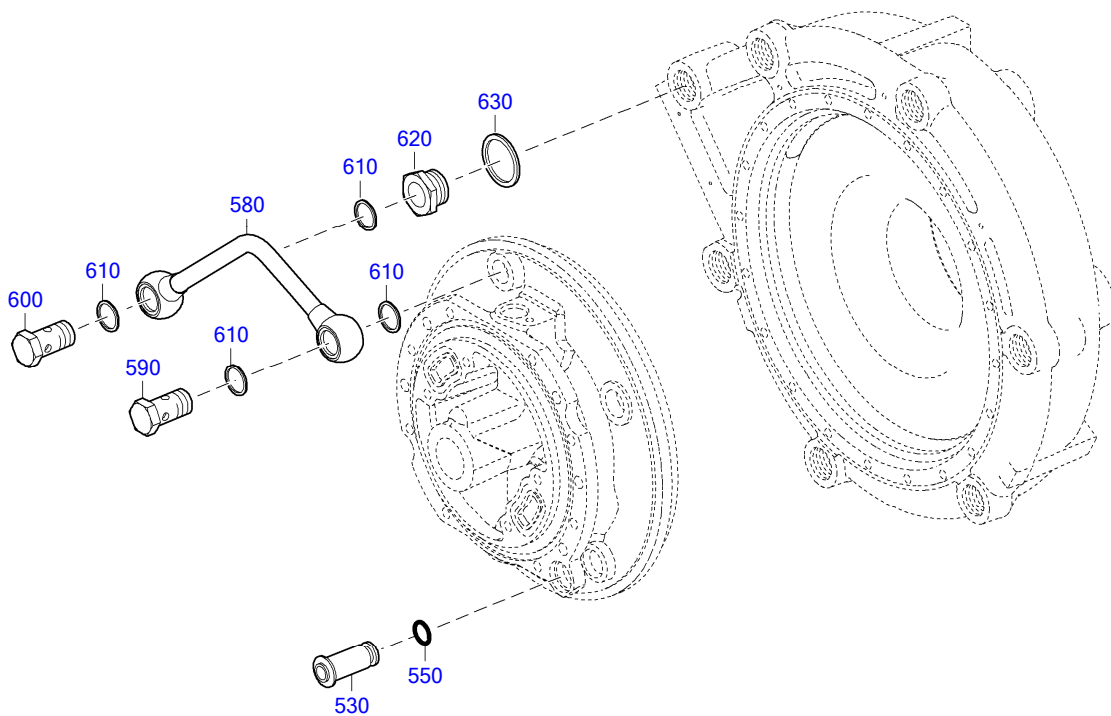
10101273a

EQUI TYPE: Engine

PRODUCT TYPE: 12V4000M93L
EXHAUST TURBOCHARGER LEFT

SERIAL NUMBER: 526108554

FG/FGS:
BOM-No.: X59410100086



Business Portal Online Print 23-10-2020

TD0000008826_101

EQUI TYPE: Engine

PRODUCT TYPE: 12V4000M93L
EXHAUST TURBOCHARGER LEFT

SERIAL NUMBER: 526108554

FG/FGS:
BOM-No.: X59410100086

☐	POS.	PART NO.	DESIGNATION	MODEL/TYPE	QTY.	UNITS	WEIGHT	FN	MEASUREMENT	STANDARD
	405	10	X59510100008	BEARING HOUSING	ZR205	1	PC	15,6 kg		
		20	X59610100061	BEARING BODY		1	PC	396,3 g		
		30	700429038002	O-RING		1	PC	0,8 g	38 X 2	MMN429
		50	X52810100043	HOUSING COVER	ZR175	1	PC	5,1 kg		
		60	5110251976	WASHER	ZR205	1	PC	67,7 g		
		80	700429185001	O-RING		1	PC	9,1 g	185 X 3	MMN429
		90	X52810100138	O-RING	KALREZ SPECTRUM 7075	2	PC	3,5 g	41X4	
		100	000000003496	HEX SCREW		4	PC	38,2 g	M 8 X 90	ISO4014
		110	200433008400	WASHER		4	PC	1,5 g	8,4	DIN433
		120	X52810100096	HEAT SHIELD	ZR175	1	PC	896,6 g		
		130	5119940041	RING SNAP		2	PC	2,8 g	34 X 1,5	DIN472
		140	X59599100058	WASHER		2	PC	7,7 g		
		150	X00016599	BEARING BUSHING		2	PC	67,7 g		
		160	5110805220	TURBINE WHEEL	180/23/153/83,9CM²	1	PC	5,7 kg	EM	
		170	5110850560	RING SEAL	FUER ABGASTURBOLADER	1	PC	5,7 g		
		180	X00010427	WASHER		1	PC	45,7 g		
	406	190	X59610100101	THRUST BEARING		1	PC	355,7 g		
		200	X00010428	WASHER		1	PC	56,4 g		
		220	X59610100232	RETAINING RING		1	PC	1,2 kg		
		230	000912006028	SCREW		3	PC	7,8 g	M 6 X 30	DIN912
		240	200433006400	WASHER		3	PC	0,6 g	6,4	DIN433
		250	700429105001	O-RING		1	PC	7,1 g	105 X 3,5	MMN429
		270	X59410100032	HEAT SHIELD		1	PC	369,1 g		
		280	001476005001	GROOVED PIN		7	PC	2,4 g	A 5 X 10	ISO8746
		290	700425000235	PLATE F/TURBOCHARGER		1	PC	3 g	39.1	MMN425
		300	215977003000	BLIND RIVET		2	PC	1 g	3X8	ISO15977
		320	000933010026	HEX SCREW		18	PC	22,3 g	M 10 X 22	DIN933
		325	200433010501	WASHER		18	PC	2 g	10,5	DIN433
		330	X59610100201	CLAMP FOR COMPR. HOUSING		3	PC	459,1 g		
		340	0239978348	RING SEAL		1	PC	22,3 g		
		350	X00041766	COMPRESSOR WHEEL	12V4000 -03	1	PC	2,9 kg	EM 130/11,2/205	
	407	360	X59410100034	COMPRESSOR HOUSING	A/R=2.36CM	1	PC	46,6 kg	EM	
		370	007603042101	COPPER SEALING RING		4	PC	8 g	A 42 X 49	DIN7603
		380	000908042001	THREAD PLUG		4	PC	0,179 kg	M 42 X 1,5	DIN908
		390	007603030101	COPPER SEALING RING		2	PC	4,3 g	A 30 X 36	DIN7603
		400	000908030002	THREAD PLUG		2	PC	0,085 kg	M 30 X 1,5	DIN908
	408	410	X00018307	MAGNETIC NUT	MM16-16L-2	1	PC	84,7 g	M16X1.5 LH	
		420	X00010426	RING CARRIER		1	PC	18,1 g		
		430	5100850060	RING SEAL		2	PC	1,8 g		
		440	X59410100035	TURBINE HOUSING	A/R=3.3CM	1	PC	22 kg	EM	
		460	200835008006	STUD		8	PC	33 g	M 8 X 75	DIN835
		470	5069900251	NUT		8	PC	6,4 g		
		480	002093016100	WASHER A16		24	PC	1 g	A 16	DIN2093
		490	234110200000	PISTON RING, COMP.		1	PC	108,6 g	200 X 3,5 G7 KI KA	DIN34110
		500	X52810100005	BLIND FLANGE		2	PC	185,5 g		
		510	5379900140	WASHER		4	PC	3,9 g		
		520	200933008016	HEX SCREW		4	PC	13,9 g	M 8 X 25	DIN933
		530	X59610100044	PLUG-IN PIPE		1	PC	97,3 g		
		550	700429014002	O-RING		1	PC	1,6 g	14 X 4	MMN429
		580	X59410100006	COOLANT LINE LEFT	ZR195	1	PC	296 g	SB	
		590	700223013000	BOLT BANJO A15		1	PC	102 g	A 15	MMN223
		600	X59610100045	BANJO SCREW		1	PC	78,9 g		
		610	007603022102	COPPER SEALING RING		4	PC	0,9 g	A 22 X 27	DIN7603
		620	X59610100005	THREADED BUSHING		1	PC	77,9 g	M30X1,5; M22X1,5; SW36	

EQUI TYPE: Engine

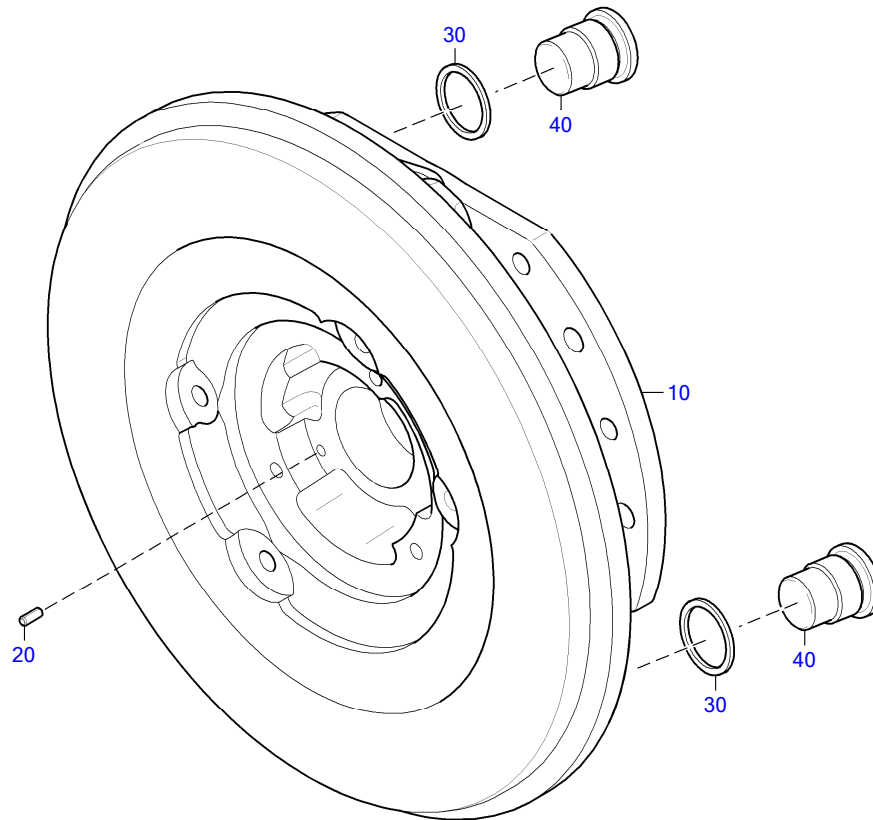
PRODUCT TYPE: 12V4000M93L
EXHAUST TURBOCHARGER LEFT

SERIAL NUMBER: 526108554

FG/FGS:

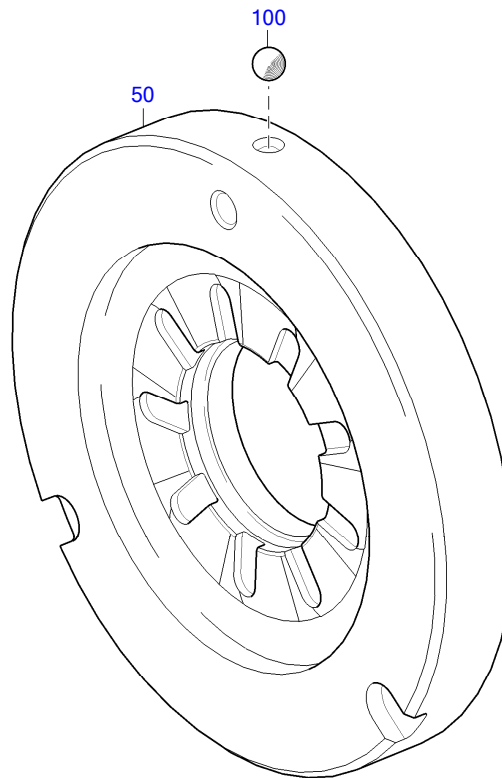
BOM-No.: X59410100086

<input type="checkbox"/>	POS. PART NO.	DESIGNATION	MODEL/TYPE	QTY.	UNITS	WEIGHT	FN	MEASUREMENT	STANDARD
	630 007603030101	COPPER SEALING RING		1	PC	4,3 g		A 30 X 36	DIN7603




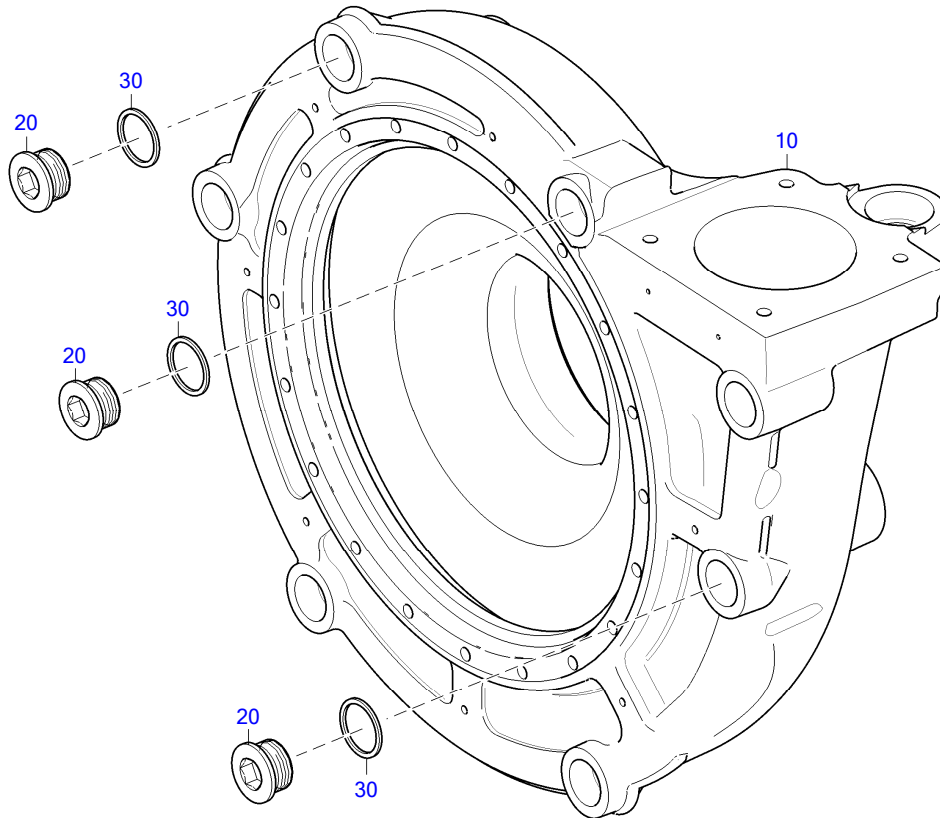
10101645

☐	POS.	PART NO.	DESIGNATION	QTY.	UNITS	WEIGHT	MEASUREMENT	STANDARD
	10	X59510100061	BEARING HOUSING	1	PC	15,842 kg		
	20	001481004000	PIN SPRING	2	PC	0,6 g	4 X 10 - N	ISO8752
	30	007603026101	WASHER A COP	2	PC	3,7 g	A 26 X 32	DIN7603
	40	X52810100094	PLUG	2	PC	0,113 kg		



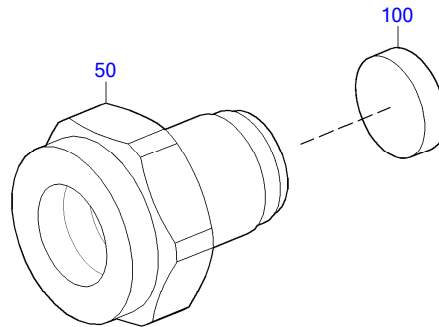
10101221a

	POS.	PART NO.	DESIGNATION	QTY.	UNITS	WEIGHT	MEASUREMENT	STANDARD
	50	X59610100099	THRUST BEARING	1	PC	0,356 kg		
	100	005401304000	BALL	1	PC	0,3 g	4G20	DIN5401




10101238a

☐	POS.	PART NO.	DESIGNATION	MODEL/TYPE	QTY.	UNITS	WEIGHT	FN	MEASUREMENT	STANDARD
	10	X59410100033	COMPRESSOR HOUSING	A/R=2.36CM	1	PC	46,2 kg	EM		
	20	000908030002	THREAD PLUG		3	PC	0,085 kg		M 30 X 1,5	DIN908
	30	007603030101	COPPER SEALING RING		3	PC	4,3 g		A 30 X 36	DIN7603



10100716b

	POS.	PART NO.	DESIGNATION	QTY.	UNITS	WEIGHT	MEASUREMENT
	50	X00018306	MAGNETIC NUT	1	PC	77,3 g	M16X1.5 LH
	100	0005595609	SOLENOID	1	PC	6,97 g	

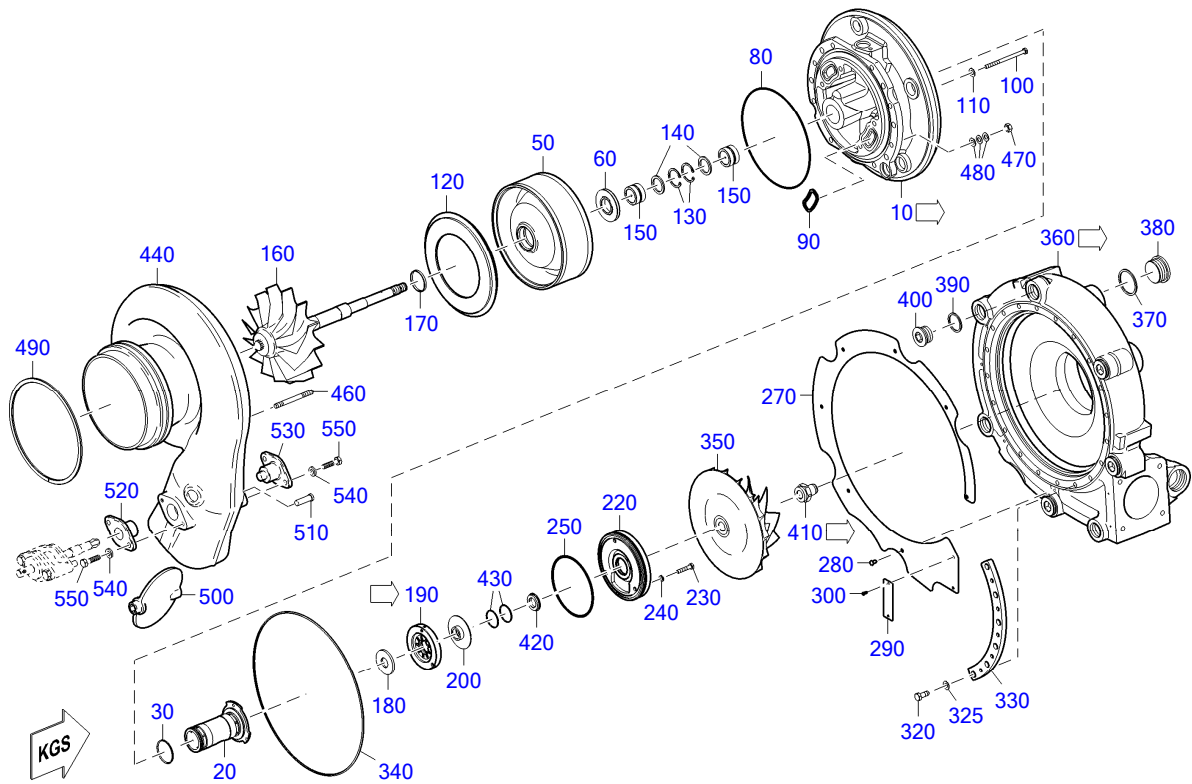
EQUI TYPE: Engine

PRODUCT TYPE: 12V4000M93L
EXHAUST TURBOCHARGER RIGHT

SERIAL NUMBER: 526108554

FG/FGS:

BOM-No.: X59410100087



10101272a

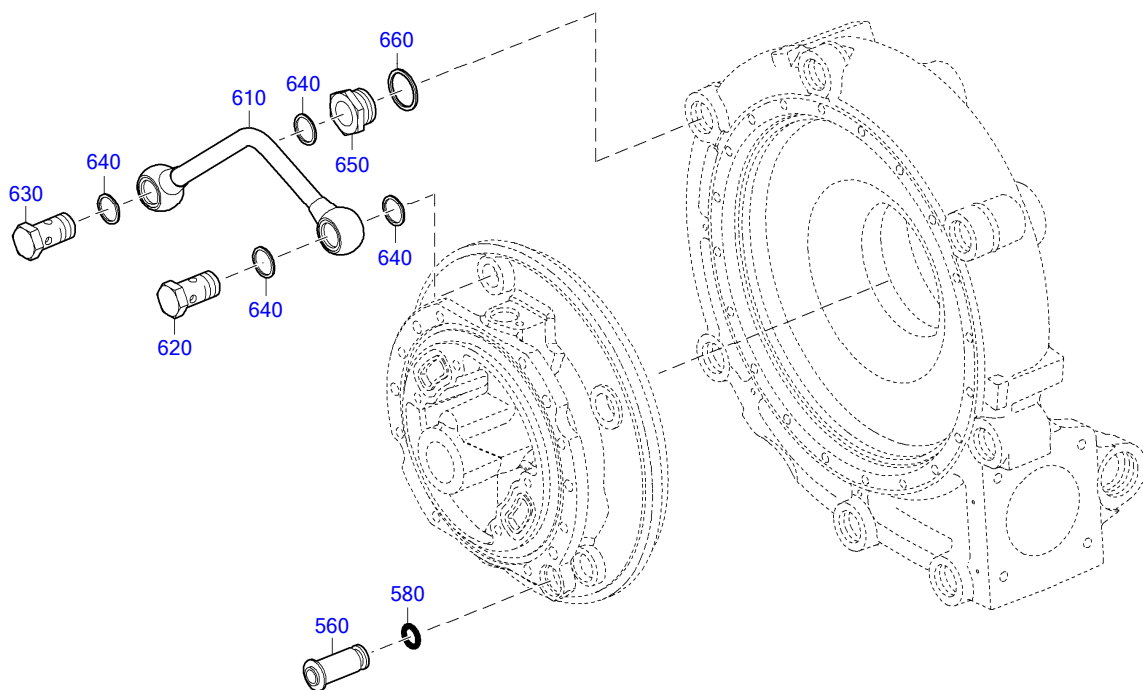
EQUI TYPE: Engine

PRODUCT TYPE: 12V4000M93L
EXHAUST TURBOCHARGER RIGHT

SERIAL NUMBER: 526108554

FG/FGS:

BOM-No.: X59410100087



Business Portal Online Print 23-10-2020

TD0000005471_101

☐	POS.	PART NO.	DESIGNATION	MODEL/TYPE	QTY.	UNITS	WEIGHT	FN	MEASUREMENT	STANDARD
	405	10	X59510100008	BEARING HOUSING	ZR205	1	PC	15,6 kg		
		20	X59610100061	BEARING BODY		1	PC	396,3 g		
		30	700429038002	O-RING		1	PC	0,8 g	38 X 2	MMN429
		50	X52810100043	HOUSING COVER	ZR175	1	PC	5,1 kg		
		60	5110251976	WASHER	ZR205	1	PC	67,7 g		
		80	700429185001	O-RING		1	PC	9,1 g	185 X 3	MMN429
		90	X52810100138	O-RING	KALREZ SPECTRUM 7075	2	PC	3,5 g	41X4	
		100	000000003496	HEX SCREW		4	PC	38,2 g	M 8 X 90	ISO4014
		110	200433008400	WASHER		4	PC	1,5 g	8,4	DIN433
		120	X52810100096	HEAT SHIELD	ZR175	1	PC	896,6 g		
		130	5119940041	RING SNAP		2	PC	2,8 g	34 X 1,5	DIN472
		140	X59599100058	WASHER		2	PC	7,7 g		
		150	X00016599	BEARING BUSHING		2	PC	67,7 g		
		160	5110805220	TURBINE WHEEL	180/23/153/83,9CM²	1	PC	5,7 kg	EM	
		170	5110850560	RING SEAL	FUER ABGASTURBOLADER	1	PC	5,7 g		
		180	X00010427	WASHER		1	PC	45,7 g		
	406	190	X59610100101	THRUST BEARING		1	PC	355,7 g		
		200	X00010428	WASHER		1	PC	56,4 g		
		220	X59610100232	RETAINING RING		1	PC	1,2 kg		
		230	000912006028	SCREW		3	PC	7,8 g	M 6 X 30	DIN912
		240	200433006400	WASHER		3	PC	0,6 g	6,4	DIN433
		250	700429105001	O-RING		1	PC	7,1 g	105 X 3,5	MMN429
		270	X59410100032	HEAT SHIELD		1	PC	369,1 g		
		280	001476005001	GROOVED PIN		7	PC	2,4 g	A 5 X 10	ISO8746
		290	700425000235	PLATE F/TURBOCHARGER		1	PC	3 g	39.1	MMN425
		300	215977003000	BLIND RIVET		2	PC	1 g	3X8	ISO15977
		320	000933010026	HEX SCREW		18	PC	22,3 g	M 10 X 22	DIN933
		325	200433010501	WASHER		18	PC	2 g	10,5	DIN433
		330	X59610100201	CLAMP FOR COMPR. HOUSING		3	PC	459,1 g		
		340	0239978348	RING SEAL		1	PC	22,3 g		
		350	X00041766	COMPRESSOR WHEEL	12V4000 -03	1	PC	2,9 kg	EM 130/11,2/205	
	407	360	X59410100034	COMPRESSOR HOUSING	A/R=2.36CM	1	PC	46,6 kg	EM	
		370	007603042101	COPPER SEALING RING		4	PC	8 g	A 42 X 49	DIN7603
		380	000908042001	THREAD PLUG		4	PC	0,179 kg	M 42 X 1,5	DIN908
		390	007603030101	COPPER SEALING RING		2	PC	4,3 g	A 30 X 36	DIN7603
		400	000908030002	THREAD PLUG		2	PC	0,085 kg	M 30 X 1,5	DIN908
	408	410	X00018307	MAGNETIC NUT	MM16-16L-2	1	PC	84,7 g	M16X1.5 LH	
		420	X00010426	RING CARRIER		1	PC	18,1 g		
		430	5100850060	RING SEAL		2	PC	1,8 g		
		440	X59410100035	TURBINE HOUSING	A/R=3.3CM	1	PC	22 kg	EM	
		460	200835008006	STUD		8	PC	33 g	M 8 X 75	DIN835
		470	5069900251	NUT		8	PC	6,4 g		
		480	002093016100	WASHER A16		24	PC	1 g	A 16	DIN2093
		490	234110200000	PISTON RING, COMP.		1	PC	108,6 g	200 X 3,5 G7 KI KA	DIN34110
		500	X59610100163	EXHAUST FLAP		1	PC	0,723 kg	EM	
		510	X52810100078	PIN		1	PC	23,2 g	13X35.5	
		520	XT3499100005	BUSHING		1	PC	204 g		
		530	XT3499100004	BUSHING		1	PC	325,8 g		
		540	5379900140	WASHER		4	PC	3,9 g		
		550	200933008016	HEX SCREW		4	PC	13,9 g	M 8 X 25	DIN933
		560	X59610100044	PLUG-IN PIPE		1	PC	97,3 g		
		580	700429014002	O-RING		1	PC	1,6 g	14 X 4	MMN429
		610	X59410100097	COOLANT LINE RIGHT	ZR195	1	PC	273,3 g	SB	
		620	700223013000	BOLT BANJO A15		1	PC	102 g	A 15	MMN223

EQUI TYPE: Engine

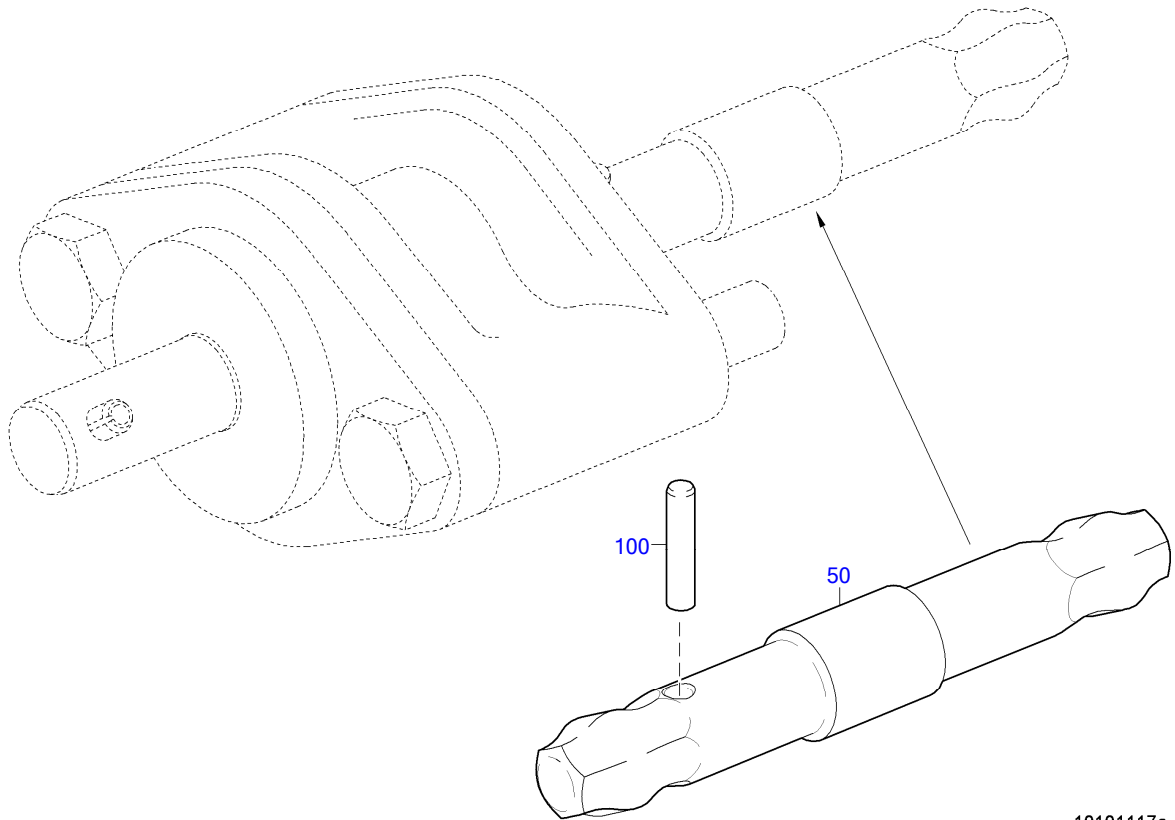
PRODUCT TYPE: 12V4000M93L
EXHAUST TURBOCHARGER RIGHT

SERIAL NUMBER: 526108554

FG/FGS:

BOM-No.: X59410100087

<input type="checkbox"/>	POS.	PART NO.	DESIGNATION	MODEL/TYPE	QTY.	UNITS	WEIGHT	FN	MEASUREMENT	STANDARD
	630	X59610100045	BANJO SCREW		1	PC	78,9 g			
	640	007603022102	COPPER SEALING RING		4	PC	0,9 g		A 22 X 27	DIN7603
	650	X59610100005	THREADED BUSHING		1	PC	77,9 g		M30X1,5; M22X1,5; SW36	
	660	007603030101	COPPER SEALING RING		1	PC	4,3 g		A 30 X 36	DIN7603



10101117a

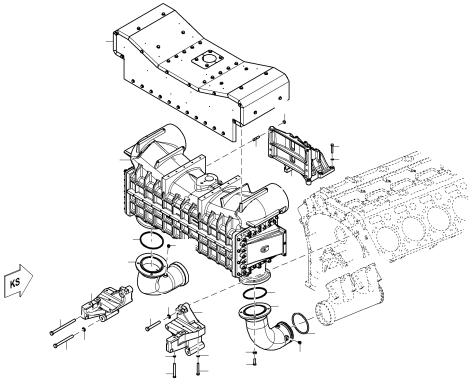
☐	POS.	PART NO.	DESIGNATION	QTY.	UNITS	WEIGHT
	50	X59610100122	SHAFT	1	PC	0,131 kg
	100	5269970010	PIN DOWEL	1	PC	4,5 g

GROUP SEGMENT (FGS)

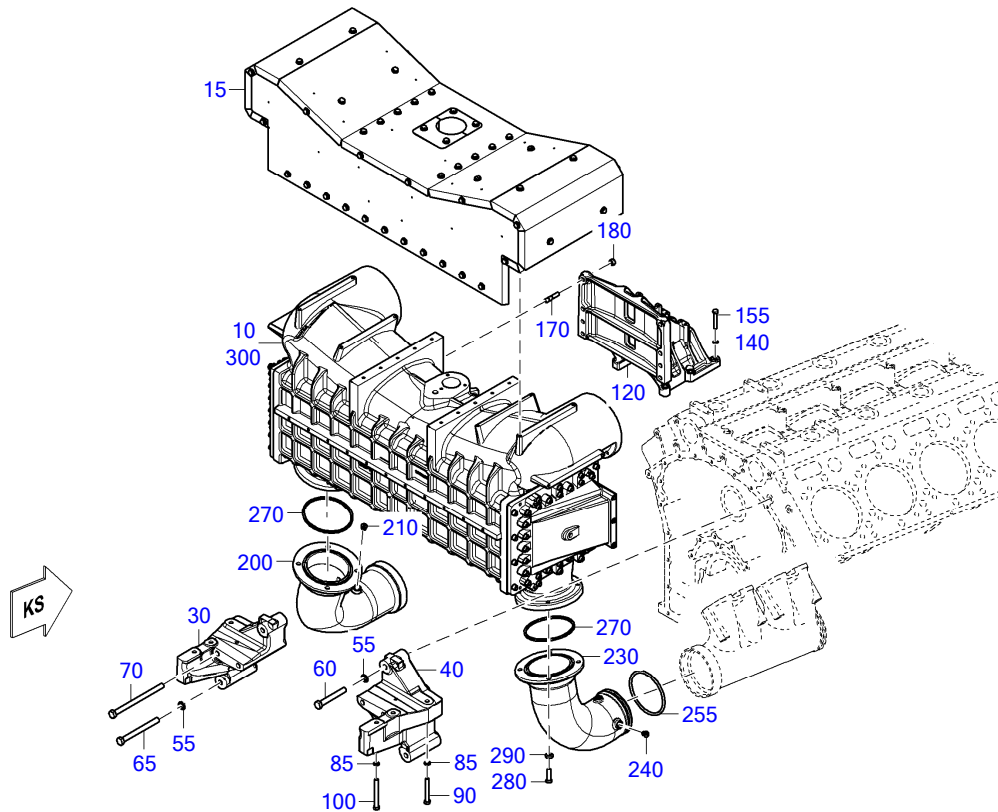
GROUP NAME

BOM-No.

05
INTERCOOLER WITH TEST CERT. 3.1
XS594110.00040



T00000014558_114



TD0000014558_114


☐	POS.	PART NO.	DESIGNATION	QTY.	UNITS	WEIGHT	FN	MEASUREMENT	STANDARD
413	10	X59411400014/87	INTERCOOLER WITH TEST CERT. 3.1	1	PC	529,3 kg	EM		
	15	X59411400011	HEAT SHIELD	1	PC	31,1 kg			
	30	X59611100003	BRACKET LEFT	1	PC	35,222 kg			
	40	X59611300003	BRACKET RIGHT	1	PC	36,388 kg			
	55	200433017000	WASHER	8	PC	6,8 g	17		DIN433
	60	304014016007	HEX SCREW	2	PC	210,6 g		M 16 X120	ISO4014
	65	204014016005	HEX SCREW	2	PC	284,4 g		M 16 X170	ISO4014
	70	204014016010	HEX SCREW	4	PC	375,2 g		M 16 X230	ISO4014
	85	200433013001	WASHER	6	PC	2,6 g	13		DIN433
	90	000000002527	HEX SCREW	2	PC	78,9 g		M 12 X 90	ISO4017
	100	000000001077	HEX SCREW	4	PC	104,6 g		M 12 X110	ISO4014
	120	X59611400014	SUPPORT FOR INTERCOOLER	1	PC	35,5 kg			
	140	200433010501	WASHER	6	PC	2 g	10,5		DIN433
	155	304017010032	HEX SCREW	6	PC	42,3 g		M 10 X 65	ISO4017
	170	000939012031	STUD	8	PC	44,2 g		M 12 X 45	DIN939
	180	000000004744	HEX NUT	8	PC	14,3 g		M 12	ISO4032
	200	5240983015	ELBOW	1	PC	5,8 kg	EM	KRÜMMER LINKE SEITE	
307	210	735210014000	THREAD PLUG	2	PC	0,019 kg		M 14 X 1,5	MTN5210
	230	5240983115	ELBOW F/INTERCOOLER, RIGH	1	PC	4,4 kg	EM		
307	240	735210014000	THREAD PLUG	2	PC	0,019 kg		M 14 X 1,5	MTN5210
	250	735210018000	PLUG	1	PC	0,036 kg		M 18 X 1,5	MTN5210
	255	700429140000	O-RING	1	PC	45 g		140 X 8	MMN429
	270	5269970045	SEAL RING (SQUARE CU T) CAC OUTLET	2	PC	17 g			
	280	204017012009	HEX SCREW	8	PC	43,8 g		M 12 X 40	ISO4017
	290	735151012100	SPACER S2000/4000	8	PC	20 g		A 12,5	MTN5151

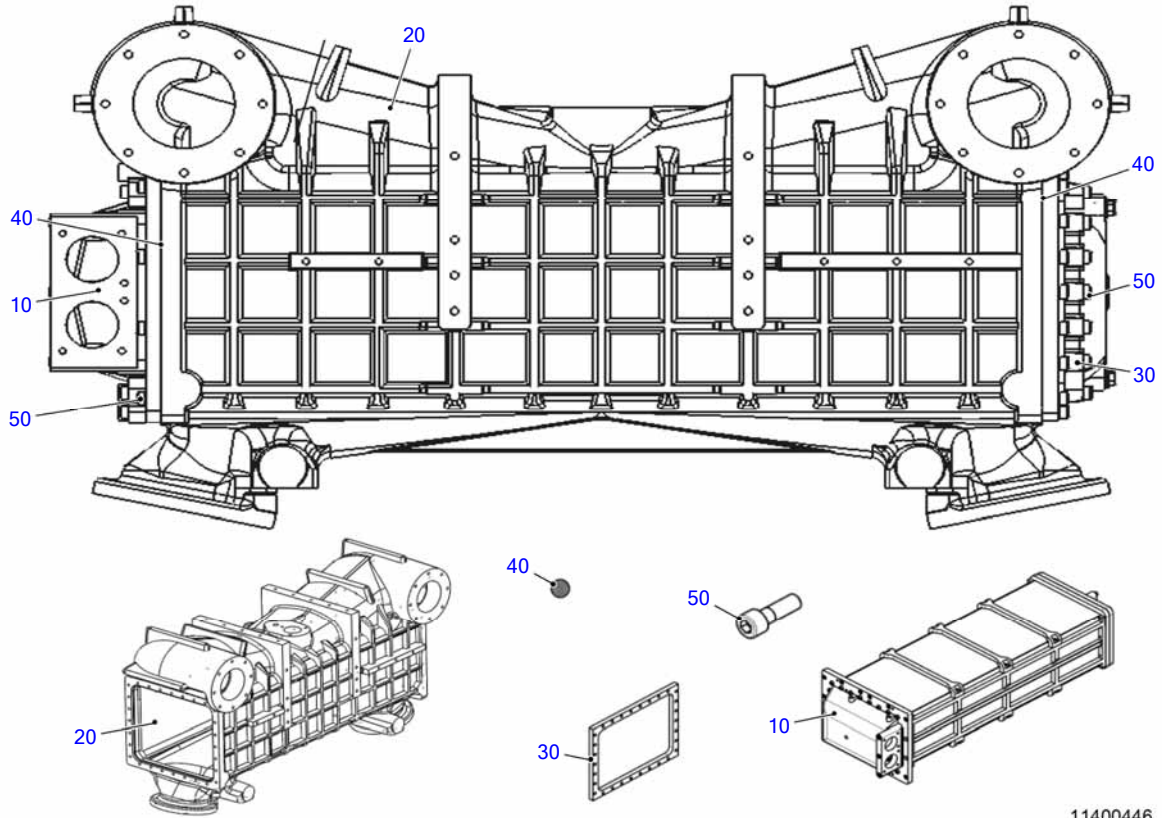
EQUI TYPE: Engine

PRODUCT TYPE: 12V4000M93L
INTERCOOLER WITH TEST CERT. 3.1

SERIAL NUMBER: 526108554

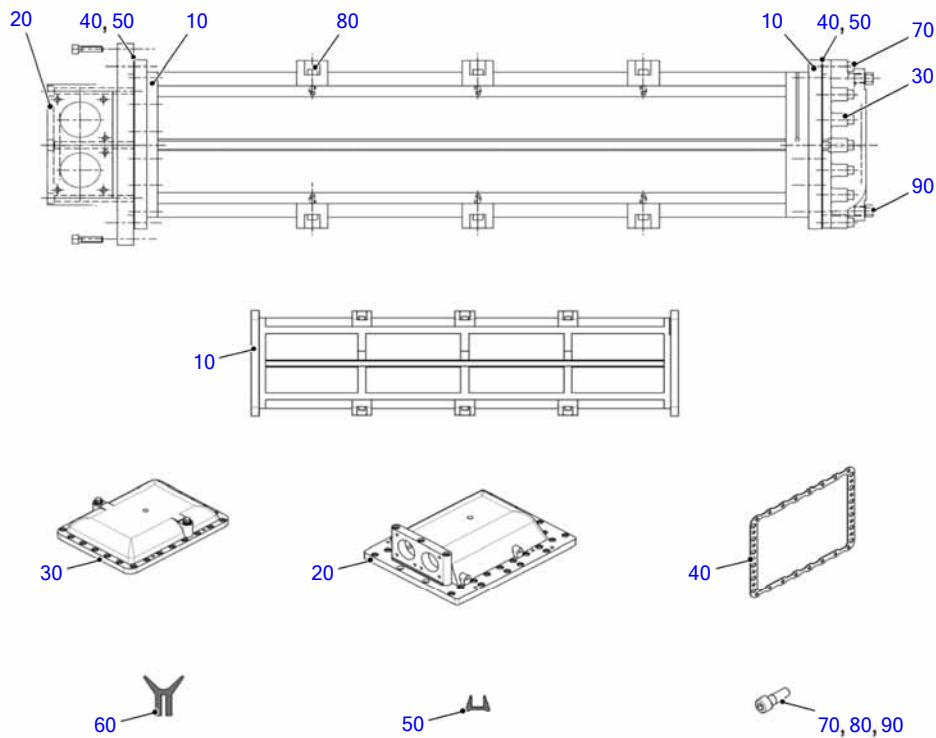
FG/FGS: 114 05
BOM-No.: XS594110.00040

	POS.	PART NO.	DESIGNATION	QTY.	UNITS	WEIGHT	FN	MEASUREMENT	STANDARD
	300	EX59411400014/87	INTERCOOLER WITH TEST CERT. 3.1	1	PC	543 kg	MN EM		



11400446

☐	POS.	PART NO.	DESIGNATION	QTY.	UNITS	WEIGHT	MEASUREMENT	STANDARD
414	10	XP59411400037	COOLER CORE	1	PC	372 kg		
	20	XP52711400027	COOLER HOUSING	1	PC			
	30	XP52711400013	FRAME	1	PC	5,9 kg		
	40	XP52711400014	O-RING	2	PC	93,3 g	DI 393.07X6.99	
	50	XP52611400054	SCREW	36	PC	0,029 kg	M 10 X 35	DIN EN ISO 4762



11400429

☐	POS.	PART NO.	DESIGNATION	QTY.	UNITS	WEIGHT	MEASUREMENT	STANDARD
	10	XP59411400038	INSERT	1	PC			
	20	XP59511400032	COVER BRACKET	1	PC			
	30	XP59511400033	COVER BRACKET	1	PC			
	40	X59511400007	GASKET	2	PC	0,045 kg		
	50	XP52611400008	GASKET	1	PC	20,9 g	1.30 M	
	60	XP52711400009	SEALING STRIP	1,000	M	214 g		
	70	XP53522400013	SCREW	43	PC	38,2 g	M 10X 50	EN ISO 4762
	80	XP52611400054	SCREW	12	PC	0,029 kg	M 10 X 35	DIN EN ISO 4762
	90	000912010082	SCREW	3	PC	91,8 g	M 10 X140	DIN912

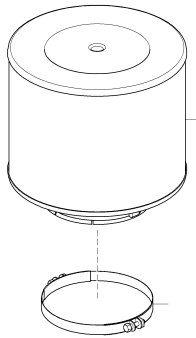
GROUP SEGMENT (FGS)
GROUP NAME
BOM-No.

05
CONTAM INDICATOR
XS593120.00028

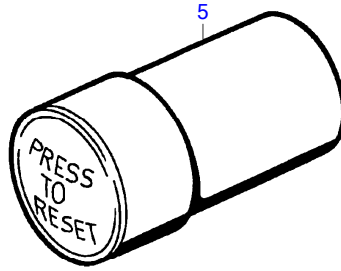


12100458


05
AIR FILTER
XS594120.00071

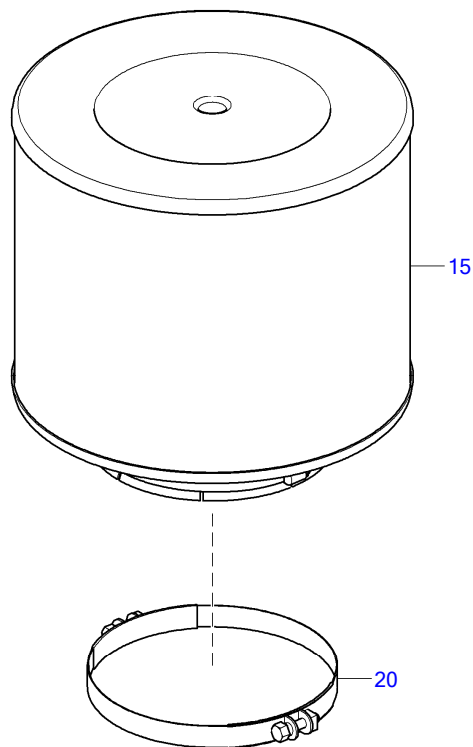


T00000027832_121



12100456

	POS.	PART NO.	DESIGNATION	MODEL/TYPE	QTY.	UNITS	WEIGHT
	5	0000943268	INDICATOR AIR FILTER RESTRISTER	25-50MBAR	1	PC	50,5 g



TD0000027832_121

☐	POS.	PART NO.	DESIGNATION	QTY.	UNITS	WEIGHT	FN	MEASUREMENT	STANDARD
	15	0180943002	AIR FILTER	2	PC	5,5 kg	EM		
	20	900288260000	CLAMP	2	PC	349,8 g		S 260/25X1,25 SK 2T	MBN288A

GROUP SEGMENT (FGS)

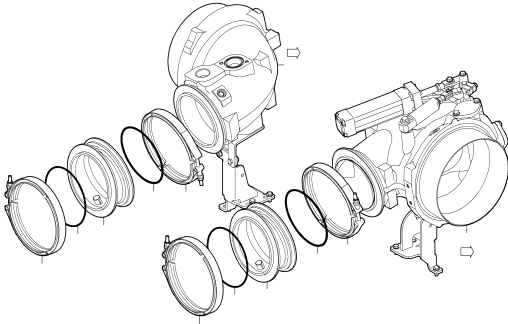
GROUP NAME

BOM-No.

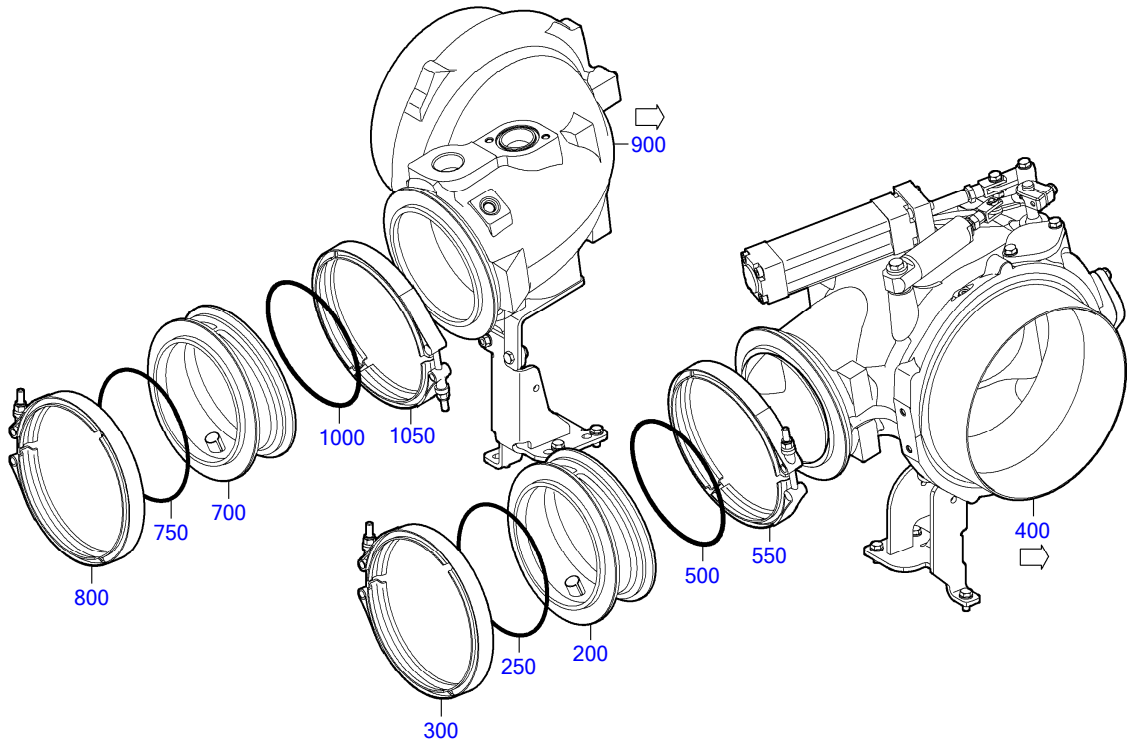
35

AIR SYSTEM BEFORE TURBOCHARGER

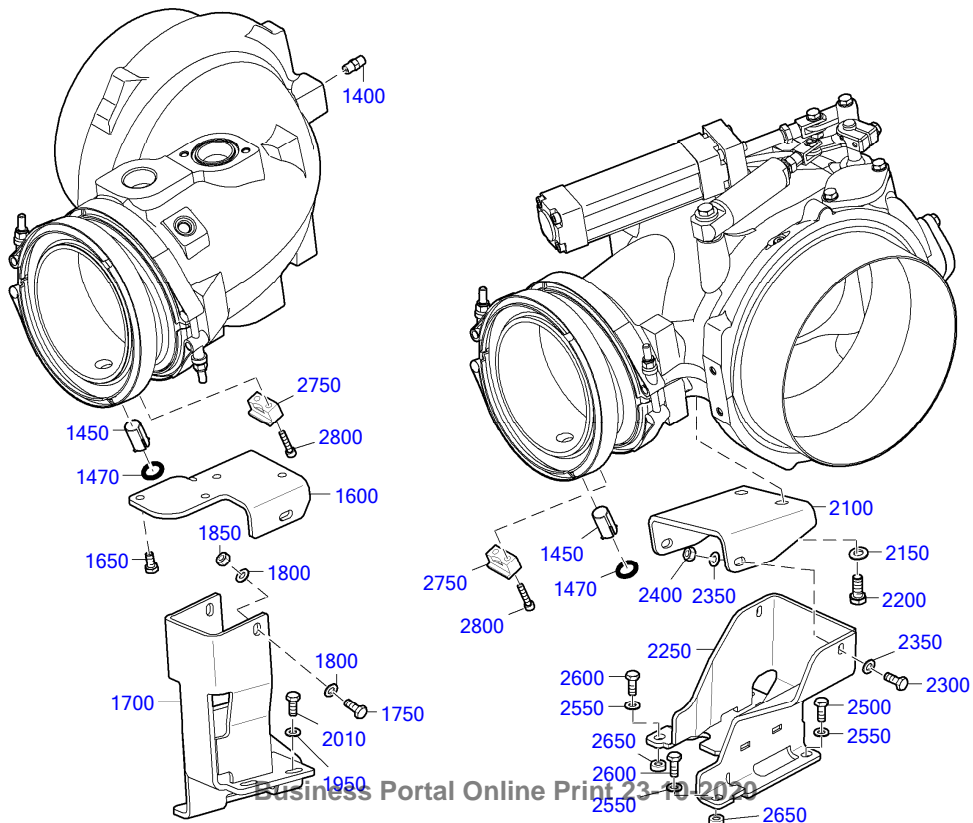
XS526120.00050



12301006



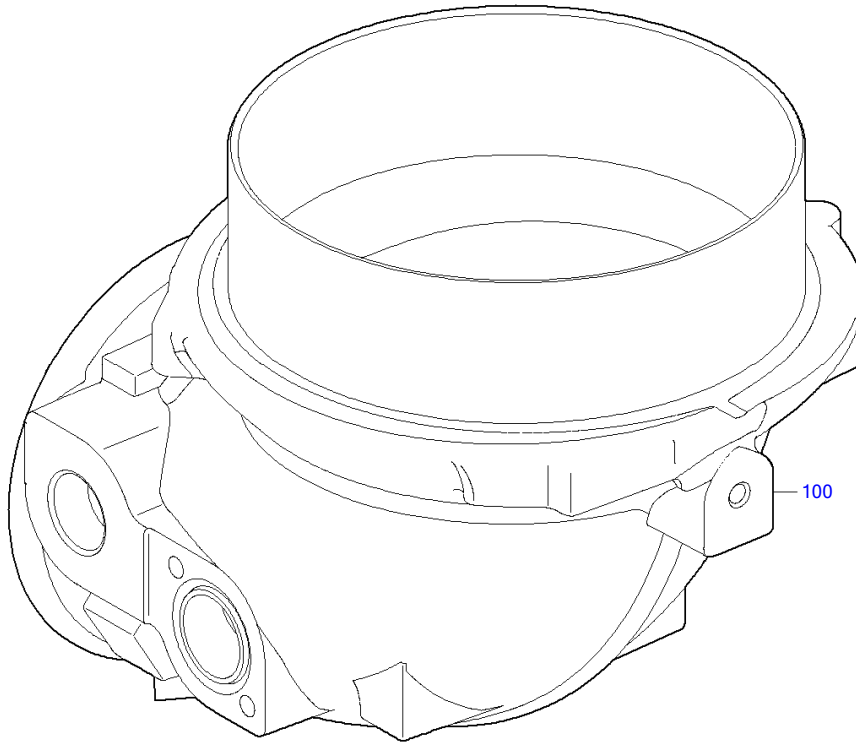
12301006



Business Portal Online Print 23-10-2020

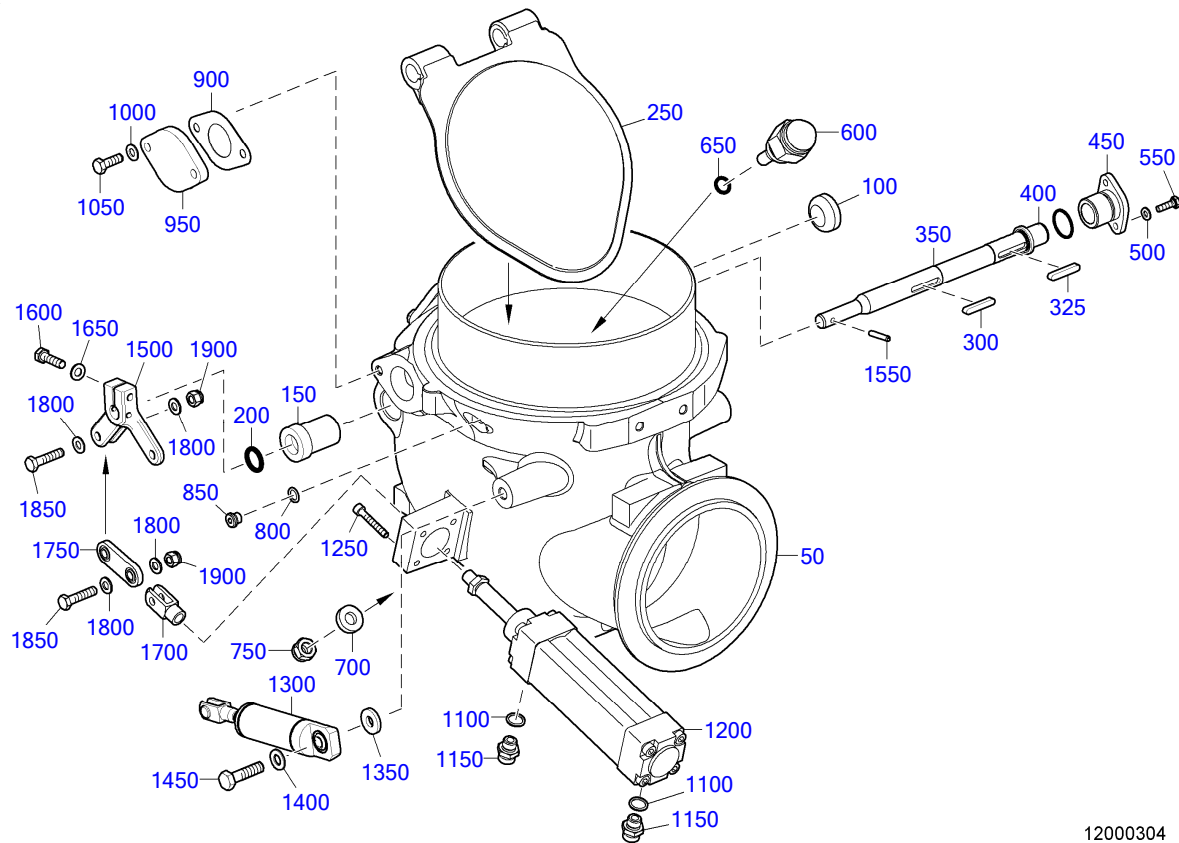
12300883

☐	POS.	PART NO.	DESIGNATION	MODEL/TYPE	QTY.	UNITS	WEIGHT	FN	MEASUREMENT	STANDARD
	200	X59512300029	REDUCER		1	PC	1,271 kg	EM		
	250	700429160001	O-RING		1	PC	13,7 g		160 X 4	MMN429
	300	0049978190	CLAMP		1	PC	615 g			
421	400	X59412300090	INTAKE HOUSING		1	PC	1,652 kg	EM		
	500	700429160001	O-RING		1	PC	13,7 g		160 X 4	MMN429
	550	0049978190	CLAMP		1	PC	615 g			
	700	X59512300029	REDUCER		1	PC	1,271 kg	EM		
	750	700429160001	O-RING		1	PC	13,7 g		160 X 4	MMN429
	800	0049978190	CLAMP		1	PC	615 g			
420	900	X52612300106	INTAKE HOUSING	HORIZONTAL	1	PC	8,1 kg	EM		
	1000	700429160001	O-RING		1	PC	13,7 g		160 X 4	MMN429
	1050	0049978190	CLAMP		1	PC	615 g			
	1400	0009973375	ADAPTER FITTING W/SI NTERED FLTR		1	PC	13,4 g			
	1450	3555420273	BUSHING FOR SPEED SENSOR		2	PC	6,2 g			
	1470	700429015001	O-RING		2	PC	2,3 g		15,5 X 4,5	MMN429
	1600	X59599100100	RETAINER		1	PC	850 g			
	1650	204017008009	HEX SCREW		4	PC	10,9 g		M 8 X 18	ISO4017
	1700	X59599100099	RETAINER		1	PC	2,7 kg			
	1750	304017008083	HEX SCREW		2	PC	15,1 g		M 8 X 30	ISO4017
	1800	007349008002	WASHER		4	PC	7,9 g		8,4	DIN7349
	1850	304032008014	NUT HEX 8 A3C		2	PC	4,8 g		M 8	ISO4032
	1950	007349008002	WASHER		4	PC	7,9 g		8,4	DIN7349
	2010	304017008081	HEX SCREW		4	PC	13,4 g		M 8 X 25	ISO4017
	2100	X59599100101	RETAINER		1	PC	1,1 kg			
	2150	007349010002	WASHER		2	PC	11 g		10,5	DIN7349
	2200	000000001464	HEX SCREW		2	PC	24,9 g		M 10 X 30	ISO4017
	2250	X59599100142	RETAINER		1	PC	3,4 kg			
	2300	304017008083	HEX SCREW		2	PC	15,1 g		M 8 X 30	ISO4017
	2350	007349008002	WASHER		4	PC	7,9 g		8,4	DIN7349
	2400	304032008014	NUT HEX 8 A3C		2	PC	4,8 g		M 8	ISO4032
	2500	304017008081	HEX SCREW		3	PC	13,4 g		M 8 X 25	ISO4017
	2550	007349008002	WASHER		5	PC	7,9 g		8,4	DIN7349
	2600	304017008083	HEX SCREW		2	PC	15,1 g		M 8 X 30	ISO4017
	2650	5900942853	SPACER SLEEVE		2	PC	6,1 g			
	2750	X59512300030	RETAINER		2	PC	66,8 g			
	2800	000912006043	BOLT HEX SOC HD		4	PC	7,8 g		M 6 X 30	DIN912



12300515a

☐	POS.	PART NO.	DESIGNATION	MODEL/TYPE	QTY.	UNITS	WEIGHT	FN
	100	X52612300105	INTAKE HOUSING	HORIZONTAL	1	PC	8 kg	EM



12000304

☐	POS.	PART NO.	DESIGNATION	MODEL/TYPE	QTY.	UNITS	WEIGHT FN	MEASUREMENT	STANDARD
422	50	X52612300096	INTAKE HOUSING	HORIZONTAL/GESCHALTET	1	PC	8,8 kg	EM	
	100	700088036000	PLUG		1	PC	16,3 g	36	MMN88
	150	5350980050	BUSHING		1	PC	187,6 g		
	200	700429018005	O-RING		1	PC	1,9 g	18 X 4	MMN429
423	250	5240900265	FLAP		1	PC	1,268 kg		
	300	006885006045	KEY WOODRUFF A		1	PC	9,5 g	A 6 X 6 X 36	DIN6885
	325	206885006000	KEY		1	PC	10,7 g	A 6 X 6 X 40	DIN6885
	350	X59499100582	SHAFT		1	PC	596,4 g		
	400	700429025001	O-RING		1	PC	0,9 g	25 X 2,5	MMN429
	450	5590981750	FLANGE		1	PC	190 g		
	500	000125006431	WASHER		2	PC	0,8 g	A 6,4	DIN125
	550	000000001444	HEX SCREW		2	PC	6 g	M 6 X 20	ISO4017
	600	X00034972	STOP		1	PC	369,6 g		
	650	700429012004	O-RING		1	PC	0,7 g	12 X 3	MMN429
	700	735151012100	SPACER S2000/4000		1	PC	20 g	A 12,5	MTN5151
	750	999900012000	NUT		1	PC	17,9 g	M 12	AGGN14440
	800	007603010112	SEALING RING		1	PC	0,5 g	A 10 X 15	DIN7603
	850	000908010002	SCREWED PLUG		1	PC	0,006 kg	M 10 X 1	DIN908
	900	X00014409	GASKET		2	PC	3,9 g		
	950	5592030286	COVER		2	PC	290,5 g		
	1000	000125008427	WASHER		4	PC	1,5 g	A 8,4	DIN125
	1050	304017008081	HEX SCREW		4	PC	13,4 g	M 8 X 25	ISO4017
	1100	007603014102	SEAL RING		2	PC	1 g	A 14 X 18	DIN7603
	1150	700419999021	SCREW-FITTING UNION		2	PC	25 g	10 G 1/4 A	MMN419
424	1200	X56912300043	ACTUATING CYLINDER		1	PC	1,2 kg		

EQUI TYPE: Engine

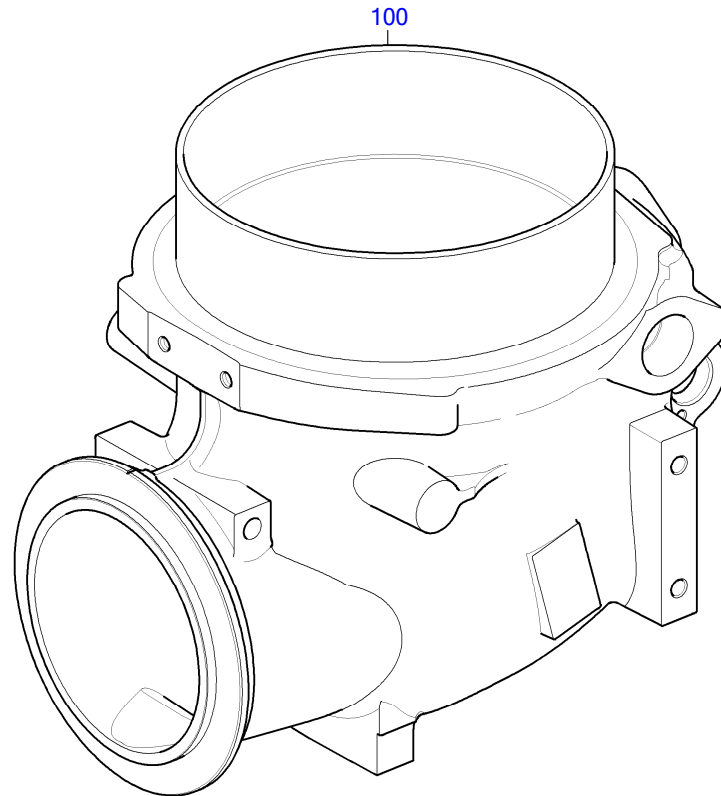
PRODUCT TYPE: 12V4000M93L
INTAKE HOUSING

SERIAL NUMBER: 526108554

FG/FGS:

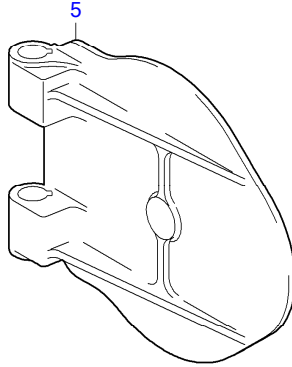
BOM-No.: X59412300090

□	POS.	PART NO.	DESIGNATION	MODEL/TYPE	QTY.	UNITS	WEIGHT FN	MEASUREMENT	STANDARD
	1250	000912006031	SCREW		4	PC	10,2 g	M 6 X 40	DIN912
	1300	X59412300058	CYLINDER	FEDERZYLINDER KLAPPENSTEUERUNG	1	PC	324 g		
	1350	000125010524	WASHER		1	PC	3,1 g	A 10,5	DIN125
	1400	007349010002	WASHER		1	PC	11 g	10,5	DIN7349
	1450	000000001039	HEX SCREW		1	PC	29,8 g	M 10 X 40	ISO4017
	1500	X59499100642	LEVER		1	PC	200 g		
	1550	001481005004	SPRING PIN		1	PC	2,4 g	5 X 28 - N	ISO8752
	1600	304017008083	HEX SCREW		1	PC	15,1 g	M 8 X 30	ISO4017
	1650	000125008427	WASHER		1	PC	1,5 g	A 8,4	DIN125
	1700	X00041795	CLEVIS		1	PC	39,2 g		
	1750	5361400146	ROD		1	PC	66,3 g		
	1800	000125008427	WASHER		4	PC	1,5 g	A 8,4	DIN125
	1850	304017008084	HEX SCREW		2	PC	16,4 g	M 8 X 35	ISO4017
	1900	5069900251	NUT		2	PC	6,4 g		



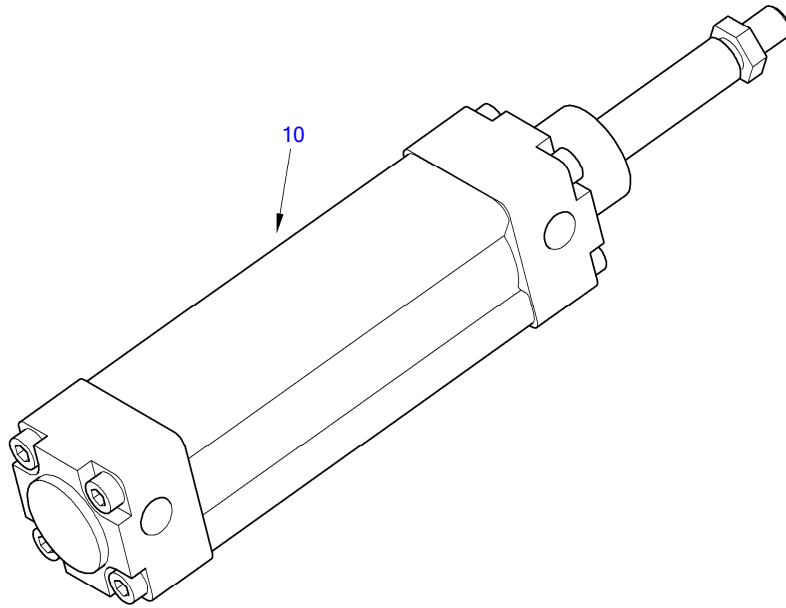
12301004

☐	POS.	PART NO.	DESIGNATION	MODEL/TYPE	QTY.	UNITS	WEIGHT	FN
	100	X52612300095	INTAKE HOUSING	HORIZONTAL/GESCHALTET	1	PC	8,8 kg	EM



12301121

☐	POS.	PART NO.	DESIGNATION	QTY.	UNITS	WEIGHT
	5	5240980010	FLAP	1	PC	1,288 kg



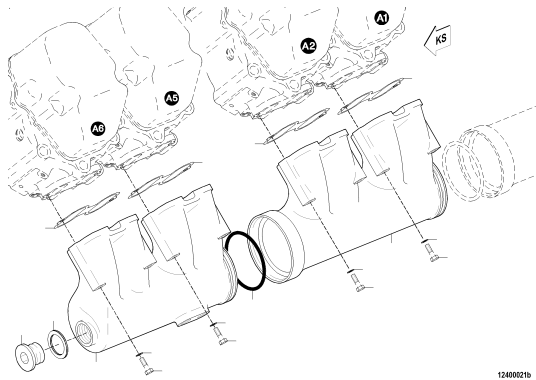
TD0000029335_123

☐	POS.	PART NO.	DESIGNATION	QTY.	UNITS	WEIGHT
	10	XP56900600007	PARTS KIT	1	PC	0,002 kg

GROUP SEGMENT (FGS)

GROUP NAME

BOM-No.



05
AIR PIPING INTERCOOLER TO CYL
XS594120.00019

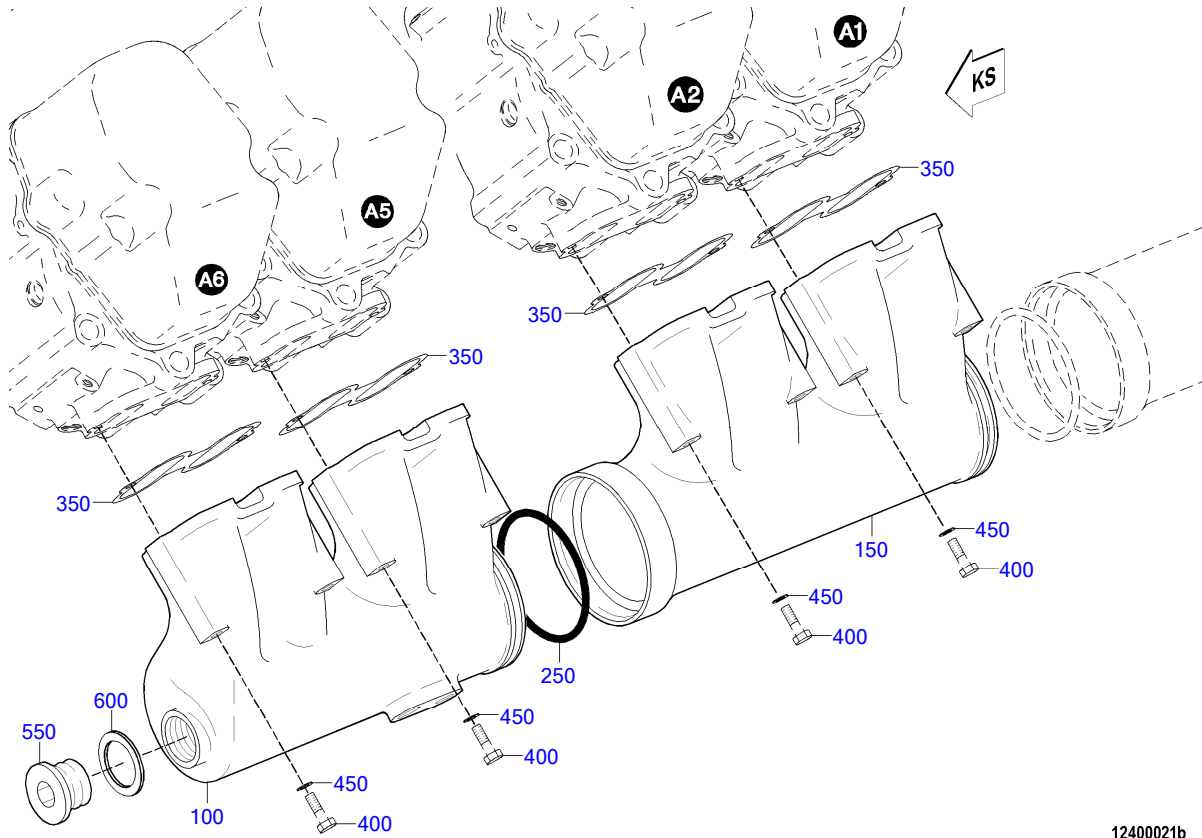
12400021b

EQUI TYPE: Engine

PRODUCT TYPE: 12V4000M93L
AIR PIPING INTERCOOLER TO CYL

SERIAL NUMBER: 526108554

FG/FGS: 124 05
BOM-No.: XS594120.00019



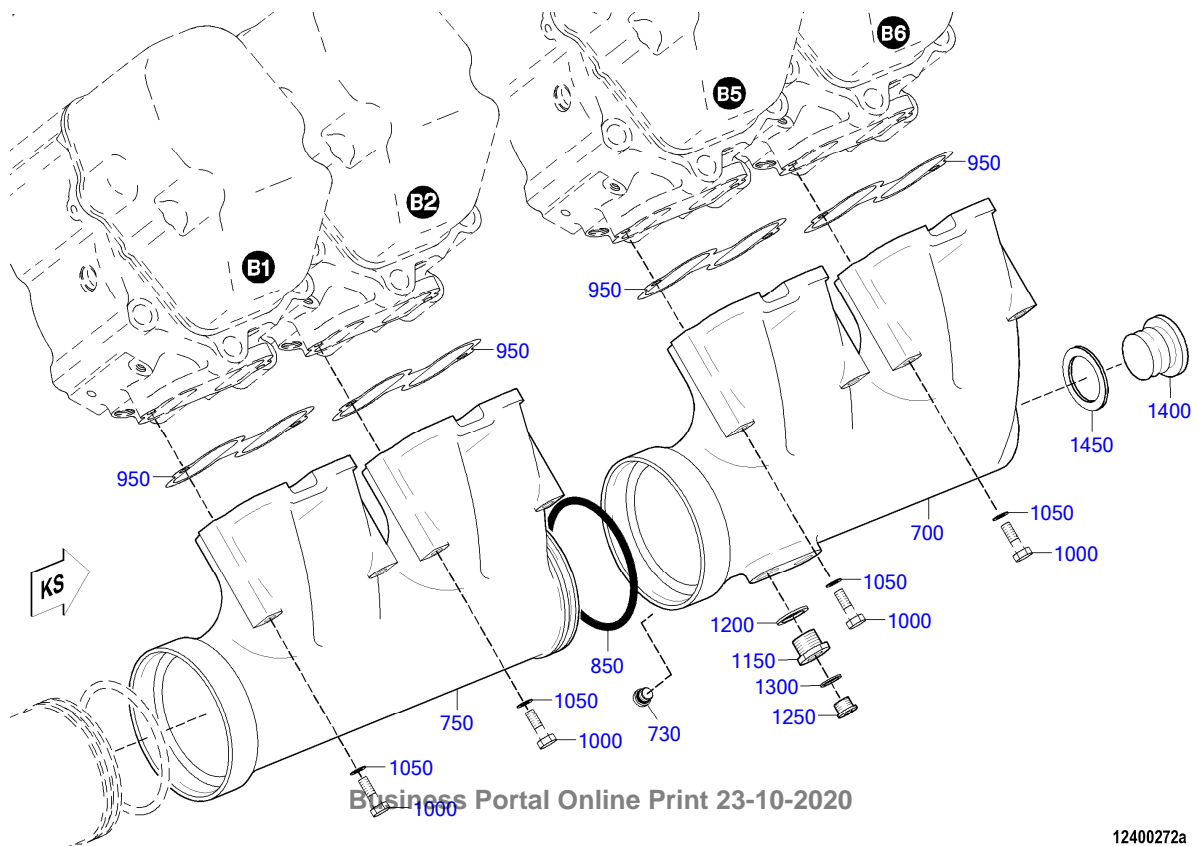
12400021b

EQUI TYPE: Engine

PRODUCT TYPE: 12V4000M93L
AIR PIPING INTERCOOLER TO CYL

SERIAL NUMBER: 526108554

FG/FGS: 124 05
BOM-No.: XS594120.00019



Business Portal Online Print 23-10-2020

12400272a

☐	POS.	PART NO.	DESIGNATION	MODEL/TYPE	QTY.	UNITS	WEIGHT	FN	MEASUREMENT	STANDARD
	100	5240981407	CHARGE-AIR PIPE END PIECE, LEFT		1	PC	7,7 kg	EM		
	150	5240980907	MANIFOLD INTAKE CHRГ AIR CENTER	BR4000	2	PC	8,296 kg	EM		
	250	700429140000	O-RING		3	PC	45 g		140 X 8	MMN429
	350	5240980680	GASKET		6	PC	0,014 kg			
	400	00000001041	HEX SCREW		12	PC	90,2 g		M 10 X140	ISO4014
	450	000125010524	WASHER		6	PC	3,1 g		A 10,5	DIN125
	550	000908052003	THREAD PLUG		1	PC	0,298 kg		M 52 X 1,5	DIN908
	600	007603052101	COPPER SEALING RING		1	PC	12,5 g		A 52 X 60	DIN7603
	700	X59412400026	CHARGE-AIR PIPE END MEMBER, RIGHT		1	PC	7,928 kg	EM		
307	730	735210014000	THREAD PLUG		1	PC	0,019 kg		M 14 X 1,5	MTN5210
	750	5240980907	MANIFOLD INTAKE CHRГ AIR CENTER	BR4000	2	PC	8,296 kg	EM		
	850	700429140000	O-RING		2	PC	45 g		140 X 8	MMN429
	950	5240980680	GASKET		6	PC	0,014 kg			
	1000	00000001041	HEX SCREW		12	PC	90,2 g		M 10 X140	ISO4014
	1050	000125010524	WASHER		6	PC	3,1 g		A 10,5	DIN125
	1150	700354014003	THREADED BUSHING		2	PC	40 g		M 14 X 1,5	MMN354
	1200	007603022102	COPPER SEALING RING		2	PC	0,9 g		A 22 X 27	DIN7603
	1250	000908014001	SCREW PLUG		2	PC	0,016 kg		M 14 X 1,5	DIN908
	1300	007603014102	SEAL RING		2	PC	1 g		A 14 X 18	DIN7603
	1400	000908052003	THREAD PLUG		1	PC	0,298 kg		M 52 X 1,5	DIN908
	1450	007603052101	COPPER SEALING RING		1	PC	12,5 g		A 52 X 60	DIN7603

AIR PIPING BETWEEN EXHAUST TURBOCHARGER AND INTERCOOLER

GROUP SEGMENT (FGS)

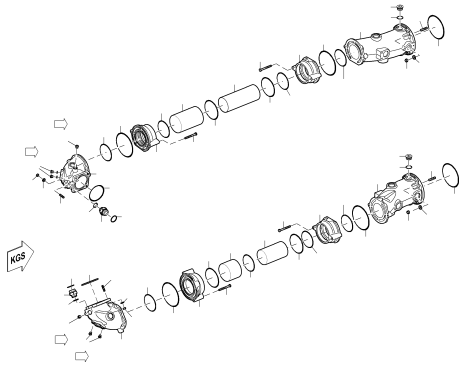
GROUP NAME

BOM-No.

00

AIR PIPING BEFORE INTERCOOLER

XS594120.00020

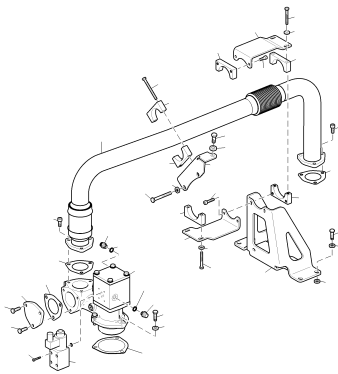


12500109a

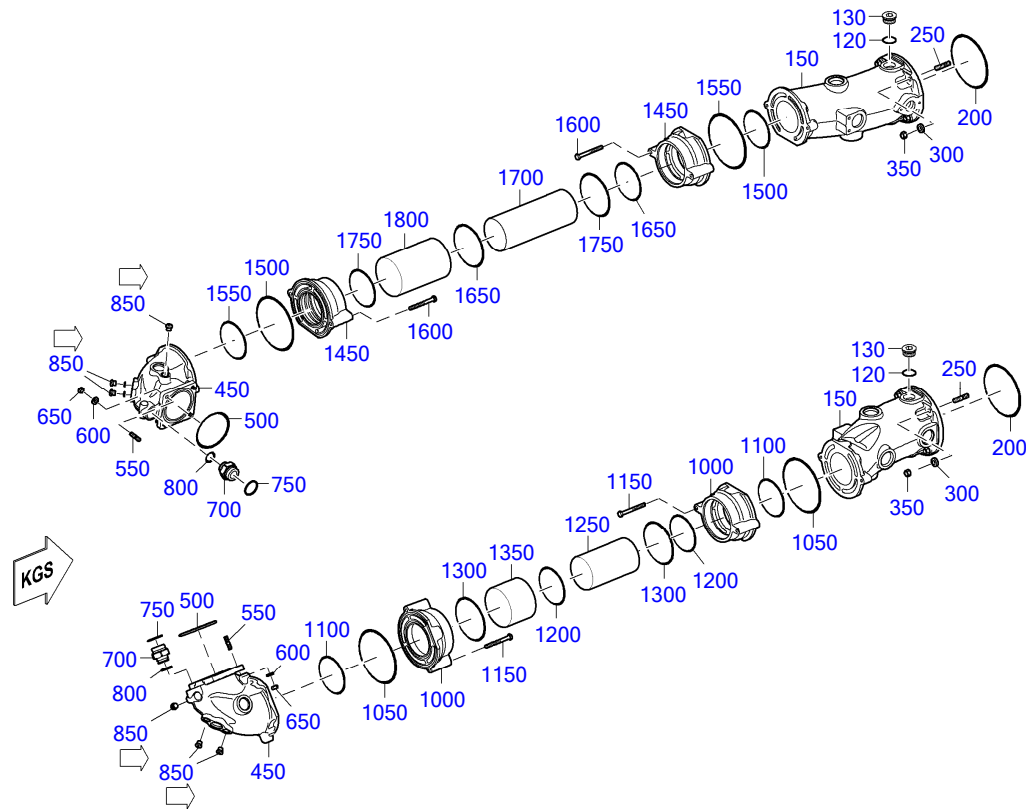
20

DIVERTER VALVE

XS526120.00051



12300091



12500109a

☐	POS.	PART NO.	DESIGNATION	QTY.	UNITS	WEIGHT	FN	MEASUREMENT	STANDARD
	120	007603038101	COPPER SEALING RING	2	PC	5,4 g		A 38 X 44	DIN7603
	130	000908038000	THREAD PLUG	2	PC	0,15 kg		M 38 X 1,5	DIN908
	150	X52712500003	ELBOW LIQUID-COOLED	2	PC	24,23 kg	AB EM		
	200	700429165000	O-RING	2	PC	22,7 g		165 X 5	MMN429
	250	000939012061	STUD	8	PC	39,9 g		M 12 X 40	DIN939
	300	735151012100	SPACER S2000/4000	8	PC	20 g		A 12,5	MTN5151
	350	000000004744	HEX NUT	8	PC	14,3 g		M 12	ISO4032
	450	X52712500001	ELBOW LIQUID-COOLED	2	PC	9,441 kg	AB EM		
	500	735254115000	O-RING	2	PC	13,8 g		115 X 5	MTN5254
	550	000939010056	STUD	8	PC	23,8 g		M 10 X 35	DIN939
	600	735151010100	SPACER	8	PC	11 g		A 10,5	MTN5151
	650	000000003187	NUT HEX A3C	8	PC	9,2 g		M 10	ISO4032
	700	X52620300001	THREADED SLEEVE	2	PC	360,3 g			
	750	007603042101	COPPER SEALING RING	2	PC	8 g		A 42 X 49	DIN7603
	800	700429028002	O-RING	2	PC	2,8 g		28 X 4	MMN429
307	850	735210014000	THREAD PLUG	6	PC	0,019 kg		M 14 X 1,5	MTN5210
	1000	X526125000083	DUAL-PURPOSE PLATE	2	PC	4,302 kg			
	1050	700429170000	O-RING	2	PC	15,5 g		170 X 4	MMN429
	1100	735254118000	O-RING	2	PC	9 g		118 X 4	MTN5254
	1150	000000004740	HEX SCREW	4	PC	63,4 g		M 10 X 95	ISO4014
	1200	X00009934	O-RING	2	PC	0,02 kg		110 X 6	
	1250	X526125000079	GUIDE TUBE	1	PC	1,2 kg		110X2,5	
	1300	X59499100122	O-RING	2	PC	22,6 g		130 X 6	
	1350	X526125000080	GUIDE TUBE	1	PC	768,3 g		130X2,5	
	1450	X526125000083	DUAL-PURPOSE PLATE	2	PC	4,302 kg			


EQUI TYPE: Engine

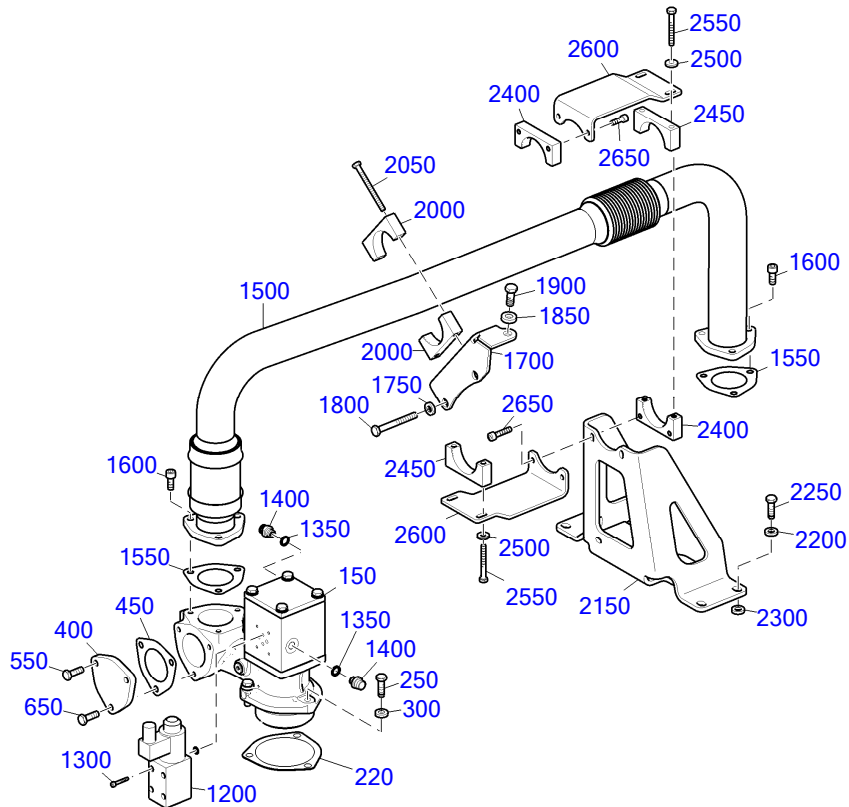
PRODUCT TYPE: 12V4000M93L
AIR PIPING BEFORE INTERCOOLER

SERIAL NUMBER: 526108554

FG/FGS: 125 00

BOM-No.: XS594120.00020

	POS.	PART NO.	DESIGNATION	QTY.	UNITS	WEIGHT	FN	MEASUREMENT	STANDARD
	1500	700429170000	O-RING	2	PC	15,5 g		170 X 4	MMN429
	1550	735254118000	O-RING	2	PC	9 g		118 X 4	MTN5254
	1600	000000004740	HEX SCREW	4	PC	63,4 g		M 10 X 95	ISO4014
	1650	X00009934	O-RING	2	PC	0,02 kg		110 X 6	
	1700	X59412500038	GUIDE TUBE INNER	1	PC	1,9 kg		110X2,5	
	1750	X59499100122	O-RING	2	PC	22,6 g		130 X 6	
	1800	X52612500081	GUIDE TUBE	1	PC	1,645 kg		130X2,5	



12300591

☐	POS.	PART NO.	DESIGNATION	QTY.	UNITS	WEIGHT	FN	MEASUREMENT	STANDARD
	431	150	X59512300014	DIVERTER VALVE	1	PC	9,696 kg	EM	
		220	X59512500026	GASKET F/AIR TRANSFER VALV	1	PC	7,5 g		
		250	000000001039	HEX SCREW	3	PC	29,8 g	M 10 X 40	ISO4017
		300	735151010101	SPACER A10.5 A3C	3	PC	11,2 g	A 10,5	MTN5151
		400	X52812500001	FLANGE	1	PC	691,9 g		
		450	5272030080	GASKET	1	PC	6,5 g		
		550	000000001464	HEX SCREW	1	PC	24,9 g	M 10 X 30	ISO4017
		650	000000003326	HEX SCREW	2	PC	27,4 g	M 10 X 35	ISO4017
		1200	X52499100725	4/2-WAY SOL. VALVE	1	PC	1,874 kg		
		1300	000000003558	BOLT HEX SOC ZNPH R5 F	4	PC	5,4 g	M 5 X 30	DIN912
		1350	007603014102	SEAL RING	2	PC	1 g	A 14 X 18	DIN7603
		1400	915013008002	SCREW NECK	2	PC	24 g	8 (M16X1,5/M14X1,5)	N15013
	430	1500	X59412300007	AIR PIPING	1	PC	6,88 kg	EM	
		1550	5272030080	GASKET	2	PC	6,5 g		
		1600	000912010065	BOLT HEX SOC HD	6	PC	23,9 g	M 10 X 25	DIN912
		1700	X52799100041	RETAINER ON CARRIER HOUSING	1	PC	994,3 g		
		1750	735151010100	SPACER	1	PC	11 g	A 10,5	MTN5151
		1800	000000003510	HEX SCREW	2	PC	60,2 g	M 10 X 90	ISO4014
		1850	735151012100	SPACER S2000/4000	1	PC	20 g	A 12,5	MTN5151
		1900	000000003925	HEX SCREW	1	PC	36,9 g	M 12 X 30	ISO4017
		2000	700346065200	PIPE CLAMP HALF	2	PC	307,7 g	BD 9 - 65	MMN346
		2050	000000003496	HEX SCREW	2	PC	38,2 g	M 8 X 90	ISO4014
		2150	X59599100023	RETAINER	1	PC	6,625 kg		
		2200	735151010101	SPACER A10.5 A3C	4	PC	11,2 g	A 10,5	MTN5151
		2250	000000003326	HEX SCREW	4	PC	27,4 g	M 10 X 35	ISO4017


EQUI TYPE: Engine

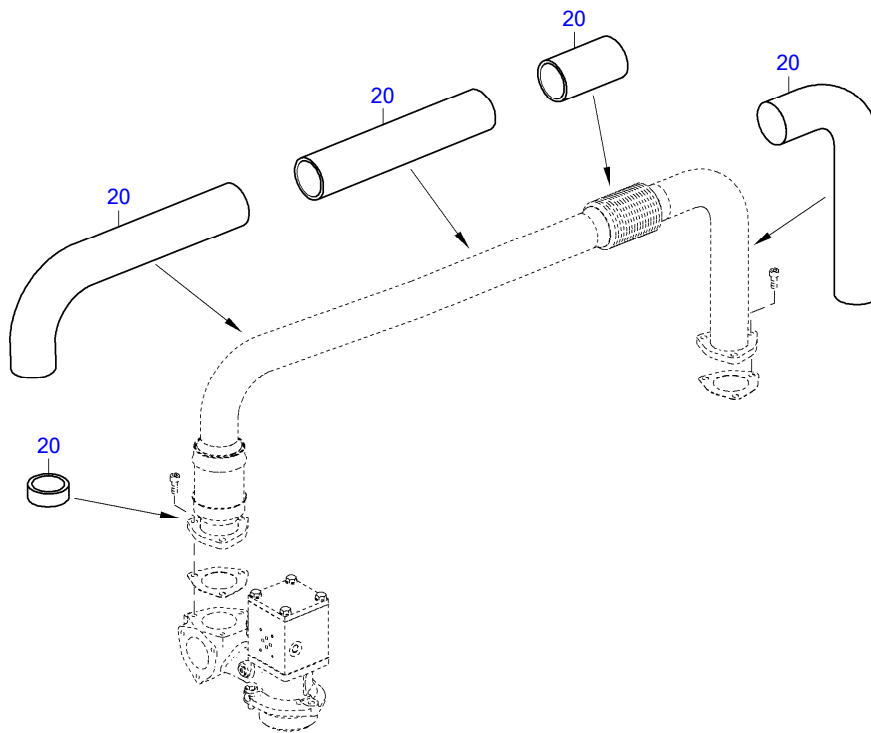
PRODUCT TYPE: 12V4000M93L
DIVERTER VALVE

SERIAL NUMBER: 526108554

FG/FGS: 125 20

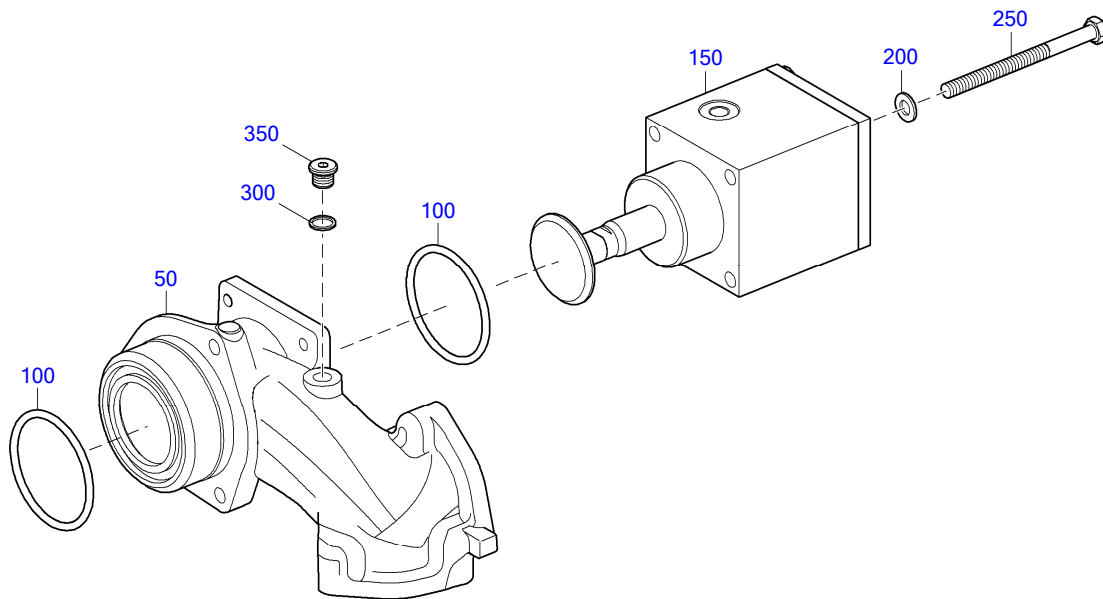
BOM-No.: XS526120.00051

	POS.	PART NO.	DESIGNATION	QTY.	UNITS	WEIGHT	FN	MEASUREMENT	STANDARD
	2300	735151010101	SPACER A10.5 A3C	4	PC	11,2 g		A 10,5	MTN5151
	2400	X59312500003	PIPE HALF-CLAMP	2	PC	323,1 g			
	2450	700346065200	PIPE CLAMP HALF	2	PC	307,7 g		BD 9 - 65	MMN346
	2500	007349008002	WASHER	4	PC	7,9 g		8,4	DIN7349
	2550	204017008032	HEX SCREW	4	PC	25,5 g		M 8 X 65	ISO4017
	2600	X59699100042	RETAINER	2	PC	1,1 kg			
	2650	000912008055	BOLT HEX SOC HD	4	PC	14,3 g		M 8 X 25	DIN912



TD0000015278_123

☐	POS.	PART NO.	DESIGNATION	MODEL/TYPE	QTY.	UNITS	FN
	20	XP59412300068	INSULATION	ZU ZB X59412300007	1	PC	UB



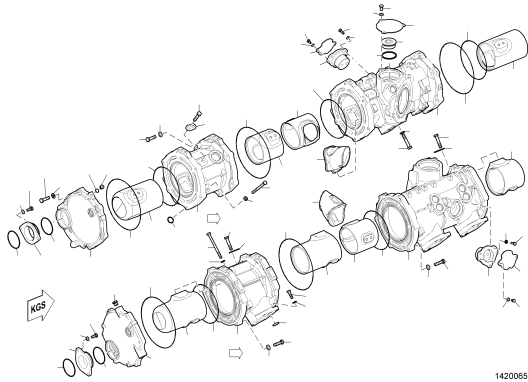
12600081a

☐	POS.	PART NO.	DESIGNATION	MODEL/TYPE	QTY.	UNITS	WEIGHT	FN	MEASUREMENT	STANDARD
	50	X59612300005	VALVE HOUSING		1	PC	5,44 kg	EM		
	100	700429075001	O-RING		2	PC	10,6 g		75 X 5	MMN429
	150	X59612300007	CYLINDER	BR4000	1	PC	3,916 kg			
	200	000125010524	WASHER		4	PC	3,1 g		A 10,5	DIN125
	250	000000004400	HEX SCREW		4	PC	84 g		M 10 X130	ISO4014
	300	007603014102	SEAL RING		2	PC	1 g		A 14 X 18	DIN7603
	350	000908014001	SCREW PLUG		2	PC	0,016 kg		M 14 X 1,5	DIN908

GROUP SEGMENT (FGS)

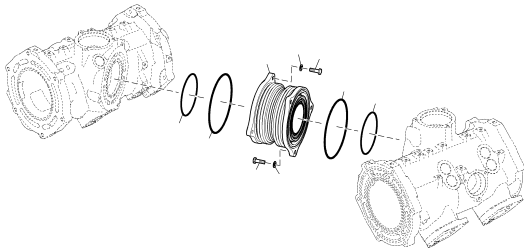
GROUP NAME

BOM-No.



14200653

10
EXHAUST SYSTEM F/CYL. TO T'CHARGER
XS594140.00085



14200300a

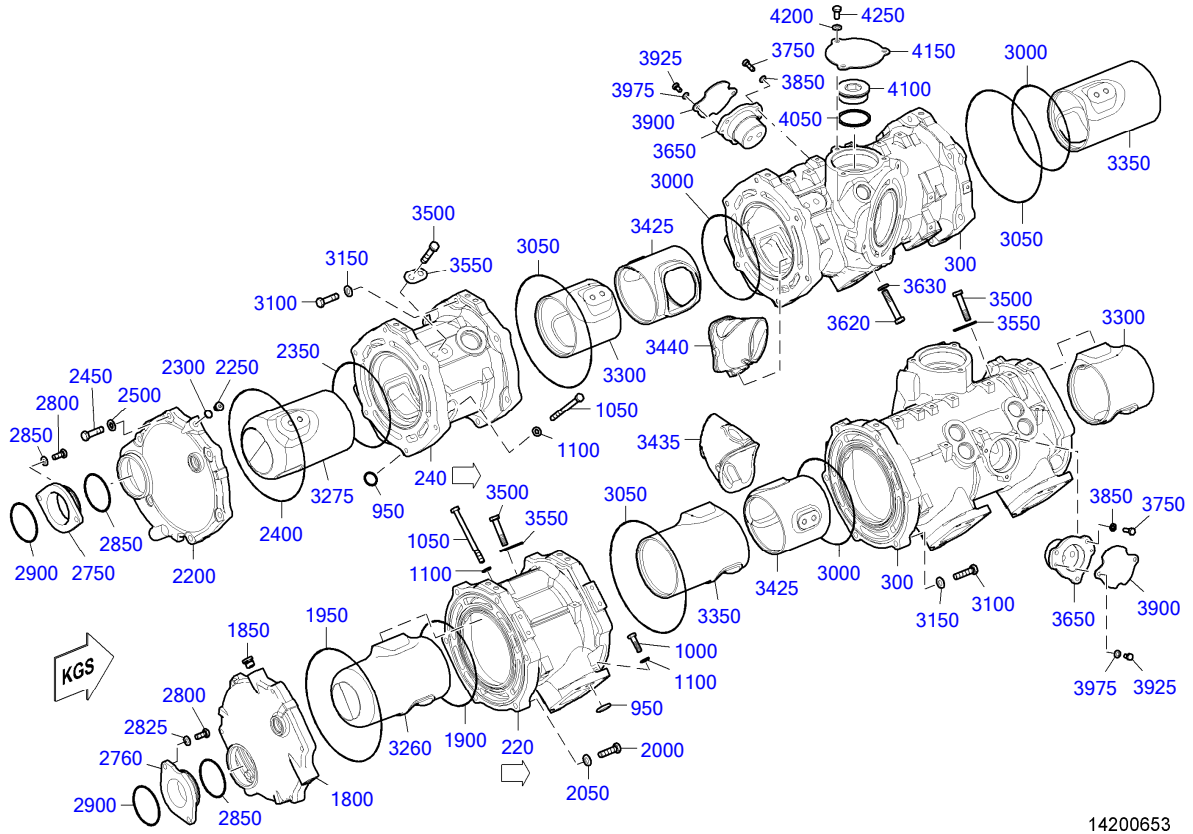
20
EXH PIPE BELLOWS
XS596140.00008

EQUI TYPE: Engine

PRODUCT TYPE: 12V4000M93L
EXHAUST SYSTEM F/CYL. TO T'CHARGER

SERIAL NUMBER: 526108554

FG/FGS: 141 10
BOM-No.: XS594140.00085

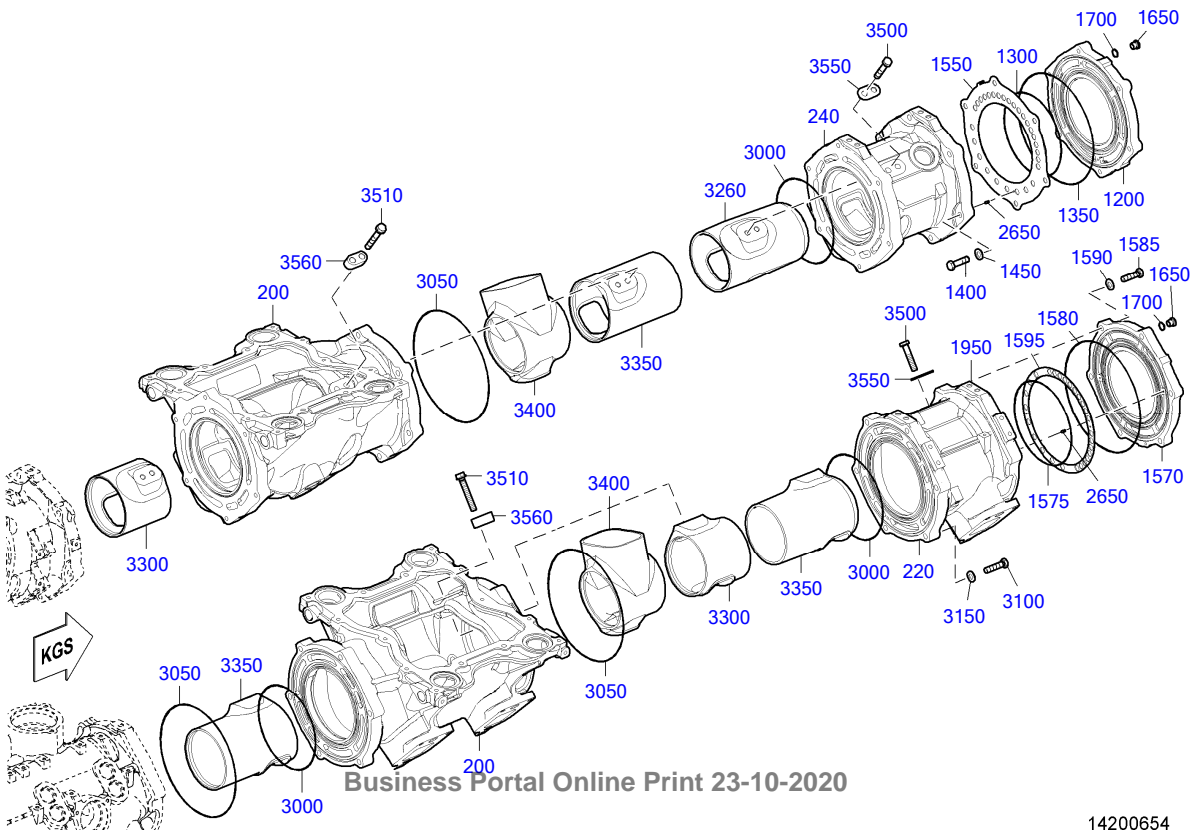


EQUI TYPE: Engine

PRODUCT TYPE: 12V4000M93L
EXHAUST SYSTEM F/CYL. TO T'CHARGER

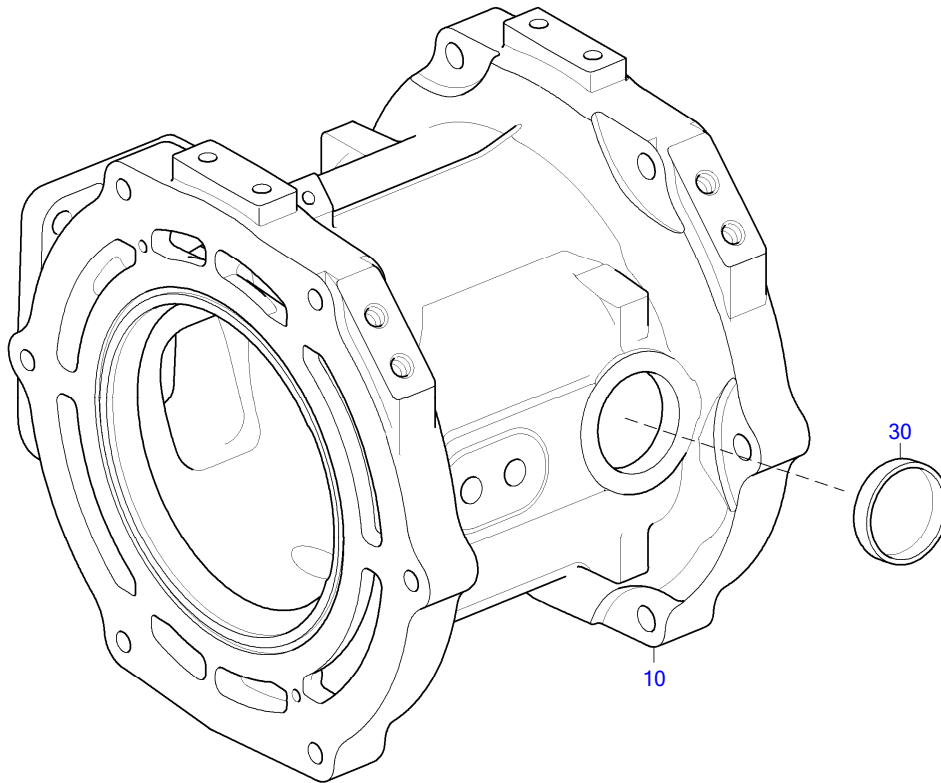
SERIAL NUMBER: 526108554

FG/FGS: 141 10
BOM-No.: XS594140.00085



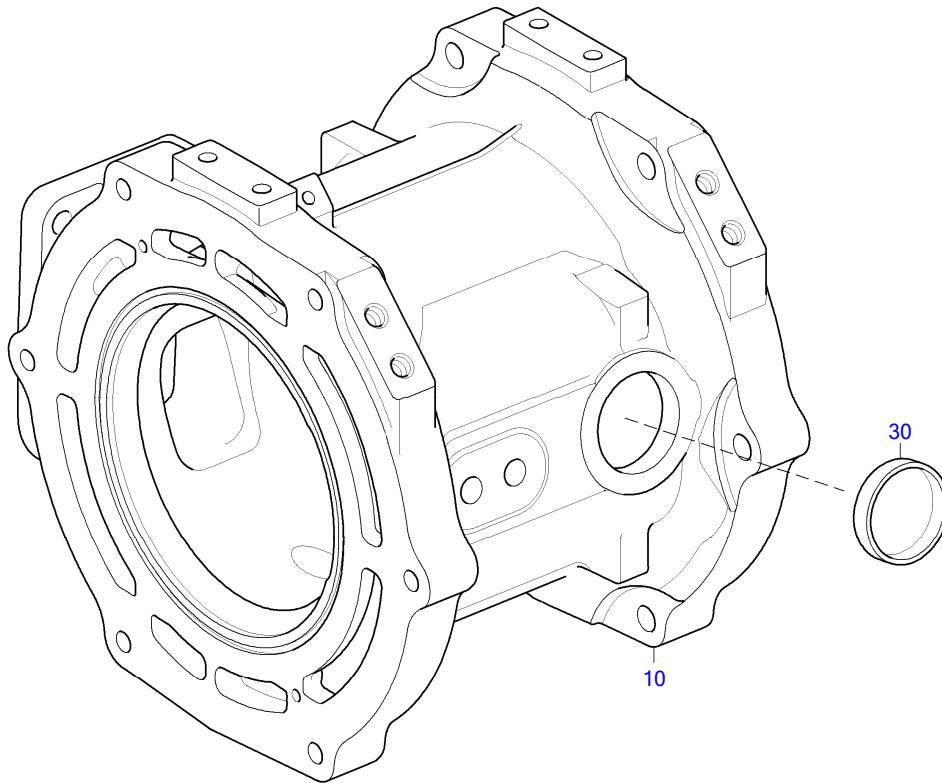
☐	POS.	PART NO.	DESIGNATION	MODEL/TYPE	QTY.	UNITS	WEIGHT	FN	MEASUREMENT	STANDARD
	200	X59414100007	EXHAUST HOUSING		2	PC	59,833 kg	SB EM		
434	220	X59414100066	EXHAUST HOUSING		2	PC	30,6 kg	EM		
435	240	X59414100067	EXHAUST HOUSING		2	PC	30,333 kg	EM		
	300	X59414100009	EXHAUST HOUSING		2	PC	62,333 kg	SB EM		
	950	700429024000	O-RING		12	PC	3,9 g		24 X 5	MMN429
	1000	000000003326	HEX SCREW		24	PC	27,4 g		M 10 X 35	ISO4017
	1050	000000004400	HEX SCREW		12	PC	84 g		M 10 X130	ISO4014
	1100	000125010524	WASHER		36	PC	3,1 g		A 10,5	DIN125
	1200	X59414100020	END COVER		1	PC	6,488 kg	SB		
	1300	X59499100113	O-RING		2	PC	15 g		194 X 4	MMN429
	1350	X59499100114	O-RING		2	PC	19,9 g		258 X 4	MMN429
	1400	000000003437	HEX SCREW		6	PC	50,8 g		M 12 X 50	ISO4017
	1450	000125013012	WASHER		6	PC	5,6 g		A 13	DIN125
	1550	X59414100047	RESTRICTOR		1	PC	513,7 g			
	1570	X59414100029	END COVER		1	PC	6,352 kg	SB		
	1575	X59499100113	O-RING		1	PC	15 g		194 X 4	MMN429
	1580	X59499100114	O-RING		1	PC	19,9 g		258 X 4	MMN429
	1585	000000004743	HEX SCREW		6	PC	47,7 g		M 12 X 45	ISO4017
	1590	000125013012	WASHER		6	PC	5,6 g		A 13	DIN125
	1595	X59414100022	RESTRICTOR		1	PC	132,9 g			
	1650	000908014001	SCREW PLUG		4	PC	0,016 kg		M 14 X 1,5	DIN908
	1700	007603014102	SEAL RING		4	PC	1 g		A 14 X 18	DIN7603
	1800	X59414100018	CONNECTING PIECE		1	PC	6,5 kg	SB		
	1850	735210018000	PLUG		1	PC	0,036 kg		M 18 X 1,5	MTN5210
	1900	X59499100113	O-RING		1	PC	15 g		194 X 4	MMN429
	1950	X59499100114	O-RING		1	PC	19,9 g		258 X 4	MMN429
	2000	000000003437	HEX SCREW		6	PC	50,8 g		M 12 X 50	ISO4017
	2050	000125013012	WASHER		6	PC	5,6 g		A 13	DIN125
	2200	X59414100016	CONNECTING PIECE		1	PC	7,615 kg	SB		
	2250	000908014001	SCREW PLUG		1	PC	0,016 kg		M 14 X 1,5	DIN908
	2300	007603014102	SEAL RING		1	PC	1 g		A 14 X 18	DIN7603
	2350	X59499100113	O-RING		1	PC	15 g		194 X 4	MMN429
	2400	X59499100114	O-RING		1	PC	19,9 g		258 X 4	MMN429
	2450	000000004743	HEX SCREW		6	PC	47,7 g		M 12 X 45	ISO4017
	2500	000125013012	WASHER		6	PC	5,6 g		A 13	DIN125
	2650	000000003948	PIN SPRING 18-8		3	PC	0,5 g		4 X 10 - N	ISO8752
	2750	X52620200153	FLANGE		1	PC	653,9 g			
	2760	X52620200154	FLANGE		1	PC	907,4 g			
	2800	000000003021	HEX SCREW		4	PC	22,8 g		M 10 X 25	ISO4017
	2825	000125010524	WASHER		4	PC	3,1 g		A 10,5	DIN125
	2850	700429080001	O-RING		2	PC	11,3 g		80 X 5	MMN429
	2900	700429083000	O-RING		2	PC	11,7 g		83 X 5	MMN429
	3000	X59499100113	O-RING		6	PC	15 g		194 X 4	MMN429
	3050	X59499100114	O-RING		6	PC	19,9 g		258 X 4	MMN429
	3100	000000003437	HEX SCREW		36	PC	50,8 g		M 12 X 50	ISO4017
	3150	000125013012	WASHER		36	PC	5,6 g		A 13	DIN125
	3260	X59414100027	EXHAUST LINE INNER ELEMENT		2	PC	5,734 kg	EM		
	3275	X59414100028	EXHAUST LINE INNER ELEMENT		2	PC	5,57 kg	EM		
	3300	X59414100012	EXHAUST PIPE		4	PC	3,062 kg	EM		
	3350	X59414100013	EXHAUST PIPE		4	PC	4,73 kg	EM		
	3400	X52814100016	EXHAUST PIPE TO TURBOCHARGER		2	PC	4 kg	EM		
	3425	X59414100015	EXHAUST LINE	BR4000	2	PC	2,7 kg	EM	165x135	
	3435	X59414100037	EXHAUST PIPE		1	PC	1,67 kg	EM		
	3440	X59414100036	EXHAUST PIPE		1	PC	1,738 kg	EM		

☐	POS.	PART NO.	DESIGNATION	MODEL/TYPE	QTY.	UNITS	WEIGHT	FN	MEASUREMENT	STANDARD
	3500	204017012032	HEX SCREW		24	PC	58,7 g		M 12 X 60	ISO4017
	3510	X59699100581	COLLAR SCREW		8	PC	78,5 g			
	3550	X59614100003	SPACER		12	PC	29 g			
	3560	X59699100577	SPACER F. HOT ENGINE PARTS		4	PC	142 g			
	3620	000000001710	HEX SCREW		4	PC	68,5 g		M 12 X 70	ISO4017
	3630	8379902540	WASHER		4	PC	7,5 g			
	3650	X59414100035	RETAINER FOR EXH. PIPE		2	PC	1,7 kg			
	3750	304017008081	HEX SCREW		6	PC	13,4 g		M 8 X 25	ISO4017
	3850	000125008427	WASHER		6	PC	1,5 g		A 8,4	DIN125
	3900	X59414100038	COVER PLATE		2	PC	221,6 g			
	3925	204017008022	HEX SCREW		4	PC	10 g		M 8 X 14	ISO4017
	3975	000125008427	WASHER		4	PC	1,5 g		A 8,4	DIN125
	4050	007603064100	WASHER A COP		1	PC	15 g		A 64 X 72	DIN7603
	4100	000908064000	PLUG		1	PC	0,515 kg		M 64 X 2	DIN908
	4150	X59614100002	BLIND FLANGE		1	PC	420,9 g			
	4200	000125010524	WASHER		3	PC	3,1 g		A 10,5	DIN125
	4250	000000003020	HEX SCREW		3	PC	20 g		M 10 X 20	ISO4017



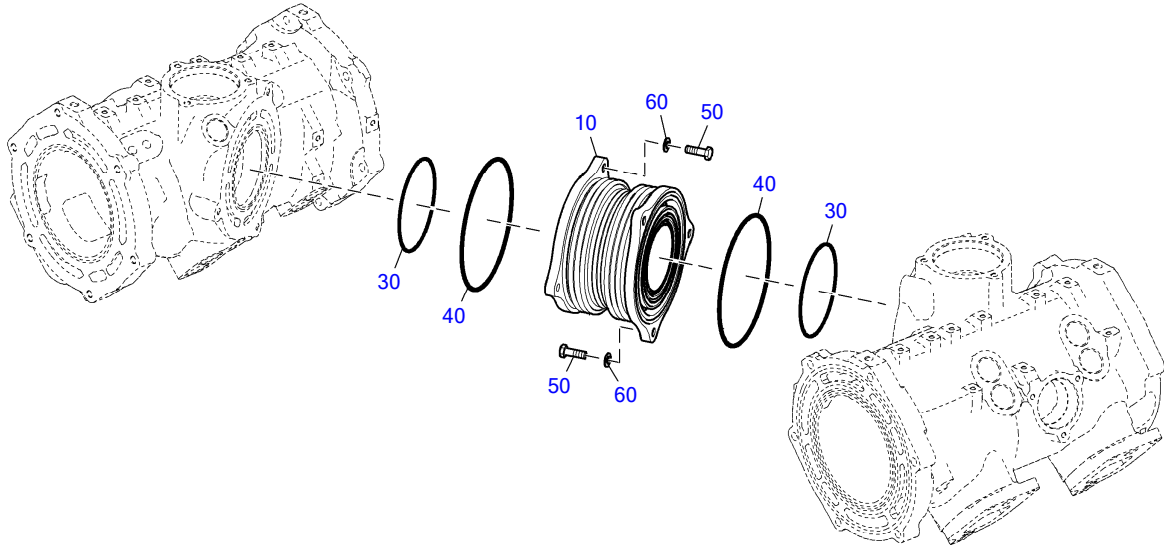
10102136

☐	POS.	PART NO.	DESIGNATION	QTY.	UNITS	WEIGHT	FN	MEASUREMENT
	10	X59414100063	EXHAUST HOUSING	1	PC	30,363 kg	EM	
	30	5249970020	SEALING CAP	1	PC	62,6 g		D 50



10102136

☐	POS.	PART NO.	DESIGNATION	QTY.	UNITS	WEIGHT	FN	MEASUREMENT
	10	X59414100065	EXHAUST HOUSING	1	PC	30,133 kg	EM	
	30	5249970020	SEALING CAP	1	PC	62,6 g		D 50



14200300a

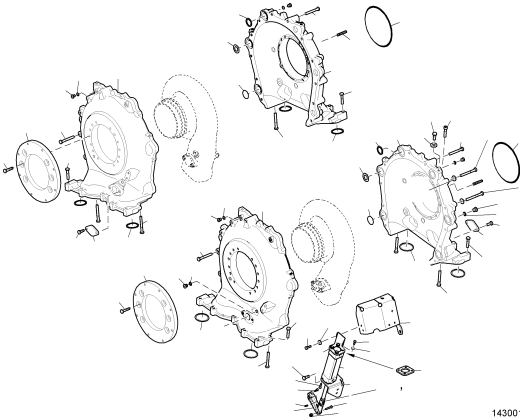
☐	POS.	PART NO.	DESIGNATION	MODEL/TYPE	QTY.	UNITS	WEIGHT	FN	MEASUREMENT	STANDARD
	10	X59499100411	EXH PIPE BELLOWS	METALL DRUCKBEAUFSCHLAGT WA	1	PC	6,1 kg	EM		
	30	X59499100111	O-RING		2	PC	10,9 g		142 X 4	MMN429
	40	X59499100112	O-RING		2	PC	14,7 g		192 X 4	MMN429
	50	204017010016	HEX SCREW		6	PC	26,1 g		M 10 X 32	ISO4017
	60	000125010524	WASHER		6	PC	3,1 g		A 10,5	DIN125

GROUP SEGMENT (FGS)

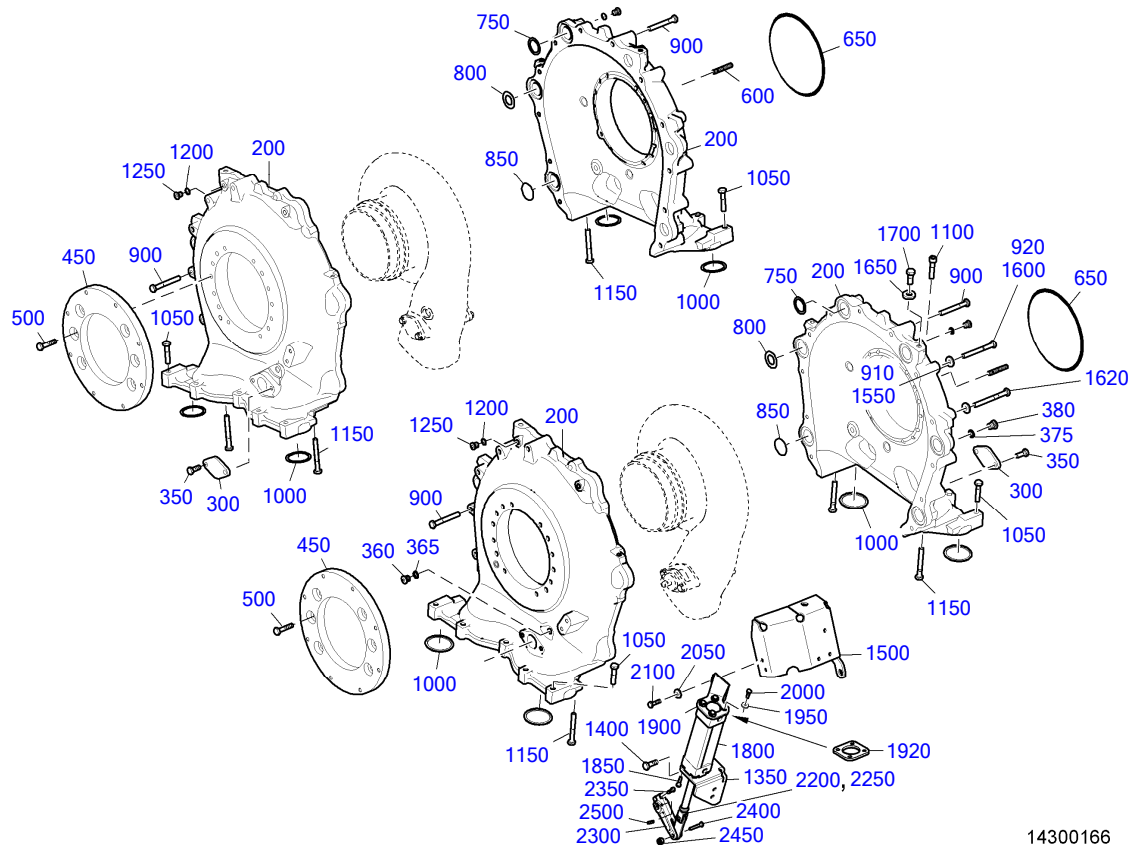
GROUP NAME

BOM-No.

05
CARRIER HOUSING F/TURBOCHARGER
XS595140.00002



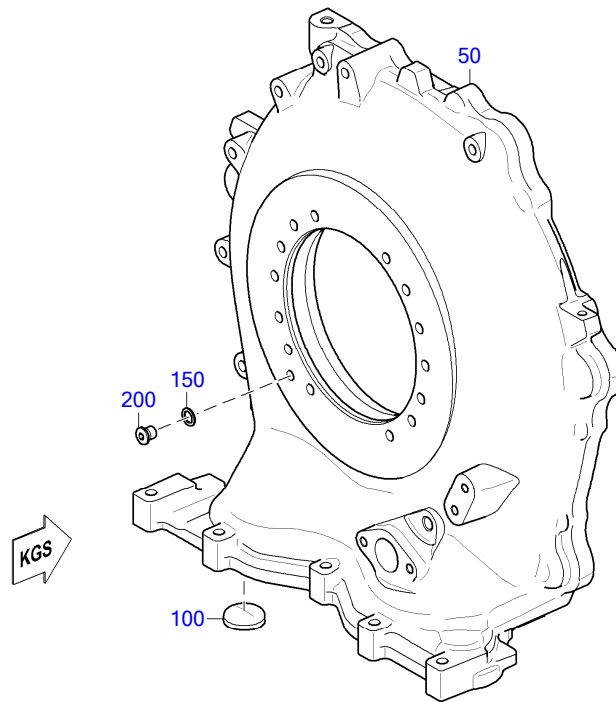
14300166



14300166

☐	POS.	PART NO.	DESIGNATION	QTY.	UNITS	WEIGHT	FN	MEASUREMENT	STANDARD
	439	200	X59414300006 CARRIER HOUSING	4	PC	42,875 kg	EM		
		300	5261420091 COVER	3	PC	195,3 g			
		350	00000003021 HEX SCREW	6	PC	22,8 g		M 10 X 25	ISO4017
		360	000908014001 SCREW PLUG	2	PC	0,016 kg		M 14 X 1,5	DIN908
		365	007603014102 SEAL RING	2	PC	1 g		A 14 X 18	DIN7603
		375	000908014001 SCREW PLUG	2	PC	0,016 kg		M 14 X 1,5	DIN908
		380	007603014102 SEAL RING	2	PC	1 g		A 14 X 18	DIN7603
		450	X52814300005 INTERMEDIATE FLANGE	2	PC	8,006 kg			
		500	304017010035 HEX SCREW	12	PC	32,1 g		M 10 X 45	ISO4017
		600	000939010115 STUD	12	PC	29,7 g		M 10 X 45	DIN939
		650	700429200002 O-RING	2	PC	17,3 g		200 X 4	MMN429
		750	X59420200233 RESTRICTOR	4	PC	7,4 g			
		800	X59420200234 RESTRICTOR	4	PC	9,6 g			
		850	X59420200235 RESTRICTOR	4	PC	12,4 g			
		900	304017010034 HEX SCREW	21	PC	49,7 g		M 10 X 80	ISO4017
		910	007349010002 WASHER	1	PC	11 g		10,5	DIN7349
		920	000000003510 HEX SCREW	1	PC	60,2 g		M 10 X 90	ISO4014
		1000	X59420200238 RESTRICTOR	8	PC	10,9 g			
		1050	000000001042 HEX SCREW	19	PC	34,6 g		M 10 X 50	ISO4017
		1100	000912010016 BOLT HEX SOC HD	1	PC	38 g		M 10 X 50	DIN912
		1150	000000000906 HEX SCREW	8	PC	49,4 g		M 10 X 80	ISO4017
		1200	007603012111 COPPER SEALING RING	6	PC	0,7 g		A 12 X 15,5	DIN7603
		1250	000908012003 THREAD PLUG	6	PC	11,9 g		M 12 X 1,5	DIN908
		1350	X59418500017 RETAINER F/TURBO OIL SUPPLY	1	PC	1,62 kg			
		1400	000000003021 HEX SCREW	2	PC	22,8 g		M 10 X 25	ISO4017

☐	POS.	PART NO.	DESIGNATION	QTY.	UNITS	WEIGHT	FN	MEASUREMENT	STANDARD
	1500	X59418500032	RETAINER	1	PC	2 kg			
	1550	007349010002	WASHER	2	PC	11 g		10,5	DIN7349
	1600	000000003510	HEX SCREW	1	PC	60,2 g		M 10 X 90	ISO4014
	1620	204014010006	HEX SCREW	1	PC	66,3 g		M 10 X100	ISO4014
	1650	007349013002	WASHER	1	PC	24,5 g		13	DIN7349
	1700	000000003925	HEX SCREW	1	PC	36,9 g		M 12 X 30	ISO4017
424	1800	X56912300043	ACTUATING CYLINDER	1	PC	1,2 kg			
	1850	304017006063	HEX SCREW	4	PC	6,8 g		M 6 X 25	ISO4017
	1900	X59418500052	RETAINER	1	PC	815,2 g			
	1920	X59499100117	SPACER	1	PC	79,8 g			
	1950	007349006004	WASHER	4	PC	4,1 g		6,4	DIN7349
	2000	304017006065	HEX SCREW	4	PC	7,5 g		M 6 X 30	ISO4017
	2050	007349008002	WASHER	2	PC	7,9 g		8,4	DIN7349
	2100	204017008011	HEX SCREW	2	PC	12,2 g		M 8 X 22	ISO4017
	2200	X00041795	CLEVIS	1	PC	39,2 g			
	2250	X52499100007	ARTICULATED BEARING FOR FLAP CONTROL	1	PC	76,5 g	AB		
	2300	X52810100084	LEVER F/EXH FLAP CONTROL	1	PC	269 g			
	2350	000912006018	SCREW	1	PC	6,2 g		M 6 X 20	DIN912
	2400	304017008084	HEX SCREW	1	PC	16,4 g		M 8 X 35	ISO4017
	2450	5069900251	NUT	1	PC	6,4 g			
	2500	001481005030	PIN SPRING	1	PC	2,4 g		5 X 24 - N	ISO8752

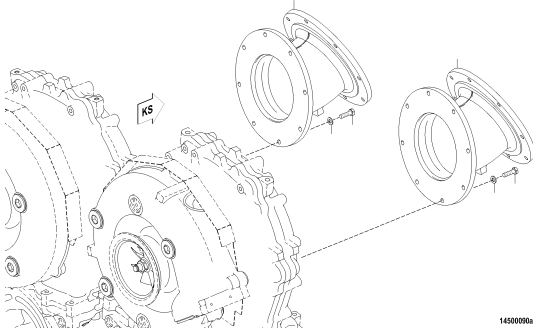


TD0000030076_143

☐	POS.	PART NO.	DESIGNATION	QTY.	UNITS	WEIGHT	FN	MEASUREMENT	STANDARD
	50	X59414300004	CARRIER HOUSING	1	PC	40,14 kg	EM		
	100	5370160233	SEALING CAP	1	PC	32 g		D 40	
	150	007603012106	WASHER A COP	1	PC	1,52 g		A 12 X 18	DIN7603
	200	000908012003	THREAD PLUG	1	PC	11,9 g		M 12 X 1,5	DIN908

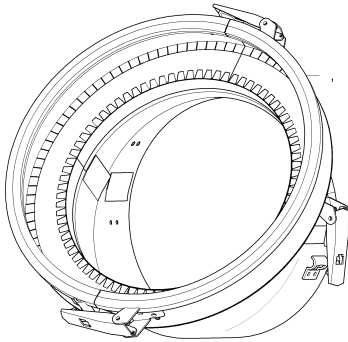
GROUP SEGMENT (FGS)
GROUP NAME
BOM-No.

05
EXH. LINES AFTER TC 30 DEGREES HORIZONT
XS594140.00008



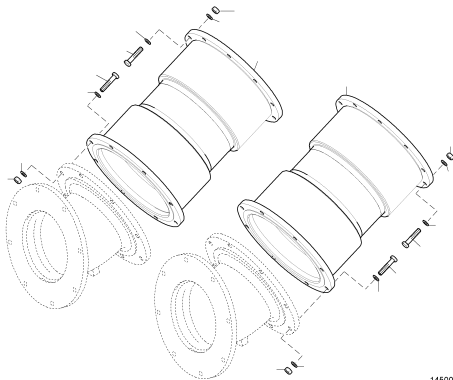
1450006a

05
INSULATION FOR EXHAUST ELBOW
XS594140.00012

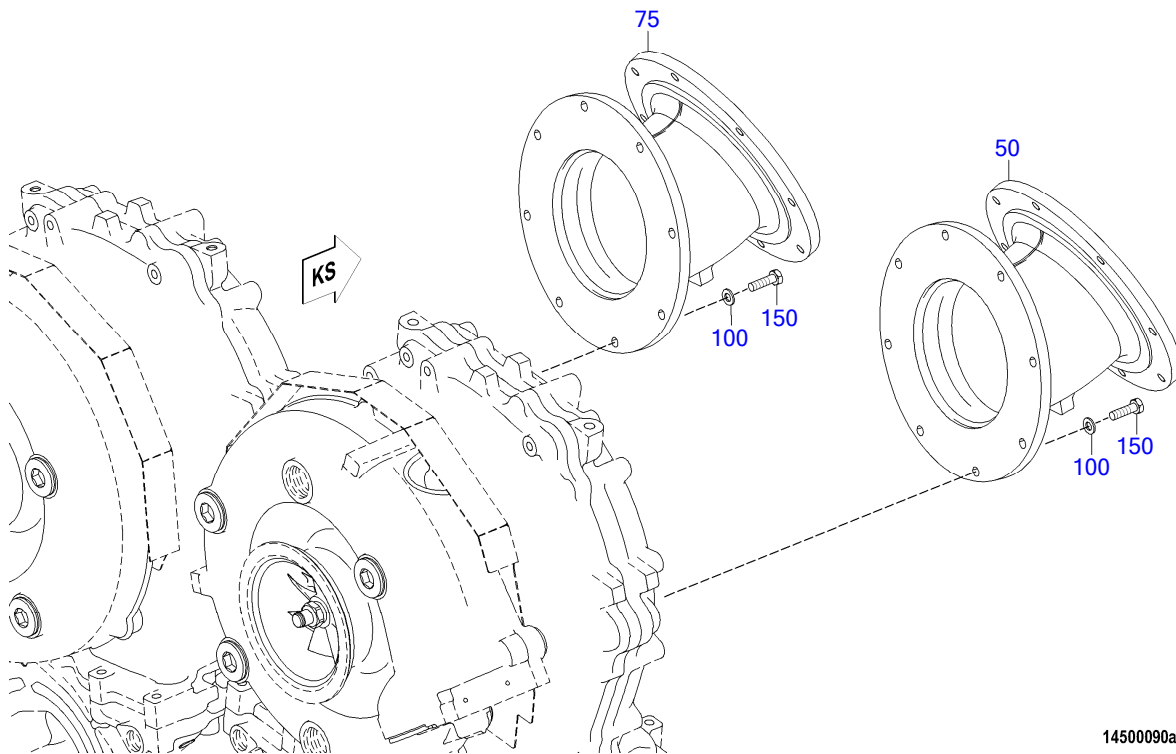


14500100a

05
EXH PIPE BELLOWS
XS594140.00078

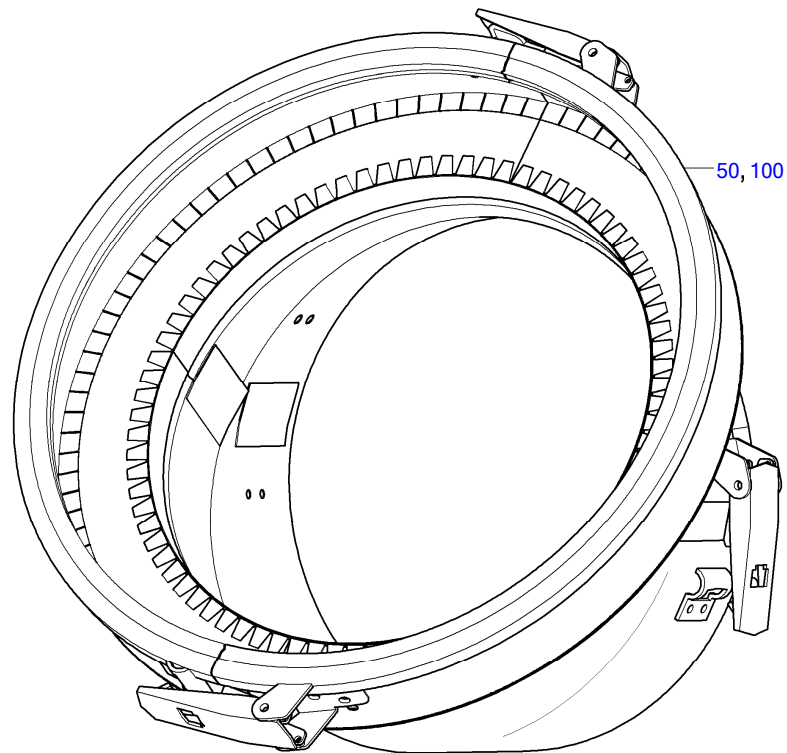


14500231



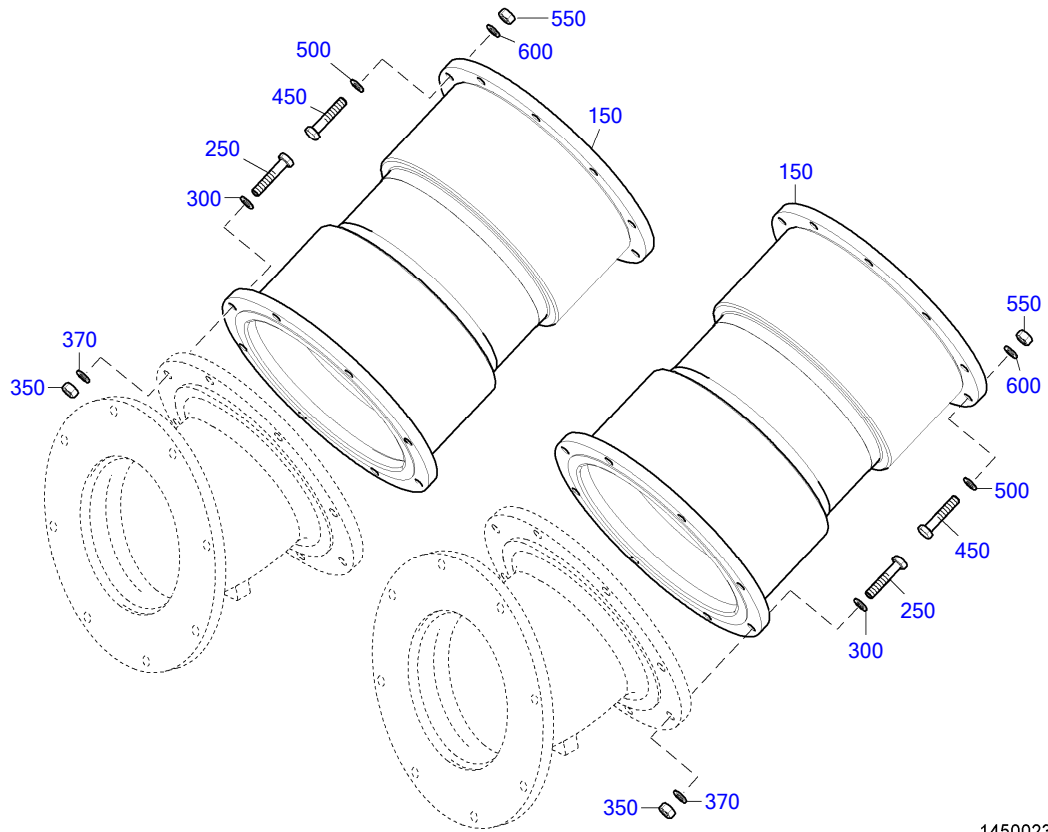
14500090a

☐	POS.	PART NO.	DESIGNATION	QTY.	UNITS	WEIGHT	FN	MEASUREMENT	STANDARD
	50	X52614500008	EXHAUST ELBOW 30GRAD HORIZONTAL	1	PC	18,3 kg	EM		
	75	X52614500009	EXHAUST ELBOW 30GRAD HORIZONTAL	1	PC	21 kg	EM		
	100	000125010524	WASHER	16	PC	3,1 g		A 10,5	DIN125
	150	000000003326	HEX SCREW	16	PC	27,4 g		M 10 X 35	ISO4017



14500100a

☐	POS.	PART NO.	DESIGNATION	QTY.	UNITS	WEIGHT
	50	X52614500011	INSULATION FOR EXHAUST ELBOW	1	PC	2,1 kg
	100	X52614500012	INSULATION FOR EXHAUST ELBOW	1	PC	2,6 kg



14500231

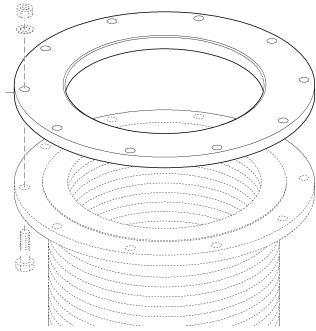
☐	POS.	PART NO.	DESIGNATION	MODEL/TYPE	QTY.	UNITS	WEIGHT	FN	MEASUREMENT	STANDARD
	150	X59414100123/87	EXH PIPE BELLOWS WITH TEST CERT. 3.1 METALL DRUCKLOS		2	PC	11,9 kg	EM		
	250	204017010024	HEX SCREW		16	PC	35,6 g	M 10 X 50		ISO4017
	300	200433010500	WASHER		16	PC	1,9 g	10,5		DIN433
	350	000000003317	HEX NUT		16	PC	9,2 g	M 10		ISO4032
	370	200433010500	WASHER		16	PC	1,9 g	10,5		DIN433
	450	204017010024	HEX SCREW		20	PC	35,6 g	M 10 X 50		ISO4017
	500	200433010500	WASHER		20	PC	1,9 g	10,5		DIN433
	550	000000003317	HEX NUT		20	PC	9,2 g	M 10		ISO4032
	600	200433010500	WASHER		20	PC	1,9 g	10,5		DIN433

GROUP SEGMENT (FGS)

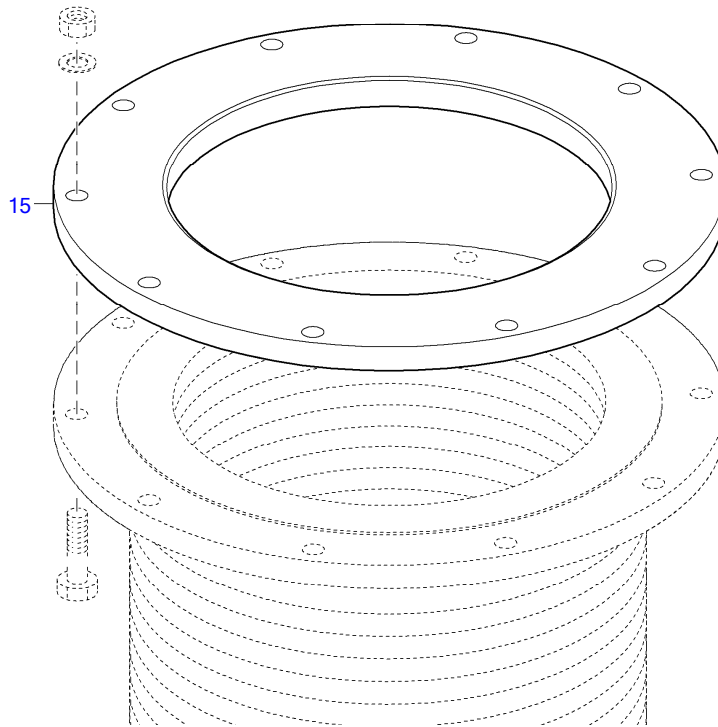
GROUP NAME

BOM-No.

05
FLANGE
140.00038



TD0000024004_146



TD0000024004_146

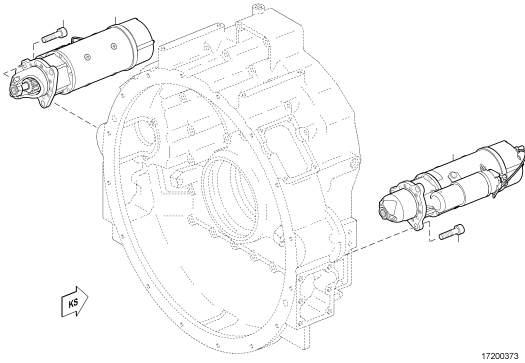
☐	POS.	PART NO.	DESIGNATION	QTY.	UNITS	WEIGHT
	15	5261420115	FLANGE	2	PC	4,2 kg

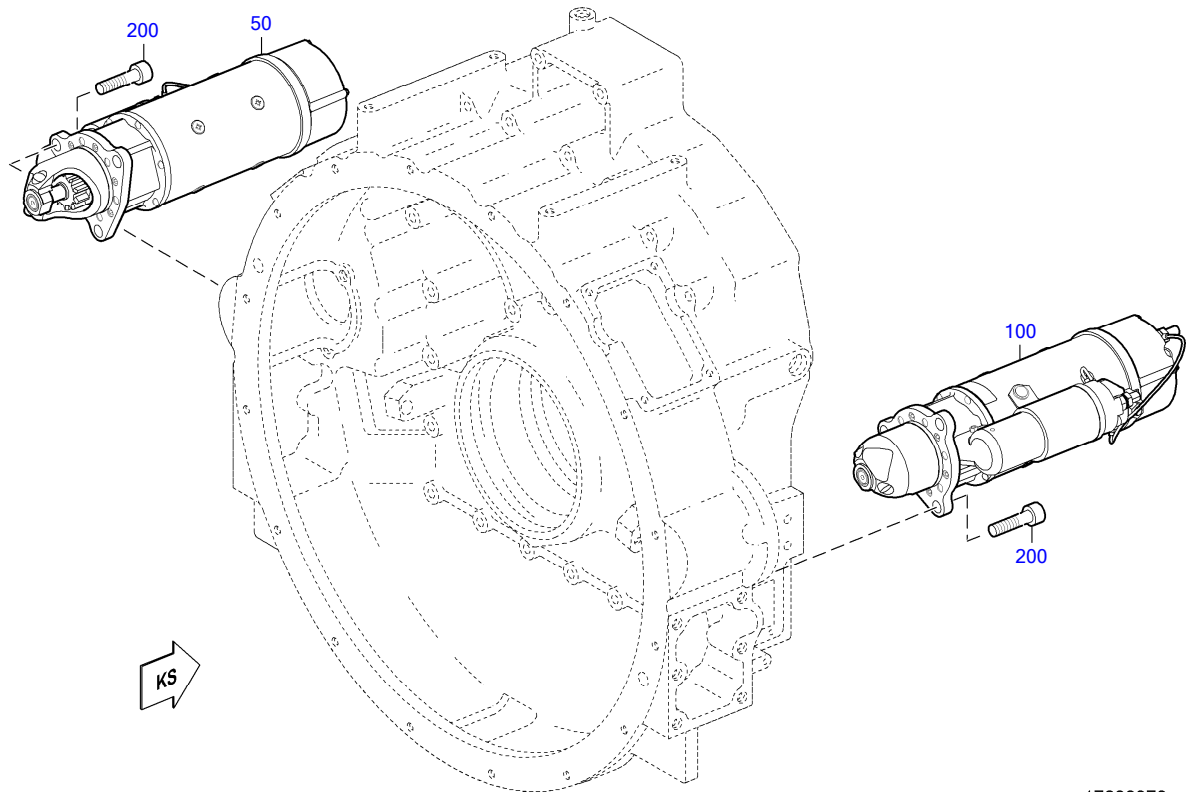
GROUP SEGMENT (FGS)

GROUP NAME

BOM-No.

05
STARTER ELECTRIC
XS594170.00009





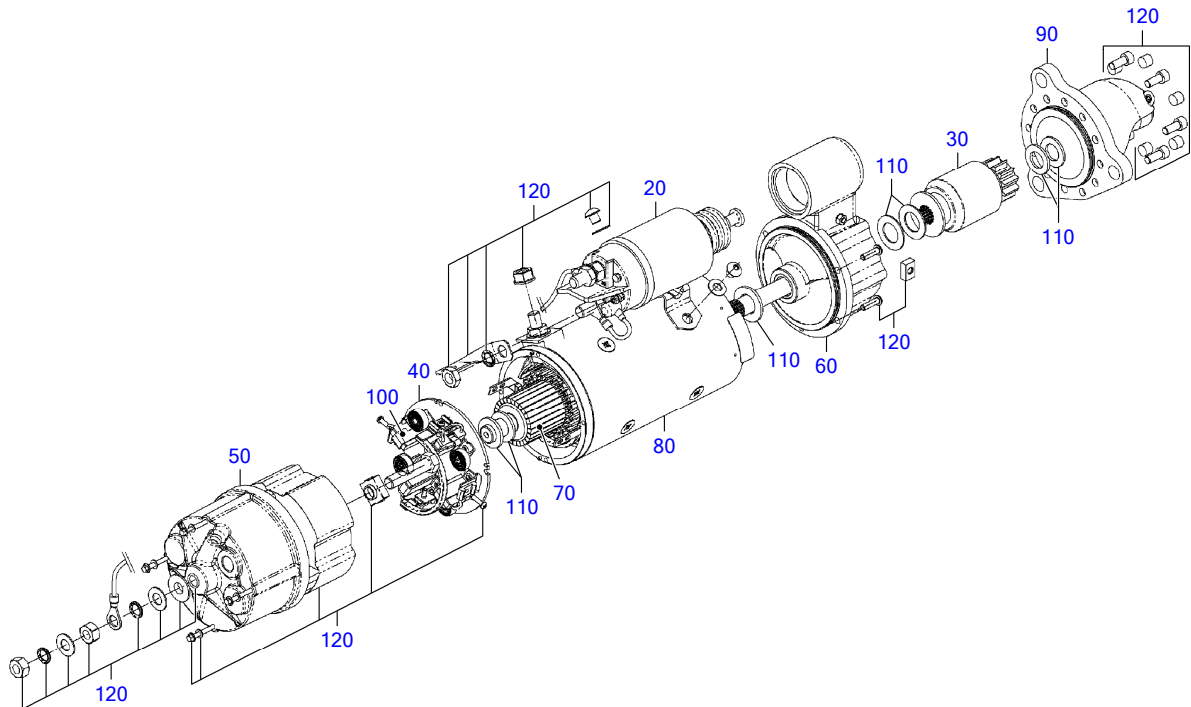
☐	POS.	PART NO.	DESIGNATION	QTY.	UNITS	WEIGHT	MEASUREMENT	STANDARD
	449	50	X52417200011	STARTER	1	PC	21 kg	
	448	100	X52417200010	STARTER	1	PC	28,375 kg	
		200	000912016002	BOLT HEX SOC HD	6	PC	90 g	M 16 X 40 DIN912

EQUI TYPE: Engine

PRODUCT TYPE: 12V4000M93L
STARTER

SERIAL NUMBER: 526108554

FG/FGS:
BOM-No.: X52417200010



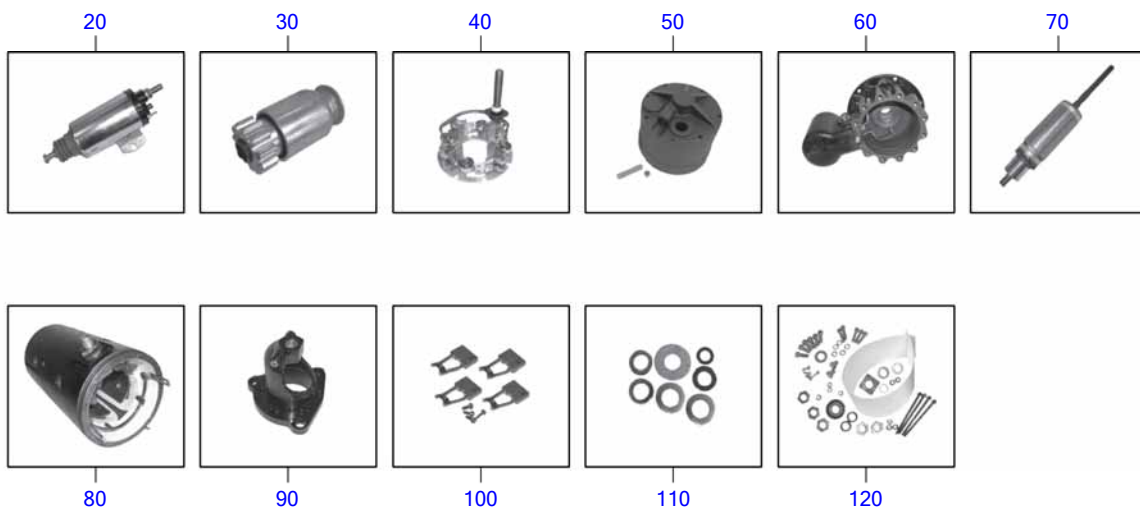
17200416

EQUI TYPE: Engine

PRODUCT TYPE: 12V4000M93L
STARTER

SERIAL NUMBER: 526108554

FG/FGS:
BOM-No.: X52417200010




EQUI TYPE: Engine

PRODUCT TYPE: 12V4000M93L
STARTER

SERIAL NUMBER: 526108554

FG/FGS:

BOM-No.: X52417200010

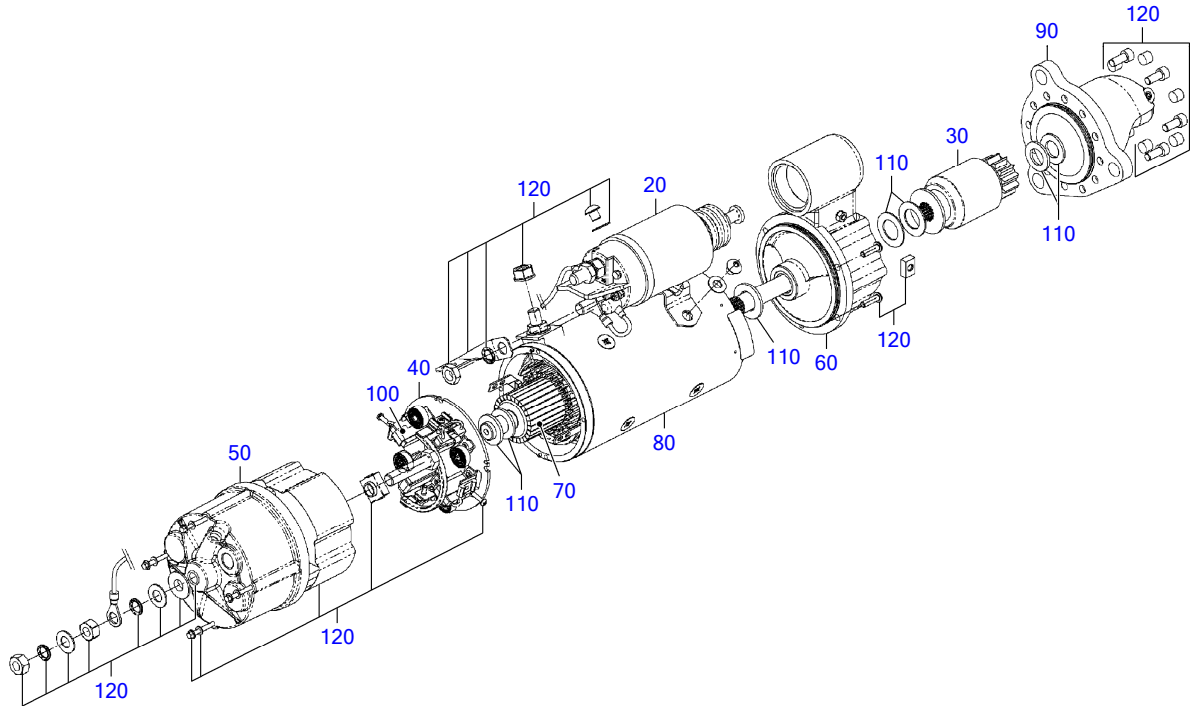
	POS.	PART NO.	DESIGNATION	MODEL/TYPE	QTY.	UNITS	WEIGHT	FN	MEASUREMENT
	20	X00038713	ENGAGEMENT RELAY	BR 4000	1	PC	2,78 kg		
	30	X00038711	GEARBOX	BR 4000	1	PC	1,205 kg		
	40	X00038719	BRUSH HOLDER	BR 4000	1	PC	0,62 kg		
	50	X00038720	HOUSING	BR 4000	1	PC			
	60	X00038716	HOUSING	BR 4000	1	PC		AC	
	70	X00038718	MOTOR	BR 4000	1	PC	7,735 kg		
	80	X00038721	HOUSING	BR 4000	1	PC			
	90	XP52417200053	HOUSING FOR STARTER	MS7-509	1	PC		AB	
	100	X00038722	BRUSH	BR 4000	1	PC	38 g		
	110	X00038616	THRUST WASHER	BR 4000	1	PC	16 g		1 SATZ = 7 STÜCK
	120	X00038611	SECURING COMPONENTS	BR 4000	1	PC	282 g		

EQUI TYPE: Engine

PRODUCT TYPE: 12V4000M93L
STARTER

SERIAL NUMBER: 526108554

FG/FGS:
BOM-No.: X52417200011



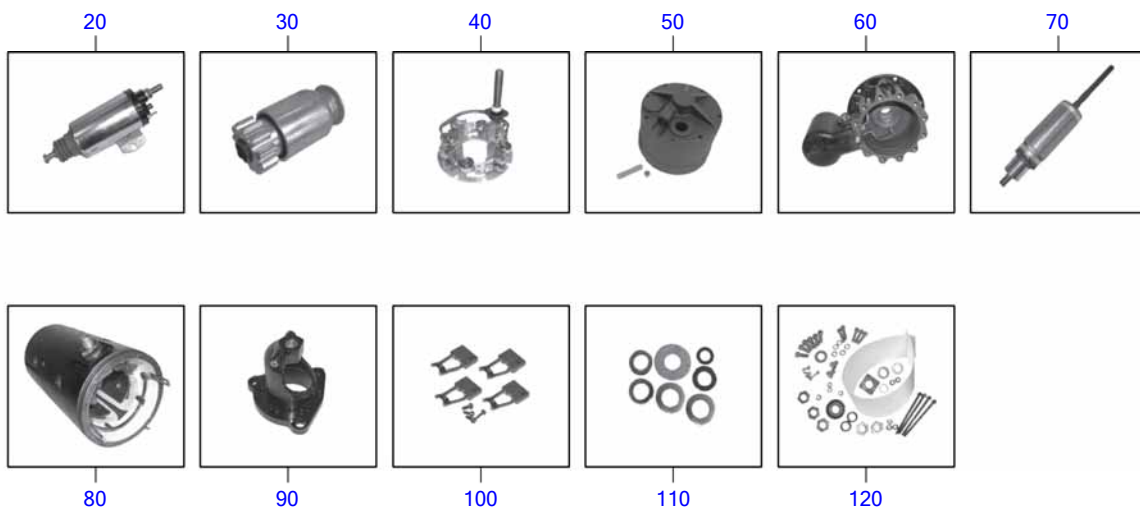
17200416

EQUI TYPE: Engine

PRODUCT TYPE: 12V4000M93L
STARTER

SERIAL NUMBER: 526108554

FG/FGS:
BOM-No.: X52417200011



EQUI TYPE: Engine

PRODUCT TYPE: 12V4000M93L
STARTER

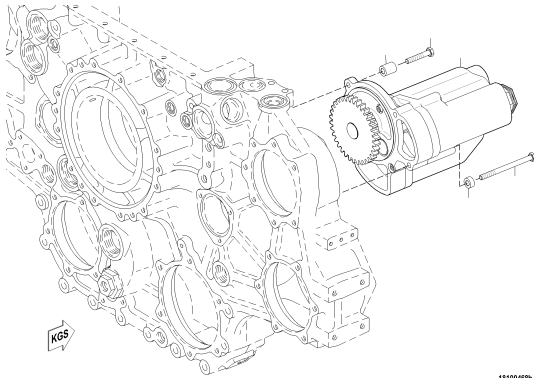
SERIAL NUMBER: 526108554

FG/FGS:

BOM-No.: X52417200011

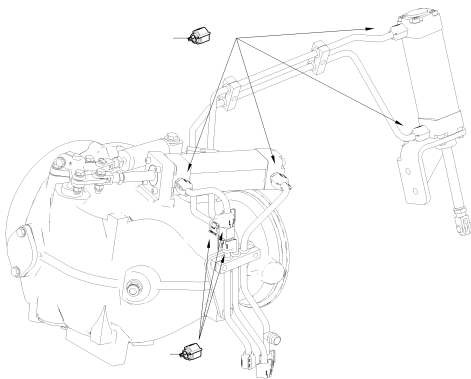
☐	POS.	PART NO.	DESIGNATION	MODEL/TYPE	QTY.	UNITS	WEIGHT	MEASUREMENT
	20	X00038713	ENGAGEMENT RELAY	BR 4000	1	PC	2,78 kg	
	30	X00038711	GEARBOX	BR 4000	1	PC	1,205 kg	
	40	X00038719	BRUSH HOLDER	BR 4000	1	PC	0,62 kg	
	50	X00038720	HOUSING	BR 4000	1	PC		
	60	X00038715	HOUSING	BR 4000	1	PC		
	70	X00038718	MOTOR	BR 4000	1	PC	7,735 kg	
	80	X00038721	HOUSING	BR 4000	1	PC		
	90	XP52417200054	HOUSING FOR STARTER	MS7-510	1	PC		
	100	X00038722	BRUSH	BR 4000	1	PC	38 g	
	110	X00038616	THRUST WASHER	BR 4000	1	PC	16 g	1 SATZ = 7 STÜCK
	120	X00038607	SECURING COMPONENTS	BR 4000	1	PC	393 g	

GROUP SEGMENT (FGS)
GROUP NAME
BOM-No.



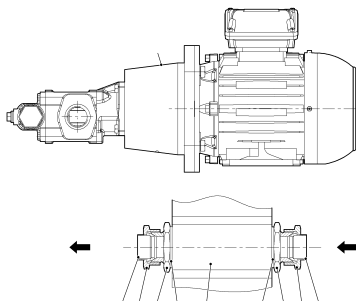
05
OIL PUMP
XS526180.00006

18100468b



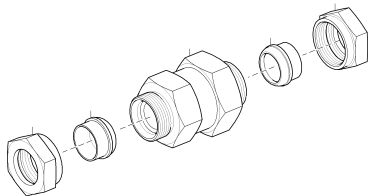
05
HEAT SHIELD FOR SOLAS
XS526990.00017

18000446



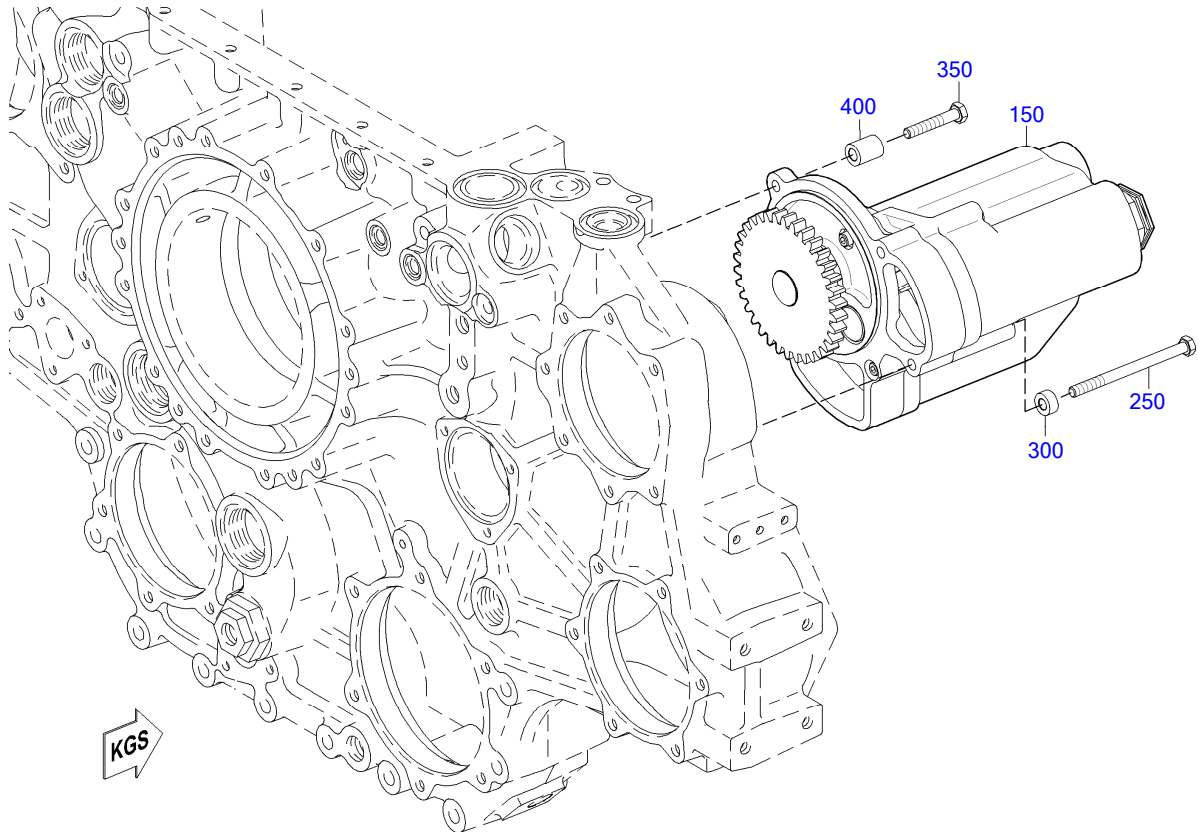
15
PUMP UNIT
XS594180.00109

18100587



25
NON-RETURN VALVE FOR OIL PRIMING PUM
180.00443

T00000027587_181



18100468b

☐	POS.	PART NO.	DESIGNATION	MODEL/TYPE	QTY.	UNITS	WEIGHT	FN	MEASUREMENT	STANDARD
	150	0021804101	OIL PUMP	4000	1	PC	23,5 kg	AB		
	250	304014010013	HEX SCREW		3	PC	80,7 g		M 10 X120	ISO4014
	300	735151010100	SPACER		3	PC	11 g		A 10,5	MTN5151
	350	304017010051	HEX SCREW		1	PC	40,2 g		M 10 X 60	ISO4017
	400	5241871853	SPACER SLEEVE	BR 4000	1	PC	65 g		11MM X 22MM L=28	

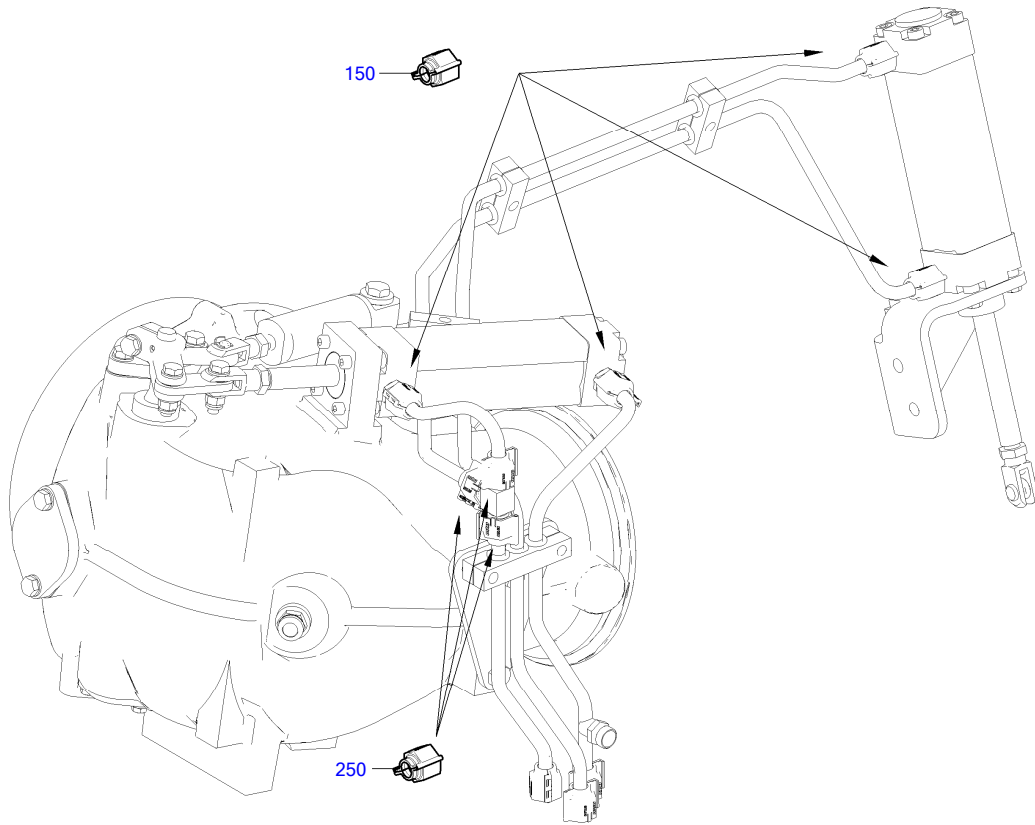
EQUI TYPE: Engine

PRODUCT TYPE: 12V4000M93L
HEAT SHIELD FOR SOLAS

SERIAL NUMBER: 526108554

FG/FGS: 181 05

BOM-No.: XS526990.00017



18000446

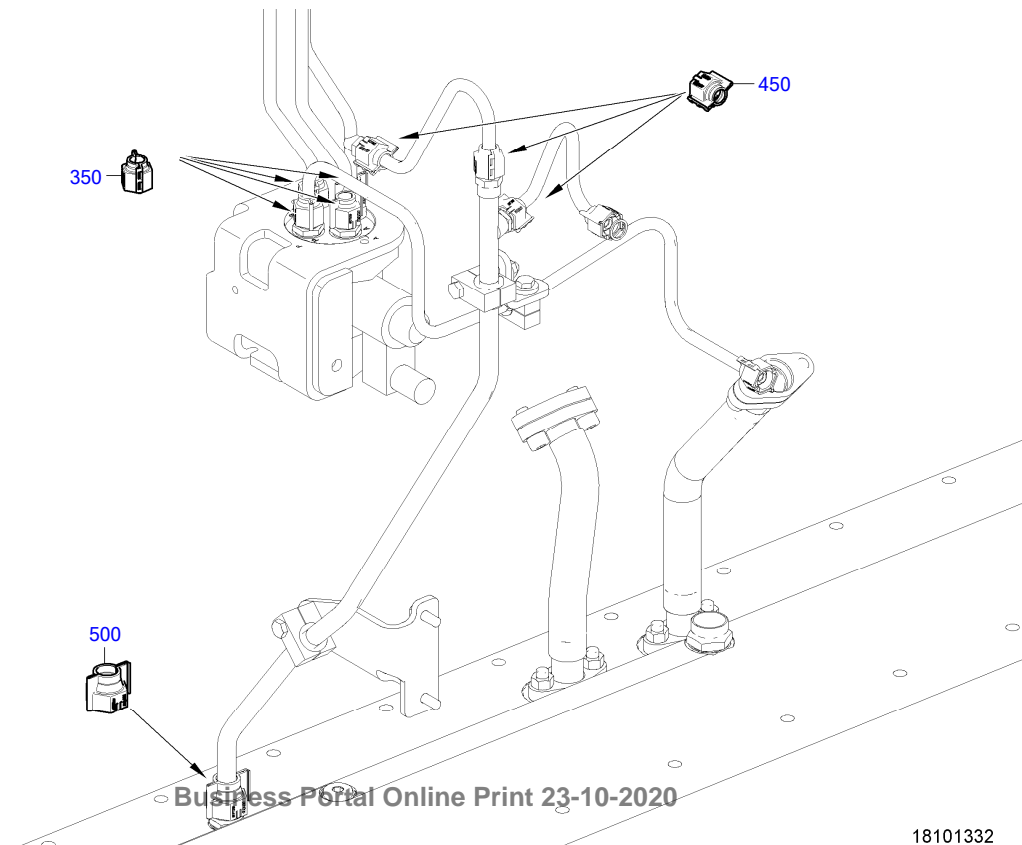
EQUI TYPE: Engine

PRODUCT TYPE: 12V4000M93L
HEAT SHIELD FOR SOLAS

SERIAL NUMBER: 526108554

FG/FGS: 181 05

BOM-No.: XS526990.00017



Business Portal Online Print 23-10-2020

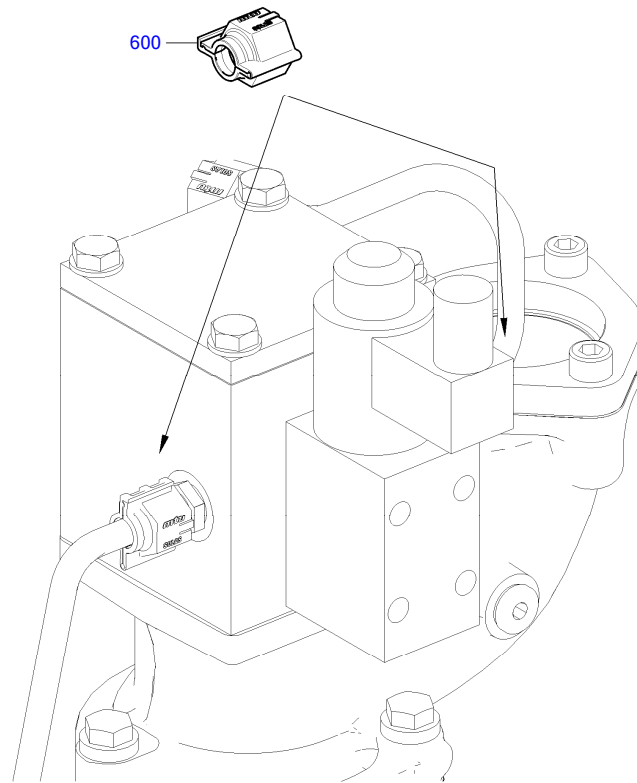
18101332

EQUI TYPE: Engine

PRODUCT TYPE: 12V4000M93L
HEAT SHIELD FOR SOLAS

SERIAL NUMBER: 526108554

FG/FGS: 181 05
BOM-No.: XS526990.00017



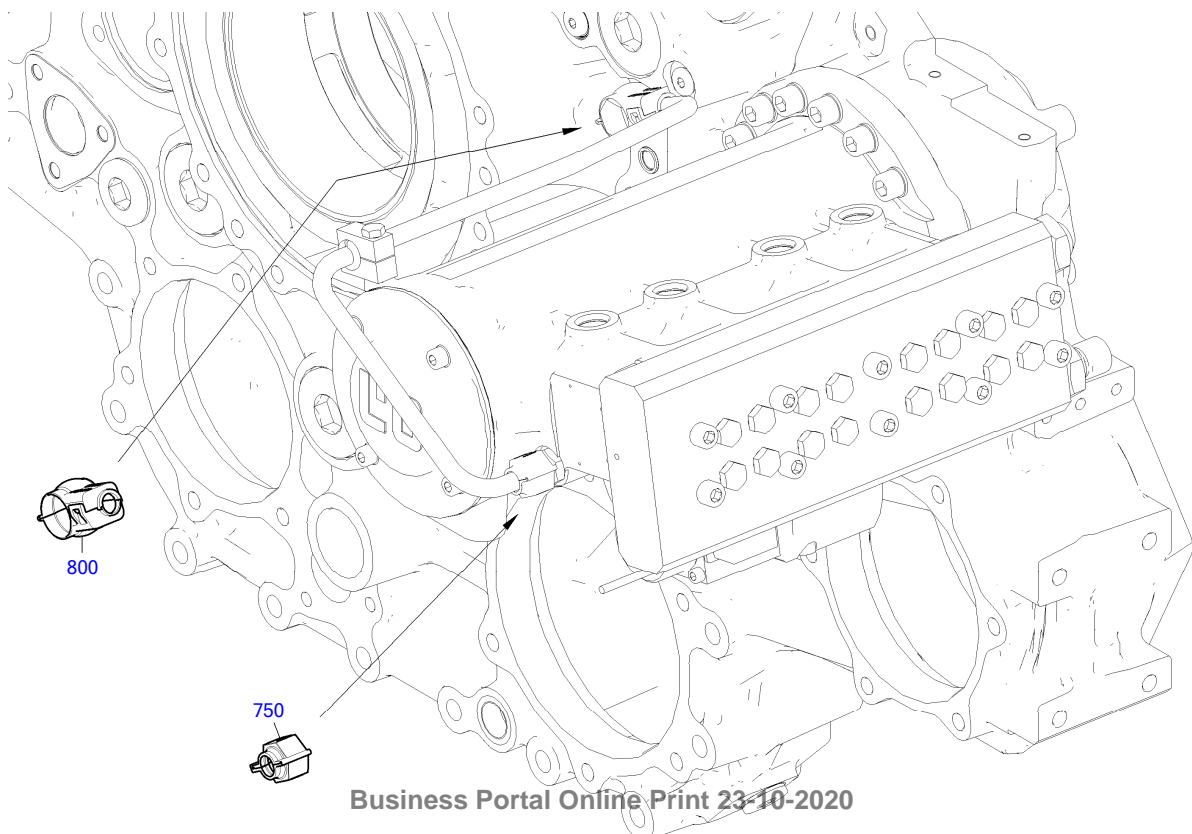
18000448

EQUI TYPE: Engine

PRODUCT TYPE: 12V4000M93L
HEAT SHIELD FOR SOLAS

SERIAL NUMBER: 526108554

FG/FGS: 181 05
BOM-No.: XS526990.00017



Business Portal Online Print 23-10-2020

18000445

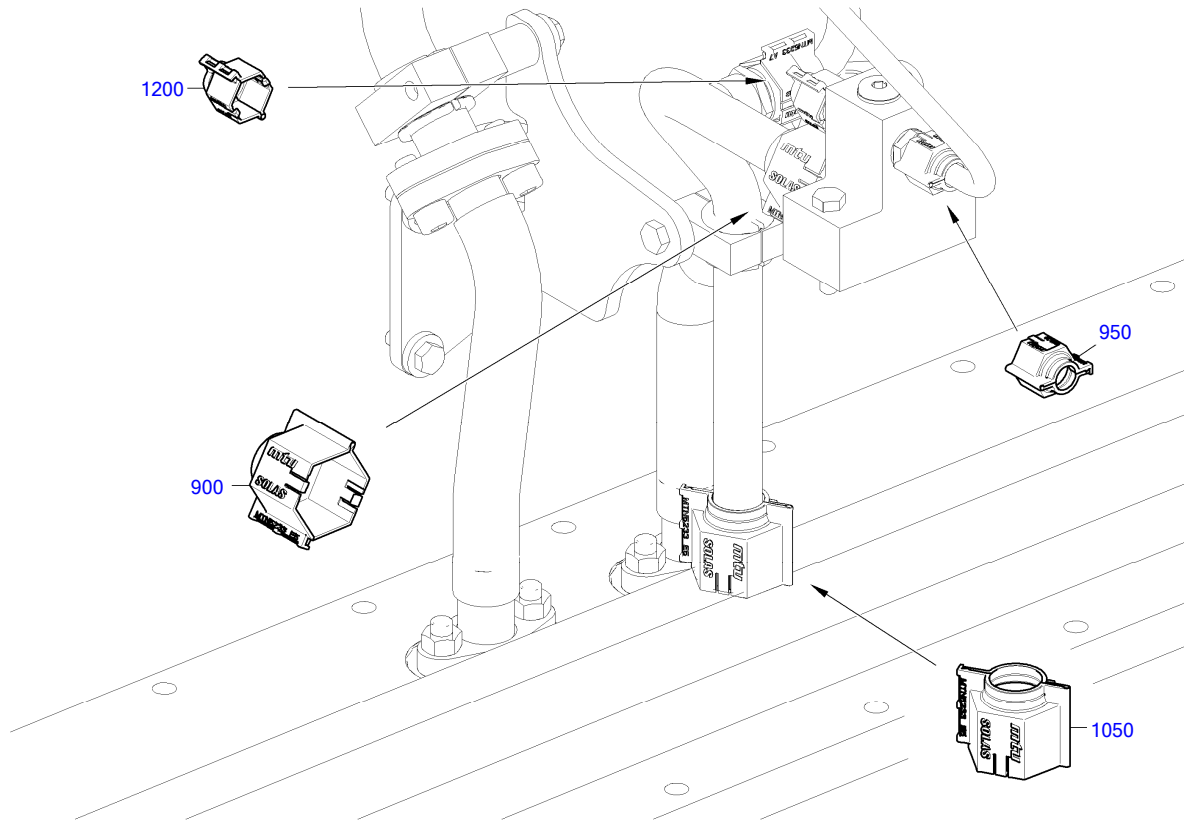
EQUI TYPE: Engine

PRODUCT TYPE: 12V4000M93L
HEAT SHIELD FOR SOLAS

SERIAL NUMBER: 526108554

FG/FGS: 181 05

BOM-No.: XS526990.00017



18101333

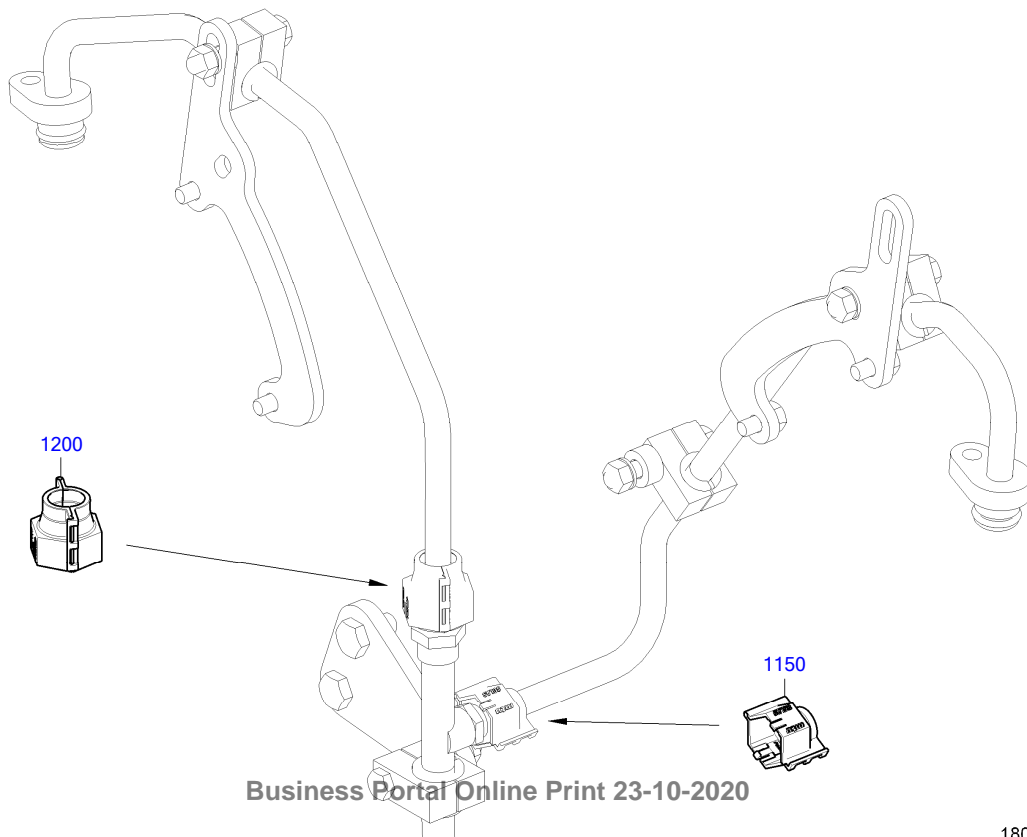
EQUI TYPE: Engine

PRODUCT TYPE: 12V4000M93L
HEAT SHIELD FOR SOLAS

SERIAL NUMBER: 526108554

FG/FGS: 181 05

BOM-No.: XS526990.00017



Business Portal Online Print 23-10-2020

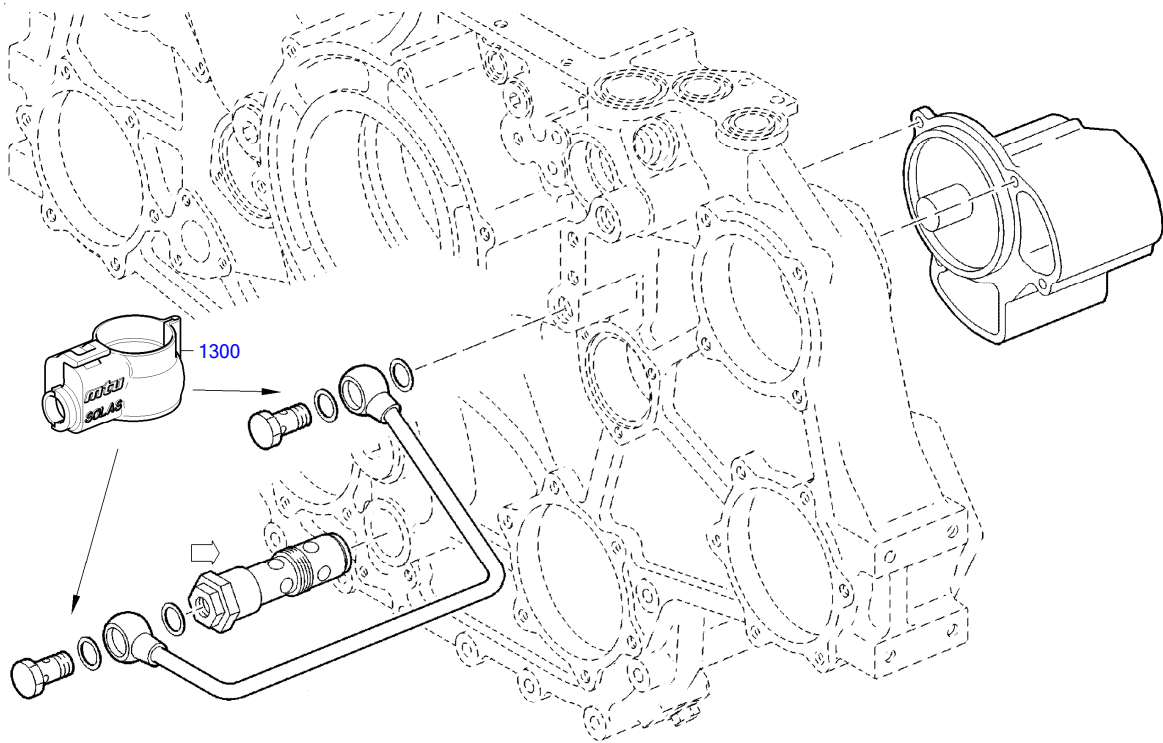
18000449

EQUI TYPE: Engine

PRODUCT TYPE: 12V4000M93L
HEAT SHIELD FOR SOLAS

SERIAL NUMBER: 526108554

FG/FGS: 181 05
BOM-No.: XS526990.00017



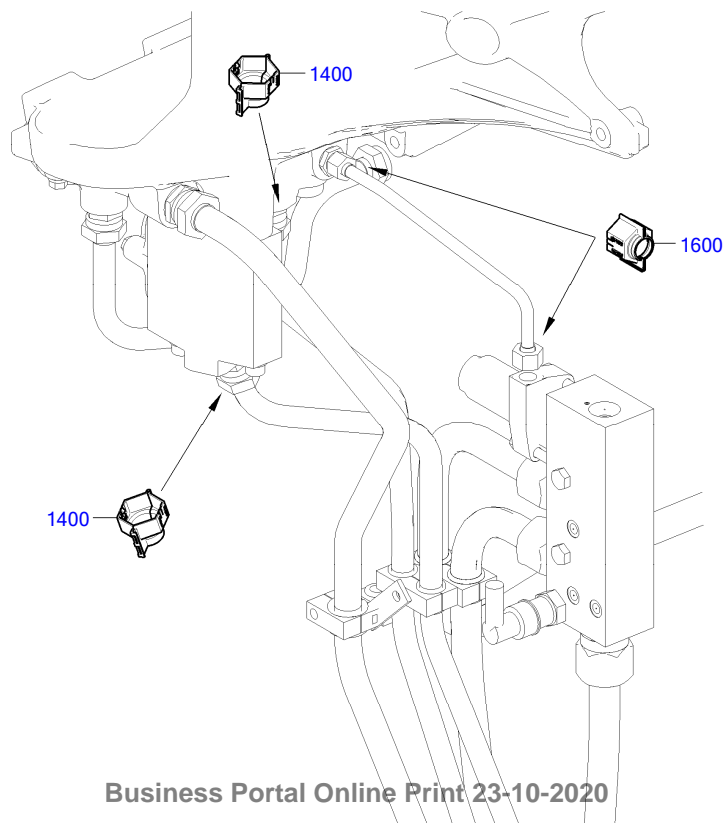
18000444

EQUI TYPE: Engine

PRODUCT TYPE: 12V4000M93L
HEAT SHIELD FOR SOLAS

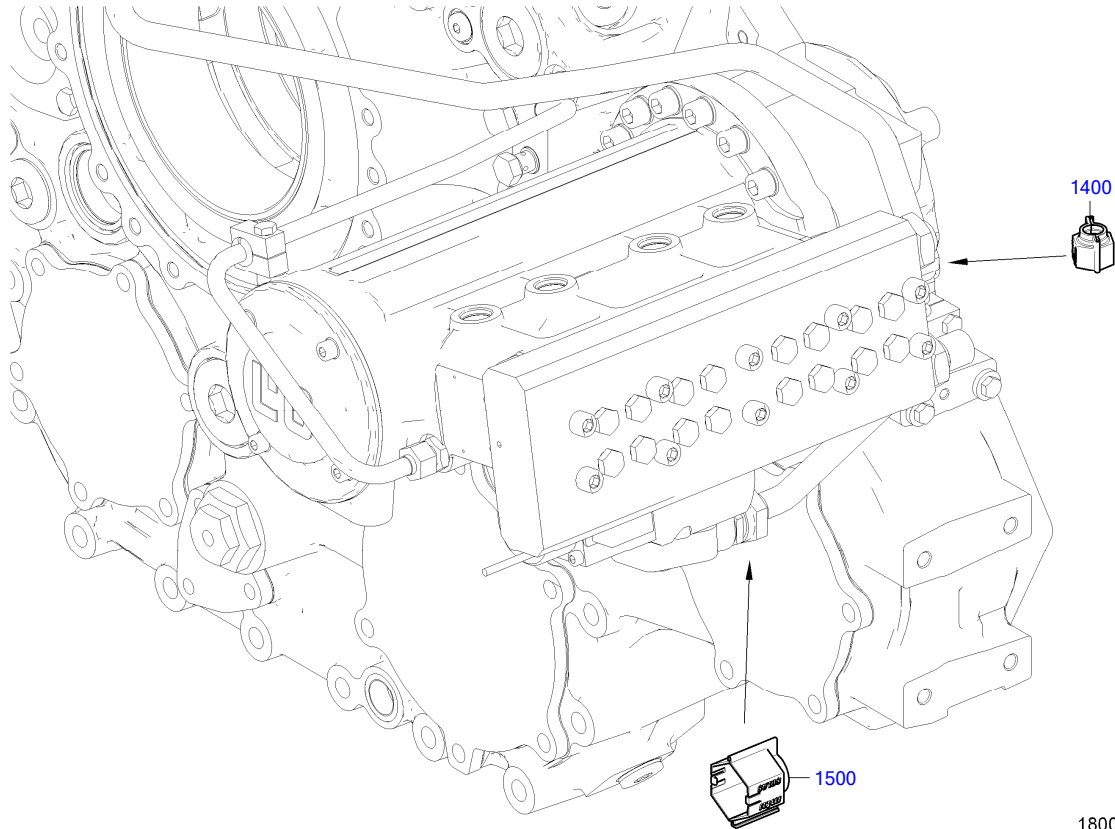
SERIAL NUMBER: 526108554

FG/FGS: 181 05
BOM-No.: XS526990.00017



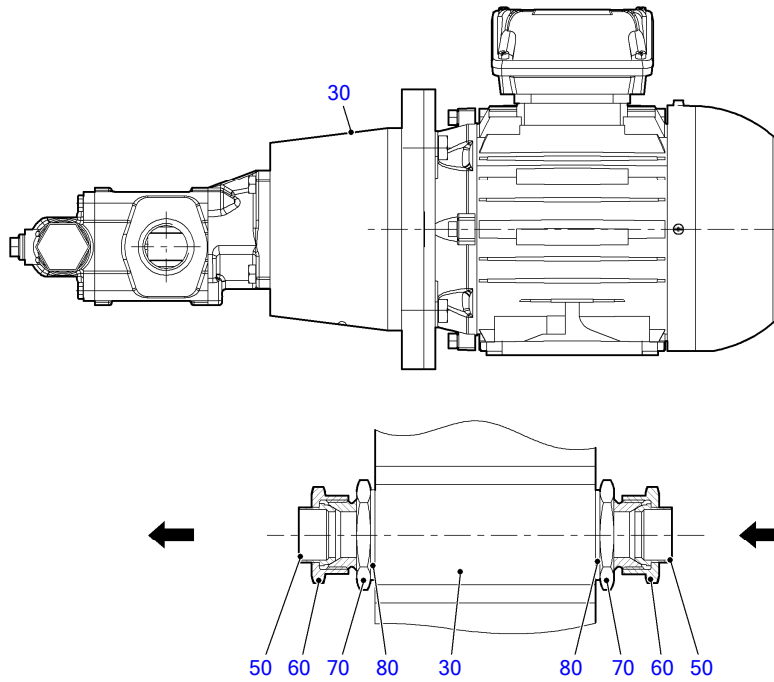
Business Portal Online Print 23-10-2020

18000453



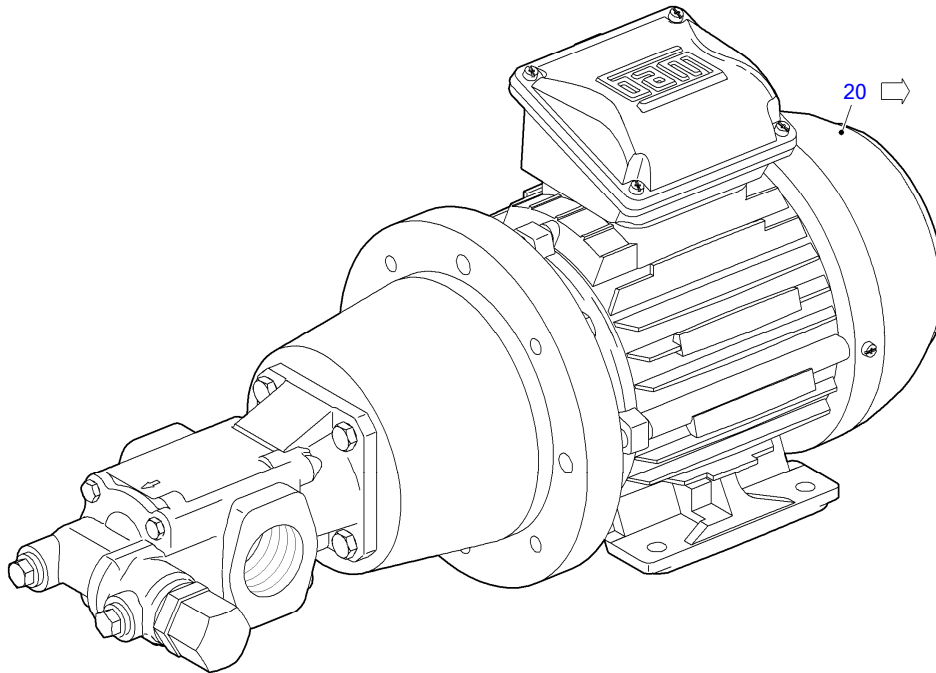
18000452

☐	POS.	PART NO.	DESIGNATION	QTY.	UNITS	WEIGHT	MEASUREMENT	STANDARD
	150	735233000101	COVER	4	PC	3 g	A 5 - X00004694	MTN5233
	250	735233000101	COVER	3	PC	3 g	A 5 - X00004694	MTN5233
	350	735233000101	COVER	5	PC	3 g	A 5 - X00004694	MTN5233
	450	735233000101	COVER	2	PC	3 g	A 5 - X00004694	MTN5233
	500	735233000103	COVER	1	PC	6 g	A 7 - X00004797	MTN5233
	600	735233000101	COVER	2	PC	3 g	A 5 - X00004694	MTN5233
	750	735233000102	COVER	1	PC	3,8 g	A 6 - X00004796	MTN5233
	800	735233000202	COVER	1	PC	9,6 g	B 4 - X00007482	MTN5233
	900	735233000500	COVER	1	PC	9,9 g	E 5 - X00014661	MTN5233
	950	735233000101	COVER	2	PC	3 g	A 5 - X00004694	MTN5233
	1050	735233000500	COVER	1	PC	9,9 g	E 5 - X00014661	MTN5233
	1150	735233000102	COVER	1	PC	3,8 g	A 6 - X00004796	MTN5233
	1200	735233000103	COVER	2	PC	6 g	A 7 - X00004797	MTN5233
	1300	735233000200	COVER	2	PC	0,006 kg	B 2 - X00005424	MTN5233
	1400	735233000104	COVER	3	PC	6 g	A 8 - X00004798	MTN5233
	1500	735233000500	COVER	1	PC	9,9 g	E 5 - X00014661	MTN5233
	1600	735233000101	COVER	2	PC	3 g	A 5 - X00004694	MTN5233




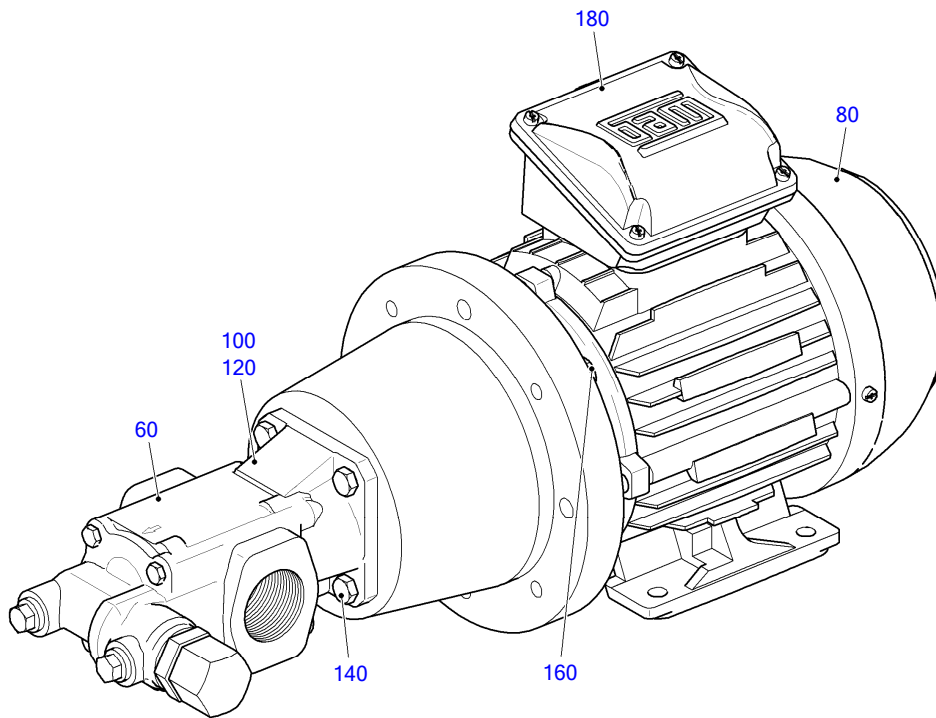
18100987

☐	POS.	PART NO.	DESIGNATION	MODEL/TYPE	QTY.	UNITS	WEIGHT	MEASUREMENT	STANDARD
454	30	X59418100009/87	PUMP UNIT	RICKMEIER,3 PHAS.230/400V,50HZ	1	PC	32,5 kg		
	50	915003020202	BALL-TYPE UNION		2	PC	12,8 g	B2 -22	MBN15003
	60	915001020003	NUT		2	PC	46,9 g	20 M 30 X 1,5	N15001
	70	700419999002	UNION 20G 1 A		2	PC	128,3 g	22 G 1 A	MMN419
	80	007603033100	WASHER A33X39 COP ME TALLIC		2	PC	4,6 g	A 33 X 39	DIN7603



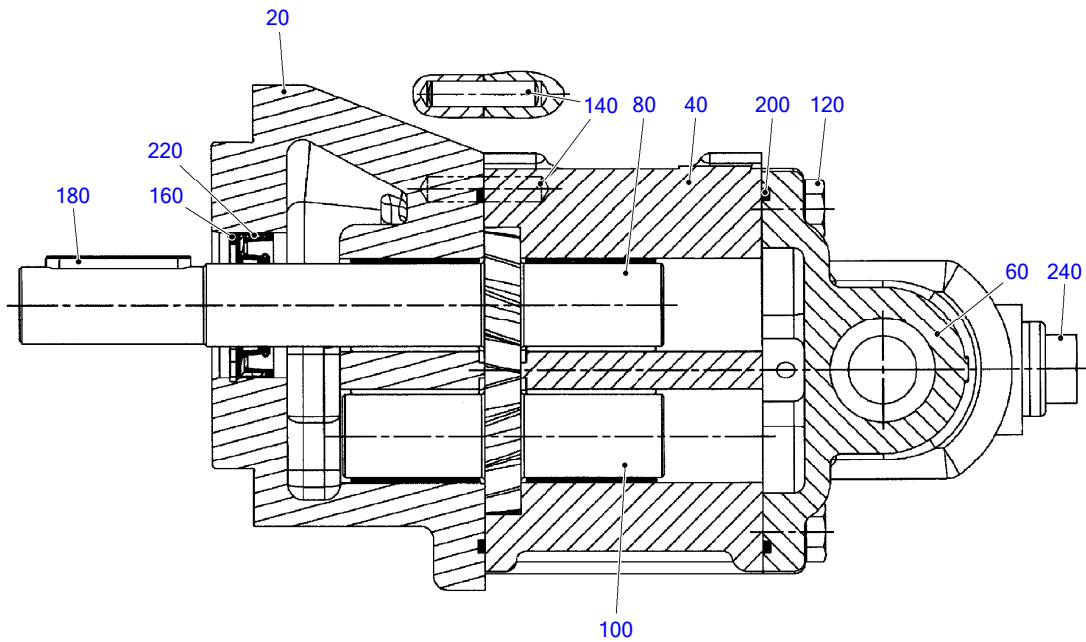
18101415

	POS.	PART NO.	DESIGNATION	MODEL/TYPE	QTY.	UNITS	WEIGHT	MEASUREMENT
	20	X5941810009	PUMP UNIT	551	1	PC	28,4 kg	3~ 230/400V 50/60HZ P(KW)1,1



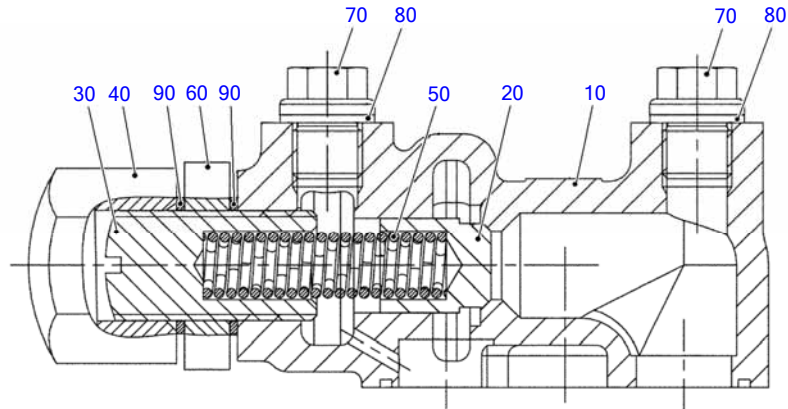
18101186

☐	POS.	PART NO.	DESIGNATION	MODEL/TYPE	QTY.	UNITS	WEIGHT	FN	MEASUREMENT	STANDARD
456	60	XP52618100009	GEAR PUMP	R25/20 FL-Z-DB4-W-G1-R (MTU)	1	PC	5,5 kg	AC		
	80	XP52618100013	THREE-PHASE MOTOR	BG90S-4POL	1	PC	19,5 kg			
	100	8691800023	RETAINER		1	PC				
	120	XP55829300003	COUPLING		1	PC	0,123 g			
	140	000933008114	HEX SCREW		4	PC	12,3 g	M 8 X 22		DIN933
	160	06021700609	SCREW		4	PC	0,019 kg	M 10 X 25		DIN7984
	180	X00027102	CABLE GLAND		1	PC		M25X1.5		



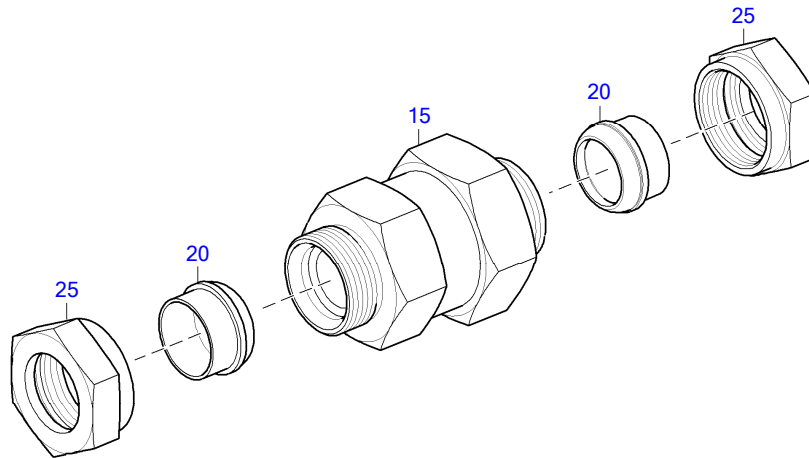
18101187

☐	POS.	PART NO.	DESIGNATION	MODEL/TYPE	QTY.	UNITS	WEIGHT	MEASUREMENT	STANDARD
	20	XP56918100021	COVER		1	PC	1404 g		
	40	XP56918100022	GEARCASE		1	PC	0,4 kg		
457	60	XP56918100023	PR. LIM VV	R25 DB4	1	PC	1,1 kg		
	80	XP56918100024	OUTPUT SHAFT		1	PC	0,38 kg		
	100	XP56918100025	IMPELLER SHAFT		1	PC	255 g		
	120	000931006070	HEX SCREW		4	PC	22,6 g	M 6 X100	DIN931
	140	006325005102	DOWEL PIN		2	PC	3 g	5 M 6 X 20	DIN6325
	160	000472028000	RING SNAP		1	PC	1,6 g	28 X 1,2	DIN472
	180	006885005005	KEY WOODRUFF A		1	PC	5,2 g	A 5 X 5 X 28	DIN6885
	200	8699970136	O-RING		2	PC	0,5 g	66,40 X 1,78	
	220	8699970137	SEAL SHAFT		1	PC	5,9 g	16 X 28 X 7	
	240	XP58799101240	PLUG		2	PC			



TD0000021246_181

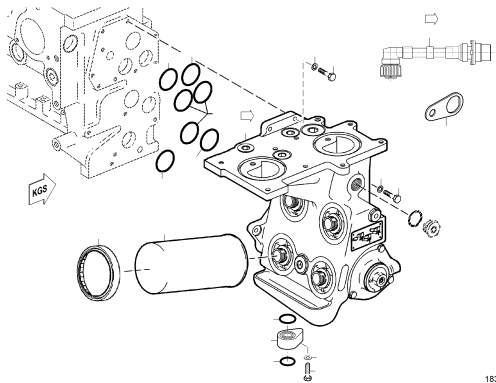
☐	POS.	PART NO.	DESIGNATION	QTY.	UNITS	WEIGHT	MEASUREMENT	STANDARD
	10	Z=169651-7	COVER	1	PC	0,2 g		
	20	8490910009	PISTON	1	PC	10 g	18X21	
	30	Z=161901-4	SPINDLE	1	PC	0,068 kg		
	40	8490910011	NUT	1	PC	124 g		
	50	Z=255719-7	PRESSURE SPRING	1	PC	13,2 g		
	60	8490910022	NUT	1	PC	33 g	1/2-14H SW32	
	70	000910999015	PLUG	2	PC	0,022 kg	G 1/4 A	DIN910
	80	007603014102	SEAL RING	2	PC	1 g	A 14 X 18	DIN7603
	90	007603021100	WASHER A COP	2	PC	1,8 g	A 21 X 26	DIN7603



TD0000027587_181

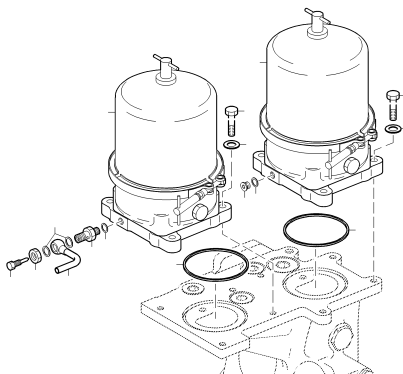
☐	POS.	PART NO.	DESIGNATION	QTY.	UNITS	WEIGHT	MEASUREMENT	STANDARD
	15	735080022201	VALVE NON-RETURN RHD K 22-L 0.5	1	PC	435,5 g	RHDK 22-L 0,5	MTN5080
	20	915003020202	BALL-TYPE UNION	2	PC	12,8 g	B2 -22	MBN15003
	25	915001020003	NUT	2	PC	46,9 g	20 M 30 X 1,5	N15001

GROUP SEGMENT (FGS)
GROUP NAME
BOM-No.



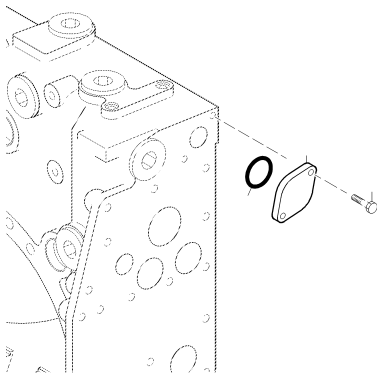
07
OIL FILTER W/DIVERTER VALVE
XS593180.00023

18301934



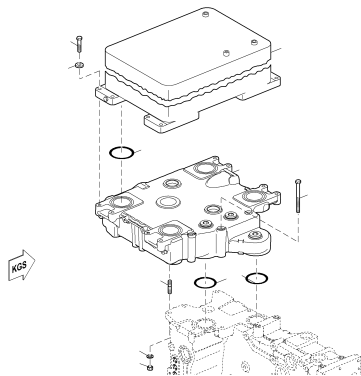
10
CENTRIFUGAL OIL FLTR
XS526180.00008

1830038a



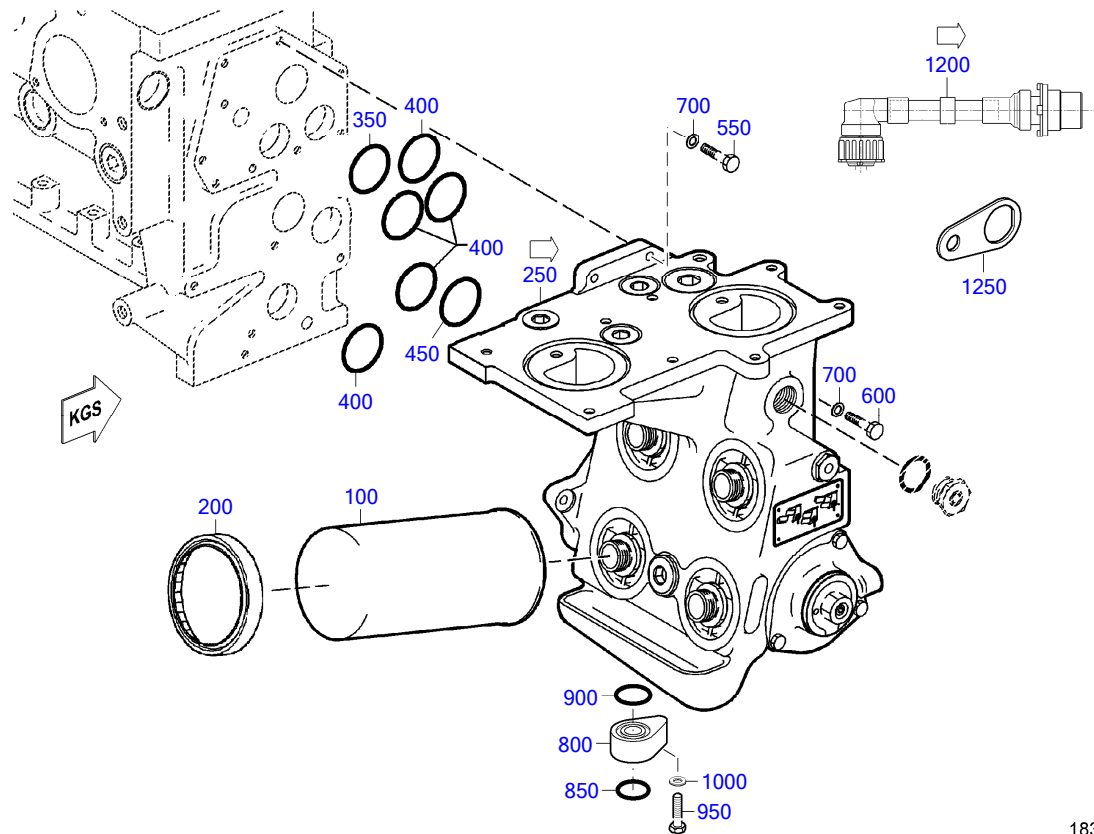
15
SEAL ELEM. F/COOLANT DISTR. HS
180.00268

18000654a



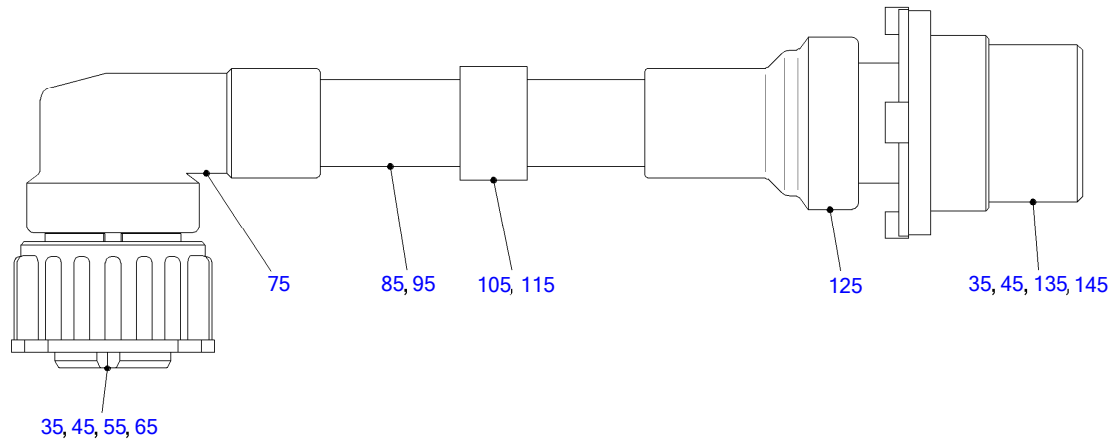
15
OIL HEAT EXCHANGER WITH TEST CERT. 3.1
XS594180.00019

18000329a



18301934

☐	POS.	PART NO.	DESIGNATION	MODEL/TYPE	QTY.	UNITS	WEIGHT	MEASUREMENT	STANDARD
	100	0031845301	OIL FILTER SPIN-ON		4	PC	2,2 kg		
	200	X00040625	COVER FOR SOLAS		4	PC	7 g		
462	250	X59318300013	OIL FILTER HOUSING		1	PC	39 kg		
	350	700429070002	O-RING		1	PC	6,2 g	70 X 4	MMN429
	400	700429058001	O-RING		5	PC	6 g	58 X 4	MMN429
	450	700429076000	O-RING		1	PC	7 g	76 X 4	MMN429
	550	000000001039	HEX SCREW		4	PC	29,8 g	M 10 X 40	ISO4017
	600	204014010015	HEX SCREW		5	PC	114 g	M 10 X 180	ISO4014
	700	000125010524	WASHER		10	PC	3,1 g	A 10,5	DIN125
	800	X59318300006	SPACER		1	PC	1,015 kg		
	850	700429040003	O-RING		1	PC	5,9 g	40 X 5	MMN429
	900	700429045000	O-RING		1	PC	6,8 g	45 X 5	MMN429
	950	000000003437	HEX SCREW		1	PC	50,8 g	M 12 X 50	ISO4017
	1000	000125013012	WASHER		1	PC	5,6 g	A 13	DIN125
461	1200	5265303735	CABLE	12/16V4000 M	1	PC	42,3 g	L	
	1250	5241534340	BRACKET H:14	4000	1	PC	24 g		



50701429a

☐	POS.	PART NO.	DESIGNATION	MODEL/TYPE	QTY.	UNITS	WEIGHT	MEASUREMENT	STANDARD
	35	0165313283	BUSH HOUSING FOR CRIMP CONTACT	STECKER F. BU-KONTAKTE 2,5MM	1	PC	11,5 g	4POL. CODE 1 / DIN 72585 BU	
	45	0165313383	FEMALE CONTACT FOR BUSH HOUSING	BUCHSE CUNISI VERZINNT	2	PC	0,5 g	0,5-1,0 MM ² / D=2,5MM	
	55	0165313483	SINGLE-CORE INSUL	EINZELADERABDICHTUNG	4	PC	0,12 g	1,2-2,1MM ² / 2,5MM / DIN72585	
	65	0165313583	BLANKING PLUG	BLINDSTOPFEN	4	PC	0,1 g	SYSTEM 2,5MM / 2,8MM	
	75	0165313683	ADAPTER FOR CORRUGATED PIPE		1	PC	5,6 g	GR.B NW10 90GRD/HDSCS	
	85	0095319080	CABLE	RADDOX 155S RW	0,170	M	20,9 g	1X2X1,0QMM / WS / NUMMERIERT	
	95	0005337043	PIPE	359.	0,050	M	23 g	WELLROHR NW10	
	105	700461105001	MARKER SLEEVE		1	PC	0,9 g	5/B	MMN461
	115	700461205007	MARKER SLEEVE		1	PC	0,7 g	5/7	MMN461
	125	0165313783	ADAPTER FOR CORRUGATED PIPE		1	PC	4,3 g	GR.B NW10 180 GRAD/HDSCS	
	135	0165313883	CONNECTOR HOUSING FOR CRIMP CONTACT	STECKER F. ST-KONTAKT 2,5MM	1	PC	13,3 g	4POL. CODE 1 / DIN 72585 ST	
	145	0165313983	PIN CONTACT F.CONNECTOR HOUSING	STIFT CUNISI VERZINNT	2	PC	0,3 g	0,5-1,0MM ² / D=2,5MM	

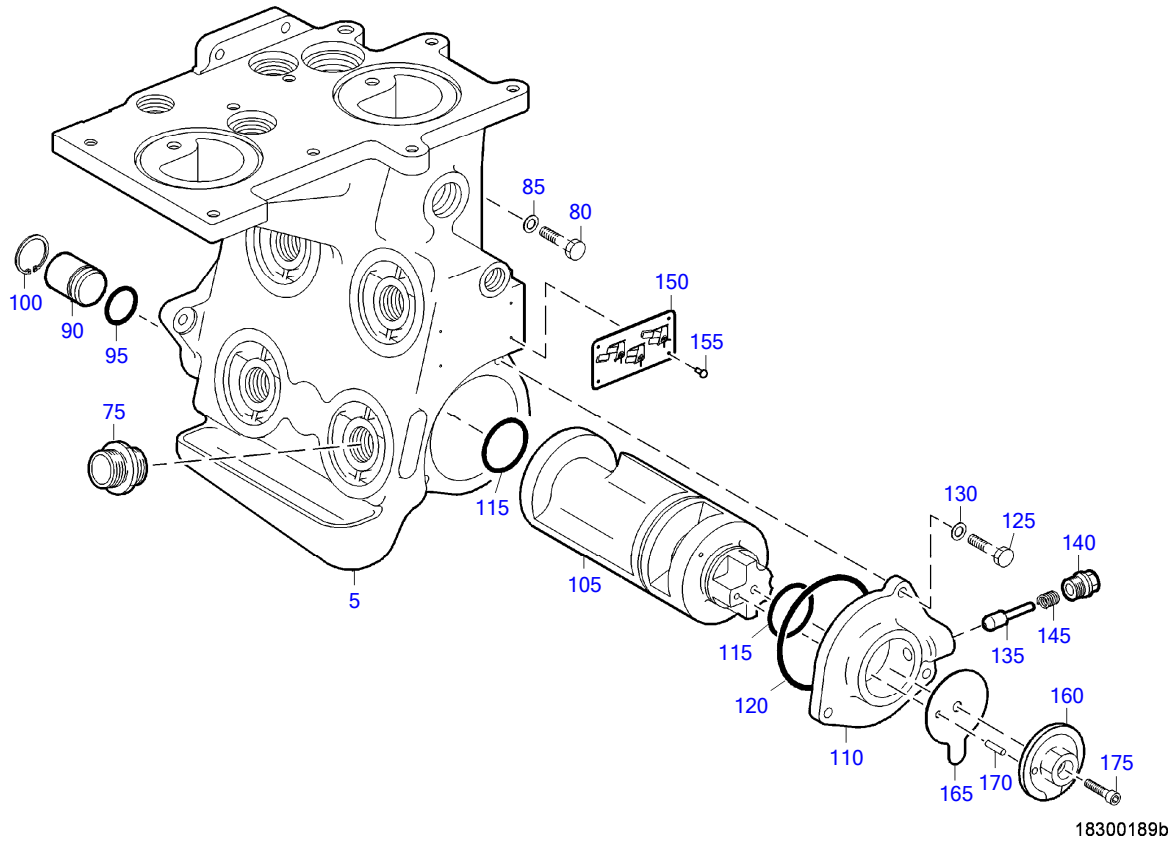
EQUI TYPE: Engine

PRODUCT TYPE: 12V4000M93L
OIL FILTER HOUSING

SERIAL NUMBER: 526108554

FG/FGS:

BOM-No.: X59318300013



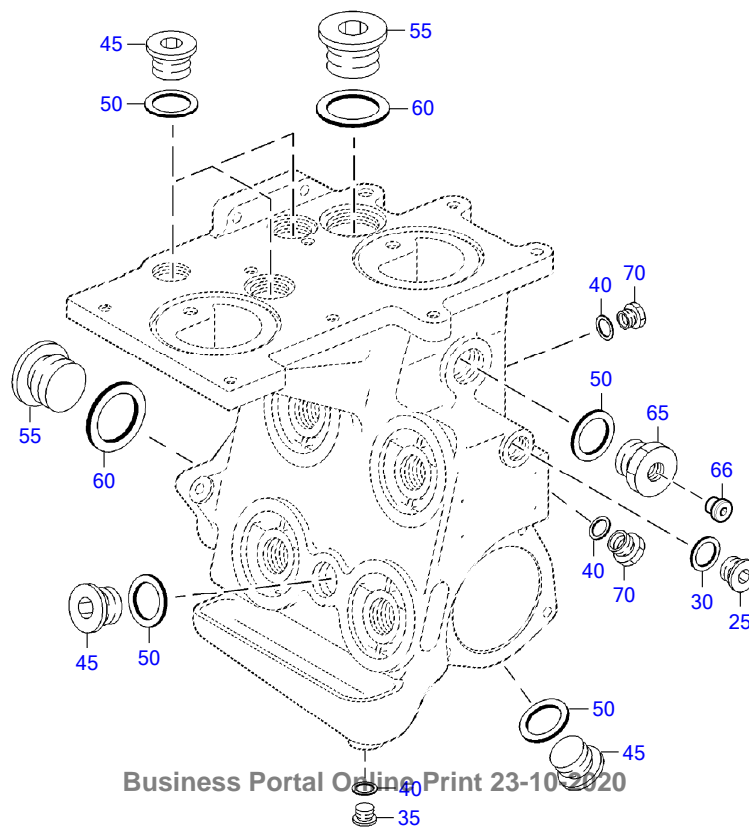
EQUI TYPE: Engine

PRODUCT TYPE: 12V4000M93L
OIL FILTER HOUSING

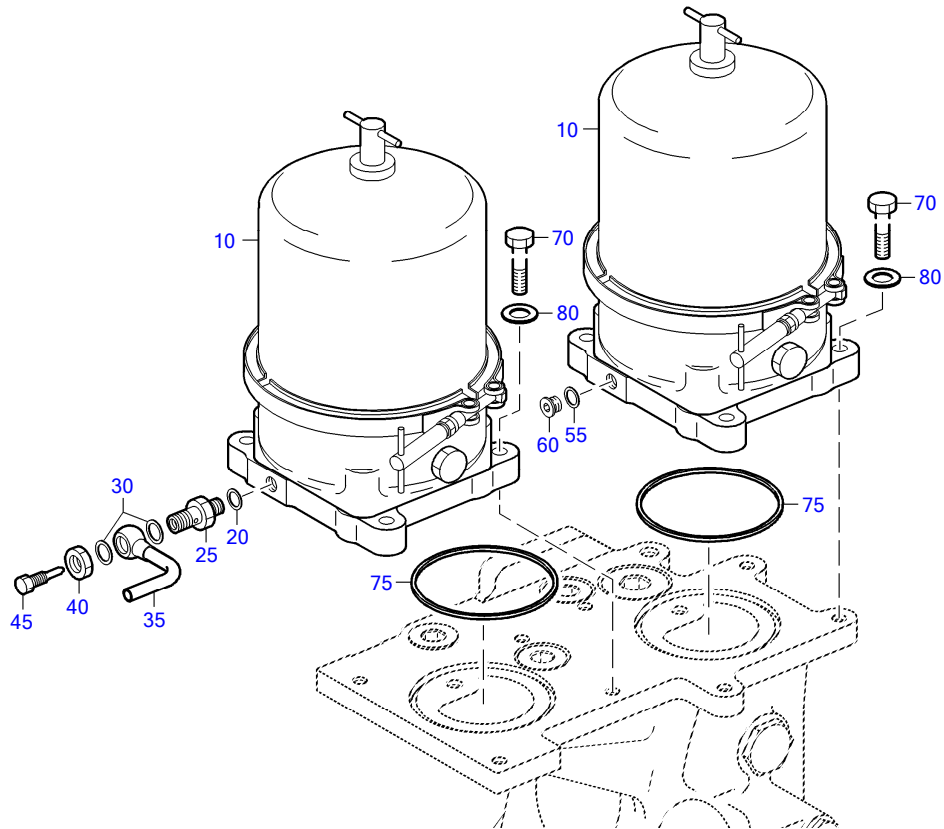
SERIAL NUMBER: 526108554

FG/FGS:

BOM-No.: X59318300013

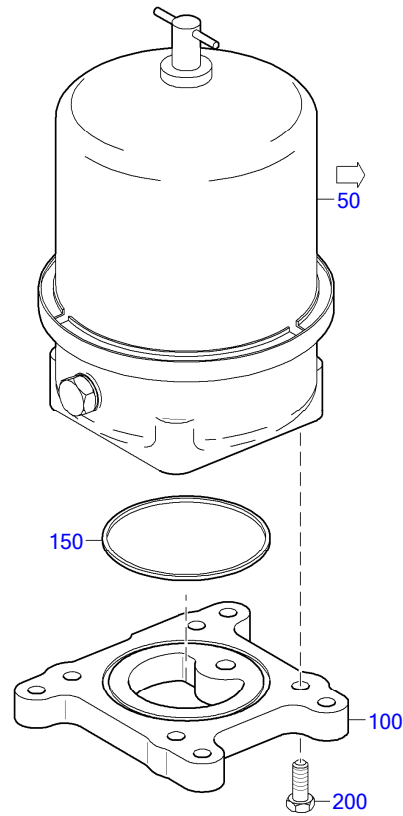


☐	POS.	PART NO.	DESIGNATION	MODEL/TYPE	QTY.	UNITS	WEIGHT	MEASUREMENT	STANDARD
	5	X59318300012	OIL FILTER HOUSING		1	PC	39,8 kg		
	25	000908026005	THREAD PLUG		1	PC	0,069 kg	M 26 X 1,5	DIN908
	30	007603026104	COPPER SEALING RING		1	PC	3,1 g	A 26 X 31	DIN7603
	35	000908018002	PLUG		1	PC	0,029 kg	M 18 X 1,5	DIN908
	40	007603018101	COPPER SEALING RING		4	PC	1,3 g	A 18 X 22	DIN7603
	45	000908038000	THREAD PLUG		5	PC	0,15 kg	M 38 X 1,5	DIN908
	50	007603038101	COPPER SEALING RING		6	PC	5,4 g	A 38 X 44	DIN7603
	55	000908052003	THREAD PLUG		3	PC	0,298 kg	M 52 X 1,5	DIN908
	60	007603052101	COPPER SEALING RING		3	PC	12,5 g	A 52 X 60	DIN7603
	65	5249970616	BUSHING THREADED		1	PC	204,9 g		
307	66	735210014000	THREAD PLUG		1	PC	0,019 kg	M 14 X 1,5	MTN5210
	70	5069971416	BUSHING THREADED	8/12V183TE02/93	3	PC	27,3 g		
	75	0009973675	ADAPTER OIL FLTR DUA L NIPPLE S2000+S400		4	PC	148,2 g		
	80	204014010015	HEX SCREW		1	PC	114 g	M 10 X180	ISO4014
	85	000125010524	WASHER		1	PC	3,1 g	A 10,5	DIN125
	90	5249970635	PLUG		2	PC	478,9 g	40X50X5.5 WITH M6 THD	
	95	700429032003	O-RING		2	PC	3 g	32 X 4	MMN429
	100	000472042000	RING SNAP		2	PC	5,4 g	42 X 1,75	DIN472
	105	5241800067	VALVE SLIDE OIL FLTR SWITCH OVER		1	PC	3,56 kg		
	110	5241840309	FLANGE		1	PC	856 g		
	115	700429055001	O-RING		2	PC	8 g	55 X 5	MMN429
	120	700429115000	O-RING		1	PC	23 g	115 X 6	MMN429
	125	00000003326	HEX SCREW		3	PC	27,4 g	M 10 X 35	ISO4017
	130	000125010524	WASHER		3	PC	3,1 g	A 10,5	DIN125
	135	5369910120	STUD BALL		1	PC	57,2 g		
	140	5361840156	PLUG		1	PC	0,06 kg		
	145	002098001022	SPRING PRESSURE		1	PC	3,1 g	1,25X 10 X 44,5	DIN2098
	150	5245840021	PLATE		1	PC	14,1 g		
	155	201476002000	PIN GROOVED		4	PC	0,3 g	A 2,5X 5	ISO8746
	160	5241840076	WASHER	BR 4000	1	PC	335 g		
	165	5240150531	POINTER	BR 4000	1	PC	60 g		
	170	006325006108	PIN DOWEL		1	PC	5 g	6 M 6 X 24	DIN6325
	175	000912010064	BOLT HEX SOC HD		1	PC	31,6 g	M 10 X 40	DIN912



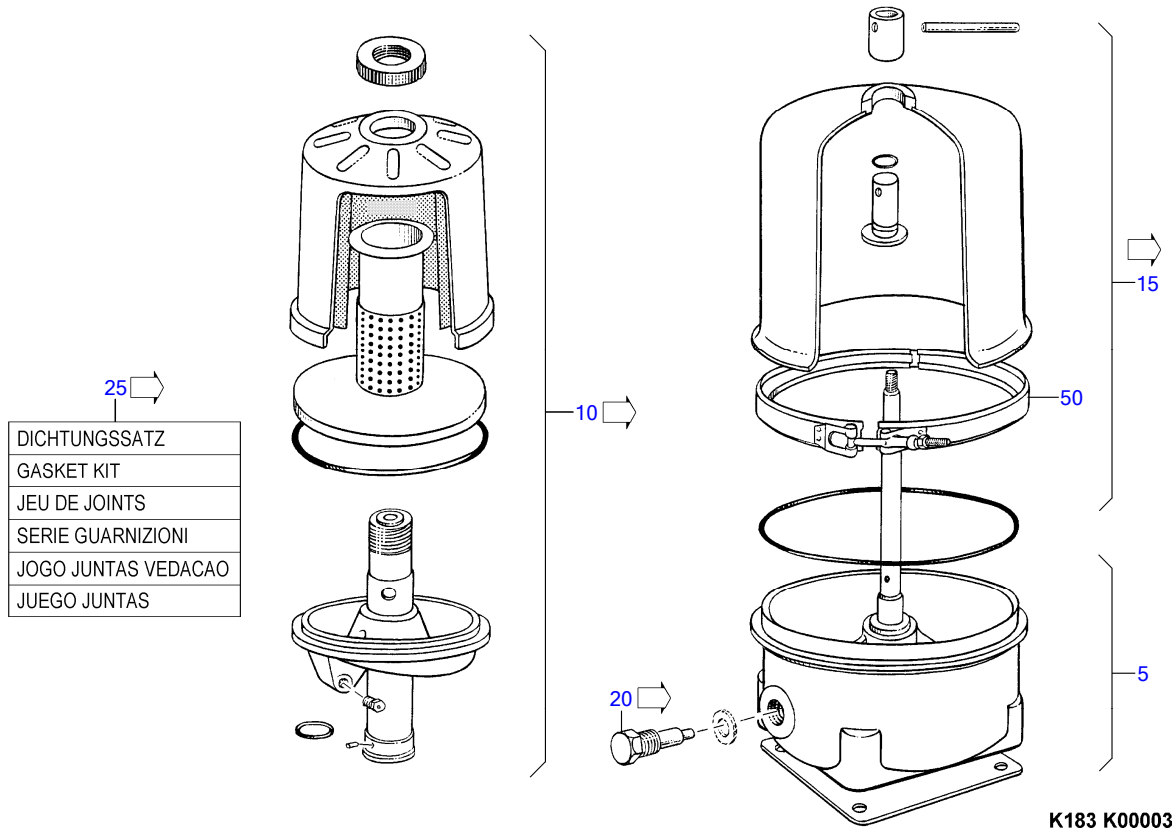
18300038a

☐	POS.	PART NO.	DESIGNATION	QTY.	UNITS	WEIGHT	FN	MEASUREMENT	STANDARD
	464	10	X52418300026	CENTRIFUGAL OIL FLTR	2	PC	10,9 kg		
		20	007603014102	SEAL RING	1	PC	1 g	A 14 X 18	DIN7603
		25	5849972672	UNION	1	PC	63,1 g		
		30	007603016105	COPPER SEALING RING	2	PC	3 g	A 16 X 20	DIN7603
		35	5241802019	TUBE ASM SOL OIL SUP PLY	1	PC	70 g	SB	
		40	000439016200	NUT M16 04-2 DIN439	1	PC	20 g	B M 16	DIN439
		45	5849900615	BOLT SPL M10 1.00X40 TO M6 0.2 8.8	1	PC	20 g		
		55	007603014102	SEAL RING	1	PC	1 g	A 14 X 18	DIN7603
		60	000908014001	SCREW PLUG	1	PC	0,016 kg	M 14 X 1,5	DIN908
		70	000933012051	HEX SCREW	8	PC	53,2 g	M 12 X 50	DIN933
		75	700429122001	O-RING	2	PC	9,5 g	122 X 3,75	MMN429
		80	000125013012	WASHER	8	PC	5,6 g	A 13	DIN125

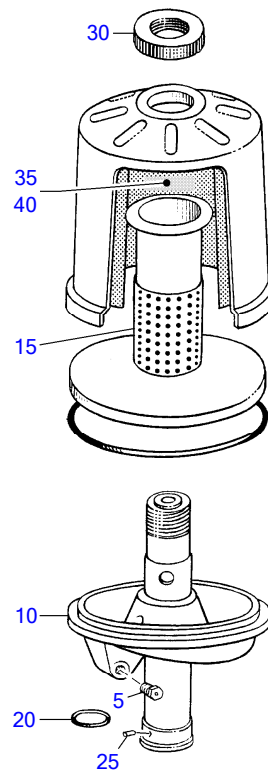


18301018a

☐	POS.	PART NO.	DESIGNATION	MODEL/TYPE	QTY.	UNITS	WEIGHT	MEASUREMENT	STANDARD
465	50	X52418300028	CENTRIFUGAL OIL FLTR		1	PC			
	100	5241840509	ADAPTER 2 LITER CENTRIFUGAL SPINNER	BR 4000	1	PC	1,55 kg		
	150	700429122001	O-RING		1	PC	9,5 g	122 X 3,75	MMN429
	200	11509528	BOLT PHOS HEX FLG LR G		4	PC	50,2 g	M12X1,75X30	

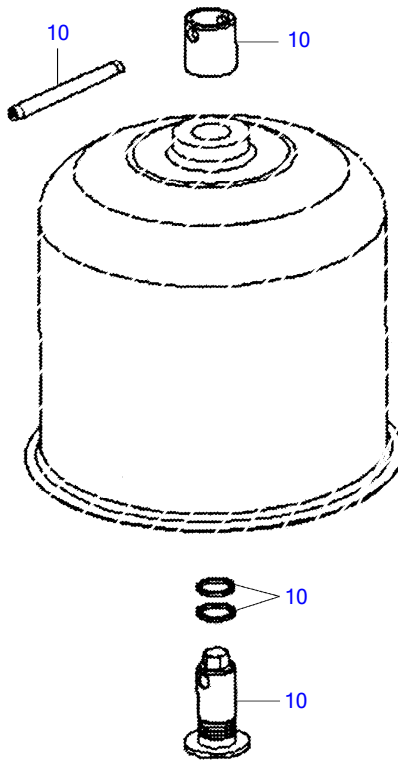


□	POS.	PART NO.	DESIGNATION	QTY.	UNITS	WEIGHT
	5	23540299	BODY ASM CENTRIFUGAL SPINNER OIL FLTR	1	PC	5,75 kg
466	10	8691840027	ROTOR COMPLETE	1	PC	3,3 kg
467	15	8691840028	COVER	1	PC	2,5 kg
468	20	8691840019	VALVE	1	PC	230,5 g
469	25	23540304	GASKET KIT	1	PC	71,4 g
	50	XP52499100226	V-BAND CLAMP	1	PC	1,1 kg



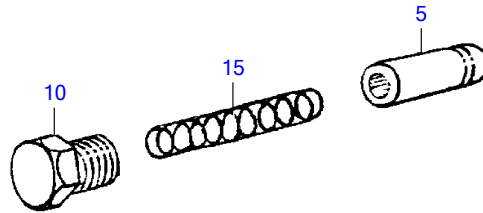
K183 K00005

☐	POS.	PART NO.	DESIGNATION	QTY.	UNITS	WEIGHT	MEASUREMENT
	5	5241871136	NOZZLE ROTOR ASM CNTRIFSPINNER FLTR	1	PC	3,1 g	
	10	5241870018	TUBE ASM	1	PC	818 g	
	15	5241870601	STAND TUBE ROTOR ASM CNTRIFSPINNER FLTR	1	PC	271 g	
	20	5241870033	CIRCLIP	1	PC	5,2 g	
	25	5241870074	PIN	1	PC	3 g	
	30	5241870072	NUT ROTOR COVER CENTRIFUGAL SPINNER FLTR	1	PC	186 g	
	35	8591840001	PAPER PACK CENTRIFUGAL SPINNER FILTER	1	PC	11,4 g	1 ST. GLEICH 1 PAPIERSTREIFEN
	40	5241870147	PLATE	1	PC	50 g	




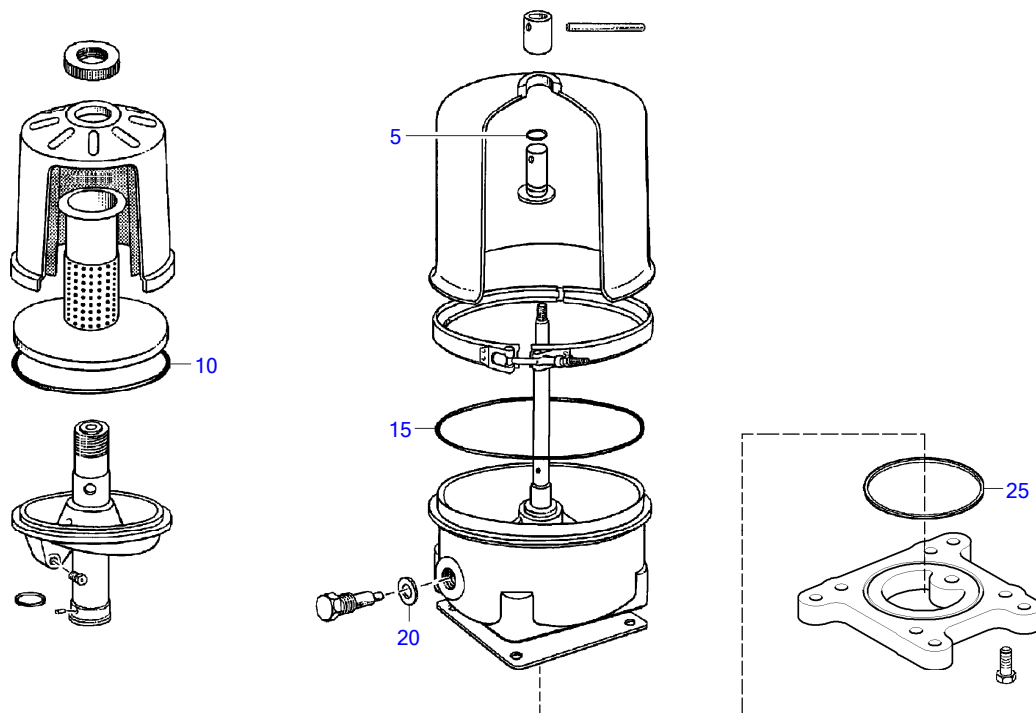
18300801a

☐	POS.	PART NO.	DESIGNATION	QTY.	UNITS	WEIGHT
	10	8691840031	COVER FIXING KIT	1	PC	240 g



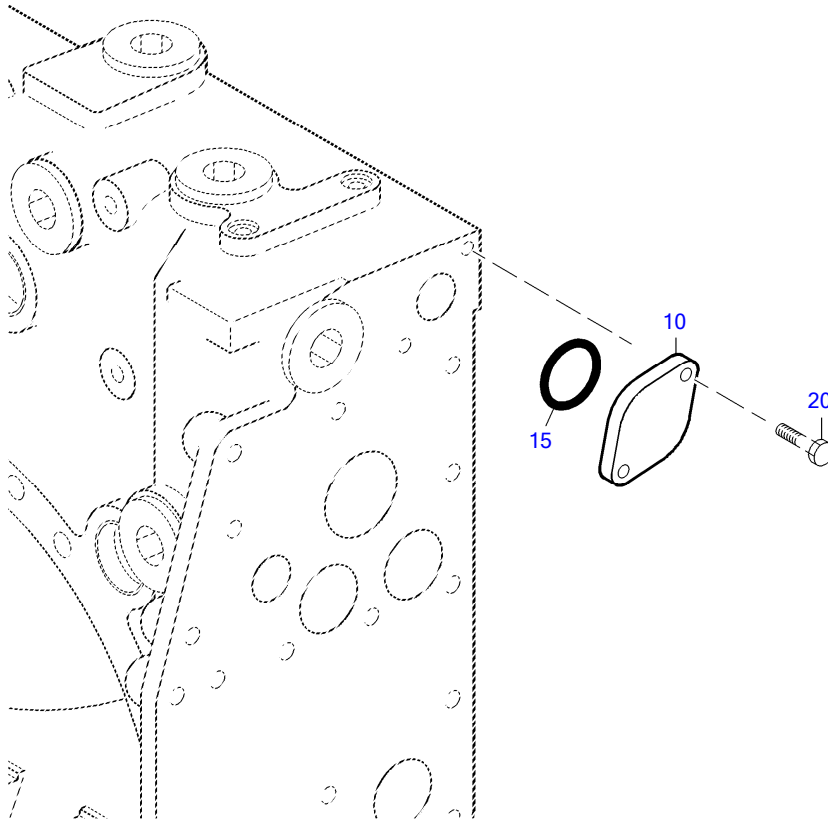
K183 K0004

	POS.	PART NO.	DESIGNATION	QTY.	UNITS
	5	Z=3108A	VALVE PISTON	1	PC
	10	Z=1655A	PLUG	1	PC
	15	Z=1115P	PRESSURE SPRING	1	PC



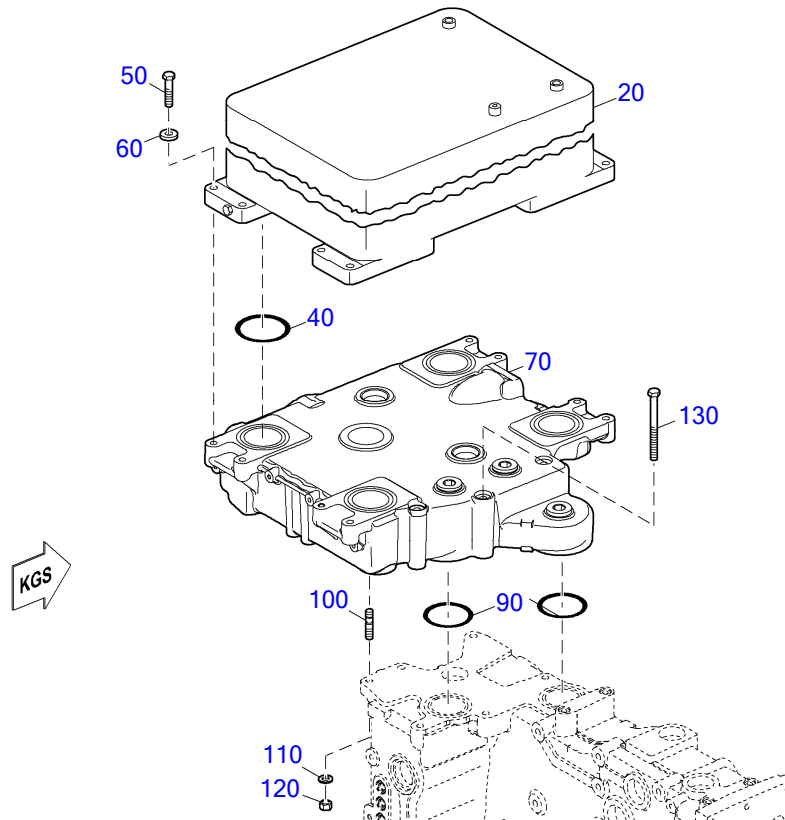
18300932a

☐	POS.	PART NO.	DESIGNATION	MODEL/TYPE	QTY.	UNITS	WEIGHT	MEASUREMENT	STANDARD
	5	8699970274	SEALING RING	70IRHD / GREEN	2	PC	0,7 g	17.12X2,62	
	10	8699970273	SEALING RING	70 IRHD / GREEN	1	PC	21,9 g	145,42 X 5,34	
	15	8699970272	SEALING RING	70 IRHD / GREEN	1	PC	28,9 g	196,22 X 5,34	
	20	8699970287	SEALING RING		1	PC	2,2 g		
	25	700429122001	O-RING		2	PC	9,5 g	122 X 3,75	MMN429

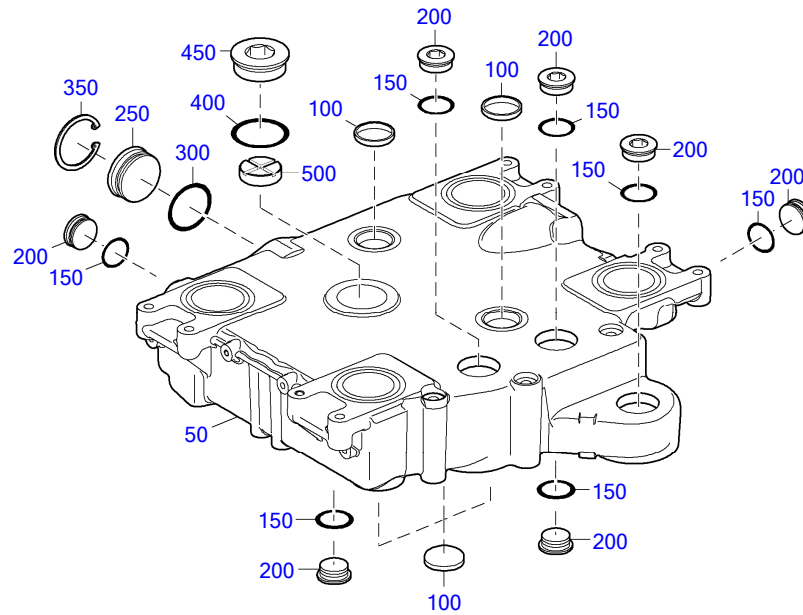


18000054a

☐	POS.	PART NO.	DESIGNATION	MODEL/TYPE	QTY.	UNITS	WEIGHT	MEASUREMENT	STANDARD
	10	5281840509	COVER WATER DISTRIBUTION HOUSING	BR 4000	1	PC	314,7 g		
	15	700429042002	O-RING		1	PC	3,8 g	42 X 4	MMN429
	20	304017008081	HEX SCREW		2	PC	13,4 g	M 8 X 25	ISO4017



☐	POS.	PART NO.	DESIGNATION	QTY.	UNITS	WEIGHT	FN	MEASUREMENT	STANDARD
	20	X59418300024/87	OIL HEAT EXCHANGER WITH TEST CERT. 3.1	1	PC	129 kg	EM	KANAELE: 29 OEL / 30 KM	
	40	700429083000	O-RING	4	PC	11,7 g		83 X 5	MMN429
	50	000000003926	HEX SCREW	8	PC	54 g		M 12 X 55	ISO4017
	60	007349013002	WASHER	8	PC	24,5 g		13	DIN7349
472	70	X59418300009	GUIDE HOUSING	1	PC	67,6 kg			
	90	700429075001	O-RING	2	PC	10,6 g		75 X 5	MMN429
	100	000939012061	STUD	3	PC	39,9 g		M 12 X 40	DIN939
	110	000125013012	WASHER	3	PC	5,6 g		A 13	DIN125
	120	000934012008	NUT HEX	3	PC	15,2 g		M 12	DIN934
	130	000931012091	HEX SCREW	3	PC	122 g		M 12 X130	DIN931



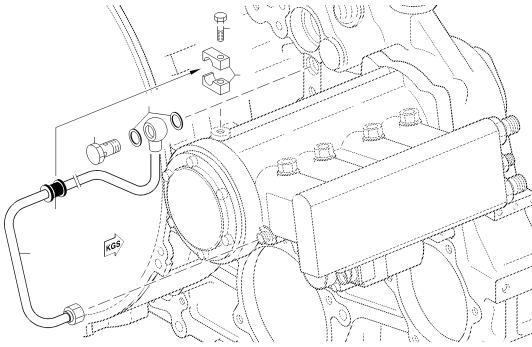
18300939a

☐	POS.	PART NO.	DESIGNATION	MODEL/TYPE	QTY.	UNITS	WEIGHT	MEASUREMENT	STANDARD
	50	X59418300008	GUIDE HOUSING		1	PC	62 kg		
	100	5249970020	SEALING CAP		5	PC	62,6 g	D 50	
	150	007603038101	COPPER SEALING RING		7	PC	5,4 g	A 38 X 44	DIN7603
	200	000908038000	THREAD PLUG		7	PC	0,15 kg	M 38 X 1,5	DIN908
	250	735084065000	PLUG		1	PC	219 g	65	MTN5084
	300	700429055001	O-RING		1	PC	8 g	55 X 5	MMN429
	350	000472070000	SNAP RING		1	PC	18,6 g	70 X 2,5	DIN472
	400	007603064100	WASHER A COP		1	PC	15 g	A 64 X 72	DIN7603
	450	000908064000	PLUG		1	PC	0,515 kg	M 64 X 2	DIN908
	500	5242031552	RESTRICTOR	4000	1	PC	0,214 kg	M52X1,5	

GROUP SEGMENT (FGS)

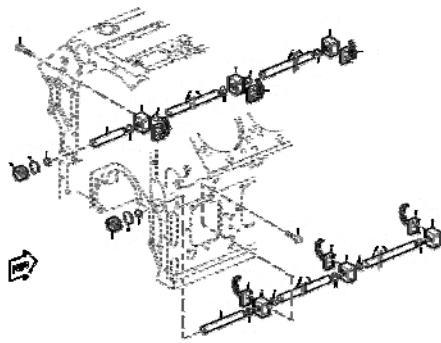
GROUP NAME

BOM-No.



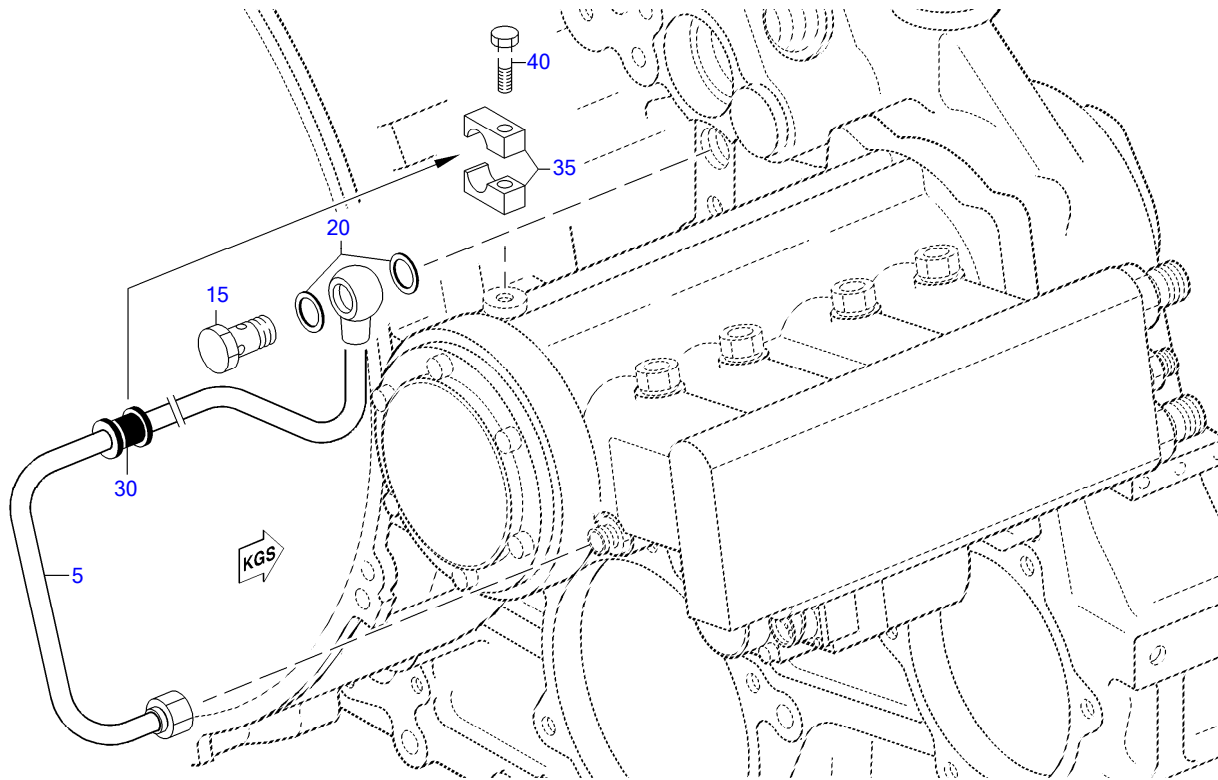
1830099a

05
OIL SUPPLY FOR HP PUMP
180.00150



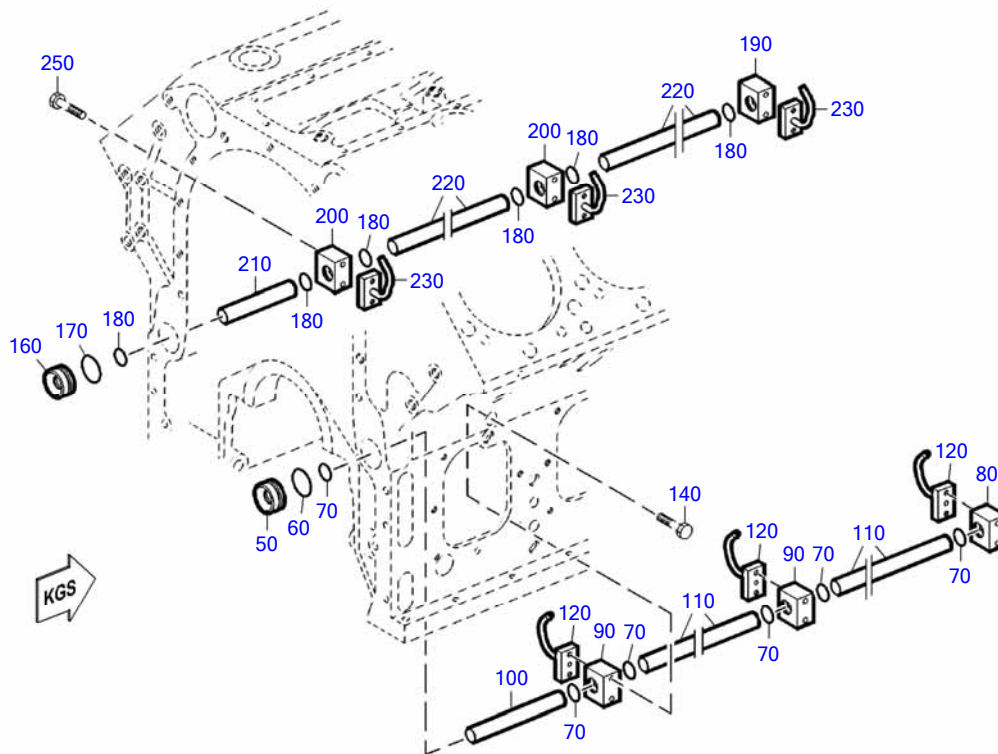
100000000_00

10
PISTON COOLING
XS594180.00014



18300099a

☐	POS.	PART NO.	DESIGNATION	QTY.	UNITS	WEIGHT	MEASUREMENT	STANDARD
	5	5281800319	TUBE HIGH PRESS FUEL PUMP LUBE OIL	1	PC	270 g		
	15	700223010000	BOLT BANJO A12	1	PC	64,8 g	A 12	MMN223
	20	007603018101	COPPER SEALING RING	2	PC	1,3 g	A 18 X 22	DIN7603
	30	700327012000	GROMMET	1	PC	4,6 g	12	MMN327
	35	700325018100	CLAMP HALF TUBE 1/1 D9-18	2	PC	40 g	1/1 D 9 - 18	MMN325
	40	304017008085	HEX SCREW	1	PC	18 g	M 8 X 40	ISO4017



TD0000022118_184

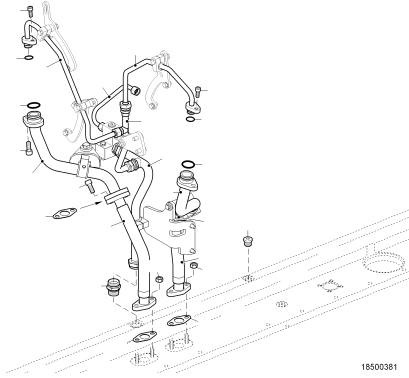
☐	POS.	PART NO.	DESIGNATION	QTY.	UNITS	WEIGHT	FN	MEASUREMENT	STANDARD
	50	5241870276	RETAINER O-RING	1	PC	60 g			
	60	700429041000	O-RING	1	PC	3,8 g		41 X 4	MMN429
	70	700429024002	O-RING	12	PC	2,3 g		24 X 4	MMN429
	80	X59418400006	RETAINER	1	PC	172 g			
	90	X59418400005	RETAINER	5	PC	165 g			
	100	5241870401	TUBE D	1	PC	160 g			
	110	5241870101	TUBE D	5	PC	130 g			
	120	X59418400007	OIL SPRAY NOZZLE	6	PC	125 g	EM		
	140	304014008032	HEX SCREW	12	PC	34,1 g		M 8 X 80	ISO4014
	160	5241870276	RETAINER O-RING	1	PC	60 g			
	170	700429041000	O-RING	1	PC	3,8 g		41 X 4	MMN429
	180	700429024002	O-RING	12	PC	2,3 g		24 X 4	MMN429
	190	X59418400006	RETAINER	1	PC	172 g			
	200	X59418400005	RETAINER	5	PC	165 g			
	210	5241870201	TUBE D	1	PC	120 g			
	220	5241870101	TUBE D	5	PC	130 g			
	230	X59418400007	OIL SPRAY NOZZLE	6	PC	125 g	EM		
	250	304014008032	HEX SCREW	12	PC	34,1 g		M 8 X 80	ISO4014

GROUP SEGMENT (FGS)

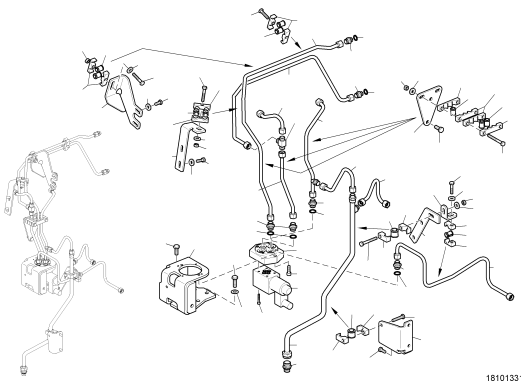
GROUP NAME

BOM-No.

10
T/CHARGER OIL SUPPLY
XS526180.00036



35
FLAP CONTROL
XS526180.00037



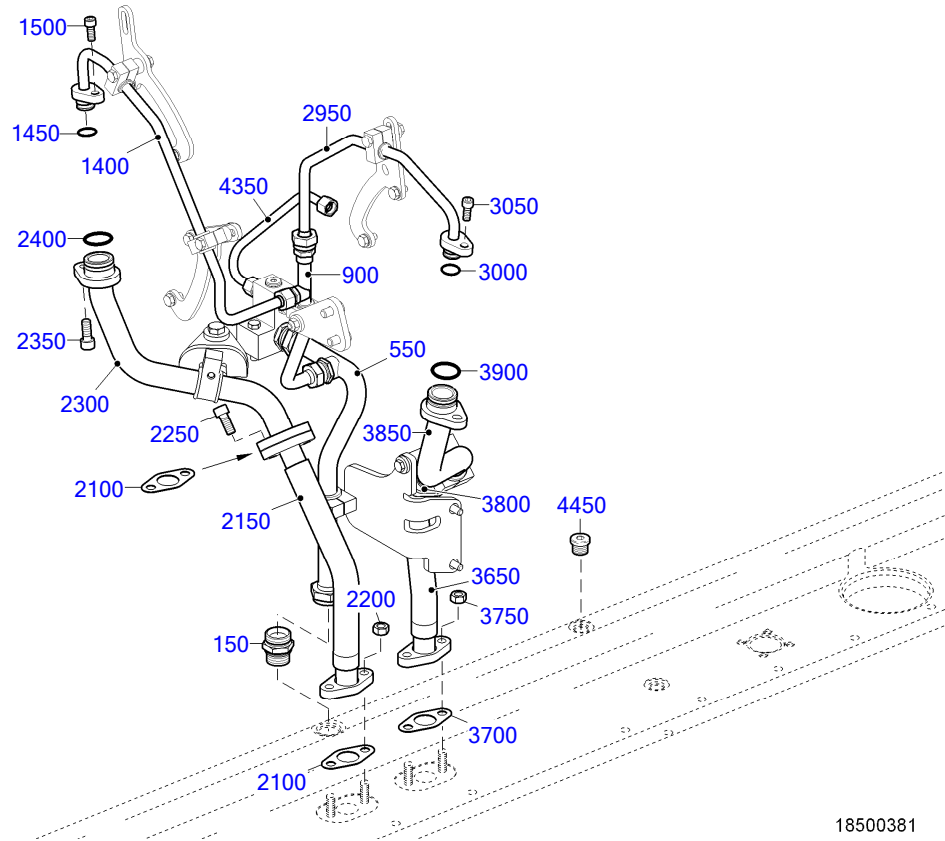
EQUI TYPE: Engine

PRODUCT TYPE: 12V4000M93L
T/CHARGER OIL SUPPLY

SERIAL NUMBER: 526108554

FG/FGS: 185 10

BOM-No.: XS526180.00036



18500381

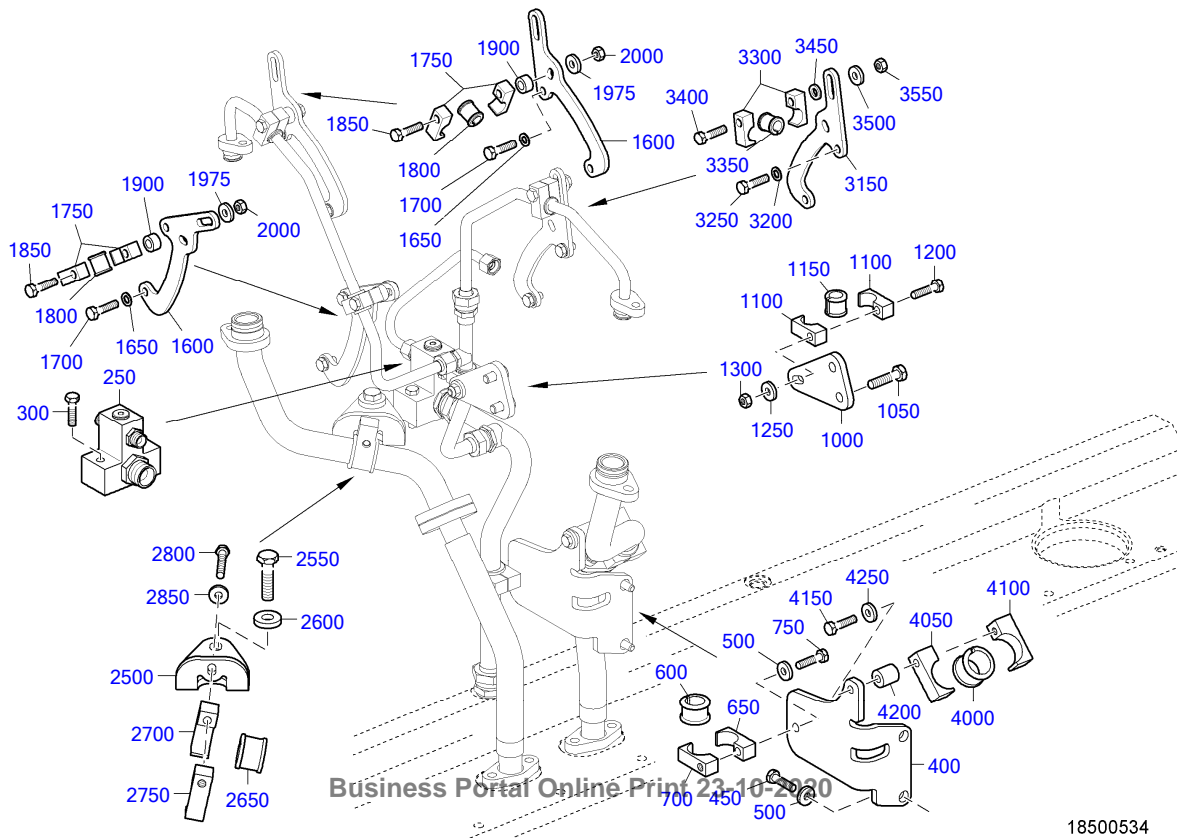
EQUI TYPE: Engine

PRODUCT TYPE: 12V4000M93L
T/CHARGER OIL SUPPLY

SERIAL NUMBER: 526108554

FG/FGS: 185 10

BOM-No.: XS526180.00036

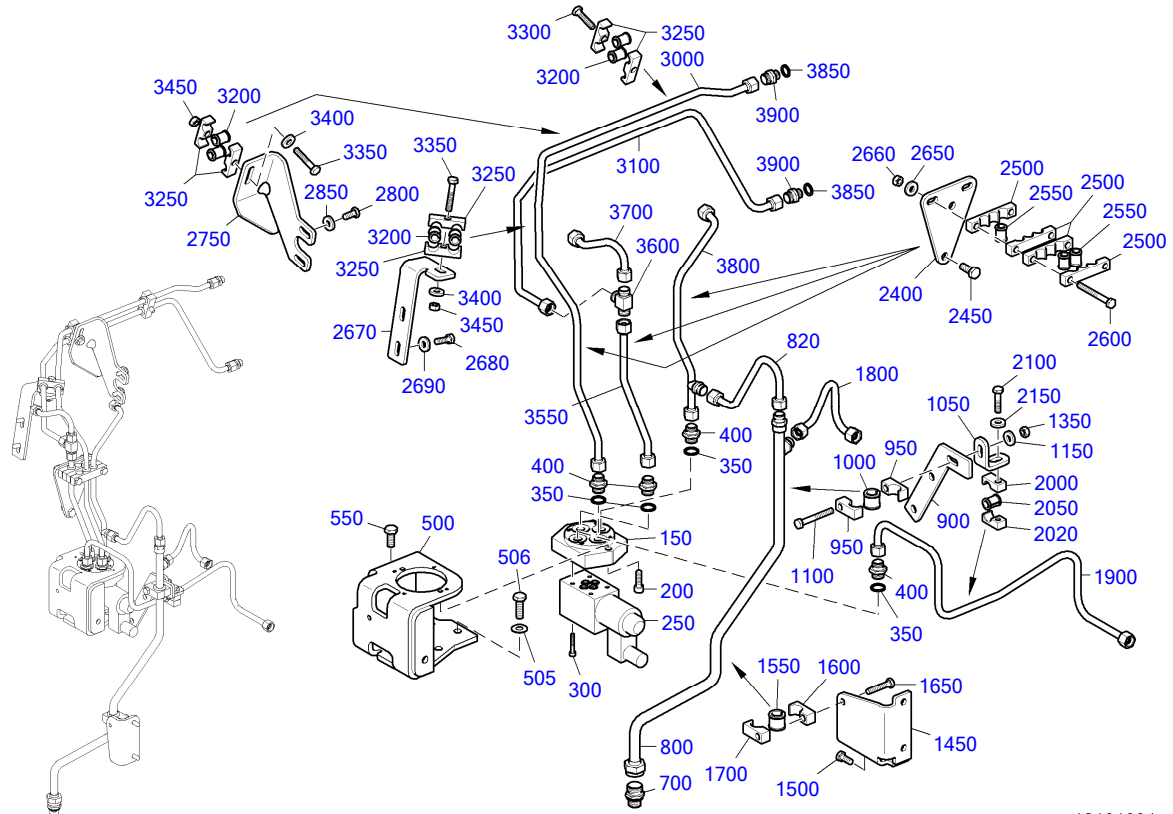


Business Portal Online Print 23-10-2020

18500534

☐	POS.	PART NO.	DESIGNATION	QTY.	UNITS	WEIGHT	FN	MEASUREMENT	STANDARD
	150	735211022000	UNION THD O-RING	1	PC	0,092 kg		22M 27 X 2	MTN5211
	250	X52618500017	CONNECTING PIECE	1	PC	1,2 kg			
	300	304017008086	HEX SCREW	2	PC	19,4 g		M 8 X 45	ISO4017
	400	X52618500018	RETAINER	1	PC	1,01 kg			
	450	304017008081	HEX SCREW	2	PC	13,4 g		M 8 X 25	ISO4017
	500	007349008002	WASHER	2	PC	7,9 g		8,4	DIN7349
	550	X52618500019	OIL SUPPLY LINE	1	PC	567,1 g	SB		
	600	700327022000	GROMMET	1	PC	9 g		22	MMN327
	650	700325028100	CLAMP HALF TUBE 1/1 D9-28	1	PC	55 g		1/1 D 9 - 28	MMN325
	700	700325028200	CLAMP HALF TUBE 1/1 G8-28	1	PC	57,2 g		1/1 G 8 - 28	MMN325
	750	304017008086	HEX SCREW	1	PC	19,4 g		M 8 X 45	ISO4017
	900	X52618500020	OIL LINE	1	PC	253,6 g	SB		
	1000	X52899100015	RETAINER	1	PC	249,7 g			
	1050	00000003020	HEX SCREW	2	PC	20 g		M 10 X 20	ISO4017
	1100	700325022100	CLAMP HALF TUBE 1/1 D9-22	2	PC	47,8 g		1/1 D 9 - 22	MMN325
	1150	700327015000	GROMMET	1	PC	6 g		15	MMN327
	1200	304017008088	HEX SCREW	1	PC	22,6 g		M 8 X 55	ISO4017
	1250	007349008002	WASHER	1	PC	7,9 g		8,4	DIN7349
	1300	304032008014	NUT HEX 8 A3C	1	PC	4,8 g		M 8	ISO4032
	1400	X52618500039	OIL LINE	1	PC	272 g			
	1450	700429017002	O-RING	1	PC	1,1 g		17 X 3	MMN429
	1500	000912008009	FILLISTER SCREW	1	PC	12,9 g		M 8 X 20	DIN912
	1600	X52699100189	RETAINER	2	PC	231,5 g			
	1650	200433008400	WASHER	4	PC	1,5 g		8,4	DIN433
	1700	304017008077	HEX SCREW	4	PC	10,5 g		M 8 X 16	ISO4017
	1750	700325018100	CLAMP HALF TUBE 1/1 D9-18	4	PC	40 g		1/1 D 9 - 18	MMN325
	1800	700327012000	GROMMET	2	PC	4,6 g		12	MMN327
	1850	304017008088	HEX SCREW	2	PC	22,6 g		M 8 X 55	ISO4017
	1900	735151008200	SPACER	2	PC	13,7 g		B 8,4	MTN5151
	1975	007349008002	WASHER	2	PC	7,9 g		8,4	DIN7349
	2000	304032008014	NUT HEX 8 A3C	2	PC	4,8 g		M 8	ISO4032
	2100	X00009917	GASKET	2	PC	3 g			
	2150	X59518500041	OIL RETURN LINE	1	PC	288,9 g	EM		
	2200	000000003187	NUT HEX A3C	2	PC	9,2 g		M 10	ISO4032
	2250	000912010065	BOLT HEX SOC HD	2	PC	23,9 g		M 10 X 25	DIN912
	2300	X59518500043	OIL RETURN LINE	1	PC	622,5 g	SB EM		
	2350	000912010065	BOLT HEX SOC HD	1	PC	23,9 g		M 10 X 25	DIN912
	2400	700429028005	O-RING	1	PC	3 g		28,15X 3,5	MMN429
	2500	X59418500037	RETAINER	1	PC	478,8 g			
	2550	000000003381	HEX SCREW	1	PC	40,3 g		M 12 X 35	ISO4017
	2600	007349013002	WASHER	1	PC	24,5 g		13	DIN7349
	2650	700327028000	GROMMET	1	PC	12,9 g		28	MMN327
	2700	700325035100	CLAMP HALF TUBE 1/1 D9-35	1	PC	103 g		1/1 D 9 - 35	MMN325
	2750	700325035200	CLAMP HALF TUBE 1/1 G8-35	1	PC	102,5 g		1/1 G 8 - 35	MMN325
	2800	304017008088	HEX SCREW	1	PC	22,6 g		M 8 X 55	ISO4017
	2850	007349008002	WASHER	1	PC	7,9 g		8,4	DIN7349
	2950	X52618500038	OIL LINE	1	PC	268,3 g			
	3000	700429017002	O-RING	1	PC	1,1 g		17 X 3	MMN429
	3050	000912008009	FILLISTER SCREW	1	PC	12,9 g		M 8 X 20	DIN912
	3150	X52699100189	RETAINER	1	PC	231,5 g			
	3200	200433008400	WASHER	2	PC	1,5 g		8,4	DIN433
	3250	304017008077	HEX SCREW	2	PC	10,5 g		M 8 X 16	ISO4017
	3300	700325018100	CLAMP HALF TUBE 1/1 D9-18	2	PC	40 g		1/1 D 9 - 18	MMN325
	3350	700327012000	GROMMET	1	PC	4,6 g		12	MMN327

☐	POS.	PART NO.	DESIGNATION	QTY.	UNITS	WEIGHT	FN	MEASUREMENT	STANDARD
	3400	304017008087	HEX SCREW	1	PC	21,3 g		M 8 X 50	ISO4017
	3450	5379900140	WASHER	1	PC	3,9 g			
	3500	007349008002	WASHER	1	PC	7,9 g		8,4	DIN7349
	3550	304032008014	NUT HEX 8 A3C	1	PC	4,8 g		M 8	ISO4032
	3650	X59518500042	OIL RETURN LINE	1	PC	272,2 g	EM		
	3700	X00009917	GASKET	2	PC	3 g			
	3750	000000003187	NUT HEX A3C	2	PC	9,2 g		M 10	ISO4032
	3800	000912010065	BOLT HEX SOC HD	2	PC	23,9 g		M 10 X 25	DIN912
	3850	X59518500044	OIL RETURN LINE	1	PC	670 g	SB EM		
	3900	700429028005	O-RING	1	PC	3 g		28,15X 3,5	MMN429
	4000	700327028000	GROMMET	1	PC	12,9 g		28	MMN327
	4050	700325035100	CLAMP HALF TUBE 1/1 D9-35	1	PC	103 g		1/1 D 9 - 35	MMN325
	4100	700325035200	CLAMP HALF TUBE 1/1 G8-35	1	PC	102,5 g		1/1 G 8 - 35	MMN325
	4150	000000004389	HEX SCREW	1	PC	30 g		M 8 X 75	ISO4017
	4200	5564910150	BUSHING	1	PC	42,9 g			
	4250	007349008002	WASHER	1	PC	7,9 g		8,4	DIN7349
	4350	X52618500023	OIL LINE	1	PC	87,3 g	SB		
	4450	735210018000	PLUG	1	PC	0,036 kg		M 18 X 1,5	MTN5210

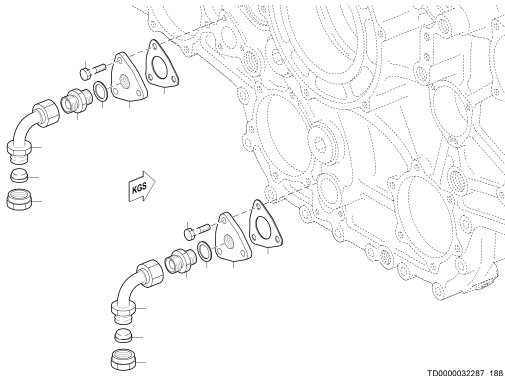


18101331

☐	POS.	PART NO.	DESIGNATION	QTY.	UNITS	WEIGHT	FN	MEASUREMENT	STANDARD
	150	X59499100043	VALVE MOUNTING PLATE	1	PC	1,2 kg			
	200	000912008055	BOLT HEX SOC HD	2	PC	14,3 g		M 8 X 25	DIN912
	250	X52499100725	4/2-WAY SOL. VALVE	1	PC	1,874 kg			
	300	000000003558	BOLT HEX SOC ZNPH R5 F	4	PC	5,4 g		M 5 X 30	DIN912
	350	007603017102	WASHER A COP	4	PC	1,1 g		A 17 X 21	DIN7603
	400	700419999004	UNION 8G 3/8 A	4	PC	0,032 kg		10 G 3/8 A	MMN419
	500	X59499100956	RETAINER FOR SOLENOID VALVE	1	PC	3,125 kg			
	505	007349010002	WASHER	1	PC	11 g		10,5	DIN7349
	506	000000001464	HEX SCREW	1	PC	24,9 g		M 10 X 30	ISO4017
	550	000000003021	HEX SCREW	2	PC	22,8 g		M 10 X 25	ISO4017
	700	735211015000	UNION	1	PC	44,2 g		15M 18 X 1,5	MTN5211
	800	X52618500033	OIL LINE	1	PC	322,8 g	SB		
	820	X52618500035	OIL LINE	1	PC	90,7 g			
	900	X52618500025	RETAINER	1	PC	271,2 g			
	950	700325022100	CLAMP HALF TUBE 1/1 D9-22	2	PC	47,8 g		1/1 D 9 - 22	MMN325
	1000	700327015000	GROMMET	1	PC	6 g		15	MMN327
	1050	X59499100080	RETAINER	1	PC	85 g			
	1100	304017008089	HEX SCREW	1	PC	24,2 g		M 8 X 60	ISO4017
	1150	007349008002	WASHER	1	PC	7,9 g		8,4	DIN7349
	1350	304032008014	NUT HEX 8 A3C	1	PC	4,8 g		M 8	ISO4032
	1450	X59499100442	RETAINER	1	PC	760 g			
	1500	304017008079	HEX SCREW	2	PC	11,7 g		M 8 X 20	ISO4017
	1550	700327015000	GROMMET	1	PC	6 g		15	MMN327
	1600	700325022100	CLAMP HALF TUBE 1/1 D9-22	1	PC	47,8 g		1/1 D 9 - 22	MMN325
	1650	304017008083	HEX SCREW	1	PC	15,1 g		M 8 X 30	ISO4017

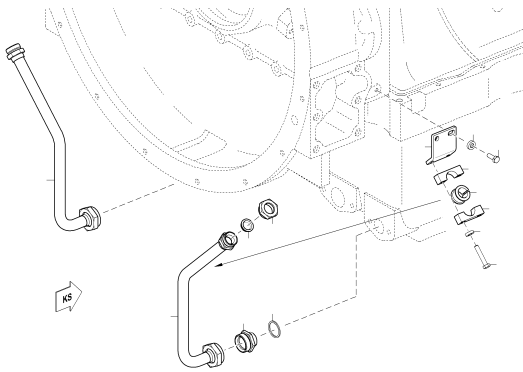
☐	POS.	PART NO.	DESIGNATION	QTY.	UNITS	WEIGHT	FN	MEASUREMENT	STANDARD
	1700	700325022200	CLAMP HALF TUBE 1/1 G8-22	1	PC	49 g		1/1 G 8 - 22	MMN325
	1800	X52618500034	OIL LINE	1	PC	89,7 g	SB		
	1900	X52618500028	OIL LINE	1	PC	203,3 g			
	2000	700325015100	CLAMP HALF TUBE 1/1 D9-15	1	PC	0,033 kg		1/1 D 9 - 15	MMN325
	2020	700325015200	CLAMP HALF TUBE 1/1 G8-15	1	PC	34,2 g		1/1 G 8 - 15	MMN325
	2050	700327010000	GROMMET	1	PC	2,8 g		10	MMN327
	2100	304017008084	HEX SCREW	1	PC	16,4 g		M 8 X 35	ISO4017
	2150	007349008002	WASHER	1	PC	7,9 g		8,4	DIN7349
	2400	X52618500027	RETAINER	1	PC	346,2 g			
	2450	000000003021	HEX SCREW	2	PC	22,8 g		M 10 X 25	ISO4017
	2500	700325015108	PIPE CLAMP HALF	4	PC	76 g		3/2 D 9 - 15	MMN325
	2550	700327010000	GROMMET	3	PC	2,8 g		10	MMN327
	2600	304017008090	HEX SCREW	2	PC	27,3 g		M 8 X 70	ISO4017
	2650	007349008002	WASHER	2	PC	7,9 g		8,4	DIN7349
	2660	304032008014	NUT HEX 8 A3C	2	PC	4,8 g		M 8	ISO4032
	2670	X52699100201	RETAINER	1	PC	330,7 g			
	2680	304017008081	HEX SCREW	2	PC	13,4 g		M 8 X 25	ISO4017
	2690	007349008002	WASHER	2	PC	7,9 g		8,4	DIN7349
	2750	X52618500026	RETAINER	1	PC	635 g			
	2800	204017008009	HEX SCREW	2	PC	10,9 g		M 8 X 18	ISO4017
	2850	007349008002	WASHER	2	PC	7,9 g		8,4	DIN7349
	3000	X52618500045	OIL LINE	1	PC	295 g			
	3100	X52618500029	OIL LINE	1	PC	0,267 kg			
	3200	700327010000	GROMMET	6	PC	2,8 g		10	MMN327
	3250	700325015104	CLAMP HALF TUBE 2/1 D9-15	6	PC	47 g		2/1 D 9 - 15	MMN325
	3300	304017008084	HEX SCREW	1	PC	16,4 g		M 8 X 35	ISO4017
	3350	304017008086	HEX SCREW	2	PC	19,4 g		M 8 X 45	ISO4017
	3400	007349008002	WASHER	2	PC	7,9 g		8,4	DIN7349
	3450	304032008014	NUT HEX 8 A3C	2	PC	4,8 g		M 8	ISO4032
	3550	X52618500043	OIL LINE	1	PC	88,6 g			
	3600	5569970674	FITTING TEE	1	PC	61,6 g		DN 8 / M16X1,5	
	3700	X52618500032	OIL LINE	1	PC	66,6 g			
	3800	X52618500044	OIL LINE	1	PC	144,6 g			
	3850	705057013000	RING SEALING A13 X18 CU	2	PC	1,3 g		A 13 X 18	DIN7603
	3900	700419999021	SCREW-FITTING UNION	2	PC	25 g		10 G 1/4 A	MMN419

GROUP SEGMENT (FGS)
GROUP NAME
BOM-No.



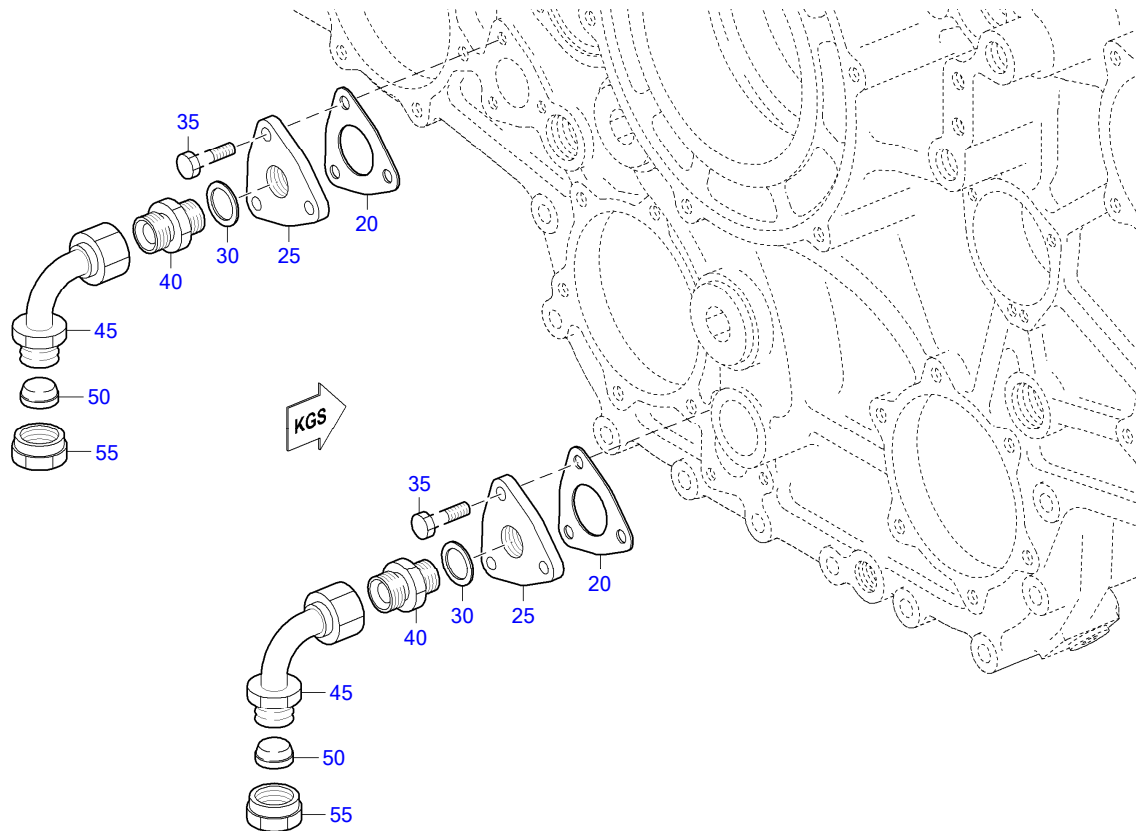
05
CONNECTIONS FOR OIL PRIMING PP
180.00038

TD000002287_188



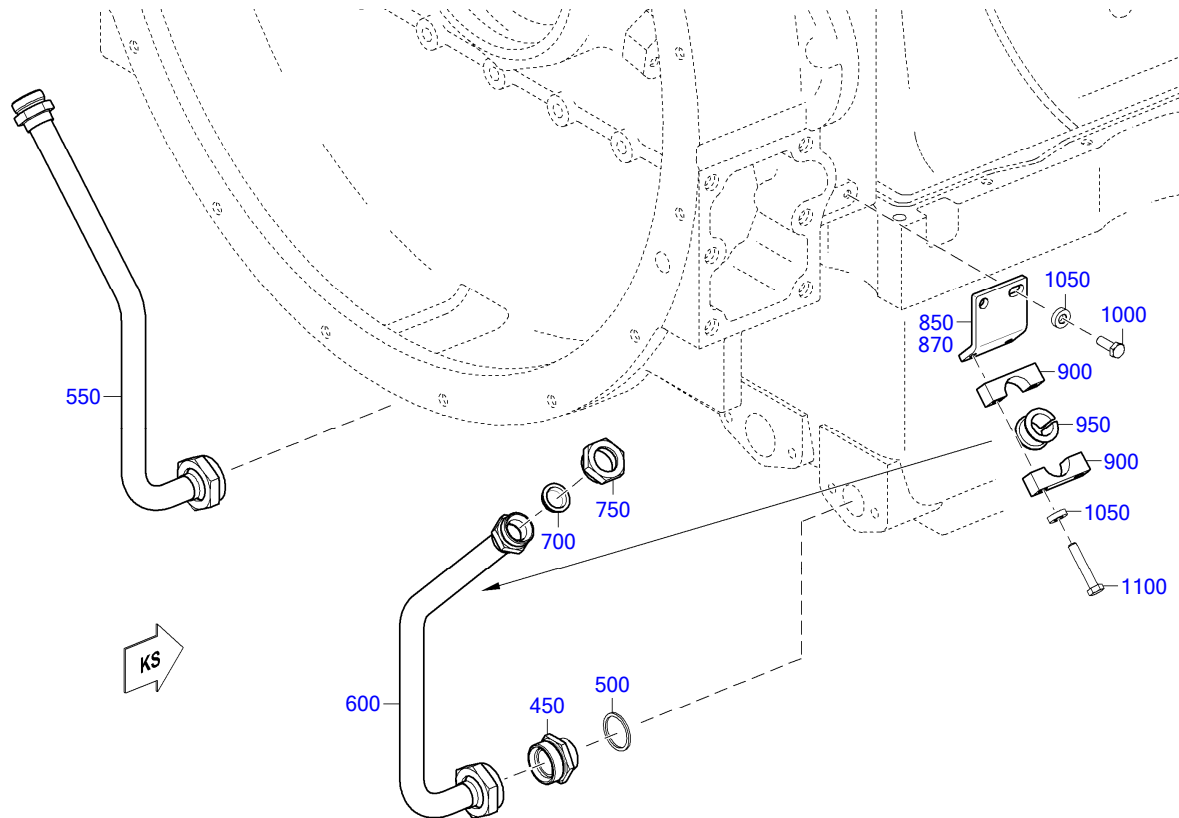
10
OIL EXTRACTION
XS594180.00018

TD000002789_188



TD0000032287_188

☐	POS.	PART NO.	DESIGNATION	MODEL/TYPE	QTY.	UNITS	WEIGHT	MEASUREMENT	STANDARD
	20	5241880180	GASKET		2	PC	6,2 g	1X120X120	
	25	5241880702	COVER	BR4000M	2	PC	353,6 g		
	30	007603026104	COPPER SEALING RING		2	PC	3,1 g	A 26 X 31	DIN7603
	35	000000003021	HEX SCREW		6	PC	22,8 g	M 10 X 25	ISO4017
	40	915013020002	SCREW NECK		2	PC	66,7 g	20 (M30X1,5/M26X1,5)	N15013
	45	700160000020	ELBOW 90 DEG KR 20		2	PC	210 g	KR 20	MMN160
	50	915005020001	CONE SEALING		2	PC	15,1 g	22	MBN15005
	55	915001020003	NUT		2	PC	46,9 g	20 M 30 X 1,5	N15001



TD0000027893_188

☐	POS.	PART NO.	DESIGNATION	QTY.	UNITS	WEIGHT	FN	MEASUREMENT	STANDARD
	450	915013025001	UNION	2	PC	101,6 g	25		N15013
	500	007603030101	COPPER SEALING RING	2	PC	4,3 g		A 30 X 36	DIN7603
	550	5241800821	OIL LINE	1	PC	625 g	SB		
	600	5241800721	OIL LINE	1	PC	620 g	SB		
	700	915005020001	CONE SEALING	2	PC	15,1 g	22		MBN15005
	750	915001020003	NUT	2	PC	46,9 g		20 M 30 X 1,5	N15001
	850	X59618400003	RETAINER	1	PC	210 g			
	870	X59618400003	RETAINER	1	PC	210 g			
	900	700325028101	CLAMP HALF TUBE 1/2 D9-28	4	PC	74 g		1/2 D 9 - 28	MMN325
	950	700327022000	GROMMET	2	PC	9 g		22	MMN327
	1000	204017008011	HEX SCREW	4	PC	12,2 g		M 8 X 22	ISO4017
	1050	735151008100	SPACER	4	PC	7,4 g		A 8,4	MTN5151
	1100	304017008086	HEX SCREW	4	PC	19,4 g		M 8 X 45	ISO4017

EQUI TYPE: Engine

PRODUCT TYPE: 12V4000M93L
COOLANT SYSTEM

SERIAL NUMBER: 526108554
FG/FGS: 200

GROUP SEGMENT (FGS)

GROUP NAME

BOM-No.

00

COOLANT EXP TANK

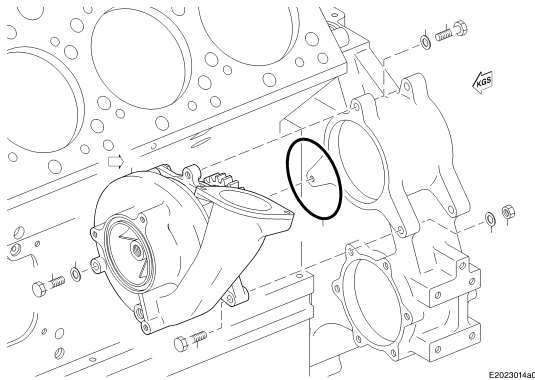
XS594200.00171

☐	POS.	PART NO.	DESIGNATION	QTY.	UNITS	WEIGHT	FN	MEASUREMENT	STANDARD
	200	X59520200171	CONNECTING PIECE FOR COOLANT LINE	1	PC	1,097 kg			
	250	304017008086	HEX SCREW	4	PC	19,4 g		M 8 X 45	ISO4017
	300	X54499100104	SOCKET PIPE	1	PC	151 g			
	350	700429023002	O-RING	2	PC	2,4 g		23 X 4	MMN429
	400	007603026101	WASHER A COP	1	PC	3,7 g		A 26 X 32	DIN7603
	450	915013020002	SCREW NECK	1	PC	66,7 g		20 (M30X1,5/M26X1,5)	N15013
	500	X59420800020	COOLANT LINE	1	PC	570,1 g	SB		
	600	700325028100	CLAMP HALF TUBE 1/1 D9-28	1	PC	55 g		1/1 D 9 - 28	MMN325
	650	700325028200	CLAMP HALF TUBE 1/1 G8-28	1	PC	57,2 g		1/1 G 8 - 28	MMN325
	700	700327022000	GROMMET	1	PC	9 g		22	MMN327
	750	007349008002	WASHER	1	PC	7,9 g		8,4	DIN7349
	800	304017008086	HEX SCREW	1	PC	19,4 g		M 8 X 45	ISO4017
	900	007603030101	COPPER SEALING RING	1	PC	4,3 g		A 30 X 36	DIN7603
	950	915013025001	UNION	1	PC	101,6 g		25	N15013
	1000	X59420800003	COOLANT LINE	1	PC	1,3 kg	SB		
	1050	5242031540	BRACKET	1	PC	93,9 g			
	1100	700325028100	CLAMP HALF TUBE 1/1 D9-28	2	PC	55 g		1/1 D 9 - 28	MMN325
	1150	700327022000	GROMMET	1	PC	9 g		22	MMN327
	1200	304017008086	HEX SCREW	1	PC	19,4 g		M 8 X 45	ISO4017
	1250	000125010524	WASHER	1	PC	3,1 g		A 10,5	DIN125
	1300	000000003712	HEX SCREW	1	PC	31,9 g		M 10 X 45	ISO4017
	1400	700325028100	CLAMP HALF TUBE 1/1 D9-28	2	PC	55 g		1/1 D 9 - 28	MMN325
	1450	700327022000	GROMMET	1	PC	9 g		22	MMN327
	1500	304017008086	HEX SCREW	1	PC	19,4 g		M 8 X 45	ISO4017
	1600	700325028100	CLAMP HALF TUBE 1/1 D9-28	2	PC	55 g		1/1 D 9 - 28	MMN325
	1650	700327022000	GROMMET	1	PC	9 g		22	MMN327
	1700	304017008086	HEX SCREW	1	PC	19,4 g		M 8 X 45	ISO4017
	1750	000125010524	WASHER	1	PC	3,1 g		A 10,5	DIN125
	1800	000000003712	HEX SCREW	1	PC	31,9 g		M 10 X 45	ISO4017
	1900	X59520800016	EXPANSION TANK	1	PC	40,4 kg			
	1950	735151010100	SPACER	4	PC	11 g		A 10,5	MTN5151
	2000	000000004745	HEX SCREW	4	PC	41,8 g		M 10 X 65	ISO4017
	2100	X59420800008	RETAINER	2	PC	361,7 g			
	2150	000000003020	HEX SCREW	6	PC	20 g		M 10 X 20	ISO4017

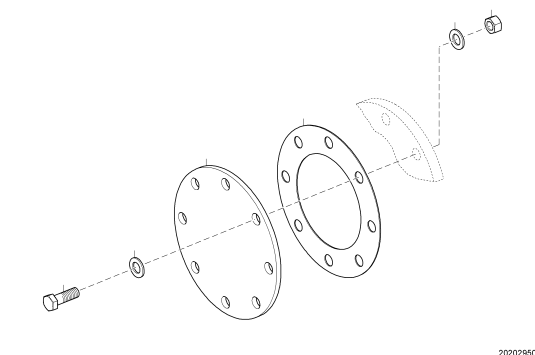
GROUP SEGMENT (FGS)

GROUP NAME

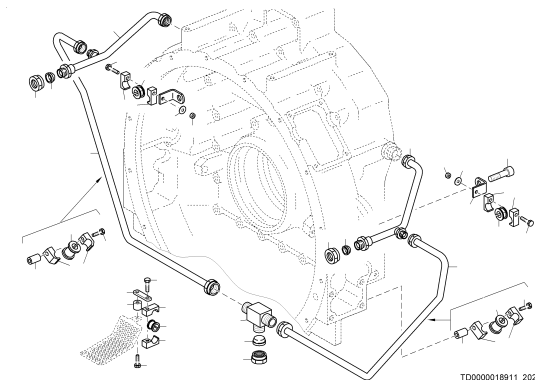
BOM-No.



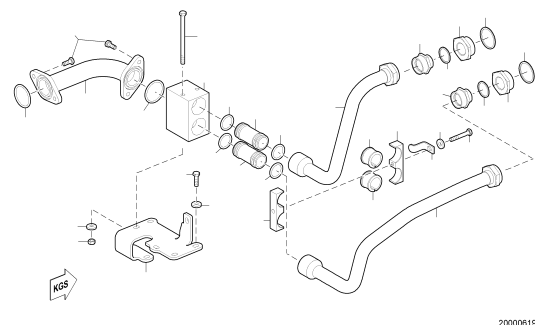
05
COOLANT PUMP HIGH-TEMP CIRCUIT
XS594200.00063



15
END COVER FOR COOLANT
XS593990.00035



15
COOLANT LINE ON FLYWHEEL HSNQ
XS594200.00064

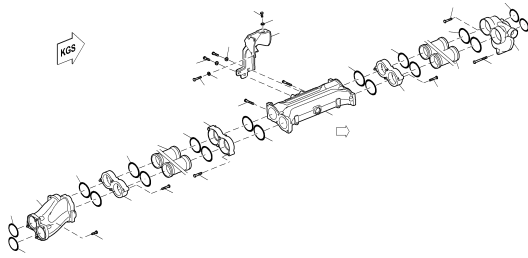


50
COOLANT DUCTING FOR CHARGE-AIR LINE
XS526200.00095

GROUP SEGMENT (FGS)

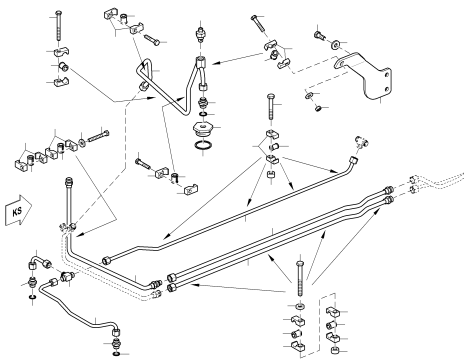
GROUP NAME

BOM-No.



50
COOLANT DUCTING TO INTERCOOLER
XS594200.00014

20201624c



65
COOLANT VENT
XS526200.00094

TD0000017464_202

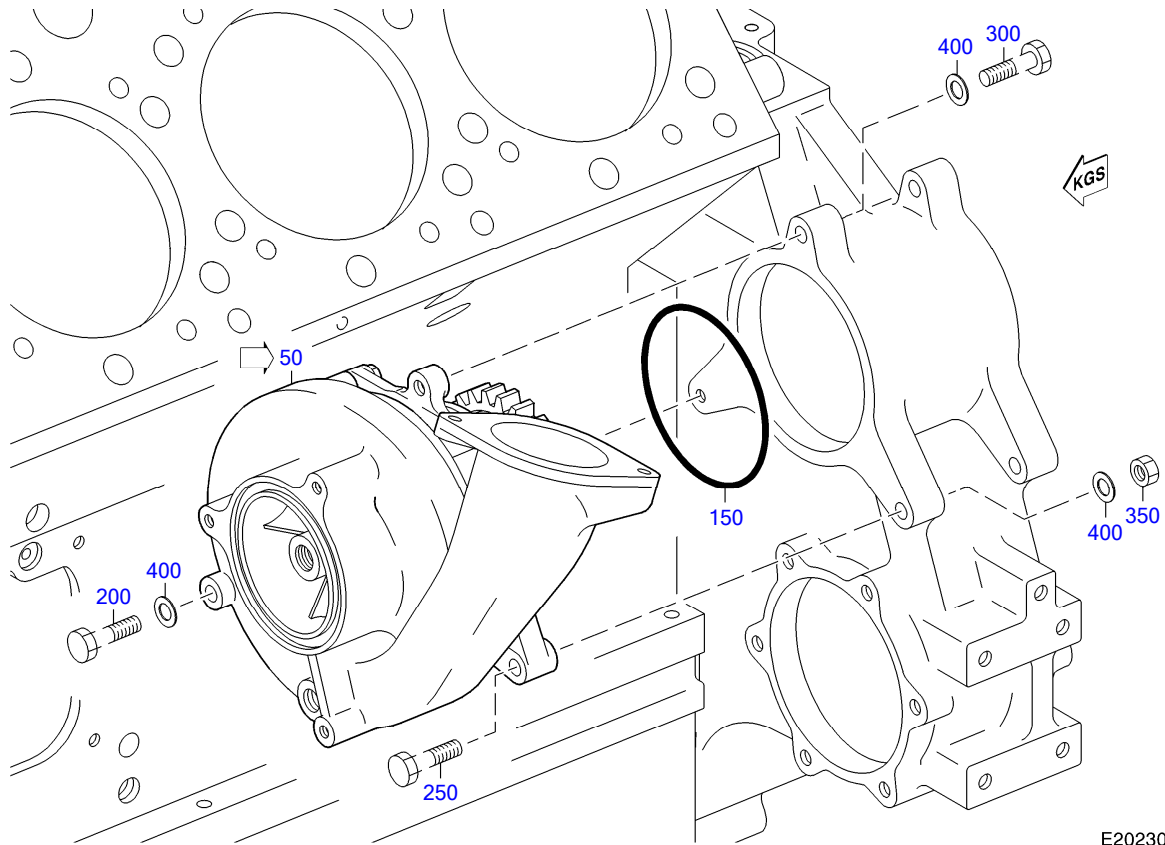
EQUI TYPE: Engine

PRODUCT TYPE: 12V4000M93L
COOLANT PUMP HIGH-TEMP CIRCUIT

SERIAL NUMBER: 526108554

FG/FGS: 202 05

BOM-No.: XS594200.00063



E2023014a0

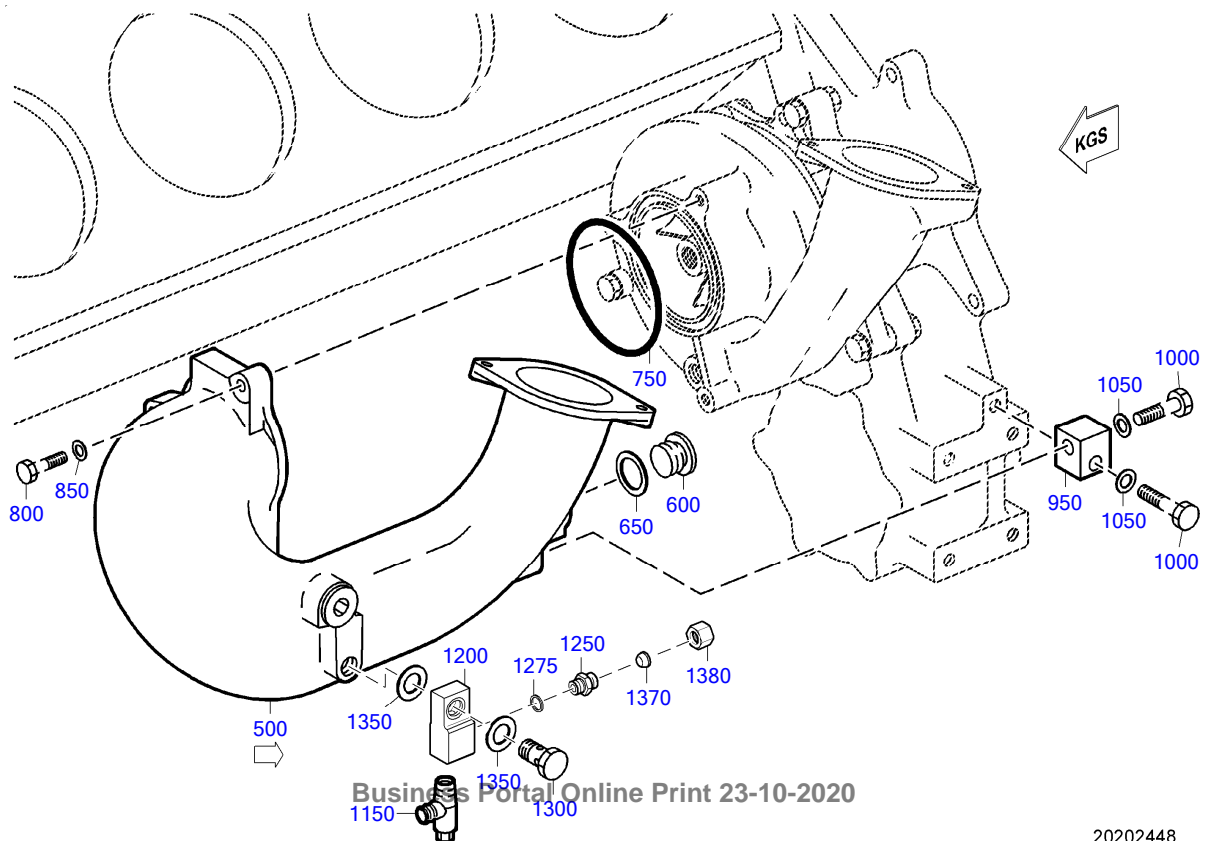
EQUI TYPE: Engine

PRODUCT TYPE: 12V4000M93L
COOLANT PUMP HIGH-TEMP CIRCUIT

SERIAL NUMBER: 526108554

FG/FGS: 202 05

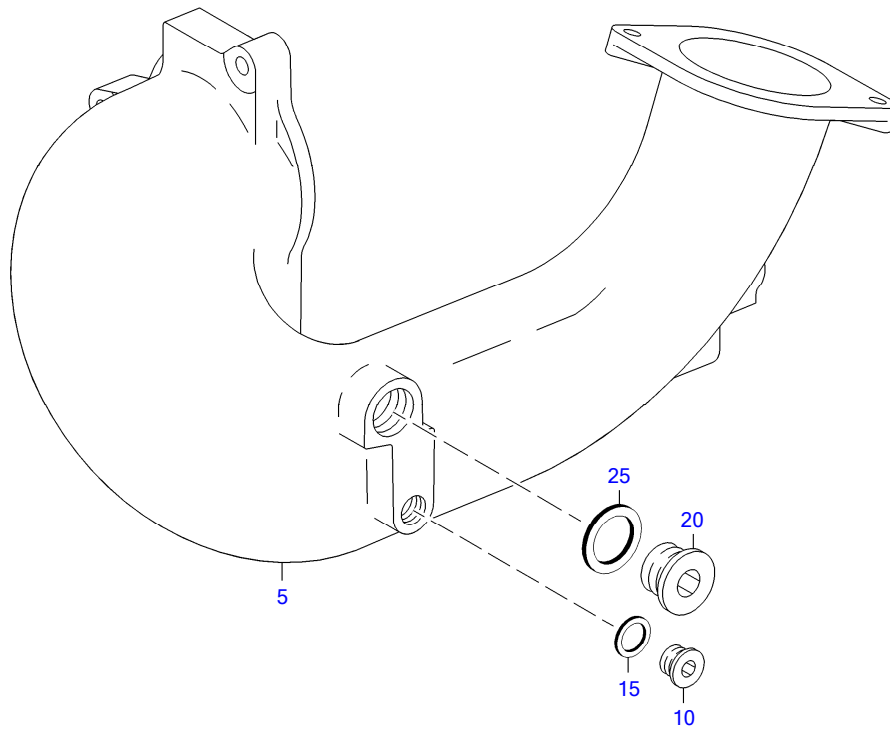
BOM-No.: XS594200.00063



Business Portal Online Print 23-10-2020

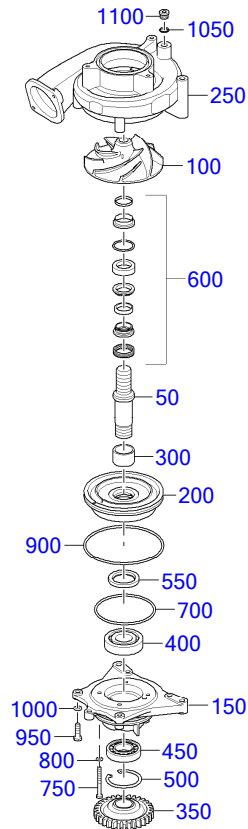
20202448

☐	POS.	PART NO.	DESIGNATION	MODEL/TYPE	QTY.	UNITS	WEIGHT	FN	MEASUREMENT	STANDARD
487	50	X52620200081	PUMP ASM WTR HI TEMP CLG CIRCUIT		1	PC	31 kg	EM		
	150	700429130003	O-RING		1	PC	18 g		130 X 5	MMN429
	200	000000003921	HEX SCREW		1	PC	138,5 g		M 12 X 150	ISO4014
	250	204017012019	HEX SCREW		1	PC	68,7 g		M 12 X 75	ISO4017
	300	000000003926	HEX SCREW		1	PC	54 g		M 12 X 55	ISO4017
	350	000000004744	HEX NUT		1	PC	14,3 g		M 12	ISO4032
	400	000125013012	WASHER		3	PC	5,6 g		A 13	DIN125
486	500	5242001118	ELBOW	BR4000	1	PC	11,307 kg			
	600	000908030002	THREAD PLUG		1	PC	0,085 kg		M 30 X 1,5	DIN908
	650	007603030101	COPPER SEALING RING		1	PC	4,3 g		A 30 X 36	DIN7603
	750	700429120002	O-RING		1	PC	24,6 g		120 X 6	MMN429
	800	000000001039	HEX SCREW		3	PC	29,8 g		M 10 X 40	ISO4017
	850	000125010524	WASHER		3	PC	3,1 g		A 10,5	DIN125
	950	5242030340	SUPPORT MTG HOLDER		1	PC	295 g			
	1000	000000003926	HEX SCREW		2	PC	54 g		M 12 X 55	ISO4017
	1050	000125013012	WASHER		2	PC	5,6 g		A 13	DIN125
	1150	0049976736	VALVE DRAIN		1	PC	125 g			
	1200	X59320200048	CONNECTING PIECE		1	PC	330 g			
	1250	915013008002	SCREW NECK		1	PC	24 g		8 (M16X1,5/M14X1,5)	N15013
	1275	007603014102	SEAL RING		1	PC	1 g		A 14 X 18	DIN7603
	1300	700223010000	BOLT BANJO A12		1	PC	64,8 g		A 12	MMN223
	1350	007603018101	COPPER SEALING RING		2	PC	1,3 g		A 18 X 22	DIN7603
	1370	915005008001	CONE SEALING 10		1	PC	4,5 g		10	MBN15005
	1380	915001008003	NUT		1	PC	0,014 kg		8 M 16 X 1,5	N15001



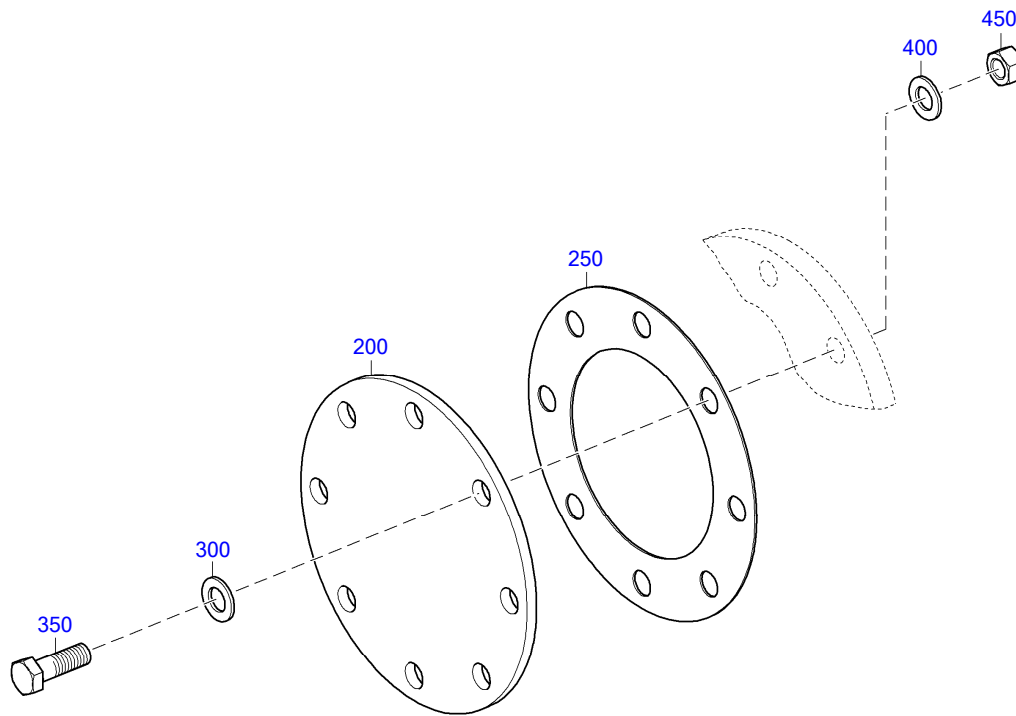
E0005720a0

☐	POS.	PART NO.	DESIGNATION	MODEL/TYPE	QTY.	UNITS	WEIGHT	MEASUREMENT	STANDARD
	5		ELBOW	BR4000	1	PC			
	10	000908018002	PLUG		1	PC	0,029 kg	M 18 X 1,5	DIN908
	15	007603018101	COPPER SEALING RING		1	PC	1,3 g	A 18 X 22	DIN7603
	20	000908030002	THREAD PLUG		1	PC	0,085 kg	M 30 X 1,5	DIN908
	25	007603030101	COPPER SEALING RING		1	PC	4,3 g	A 30 X 36	DIN7603



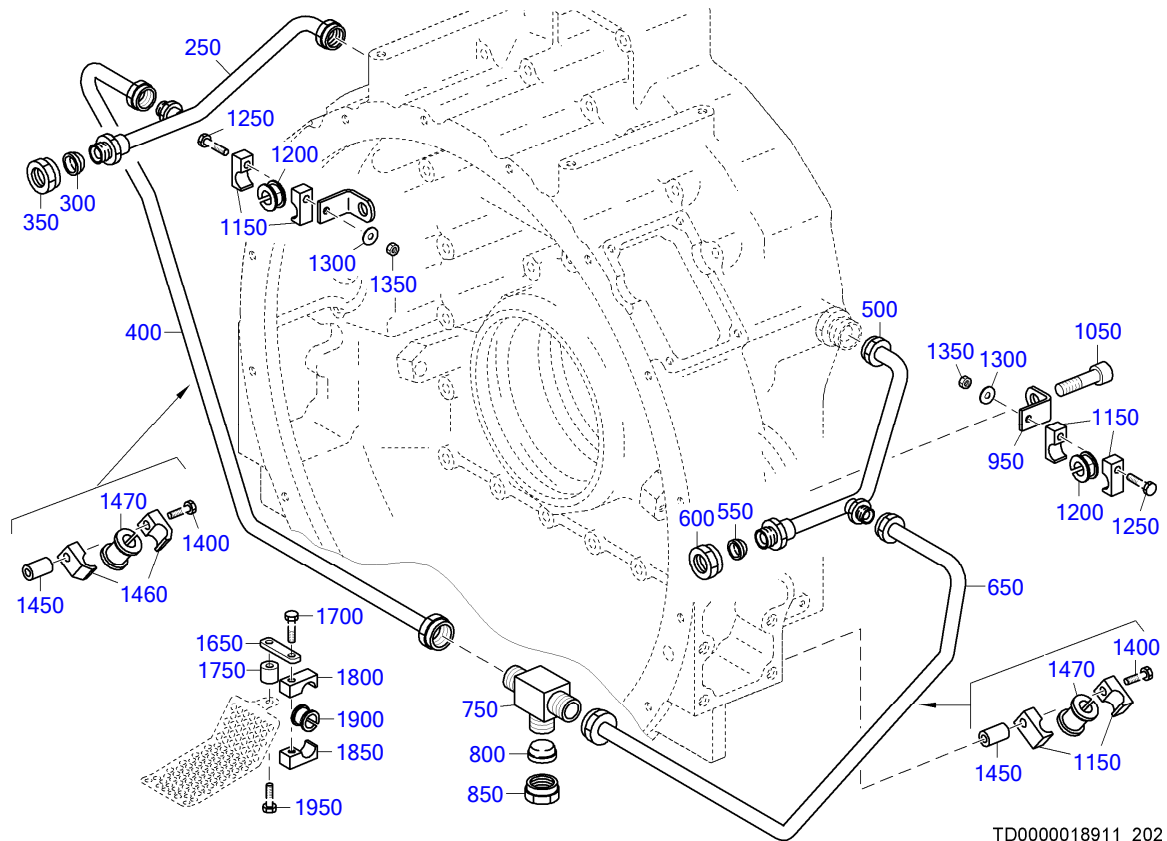
TD0000044024_036

☐	POS.	PART NO.	DESIGNATION	QTY.	UNITS	WEIGHT	MEASUREMENT	STANDARD
	50	5272010805	SHAFT WTR PMP HI TEM P CLG CIRCUIT	1	PC	1,699 kg		
	100	X00008653	IMPELLER	1	PC	2,5 kg		
	150	5272010010	BEARING HOUSING	1	PC	7,05 kg		
	200	X00008652	SEAL CARRIER	1	PC	4,2 kg		
	250	X00030047	SPIRAL HOUSING FOR WATER PUMP	1	PC	11,22 kg		
	300	5272010153	SPACER SLEEVE	1	PC	172,8 g		
	350	X00021750	GEAR	1	PC	1,77 kg		
	400	200628103006	BEARING ANGULAR CONT ACT ROLLER	1	PC	750 g	QJ308	DIN628
	450	705100502035	BEARING CYLINDRICAL ROLLER	1	PC	623 g	NU208	DIN5412
	500	000472080000	RING SNAP	1	PC	22 g	80 X 2,5	DIN472
	550	700386050002	SEAL OIL	1	PC	30,8 g	A 50 X 72 X 8	MMN386
	600	X00026765	ROTARY SEAL	1	PC	74 g		
	700	700429135000	O-RING	1	PC	18,6 g	135 X 5	MMN429
	750	000931008241	HEX SCREW	4	PC	31,7 g	M 8 X 75	DIN931
	800	000125008427	WASHER	4	PC	1,5 g	A 8,4	DIN125
	900	700429172000	O-RING	1	PC	23,5 g	172 X 5	MMN429
	950	000933010093	HEX SCREW	4	PC	28,7 g	M 10 X 35	DIN933
	1000	000125010524	WASHER	4	PC	3,1 g	A 10,5	DIN125
	1050	007603018101	COPPER SEALING RING	1	PC	1,3 g	A 18 X 22	DIN7603
	1100	000908018002	PLUG	1	PC	0,029 kg	M 18 X 1,5	DIN908



20202950

☐	POS.	PART NO.	DESIGNATION	QTY.	UNITS	WEIGHT	MEASUREMENT	STANDARD
	200	X58499100116	BLIND FLANGE FOR ENGINE SHIPPING	1	PC	4,719 kg		
	250	5842350380	GASKET	1	PC	101 g		
	300	000125021009	WASHER	8	PC	15,5 g	A 21	DIN125
	350	204017018002	HEX SCREW	8	PC	141 g	M 18 X 55	ISO4017
	400	000125021009	WASHER	8	PC	15,5 g	A 21	DIN125
	450	204032018001	HEX NUT	8	PC	41,5 g	M 18	ISO4032



TD0000018911_202


☐	POS.	PART NO.	DESIGNATION	QTY.	UNITS	WEIGHT	FN	MEASUREMENT	STANDARD
	250	5242002352	PIPE	1	PC	416,1 g	SB		
	300	915005020001	CONE SEALING	1	PC	15,1 g	22		MBN15005
	350	915001020003	NUT	1	PC	46,9 g		20 M 30 X 1,5	N15001
	400	5242002252	PIPE	1	PC	598,2 g	SB		
	500	5242002052	PIPE	1	PC	415 g	SB		
	550	915005020001	CONE SEALING	1	PC	15,1 g	22		MBN15005
	600	915001020003	NUT	1	PC	46,9 g		20 M 30 X 1,5	N15001
	650	5242002152	PIPE	1	PC	730 g	SB		
	750	5569970974	FITTING TEE	1	PC	255 g		DN 20 / M30X1,5	
	800	915005020001	CONE SEALING	1	PC	15,1 g	22		MBN15005
	850	915001020003	NUT	1	PC	46,9 g		20 M 30 X 1,5	N15001
	950	X52420200016	RETAINER	2	PC	77,4 g			
	1050	000912016004	BOLT HEX SOC HD	2	PC	88,7 g		M 16 X 45	DIN912
	1150	700325022100	CLAMP HALF TUBE 1/1 D9-22	4	PC	47,8 g		1/1 D 9 - 22	MMN325
	1200	700327018000	GROMMET	2	PC	5 g		18	MMN327
	1250	304017008087	HEX SCREW	2	PC	21,3 g		M 8 X 50	ISO4017
	1300	007349008002	WASHER	2	PC	7,9 g		8,4	DIN7349
	1350	304032008014	NUT HEX 8 A3C	2	PC	4,8 g		M 8	ISO4032
	1400	000000004389	HEX SCREW	2	PC	30 g		M 8 X 75	ISO4017
	1450	5531530050	SPACER BUSHING	2	PC	43,6 g		10MM X 18MM L=32	
	1460	X00031062	CLAMP PIPE HALF	4	PC	44,2 g			
	1470	700327018000	GROMMET	2	PC	5 g		18	MMN327
	1650	5500783841	RETAINER	2	PC	28,9 g			
	1700	304017008085	HEX SCREW	2	PC	18 g		M 8 X 40	ISO4017
	1750	X57299100096	SPACER SLEEVE	2	PC	22,6 g			

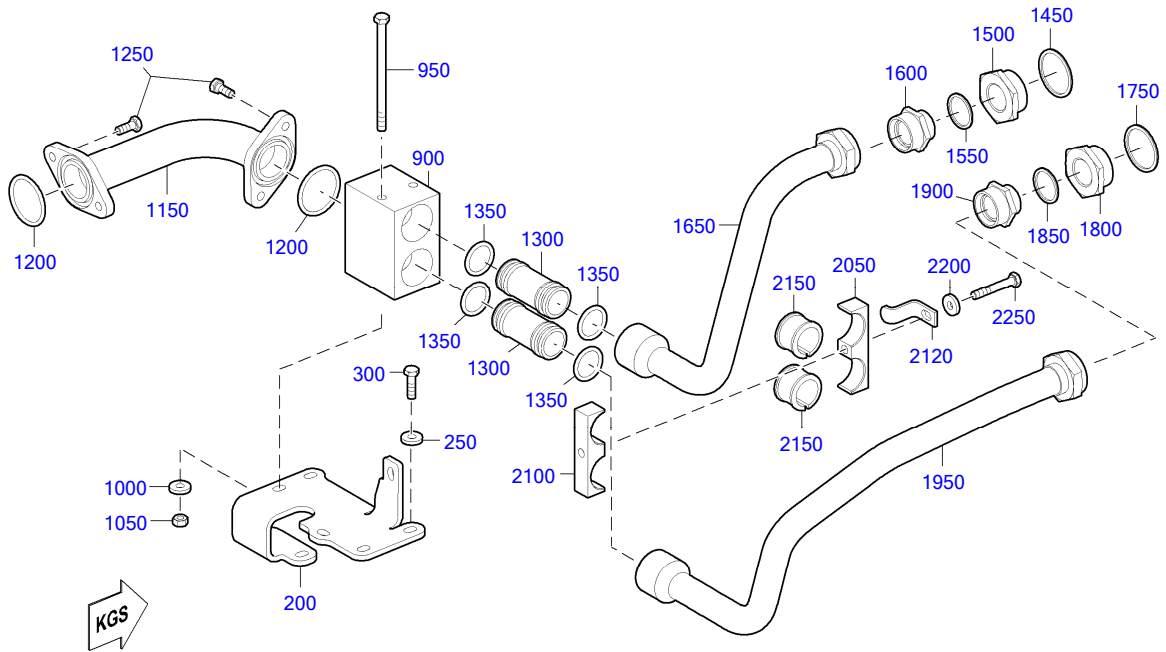
EQUI TYPE: Engine

PRODUCT TYPE: 12V4000M93L
COOLANT LINE ON FLYWHEEL HSN

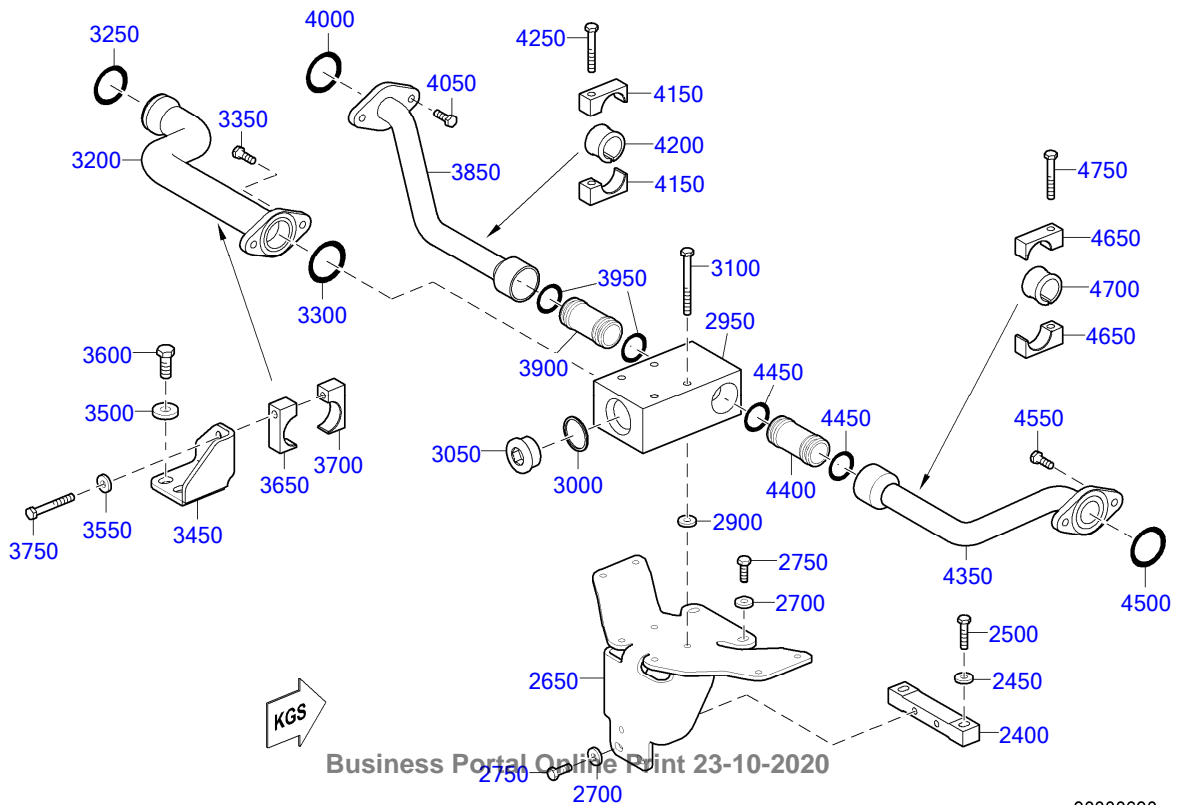
SERIAL NUMBER: 526108554

FG/FGS: 202 15
BOM-No.: XS594200.00064

	POS.	PART NO.	DESIGNATION	QTY.	UNITS	WEIGHT	FN	MEASUREMENT	STANDARD
	1800	700325022100	CLAMP HALF TUBE 1/1 D9-22	2	PC	47,8 g		1/1 D 9 - 22	MMN325
	1850	700325022200	CLAMP HALF TUBE 1/1 G8-22	2	PC	49 g		1/1 G 8 - 22	MMN325
	1900	700327018000	GROMMET	2	PC	5 g		18	MMN327
	1950	304017008085	HEX SCREW	2	PC	18 g		M 8 X 40	ISO4017

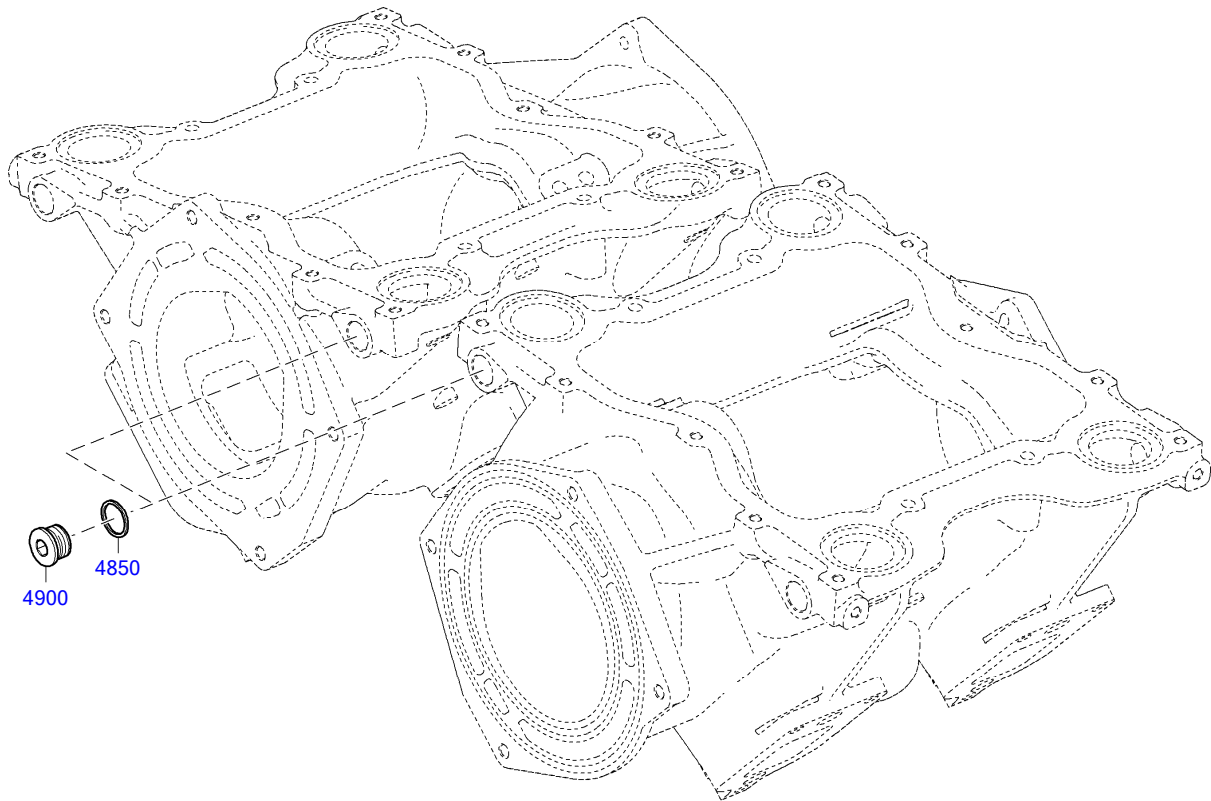


20000619



Business Portal Online Print 23-10-2020

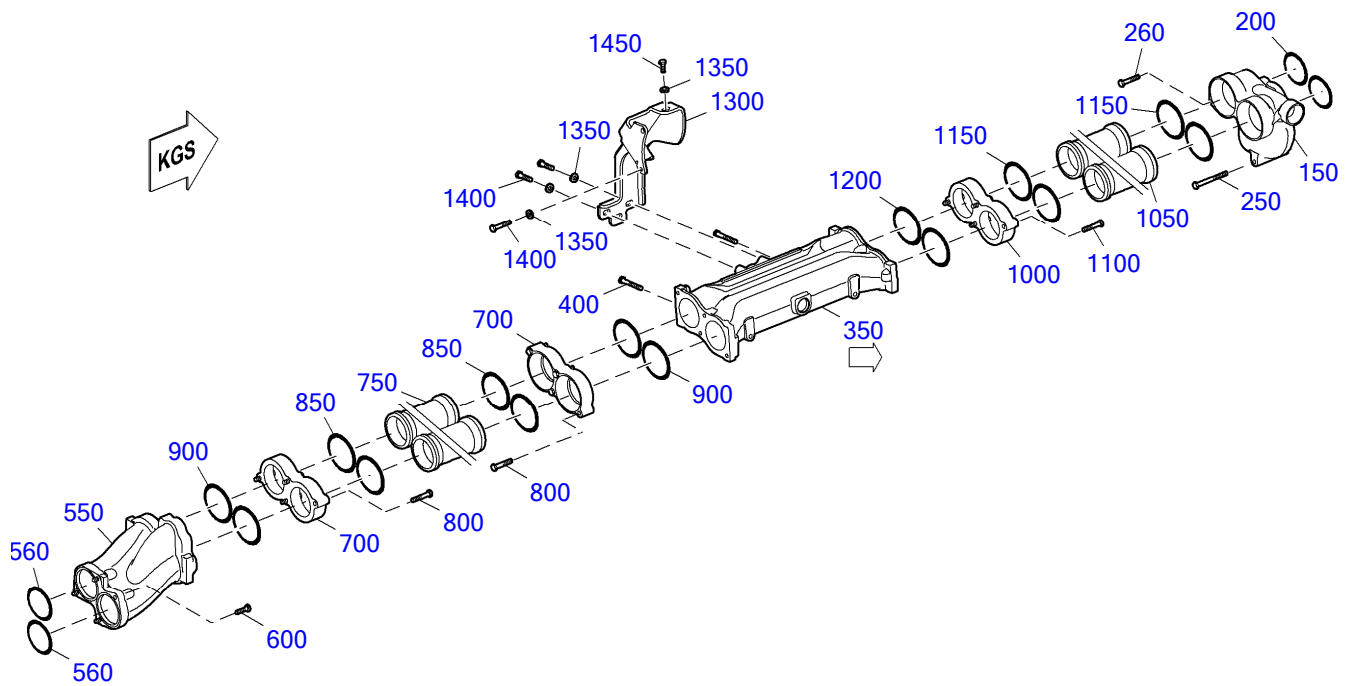
20000620



20000621

☐	POS.	PART NO.	DESIGNATION	QTY.	UNITS	WEIGHT	FN	MEASUREMENT	STANDARD
	200	X59420200201	RETAINER	1	PC	923,9 g			
	250	007349008000	WASHER	3	PC	7,7 g	8,4		DIN7349
	300	304017008081	HEX SCREW	3	PC	13,4 g		M 8 X 25	ISO4017
	900	X52820200166	DISTRIBUTOR	1	PC	2,4 kg			
	950	204014008023	HEX SCREW	2	PC	52 g		M 8 X125	ISO4014
	1000	007349008000	WASHER	4	PC	7,7 g	8,4		DIN7349
	1050	304032008014	NUT HEX 8 A3C	2	PC	4,8 g		M 8	ISO4032
	1150	X52820200110	COOLANT LINE	1	PC	787 g	SB		
	1200	700429045001	O-RING	2	PC	4,4 g		45 X 4	MMN429
	1250	304017008079	HEX SCREW	4	PC	11,7 g		M 8 X 20	ISO4017
	1300	X52720200075	PLUG-IN PIPE	2	PC	190,3 g			
	1350	700429028002	O-RING	4	PC	2,8 g		28 X 4	MMN429
	1450	007603042101	COPPER SEALING RING	1	PC	8 g		A 42 X 49	DIN7603
	1500	X52899100021	THREADED BUSHING	1	PC	157,8 g		M42x1.5 / M30x1.5	
	1550	007603030101	COPPER SEALING RING	1	PC	4,3 g		A 30 X 36	DIN7603
	1600	915013025001	UNION	1	PC	101,6 g		25	N15013
	1650	X52620200116	COOLANT LINE	1	PC	679,2 g	SB		
	1750	007603042101	COPPER SEALING RING	1	PC	8 g		A 42 X 49	DIN7603
	1800	X52899100021	THREADED BUSHING	1	PC	157,8 g		M42x1.5 / M30x1.5	
	1850	007603030101	COPPER SEALING RING	1	PC	4,3 g		A 30 X 36	DIN7603
	1900	915013025001	UNION	1	PC	101,6 g		25	N15013
	1950	X52620200115	COOLANT LINE	1	PC	875 g	SB		
	2050	700325035102	PIPE CLAMP HALF	1	PC	149,4 g		2/1 D 9 - 35	MMN325
	2100	700325035202	PIPE CLAMP HALF	1	PC	150,6 g		2/1 G 8 - 35	MMN325
	2120	X59499100175	RETAINER	1	PC	30,4 g			

☐	POS.	PART NO.	DESIGNATION	QTY.	UNITS	WEIGHT	FN	MEASUREMENT	STANDARD
	2150	700327028000	GROMMET	2	PC	12,9 g		28	MMN327
	2200	007349008000	WASHER	1	PC	7,7 g		8,4	DIN7349
	2250	304017008087	HEX SCREW	1	PC	21,3 g		M 8 X 50	ISO4017
	2400	X59499100039	RETAINER	1	PC	437,9 g			
	2450	007349008000	WASHER	2	PC	7,7 g		8,4	DIN7349
	2500	304017008084	HEX SCREW	2	PC	16,4 g		M 8 X 35	ISO4017
	2650	X59599100030	RETAINER	1	PC	2,6 kg			
	2700	007349008000	WASHER	4	PC	7,7 g		8,4	DIN7349
	2750	304017008081	HEX SCREW	4	PC	13,4 g		M 8 X 25	ISO4017
	2900	007349008000	WASHER	4	PC	7,7 g		8,4	DIN7349
	2950	X52620200117	DISTRIBUTOR	1	PC	4,5 kg			
	3000	007603036101	WASHER A COP	1	PC	5,2 g		A 36 X 42	DIN7603
	3050	000908036007	PLUG	1	PC	0,139 kg		M 36 X 1,5	DIN908
	3100	304014008032	HEX SCREW	4	PC	34,1 g		M 8 X 80	ISO4014
	3200	X59420200073	COOLANT LINE	1	PC	1,1 kg	SB		
	3250	700429038000	O-RING	1	PC	5,6 g		38 X 5	MMN429
	3300	700429045001	O-RING	1	PC	4,4 g		45 X 4	MMN429
	3350	304017008081	HEX SCREW	2	PC	13,4 g		M 8 X 25	ISO4017
	3450	X59499100040	RETAINER	1	PC	547,3 g			
	3500	000125013012	WASHER	2	PC	5,6 g		A 13	DIN125
	3550	007349008000	WASHER	1	PC	7,7 g		8,4	DIN7349
	3600	000000003925	HEX SCREW	2	PC	36,9 g		M 12 X 30	ISO4017
	3650	700325038103	PIPE HALF-CLAMP	1	PC	121 g		1/1 D 9 - 38	MMN325
	3700	700325038201	PIPE CLAMP HALF	1	PC	123 g		1/1 G 8 - 38	MMN325
	3750	304017008089	HEX SCREW	1	PC	24,2 g		M 8 X 60	ISO4017
	3850	X59420300020	COOLANT LINE	1	PC	392 g	SB		
	3900	X52720200075	PLUG-IN PIPE	1	PC	190,3 g			
	3950	700429028002	O-RING	2	PC	2,8 g		28 X 4	MMN429
	4000	700429045001	O-RING	1	PC	4,4 g		45 X 4	MMN429
	4050	204017008011	HEX SCREW	2	PC	12,2 g		M 8 X 22	ISO4017
	4150	700325035100	CLAMP HALF TUBE 1/1 D9-35	2	PC	103 g		1/1 D 9 - 35	MMN325
	4200	700327028000	GROMMET	1	PC	12,9 g		28	MMN327
	4250	304017008088	HEX SCREW	1	PC	22,6 g		M 8 X 55	ISO4017
	4350	X59420300021	COOLANT LINE	1	PC	710,9 g	SB		
	4400	X52720200075	PLUG-IN PIPE	1	PC	190,3 g			
	4450	700429028002	O-RING	2	PC	2,8 g		28 X 4	MMN429
	4500	700429045001	O-RING	1	PC	4,4 g		45 X 4	MMN429
	4550	204017008011	HEX SCREW	2	PC	12,2 g		M 8 X 22	ISO4017
	4650	700325035100	CLAMP HALF TUBE 1/1 D9-35	2	PC	103 g		1/1 D 9 - 35	MMN325
	4700	700327028000	GROMMET	1	PC	12,9 g		28	MMN327
	4750	304017008088	HEX SCREW	1	PC	22,6 g		M 8 X 55	ISO4017
	4850	007603026104	COPPER SEALING RING	8	PC	3,1 g		A 26 X 31	DIN7603
	4900	000908026005	THREAD PLUG	8	PC	0,069 kg		M 26 X 1,5	DIN908



20201624c

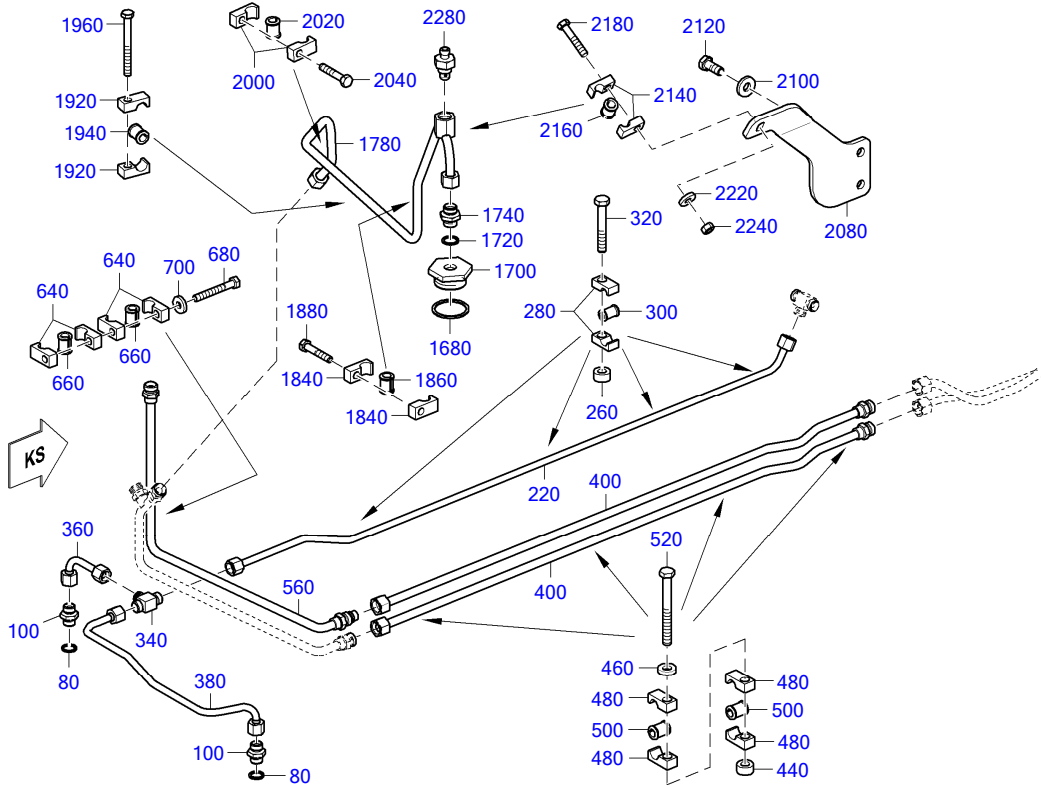
☐	POS.	PART NO.	DESIGNATION	MODEL/TYPE	QTY.	UNITS	WEIGHT	FN	MEASUREMENT	STANDARD
	150	X59520200024	COOLANT LINE	4000-03	1	PC	10 kg			
	200	700429080002	O-RING		2	PC	7,2 g		80 X 4	MMN429
	250	000000001465	HEX SCREW		2	PC	78,2 g		M 10 X120	ISO4014
	260	000000001042	HEX SCREW		2	PC	34,6 g		M 10 X 50	ISO4017
	350	X59520300007	COOLANT LINE		1	PC	20,545 kg	SB		
	400	000000004742	HEX SCREW		2	PC	46,6 g		M 10 X 75	ISO4017
	550	X52820200155	COOLANT LINE	4000-03	1	PC	12,251 kg			
	560	700429085000	O-RING		2	PC	7,6 g		85 X 4	MMN429
	600	000000003326	HEX SCREW		4	PC	27,4 g		M 10 X 35	ISO4017
	700	X52699100329	DUAL-PURPOSE PLATE		2	PC	1,9 kg			
	750	X52820200174	PLUG-IN PIPE		2	PC	1,76 kg	SB		
	800	000000003347	HEX SCREW		8	PC	37,5 g		M 10 X 55	ISO4017
	850	700429085002	O-RING		4	PC	17,5 g		85 X 6	MMN429
	900	700429095000	O-RING		4	PC	8,4 g		95 X 4	MMN429
	1000	X52699100329	DUAL-PURPOSE PLATE		1	PC	1,9 kg			
	1050	X59520200038	PLUG-IN PIPE		2	PC	1,3 kg	SB		
	1100	000000003347	HEX SCREW		4	PC	37,5 g		M 10 X 55	ISO4017
	1150	700429085002	O-RING		4	PC	17,5 g		85 X 6	MMN429
	1200	700429095000	O-RING		2	PC	8,4 g		95 X 4	MMN429
	1300	X59620200109	RETAINER		1	PC	4,843 kg			
	1350	735151010100	SPACER		5	PC	11 g		A 10,5	MTN5151
	1400	000000001042	HEX SCREW		2	PC	34,6 g		M 10 X 50	ISO4017
	1450	000000003021	HEX SCREW		1	PC	22,8 g		M 10 X 25	ISO4017

EQUI TYPE: Engine

PRODUCT TYPE: 12V4000M93L
COOLANT VENT

SERIAL NUMBER: 526108554

FG/FGS: 202 65
BOM-No.: XS526200.00094



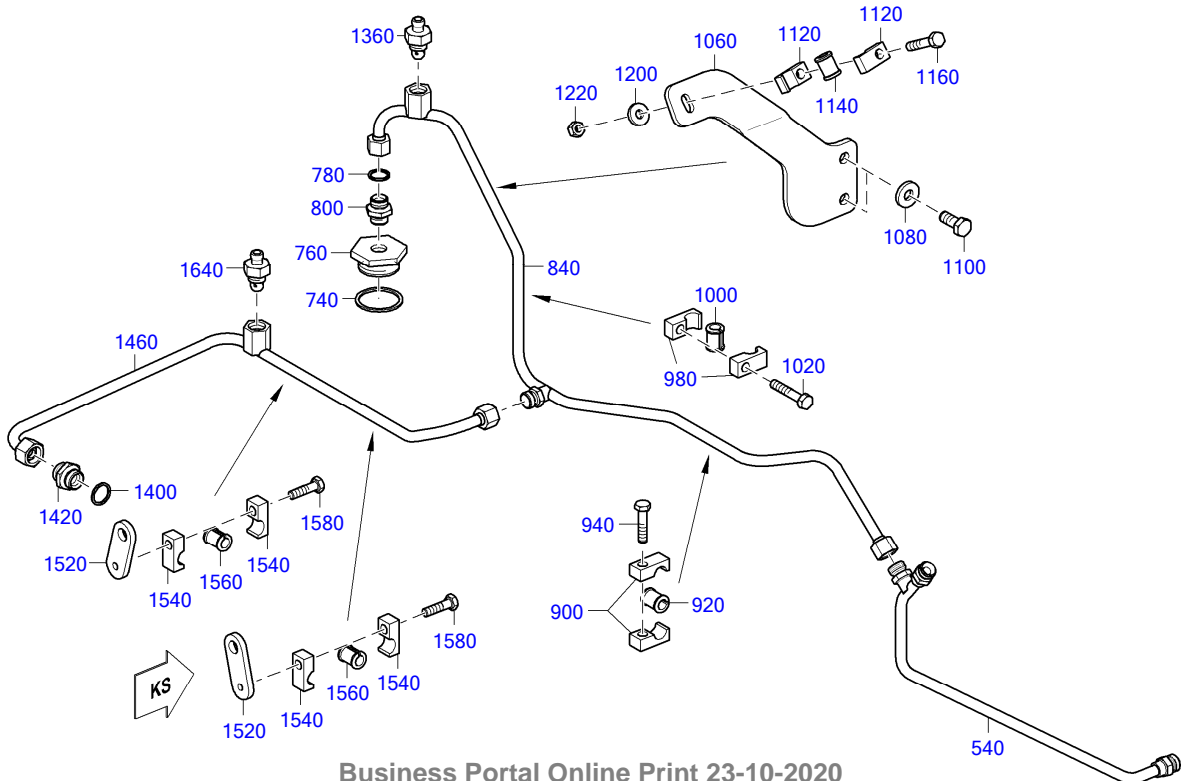
TD0000017464_202

EQUI TYPE: Engine

PRODUCT TYPE: 12V4000M93L
COOLANT VENT

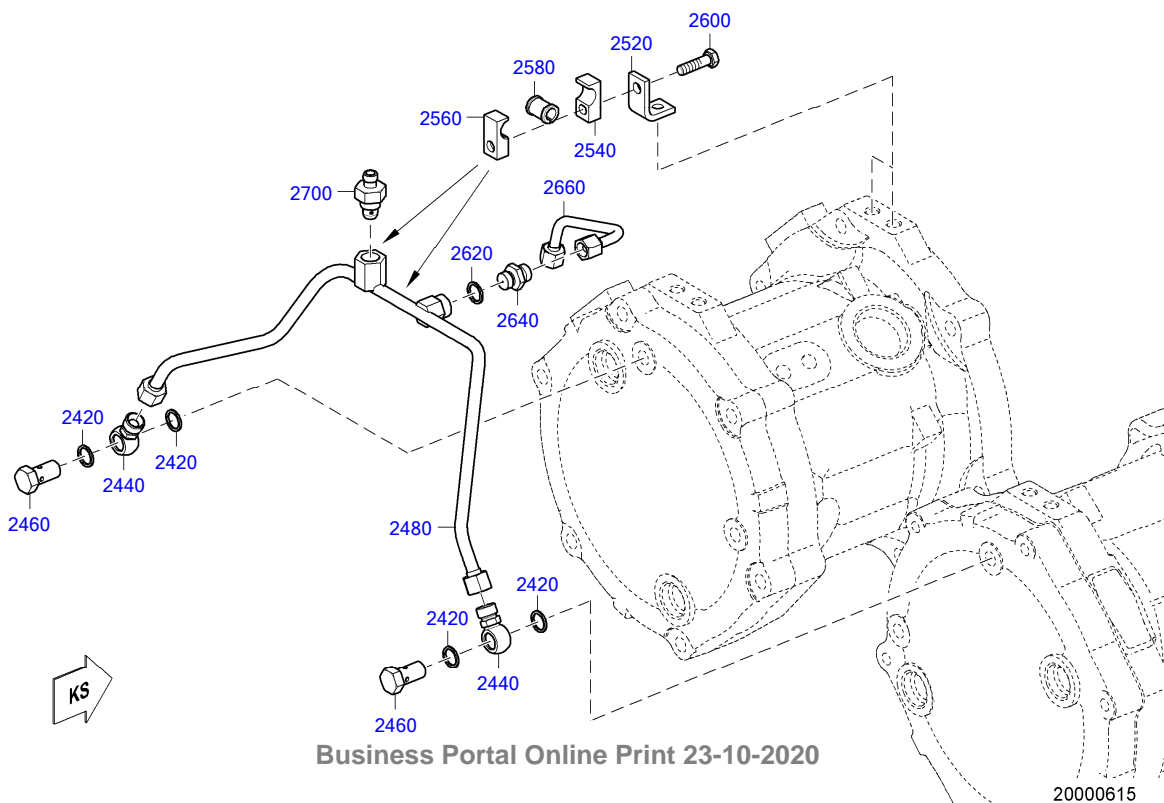
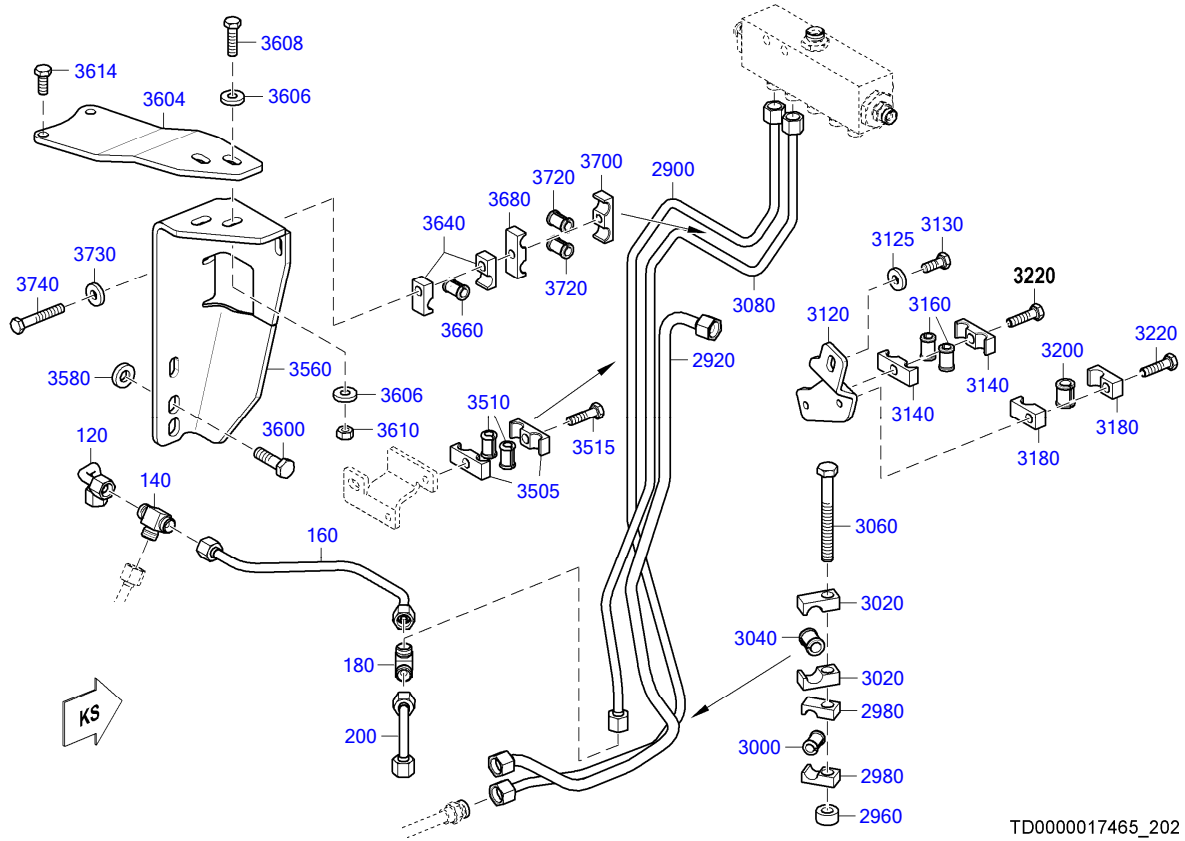
SERIAL NUMBER: 526108554

FG/FGS: 202 65
BOM-No.: XS526200.00094



Business Portal Online Print 23-10-2020

20000613

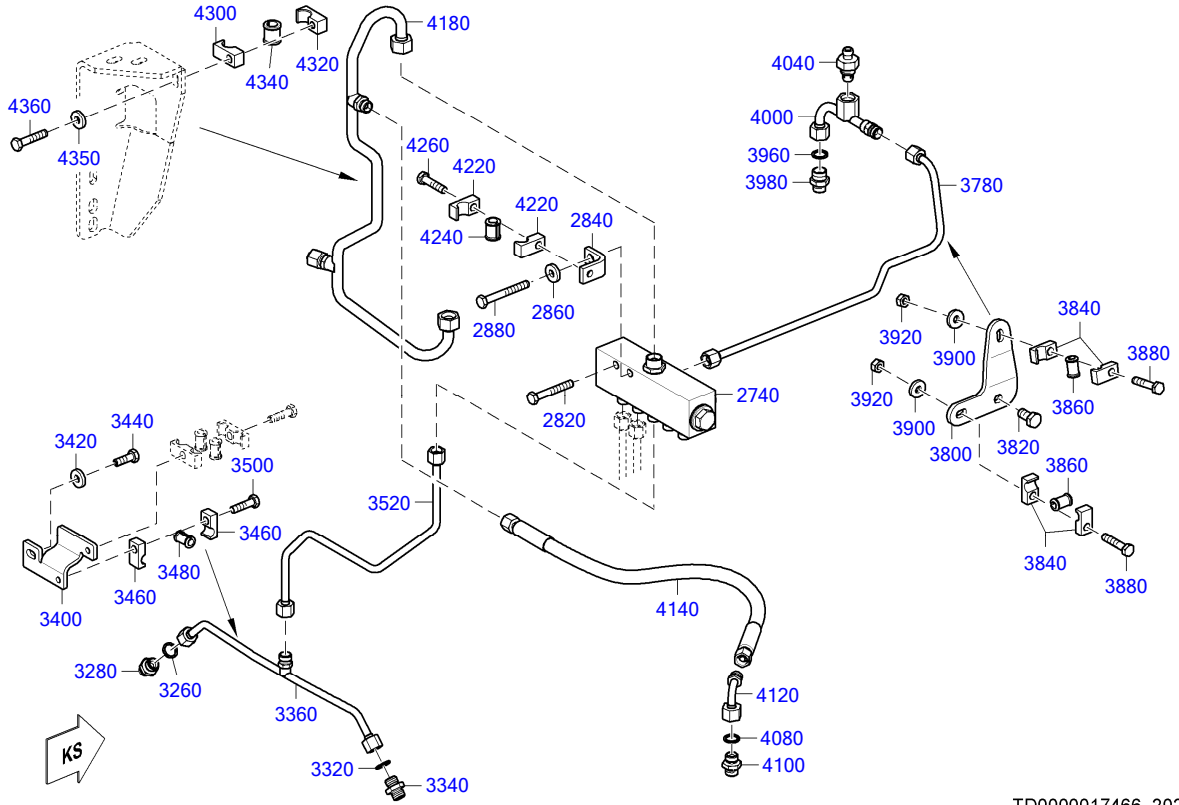


EQUI TYPE: Engine

PRODUCT TYPE: 12V4000M93L
COOLANT VENT

SERIAL NUMBER: 526108554

FG/FGS: 202 65
BOM-No.: XS526200.00094



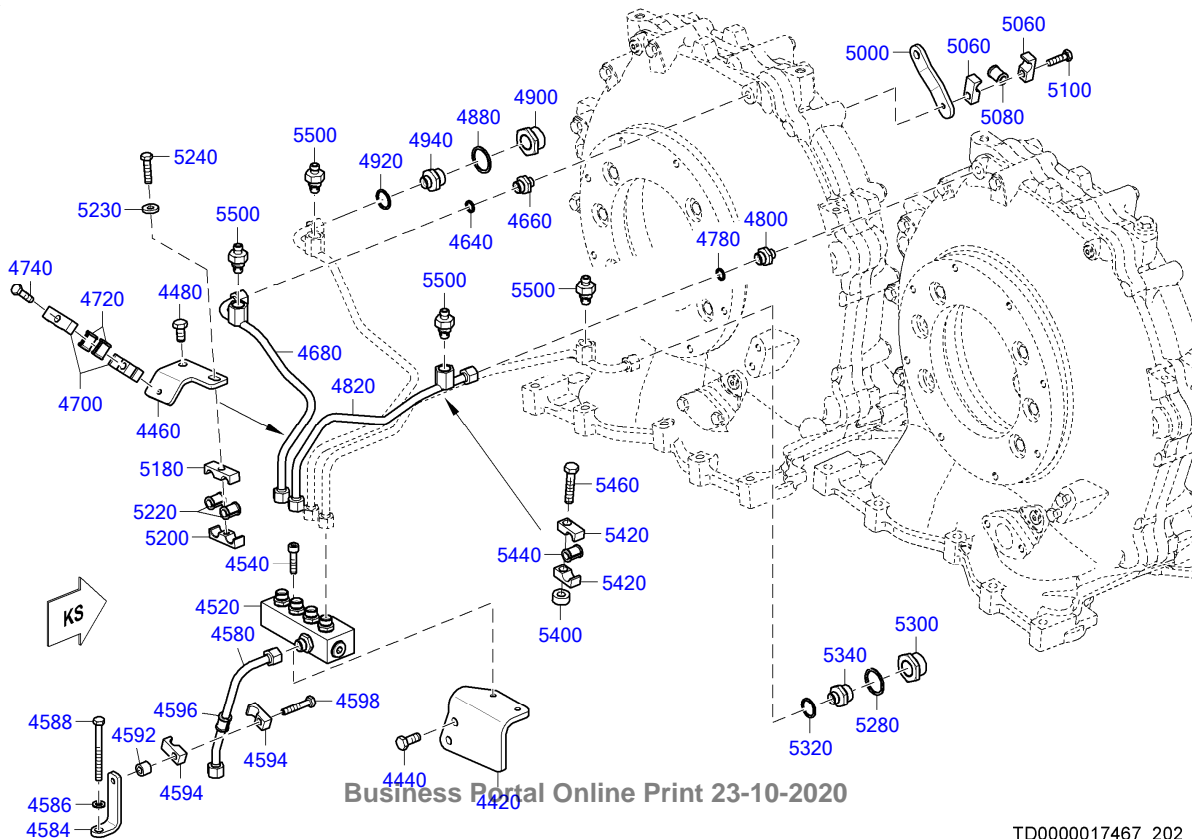
TD0000017466_202

EQUI TYPE: Engine

PRODUCT TYPE: 12V4000M93L
COOLANT VENT

SERIAL NUMBER: 526108554

FG/FGS: 202 65
BOM-No.: XS526200.00094



Business Portal Online Print 23-10-2020

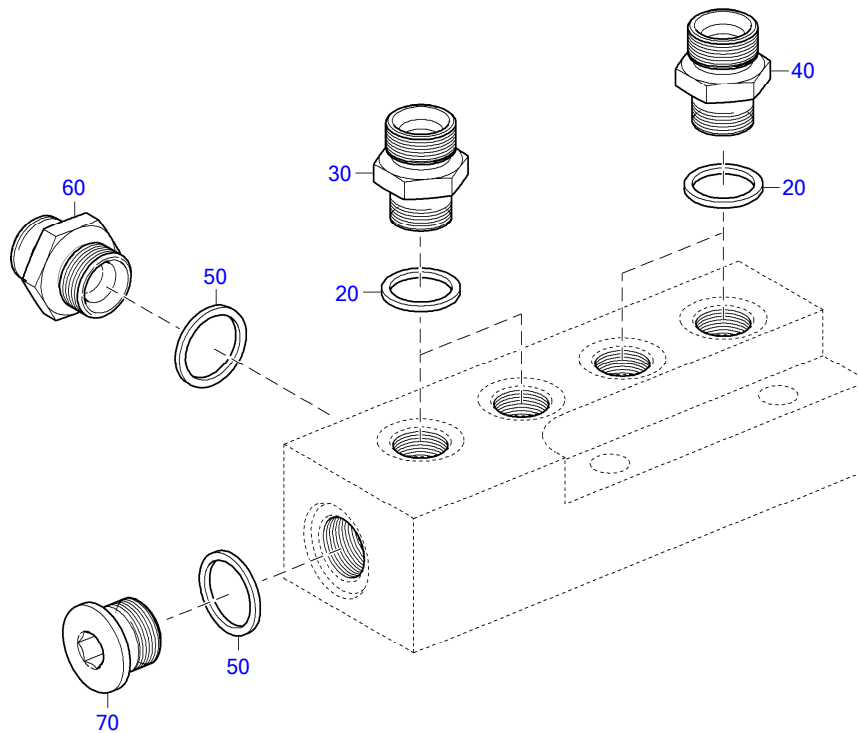
TD0000017467_202

☐	POS.	PART NO.	DESIGNATION	MODEL/TYPE	QTY.	UNITS	WEIGHT FN	MEASUREMENT	STANDARD
	80	007603014102	SEAL RING		4	PC	1 g	A 14 X 18	DIN7603
	100	915006006000	UNION		4	PC	22,9 g	6	MBN15026
	120	5282000258	VENT LINE FOR COOLAN FOR COOLANT	20V4000LH	1	PC	53 g		
	140	5569970574	FITTING TEE		1	PC	48 g	DN 6 / M14X1,5	
	160	X52620200105	VENT LINE		1	PC	75,7 g	SB EM	
	180	5569970574	FITTING TEE		1	PC	48 g	DN 6 / M14X1,5	
	200	5282000658	VENT LINE FOR COOLAN T	20V400LH	1	PC	46,8 g		
	220	X59520200055	VENT LINE		1	PC	185 g	SB	
	260	5559920101	BUSHING		4	PC	17 g		
	280	700325012111	CLAMP HALF TUBE 1/1 D11-12		8	PC	22,6 g	1/1 D11 - 12	MMN325
	300	700327008000	GROMMET		4	PC	1,7 g	8	MMN327
	320	000000004745	HEX SCREW		4	PC	41,8 g	M 10 X 65	ISO4017
	340	5569970574	FITTING TEE		1	PC	48 g	DN 6 / M14X1,5	
	360	5282000658	VENT LINE FOR COOLAN T	20V400LH	1	PC	46,8 g		
	380	5282000458	VENT LINE FOR COOLANT	20V400LH	1	PC	102 g		
	400	X52620200104	VENT LINE		2	PC	0,215 kg	SB EM	
	440	5559920101	BUSHING		4	PC	17 g		
	460	735151010100	SPACER		4	PC	11 g	A 10,5	MTN5151
	480	700325015110	CLAMP HALF TUBE 1/1 D11-15		16	PC	30,2 g	1/1 D11 - 15	MMN325
	500	700327010000	GROMMET		8	PC	2,8 g	10	MMN327
	520	000000004740	HEX SCREW		4	PC	63,4 g	M 10 X 95	ISO4014
	540	X59420200086	VENT LINE		1	PC	160,8 g	SB	
	560	X59420200180	VENT LINE		1	PC	152 g		
	640	700325015100	CLAMP HALF TUBE 1/1 D9-15		4	PC	0,033 kg	1/1 D 9 - 15	MMN325
	660	700327010000	GROMMET		2	PC	2,8 g	10	MMN327
	680	304017008089	HEX SCREW		1	PC	24,2 g	M 8 X 60	ISO4017
	700	007349008002	WASHER		1	PC	7,9 g	8,4	DIN7349
	740	007603038101	COPPER SEALING RING		1	PC	5,4 g	A 38 X 44	DIN7603
	760	635D16007/1	THREADED BUSHING		1	PC	180,6 g		
	780	007603016105	COPPER SEALING RING		1	PC	3 g	A 16 X 20	DIN7603
	800	915006008002	UNION		1	PC	29,7 g	8	MBN15026
	840	X59420200202	VENT LINE		1	PC	324 g		
	900	700325015100	CLAMP HALF TUBE 1/1 D9-15		2	PC	0,033 kg	1/1 D 9 - 15	MMN325
	920	700327010000	GROMMET		1	PC	2,8 g	10	MMN327
	940	304017008084	HEX SCREW		1	PC	16,4 g	M 8 X 35	ISO4017
	980	700325015100	CLAMP HALF TUBE 1/1 D9-15		2	PC	0,033 kg	1/1 D 9 - 15	MMN325
	1000	700327010000	GROMMET		1	PC	2,8 g	10	MMN327
	1020	304017008086	HEX SCREW		1	PC	19,4 g	M 8 X 45	ISO4017
	1060	X59520200066	RETAINER		1	PC	595 g		
	1080	007349010002	WASHER		2	PC	11 g	10,5	DIN7349
	1100	000000003021	HEX SCREW		2	PC	22,8 g	M 10 X 25	ISO4017
	1120	700325015100	CLAMP HALF TUBE 1/1 D9-15		2	PC	0,033 kg	1/1 D 9 - 15	MMN325
	1140	700327010000	GROMMET		1	PC	2,8 g	10	MMN327
	1160	304017008086	HEX SCREW		1	PC	19,4 g	M 8 X 45	ISO4017
	1200	007349008002	WASHER		1	PC	7,9 g	8,4	DIN7349
	1220	304032008014	NUT HEX 8 A3C		1	PC	4,8 g	M 8	ISO4032
	1360	X52899100028	NIPPLE		1	PC	49,5 g		
	1400	007603018101	COPPER SEALING RING		1	PC	1,3 g	A 18 X 22	DIN7603
	1420	915006010002	UNION		1	PC	32,2 g	10	MBN15026
	1460	X52620200168	VENT LINE		1	PC	243,1 g		
	1520	5241872240	BRACKET 40X6 M12 UNT HD+M8 THD BOLT HOLE	BR 4000	2	PC	62,2 g		
	1540	700325015100	CLAMP HALF TUBE 1/1 D9-15		4	PC	0,033 kg	1/1 D 9 - 15	MMN325
	1560	700327010000	GROMMET		2	PC	2,8 g	10	MMN327

☐	POS.	PART NO.	DESIGNATION	MODEL/TYPE	QTY.	UNITS	WEIGHT FN	MEASUREMENT	STANDARD
	1580	304017008083	HEX SCREW		2	PC	15,1 g	M 8 X 30	ISO4017
	1640	X52899100028	NIPPLE		1	PC	49,5 g		
	1680	007603038101	COPPER SEALING RING		1	PC	5,4 g	A 38 X 44	DIN7603
	1700	635D16007/1	THREADED BUSHING		1	PC	180,6 g		
	1720	007603016105	COPPER SEALING RING		1	PC	3 g	A 16 X 20	DIN7603
	1740	915006008002	UNION		1	PC	29,7 g	8	MBN15026
	1780	X59420200084	VENT LINE		1	PC	265 g	SB	
	1840	700325015100	CLAMP HALF TUBE 1/1 D9-15		2	PC	0,033 kg	1/1 D 9 - 15	MMN325
	1860	700327010000	GROMMET		1	PC	2,8 g	10	MMN327
	1880	304017008086	HEX SCREW		1	PC	19,4 g	M 8 X 45	ISO4017
	1920	700325015100	CLAMP HALF TUBE 1/1 D9-15		2	PC	0,033 kg	1/1 D 9 - 15	MMN325
	1940	700327010000	GROMMET		1	PC	2,8 g	10	MMN327
	1960	000000001463	HEX SCREW		1	PC	30,5 g	M 8 X 80	ISO4017
	2000	700325015100	CLAMP HALF TUBE 1/1 D9-15		2	PC	0,033 kg	1/1 D 9 - 15	MMN325
	2020	700327010000	GROMMET		1	PC	2,8 g	10	MMN327
	2040	304017008086	HEX SCREW		1	PC	19,4 g	M 8 X 45	ISO4017
	2080	X59520200067	RETAINER		1	PC	626,9 g		
	2100	007349010002	WASHER		2	PC	11 g	10,5	DIN7349
	2120	000000003021	HEX SCREW		2	PC	22,8 g	M 10 X 25	ISO4017
	2140	700325015100	CLAMP HALF TUBE 1/1 D9-15		2	PC	0,033 kg	1/1 D 9 - 15	MMN325
	2160	700327010000	GROMMET		1	PC	2,8 g	10	MMN327
	2180	304017008086	HEX SCREW		1	PC	19,4 g	M 8 X 45	ISO4017
	2220	007349008002	WASHER		1	PC	7,9 g	8,4	DIN7349
	2240	304032008014	NUT HEX 8 A3C		1	PC	4,8 g	M 8	ISO4032
	2280	X52899100028	NIPPLE		1	PC	49,5 g		
	2420	007603014102	SEAL RING		4	PC	1 g	A 14 X 18	DIN7603
	2440	735214010000	UNION		2	PC	31 g	10	MTN5214
	2460	700223006000	BOLT BANJO A8 S2000/ 4000		2	PC	38,8 g	A 8	MMN223
	2480	X59420200190	VENT LINE		1	PC	260 g		
	2520	5550780241	BRACKET L H:21		2	PC	42 g		
	2540	700325015100	CLAMP HALF TUBE 1/1 D9-15		2	PC	0,033 kg	1/1 D 9 - 15	MMN325
	2560	700325015200	CLAMP HALF TUBE 1/1 G8-15		2	PC	34,2 g	1/1 G 8 - 15	MMN325
	2580	700327010000	GROMMET		2	PC	2,8 g	10	MMN327
	2600	304017008083	HEX SCREW		2	PC	15,1 g	M 8 X 30	ISO4017
	2620	007603014102	SEAL RING		1	PC	1 g	A 14 X 18	DIN7603
	2640	X59699100050	UNION	BR 4000	1	PC	29 g	BLLENDE Ø1MM	
	2660	X59420200199	VENT LINE		1	PC	59,3 g		
	2700	X52899100028	NIPPLE		1	PC	49,5 g		
	2740	X59420300048	DISTRIBUTOR	12V-HM_BH-RED_SWK	1	PC	2,1 kg		
	2820	304017008088	HEX SCREW		1	PC	22,6 g	M 8 X 55	ISO4017
	2840	5551870640	RETAINER		1	PC	54,9 g		
	2860	007349008000	WASHER		1	PC	7,7 g	8,4	DIN7349
	2880	204017008032	HEX SCREW		1	PC	25,5 g	M 8 X 65	ISO4017
	2900	X59520200139	VENT LINE		1	PC	215 g	SB	
	2920	X59420200175	VENT LINE		1	PC	192,3 g	SB	
	2960	5559920101	BUSHING		1	PC	17 g		
	2980	700325012111	CLAMP HALF TUBE 1/1 D11-12		2	PC	22,6 g	1/1 D11 - 12	MMN325
	3000	700327008000	GROMMET		1	PC	1,7 g	8	MMN327
	3020	700325015110	CLAMP HALF TUBE 1/1 D11-15		2	PC	30,2 g	1/1 D11 - 15	MMN325
	3040	700327010000	GROMMET		1	PC	2,8 g	10	MMN327
	3060	000000003322	HEX SCREW		1	PC	60,8 g	M 10 X 90	ISO4014
	3080	X59420200083	VENT LINE		1	PC	170 g	SB	
	3120	X59599100079	RETAINER		1	PC	190,3 g		
	3125	007349008002	WASHER		1	PC	7,9 g	8,4	DIN7349

☐	POS.	PART NO.	DESIGNATION	MODEL/TYPE	QTY.	UNITS	WEIGHT FN	MEASUREMENT	STANDARD
	3130	304017008079	HEX SCREW		1	PC	11,7 g	M 8 X 20	ISO4017
	3140	700325012104	CLAMP HALF TUBE 2/1 D9-12		2	PC	33,8 g	2/1 D 9 - 12	MMN325
	3160	700327008000	GROMMET		2	PC	1,7 g	8	MMN327
	3180	700325015100	CLAMP HALF TUBE 1/1 D9-15		2	PC	0,033 kg	1/1 D 9 - 15	MMN325
	3200	700327010000	GROMMET		1	PC	2,8 g	10	MMN327
	3220	304017008083	HEX SCREW		2	PC	15,1 g	M 8 X 30	ISO4017
	3260	007603014102	SEAL RING		1	PC	1 g	A 14 X 18	DIN7603
	3280	915006006000	UNION		1	PC	22,9 g	6	MBN15026
	3320	007603014102	SEAL RING		1	PC	1 g	A 14 X 18	DIN7603
	3340	915006006000	UNION		1	PC	22,9 g	6	MBN15026
	3360	X59520200052	VENT LINE		1	PC	110,1 g	SB	
	3400	X52699100391	RETAINER		1	PC	159,4 g		
	3420	007349008002	WASHER		1	PC	7,9 g	8,4	DIN7349
	3440	304017008079	HEX SCREW		1	PC	11,7 g	M 8 X 20	ISO4017
	3460	700325012100	CLAMP HALF TUBE 1/1 D9-12		2	PC	25 g	1/1 D 9 - 12	MMN325
	3480	700327008000	GROMMET		1	PC	1,7 g	8	MMN327
	3500	304017008081	HEX SCREW		1	PC	13,4 g	M 8 X 25	ISO4017
	3505	700325012104	CLAMP HALF TUBE 2/1 D9-12		2	PC	33,8 g	2/1 D 9 - 12	MMN325
	3510	700327008000	GROMMET		2	PC	1,7 g	8	MMN327
	3515	304017008081	HEX SCREW		1	PC	13,4 g	M 8 X 25	ISO4017
	3520	X59420200022	VENT LINE		1	PC	107,7 g	SB	
	3560	X52699100390	RETAINER		1	PC	1,58 kg		
	3580	735151010100	SPACER		2	PC	11 g	A 10,5	MTN5151
	3600	000000003326	HEX SCREW		2	PC	27,4 g	M 10 X 35	ISO4017
	3604	X52699100389	RETAINER		1	PC	627,8 g		
	3606	007349008002	WASHER		4	PC	7,9 g	8,4	DIN7349
	3608	304017008083	HEX SCREW		2	PC	15,1 g	M 8 X 30	ISO4017
	3610	304032008014	NUT HEX 8 A3C		2	PC	4,8 g	M 8	ISO4032
	3614	304017008079	HEX SCREW		2	PC	11,7 g	M 8 X 20	ISO4017
	3640	700325012100	CLAMP HALF TUBE 1/1 D9-12		2	PC	25 g	1/1 D 9 - 12	MMN325
	3660	700327008000	GROMMET		1	PC	1,7 g	8	MMN327
	3680	700325012104	CLAMP HALF TUBE 2/1 D9-12		1	PC	33,8 g	2/1 D 9 - 12	MMN325
	3700	700325012202	CLAMP HALF TUBE 2/1 G8-12		1	PC	34,8 g	2/1 G 8 - 12	MMN325
	3720	700327008000	GROMMET		2	PC	1,7 g	8	MMN327
	3730	007349008002	WASHER		1	PC	7,9 g	8,4	DIN7349
	3740	304017008087	HEX SCREW		1	PC	21,3 g	M 8 X 50	ISO4017
	3780	X52620200097	VENT LINE		1	PC	117 g	SB EM	
	3800	X59499100091	RETAINER		1	PC	239,3 g		
	3820	000000003020	HEX SCREW		1	PC	20 g	M 10 X 20	ISO4017
	3840	700325012100	CLAMP HALF TUBE 1/1 D9-12		4	PC	25 g	1/1 D 9 - 12	MMN325
	3860	700327008000	GROMMET		2	PC	1,7 g	8	MMN327
	3880	304017008085	HEX SCREW		2	PC	18 g	M 8 X 40	ISO4017
	3900	007349008002	WASHER		2	PC	7,9 g	8,4	DIN7349
	3920	304032008014	NUT HEX 8 A3C		2	PC	4,8 g	M 8	ISO4032
	3960	007603014102	SEAL RING		1	PC	1 g	A 14 X 18	DIN7603
	3980	915013008002	SCREW NECK		1	PC	24 g	8 (M16X1,5/M14X1,5)	N15013
	4000	X52820200068	VENT LINE		1	PC	115,2 g	SB EM	
	4040	X52899100028	NIPPLE		1	PC	49,5 g		
	4080	007603014102	SEAL RING		1	PC	1 g	A 14 X 18	DIN7603
	4100	915006006000	UNION		1	PC	22,9 g	6	MBN15026
	4120	700160000006	ELBOW 90 DEG KR 6		1	PC	44,8 g	KR 6	MMN160
	4140	735038006103	HOSE		1	PC	189,3 g	1SN 6 CC 500	MTN5038
	4180	X59520200131	VENT LINE TO DISTRIBUTOR PCE		1	PC	313,1 g	SB	
	4220	700325018100	CLAMP HALF TUBE 1/1 D9-18		2	PC	40 g	1/1 D 9 - 18	MMN325

☐	POS.	PART NO.	DESIGNATION	MODEL/TYPE	QTY.	UNITS	WEIGHT FN	MEASUREMENT	STANDARD
	4240	700327012000	GROMMET		1	PC	4,6 g	12	MMN327
	4260	304017008084	HEX SCREW		1	PC	16,4 g	M 8 X 35	ISO4017
	4300	700325018100	CLAMP HALF TUBE 1/1 D9-18		1	PC	40 g	1/1 D 9 - 18	MMN325
	4320	700325018200	CLAMP HALF TUBE 1/1 G8-18		1	PC	40 g	1/1 G 8 - 18	MMN325
	4340	700327012000	GROMMET		1	PC	4,6 g	12	MMN327
	4350	007349008002	WASHER		1	PC	7,9 g	8,4	DIN7349
	4360	304017008085	HEX SCREW		1	PC	18 g	M 8 X 40	ISO4017
	4420	X59499100118	RETAINER		1	PC	779,8 g		
	4440	00000003021	HEX SCREW		2	PC	22,8 g	M 10 X 25	ISO4017
	4460	X59499100119	RETAINER		1	PC	235,4 g		
	4480	00000003020	HEX SCREW		1	PC	20 g	M 10 X 20	ISO4017
493	4520	X59420200182	DISTRIBUTOR		1	PC	1,5 kg		
	4540	000912008022	SCREW		2	PC	18 g	M 8 X 35	DIN912
	4580	X59420200181	VENT LINE		1	PC	122 g		
	4584	5562038940	BRACKET		1	PC	92,8 g		
	4586	000125008427	WASHER		1	PC	1,5 g	A 8,4	DIN125
	4588	00000004396	HEX SCREW		1	PC	35,4 g	M 8 X 85	ISO4014
	4592	5500780453	SPACER SLEEVE		1	PC	13,6 g	9 X 16 X 13	
	4594	700325015100	CLAMP HALF TUBE 1/1 D9-15		2	PC	0,033 kg	1/1 D 9 - 15	MMN325
	4596	700327010000	GROMMET		1	PC	2,8 g	10	MMN327
	4598	304017008086	HEX SCREW		1	PC	19,4 g	M 8 X 45	ISO4017
	4640	007603012102	WASHER A COP		1	PC	0,8 g	A 12 X 16	DIN7603
	4660	915007008003	CONNECTOR 8/4		1	PC	27,4 g	8 / 4	MBN15007
	4680	X59420200216	VENT LINE		1	PC	175 g		
	4700	700325015104	CLAMP HALF TUBE 2/1 D9-15		2	PC	47 g	2/1 D 9 - 15	MMN325
	4720	700327010000	GROMMET		2	PC	2,8 g	10	MMN327
	4740	304017008083	HEX SCREW		1	PC	15,1 g	M 8 X 30	ISO4017
	4780	007603012102	WASHER A COP		1	PC	0,8 g	A 12 X 16	DIN7603
	4800	915007008003	CONNECTOR 8/4		1	PC	27,4 g	8 / 4	MBN15007
	4820	X59420200217	VENT LINE		1	PC	180,4 g		
	4880	007603030101	COPPER SEALING RING		1	PC	4,3 g	A 30 X 36	DIN7603
	4900	X00020487	BUSHING THREADED C23		1	PC	68,9 g		
	4920	007603022102	COPPER SEALING RING		1	PC	0,9 g	A 22 X 27	DIN7603
	4940	915007013000	CONNECTOR 13/8		1	PC	49,2 g	13 / 8	MBN15007
	5000	X00037023	RETAINER		1	PC	110 g		
	5060	700325015100	CLAMP HALF TUBE 1/1 D9-15		2	PC	0,033 kg	1/1 D 9 - 15	MMN325
	5080	700327010000	GROMMET		1	PC	2,8 g	10	MMN327
	5100	304017008083	HEX SCREW		1	PC	15,1 g	M 8 X 30	ISO4017
	5180	700325015104	CLAMP HALF TUBE 2/1 D9-15		1	PC	47 g	2/1 D 9 - 15	MMN325
	5200	700325015202	CLAMP HALF TUBE 2/1 G8-15		1	PC	48,3 g	2/1 G 8 - 15	MMN325
	5220	700327010000	GROMMET		2	PC	2,8 g	10	MMN327
	5230	007349008002	WASHER		1	PC	7,9 g	8,4	DIN7349
	5240	304017008084	HEX SCREW		1	PC	16,4 g	M 8 X 35	ISO4017
	5280	007603030101	COPPER SEALING RING		1	PC	4,3 g	A 30 X 36	DIN7603
	5300	X00020487	BUSHING THREADED C23		1	PC	68,9 g		
	5320	007603022102	COPPER SEALING RING		1	PC	0,9 g	A 22 X 27	DIN7603
	5340	915007013000	CONNECTOR 13/8		1	PC	49,2 g	13 / 8	MBN15007
	5400	735151010200	SPACER S2000/4000		1	PC	22,1 g	B 10,5	MTN5151
	5420	700325015110	CLAMP HALF TUBE 1/1 D11-15		2	PC	30,2 g	1/1 D11 - 15	MMN325
	5440	700327010000	GROMMET		1	PC	2,8 g	10	MMN327
	5460	00000001042	HEX SCREW		1	PC	34,6 g	M 10 X 50	ISO4017
	5500	X52899100028	NIPPLE		4	PC	49,5 g		



20201927a

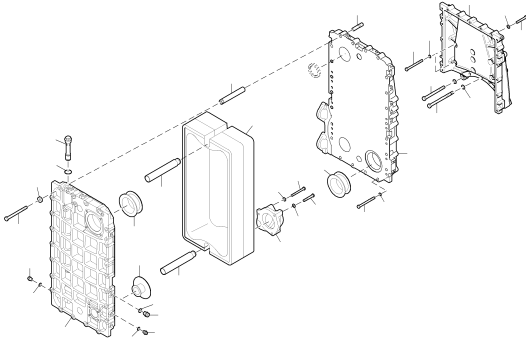
☐	POS.	PART NO.	DESIGNATION	QTY.	UNITS	WEIGHT	MEASUREMENT	STANDARD
	20	007603014102	SEAL RING	4	PC	1 g	A 14 X 18	DIN7603
	30	X57518500023	SCREW-FITTING UNION F/TURBO OIL SUPPLY	2	PC	33 g	INNENDURCHMESSER 2MM	
	40	X57518500026	SCREW-FITTING UNION F/TURBO OIL SUPPLY	2	PC	0,033 kg	INNENDURCHMESSER 1MM	
	50	007603016105	COPPER SEALING RING	2	PC	3 g	A 16 X 20	DIN7603
	60	915006008002	UNION	1	PC	29,7 g	8	MBN15026
	70	000908016001	THREADED PLUG	1	PC	0,02 kg	M 16 X 1,5	DIN908

GROUP SEGMENT (FGS)

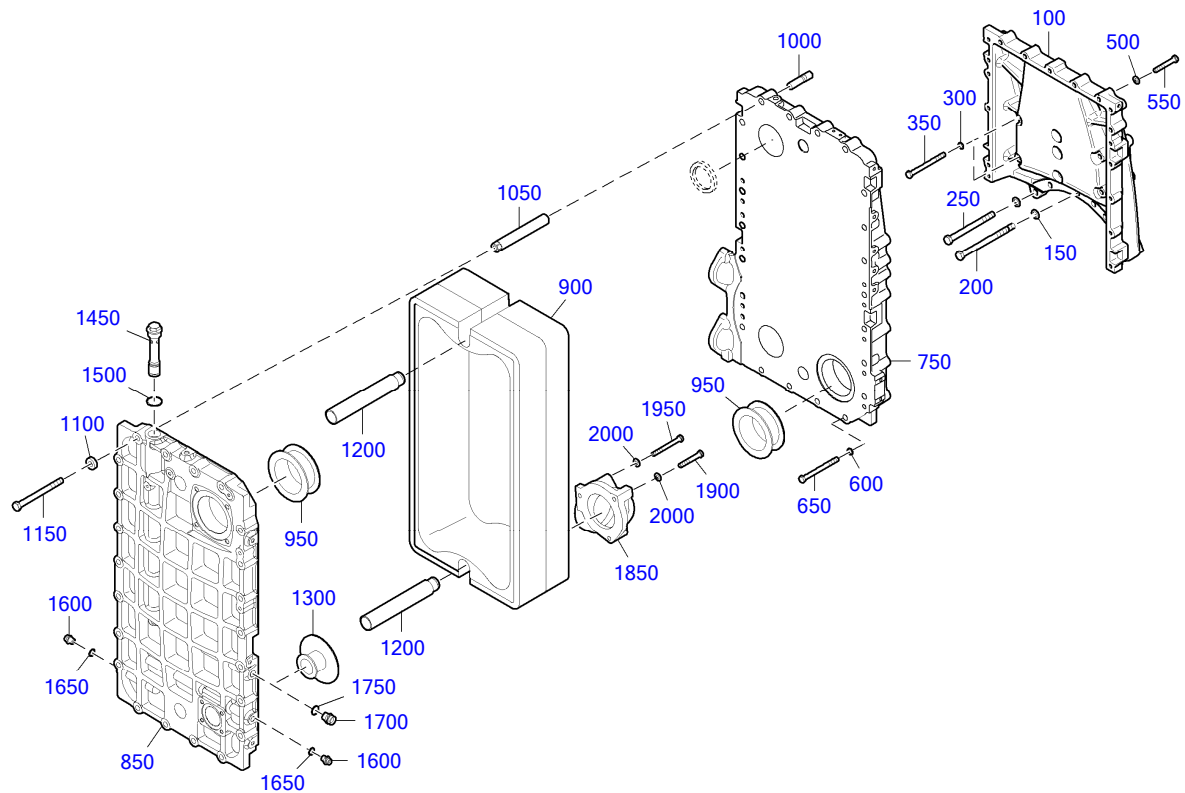
GROUP NAME

BOM-No.

02
SEAWATER COOLER
XS594200.00017



20400096a



20400096a

☐	POS.	PART NO.	DESIGNATION	MODEL/TYPE	QTY.	UNITS	WEIGHT	MEASUREMENT	STANDARD
	100	X00033976	SUPPORT FOR HEAT EXCHANGER		1	PC	67,4 kg		
	150	200433017000	WASHER		6	PC	6,8 g	17	DIN433
	200	204014016010	HEX SCREW		5	PC	375,2 g	M 16 X230	ISO4014
	250	204014016017	HEX SCREW		1	PC	345 g	M 16 X210	ISO4014
	300	200433013000	WASHER		7	PC	2,5 g	13	DIN433
	350	000000003719	HEX SCREW		7	PC	115,2 g	M 12 X140	ISO4017
	500	200433013000	WASHER		7	PC	2,5 g	13	DIN433
	550	000000002970	HEX SCREW		7	PC	64,7 g	M 12 X 70	ISO4017
	600	200433013000	WASHER		11	PC	2,5 g	13	DIN433
	650	000000001077	HEX SCREW		11	PC	104,6 g	M 12 X110	ISO4014
496	750	X59420200252	SUPPORT PLATE FOR SEAWATER COOLER		1	PC	118,8 kg		
	850	X59620200110	COVER PLATE	BR 4000	1	PC	46 kg		
497	900	X59420400006/87	PLATE-CORE HEAT EXCH FOR 12V		1	PC	1,93 kg		
	950	X00044862	SEALING RING		2	PC	60 g		
	1000	200939020000	STUD		22	PC	188,3 g	M 20 X 1,5 X 60	DIN939
	1050	X00041777	SPACER SLEEVE		22	PC	688,1 g		
	1100	735151016101	WASHER		22	PC	60,2 g	A 16,5	MTN5151
	1150	204017016000	HEX SCREW		22	PC	246,2 g	M 16 X160	ISO4017
	1200	X00041754	GUIDE, SPECIAL		2	PC	1,7 kg		
	1300	X52820500001	SEALING RING FOR SEAWATER COOLER	BR 4000	1	PC	135,8 g		
499	1450	X59608600002	VALVE FOR FUEL		1	PC	653,6 g		
	1500	007603038101	COPPER SEALING RING		1	PC	5,4 g	A 38 X 44	DIN7603
	1600	735070010000	UNION		2	PC	32,2 g	12	MTN5070
	1650	007603016103	RING, GENERAL		2	PC	0,01 kg	A 16 X 22	DIN7603
	1700	735070016000	UNION		1	PC	60 g	18	MTN5070

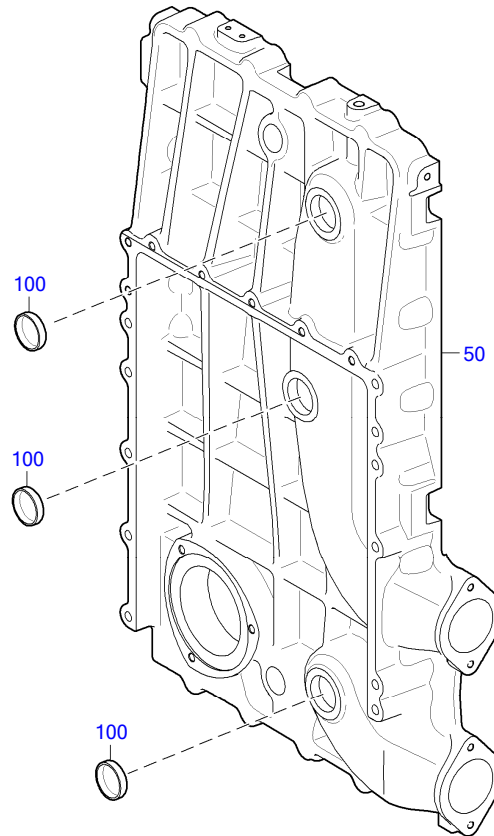
EQUI TYPE: Engine

PRODUCT TYPE: 12V4000M93L
SEAWATER COOLER

SERIAL NUMBER: 526108554

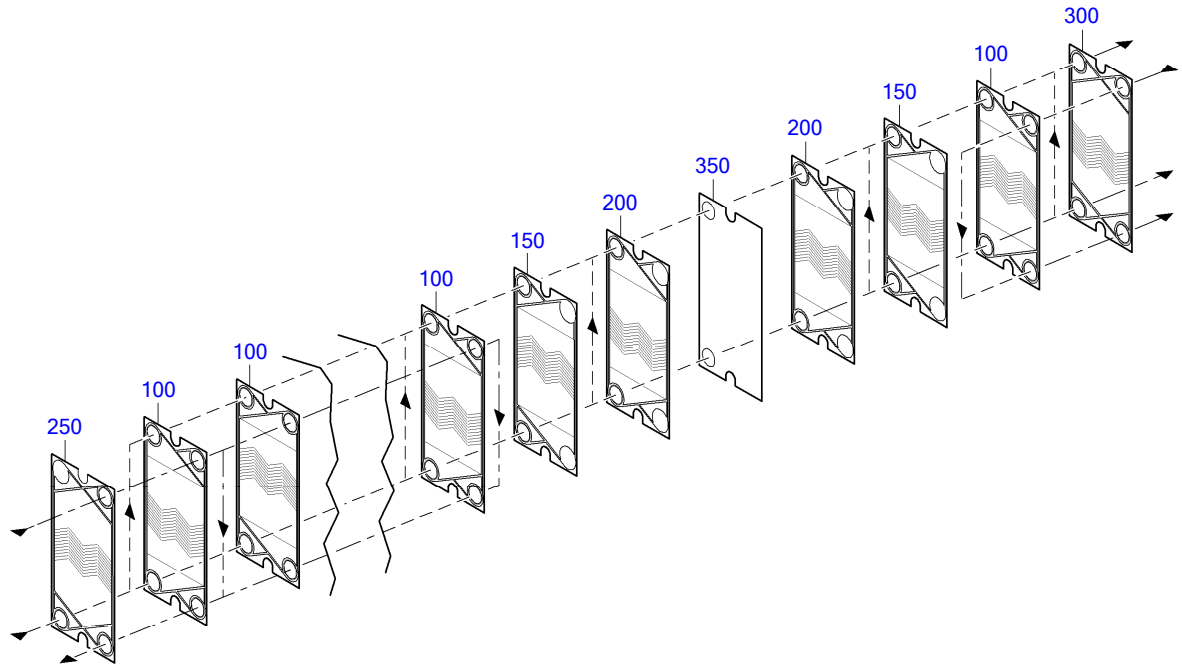
FG/FGS: 204 02
BOM-No.: XS594200.00017

☐	POS.	PART NO.	DESIGNATION	MODEL/TYPE	QTY.	UNITS	WEIGHT	MEASUREMENT	STANDARD
	1750	007603022102	COPPER SEALING RING		1	PC	0,9 g	A 22 X 27	DIN7603
	1850	X00037445	COOLANT ELBOW		1	PC	7,183 kg		
	1900	000000002088	HEX SCREW		2	PC	72,4 g	M 12 X 80	ISO4017
	1950	204014012005	HEX SCREW		1	PC	130,2 g	M 12 X140	ISO4014
	2000	000125013012	WASHER		3	PC	5,6 g	A 13	DIN125



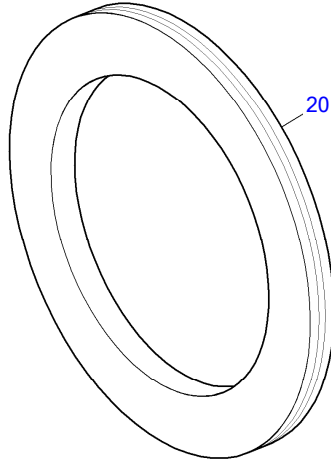
20400141

☐	POS.	PART NO.	DESIGNATION	QTY.	UNITS	WEIGHT	MEASUREMENT
	50	X59420200251	SUPPORT PLATE FOR SEAWATER COOLER	1	PC	118,9 kg	
	100	5249970020	SEALING CAP	3	PC	62,6 g	D 50



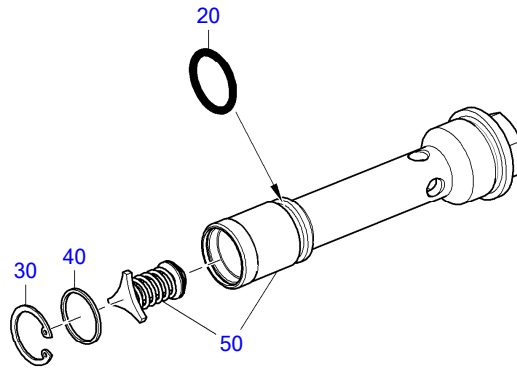
20400100a

☐	POS.	PART NO.	DESIGNATION	QTY.	UNITS	WEIGHT
	100	X00041552	COOLER PLATE ""A"" VERSION	54	PC	800 g
	150	X52820400001	COOLER PLATE B	2	PC	820 g
	200	X52820400002	COOLER PLATE VERSION C	2	PC	840 g
	250	X00041555	FIRST PLATE	1	PC	820 g
	300	X00041556	END PLATE	1	PC	800 g
498	350	X59420300055	PARTITION PLATE	1	PC	7,67 kg



TD0000023399_204

☐	POS.	PART NO.	DESIGNATION	QTY.	UNITS	WEIGHT
	20	X00041566	RUBBER SEAL	4	PC	180 g



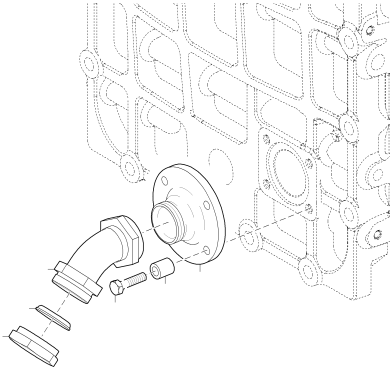
TD0000030078_204

☐	POS.	PART NO.	DESIGNATION	MODEL/TYPE	QTY.	UNITS	WEIGHT	MEASUREMENT	STANDARD
	20	700429026001	O-RING		1	PC	1,3 g	26 X 3	MMN429
	30	000472028000	RING SNAP		1	PC	1,6 g	28 X 1,2	DIN472
	40	XP59608300016	WASHER	BR 4000	1	PC	7,9 g	27 X 25 X 1,5	
	50	XP59608300017	VALVE INSERT	BR 4000	1	PC	0,02 kg		

GROUP SEGMENT (FGS)

GROUP NAME

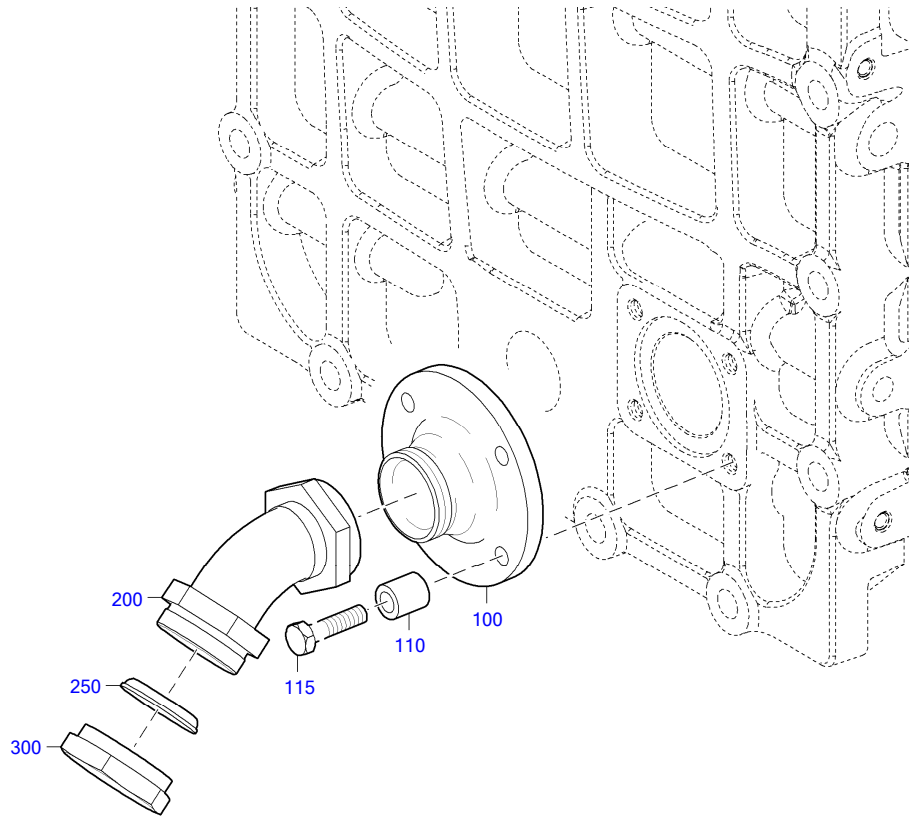
BOM-No.



15

CONNECTING HARDWARE F/GRBX OIL HEAT EXC
XS594200.00033

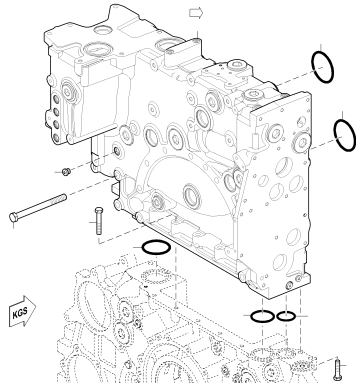
20500171a



20500171a

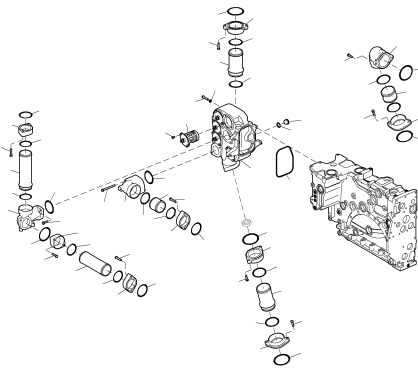
☐	POS.	PART NO.	DESIGNATION	QTY.	UNITS	WEIGHT	MEASUREMENT	STANDARD
	100	X59420500002	THREADED FLANGE FOR RAW WATER OUTLE	1	PC	1,1 kg		
	110	5599920101	SPACER BUSHING	4	PC	34,2 g	12MM X 20MM 22L	
	115	000000001042	HEX SCREW	4	PC	34,6 g	M 10 X 50	ISO4017
	200	X00041623	ELBOW	1	PC	573,6 g		
	250	735189042001	SEALING CONE	1	PC	48 g	42	MTN5189
	300	915001040002	NUT 40 M52X1.5 BL.GE OELT	1	PC	125,6 g	40 M 52 X 1,5	N15001

GROUP SEGMENT (FGS)
GROUP NAME
BOM-No.



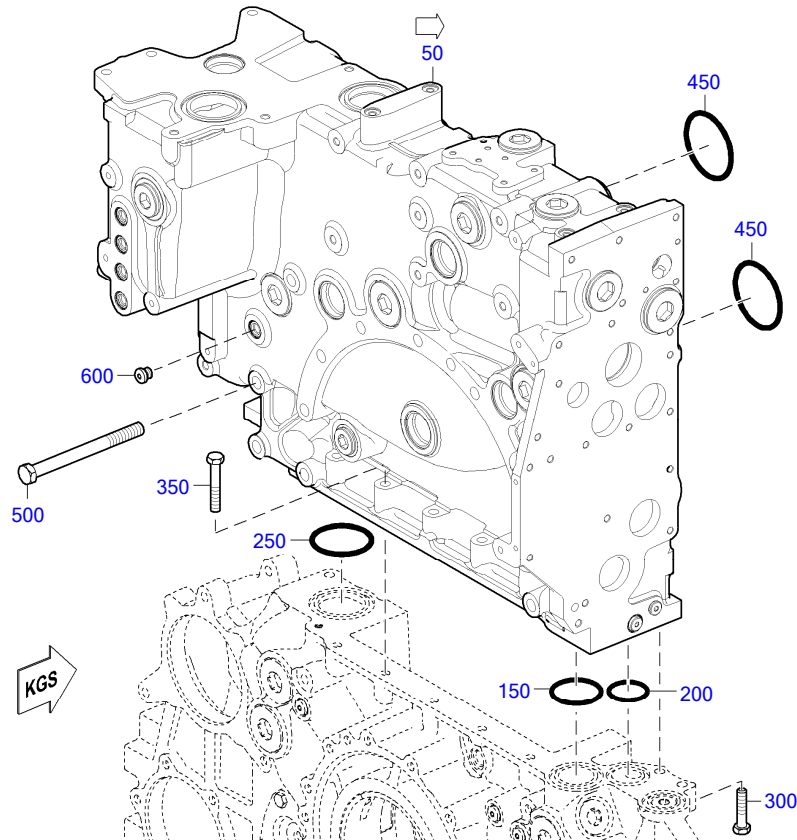
20600695

05
COOLANT DISTRIB HSG
XS529200.00029



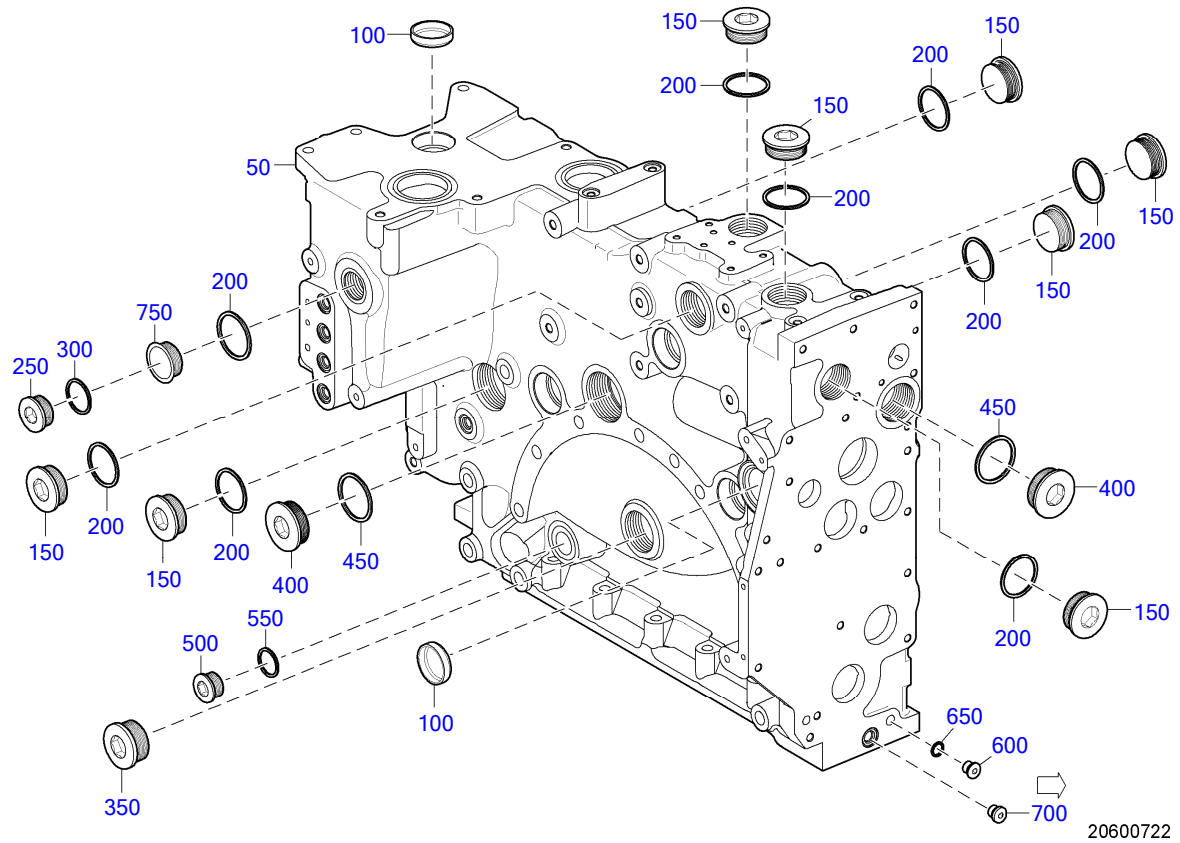
20600367b

05
THERMOSTAT HOUSING
XS594200.00056

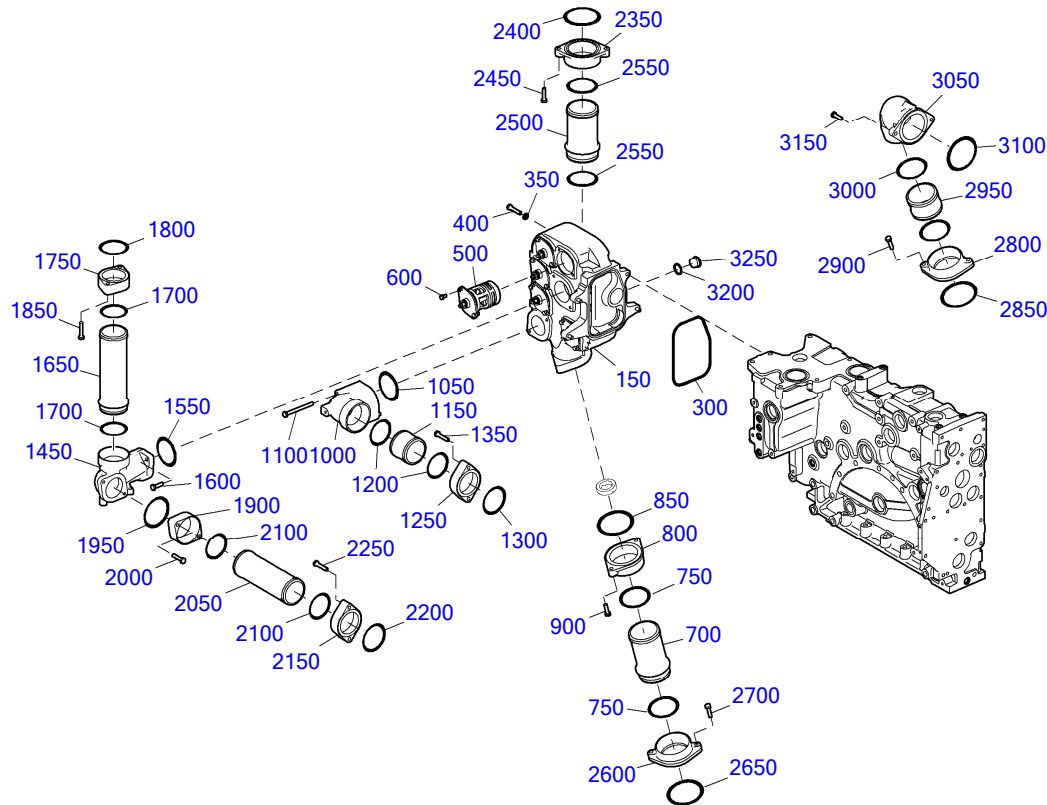


20600695

☐	POS.	PART NO.	DESIGNATION	QTY.	UNITS	WEIGHT	MEASUREMENT	STANDARD
504	50	X59320200138/75	COOLANT DISTRIB HSG PRIMED	1	PC	153 kg		
	150	700429055001	O-RING	1	PC	8 g	55 X 5	MMN429
	200	700429042000	O-RING	1	PC	6,2 g	42 X 5	MMN429
	250	700429070000	O-RING	1	PC	0,01 kg	70 X 5	MMN429
	300	204017012015	HEX SCREW	2	PC	50 g	M 12 X 50	ISO4017
	350	000000002970	HEX SCREW	5	PC	64,7 g	M 12 X 70	ISO4017
	450	700429083000	O-RING	2	PC	11,7 g	83 X 5	MMN429
	500	000000002973	HEX SCREW	14	PC	302,8 g	M 16 X 180	ISO4014
307	600	735210014000	THREAD PLUG	5	PC	0,019 kg	M 14 X 1,5	MTN5210



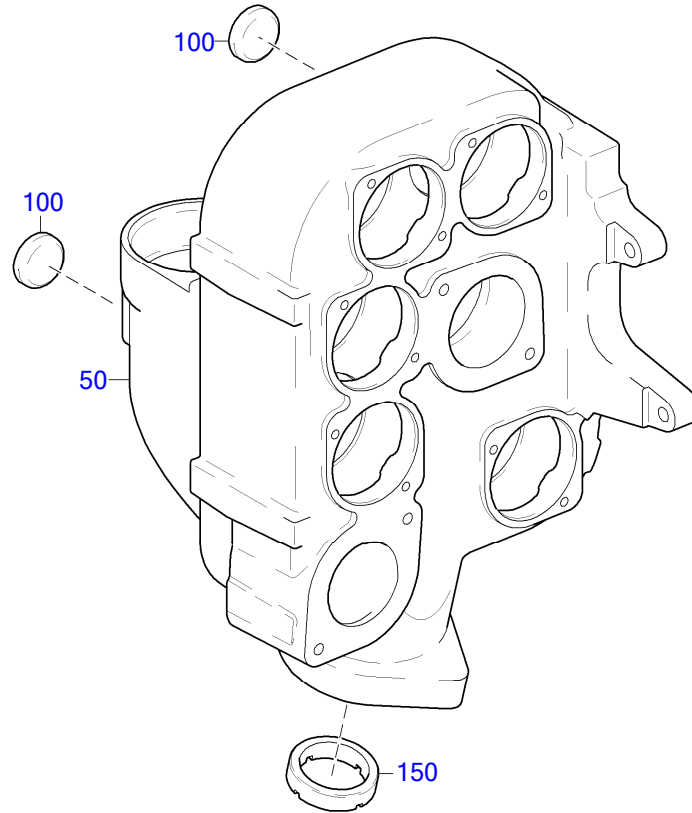
☐	POS.	PART NO.	DESIGNATION	QTY.	UNITS	WEIGHT	MEASUREMENT	STANDARD
	50	X59320200137/75	COOLANT DISTRIB HSG PRIMED	1	PC	147 kg		
	100	5249970020	SEALING CAP	8	PC	62,6 g	D 50	
	150	000908048004	THREAD PLUG	8	PC	0,247 kg	M 48 X 1,5	DIN908
	200	007603048101	COPPER SEALING RING	9	PC	7,7 g	A 48 X 55	DIN7603
	250	000908038000	THREAD PLUG	3	PC	0,15 kg	M 38 X 1,5	DIN908
	300	007603038101	COPPER SEALING RING	3	PC	5,4 g	A 38 X 44	DIN7603
	350	735210048000	THREAD PLUG	1	PC	339,1 g	M 48 X 2	MTN5210
	400	000908052003	THREAD PLUG	2	PC	0,298 kg	M 52 X 1,5	DIN908
	450	007603052101	COPPER SEALING RING	2	PC	12,5 g	A 52 X 60	DIN7603
	500	000908030002	THREAD PLUG	1	PC	0,085 kg	M 30 X 1,5	DIN908
	550	007603030101	COPPER SEALING RING	1	PC	4,3 g	A 30 X 36	DIN7603
	600	000908014001	SCREW PLUG	1	PC	0,016 kg	M 14 X 1,5	DIN908
	650	007603014102	SEAL RING	1	PC	1 g	A 14 X 18	DIN7603
307	700	735210014000	THREAD PLUG	1	PC	0,019 kg	M 14 X 1,5	MTN5210
	750	X59499100029	THREADED BUSHING	1	PC	90 g	M48X1.5/M38X1.5	



20600367b

☐	POS.	PART NO.	DESIGNATION	QTY.	UNITS	WEIGHT	FN	MEASUREMENT	STANDARD
	506	150	X59420600011	THERMOSTAT HOUSING	1	PC	36 kg		
		300	700429205001	O-RING	1	PC	18,2 g	205 X 4	MMN429
		350	000125010524	WASHER	4	PC	3,1 g	A 10,5	DIN125
		400	000000001039	HEX SCREW	4	PC	29,8 g	M 10 X 40	ISO4017
		500	X59620600004	THERMAL ACTUATOR	5	PC	1,208 kg	EM	
		600	304017008077	HEX SCREW	10	PC	10,5 g	M 8 X 16	ISO4017
		700	X52820600003	PLUG-IN PIPE	1	PC	1,859 kg		
		750	700429085002	O-RING	2	PC	17,5 g	85 X 6	MMN429
		800	5242030139	FLANGE	1	PC	1,2 kg		
		850	700429105000	O-RING	1	PC	14,3 g	105 X 5	MMN429
		900	000000001039	HEX SCREW	2	PC	29,8 g	M 10 X 40	ISO4017
		1000	X52820200157	COOLANT ELBOW ON THERMOST. HOUSIN	1	PC	5,35 kg		
		1050	700429083000	O-RING	1	PC	11,7 g	83 X 5	MMN429
		1100	204014010007	HEX SCREW	2	PC	72,6 g	M 10 X110	ISO4014
		1150	X52820600005	PLUG-IN PIPE	1	PC	738,5 g		
		1200	700429075001	O-RING	2	PC	10,6 g	75 X 5	MMN429
		1250	X52820300003	FLANGE	1	PC	753,9 g		
		1300	700429083000	O-RING	1	PC	11,7 g	83 X 5	MMN429
		1350	000000001042	HEX SCREW	2	PC	34,6 g	M 10 X 50	ISO4017
		1450	X00035748	COOLANT ELBOW	1	PC	4,6 kg		
		1550	700429083000	O-RING	1	PC	11,7 g	83 X 5	MMN429
		1600	000000003326	HEX SCREW	2	PC	27,4 g	M 10 X 35	ISO4017
		1650	X59620600001	PLUG-IN PIPE	1	PC	2,7 kg		
		1700	700429075001	O-RING	2	PC	10,6 g	75 X 5	MMN429
		1750	X52820300003	FLANGE	1	PC	753,9 g		

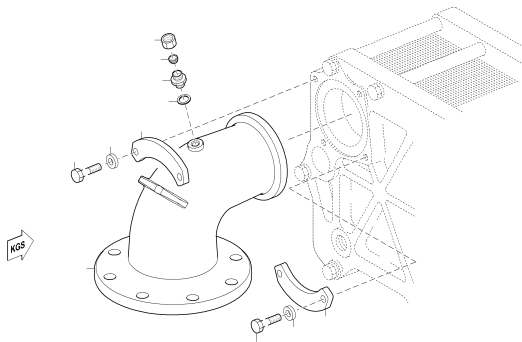
☐	POS.	PART NO.	DESIGNATION	QTY.	UNITS	WEIGHT	FN	MEASUREMENT	STANDARD
	1800	700429083000	O-RING	1	PC	11,7 g		83 X 5	MMN429
	1850	000000001042	HEX SCREW	2	PC	34,6 g		M 10 X 50	ISO4017
	1900	X52820300003	FLANGE	1	PC	753,9 g			
	1950	700429083000	O-RING	1	PC	11,7 g		83 X 5	MMN429
	2000	204017010021	HEX SCREW	2	PC	32,5 g		M 10 X 45	ISO4017
	2050	X52820600004	PLUG-IN PIPE	1	PC	2,5 kg			
	2100	700429075001	O-RING	2	PC	10,6 g		75 X 5	MMN429
	2150	X52820300003	FLANGE	1	PC	753,9 g			
	2200	700429083000	O-RING	1	PC	11,7 g		83 X 5	MMN429
	2250	000000001042	HEX SCREW	2	PC	34,6 g		M 10 X 50	ISO4017
	2350	5242030139	FLANGE	1	PC	1,2 kg			
	2400	700429105000	O-RING	1	PC	14,3 g		105 X 5	MMN429
	2450	000000003326	HEX SCREW	2	PC	27,4 g		M 10 X 35	ISO4017
	2500	X52820600003	PLUG-IN PIPE	1	PC	1,859 kg			
	2550	700429085002	O-RING	2	PC	17,5 g		85 X 6	MMN429
	2600	5242030139	FLANGE	1	PC	1,2 kg			
	2650	700429105000	O-RING	1	PC	14,3 g		105 X 5	MMN429
	2700	000000001039	HEX SCREW	2	PC	29,8 g		M 10 X 40	ISO4017
	2800	5242030139	FLANGE	1	PC	1,2 kg			
	2850	700429105000	O-RING	1	PC	14,3 g		105 X 5	MMN429
	2900	000000001039	HEX SCREW	2	PC	29,8 g		M 10 X 40	ISO4017
	2950	X52820600002	PLUG-IN PIPE	1	PC	721,2 g			
	3000	700429085002	O-RING	2	PC	17,5 g		85 X 6	MMN429
	3050	X00029114	COOLANT ELBOW	1	PC	4,405 kg			
	3100	700429105000	O-RING	1	PC	14,3 g		105 X 5	MMN429
	3150	000000003326	HEX SCREW	2	PC	27,4 g		M 10 X 35	ISO4017
	3200	007603030101	COPPER SEALING RING	1	PC	4,3 g		A 30 X 36	DIN7603
	3250	000908030002	THREAD PLUG	1	PC	0,085 kg		M 30 X 1,5	DIN908



20600386a

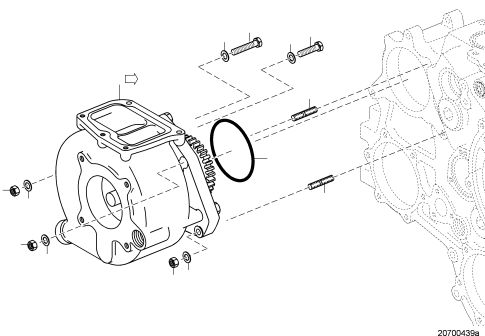
☐	POS.	PART NO.	DESIGNATION	QTY.	UNITS	WEIGHT	MEASUREMENT
	50	X59420600007	THERMOSTAT HOUSING	1	PC	37,97 kg	
	100	5370160233	SEALING CAP	2	PC	32 g	D 40
	150	X59520300009	RESTRICTOR	1	PC	189,7 g	

GROUP SEGMENT (FGS)
GROUP NAME
BOM-No.



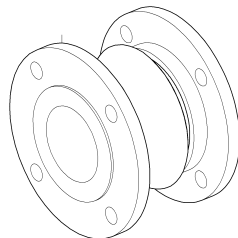
05
SEAWATER OUTLET FRONT
XS594200.00055

20700513



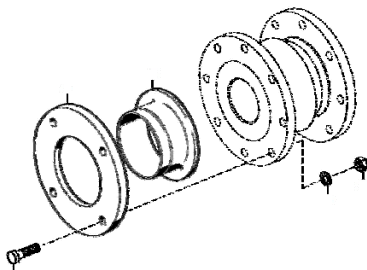
05
SEAWATER PUMP
XS596200.00008

20700498a



10
RUBBER BELLOWS
200.00019

TD0000021484_207

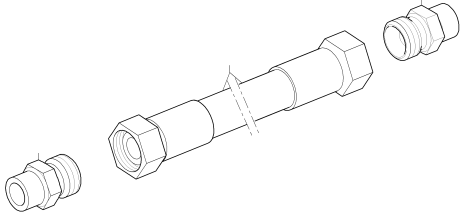


10
CONNECTING HARDWARE FOR RUBBER BELLOWS
200.00020

TD0000021484_207

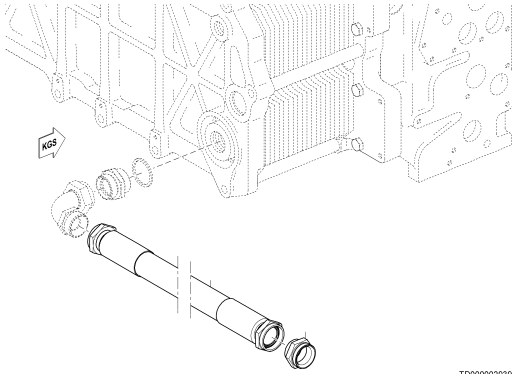
GROUP SEGMENT (FGS)
GROUP NAME
BOM-No.

10
HOSE
200.00027



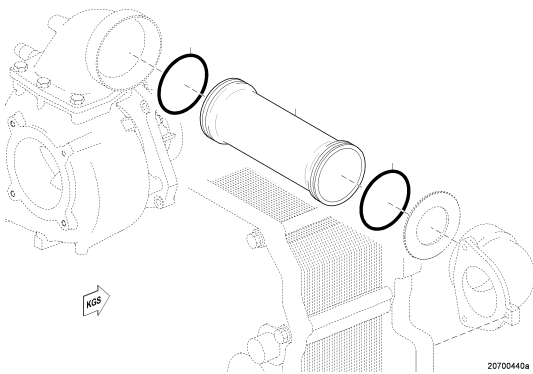
TD0000027381_207

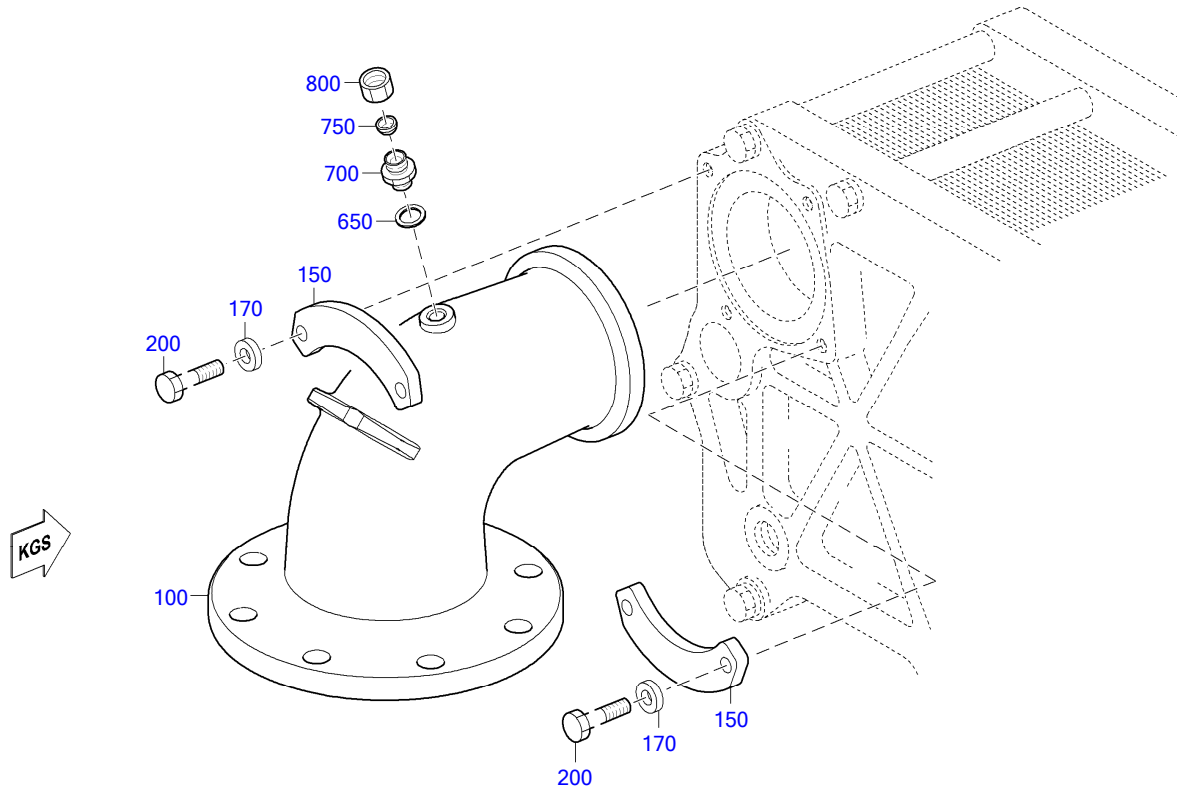
10
HOSE SEAWATER-RESISTANT
X00044049



TD0000028590_207

10
RESTRICTOR AFTER SEAWATER PUMP
XS594200.00022





20700513

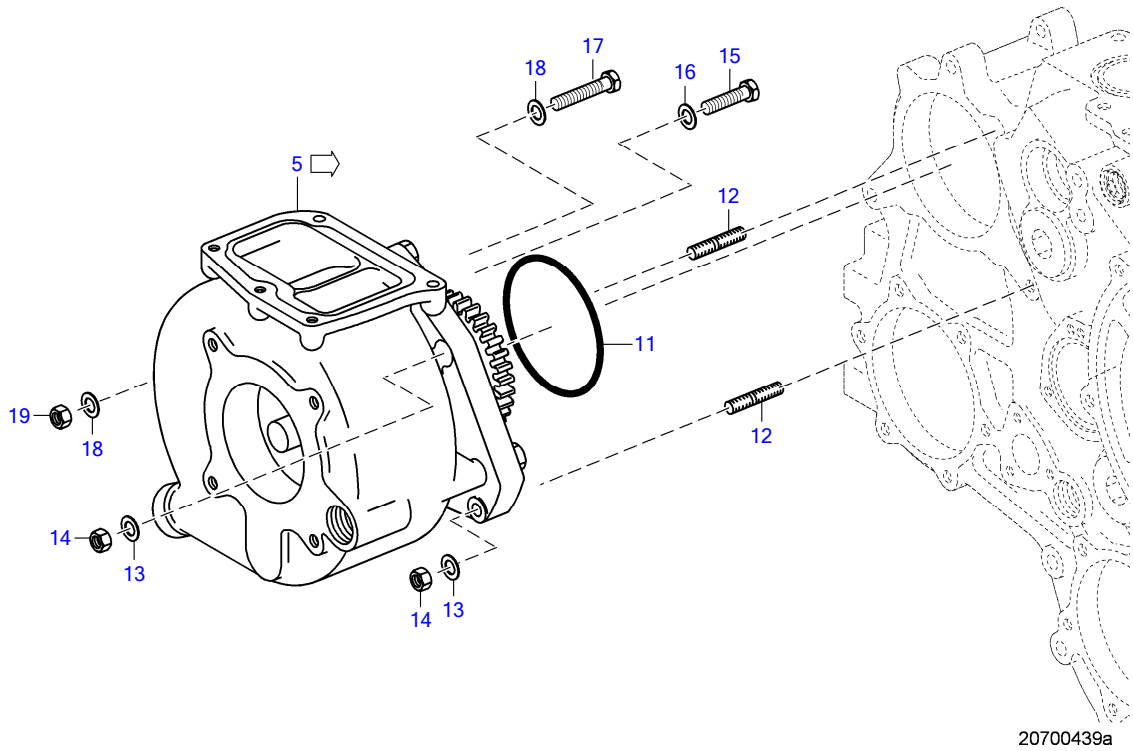
☐	POS.	PART NO.	DESIGNATION	QTY.	UNITS	WEIGHT	MEASUREMENT	STANDARD
	100	X59520500001	SEAWATER ELBOW	1	PC	13,6 kg		
	150	5242030238	CLAMP HALF	2	PC	462,2 g		
	170	735151012100	SPACER S2000/4000	4	PC	20 g	A 12,5	MTN5151
	200	000000001078	HEX SCREW	4	PC	58,2 g	M 12 X 60	ISO4017
	650	007603014102	SEAL RING	1	PC	1 g	A 14 X 18	DIN7603
	700	915007008008	CONNECTOR 8/6 F73	1	PC	27,3 g	8 / 6	MBN15007
	750	915005008003	CONE SEALING 10 F73	1	PC	3,9 g	10	MBN15005
	800	915001008001	NUT	1	PC	14,6 g	8 M 16 X 1,5	N15001

EQUI TYPE: Engine

PRODUCT TYPE: 12V4000M93L
SEAWATER PUMP

SERIAL NUMBER: 526108554

FG/FGS: 207 05
BOM-No.: XS596200.00008

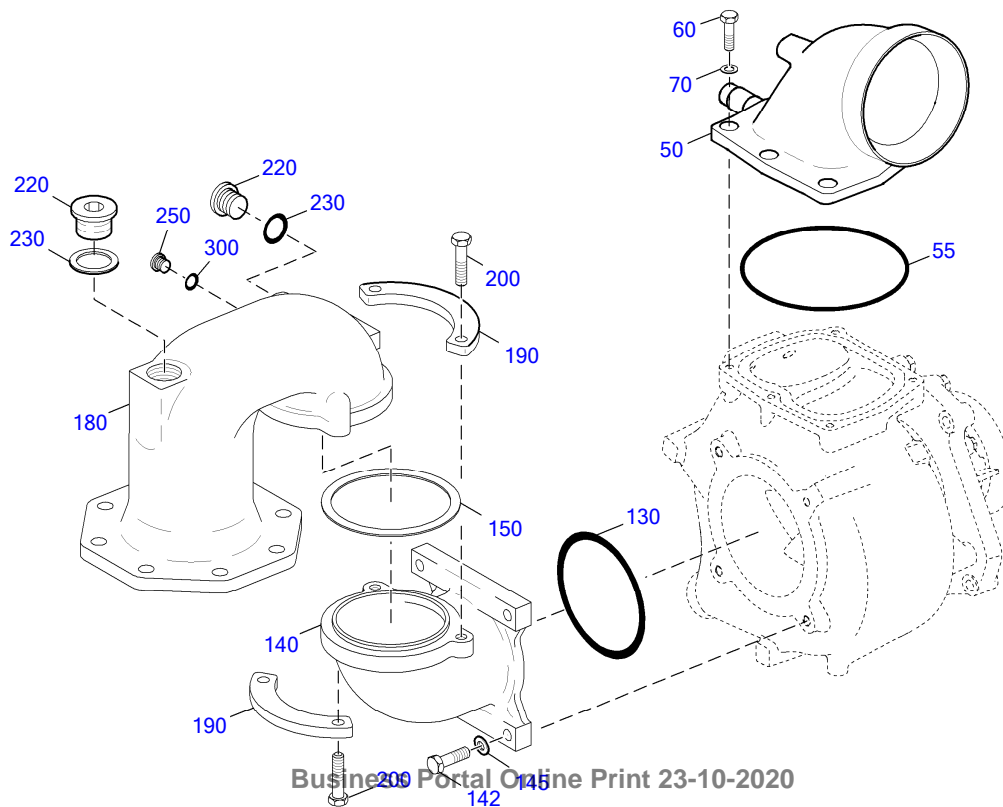


EQUI TYPE: Engine

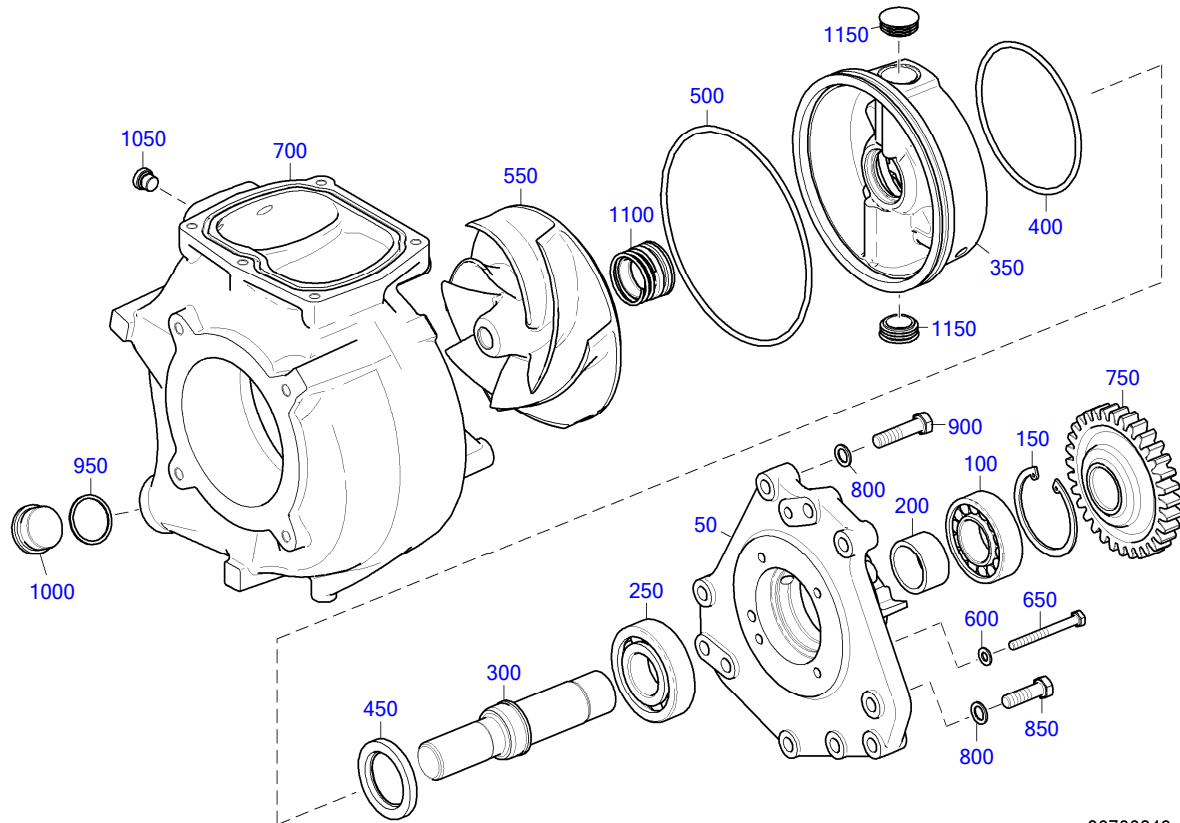
PRODUCT TYPE: 12V4000M93L
SEAWATER PUMP

SERIAL NUMBER: 526108554

FG/FGS: 207 05
BOM-No.: XS596200.00008

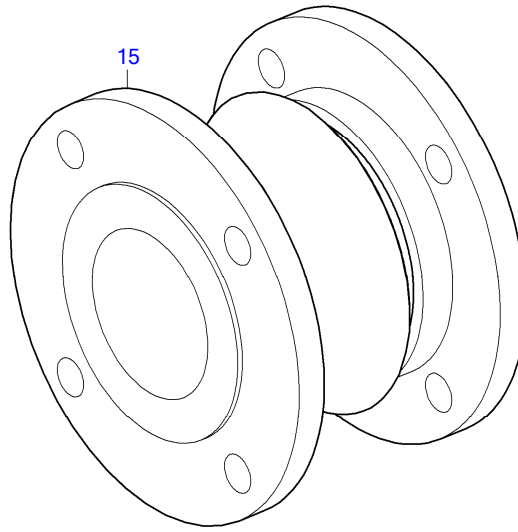


☐	POS.	PART NO.	DESIGNATION	QTY.	UNITS	WEIGHT	FN	MEASUREMENT	STANDARD
510	5	X59420700016	SEAWATER PUMP	1	PC	42,6 kg	EM		
	11	700429130003	O-RING	1	PC	18 g		130 X 5	MMN429
	12	200939012002	STUD	3	PC	44,5 g		M 12 X 45	DIN939
	13	200433013000	WASHER	3	PC	2,5 g		13	DIN433
	14	204032012000	NUT HEX ZNPH R5F	3	PC	14,9 g		M 12	ISO4032
	15	204017012015	HEX SCREW	1	PC	50 g		M 12 X 50	ISO4017
	16	200433013000	WASHER	1	PC	2,5 g		13	DIN433
	17	000000002970	HEX SCREW	1	PC	64,7 g		M 12 X 70	ISO4017
	18	200433013000	WASHER	2	PC	2,5 g		13	DIN433
	19	204032012000	NUT HEX ZNPH R5F	1	PC	14,9 g		M 12	ISO4032
	50	X59620200045	COOLANT ELBOW	1	PC	6,438 kg			
	55	700429170000	O-RING	1	PC	15,5 g		170 X 4	MMN429
	60	000000003326	HEX SCREW	5	PC	27,4 g		M 10 X 35	ISO4017
	70	000125010524	WASHER	5	PC	3,1 g		A 10,5	DIN125
	130	700429160000	O-RING	1	PC	22,1 g		160 X 5	MMN429
	140	X00037441	COOLANT ELBOW	1	PC	8,047 kg			
	142	204017012009	HEX SCREW	4	PC	43,8 g		M 12 X 40	ISO4017
	145	000125013012	WASHER	4	PC	5,6 g		A 13	DIN125
	150	5929975449	GASKET	1	PC	13,9 g			
	180	X00037440	COOLANT ELBOW	1	PC	18,4 kg			
	190	X00037787	HALF-CLAMP	2	PC	479 g			
	200	000000003437	HEX SCREW	4	PC	50,8 g		M 12 X 50	ISO4017
	220	000908038003	PLUG	2	PC	0,147 kg		M 38 X 1,5	DIN908
	230	007603038101	COPPER SEALING RING	2	PC	5,4 g		A 38 X 44	DIN7603
	250	000908014002	PLUG	1	PC	0,015 kg		M 14 X 1,5	DIN908
	300	007603014102	SEAL RING	1	PC	1 g		A 14 X 18	DIN7603



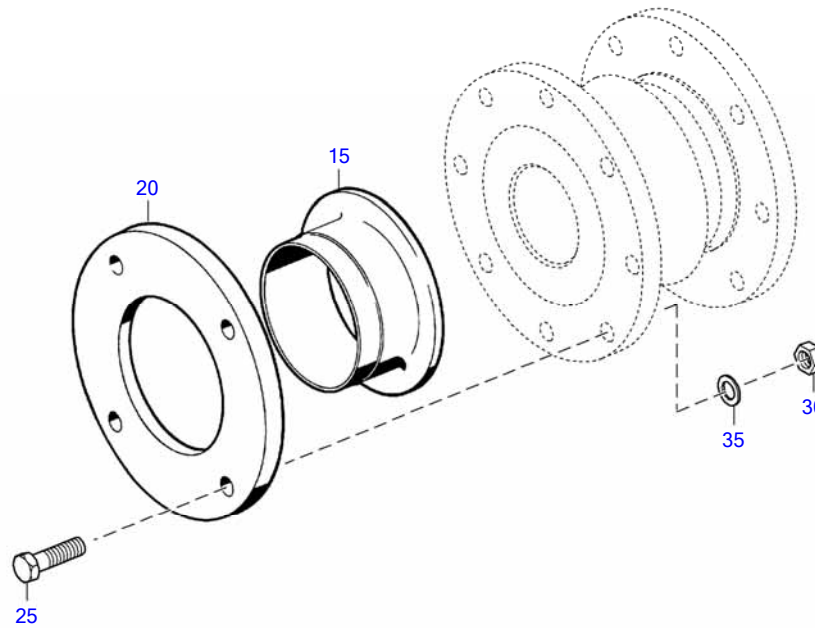
20700846

☐	POS.	PART NO.	DESIGNATION	MODEL/TYPE	QTY.	UNITS	WEIGHT	FN	MEASUREMENT	STANDARD
	50	X59420700004	BEARING HOUSING FOR SEAWATER PUMP		1	PC	8,626 kg	KE		
	100	205412422005	CYL. ROLLER BEARING		1	PC	562 g		NU2208	DIN5412
	150	000472080000	RING SNAP		1	PC	22 g		80 X 2,5	DIN472
	200	X59420700009	BUSHING		1	PC	144 g			
	250	200628103006	BEARING ANGULAR CONT ACT ROLLER		1	PC	750 g		QJ308	DIN628
	300	5272010505	SHAFT WAT PUMP HT CO OLING CIRCUIT		1	PC	1,904 kg			
	350	X59620700004	SEAL CARRIER FOR SEAWATER PUMP		1	PC	4,66 kg			
	400	700429135000	O-RING		1	PC	18,6 g		135 X 5	MMN429
	450	700386048001	SEAL OIL 48 X 72 X 8 MNN386		1	PC	31,2 g		A 48 X 72 X 8	MMN386
	500	700429190001	O-RING		1	PC	25,8 g		190 X 5	MMN429
	550	X00037017	IMPELLER FOR SEAWATER PUMP		1	PC	3,854 kg			
	600	000125008427	WASHER		4	PC	1,5 g		A 8,4	DIN125
	650	000000004389	HEX SCREW		4	PC	30 g		M 8 X 75	ISO4017
	700	X59620700001	SPIRAL HOUSING FOR SEAWATER PUMP		1	PC	19,29 kg			
	750	X00041743	GEAR		1	PC	1,7 kg			
	800	200433013000	WASHER		6	PC	2,5 g		13	DIN433
	850	000000000905	HEX SCREW		2	PC	40 g		M 12 X 40	ISO4017
	900	304017012018	HEX SCREW		4	PC	49,9 g		M 12 X 50	ISO4017
	950	007603038101	COPPER SEALING RING		1	PC	5,4 g		A 38 X 44	DIN7603
	1000	000908038003	PLUG		1	PC	0,147 kg		M 38 X 1,5	DIN908
	1050	735210014001	PLUG		2	PC	0,018 kg		M 14 X 1,5	MTN5210
	1100	X52420200075	ROTARY SEAL		1	PC	0,067 kg		MG91S3/35-G6-A1	
	1150	X52499100658	PLUG	ZU WP X59420700016	2	PC	3,6 g			



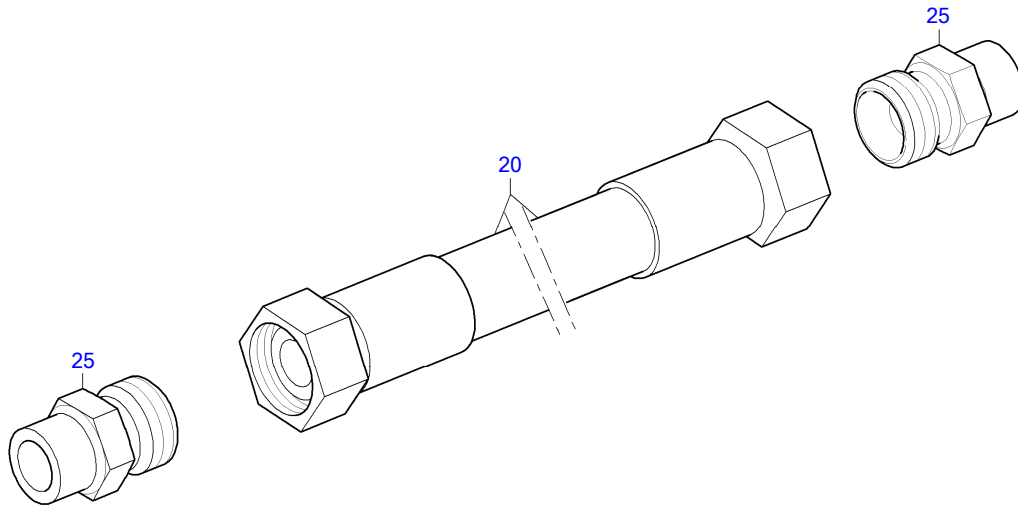
TD0000021484_207

☐	POS.	PART NO.	DESIGNATION	QTY.	UNITS	WEIGHT	MEASUREMENT
	15	0002035183/87	RUBBER BELLOWS	1	PC	4,5 kg	STD EL 120 DN50



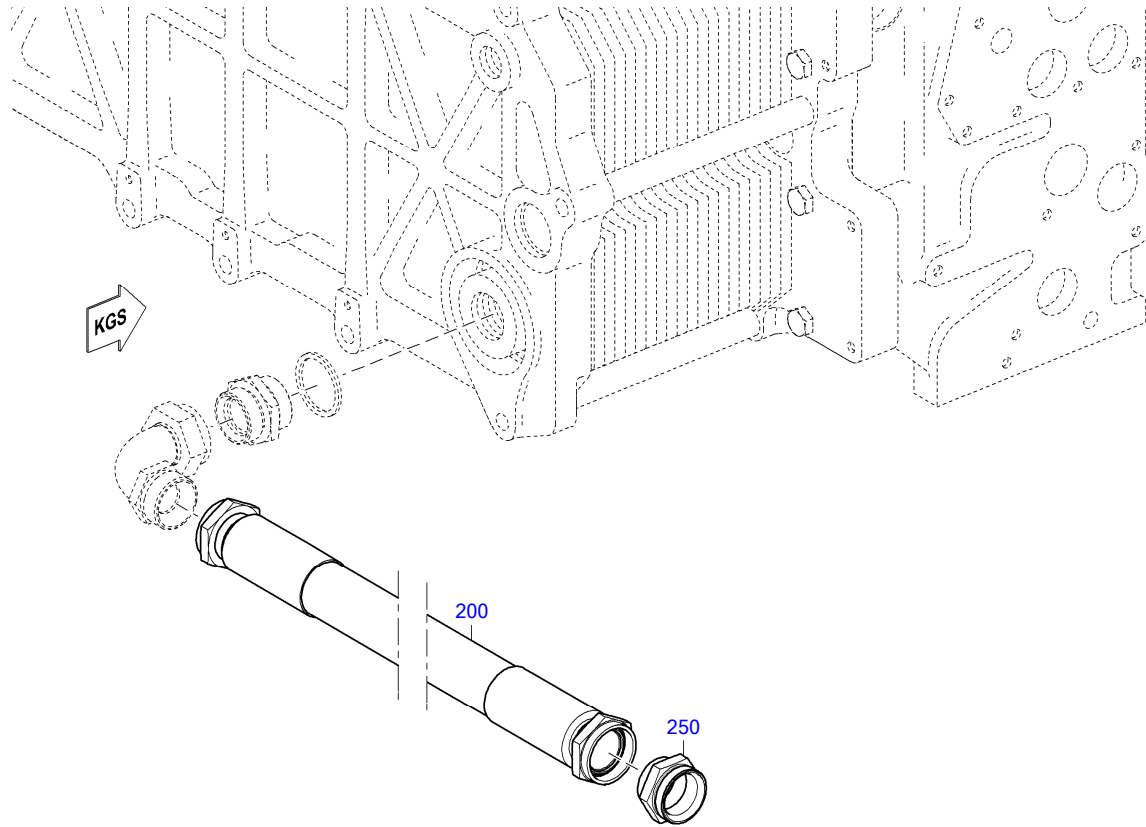
TD0000027593_207

☐	POS.	PART NO.	DESIGNATION	QTY.	UNITS	WEIGHT	MEASUREMENT	STANDARD
	15	086037050201	COLLAR	1	PC	453,2 g	B 50 - 57 X 2	DIN86037
	20	002642050000	FLANGE	1	PC	2,12 kg	F 50 X 57	DIN2642
	25	304017016028	HEX SCREW	4	PC	109 g	M 16 X 55	ISO4017
	30	000934016019	NUT HEX 8	4	PC	30 g	M 16	DIN934
	35	000137016201	WASHER SPRING B16	4	PC	5,4 g	B 16	DIN137



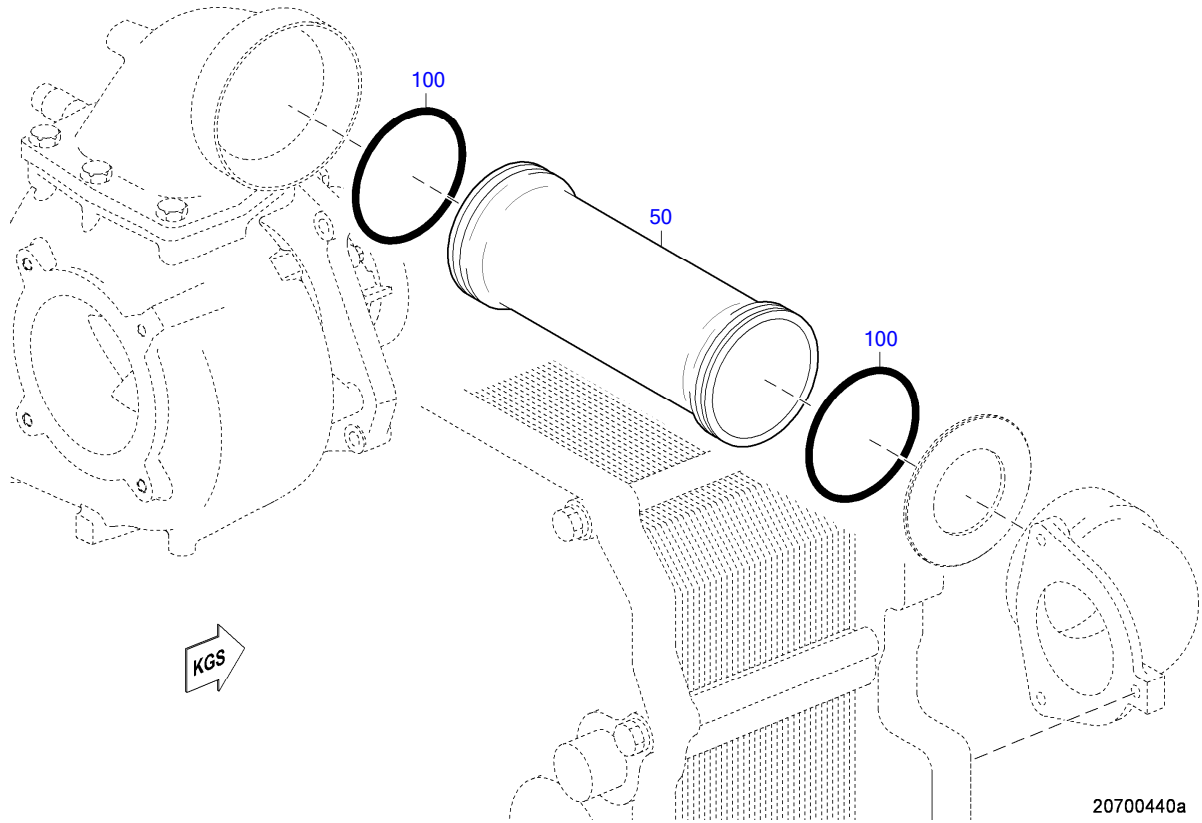
TD0000027381_207

☐	POS.	PART NO.	DESIGNATION	QTY.	UNITS	WEIGHT	MEASUREMENT	STANDARD
	20	735038006102	HOSE	1	PC	0,148 kg	1SN 6 CC 300	MTN5038
	25	718363206002	UNION	2	PC	14,8 g	8/M 14 X 1,5	MMN18363.2



TD0000029390_207

☐	POS.	PART NO.	DESIGNATION	QTY.	UNITS	WEIGHT	MEASUREMENT	STANDARD
	200	735038040106	HOSE	1	PC	3,4 kg	1SN 38 CC 1200-MW	MTN5038
	250	718363240003	UNION	1	PC	202,6 g	42/M 52 X 1,5	MMN18363.2



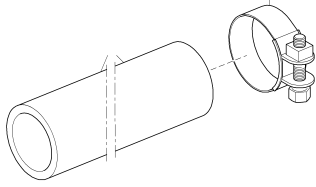
☐	POS.	PART NO.	DESIGNATION	QTY.	UNITS	WEIGHT	MEASUREMENT	STANDARD
	50	X00039742	PLUG-IN PIPE FOR SEAWATER	1	PC	4,313 kg		
	100	700429130000	O-RING	2	PC	26 g	130 X 6	MMN429

GROUP SEGMENT (FGS)

GROUP NAME

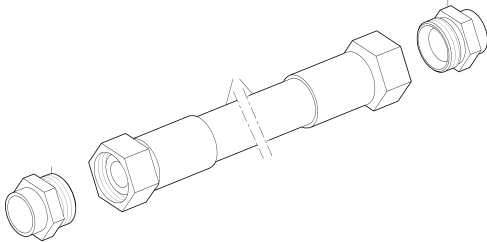
BOM-No.

05
RUBBER SLEEVE
200.00023

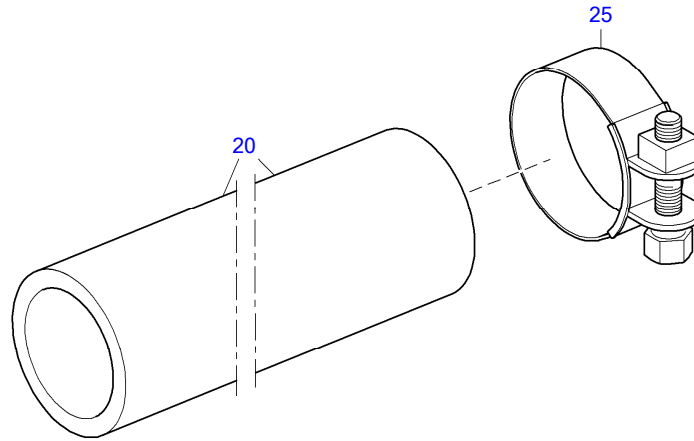


TD0000019711_208

05
HOSE
200.00024

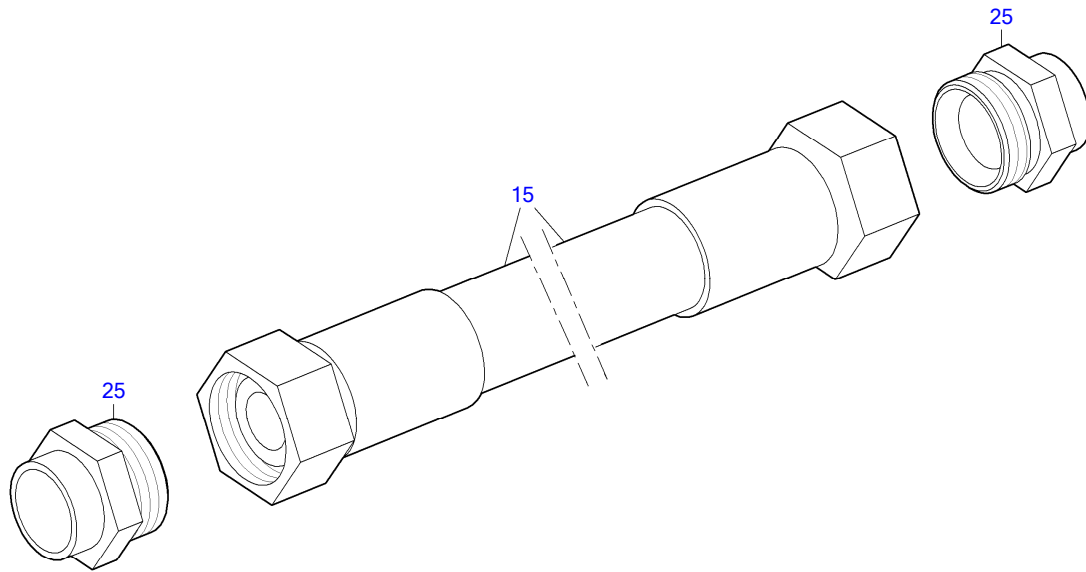


TD0000025438_208



TD0000019711_208

☐	POS.	PART NO.	DESIGNATION	QTY.	UNITS	WEIGHT	MEASUREMENT	STANDARD
	20	700368042004	SLEEVE RUBBER	1	PC	507,8 g	42 X 400	MMN368
	25	900288054005	CLAMP	2	PC	69,9 g	S 54/20X1 SKZ	MBN288A



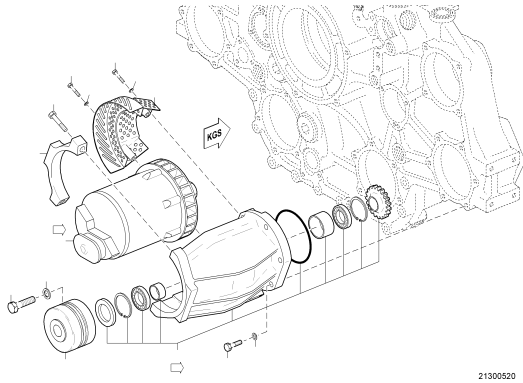
TD0000025436_208

☐	POS.	PART NO.	DESIGNATION	QTY.	UNITS	WEIGHT	MEASUREMENT	STANDARD
	15	735038008103	HOSE	1	PC	198,1 g	1SN 8 CC 300-MW	MTN5038
	25	718363208003	UNION	2	PC	19,5 g	10/M 16 X 1,5	MMN18363.2

GROUP SEGMENT (FGS)

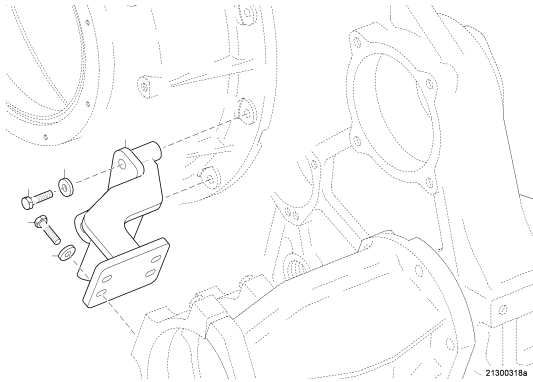
GROUP NAME

BOM-No.



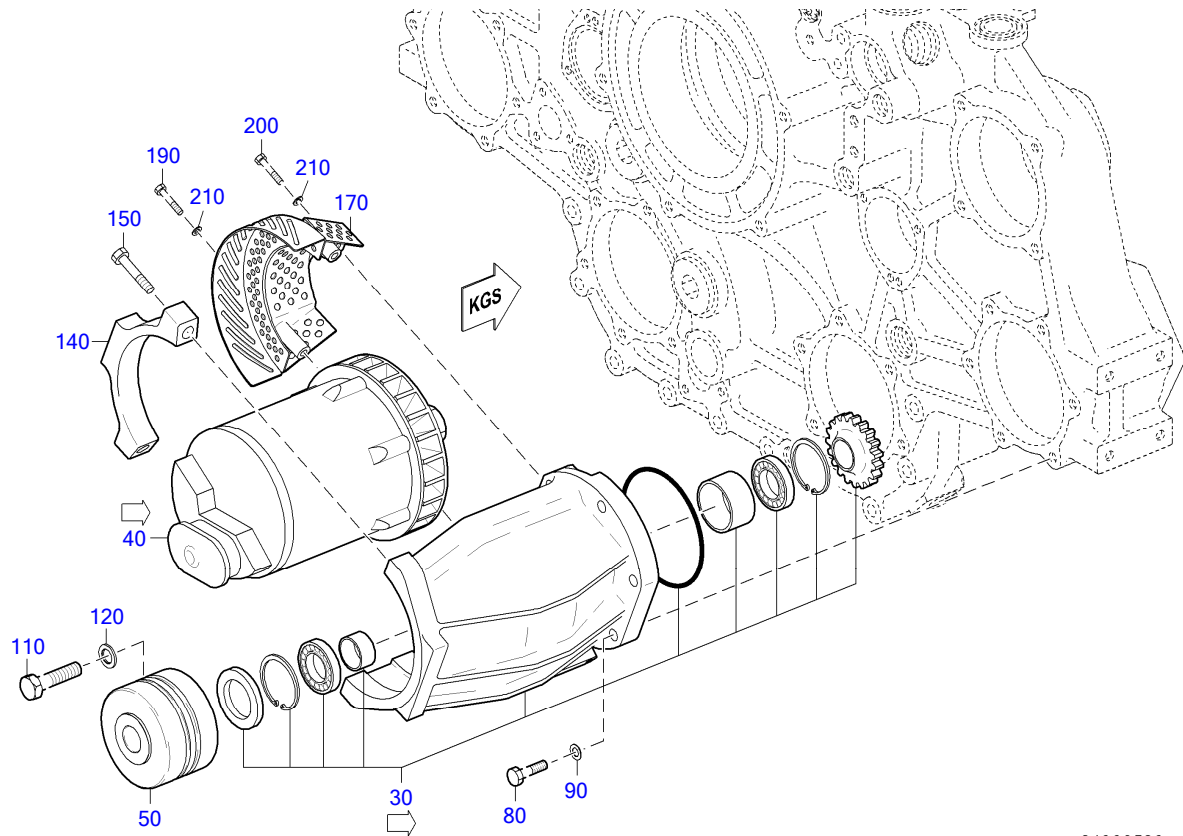
05
ALTERNATOR
XS594210.00001

21300520



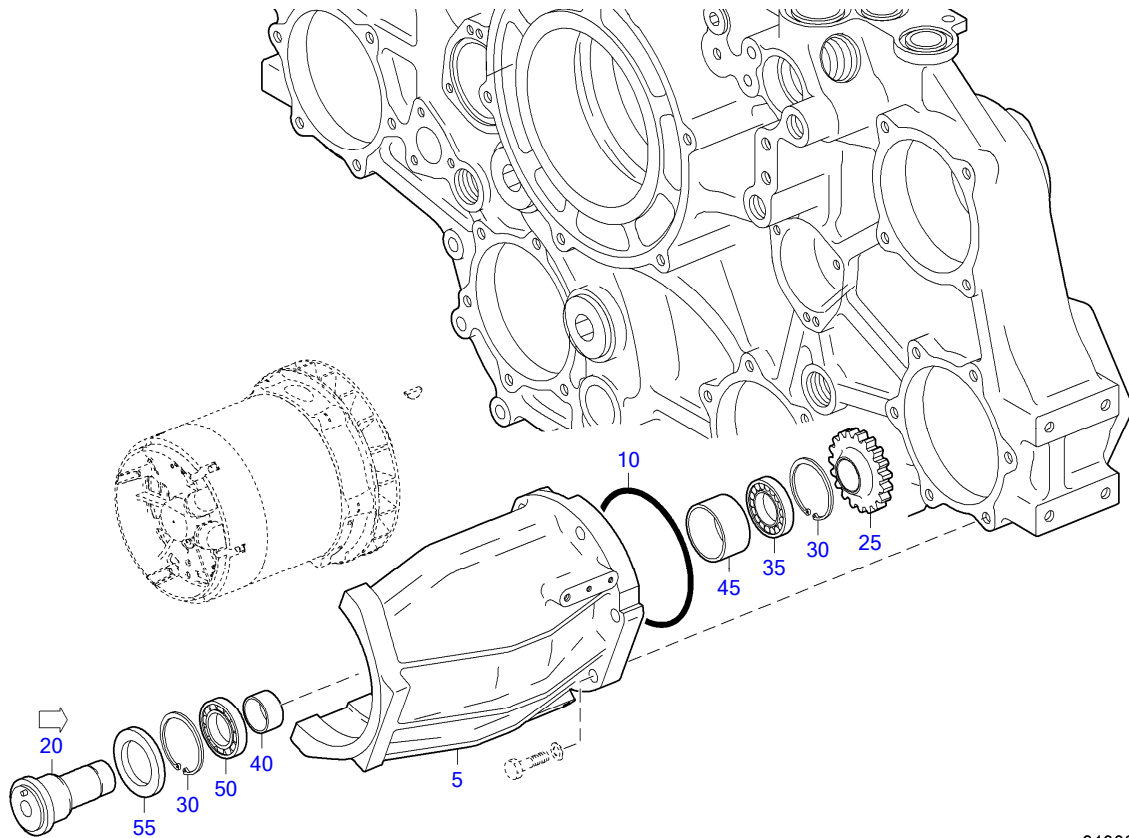
94
RETAINER FOR ALTERNATOR
XS594210.00002

21300318a



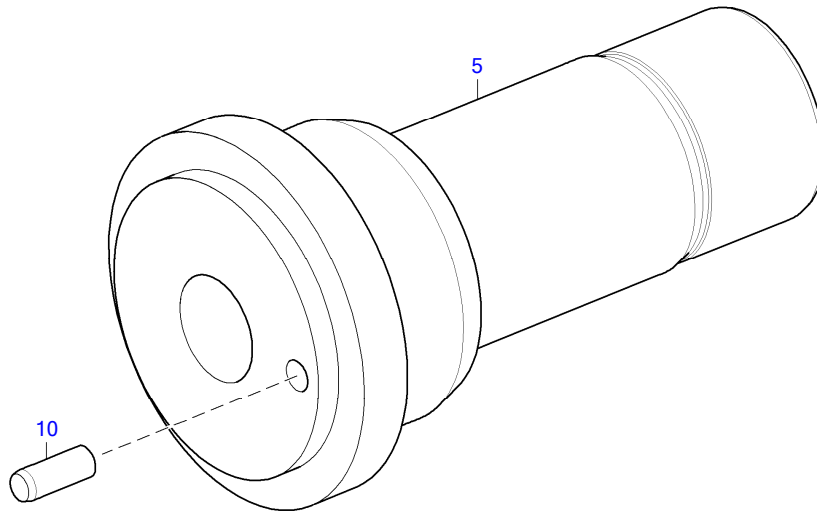
21300520

☐	POS.	PART NO.	DESIGNATION	MODEL/TYPE	QTY.	UNITS	WEIGHT	FN	MEASUREMENT	STANDARD
	521	30	5241500152	ALTERNATOR DRIVE	4000	1	PC	22,571 kg	M	
	523	40	X52421300029	GENERATOR	AVG2902 DELCO 140A	1	PC	15,152 kg		
		50	X52421300003	COUPLING		1	PC	2,675 kg		
		80	000931012033	HEX SCREW		6	PC	54 g	M 12 X 50	DIN931
		90	735151012100	SPACER S2000/4000		6	PC	20 g	A 12,5	MTN5151
		110	000931016133	HEX SCREW		1	PC	151 g	M 16 X 80	DIN931
		120	200433017000	WASHER		1	PC	6,8 g	17	DIN433
		140	5241510211	CLAMP ALTERNATOR U 2 00MM ID		2	PC	1,18 kg		
		150	000931012137	HEX SCREW		4	PC	80,4 g	M 12 X 80	DIN931
		170	X00044396	SHIELD ALTERNATOR HE AT ASM		1	PC	700 g	SB	
		190	304017008089	HEX SCREW		2	PC	24,2 g	M 8 X 60	ISO4017
		200	304017008077	HEX SCREW		1	PC	10,5 g	M 8 X 16	ISO4017
		210	000125008427	WASHER		3	PC	1,5 g	A 8,4	DIN125



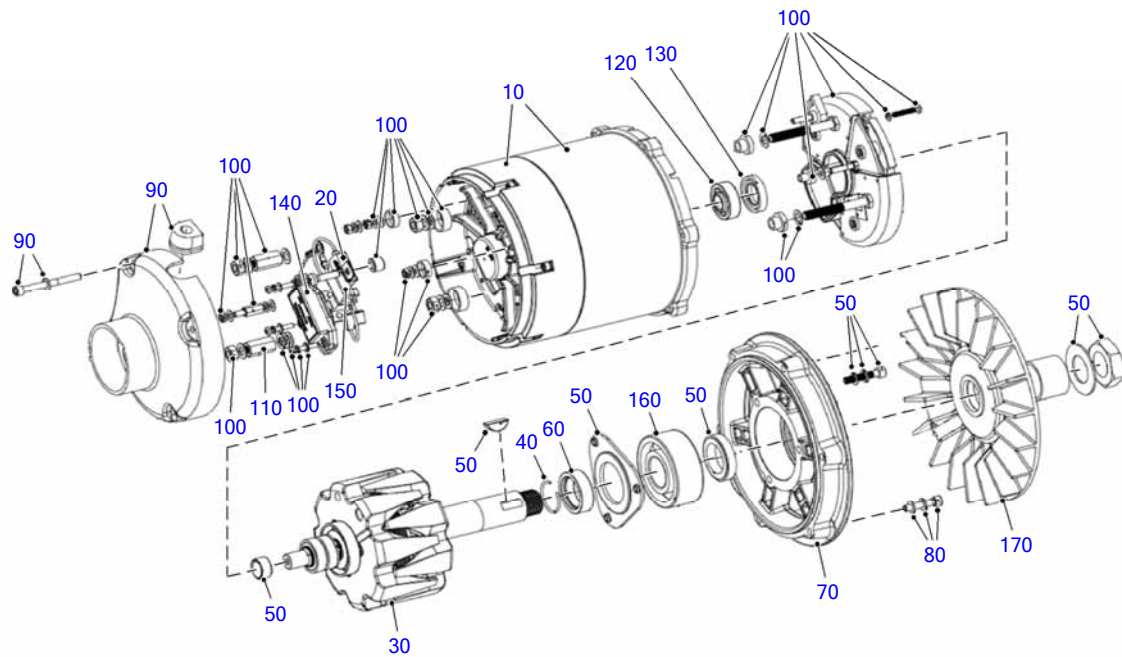
21300387

☐	POS.	PART NO.	DESIGNATION	MODEL/TYPE	QTY.	UNITS	WEIGHT	MEASUREMENT	STANDARD
	5	5241510940	CARRIER ALTERNATOR	BR4000	1	PC	20 kg		
	10	700429135000	O-RING		1	PC	18,6 g	135 X 5	MMN429
522	20	5241500009	SHAFT		1	PC	930,7 g		
	25	X00021757	GEAR		1	PC	450,7 g		
	30	000472062000	RING SNAP		2	PC	11,8 g	62 X 2	DIN472
	35	205412410002	BEARING CYLINDRICAL ROLLER NU 1007		1	PC	175 g	NU1007	DIN5412
	40	5241510251	RING SPACER		1	PC	42,6 g		
	45	5241510151	RING SPACER		1	PC	91,9 g		
	50	200625906017	BEARING BALL GROOVED 6007 J		1	PC	144,6 g	6007	DIN625
	55	700386048001	SEAL OIL 48 X 72 X 8 MNN386		1	PC	31,2 g	A 48 X 72 X 8	MMN386



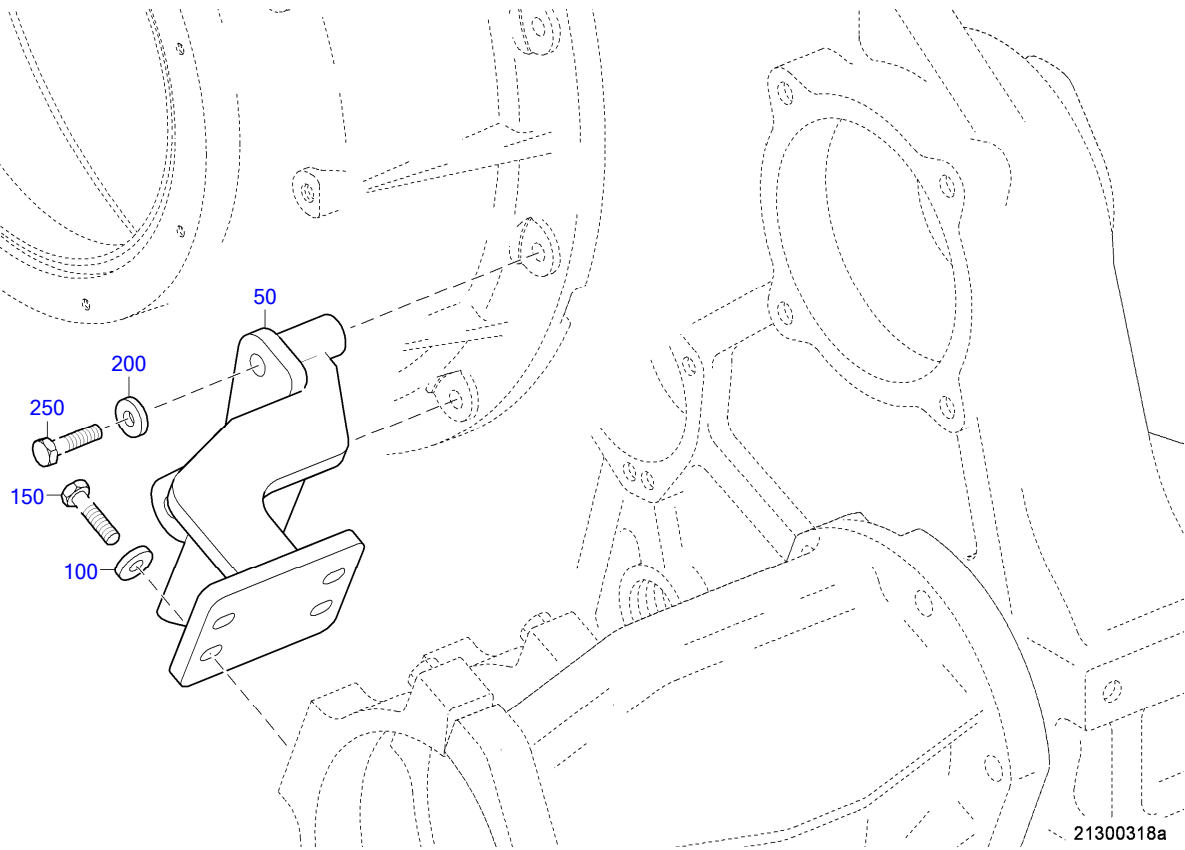
TD0000027946_213

☐	POS.	PART NO.	DESIGNATION	QTY.	UNITS	WEIGHT	MEASUREMENT	STANDARD
	5	5241510133	SHAFT	1	PC	933 g		
	10	006325005108	PIN PARALLEL 5M	1	PC	2,2 g	5 M 6 X 14	DIN6325



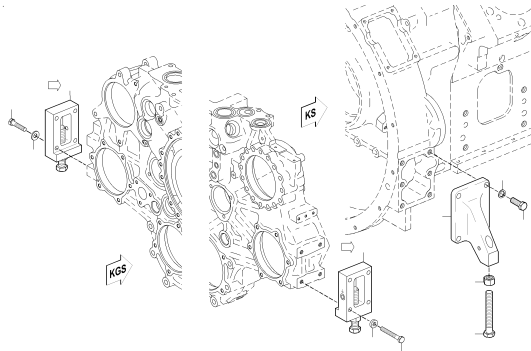
21300631

☐	POS.	PART NO.	DESIGNATION	QTY.	UNITS	WEIGHT	MEASUREMENT
	10	XP52421300057	FRAME SET	1	PC		
	20	XP52421300024	CAPACITOR	1	PC	23 g	
	30	XP52421300058	ROTOR	1	PC		
	40	XP52421300059	SPRING WASHER	1	PC		30
	50	XP52421300060	SPACER AND WASHER SET	1	PC		
	60	XP52421300061	SUPPORT RING	1	PC		41,5x30x12
	70	XP52421300019	DRIVE-END BEARING	1	PC	0,01 kg	
	80	XP52421300062	SCREW AND WASHER SET	1	PC	0,14 kg	
	90	XP52421300063	COVER SET	1	PC	0,493 kg	
	100	XP52421300064	NUT AND DISC SET	1	PC	0,16 kg	
	110	XP52421300014	RECTIFIER	1	PC	532 g	
	120	XP52421300065	NEEDLE BEARING	1	PC	0,047 kg	
	130	XP52421300066	RADIAL-LIP SHFT SEAL	1	PC	0,008 kg	20X35X7
	140	XP52421300067	GOVERNOR	1	PC		
	150	XP52421300023	CAPACITOR	1	PC	17 g	
	160	XP52421300068	BALL BEARING	1	PC		
	170	XP52421300021	FAN	1	PC		



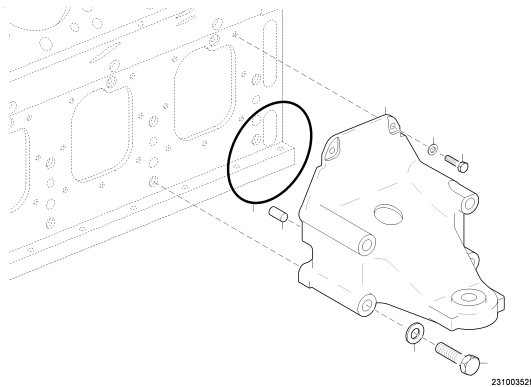
☐	POS.	PART NO.	DESIGNATION	QTY.	UNITS	WEIGHT	MEASUREMENT	STANDARD
	50	X59421300001	RETAINER FOR ALTERNATOR	1	PC	2,94 kg		
	100	007349008002	WASHER	4	PC	7,9 g	8,4	DIN7349
	150	304017008080	HEX SCREW	4	PC	13,3 g	M 8 X 25	ISO4017
	200	007349008002	WASHER	2	PC	7,9 g	8,4	DIN7349
	250	000000003946	HEX SCREW	2	PC	43,6 g	M 8 X100	ISO4014

GROUP SEGMENT (FGS)
GROUP NAME
BOM-No.



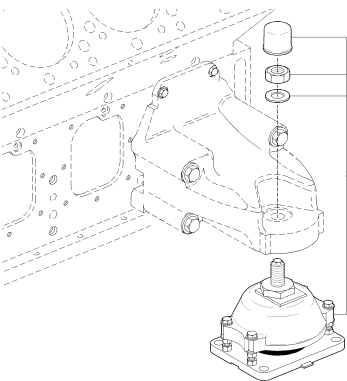
05
ENGINE SUPPORT
XS527230.00015

2310035a



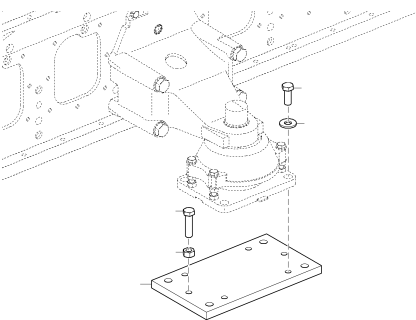
05
MOUNTING BRACKET
XS527230.00016

23100352f



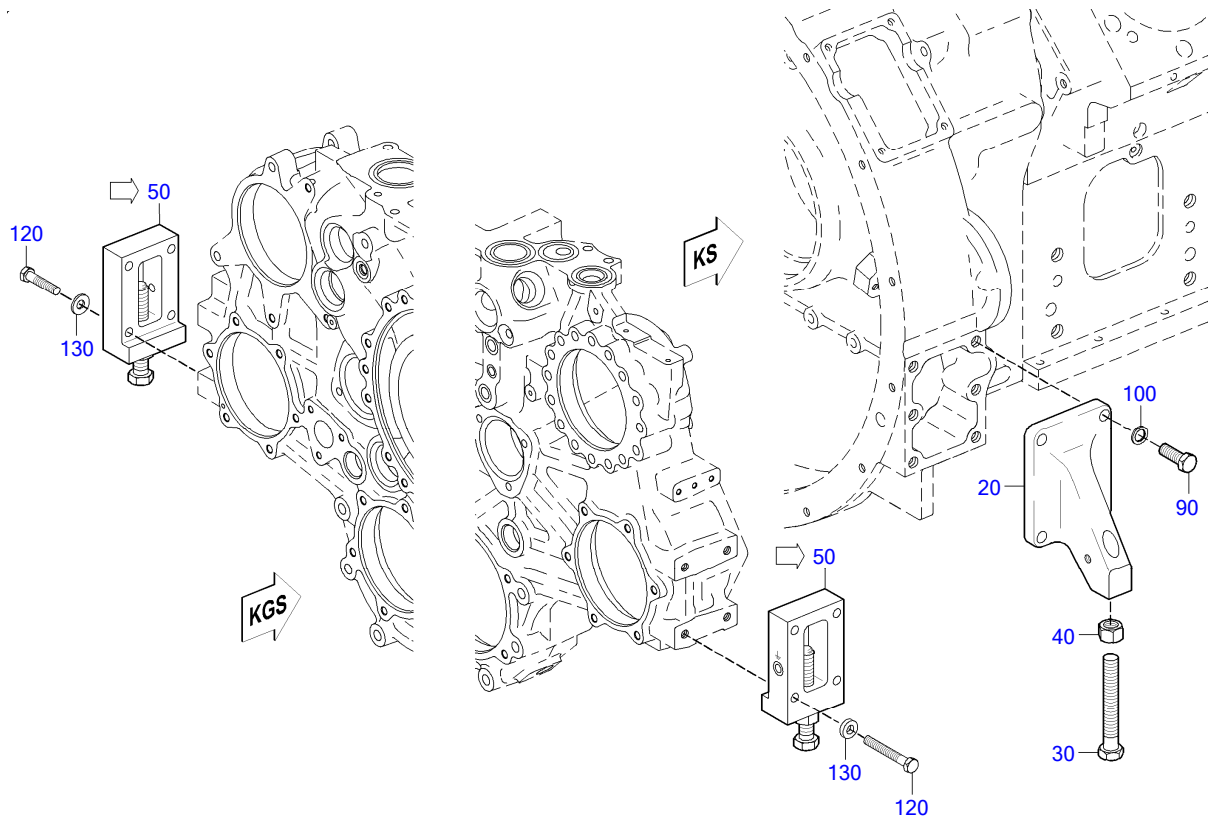
05
RUBBER MOUNT
XS594230.00004

2310035b



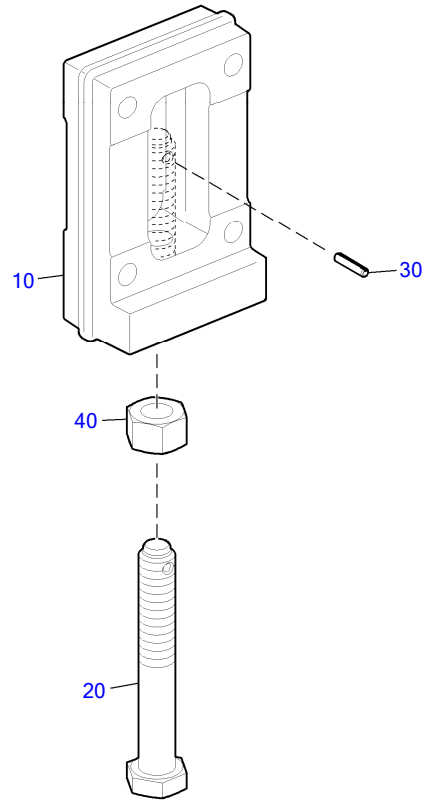
10
BASE PLATE
230.00000

TD0000030082_231



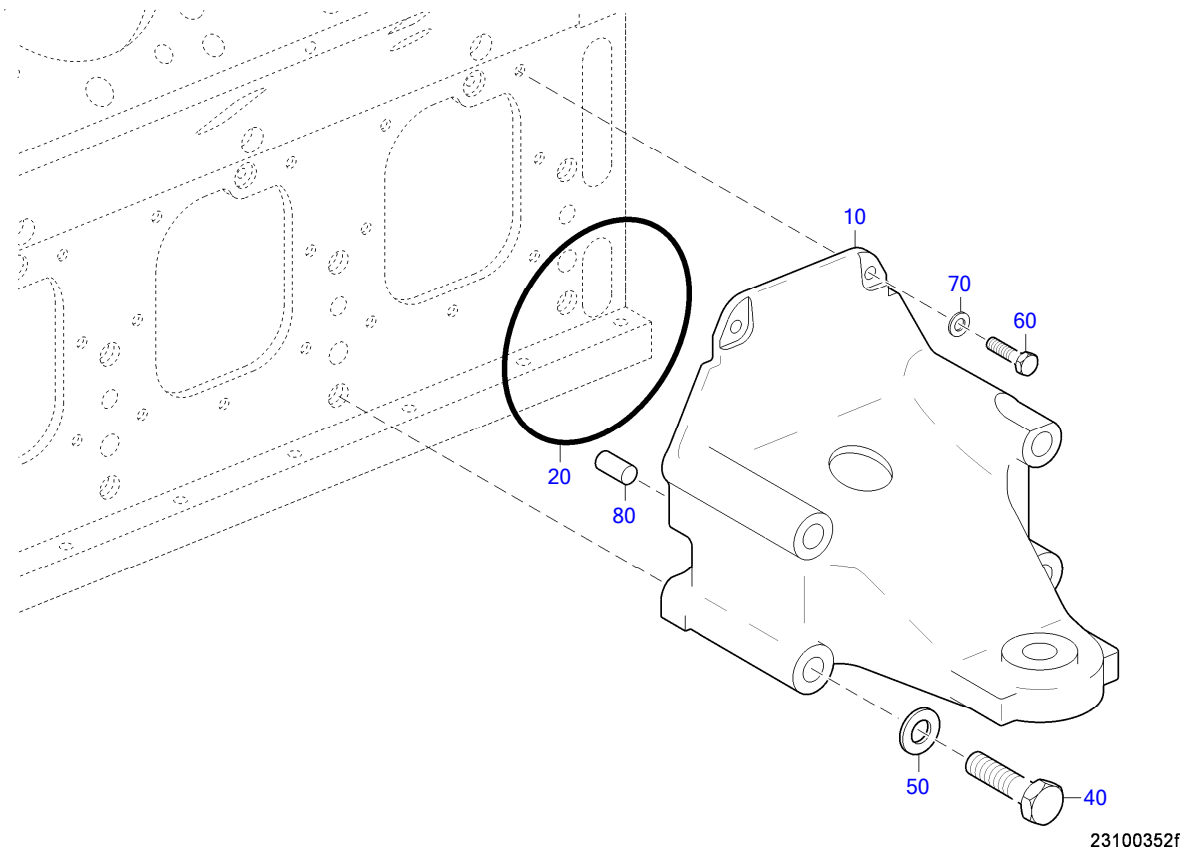
23100353a

☐	POS.	PART NO.	DESIGNATION	QTY.	UNITS	WEIGHT	MEASUREMENT	STANDARD
	20	X59623100004	ENGINE SUPPORT MAIN PTO END	2	PC	8,4 kg		
	30	304017020007	HEX SCREW	2	PC	352,5 g	M 20 X140 AK	ISO4017
	40	304032020001	HEX NUT	2	PC	62,8 g	M 20	ISO4032
527	50	X52723100019	ENGINE SUPPORT	2	PC	4 kg		
	90	304017016026	HEX SCREW	8	PC	102,2 g	M 16 X 50	ISO4017
	100	200433017001	WASHER	8	PC	6,5 g	17	DIN433
	120	000000001078	HEX SCREW	8	PC	58,2 g	M 12 X 60	ISO4017
	130	200433013000	WASHER	8	PC	2,5 g	13	DIN433

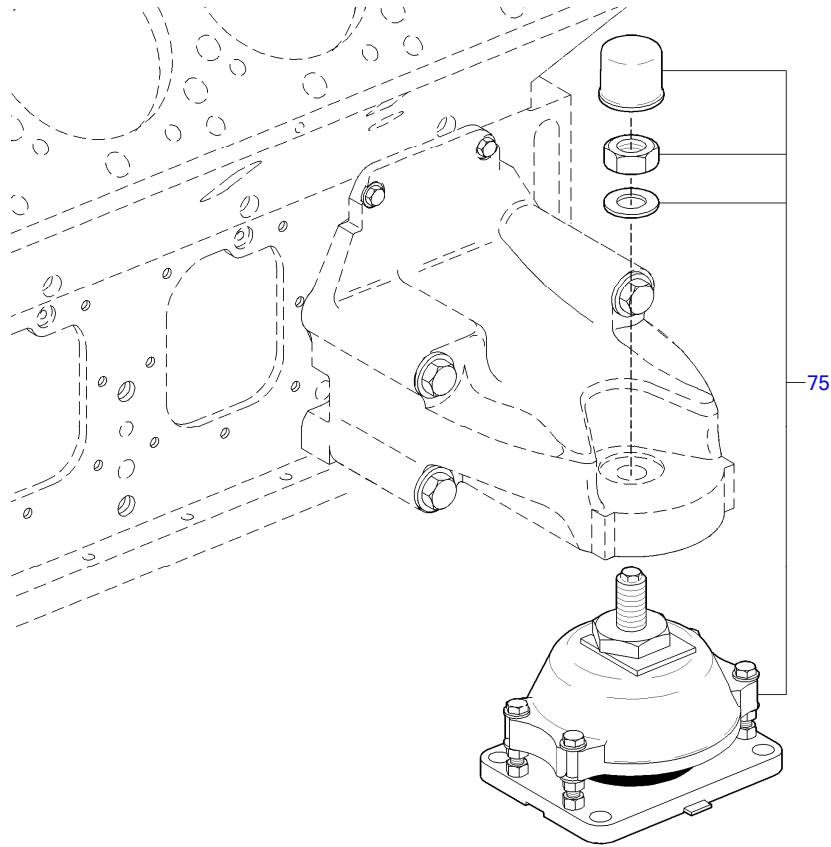


23100466a

☐	POS.	PART NO.	DESIGNATION	QTY.	UNITS	WEIGHT	MEASUREMENT	STANDARD
	10	X59623100003	ENGINE SUPPORT	1	PC	3,569 kg		
	20	X52723100020	SCREW	1	PC	0,39 kg		
	30	001481005030	PIN SPRING	1	PC	2,4 g	5 X 24 - N	ISO8752
	40	304032020001	HEX NUT	1	PC	62,8 g	M 20	ISO4032

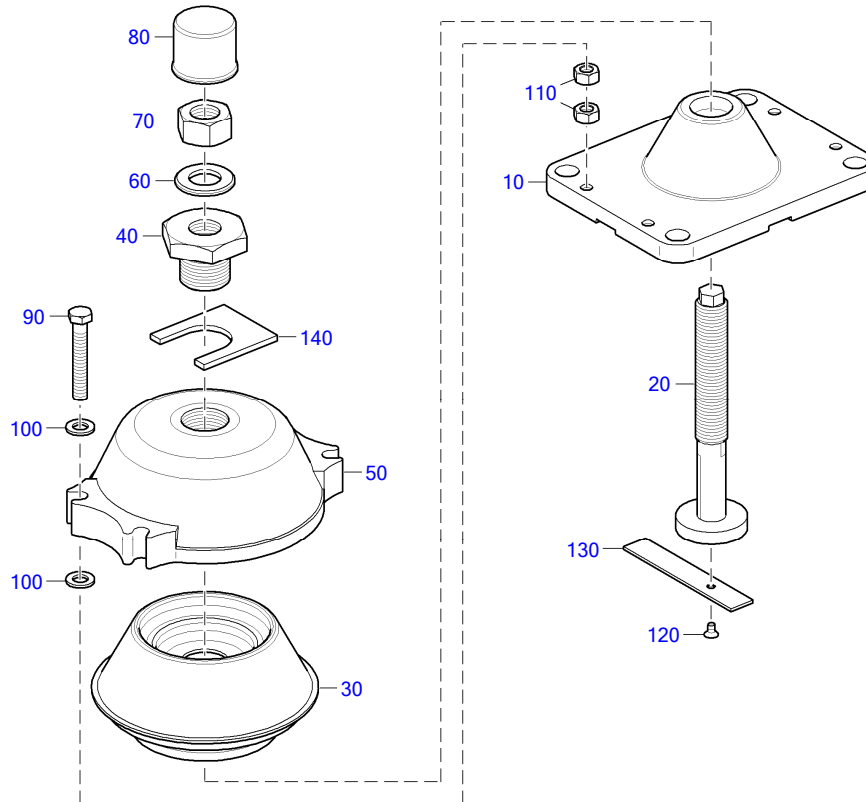


☐	POS.	PART NO.	DESIGNATION	QTY.	UNITS	WEIGHT	MEASUREMENT	STANDARD
	10	X52623100018	MOUNTING BRACKET	4	PC	25,4 kg		
	20	700429192000	O-RING	4	PC	16,4 g	192 X 4	MMN429
	40	204014020004	HEX SCREW	16	PC	530,6 g	M 20 X200	ISO4014
	50	200433021000	WASHER	16	PC	10,8 g	21	DIN433
	60	000000003021	HEX SCREW	8	PC	22,8 g	M 10 X 25	ISO4017
	70	000125010524	WASHER	8	PC	3,1 g	A 10,5	DIN125
	80	000007016104	PIN DOWEL	8	PC	54,6 g	16 M6 X 32	DIN7



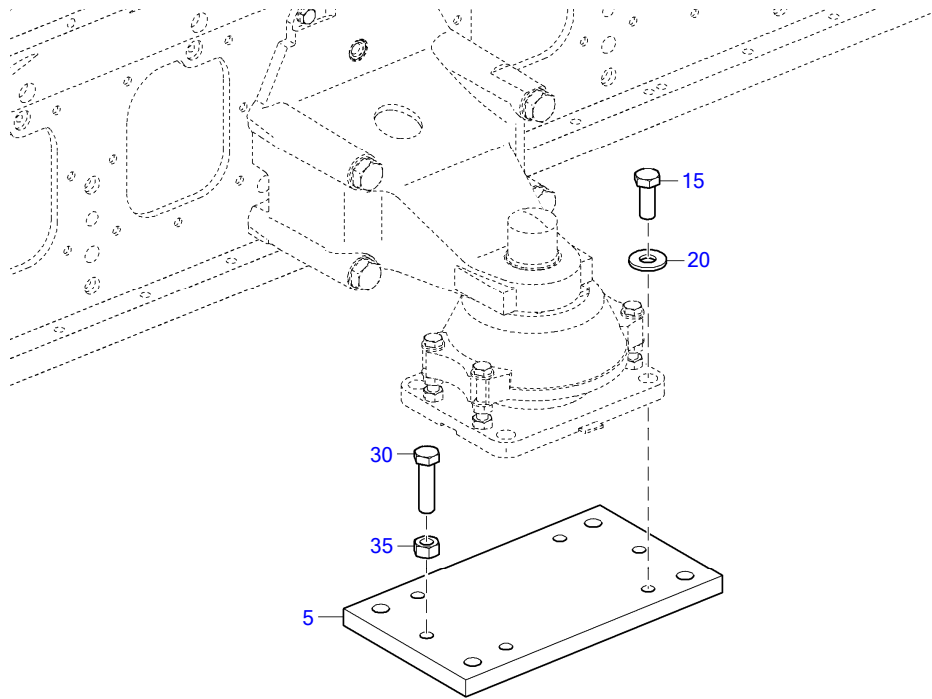
23100358a

☐	POS.	PART NO.	DESIGNATION	QTY.	UNITS	WEIGHT
530	75	X52623100057	RUBBER MOUNT	4	PC	15,577 kg



TD0000031553_231

☐	POS.	PART NO.	DESIGNATION	MODEL/TYPE	QTY.	UNITS	WEIGHT	MEASUREMENT	STANDARD
	10	XP52623100089	FOOT		1	PC			
	20	X00033995	BUFFER	4000	1	PC	1,121 kg		
	30	XP52623100068	RUBBER ELEMENT		1	PC	2,638 kg	SHORE 55	
	40	XP52623100088	ADJUSTMENT BOLT		1	PC			
	50	X00043629	COVER	4000	1	PC			
	60	000125027004	WASHER		1	PC	38,6 g	B 27	DIN125
	70	000934027004	HEX NUT		1	PC	145 g	M 27 X 2	DIN934
	80	XP52623100078	PROTECTIVE CAP		1	PC	20 g		
	90	000933012040	HEX SCREW		4	PC	70,4 g	M 12 X 75	DIN933
	100	200125013000	WASHER		8	PC	5,8 g	A 13	DIN125
	110	000934012008	NUT HEX		8	PC	15,2 g	M 12	DIN934
	120	X00034055	COUNTERSUNK HD SCREW	4000	1	PC	30 g	M6X10	DIN 7991
	130	X00034057	LOCKING DEVICE	4000	1	PC			
	140	X00034058	LOCKING DEVICE	4000	1	PC			



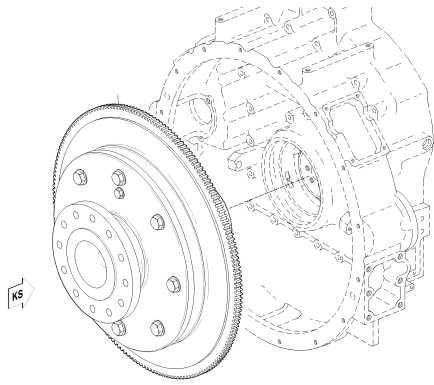
TD0000030082_231

☐	POS.	PART NO.	DESIGNATION	MODEL/TYPE	QTY.	UNITS	WEIGHT	MEASUREMENT	STANDARD
	5	0002351530	BASE PLATE	BR4000	1	PC	10,45 kg		
	15	304017016023	HEX SCREW		4	PC	87,8 g	M 16 X 40	ISO4017
	20	206796016000	CONICAL SPR. WASHER		4	PC	28,1 g	16	DIN6796
	30	304017016029	HEX SCREW		2	PC	114,8 g	M 16 X 60	ISO4017
	35	000934016019	NUT HEX 8		2	PC	30 g	M 16	DIN934

GROUP SEGMENT (FGS)

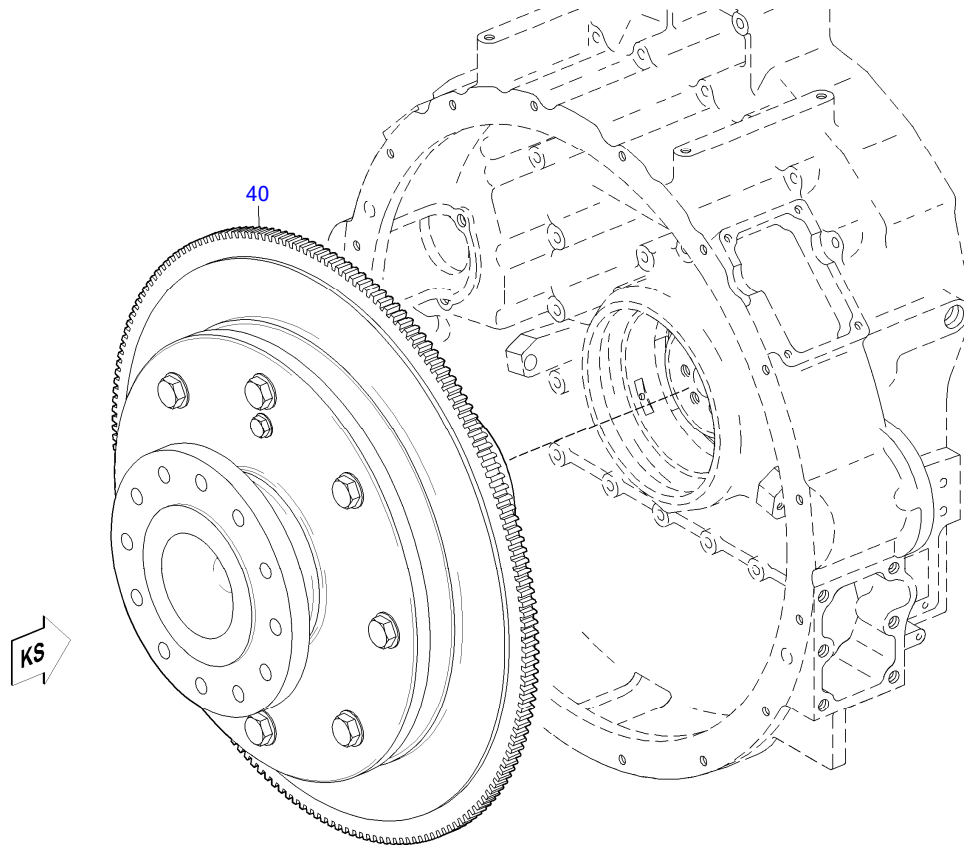
GROUP NAME

BOM-No.



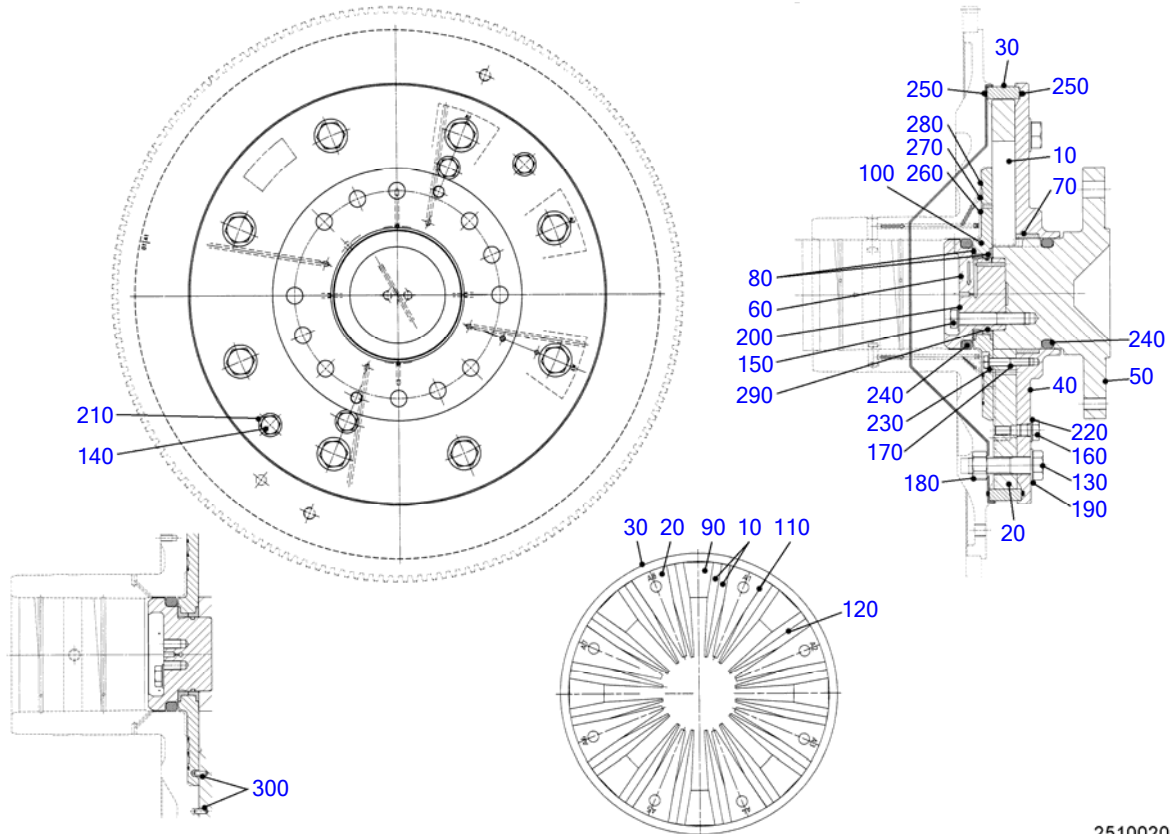
05
COUPLING W/O ACCEPT CERTIFIC
XS594250.00009

23100190a



25100190a

	POS.	PART NO.	DESIGNATION	QTY.	UNITS	WEIGHT
534	40	X59425100008	STEEL-SPRING COUPLG	1	PC	138 kg



25100205a

☐	POS.	PART NO.	DESIGNATION	QTY.	UNITS	WEIGHT	FN	MEASUREMENT	STANDARD
	10	XP52725100006	SPRING LEAF	32	PC				
	20	XP52725100007	INTERMEDIATE PLATE	8	PC			RP 0.2>550 N/MM2	
	30	XP52725100008	CLAMPING RING	1	PC				
	40	XP52725100010	SIDE PLATE	1	PC				
	50	XP52725100064	INNER STAR	1	PC		AC		
	60	XP52725100039	SEALING RING	1	PC	4,4 kg			
	70	XP52725100013	BEARING BUSHING	1	PC				
	80	XP52725100014	BEARING BUSHING	2	PC				
	90	XP52725100015	SPRING GUIDE	8	PC			RP0.2>330N/MM2 FEDERDISTANZBLOCK	
	100	XP52725100042	RETAINER	1	PC		AC		
	110	XP52725100065	SHIM	1	PC		AC	30 (+/-0,15)X55X0.2	
	120	XP52725100066	SHIM	16	PC			FEDERSTAHLBEILAGE	
	130	XP52725100018	HEX SCREW	8	PC			M 22 X 80	
	140	XP52725100034	HEX SCREW	2	PC			M 16 X 16	
	150	XP52725100054	HEX SCREW	6	PC			M 16 X 90	ENISO4014
	160	XP52725100034	HEX SCREW	2	PC			M 16 X 16	
	170	000931010094	HEX SCREW	8	PC	40,7 g		M 10 X 55	DIN931
	180	XP52725100045	HEX NUT	4	PC			M22	
	190	XP52725100050	DISHED WASHER	8	PC	21,2 g		45 X 23.5 X 2.5	
	200	X00043945	DISHED WASHER	6	PC	80 g		31.5 X 17.5 X 1.5	DIN2093
	210	X00043945	DISHED WASHER	2	PC	80 g		31.5 X 17.5 X 1.5	DIN2093
	220	X00043945	DISHED WASHER	2	PC	80 g		31.5 X 17.5 X 1.5	DIN2093
	230	8699930063	DISHED WASHER	8	PC	2,6 g		22 X 11 X 1,2	
	240	XP52725100036	O-RING	2	PC	100 g		14 X 124	
	250	700429530000	O-RING	2	PC	71 g		530 X 5	MMN429

EQUI TYPE: Engine

PRODUCT TYPE: 12V4000M93L
STEEL-SPRING COUPLG

SERIAL NUMBER: 526108554

FG/FGS:
BOM-No.: X59425100008

☐	POS.	PART NO.	DESIGNATION	QTY.	UNITS	WEIGHT	FN	MEASUREMENT	STANDARD
	260	XP52725100067	O-RING	1	PC	0,09 kg		3 X 215	
	270	XP52725100068	O-RING	1	PC	3,5 g		3 X 251	
	280	XP52725100069	O-RING	1	PC	3,2 g		3 X 290	
	290	700429090002	O-RING	1	PC	8 g		90 X 4	MMN429
	300	XP52825100025	DOWEL PIN	2	PC			6M 6 X 16	

GROUP SEGMENT (FGS)

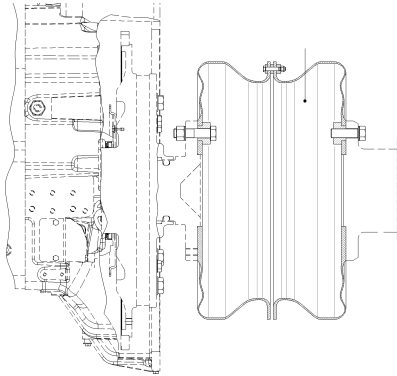
GROUP NAME

BOM-No.

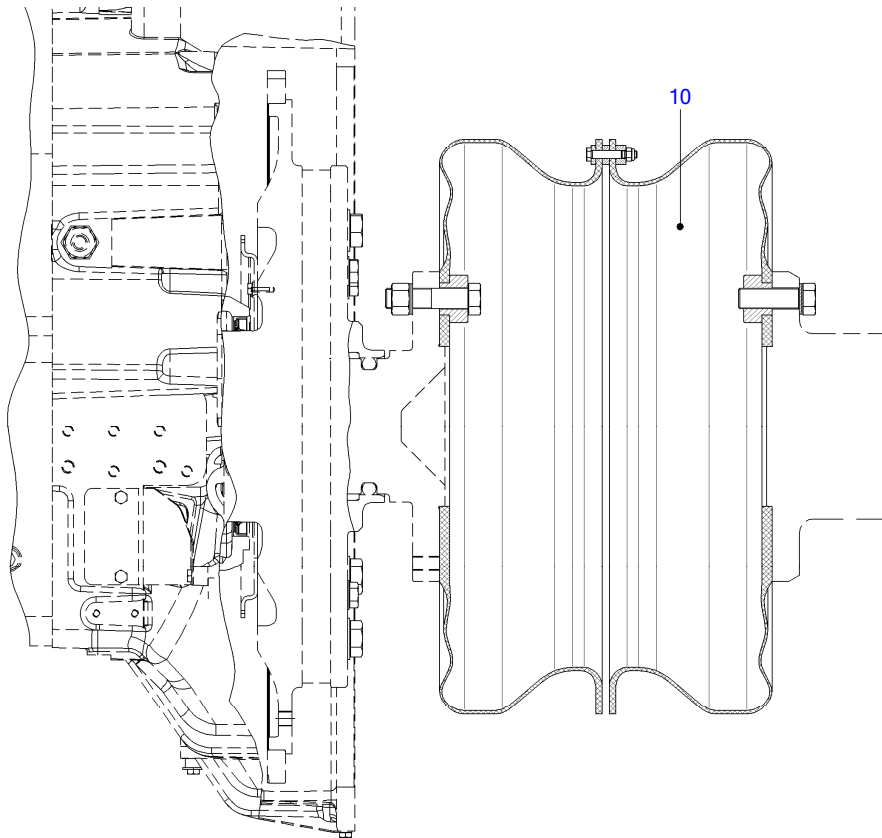
05

BEND-RESIL. COUPLING

XS526250.00021



25500063a



25500063a

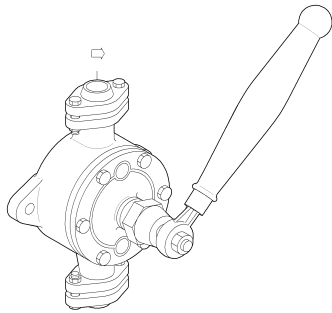
☐	POS.	PART NO.	DESIGNATION	QTY.	UNITS	WEIGHT
	20	X00039215	COUPLING	1	PC	33 kg

GROUP SEGMENT (FGS)

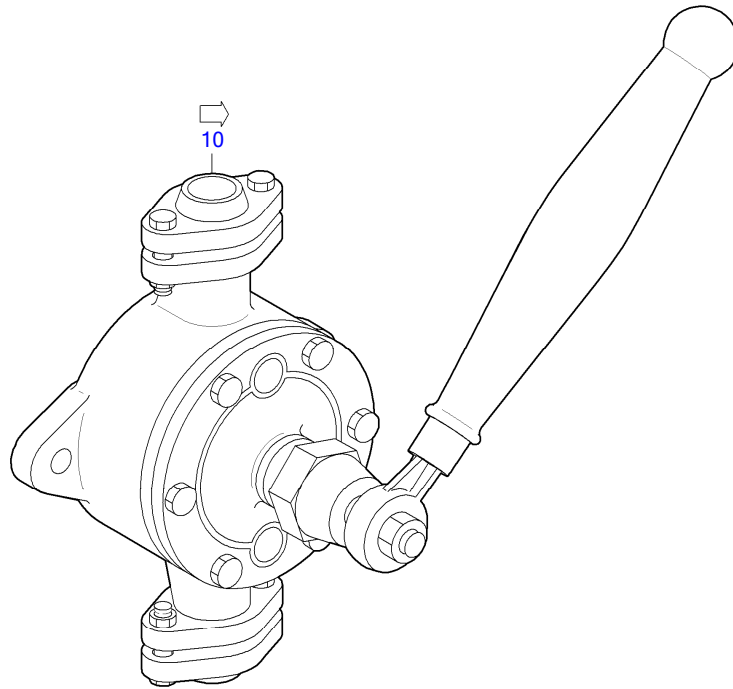
GROUP NAME

BOM-No.

05
HAND OIL PUMP
180.00009

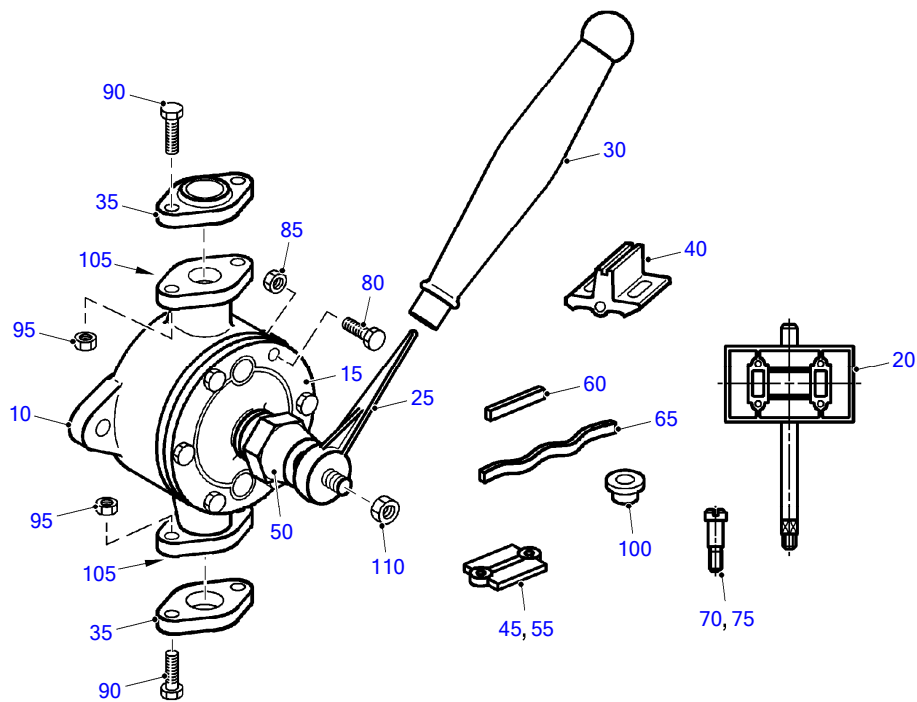


TD0000020133_293



TD0000020133_293

	POS.	PART NO.	DESIGNATION	QTY.	UNITS	WEIGHT	FN
	10	0001812398	OIL EXTRACTION PUMP HAND S4000 S2000	1	PC	6,013 kg	P

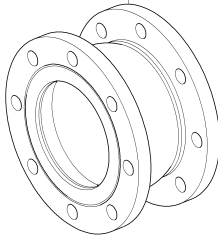


TD0000020143_293

☐	POS.	PART NO.	DESIGNATION	MODEL/TYPE	QTY.	UNITS	WEIGHT	FN	MEASUREMENT	STANDARD
	10	Z=2.201 028	HOUSING		1	PC				
	15	Z=2.201 029	COVER		1	PC				
	20	Z=152003	VANE		1	PC	0,999 g		AC	
	25	Z=2.201 031	PIN		1	PC	0,2 g			
	30	8691810014	LEVER		1	PC	124,6 g			
	35	Z=2.261 074	FLANGE		1	PC			AC	
	40	Z=2.201 033	VALVE SEAT		1	PC			AC	
	45	8691810007	VALVE PLATE		2	PC	15 g		47,3 X 14,7 GR.1	
	50	Z=2.201 035	UNION NUT		1	PC				
	55	8691810008	VALVE PLATE		2	PC	22,2 g		52,8 X 18,2 GR.2	
	60	8699970175	GASKET		1	PC	1,7 g		6 X 7	
	65	8699970176	GLAND PACKING		1	PC	0,1 g		4 X 4 X 68	
	70	Z=152007	SCREW		4	PC	5 g		M5X21,5	
	75	Z=152007	SCREW		4	PC	5 g		M5X21,5	
	80	304017008081	HEX SCREW		6	PC	13,4 g		M 8 X 25	ISO4017
	85	000934008008	NUT HEX		6	PC	4,6 g		M 8	DIN934
	90	304017008084	HEX SCREW		4	PC	16,4 g		M 8 X 35	ISO4017
	95	000934008008	NUT HEX		4	PC	4,6 g		M 8	DIN934
	100	Z=151009	COMPRESSION GLAND		1	PC	25 g		AC GROESSE 0-2	
	105	40201	HYLOMAR M UNIVERSAL SEALANT	HYLOMAR M UNIVERSALDICHTUNG	1	PC	100 g		1 ST = 80 ML	
	110	000934010005	NUT HEX		1	PC	10,4 g		M 10	DIN934

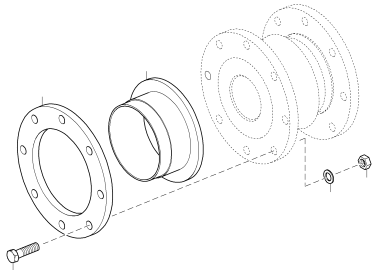
GROUP SEGMENT (FGS)
GROUP NAME
BOM-No.

10
RUBBER BELLOWS
200.00555

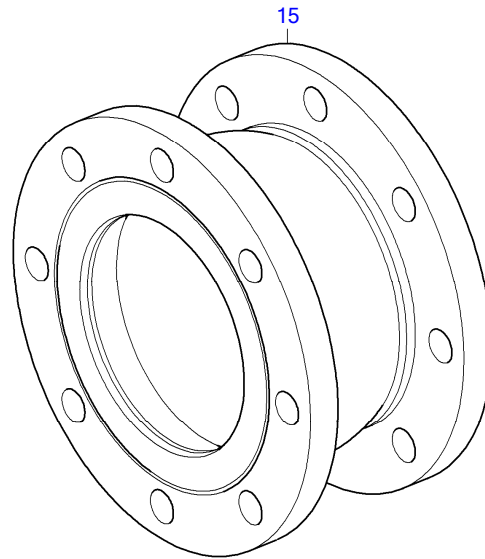


TD0000026992_301


10
CONNECTING HARDWARE
200.00557

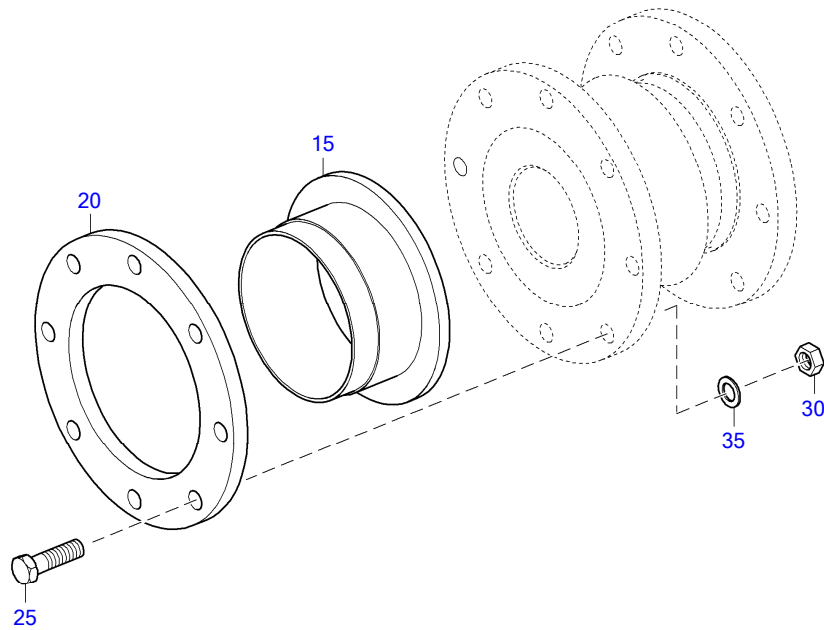


TD0000027595_301



TD0000029392_301

	POS.	PART NO.	DESIGNATION	QTY.	UNITS	WEIGHT	MEASUREMENT
	15	0002035683/87	RUBBER BELLOWS	1	PC	13,673 kg	STD EL 145 MM, DN 150



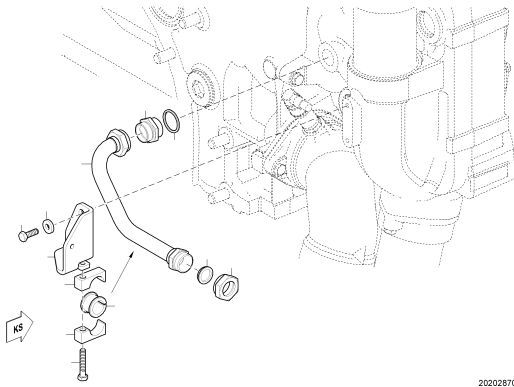
TD0000027595_301

☐	POS.	PART NO.	DESIGNATION	QTY.	UNITS	WEIGHT	MEASUREMENT	STANDARD
	15	086037150200	COLLAR	1	PC	1,8 kg	B150 -159 X 2,5	DIN86037
	20	002642150100	FLANGE	1	PC	5,6 kg	F150 X159	DIN2642
	25	000000002625	HEX SCREW	8	PC	228,2 g	M 20 X 75	ISO4017
	30	304032020001	HEX NUT	8	PC	62,8 g	M 20	ISO4032
	35	000125021009	WASHER	8	PC	15,5 g	A 21	DIN125

GROUP SEGMENT (FGS)

GROUP NAME

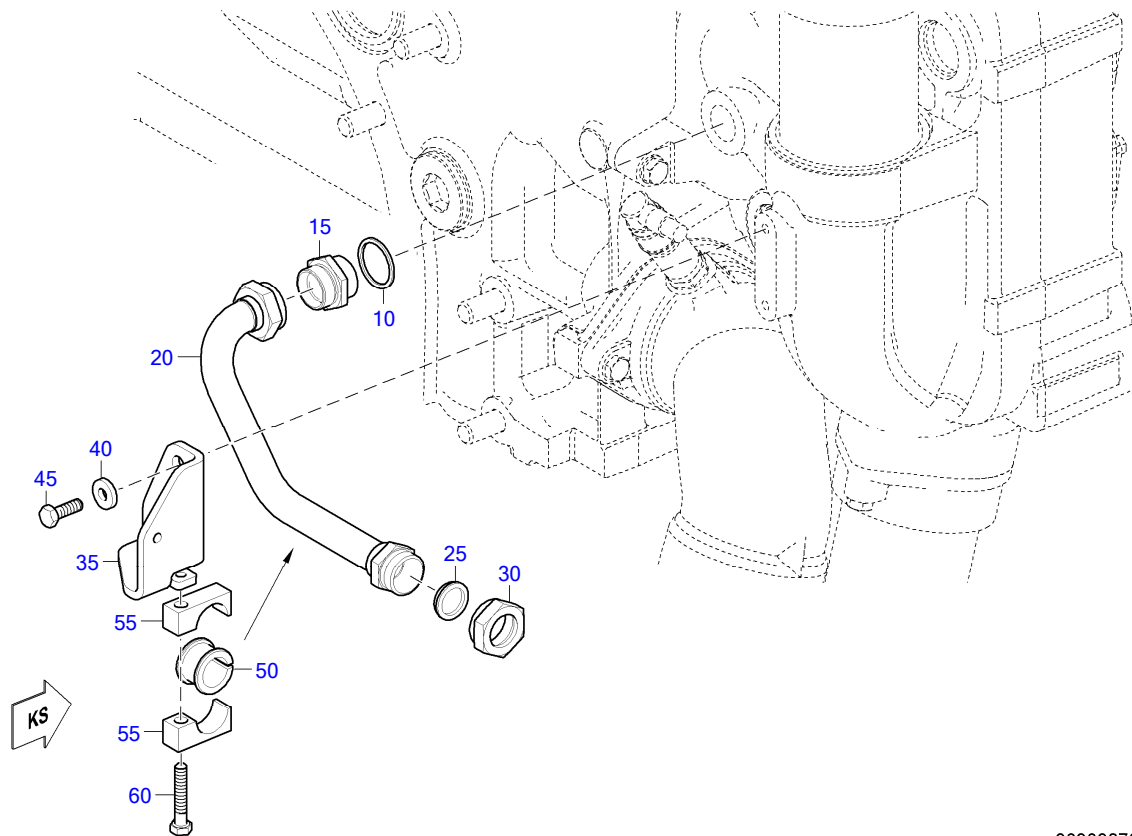
BOM-No.



70

CONNECTING HARDWARE FOR PREHEATING UNIT
XS594200.00134

20202870



20202870

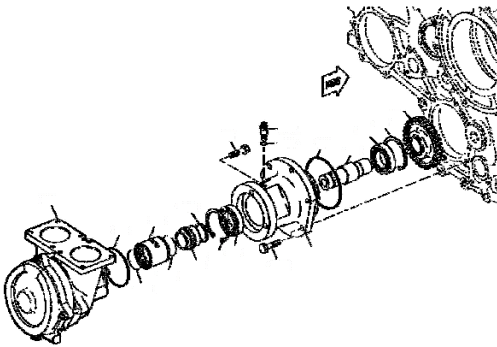
☐	POS.	PART NO.	DESIGNATION	QTY.	UNITS	WEIGHT	MEASUREMENT	STANDARD
	10	007603030101	COPPER SEALING RING	1	PC	4,3 g	A 30 X 36	DIN7603
	15	915006020000	UNION	1	PC	0,09 kg	20	MBN15026
	20	X59441100003	COOLANT LINE F/COOLANT PREHEATIN	1	PC	338,4 g		
	25	915005020001	CONE SEALING	1	PC	15,1 g	22	MBN15005
	30	915001020003	NUT	1	PC	46,9 g	20 M 30 X 1,5	N15001
	35	X59499100422	RETAINER	1	PC	478,4 g		
	40	007349008002	WASHER	2	PC	7,9 g	8,4	DIN7349
	45	304017008081	HEX SCREW	2	PC	13,4 g	M 8 X 25	ISO4017
	50	700327022000	GROMMET	1	PC	9 g	22	MMN327
	55	700325028100	CLAMP HALF TUBE 1/1 D9-28	2	PC	55 g	1/1 D 9 - 28	MMN325
	60	304017008086	HEX SCREW	1	PC	19,4 g	M 8 X 45	ISO4017

GROUP SEGMENT (FGS)

GROUP NAME

BOM-No.

05
BILGE PUMP
XS595360.00002



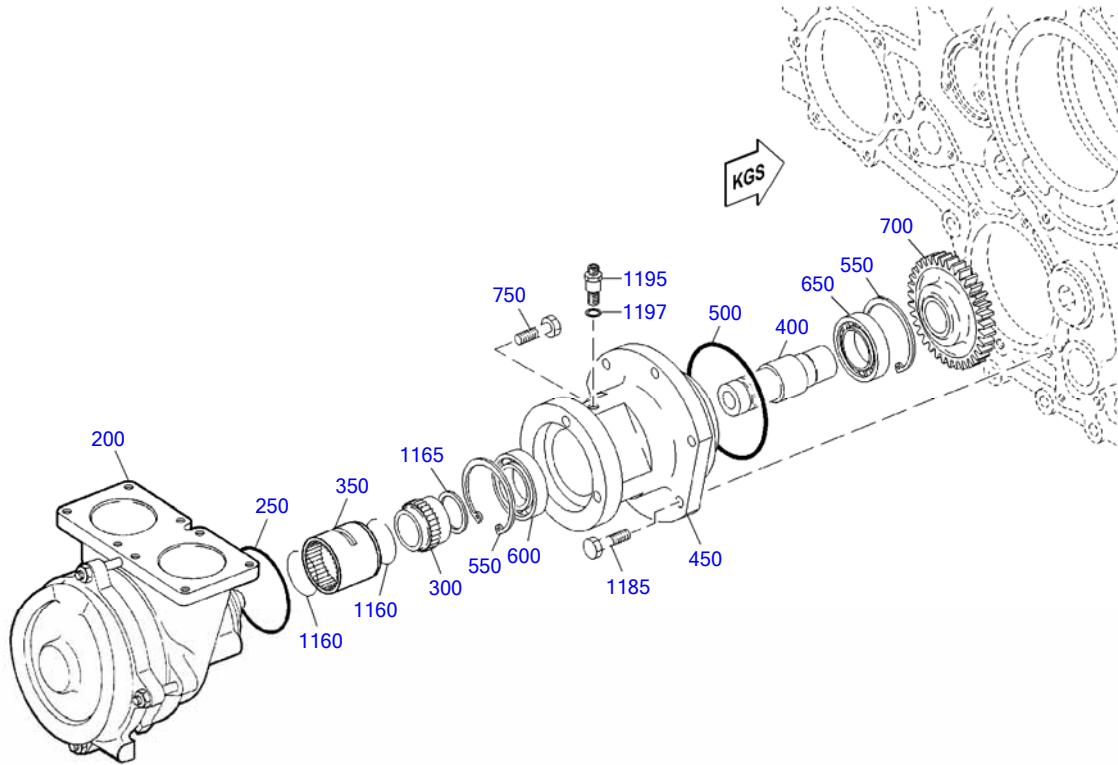
TD0588009319_866

EQUI TYPE: Engine

PRODUCT TYPE: 12V4000M93L
BILGE PUMP

SERIAL NUMBER: 526108554

FG/FGS: 368 05
BOM-No.: XS595360.00002



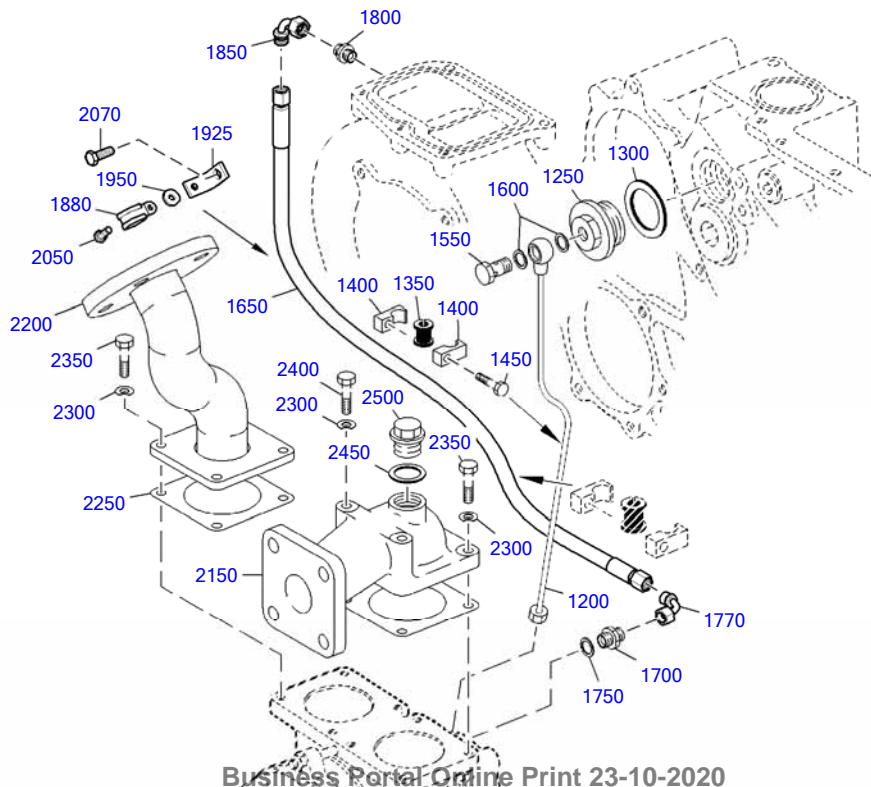
TD0000005319_368

EQUI TYPE: Engine

PRODUCT TYPE: 12V4000M93L
BILGE PUMP

SERIAL NUMBER: 526108554

FG/FGS: 368 05
BOM-No.: XS595360.00002

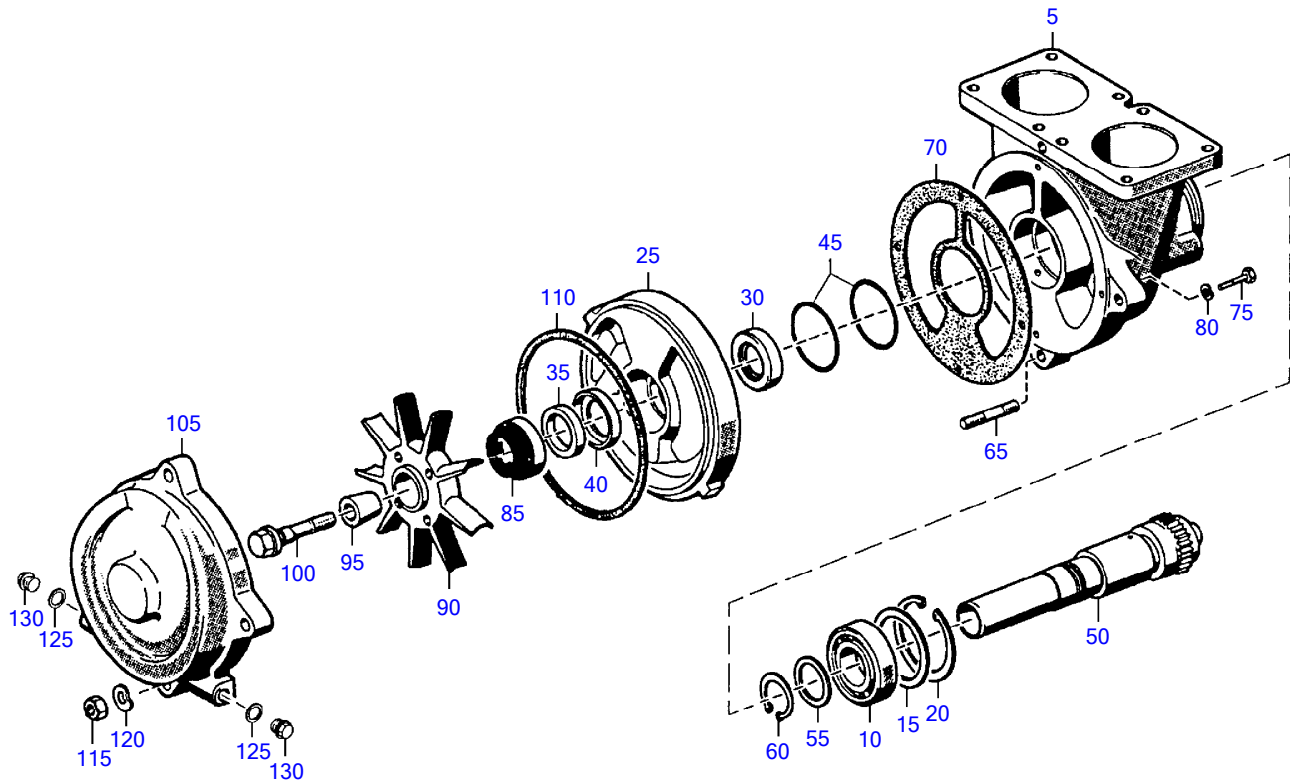


Business Portal Online Print 23-10-2020

TD0000005317_368

BILGE PUMP

☐	POS.	PART NO.	DESIGNATION	QTY.	UNITS	WEIGHT	FN	MEASUREMENT	STANDARD
547	200	5502003201/87	BILGE PUMP	1	PC	26,02 kg			
	250	700429100001	O-RING	1	PC	8,9 g		100 X 4	MMN429
	300	5502340003	COUPLING ELEMENT	1	PC	341,1 g			
	350	5501320109	COUPLING SLEEVE	1	PC	500,2 g			
	400	5272040014	SHAFT	1	PC	1,505 kg			
	450	5272040019	HOUSING ASM BILGE PUMP BEARING 172.3	1	PC	13,7 kg			
	500	700429135000	O-RING	1	PC	18,6 g		135 X 5	MMN429
	550	000472080000	RING SNAP	2	PC	22 g		80 X 2,5	DIN472
	600	000625900175	BEARING BALL GROOVED 62	1	PC	449 g		6208	DIN625
	650	705100502035	BEARING CYLINDRICAL ROLLER	1	PC	623 g		NU208	DIN5412
	700	X00021750	GEAR	1	PC	1,77 kg			
	750	000933012093	HEX SCREW	3	PC	48,7 g		M 12 X 45	DIN933
	1160	007993055200	WASHER SPR B55	2	PC	10 g		B 55	DIN7993
	1165	135C21005/1	SPACER WASHER	1	PC	15 g			
	1185	204017012009	HEX SCREW	6	PC	43,8 g		M 12 X 40	ISO4017
	1195	5509972072	UNION	1	PC	42,1 g			
	1197	705057013000	RING SEALING A13 X18 CU	1	PC	1,3 g		A 13 X 18	DIN7603
	1200	5271800119	TUBE ASM OIL LINE	1	PC	93,2 g	SB		
	1250	5279970072	NUT FITTING UNION	1	PC	404,3 g			
	1300	007603052101	COPPER SEALING RING	1	PC	12,5 g		A 52 X 60	DIN7603
	1350	700327006000	GROMMET	1	PC	1,4 g		6	MMN327
	1400	700325010110	PIPE CLAMP HALF	2	PC	22,3 g		1/1 D11 - 10	MMN325
	1450	204014010001	HEX SCREW	1	PC	39,7 g		M 10 X 55	ISO4014
	1550	700223004000	BOLT BANJO A4	1	PC	29,9 g		A 6	MMN223
	1600	007603012111	COPPER SEALING RING	2	PC	0,7 g		A 12 X 15,5	DIN7603
	1650	735038008104	HOSE	1	PC	432,3 g		1SN 8 CC 900-MW	MTN5038
	1700	700419999008	SCREW-FITTING UNION	1	PC	23,9 g		10 G 1/4 A	MMN419
	1750	705057013000	RING SEALING A13 X18 CU	1	PC	1,3 g		A 13 X 18	DIN7603
	1770	700160001008	ELBOW	1	PC	64,8 g		KR 8-MW	MMN160
	1800	735211010001	UNION	1	PC	0,029 kg		10M 14 X 1,5	MTN5211
	1850	700160001008	ELBOW	1	PC	64,8 g		KR 8-MW	MMN160
	1880	916016018202	CLAMP	1	PC	25,7 g		BRSQU 18/20	N16016
	1925	5801533240	BRACKET	1	PC	45,8 g			
	1950	007349008002	WASHER	1	PC	7,9 g		8,4	DIN7349
	2050	304017008079	HEX SCREW	1	PC	11,7 g		M 8 X 20	ISO4017
	2070	000000003381	HEX SCREW	1	PC	40,3 g		M 12 X 35	ISO4017
	2150	5502032224	ELBOW	1	PC	6,482 kg			
	2200	5272001718	ELBOW	1	PC	4,443 kg			
	2250	5562031180	GASKET	2	PC	12,4 g			
	2300	000137010202	WASHER SPRING B10	8	PC	1,7 g		B 10	DIN137
	2350	000000001464	HEX SCREW	6	PC	24,9 g		M 10 X 30	ISO4017
	2400	000000000906	HEX SCREW	2	PC	49,4 g		M 10 X 80	ISO4017
	2450	007603030101	COPPER SEALING RING	1	PC	4,3 g		A 30 X 36	DIN7603
	2500	000910030002	PLUG	1	PC	0,147 kg		M 30 X 1,5	DIN910



ET13 016702

☐	POS.	PART NO.	DESIGNATION	MODEL/TYPE	QTY.	UNITS	WEIGHT	MEASUREMENT	STANDARD
	5	5502040901	HOUSING		1	PC	13,282 kg		
	10	000625900175	BEARING BALL GROOVED 62		1	PC	449 g	6208	DIN625
	15	000988063100	RING SHIM 63 X 80 DI M 988		1	PC	42,4 g	S 63 X 80	DIN988
	20	900055080210	SNAP RING		1	PC	26,7 g	J 80 X 2,5 L	N55C
	25	5502040176	PLATE CONTROL WASHER		1	PC	4,034 kg		DIN1687
	30	0049979947	SEAL SHAFT		1	PC	23,6 g		
	35	8692040010	RING THRUST		1	PC	41,4 g		
	40	8692040020	GAITER		1	PC	4,6 g		MMN375
	45	700429057000	O-RING		2	PC	4,1 g	57 X 3,5	MMN429
	50	5502002002	DRIVE SHAFT		1	PC	2,399 kg		
	55	000988040100	RING SHIM 40 X 50 DI M 988		1	PC	12,5 g	S 40 X 50	DIN988
	60	900055040200	SNAP RING		1	PC	6,6 g	A 40 X 1,75 L	N55C
	65	000939012101	STUD		4	PC	66,1 g	M 12 X 70	DIN939
	70	5552040580	GASKET		1	PC	6,7 g		
	75	304017006066	HEX SCREW		2	PC	8,4 g	M 6 X 35	ISO4017
	80	000137006205	WASHER SPRING B6		2	PC	0,2 g	B 6	DIN137
	85	0039978648	SEAL ROTARY PUMP		1	PC	73,7 g		
	90	5502040906	IMPELLER		1	PC	1,2 kg		
	95	5502040050	CONE		1	PC	94,2 g		
	100	5509900719	BOLT STRESS		1	PC	171,4 g		
	105	5502040403	COVER		1	PC	3,664 kg		
	110	8692040050	GASKET	KB 170	1	PC	1 g	0,3 DICK	
	115	000934012008	NUT HEX		4	PC	15,2 g	M 12	DIN934
	120	000137012202	WASHER SPRING B12		4	PC	2,7 g	B 12	DIN137
	125	705057013000	RING SEALING A13 X18 CU		2	PC	1,3 g	A 13 X 18	DIN7603

EQUI TYPE: Engine

PRODUCT TYPE: 12V4000M93L
BILGE PUMP

SERIAL NUMBER: 526108554

FG/FGS:

BOM-No.: 5502003201/87

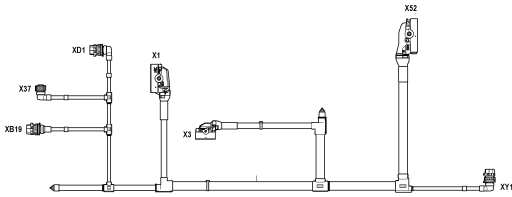
	POS.	PART NO.	DESIGNATION	MODEL/TYPE	QTY.	UNITS	WEIGHT	MEASUREMENT	STANDARD
	130	000910999015	PLUG		2	PC	0,022 kg	G 1/4 A	DIN910

GROUP SEGMENT (FGS)

GROUP NAME

BOM-No.

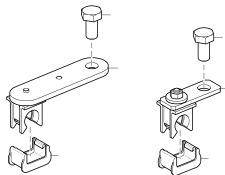
98
CABLING FOR EIM
XS00E500.01725



TD0000029693_507

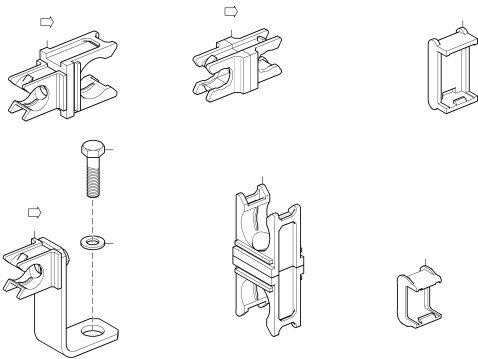
98
ENGINE CABLING FOR ON-ENGINE SENSO
XS00E500.02048

98
CABLE CLAMP FOR GENERATOR
XS594500.00257



TD0000030090_507

98
RETAINER FOR EIM
XS594500.00261



50704037

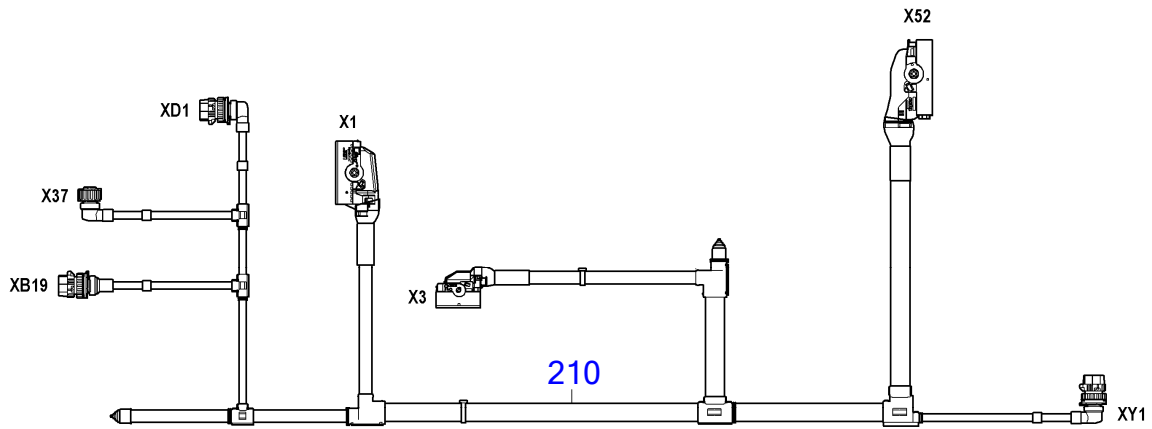
98
RETAINER F.ADEC A. WIRE HARN
XS594500.00285

EQUI TYPE: Engine

PRODUCT TYPE: 12V4000M93L
CABLING FOR EIM

SERIAL NUMBER: 526108554

FG/FGS: 507 98
BOM-No.: XS00E500.01725



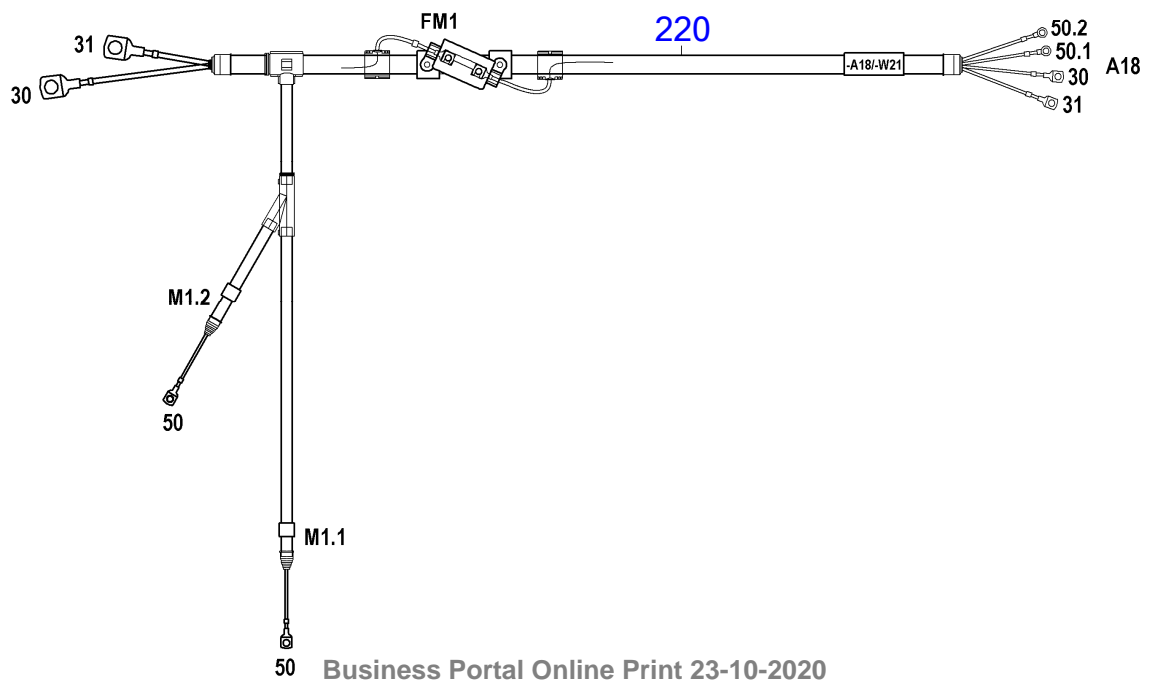
TD0000029693_507

EQUI TYPE: Engine

PRODUCT TYPE: 12V4000M93L
CABLING FOR EIM

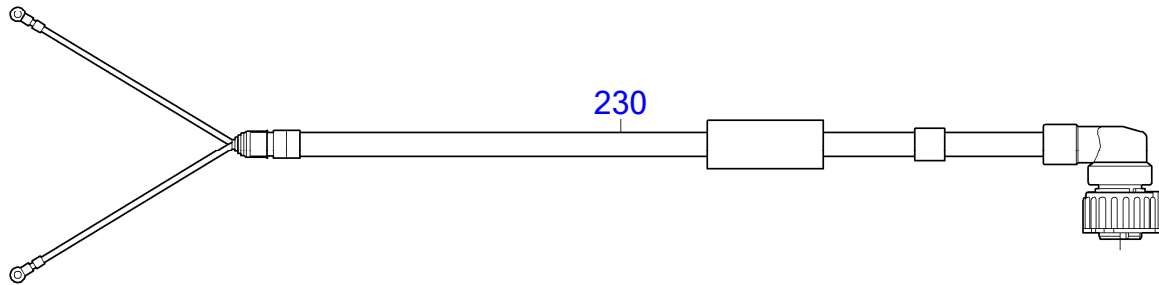
SERIAL NUMBER: 526108554

FG/FGS: 507 98
BOM-No.: XS00E500.01725



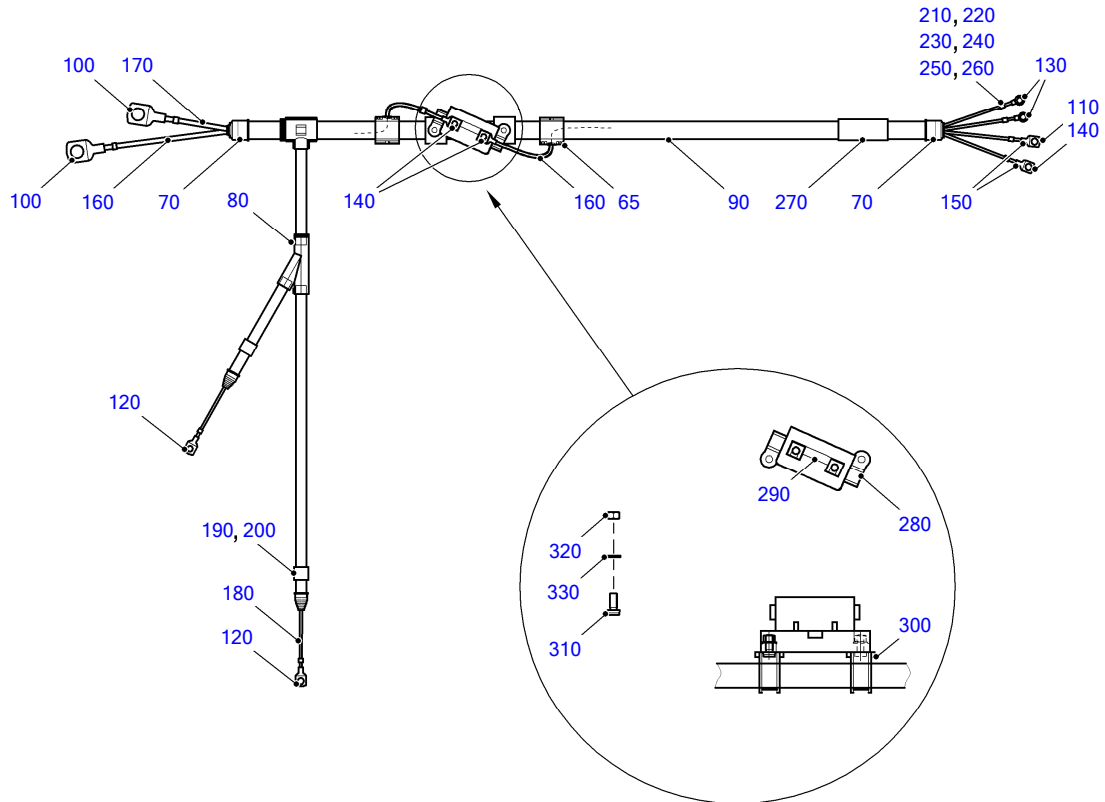
50 Business Portal Online Print 23-10-2020

TD0000029691_507



TD0000029690_507

☐	POS.	PART NO.	DESIGNATION	MODEL/TYPE	QTY.	UNITS	WEIGHT	FN	MEASUREMENT
	100	X00E50700782	WIRING HARNESS FOR ON-ENGINE SENSO	12V4000M73-M93	1	PC	1,77 kg	UB	O. EMU / WITHOUT EMU
550	110	X00E50207939	CONNECTING CABLE FOR ELECTRIC START	12V4000M63-M93	1	PC	0,78 kg		EMU_ELEKTR.ANLASSUNG
551	120	X00E50700638	CONNECTING CABLE FOR GENERATOR	LIMA G03	1	PC	590,2 g		XG03-G3 920MM



50704028

☐	POS.	PART NO.	DESIGNATION	MODEL/TYPE	QTY.	UNITS	WEIGHT	FN	MEASUREMENT	STANDARD
	65	X00E50203343	BRANCH FOR CORRUGATED PIPE	A-TYP / NW17-17	2	PC	0,004 kg	AB	A-TYP / NW17-17	
	70	0015336931	CAP	FUER WELLROHR	2	PC	1 g		ENDTÜLLE / NW17 / AD=21,2MM	
	80	X00E50203343	BRANCH FOR CORRUGATED PIPE	A-TYP / NW17-17	2	PC	0,004 kg	AB	A-TYP / NW17-17	
	90	0005337143	PIPE	359.	2,100	M	49,4 g		WELLROHR NW17	
	100	0025310785	BLADE CONNECTOR	M12/10 QMM	2	PC	6,6 g	AB	10QMM/M12	
	110	43432	CRIMP CABLE TERMINAL		1	PC	4,8 g		10 MM2 LOCH 6,5	
	120	43525	CRIMP CABLE TERMINAL		1	PC	2 g		6 MM2 LOCH 6,4	
	130	0001591979	CABLE TERMINAL	6MM ² / M4	1	PC	2 g		6MM ² / M4	
	140	0025310685	BLADE CONNECTOR	M5/10 QMM	3	PC	5,2 g	AB	10QMM/M5	
	150	X00E50200436	SHRINKABLE HOSE	SSCHL. 50MM	4	PC	1,5 g	AB	10,8/2,4MM; 50MM TRANSPARENT	
	160	0095316780	CABLE	H07Z-K 10,0	2,500	M	3 g	AB	10 MM2; ROT	
	170	0095315980	CABLE	H07Z-K 10,0	2,500	M	3 g	AB	10 MM2; SCHWARZ	
	180	0085312380	CABLE	H07Z-K 6,0	2,500	M	0,065 kg	AB	6,0 QMM ROT	VDE0282
	190	700461105012	MARKER SLEEVE		1	PC	0,1 g		5/M	MMN461
	200	700461205001	MARKER SLEEVE		1	PC	0,8 g		5/1	MMN461
	210	700461103005	MARKER SLEEVE		1	PC	0,002 kg		3/F	MMN461
	220	700461103012	ID GROMMET		1	PC	0,3 g		3/M	MMN461
	230	700461203001	MARKER SLEEVE		4	PC	0,1 g		3/1	MMN461
	240	700461203003	MARKER SLEEVE		4	PC	0,1 g		3/3	MMN461
	250	700461203005	MARKER SLEEVE		2	PC	0,2 g		3/5	MMN461
	260	700461203000	MARKER SLEEVE		4	PC	0,01 g		3/0	MMN461

EQUI TYPE: Engine

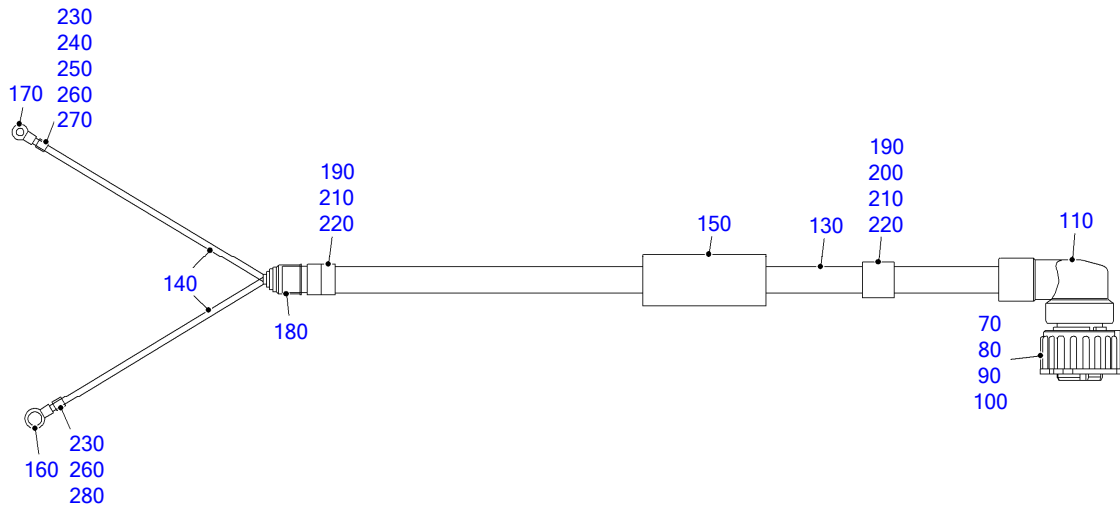
PRODUCT TYPE: 12V4000M93L
CONNECTING CABLE FOR ELECTRIC START

SERIAL NUMBER: 526108554

FG/FGS:

BOM-No.: X00E50207939

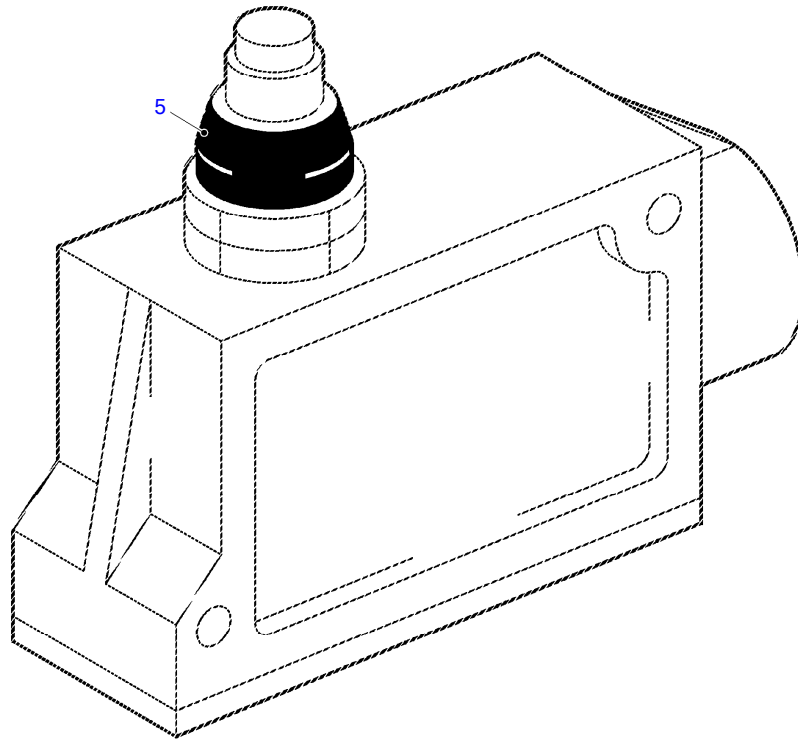
☐	POS.	PART NO.	DESIGNATION	MODEL/TYPE	QTY.	UNITS	WEIGHT	FN	MEASUREMENT	STANDARD
	270	0035337089	IDENTIFICATION PLATE	ELAT	1	PC	1,4 g		47X135MM, BEDRUCKBAR 47X25MM	
	280	X00E50206373	FUSE HOLDER	MIDIVAL M. SCHRAUBBEFEST.	1	PC	24,3 g		KFZ-SICH.HALTER; MAX. 32V/125A	
	290	X00E50206374	FUSE	SICHERUNGSTREIFEN VERZINNT	1	PC	1,1 g		50A / 125V	
	300	0015331940	SCREW-ON HOLDER FOR CORRUGATED PIPE	OHNE BUEGEL	2	PC	5,6 g		HALTER NW17 BOHRLOCH M6	
	310	000084005196	SCREW		2	PC	2,6 g		M 5 X 12	DIN84
	320	000934005004	NUT HEX		2	PC	1 g		M 5	DIN934
	330	000125005322	WASHER		2	PC	0,4 g		A 5,3	DIN125



50702796

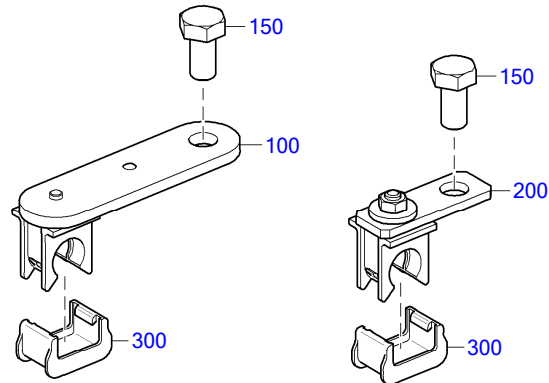
POS.	PART NO.	DESIGNATION	MODEL/TYPE	QTY.	UNITS	WEIGHT	FN	MEASUREMENT	STANDARD
70	0165313283	BUSH HOUSING FOR CRIMP CONTACT	STECKER F. BU-KONTAKTE 2,5MM	1	PC	11,5 g		4POL. CODE 1 / DIN 72585 BU	
80	0165314983	FEMALE CONTACT FOR BUSH HOUSING	-	2	PC	0,5 g	AB	1,0-2,5 MM² / D=2,5MM / D	
90	0165315083	SINGLE-CORE INSUL	EINZELADERABDICHTUNG	2	PC	0,1 g	AB	2,2-3,0MM/DIN72585 2,5	
100	0165313583	BLANKING PLUG	BLINDSTOPFEN	2	PC	0,1 g		SYSTEM 2,5MM / 2,8MM	
110	0165313683	ADAPTER FOR CORRUGATED PIPE		1	PC	5,6 g		GR.B NW10 90GRD/HDSCS	
130	X00E50206788	CORRUGATED PIPE FOR CABLE RUNNING	UFW PA6 V0	0,920	M	28,2 g		NW10; 13,1/9,3MM; GROBWELLE	
140	X00E50200860	SINGLE CONDUCTOR	RADOX 155S FLR	2,100	M	10 g		1X1,5QMM / RD / FEINDRÄHTIG	
150	0035337089	IDENTIFICATION PLATE	ELAT	1	PC	1,4 g		47X135MM, BEDRUCKBAR 47X25MM	
160	0015315485	CABLE TERMINAL	1,0-2,5 MM	1	PC	3 g		1,0-2,5QMM/M8, BLAU	
170	0001591879	CABLE TERMINAL		1	PC	1,2 g		0,35-1,5QMM/M6 ROT	
180	0015336331	CAP	FUER WELLROHR	1	PC	1,9 g		ENDTÜLLE / NW10 / AD=13MM	
190	700461105006	MARKER SLEEVE		2	PC	0,8 g		5/G	MMN461
200	700461105023	MARKER SLEEVE		1	PC	0,8 g		5/X	MMN461
210	700461205000	MARKER SLEEVE		2	PC	0,001 kg		5/0	MMN461
220	700461205003	MARKER SLEEVE		2	PC	0,7 g		5/3	MMN461
230	700461101031	MARKER SLEEVE		3	PC	0,2 g		1/+	MMN461
240	700461201001	MARKER SLEEVE		1	PC	0,1 g		1/1	MMN461
250	700461201006	MARKER SLEEVE		1	PC	0,1 g		1/6	MMN461
260	700461101026	ID GROMMET		2	PC	0,001 kg		1//	MMN461
270	700461101033	MARKER SLEEVE		1	PC	0,01 g		1/D	MMN461
280	700461101001	IDENTIFICATION MARKER		1	PC	0,04 g		1/B	MMN461

☐	POS.	PART NO.	DESIGNATION	MODEL/TYPE	QTY.	UNITS	WEIGHT	FN	MEASUREMENT	STANDARD
	111	X00E50700739	WIRING HARNESS TO INJECTOR	12V4000M73/M93	1	PC	2,1 kg	UB	ECU-7 X4 INJ.	
	121	X00E50701011	WIRING HARNESS FOR ON-ENGINE SENSO	12V4000M73-93	1	PC	3,038 kg	AB	BAUHÖHENRED.	
	155	0035352531	PRESSURE SENSOR		1	PC	75 g	EM	M14X1,5,SW= 27, 0-10BAR_RELATIV	
	170	0035352531	PRESSURE SENSOR		1	PC	75 g	EM	M14X1,5,SW= 27, 0-10BAR_RELATIV	
	190	X00E50208388	PRESSURE SENSOR	0 - 10 BAR REL, EPN	1	PC	105,3 g	AB	M14X1,5, SW=27	
	210	X00018659	PRESSURE SENSOR	0,5-6 BAR ABS	1	PC	89,4 g	EM	M18X1,5, SW=27	
	225	X00E50207196	PRESSURE SENSOR	15 BAR REL.	1	PC	104,1 g	AB	PLAN G1/4"A SW27 L=64 TYP:EPN	
	228	5240780050	BUSHING	4000	1	PC	73 g		DIN 176,SW24,	
	229	735221011000	O-RING		1	PC	0,3 g		11,3 X 2,2 - M14X1,5	MTN5221
	240	X00E50207196	PRESSURE SENSOR	15 BAR REL.	1	PC	104,1 g	AB	PLAN G1/4"A SW27 L=64 TYP:EPN	
	260	5240780050	BUSHING	4000	1	PC	73 g		DIN 176,SW24,	
	270	735221011000	O-RING		1	PC	0,3 g		11,3 X 2,2 - M14X1,5	MTN5221
	290	X00E50207217	PRESSURE SENSOR	2000 BAR REL.	1	PC	156 g	AB EM	KEGEL,M18X1.5, SW=27,L=56, EPN	
	310	0035352231	PRESSURE SENSOR		1	PC	131,6 g		M14X1,5,SW=38, +/- 70MBAR_RELAT.	
	325	X00E50201372	TEMPERATURE SENSOR	PT100 ABGAS	1	PC	175 g	EM	M14X1,5,110MM, KABEL=1M,STECKER,	
	340	X00E50201372	TEMPERATURE SENSOR	PT100 ABGAS	1	PC	175 g	EM	M14X1,5,110MM, KABEL=1M,STECKER,	
	355	0005356430	TEMPERATURE SENSOR	PT1000	1	PC	50 g	EM	M14X1,5, L=29, STECKER DIN72585,	
	365	0005356430	TEMPERATURE SENSOR	PT1000	1	PC	50 g	EM	M14X1,5, L=29, STECKER DIN72585,	
	375	0005356430	TEMPERATURE SENSOR	PT1000	1	PC	50 g	EM	M14X1,5, L=29, STECKER DIN72585,	
	385	0005356430	TEMPERATURE SENSOR	PT1000	1	PC	50 g	EM	M14X1,5, L=29, STECKER DIN72585,	
	400	0005356430	TEMPERATURE SENSOR	PT1000	1	PC	50 g	EM	M14X1,5, L=29, STECKER DIN72585,	
	420	X00E50201370	TEMPERATURE SENSOR	PT100 ABGAS	1	PC	197,1 g	AB EM	M14X1,5, 58MM, KABEL=1M,STECKER,	
	440	0005357533	SPEED SENSOR	BR4000;NW;	1	PC	72 g	EM	D=19X60, KABELL.=200MM,	
	450	304017008077	HEX SCREW		1	PC	10,5 g		M 8 X 16	ISO4017
	460	000125008427	WASHER		1	PC	1,5 g		A 8,4	DIN125
	480	0005357633	SPEED SENSOR	BR4000;KW;	1	PC	85 g	EM	D=19X60, KABELL.=700MM,	
	490	304017008077	HEX SCREW		1	PC	10,5 g		M 8 X 16	ISO4017
	500	000125008427	WASHER		1	PC	1,5 g		A 8,4	DIN125
	504	0005338443	PIPE	CO FLEX GESCHL	0,420	M	40 g	AB	NW10, ZWEISCHALIG	
	515	5205304069	SPEED TRANSMITTER	VDO-PICK-UP	1	PC	90 g	AB	MIT DIN-STECKER CODE 1	
	530	5205304069	SPEED TRANSMITTER	VDO-PICK-UP	1	PC	90 g	AB	MIT DIN-STECKER CODE 1	
	550	X00E50203659	LEVEL MONITOR	BEDIA CLS-50, WASSERSONDE	1	PC	86,6 g	AB	WASSERSONDE DYN.UB-VERHALTEN+LT,	
	560	007603018101	COPPER SEALING RING		1	PC	1,3 g		A 18 X 22	DIN7603
	580	X00E50203667	LEVEL MONITOR	BEDIA CLS-50, OELSONDE	1	PC	97 g	AB	OELSONDE, DYN.UB-VERHALTEN	
	590	007603018101	COPPER SEALING RING		1	PC	1,3 g		A 18 X 22	DIN7603
553	605	635H22706/2	SWITCH		1	PC	148,9 g			
	607	304014004001	HEX SCREW		2	PC	3,7 g		M 4 X 35	ISO4014
	608	007349004000	WASHER		2	PC	1,1 g		4,3	DIN7349
553	620	635H22706/2	SWITCH		1	PC	148,9 g			
	630	304014004001	HEX SCREW		2	PC	3,7 g		M 4 X 35	ISO4014
	640	007349004000	WASHER		2	PC	1,1 g		4,3	DIN7349



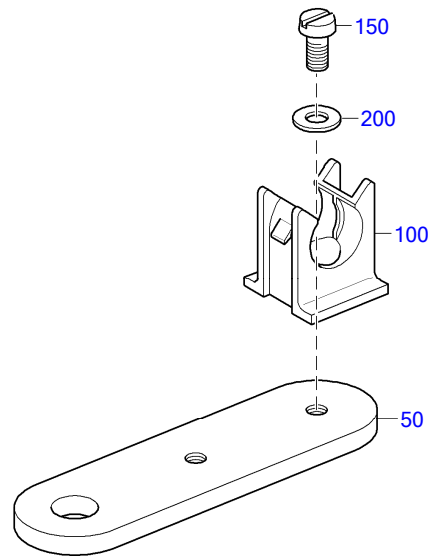
50702215a

	POS.	PART NO.	DESIGNATION	QTY.	UNITS	WEIGHT
□	5	8599970017	GROMMET	1	PC	0,5 g



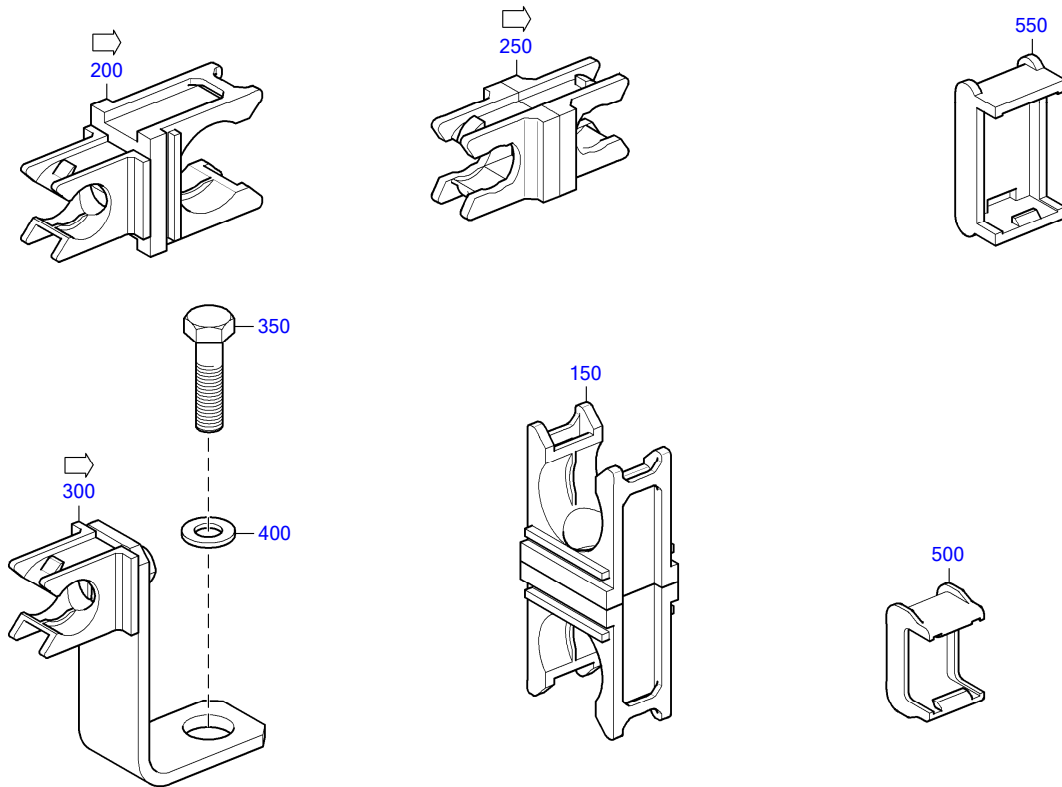
TD0000030090_507

☐	POS.	PART NO.	DESIGNATION	MODEL/TYPE	QTY.	UNITS	WEIGHT	MEASUREMENT	STANDARD
555	100	X52450700069	RETAINER		2	PC	57,8 g	HC094/1	
	150	304017008077	HEX SCREW		2	PC	10,5 g	M 8 X 16	ISO4017
	200	000125008427	WASHER		2	PC	1,5 g	A 8,4	DIN125
	300	0005335043	RETAINING BRACKET FOR CORRUGATED PIPE	NICHT STAPELBAR	2	PC	1,8 g	BUEGEL FUER NW10-HALTER	



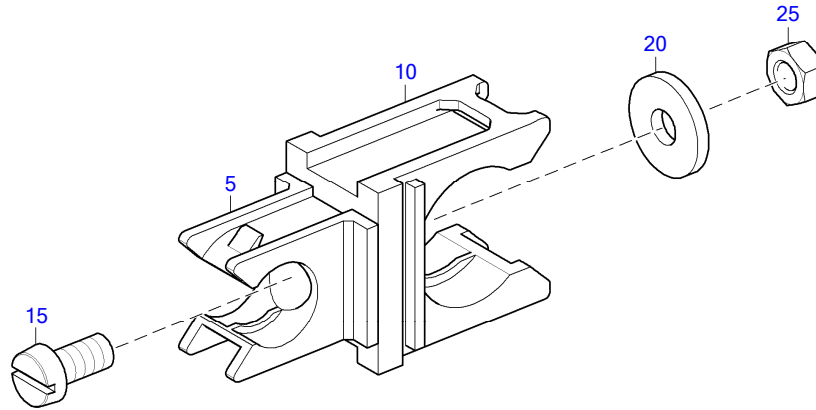
50702399a

☐	POS.	PART NO.	DESIGNATION	MODEL/TYPE	QTY.	UNITS	WEIGHT	MEASUREMENT	STANDARD
	50	5061537040	BRACKET FLAT H:47		1	PC	51 g		
	100	0015331840	SCREW-ON HOLDER FOR CORRUGATED PIPE	OHNE BUEGEL	1	PC	3,1 g	HALTER NW10 BOHRLOCH M5	
	150	000084004410	SCREW		1	PC	1,1 g	M 4 X 8	DIN84
	200	000125004317	WASHER		1	PC	0,2 g	A 4,3	DIN125



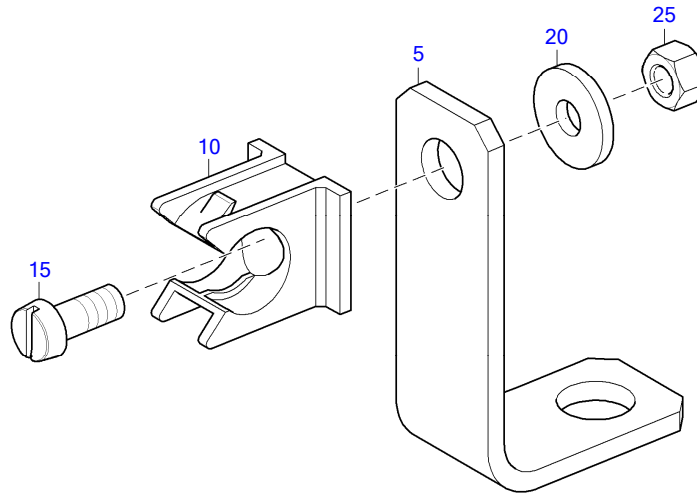
50704037

☐	POS.	PART NO.	DESIGNATION	MODEL/TYPE	QTY.	UNITS	WEIGHT	MEASUREMENT	STANDARD
	150	5241502673	RETAINER F. WIRING HARNESS	BR4000	2	PC	19,2 g	BC003	
557	200	5241502473	RETAINER F. WIRING HARNESS	BR 4000	1	PC	14,2 g	BC001	
559	250	5241503070	RETAINER F. WIRING HARNESS		1	PC	9,6 g	BC007	
558	300	5241502676	RETAINER F. WIRING HARNESS		5	PC	46,3 g	HC032/1	
	350	304017008079	HEX SCREW		3	PC	11,7 g	M 8 X 20	ISO4017
	400	007349008002	WASHER		3	PC	7,9 g	8,4	DIN7349
	500	0005335043	RETAINING BRACKET FOR CORRUGATED PIPE	NICHT STAPELBAR	8	PC	1,8 g	BUEGEL FUER NW10-HALTER	
	550	0005334943	RETAINING BRACKET FOR CORRUGATED PIPE	NICHT STAPELBAR	7	PC	2,9 g	BUEGEL FUER NW17-HALTER	



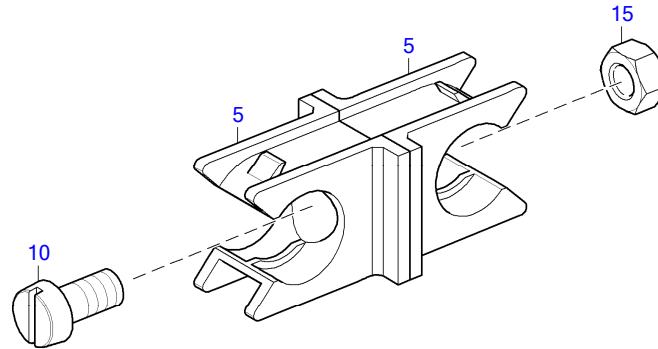
50801539

☐	POS.	PART NO.	DESIGNATION	MODEL/TYPE	QTY.	UNITS	WEIGHT	MEASUREMENT	STANDARD
	5	0015331840	SCREW-ON HOLDER FOR CORRUGATED PIPE	OHNE BUEGEL	1	PC	3,1 g	HALTER NW10 BOHRLOCH M5	
	10	0015331940	SCREW-ON HOLDER FOR CORRUGATED PIPE	OHNE BUEGEL	1	PC	5,6 g	HALTER NW17 BOHRLOCH M6	
	15	200084005107	BOLT SLOTTED HD GELB CHROMAT		1	PC	2,4 g	M 5 X 10	DIN84
	20	007349005002	WASHER		1	PC	2,3 g	5,3	DIN7349
	25	000934005004	NUT HEX		1	PC	1 g	M 5	DIN934



50801537

☐	POS.	PART NO.	DESIGNATION	MODEL/TYPE	QTY.	UNITS	WEIGHT	MEASUREMENT	STANDARD
	5	8381594840	RETAINER		1	PC	36,5 g		
	10	0015331840	SCREW-ON HOLDER FOR CORRUGATED PIPE	OHNE BUEGEL	1	PC	3,1 g	HALTER NW10 BOHRLOCH M5	
	15	000084005196	SCREW		1	PC	2,6 g	M 5 X 12	DIN84
	20	007349005002	WASHER		1	PC	2,3 g	5,3	DIN7349
	25	000934005004	NUT HEX		1	PC	1 g	M 5	DIN934



50801542

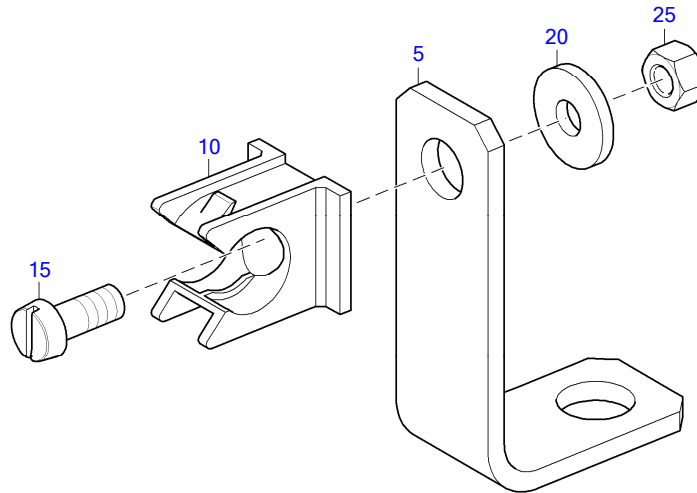
☐	POS.	PART NO.	DESIGNATION	MODEL/TYPE	QTY.	UNITS	WEIGHT	MEASUREMENT	STANDARD
	5	0015331840	SCREW-ON HOLDER FOR CORRUGATED PIPE	OHNE BUEGEL	2	PC	3,1 g	HALTER NW10 BOHRLOCH M5	
	10	200084005107	BOLT SLOTTED HD GELB CHROMAT		1	PC	2,4 g	M 5 X 10	DIN84
	15	000934005004	NUT HEX		1	PC	1 g	M 5	DIN934

□	POS.	PART NO.	DESIGNATION	MODEL/TYPE	QTY.	UNITS	WEIGHT	MEASUREMENT	STANDARD
	100	X52650200006	RETAINER TOP		1	PC	2,7 kg		
	150	304017008081	HEX SCREW		2	PC	13,4 g	M 8 X 25	ISO4017
	200	007349008002	WASHER		2	PC	7,9 g	8,4	DIN7349
	250	304032008014	NUT HEX 8 A3C		3	PC	4,8 g	M 8	ISO4032
	300	007349008002	WASHER		3	PC	7,9 g	8,4	DIN7349
	350	X52650200004	RETAINER		1	PC	491,3 g		
	370	00000003347	HEX SCREW		1	PC	37,5 g	M 10 X 55	ISO4017
	400	304017008083	HEX SCREW		1	PC	15,1 g	M 8 X 30	ISO4017
	450	007349008000	WASHER		2	PC	7,7 g	8,4	DIN7349
	500	304032008014	NUT HEX 8 A3C		1	PC	4,8 g	M 8	ISO4032
566	550	X59550200004	RETAINER BOTTOM		1	PC	1,7 kg		
	570	00000003347	HEX SCREW		1	PC	37,5 g	M 10 X 55	ISO4017
	580	007349010002	WASHER		1	PC	11 g	10,5	DIN7349
	600	00000003021	HEX SCREW		1	PC	22,8 g	M 10 X 25	ISO4017
	620	007349010002	WASHER		1	PC	11 g	10,5	DIN7349
	650	007349008002	WASHER		2	PC	7,9 g	8,4	DIN7349
	700	304032008014	NUT HEX 8 A3C		2	PC	4,8 g	M 8	ISO4032
	800	X59650700003	RETAINER TOP		1	PC	1,7 kg		
567	850	X59550200005	RETAINER BOTTOM		1	PC	1,6 kg		
	900	X00012261	SPACER SLEEVE		4	PC	36,9 g		
	950	304017008081	HEX SCREW		4	PC	13,4 g	M 8 X 25	ISO4017
	1000	5221530026	DAMPER	SG 2000	5	PC	152,8 g		
	1050	304032008014	NUT HEX 8 A3C		5	PC	4,8 g	M 8	ISO4032
	1100	007349008002	WASHER		5	PC	7,9 g	8,4	DIN7349
	1200	X00E50201047	GROUND/EARTH LINE		1	PC	15,2 g	2XM6; 6QMM; 200MM; ISOLIERT	
	1250	00000003387	HEX SCREW		2	PC	5,1 g	M 6 X 16	ISO4017
	1260	000125006431	WASHER		2	PC	0,8 g	A 6,4	DIN125
	1272	X59450700030	STRIP F. WIRING HARNESS		1	PC	874 g		
	1273	00000003021	HEX SCREW		4	PC	22,8 g	M 10 X 25	ISO4017
	1274	009021010201	WASHER		4	PC	12 g	10,5	DIN9021
	1275	007349010002	WASHER		4	PC	11 g	10,5	DIN7349
	1276	0015331840	SCREW-ON HOLDER FOR CORRUGATED PIPE	OHNE BUEGEL	5	PC	3,1 g	HALTER NW10 BOHRLOCH M5	
	1277	000084005165	SCREW		5	PC	2,4 g	M 5 X 10	DIN84
	1278	0015331940	SCREW-ON HOLDER FOR CORRUGATED PIPE	OHNE BUEGEL	5	PC	5,6 g	HALTER NW17 BOHRLOCH M6	
	1279	000084005196	SCREW		5	PC	2,6 g	M 5 X 12	DIN84
	1280	007349005002	WASHER		5	PC	2,3 g	5,3	DIN7349
	1281	000125005322	WASHER		10	PC	0,4 g	A 5,3	DIN125
	1282	304032005008	HEX NUT		10	PC	1,2 g	M 5	ISO4032
	1284	X52650700046	STRIP F. WIRING HARNESS		1	PC	889,6 g		
	1285	00000003021	HEX SCREW		4	PC	22,8 g	M 10 X 25	ISO4017
	1286	009021010201	WASHER		4	PC	12 g	10,5	DIN9021
	1287	007349010002	WASHER		4	PC	11 g	10,5	DIN7349
	1288	0015331840	SCREW-ON HOLDER FOR CORRUGATED PIPE	OHNE BUEGEL	8	PC	3,1 g	HALTER NW10 BOHRLOCH M5	
	1289	000084005165	SCREW		8	PC	2,4 g	M 5 X 10	DIN84
	1290	0015331940	SCREW-ON HOLDER FOR CORRUGATED PIPE	OHNE BUEGEL	2	PC	5,6 g	HALTER NW17 BOHRLOCH M6	
	1291	000084005196	SCREW		2	PC	2,6 g	M 5 X 12	DIN84
	1292	007349005002	WASHER		2	PC	2,3 g	5,3	DIN7349
	1293	000125005322	WASHER		10	PC	0,4 g	A 5,3	DIN125
	1294	304032005008	HEX NUT		10	PC	1,2 g	M 5	ISO4032
	1350	0009959301	PIPE CLAMP	BRSGU 32/20	1	PC	40,6 g		N16016
	1400	916016024201	CLAMP		1	PC	30 g	BRSGU 24/20	N16016
	1450	304017008081	HEX SCREW		2	PC	13,4 g	M 8 X 25	ISO4017

☐	POS.	PART NO.	DESIGNATION	MODEL/TYPE	QTY.	UNITS	WEIGHT	MEASUREMENT	STANDARD
	1500	000125008427	WASHER		2	PC	1,5 g	A 8,4	DIN125
573	1550	X59550700025	RETAINER F. WIRING HARNESS		1	PC	27,2 g	BC008	
574	1600	X59550700026	RETAINER F. WIRING HARNESS		1	PC	23 g	BC009	
576	1700	X59650700014	RETAINER F. WIRING HARNESS		2	PC	117,2 g	HC277/3	
	1750	000000003020	HEX SCREW		2	PC	20 g	M 10 X 20	ISO4017
	1800	000125010524	WASHER		2	PC	3,1 g	A 10,5	DIN125
575	1900	X59550700027	RETAINER F. WIRING HARNESS		1	PC	15 g	BC010	
	1950	X59654100002	BRACKET WIRING HARNE SS ADEC		1	PC	90,6 g		
	2000	304017008077	HEX SCREW		1	PC	10,5 g	M 8 X 16	ISO4017
	2050	000125008427	WASHER		1	PC	1,5 g	A 8,4	DIN125
	2060	0005312181	QUICK-CATCH CLAMP	TYH/TYB 25M	2	PC	1 g	186X4,8X1,1MM D=3,5-45MM	
	2100	X54750700009	CABLE CLAMP		3	PC	10 g	DN26	
575	2150	X59550700027	RETAINER F. WIRING HARNESS		2	PC	15 g	BC010	
	2500	5241501476	RETAINER F. WIRING HARNESS	BR4000	2	PC	50,4 g	HC069	
	2550	000000003021	HEX SCREW		2	PC	22,8 g	M 10 X 25	ISO4017
	2600	000125010524	WASHER		2	PC	3,1 g	A 10,5	DIN125
	2700	5241501476	RETAINER F. WIRING HARNESS	BR4000	2	PC	50,4 g	HC069	
	2750	000000001464	HEX SCREW		2	PC	24,9 g	M 10 X 30	ISO4017
	2800	000125010524	WASHER		2	PC	3,1 g	A 10,5	DIN125
558	2850	5241502676	RETAINER F. WIRING HARNESS		1	PC	46,3 g	HC032/1	
	2900	5241507173	RETAINER F. WIRING HARNESS	4000	1	PC	22,8 g	HC087	
	2950	304017008077	HEX SCREW		1	PC	10,5 g	M 8 X 16	ISO4017
	3000	X59654100002	BRACKET WIRING HARNE SS ADEC		1	PC	90,6 g		
	3050	0005312181	QUICK-CATCH CLAMP	TYH/TYB 25M	4	PC	1 g	186X4,8X1,1MM D=3,5-45MM	
	3100	5241506173	RETAINER F. WIRING HARNESS	4000	1	PC	30,2 g	HC028	
558	3300	5241502676	RETAINER F. WIRING HARNESS		3	PC	46,3 g	HC032/1	
	3350	304017008077	HEX SCREW		1	PC	10,5 g	M 8 X 16	ISO4017
	3400	000000003021	HEX SCREW		1	PC	22,8 g	M 10 X 25	ISO4017
	3450	000000001464	HEX SCREW		1	PC	24,9 g	M 10 X 30	ISO4017
	3500	007349008002	WASHER		1	PC	7,9 g	8,4	DIN7349
	3600	735151010200	SPACER S2000/4000		1	PC	22,1 g	B 10,5	MTN5151
569	3700	X59550700017	RETAINER F. WIRING HARNESS		1	PC	140 g	HC276	
	3750	304017008086	HEX SCREW		1	PC	19,4 g	M 8 X 45	ISO4017
563	3800	X52650700094	RETAINER F. WIRING HARNESS		1	PC	0,108 kg	HC277/2	
	3850	5530720153	SPACER TUBE		1	PC	90 g		
	3900	204017008028	HEX SCREW		1	PC	22,1 g	M 8 X 55	ISO4017
	3950	007349010002	WASHER		1	PC	11 g	10,5	DIN7349
	4000	X00026945	CABLE CLAMP	T50SOSFT6	1	PC	1,3 g	M.STECKFUSS F. M8 AUSSENVERZAHN	
	4020	0005312181	QUICK-CATCH CLAMP	TYH/TYB 25M	2	PC	1 g	186X4,8X1,1MM D=3,5-45MM	
561	4022	5241506170	RETAINER F. WIRING HARNESS		4	PC	41 g	HC089/1	
558	4026	5241502676	RETAINER F. WIRING HARNESS		1	PC	46,3 g	HC032/1	
557	4027	5241502473	RETAINER F. WIRING HARNESS	BR 4000	2	PC	14,2 g	BC001	
	4040	5241500976	RETAINER F. WIRING HARNESS	BR4000	1	PC	44 g	HC027	
	4045	304017008088	HEX SCREW		1	PC	22,6 g	M 8 X 55	ISO4017
	4050	5225460043	BRACKET L.H:49	12/16V2000SG	1	PC	75 g		
	4055	000000003387	HEX SCREW		1	PC	5,1 g	M 6 X 16	ISO4017
	4060	007349006004	WASHER		1	PC	4,1 g	6,4	DIN7349
570	4080	X59550700019	RETAINER F. WIRING HARNESS		1	PC	138,6 g	HC278	
	4100	304017008089	HEX SCREW		1	PC	24,2 g	M 8 X 60	ISO4017
	4225	0005312181	QUICK-CATCH CLAMP	TYH/TYB 25M	2	PC	1 g	186X4,8X1,1MM D=3,5-45MM	
571	4250	X59550700020	RETAINER F. WIRING HARNESS		1	PC	139,5 g	HC279	
	4300	000000001464	HEX SCREW		1	PC	24,9 g	M 10 X 30	ISO4017
	4350	000125010524	WASHER		1	PC	3,1 g	A 10,5	DIN125
572	4450	X59550700023	RETAINER F. WIRING HARNESS		1	PC	140 g	HC280	

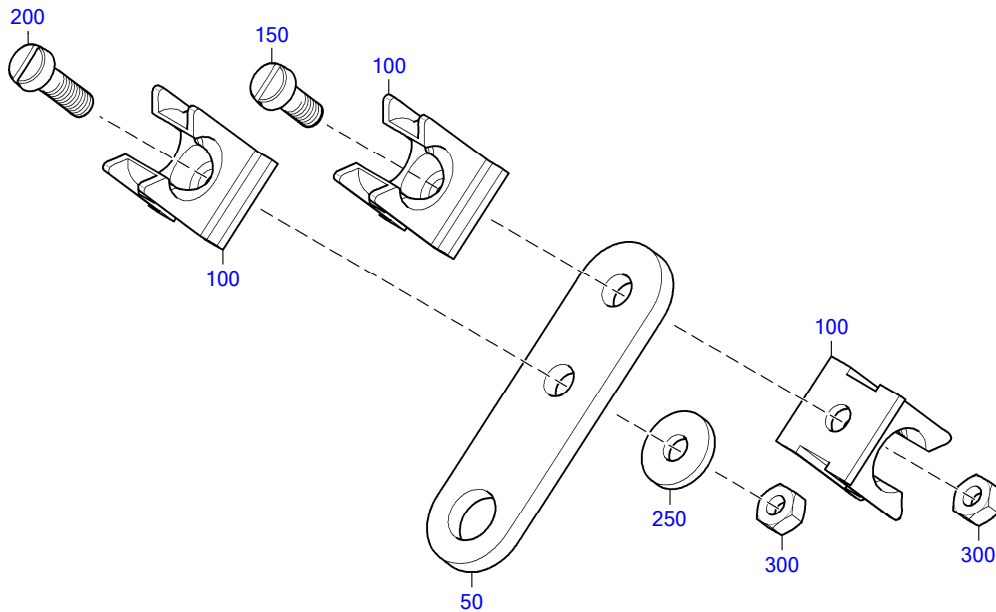
□	POS.	PART NO.	DESIGNATION	MODEL/TYPE	QTY.	UNITS	WEIGHT	MEASUREMENT	STANDARD
	4500	204017010021	HEX SCREW		1	PC	32,5 g	M 10 X 45	ISO4017
	4550	007349010002	WASHER		1	PC	11 g	10,5	DIN7349
	4600	735151010200	SPACER S2000/4000		1	PC	22,1 g	B 10,5	MTN5151
	4650	5241500876	RETAINER F. WIRING HARNESS	BR4000	1	PC	41,8 g	HC024	
	4700	000000003020	HEX SCREW		1	PC	20 g	M 10 X 20	ISO4017
	4750	000125010524	WASHER		1	PC	3,1 g	A 10,5	DIN125
	5250	5241505876	RETAINER F. WIRING HARNESS		1	PC	57,7 g	HC094	
	5300	304017008079	HEX SCREW		1	PC	11,7 g	M 8 X 20	ISO4017
	5310	000125008427	WASHER		1	PC	1,5 g	A 8,4	DIN125
	5320	5315460443	BRACKET H:41 S2000/S 4000	8V2000M90	1	PC	65 g		
	5330	304017008083	HEX SCREW		1	PC	15,1 g	M 8 X 30	ISO4017
	5340	000125008427	WASHER		1	PC	1,5 g	A 8,4	DIN125
	5370	5241506273	RETAINER F. WIRING HARNESS	4000	6	PC	45,7 g	HC031	
559	5390	5241503070	RETAINER F. WIRING HARNESS		1	PC	9,6 g	BC007	
	5420	X59450700011	BRACKET WIRING HARNE SS		1	PC	56,7 g		
	5430	0001596440	CLAMP CABLE DN10		1	PC	1,2 g	DN10	
	5460	5241504173	RETAINER F. WIRING HARNESS	BR4000	1	PC	42,2 g	HC051	
	5470	5241534240	BRACKET H:17 B-BANK FLY HSG	4000	1	PC	55 g		
	5480	204017012004	HEX SCREW		1	PC	29,2 g	M 12 X 20	ISO4017
	5490	000125013012	WASHER		1	PC	5,6 g	A 13	DIN125
	5500	0005312181	QUICK-CATCH CLAMP	TYH/TYB 25M	3	PC	1 g	186X4,8X1,1MM D=3,5-45MM	
	5650	5502030043	ANGLE		1	PC	31 g	H023	
	5660	304017008083	HEX SCREW		1	PC	15,1 g	M 8 X 30	ISO4017
	5670	000125008427	WASHER		1	PC	1,5 g	A 8,4	DIN125
	5700	5315461343	Connector Fastener		1	PC	95 g		
	5750	304017008076	HEX SCREW		1	PC	9,1 g	M 8 X 12	ISO4017
	5800	000125008427	WASHER		1	PC	1,5 g	A 8,4	DIN125
	5900	5241507173	RETAINER F. WIRING HARNESS	4000	2	PC	22,8 g	HC087	
	5950	304017008079	HEX SCREW		2	PC	11,7 g	M 8 X 20	ISO4017
	6000	000125008427	WASHER		2	PC	1,5 g	A 8,4	DIN125
	6100	5241501476	RETAINER F. WIRING HARNESS	BR4000	1	PC	50,4 g	HC069	
	6150	304017008087	HEX SCREW		1	PC	21,3 g	M 8 X 50	ISO4017
	6200	007349008002	WASHER		1	PC	7,9 g	8,4	DIN7349
	6250	5241501476	RETAINER F. WIRING HARNESS	BR4000	1	PC	50,4 g	HC069	
	6450	5241506473	RETAINER F. WIRING HARNESS	4000	1	PC	40,4 g	HC034	
	6500	000000001039	HEX SCREW		1	PC	29,8 g	M 10 X 40	ISO4017
	6550	000125010524	WASHER		1	PC	3,1 g	A 10,5	DIN125
	6600	5241507973	RETAINER F. WIRING HARNESS	4000	1	PC	40 g	HC140	
	6610	304017008081	HEX SCREW		1	PC	13,4 g	M 8 X 25	ISO4017
	6620	007349008002	WASHER		2	PC	7,9 g	8,4	DIN7349
	6630	304032008014	NUT HEX 8 A3C		1	PC	4,8 g	M 8	ISO4032
	6750	5225460043	BRACKET L H:49	12/16V2000SG	1	PC	75 g		
	6800	0005312181	QUICK-CATCH CLAMP	TYH/TYB 25M	3	PC	1 g	186X4,8X1,1MM D=3,5-45MM	
	6821	5241534640	BRACKET L H:30 SENSO R E	4000	1	PC	47 g		
	6822	000000003926	HEX SCREW		1	PC	54 g	M 12 X 55	ISO4017
564	6841	X59320200060	RETAINER		1	PC	1,5 kg		
	6842	000000003021	HEX SCREW		3	PC	22,8 g	M 10 X 25	ISO4017
	6843	007349010002	WASHER		3	PC	11 g	10,5	DIN7349
565	6900	X59450700031	RETAINER F. WIRING HARNESS		1	PC	3,5 kg		
	6910	X59499100081	PLUG		1	PC	0,165 kg		
	6920	007603030101	COPPER SEALING RING		1	PC	4,3 g	A 30 X 36	DIN7603
	6930	X52420300002	SPACER SLEEVE		1	PC	0,042 kg		
	6940	735151008100	SPACER		1	PC	7,4 g	A 8,4	MTN5151
	6945	304017008087	HEX SCREW		1	PC	21,3 g	M 8 X 50	ISO4017

□	POS.	PART NO.	DESIGNATION	MODEL/TYPE	QTY.	UNITS	WEIGHT	MEASUREMENT	STANDARD
	6946	000000001042	HEX SCREW		1	PC	34,6 g	M 10 X 50	ISO4017
	6947	735151010100	SPACER		1	PC	11 g	A 10,5	MTN5151
	6995	X59499100047	PLUG		1	PC	0,03 kg		
568	7000	X59550700015	RETAINER F. WIRING HARNESS		1	PC	162,7 g	HC273	
	7050	204017010004	HEX SCREW		1	PC	17,9 g	M 10 X 16	ISO4017
	7100	000125010524	WASHER		1	PC	3,1 g	A 10,5	DIN125
	7150	5241500876	RETAINER F. WIRING HARNESS	BR4000	1	PC	41,8 g	HC024	
	7200	000000003020	HEX SCREW		1	PC	20 g	M 10 X 20	ISO4017
	7250	000125010524	WASHER		1	PC	3,1 g	A 10,5	DIN125
	7750	5241534640	BRACKET L H:30 SENSO R E	4000	1	PC	47 g		
	7800	204017012004	HEX SCREW		1	PC	29,2 g	M 12 X 20	ISO4017
	7850	000125013012	WASHER		1	PC	5,6 g	A 13	DIN125
	7875	0005312181	QUICK-CATCH CLAMP	TYH/TYB 25M	2	PC	1 g	186X4,8X1,1MM D=3,5-45MM	
	7900	5241505876	RETAINER F. WIRING HARNESS		1	PC	57,7 g	HC094	
	7950	304017008079	HEX SCREW		1	PC	11,7 g	M 8 X 20	ISO4017
	8000	000125008427	WASHER		1	PC	1,5 g	A 8,4	DIN125
	8300	5241506273	RETAINER F. WIRING HARNESS	4000	5	PC	45,7 g	HC031	
562	8325	X52450700074	RETAINER F. WIRING HARNESS		1	PC	54,1 g	HC291	
	8350	5241503073	RETAINER F. WIRING HARNESS	BR4000	1	PC	46,3 g	HC032	
	8400	X59450700011	BRACKET WIRING HARNE SS		1	PC	56,7 g		
	8450	0001596440	CLAMP CABLE DN10		1	PC	1,2 g	DN10	
561	8500	5241506170	RETAINER F. WIRING HARNESS		1	PC	41 g	HC089/1	
	8650	5241534240	BRACKET H:17 B-BANK FLY HSG	4000	1	PC	55 g		
	8700	0005312181	QUICK-CATCH CLAMP	TYH/TYB 25M	3	PC	1 g	186X4,8X1,1MM D=3,5-45MM	
	9250	0005335043	RETAINING BRACKET FOR CORRUGATED PIPE	NICHT STAPELBAR	29	PC	1,8 g	BUEGEL FUER NW10-HALTER	
	9300	0005334943	RETAINING BRACKET FOR CORRUGATED PIPE	NICHT STAPELBAR	21	PC	2,9 g	BUEGEL FUER NW17-HALTER	
	9350	X52650700040	RETAINING BRACKET FOR CORRUGATED PIPE	NICHT STAPELBAR	31	PC	3,4 g	BUEGEL FUER NW26-HALTER	



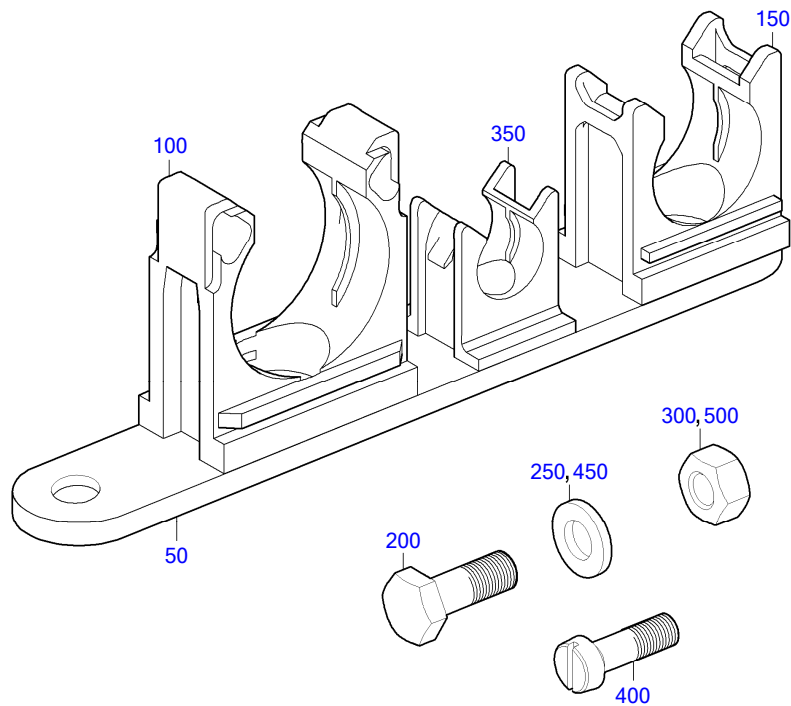
50801537

☐	POS.	PART NO.	DESIGNATION	MODEL/TYPE	QTY.	UNITS	WEIGHT	MEASUREMENT	STANDARD
	5	5502034640	BRACKET L H:25		1	PC	32,3 g		
	10	0015331840	SCREW-ON HOLDER FOR CORRUGATED PIPE	OHNE BUEGEL	1	PC	3,1 g	HALTER NW10 BOHRLOCH M5	
	15	000084005196	SCREW		1	PC	2,6 g	M 5 X 12	DIN84
	20	007349005002	WASHER		1	PC	2,3 g	5,3	DIN7349
	25	000934005004	NUT HEX		1	PC	1 g	M 5	DIN934



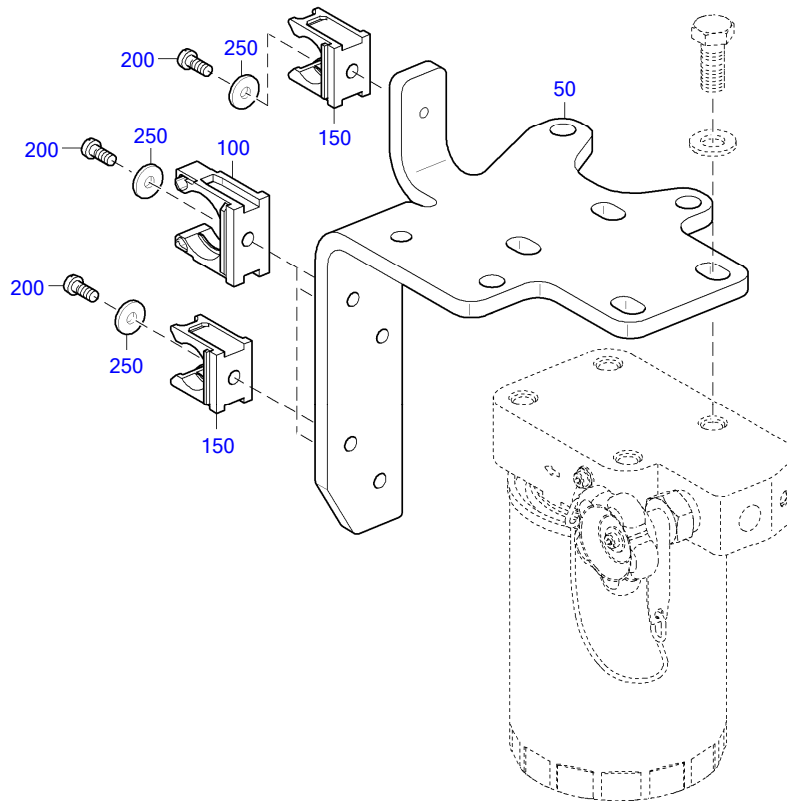
50703430

☐	POS.	PART NO.	DESIGNATION	MODEL/TYPE	QTY.	UNITS	WEIGHT	MEASUREMENT	STANDARD
	50	X59550700007	RETAINER		1	PC	35,8 g	H012/1	
	100	0015331840	SCREW-ON HOLDER FOR CORRUGATED PIPE	OHNE BUEGEL	3	PC	3,1 g	HALTER NW10 BOHRLOCH M5	
	150	000084005196	SCREW		1	PC	2,6 g	M 5 X 12	DIN84
	200	000084005194	SCREW		1	PC	3,2 g	M 5 X 16	DIN84
	250	007349005002	WASHER		1	PC	2,3 g	5,3	DIN7349
	300	000934005004	NUT HEX		2	PC	1 g	M 5	DIN934



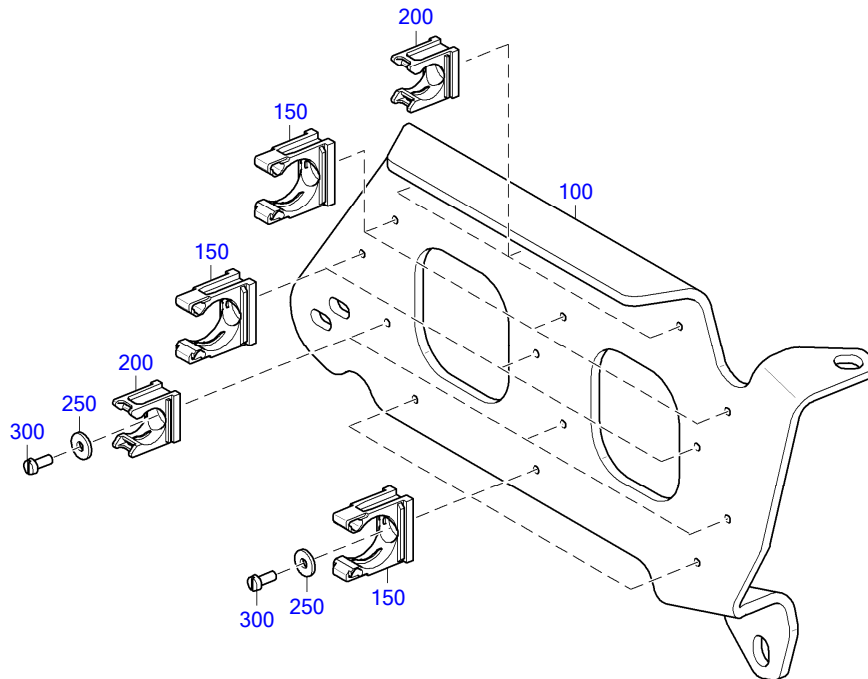
TD0000015285_507

☐	POS.	PART NO.	DESIGNATION	MODEL/TYPE	QTY.	UNITS	WEIGHT	MEASUREMENT	STANDARD
	50	5241531340	BRACKET H:11		1	PC	65,1 g	H011	
	100	X52650700039	SCREW-ON HOLDER FOR CORRUGATED PIPE		1	PC	9,3 g	HALTER NW26 BOHRLOCH M6	
	150	0015331940	SCREW-ON HOLDER FOR CORRUGATED PIPE	OHNE BUEGEL	1	PC	5,6 g	HALTER NW17 BOHRLOCH M6	
	200	00000003387	HEX SCREW		2	PC	5,1 g	M 6 X 16	ISO4017
	250	000125006431	WASHER		4	PC	0,8 g	A 6,4	DIN125
	300	304032006011	HEX NUT		2	PC	2,2 g	M 6	ISO4032
	350	0015331840	SCREW-ON HOLDER FOR CORRUGATED PIPE	OHNE BUEGEL	1	PC	3,1 g	HALTER NW10 BOHRLOCH M5	
	400	000084005194	SCREW		1	PC	3,2 g	M 5 X 16	DIN84
	450	007349005002	WASHER		1	PC	2,3 g	5,3	DIN7349
	500	304032005008	HEX NUT		1	PC	1,2 g	M 5	ISO4032



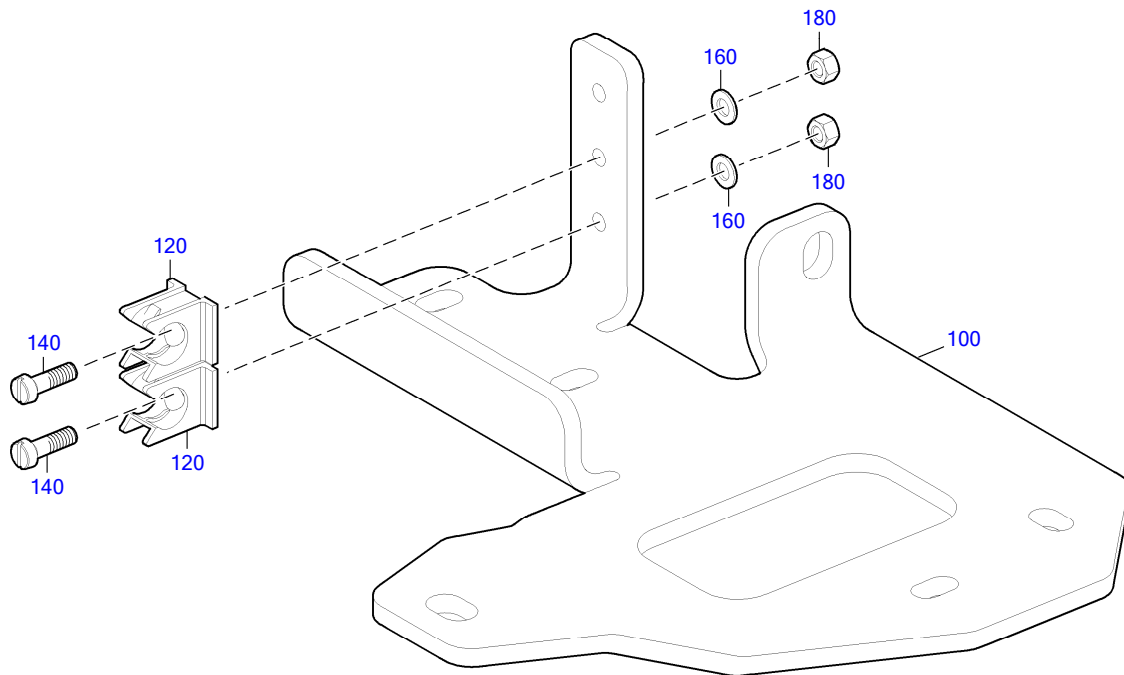
20202636

☐	POS.	PART NO.	DESIGNATION	MODEL/TYPE	QTY.	UNITS	WEIGHT	MEASUREMENT	STANDARD
	50	X59320200059	RETAINER		1	PC	1,4 kg		
	100	X52650700039	SCREW-ON HOLDER FOR CORRUGATED PIPE		3	PC	9,3 g	HALTER NW26 BOHRLOCH M6	
	150	0015331940	SCREW-ON HOLDER FOR CORRUGATED PIPE	OHNE BUEGEL	2	PC	5,6 g	HALTER NW17 BOHRLOCH M6	
	200	000084005196	SCREW		5	PC	2,6 g	M 5 X 12	DIN84
	250	007349005002	WASHER		5	PC	2,3 g	5,3	DIN7349



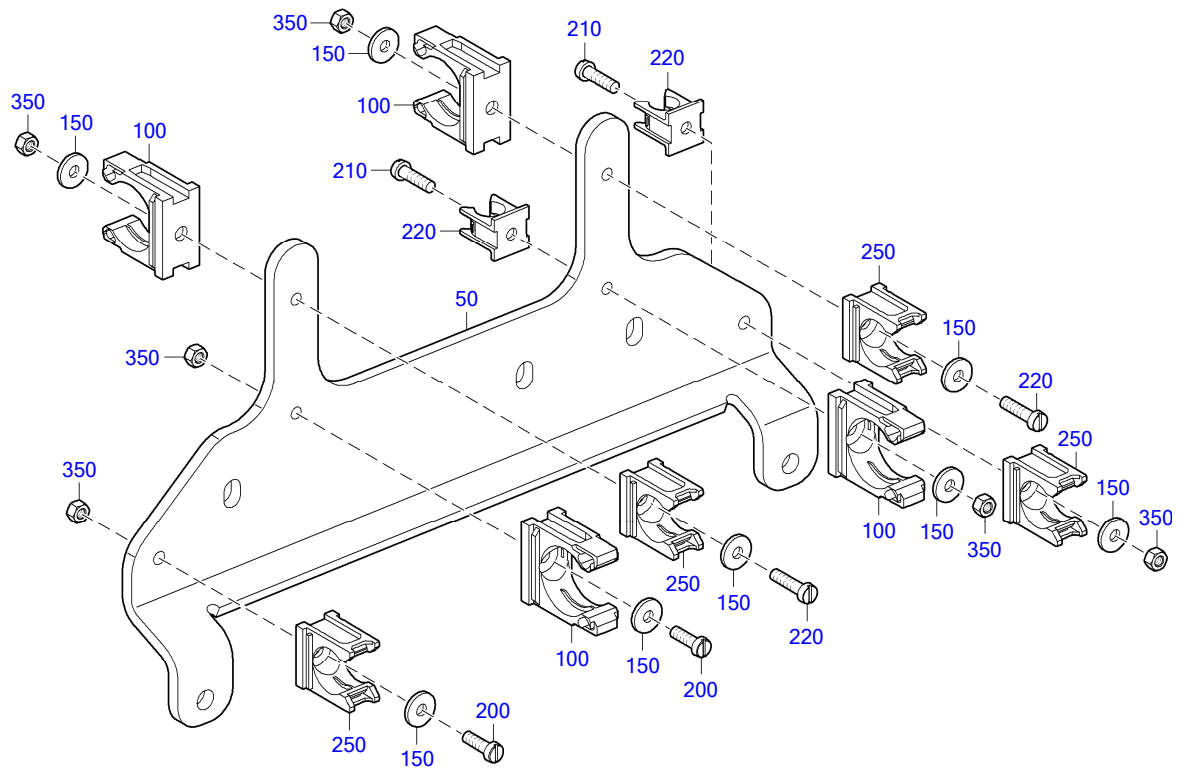
TD0000030092_508

☐	POS.	PART NO.	DESIGNATION	MODEL/TYPE	QTY.	UNITS	WEIGHT	MEASUREMENT	STANDARD
	100	X59699100061	RETAINER F. WIRING HARNESS		1	PC	3,3 kg		
	150	X52650700039	SCREW-ON HOLDER FOR CORRUGATED PIPE		9	PC	9,3 g	HALTER NW26 BOHRLOCH M6	
	200	0015331940	SCREW-ON HOLDER FOR CORRUGATED PIPE	OHNE BUEGEL	6	PC	5,6 g	HALTER NW17 BOHRLOCH M6	
	250	007349005002	WASHER		15	PC	2,3 g	5,3	DIN7349
	300	000084005196	SCREW		15	PC	2,6 g	M 5 X 12	DIN84



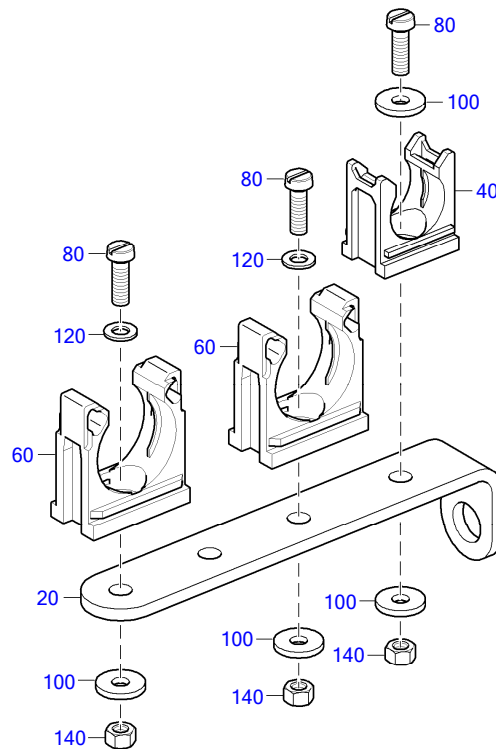
50001015a

☐	POS.	PART NO.	DESIGNATION	MODEL/TYPE	QTY.	UNITS	WEIGHT	MEASUREMENT	STANDARD
	100	X52650200005	RETAINER BOTTOM		1	PC	1,6 kg		
	120	0015331840	SCREW-ON HOLDER FOR CORRUGATED PIPE	OHNE BUEGEL	2	PC	3,1 g	HALTER NW10 BOHRLOCH M5	
	140	000084005194	SCREW		2	PC	3,2 g	M 5 X 16	DIN84
	160	007349005002	WASHER		2	PC	2,3 g	5,3	DIN7349
	180	304032005008	HEX NUT		2	PC	1,2 g	M 5	ISO4032



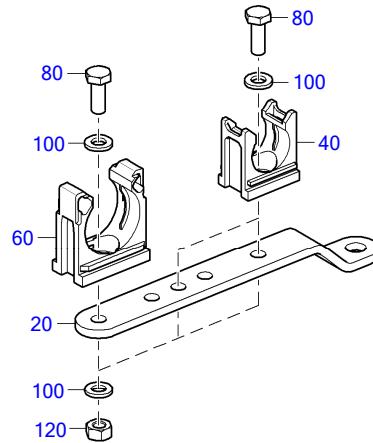
50704854

☐	POS.	PART NO.	DESIGNATION	MODEL/TYPE	QTY.	UNITS	WEIGHT	MEASUREMENT	STANDARD
	50	X52650200003	RETAINER BOTTOM		1	PC	1,578 kg		
	100	X52650700039	SCREW-ON HOLDER FOR CORRUGATED PIPE		4	PC	9,3 g	HALTER NW26 BOHRLOCH M6	
	150	007349005002	WASHER		8	PC	2,3 g	5,3	DIN7349
	200	000084005194	SCREW		2	PC	3,2 g	M 5 X 16	DIN84
	210	000084005168	SCREW		2	PC	3,4 g	M 5 X 18	DIN84
	220	000084005170	SCREW		2	PC	3,4 g	M 5 X 20	DIN84
		0015331840	SCREW-ON HOLDER FOR CORRUGATED PIPE	OHNE BUEGEL	2	PC	3,1 g	HALTER NW10 BOHRLOCH M5	
	250	0015331940	SCREW-ON HOLDER FOR CORRUGATED PIPE	OHNE BUEGEL	2	PC	5,6 g	HALTER NW17 BOHRLOCH M6	
	350	304032005008	HEX NUT		6	PC	1,2 g	M 5	ISO4032



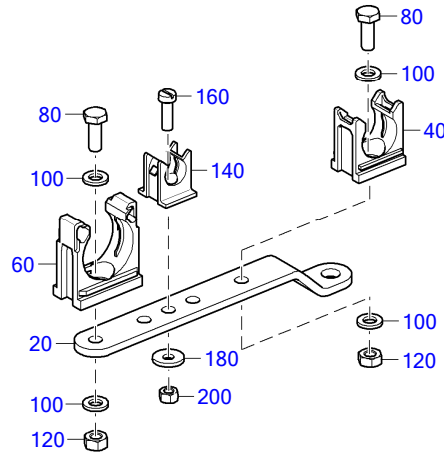
TD0000030131_507

☐	POS.	PART NO.	DESIGNATION	MODEL/TYPE	QTY.	UNITS	WEIGHT	MEASUREMENT	STANDARD
	20	5261530238	BRACKET		1	PC	118,9 g		
	40	0015331940	SCREW-ON HOLDER FOR CORRUGATED PIPE	OHNE BUEGEL	1	PC	5,6 g	HALTER NW17 BOHRLOCH M6	
	60	X52650700039	SCREW-ON HOLDER FOR CORRUGATED PIPE		2	PC	9,3 g	HALTER NW26 BOHRLOCH M6	
	80	000084005194	SCREW		3	PC	3,2 g	M 5 X 16	DIN84
	100	007349005002	WASHER		4	PC	2,3 g	5,3	DIN7349
	120	000125005322	WASHER		2	PC	0,4 g	A 5,3	DIN125
	140	304032005008	HEX NUT		3	PC	1,2 g	M 5	ISO4032



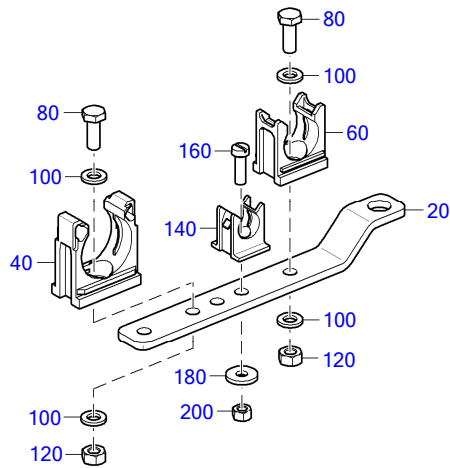
TD0000032340_507

☐	POS.	PART NO.	DESIGNATION	MODEL/TYPE	QTY.	UNITS	WEIGHT	MEASUREMENT	STANDARD
	20	5241533040	BRACKET OFFSET H:15 MARINE	4000	1	PC	93,7 g		
	40	0015331940	SCREW-ON HOLDER FOR CORRUGATED PIPE	OHNE BUEGEL	2	PC	5,6 g	HALTER NW17 BOHRLOCH M6	
	60	X52650700039	SCREW-ON HOLDER FOR CORRUGATED PIPE		1	PC	9,3 g	HALTER NW26 BOHRLOCH M6	
	80	00000003387	HEX SCREW		3	PC	5,1 g	M 6 X 16	ISO4017
	100	000125006431	WASHER		6	PC	0,8 g	A 6,4	DIN125
	120	304032006011	HEX NUT		3	PC	2,2 g	M 6	ISO4032



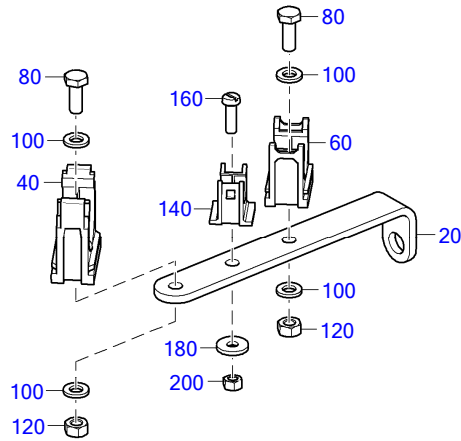
TD0000032344_507

☐	POS.	PART NO.	DESIGNATION	MODEL/TYPE	QTY.	UNITS	WEIGHT	MEASUREMENT	STANDARD
	20	5241533040	BRACKET OFFSET H:15 MARINE	4000	1	PC	93,7 g		
	40	0015331940	SCREW-ON HOLDER FOR CORRUGATED PIPE	OHNE BUEGEL	1	PC	5,6 g	HALTER NW17 BOHRLOCH M6	
	60	X52650700039	SCREW-ON HOLDER FOR CORRUGATED PIPE		1	PC	9,3 g	HALTER NW26 BOHRLOCH M6	
	80	00000003387	HEX SCREW		2	PC	5,1 g	M 6 X 16	ISO4017
	100	000125006431	WASHER		4	PC	0,8 g	A 6,4	DIN125
	120	304032006011	HEX NUT		2	PC	2,2 g	M 6	ISO4032
	140	0015331840	SCREW-ON HOLDER FOR CORRUGATED PIPE	OHNE BUEGEL	1	PC	3,1 g	HALTER NW10 BOHRLOCH M5	
	160	000084005194	SCREW		1	PC	3,2 g	M 5 X 16	DIN84
	180	007349005002	WASHER		1	PC	2,3 g	5,3	DIN7349
	200	304032005008	HEX NUT		1	PC	1,2 g	M 5	ISO4032



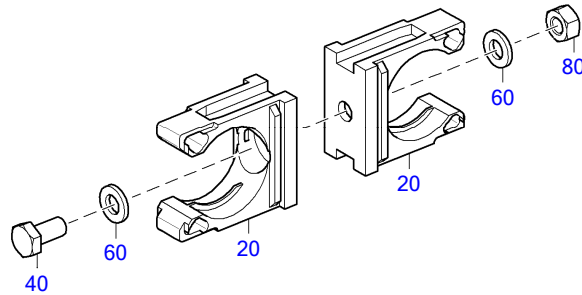
TD0000032346_507

☐	POS.	PART NO.	DESIGNATION	MODEL/TYPE	QTY.	UNITS	WEIGHT	MEASUREMENT	STANDARD
	20	X59499100415	RETAINER		1	PC	97,2 g		
	40	X52650700039	SCREW-ON HOLDER FOR CORRUGATED PIPE		1	PC	9,3 g	HALTER NW26 BOHRLOCH M6	
	60	0015331940	SCREW-ON HOLDER FOR CORRUGATED PIPE	OHNE BUEGEL	1	PC	5,6 g	HALTER NW17 BOHRLOCH M6	
	80	00000003387	HEX SCREW		2	PC	5,1 g	M 6 X 16	ISO4017
	100	000125006431	WASHER		4	PC	0,8 g	A 6,4	DIN125
	120	304032006011	HEX NUT		2	PC	2,2 g	M 6	ISO4032
	140	0015331840	SCREW-ON HOLDER FOR CORRUGATED PIPE	OHNE BUEGEL	1	PC	3,1 g	HALTER NW10 BOHRLOCH M5	
	160	000084005194	SCREW		1	PC	3,2 g	M 5 X 16	DIN84
	180	007349005002	WASHER		1	PC	2,3 g	5,3	DIN7349
	200	304032005008	HEX NUT		1	PC	1,2 g	M 5	ISO4032



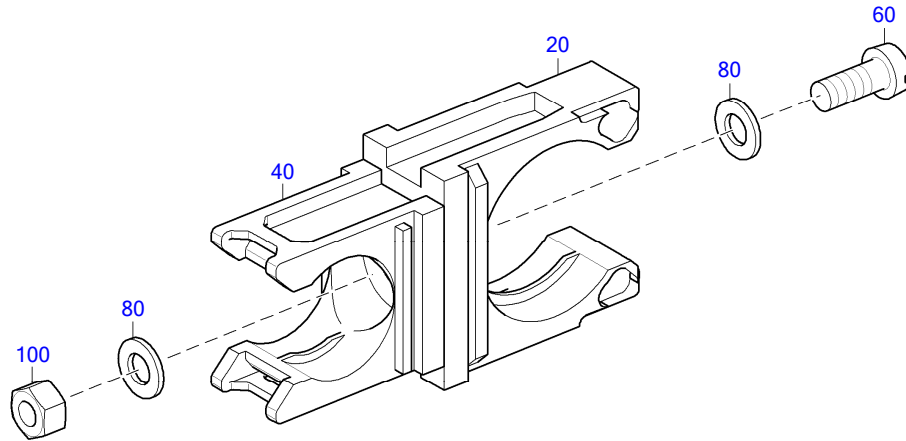
TD0000032348_507

☐	POS.	PART NO.	DESIGNATION	MODEL/TYPE	QTY.	UNITS	WEIGHT	MEASUREMENT	STANDARD
	20	5241534440	BRACKET L H:40	4000	1	PC	99,9 g		
	40	X52650700039	SCREW-ON HOLDER FOR CORRUGATED PIPE		1	PC	9,3 g	HALTER NW26 BOHRLOCH M6	
	60	0015331940	SCREW-ON HOLDER FOR CORRUGATED PIPE	OHNE BUEGEL	1	PC	5,6 g	HALTER NW17 BOHRLOCH M6	
	80	00000003387	HEX SCREW		2	PC	5,1 g	M 6 X 16	ISO4017
	100	000125006431	WASHER		4	PC	0,8 g	A 6,4	DIN125
	120	304032006011	HEX NUT		2	PC	2,2 g	M 6	ISO4032
	140	0015331840	SCREW-ON HOLDER FOR CORRUGATED PIPE	OHNE BUEGEL	1	PC	3,1 g	HALTER NW10 BOHRLOCH M5	
	160	000084005194	SCREW		1	PC	3,2 g	M 5 X 16	DIN84
	180	007349005002	WASHER		1	PC	2,3 g	5,3	DIN7349
	200	304032005008	HEX NUT		1	PC	1,2 g	M 5	ISO4032



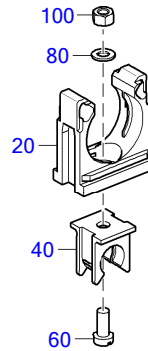
TD0000030100_508

☐	POS.	PART NO.	DESIGNATION	QTY.	UNITS	WEIGHT	MEASUREMENT	STANDARD
	20	X52650700039	SCREW-ON HOLDER FOR CORRUGATED PIPE	2	PC	9,3 g	HALTER NW26 BOHRLOCH M6	
	40	304017006058	HEX SCREW	1	PC	4,4 g	M 6 X 12	ISO4017
	60	000125006431	WASHER	2	PC	0,8 g	A 6,4	DIN125
	80	304032006011	HEX NUT	1	PC	2,2 g	M 6	ISO4032



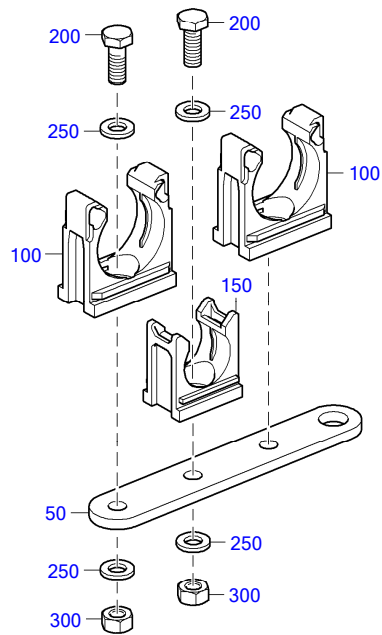
50801541

☐	POS.	PART NO.	DESIGNATION	MODEL/TYPE	QTY.	UNITS	WEIGHT	MEASUREMENT	STANDARD
	20	X52650700039	SCREW-ON HOLDER FOR CORRUGATED PIPE		1	PC	9,3 g	HALTER NW26 BOHRLOCH M6	
	40	0015331940	SCREW-ON HOLDER FOR CORRUGATED PIPE	OHNE BUEGEL	1	PC	5,6 g	HALTER NW17 BOHRLOCH M6	
	60	000084005196	SCREW		1	PC	2,6 g	M 5 X 12	DIN84
	80	000125005322	WASHER		2	PC	0,4 g	A 5,3	DIN125
	100	304032005008	HEX NUT		1	PC	1,2 g	M 5	ISO4032



TD0000032350_507

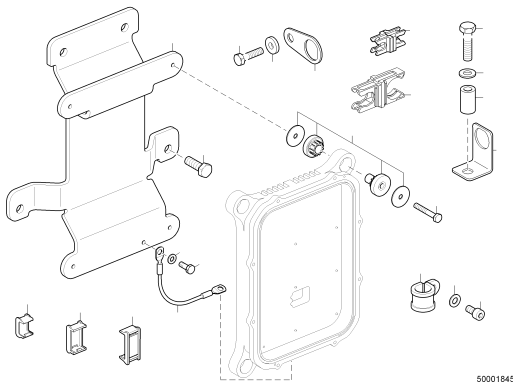
☐	POS.	PART NO.	DESIGNATION	MODEL/TYPE	QTY.	UNITS	WEIGHT	MEASUREMENT	STANDARD
	20	X52650700039	SCREW-ON HOLDER FOR CORRUGATED PIPE		1	PC	9,3 g	HALTER NW26 BOHRLOCH M6	
	40	0015331840	SCREW-ON HOLDER FOR CORRUGATED PIPE	OHNE BUEGEL	1	PC	3,1 g	HALTER NW10 BOHRLOCH M5	
	60	000084005196	SCREW		1	PC	2,6 g	M 5 X 12	DIN84
	80	000125005322	WASHER		1	PC	0,4 g	A 5,3	DIN125
	100	304032005008	HEX NUT		1	PC	1,2 g	M 5	ISO4032



TD0000030396_507

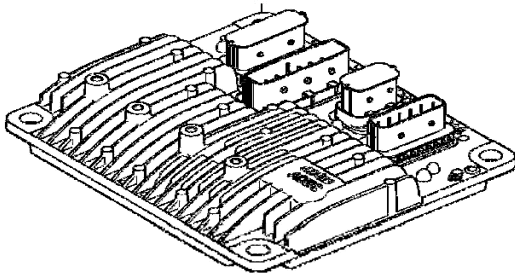
☐	POS.	PART NO.	DESIGNATION	MODEL/TYPE	QTY.	UNITS	WEIGHT	MEASUREMENT	STANDARD
	50	5241531340	BRACKET H:11		1	PC	65,1 g	H011	
	100	X52650700039	SCREW-ON HOLDER FOR CORRUGATED PIPE		2	PC	9,3 g	HALTER NW26 BOHRLOCH M6	
	150	0015331940	SCREW-ON HOLDER FOR CORRUGATED PIPE	OHNE BUEGEL	1	PC	5,6 g	HALTER NW17 BOHRLOCH M6	
	200	00000003387	HEX SCREW		3	PC	5,1 g	M 6 X 16	ISO4017
	250	000125006431	WASHER		6	PC	0,8 g	A 6,4	DIN125
	300	304032006011	HEX NUT		3	PC	2,2 g	M 6	ISO4032

GROUP SEGMENT (FGS)
GROUP NAME
BOM-No.



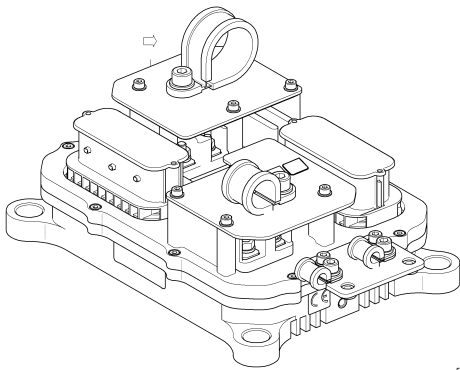
50001545

82
RETAINER FOR EIM
XS595500.00078



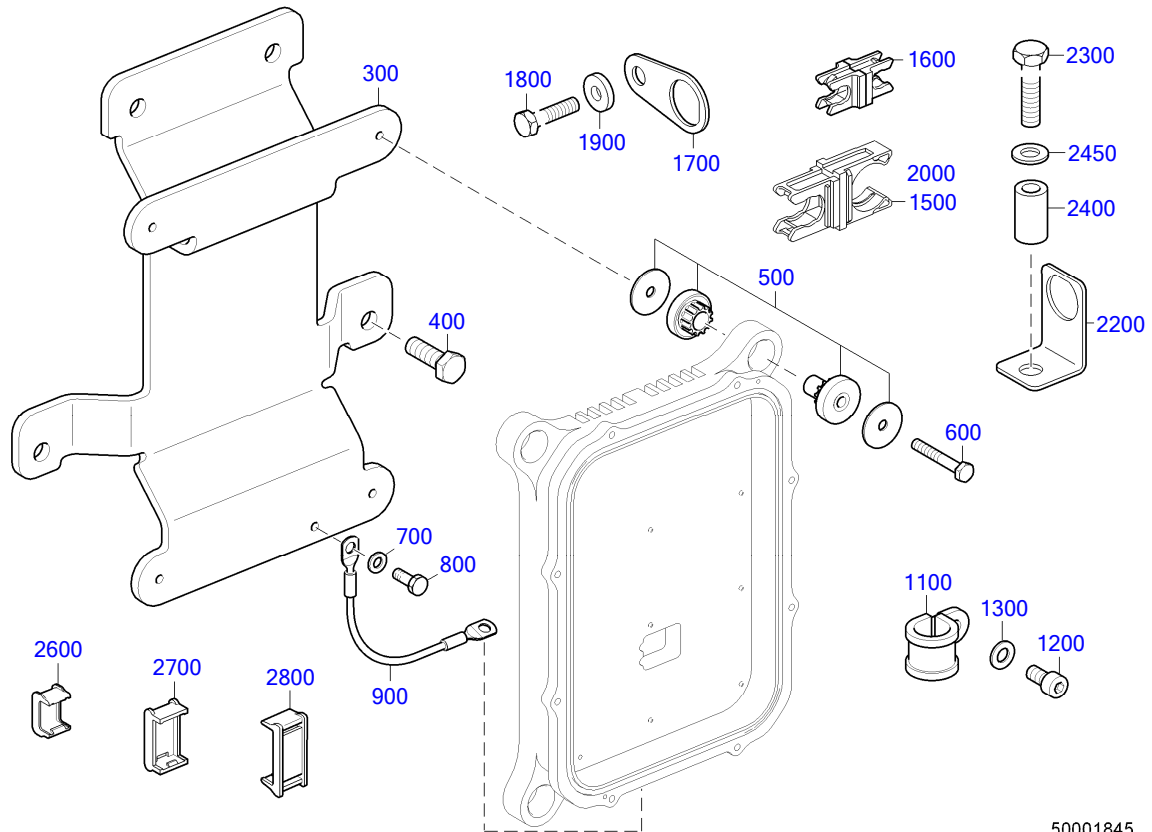
50001596

95
GOVERNOR F/MONTRG SYST + GOV
X00043550



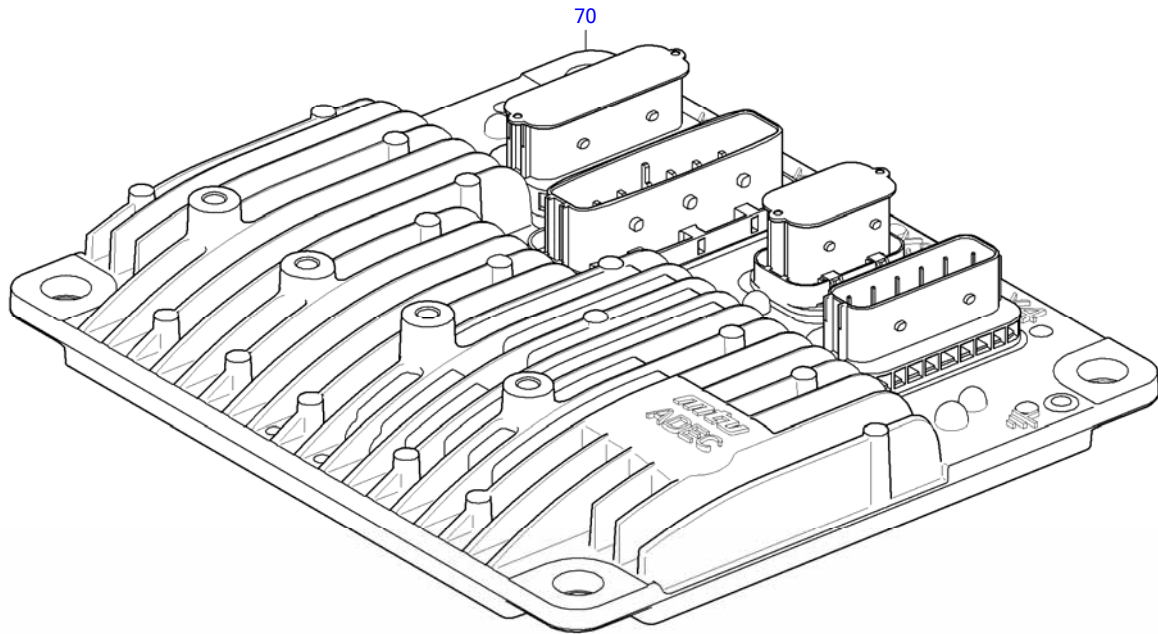
50801621

95
CONTROL UNIT F.ENGINE INTERFACE
XS00E500.02015



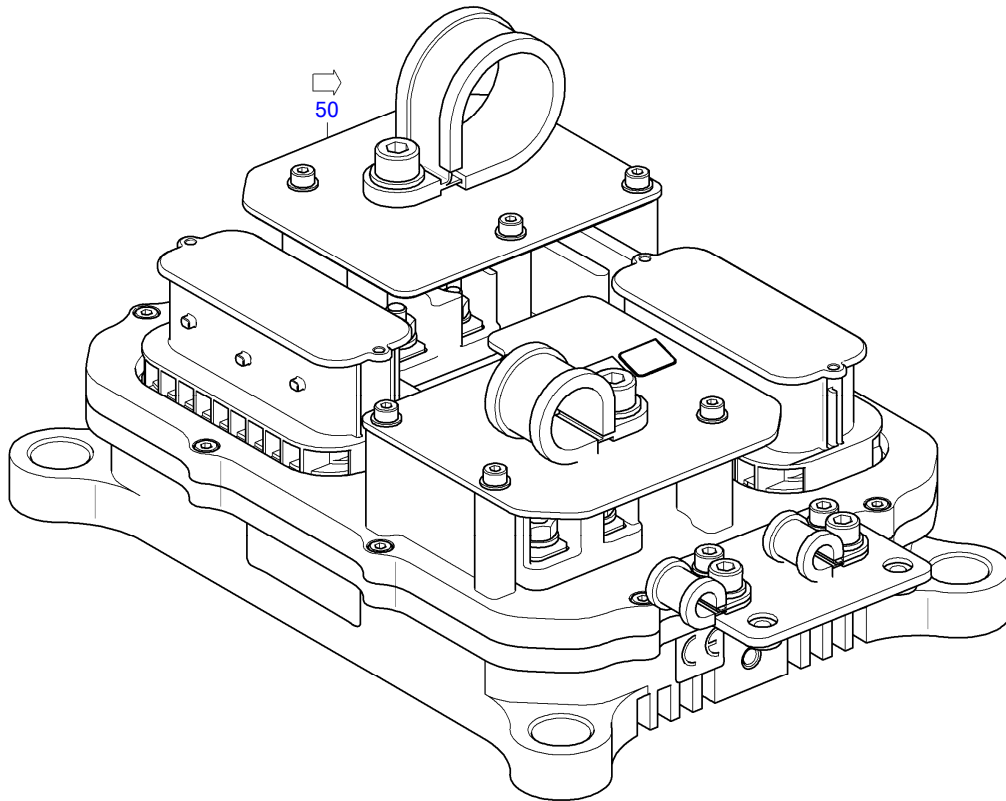
50001845

☐	POS.	PART NO.	DESIGNATION	MODEL/TYPE	QTY.	UNITS	WEIGHT	MEASUREMENT	STANDARD
	300	X52699100360	RETAINER		1	PC	2,7 kg		
	400	000000001464	HEX SCREW		4	PC	24,9 g	M 10 X 30	ISO4017
	500	X57509600008	DAMPER ELEMENT		4	PC	34,1 g	FUER M6 SCHRAUBE	
	600	204017006007	HEX SCREW		4	PC	9,4 g	M 6 X 40	ISO4017
	700	000125006431	WASHER		2	PC	0,8 g	A 6,4	DIN125
	800	304017006058	HEX SCREW		2	PC	4,4 g	M 6 X 12	ISO4017
	900	X00E50201048	GROUND/EARTH LINE		1	PC	18,7 g	2XM6, 6QMM, 250MM, ISOLIERT	
	1100	916016022202	CLAMP		3	PC	27,8 g	BRSGU 22/20	N16016
	1200	304017008081	HEX SCREW		3	PC	13,4 g	M 8 X 25	ISO4017
	1300	000125008427	WASHER		3	PC	1,5 g	A 8,4	DIN125
574	1500	X59550700026	RETAINER F. WIRING HARNESS		1	PC	23 g	BC009	
559	1600	5241503070	RETAINER F. WIRING HARNESS		1	PC	9,6 g	BC007	
	1700	5241534340	BRACKET H:14	4000	1	PC	24 g		
	1800	304017008083	HEX SCREW		1	PC	15,1 g	M 8 X 30	ISO4017
	1900	007349008002	WASHER		1	PC	7,9 g	8,4	DIN7349
574	2000	X59550700026	RETAINER F. WIRING HARNESS		1	PC	23 g	BC009	
	2200	5241534640	BRACKET L H:30 SENSO R E	4000	1	PC	47 g		
	2300	000000004745	HEX SCREW		1	PC	41,8 g	M 10 X 65	ISO4017
	2400	5511531250	SPACER BUSHING		1	PC	41 g		
	2450	000125010524	WASHER		1	PC	3,1 g	A 10,5	DIN125
	2600	0005335043	RETAINING BRACKET FOR CORRUGATED PIPE	NICHT STAPELBAR	2	PC	1,8 g	BUEGEL FUER NW10-HALTER	
	2700	0005334943	RETAINING BRACKET FOR CORRUGATED PIPE	NICHT STAPELBAR	2	PC	2,9 g	BUEGEL FUER NW17-HALTER	
	2800	X52650700040	RETAINING BRACKET FOR CORRUGATED PIPE	NICHT STAPELBAR	2	PC	3,4 g	BUEGEL FUER NW26-HALTER	




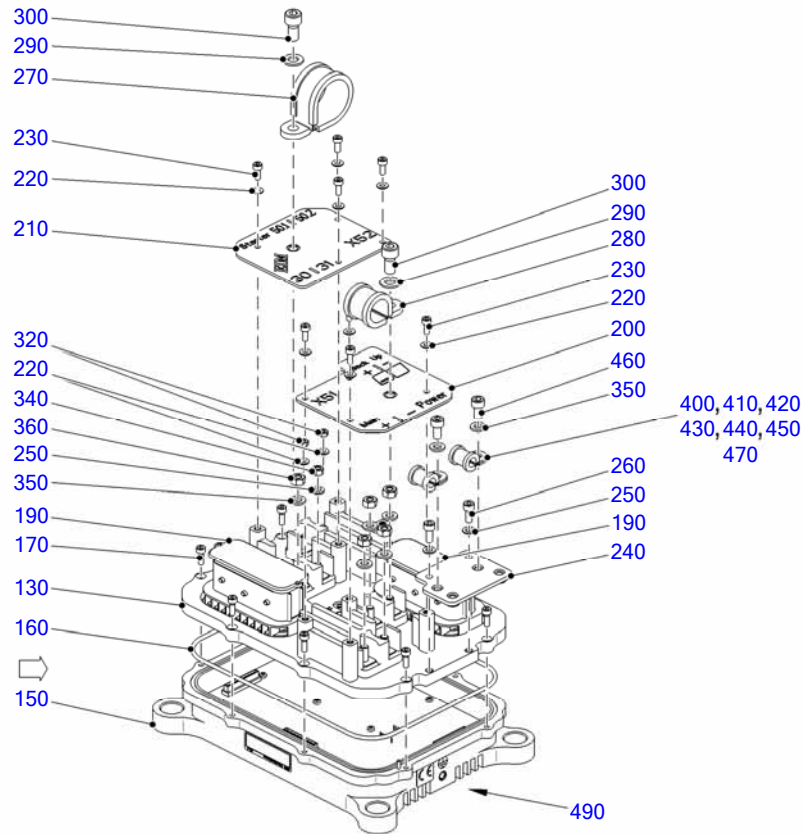
50800198d

☐	POS.	PART NO.	DESIGNATION	MODEL/TYPE	QTY.	UNITS	WEIGHT	FN	MEASUREMENT
	70	X00E50209366	GOVERNOR	ECU7-05/C	1	PC	5,5 kg	EM	ECU7-05/C; 360X314X95 (LXBXH)



50801621

	POS.	PART NO.	DESIGNATION	MODEL/TYPE	QTY.	UNITS	WEIGHT
	50	B00E50201528/S0002	MONITOR WITH SOFTWARE	EIM 2-02	1	PC	3,938 kg



50801802

☐	POS.	PART NO.	DESIGNATION	MODEL/TYPE	QTY.	UNITS	WEIGHT	FN	MEASUREMENT	STANDARD
	130	B00E50201524	PLUG-IN BOARD UPPER PART	EIM 2-01 / CIB 6-02	1	PC	1,35 kg		OBERTEIL	
582	150	B00E50200605/S0001	PLUG-IN BOARD LOWER PART	EIM 2-XX / CIB 5-01	1	PC	1,715 kg		UNTERTEIL	
	160	700429214000	O-RING		1	PC	10,2 g		214 X 3	MMN429
	170	000000002668	SCREW		8	PC	10 g		M 4 X 12	DIN912
	190	X00E50200338	DUST CAP FOR CONNECTOR	STAUBKAPPE MCP 62 POL.	2	PC	2 g		FUER TYCO-MESSERLEISTE 62POL	
	200	X00E50204759	COVER PLATE	EIM 1-01	1	PC	166,7 g	UB	102X103X3 -X51-POWER	
	210	X00E50204758	COVER PLATE	EIM 1-01	1	PC	154,5 g	UB	102X103X3 -X52-STARTER	
	220	200125004301	WASHER		10	PC	0,3 g		A 4,3	DIN125
	230	204762004010	SCREW		8	PC	1,7 g		M 4 X 10	ISO4762
	240	X00E50205850	RETAINER PLATE FOR CABLE	EIM 1-01	1	PC	85,8 g	AB	70X53X3	
	250	200125005300	WASHER		3	PC	0,4 g		A 5,3	DIN125
	260	000912005039	SCREW		2	PC	3,1 g		M 5 X 12	DIN912
	270	916016035201	CLAMP		1	PC	43 g		BRSGU 35/20	N16016
	280	916016020202	CLAMP		1	PC	26,7 g		BRSGU 20/20	N16016
	290	200125008400	WASHER		2	PC	1,5 g		A 8,4	DIN125
	300	204762008007	SCREW		2	PC	11,6 g		M 8 X 16	ISO4762
	320	000000003183	HEX NUT		2	PC	0,8 g		M 4	ISO4032
	340	000000002215	HEX NUT		1	PC	1,2 g		M 5	ISO4032
	350	200125006400	WASHER		7	PC	0,7 g		A 6,4	DIN125
	360	000000002218	HEX NUT		5	PC	2,3 g		M 6	ISO4032
	400	916016008200	CLAMP		2	PC	9,4 g		BRSGU 8/15	N16016
	410	916016010201	CLAMP		1	PC	9,1 g		BRSGU 10/15	N16016

EQUI TYPE: Engine

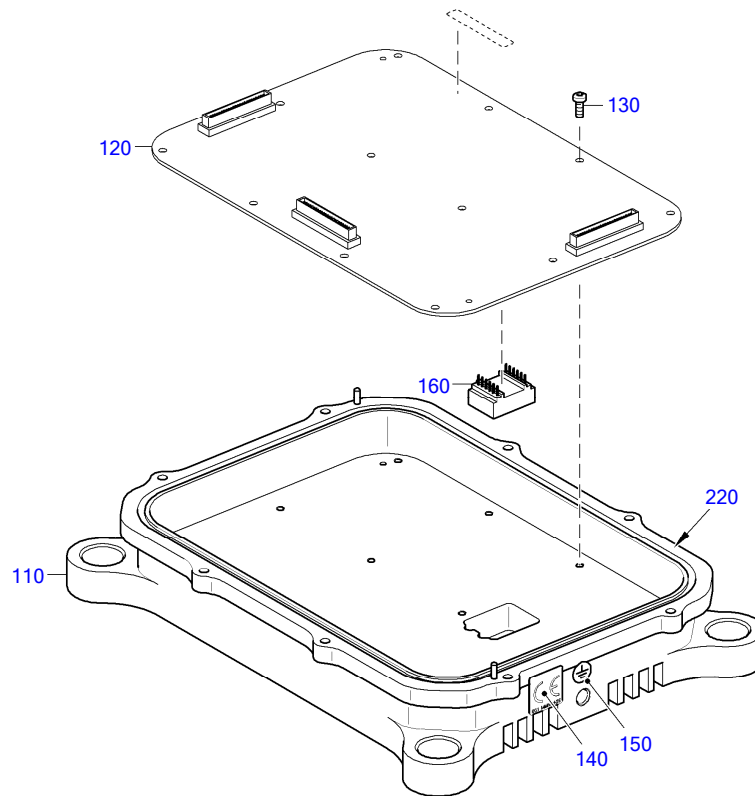
PRODUCT TYPE: 12V4000M93L
MONITOR WITH SOFTWARE

SERIAL NUMBER: 526108554

FG/FGS:

BOM-No.: B00E50201528/S0002

<input type="checkbox"/>	POS.	PART NO.	DESIGNATION	MODEL/TYPE	QTY.	UNITS	WEIGHT	FN	MEASUREMENT	STANDARD
	420	916016012200	CLAMP		1	PC	10 g		BRSGU 12/15	N16016
	430	916016015202	CLAMP		1	PC	13,5 g		BRSGU 15/15	N16016
	440	000000004737	CLAMP		1	PC	15,5 g		BRSGU S 20/15	N16016
	450	000000003931	CLAMP		1	PC	18,7 g		BRSGU S 25/15	MBN16016
	460	204762006004	SCREW		2	PC	5 g		M 6 X 12	ISO4762
	470	0035314381	CABLE CLAMP	KABELBINDER	1	PC	0,6 g		L=150MM, B=3,6MM	
	490	B00E50201528/77	MONITOR WITH SOFTWARE	EIM 2-02	1	PC	4 kg			



50801619

☐	POS.	PART NO.	DESIGNATION	MODEL/TYPE	QTY.	UNITS	WEIGHT	MEASUREMENT	STANDARD
	110	B00E50200604	HOUSING LOWER PART	EIM2-01	1	PC	1,5 kg		
	120	X00E50203628	PLUG-IN BOARD SMD	CIB5-01 ZB SMD	1	PC	156 g	ZB SMD CIB5-01;	
	130	000000003652	TORX SCREW		12	PC	0,7 g	M3 GF X 8	MBN10226
	140	700425000142	PLATE		1	PC	2,2 g	60.1	MMN425
	150	X00E50207411	PLATE FOR GROUND CONNECT.	ERDUNGSSCHILD	1	PC	3 g	13X13	
	160	0005327956	TRANSFORMER	EVD15	1	PC	2 g	LP44UH,UE0-50V, W1=28, W2=19WX=8	
	220	X00009977	2-COMP. SILIC.RUBBER	KARTUSCHE 330 ML	1	PC	700 g	ELASTOSIL SG 500 A/B	

EQUIPMENT TYPE

PRODUCT TYPE
SERIAL NUMBER

Gearbox
GEARBOX
1202166000_000007

FG FG DESIGNATION

- 202 COOLANT CIRCUIT GENERAL, IF APPLICABLE, HT CIRCUIT
- 207 RAW-WATER PUMP WITH CONNECTIONS
- 340 DRIVE, ELECTRIC POWER AND SAFETY SYSTEMS
- 342 DRIVE SYSTEM

GROUP SEGMENT (FGS)

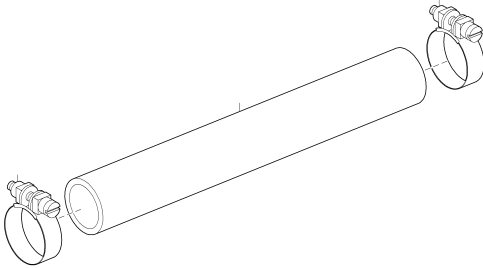
GROUP NAME

BOM-No.

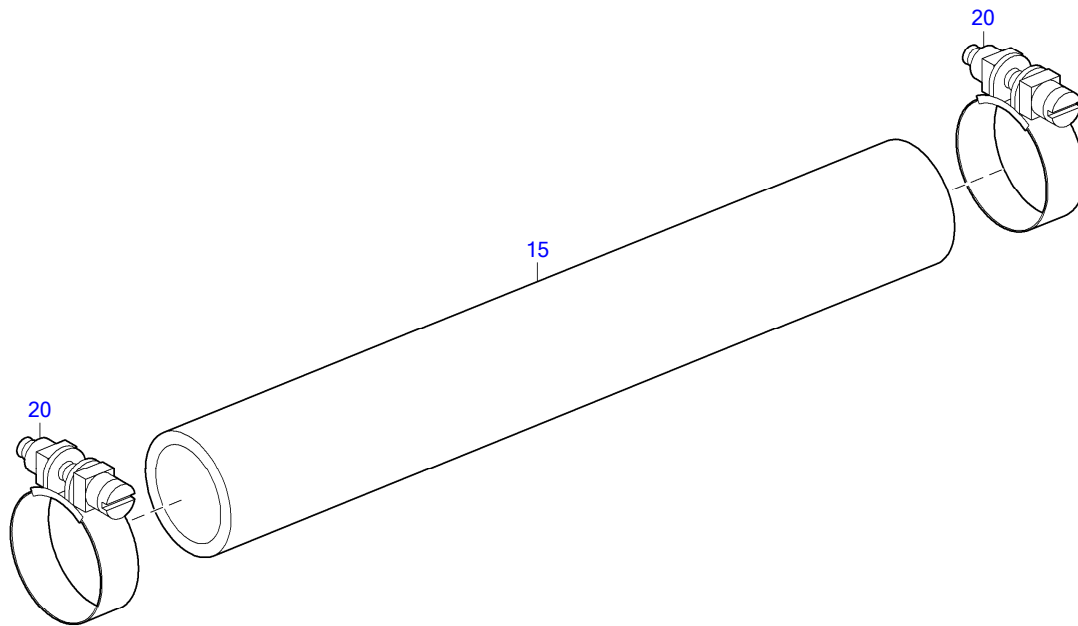
05

RUBBER SLEEVE

200.00040



T00000025716_202



TD0000025716_202

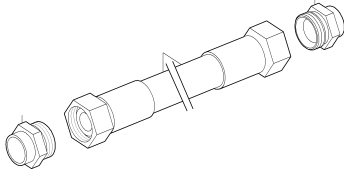
☐	POS.	PART NO.	DESIGNATION	QTY.	UNITS	WEIGHT	MEASUREMENT	STANDARD
	15	700368044001	SLEEVE RUBBER	1	PC	442 g	44,5X 400	MMN368
	20	900288056004	CLAMP	2	PC	69 g	S 56/20X1 SKZ	MBN288A

GROUP SEGMENT (FGS)

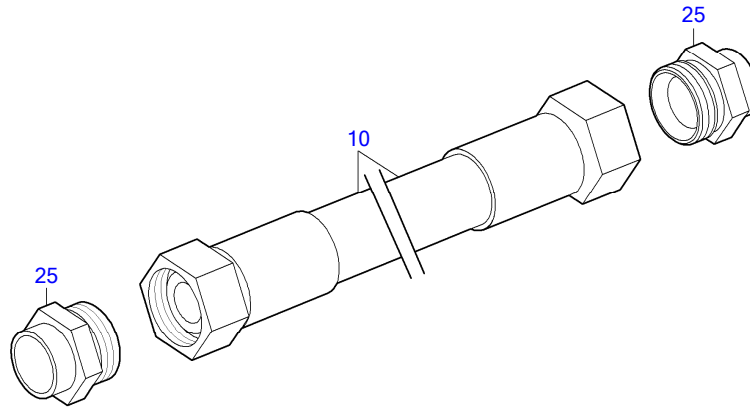
GROUP NAME

BOM-No.

10
HOSE
200.00028



20300726



20300726

☐	POS.	PART NO.	DESIGNATION	QTY.	UNITS	WEIGHT	MEASUREMENT	STANDARD
	10	735038020104	HOSE	1	PC	653,3 g	1SN 19 CC 400	MTN5038
	25	718363220003	UNION	2	PC	69,1 g	22/M 30 X 1,5	MMN18363.2

GROUP SEGMENT (FGS)

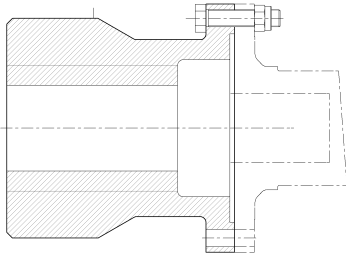
GROUP NAME

BOM-No.

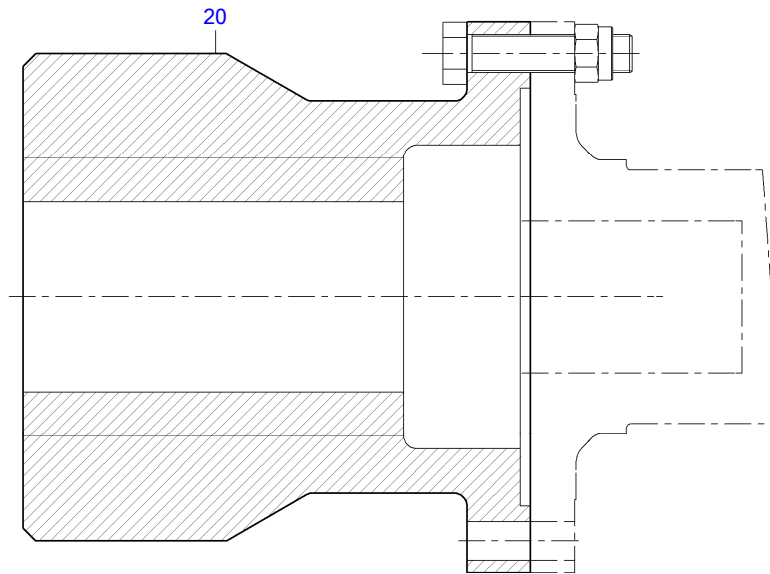
00

PROP SHAFT FLANGE

XS527340.00045



34200287a



34200287a

☐	POS.	PART NO.	DESIGNATION	QTY.	UNITS	WEIGHT
	20	X52634200195	PROP SHAFT FLANGE	1	PC	275 kg

EQUI TYPE: Gearbox

PRODUCT TYPE: GEARBOX
DRIVE SYSTEM

SERIAL NUMBER: 1202166000_000007
FG/FGS: 342

GROUP SEGMENT (FGS)

GROUP NAME

BOM-No.

10

MARINE GEARBOX

XS594340.00223


EQUI TYPE: Gearbox

PRODUCT TYPE: GEARBOX
MARINE GEARBOX

SERIAL NUMBER: 1202166000_000007

FG/FGS: 342 10

BOM-No.: XS594340.00223

	POS.	PART NO.	DESIGNATION	QTY.	UNITS
593	100	X59434200188	MARINE GEARBOX	1	PC


EQUI TYPE: Gearbox

PRODUCT TYPE: GEARBOX
MARINE GEARBOX

SERIAL NUMBER: 1202166000_000007

FG/FGS:

BOM-No.: X59434200188

	POS.	PART NO.	DESIGNATION	MODEL/TYPE	QTY.	UNITS	WEIGHT	MEASUREMENT	STANDARD
594	10	X59434200186	MARINE GEARBOX	ZF7640 I=3,4400	1	PC	1382 kg	ZF7640 I=3,4400	
	50	915007025002	CONNECTOR 25/20		1	PC	143 g	25 / 20	MBN15007
	60	915005020001	CONE SEALING		1	PC	15,1 g	22	MBN15005
	70	915001020003	NUT		1	PC	46,9 g	20 M 30 X 1,5	N15001
	80	007603038101	COPPER SEALING RING		1	PC	5,4 g	A 38 X 44	DIN7603


EQUI TYPE: Gearbox

PRODUCT TYPE: GEARBOX
MARINE GEARBOX

SERIAL NUMBER: 1202166000_000007

FG/FGS:

BOM-No.: X59434200186

	POS.	PART NO.	DESIGNATION	MODEL/TYPE	QTY.	UNITS	WEIGHT	MEASUREMENT
	10	X52734200076	MARINE GEARBOX	ZF7640	1	PC		l=3,44
	20	0002800091	GEARBOX CONTROL ELECTRIC		1	PC	3,4 kg	
	30	X59534200321	DRIVE FLANGE	ZF7600	1	PC	31 kg	
	40	X52734200049	GEARBOX MONITOR SYST		1	PC	10 kg	ZF 7600 NR2
	50	0002802681	RIGID MOUNTING	ZF BR 7000	1	PC	32 kg	STARR F. FST.G

EQUIPMENT TYPE

PRODUCT TYPE
SERIAL NUMBER

Gearbox
GEARBOX
1202166000_000008

FG FG DESIGNATION

- 202 COOLANT CIRCUIT GENERAL, IF APPLICABLE, HT CIRCUIT
- 207 RAW-WATER PUMP WITH CONNECTIONS
- 340 DRIVE, ELECTRIC POWER AND SAFETY SYSTEMS
- 342 DRIVE SYSTEM

GROUP SEGMENT (FGS)

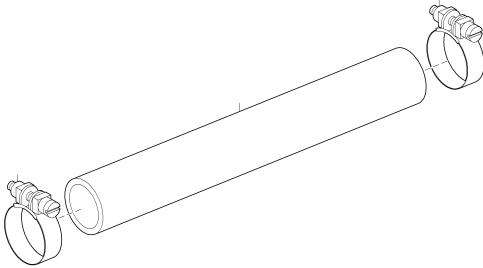
GROUP NAME

BOM-No.

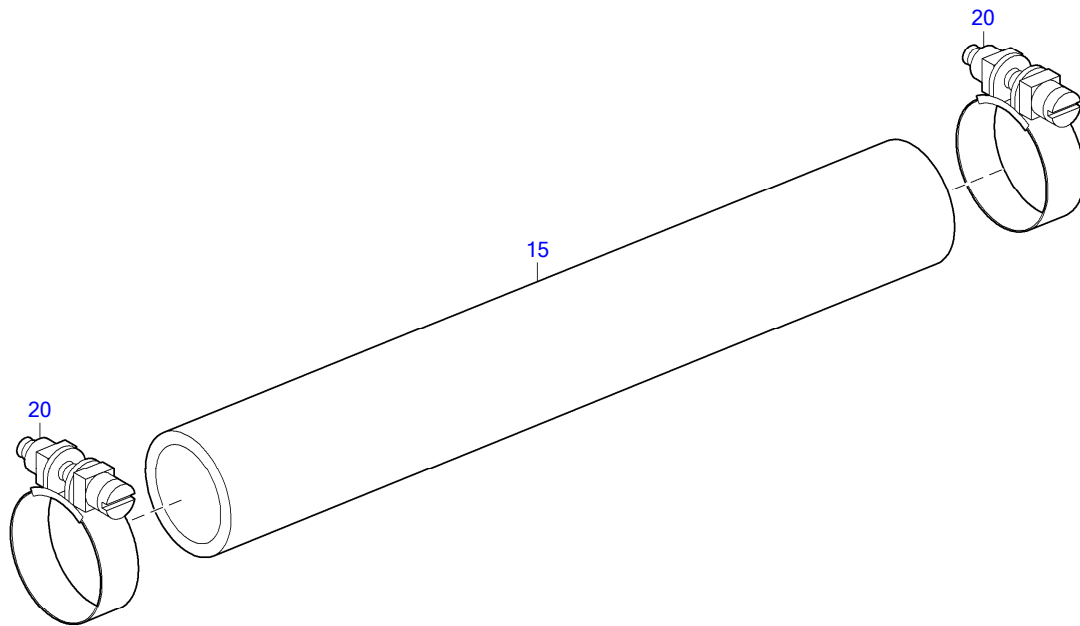
05

RUBBER SLEEVE

200.00040



T00000025716_202



TD0000025716_202

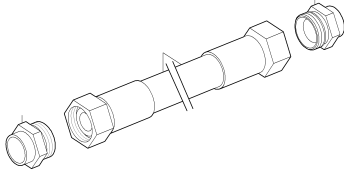
☐	POS.	PART NO.	DESIGNATION	QTY.	UNITS	WEIGHT	MEASUREMENT	STANDARD
	15	700368044001	SLEEVE RUBBER	1	PC	442 g	44,5X 400	MMN368
	20	900288056004	CLAMP	2	PC	69 g	S 56/20X1 SKZ	MBN288A

GROUP SEGMENT (FGS)

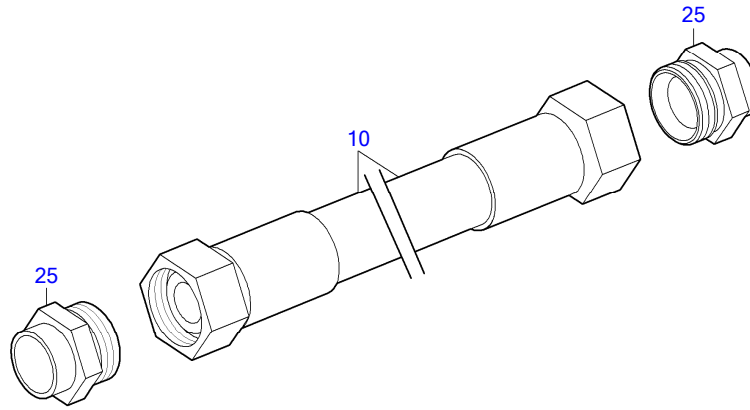
GROUP NAME

BOM-No.

10
HOSE
200.00028



20300726



20300726

☐	POS.	PART NO.	DESIGNATION	QTY.	UNITS	WEIGHT	MEASUREMENT	STANDARD
	10	735038020104	HOSE	1	PC	653,3 g	1SN 19 CC 400	MTN5038
	25	718363220003	UNION	2	PC	69,1 g	22/M 30 X 1,5	MMN18363.2

GROUP SEGMENT (FGS)

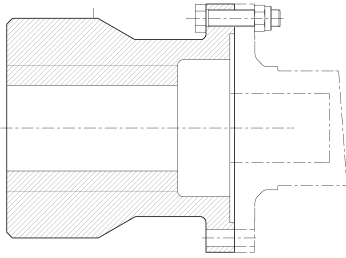
GROUP NAME

BOM-No.

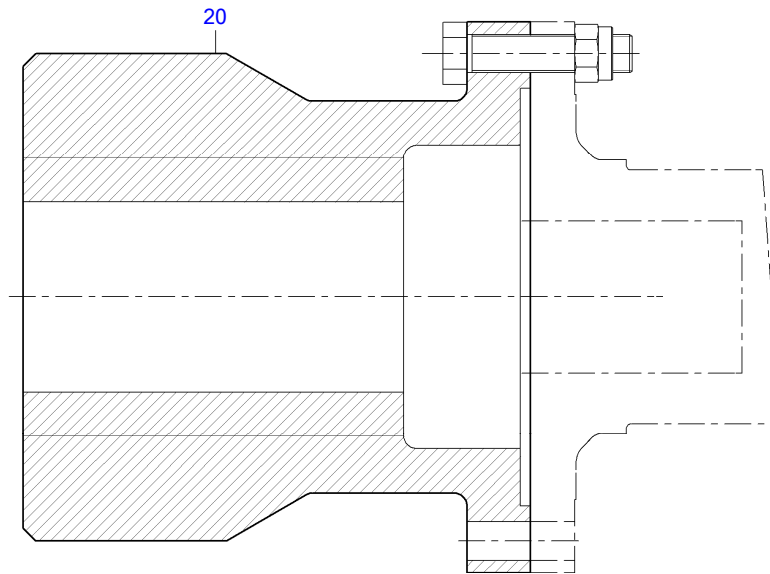
00

PROP SHAFT FLANGE

XS527340.00045



34200287a



34200287a

☐	POS.	PART NO.	DESIGNATION	QTY.	UNITS	WEIGHT
	20	X52634200195	PROP SHAFT FLANGE	1	PC	275 kg

EQUI TYPE: Gearbox

PRODUCT TYPE: GEARBOX
DRIVE SYSTEM

SERIAL NUMBER: 1202166000_000008
FG/FGS: 342

GROUP SEGMENT (FGS)

GROUP NAME

BOM-No.

10

MARINE GEARBOX

XS594340.00223


EQUI TYPE: Gearbox

PRODUCT TYPE: GEARBOX
MARINE GEARBOX

SERIAL NUMBER: 1202166000_000008

FG/FGS: 342 10

BOM-No.: XS594340.00223

	POS.	PART NO.	DESIGNATION	QTY.	UNITS
605	100	X59434200188	MARINE GEARBOX	1	PC


EQUI TYPE: Gearbox

PRODUCT TYPE: GEARBOX
MARINE GEARBOX

SERIAL NUMBER: 1202166000_000008

FG/FGS:

BOM-No.: X59434200188

	POS.	PART NO.	DESIGNATION	MODEL/TYPE	QTY.	UNITS	WEIGHT	MEASUREMENT	STANDARD
606	10	X59434200186	MARINE GEARBOX	ZF7640 I=3,4400	1	PC	1382 kg	ZF7640 I=3,4400	
	50	915007025002	CONNECTOR 25/20		1	PC	143 g	25 / 20	MBN15007
	60	915005020001	CONE SEALING		1	PC	15,1 g	22	MBN15005
	70	915001020003	NUT		1	PC	46,9 g	20 M 30 X 1,5	N15001
	80	007603038101	COPPER SEALING RING		1	PC	5,4 g	A 38 X 44	DIN7603


EQUI TYPE: Gearbox

PRODUCT TYPE: GEARBOX
MARINE GEARBOX

SERIAL NUMBER: 1202166000_000008

FG/FGS:

BOM-No.: X59434200186

	POS.	PART NO.	DESIGNATION	MODEL/TYPE	QTY.	UNITS	WEIGHT	MEASUREMENT
	10	X52734200076	MARINE GEARBOX	ZF7640	1	PC		l=3,44
	20	0002800091	GEARBOX CONTROL ELECTRIC		1	PC	3,4 kg	
	30	X59534200321	DRIVE FLANGE	ZF7600	1	PC	31 kg	
	40	X52734200049	GEARBOX MONITOR SYST		1	PC	10 kg	ZF 7600 NR2
	50	0002802681	RIGID MOUNTING	ZF BR 7000	1	PC	32 kg	STARR F. FST.G

FG FG DESIGNATION

507 GENERAL WIRING, FOR ENGINE / GEARBOX / PLANT

508 ACCESSORIES F. ENGINE GOVERNOR (ELECTRONIC) / CONTROL SYSTEM

511 ALARM SYSTEM

517 EMERGENCY INSTRUMENTATION (CONTROL CONSOLE)

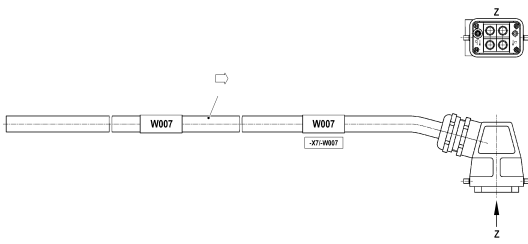
526 REMOTE CONTROL

GROUP SEGMENT (FGS)

GROUP NAME

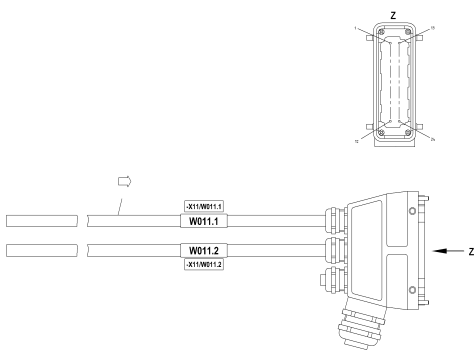
BOM-No.

98
CONNECTING CABLE FOR CONTROL PANEL
X00034326



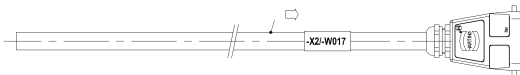
TD000002853_507

98
CONNECTING CABLE FOR CONTROL PANEL
X00034333



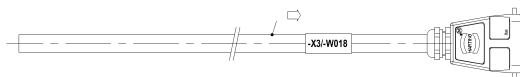
TD0000027604_507

98
CONNECTING CABLE FOR CONTROL UNIT
X00036130



51101790a

98
CONNECTING CABLE FOR CONTROL UNIT
X00036131

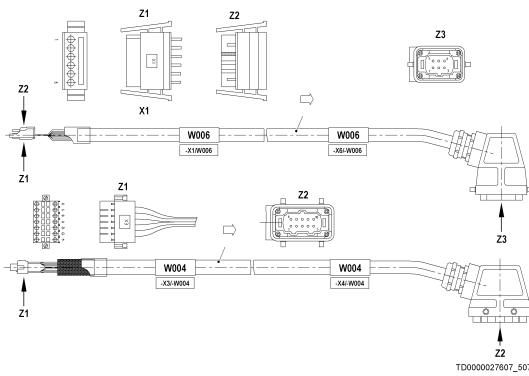


51101790a

GROUP SEGMENT (FGS)

GROUP NAME

BOM-No.

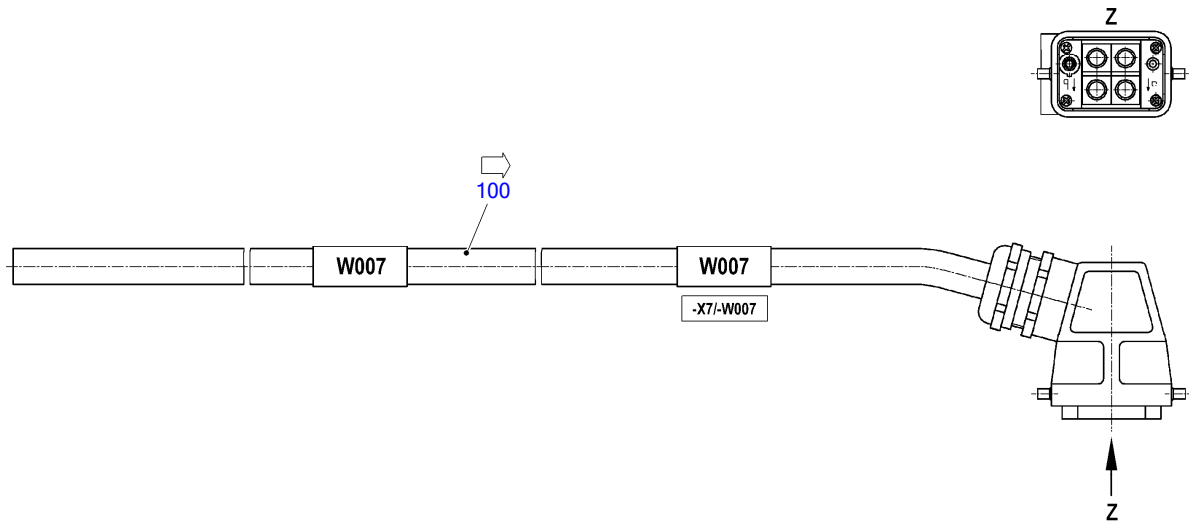


98
CONNECTING CABLE FOR MONITOR SYSTEM
X00045257



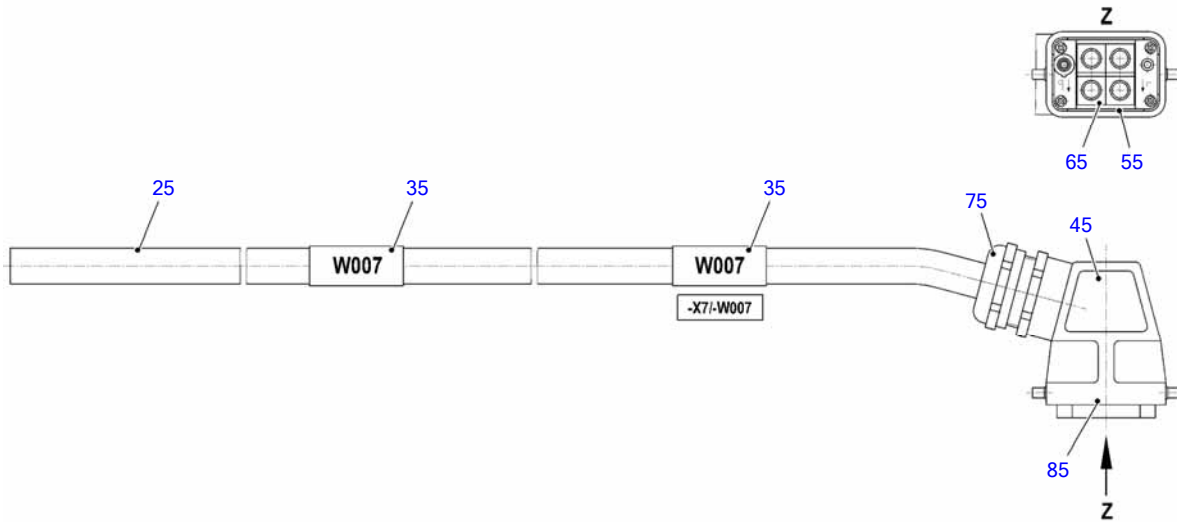
98
CONNECTING CABLE FOR CONTROL UNIT
XS00E510.00686

16301490



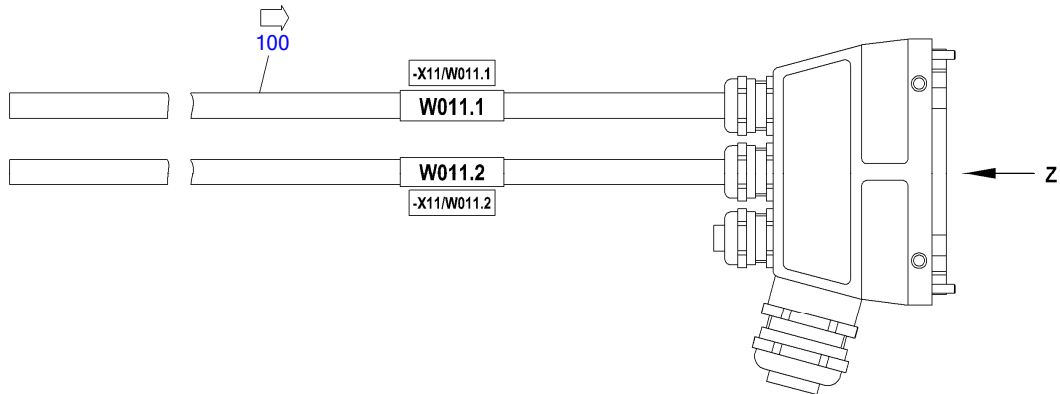
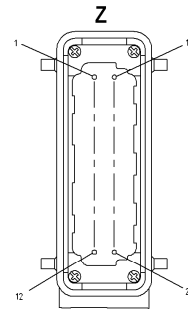
TD0000028353_507

☐	POS.	PART NO.	DESIGNATION	MODEL/TYPE	QTY.	UNITS	WEIGHT	MEASUREMENT
610	100	5275303237	CONNECTING CABLE FOR ECS	-W007 / 10M	1	PC	4,203 kg	L=10M



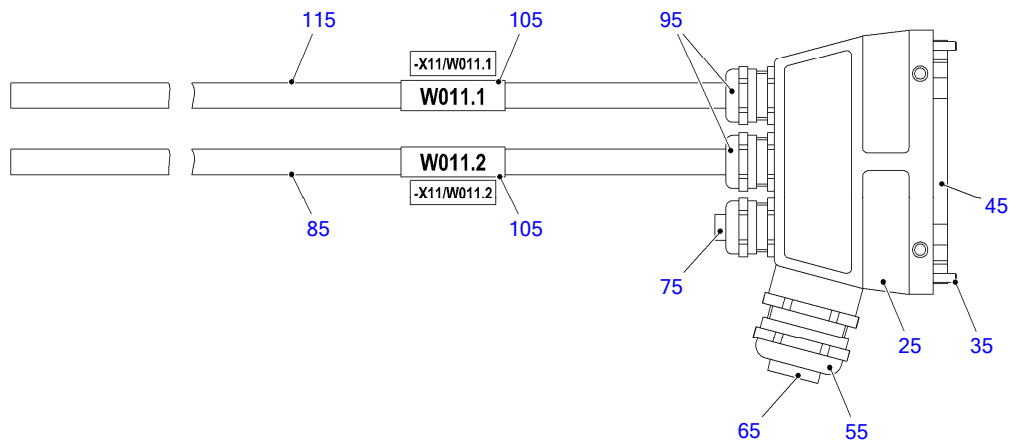
TD0000027606_507

☐	POS.	PART NO.	DESIGNATION	MODEL/TYPE	QTY.	UNITS	WEIGHT	FN	MEASUREMENT
	25	0095319980	CABLE	4X6,0	10,000	M	500 g	AB	4X6,0QMM
	35	0035337089	IDENTIFICATION PLATE	ELAT	2	PC	1,4 g		47X135MM, BEDRUCKBAR 47X25MM
	45	0175311283	HOUSING	HAN/GR. 6	1	PC	115,5 g		GR.6 EMV M32 SEITLICH
	55	0175310183	FRAME	HAN MOD	1	PC	6 g		F. 2 MODULE OBERTEIL
	65	0165319983	SOCKET INSERT	HAN MOD	2	PC	3 g		2-P. 40A
	75	0005314176	CABLE ENTRY	HSK-M-EMV_M32	1	PC	105,4 g		M32X1.5, IP68,
	85	0001591783	SHRINKABLE HOSE	9/3 - TRANSPARENT	0,500	M	10 g		9/3MM



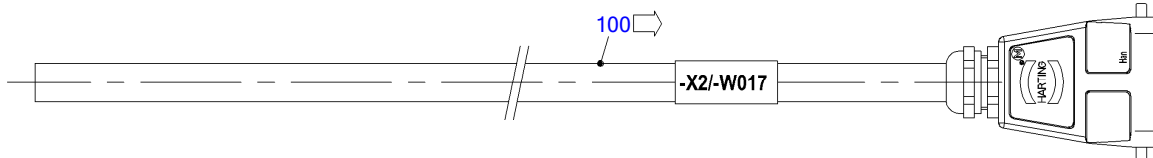
TD0000027604_507

☐	POS.	PART NO.	DESIGNATION	MODEL/TYPE	QTY.	UNITS	WEIGHT	MEASUREMENT
612	100	5275308237	CONNECTING CABLE FOR ECS	-W011.1 + -W011.2 / 10M	1	PC	2,287 kg	L=10M



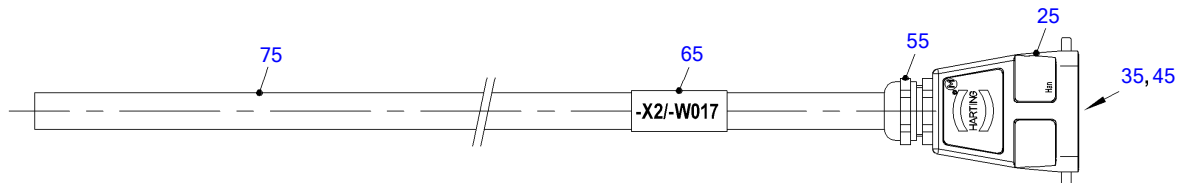
TD0000027605_507

☐	POS.	PART NO.	DESIGNATION	MODEL/TYPE	QTY.	UNITS	WEIGHT	FN	MEASUREMENT
	25	0175311683	BAYONET COUPLING	HAN/GR. 24	1	PC	3 g		GR.24 EMV M25 SEITLICH
	35	0125312283	GUIDE BUSHING	HAN40D	4	PC	2,7 g		FUEHRUNGSBUCHSE
	45	0155312483	MALE CONNECTOR	HAN ES/24 POL.	1	PC	107 g		24-POL. PIN+PE, 16A
	55	0005313076	CABLE ENTRY	HSK-M-EMV_M25	1	PC	50,5 g		HSK-M-EMV, METRISCH, M25X1,5,
	65	0005334576	CABLE ENTRY	HSK-V PG21/M25	1	PC	0,003 kg		BLINDSTOPFEN PG21, M25
	75	0005334676	CABLE ENTRY	HSK-V PG13,5	1	PC	0,012 kg		STOPFEN-PG13,5-M20
	85	0105311680	CABLE		10,200	M	85,4 g	AB	
	95	0005312976	CABLE ENTRY	HSK-M-EMV_M20	3	PC	31 g		HSK-M-EMV, METRISCH, M20X1,5,
	105	0035337089	IDENTIFICATION PLATE	ELAT	4	PC	1,4 g		47X135MM, BEDRUCKBAR 47X25MM
	115	0105311680	CABLE		10,200	M	85,4 g	AB	



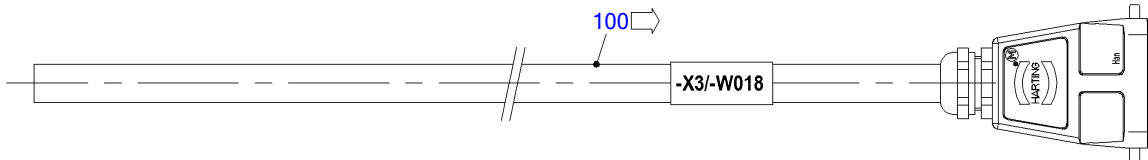
51101789a

☐	POS.	PART NO.	DESIGNATION	MODEL/TYPE	QTY.	UNITS	WEIGHT	MEASUREMENT
614	100	5105303634	CONNECTING CABLE FOR MONITOR SYSTEM	-W017 / 10M	1	PC	2,467 kg	L:10M



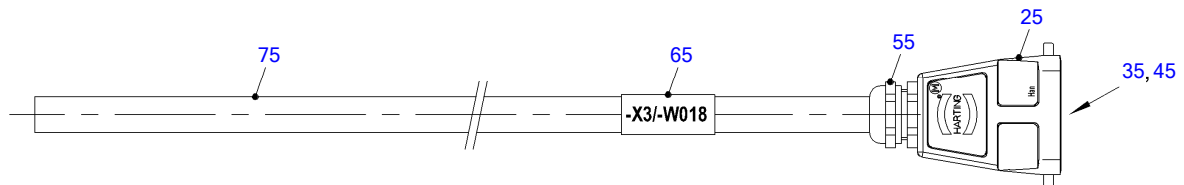
51101789a

☐	POS.	PART NO.	DESIGNATION	MODEL/TYPE	QTY.	UNITS	WEIGHT	FN	MEASUREMENT
	25	0175311083	HOUSING	HAN/GR. 6	1	PC	6 g		GR.6 EMV M25 GERADE
	35	0005319884	BUSHING	HAN E	1	PC	37 g		BAUREIHE HAN E
	45	0015310084	CONTACT SLEEVE	HAN E, 16A	4	PC	2 g		2,5QMM, BUCHSE, VERSILBERT
	55	0005316176	CABLE ENTRY	HSK-M-EMV_M25	1	PC	52 g		HSK-M-EMV, METRISCH, M25X1,5,
	65	0035337089	IDENTIFICATION PLATE	ELAT	1	PC	1,4 g		47X135MM, BEDRUCKBAR 47X25MM
	75	0105313780	CABLE	5G2,5	10,300	M	237 g	AB	5G2,5QMM



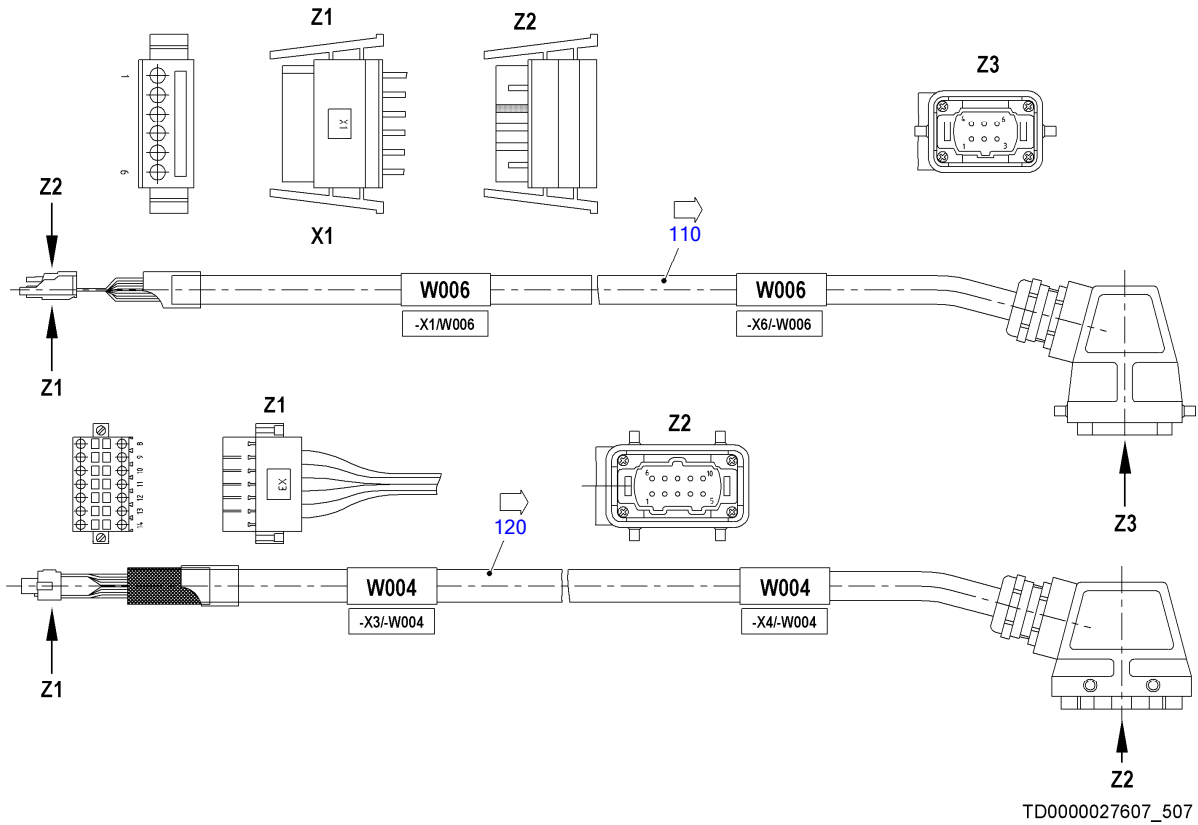
51101790a

☐➔	POS.	PART NO.	DESIGNATION	MODEL/TYPE	QTY.	UNITS	WEIGHT	MEASUREMENT
616	100	5105303734	CABLE FOR ECS	-W018 / 10M	1	PC	2,8 kg	L

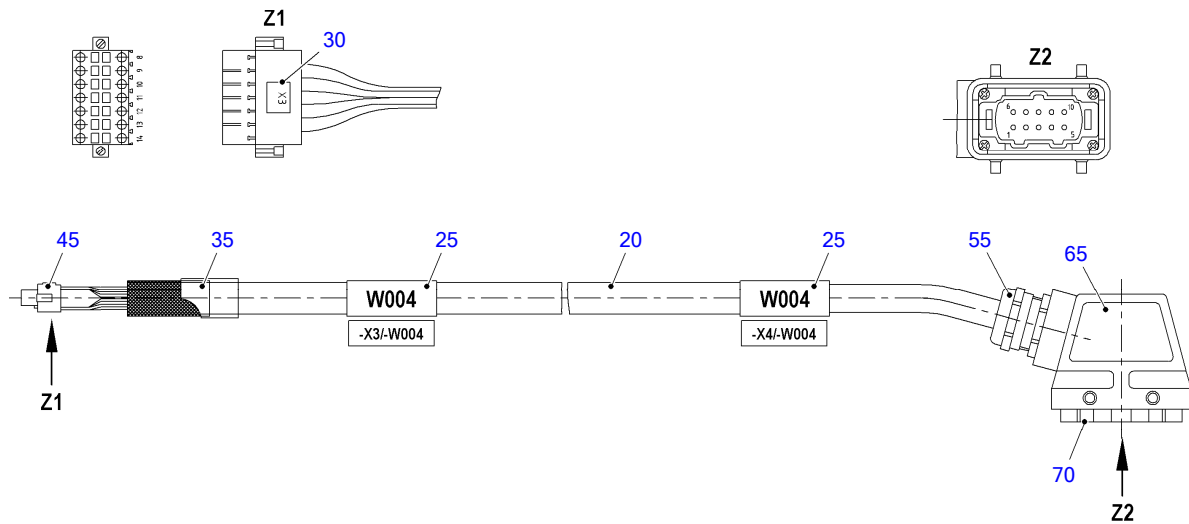


51101790a

☐	POS.	PART NO.	DESIGNATION	MODEL/TYPE	QTY.	UNITS	WEIGHT	FN	MEASUREMENT
	25	0175311083	HOUSING	HAN/GR. 6	1	PC	6 g		GR.6 EMV M25 GERADE
	35	0085315383	PIN INSERT	HAN E	1	PC	37 g	AB	BAUREIHE HAN E
	45	0085315583	CONTACT PIN	HAN E, 16A	4	PC	2 g	AB	2,5QMM, STIFT, VERSILBERT
	55	0005316176	CABLE ENTRY	HSK-M-EMV_M25	1	PC	52 g		HSK-M-EMV, METRISCH, M25X1,5,
	65	0035337089	IDENTIFICATION PLATE	ELAT	1	PC	1,4 g		47X135MM, BEDRUCKBAR 47X25MM
	75	0105313780	CABLE	5G2,5	10,300	M	237 g	AB	5G2,5QMM

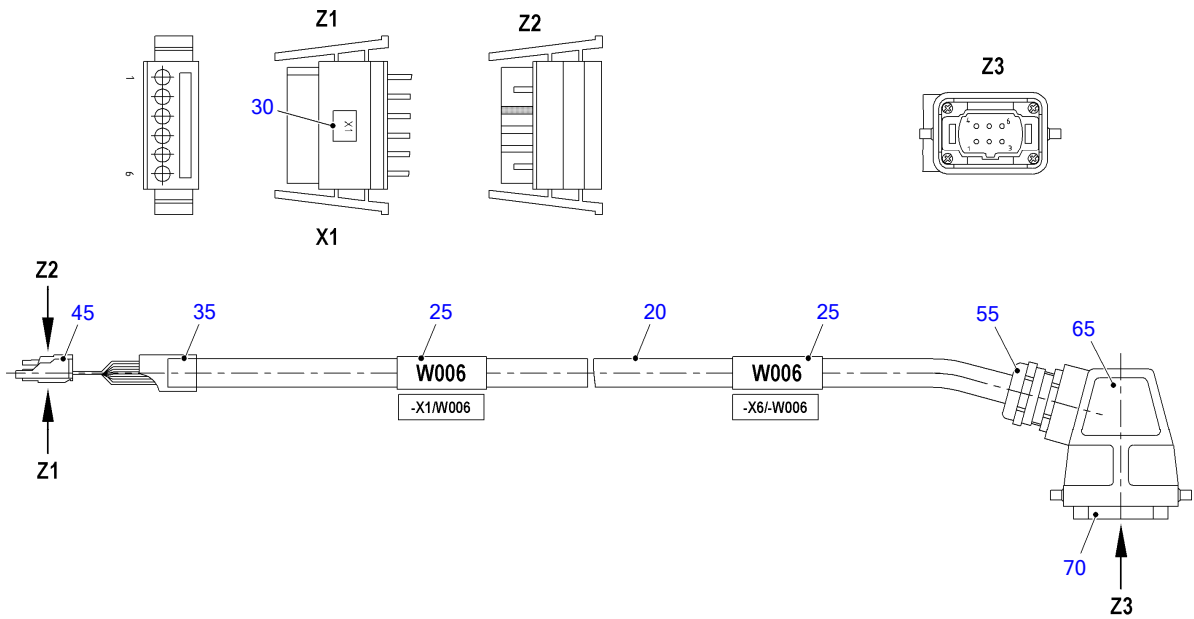


☐	POS.	PART NO.	DESIGNATION	MODEL/TYPE	QTY.	UNITS	WEIGHT	MEASUREMENT
	618	110	5285304233	CONNECTING CABLE FOR MONITOR SYSTEM	-W004 / 30M	1	PC	7,881 kg L=30M
	619	120	5285305333	CONNECTING CABLE FOR MONITOR SYSTEM	-W006 / 30M	1	PC	5,138 kg L=30M



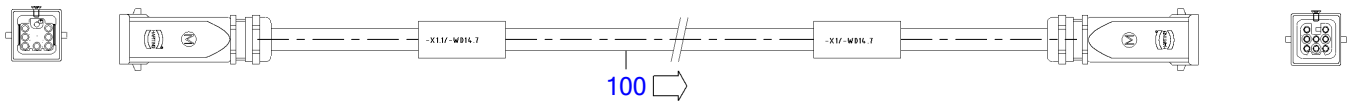
TD0000027608_507

☐	POS.	PART NO.	DESIGNATION	MODEL/TYPE	QTY.	UNITS	WEIGHT	MEASUREMENT
	20	0095316280	CABLE	7X2X0,75	30,000	M	260 g	7X2X0,75MM
	25	0035337089	IDENTIFICATION PLATE	ELAT	2	PC	1,4 g	47X135MM, BEDRUCKBAR 47X25MM
	30	0025330990	PLATE	3M7871EC	1	PC	1 g	6,35X19,05 (AUF ROLLE)
	35	0015317082	SHRINKABLE HOSE	SSCHL. 18/6-0 SW	0,060	M	17,9 g	18/6MM, SCHWARZ
	45	0065314481	SEPARABLE CONNECTOR	B2L3.5 14POL.	1	PC	5 g	32X15,6X20,6, 2X7P. 125V/ 7,5A
	55	0005312976	CABLE ENTRY	HSK-M-EMV_M20	1	PC	31 g	HSK-M-EMV, METRISCH, M20X1,5,
	65	0175318083	BAYONET COUPLING	HAN/GR. 10	1	PC	155 g	GR.10 EMV M20 SEITLICH
	70	0175310683	PIN INSERT	HAN ES/10 POL.	1	PC	3 g	10-P. 16A STIFT



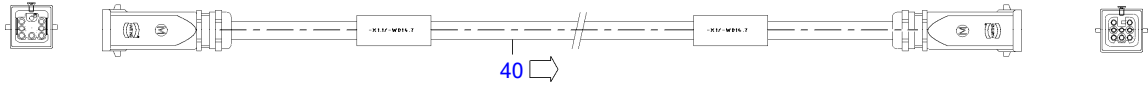
TD0000027609_507

☐	POS.	PART NO.	DESIGNATION	MODEL/TYPE	QTY.	UNITS	WEIGHT	MEASUREMENT
	20	B00E50203857	CABLE	7X1,5	30,000	M	90 g	7G/1,5QMM/D
	25	0035337089	IDENTIFICATION PLATE	ELAT	2	PC	1,4 g	47X135MM, BEDRUCKBAR 47X25MM
	30	0025330990	PLATE	3M7871EC	1	PC	1 g	6,35X19,05 (AUF ROLLE)
	35	0015317082	SHRINKABLE HOSE	SSCHL. 18/6-0 SW	0,060	M	17,9 g	18/6MM, SCHWARZ
	45	0055314081	TERMINAL	6POL.	1	PC	100 g	6-POL.,R=5,08, GERADE, ORANGE
	55	0005313076	CABLE ENTRY	HSK-M-EMV_M25	1	PC	50,5 g	HSK-M-EMV, METRISCH, M25X1,5,
	65	0175311183	HOUSING	HAN/GR. 6	1	PC	120,4 g	GR.6 EMV M25 SEITLICH
	70	0155314683	MALE CONNECTOR	HAN 6ES	1	PC	50,3 g	6-POL.,0.14-2.5QMM



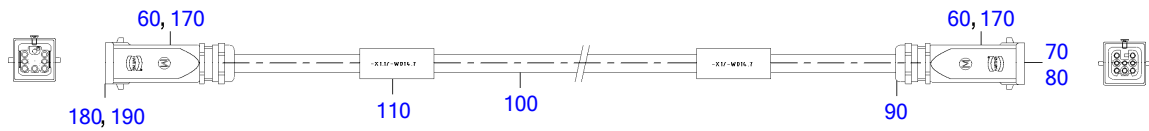
18301490

☐➔	POS.	PART NO.	DESIGNATION	MODEL/TYPE	QTY.	UNITS	WEIGHT	MEASUREMENT
	100	X00E50206538	CONNECTING CABLE FOR MONITOR SYSTEM	-W014.7 / 10M	1	PC	1,919 kg	L=10M



18301491

☐	POS.	PART NO.	DESIGNATION	MODEL/TYPE	QTY.	UNITS	WEIGHT	MEASUREMENT
622	40	B00E50200808	CONNECTING CABLE FOR CONTROL UNIT	-W014.7 / 10M	1	PC	2 kg	L=10M



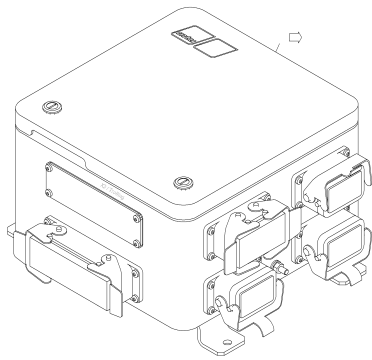
18301492

☐	POS.	PART NO.	DESIGNATION	MODEL/TYPE	QTY.	UNITS	WEIGHT	MEASUREMENT
	60	0185313983	BAYONET COUPLING	HAN 3A	2	PC	40 g	3A / M20 GERADE
	70	0185317883	BAYONET COUPLING	HAN 3A/8 POL.	1	PC	7,2 g	8-POL. 250V/10A BUCHSE CRIMP
	80	0005335683	APPLIANCE CONNECTOR	HAN D, 10A	5	PC	0,6 g	0,75QMM, BUCHSE, VERSILBERT
	90	0005312976	CABLE ENTRY	HSK-M-EMV_M20	2	PC	31 g	HSK-M-EMV, METRISCH, M20X1,5,
	100	0105311780	CABLE	4X2X0,75	10,300	M	187,6 g	4X2X0,75 QMM
	110	0035337089	IDENTIFICATION PLATE	ELAT	2	PC	1,4 g	47X135MM, BEDRUCKBAR 47X25MM
	170	0185314383	COUNTERSUNK HD SCREW	HAN 3A	2	PC	2 g	M3 MIT DICHTRING
	180	X00010656	PIN INSERT	HAN Q7/0	1	PC	13,1 g	STIFTEINS.7+1-POL.400V/10A CRIMP
	190	0165319583	PIN CONTACT	HAN D, 10A	5	PC	5 g	0,75QMM, STIFT, VERSILBERT

GROUP SEGMENT (FGS)

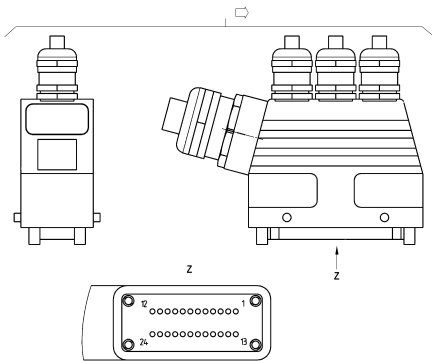
GROUP NAME

BOM-No.



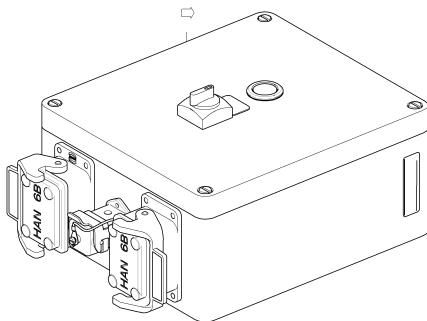
TD0000027950_517

95
CONTROL UNIT FOR GEARBOX MONITOR
X00031970



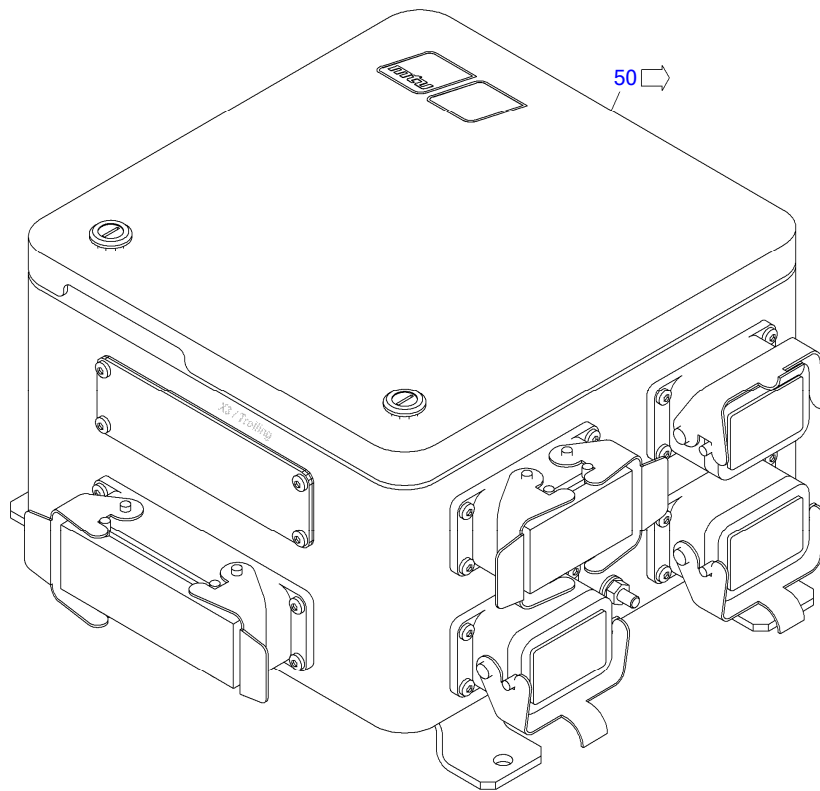
51102413

95
MALE CONNECTOR FOR CONTROL UNIT
X00037648



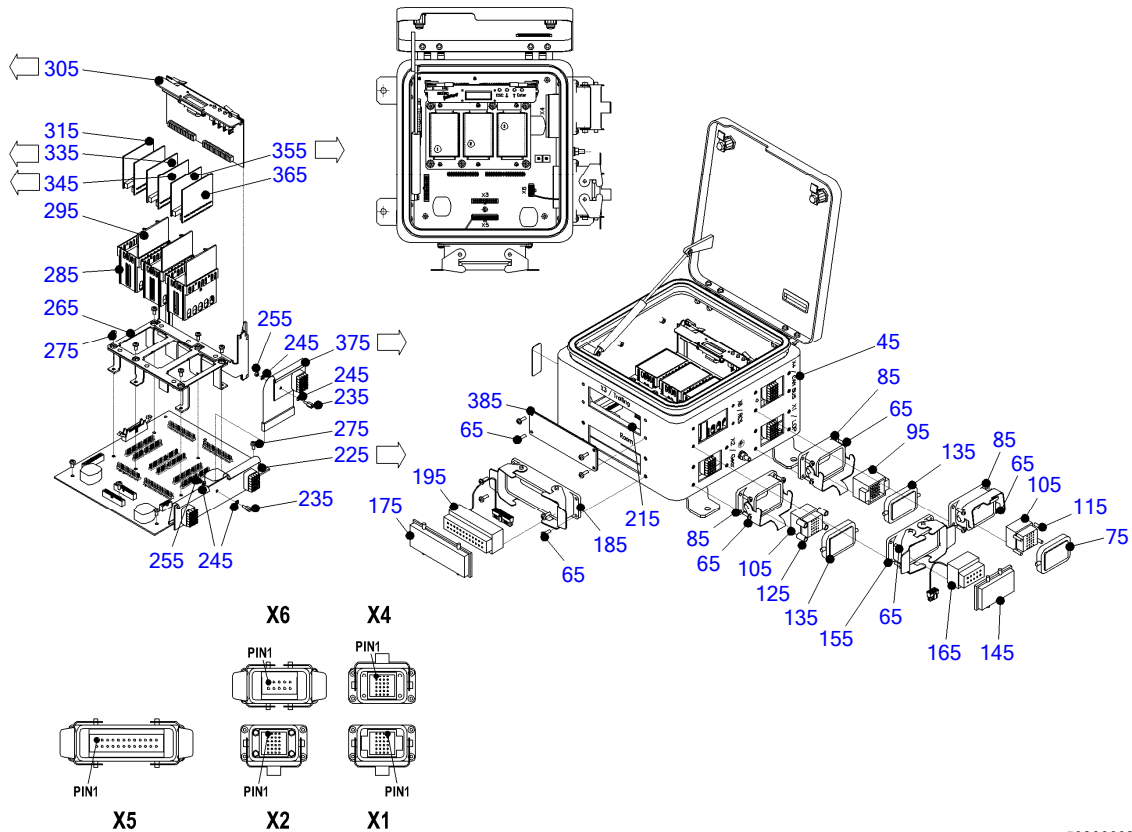
TD0000028234_507

95
CONTROL UNIT FOR OIL PRIMING PUM
XS00E510.00183



TD0000027950_517

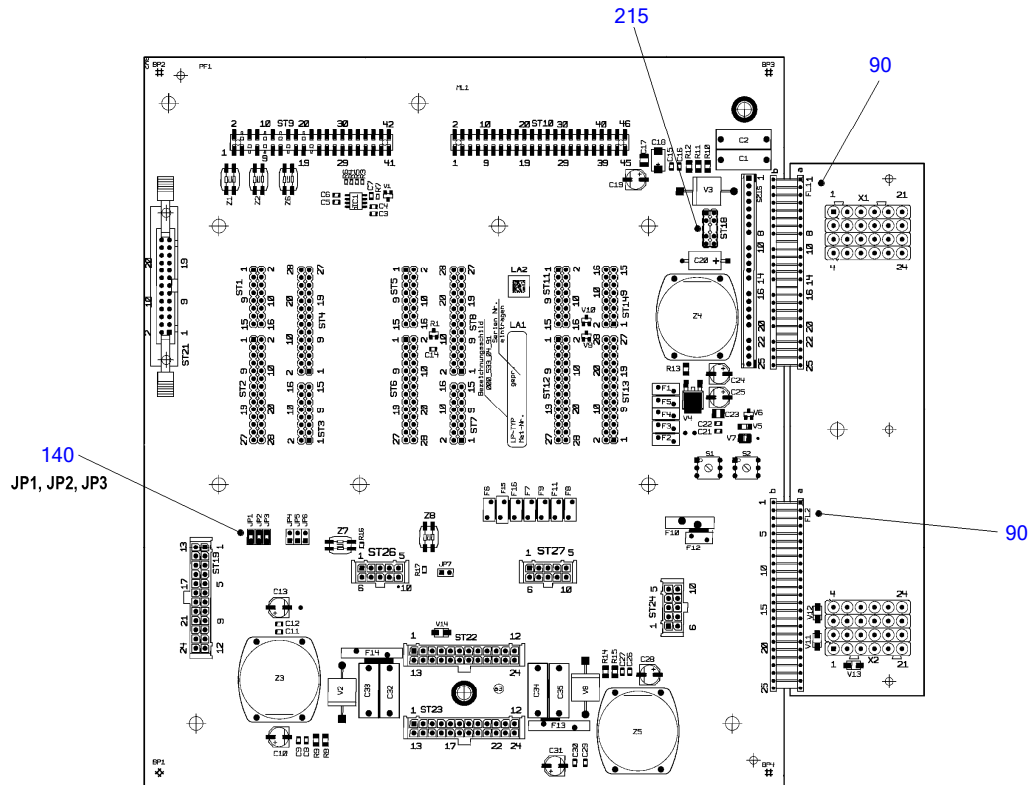
☐	POS.	PART NO.	DESIGNATION	MODEL/TYPE	QTY.	UNITS	WEIGHT	MEASUREMENT
625	50	X00021242	CONTROL UNIT FOR GEARBOX MONITOR	GCU 6-02	1	PC	5,3 kg	250X270X184



5090003b

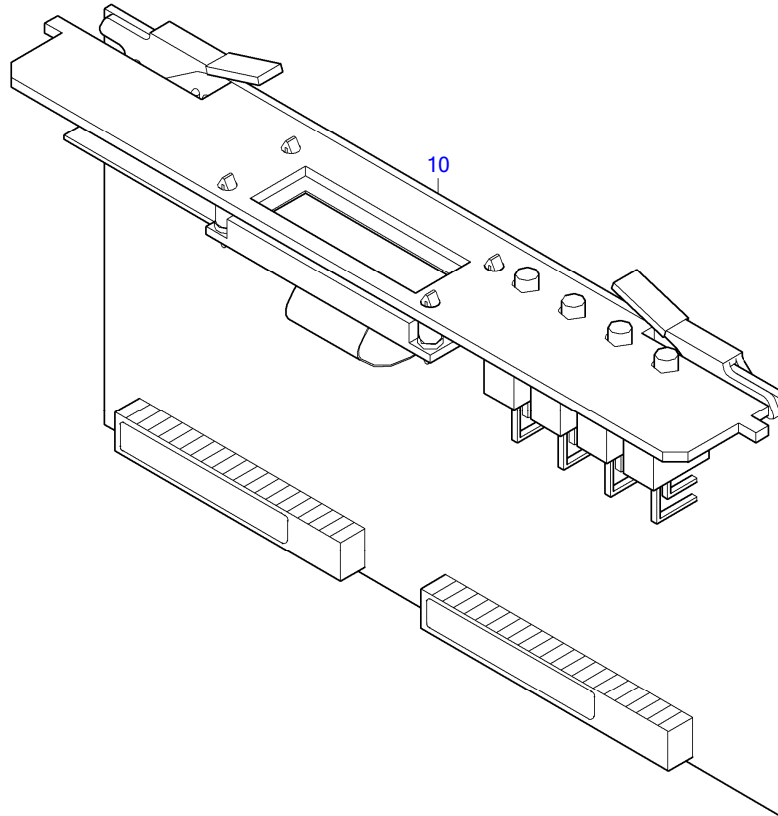
POS.	PART NO.	DESIGNATION	MODEL/TYPE	QTY.	UNITS	WEIGHT	FN	MEASUREMENT	STANDARD
	45	HOUSING FOR GEARBOX MONITOR	GCU 3-01	1	PC	2,862 kg	KE	250X270X184	
	65	0005330370 SCREW	M4X12	24	PC	1,8 g		M 4X12 AEHNLICH DIN 7985	
	75	0175312583 PROTECTIVE CAP FOR CONNECTOR	HAN 6	1	PC	3 g		GR. 6 F. ANBAUGEHAUSE	
	85	0165315183 BAYONET COUPLING	HAN B/GR. 6	3	PC	97,5 g		GR.6	
	95	0175311983 SEPARABLE CONNECTOR	HAN DD/24 POL.	1	PC	6 g		24-POL. 10A GR.6 LP-ANSCHL.	
	105	0175312283 SEPARABLE CONNECTOR	HAN DD/24 POL.	2	PC	4 g		24-POL. 10A GR.6 LP-ANSCHL.	
	115	0125312183 GUIDE PIN	HAN40D	4	PC	1,7 g		FUEHRUNGSTIFT	
	125	0125312283 GUIDE BUSHING	HAN40D	4	PC	2,7 g		FUEHRUNGSBUCHSE	
	135	0175319783 TRANSPORT PROTECTION	HAN 6	2	PC	3 g		GR.6 F. ANBAUGEHAUSE	
	145	0175312683 PROTECTIVE CAP FOR CONNECTOR	HAN 10	1	PC	3 g		GR. 10 F. ANBAUGEHAUSE	
	155	0165315283 BAYONET COUPLING	HAN B/GR. 10	1	PC	117,5 g		GR.10 EMV	
	165	5015304734 CABLE IN HOUSING	GCU/GMU	1	PC	3 g	AB	10 POLIG / L	
	175	0175312783 PROTECTIVE CAP FOR CONNECTOR	HAN 24	1	PC	78,44 g		24. 16 F. ANBAUGEHAUSE	
	185	0175310983 BAYONET COUPLING	HAN/GR. 24	1	PC	157,8 g		GR.24 EMV	
	195	5015304534 CABLE IN HOUSING	LOP GCU	1	PC	3 g		24 POLIG / L	
	215	0005334383 CONNECTOR HOUSING	MONTAGERAHMEN	1	PC	93,08 g		GR.24	
626	225	X00021215 PLUG-IN BOARD	GCB 1-02	1	PC	0,8 kg		GCB1-02,	
	235	0015334341 SPACER	M3/H=8MM	2	PC	2 g		M3,L=8/JG=M3-4TIEF /AG=M3-8LANG	
	245	000125003215 WASHER		4	PC	0,1 g		A 3,2	DIN125
	255	000934003002 HEX NUT		2	PC	0,4 g		M 3	DIN934

☐	POS.	PART NO.	DESIGNATION	MODEL/TYPE	QTY.	UNITS	WEIGHT	FN	MEASUREMENT	STANDARD
	265	5005331346	FRAME F/PLUG-IN CIRC BOAR	TCU/GCU	1	PC	160 g		155X101X92	
	275	0005330470	SCREW	M4X8	10	PC	0,5 g		M 4X8 AEHNLICH DIN 7985	
	285	5285332102	HOUSING	PIM-KASSETTE	3	PC	23,8 g			
	295	5285350691	COVER		3	PC	6 g		FUER PIM	
627	305	X00E50206571/S0001	PLUG-IN BOARD	MPU29-05	1	PC	159 g		MPU29-05 MIT URLADER	
	315	5295308812	PLUG-IN BOARD	BIB 1-02	1	PC	20 g	AB	BIB 1-02	
629	335	5045300897	PLUG-IN BOARD	BIB 2-01	1	PC	27 g		BIB 2-01	
630	345	X00E50209721	PLUG-IN BOARD	AIB1-02/A	1	PC	30 g		AIB1-02/A	
631	355	5295309512	PLUG-IN BOARD	BOB1-02/A	1	PC	0,09 kg		BOB1-02/A	
	365	X00026303	PLUG-IN BOARD	ROB 1-01/A	1	PC	35,4 g	AB	ROB1-01/A,	
632	375	5275300213	PLUG-IN BOARD	IFB 5-01	1	PC	30 g			
	385	0185317283	COVER	HAN/GR. 24	1	PC	100 g	AB	GR.24 MIT DICHTUNG IP65	



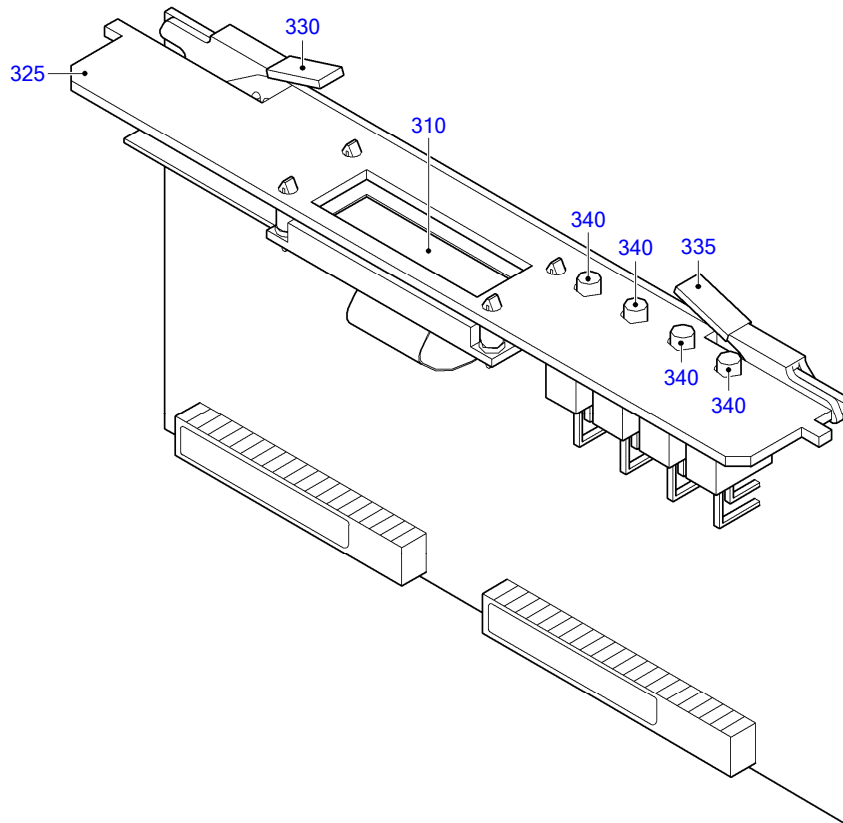
50701406a

☐	POS.	PART NO.	DESIGNATION	MODEL/TYPE	QTY.	UNITS	WEIGHT	MEASUREMENT
	90	0095315680	CABLE	ADAPT SYSTEM 310	2	PC	6 g	RM2,54;ISOLATIONSLENGE 72,0MM
	140	0055316883	MALE CONNECTOR	JUMPER; 2,54MM RASTER; 3A; GN;	3	PC	0,1 g	JUMPER, 2,54MM RASTER, 3A, GN,
	215	0005318641	ADAPTER, ELECTRIC	5X2POL.	1	PC	100 g	5X2POL.; RM=2,54; 3A;0,015R



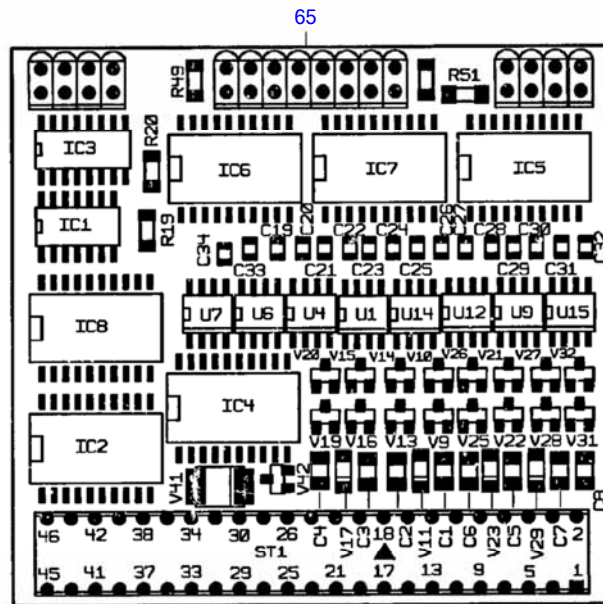
TD0000028426_517

☐	POS.	PART NO.	DESIGNATION	MODEL/TYPE	QTY.	UNITS	WEIGHT	MEASUREMENT
628	10	X00E50206571	PLUG-IN BOARD	MPU29-05	1	PC	155 g	MPU29-05



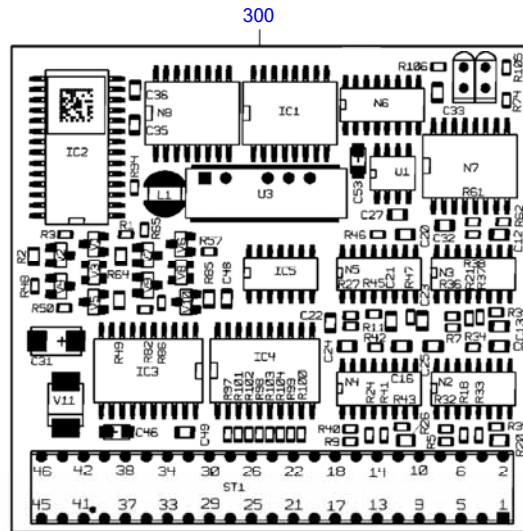
51700316

☐	POS.	PART NO.	DESIGNATION	MODEL/TYPE	QTY.	UNITS	WEIGHT	MEASUREMENT
	310	0005384275	DISPLAY	LCD 2X16 ZEICHEN	1	PC	13,2 g	54X21X9, LCD_2X16_ZEICHEN,
	325	5285332040	RETAINER	MPU 29	1	PC	3 g	160X25X8,5
	330	0005334332	HANDLE	MPU 29	1	PC	3 g	
	335	0005334432	HANDLE	MPU 29	1	PC	3 g	
	340	0015345101	PUSHBUTTON	1POL.	4	PC	3 g	33X7X13, 1POL., RM=3,81,



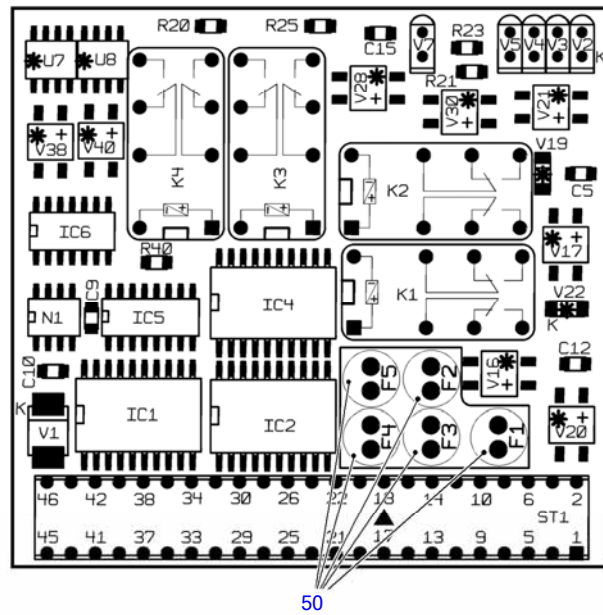
TD0000029909_507

☐	POS.	PART NO.	DESIGNATION	MODEL/TYPE	QTY.	UNITS	WEIGHT	FN
	65	5045300897/78	PLUG-IN BOARD	BIB 2-01	1	PC	91,8 g	MN



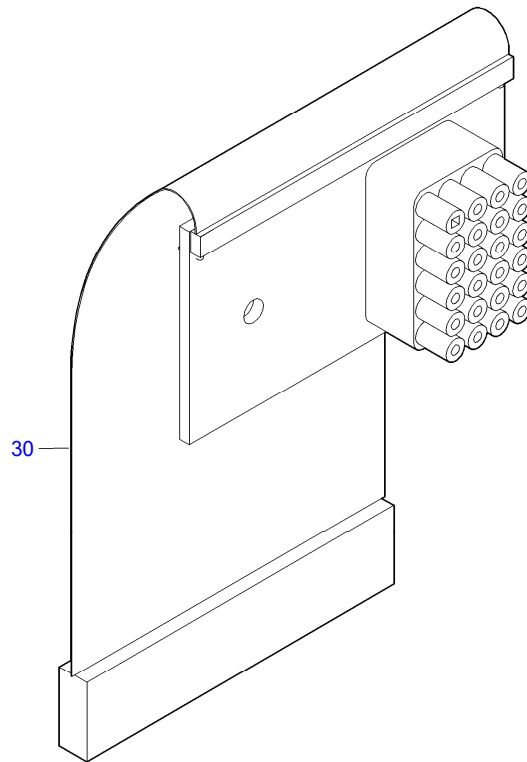
TD0000024258_561

POS.	PART NO.	DESIGNATION	MODEL/TYPE	QTY.	UNITS	WEIGHT	FN	MEASUREMENT
300	X00E50209721/78	PLUG-IN BOARD	AIB1-02/A	1	PC	0,03 kg	UB	AIB1-02/A FUER ET-LIEFERUNG




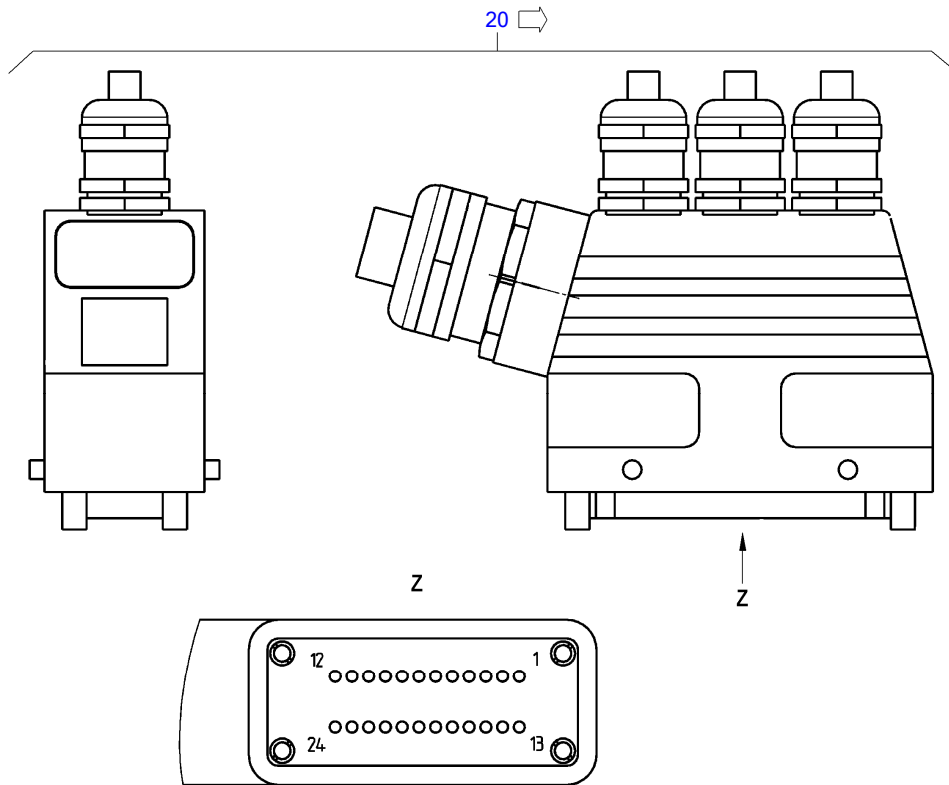
TD0000029911_510

☐	POS.	PART NO.	DESIGNATION	MODEL/TYPE	QTY.	UNITS	WEIGHT	MEASUREMENT
	50	0015317686	FUSE	3,15A/F_125V	5	PC	1 g	TR3,D=6,H=8,3,15A/FLINK,125V



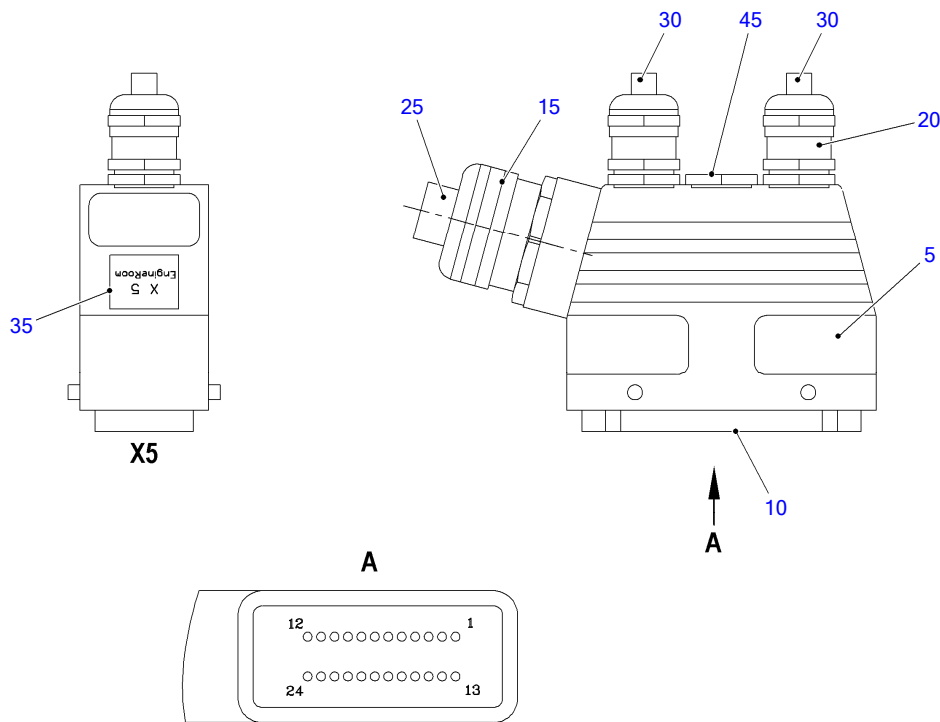
50701408a

	POS.	PART NO.	DESIGNATION	MODEL/TYPE	QTY.	UNITS	WEIGHT	MEASUREMENT
	30	0095316480	CABLE	ADAPT SYS390/310	1	PC	3 g	RM2,54,ISOLATIONSLENGE



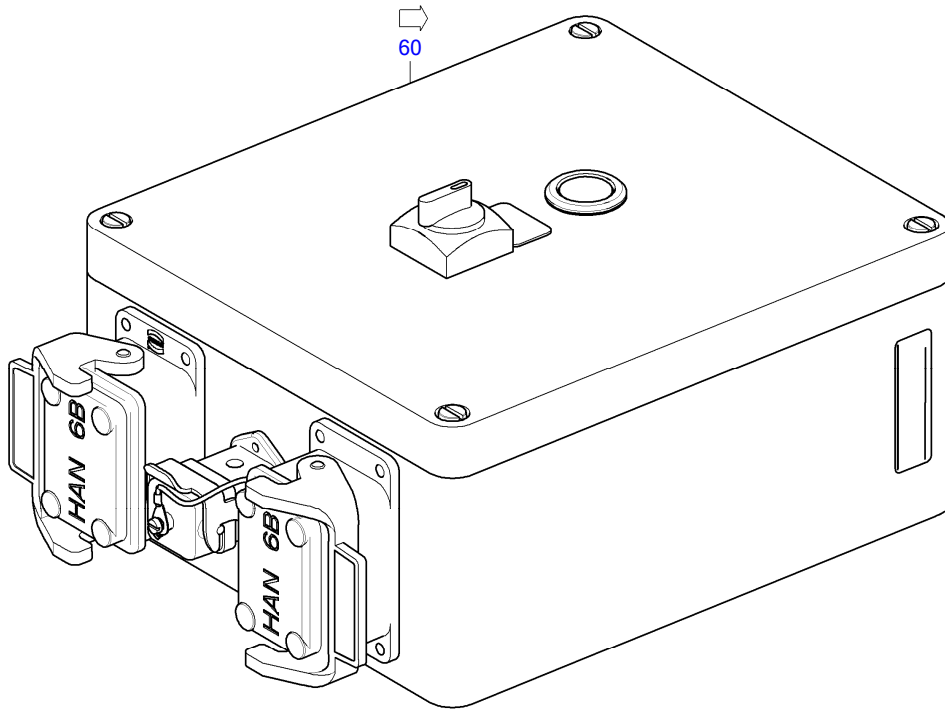
51102413

□	POS.	PART NO.	DESIGNATION	MODEL/TYPE	QTY.	UNITS	WEIGHT
634	20	5275307337	MALE CONNECTOR FOR CONTROL UNIT	GCU / X5	1	PC	502,8 g




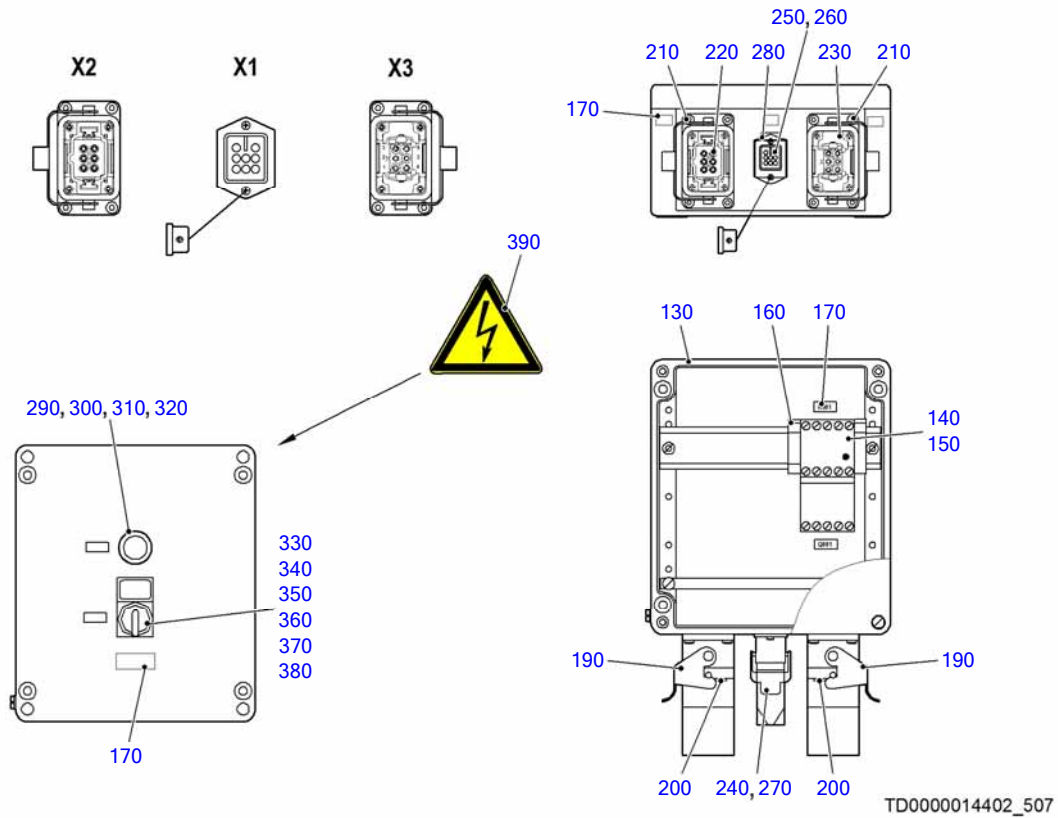
TD0000032159_511

☐	POS.	PART NO.	DESIGNATION	MODEL/TYPE	QTY.	UNITS	WEIGHT	MEASUREMENT
	5	0175311683	BAYONET COUPLING	HAN/GR. 24	1	PC	3 g	GR.24 EMV M25 SEITLICH
	10	0155312483	MALE CONNECTOR	HAN ES/24 POL.	1	PC	107 g	24-POL. PIN+PE, 16A
	15	0005313076	CABLE ENTRY	HSK-M-EMV_M25	1	PC	50,5 g	HSK-M-EMV, METRISCH, M25X1,5,
	20	0005312976	CABLE ENTRY	HSK-M-EMV_M20	2	PC	31 g	HSK-M-EMV, METRISCH, M20X1,5,
	25	0005334576	CABLE ENTRY	HSK-V PG21/M25	1	PC	0,003 kg	BLINDSTOPFEN PG21, M25
	30	0005334676	CABLE ENTRY	HSK-V PG13,5	2	PC	0,012 kg	STOPFEN-PG13,5-M20
	35	5185332491	PHOTOPLATE FOR GEARBOX	GCU2/3	1	PC	3 g	
	45	0005333771	SCREW	M20X11,5	1	PC	30 g	M20X1,5



TD0000028224_507

	POS.	PART NO.	DESIGNATION	MODEL/TYPE	QTY.	UNITS	WEIGHT	MEASUREMENT	
	636	60	X00E50200882	CONTROL UNIT FOR OIL PRIMING PUM	PPC 5-02	1	PC	3,76 kg	3X400VAC / 50HZ / 2A



TD0000014402_507

□	POS.	PART NO.	DESIGNATION	MODEL/TYPE	QTY.	UNITS	WEIGHT	FN	MEASUREMENT	STANDARD
	130	X00E50200886	TERMINAL BOX MECHANICAL		1	PC	3 kg			
	140	0035311060	RELAY	2,4A	1	PC	30 g	AB	1,6-2,4A, F. DILEM	
	150	0005313560	CONTACTOR	DIL EM-10-G_24V	1	PC	60 g		4S/20A	
	160	0045318081	TERMINAL	249	2	PC	5,2 g		B = 10 MM	
	170		PLATE	3M7871	8	PC	2 g	KE	12,7X19,5 (AUF ROLLE)	
	190	0165315183	BAYONET COUPLING	HAN B/GR. 6	2	PC	97,5 g		GR.6	
	200	0175319783	TRANSPORT PROTECTION	HAN 6	2	PC	3 g		GR.6 F. ANBAUGEHAUSE	
	210	007985004507	OVAL-HEAD SCREW		8	PC	1,8 g		M 4 X 12	DIN7985
	220	0155314683	MALE CONNECTOR	HAN 6ES	1	PC	50,3 g		6-POL., 0,14-2,5QMM	
	230	0155314783	MALE CONNECTOR	HAN 6ES	1	PC	10 g		6-POL., 0,14-2,5 QMM	
	240	0185315083	BAYONET COUPLING	HAN Q5	1	PC	300 g		GR. 3A, EMV	
	250	0185317983	BAYONET COUPLING	HAN 3A/8 POL.	1	PC	2 g	AB	8-POL. 250V/10A STIFT CRIMP	
	260	0165319583	PIN CONTACT	HAN D, 10A	8	PC	5 g		0,75QMM, STIFT, VERSILBERT	
	270	0185318183	CAP	HAN 3A	1	PC	3 g		F. GEHAUSEUNTERT. M. SIFTEINS	
	280	207985003103	OVAL-HEAD SCREW		2	PC	0,7 g		M 3 X 10	DIN7985
	290	0015360601	SIGNAL LAMP	RXJL 5	1	PC	10 g	AB		
	300	0005311939	LED	T5,5K 6-MLED 24V GN	1	PC	0,6 g	AB	T5,5K, 6-MULTI-LED, GRUEN, 24V,	
	310	0105364602	BUTTON CAPS	T20F/GRUEN	1	PC	10 g		FUER 183 STANDARD	
	320	0105364502	IDENTIFICATION PLATE		1	PC	10 g		WEISS	
	330	0055343710	SWITCH	QUARTEX-R	1	PC	3 g	AB	3-STELL. RUECKZUG RECHTS	
	340	0055342310	SWITCH		1	PC	4 g	AB	F. 3 MODULE	
	350	0055342210	SWITCH		1	PC	3 g	AB	1S, 250V/16A, MODUL	

EQUI TYPE: System

PRODUCT TYPE: SYSTEM
CONTROL UNIT FOR OIL PRIMING PUM

SERIAL NUMBER: 1202166_000007

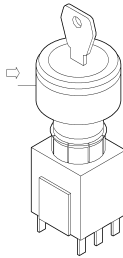
FG/FGS:

BOM-No.: X00E50200882

<input type="checkbox"/>	POS.	PART NO.	DESIGNATION	MODEL/TYPE	QTY.	UNITS	WEIGHT	FN	MEASUREMENT	STANDARD
	360	0055343010	SWITCH	10E	1	PC	3 g	AB	10E, 250V/16A, MODUL	
	370	0055342410	SWITCH		1	PC	3 g	AB	F. EINLEGSCHILDER D=22	
	380	0055343810	IDENTIFICATION PLATE FOR SWITCH/BUTTON	BZ23U	1	PC	20 g	AB	19X27 MM, GRAV. "0 AUTO MAN"	
	390	X00E50203019	PLATE	SL25	1	PC	0,2 g			

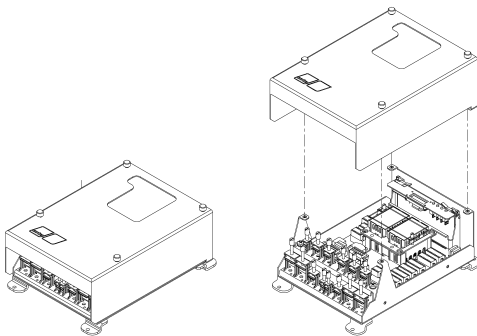
GROUP SEGMENT (FGS)
GROUP NAME
BOM-No.

00
KEY SWITCH F/MONTRG SYST + GOV
510.00308



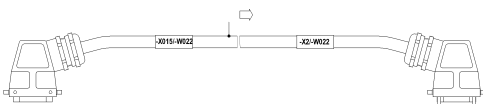
51101942a

00
CONNECTION INTERFACE FOR MONITORING
X00034212



T00000026830_511

10
CONNECTING CABLE FOR CONTROL PANEL
BS00E510.00171

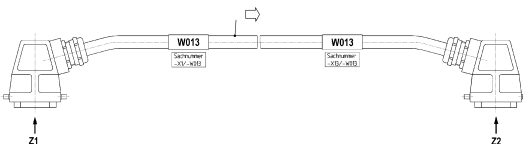


51000227a

10
CONNECTING CABLE FOR GEARBOX MONITOR
X00035514



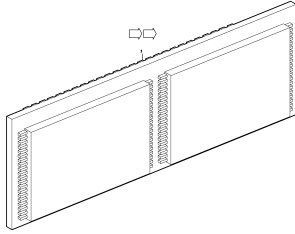
10
CONNECTING CABLE FOR GEARBOX MONITOR
X00035776



51000038b

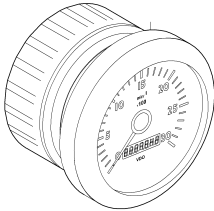
GROUP SEGMENT (FGS)
GROUP NAME
BOM-No.

10
SOFTWARE FOR ELECTRONICS
XS00E500.01744



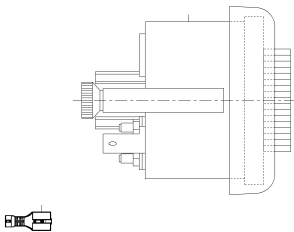
51103256

20
INDICATOR FOR ENGINE SPEED
510.00263



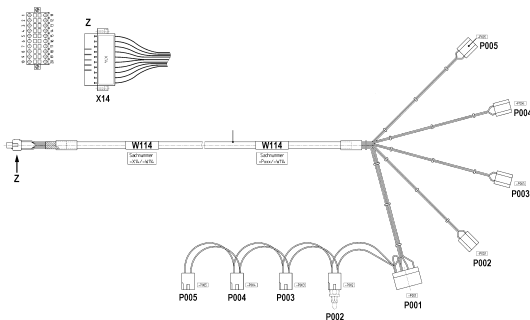
51103659

20
BUZZER FOR CONTROL STAND
BS00E510.00609



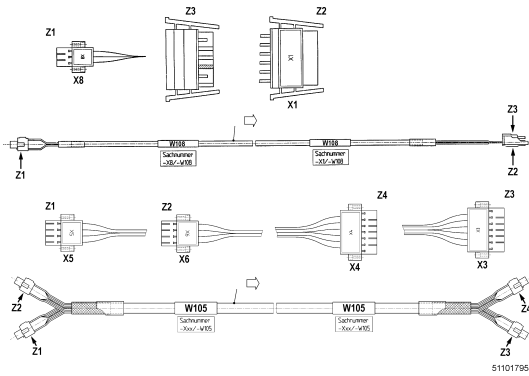
51103188

20
CONNECTING CABLE F. ANALOG INSTRUMENT
X00046059

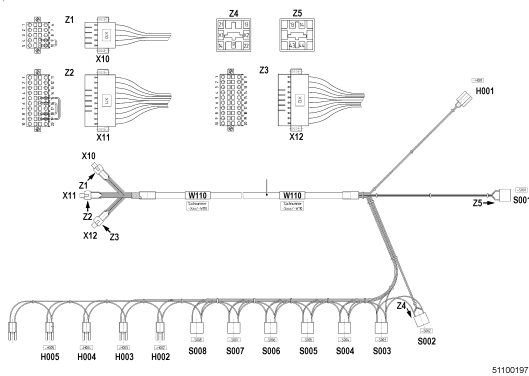


51101819a

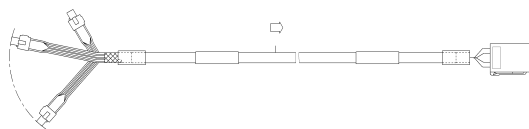
GROUP SEGMENT (FGS)
GROUP NAME
BOM-No.



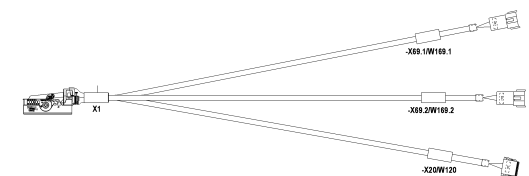
20
CONNECTING CABLE
X00046099



20
CONNECTING CABLE FOR PUSHBUTTON
X00046239



20
CONNECTING CABLE FOR DISPLAY
XS00E510.00298



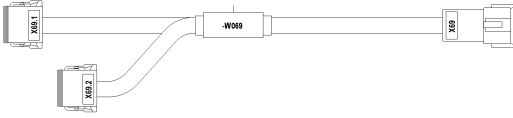
20
CONNECTING CABLE FOR DISPLAY
XS00E510.00300

GROUP SEGMENT (FGS)

GROUP NAME

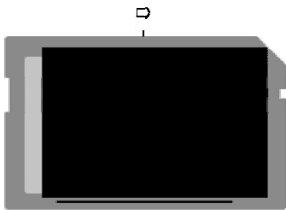
BOM-No.

20
CONNECTING CABLE FOR DISPLAY
XS00E510.00303



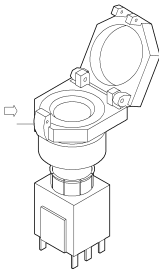
51102150b

20
SOFTWARE FOR DISPLAY
XS00E510.00722

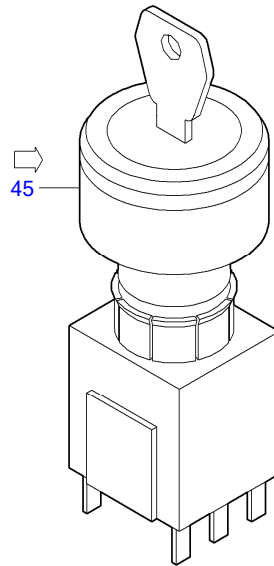


201102279


30
MONITORING SYSTEM FOR CONTROL STAND
X00005597

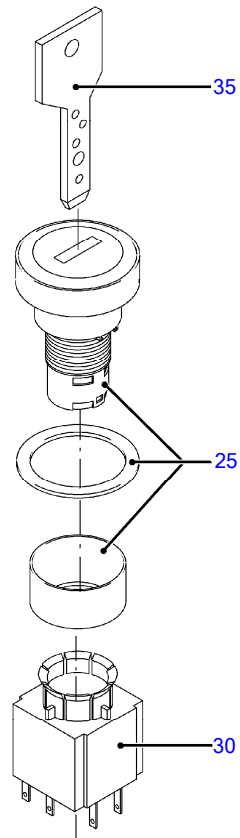


51101939a



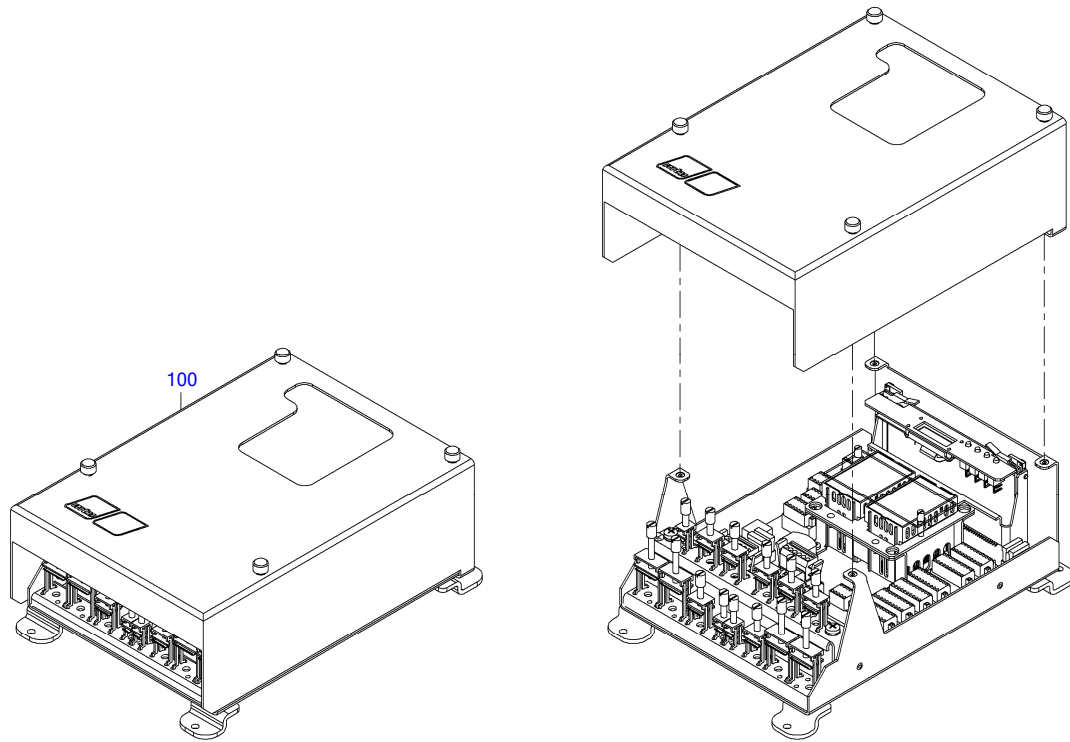
51101942a

	POS.	PART NO.	DESIGNATION	QTY.	UNITS	WEIGHT	MEASUREMENT
639	45	0055343410	KEY SWITCH F/MONTRG SYST + GOV	1	PC	46,4 g	KOMPL. MIT STECKB. ANSCHLUSS



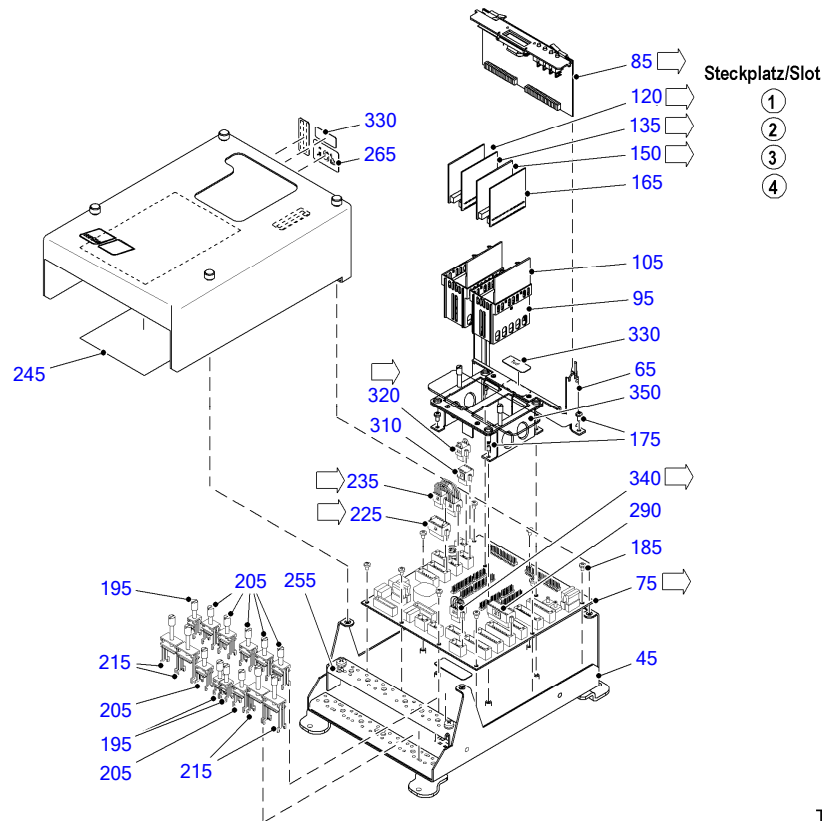
51100078a

☐	POS.	PART NO.	DESIGNATION	MODEL/TYPE	QTY.	UNITS	WEIGHT	FN	MEASUREMENT
	25	0055343510	CONTROL FOR SWITCH/BUTTON		1	PC	35 g	MN	
	30	0045348810	CONTROL ELEMENT FOR SWITCH/BUTTON	AT2	1	PC	6 g	MN	FUER SCHLUESSELSCHALTER
	35	0055343610	WRENCH FOR SWITCH/BUTTON	TYPE 845	1	PC	11,2 g	MN	



TD0000029830_511

☐	POS.	PART NO.	DESIGNATION	MODEL/TYPE	QTY.	UNITS	WEIGHT
641	100	X00036278	CONNECTION INTERFACE FOR MONITORING	PIM 4-03/MCS	1	PC	3 kg



TD0000027014_511

☐	POS.	PART NO.	DESIGNATION	MODEL/TYPE	QTY.	UNITS	WEIGHT	FN	MEASUREMENT
	45		HOUSING FOR DISP./CONT. UNI	PIM 4-03	1	PC	1,85 kg		KE
	65		FRAME	PIM 4-03	1	PC	16 g		KE
642	75	X00009087	PLUG-IN BOARD	LMB 2-03	1	PC	352 g		LMB2-03
627	85	X00E50206571/S0001	PLUG-IN BOARD	MPU29-05	1	PC	159 g		MPU29-05 MIT URLADER
	95	5285332102	HOUSING	PIM-KASSETTE	2	PC	23,8 g		
	105	5285350691	COVER		2	PC	6 g		FUER PIM
643	120	X00E50209549	PLUG-IN BOARD	BOB2-03	1	PC	200 g		BOB2-03
629	135	5045300897	PLUG-IN BOARD	BIB 2-01	1	PC	27 g		BIB 2-01
643	150	X00E50209549	PLUG-IN BOARD	BOB2-03	1	PC	200 g		BOB2-03
	165	5295309012	PLUG-IN BOARD	INB 3-01	1	PC	20 g		AB
	175	0005330470	SCREW	M4X8	6	PC	0,5 g		M 4X8 AEHNLICH DIN 7985
	185	0005330670	SCREW	M4X6	9	PC	1,3 g		M 4X6 AEHNLICH DIN 7985
	195	0065310781	TERMINAL	SCHIRMBUEGEL F. UEBERGA. BAUST	3	PC	6 g		AB D=0-8MM SCHIRM
	205	0065310881	TERMINAL	790_16MM	7	PC	3 g		AB D=7-16MM SCHIRM
	215	0065310981	TERMINAL	790_24MM	4	PC	3 g		AB D=6-24MM SCHIRM
644	225	5275303737	PROGRAMMING CONNECTR FOR MONITOR SYSTEM	PIM4	1	PC	5 g		
645	235	X00E50200518	PROGRAMMING CONNECTR		1	PC	4 g		
	245	X00041156	INSTRUCTION PLATE FOR CABLING	PIM 4	1	PC	5 g		
	255	X00E50207411	PLATE FOR GROUND CONNECT.	ERDUNGSSCHILD	1	PC	3 g		13X13
	265	5285330289	PLATE		1	PC	1 g		TEXT "TOP"
	290	0065312781	SEPARABLE CONNECTOR	20POL.	1	PC	3 g		2X10POLIG, 125V/7,5A

EQUI TYPE: System

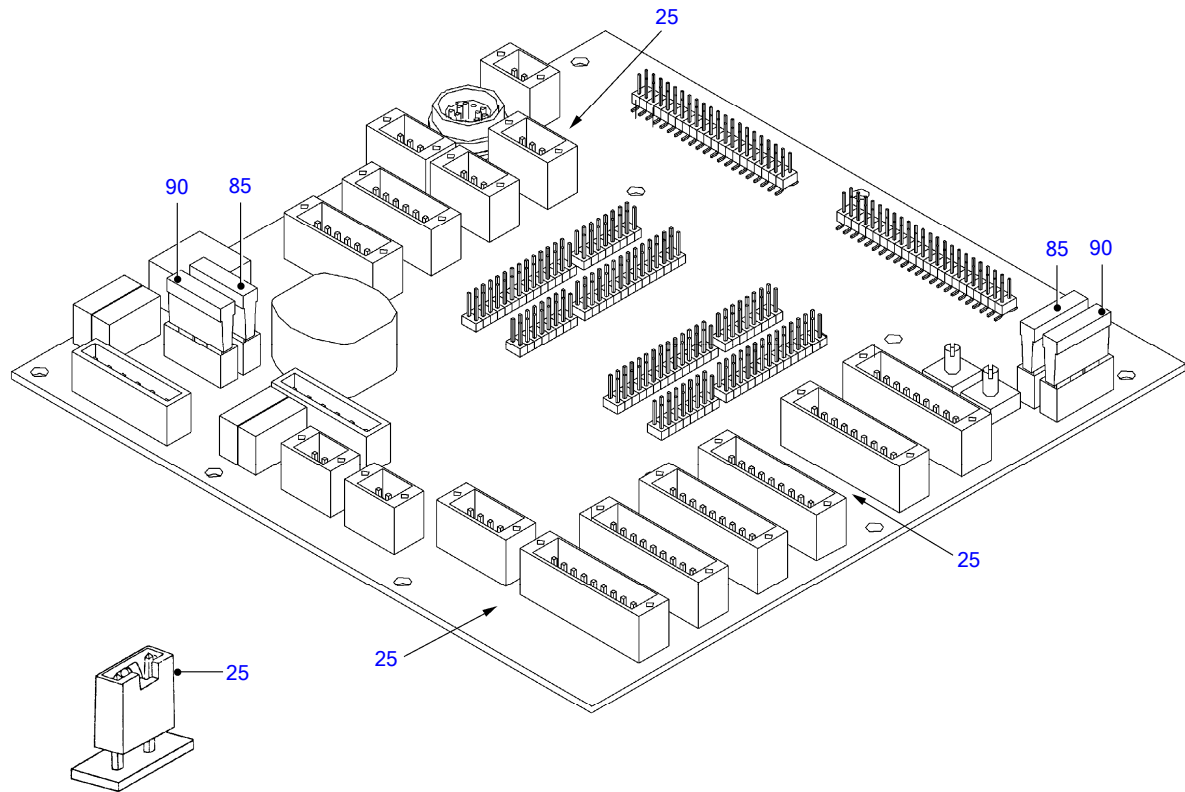
PRODUCT TYPE: SYSTEM
CONNECTION INTERFACE FOR MONITORING

SERIAL NUMBER: 1202166_000007

FG/FGS:

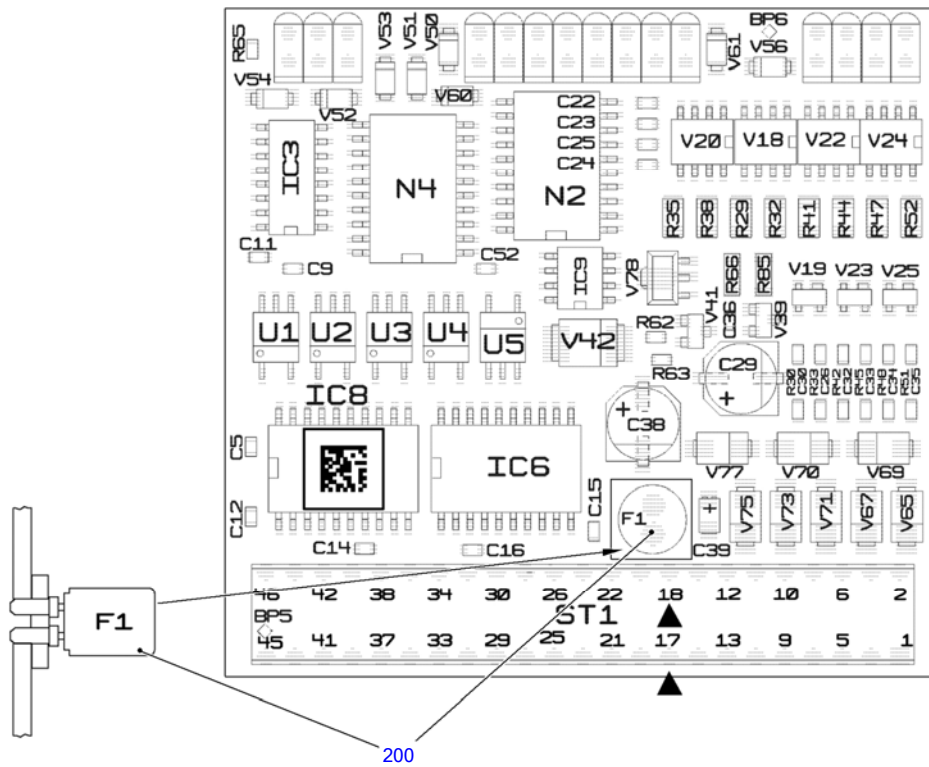
BOM-No.: X00036278

<input type="checkbox"/>	POS.	PART NO.	DESIGNATION	MODEL/TYPE	QTY.	UNITS	WEIGHT	FN	MEASUREMENT
	310	0065312581	TERMINAL	8POL.	1	PC	4 g		2X4POLIG, 125V/7,5A
647	320	X00E50200515	PROGRAMMING CONNECTR		1	PC	11,4 g		
	330	5275335589	IDENTIFICATION PLATE FOR ELECTRONICS	PIM 4	2	PC	5 g		16X37 (HXB)
649	340	X00036282	PROGRAMMING CONNECTR FOR MONITOR SYSTEM	PIM4-03	1	PC	5,8 g		
	350		COVER PLATE	PIM 4-03	1	PC	16,2 g	KE	



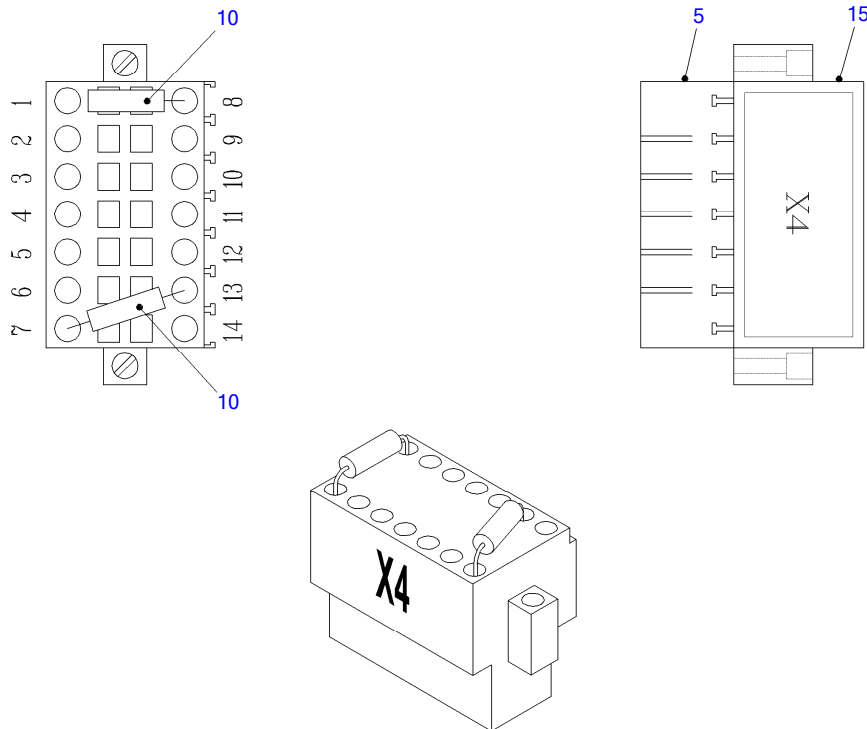
51700239a

☐	POS.	PART NO.	DESIGNATION	MODEL/TYPE	QTY.	UNITS	WEIGHT	MEASUREMENT
	25	0055316883	MALE CONNECTOR	JUMPER; 2,54MM RASTER; 3A; GN;	6	PC	0,1 g	JUMPER, 2,54MM RASTER, 3A, GN,
	85	0015319186	FUSE	FK2 15,0A_KFZ	2	PC	1,8 g	FK2 KFZ-SICHERUNG
	90	0025310386	FUSE	TAC 10,0A_KFZ	2	PC	3 g	19X5X19, 10A, 32V, 7,7M.OHM,



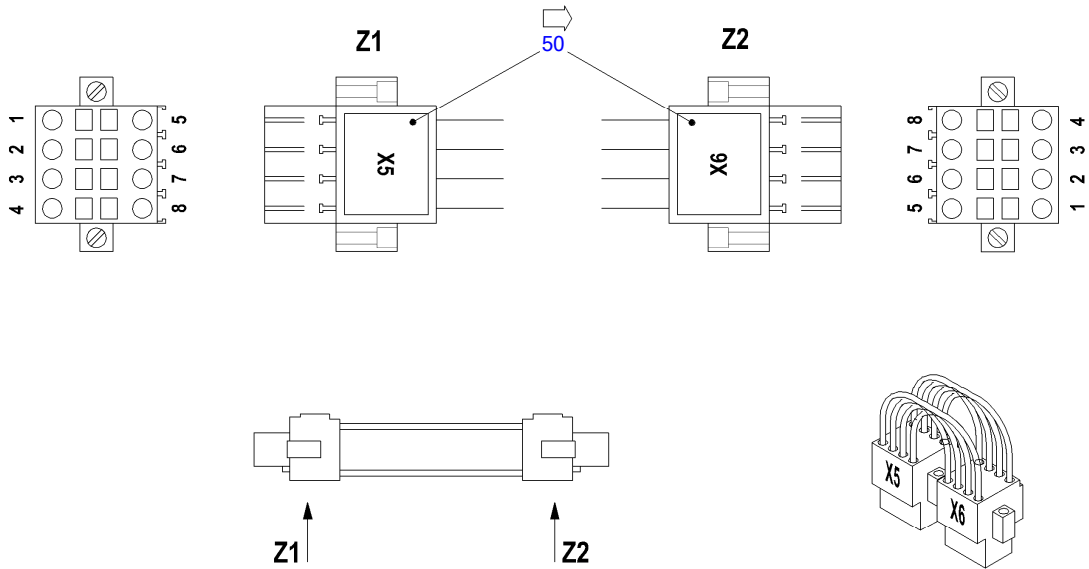
15100085

☐	POS.	PART NO.	DESIGNATION	MODEL/TYPE	QTY.	UNITS	WEIGHT	MEASUREMENT
	200	0015317686	FUSE	3,15A/F_125V	1	PC	1 g	TR3,D=6,H=8,3,15A/FLINK,125V




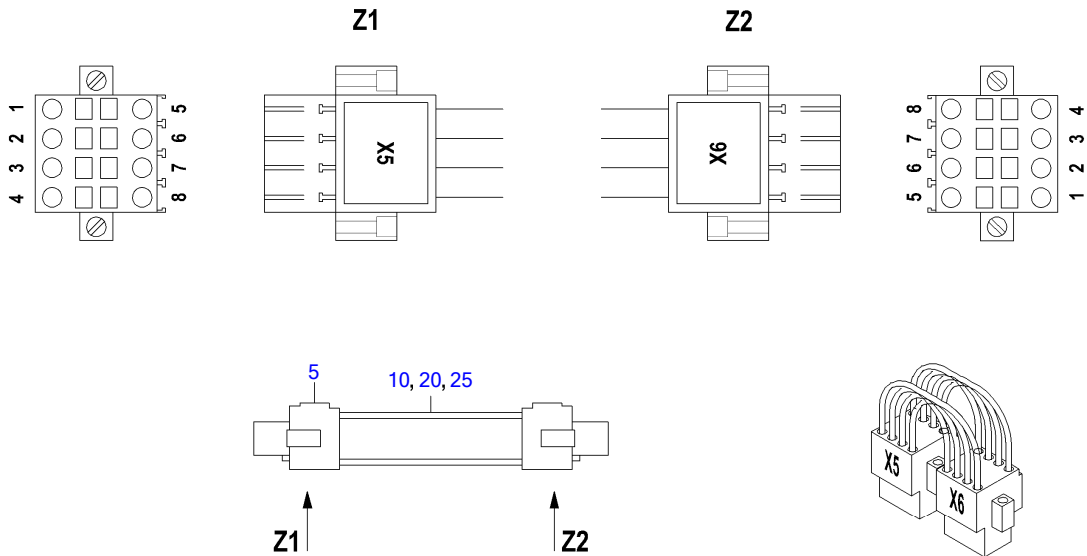
51700240a

☐	POS.	PART NO.	DESIGNATION	MODEL/TYPE	QTY.	UNITS	WEIGHT	MEASUREMENT
	5	0065314481	SEPARABLE CONNECTOR	B2L3.5 14POL.	1	PC	5 g	32X15,6X20,6, 2X7P. 125V/ 7,5A
	10	0015318702	RESISTOR	MK2_121R	2	PC	0,1 g	TK50 1% 0,4W
	15	0025330990	PLATE	3M7871EC	1	PC	1 g	6,35X19,05 (AUF ROLLE)



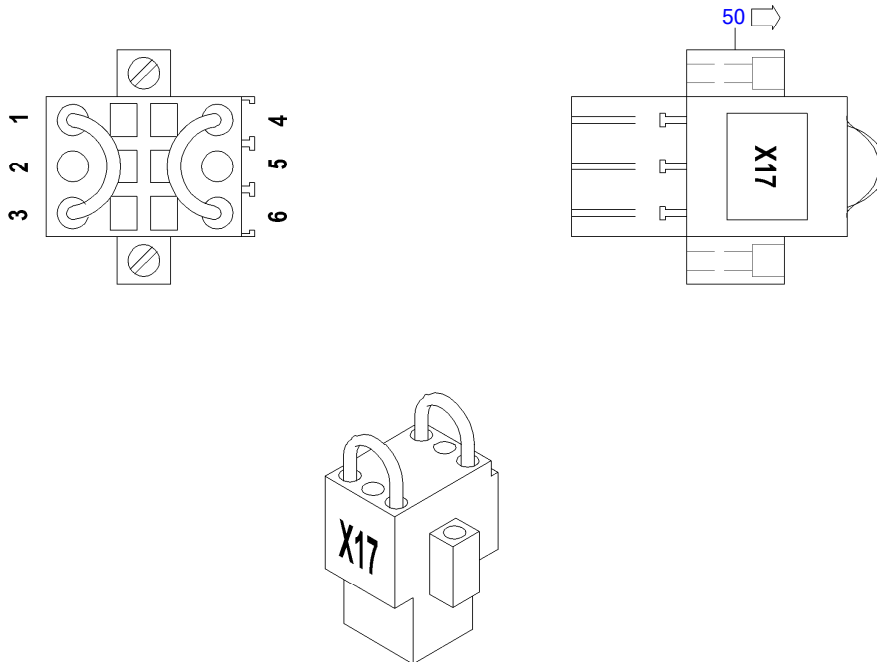
51700241a

	POS.	PART NO.	DESIGNATION	MODEL/TYPE	QTY.	UNITS	WEIGHT	FN
646	50	5275303837	PROGRAMMING CONNECTR FOR MONITOR SYSTEM	PIM4	1	PC	15 g	M



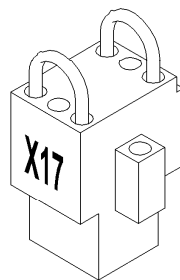
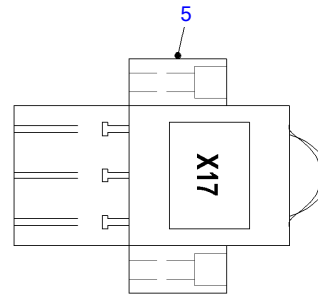
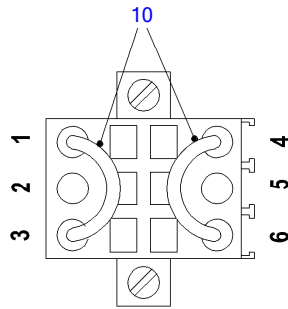
51700241b

☐	POS.	PART NO.	DESIGNATION	MODEL/TYPE	QTY.	UNITS	WEIGHT	MEASUREMENT
	5	0065312581	TERMINAL	8POL.	2	PC	4 g	2X4POLIG, 125V/7,5A
	10	0075317780	CABLE	H05Z-K 0,5	0,065	M	5,6 g	0,5 QMM WEISS
	20	0075316880	CABLE	H05Z-K 0,5	0,065	M	5,7 g	0,5 QMM SCHWARZ
	25	0075317080	CABLE	H05Z-K 0,5	0,065	M	6 g	0,5 QMM BRAUN



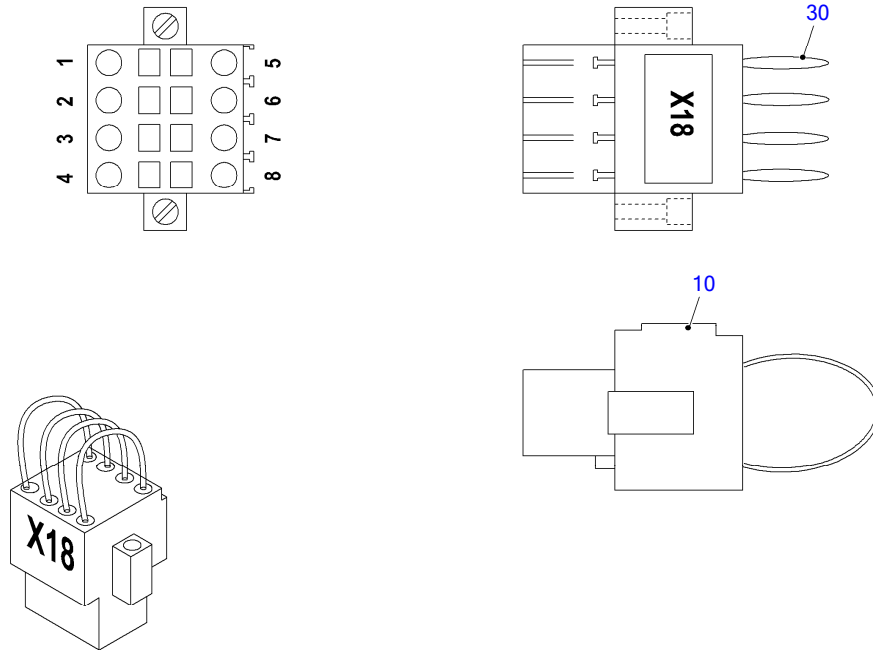
51700242a

□	POS.	PART NO.	DESIGNATION	MODEL/TYPE	QTY.	UNITS	WEIGHT	FN
648	50	5275309837	VPI - PROG CONN FOR MON SYS	PIM4	1	PC	5 g	M



51700242b

☐	POS.	PART NO.	DESIGNATION	MODEL/TYPE	QTY.	UNITS	WEIGHT	MEASUREMENT
	5	0065312481	TERMINAL	6POL.	1	PC	3 g	2X3POLIG, 125V/7,5A
	10	0075317780	CABLE	H05Z-K 0,5	0,010	M	5,6 g	0,5 QMM WEISS



52600629

☐	POS.	PART NO.	DESIGNATION	MODEL/TYPE	QTY.	UNITS	WEIGHT	MEASUREMENT
	10	0065312581	TERMINAL	8POL.	1	PC	4 g	2X4POLIG, 125V/7,5A
	30	0075317780	CABLE	H05Z-K 0,5	0,500	M	5,6 g	0,5 QMM WEISS


EQUI TYPE: System

PRODUCT TYPE: SYSTEM
CONNECTING CABLE FOR CONTROL PANEL

SERIAL NUMBER: 1202166_000007

FG/FGS: 511 10

BOM-No.: BS00E510.00171

	POS.	PART NO.	DESIGNATION	MODEL/TYPE	QTY.	UNITS	WEIGHT	MEASUREMENT
651	110	X00E50206485	CONNECTING CABLE FOR MONITOR SYSTEM	-W051 / 6M	1	PC	3,525 kg	L=6M; MIT STECKER


EQUI TYPE: System

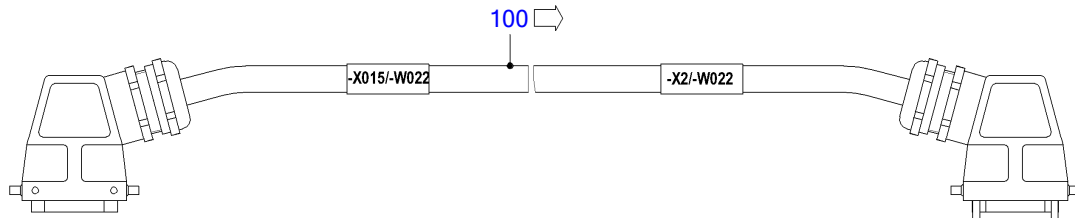
PRODUCT TYPE: SYSTEM
CONNECTING CABLE FOR MONITOR SYSTEM

SERIAL NUMBER: 1202166_000007

FG/FGS:

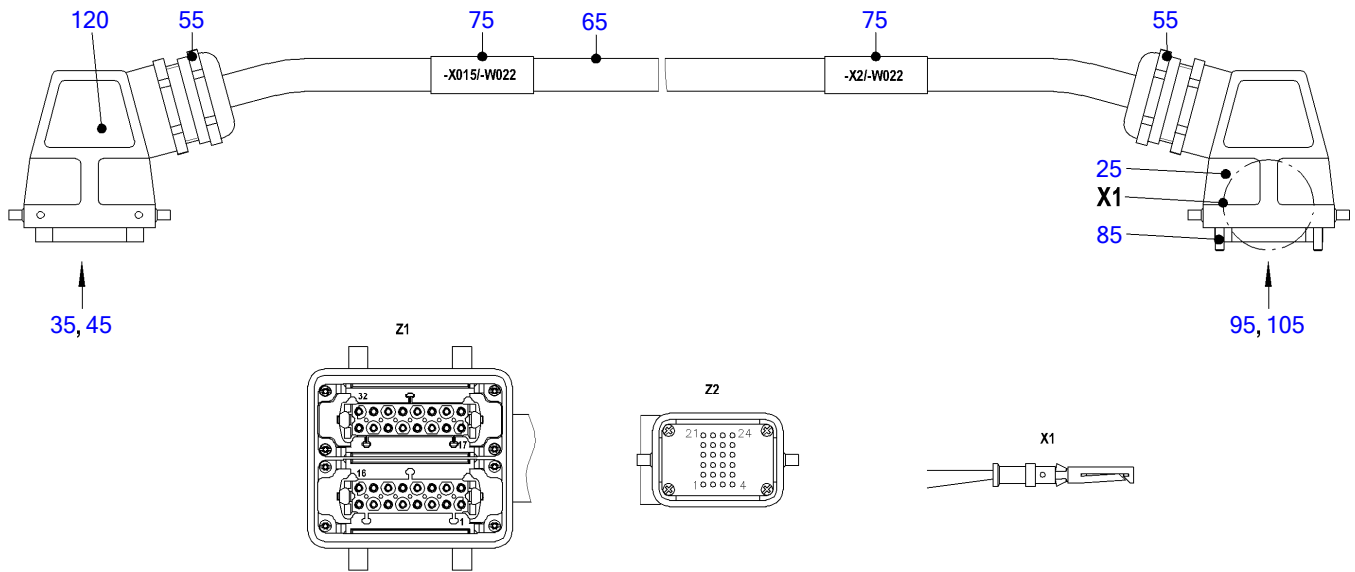
BOM-No.: X00E50206485

	POS.	PART NO.	DESIGNATION	MODEL/TYPE	QTY.	UNITS	WEIGHT	FN	MEASUREMENT
	50	B00E50200541	CONNECTING CABLE FOR MONITOR SYSTEM	-W051 / 6M	1	PC	2 kg	AB	L=6M; MIT STECKER F. -W014.7



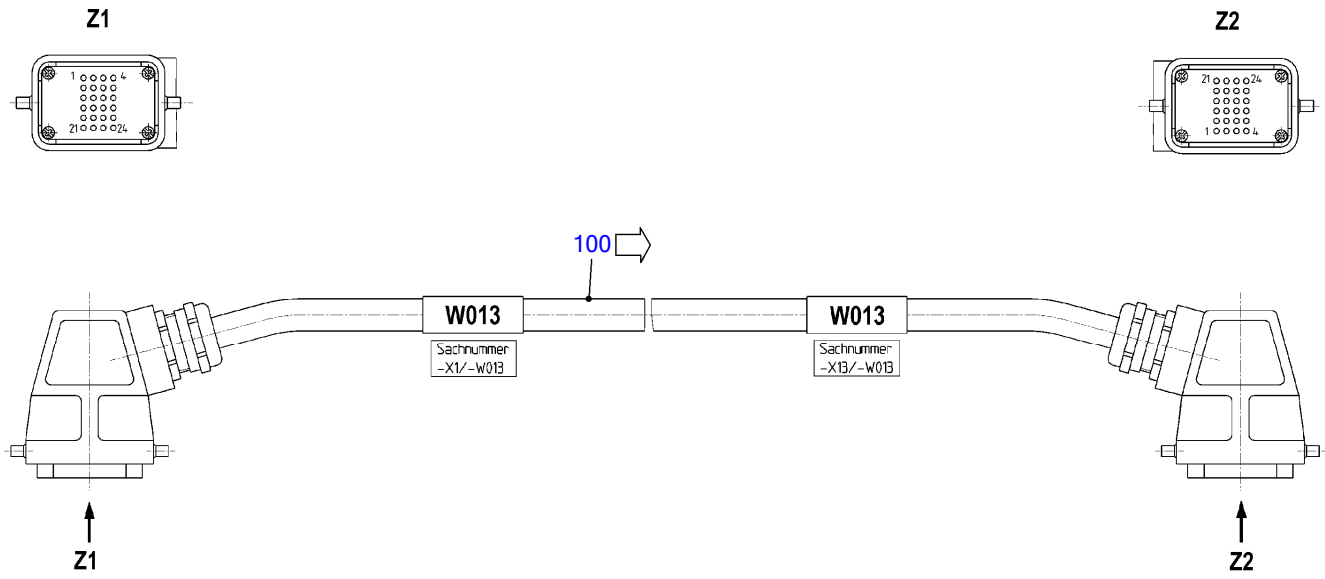
51000227a

☐	POS.	PART NO.	DESIGNATION	MODEL/TYPE	QTY.	UNITS	WEIGHT	FN	MEASUREMENT
	100	X00023884	CONNECTING CABLE FOR GEARBOX MONITOR	W022 / 6M	1	PC	3,019 kg	M	L



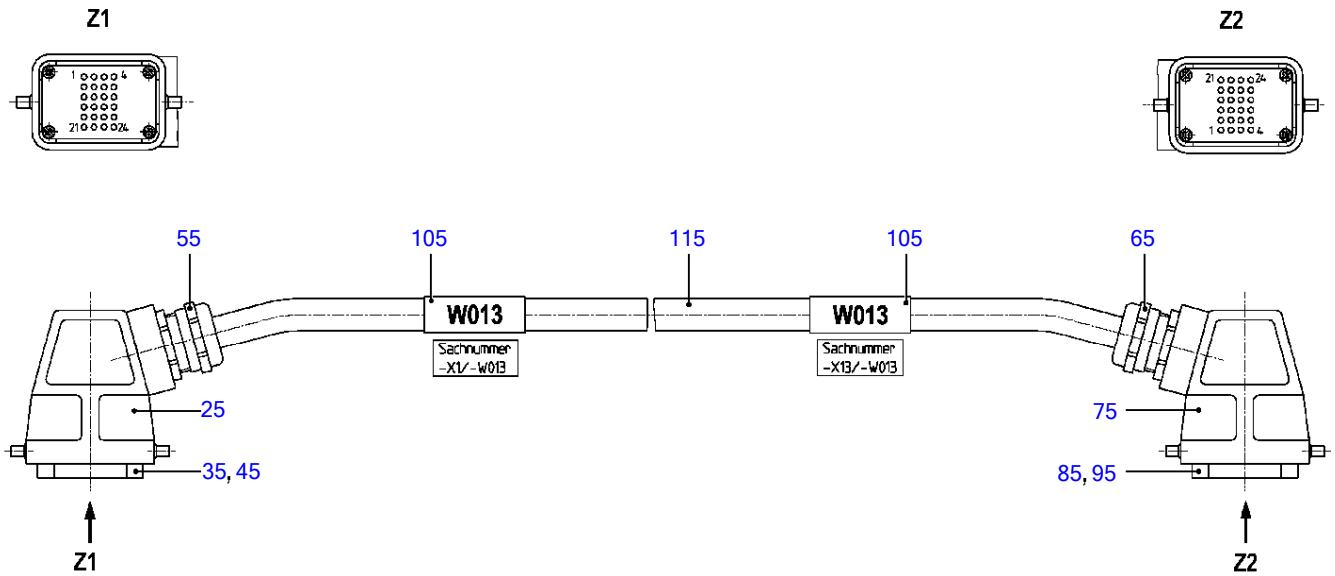
51100886a

POS.	PART NO.	DESIGNATION	MODEL/TYPE	QTY.	UNITS	WEIGHT	FN	MEASUREMENT
25	0175311283	HOUSING	HAN/GR. 6	2	PC	115,5 g		GR.6 EMV M32 SEITLICH
35	0155312783	MALE CONNECTOR	HAN ES/16 POL.	1	PC	91 g		16-POL. SOCKET+PE, 16A
45	X00025909	MALE CONNECTOR	HAN ES/16 POL. (BEZ.17-32)	1	PC	3 g		16-POL. SOCKET+PE, 16A
55	0005313176	CABLE ENTRY	HSK-M-EMV_M32	2	PC	105,5 g		HSK-M-EMV, METRISCH, M32X1,5,
65	0105311880	CABLE	10X2X0,75	6,200	M	999 g	AB	10X2X0,75 QMM
75	0035337089	IDENTIFICATION PLATE	ELAT	2	PC	1,4 g		47X135MM, BEDRUCKBAR 47X25MM
85	0125312183	GUIDE PIN	HAN40D	4	PC	1,7 g		FUEHRUNGSSTIFT
95	0005335283	APPLIANCE CONNECTOR FOR CONNECTOR	HAN 24DD	1	PC	37 g		FUER PINS
105	0165319583	PIN CONTACT	HAN D, 10A	17	PC	5 g		0,75QMM, STIFT, VERSILBERT
120	X00026287	UNION	HAN DD	1	PC	4 g		GR.32, M32, SEITL.KABELAUSG.



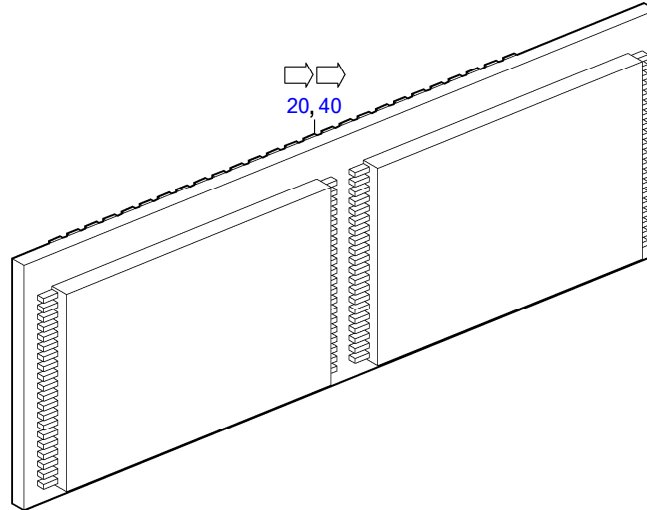
51000038b

☐	POS.	PART NO.	DESIGNATION	MODEL/TYPE	QTY.	UNITS	WEIGHT	MEASUREMENT
	100	5275305237	CONNECTING CABLE FOR GEARBOX MONITOR	-W013 / 6M	1	PC	2,369 kg	L=6M



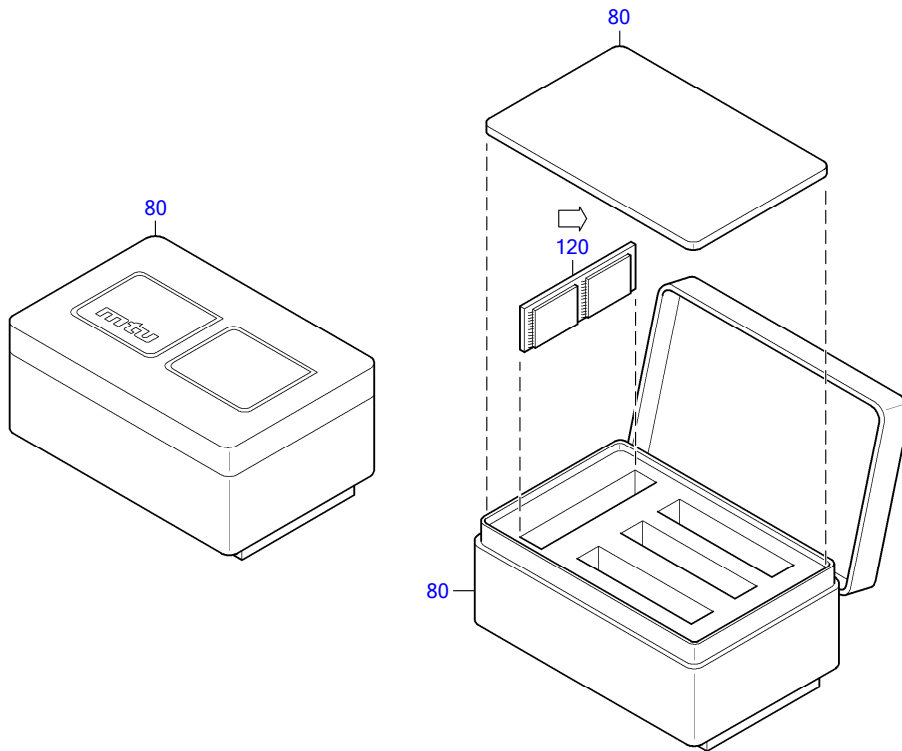
51000038a

☐	POS.	PART NO.	DESIGNATION	MODEL/TYPE	QTY.	UNITS	WEIGHT	MEASUREMENT
	25	0175311183	HOUSING	HAN/GR. 6	1	PC	120,4 g	GR.6 EMV M25 SEITLICH
	35	0005335483	APPLIANCE CONNECTOR	HAN 24DD	1	PC	40,7 g	BUCHSENEINSATZ
	45	0155314583	MALE CONNECTOR	HAN D, 10A	24	PC	3 g	0,5QMM, BUCHSE, VERSILBERT
	55	0005313076	CABLE ENTRY	HSK-M-EMV_M25	1	PC	50,5 g	HSK-M-EMV, METRISCH, M25X1,5,
	65	0005313076	CABLE ENTRY	HSK-M-EMV_M25	1	PC	50,5 g	HSK-M-EMV, METRISCH, M25X1,5,
	75	0175311183	HOUSING	HAN/GR. 6	1	PC	120,4 g	GR.6 EMV M25 SEITLICH
	85	0005335283	APPLIANCE CONNECTOR FOR CONNECTOR	HAN 24DD	1	PC	37 g	FUER PINS
	95	0155314283	MALE CONNECTOR	HAN D, 10A	24	PC	3 g	0,5QMM, STIFT, VERSILBERT
	105	0035337089	IDENTIFICATION PLATE	ELAT	2	PC	1,4 g	47X135MM, BEDRUCKBAR 47X25MM
	115	0055314780	CABLE		6,400	M	338,7 g	14X2X0,5 QMM



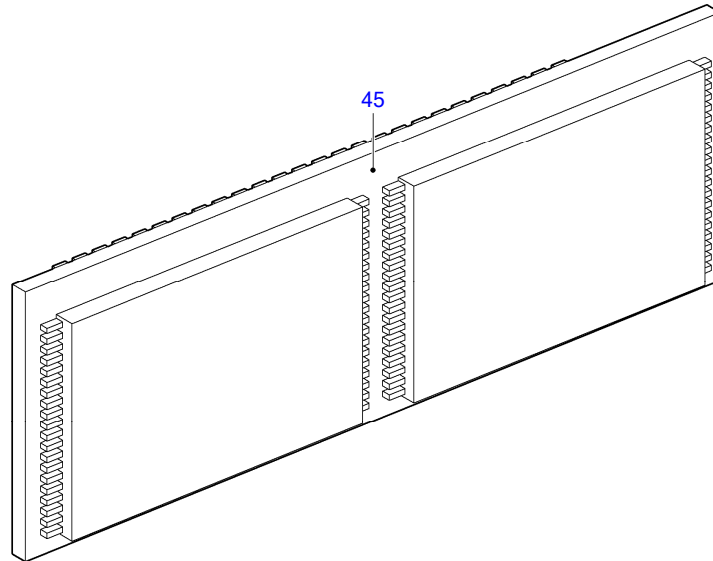
51103256

☐	POS.	PART NO.	DESIGNATION	MODEL/TYPE	QTY.	UNITS	WEIGHT	FN	MEASUREMENT
657	20	X00021061/E0124	MEMORY MODULE FOR PLANT DATA	MOTOR 1 / 3	1	PC	160 g	KF	MEM 8 PROGRAMMIERT 142/A2
659	40	X00021061/E0125	MEMORY MODULE FOR PLANT DATA	MOTOR 2 / 4	1	PC	42,1 g	KF	MEM8 PROGRAMMIERT 142/A2



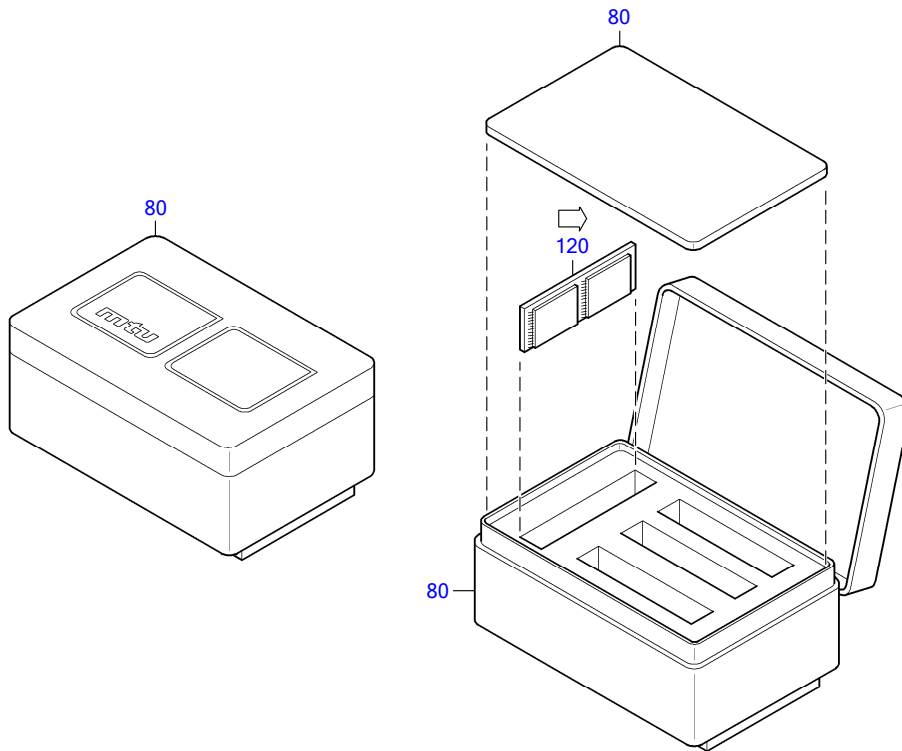
51103257

□	POS.	PART NO.	DESIGNATION	MODEL/TYPE	QTY.	UNITS	WEIGHT	FN	MEASUREMENT
	80	X00015381	HOUSING	ESD-MEM	1	PC	40 g	AB	80X55X33
658	120	X00021061	PLUG-IN BOARD	MEM8-01	1	PC	4 g	KF	MEM8-01;



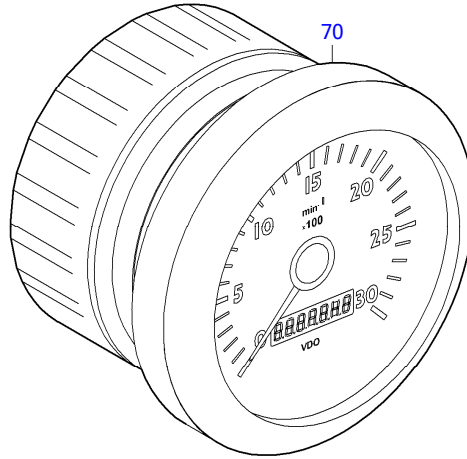
51103526

☐	POS.	PART NO.	DESIGNATION	MODEL/TYPE	QTY.	UNITS	WEIGHT	FN	MEASUREMENT
	45	X00021061/76	PLUG-IN BOARD NOT ADJUSTED	MEM 8-01	1	PC	60 g	MN	MEM8-01



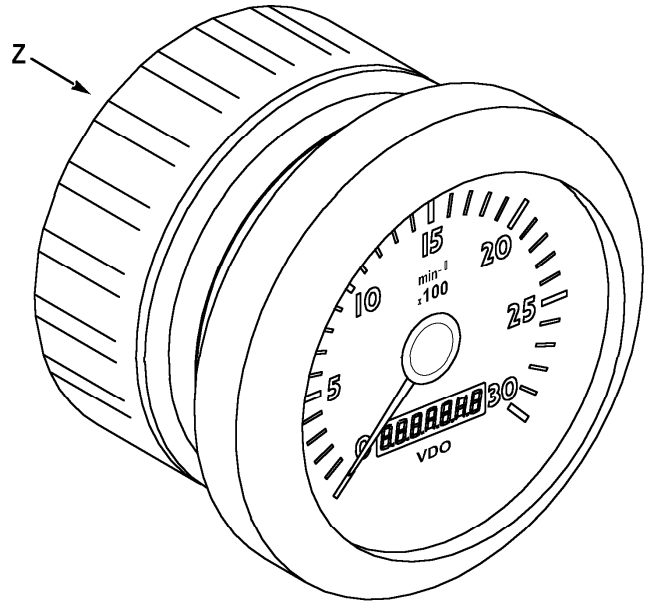
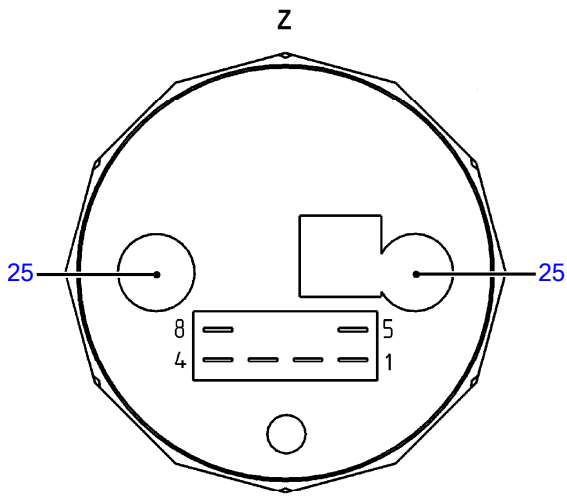
51103257

☐	POS.	PART NO.	DESIGNATION	MODEL/TYPE	QTY.	UNITS	WEIGHT	FN	MEASUREMENT
	80	X00015381	HOUSING	ESD-MEM	1	PC	40 g	AB	80X55X33
658	120	X00021061	PLUG-IN BOARD	MEM8-01	1	PC	4 g	KF	MEM8-01;



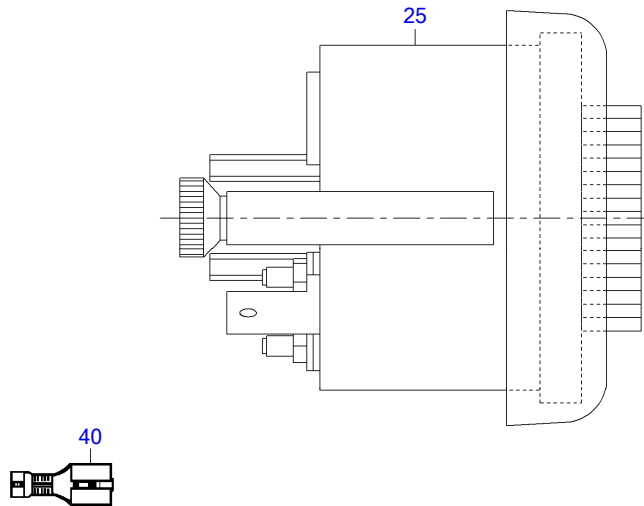
51103659

	POS.	PART NO.	DESIGNATION	MODEL/TYPE	QTY.	UNITS	WEIGHT	MEASUREMENT
661	70	0035367510	TACHOMETER FOR ENGINE SPEED	0-3000/RPM	1	PC	261,5 g	D=85MM,PWM, MIT EBZ, 3000RPM



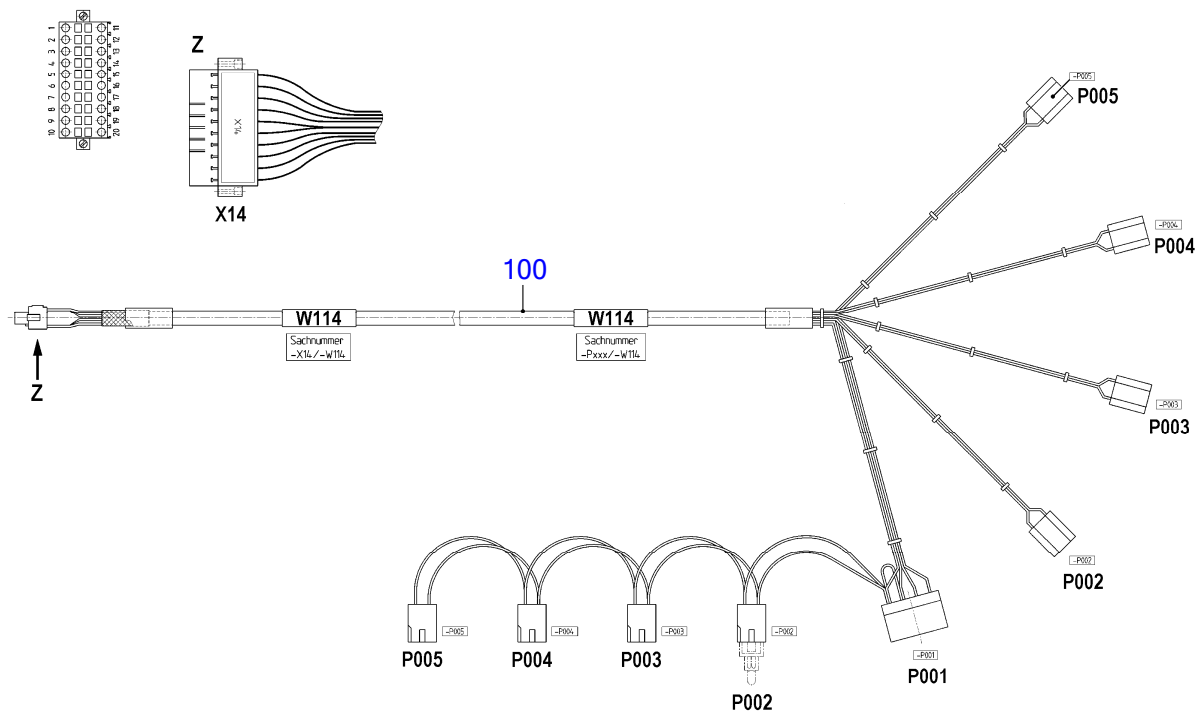
51100092a

☐	POS.	PART NO.	DESIGNATION	MODEL/TYPE	QTY.	UNITS	WEIGHT	FN	MEASUREMENT
	25	0005317288	LAMP	24V_1,2W_W5/2	2	PC	0,4 g	MN	SOCKEL W5/2



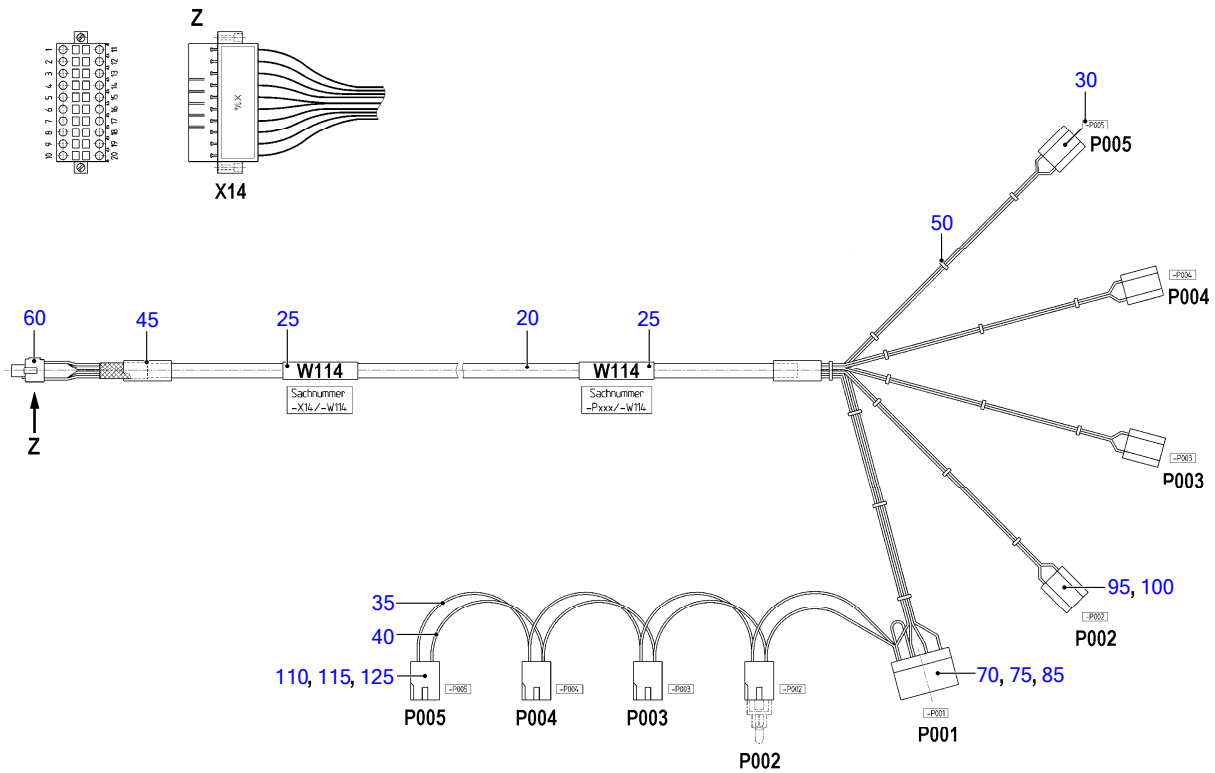
51103188

☐	POS.	PART NO.	DESIGNATION	MODEL/TYPE	QTY.	UNITS	WEIGHT	MEASUREMENT
	25	B00E50202614	BUZZER	SAN GIORGIO	1	PC	150 g	D=52MM, 24VDC
	40	0005453726	BLADE TERMINAL		2	PC	0,8 g	



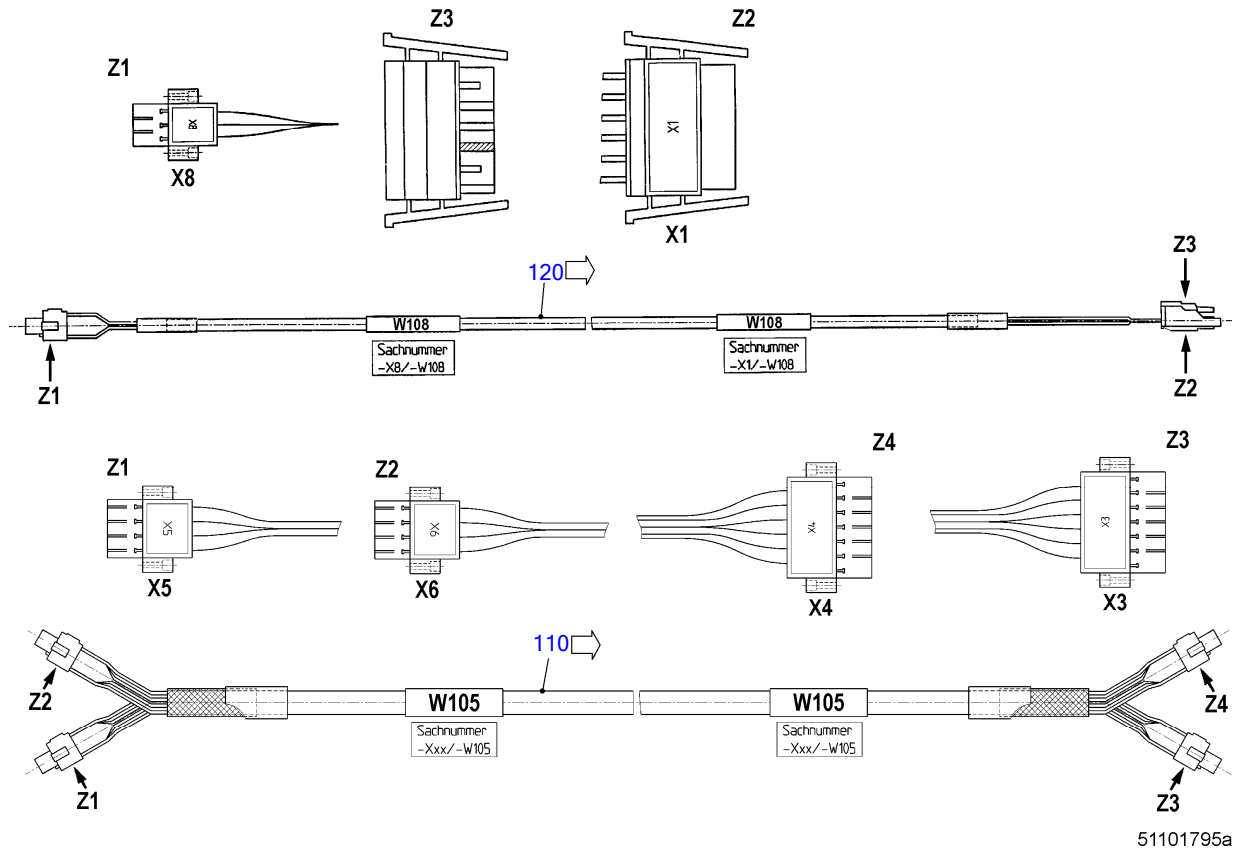
51101819a

POS.	PART NO.	DESIGNATION	MODEL/TYPE	QTY.	UNITS	WEIGHT	MEASUREMENT
664	5285305234	CONNECTING CABLE FOR MONITOR SYSTEM	PIM4; 10M	1	PC	1,396 kg	L=10M

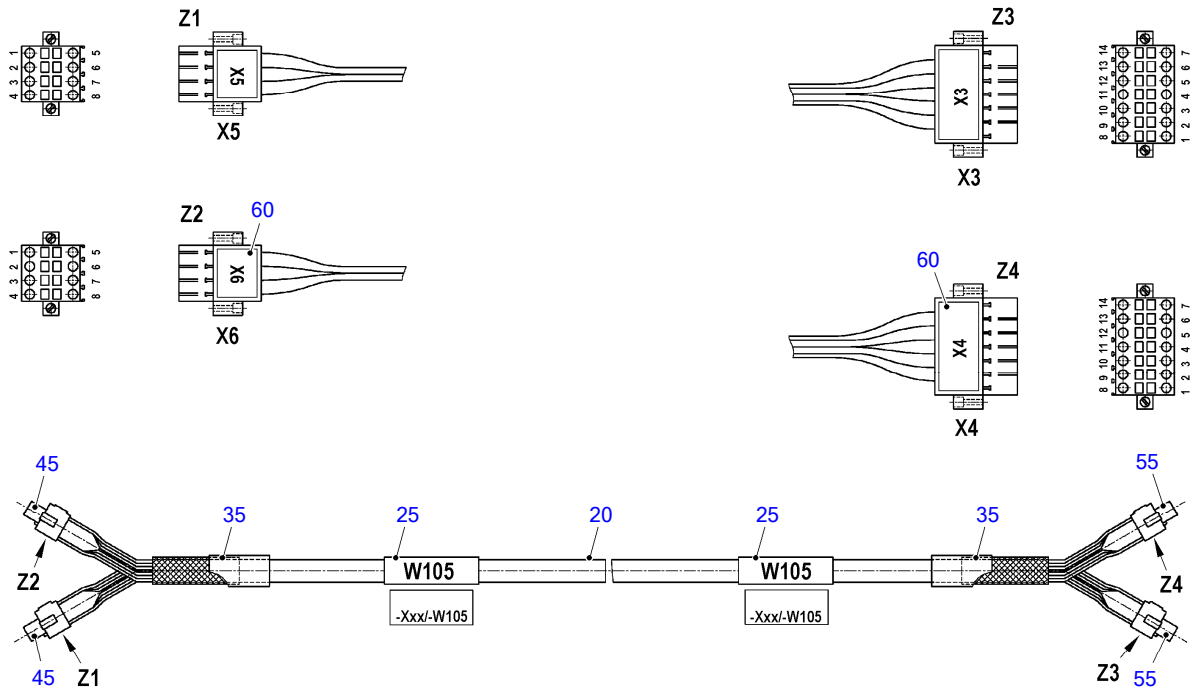


51100809a

☐	POS.	PART NO.	DESIGNATION	MODEL/TYPE	QTY.	UNITS	WEIGHT	FN	MEASUREMENT
	20	0025317780	CABLE	LIYCY 12X0,34	10,700	M	120 g		SCHALTFLEX CY ABGESCHIRMT
	25	0035337089	IDENTIFICATION PLATE	ELAT	2	PC	1,4 g		47X135MM, BEDRUCKBAR 47X25MM
	30	0025330990	PLATE	3M7871EC	10	PC	1 g		6,35X19,05 (AUF ROLLE)
	35	0075317180	CABLE	H05Z-K 0,5	1,600	M	3 g		0,5 QMM ROT
	40	0075316880	CABLE	H05Z-K 0,5	1,600	M	5,7 g		0,5 QMM SCHWARZ
	45	0005310775	SHRINKABLE HOSE	SSCHL. 12/4-0 SW	0,060	M	15 g	AB	12/4MM, SCHWARZ -55 -135 C
	50	0005311981	QUICK-CATCH CLAMP	TYH/TYB 23M	15	PC	0,1 g		92X2,4X1,0MM D=2-16MM
	60	0065312781	SEPARABLE CONNECTOR	20POL.	1	PC	3 g		2X10POLIG, 125V/7,5A
	70	0015458328	BLADE CONNECTOR	8 POL.	1	PC	6 g	AB	
	75	0025314085	BLADE RECEPTACLE	0,5-1,0 MM	3	PC	25 g	AB	6,3X0,8 / 0,5-1,0MM2,
	85	0001596279	RECEPTACLE		3	PC	0,5 g		
	95	0165319683	CRIMP CONTACT		4	PC	3 g	AB	
	100	0025314085	BLADE RECEPTACLE	0,5-1,0 MM	8	PC	25 g	AB	6,3X0,8 / 0,5-1,0MM2,
	110	0165319783	HOUSING	2 POL.	4	PC	0,8 g		FUER 183 STANDARD
	115	0065312381	TERMINAL		2	PC	1 g		FUER AMP-GEHAEUSE
	125	0025313985	BLADE CONNECTOR	6,3X0,8	6	PC	1 g	AB	6,3X0,8 / 0,5-1,5MM2,

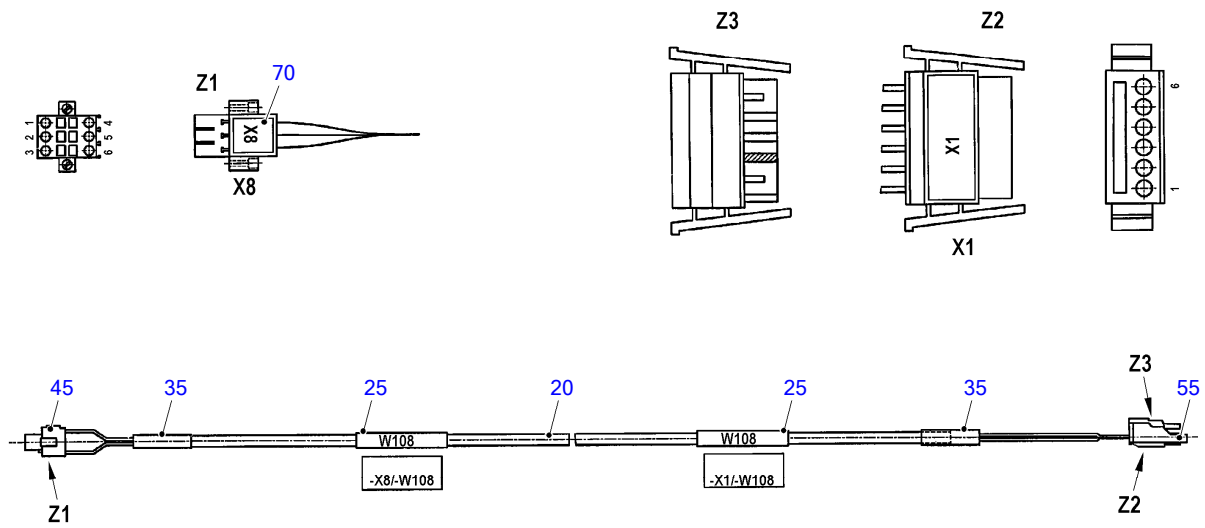


☐	POS.	PART NO.	DESIGNATION	MODEL/TYPE	QTY.	UNITS	WEIGHT	MEASUREMENT
	110	5265304035	CONNECTING CABLE FOR REMOTE CONTROL	PIM-PIM; 1M	1	PC	255 g	L=1M
	120	5265304135	CONNECTING CABLE FOR REMOTE CONTROL	PIM-PIM; 1M	1	PC	76,9 g	L=1M



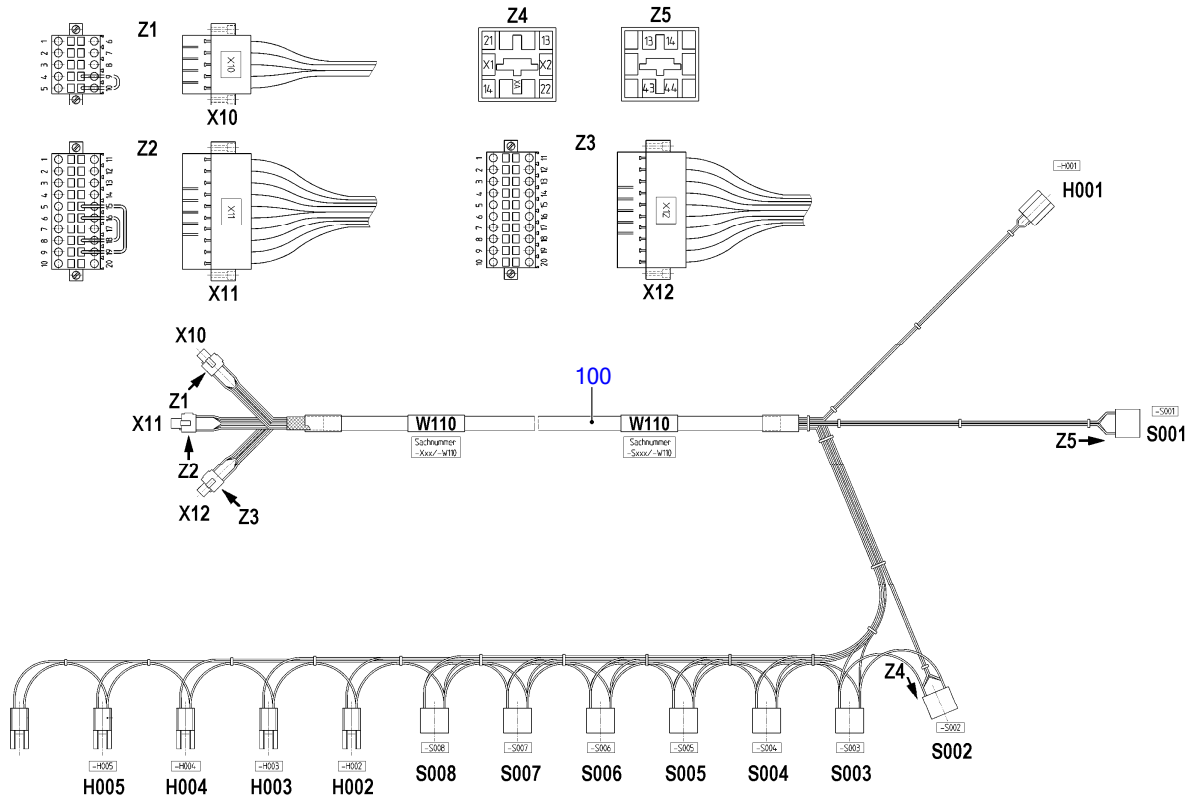
51103444

☐	POS.	PART NO.	DESIGNATION	MODEL/TYPE	QTY.	UNITS	WEIGHT	FN	MEASUREMENT
	20	0095315080	CABLE	LIHCH(TP)6X2X0,5	1,500	M	171,2 g	AB	6X2X0.5QMM D
	25	0035337089	IDENTIFICATION PLATE	ELAT	2	PC	1,4 g		47X135MM, BEDRUCKBAR 47X25MM
	35	0015317082	SHRINKABLE HOSE	SSCHL. 18/6-0 SW	0,060	M	17,9 g		18/6MM, SCHWARZ
	45	0065312581	TERMINAL	8POL.	2	PC	4 g		2X4POLIG, 125V/7,5A
	55	0065314481	SEPARABLE CONNECTOR	B2L3.5 14POL.	2	PC	5 g		32X15,6X20,6, 2X7P. 125V/ 7,5A
	60	0025330990	PLATE	3M7871EC	2	PC	1 g		6,35X19,05 (AUF ROLLE)



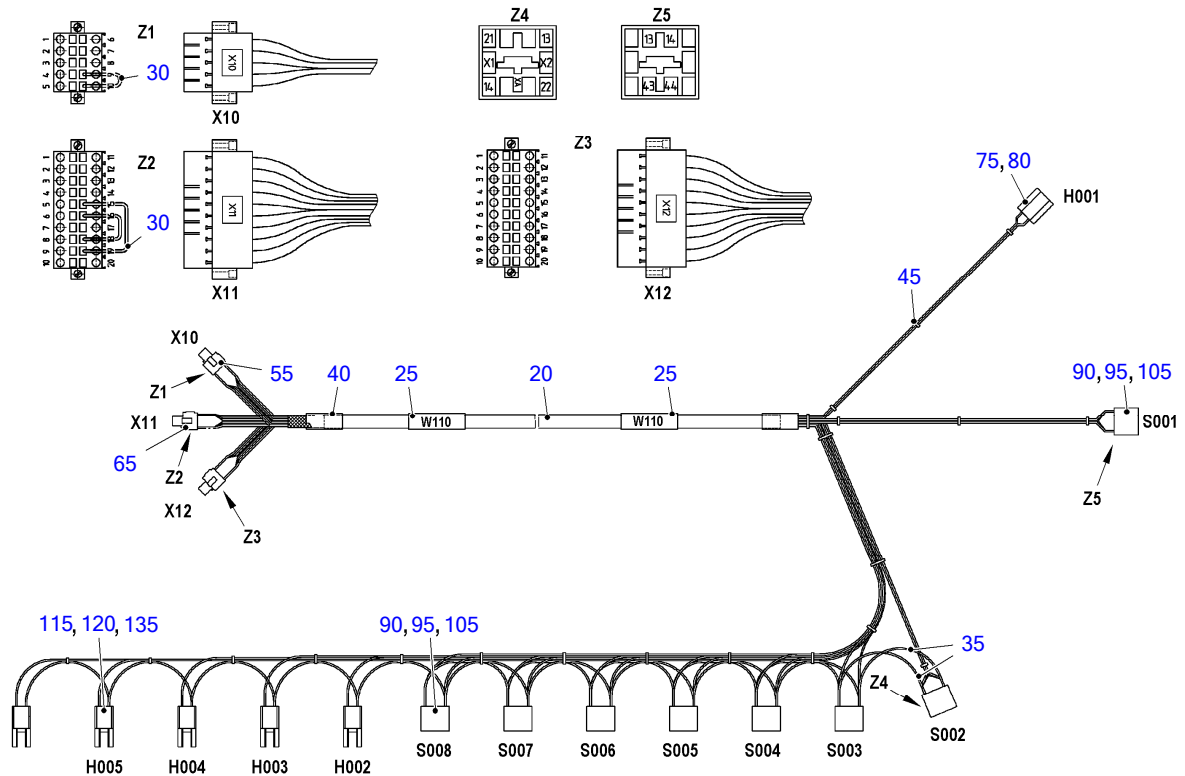
51103445

☐	POS.	PART NO.	DESIGNATION	MODEL/TYPE	QTY.	UNITS	WEIGHT	FN	MEASUREMENT
	20	0095315380	CABLE	LIYY 4X0,50	1,350	M	56 kg	AB	4X0.50QMM D
	25	0035337089	IDENTIFICATION PLATE	ELAT	2	PC	1,4 g		47X135MM, BEDRUCKBAR 47X25MM
	35	0005310775	SHRINKABLE HOSE	SSCHL. 12/4-0 SW	0,060	M	15 g	AB	12/4MM, SCHWARZ -55 -135 C
	45	0065312481	TERMINAL	6POL.	1	PC	3 g		2X3POLIG, 125V/7,5A
	55	0055314081	TERMINAL	6POL.	1	PC	100 g		6-POL,R=5,08, GERADE, ORANGE
	70	0025330990	PLATE	3M7871EC	1	PC	1 g		6,35X19,05 (AUF ROLLE)



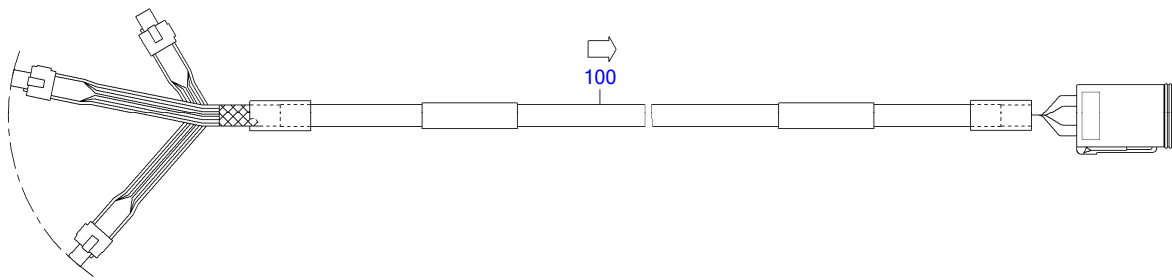
51100197b

POS.	PART NO.	DESIGNATION	MODEL/TYPE	QTY.	UNITS	WEIGHT	MEASUREMENT
669	5285304834	CONNECTING CABLE FOR MONITOR SYSTEM	PIM4; 10M	1	PC	2,746 kg	L=10M



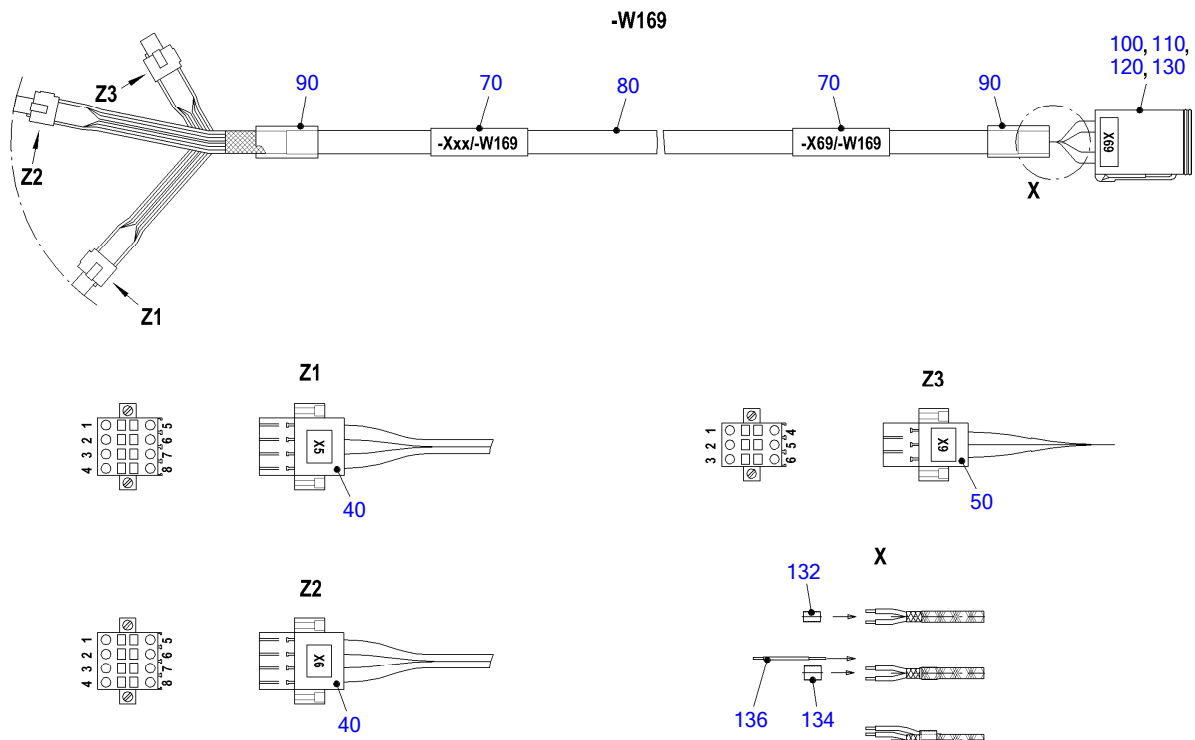
TD0000012850_511

☐	POS.	PART NO.	DESIGNATION	MODEL/TYPE	QTY.	UNITS	WEIGHT	FN	MEASUREMENT	STANDARD
	20	0025319280	CABLE	LIYCY 28X0,34	14,000	M	230 g		SCHALTFLEX CY ABGESCHIRMT	
	25	0035337089	IDENTIFICATION PLATE	ELAT	2	PC	1,4 g		47X135MM, BEDRUCKBAR 47X25MM	
	30	0075317580	CABLE	H05Z-K 0,5	0,090	M	6 g		AB 0,5 QMM GELB	VDE0282
	35	0075316880	CABLE	H05Z-K 0,5	5,200	M	5,7 g		0,5 QMM SCHWARZ	
	40	0015317082	SHRINKABLE HOSE	SSCHL. 18/6-0 SW	0,060	M	17,9 g		18/6MM, SCHWARZ	
	45	0005311981	QUICK-CATCH CLAMP	TYH/TYB 23M	20	PC	0,1 g		92X2,4X1,0MM D=2-16MM	
	55	0065312681	TERMINAL	10POL.	1	PC	6 g		2X5POLIG, 125V/7,5A	
	65	0065312781	SEPARABLE CONNECTOR	20POL.	2	PC	3 g		2X10POLIG, 125V/7,5A	
	75	B00E50202745	GROMMET F.BLADE RECEPTACLE	ISOLIERTÜLLE	2	PC	0,01 g		F. FLACHSTECKHUELSE 6,3X0,8	
	80	0025314085	BLADE RECEPTACLE	0,5-1,0 MM	2	PC	25 g		AB 6,3X0,8 / 0,5-1,0MM2,	
	90	0005349101	MALE CONNECTOR		8	PC	10 g		FUER 183 STANDARD	
	95	0025313785	BLADE RECEPTACLE	0,3-0,6 MM	19	PC	1 g		AB 2,8X0,8MM 0,3-0,6MM2, B-CR	
	105	0025313885	BLADE RECEPTACLE	0,5-1,5 MM	13	PC	1 g		AB 2,8X0,8 / 0,5-1,5MM2,	DIN46340
	115	0005369101	MALE CONNECTOR	2POL.	5	PC	2,2 g		AB FUER 183 STANDARD	
	120	0025313785	BLADE RECEPTACLE	0,3-0,6 MM	6	PC	1 g		AB 2,8X0,8MM 0,3-0,6MM2, B-CR	
	135	0025313885	BLADE RECEPTACLE	0,5-1,5 MM	4	PC	1 g		AB 2,8X0,8 / 0,5-1,5MM2,	DIN46340



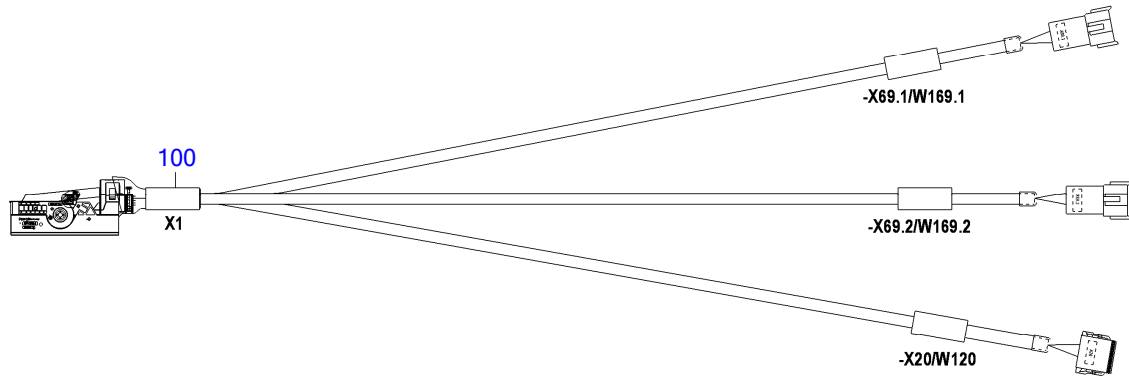
51000521

☐	POS.	PART NO.	DESIGNATION	MODEL/TYPE	QTY.	UNITS	WEIGHT	MEASUREMENT
671	100	X00E50201620	CONNECTING CABLE FOR MONITOR SYSTEM	-W169/ 10M	1	PC	2,305 kg	L=10M



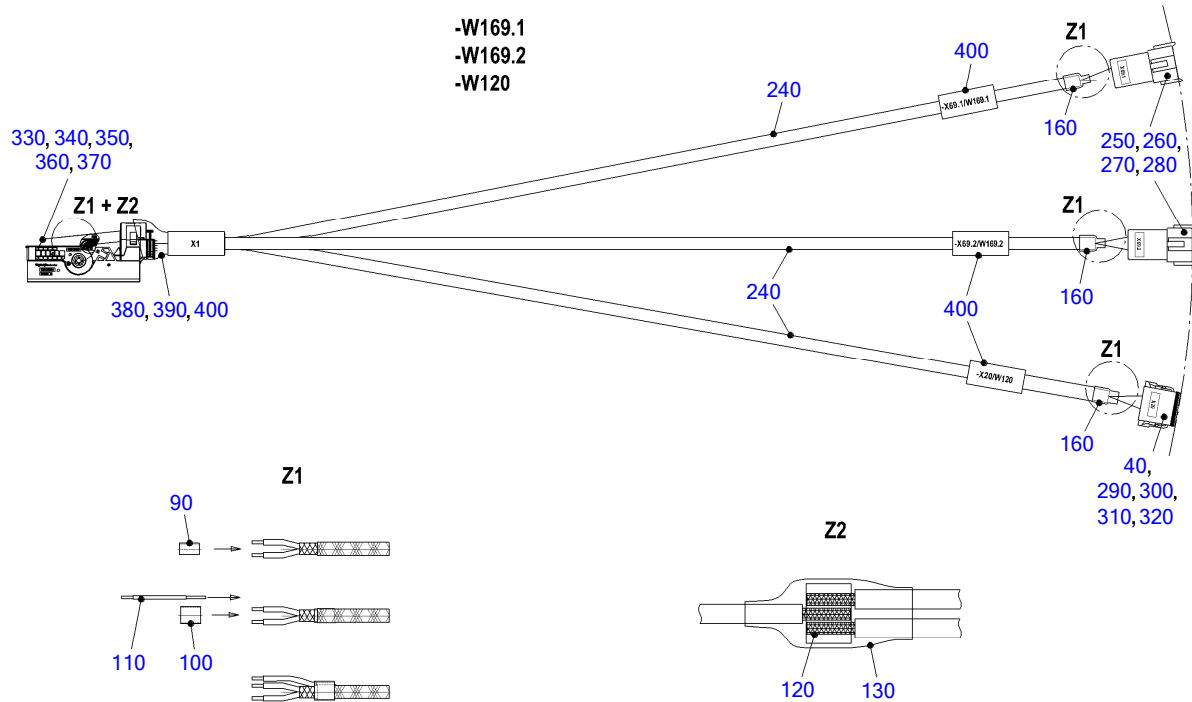
51102149a

□	POS.	PART NO.	DESIGNATION	MODEL/TYPE	QTY.	UNITS	WEIGHT	MEASUREMENT
	40	0065312581	TERMINAL	8POL.	2	PC	4 g	2X4POLIG, 125V/7,5A
	50	0065312481	TERMINAL	6POL.	1	PC	3 g	2X3POLIG, 125V/7,5A
	70	0035337089	IDENTIFICATION PLATE	ELAT	2	PC	1,4 g	47X135MM, BEDRUCKBAR 47X25MM
	80	X00E50202942	CABLE	LIHCH(TP)8X2X0,5	10,300	M	250 g	8X2X0.5QMM D
	90	0015317082	SHRINKABLE HOSE	SSCHL. 18/6-0 SW	0,030	M	17,9 g	18/6MM, SCHWARZ
	100	X00E50202781	MALE CONNECTOR	DT-SERIES	1	PC	14,4 g	12-POL. BUCHSENGEHAEUSE
	110	X00E50202782	MALE CONNECTOR	DT-SERIES	1	PC	2,6 g	KONTAKTVERR. FÜR BUCHSE 12-POL.
	120	0005333083	CRIMP CONTACT	0,5-1,0 QMM	9	PC	0,6 g	0,5-1,0 QMM, BUCHSE VERZINNT
	130	X00023503	BLANKING PLUG FOR CONNECTOR	EINZELADERABDICHTUNG	3	PC	0,2 g	EINZELADERABDICHTUNG 0,75-1,0QMM
	132	X00E50202945	LINK	SHIELD-KON	1	PC	1 g	BLAU 9,52X10,30MM
	134	X00E50202947	LINK	SHIELD-KON	1	PC	6 g	GRÜN 12,70X14,60MM
	136	0075316780	CABLE	H05Z-K 0,5	0,050	M	6 g	0,5 QMM GRUEN/GELB



51102282a

☐	POS.	PART NO.	DESIGNATION	MODEL/TYPE	QTY.	UNITS	WEIGHT	MEASUREMENT
673	100	X00E50201622	CONNECTING CABLE FOR MONITOR SYSTEM	-W169.1/2 + -W120 / 1,5M	1	PC	800 g	L=1,5M



51102148a

☐	POS.	PART NO.	DESIGNATION	MODEL/TYPE	QTY.	UNITS	WEIGHT	FN	MEASUREMENT	STANDARD
	40	0075317680	CABLE	H05Z-K 0,5	0,250	M	0,3 g	AB	0,5 QMM GRUEN	VDE0282
	90	0025315581	TERMINAL		6	PC	100 g		ORANGE	
	100	X00E50202940	LINK	SHIELD-KON	6	PC			LILA 9,12X10,13MM	
	110	0075316780	CABLE	H05Z-K 0,5	0,400	M	6 g		0,5 QMM GRUEN/GELB	
	120	0015318285	BLADE CONNECTOR	CRIMPVERBINDER PARALLEL	1	PC	0,5 g		1,0-2,5 MM² / BLANK / VERZINNT	
	130	0005311575	SHRINKABLE HOSE	SSCHL. 50MM KL	1	PC	0,2 g		5,7/1,27MM, L=50MM, TRANSPARENT	
	160	0015317082	SHRINKABLE HOSE	SSCHL. 18/6-0 SW	0,120	M	17,9 g		18/6MM, SCHWARZ	
	240	X00011695	CABLE	LIHCH (TP) 4X2X0,5	4,500	M	1,3 kg	AB	4X2X0,5QMM D	
	250	X00E50202785	MALE CONNECTOR	DT-SERIES	2	PC	17,2 g		STIFTGEHAUESE 12-POLIG	
	260	X00E50202786	MALE CONNECTOR	DT-SERIES	2	PC	1,6 g		KONTAKTVERR. FÜR STIFT 12-POL	
	270	X00034294	MALE CONNECTOR	DT-SERIES	18	PC	5 g		0,5-1,0 MM2, STIFT VERZ	
	280	X00023503	BLANKING PLUG FOR CONNECTOR	EINZELADERABDICHTUNG	6	PC	0,2 g		EINZELADERABDICHTUNG 0,75-1,0QMM	
	290	X00E50202781	MALE CONNECTOR	DT-SERIES	1	PC	14,4 g		12-POL. BUCHSENGEHAUESE	
	300	X00E50202782	MALE CONNECTOR	DT-SERIES	1	PC	2,6 g		KONTAKTVERR. FÜR BUCHSE 12-POL.	
	310	0005333083	CRIMP CONTACT	0,5-1,0 QMM	9	PC	0,6 g		0,5-1,0 QMM, BUCHSE VERZINNT	
	320	X00023503	BLANKING PLUG FOR CONNECTOR	EINZELADERABDICHTUNG	3	PC	0,2 g		EINZELADERABDICHTUNG 0,75-1,0QMM	
	330	0025318885	BLADE CONNECTOR	BUCHSENGEHAUESE MCP1,5	1	PC	111 g		92POL / NW26 / CODE-A / 90GRD	
	340	0025319385	BLADE CONNECTOR	BUCHSE CUNISI VERSILBERT	30	PC	0,4 g		0,5-1,0MM²/MCP1,5 AG	
	350	0025319585	BLADE CONNECTOR	EINZELADERABDICHTUNG	30	PC	0,05 g		1,4-1,9 MM / MCP1,5	

EQUI TYPE: System

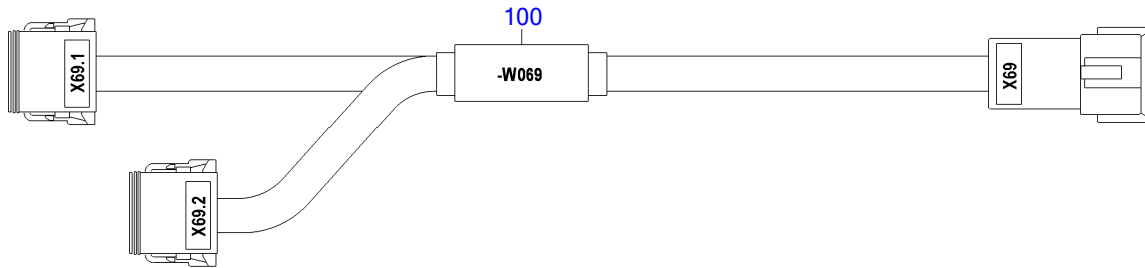
PRODUCT TYPE: SYSTEM
CONNECTING CABLE FOR MONITOR SYSTEM

SERIAL NUMBER: 1202166_000007

FG/FGS:

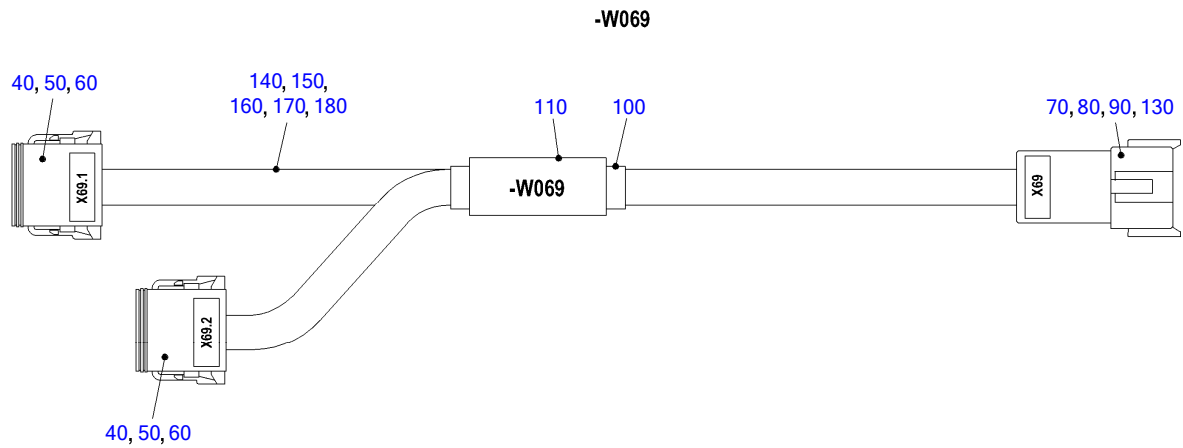
BOM-No.: X00E50201622

<input type="checkbox"/>	POS.	PART NO.	DESIGNATION	MODEL/TYPE	QTY.	UNITS	WEIGHT	FN	MEASUREMENT	STANDARD
	360	0185317083	BLANKING PLUG FOR CONNECTOR	BLINDSTOPFEN	62	PC	0,05 g		MCP1,5	
	370	0025319185	BLADE CONNECTOR	KAPPE FUER MCP BUCHSENGEHAEUSE	1	PC	10 g		92POL / NW26	
	380	0011596139	SHRINKABLE HOSE	52/13 SW	0,100	M	130 g		52/13MM - MIT KLEBER	
	390	0035314381	CABLE CLAMP	KABELBINDER	1	PC	0,6 g		L=150MM, B=3,6MM	
	400	0035337089	IDENTIFICATION PLATE	ELAT	4	PC	1,4 g		47X135MM, BEDRUCKBAR 47X25MM	



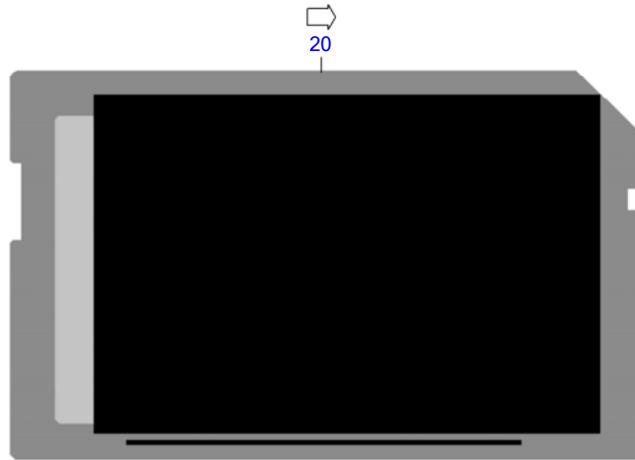
51102150b

☐	POS.	PART NO.	DESIGNATION	MODEL/TYPE	QTY.	UNITS	WEIGHT	MEASUREMENT
675	100	X00E50202026	CONNECTING CABLE FOR MONITOR SYSTEM	-W069 / 0,2M	1	PC	5,267 kg	L=0,2M



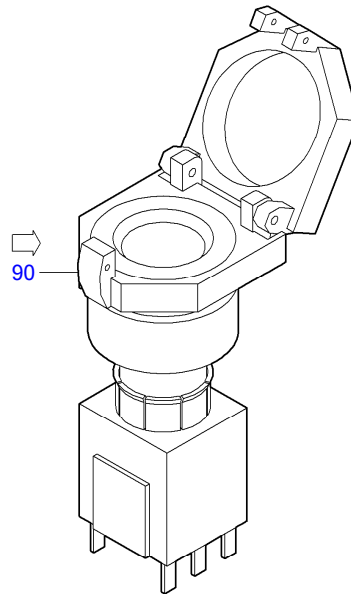
51102150a

☐	POS.	PART NO.	DESIGNATION	MODEL/TYPE	QTY.	UNITS	WEIGHT	FN	MEASUREMENT	STANDARD
	40	X00E50202781	MALE CONNECTOR	DT-SERIES	2	PC	14,4 g		12-POL. BUCHSENGEHAEUSE	
	50	X00E50202782	MALE CONNECTOR	DT-SERIES	2	PC	2,6 g		KONTAKTVERR. FÜR BUCHSE 12-POL.	
	60	0005333083	CRIMP CONTACT	0,5-1,0 QMM	16	PC	0,6 g		0,5-1,0 QMM, BUCHSE VERZINNT	
	70	X00E50202785	MALE CONNECTOR	DT-SERIES	1	PC	17,2 g		STIFTGEHAEUSE 12-POLIG	
	80	X00E50202786	MALE CONNECTOR	DT-SERIES	1	PC	1,6 g		KONTAKTVERR. FÜR STIFT 12-POL	
	90	X00034294	MALE CONNECTOR	DT-SERIES	9	PC	5 g		0,5-1,0 MM2, STIFT VERZ	
	100	0015317082	SHRINKABLE HOSE	SSCHL. 18/6-0 SW	0,060	M	17,9 g		18/6MM, SCHWARZ	
	110	0035337089	IDENTIFICATION PLATE	ELAT	1	PC	1,4 g		47X135MM, BEDRUCKBAR 47X25MM	
	130	X00023503	BLANKING PLUG FOR CONNECTOR	EINZELADERABDICHTUNG	11	PC	0,2 g		EINZELADERABDICHTUNG 0,75-1,0QMM	
	140	0075317780	CABLE	H05Z-K 0,5	0,800	M	5,6 g		0,5 QMM WEISS	
	150	0075317080	CABLE	H05Z-K 0,5	0,800	M	6 g		0,5 QMM BRAUN	
	160	0075317180	CABLE	H05Z-K 0,5	0,200	M	3 g		0,5 QMM ROT	
	170	0075316880	CABLE	H05Z-K 0,5	1,000	M	5,7 g		0,5 QMM SCHWARZ	
	180	0075317680	CABLE	H05Z-K 0,5	0,400	M	0,3 g	AB	0,5 QMM GRUEN	VDE0282



51103259

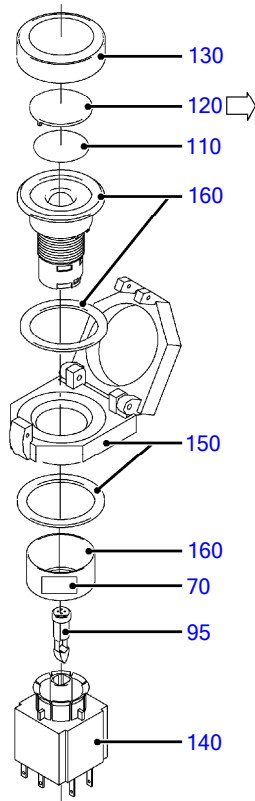
☐	POS.	PART NO.	DESIGNATION	MODEL/TYPE	QTY.	UNITS	WEIGHT	FN	MEASUREMENT
	20	X00E50205569/E0007	MEMORY MODULE FOR PLANT DATA	BLUE LINE	1	PC	130 g	AB	SD-KARTE F.BLUELINE M.MFD



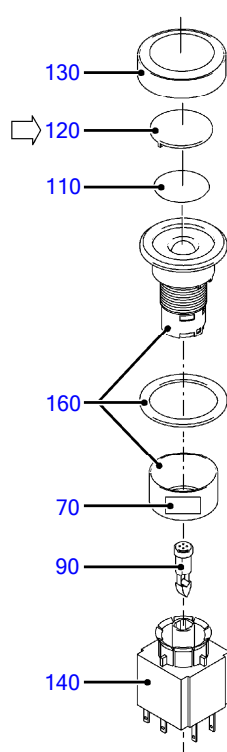
51101939a

	POS.	PART NO.	DESIGNATION	MODEL/TYPE	QTY.	UNITS	WEIGHT	MEASUREMENT
678	90	5105301973	INDICATOR FOR CONTROL STAND	BLUE LINE	1	PC	217,9 g	WENDEGETRIEBE, BR 183/2000

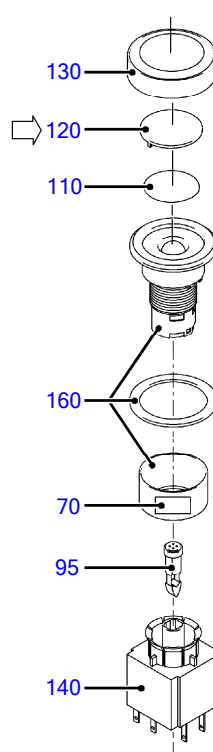
S004, S008



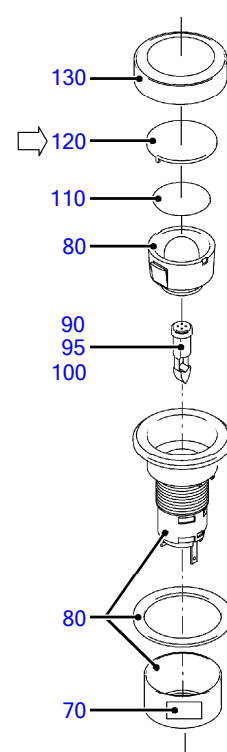
S002 - S003 - S006 - S007



S005

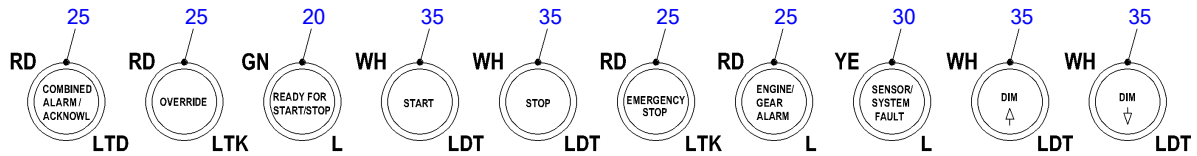


H002 - H003 - H004



51101886a

☐	POS.	PART NO.	DESIGNATION	MODEL/TYPE	QTY.	UNITS	WEIGHT	FN	MEASUREMENT
	70	0025330990	PLATE	3M7871EC	10	PC	1 g		6,35X19,05 (AUF ROLLE)
	80	0015360601	SIGNAL LAMP	RXJL 5	3	PC	10 g	AB	
	90	0005311839	LED	T5,5K 6-MLED 24V YE	5	PC	0,7 g	AB	T5,5K,3/6-MULTI-LED,GELB,24V,
	95	0005312039	LED	T5,5K 6-MLED 24V RD	4	PC	2 g	AB	T5,5K, 6-MULTI-LED, ROT, 24V,
	100	0005311939	LED	T5,5K 6-MLED 24V GN	1	PC	0,6 g	AB	T5,5K, 6-MULTI-LED, GRUEN,24V,
	110	0105364502	IDENTIFICATION PLATE		10	PC	10 g		WEISS
679	120	5105362504	LABELLING KIT FOR DISP./CONT. UNI	BLUE LINE	1	PC	3,8 g		WENDEGETRIEBE, BR 183/2000
	130	0015342601	PUSHBUTTON	RXJTE	10	PC	1,1 g		RUND 28MM, SILICON
	140	0005349001	PUSHBUTTON		7	PC	12 g		KONTAKTGEBER 1XÖ + 1XS
	150	0005336331	CAP		2	PC	5 g		
	160	0005349201	PUSHBUTTON	RXJT	7	PC	13 g		FUER 183 STANDARD

Hinweis / Note

L = Lampe / Lamp
 LDT = Drucktaster / Pushbutton
 LTK = Drucktaster mit Schutzklappe /
 Pushbutton with protective flap

Farbcode / Colorcode

GN = grün / green
 RD = rot / red
 WH = weiss / white
 YE = gelb / yellow

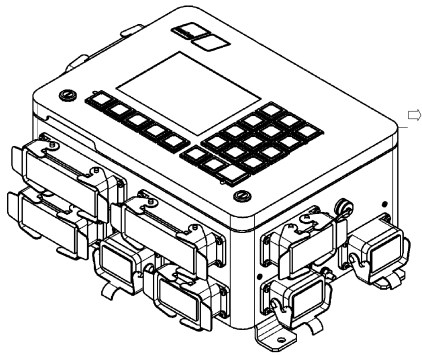
51101887a

☐	POS.	PART NO.	DESIGNATION	MODEL/TYPE	QTY.	UNITS	WEIGHT	FN	MEASUREMENT
	20	0105364602	BUTTON CAPS	T20F/GRUEN	1	PC	10 g		FUER 183 STANDARD
	25	0105364702	BUTTON CAPS	ROT	4	PC	10 g		FUER 183 STANDARD
	30	0105364802	BUTTON CAPS	T20F/GE	1	PC	10 g	AB	FUER 183 STANDARD
	35	0105366402	BUTTON CAP FOR KEYBOARD	T20F/KL	4	PC	10 g		T20FKL

GROUP SEGMENT (FGS)

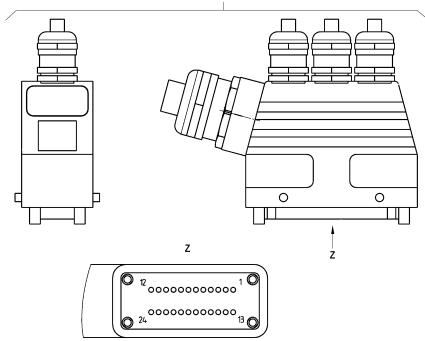
GROUP NAME

BOM-No.



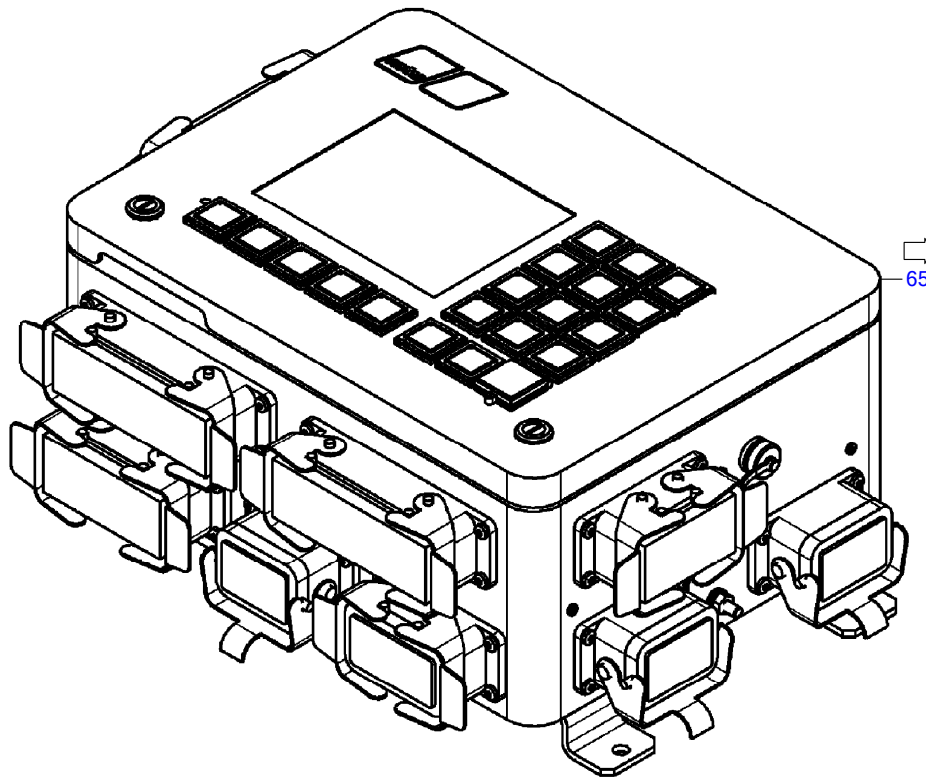
51701094

10
CONTROL CONSOLE IN ENGINE ROOM
BS00E510.00163



T00000029833_511

10
MALE CONNECTOR FOR CONTROL PANEL
X00037643



51701094

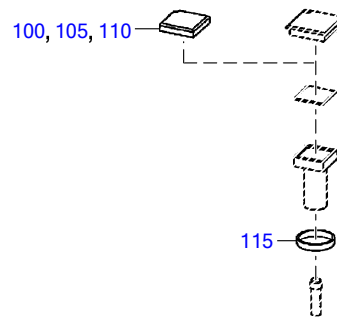
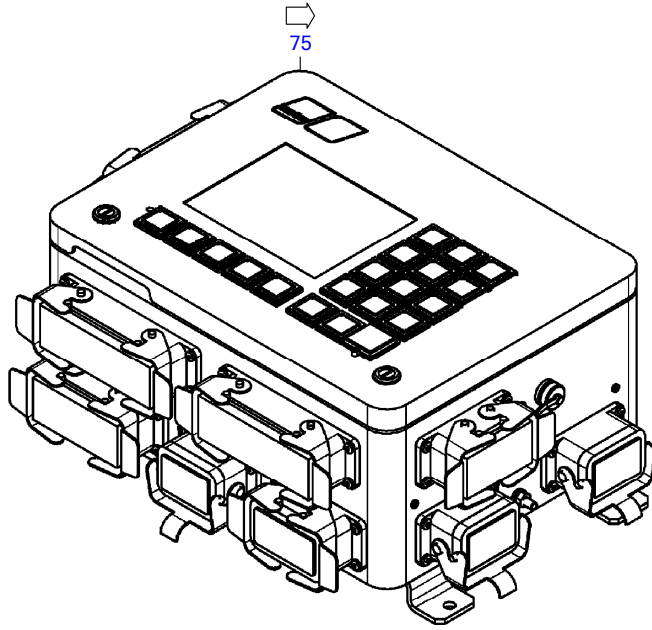
☐	POS.	PART NO.	DESIGNATION	MODEL/TYPE	QTY.	UNITS	WEIGHT	FN	MEASUREMENT
682	65	X00E50206487/S0002	CONTROL CONSOLE IN ENGINE ROOM	LOP 11-01	1	PC	9,862 kg	KF	360 X 270 X 180; ENGLISCH

EQUI TYPE: System

PRODUCT TYPE: SYSTEM
CONTROL CONSOLE IN ENGINE ROOM

SERIAL NUMBER: 1202166_000007

FG/FGS:
BOM-No.: X00E50206487/S0002



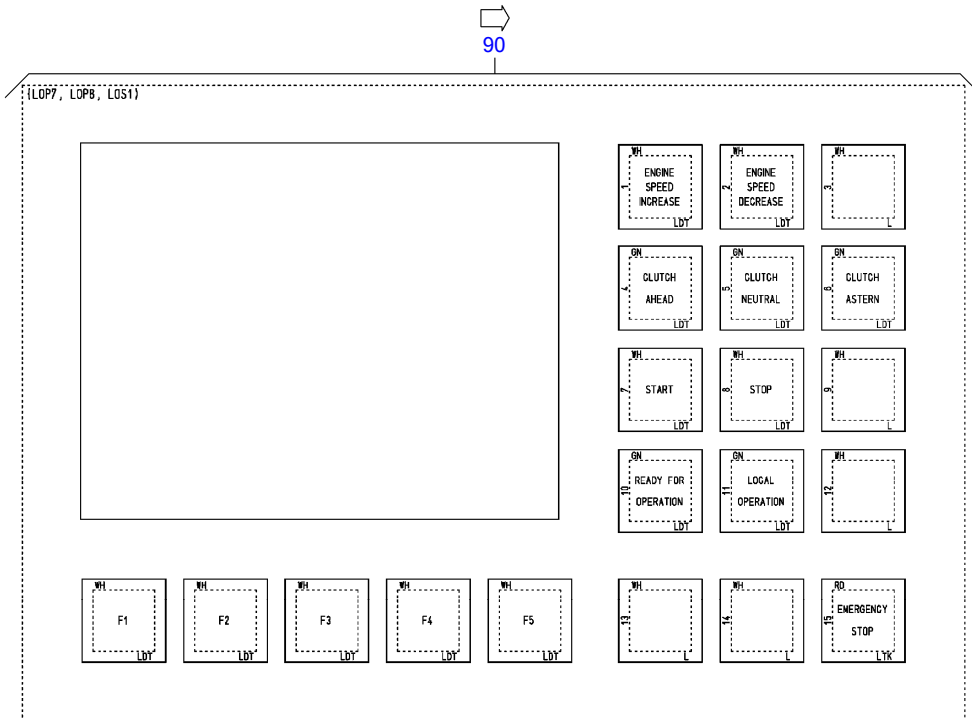
51701095

EQUI TYPE: System

PRODUCT TYPE: SYSTEM
CONTROL CONSOLE IN ENGINE ROOM

SERIAL NUMBER: 1202166_000007

FG/FGS:
BOM-No.: X00E50206487/S0002



Hinweis / Note
 L = Lampe / Lamp
 LDT = Drucktaster / Pushbutton
 LDS = Druckschalter / Latching pushbutton
 LTK = Drucktaster mit Schutzklappe / Pushbutton with protective flap
 LSK = Druckschalter mit Schutzklappe / Latching pushbutton with protective flap

Farbcode / Colorcode
 BN = grün / green
 RD = rot / red
 WH = weiss / white
 BU = blau / blue
 YE = gelb / yellow

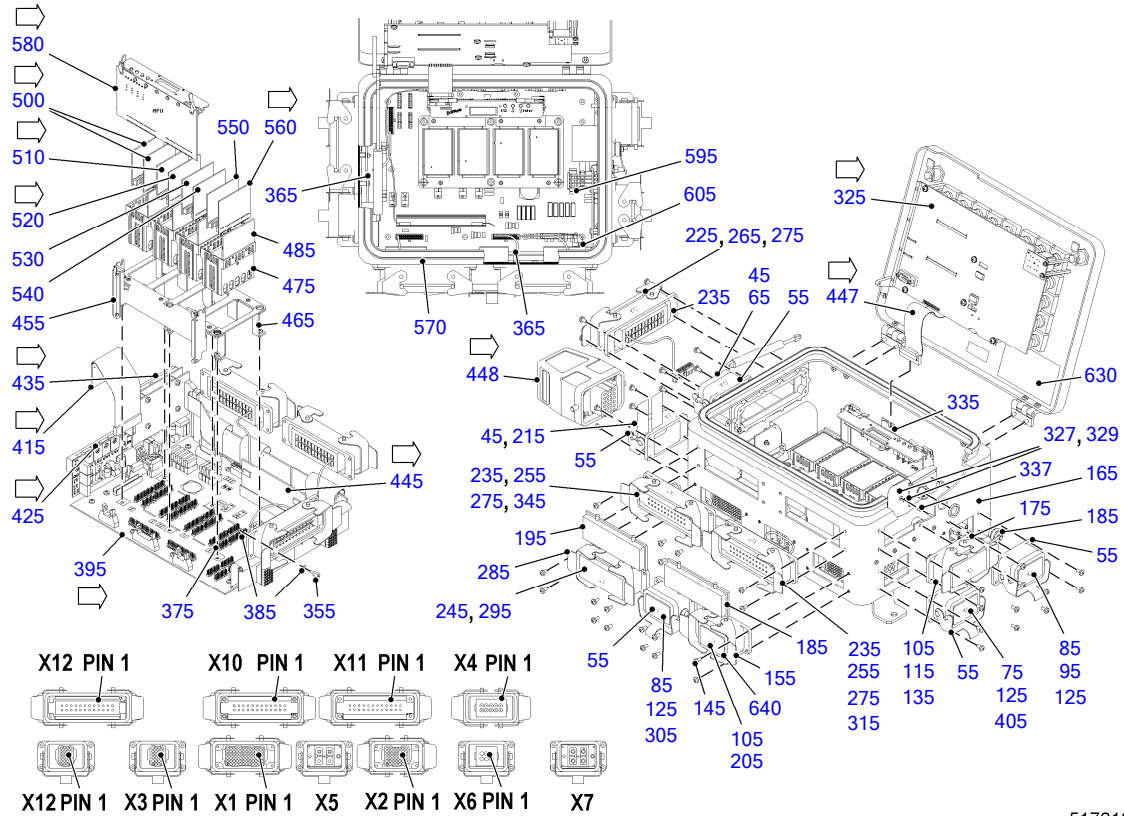
51701096

125



51701097

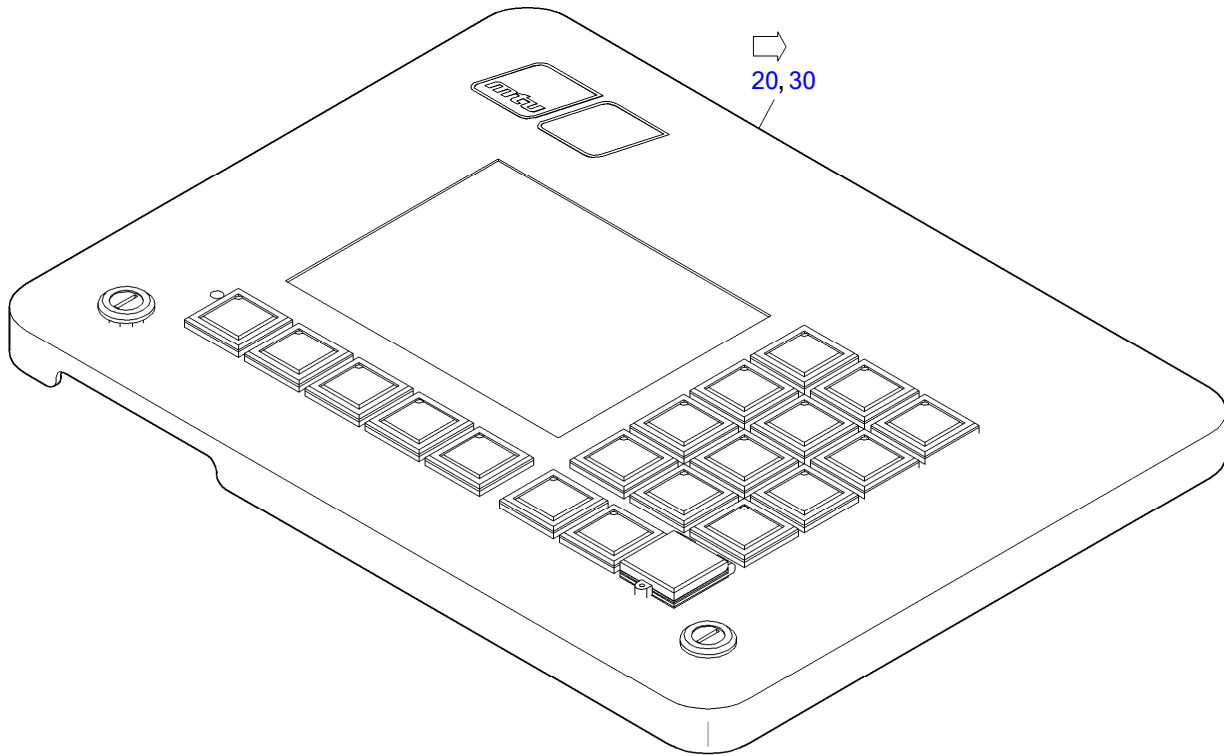
	POS.	PART NO.	DESIGNATION	MODEL/TYPE	QTY.	UNITS	WEIGHT	FN	MEASUREMENT
683	75	X00E50206487	CONTROL CONSOLE IN ENGINE ROOM	LOP 11-01	1	PC	9,92 kg		360 X 270 X 180
	90	5185362503	LABELLING KIT FOR CONTROL PANEL	LOP7/LOP8/LOS1	1	PC	10 g	AB	WENDEGETRIEBE
	100	0015341901	KEY COVER WHITE	MCS-5	14	PC	4 g		
	105	0015342001	KEY COVER GREEN	MCS-5	5	PC	1 g		
	110	0015342101	KEY COVER RED	MCS-5	1	PC	5 g		
	115	0015343901	LOCKING DEVICE FOR SWITCH/BUTTON	PAN 1, 2, 3, 4, 5, 7	5	PC	2 g		FLACHE VERSION
	125	5005334589	IDENTIFICATION PLATE		1	PC	6 g		



51701098

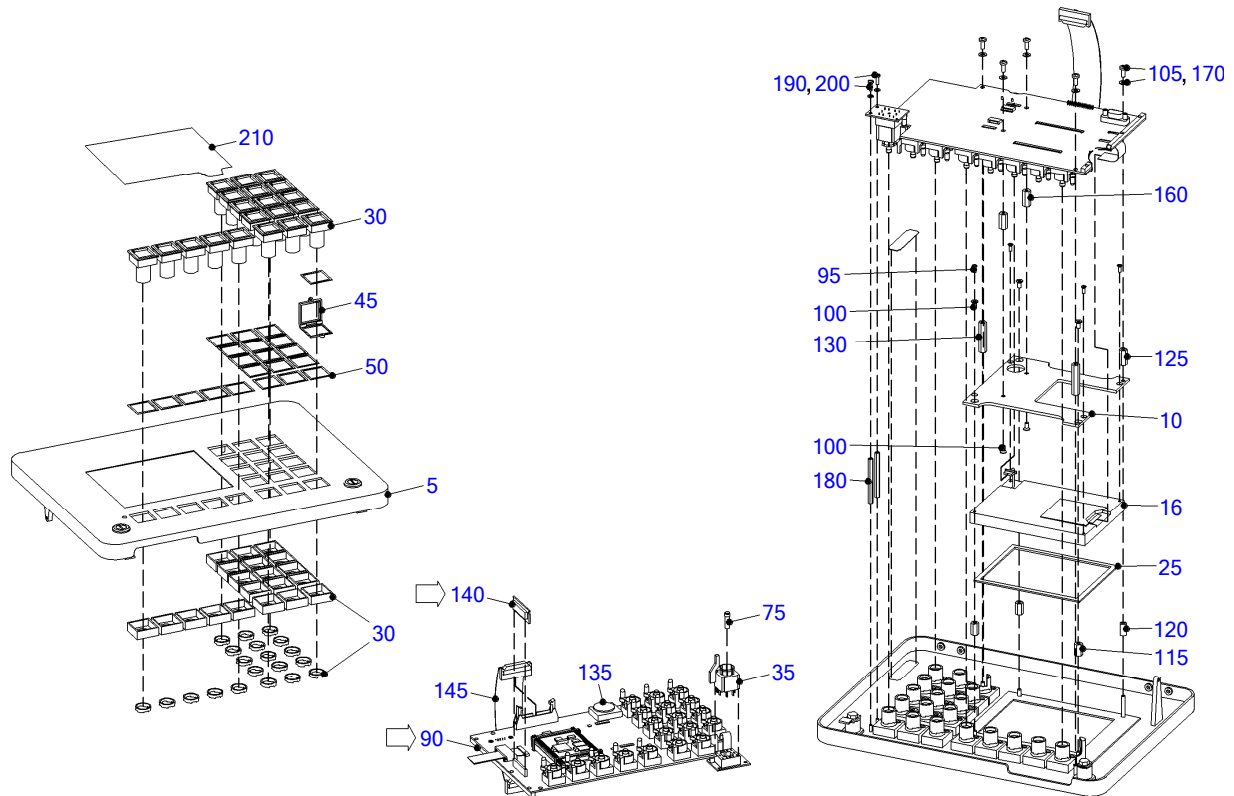
☐	POS.	PART NO.	DESIGNATION	MODEL/TYPE	QTY.	UNITS	WEIGHT	FN	MEASUREMENT	STANDARD
	45	0175312583	PROTECTIVE CAP FOR CONNECTOR	HAN 6	3	PC	3 g		GR. 6 F. ANBAUGEHAUSE	
	55	0165315183	BAYONET COUPLING	HAN B/GR. 6	5	PC	97,5 g		GR.6	
	65	0175312283	SEPARABLE CONNECTOR	HAN DD/24 POL.	1	PC	4 g		24-POL. 10A GR.6 LP-ANSCHL.	
	75	0175312183	SEPARABLE CONNECTOR	HAN E/6 POL.	1	PC	5 g		6-POL. 16A GR.6 LP-ANSCHL.	
	85	0175310083	FRAME	HAN MOD	2	PC	3 g		F. 2 MODULE UNTERTEIL	
	95	0165319883	MODULE	HAN MOD	2	PC	30 g		2-P. 40A LP-ADAPTER	
	105	0175319883	TRANSPORT PROTECTION	HAN 10	1	PC	3 g		GR.10 F. ANBAUGEHAUSE	
	115	0165315283	BAYONET COUPLING	HAN B/GR. 10	1	PC	117,5 g		GR.10 EMV	
	125	0175319783	TRANSPORT PROTECTION	HAN 6	1	PC	3 g		GR.6 F. ANBAUGEHAUSE	
	135	0175312083	SEPARABLE CONNECTOR	HAN E/10 POL.	1	PC	3 g		10-POL. 16A GR.10 LP-ANSCHL.	
	145	0005330370	SCREW	M4X12	44	PC	1,8 g		M 4X12 AEHNLICH DIN 7985	
	155	0165315283	BAYONET COUPLING	HAN B/GR. 10	1	PC	117,5 g		GR.10 EMV	
	165	0005330170	SCREW	M3X8	5	PC	400 g		M 3X8 AEHNLICH DIN 7985	
	175	910001003100	RIVET		1	PC	0,9 g		AK 3,2X 7,49	N10001
	185	0015332731	CAP	723	1	PC	4 g		FUER SCHR.DOSE,SERIE 723	
	195	0185310083	TRANSPORT PROTECTION	HAN 24	2	PC	2 g		GR.24 F. ANBAUGEHAUSE	
	205	0175313183	PROTECTIVE CAP	HAN DD/42 POL.	1	PC	80 g		42-POL. 10A GR.10 LP-ADAPTER	
	215	0175311983	SEPARABLE CONNECTOR	HAN DD/24 POL.	1	PC	6 g		24-POL. 10A GR.6 LP-ANSCHL.	

☐	POS.	PART NO.	DESIGNATION	MODEL/TYPE	QTY.	UNITS	WEIGHT	FN	MEASUREMENT	STANDARD
	225	0175312783	PROTECTIVE CAP FOR CONNECTOR	HAN 24	1	PC	78,44 g		24. 16 F. ANBAUGEHAUEUSE	
	235	0175310983	BAYONET COUPLING	HAN/GR. 24	3	PC	157,8 g		GR.24 EMV	
	245	0175312883	SEPARABLE CONNECTOR	HAN DD/72 POL.	1	PC	120 g		72-POL. 10A GR.16 LP-ADAPTER	
	255	5015304534	CABLE IN HOUSING	LOP GCU	2	PC	3 g		24 POLIG / L	
	265	5015304634	CABLE IN HOUSING	LOP GCU	1	PC	3 g		24 POLIG / L	
	275	0005334383	CONNECTOR HOUSING	MONTAGERAHMEN	3	PC	93,08 g		GR.24	
	285	0165315383	BAYONET COUPLING	HAN B/GR. 16	1	PC	6 g		GR.16	
	295	0175319983	TRANSPORT PROTECTION	HAN 16	1	PC	3 g		GR.16 F. ANBAUGEHAUEUSE	
	305	0175313483	SOCKET INSERT	HAN MOD	2	PC	40 g		2-POL. 40A LP-ADAPTER	
	315	0125312183	GUIDE PIN	HAN40D	4	PC	1,7 g		FUEHRUNGSSTIFT	
684	325	X00E50203604/S0002	DISPLAY UNLABELLED	DIS 13-03	1	PC	1,88 kg		360X270X65, DIS13-03,	
	327	200934003001	HEX NUT		2	PC	0,6 g		M 3	DIN934
	329	200137003100	SPRING WASHER		2	PC	0,1 g		A 3	DIN137
	335	0005333975	CLAMP		1	PC	3 g		B=26MM KLEBBAR	
	337	0005330153	SPACER	4MM	2	PC	1 g		L=4,0, ID=3,1, AD=6,0	
	345	0125312283	GUIDE BUSHING	HAN40D	4	PC	2,7 g		FUEHRUNGSBUCHSE	
	355	0015334341	SPACER	M3/H=8MM	1	PC	2 g		M3,L=8/JG=M3-4TIEF /AG=M3-8LANG	
	365	0005330570	SCREW	M3X6	2	PC	0,6 g		M 3X6 AEHNLICH DIN 7985	
	375	200934003001	HEX NUT		1	PC	0,6 g		M 3	DIN934
	385	200125003201	WASHER		2	PC	0,1 g		A 3,2	DIN125
688	395		PLUG-IN BOARD	LMB3-03	1	PC	100 g		LMB3-03	
	405	0175312583	PROTECTIVE CAP FOR CONNECTOR	HAN 6	1	PC	3 g		GR. 6 F. ANBAUGEHAUEUSE	
689	415	5275308912	PLUG-IN BOARD	DIB 2-01	1	PC	17 g			
690	425	X00E50209031	PLUG-IN BOARD	PSB4-03	1	PC	279,6 g		PSB4-03	
691	435	5275302613	PLUG-IN BOARD	CRB1-03	1	PC	100 g		CRB1-03	
692	445	X00E50206479	PLUG-IN BOARD	LRB3-01	1	PC	55 g		LRB3-01	
693	447	X00E50206579	CABLE	LOP 11-01	1	PC	19,8 g			
694	448	X00E50206581	SEPARABLE CONNECTOR FOR CONTROL PANEL		1	PC	211 g			
	455	5275330546	FRAME	LOP	1	PC	588 g		205X101X45	
	465	0005330470	SCREW	M4X8	17	PC	0,5 g		M 4X8 AEHNLICH DIN 7985	
	475	5285332102	HOUSING	PIM-KASSETTE	4	PC	23,8 g			
	485	5285350691	COVER		4	PC	6 g		FUER PIM	
643	500	X00E50209549	PLUG-IN BOARD	BOB2-03	1	PC	200 g		BOB2-03	
631	510	5295309512	PLUG-IN BOARD	BOB1-02/A	1	PC	0,09 kg		BOB1-02/A	
631	520	5295309512	PLUG-IN BOARD	BOB1-02/A	1	PC	0,09 kg		BOB1-02/A	
	530	5295308812	PLUG-IN BOARD	BIB 1-02	1	PC	20 g		AB BIB 1-02	
	540	5295308812	PLUG-IN BOARD	BIB 1-02	1	PC	20 g		AB BIB 1-02	
	550	5295308812	PLUG-IN BOARD	BIB 1-02	1	PC	20 g		AB BIB 1-02	
630	560	X00E50209721	PLUG-IN BOARD	AIB1-02/A	1	PC	30 g		AIB1-02/A	
	570	X00010145	HOUSING	LOP 6-XX / LOP8-XX	1	PC	2,685 kg		360X210X160	
627	580	X00E50206571/S0001	PLUG-IN BOARD	MPU29-05	1	PC	159 g		MPU29-05 MIT URLADER	
	595	5185310380	CABLE W/MALE CONNECTOR	LOP 183	1	PC	14 g			
	605	X00E50206587	CABLE	LOP 11-01	1	PC	19 g		AB	
	630		IDENTIFICATION PLATE	LOP183	1	PC	1 g		KE 90X60MM, WEISS BEDRUCKT	
	640	0175312683	PROTECTIVE CAP FOR CONNECTOR	HAN 10	1	PC	3 g		GR. 10 F. ANBAUGEHAUEUSE	



51700299a

□	POS.	PART NO.	DESIGNATION	MODEL/TYPE	QTY.	UNITS	WEIGHT	FN	MEASUREMENT
685	20	X00E50203604	DISPLAY	DIS 13-03	1	PC	1,92 kg		360X270X65; DIS 13-03;
	30	5105380080/S0017	SOFTWARE	DIS LOADER; V_1; ED_7_01	1	PC	1 g	KE KF	VAR_1\ED_7.01



50000779a

☐	POS.	PART NO.	DESIGNATION	MODEL/TYPE	QTY.	UNITS	WEIGHT	FN	MEASUREMENT	STANDARD
	5	X00010142	FRONT PANEL FOR DISPLAY	DIS 13	1	PC	821 g		360X270X19	
	10	5105332940	RETAINER		1	PC	43 g		145X136X3	
	16	X00E50208942	DISPLAY	LCD-TFT 5,7" PRIME VIEW	1	PC	206,4 g		5,7"/145MM, 320X240-RGB-DOTS,	
	25	0005336780	GASKET		1	PC	4,5 g			
	30	0015341801	PUSHBUTTON	MCS-5	20	PC	1 g			
	35	0055345210	CONTROL ELEMENT		1	PC	10 g			
	45	0015331031	FLAP	KDQ	1	PC	40 g		27X27 INCL. 2 DICHTUNGEN 0,5MM	
	50	0005335980	GASKET		19	PC	3 g		T=0,5 MM	
	75	0005310039	LED RED	T5,5K 6 MLED 24V RD	1	PC	2 g		MIT SOCKEL, 24VDC, 18MA,	
686	90	X00E50209553	PLUG-IN BOARD	IDB4-01/B	1	PC	505 g		IDB4-01/B	
	95	707000000087	COUNTERSUNK HD SCREW		4	PC	0,4 g		M3 X 8	MBN10321
	100	000000001393	COUNTERSUNK HD SCREW		5	PC	1 g		M 4 X 8	DIN965
	105	207985004106	OVAL-HEAD SCREW		5	PC	1,7 g		M 4 X 10	DIN7985
	115	0015334741	SPACER		3	PC	3 g		L=14/IG=M4/SW8	
	120	0015334841	SPACER		1	PC	20 g		D-INNEN 4,2 / D-AUSSEN 8	
	125	0015334941	SPACER		1	PC	20 g		INNEN (2X) M4, L=18,5	
	130	0015335041	SPACER		2	PC	20 g		INNEN (2X) M4, L=37,5	
	135	0005325752	BATTERY	RENATA CR2477N	1	PC	2 g		D=25,4X7,7, KNOPFZELLE_3V,	
687	140	5295307212	PLUG-IN BOARD	MEM 5-02	1	PC	4 g		MEM5-02	
	145	5185310780	CABLE	LOS 1-01	1	PC	5,1 g	AB		
	160	0015335341	SPACER		2	PC	1 g		INNEN (2X) M 4 - L=18,5	
	170	000137004105	SPRING WASHER		5	PC	0,2 g		A 4	DIN137
	180	X00011222	SPACER		2	PC	20 g		INNEN (2X) M3, L=55,8	

EQUI TYPE: System

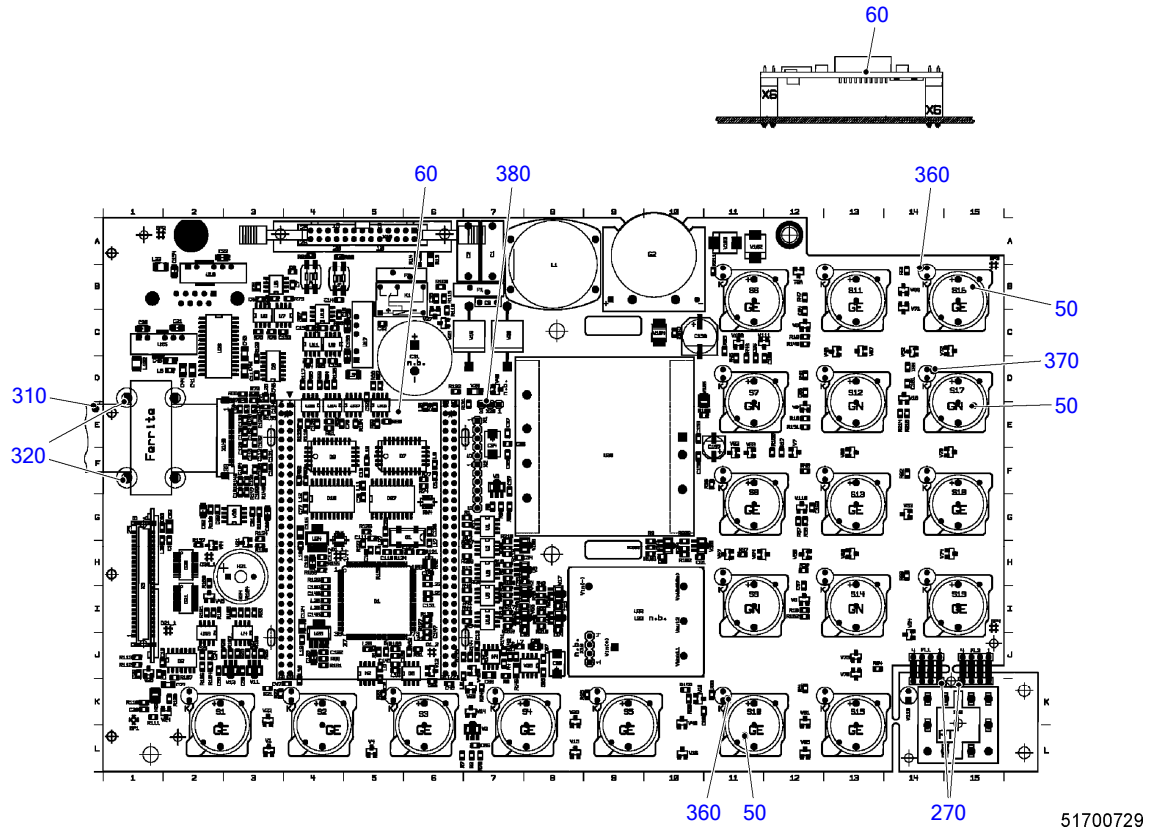
PRODUCT TYPE: SYSTEM
DISPLAY

SERIAL NUMBER: 1202166_000007

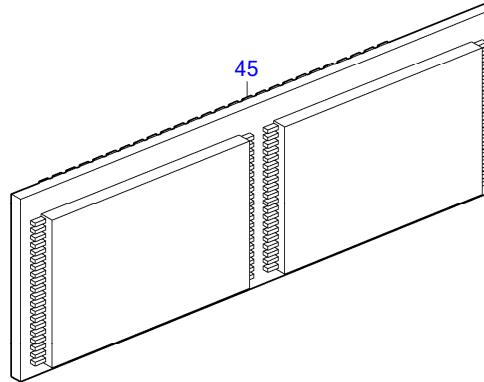
FG/FGS:

BOM-No.: X00E50203604


<input type="checkbox"/>	POS.	PART NO.	DESIGNATION	MODEL/TYPE	QTY.	UNITS	WEIGHT	FN	MEASUREMENT	STANDARD
	190	207985003103	OVAL-HEAD SCREW		2	PC	0,7 g		M 3 X 10	DIN7985
	200	200137003100	SPRING WASHER		2	PC	0,1 g		A 3	DIN137
	210	X00E50201023	FOIL FOR SCREEN		1	PC	5,6 g		135X105X0,15	



☐	POS.	PART NO.	DESIGNATION	MODEL/TYPE	QTY.	UNITS	WEIGHT	FN	MEASUREMENT
	50	X00E50203036	LED YELLOW	LED_GE_5MM	20	PC	0,2 g		D=5MM,L=9MM,LEUCHTFARBE=GELB,
	60	X00E50202542	INTEGRATED CIRCUIT	CPU-X270LCD	1	PC	0,4 g		AB DIL-128; RECHNER KOMPLETT;
	270	0105313080	CABLE	ADAPT SYSTEM 310	2	PC	2 g		RM2,54;ISOLATIONSLENGE
	310	0105312980	CABLE	33ADR.	1	PC	1 g		RM0,5, LAENGE
	320	0005311981	QUICK-CATCH CLAMP	TYH/TYB 23M	2	PC	0,1 g		92X2,4X1,0MM D=2-16MM
	360	0005311439	LED YELLOW	T5,5K 6-MLED 24V YE	14	PC	0,003 kg		T5,5K, 24VDC,
	370	0005311339	LED GREEN	T5,5K 6-MLED 24V GN	5	PC	2 g		T5,5K, 24VDC,
	380	0055316883	MALE CONNECTOR	JUMPER; 2,54MM RASTER; 3A; GN;	1	PC	0,1 g		JUMPER, 2,54MM RASTER, 3A, GN,



TD0000027483_517

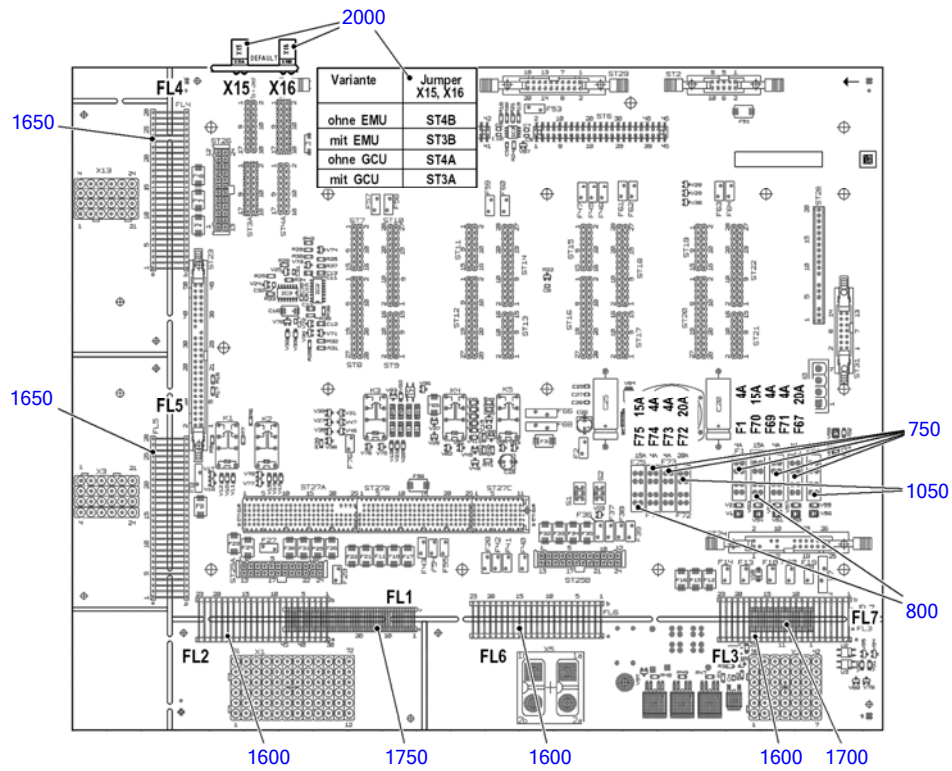
	POS.	PART NO.	DESIGNATION	MODEL/TYPE	QTY.	UNITS	WEIGHT	MEASUREMENT
	45	5295307212/76	PLUG-IN BOARD NOT ADJUSTED	MEM 5-02	1	PC	46 g	MEM5-02

EQUI TYPE: System

PRODUCT TYPE: SYSTEM
PLUG-IN BOARD

SERIAL NUMBER: 1202166_000007

FG/FGS:
BOM-No.: X00E50209588



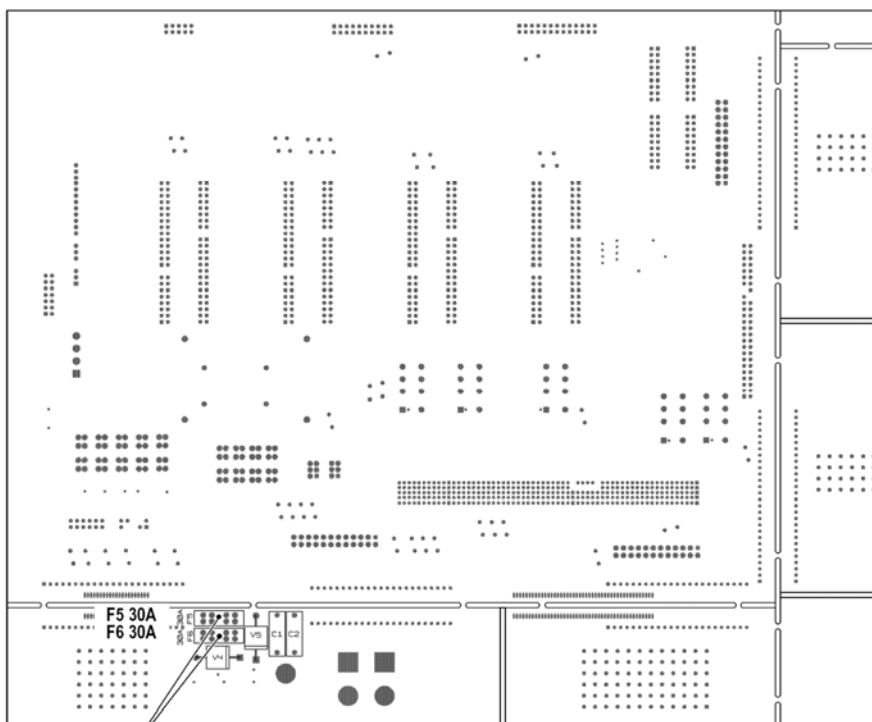
15100083

EQUI TYPE: System

PRODUCT TYPE: SYSTEM
PLUG-IN BOARD

SERIAL NUMBER: 1202166_000007

FG/FGS:
BOM-No.: X00E50209588



550

Business Portal Online Print 23-10-2020

15100084

EQUI TYPE: System

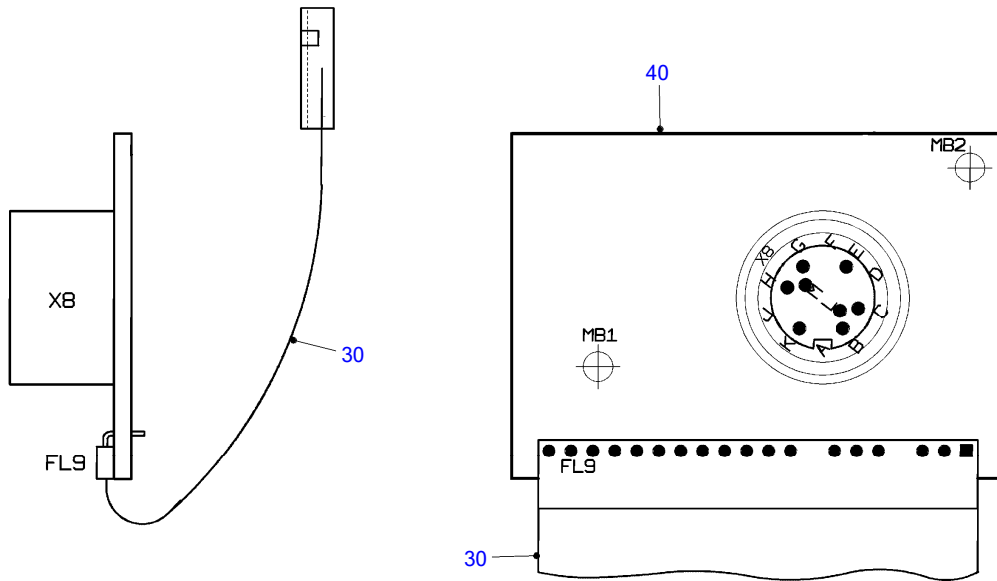
PRODUCT TYPE: SYSTEM
PLUG-IN BOARD

SERIAL NUMBER: 1202166_000007

FG/FGS:

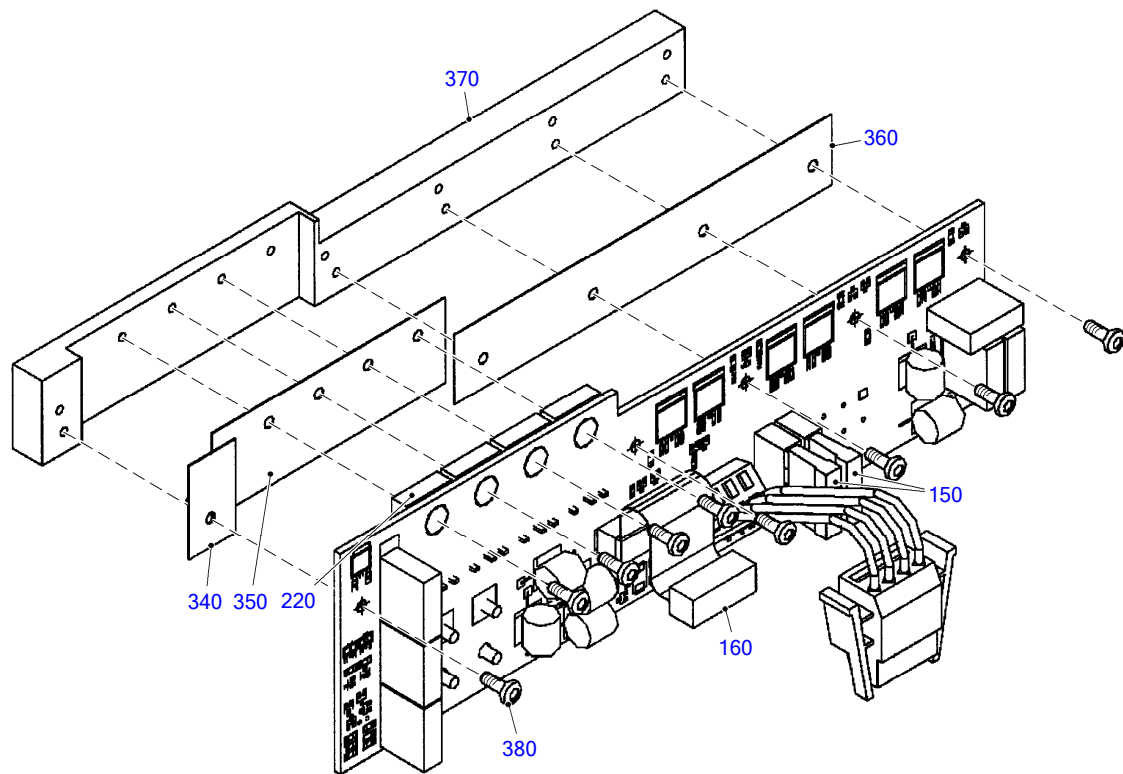
BOM-No.: X00E50209588

☐	POS.	PART NO.	DESIGNATION	MODEL/TYPE	QTY.	UNITS	WEIGHT	MEASUREMENT
	550	0015318486	FUSE	FK2 30,0A_KFZ	2	PC	3 g	FK2 KFZ-SICHERUNG
	750	0015319086	FUSE	FK2 4,0A_KFZ	5	PC	3 g	FK2 KFZ-SICHERUNG
	800	0015319186	FUSE	FK2 15,0A_KFZ	2	PC	1,8 g	FK2 KFZ-SICHERUNG
	1050	0025310086	FUSE	TAC 20,0A_KFZ	2	PC	3 g	19X5X19,7, 20A, 42V, 3,2M.OHM,
	1600	0085316380	CABLE	ADAPT SYSTEM 310	3	PC	3 g	RM2,54,ISOLATIONSLAENGE
	1650	0085316480	CABLE	ADAPT SYSTEM 310	2	PC	5 g	RM2,54,ISOLATIONSLAENGE
	1700	0085316580	CABLE	ADAPT SYSTEM 310	1	PC	2 g	RM1,27,ISOLATIONSLAENGE
	1750	0085316680	CABLE	ADAPT SYSTEM 310	1	PC	4 g	RM1,27,ISOLATIONSLAENGE
	2000	0005318741	ADAPTER, ELECTRIC	9X2POL.	2	PC	1 g	9X2POL.; RM=2,54; 3A; 0,015R;



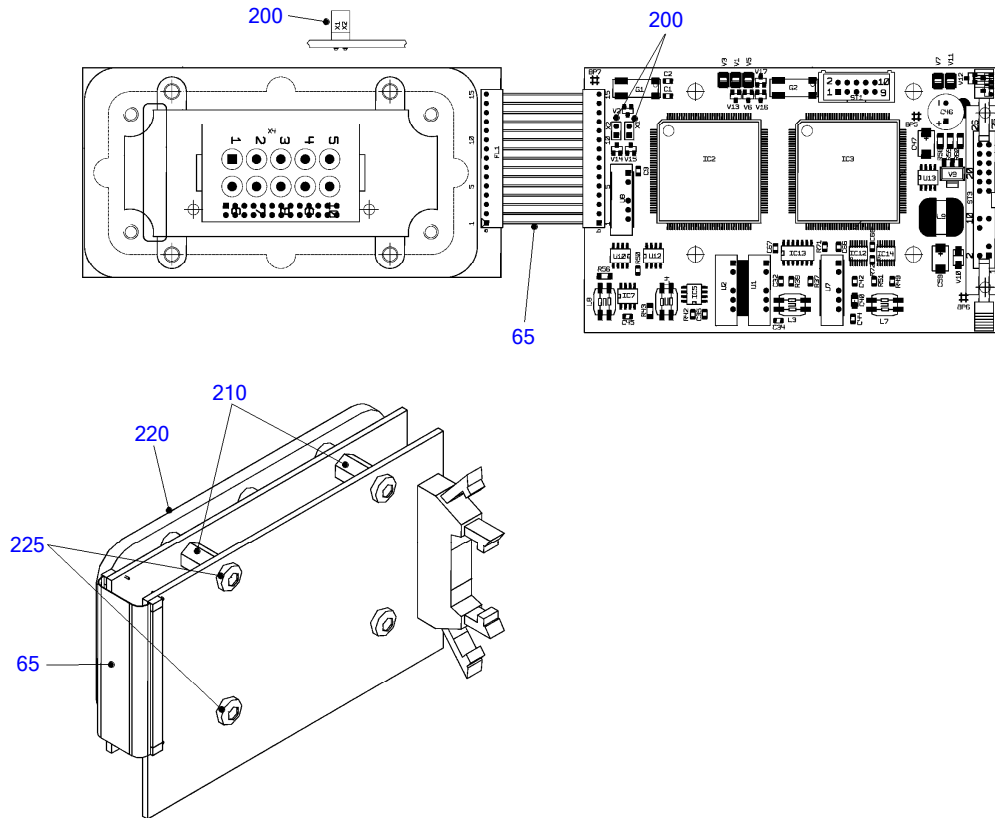
51700526a

☐	POS.	PART NO.	DESIGNATION	MODEL/TYPE	QTY.	UNITS	WEIGHT	FN	MEASUREMENT
	30	0085316780	CABLE	ADAPT SYS390/310	1	PC	3 g		RM2,54,ISOLATIONSLENGE
	40	5275308912/76	PLUG-IN BOARD NOT ADJUSTED	DIB 2-01	1	PC	122 g	MN	



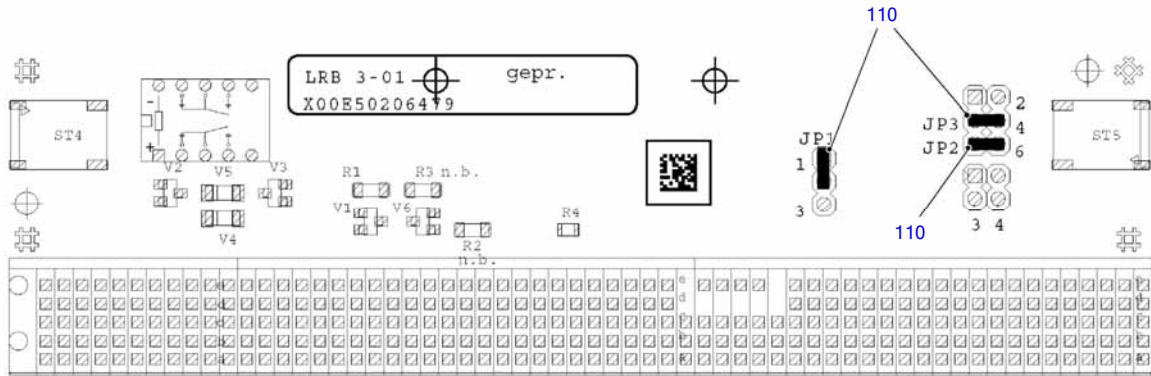
51701120

☐	POS.	PART NO.	DESIGNATION	MODEL/TYPE	QTY.	UNITS	WEIGHT	FN	MEASUREMENT
	150	0015319186	FUSE	FK2 15,0A_KFZ	2	PC	1,8 g		FK2 KFZ-SICHERUNG
	160	5185310880	CABLE	LOP 183	1	PC	8,7 g	AB	
	220	0045314940	DIODE	MBR 4060PT	4	PC	4 g		TO-247AD, 60V, 40A, SURGE400A,
	340	0015317182	INSULATING FOIL	LOP 5-01	1	PC	3 g		16,1X27,5X0,23
	350	0015317282	INSULATING FOIL	LOP 5-01	1	PC	0,3 g		80X25X0,23
	360	0015317482	INSULATING FOIL	LOP 5-01	1	PC	3 g		129X20,5X0,23
	370	5175330835	STRIP	LOP 5-01	1	PC	999 g		220X10X25
	380	0005330170	SCREW	M3X8	9	PC	400 g		M 3X8 AEHNLICH DIN 7985



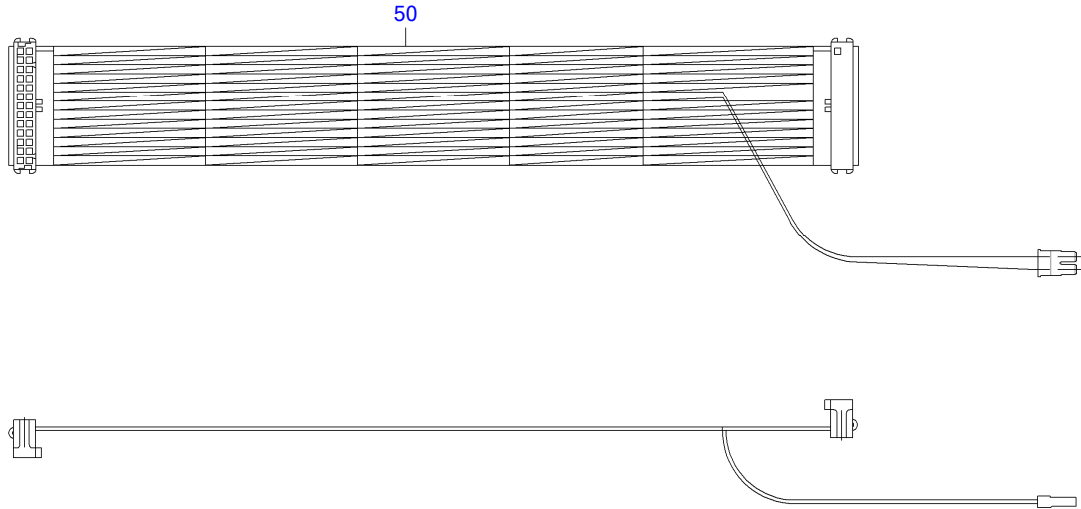
51700527a

☐	POS.	PART NO.	DESIGNATION	MODEL/TYPE	QTY.	UNITS	WEIGHT	FN	MEASUREMENT
	65	0085317080	CABLE	ADAPT SYSTEM 310	1	PC	5 g		RM2,54,ISOLATIONSLENGE
	200	0055316883	MALE CONNECTOR	JUMPER; 2,54MM RASTER; 3A; GN;	2	PC	0,1 g		JUMPER, 2,54MM RASTER, 3A, GN,
	210	0015333841	SPACER PIN		4	PC	6 g		
	220	0175310783	FRAME	HAN/GR. 10	1	PC	4 g	AB	GR.10 - 4XM4 (32X83)
	225	0005330470	SCREW	M4X8	4	PC	0,5 g		M 4X8 AEHNLICH DIN 7985



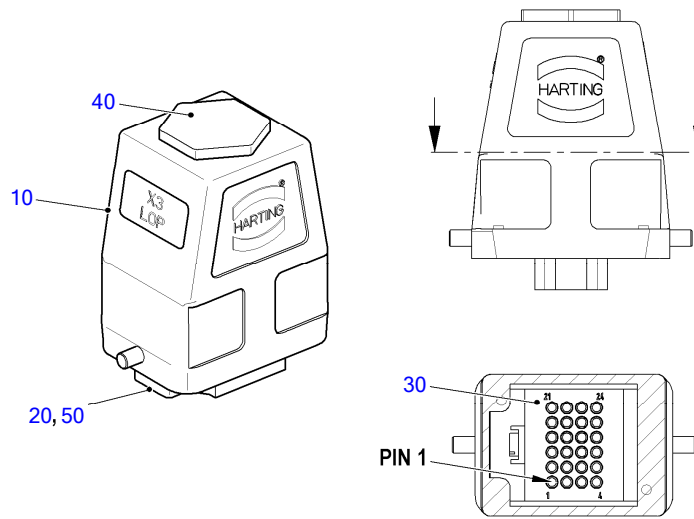
51700732

POS.	PART NO.	DESIGNATION	MODEL/TYPE	QTY.	UNITS	WEIGHT	MEASUREMENT
110	0055316883	MALE CONNECTOR	JUMPER; 2,54MM RASTER; 3A; GN;	3	PC	0,1 g	JUMPER, 2,54MM RASTER, 3A, GN,



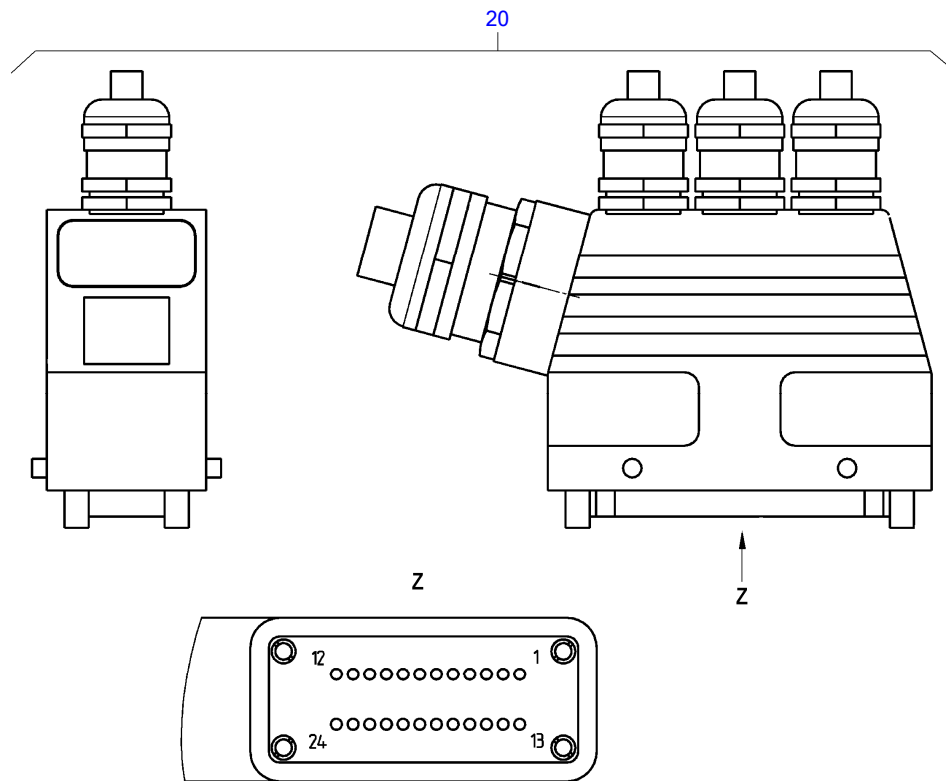
51700734

☐	POS.	PART NO.	DESIGNATION	MODEL/TYPE	QTY.	UNITS	WEIGHT	FN
	50	X00E50206578	CABLE	LOP 11-01	1	PC	200 g	AB



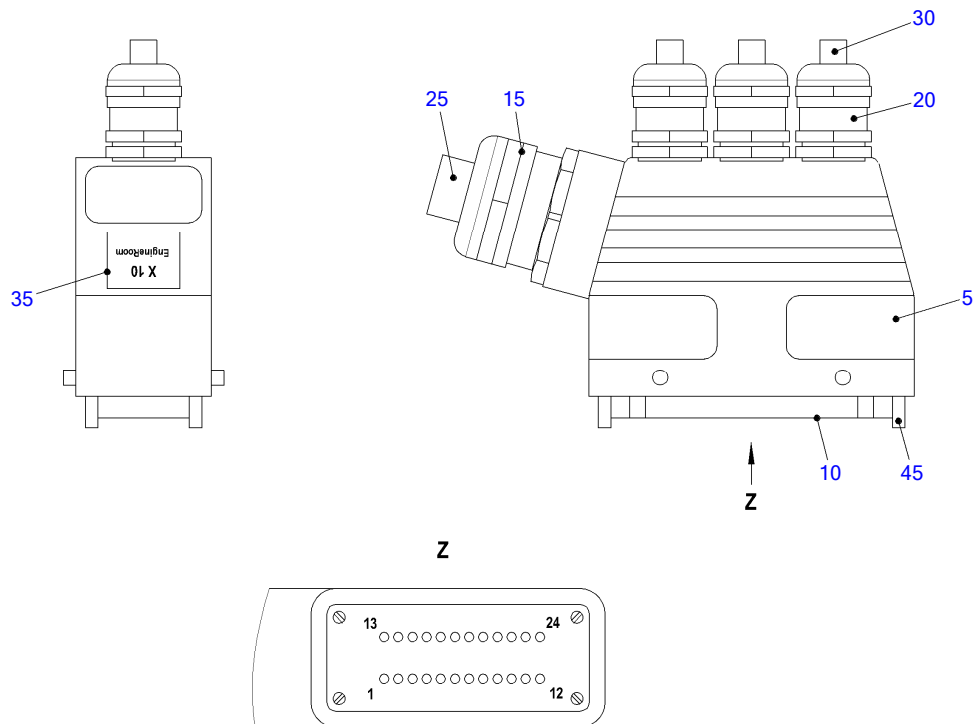
TD0000029431_561

☐	POS.	PART NO.	DESIGNATION	MODEL/TYPE	QTY.	UNITS	WEIGHT	MEASUREMENT
	10	0175311083	HOUSING	HAN/GR. 6	1	PC	6 g	GR.6 EMV M25 GERADE
	20	0005335483	APPLIANCE CONNECTOR	HAN 24DD	1	PC	40,7 g	BUCHSENEINSATZ
	30	0155314583	MALE CONNECTOR	HAN D, 10A	8	PC	3 g	0,5QMM, BUCHSE, VERSILBERT
	40	0005333671	SCREW	M25X1,5	1	PC	0,024 kg	M25X1,5 SW30
	50	0075316880	CABLE	H05Z-K 0,5	0,100	M	5,7 g	0,5 QMM SCHWARZ



TD0000029833_511

☐	POS.	PART NO.	DESIGNATION	MODEL/TYPE	QTY.	UNITS	WEIGHT	
	696	20	5275307937	PROGRAMMING CONNECTR FOR CONTROL PANEL	LOP / X10	1	PC	528 g



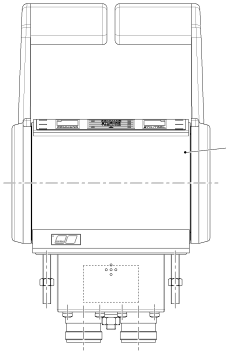
51101888a

☐	POS.	PART NO.	DESIGNATION	MODEL/TYPE	QTY.	UNITS	WEIGHT	FN	MEASUREMENT
	5	0175311683	BAYONET COUPLING	HAN/GR. 24	1	PC	3 g		GR.24 EMV M25 SEITLICH
	10	0155312483	MALE CONNECTOR	HAN ES/24 POL.	1	PC	107 g		24-POL. PIN+PE, 16A
	15	0005313076	CABLE ENTRY	HSK-M-EMV_M25	1	PC	50,5 g		HSK-M-EMV, METRISCH, M25X1,5,
	20	0005312976	CABLE ENTRY	HSK-M-EMV_M20	3	PC	31 g		HSK-M-EMV, METRISCH, M20X1,5,
	25	0005334576	CABLE ENTRY	HSK-V PG21/M25	1	PC	0,003 kg		BLINDSTOPFEN PG21, M25
	30	0005334676	CABLE ENTRY	HSK-V PG13,5	3	PC	0,012 kg		STOPFEN-PG13,5-M20
	35	5185332691	PHOTOPLATE FOR CONTROL PANEL	LOP6	1	PC	2 g	AB	
	45	0125312183	GUIDE PIN	HAN40D	4	PC	1,7 g		FUEHRUNGSSTIFT

GROUP SEGMENT (FGS)

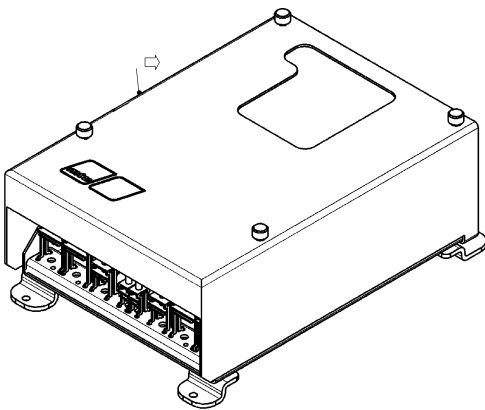
GROUP NAME

BOM-No.



20
CONTROL LEVER FOR REMOTE CONTROL
BS00E520.00101

52600628



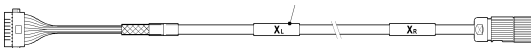
20
CONNECTION INTERFACE FOR REMOTE CONTROL
X00034410

52600221b



20
CONNECTING CABLE FOR CONTROL LEVER
X00036188

52600321a



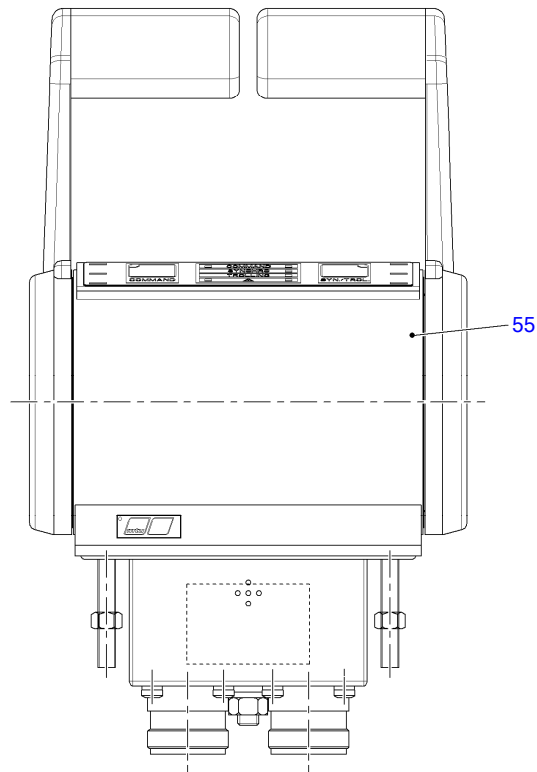
20
CONNECTING CABLE FOR CONTROL LEVER
X00036191

52600320a

20
CONNECTING CABLE FOR REMOTE CONTROL
X00036258

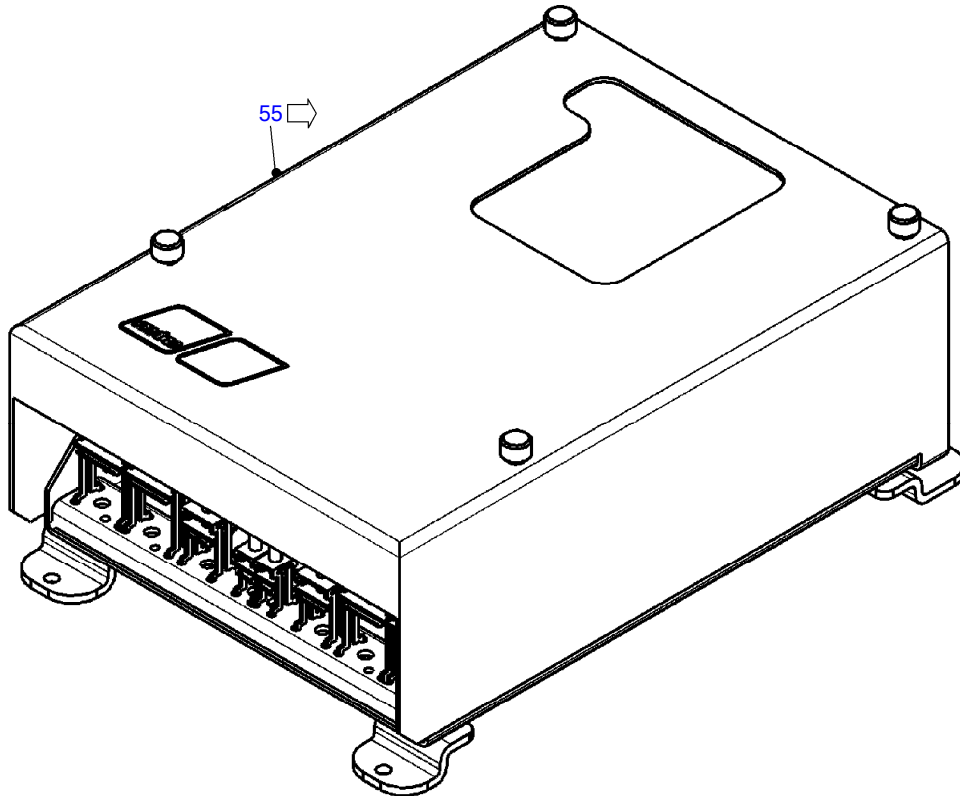


51101721a



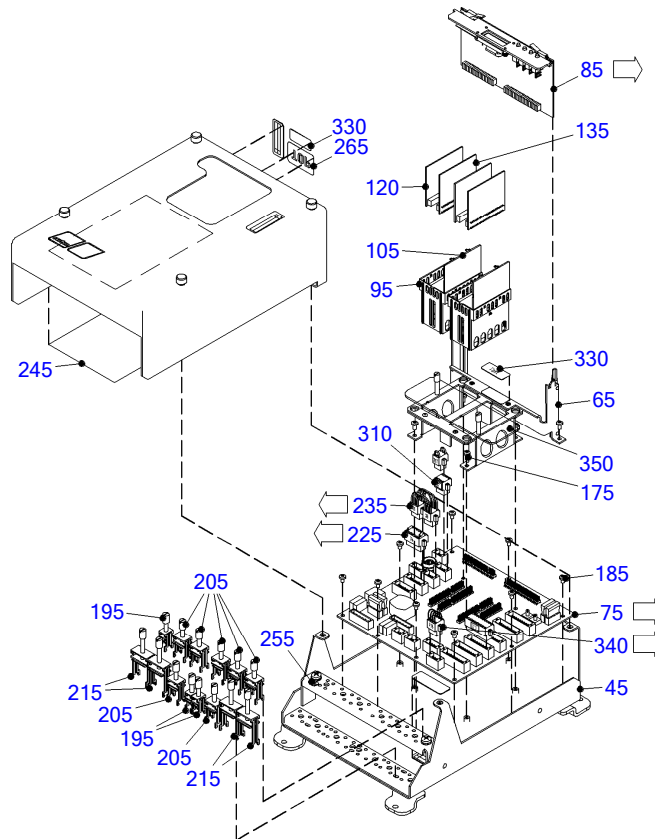
52600628

☐	POS.	PART NO.	DESIGNATION	MODEL/TYPE	QTY.	UNITS	WEIGHT	MEASUREMENT
	55	X00E50209998	CONTROL LEVER	ROS 07-07	1	PC	1,603 kg	DUO; LANGE HEBEL; ANALOG



52600221b

□	POS.	PART NO.	DESIGNATION	MODEL/TYPE	QTY.	UNITS	WEIGHT	MEASUREMENT
700	55	X00036274	CONNECTION INTERFACE FOR REMOTE CONTROL	PIM 4-03/RCS	1	PC	2,9 kg	FUER FAHRHEBEL/KNOTENNUMMER 18



52600220c

☐	POS.	PART NO.	DESIGNATION	MODEL/TYPE	QTY.	UNITS	WEIGHT	FN	MEASUREMENT
		45	HOUSING FOR DISP./CONT. UNI	PIM 4-03	1	PC	1,85 kg		KE
		65	FRAME	PIM 4-03	1	PC	16 g		KE
642	75	X00009087	PLUG-IN BOARD	LMB 2-03	1	PC	352 g		LMB2-03
627	85	X00E50206571/S0001	PLUG-IN BOARD	MPU29-05	1	PC	159 g		MPU29-05 MIT URLADER
		95	5285332102	HOUSING	2	PC	23,8 g		PIM-KASSETTE
		105	5285350691	COVER	2	PC	6 g		FUER PIM
		120	X00E50207455	PLUG-IN BOARD	1	PC	26 g		AB MFB2-03
		135	X00E50207455	PLUG-IN BOARD	1	PC	26 g		AB MFB2-03
		175	0005330470	SCREW	6	PC	0,5 g		M 4X8 AEHNLICH DIN 7985
		185	0005330670	SCREW	9	PC	1,3 g		M 4X6 AEHNLICH DIN 7985
		195	0065310781	TERMINAL	3	PC	6 g		AB D=0-8MM SCHIRM
		205	0065310881	TERMINAL	7	PC	3 g		AB D=7-16MM SCHIRM
		215	0065310981	TERMINAL	4	PC	3 g		AB D=6-24MM SCHIRM
644	225	5275303737	PROGRAMMING CONNECTR FOR MONITOR SYSTEM	PIM4	1	PC	5 g		
645	235	X00E50200518	PROGRAMMING CONNECTR		1	PC	4 g		
		245	X00041156	INSTRUCTION PLATE FOR CABLING	PIM 4	1	PC	5 g	
		255	X00E50207411	PLATE FOR GROUND CONNECT.	ERDUNGSSCHILD	1	PC	3 g	13X13
		265	5285330289	PLATE		1	PC	1 g	TEXT "TOP"
		310	0065312581	TERMINAL	8POL.	1	PC	4 g	2X4POLIG, 125V/7,5A
		330	5275335689	IDENTIFICATION PLATE FOR ELECTRONICS	PIM 4	2	PC	1 g	16X37 (HXB)
649	340	X00036282	PROGRAMMING CONNECTR FOR MONITOR SYSTEM	PIM4-03	1	PC	5,8 g		

EQUI TYPE: System

PRODUCT TYPE: SYSTEM

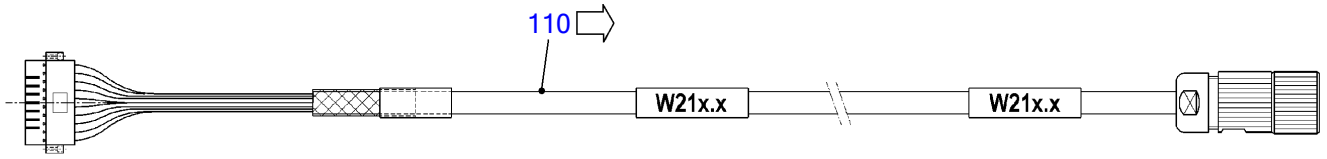
SERIAL NUMBER: 1202166_000007

CONNECTION INTERFACE FOR REMOTE CONTROL

FG/FGS:

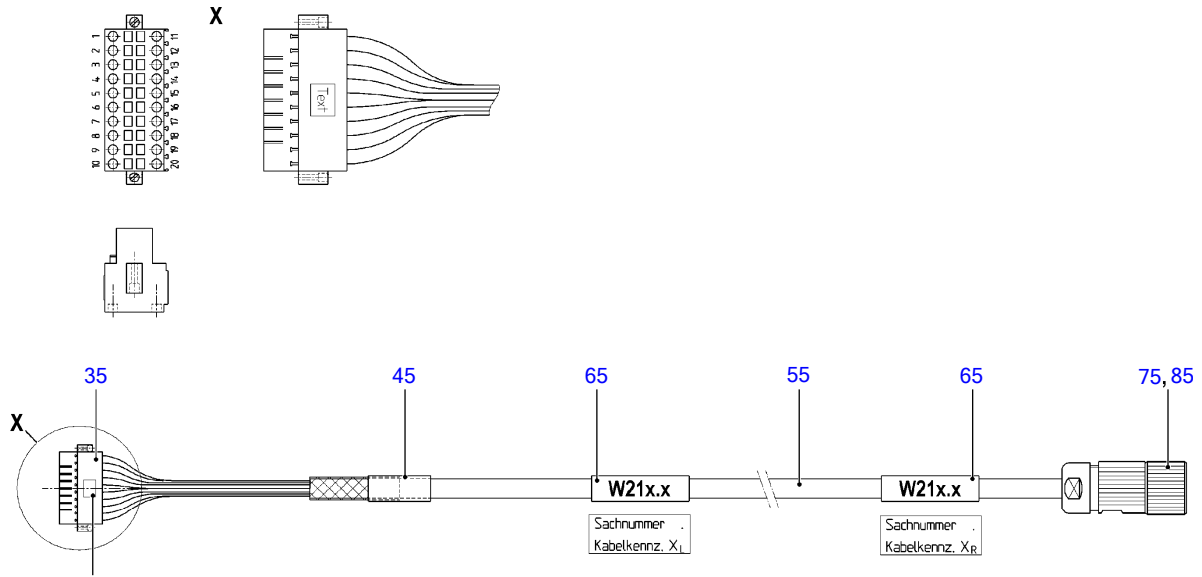
BOM-No.: X00036274

<input type="checkbox"/>	POS. PART NO.	DESIGNATION	MODEL/TYPE	QTY.	UNITS	WEIGHT	FN	MEASUREMENT
	350	COVER PLATE	PIM 4-03	1	PC	16,2 g	KE	



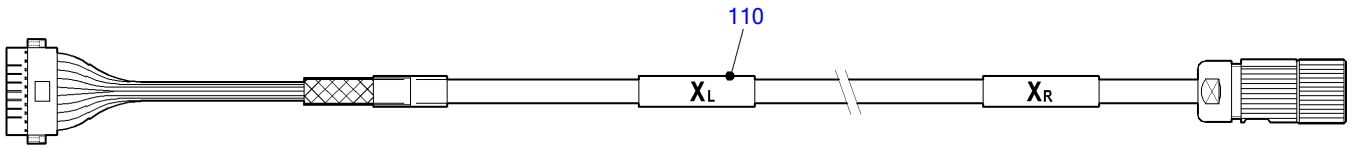
52600321a

☐	POS.	PART NO.	DESIGNATION	MODEL/TYPE	QTY.	UNITS	WEIGHT	MEASUREMENT
	702	110	0005300536/E0007	CONNECTING CABLE FOR CONTROL LEVER	ROS7/PIM4; 10M	1	PC	1,5 kg L= 10M



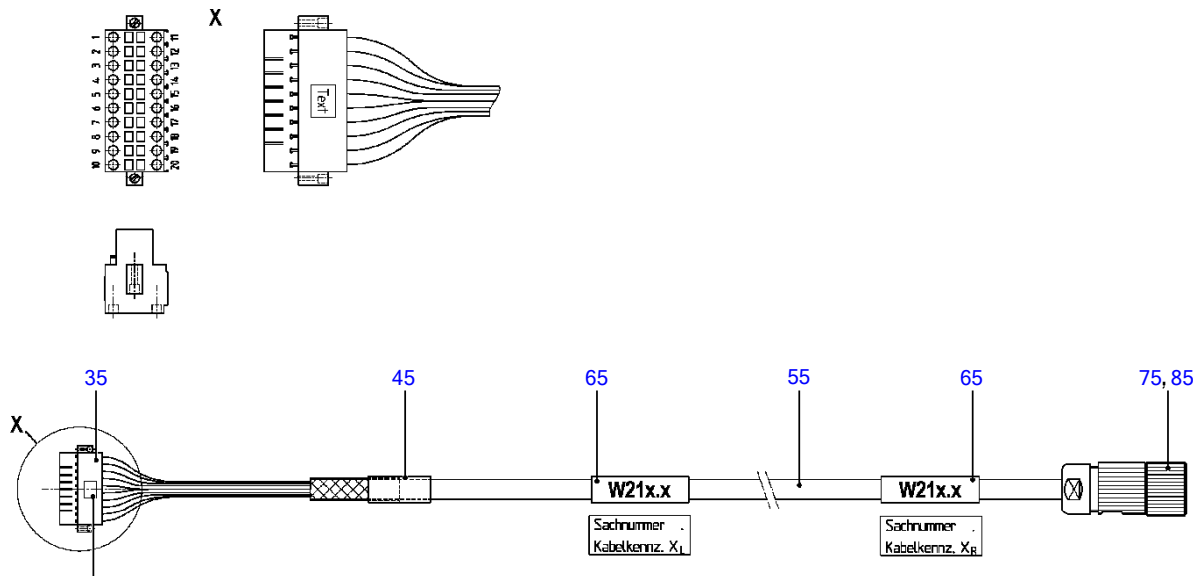
51000042a

POS.	PART NO.	DESIGNATION	MODEL/TYPE	QTY.	UNITS	WEIGHT	MEASUREMENT
35	0065312781	SEPARABLE CONNECTOR	20POL.	1	PC	3 g	2X10POLIG, 125V/7,5A
45	0015317082	SHRINKABLE HOSE	SSCHL. 18/6-0 SW	0,030	M	17,9 g	18/6MM, SCHWARZ
55	X00E50205124	CABLE	LIHCH 16X0,34	10,000	M	200 g	D=9.6MM
65	0035337089	IDENTIFICATION PLATE	ELAT	2	PC	1,4 g	47X135MM, BEDRUCKBAR 47X25MM
75	0015318984	SEPARABLE CONNECTOR	17 POL.	1	PC	50 g	17-POL. 150V/9A IP67
85	0015319084	SEPARABLE CONNECTOR	1 MM/1 QMM	17	PC	0,001 g	1MM 0,06-1MM2,



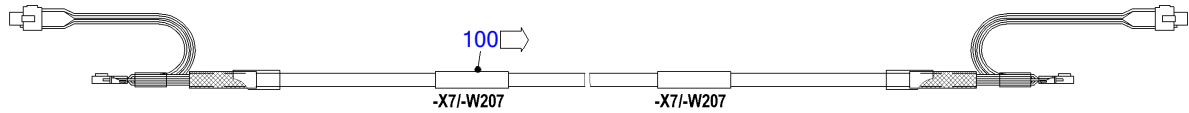
52600320a

☐	POS.	PART NO.	DESIGNATION	MODEL/TYPE	QTY.	UNITS	WEIGHT	MEASUREMENT
704	110	0005300536/E0008	CONNECTING CABLE FOR CONTROL LEVER	ROS7/PIM4; 10M	1	PC	1,5 kg	L= 10M



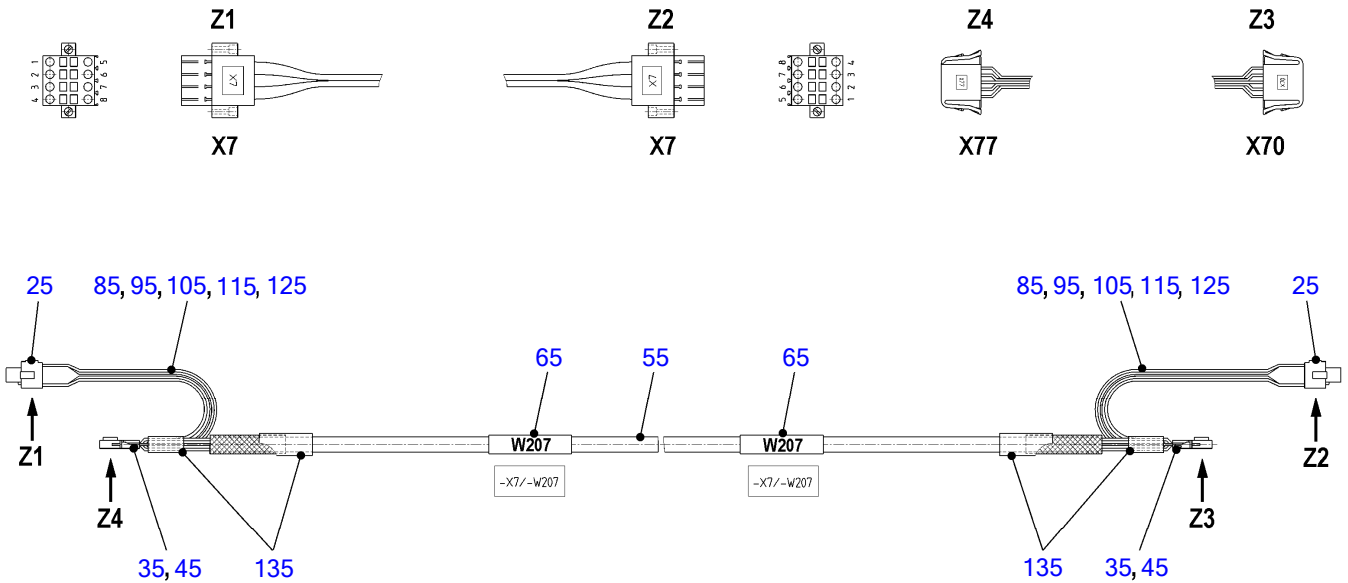
5100043a

POS.	PART NO.	DESIGNATION	MODEL/TYPE	QTY.	UNITS	WEIGHT	MEASUREMENT
35	0065312781	SEPARABLE CONNECTOR	20POL.	1	PC	3 g	2X10POLIG, 125V/7,5A
45	0015317082	SHRINKABLE HOSE	SSCHL. 18/6-0 SW	0,030	M	17,9 g	18/6MM, SCHWARZ
55	X00E50205124	CABLE	LIHCH 16X0,34	10,000	M	200 g	D=9.6MM
65	0035337089	IDENTIFICATION PLATE	ELAT	2	PC	1,4 g	47X135MM, BEDRUCKBAR 47X25MM
75	0015318984	SEPARABLE CONNECTOR	17 POL.	1	PC	50 g	17-POL. 150V/9A IP67
85	0015319084	SEPARABLE CONNECTOR	1 MM/1 QMM	17	PC	0,001 g	1MM 0,06-1MM2,



51101721a

	POS.	PART NO.	DESIGNATION	MODEL/TYPE	QTY.	UNITS	WEIGHT	MEASUREMENT
	706	100	5265307735	CONNECTING CABLE FOR REMOTE CONTROL	-W207 / 6M	1	PC	670 g L=6M



51000164a

POS.	PART NO.	DESIGNATION	MODEL/TYPE	QTY.	UNITS	WEIGHT	FN	MEASUREMENT	STANDARD
25	0065312581	TERMINAL	8POL.	2	PC	4 g		2X4POLIG, 125V/7,5A	
35	0025316085	BLADE CONNECTOR	5 POL.	2	PC	2 g	AB	5-POL. SCHWARZ RASTEND	
45	0025315885	BLADE CONNECTOR	0,75 QMM	10	PC	2 g	AB	0,5-1 MM2/1,4-2,0MM	
55	0095314980	CABLE	LIHCH(TP)3X2X0,5	6,100	M	100 g	AB	3X2X0.5QMM D	
65	0035337089	IDENTIFICATION PLATE	ELAT	2	PC	1,4 g		47X135MM, BEDRUCKBAR 47X25MM	
85	0085313480	CABLE	H05Z-K 0,25	0,520	M	3,2 g	AB	0,25 QMM WEISS	VDE0282
95	0085312580	CABLE	H05Z-K 0,25	0,520	M	3,2 g	AB	0,25 QMM SCHWARZ	VDE0282
105	0085312780	CABLE	H05Z-K 0,25	0,520	M	3 g	AB	0,25 QMM BRAUN	VDE0282
115	0085312880	CABLE	H05Z-K 0,25	0,520	M	3,1 g	AB	0,25 QMM ROT	VDE0282
125	0085312680	CABLE	H05Z-K 0,25	0,520	M	3 g	AB	0,25 QMM BLAU	VDE0282
135	0005310775	SHRINKABLE HOSE	SSCHL. 12/4-0 SW	0,110	M	15 g	AB	12/4MM, SCHWARZ -55 -135 C	