



Parts Book

Powerpart



- **Catalogue des pièces de rechange**
- **Ersatzteilliste**
- **Catalogo parti di ricambio**
- **Catálogo de repuestos**

The information given within this parts book was correct at the time of printing and is subject to change without notice. Always refer to your local Perkins outlet for the latest information. Only fully trained personnel should carry out servicing of engines. Before working on any engine always refer to the correct user service and maintenance manual.

Always refer to your local Perkins outlet before purchasing any parts

Subject to any existing rights of third parties, the information given in this document is the property of Perkins Engines Limited and should not be copied, in whole or part, without the prior written consent of the Company.

Contents

1.	Introduction	Pg. 4
2.	How To Use Your Parts Book	Pg. 4
3.	Engine Breakdown	Pg. 5
4.	Symbol Descriptions	Pg. 9
5.	Parts Lists & Illustrations	Pg. 11
6.	Parts Index	Pg. 132

Introduction

The build list of your engine, found on the front page of this parts book, provides a unique reference to the components fitted to your engine; therefore this parts book is only applicable to this particular engine

Always quote your build list and engine serial number when contacting your Perkins outlet.

How to use your Parts Book

This parts book has been designed to provide you with all the information you need to identify parts to service your engine. There are several features within the book to make it easy to find the parts you require.

Front Page

This lists your build list number and the date of publication of this book

Symbol Descriptions

Provides a quick reference guide to the symbols used within the book.

Engine Breakdown

Use this to identify all the major sections of your engine and the relevant pages within the book.

Parts Lists & Illustrations

This section shows each major section of your engine broken down into individual part numbers along with an associated illustration for identifying the parts you require.

The illustrations used in this parts book are representational only and should only be used for identification purposes.

For fitting instructions please refer to your engine Service Manual.

Parts Index

Using either the part number or description of the part you require this section will help you locate the page within the **Parts Lists & Illustrations** section where the part appears.

Section	Page
Cylinder Block, Liners & Main Bearing Kit ACDD3050	11
Crankshaft ACDD3050	13
Cylinder Head Assembly ACDD3050	15
Cylinder Head Cover ACDD3050	17
Rocker Shaft Assembly ACDD3050	19
Timing Gear & Camshaft ACDD3050	21
Push Rods & Tappets ACDD3050	23
Pistons & Rings ADDD3000	25
Connecting Rods & Big End Bearings ADDD3000	27
Timing Case AEDD3004	29
Timing Cover AEDD3004	31
Atomisers AFDD3037	33

Section	Page
Throttle Linkages AFDD3037	35
Control Unit AFDD3037	39
Ignition Equipment AGDD3016	41
Engine Identification Labels ALDD3000	43
Flywheel & Starter Ring CDDD3003	45
Starter Motor EDDD3002	47
Sump GBDD3000	49
Oil Strainer GBDD3000	51
Dipstick & Filler Tube GBDD3000	53
Oil Pump GBDD3000	55
Breather GBDD3000	57
Oil Pump GBDD3000	59
Oil Cooler JBDD3000	61

Engine Breakdown

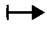
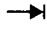












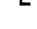



Section	Page
Oil Filter JBDD3000	63
Coolant Pipes & Connections JBDD3000	65
Coolant Pipes & Connections JBDD3000	67
Oil Feed Pipes JBDD3000	69
Oil Feed Pipes JBDD3000	73
Front End Drive Input KBDD3000	75
Front End Drive Input KBDD3000	77
Water Pump LBDD3015	79
Thermostat & Housing LDDD3000	81
Inlet & Outlet Connections LDDD3000	83
Alternator NDDD3000	85
Alternator Bracket & Fixings NDDD3000	87
Guards NDDD3000	89

Section	Page
Turbocharger SBDD3004	91
Air Duct SBDD3004	93
Feed Pipes SBDD3004	95
Leak-Off Pipes SBDD3004	97
Induction Manifold TBDD3024	99
Air Filter Assembly TDDD3015	101
Exhaust Manifold UBDD3000	103
Exhaust Connection UBDD3000	105
Exhaust Outlet UDDD3030	107
Filter Head Assembly VBDD3000	109
Pipework & Connections VBDD3000	111
Pipework & Connections VBDD3000	113
Engine Mounts ZCDD3000	115

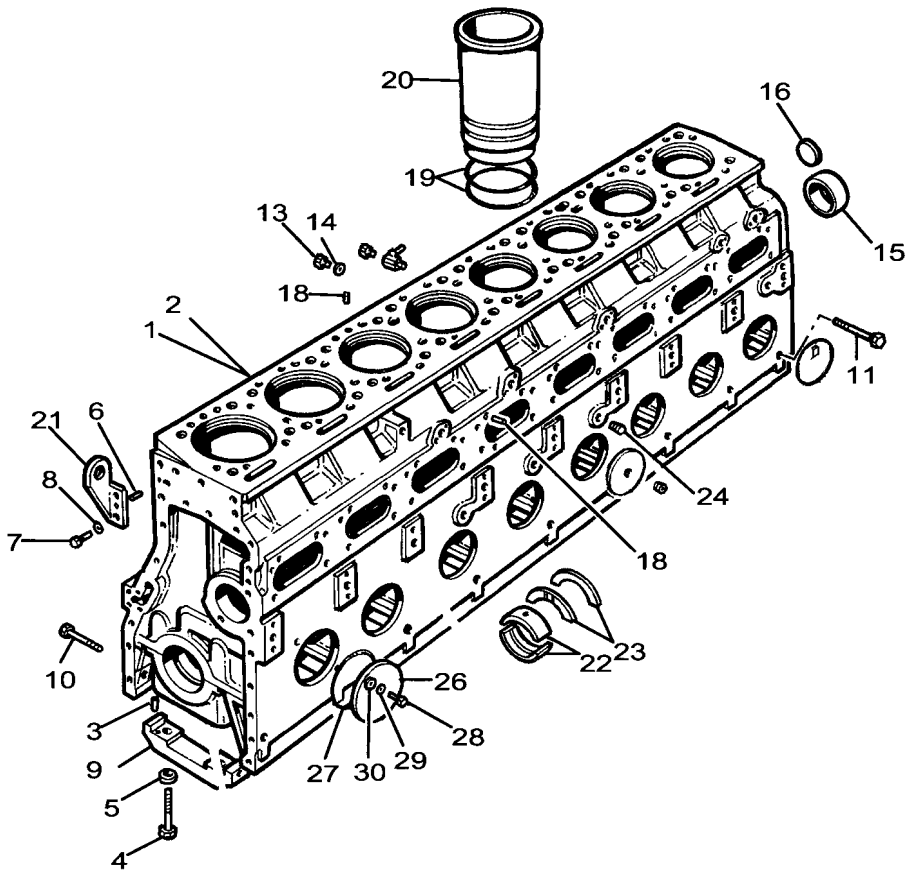
Section	Page
Protection Switch ZJDD3126	117
Protection Switch ZJDD3126	119
Protection Switch ZJDD3126	121
Radiator & Guards ZMDD3096	123
Radiator & Guards ZMDD3096	125
Pipework & Connections ZMDD3096	127
Pipework & Connections ZMDD3096	129
Pipework & Connections ZMDD3096	131

Engine Breakdown

Symbols and Notes

Symbol	Description
	From Engine Number
	Upto Engine Number
	Repairs and Replaces
	See Appropriate Section - Reference Number
	Alternative
	Order
	Remanufactured Part
	New for Old Part
	Number of Teeth
	Thickness
	Bottom
	Top
	Left Hand
	Right Hand
	Reference for Detailed Breakdown
	Other Service Options Available
	Cylinder Number
	See History Section

ACDD3050



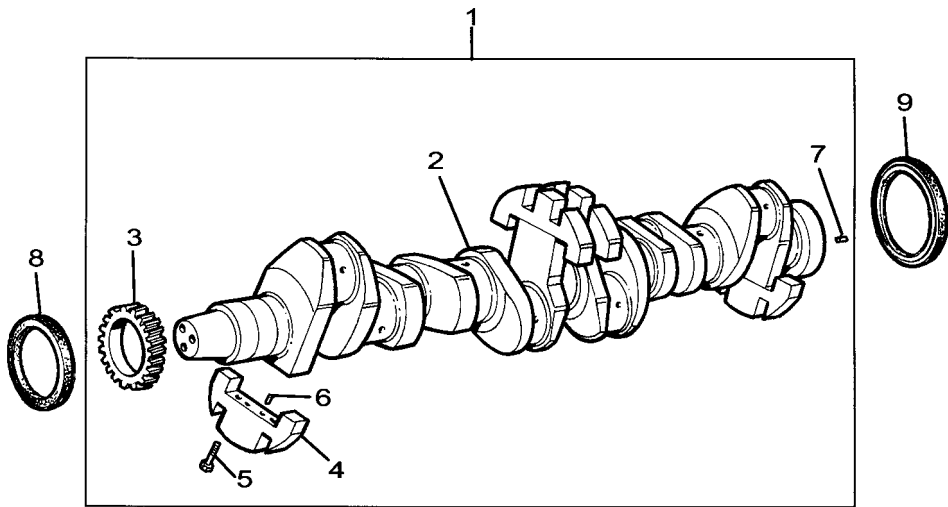
ACDD3050

Item	Part No.	References	Qty.	Description	Notes
1	8SE750J		1	CRANKCASE	
2			1	CRANKCASE	
3	—340/398		18	DOWEL	
4	—503/256		18	BOLT	
5	—2088/11		18	WASHER	
6	—354471		2	DOWEL	
7	—312065		6	SETSCREW	
8	—318210		6	SPRING WASHER	
9	—8SE50A/49		9	BAR	
10	—314135		9	CAPSCREW	
11	—314137		9	CAPSCREW	
12	—012504		1	PLUG	
13	—012504		1	PLUG	
14	—012653		2	WASHER	
15	—374/1360		9	CAMSHAFT BUSH	
16	—642/25		2	PLUG	
17	—340/405		3	DOWEL	
18	—354500		2	DOWEL	
19	—576/167		16	SEAL - O RING	
20	—SE7E/2		8	LINER - SLIP FIT	
21	SE667/1		2	BRACKET	
22	SE574D/M	Ⓢ	9	MAIN BEARING KIT	(A)
23	262/149		2	THRUST WASHER	
24	641/27		5	PLUG	
25	583/7		2	WASHER	
26	SE50J/30		6	INSPECTION COVER	
27	576/179		8	SEAL - O RING	
28	312063		16	SETSCREW	
29	88/619		16	WASHER	
30	318210		16	SPRING WASHER	
Service Options					
22	SE574D/M010	⅜ (-)0.010"	9	MAIN BEARING KIT - U/S	(A)
22	SE574D/M020	⅜ (-)0.020"	9	MAIN BEARING KIT - U/S	(A)

Footnotes

(A) SERVICED IN PAIRS

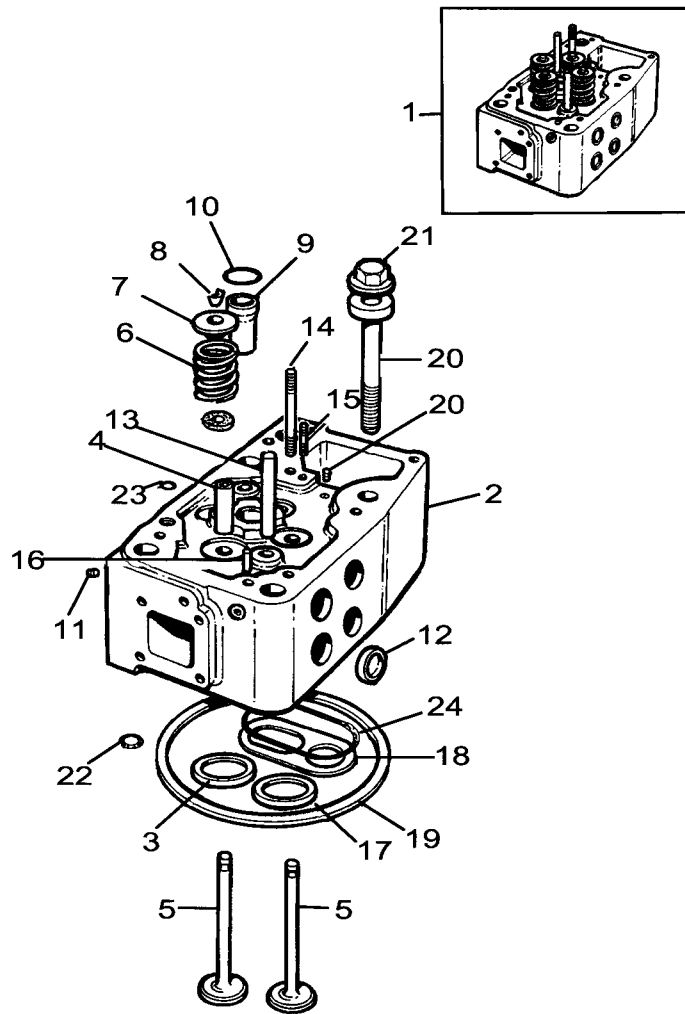
ACDD3050



ACDD3050

Item	Part No.	References	Qty.	Description	Notes
1	8SE92		1	CRANKSHAFT KIT	
2		⇒ 8SE92	1	CRANKSHAFT	
3	SE96C		1	CRANKSHAFT GEAR	
4		⇒ 8SE92	8	WEIGHT	
5	503/295		16	SCREW	
6	354500		16	DOWEL	
7	340/396		3	DOWEL	
8	554/126		1	SEAL - FRONT END OIL	
9	554/127		1	SEAL - REAR END OIL	

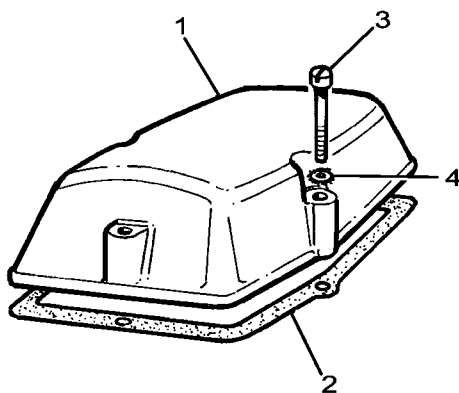
ACDD3050



ACDD3050

Item	Part No.	References	Qty.	Description	Notes
1	SE1AR		8	CYLINDER HEAD ASSEMBLY	
2	—	⇒ SE1AR	1	CYLINDER HEAD	
3	—740/101		2	INSERT	
4	—392/42		4	GUIDE	
5	—SE7AB/14		4	INTAKE AND EXHAUST VALVE	
6	—365/472		4	VALVE SPRING	
7	—L7C/15		4	CAP	
8	—HW7B/18		8	VALVE COLLET	
9	—SE1/12		1	SLEEVE	
10	—576/139		1	SEAL - O RING	
11	—641/23		2	PLUG	
12	—642/25		10	PLUG	
13	—340/397		2	DOWEL	
14	—2121/1		1	STUD	
15	—316481		1	STUD	
16	—55/69		2	SPIROL PIN	
17	—740/106		2	INSERT	
18	SE1B/39		8	RETAINER	
19	SE2H		8	GASKET - CYLINDER HEAD	
20	503/287		32	BOLT	
21	2088/14		32	WASHER	
22	576/218		32	SEAL - O RING	
23	576/237		8	SEAL - O RING	
24	576/151		8	SEAL - O RING	

ACDD3050

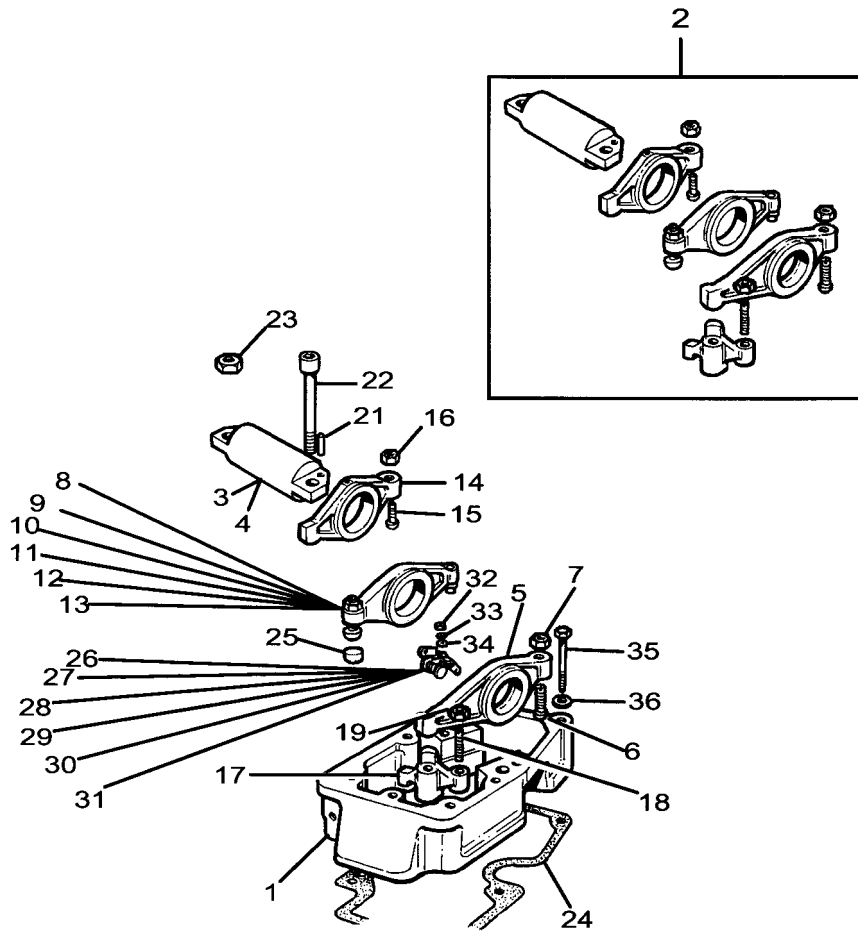


Cylinder Head Cover	Plate A
----------------------------	----------------

	ACDD3050
--	-----------------

Item	Part No.	References	Qty.	Description	Notes
1	SE420C/1		8	CYLINDER HEAD COVER	
2	SE478		8	SEAL - ROCKER BOX COVER	
3	315056		32	SCREW	
4	440/5		32	WASHER	

ACDD3050



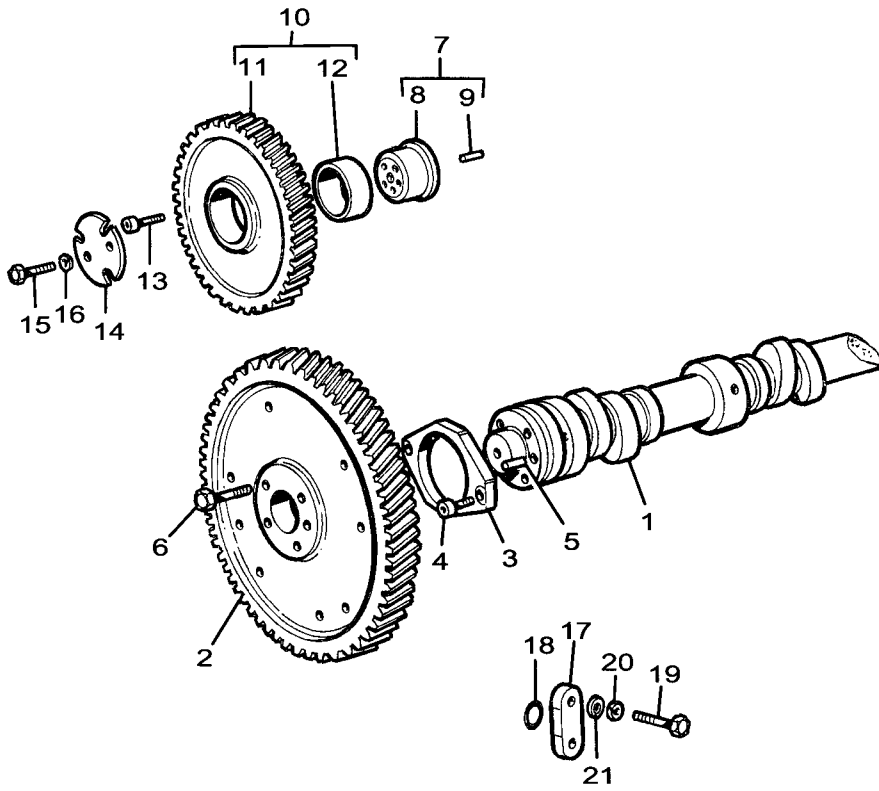
ACDD3050

Item	Part No.	References	Qty.	Description	Notes
1	SE152A/1		8	ROCKER BOX	
2	SE1520M		8	ROCKER SHAFT ASSEMBLY	
3	—SE152P		1	ROCKER SHAFT ASSY - MINOR	
4	—└355902		1	PLUG	
5	—SE152N		1	ROCKER ARM ASSEMBLY	(A)
6	—└SE152A/5		1	ADJUSTER	
7	—└2512/125		1	LOCKNUT	
8	—SE152R		1	ROCKER ARM ASSEMBLY	(B)
9	—└	⇒ SE152R	1	ROCKER	
10	—└SE152D/5		1	ADJUSTER	
11	—└SE153B/3		1	END	
12	—└355900		1	PLUG	
13	—└319/146		1	LOCKNUT	
14	—SE152M		1	ROCKER ARM ASSEMBLY	(C)
15	—└SE152A/5		1	ADJUSTER	
16	—└2512/125		1	LOCKNUT	
17	—SE152A/24		1	BRIDGE PIECE	
18	—└SE152/29		1	ADJUSTER	
19	—└2510/100		1	LOCKNUT	
20	—└SE152B/28		1	INSERT	
21	55/69		16	SPIROL PIN	
22	314139		8	CAPSCREW	
23	317015		8	NUT	
24	SE152D/26		1	GASKET - CYLINDER HEAD	
25	SE153A/2		8	PAD	
26	SE483H		8	LEVER	
27	—└SE483C/5		1	BRACKET	
28	—└SE483U/4		1	LEVER	
29	—└SE483V/4		1	LEVER	
30	—└348/174		1	PIN	
31	—└536/23		1	ROCKER SHAFT SPRING	
32	317012		8	NUT	
33	318210		8	SPRING WASHER	
34	318012		8	WASHER	
35	310069		24	BOLT	
36	318012		24	WASHER	

Footnotes

(A)	INLET
(B)	INJECTOR
(C)	EXHAUST

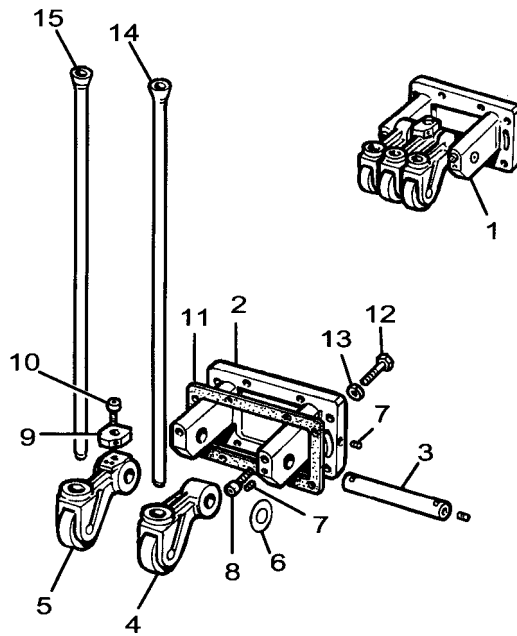
ACDD3050



ACDD3050

Item	Part No.	References	Qty.	Description	Notes
1	8SE100P		1	CAMSHAFT	
2	SE97C/1		1	CAMSHAFT GEAR	
3	6SE60		1	THRUST PLATE	
4	314074		2	CAPSCREW	
5	340/398		1	DOWEL	
6	2112/050		4	SCREW	
7	SE412/5		1	SHAFT	
8		⇒ SE412/5	1	SHAFT	
9	340/405		1	DOWEL	
10	SE659A		1	IDLER GEAR	
11		⇒ SE659A	1	IDLER GEAR	
12	374/1283		1	IDLER GEAR BUSH	
13	314081		2	CAPSCREW	
14	334/280		1	PLATE	
15	310068		2	BOLT	
16	318210		2	SPRING WASHER	
17	SE121/6		9	BLOCK	
18	576/177		9	SEAL - O RING	
19	312064		18	SETSCREW	
20	318210		18	SPRING WASHER	
21	318012		18	WASHER	

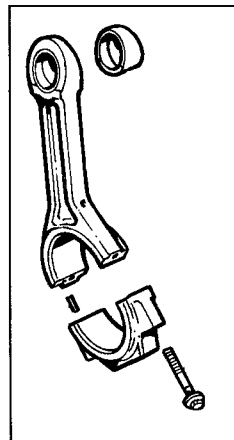
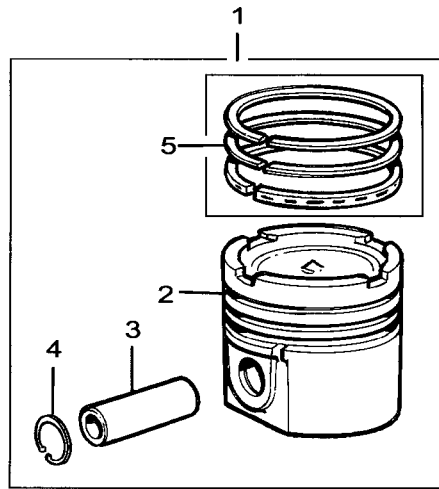
ACDD3050



ACDD3050

Item	Part No.	References	Qty.	Description	Notes
1	SE8E		8	CAM FOLLOWER	
2	—SE8E/3		1	DOOR	
3	—SE8F/5		1	SHAFT	
4	—Y90/00012		2	CAM FOLLOWER	
5	—Y90/00013		1	CAM FOLLOWER	
6	—420/122		7	SHIM	
7	—355901		3	PLUG	
8	—314081		2	CAPSCREW	
9	—SE121E/49		1	BODY	
10	—314030		1	CAPSCREW	
11	SE644B/1		8	GASKET - CYL. HEAD COVER	
12	312066		15	SETSCREW	
13	318210		24	SPRING WASHER	
14	SE153G		16	PUSHROD	
15	SE153L		8	PUSHROD	

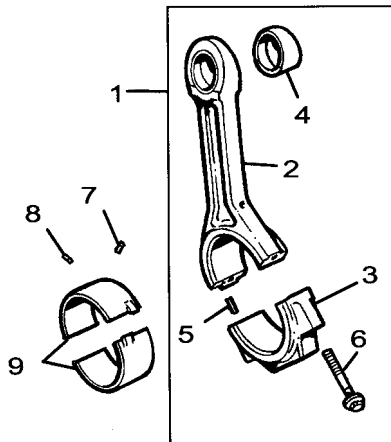
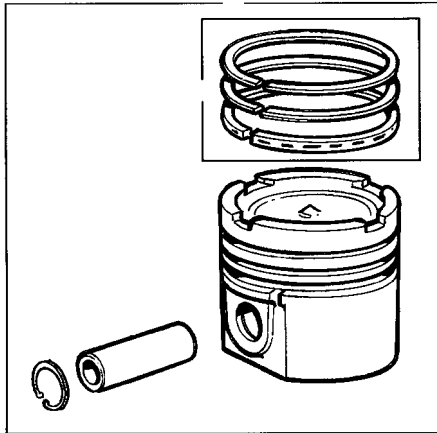
ADDD3000



ADDD3000

Item	Part No.	References	Qty.	Description	Notes
1	SE901BA		8	PISTON AND RING KIT	
2		⇒ SE901BA	1	PISTON	
3	SE89		1	GUDGEON PIN	
4	496/29		2	CIRCLIP	
5	359/552		1	PISTON RING KIT	

ADDD3000



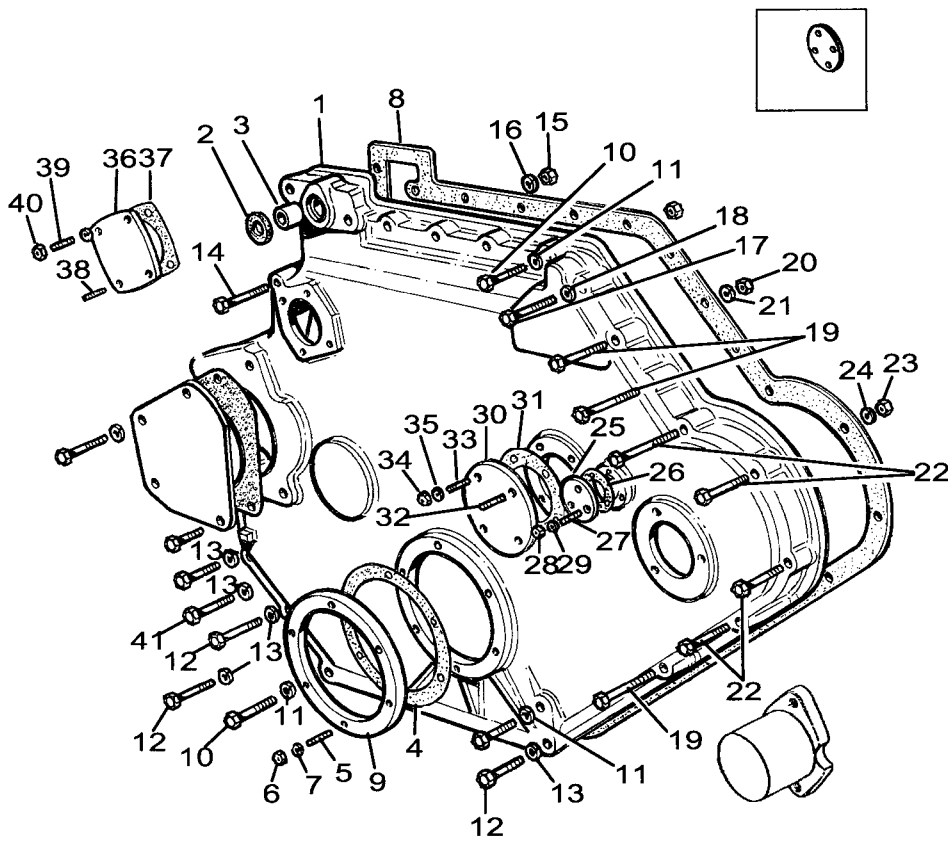
ADDD3000

Item	Part No.	References	Qty.	Description	Notes
1	SE91T		8	CON ROD ASSEMBLY	
2		⇒ SE91T	1	CON ROD	
3		⇒ SE91T	1	CAP	
4	SE91B/7		1	SMALL END BUSH	
5	340/182		2	DOWEL	
6	363/48		2	CON ROD BOLT	
7	355902		2	PLUG	
8	2400/006		1	PLUG	
9	SE91AA/3M	Ⓢ	8	BIG END BEARING KIT	(A)
Service Options					
9	SE91AA3M010	⚖ (-)0.010"	8	BIG END BRG KIT - U/S	(A)
9	SE91AA3M020	⚖ (-)0.020"	8	BIG END BRG KIT - U/S	(A)

Footnotes

(A) SERVICED IN PAIRS

AEDD3004



AEDD3004

Item	Part No.	References	Qty.	Description	Notes
1	SE659L/5		1	TIMING GEAR CASE	
2	554/109		1	SEAL - OIL	
3	374/1247		1	BEARING	
4	494/128		1	GASKET - OIL SEAL HOUSING	
5	316458		6	STUD	
6	317011		6	METRIC NUT	
7	318209		6	SPRING WASHER	
8	SE659D/7		1	GASKET - TIMING CASE	
9	SE389		1	CARRIER	
10	310063		3	BOLT	
11	2086/010		3	SPRING WASHER	
12	310067		4	BOLT	
13	2086/010		5	SPRING WASHER	
14	310070		1	BOLT	
15	317012		1	NUT	
16	318210		1	SPRING WASHER	
17	310070		1	BOLT	
18	2086/010		1	SPRING WASHER	
19	310068		3	BOLT	
20	317012		3	NUT	
21	318210		3	SPRING WASHER	
22	310068		3	BOLT	
23	317012		3	NUT	
24	318210		3	SPRING WASHER	
25	SE240A/4		1	BLANKING PLATE	
26	SE240A/3		1	GASKET	
27	316458		3	STUD	
28	317011		3	METRIC NUT	
29	318209		3	SPRING WASHER	
30	SE597A/3		1	PLATE	
31	SE597B/7		1	GASKET	
32	316478		1	STUD	
33	316477		3	STUD	
34	317012		4	NUT	
35	ST20607		4	WASHER	
36	6SE188/12		1	PLATE	
37	6SE188A/49		1	GASKET	
38	316478		1	STUD	
39	316477		3	STUD	
40	317012		4	NUT	
41	310066		1	BOLT	

AEDD3004

