

MITSUBISHI MARINE ENGINE

S6R-MPTA S6R-MPTK

BASE ENGINE
for MEE

March 2005

CONTENTS

P3751-010-1	CYLINDER HEAD -----	2
P3751-010-2	CYLINDER HEAD -----	4
P3751-040-1	VALVE MECHANISM -----	6
P3751-040-2	VALVE MECHANISM -----	8
P3751-050	CAMSHAFT TAPPET -----	10
P3751-070-1	CYLINDER CRANKCASE -----	12
P3751-070-2	CYLINDER CRANKCASE -----	14
P3751-071	CRANKCASE CON. PARTS -----	16
P3751-072	CRANKCASE GOVERNOR PARTS -----	20
P3751-090	MAIN BEARING -----	22
P3751-110	TIMING GEAR CASE -----	24
P3751-130	OIL PAN -----	26
P3751-140	ENGINE MOUNTING -----	28
P3751-170	PISTON -----	30
P3751-190	CONNECTING-ROD -----	32
P3751-200	CRANKSHAFT -----	34
P3751-210	FLYWHEEL -----	36
P3751-220	DAMPER -----	38
P3751-230	TIMING GEAR -----	40
P3751-250	FR ACCESSORY DRIVE -----	42
P3751-253	RE ACCESOSRY DRIVE -----	44
P3751-255	HOURMETER -----	46
P3751-300-1	INLET SYSTEM -----	48
P3751-300-2	INLET SYSTEM -----	50
P3751-305	AIR HEATER & SPACER -----	52
P3751-350	OIL PUMP -----	54
P3751-360	OIL STRAINER PIPING -----	56

CONTENTS

P3751-361	OIL FILTER PIPING -----	58
P3751-362-1	OIL SYSTEM PARTS -----	60
P3751-362-2	OIL SYSTEM PARTS -----	62
P3751-390	OIL COOLER -----	64
P3751-400	OIL FILTER -----	66
P3751-420	OIL FILLER -----	68
P3751-425	OIL LEVEL GAGE -----	70
P3751-430-1	BREATHER -----	72
P3751-430-2	BREATHER -----	74
P3751-450-1	WATER PUMP -----	76
P3751-450-2	WATER PUMP -----	80
P3751-461-1	COOLING SYSTEM -----	82
P3751-461-2	COOLING SYSTEM -----	86
P3751-550	AIR COOLER -----	88
P3751-610-1	INJECTION PUMP BRACKET -----	92
P3751-610-2	INJECTION PUMP BRACKET -----	94
P3751-610-3	INJECTION PUMP BRACKET -----	100
P3751-612-1	INJ PIPE NOZZLE -----	102
P3751-612-2	INJ PIPE NOZZLE -----	104
P3751-612-3	INJ PIPE NOZZLE -----	106
P3751-613	LEAK OFF PIPE ETC -----	108
P3751-620-1	FUEL FILTER -----	110
P3751-620-2	FUEL FILTER -----	112
P3751-621-1	FUEL FILTER PIPING -----	114
P3751-621-2	FUEL FILTER PIPING -----	116
P3751-630-1	GOVERNOR-(1) -----	118
P3751-630-2	GOVERNOR-(1) -----	120

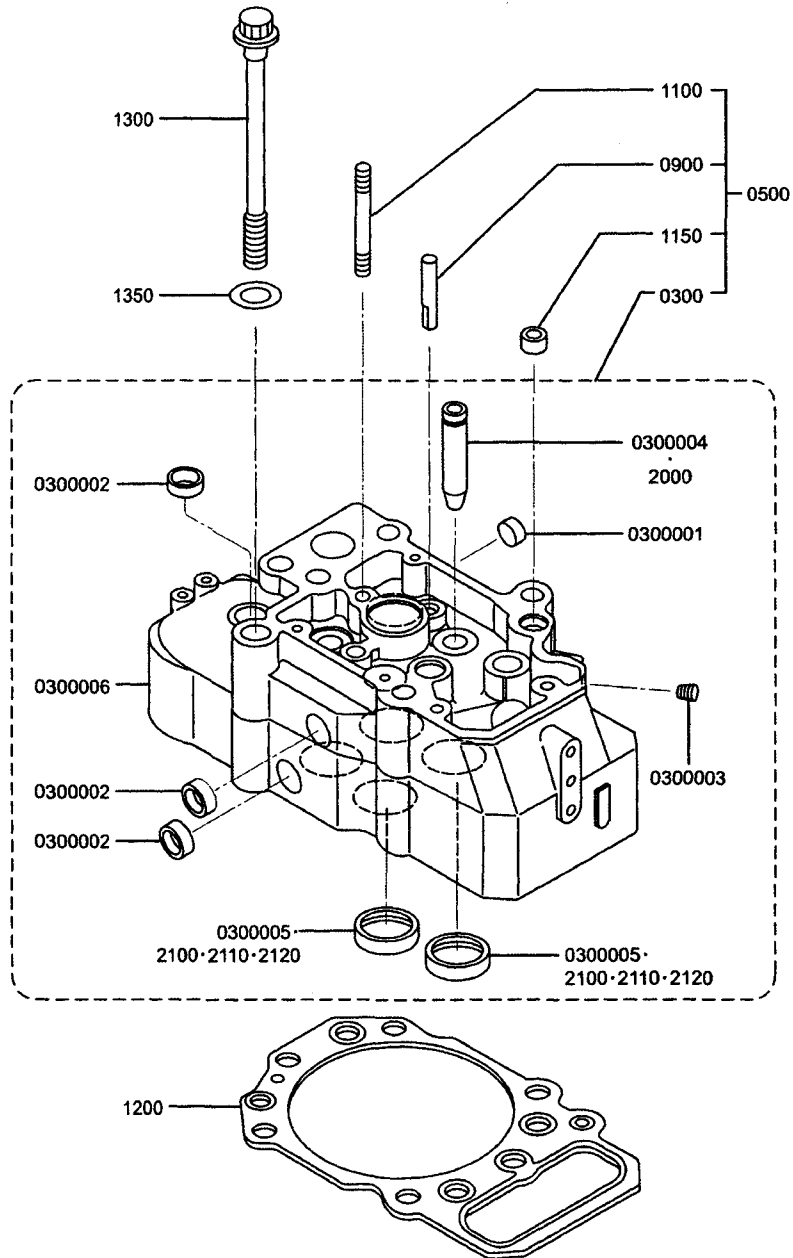
BASE ENGINE FOR MEE

CONTENTS

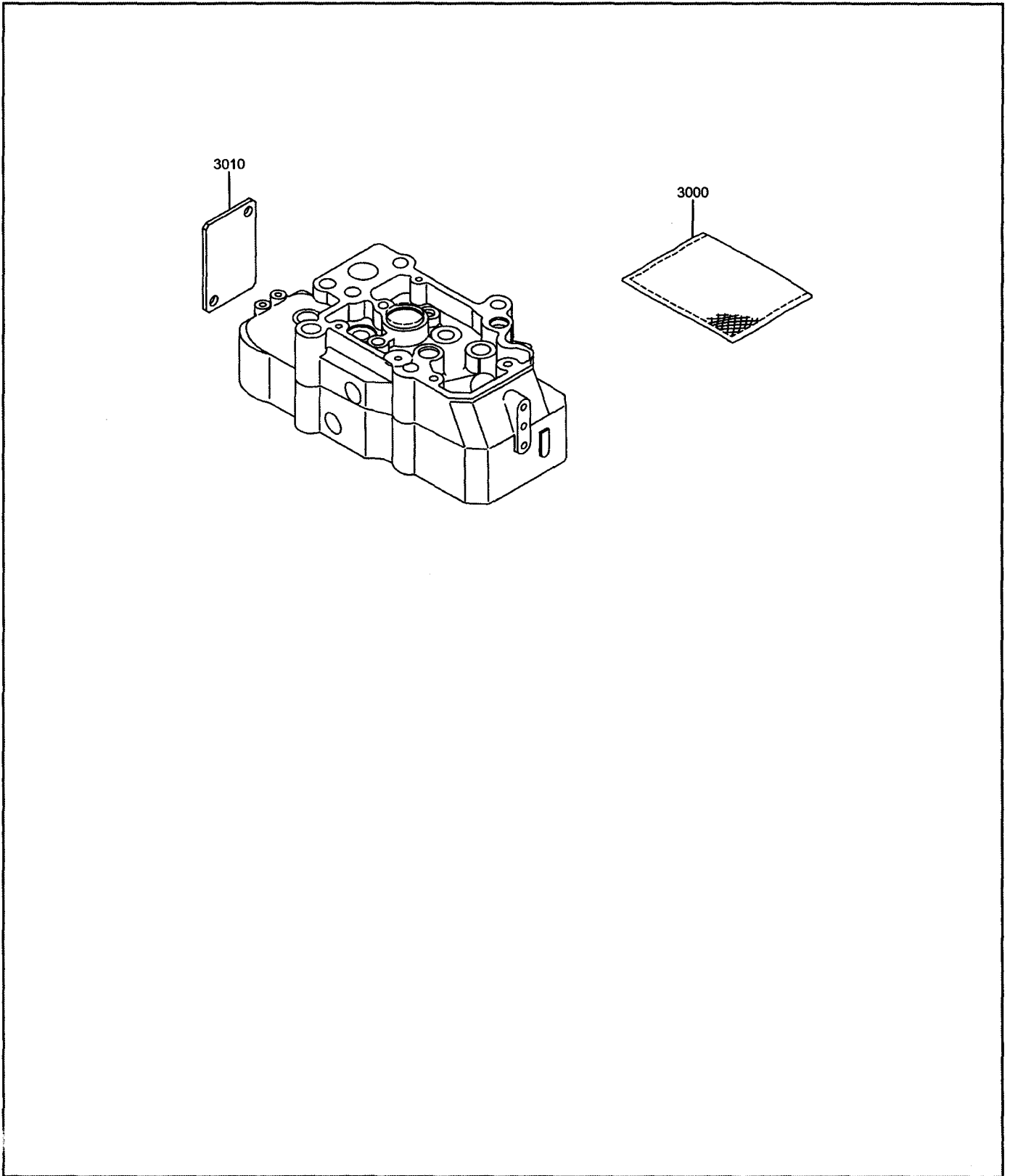
P3751-660	STARTER-----	122
P3751-680-1	DYNAMO -----	124
P3751-680-2	DYNAMO -----	126
P3751-710	TURNING GEAR -----	128
P3751-875	STOP CONTROL HANDLE -----	130
P3751-930	NAME PLATE -----	132



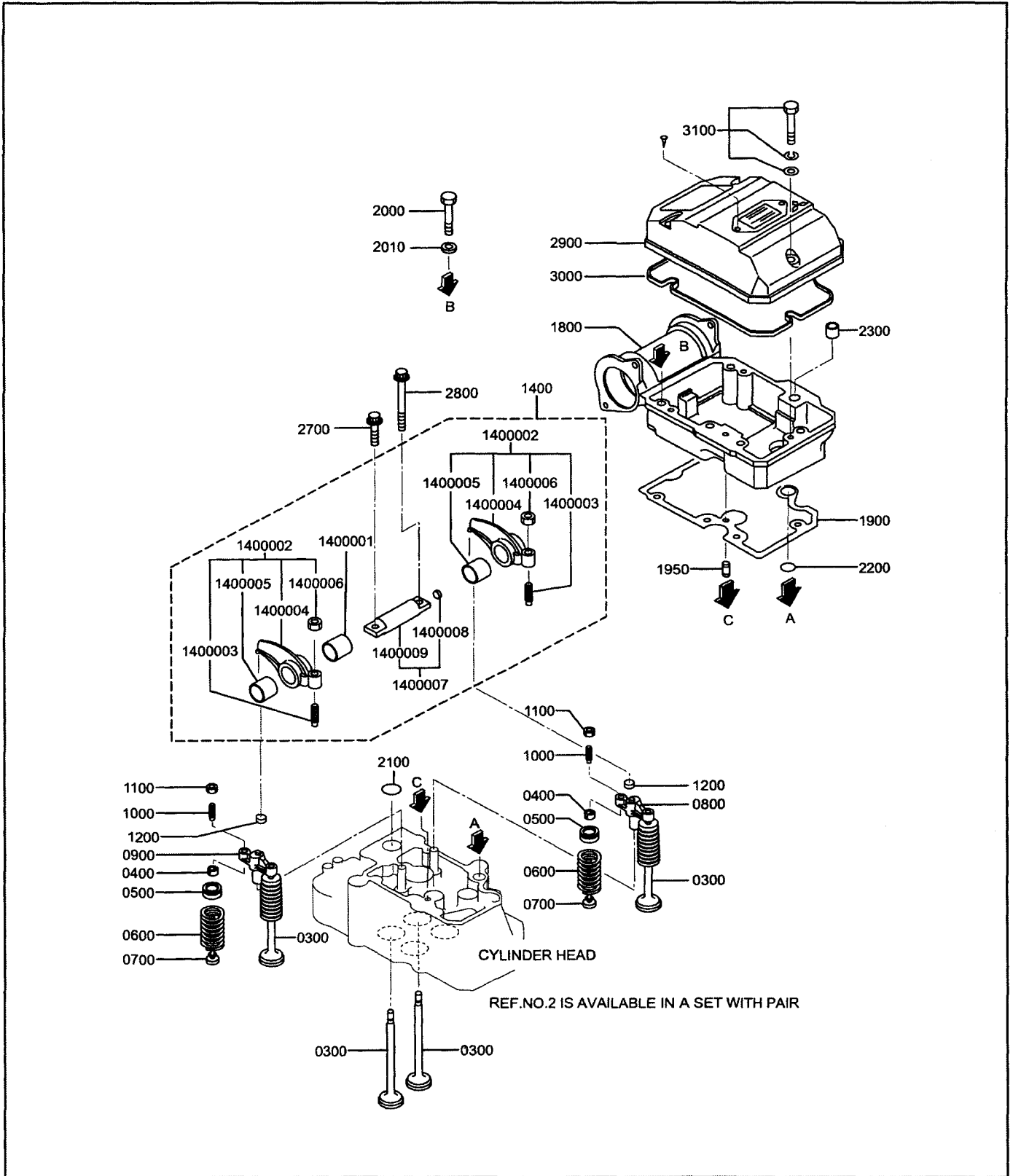
P3751-010-1 CYLINDER HEAD



P3751-010-2 CYLINDER HEAD



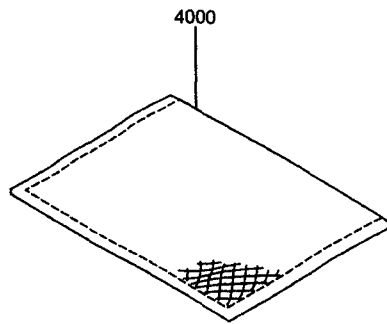
P3751-040-1 VALVE MECHANISM



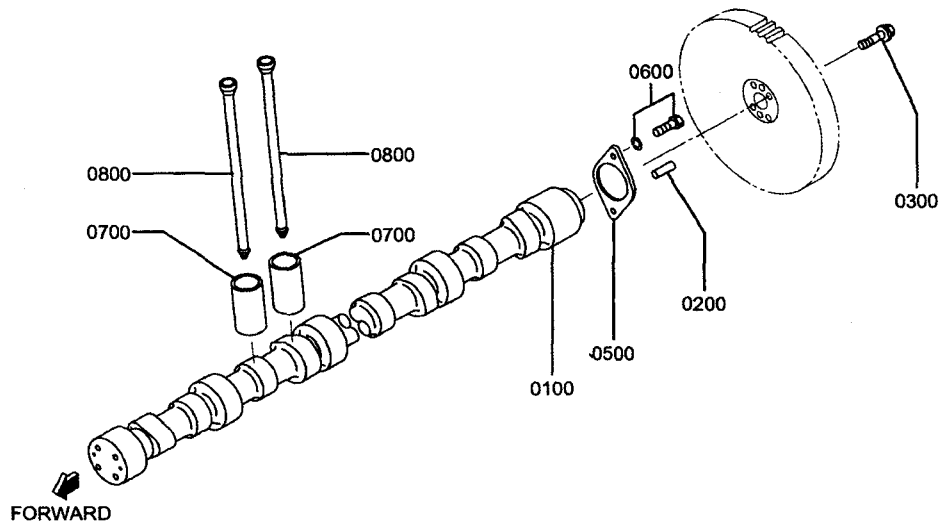
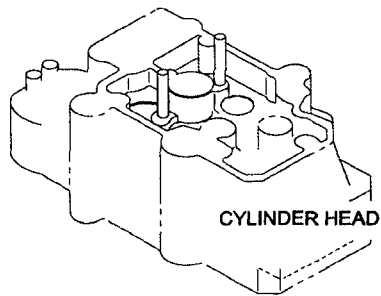
P3751-040-1 VALVE MECHANISM

SEQ	NOT AVAILABLE	ITEM	DESCRIPTION	QTY	
				MPTA	MPTK
0300		37504-30200	VALVE,SR	24	24
0400		32504-00400	COTTER	48	48
0500		37504-00300	ROTATOR	24	24
0600		37504-10400	SPRING,VALVE	24	24
0700		33504-10300	SEAL VALVE STEM	24	24
0800		37504-03400	BRIDGE,EXHAUST	6	6
0900		37504-03500	BRIDGE,INLET	6	6
1000		37104-13300	SCREW,ADJ.BRIDGE.	12	12
1100		F2305-10000	NUT	12	12
1200		30004-24302	CAP	12	12
1400	*	37504-02070	ROCKER & SHAFT ASSY	6	6
1400001		37504-04201	SPACER ROCKER	12	12
1400002		37504-22012	ROCKER ASSY.	12	12
1400003		37104-02800	SCREW,ADJUSTING	12	12
1400004	*	37504-02101	ROCKER	12	12
1400005		37504-32500	BUSHING,ROCKER	12	12
1400006		F2305-12000	NUT	12	12
1400007		37504-54011	ROCKER SHAFT ASSY	6	6
1400008		04826-21000	CAP SEALING	6	6
1400009	*	37504-54101	SHAFT,ROCKER	6	6
1800		37504-51100	CASE,ROCKER	6	6
1900		37504-31200	PACKING,ROCKER CASE	6	6
1950		F2846-06000	PIN DOWEL	6	6
2000		F1035-12085	BOLT	30	30
2010		37525-07901	WASHER,SK5,M12	30	30
2100		37504-02300	O-RING,G40,S740	6	6
2200		05507-10200	O-RING	6	6
2300		37501-01501	PIN DOWEL D18	6	6
2700		MH000-854	BOLT FLANGE	6	6
2800		37504-14600	BOLT M14	6	6
2900		37504-26100	COVER,ROCKER	6	6
3000		37504-56200	O-RING,ROCKER COVER	6	6
3100		F1825-10065	BOLT,WASHER ASSEMBLE	6	6

P3751-040-2 VALVE MECHANISM



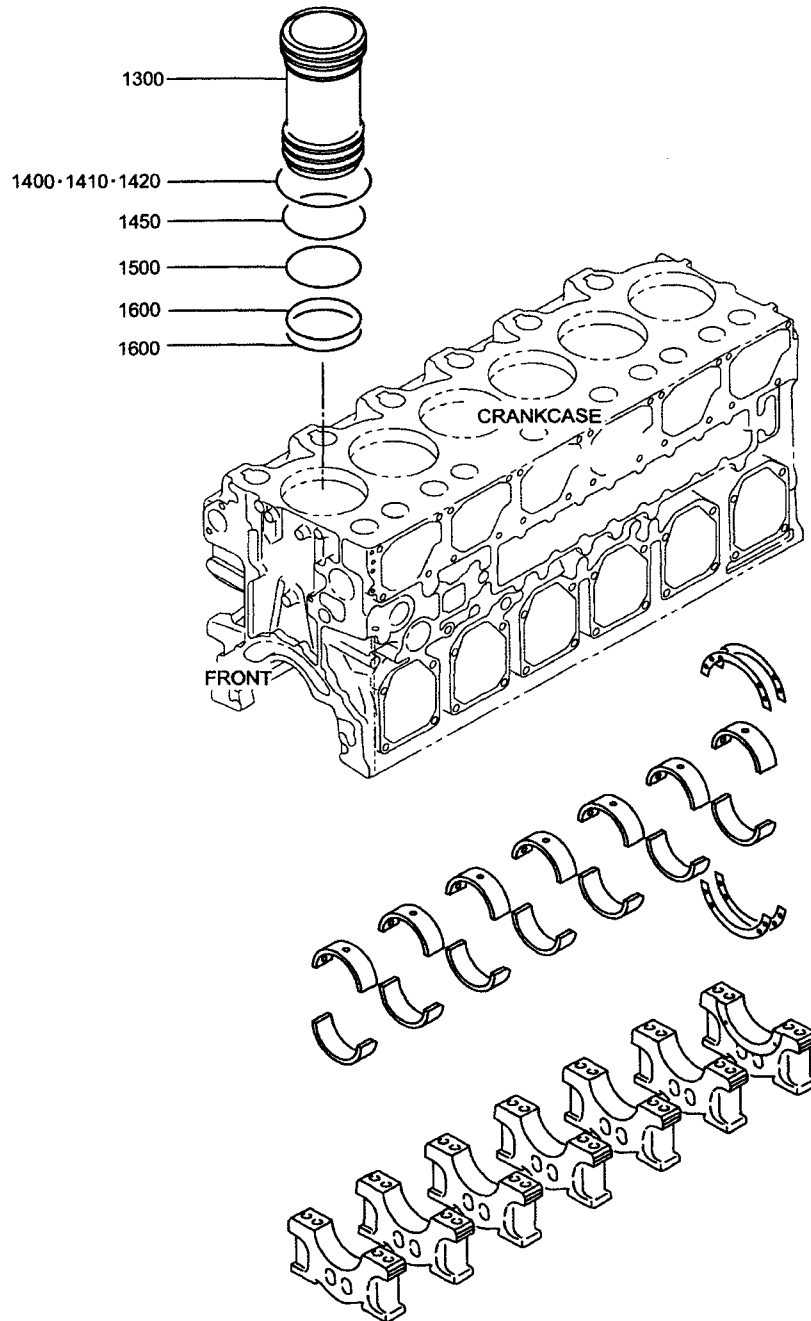
P3751-050 CAMSHAFT TAPPET



P3751-070-1 CYLINDER CRANKCASE

SEQ	NOT AVAILABLE	ITEM	DESCRIPTION	QTY	
				MPTA	MPTK
0200	*	37507-40290	CRANKCASE ASSY.	1	1
0200001		33707-11701	WASHER	28	28
0200002	*	37507-21100	CAP,BEARING NO.1-6	6	6
0200003	*	37507-21200	CAP,BEARING NO.7	1	1
0200004		37507-31601	BOLT,BEARING CAP	28	28
0200005	*	37507-40200	CRANKCASE,CYLINDER	1	1
0300		37507-40020	CYL.CRANKCASE ASSY	1	1
0300001		32607-10700	PLUG,D40X10.5	1	1
0300002		04826-22000	CAP,SEALING	1	1
0300003		04827-71000	PLUG TAPERED	1	1
0800		33007-02600	PIN,DOWEL	6	6
1100		32307-02600	PIN	12	12
1200		04827-72100	PLUG TAPERED	1	1
1270		04827-71300	PLUG TAPERED	2	2
1280		04826-22500	CAP SEALING	1	1
1290		04827-71300	PLUG TAPERED	1	1
1700		37507-13100	BUSHING,CAM L23 F	1	1
1750		37507-13600	BUSHING,CAM L23 R	1	1
1800		37507-13200	BUSHING,CAM L23 M	5	5
1900		37507-03900	BOLT SET	7	7
2000		05946-01201	WASHER SEALING	7	7
2100		37507-04600	PIN,DOWEL,D20	2	2
2600		F2846-20000	PIN DOWEL	2	2
2700		37507-00701	PLATE NOZZLE	1	1
2800		05507-10340	O-RING	2	2
2900		04827-71300	PLUG TAPERED	1	1
3000		F2846-14000	PIN DOWEL	2	2
3050		04826-24000	CAP SEALING	1	1
3060		32625-00800	CAP	1	1
3100		F2846-12000	PIN DOWEL	2	2

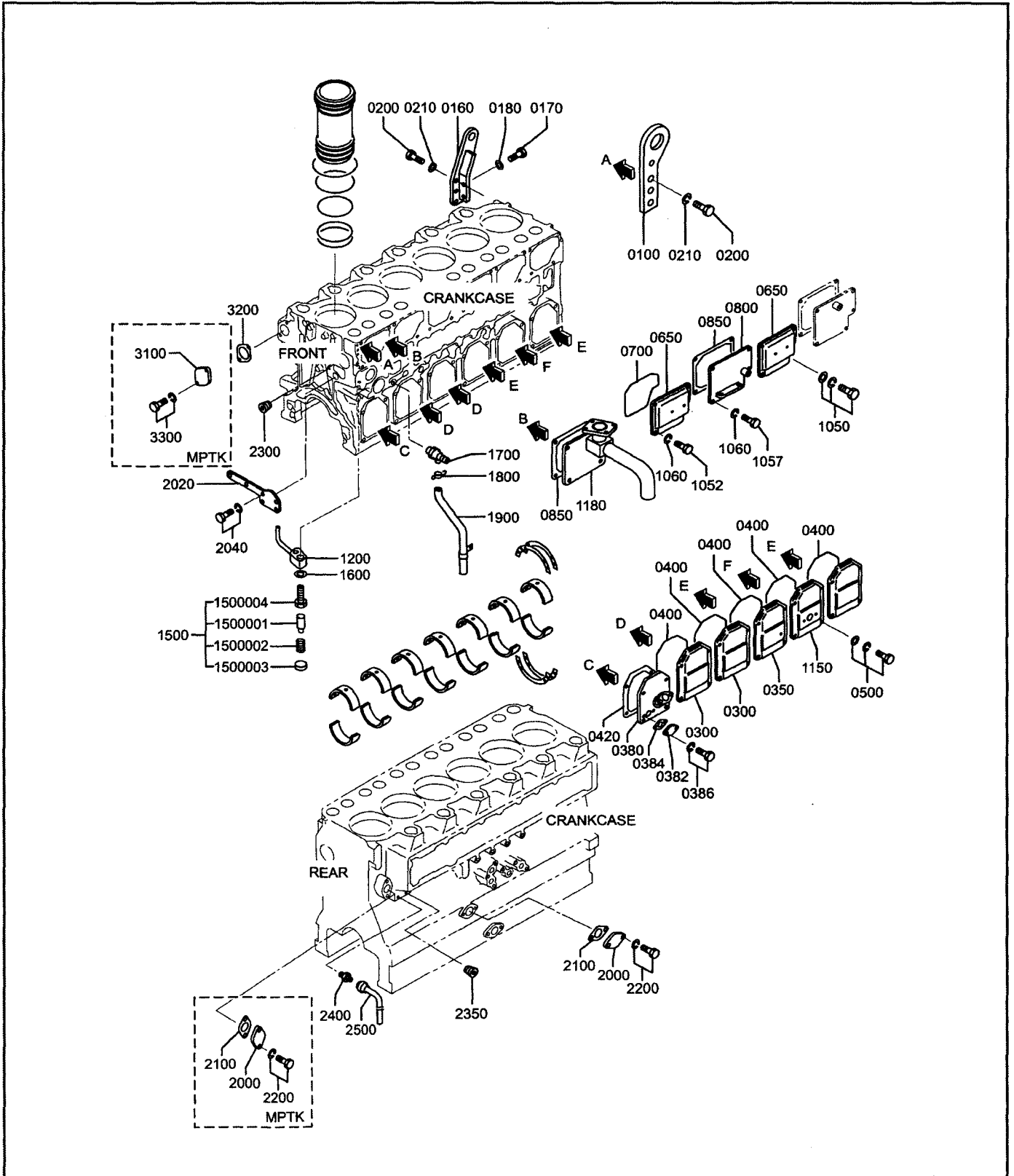
P3751-070-2 CYLINDER CRANKCASE



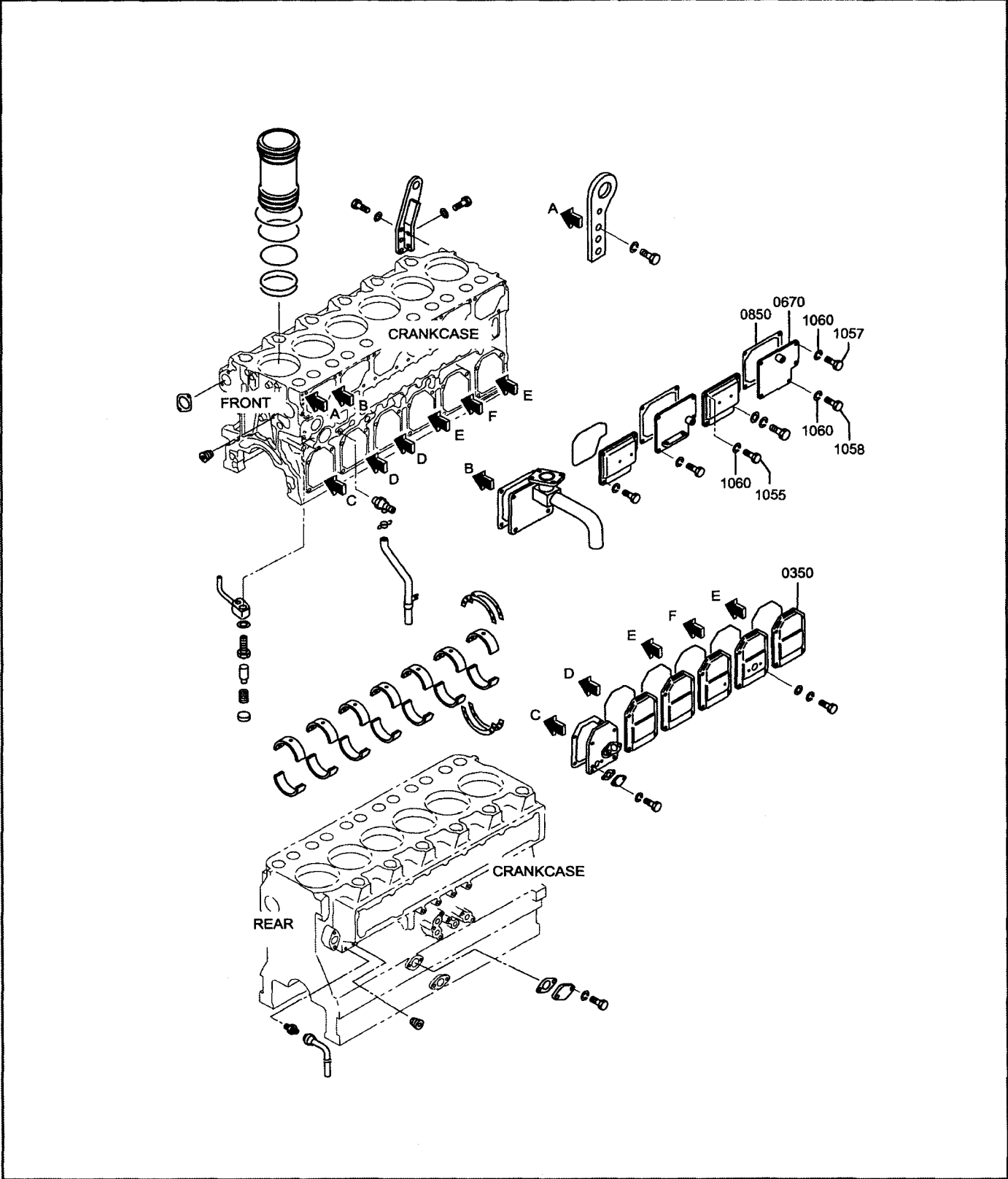
P3751-071 CRANKCASE CON. PARTS

SEQ	NOT AVAILABLE	ITEM	DESCRIPTION	QTY	
				MPTA	MPTK
0100		37507-00800	HANGER FRONT	1	1
0160		37507-01400	HANGER,RE,W/C,MANI	1	1
0170		F1035-16040	BOLT	2	2
0180		F2515-16000	WASHER SPRING	2	2
0200		F1035-12035	BOLT	3	3
0210		F2515-12000	WASHER SPRING	3	3
0300		37507-27100	COVER,SIDE	2	2
0350		37507-16900	COVER,SIDE	1	1
0380		37507-08700	COVER,SIDE	1	1
0382		36207-03500	COVER	1	1
0384		33442-20200	PACKING	1	1
0386		F1805-10025	BOLT WASHER ASSEMBLE	2	2
0400		37507-37300	O-RING SIDE COVER	5	5
0420		37707-17200	PACKING,SIDE COVER	1	1
0500		F1825-12030	BOLT WASHER ASSEMBLE	24	24
0650		37507-37800	COVER,CAM ROOM	3	3
0700		37507-37600	O-RING CAM ROOM	3	3
0800		37507-06302	COVER,CAM ROOM 4CYL.	1	1
0850		37507-04900	PACKING,CAM ROOM	2	2
1050		F1825-12030	BOLT WASHER ASSEMBLE	13	13
1052		F1035-12055	BOLT	1	1
1057		F1035-12030	BOLT	4	4
1060		F2515-12000	WASHER SPRING	5	5
1150		37507-27200	COVER,SIDE	1	1
1180		37507-18900	COVER,CAM	1	1
1200		37507-20401	NOZZLE OILJET	6	6
1500		37507-03700	VALVE,CHECK	6	6
1500001		ME031826	PISTON,CHECK VALVE	6	6
1500002		ME031827	SPRING	6	6
1500003		ME031828	PLUG	6	6
1500004		37507-03711	BODY,CHECK VALVE	6	6
1600		36207-08900	SPRING CONICAL DISK	6	6
1700		33407-06100	COCK	1	1
1800		30007-05500	CLAMP	1	1
1900		F4002-12120	TUBE,SOFT VINYL	1	1
2000		33546-06900	COVER	1	2
2020		37545-18700	PLATE,TENSION A	1	1
2040		F1805-12025	BOLT WASHER ASSEMBLE	3	3
2100		35B36-02900	GASKET,OIL	1	2
2200		F1805-12025	BOLT WASHER ASSEMBLE	2	4
2300		F5005-10001	PLUG TAPER	1	1
2350		F5005-13001	PLUG TAPER	1	1
2400		66457-00900	CONNECTOR	1	1
2500		45954-30100	OIL,PIPE	1	1
3100		37507-19100	COVER	-	1

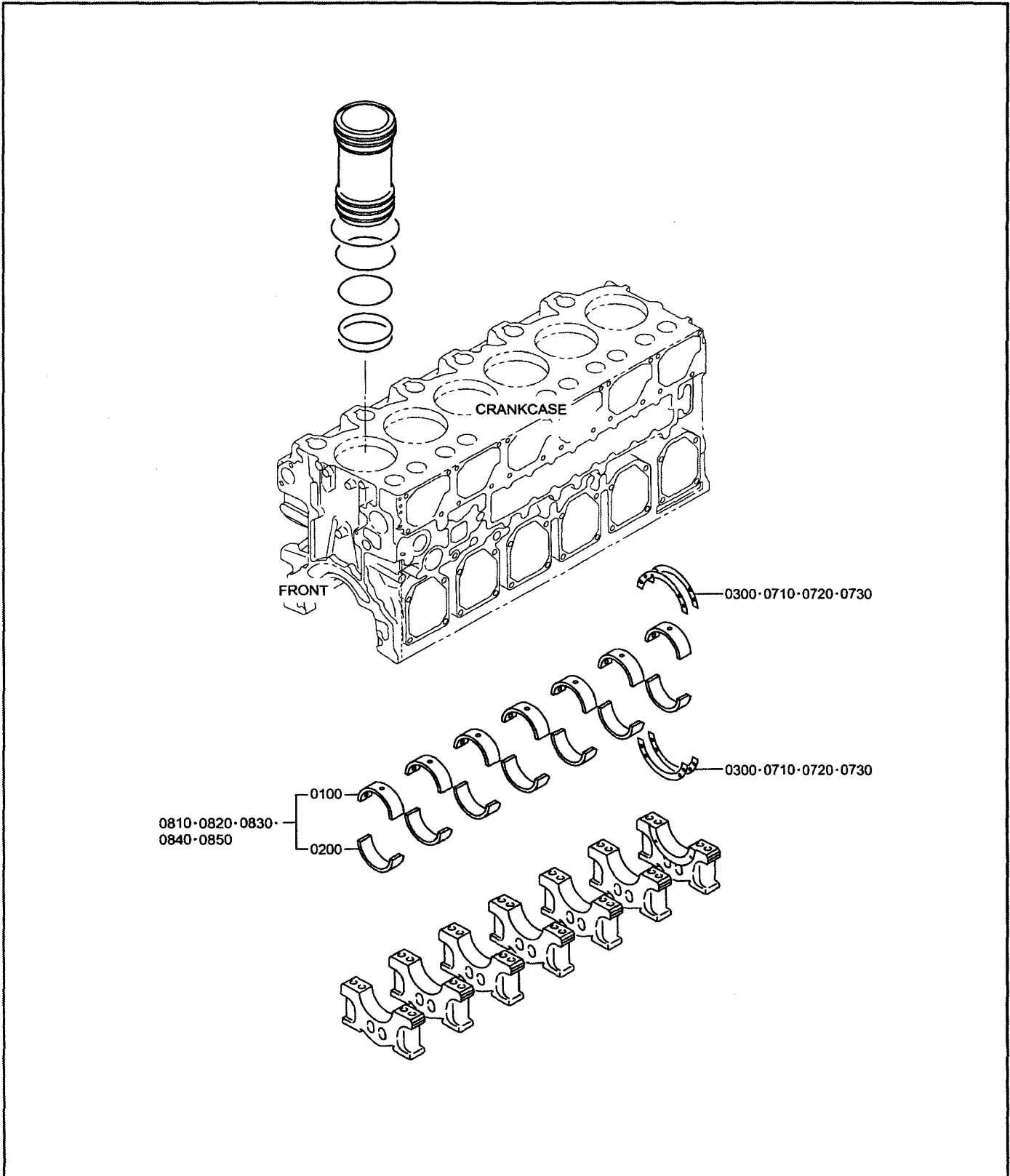
P3751-071 CRANKCASE CON. PARTS



P3751-072 CRANKCASE GOVERNOR PARTS



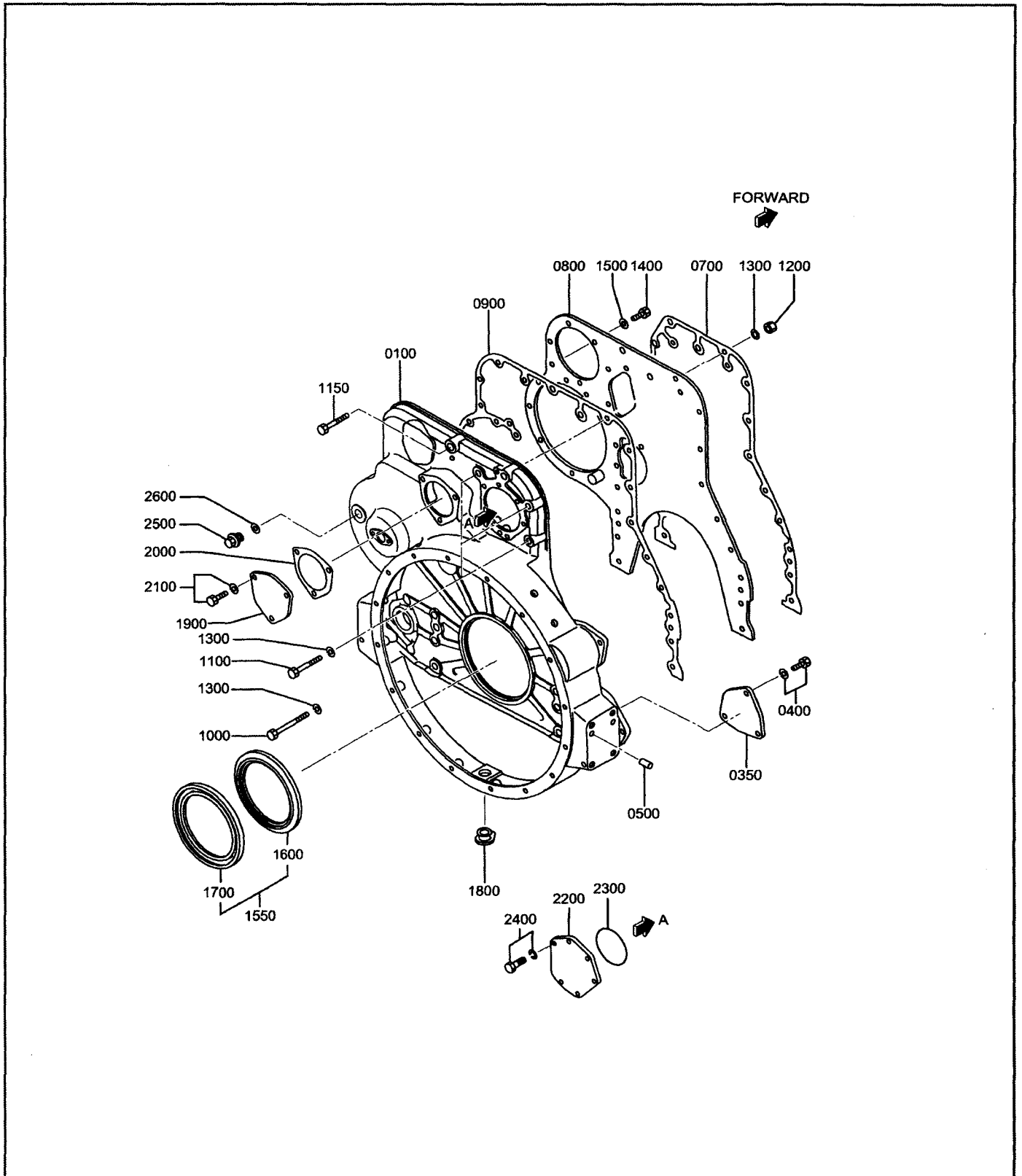
P3751-090 MAIN BEARING



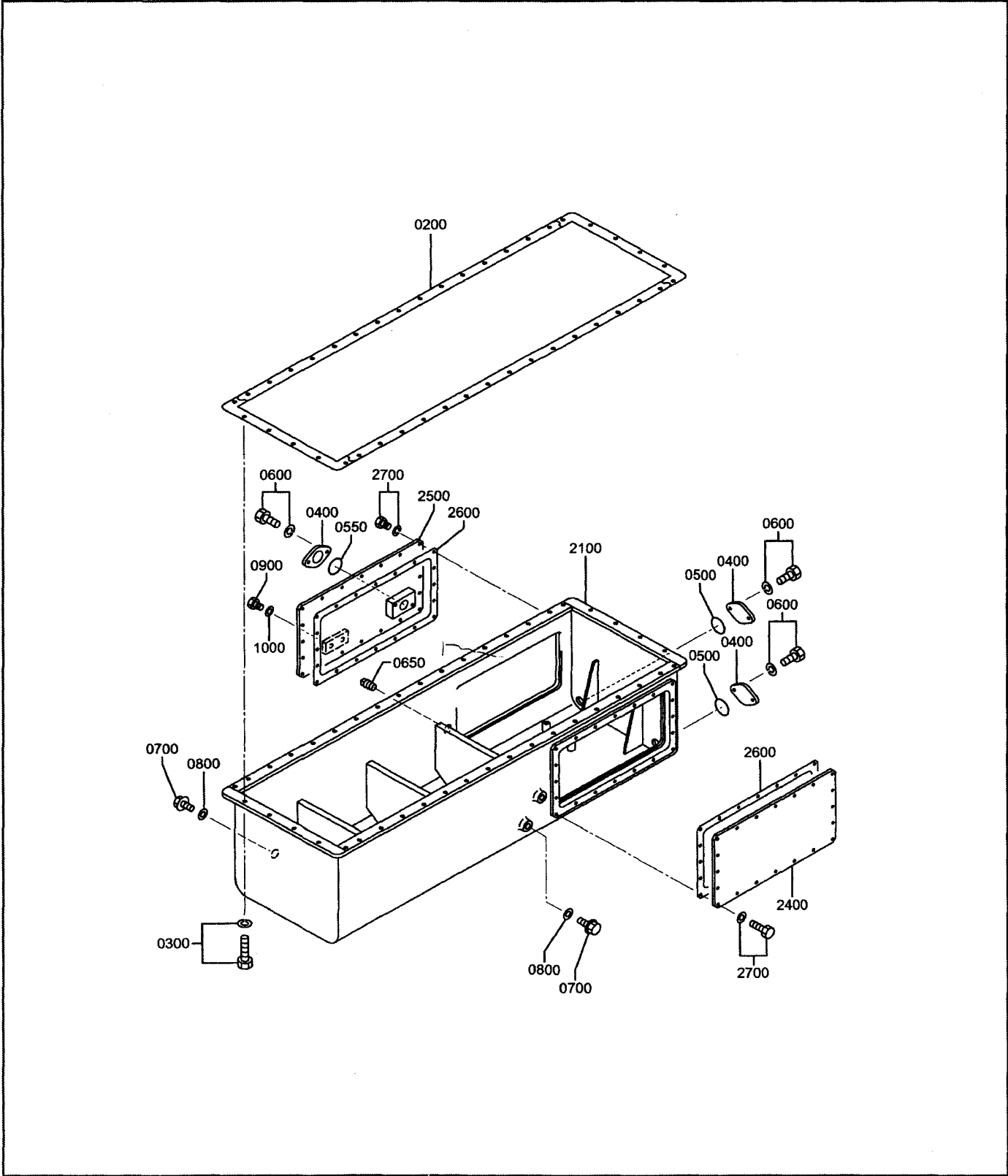
P3751-090 MAIN BEARING

SEQ	NOT AVAILABLE	ITEM	DESCRIPTION	QTY	
				MPTA	MPTK
0100	*	37509-12100	BEARING,MAIN,UPPER	7	7
0200	*	37509-13100	BEARING,MAIN,LOWER	7	7
0300		37509-38100	BEARING,THRUST	4	4
0710		37509-38200	BEARING,TH.0.25	4	4
0720		37509-38300	BEARING,TH.0.5	4	4
0730		37509-38400	BEARING,TH.0.75	4	4
0810		37509-50010	MAIN BEARING SET	7	7
0820		37509-50020	MAIN BEARING SET,025	7	7
0830		37509-50030	MAIN BEARING SET,050	7	7
0840		37509-50040	MAIN BEARING SET,075	7	7
0850		37509-50050	MAIN BEARING SET,100	7	7

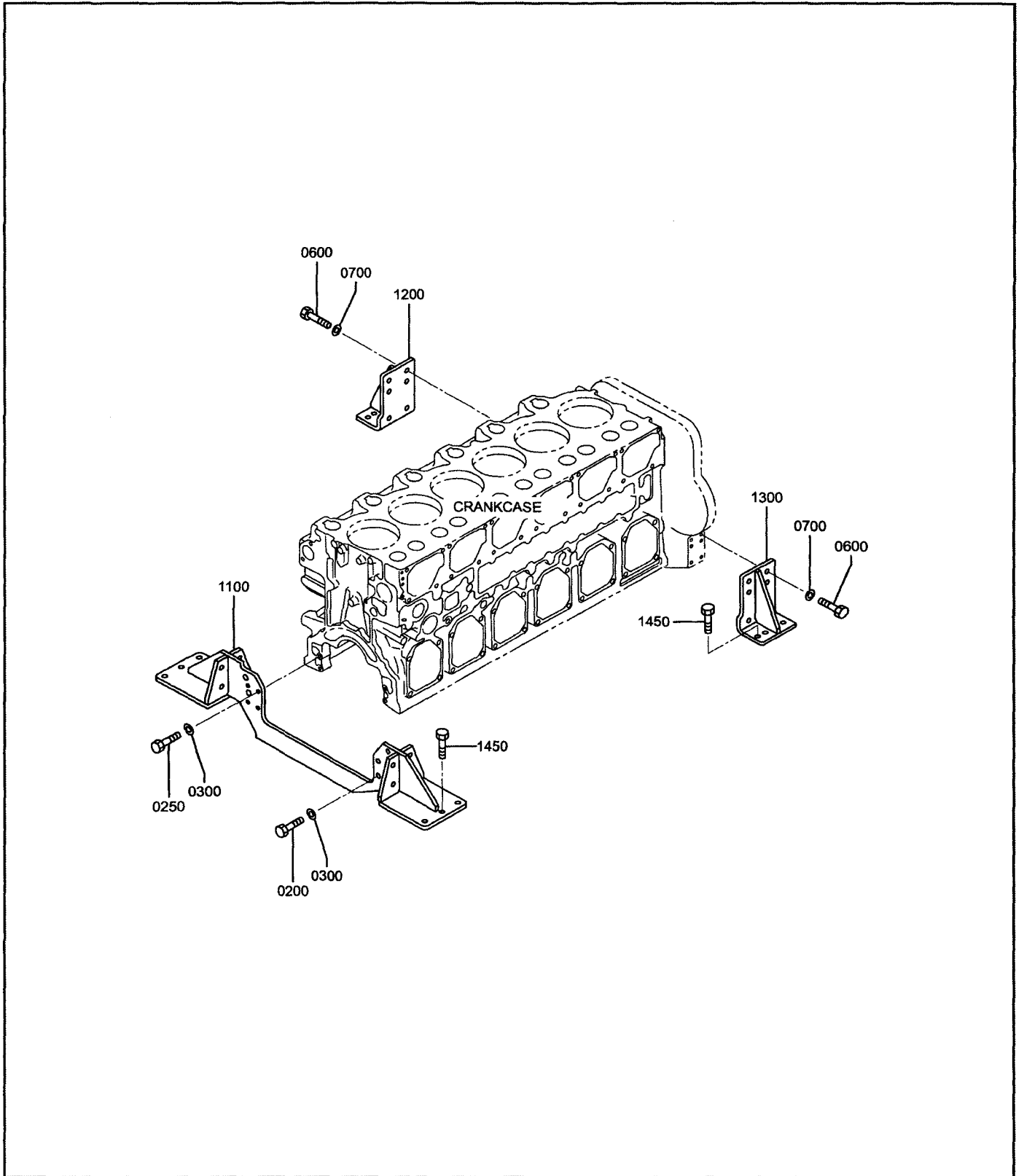
P3751-110 TIMING GEAR CASE



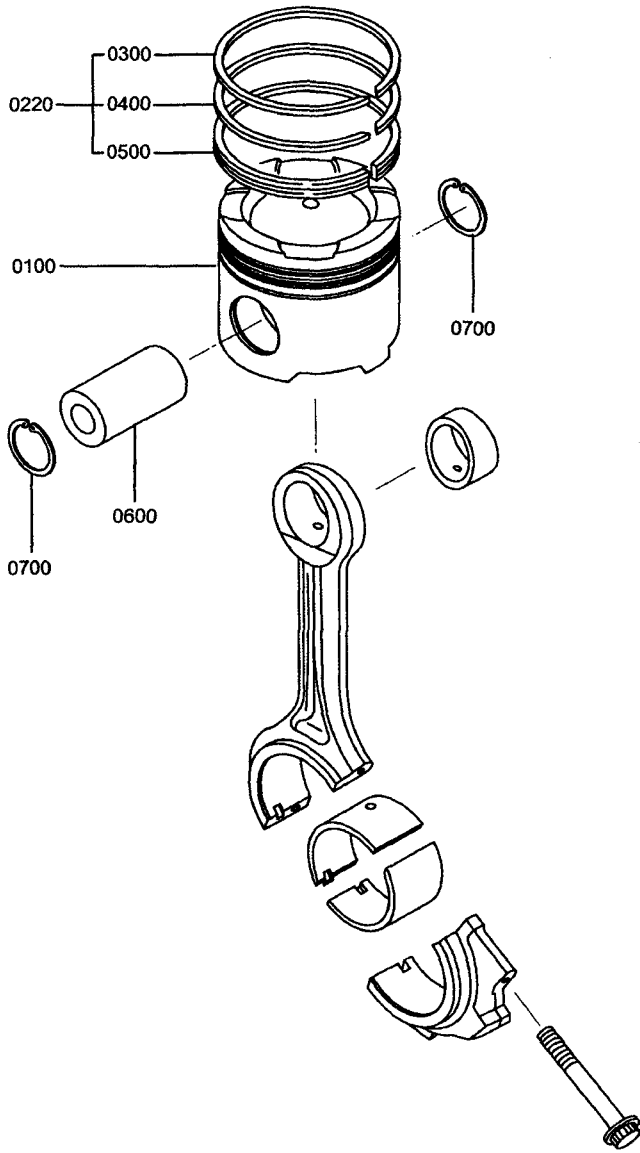
P3751-130 OIL PAN



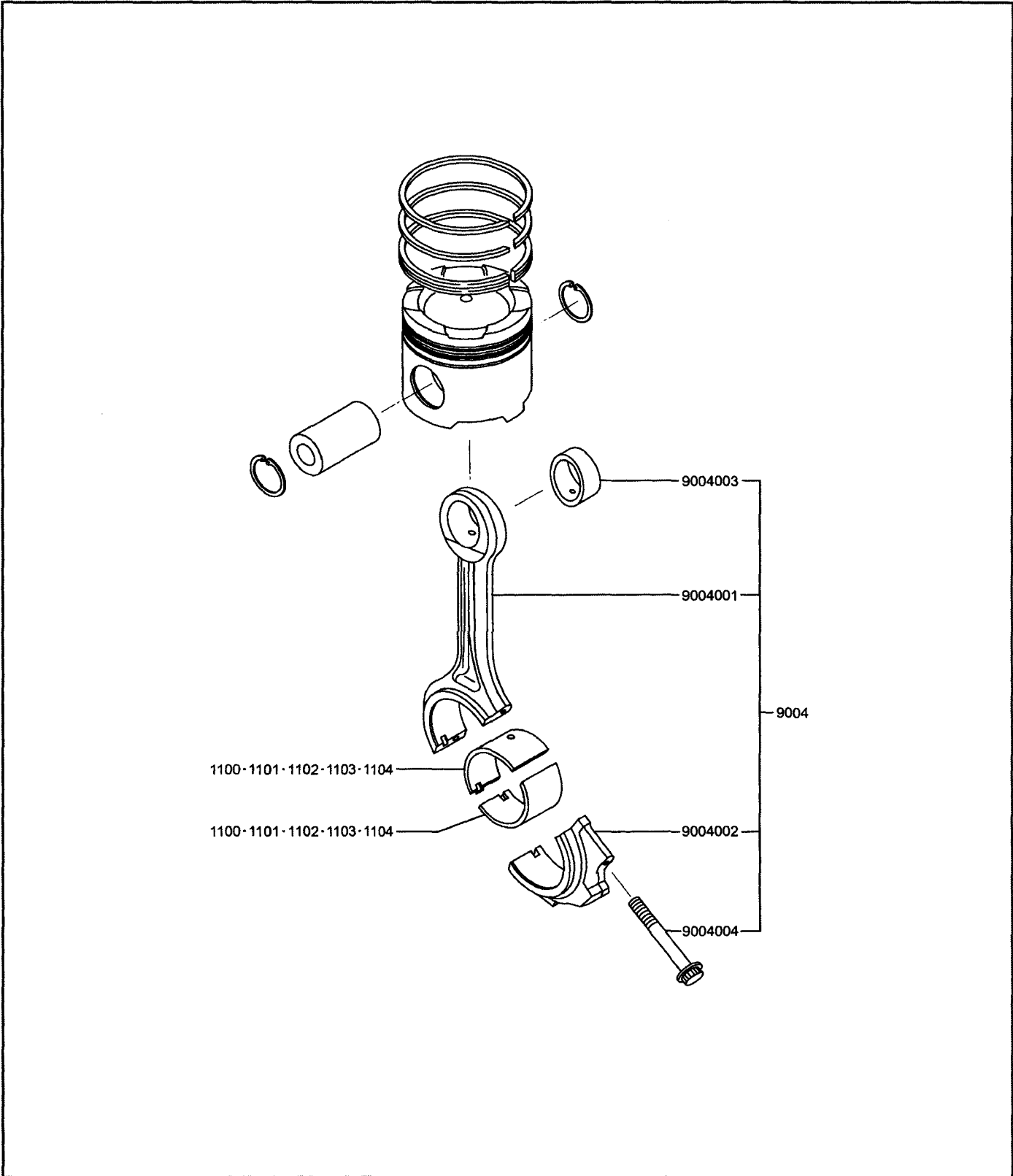
P3751-140 ENGINE MOUNTING



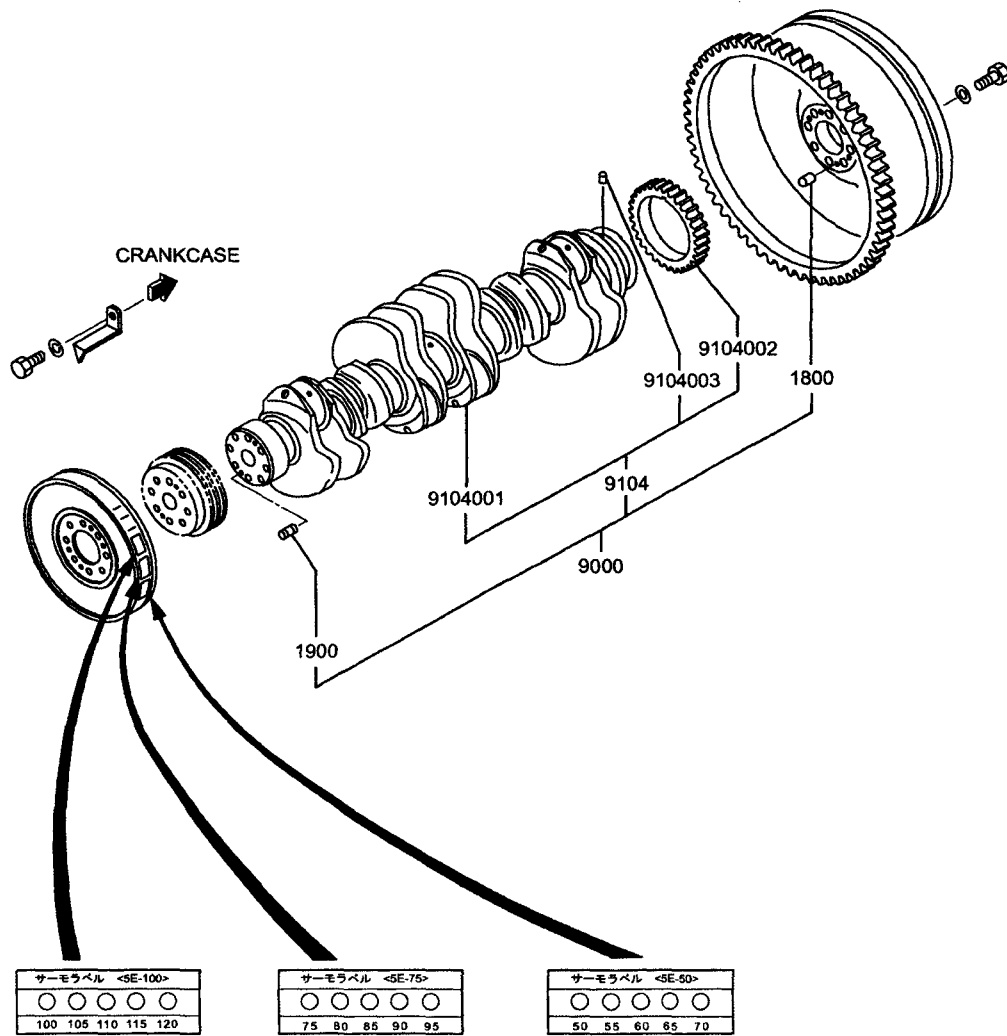
P3751-170 PISTON



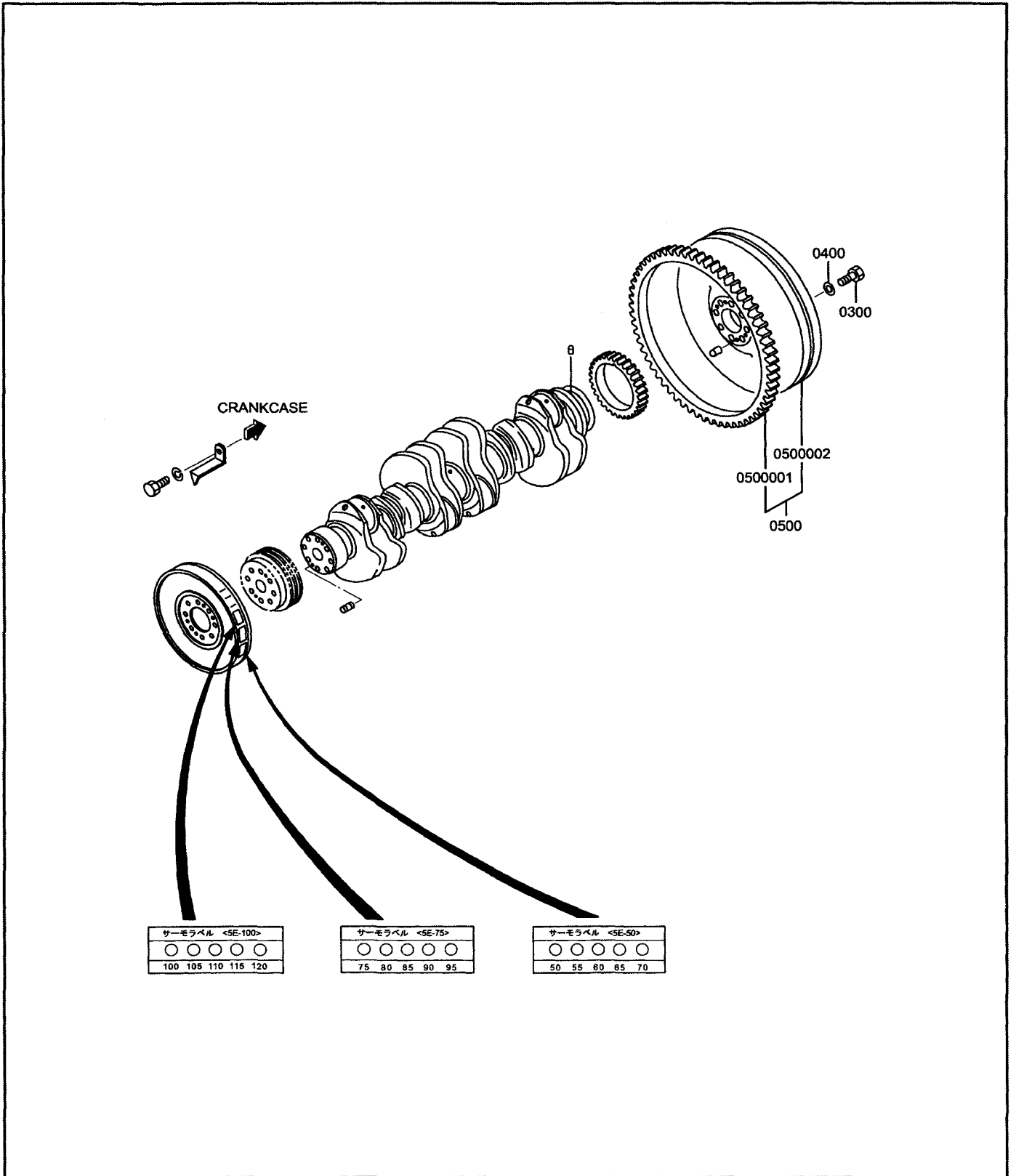
P3751-190 CONNECTING-ROD



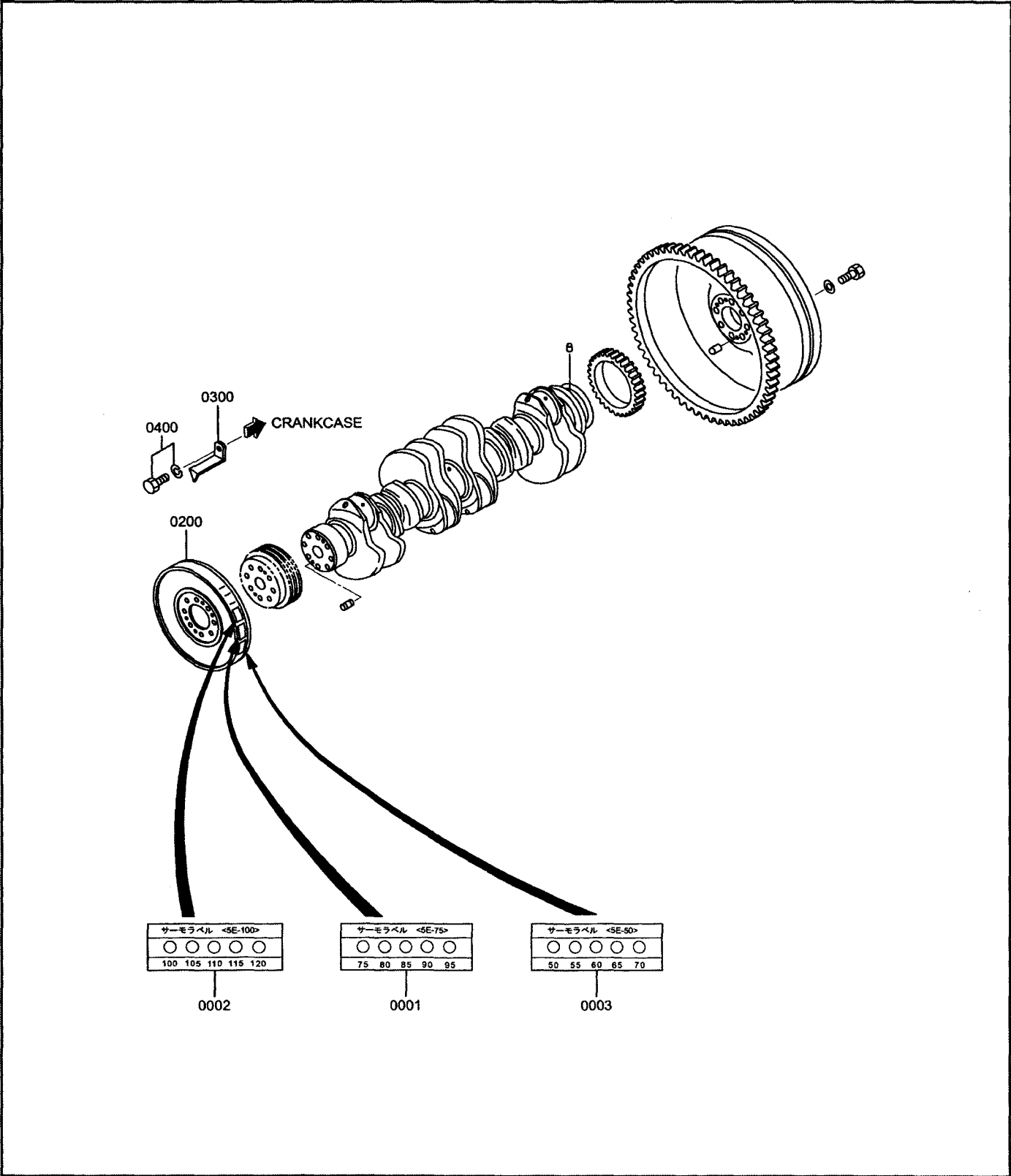
P3751-200 CRANKSHAFT



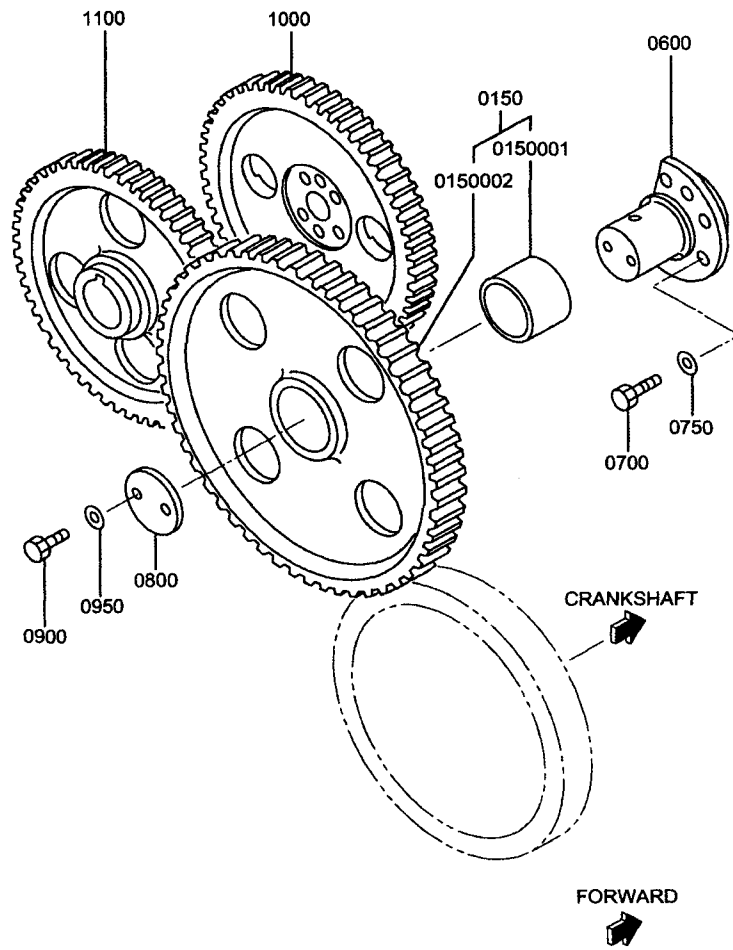
P3751-210 FLYWHEEL



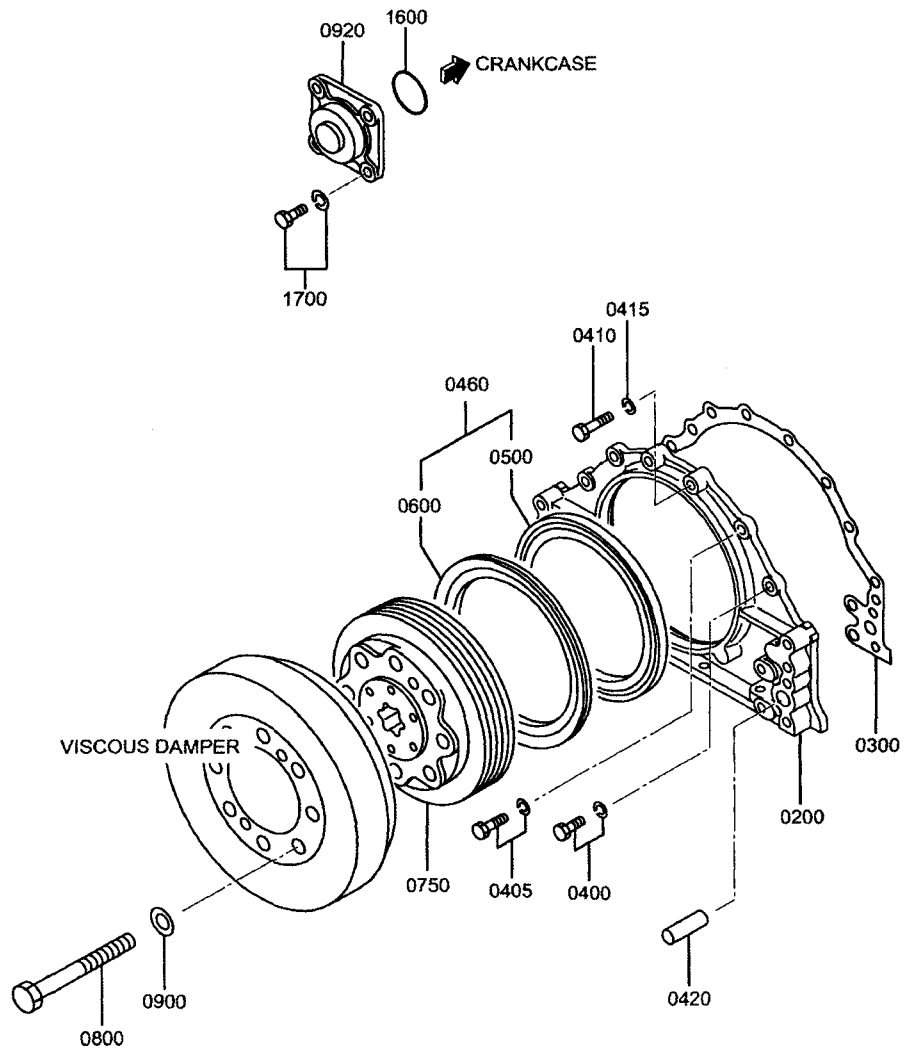
P3751-220 DAMPER



P3751-230 TIMING GEAR



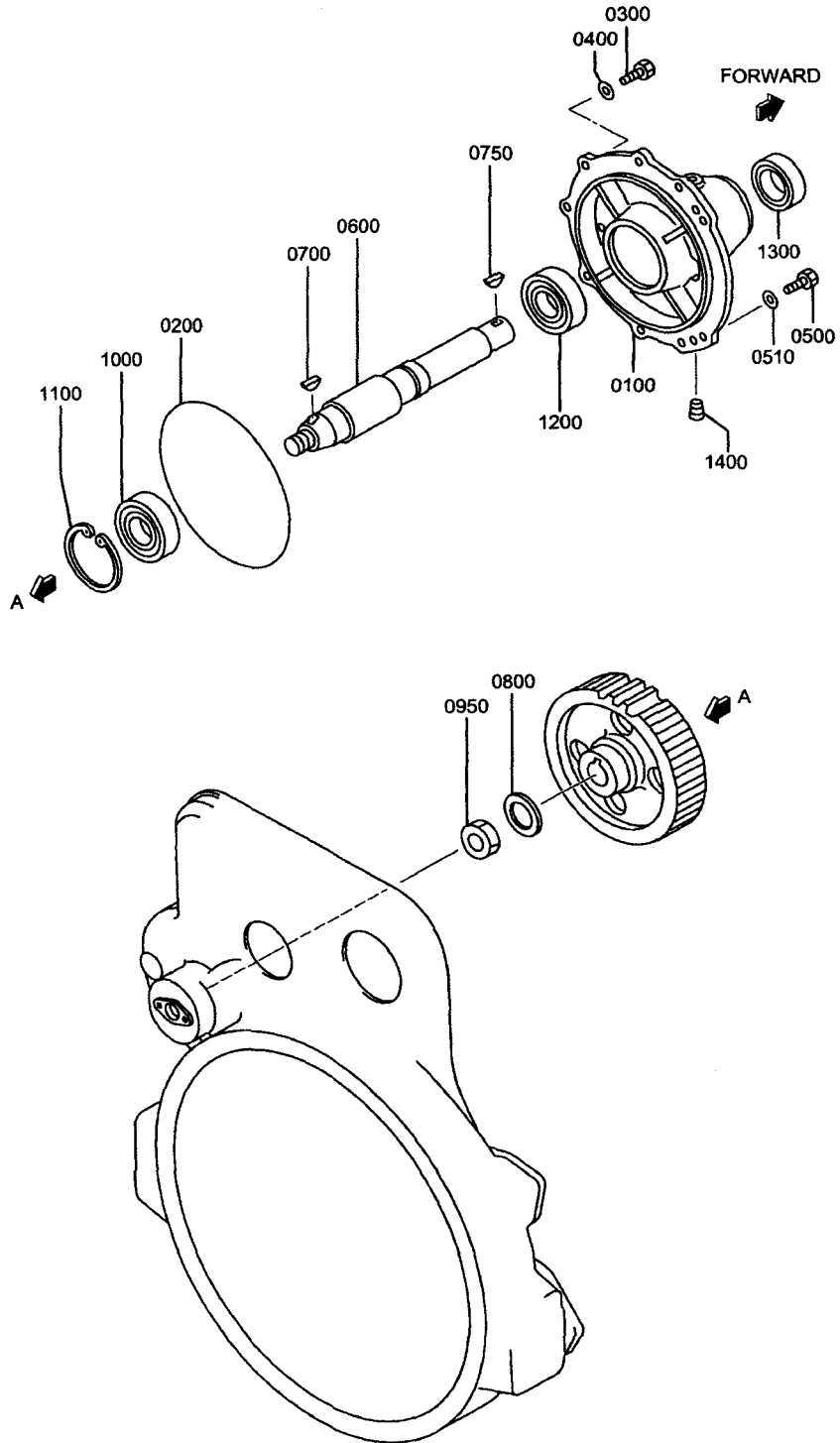
P3751-250 FR ACCESSORY DRIVE



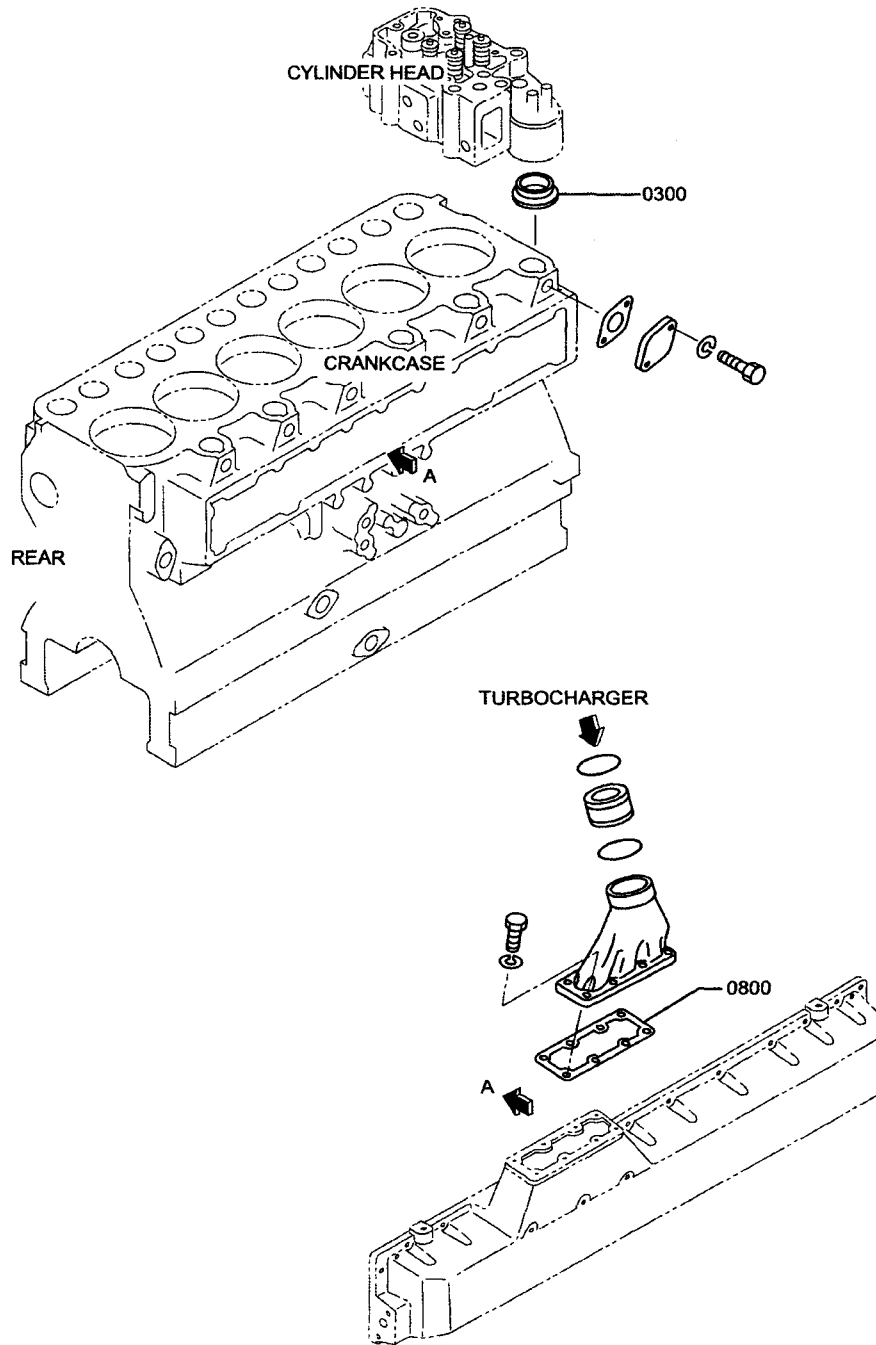
P3751-250 FR ACCESSORY DRIVE

SEQ	NOT AVAILABLE	ITEM	DESCRIPTION	QTY	
				MPTA	MPTK
0200		37525-70100	COVER,FRONT	1	1
0300		37525-30200	PACKING,FRONT COVER	1	1
0400		F1805-12035	BOLT WASHER ASSEMBLE	2	2
0405		F1805-12040	BOLT WASHER ASSEMBLE	2	2
0410		F1035-12045	BOLT	2	2
0415		F2515-12000	WASHER SPRING	2	2
0420		F2846-14000	PIN DOWEL	2	2
0460		37525-04001	OIL SEAL ASSY,FRONT	1	1
0500		37425-08201	SLINGER,FR.	1	1
0600		37511-04300	SEAL OIL	1	1
0750		37525-12201	PULLEY,CRANKSHAFT	1	1
0800		F1035-22100	BOLT	2	2
0900		33707-11701	WASHER	2	2
0920		37525-07500	COVER	1	1
1600		05507-20900	O-RING	1	1
1700		F1805-12035	BOLT WASHER ASSEMBLE	4	4

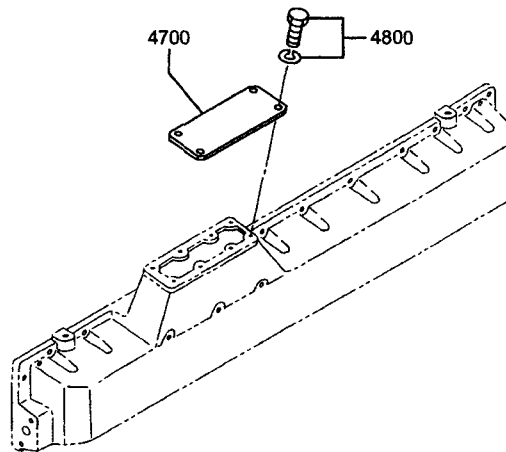
P3751-253 RE ACCESSORY DRIVE



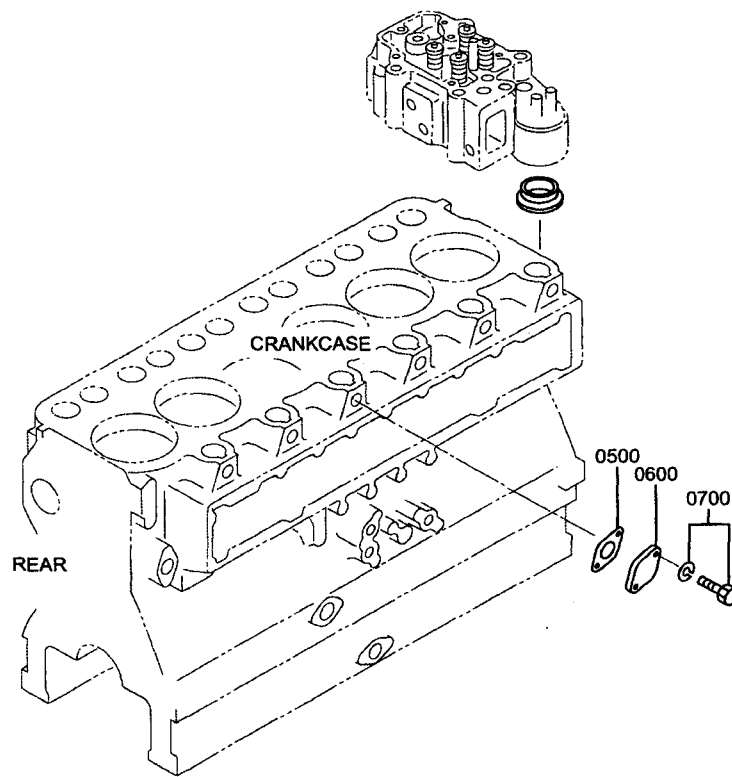
P3751-300-1 INLET SYSTEM



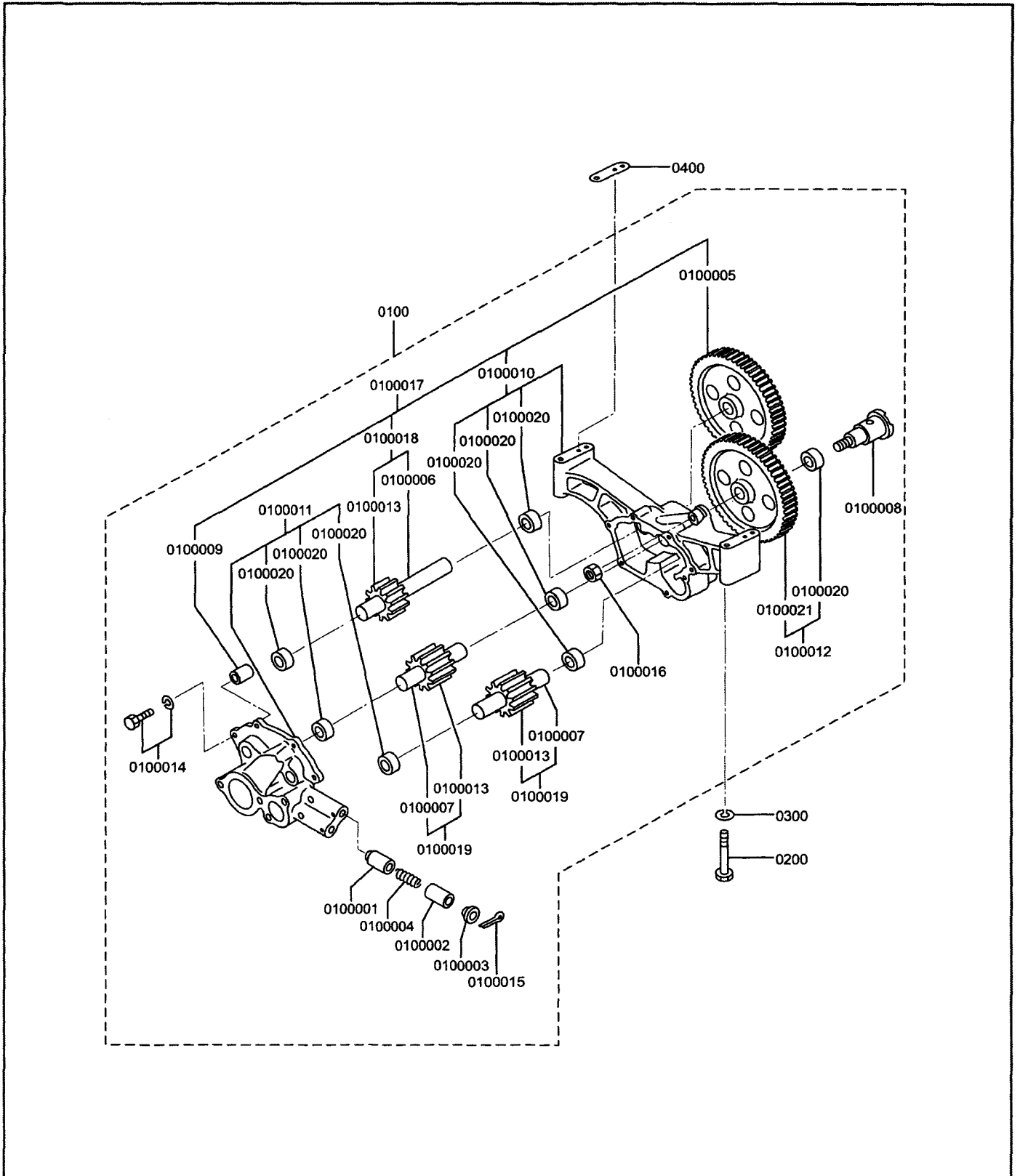
P3751-300-2 INLET SYSTEM



P3751-305 AIR HEATER & SPACER



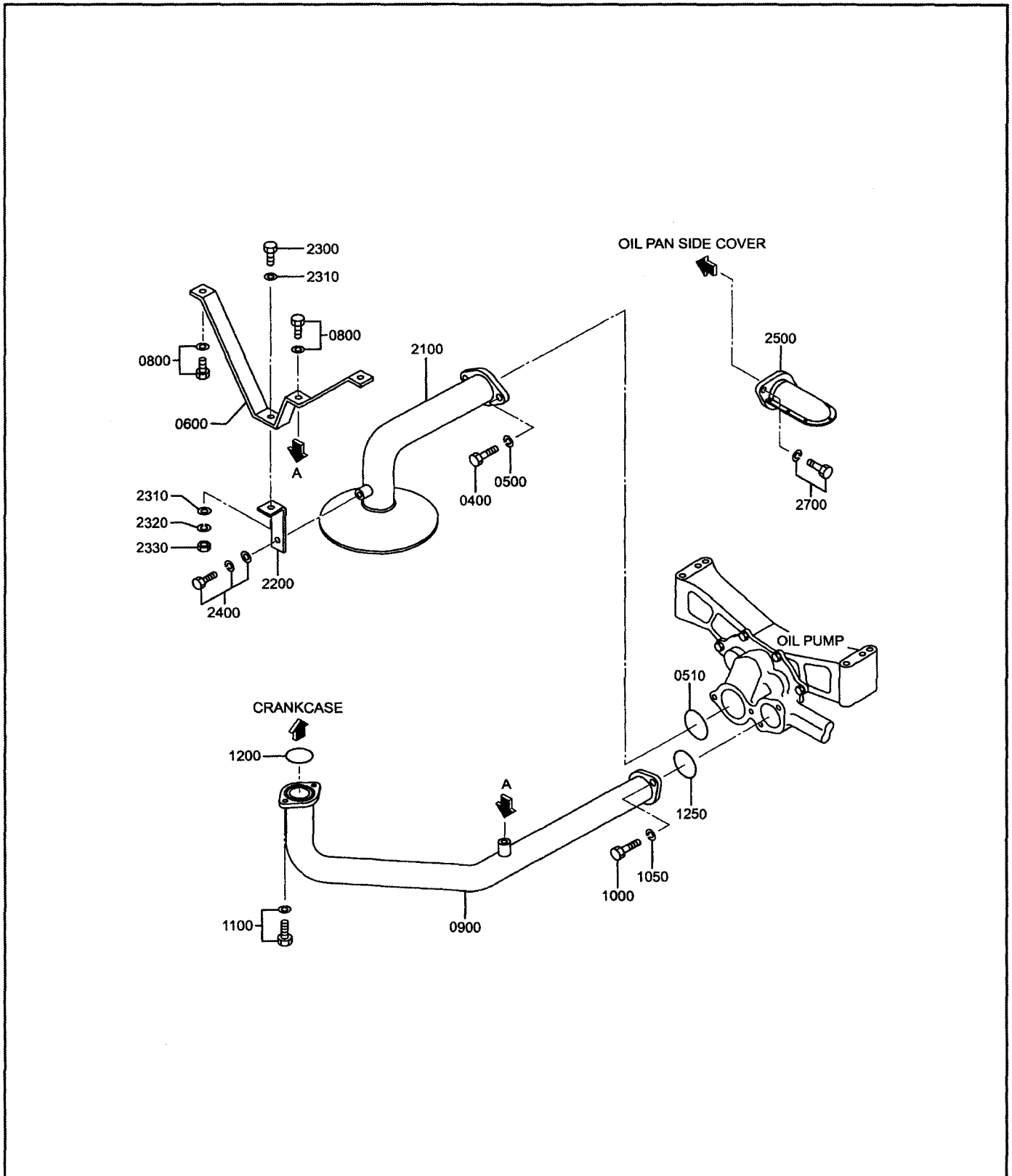
P3751-350 OIL PUMP



P3751-350 OIL PUMP

SEQ	NOT AVAILABLE	ITEM	DESCRIPTION	QTY	
				MPTA	MPTK
0100		37535-70010	OIL PUMP ASSY	1	1
0100001		35A35-13200	VALVE,SAFETY	2	2
0100002		35A35-13300	STOPPER,R/V	2	2
0100003		35A35-13400	SEAT,SPRING	2	2
0100004		35A35-52100	SPRING,SAFETY VALVE	2	2
0100005	*	37535-60300	GEAR,HEAD Z=32	1	1
0100006	*	37535-60600	SHAFT,DRIVE	1	1
0100007	*	37535-60700	SHAFT,DRIVEN	2	2
0100008		37535-60800	SPINDLE	1	1
0100009	*	37535-60900	PIN,DOWEL	2	2
0100010	*	37535-61010	CASE ASSY,O/P	1	1
0100011		37535-62010	COVER ASSY,O/P	1	1
0100012		37535-64010	GEAR ASSY,IDLE Z=35	1	1
0100013	*	37535-70500	GEAR	3	3
0100014		F1805-10035	BOLT WASHER ASSEMBLE	4	4
0100015		MF472-087	PIN SPLIT (4X40)	2	2
0100016		MH004-069	NUT FLANGE M12	1	1
0100017		37535-79010	CASE & GEAR ASSY	1	1
0100018	*	37535-75010	GEAR ASSY Z=10	1	1
0100019		37535-77010	GEAR ASSY Z=10	2	2
0100020	*	35A35-13500	BUSHING	7	7
0100021	*	37535-60400	GEAR,IDLER	1	1
0200		F1035-12100	BOLT	4	4
0300		F2515-12000	WASHER SPRING	4	4
0400		37535-01100	SHIM T=0.10	2	2

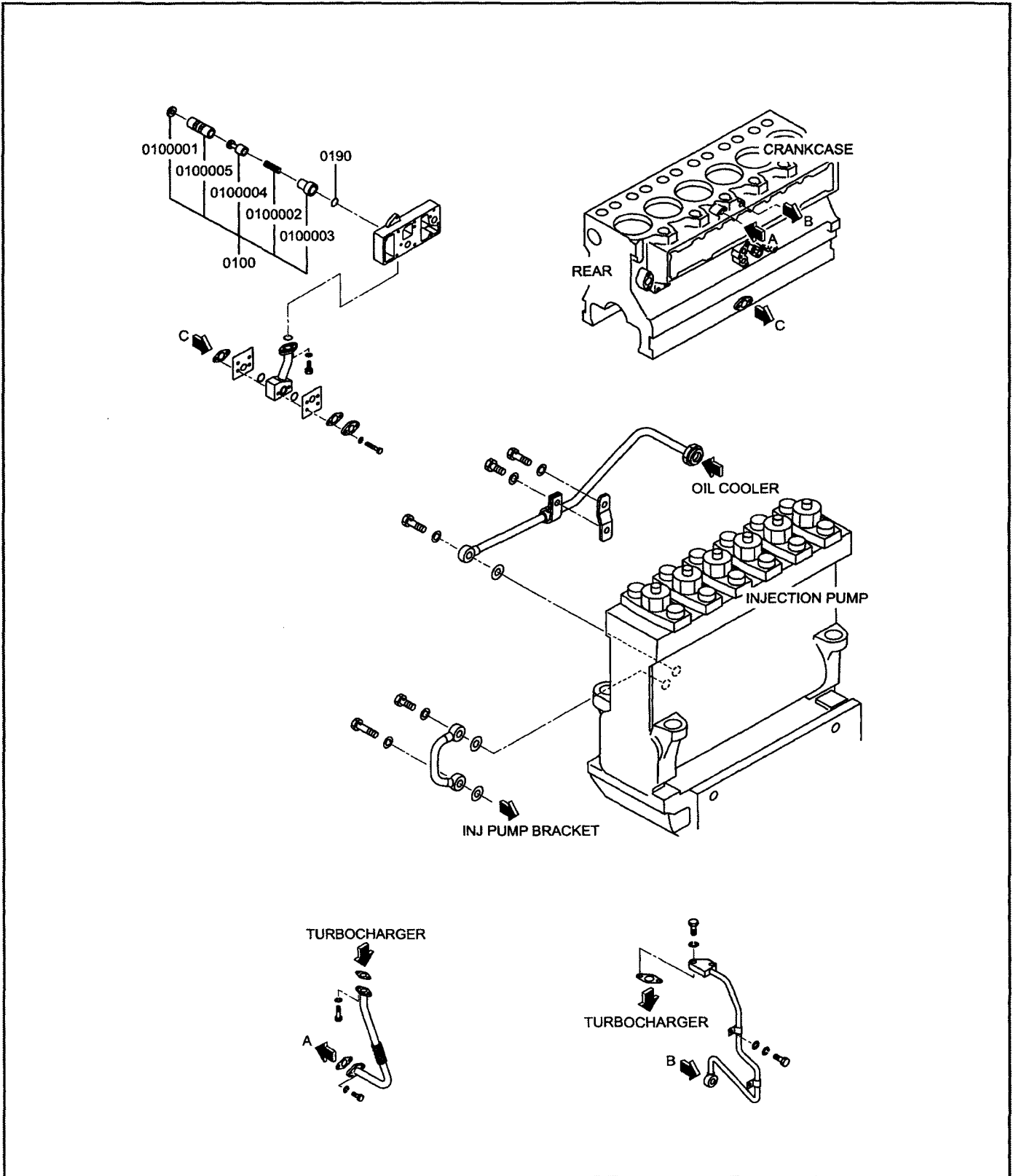
P3751-360 OIL STRAINER PIPING



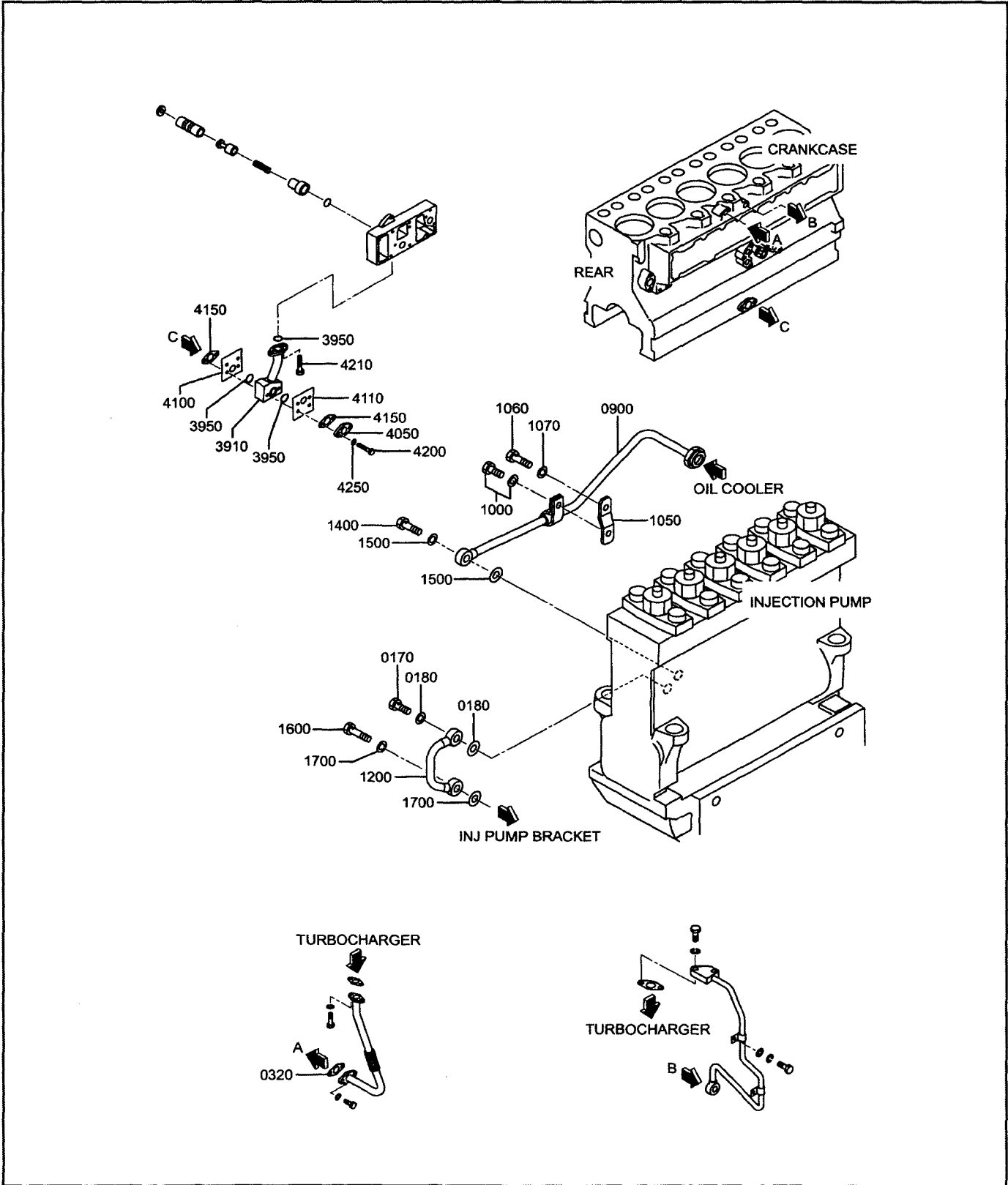
P3751-360 OIL STRAINER PIPING

SEQ	NOT AVAILABLE	ITEM	DESCRIPTION	QTY	
				MPTA	MPTK
0400		F1035-10080	BOLT	2	2
0500		F2515-10000	WASHER SPRING	2	2
0510		05507-20650	O-RING	1	1
0600		37536-01200	SUPPORT OIL PIPE	1	1
0800		F1805-12025	BOLT WASHER ASSEMBLE	4	4
0900		37536-10200	PIPE,OIL	1	1
1000		F1035-10080	BOLT	2	2
1050		F2515-10000	WASHER SPRING	2	2
1100		F1805-12030	BOLT WASHER ASSEMBLE	2	2
1200		05507-20450	O-RING	1	1
1250		05507-20500	O-RING	1	1
2100		37536-38101	STRAINER,OIL	1	1
2200		37536-17700	SUPPORT	1	1
2300		F1035-10030	BOLT	1	1
2310		F2500-10000	WASHER PLAIN	2	2
2320		F2515-10000	WASHER SPRING	1	1
2330		F2300-10000	NUT,LOCK	1	1
2400		F1825-10025	BOLT WASHER ASSEMBLE	1	1
2500		37536-28200	STRAINER OIL EMERG	1	1
2700		F1805-12025	BOLT WASHER ASSEMBLE	2	2

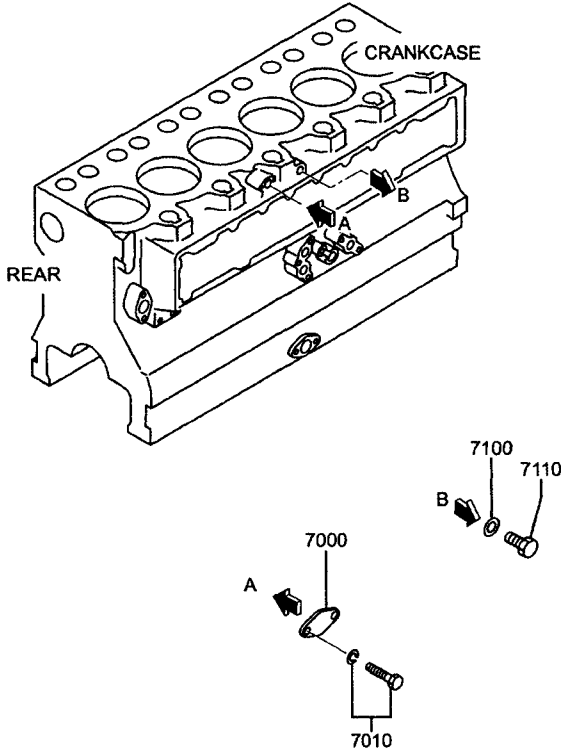
P3751-361 OIL FILTER PIPING



P3751-362-1 OIL SYSTEM PARTS



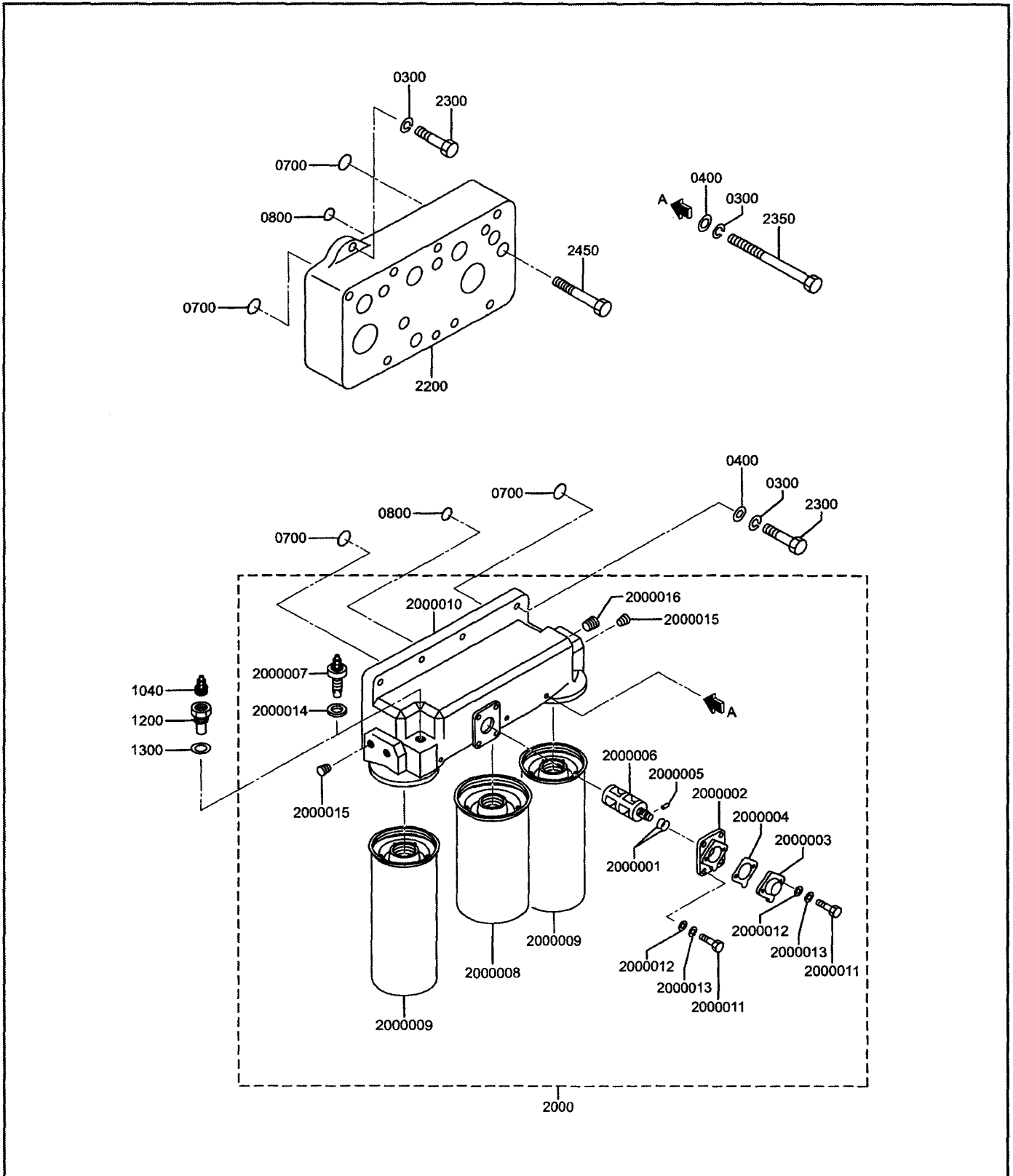
P3751-362-2 OIL SYSTEM PARTS



P3751-390 OIL COOLER

SEQ	NOT AVAILABLE	ITEM	DESCRIPTION	QTY	
				MPTA	MPTK
0100		37539-40010	OIL COOLER ASSY.	1	1
0100001		37539-20100	ELEMENT,OIL COOLER	2	2
0100002		37539-30300	COVER,OIL COOLER	1	1
0100003		F2300-10000	NUT,LOCK	8	8
0100004		F2500-10000	WASHER PLAIN	8	8
0100005		F2515-10000	WASHER SPRING	8	8
0100006		F5006-10000	PLUG TAPER	2	2
0100007		F5006-13000	PLUG TAPER	2	2
0100008		ME064-526	PLUG	2	2
0100009		MH035-092	O-RING	8	8
0100010		MH035-093	O-RING	2	2
0100011		MH035-626	O-RING	4	4
0200		37539-10200	PACKING,OIL COOLER	1	1
0300		37539-00400	O-RING	3	3
0400		F1825-12035	BOLT WASHER ASSEMBLE	19	19
0450		F1825-12030	BOLT WASHER ASSEMBLE	2	2
0500		37539-10500	THERMOSTAT OIL	1	1
0600		37539-00600	SEAL THERMOSTAT	1	1
0800		F4540-08000	CONNECTOR	1	1
2000		37539-28100	COVER OIL COOLER	1	1
2010		F5000-24000	PLUG DRAIN	1	1
2020		05946-02401	WASHER SEALING	1	1
2050		05507-10180	O-RING	1	1
2100		05507-20400	O-RING	1	1
2200		05507-20750	O-RING	1	1
2300		F1805-12030	BOLT WASHER ASSEMBLE	2	2
2400		05978-12095	BOLT	2	2
2500		F2515-12000	WASHER SPRING	2	2

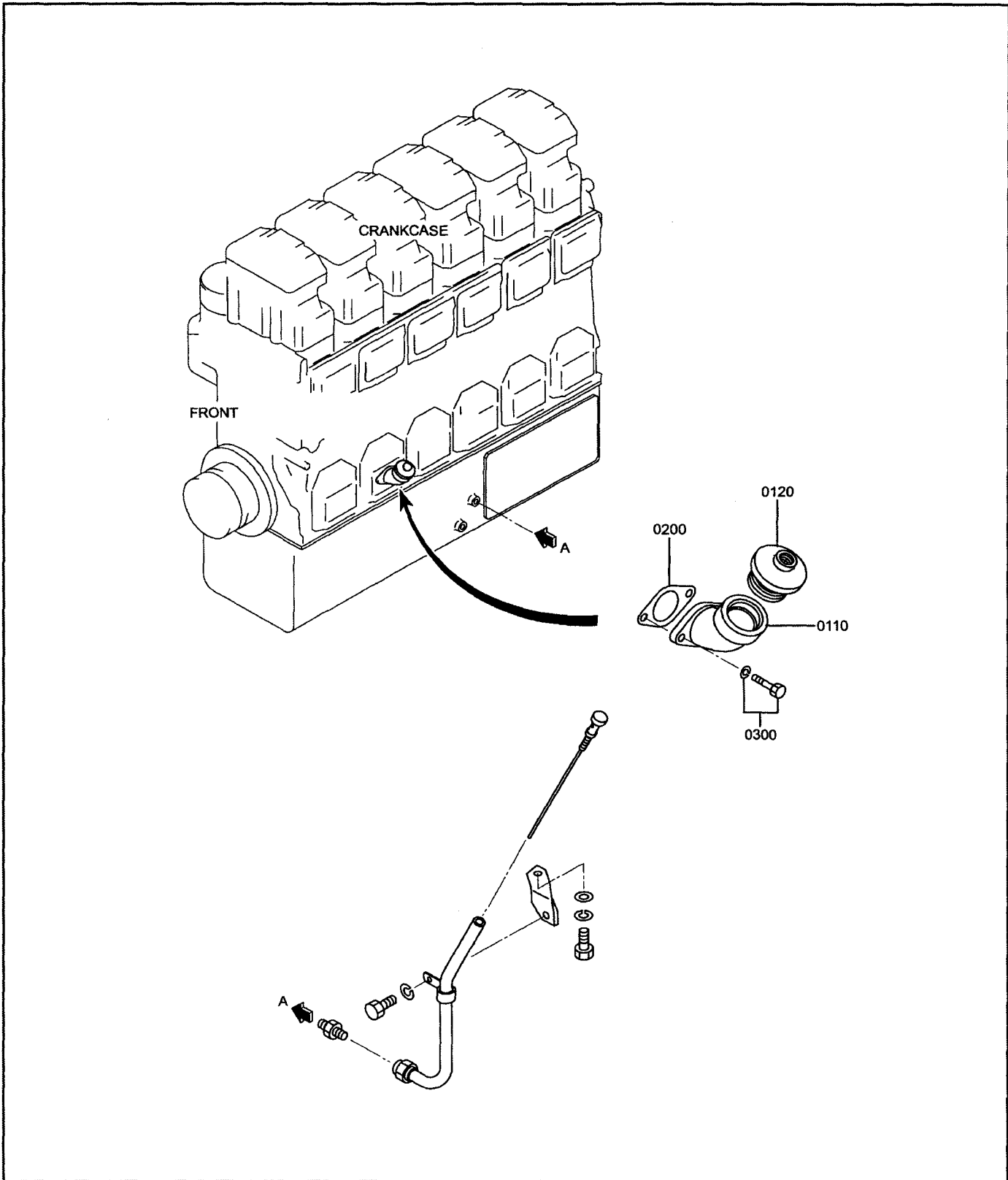
P3751-400 OIL FILTER



P3751-400 OIL FILTER

SEQ	NOT AVAILABLE	ITEM	DESCRIPTION	QTY	
				MPTA	MPTK
0300		F2515-12000	WASHER SPRING	8	8
0400		F2500-12000	WASHER PLAIN	7	7
0700		05507-20400	O-RING	4	4
0800		05507-10180	O-RING	2	2
1040		F5006-10000	PLUG TAPER	1	1
1200		47521-52700	CONNECTOR	1	1
1300		05946-02401	WASHER SEALING	1	1
2000		37540-08700	OIL FILTER ASSY.	1	1
2000001		05507-10160	O-RING	2	2
2000002		36240-05300	COVER	1	1
2000003		36240-05400	COVER	1	1
2000004		36240-05600	GASKET	1	1
2000005		36240-05800	PIN	3	3
2000006		37140-01300	COCK	1	1
2000007	*	37540-01300	ALARM,OIL FILTER	1	1
2000008		37540-02100	B/FILTER CARTRIDGE	1	1
2000009		37540-11100	ELEMENT,L.O.CTRG	2	2
2000010		37540-18300	BRACKET ASSY	1	1
2000011		F1035-08025	BOLT	6	6
2000012		F2500-08000	WASHER PLAIN	6	6
2000013		F2515-08000	WASHER SPRING	6	6
2000014	*	F4202-24000	GASKET	1	1
2000015		F5005-21001	PLUG TAPER	4	4
2000016		F5005-26001	PLUG TAPER	1	1
2200		37536-05801	ADAPTER,OIL FILTER	1	1
2300		F1035-12040	BOLT	5	5
2350		05978-12150	BOLT	3	3
2450		F1035-12065	BOLT	5	5

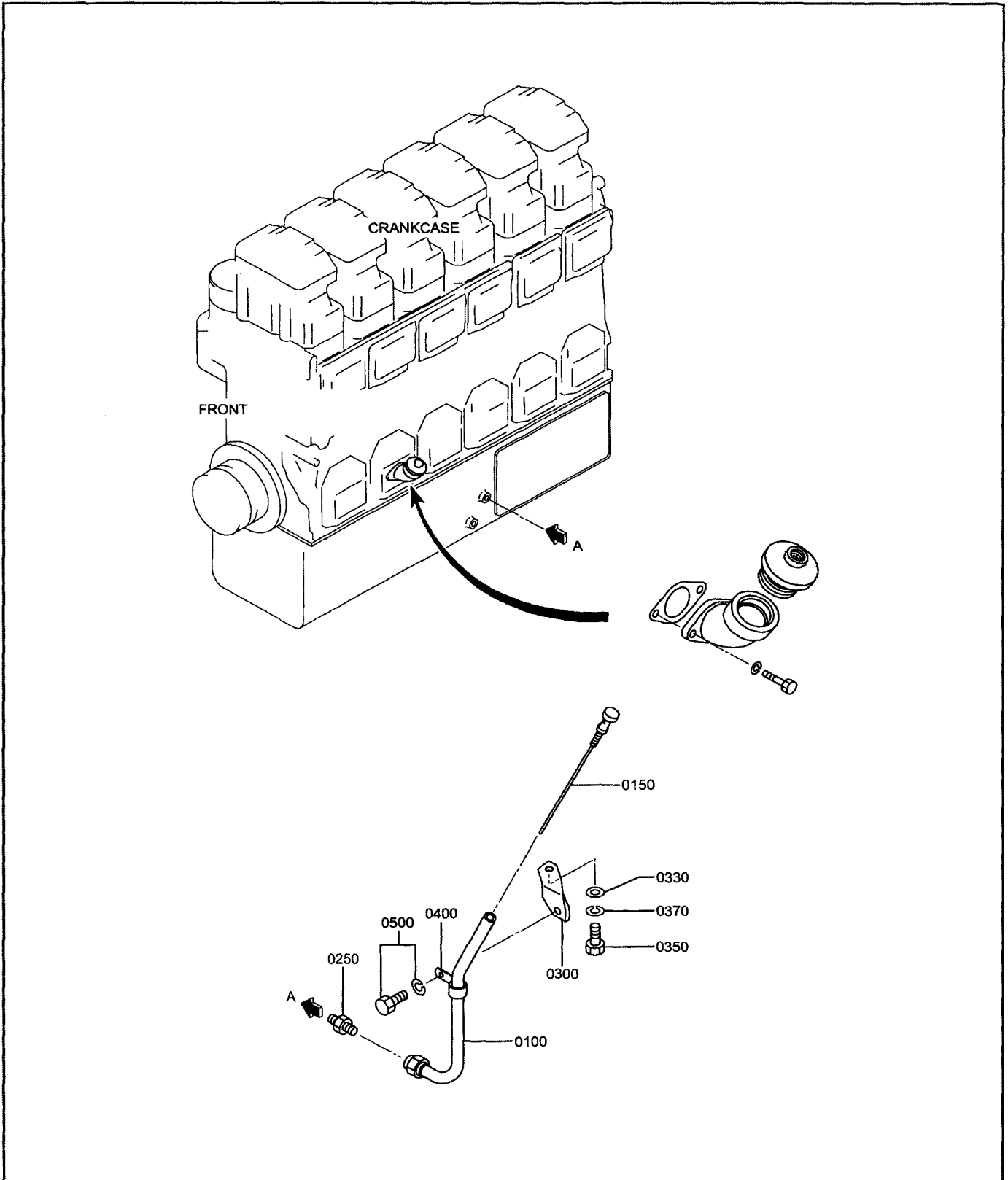
P3751-420 OIL FILLER



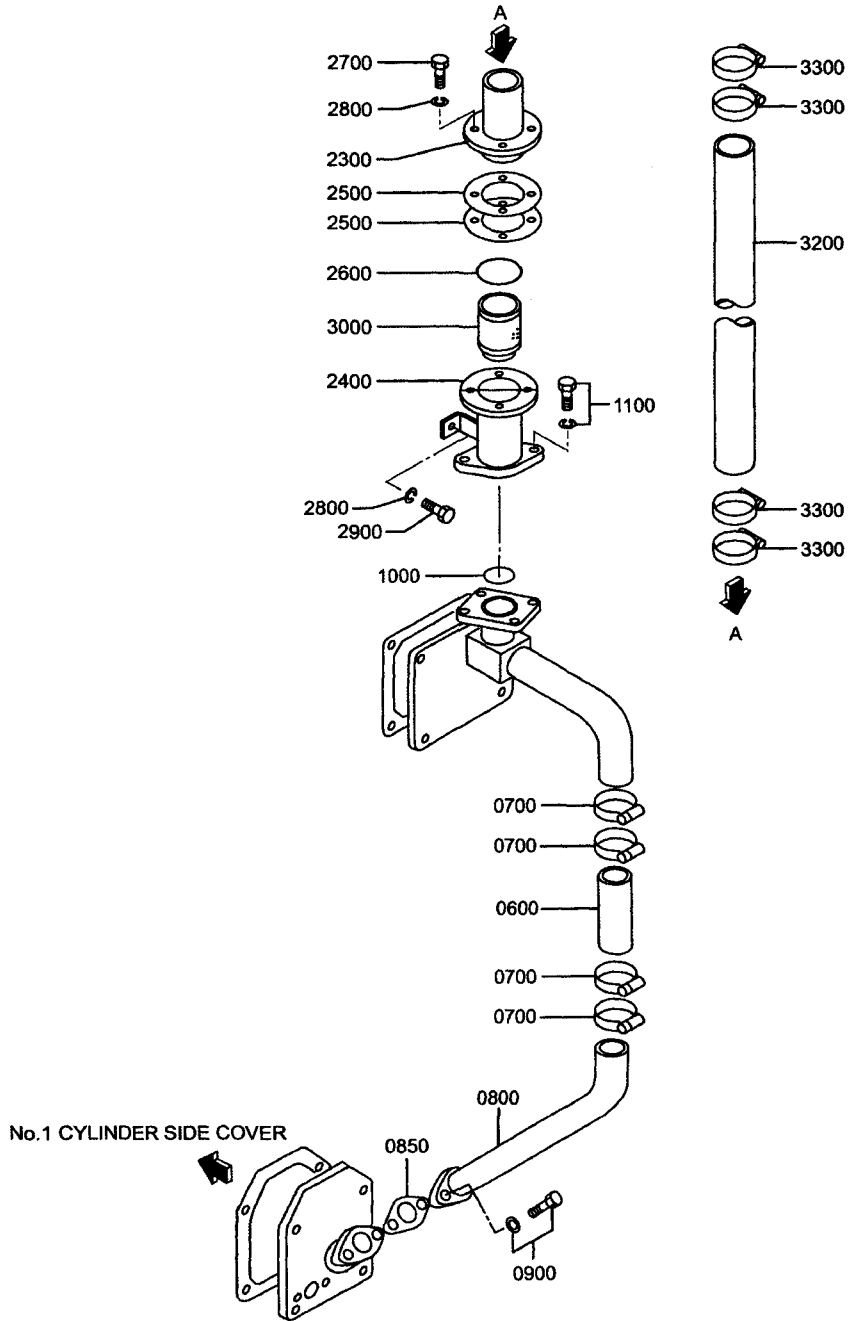
P3751-420 OIL FILLER

SEQ	NOT AVAILABLE	ITEM	DESCRIPTION	QTY	
				MPTA	MPTK
0110		32542-20500	FILLER OIL	1	1
0120		34A42-00500	CAP,OIL FILLER	1	1
0200		33442-20200	PACKING	1	1
0300		F1805-10025	BOLT WASHER ASSEMBLE	2	2

P3751-425 OIL LEVEL GAGE



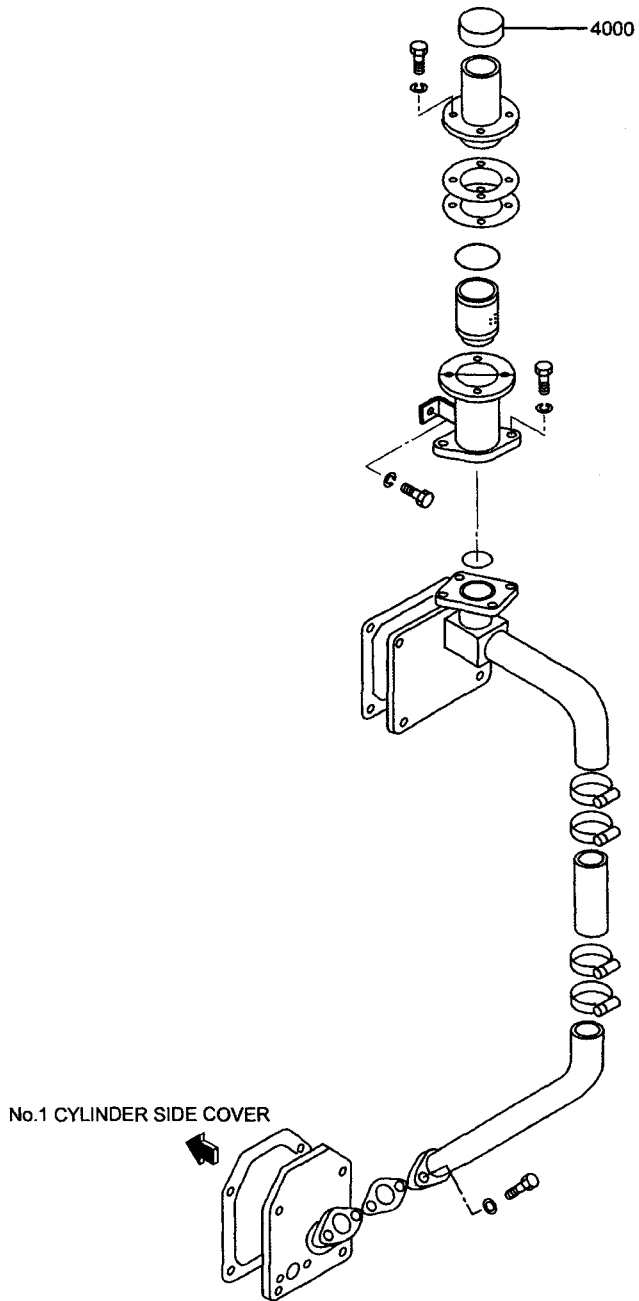
P3751-430-1 BREATHER



P3751-430-1 BREATHER

SEQ	NOT AVAILABLE	ITEM	DESCRIPTION	QTY	
				MPTA	MPTK
0600		37543-03300	HOSE,RUBBER	1	1
0700		05317-50701	CLAMP	4	4
0800		37543-08600	PIPE,BREATHER,S6R	1	1
0850		35B36-02900	GASKET,OIL	1	1
0900		F1805-12035	BOLT WASHER ASSEMBLE	2	2
1000		05507-20600	O-RING	1	1
1100		F1805-10025	BOLT WASHER ASSEMBLE	2	2
2300		47500-51300	PIPE,BLEATHER	1	1
2400		37543-08500	BREATHER,UP S6R	1	1
2500		04826-28050	PACKING	2	2
2600		05507-10420	O-RING	1	1
2700		F1035-10025	BOLT	4	4
2800		F2515-10000	WASHER SPRING	5	5
2900		F1035-10020	BOLT	1	1
3000		32542-11300	ELEMENT,BREATHER	1	1
3200		F4010-50010	HOSE RUBBER	1	1
3300		05317-50701	CLAMP	4	4

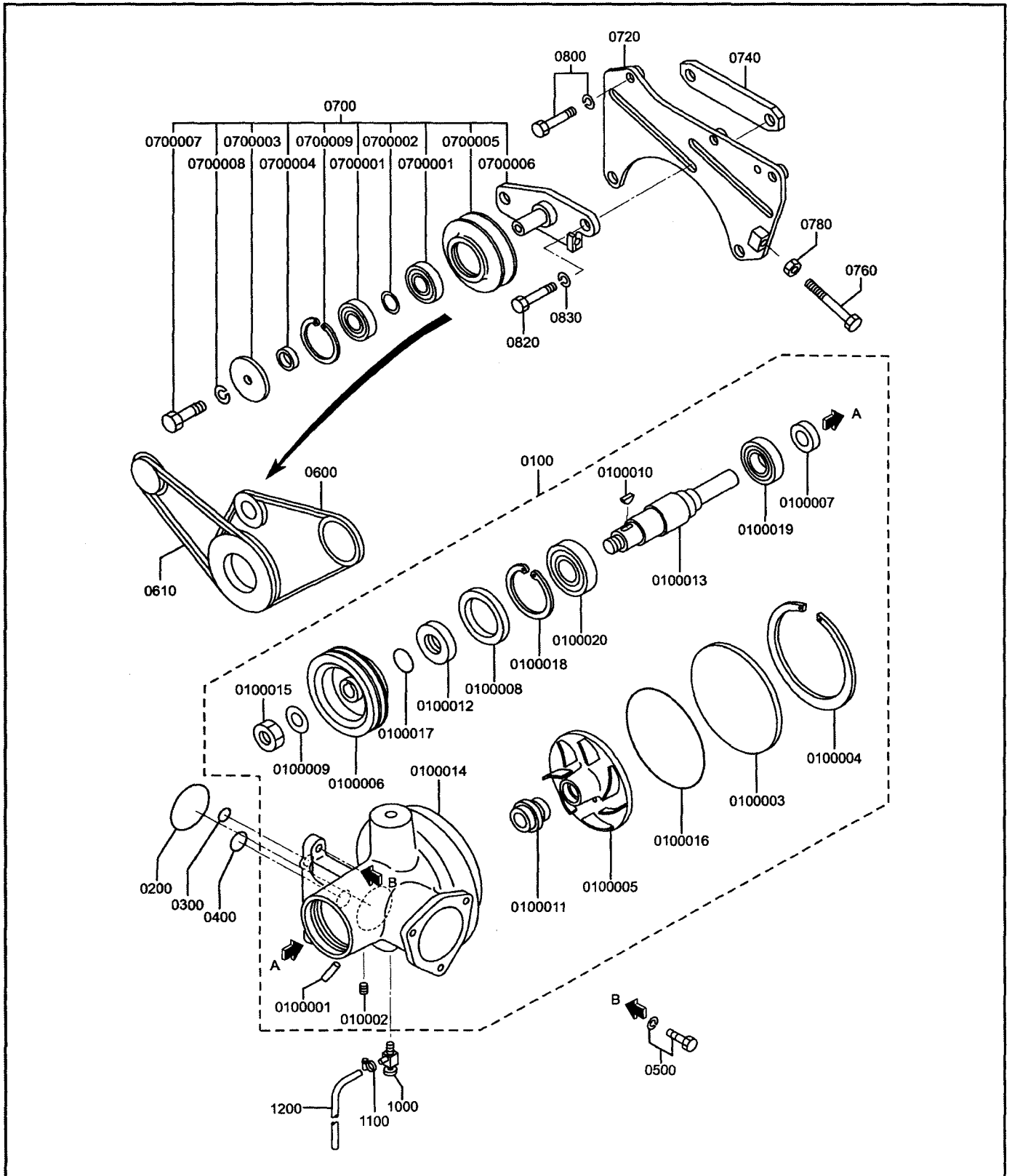
P3751-430-2 BREATHER



P3751-430-2 BREATHER

SEQ	NOT AVAILABLE	ITEM	DESCRIPTION	QTY	
				MPTA	MPTK
4000		ME013-019	CAP,MANIFOLD INLET	1	1

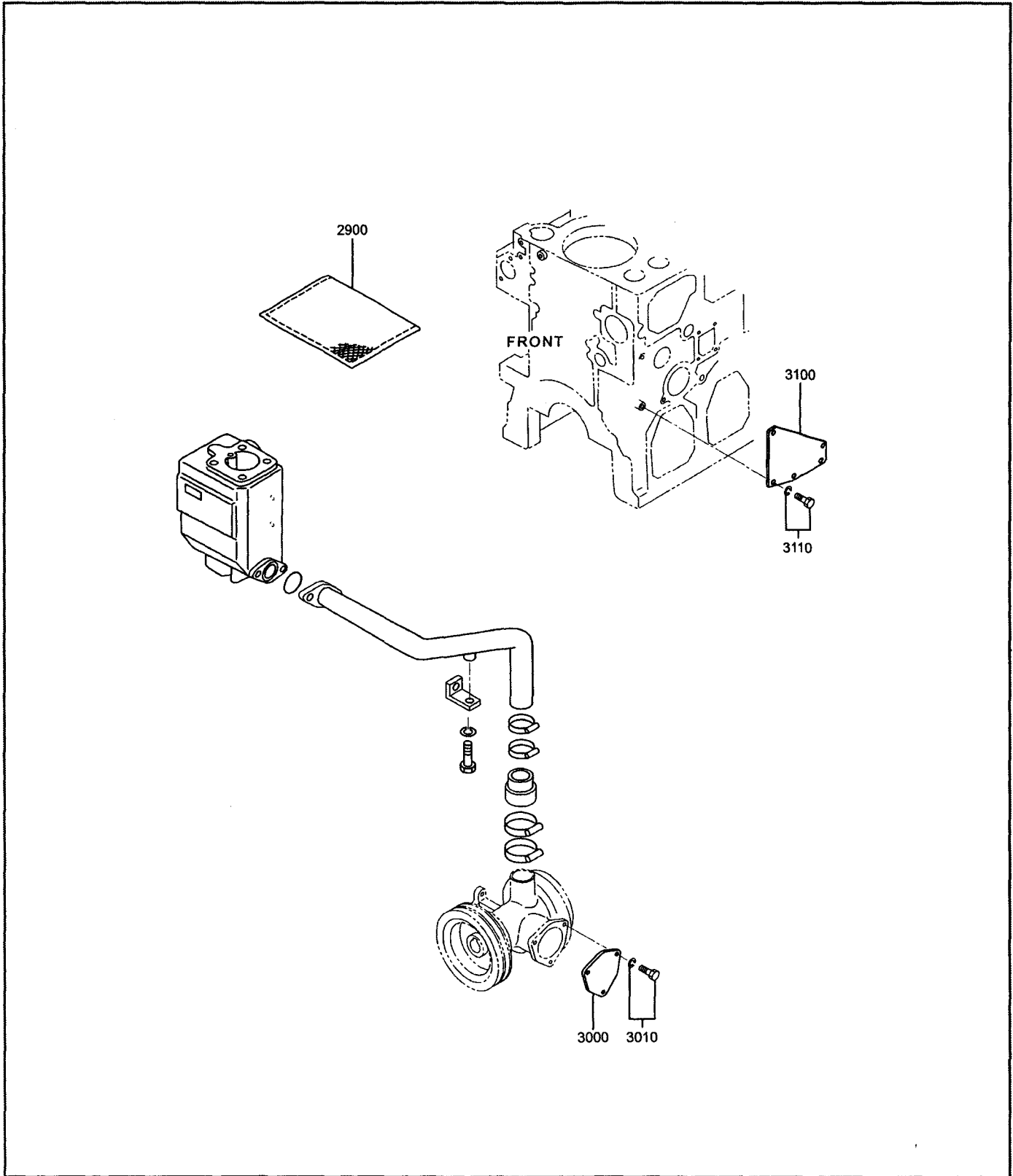
P3751-450-1 WATER PUMP



P3751-450-1 WATER PUMP

SEQ	NOT AVAILABLE	ITEM	DESCRIPTION	QTY	
				MPTA	MPTK
0100		37545-70010	W/P.ASSY,P STD	1	-
0100001		30445-00800	PIPE	1	-
0100002		34A35-00900	PLUG	1	-
0100003		37545-00200	COVER	1	-
0100004		37545-00300	SNAP RING	1	-
0100005		37545-00500	IMPELLER	1	-
0100006		37545-00700	PULLEY	1	-
0100007		37545-01300	SEAL OIL	1	-
0100008		37545-01400	SEAL OIL	1	-
0100009		37545-01500	WASHER,SPRING	1	-
0100010		37545-01600	KEY,WOODRUFF	1	-
0100011		37545-20600	SEAL,UNIT D40 18MI	1	-
0100012		37545-20800	SPACER	1	-
0100013		37545-30400	SHAFT,WATER PUMP	1	-
0100014		37545-40101	CASE,WATER PUMP	1	-
0100015		F2320-24000	NUT JAM	1	-
0100016		F3153-17000	O-RING	1	-
0100017		F3156-04000	O-RING	1	-
0100018		F3202-09000	RING SNAP	1	-
0100019		F8008-06208	BEARING BALL	1	-
0100020		F8012-06308	BEARING BALL	1	-
0200		F3153-09500	O-RING	1	-
0300		05507-10150	O-RING	1	-
0400		05507-20250	O-RING	1	-
0500		F1805-12030	BOLT WASHER ASSEMBLE	5	-
0600		37549-06590	V-BELT,LOW EDGE NR-1	1	-
0610		37549-06480	V-BELT,LOW EDGE NR-1	1	-
0700		37545-18010	TENSION PULLEY ASSY	1	1
0700001		35A45-01401	BEARING,BALL	2	2
0700002		35A45-01501	SPACER	1	1
0700003		35A45-02100	PLATE,THRUST	1	1
0700004		35A45-02200	SPACER	1	1
0700005		35A45-11302	PULLEY,TENSION	1	1
0700006		37545-18300	BRACKET,TENSION	1	1
0700007		F1035-12025	BOLT	1	1
0700008		F2515-12000	WASHER SPRING	1	1
0700009		F3202-05200	RING SNAP	1	1
0720		37545-08200	PLATE,TENSION B	1	1
0740		37545-18400	PLATE,SLIDE	1	1
0760		37545-08600	BOLT,TENSION	1	1
0780		F2305-12000	NUT	1	1
0800		F1805-10030	BOLT WASHER ASSEMBLE	3	3
0820		F1035-14030	BOLT	2	2
0830		F2515-14000	WASHER SPRING	2	2
1000		32545-12901	COCK,R 1/8	1	-

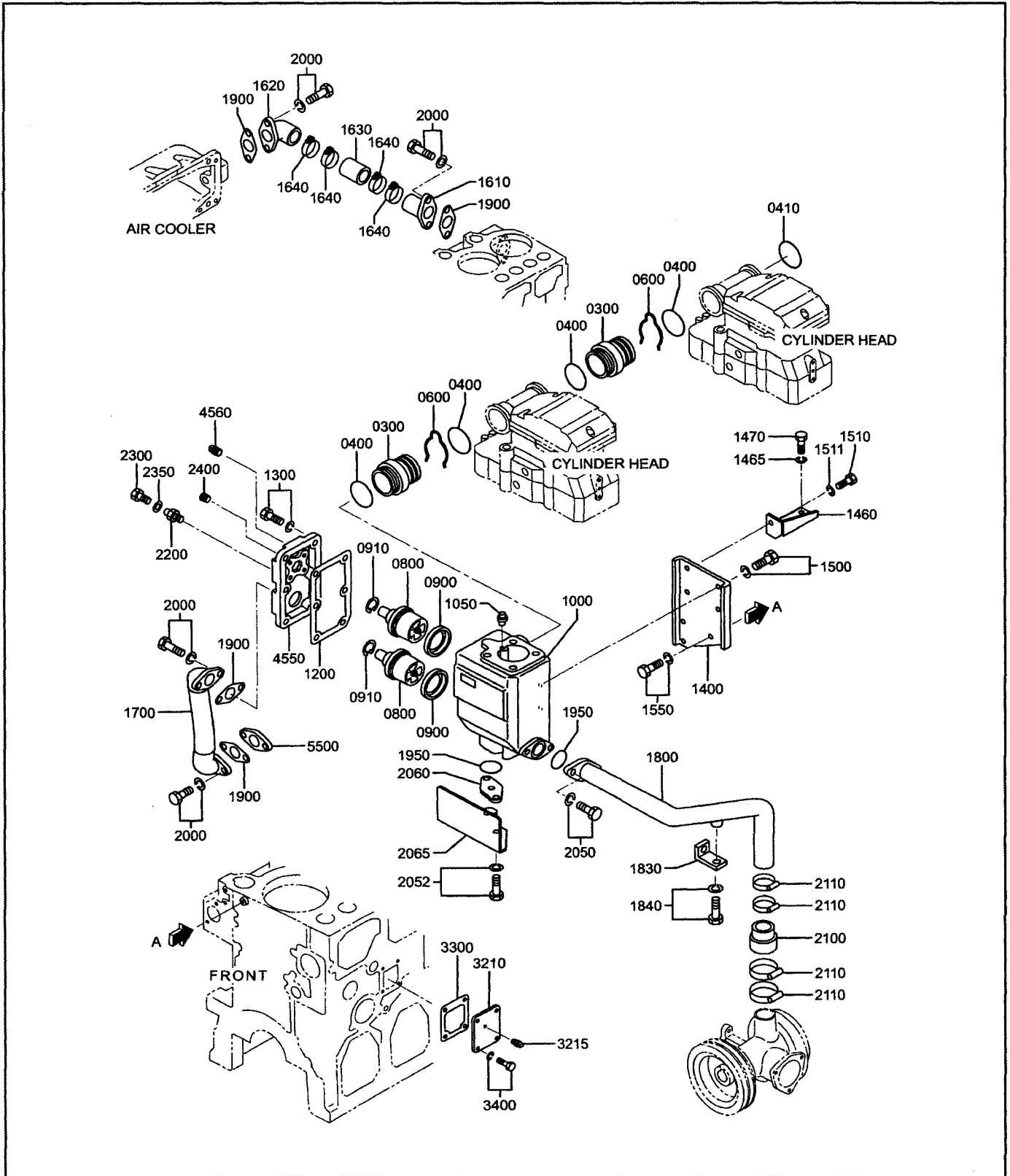
P3751-450-2 WATER PUMP



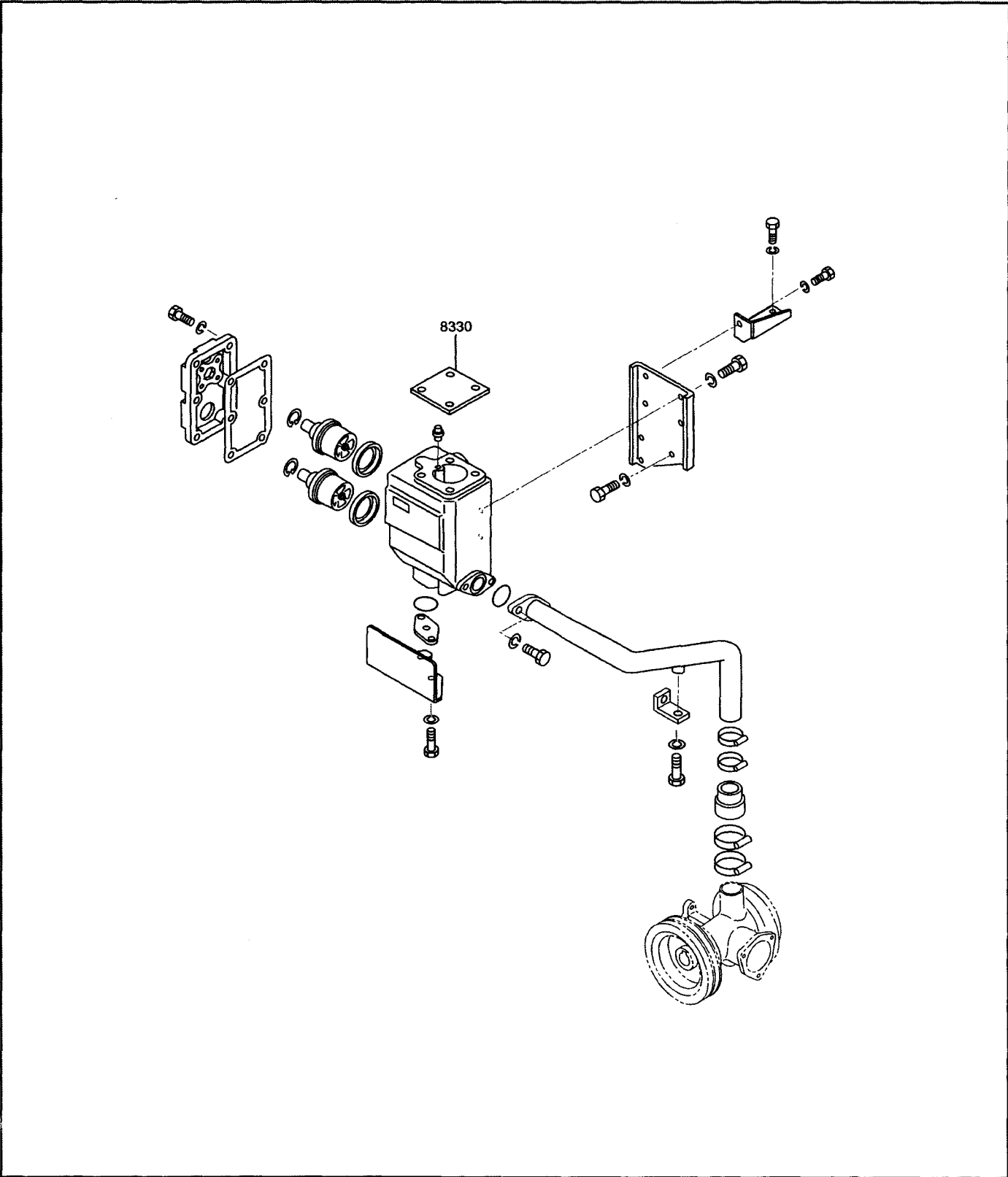
P3751-461-1 COOLING SYSTEM

SEQ	NOT AVAILABLE	ITEM	DESCRIPTION	QTY	
				MPTA	MPTK
0300		37546-21100	CONNECTOR	6	5
0400		37546-00500	O-RING,G65,S637	12	10
0410		05505-57060	O-RING	1	2
0600		37546-11300	RING SNAP	6	5
0800		37546-21700	THERMOSTAT,71	2	-
0900		37546-01800	SEAL THERMOSTAT	2	-
0910		37546-00900	RING SNAP	2	-
1000		37546-23701	CASE,THERMOSTAT	1	-
1050		36646-00090	JIGGLE VALVE ASSY	1	-
1200		37546-23300	PACKING,COVER WATER	1	-
1300		F1805-10030	BOLT WASHER ASSEMBLE	6	-
1400		37546-23402	BRACKET,THERM.CASE	1	-
1460		37547-03700	STAY,THERMO BRACKET	1	-
1465		F2515-08000	WASHER SPRING	2	-
1470		F1035-08020	BOLT	2	-
1500		F1805-10025	BOLT WASHER ASSEMBLE	3	-
1510		F1035-10030	BOLT	1	-
1511		F2515-10000	WASHER SPRING	1	-
1550		F1805-12030	BOLT WASHER ASSEMBLE	2	-
1610		37546-14700	PIPE,WATER	1	-
1620		37546-04800	PIPE WATER	1	-
1630		37546-00300	HOSE,RUBBER	1	-
1640		05317-50701	CLAMP	4	-
1700		37546-14201	PIPE,WATER	1	-
1800		37546-14300	PIPE BY-PASS	1	-
1830		37546-04400	STAY BY-PASS PIPE	1	-
1840		F1805-12025	BOLT WASHER ASSEMBLE	1	-
1900		32546-46800	GASKET,SEA.WATER	4	-
1950		F3153-06000	O-RING	3	-
2000		F1805-12030	BOLT WASHER ASSEMBLE	8	-
2050		F1805-10030	BOLT WASHER ASSEMBLE	2	-
2052		F1805-10035	BOLT WASHER ASSEMBLE	2	-
2060		37546-03500	COVER	1	-
2065		45R93-42400	BRACKET,NAME	1	-
2100		37546-14600	HOSE,RUBBER,10K	1	-
2110		05317-50701	CLAMP	4	-
2200		45600-42901	CONNECTOR	1	-
2300		F5000-16000	PLUG DRAIN	1	-
2350		05946-01601	WASHER SEALING	1	-
2400		F5005-21001	PLUG TAPER	3	-
3210		47500-60400	COVER	1	1
3215		F5006-10000	PLUG TAPER	1	1
3300		37546-19800	PACKING,W/HEATER	1	1
3400		F1805-12030	BOLT WASHER ASSEMBLE	4	4
4550		45346-76401	COVER,THERMOSTAT	1	-

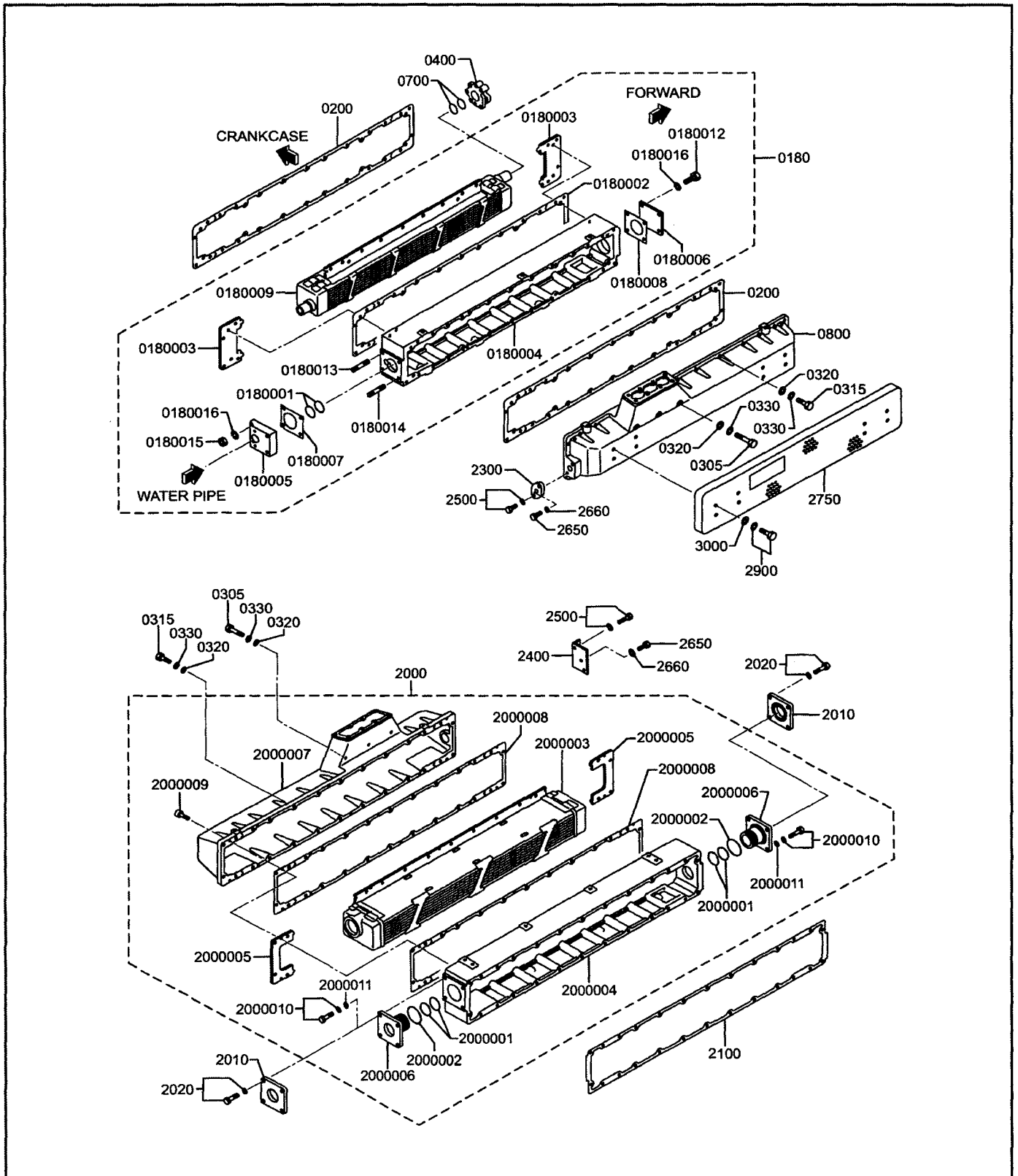
P3751-461-1 COOLING SYSTEM



P3751-461-2 COOLING SYSTEM



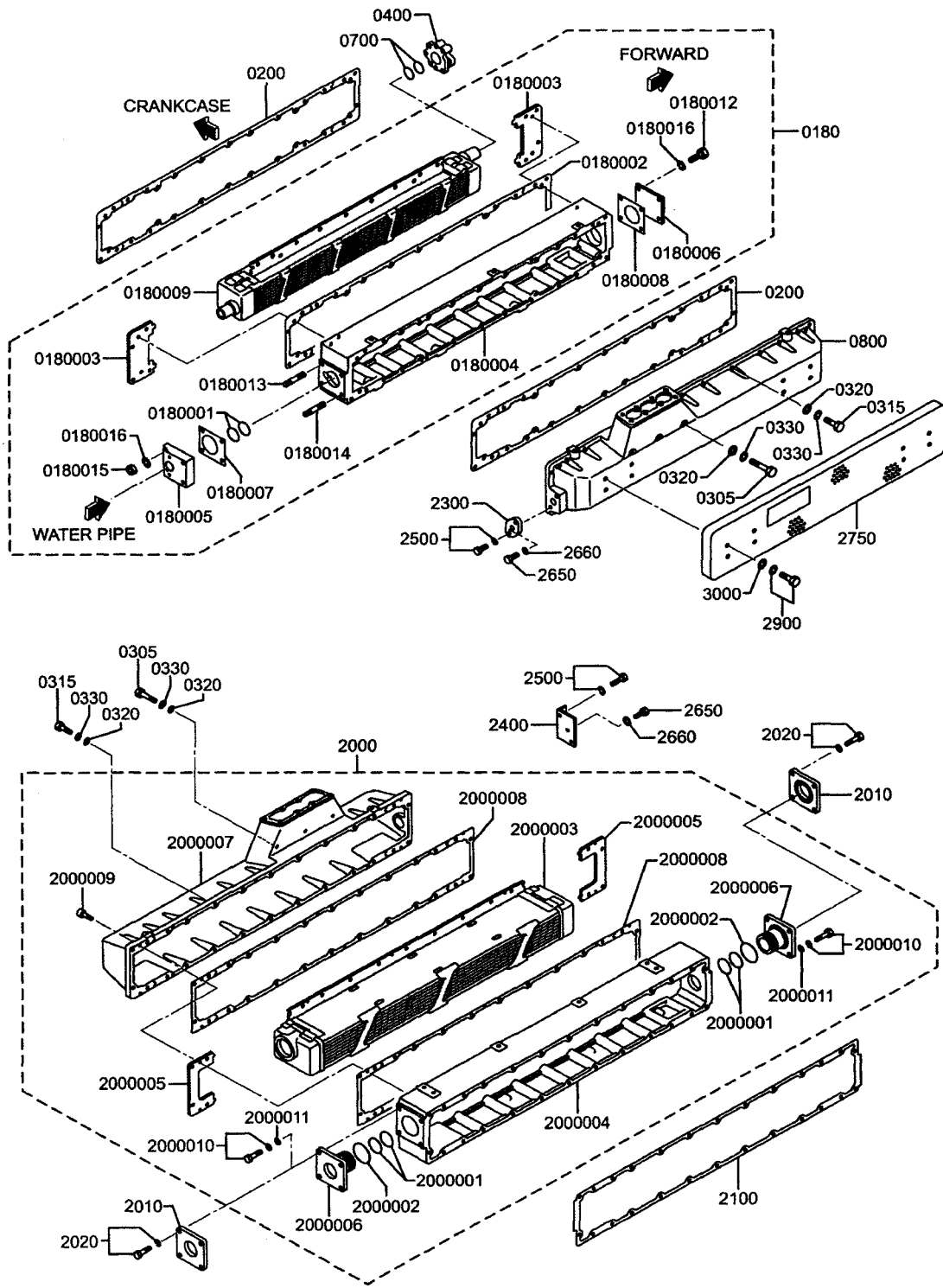
P3751-550 AIR COOLER



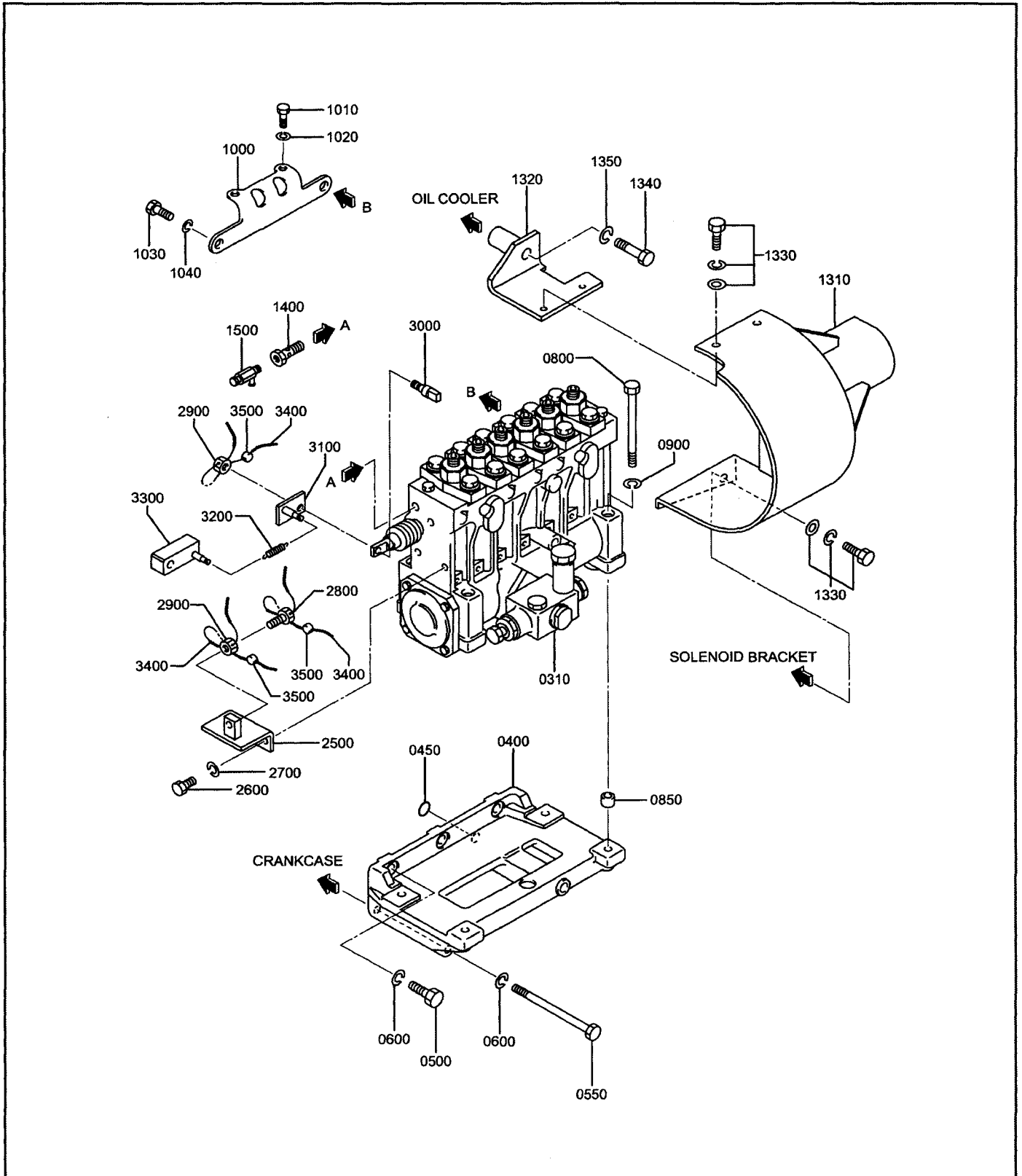
P3751-550 AIR COOLER

SEQ	NOT AVAILABLE	ITEM	DESCRIPTION	QTY	
				MPTA	MPTK
0180		37555-00051	AIR COOLER ASSY	1	-
0180001		05507-10460	O-RING	2	-
0180002		37555-00300	GASKET	1	-
0180003		37555-00400	PLATE	2	-
0180004		37555-02100	SPACER	1	-
0180005		37555-02200	CONNECTOR	1	-
0180006		37555-02300	COVER	1	-
0180007		37555-02400	PACKING	1	-
0180008		37555-08400	PACKING	1	-
0180009		37555-11101	ELEMENT AIR COOLER	1	-
0180010		37594-01200	BOND,5222	1	-
0180011		37594-01400	BOND,KE45W	1	-
0180012		F1155-10025	BOLT	4	-
0180013		F1450-10030	STUD	2	-
0180014		F1450-10050	STUD	2	-
0180015		F2300-10000	NUT,LOCK	4	-
0180016		F2515-10000	WASHER SPRING	8	-
0200		37555-00300	GASKET	2	-
0305		05978-12290	BOLT	3	3
0315		05978-12165	BOLT	23	23
0320		F2500-12000	WASHER PLAIN	26	26
0330		F2515-12000	WASHER SPRING	26	26
0400		37555-20700	CONNECTOR	1	-
0700		05507-10460	O-RING	2	-
0800		37555-02700	CASE,AIR COOLER	1	-
2000		37555-20080	AIR COOLER ASSY,S/W	-	1
2000001		05507-10600	O-RING	-	4
2000002		05507-20900	O-RING	-	2
2000003		37555-03100	ELEMENT,S/W	-	1
2000004		37555-03300	CASE	-	1
2000005		37555-03500	PLATE	-	2
2000006		37555-08115	CONNECTOR	-	2
2000007		37555-13200	COVER,AIR COOLER	-	1
2000008		37555-13400	GASKET,A/C	-	2
2000009		F1210-08035	BOLT HEXAGON SOCKET	-	10
2000010		F2005-10025	BOLT WASHER ASSEMBLE	-	8
2000011		F2500-10000	WASHER PLAIN	-	8
2010		37555-02300	COVER	-	2
2020		F2005-12030	BOLT WASHER ASSEMBLE	-	4
2100		37555-18500	GASKET,A/C-CRANK	-	1
2300		37555-08800	COVER	1	-
2400		45R30-11300	BRACKET	-	1
2500		F1805-10025	BOLT WASHER ASSEMBLE	2	2
2650		F5000-10000	PLUG DRAIN	1	1
2660		F4202-10000	GASKET	1	1

P3751-550 AIR COOLER



P3751-610-1 INJECTION PUMP BRACKET



P3751-610-1 INJECTION PUMP BRACKET

SEQ	NOT AVAILABLE	ITEM	DESCRIPTION	QTY	
				MPTA	MPTK
0400		37561-21100	BRACKET,INJ.PS6	1	1
0450		05507-10140	O-RING	1	1
0500		F1035-12035	BOLT	3	3
0550		05978-12150	BOLT	2	2
0600		F2515-12000	WASHER SPRING	5	5
0800		F1035-12110	BOLT	4	4
0850		37561-01800	PIN DOWEL D16	2	2
0900		F2515-12000	WASHER SPRING	4	4
1000		37561-10701	STAY,INJ.PUMP	1	1
1010		F1035-12025	BOLT	2	2
1020		F2515-12000	WASHER SPRING	2	2
1030		F1035-14030	BOLT	2	2
1040		F2515-14000	WASHER SPRING	2	2
1250		F1035-12070	BOLT	4	4
1260		F2515-12000	WASHER SPRING	4	4
1310		37561-43100	COVER,COUPLING	1	1
1320		37561-53200	BRACKET,COUP.COVER	1	1
1330		F1825-08016	BOLT WASHER ASSY	3	3
1340		F1035-12075	BOLT	1	1
1350		F2515-12000	WASHER SPRING	1	1
1400		48230-05100	BOLT,EYE F/O.IN.	1	1
1500		31262-51901	COCK AIR VENT	1	1
2500		37561-08100	BRACKET A	1	1
2600		F1115-08016	BOLT LOCKING WIRE HO	2	2
2700		F2515-08000	WASHER SPRING	3	3
2800		37561-18500	BOLT	1	1
2900		33063-11400	NUT	2	2
3000		37561-08400	STOPPER	1	1
3100		37561-18301	BRACKET,RETURN.SP C	1	1
3200		64351-19300	SPRING	1	1
3300		37561-18201	BRACKET,RETURN.SP B	1	1
3400		35A61-19900	WIRE,SEAL D1.0-SUS	3	3
3500		48000-96600	SEAL	3	3

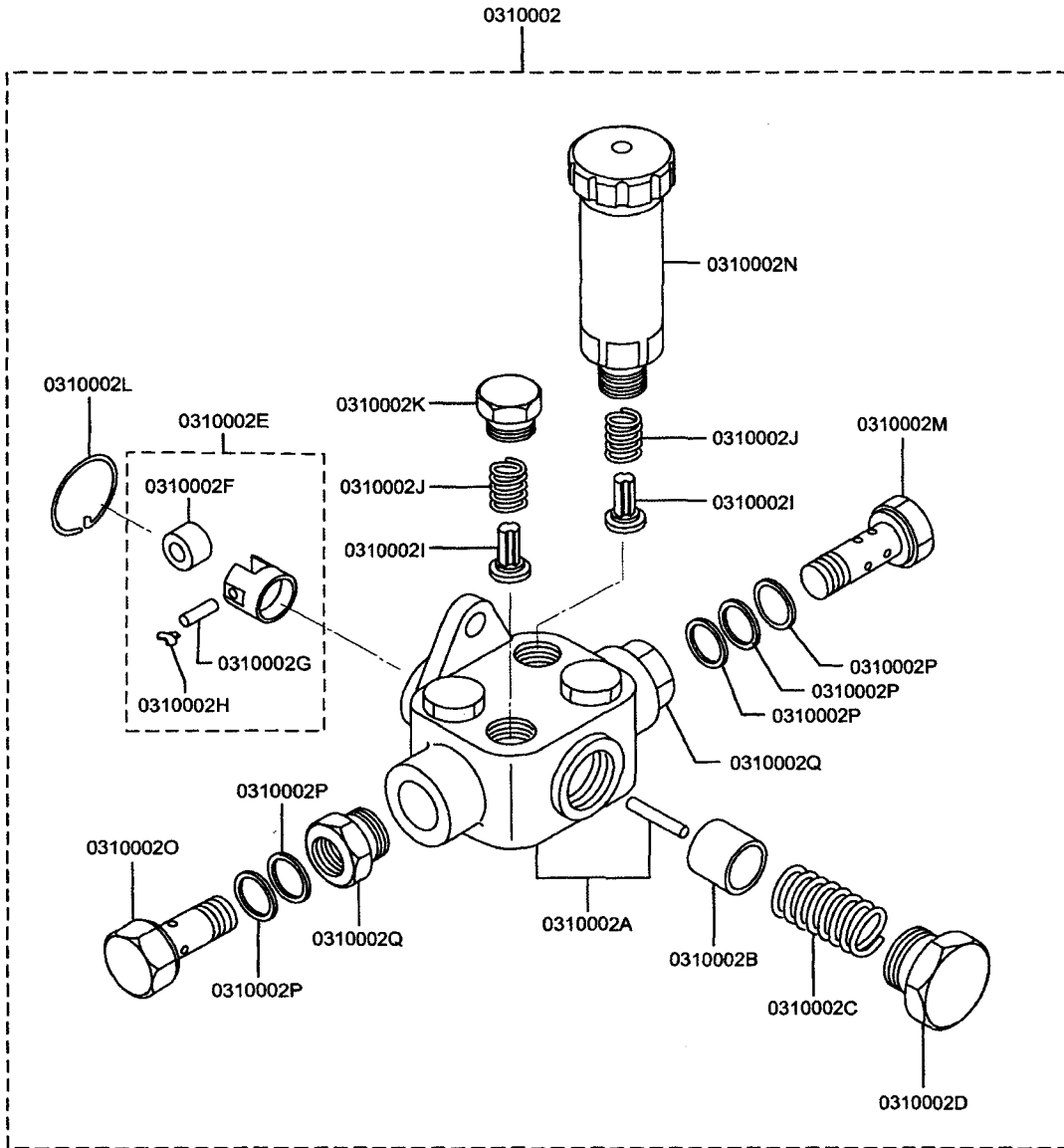
P3751-610-2 INJECTION PUMP BRACKET

SEQ	NOT AVAILABLE	ITEM	DESCRIPTION	QTY	
				MPTA	MPTK
0310		48270-00001	PS6 L TWIN CPV R	1	1
0310001		00665-02048	RIVET SCREW	2	2
0310002		04245-00120	FEED PUMP	1	1
0310003		04826-21000	CAP SEALING	7	7
0310004		05507-10080	O-RING	2	2
0310005		05507-20250	O-RING	6	6
0310006		05507-20350	O-RING	1	1
0310007		05507-20800	O-RING	2	2
0310008		05946-00801	WASHER SEALING	3	3
0310009		05946-01001	WASHER SEALING	12	12
0310010		05946-01201	WASHER SEALING	1	1
0310011		05946-01401	WASHER SEALING	6	6
0310012		32507-01400	WASHER	1	1
0310013		48000-96600	SEAL	1	1
0310014		48202-02300	BEARING,CENTER	1	1
0310015		48202-02600	BOLT,BARREL	6	6
0310016		48202-02900	PIN	7	7
0310017		48202-04500	SHIM,BARREL	1	1
0310018		48202-04600	SHIM,BARREL	1	1
0310019		48202-04700	SHIM,BARREL	1	1
0310020		48202-04800	SHIM,BARREL	1	1
0310021		48202-04900	SHIM BARREL	1	1
0310022		48202-05500	BOLT EYE	2	2
0310023		48202-05800	WIRE	1	1
0310024		48202-07100	SEAL OIL	1	1
0310025		48202-07600	BOLT,BARREL	6	6
0310026		48202-11700	SPRING PLUNGER	6	6
0310027		48202-12400	O-RING	18	18
0310028		48202-13500	BELLOWS	2	2
0310029		48202-14100	SHIM CASE	1	1
0310030		48202-14200	SHIM CASE	1	1
0310031		48202-14300	SHIM CASE	1	1
0310032		48202-14400	SHIM CASE	1	1
0310033		48202-20300	RACK,6CYL	1	1
0310034		48202-21201	SEAT,UPPER SPRING	6	6
0310035		48202-21300	SEAT,LOWER SPRING	6	6
0310036		48202-22200	COVER,REAR	1	1
0310037		48202-22500	BUSH,RACK	2	2
0310038		48202-22800	WASHER BARREL	12	12
0310039		48202-23400	POINTER	1	1
0310040		48202-23800	BOLT	2	2
0310041		48202-28100	PINION,SNM616,R5	6	6
0310042		48202-33600	BOLT,DEFLECTOR	12	12
0310043		48202-33900	SCREW,SET	1	1
0310044		48202-35900	TAPPET	6	6

P3751-610-2 INJECTION PUMP BRACKET

SEQ	NOT AVAILABLE	ITEM	DESCRIPTION	QTY	
				MPTA	MPTK
0310045		48202-44000	CHECK VALVE ASSY	1	1
0310046		05507-10050	O-RING	1	1
0310047		48202-03300	SPRING,VALVE	1	1
0310048		48202-13200	SCREW	1	1
0310049		48202-53100	BODY,VALVE	1	1
0310050		F2320-12000	NUT JAM	1	1
0310051		F8000-08000	STEEL BALL BEARING	1	1
0310052		48208-01400	PLATE,LAMINATE,T1.0	4	4
0310053		48208-10400	PLATE,LAMINATE	12	12
0310054		48208-11201	COUPLING,D48	1	1
0310055		48208-30700	WASHER,COUPLING	8	8
0310056		48208-50500	BUSH,LONG	4	4
0310057		48208-50600	BUSH,SHORT	4	4
0310058		48210-10030	TAPPET ROLLER ASSY	6	6
0310059		48210-10201	CAMSHAFT	1	1
0310060		48210-35600	COVER,FRONT	1	1
0310061		48230-20100	CASE,PUMP.L6.TWIN	1	1
0310062		48250-05300	BOLT,LONG	2	2
0310063		48250-05600	WASHER,COUPLING.WIDE	2	2
0310064		48250-05700	NUT,FLANGE	2	2
0310065		48250-05800	BOLT,SHORT	6	6
0310066		48250-06100	FLYWHEEL	1	1
0310067		48250-06600	COUPLING,CROSS	1	1
0310068	*	48270-01000	PL.ASSY,D17 P.S.5.0	6	6
0310069		48270-11800	SPRING,D/V.CPV	6	6
0310070		48270-11900	SEAT,SPRING CPV.	6	6
0310071		48270-14100	HOLDER,CPV M18	6	6
0310072		48270-20010	D/VALVE ASSY.CPV	6	6
0310073	*	48293-00100	PLATE NAME	1	1
0310074	*	49168-18800	PIN,KNOCK	6	6
0310075		F1035-14085	BOLT	1	1
0310076		F1805-06012	BOLT WASHER ASSEMBLE	2	2
0310077		F1805-06020	BOLT WASHER ASSEMBLE	3	3
0310078		F1805-08025	BOLT WASHER ASSEMBLE	8	8
0310079		F2325-24000	NUT JAM	1	1
0310080		F2500-06000	WASHER,PLAIN	3	3
0310081		F2515-14000	WASHER SPRING	1	1
0310082		F2870-07025	KEY WOODRUFF	1	1
0310083		F4610-14000	BOLT EYE	1	1
0310084		F5000-12000	PLUG DRAIN	1	1
0310085		F8143-32207	BEARING TAPERED ROLL	2	2
0310086		48291-13012	BLOCK,PLUNGER	6	6
0310087		32598-24900	PLATE	1	1
0310088		48230-05100	BOLT,EYE	1	1
0310089		48291-00301	HOLDER,PLUNGER	6	6

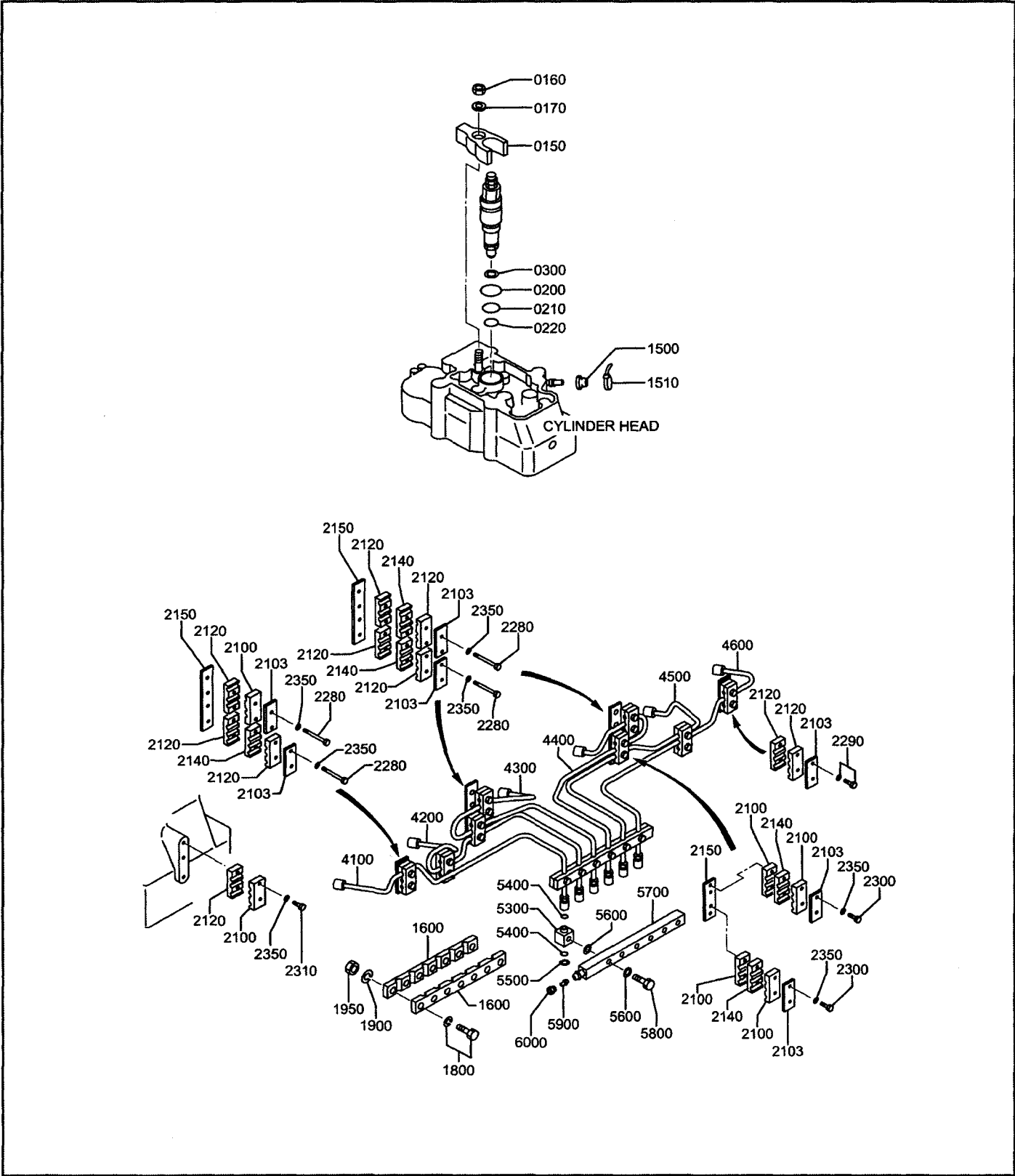
P3751-610-3 INJECTION PUMP BRACKET



P3751-610-3 INJECTION PUMP BRACKET

SEQ	NOT AVAILABLE	ITEM	DESCRIPTION	QTY	
				MPTA	MPTK
0310002		04245-00120	FEED PUMP	1	1
0310002A		15200-21720	HOUSING	1	1
0310002B		15210-01120	PISTON	1	1
0310002C		15210-40100	SPRING,PISTON	1	1
0310002D		15210-50400	PLUG	1	1
0310002E		15211-11920	TAPPET ASSY	1	1
0310002F		15211-20100	ROLLER	1	1
0310002G		15211-30700	PIN	1	1
0310002H		15211-40400	GUIDE	2	2
0310002I		15211-50200	VALVE	4	4
0310002J		15211-60200	SPRING	4	4
0310002K		15211-70100	PLUG	3	3
0310002L		15212-10200	RING,SNAP	1	1
0310002N		15220-05620	PUMP,PRIMING	1	1
0310002M		15230-04020	BOLT,EYE	1	1
0310002C		02973-14570	BOLT,EYE	1	1
0310002P		05946-01401	WASHER,SEALING	5	5
0310002Q		15231-01300	ADAPTER	2	2

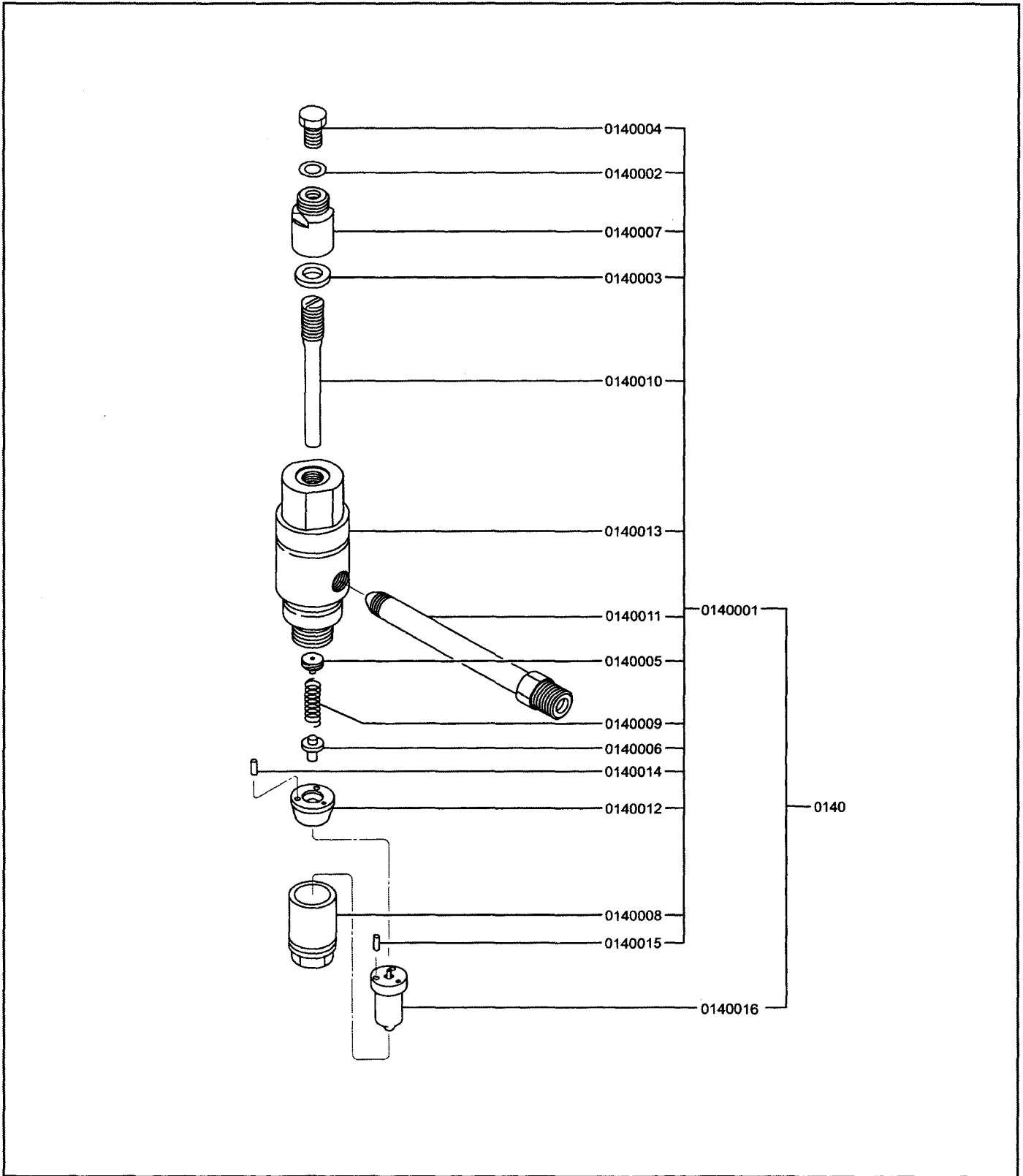
P3751-612-1 INJ PIPE NOZZLE



P3751-612-1 INJ PIPE NOZZLE

SEQ	NOT AVAILABLE	ITEM	DESCRIPTION	QTY	
				MPTA	MPTK
0150		37561-01602	GLAND,NOZZLE	6	6
0160		F2305-14000	NUT	6	6
0170		33561-14500	WASHER,NZL.GLAND	6	6
0200		05507-10420	O-RING	6	6
0210		05507-10340	O-RING	6	6
0220		05507-10260	O-RING	6	6
0300		37561-16800	GASKET,NOZZLE.T2	6	6
1500		37561-08800	BUSHING,INJ.PIPE	6	6
1510		05318-00300	BAND CLIP	6	6
1600		37561-04400	CLAMP	2	2
1800		F1805-08035	BOLT WASHER ASSEMBLE	7	7
1900		F2515-08000	WASHER SPRING	7	7
1950		F2300-08000	NUT	7	7
2100		37562-23600	SEAT,PIPE,D9	8	8
2103		37562-15900	PLATE,CLAMP	7	7
2120		37562-13500	SEAT,PIPE,D9	8	8
2140		37761-15400	SEAT,PIPE,D9	5	5
2150		37761-03601	PLATE,CLAMP,6P	3	3
2280		F1035-10090	BOLT	6	6
2290		F1805-10050	BOLT WASHER ASSEMBLE	2	2
2300		F1035-10080	BOLT	4	4
2310		F1035-10055	BOLT	4	4
2350		F2515-10000	WASHER SPRING	14	14
4100		37562-67100	PIPE,INJ.2.8 W NO.1	1	1
4200		37562-67200	PIPE,INJ.2.8 W NO.2	1	1
4300		37562-67300	PIPE,INJ.2.8 W NO.3	1	1
4400		37562-67400	PIPE,INJ.2.8 W NO.4	1	1
4500		37562-67500	PIPE,INJ.2.8 W NO.5	1	1
4600		37562-67600	PIPE,INJ.2.8 W NO.6	1	1
5300		37561-03401	CONNECTOR,LEAK	6	6
5400		37562-04800	O-RING,F/O	12	12
5500		F3200-02500	RING SNAP	6	6
5600		05946-00801	WASHER SEALING	12	12
5700		37561-00600	PIPE,LEAK OFF	1	1
5800		30036-03604	BOLT	6	6
5900		F4510-06000	NIPPLE	1	1
6000		F4521-06300	NUT,UNION	1	1

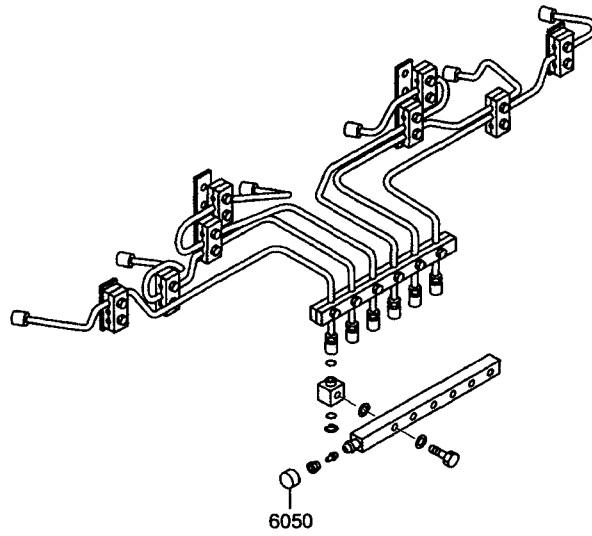
P3751-612-2 INJ PIPE NOZZLE



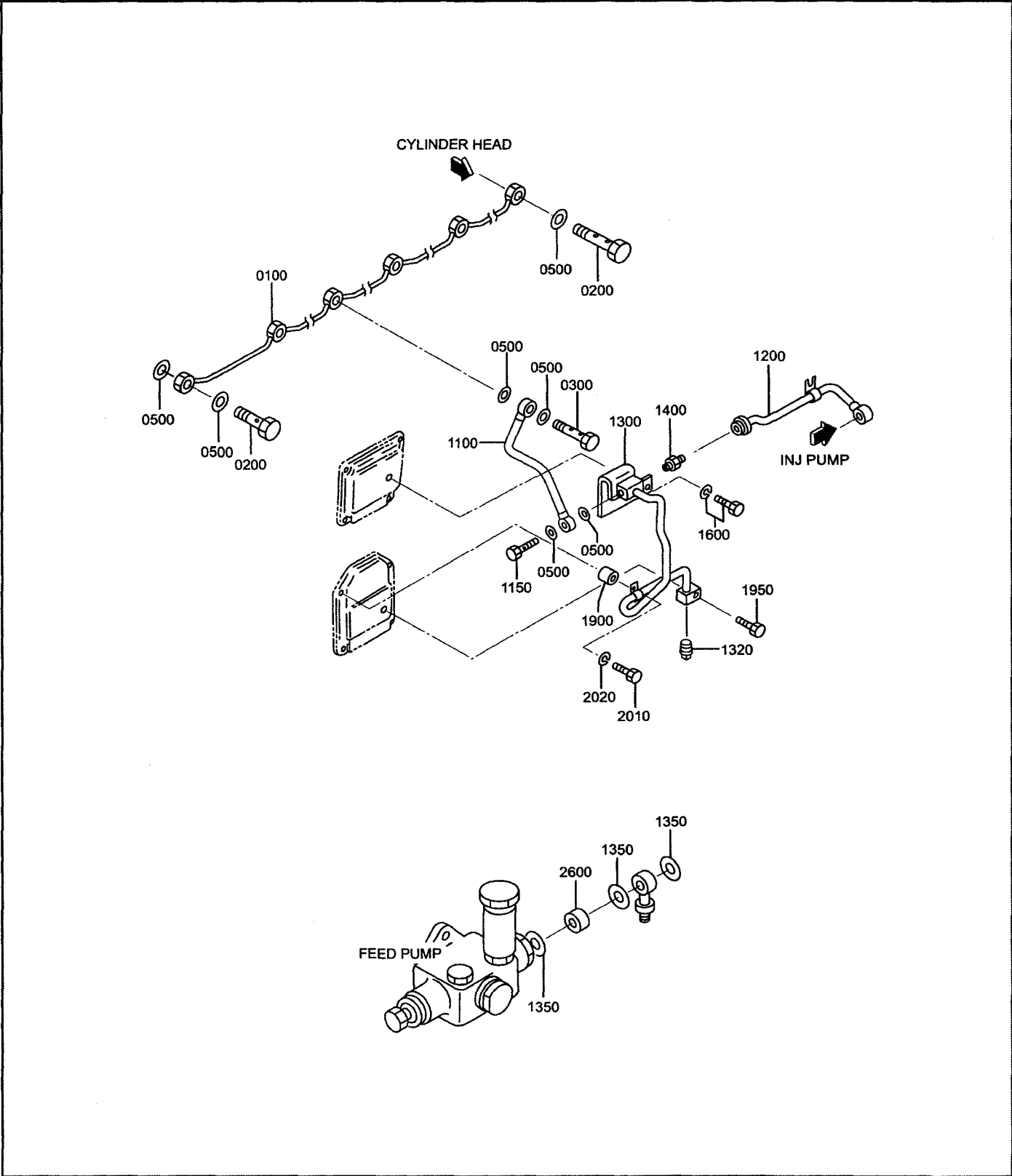
P3751-612-2 INJ PIPE NOZZLE

SEQ	NOT AVAILABLE	ITEM	DESCRIPTION	QTY	
				MPTA	MPTK
0140		37560-29000	NZL.ASSY,.325-160,350	6	6
0140001		37560-27010	NOZZLE HOLDER ASSY.	1	1
0140002		05946-01001	WASHER SEALING	1	1
0140003		05946-01401	WASHER SEALING	1	1
0140004		33407-03900	SCREW,SET	1	1
0140005		37561-09300	SEAT,SPRING	1	1
0140006		37561-13300	PUSHROD,NOZZLE	1	1
0140007		37561-16600	NUT,CAP	1	1
0140008		37561-26300	NUT,RETAINING	1	1
0140009		37561-26400	SPRING,NOZZLE	1	1
0140010		37561-46500	SCREW,ADJUSTING	1	1
0140011		37561-46700	CONNECTOR,INLET 8.5	1	1
0140012		37561-67013	SPACER,NOZZLE	1	1
0140013		37561-86100	BODY,NOZZLE HOLDER	1	1
0140014		F8001-30014	ROLLER BEARING	2	2
0140015		F8001-40014	ROLLER BEARING	2	2
0140016		37561-17500	N/T ASSY.N 10-.325	1	1

P3751-612-3 INJ PIPE NOZZLE



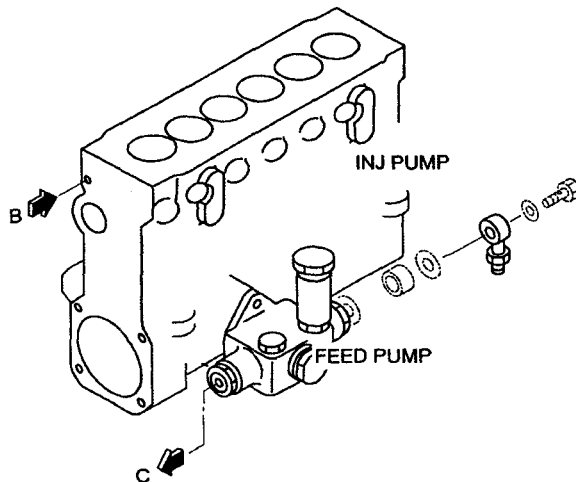
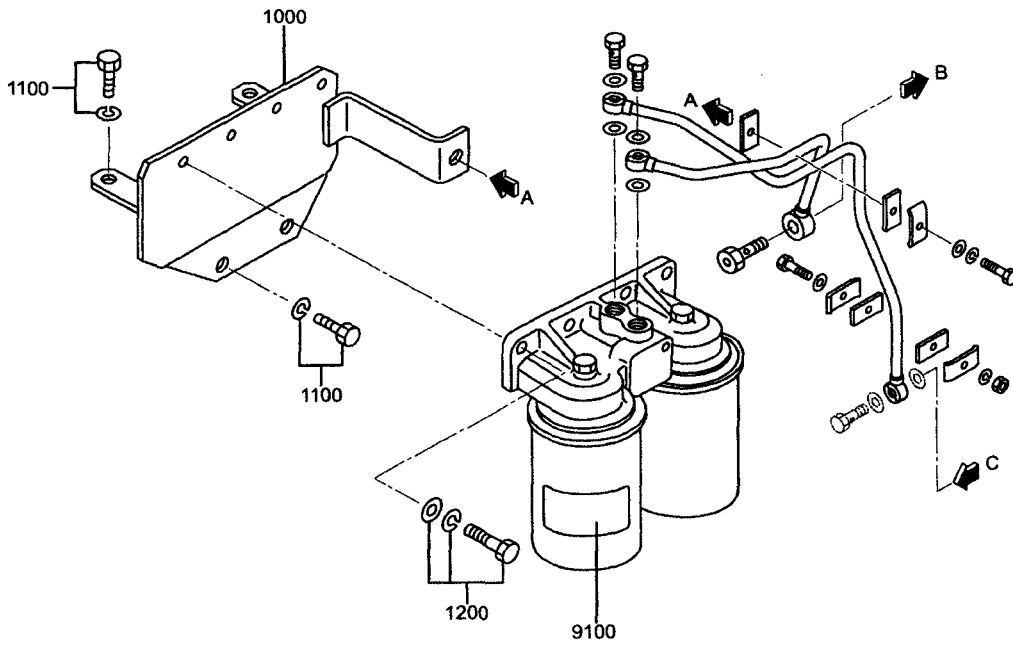
P3751-613 LEAK OFF PIPE ETC



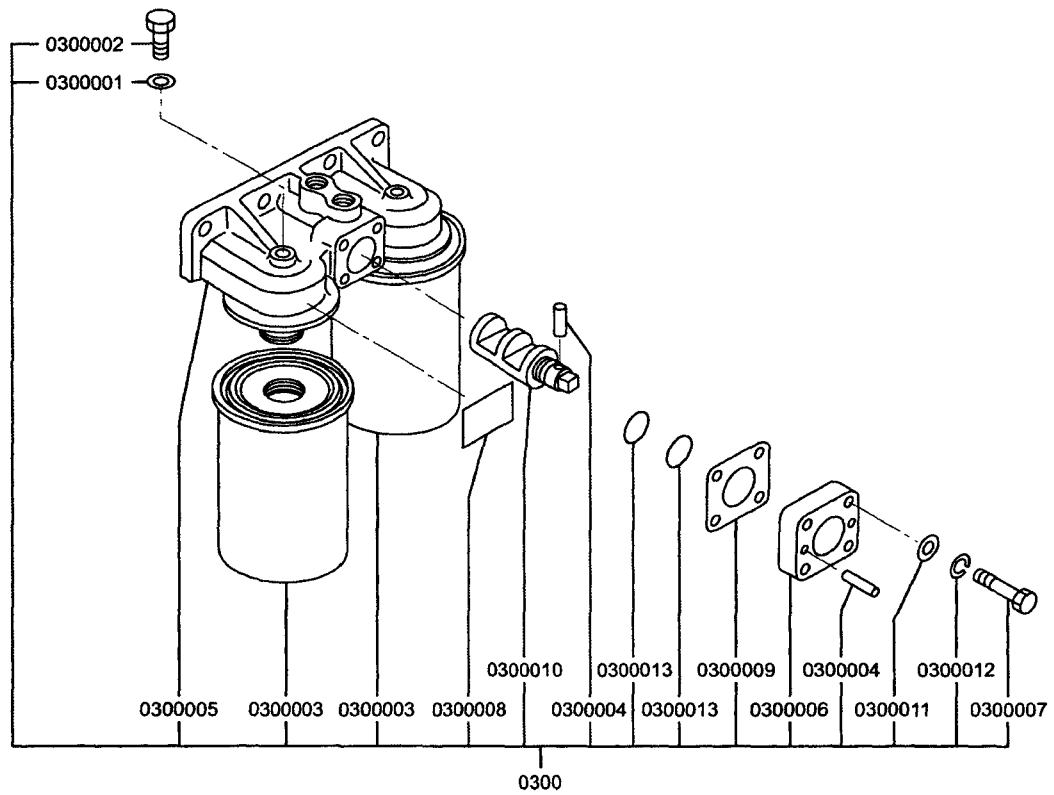
P3751-613 LEAK OFF PIPE ETC

SEQ	NOT AVAILABLE	ITEM	DESCRIPTION	QTY	
				MPTA	MPTK
0100		37561-04100	PIPE FUEL LEAK OFF	1	1
0200		32536-09400	BOLT,EYE-M10X1.25.SG	5	5
0300		34A36-26100	BOLT,EYE	1	1
0500		05946-01001	WASHER SEALING	15	15
1100		37561-23800	PIPE,LEAK,C/H.END A	1	1
1150		F4110-10000	BOLT EYE	1	1
1200		37561-34200	PIPE,LEAK I/P-END	1	1
1300		37561-24300	PIPE,FUEL LEAK,END	1	1
1320		F5006-17000	PLUG TAPER	1	1
1350		05946-01401	WASHER SEALING	3	3
1400		F4540-10000	CONNECTOR	1	1
1600		F1805-12025	BOLT WASHER ASSEMBLE	2	2
1900		58313-03100	SPACER	1	1
1950		F1035-10045	BOLT	1	1
2010		F1035-12045	BOLT	1	1
2020		F2515-12000	WASHER SPRING	1	1
2600		37561-03700	SPACER	1	1

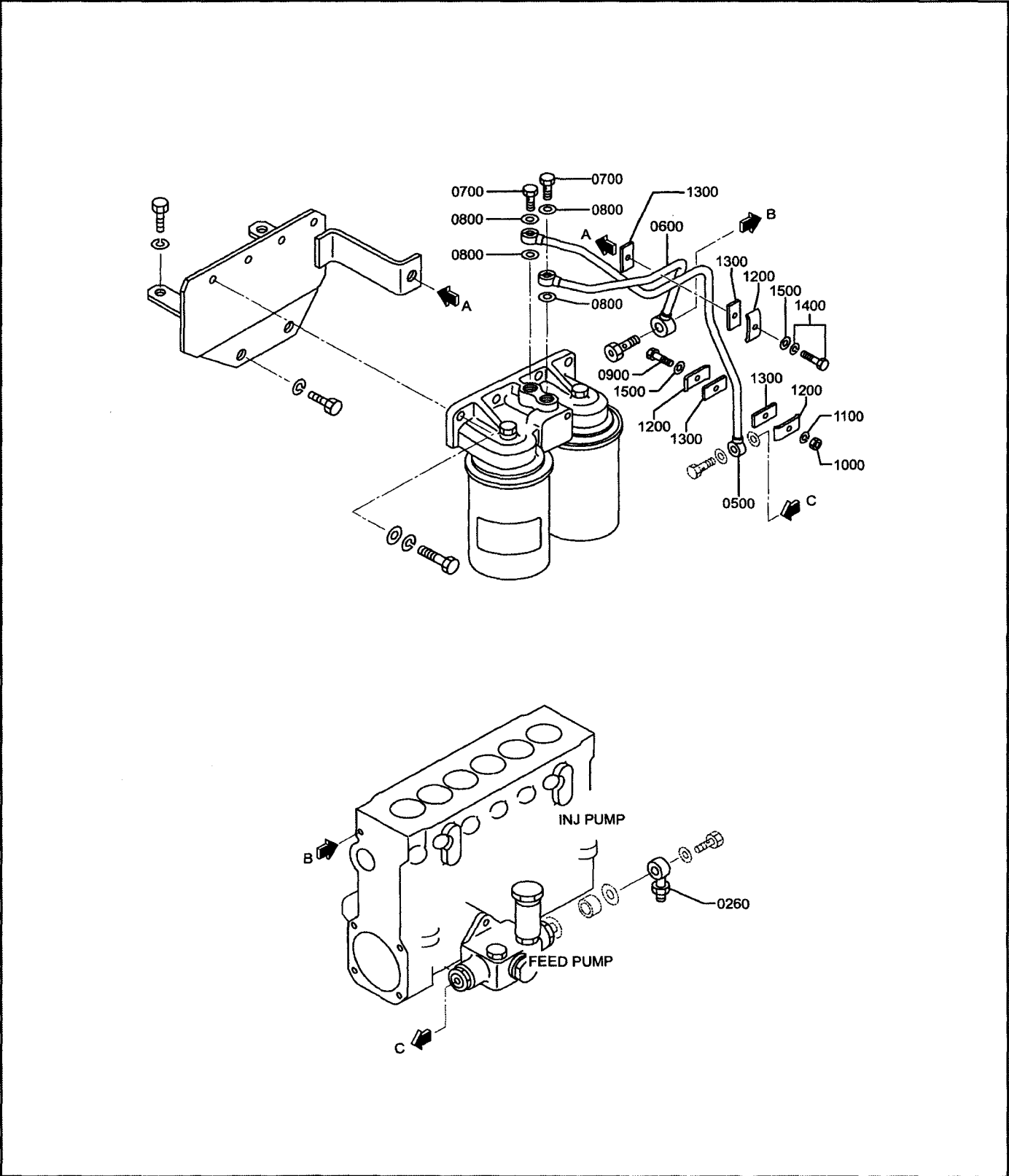
P3751-620-1 FUEL FILTER



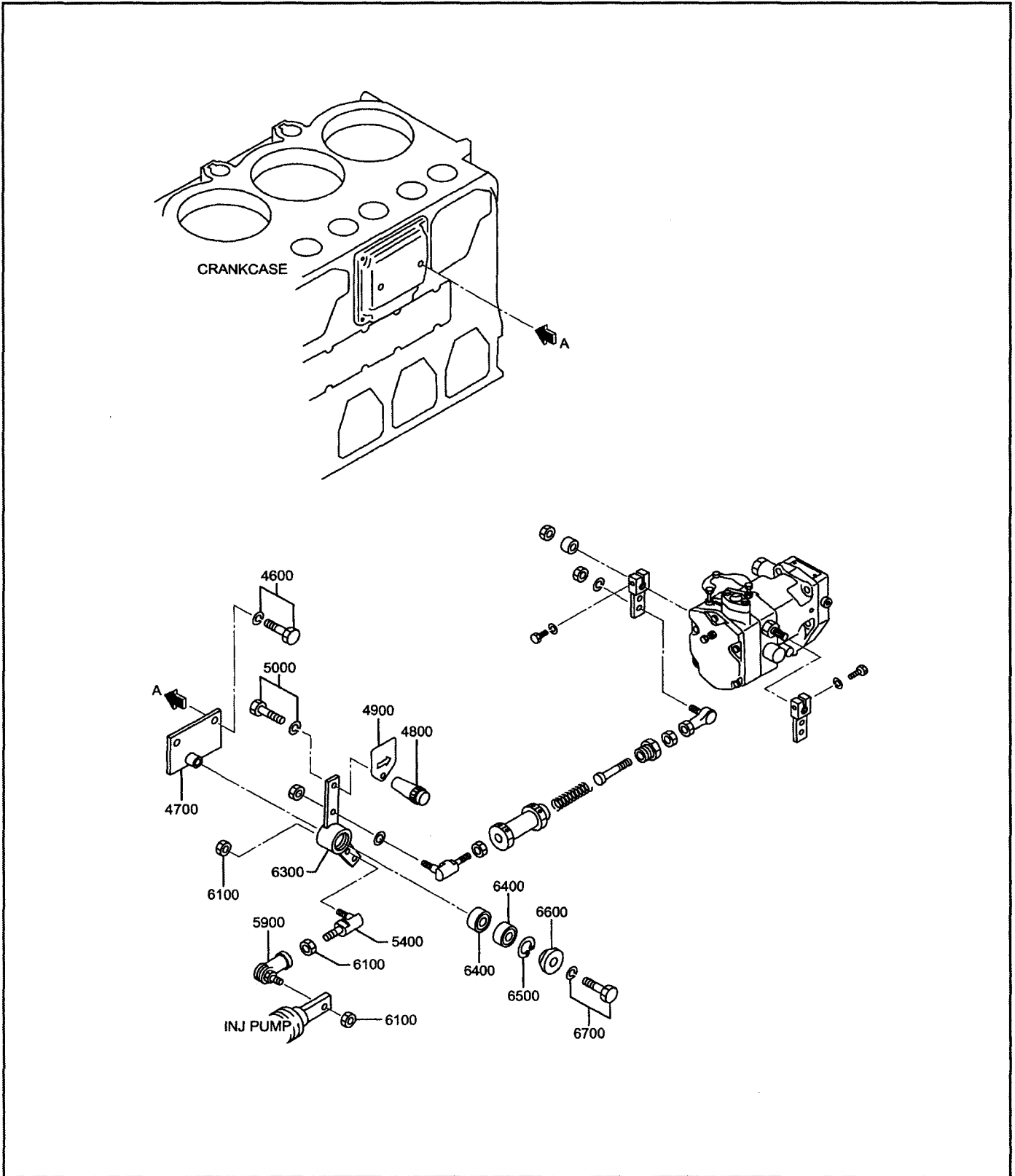
P3751-620-2 FUEL FILTER



P3751-621-1 FUEL FILTER PIPING



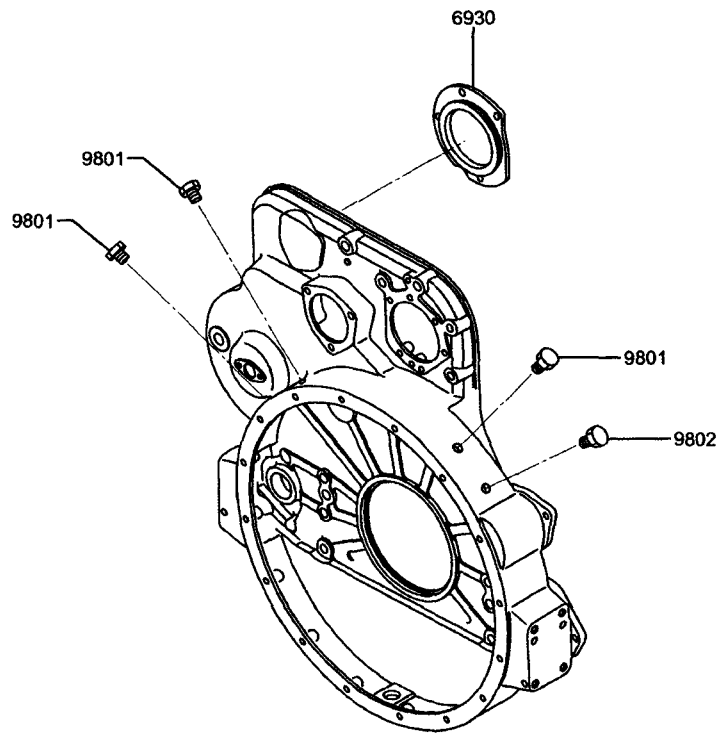
P3751-630-1 GOVERNOR-(1)



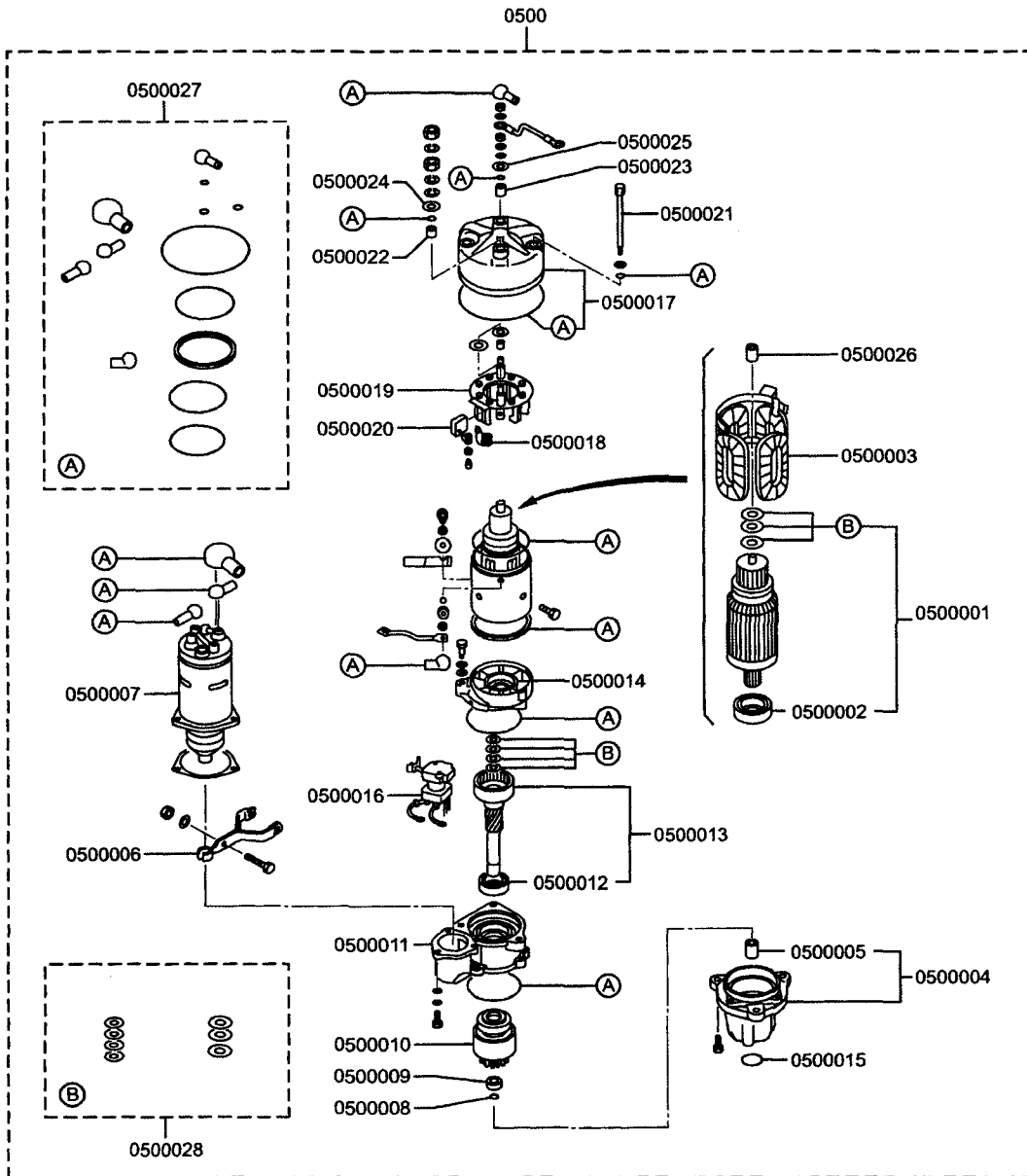
P3751-630-1 GOVERNOR-(1)

SEQ	NOT AVAILABLE	ITEM	DESCRIPTION	QTY	
				MPTA	MPTK
4600		F1805-12025	BOLT WASHER ASSEMBLE	2	2
4700		37563-04102	BRACKET,LEVER,PSG	1	1
4800		51776-03000	GRIP	1	1
4900		45940-30201	PLATE,CAUTION	1	1
5000		F1805-08020	BOLT WASHER ASSEMBLE	1	1
5400		37563-15400	JOINT,BALL MALE	1	1
5900		35A61-38600	BALL JOINT,PTFE,M8,R	1	1
6100		F2445-08000	NUT SELF LOCKING	3	3
6300		47500-32200	LEVER RACK CONTROL	1	1
6400		F8007-06200	BEARING BALL	2	2
6500		F3202-03000	RING SNAP	1	1
6600		32561-18300	PLATE,END	1	1
6700		F1805-10040	BOLT WASHER ASSEMBLE	1	1

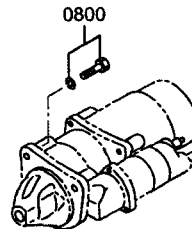
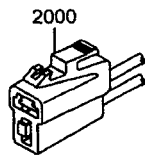
P3751-630-2 GOVERNOR-(1)



P3751-660 STARTER



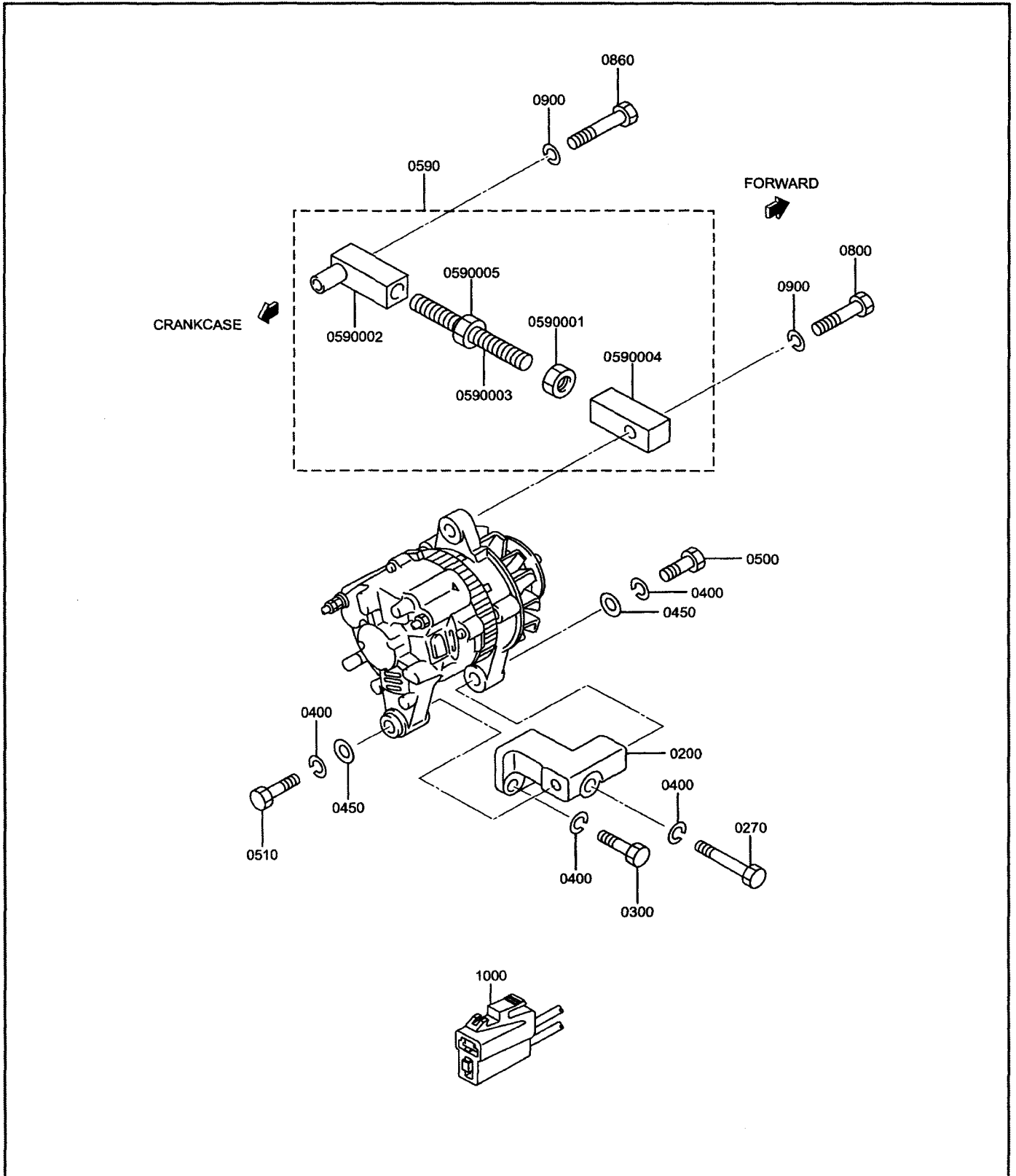
PART WITHOUT REF.NO.WON'T BE SUPPLIED.



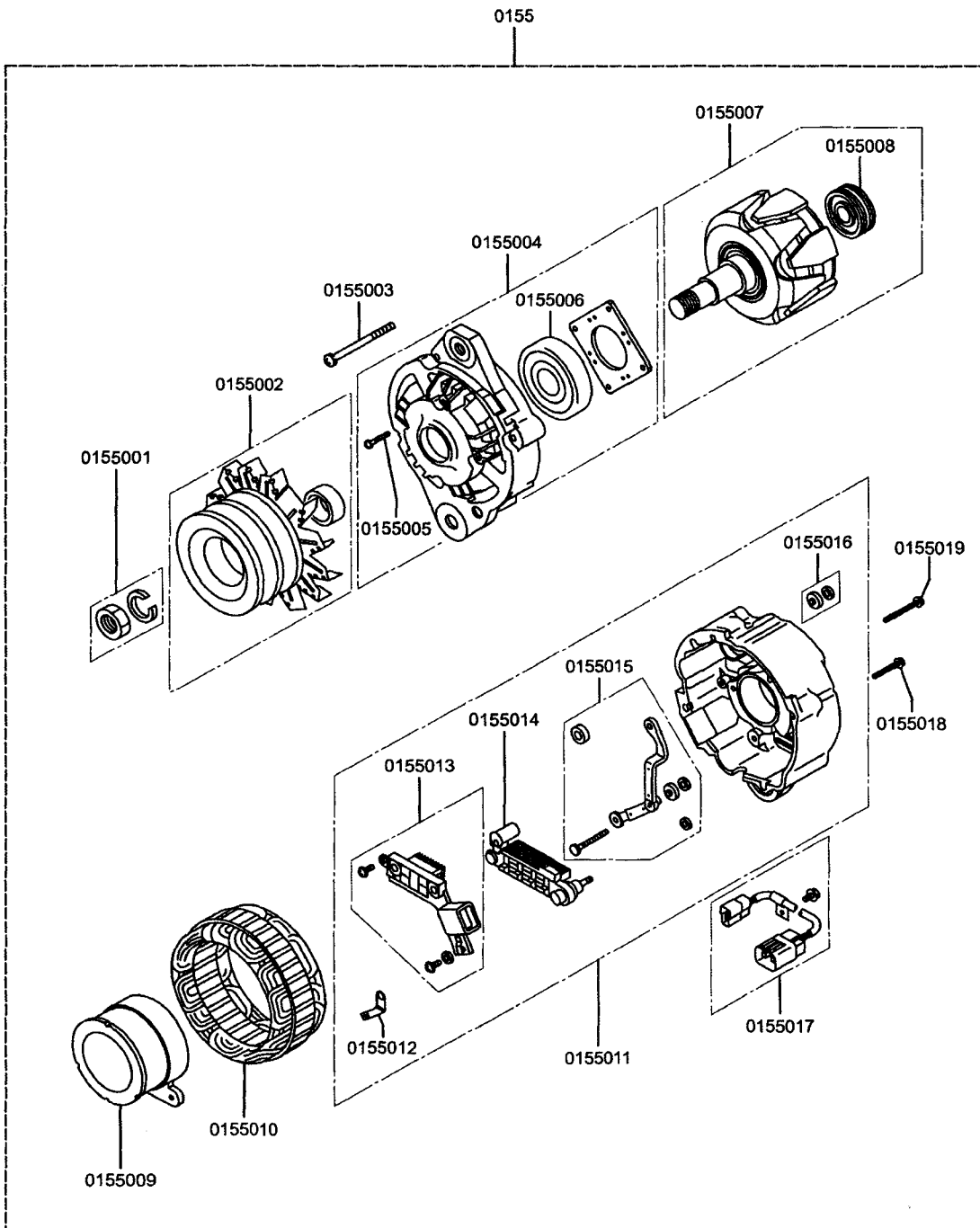
P3751-660 STARTER

SEQ	NOT AVAILABLE	ITEM	DESCRIPTION	QTY	
				MPTA	MPTK
0500		37566-45200	STARTER,7.5KW.M	1	1
			023000-7273 NKC		
0500001		02310-00290	ARMATURE ASSY	1	1
0500002		10456-62047	BEARING,BALL	1	1
0500003		02331-00781	BRACKET,FRONT	1	1
0500004		72335-10260	METAL	1	1
0500005		12332-00190	LEVER,SHIFT	1	1
0500006		04710-04001	SWITCH ASSY,MAGNETIC	1	1
0500007		12391-40020	RING,CLIP	1	1
0500008		12318-10020	STOPPER,PINION	1	1
0500009		02350-00440	CLUTCH ASSY	1	1
0500010		02361-11035	BRACKET,CENTER	1	1
0500011		10456-60067	BEARING,BALL	1	1
0500012		72312-00090	SHAFT ASSY	1	1
0500013		12361-10080	BRACKET,CENTER	1	1
0500014		12376-10010	COVER	1	1
0500015		02500-07481	SWITCH	1	1
0500016		02371-10366	BRACKET,REAR	1	1
0500017		12391-30041	SPRING,BRUSH	4	4
0500018		02375-00190	HOLDER,BRUSH	1	1
0500019		02374-00351	BRUSH	4	4
0500020		00900-14460	BOLT	2	2
0500021		12194-41240	TUBE,INSULATE	1	1
0500022		12394-40050	TUBE,INSULATE	1	1
0500023		12194-10430	WASHER,INSULATE	2	2
0500024		12394-10010	WASHER,INSULATE	2	2
0500025		70921-02270	SEAL ASSY	1	1
0500026		02320-00830	YOKE ASSY	1	1
0500027		02392-10230	WASHER	1	1
0500028		12394-10040	WASHER,INSULATE	1	1
0500029		12392-10140	WASHER	1	1
0500030		12392-10130	WASHER	1	1
0500031		02323-00151	COIL,FIELD	1	1
0800		F1805-12035	BOLT WASHER ASSEMBLE	3	3
2000		F8665-02100	CONNECTOR 2 POLES	1	1

P3751-680-1 DYNAMO



P3751-680-2 DYNAMO

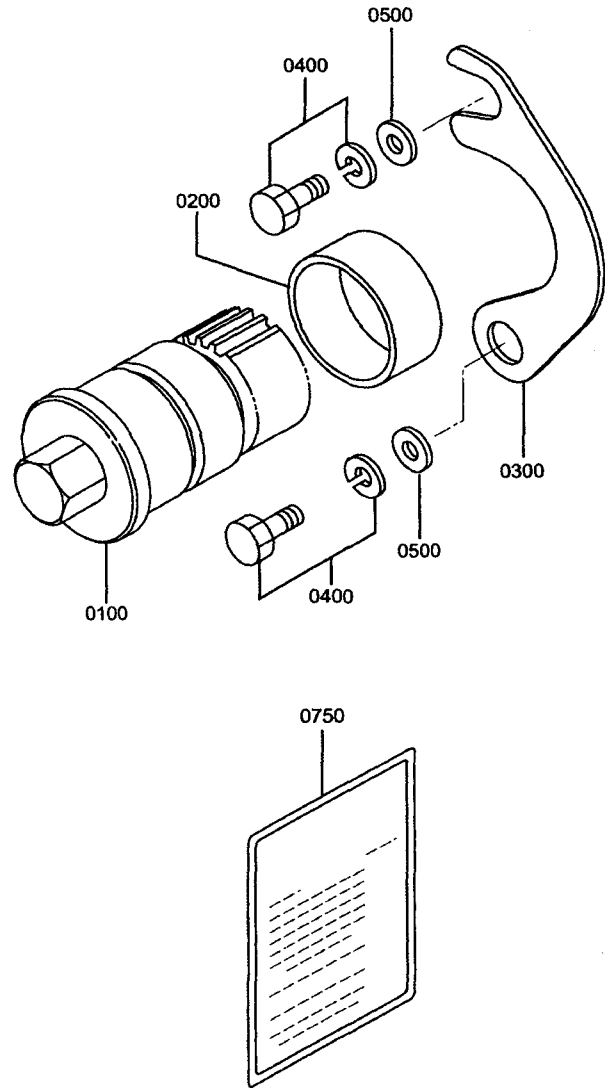


PART WITHOUT REF.NO.WON'T BE SUPPLIED.

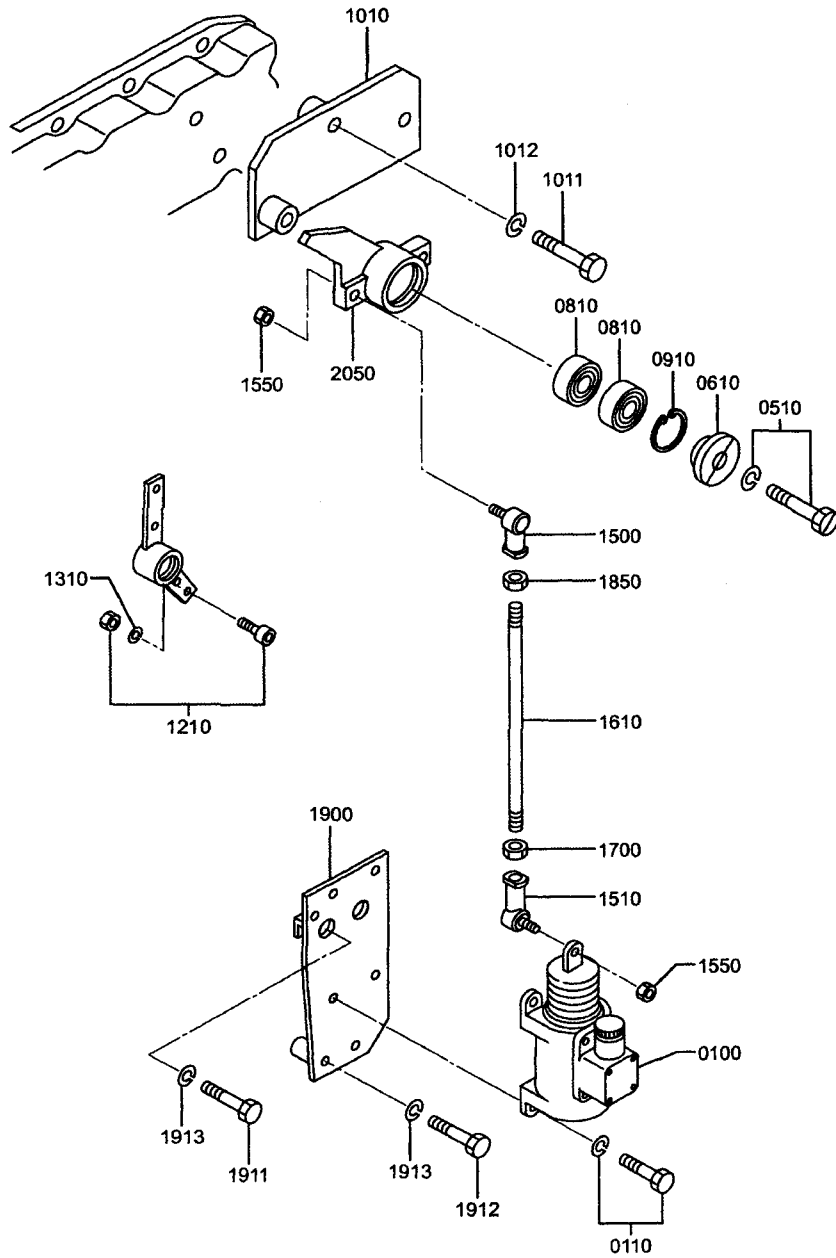
P3751-680-2 DYNAMO

SEQ	NOT AVAILABLE	ITEM	DESCRIPTION	QTY	
				MPTA	MPTK
0155		04343-35500	ALTERNATOR,BRUSHLESS	1	1
0155001		A529X-06571	NUT	1	1
0155002		A628X-65770	PULLEY ASSY	1	1
0155003		A414X-19971	SCREW	1	1
0155004		A640X-57570	BRACKET ASSY,FRONT	1	1
0155005		A414X-20071	SCREW	1	1
0155006		S930P-90670	BEARING,BALL	1	1
0155007		A880X-69170	ROTOR ASSY	1	1
0155008		S930P-81170	BEARING,REAR	1	1
0155009		A299X-01870	COIL	1	1
0155010		A383X-36270	STATOR	1	1
0155011		A642X-34770	BRACKET ASSY,REAR	1	1
0155012		A666X-82570	PLATE	1	1
0155013		A866X-26072	REGULATOR	1	1
0155014		A860X-53470	RECTIFIER ASSY	1	1
0155015		A450X-24471	TERMINAL	1	1
0155016		A529X-05571	NUT	1	1
0155017		A320X-03070	CONNECTOR	1	1
0155018		A414X-23371	SCREW	1	1
0155019		A414X-21571	SCREW	1	1

P3751-710 TURNING GEAR



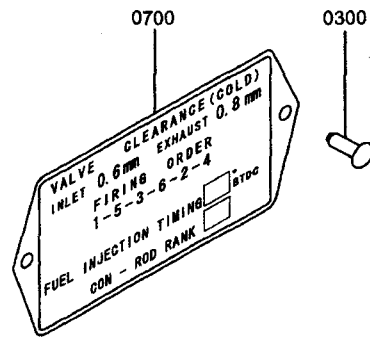
P3751-875 STOP CONTROL HANDLE



P3751-875 STOP CONTROL HANDLE

SEQ	NOT AVAILABLE	ITEM	DESCRIPTION	QTY	
				MPTA	MPTK
0100		04400-02000	SOLENOID	1	1
0110		F1805-06020	BOLT WASHER ASSEMBLE	4	4
0510		F1805-10040	BOLT WASHER ASSEMBLE	1	1
0610		32561-18300	PLATE,END	1	1
0810		F8007-06200	BEARING BALL	2	2
0910		F3202-03000	RING SNAP	1	1
1010		37587-04202	BRACKET,LEVER	1	1
1011		F1035-12075	BOLT	2	2
1012		F2515-12000	WASHER SPRING	2	2
1210		45298-20800	FOLLOWER	1	1
1310		F2515-06000	WASHER SPRING	1	1
1500		35A61-58300	L-JOINT,M6-R	1	1
1510		35A61-58400	L-JOINT,M6-L	1	1
1550		05634-00610	NUT,SELF LOCKING	2	2
1600		05902-06130	ROD	1	1
1700		09413-00600	NUT LOCK	1	1
1850		F2320-06000	NUT JAM	1	1
1910		37587-04100	BRACKET SOLENOID	1	1
1911		F1035-12050	BOLT	2	2
1912		F1035-12075	BOLT	2	2
1913		F2515-12000	WASHER SPRING	4	4
2050		37587-04403	LEVER,STOP	1	1

P3751-930 NAME PLATE



NUMERICAL PARTS INDEX

ITEM	GRP NO	PAGE	SEQ	ITEM	GRP NO	PAGE	SEQ
05946-00801	P3751-620-2	113	0300001	04710-04001	P3751-660	123	0500006
09413-01401	P3751-680-1	125	0590001	04826-21000	P3751-040-1	7	1400008
32562-00115	P3751-620-2	113	0300002	04826-21000	P3751-610-2	95	0310003
32562-60300	P3751-620-2	113	0300003	04826-22000	P3751-070-1	13	0300002
36240-05800	P3751-620-2	113	0300004	04826-22500	P3751-010-1	3	0300001
37562-00811	P3751-620-2	113	0300005	04826-22500	P3751-070-1	13	1280
37562-00813	P3751-620-2	113	0300006	04826-22800	P3751-010-1	3	0300002
37562-00814	P3751-620-2	113	0300007	04826-24000	P3751-070-1	13	3050
37562-00815	P3751-620-2	113	0300008	04826-28050	P3751-430-1	73	2500
37562-00816	P3751-620-2	113	0300009	04827-71000	P3751-010-1	3	0300003
37562-20812	P3751-620-2	113	0300010	04827-71000	P3751-070-1	13	0300003
37568-09400	P3751-680-1	125	0590002	04827-71300	P3751-070-1	13	1270
37568-22200	P3751-680-1	125	0590003	04827-71300	P3751-070-1	13	1290
37568-22300	P3751-680-1	125	0590004	04827-71300	P3751-070-1	13	2900
F2320-14000	P3751-680-1	125	0590005	04827-71300	P3751-253	45	1400
F2500-08000	P3751-620-2	113	0300011	04827-72100	P3751-070-1	13	1200
F2515-08000	P3751-620-2	113	0300012	05317-50701	P3751-430-1	73	0700
F3150-01400	P3751-620-2	113	0300013	05317-50701	P3751-430-1	73	3300
00665-02048	P3751-610-2	95	0310001	05317-50701	P3751-461-1	83	1640
00665-04064	P3751-930	133	0300	05317-50701	P3751-461-1	83	2110
00900-14460	P3751-660	123	0500020	05318-00300	P3751-612-1	103	1510
02310-00290	P3751-660	123	0500001	05505-57060	P3751-461-1	83	0410
02320-00830	P3751-660	123	0500026	05507-10050	P3751-610-2	97	0310046
02323-00151	P3751-660	123	0500031	05507-10080	P3751-610-2	95	0310004
02331-00781	P3751-660	123	0500003	05507-10140	P3751-610-1	93	0450
02350-00440	P3751-660	123	0500009	05507-10150	P3751-450-1	77	0300
02361-11035	P3751-660	123	0500010	05507-10160	P3751-400	67	2000001
02371-10366	P3751-660	123	0500016	05507-10180	P3751-390	65	2050
02374-00351	P3751-660	123	0500019	05507-10180	P3751-400	67	0800
02375-00190	P3751-660	123	0500018	05507-10200	P3751-040-1	7	2200
02392-10230	P3751-660	123	0500027	05507-10260	P3751-612-1	103	0220
02500-07481	P3751-660	123	0500015	05507-10340	P3751-070-1	13	2800
02973-14570	P3751-610-3	101	03100020	05507-10340	P3751-612-1	103	0210
04245-00120	P3751-610-2	95	0310002	05507-10420	P3751-430-1	73	2600
04245-00120	P3751-610-3	101	0310002	05507-10420	P3751-612-1	103	0200
04343-35500	P3751-680-2	127	0155	05507-10460	P3751-550	89	0180001
04400-02000	P3751-875	131	0100	05507-10460	P3751-550	89	0700

BASE ENGINE FOR MEE

NUMERICAL PARTS INDEX

ITEM	GRP NO	PAGE	SEQ	ITEM	GRP NO	PAGE	SEQ
05507-10600	P3751-550	89	2000001	05946-01401	P3751-621-1	115	0800
05507-20250	P3751-450-1	77	0400	05946-01601	P3751-362-1	61	0180
05507-20250	P3751-610-2	95	0310005	05946-01601	P3751-362-2	63	7100
05507-20350	P3751-610-2	95	0310006	05946-01601	P3751-461-1	83	2350
05507-20400	P3751-390	65	2100	05946-02001	P3751-130	27	1000
05507-20400	P3751-400	67	0700	05946-02001	P3751-140	29	1000
05507-20450	P3751-360	57	1200	05946-02401	P3751-110	25	2600
05507-20450	P3751-361	59	0190	05946-02401	P3751-390	65	2020
05507-20450	P3751-362-1	61	3950	05946-02401	P3751-400	67	1300
05507-20500	P3751-130	27	0550	05946-03601	P3751-130	27	0800
05507-20500	P3751-140	29	0550	05946-03601	P3751-140	29	0800
05507-20500	P3751-360	57	1250	05978-12095	P3751-362-1	61	4200
05507-20600	P3751-130	27	0500	05978-12095	P3751-390	65	2400
05507-20600	P3751-140	29	0500	05978-12150	P3751-400	67	2350
05507-20600	P3751-430-1	73	1000	05978-12150	P3751-610-1	93	0550
05507-20650	P3751-360	57	0510	05978-12165	P3751-550	89	0315
05507-20750	P3751-390	65	2200	05978-12290	P3751-550	89	0305
05507-20800	P3751-610-2	95	0310007	05978-16125	P3751-110	25	1000
05507-20900	P3751-250	43	1600	09413-00600	P3751-875	131	1700
05507-20900	P3751-550	89	2000002	10456-60067	P3751-660	123	0500011
05507-21250	P3751-110	25	2300	10456-62047	P3751-660	123	0500002
05605-05030	P3751-710	129	0200	12194-10430	P3751-660	123	0500023
05634-00610	P3751-875	131	1550	12194-41240	P3751-660	123	0500021
05902-06130	P3751-875	131	1600	12318-10020	P3751-660	123	0500008
05946-00801	P3751-610-2	95	0310008	12332-00190	P3751-660	123	0500005
05946-00801	P3751-612-1	103	5600	12361-10080	P3751-660	123	0500013
05946-01001	P3751-610-2	95	0310009	12376-10010	P3751-660	123	0500014
05946-01001	P3751-612-2	105	0140002	12391-30041	P3751-660	123	0500017
05946-01001	P3751-613	109	0500	12391-40020	P3751-660	123	0500007
05946-01201	P3751-070-1	13	2000	12392-10130	P3751-660	123	0500030
05946-01201	P3751-362-1	61	1500	12392-10140	P3751-660	123	0500029
05946-01201	P3751-610-2	95	0310010	12394-10010	P3751-660	123	0500024
05946-01401	P3751-362-1	61	1700	12394-10040	P3751-660	123	0500028
05946-01401	P3751-610-2	95	0310011	12394-40050	P3751-660	123	0500022
05946-01401	P3751-610-3	101	0310002P	15200-21720	P3751-610-3	101	0310002A
05946-01401	P3751-612-2	105	0140003	15210-01120	P3751-610-3	101	0310002B
05946-01401	P3751-613	109	1350	15210-40100	P3751-610-3	101	0310002C

BASE ENGINE FOR MEE

NUMERICAL PARTS INDEX

ITEM	GRP NO	PAGE	SEQ	ITEM	GRP NO	PAGE	SEQ
15210-50400	P3751-610-3	101	0310002D	32561-18300	P3751-875	131	0610
15211-11920	P3751-610-3	101	0310002E	32598-24900	P3751-610-2	97	0310087
15211-20100	P3751-610-3	101	0310002F	32607-10700	P3751-070-1	13	0300001
15211-30700	P3751-610-3	101	0310002G	32625-00800	P3751-070-1	13	3060
15211-40400	P3751-610-3	101	0310002H	33007-02600	P3751-070-1	13	0800
15211-50200	P3751-610-3	101	0310002I	33063-11400	P3751-610-1	93	2900
15211-60200	P3751-610-3	101	0310002J	33407-03900	P3751-612-2	105	0140004
15211-70100	P3751-610-3	101	0310002K	33407-06100	P3751-071	17	1700
15212-10200	P3751-610-3	101	0310002L	33442-20200	P3751-071	17	0384
15220-05620	P3751-610-3	101	0310002N	33442-20200	P3751-420	69	0200
15230-04020	P3751-610-3	101	0310002M	33501-13400	P3751-010-1	3	0900
15231-01300	P3751-610-3	101	0310002Q	33504-10300	P3751-040-1	7	0700
30004-24302	P3751-040-1	7	1200	33546-06900	P3751-071	17	2000
30007-05500	P3751-071	17	1800	33546-06900	P3751-130	27	0400
30036-03604	P3751-612-1	103	5800	33546-06900	P3751-140	29	0400
30407-05600	P3751-255	47	2000	33546-06900	P3751-305	53	0600
30445-00800	P3751-450-1	77	0100001	33561-14500	P3751-612-1	103	0170
30625-50502	P3751-255	47	0200	33707-11701	P3751-010-1	3	1350
30912-01400	P3751-110	25	1800	33707-11701	P3751-070-1	13	0200001
31201-71800	P3751-110	25	1300	33707-11701	P3751-210	37	0400
31262-51901	P3751-610-1	93	1500	33707-11701	P3751-250	43	0900
32307-02600	P3751-070-1	13	1100	34A35-00900	P3751-450-1	77	0100002
32336-09500	P3751-425	71	0400	34A36-26100	P3751-613	109	0300
32423-03800	P3751-230	41	0800	34A42-00500	P3751-420	69	0120
32504-00400	P3751-040-1	7	0400	34A48-02100	P3751-230	41	0950
32507-01400	P3751-610-2	95	0310012	35A35-13200	P3751-350	55	0100001
32511-11300	P3751-110	25	2200	35A35-13300	P3751-350	55	0100002
32521-02201	P3751-210	37	0500001	35A35-13400	P3751-350	55	0100003
32522-04100	P3751-220	39	0001	35A35-13500	P3751-350	55	0100020
32522-04200	P3751-220	39	0002	35A35-52100	P3751-350	55	0100004
32522-04300	P3751-220	39	0003	35A45-01401	P3751-450-1	77	0700001
32536-09400	P3751-613	109	0200	35A45-01501	P3751-450-1	77	0700002
32542-11300	P3751-430-1	73	3000	35A45-02100	P3751-450-1	77	0700003
32542-20500	P3751-420	69	0110	35A45-02200	P3751-450-1	77	0700004
32545-12901	P3751-450-1	77	1000	35A45-11302	P3751-450-1	77	0700005
32546-46800	P3751-461-1	83	1900	35A61-19900	P3751-610-1	93	3400
32561-18300	P3751-630-1	119	6600	35A61-38600	P3751-630-1	119	5900

BASE ENGINE FOR MEE

NUMERICAL PARTS INDEX

ITEM	GRP NO	PAGE	SEQ	ITEM	GRP NO	PAGE	SEQ
35A61-58300	P3751-875	131	1500	37501-03101	P3751-010-1	3	2100
35A61-58400	P3751-875	131	1510	37501-04200	P3751-010-1	3	2110
35B36-02900	P3751-071	17	2100	37501-04300	P3751-010-1	3	2120
35B36-02900	P3751-362-1	61	4150	37501-11400	P3751-010-1	3	1100
35B36-02900	P3751-430-1	73	0850	37501-12501	P3751-010-1	3	1300
36207-03500	P3751-071	17	0382	37501-70051	P3751-010-1	3	0500
36207-08900	P3751-071	17	1600	37501-80101	P3751-010-1	3	0300006
36211-03100	P3751-110	25	0350	37504-00300	P3751-040-1	7	0500
36240-05300	P3751-400	67	2000002	37504-02070	P3751-040-1	7	1400
36240-05400	P3751-400	67	2000003	37504-02101	P3751-040-1	7	1400004
36240-05600	P3751-400	67	2000004	37504-02300	P3751-040-1	7	2100
36240-05800	P3751-400	67	2000005	37504-03400	P3751-040-1	7	0800
36646-00090	P3751-461-1	83	1050	37504-03500	P3751-040-1	7	0900
37101-10500	P3751-010-1	3	0300004	37504-04201	P3751-040-1	7	1400001
37101-10600	P3751-010-1	3	2000	37504-10400	P3751-040-1	7	0600
37104-02800	P3751-040-1	7	1400003	37504-14600	P3751-040-1	7	2800
37104-13300	P3751-040-1	7	1000	37504-22012	P3751-040-1	7	1400002
37107-04200	P3751-070-2	15	1500	37504-26100	P3751-040-1	7	2900
37107-04300	P3751-070-2	15	1600	37504-30200	P3751-040-1	7	0300
37111-14200	P3751-110	25	1600	37504-31200	P3751-040-1	7	1900
37123-03400	P3751-230	41	0150001	37504-32500	P3751-040-1	7	1400005
37140-01300	P3751-400	67	2000006	37504-51100	P3751-040-1	7	1800
37161-04500	P3751-621-1	115	0260	37504-54011	P3751-040-1	7	1400007
37213-00400	P3751-130	27	2400	37504-54101	P3751-040-1	7	1400009
37213-00400	P3751-140	29	2400	37504-56200	P3751-040-1	7	3000
37213-10700	P3751-130	27	2600	37505-10800	P3751-050	11	0500
37213-10700	P3751-140	29	2600	37505-13100	P3751-050	11	0800
37261-01700	P3751-621-1	115	1200	37505-31100	P3751-050	11	0700
37261-01800	P3751-621-1	115	1300	37505-40100	P3751-050	11	0100
37411-02300	P3751-630-2	121	9801	37507-00701	P3751-070-1	13	2700
37425-08201	P3751-250	43	0500	37507-00800	P3751-071	17	0100
37446-02900	P3751-461-2	87	8330	37507-01400	P3751-071	17	0160
37501-00391	P3751-010-1	3	0300	37507-03700	P3751-071	17	1500
37501-01101	P3751-010-1	3	0300005	37507-03711	P3751-071	17	1500004
37501-01501	P3751-010-1	3	1150	37507-03900	P3751-070-1	13	1900
37501-01501	P3751-040-1	7	2300	37507-04600	P3751-070-1	13	2100
37501-02201	P3751-010-1	3	1200	37507-04900	P3751-071	17	0850

BASE ENGINE FOR MEE

NUMERICAL PARTS INDEX

ITEM	GRP NO	PAGE	SEQ	ITEM	GRP NO	PAGE	SEQ
37507-04900	P3751-072	21	0850	37509-50030	P3751-090	23	0830
37507-06200	P3751-072	21	0670	37509-50040	P3751-090	23	0840
37507-06302	P3751-071	17	0800	37509-50050	P3751-090	23	0850
37507-08700	P3751-071	17	0380	37511-04000	P3751-110	25	1550
37507-09400	P3751-220	39	0300	37511-04300	P3751-110	25	1700
37507-12500	P3751-070-2	15	1400	37511-04300	P3751-250	43	0600
37507-12510	P3751-070-2	15	1410	37511-13200	P3751-110	25	2000
37507-12520	P3751-070-2	15	1420	37511-20200	P3751-110	25	0700
37507-13100	P3751-070-1	13	1700	37511-20400	P3751-110	25	0900
37507-13200	P3751-070-1	13	1800	37511-23100	P3751-110	25	1900
37507-13600	P3751-070-1	13	1750	37511-50300	P3751-110	25	0800
37507-16900	P3751-071	17	0350	37511-70100	P3751-110	25	0100
37507-16900	P3751-072	21	0350	37513-03200	P3751-130	27	2500
37507-18900	P3751-071	17	1180	37513-03200	P3751-140	29	2500
37507-19100	P3751-071	17	3100	37513-10200	P3751-130	27	0200
37507-20401	P3751-071	17	1200	37513-10200	P3751-140	29	0200
37507-21100	P3751-070-1	13	0200002	37513-20602	P3751-130	27	2100
37507-21200	P3751-070-1	13	0200003	37513-20602	P3751-140	29	2100
37507-22700	P3751-070-2	15	1300	37517-02100	P3751-170	31	0400
37507-27100	P3751-071	17	0300	37517-03100	P3751-170	31	0500
37507-27200	P3751-071	17	1150	37517-10010	P3751-170	31	0220
37507-31601	P3751-070-1	13	0200004	37517-11100	P3751-170	31	0300
37507-32400	P3751-070-2	15	1450	37517-18100	P3751-170	31	0600
37507-37300	P3751-071	17	0400	37517-30101	P3751-170	31	0100
37507-37600	P3751-071	17	0700	37519-10600	P3751-190	33	9004003
37507-37800	P3751-071	17	0650	37519-13100	P3751-190	33	1100
37507-40020	P3751-070-1	13	0300	37519-13200	P3751-190	33	1100001
37507-40200	P3751-070-1	13	0200005	37519-13300	P3751-190	33	1100002
37507-40290	P3751-070-1	13	0200	37519-13400	P3751-190	33	1100003
37509-12100	P3751-090	23	0100	37519-13500	P3751-190	33	1100004
37509-13100	P3751-090	23	0200	37519-20301	P3751-190	33	9004004
37509-38100	P3751-090	23	0300	37519-301V0	P3751-190	33	9004001
37509-38200	P3751-090	23	0710	37519-302V0	P3751-190	33	9004002
37509-38300	P3751-090	23	0720	37519-60V10	P3751-190	33	9004
37509-38400	P3751-090	23	0730	37520-00500	P3751-200	35	1900
37509-50010	P3751-090	23	0810	37520-201V0	P3751-200	35	9104001
37509-50020	P3751-090	23	0820	37520-20V11	P3751-200	35	9000

BASE ENGINE FOR MEE

NUMERICAL PARTS INDEX

ITEM	GRP NO	PAGE	SEQ	ITEM	GRP NO	PAGE	SEQ
37520-21V91	P3751-200	35	9104	37535-62010	P3751-350	55	0100011
37521-00012	P3751-210	37	0500	37535-64010	P3751-350	55	0100012
37521-10101	P3751-210	37	0500002	37535-70010	P3751-350	55	0100
37522-10500	P3751-220	39	0200	37535-70500	P3751-350	55	0100013
37523-00101	P3751-200	35	9104002	37535-75010	P3751-350	55	0100018
37523-11100	P3751-230	41	1000	37535-77010	P3751-350	55	0100019
37523-12101	P3751-230	41	1100	37535-79010	P3751-350	55	0100017
37523-13010	P3751-230	41	0150	37536-01200	P3751-360	57	0600
37523-13100	P3751-230	41	0150002	37536-04800	P3751-361	59	0100001
37523-13502	P3751-230	41	0600	37536-05801	P3751-400	67	2200
37525-00600	P3751-253	45	0800	37536-05901	P3751-362-1	61	3910
37525-03600	P3751-253	45	0200	37536-09500	P3751-362-1	61	4100
37525-04001	P3751-250	43	0460	37536-09800	P3751-362-1	61	4050
37525-04201	P3751-253	45	0600	37536-10200	P3751-360	57	0900
37525-07500	P3751-250	43	0920	37536-12700	P3751-362-1	61	0320
37525-07901	P3751-040-1	7	2010	37536-14400	P3751-361	59	0100002
37525-07901	P3751-110	25	1500	37536-14700	P3751-361	59	0100003
37525-07901	P3751-230	41	0750	37536-17700	P3751-360	57	2200
37525-07901	P3751-253	45	0400	37536-19500	P3751-362-1	61	4110
37525-07901	P3751-253	45	0510	37536-28200	P3751-360	57	2500
37525-12201	P3751-250	43	0750	37536-33100	P3751-362-1	61	0900
37525-13400	P3751-253	45	1300	37536-34020	P3751-361	59	0100
37525-29300	P3751-050	11	0300	37536-34200	P3751-361	59	0100004
37525-30200	P3751-250	43	0300	37536-34500	P3751-361	59	0100005
37525-63100	P3751-253	45	0100	37536-38101	P3751-360	57	2100
37525-70100	P3751-250	43	0200	37536-43300	P3751-362-1	61	1200
37530-00200	P3751-300-1	49	0300	37539-00400	P3751-390	65	0300
37530-11201	P3751-300-1	49	0800	37539-00600	P3751-390	65	0600
37530-20500	P3751-305	53	0500	37539-10200	P3751-390	65	0200
37535-01100	P3751-350	55	0400	37539-10500	P3751-390	65	0500
37535-60300	P3751-350	55	0100005	37539-20100	P3751-390	65	0100001
37535-60400	P3751-350	55	0100021	37539-28100	P3751-390	65	2000
37535-60600	P3751-350	55	0100006	37539-30300	P3751-390	65	0100002
37535-60700	P3751-350	55	0100007	37539-40010	P3751-390	65	0100
37535-60800	P3751-350	55	0100008	37540-01300	P3751-400	67	2000007
37535-60900	P3751-350	55	0100009	37540-02100	P3751-400	67	2000008
37535-61010	P3751-350	55	0100010	37540-08700	P3751-400	67	2000

BASE ENGINE FOR MEE

NUMERICAL PARTS INDEX

ITEM	GRP NO	PAGE	SEQ	ITEM	GRP NO	PAGE	SEQ
37540-11100	P3751-400	67	2000009	37546-14300	P3751-461-1	83	1800
37540-18300	P3751-400	67	2000010	37546-14600	P3751-461-1	83	2100
37542-03101	P3751-425	71	0150	37546-14700	P3751-461-1	83	1610
37542-13700	P3751-425	71	0300	37546-19800	P3751-461-1	83	3300
37542-23600	P3751-425	71	0100	37546-21100	P3751-461-1	83	0300
37543-03300	P3751-430-1	73	0600	37546-21200	P3751-461-1	83	0500
37543-08500	P3751-430-1	73	2400	37546-21700	P3751-461-1	83	0800
37543-08600	P3751-430-1	73	0800	37546-23300	P3751-461-1	83	1200
37545-00200	P3751-450-1	77	0100003	37546-23402	P3751-461-1	83	1400
37545-00300	P3751-450-1	77	0100004	37546-23701	P3751-461-1	83	1000
37545-00500	P3751-450-1	77	0100005	37547-03700	P3751-461-1	83	1460
37545-00700	P3751-450-1	77	0100006	37549-06480	P3751-450-1	77	0610
37545-01300	P3751-450-1	77	0100007	37549-06590	P3751-450-1	77	0600
37545-01400	P3751-450-1	77	0100008	37555-00051	P3751-550	89	0180
37545-01500	P3751-450-1	77	0100009	37555-00300	P3751-550	89	0180002
37545-01600	P3751-450-1	77	0100010	37555-00300	P3751-550	89	0200
37545-08200	P3751-450-1	77	0720	37555-00400	P3751-550	89	0180003
37545-08600	P3751-450-1	77	0760	37555-02100	P3751-550	89	0180004
37545-18010	P3751-450-1	77	0700	37555-02200	P3751-550	89	0180005
37545-18300	P3751-450-1	77	0700006	37555-02300	P3751-550	89	0180006
37545-18400	P3751-450-1	77	0740	37555-02300	P3751-550	89	2010
37545-18700	P3751-071	17	2020	37555-02400	P3751-550	89	0180007
37545-20600	P3751-450-1	77	0100011	37555-02700	P3751-550	89	0800
37545-20800	P3751-450-1	77	0100012	37555-03100	P3751-550	89	2000003
37545-30400	P3751-450-1	77	0100013	37555-03300	P3751-550	89	2000004
37545-40101	P3751-450-1	77	0100014	37555-03500	P3751-550	89	2000005
37545-70010	P3751-450-1	77	0100	37555-08115	P3751-550	89	2000006
37546-00300	P3751-461-1	83	1630	37555-08400	P3751-550	89	0180008
37546-00500	P3751-461-1	83	0400	37555-08800	P3751-550	89	2300
37546-00900	P3751-461-1	83	0910	37555-10600	P3751-071	19	3200
37546-01800	P3751-461-1	83	0900	37555-11101	P3751-550	89	0180009
37546-03500	P3751-461-1	83	2060	37555-13200	P3751-550	89	2000007
37546-03600	P3751-461-1	85	5500	37555-13400	P3751-550	89	2000008
37546-04400	P3751-461-1	83	1830	37555-18500	P3751-550	89	2100
37546-04800	P3751-461-1	83	1620	37555-20080	P3751-550	89	2000
37546-11300	P3751-461-1	83	0600	37555-20700	P3751-550	89	0400
37546-14201	P3751-461-1	83	1700	37560-27010	P3751-612-2	105	0140001

BASE ENGINE FOR MEE

NUMERICAL PARTS INDEX

ITEM	GRP NO	PAGE	SEQ	ITEM	GRP NO	PAGE	SEQ
37560-29000	P3751-612-2	105	0140	37562-21300	P3751-621-1	115	0500
37561-00600	P3751-612-1	103	5700	37562-21400	P3751-621-1	115	0600
37561-01602	P3751-612-1	103	0150	37562-23600	P3751-612-1	103	2100
37561-01800	P3751-610-1	93	0850	37562-60800	P3751-620-2	113	0300
37561-03401	P3751-612-1	103	5300	37562-67100	P3751-612-1	103	4100
37561-03700	P3751-613	109	2600	37562-67200	P3751-612-1	103	4200
37561-04100	P3751-613	109	0100	37562-67300	P3751-612-1	103	4300
37561-04400	P3751-612-1	103	1600	37562-67400	P3751-612-1	103	4400
37561-08100	P3751-610-1	93	2500	37562-67500	P3751-612-1	103	4500
37561-08400	P3751-610-1	93	3000	37562-67600	P3751-612-1	103	4600
37561-08800	P3751-612-1	103	1500	37563-04102	P3751-630-1	119	4700
37561-09300	P3751-612-2	105	0140005	37563-15400	P3751-630-1	119	5400
37561-09800	P3751-362-1	61	1050	37566-45200	P3751-660	123	0500
37561-10701	P3751-610-1	93	1000	37568-02031	P3751-680-1	125	0590
37561-13300	P3751-612-2	105	0140006	37568-42101	P3751-680-1	125	0200
37561-16600	P3751-612-2	105	0140007	37571-10100	P3751-710	129	0100
37561-16800	P3751-612-1	103	0300	37571-10300	P3751-710	129	0300
37561-17500	P3751-612-2	105	0140016	37587-04100	P3751-875	131	1910
37561-18201	P3751-610-1	93	3300	37587-04202	P3751-875	131	1010
37561-18301	P3751-610-1	93	3100	37587-04403	P3751-875	131	2050
37561-18500	P3751-610-1	93	2800	37592-18200	P3751-362-2	63	7000
37561-21100	P3751-610-1	93	0400	37593-11300	P3751-930	133	0700
37561-23800	P3751-613	109	1100	37594-01200	P3751-550	89	0180010
37561-24300	P3751-613	109	1300	37594-01400	P3751-550	89	0180011
37561-26300	P3751-612-2	105	0140008	37707-17200	P3751-071	17	0420
37561-26400	P3751-612-2	105	0140009	37761-03601	P3751-612-1	103	2150
37561-34200	P3751-613	109	1200	37761-15400	P3751-612-1	103	2140
37561-43100	P3751-610-1	93	1310	45192-79900	P3751-010-2	5	3000
37561-46500	P3751-612-2	105	0140010	45192-79900	P3751-040-2	9	4000
37561-46700	P3751-612-2	105	0140011	45192-79900	P3751-450-2	81	2900
37561-53200	P3751-610-1	93	1320	45298-20800	P3751-875	131	1210
37561-67013	P3751-612-2	105	0140012	45346-76401	P3751-461-1	83	4550
37561-86100	P3751-612-2	105	0140013	45600-42901	P3751-461-1	83	2200
37562-04800	P3751-612-1	103	5400	45940-30201	P3751-630-1	119	4900
37562-13500	P3751-612-1	103	2120	45954-30100	P3751-071	17	2500
37562-15900	P3751-612-1	103	2103	45R30-11300	P3751-550	89	2400
37562-20201	P3751-620-1	111	1000	45R32-12900	P3751-010-2	5	3010

BASE ENGINE FOR MEE

NUMERICAL PARTS INDEX

ITEM	GRP NO	PAGE	SEQ	ITEM	GRP NO	PAGE	SEQ
45R45-50200	P3751-450-2	81	3100	48202-20300	P3751-610-2	95	0310033
45R55-50100	P3751-550	91	2750	48202-21201	P3751-610-2	95	0310034
45R55-50200	P3751-300-2	51	4700	48202-21300	P3751-610-2	95	0310035
45R61-52100	P3751-612-3	107	6050	48202-22200	P3751-610-2	95	0310036
45R61-52200	P3751-621-2	117	0280	48202-22500	P3751-610-2	95	0310037
45R93-41600	P3751-710	129	0750	48202-22800	P3751-610-2	95	0310038
45R93-41700	P3751-620-1	111	9100	48202-23400	P3751-610-2	95	0310039
45R93-42400	P3751-461-1	83	2065	48202-23800	P3751-610-2	95	0310040
47500-32200	P3751-630-1	119	6300	48202-28100	P3751-610-2	95	0310041
47500-39900	P3751-630-2	121	6930	48202-33600	P3751-610-2	95	0310042
47500-51300	P3751-430-1	73	2300	48202-33900	P3751-610-2	95	0310043
47500-60400	P3751-461-1	83	3210	48202-35900	P3751-610-2	95	0310044
47500-61200	P3751-450-2	81	3000	48202-39100	P3751-610-2	99	0310090
47521-52700	P3751-400	67	1200	48202-44000	P3751-610-2	97	0310045
48000-96600	P3751-610-1	93	3500	48202-53100	P3751-610-2	97	0310049
48000-96600	P3751-610-2	95	0310013	48208-01400	P3751-610-2	97	0310052
48202-02300	P3751-610-2	95	0310014	48208-03010	P3751-610-2	99	0310093
48202-02600	P3751-610-2	95	0310015	48208-10400	P3751-610-2	97	0310053
48202-02900	P3751-610-2	95	0310016	48208-11201	P3751-610-2	97	0310054
48202-03300	P3751-610-2	97	0310047	48208-12020	P3751-610-2	99	0310091
48202-04500	P3751-610-2	95	0310017	48208-21020	P3751-610-2	99	0310092
48202-04600	P3751-610-2	95	0310018	48208-30700	P3751-610-2	97	0310055
48202-04700	P3751-610-2	95	0310019	48208-50500	P3751-610-2	97	0310056
48202-04800	P3751-610-2	95	0310020	48208-50600	P3751-610-2	97	0310057
48202-04900	P3751-610-2	95	0310021	48210-10030	P3751-610-2	97	0310058
48202-05500	P3751-610-2	95	0310022	48210-10201	P3751-610-2	97	0310059
48202-05800	P3751-610-2	95	0310023	48210-35600	P3751-610-2	97	0310060
48202-07100	P3751-610-2	95	0310024	48230-05100	P3751-610-1	93	1400
48202-07600	P3751-610-2	95	0310025	48230-05100	P3751-610-2	97	0310088
48202-11700	P3751-610-2	95	0310026	48230-20100	P3751-610-2	97	0310061
48202-12400	P3751-610-2	95	0310027	48250-05300	P3751-610-2	97	0310062
48202-13200	P3751-610-2	97	0310048	48250-05600	P3751-610-2	97	0310063
48202-13500	P3751-610-2	95	0310028	48250-05700	P3751-610-2	97	0310064
48202-14100	P3751-610-2	95	0310029	48250-05800	P3751-610-2	97	0310065
48202-14200	P3751-610-2	95	0310030	48250-06100	P3751-610-2	97	0310066
48202-14300	P3751-610-2	95	0310031	48250-06600	P3751-610-2	97	0310067
48202-14400	P3751-610-2	95	0310032	48270-00001	P3751-610-2	95	0310

BASE ENGINE FOR MEE

NUMERICAL PARTS INDEX

ITEM	GRP NO	PAGE	SEQ	ITEM	GRP NO	PAGE	SEQ
48270-01000	P3751-610-2	97	0310068	F1035-10020	P3751-430-1	73	2900
48270-11800	P3751-610-2	97	0310069	F1035-10025	P3751-230	41	0900
48270-11900	P3751-610-2	97	0310070	F1035-10025	P3751-430-1	73	2700
48270-14100	P3751-610-2	97	0310071	F1035-10030	P3751-360	57	2300
48270-20010	P3751-610-2	97	0310072	F1035-10030	P3751-461-1	83	1510
48291-00301	P3751-610-2	97	0310089	F1035-10035	P3751-621-1	115	0900
48291-13012	P3751-610-2	97	0310086	F1035-10045	P3751-613	109	1950
48293-00100	P3751-610-2	97	0310073	F1035-10055	P3751-612-1	103	2310
49168-18800	P3751-610-2	97	0310074	F1035-10080	P3751-360	57	0400
51776-03000	P3751-630-1	119	4800	F1035-10080	P3751-360	57	1000
58313-03100	P3751-613	109	1900	F1035-10080	P3751-612-1	103	2300
64351-19300	P3751-610-1	93	3200	F1035-10090	P3751-612-1	103	2280
66457-00900	P3751-071	17	2400	F1035-12025	P3751-072	21	1058
70921-02270	P3751-660	123	0500025	F1035-12025	P3751-450-1	77	0700007
72312-00090	P3751-660	123	0500012	F1035-12025	P3751-610-1	93	1010
72335-10260	P3751-660	123	0500004	F1035-12030	P3751-071	17	1057
82420-01900	P3751-425	71	0330	F1035-12030	P3751-072	21	1057
94104-01100	P3751-253	45	0950	F1035-12030	P3751-110	25	1400
A299X-01870	P3751-680-2	127	0155009	F1035-12030	P3751-230	41	0700
A320X-03070	P3751-680-2	127	0155017	F1035-12030	P3751-680-1	125	0300
A383X-36270	P3751-680-2	127	0155010	F1035-12030	P3751-680-1	125	0500
A414X-19971	P3751-680-2	127	0155003	F1035-12035	P3751-071	17	0200
A414X-20071	P3751-680-2	127	0155005	F1035-12035	P3751-253	45	0500
A414X-21571	P3751-680-2	127	0155019	F1035-12035	P3751-610-1	93	0500
A414X-23371	P3751-680-2	127	0155018	F1035-12035	P3751-680-1	125	0510
A450X-24471	P3751-680-2	127	0155015	F1035-12040	P3751-400	67	2300
A529X-05571	P3751-680-2	127	0155016	F1035-12045	P3751-250	43	0410
A529X-06571	P3751-680-2	127	0155001	F1035-12045	P3751-253	45	0300
A628X-65770	P3751-680-2	127	0155002	F1035-12045	P3751-425	71	0350
A640X-57570	P3751-680-2	127	0155004	F1035-12045	P3751-613	109	2010
A642X-34770	P3751-680-2	127	0155011	F1035-12045	P3751-680-1	125	0800
A666X-82570	P3751-680-2	127	0155012	F1035-12050	P3751-875	131	1911
A860X-53470	P3751-680-2	127	0155014	F1035-12055	P3751-071	17	1052
A866X-26072	P3751-680-2	127	0155013	F1035-12060	P3751-072	21	1055
A880X-69170	P3751-680-2	127	0155007	F1035-12065	P3751-400	67	2450
F1035-08020	P3751-461-1	83	1470	F1035-12070	P3751-610-1	93	1250
F1035-08025	P3751-400	67	2000011	F1035-12075	P3751-610-1	93	1340

BASE ENGINE FOR MEE

NUMERICAL PARTS INDEX

ITEM	GRP NO	PAGE	SEQ	ITEM	GRP NO	PAGE	SEQ
F1035-12075	P3751-875	131	1011	F1805-10025	P3751-420	69	0300
F1035-12075	P3751-875	131	1912	F1805-10025	P3751-430-1	73	1100
F1035-12080	P3751-680-1	125	0860	F1805-10025	P3751-461-1	83	0550
F1035-12085	P3751-040-1	7	2000	F1805-10025	P3751-461-1	83	1500
F1035-12085	P3751-362-1	61	4210	F1805-10025	P3751-550	89	2500
F1035-12100	P3751-350	55	0200	F1805-10030	P3751-450-1	77	0800
F1035-12110	P3751-610-1	93	0800	F1805-10030	P3751-461-1	83	1300
F1035-12110	P3751-680-1	125	0270	F1805-10030	P3751-461-1	83	2050
F1035-14025	P3751-362-1	61	1060	F1805-10035	P3751-350	55	0100014
F1035-14030	P3751-450-1	77	0820	F1805-10035	P3751-461-1	83	2052
F1035-14030	P3751-610-1	93	1030	F1805-10035	P3751-621-1	115	1400
F1035-14085	P3751-610-2	97	0310075	F1805-10040	P3751-630-1	119	6700
F1035-16040	P3751-071	17	0170	F1805-10040	P3751-875	131	0510
F1035-16080	P3751-110	25	1150	F1805-10045	P3751-550	91	2900
F1035-16085	P3751-110	25	1100	F1805-10050	P3751-612-1	103	2290
F1035-22080	P3751-210	37	0300	F1805-12020	P3751-110	25	0400
F1035-22100	P3751-250	43	0800	F1805-12020	P3751-425	71	0500
F1115-08016	P3751-610-1	93	2600	F1805-12020	P3751-450-2	81	3110
F1155-10025	P3751-550	89	0180012	F1805-12020	P3751-710	129	0400
F1210-08035	P3751-550	89	2000009	F1805-12025	P3751-071	17	2040
F1450-08020	P3751-255	47	0250	F1805-12025	P3751-071	17	2200
F1450-10030	P3751-550	89	0180013	F1805-12025	P3751-071	19	3300
F1450-10050	P3751-550	89	0180014	F1805-12025	P3751-130	27	0600
F1805-06012	P3751-610-2	97	0310076	F1805-12025	P3751-140	29	0600
F1805-06020	P3751-610-2	97	0310077	F1805-12025	P3751-360	57	0800
F1805-06020	P3751-875	131	0110	F1805-12025	P3751-360	57	2700
F1805-08020	P3751-630-1	119	5000	F1805-12025	P3751-362-2	63	7010
F1805-08025	P3751-610-2	97	0310078	F1805-12025	P3751-450-2	81	3010
F1805-08035	P3751-612-1	103	1800	F1805-12025	P3751-461-1	83	1840
F1805-10016	P3751-220	39	0400	F1805-12025	P3751-613	109	1600
F1805-10016	P3751-300-2	51	4800	F1805-12025	P3751-620-1	111	1100
F1805-10020	P3751-110	25	2100	F1805-12025	P3751-630-1	119	4600
F1805-10020	P3751-110	25	2400	F1805-12030	P3751-050	11	0600
F1805-10020	P3751-130	27	2700	F1805-12030	P3751-130	27	0300
F1805-10020	P3751-140	29	2700	F1805-12030	P3751-140	29	0300
F1805-10020	P3751-362-1	61	1000	F1805-12030	P3751-305	53	0700
F1805-10025	P3751-071	17	0386	F1805-12030	P3751-360	57	1100

BASE ENGINE FOR MEE

NUMERICAL PARTS INDEX

ITEM	GRP NO	PAGE	SEQ	ITEM	GRP NO	PAGE	SEQ
F1805-12030	P3751-390	65	2300	F2500-08000	P3751-400	67	2000012
F1805-12030	P3751-450-1	77	0500	F2500-10000	P3751-360	57	2310
F1805-12030	P3751-461-1	83	1550	F2500-10000	P3751-390	65	0100004
F1805-12030	P3751-461-1	83	2000	F2500-10000	P3751-550	89	2000011
F1805-12030	P3751-461-1	83	3400	F2500-10000	P3751-550	91	3000
F1805-12035	P3751-250	43	0400	F2500-10000	P3751-621-1	115	1500
F1805-12035	P3751-250	43	1700	F2500-12000	P3751-400	67	0400
F1805-12035	P3751-430-1	73	0900	F2500-12000	P3751-550	89	0320
F1805-12035	P3751-660	123	0800	F2500-12000	P3751-680-1	125	0450
F1805-12040	P3751-250	43	0405	F2500-12000	P3751-710	129	0500
F1825-08016	P3751-610-1	93	1330	F2515-06000	P3751-875	131	1310
F1825-10025	P3751-360	57	2400	F2515-08000	P3751-255	47	0400
F1825-10025	P3751-620-1	111	1200	F2515-08000	P3751-400	67	2000013
F1825-10065	P3751-040-1	7	3100	F2515-08000	P3751-461-1	83	1465
F1825-12030	P3751-071	17	0500	F2515-08000	P3751-610-1	93	2700
F1825-12030	P3751-071	17	1050	F2515-08000	P3751-612-1	103	1900
F1825-12030	P3751-390	65	0450	F2515-10000	P3751-360	57	0500
F1825-12035	P3751-390	65	0400	F2515-10000	P3751-360	57	1050
F2005-10025	P3751-550	89	2000010	F2515-10000	P3751-360	57	2320
F2005-12030	P3751-550	89	2020	F2515-10000	P3751-390	65	0100005
F2300-08000	P3751-612-1	103	1950	F2515-10000	P3751-430-1	73	2800
F2300-10000	P3751-360	57	2330	F2515-10000	P3751-461-1	83	1511
F2300-10000	P3751-390	65	0100003	F2515-10000	P3751-550	89	0180016
F2300-10000	P3751-550	89	0180015	F2515-10000	P3751-612-1	103	2350
F2300-10000	P3751-621-1	115	1000	F2515-10000	P3751-621-1	115	1100
F2305-08000	P3751-255	47	0310	F2515-12000	P3751-071	17	0210
F2305-10000	P3751-040-1	7	1100	F2515-12000	P3751-071	17	1060
F2305-12000	P3751-040-1	7	1400006	F2515-12000	P3751-072	21	1060
F2305-12000	P3751-450-1	77	0780	F2515-12000	P3751-250	43	0415
F2305-14000	P3751-612-1	103	0160	F2515-12000	P3751-350	55	0300
F2305-16000	P3751-110	25	1200	F2515-12000	P3751-362-1	61	4250
F2320-06000	P3751-875	131	1850	F2515-12000	P3751-390	65	2500
F2320-12000	P3751-610-2	97	0310050	F2515-12000	P3751-400	67	0300
F2320-24000	P3751-450-1	77	0100015	F2515-12000	P3751-425	71	0370
F2325-24000	P3751-610-2	97	0310079	F2515-12000	P3751-450-1	77	0700008
F2445-08000	P3751-630-1	119	6100	F2515-12000	P3751-550	89	0330
F2500-06000	P3751-610-2	97	0310080	F2515-12000	P3751-610-1	93	0600

BASE ENGINE FOR MEE

NUMERICAL PARTS INDEX

ITEM	GRP NO	PAGE	SEQ	ITEM	GRP NO	PAGE	SEQ
F2515-12000	P3751-610-1	93	0900	F4002-05100	P3751-450-1	79	1200
F2515-12000	P3751-610-1	93	1020	F4002-12120	P3751-071	17	1900
F2515-12000	P3751-610-1	93	1260	F4010-50010	P3751-430-1	73	3200
F2515-12000	P3751-610-1	93	1350	F4110-10000	P3751-613	109	1150
F2515-12000	P3751-613	109	2020	F4202-10000	P3751-550	89	2660
F2515-12000	P3751-680-1	125	0400	F4202-24000	P3751-400	67	2000014
F2515-12000	P3751-680-1	125	0900	F4300-00800	P3751-450-1	79	1100
F2515-12000	P3751-875	131	1012	F4510-06000	P3751-612-1	103	5900
F2515-12000	P3751-875	131	1913	F4521-06300	P3751-612-1	103	6000
F2515-14000	P3751-362-1	61	1070	F4540-08000	P3751-390	65	0800
F2515-14000	P3751-450-1	77	0830	F4540-10000	P3751-613	109	1400
F2515-14000	P3751-610-1	93	1040	F4540-12000	P3751-425	71	0250
F2515-14000	P3751-610-2	97	0310081	F4610-12000	P3751-362-1	61	1400
F2515-16000	P3751-071	17	0180	F4610-14000	P3751-362-1	61	1600
F2846-05000	P3751-200	35	9104003	F4610-14000	P3751-610-2	97	0310083
F2846-06000	P3751-040-1	7	1950	F4610-14000	P3751-621-1	115	0700
F2846-12000	P3751-050	11	0200	F4610-16000	P3751-362-1	61	0170
F2846-12000	P3751-070-1	13	3100	F5000-10000	P3751-550	89	2650
F2846-14000	P3751-070-1	13	3000	F5000-12000	P3751-610-2	97	0310084
F2846-14000	P3751-110	25	0500	F5000-16000	P3751-362-2	63	7110
F2846-14000	P3751-250	43	0420	F5000-16000	P3751-461-1	83	2300
F2846-20000	P3751-070-1	13	2600	F5000-18000	P3751-630-2	121	9802
F2846-20000	P3751-200	35	1800	F5000-20000	P3751-130	27	0900
F2870-07025	P3751-253	45	0700	F5000-20000	P3751-140	29	0900
F2870-07025	P3751-610-2	97	0310082	F5000-24000	P3751-110	25	2500
F2870-10032	P3751-253	45	0750	F5000-24000	P3751-390	65	2010
F3153-06000	P3751-461-1	83	1950	F5000-36000	P3751-130	27	0700
F3153-09500	P3751-450-1	77	0200	F5000-36000	P3751-140	29	0700
F3153-17000	P3751-450-1	77	0100016	F5005-10001	P3751-071	17	2300
F3156-04000	P3751-450-1	77	0100017	F5005-13001	P3751-071	17	2350
F3200-02500	P3751-612-1	103	5500	F5005-21001	P3751-400	67	2000015
F3202-03000	P3751-630-1	119	6500	F5005-21001	P3751-461-1	83	2400
F3202-03000	P3751-875	131	0910	F5005-26001	P3751-400	67	2000016
F3202-05200	P3751-450-1	77	0700009	F5006-10000	P3751-390	65	0100006
F3202-07000	P3751-170	31	0700	F5006-10000	P3751-400	67	1040
F3202-09000	P3751-450-1	77	0100018	F5006-10000	P3751-461-1	83	3215
F3202-10000	P3751-253	45	1100	F5006-10000	P3751-630-1	119	2805

BASE ENGINE FOR MEE

NUMERICAL PARTS INDEX

ITEM	GRP NO	PAGE	SEQ	ITEM	GRP NO	PAGE	SEQ
F5006-13000	P3751-390	65	0100007				
F5006-13000	P3751-630-1	119	2905				
F5006-17000	P3751-130	27	0650				
F5006-17000	P3751-140	29	0650				
F5006-17000	P3751-613	109	1320				
F5006-26000	P3751-461-1	85	4560				
F8000-08000	P3751-610-2	97	0310051				
F8001-30014	P3751-612-2	105	0140014				
F8001-40014	P3751-612-2	105	0140015				
F8006-06210	P3751-253	45	1200				
F8007-06200	P3751-630-1	119	6400				
F8007-06200	P3751-875	131	0810				
F8008-06208	P3751-450-1	77	0100019				
F8010-06309	P3751-253	45	1000				
F8012-06308	P3751-450-1	77	0100020				
F8143-32207	P3751-610-2	97	0310085				
F8665-02100	P3751-660	123	2000				
F8665-02100	P3751-680-1	125	1000				
ME013-019	P3751-430-2	75	4000				
ME031826	P3751-071	17	1500001				
ME031827	P3751-071	17	1500002				
ME031828	P3751-071	17	1500003				
ME064-526	P3751-390	65	0100008				
MF472-087	P3751-350	55	0100015				
MH000-854	P3751-040-1	7	2700				
MH004-069	P3751-350	55	0100016				
MH035-092	P3751-390	65	0100009				
MH035-093	P3751-390	65	0100010				
MH035-626	P3751-390	65	0100011				
S930P-81170	P3751-680-2	127	0155008				
S930P-90670	P3751-680-2	127	0155006				

BASE ENGINE FOR MEE

